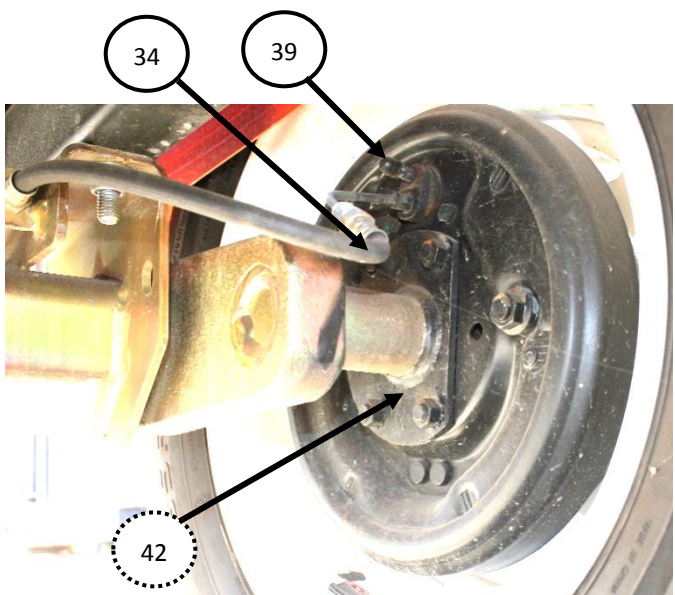
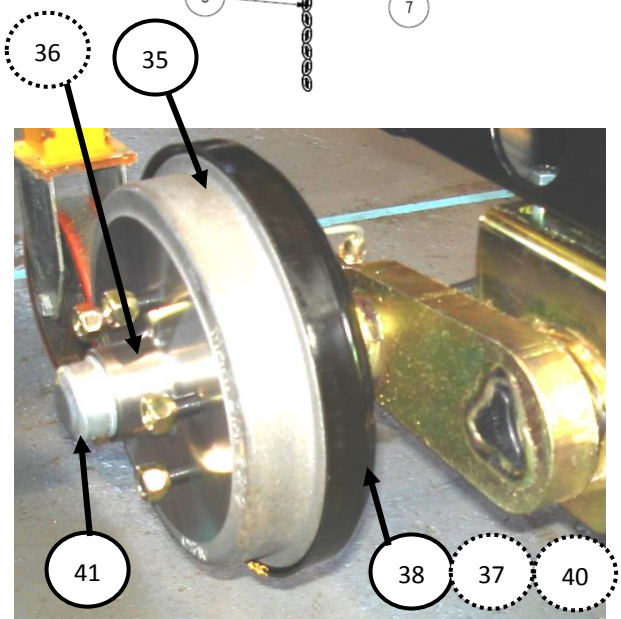
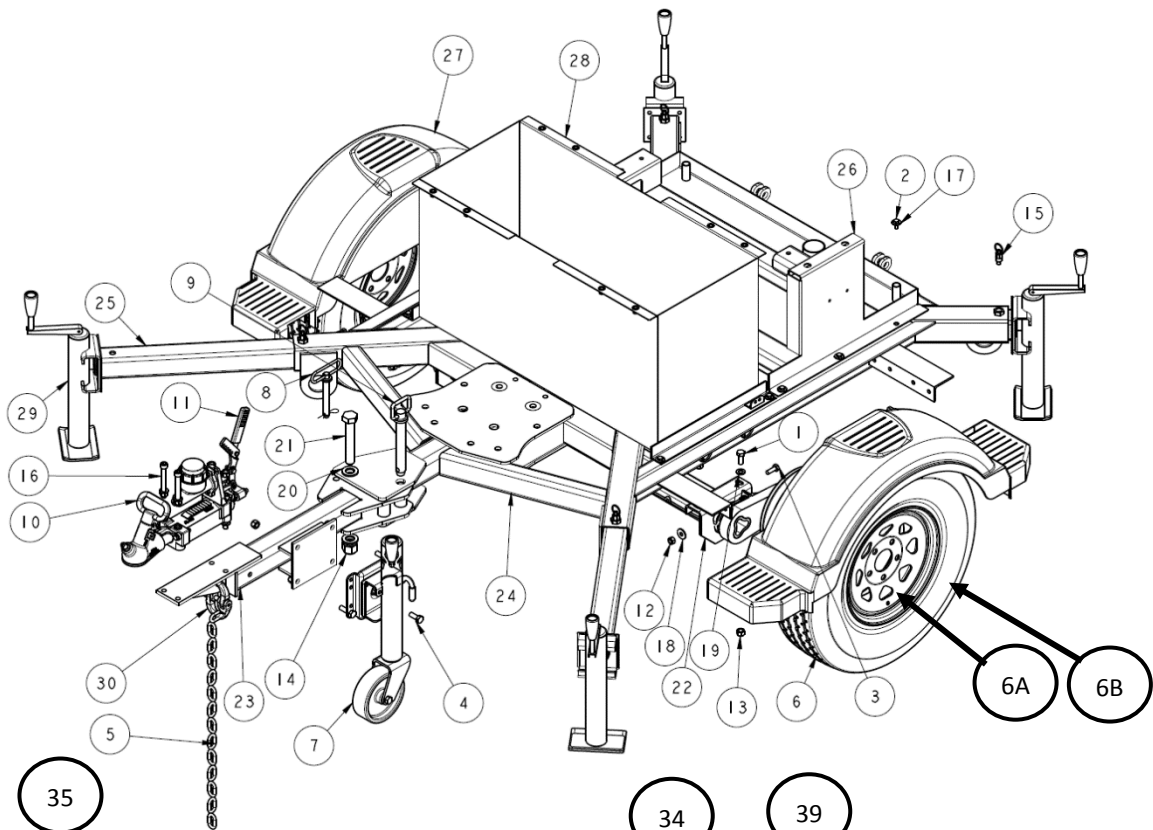
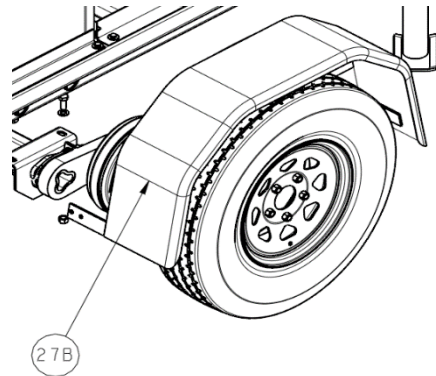
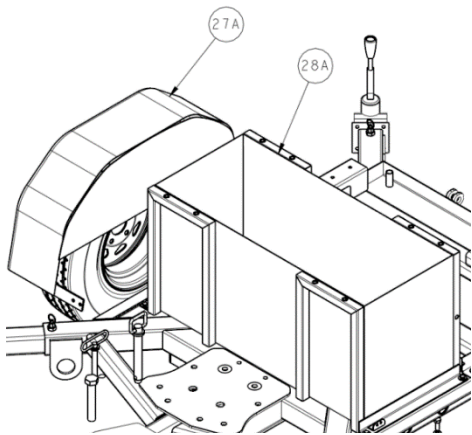


SECTION THREE

PARTS MANUAL

CONTENTS	Page
• Chassis Assembly	1-2
• Lifting & Fuel Tank Assembly	1-5
• Battery & Power pack Assembly	1-6
• Engine & Alternator Assembly	1-8
• Hoods Assembly	1-11
• Mast Assembly	1-15
• Mast Section 1	1-17
• Mast Section 2	1-19
• Mast Section 3	1-21
• Mast Section 4	1-23
• Mast Section 5	1-25
• Mast Section 6	1-27
• Mast Section 7	1-29
• Light Head	1-30
• Electrical Assembly	1-31
• Decal & Miscellaneous Parts	1-37
• Options	1-41
• Cable Brake Arrangement	1-44

CHASSIS ASSEMBLY



METRO-LED



7A



7B



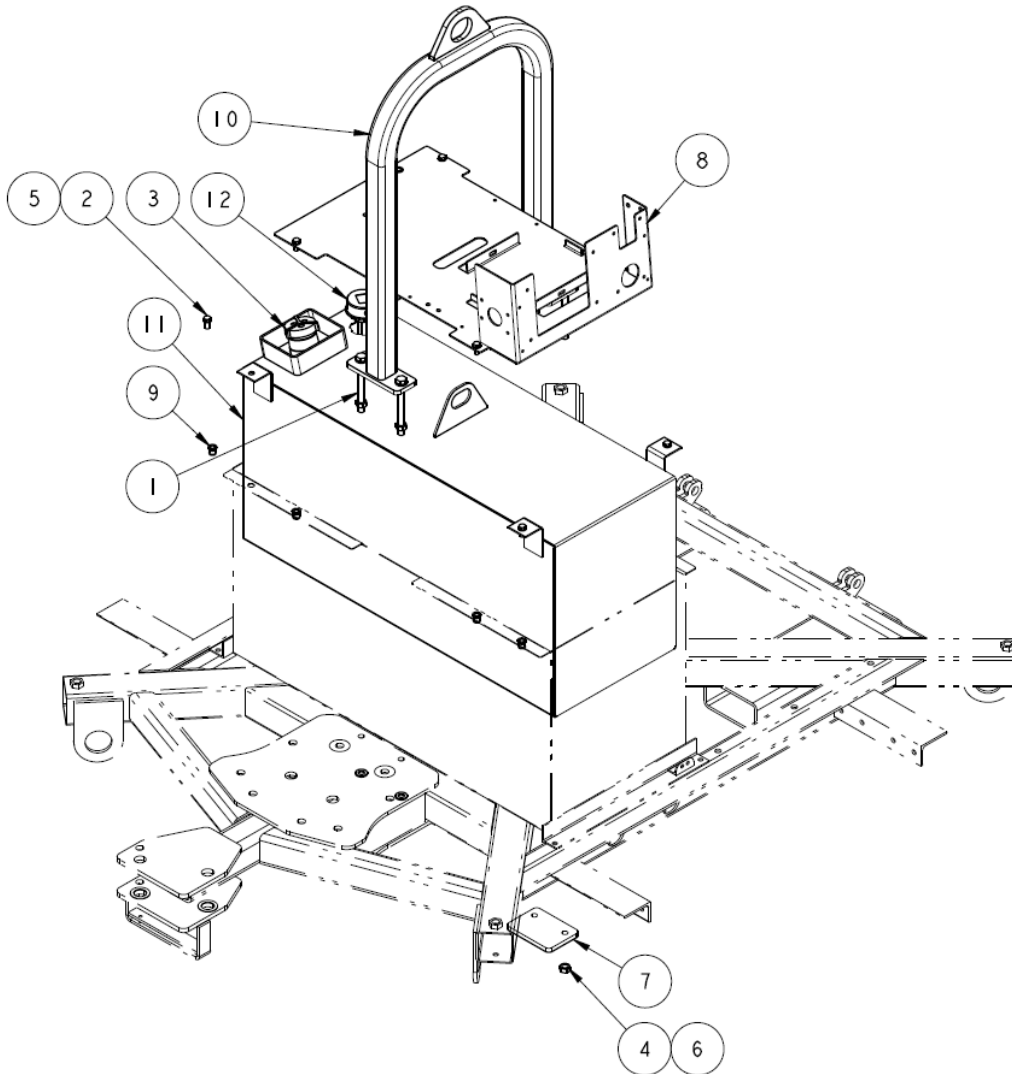
7C

SEQ.#	ITEM NO.	DESCRIPTION	QTY
1	0711215	HEX HEAD BOLT, M12 X 35 CLASS 10.9	4
2	0760810	HEX HEAD BOLT, M8 X 20 CLASS 8.8	10
3	0761014	HEX HEAD BOLT, M10 X 30 CLASS 8.8	8
4	0711215	HEX HEAD BOLT, M12 X 35 CLASS 10.9	4
5	1730753	CHAIN, TRAILER SAFETY	1
6	1730912	ASSY, TYRE/WHEEL	2
6A	1001238924	WHEEL, RIM 14X6 WHITE RANGER	2
6B	1001238925	TIRE, 185R14C 102/100R 850 KG	2
7	1001204567	JACK, JOCKEY WHEEL 6" (OPTION)	1
7A	1730952	JOCKEY WHEEL, 8" BLACK (OPTION)	1
7B	1001217920	WHEEL, JOCKEY 8" ALKO	1
7C	1001233857	WHEEL, JOCKEY 8" EZYROLL (OPTION)	1
8	1733192	PIN, HITCH	1
9	1733267	PIN, REWORK CLEVIS 1.00 X 6 mm	1
10	1001159424	COUPLING, 50 mm TOW BALL	1
11	1737060	CYLINDER, MASTER BRAKE ASSY.	1
12	3291005	HEX LOCK NUT, M10 X 1.5 CLASS 8	12
13	3331215	HEX LOCK NUT, M12 X 1.75 CLASS 10	8

METRO-LED

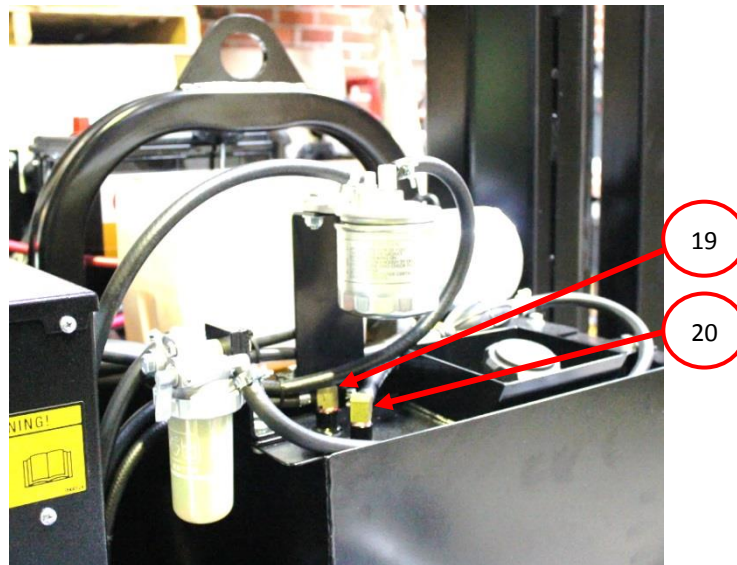
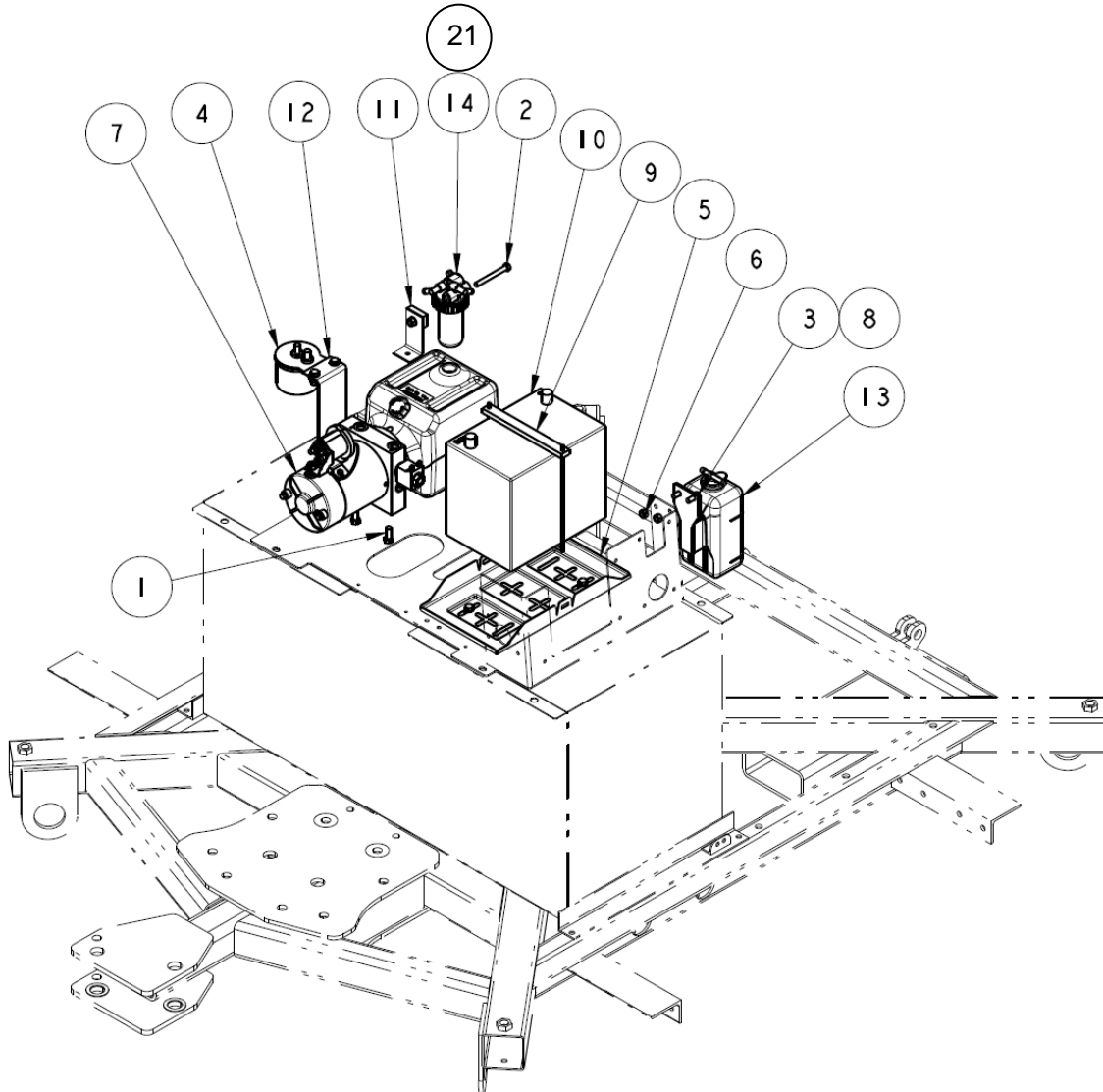
SEQ.#	ITEM NO.	DESCRIPTION	QTY
14	1001098827	HEX LOCK NUT, M24 X 3 CLASS 10	1
15	3422369	PIN, PLUNGER	4
16	1001212780	HEX SOCKET HEAD BOLT, M12 X 100 CLASS 12.9	4
17	4811902	WASHER, 8 mm LG OD	10
18	4812002	WASHER, 10 mm LG OD	8
19	4812100	WASHER, 12 mm	8
20	4812700	WASHER, 24 mm	2
21	1001108971	HEX HEAD BOLT, M24 X 140 CLASS 10.9	1
22	1001159428	AXLE, METRO HYDRAULIC BRAKE	1
22A	1001207381	AXLE, CABLE DISC BRAKE METRO (OPTION)	1
23	1001201167	HITCH, ASSY FOLDED METRO	1
24	1001201176	FRAME, WELDMENT METRO UNIVERSAL	1
25	1001201405	STABILIZER, WELDMENT	4
26	1001201793	MOUNT, WELDMENT Z482 GENSET	1
27	1001207379	MUDGUARD, 14 INCH PLASTIC	2
27A	1001202275	SHIELD, WELDMENT RH METRO	1
27B	1001202276	SHIELD, WELDMENT LH METRO	1
28	1001209189	FRAME, FUEL TANK BUNDING LED	1
28A	1001201399	FRAME, FUEL TANK BUNDING	1
29	A330008	ASSEMBLY, REAR OUTRIGGER JACK	4
30	1001204723	CHAIN, CONNECTING LINK	1
31	1001205758	HOSE ASSY, METRO DRUM BRAKE (NOT SHOWN)	1
32	1001172072	HARNESS, TAIL LIGHT (NOT SHOWN)	1
33	1001172073	HARNESS, TAIL LIGHT (NOT SHOWN)	1
34	1001233026	HOSE ASSY, METRO DRUM BRAKE (SHORT)	2
35	1732109	HUB, BRAKE DRUM	2
36	1001233028	KIT, WHEEL BEARING AND SEAL (HYD HUB)	2
37	1734149	BRAKE SHOES, PAIR	2
38	1001233031	PLATE, PAIR BACKING HYDRAULIC BRAKE	2
39	1001233032	BRAKE, BLEED SCREW 9 HYDRAULIC	2
40	1730882	BRAKE WHEEL CYLINDER, 9" HYDRAULIC	2
41	1734703	AXLE DUST CAP - K13	2
42	1734710	SEAL, HUB AXLE BEARING	2

LIFTING & FUEL TANK ASSEMBLY

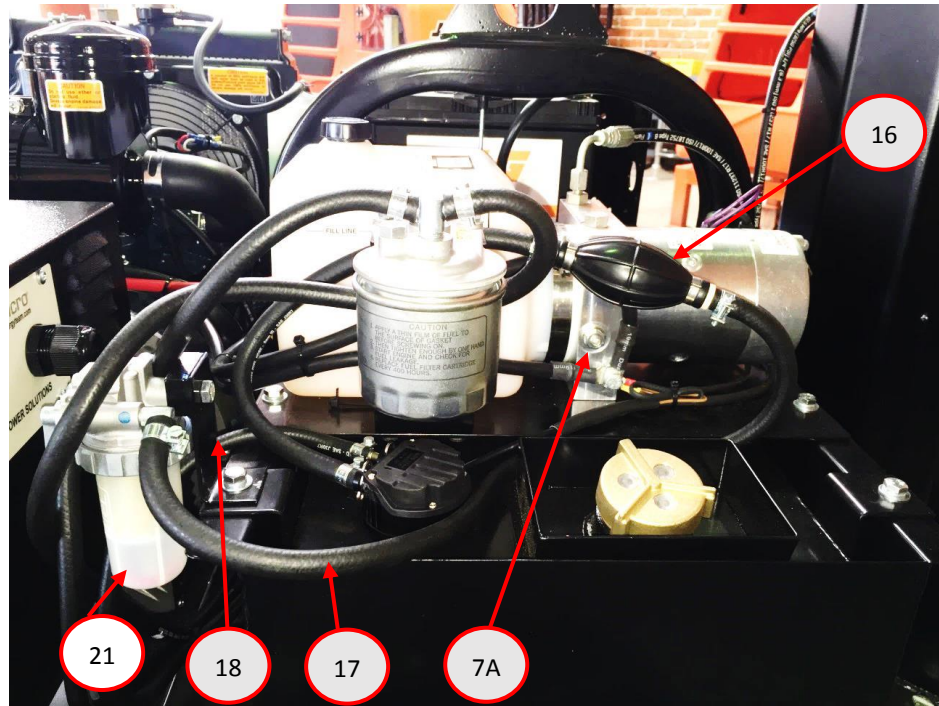


SEQ.#	ITEM NO.	DESCRIPTION	QTY
1	0711230	HEX HEAD BOLT, M12 X 130 CLASS 10.9	4
2	0760810	HEX HEAD BOLT, M8 X 20 CLASS 8.8	8
3	1001204660	GAUGE, FUEL METRO (PRIOR S/N: M4L0000247)	1
3A	1120314	CAP, FUEL TANK FILLER (FROM S/N: M4L0000247)	1
4	3331215	HEX LOCK NUT, M12 X 1.75 CLASS 10	4
5	4811902	WASHER, 8 mm LG OD	8
6	4812100	WASHER, 12 mm	8
7	1001202716	PLATE, LIFTING LUG MOUNT REAR	1
8	1001202855	BRACKET, CONTROL BOX MOUNT	1
9	1001205301	RIVET, M8 X 1.25 SHORT NUTSERT	10
10	1001202720	LUG, WELDMENT LIFTING METRO	1
10A	1001205928	LUG, WELDMENT LIFTING METRO (FOR MOULDED HOOD)	1
11	1001201412	TANK, WELDMENT FUEL METRO (PRIOR S/N: M4L0000247)	1
11A	1001218157	TANK, WELDMENT FUEL METRO (FROM S/N: M4L0000247)	1
12	1001219626	SENSOR, FUEL (FROM S/N: M4L0000247)	1
13	1001179341	INSERTION RUBBER 50 X 3 mm (NOT SHOWN)	0.75 m

BATTERY & POWER PACK ASSEMBLY

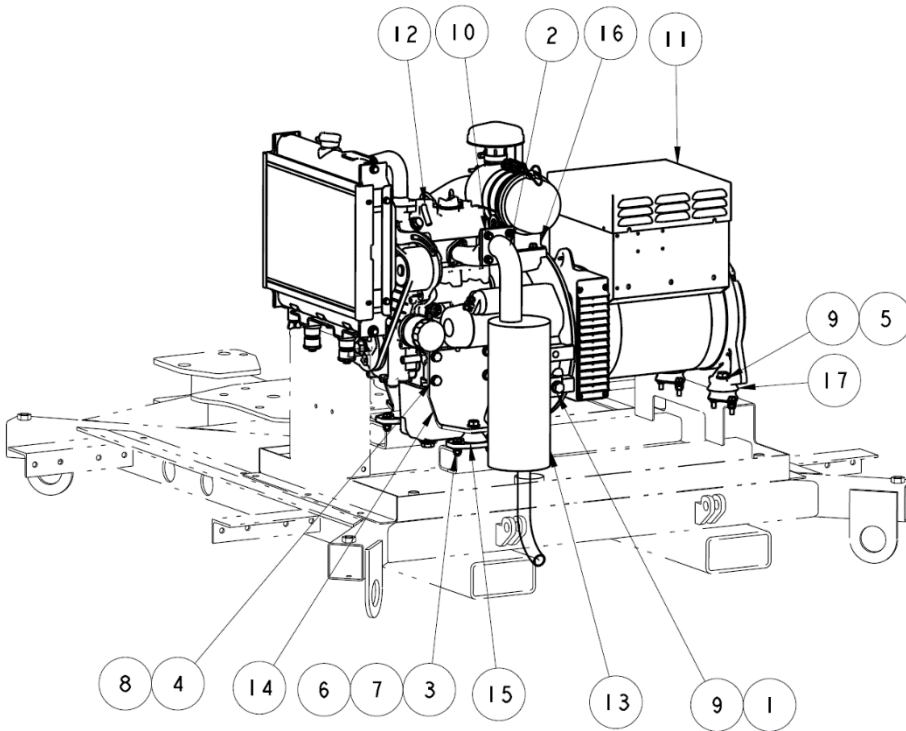


ENGINE & ALTERNATOR ASSEMBLY

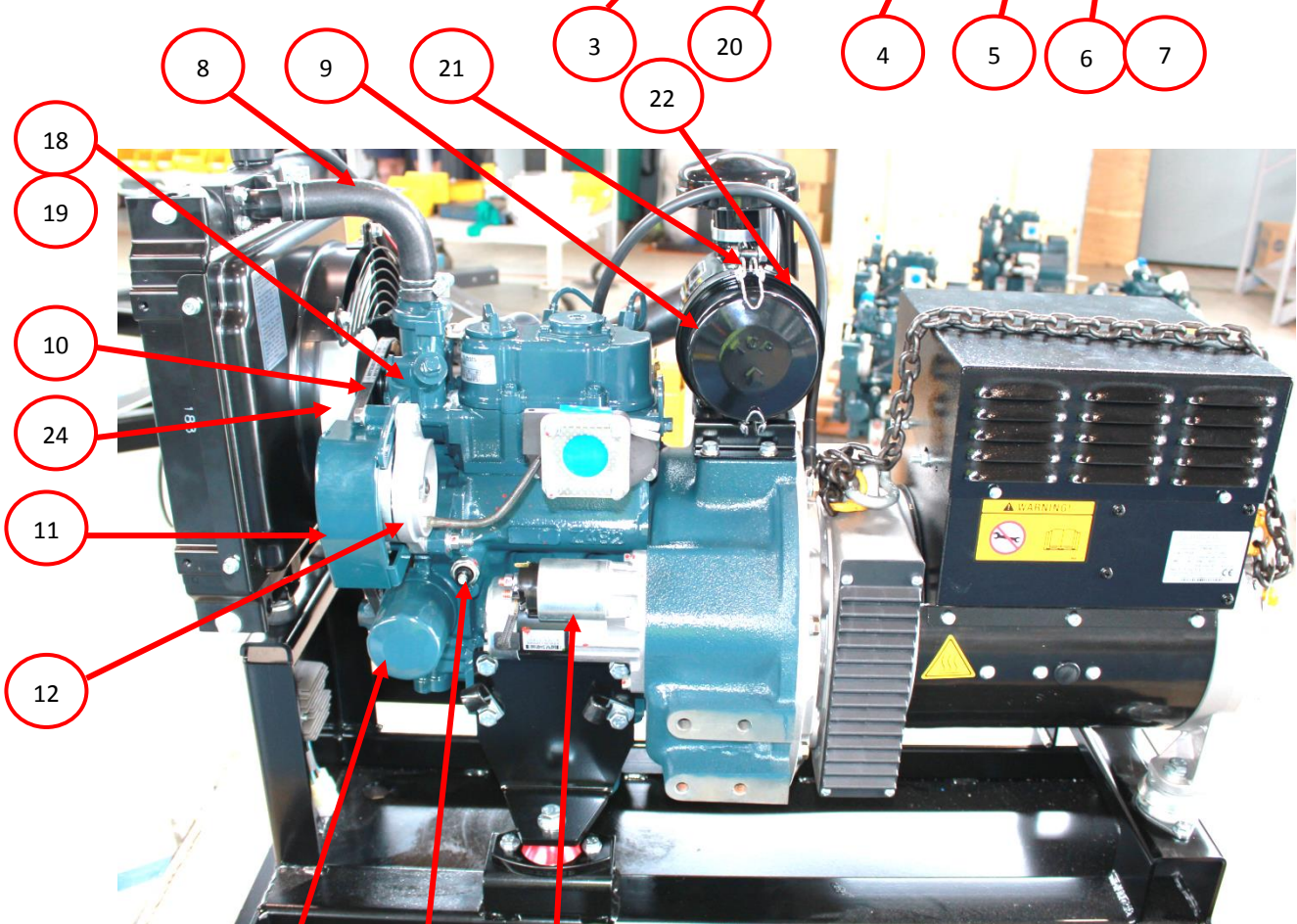
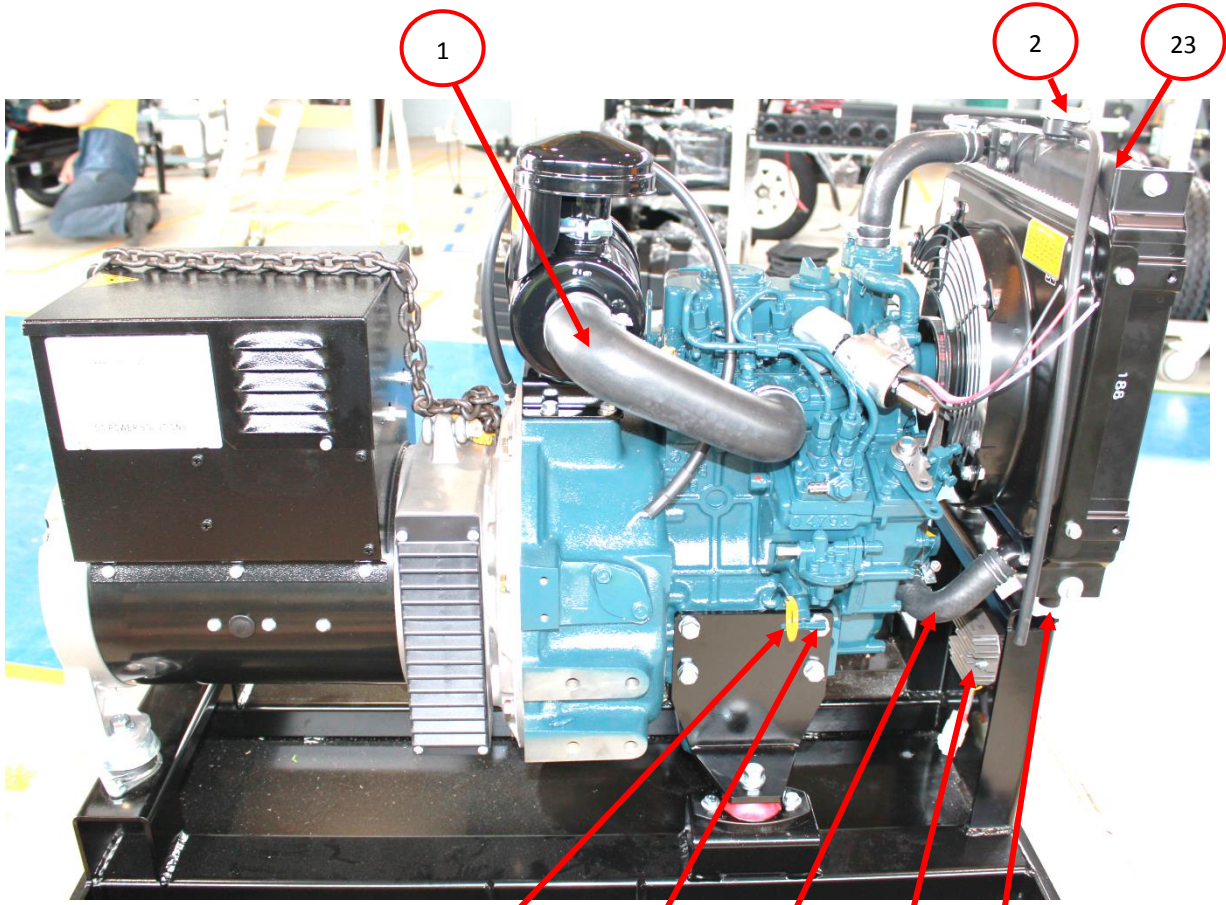


SEQ.#	ITEM NO.	DESCRIPTION	QTY
1	0681607	HEX HEAD BOLT, 3/8-16 X 7/8 GRADE 8	2
2	0700823	HEX HEAD BOLT, M8 X 75 CLASS 8.8	1
3	0760810	HEX HEAD BOLT, M8 X 20 CLASS 8.8	8
4	1730930	FUEL FILTER	1
5	1731207	BATTERY TRAY, 314 X 185 PVC (PRIOR S/N: M4L0000228)	1
6	3290805	HEX LOCK NUT, M8 X 1.25 CLASS 8	6
7	1001210709	POWERPACK, HYDRAULIC C/W TANK & PRESSURE RELIEF VALVE	1
7A	1001246647	SEALING WASHER, 3/8UNC 750 SERIES PRV ADJUSTING SCREW	A/R
8	4811900	WASHER, 8 mm	12
9	1001160992	CLAMP, BATTERY HOLD DOWN	1
10	1001160993	BATTERY, 12 V	1
11	1001210885	BRACKET, ASSY WATER SEPARATOR MOUNT	1
12	1001171776	BRACKET, FUEL FILTER FINISHED	1
13	1001212181	CONTAINER, Z482 COOLANT BOTTLE	1
14	KU1583143353	FILTER, Z482 ASSY WATER SEPARATOR	1
15	1001208672	CABLE, KIT BATTERY METRO (NOT SHOWN)	1
16	1730815	FUEL-LINE PRIMER BULB	1
17	1735652	FUEL HOSE 5/16"	5.0 m
18	1737576	FUEL HOSE 3/16"	1.2 m
19	1730939	HOSETAIL, 1/4" BSPT x 1/4" HOSE 90DEG (PRIOR S/N: M4L0000247)	1
20	1001187892	FTG-PIPE, 1/4" NPT x 5/16" HOSE (PRIOR S/N: M4L0000247)	1
21	KU1583143380	WATER SEPARATOR CARTRIDGE	1

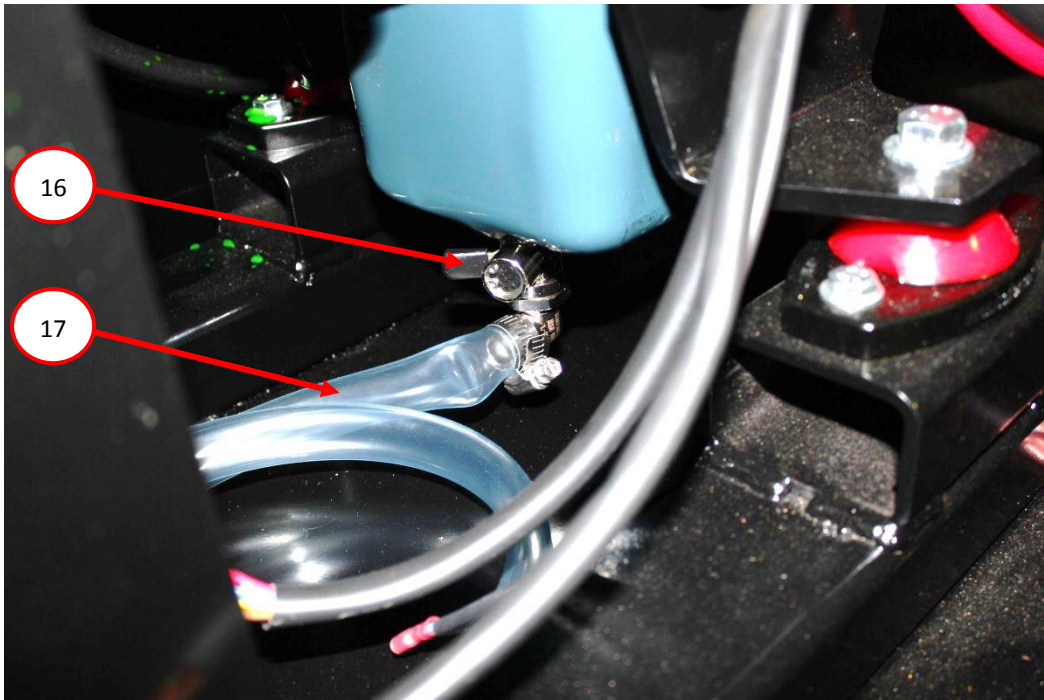
METRO-LED



SEQ.#	ITEM NO.	DESCRIPTION	QTY
1	0681808	HEX HEAD BOLT, 1/2-13 X 1 GRADE 8	2
2	0760810	HEX HEAD BOLT, M8 X 20 CLASS 8.8	4
3	0760814	HEX HEAD BOLT, M8 X 30 CLASS 8.8	8
4	1001219876	HEX HEAD SCREW, M10 X 1.25P-30 CLASS 8.8	8
5	0711215	HEX HEAD BOLT, M12 X 35 CLASS 10.9	4
6	3290805	HEX LOCK NUT, M8 X 1.25 CLASS 8	12
7	4811900	WASHER, 8 mm	20
8	4812000	WASHER, 10 mm	8
9	4812100	WASHER, 12 mm	6
10	4831900	LOCKWASHER, SPRING 8 mm	4
11	1001208963	GENERATOR,9 PHASE SINCRO (FROM S/N: M4L000023 TO PRESENT)	1
12	1001201865	ENGINE, KUBOTA Z482-SAE DIESEL	1
13	1001216262	MUFFLER, STANDARD, METRO LED	1
13A	1001210790	MUFFLER, SPARK ARRESTER METRO	1
14	1001205306	BRACKET, KUBOTA Z482 ENGINE LEG	2
15	1001205894	ENGINE MOUNT, GPM7FS-12B ISOLATOR	2
16	1001206704	BRACKET, Z482 AIR CLEANER MOUNT	1
17	1001209186	MOUNT, ISOLATOR GENERATOR	2
18	1001211396	HARNESS, LT METRO MAIN LED (NOT SHOWN)	1
19	1001187612	CONTROL, SINCRO 154520 AVR DBC1	1

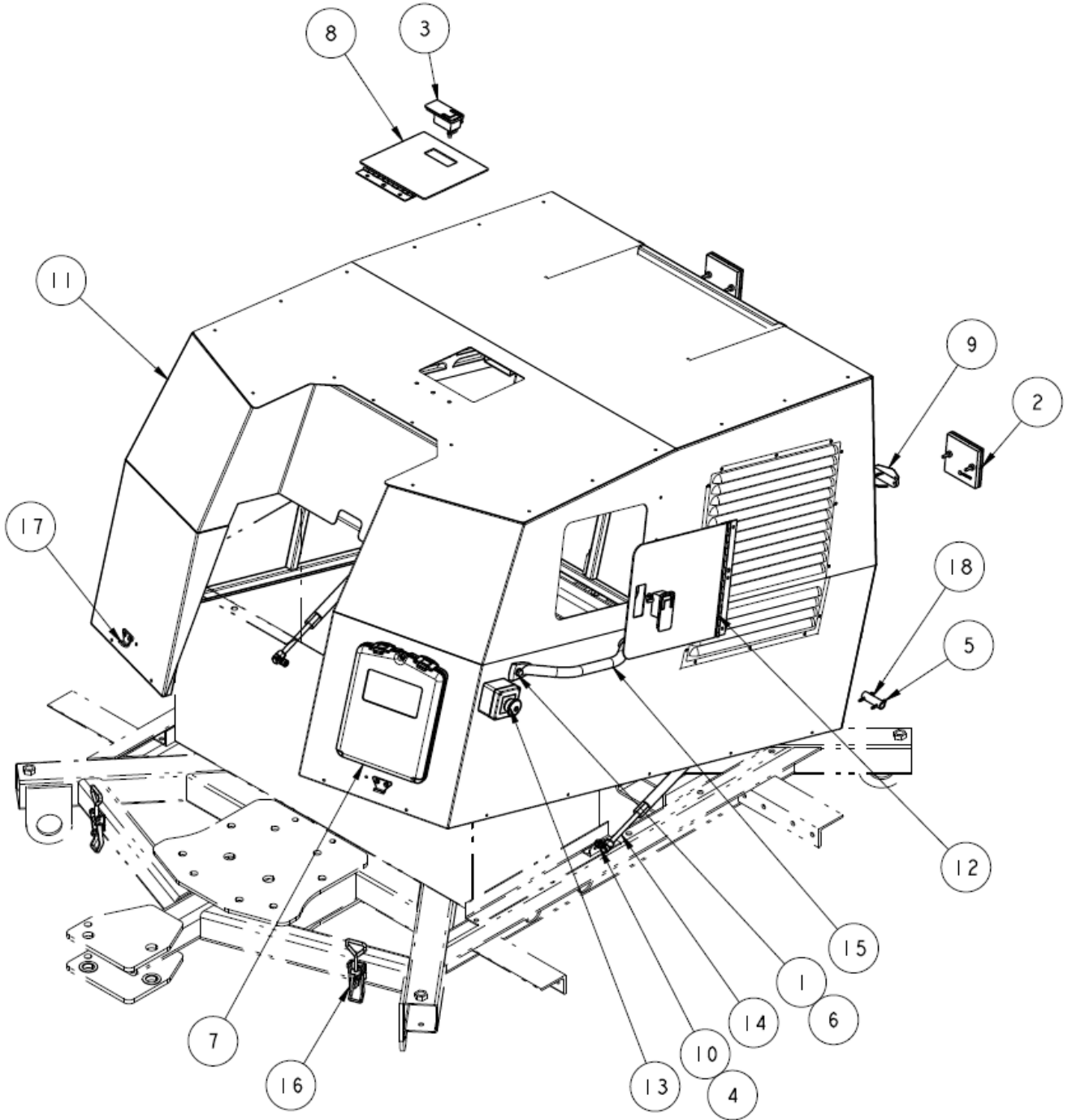


METRO-LED



SEQ.#	ITEM NO.	DESCRIPTION	QTY
1	1001206201	HOSE, KUBOTA Z482 AIR CLEANER	1
2	70002329	CAP, RADIATOR KUBOTA Z482	1
3	1001212183	GAUGE, OIL KUBOTA Z482	1
4	1001212177	HOSE, RADIATOR BOTTOM Z482	1
5	7023108	ASSEMBLY, REGULATOR VOLTAGE Z482	1
6	1734127	MOUNT, RADIATOR TOP Z482	2
7	1733088	MOUNT RADIATOR RUBBER Z482	2
8	1001212176	HOSE, RADIATOR TOP Z482	1
9	1001212174	FILTER, AIR KUBOTA Z482	1
10	1001212175	FAN, BELT KUBOTA Z482	1
11	1001212179	FAN, BELT GUARD Z482	1
12	1001212178	ENGINE, DYNAMO Z482	1
13	7017980	FILTER, OIL Z482	1
14	1730874	OIL PRESSURE SENDER	1
15	70004850	ASSY STARTER	1
16	1001205052	VALVE, EZ7BL M22X1.5P L-NIPPLE	1
17	1001207320	HOSE, CLEAR VINYL 5/8 IN DIA	0.9 m
18	70004853	ASSY, WATER PUMP	1
19	70004854	GASKET, WATER PUMP	1
20	7017900	COCK, WATER DRAIN ASSY	1
21	1001229321	BRACKET, Z482 AIR CLEANER	1
22	7023174	ASSY, AIR CLEANER/METAL HOUSING	1
23	1001232898	RADIATOR, KUBOTA Z482	1
24	1001233083	FAN, Z482 RADIATOR	1

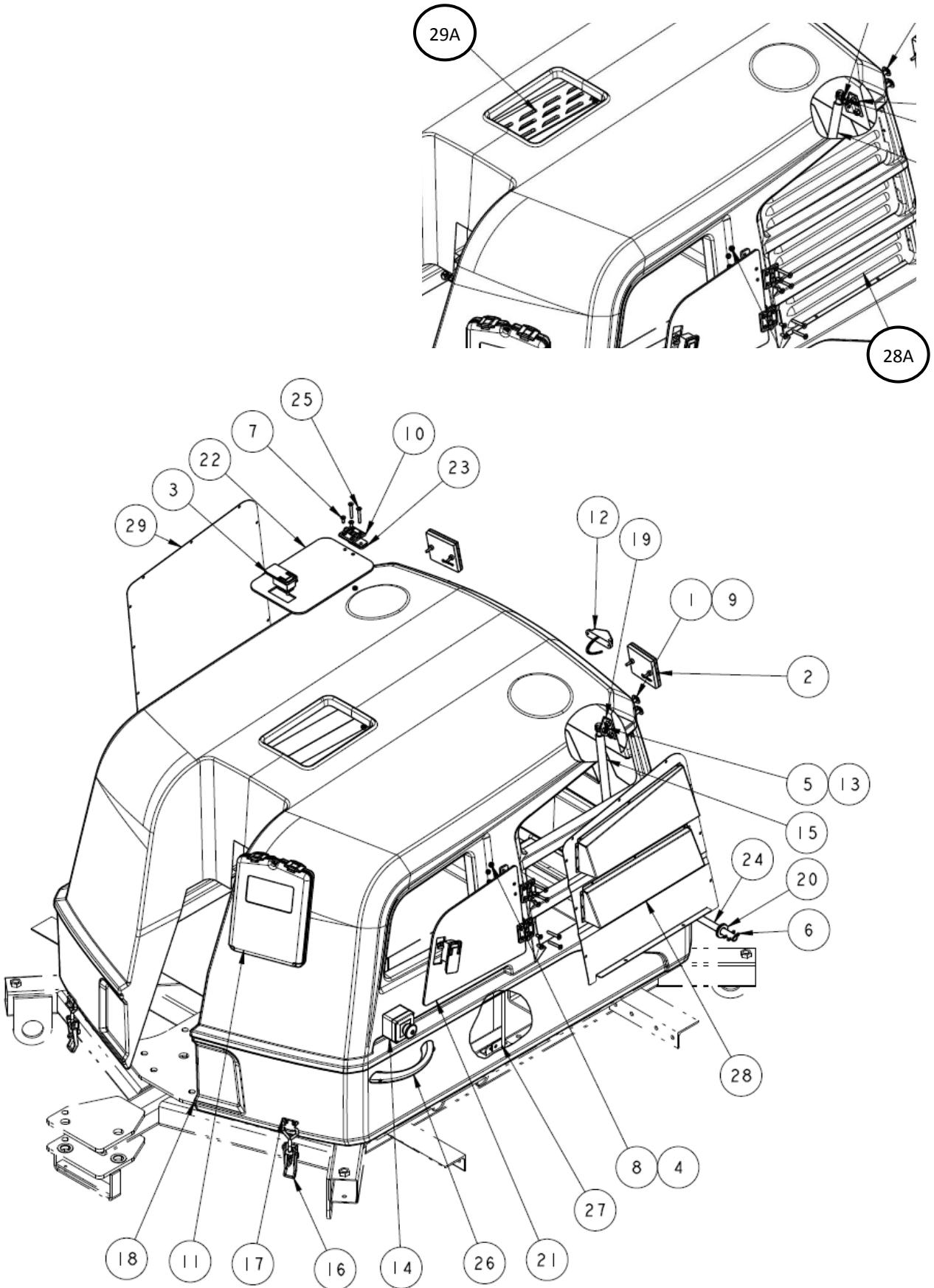
HOODS ASSEMBLY



METRO-LED

SEQ.#	ITEM NO.	DESCRIPTION	QTY
1	0760816	HEX HEAD BOLT, M8 X 40 CLASS 8.8	2
2	1001214200	TAIL LIGHT, LED LIGHTING TOWER	2
3	2940042	LATCH, LIFT AND TURN	3
4	3290805	HEX LOCK NUT, M8 X 1.25 CLASS 8	6
5	3391410	PIN, SPLIT 4 X 30 mm	4
6	4811900	WASHER, 8 mm	4
7	8990147	HOLDER, MANUAL	1
8	1001164912	ASSY, FUEL TANK ACCESS COVER FINISHED	1
9	1001174354	LAMP, NUMBER PLATE LED (PRIOR S/N:M4L0000232)	1
9A	1001223303	LAMP, NUMBER PLATE LED (FROM S/N: M4L0000232)	2
10	1001185541	BALL, GAS SPRING MOUNT	4
11	1001198766	INSTALL, STEEL HOODS	1
12	1001204573	DOOR, ACCESS METRO	2
13	1001204848	ELEC ASSY, EMERGENCY STOP	1
14	1001205047	ACTUATOR, GAS 200 N 400 mm STROKE	2
15	1001205049	HANDLE, STEEL	1
16	1001205832	LATCH, HOOD ZINC	2
17	1001205833	HOOK, HOOD LATCH ZINC	2
18	1001212946	PIPE, HINGE FOR STEEL HOOD	2
19	4360517	SWITCH, PROXIMITY (NOT SHOWN)	1

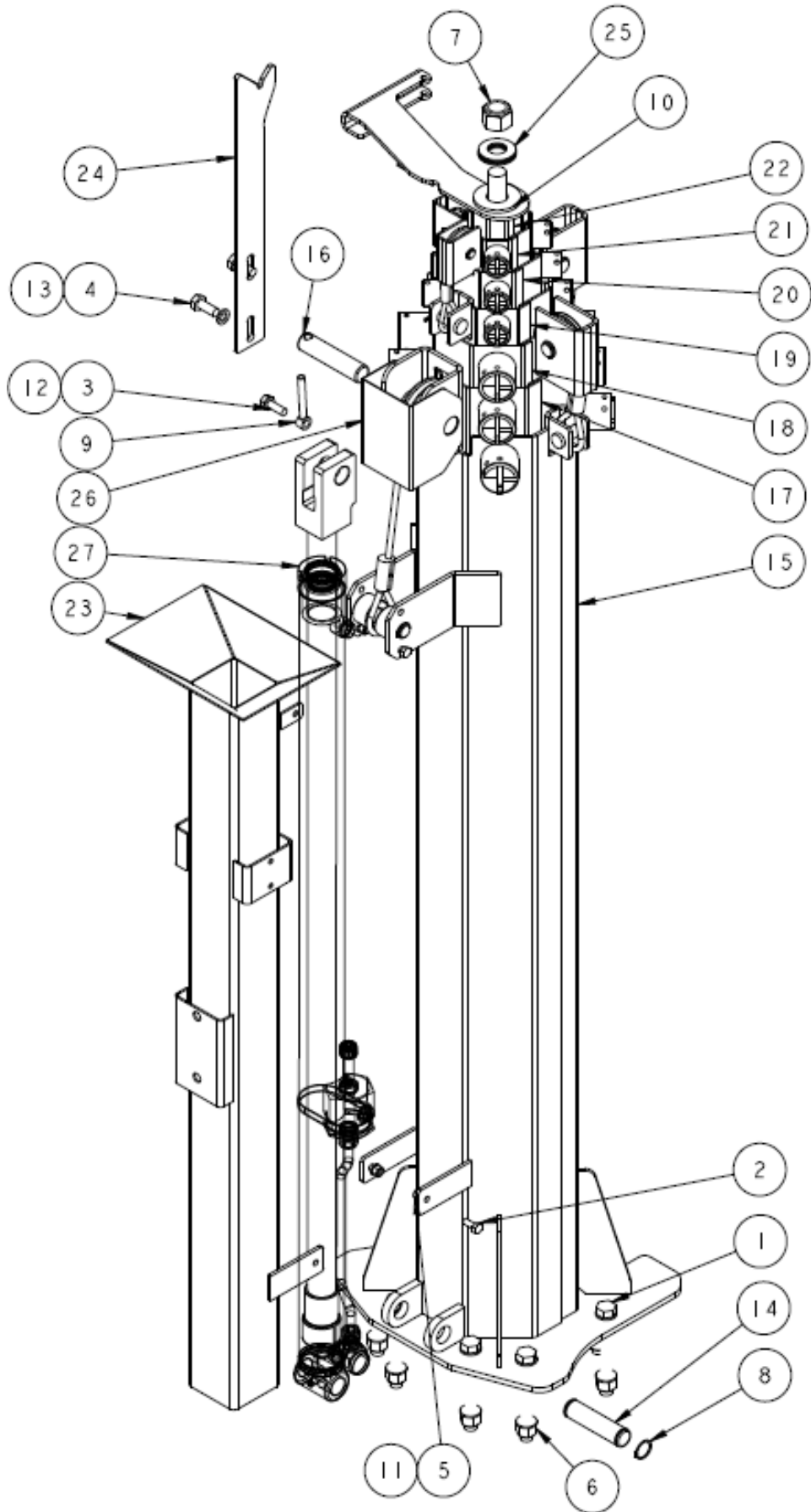
HOODS ASSEMBLY MOULDED



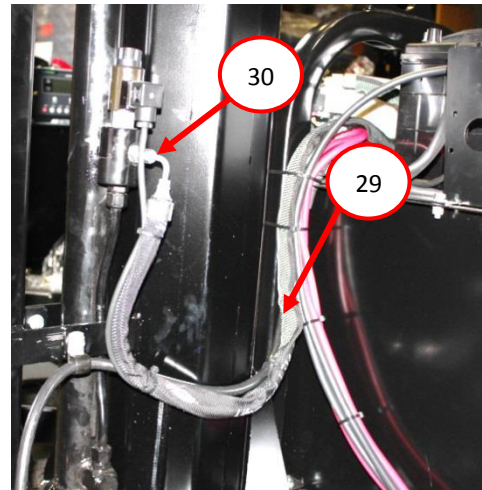
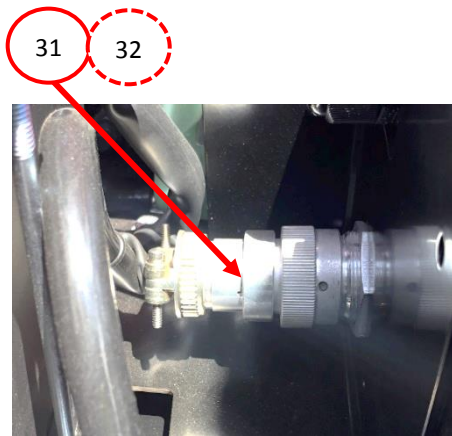
METRO-LED

SEQ.#	ITEM NO.	DESCRIPTION	QTY
1	0760816	HEX HEAD BOLT, M8 X 25 CLASS 8.8	4
2	1001214200	TAIL LIGHT, LED LIGHTING TOWER	2
3	1735660	LATCH, LIFT AND TURN LOCKABLE	3
4	3290601	HEX NUT, M6 X 1 CLASS 8	18
5	3290805	HEX LOCK NUT, M8 X 1.25 CLASS 8	4
6	3391410	PIN, SPLIT 4 X 30 mm	4
7	3900224	COUNTER SUNK SCREW M6X12 CLASS 8.8	10
8	4811700	WASHER, 6 mm	10
9	4811902	WASHER, 8 mm LG OD	4
10	8006105	JOINT, HINGE	5
11	8990147	HOLDER, MANUAL	1
12	1001174354	LAMP, NUMBER PLATE LED (PRIOR S/N:M4L0000232)	1
12A	1001223303	LAMP, NUMBER PLATE LED (FROM S/N: M4L0000232)	2
13	1001185541	BALL, GAS SPRING MOUNT	4
14	1001204848	ELEC ASSY, EMERGENCY STOP	1
15	1001215883	ACTUATOR, GAS 200 N 825 mm LONG	2
16	1001205832	LATCH, HOOD ZINC	2
17	1001205833	HOOK, HOOD LATCH ZINC	2
18	1001228796	HOOD, MOULDED METRO	1
19	1001205939	ANGLE, GAS STRUT MOUNT HOOD	2
20	1001208673	WASHER-SPEC, NYLON, M20 X 37 X3 mm	4
21	1001210269	DOOR, MOULDED HOOD LH	2
22	1001210710	DOOR TOP, MOULDED HOOD	1
23	1001210837	BAR, HINGE SPACER	6
24	1001211067	TUBE, HINGE FOR MOULDED HOOD	2
25	1001212699	COUNTER SUNK SCREW M6 X 45 CLASS 8.8	12
26	1001215885	HANDLE, BLACK 235 MM GRAB	1
27	1001217319	ROD, ASSY MOULDED HOOD GUIDE	1
28A	1001210766 (OBSOLETE)	BRACKET, ENGINE LOUVRES LH (PRIOR S/N: M4L000029 SHOULD ALSO ORDER ITEMS 28 & 29)	1
28	1001219429	PANEL, RADIATOR LOUVRES ASSY (FROM S/N: M4L0000298)	1
29A	1001210767 (OBSOLETE)	BRACKET, GENERATOR LOUVRES RH (PRIOR S/N: M4L0000298 ALSO ORDER ITEMS 28 & 29)	1
29	1001219466	PANEL, LOUVRES GENERATOR END (FROM S/N: M4L0000298)	1
30	4360517	SWITCH, PROXIMITY (NOT SHOWN)	1

MAST ASSEMBLY

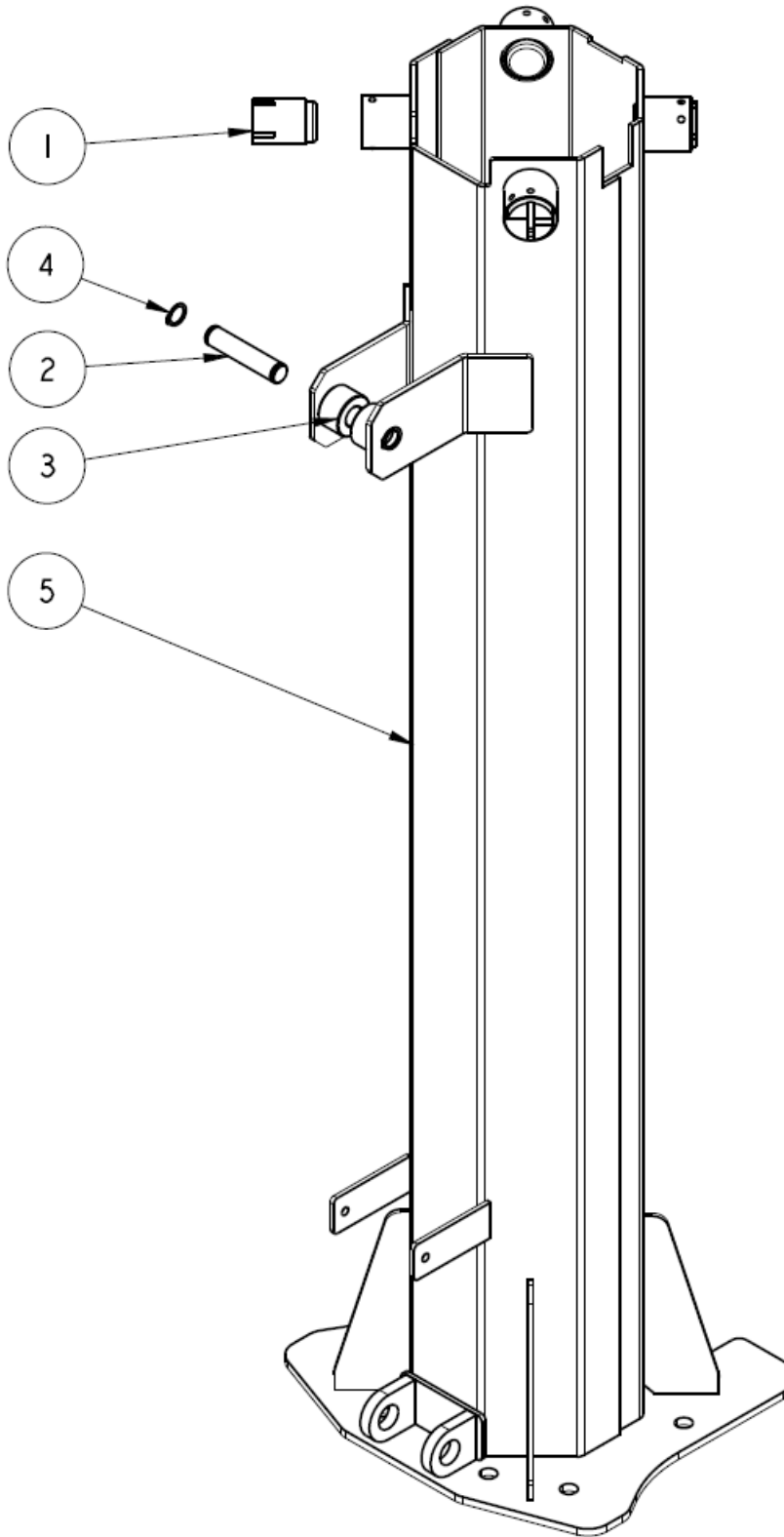


METRO-LED



SEQ.#	ITEM NO.	DESCRIPTION	QTY
1	0701630	HEX HEAD BOLT, M16 X 130 CLASS 8.8	8
2	0760810	HEX HEAD BOLT, M8 X 20 CLASS 8.8	4
3	0761014	HEX HEAD BOLT, M10 X 30 CLASS 8.8	1
4	0761214	HEX HEAD BOLT, M12 X 30 CLASS 8.8	2
5	3290805	HEX LOCK NUT, M8 X 1.25 CLASS 8	4
6	1001098827	HEX LOCK NUT, M24 X 3 CLASS 10	1
7	3291605	HEX LOCK NUT, M16 X 2 CLASS 8	8
8	7011716	RING, RETAINING 1.0"	2
9	3841143	KEEPER, 3/8" SHAFT	1
10	4740418	WASHER, 1.12 X 2.50 X .18 BRONZ	1
11	4811900	WASHER, 8 mm	4
12	4832000	LOCKWASHER, SPRING 10 mm	1
13	4832100	LOCKWASHER, SPRING 12 mm	2
14	1001159483	PIN, CYLINDER CLEVIS	1
15	1001201575	MAST, WELDMENT SECTION 1	1
16	1001201580	PIN, MAST CYLINDER SHEAVE	1
17	1001201582	MAST, LT WELDMENT SECTION 2	1
18	1001201778	MAST, LT WELDMENT SECTION 3	1
19	1001201783	BOOM, LT WELDMENT SECTION 4	1
20	1001201794	MAST, LT WELDMENT SECTION 5	1
21	1001201798	MAST, LT WELDMENT SECTION 6	1
22	1001201803	MAST, LT WELDMENT SECTION 7	1
23	1001207853	SUPPORT, WELDMENT CURLY CORD	1
24	1001209969	PLATE, LIGHTHEAD STABILITY	1
25	1001212059	WASHER-DISC SPRING 50 X 25.4 X 2 mm	4
26	1001218855	COVER, MAST CABLE	1
27	1001206341	CYLINDER, HYDRAULIC METRO	1
28	1001161003	CABLE, COILED CORD (PRIOR S/N: M4L0000177)	1
28A	1001214489	CABLE, COILED CORD (FROM S/N: M4L0000177)	1
29	1001203248	HOSE ASSY, METRO LIFT CYLINDER	1
30	2220582	FTG 9/16 UNO X 7/16 JIC NIPP	1
31	4460754	CONNECTOR, HD SERIES PLUG	1
32	4460464	TERMINAL, DEUTSCH #16 - #18 PIN	12
33	1001161887	KIT, CYLINDER SEAL (NOT SHOWN)	1

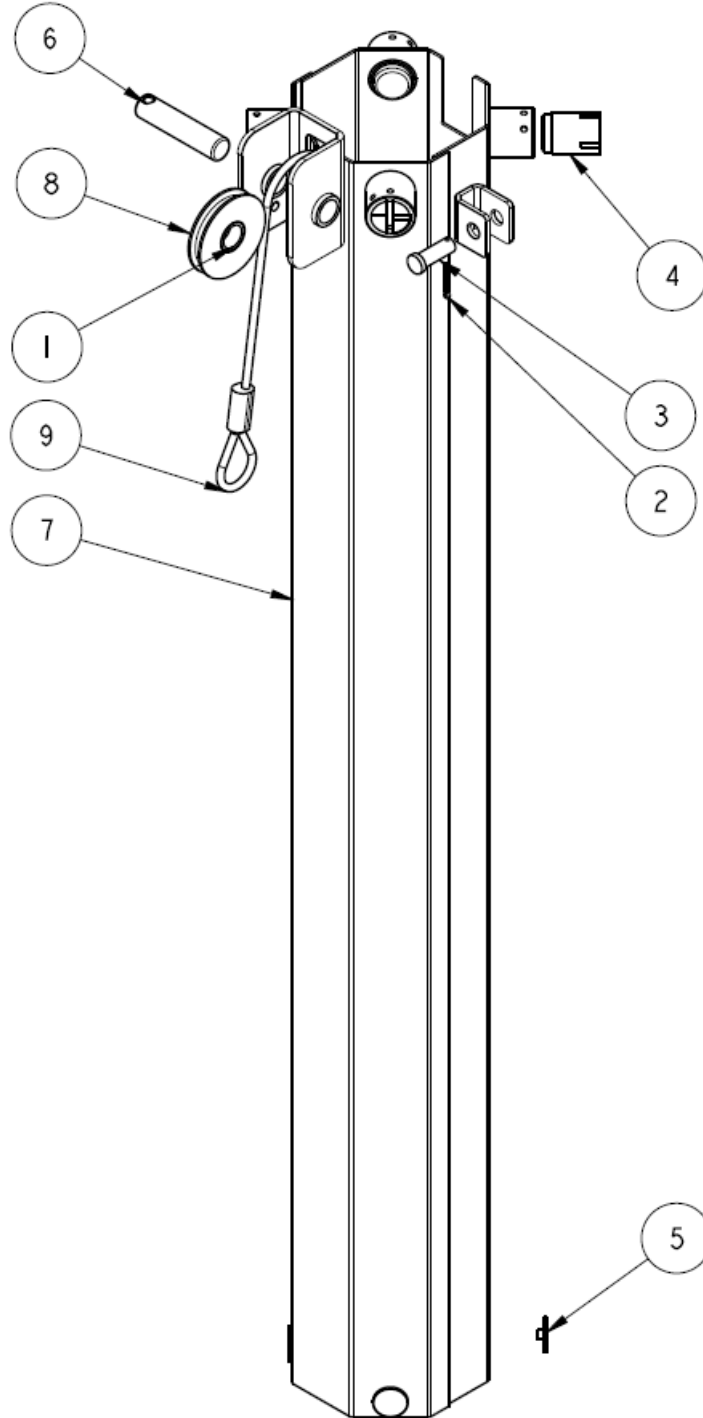
MAST SECTION 1



METRO-LED

SEQ.#	ITEM NO.	DESCRIPTION	QTY
1	1001228793	PAD, 1.25" BSPP MAST WEAR	4
2	1001159482	PIN, LUG S1	1
3	1001159883	SHIM, MAST LUG, S1	2
4	1001160214	RING, RETAINING EXT, 0.75"	2
5	1001201575	MAST, WELDMENT SECTION 1	1

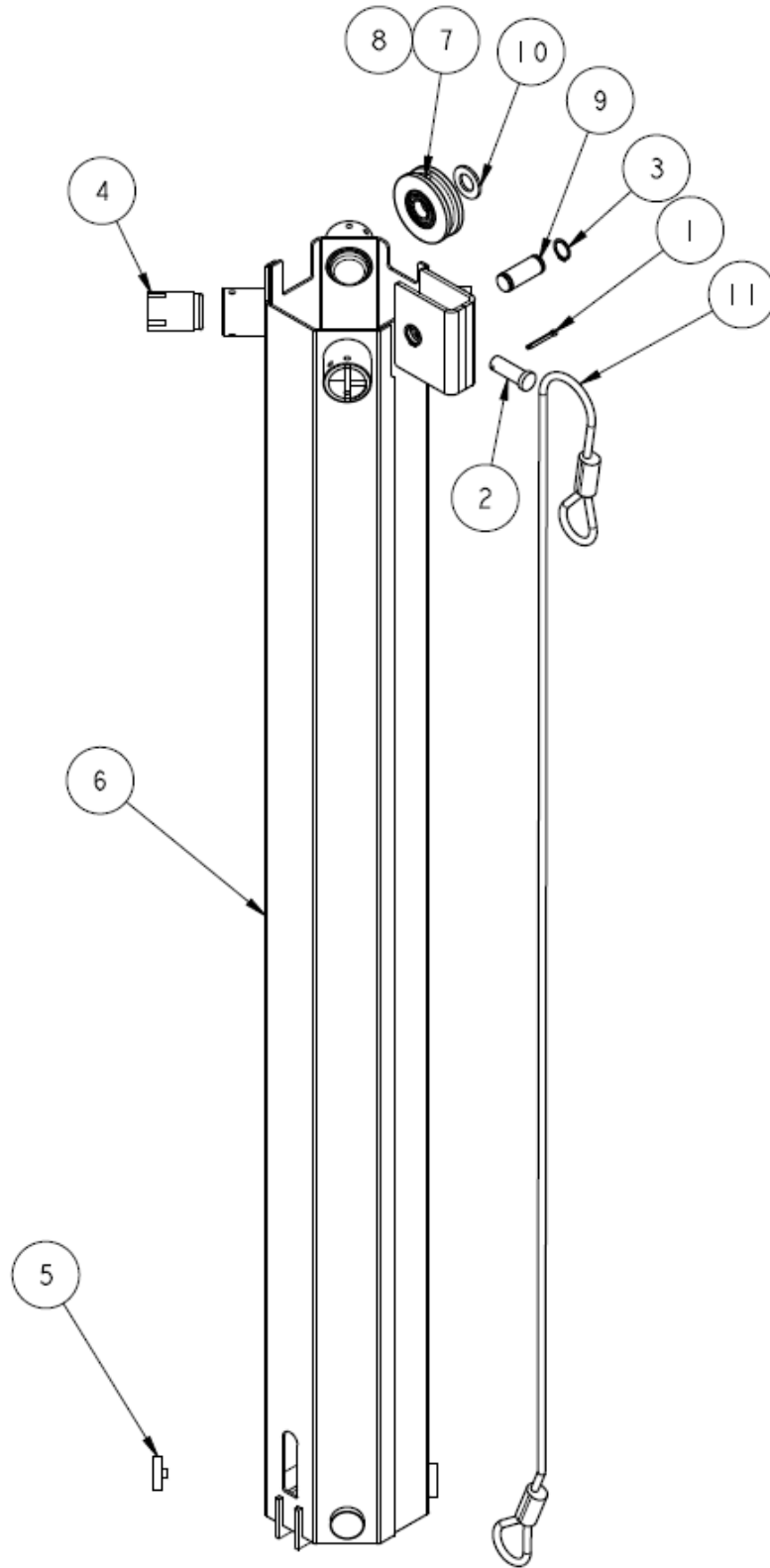
MAST SECTION 2



METRO-LED

SEQ.#	ITEM NO.	DESCRIPTION	QTY
1	0961947	BEARING, GARMAX - 1 ID	1
2	3391410	PIN, SPLIT 4 X 30 mm	1
3	3431014	PIN, FLAT HEAD CLEVIS	1
4	1001228793	PAD, 1.25" BSPP MAST WEAR	4
5	1001159498	PAD, INNER 4 mm	4
6	1001201580	PIN, MAST CYLINDER SHEAVE	1
7	1001201582	MAST, LT WELDMENT SECTION 2	1
8	1001204659	SHEAVE, MAST CYL 92 mm DIA.	1
9	1001204568	CABLE, LT MAST S1-3 (CONNECT S3 LOWER POINT AND S1 TOP POINT)	1

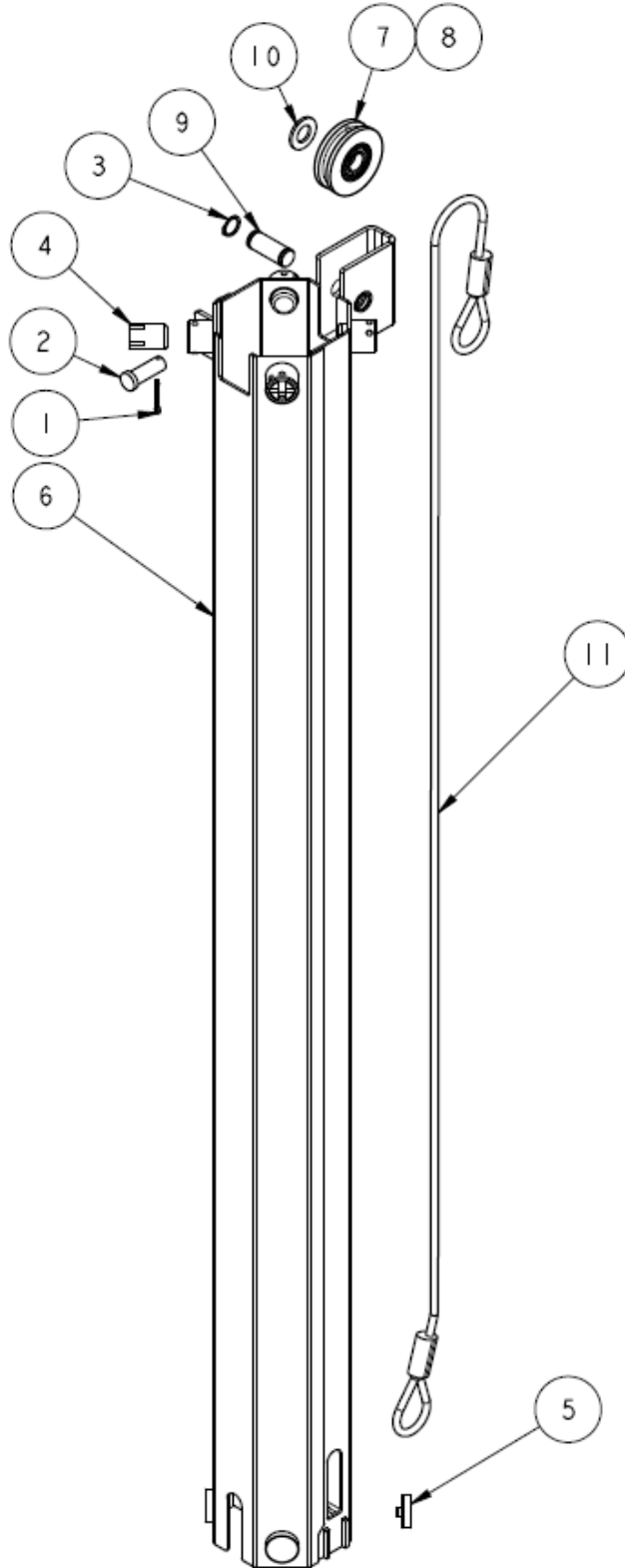
MAST SECTION 3



METRO-LED

SEQ.#	ITEM NO.	DESCRIPTION	QTY
1	3391410	PIN, SPLIT 4 X 30 mm	2
2	3431014	PIN, FLAT HEAD CLEVIS	2
3	3760488	RING, RETAINING EXT M20	2
4	1001228793	PAD, 1.25" BSPP MAST WEAR	4
5	1001159496	PAD, INNER 10 mm	4
6	1001201778	MAST, LT WELDMENT SECTION 3	1
7	1001204172	SHEAVE, LT MAST 80 DIA	1
8	1001207844	BEARING, BALL, 20 X 42 X 12 mm	2
9	1001207845	PIN, DIA 20, MAST SHEAVE	1
10	1001208673	WASHER-SPEC, NYLON, M20 X 37 X 3 mm	2
11	1001204569	CABLE, LT MAST S2-4 (CONNECT S4 LOWER POINT AND S2 TOP POINT)	1

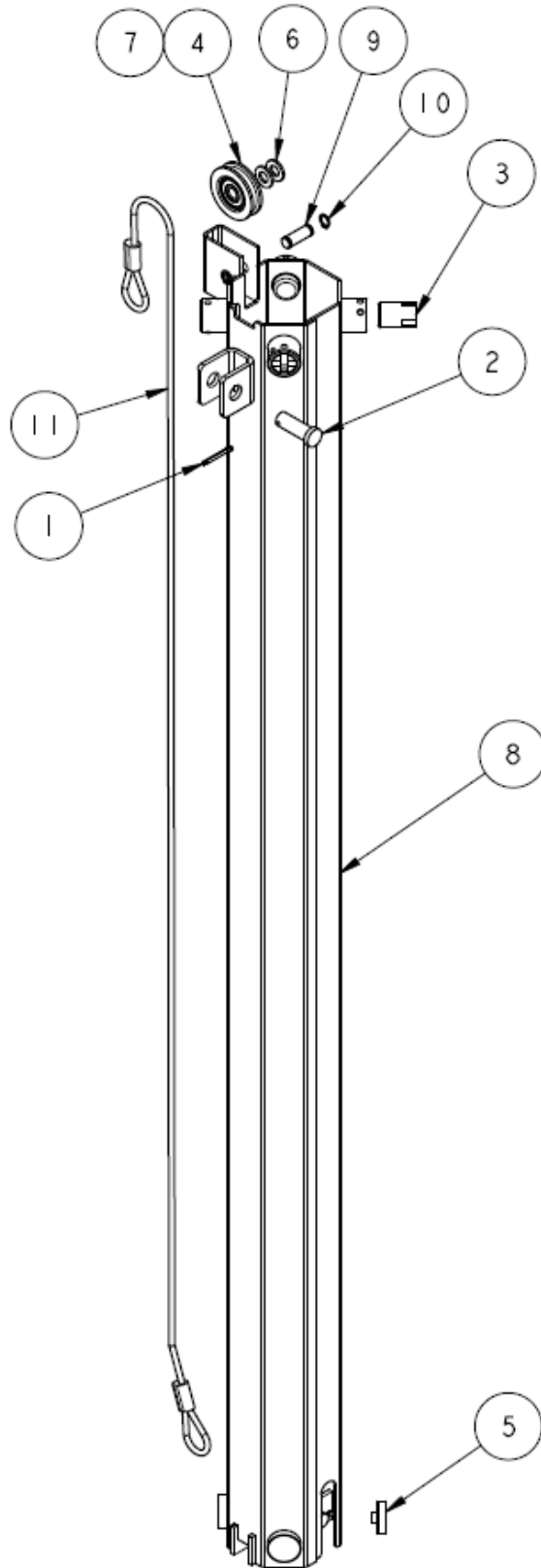
MAST SECTION 4



METRO-LED

SEQ.#	ITEM NO.	DESCRIPTION	QTY
1	3391410	PIN, SPLIT 4 X 30 mm	2
2	3431014	PIN, FLAT HEAD CLEVIS	2
3	3760488	RING, RETAINING EXT M20	2
4	1001228794	PAD, 0.75" BSPP MAST WEAR	4
5	1001159496	PAD, INNER 10 mm	4
6	1001201783	BOOM, LT WELDMENT SECTION 4	1
7	1001204172	SHEAVE, LT MAST 80 DIA	1
8	1001207844	BEARING, BALL, 20 X 42 X 12 mm	2
9	1001207845	PIN, DIA 20, MAST SHEAVE	1
10	1001208673	WASHER-SPEC, NYLON, M20 X 37 X 3 mm	2
11	1001204569	CABLE, LT MAST S3-5 (CONNECT S5 LOWER POINT AND S3 TOP POINT)	1

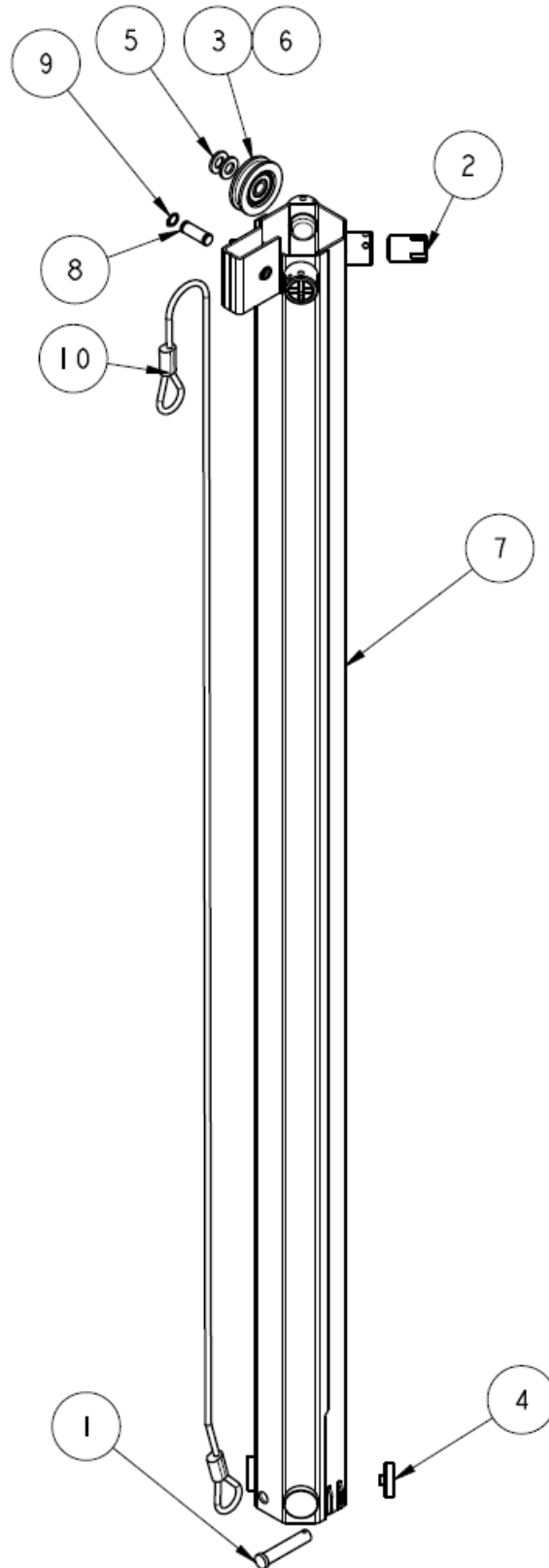
MAST SECTION 5



METRO-LED

SEQ.#	ITEM NO.	DESCRIPTION	QTY
1	3391410	PIN, SPLIT 4 X 30 mm	2
2	3431014	PIN, FLAT HEAD CLEVIS	2
3	1001228794	PAD, 0.75" BSPP MAST WEAR	4
4	1001159479	SHEAVE, 60 mm	1
5	1001159496	PAD, INNER 10 mm	4
6	1001160216	WASHER, NYLON, 12 mm	4
7	1001160923	BEARING, NTN 6301LLU	1
8	1001201794	MAST, LT WELDMENT SECTION 5	1
9	1001207846	PIN, DIA 12, MAST SHEAVE	1
10	1001209642	RING, RETAINING EXT. 12 mm DIA	2
11	1001204570	CABLE, LT MAST S4-6 (CONNECT S6 LOWER POINT AND S4 TOP POINT)	1

MAST SECTION 6

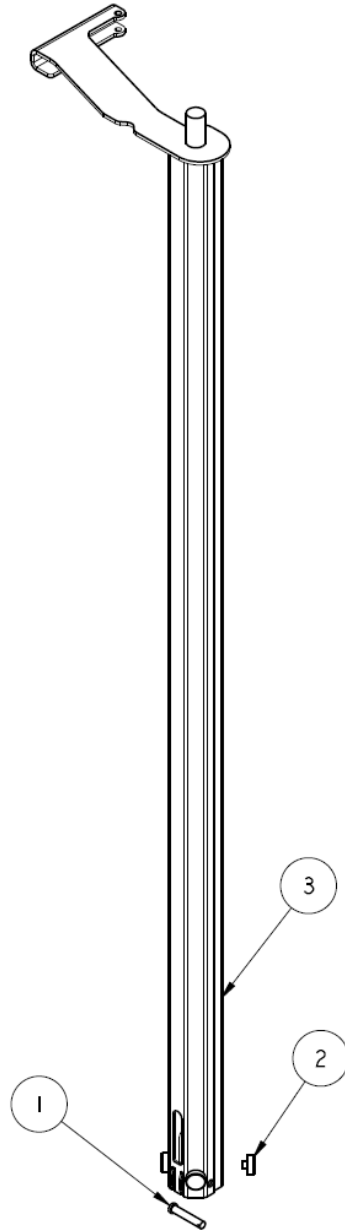


METRO-LED

SEQ.#	ITEM NO.	DESCRIPTION	QTY
1	3430810	PIN, FLAT HEAD CLEVIS	1
2	1001228794	PAD, 0.75" BSPP MAST WEAR	4
3	1001159479	SHEAVE, 60 mm	1
4	1001159496	PAD, INNER 10 mm	4
5	1001160216	WASHER, NYLON, 12 mm	4
6	1001160923	BEARING, NTN 6301LLU	1
7	1001201798	MAST, LT WELDMENT SECTION 6	1
8	1001207846	PIN, DIA 12, MAST SHEAVE	1
9	1001209642	RING, RETAINING EXT. 12 mm DIA	2
10	1001204570	CABLE, LT MAST S5-7 (CONNECT S7 LOWER POINT AND S5 TOP POINT)	1

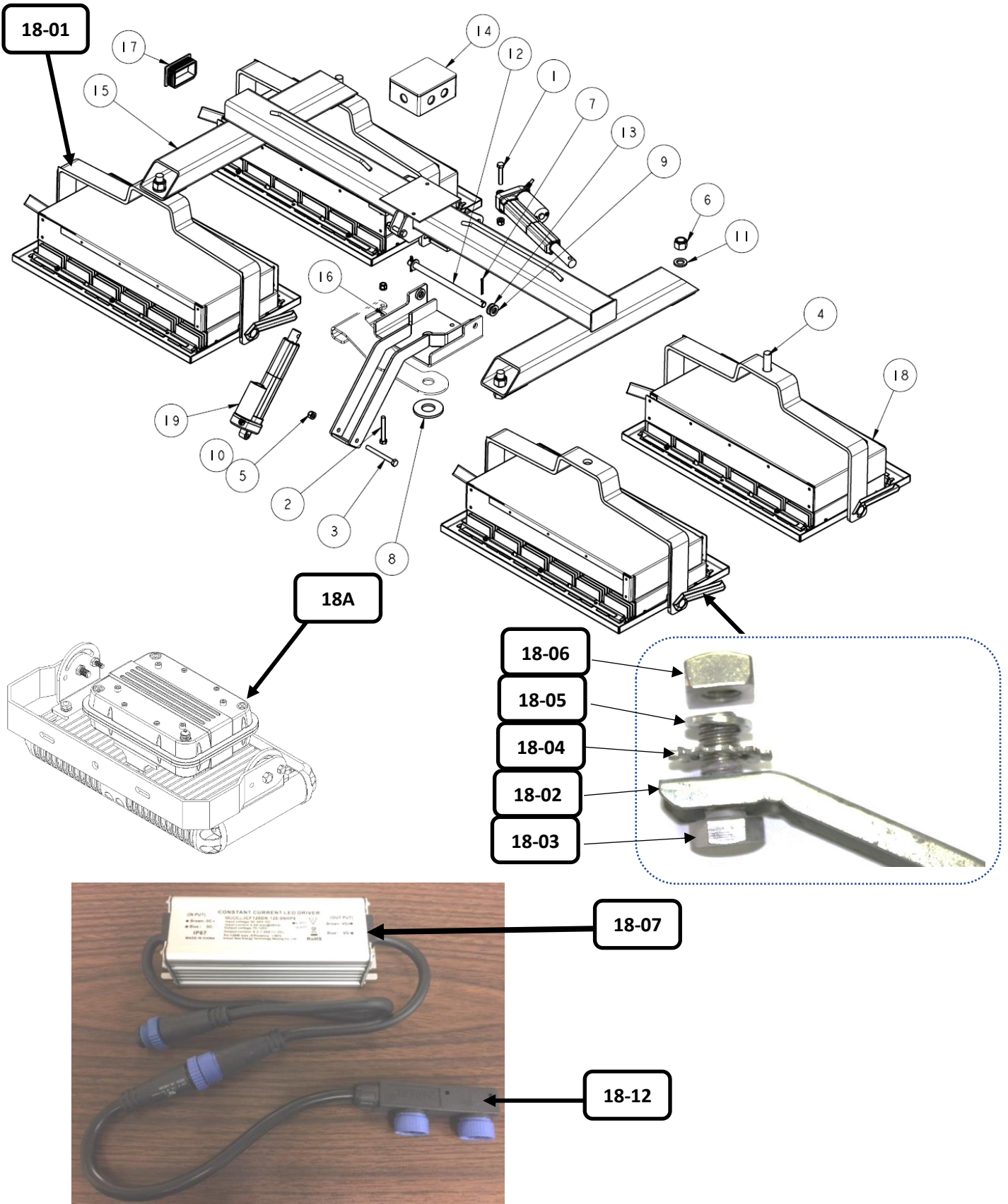
METRO-LED

MAST SECTION 7



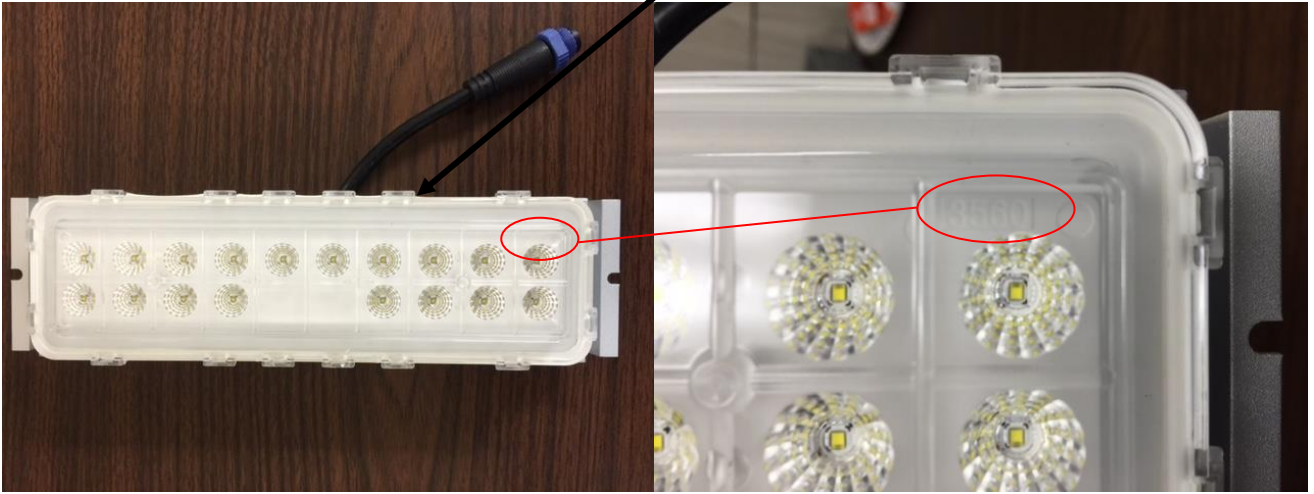
SEQ.#	ITEM NO.	DESCRIPTION	QTY
1	3430616	PIN, FLAT HEAD CLEVIS	1
2	1001201802	PAD, INNER MAST SEC 7	4
3	1001201803	MAST, LT WELDMENT SECTION 7	1

METRO-LED LIGHT HEAD



METRO-LED

18-08



18-09



LAST 2 DIGITS MOULDED INTO OPTIC NOTE 40/60 DEGREE. ALSO ON PART LABEL.

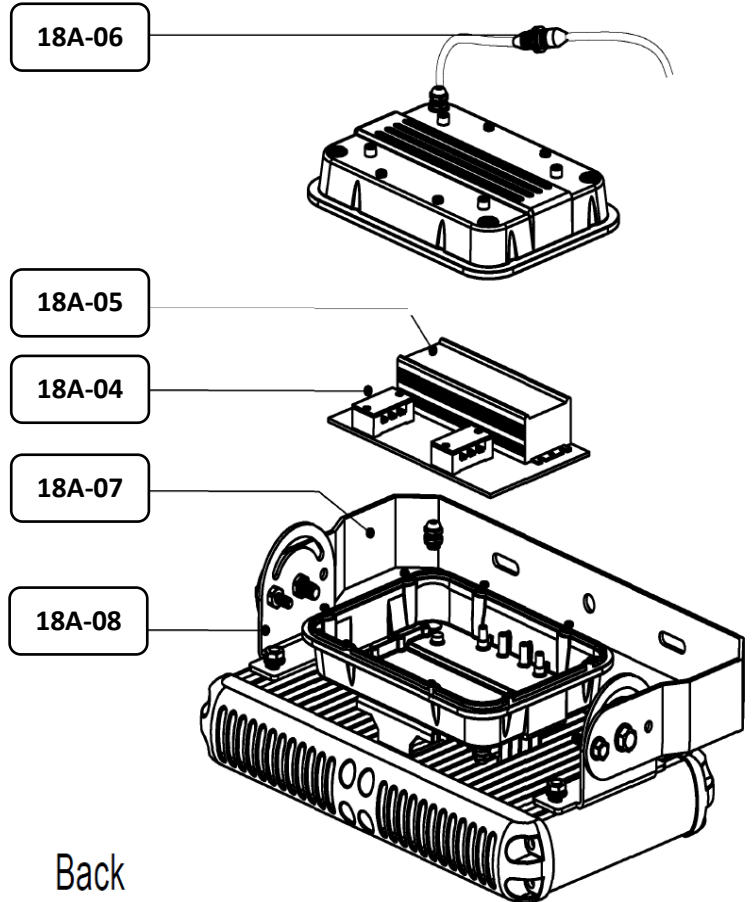
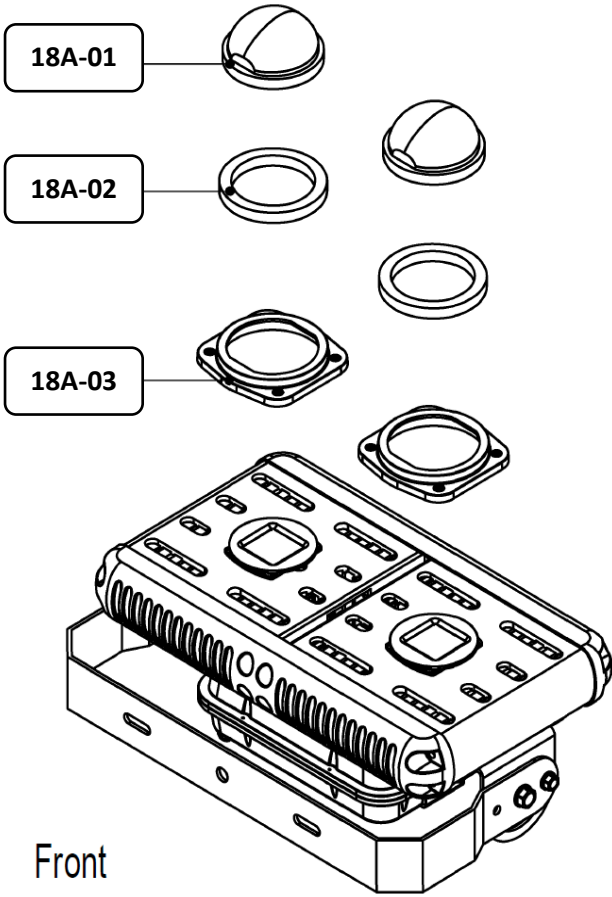


18-10



18-11

METRO-LED

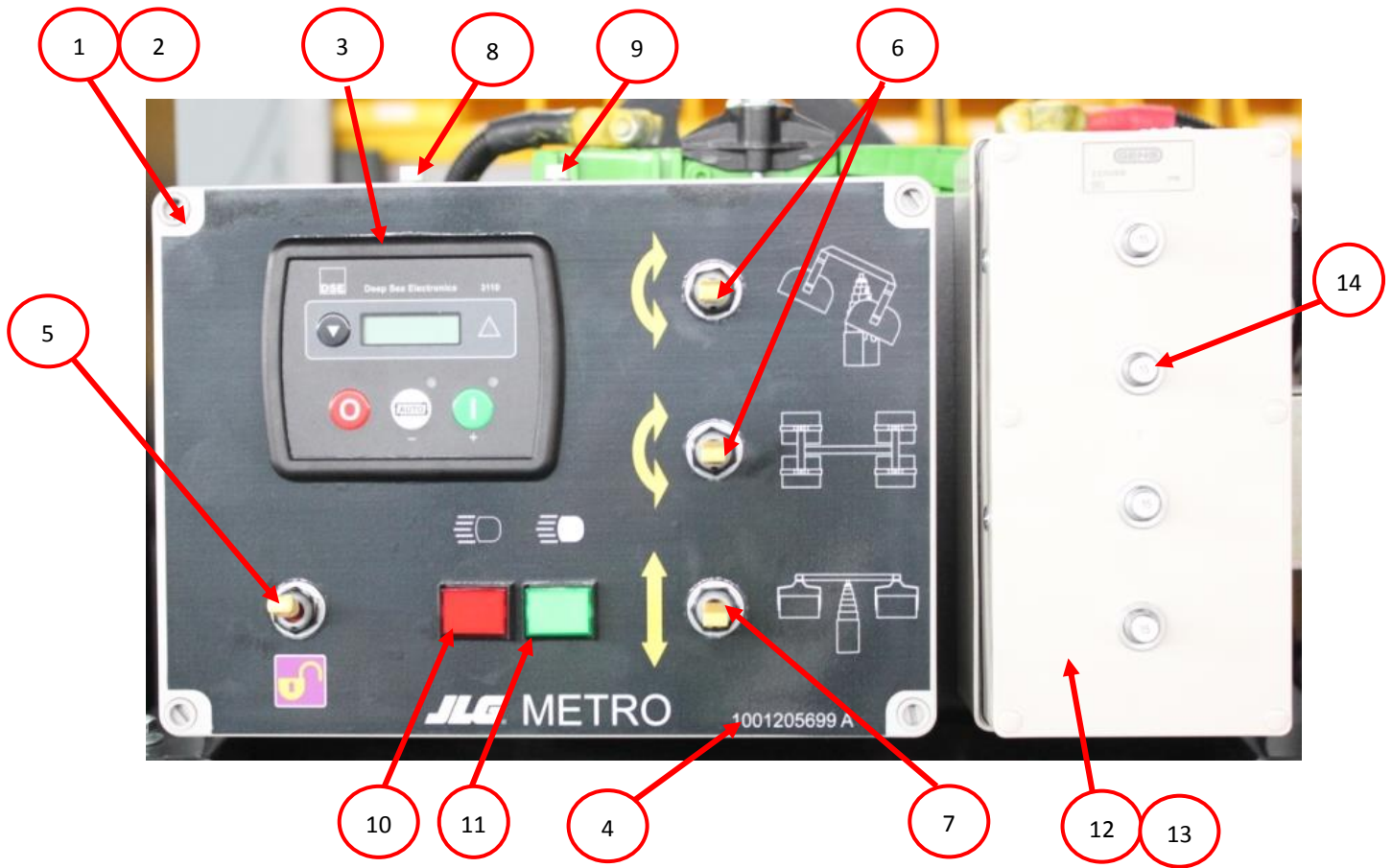


METRO-LED

SEQ.#	ITEM NO.	DESCRIPTION	QTY
1	0760817	HEX HEAD BOLT, M8 X 45 CLASS 8.8	2
2	0760820	HEX HEAD BOLT, M8 X 60 CLASS 8.8	1
3	0760824	HEX HEAD BOLT, M8 X 80 CLASS 8.8	1
4	0701620	HEX HEAD BOLT, M16 X 60 CLASS 8.8	4
5	3290805	HEX LOCK NUT, M8 X 1.25 CLASS 8	4
6	3291605	HEX LOCK NUT, M16 X 2 CLASS 8	4
7	3391210	PIN, SPLIT 3.2 X 30 mm	2
8	4740418	WASHER, 1.12 X 2.50 X .18 BRONZ	1
9	4812100	WASHER, 12 mm	2
10	4831900	LOCKWASHER, SPRING 8 mm	4
11	4832300	LOCKWASHER, SPRING 16 mm	4
12	1001159798	PIN, LIGHTHEAD PIVOT	1
13	1001160216	WASHER, NYLON, 12 mm	2
14	1001205374	BOX, MAST JUNCTION METRO	1
15	1001206281	SUPPORT, LIGHTS LIGHT TOWER	1
16	1001206336	BRACKET, ASSY LIGHT HEAD PIVOT	1
17	1001215796	PLUG, PLASTIC INTERNAL 75 X 50 mm	2
18	1001189519	LAMP, 350 W LED	4
18-01	1001216542	LAMP, TRUNNION LED PSI	A/R
18-02	1001216545	LAMP, 30 DEG HANDLE LED PSI	A/R
18-03	1001238920	BOLT, ½-13 HEX HEAD CAP SCREW STAINLESS STEEL	A/R
18-04	10721477	WASHER, STAR, 1/2	A/R
18-05	11009080	LOCKWASHER, 1/2 SPR-TYPE SS	A/R
18-06	1001238921	NUT-SPEC, ½-13 SQUARE STAINLESS STEEL	A/R
18-07	1001216538	LAMP, DRIVER 30-60VDC LED PSI	A/R
18-08	1001216539	LAMP, MODULE 60D LED PSI	A/R
18-09	1001216540	LAMP, MODULE 40D LED PSI	A/R
18-10	1001216541	LAMP, 3 PORT CONN LED PSI	A/R
18-11	1001216544	LAMP, CORD, 16/3 60' LED PSI	A/R
18-12	1001234111	LAMP, 2 PORT CABLE LED PSI	A/R
18A	1001212131	LAMP, LED 48VDC 300W, 90-90 LENS	4
18A-01	1001217124	LAMP, LENS COVER, SINCRO 300W	A/R
18A-02	1001217125	LAMP, LENS RING, SINCRO 300W	A/R
18A-03	1001217126	LAMP, LENS 110MM-90 DEG, SINCRO	A/R
18A-04	1001217127	LAMP, WIRING BOARD, SINCRO 300 W	A/R
18A-05	1001217128	LAMP, LED DRIVER, SINCRO 300 W	A/R
18A-06	1001217129	LAMP, RUBBER CABLE, SINCRO 300 W	A/R
18A-07	1001212987	BRACKET, TRUNNION, SINCRO 300 W	A/R
18A-08	1001217130	LAMP, TRUNNION MOUNT, SINCRO 300	A/R
19	1001206338	ACTUATOR, ELECTRIC, 100KG	2

METRO-LED

ELECTRICAL ASSEMBLY MANUAL CONTROL

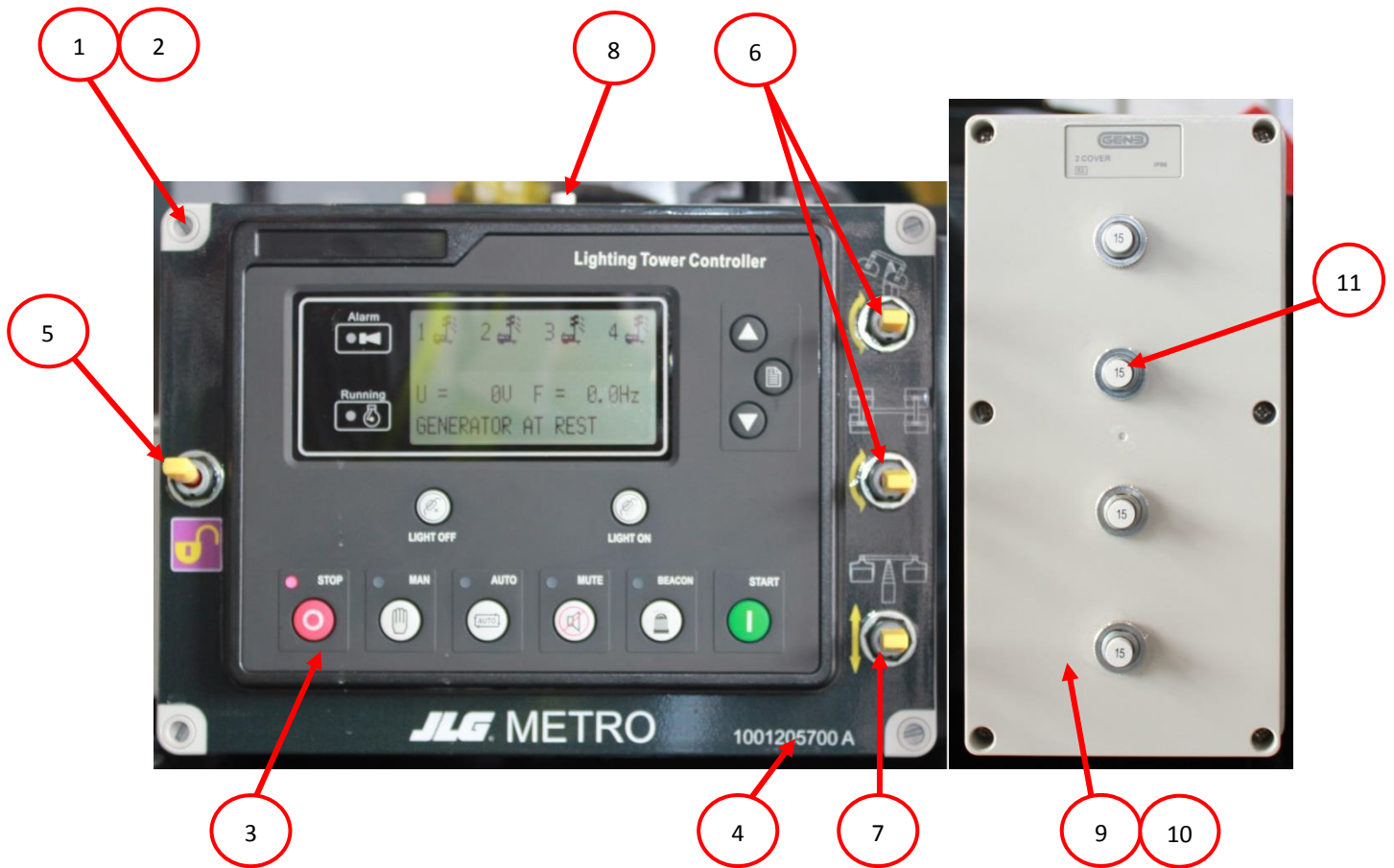


SEQ.#	ITEM NO.	DESCRIPTION	QTY
1	1001204625	BOX, CONTROL BASE MANUAL	1
2	1001204626	COVER, CONTROL BOX MANUAL	1
3	1001202721	CONTROLLER, MANUAL	1
4	1001205699	DECAL, METRO MANUAL CONTROL BOX	1
5	4360483	SWITCH TOGGLE	1
6	4360314	SWITCH, TOGGLE	2
7	4360328	SWITCH, TOGGLE	1
8	4360161	SWITCH, CIRCUIT BREAKER 20 AMP	1
9	4360070	15 A CIRCUIT BREAKER	1
10	1001204575	LATCHING PUSH BUTTON RED	1
11	1001204574	LATCHING PUSH BUTTON GREEN	1
12	1001207141	BOX, RELAY	1
13	1001207039	COVER, RELAY	1
14	4360070	SWITCH CIRCUIT BREAKER 15 A	4

METRO-LED

ELECTRICAL ASSEMBLY

AUTO-START CONTROL (PRIOR S/N: M4L0000335)

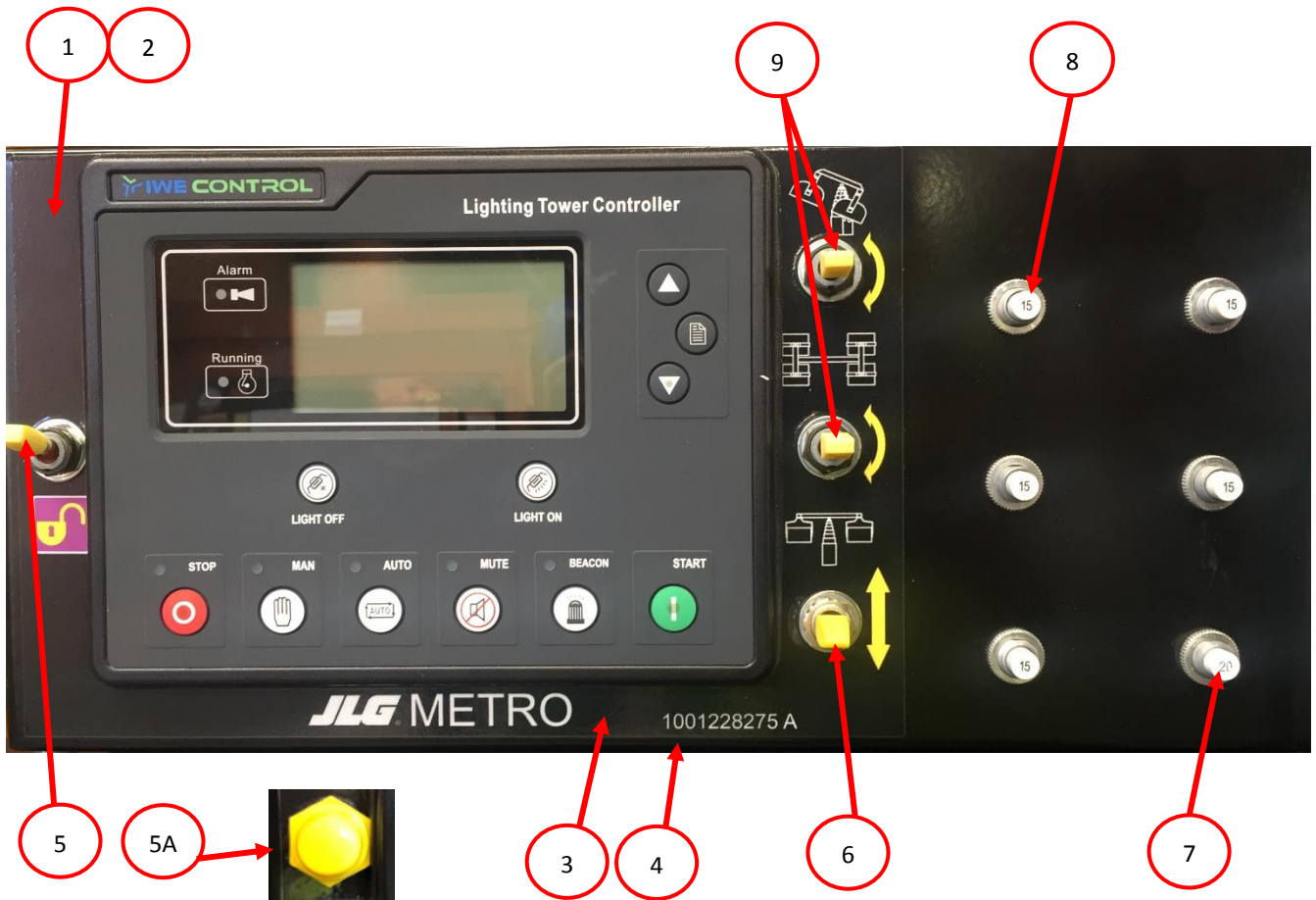


SEQ.#	ITEM NO.	DESCRIPTION	QTY
1	1001207226	BOX, CONTROL BASE AUTO	1
2	1001205187	COVER, CONTROL BOX AUTO	1
3	1001209453	CONTROL, LED LT ENGINE AUTO	1
4	1001205700	DECAL, METRO LED AUTO START	1
5	4360483	SWITCH TOGGLE	1
6	4360314	SWITCH, TOGGLE	2
7	4360328	SWITCH, TOGGLE	1
8	4360161	SWITCH, CIRCUIT BREAKER 20 A	2
9	1001207141	BOX, RELAY	1
10	1001207039	COVER, RELAY	1
11	4360070	SWITCH CIRCUIT BREAKER 15 A	4

METRO-LED

ELECTRICAL ASSEMBLY

AUTO-START CONTROL (FROM S/N: M4L0000335)



SEQ.#	ITEM NO.	DESCRIPTION	QTY
1	1001228500	BOX, CONTROL METRO AUTO LED STEEL	1
2	1001218508	PLATE, CONTROL BOX AUTO METRO LED (NOT SHOWN)	1
3	1001209453	CONTROL, LED LT ENGINE AUTO	1
4	1001228275	DECAL, METRO LED AUTO START	1
5	4360483	SWITCH TOGGLE (PRIOR S/N: M4L0000694)	1
5A	4360387	SWITCH, PUSH BUTTON (FROM S/N: M4L0000694)	1
6	4360328	SWITCH, TOGGLE	1
7	4360161	SWITCH, CIRCUIT BREAKER 20 A	1
8	4360070	SWITCH CIRCUIT BREAKER 15 A	5
9	4360314	SWITCH, TOGGLE	2

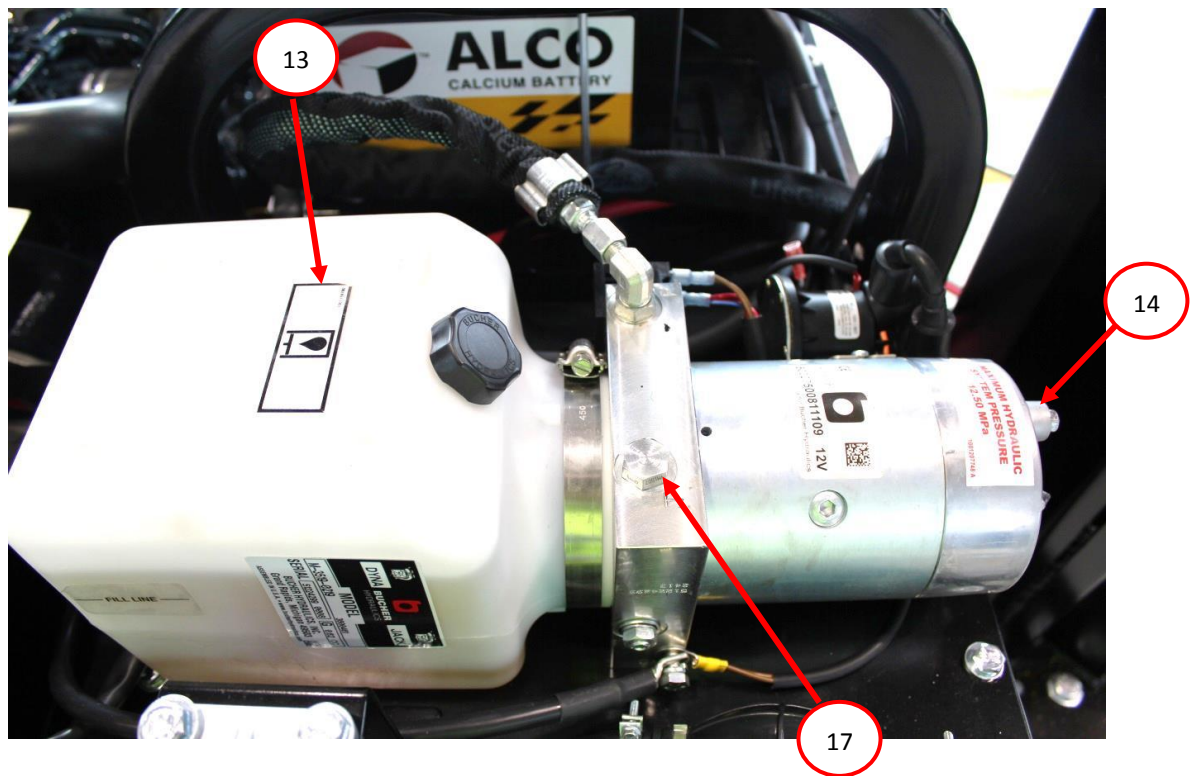
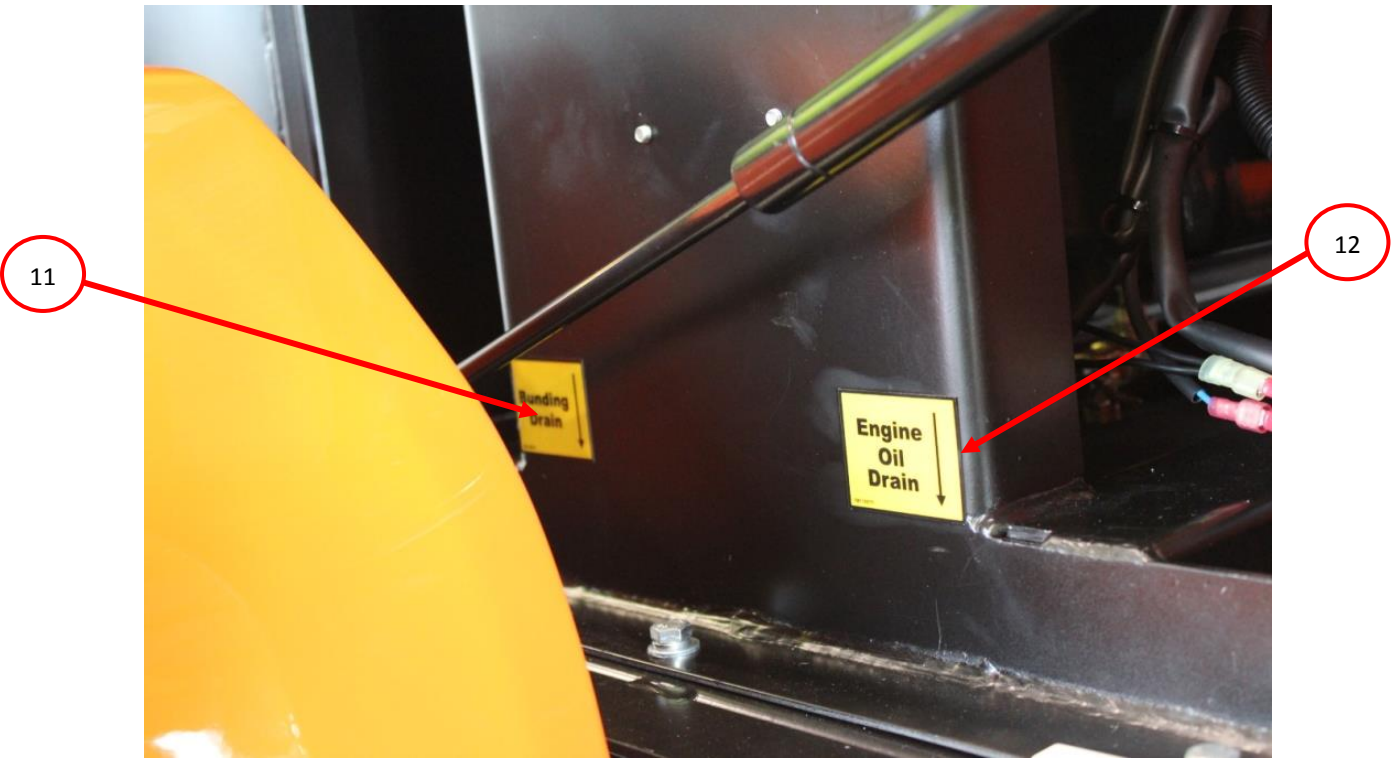
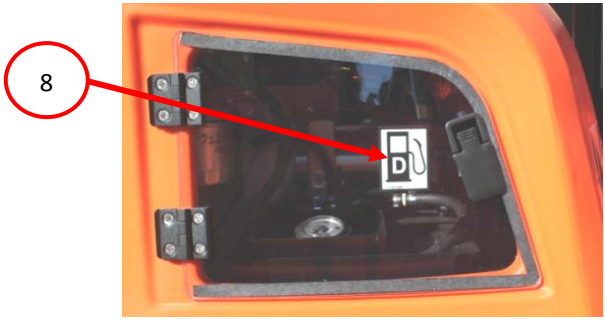
DECALS AND MISCELLANY



METRO-LED



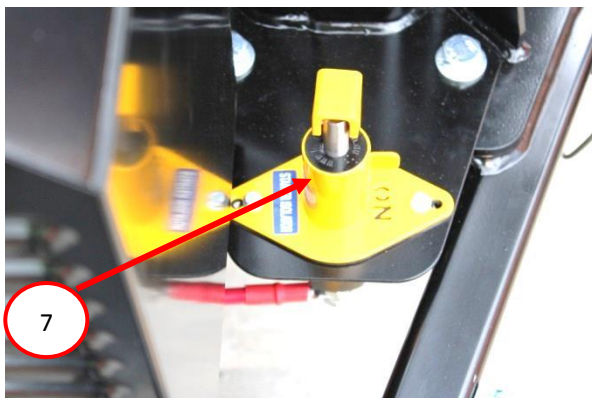
METRO-LED



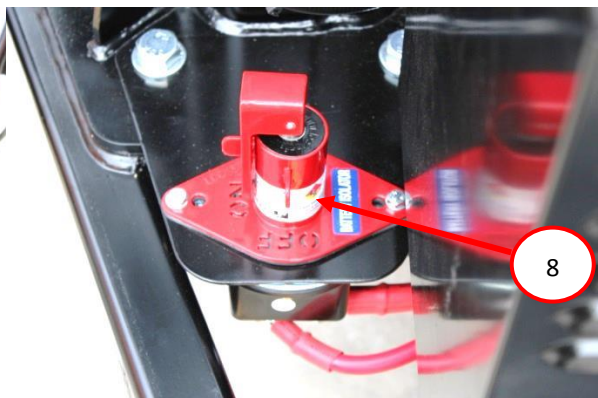
METRO-LED

SEQ.#	ITEM NO.	DESCRIPTION	QTY
1	1702009	DECAL, JLG BLACK 3.25"	3
2	1001209098	DECAL, METRO LED	1
3	1702300	DECAL, TIE DOWN	4
4	1703073	DECAL, FORK LIFT POINT	4
5	1701785	DECAL, DANGER	4
6	1001159779	DECAL, DANGER ELEC	2
7	1001159774	DECAL, DANGER TIPPING/ELEC LT	1
8	1701505	DECAL, FUEL	1
9	1700037	DECAL, GROUND CONTROL	1
10	1701500	DECAL, TIE DOWN/LIFT	1
11	1001159775	DECAL, BUNDING DRAIN	2
12	1001159777	DECAL, ENGINE OIL DRAIN	1
13	1001159780	DECAL, HYDRAULIC OIL	1
14	1001207748	DECAL, HYDRAULIC PRESSURE 12.5 MPa	1
15	1001218636	DECAL, CAUTION, STAND CLEAR OF MAST	1
16	1001222555	DECAL, CONTROLLER PWR SAVE MODE	1
15	2220237	FITTING 9/16" UNO PLUG	2

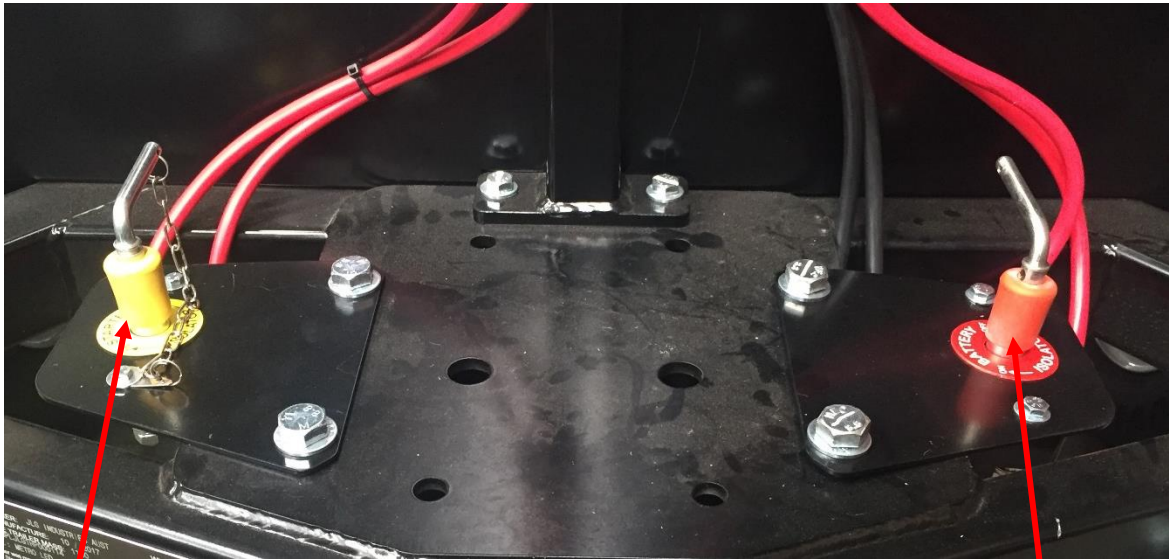
METRO-LED OPTIONS



DETAIL A

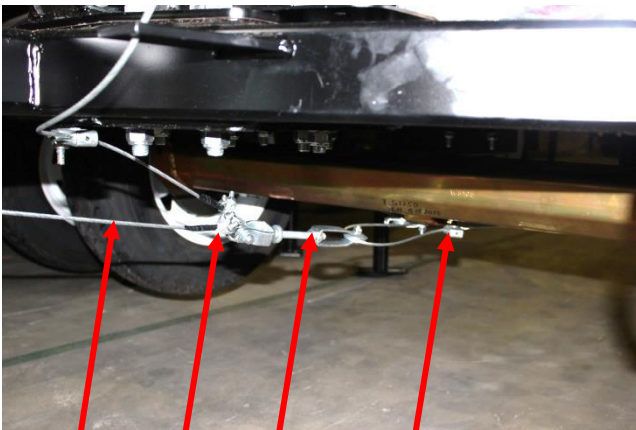


DETAIL B



7A

8A

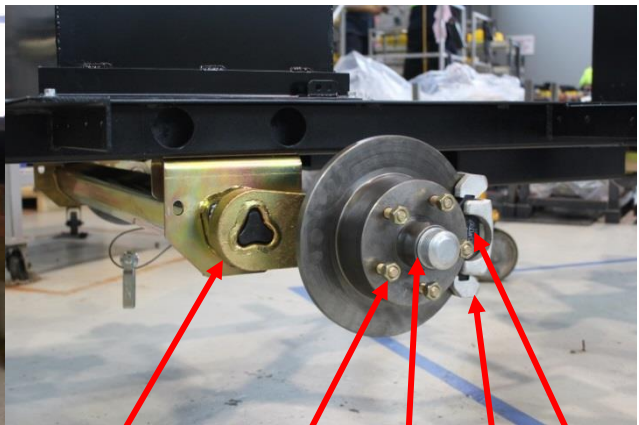


15

16

17

18



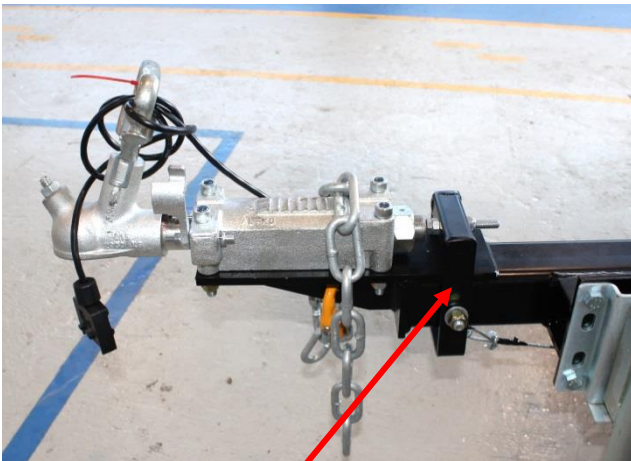
9

26

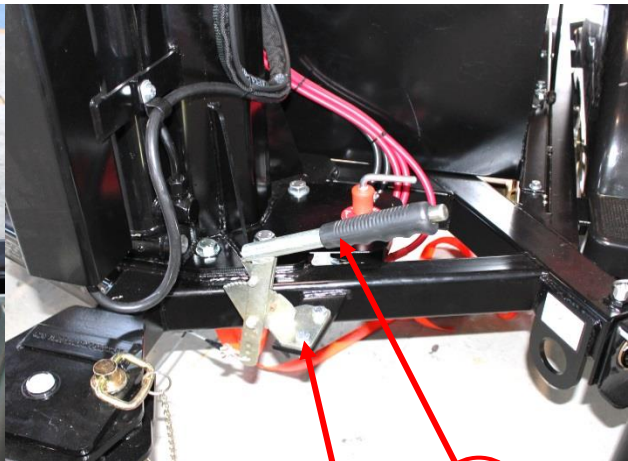
27

20

19



10



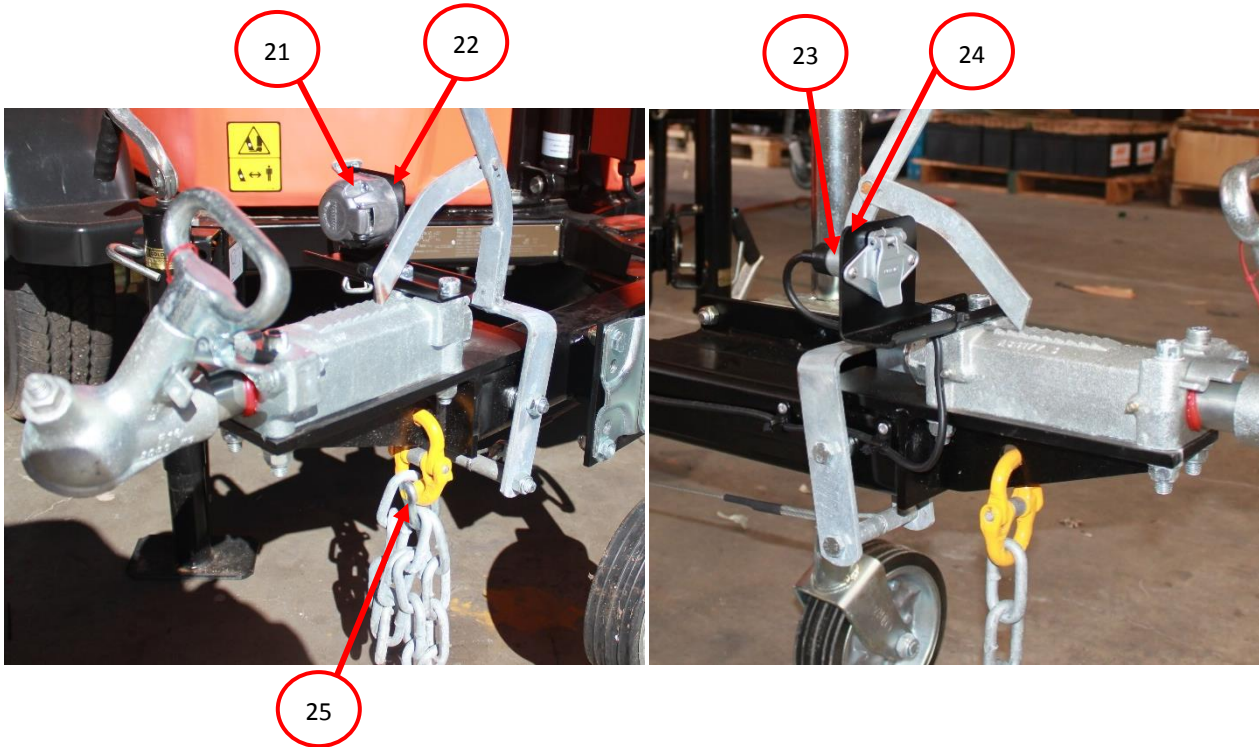
14

13

12

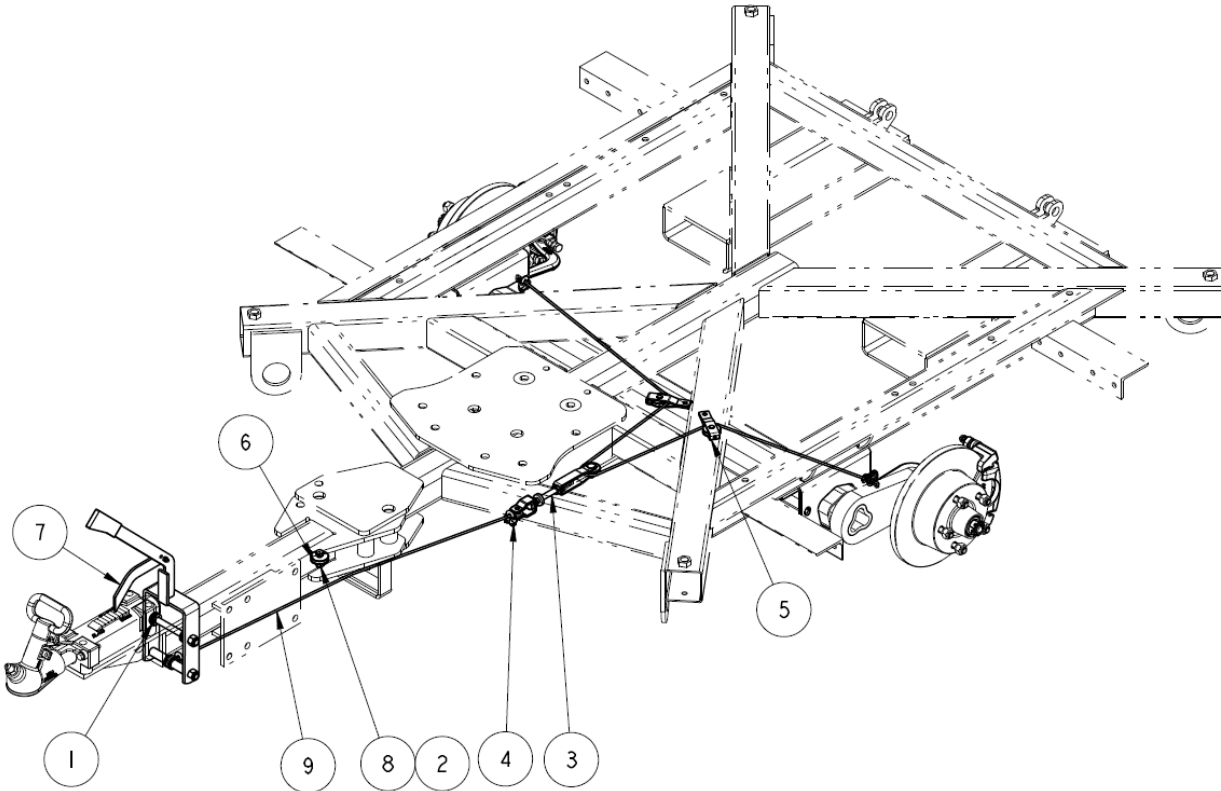
11

METRO-LED



SEQ.#	ITEM NO.	DESCRIPTION	QTY
1	1001211018	BRACKET, WHEEL CHOCK PLASTIC	2
2	1001211017	WHEEL, CHOCK PLASTIC BLACK	2
3	1001172068	BEACON, LED LT	1
4	1734123	FIRE, EXTINGUISHER 4.5 kg ABE	1
5	1733394	BRACKET HD 4.5 kg FIRE EXT	1
6	1737513	TAPE, DG3 FLURO 45MT REFLECT	3.8M
7	1001207028	KIT, STARTER ISOLATOR, LOCKSAFE	1
7A	1001207026	KIT, STARTER ISOLATOR	1
8	1001207027	KIT, BATTERY ISOLATOR, LOCKSAFE	1
8A	1001207025	KIT, BATTERY ISOLATOR SWITCH	1
9	1001207381	AXLE, MECHANICAL DISC BRAKE	1
10	1001211704	BRAKE, STIRRUP WELDMENT CABLE	1
11	1001212259	LEVER, HAND BRAKE	1
12	0701014	HEX HEAD BOLT, M10 X 30 CLASS 8.8	2
13	3291005	HEX LOCK NUT, M10 X 1.5 CLASS 8	2
14	4812002	WASHER, 10 mm LG OD	2
15	1001211467	CABLE, BRAKE 4 mm	A/R
16	1001211466	BRAKE, CABLE CLIP 5 mm	4
17	1001211465	CONTROL, BRAKE CABLE ADJUSTER	1
18	1001211468	BRAKE, CABLE PULLEY	2
19	1734700	BRAKE PAD	2
20	1001232478	BRAKE, CALIPER ASSY MECH DISC	2
21	1730894	SOCKET, 7 PIN LARGE ROUNG TRAILER	1
22	1001232364	BRACKET, TRAILER PIN SOCKET	1
23	1734626	SOCKET, TRAILER 6 PIN	1
24	1001232365	BRACKET, TRAILER PIN SMALL SKT	1
25	WSS0015SCD	SHACKLE,1.5T 11 mm SCREW DEE S	1
26	1730886	WHEEL NUT ½" UNF Z/P – 6308A	10
27	1001245040	KIT, BEARING AND SEAL MECH DISC AXLE	2

CABLE BRAKE ARRANGEMENT (FROM S/N: M4L0000227)



SEQ.#	ITEM NO.	DESCRIPTION	QTY
1	4812100	WASHER, 12mm	8
2	0700814	HEX HEAD BOLT, M8 X 30 CLASS 8.8	1
3	1001211465	CONTROL, BRAKE CABLE ADJUSTER	1
4	1001211466	BRAKE, CABLE CLIP 5mm	4
5	1001211468	BRAKE, CABLE PULLEY	2
6	1001213685	BRAKE, CABLE PULLEY	1
7	1001217927	LEVER, ASSEMBLY HANDBRAKE	1
8	3290805	HEX LOCK NUT, M8 X 1.25 CLASS 8	1
9	1001211467	CABLE, BRAKE 4 mm	A/R