

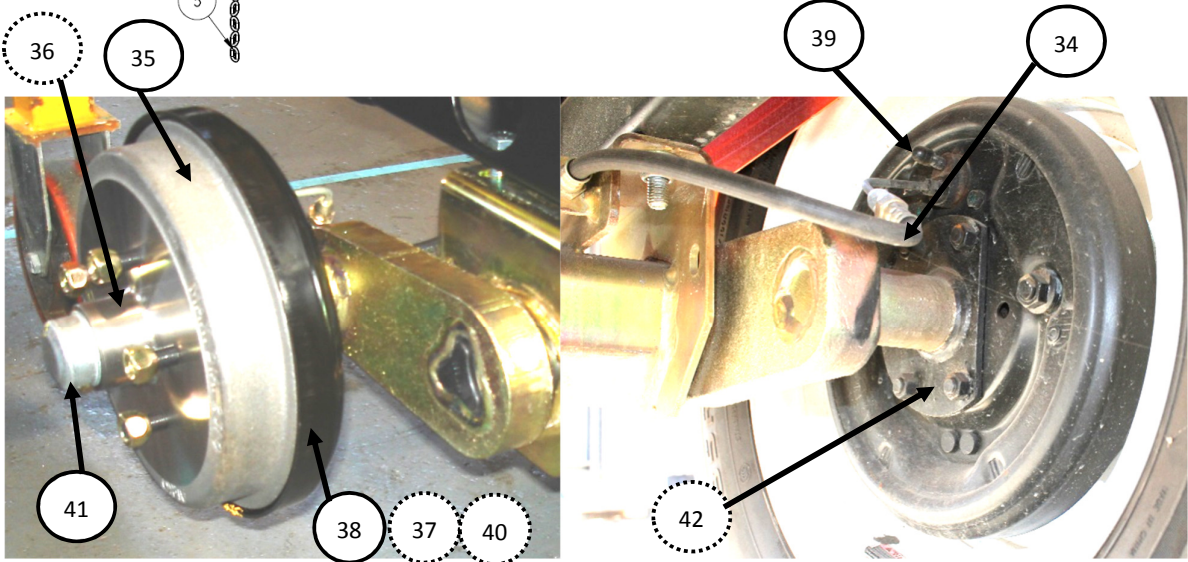
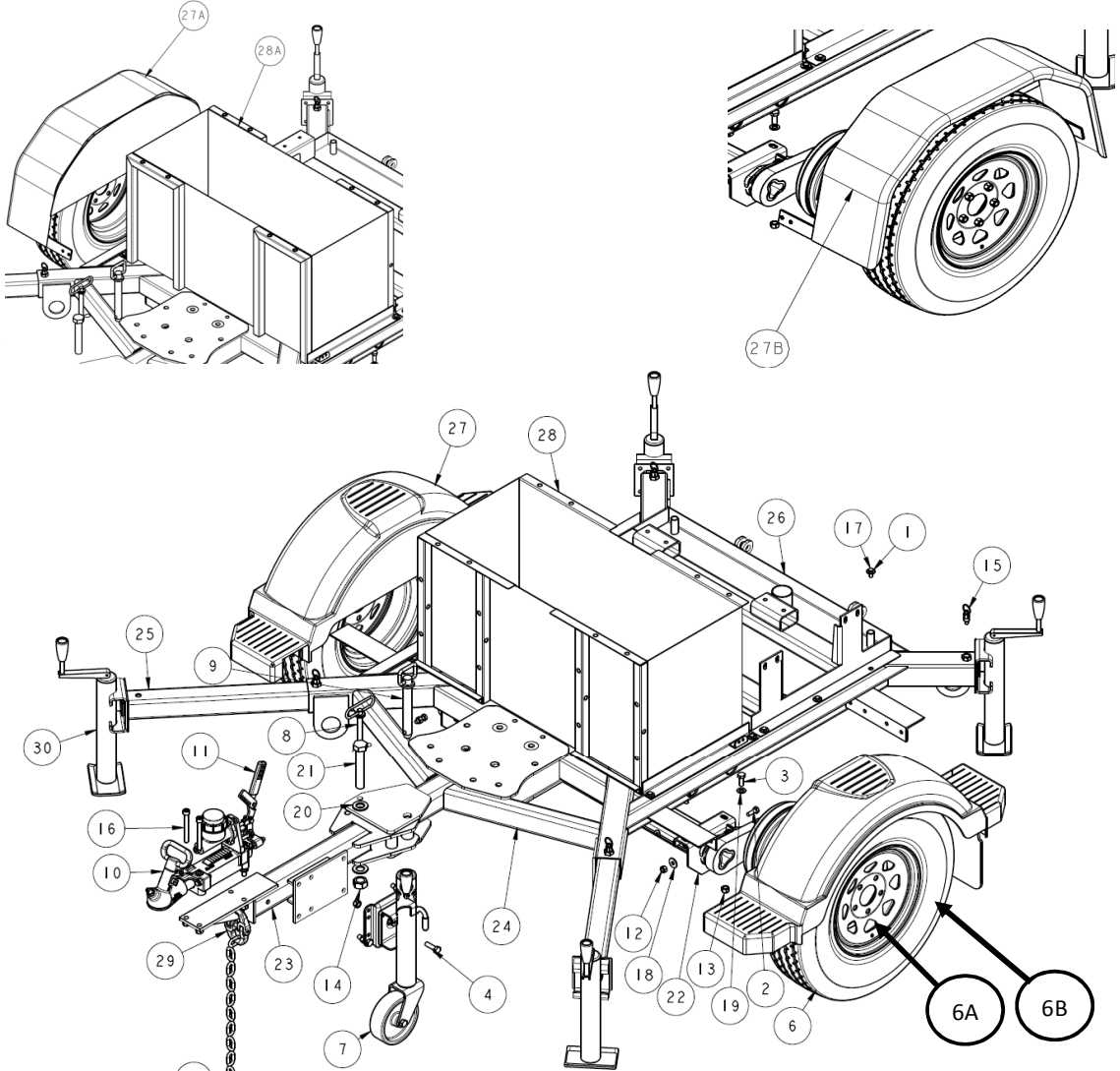
SECTION THREE

PARTS MANUAL

CONTENTS	Page
• Chassis Assembly	1-2
• Lifting & Fuel Tank Assembly	1-5
• Battery, Ballast & Power pack Assembly	1-6
• Engine & Alternator Assembly	1-8
• Hoods Assembly	1-11
• Mast Assembly	1-15
• Mast Section 1	1-17
• Mast Section 2	1-19
• Mast Section 3	1-21
• Mast Section 4	1-23
• Mast Section 5	1-25
• Mast Section 6	1-27
• Mast Section 7	1-29
• Light Head	1-30
• Electrical Assembly	1-32
• Decal & Miscellaneous Parts	1-34
• Options	1-38
• Cable Brake Arrangement	1-41

METRO-MH

CHASSIS ASSEMBLY



METRO-MH



7A



7B



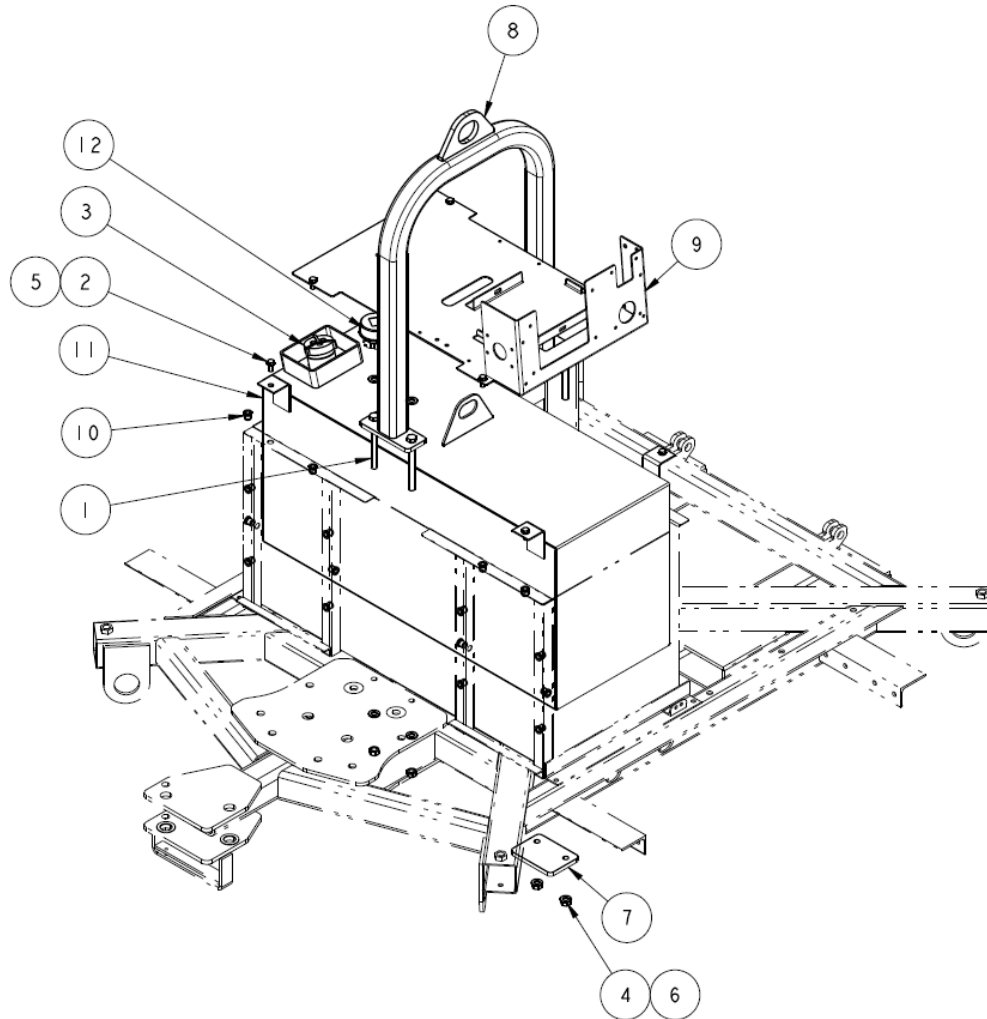
7C

SEQ.#	ITEM NO.	DESCRIPTION	QTY
1	0760810	HEX HEAD BOLT, M8 X 20 CLASS 8.8	10
2	0761014	HEX HEAD BOLT, M10 X 30 CLASS 8.8	8
3	0711214	HEX HEAD BOLT, M12 X 30 CLASS 10.9	4
4	0761214	HEX HEAD BOLT, M12 X 30 CLASS 8.8	4
5	1730753	CHAIN, TRAILER SAFETY	1
6	1730912	ASSY, TIRE/WHEEL	2
6A	1001238924	WHEEL, RIM 14X6 WHITE RANGER	2
6B	1001238925	TYRE, 185R14C 102/100R 850 KG	2
7	1001204567	JACK, JOCKEY WHEEL 6" (OPTION)	1
7A	1730952	JOCKEY WHEEL, 8" BLACK (OPTION)	1
7B	1001217920	WHEEL, JOCKEY 8" ALKO	1
7C	1001233857	WHEEL, JOCKEY 8" EZYROLL (OPTION)	1
8	1733192	PIN, HITCH	1
9	1733267	PIN, REWORK CLEVIS 1.00 X 6	1
10	1001159424	COUPLING, 50 mm TOW BALL	1
11	1737060	CYLINDER, MASTER BRAKE ASSY.	1
12	3291005	HEX LOCK NUT, M10 X 1.5 CLASS 8	8
13	3331215	HEX LOCK NUT, M12 X 1.75 CLASS 10	8

METRO-MH

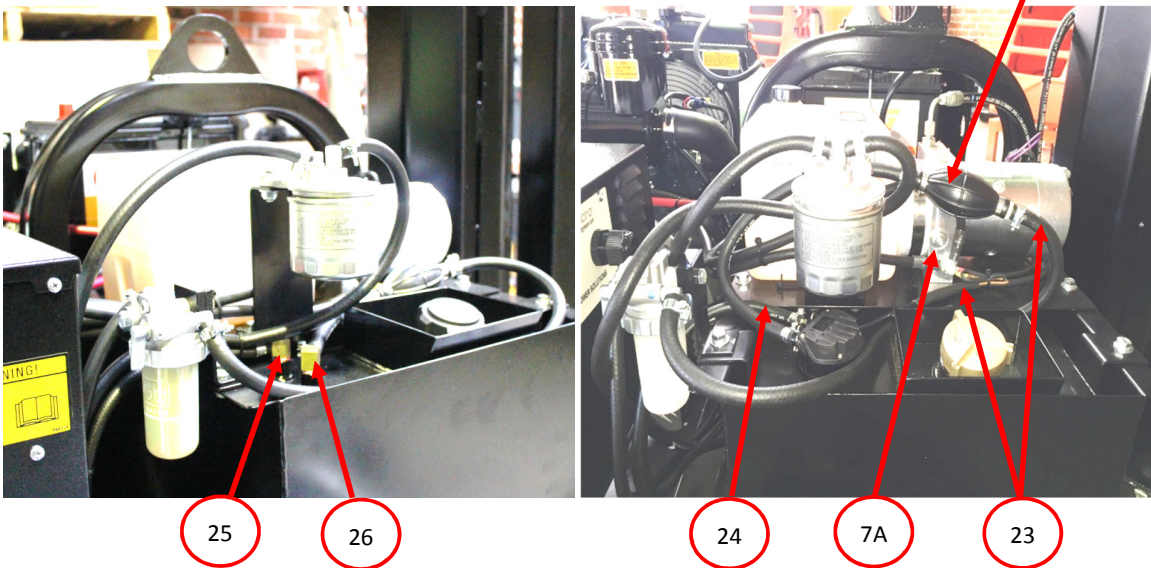
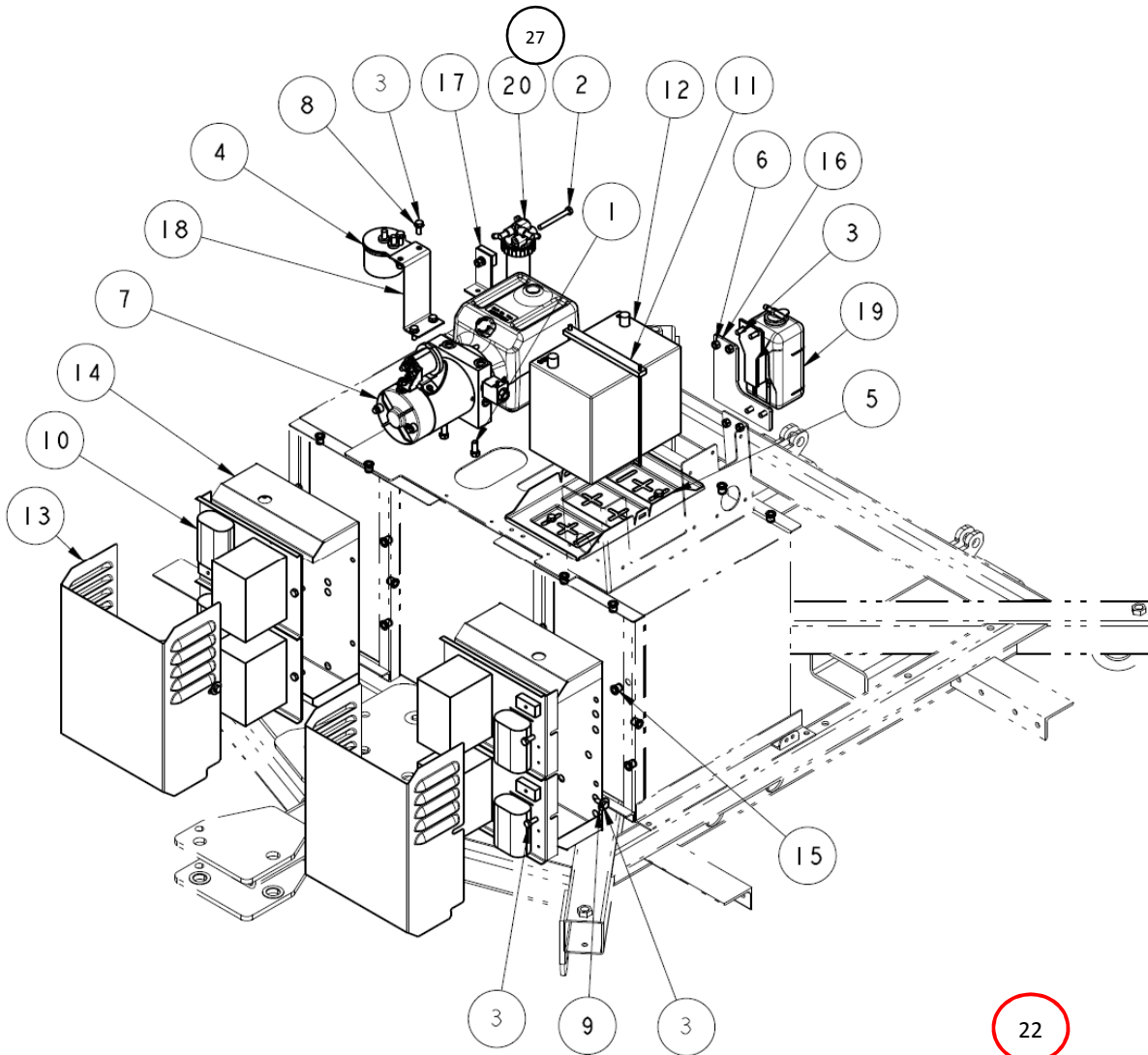
SEQ.#	ITEM NO.	DESCRIPTION	QTY
14	1001098827	HEX LOCK NUT, M24 X 3 CLASS 10	1
15	3422369	PIN, PLUNGER	4
16	1001212780	HEX SOCKET HEAD BOLT, M12 X 100 CLASS 12.9	4
17	4811902	WASHER, 8 mm LG OD	10
18	4812002	WASHER, 10 mm LG OD	8
19	4812100	WASHER, 12 mm	8
20	4812700	WASHER, 24 mm	2
21	1001108971	HEX HEAD BOLT, M24 X 140 CLASS 10.9	1
22	1001159428	AXLE, METRO HYDRAULIC BRAKE	1
22A	1001207381	AXLE, CABLE DISC BRAKE METRO (OPTION)	1
23	1001201167	HITCH, ASSY FOLDED METRO	1
24	1001201176	FRAME, WELDMENT METRO UNIVERSAL	1
25	1001201405	STABILIZER, WELDMENT	4
26	1001203087	SUPPORT, D905 GENSET	1
27	1001207379	MUDGUARD, 14 INCH PLASTIC	2
27A	1001202275	SHIELD, WELDMENT RH METRO	1
27B	1001202276	SHIELD, WELDMENT LH METRO	1
28	1001210789	FRAME, FUEL TANK BUNDING MH	1
28A	1001201399	FRAME, FUEL TANK BUNDING	1
29	1001204723	CHAIN, CONNECTING LINK	1
30	A330008	ASSEMBLY, REAR OUTRIGGER JACK	4
31	1001205758	HOSE ASSY, METRO DRUM BRAKE (NOT SHOWN)	1
32	1001172072	HARNESS, TAIL LIGHT PN 5C430 (NOT SHOWN)	1
33	1001172073	HARNESS, TAIL LIGHT PN 4C110 (NOT SHOWN)	1
34	1001233026	HOSE ASSY, METRO DRUM BRAKE (SHORT)	2
35	1732109	HUB, BRAKE DRUM	2
36	1001233028	KIT, WHEEL BEARING AND SEAL (HYD HUB)	2
37	1734149	BRAKE SHOES, PAIR	2
38	1001233031	PLATE, PAIR BACKING HYD BRAKE	2
39	1001233032	BRAKE, BLEED SCREW 9" HYDRAULIC	2
40	1730882	BRAKE WHEEL CYLINDER, 9" HYDRAULIC	2
41	1734703	AXLE DUST CAP - K13	2
42	1734710	SEAL, HUB AXLE BEARING	2

LIFTING & FUEL TANK ASSEMBLY



SEQ.#	ITEM NO.	DESCRIPTION	QTY
1	0711230	HEX HEAD BOLT, M12 X 130 CLASS 10.9	4
2	0760810	HEX HEAD BOLT, M8 X 20 CLASS 8.8	8
3	1001204660	GAUGE, FUEL METRO (PRIOR S/N: M4M0000059)	1
3A	1120314	CAP, FUEL TANK FILLER (FROM S/N: M4M0000059)	1
4	3331215	HEX LOCK NUT, M12 X 1.75 CLASS 10	4
5	4811902	WASHER, 8 mm LG OD	8
6	4812100	WASHER, 12 mm	8
7	1001202716	PLATE, LIFTING LUG MOUNT REAR	1
8	1001202720	LUG, WELDMENT LIFTING METRO	1
8A	1001205928	LUG, WELDMENT LIFTING METRO (FOR MOULDED HOOD)	1
9	1001202855	BRACKET, CONTROL BOX MOUNT	1
10	1001205301	RIVET, M8 X 1.25 SHORT NUTSERT	10
11	1001201412	TANK, WELDMENT FUEL METRO (PRIOR S/N: M4M0000059)	1
11A	1001218157	TANK, WELDMENT FUEL METRO (FROM S/N: M4M0000059)	1
12	1001219626	SENSOR, FUEL (FROM S/N: M4M0000059)	1
13	1001179341	LTR, INSERTION RUBBER 50 X 3 mm (NOT SHOWN)	0.75 m

BATTERY, BALLAST & POWER PACK ASSEMBLY

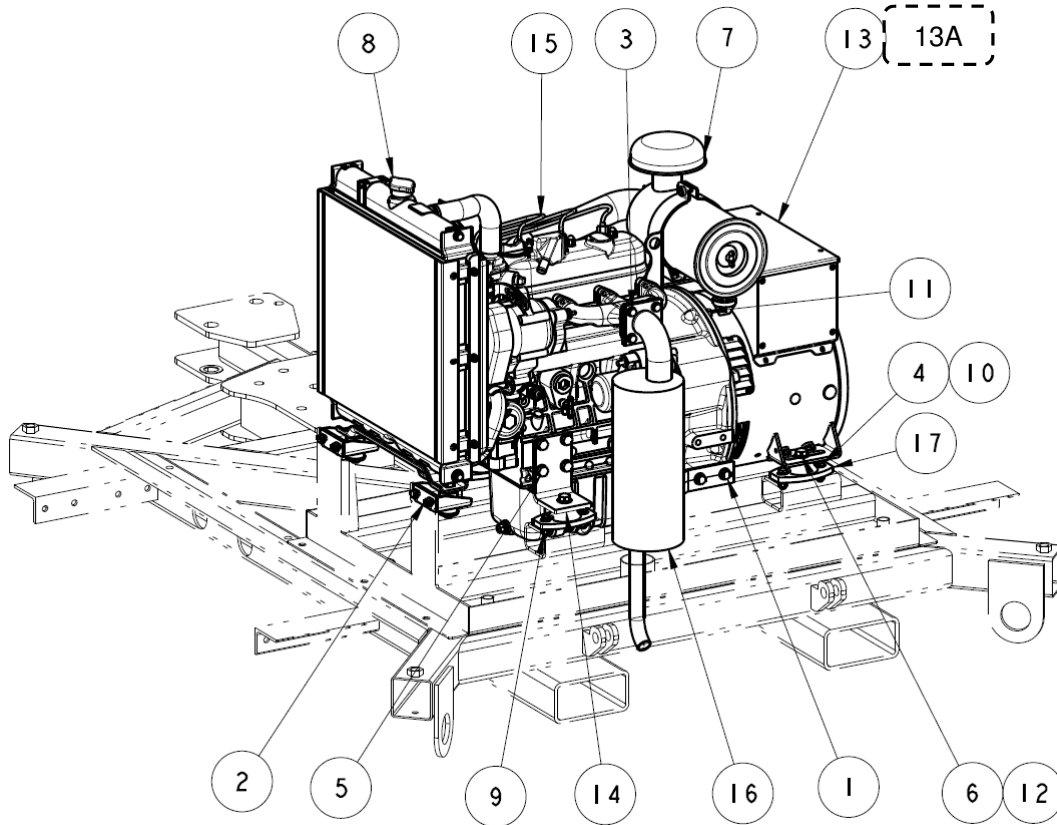


METRO-MH

SEQ.#	ITEM NO.	DESCRIPTION	QTY
1	0681607	HEX HEAD BOLT, 3/8"-16 X 7/8 GRADE 8	2
2	0700823	HEX HEAD BOLT, M8 X 75 CLASS 8.8	1
3	0760810	HEX HEAD BOLT, M8 X 20 CLASS 8.8	22
4	1730930	FUEL FILTER	1
5	1731207	BATTERY TRAY, 314 X 185 PVC (PRIOR S/N: M4M0000059)	1
6	3290805	HEX LOCK NUT, M8 X 1.25 CLASS 8	9
7	1001210709	POWERPACK, HYDRAULIC C/W TANK & PRESSURE RELIEF VALVE	1
7A	1001246647	SEALING WASHER, 3/8UNC 750 SERIES PRV ADJUSTING SCREW	A/R
8	4811900	WASHER, 8 mm	15
9	4811902	WASHER, 8 mm LG OD	4
10	1001212696	ELECTRICAL ASSY, BALLAST	4
11	1001160992	CLAMP, BATTERY HOLD DOWN	1
12	1001160993	BATTERY, 12 V	1
13	1001202949	SHIELD, BALLAST METRO	2
14	1001204847	SUPPORT, BALLAST METRO	2
15	1001205301	RIVET, M8 X 1.25 SHORT NUTSERT	12
16	1001206644	BRACKET, OVERFLOW CONTAINER	1
17	1001210885	BRACKET, ASSY FUEL FILTER MOUNT	1
18	1001171776	BRACKET, FUEL FILTER FINISHED	1
19	1001212181	CONTAINER, COOLANT BOTTLE Z482	1
20	KU1583143353	FILTER, ASSY WATER SAPERATER Z482	1
21	1001208672	CABLE, KIT BATTERY METRO (NOT SHOWN)	1
22	1730815	FUEL LINE PRIMER BULB	1
23	1735652	FUEL HOSE 5/16"	5.0 m
24	1737576	FUEL HOSE 3/16"	1.2 m
25	1730939	HOSETAIL, ¼ BSPT X ¼ HOSE 90 DEG (PRIOR S/N: M4M0000059)	1
26	1001187892	FTG-PIPE, 1/4 NPT X 5/16 HOSE (PRIOR S/N: M4M0000059)	1
27	KU1583143380	WATER SEPARATOR CARTRIDGE	1

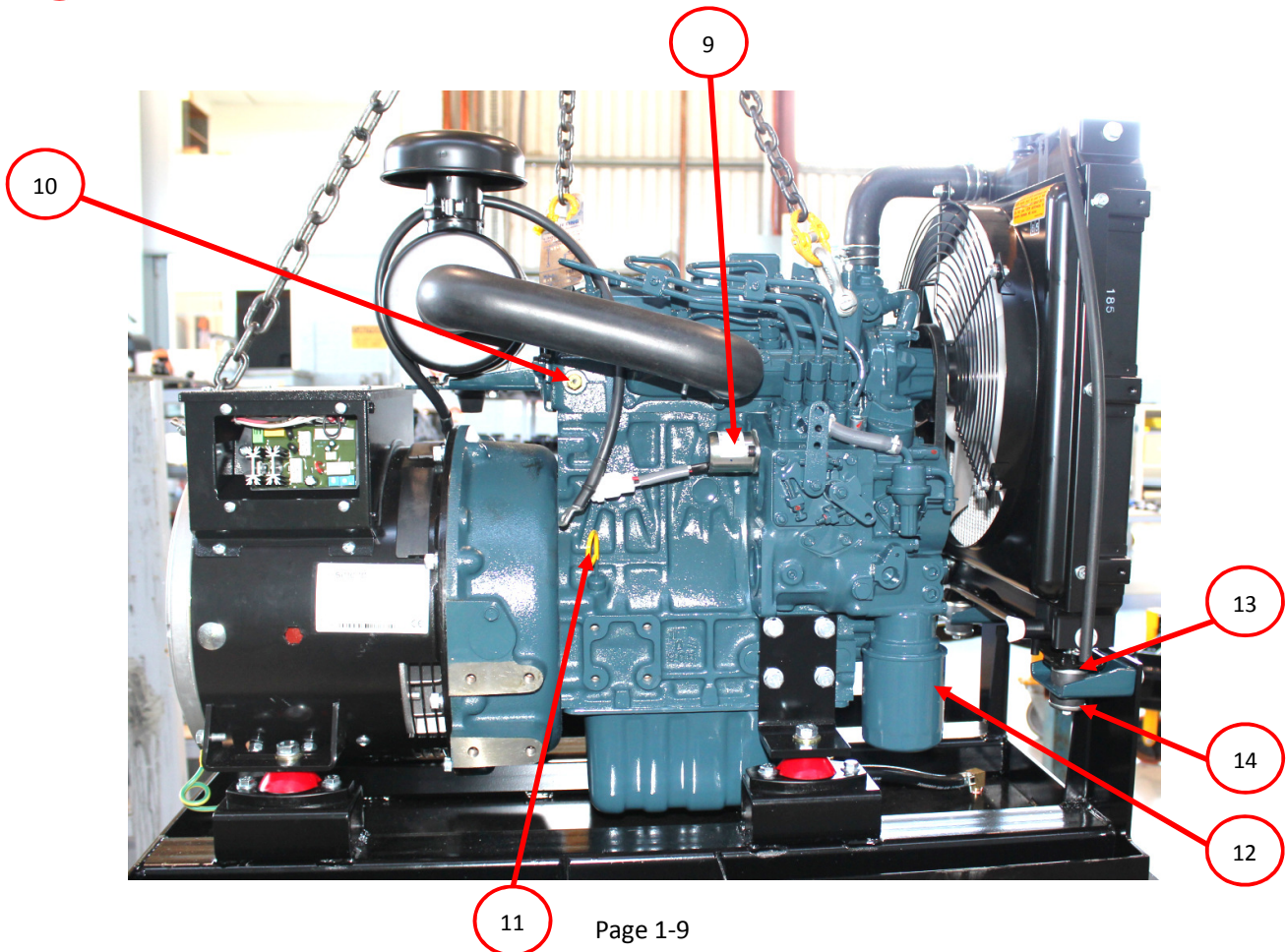
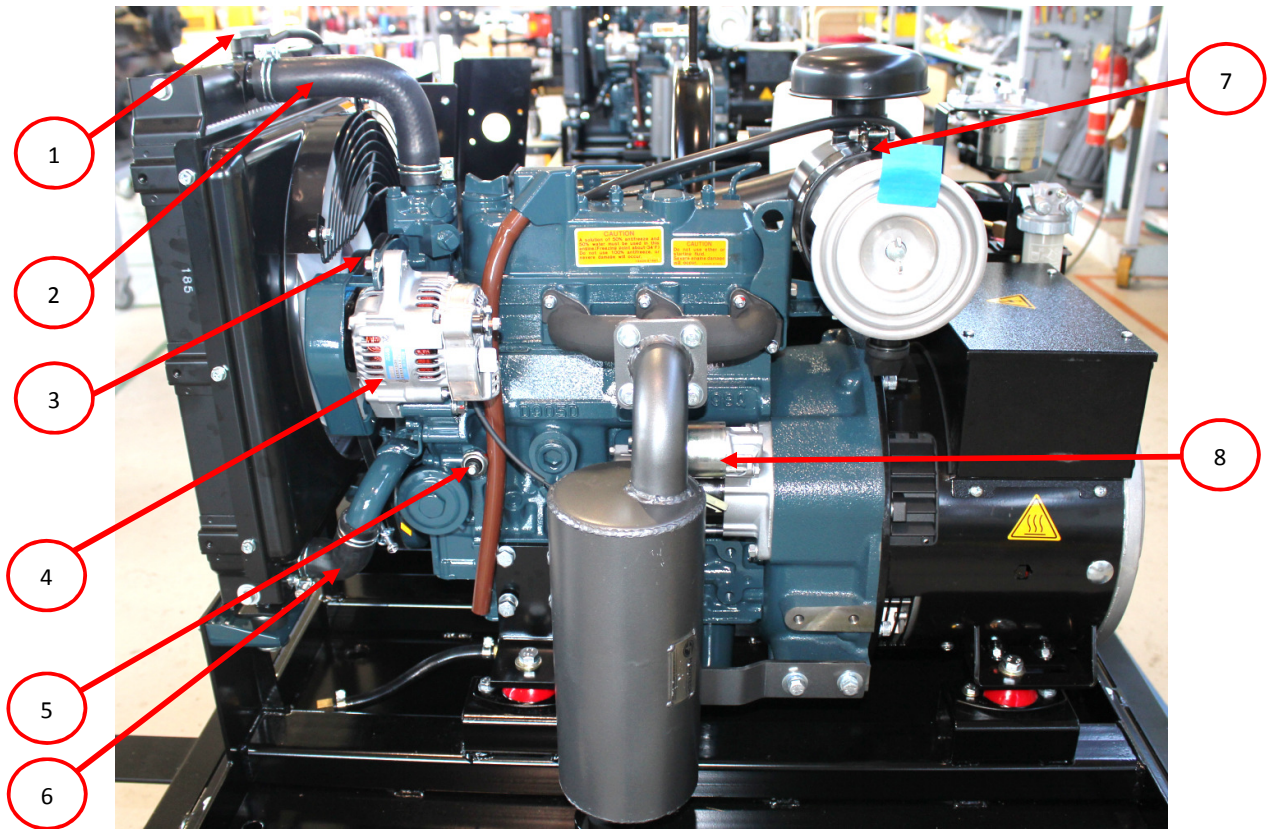
METRO-MH

ENGINE & ALTERNATOR ASSEMBLY

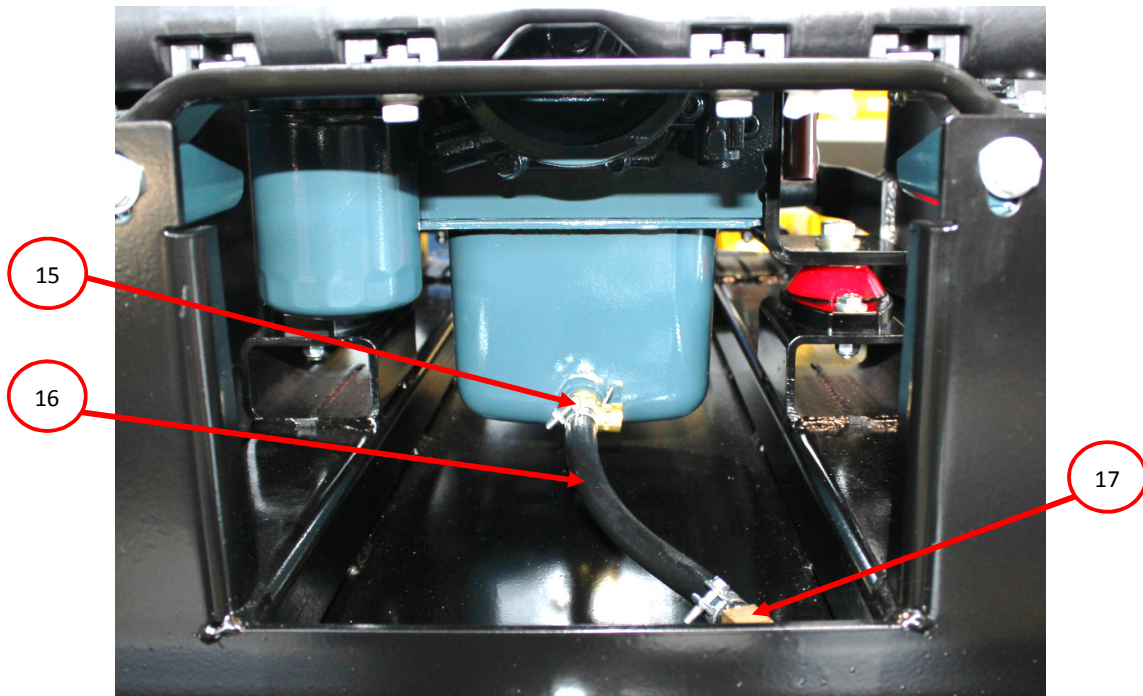


SEQ.#	ITEM NO.	DESCRIPTION	QTY
1	0681606	HEX HEAD BOLT, 3/8-16 X 3/4 GRADE 8	2
2	0760810	HEX HEAD BOLT, M8 X 20 CLASS 8.8	4
3	0760812	HEX HEAD BOLT, M8 X 25 CLASS 8.8	4
4	0760814	HEX HEAD BOLT, M8 X 30 CLASS 8.8	8
5	1001219876	HEX HEAD SCREW, M10 X 1.25P -25 CLASS 8.8	8
6	0761215	HEX HEAD BOLT, M12 X 35 CLASS 8.8	4
7	1730964	FILTER, AIR D905 ENGINE	1
8	1930953	RADIATOR, D905 ENGINE	1
9	3290805	HEX LOCK NUT, M8 X 1.25 CLASS 8	8
10	4811900	WASHER, 8 mm	24
11	4812000	WASHER, 10 mm	6
12	4812100	WASHER, 12mm	4
13	1001158727	ALTERNATOR, SINCRO	1
13A	1001164004	REGULATOR, AUTOMATIC VOLTAGE (SINCRO 155239)	(1)
14	1001164900	BRACKET, ENGINE ANGLE FINISHED	2
15	1001185703	ENGINE, KUBOTA D905 14.9 kW SAE2	1
16	1001204571	MUFFLER, D905 METRO	1
16A	1001223127	MUFFLER, S-ARRESTOR METRO MH	1
17	1001205894	ENGINE MOUNT, GPM7FS-12B ISOLATOR	4
18	1001205835	HARNESS, LT METRO MAIN (NOT SHOWN)	1

METRO-MH

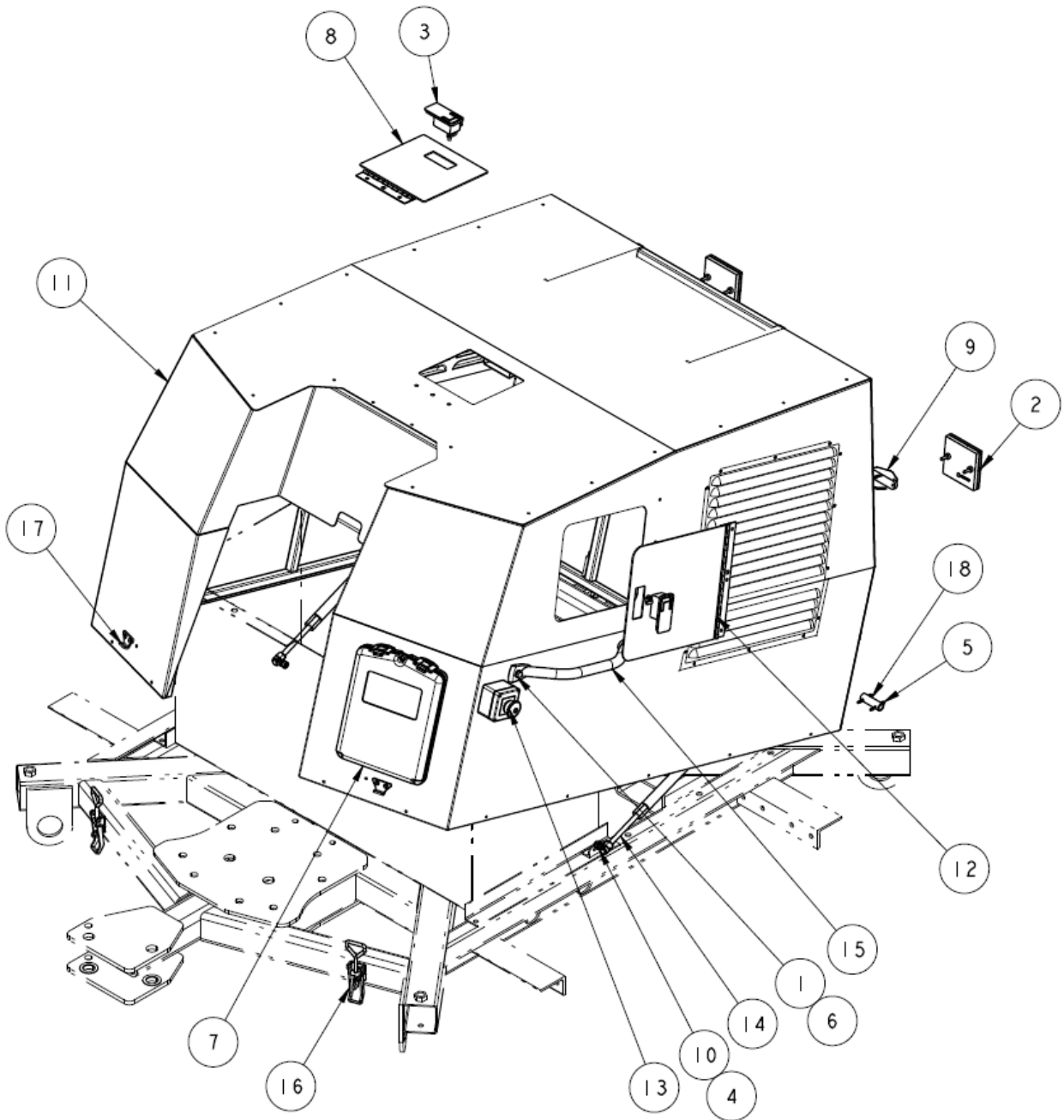


METRO-MH



SEQ.#	ITEM NO.	DESCRIPTION	QTY
1	70002329	CAP, RADIATOR KUBOTA Z482	1
2	1730954	HOSE, RADIATOR TOP D905	1
3	1730962	BELT, D905 ENGINE FAN	1
		UPPER GUARD, D905 ENGINE FAN BELT	1
		LOWER GUARD, D905 ENGINE FAN BELT	1
4	1730956	ALTERNATOR, DENSO 12 V	1
5	1730874	SENSOR, OIL PRESSURE	1
6	1730955	HOSE, RADIATOR LOWER	1
7	1001181345	FILTER ELEMENT, D905 ENGINE AIR	1
8	1730871	MOTOR, D905 ENGINE STARTER	1
9	1730966	SOLENOID, ENGINE RUN	1
10	1730796	SENSOR, D905 ENGINE TEMPERATURE	1
11	1730907	DIPSTICK, ENGINE OIL	1
12	2120929	FILTER, D905 ENGINE OIL	1
13	1734127	MOUNT, RADIATOR TOP	2
14	1734126	MOUNT, RADIATOR BOTTOM	2
15	1001161497	DRAIN COCK, FUMOTO F103N	1
16	1733314	HOSE, ENGINE OIL DRAIN	1
17	1730940	HOSETAIL, ¼ BSPT X 3/8 HOSE 90DEG	1

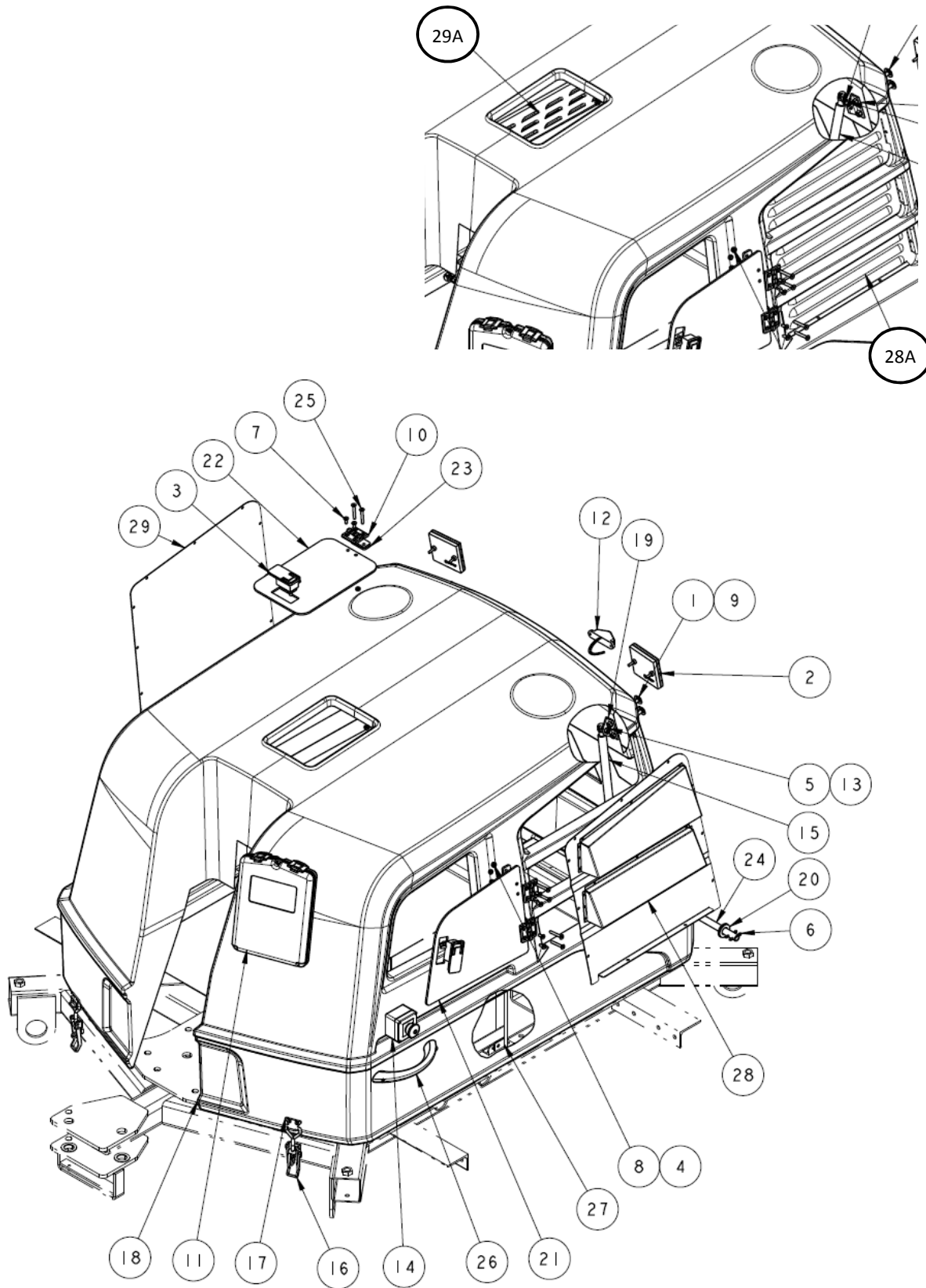
HOODS ASSEMBLY



METRO-MH

SEQ.#	ITEM NO.	DESCRIPTION	QTY
1	0760816	HEX HEAD BOLT, M8 X 40 CLASS 8.8	2
2	1001214200	TAIL LIGHT, LED LIGHTING TOWER	2
3	2940042	LATCH, LIFT AND TURN	3
4	3290805	HEX LOCK NUT, M8 X 1.25 CLASS 8	6
5	3391410	PIN, SPLIT 4 X 30 mm	4
6	4811900	WASHER, 8 mm	4
7	8990147	HOLDER, MANUAL	1
8	1001164912	ASSY, FUEL TANK ACCESS COVER FINISHED	1
9	1001174354	LAMP, NUMBER PLATE LED (PRIOR S/N: M4M0000059)	1
9A	1001223303	LAMP, NUMBER PLATE LED (FROM S/N: M4M0000059)	2
10	1001185541	BALL, GAS SPRING MOUNT	4
11	1001198766	INSTALL, STEEL HOODS	1
12	1001204573	DOOR, ACCESS METRO	2
13	1001204848	ELEC ASSY, EMERGENCY STOP	1
14	1001205047	ACTUATOR, GAS 200 N 400 mm STRK	2
15	1001205049	HANDLE, STEEL	1
16	1001205832	LATCH, HOOD ZINC	2
17	1001205833	HOOK, HOOD LATCH ZINC	2
18	1001212946	PIPE, HINGE FOR STEEL HOOD	2
19	4360517	SWITCH, PROXIMITY (NOT SHOWN)	1

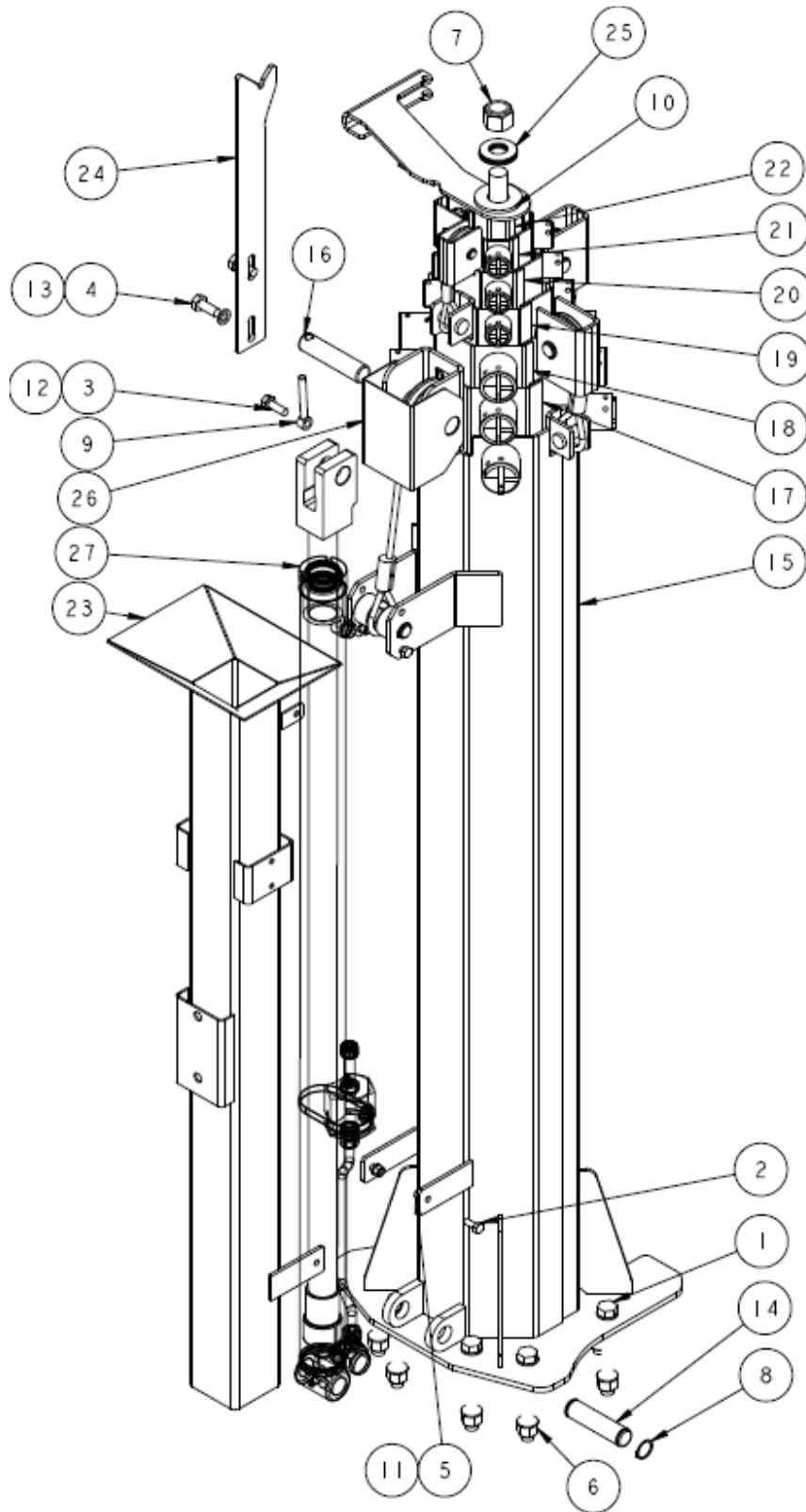
HOODS ASSEMBLY MOULDED



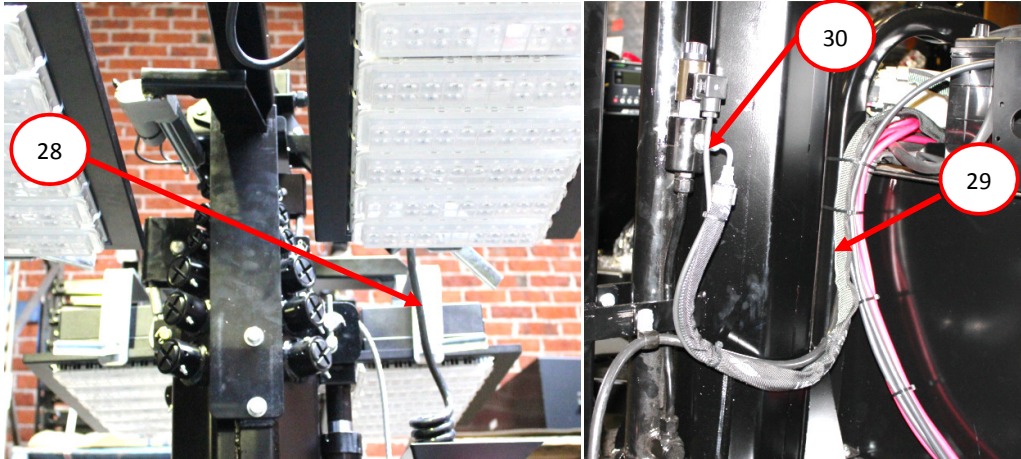
METRO-MH

SEQ.#	ITEM NO.	DESCRIPTION	QTY
1	0760816	HEX HEAD BOLT, M8 X 25 CLASS 8.8	4
2	1001214200	TAIL LIGHT, LED LIGHTING TOWER	2
3	1735660	LATCH, LIFT AND TURN LOCKABLE	3
4	3290601	HEX NUT, M6 X 1 CLASS 8	18
5	3290805	HEX LOCK NUT, M8 X 1.25 CLASS 8	4
6	3391410	PIN, SPLIT 4 X 30 MM	4
7	3900224	COUNTER SUNK SCREW M6X12 CLASS 8.8	10
8	4811700	WASHER, 6mm	10
9	4811902	WASHER, 8mm LG OD	4
10	8006105	JOINT, HINGE	5
11	8990147	HOLDER, MANUAL	1
12	1001174354	LAMP, NUMBER PLATE LED (PRIOR S/N: M4M0000059)	1
12A	1001223303	LAMP, NUMBER PLATE LED (FROM S/N: M4M0000059)	2
13	1001185541	BALL, GAS SPRING MOUNT	4
14	1001204848	ELEC ASSY, EMERGENCY STOP	1
15	1001205047	ACTUATOR, GAS 200N 825MM LONG	2
16	1001205832	LATCH, HOOD ZINC	2
17	1001205833	HOOK, HOOD LATCH ZINC	2
18	1001205893	HOOD, MOULDED METRO	1
19	1001205939	ANGLE, GAS STRUT MOUNT HOOD	2
20	1001208673	WASHER-SPEC, NYLON, M20X37X3	4
21	1001210269	DOOR, MOULDED HOOD LH	2
22	1001210710	DOOR, TOP, MOULDED HOOD	1
23	1001210837	BAR, HINGE SPACER	6
24	1001211067	TUBE, HINGE FOR MOULDED HOOD	2
25	1001212699	COUNTER SUNK SCREW M6X45 CLASS 8.8	12
26	1001215885	HANDLE, BLACK 235 mm GRAB	1
27	1001217319	ROD, ASSY MOULDED HOOD GUIDE	1
28A	1001210766 (OBSOLETE)	BRACKET, ENGINE LOUVRES LH (PRIOR S/N: M4M0000059- SHOULD ALSO ORDER ITEMS 28 & 29)	1
28	1001219429	PANEL, RADIATOR LOUVRES ASSY (FROM S/N: M4M0000059)	1
29A	1001210767 (OBSOLETE)	BRACKET, GENERATOR LOUVRES RH (PRIOR S/N: M4M0000059- ALSO ORDER ITEMS 28 & 29)	1
29	1001219466	PANEL, LOUVRES GENERATOR END (FROM S/N: M4M0000059)	1
30	4360517	SWITCH, PROXIMITY (NOT SHOWN)	1

MAST ASSEMBLY

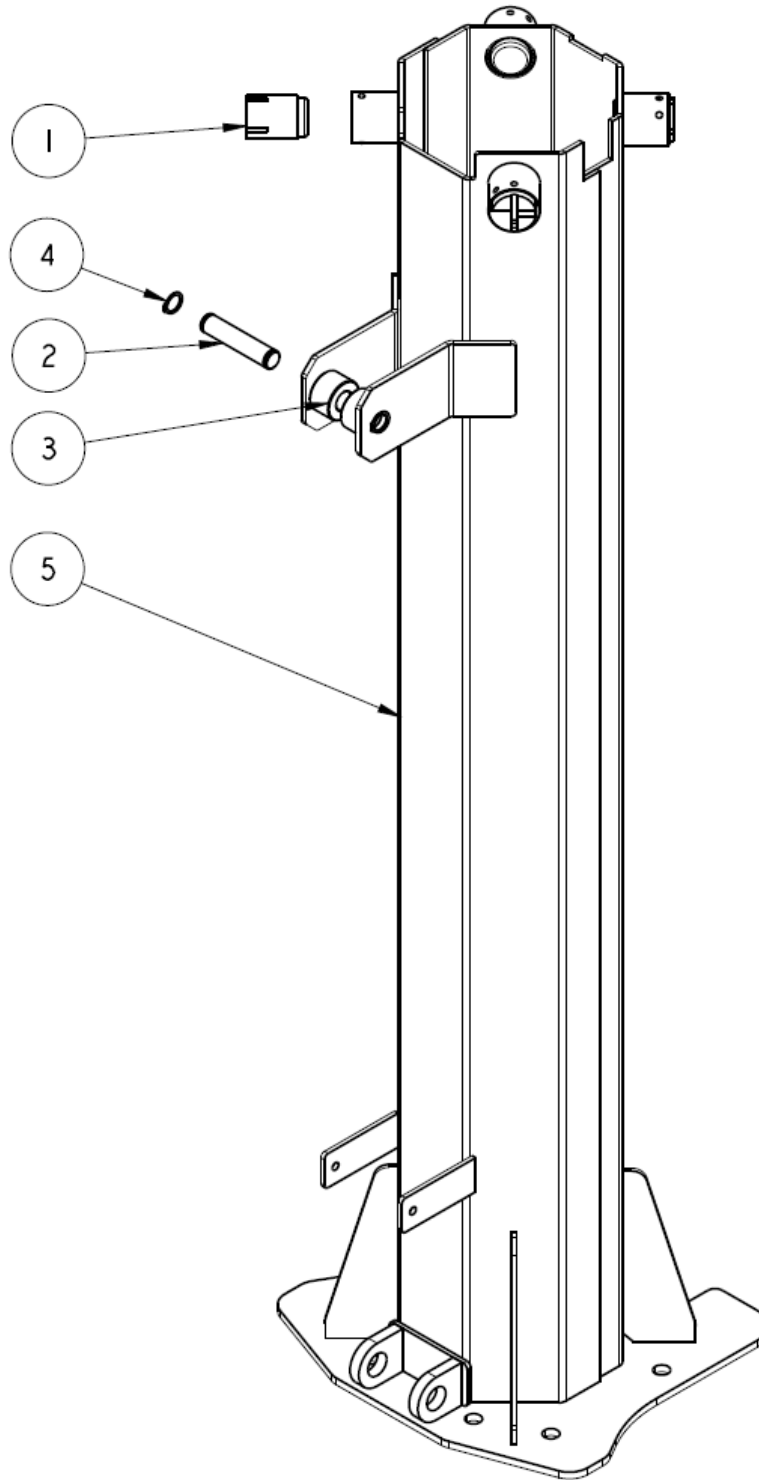


METRO-MH



SEQ.#	ITEM NO.	DESCRIPTION	QTY
1	0701630	HEX HEAD BOLT, M16 X 130 CLASS 8.8	8
2	0760810	HEX HEAD BOLT, M8 X 20 CLASS 8.8	4
3	0761014	HEX HEAD BOLT, M10 X 30 CLASS 8.8	1
4	0761214	HEX HEAD BOLT, M12 X 30 CLASS 8.8	2
5	3290805	HEX LOCK NUT, M8 X 1.25 CLASS 8	4
6	1001098827	HEX LOCK NUT, M24 X 3 CLASS 10	1
7	3291605	HEX LOCK NUT, M16 X 2 CLASS 8	8
8	7011716	RING, RETAINING 1"	2
9	3841143	KEEPER, 3/8" SHAFT	1
10	4740418	WASHER, 1.12 X 2.50 X .18 BRONZ	1
11	4811900	WASHER, 8mm	4
12	4832000	LOCKWASHER, SPRING 10 mm	1
13	4832100	LOCKWASHER, SPRING 12 mm	2
14	1001159483	PIN, CYL	1
15	1001201575	MAST, WELDMENT SECTION 1	1
16	1001201580	PIN, MAST CYLINDER SHEAVE	1
17	1001201582	MAST, LT WELDMENT SECTION 2	1
18	1001201778	MAST, LT WELDMENT SECTION 3	1
19	1001201783	BOOM, LT WELDMENT SECTION 4	1
20	1001201794	MAST, LT WELDMENT SECTION 5	1
21	1001201798	MAST, LT WELDMENT SECTION 6	1
22	1001201803	MAST, LT WELDMENT SECTION 7	1
23	1001207853	SUPPORT, WELDMENT CURLY CORD	1
24	1001209969	PLATE, LIGHTHEAD STABILITY	1
25	1001212059	WASHER-DISC SPRING 50X25.4X2	4
26	1001218855	COVER, MAST CABLE	1
27	1001206341	CYLINDER, HYDRAULIC METRO	1
28	1001161003	CABLE, COLIED CORD	1
28A	1001214489	CABLE, COILED CORD (FROM S/N: M4L0000177)	1
29	1001203248	HOSE ASSY, METRO LIFT CYL	1
30	2220582	FTG 9/16 UNO X 7/16 JIC NIPP	1
31	1001161887	KIT, CYLINDER SEAL (NOT SHOWN)	1

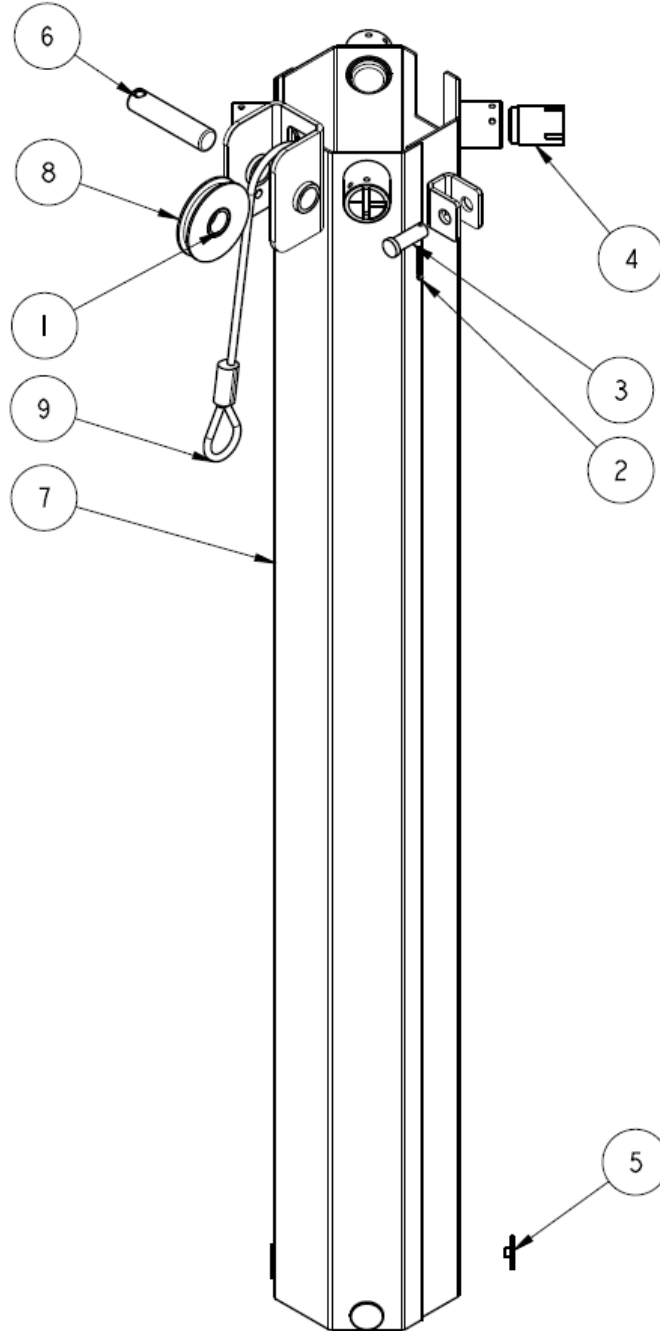
MAST SECTION 1



METRO-MH

SEQ.#	ITEM NO.	DESCRIPTION	QTY
1	1001228793	PAD, 1.25" BSPP MAST WEAR	4
2	1001159482	PIN, LUG S1	1
3	1001159883	SHIM, MAST LUG, S1	2
4	1001160214	RING, RETAINING EXT,0.75"	2
5	1001201575	MAST, WELDMENT SECTION 1	1

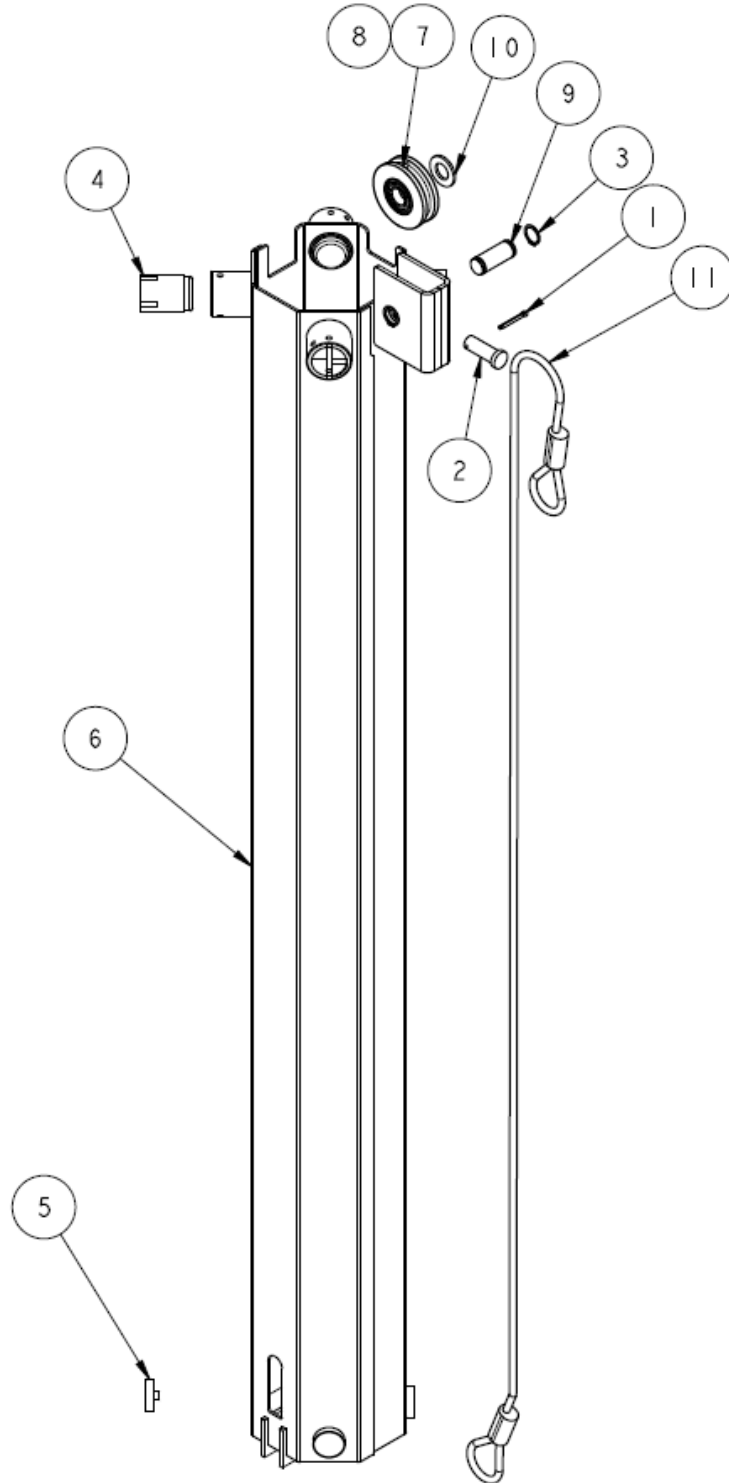
MAST SECTION 2



METRO-MH

SEQ.#	ITEM NO.	DESCRIPTION	QTY
1	0961947	BEARING, GARMAX - 1 ID	1
2	3391410	PIN, SPLIT 4 X 30 MM	1
3	3431014	PIN, FLAT HEAD CLEVIS	1
4	1001228793	PAD, 1.25" BSPP MAST WEAR	4
5	1001159498	PAD, INNER 4mm	4
6	1001201580	PIN, MAST CYLINDER SHEAVE	1
7	1001201582	MAST, LT WELDMENT SECTION 2	1
8	1001204659	SHEAVE, MAST CYL 92 DIA	1
9	1001204568	CABLE, LT MAST S1-3 (CONNECT S3 LOWER POINT AND S1 TOP POINT)	1

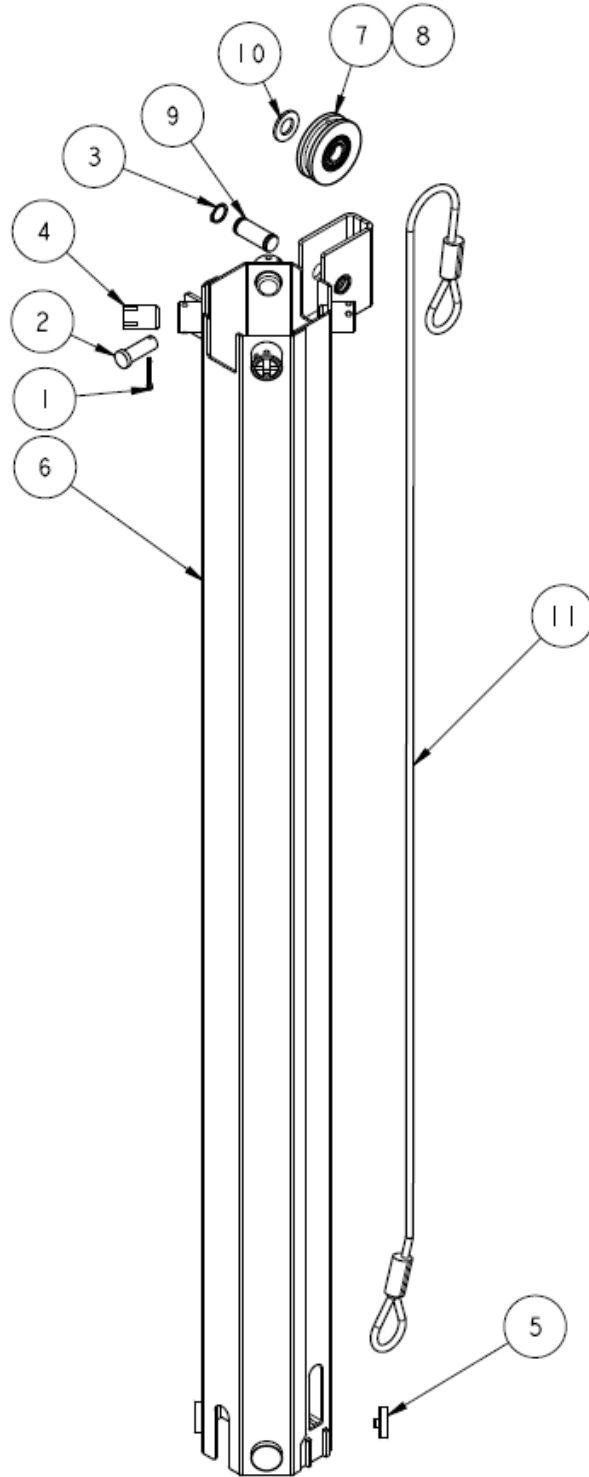
MAST SECTION 3



METRO-MH

SEQ.#	ITEM NO.	DESCRIPTION	QTY
1	3391410	PIN, SPLIT 4 X 30 mm	2
2	3431014	PIN, FLAT HEAD CLEVIS	2
3	3760488	RING, RETAINING EXT M20	2
4	1001228793	PAD, 1.25" BSPP MAST WEAR	4
5	1001159496	PAD, INNER 10 mm	4
6	1001201778	MAST, LT WELDMENT SECTION 3	1
7	1001204172	SHEAVE, LT MAST 80 mm DIA.	1
8	1001207844	BEARING, BALL, 20 X 42 X 12 mm	2
9	1001207845	PIN, DIA. 20, MAST SHEAVE	1
10	1001208673	WASHER-SPEC, NYLON, M20X37X3	2
11	1001204569	CABLE, LT MAST S2-4 (CONNECT S4 LOWER POINT AND S2 TOP POINT)	1

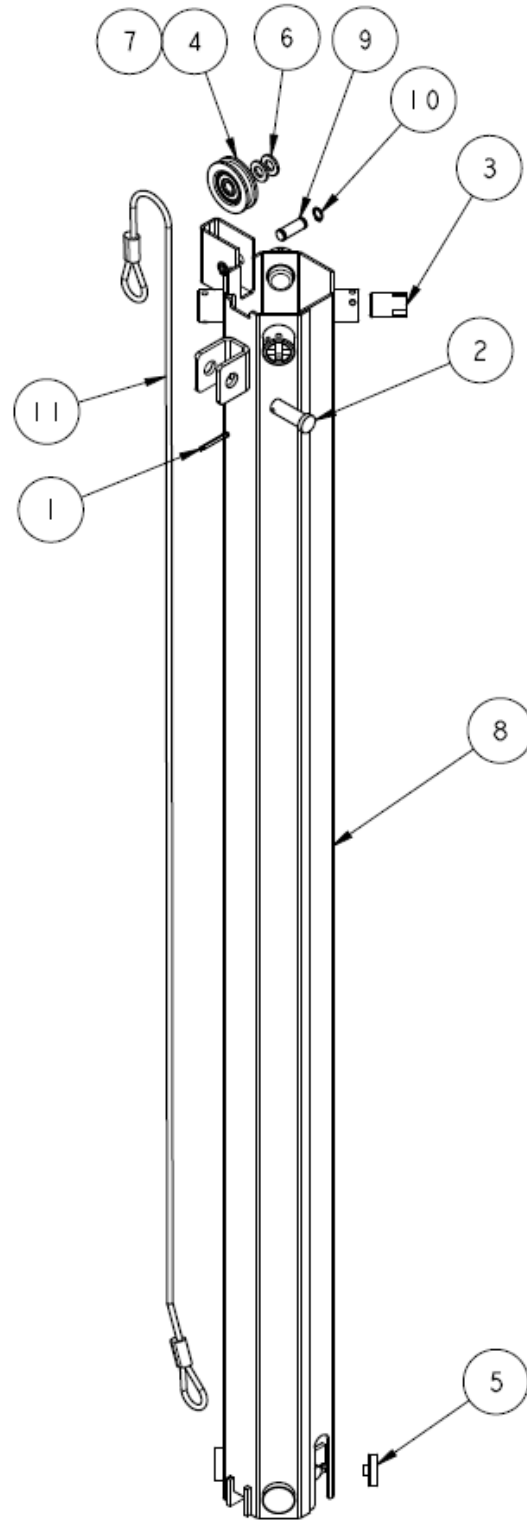
MAST SECTION 4



METRO-MH

SEQ.#	ITEM NO.	DESCRIPTION	QTY
1	3391410	PIN, SPLIT 4 X 30 MM	2
2	3431014	PIN, FLAT HEAD CLEVIS	2
3	3760488	RING, RETAINING EXT M20	2
4	1001228794	PAD ,0.75" BSPP MAST WEAR	4
5	1001159496	PAD, INNER 10MM	4
6	1001201783	BOOM, LT WELDMENT SECTION 4	1
7	1001204172	SHEAVE, LT MAST 80 DIA	1
8	1001207844	BEARING, BALL, 20X42X12	2
9	1001207845	PIN, DIA 20, MAST SHEAVE	1
10	1001208673	WASHER-SPEC, NYLON, M20X37X3	2
11	1001204569	CABLE, LT MAST S3-5 (CONNECT S5 LOWER POINT AND S3 TOP POINT)	1

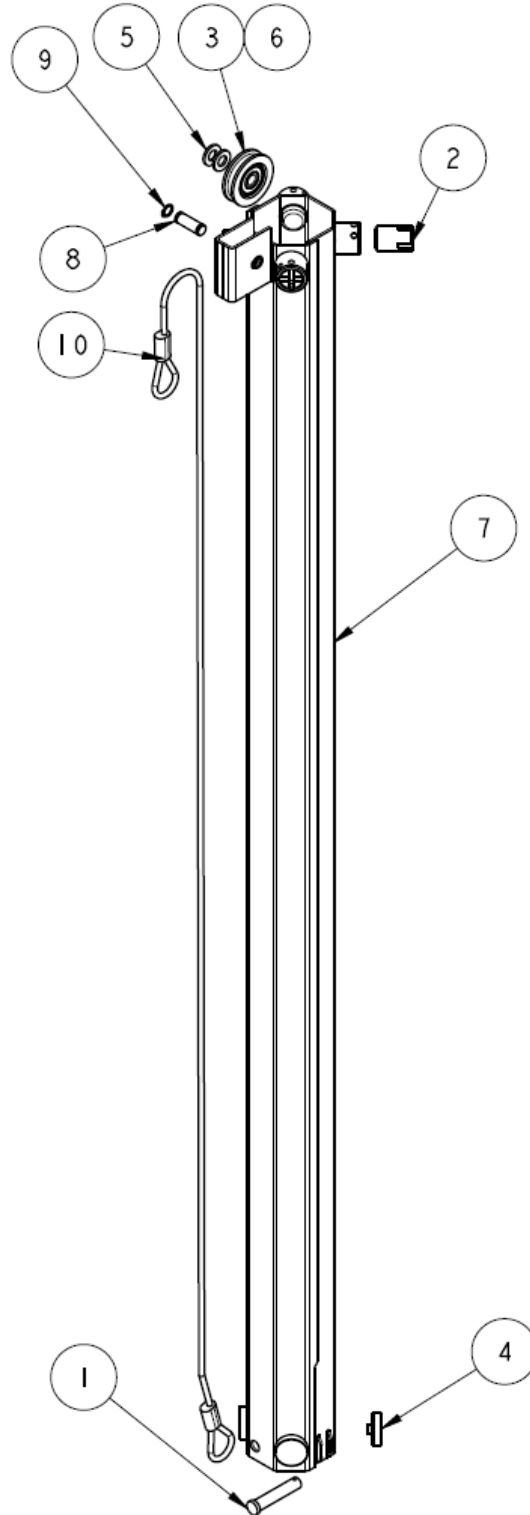
MAST SECTION 5



METRO-MH

SEQ.#	ITEM NO.	DESCRIPTION	QTY
1	3391410	PIN, SPLIT 4 X 30 mm	2
2	3431014	PIN, FLAT HEAD CLEVIS	2
3	1001228794	PAD, 0.75" BSPP MAST WEAR	4
4	1001159479	SHEAVE, 60 mm	1
5	1001159496	PAD, INNER 10 mm	4
6	1001160216	WASHER, NYLON, 12 mm	4
7	1001160923	BEARING, NTN 6301LLU	1
8	1001201794	MAST, LT WELDMENT SECTION 5	1
9	1001207846	PIN, DIA. 12 mm, MAST SHEAVE	1
10	1001209642	RING, RETAINING EXT. 12 mm DIA.	2
11	1001204570	CABLE, LT MAST S4-6 (CONNECT S6 LOWER POINT AND S4 TOP POINT)	1

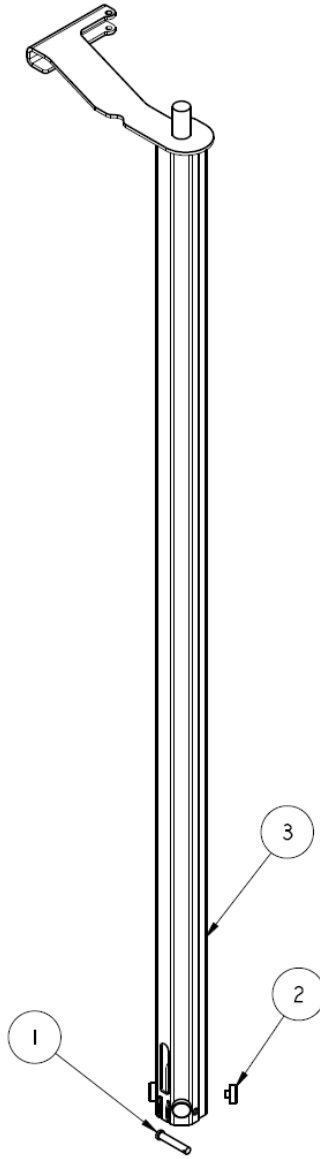
MAST SECTION 6



METRO-MH

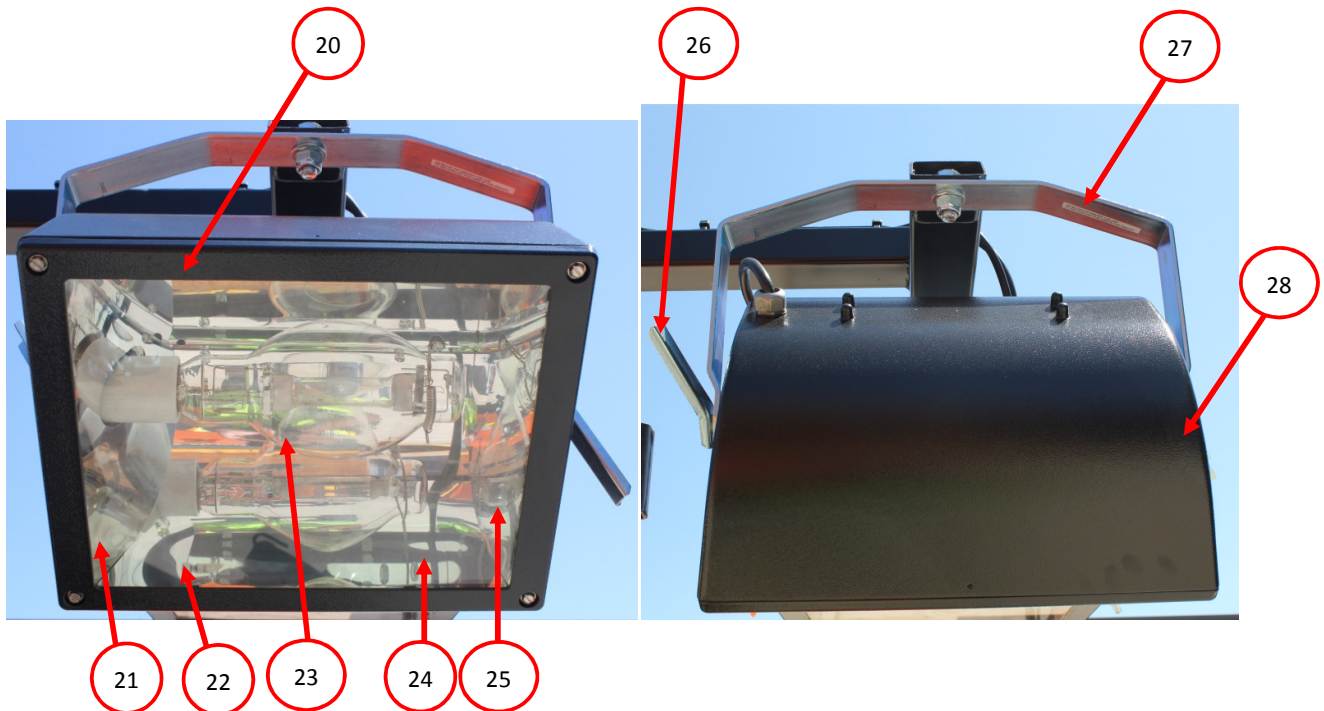
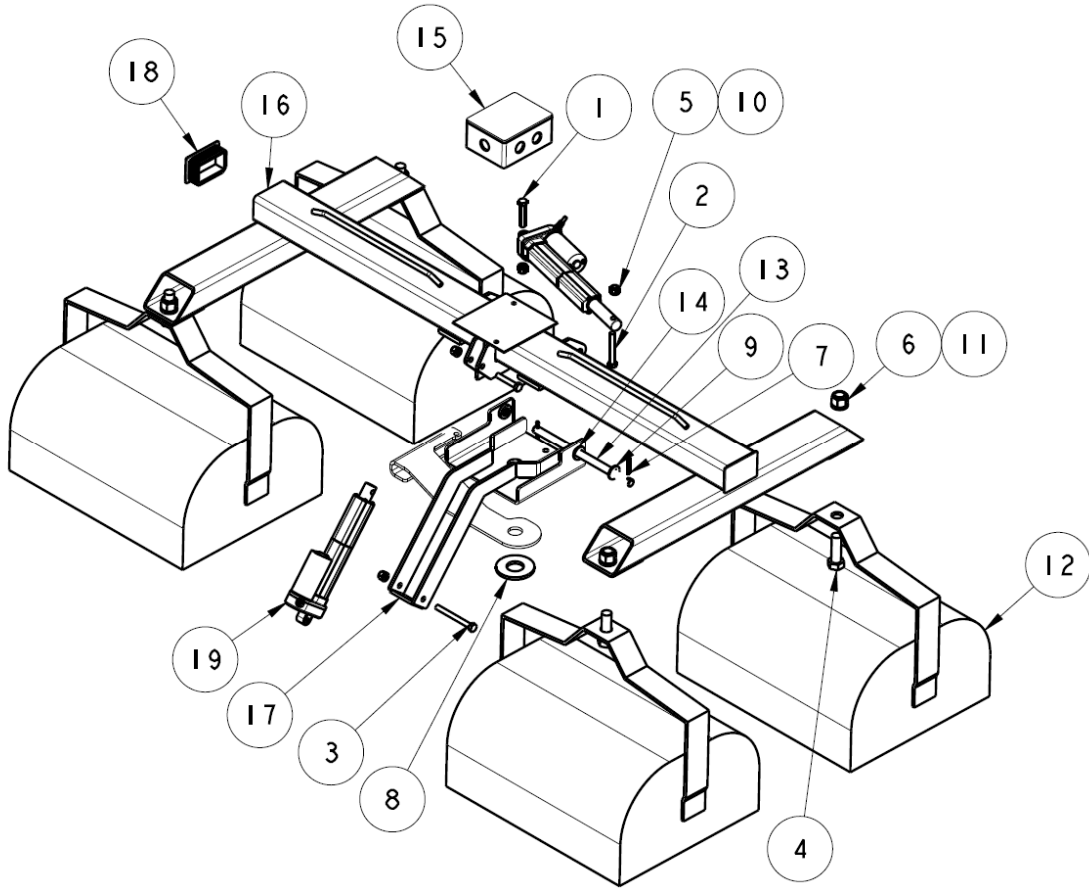
SEQ.#	ITEM NO.	DESCRIPTION	QTY
1	3430810	PIN, FLAT HEAD CLEVIS	1
2	1001228794	PAD ,0.75" BSPP MAST WEAR	4
3	1001159479	SHEAVE, 60 mm	1
4	1001159496	PAD, INNER 10 mm	4
5	1001160216	WASHER, NYLON, 12 mm	4
6	1001160923	BEARING, NTN 6301LLU	1
7	1001201798	MAST, LT WELDMENT SECTION 6	1
8	1001207846	PIN, DIA 12 mm, MAST SHEAVE	1
9	1001209642	RING, RETAINING EXT. 12 mm DIA	2
10	1001204570	CABLE, LT MAST S5-7 (CONNECT S7 LOWER POINT AND S5 TOP POINT)	1

MAST SECTION 7



SEQ.#	ITEM NO.	DESCRIPTION	QTY
1	3430616	PIN, FLAT HEAD CLEVIS	1
2	1001201802	PAD, INNER MAST SEC 7	4
3	1001201803	MAST, LT WELDMENT SECTION 7	1

METRO-MH LIGHT HEAD



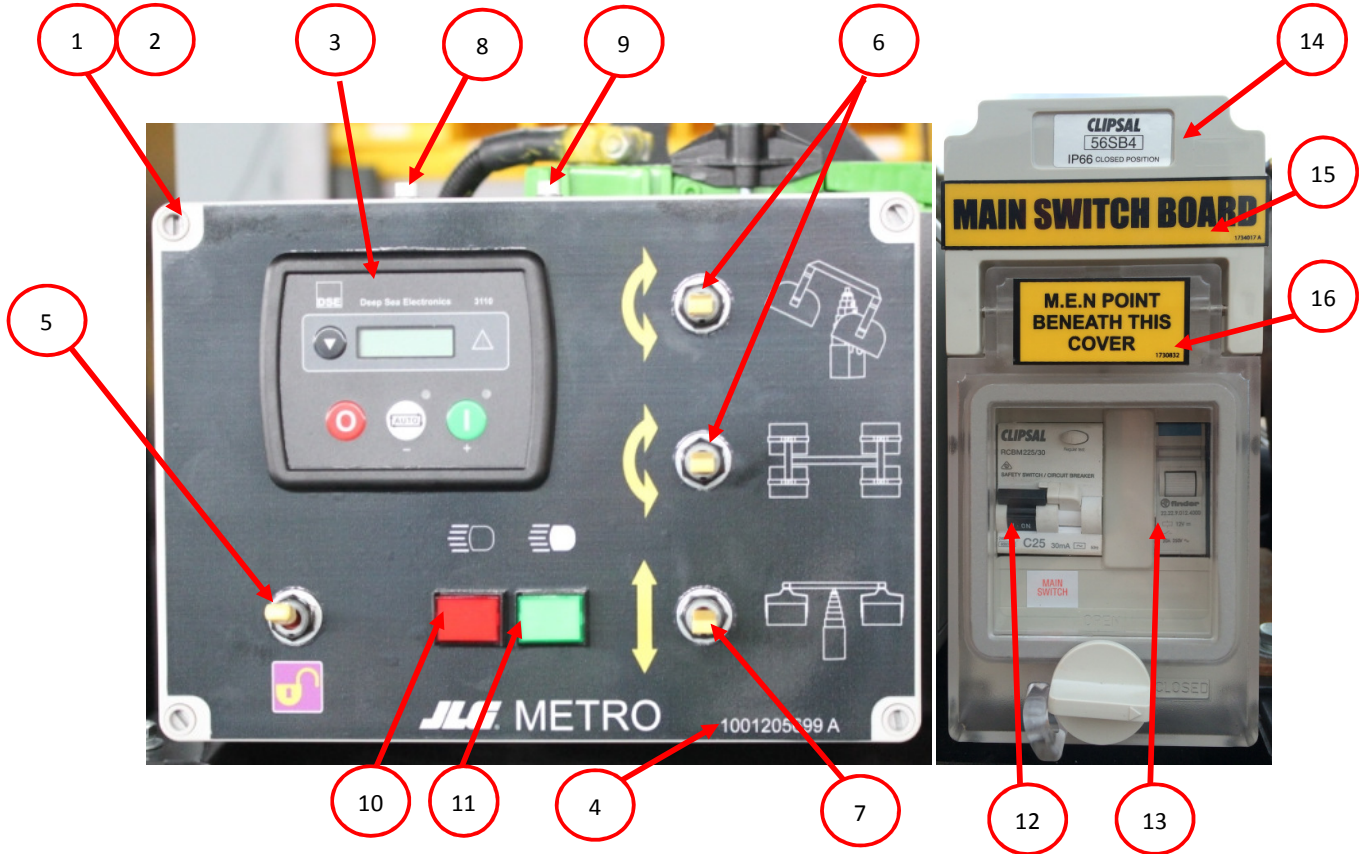
METRO-MH

SEQ.#	ITEM NO.	DESCRIPTION	QTY
1	0760817	HEX HEAD BOLT, M8 X 45 CLASS 8.8	2
2	0760820	HEX HEAD BOLT, M8 X 60 CLASS 8.8	1
3	0760824	HEX HEAD BOLT, M8 X 80 CLASS 8.8	1
4	0701620	HEX HEAD BOLT, M16 X 60 CLASS 8.8	4
5	3290805	HEX LOCK NUT, M8 X 1.25 CLASS 8	4
6	3291605	HEX LOCK NUT, M16 X 2 CLASS 8	4
7	3391210	PIN, SPLIT 3.2 X 30 mm	2
8	4740418	WASHER,1.12 X 2.50 X .18 BRONZ	1
9	4812100	WASHER, 12 mm	2
10	4831900	LOCKWASHER, SPRING 8 mm	4
11	4832300	LOCKWASHER, SPRING 16 mm	4
12	1001158721	LAMP, 1000W MH FLOODLIGHT	4
13	1001159798	PIN, LIGHTHEAD PIVOT	1
14	1001160216	WASHER, NYLON,12 mm	2
15	1001205374	BOX, MAST JUNCTION METRO	1
16	1001206281	SUPPORT, LIGHTS LIGHT TOWER	1
17	1001206336	BRACKET, ASSY LIGHT HEAD PIVOT	1
18	1001215796	PLUG, PLASTIC INTERNAL 75 X 50 mm	2
19	1001206338	ACTUATOR, ELECTRIC,100 kgf	2
20	1001212134	LAMP, TOP FRAME MH	4
21	1001212137	LAMP, SIDE REFLECTOR MH	4
22	1001212136	LAMP, MAIN REFLECTOR MH	4
23	1730995	LAMP, MLT MH 1000W BULB	4
24	1001212132	LAMP, LENS CLEAR GLASS MH	4
25	1001212138	LAMP, SIDE REFLECTOR 2 MH	4
26	1001212133	LAMP, HANDLE ADJUSTMENT MH	4
27	1001212139	LAMP, YORK TRUNNION MH	4
28	1001212135	LAMP, HOUSING BASE MH	4

METRO-MH

ELECTRICAL ASSEMBLY

MANUAL CONTROL

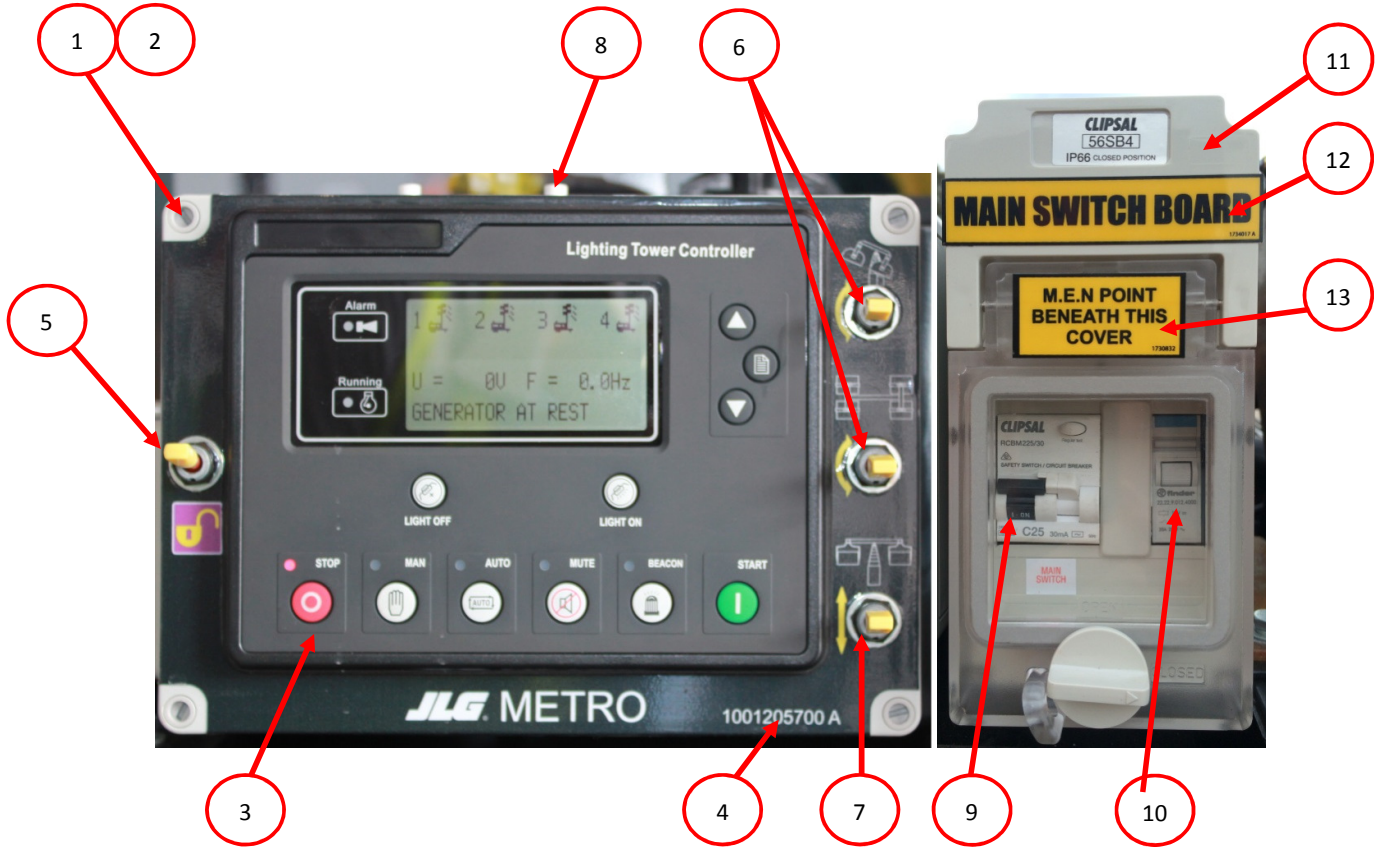


SEQ.#	ITEM NO.	DESCRIPTION	QTY
1	1001204625	BOX, CONTROL BASE MANUAL	1
2	1001204626	COVER, CONTROL BOX MANUAL	1
3	1001202721	CONTROLLER, MANUAL	1
4	1001205699	DECAL, METRO MANUAL CONTROL BOX	1
5	4360483	SWITCH TOGGLE	1
6	4360314	SWITCH, TOGGLE	2
7	4360328	SWITCH, TOGGLE	1
8	4360161	SWITCH, CIRCUIT BREAKER 20 A	1
9	4360070	15 A CIRCUIT BREAKER	1
10	1001204575	LATCHING PUSH BUTTON RED	1
11	1001204574	LATCHING PUSH BUTTON GREEN	1
12	1730958	RCD/MCB DOUBLE POLE, 25 A/30 mA	1
13	1734131	FINDER 12 V RELAY	1
14	1001210970	BOX, W/DOOR 4MOD F/DIN GREY	1
15	1734017	DECAL MAIN SWITCH BOARD	1
16	1730832	DECAL M.E.N POINT	1

METRO-MH

ELECTRICAL ASSEMBLY

AUTO CONTROL



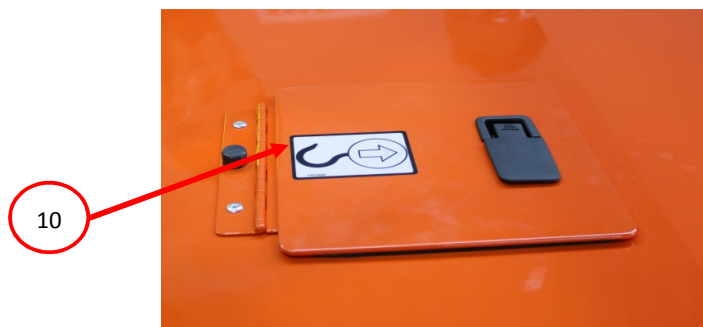
SEQ.#	ITEM NO.	DESCRIPTION	QTY
1	1001207226	BOX, CONTROL BASE AUTO	1
2	1001205187	COVER, CONTROL BOX AUTO	1
3	1001209453	CONTROL, LED LT ENGINE AUTO	1
4	1001205700	DECAL, METRO LED AUTO START	1
5	4360483	SWITCH TOGGLE	1
6	4360314	SWITCH, TOGGLE	2
7	4360328	SWITCH, TOGGLE	1
8	4360161	SWITCH, CIRCUIT BREAKER 20 A	2
9	1730958	RCD/MCB DOUBLE POLE, 25 A/30 mA	1
10	1734131	FINDER 12 V RELAY	1
11	1001210970	BOX, W/DOOR 4MOD F/DIN GREY	1
12	1734017	DECAL MAIN SWITCH BOARD	1
13	1730832	DECAL M.E.N POINT	1

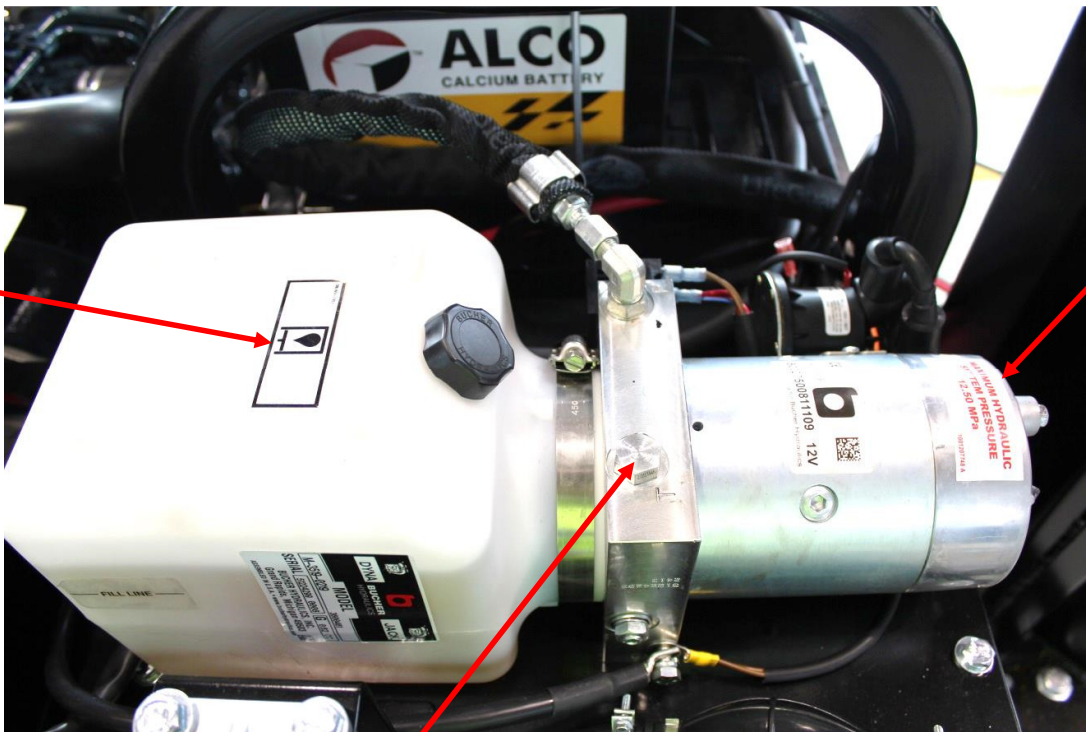
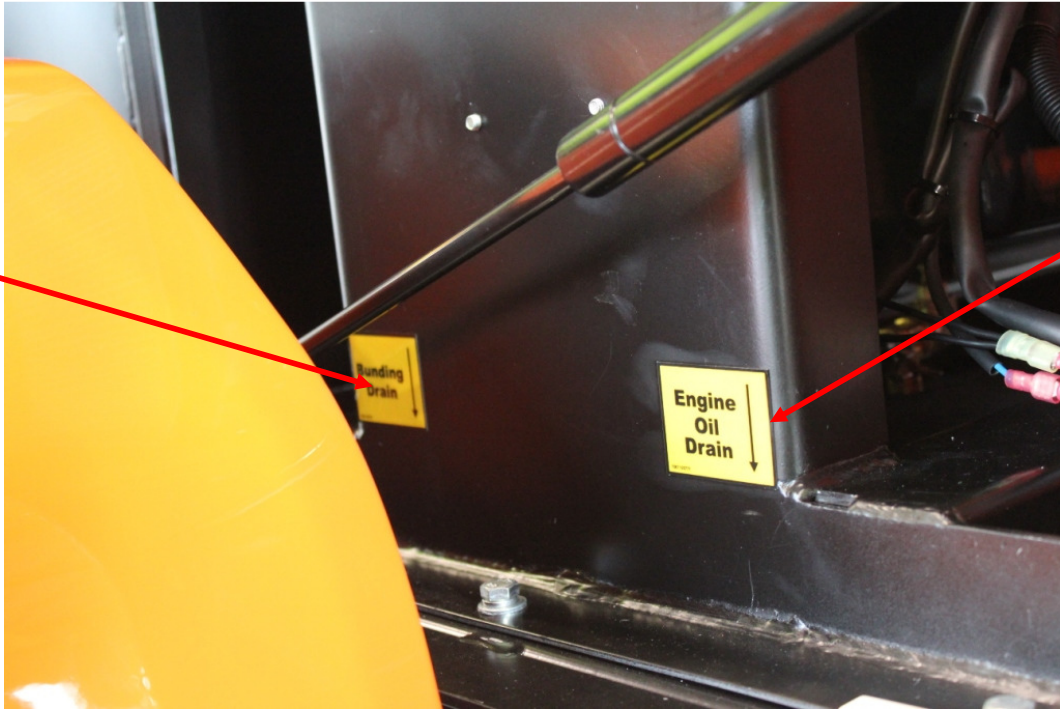
METRO-MH

DECAL & MISCELLANY



METRO-MH

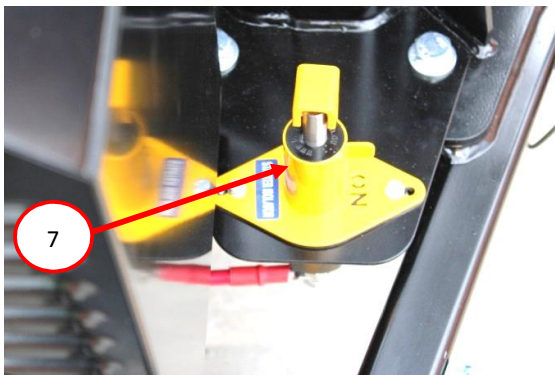




METRO-MH

SEQ.#	ITEM NO.	DESCRIPTION	QTY
1	1702009	DECAL, JLG BLACK 3.25"	3
2	1001209101	DECAL, METRO MH	1
3	1702300	DECAL, TIE DOWN	4
4	1703073	DECAL, FORK LIFT POINT	4
5	1701785	DECAL, DANGER	4
6	1001159779	DECAL, DANGER ELECTRICAL	2
7	1001159774	DECAL, DANGER TIPPING/ ELECTRICAL LT	1
8	1701505	DECAL, FUEL	1
9	1700037	DECAL, GROUND CONTROL	1
10	1701500	DECAL, TIE DOWN/LIFT	1
11	1001159775	DECAL, BUNDING DRAIN	2
12	1001159777	DECAL, ENGINE OIL DRAIN	1
13	1001159780	DECAL, HYDRAULIC OIL	1
14	1001207748	DECAL, HYDRAULIC PRESSURE 12.5 MPa	1
15	2220237	FTG 9/16" UNO PLUG	2

METRO-MH
OPTIONS

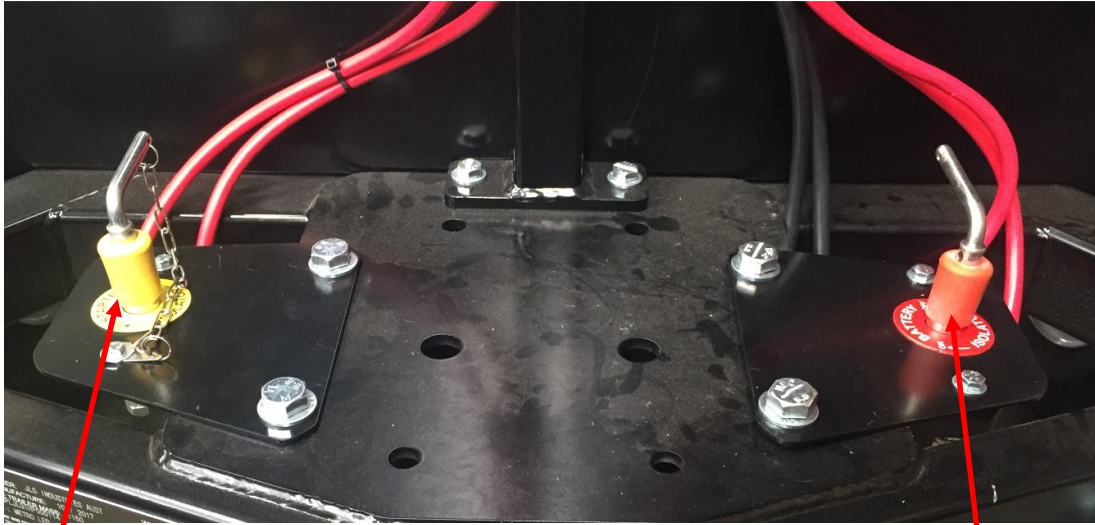


DETAIL A



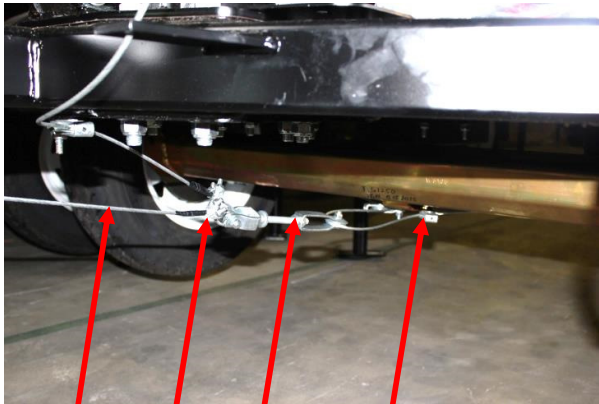
DETAIL B

METRO-MH



7A

8A

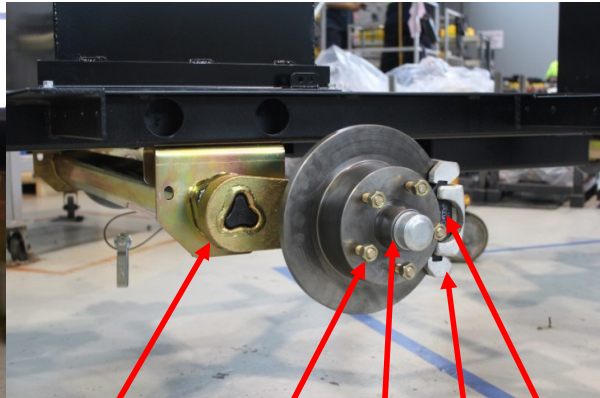


15

16

17

18



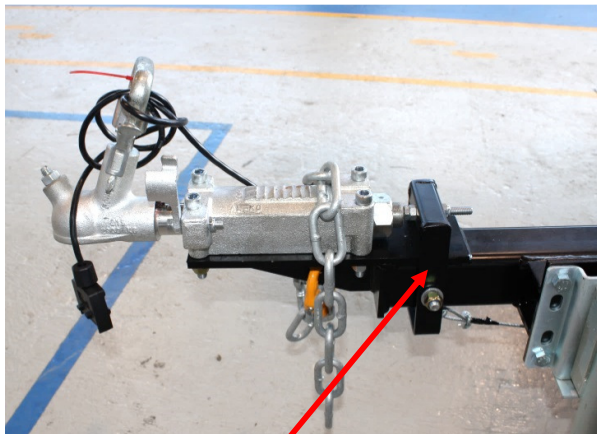
9

26

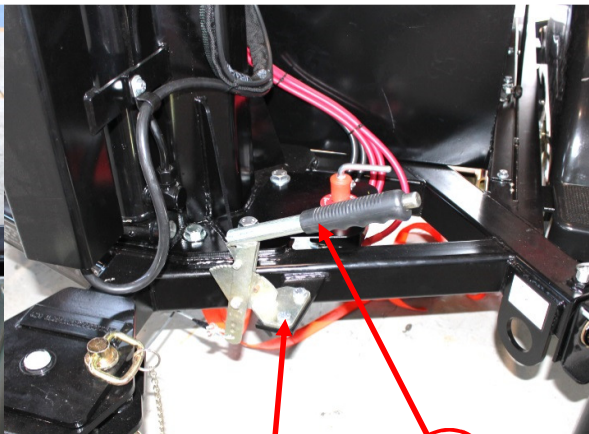
27

20

19



10



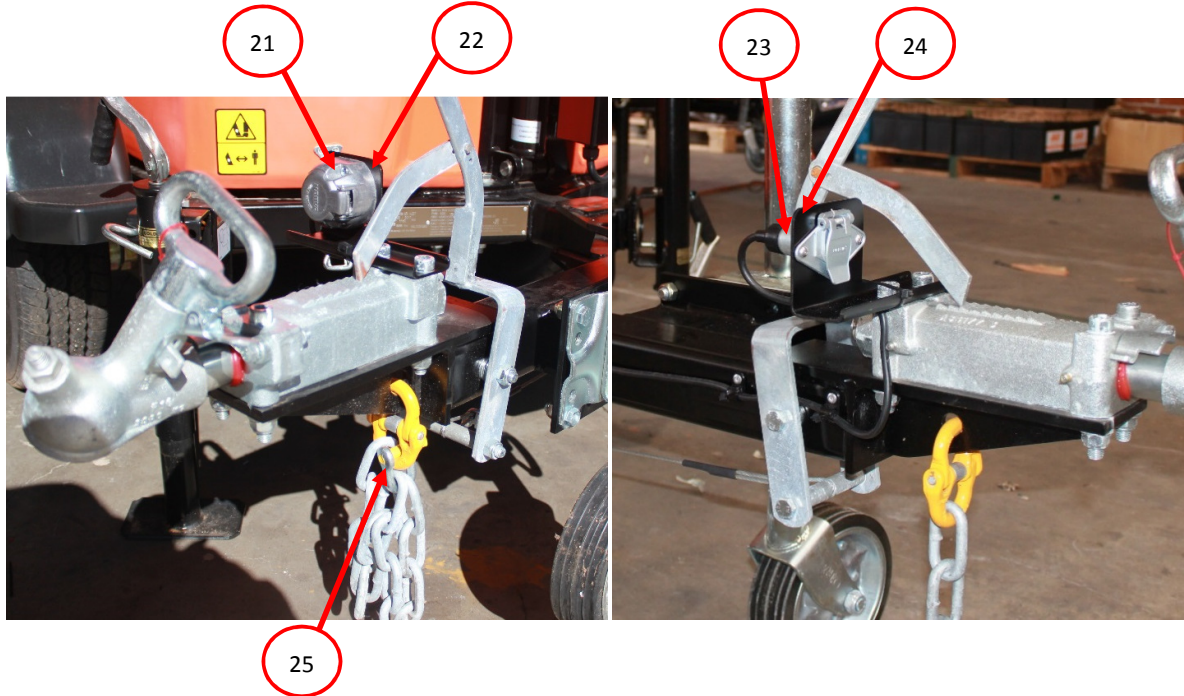
14

13

12

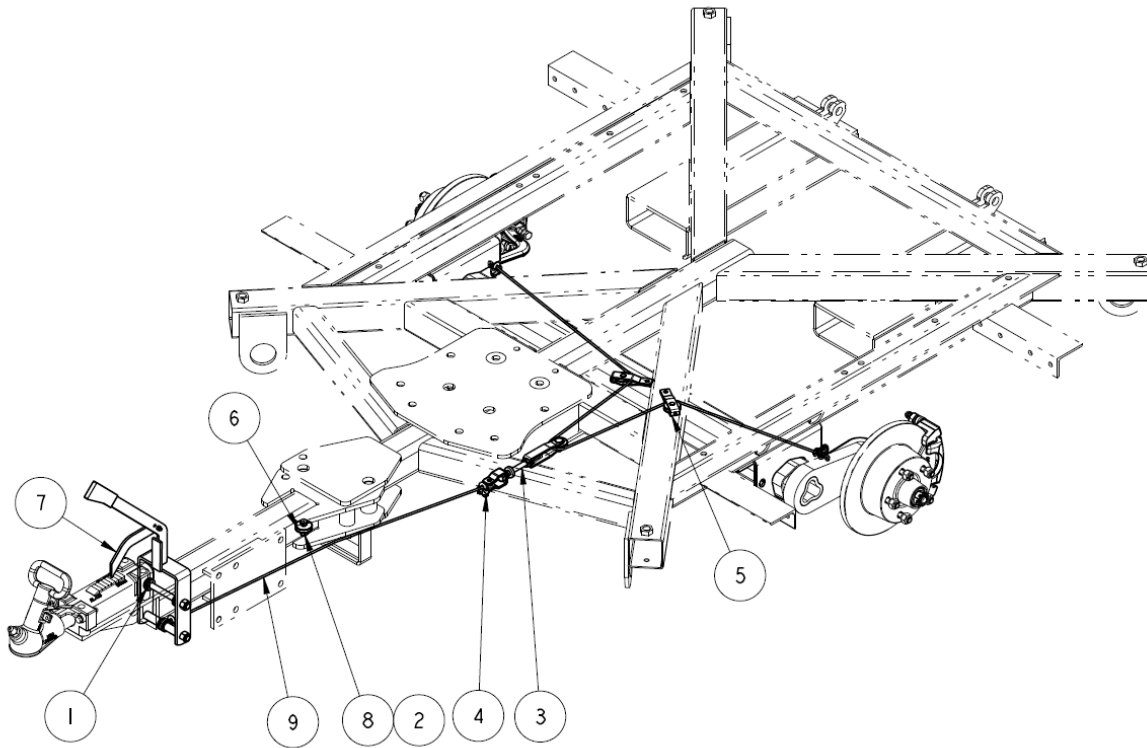
11

METRO-MH



SEQ.#	ITEM NO.	DESCRIPTION	QTY
1	1001211018	BRACKET, WHEEL CHOCK PLASTIC	2
2	1001211017	WHEEL, CHOCK PLASTIC BLACK	2
3	1001172068	BEACON, LED LT	1
4	1734123	FIRE, EXTINGUISHER 4.5 kg ABE	1
5	1733394	BRACKET HD 4.5 kg FIRE EXT	1
6	1737513	TAPE, DG3 FLURO 45MT REFLECT	3.8m
7	1001207028	KIT, STARTER ISOLATOR, LOCKSAFE	1
7A	1001207026	KIT, STARTER ISOLATOR	1
8	1001207027	KIT, BATTERY ISOLATOR, LOCKSAFE	1
8A	1001207025	KIT, BATTERY ISOLATOR SWITCH	1
9	1001207381	AXLE, MECHANICAL DISC BRAKE	1
10	1001211704	BRAKE, STIRRUP WELDMENT CABLE	1
11	1001212259	LEVER, HAND BRAKE	1
12	0701014	HEX HEAD BOLT, M10 X 30 CLASS 8.8	2
13	3291005	HEX LOCK NUT, M10 X 1.5 CLASS 8	2
14	4812002	WASHER, 10 mm LG OD	2
15	1001211467	CABLE, BRAKE 4 mm	A/R
16	1001211466	BRAKE, CABLE CLIP 5 mm	4
17	1001211465	CONTROL, BRAKE CABLE ADJUSTER	1
18	1001211468	BRAKE, CABLE PULLEY	2
19	1734700	BRAKE PAD	2
20	1001232478	BRAKE, CALIPER ASSY MECH DISC	2
21	1730894	SOCKET, 7 PIN LARGE ROUNG TRAILER	1
22	1001232364	BRACKET, TRAILER PIN SOCKET	1
23	1734626	SOCKET, TRAILER 6 PIN	1
24	1001232365	BRACKET, TRAILER PIN SMALL SKT	1
25	WSS0015SCD	SHACKLE, 1.5 tonne D TYPE	1
26	1730886	WHEEL NUT ½" UNF Z/P – 6308A	10
27	1001245040	KIT, BEARING AND SEAL MECH DISC AXLE	2

CABLE BRAKE ARRANGEMENT (AFTER S/N: M4M000058)



SEQ.#	ITEM NO.	DESCRIPTION	QTY
1	4812100	WASHER, 12 mm	8
2	0700814	HEX HEAD BOLT, M8 X 30 CLASS 8.8	1
3	1001211465	CONTROL, BRAKE CABLE ADJUSTER	1
4	1001211466	BRAKE, CABLE CLIP 5 mm	4
5	1001211468	BRAKE, CABLE PULLEY	2
6	1001213685	BRAKE, CABLE PULLEY	1
7	1001217927	LEVER, ASSEMBLY HANDBRAKE	1
8	3290805	HEX LOCK NUT, M8 X 1.25 CLASS 8	1
9	1001211467	CABLE, BRAKE 4 mm	A/R