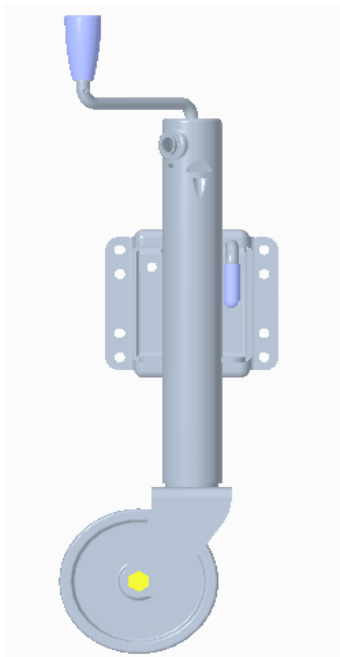
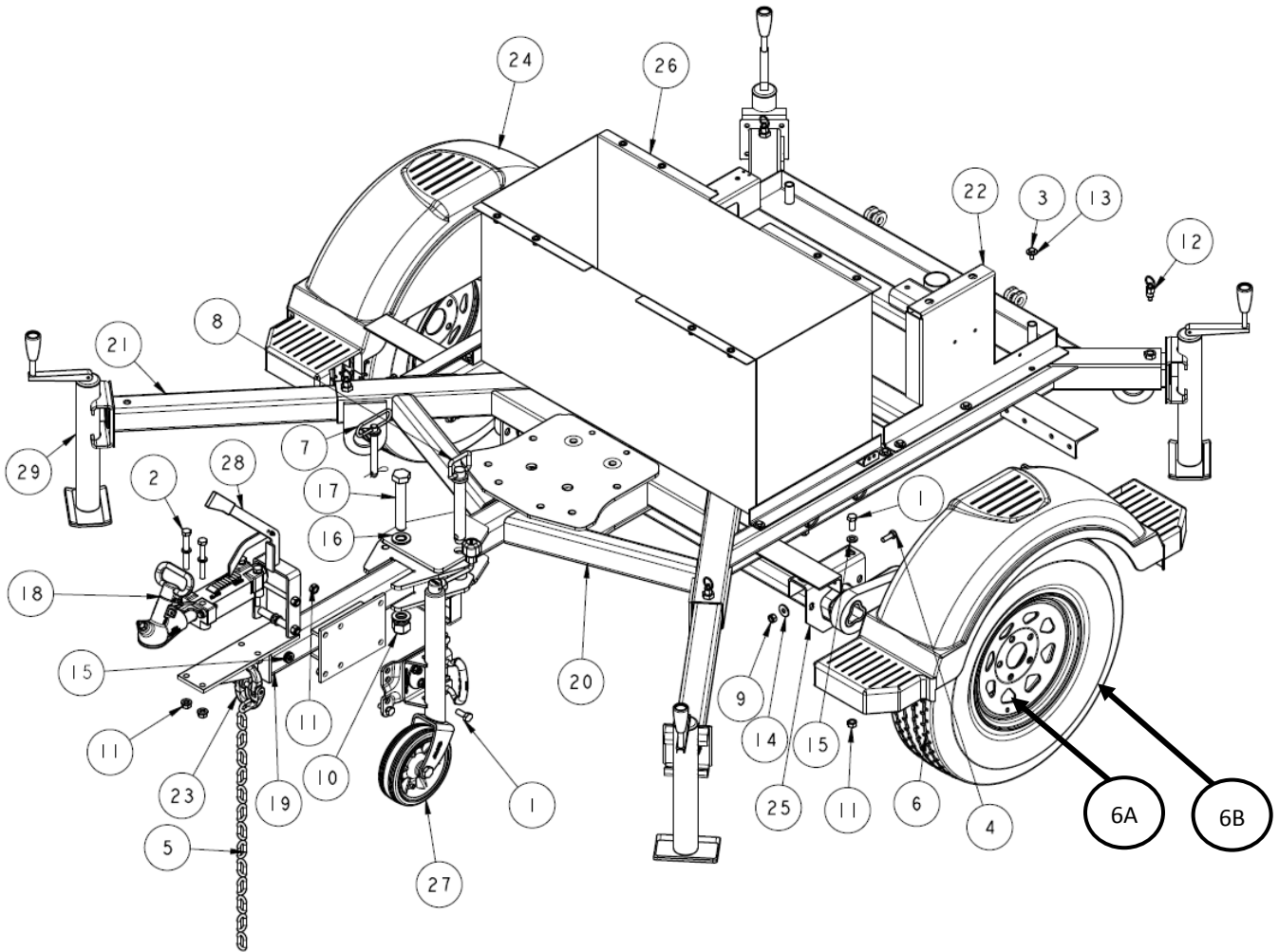


SECTION THREE

PARTS MANUAL

CONTENTS	Page
• Chassis Assembly	1-2
• Lifting & Fuel Tank Assembly	1-5
• Battery & Power pack Assembly	1-6
• Engine & Alternator Assembly	1-8
• Hoods Assembly	1-11
• Mast Assembly	1-13
• Mast Section 1	1-15
• Mast Section 2	1-17
• Mast Section 3	1-19
• Mast Section 4	1-21
• Light Head	1-23
• Electrical Assembly	1-24
• Decal & Miscellaneous Parts	1-25
• Options	1-29

CHASSIS ASSEMBLY



27A



27B

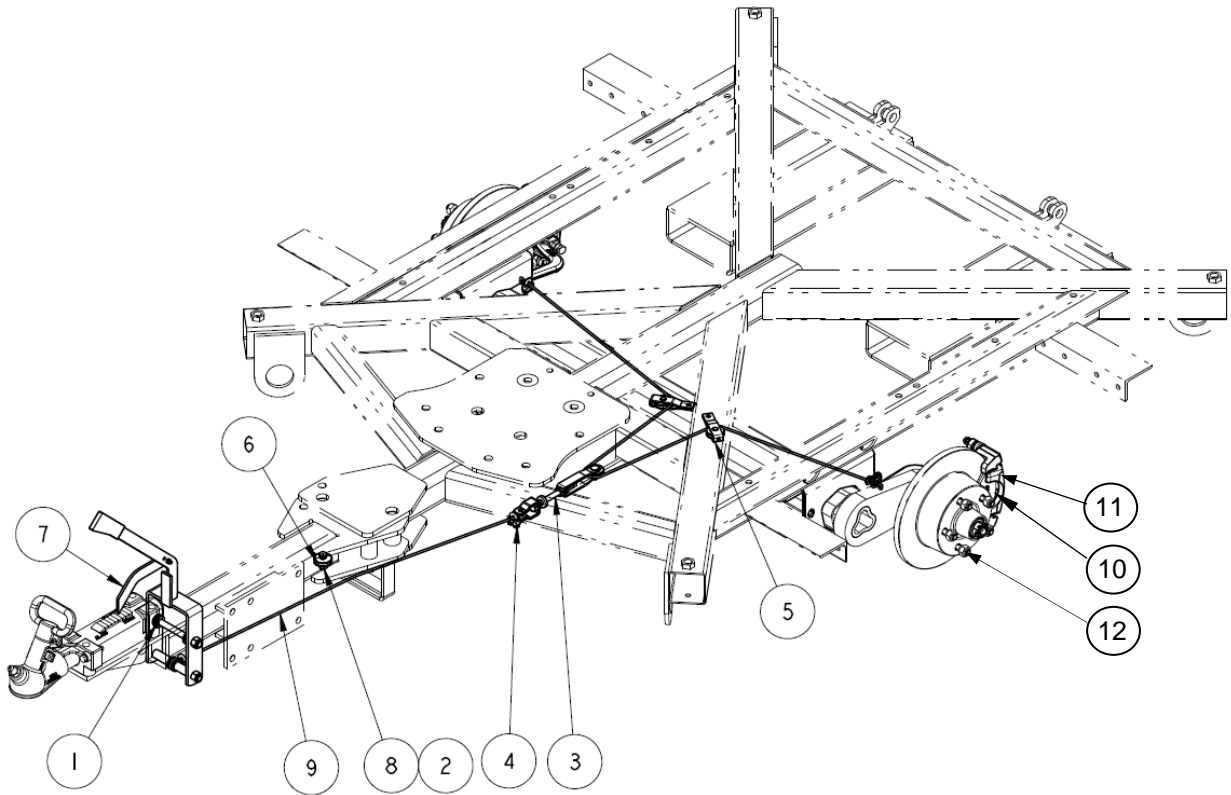


27C

METRO-POD

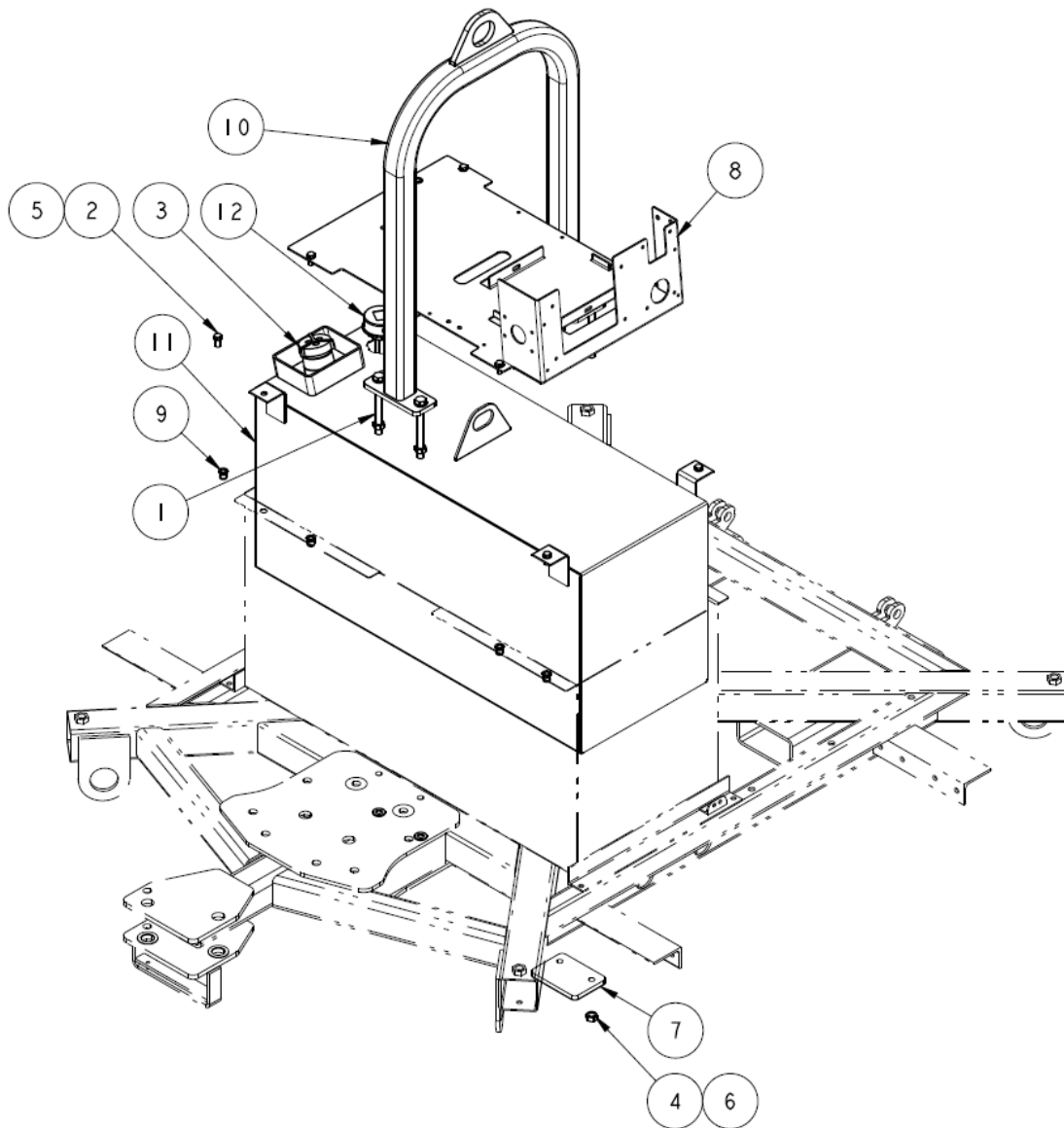
SEQ.#	ITEM NO.	DESCRIPTION	QTY
1	0711215	HEX HEAD BOLT, M12 X 35 CLASS 10.9	8
2	0711227	HEX HEAD BOLT, M12 X 100 CLASS 10.9	4
3	0760810	HEX HEAD BOLT ,M8 X 20 CLASS 8.8	10
4	0761014	HEX HEAD BOLT, M10 X 30 CLASS 8.8	8
5	1730753	CHAIN, TRAILER SAFETY	1
6	1730912	ASSY, TYRE/WHEEL	2
6A	1001238924	WHEEL, RIM 14X6 WHITE RANGER	2
6B	1001238925	TYRE, 185R14C 102/100R 850 kg	2
7	1733192	PIN, HITCH	1
8	1733267	PIN, REWORK CLEVIS 1.00 X 6	1
9	3291005	HEX LOCK NUT, M10 X 1.5 CLASS 8	8
10	1001098827	HEX LOCK NUT, M24 X 3 CLASS 10	1
11	3331215	HEX LOCK NUT, M12 X 1.75 CLASS 10	12
12	3422369	PIN, PLUNGER	4
13	4811902	WASHER, 8 mm LG OD	10
14	4812002	WASHER, 10 mm LG OD	8
15	4812100	WASHER, 12 mm	20
16	4812700	WASHER, 24 mm	2
17	1001108971	HEX HEAD BOLT, M24 X 140 CLASS 10.9	1
18	1735456	COUPLING, 50 mm TOW BALL	1
19	1001201167	HITCH, ASSY FOLDED METRO	1
20	1001201176	FRAME,WELDMENT METRO UNIVERSAL	1
21	1001201405	STABILIZER, WELDMENT	4
22	1001201793	MOUNT, WELDMENT Z482 GENSET	1
23	1001204723	CHAIN, CONNECTING LINK	1
24	1001207379	MUDGUARD, 14" PLASTIC	2
25	1001207381	AXLE, CABLE DISC BRAKE METRO	1
26	1001209189	FRAME, FUEL TANK BUNDING LED	1
27	1001217920	WHEEL, JOCKEY 8" ALKO	1
27A	1001204567	JACK, JOCKEY WHEEL 6" (OPTION)	1
27B	1730952	JOCKEY WHEEL, 8" BLACK (OPTION)	1
27C	1001233857	JOCKEY WHEEL, 8" EZYROLL (OPTION)	1
28	1001217927	LEVER, ASSEMBLY HANDBRAKE	1
29	A330008	ASSEMBLY, REAR OUTRIGGER JACK	4
30	1001172072	HARNESS, TAIL LIGHT (NOT SHOWN)	1
31	1001172073	HARNESS, TAIL LIGHT (NOT SHOWN)	1
32	1001245040	KIT, BEARING AND SEAL MECH DISC AXLE (NOT SHOWN)	2

CABLE BRAKE ARRANGEMENT



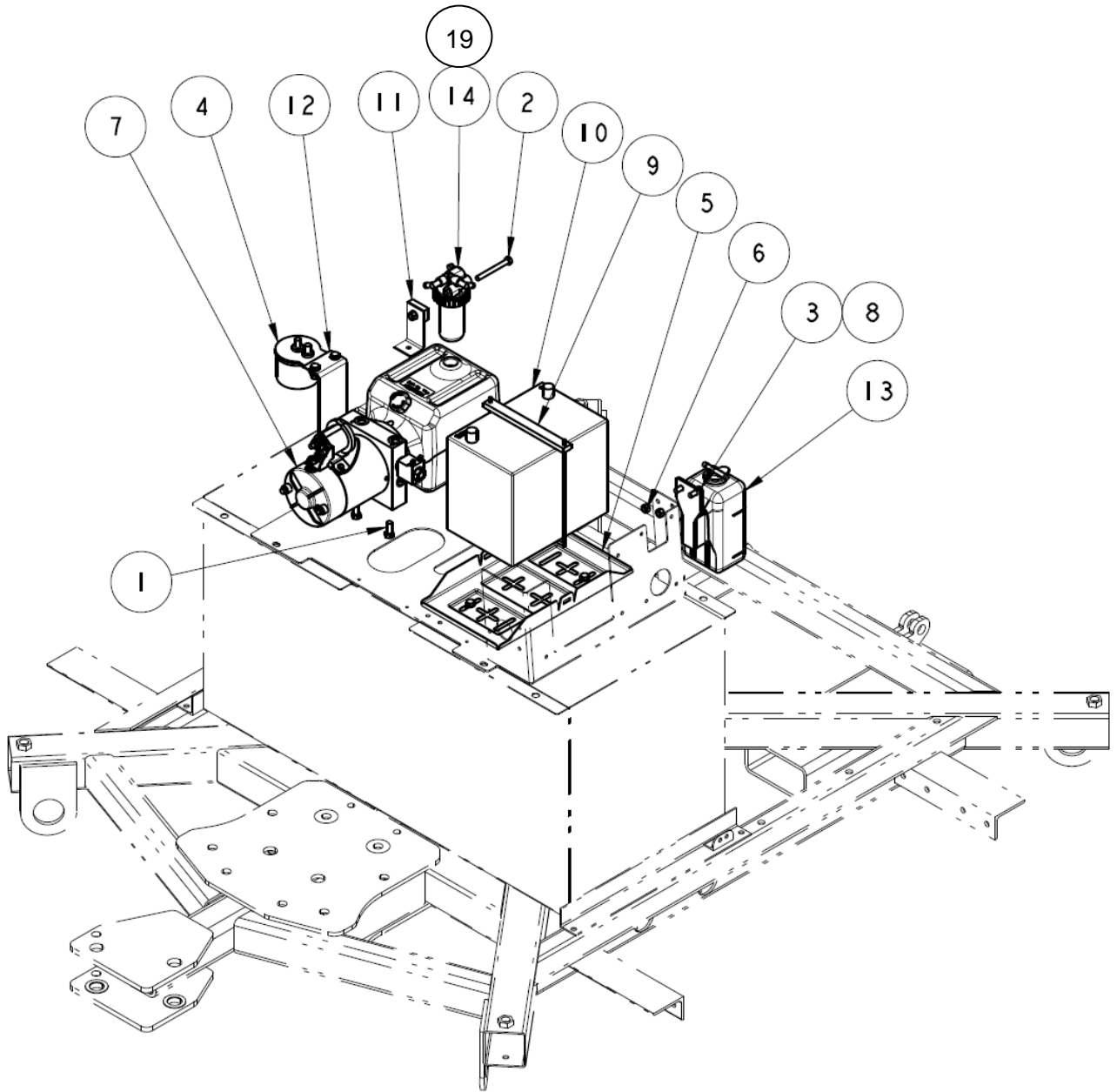
SEQ.#	ITEM NO.	DESCRIPTION	QTY
1	4812100	WASHER, 12 mm	8
2	0700814	HEX HEAD BOLT, M8 X 30 CLASS 8.8	1
3	1001211465	CONTROL, BRAKE CABLE ADJUSTER	1
4	1001211466	BRAKE, CABLE CLIP 5 mm	4
5	1001211468	BRAKE, CABLE PULLEY	2
6	1001213685	BRAKE, CABLE PULLEY	1
7	1001217927	LEVER, ASSEMBLY HANDBRAKE	1
8	3290805	HEX LOCK NUT, M8 X 1.25 CLASS 8	1
9	1001211467	CABLE, BRAKE 4 mm	A/R
10	1734700	BRAKE PAD	2
11	1001232478	BRAKE, CALIPER ASSY MECH. DISC	2
12	1730886	WHEEL, NUT ½" UNF Z/P	10

LIFTING & FUEL TANK ASSEMBLY

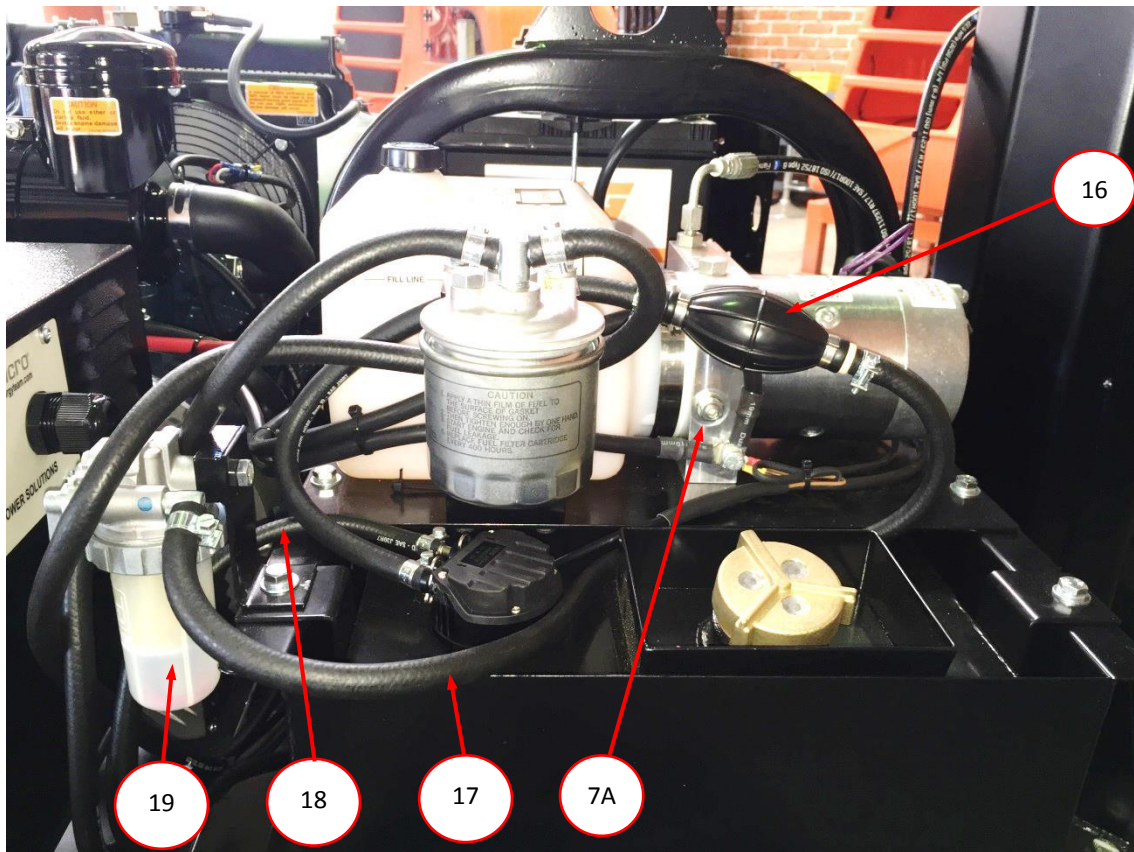


SEQ.#	ITEM NO.	DESCRIPTION	QTY
1	0711230	HEX HEAD BOLT, M12 X 130 CLASS 10.9	4
2	0760810	HEX HEAD BOLT, M8 X 20 CLASS 8.8	8
3	1120314	CAP, FUEL TANK FILLER	1
4	3331215	HEX LOCK NUT, M12 X 1.75 CLASS 10	4
5	4811902	WASHER, 8 mm LG OD	8
6	4812100	WASHER, 12 mm	8
7	1001202716	PLATE, LIFTING LUG MOUNT REAR	1
8	1001202855	BRACKET, CONTROL BOX MOUNT	1
9	1001205301	RIVET, M8 X 1.25 SHORT NUTSERT	10
10	1001205928	LUG, WELDMENT LIFTING METRO	1
11	1001218157	TANK, WELDMENT FUEL METRO	1
12	1001219626	SENSOR, FUEL	1
13	1001179341	INSERTION RUBBER 50 X 3 mm (NOT SHOWN)	0.75 m

BATTERY & POWER PACK ASSEMBLY

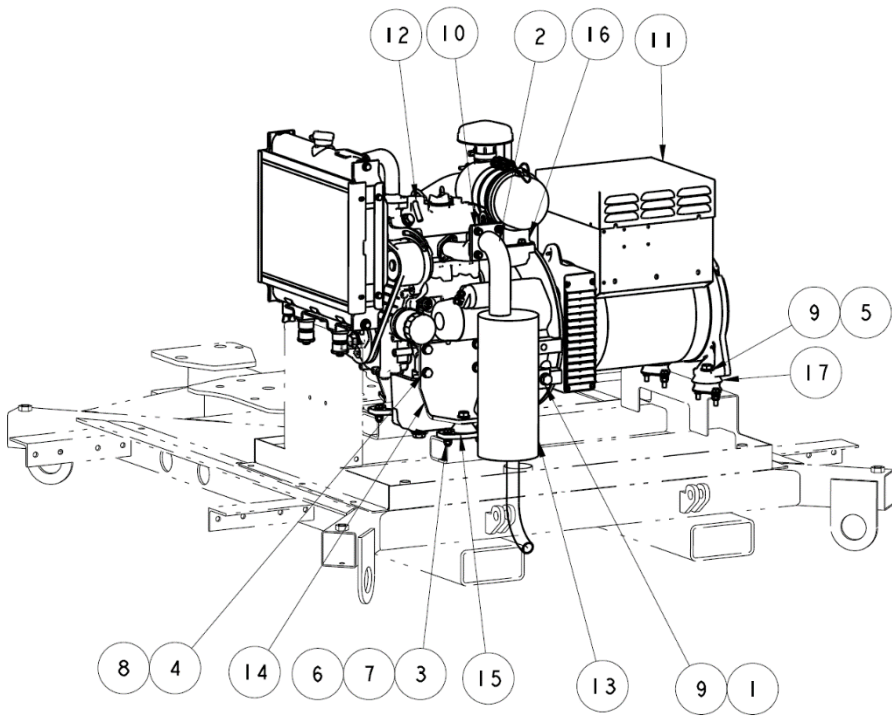


METRO-POD



SEQ.#	ITEM NO.	DESCRIPTION	QTY
1	0681607	HEX HEAD BOLT, 3/8-16 X 7/8 GRADE 8	2
2	0700823	HEX HEAD BOLT, M8 X 75 CLASS 8.8	1
3	0760810	HEX HEAD BOLT, M8 X 20 CLASS 8.8	8
4	1730930	FUEL FILTER	1
5	1731207	BATTERY TRAY, 314 X 185 PVC (PRIOR S/N: MP00000016)	1
6	3290805	HEX LOCK NUT, M8 X 1.25 CLASS 8	6
7	1001210709	POWERPACK, HYDRAULIC C/W TANK & PRESSURE RELIEF VALVE	1
7A	1001246647	SEALING WASHER, 3/8UNC 750 SERIES PRESSURE RELIEF VALVE ADJUSTING SCREW	A/R
8	4811900	WASHER, 8 mm	12
9	1001160992	CLAMP, BATTERY HOLD DOWN	1
10	1001160993	BATTERY, 12 V	1
11	1001210885	BRACKET, ASSY FUEL FILTER MOUNT	1
12	1001171776	BRACKET, FUEL FILTER FINISHED	1
13	1001212181	CONTAINER, Z482 COOLANT BOTTLE	1
14	KU1583143380	FILTER, Z482 ASSY WATER SEPARATOR	1
15	1001208672	CABLE, KIT BATTERY METRO (NOT SHOWN)	1
16	1730815	FUEL LINE PRIMER BULB	1
17	1735652	FUEL HOSE 5/16"	5.0 m
18	1737576	FUEL HOSE 3/16"	1.2 m
19	KU1583143380	CARTRIDGE, WATER SEPARATOR	1

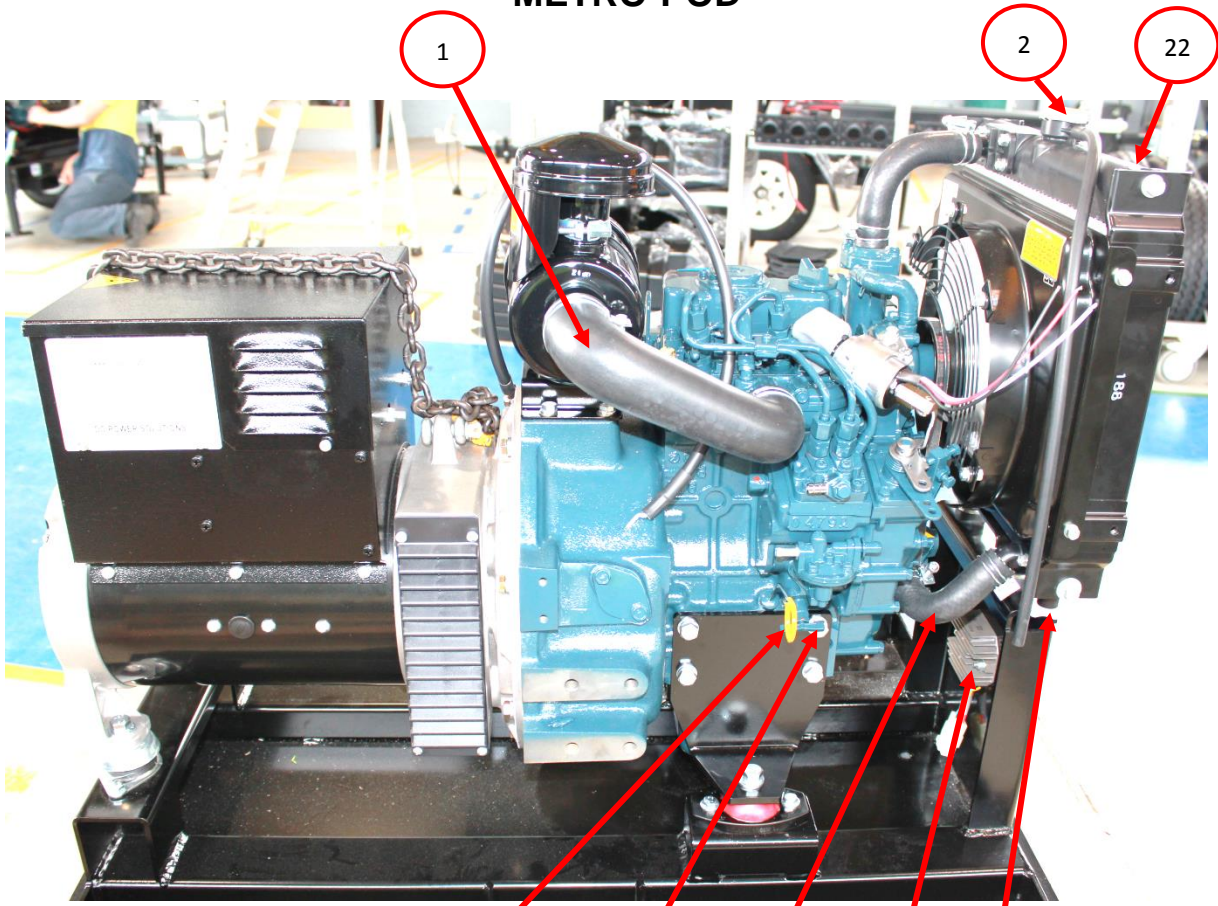
ENGINE & ALTERNATOR ASSEMBLY



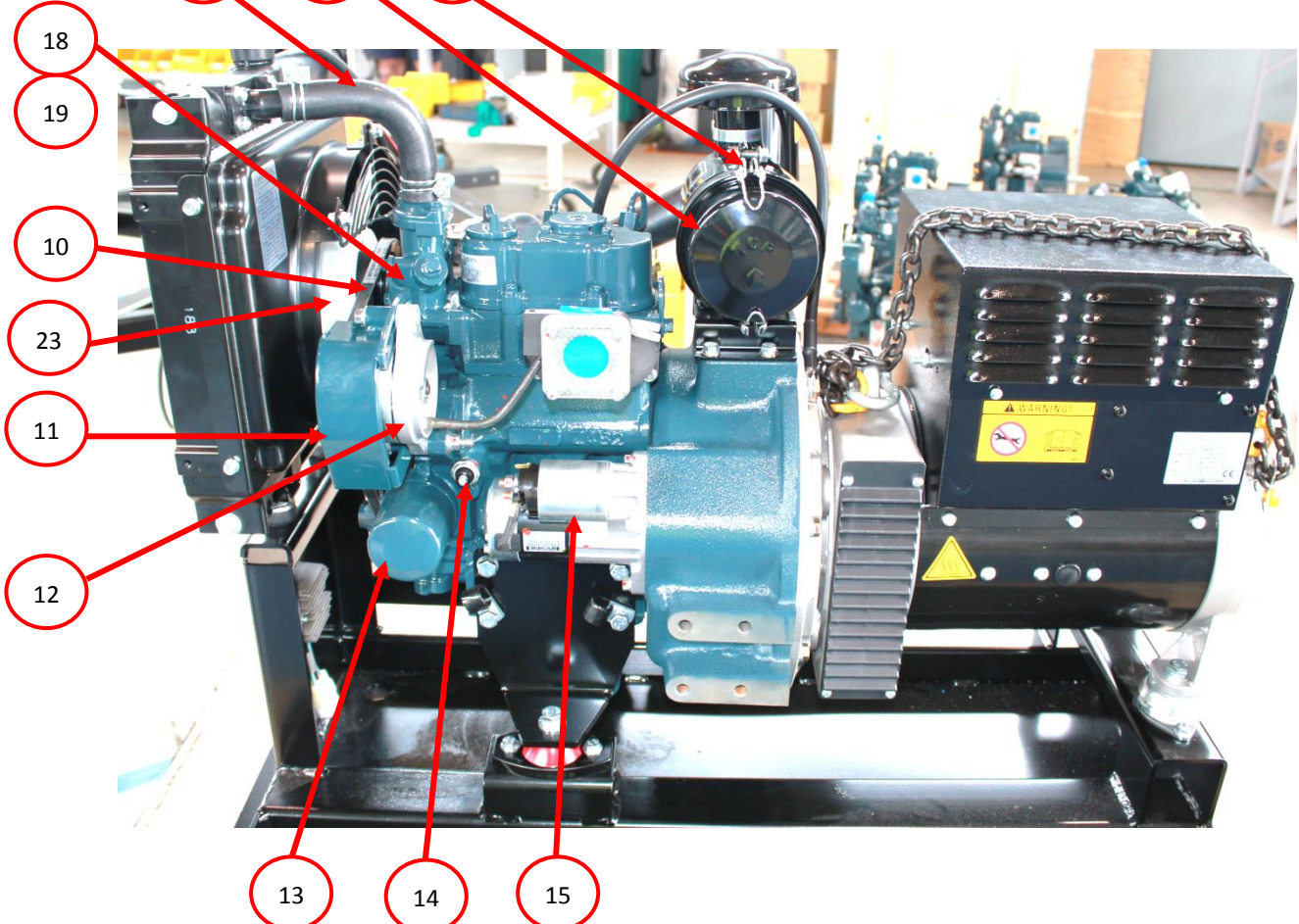
19

SEQ.#	ITEM NO.	DESCRIPTION	QTY
1	0681808	HEX HEAD BOLT, 1/2-13 X 1 GRADE 8	2
2	0760810	HEX HEAD BOLT, M8 X 20 CLASS 8.8	4
3	0760814	HEX HEAD BOLT, M8 X 30 CLASS 8.8	8
4	1001219876	HEX HEAD SCREW, M10 X 1.25P-30 CLASS 8.8	8
5	0711215	HEX HEAD BOLT, M12 X 35 CLASS 10.9	4
6	3290805	HEX LOCK NUT, M8 X 1.25 CLASS 8	12
7	4811900	WASHER, 8 mm	20
8	4812000	WASHER, 10 mm	8
9	4812100	WASHER, 12 mm	6
10	4831900	LOCKWASHER, SPRING 8 mm	4
11	1001208963	GENERATOR, 9 PHASE SINCRO	1
12	1001201865	ENGINE, KUBOTA Z482-SAE DIESEL	1
13	1001216262	MUFFLER, STANDARD, METRO	1
13A	1001210790	MUFFLER, SPARK ARRESTER METRO	1
14	1001205306	BRACKET, KUBOTA Z482 ENGINE LEG	2
15	1001205894	ENGINE MOUNT, GPM7FS-12B ISOLATOR	2
16	1001206704	BRACKET, Z482 AIR CLEANER MOUNT	1
17	1001209186	MOUNT, ISOLATOR GENERATOR	2
18	1001211396	HARNESS, LT METRO MAIN LED (NOT SHOWN)	1
19	1001187612	CONTROL, SINCRO 154520 AVR DBC1	1

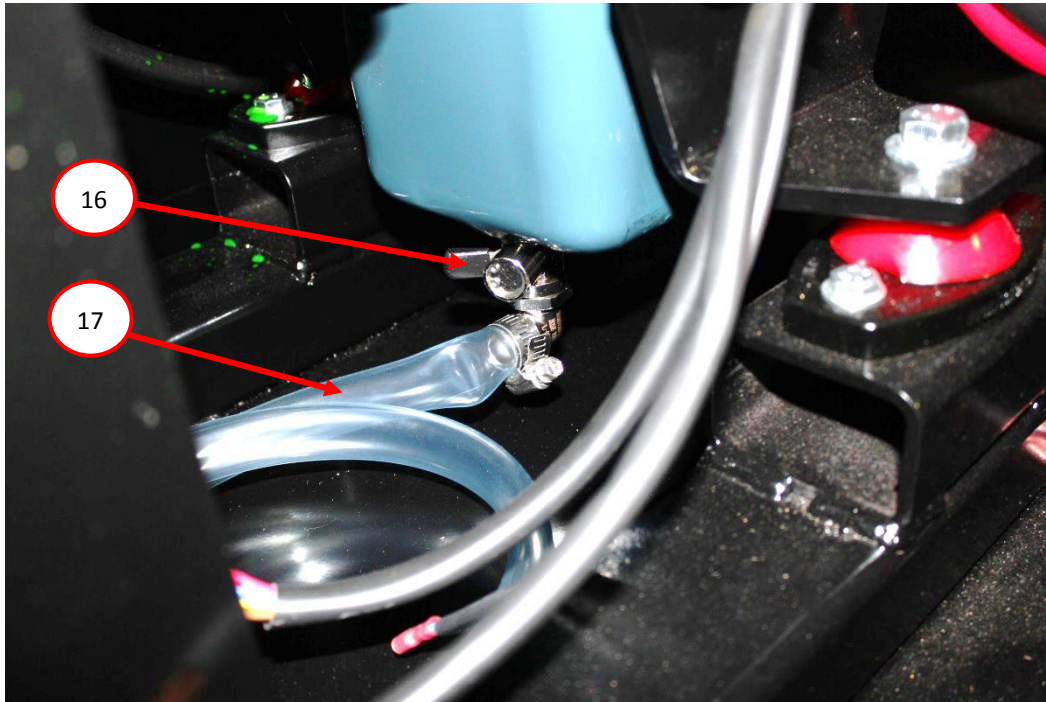
METRO-POD



- 8
- 9
- 21
- 3
- 20
- 4
- 5
- 6
- 7

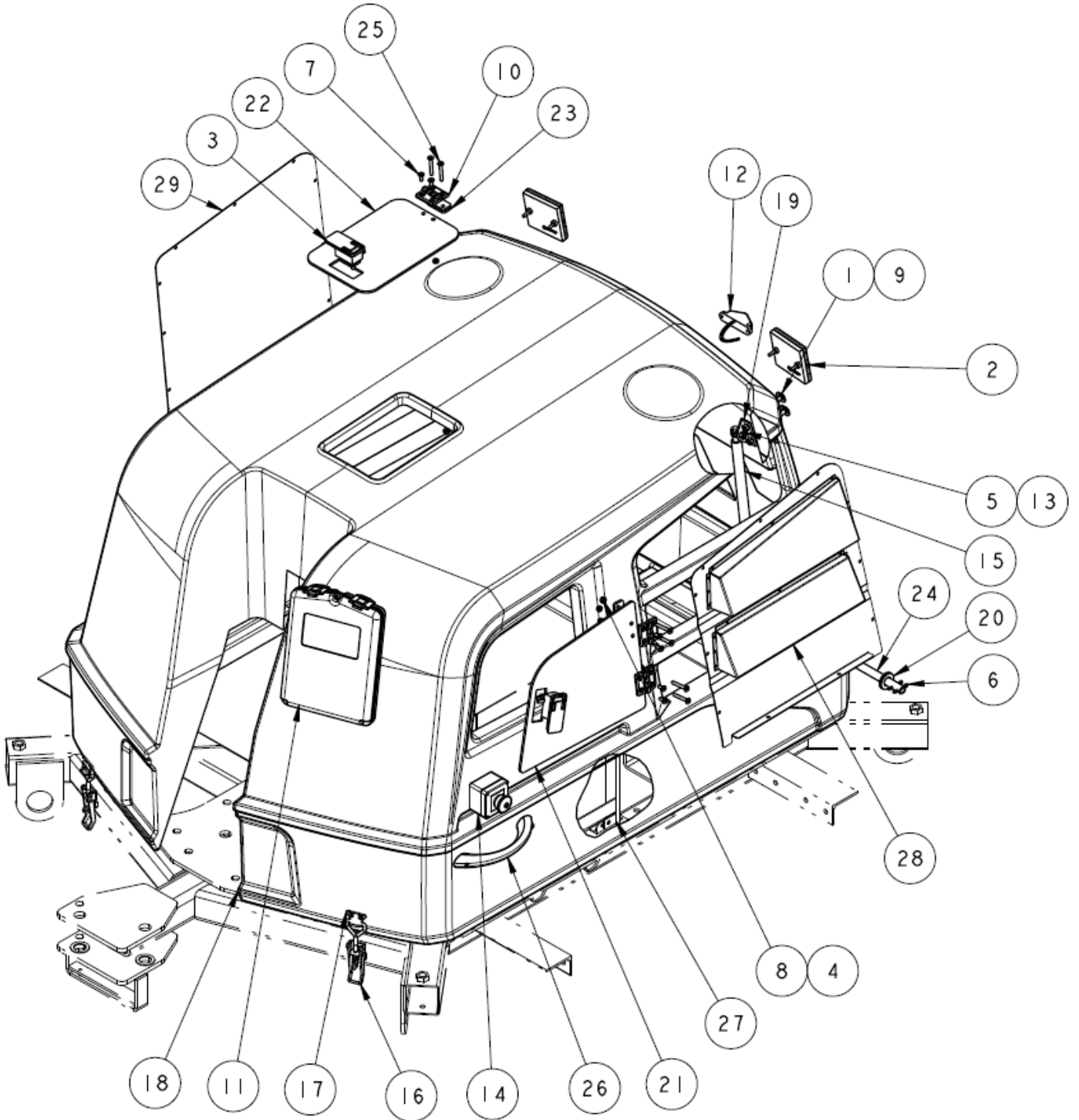


METRO-POD



SEQ.#	ITEM NO.	DESCRIPTION	QTY
1	1001206201	HOSE,KUBOTA Z482 AIR CLEANER	1
2	70002329	CAP, RADIATOR KUBOTA Z482	1
3	1001212183	GAUGE,OIL KUBOTA Z482	1
4	1001212177	HOSE,RADIATOR BOTTOM Z482	1
5	7023108	ASSEMBLY, REGULATOR VOLTAGE Z482	1
6	1734127	MOUNT, RADIATOR TOP Z482	2
7	1733088	MOUNT RADIATOR RUBBER Z482	2
8	1001212176	HOSE,RADIATOR TOP Z482	1
9	1001212174	FILTER,AIR KUBOTA Z482	1
10	1001212175	FAN,BELT KUBOTA Z482	1
11	1001212179	FAN,BELT GUARD Z482	1
12	1001212178	ENGINE,DYNAMO Z482	1
13	7017980	FILTER, OIL Z482	1
14	1730874	OIL PRESSURE SENDER	1
15	70004850	ASSY STARTER	1
16	1001205052	VALVE, EZ7BL M22 X 1.5P L-NIPPLE	1
17	1001207320	HOSE, CLEAR VINYL 5/8" DIA.	0.9 m
18	70004853	ASSY, WATER PUMP	1
19	70004854	GASKET, WATER PUMP	1
20	7017900	COCK, WATER DRAIN ASSY	1
21	1001229321	BRACKET, Z482 AIR CLEANER	1
22	1001232898	RADIATOR, Z482 ENGINE	1
23	1001233083	FAN, Z482 RADIATOR	1

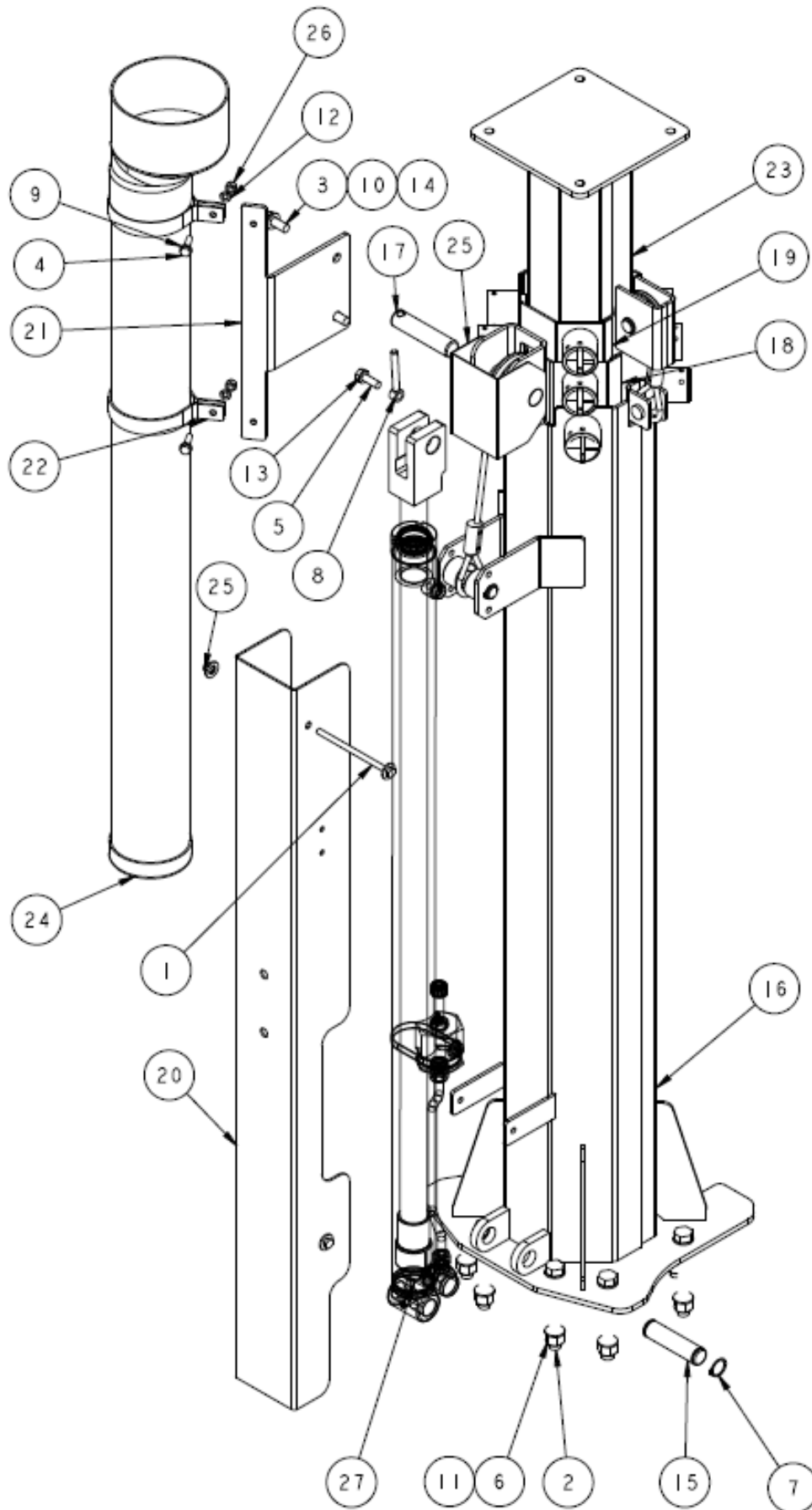
HOODS ASSEMBLY MOULDED



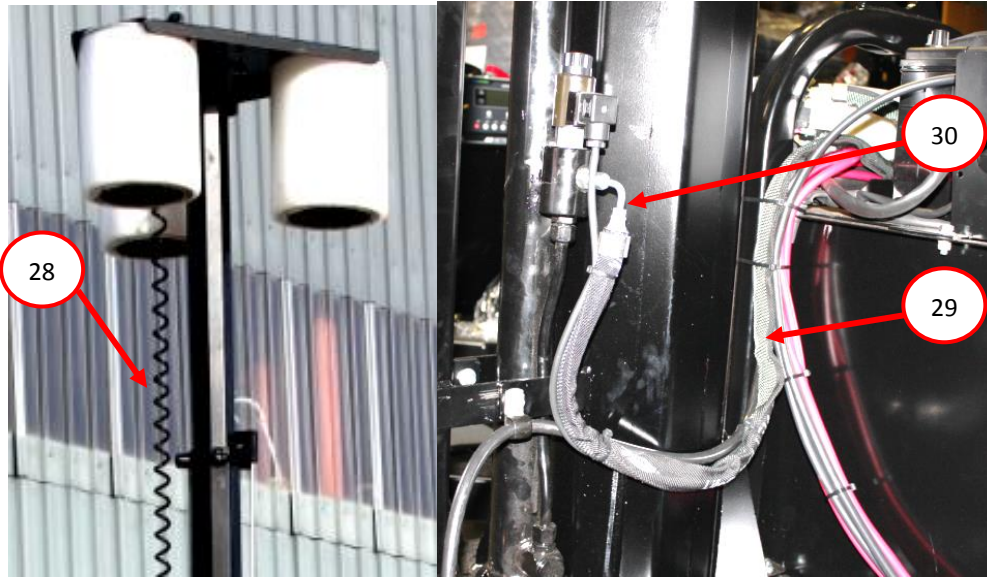
METRO-POD

SEQ.#	ITEM NO.	DESCRIPTION	QTY
1	0760816	HEX HEAD BOLT, M8 X 25 CLASS 8.8	4
2	1001214200	TAIL LIGHT, LED LIGHTING TOWER	2
3	1735660	LATCH, LIFT AND TURN LOCKABLE	3
4	3290601	HEX NUT , M6 X 1 CLASS 8	18
5	3290805	HEX LOCK NUT, M8 X 1.25 CLASS 8	4
6	3391410	PIN, SPLIT 4 X 30 mm	4
7	3900224	COUNTER SUNK SCREW M6X12 CLASS 8.8	10
8	4811700	WASHER, 6 mm	10
9	4811902	WASHER, 8 mm LG OD	4
10	8006105	JOINT, HINGE	5
11	8990147	HOLDER, MANUAL	1
12	1001223303	LAMP, NUMBER PLATE LED	2
13	1001185541	BALL, GAS SPRING MOUNT	4
14	1001204848	ELEC ASSY, EMERGENCY STOP	1
15	1001215883	ACTUATOR, GAS 200 N - 825 mm LONG	2
16	1001205832	LATCH, HOOD ZINC	2
17	1001205833	HOOK, HOOD LATCH ZINC	2
18	1001228796	HOOD, MOULDED METRO	1
19	1001205939	ANGLE, GAS STRUT MOUNT HOOD	2
20	1001208673	WASHER-SPEC, NYLON, M20 X 37 X 3 mm	4
21	1001210269	DOOR, MOULDED HOOD LH	2
22	1001210710	DOOR, TOP, MOULDED HOOD	1
23	1001210837	BAR, HINGE SPACER	6
24	1001211067	TUBE, HINGE FOR MOULDED HOOD	2
25	1001212699	COUNTER SUNK SCREW M6 X 45 CLASS 8.8	12
26	1001215885	HANDLE, BLACK 235 mm GRAB	1
27	1001217319	ROD, ASSY MOULDED HOOD GUIDE	1
28	1001219429	PANEL, RADIATOR LOUVRES ASSY	1
29	1001219466	PANEL, LOUVERS GENERATOR END	1
30	4360517	SWITCH, PROXIMITY (NOT SHOWN)	1

MAST ASSEMBLY

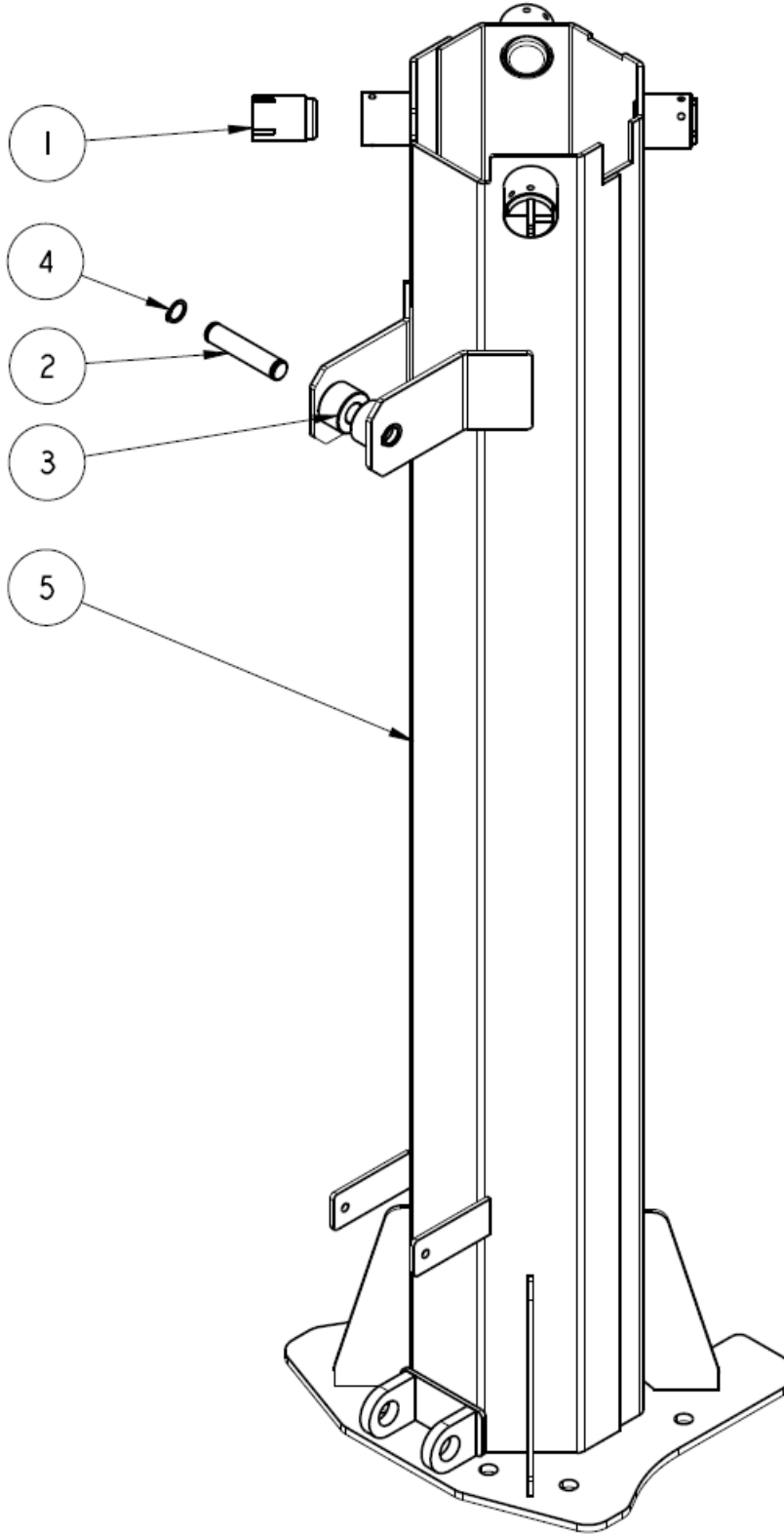


METRO-POD



SEQ.#	ITEM NO.	DESCRIPTION	QTY
1	0700831	HEX HEAD BOLT, M8 X 140 CLASS 8.8	2
2	0701630	HEX HEAD BOLT, M16 X 130 CLASS 8.8	8
3	0761214	HEX HEAD BOLT, M12 X 30 CLASS 8.8	2
4	0760814	HEX HEAD BOLT, M8 X 30 CLASS 8.8	2
5	0761014	HEX HEAD BOLT, M10 X 30 CLASS 8.8	1
6	3291605	HEX LOCK NUT, M16 X 2 CLASS 8	8
7	7011716	RING, RETAINING 1"	2
8	3841143	KEEPER, 3/8" SHAFT	1
9	4811900	WASHER, 8 mm	4
10	4812100	WASHER, 12 mm	6
11	4812200	WASHER, 14 mm	16
12	4831900	LOCKWASHER, SPRING 8 mm	2
13	4832000	LOCKWASHER, SPRING 10 mm	1
14	4832100	LOCKWASHER, SPRING 12 mm	2
15	1001159483	PIN, CYL	1
16	1001201575	MAST, WELDMENT SECTION 1	1
17	1001201580	PIN, MAST CYLINDER SHEAVE	1
18	1001201582	MAST, LT WELDMENT SECTION 2	1
19	1001201778	MAST, LT WELDMENT SECTION 3	1
20	1001215676	METRO POD CYLINDER COVER	1
21	1001215677	BRACKET, PIPE MOUNT METRO POD	1
22	1001215678	CLAMP, PIPE HOLDER METRO POD	2
23	1001216074	MAST, POD LT WELDMENT SECTION 4	1
24	1001216881	PIPE, ASSY CURLY CORD METRO POD	1
25	1001218855	COVER, MAST CABLE	1
26	3290805001	HEX LOCK NUT, M8 X 1.25 CLASS 8	2
27	1001206341	CYLINDER, HYD METRO	1
28	1001219604	CABLE, COILED MULTI-CORE	1
29	1001203248	HOSE ASSY, METRO LIFT CYL	1
30	2220582	FTG 9/16 UNO X 7/16 JIC NIPP	1
31	1001161887	KIT, CYLINDER SEAL	1

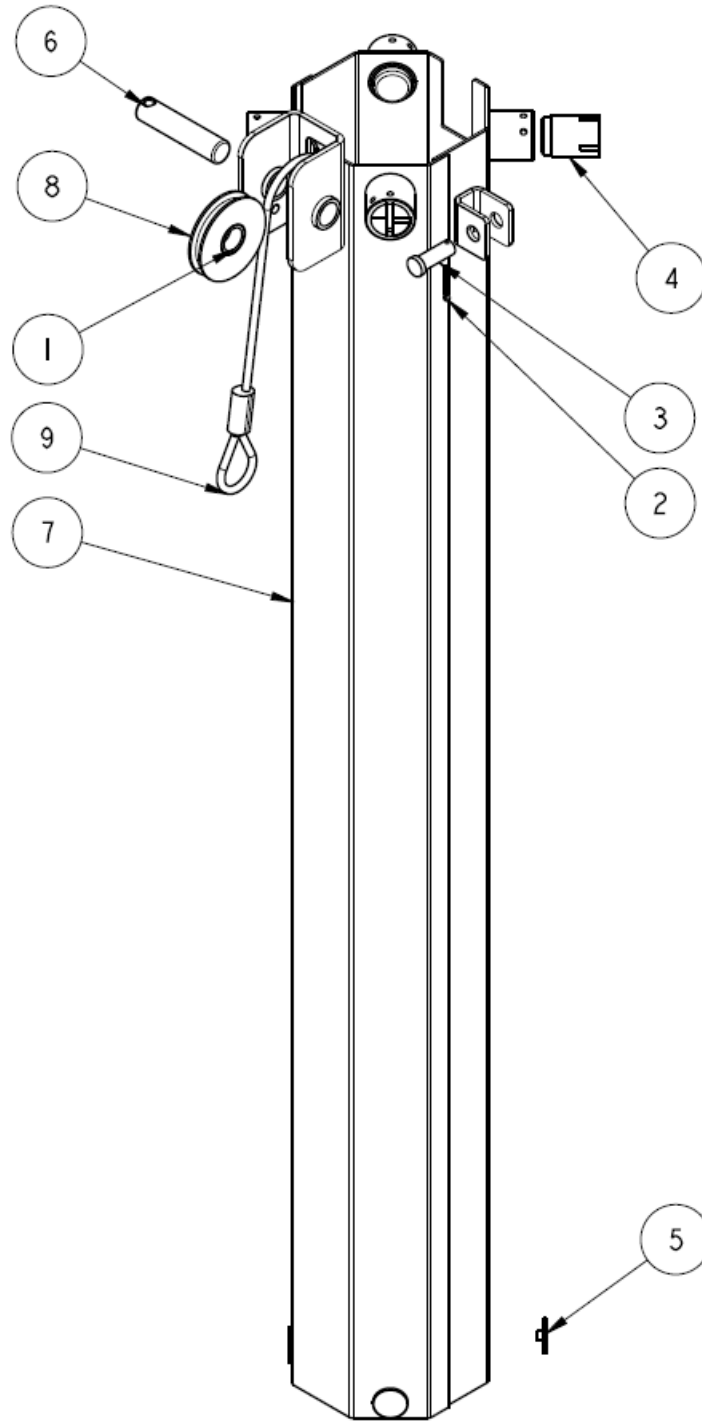
MAST SECTION 1



METRO-POD

SEQ.#	ITEM NO.	DESCRIPTION	QTY
1	1001228793	PAD,1.25"BSPP MAST WEAR	4
2	1001159482	PIN, LUG S1	1
3	1001159883	SHIM, MAST LUG,S1	2
4	1001160214	RING, RETAINING EXT,0.75"	2
5	1001201575	MAST, WELDMENT SECTION 1	1

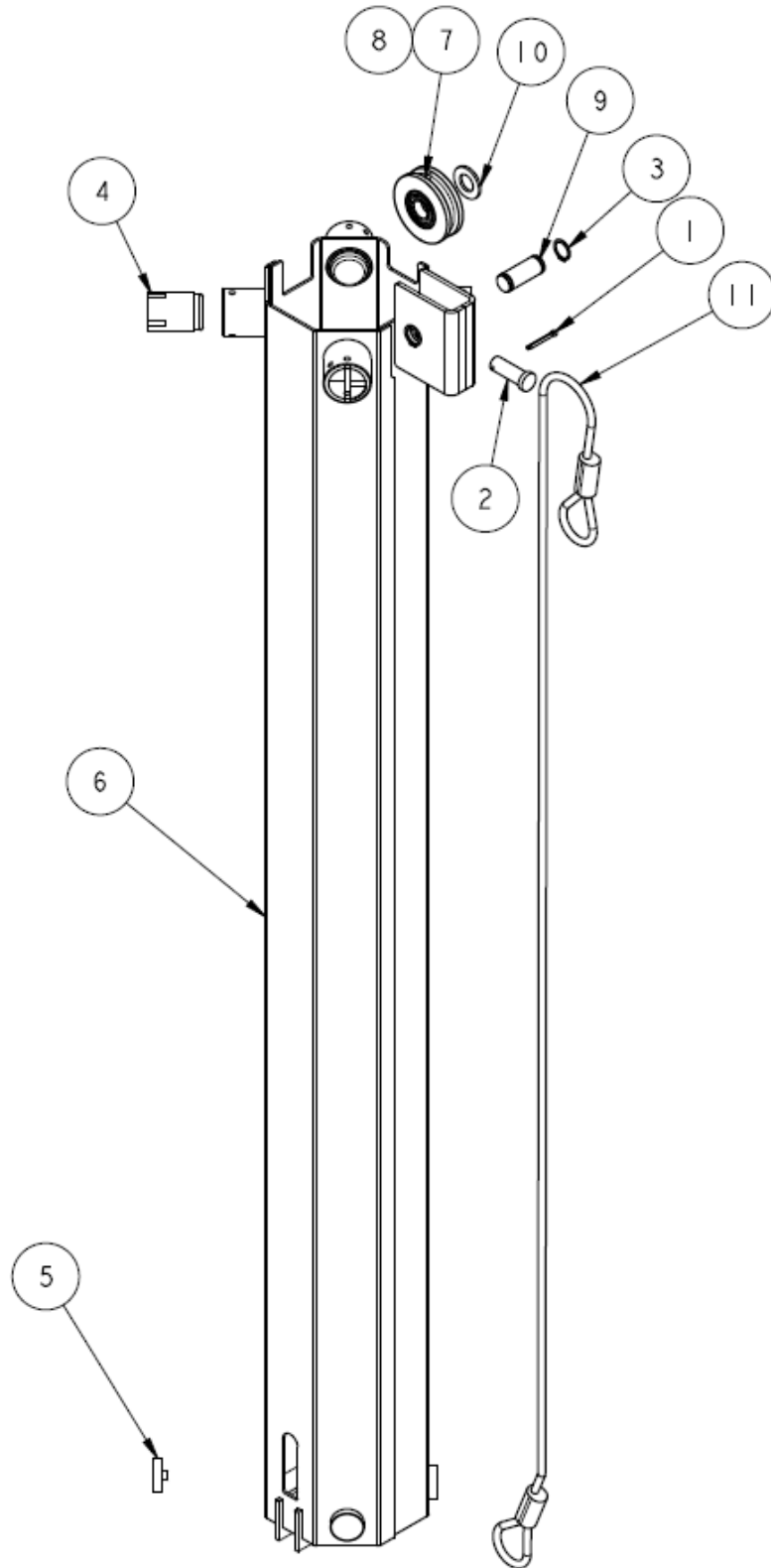
MAST SECTION 2



METRO-POD

SEQ.#	ITEM NO.	DESCRIPTION	QTY
1	0961947	BEARING, GARMAX – 1.0" ID	1
2	3391410	PIN, SPLIT 4 X 30 mm	1
3	3431014	PIN, FLAT HEAD CLEVIS	1
4	1001228793	PAD, 1.25" BSPP MAST WEAR	4
5	1001159498	PAD, INNER 4 mm	4
6	1001201580	PIN, MAST CYLINDER SHEAVE	1
7	1001201582	MAST, LT WELDMENT SECTION 2	1
8	1001204659	SHEAVE, MAST CYLINDER 92 mm DIA.	1
9	1001204568	CABLE, LT MAST S1-3 (CONNECT S3 LOWER POINT AND S1 TOP POINT)	1

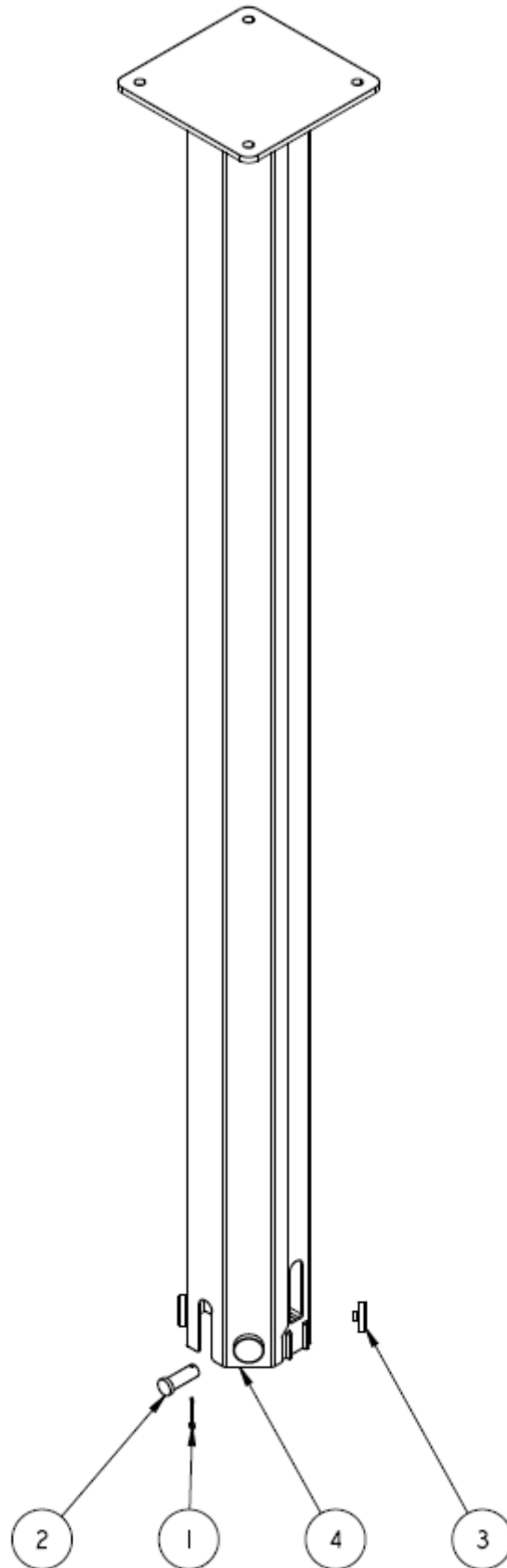
MAST SECTION 3



METRO-POD

SEQ.#	ITEM NO.	DESCRIPTION	QTY
1	3391410	PIN, SPLIT 4 X 30 mm	1
2	3431014	PIN, FLAT HEAD CLEVIS	1
3	3760488	RING,RETAINING EXT M20	2
4	1001228793	PAD, 1.25" BSPP MAST WEAR	4
5	1001159496	PAD, INNER 10 mm	4
6	1001201778	MAST, LT WELDMENT SECTION 3	1
7	1001204172	SHEAVE, LT MAST 80 mm DIA.	1
8	1001207844	BEARING, BALL, 20 X 42 X 12 mm	2
9	1001207845	PIN,DIA 20,MAST SHEAVE	1
10	1001208673	WASHER-SPEC, NYLON, M20 X 37 X 3 mm	2
11	1001204569	CABLE, LT MAST S2-4 (CONNECT S4 LOWER POINT AND S2 TOP POINT)	1

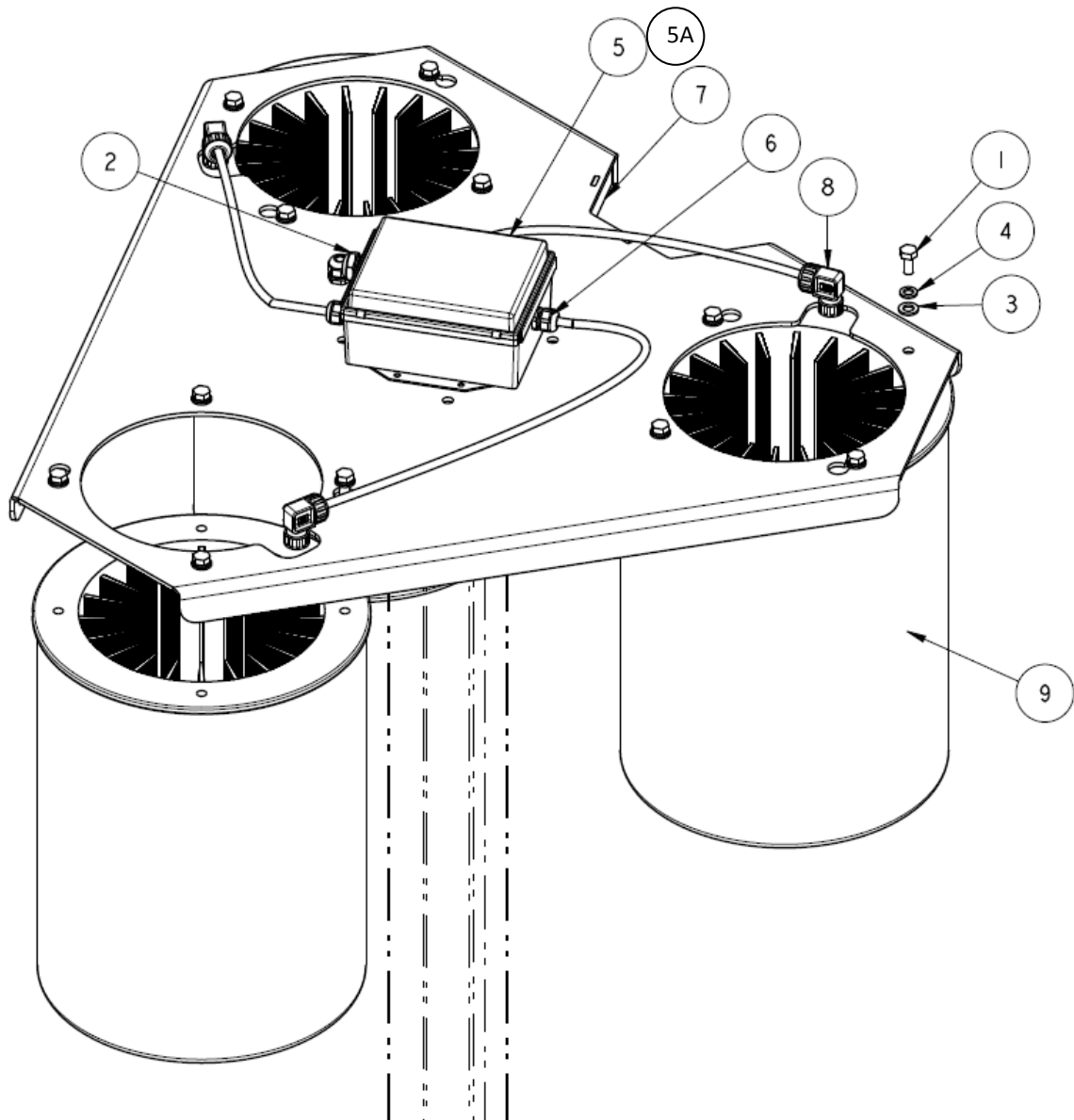
MAST SECTION 4



METRO-POD

SEQ.#	ITEM NO.	DESCRIPTION	QTY
1	3391410	PIN, SPLIT 4 X 30 mm	1
2	3431014	PIN, FLAT HEAD CLEVIS	1
3	1001159496	PAD, INNER 10 mm	4
4	1001216074	MAST, SECTION 4 METRO POD	1

METRO-POD LIGHT HEAD

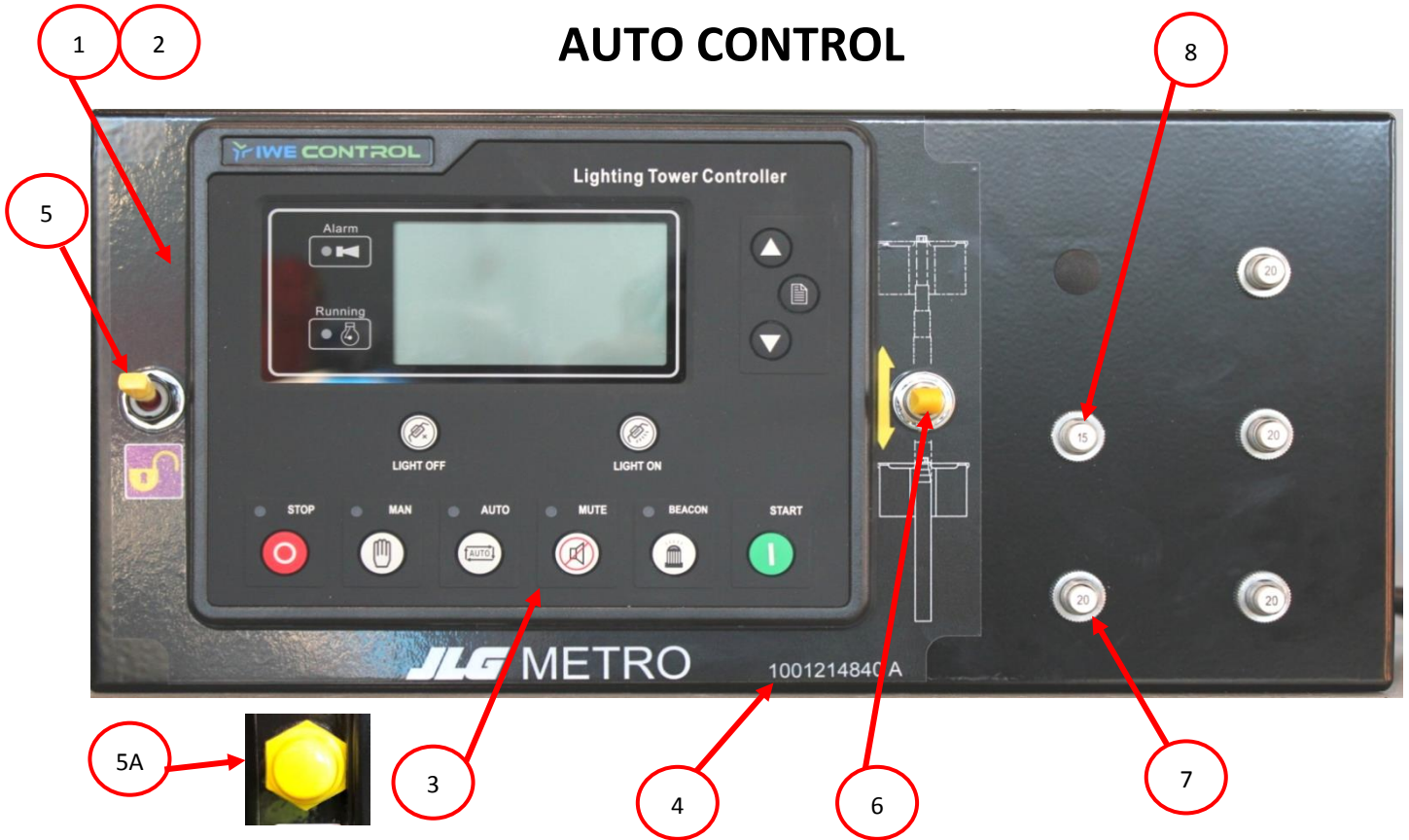


SEQ.#	ITEM NO.	DESCRIPTION	QTY
1	0761212	HEX HEAD BOLT, M12 X 25 CLASS 8.8	12
2	1732410	TERMINAL GLAND, NYLON 25MM	1
3	4812100	WASHER, 12 mm	20
4	4832100	LOCKWASHER, SPRING 12 mm	12
5	1001219119	BOX, JUNCTION METRO POD	1
5A	1001238022	FUSE, 250 V BUSSMANN MDA 25 A [JUNCTION BOX FUSES –NOT SHOWN]	A/R
6	1732433	TERMINAL, GLAND NYLON 20 mm	4
7	1001219120	BRACKET, LAMP MOUNT METRO POD	1
8	1001219117	CONNECTOR, 3PIN-35 A, 90 DEG	3
9	1001219121	LAMP, SHELL 600 W METRO POD	3

METRO-POD

ELECTRICAL ASSEMBLY

AUTO CONTROL



SEQ.#	ITEM NO.	DESCRIPTION	QTY
1	1001218507	BOX, CONTROL AUTO METRO POD	1
2	1001218508	PLATE, CONTROL BOX AUTO METRO POD (NOW SHOWN)	1
3	1001216784	CONTROL, POD LT ENGINE AUTO	1
4	1001214840	DECAL, METRO POD AUTO START	1
5	4360483	SWITCH TOGGLE (PRIOR S/N: MP00000071)	1
5A	4360387	SWITCH, PUSH BUTTON (FROM S/N: MP00000071)	1
6	4360328	SWITCH, TOGGLE	1
7	4360161	SWITCH, CIRCUIT BREAKER 20 A	4
8	4360070	SWITCH, CIRCUIT BREAKER 15 A	1

METRO-POD

DECALS & MISCELLANY

2



3

4

1



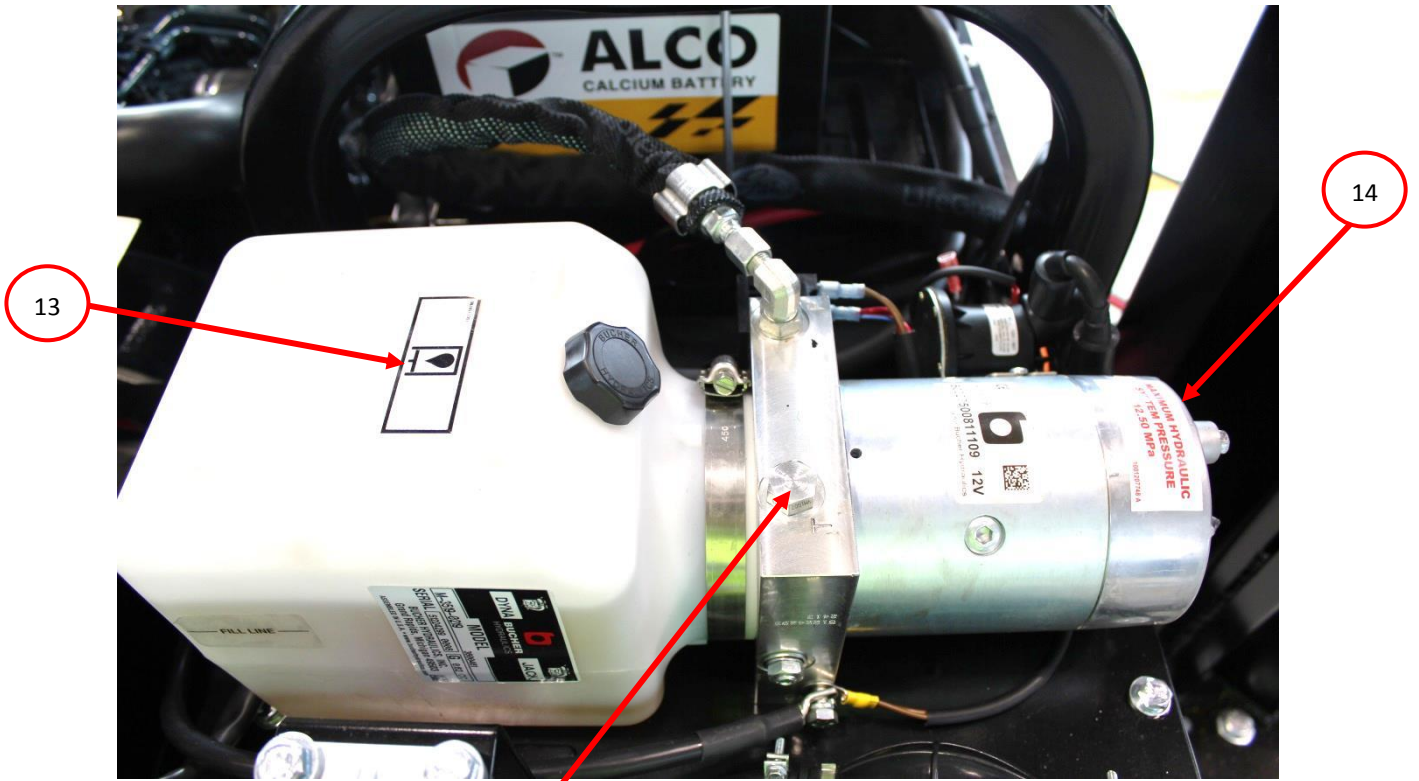
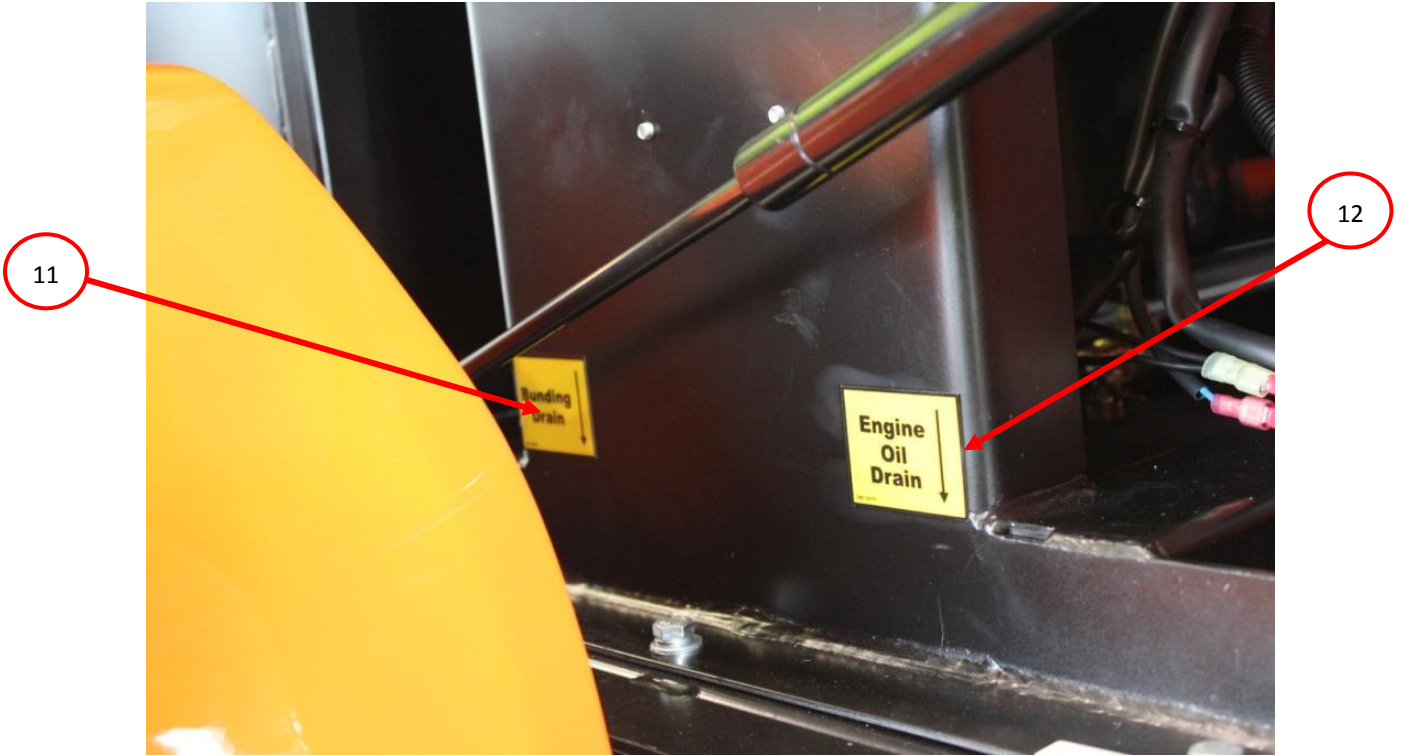
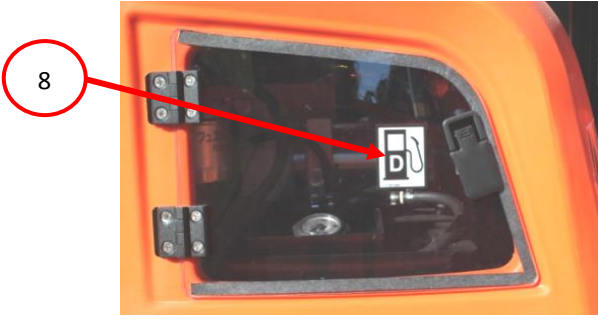
3

5

METRO-POD



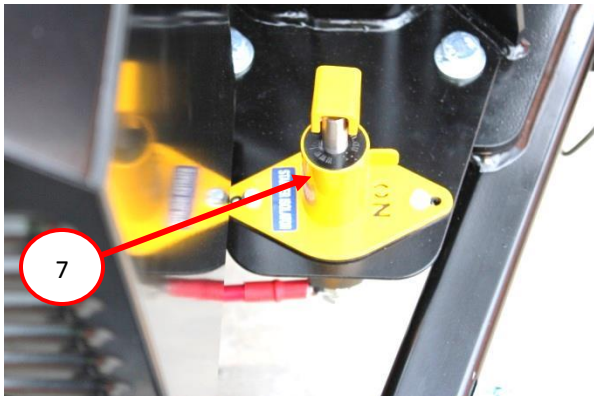
METRO-POD



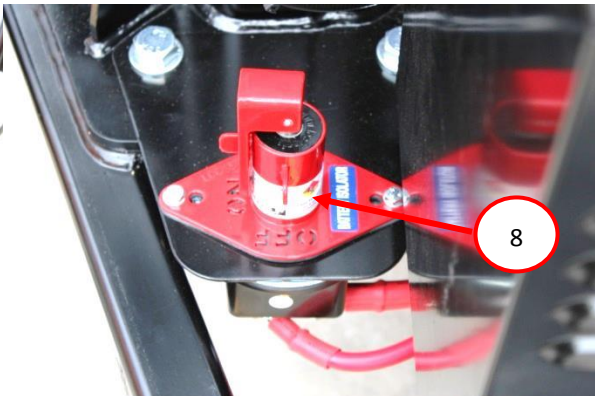
METRO-POD

SEQ.#	ITEM NO.	DESCRIPTION	QTY
1	1702009	DECAL, JLG BLACK 3.25"	3
2	1001209098	DECAL, METRO LED	1
3	1702300	DECAL, TIE DOWN	4
4	1703073	DECAL, FORK LIFT POINT	4
5	1701785	DECAL, DANGER	4
6	1001159779	DECAL, DANGER ELEC	2
7	1001159774	DECAL, DANGER TIPPING/ELEC LT	1
8	1701505	DECAL, FUEL	1
9	1700037	DECAL, GROUND CONTROL	1
10	1701500	DECAL, TIE DOWN/LIFT	1
11	1001159775	DECAL, BUNDING DRAIN	2
12	1001159777	DECAL, ENGINE OIL DRAIN	1
13	1001159780	DECAL, HYDRAULIC OIL	1
14	1001207748	DECAL, HYDRAULIC PRESSURE 12.5 MPa	1
15	1001218636	DECAL, CAUTION, STAND CLEAR OF MAST	1
16	1001222555	DECAL, CONTROLLER PWR SAVE MODE	1
17	2220237	FITTING 9/16" UNO PLUG	2

OPTIONS

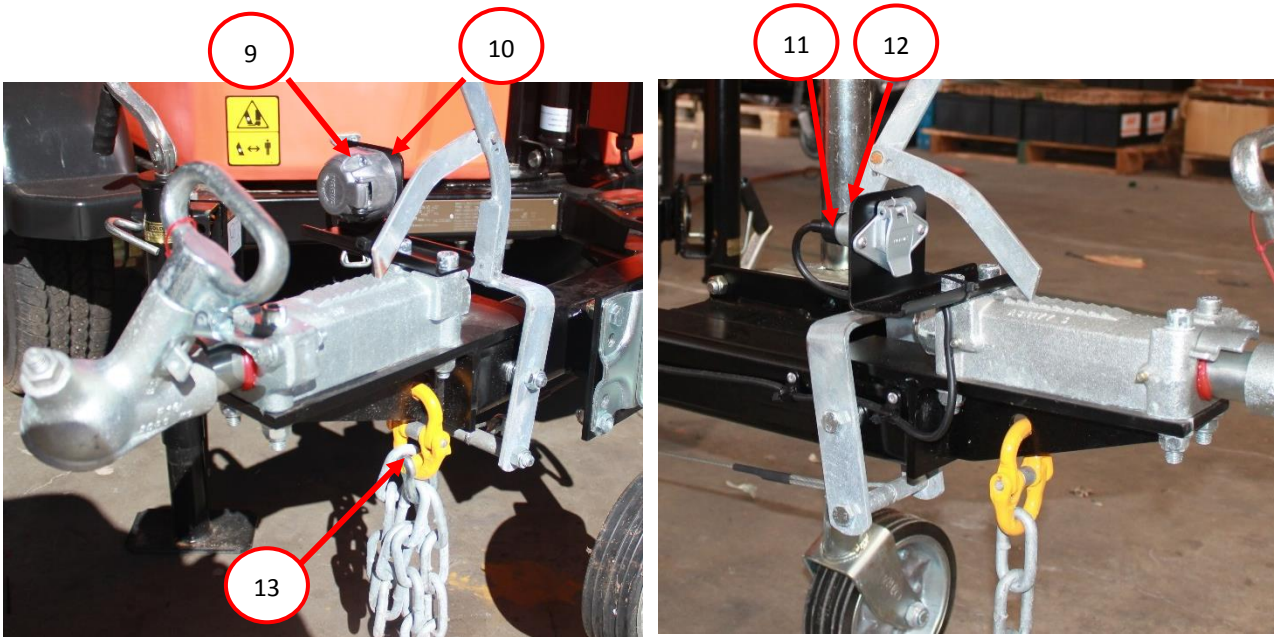
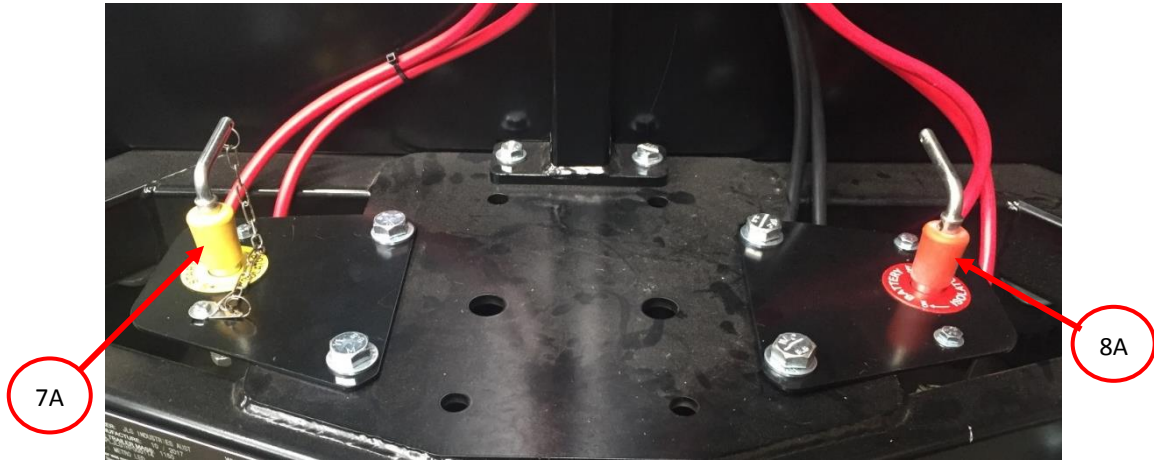


DETAIL A



DETAIL B

METRO-POD



SEQ.#	ITEM NO.	DESCRIPTION	QTY
1	1001211018	BRACKET, WHEEL CHOCK PLASTIC	2
2	1001211017	WHEEL, CHOCK PLASTIC BLACK	2
3	1001172068	BEACON,LED LT	1
4	1734123	FIRE, EXTINGUISHER 4.5 kg ABE	1
5	1733394	BRACKET HD 4.5 kg FIRE EXT	1
6	1737513	TAPE, DG3 FLURO 45MT REFLECT	3.8 m
7	1001207028	KIT, STARTER ISOLATOR, LOCKSAFE	1
7A	1001207026	KIT, STARTER ISOLATOR	1
8	1001207027	KIT, BATTERY ISOLATOR, LOCKSAFE	1
8A	1001207025	KIT, BATTERY ISOLATOR SWITCH	1
9	1730894	SOCKET, 7 PIN LARGE ROUNG TRAILER	1
10	1001232364	BRACKET,TRAILER PIN SOCKET	1
11	1734626	SOCKET, TRAILER 6 PIN	1
12	1001232365	BRACKET,TRAILER PIN SMALL SKT	1
13	WSS0015SCD	SHACKLE, 1.5 tonne D-TYPE	1