



---

# ***Illustrated Parts Manual***

## ***Models G5-18A 2505***

Prior to SN 0160053000 excluding  
0160051045, 0160051047  
0160051049, 0160051194 &  
0160051359

**31200360**

*Revised*  
October 23, 2018 - Rev N





## EFFECTIVITY PAGE

February 22, 2008 - A - Original Issue Of Manual

April 30, 2008 - B - Revised Manual

October 23, 2008 - C - Revised Manual

June 12, 2009 - D - Revised Manual

November 18, 2011 - E - Revised Manual

August 6, 2012 - F - Revised Manual

February 25, 2013 - G - Revised Manual

January 22, 2014 - H - Revised Manual

May 12, 2017 - I - Revised Manual

September 14, 2017 - J - Revised Manual

November 9, 2017 - K - Revised Manual

March 20, 2018 - L - Revised Manual

May 8, 2018 - M - Revised Manual

October 23, 2018 - N - Revised Manual



# TABLE OF CONTENTS

SECTION 1 - FRAME AND ATTACHING PARTS.....	9
FIGURE 1-1. FRAME SHROUDING AND ATTACHING PARTS .....	10
FIGURE 1-2. FRAME COVERS, SHROUDING AND ATTACHING PARTS .....	16
FIGURE 1-3. ENGINE POD INSULATION - 2505 .....	20
FIGURE 1-4. AXLE AND FENDER INSTALLATION .....	22
FIGURE 1-5. HITCHES .....	24
FIGURE 1-6. HITCHES - 2505 .....	26
FIGURE 1-7. LICENSE PLATE HOLDER INSTALLATION (Prior to SN 0160037440) .....	28
FIGURE 1-8. LICENSE PLATE HOLDER INSTALLATION (SN 0160037440 to Present).....	30
FIGURE 1-9. REAR ENGINE COVER.....	32
SECTION 2 - BOOM .....	35
FIGURE 2-1. BOOM ASSEMBLY - COMPONENTS .....	36
FIGURE 2-2. BOOM ASSEMBLY - PADS AND SHIMS .....	38
FIGURE 2-3. BOOM PIN INSTALLATION.....	40
FIGURE 2-4. QUICK COUPLER .....	42
FIGURE 2-5. UNIVERSAL QUICK COUPLER .....	44
SECTION 3 - ATTACHMENTS .....	47
FIGURE 3-1. STANDARD CARRIAGE.....	48
FIGURE 3-2. UNIVERSAL STANDARD CARRIAGE .....	50
FIGURE 3-3. SIDE TILT CARRIAGE.....	52
FIGURE 3-4. UNIVERSAL SIDE TILT CARRIAGE - G5-18A .....	54
FIGURE 3-5. UNIVERSAL SIDE SHIFT CARRIAGE .....	56
FIGURE 3-6. FORKS.....	58
FIGURE 3-7. GRAPPLE BUCKET.....	60
FIGURE 3-8. GRAPPLE BUCKET - 2505 .....	62
FIGURE 3-9. GRAPPLE BUCKET.....	64
FIGURE 3-10. LIGHT MATERIAL BUCKETS.....	66
FIGURE 3-11. FORK MOUNTED HOOK .....	68
FIGURE 3-12. UNIVERSAL HITCH ATTACH .....	72
SECTION 4 - ENGINE AND ATTACHING PARTS .....	75
FIGURE 4-1. ENGINE INSTALLATION.....	76
FIGURE 4-2. ENGINE ASSEMBLY .....	80
FIGURE 4-3. PERKINS ENGINE (G5-18A, 2505 - LS) .....	84
FIGURE 4-4. PERKINS ENGINE (ULS) (G5-18A).....	86
FIGURE 4-5. PERKINS ENGINE (LS) (2505) .....	88
FIGURE 4-6. RADIATOR/OIL COOLER INSTALLATION .....	90
FIGURE 4-7. AIR CLEANER INSTALLATION.....	92
FIGURE 4-8. EXHAUST INSTALLATION.....	94
SECTION 5 - DRIVE TRAIN .....	97
FIGURE 5-1. FRONT AXLE ASSEMBLY .....	98
FIGURE 5-2. FRONT DIFFERENTIAL AND CENTRAL HOUSING .....	100
FIGURE 5-3. FRONT HUB REDUCTION.....	104
FIGURE 5-4. FRONT BRAKES .....	106
FIGURE 5-5. FRONT STEERING COMPONENTS.....	108
FIGURE 5-6. REAR AXLE ASSEMBLY.....	110
FIGURE 5-7. REAR DIFFERENTIAL.....	112
FIGURE 5-8. REAR HUB REDUCTION AND CENTRAL HOUSING .....	114
FIGURE 5-9. REAR STEERING COMPONENTS .....	118
FIGURE 5-10. DRIVESHAFT INSTALLATION.....	120
FIGURE 5-11. TIRES AND RIMS.....	122
SECTION 6 - CAB.....	125
FIGURE 6-1. CAB INSTALLATION .....	126
FIGURE 6-2. OPEN CAB - G5-18A.....	132
FIGURE 6-3. ENCLOSED CAB INSTALLATION.....	134
FIGURE 6-4. REAR HINGED WINDOW INSTALLATION .....	138

# TABLE OF CONTENTS

FIGURE 6-5. SUSPENSION SEAT .....	140
FIGURE 6-6. WIPER INSTALLATION .....	142
FIGURE 6-7. HEATER AND AC - CAB .....	144
FIGURE 6-8. HEATER AND AC INSTALLATION - ENGINE POD .....	148
FIGURE 6-9. OVERHEAD CONSOLE .....	150
SECTION 7 - CONTROLS .....	153
FIGURE 7-1. BOOM JOYSTICK .....	154
FIGURE 7-2. STEERING COLUMN AND ATTACHING PARTS .....	156
FIGURE 7-3. ACCELERATOR PEDAL ASSEMBLY .....	158
FIGURE 7-4. BRAKE ASSEMBLY .....	160
SECTION 8 - HYDRAULIC CIRCUITS .....	163
FIGURE 8-1. SUPPLY CIRCUIT .....	164
FIGURE 8-2. DUMP CIRCUIT (G5-18A Prior to SN 0160042093; 2505 Prior to SN 0160042694) .....	168
FIGURE 8-3. DUMP CIRCUIT (G5-18A SN 0160042093 to Present; 2505 SN 0160042694 to Present) .....	172
FIGURE 8-4. STEER SELECT .....	176
FIGURE 8-5. SERVICE/PARK BRAKE .....	178
FIGURE 8-6. BOOM JOYSTICK - G15-18A (Prior to SN 0160042093) .....	180
FIGURE 8-7. BOOM JOYSTICK - 2505 (Prior to SN 0160042694) .....	182
FIGURE 8-8. BOOM JOYSTICK - G15-18A (SN 0160042093 to Present) .....	184
FIGURE 8-9. BOOM JOYSTICK - 2505 (SN 0160042694 to Present) .....	186
FIGURE 8-10. LIFT CYLINDER (G5-18A SN 0160032850 through 0160053000, Excluding 0160051045; 2505 Prior to SN 0160042694; Excluding 0160051047, 0160051049, 0160051194 and 0160051359) .....	188
FIGURE 8-11. LIFT CYLINDER - 2505 (SN 0160042694 to Present) .....	190
FIGURE 8-12. EXTEND/RETRACT CYLINDER .....	192
FIGURE 8-13. TILT AND COMPENSATING .....	194
FIGURE 8-14. AUXILIARY HYDRAULICS .....	196
FIGURE 8-15. REAR AUXILIARY HYDRAULICS (G5-18A SN 0160035962 through 0160042086; 2505 SN 0160036070 through 0160042693) .....	198
FIGURE 8-16. REAR AUXILIARY HYDRAULICS (G5-18A SN 0160042093 to Present; 2505 SN 0160042694 to Present) .....	200
FIGURE 8-17. AUXILIARY HYDRAULICS PRESSURE RELIEF (G5-18A Prior to SN 0160035962; 2505 Prior to SN 0160036070) .....	202
FIGURE 8-18. AUXILIARY HYDRAULICS PRESSURE RELIEF (G5-18A SN 0160035962 through 0160042086; 2505 SN 0160036070 through 0160042694) .....	204
FIGURE 8-19. AUXILIARY HYDRAULICS PRESSURE RELIEF (G5-18A SN 0160042093 to Present; 2505 SN 0160042694 to Present) .....	206
SECTION 9 - HYDRAULIC COMPONENTS .....	209
FIGURE 9-1. LIFT CYLINDER (G5-18A SN 0160032850 through 0160053000, Excluding 0160051045; 2505 Prior to SN 0160042694; Excluding 0160051047, 0160051049, 0160051194 and 0160051359) .....	210
FIGURE 9-2. LIFT CYLINDER (2505 SN 0160042694 to Present) .....	212
FIGURE 9-3. EXTEND/RETRACT CYLINDER .....	214
FIGURE 9-4. TILT CYLINDER .....	216
FIGURE 9-5. COMPENSATING CYLINDER .....	218
FIGURE 9-6. HYDRAULIC QUICK COUPLER CYLINDER .....	220
FIGURE 9-7. ROTATE/SIDE TILT CARRIAGE CYLINDER AND GRAPPLE BUCKET CYLINDER .....	222
FIGURE 9-8. UNIVERSAL SIDE SHIFT CYLINDER .....	224
FIGURE 9-9. MAIN CONTROL VALVE .....	226
FIGURE 9-10. FRONT DRIVE MOTOR .....	228
FIGURE 9-11. HYDROSTATIC TRANSMISSION .....	230
FIGURE 9-12. DIVERTOR VALVE (Prior to SN 0160037453) .....	232
FIGURE 9-13. DIVERTOR VALVE (SN 0160037453 to Present) .....	234
FIGURE 9-14. STEERING SELECT VALVE .....	236
FIGURE 9-15. STEERING SELECT VALVE .....	238
FIGURE 9-16. BLOCKING VALVE - 2505 (Prior to SN 0160042694) .....	240
FIGURE 9-17. PILOT SELECT VALVE (G5-18A Prior to SN 0160042093; 2505 Prior to SN 0160042694) .....	242
FIGURE 9-18. PILOT SELECT VALVE (G5-18A SN 0160042093 to Present; 2505 SN 0160042694 to Present) .....	244
FIGURE 9-19. BRAKE VALVES .....	246
FIGURE 9-20. LSI VALVE - 2505 (Prior to SN 0160042694) .....	248
FIGURE 9-21. AUXILIARY HYDRAULIC PRESSURE RELIEF VALVE (G5-18A SN 0160035962 through 0160042086; 2505 SN 0160036070 through 0160042693) .....	250
SECTION 10 - ELECTRICAL .....	253

# TABLE OF CONTENTS

FIGURE 10-1. ELECTRICAL INSTALLATION .....	254
FIGURE 10-2. ROAD LIGHTS INSTALLATION .....	258
FIGURE 10-3. WORK LIGHTS INSTALLATION.....	262
FIGURE 10-4. CAB SWITCHES.....	266
FIGURE 10-5. CAB FUSE HOLDER .....	268
FIGURE 10-6. FRAME BASE HARNESS (G5-18A SN 0160032850 through 0160053000, Excluding 0160051045; 2505 Prior to SN 0160042694; Excluding 0160051047, 0160051049, 0160051194 and 0160051359).....	270
FIGURE 10-7. FRAME BASE HARNESS (2505 SN 0160042694 to Present) .....	272
FIGURE 10-8. FRAME OPTIONS HARNESS (G5-18A SN 0160032850 through 0160053000, Excluding 0160051045; 2505 Prior to SN 0160042694; Excluding 0160051047, 0160051049, 0160051194 and 0160051359).....	276
FIGURE 10-9. FRAME OPTIONS HARNESS (2505 SN 0160042694 to Present).....	278
FIGURE 10-10. CAB HARNESS (G5-18A Prior to SN 0160046189, Excluding 0160045424 and 0160045775; 2505 Prior to SN 0160042694) .....	282
FIGURE 10-11. CAB HARNESS (G5-18A SN 0160046189 to Present, Including 0160045424 and 0160045775; 2505 SN 0160042694 to Present) .....	288
FIGURE 10-12. CAB ROOF HARNESS (G5-18A Prior to SN 0160046246; 2505 Prior to SN 0160042694).....	292
FIGURE 10-13. CAB ROOF HARNESS (G5-18A SN 0160046246 to Present; 2505 SN 0160042694 to Present) .....	294
FIGURE 10-14. ROOF WORKLIGHT HARNESS (Prior to SN 0160037441) .....	296
FIGURE 10-15. ROOF WORKLIGHT HARNESS (SN 0160037441 to Present) .....	298
FIGURE 10-16. BOOM WORKLIGHTS HARNESS.....	300
FIGURE 10-17. AC SYSTEM HARNESS .....	302
FIGURE 10-18. BOOM AUX HARNESS (SN 0160032766 to Present).....	304
FIGURE 10-19. LSI TIMER INSTALL - 2505 (Prior to SN 0160042694) .....	306
FIGURE 10-20. SPEEDOMETER SENSOR INSTALLATION - 2505 (SN 0160042694 to Present) .....	308
FIGURE 10-21. LSI INSTALLATION - 2505 (Prior to SN 0160042694) .....	310
FIGURE 10-22. LSI AXLE SENSOR AND BOOM PROXIMITY SENSOR INSTALLATION - 2505 (SN 0160042694 to Present).....	312
FIGURE 10-23. FUNCTION CUTOFF JUMP HARNESS.....	314
FIGURE 10-24. HEATER JUMPER HARNESS .....	316
SECTION 11 - DECALS.....	319
FIGURE 11-1. FRAME AND BOOM DECALS.....	320
SECTION 12 - RECOMMENDED SPARE PARTS .....	325
FIGURE 12-1. RECOMMENDED SPARE PARTS .....	326
PART NUMBER INDEX .....	329



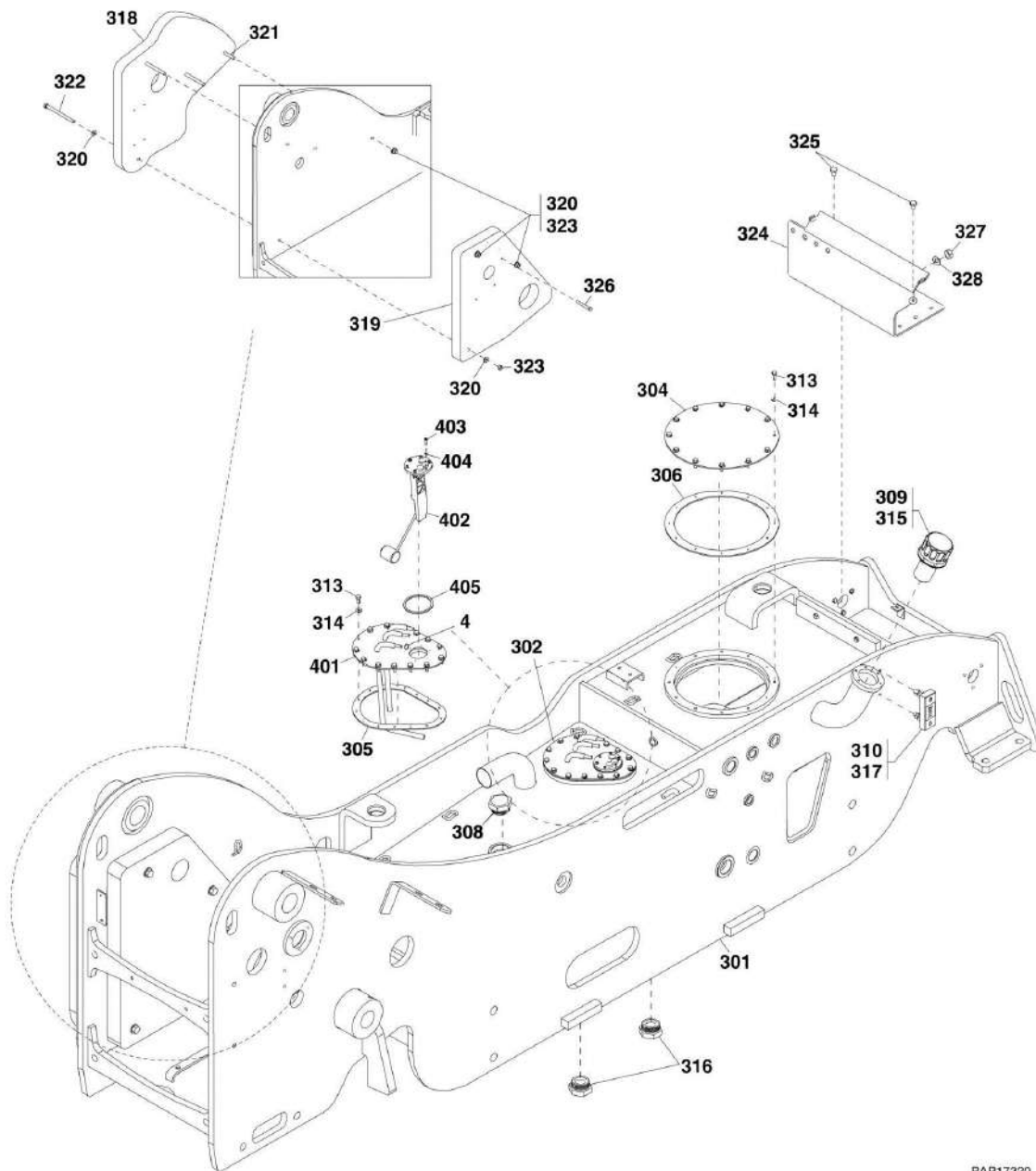


# **SECTION 1 - FRAME AND ATTACHING PARTS**

## **SECTION 1 - FRAME AND ATTACHING PARTS**

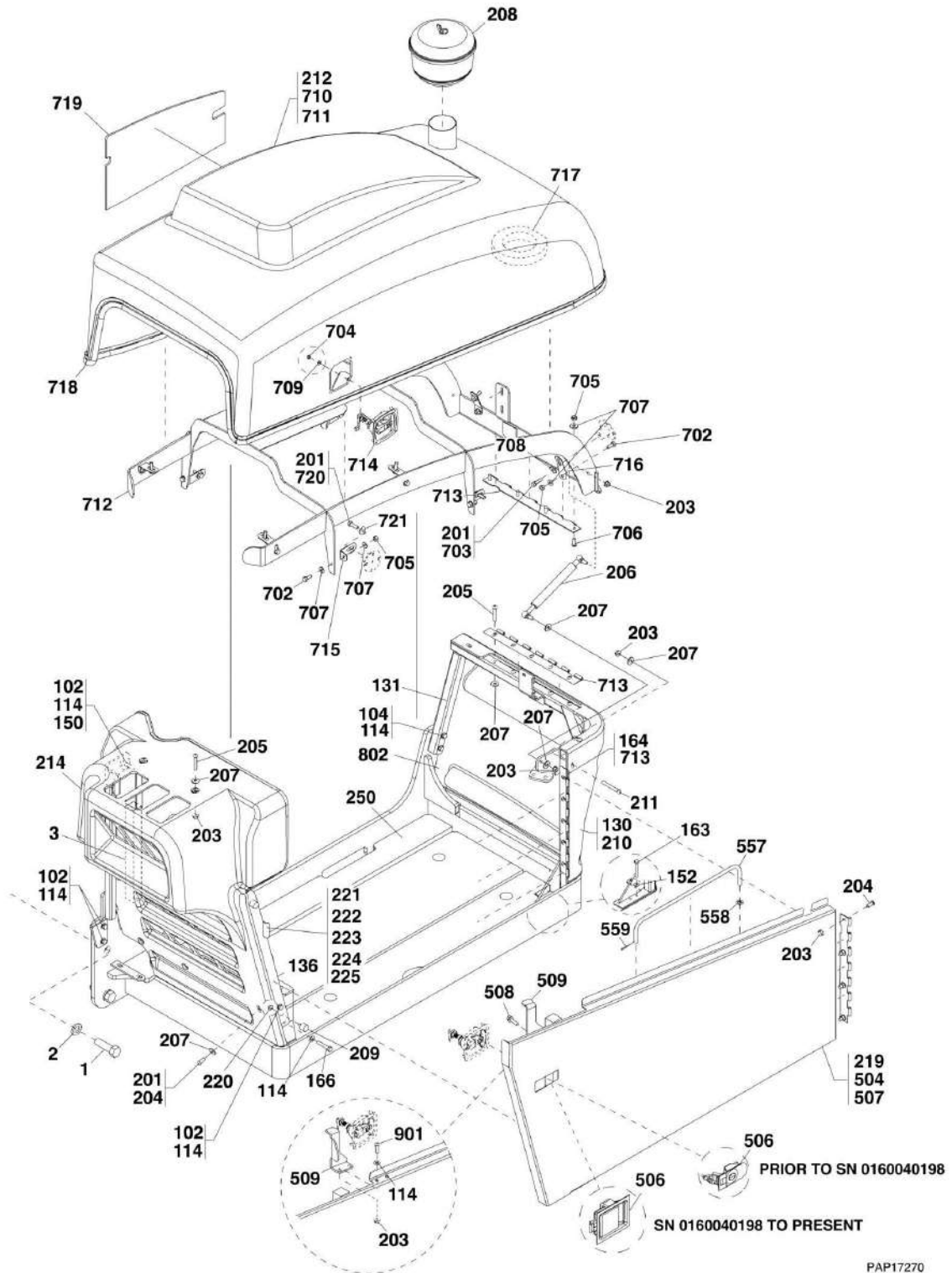
# SECTION 1 - FRAME AND ATTACHING PARTS

## FIGURE 1-1. FRAME SHROUDING AND ATTACHING PARTS



PAP17320

# SECTION 1 - FRAME AND ATTACHING PARTS



# SECTION 1 - FRAME AND ATTACHING PARTS

## FIGURE 1-1. FRAME SHROUDING AND ATTACHING PARTS

ITEM	PART NUMBER	QTY	DESCRIPTION	REV
	1001098514	Ref	ENGINE POD INSTALLATION, (not available to order, see items 1 thru 4 for service)	D
1	0682220	4	HEX HD CAPSCREW, 3/4-10X2-1/2, GR8	
2	4892200	4	WASHER, 3/4	
3	1001097360	1	FOAM GASKET SEAL	
4	8410013	3	HOSE CLAMP	
102	0641506	3	HEX HD CAPSCREW, 5/16-18X3/4, GR5	
104	0641514	2	HEX HD CAPSCREW, 5/16-18X1-3/4, GR5	
114	4711500	11	WASHER, 5/16 <b>(Prior to SN 0160035834)</b>	
114	4700500	9	WASHER, 5/16 <b>(SN 0160035834 to Present)</b>	
130	1001080780	1	ENGINE POD FRAME	
131	1001080791	1	HOOD SUPPORT	
136	1001126233	1	REAR ENGINE MOUNT	
150	1001081036	1	WASHER, 0.375X1.25	
152	4711400	3	WASHER, 1/4	
163	0641406	3	HEX HD CAPSCREW, 1/4-20X3/4, GR5	
164	3900272	5	BUTTON HD SCREW, 5/16-18X1-3/4	
166	0641508	2	HEX HD CAPSCREW, 5/16-18X1	
	1001103075	Ref	HOOD INSTALLATION, (G5-18A - ANSI), (not available to order, see items 201 thru 225 for service)	B
	1001081433	Ref	HOOD INSTALLATION, (G5-18A - ANSI), (Agricultural), (not available to order, see items 201 thru 225 for service)	B
	1001103077	Ref	HOOD INSTALLATION, (2505 - CE and AUS), (not available to order, see items 201 thru 225 & 250 for service)	C
	1001081440	Ref	HOOD INSTALLATION, (2505 - CE and AUS), (Agricultural), (not available to order, see items 201 thru 225 & 250 for service)	C
201	0100011	AR	LOCTITE 242	
203	8305626	11	HEX LOCKNUT, 5/16-18 <b>(Prior to SN 0160035834)</b>	
203	8305626	9	HEX LOCKNUT, 5/16-18 <b>(SN 0160035834 to Present)</b>	
204	0630468	7	BUTTON HD SCREW, 5/16-18X3/4	
205	1001108191	15	BUTTON HD SCREW, 5/16-18X1-3/4	
206	1001081414	1	GAS SPRING	
207	1001108180	10	WASHER, 5/16	
208	1001062773	1	PRE-CLEANER	
209	1001096180	2	RUBBER BUMPER	
210	1001081262	1	FRONT ENGINE COVER, (G5-18A)	
210	1001081264	1	FRONT ENGINE COVER, (2505)	
211	1001108243	1	BUTTON HD SCREW, 5/16-18X2-1/2	
212	1001081267	1	ENGINE HOOD, (G5-18A), (includes items 201, 702 thru 709 & 711 thru 721)	H
212	1001081252	1	ENGINE HOOD, (2505), (includes items 201 & 702 thru 718, 720 & 721)	H
214		Ref	REAR ENGINE COVER, (See REAR ENGINE COVER for Breakdown)	
219	1001081190	1	ENGINE DOOR, (includes 2 of items 114 & 203 & items 504, 506, 509 & 901) <b>(Prior to SN 0160035834)</b>	B
219	1001081254	1	ENGINE DOOR, (includes items 504, 506, 508 & 509) <b>(G5-18A SN 0160035834 through 0160040158)</b>	E
219	1001126034	1	ENGINE DOOR, (includes items 504, 506, 508 & 509) <b>(G5-18A SN 0160040198 to Present)</b>	B
219	1001081256	1	ENGINE DOOR, (includes items 504 thru 509) <b>(2505 SN 0160035834 through 0160038061)</b>	E

## SECTION 1 - FRAME AND ATTACHING PARTS

ITEM	PART NUMBER	QTY	DESCRIPTION	REV
219	1001126036	1	ENGINE DOOR, (includes items 504 thru 509) <b>(2505 SN 0160040198 to Present)</b>	B
220	3311408	2	NUT, 1/4-20, GR2	
221	1001125107	1	LATCH CATCH BRACKET	
222	3311405	2	NUT, 1/4-20	
223	8310725	2	BUTTON HD SCREW, 1/4-20X1-1/4	
224	4711400	4	WASHER, 1/4	
225	1001138655	5	DOOR LATCH SHIM	
250		Ref	ENGINE POD TRAY INSULATION INSTALLATION, (not shown), (See ENGINE POD INSULATION for Breakdown)	
	1001130200	Ref	FRAME COMPONENT INSTALLATION, (not available to order, see items 301 thru 326 for service) <b>(Prior to SN 0160046397)</b>	D, 4
	1001136913	Ref	FRAME COMPONENT INSTALLATION, (not available to order, see items 301 thru 328 for service) <b>(SN 0160046397 to Present)</b>	B
301	N.S.S.	1	FRAME WELDMENT	
302	1001080196	1	FUEL TANK COVER ASSY, (includes items 401 thru 405)	E
304	1001080091	1	HYDRAULIC TANK COVER	
305	3960622	1	FUEL TANK COVER GASKET	
306	1001080092	1	HYDRAULIC COVER GASKET	
308	1001080944	1	PLUG, (includes o-ring)	
309	1001081070	1	VENTED HYDRAULIC FILLER CAP	
310	91563136	1	OIL LEVEL INDICATOR	
313	0681406	26	HEX HD CAPSCREW, 1/4-20X3/4, GR8	
314	4711400	26	WASHER, 1/4	
315	1001081363	2	MAGNET	
316	2220239	2	PLUG, (includes o-ring)	
317	0100020	AR	PIPE SEALANT	
318	1001130289	1	COUNTERWEIGHT, (outside)	
319	1001130291	1	COUNTERWEIGHT, (inner)	
320	90027471	8	WASHER, 1/2	
321	0641836	1	HEX HD CAPSCREW, 1/2-13X4-1/2, GR5	
322	0641852	3	HEX HD CAPSCREW, 1/2-13X6-1/2, GR5	
323	3271801	4	HEX NUT, 1/2X13, GR8	
324	1001133671	1	ELECTRICAL COMPONENTS MOUNTING BRACKET	
325	0641403	2	HEX HD CAPSCREW, 1/4-20X3/8, GR5	
326	0641624	1	HEX HD CAPSCREW, 3/8-16X3, GR5	
327	3271601	1	HEX NUT, 3/8X16, GR8	
328	4751600	1	WASHER, 3/8	
401	3380724	1	FUEL TANK COVER	
402	2420205	1	FUEL GAUGE	
403	88212210	6	SOCKET HD CAPSCREW, 6-32X3/4	
404	4750600	6	WASHER, #6	
405	1001080162	1	FUEL LEVEL SENDER GASKET	
504	1001096153	1	ENGINE COMPARTMENT DOOR <b>(Prior to SN 0160040198)</b>	
504	1001126033	1	ENGINE COMPARTMENT DOOR <b>(SN 0160040198 to Present)</b>	
506	1001096450	1	COMPRESSION LEVER LATCH <b>(Prior to SN 0160040198)</b>	
506	2940045	1	PADDLE LATCH <b>(SN 0160040198 to Present)</b>	
507		Ref	DOOR PANEL INSULATION INSTALLATION, (See ENGINE POD INSULATION for Breakdown)	
508	0791508	2	SCREW, 5/16-18x1	
509	1001096187	1	HOOD LATCH BRACKET <b>(Prior to SN 0160035834)</b>	
509	1001103939	1	HOOD LATCH PLATE <b>(SN 0160035834 to Present)</b>	

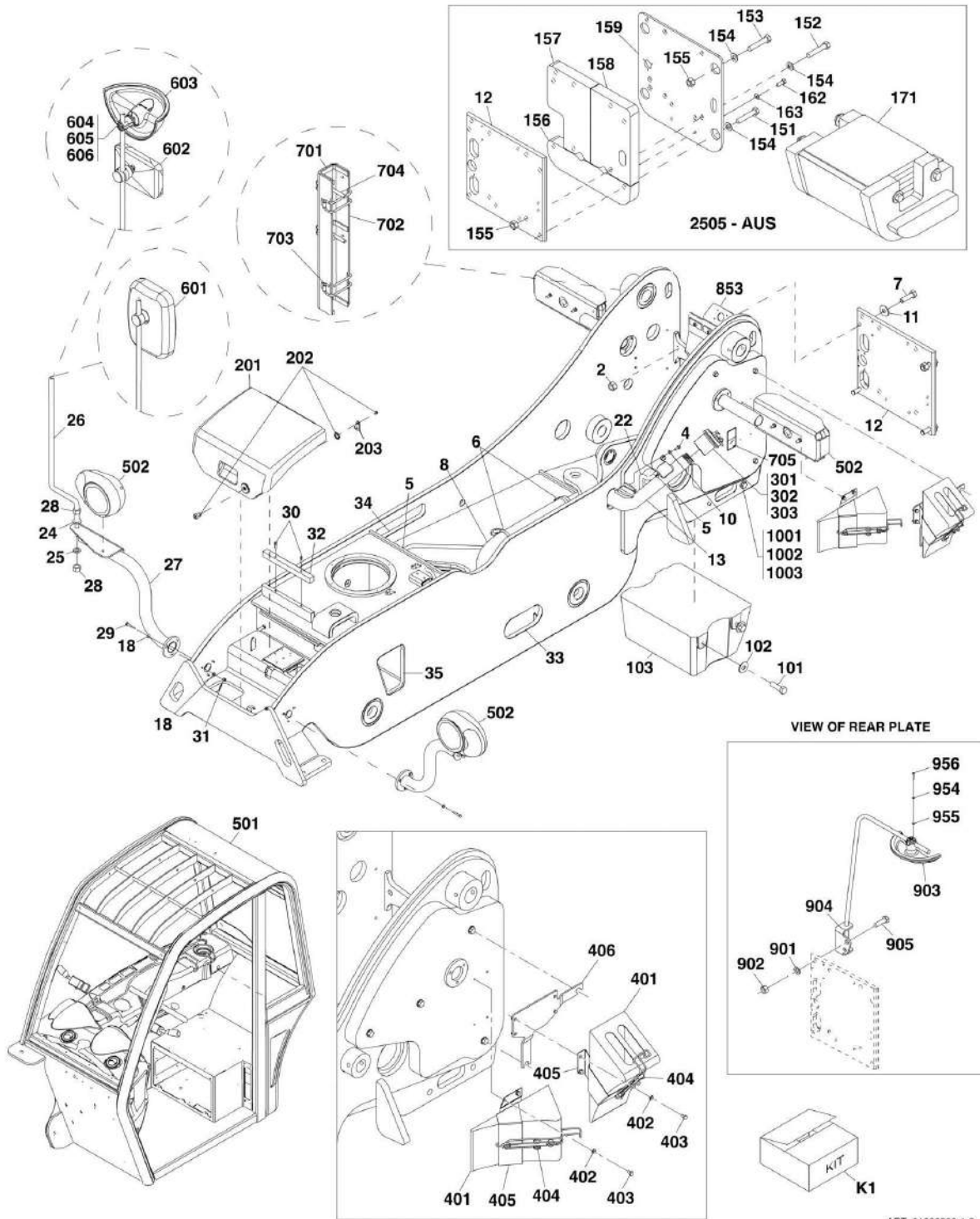
## SECTION 1 - FRAME AND ATTACHING PARTS

ITEM	PART NUMBER	QTY	DESCRIPTION	REV
557	1001081096	1	ROD	
558	8310070	1	PUSHNUT	
559	3450303	1	COTTER PIN	
702	0641506	9	HEX HD CAPSCREW, 5/16-18X3/4, GR5	
703	0641508	2	HEX HD CAPSCREW, 5/16-18X1, GR5	
704	3290605	4	HEX LOCKNUT, M6X1, GR5	
705	3311505	13	HEX LOCKNUT, 5/16-18, GR2	
706	3900210	4	BUTTON HD SCREW, 5/16-18X3/4	
707	4711500	22	WASHER, 5/16	
708	4751500	2	WASHER, 5/16	
709	4811700	4	WASHER, 6mm	
710		Ref	HOOD INSULATION INSTALLATION, (See ENGINE POD INSULATION for Breakdown)	
711	1001096142	1	ENGINE COVER	
712	1001096144	1	HOOD SUPPORT	
713	1001096148	2	CONTINUOUS HINGE	
714	1001096152	1	COMPRESSION LATCH	
715	1001096697	7	HOOD ATTACH CLIP	
716	1001096698	2	HOOD ATTACH CLIP	
717	1001096782	1	AIR INTAKE HOOD SEAL	
718	1001097160	14.8 ft	SELF GRIPPING BULB SEAL	
719	1001081419	1	HEAT SHIELD INSULATE	
720	0641512	7	HEX HD CAPSCREW, 5/16-18X1-1/2, GR5	
721	1001145211	14	WASHER, 5/16	
		Ref	FRONT COVER INSTALLATION, (2505), (not available to order, see items 210 & 802 for service)	
802		Ref	FRONT COVER INSULATION INSTALLATION, (See ENGINE POD INSULATION for Breakdown)	
901	0630468	2	BUTTON HD SCREW, 5/16-18X1 <b>(Prior to SN 0160035834)</b>	



# SECTION 1 - FRAME AND ATTACHING PARTS

## FIGURE 1-2. FRAME COVERS, SHROUDING AND ATTACHING PARTS



ART\_31200360-1-2



# SECTION 1 - FRAME AND ATTACHING PARTS

## FIGURE 1-2. FRAME COVERS, SHROUDING AND ATTACHING PARTS

ITEM	PART NUMBER	QTY	DESCRIPTION	REV
	0275491	Ref	FRAME INSTALLATION, (not available to order, see items 2 thru 35 for service)	P
2	88501012	2	HEX NUT, 3/4-10	
4	0641506	2	HEX HD CAPSCREW, 5/16-18X3/4, GR5	
5	8405006	2	GEAR CLAMP	
6	86883327	2	HOSE CLAMP	
7	0682220	4	HEX HD CAPSCREW, 3/4-10X2-1/2, GR8	
8	1001080086	1	FUEL FILL HOSE	
10	4711500	2	WASHER, 5/16	
11	4752200	4	WASHER, 3/4	
12	1001080171	1	REAR PLATE	
13	1001080573	1	FUEL NOZZLE TUBE	
18	4891500	6	WASHER, 5/16	
22	1001080084	1	HYDRAULIC TANK HOSE	
24	4712200	1	WASHER, 3/4	
25	4762200	1	LOCKWASHER, 3/4	
26	1001081159	1	MIRROR BRACKET	
27	1001133822	1	HEADLIGHT BRACKET	
28	3272201	2	HEX NUT, 3/4-10, GR8	
29	0641514	3	HEX HD CAP SCREW, 5/16-18X1-3/4, GR5	
30	3931416	2	SOCKET HD CAPSCREW, 1/4-20X1	
31	3311505	3	LOCKNUT, 5/16-18, GR2	
32	1001081185	1	BOOM STOP PAD	
33	1001081304	1	SEAL	
34	1001081305	1	SEAL	
35	1001081364	2	GROMMET	
	1001081106	Ref	COUNTERWEIGHT INSTALLATION, (G5-18A), (not available to order, see items 101 thru 103 for service)	C
	1001081107	Ref	COUNTERWEIGHT INSTALLATION, (2505 - CE), (not available to order, see items 101 thru 103 for service)	C
	1001107711	Ref	COUNTERWEIGHT INSTALLATION, (2505 - AUS), (not available to order, see items 151 thru 163 for service) <b>(Prior to SN 0160045913)</b>	D
101	1001151086	4	HEX HD CAPSCREW, 3/4-10X2-1/2, GR8	
102	1001151132	4	WASHER, 3/4	
103	1001080861	1	COUNTERWEIGHT, 460 lb, (G5-18A)	
103	1001081105	1	COUNTERWEIGHT, 129 kg, (2505)	
151	0682232	2	HEX HD CAPSCREW, 3/4-10X4, GR8	
152	0682234	4	HEX HD CAPSCREW, 3/4-10X4-1/4, GR8	
153	0682238	2	HEX HD CAPSCREW, 3/4-10X4-3/4, GR8	
154	4712200	8	WASHER, 3/4	
155	88501012	6	HEX NUT, 3/4-10	
156	1001107651	1	BOTTOM WEIGHT, (AUS)	
157	1001107652	1	LEFT WEIGHT, (AUS)	
158	1001107653	1	RIGHT WEIGHT, (AUS)	
159	1001107701	1	REAR WEIGHT, (AUS)	
162	0681810	2	HEX HD CAPSCREW, 1/2-13X1-1/4, GR8	
163	4711800	2	WASHER, 1/2	
171	1001137099	1	COUNTERWEIGHT ASSY, (2505 - AUS) <b>(SN 0160045913 to Present)</b>	D
	1001080090	Ref	BATTERY COVER INSTALLATION, (not available to order, see	D

## SECTION 1 - FRAME AND ATTACHING PARTS

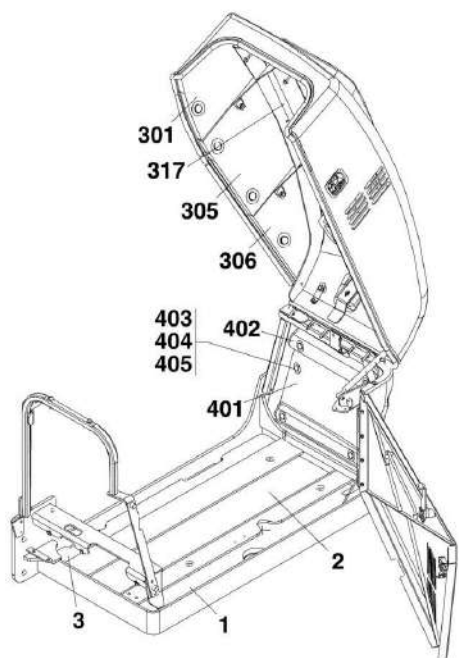
ITEM	PART NUMBER	QTY	DESCRIPTION	REV
			items 201 thru 203 for service) (2505 Prior to SN 0160042694; G5-18A Prior to SN 0160046397)	
	1001133788	Ref	BATTERY COVER INSTALLATION, (not available to order, see items 201 thru 203 for service) (2505 SN 0160042694 to Present; G5-18A SN 0160046397 to Present)	A
201	1001080163	NLA	BATTERY COVER, (no longer available, use Kit K1 for replacement) (Prior to SN 0160037452)	
201	1001112694	Ref	BATTERY COVER, (2505 SN 0160037452 through 0160042693; G5-18A SN 0160037452 through 0160046248)	
201	1001133787	1	BATTERY COVER, (2505 SN 0160042694 to Present; G5-18A SN 0160046397 to Present)	
202	1001081000	1	CAM LOCK LATCH	
203	1001080644	1	CAM LATCH	
	1001080571	Ref	FUEL CAP INSTALLATION, (not available to order, see items 301 thru 303 for service)	B
301	1001001422	1	NECK FILLER ADAPTER	
302	1001080707	1	LOCKING CAP	
303	0100093	AR	LOCTITE 30512, (apply to item 301)	
	0275779	Ref	WHEEL CHOCK INSTALLATION, (if equipped), (Germany), (not available to order, see items 401 thru 406 for service)	D
401	806253	2	WEDGE	
402	4811900	8	WASHER, 8mm	
403	0760806	8	HEX HD CAPSCREW, M8X12, GR8.8	
404	1060628	2	CABLE TIE DOWN	
405	806264	2	WEDGE HOLDER	
406	1001167706	1	Wheel Chock, Mount Weldment	
501		Ref	CAB ASSY, (See CAB SECTION for Breakdown)	
502		Ref	ROAD LIGHT INSTALLATION, (See ELECTRICAL SECTION for Breakdown)	
601	80363195	1	MIRROR, (G5-18A)	
602	1001148177	1	RECTANGULAR MIRROR, (2505)	
603	1001008436	1	MIRROR, (2505), (includes items 604 thru 606)	C
604	1001008475	2	LOCKWASHER, #12	
605	1001009062	2	WASHER	
606	1001010838	2	HEX HD BOLT	
	0275778	Ref	LIFT CYLINDER PROP INSTALLATION, (2505), (not available to order, see items 701 thru 705 for service)	C
701	909304	AR	PROFILE RUBBER, 18X5mm	
702	1271599	1	LIFT CYLINDER PROP WELDMENT	
703	1784861	2	O-RING	
704	1001099887	2	SCREW, M12X103	
705	8005671	2	DECAL, CYLINDER LOCK WARNING	
853		Ref	LICENSE PLATE LIGHT, (See ELECTRICAL SECTION for Breakdown)	
	1001104784	Ref	REAR CONVEX MIRROR INSTALLATION, (not available to order, see items 901 thru 905 for service)	C
	1001112236	Ref	REAR CONVEX MIRROR INSTALLATION, (2505 - AUS), (not available to order see items 901 thru 904 for service)	B
901	4712200	1	WASHER, 3/4	
902	88501012	1	HEX NUT, 3/4-10	
903	1001008436	1	MIRROR, (includes items 954 thru 956)	B
904	1001080241	NLA	BAR, (no longer available, use 1001208759 for replacement)	
904	1001208759	1	BAR	
904	1001111700	1	BAR, (2505 - AUS)	

## SECTION 1 - FRAME AND ATTACHING PARTS

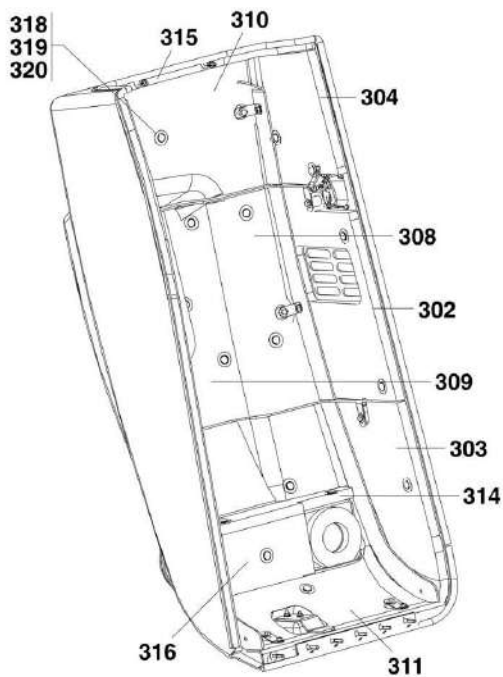
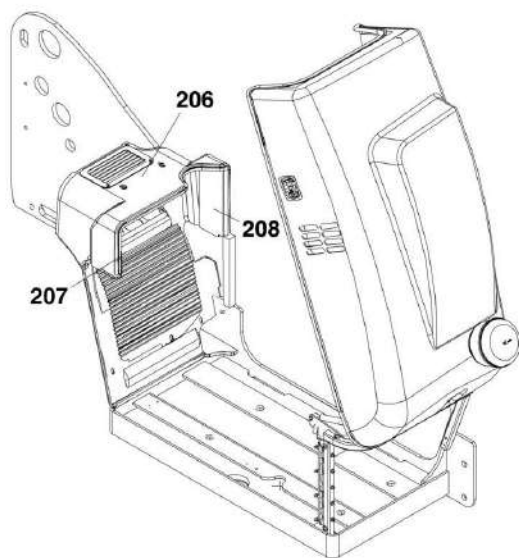
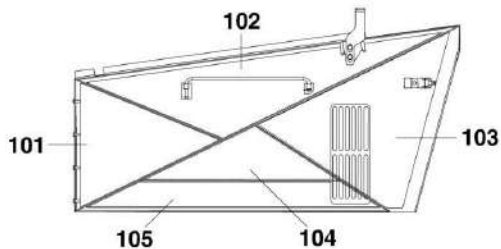
ITEM	PART NUMBER	QTY	DESCRIPTION	REV
905	1001151086	1	HEX HD CAPSCREW, 3/4-10X2-1/2, GR8	
954	1001008475	2	LOCKWASHER, #12	
955	1001009062	2	WASHER	
956	1001010838	2	HEX HD BOLT	
1001	0100071	AR	ADHESIVE, LOCTITE 262	
1002	1001151086	4	HEX HD CAPSCREW, 3/4 -10X2-1/2	
1003	1001151132	4	WASHER, 3/4	
K1	1001112683	1	ENGINE COVER REPLACEMENT KIT <b>(Prior to SN 0160037452)</b>	
K1	1001112684	1	ENGINE COVER REPLACEMENT KIT <b>(G5-18A SN 0160046397 to Present; 2505 SN 0160037452 through 0160042693)</b>	

# SECTION 1 - FRAME AND ATTACHING PARTS

FIGURE 1-3. ENGINE POD INSULATION - 2505



2505



PAP17470

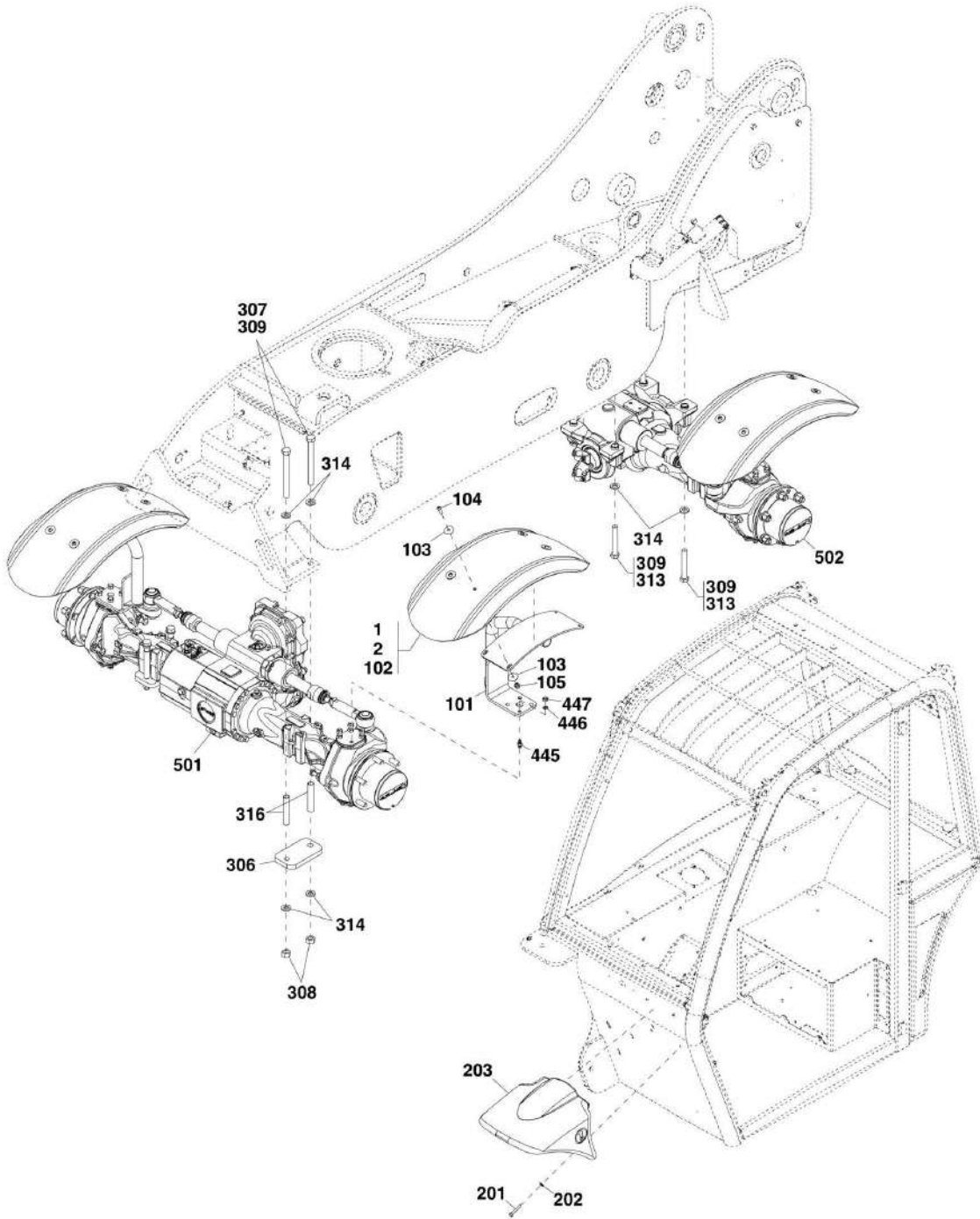
# SECTION 1 - FRAME AND ATTACHING PARTS

## FIGURE 1-3. ENGINE POD INSULATION - 2505

ITEM	PART NUMBER	QTY	DESCRIPTION	REV
	1001081147	Ref	ENGINE POD TRAY INSULATION INSTALLATION - 2505, (not available to order, see items 1 thru 3 for service)	E
1	1001081148	1	ENGINE POD TRAY INSULATION	
2	1001081149	1	ENGINE POD TRAY INSULATION	
3	1001081150	1	ENGINE POD TRAY INSULATION	
	1001081075	Ref	DOOR PANEL INSULATION INSTALLATION, (not available to order, see items 101 thru 105 for service) <b>(Prior to SN 0160040198)</b>	J
	1001126594	Ref	DOOR PANEL INSULATION INSTALLATION, (not available to order, see items 101 thru 105 for service) <b>(SN 0160040198 to Present)</b>	A
101	1001081076	1	DOOR PANEL INSULATION	
102	1001081077	1	DOOR PANEL INSULATION	
103	1001081078	1	DOOR PANEL INSULATION <b>(Prior to SN 0160040198)</b>	
103	1001126595	1	DOOR PANEL INSULATION <b>(SN 0160040198 to Present)</b>	
104	1001081079	1	DOOR PANEL INSULATION	
105	1001081112	1	DOOR PANEL INSULATION	
	1001081269	Ref	REAR COVER INSULATION INSTALLATION, (not available to order, see items 206 thru 208 for service)	D
206	1001081227	1	ENGINE POD REAR COVER INSULATION	
207	1001081229	1	ENGINE POD REAR COVER INSULATION	
208	1001081230	1	ENGINE POD REAR COVER INSULATION	
	1001081055	Ref	HOOD INSULATION INSTALLATION, (not available to order, see items 301 thru 320 for service)	I
301	1001081056	1	SOUND DAMPENING HOOD INSULATION	
302	1001081057	1	SOUND DAMPENING HOOD INSULATION	
303	1001081058	1	SOUND DAMPENING HOOD INSULATION	
304	1001081059	1	SOUND DAMPENING HOOD INSULATION	
305	1001081060	1	SOUND DAMPENING HOOD INSULATION	
306	1001081061	1	SOUND DAMPENING HOOD INSULATION	
308	1001081063	1	SOUND DAMPENING HOOD INSULATION	
309	1001081064	1	SOUND DAMPENING HOOD INSULATION	
310	1001081065	1	SOUND DAMPENING HOOD INSULATION	
311	1001081066	1	SOUND DAMPENING HOOD INSULATION	
314	1001081144	1	SOUND DAMPENING HOOD INSULATION	
315	1001081228	1	SOUND DAMPENING HOOD INSULATION	
316	1001081300	1	SOUND DAMPENING HOOD INSULATION	
317	1001081356	1	SOUND DAMPENING HOOD INSULATION	
318	1001081328	28	SPINDLE ANCHOR FASTENER	
319	1001081329	28	SELF-LOCKING WASHER, 0.104X1.50	
320	1001081330	28	SELF-LOCKING FASTENER	
	1001081125	Ref	FRONT COVER INSULATION INSTALLATION, (not available to order, see items 401 thru 405 for service)	D
401	1001081126	1	ENGINE POD FRONT COVER INSULATION	
402	1001081127	1	ENGINE POD FRONT COVER INSULATION	
403	70022088	7	SPINDLE ANCHOR FASTENER ASSY, (includes items 404 & 405)	
404	N.S.S.	7	SELF-LOCKING WASHER, 0.104X1.50	
405	N.S.S.	7	SELF-LOCKING CAP	

# SECTION 1 - FRAME AND ATTACHING PARTS

## FIGURE 1-4. AXLE AND FENDER INSTALLATION



ART\_31200360-1-4

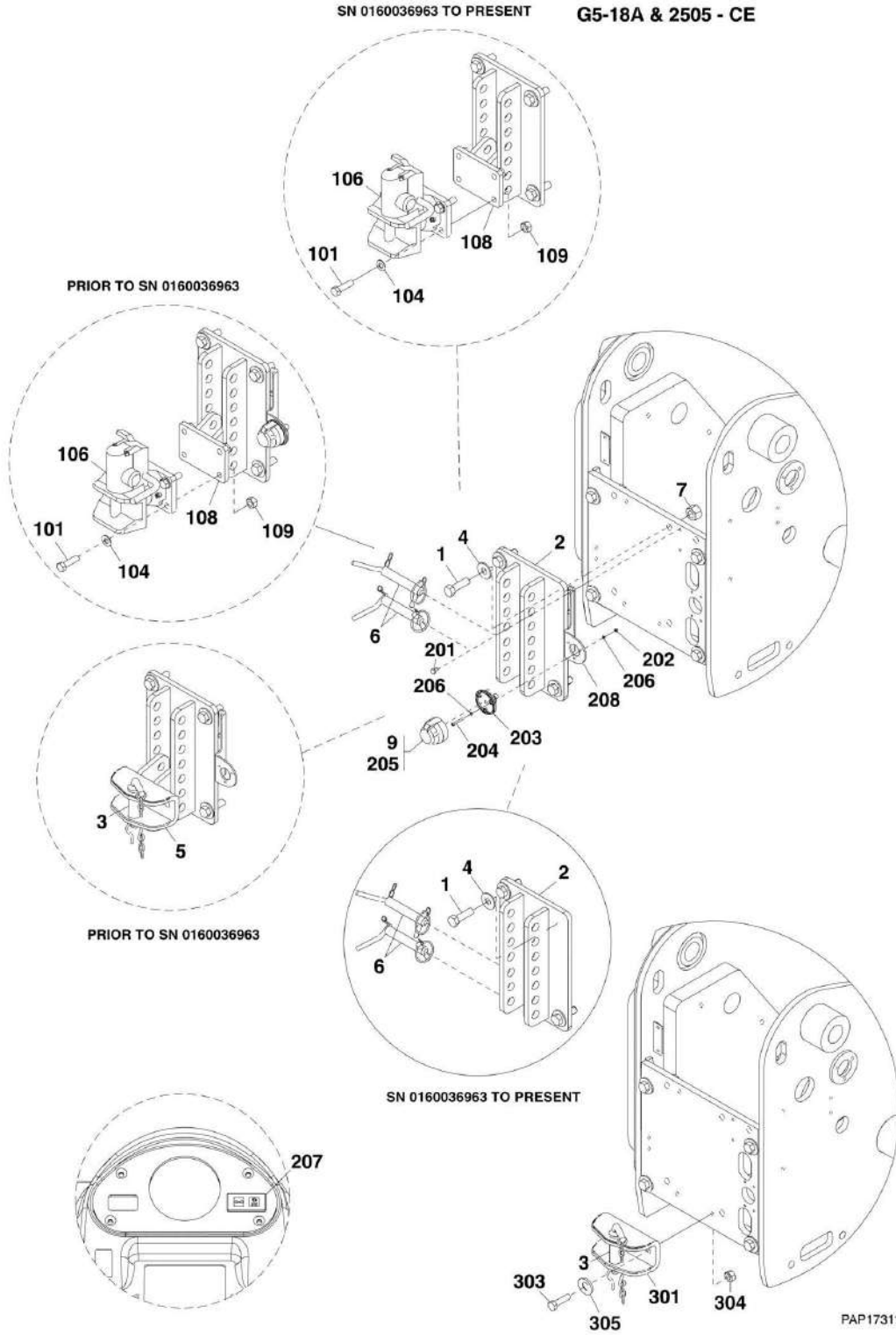
# SECTION 1 - FRAME AND ATTACHING PARTS

## FIGURE 1-4. AXLE AND FENDER INSTALLATION

ITEM	PART NUMBER	QTY	DESCRIPTION	REV
	0275505	Ref	FENDER INSTALLATION, (if equipped), (not available to order, see item 1 & 2 for service)	D
1	1001080216	4	FENDER ASSY, (if equipped), (includes items 101 thru 105)	H
2	1001095650	AR	ADHESIVE, LOCTITE 243	
101	1001081100	1	FENDER MOUNT	
102	1001080212	1	WHEEL FENDER	
103	8310246	8	FENDER WASHER, 0.375X0.048X1.50	
104	88261030	4	SOCKET HD CAPSCREW, 3/8-16X1-1/4	
105	88521206	4	LOCKNUT, 3/8-16	
	1001097640	1	FRONT FENDER INSTALLATION, (G5-18A, if equipped), (includes items 201 thru 203)	C
201	0641516	4	HEX HD CAPSCREW, 5/16-18X2, GR5	
202	4711500	4	WASHER, 5/16	
203	1001080891	1	FRONT FENDER	
306	3576766	2	MOUNTING PLATE	
307	0682264	4	HEX HD CAPSCREW, 3/4-10X8, GR8, (torque to 420 lb-ft)	
308	3272201	4	NUT, 3/4-10, GR8	
309	0100011	AR	LOCTITE 242	
313	91403412	4	HEX HD CAPSCREW, 3/4-10X5, (torque to 420 lb-ft)	
314	4892200	12	WASHER, 3/4	
316	1001081071	4	FRONT AXLE MOUNTING SLEEVE	
445	91514118	4	FENDER STUD	
446	91514119	4	WASHER	
447	91514120	4	NUT	
501		Ref	FRONT AXLE, (See DRIVE TRAIN SECTION for Breakdown)	
502		Ref	REAR AXLE, (See DRIVE TRAIN SECTION for Breakdown)	

# SECTION 1 - FRAME AND ATTACHING PARTS

## FIGURE 1-5. HITCHES





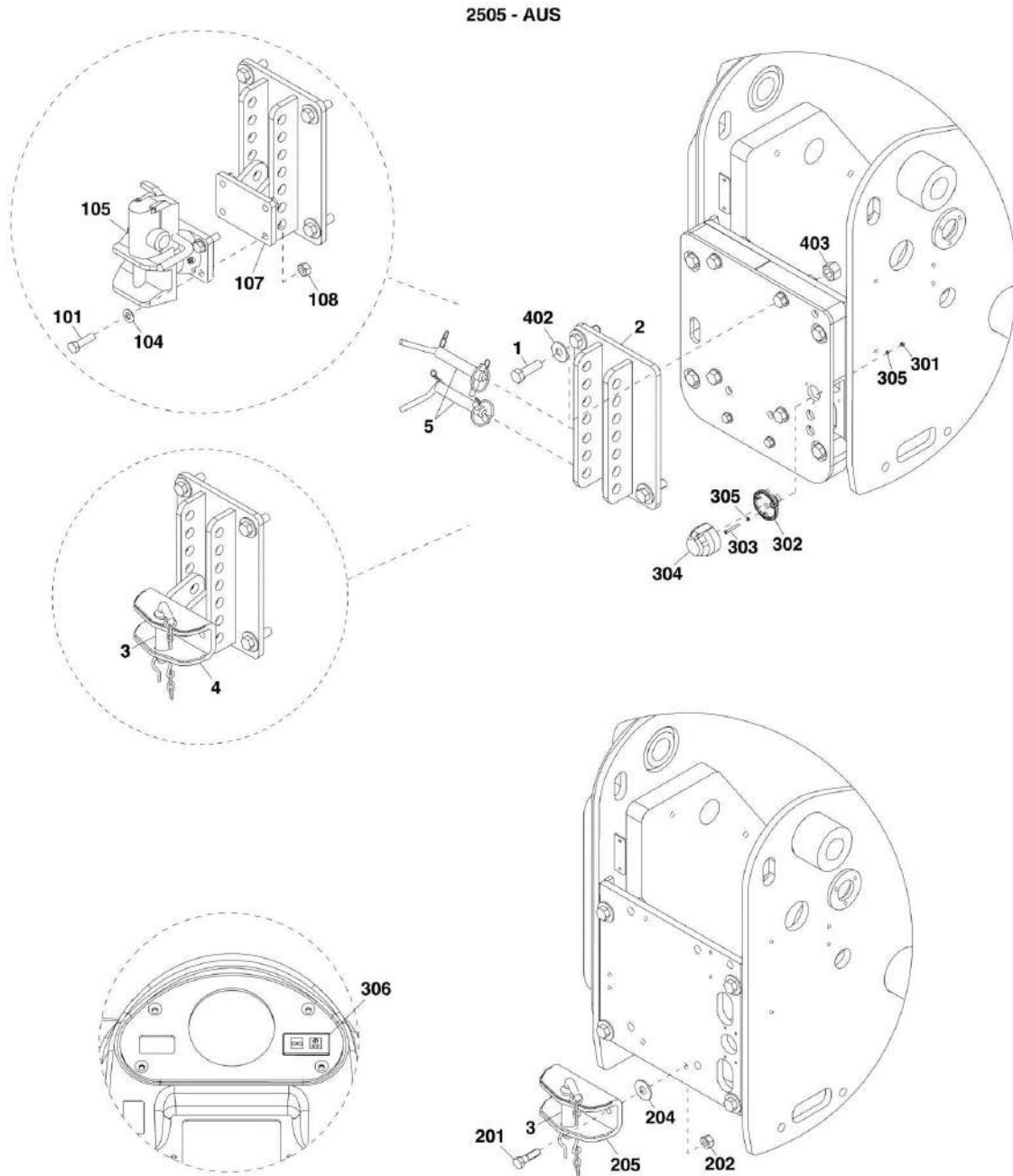
# SECTION 1 - FRAME AND ATTACHING PARTS

## FIGURE 1-5. HITCHES

ITEM	PART NUMBER	QTY	DESCRIPTION	REV
	0275791	1	ADJUSTABLE PIN HITCH, (2505 - CE, G5-18A), (includes items 1 thru 9) <b>(Prior to SN 0160036963)</b>	C
	1001081357	1	ADJUSTABLE PIN HITCH, (2505 - CE, G5-18A), (includes items 1 thru 7) <b>(SN 0160036963 to Present)</b>	C
	0275792	1	ADJUSTABLE AUTO HITCH, (2505 - CE, G5-18A), (includes items 1, 2, 4, 6, 7 & 101 thru 109) <b>(Prior to SN 0160036963)</b>	C
	1001081358	1	ADJUSTABLE AUTO HITCH, (2505 - CE, G5-18A), (includes items 1, 2, 4, 6, 7 & 101 thru 109) <b>(SN 0160036963 to Present)</b>	C
	4805932	1	PIN HITCH, (2505 - CE, G5-18A), (includes items 3 & 301 thru 305)	B
1	1001151086	4	HEX HD CAPSCREW, 3/4-10X2-1/2, GR8	
2	0903083	1	HITCH MOUNTING BRACKET	
3	3944574	1	HITCH PIN	
4	1001151132	4	WASHER, 3/4	
5	8010200	1	HITCH	
6	8010204	2	HITCH MOUNTING PIN	
7	1001151133	4	HEX NUT, 3/4-10	
9	1001080685	1	TRAILER PLUG KIT, (includes items 201 thru 208)	A
101	1001151147	4	HEX HD CAPSCREW, 5/8-11X2-1/4, GR8	
104	1001151148	4	WASHER, 5/8	
106	8002789	1	AUTOMATIC HITCH	
108	8010234	1	HITCH ADAPTER	
109	1001151150	4	HEX NUT, 5/8-11	
201	0760806	2	HEX HD CAPSCREW, M8X12, GR8.8	
202	3290507	3	HEX LOCKNUT, M8, GR8	
203	3960600	1	TRAILER PLUG GASKET	
204	4031612	3	HEX HD CAPSCREW, M5X40	
205	4461021	1	TRAILER PLUG	
206	4811600	6	WASHER, 5mm	
207	1001080610	1	TRAILER INDICATOR	
208	1001080686	1	TRAILER PLUG BRACKET	
301	4804533	1	HITCH BRACKET	
303	0771619	2	HEX HD CAPSCREW, M16X55, GR10.9	
304	4805921	2	HEX NUT, M16X2	
305	4812300	2	WASHER, 16mm	

# SECTION 1 - FRAME AND ATTACHING PARTS

## FIGURE 1-6. HITCHES - 2505



PAL5080

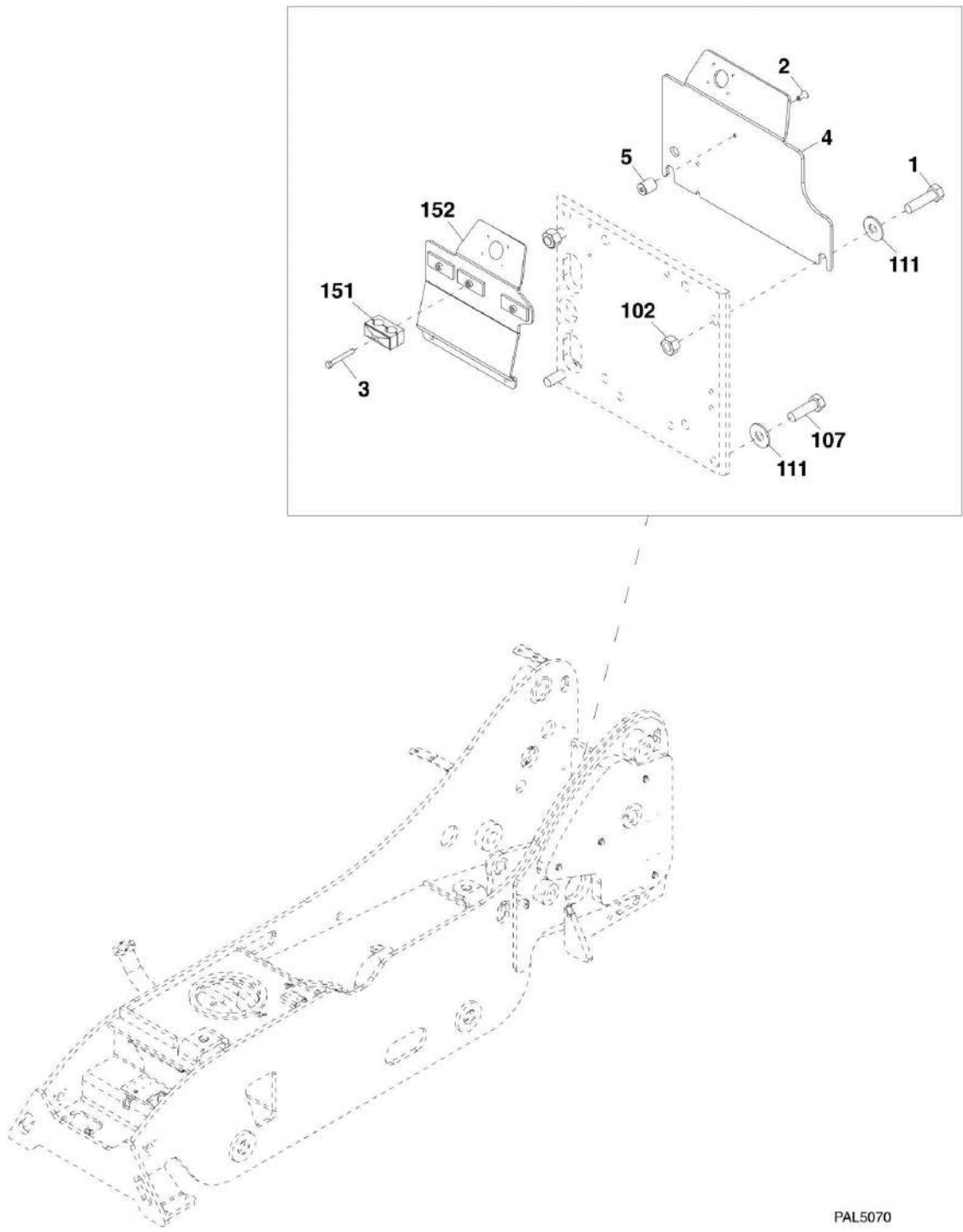
# SECTION 1 - FRAME AND ATTACHING PARTS

## FIGURE 1-6. HITCHES - 2505

ITEM	PART NUMBER	QTY	DESCRIPTION	REV
	1001081380	Ref	ADJUSTABLE HITCH, (2505 - AUS), (not available to order, see items 1 thru 5 for service)	B
	1001081379	Ref	AUTOMATIC HITCH ASSY, (2505 - AUS), (not available to order, see items 1, 2, 5 & 101 thru 108 for service)	B
	1001107807	Ref	PIN HITCH, (2505 - AUS), (not available to order, see items 3 & 201 thru 205 for service)	C
1	0682238	4	HEX HD CAPSCREW, 3/4-10X4-3/4	
2	0903083	1	HITCH BRACKET	
3	3944574	1	HITCH PIN	
4	8010200	1	HITCH	
5	8010204	2	HITCH MOUNTING PIN	
101	0682018	4	HEX HD CAPSCREW, 5/8-11X2-1/4	
104	4712000	4	WASHER, 5/8	
105	8002789	1	AUTOMATIC HITCH	
107	8010234	1	HITCH ADAPTER	
108	88501010	4	HEX NUT, 5/8-11	
201	0682040	2	HEX HD CAPSCREW, 5/8-11X5	
202	3312005	2	HEX LOCKNUT, 5/8-11, GR2	
204	4712000	2	WASHER, 5/8	
205	4804533	1	HITCH BRACKET	
	1001107806	1	TRAILER PLUG KIT, (includes items 301 thru 306)	B
301	3290507	3	HEX LOCKNUT, M5X0.8	
302	3960600	1	TRAILER PLUG GASKET	
303	4031612	3	HEX HD SOCKET SCREW, M5X40	
304	4461021	1	TRAILER PLUG	
305	4811600	6	WASHER, 5mm	
306	1001080611	1	TRAILER INDICATOR	
401		Ref	COUNTERWEIGHT INSTALLATION, (AUS), (See FRAME COVERS, SHROUDING AND ATTACHING PARTS for Breakdown)	
402		Ref	WASHER, (See FRAME COVERS, SHROUDING AND ATTACHING PARTS for Breakdown)	
403		Ref	NUT, (See FRAME COVERS, SHROUDING AND ATTACHING PARTS for Breakdown)	

# SECTION 1 - FRAME AND ATTACHING PARTS

FIGURE 1-7. LICENSE PLATE HOLDER INSTALLATION (Prior to SN 0160037440)



PAL5070

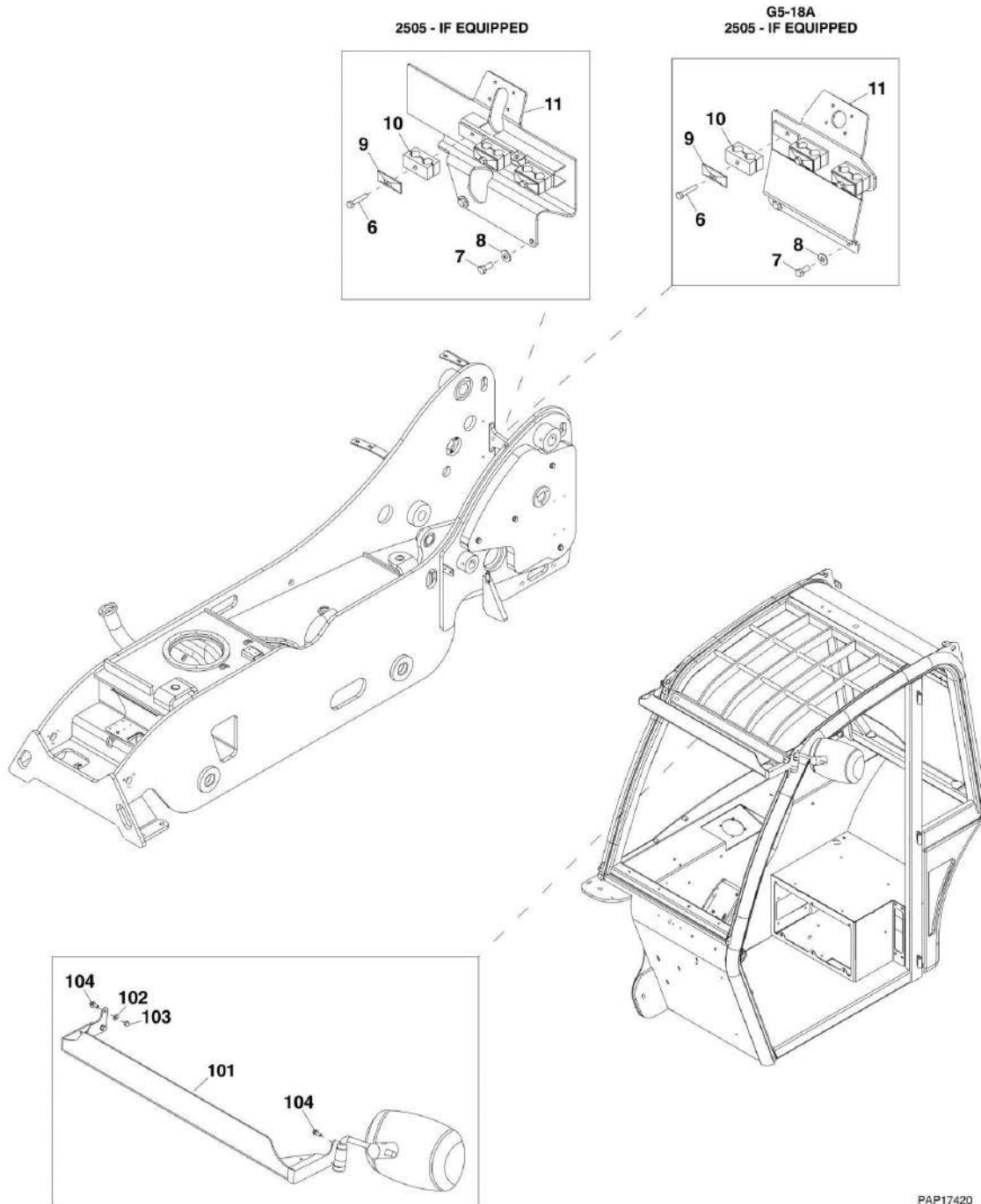
## SECTION 1 - FRAME AND ATTACHING PARTS

**FIGURE 1-7. LICENSE PLATE HOLDER INSTALLATION (Prior to SN 0160037440)**

ITEM	PART NUMBER	QTY	DESCRIPTION	REV
	1001081394	1	LICENSE PLATE HOLDER INSTALLATION, (UK and Ireland), (not available for service, see items 1 thru 5 for service)	B
1	10700730	2	HEX HD CAPSCREW, 3/4-10X2-3/4	
2	0741506	1	FLAT HD SOCKET SCREW, 5/16-18X3/4	
3	8310357	1	BOLT, 5/16-18X2-1/2	
4	1001081377	1	LICENSE HOLDER PLATE	
5	1001081378	1	LICENSE HOLDER SPACER	
102	88501012	2	HEX NUT, 3/4-10, GR5	
107	0682220	4	HEX HD CAPSCREW, 3/4-10X2-1/2, GR8	
111	4752201	4	WASHER, 3/4	
151		Ref	CLAMP, (See HYDRAULIC CIRCUITS SECTION for Breakdown)	
152		Ref	HOSE CLAMP SUPPORT, (See HYDRAULIC CIRCUITS SECTION for Breakdown)	

# SECTION 1 - FRAME AND ATTACHING PARTS

FIGURE 1-8. LICENSE PLATE HOLDER INSTALLATION (SN 0160037440 to Present)



PAP17420

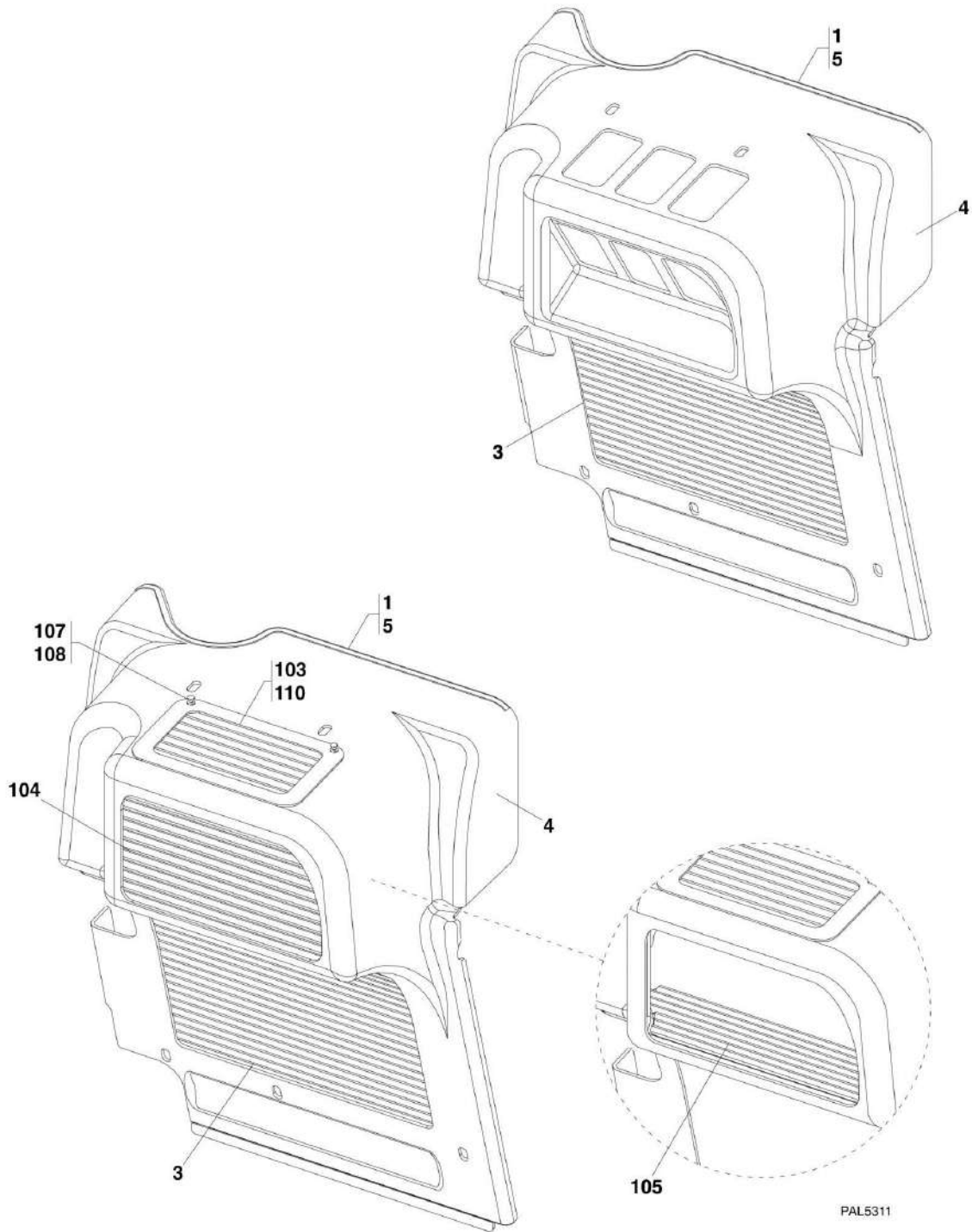
## SECTION 1 - FRAME AND ATTACHING PARTS

**FIGURE 1-8. LICENSE PLATE HOLDER INSTALLATION (SN 0160037440 to Present)**

ITEM	PART NUMBER	QTY	DESCRIPTION	REV
	1001081394	1	REAR LICENSE PLATE HOLDER INSTALLATION, (2505, if equipped), (not available for service, see items 6 thru 11 for service)	D
	1001081422	1	REAR LICENSE PLATE HOLDER INSTALLATION, (G5-18A), (2505, if equipped), (not available for service, see items 6 thru 11 for service)	B
6	0641516	3	HEX HD CAPSCREW, 5/16-18X2, GR5	
7	0641607	2	HEX HD CAPSCREW, 3/8-16X7/8	
8	4751600	2	WASHER, 3/8	
9	77133137	3	COVER PLATE	
10	77323029	3	CLAMP SET	
11	1001081425	1	LICENSE BRACKET, (2505, if equipped)	
11	1001097684	1	LICENSE BRACKET HOSE CLAMP SUPPORT, (G5-18A), (2505, if equipped)	
	1001081421	Ref	FRONT LICENSE HOLDER INSTALLATION, (not available to order, see items 101 thru 104 for service)	A
101	1001081420	1	FRONT LICENSE BRACKET	
102	1001108548	2	WASHER, 1/4	
103	1001108549	2	NUT, 1/4-20, G2	
104	8303119	4	SCREW, 1/4-20X5/8	

# SECTION 1 - FRAME AND ATTACHING PARTS

## FIGURE 1-9. REAR ENGINE COVER





## SECTION 1 - FRAME AND ATTACHING PARTS

### FIGURE 1-9. REAR ENGINE COVER

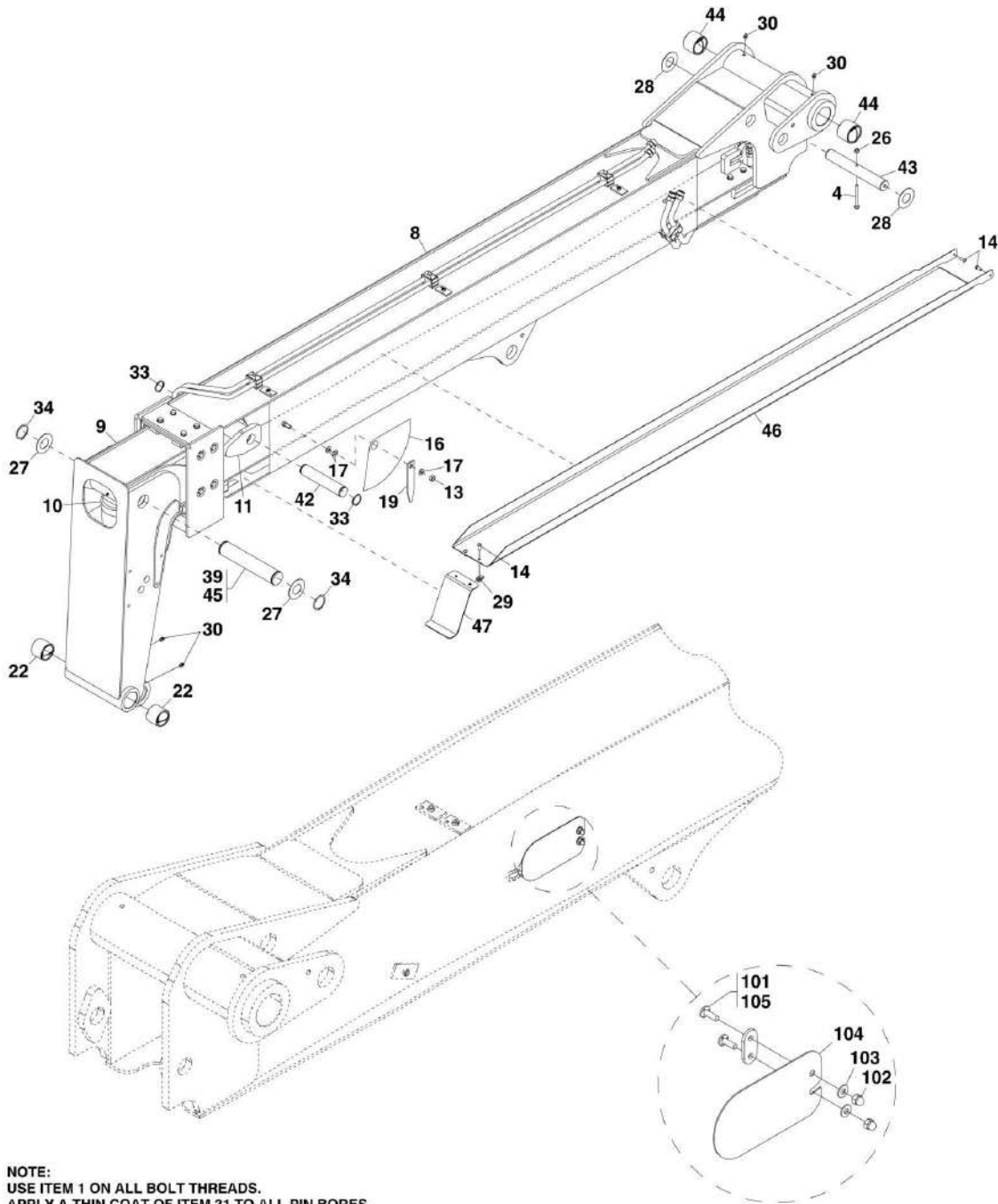
ITEM	PART NUMBER	QTY	DESCRIPTION	REV
	1001081438	1	REAR ENGINE COVER, (ANSI), (includes items 1 thru 5)	B
	1001081435	1	REAR ENGINE COVER, (ANSI), (Agricultural), (includes items 1 thru 5 & 103 thru 110)	B
	1001081444	1	REAR ENGINE COVER, (CE and AUS), (includes items 1 thru 5)	A
	1001081441	1	REAR ENGINE COVER, (CE and AUS), (Agricultural), (includes items 1 thru 5 & 103 thru 110)	B
1		Ref	REAR ENGINE POD COVER INSULATION, (See ENGINE POD INSULATION for Breakdown)	
3	N.S.S.	1	RADIATOR GRILL	
4	N.S.S.	1	REAR COVER	
5	1001097159	25 in	SELF GRIPPING BULB SEAL	
103	N.S.S.	1	RADIATOR COVER SCREEN	
104	N.S.S.	1	RADIATOR GRILL	
105	N.S.S.	1	RADIATOR GRILL	
107	1001081431	2	EXPANSION GROMMET FASTENER	
108	1001081432	2	EXPANSION PLUNGER FASTENER	
110	1001090344	26 in	NEOPRENE TAPE	



**SECTION 2 - BOOM**

# SECTION 2 - BOOM

## FIGURE 2-1. BOOM ASSEMBLY - COMPONENTS



**NOTE:**  
USE ITEM 1 ON ALL BOLT THREADS.  
APPLY A THIN COAT OF ITEM 31 TO ALL PIN BORES.

PAP17460

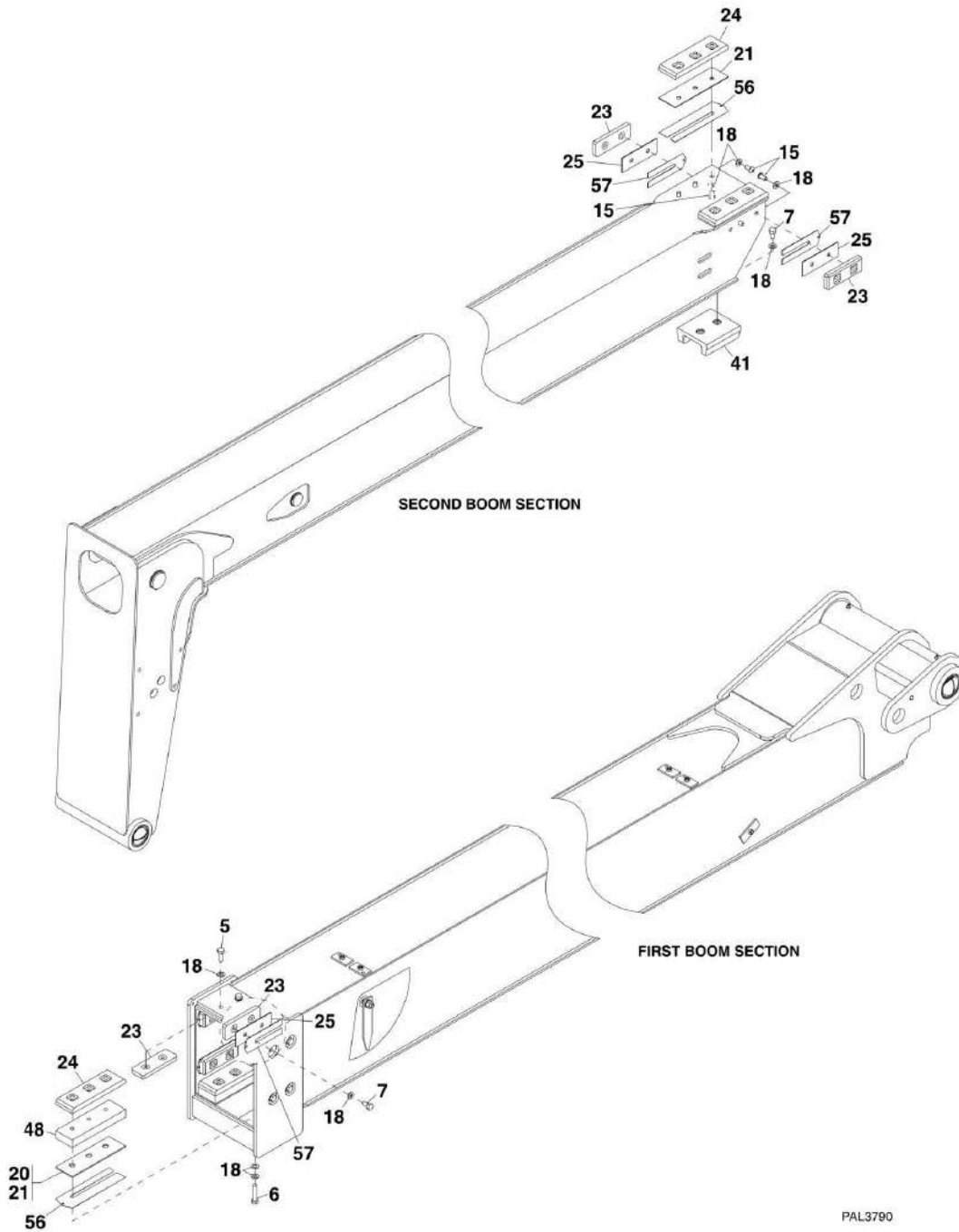
## SECTION 2 - BOOM

### FIGURE 2-1. BOOM ASSEMBLY - COMPONENTS

ITEM	PART NUMBER	QTY	DESCRIPTION	REV
1	0100011	AR	LOCTITE 242	
4	0641628	1	HEX HD CAPSCREW, 3/8-16X3-1/2, GR5	
8	1001130338	1	FIRST BOOM SECTION WELDMENT	
9	0801601	1	SECOND BOOM SECTION WELDMENT	
10		Ref	TILT CYLINDER, (See HYDRAULIC COMPONENTS SECTION for Breakdown)	
11		Ref	EXTEND/RETRACT CYLINDER, (See HYDRAULIC COMPONENTS SECTION for Breakdown)	
13		Ref	LOCKNUT, 7/16-14, (See DECALS SECTION for Breakdown)	
14	3900210	4	SOCKET BUTTON HD CAPSCREW, 5/16-18X3/4	
16		Ref	BOOM ANGLE DECAL, (See DECALS SECTION for Breakdown)	
17		Ref	FLAT WASHER, 7/16, (See DECALS SECTION for Breakdown)	
19		Ref	BOOM ANGLE INDICATOR, (See DECALS SECTION for Breakdown)	
22	7126662	2	CHAIN SHEAVE BUSHING	
26	8305645	1	HEX LOCKNUT, 3/8X16	
27	8307904	AR	SHIM WASHER, 2.00X3.50X0.048	
28	8310160	AR	SHIM, 1.50X3.00X0.048	
29	8310658	2	RETAINING NUT, 5/16	
30	88671001	4	STRAIGHT LUBE FITTING, 1/8	
31	8522012	AR	ANTI-SEIZE LUBE	
32	8522031	AR	MULTI-PURPOSE GREASE	
33	8642207	2	RETAINING RING, 1-1/2 IN DIA	
34	8642224	2	RETAINING RING, 2 IN DIA	
39	14404793	AR	MYSTIK TETRIMOLY GREASE	
42	1001080116	1	EXTEND/RETRACT CYLINDER BASE PIN	
43	1001080117	1	EXTEND/RETRACT CYLINDER ROD PIN	
44	1001080124	2	BUSHING WITH GREASE GROOVES	
45	1001080152	1	FORK CYLINDER BASE PIN	
46	1001080253	1	HOSE GUARD CHANNEL	
47	1001080254	1	HOSE CHANNEL BRACE	
	1001139177	1	BOOM SIDE COVER INSTALLATION, (includes items 101 thru 105)	B
101	0100011	AR	LOCTITE 242	
102	3300430	2	ACORN NUT, 1/4-20	
103	4711400	2	WASHER, 1/4-20	
104	1001139042	1	BOOM SIDE COVER PANEL	
105	1001139043	1	COVER RETAINER SCREW	

# SECTION 2 - BOOM

## FIGURE 2-2. BOOM ASSEMBLY - PADS AND SHIMS



PAL3790

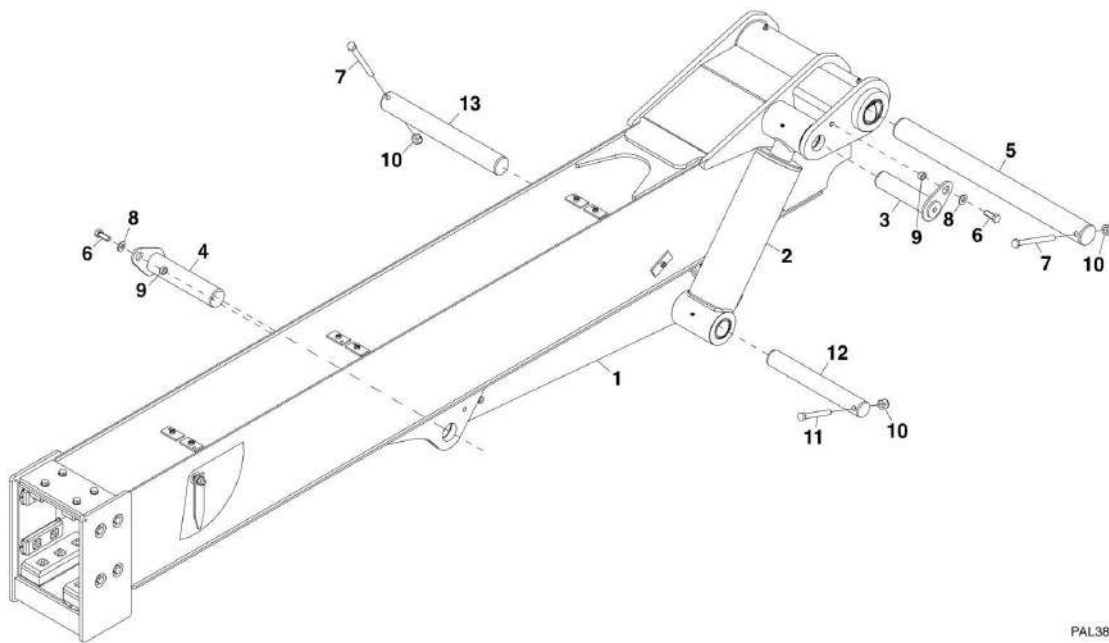
NOTE:  
FILL POCKETS OF BOTTOM FRONT AND TOP REAR PADS WITH ITEM 39.  
USE ITEM 1 ON ALL BOLT THREADS.

FIGURE 2-2. BOOM ASSEMBLY - PADS AND SHIMS

ITEM	PART NUMBER	QTY	DESCRIPTION	REV
1	0100011	AR	LOCTITE 242	
5	0701014	4	HEX HD CAPSCREW, M10X30, GR8.8	
6	0701018	6	HEX HD CAPSCREW, M10X50, GR8.8	
7	0761010	12	HEX HD CAPSCREW, M10X20, GR8.8	
15	3900393	10	BUTTON HD CAPSCREW, M10-1.5X20	
18	4812000	38	WASHER, 10mm	
20	7082362	2	SPACER, 0.13 IN	
21	7126182	2	SPACER, 0.07 IN, (first boom section)	
21	7126182	AR	SPACER, 0.07 IN, (second boom section)	
23	7300032	8	WEAR PAD	
24	7300034	4	WEAR PAD	
25	7300518	6	SPACER, 1.90mm	
39	14404793	AR	MYSTIK TETRIMOLY GREASE	
41	1001080050	2	WEAR PAD CHANNEL ASSY	
48	1001080391	2	WEAR PAD SPACER	
56	1001096584	AR	SHIM, (requires item 21)	
57	1001096585	AR	SHIM, (requires item 25)	

# SECTION 2 - BOOM

## FIGURE 2-3. BOOM PIN INSTALLATION



PAL3810



FIGURE 2-3. BOOM PIN INSTALLATION

ITEM	PART NUMBER	QTY	DESCRIPTION	REV
	0275494	Ref	BOOM PIN INSTALLATION, (G5-18A), (not available to order, see items 1 thru 13 for service)	C
	1001132453	Ref	BOOM PIN INSTALLATION, (2505), (not available to order, see items 1 thru 13 for service)	A
1		Ref	LIFT CYLINDER, (See HYDRAULIC COMPONENTS SECTION for Breakdown)	
2		Ref	COMPENSATING CYLINDER, (See HYDRAULIC COMPONENTS SECTION for Breakdown)	
3	1001080154	1	COMPENSATING CYLINDER ROD PIN	
4	1001080155	1	LIFT CYLINDER ROD PIN	
5	1001080314	1	BOOM PIVOT PIN	
6	0641810	2	HEX HD CAPSCREW, 1/2-13X1-1/4, GR5	
7	0681844	2	HEX HD CAPSCREW, 1/2-13X5-1/2, GR8	
8	4711800	2	FLAT WASHER, 1/2	
9	7139886	2	PIN RETAINER SPACER	
10	88521208	3	HEX LOCKNUT, 1/2-13	
11	0681836	1	HEX HD CAPSCREW, 1/2-13X4, GR8	
12	1001080312	1	COMPENSATING CYLINDER BASE PIN	
13	1001080313	1	LIFT CYLINDER BASE PIN	



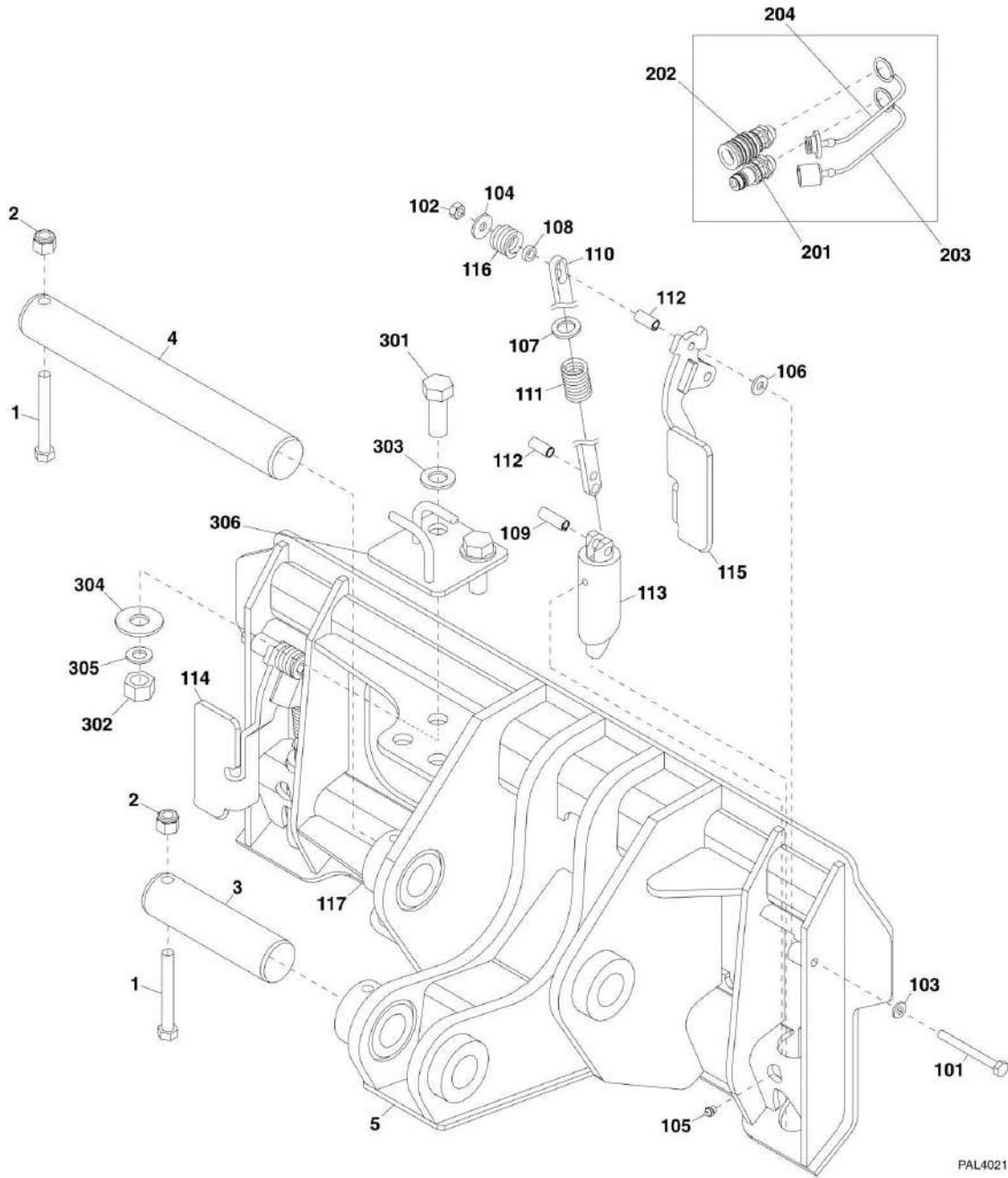
## SECTION 2 - BOOM

### FIGURE 2-4. QUICK COUPLER

ITEM	PART NUMBER	QTY	DESCRIPTION	REV
	1001098472	1	MECHANICAL QUICK COUPLER ASSY, (if equipped), (includes items 1 thru 10)	C
1	463929	1	KEY RING	
2	0681832	2	HEX HD CAPSCREW, 1/2-13X4, GR8	
3	0760605	1	HEX HD CAPSCREW, 6X10, GR8.8	
4	933940	1	GALVANIZED CHAIN	
5	3964987	1	SPLIT PIN	
6	8002027	1	FORK LOCKING ROD	
7	88521208	2	LOCKNUT, 1/2-13	
8	1001097728	1	FORK CYLINDER ROD PIN	
9	1001097729	1	QUICK COUPLER PIVOT PIN	
10	1001098171	1	QUICK COUPLER WELDMENT	
	1001097255	1	HYDRAULIC QUICK COUPLER ASSY, (if equipped), (includes items 101 thru 117)	G
101	1001097252	1	HYDRAULIC QUICK COUPLER WELDMENT	
102	1001097628	1	COVER PLATE	
103	1001097728	1	FORK CYLINDER ROD PIN	
104	1001097729	1	QUICK COUPLER PIVOT PIN	
105	1001080333	1	FORK LOCKING CYLINDER KIT, (includes items 201 thru 205)	C
106	8769122	1	TWIN CLAMP SET	
107	8769123	1	TWIN COVER PLATE	
108	8303739	1	HEX HD CAPSCREW, 5/16-18X1-1/4	
109	4711600	5	FLAT WASHER, 3/8	
110	0641608	5	HEX HD CAPSCREW, 3/8-16X1, GR5	
111	0681832	2	HEX HD CAPSCREW, 1/2-13X4, GR8	
112	2160002	2	GREASE FITTING	
113	4761600	5	LOCKWASHER, 3/8	
114	88521208	2	LOCKNUT, 1/2-13	
115	1001080565	1	HOSE ASSY	
116	1001096730	1	HOSE ASSY	
117		Ref	QUICK COUPLER SWITCH, (not shown), (See ELECTRICAL SECTION for Breakdown)	
201	3391410	2	SPLIT PIN	
202	8001888	2	PIN	
203	8002110	2	CLEVIS PIN	
204	2130404	2	ELBOW, 90	
205		Ref	HYDRAULIC QUICK COUPLER CYLINDER, (See HYDRAULIC COMPONENTS SECTION for Breakdown)	
301	1001101041	1	MALE COUPLING	
302	1001101042	1	FEMALE COUPLING	
303	8420053	1	DUST CAP	
304	8420055	1	DUST PLUG	

# SECTION 2 - BOOM

## FIGURE 2-5. UNIVERSAL QUICK COUPLER



PAL4021

FIGURE 2-5. UNIVERSAL QUICK COUPLER

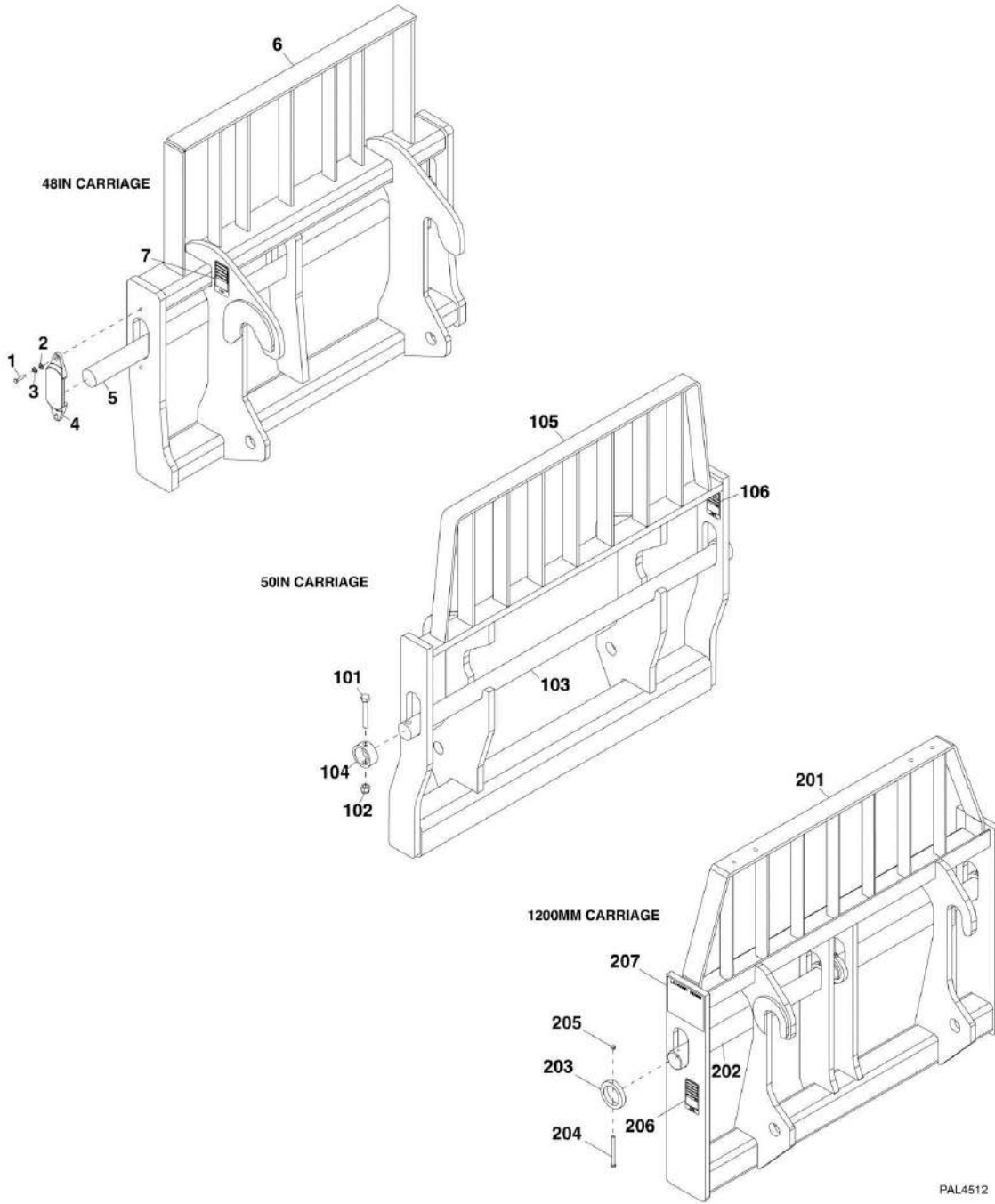
ITEM	PART NUMBER	QTY	DESCRIPTION	REV
	1001101185	1	UNIVERSAL QUICK COUPLER INSTALLATION, (if equipped) (includes items 1 thru 5)	C
1	0681832	2	HEX HD CAPSCREW, 1/2-13X4, GR8	
2	88521208	2	LOCKNUT, 1/2-13	
3	1001097728	1	FORK CYLINDER ROD PIN	
4	1001097729	1	UNIVERSAL QUICK COUPLER PIVOT PIN	
5	1001098709	NLA	UNIVERSAL QUICK COUPLER ASSY, (no longer available, use 1001117498 or items 101 thru 117 for service)	H
5	1001117498	1	UNIVERSAL QUICK COUPLER ASSY, (if ordering for the first time, refer to DECALS SECTION for Breakdown for the appropriate capacity chart), (includes items 101 thru 117)	A
101	0701027	2	HEX HD CAPSCREW	
102	3291007	2	HEX LOCKNUT, M10X1.5, GR8	
103	5241000	2	WASHER, 10mm	
104	1001003299	2	WASHER	
105	1001008479	2	GREASE FITTING	
106	1001008979	2	WASHER	
107	1001009094	2	WASHER	
108	1001055652	2	WASHER	
109	1001061633	2	SPRING PIN	
110	1001061659	2	PLATE	
111	1001061660	2	SPRING	
112	1001061662	4	SPRING PIN	
113	1001061891	2	PIN	
114	1001061892	1	LH HANDLE	
115	1001061893	1	RH HANDLE	
116	1001062117	2	SPRING	
117	N.S.S.	1	UNIVERSAL QUICK COUPLER WELDMENT	
201	1001001241	1	MALE COUPLING	
202	1001001240	1	FEMALE COUPLING	
203	8420053	1	DUST CAP	
204	1001001557	1	DUST PLUG	
	1001104966	Ref	HOSE RETAINER INSTALLATION, (if equipped), (not available to order, see items 301 thru 306 for service)	B
301	0642216	2	HEX HD CAPSCREW, 3/4-10X2	
302	3312201	2	NUT, 3/4-10	
303	4712200	2	WASHER, 3/4	
304	4752200	2	WASHER, 3/4	
305	4762200	2	WASHER, 3/4	
306	1001104944	1	BRACKET	



**SECTION 3 - ATTACHMENTS**

# SECTION 3 - ATTACHMENTS

## FIGURE 3-1. STANDARD CARRIAGE





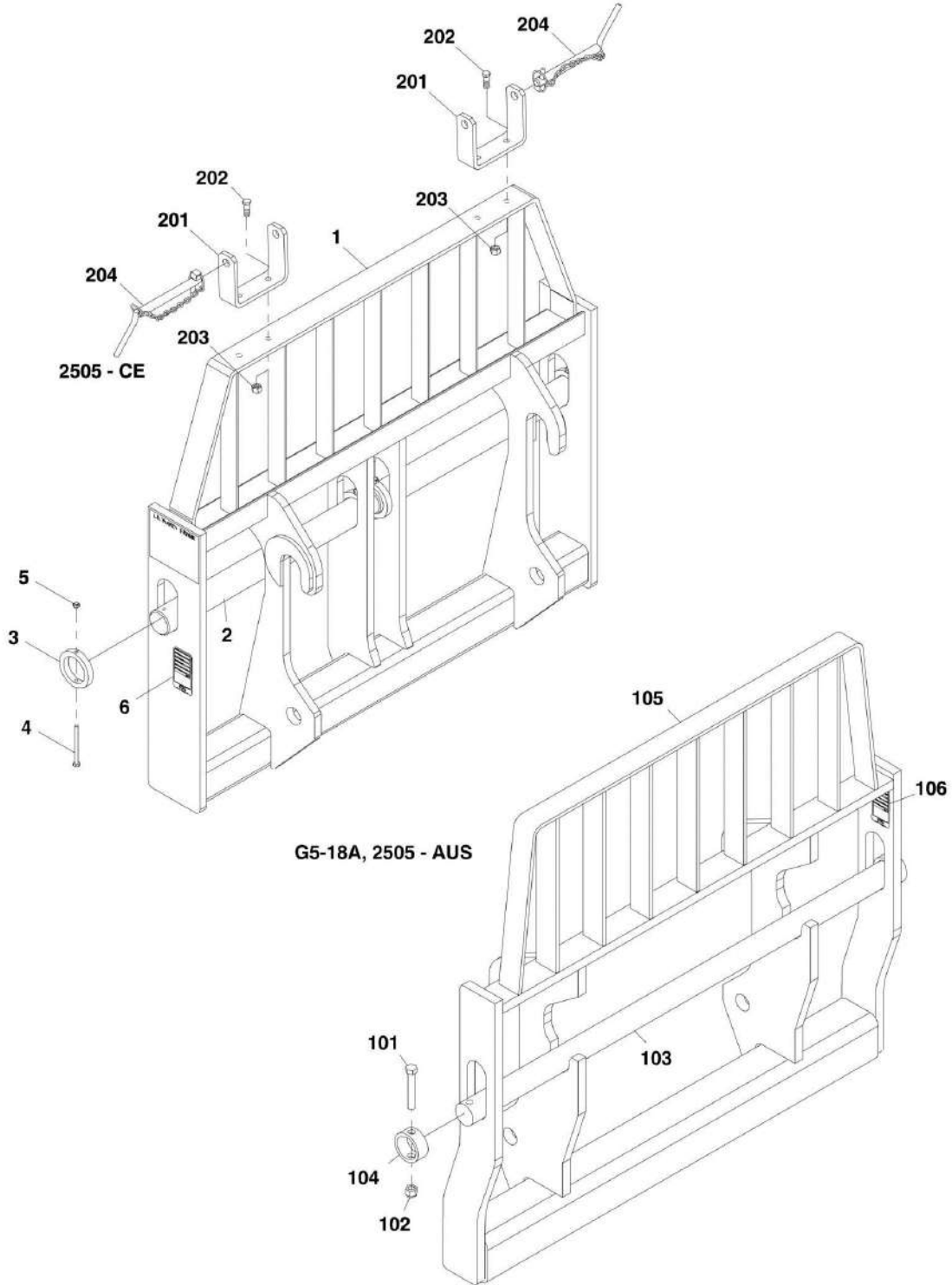
## SECTION 3 - ATTACHMENTS

### FIGURE 3-1. STANDARD CARRIAGE

ITEM	PART NUMBER	QTY	DESCRIPTION	REV
	1001099736	NLA	48 IN STANDARD CARRIAGE, (G5-18A, 2505 - AUS), (no longer available, use 1001097283 for replacement or items 1 thru 7 for service)	B
1	7029691	4	HEX HD CAPSCREW, 1/2X1-1/4	
2	90554020	4	LOCKWASHER, 1/2	
3	70021338	4	FLAT HARD WASHER, 1/2	
4	7029690	2	FORK PIN RETAINER	
5	70021339	1	FORK PIN	
6	N.S.S.	1	CARRIAGE WELDMENT	
7	N.S.S.	1	SN PLATE	
	1001097283	1	50 IN STANDARD CARRIAGE, (G5-18A, 2505 - AUS), (7000 lb), (includes items 101 thru 106)	B
101	0642032	2	HEX HD CAPSCREW, 5/8-11X4	
102	3300240	2	LOCKNUT, 5/8-11	
103	3423275	1	50 IN FORK PIN	
104	90200003	2	COLLAR	
105	N.S.S.	1	CARRIAGE WELDMENT	
106	N.S.S.	1	SN PLATE	
	1170028	1	1200 MM STANDARD CARRIAGE, (2505 - CE), (4000 kg) (includes items 201 thru 207)	E
201	N.S.S.	1	CARRIAGE WELDMENT	
202	4040283	2	CARRIAGE SHAFT	
203	3760508	4	SHAFT COLLAR	
204	0700827	4	HEX HD CAPSCREW, M8X1.25	
205	3290805	4	LOCKNUT	
206	N.S.S.	1	SN PLATE	
207	1706702	1	NAMEPLATE	

# SECTION 3 - ATTACHMENTS

## FIGURE 3-2. UNIVERSAL STANDARD CARRIAGE



PAP17370

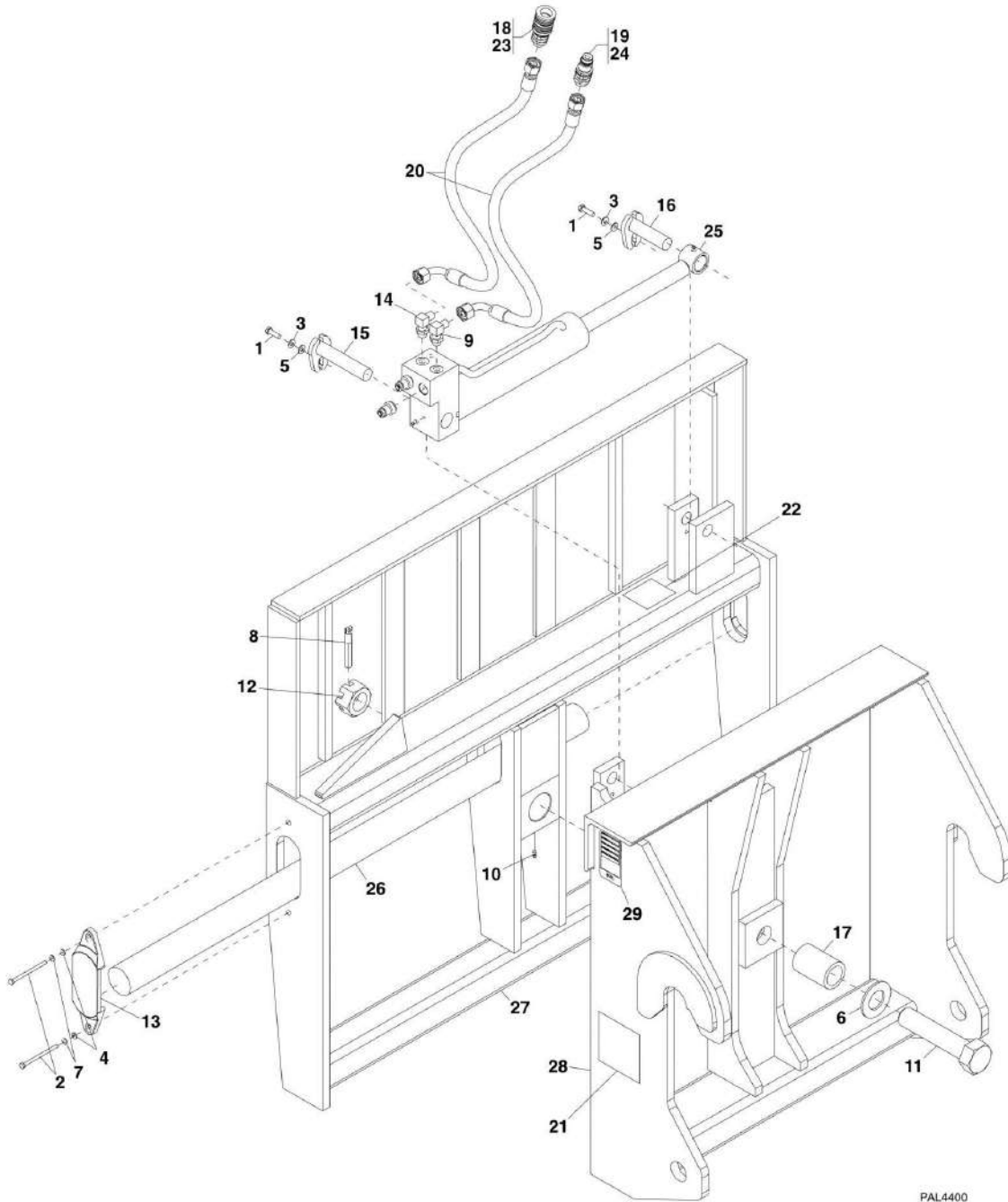
## SECTION 3 - ATTACHMENTS

### FIGURE 3-2. UNIVERSAL STANDARD CARRIAGE

ITEM	PART NUMBER	QTY	DESCRIPTION	REV
	1001101981	1	1200 MM STANDARD CARRIAGE, (2505 - CE), (use with universal quick coupler), (5500 lb), (includes items 1 thru 6)	B
1	N.S.S.	1	CARRIAGE WELDMENT	
2	4040283	2	CARRIAGE SHAFT	
3	3760508	4	SHAFT COLLAR	
4	0700827	4	HEX HD CAPSCREW, M8X1-1/4	
5	3290805	4	LOCKNUT	
6	N.S.S.	1	SN PLATE	
	1001112793	1	48 IN STANDARD CARRIAGE, (G5-18A, 2505 - AUS), (use with universal quick coupler), (5500 lb), (includes items 101 thru 106)	A
101	0642032	2	HEX HD CAPSCREW, 5/8-11X4, GR5	
102	3300240	2	LOCKNUT, 5/8-11	
103	3423275	1	FORK PIN	
104	90200003	2	FORK PIN COLLAR	
105	N.S.S.	1	CARRIAGE WELDMENT	
106	N.S.S.	1	SN PLATE	
	0240143	1	FORK TRANSPORT LATCH ATTACHMENT, (Germany - if equipped), (includes items 201 thru 204)	A
201	0903366	2	LOCKING BRACKET	
202	0761216	4	HEX HD CAPSCREW, 12X40	
203	3291205	4	HEX LOCKNUT, M12X1-3/4	
204	3423258	2	LOCKING PIN	

# SECTION 3 - ATTACHMENTS

## FIGURE 3-3. SIDE TILT CARRIAGE



PAL4400

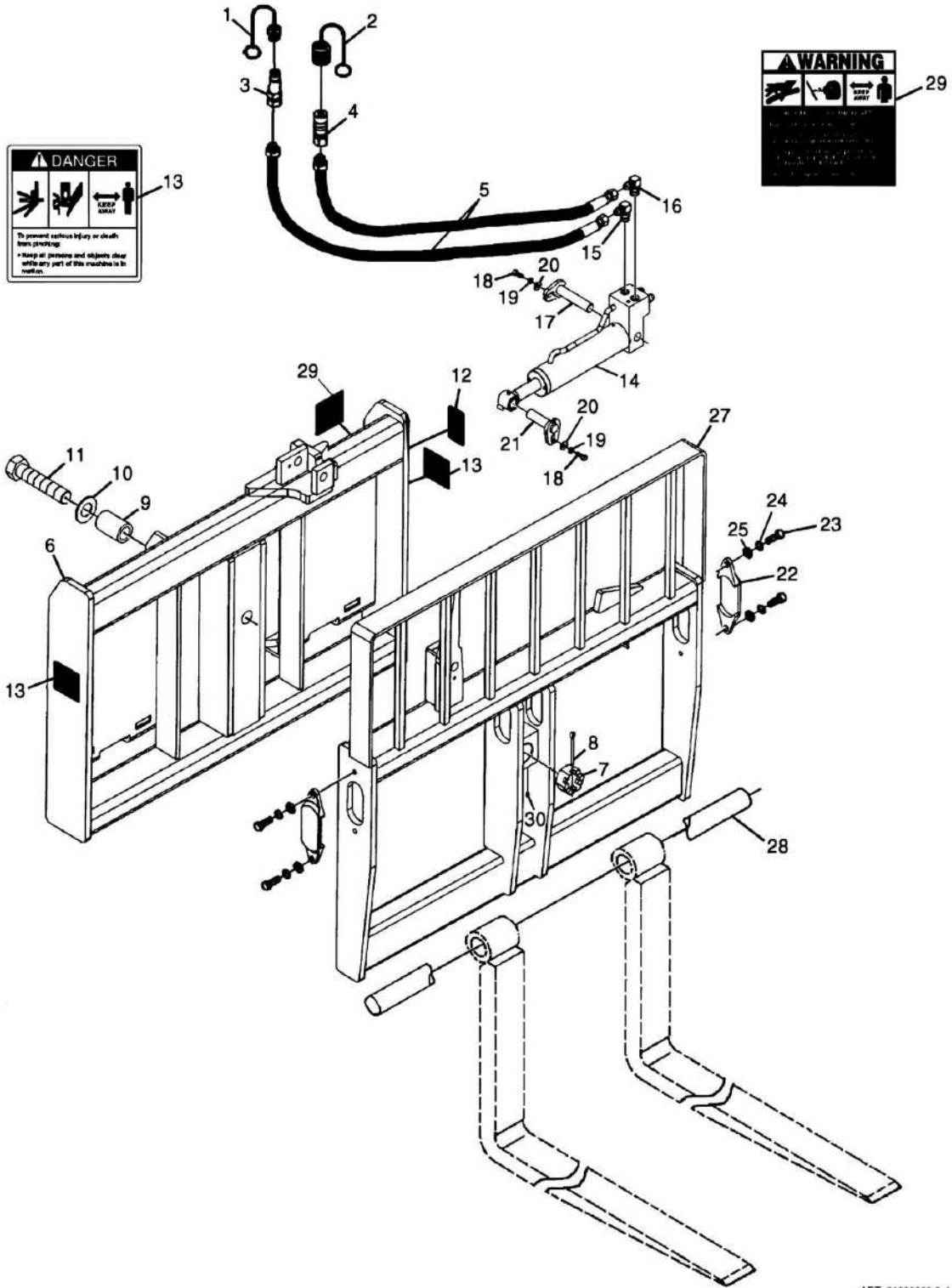
## SECTION 3 - ATTACHMENTS

### FIGURE 3-3. SIDE TILT CARRIAGE

ITEM	PART NUMBER	QTY	DESCRIPTION	REV
	1001099613	1	48IN SIDE TILT CARRIAGE, (G5-18A, 2505 - AUS), (7000 lb), (includes items 1 thru 29)	C
1	70021349	2	HEX HD CAPSCREW, 0.38X1.00	
2	7029691	4	HEX HD CAPSCREW, 0.50X1.25	
3	90554042	2	LOCKWASHER, 0.38	
4	90554020	4	LOCKWASHER, 0.50	
5	70021350	2	FLAT WASHER, 0.38	
6	70021346	1	FLAT WASHER, 1.50	
7	70021338	4	HARD WASHER, 0.50	
8	7029700	1	COTTER PIN	
9	90554065	1	ELBOW, 90	
10	90554045	1	GREASE FITTING	
11	70021347	1	HEX HD CAPSCREW, 1.50X7.00	
12	7029713	1	HEX NUT, 1.50	
13	7029690	2	FORK PIN RETAINER	
14	7029705	1	ELBOW, 90	
15	70021348	1	PIN	
16	70021351	1	PIN	
17	70021345	1	SPACER	
18	7029692	1	MALE QUICK ATTACH	
19	70021342	1	FEMALE QUICK ATTACH	
20	70021343	2	HOSE ASSY	
21	90554017	2	PINCH POINT DECAL	
22	7029711	1	HIGH PRESSURE DECAL	
23	90554062	1	DUST CAP	
24	90554076	1	DUST PLUG	
25		Ref	SIDE TILT CYLINDER, (See HYDRAULIC COMPONENTS SECTION for Breakdown)	
26	70021339	1	FORK PIN	
27	N.S.S.	1	CARRIAGE WELDMENT	
28	N.S.S.	1	REAR FRAME WELDMENT	
29	N.S.S.	1	SN PLATE	

# SECTION 3 - ATTACHMENTS

## FIGURE 3-4. UNIVERSAL SIDE TILT CARRIAGE - G5-18A



ART\_31200360-3-4

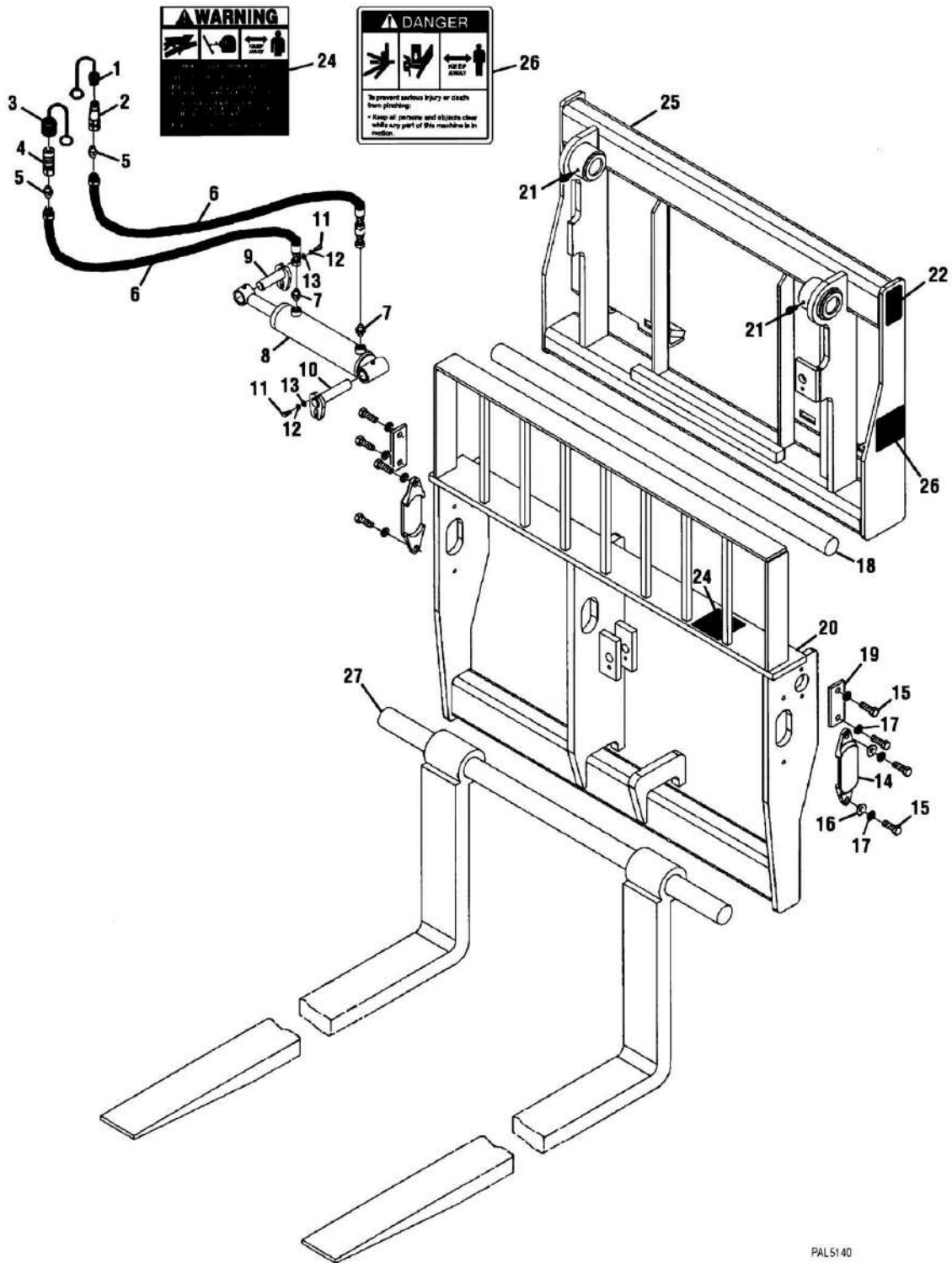
## SECTION 3 - ATTACHMENTS

**FIGURE 3-4. UNIVERSAL SIDE TILT CARRIAGE - G5-18A**

ITEM	PART NUMBER	QTY	DESCRIPTION	REV
	1001104008	1	48IN ROTATE/SIDE TILT CARRIAGE, (G5-18A), (used with universal quick coupler), (7000 lbs), (includes all items)	C
1	70022097	1	DUST CAP	
2	70022102	1	DUST PLUG	
3	70022103	1	MALE QUICK COUPLER	
4	70022104	1	FEMALE QUICK COUPLER	
5	70021343	2	HOSE ASSY	
6	N.S.S.	1	REAR FRAME WELDMENT	
7	7029713	1	HEX NUT, 1.50	
8	7029700	1	COTTER PIN	
9	70021345	1	SPACER	
10	70021346	1	FLAT WASHER, 1.50	
11	70021347	1	HEX HD CAPSCREW, 1.50X7.00	
12	N.S.S.	1	SN PLATE	
13	90554017	2	PINCH POINT DECAL	
14		Ref	ROTATE/SIDE TILT CARRIAGE CYLINDER, (See HYDRAULIC COMPONENTS SECTION for Breakdown)	
15	90554065	1	ELBOW, 90	
16	7029705	1	ELBOW, 90	
17	70021348	1	PIN	
18	70021349	2	HEX HD CAPSCREW, 0.38X1.00	
19	90554042	2	LOCKWASHER, 0.38	
20	70021350	2	FLAT WASHER, 0.38	
21	70021351	1	PIN	
22	7029690	2	FORK PIN RETAINER	
23	7029691	4	HEX HD CAPSCREW, 0.50X1.25	
24	70021338	4	HARD WASHER, 0.50	
25	90554020	4	LOCKWASHER, 0.50	
27	N.S.S.	1	CARRIAGE WELDMENT	
28	70022105	1	FORK PIN	
29	7029711	1	HIGH PRESSURE DECAL	
30	70022106	1	GREASE FITTING	

# SECTION 3 - ATTACHMENTS

## FIGURE 3-5. UNIVERSAL SIDE SHIFT CARRIAGE



PAL5140



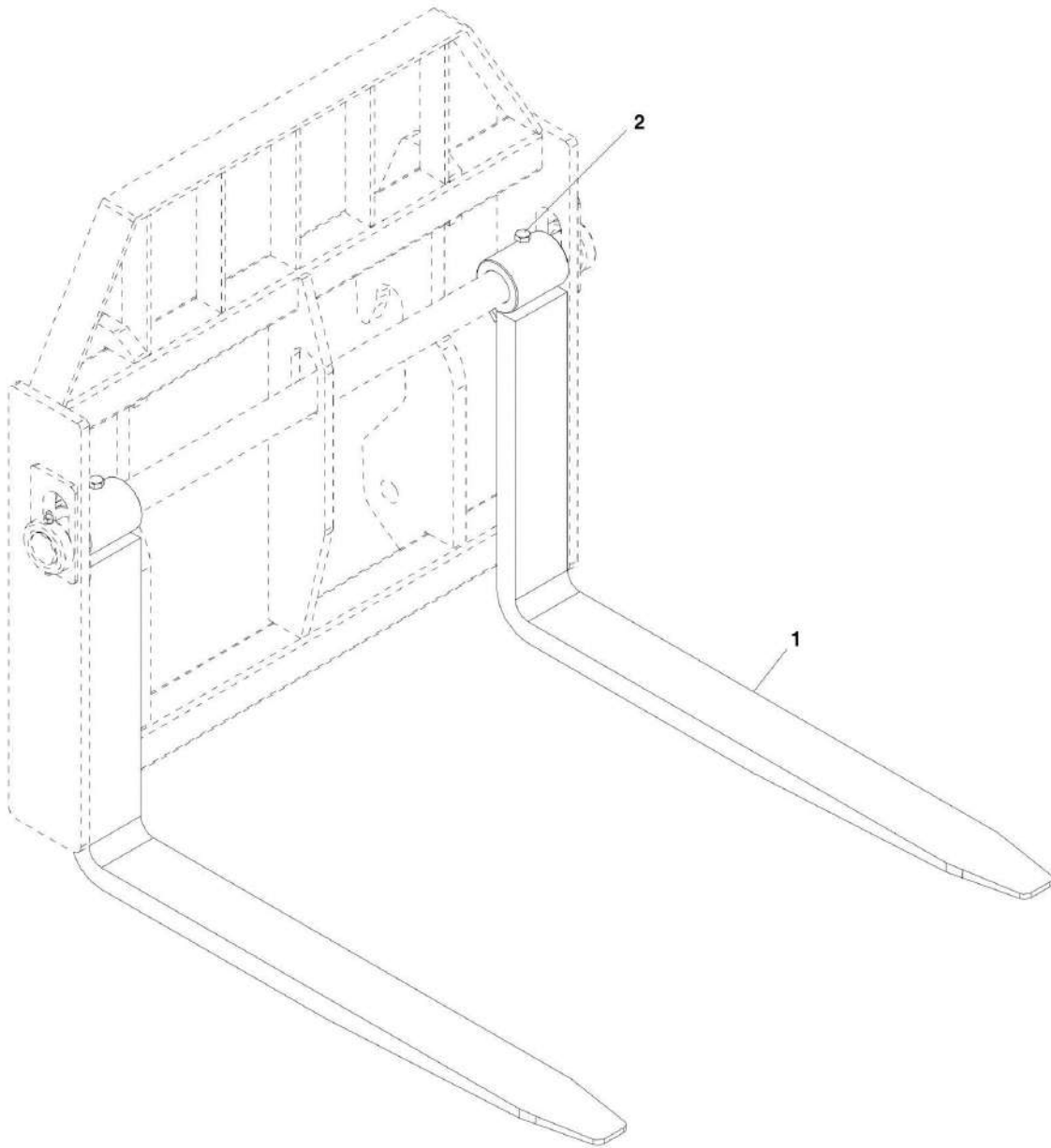
## SECTION 3 - ATTACHMENTS

### FIGURE 3-5. UNIVERSAL SIDE SHIFT CARRIAGE

ITEM	PART NUMBER	QTY	DESCRIPTION	REV
	1001104022	1	48 IN UNIVERSAL SIDE SHIFT CARRIAGE, (G5-18A, 2505 - AUS), (used with universal quick coupler), (7000 lb), (includes all items)	A
1	70022097	1	DUST CAP	
2	70022103	1	MALE QUICK COUPLER	
3	70022102	1	DUST PLUG	
4	70022104	1	FEMALE QUICK COUPLER	
5	70021397	2	STRAIGHT CONNECTOR	
6	70022107	2	HOSE ASSY	
7	70021415	2	STRAIGHT CONNECTOR	
8		Ref	UNIVERSAL SIDE SHIFT CYLINDER ASSY, (See HYDRAULIC COMPONENTS SECTION for Breakdown)	
9	70022109	1	PIN	
10	70022110	1	PIN	
11	70021349	2	HEX HD CAPSCREW, 0.38X1.00	
12	70021350	2	FLAT WASHER, 0.38	
13	90554042	2	LOCKWASHER, 0.38	
14	7029690	2	FORK PIN RETAINER	
15		Ref	HEX HD CAPSCREW, 0.5X1.25	
16	90554020	8	LOCKWASHER, 0.50	
17	70021338	4	HARD WASHER	
18	70022111	1	SIDE SHIFT PIN	
19	70022112	1	SIDE SHIFT PIN RETAINER	
20	N.S.S.	1	CARRIAGE WELDMENT	
21	7029714	2	GREASE FITTING	
22	N.S.S.	1	SN PLATE	
24	7029711	1	HIGH PRESSURE DECAL	
25	N.S.S.	1	REAR FRAME WELDMENT	
26	90554017	2	PINCH POINT DECAL	
27	70022105	1	FORK PIN	

# SECTION 3 - ATTACHMENTS

## FIGURE 3-6. FORKS



PZ0771

## SECTION 3 - ATTACHMENTS

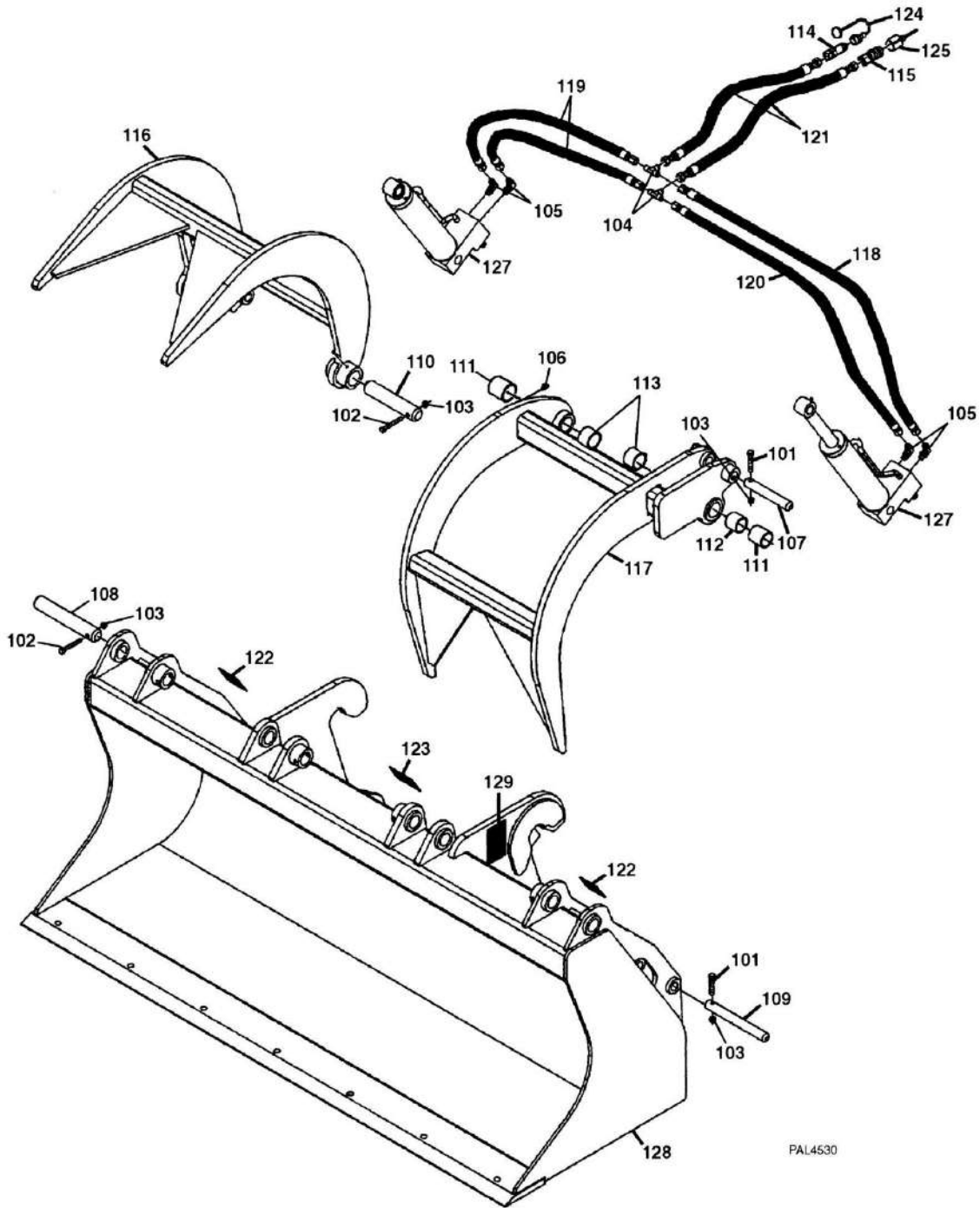
### FIGURE 3-6. FORKS

ITEM	PART NUMBER	QTY	DESCRIPTION	REV
	2340037	4	CUBING FORK, 2X2X48, (G5-18A, 2505 - AUS), (7760 lb)	A
	1001099458	2	PALLET FORK, 2X4X48, (G5-18A, 2505 - AUS), (7600 lb)	C
	1001099457	2	LUMBER FORK, 1.5X6X60, (G5-18A, 2505 - AUS), (7300 lb)	C
	1001007537	1	PALLET FORK, (2505 - CE), (sold as a pair)	B
1	1001007527	2	PALLET FORK, 45X100X1070 mm, (3880 kg)	
2	1001109113	2	HEX HD CAPSCREW, 5/8-18X1-1/2, GR8	
	1001007539	1	PALLET FORK, (2505 - CE), (sold as a pair)	B
1	1001007529	2	PALLET FORK, 50X100X1525 mm, (5000 kg)	
2	1001109113	2	HEX HD CAPSCREW, 5/8-18X1-1/2, GR8	
	2340040	NLA	PALLET FORK, (2505 - CE), (sold as a pair), (no longer available, use 1001117945 for replacement)	C
	1001117945	1	PALLET FORK, (2505 - CE), (sold as pair)	C
1	2340043	1	PALLET FORK, 50X120X1200 mm, (2000 kg)	
2	0761612	1	HEX HD CAPSCREW, M16X25	
	2340041	1	PALLET FORK, (2505 - CE), (sold as a pair)	C
1	2340044	1	FORK, 50X100X1200 mm, (2000 kg)	
2	0761612	1	HEX HD CAPSCREW, M16X25	

# SECTION 3 - ATTACHMENTS

## FIGURE 3-7. GRAPPLE BUCKET

G5-18A, 2505 - AUS



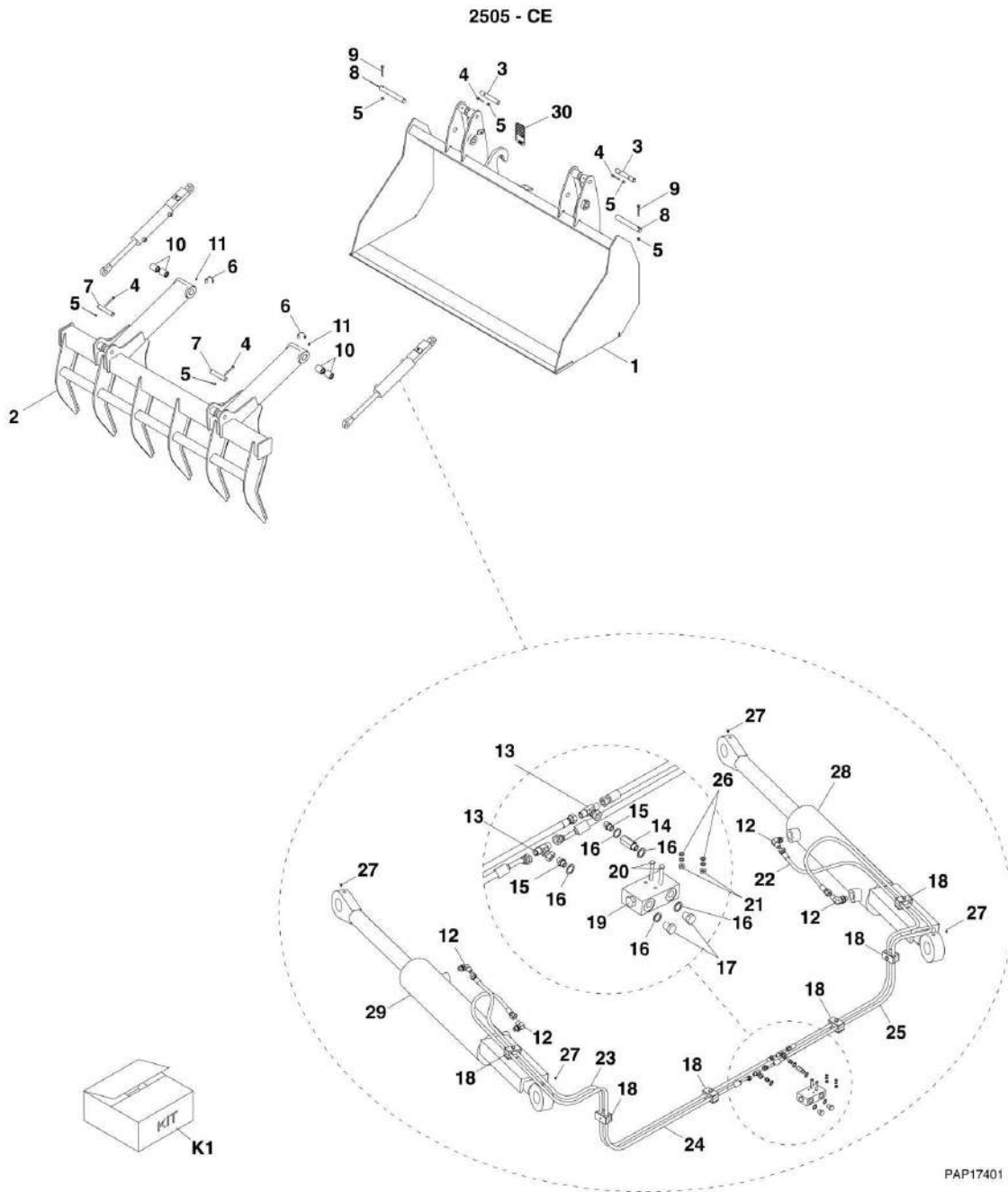
## SECTION 3 - ATTACHMENTS

### FIGURE 3-7. GRAPPLE BUCKET

ITEM	PART NUMBER	QTY	DESCRIPTION	REV
	1001099831	1	GRAPPLE BUCKET, (G5-18A, 2505 - AUS), (includes all items)	B
101	70021399	4	HEX HD CAPSCREW, 0.38X2.25	
102	70021366	4	HEX HD CAPSCREW, 0.38X2.75	
103	70021367	8	LOCKNUT, 0.38	
104	70020562	2	TEE	
105	90554065	4	ELBOW, 90	
106	7029714	4	GREASE FITTING	
107	70021364	2	PIN	
108	70021361	2	PIN	
109	70021365	2	PIN	
110	70021362	2	PIN	
111	70021360	4	BUSHING	
112	70021359	2	SPACER	
113	70021358	4	BUSHING	
114	7029692	1	MALE QUICK ATTACH	
115	70021342	1	FEMALE QUICK ATTACH	
116	70021356	1	RH GRAPPLE HOOK	
117	70021357	1	LH GRAPPLE HOOK	
118	70020560	1	HOSE ASSY	
119	70021368	2	HOSE ASSY	
120	70021370	1	HOSE ASSY	
121	70021369	2	HOSE ASSY	
122	90554017	2	PINCH POINT DECAL	
123	7029711	1	HIGH PRESSURE DECAL	
124	90554062	1	DUST CAP	
125	90554076	1	DUST PLUG	
126	70021387	4	CLAMP, (not shown)	
127		Ref	CYLINDER ASSY, (See HYDRAULIC COMPONENTS SECTION for Breakdown)	
128	N.S.S.	1	GRAPPLE GATE	
129	N.S.S.	1	SN PLATE	

# SECTION 3 - ATTACHMENTS

## FIGURE 3-8. GRAPPLE BUCKET - 2505



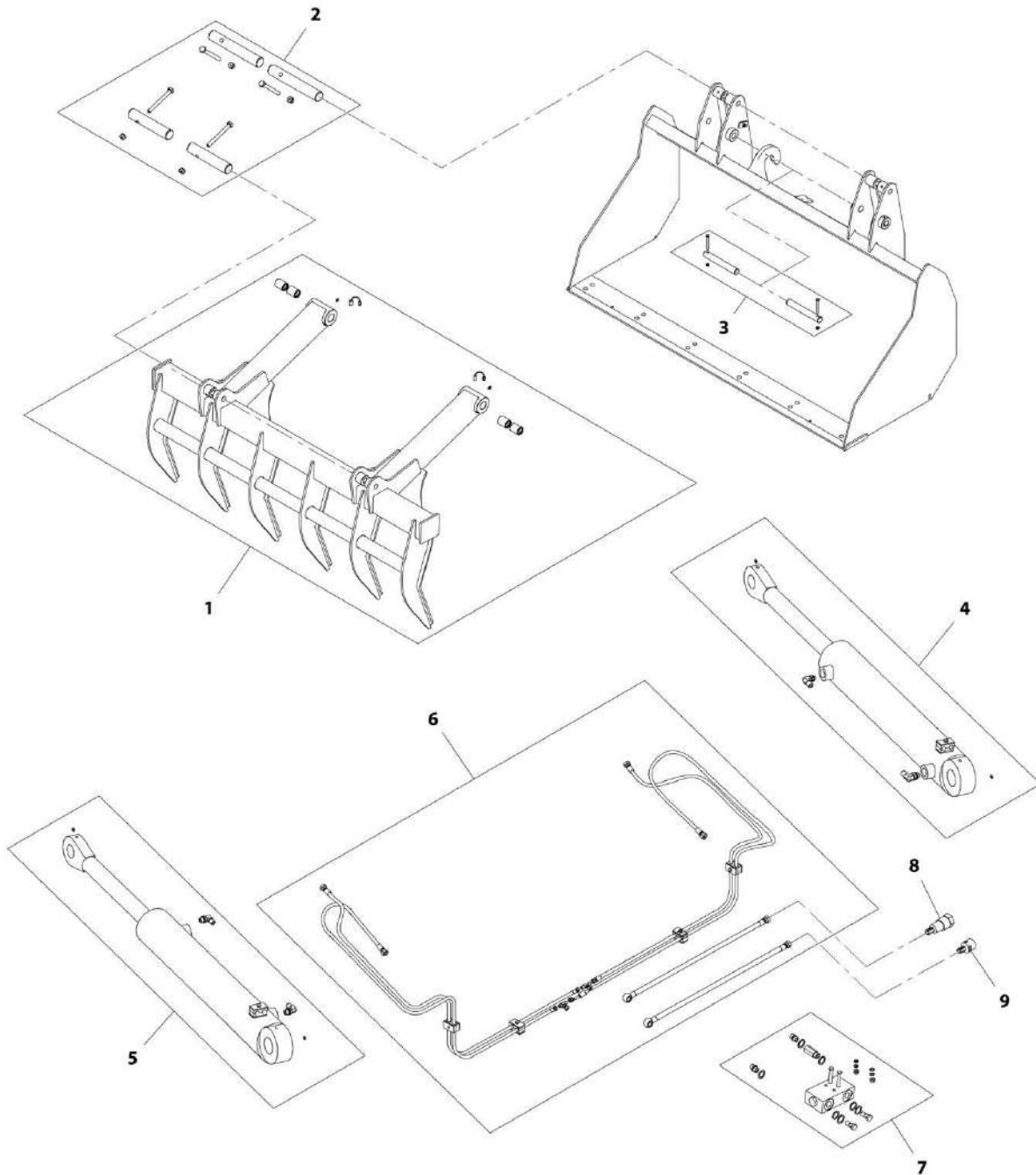
## SECTION 3 - ATTACHMENTS

**FIGURE 3-8. GRAPPLE BUCKET - 2505**

ITEM	PART NUMBER	QTY	DESCRIPTION	REV
	1001101977	NLA	GRAPPLE BUCKET, (2505 - CE), (no longer available, see items 1 thru 30 for service or use 1001180466 for replacement)	C
1	N.S.S.	1	GRAPPLE BUCKET	
2	70022896	1	CLAMP	
3	70022897	2	PIN	
4	70022898	4	PIN	
5	3290805	6	LOCKNUT, M8	
6	70021243	2	GREASE FITTING COVER	
7	70022899	2	PIN	
8	70022900	2	PIN	
9	70022901	2	PIN	
10	70022902	4	BUSHING	
11	70021242	2	GREASE FITTING	
12	70022903	4	FITTING, 90	
13	70022904	2	TEE FITTING	
14	70022905	1	ADAPTER	
15	70022906	2	ADAPTER	
16	70022907	5	O-RING	
17	70022908	2	PLUG	
18	1001103533	6	CLAMP	
19	70022910	1	VALVE	
20	70022911	2	BOLT, M6X55	
21	70022912	2	BOLT, M6	
22	70022913	1	PIPE ASSY	
23	70022914	1	PIPE ASSY	
24	70022915	1	PIPE ASSY	
25	70022916	1	PIPE ASSY	
26	70022917	4	GASKET	
27	70021246	4	GREASE FITTING	
28	70022918	1	HYDRAULIC CYLINDER	
29	70022919	1	HYDRAULIC CYLINDER	
30	N.S.S.	1	SN PLATE	
K1	70023275	1	CYLINDER SEAL KIT, (for use with items 28 or 29)	

# SECTION 3 - ATTACHMENTS

## FIGURE 3-9. GRAPPLE BUCKET



ART\_1001180466-A



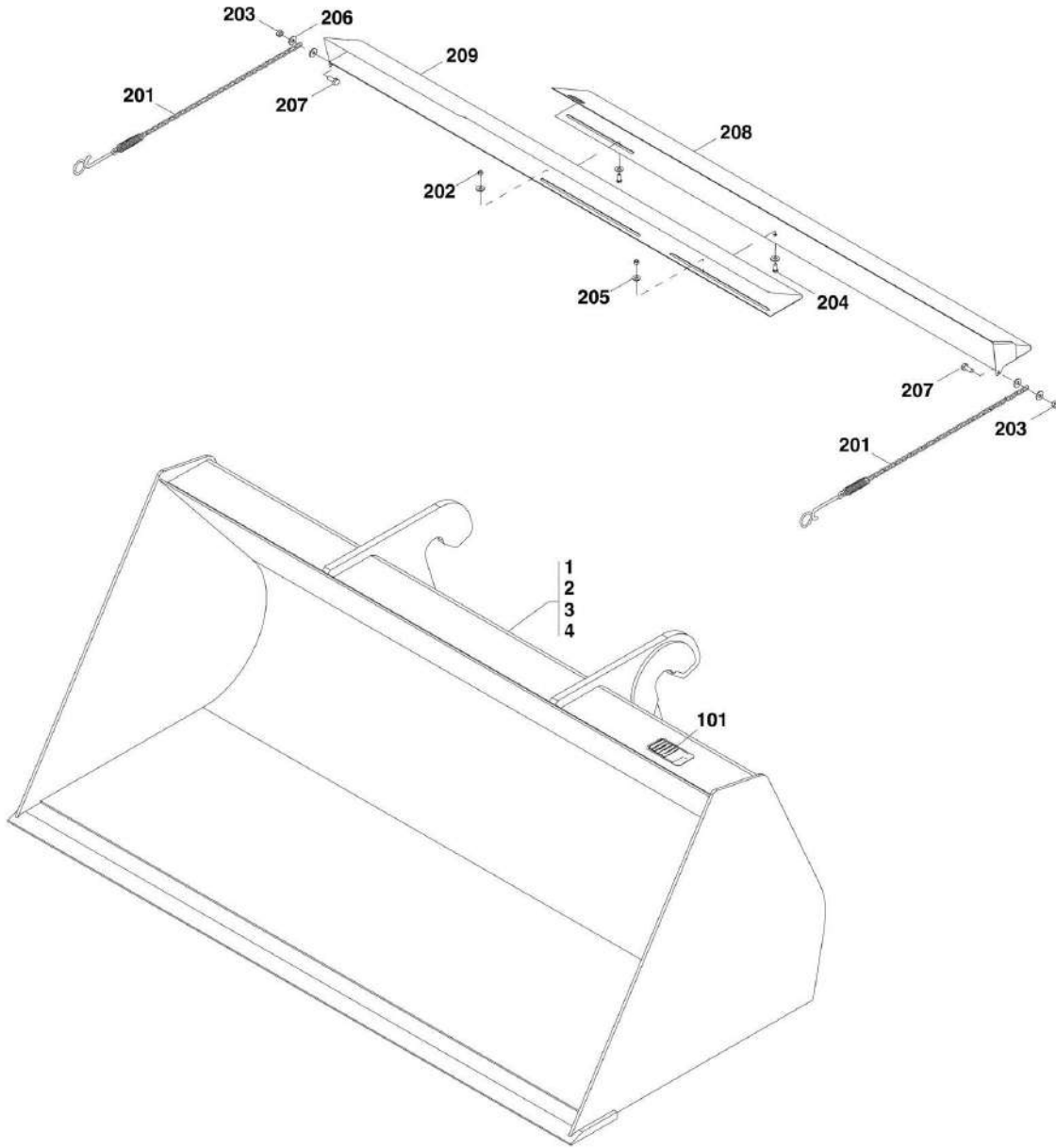
## SECTION 3 - ATTACHMENTS

### FIGURE 3-9. GRAPPLE BUCKET

ITEM	PART NUMBER	QTY	DESCRIPTION	REV
	1001180466	Ref	GRAPPLE BUCKET, (CE), (includes all items)	A
1	70027306	1	KIT, CLAMP	
2	70027307	1	KIT, PIN CLAMP	
3	70027308	1	KIT, PIN CYLINDER	
4	70027309	1	KIT, HYDRAULIC CYLINDER DX	
5	70027310	1	KIT, HYDRAULIC CYLINDER SX	
6	70027311	1	KIT, FLEXIBLE PIPE	
7	70027312	1	KIT, VALVE	
8	1001094556	1	COUPLING, MALE QUICK DISCONNECT	
9	1001094555	1	COUPLING, FEMALE QUICK DISCONNECT	

# SECTION 3 - ATTACHMENTS

## FIGURE 3-10. LIGHT MATERIAL BUCKETS



PAP17431

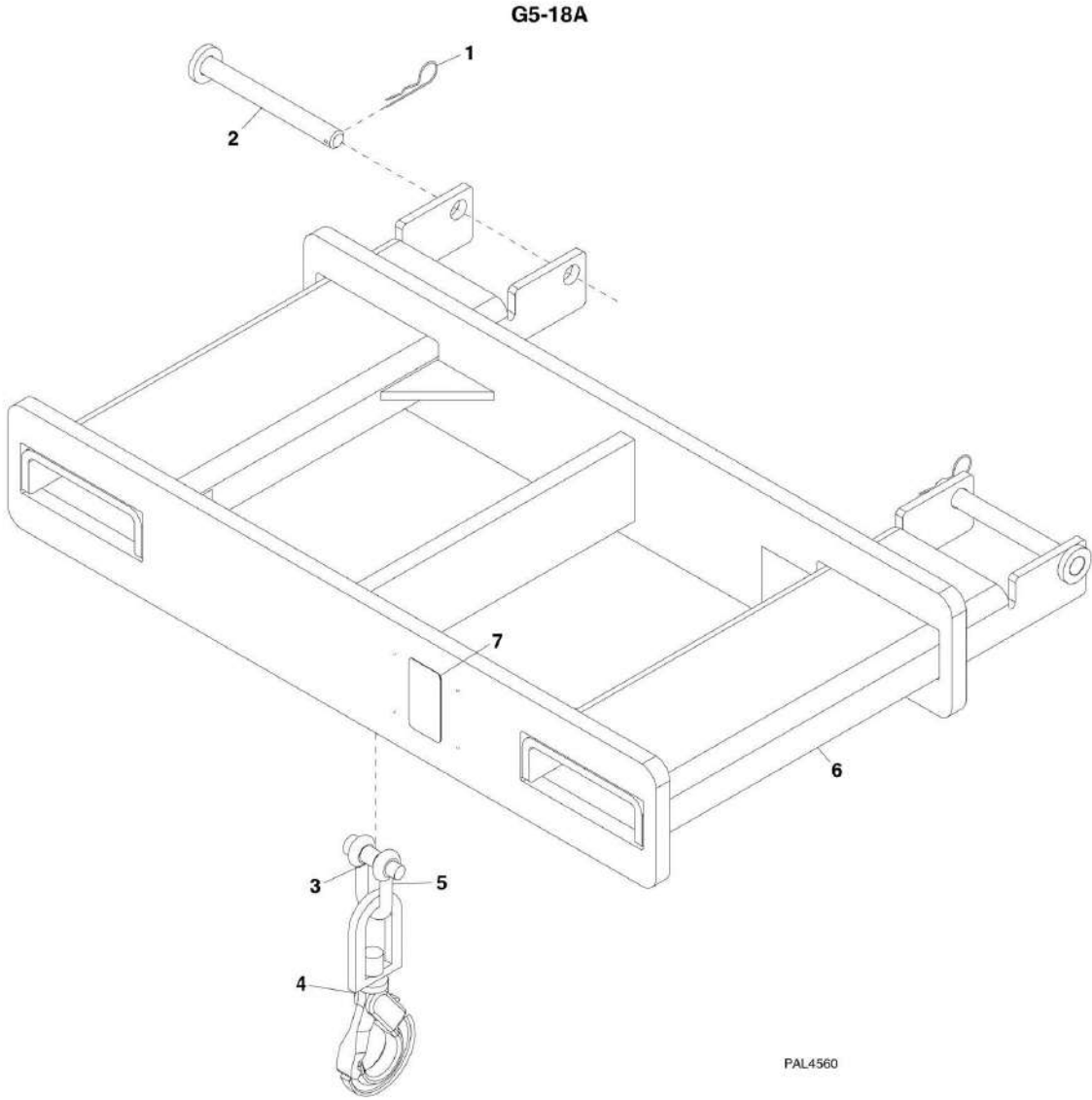
## SECTION 3 - ATTACHMENTS

**FIGURE 3-10. LIGHT MATERIAL BUCKETS**

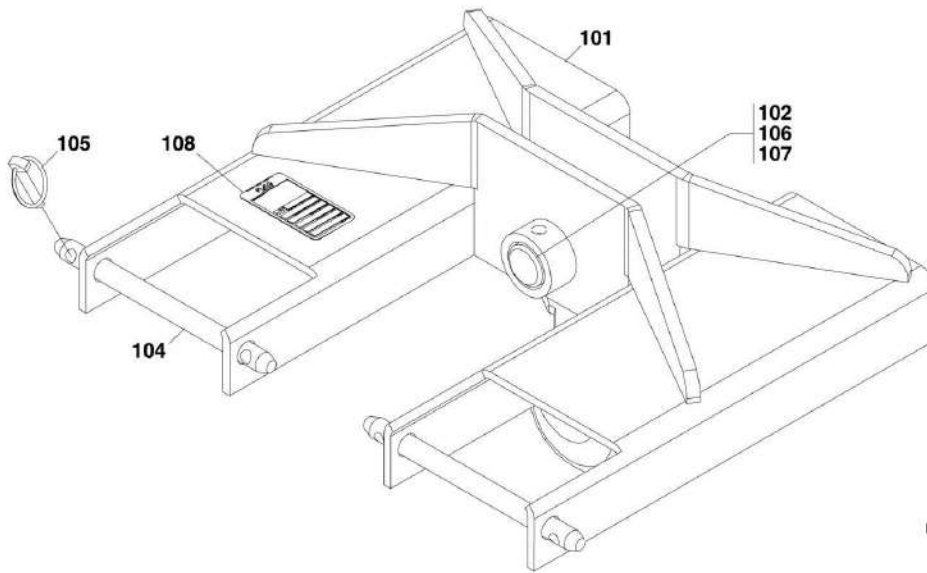
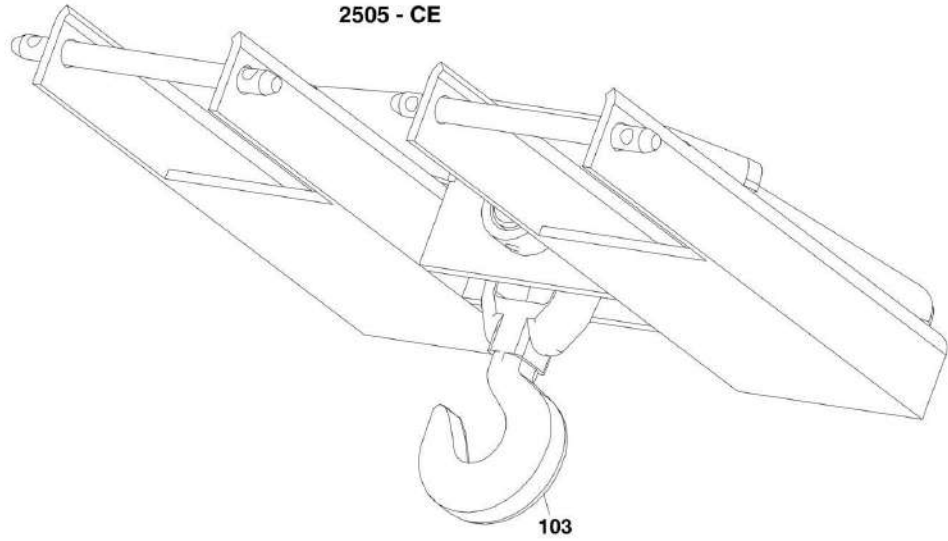
ITEM	PART NUMBER	QTY	DESCRIPTION	REV
1	1001099615	1	1.0 CU YD LIGHT MATERIAL BUCKET, (G5-18A, 2505 - AUS), (72 in), (includes item 101)	B
2	1001101979	1	0.8 CU M LIGHT MATERIAL BUCKET, (2505 - CE), (1800mm), (includes item 101)	C
3	1001099614	1	1.7 CU YD LIGHT MATERIAL BUCKET, (G5-18A, 2505 - AUS), (72 in), (includes item 101)	B
4	1001101978	1	1.3 CU M LIGHT MATERIAL BUCKET, (2505 - CE), (1800mm), (includes item 101)	B
101	N.S.S.	1	SN PLATE	
	1001105476	1	BUCKET GUARD ACCESSORY, (Germany - if equipped), (includes items 201 thru 209)	B
201	1001003064	2	RETAINER ASSY	
202	3290601	2	HEX NUT, M6X1	
203	1001008605	2	NUT	
204	8303545	2	HEX HD CAPSCREW, M6X14, GR8.8	
205	10701275	4	HARD WASHER, 0.312X0.065	
206	1001008666	4	HARD WASHER	
207	0760810	2	HEX HD CAPSCREW, M8X20, GR8.8	
208	1001105474	1	RIGHT BUCKET GUARD PLATE	
209	1001105475	1	LEFT BUCKET GUARD PLATE	

**SECTION 3 - ATTACHMENTS**

**FIGURE 3-11. FORK MOUNTED HOOK**



# SECTION 3 - ATTACHMENTS



PAP17410

## SECTION 3 - ATTACHMENTS

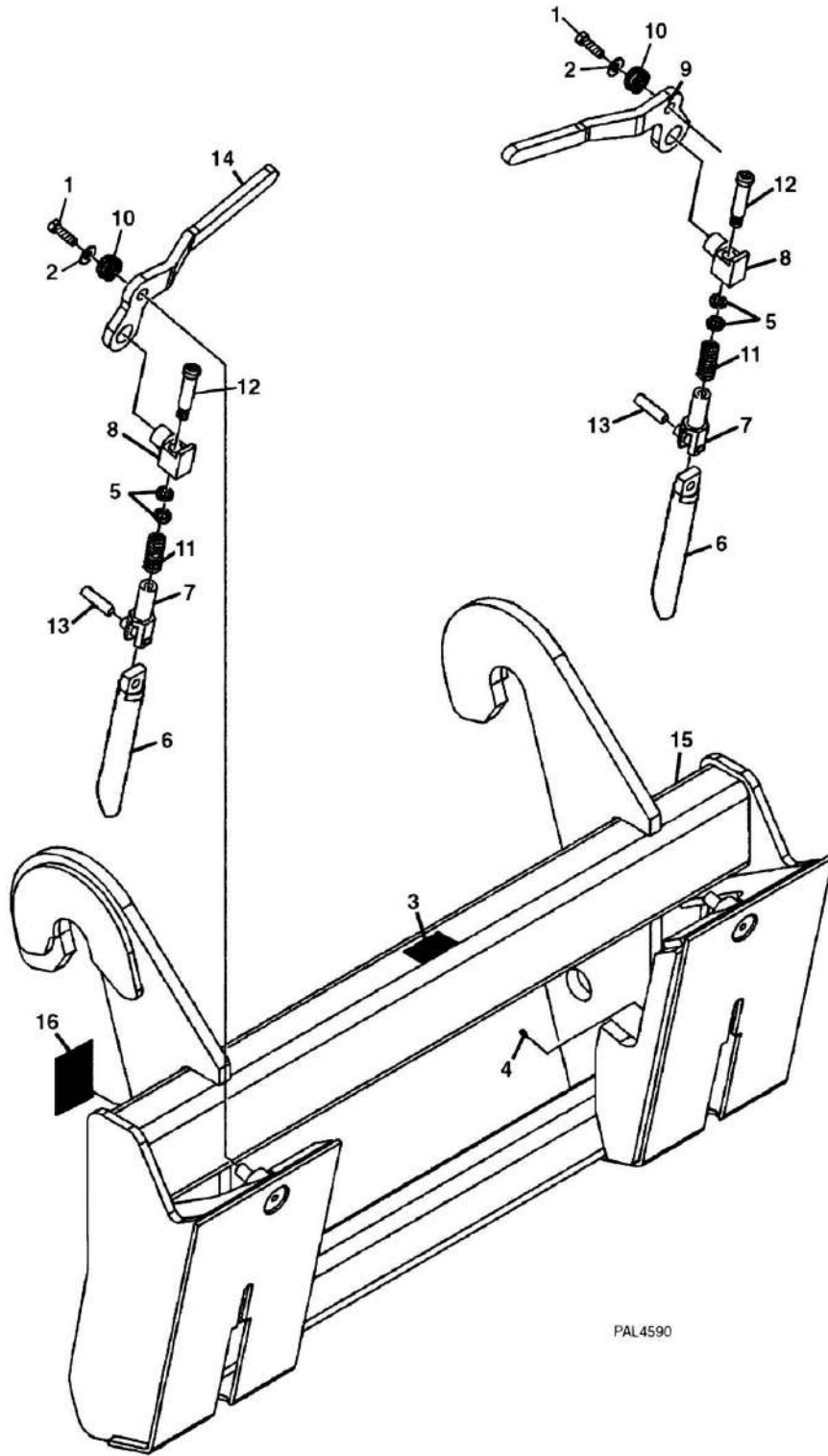
**FIGURE 3-11. FORK MOUNTED HOOK**

ITEM	PART NUMBER	QTY	DESCRIPTION	REV
	91565094	1	FORK MOUNTED HOOK, (G5-18A), (includes items 1 thru 7)	F
1	7029520	2	COTTER PIN	
2	1001093171	2	PIN	
3	70020555	1	BUSHING	
4	90554080	1	HOOK	
5	7029521	1	CHAIN	
6	N.S.S.	1	FORK MOUNTED HOOK WELDMENT	
7	N.S.S.	1	SN PLATE	
	2700118	1	FORK MOUNTED HOOK ASSY, (2505 - CE), (includes items 101 thru 108)	B
101	N.S.S.	1	FORK MOUNTED HOOK WELDMENT	
102	70020201	1	PIN	
103	70020202	1	HOOK	
104	70020203	2	PIN	
105	70020204	4	RETAINING RING	
106	70020205	1	BOLT	
107	70020206	1	SELF LOCKING NUT	
108	N.S.S.	1	SN PLATE	



# SECTION 3 - ATTACHMENTS

## FIGURE 3-12. UNIVERSAL HITCH ATTACH



PAL4590



## SECTION 3 - ATTACHMENTS

**FIGURE 3-12. UNIVERSAL HITCH ATTACH**

ITEM	PART NUMBER	QTY	DESCRIPTION	REV
	1001099425	1	UNIVERSAL HITCH ATTACH, (G5-18A, 2505 - AUS), (includes all items)	B
	1001102333	1	UNIVERSAL HITCH ATTACH, (2505 - CE), (includes all items)	C
1	70021429	2	HEX HD CAPSCREW, 0.38X1.25	
2	70021350	2	FLAT WASHER, 0.38	
3	90554016	1	MADE IN USA DECAL	
4	90554045	2	GREASE FITTING	
5	70021430	4	SPACER	
6	70021431	2	LOCKING PIN	
7	70021432	2	CLEVIS	
8	70021433	2	BEARING	
9	70021434	1	LEFT LOCK HANDLE	
10	70021384	2	SPRING LOCK HANDLE	
11	70021435	2	CLEVIS SPRING	
12	70021436	2	BOLT	
13	70021437	2	PIN	
14	70021438	1	RIGHT LOCK HANDLE	
15	N.S.S.	1	UNIVERSAL ATTACH WELDMENT	
16	N.S.S.	1	SN PLATE	

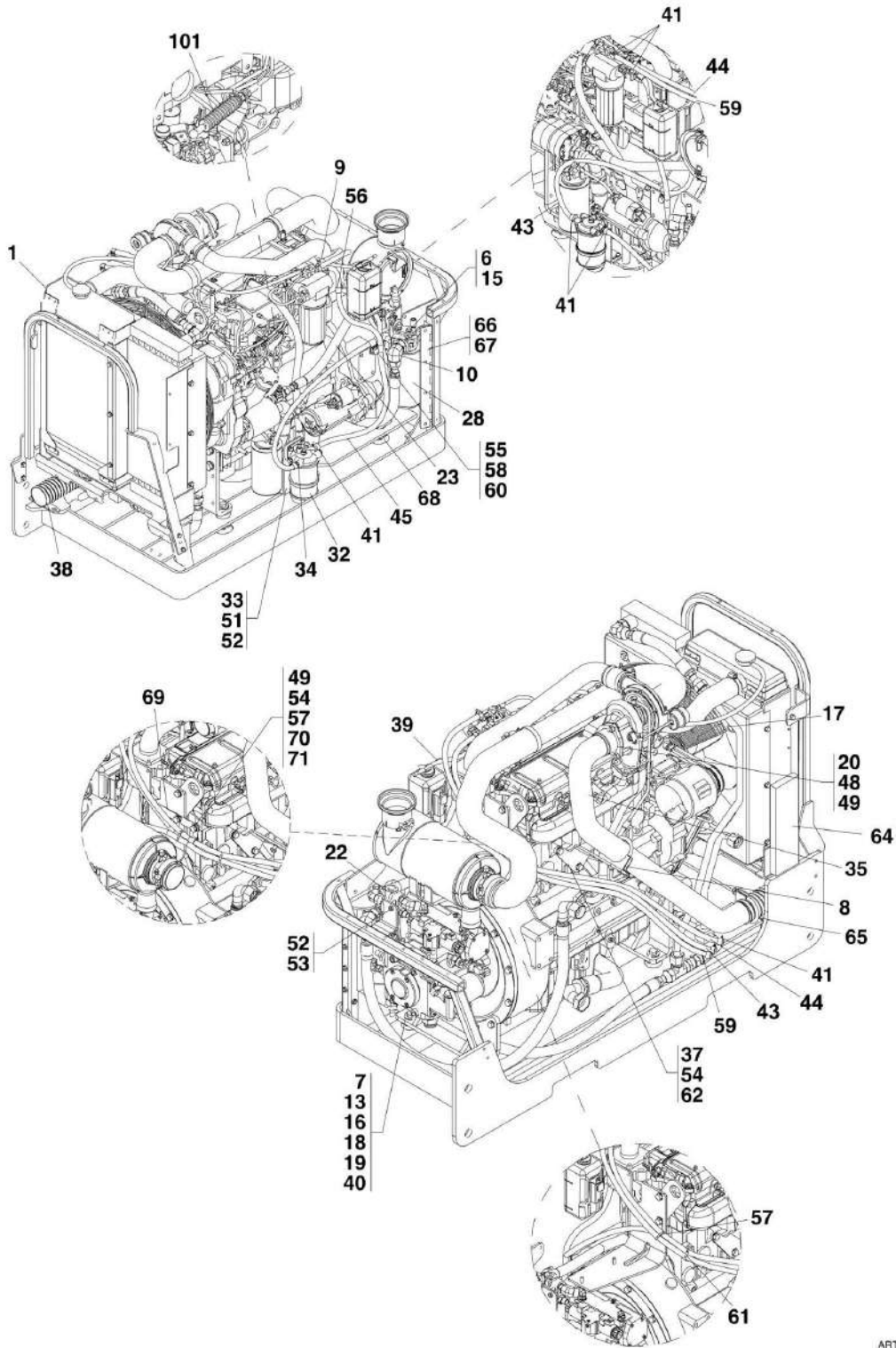


## **SECTION 4 - ENGINE AND ATTACHING PARTS**

## **SECTION 4 - ENGINE AND ATTACHING PARTS**

# SECTION 4 - ENGINE AND ATTACHING PARTS

## FIGURE 4-1. ENGINE INSTALLATION



ART\_31200360-4-1

# SECTION 4 - ENGINE AND ATTACHING PARTS

## FIGURE 4-1. ENGINE INSTALLATION

ITEM	PART NUMBER	QTY	DESCRIPTION	REV
1		Ref	RADIATOR/OIL COOLER INSTALLATION, (See RADIATOR/OIL COOLER INSTALLATION for Breakdown)	
6	0641606	4	HEX HD CAPSCREW, 3/8-16X3/4, GR5	
7	0681828	4	HEX HD CAPSCREW, 1/2-13X3-1/2, GR5	
8	8275212	1	MUFFLER CLAMP	
9	1320022	5	FUEL LINE CLAMP	
10	2131216	2	FITTING, 90	
13	3271801	4	NUT, 1/2-13, GR8	
15	4711600	4	WASHER, 3/8	
16	8310308	8	WASHER, 1/2	
17	8406105	1	CLIP	
18	1001138172	4	ENGINE MOUNT WASHER	
19	91563213	4	RUBBER ENGINE MOUNT	
20	1001004708	1	FLANGE	
22		Ref	PRIORITY VALVE, (See HYDRAULIC CIRCUITS SECTION for Breakdown)	
23	1001081323	1	HOSE ASSY	
28	1001081319	1	HYDRAULIC OIL FILTER	
28	1001081316	1	REPLACEMENT ELEMENT	
32		Ref	PRE-FUEL FILTER ASSY, (See PERKINS ENGINE for Breakdown)	
33	1001080831	1	WATER SEPARATOR SUPPORT MOUNT	
34	1001080890	2	ADAPTOR	
35	1001096130	1	EXHAUST TUBE	
37	1001096464	1	SUPPORT BRACKET	
38	1001096498	1	FLEX EXHAUST PIPE	
39		Ref	ENGINE ASSY, PERKINS, (See ENGINE ASSEMBLY for Breakdown)	
40	1001097412	4	ENGINE MOUNT WASHER	
41	1321301	8	HOSE CLAMP	
43	1001080938	1	RETURN FUEL LINE HOSE	
44	1001080939	1	SUPPLY FUEL LINE HOSE	
45	1001080940	1	SEPARATOR FUEL LINE	
48	0630582	3	ENGINE EXHAUST BOLT	
49	3291001	4	HEX NUT, M10X1-1/2, GR8	
51	0641408	4	HEX HD CAPSCREW, 1/4-20X1, GR5	
52	4711400	8	WASHER, 10mm	
53	8303114	1	HEX HD CAPSCREW, 1/4-20X2-1/4, GR5	
54	4812000	3	WASHER, 10mm	
55	4812100	1	WASHER, 12mm	
56	85841094	1	SUPPORT CLAMP	
57	1001008741	2	CLIP	
58	1001080996	2	CLAMP	
59	1001080997	1	FUEL RETURN HOSE	
60	0701215	1	HEX HD CAPSCREW, M12X35, GR8.8	
61	4240033	2	TIE STRAP	
62	0761010	2	HEX HD CAPSCREW, M10X20, GR8.8	
64	1001081155	1	INSULATION	
65	1001101451	1	MUFFLER CLAMP	
66	3900272	5	BUTTON HD SCREW, 5/16-18X1-3/4	
67	1001096148	1	CONTINUOUS HINGE	

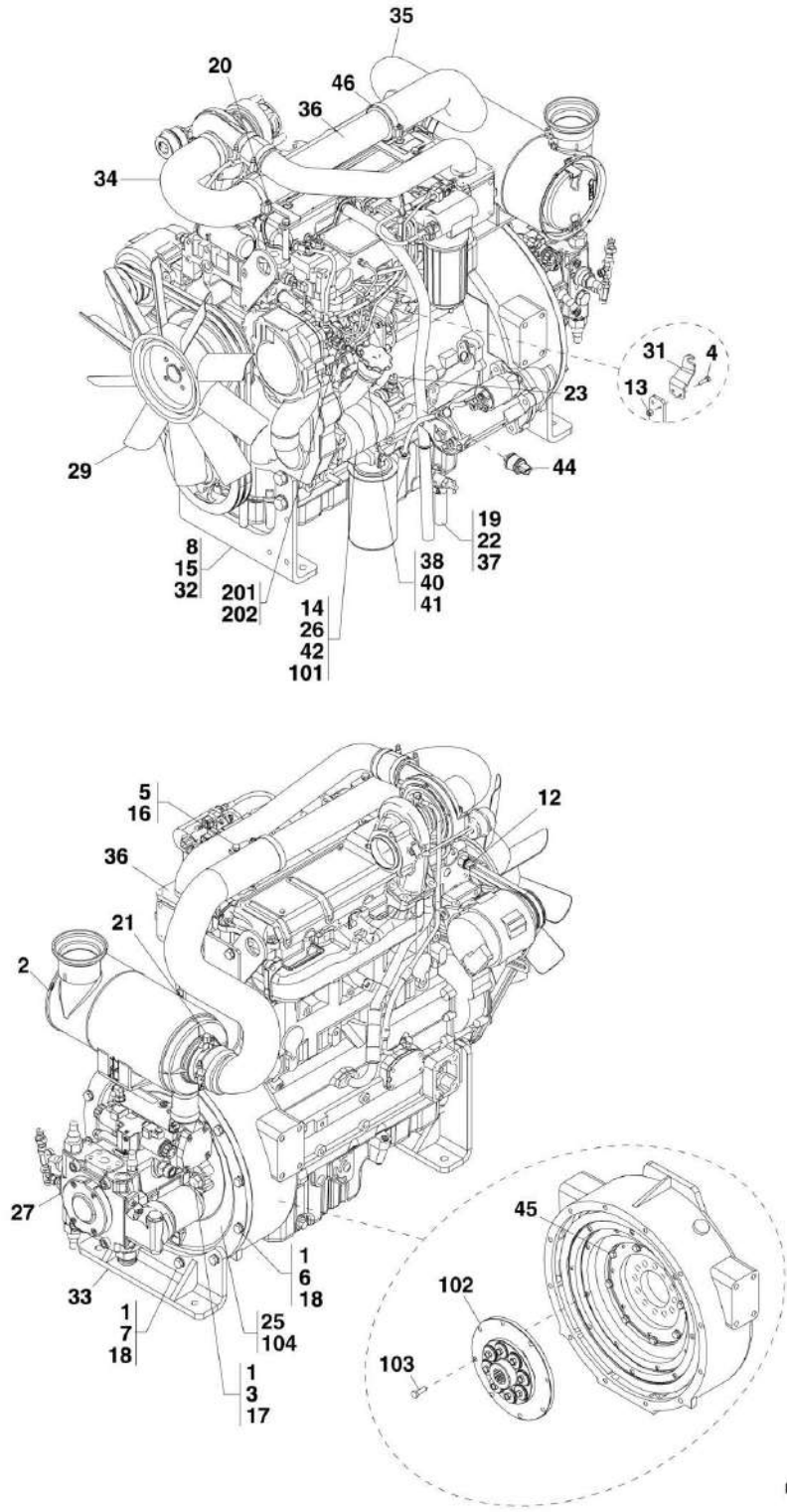
## SECTION 4 - ENGINE AND ATTACHING PARTS

ITEM	PART NUMBER	QTY	DESCRIPTION	REV
68	1001125649	2	ENGINE ISOLATOR MOUNT	
69	1001141339	1	FUEL HOSE CLAMP BRACKET	
70	0761008	1	HEX HD CAPSCREW, M10X16, GR8.8	
71	0100011	AR	LOCTITE 242	
101	1001080564	1	THROTTLE CONTROL CABLE	



# SECTION 4 - ENGINE AND ATTACHING PARTS

## FIGURE 4-2. ENGINE ASSEMBLY



PAP17250



## SECTION 4 - ENGINE AND ATTACHING PARTS

### FIGURE 4-2. ENGINE ASSEMBLY

ITEM	PART NUMBER	QTY	DESCRIPTION	REV
	1001080268	1	PERKINS ENGINE, 84 HP, (includes items 1 thru 46)	P
1	0100011	AR	LOCTITE 242	
2		Ref	AIR CLEANER INSTALLATION, (See AIR CLEANER INSTALLATION for Breakdown)	
3	0642014	2	HEX HD CAPSCREW, 5/8-11X1-3/4, GR5	
4	0700610	2	HEX HD CAPSCREW, M6X20, GR8.8	
5	0700826	2	HEX HD CAPSCREW, M8X90, GR8.8	
6	0701014	8	HEX HD CAPSCREW, M10X30, GR8.8	
7	0701017	4	HEX HD CAPSCREW, M10X45, GR8.8	
8	0711618	4	HEX HD CAPSCREW, M16X50, GR10.9	
12	2420229	1	TEMPERATURE SENDER	
13	3290605	2	HEX LOCKNUT, M6X1, GR8	
14	4032011	2	SOCKET HD CAPSCREW	
15	4812300	4	WASHER, 16mm	
16	4831900	2	LOCKWASHER, 8mm	
17	4892000	2	WASHER, 5/8	
18	5241000	12	WASHER, 10mm	
19	82033995	AR	HOSE	
20	8405203	2	GEAR CLAMP	
21	8405305	1	T-BOLT CLAMP	
22	8410009	1	GEAR CLAMP	
23	2221086	1	NIPPLE	
25	1001080039	1	FLYWHEEL COUPLING ASSY, (includes items 101 thru 104)	D
26		Ref	HYDRAULIC IMPLEMENT PUMP, (See HYDRAULIC CIRCUITS SECTION for Breakdown)	
27		Ref	HYDROSTATIC DRIVE PUMP, (See HYDRAULIC COMPONENTS SECTION for Breakdown)	
28		Ref	ENGINE, PERKINS, (not shown), (See PERKINS ENGINE for Breakdown)	
29	1001080274	1	FAN	
31	1001081080	1	THROTTLE CABLE BRACKET	
32	1001080771	1	ENGINE SUPPORT	
33	1001080808	1	ENGINE SUPPORT	
34	1001080827	1	AIR INTAKE HOSE	
35	1001081412	1	AIR INTAKE HOSE	
36	1001080837	1	AIR INTAKE TUBE	
37	1001113050	1	SHUTOFF VALVE	
38	3790213	1	O-RING	
40	1001080889	1	OIL FILL ADAPTER	
41	1001080897	1	OIL FILL CAP	
42	1001081038	1	GASKET	
44	1001001514	1	OIL PRESSURE SWITCH	
45	0760810	8	HEX HD CAPSCREW, M8X20, GR8.8	
46	8405204	1	GEAR CLAMP	
101		Ref	ADAPTERS, (See HYDRAULIC CIRCUITS SECTION for Breakdown)	
102	70020529	1	COUPLING	
103	70020530	1	BOLT KIT	
104	70020531	1	CONVEX SAE 3 HOUSING	
	1001081362	Ref	THROTTLE STOP INSTALLATION, (2505), (not available to order, see items 201 & 202 for service)	A

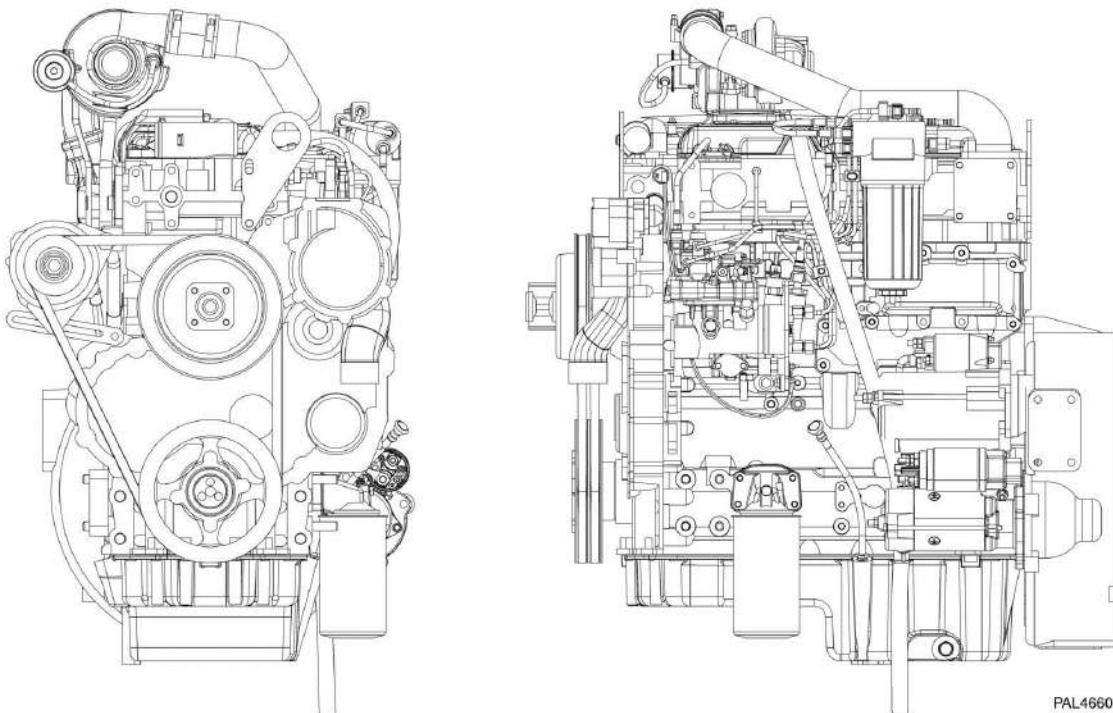
## SECTION 4 - ENGINE AND ATTACHING PARTS

ITEM	PART NUMBER	QTY	DESCRIPTION	REV
201	1001081233	AR	THROTTLE STOP, (2505)	
202	1001081361	AR	THROTTLE STOP, (2505)	



## SECTION 4 - ENGINE AND ATTACHING PARTS

FIGURE 4-3. PERKINS ENGINE (G5-18A, 2505 - LS)



PAL4660

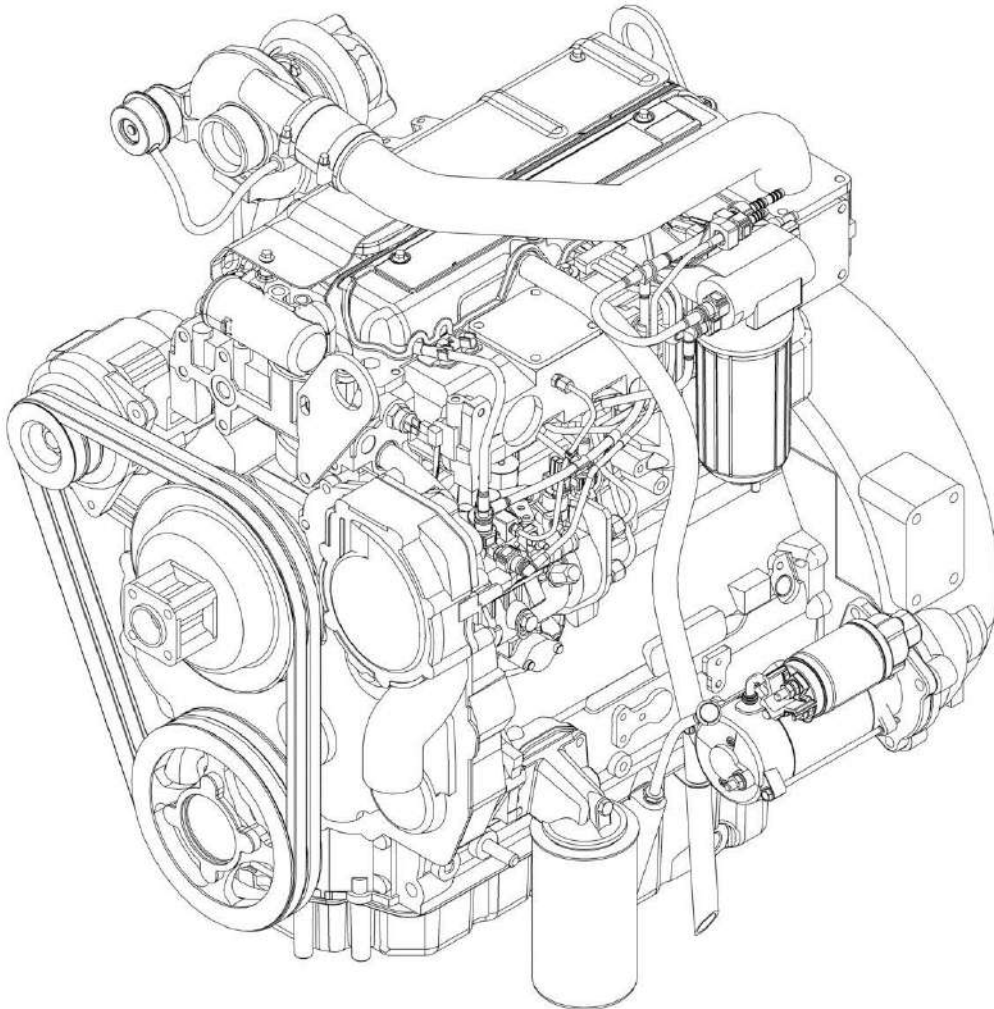
## SECTION 4 - ENGINE AND ATTACHING PARTS

**FIGURE 4-3. PERKINS ENGINE (G5-18A, 2505 - LS)**

ITEM	PART NUMBER	QTY	DESCRIPTION	REV
	1001080263	1	PERKINS ENGINE, 1104D-44T	H
	70021190	1	PRE-FUEL FILTER ASSY	
	70021191	1	REPLACEMENT ELEMENT KIT, (includes head, element and o-rings)	
	70021785	1	FUEL FILTER BOWL	
	70020574	1	FUEL LIFT PUMP	
	7028655	1	FUEL FILTER ELEMENT	
	70021187	1	DIPSTICK	
	70021195	1	DIPSTICK TUBE	
	8006013	1	OIL FILTER	
	7028654	1	OIL FILTER GASKET	
	7029782	1	STARTER MOTOR	
	70021188	1	ALTERNATOR	
	70021192	1	THERMOSTAT	
	70021193	1	THERMOSTAT O-RING	
	70021184	1	FAN BELT SET	
	70020571	1	OIL COOLER ASSY	
	70020572	1	GASKET	
	7028684	2	GASKET	
	70021186	1	FLYWHEEL ASSY	
	7028680	1	STARTER RING GEAR	
	70021189	1	TURBOCHARGER	
	70021194	1	WATER PUMP ASSY	
	7028665	1	GASKET	
	7028666	1	WATER PUMP GASKET	
	7028659	2	OIL DRAIN PLUG	
	7028660	2	O-RING	
	7028669	1	OIL PAN GASKET	
	7028673	1	OIL PUMP	
	7028674	1	EXHAUST MANIFOLD GASKET	
	7028676	4	GLOW PLUG	
	7028677	1	COLD START TEMPERATURE SENDER	
	7028678	1	COLD START CABLE	
	7028691	1	GASKET	
	70021185	1	FUEL INJECTION PUMP	
	7028688	1	O-RING	
	7028689	1	FUEL SHUT-OFF SOLENOID	
	70023125	1	EXTENSION PLATE, FAN	
	70023126	4	STUD, FAN	
	70023127	4	NUT, FAN	

## SECTION 4 - ENGINE AND ATTACHING PARTS

FIGURE 4-4. PERKINS ENGINE (ULS) (G5-18A)



ART\_1001134532-B

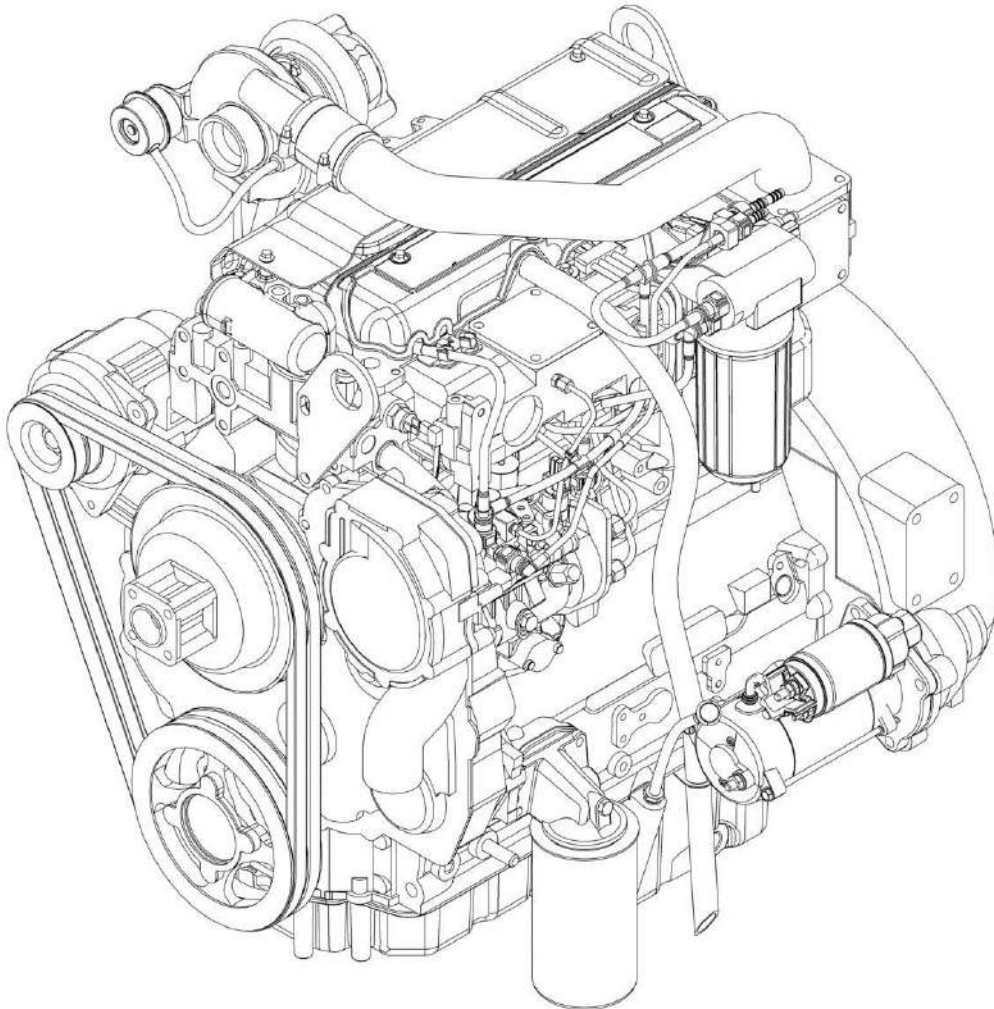
## SECTION 4 - ENGINE AND ATTACHING PARTS

**FIGURE 4-4. PERKINS ENGINE (ULS) (G5-18A)**

ITEM	PART NUMBER	QTY	DESCRIPTION	REV
	1001134532	1	PERKINS ENGINE, (ULS) 1104D-44T	B
	70021190	1	PRE-FUEL FILTER ASSY	
	70021191	1	REPLACEMENT ELEMENT KIT, (includes head, element & o-rings)	
	70022340	1	FUEL FILTER BOWL	
	70020574	1	FUEL LIFT PUMP	
	7028655	1	FUEL FILTER ELEMENT	
	70021187	1	DIPSTICK	
	70021195	1	DIPSTICK TUBE	
	8006013	1	OIL FILTER	
	7028654	1	OIL FILTER GASKET	
	7029782	1	STARTER MOTOR	
	70021188	1	ALTERNATOR	
	70021192	1	THERMOSTAT	
	70021193	1	THERMOSTAT O-RING	
	70021184	1	FAN BELT SET	
	70020571	1	OIL COOLER ASSY	
	70020572	1	GASKET	
	7028684	2	GASKET	
	70021186	1	FLYWHEEL ASSY	
	7028680	1	STARTER RING GEAR	
	70021189	1	TURBOCHARGER	
	70021194	1	WATER PUMP ASSY	
	7028665	1	GASKET	
	7028666	1	WATER PUMP GASKET	
	7028659	2	OIL DRAIN PLUG	
	7028660	2	O-RING	
	7028669	1	OIL PAN GASKET	
	7028673	1	OIL PUMP	
	7028674	1	EXHAUST MANIFOLD GASKET	
	7028676	4	GLOW PLUG	
	7028677	1	COLD START TEMPERATURE SENDER	
	7028678	1	COLD START CABLE	
	7028691	1	GASKET	
	70021185	1	FUEL INJECTION PUMP	
	7028688	1	O-RING	
	7028689	1	FUEL SHUT-OFF SOLENOID	
	70023125	1	FAN EXTENSION PLATE	
	70023126	4	FAN STUD	
	70023127	4	FAN NUT	

## SECTION 4 - ENGINE AND ATTACHING PARTS

FIGURE 4-5. PERKINS ENGINE (LS) (2505)



ART\_1001134534-B



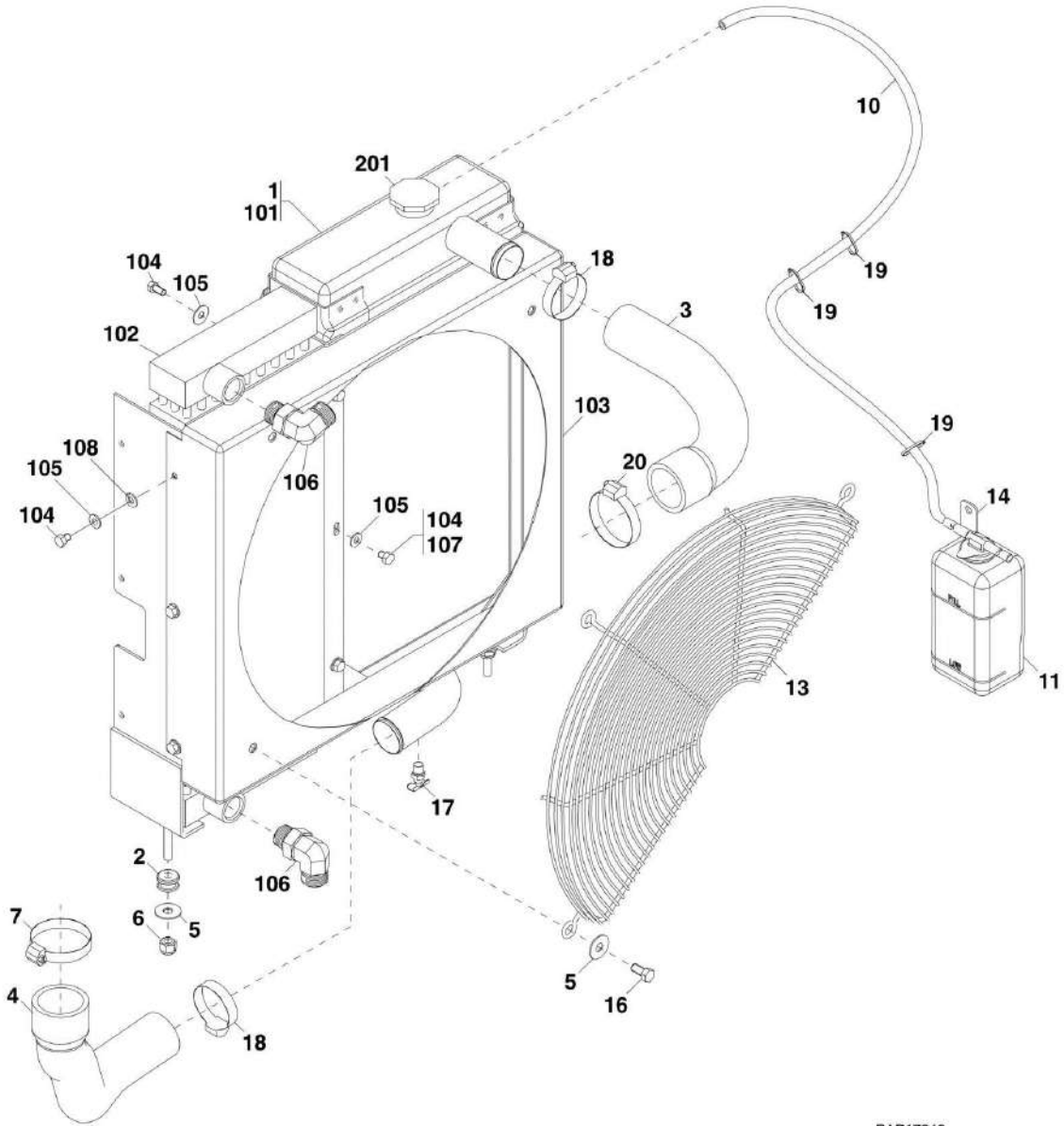
## SECTION 4 - ENGINE AND ATTACHING PARTS

**FIGURE 4-5. PERKINS ENGINE (LS) (2505)**

ITEM	PART NUMBER	QTY	DESCRIPTION	REV
	1001134534	1	PERKINS ENGINE, (LS) 1104D-44T	B
	70021190	1	PRE-FUEL FILTER ASSY	
	70021191	1	REPLACEMENT ELEMENT KIT, (includes head, element & o-rings)	
	70022340	1	FUEL FILTER BOWL	
	70020574	1	FUEL LIFT PUMP	
	7028655	1	FUEL FILTER ELEMENT	
	70021187	1	DIPSTICK	
	70021195	1	DIPSTICK TUBE	
	8006013	1	OIL FILTER	
	7028654	1	OIL FILTER GASKET	
	7029782	1	STARTER MOTOR	
	70021188	1	ALTERNATOR	
	70021192	1	THERMOSTAT	
	70021193	1	THERMOSTAT O-RING	
	70021184	1	FAN BELT SET	
	70020571	1	OIL COOLER ASSY	
	70020572	1	GASKET	
	7028684	2	GASKET	
	70021186	1	FLYWHEEL ASSY	
	7028680	1	STARTER RING GEAR	
	70021189	1	TURBOCHARGER	
	70021194	1	WATER PUMP ASSY	
	7028665	1	GASKET	
	7028666	1	WATER PUMP GASKET	
	7028659	2	OIL DRAIN PLUG	
	7028660	2	O-RING	
	7028669	1	OIL PAN GASKET	
	7028673	1	OIL PUMP	
	7028674	1	EXHAUST MANIFOLD GASKET	
	7028676	4	GLOW PLUG	
	7028677	1	COLD START TEMPERATURE SENDER	
	7028678	1	COLD START CABLE	
	7028691	1	GASKET	
	70021185	1	FUEL INJECTION PUMP	
	7028688	1	O-RING	
	7028689	1	FUEL SHUT-OFF SOLENOID	
	70023125	1	FAN EXTENSION PLATE	
	70023126	4	FAN STUD	
	70023127	4	FAN NUT	

# SECTION 4 - ENGINE AND ATTACHING PARTS

## FIGURE 4-6. RADIATOR/OIL COOLER INSTALLATION



PAP17240

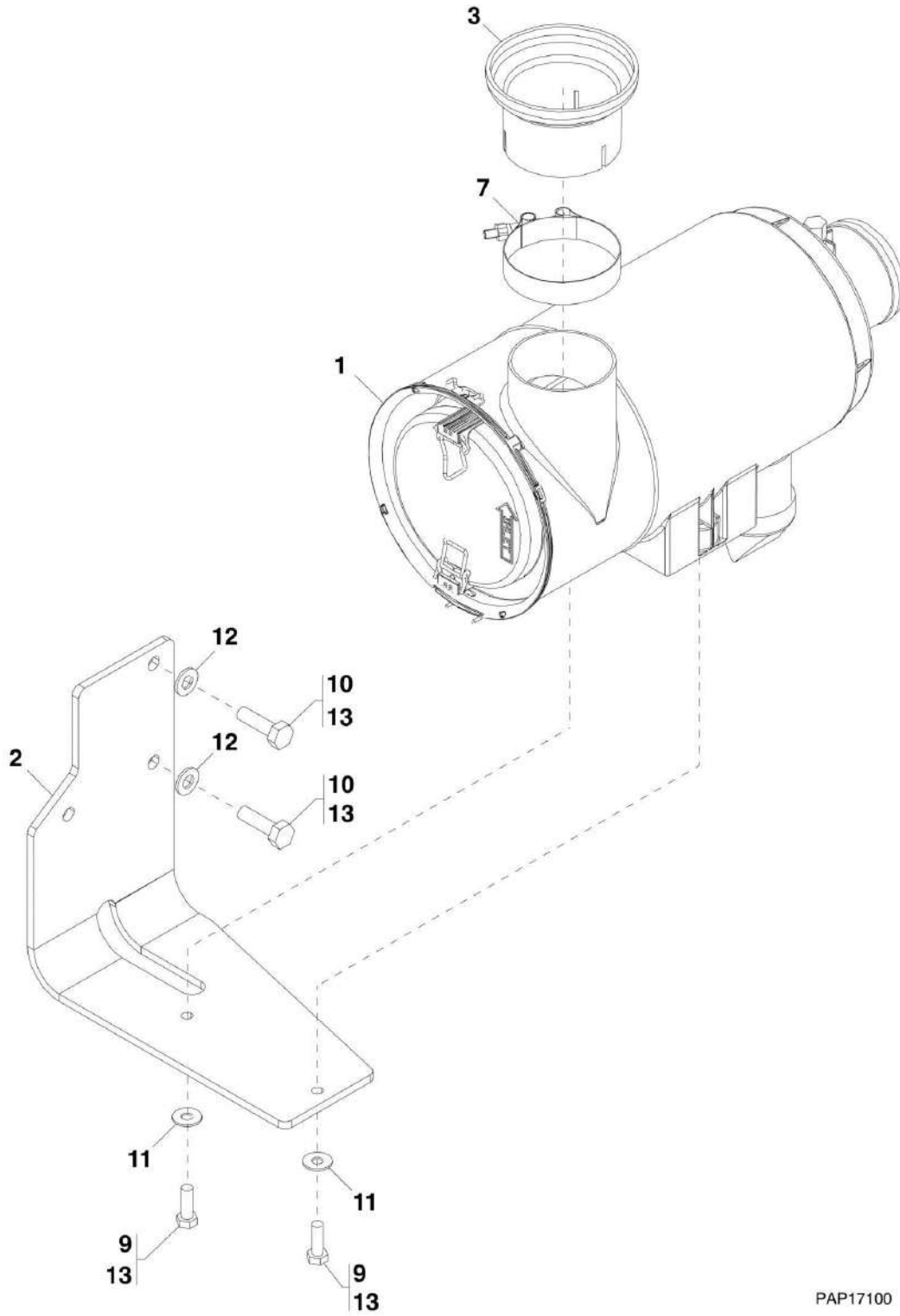
## SECTION 4 - ENGINE AND ATTACHING PARTS

### FIGURE 4-6. RADIATOR/OIL COOLER INSTALLATION

ITEM	PART NUMBER	QTY	DESCRIPTION	REV
	0275501	1	RADIATOR/OIL COOLER INSTALLATION, (not available to order, see items 1 thru 20 for service)	I
1	1001080044	1	RADIATOR/OIL COOLER ASSY, (includes items 101 thru 106) <b>(Prior to SN 0160041337)</b>	I
1	1001129037	1	RADIATOR/OIL COOLER ASSY, (includes items 101 thru 108) <b>(SN 0160041337 to Present)</b>	B
2	83683308	2	MOUNTING PAD	
3	1001080098	1	UPPER RADIATOR HOSE	
4	1001080239	1	LOWER RADIATOR HOSE	
5	4751600	5	WASHER, 3/8	
6	88521206	2	LOCKNUT, 3/8-16	
7	8405202	1	GEAR CLAMP	
10	1001080998	1	EXPANSION TANK HOSE	
11	4400498	1	COOLANT RESERVE TANK	
13	1001080539	1	FAN GUARD	
14	1001080570	1	COOLANT TANK BRACKET	
16	0641606	3	HEX HD CAPSCREW, 3/8-16X3/4, GR5	
17	84521056	1	DRAIN COCK	
18	8405104	2	GEAR CLAMP	
19	4240032	3	TIE STRAP	
20	8405201	1	GEAR CLAMP	
101	1001080752	1	RADIATOR, (includes item 201) <b>(Prior to SN 0160041337)</b>	D
101	1001129036	1	RADIATOR, (includes item 201) <b>(SN 0160041337 to Present)</b>	A
102	1001080753	1	OIL COOLER	
103	1001080754	1	FAN SHROUD HOUSING	
104	0641503	12	HEX HD CAPSCREW, 5/16-18X3/8, GR5 <b>(Prior to SN 0160041337)</b>	
104	0630467	12	BUTTON HD CAPSCREW, 5/16-18X1/2, GR5 <b>(SN 0160041337 to Present)</b>	
105	4711500	12	WASHER, 5/16	
106		Ref	FITTING, 90, (See HYDRAULIC CIRCUITS SECTION for Breakdown)	
107	0100011	AR	LOCTITE 242 <b>(SN 0160041337 to Present)</b>	
108	88551010	6	SPRING LOCKWASHER <b>(SN 0160041337 to Present)</b>	
201	7026442	1	RADIATOR CAP	

# SECTION 4 - ENGINE AND ATTACHING PARTS

## FIGURE 4-7. AIR CLEANER INSTALLATION



PAP17100

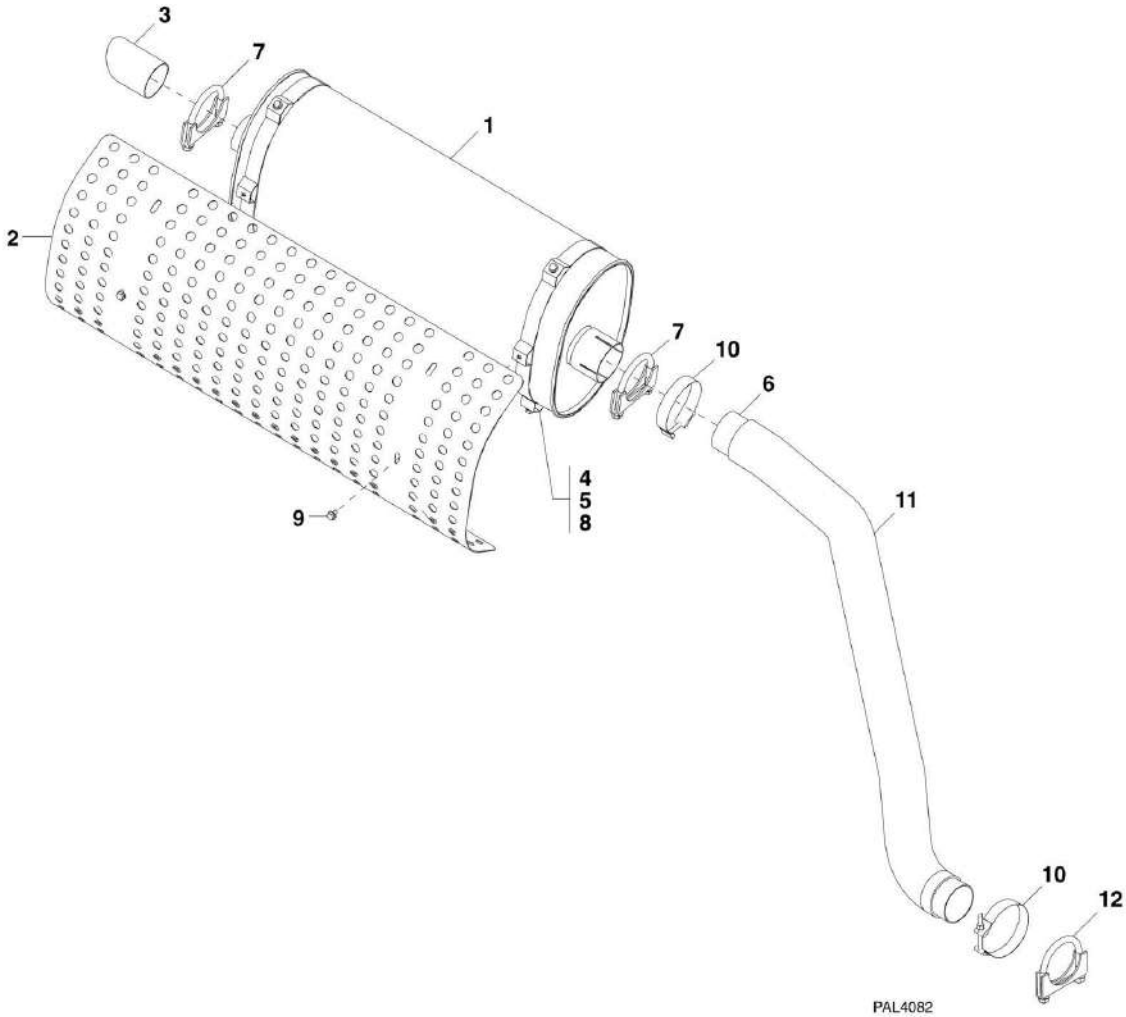
## SECTION 4 - ENGINE AND ATTACHING PARTS

**FIGURE 4-7. AIR CLEANER INSTALLATION**

ITEM	PART NUMBER	QTY	DESCRIPTION	REV
	0275502	1	AIR CLEANER INSTALLATION, (not available to order, see items 1 thru 13 for service)	I
1	1001080390	1	AIR CLEANER	
1	70020623	1	PRIMARY ELEMENT	
1	70020624	1	SECONDARY ELEMENT	
1	10733183	1	VACUATOR VALVE	
1	70023104	1	COVER ASSY	
1	80474017	1	ADAPTER	
2	1001081037	1	AIR CLEANER BRACKET	
3	1001096781	1	AIR INTAKE DUCT	
7	1001080458	1	T-BOLT CLAMP	
9	0760810	2	HEX HD CAPSCREW, M8X20, GR8.8	
10	0761015	2	HEX HD CAPSCREW, M10X35, GR8.8	
11	4811902	2	WASHER, 8mm	
12	4812000	2	WASHER, 10mm	
13	0100011	AR	LOCTITE 242	

**SECTION 4 - ENGINE AND ATTACHING PARTS**

**FIGURE 4-8. EXHAUST INSTALLATION**



PAL4082

## SECTION 4 - ENGINE AND ATTACHING PARTS

**FIGURE 4-8. EXHAUST INSTALLATION**

ITEM	PART NUMBER	QTY	DESCRIPTION	REV
	1001081137	Ref	EXHAUST INSTALLATION, (not available to order, see items 1 thru 12 for service)	F
1	3220140	1	EXHAUST MUFFLER	
2	3380585	1	HEAT SHIELD	
3	1001081393	1	TAILPIPE TUBE	
4	1321367	2	HEAT SHIELD CLAMP	
5	0700816	2	HEX HD CAPSCREW, M8x40, GR8.8	
6	1001081146	1	EXHAUST TUBE	
7	8275212	2	MUFFLER CLAMP, 2-1/2 U TYPE	
8	3290805	2	HEX LOCK NUT, M8X1.25, GR8	
9	5200605	6	BOLT, M6X10mm	
10	1001001853	2	BAND CLAMP	
11	1001100772	1	EXHAUST TUBE SLEEVE	
12	1001101451	1	MUFFLER CLAMP	

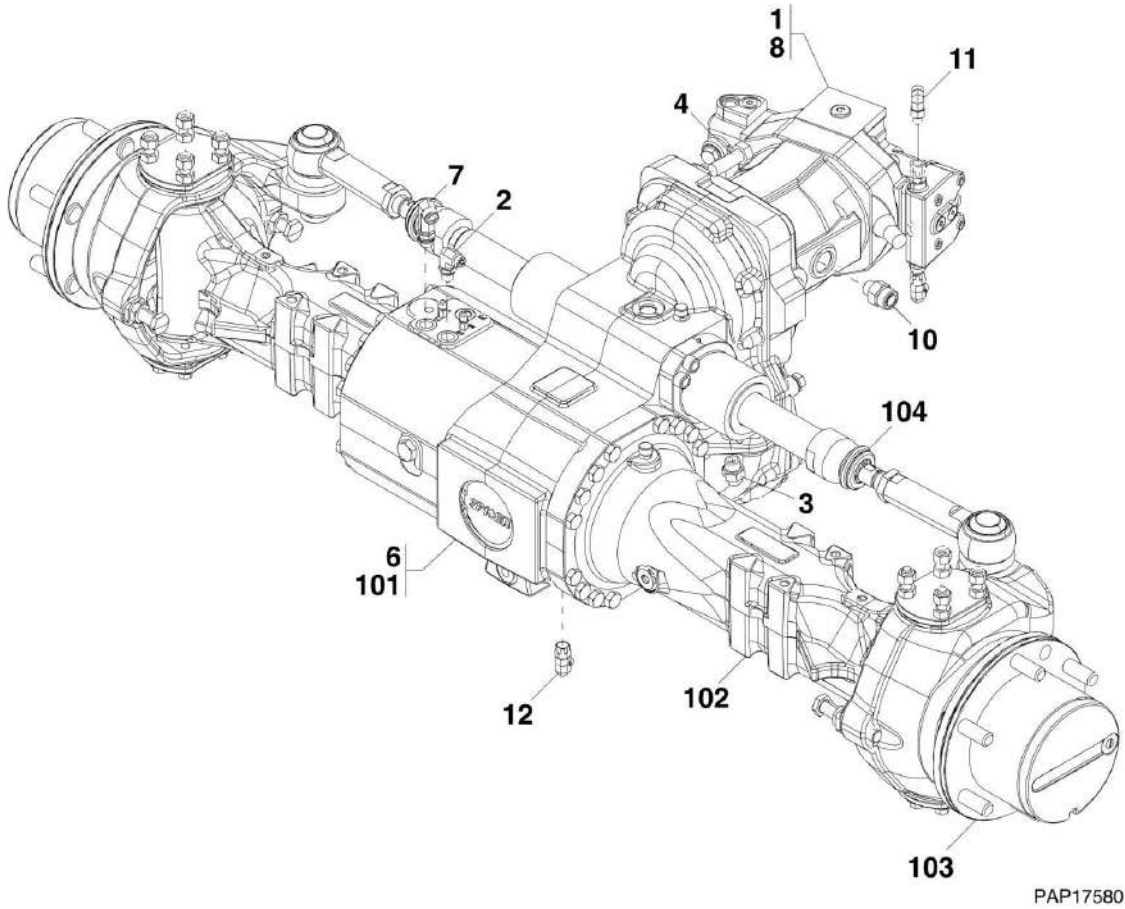




**SECTION 5 - DRIVE TRAIN**

# SECTION 5 - DRIVE TRAIN

## FIGURE 5-1. FRONT AXLE ASSEMBLY



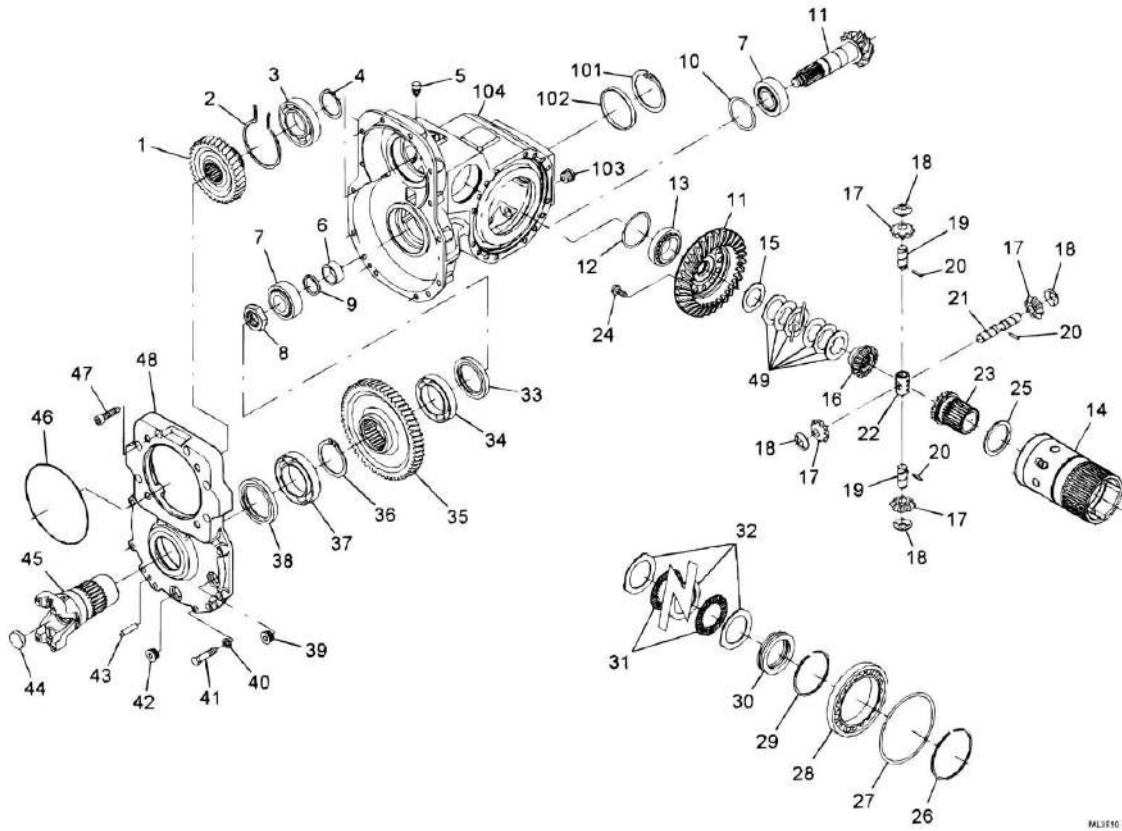
## SECTION 5 - DRIVE TRAIN

**FIGURE 5-1. FRONT AXLE ASSEMBLY**

ITEM	PART NUMBER	QTY	DESCRIPTION	REV
1	0280225	1	FRONT AXLE ASSY, (includes items 1 thru 12)	K
		Ref	FRONT DRIVE MOTOR, (See HYDRAULIC COMPONENTS SECTION for Breakdown)	
2	8770241	1	ELBOW, 90, M14X1.5, (includes o-ring)	
3	1001081333	2	FITTING, M18X1.5, (includes o-ring)	
4	0761617	4	HEX HD CAPSCREW, M16X45, GR8.8	
6	0280221	1	FRONT AXLE, (includes items 101 thru 104)	F
7	2221285	1	FITTING, (includes o-ring)	
8	1001081085	1	O-RING	
10	2145010	1	ADAPTER, (includes o-ring)	
11	2130404	2	ADAPTER, (includes o-ring)	
12	1001105990	1	ADAPTER, 45, (includes o-ring)	
101		Ref	FRONT DIFFERENTIAL AND CENTRAL HOUSING, (See FRONT DIFFERENTIAL AND CENTRAL HOUSING for Breakdown)	
102		Ref	FRONT HUB REDUCTION, (See FRONT HUB REDUCTION for Breakdown)	
103		Ref	FRONT BRAKES, (see FRONT BRAKES for Breakdown)	
104		Ref	FRONT STEERING COMPONENTS, (See FRONT STEERING COMPONENTS for Breakdown)	

# SECTION 5 - DRIVE TRAIN

## FIGURE 5-2. FRONT DIFFERENTIAL AND CENTRAL HOUSING



MJL3116

## SECTION 5 - DRIVE TRAIN

### FIGURE 5-2. FRONT DIFFERENTIAL AND CENTRAL HOUSING

ITEM	PART NUMBER	QTY	DESCRIPTION	REV
1	70020229	1	GEAR	
2	70020230	1	CIRCLIP	
3	70020231	1	BALL BEARING	
4	70020232	1	CIRCLIP	
5	91474512	1	VENT	
6	70020233	1	SPACER	
7	70020234	1	BEARING	
8	70020235	1	RING NUT	
9	70020236	1	RING	
10	70020237	1	SHIM	
11	70020238	1	BEVEL GEAR SET	
12	70020239	1	SHIM	
13	70020240	1	TAPER ROLLER BEARING	
14		Ref	DIFFERENTIAL CARRIER, (Axle Prior to SN KITA522692), (no longer available; for initial replacement use 70021939 & 70021940)	
14	70021939	1	DIFFERENTIAL CARRIER, (Axle SN KITA522692 to Present)	
15	70020242	1	FRICITION WASHER	
16	70020243	1	DIFFERENTIAL SIDE GEAR	
17	70020244	4	DIFFERENTIAL PINION	
18	70020245	4	FRICITION WASHER	
19		Ref	PIN, ( Axle Prior to SN KITA529438), (no longer available; for initial replacement use 70021929 & 70021928)	
19	70021929	2	PIN, (Axle SN KITA529438 to Present)	
20	70020247	3	DOWEL	
21		Ref	PIN, (Axle Prior to SN KITA529438), (no longer available; for initial replacement use 70021929 & 70021928)	
21	70021928	1	PIN, (Axle SN KITA529438 to Present)	
22	70020249	1	SHAFT RETAINER	
23	70020250	1	DIFFERENTIAL SIDE GEAR	
24	70020251	12	BOLT	
25	70020252	1	FRICITION WASHER	
26	70020253	1	CIRCLIP	
27	70020254	1	SHIM	
28	3984301	1	BEARING	
29	70020255	1	CIRCLIP	
30	70020256	1	BEARING	
31	70020257	7	CLUTCH DISC	
32	70020258	8	INTERMEDIATE CLUTCH DISC	
33	70020259	1	SEAL	
34	70020260	1	BALL BEARING	
35	70020261	1	GEAR	
36	70020262	1	CIRCLIP	
37	80204178	1	BALL BEARING	
38	70020263	1	SEAL	
39	91514087	1	PLUG	
40	80204147	8	SPRING WASHER	
41	70020264	8	HEXAGON BOLT	
42	70021177	1	MAGNET PLUG	
43	70020265	1	DOWEL	
44	70020266	1	PLUG	

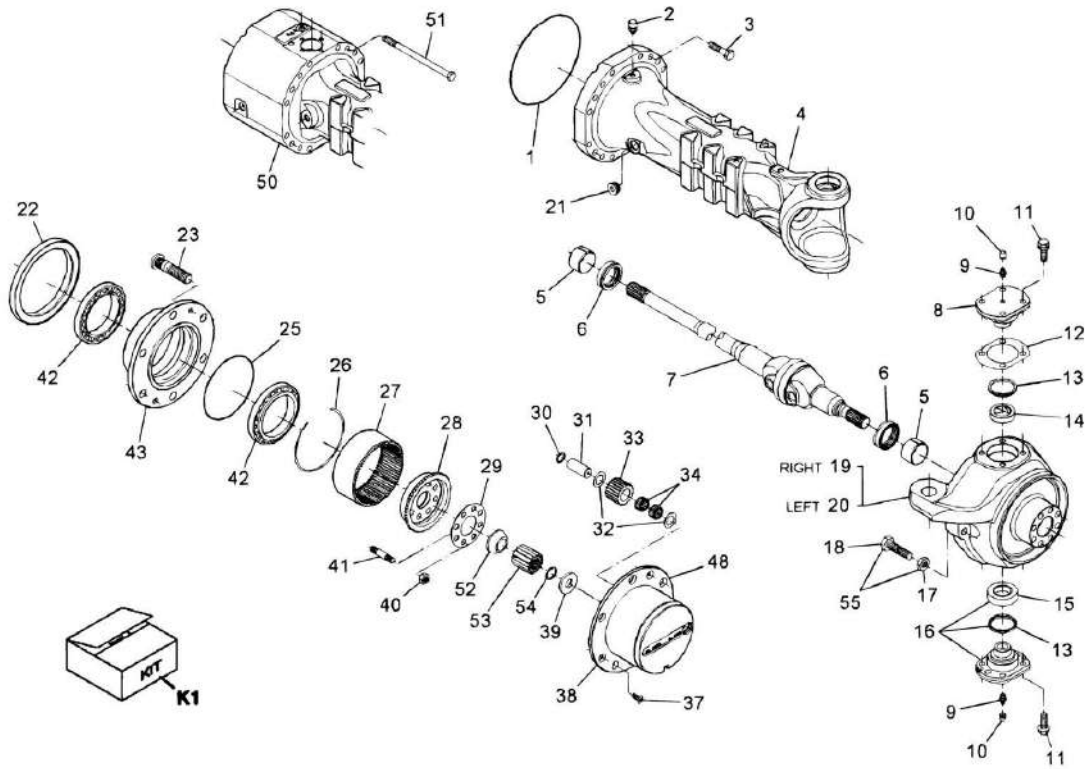
## SECTION 5 - DRIVE TRAIN

ITEM	PART NUMBER	QTY	DESCRIPTION	REV
45	70020267	1	FLANGE	
46	1001081085	1	O-RING	
47	70020269	6	CYLINDER BOLT	
48	70020270	1	COVER	
49	70020271	1	CLUTCH DISC	
101	80204005	1	CIRCLIP	
102	91514098	1	PLUG	
103	70021177	1	MAGNET PLUG	
104	70020272	1	HOUSING	



# SECTION 5 - DRIVE TRAIN

## FIGURE 5-3. FRONT HUB REDUCTION



PAL3702



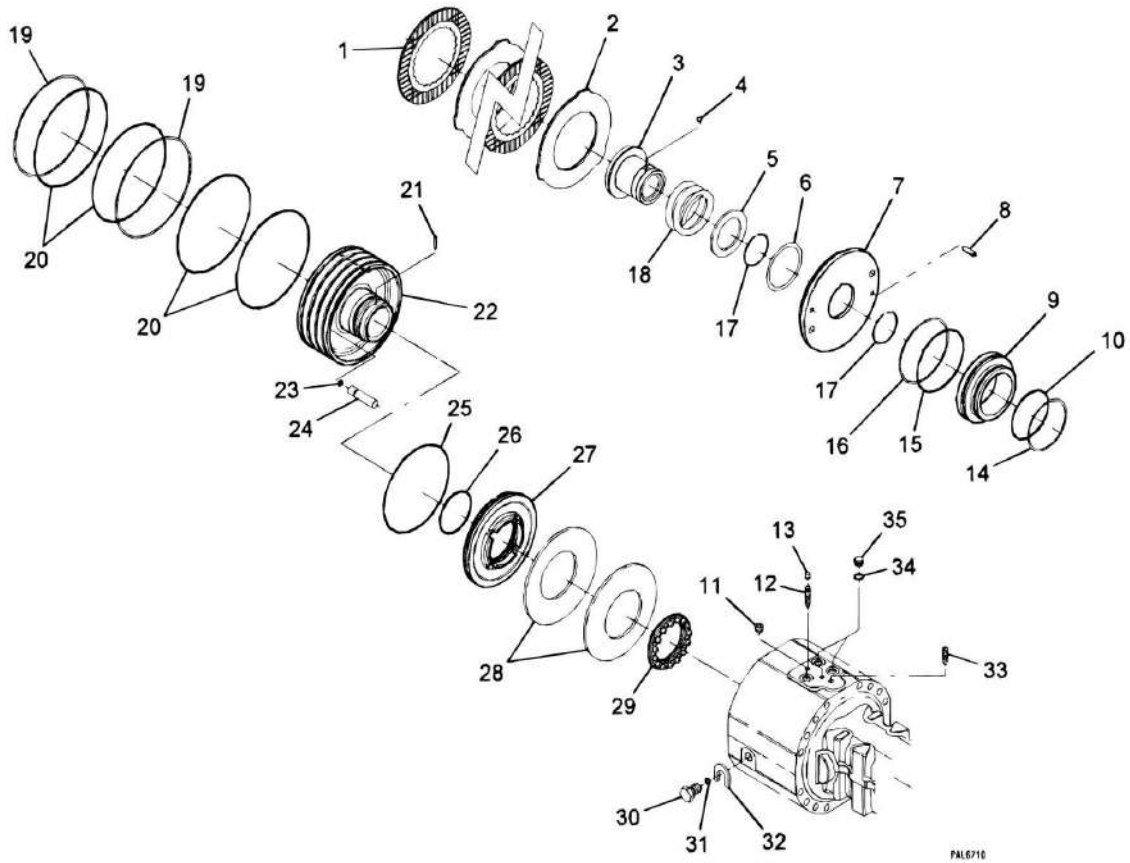
## SECTION 5 - DRIVE TRAIN

### FIGURE 5-3. FRONT HUB REDUCTION

ITEM	PART NUMBER	QTY	DESCRIPTION	REV
1	70021147	2	O-RING	
2	91474512	1	VENT	
3	70021148	16	BOLT	
4	70021149	1	HOUSING	
5	70021150	2	THRUST BUSHING	
6	70021151	4	SEAL	
7	70021152	2	UNIVERSAL JOINT	
8	70021153	2	PIVOT PIN	
9	91514099	4	GREASE FITTING	
10	80204117	4	PLUG	
11	91514123	12	BOLT	
12	70021154	2	SHIM	
13	70021155	2	SEAL	
14	70020173	2	BUSHING	
15	70021156	2	JOINT	
16	70021157	2	PIVOT PIN	
17	80204065	4	NUT	
18	91514117	4	BOLT	
19	70021158	1	STEERING CASE	
20	70021159	1	STEERING CASE	
21	91514087	3	PLUG	
22	7029300	2	SEAL	
23	10726999	12	WHEEL STUD	
25	70021160	2	RING	
26	70021161	2	CIRCLIP	
27	70021162	2	RING GEAR	
28	70021163	2	RING GEAR SUPPORT	
29	70021164	2	LOCKING PLATE	
30	70021165	6	CIRCLIP	
31	70021166	6	PIN	
32	70021167	12	FRICITION WASHER	
33	70021168	6	DIFFERENTIAL PINION	
34	70021169	12	NEEDLE BEARING	
37	70021170	4	BOLT	
38	70021183	2	PLANETARY GEAR CARRIER	
39	70021178	2	FRICITION WASHER	
40	70021179	16	NUT	
41	70021180	16	STUD	
42	70021181	4	BEARING	
43	70021182	2	WHEEL HUB	
48	70021171	2	PLANETARY GEAR CARRIER KIT, (includes items 26 thru 28, 30 thru 34, 38 & 39)	
50	70021172	1	HOUSING	
51	70021173	16	BOLT	
52	70021174	2	SPACER	
53	70021175	2	PLANETARY GEAR	
54	70021176	2	CIRCLIP	
55	7028733	4	STEERING ADJUST BOLT, (includes items 17 & 18)	
K1	70023473	2	CROSS KIT	

# SECTION 5 - DRIVE TRAIN

## FIGURE 5-4. FRONT BRAKES



PAL6710

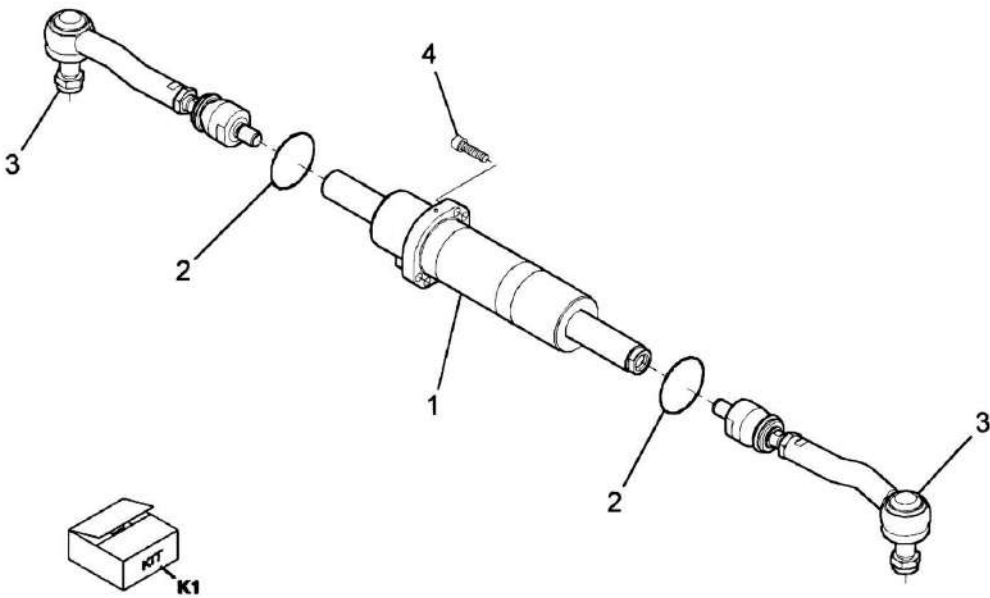
## SECTION 5 - DRIVE TRAIN

### FIGURE 5-4. FRONT BRAKES

ITEM	PART NUMBER	QTY	DESCRIPTION	REV
1	70020273	6	BRAKE DISC	
2	70020274	6	INTERMEDIATE BRAKE DISC	
3		Ref	REDUCTION BUSHING, (Axle Prior to SN KITA516408), (no longer available, for initial replacement use 70021942, 70020276, 70021941 & 70021940)	
3	70021942	1	REDUCTION BUSHING, (Axle SN KITA516408 to Present)	
4		Ref	DETEND BALL, (Axle Prior to SN KITA516408), (no longer available, for initial replacement use 70021942, 70020276, 70021941 & 70021940)	
4	70020276	1	DETEND BALL, (Axle SN KITA516408 to Present)	
5		Ref	SPACER, (Axle Prior to SN KITA516408), (no longer available, for initial replacement use 70021942, 70020276, 70021941 & 70021940)	
5	70021941	1	SPACER, (Axle SN KITA516408 to Present)	
6	80204209	2	SHIM	
7		Ref	INTERMEDIATE BRAKE DISC, (Axle Prior to SN KITA516408), (no longer available, for initial replacement use 70021942, 70020276, 70021941 & 70021940)	
7		Ref	INTERMEDIATE BRAKE DISC, (Axle SN KITA516408 thru KITA522691), (no longer available, for initial replacement use 70021940 & 70021939 See FRONT DIFFERENTIAL AND CENTRAL HOUSING)	
7	70021940	1	INTERMEDIATE BRAKE DISC, (Axle SN KITA522692 to Present)	
8	70020279	2	ROLL PIN	
9	70020280	1	PISTON	
10	70020281	1	O-RING	
11	70020282	1	PLUG	
12	80204281	2	BLEEDING BOLT	
13	80204117	2	PLUG	
14	70020283	1	BACK-UP RING	
15	91514156	1	O-RING	
16	91514157	1	BACK-UP RING	
17	70020284	2	CIRCLIP	
18	70020285	1	SPRING	
19	70020286	4	BACK-UP RING	
20	70020287	4	O-RING	
21	70020247	1	DOWEL	
22	70020289	1	PISTON	
23	70020290	3	O-RING	
24	70020291	3	PIN	
25	70020292	1	O-RING	
26	70020293	1	O-RING	
27	70020294	1	PISTON	
28	70020295	2	SPRING	
29	70020296	1	RING NUT	
30	70020297	2	BOLT	
31	80204111	2	O-RING	
32	70020298	2	SPACER	
33	70020299	1	GRUB BOLT	
34	91514155	2	SEAL WASHER	
35	91514154	2	BOLT	

**SECTION 5 - DRIVE TRAIN**

**FIGURE 5-5. FRONT STEERING COMPONENTS**



PAL3721

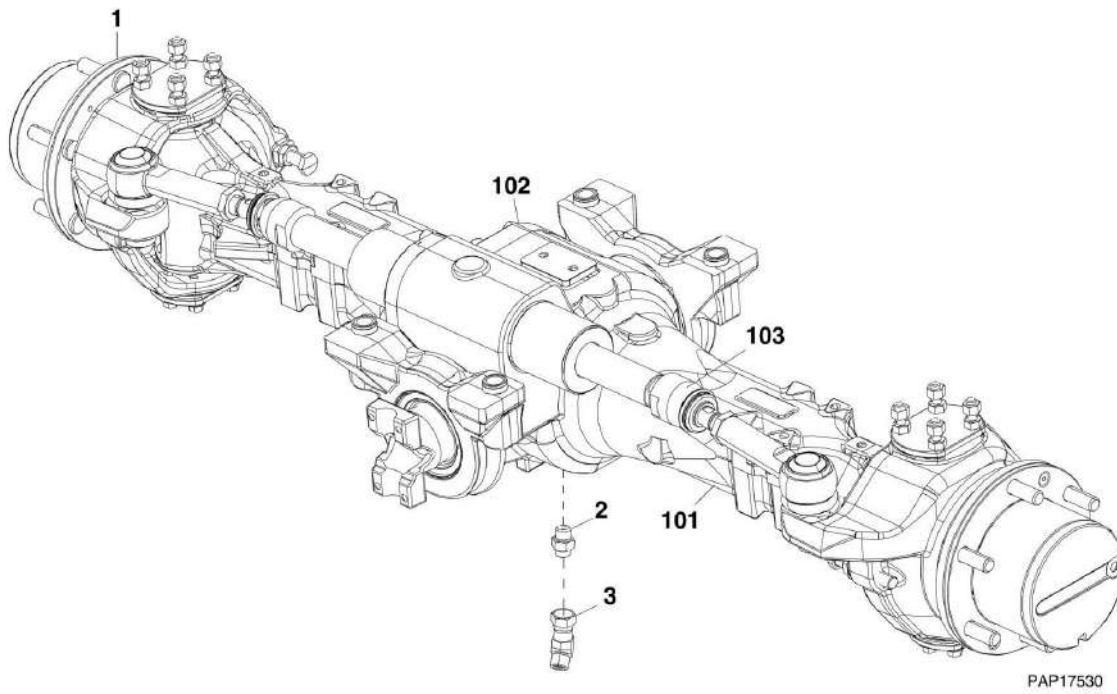
## SECTION 5 - DRIVE TRAIN

### FIGURE 5-5. FRONT STEERING COMPONENTS

ITEM	PART NUMBER	QTY	DESCRIPTION	REV
1	70020300	1	CYLINDER	
2	70020301	2	O-RING	
3	70020302	2	ARTICULATED TIE ROD	
3	70023472	2	SELF-LOCKING NUT	
4	70020269	4	CYLINDER BOLT	
K1	70022613	1	STEER CYLINDER SEAL KIT	

# SECTION 5 - DRIVE TRAIN

## FIGURE 5-6. REAR AXLE ASSEMBLY



PAP17530

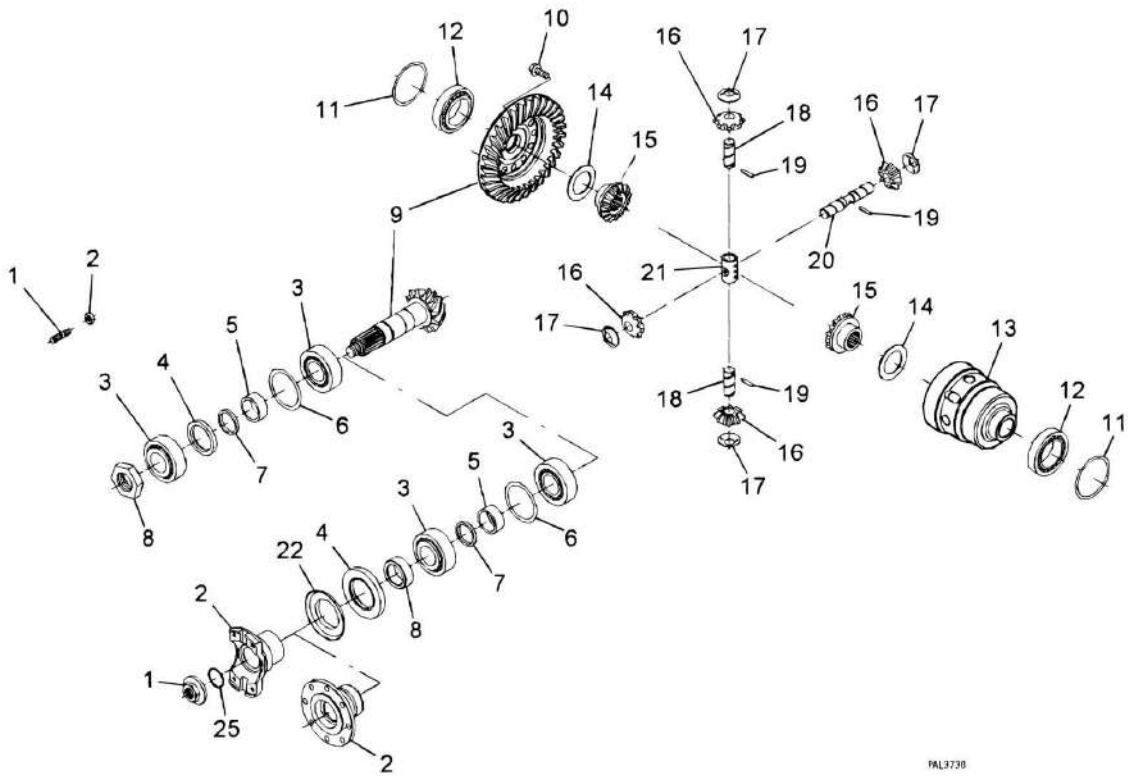
## SECTION 5 - DRIVE TRAIN

**FIGURE 5-6. REAR AXLE ASSEMBLY**

ITEM	PART NUMBER	QTY	DESCRIPTION	REV
	0280226	1	REAR AXLE ASSY, (includes item 1 & 3)	D
1	0280222	1	REAR AXLE, (includes items 101 thru 103)	E
2	1001081333	2	FITTING, M18X1-1/2, (includes o-ring)	
3	1001105990	1	ADAPTER, 45, (includes o-ring)	
101		Ref	REAR DIFFERENTIAL, (See REAR DIFFERENTIAL for Breakdown)	
102		Ref	REAR HUB REDUCTION AND CENTRAL HOUSING, (See HUB REDUCTION AND CENTRAL HOUSING for Breakdown)	
103		Ref	REAR STEERING COMPONENTS, (See REAR STEERING COMPONENTS for Breakdown)	

# SECTION 5 - DRIVE TRAIN

## FIGURE 5-7. REAR DIFFERENTIAL



PAL3730



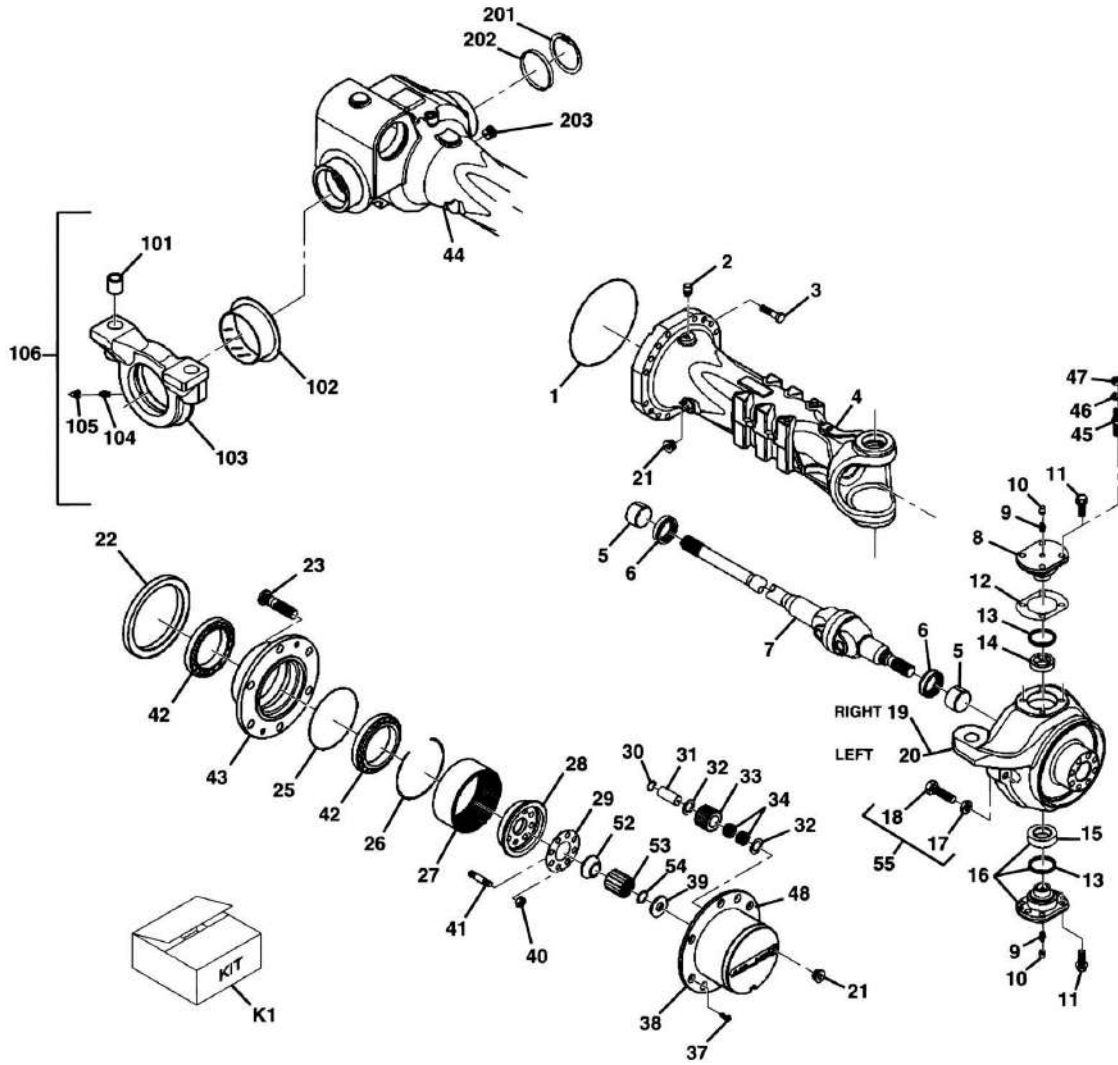
## SECTION 5 - DRIVE TRAIN

### FIGURE 5-7. REAR DIFFERENTIAL

ITEM	PART NUMBER	QTY	DESCRIPTION	REV
1	80204213	1	NUT	
2	70020288	1	FLANGE	
3	70020234	2	BEARING	
4	91474532	1	SEAL	
5	70020233	1	SPACER	
6	70020237	1	SHIM	
7	70020236	1	RING	
8	70020303	1	SPACER	
9	70020345	1	BEVEL GEAR SET	
10	70020251	12	BOLT	
11	70020239	2	SHIM	
12	70020240	2	TAPER ROLLER BEARING	
13	70020346	1	DIFFERENTIAL CARRIER	
14	70020242	2	FRICTION WASHER	
15	70021221	2	DIFFERENTIAL SIDE GEAR	
16	70020244	4	DIFFERENTIAL PINION	
17	70020245	4	FRICTION WASHER	
18		Ref	PIN, (Axle Prior to SN KHUN129104), (no longer available; for initial replacement use 70021929 & 70021928)	
18	70021929	2	PIN, (Axle SN KHUN129104 to Present)	
19	70020247	3	DOWEL	
20		Ref	PIN, (Axle Prior to SN KHUN129104), (no longer available; for initial replacement use 70021929 & 70021928)	
20	70021928	1	PIN, (Axle SN KHUN129104 to Present)	
21	70020249	1	SHAFT RETAINER	
22	70021076	1	COVER PLATE	
25	70021196	1	O-RING	

# SECTION 5 - DRIVE TRAIN

## FIGURE 5-8. REAR HUB REDUCTION AND CENTRAL HOUSING



PAP17570

## SECTION 5 - DRIVE TRAIN

**FIGURE 5-8. REAR HUB REDUCTION AND CENTRAL HOUSING**

ITEM	PART NUMBER	QTY	DESCRIPTION	REV
1	70021147	1	O-RING	
2	91474512	1	VENT	
3	70021148	16	BOLT	
4	70021149	1	HOUSING	
5	70021150	2	THRUST BUSHING	
6	70021151	4	SEAL	
7	70021152	2	UNIVERSAL JOINT	
8	70021153	2	PIVOT PIN	
9	91514099	4	GREASE FITTING	
10	80204117	4	PLUG	
11	91514123	12	BOLT	
12	70021154	2	SHIM	
13	70021155	2	SEAL	
14	70020173	2	BUSHING	
15	70021156	2	JOINT	
16	70021157	2	PIVOT PIN	
17	80204065	4	NUT	
18	91514117	4	BOLT	
19	70021158	1	STEERING CASE	
20	70021159	1	STEERING CASE	
21	91514087	3	PLUG	
22	7029300	2	SEAL	
23	10726999	12	WHEEL STUD	
25	70021160	2	RING	
26	70021161	2	CIRCLIP	
27	70021162	2	RING GEAR	
28	70021163	2	RING GEAR SUPPORT	
29	70021164	2	LOCKING PLATE	
30	70021165	6	CIRCLIP	
31	70021166	6	PIN	
32	70021167	12	FRICION WASHER	
33	70021168	6	DIFFERENTIAL PINION	
34	70021169	12	NEEDLE BEARING	
37	70021170	4	BOLT	
38	70021183	2	PLANETARY GEAR CARRIER	
39	70021178	2	FRICION WASHER	
40	70021179	16	NUT	
41	70021180	16	STUD	
42	70021181	4	BEARING	
43	70021182	2	WHEEL HUB	
44	70021197	1	HOUSING	
45	91514118	8	STUD	
46	91514119	8	WASHER	
47	91514120	8	NUT	
48	70021171	2	PLANETARY GEAR CARRIER KIT, (includes items 26 thru 28, 30 thru 34, 38 & 39)	
52	70021174	2	SPACER	
53	70021175	2	PLANETARY GEAR	
54	70021176	2	CIRCLIP	
55	7028733	4	STEERING ADJUST BOLT, (includes items 17 & 18)	

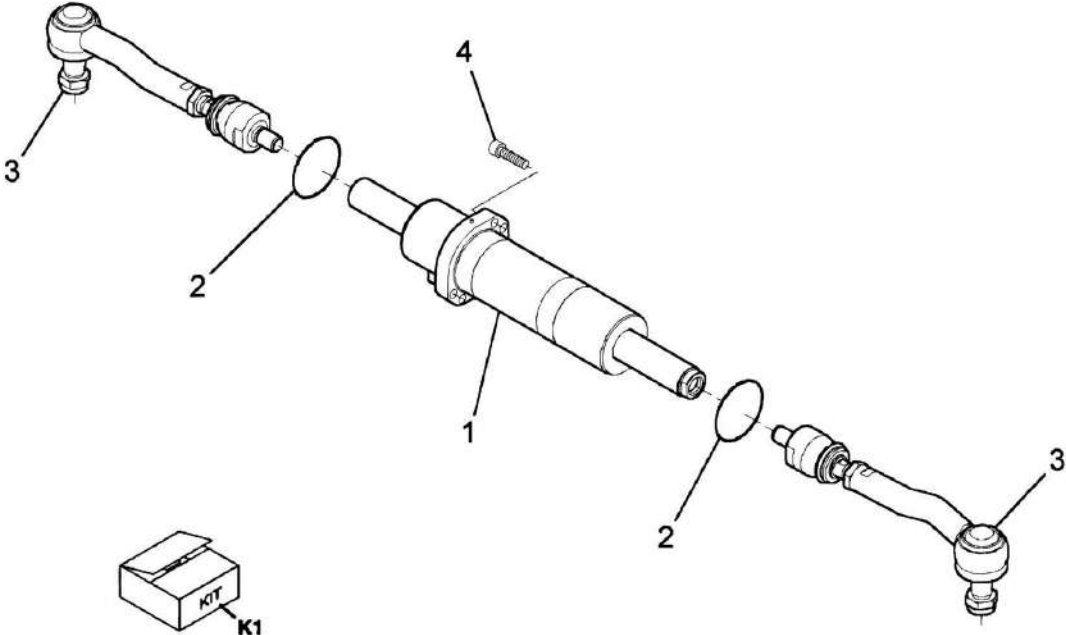
## SECTION 5 - DRIVE TRAIN

ITEM	PART NUMBER	QTY	DESCRIPTION	REV
101	91474516	4	REDUCTION BUSHING	
102	70021198	2	THRUST BUSHING	
103	70021199	2	SUPPORT	
104	91514099	2	GREASE FITTING	
105	80204117	2	PLUG	
106	70021200	2	SUPPORT, (includes items 101 thru 105)	
201	80204005	1	CIRCLIP	
202	91514098	1	PLUG	
203	70021177	1	MAGNET PLUG	
K1	70023473	2	CROSS KIT	



**SECTION 5 - DRIVE TRAIN**

**FIGURE 5-9. REAR STEERING COMPONENTS**



PAL3751

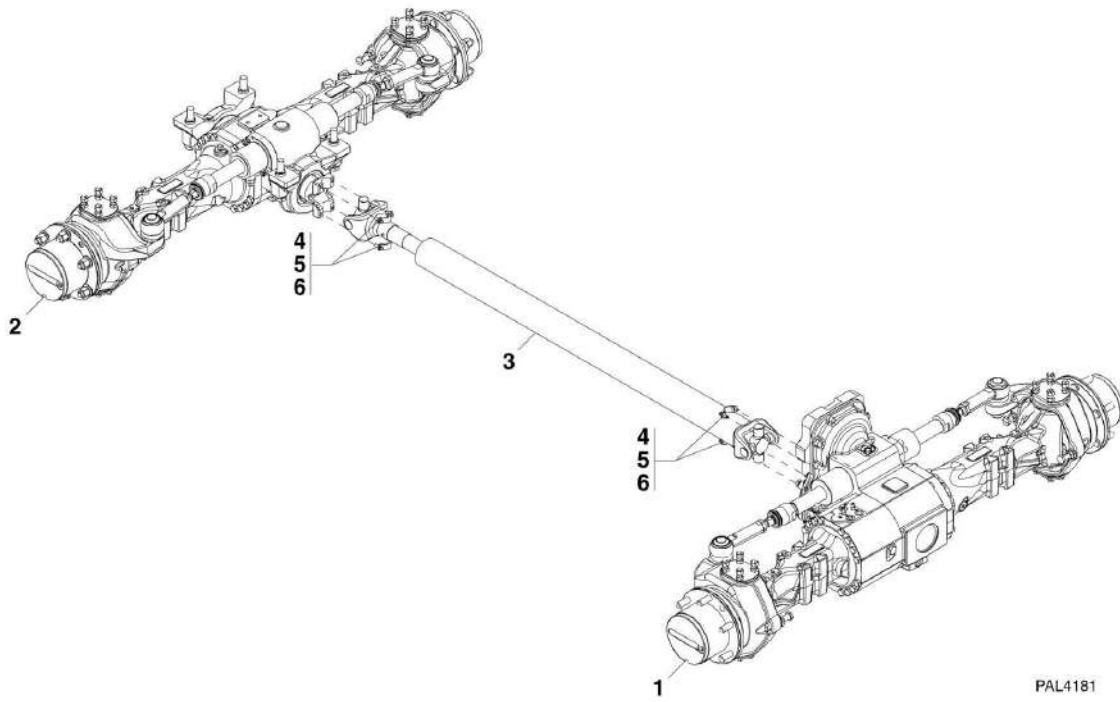
## SECTION 5 - DRIVE TRAIN

### FIGURE 5-9. REAR STEERING COMPONENTS

ITEM	PART NUMBER	QTY	DESCRIPTION	REV
1	70020300	1	CYLINDER	
2	70020301	2	RING	
3	70020302	2	ARTICULATED TIE ROD	
3	70023472	2	SELF-LOCKING NUT	
4	70020269	4	CYLINDER BOLT	
K1	70022613	1	SEAL KIT, STEER CYLINDER	

# SECTION 5 - DRIVE TRAIN

## FIGURE 5-10. DRIVESHAFT INSTALLATION





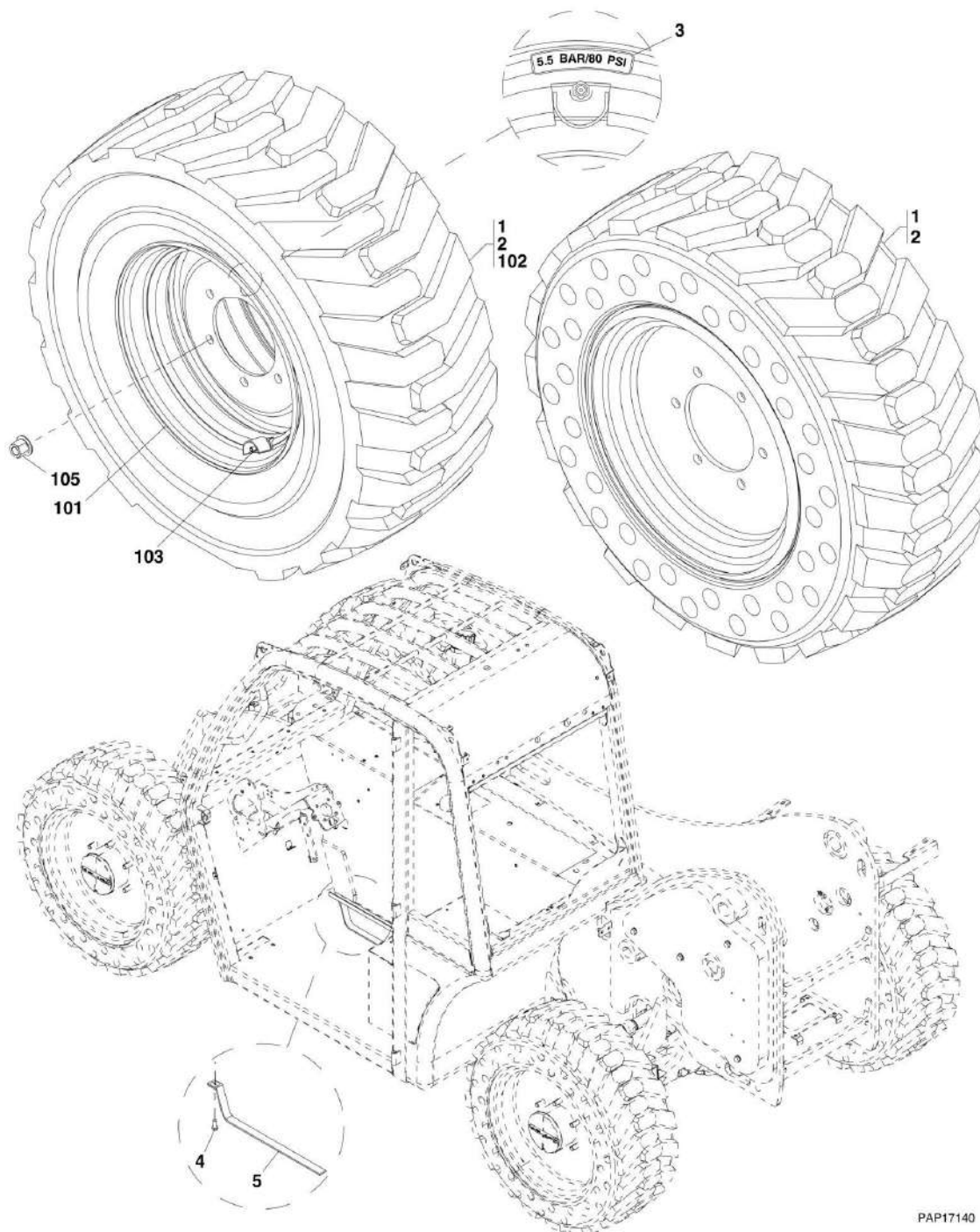
## SECTION 5 - DRIVE TRAIN

### FIGURE 5-10. DRIVESHAFT INSTALLATION

ITEM	PART NUMBER	QTY	DESCRIPTION	REV
1		Ref	FRONT AXLE, (See FRONT AXLE ASSEMBLY for Breakdown)	
2		Ref	REAR AXLE, (See REAR AXLE ASSEMBLY for Breakdown)	
3	4040291	1	DRIVESHAFT	
4	8880219-OM	2	STRAP KIT, (includes items 5 & 6)	A
5	8880221	4	SCREW	
6	8880220	2	STRAP	

# SECTION 5 - DRIVE TRAIN

## FIGURE 5-11. TIRES AND RIMS



PAP17140

## SECTION 5 - DRIVE TRAIN

### FIGURE 5-11. TIRES AND RIMS

ITEM	PART NUMBER	QTY	DESCRIPTION	REV
	0275506	1	TIRE SET, 12X16.5, PNEUMATIC, (G5-18A & 2505 - CE, if equipped), (includes items 1 thru 3)	F
	0275507	NLA	TIRE SET, 14X17.5, PNEUMATIC, (G5-18A & 2505 - CE, if equipped), (no longer available, use 1001135673 for replacement or items 1 thru 3 for service)	G
	1001135673	1	TIRE SET, 14X17.5, PNEUMATIC, (G5-18A & 2505 - CE, if equipped), (includes items 1 thru 3)	B
	1001080658	1	TIRE SET, 12X16.5, FOAM, (G5-18A & 2505 - CE, if equipped), (includes items 1 & 2)	D
	1001080659	NLA	TIRE SET, 14X17.5, FOAM, (G5-18A & 2505, if equipped), (no longer available, use 1001135674 for replacement or items 1 & 2 for service)	E
	1001135674	1	TIRE SET, 14X17.5, FOAM, (G5-18A & 2505, if equipped), (includes items 1 & 2)	B
	1001112558	1	TIRE SET, 33X12-20, NON-MARKING, (G5-18A, if equipped), (includes items 1, 2, 4 & 5)	B
1	1001081220	2	WHEEL AND TIRE ASSY, RIGHT, 12X16.5, PNEUMATIC, (G5-18A, 2505 - CE, if equipped), (includes items 101 thru 103)	B
1	4520658	NLA	WHEEL AND TIRE ASSY, RIGHT, 14X17.5, PNEUMATIC, (G5-18A, 2505 - CE, if equipped), (no longer available, use 1001135671 for replacement or items 101 thru 103 for service)	F
1	1001135671	2	WHEEL AND TIRE ASSY, RIGHT, 14X17.5, PNEUMATIC, (G5-18A, 2505 - CE, if equipped), (includes items 101 thru 103)	B
1	1001081218	2	WHEEL AND TIRE ASSY, RIGHT, 12X16.5, FOAM, (G5-18A, 2505 - CE, if equipped), (includes items 101 thru 104)	B
1	1001080662	NLA	WHEEL AND TIRE ASSY, RIGHT, 14X17.5, FOAM, (G5-18A, 2505, if equipped), (no longer available, use 1001135672 for replacement or items 101 thru 104 for service)	F
1	1001135672	2	WHEEL AND TIRE ASSY, RIGHT, 14X17.5, FOAM, (G5-18A, 2505, if equipped), (includes items 101 thru 104)	B
1	1001112557	2	WHEEL AND TIRE ASSY, RIGHT, 33X12-20, NON-MARKING, (G5-18A, if equipped)	B
2	1001081221	2	WHEEL AND TIRE ASSY, LEFT, 12X16.5, PNEUMATIC, (G5-18A & 2505 - CE, if equipped), (includes items 101 thru 103)	B
2	4520659	NLA	WHEEL AND TIRE ASSY, LEFT, 14X17.5, PNEUMATIC, (G5-18A & 2505 - CE, if equipped), (no longer available, use 1001135676 for replacement or items 101 thru 103 for service)	F
2	1001135676	2	WHEEL AND TIRE ASSY, LEFT, 14X17.5, PNEUMATIC, (G5-18A & 2505 - CE, if equipped), (includes items 101 thru 103)	B
2	1001081219	2	WHEEL AND TIRE ASSY, LEFT, 12X16.5, FOAM, (G5-18A & 2505 - CE, if equipped), (includes items 101 thru 104)	B
2	1001080663	NLA	WHEEL AND TIRE ASSY, LEFT, 14X17.5, FOAM, (G5-18A & 2505, if equipped), (no longer available, use 1001135677 for replacement or items 101 thru 104 for service)	F
2	1001135677	2	WHEEL AND TIRE ASSY, LEFT, 14X17.5, FOAM, (G5-18A & 2505, if equipped), (includes items 101 thru 104)	B
2	1001112556	2	WHEEL AND TIRE ASSY, LEFT, 33X12-20, NON-MARKING, (G5-18A, if equipped)	B
3	1001128006	4	TIRE PRESSURE DECAL, (5.5 BAR/80 PSI), PNEUMATIC	
3	1001128007	4	TIRE PRESSURE DECAL, (4.8 BAR/70 PSI), PNEUMATIC	
4	1001115871	1	THREAD FORMING BOLT, 1X3/8-16	
5	4240084	1	ANTI-STATIC STRAP	
101	1001081224	1	WHEEL, 16.5	
101	1001112913	NLA	WHEEL, 17.5, (no longer available, use 1001141863 for replacement)	
101	1001141863	1	WHEEL, 17.5	

## SECTION 5 - DRIVE TRAIN

ITEM	PART NUMBER	QTY	DESCRIPTION	REV
102	1001081222	1	TIRE, 12X16.5	
102	1001080228	NLA	TIRE, 14X17.5, (no longer available, use 4520259 for replacement)	
102	4520259	1	TIRE, 14X17.5	
103	4640163	1	TIRE VALVE	
104	8526203	220 lb	BALLAST FLATPROOFING FOAM FILL, (not shown)	
105	1001080229	24	LUG NUT, M18X1.5	

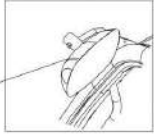
**SECTION 6 - CAB**

# SECTION 6 - CAB

## FIGURE 6-1. CAB INSTALLATION

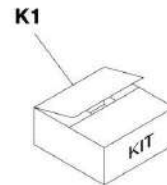
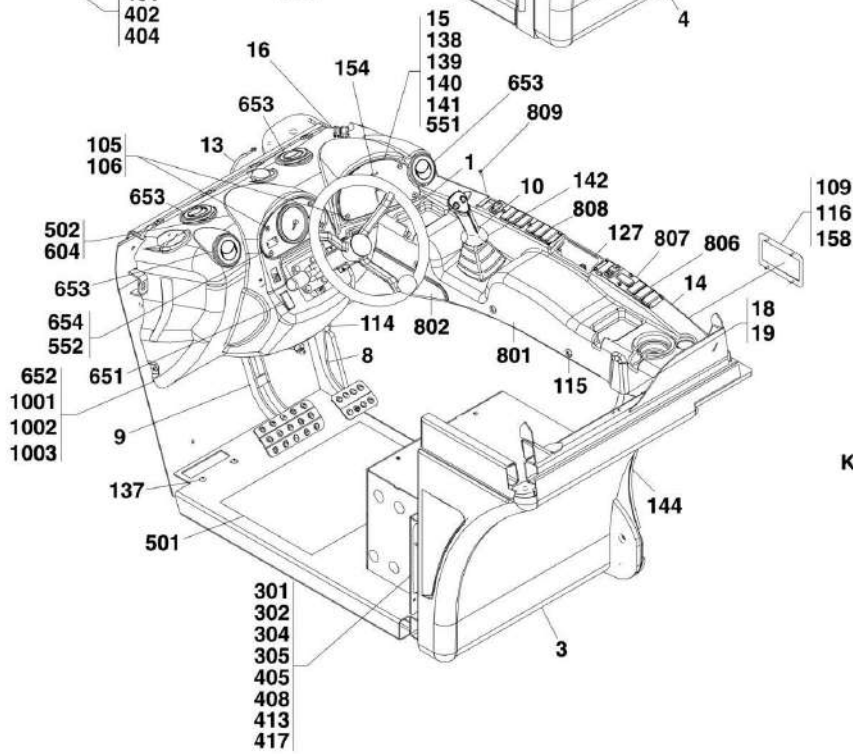
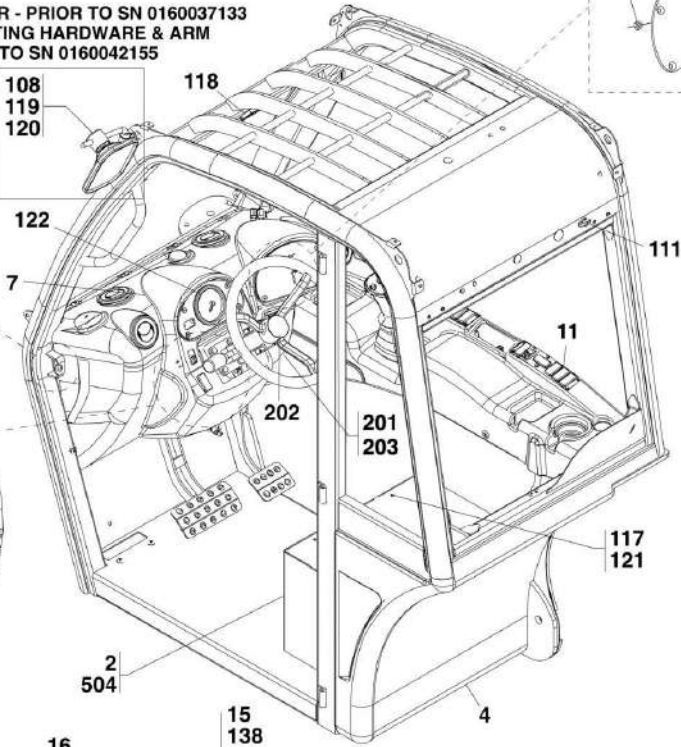
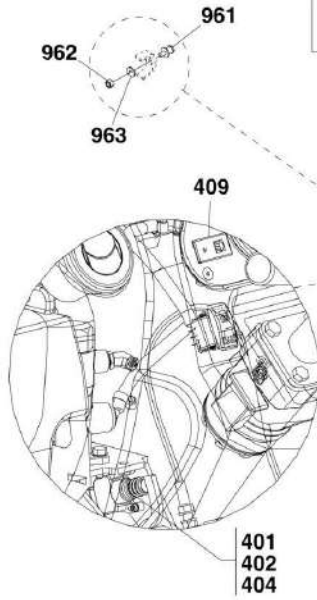
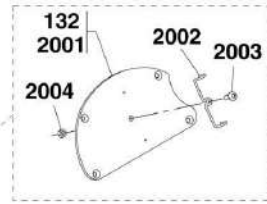
MIRROR - SN 0160037133 TO PRESENT  
MOUNTING HARDWARE & ARM  
SN 0160042155 TO PRESENT

108  
119  
120  
159



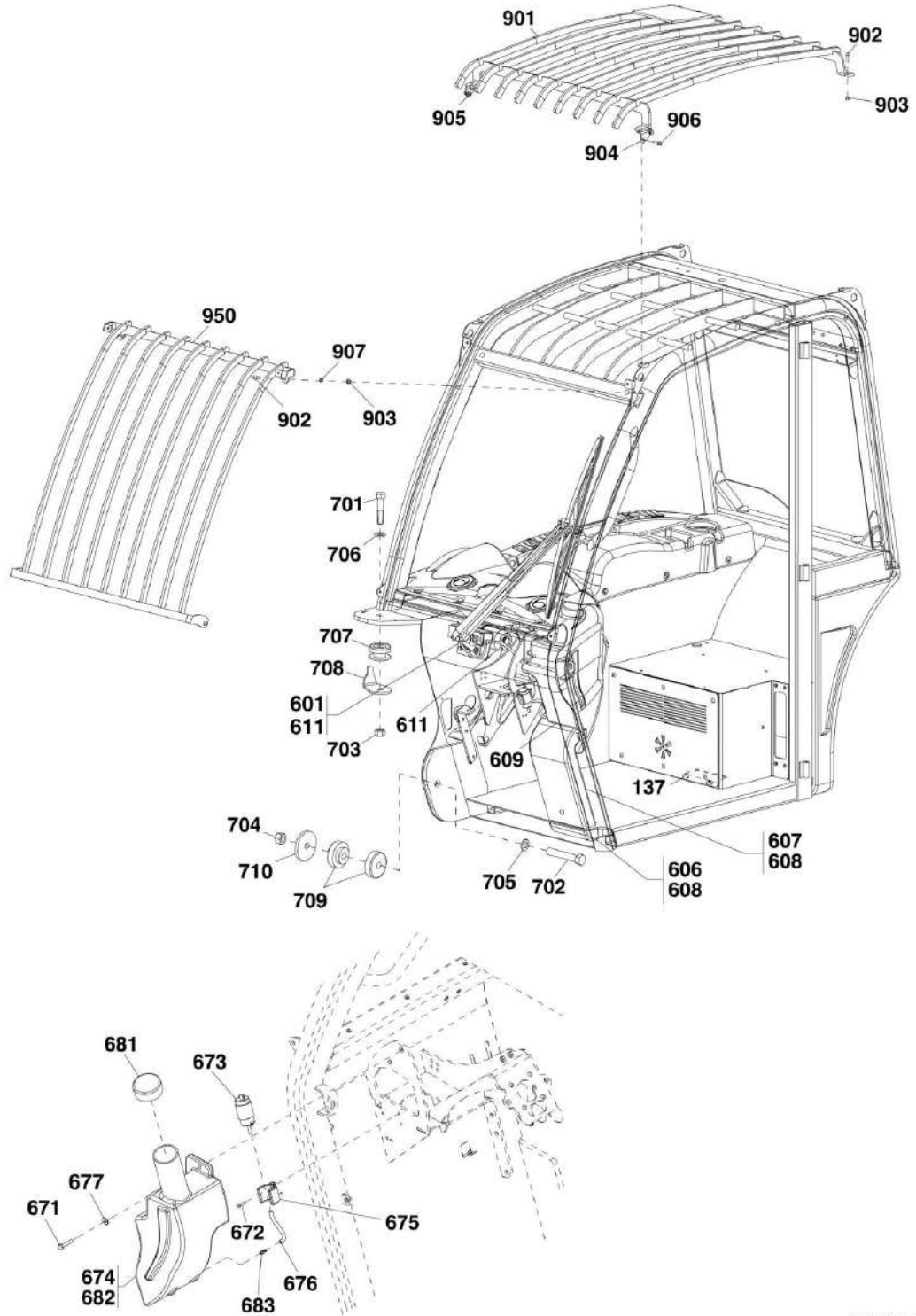
MIRROR - PRIOR TO SN 0160037133  
MOUNTING HARDWARE & ARM  
PRIOR TO SN 0160042155

108  
119  
120



ART\_31200360-6-1\_1

# SECTION 6 - CAB



ART\_31200360-6-1\_2

# SECTION 6 - CAB

## FIGURE 6-1. CAB INSTALLATION

ITEM	PART NUMBER	QTY	DESCRIPTION	REV
	1001080694	1	OPEN CAB, FIXED, G5-18A , (includes items 1 thru 3, 5, 7 thru 17, 105 thru 154, 201 thru 203, 301 thru 305 & 501 thru 504) <b>(G5-18A Prior to SN 0160045913)</b>	C
	1001130243	1	OPEN CAB, FIXED, (includes items 1 thru 3, 5, 7 thru 17, 105 thru 154, 201 thru 203, 301 thru 305 & 501 thru 504) <b>(G5-18A SN 0160045913 to Present)</b>	B
	1001080692	1	OPEN CAB, TILT, (includes items 1 thru 3, 5, 7 thru 17, 105 thru 154, 201 thru 203, 301 thru 305 & 501 thru 504) <b>(G5-18A Prior to SN 0160045913)</b>	C
	1001130244	1	OPEN CAB, TILT, (includes items 1 thru 3, 5, 7 thru 17, 105 thru 154, 201 thru 203, 301 thru 305 & 501 thru 504) <b>(G5-18A SN 0160045913 to Present)</b>	B
	1001080688	1	ENCLOSED CAB, TILT, WITH HEAT, (includes items 1, 2, 4 thru 17 & 961 thru 963) <b>(G5-18A Prior to SN 0160045913)</b>	C
	1001130245	1	ENCLOSED CAB, TILT, WITH HEAT, (includes items 1, 2, 4 thru 17 & 961 thru 963) <b>(G5-18A SN 0160045913 to Present)</b>	B
	1001080832	1	ENCLOSED CAB, TILT, WITH HEAT AND AC, (includes items 1, 2, 4 thru 17 & 961 thru 963) <b>(G5-18A Prior to SN 0160045913)</b>	C
	1001130246	1	ENCLOSED CAB, TILT, WITH HEAT AND AC, (includes items 1, 2, 4 thru 17 & 961 thru 963) <b>(G5-18A SN 0160045913 to Present)</b>	B
	1001080764	1	ENCLOSED CAB, TILT, WITH HEAT, (includes items 1, 2, 4 thru 17 & 961 thru 963) <b>(2505 Prior to SN 0160042694)</b>	C
	1001130247	1	ENCLOSED CAB, TILT, WITH HEAT, (includes items 1, 2, 4 thru 19 & 961 thru 963) <b>(2505 SN 0160042694 to Present)</b>	E
	1001080765	1	ENCLOSED CAB, TILT, WITH HEAT AND AC, (includes items 1, 2, 4 thru 17 & 961 thru 963) <b>(2505 Prior to SN 0160042694)</b>	C
	1001130248	1	ENCLOSED CAB, TILT, WITH HEAT AND AC, (includes items 1, 2, 4 thru 19 & 961 thru 963) <b>(2505 SN 0160042694 to Present)</b>	E
1		Ref	STEERING COLUMN, (See CONTROLS SECTION for Breakdown)	
2		Ref	HEATER OPTIONS, (See HEATER AND AC - CAB for Breakdown)	
3		Ref	OPEN CAB WELDMENT, (See OPEN CAB for Breakdown)	
4		Ref	ENCLOSED CAB WELDMENT, (See ENCLOSED CAB INSTALLATION for Breakdown)	
5		Ref	SUSPENSION SEAT, (not shown), (See SUSPENSION SEAT for Breakdown)	
6		Ref	WIPER INSTALLATION, (not shown), (See WIPER INSTALLATION for Breakdown)	
7		Ref	COVER OPTIONS, (See OVERHEAD CONSOLE for Breakdown)	
8		Ref	ACCELERATOR PEDAL AND ATTACHING PARTS, (See CONTROLS SECTION for Breakdown)	
9		Ref	BRAKE PEDAL AND ATTACHING PARTS, (See CONTROLS SECTION for Breakdown)	
10		Ref	JOYSTICK, (See CONTROLS SECTION for Breakdown)	
11		Ref	CAB SWITCHES, (See ELECTRICAL SECTION for Breakdown)	
12		Ref	CAB ROOF HARNESS, (not shown), (See ELECTRICAL SECTION for Breakdown)	
13		Ref	CAB HARNESS, (See ELECTRICAL SECTION for Breakdown)	
14	1001098235	1	LIFT LOADER HARNESS	
15		Ref	CAB FUSE/RELAY HOLDER AND FUSE DECAL, (See ELECTRICAL SECTION for Breakdown)	
16	1001100966	1	FULL JUMPER HARNESS	
17		Ref	CAB HOSES, (not shown), (See HYDRAULIC CIRCUITS SECTION for Breakdown)	



## SECTION 6 - CAB

ITEM	PART NUMBER	QTY	DESCRIPTION	REV
18	1001138985	1	ANALYZER EXTENSION HARNESS	
19	4240017	1	TIE STRAP	
105	1001108194	8	FLAT HD CAPSCREW, 1/4-20X5/8	
106	3300454	8	U-STYLE TAPPED NUT, 1/4-20	
108	3900251	NLA	SPECIAL TRUSS SCREW, 1/4-20X3/8, (no longer available, use Kit K1 for replacement) <b>(Prior to SN 0160042155)</b>	
108	1001108078	2	SPECIAL TRUSS SCREW, 1/4-20X3/8 <b>(SN 0160042155 to Present)</b>	
109	3931412	4	SOCKET HD SCREW, 1/4-20X3/4	
111	4461174	1	12 VOLT POWER SUPPLY TERMINAL	
114	8035487	1	BOLT, 1/4-20X5/8	
115	8303034	17	TRUSS HD SCREW, 1/4-20X3/4	
116	8307109	4	WASHER, 1/4	
117	8310053	4	WASHER, 5/16	
118	8466306	1	TILT ANGLE GAUGE	
119	8866529	NLA	LH CAB MIRROR, (no longer available, use item 8866514 for replacement) <b>(Prior to SN 0160037133)</b>	
119	8866514	1	LH CAB MIRROR <b>(SN 0160037133 to Present)</b>	
120	8866530	NLA	MIRROR MOUNT ARM, (no longer available, use Kit K1 for replacement) <b>(Prior to SN 0160042155)</b>	
120	1001114675	1	MIRROR MOUNT ARM <b>(SN 0160042155 to Present)</b>	
121	88521205	4	LOCKNUT, 5/16-18	
122	1001080360	1	4 IN ELECTRIC GAUGE	
127	1001080493	1	RIGHT SIDE CONSOLE, (includes items 801 thru 809 & items 2, 12 & 17 See ELECTRICAL SECTION)	J
132	1001080612	1	CAPACITY CHART HOLDER, (includes items 2001 thru 2004)	D
137	1001108196	4	SPECIAL TRUSS HD CAPSCREW, 5/16-18	
138	1001080983	1	FUSE BLOCK BRACKET	
139	1001080986	4	PAN HD SCREW, 12-24	
140	1001080987	4	LOCKNUT, 12-24	
141	1001080988	4	FLAT WASHER	
142	1001097108	1	SOCKET PLUG <b>(Prior to SN 0160043766)</b>	
142	1001114867	1	12V POWER POINT SOCKET <b>(SN 0160043766 to Present)</b>	
144	1001081093	1	CAB INSULATION, (not shown)	
154	1001080418	1	GROUND WIRE HARNESS	
158	1001117158	1	MOUNTING PLATE	
159	8307024	2	LOCKWASHER, 6mm <b>(SN 0160042155 to Present)</b>	
162	4060803	4.5 in	FLEX TRIM SHIELD, (not shown)	
201	1001080379	1	IGNITION SWITCH	
201	70020621	1	KEY, (not shown)	
202		Ref	STEERING WHEEL CENTER CAP, (See CONTROLS SECTION for Breakdown)	
203	1001100053	1	START SWITCH JUMPER HARNESS <b>(SN 0160042433 to Present)</b>	
301	8303034	4	TRUSS HD SCREW, 1/4-20X3/4, (G5-18A)	
302	101977201	2	TRUSS SCREW, 1/4-20X1-1/2, (G5-18A)	
304		Ref	PARK BRAKE RELEASE VALVE ASSY, (G5-18A), (not shown), (See HYDRAULIC COMPONENTS SECTION for Breakdown)	
305	1001080941	1	PARK BRAKE VALVE BRACKET, (G5-18A)	
401	3290405	2	HEX LOCKNUT, M4X0.7, GR8	
402	4031509	2	HEX SOCKET HD SCREW, M4X25	
404	4811400	4	WASHER, 4mm	
405	8303034	8	TRUSS HD SCREW, 1/4-20X3/4, (2505)	

## SECTION 6 - CAB

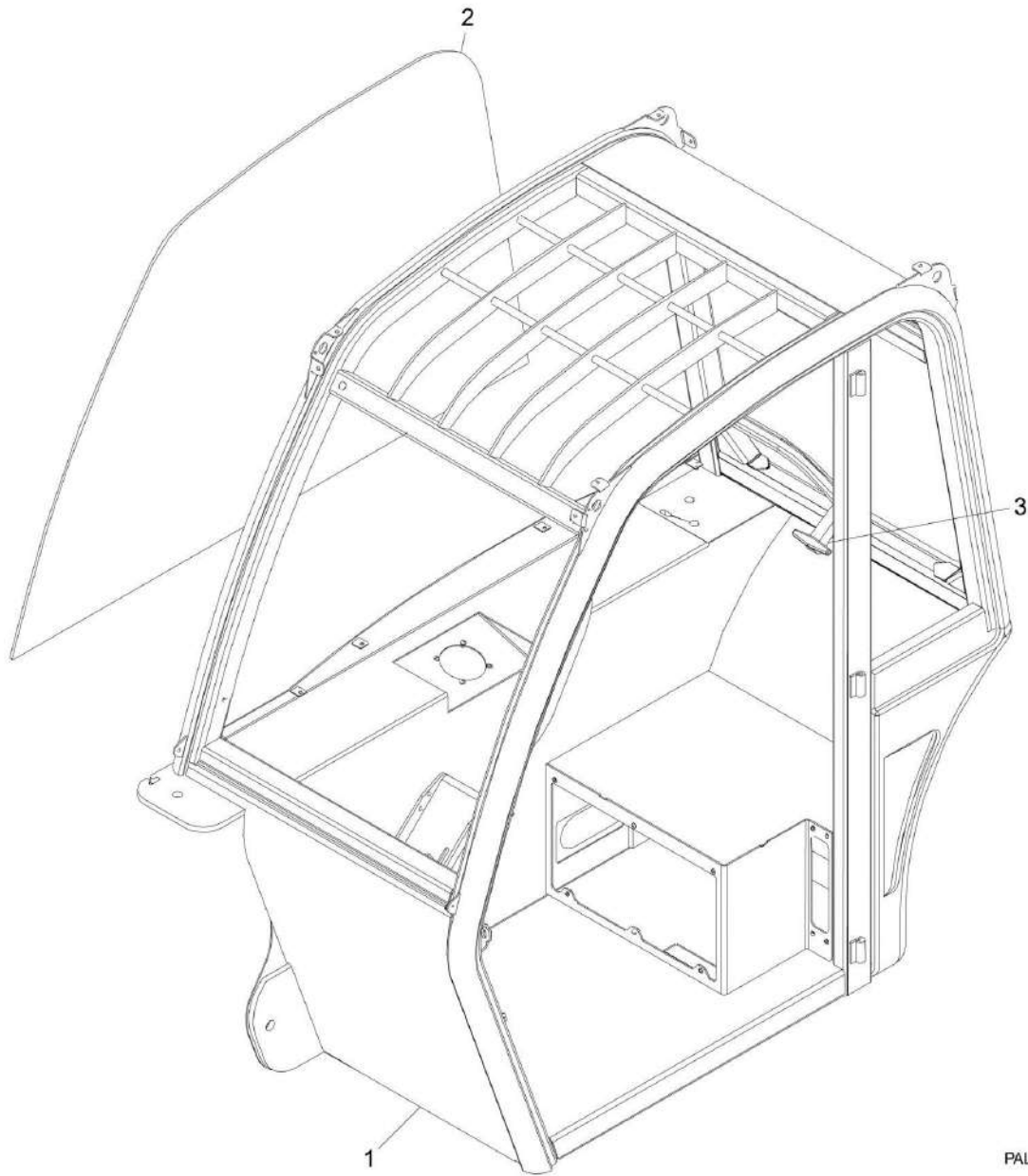
ITEM	PART NUMBER	QTY	DESCRIPTION	REV
408	1001080589	1	PARK BRAKE VALVE MOUNT, (2505)	
409	1001080610	1	TURN/HIGH BEAM INDICATOR	
413		Ref	PARK BRAKE RELEASE VALVE ASSY, (2505), (not shown), (See HYDRAULIC COMPONENTS SECTION for Breakdown)	
417	3271405	4	HEX LOCKNUT, 1/4-20, GR8, (2505)	
501	1001080847	1	FLOOR SKID ASSY	
502	1001080962	1	OPEN CAB DASH ASSY, (includes items 551, 552 & 651) <b>(Prior to SN 0160049629)</b>	D
502	1001080962	1	OPEN CAB DASH ASSY, (includes items 551 & 651) <b>(SN 0160049629 to Present)</b>	E
504	8303034	6	TRUSS HD SCREW, 1/4-20x3/4	
551	1001080961	1	OPEN CAB DASH PANEL <b>(Prior to SN 0160049629)</b>	
551	1001148736	1	OPEN CAB DASH PANEL ASSEMBLY, (includes items 1002 & 1003) <b>(SN 0160049629 to Present)</b>	A
552	1001080853	1	CENTER DASH COVER <b>(Prior to SN 0160049629)</b>	
601	1001108137	2	HEX HD CAPSCREW, 1/4-20X1-1/4, GR5	
604	1001080492	1	ENCLOSED DASH ASSY, (includes items 651 thru 654) <b>(Prior to SN 0160049629)</b>	D
604	1001080492	1	ENCLOSED DASH ASSY, (includes items 651 thru 653) <b>(SN 0160049629 to Present)</b>	E
606		Ref	LOWER DUCT, (See HEATER AND AC - CAB for Breakdown)	
607		Ref	FRONT DUCT, (See HEATER AND AC - CAB for Breakdown)	
608		Ref	TRUSS HD SCREW, 1/4-20X3/4, (See HEATER AND AC - CAB for Breakdown)	
609	1001080933	Ref	WASHER TANK WITH PUMP INSTALLATION, (not available to order, see items 671 thru 676 for service)	E
610		Ref	TIE WRAP, (not shown), (See HEATER AND AC - CAB for Breakdown)	
611	82033997	42 in	WINDOW WASHER HOSE	
612	1001080931	2	DUCT HOSE, (not shown)	
613	3746405	NLA	WINDOW WASHER HOSE, (not shown), (no longer available, use 82033997 for replacement)	
651	1001080494	3	SWITCH COVER	
652	1001080802	1	DASH PANEL PLASTIC <b>(Prior to SN 0160049629)</b>	
652	1001148735	1	ENCLOSED CAB DASH PANEL PLASTIC ASSEMBLY, (includes items 1001 & 1003) <b>(SN 0160049629 to Present)</b>	A
653	1001080848	4	VENT	
654	1001080853	1	COVER <b>(Prior to SN 0160049629)</b>	
671	0641410	2	HEX HD CAPSCREW, 1/4-20X1, GR5	
672	3900302	2	STAINLESS STEEL SCREW, #8	
673	1001080382	1	WINDSHIELD WASHER PUMP	
674	1001080824	1	WASHER FLUID BOTTLE, (includes items 681 thru 683)	B
675	1001080932	1	CLAMP	
676	1001003369	NLA	HOSE, (no longer available, use 82033997 for replacement)	
677	4711400	2	WASHER, 1/4	
681	1001080872	1	CAP	
682	1001097319	1	WASHER FLUID TANK	
683	1001081234	1	FITTING	
	0275492	Ref	CAB INSTALLATION, (not available to order, see items 701 thru 711 for service)	F
701	0682228	1	HEX HD CAPSCREW, 3/4-10X3-1/2, GR8	
702	0682440	2	HEX HD CAPSCREW, 7/8-9X5, GR8	
703	3272201	2	HEX NUT, 3/4-10, GR8	
704	3272401	2	HEX NUT, 7/8-9, GR8	

## SECTION 6 - CAB

ITEM	PART NUMBER	QTY	DESCRIPTION	REV
705	4892400	2	WASHER, 7/8	
706	90027473	2	WASHER, 3/4	
707	91403097	2	CENTER BONDED MOUNT	
708	1001080992	2	WASHER	
709	91403153	4	SHOCK MOUNT	
710	91403217	2	REBOUND WASHER	
711	0682230	1	HEX HD CAPSCREW, 3/4-10X3-3/4, GR8, (not shown)	
801	1001080803	NLA	RIGHT SIDE CONSOLE, (no longer available, use 1001153627 for replacement)	
801	1001153627	1	RIGHT SIDE CONSOLE	
802	1001080813	NLA	LOWER RIGHT SIDE CONSOLE, (no longer available, use 1001153626 for replacement)	
802	1001153626	1	LOWER RIGHT SIDE CONSOLE	
806	1001080494	11	SWITCH COVER	
807	1001080969	1	SIX GANG SWITCH MOUNT PANEL	
808	1001080970	1	EIGHT GANG SWITCH MOUNT PANEL	
809	1001139011	12	PAN HD SCREW, #8-32	
	1001081287	Ref	FRONT BRICK GUARD INSTALLATION, (if equipped), (not available to order, see items 902, 903, 907 & 950 for service)	D
	1001081286	Ref	TOP BRICK GUARD INSTALLATION, (if equipped), (not available to order, see items 901 thru 906 for service)	E
901	1001080859	1	UPPER BRICK GUARD	
902	0630468	4	BUTTON HD CAPSCREW, 5/16-18X1	
903	1001108115	4	HEX LOCKNUT, 5/16, GR8	
904	1001081296	1	LEFT BRICK GUARD WELDMENT	
905	1001081298	1	RIGHT BRICK GUARD WELDMENT	
906	1001108242	4	SCREW, 1/4-20X1/2, GR5	
907	1001138703	2	BRICK GUARD SPACER	
950	1001080860	1	LOWER BRICK GUARD SHIELD	
961	1001109478	1	STRIKER LATCH, (enclosed cab)	
962	3291201	1	HEX NUT, M12X1-3/4, (enclosed cab)	
963	1001009126	1	HARD WASHER, (enclosed cab)	
1001	1001148733	NLA	ENCLOSED CAB DASH PLASTIC, (no longer available, use 1001153625 for replacement)	
1001	1001153625	1	ENCLOSED CAB DASH PLASTIC	
1002	1001148734	NLA	OPEN CAB DASH PLASTIC, (no longer available, use 1001153624 for replacement)	
1002	1001153624	1	OPEN CAB DASH PLASTIC	
1003	1001144544	1	COVER <b>(SN 0160049629 to Present)</b>	
K1	1001144509	1	LH MIRROR REPLACEMENT KIT, (includes mirror mount arm and hardware)	
2001	1001081301	1	LOAD CHART PANEL	
2002	1001081302	1	LOAD CHART WIRE CLIP HOLDER	
2003	8303034	1	TRUSS HD SCREW, 1/4-20X0.75	
2004	3311405	1	Nut, 1/4-20	

# SECTION 6 - CAB

## FIGURE 6-2. OPEN CAB - G5-18A



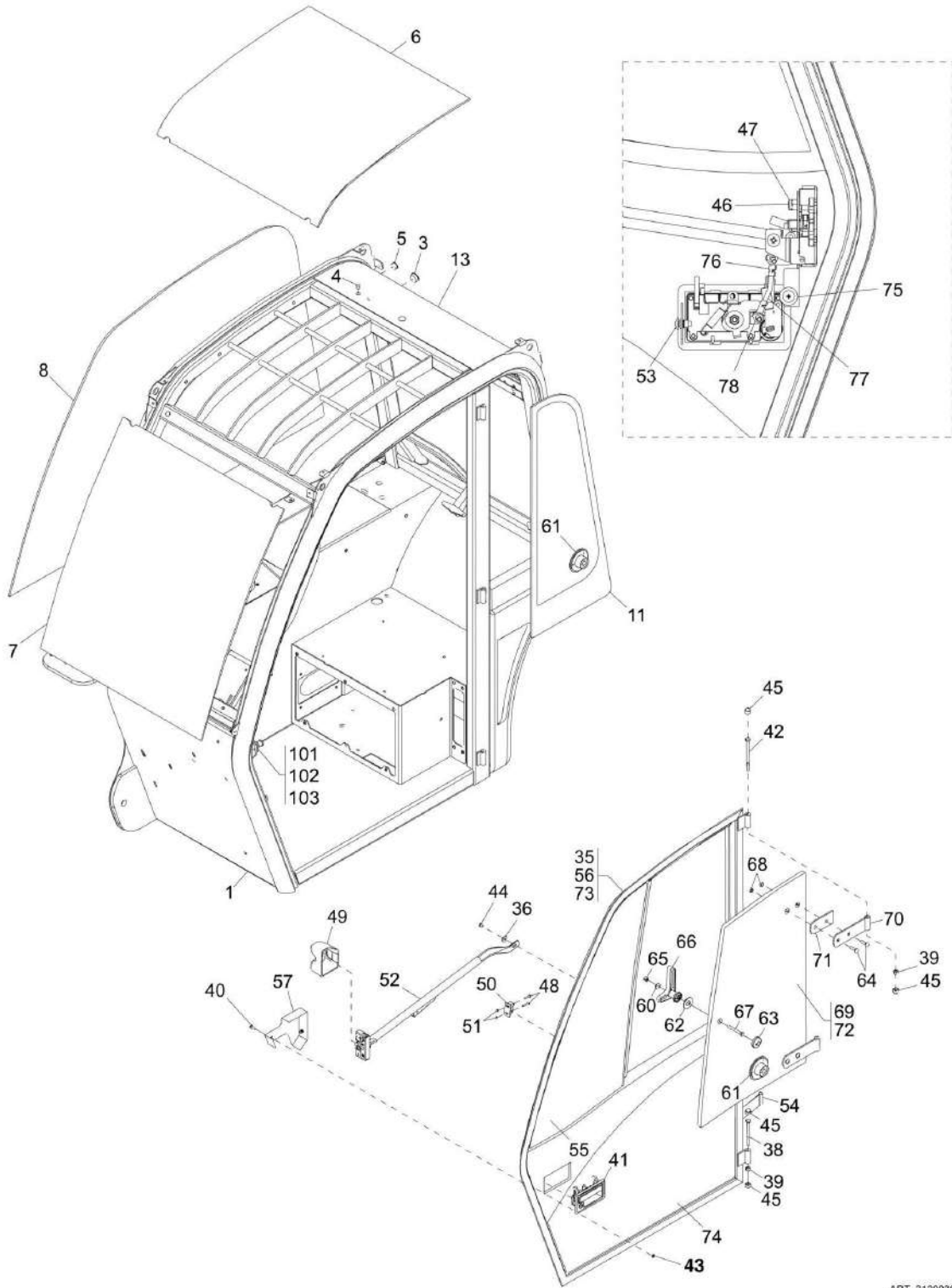
PAL3963

FIGURE 6-2. OPEN CAB - G5-18A

ITEM	PART NUMBER	QTY	DESCRIPTION	REV
	1001081291	1	OPEN CAB, (G5-18A), (includes items 1 thru 3)	H
1	N.S.S.	1	CAB WELDMENT	
2	1001080798	1	RIGHT SIDE GLASS	
3		Ref	REAR HINGED WINDOW, (See REAR HINGED WINDOW INSTALLION for Breakdown)	

# SECTION 6 - CAB

## FIGURE 6-3. ENCLOSED CAB INSTALLATION



ART\_31200360-6-3

**SECTION 6 - CAB**

**FIGURE 6-3. ENCLOSED CAB INSTALLATION**

ITEM	PART NUMBER	QTY	DESCRIPTION	REV
	1001081292	Ref	ENCLOSED CAB INSTALLATION, (not available to order, see items 1, 6 thru 11, 13, 35 & 101 thru 103 for service)	I
1	N.S.S.	1	CAB WELDMENT	
3	70021066	1	PLUG, (if equipped)	
4	80264035	4	PLUG, (if equipped)	
5	91164087	3	PLUG, (if equipped)	
6	1001080821	1	SKYLIGHT GLASS	
7	1001080797	1	FRONT GLASS	
8	1001080798	1	RIGHT SIDE GLASS	
11	1001080801	1	LEFT SIDE GLASS	
12	80364009	3	SEALANT, (not shown)	
13		Ref	REAR HINGED WINDOW, (See REAR HINGED WINDOW for Breakdown)	
35	1001081288	1	DOOR ASSY, (includes items 12 & 36 thru 74)	E
36	8034800	1	BLACK NYLON WASHER	
37	70021075	2	HEX BOLT, G5, (not shown)	
38	80364005	1	HEX HD CAPSCREW	
39	8035632	3	HEX NUT, G5	
40	80264045	2	SCREW	
41	1001081241	1	LATCH, PADDLE W/KEY	
41	8342813	1	KEY, (set of two)	
42	8036064	2	HEX BOLT, 3/8-16X6-1/2	
43	70021038	2	NUT, G2	
44	70021108	1	BOLT	
45	80364004	6	CAP	
46	70021077	2	BOLT	
47	70021078	2	HEX NUT	
48	70021079	2	BOLT	
49	70021080	1	LATCH COVER	
50	1001081245	1	WINDOW LATCH BLOCK	
51	70021082	2	NUT, M6X1	
52	1001081247	1	DOOR HANDLE, (includes item 49)	C
53	1001103509	2	RIVNUT	
54	1001081249	1	DOOR RESTRAINT STRAP	
55	1001081235	1	FRONT DOOR GLASS	
56	1001080867	1	DOOR FRAME	
57	1001081248	1	LATCH COVER	
58	1001081250	NLA	LATCH LINKAGE, (not shown), (no longer available, use items 76 thru 78 for replacement)	
60	80364037	1	FLAT WASHER, 3/8	
61	1001081243	1	HOLD-OPEN DOOR	
62	70021090	1	SEAL	
63	1001081246	5	WINDOW CAP	
64	70021092	4	BOLT	
65	70021093	1	NUT	
66	1001081244	1	LATCH HANDLE	
67	70021095	1	HEX BOLT	
68	70021096	4	NUT, M8	
69	1001081236	1	HINGED DOOR GLASS	
70	1001081242	2	HINGE	

## SECTION 6 - CAB

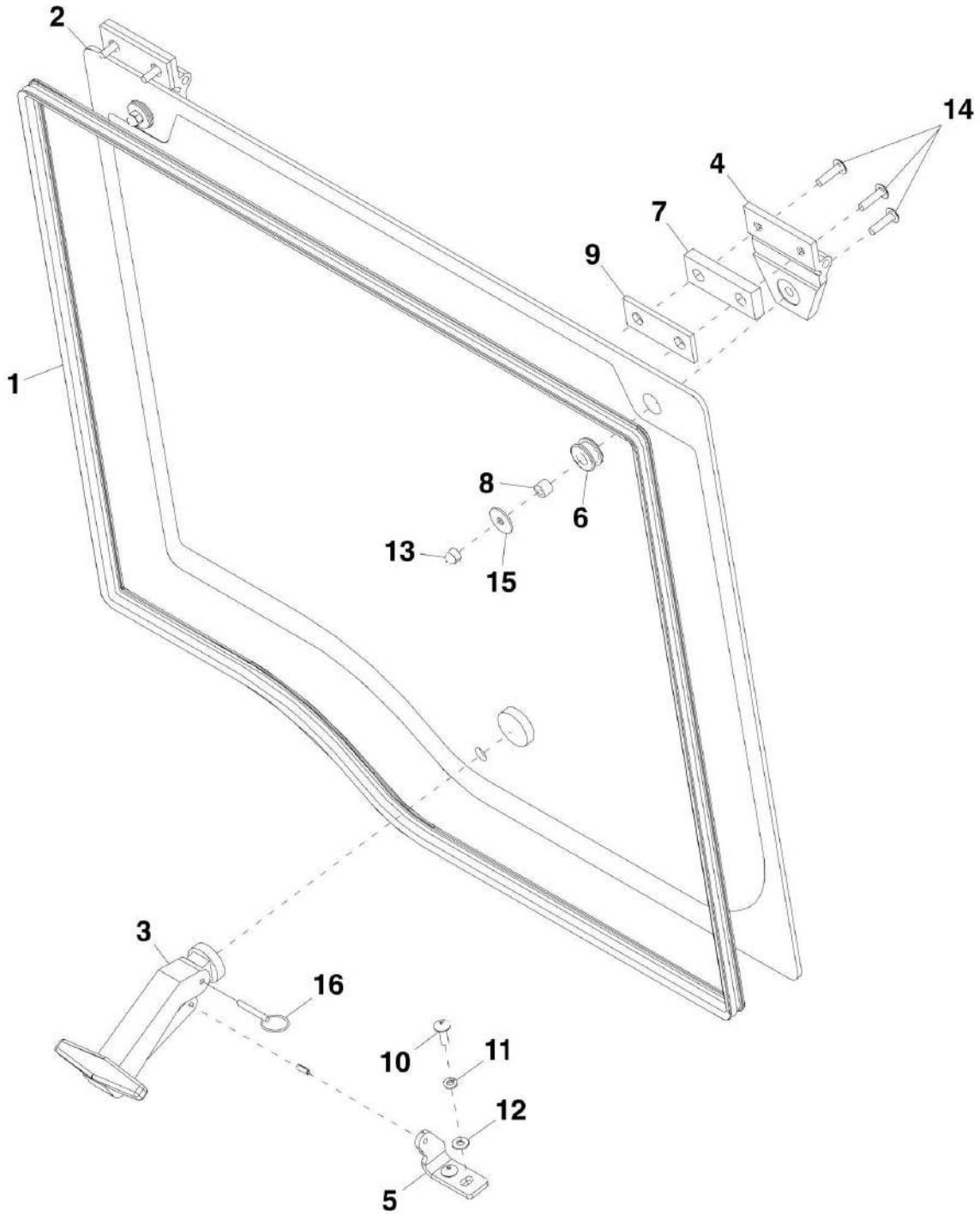
ITEM	PART NUMBER	QTY	DESCRIPTION	REV
71	1001081266	2	SPACER	
72	1001081268	1	SEAL	
73	1001081314	1	DOOR SEAL	
74	1001081239	1	LOWER DOOR PANEL	
75	1001165585	1	WASHER	
76	80384187	1	ROD, RETAINER CLIP	
77	91404309	1	ROD, DOOR RELEASE	
78	80384185	1	ROD, RETAINER CLIP	
101		Ref	HEX NUT, M12X1-3/4, (See CAB INSTALLAION for Breakdown)	
102		Ref	WASHER, (See CAB INSTALLAION for Breakdown)	
103		Ref	LATCH STRIKER, (See CAB INSTALLAION for Breakdown)	





# SECTION 6 - CAB

## FIGURE 6-4. REAR HINGED WINDOW INSTALLATION



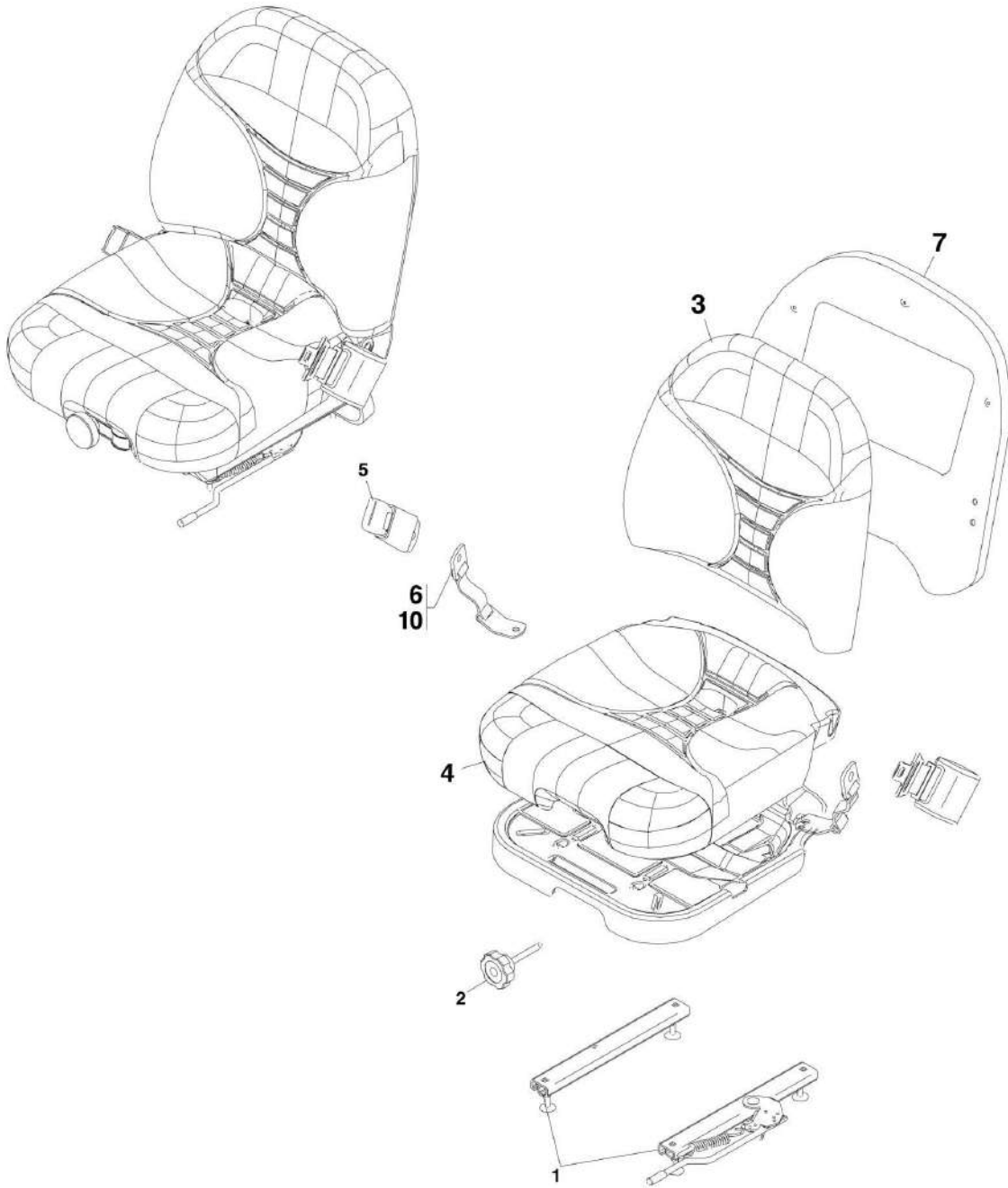
ART\_31200360-6-4

FIGURE 6-4. REAR HINGED WINDOW INSTALLATION

ITEM	PART NUMBER	QTY	DESCRIPTION	REV
	1001080796	Ref	REAR HINGED WINDOW INSTALLATION, (not available to order, see items 1 thru 16 for service)	G
1	1001107997	1	WINDOW REAR SEAL	
2	1001080926	1	REAR HINGED GLASS	
3	1001081280	1	T-STYLE HOLD OPEN	
4	1001081281	2	PLASTIC HINGE	
5	1001081282	1	REAR WINDOW LATCH BRACKET	
6	1001081283	2	GROMMET	
7	1001081284	2	HINGE SEAL	
8	1001081285	2	BUSHING	
9	1001081289	2	HINGE MOUNTING PAD	
10	1001108161	2	TRUSS HD SCREW, 1/4-20X0.75	
11	1001108547	2	LOCKWASHER, 1/4	
12	1001108548	2	WASHER, 1/4	
13	1001108549	2	NUT, 1/4-20	
14	1001110067	6	TORX SCREW, 1/4-20X1.25	
15	1001108552	2	FLAT WASHER, 1/4	
16	1001109417	1	DETENT RING PIN	

# SECTION 6 - CAB

## FIGURE 6-5. SUSPENSION SEAT



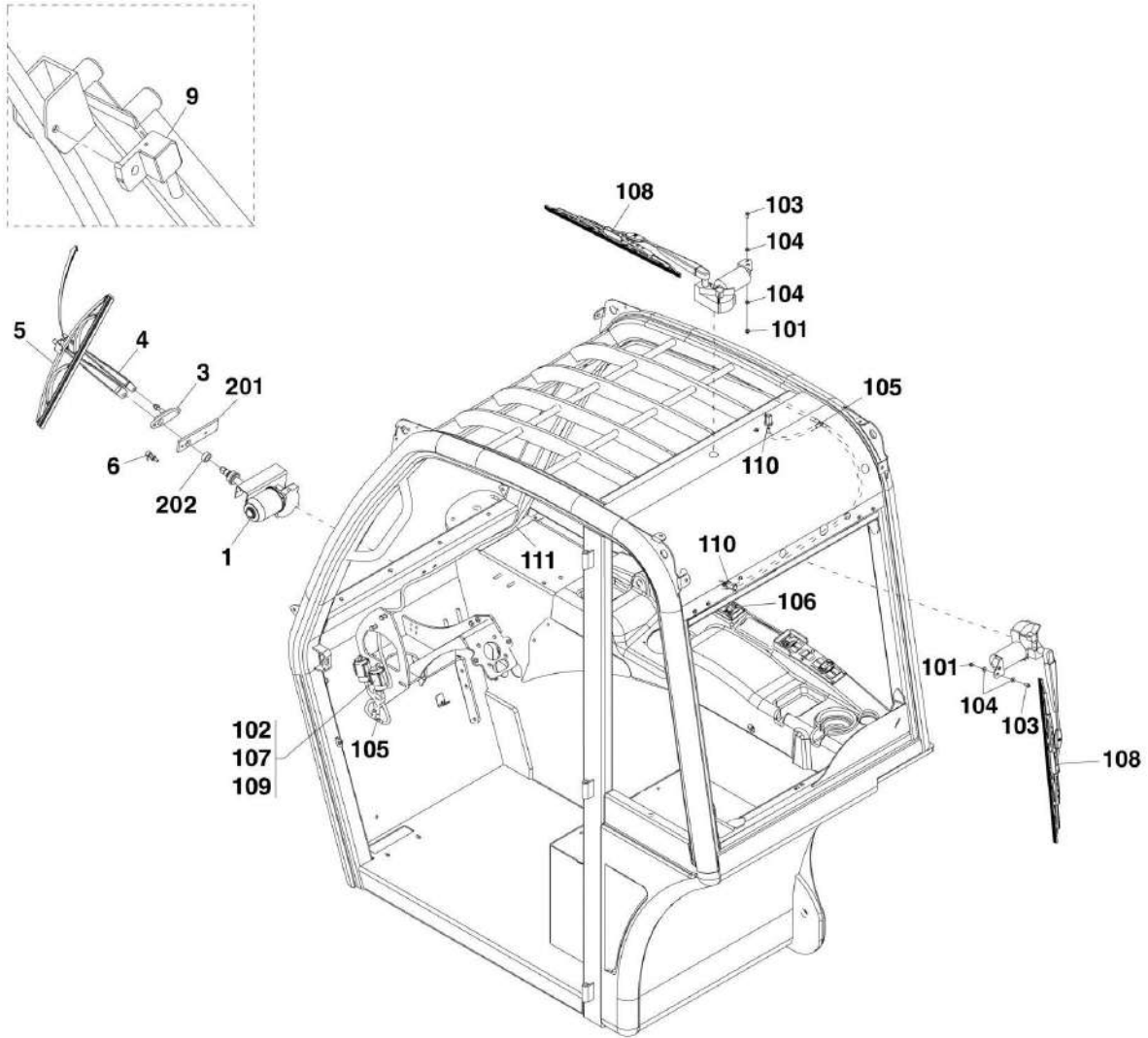
PAP17280

FIGURE 6-5. SUSPENSION SEAT

ITEM	PART NUMBER	QTY	DESCRIPTION	REV
	3980039	1	SUSPENSION SEAT, (G5-18A), (includes items 1 thru 9)	E
	1001080927	1	SUSPENSION SEAT, (2505), (includes items 1 thru 9)	D
1	7026798	1	SLIDE KIT	
2	7026799	1	KNOB KIT	
3	7026900	1	BACK CUSHION KIT, (G5-18A)	
3	70021580	1	BACK CUSHION KIT, (2505)	
4	7026901	1	SEAT CUSHION KIT, (G5-18A)	
4	70020929	1	SEAT CUSHION KIT, (2505)	
5	7026905	1	SEAT BELT KIT	
6	7026906	1	TETHER KIT	
7	7026902	1	BACK PANEL KIT	
8	70023040	1	SHOCK ABSORBER KIT, (not shown), (includes one shock absorber, two shock pins and two hex nuts)	
9	70023041	1	SPRING AND SADDLE KIT, (not shown)	
10	91563164	1	3 IN SEATBELT	

# SECTION 6 - CAB

## FIGURE 6-6. WIPER INSTALLATION



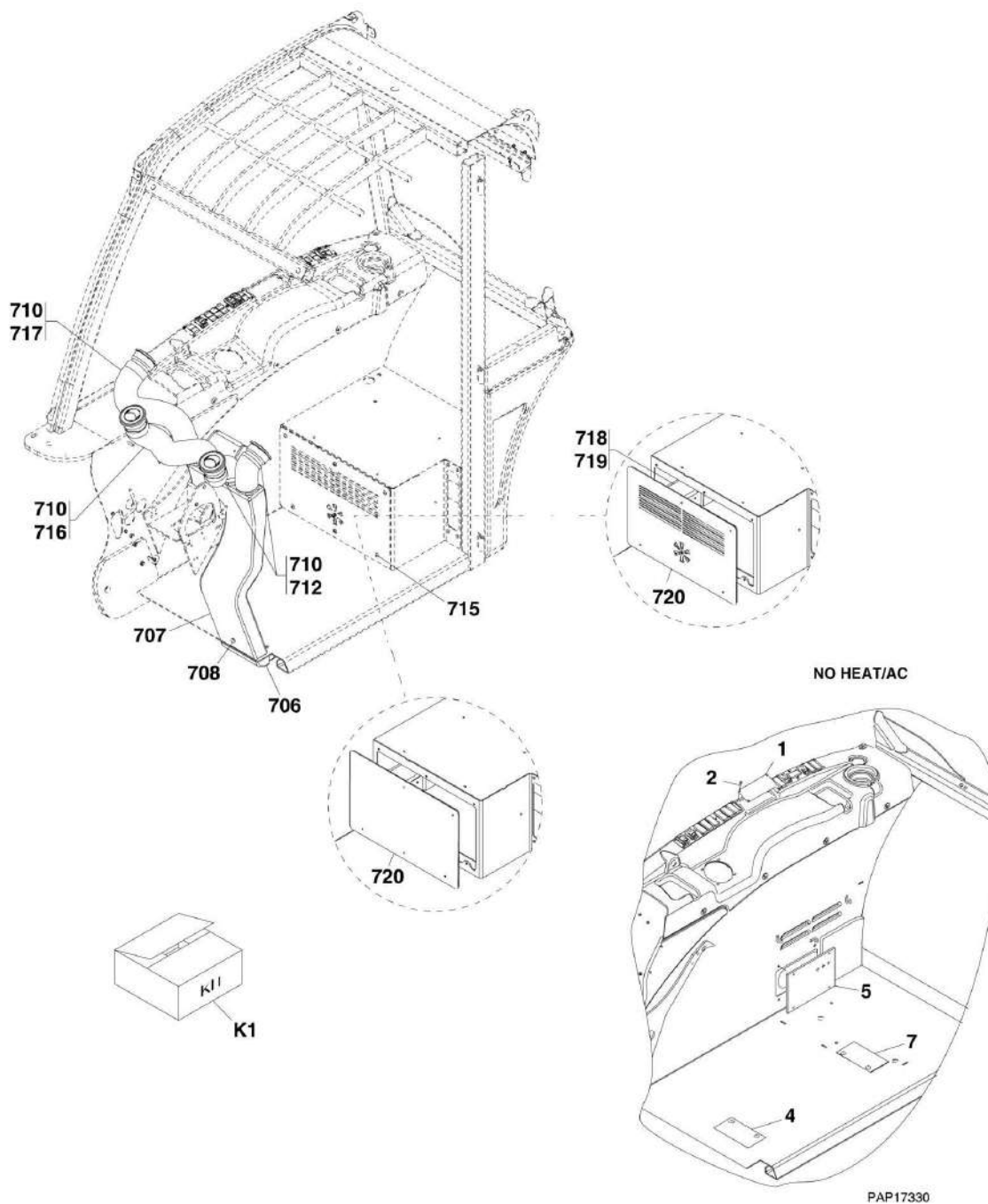
ART\_31200360-6-6

FIGURE 6-6. WIPER INSTALLATION

ITEM	PART NUMBER	QTY	DESCRIPTION	REV
	1001080499	1	FRONT WIPER ASSY, (includes items 1 thru 9)	H
1	1001080383	1	FRONT WIPER MOTOR	
3	1001081307	1	ADAPTER KIT	
4	1001081308	1	WIPER ARM	
5	1001081309	1	WIPER BLADE	
6	1001081310	1	WET ARM ADAPTOR	
9	1001081311	1	WET ARM KIT	
	1001080877	Ref	ROOF/REAR WIPER INSTALLATION, (not available to order, see items 101 thru 111 for service)	H
101	1001108241	NLA	LOCKNUT, #10-32, (no longer available, use 8305002 for replacement)	
101	8305002	2	LOCKNUT, #10-32	
102	3900302	2	SOCKET HD CAPSCREW, GR8	
103	1001108134	NLA	TORX HD SCREW, #10-32X1/2, (no longer available, use 1001097099 for replacement)	
103	1001097099	2	TORX HD SCREW, #10-32X5/8	
104	4740120	4	NYLON WASHER, 0.48X0.6mm	
105	1001008742	2	TEE COUPLING	
106		Ref	REAR/ROOF WIPER SWITCH, (See ELECTRICAL SECTION for Breakdown)	
107	1001080382	1	WINDSHIELD WASHER PUMP	
108	1001080823	NLA	ROOF/REAR WIPER, (no longer available, use 1001179547 for replacement)	
108	1001179547	2	ROOF/REAR WIPER	
109	1001080932	1	WASHER PUMP CLAMP	
110	1001080985	2	SPRAY NOZZLE	
111	82033997	157 in	HOSE	
201	1001081306	1	FRONT WIPER SPACER	
202	1001137688	1	SPACER	

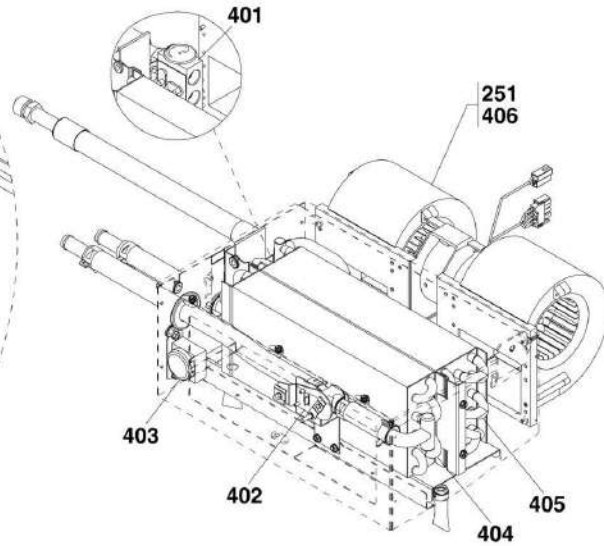
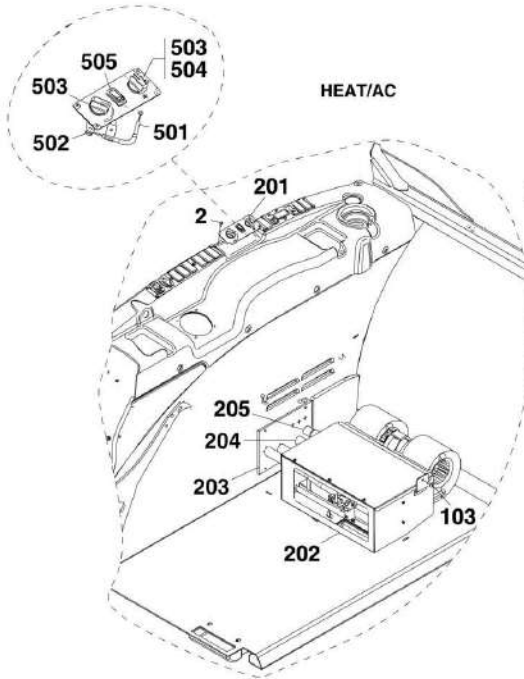
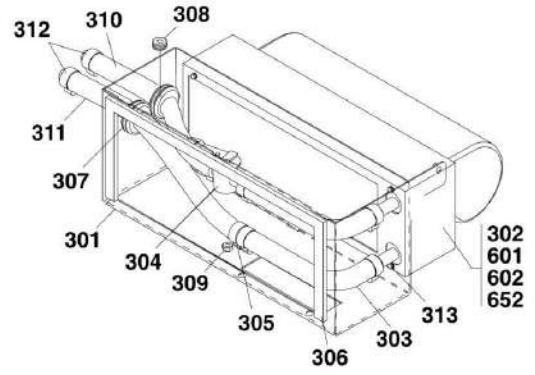
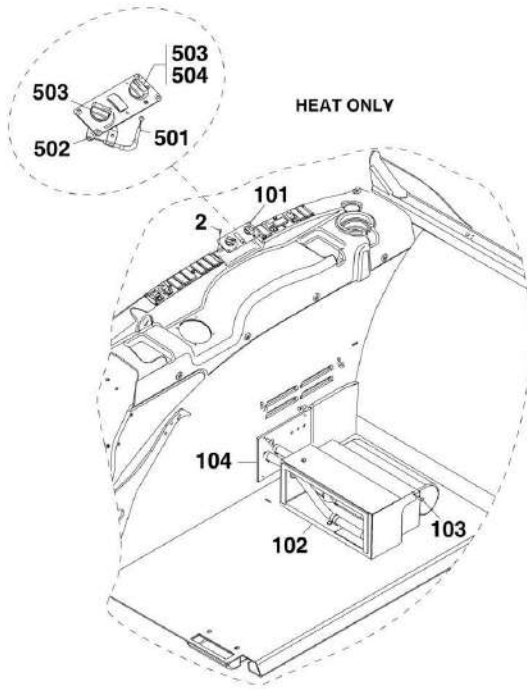
# SECTION 6 - CAB

## FIGURE 6-7. HEATER AND AC - CAB





# SECTION 6 - CAB



ART\_31200360-6-7\_2

## SECTION 6 - CAB

### FIGURE 6-7. HEATER AND AC - CAB

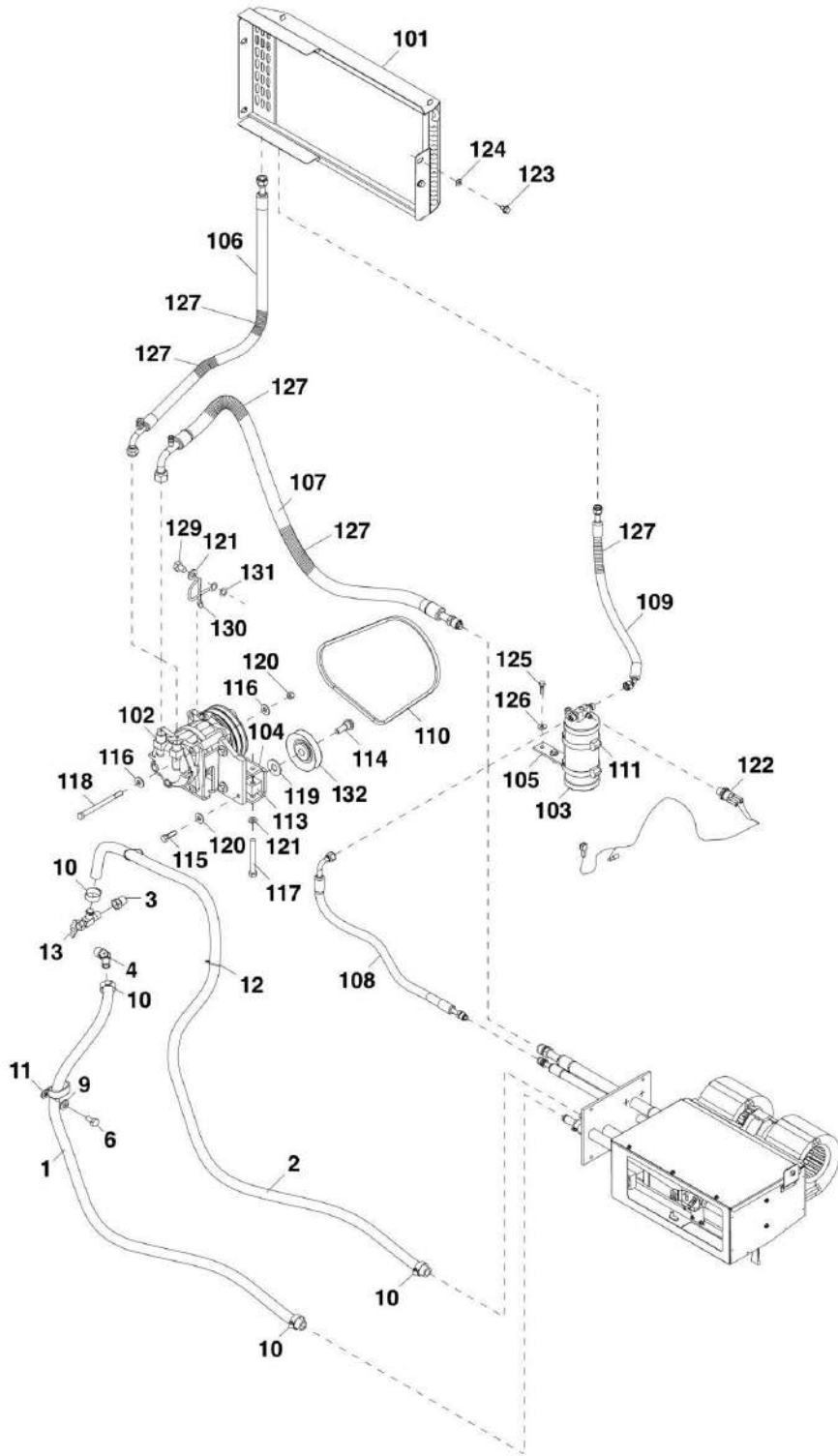
ITEM	PART NUMBER	QTY	DESCRIPTION	REV
	1001080876	Ref	NO HEAT/AC INSTALLATION, (open cab), (not available to order, see items 1 thru 7 for service)	G
	1001080811	Ref	HEAT ONLY INSTALLATION, (enclosed cab, if equipped), (not available to order, see items 2 & 101 thru 104 for service)	L
	1001080812	Ref	HEAT AND AC INSTALLATION, (enclosed cab, if equipped), (not available to order, see items 2, 103 & 201 thru 205 for service)	K
1	1001080852	1	HEATER CONTROL COVER	
2	1001137454	4	PAN HD SCREW, #8-32X3/8	
4	1001080974	1	DUCTWORK PANEL	
5	1001080975	1	PARKING BRAKE RELEASE VALVE ONLY PANEL	
7	1001081023	1	DUCTWORK PANEL	
101	1001080930	1	HEATER CONTROL SWITCH, (includes items 501 thru 504)	D
102	1001081051	NLA	HEATER ASSY, (no longer available, use item 1001126227 for replacement or items 301 thru 313 for service) <b>(Prior to SN 0160042155)</b>	F
102	1001126227	1	HEATER ASSY, (includes items 301 thru 313) <b>(SN 0160042155 to Present)</b>	B
103	8303034	3	TRUSS HD SCREW, 1/4-20X3/4	
104	1001080976	1	PARKING BRAKE RELEASE VALVE AND HEATER PANEL	
201	1001080557	1	HVAC CONTROL SWITCH, (includes items 501 thru 505)	C
202	1001113279	1	HEATER WITH AC ASSY, (includes items 251 & 651)	C
203	1001080977	1	PARKING BRAKE RELEASE VALVE, HEATER AND AC PANEL	
204	N.S.S.	1	AC SUPPLY HOSE ASSY	
205	N.S.S.	1	AC RETURN HOSE ASSY	
251	1001113277	1	HEATER WITH AC, (includes items 401 thru 406)	C
301	1001081042	1	HEATER BOX <b>(Prior to SN 0160042155)</b>	
301	1001126253	1	HEATER BOX <b>(SN 0160042155 to Present)</b>	
302	1001081043	NLA	HEATER , (no longer available, use item 1001113276 for replacement or items 601 & 602 for service) <b>(Prior to SN 0160037452, Including 0160038975)</b>	D
302	1001113276	NLA	HEATER , (no longer available, use item 1001125775 for replacement or items 651 & 652 for service) <b>(SN 0160037452 through 0160042154, Excluding 0160038975)</b>	C
302	1001125775	1	HEATER, (includes items 651 & 652) <b>(SN 0160042155 to Present)</b>	B
303	1001081048	2	ELBOW HOSE	
304	1001081045	1	WATER HEATER VALVE <b>(Prior to SN 0160042155)</b>	
304	1001126257	1	WATER HEATER VALVE <b>(SN 0160042155 to Present)</b>	
305	1001081046	3	ADAPTER	
306	1001081044	1	SEAL	
307	1001081049	2	SPLIT GROMMET	
308	1001081050	1	RUBBER GROMMET	
309	8310369	3	PILOTED HEX WELD NUT, 1/4-20	
310	1001081047	1	HEATER RETURN HOSE	
311	1001081069	1	HEATER SUPPLY HOSE	
312	8410009	8	GEAR CLAMP	
313	1001081073	4	SCREW, #8-15	
401	70020876	1	BLOCK VALVE	
402	1001081045	1	WATER HEATER VALVE	
403	7301302	1	THERMOSTAT	
404	70020874	1	HEATER COIL	
405	70020877	1	EVAPORATOR COIL	
406	70020875	1	BLOWER, 12V	

## SECTION 6 - CAB

ITEM	PART NUMBER	QTY	DESCRIPTION	REV
501	70020878	1	BOWDEN CABLE	
502	70020879	1	ROTARY CONTROL	
503	8036438	2	POSITIONING KNOB, (includes set screw)	
504	8036463	1	TEMPERATURE CONTROL SWITCH	
505	8036461	1	AIR CONDITIONING SWITCH	
601	70021546	1	BLOWER,12V	
602	70021547	1	HEATER COIL	
651		Ref	JUMPER HARNESS, (not shown), (See ELECTRICAL SECTION for Breakdown)	
652	1001113610	1	HEATER, (includes items 601 & 602) <b>(Prior to SN 0160042155)</b>	C
652	1001125774	1	HEATER, (includes items 601 & 602) <b>(SN 0160042155 to Present)</b>	B
706	1001080862	1	LOWER DUCT, (enclosed cab)	
707	1001080863	1	FRONT DUCT, (enclosed cab)	
708	1001108196	2	SCREW, (enclosed cab)	
710	01043892	8	TIE WRAP, (enclosed cab)	
712	1001080931	AR	DUCT HOSE, (enclosed cab)	
715	8303034	6	TRUSS HD SCREW, 1/4-20X3/4	
716	1001081331	1	DUCT HOSE, (enclosed cab)	
717	1001081332	1	DUCT HOSE, (enclosed cab)	
718	1001081375	1	CAB AIR FILTER, (enclosed cab)	
719	1001081376	1	CAB AIR FILTER SEAL RING, (enclosed cab)	
720	1001080851	NLA	HVAC COVER, (heat, heat/ac) (no longer available, use 1001189948 for replacement)	
720	1001190022	NLA	HVAC COVER, (heat, heat/ac) (no longer available, use 1001189948 for replacement)	
720	1001189948	1	HVAC COVER, (heat, heat/ac)	
720	1001138001	NLA	PANEL, (no heat/ac) (no longer available, use 1001137574 for replacement)	
720	1001137574	1	PANEL, (no heat/ac)	
K1	1001114868	1	AC FIELD KIT, (if equipped with enclosed cab and heater), (includes items 2, 103 & 201 thru 205 & items 101 thru 132 on HEATER AND AC INSTALLATION - ENGINE POD)	

# SECTION 6 - CAB

## FIGURE 6-8. HEATER AND AC INSTALLATION - ENGINE POD



PAP17220

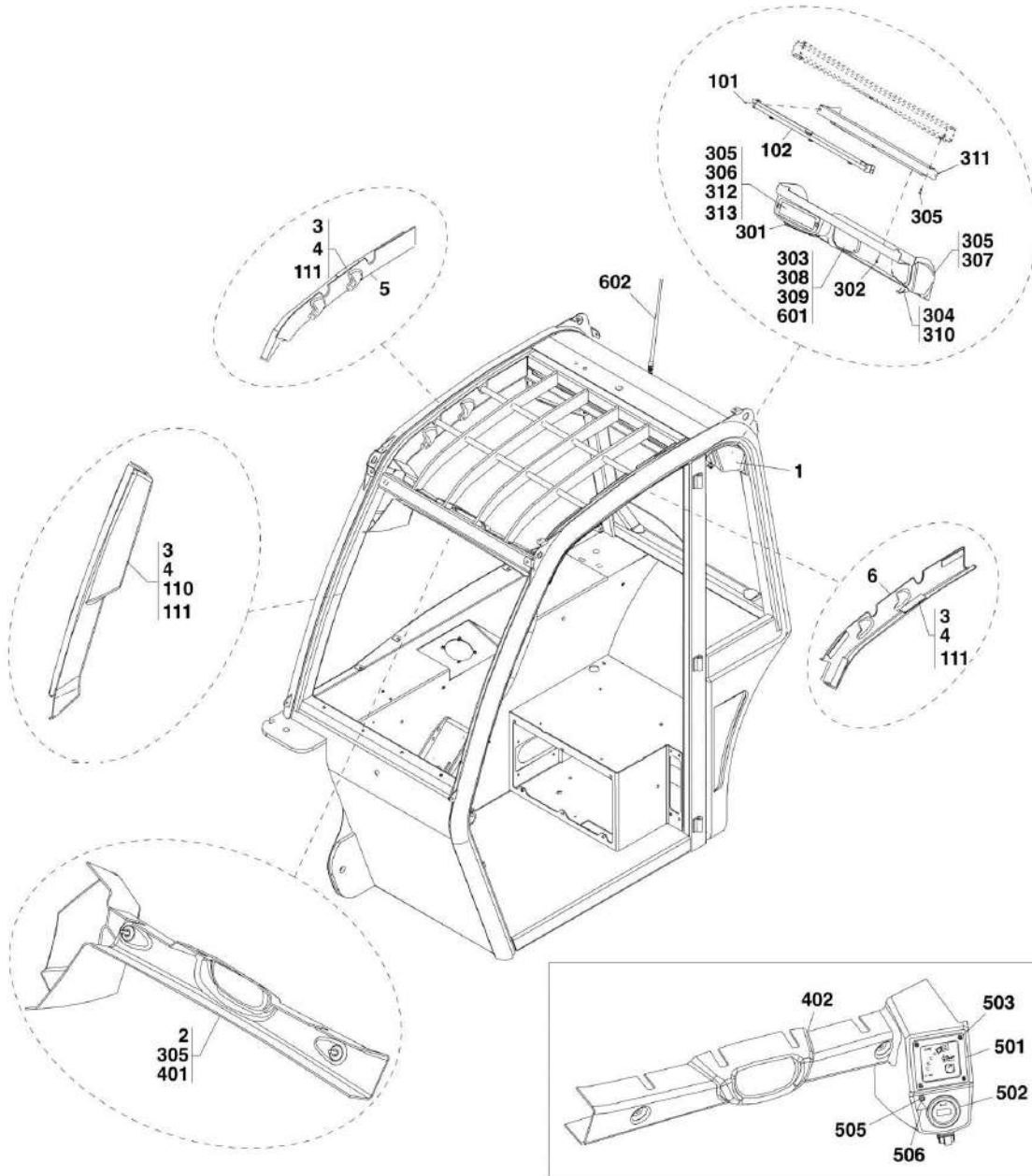
## SECTION 6 - CAB

**FIGURE 6-8. HEATER AND AC INSTALLATION - ENGINE POD**

ITEM	PART NUMBER	QTY	DESCRIPTION	REV
	1001080717	Ref	HEATER AND AC INSTALLATION, (not available to order, see items 1 thru 13 for service)	H
1	1001080718	1	HOSE ASSY	
2	1001080719	1	HOSE ASSY	
3	2220251	1	FITTING	
4	1001100701	1	ELBOW	
6	0761010	1	HEX HD SCREW, M10X20	
9	8307220	1	WASHER, M12	
10	8405007	4	GEAR CLAMP	
11	1321716	1	CLIP TUBE	
12	4240032	2	TIE STRAP	
13	8360005	1	SHUT-OFF VALVE	
	1001080560	Ref	AC SYSTEM INSTALLATION, (not available to order, see items 101 thru 132 for service)	O
101	1001080516	1	AC RADIATOR CONDENSOR	
102	1001080789	1	AC PUMP COMPRESSOR	
103	1001080590	1	AC SYSTEM DRYER	
103	8223531	1	PRESSURE SWITCH	
103	70020872	1	O-RING	
104	1001080773	1	AC SUPPORT	
105	1001080591	1	DRYER MOUNTING PLATE	
106	1001080631	1	HOSE ASSY	
107	1001080632	1	HOSE ASSY	
108	1001080633	1	HOSE ASSY	
109	1001080634	1	HOSE ASSY	
110	1001080702	1	AC SYSTEM V-BELT	
111	8405204	2	GEAR CLAMP	
113	1001081067	1	IDLER PULLEY ADJUSTING BLOCK	
114	0630604	1	AC PULLEY BOLT	
115	0641610	3	HEX HD CAPSCREW, 3/8-16X1-1/4	
116	77143015	4	NUT 3/8-16	
117	1001099568	1	HEX HD SCREW, M10X90	
118	1001081172	2	THREADED ROD, 3/8-16X5-3/8	
119	4711700	4	WASHER, 7/16	
120	4751600	7	WASHER, 3/8	
121	4812000	2	WASHER, 10mm	
122		Ref	AC SYSTEM HARNESS, (See ELECTRICAL SECTION for Breakdown)	
123	0641503	4	HEX HD CAPSCREW, 5/16-18X3/8	
124	4711500	4	WASHER, 5/16	
125	0641408	2	HEX HD CAPSCREW, 1/4-20X1	
126	4751400	2	WASHER, 1/4	
127	1001120539	5	CONDUIT, 1X6	
128	4060804	6 in	FLEX TRIM SHIELD, 3/16, (not shown)	
129	0761007	1	HEX HD CAP SCREW, M10X14, GR8.8	
130	1001111548	1	AC GROUND HARNESS	
131	4791700	1	STAR WASHER, 7/16	
132	1001133930	1	IDLER PULLEY	

# SECTION 6 - CAB

## FIGURE 6-9. OVERHEAD CONSOLE



PAP17190

FIGURE 6-9. OVERHEAD CONSOLE

ITEM	PART NUMBER	QTY	DESCRIPTION	REV
	1001081189	Ref	OVERHEAD CONSOLE INSTALLATION, (G5-18A, open cab), (not available to order, see items 1 thru 6, 110 & 111 for service)	E
	1001081187	Ref	OVERHEAD CONSOLE INSTALLATION, (G5-18A, enclosed cab), (not available to order, see items 1 thru 6 & 101 thru 111 for service)	G
	1001080958	Ref	OVERHEAD CONSOLE INSTALLATION, (enclosed cab), (not available to order, see items 1, 3 thru 6, 101 thru 111 & 201 for service) <b>(2505 Prior to SN 0160042694)</b>	H
	1001131064	Ref	OVERHEAD CONSOLE INSTALLATION, (enclosed cab), (not available to order, see items 1, 3 thru 6, 101 thru 110 & 201 for service) <b>(2505 SN 0160042694 to Present)</b>	C
1	1001080945	Ref	OVERHEAD CONSOLE INSTALLATION, (not available to order, see items 301 thru 313 for service)	G
2	1001080957	Ref	FRONT FOPS INSTALLATION, (G5-18A), (not available to order, see items 305 & 401 for service)	F
3	1001081161	11	HOOK 1 in WIDE TAPE	
4	1001081163	11	LOOP 1 in WIDE TAPE	
5	1001081164	NLA	IN-BOARD ROPS BAR COVER, (no longer available, use 1001153634 for replacement)	
5	1001153634	1	IN-BOARD ROPS BAR COVER	
6	1001081165	NLA	OUT-BOARD ROPS BAR COVER, (no longer available, use 1001153635 for replacement)	
6	1001153635	1	OUT-BOARD ROPS BAR COVER	
101	0630464	2	BUTTON HD SCREW, #10-24X1/2	
102	1001080952	1	VISOR	
110	1001101333	NLA	A-PILLAR COVER, (no longer available, use 1001153631 for replacement)	
110	1001153631	1	A-PILLAR COVER	
111	1001112058	AR	ADHESIVE STRIP	
201		Ref	CAB ROOF HARNESS, (not shown), (See ELECTRICAL SECTION for Breakdown)	
301	2920209	1	DOME LIGHT LAMP	
301	70020795	1	LIGHT BULB	
302	1001108078	3	TRUSS HD SCREW, 1/4-20X3/8	
303	1001108152	8	SCREW, M4X20	
304	1001108155	2	SOCKET HD CAPSCREW, 10-24X5/8	
305	8303034	10	TRUSS HD SCREW, 1/4-20x3/4	
306	88521304	2	HEX LOCKNUT, 1/4-20	
307	1001080866	1	OVERHEAD CONSOLE COVER	
308	1001080947	8	NUT, M4	
309	1001080951	2	SPEAKER COVER	
310	1001080953	1	HOOK	
311	1001080954	1	VISOR MOUNT BRACKET	
312	1001080955	1	RADIO MOUNT PLATE	
313	1001080960	1	RADIO MOUNT OUTER PLATE	
401	1001101332	NLA	FRONT ROPS BAR COVER, (G5-18A), (no longer available, use 1001153630 for replacement)	
401	1001153630	1	FRONT ROPS BAR COVER, (G5-18A)	
402	1001081162	1	FRONT ROPS BAR COVER <b>(2505 Prior to SN 0160042694)</b>	
402	1001135075	1	FRONT ROPS BAR COVER <b>(2505 SN 0160042694 to Present)</b>	
	1001080653	Ref	LSI DISPLAY INSTALLATION, (not available to order, see items 402 & 501 thru 503 for service) <b>(2505 Prior to SN 0160042694)</b>	I
	1001130237	Ref	LSI DISPLAY INSTALLATION, (not available to order, see items 402, 501 thru 506 for service) <b>(2505 SN 0160042694 to Present)</b>	F

## SECTION 6 - CAB

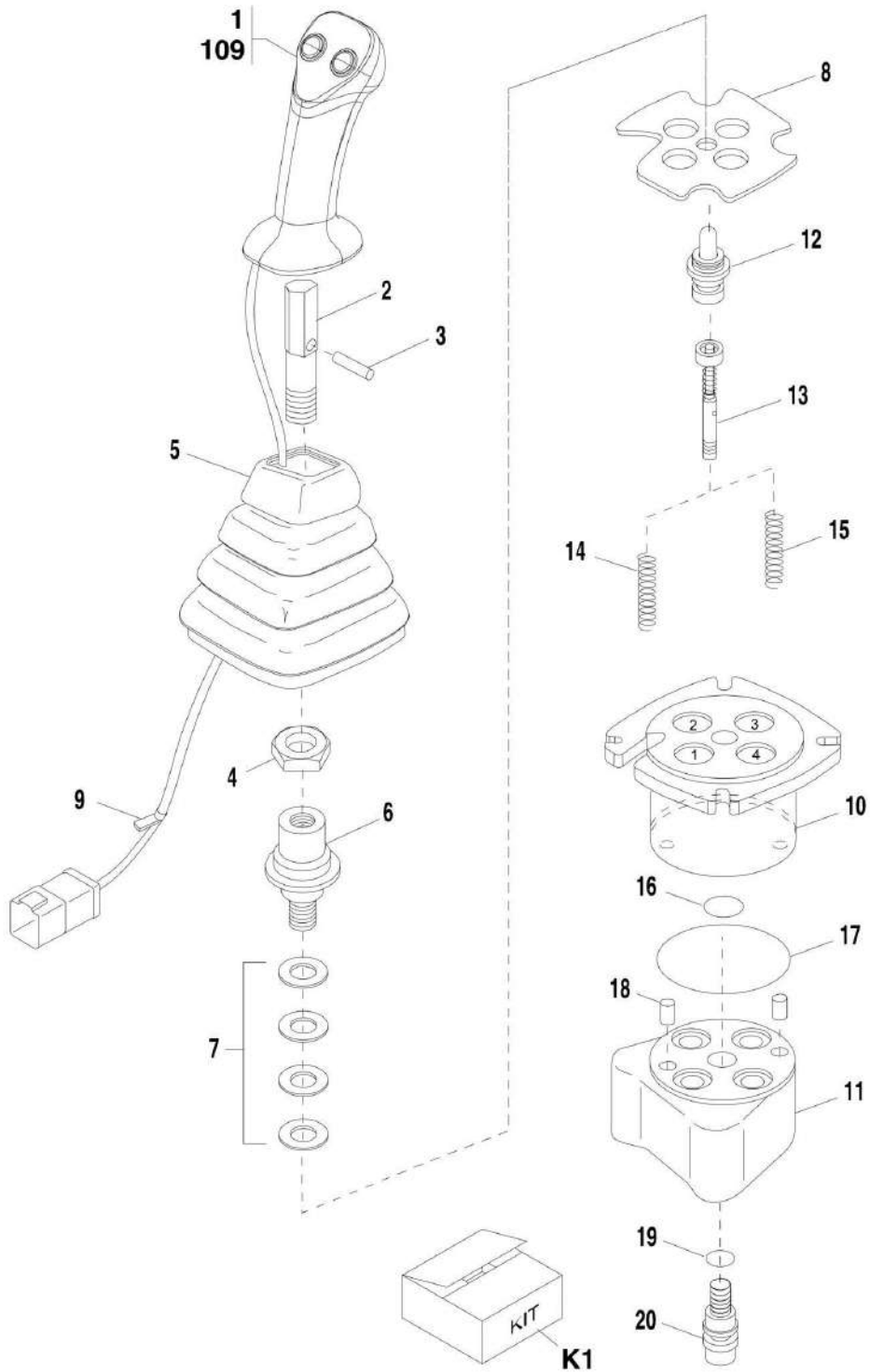
ITEM	PART NUMBER	QTY	DESCRIPTION	REV
501	1810046	1	LSI DISPLAY <b>(Prior to SN 0160042694)</b>	
501	1001127308	NLA	LSI DISPLAY, (no longer available, use 1001192979 for replacement)	
501	1001192979	1	LSI DISPLAY	
502	2420211	1	SPEEDOMETER	
503	1001096116	4	SCREW, M4X20 <b>(Prior to SN 0160042694)</b>	
503	1001110269	4	SOCKET HD CAPSCREW, M4X20 <b>(SN 0160042694 to Present)</b>	
505	1001127397	1	LSI CUTOUT LAMP <b>(SN 0160042694 to Present)</b>	
506	1001127546	1	LSI WARNING DECAL <b>(SN 0160042694 to Present)</b>	
	1001080844	Ref	RADIO READY INSTALLATION, (if equipped), (not available to order, see items 601 & 602 for service)	A
601	1001080956	2	SPEAKER	
602	1001080959	1	ANTENNA	



**SECTION 7 - CONTROLS**

# SECTION 7 - CONTROLS

## FIGURE 7-1. BOOM JOYSTICK



PAP17290

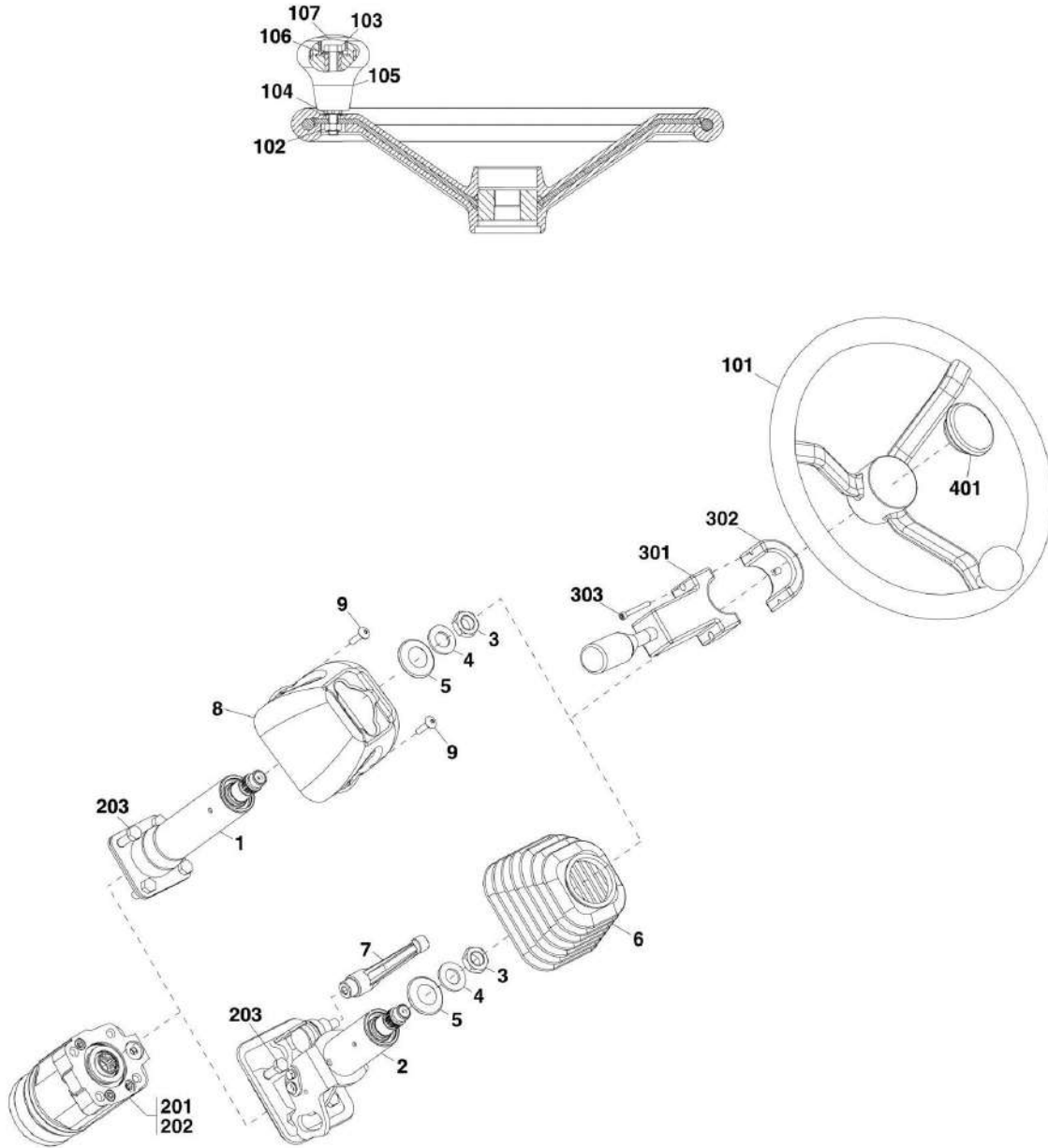
## SECTION 7 - CONTROLS

### FIGURE 7-1. BOOM JOYSTICK

ITEM	PART NUMBER	QTY	DESCRIPTION	REV
	1001080256	1	BOOM JOYSTICK, (includes items 1 thru 20)	D
1	70020769	1	HANDLE ASSY	
2	70020770	1	STRAIGHT LEVER KIT, (includes items 3 thru 4)	
3	N.S.S.	1	STRAIGHT LEVER	
4	N.S.S.	1	HEX NUT	
5	70020771	1	RUBBER BOOT	
6	80264138	1	CARDAN KIT, (includes item 7)	
7	N.S.S.	AR	SHIM	
8	91404013	1	RETAINING PLATE	
9	80264139	1	GROMMET KIT	
10	91404016	1	UPPER BODY	
11	N.S.S.	1	LOWER BODY	
12	91304025	2	PLUNGER AND GUIDE KIT	
13	91514224	4	REGULATING UNIT	
14	91504028	1	RETURN SPRING	
15	91504029	1	RETURN SPRING	
16	Kit	1	O-RING	
17	Kit	1	O-RING	
18	Kit	2	DOWEL PIN	
19	Kit	1	O-RING	
20	Kit	1	SCREW ASSY	
109	3931412	4	SOCKET HD SCREW, 1/4-20X3/4	
K1	91404326	1	SEAL KIT, (includes items 16 thru 20)	

# SECTION 7 - CONTROLS

## FIGURE 7-2. STEERING COLUMN AND ATTACHING PARTS



ART\_31200360-7-2

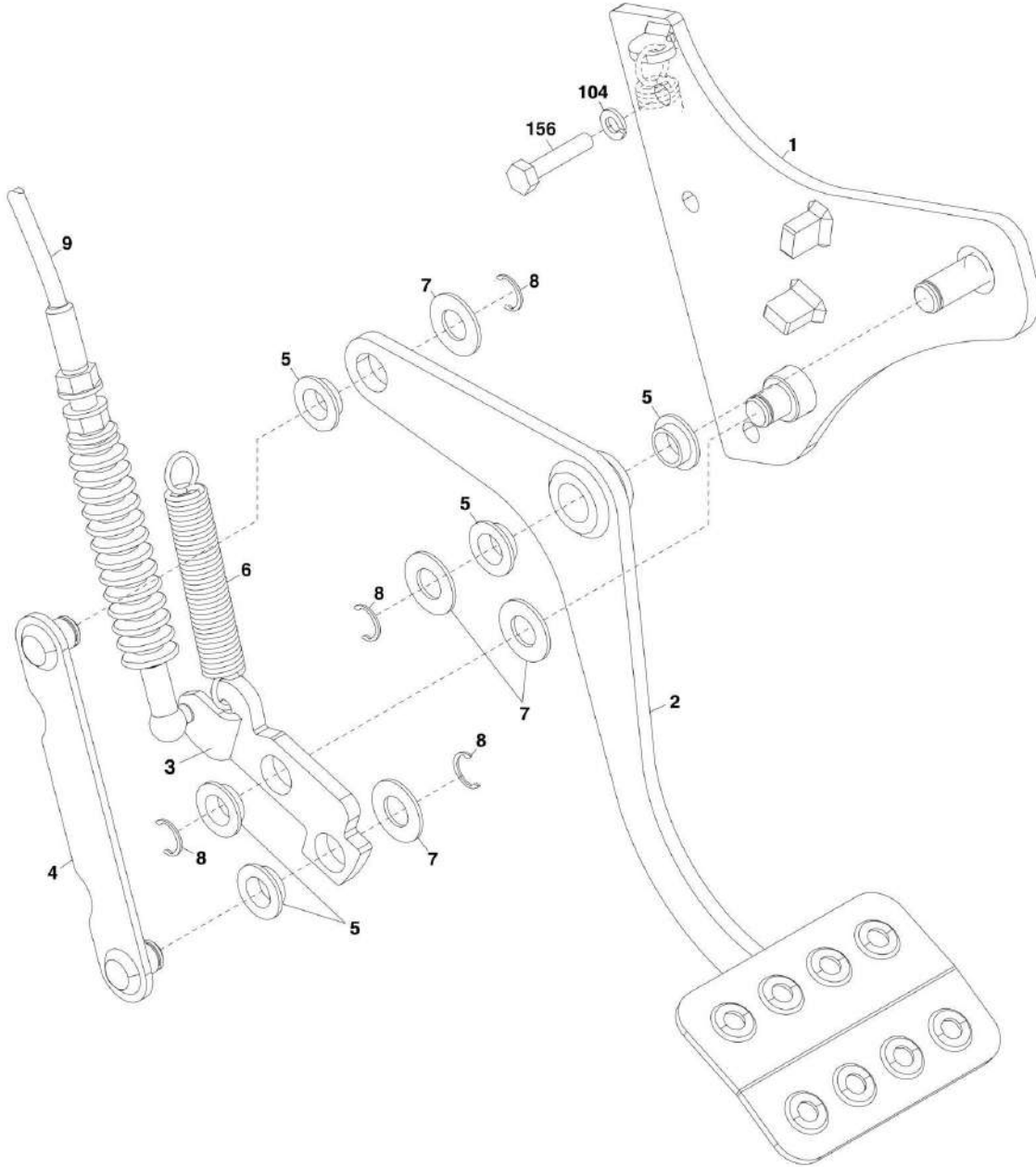
## SECTION 7 - CONTROLS

**FIGURE 7-2. STEERING COLUMN AND ATTACHING PARTS**

ITEM	PART NUMBER	QTY	DESCRIPTION	REV
1	1001081223	1	FIXED STEERING COLUMN, (includes items 3 thru 5)	C
2	1001080826	1	TILT STEERING COLUMN, (includes items 3 thru 7)	E
3	70020923	1	NUT, M18X1-1/2	
4	70020924	1	WASHER	
5	70020925	1	RUBBER CAP	
6	70020926	1	BELLOWS	
7	70020927	1	LOCKING HANDLE	
8	1001080465	NLA	STEERING COLUMN BOOT, (no longer available, use 1001153629 for replacement)	
8	1001153629	1	STEERING COLUMN BOOT	
9	1001180796	2	SCREW, 1/4-20X1	
101	1001080462	1	STEERING WHEEL, (includes items 102 thru 107)	D
102	70020913	1	NUT	
103	70020914	1	BOLT	
104	70020915	1	WASHER	
105	70020916	1	KNOB	
106	70020917	1	WASHER	
107	70020918	1	CAP	
201	4641506	1	ORBITAL STEERING VALVE, (includes item 202)	C
202	70020578	1	SEAL KIT	
203	0641608	4	HEX HD CAPSCREW, 3/8-16X1	
301	1001080380	1	FNR SWITCH	C
302	1001080900	1	LEVER ASSY CLAMP	
303	1001108079	2	HEX HD CAPSCREW, M5X40	
401	1001080463	1	CENTER STEERING WHEEL CAP	

# SECTION 7 - CONTROLS

## FIGURE 7-3. ACCELERATOR PEDAL ASSEMBLY



PAP17500

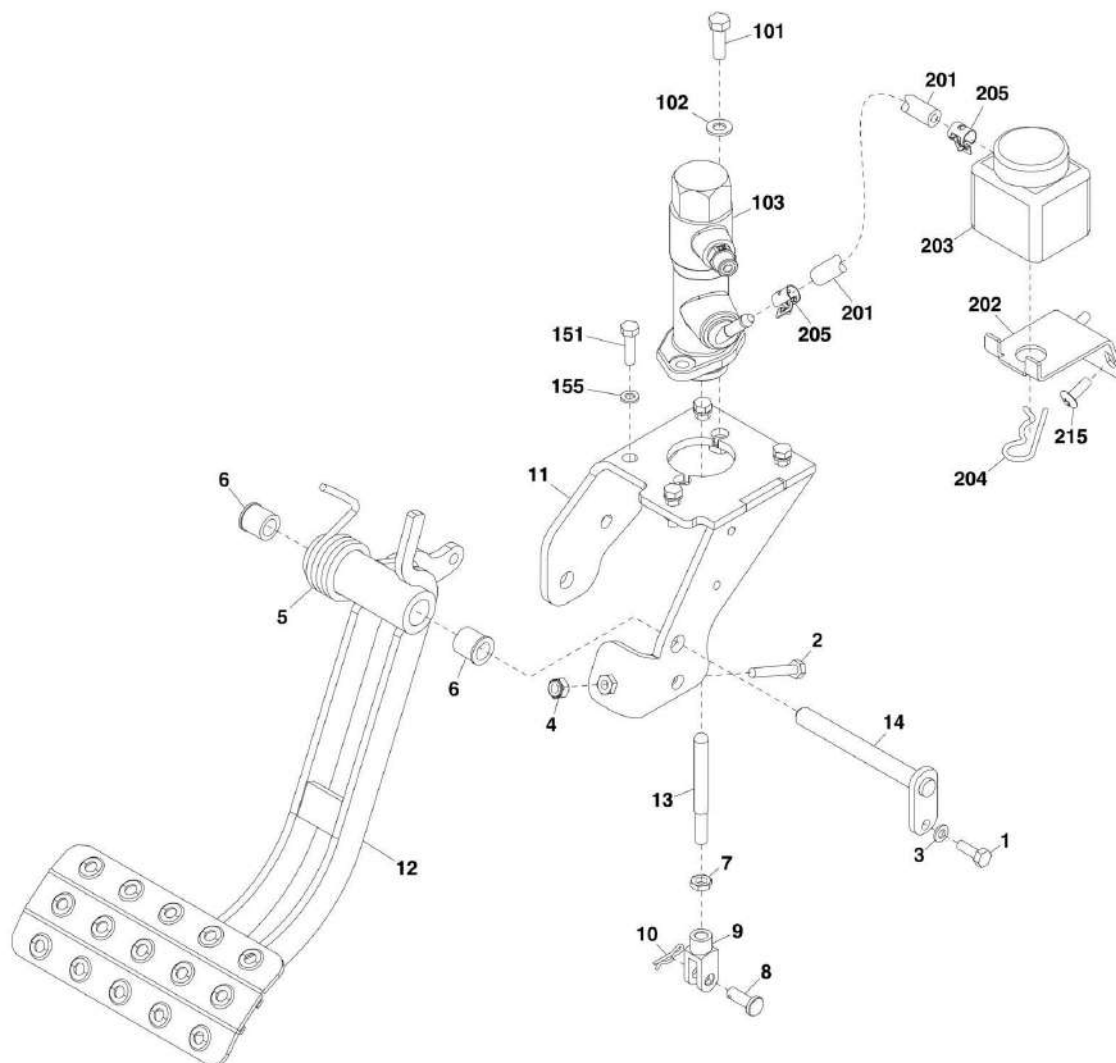
## SECTION 7 - CONTROLS

**FIGURE 7-3. ACCELERATOR PEDAL ASSEMBLY**

ITEM	PART NUMBER	QTY	DESCRIPTION	REV
	1001081003	1	ACCELERATOR PEDAL ASSY, (includes items 1 thru 8)	C
1	1001081004	1	ACCELERATOR PEDAL PLATE	
2	1001081005	1	ACCELERATOR PEDAL	
3	1001081006	1	ACCELERATOR PIVOT LEVER	
4	1001081007	1	ACCELERATOR LINK LEVER	
5	1001081016	5	SLEEVE	
6	1001081021	1	4 IN SPRING EXTENSION	
7	1001081022	4	WASHER	
8	1001081024	4	1/2 IN SHAFT CLIP	
9		Ref	THROTTLE CONTROL CABLE, (See ENGINE AND ATTACHING PARTS for Breakdown)	
104	1001108137	3	HEX HD CAPSCREW, 1/4-20X1-1/4	
156	1001108198	3	LOCKWASHER, 1/4	

# SECTION 7 - CONTROLS

## FIGURE 7-4. BRAKE ASSEMBLY



ART\_31200360-7-4



## SECTION 7 - CONTROLS

### FIGURE 7-4. BRAKE ASSEMBLY

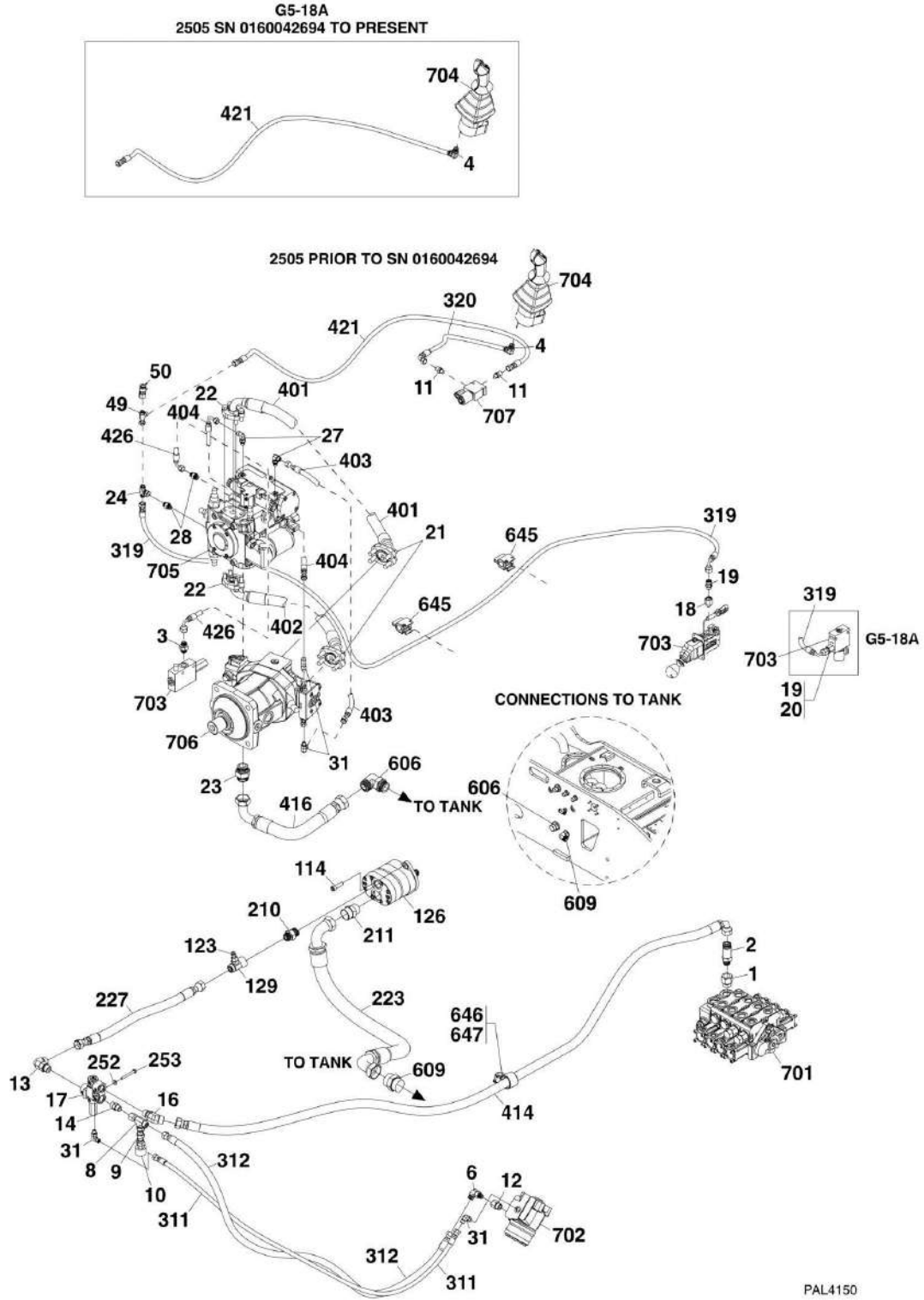
ITEM	PART NUMBER	QTY	DESCRIPTION	REV
	1001102456	1	BRAKE ASSY (includes items 1 thru 14)	D
1	0641406	1	HEX HD CAP SCREW, 1/4-20X3/4, GR5	
2	0681414	1	HEX HD CAP SCREW, 1/4-20X1 3/4, GR8	
3	4761400	1	WASHER, 1/4	
4	88521304	1	HEX LOCKNUT, 1/4-20	
5	1001102427	1	BRAKE SPRING	
6	1001102428	2	BEARING	
7	1001102433	1	HEX NUT, M8X1.25	
8	1001102434	1	CLEVIS PIN	
9	1001102435	1	UNIVERSAL CLEVIS YOKE	
10	3470003	1	COTTER PIN, 2X20	
11	1001102438	1	BRAKE SUPPORT MOUNT	
12	1001102439	1	BRAKE WELDMENT LEVER	
13	1001102440	1	BRAKE PUSH ROD	
14	1001102441	1	BRAKE SHAFT PIN	
101	0641508	2	HEX HD CAPSCREW, 5/16-18X1, GR5	
102	4711500	2	WASHER, 5/16	
103		Ref	BRAKE MASTER CYLINDER, (See HYDRAULIC COMPONENTS SECTION for Breakdown)	
151	0641408	4	HEX HD CAPSCREW, 1/4-20X1, GR5	
155	4761400	4	LOCKWASHER, 1/4	
201	1001081153	1	HYDRAULIC LINE HOSE	
202	1001081151	1	BRAKE RESERVIOR ANGLE	
203	1001081152	1	BRAKE RESERVIOR	
204	80325	1	COTTER HAIRPIN	
205	8410002	NLA	SPRING CLAMP, (no longer available, use 1001156087 for replacement)	
205	1001156087	2	HOSE CLAMP	
215	8303034	2	TRUSS SOCKET HD CAPSCREW, 1/4-20X3/4	



**SECTION 8 - HYDRAULIC CIRCUITS**

# SECTION 8 - HYDRAULIC CIRCUITS

FIGURE 8-1. SUPPLY CIRCUIT



## SECTION 8 - HYDRAULIC CIRCUITS

### FIGURE 8-1. SUPPLY CIRCUIT

ITEM	PART NUMBER	QTY	DESCRIPTION	REV
1	8760550	1	FITTING	
2	2170110	1	ADAPTER	
3	1001081333	1	ADAPTER	
4	2150406	1	ADAPTER, 45	
6	2130606	1	ADAPTER, 90	
8	2170706	1	ADAPTER, (torque to 31 Nm), (2505)	
9	2172406	1	ADAPTER, (torque to 31 Nm), (2505)	
10	1001100635	1	STEERING PRESSURE SENSOR, (2505)	
11	2110404	2	ADAPTER, (includes o-ring) <b>(2505 Prior to SN 0160042694)</b>	
12	77363082	NLA	ADAPTER, (no longer available, use 2220591 for replacement)	
12	2220591	1	ADAPTER	
13	2131010	1	ELBOW, 90	
14	2110608	1	ADAPTER, (includes o-ring)	
16	2151010	1	ELBOW, 45	
17	1001080143	1	PRIORITY VALVE	B
17	70020575	1	SEAL KIT	
18	1001098069	1	FITTING	
19	80333184	2	CHECK FITTING	
20	86561311	1	FITTING	
21	2171716	2	FLANGE KIT, (includes mounting hardware and o-ring)	
22	2171712	2	FLANGE KIT, (includes mounting hardware and o-ring)	
23	2145016	1	ADAPTER	
24	2170804	1	ADAPTER, (includes o-ring)	
27	1001106589	2	ELBOW, 90	
28	2145005	2	FITTING	
31	2130404	4	ELBOW, 90	
49	2170704	1	TEE ADAPTER, (includes o-ring)	
50	1001103069	1	TEST FITTING	
114	4032011	2	SOCKET HD CAPSCREW, M10X35	
123	8430033	1	ADAPTER	
126	1001080097	1	IMPLEMENT PUMP	A
126	70020576	1	SHAFT LIP SEAL	
126	70020577	1	SEAL KIT, (includes shaft lip seal)	
129	1001080411	1	ADAPTER	
210	2111012	1	ADAPTER, (includes o-ring)	
211	2111616	1	ADAPTER, (includes o-ring)	
223	1001080337	1	HOSE ASSY	
227	1001081323	1	HOSE ASSY	
252	4711400	1	WASHER, 1/4	
253	8303114	1	SOCKET HD CAPSCREW, 1/4-20X2-1/4	
311	1001080356	1	HOSE ASSY	
312	1001080357	1	HOSE ASSY	
319	1001080609	1	HOSE ASSY	
320	1001080935	1	HOSE ASSY <b>(2505 Prior to SN 0160042694)</b>	
401	2755031	1	HOSE ASSY	
402	2755032	1	HOSE ASSY	
403	2755036	1	HOSE ASSY	
404	2755037	1	HOSE ASSY	
414	1001080343	1	HOSE ASSY <b>(2505 Prior to SN 0160042694; G5-18A Prior to SN 0160042093)</b>	

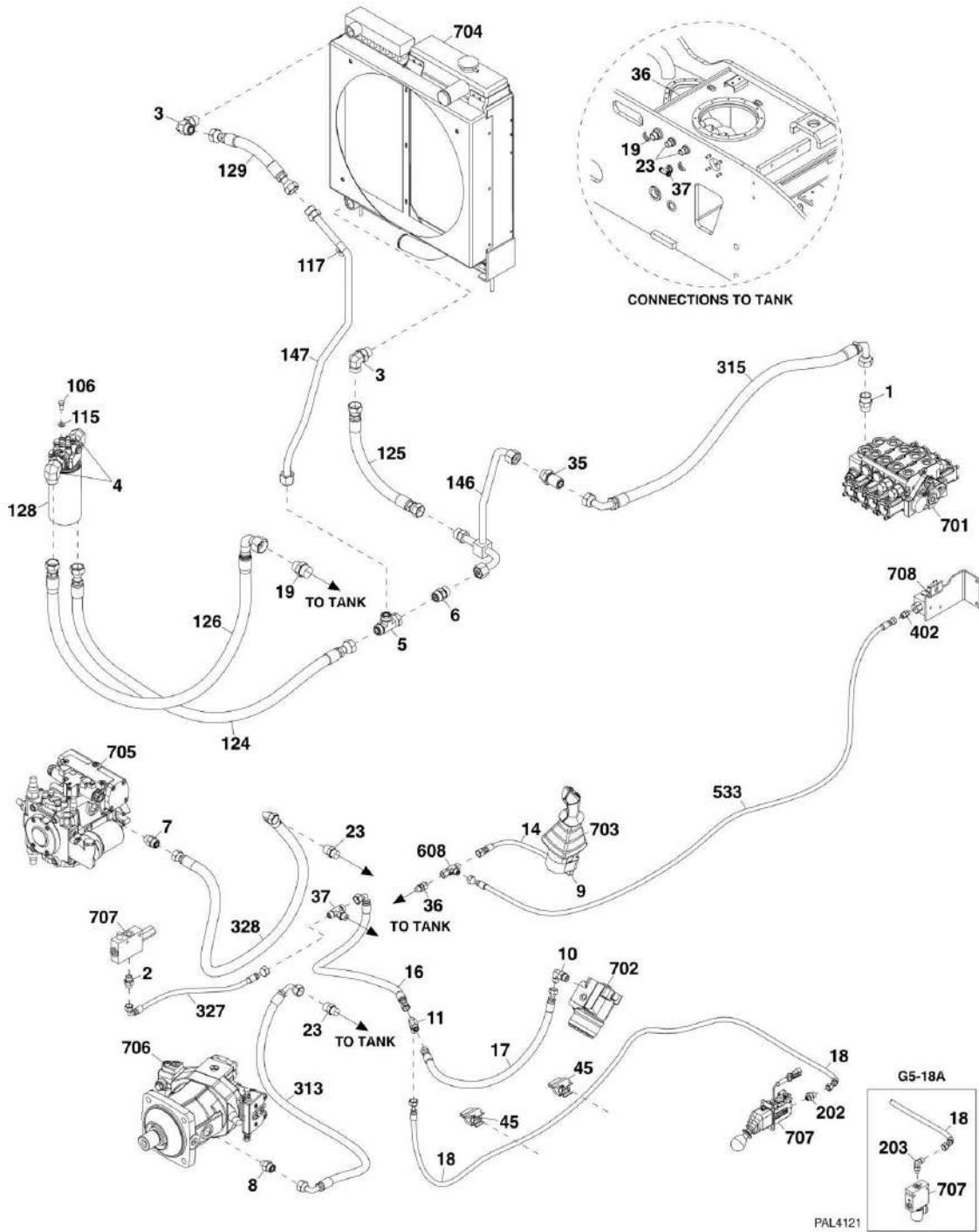
## SECTION 8 - HYDRAULIC CIRCUITS

ITEM	PART NUMBER	QTY	DESCRIPTION	REV
414	1001132331	1	HOSE ASSY (2505 SN 0160042694 to Present; G5-18A SN 0160042093 to Present)	
416	1001080408	1	HOSE ASSY	
421	1001080448	1	HOSE ASSY	
426	1001080511	1	HOSE ASSY	
606	2131616	1	ADAPTER, (includes o-ring)	
609	2112020	1	ADAPTER, (includes o-ring)	
645	91083216	2	CUSHION CLAMP	
646	8406302	1	HOSE CLAMP	
647	88521208	1	LOCKNUT, 1/2-13	
701		Ref	MAIN CONTROL VALVE, (See HYDRAULIC COMPONENTS SECTION for Breakdown)	
702		Ref	ORBITAL STEERING VALVE, (See CONTROLS for Breakdown)	
703		Ref	BRAKE VALVE OPTIONS, (See HYDRAULIC COMPONENTS SECTION for Breakdown)	
704		Ref	BOOM JOYSTICK, (See CONTROLS for Breakdown)	
705		Ref	HYDROSTATIC TRANSMISSION, (See HYDRAULIC COMPONENTS SECTION for Breakdown)	
706		Ref	FRONT DRIVE MOTOR, (See HYDRAULIC COMPONENTS SECTION for Breakdown)	
707		Ref	BLOCKING VALVE, (2505), (See HYDRAULIC COMPONENTS SECTION for Breakdown)	



# SECTION 8 - HYDRAULIC CIRCUITS

FIGURE 8-2. DUMP CIRCUIT (G5-18A Prior to SN 0160042093; 2505 Prior to SN 0160042694)





## SECTION 8 - HYDRAULIC CIRCUITS

**FIGURE 8-2. DUMP CIRCUIT (G5-18A Prior to SN 0160042093; 2505 Prior to SN 0160042694)**

ITEM	PART NUMBER	QTY	DESCRIPTION	REV
1	2111212	1	ADAPTER, (includes o-ring)	
2	1001081333	1	ADAPTER	
3	2131212	2	ELBOW, 90	
4	2131216	2	ELBOW, 90	
5	2170712	1	ADAPTER, (includes o-ring)	
6	1001080351	1	CHECK VALVE	
7	2145011	1	ADAPTER	
8	2144614	1	ADAPTER, (includes o-ring)	
9	2150406	1	ADAPTER, 90	
10	2130608	1	ADAPTER, 90	
11	2170506	1	TEE ADAPTER, (includes o-ring)	
14	1001080582	1	HOSE ASSY	
16	1001080585	1	HOSE ASSY	
17	1001080586	1	HOSE ASSY	
18	1001080587	1	HOSE ASSY	
19	2111216	1	ADAPTER, (includes o-ring)	
23	2111010	2	ADAPTER, (includes o-ring)	
35	2171112	1	ADAPTER, (includes o-ring)	
36	2110606	1	ADAPTER, (includes o-ring)	
37	2170408	1	ADAPTER, (includes o-ring)	
45	91083216	2	CUSHION CLAMP	
106	0641606	4	HEX HD CAPSCREW, 3/8-16X3/4, GR5	
115	4711600	4	WASHER, 3/8	
117	8406105	1	CLIP	
124	1001080345	1	HOSE ASSY	
125	1001080346	1	HOSE ASSY	
126	1001080427	1	HOSE ASSY	
128		Ref	HYDRAULIC OIL FILTER, (See ENGINE AND ATTACHING PARTS SECTION for Breakdown)	
129	1001080775	1	HOSE ASSY	
146	1001096911	1	PIPE ASSY	
147	1001097069	1	PIPE ASSY	
202	80233257	1	ADAPTER	
203	2130404	1	ELBOW, 90	
313	1001080327	1	HOSE ASSY	
315	1001080344	1	HOSE ASSY	
327	1001080513	1	HOSE ASSY	
328	1001080515	1	HOSE ASSY	
402	2110404	1	ADAPTER, (includes o-ring)	
533	1001080587	1	HOSE ASSY	
608	2170706	1	TEE FITTING, (includes o-ring)	
701		Ref	MAIN CONTROL VALVE, (See HYDRAULIC COMPONENTS for Breakdown)	
702		Ref	ORBITAL STEERING VALVE, (See CONTROLS SECTION for Breakdown)	
703		Ref	BOOM JOYSTICK, (See CONTROLS SECTION for Breakdown)	
704		Ref	RADIATOR ASSY, (See ENGINE AND ATTACHING PARTS SECTION for Breakdown)	
705		Ref	HYDRAULIC MOTOR, (See HYDRAULIC COMPONENTS for Breakdown)	
706		Ref	HYDRAULIC PUMP, (See HYDRAULIC COMPONENTS for Breakdown)	

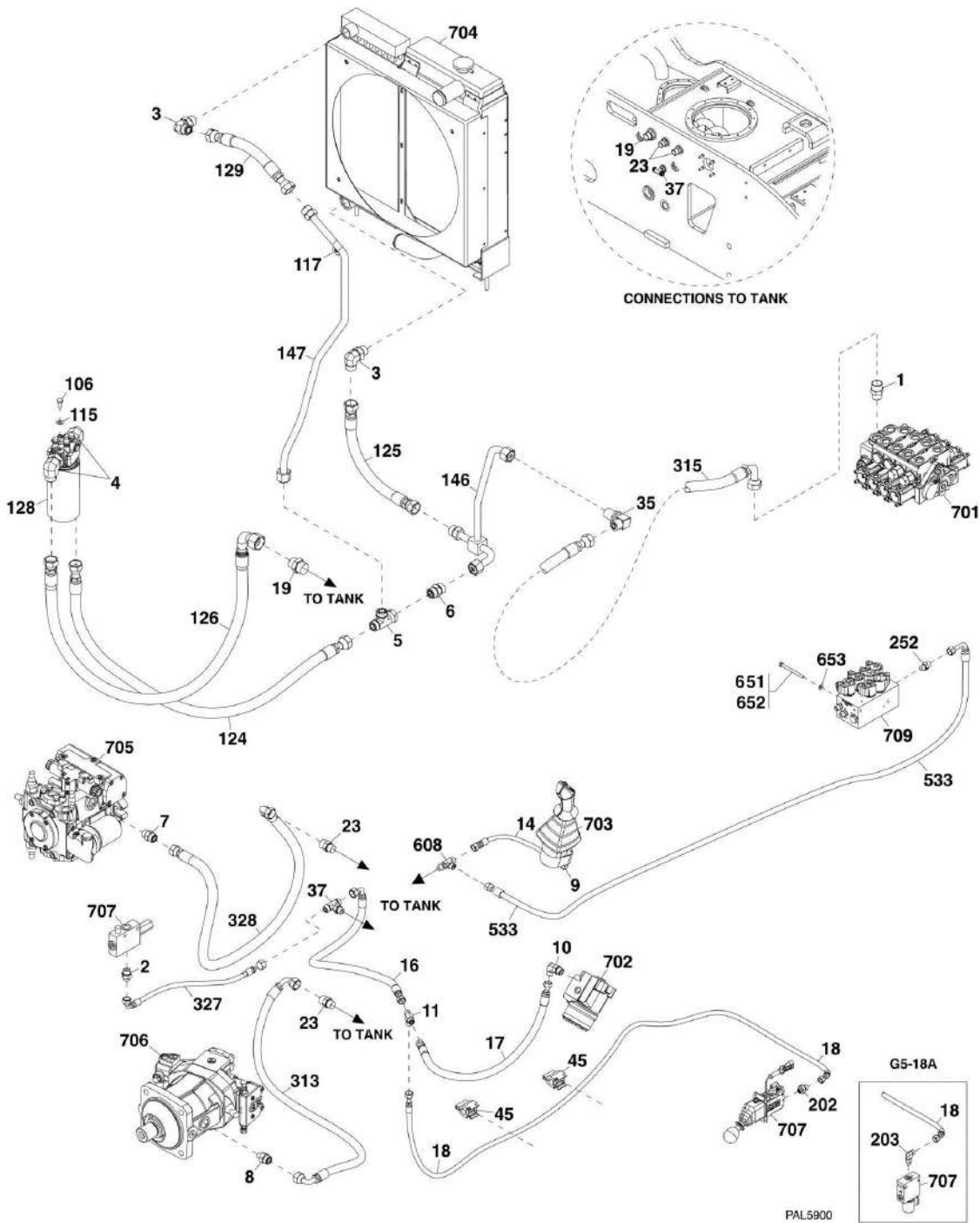
## SECTION 8 - HYDRAULIC CIRCUITS

ITEM	PART NUMBER	QTY	DESCRIPTION	REV
707		Ref	Breakdown) BRAKE VALVE OPTIONS, (See HYDRAULIC COMPONENTS for Breakdown)	
708		Ref	LSI VALVE, (2505), (See HYDRAULIC COMPONENTS for Breakdown)	



# SECTION 8 - HYDRAULIC CIRCUITS

FIGURE 8-3. DUMP CIRCUIT (G5-18A SN 0160042093 to Present; 2505 SN 0160042694 to Present)



## SECTION 8 - HYDRAULIC CIRCUITS

**FIGURE 8-3. DUMP CIRCUIT (G5-18A SN 0160042093 to Present; 2505 SN 0160042694 to Present)**

ITEM	PART NUMBER	QTY	DESCRIPTION	REV
1	2111212	1	ADAPTER, (includes o-ring)	
2	1001081333	1	ADAPTER	
3	2131212	2	ELBOW, 90	
4	2131216	2	ELBOW, 90	
5	2170712	1	ADAPTER, (includes o-ring)	
6	1001080351	1	CHECK VALVE	
7	2145011	1	ADAPTER	
8	2144614	1	ADAPTER, (includes o-ring)	
9	2150406	1	ADAPTER, 90	
10	2130608	1	ADAPTER, 90	
11	2170506	1	TEE ADAPTER, (includes o-ring)	
14	1001080582	1	HOSE ASSY	
16	1001080585	1	HOSE ASSY	
17	1001080586	1	HOSE ASSY	
18	1001080587	1	HOSE ASSY	
19	2111216	1	ADAPTER, (includes o-ring)	
23	2111010	2	ADAPTER, (includes o-ring)	
35	2171212	1	ADAPTER, 90, (includes o-ring)	
37	2170408	1	ADAPTER, (includes o-ring)	
45	91083216	2	CUSHION CLAMP	
106	0641606	4	HEX HD CAPSCREW, 3/8-16X3/4, GR5	
115	4711600	4	WASHER, 3/8	
117	8406105	1	CLIP	
124	1001080345	1	HOSE ASSY	
125	1001080346	1	HOSE ASSY	
126	1001080427	1	HOSE ASSY	
128		Ref	HYDRAULIC OIL FILTER, (See PERKINS ENGINE for Breakdown)	
129	1001080775	1	HOSE ASSY	
146	1001096911	1	PIPE ASSY	
147	1001097069	1	PIPE ASSY	
202	80233257	1	ADAPTER	
203	2130404	1	ELBOW, 90	
252	2110606	1	STRAIGHT FITTING, (includes o-ring)	
313	1001080327	1	HOSE ASSY	
315	1001132329	1	HOSE ASSY	
327	1001080513	1	HOSE ASSY	
328	1001080515	1	HOSE ASSY	
533	1001129900	1	HOSE ASSY	
608	2170306	1	TEE FITTING, (includes o-ring)	
651	0100011	AR	LOCTITE 242	
652	0641634	2	HEX HD CAPSCREW, 3/8-16X4-1/4, GR5	
653	4711600	2	WASHER, 3/8	
701		Ref	MAIN CONTROL VALVE, (See HYDRAULIC COMPONENTS for Breakdown)	
702		Ref	ORBITAL STEERING VALVE, (See CONTROLS SECTION for Breakdown)	
703		Ref	BOOM JOYSTICK, (See CONTROLS SECTION for Breakdown)	
704		Ref	RADIATOR ASSY, (See ENGINE AND ATTACHING PARTS for Breakdown)	
705		Ref	HYDRAULIC MOTOR, (See HYDRAULIC COMPONENTS for	

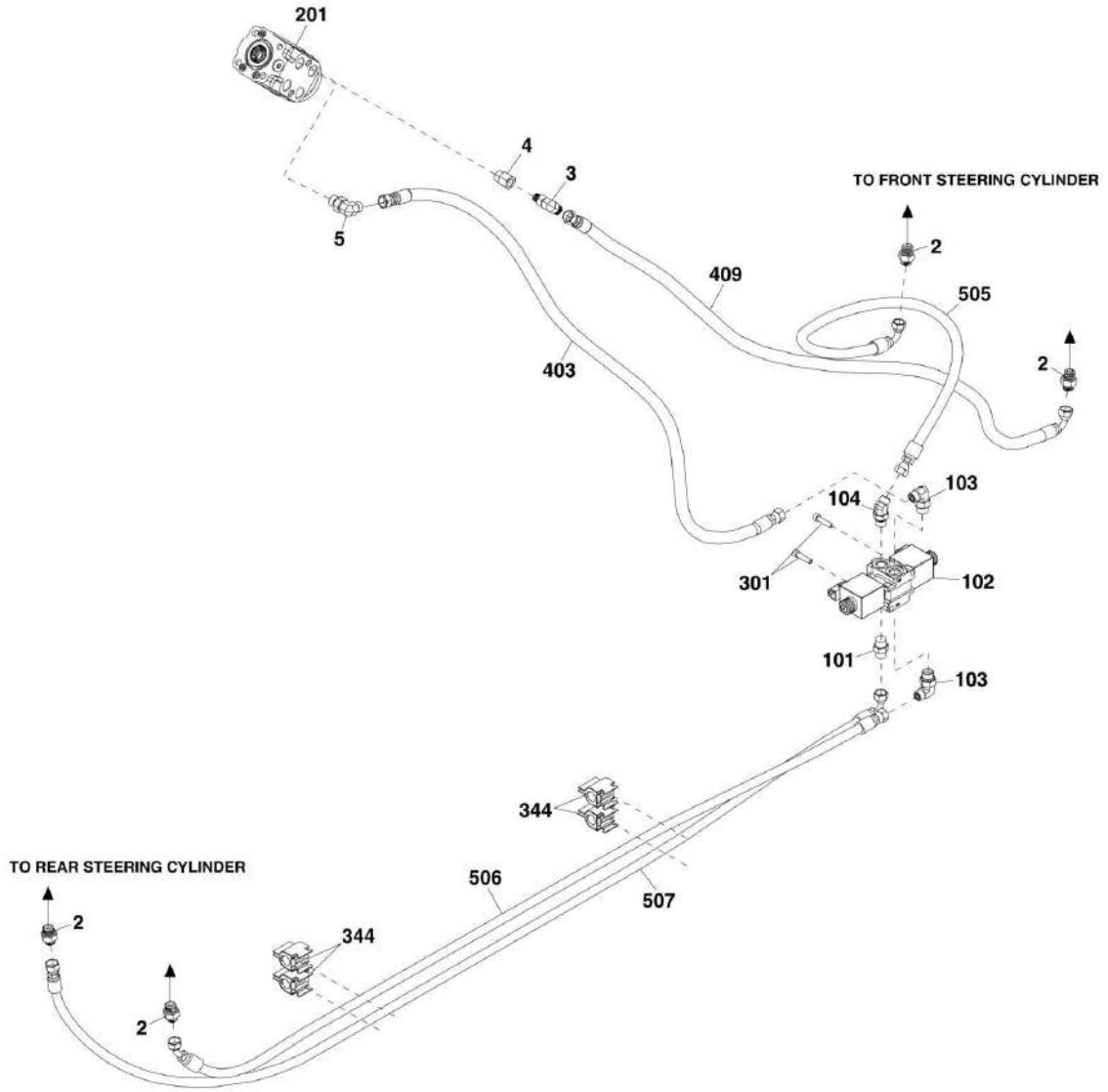
## SECTION 8 - HYDRAULIC CIRCUITS

ITEM	PART NUMBER	QTY	DESCRIPTION	REV
706		Ref	Breakdown) HYDRAULIC PUMP, (See HYDRAULIC COMPONENTS for Breakdown)	
707		Ref	BRAKE VALVE OPTIONS, (See HYDRAULIC COMPONENTS for Breakdown)	
709		Ref	PILOT SELECT VALVE, (See HYDRAULIC COMPONENTS for Breakdown)	



# SECTION 8 - HYDRAULIC CIRCUITS

## FIGURE 8-4. STEER SELECT



ART\_31200360-8-4



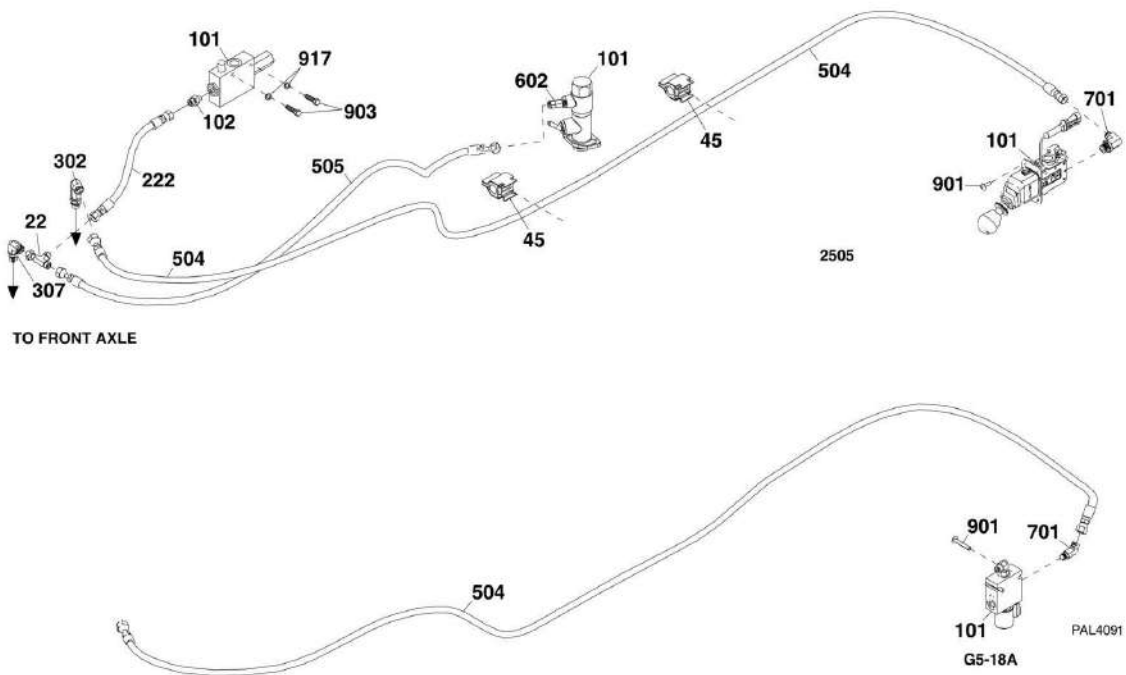
## SECTION 8 - HYDRAULIC CIRCUITS

### FIGURE 8-4. STEER SELECT

ITEM	PART NUMBER	QTY	DESCRIPTION	REV
2	1001081333	4	FITTING	
3	2130606	1	ELBOW, 90	
4	77363082	NLA	ADAPTER, (no longer available, use 2220591 for replacement)	
4	2220591	1	ADAPTER	
5	2130608	1	ELBOW, 90	
	1001080243	1	STEERING SELECT VALVE ASSY, (includes items 101 thru 104)	F
101	2110608	1	ADAPTER	
102		Ref	STEERING SELECT VALVE, (See HYDRAULIC COMPONENTS SECTION for Breakdown)	
103	2130608	2	ELBOW, 90	
104	2150608	1	ELBOW, 45	
201		Ref	ORBITAL STEERING VALVE, (See CONTROLS for Breakdown)	
301	88212229	2	SOCKET HD CAPSCREW, 5/16-18X1-1/2	
344	90207463	4	CUSHION CLAMP	
403	1001080250	1	HOSE ASSY	
409	1001080317	1	HOSE ASSY <b>(Prior to SN 0160042433)</b>	
409	1001114213	1	HOSE ASSY <b>(SN 0160042433 to Present)</b>	
505	1001080247	1	HOSE ASSY	
506	1001080248	1	HOSE ASSY	
507	1001080249	1	HOSE ASSY	

# SECTION 8 - HYDRAULIC CIRCUITS

## FIGURE 8-5. SERVICE/PARK BRAKE



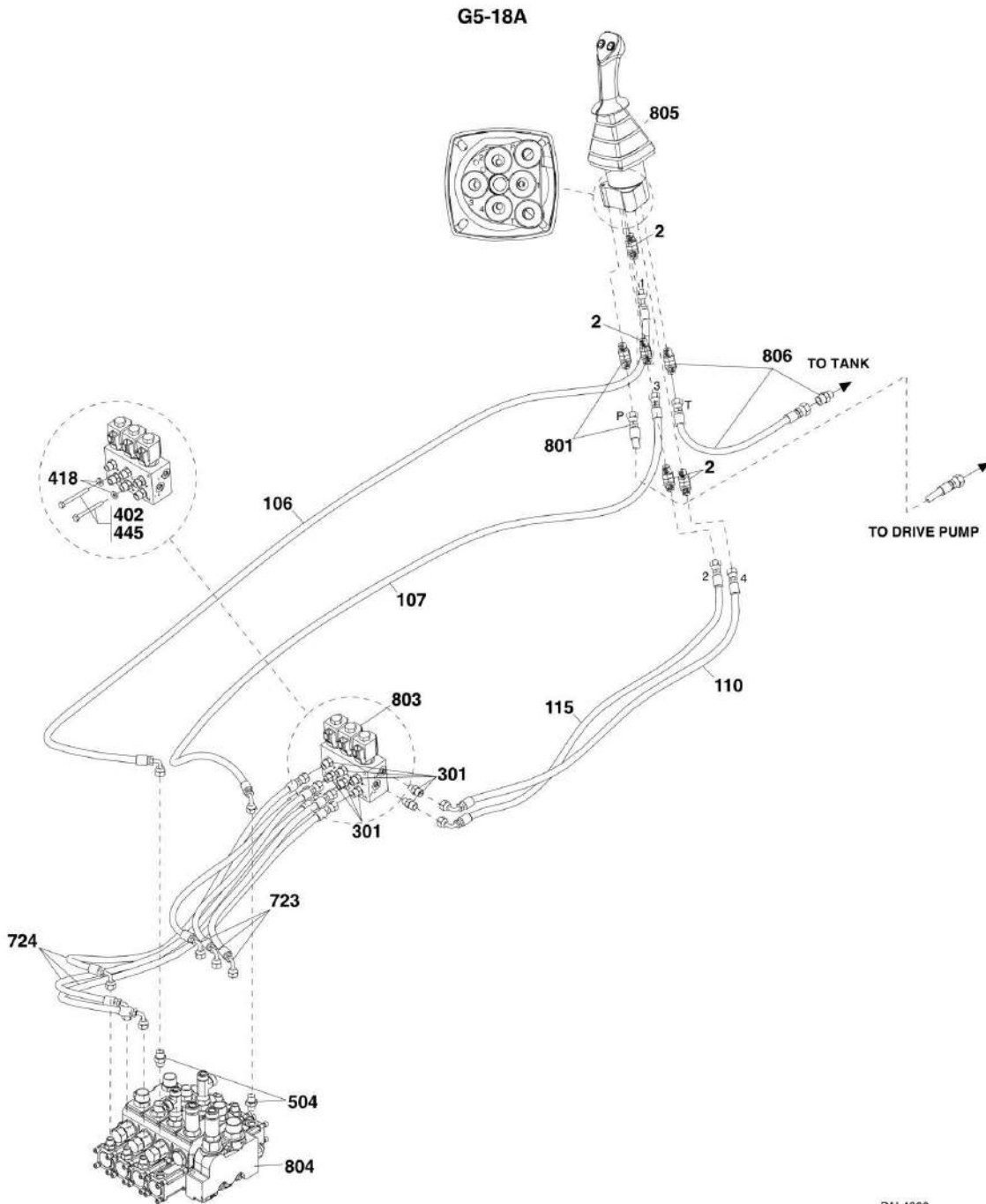
## SECTION 8 - HYDRAULIC CIRCUITS

### FIGURE 8-5. SERVICE/PARK BRAKE

ITEM	PART NUMBER	QTY	DESCRIPTION	REV
22	2170704	1	SWIVEL TEE	
45	91083216	2	CUSHION CLAMP	
101		Ref	BRAKE VALVE OPTIONS, (See HYDRAULIC COMPONENTS SECTION for Breakdown)	
102	1001081334	1	ADAPTER, (includes o-ring)	
222	1001080449	1	HOSE ASSY	
302	8770241	1	ELBOW, 90	
307	2221285	1	ELBOW, 45	
504	1001080251	1	HOSE ASSY	
505	1001080252	NLA	HOSE ASSY, (no longer available, use 1001106622 & 2145004 for replacement)	
505	1001106622	1	HOSE ASSY	
602	8770269	NLA	ELBOW, 45, (no longer available, use 2145004 & 1001106622 for replacement)	
602	2145004	1	STRAIGHT FITTING, (includes o-ring)	
701	80233256	1	ELBOW, 90, (2505)	
701	2150404	1	ELBOW, 45, (G5-18A)	
901	8303034	4	SCREW, 1/4-20X.75, (2505)	
901	101977201	2	SCREW, 1/4-20X1.50, (G5-18A)	
903	0641514	2	HEX HD CAPSCREW, 5/16-18X1-3/4, GR5	
917	4711500	2	WASHER, 5/16	

# SECTION 8 - HYDRAULIC CIRCUITS

FIGURE 8-6. BOOM JOYSTICK - G15-18A (Prior to SN 0160042093)



PAL4033

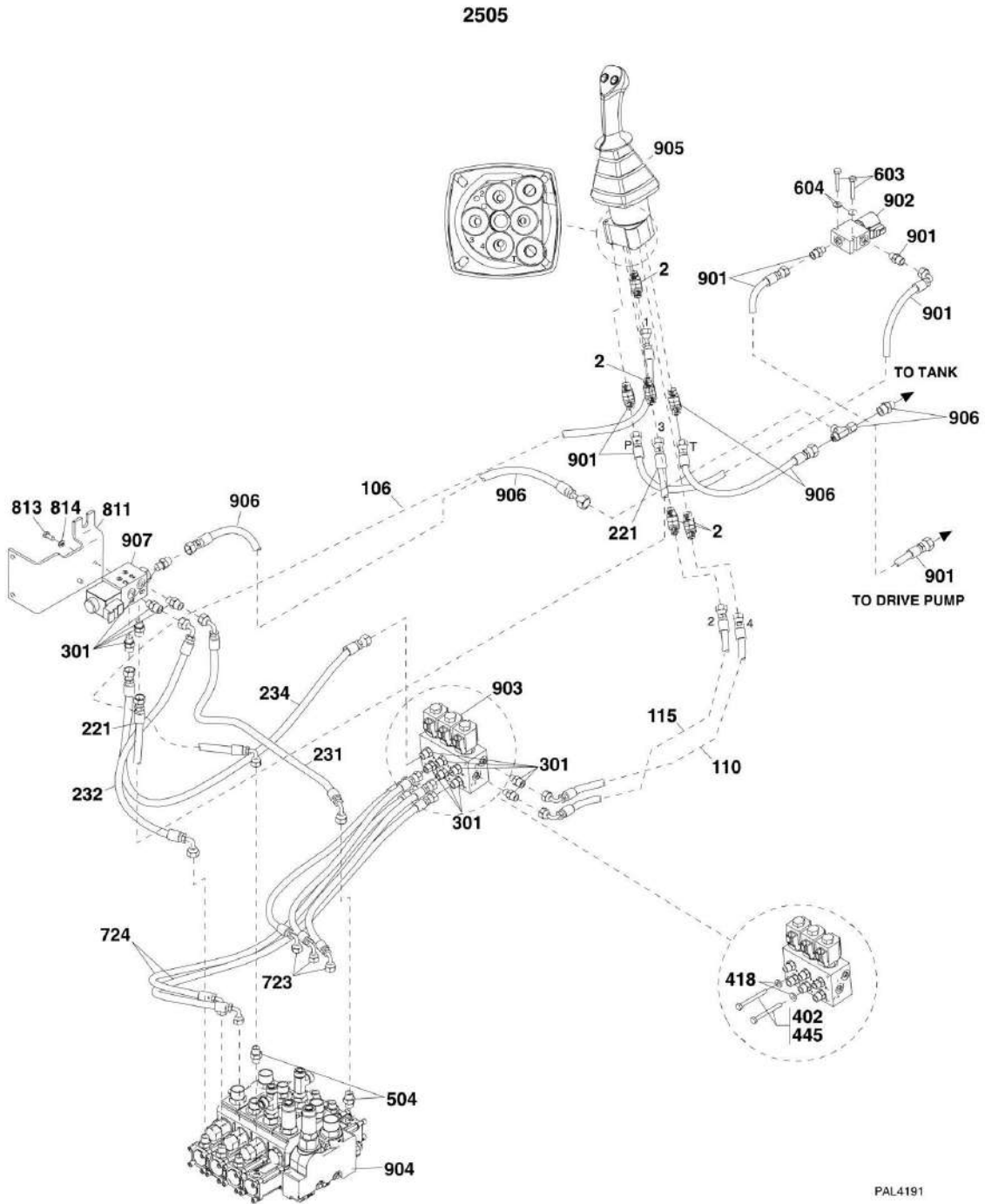
## SECTION 8 - HYDRAULIC CIRCUITS

**FIGURE 8-6. BOOM JOYSTICK - G15-18A (Prior to SN 0160042093)**

ITEM	PART NUMBER	QTY	DESCRIPTION	REV
2	2150406	4	ADAPTER, 45	
106	1001080265	1	HOSE ASSY	
107	1001080266	1	HOSE ASSY	
110	1001080319	1	HOSE ASSY	
115	1001080583	1	HOSE ASSY	
301	2110404	8	ADAPTER, (includes o-ring)	
402	0641422	2	HEX HD CAPSCREW, 1/4-20X2-3/4, GR5	
418	4891400	2	WASHER, 1/4	
436	2110606	1	ADAPTER, (includes o-ring)	
445	0100011	AR	LOCTITE 242	
504	2110406	8	ADAPTER, (includes o-ring)	
723	1001080456	3	HOSE ASSY	
724	1001080457	3	HOSE ASSY	
801		Ref	HOSE AND ADAPTER ASSY, (See SUPPLY CIRCUIT for Breakdown)	
803		Ref	PILOT SELECT VALVE, (See HYDRAULIC COMPONENTS for Breakdown)	
804		Ref	MAIN CONTROL VALVE, (See HYDRAULIC COMPONENTS for Breakdown)	
805		Ref	BOOM JOYSTICK, (See CONTROLS for Breakdown)	
806		Ref	HOSE AND ADAPTER ASSY, (See DUMP CIRCUIT for Breakdown)	

# SECTION 8 - HYDRAULIC CIRCUITS

## FIGURE 8-7. BOOM JOYSTICK - 2505 (Prior to SN 0160042694)



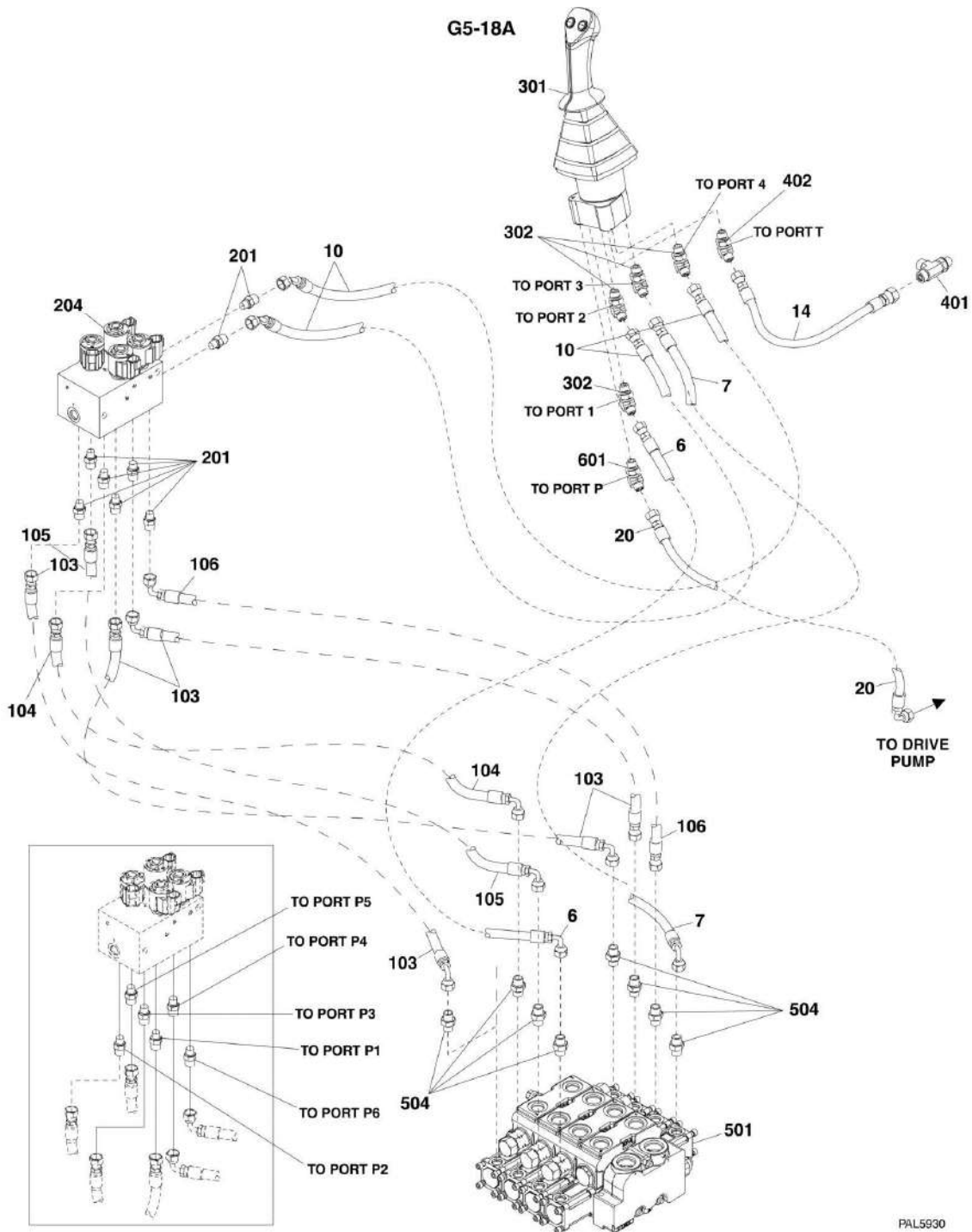
## SECTION 8 - HYDRAULIC CIRCUITS

**FIGURE 8-7. BOOM JOYSTICK - 2505 (Prior to SN 0160042694)**

ITEM	PART NUMBER	QTY	DESCRIPTION	REV
2	2150406	4	ADAPTER, 45	
106	1001080265	1	HOSE ASSY	
110	1001080319	1	HOSE ASSY	
115	1001080583	1	HOSE ASSY	
221	1001081178	1	HOSE ASSY	
231	1001081170	1	HOSE ASSY	
232	1001081171	1	HOSE ASSY	
234	1001081179	1	HOSE ASSY	
301	2110404	13	ADAPTER, (includes o-ring)	
402	0641422	2	HEX HD CAPSCREW, 1/4-20X2-3/4, GR5	
418	4891400	2	WASHER, 1/4	
436	2110606	1	ADAPTER, (includes o-ring)	
445	0100011	AR	LOCTITE 242	
504	2110406	8	ADAPTER, (includes o-ring)	
603	0641413	2	HEX HD CAPSCREW, 1/4-20X1-5/8, GR5	
604	4711400	2	WASHER, 1/4	
723	1001080674	3	HOSE ASSY	
724	1001080535	3	HOSE ASSY	
811	1001081154	1	BRACKET	
813	0760607	2	HEX HD CAPSCREW, M6X14, GR8.8	
814	4811700	2	WASHER, 6mm	
901		Ref	HOSE AND ADAPTER ASSY, (See SUPPLY CIRCUIT for Breakdown)	
902		Ref	BLOCKING VALVE, (See HYDRAULIC COMPONENTS for Breakdown)	
903		Ref	PILOT SELECT VALVE, (See HYDRAULIC COMPONENTS for Breakdown)	
904		Ref	MAIN CONTROL VALVE, (See HYDRAULIC COMPONENTS for Breakdown)	
905		Ref	BOOM JOYSTICK, (See CONTROLS SECTION for Breakdown)	
906		Ref	HOSE AND ADAPTER, (See DUMP CIRCUIT for Breakdown)	
907		Ref	LSI VALVE, (See HYDRAULIC COMPONENTS for Breakdown)	

# SECTION 8 - HYDRAULIC CIRCUITS

FIGURE 8-8. BOOM JOYSTICK - G5-18A (SN 0160042093 to Present)



PAL5930



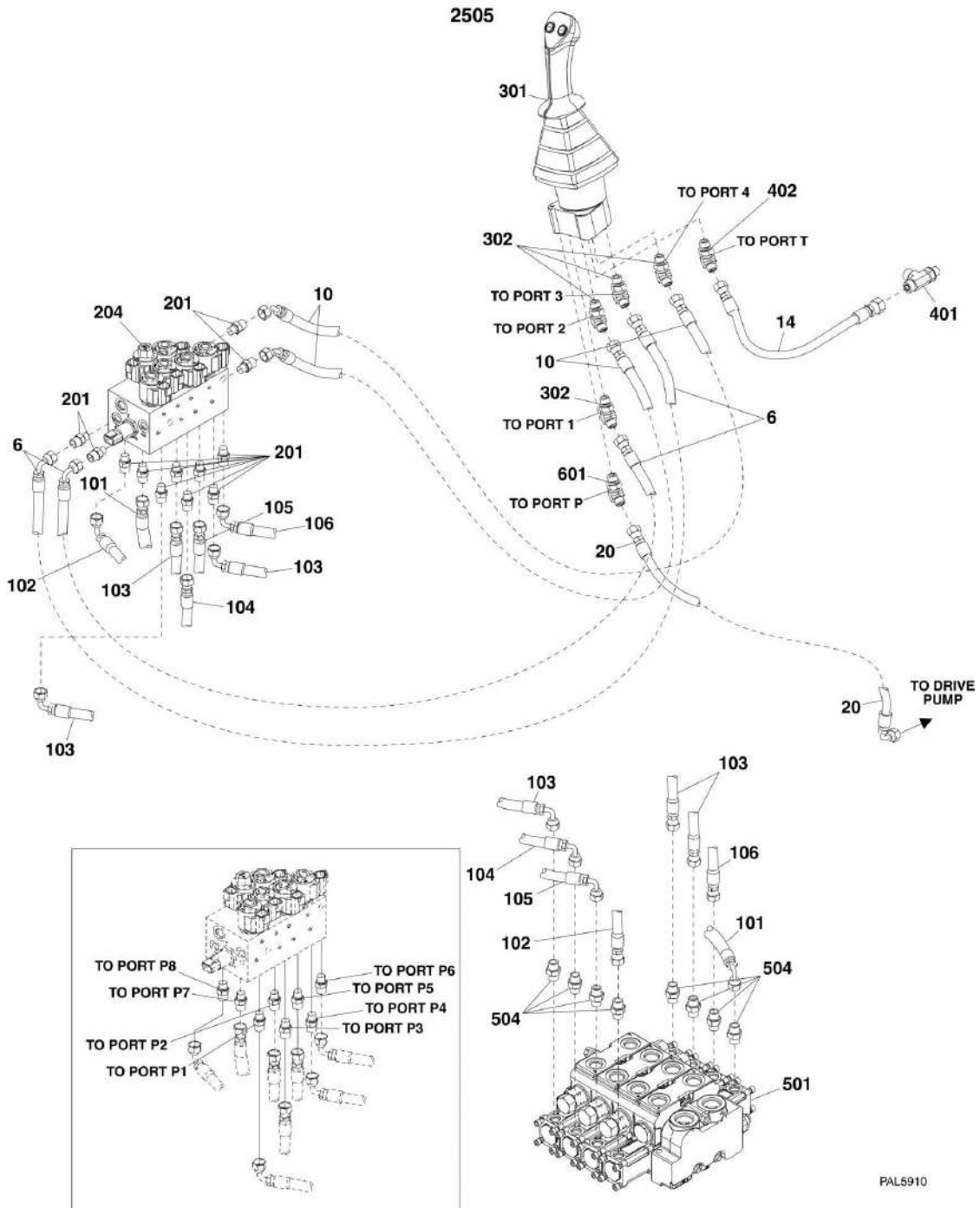
## SECTION 8 - HYDRAULIC CIRCUITS

**FIGURE 8-8. BOOM JOYSTICK - G15-18A (SN 0160042093 to Present)**

ITEM	PART NUMBER	QTY	DESCRIPTION	REV
6	1001080265	1	HOSE ASSY	
7	1001080266	1	HOSE ASSY	
10	1001129895	2	HOSE ASSY	
14		Ref	HOSE ASSY, (See DUMP CIRCUIT for Breakdown)	
20	1001080448	1	HOSE ASSY	
103	1001129889	3	HOSE ASSY	
104	1001129891	1	HOSE ASSY	
105	1001129893	1	HOSE ASSY	
106	1001129894	1	HOSE ASSY	
201	2110404	8	STRAIGHT FITTING, (includes o-ring)	
204		Ref	PILOT SELECT VALVE, (See HYDRAULIC COMPONENTS for Breakdown)	
301		Ref	BOOM JOYSTICK, (See CONTROLS SECTION for Breakdown)	
302	2150406	4	ADAPTER, 45, (includes o-ring)	
401		Ref	TEE FITTING, (See DUMP CIRCUIT for Breakdown)	
402		Ref	ADAPTER, 45, (See DUMP CIRCUIT for Breakdown)	
501		Ref	MAIN CONTROL VALVE, (See HYDRAULIC COMPONENTS for Breakdown)	
504	2110406	8	STRAIGHT FITTING, (includes o-ring)	
601		Ref	ADAPTER, 45, (See SUPPLY CIRCUIT for Breakdown)	

# SECTION 8 - HYDRAULIC CIRCUITS

FIGURE 8-9. BOOM JOYSTICK - 2505 (SN 0160042694 to Present)



PAL5910

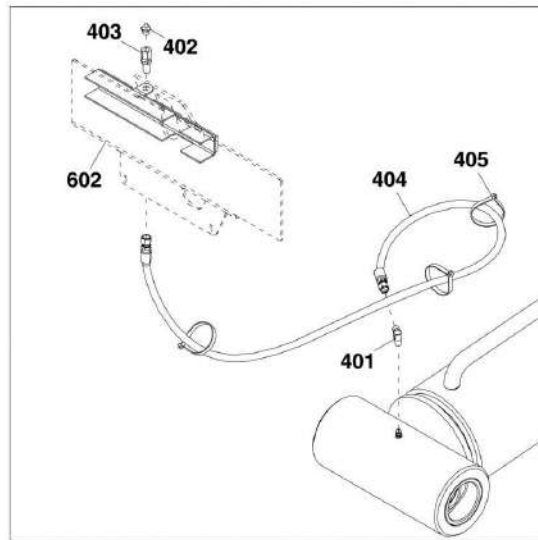
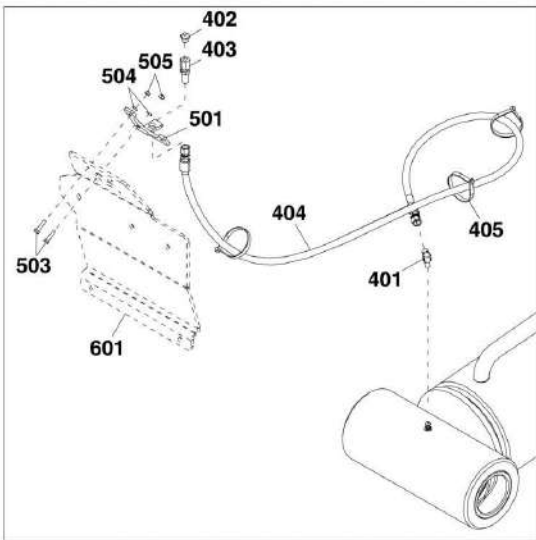
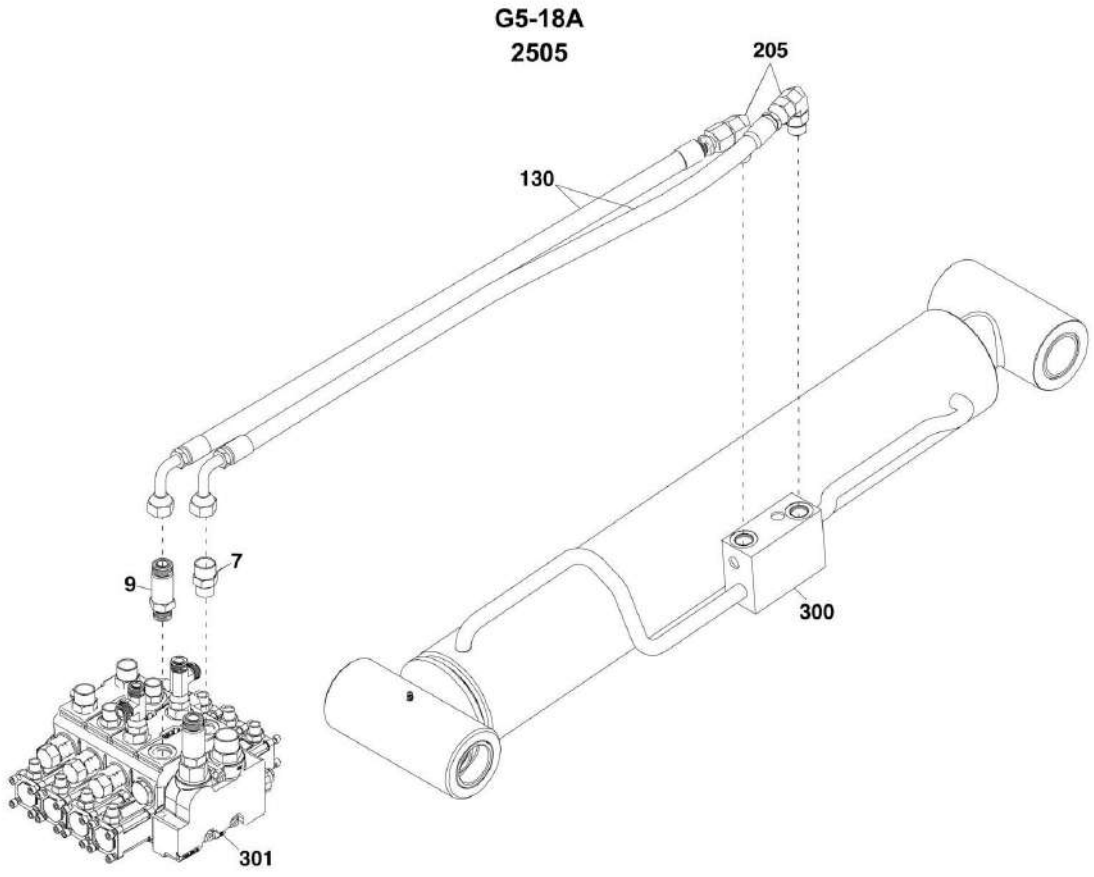
## SECTION 8 - HYDRAULIC CIRCUITS

**FIGURE 8-9. BOOM JOYSTICK - 2505 (SN 0160042694 to Present)**

ITEM	PART NUMBER	QTY	DESCRIPTION	REV
6	1001129898	2	HOSE ASSY	
10	1001129895	2	HOSE ASSY	
14		Ref	HOSE ASSY, (See DUMP CIRCUIT for Breakdown)	
20	1001080448	1	HOSE ASSY	
101	1001129887	1	HOSE ASSY	
102	1001129888	1	HOSE ASSY	
103	1001129889	3	HOSE ASSY	
104	1001129891	1	HOSE ASSY	
105	1001129893	1	HOSE ASSY	
106	1001129894	1	HOSE ASSY	
201	2110404	12	STRAIGHT FITTING, (includes o-ring)	
204		Ref	PILOT SELECT VALVE, (See HYDRAULIC COMPONENTS SECTION for Breakdown)	
301		Ref	BOOM JOYSTICK, (See CONTROLS SECTION for Breakdown)	
302	2150406	4	ADAPTER, 45, (includes o-ring)	
401		Ref	TEE FITTING, (See DUMP CIRCUIT for Breakdown)	
402		Ref	ADAPTER, 45, (See DUMP CIRCUITS for Breakdown)	
501		Ref	MAIN CONTROL VALVE, (See HYDRAULIC COMPONENTS SECTION for Breakdown)	
504	2110406	8	STRAIGHT FITTING, (includes o-ring)	
601		Ref	ADAPTER, 45, (See SUPPLY CIRCUIT for Breakdown)	

# SECTION 8 - HYDRAULIC CIRCUITS

**FIGURE 8-10. LIFT CYLINDER (G5-18A SN 0160032850 through 0160053000, Excluding 0160051045; 2505 Prior to SN 0160042694; Excluding 0160051047, 0160051049, 0160051194 and 0160051359)**



PAL3991

## SECTION 8 - HYDRAULIC CIRCUITS

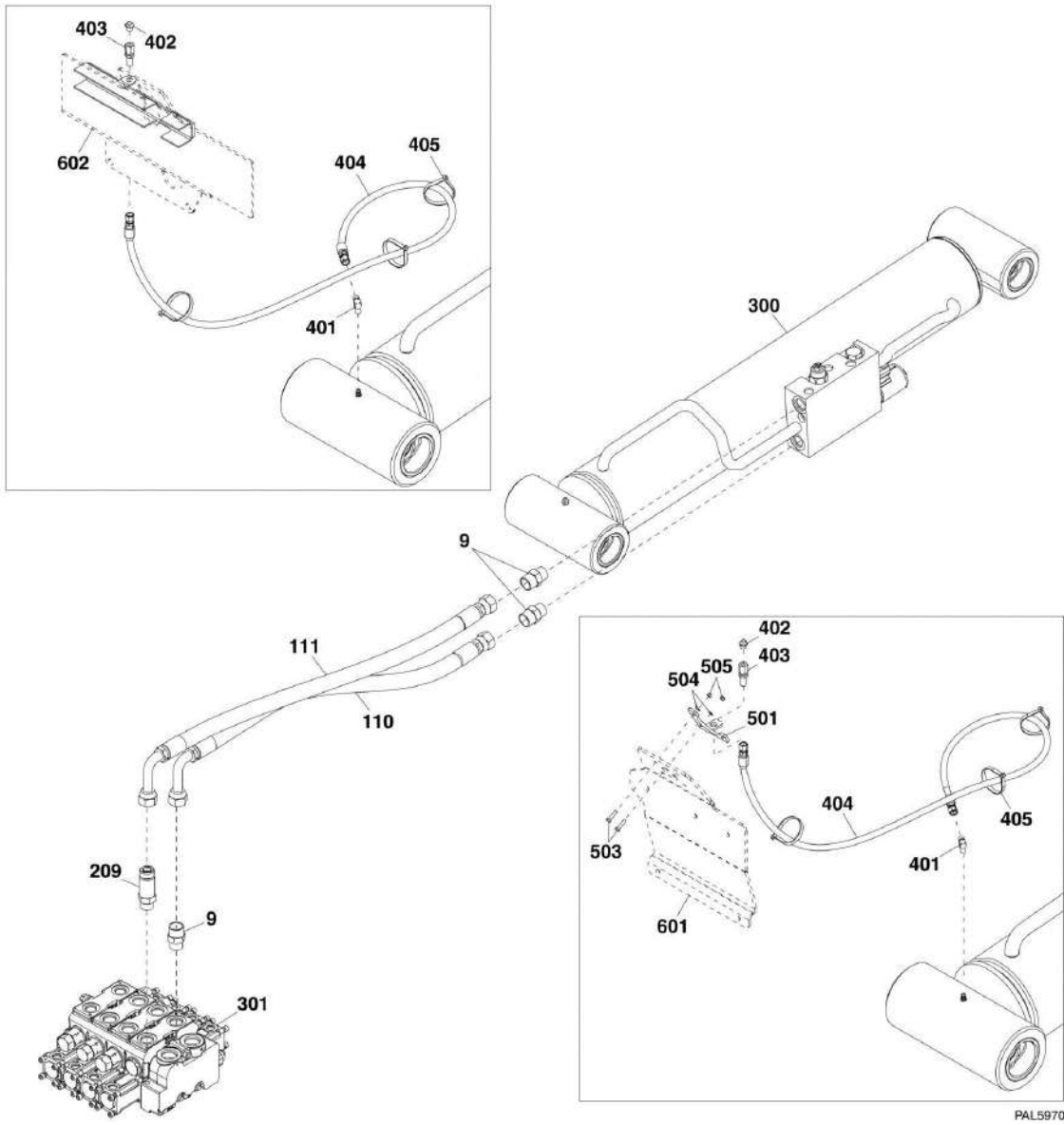
**FIGURE 8-10. LIFT CYLINDER (G5-18A SN 0160032850 through 0160053000, Excluding 0160051045; 2505 Prior to SN 0160042694; Excluding 0160051047, 0160051049, 0160051194 and 0160051359)**

ITEM	PART NUMBER	QTY	DESCRIPTION	REV
7	2111010	1	ADAPTER, (includes o-ring	
9	2170110	1	STRAIGHT FITTING, (includes o-ring)	
130	1001080279	2	HOSE ASSY	
205	2131010	2	ELBOW, 90	
300		Ref	LIFT CYLINDER, (See HYDRAULIC COMPONENTS SECTION for Breakdown)	
301		Ref	MAIN CONTROL VALVE, (See HYDRAULIC COMPONENTS SECTION for Breakdown)	
	1001081426	Ref	REMOTE GREASE INSTALL, (if equipped), (not available to order, see items 401 thru 405 for service)	A
	1001109664	Ref	REMOTE GREASE INSTALL, (if equipped) (not available to order, see items 401 thru 505 for service)	B
401	2220612	1	ELBOW, 90	
402	8520001	1	FITTING	
403	80623016	1	ADAPTER	
404	1001081413	1	HOSE ASSY	
405	8584003	3	CABLE TIE	
501	1001109663	1	BRACKET	
503	0700510	2	HEX HD CAPSCREW, M5X20, GR8.8	
504	4811600	2	WASHER, 5mm	
505	3290505	2	HEX LOCKNUT, M5X8	
601		Ref	REAR LICENSE PLATE HOLDER INSTALL, (G5-18A), (2505 - if equipped), (See FRAME AND ATTACHING PARTS for Breakdown)	
602		Ref	REAR LICENSE PLATE HOLDER INSTALL, (2505 - if equipped), (See FRAME AND ATTACHING PARTS for Breakdown)	

# SECTION 8 - HYDRAULIC CIRCUITS

## FIGURE 8-11. LIFT CYLINDER - 2505 (SN 0160042694 to Present)

2505



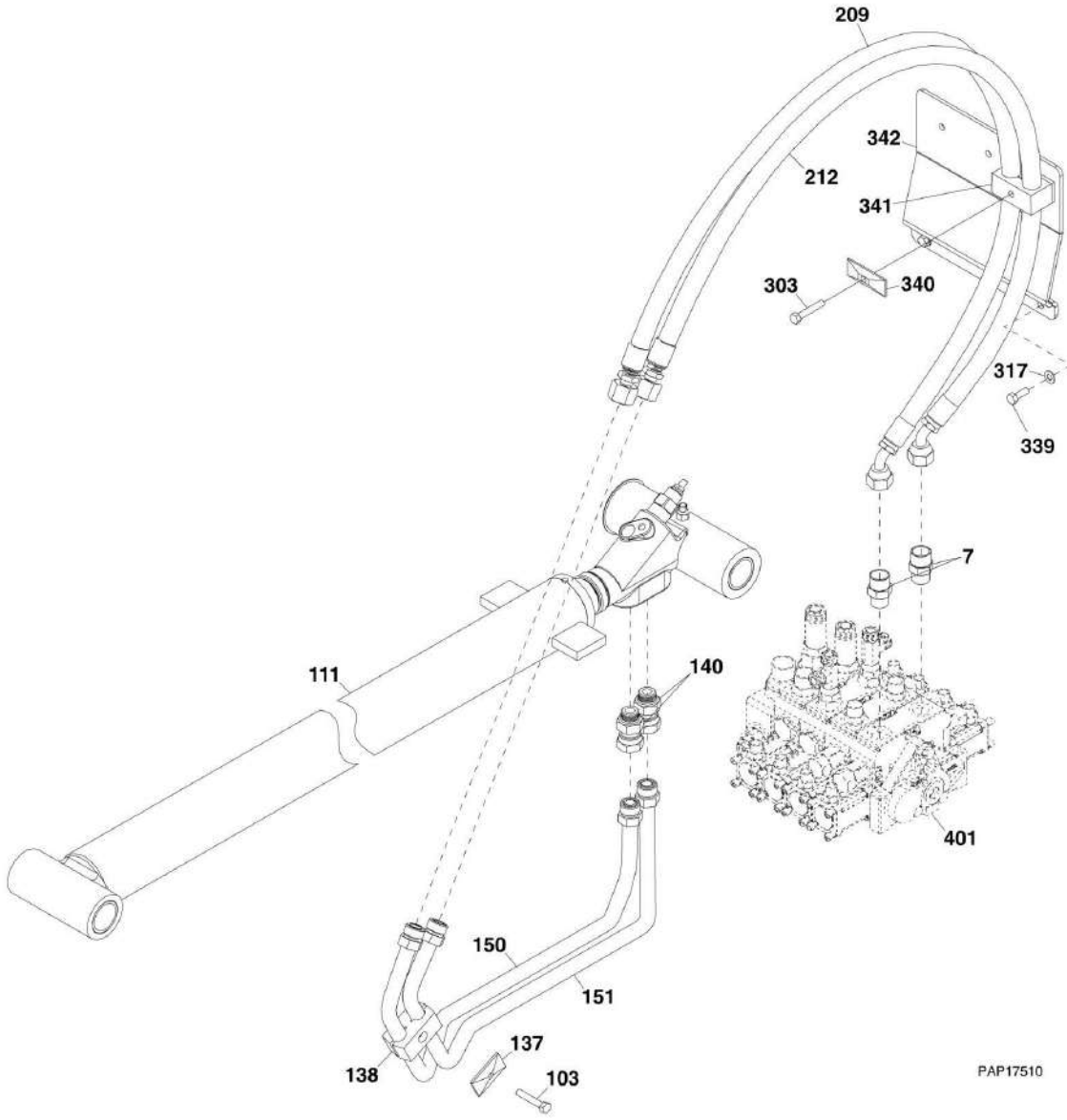
## SECTION 8 - HYDRAULIC CIRCUITS

**FIGURE 8-11. LIFT CYLINDER - 2505 (SN 0160042694 to Present)**

ITEM	PART NUMBER	QTY	DESCRIPTION	REV
9	2111010	3	ADAPTER, (includes o-ring)	
110	1001132411	1	HOSE ASSY	
111	1001132412	1	HOSE ASSY	
209	2170110	1	STRAIGHT FITTING, (includes o-ring)	
300		Ref	LIFT CYLINDER, (See HYDRAULIC COMPONENTS SECTION for Breakdown)	
301		Ref	MAIN CONTROL VALVE, (See HYDRAULIC COMPONENTS SECTION for Breakdown)	
	1001081426	Ref	REMOTE GREASE INSTALLATION, (if equipped), (not available to order, see items 401 thru 405 for service)	A
	1001109664	Ref	REMOTE GREASE INSTALLATION, (if equipped) (not available to order, see items 401 thru 505 for service)	B
401	2220612	1	ELBOW, 90	
402	8520001	1	FITTING	
403	80623016	1	ADAPTER	
404	1001081413	1	HOSE ASSY	
405	8584003	3	CABLE TIE	
501	1001109663	1	BRACKET	
503	0700510	2	HEX HD CAPSCREW, M5X20, GR8.8	
504	4811600	2	WASHER, 5mm	
505	3290505	2	HEX LOCKNUT, M5X8	
601		Ref	REAR LICENSE PLATE HOLDER INSTALLATION, (if equipped), (See FRAME AND ATTACHING PARTSSECTION for Breakdown)	
602		Ref	REAR LICENSE PLATE HOLDER INSTALLATION, (if equipped), (See FRAME AND ATTACHING PARTSSECTION for Breakdown)	

# SECTION 8 - HYDRAULIC CIRCUITS

## FIGURE 8-12. EXTEND/RETRACT CYLINDER



PAP17510



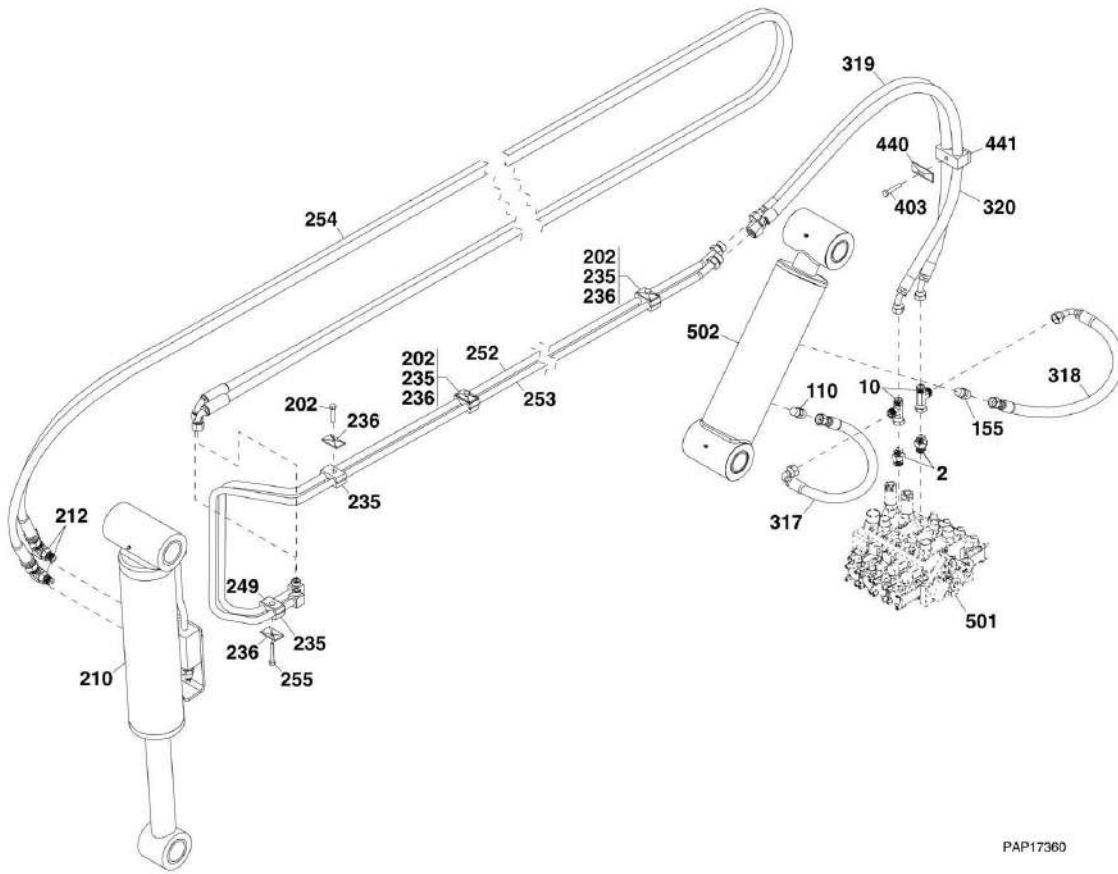
## SECTION 8 - HYDRAULIC CIRCUITS

### FIGURE 8-12. EXTEND/RETRACT CYLINDER

ITEM	PART NUMBER	QTY	DESCRIPTION	REV
7	2111010	2	ADAPTER, (includes o-ring)	
103	0641514	1	HEX HD CAPSCREW, 5/16-18X1-3/4, GR5	
111		Ref	EXTEND/RETRACT CYLINDER, (See HYDRAULIC COMPONENTS SECTION for Breakdown)	
137	8769128	1	TWIN COVER PLATE	
138	8769139	1	CLAMP SET, 3/4 DIA	
140	1001001556	2	ADAPTER	
150	1001080203	1	TUBE ASSY	
151	1001080204	1	TUBE ASSY	
209	1001080293	1	HOSE ASSY	
212	1001080309	1	HOSE ASSY	
303	0641420	1	HEX HD CAPSCREW, 5/16-18X1-3/4, GR5	
317	4711500	2	WASHER, 5/16	
339	0641607	2	HEX HD CAPSCREW, 3/8-16X7/8, GR5	
340	77133137	1	COVER PLATE	
341	77323029	1	CLAMP SET	
342	1001097684	1	HOSE CLAMP SUPPORT	
401		Ref	MAIN CONTROL VALVE, (See HYDRAULIC COMPONENTS SECTION for Breakdown)	

# SECTION 8 - HYDRAULIC CIRCUITS

## FIGURE 8-13. TILT AND COMPENSATING



PAP17360

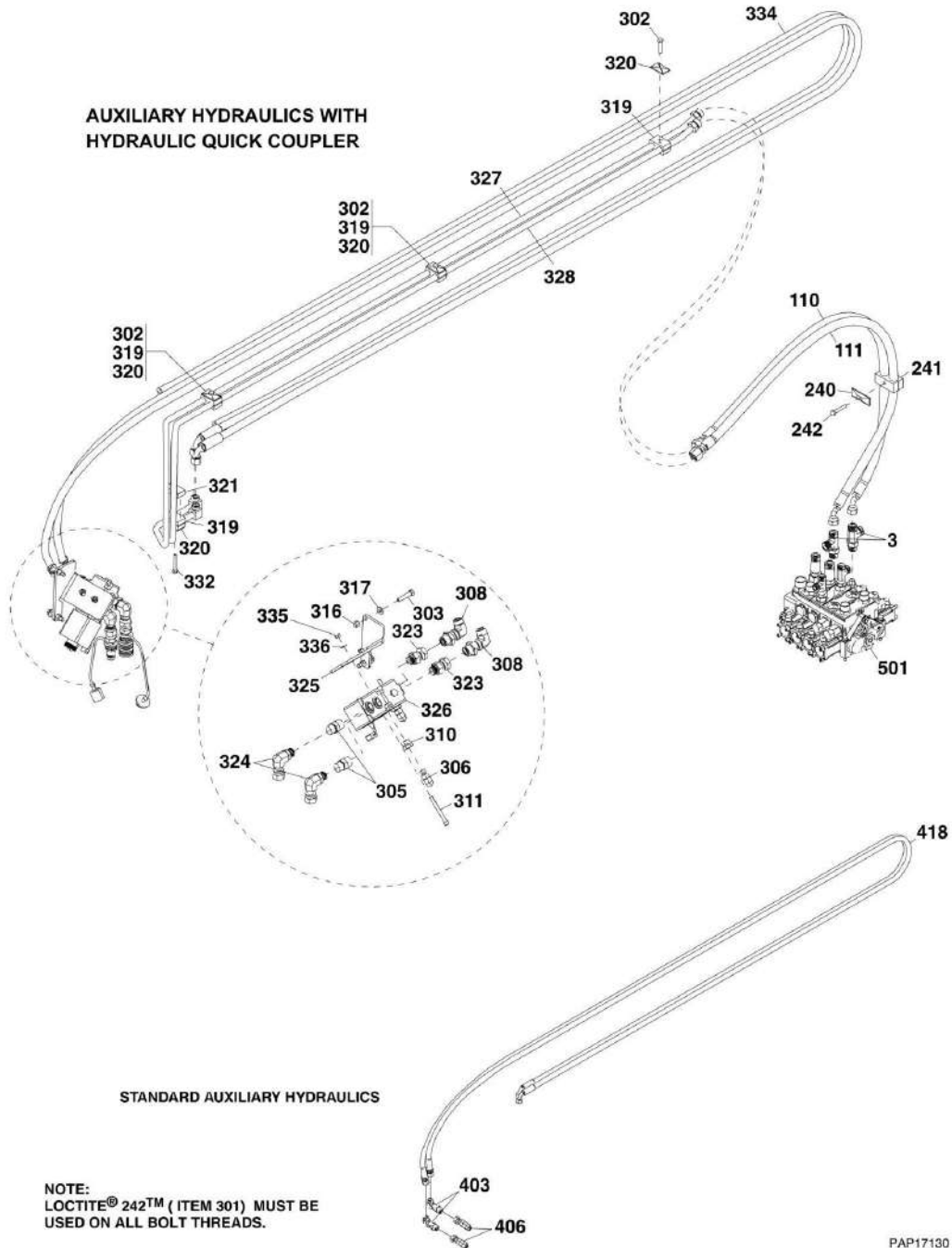
## SECTION 8 - HYDRAULIC CIRCUITS

### FIGURE 8-13. TILT AND COMPENSATING

ITEM	PART NUMBER	QTY	DESCRIPTION	REV
2	2110810	2	ADAPTER, (includes o-ring)	
10	2170708	2	SWIVEL TEE	
110	2110808	1	ADAPTER, (includes o-ring)	
155	2150808	1	ADAPTER, (includes o-ring)	
202	0641512	3	HEX HD CAPSCREW, 5/16-18X1-1/2, GR5	
210		Ref	TILT CYLINDER, (See HYDRAULIC COMPONENTS SECTION for Breakdown)	
212	2131008	2	ELBOW, 90	
235	8769122	4	TWIN CLAMP, 5/8 DIA	
236	8769123	4	TWIN COVER PLATE	
249	1001080394	1	TWIN SPACER	
252	1001080205	1	TUBE ASSY	
253	1001080206	1	TUBE ASSY	
254	1001080209	1	TWIN LINE HOSE ASSY	
255	0641516	1	HEX HD CAPSCREW, 5/16-18X2, GR5	
317	1001080430	1	HOSE ASSY (Prior to SN 0160036087, Including 0160036088, 0160036093, 0160036096 and 0160036283, Excluding 0160035503, 0160036071, 0160036076, 0160036077 and 0160036082)	
317	1001081347	1	HOSE ASSY (SN 0160036087 to Present, Including 0160035503, 0160036071, 0160036076, 0160036077 and 0160036082, Excluding 0160036088, 0160036093, 0160036096 and 0160036283)	
318	1001080431	1	HOSE ASSY (Prior to SN 0160036087, Including 0160036088, 0160036093, 0160036096 and 0160036283, Excluding 0160035503, 0160036071, 0160036076, 0160036077 and 0160036082)	
318	1001081348	1	HOSE ASSY (SN 0160036087 to Present, Including 0160035503, 0160036071, 0160036076, 0160036077 and 0160036082, Excluding 0160036088, 0160036093, 0160036096 and 0160036283)	
319	1001080437	1	HOSE ASSY	
320	1001080438	1	HOSE ASSY	
403	0641514	1	HEX HD CAPSCREW, 5/16-18X1-3/4, GR5	
440	77133137	1	COVER PLATE	
441	77323029	1	CLAMP SET	
501		Ref	MAIN CONTROL VALVE, (See HYDRAULIC COMPONENTS SECTION for Breakdown)	
502		Ref	TILT COMPENSATING CYLINDER, (See HYDRAULIC COMPONENTS SECTION for Breakdown)	

# SECTION 8 - HYDRAULIC CIRCUITS

## FIGURE 8-14. AUXILIARY HYDRAULICS



PAP17130

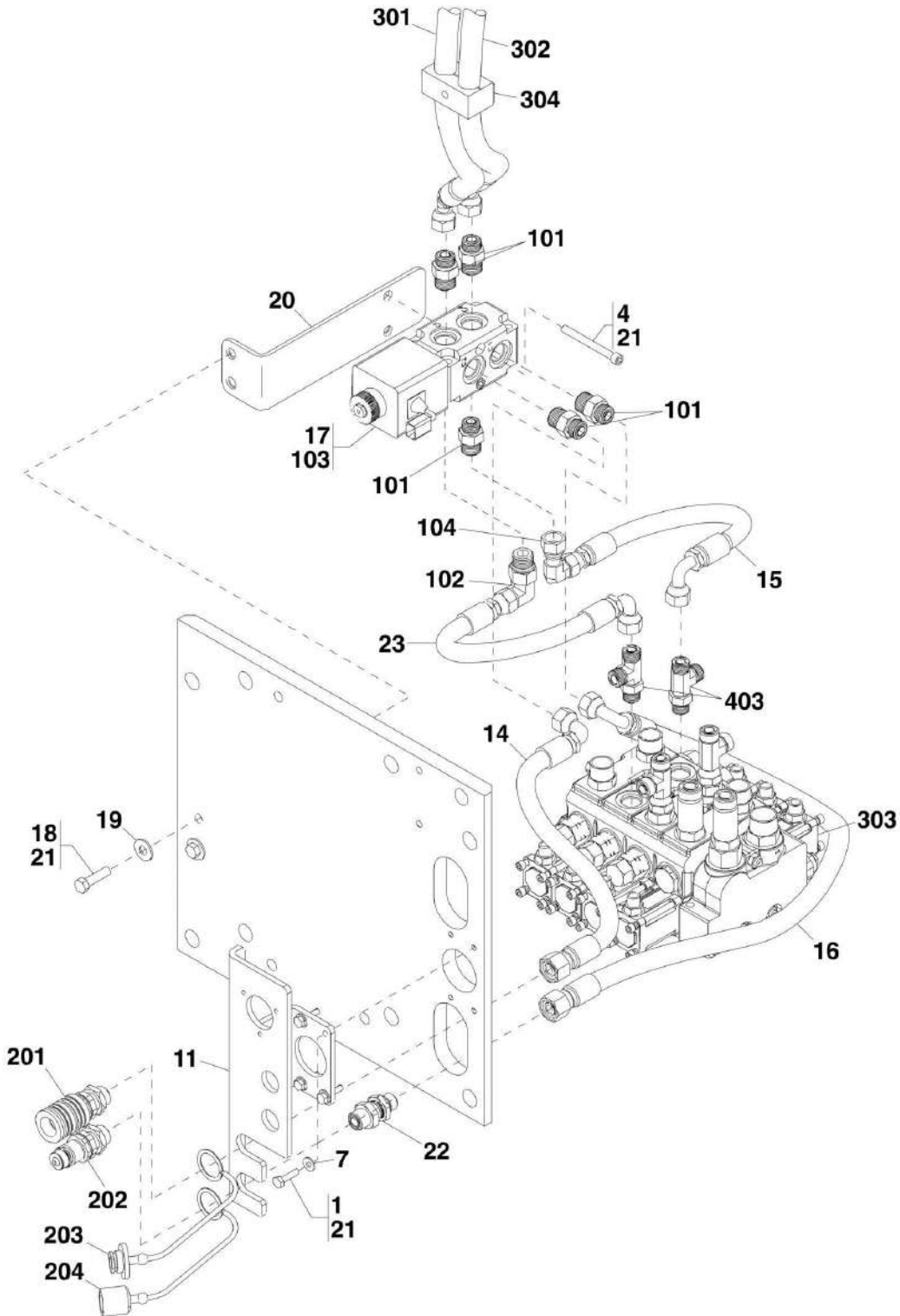
## SECTION 8 - HYDRAULIC CIRCUITS

### FIGURE 8-14. AUXILIARY HYDRAULICS

ITEM	PART NUMBER	QTY	DESCRIPTION	REV
3	2170308	2	TEE FITTING, (includes o-ring)	
110	1001080294	1	HOSE ASSY ( <b>Prior to SN 0160042694</b> )	
110	1001135799	1	HOSE ASSY ( <b>SN 0160042694 to Present</b> )	
111	1001080308	1	HOSE ASSY ( <b>Prior to SN 0160042694</b> )	
111	1001135799	1	HOSE ASSY ( <b>SN 0160042694 to Present</b> )	
240	77133137	1	COVER PLATE	
241	77323029	1	CLAMP SET	
242	88201023	1	HEX HD CAPSCREW, 5/16X1-3/4	
	1001080301	Ref	AUXILIARY HYDRAULICS WITH HYDRAULIC QUICK COUPLER INSTALLATION, (if equipped), (not available to order, see items 301 thru 336 for service)	J
	1001080237	Ref	STANDARD AUXILIARY HYDRAULICS INSTALLATION, (2505 - AUS), (G5-18A & 2505 - CE, if equipped), (not available to order, see items 301& 302, 319 thru 321, 327 & 328, 332, 403, 406 & 418 for service)	F
301	0100011	AR	LOCTITE 242	
302	0641512	3	HEX HD CAPSCREW, 5/16-18X1-1/2, GR5	
303	0641614	2	HEX HD CAPSCREW, 3/8-16X1-3/4, GR5	
305	2111010	2	ADAPTER, (includes o-ring)	
306	2150606	2	ELBOW, 45	
308	2221290	2	ELBOW, 90	
310	2220218	2	ADAPTER, (includes o-ring)	
311	3931548	2	SOCKET HD CAPSCREW, 5/16-18X3	
316	8305645	2	HEX LOCKNUT, 3/8-16	
317	8307110	2	WASHER, 3/8	
319	8769122	4	CLAMP SET, 5/8 DIA	
320	8769123	4	COVER PLATE	
321	1001080394	1	TWIN LINE CLAMP SPACER	
322		Ref	AUXILIARY BOOM HARNESS, (not shown), (See ELECTRICAL SECTION for Breakdown)	
323	1001001556	2	ADAPTER	
324	1001090103	2	FITTING	
325	1001100916	1	BRACKET	
326		Ref	DIVERTOR VALVE, (See HYDRAULIC COMPONENTS SECTION for Breakdown)	
327	1001080207	1	TUBE ASSY	
328	1001080208	1	TUBE ASSY	
331	90027187	AR	CABLE TIE STRAP, (not shown)	
332	0641516	1	HEX HD CAPSCREW, 5/16-18X2	
334	1001080299	1	TRI-LINE HOSE ASSY	
335	8305626	2	HEX LOCKNUT, 5/16	
336	8307106	2	PLAIN WASHER, 5/16	
403	1001090103	2	FITTING	
406	2221290	2	ELBOW, 90	
418	1001080209	1	TWIN LINE HOSE ASSY	
501		Ref	MAIN CONTROL VALVE, (See HYDRAULIC COMPONENTS SECTION for Breakdown)	

# SECTION 8 - HYDRAULIC CIRCUITS

FIGURE 8-15. REAR AUXILIARY HYDRAULICS (G5-18A SN 0160035962 through 0160042086; 2505 SN 0160036070 through 0160042693)



PAL3983

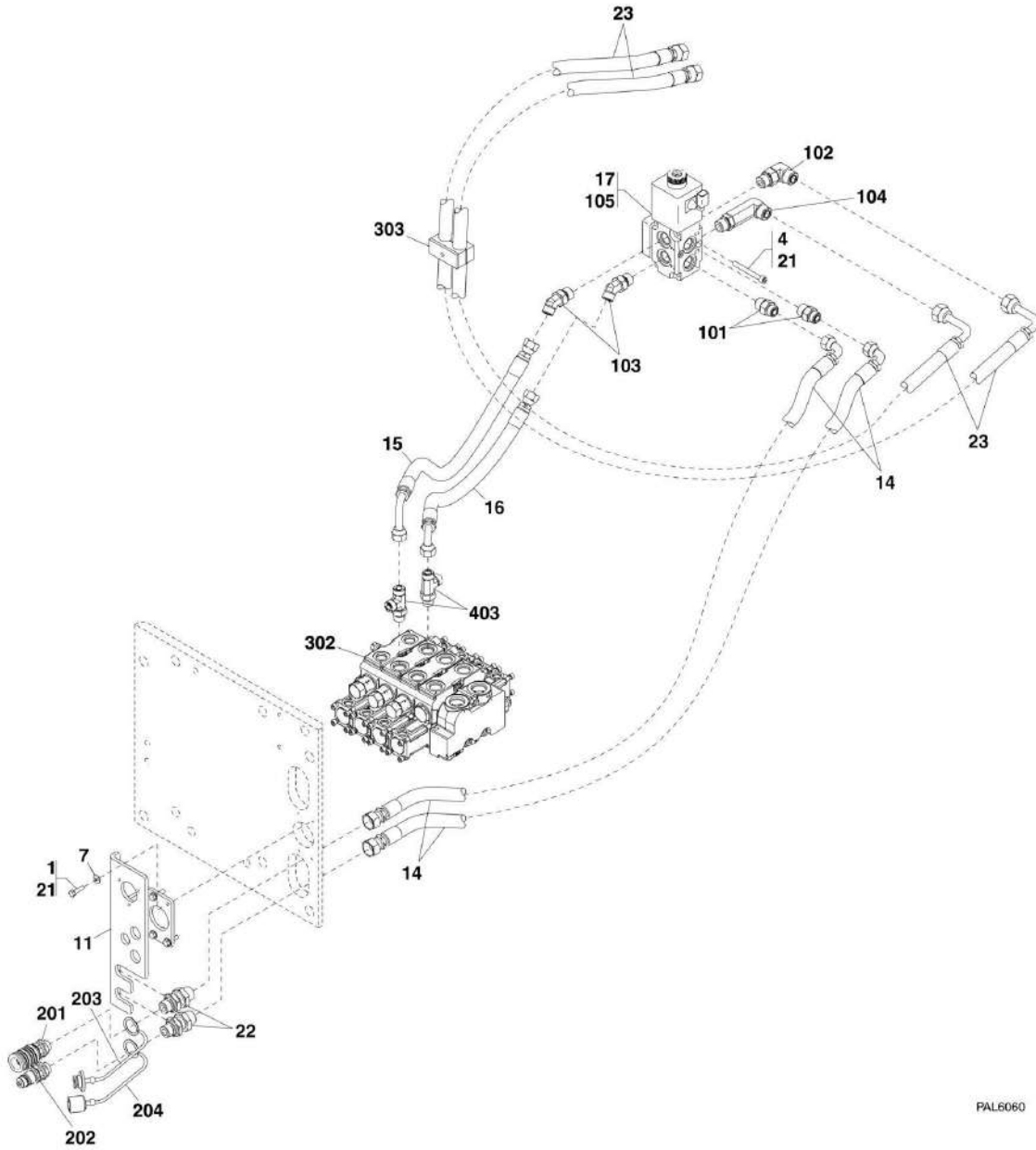
## SECTION 8 - HYDRAULIC CIRCUITS

**FIGURE 8-15. REAR AUXILIARY HYDRAULICS (G5-18A SN 0160035962 through 0160042086; 2505 SN 0160036070 through 0160042693)**

ITEM	PART NUMBER	QTY	DESCRIPTION	REV
	1001112165	Ref	REAR AUXILIARY HYDRAULIC INSTALLATION, (G5-18A & 2505 - CE, if equipped), (not available to order, see items 1 thru 23 for service)	B, H
	1001112167	Ref	REAR AUXILIARY HYDRAULIC INSTALLATION, (2505 - AUS, if equipped), (not available to order, see items 4, 12 & 14 thru 23 for service)	B, H
1	0641408	4	HEX HD CAPSCREW, 1/4-20X1, GR5	
4	3931548	2	SOCKET HD CAPSCRW, 5/16-18X3	
7	4711400	4	WASHER, 1/4	
11	1001080240	1	TRAILER HITCH BRACKET	
12		Ref	AUXILIARY HYDRAULIC SWITCH, (not shown), (See ELECTRICAL SECTION for Breakdown)	
14	1001101208	1	HOSE ASSY	
15	1001080625	1	HOSE ASSY	
16	1001101209	1	HOSE ASSY	
17	1001080628	Ref	DIVERTOR VALVE INSTALLATION, (not available to order, see items 101 thru 104)	F
18	0641611	2	HEX HD CAPSCREW, 3/8-16X1-3/8, GR5	
19	4751600	2	FLAT WASHER, 3/8	
20	1001098648	1	BRACKET	
21	0100011	AR	LOCTITE 242	
22	1001101235	2	ADAPTER, (includes o-ring)	
23	1001101236	1	HOSE ASSY	
101	2110810	5	ADAPTER, (includes o-ring)	
102	2130810	1	ADAPTER, 90, (includes o-ring)	
103		Ref	DIVERTOR VALVE, (See HYDRAULIC COMPONENTS SECTION for Breakdown)	
104	2172108	1	ADAPTER, 90, (includes o-ring)	
	1001101039	1	QUICK DISCONNECT KIT, (FLAT FACED), (if equipped), (includes items 201 thru 204)	A
	1001101040	1	QUICK DISCONNECT KIT, (AG STYLE), (if equipped), (includes items 201 thru 204)	A
201	1001101041	1	MALE COUPLING, (FLAT FACED)	
201	1001001241	1	MALE COUPLING, (AG STYLE)	
202	1001101042	1	FEMALE COUPLING, (FLAT FACED)	
202	1001001240	1	FEMALE COUPLING, (AG STYLE)	
203	8420053	1	DUST CAP	
204	8420055	1	DUST PLUG, (FLAT FACED)	
204	1001001557	1	DUST PLUG, (AG STYLE)	
301		Ref	HOSE ASSY, (See AUXILIARY HYDRAULICS for Breakdown)	
302		Ref	HOSE ASSY, (See AUXILIARY HYDRAULICS for Breakdown)	
303		Ref	MAIN CONTROL VALVE, (See HYDRAULIC COMPONENTS SECTION for Breakdown)	
304		Ref	CLAMP SET, (See AUXILIARY HYDRAULICS for Breakdown)	
403		Ref	ADAPTER, (See AUXILIARY HYDRAULICS for Breakdown)	

# SECTION 8 - HYDRAULIC CIRCUITS

FIGURE 8-16. REAR AUXILIARY HYDRAULICS (G5-18A SN 0160042093 to Present; 2505 SN 0160042694 to Present)



PAL6060



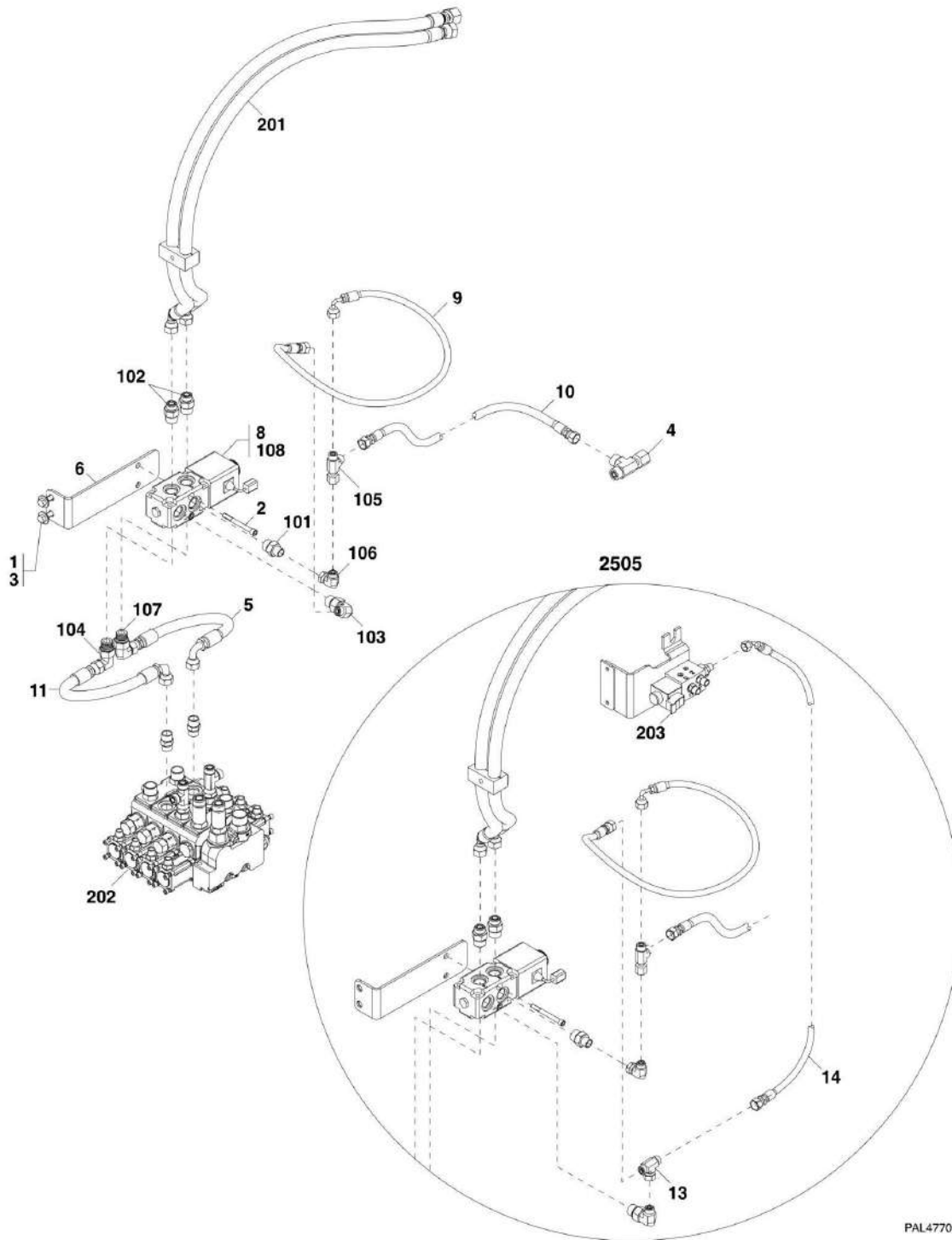
## SECTION 8 - HYDRAULIC CIRCUITS

**FIGURE 8-16. REAR AUXILIARY HYDRAULICS (G5-18A SN 0160042093 to Present; 2505 SN 0160042694 to Present)**

ITEM	PART NUMBER	QTY	DESCRIPTION	REV
	1001135759	Ref	REAR AUXILIARY HYDRAULIC INSTALLATION, (G5-18A & 2505 - CE, if equipped), (not available to order, see items 1, 4, 7, 11, 12, 14 thru 17 & 21 thru 23 for service)	A,A
1	0641408	4	HEX HD CAPSCREW, 1/4-20X1, GR5	
4	4031918	2	HEX SOCKET HD CAPSCREW, M8X70	
7	4711400	4	WASHER, 1/4	
11	1001080240	1	TRAILER HITCH BRACKET	
12		Ref	AUXILIARY HYDRAULIC SWITCH, (not shown), (See ELECTRICAL SECTION for Breakdown)	
14	1001135801	2	HOSE ASSY	
15	1001135803	1	HOSE ASSY	
16	1001135805	1	HOSE ASSY	
17	1001135807	Ref	DIVERTOR VALVE INSTALLATION, (not available to order, see items 101 thru 105)	A
21	0100011	AR	LOCTITE 242	
22	1001101235	2	ADAPTER, (includes o-ring)	
23		Ref	HOSE ASSY, (See AUXILIARY HYDRAULICS for Breakdown)	
101	2110810	2	ADAPTER, (includes o-ring)	
102	2131010	1	ADAPTER, 90, (includes o-ring)	
103	2150810	2	ADAPTER, 45, (includes o-ring)	
104	2170210	1	ADAPTER, 90, (includes o-ring)	
105		Ref	DIVERTOR VALVE, (See HYDRAULIC COMPONENTS SECTION for Breakdown)	
	1001101039	1	QUICK DISCONNECT KIT, (FLAT FACED), (if equipped), (includes items 201 thru 204)	A
	1001101040	1	QUICK DISCONNECT KIT, (AG STYLE), (if equipped), (includes items 201 thru 204)	A
201	1001101041	1	MALE COUPLING, (FLAT FACED)	
201	1001001241	1	MALE COUPLING, (AG STYLE)	
202	1001101042	1	FEMALE COUPLING, (FLAT FACED)	
202	1001001240	1	FEMALE COUPLING, (AG STYLE)	
203	8420053	1	DUST CAP	
204	8420055	1	DUST PLUG, (FLAT FACED)	
204	1001001557	1	DUST PLUG, (AG STYLE)	
302		Ref	MAIN CONTROL VALVE, (See HYDRAULIC COMPONENTS SECTION for Breakdown)	
303		Ref	CLAMP SET, (See AUXILIARY HYDRAULICS for Breakdown)	
403		Ref	ADAPTER, (See AUXILIARY HYDRAULICS for Breakdown)	

# SECTION 8 - HYDRAULIC CIRCUITS

FIGURE 8-17. AUXILIARY HYDRAULICS PRESSURE RELIEF (G5-18A Prior to SN 0160035962; 2505 Prior to SN 0160036070)



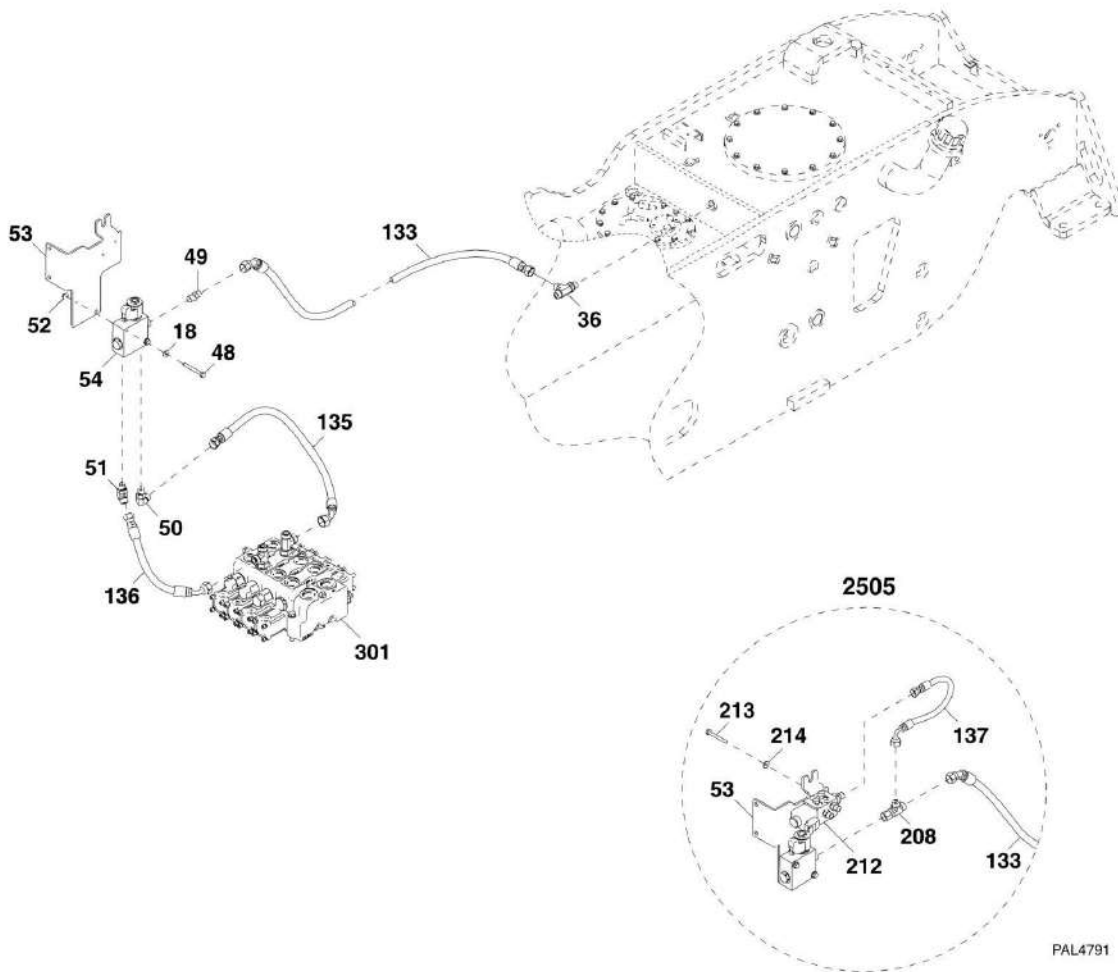
## SECTION 8 - HYDRAULIC CIRCUITS

**FIGURE 8-17. AUXILIARY HYDRAULICS PRESSURE RELIEF (G5-18A Prior to SN 0160035962; 2505 Prior to SN 0160036070)**

ITEM	PART NUMBER	QTY	DESCRIPTION	REV
	1001104790	Ref	AUXILIARY HYDRAULICS PRESSURE RELIEF, (G5-18A), (not available to order, see items 1 thru 12 for service)	
	1001104791	Ref	AUXILIARY HYDRAULICS PRESSURE RELIEF, (2505), (not available to order, see items 1 thru 3 & 105 thru 114 for service)	
1	0641611	2	HEX HD CAPSCREW, 3/8-16X1 3/8, GR5	
2	3931548	2	SOCKET HD CAPSCRW, 5/16-18X3	
3	4751600	2	WASHER, 3/8	
4	2170706	1	ADAPTOR	
5	1001080625	1	HOSE ASSY	
6	1001098648	1	BRACKET	
7		Ref	AUXILIARY HYDRAULICS PRESSURE RELIEF SWITCH, (not shown), (See ELECTRICAL SECTION for Breakdown)	
8	1001104726	1	AUXILIARY HYDRAULICS PRESSURE RELIEF VALVE ASSY, (includes items 101 thru 108)	
9	1001104728	1	HOSE	
10	1001104729	1	HOSE	
11	1001081326	1	HOSE	
13	2170806	1	ADAPTOR	
14	1001104727	1	HOSE	
101	2110610	1	ADAPTOR, (includes o-ring)	
102	2110810	3	ADAPTOR, (includes o-ring)	
103	2130610	1	ADAPTOR, (includes o-ring)	
104	2130810	1	ADAPTOR, (includes o-ring)	
105	2170706	1	ADAPTOR, (includes o-ring)	
106	2172106	1	ADAPTOR, (includes o-ring)	
107	2172108	1	ADAPTOR, (includes o-ring)	
108		Ref	DIVERTOR VALVE, (See HYDRAULIC COMPONENTS SECTION for Breakdown)	
201		Ref	HOSE ASSY, (See AUXILIARY HYDRAULICS for Breakdown)	
202		Ref	MAIN CONTROL VALVE, (See HYDRAULIC COMPONENTS SECTION for Breakdown)	
203		Ref	LSI VALVE, (See HYDRAULIC COMPONENTS SECTION for Breakdown)	

# SECTION 8 - HYDRAULIC CIRCUITS

FIGURE 8-18. AUXILIARY HYDRAULICS PRESSURE RELIEF (G5-18A SN 0160035962 through 0160042086; 2505 SN 0160036070 through 0160042694)



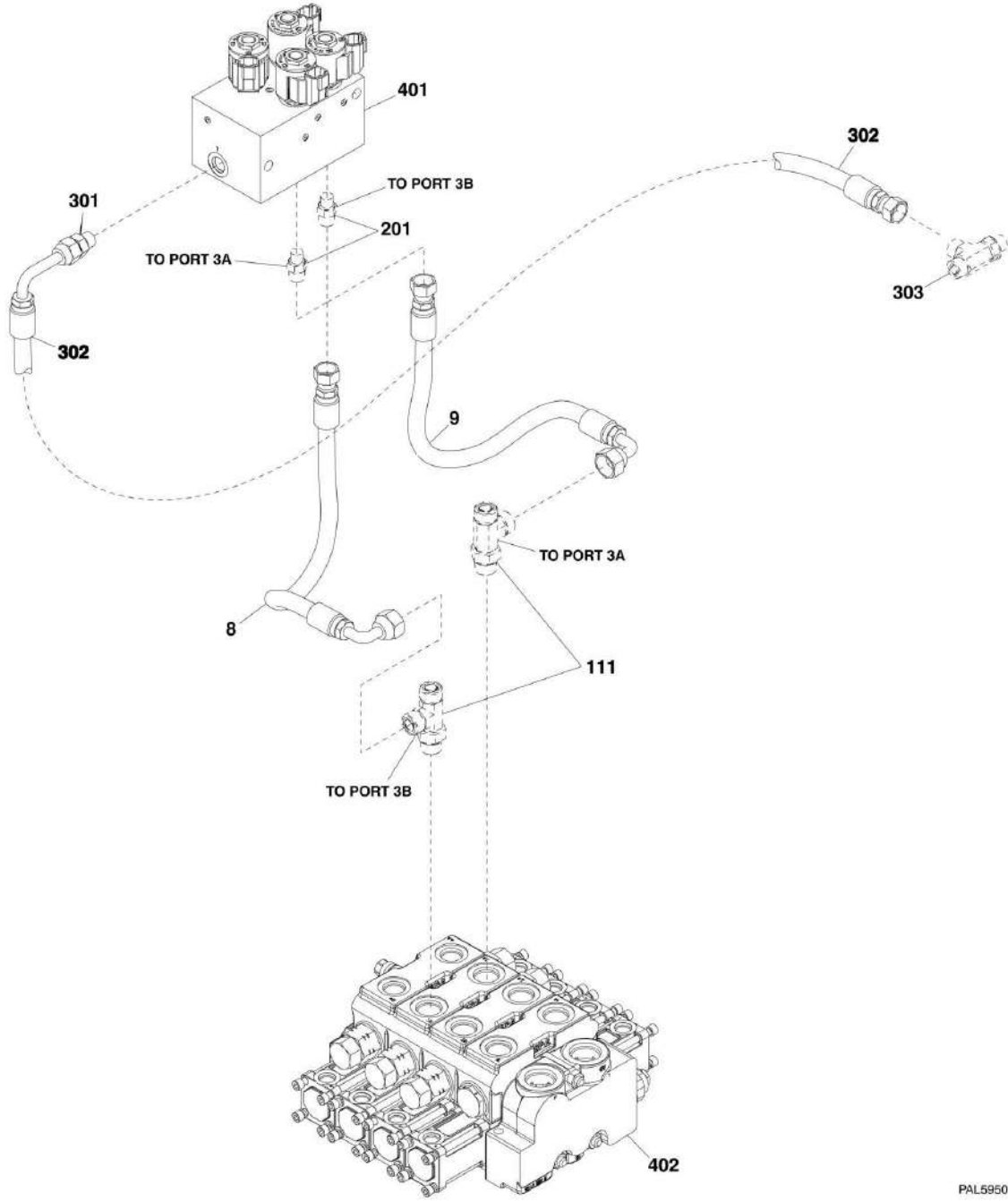
## SECTION 8 - HYDRAULIC CIRCUITS

**FIGURE 8-18. AUXILIARY HYDRAULICS PRESSURE RELIEF (G5-18A SN 0160035962 through 0160042086; 2505 SN 0160036070 through 0160042694)**

ITEM	PART NUMBER	QTY	DESCRIPTION	REV
18	4891400	2	WASHER	
36	2170306	1	TEE FITTING, (includes o-ring)	
48	0641418	2	HEX HD CAPSCREW, 1/4-20X2-1/4, GR5	
49	2110606	1	ADAPTER, (includes o-ring)	
50	2130606	1	ADAPTER, 90, (includes o-ring)	
51	2150606	1	ADAPTER, 45, (includes o-ring)	
52	8310382	2	NUT, 0.25-20	
53	1001081336	1	BRACKET	
54		Ref	AUXILIARY HYDRAULIC PRESSURE RELIEF VALVE, (See HYDRAULIC COMPONENTS SECTION for Breakdown)	
133	1001081343	1	HOSE ASSY	
135	1001081344	1	HOSE ASSY	
136	1001081345	1	HOSE ASSY	
137	1001081346	1	HOSE ASSY, (2505)	
208	2170706	1	ADAPTER, (includes o-ring), (2505)	
212		Ref	LSI VALVE ASSY, (2505), (See HYDRAULIC COMPONENTS SECTION for Breakdown)	
213	0681404	2	HEX HD CAPSCREW, 1/4-20X1/2, GR8, (2505)	
214	8307202	2	WASHER, 0.25, (2505)	
301		Ref	MAIN CONTROL VALVE, (See HYDRAULIC COMPONENTS SECTION for Breakdown)	

# SECTION 8 - HYDRAULIC CIRCUITS

FIGURE 8-19. AUXILIARY HYDRAULICS PRESSURE RELIEF (G5-18A SN 0160042093 to Present;  
2505 SN 0160042694 to Present)



PAL5950

## SECTION 8 - HYDRAULIC CIRCUITS

**FIGURE 8-19. AUXILIARY HYDRAULICS PRESSURE RELIEF (G5-18A SN 0160042093 to Present;  
2505 SN 0160042694 to Present)**

ITEM	PART NUMBER	QTY	DESCRIPTION	REV
8	1001129925	1	HOSE ASSY	
9	1001129926	1	HOSE ASSY	
111		Ref	TEE FITTING, (See AUXILIARY HYDRAULICS for Breakdown)	
201	2110606	2	STRAIGHT FITTING, (includes o-ring)	
301		Ref	STRAIGHT FITTING, (includes o-ring), (See DUMP CIRCUIT for Breakdown)	
302		Ref	HOSE ASSY, (See DUMP CIRCUIT for Breakdown)	
303		Ref	TEE FITTING, (See DUMP CIRCUIT for Breakdown)	
401		Ref	PILOT SELECT VALVE, (See HYDRAULIC COMPONENTS SECTION for Breakdown)	
402		Ref	MAIN CONTROL VALVE, (See HYDRAULIC COMPONENTS SECTION for Breakdown)	

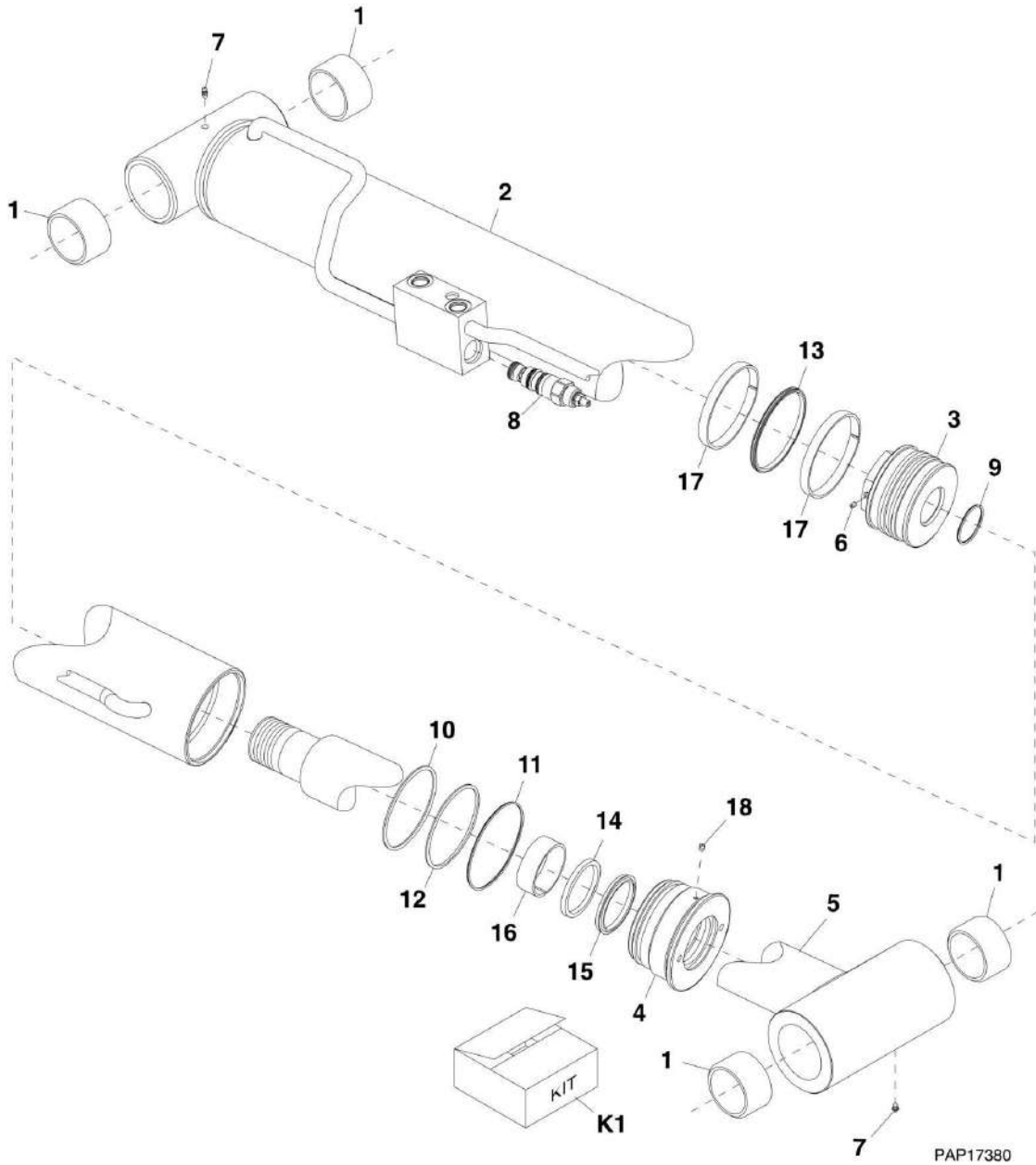




**SECTION 9 - HYDRAULIC COMPONENTS**

# SECTION 9 - HYDRAULIC COMPONENTS

FIGURE 9-1. LIFT CYLINDER (G5-18A SN 0160032850 through 0160053000, Excluding 0160051045; 2505 Prior to SN 0160042694; Excluding 0160051047, 0160051049, 0160051194 and 0160051359)



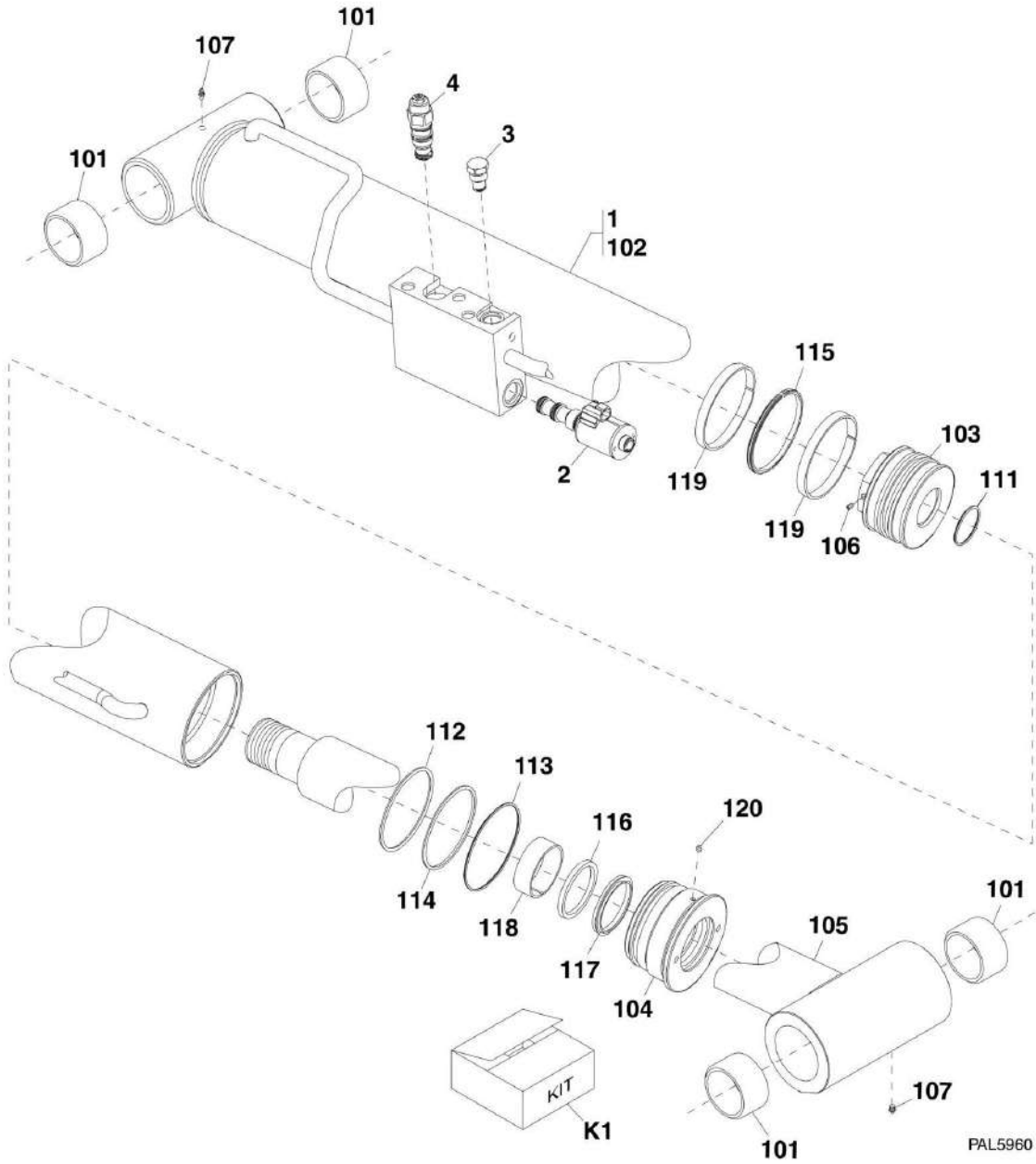
## SECTION 9 - HYDRAULIC COMPONENTS

**FIGURE 9-1. LIFT CYLINDER (G5-18A SN 0160032850 through 0160053000, Excluding 0160051045; 2505 Prior to SN 0160042694; Excluding 0160051047, 0160051049, 0160051194 and 0160051359)**

ITEM	PART NUMBER	QTY	DESCRIPTION	REV
	1684511	1	LIFT CYLINDER, (includes all items)	G
1	70020370	4	BUSHING	
2	70020371	1	CASE ASSY	
3	70020372	1	PISTON	
4	70020373	1	HEAD GLAND	
5	70020374	1	ROD	
6	8036629	3	SET SCREW, 3/8-16X3/4	
7	70020375	2	GREASE FITTING	
8	70020376	1	COUNTERBALANCE VALVE	
9	Kit	1	O-RING	
10	Kit	1	O-RING	
11	Kit	1	O-RING	
12	Kit	1	BACK-UP RING	
13	Kit	1	DISO-PAC	
14	Kit	1	DZR SEAL	
15	Kit	1	ROD WIPER	
16	Kit	1	PRECISION WEARBAND	
17	Kit	2	PRECISION WEARBAND WITH OIL SLOTS	
18	Kit	2	LOCKING INSERT	
K1	70020377	1	SEAL KIT, (includes items 9 thru 18)	

# SECTION 9 - HYDRAULIC COMPONENTS

FIGURE 9-2. LIFT CYLINDER (2505 SN 0160042694 to Present)



PAL5960

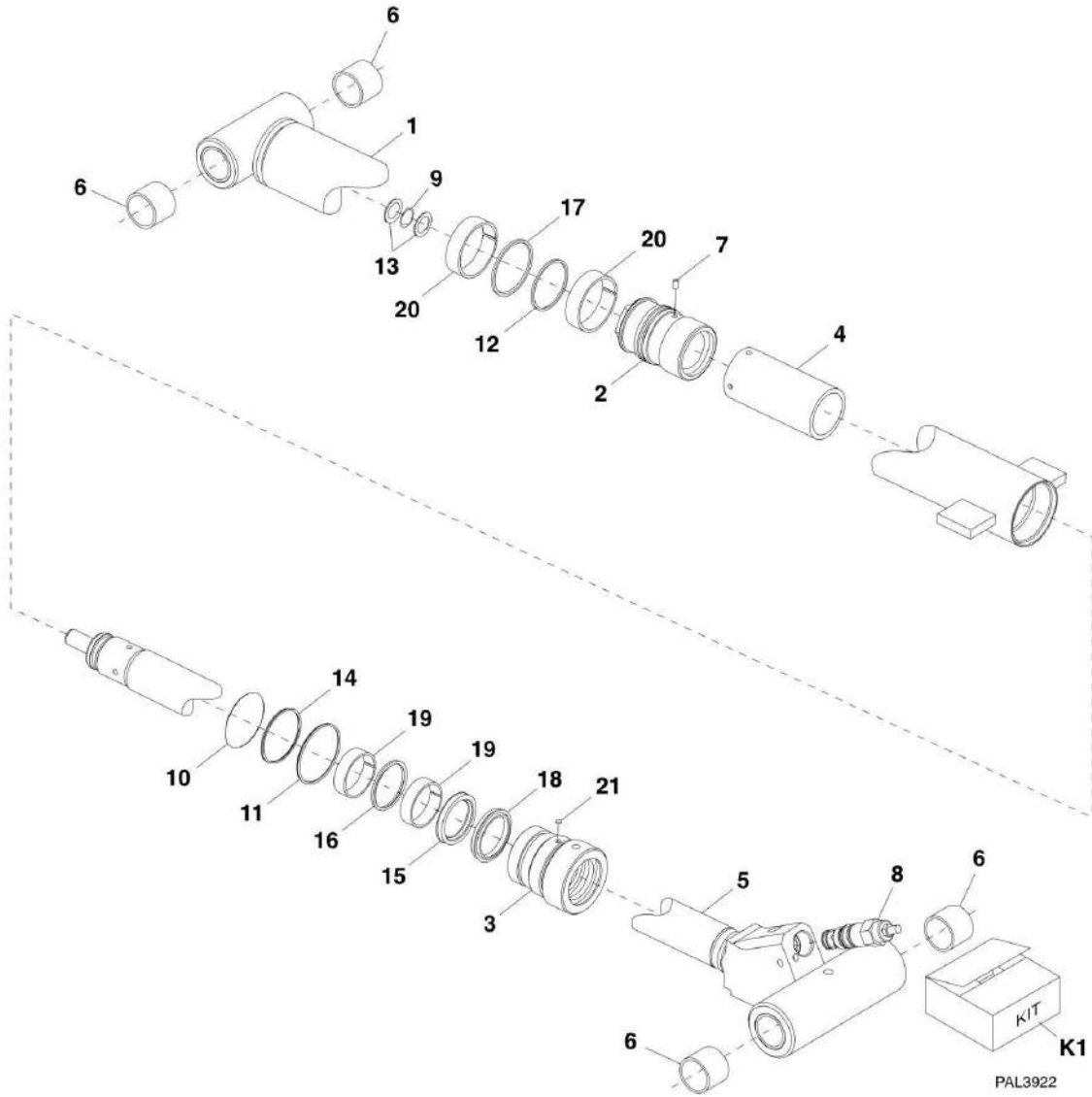
## SECTION 9 - HYDRAULIC COMPONENTS

**FIGURE 9-2. LIFT CYLINDER (2505 SN 0160042694 to Present)**

ITEM	PART NUMBER	QTY	DESCRIPTION	REV
	1001132210	1	LIFT CYLINDER ASSY, (includes items 1 thru 4)	A
1	1001132161	Ref	LIFT CYLINDER, (not available to order, use 1001132210 for replacement or items 101 thru 120 for service)	A
2	1001132207	1	FLOW CONTROL VALVE, (torque to 30-35 lb-ft)	
3	1001132208	1	CHECK VALVE, (torque to 20-25 lb-ft)	
4	1001132209	1	COUNTERBALANCE VALVE, (torque to 45-50 lb-ft)	
101	70020370	4	BUSHING	
102	70023973	1	CYLINDER BARREL	
103	70020372	1	PISTON	
104	70020373	1	HEAD GLAND	
105	70023974	1	CYLINDER ROD	
106	8036629	3	SET SCREW, 3/8-16X3/4	
107	70020375	2	GREASE FITTING	
111	Kit	1	O-RING	
112	Kit	1	O-RING	
113	Kit	1	O-RING	
114	Kit	1	BACK-UP RING	
115	Kit	1	DISO-PAC	
116	Kit	1	DZR SEAL	
117	Kit	1	ROD WIPER	
118	Kit	1	PRECISION WEARBAND	
119	Kit	2	PRECISION WEARBAND WITH OIL SLOTS	
120	Kit	2	LOCKING INSERT	
K1	70020377	1	SEAL KIT, (includes items 111 thru 120)	

# SECTION 9 - HYDRAULIC COMPONENTS

## FIGURE 9-3. EXTEND/RETRACT CYLINDER



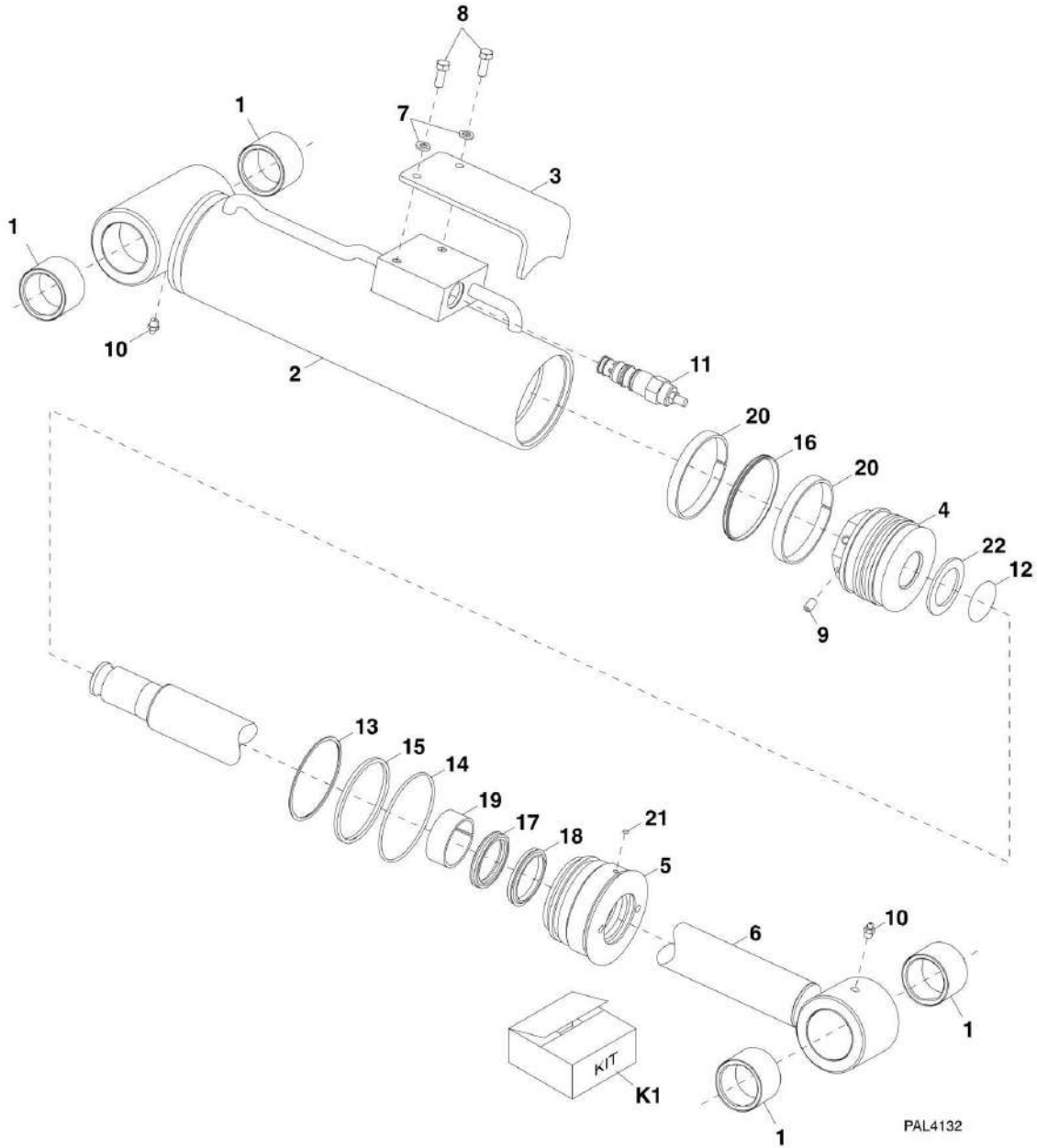
## SECTION 9 - HYDRAULIC COMPONENTS

### FIGURE 9-3. EXTEND/RETRACT CYLINDER

ITEM	PART NUMBER	QTY	DESCRIPTION	REV
	1684517	1	EXTEND/RETRACT CYLINDER, (includes all items)	C
1	70020394	1	CASE ASSY	
2	70020395	1	PISTON	
3	70020396	1	HEAD GLAND	
4	70020397	1	ROD SPACER	
5	70020398	1	ROD	
6	70020399	4	BUSHING	
7	70020400	1	SET SCREW, 1/4-20X44	
8	70020376	1	COUNTERBALANCE VALVE	
9	Kit	1	O-RING	
10	Kit	1	O-RING	
11	Kit	1	O-RING	
12	Kit	1	SQUARE RING	
13	Kit	2	BACKUP RING	
14	Kit	1	BACKUP RING	
15	Kit	1	U-CUP	
16	Kit	1	BUFFER SEAL	
17	Kit	1	PISTON SEAL	
18	Kit	1	ROD WIPER	
19	Kit	2	PRECISION WEARBAND	
20	Kit	2	PRECISION WEARBAND	
21	Kit	2	LOCKING INSERT	
K1	70020401	1	SEAL KIT, (includes items 9 thru 21)	

# SECTION 9 - HYDRAULIC COMPONENTS

## FIGURE 9-4. TILT CYLINDER





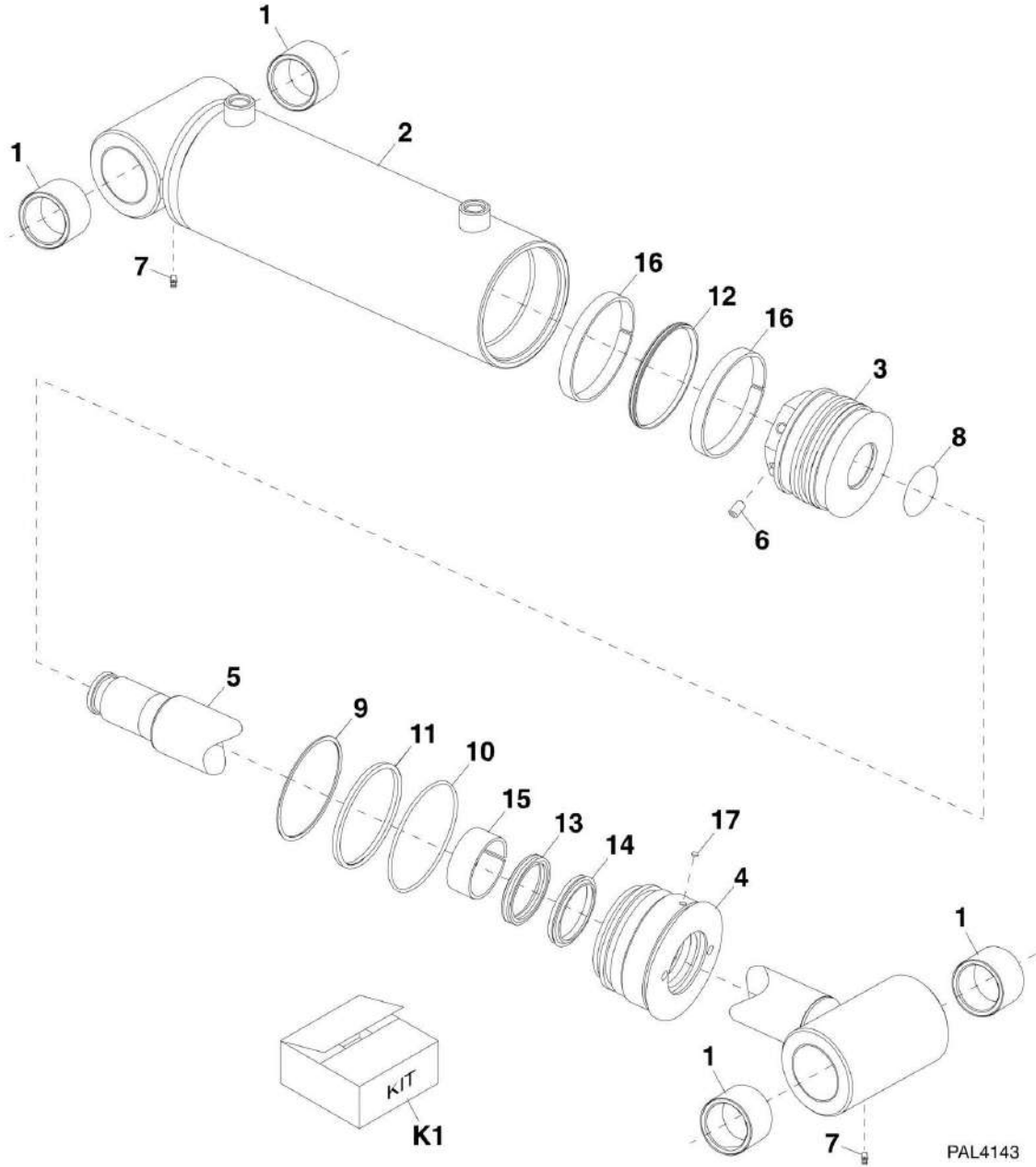
## SECTION 9 - HYDRAULIC COMPONENTS

### FIGURE 9-4. TILT CYLINDER

ITEM	PART NUMBER	QTY	DESCRIPTION	REV
	1684515	1	TILT CYLINDER, (includes all items)	E
1	70020370	4	BUSHING	
2	70020378	1	CASE ASSY	
3	70020379	1	PROTECTIVE COVER	
4	70020380	1	PISTON	
5	70020381	1	HEAD GLAND	
6	70020382	1	ROD	
7	8035767	2	SPRING LOCKWASHER, 3/8	
8	70020384	2	HEX HD CAPSCREW, 3/8-16X1	
9	8036633	3	SET SCREW, 3/8-16X0.63	
10	70020375	2	LUBE FITTING	
11	70020376	1	COUNTERBALANCE VALVE	
12	Kit	1	O-RING	
13	Kit	1	O-RING	
14	Kit	1	O-RING	
15	Kit	1	BACKUP RING	
16	Kit	1	DISO-PAC	
17	Kit	1	DZR SEAL	
18	Kit	1	ROD WASHER	
19	Kit	1	PRECISION WEARBAND	
20	Kit	2	PRECISION WEARBAND	
21	Kit	2	LOCKING INSERT	
K1	70020389	1	SEAL KIT, (includes items 12 thru 21)	

# SECTION 9 - HYDRAULIC COMPONENTS

## FIGURE 9-5. COMPENSATING CYLINDER



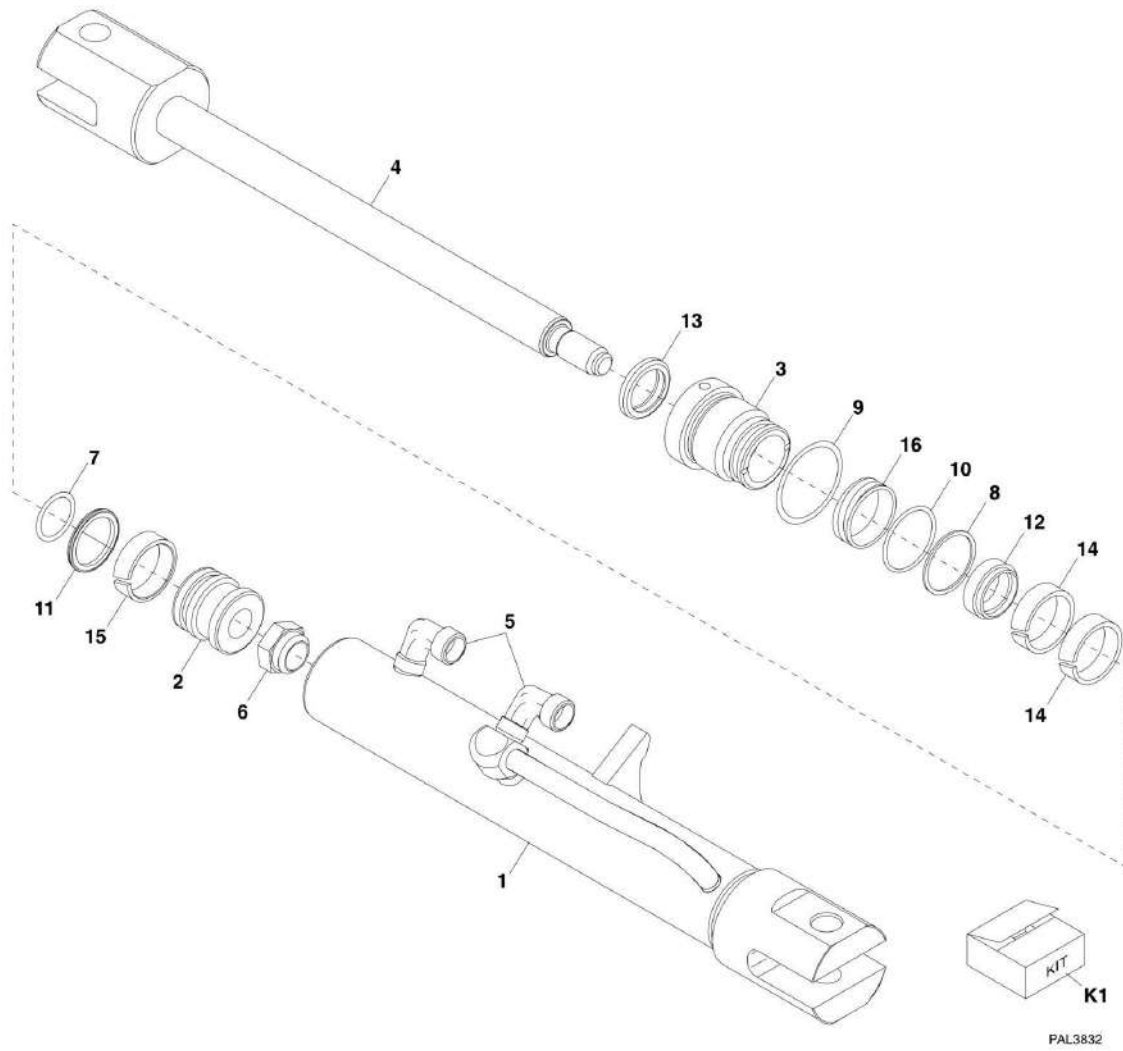
## SECTION 9 - HYDRAULIC COMPONENTS

### FIGURE 9-5. COMPENSATING CYLINDER

ITEM	PART NUMBER	QTY	DESCRIPTION	REV
	1684512	1	COMPENSATING CYLINDER, (includes all items)	B
1	70020390	4	BUSHING	
2	70020391	1	CASE ASSY	
3	70020380	1	PISTON	
4	70020381	1	HEAD GLAND	
5	70020393	1	ROD	
6	8036633	3	SET SCREW, 3/8-16X0.63	
7	70020375	4	LUBE FITTING, 1/8-27	
8	Kit	1	O-RING	
9	Kit	1	O-RING	
10	Kit	1	O-RING	
11	Kit	1	BACK-UP RING	
12	Kit	1	DISO-PAC	
13	Kit	1	DSR SEAL	
14	Kit	1	ROD WIPER	
15	Kit	1	PRECISION WEARBAND	
16	Kit	2	PRECISION WEARBAND	
17	Kit	2	LOCKING INSERT	
K1	70020389	1	SEAL KIT, (includes items 8 thru 17)	

# SECTION 9 - HYDRAULIC COMPONENTS

## FIGURE 9-6. HYDRAULIC QUICK COUPLER CYLINDER



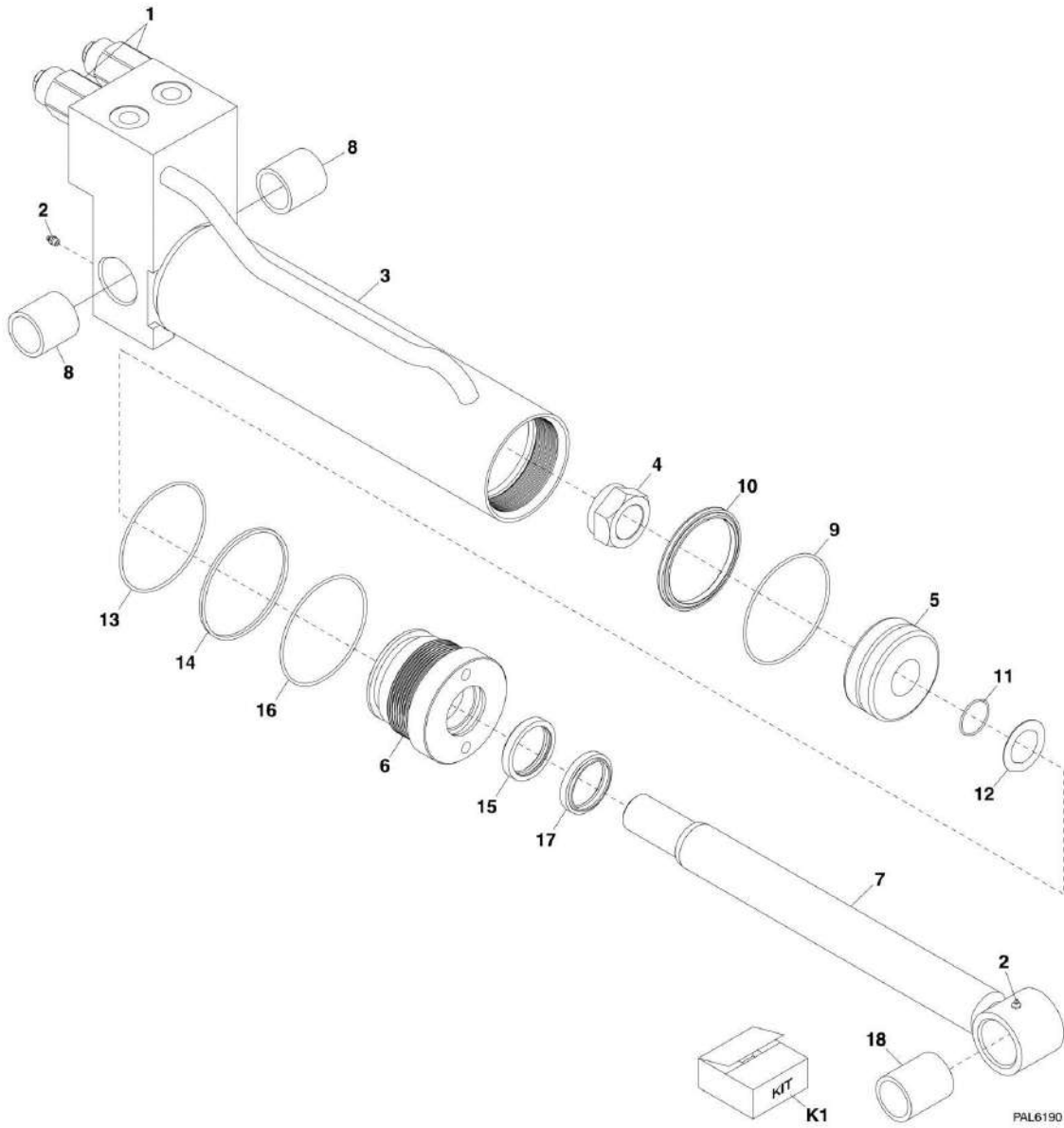
## SECTION 9 - HYDRAULIC COMPONENTS

### FIGURE 9-6. HYDRAULIC QUICK COUPLER CYLINDER

ITEM	PART NUMBER	QTY	DESCRIPTION	REV
	1001080334	1	HYDRAULIC QUICK COUPLER CYLINDER, (includes all items)	D
1	70021270	1	CASE ASSY	
2	70021271	1	PISTON	
3	70021272	1	HEAD GLAND	
4	70021273	1	ROD	
5	70021274	2	ELBOW	
6	70021275	1	LOCKNUT	
7	Kit	1	O-RING	
8	Kit	1	O-RING	
9	Kit	1	O-RING	
10	Kit	1	BACK-UP RING	
11	Kit	1	DISO-PAC	
12	Kit	1	DEEP Z-SEAL	
13	Kit	1	ROD WIPER	
14	Kit	2	PRECISION WEARBAND	
15	Kit	1	PRECISION WEARBAND	
16	Kit	1	LOCKING INSERT	
K1	70021276	1	SEAL KIT, (includes items 7 thru 16)	

# SECTION 9 - HYDRAULIC COMPONENTS

## FIGURE 9-7. ROTATE/SIDE TILT CARRIAGE CYLINDER AND GRAPPLE BUCKET CYLINDER



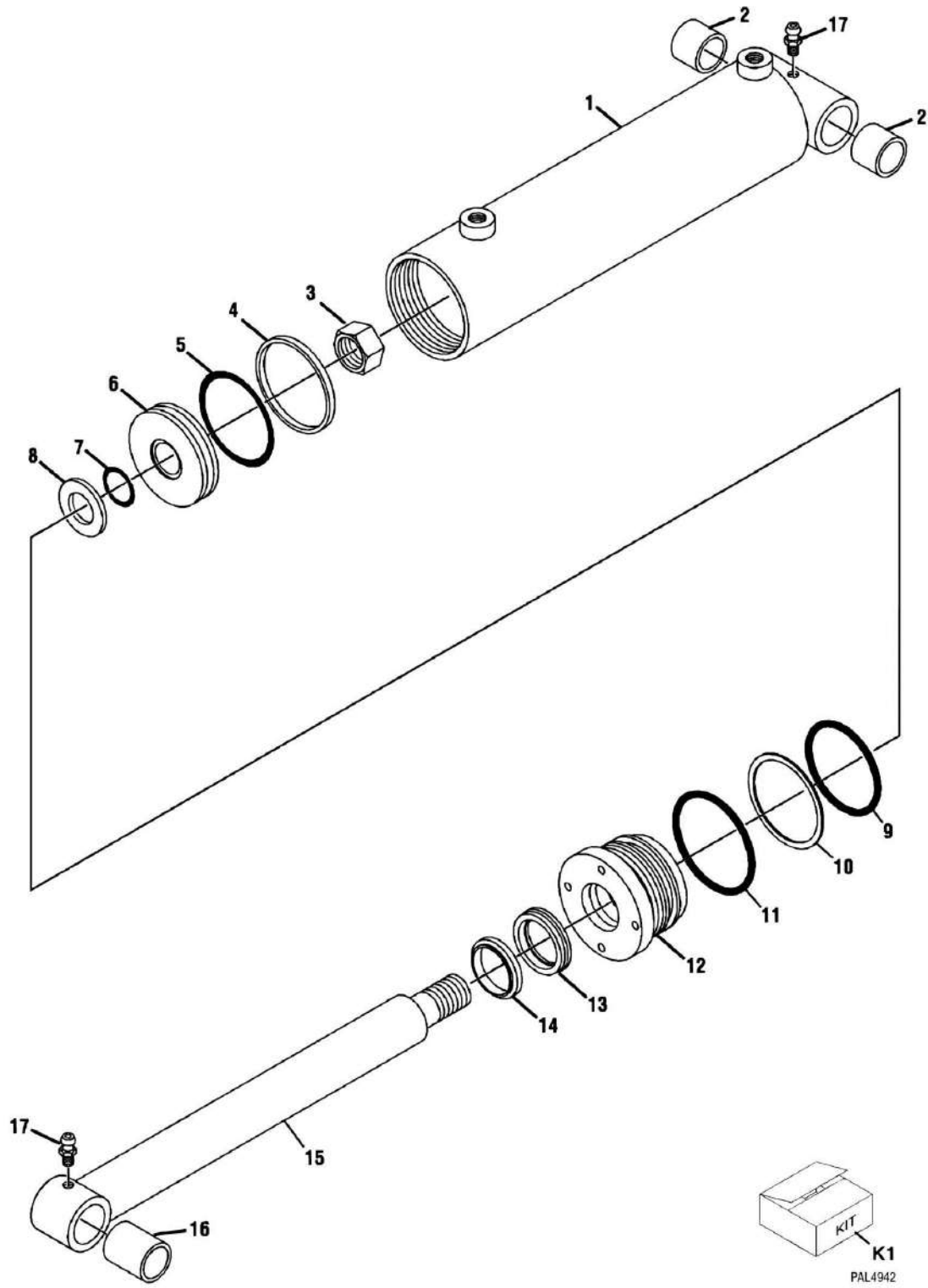
## SECTION 9 - HYDRAULIC COMPONENTS

**FIGURE 9-7. ROTATE/SIDE TILT CARRIAGE CYLINDER AND GRAPPLE BUCKET CYLINDER**

ITEM	PART NUMBER	QTY	DESCRIPTION	REV
	7029590	1	SIDE TILT CYLINDER ASSY, (G5-18A), (includes all items)	A
	70021363	2	GRAPPLE BUCKET CYLINDER ASSY, (G5-18A & 2505 - AUS), (includes all items)	A
	70021363	1	UNIVERSAL TILT CYLINDER ASSY, (G5-18A), (includes all items)	A
1	70021468	2	COUNTERBALANCE VALVE	
2	90554045	2	GREASE FITTING	
3	70021465	1	BARREL, (includes block valve), (SIDE TILT)	
3	70021463	1	BARREL, (includes block valve), (GRAPPLE BUCKET AND UNIVERSAL TILT CYLINDER)	
4	70021440	1	HEX NUT, (torque to 244-249 lb-ft/311-338 Nm)	
5	70021451	2	PISTON	
6	70021446	1	GLAND	
7	70021445	1	ROD, (SIDE TILT)	
7	70021462	1	ROD, (GRAPPLE BUCKET AND UNIVERSAL TILT CYLINDER)	
8	70021448	2	BUSHING	
9	Kit	1	O-RING	
10	Kit	1	PISTON RING	
11	Kit	1	O-RING	
12	70021444	1	WASHER	
13	Kit	1	O-RING	
14	Kit	1	BACK-UP RING	
15	Kit	1	SEAL	
16	Kit	1	O-RING	
17	Kit	1	ROD WIPER	
18	70021447	1	BUSHING	
K1	70021452	1	SEAL KIT, (includes items 9 thru 11 & 13 thru 17)	

# SECTION 9 - HYDRAULIC COMPONENTS

## FIGURE 9-8. UNIVERSAL SIDE SHIFT CYLINDER





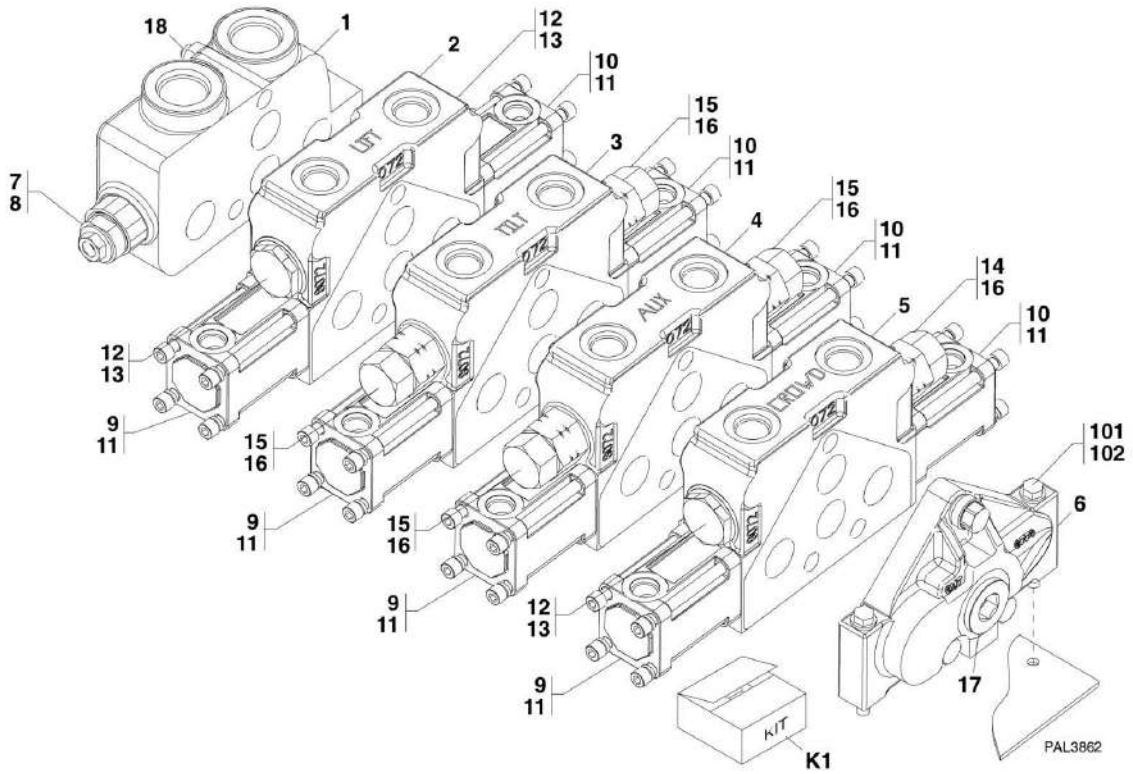
## SECTION 9 - HYDRAULIC COMPONENTS

**FIGURE 9-8. UNIVERSAL SIDE SHIFT CYLINDER**

ITEM	PART NUMBER	QTY	DESCRIPTION	REV
	70022108	1	SIDE SHIFT CYLINDER, (G5-18A & 2505 - AUS), (includes all items)	A
1	70022113	1	CYLINDER BARREL	
2	70021448	2	BUSHING	
3	70021440	1	HEX NUT	
4	Kit	1	PISTON RING	
5	Kit	1	O-RING	
6	70021451	1	PISTON	
7	Kit	1	O-RING	
8	70021444	1	WASHER	
9	Kit	1	O-RING	
10	Kit	1	BACK-UP RING	
11	Kit	1	O-RING	
12	70021446	1	GLAND	
13	Kit	1	POLY-PAK SEAL	
14	Kit	1	ROD WIPER	
15	70021462	1	CYLINDER ROD	
16	70021447	1	BUSHING	
17	90554045	2	GREASE FITTING	
K1	70021452	1	SEAL KIT, (includes items 4, 5, 7, 9 thru 11, 13 & 14)	

# SECTION 9 - HYDRAULIC COMPONENTS

## FIGURE 9-9. MAIN CONTROL VALVE



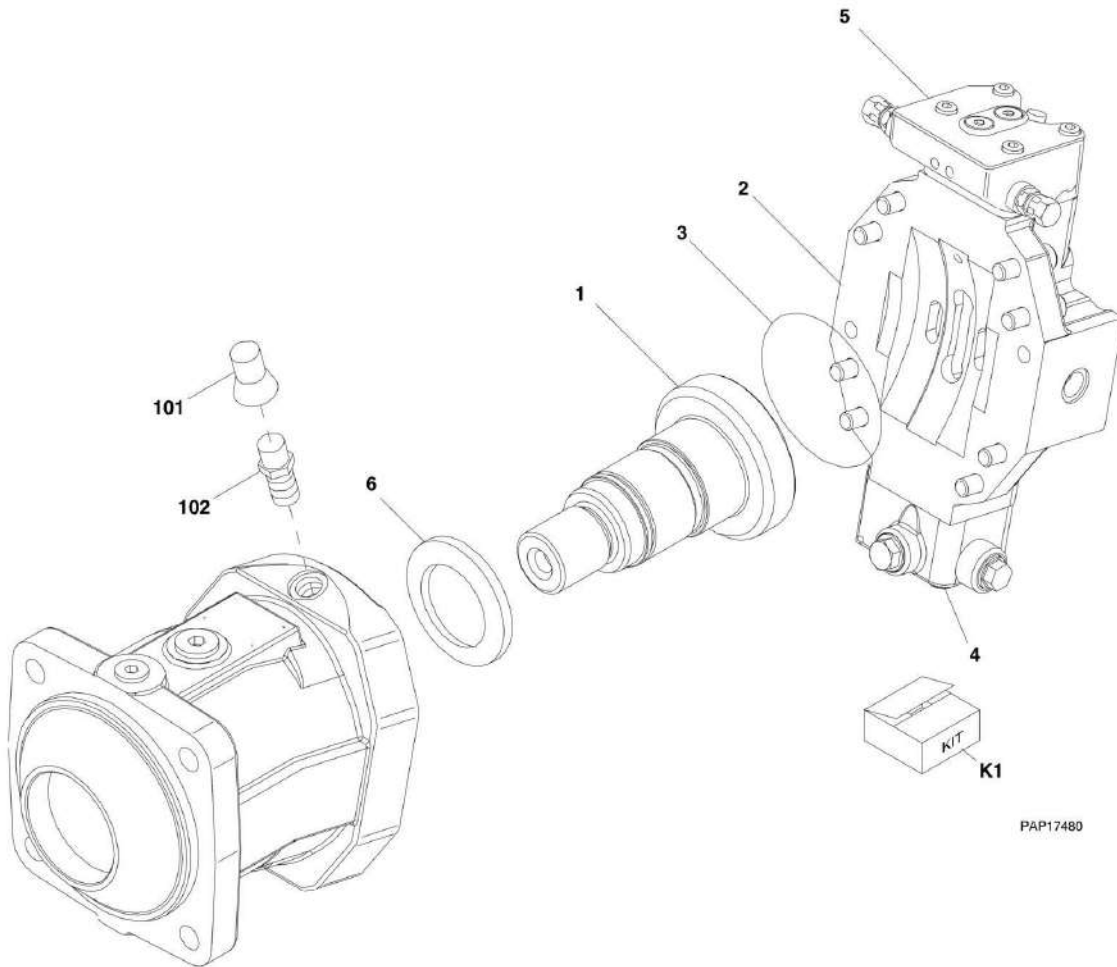
## SECTION 9 - HYDRAULIC COMPONENTS

### FIGURE 9-9. MAIN CONTROL VALVE

ITEM	PART NUMBER	QTY	DESCRIPTION	REV
	1001080176	1	MAIN CONTROL VALVE WITH AUX, (includes items 1 thru 18)	B
1	91084008	1	LH END COVER ASSY, (includes items 7 & 8)	
2	91404182	1	LIFT VALVE SECTION ASSY, (includes items 9 thru 13)	
3	70020718	1	TILT VALVE SECTION ASSY, (includes items 9 thru 15)	
4	70020719	1	AUX VALVE SECTION ASSY, (includes items 9 thru 11, 14 & 15)	
5	91404186	1	CROWD VALVE SECTION ASSY, (includes items 9 thru 11, 14 & 15)	
6	91084278	1	RH END COVER ASSY, (includes item 16)	
7	70021543	1	RELIEF VALVE, 3500 PSI 20GPM	
8	70020716	1	MAIN RELIEF SEAL KIT	
9	91094023	4	HYD REMOTE POSITIONER	
10	91094024	4	HYD REMOTE POSITIONER	
11	91084233	8	SEAL	
12	91084010	3	LOAD CHECK PLUG	
13	7029865	3	PLUG SEAL KIT	
14	70021459	1	RELIEF CARTRIDGE, 3800PSI 20GPM	
15	70021352	4	RELIEF CARTRIDGE, 3800PSI 10GPM	
16	70020717	5	RELIEF CARTRIDGE SEAL KIT	
17	91084279	1	PLUG	
18	91084019	1	BOLT ASSY	
101	4891500	3	WASHER, 5/16	
102	0641522	3	HEX HD CAPSCREW, 5/16-18X2-3/4, GR5	
K1	70022921	1	COMPLETE VALVE SEAL KIT	

# SECTION 9 - HYDRAULIC COMPONENTS

## FIGURE 9-10. FRONT DRIVE MOTOR



PAP17480

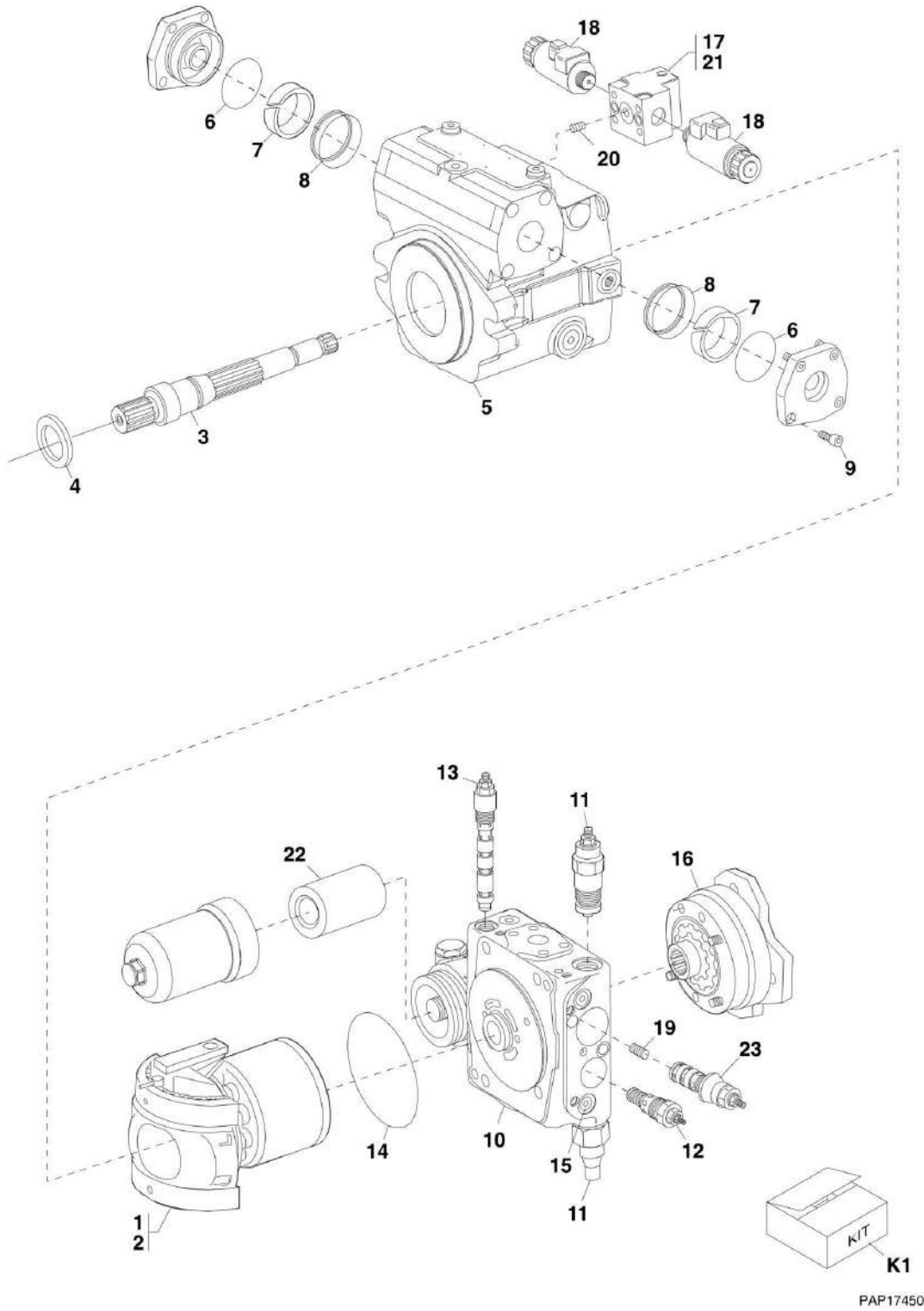
## SECTION 9 - HYDRAULIC COMPONENTS

### FIGURE 9-10. FRONT DRIVE MOTOR

ITEM	PART NUMBER	QTY	DESCRIPTION	REV
	3160335	1	FRONT DRIVE MOTOR, (includes items 1 thru 6)	B
1	7028798	1	ROTARY GROUP	
2	70020311	1	CONTROL ASSY	
3	70020715	1	SHAFT SEAL RING	
4	70020312	1	CONTROL	
5	7028818	1	FLUSH VALVE	
6	Kit	1	O-RING	
	1001081427	1	SPEED LIMITING SCREW INSTALLATION, (includes items 101 & 102)	A
101	91143223	1	TAMPERROOF CAP	
102	1001081428	1	DISPLACEMENT ADJUST SCREW	
K1	7028803	1	SEAL KIT, (includes item 6 & other items not shown)	

# SECTION 9 - HYDRAULIC COMPONENTS

## FIGURE 9-11. HYDROSTATIC TRANSMISSION



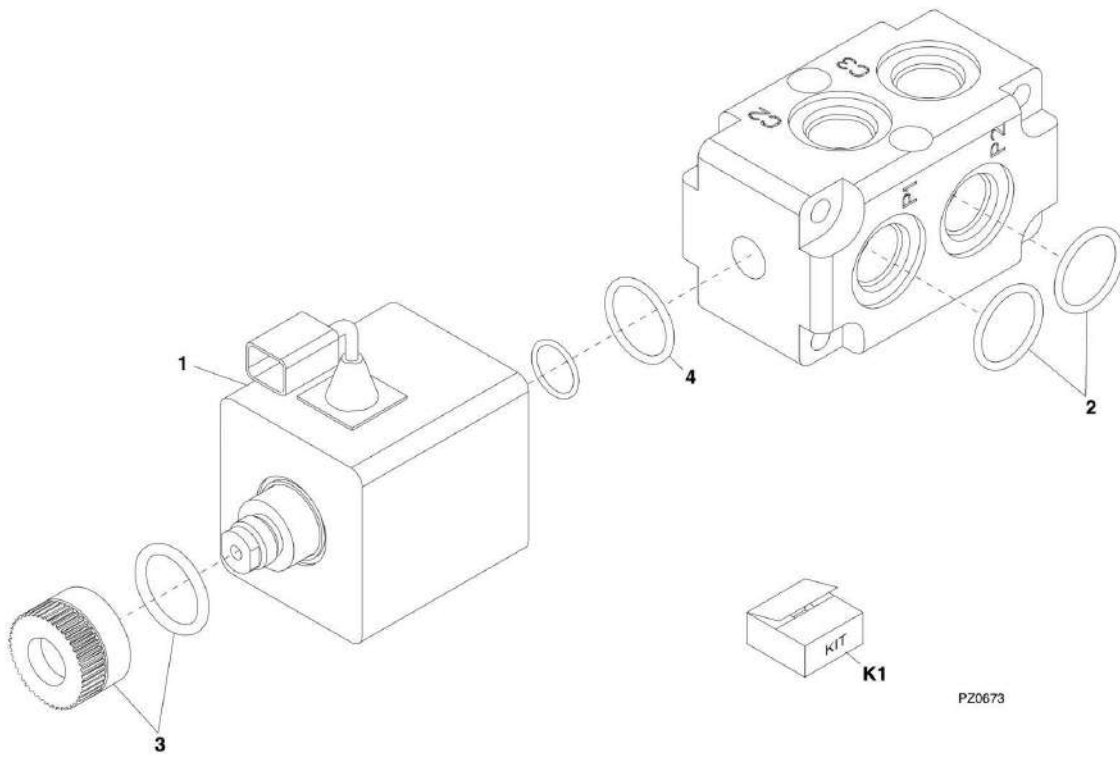
## SECTION 9 - HYDRAULIC COMPONENTS

**FIGURE 9-11. HYDROSTATIC TRANSMISSION**

ITEM	PART NUMBER	QTY	DESCRIPTION	REV
	1001080043	1	HYDROSTATIC TRANSMISSION PUMP, (includes all items)	B
1	70020325	1	ROTARY GROUP ASSY, (includes items 2 thru 4)	
2	70020862	1	ROTARY GROUP	
3	70020314	1	DRIVESHAFT	
4	70020863	1	SHAFT SEAL	
5	70020860	1	HYDRAULIC CONTROL	
6	Kit	2	O-RING	
7	Kit	2	GUIDE RING	
8	Kit	2	TURCON-GLYD RING AND O-RING	
9	Kit	8	SOCKET HD SCREW, M8X16	
10	70020326	1	PORT PLATE W/VALVE, (includes items 11 thru 15)	
11	70020328	2	RELIEF VALVE	
12	70020329	1	RELIEF VALVE	
13	70020327	1	PRESSURE OVERRIDE VALVE	
14	Kit	1	O-RING	
15	Kit	2	LOCKING SCREW	
16	70020330	1	INTERNAL GEAR PUMP ASSY	
17	7028875	1	4/3-WAY DIRECTIONAL VALVE, (includes items 18)	
18	7028876	1	SOLENOID PAIR	
19	70020861	1	THROTTLE SCREW	
20	70020324	1	THROTTLE SCREW	
21	7024085	1	GASKET	
22	70020333	1	FILTER CARTRIDGE	
23	91144099	1	DA CONTROL CARTRIDGE	
K1	70020339	1	SEAL KIT, (includes items 6 thru 9, 14, 15 & additional items not shown)	

# SECTION 9 - HYDRAULIC COMPONENTS

FIGURE 9-12. DIVERTOR VALVE (Prior to SN 0160037453)





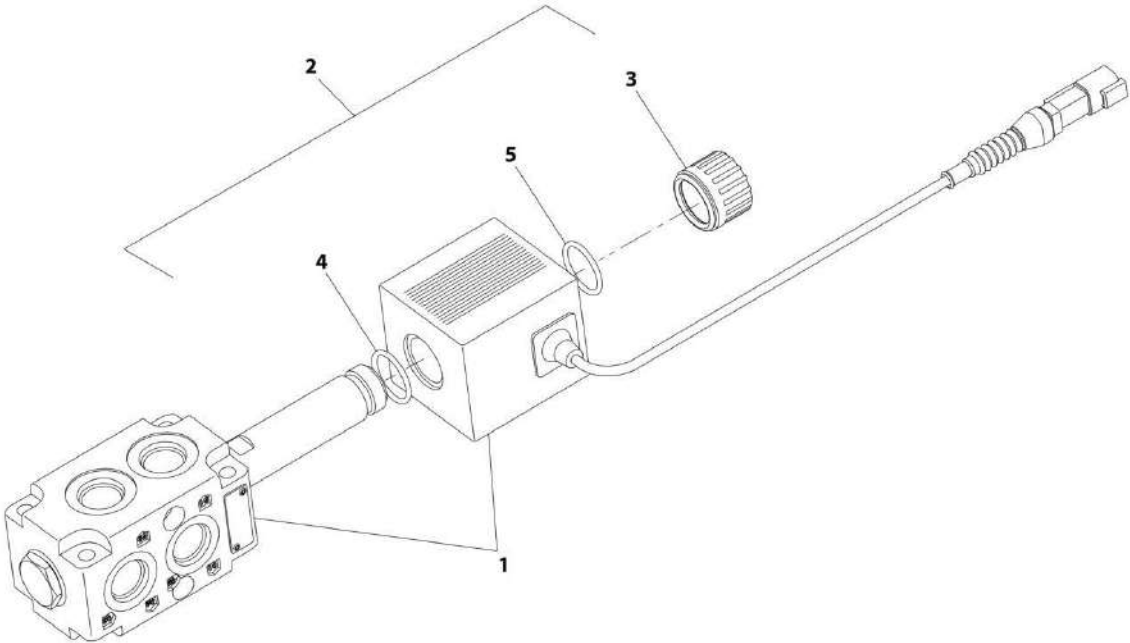
## SECTION 9 - HYDRAULIC COMPONENTS

FIGURE 9-12. DIVERTOR VALVE (Prior to SN 0160037453)

ITEM	PART NUMBER	QTY	DESCRIPTION	REV
	1001006487	1	DIVERTOR VALVE, (includes all items)	E
1	70020764	1	COIL	
2	Kit	2	O-RING	
3	70020766	1	RETAINER KIT, (includes o-rings and nut)	
4	Kit	1	O-RING	
K1	70020765	1	SEAL KIT, (includes items 2 & 4)	

**SECTION 9 - HYDRAULIC COMPONENTS**

**FIGURE 9-13. DIVERTOR VALVE (SN 0160037453 to Present)**



ART\_1001104477-D

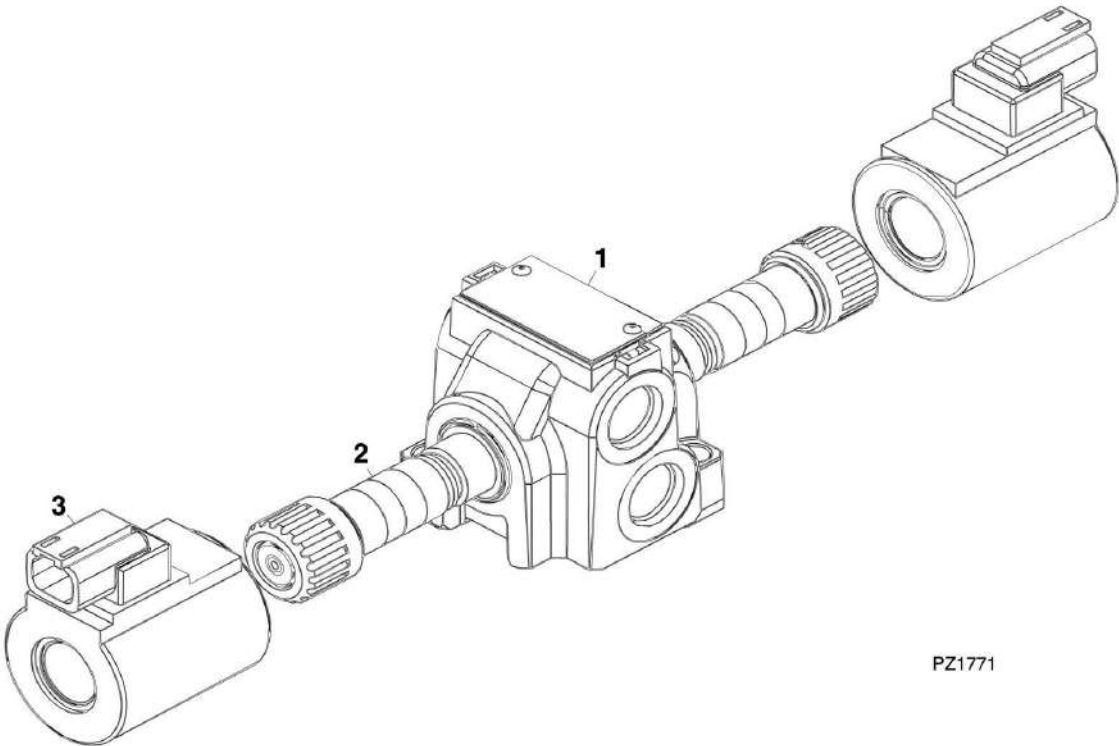
## SECTION 9 - HYDRAULIC COMPONENTS

FIGURE 9-13. DIVERTOR VALVE (SN 0160037453 to Present)

ITEM	PART NUMBER	QTY	DESCRIPTION	REV
	1001104477	Ref	DIVERTOR VALVE	D
1	70020764	1	COIL	
2	70021531	1	KIT, RETAINER	
3	N.S.S.	1	NUT	
4	N.S.S.	1	O-RING	
5	N.S.S.	1	O-RING	

**SECTION 9 - HYDRAULIC COMPONENTS**

**FIGURE 9-14. STEERING SELECT VALVE**



PZ1771

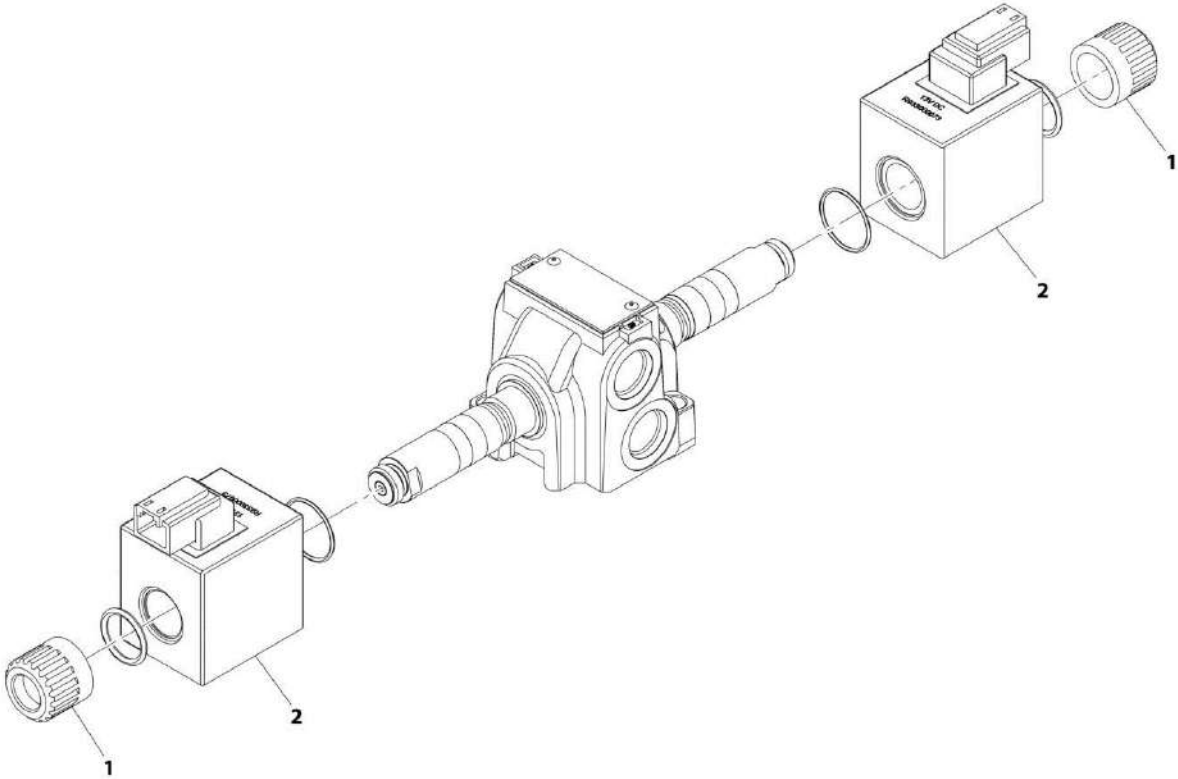
## SECTION 9 - HYDRAULIC COMPONENTS

FIGURE 9-14. STEERING SELECT VALVE

ITEM	PART NUMBER	QTY	DESCRIPTION	REV
	4641519	NLA	STEERING SELECT VALVE, (no longer available, use 1001153748 for replacement)	C
1	70020866	1	VALVE BODY	
2	70020867	2	SEAL KIT	
3	70020868	2	COIL	

**SECTION 9 - HYDRAULIC COMPONENTS**

**FIGURE 9-15. STEERING SELECT VALVE**



ART\_1001153748-C

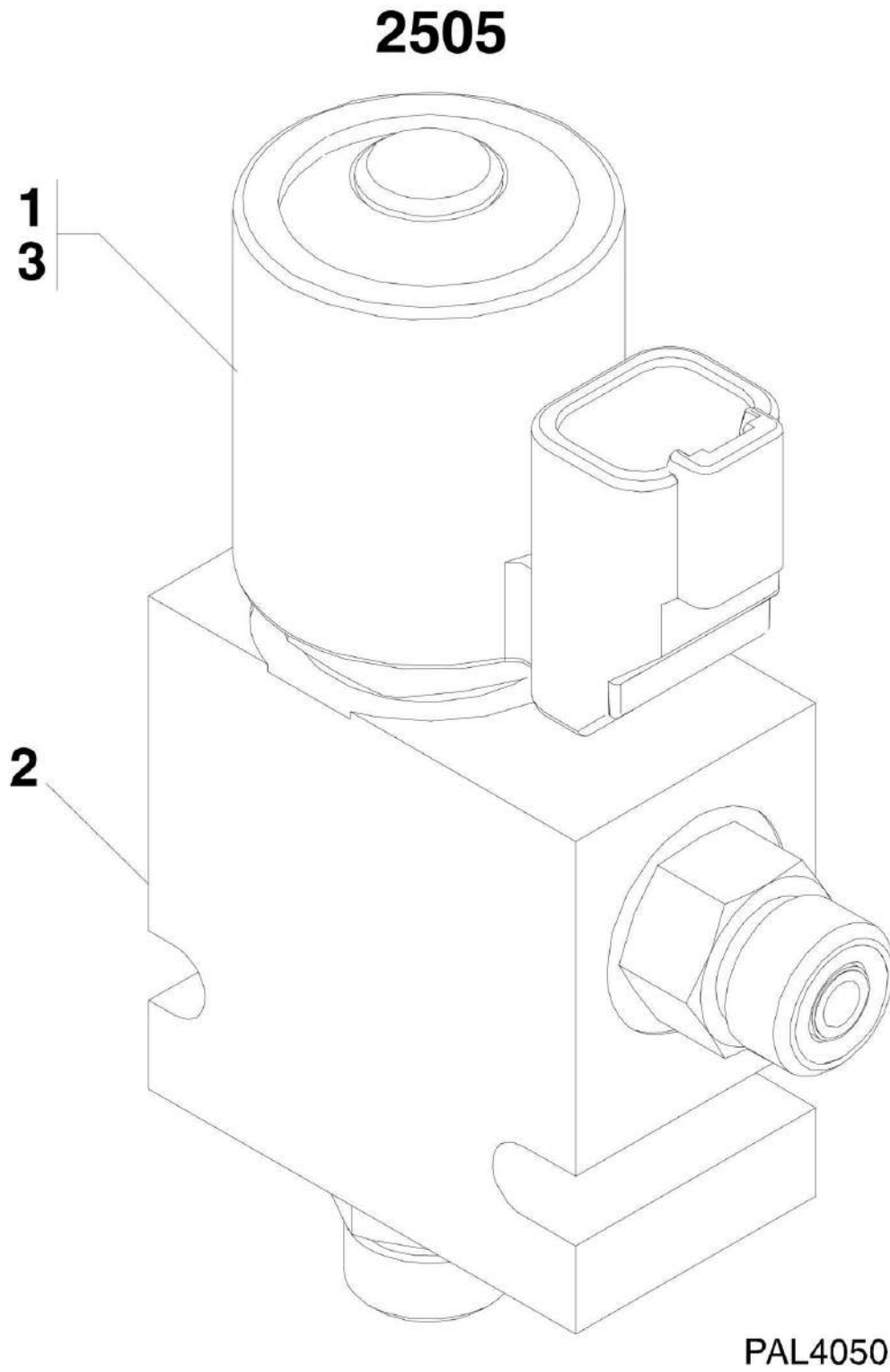
## SECTION 9 - HYDRAULIC COMPONENTS

### FIGURE 9-15. STEERING SELECT VALVE

ITEM	PART NUMBER	QTY	DESCRIPTION	REV
	1001153748	Ref	STEER SELECT VALVE	C
1	70020867	2	KIT, RETAINER, W/SEALS	
2	70026582	2	COIL	

# SECTION 9 - HYDRAULIC COMPONENTS

FIGURE 9-16. BLOCKING VALVE - 2505 (Prior to SN 0160042694)





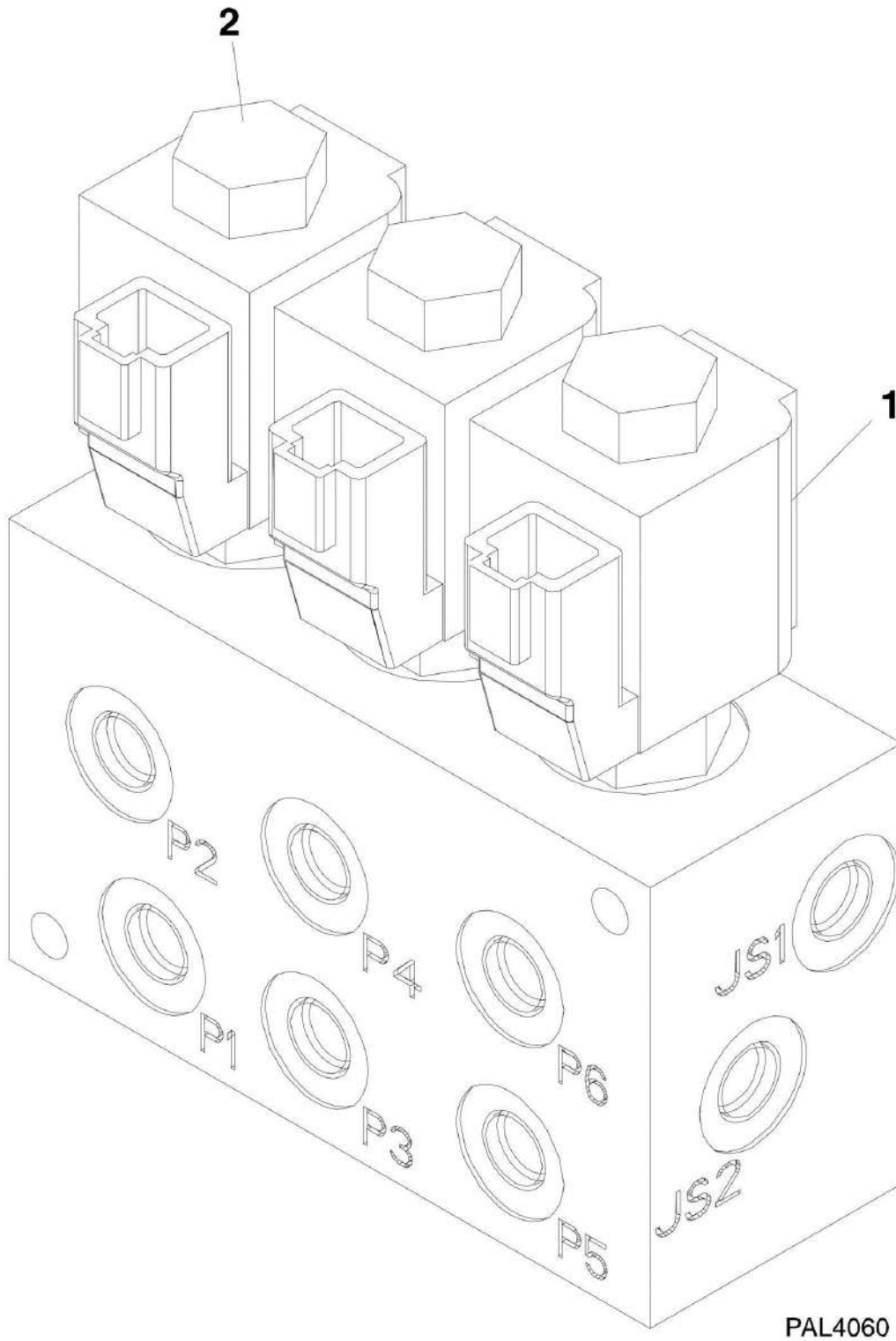
## SECTION 9 - HYDRAULIC COMPONENTS

**FIGURE 9-16. BLOCKING VALVE - 2505 (Prior to SN 0160042694)**

ITEM	PART NUMBER	QTY	DESCRIPTION	REV
	1001080353	1	BLOCKING VALVE - 2505, (includes all items)	B
1	70021266	1	CARTRIDGE, (includes item 3)	
1	7012953	1	SEAL KIT	
2	70021267	1	BODY	
3	7024885	1	COIL	

## SECTION 9 - HYDRAULIC COMPONENTS

FIGURE 9-17. PILOT SELECT VALVE (G5-18A Prior to SN 0160042093; 2505 Prior to SN 0160042694)



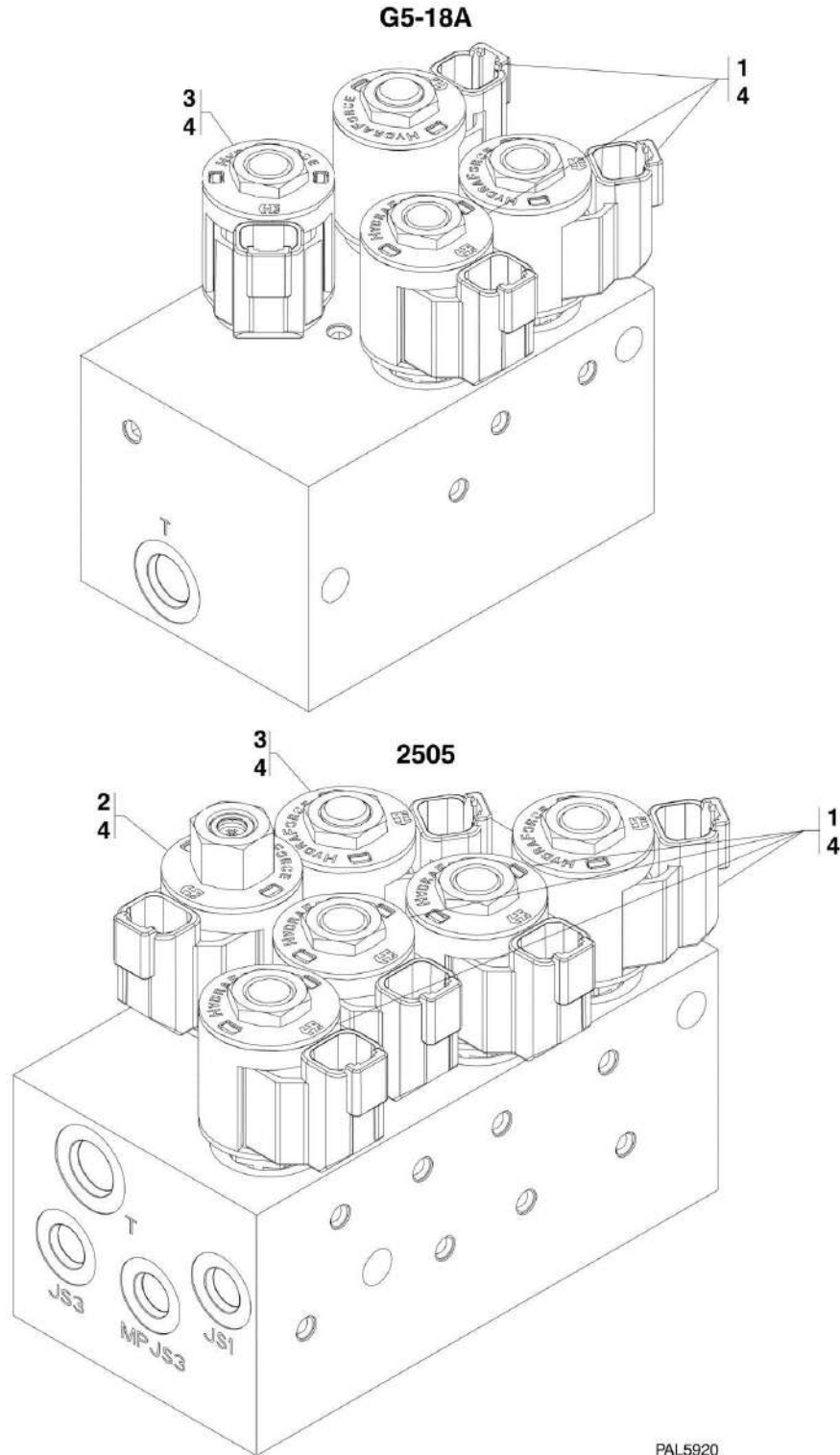
## SECTION 9 - HYDRAULIC COMPONENTS

FIGURE 9-17. PILOT SELECT VALVE (G5-18A Prior to SN 0160042093; 2505 Prior to SN 0160042694)

ITEM	PART NUMBER	QTY	DESCRIPTION	REV
	1001098088	1	PILOT SELECT VALVE, (includes all items)	D
1	70021054	3	SOLENOID VALVE	
2	70021055	3	COIL	

# SECTION 9 - HYDRAULIC COMPONENTS

FIGURE 9-18. PILOT SELECT VALVE (G5-18A SN 0160042093 to Present; 2505 SN 0160042694 to Present)



PAL5920

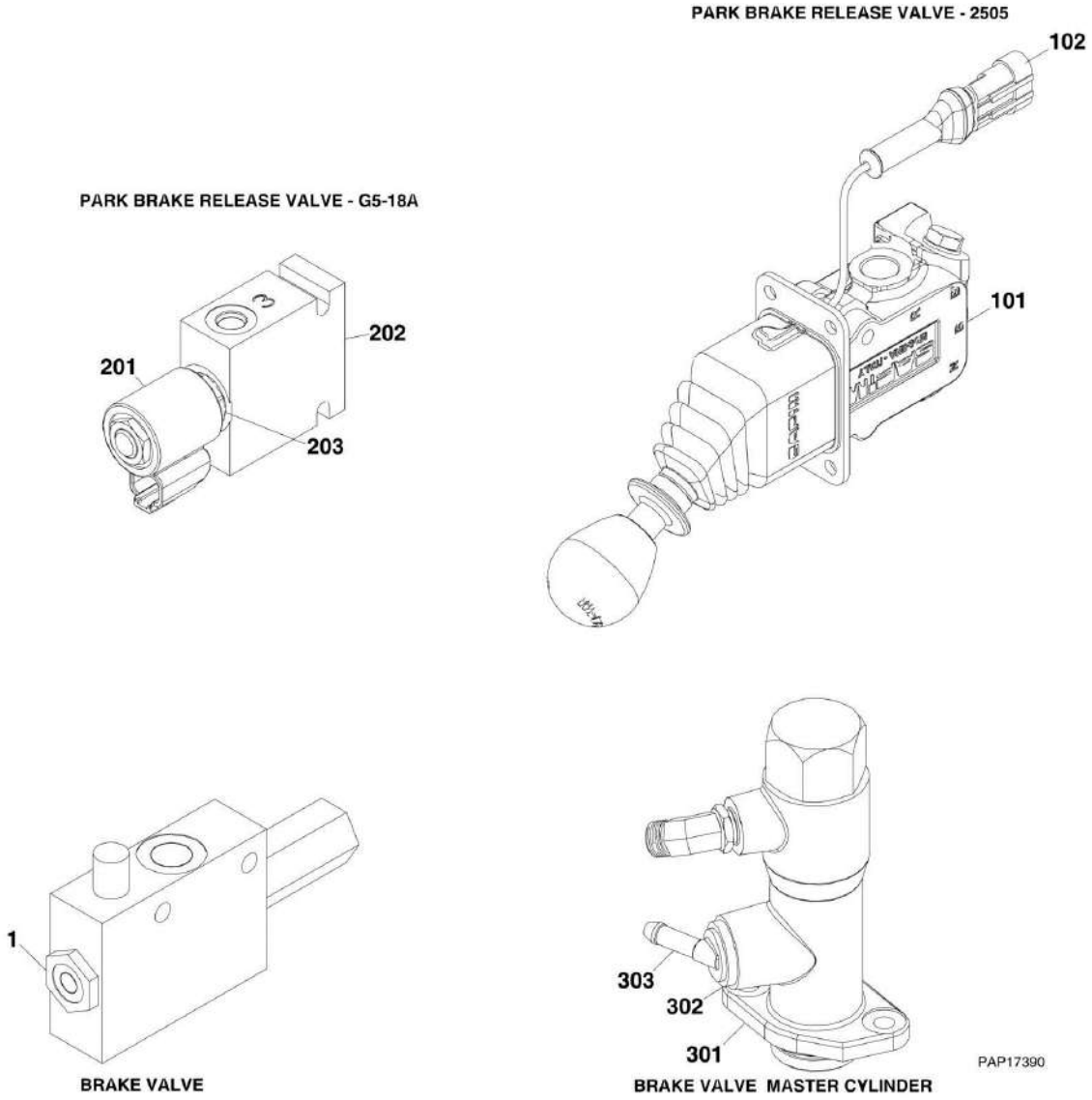
## SECTION 9 - HYDRAULIC COMPONENTS

**FIGURE 9-18. PILOT SELECT VALVE (G5-18A SN 0160042093 to Present; 2505 SN 0160042694 to Present)**

ITEM	PART NUMBER	QTY	DESCRIPTION	REV
	1001130178	1	PILOT SELECT VALVE, (G5-18A), (includes items 1, 3 thru 5)	A
	1001132342	1	PILOT SELECT VALVE, (2505), (includes items 1 thru 6)	A
1	1101244	3	DIRECTIONAL VALVE, (G5-18A), (torque to 20 lb-ft)	
1	8033761	3	SEAL KIT	
1	1101244	4	DIRECTIONAL VALVE, (2505), (torque to 20 lb-ft)	
1	8033761	4	SEAL KIT	
2	70023945	1	PROPORTIONAL VALVE, (2505), (torque to 20 lb-ft)	
3	70023946	1	DIRECTIONAL VALVE, (torque to 20 lb-ft)	
4	70002386	4	COIL, (G5-18A), (torque to 5 lb-ft)	
4	70002386	6	COIL, (2505), (torque to 5 lb-ft)	
5	10837580	1	LOAD SENSE CHECK VALVE, (torque to 20 lb-ft), (not shown)	
5	7010543	1	SEAL KIT	
6	70002064	1	ORIFICE, 0.047 IN, (2505), (torque to 4 lb-ft), (not shown)	

# SECTION 9 - HYDRAULIC COMPONENTS

## FIGURE 9-19. BRAKE VALVES



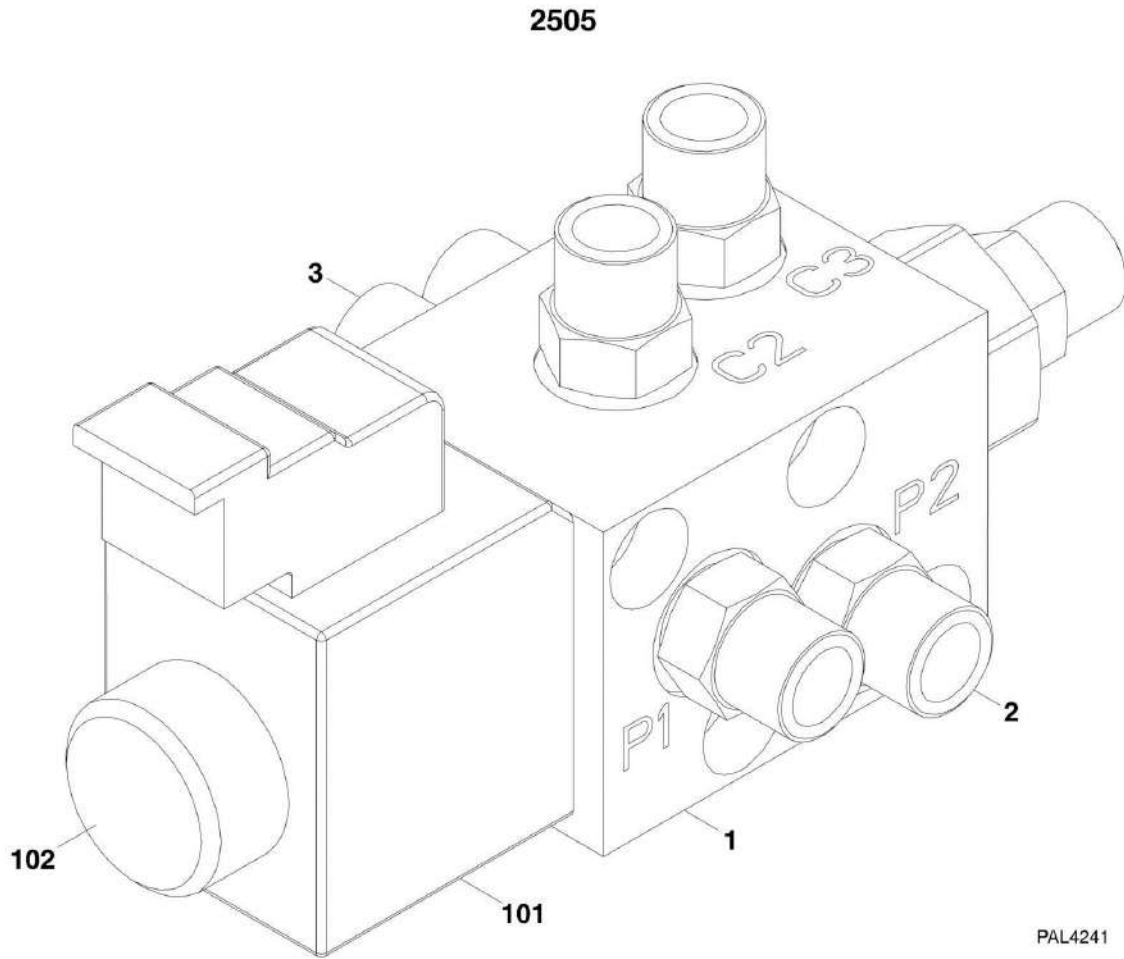
## SECTION 9 - HYDRAULIC COMPONENTS

### FIGURE 9-19. BRAKE VALVES

ITEM	PART NUMBER	QTY	DESCRIPTION	REV
1	4641474	1	BRAKE VALVE, (inching valve)	D
	70020921	1	SEAL KIT	
	1001098153	1	PARK BRAKE RELEASE VALVE, (2505)	A
101	70020922	1	SEAL KIT	
102	70022847	1	MICROSWITCH KIT	
	1001080359	1	PARK BRAKE RELEASE VALVE, (G5-18A), (includes items 201 thru 203)	B
201	7012941	1	CARTRIDGE	
201	7010543	1	SEAL KIT	
202	70020871	1	BODY	
203	7024872	1	COIL	
	1001080262	1	BRAKE MASTER CYLINDER, (includes items 301 thru 303)	C
301	70020919	1	SEAL KIT	
302	70020920	1	RUBBER BOOT	
303	70021475	1	FITTING	

# SECTION 9 - HYDRAULIC COMPONENTS

FIGURE 9-20. LSI VALVE - 2505 (Prior to SN 0160042694)





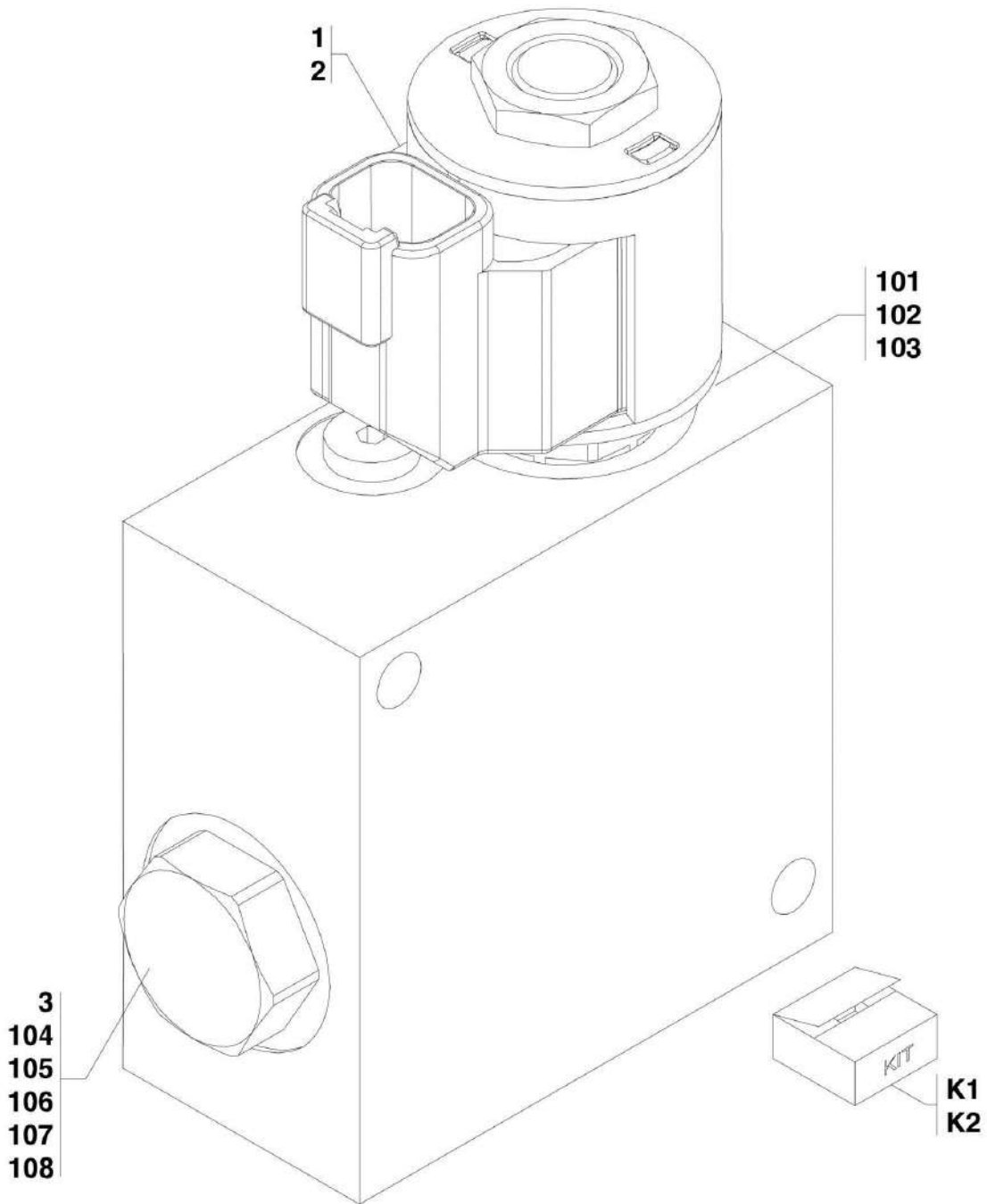
## SECTION 9 - HYDRAULIC COMPONENTS

FIGURE 9-20. LSI VALVE - 2505 (Prior to SN 0160042694)

ITEM	PART NUMBER	QTY	DESCRIPTION	REV
	1001081157	1	LSI VALVE ASSY - 2505, (includes items 1 thru 3)	C
1	1001081156	1	LSI VALVE, (includes items 101 & 102)	D
2	2110404	5	FITTING	
3	2220235	2	FITTING, (includes o-ring)	
101	70021208	1	COIL	
102	70021209	1	RETAINER KIT WITH SEAL	

## SECTION 9 - HYDRAULIC COMPONENTS

FIGURE 9-21. AUXILIARY HYDRAULIC PRESSURE RELIEF VALVE (G5-18A SN 0160035962 through 0160042086; 2505 SN 0160036070 through 0160042693)



PAL5113

## SECTION 9 - HYDRAULIC COMPONENTS

**FIGURE 9-21. AUXILIARY HYDRAULIC PRESSURE RELIEF VALVE (G5-18A SN 0160035962 through 0160042086; 2505 SN 0160036070 through 0160042693)**

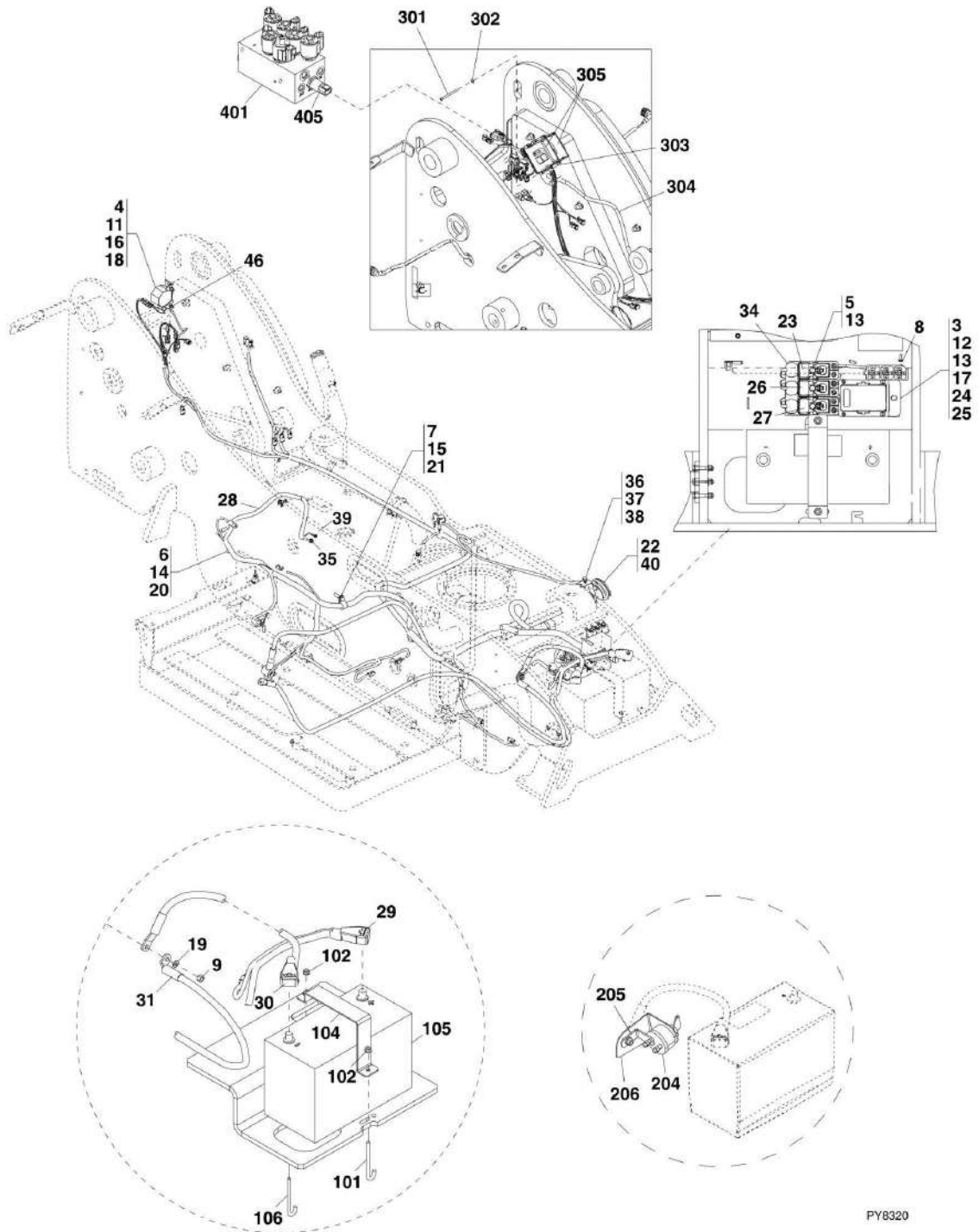
ITEM	PART NUMBER	QTY	DESCRIPTION	REV
	1001081338	1	AUXILIARY HYDRAULIC PRESSURE RELIEF VALVE, (includes items 1 thru 3)	A
1	7023903	1	SOLENOID VALVE	
2	70002386	1	COIL	
3	7010542	1	SHUTTLE VALVE	
101	Kit	1	O-RING	
102	Kit	2	O-RING	
103	Kit	2	BACK-UP RING	
104	Kit	1	O-RING	
105	Kit	1	O-RING	
106	Kit	1	O-RING	
107	Kit	2	BACK-UP RING	
108	Kit	2	BACK-UP RING	
K1	7012972	1	SEAL KIT, (includes items 101 thru 103)	
K2	7010543	1	SEAL KIT, (includes items 104 thru 108)	



**SECTION 10 - ELECTRICAL**

# SECTION 10 - ELECTRICAL

## FIGURE 10-1. ELECTRICAL INSTALLATION



PY8320

## SECTION 10 - ELECTRICAL

### FIGURE 10-1. ELECTRICAL INSTALLATION

ITEM	PART NUMBER	QTY	DESCRIPTION	REV
3	0641404	1	HEX HD CAPSCREW, 1/4-20X1/2, GR5	
4	0641408	2	HEX HD CAPSCREW, 1/4-20X1, GR5	
5	0641415	3	HEX HD CAPSCREW, 1/4-20X1-7/8, GR5	
6	0760808	1	HEX HD SCREW, M8X16, GR8.8	
7	0761016	1	HEX HD SCREW, M10X40, GR8.8	
8	0791004	4	SCREW, #10-24X1/2	
9	3271601	1	HEX NUT, 3/8-16	
11	4711400	2	WASHER, 1/4	
12	4761000	2	LOCKWASHER, #10	
13	4761400	4	LOCKWASHER, 1/4	
14	4811900	1	WASHER, 8mm	
15	4812000	1	WASHER, 10mm	
16	1001101808	1	BACKUP ALARM, (2505)	
16	1001099810	1	BACKUP ALARM, (G5-18A)	
17	8303839	2	SCREW, 10-32X1/2	
18	8305624	2	HEX NUT	
19	10701310	1	LOCKWASHER, 3/8	
20	85941016	1	CLAMP, 1/2	
21	85941017	1	P-CLAMP	
22	91143357	1	HORN	
23	1001080363	1	POWER MODULE RELAY, GREEN	
23	70022077	1	50 AMP FUSE	
24	1001080409	1	BUS BAR	
25	1001080410	1	FUSE BOX BRACKET	
26	1001080423	1	POWER MODULE RELAY, RED	
26	70022078	1	40 AMP FUSE	
26	70022079	1	60 AMP FUSE	
27	1001080424	1	POWER MODULE RELAY, YELLOW	
27	70022078	1	40 AMP FUSE	
27	70022079	1	60 AMP FUSE	
28		Ref	FRAME BASE HARNESS, (See FRAME BASE HARNESS for Breakdown)	
29	1001080618	1	BATTERY POSITIVE CABLE	
30	1001080619	1	BATTERY NEGATIVE CABLE	
31	1001080620	1	STARTER NEGATIVE CABLE	
34	1001092585	1	INSULATOR	
35	3290605	1	HEX LOCKNUT, M6X1	
36	3300143	1	WHEEL NUT	
37	0641611	1	HEX HD CAP SCREW, 3/8-16X1-3/8, GR5	
38	4711600	2	WASHER, 3/8	
39	3290505	1	HEX LOCKNUT, M5X0.8, GR8	
40	1001102486	1	HORN JUMPER HARNESS	
46	1001122280	1	JUMPER HARNESS	
	1001081120	Ref	BATTERY INSTALLATION, (not available to order, see items 101 thru 106 for service)	C
101	1001081123	1	J-BOLT	
102	3311508	2	HEX NUT, 5/16-18, GR2	
104	1001112697	1	BATTERY HOLD DOWN PLATE	
105	0400075	1	12V BATTERY	
106	0630455	1	J-BOLT	

## SECTION 10 - ELECTRICAL

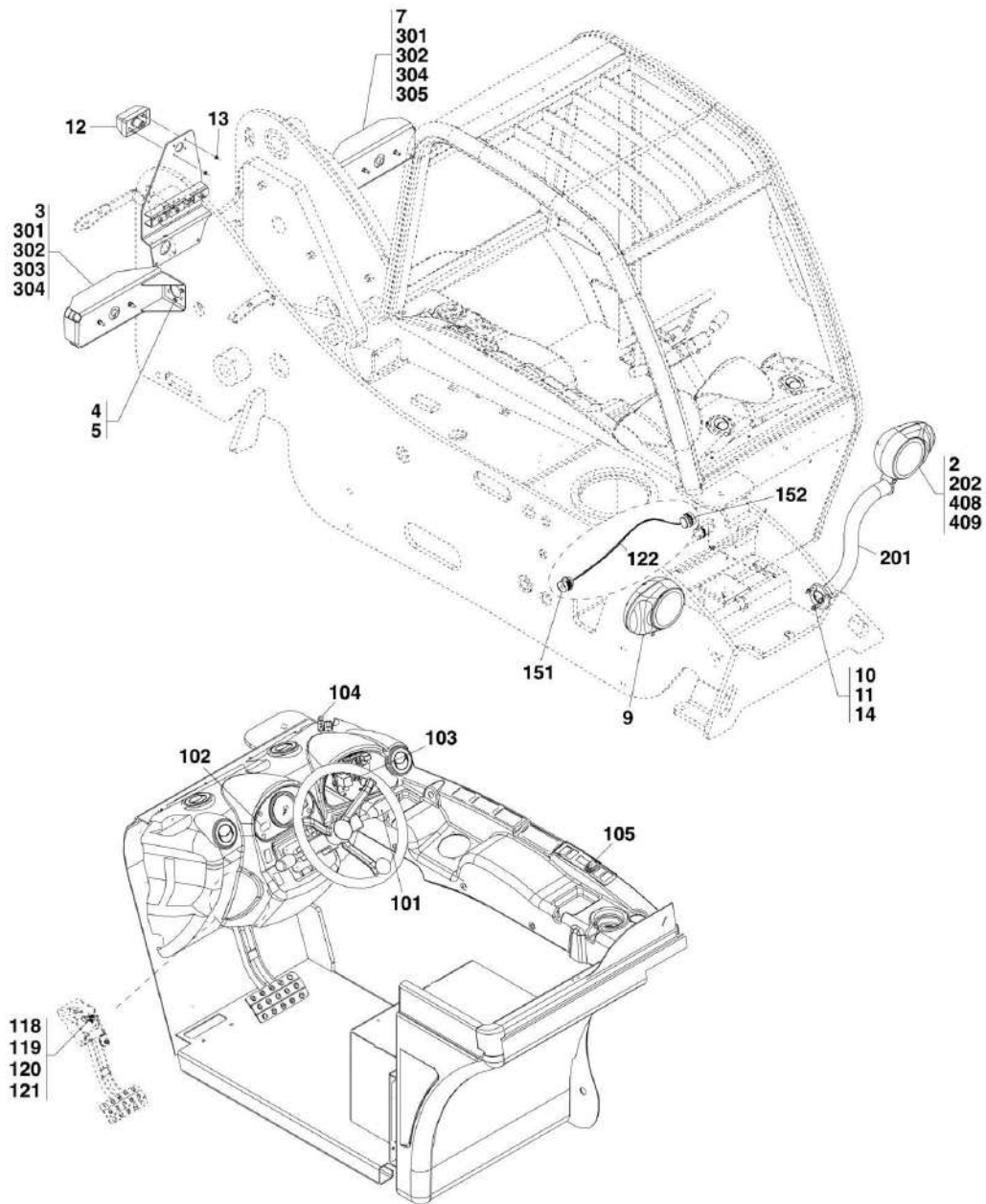
ITEM	PART NUMBER	QTY	DESCRIPTION	REV
	1001080655	Ref	BATTERY DISCONNECT ELECTRICAL INSTALLATION, (not available to order, see items 204 thru 206 for service)	B
204	1001008926	1	BATTERY DISCONNECT SWITCH	
205	1001135846	1	BATTERY DISCONNECT BAR	
206	1001135845	1	BATTERY DISCONNECT MOUNT	
301	3931448	2	SOCKET HD CAPSCREW, 1/4-20X3 <b>(2505 SN 0160042694 to Present)</b>	
302	4711400	6	WASHER, 1/4 <b>(2505 SN 0160042694 to Present)</b>	
303	88631566	2	ROLL PIN <b>(2505 SN 0160042694 to Present)</b>	
304		Ref	FRAME OPTIONS HARNESS, (See FRAME OPTIONS HARNESS for Breakdown)	
305	1001122287	NLA	LSI MODULE, (no longer available, use 1001226247 for replacement)	
305	1001226247	2	LSI MODULE	
401		Ref	PILOT SELECT VALVE, (See HYDRAULIC COMPONENTS SECTION for Breakdown)	
405	1001132795	1	PILOT SELECT VALVE PRESSURE SENSOR <b>(2505 SN 0160042694 to Present)</b>	





# SECTION 10 - ELECTRICAL

## FIGURE 10-2. ROAD LIGHTS INSTALLATION



ART\_31200360-10-2

## SECTION 10 - ELECTRICAL

### FIGURE 10-2. ROAD LIGHTS INSTALLATION

ITEM	PART NUMBER	QTY	DESCRIPTION	REV
	1001080918	Ref	ROAD LIGHTS INSTALLATION, (2505 - CE), (GERMANY), (not available to order, see items 2 thru 14 for service)	K
	1001080942	Ref	ROAD LIGHTS INSTALLATION, (G5-18A), (if equipped), (not available to order, see items 2 thru 14 & 101 thru 122 for service)	P
	1001081398	Ref	ROAD LIGHTS INSTALLATION, (2505 - AUS), (UK and Ireland), (not available to order, see items 3 thru 5, 7, 10 thru 14, 201, 408 & 409 for service)	B
2	1001080913	Ref	LEFT HEADLIGHT INSTALLATION, (not available to order, see items 201 & 202 for service)	B
3	1001101533	Ref	RIGHT TAILLIGHT INSTALLATION, (not available to order, see items 301 thru 304 for service)	D
4	0641410	6	HEX HD CAPSCREW, 1/4-20X1-1/4, GR5	
5	4711400	6	WASHER, 1/4	
7	1001101534	Ref	LEFT TAILLIGHT INSTALLATION, (not available to order, see items 301, 302, 304 & 305 for service)	C
9	2920208	1	RH DRIVING LIGHT	
9	7029969	1	BULB, 12V	
9	7029970	2	BULB, 12V-55W	
10	0641514	3	HEX HD CAPSCREW, 5/16-18X1-3/4, GR5	
11	3311505	3	LOCKNUT, 5/16-18	
12	2920204	1	LIGHT LICENSE PLATE	
12	70021341	1	LIGHT BULB	
13	5220500	2	RIPPNUT, 5mm	
14	4891500	6	WASHER, 5/16	
101	1001080381	1	TURN SIGNAL-HEADLIGHT SWITCH	
102	1001080610	1	TURN/HIGH BEAM INDICATOR	
103	1001100781	1	FOUR PIN FLASHER RELAY	
104	1001100965	1	HALF JUMPER HARNESS	
105		Ref	HAZARD SWITCH, (See CAB SWITCHES for Breakdown)	
118	3311005	2	HEX LOCKNUT, #10-24, GR2	
119	4360658	1	BRAKE LIGHT SWITCH	
120	0721008	2	HEX HD MACHINE SCREW, #10-24X1	
121	4751000	2	WASHER, #10	
122	1001105836	1	FRAME OPTION HARNESS, (includes items 151 & 152)	A
151	1001118674	1	CONNECTOR	
152	1001118672	1	CONNECTOR	
201	1001133821	1	HEADLIGHT MOUNTING BRACKET	
202	2920207	1	LH DRIVING LIGHT	
202	7029969	1	BULB, 12V	
202	7029970	2	BULB, 12V-55W	
301	3290807	2	HEX LOCKNUT, M8X1-1/4, GR8	
302	4811900	2	WASHER, 8mm	
303	8001989	1	RH TAILLIGHT	
303	0388450	4	BULB, 12V-21W	
303	0313279	2	BULB, 12V-10W	
304	1001081322	1	TAILLIGHT MOUNTING PLATE	
305	8001991	1	LH TAILLIGHT	
305	0388450	4	BULB, 12V-21W	
305	0313279	2	BULB, 12V-10W	
408	1001002778	1	RH DRIVING LIGHT	
408	7029969	1	BULB, 12V	

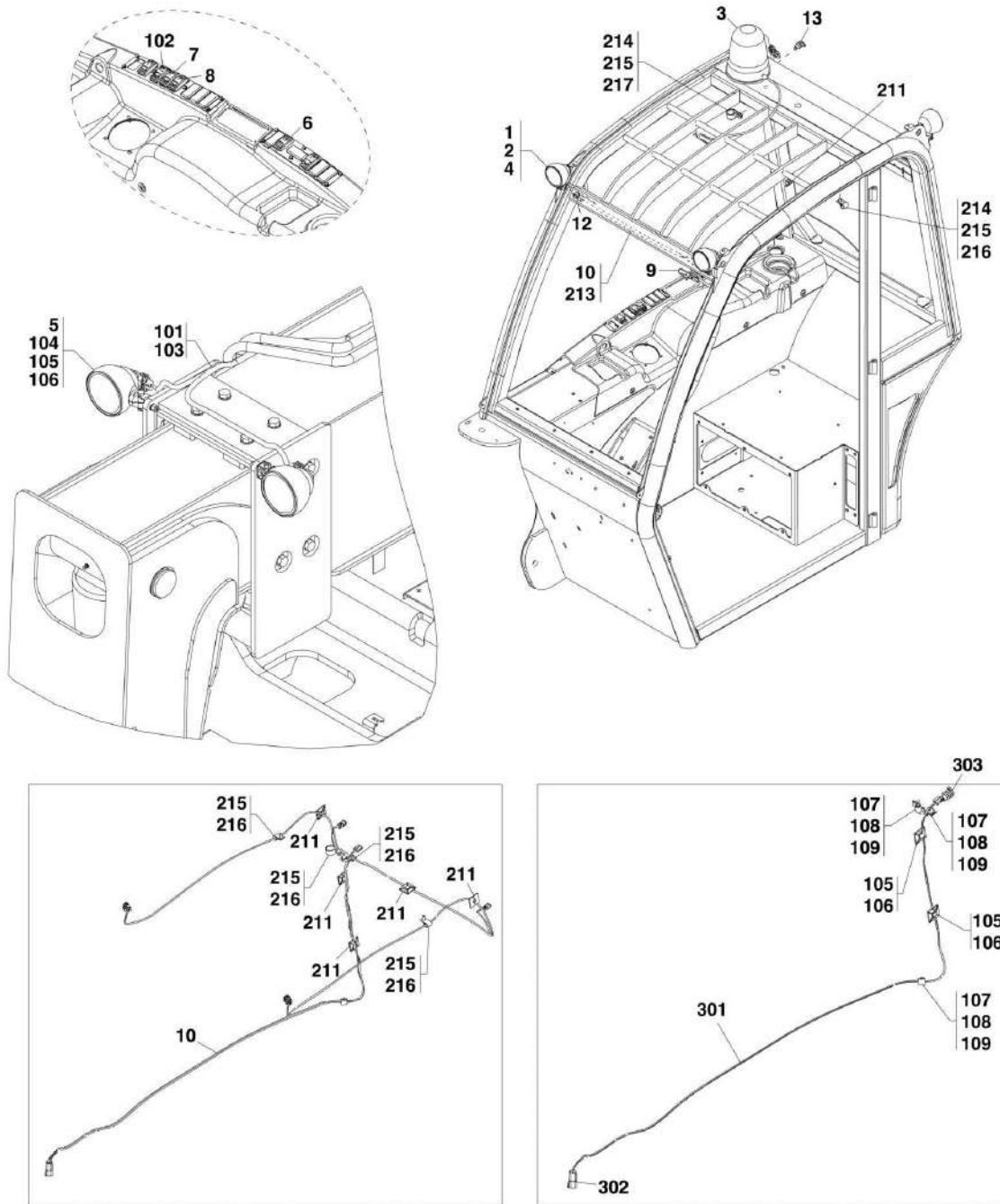
## SECTION 10 - ELECTRICAL

ITEM	PART NUMBER	QTY	DESCRIPTION	REV
408	7029970	1	BULB, 12V-55W	
408	7029971	1	BULB, 12V-21W	
409	1001002779	1	LH DRIVING LIGHT	
409	7029969	1	BULB, 12V	
409	7029970	1	BULB, 12V-55W	
409	7029971	1	BULB, 12V-21W	
501		Ref	FRAME BASE HARNESS, (not shown), (See FRAME BASE HARNESS for Breakdown)	



# SECTION 10 - ELECTRICAL

## FIGURE 10-3. WORK LIGHTS INSTALLATION



PAL4552

## SECTION 10 - ELECTRICAL

### FIGURE 10-3. WORK LIGHTS INSTALLATION

ITEM	PART NUMBER	QTY	DESCRIPTION	REV
	0275504	Ref	WORK LIGHTS INSTALLATION, (enclosed cab), (not available to order, see items 1 thru 13 for service)	F
	1001113154	Ref	WORK LIGHTS INSTALLATION, (open cab), (not available to order, see items 1 thru 13 & 211 thru 217 for service)	C
	1001103139	Ref	BEACON INSTALLATION, (enclosed cab), (not available to order, see items 3, 6, 10 & 13 for service)	D
	1001113155	Ref	BEACON INSTALLATION, (open cab), (not available to order, see items 3, 6, 13, 211 thru 216 & 301 & 303 for service)	B
1	2920206	4	WORKLIGHT	
1	70020796	1	LIGHT BULB	
2	1001108127	4	LOCKNUT, M6X1, GR8, (enclosed cab)	
2	3290605	4	LOCKNUT, M6X1, GR8, (open cab)	
3	1001091573	NLA	YELLOW WARNING LIGHT LAMP, (no longer available, use 70020186 for service or 1001217623 for replacement)	
3	70020186	1	BULB	
3	1001217623	1	YELLOW WARNING LIGHT LAMP	
4	1001108129	4	WASHER, 6mm, (enclosed cab)	
4	4811700	4	WASHER, 6mm, (open cab)	
5	1001080669	Ref	BOOM LIGHTS INSTALLATION, (not available to order, see items 101 thru 106 for service)	D
6		Ref	BEACON SWITCH, (See CAB SWITCHES for Breakdown)	
7		Ref	FRONT WORKLIGHTS SWITCH, (See ENGINE AND ATTACHING PARTS for Breakdown)	
8		Ref	REAR WORKLIGHTS SWITCH, (See ENGINE AND ATTACHING PARTS for Breakdown)	
9	1001080854	4	WORKLIGHT JUMPER HARNESS ( <b>Prior to SN 0160039500, Excluding 0160036550, 0160037441, 0160037442, 0160037445, 0160037446 and 0160037454</b> )	
9	1001109565	4	WORKLIGHT JUMPER HARNESS ( <b>SN 0160039500 to Present, Including 0160036550, 0160037441, 0160037442, 0160037445, 0160037446 and 0160037454</b> )	
10		Ref	CAB ROOF WORKLIGHTS HARNESS, (See ROOF WORKLIGHTS HARNESS for Breakdown)	
12	1001081002	4	GROMMET ( <b>2505 Prior to SN 0160042694; G5-18A Prior to SN 0160042093</b> )	
12	1001111341	2	GROMMET ( <b>2505 SN 0160042694 to Present; G5-18A SN 0160042093 to Present</b> )	
13	4461174	1	12 VOLT POWER SUPPLY TERMINAL	
101		Ref	BOOM WORKLIGHT HARNESS, (See BOOM WORKLIGHT HARNESS for Breakdown)	
102		Ref	BOOM WORKLIGHT SWITCH, (See BOOM WORKLIGHT SWITCH for Breakdown)	
103	4240032	14	TIE STRAP	
104	2920206	2	WORKLIGHT	
104	70020796	1	LIGHT BULB	
105	4831700	2	SPRING LOCKWASHER, 6mm	
106	3290601	2	HEX NUT, M6X1, GR12	
211	4460488	5	MOUNTING BASE TERMINAL	
213	8881802	AR	WIRE TIE	
214	4711400	9	WASHER, 1/4	
214	4711400	7	WASHER, 1/4	
215	8303034	5	TRUSS HD SCREW, 1/4-20x3/4	
215	8303034	3	TRUSS HD SCREW, 1/4-20x3/4	

## SECTION 10 - ELECTRICAL

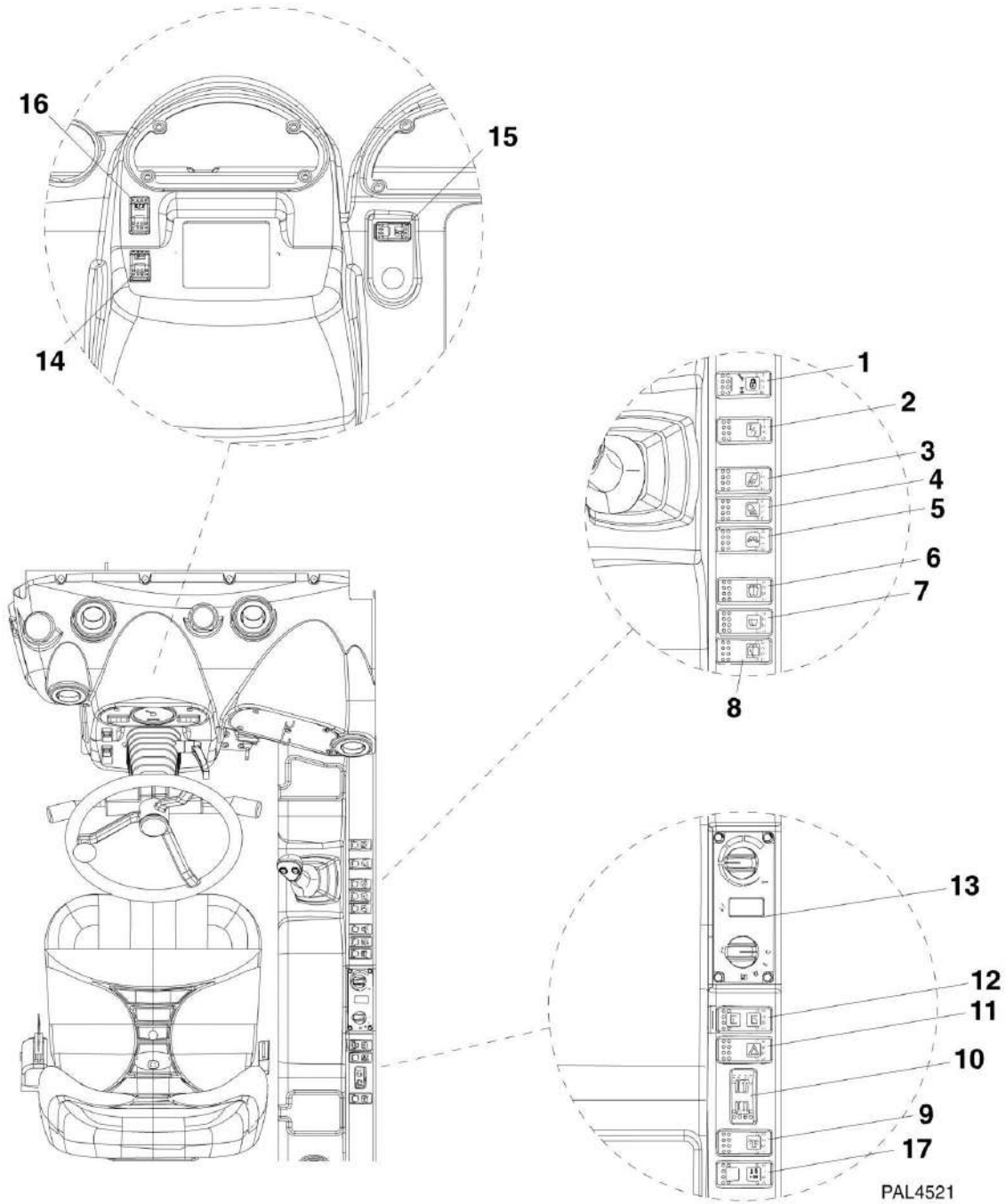
ITEM	PART NUMBER	QTY	DESCRIPTION	REV
216	85941016	4	CLAMP, 1/2	
216	85941016	3	CLAMP, 1/2	
217	85941017	1	P-CLAMP	
301	1001110723	1	BEACON CAB ROOF HARNESS, (includes items 302 & 303)	B
302	4460899	1	CONNECTOR	
302	4460464	2	TERMINAL	
303	91503104	1	WEDGE LOCKING	
303	1001104519	2	TERMINAL	





# SECTION 10 - ELECTRICAL

## FIGURE 10-4. CAB SWITCHES



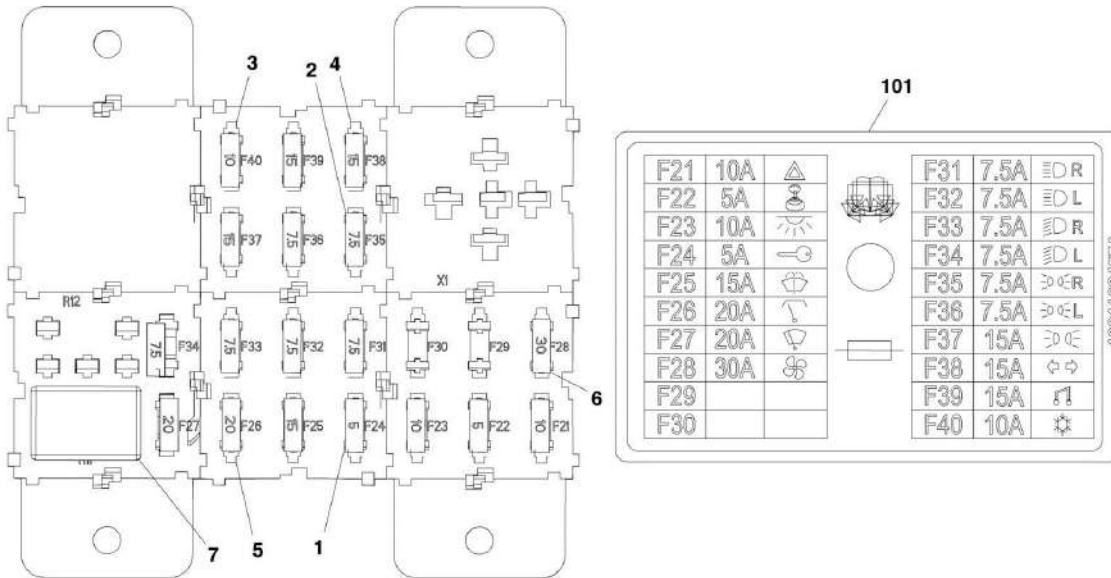
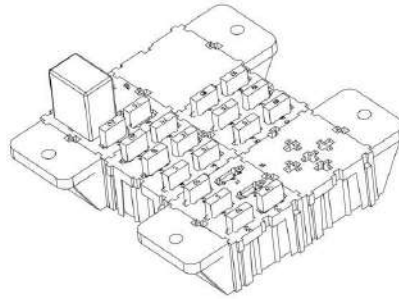
## SECTION 10 - ELECTRICAL

### FIGURE 10-4. CAB SWITCHES

ITEM	PART NUMBER	QTY	DESCRIPTION	REV
1	1001080372	1	ROAD USE OPERATION SWITCH, (2505)	
2	1001080378	1	STEER SELECT SWITCH	
3	1001080366	1	BOOM WORK LIGHT SWITCH, (if equipped)	
4	1001080369	1	FRONT WORK LIGHT SWITCH, (if equipped)	
5	1001080376	1	REAR WORK LIGHT SWITCH, (if equipped)	
6	1001080368	1	FRONT WIPER SWITCH, (if equipped)	
7	1001080367	1	FRONT WINDSHIELD WASHER SWITCH, (if equipped)	
8	1001080377	1	SKYLIGHT AND REAR WIPER SWITCH, (if equipped)	
9	1001080365	1	BEACON LIGHT SWITCH, (if equipped)	
10	1001080364	1	FRONT/REAR AUXILIARY HYDRAULIC SWITCH, (if equipped)	
11	1001080370	1	HAZARD LIGHT SWITCH, (if equipped)	
12	1001080978	1	LIFT/LOADER JOYSTICK PATTERN SWITCH	
13		Ref	HEATER AND AC CONTROLS, (See CAB SECTION for Breakdown)	
14	1001080374	1	PARKING BRAKE SWITCH, (G5-18A)	
14	1001080373	1	LSI OVERRIDE SWITCH, (2505)	
15	1001080371	1	HORN SWITCH	
16	1001080375	1	HYDRAULIC QUICK ATTACH SWITCH	
17	1001104654	1	AUXILIARY HYDRAULICS PRESSURE RELIEF SWITCH	

# SECTION 10 - ELECTRICAL

## FIGURE 10-5. CAB FUSE HOLDER



PAP17520

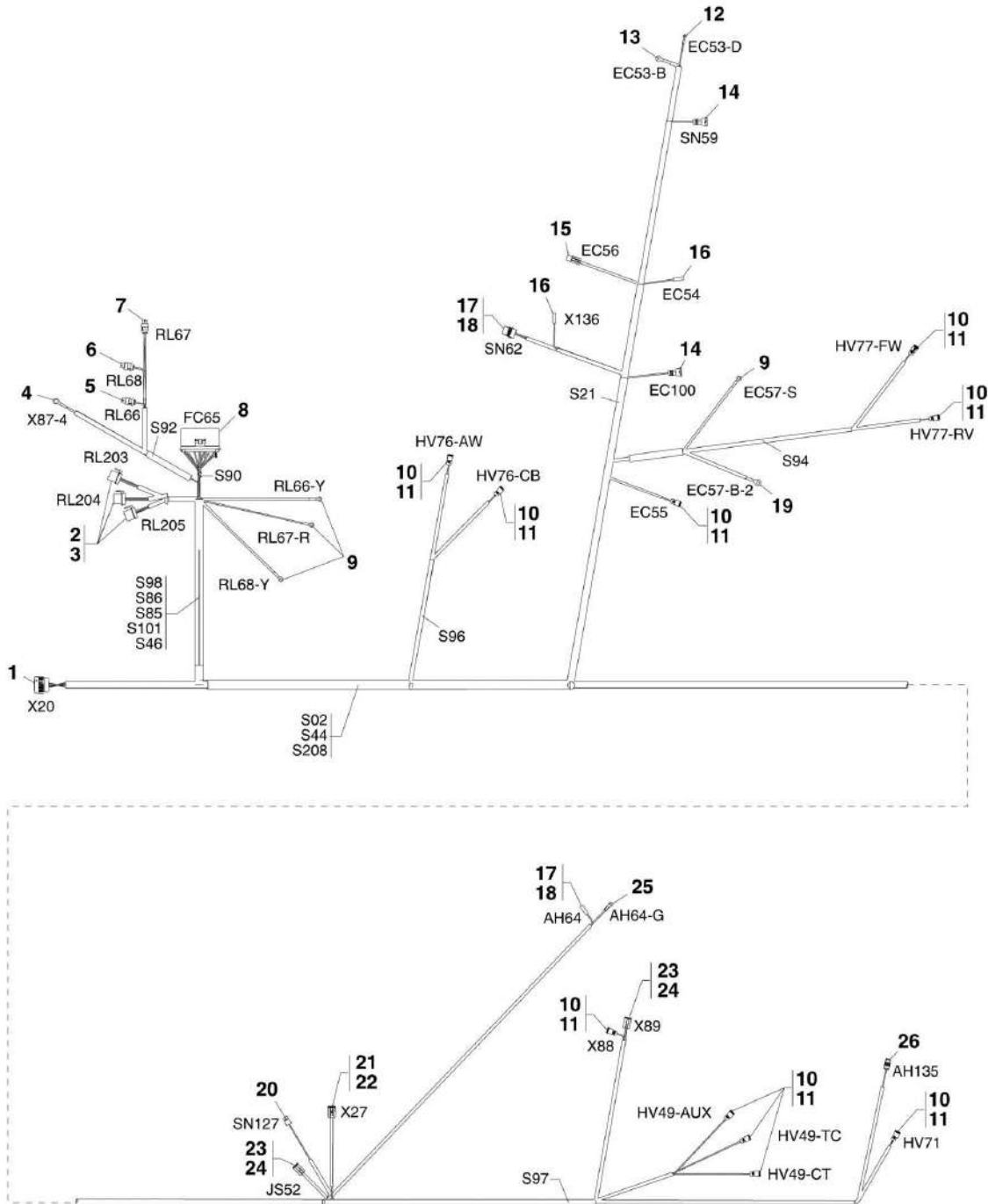
## SECTION 10 - ELECTRICAL

### FIGURE 10-5. CAB FUSE HOLDER

ITEM	PART NUMBER	QTY	DESCRIPTION	REV
	1001080763	1	CAB FUSE RELAY HOLDER, (includes items 1 thru 7)	A
	1001116710	26	TERMINAL	
	1001116712	17	TERMINAL	
	1001116711	4	TERMINAL	
	1001116735	5	TERMINAL	
	4460419	1	TERMINAL	
1	8229242	2	FUSE, 5A	
2	8229243	1	FUSE, 7.5A	
3	80983191	7	FUSE, 10A	
4	8229244	4	FUSE, 15A	
5	8229246	2	FUSE, 20A	
6	8229245	1	FUSE, 30A	
7	1001095704	1	RELAY, 35A	
101	1001102457	1	FUSE DECAL	

# SECTION 10 - ELECTRICAL

**FIGURE 10-6. FRAME BASE HARNESS (G5-18A SN 0160032850 through 0160053000, Excluding 0160051045; 2505 Prior to SN 0160042694; Excluding 0160051047, 0160051049, 0160051194 and 0160051359)**



PAL4611

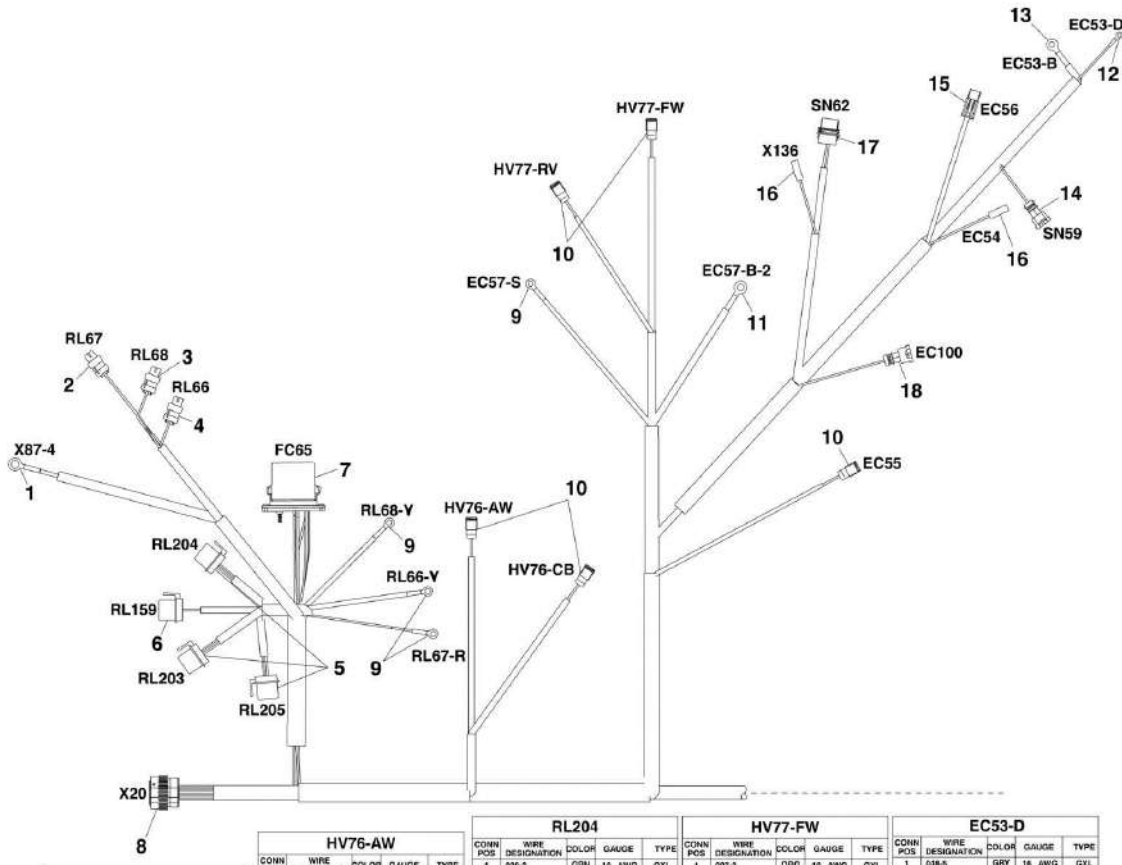
## SECTION 10 - ELECTRICAL

**FIGURE 10-6. FRAME BASE HARNESS (G5-18A SN 0160032850 through 0160053000, Excluding 0160051045; 2505 Prior to SN 0160042694; Excluding 0160051047, 0160051049, 0160051194 and 0160051359)**

ITEM	PART NUMBER	QTY	DESCRIPTION	REV
	1001080442	1	FRAME BASE HARNESS, (includes all items)	K
1	1001116921		CONNECTOR	
2	4460374	3	CONNECTOR	
3	3740080	3	RELAY	
4	8220164	1	TERMINAL	
5	1001116953	1	CONNECTOR	
6	1001116950	1	CONNECTOR	
7	1001116952	1	CONNECTOR	
8	1001080361	1	FUSE BOX ASSY	
8	80963070	2	DUST CAP PLUG	
8	8229242	2	FUSE, 5A	
8	8229243	1	FUSE, 7.5A	
8	80983191	7	FUSE, 10A	
8	8229244	4	FUSE, 15A	
8	1001095704	2	RELAY, 35A	
9	N.S.S.	4	RING TERMINAL	
10	4460891	10	CONNECTOR	
11	80604018	10	LOCK CONNECTOR	
12	4460042	1	TERMINAL	
13	8220116	1	TERMINAL	
14	1001116983	2	CONNECTOR	
15	1001116707	1	CONNECTOR	
16	4460260	2	CONNECTOR	
17	1001117020	2	CONNECTOR	
18	7029775	2	LOCK CONNECTOR	
19	8220114	1	TERMINAL	
20	250176	1	CONNECTOR	
21	4460930	1	CONNECTOR	
22	80604025	1	LOCK CONNECTOR	
23	4460884	2	CONNECTOR	
24	80604021	2	LOCK CONNECTOR	
25	4460043	1	TERMINAL	
26	4461118	1	CONNECTOR	

# SECTION 10 - ELECTRICAL

## FIGURE 10-7. FRAME BASE HARNESS (2505 SN 0160042694 to Present)



RL67-R				
CONN POS	WIRE DESIGNATION	COLOR	GAUGE	TYPE
1	961-1	RED	16 AWG	GXL
1	961-1-1	RED	16 AWG	GXL
1	961-1-2	RED	16 AWG	GXL
1	961-1-3	RED	16 AWG	GXL

FC65				
CONN POS	WIRE DESIGNATION	COLOR	GAUGE	TYPE
A1	092-2	VEL	16 AWG	GXL
A2	092-2-2	VEL	16 AWG	GXL
A3	092-1	VEL	16 AWG	GXL
A4	092-5	VEL	16 AWG	GXL
A5	092-6	VEL	16 AWG	GXL
A6	092-7	VEL	16 AWG	GXL
A7	092-8	VEL	16 AWG	GXL
A8	092-9	VEL	16 AWG	GXL
A9	092-13	VEL	16 AWG	GXL
A10				
B7	091-1	RED	10 AWG	GXL
B8	070-1-21	BLU	16 AWG	GXL
B9	092-8	VEL	16 AWG	GXL
B10	092-1-2	ORG	16 AWG	GXL
C1	091-5	RED	16 AWG	GXL
C2	091-4	RED	16 AWG	GXL
C3	091-2	RED	16 AWG	GXL
C4	091-2	BLU	16 AWG	GXL
C5	091-3	BLU	16 AWG	GXL
C6	091-4	BLU	16 AWG	GXL
C8				
C10				
D1	091-1-2	RED	16 AWG	GXL
D2	091-1-1	RED	16 AWG	GXL
D3	091-1-3	RED	16 AWG	GXL
D4	091-1-3	BLU	16 AWG	GXL
D5	091-1-2	BLU	16 AWG	GXL
D6	091-1-3	BLU	16 AWG	GXL
D7	091-1-10	BLK	16 AWG	GXL
D8	091-1	BLU	10 AWG	GXL
D9	091-1-11	BLK	16 AWG	GXL
D10	092-2	BLU	16 AWG	GXL

HV76-AW				
CONN POS	WIRE DESIGNATION	COLOR	GAUGE	TYPE
1	960-3-1	ORG	16 AWG	GXL
2	960-3-13	BLK	16 AWG	GXL

HV76-CB				
CONN POS	WIRE DESIGNATION	COLOR	GAUGE	TYPE
1	965-3-1	ORG	16 AWG	GXL
2	966-3-14	BLK	16 AWG	GXL

X20				
CONN POS	WIRE DESIGNATION	COLOR	GAUGE	TYPE
1	092-1	VEL	16 AWG	GXL
2	092-1-1	VEL	16 AWG	GXL
3	091-5	RED	16 AWG	GXL
3	091-4	RED	16 AWG	GXL
4	092-2	VEL	16 AWG	GXL
5	092-3	VEL	16 AWG	GXL
6	092-4-1	VEL	16 AWG	GXL
7	091-3	BLU	16 AWG	GXL
8	091-5	BLU	16 AWG	GXL
9	091-2	BLU	16 AWG	GXL
10	091-4	BLU	16 AWG	GXL
11	092-9	VEL	16 AWG	GXL
12	070-1-1	BLU	16 AWG	GXL
13	076-3	GRN	16 AWG	GXL
14	092-2-1	ORG	16 AWG	GXL
15	092-3-1	ORG	16 AWG	GXL
16	092-1	BLU	16 AWG	GXL
17	048-3	GRY	16 AWG	GXL
18	048-4-1	GRY	16 AWG	GXL
19	048-9	GRY	16 AWG	GXL
20	046-6	GRY	16 AWG	GXL
21	048-7	GRY	16 AWG	GXL
22	048-8	GRY	16 AWG	GXL
23	048-5	GRY	16 AWG	GXL
24	007-1	ORG	16 AWG	GXL
25	009-1	ORG	16 AWG	GXL
26	076-4	GRN	16 AWG	GXL
27	076-5	GRN	16 AWG	GXL
28	006-2-2	BLU	16 AWG	GXL
29	073-7	BRN	16 AWG	GXL
30	091-2	RED	16 AWG	GXL
31				

RL204				
CONN POS	WIRE DESIGNATION	COLOR	GAUGE	TYPE
1	896-2	GRN	16 AWG	GXL
2	922-1-3	GRN	15 AWG	GXL
3	896-4	GRN	15 AWG	GXL
4	896-5	GRN	15 AWG	GXL
5	900-4-10	BLK	15 AWG	GXL

RL159				
CONN POS	WIRE DESIGNATION	COLOR	GAUGE	TYPE
1	960-5	VEL	16 AWG	GXL
2	960-1	VEL	16 AWG	GXL
3	976-1	GRN	16 AWG	GXL
5	900-4-10	BLK	15 AWG	GXL

RL203				
CONN POS	WIRE DESIGNATION	COLOR	GAUGE	TYPE
1	078-4	GRN	16 AWG	GXL
2	023-1	GRN	16 AWG	GXL
3	826-2	GRN	16 AWG	GXL
4	826-3	GRN	16 AWG	GXL
5	900-4-11	BLK	15 AWG	GXL

RL205				
CONN POS	WIRE DESIGNATION	COLOR	GAUGE	TYPE
1	606-3	GRN	16 AWG	GXL
2	826-1-2	GRN	16 AWG	GXL
3	960-1	GRN	16 AWG	GXL
4	900-4-9	BLK	15 AWG	GXL

RL68-Y				
CONN POS	WIRE DESIGNATION	COLOR	GAUGE	TYPE
1	X	GRY	8 AWG	SXL

RL66-V				
CONN POS	WIRE DESIGNATION	COLOR	GAUGE	TYPE
1	X	GRY	8 AWG	SXL

HV77-FW				
CONN POS	WIRE DESIGNATION	COLOR	GAUGE	TYPE
1	007-2	DRG	16 AWG	GXL
2	006-3-15	BLK	15 AWG	GXL

HV77-RV				
CONN POS	WIRE DESIGNATION	COLOR	GAUGE	TYPE
1	008-1-1	DRG	16 AWG	GXL
2	006-3-15	BLK	15 AWG	GXL

EC57-B-2				
CONN POS	WIRE DESIGNATION	COLOR	GAUGE	TYPE
1	001-3	RED	8 AWG	SGT

EC57-S				
CONN POS	WIRE DESIGNATION	COLOR	GAUGE	TYPE
1	X	GRY	8 AWG	SXL

X87-4				
CONN POS	WIRE DESIGNATION	COLOR	GAUGE	TYPE
1	000-3	BLK	10 AWG	GXL
1	006-4	BLK	10 AWG	GXL

RL67				
CONN POS	WIRE DESIGNATION	COLOR	GAUGE	TYPE
1	062-1	VEL	16 AWG	GXL
2	003-1-9	BLK	16 AWG	GXL

RL68				
CONN POS	WIRE DESIGNATION	COLOR	GAUGE	TYPE
1	048-3	GRY	16 AWG	GXL
2	093-1-18	BLK	16 AWG	GXL

RL66				
CONN POS	WIRE DESIGNATION	COLOR	GAUGE	TYPE
1	038-1-1	GRY	16 AWG	GXL
2	003-1-17	BLK	16 AWG	GXL

EC53-D				
CONN POS	WIRE DESIGNATION	COLOR	GAUGE	TYPE
1	038-2	GRY	16 AWG	GXL

EC53-B				
CONN POS	WIRE DESIGNATION	COLOR	GAUGE	TYPE
1	031-3	RED	8 AWG	SGT

SN59				
CONN POS	WIRE DESIGNATION	COLOR	GAUGE	TYPE
A	048-8	GRY	16 AWG	GXL
B	048-9	GRY	16 AWG	GXL

EC56				
CONN POS	WIRE DESIGNATION	COLOR	GAUGE	TYPE
1	X	GRY	8 AWG	SXL

EC54				
CONN POS	WIRE DESIGNATION	COLOR	GAUGE	TYPE
1	062-2	VEL	16 AWG	GXL

X136				
CONN POS	WIRE DESIGNATION	COLOR	GAUGE	TYPE
1	073-7	BRN	16 AWG	GXL

SN62				
CONN POS	WIRE DESIGNATION	COLOR	GAUGE	TYPE
A	048-6	GRY	16 AWG	GXL
B	062-2	VEL	16 AWG	GXL
C	048-7	GRY	16 AWG	GXL

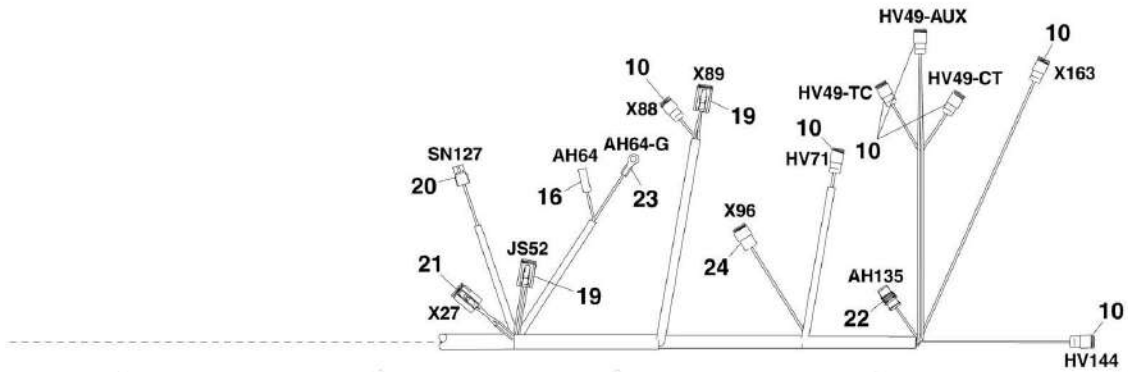
EC100				
CONN POS	WIRE DESIGNATION	COLOR	GAUGE	TYPE
1	062-1	VEL	16 AWG	GXL
2	000-4-12	BLK	16 AWG	GXL

EC55				
CONN POS	WIRE DESIGNATION	COLOR	GAUGE	TYPE
1	062-2	VEL	16 AWG	GXL
2	000-4-1	BLK	16 AWG	GXL

PY6760



# SECTION 10 - ELECTRICAL



HV49-AUX				
CONN POS	WIRE DESIGNATION	COLOR	GAUGE	TYPE
1	055-1	GRN	16 AWG	GXL
2	000-3-19	BLK	16 AWG	GXL

AH64-G				
CONN POS	WIRE DESIGNATION	COLOR	GAUGE	TYPE
1	000-4-5	BLK	16 AWG	GXL

AH64				
CONN POS	WIRE DESIGNATION	COLOR	GAUGE	TYPE
1	052-1	BLU	16 AWG	GXL

HV71				
CONN POS	WIRE DESIGNATION	COLOR	GAUGE	TYPE
1	076-3	GRN	16 AWG	GXL
2	000-4-4	BLK	16 AWG	GXL

X163				
CONN POS	WIRE DESIGNATION	COLOR	GAUGE	TYPE
1	062-19	YEL	16 AWG	GXL
2	066-1	YEL	16 AWG	GXL

HV49-CT				
CONN POS	WIRE DESIGNATION	COLOR	GAUGE	TYPE
1	014-1	GRN	16 AWG	GXL
2	000-3-18	BLK	16 AWG	GXL

JS52				
CONN POS	WIRE DESIGNATION	COLOR	GAUGE	TYPE
1	026-1	GRN	16 AWG	GXL
2	079-2	GRN	16 AWG	GXL
3	025-1	GRN	16 AWG	GXL
4	079-3	GRN	16 AWG	GXL

X88				
CONN POS	WIRE DESIGNATION	COLOR	GAUGE	TYPE
1	051-5	BLU	16 AWG	GXL
2	000-4-3	BLK	16 AWG	GXL

HV49-TC				
CONN POS	WIRE DESIGNATION	COLOR	GAUGE	TYPE
1	025-2	GRN	16 AWG	GXL
2	000-3-17	BLK	16 AWG	GXL

X96				
CONN POS	WIRE DESIGNATION	COLOR	GAUGE	TYPE
1	008-1-3	ORG	16 AWG	GXL
2	007-3	ORG	16 AWG	GXL
3				

SN127				
CONN POS	WIRE DESIGNATION	COLOR	GAUGE	TYPE
1	048-9	GRY	16 AWG	GXL
2				
3	003-1-12	BLK	16 AWG	GXL

HV144				
CONN POS	WIRE DESIGNATION	COLOR	GAUGE	TYPE
1	055-2	GRN	16 AWG	GXL
2	000-3-21	BLK	16 AWG	GXL

AH135				
CONN POS	WIRE DESIGNATION	COLOR	GAUGE	TYPE
1	008-2-1	BLU	16 AWG	GXL
2	000-4-2	BLK	16 AWG	GXL

X89				
CONN POS	WIRE DESIGNATION	COLOR	GAUGE	TYPE
1	078-4	GRN	16 AWG	GXL
2	078-5	GRN	16 AWG	GXL
3				
4				

X27				
CONN POS	WIRE DESIGNATION	COLOR	GAUGE	TYPE
1	025-2	GRN	16 AWG	GXL
2	026-4	GRN	16 AWG	GXL
3	070-1-22	BLU	16 AWG	GXL
4	014-1	GRN	16 AWG	GXL
5	026-5	GRN	16 AWG	GXL
6	062-3-3	YEL	16 AWG	GXL
7	000-4-13	BLK	16 AWG	GXL
8	056-2	GRN	16 AWG	GXL

PAL5940

# SECTION 10 - ELECTRICAL

**FIGURE 10-7. FRAME BASE HARNESS (2505 SN 0160042694 to Present)**

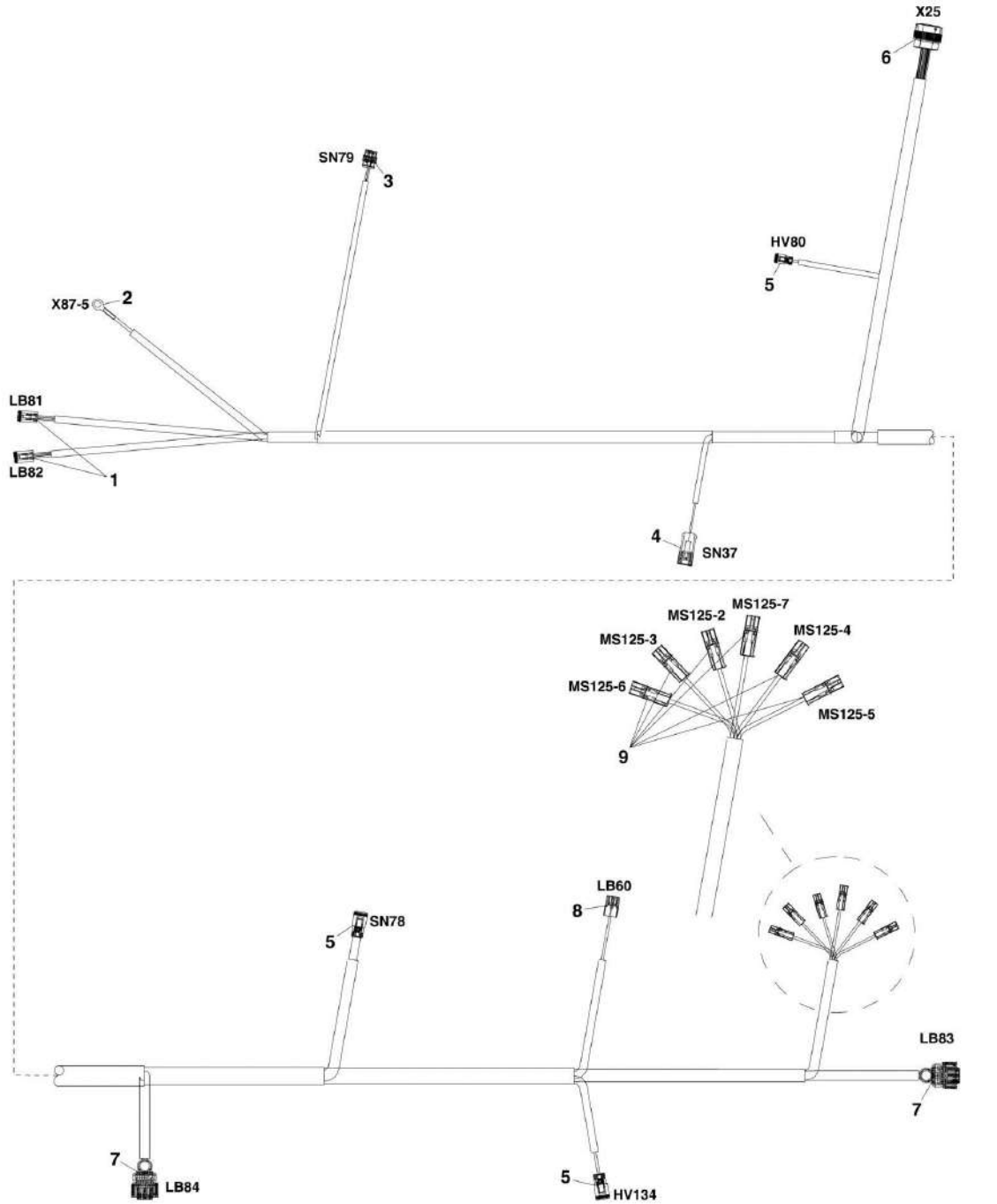
ITEM	PART NUMBER	QTY	DESCRIPTION	REV
	1001122249	1	FRAME BASE HARNESS, (includes all items)	D
1	8220164	1	TERMINAL RING, 3/8, 8 AWG	
2	1001116952	1	CONNECTOR	
2	4460465	2	TERMINAL	
3	1001116950	1	CONNECTOR	
3	4460465	2	TERMINAL	
4	1001116953	1	CONNECTOR	
4	4460465	2	TERMINAL	
5	4460374	3	CONNECTOR WITH RELAY	
5	3740080	3	RELAY	
6	1001117057	1	CONNECTOR WITH RELAY	
6	3740080	1	RELAY	
6	1001116733	4	TERMINAL	
7	1001116727	1	FUSE BOX ASSY	A
7	1001116726	26	TERMINAL	
7	1001116725	2	TERMINAL	
7	1001116727	3	PLUG	
7	8229242	2	FUSE, 5A	
7	8229243	1	FUSE, 7.5A	
7	80983191	7	FUSE, 10A	
7	8229244	5	FUSE, 15A	
7	1001095704	2	RELAY, 35A	
8	1001116921	1	CONNECTOR	
8	4460465	30	TERMINAL	
8	4460466	1	PLUG	
9	1001117106	4	TERMINAL RING, 1/4, 8 AWG	
10	4460891	12	CONNECTOR	
10	80604018	12	WEDGE LOCK	
10	4460465	24	TERMINAL	
11	8220114	1	TERMINAL RING, 5/16, 6 AWG	
12	4460042	1	TERMINAL RING, #10, 16 AWG	
13	8220116	1	TERMINAL RING, 1/4, 6 AWG	
14	1001116983	1	CONNECTOR	
14	4460466	1	PLUG	
14	1001118386	1	TERMINAL	
15	1001116707	1	CONNECTOR	
15	91143340	1	TERMINAL	
16	4460260	2	CONNECTOR	
16	1001118379	2	TERMINAL	
17	1001117020	1	CONNECTOR	
17	1001116728	3	TERMINAL	
17	8220891	1	WEDGELOCK	
18	1001116983	1	CONNECTOR	
18	1001118386	2	TERMINAL	
19	4460884	1	CONNECTOR	
19	80604021	1	WEDGE LOCK	
19	4460465	4	TERMINAL	
20	250176	1	CONNECTOR	
20	1001104519	2	TERMINAL	
21	4460930	1	CONNECTOR	

## SECTION 10 - ELECTRICAL

ITEM	PART NUMBER	QTY	DESCRIPTION	REV
21	80604025	1	WEDGE LOCK	
21	4460465	8	TERMINAL	
22	4461118	1	CONNECTOR	
22	1001116697	2	TERMINAL	
23	4460043	1	TERMINAL RING, 1/4, 16 AWG	
24	4460539	1	CONNECTOR	
24	77363244	1	WEDGE LOCK	
24	4460465	2	TERMINAL	
24	4460466	1	PLUG	

# SECTION 10 - ELECTRICAL

FIGURE 10-8. FRAME OPTIONS HARNESS (G5-18A SN 0160032850 through 0160053000, Excluding 0160051045; 2505 Prior to SN 0160042694; Excluding 0160051047, 0160051049, 0160051194 and 0160051359)



PAP17440

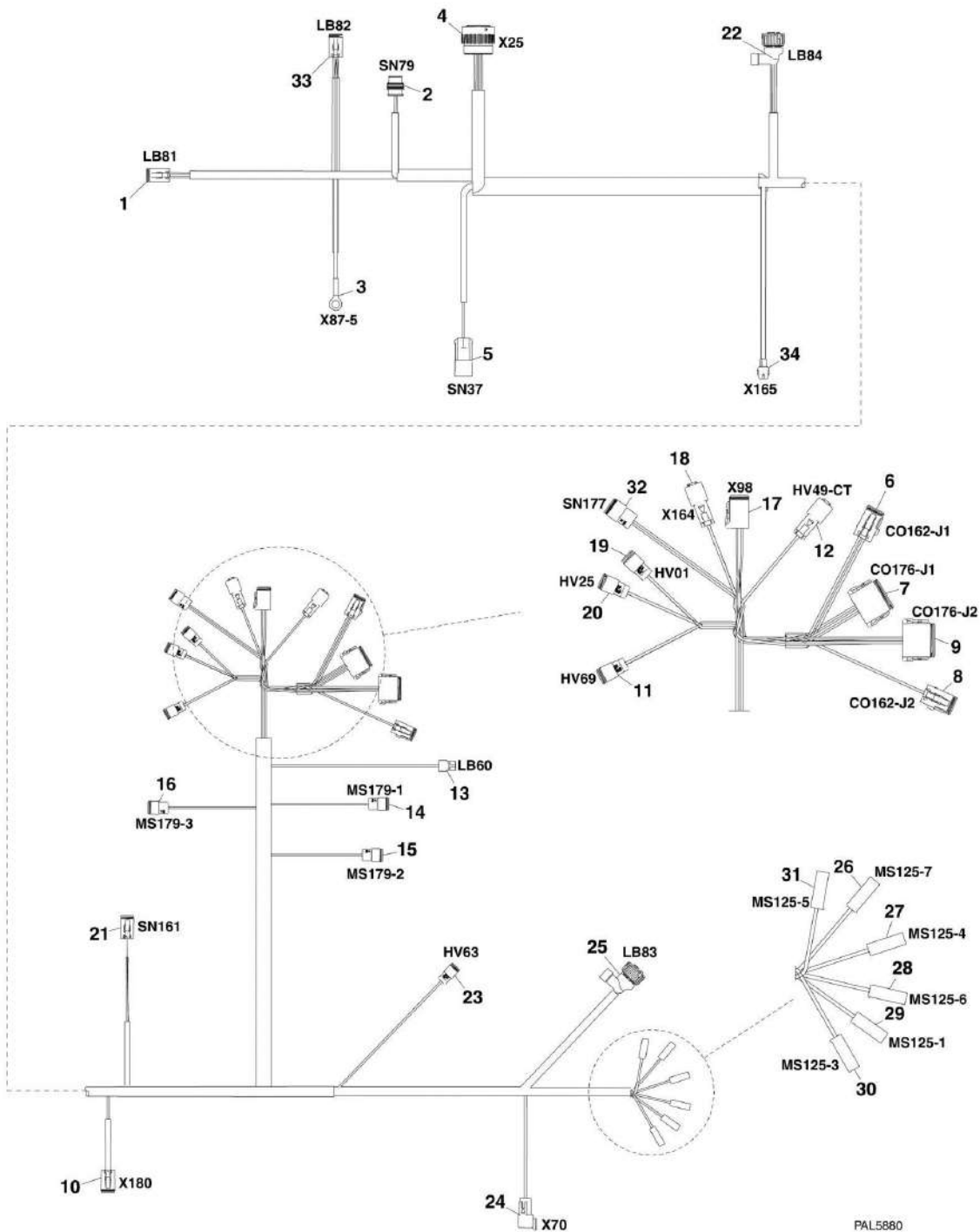
## SECTION 10 - ELECTRICAL

**FIGURE 10-8. FRAME OPTIONS HARNESS (G5-18A SN 0160032850 through 0160053000, Excluding 0160051045; 2505 Prior to SN 0160042694; Excluding 0160051047, 0160051049, 0160051194 and 0160051359)**

ITEM	PART NUMBER	QTY	DESCRIPTION	REV
	1001080584	2	FRAME OPTION HARNESS, (G5-18A, if equipped), (2505), (includes all items)	G
1	4460894	2	CONNECTOR	
1	80604023	2	WEDGE LOCK	
1	4460942	2	TERMINAL	
1	4460942	8	TERMINAL	
1	4460466	2	PLUG	
2	8220164	1	TERMINAL RING, 3/8, 8 AWG	
3	4461262	1	CONNECTOR	
3	1001107854	3	TERMINAL	
4	1001117026	1	CONNECTOR	
5	4460891	3	CONNECTOR	
5	80604018	3	WEDGE LOCK	
5	4460465	7	TERMINAL	
6	1001118672	1	CONNECTOR	
6	4460464	20	TERMINAL	
6	4460466	3	PLUG	
7	1001116996	2	CONNECTOR, (includes boot)	
7	1001118392	10	TERMINAL	
7	4461008	4	PLUG	
8	1001117133	1	CONNECTOR	
8	1001104519	2	TERMINAL	
9	4460260	5	CONNECTOR	
9	1001118379	5	TERMINAL	

# SECTION 10 - ELECTRICAL

FIGURE 10-9. FRAME OPTIONS HARNESS (2505 SN 0160042694 to Present)



## SECTION 10 - ELECTRICAL

**FIGURE 10-9. FRAME OPTIONS HARNESS (2505 SN 0160042694 to Present)**

ITEM	PART NUMBER	QTY	DESCRIPTION	REV
	1001122279	Ref	FRAME OPTIONS HARNESS, (2505), (includes all items)	G
1	4460894	1	CONNECTOR	
1	80604023	1	WEDGE LOCK	
1	4460942	1	TERMINAL	
1	4460942	4	TERMINAL	
1	4460466	1	PLUG	
2	4461262	1	CONNECTOR	
2	1001107854	3	TERMINAL	
3	8220164	1	CONNECTOR	
4	N.S.S.	1	CONNECTOR	
4	4460466	5	PLUG	
4	4460464	26	TERMINAL	
5	1001117026	1	CONNECTOR	
5	8220890	1	WEDGE LOCK	
5	1001116729	2	TERMINAL	
6	1001116808	1	CONNECTOR	
6	4460915	1	WEDGE LOCK	
6	4460928	6	TERMINAL	
6	4460518	6	PLUG	
7	1001116808	1	CONNECTOR	
7	4460915	1	WEDGE LOCK	
7	4460928	12	TERMINAL	
8	1001116774	1	CONNECTOR	
8	4460915	1	WEDGE LOCK	
8	4460928	4	TERMINAL	
8	4460518	8	PLUG	
9	1001116774	1	CONNECTOR	
9	4460915	1	WEDGE LOCK	
9	4460928	7	TERMINAL	
9	4460518	5	PLUG	
10	4460851	1	CONNECTOR	
10	80604025	1	WEDGE LOCK	
10	4460465	7	TERMINAL	
10	4460466	1	PLUG	
11	4460891	1	CONNECTOR	
11	80604018	1	WEDGE LOCK	
11	4460465	2	TERMINAL	
12	4460897	1	CONNECTOR	
12	80604017	1	WEDGE LOCK	
12	4460464	1	TERMINAL	
12	4460466	1	PLUG	
13	1001117133	1	CONNECTOR	
13	1001104519	2	TERMINAL	
14	1001116812	1	CONNECTOR	
14	91554019	1	WEDGE LOCK	
14	4460944	2	TERMINAL	
14	4460466	1	PLUG	
15	4460539	1	CONNECTOR	
15	77363244	1	WEDGE LOCK	
15	4460944	3	TERMINAL	

## SECTION 10 - ELECTRICAL

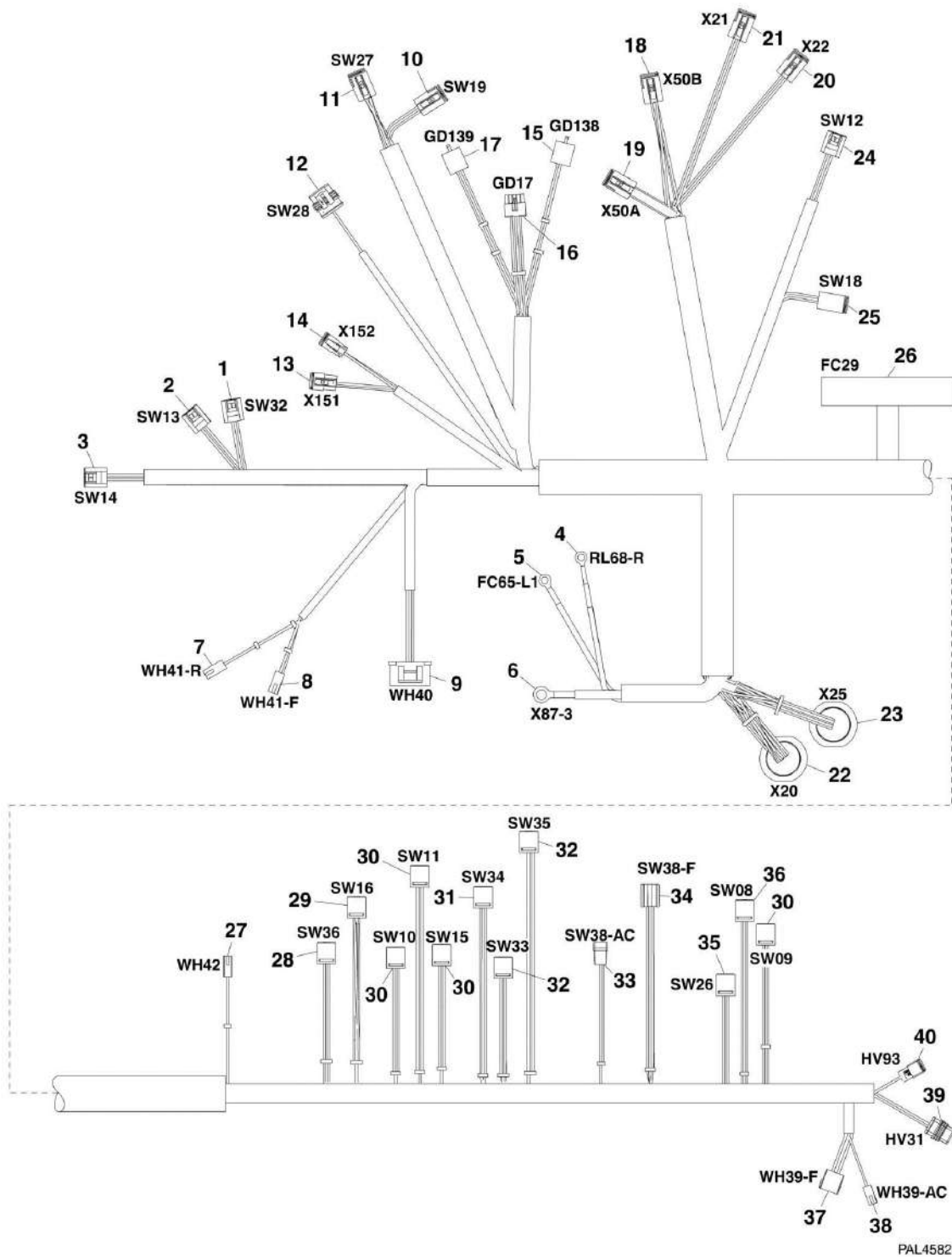
ITEM	PART NUMBER	QTY	DESCRIPTION	REV
16	1001116812	1	CONNECTOR	
16	91554019	1	WEDGE LOCK	
16	4460944	2	TERMINAL	
16	4460466	1	PLUG	
17	4460894	1	CONNECTOR	
17	80604023	1	WEDGE LOCK	
17	4460465	6	TERMINAL	
18	4460911	1	CONNECTOR	
18	4460464	2	TERMINAL	
19	4460891	1	CONNECTOR	
19	80604018	1	WEDGE LOCK	
19	4460465	2	TERMINAL	
20	4460891	1	CONNECTOR	
20	80604018	1	WEDGE LOCK	
20	4460465	2	TERMINAL	
21	4460539	1	CONNECTOR	
21	77363244	1	WEDGE LOCK	
21	4460465	3	TERMINAL	
22	1001119669	1	CONNECTOR	
22	1001118392	5	TERMINAL	
22	4461008	2	PLUG	
23	4460891	1	CONNECTOR	
23	80604018	1	WEDGE LOCK	
23	4460465	2	TERMINAL	
24	4460536	1	CONNECTOR	
24	80604019	1	WEDGE LOCK	
24	4460464	3	TERMINAL	
25	1001119669	1	CONNECTOR	
25	1001118392	5	TERMINAL	
25	4461008	2	PLUG	
26	4460260	1	CONNECTOR	
26	1001118379	1	TERMINAL	
27	4460260	1	CONNECTOR	
27	1001118379	1	TERMINAL	
28	4460260	1	CONNECTOR	
28	1001118379	1	TERMINAL	
29	4460260	1	CONNECTOR	
29	1001118379	1	TERMINAL	
30	4460260	1	CONNECTOR	
30	1001118379	1	TERMINAL	
31	4460260	1	CONNECTOR	
31	1001118379	1	TERMINAL	
32	4460911	1	CONNECTOR	
32	4460928	3	TERMINAL	
33	4460894	1	CONNECTOR	
33	80604023	1	WEDGE LOCK	
33	4460942	1	TERMINAL	
33	4460942	4	TERMINAL	
33	4460466	1	PLUG	
34	4460761	1	CONNECTOR	
34	4460227	4	TERMINAL	





# SECTION 10 - ELECTRICAL

**FIGURE 10-10. CAB HARNESS (G5-18A Prior to SN 0160046189, Excluding 0160045424 and 0160045775; 2505 Prior to SN 0160042694)**





# SECTION 10 - ELECTRICAL

X151				
CONN POS	WIRE DESIGNATION	COLOR	GAUGE	TYPE
1	079-8	GRN	16 AWG	GXL
2	076-8	GRN	16 AWG	GXL
3	076-9	GRN	16 AWG	GXL

X152				
CONN POS	WIRE DESIGNATION	COLOR	GAUGE	TYPE
1	062-12-1	YEL	16 AWG	GXL
2	000-6-9	BLK	16 AWG	GXL

SW18				
CONN POS	WIRE DESIGNATION	COLOR	GAUGE	TYPE
1	082-1	YEL	16 AWG	GXL
2				
3	048-1	GRY	16 AWG	GXL
4	081-5	RED	16 AWG	GXL
5	048-4	GRY	16 AWG	GXL
6				

SW12				
CONN POS	WIRE DESIGNATION	COLOR	GAUGE	TYPE
1				
2	052-1	BLU	16 AWG	GXL
3	061-4	RED	16 AWG	GXL
4				
5				
6				
7	000-8-15	BLK	16 AWG	GXL
7	000-8-16	BLK	16 AWG	GXL
8	070-1-9	BLU	16 AWG	GXL
8	070-1-9	BLU	16 AWG	GXL

X50B				
CONN POS	WIRE DESIGNATION	COLOR	GAUGE	TYPE
1	000-7-3	BLK	16 AWG	GXL
2	062-13	YEL	16 AWG	GXL
3	081-8	RED	16 AWG	GXL
4	074-9	BRN	14 AWG	GXL
6	074-8	BRN	14 AWG	GXL
6	000-6-4	BLK	14 AWG	GXL
7	000-7-2	BLK	16 AWG	GXL
8				

X22				
CONN POS	WIRE DESIGNATION	COLOR	GAUGE	TYPE
1	051-6	BLU	16 AWG	GXL
2	000-8-3	BLK	16 AWG	GXL
3	051-7	BLU	16 AWG	GXL
4	000-8-2	BLK	16 AWG	GXL
5	072-1	BLU	16 AWG	GXL
6	000-8-1	BLK	16 AWG	GXL

X25				
CONN POS	WIRE DESIGNATION	COLOR	GAUGE	TYPE
A	071-6-1	BLU	16 AWG	GXL
B	071-5-1	BLU	16 AWG	GXL
C	071-12	BLU	16 AWG	GXL
D	071-11	BLU	16 AWG	GXL
E	071-10	BLU	16 AWG	GXL
F	071-9	BLU	16 AWG	GXL
G	071-8	BLU	16 AWG	GXL
H	071-7	BLU	16 AWG	GXL
J	TP CAN CABLE	SHLD	18 AWG	
K	071-16	BLU	16 AWG	GXL
L	062-14-1	YEL	16 AWG	GXL
M	062-2	WHT	16 AWG	GXL
N	076-7	GRN	16 AWG	GXL
O	TP CAN CABLE	BLK	18 AWG	
P	TP CAN CABLE	RED	18 AWG	
Q	076-6	GRN	16 AWG	GXL
R	008-2-2	BLU	16 AWG	GXL
S				
T	079-3	WHT	16 AWG	GXL
U	062-4-5	YEL	16 AWG	GXL
V	077-3	ORG	16 AWG	GXL
W				
X				

X50A				
CONN POS	WIRE DESIGNATION	COLOR	GAUGE	TYPE
1	062-12-2	YEL	16 AWG	GXL
2	TP CAN CABLE	SHLD	18 AWG	
3	TP CAN CABLE	BLK	18 AWG	
4	TP CAN CABLE	RED	18 AWG	
5	076-8	GRN	16 AWG	GXL
6	070-1-20	BLU	16 AWG	GXL
7	062-14	YEL	16 AWG	GXL
8	052-2	WHT	16 AWG	GXL

SW08				
CONN POS	WIRE DESIGNATION	COLOR	GAUGE	TYPE
1				
2	062-3	YEL	16 AWG	GXL
2	062-3-1	YEL	16 AWG	GXL
3	076-3	GRN	16 AWG	GXL
4				
5				
6				
7	000-8-26	BLK	16 AWG	GXL
8				

SW26				
CONN POS	WIRE DESIGNATION	COLOR	GAUGE	TYPE
1	062-11	YEL	16 AWG	GXL
2	071-13	BLU	16 AWG	GXL
3	061-8-3	RED	16 AWG	GXL
4				
5	071-4-1	BLU	16 AWG	GXL
7				
8	070-1-16	BLU	16 AWG	GXL
10	000-8-25	BLK	16 AWG	GXL
10	000-8-26	BLK	16 AWG	GXL
17	071-5-1	BLU	16 AWG	GXL
17	071-5	BLU	16 AWG	GXL
18	071-6-1	BLU	16 AWG	GXL
18	071-6	BLU	16 AWG	GXL

SW09				
CONN POS	WIRE DESIGNATION	COLOR	GAUGE	TYPE
1				
2	062-9	YEL	16 AWG	GXL
3	072-1	BLU	16 AWG	GXL
4				
5				
6				
7	000-8-24	BLK	16 AWG	GXL
7	000-8-25	BLK	16 AWG	GXL
8	070-1-17	BLU	16 AWG	GXL
8	070-1-16	BLU	16 AWG	GXL

SW38-F				
CONN POS	WIRE DESIGNATION	COLOR	GAUGE	TYPE
B	062-18	YEL	12 AWG	GXL
C	073-4	BRN	16 AWG	GXL
H	073-3	BRN	12 AWG	GXL
L	073-1	BRN	12 AWG	GXL
M	073-2	BRN	12 AWG	GXL

SW38-AC				
CONN POS	WIRE DESIGNATION	COLOR	GAUGE	TYPE
A	073-5	BRN	16 AWG	GXL
B	073-5	BRN	16 AWG	GXL
C	000-6-8	BLK	16 AWG	GXL

SW35				
CONN POS	WIRE DESIGNATION	COLOR	GAUGE	TYPE
1	074-9	BRN	14 AWG	GXL
2	062-16	YEL	14 AWG	GXL
3	074-6	BRN	14 AWG	GXL
4				
5	062-15-1	YEL	16 AWG	GXL
6	074-7	BRN	16 AWG	GXL
7	000-8-23	BLK	16 AWG	GXL
7	000-8-24	BLK	16 AWG	GXL
8	070-1-16	BLU	16 AWG	GXL
8	070-1-17	BLU	16 AWG	GXL

SW34				
CONN POS	WIRE DESIGNATION	COLOR	GAUGE	TYPE
1	074-4	BRN	14 AWG	GXL
2	062-17	YEL	14 AWG	GXL
3	074-1	BRN	14 AWG	GXL
4	074-2	BRN	14 AWG	GXL
4	074-2-1	BRN	14 AWG	GXL
5	074-1	BRN	14 AWG	GXL
6	074-3	BRN	14 AWG	GXL
7	000-8-21	BLK	16 AWG	GXL
7	000-8-22	BLK	16 AWG	GXL
8	070-1-14	BLU	16 AWG	GXL
8	070-1-15	BLU	16 AWG	GXL

SW33				
CONN POS	WIRE DESIGNATION	COLOR	GAUGE	TYPE
1	074-6	BRN	16 AWG	GXL
2	062-15	YEL	16 AWG	GXL
2	062-15-1	YEL	16 AWG	GXL
3				
4	074-2-1	BRN	14 AWG	GXL
5	074-4	BRN	14 AWG	GXL
6	074-5	BRN	14 AWG	GXL
7	000-8-22	BLK	16 AWG	GXL
7	000-8-23	BLK	16 AWG	GXL
8	070-1-15	BLU	16 AWG	GXL
8	070-1-16	BLU	16 AWG	GXL

SW15				
CONN POS	WIRE DESIGNATION	COLOR	GAUGE	TYPE
1				
2	051-4	BLU	16 AWG	GXL
3	051-7	BLU	16 AWG	GXL
4				
5				
6				
7	000-8-20	BLK	16 AWG	GXL
7	000-8-21	BLK	16 AWG	GXL
8	070-1-13	BLU	16 AWG	GXL
8	070-1-14	BLU	16 AWG	GXL

SW11				
CONN POS	WIRE DESIGNATION	COLOR	GAUGE	TYPE
1				
2	051-2	BLU	16 AWG	GXL
3	051-6	BLU	16 AWG	GXL
4				
5				
6				
7	000-8-19	BLK	16 AWG	GXL
7	000-8-20	BLK	16 AWG	GXL
8	070-1-12	BLU	16 AWG	GXL
8	070-1-13	BLU	16 AWG	GXL

PAL6050

## SECTION 10 - ELECTRICAL

**FIGURE 10-10. CAB HARNESS (G5-18A Prior to SN 0160046189, Excluding 0160045424 and 0160045775; 2505 Prior to SN 0160042694)**

ITEM	PART NUMBER	QTY	DESCRIPTION	REV
	1001080757	1	CAB HARNESS, (includes all items)	L
1	1001117081	1	CONNECTOR	
1	1001104519	7	TERMINAL	
2	1001117081	1	CONNECTOR	
2	1001104519	8	TERMINAL	
3	1001117081	1	CONNECTOR	
3	1001104519	8	TERMINAL	
4	4460312	1	TERMINAL RING, 1/4, 10-12 AWG	
5	1001117106	1	TERMINAL RING, 1/4, 8 AWG	
6	8220115	1	TERMINAL RING, 3/8, 6 AWG	
7	4460994	1	CONNECTOR	
7	1001104519	2	TERMINAL	
8	4460994	1	CONNECTOR	
8	1001104519	3	TERMINAL	
9	1001127066	1	CONNECTOR	
9	1001116698	4	TERMINAL	
10	4460894	1	CONNECTOR	
10	80604023	1	WEDGE LOCK	
10	4460466	1	PLUG	
10	4460465	5	TERMINAL	
11	4460930	1	CONNECTOR	
11	80604025	1	WEDGE LOCK	
11	4460465	8	TERMINAL	
12	1001103012	1	CONNECTOR	
12	1001107854	2	TERMINAL	
12	1001116698	2	PLUG	
13	4460539	1	CONNECTOR	
13	77363244	1	WEDGE LOCK	
13	4460465	3	TERMINAL	
14	4460891	1	CONNECTOR	
14	77363244	1	WEDGE LOCK	
14	4460465	3	TERMINAL	
15	1001117119	1	CONNECTOR	
15	3990013	2	DIODE	
15	4460419	5	TERMINAL	
16	1001117005	1	CONNECTOR	
16	1001116713	14	TERMINAL	
17	1001117119	1	CONNECTOR	
17	4460419	4	TERMINAL	
18	4460851	1	CONNECTOR	
18	80604025	1	WEDGE LOCK	
18	4460465	8	TERMINAL	
19	4460930	1	CONNECTOR	
19	80604025	1	WEDGE LOCK	
19	4460465	8	TERMINAL	
20	4460894	1	CONNECTOR	
20	80604023	1	WEDGE LOCK	
20	4460465	6	TERMINAL	
21	4460884	1	CONNECTOR	

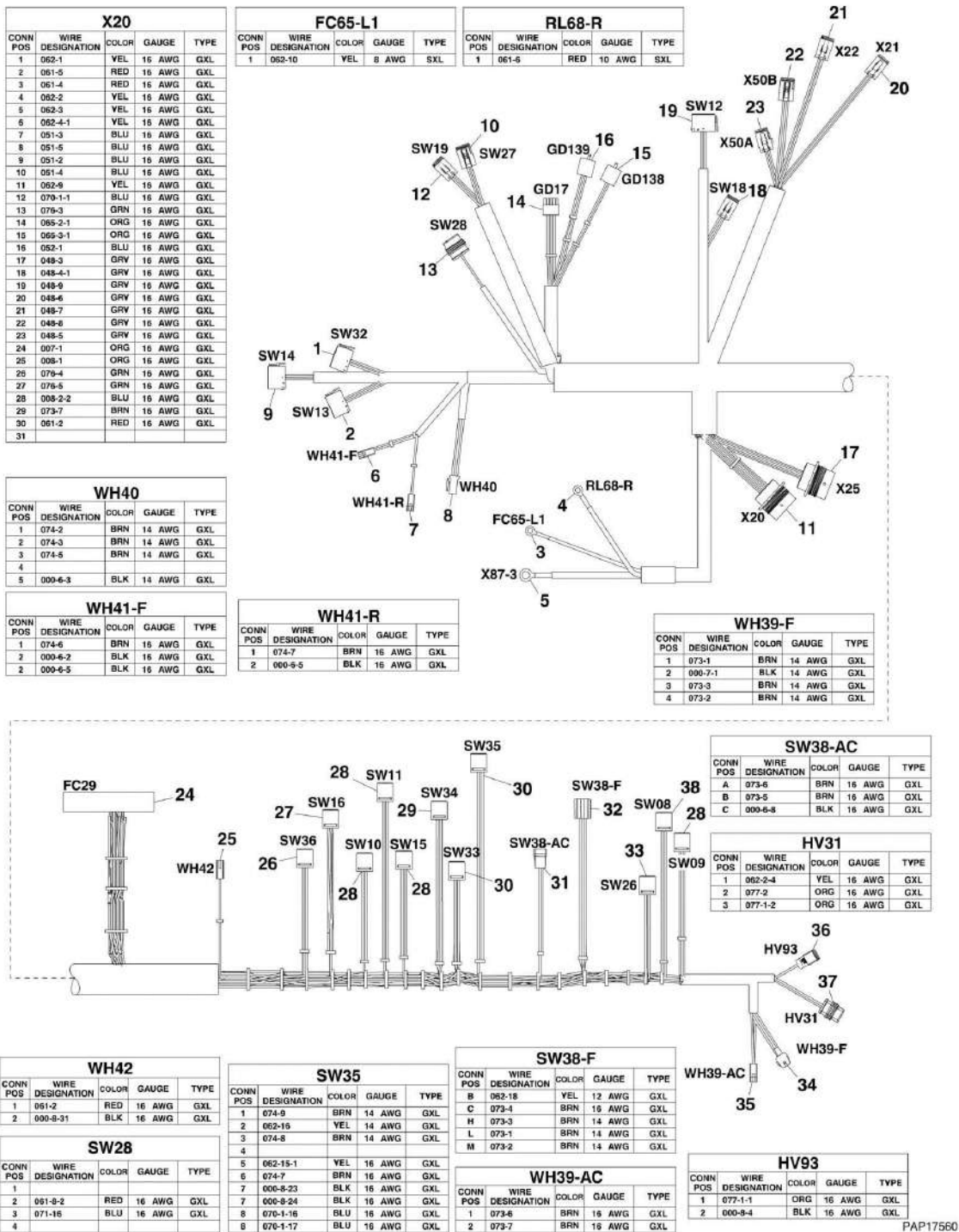
## SECTION 10 - ELECTRICAL

ITEM	PART NUMBER	QTY	DESCRIPTION	REV
21	80604021	1	WEDGE LOCK	
21	4460465	4	TERMINAL	
22	1001116920	1	CONNECTOR	
22	4640464	30	TERMINAL	
22	4460466	1	PLUG	
23	1001118674	1	CONNECTOR	
23	4460465	20	TERMINAL	
23	4460466	3	PLUG	
24	1001117081	1	CONNECTOR	
24	1001104519	6	TERMINAL	
25	4460894	1	CONNECTOR	
25	80604023	1	WEDGE LOCK	
25	4460465	4	TERMINAL	
25	4460466	2	PLUG	
26		Ref	FUSE HOLDER ASSY, (See CAB FUSE HOLDER for Breakdown)	
27	4460994	1	CONNECTOR	
27	1001104519	2	TERMINAL	
28	1001117081	1	CONNECTOR	
28	1001104519	10	TERMINAL	
29	1001117082	1	CONNECTOR	
29	1001104519	11	TERMINAL	
30	1001117081	4	CONNECTOR	
30	1001104519	6	TERMINAL	
31	1001117081	1	CONNECTOR	
31	1001104519	11	TERMINAL	
32	1001117081	2	CONNECTOR	
32	1001104519	10	TERMINAL	
33	1001117059	1	CONNECTOR	
33	1001116736	3	TERMINAL	
34	1001117080	1	CONNECTOR	
34	1001116737	1	TERMINAL	
34	1001116738	4	TERMINAL	
35	1001117079	1	CONNECTOR	
35	1001104519	11	TERMINAL	
36	1001117081	1	CONNECTOR	
36	1001104519	4	TERMINAL	
37	1001116986	1	CONNECTOR	
37	1001116723	4	TERMINAL	
38	4460994	1	CONNECTOR	
38	1001104519	2	TERMINAL	
39	4461262	1	CONNECTOR	
39	1001107854	2	TERMINAL	
40	4460891	1	CONNECTOR	
40	80604018	1	WEDGE LOCK	
40	4460465	2	TERMINAL	
N1	Note	Ref	<b>TERMINAL QUANTITIES FOR ITEMS 30 &amp; 32 ARE FOR A SINGLE CONNECTOR.</b>	



# SECTION 10 - ELECTRICAL

FIGURE 10-11. CAB HARNESS (G5-18A SN 0160046189 to Present, Including 0160045424 and 0160045775; 2505 SN 0160042694 to Present)



PAP17560



# SECTION 10 - ELECTRICAL

SW32				
CONN POS	WIRE DESIGNATION	COLOR	GAUGE	TYPE
1				
2	062-12	VEL	16 AWG	GXL
3	062-12-2	VEL	16 AWG	GXL
4	076-9	GRN	16 AWG	GXL
5				
6				
7	000-8-13	BLK	16 AWG	GXL
8	000-8-7	BLK	16 AWG	GXL
9	070-1-6	BLU	16 AWG	GXL
8	070-1-6	BLU	16 AWG	GXL

SW13				
CONN POS	WIRE DESIGNATION	COLOR	GAUGE	TYPE
1	077-1	ORG	16 AWG	GXL
2	062-2-1	VEL	16 AWG	GXL
3	077-2-1	ORG	16 AWG	GXL
4	077-2-2	ORG	16 AWG	GXL
5				
6				
7	000-8-13	BLK	16 AWG	GXL
7	000-8-14	BLK	16 AWG	GXL
8	070-1-6	BLU	16 AWG	GXL
8	070-1-7	BLU	16 AWG	GXL

SW10				
CONN POS	WIRE DESIGNATION	COLOR	GAUGE	TYPE
1				
2	051-3	BLU	16 AWG	GXL
3	051-5	BLU	16 AWG	GXL
4				
5				
6				
7	000-8-18	BLK	16 AWG	GXL
7	000-8-19	BLK	16 AWG	GXL
8	070-1-11	BLU	16 AWG	GXL
8	070-1-12	BLU	16 AWG	GXL

SW16				
CONN POS	WIRE DESIGNATION	COLOR	GAUGE	TYPE
3				
6	065-3	ORG	16 AWG	GXL
9	000-8-17	BLK	16 AWG	GXL
9	000-8-18	BLK	16 AWG	GXL
10	070-1-10	BLU	16 AWG	GXL
10	070-1-11	BLU	16 AWG	GXL
11	065-2	ORG	16 AWG	GXL
12				
13	065-1	ORG	16 AWG	GXL
13	065-1-1	ORG	16 AWG	GXL
14				
15	065-4	ORG	16 AWG	GXL
16	065-1-1	ORG	16 AWG	GXL
16	065-1-2	ORG	16 AWG	GXL

SW11				
CONN POS	WIRE DESIGNATION	COLOR	GAUGE	TYPE
1				
2	051-2	BLU	16 AWG	GXL
3	051-6	BLU	16 AWG	GXL
4				
5				
6				
7	000-8-19	BLK	16 AWG	GXL
7	000-8-20	BLK	16 AWG	GXL
8	070-1-12	BLU	16 AWG	GXL
8	070-1-13	BLU	16 AWG	GXL

GD138				
CONN POS	WIRE DESIGNATION	COLOR	GAUGE	TYPE
1A	071-14	BLU	16 AWG	GXL
1A	071-17	BLK	16 AWG	GXL
1B	000-8-10	BLK	16 AWG	GXL
2A	071-3-3	BLU	16 AWG	GXL
2B	000-8-9	BLK	16 AWG	GXL

X87-3				
CONN POS	WIRE DESIGNATION	COLOR	GAUGE	TYPE
1	000-5	BLK	6 AWG	SGT

X25				
CONN POS	WIRE DESIGNATION	COLOR	GAUGE	TYPE
1				
2	071-6-1	BLU	16 AWG	GXL
3	071-8-1	BLU	16 AWG	GXL
4	071-12	BLU	16 AWG	GXL
5	071-11	BLU	16 AWG	GXL
6	071-10	BLU	16 AWG	GXL
7	071-9	BLU	16 AWG	GXL
8	071-8	BLU	16 AWG	GXL
9	071-7	BLU	16 AWG	GXL
10	077-3	ORG	16 AWG	GXL
11	071-16	BLU	16 AWG	GXL
12	008-2-2	BLU	16 AWG	GXL
13	CAN	SHIELD	18 AWG	SHLD
16	076-8	GRN	16 AWG	GXL
17	076-9	GRN	16 AWG	GXL
18	LSI	SHIELD	18 AWG	SHLD
19	LSI PWR	BLU	18 AWG	
22	076-7	GRN	16 AWG	GXL
23	085-1	BLU	16 AWG	GXL
24	CAN LO	BLK	18 AWG	
25	CAN HI	RED	18 AWG	
26	062-14-1	VEL	16 AWG	GXL
27	052-2	WHT	16 AWG	GXL
28				
29	062-4-5	VEL	16 AWG	GXL
30	LSI 1	RED	18 AWG	
31	LSI 2	BLK	18 AWG	

SW36				
CONN POS	WIRE DESIGNATION	COLOR	GAUGE	TYPE
1				
2	062-2-5	VEL	16 AWG	GXL
3	076-7	GRN	16 AWG	GXL
4	065-1	ORG	16 AWG	GXL
5	062-2-3	VEL	16 AWG	GXL
5	062-2-4	VEL	16 AWG	GXL
6	065-4-2	ORG	16 AWG	GXL
7	000-8-16	BLK	16 AWG	GXL
7	000-8-17	BLK	16 AWG	GXL
8	070-1-10	BLU	16 AWG	GXL
8	070-1-9	BLU	16 AWG	GXL

SW19				
CONN POS	WIRE DESIGNATION	COLOR	GAUGE	TYPE
1	007-1	ORG	16 AWG	GXL
2	077-1-3	ORG	16 AWG	GXL
3	008-1	ORG	16 AWG	GXL
4				
5	048-2	GRY	16 AWG	GXL
6	048-1	GRY	16 AWG	GXL

GD17				
CONN POS	WIRE DESIGNATION	COLOR	GAUGE	TYPE
1	062-4-3	VEL	16 AWG	GXL
2	070-4-2	BLU	16 AWG	GXL
3	048-6	GRY	16 AWG	GXL
4	048-9	GRY	16 AWG	GXL
5	000-8-8	BLK	16 AWG	GXL
6	048-8	GRY	16 AWG	GXL
7	077-2-2	ORG	16 AWG	GXL
8	048-5	GRY	16 AWG	GXL
9	048-7	GRY	16 AWG	GXL
10	065-3-2	ORG	16 AWG	GXL
11	048-4-2	GRY	16 AWG	GXL
12				
13				
14	065-4-1	ORG	16 AWG	GXL
15	065-2-2	ORG	16 AWG	GXL

SW18				
CONN POS	WIRE DESIGNATION	COLOR	GAUGE	TYPE
1	062-1	VEL	16 AWG	GXL
2				
3	048-1	GRY	16 AWG	GXL
4	061-6	RED	16 AWG	GXL
5	048-4	GRY	16 AWG	GXL
6				

X50A				
CONN POS	WIRE DESIGNATION	COLOR	GAUGE	TYPE
1	062-12-2	VEL	16 AWG	GXL
2	076-8	GRN	16 AWG	GXL
3	000-7-2	BLK	16 AWG	GXL
4				
5	LSI	SHIELD	18 AWG	SHLD
6	LSI 1	RED	18 AWG	
7	LSI 2	BLK	18 AWG	
8	LSI PWR	BLU	18 AWG	
9	085-1	BLU	16 AWG	GXL
10	CAN	SHIELD	18 AWG	SHLD
11	CAN HI	RED	18 AWG	
12	CAN LO	BLK	18 AWG	

GD139				
CONN POS	WIRE DESIGNATION	COLOR	GAUGE	TYPE
1A	071-15	BLU	16 AWG	GXL
1B	000-8-11	BLK	16 AWG	GXL
2A	077-3	ORG	16 AWG	GXL
2B	000-8-12	BLK	16 AWG	GXL

SW14				
CONN POS	WIRE DESIGNATION	COLOR	GAUGE	TYPE
1				
2	062-3-1	VEL	16 AWG	GXL
3	076-4	GRN	16 AWG	GXL
4				
5	000-8-6	BLK	16 AWG	GXL
6	076-5	GRN	16 AWG	GXL
7	000-8-14	BLK	16 AWG	GXL
7	000-8-15	BLK	16 AWG	GXL
8	076-1-7	BLU	16 AWG	GXL
8	070-1-8	BLU	16 AWG	GXL

SW27				
CONN POS	WIRE DESIGNATION	COLOR	GAUGE	TYPE
1	070-1	BLU	16 AWG	GXL
2	061-7	RED	16 AWG	GXL
3	071-2	BLU	16 AWG	GXL
4	071-3	BLU	16 AWG	GXL
5	061-8-1	RED	16 AWG	GXL
6	071-5-5	BLU	16 AWG	GXL
7	071-4	BLU	16 AWG	GXL
8	071-6-5	BLU	16 AWG	GXL

SW12				
CONN POS	WIRE DESIGNATION	COLOR	GAUGE	TYPE
1				
2	052-1	BLU	16 AWG	GXL
3	061-4	RED	16 AWG	GXL
4				
5				
6				
7	000-8-15	BLK	16 AWG	GXL
7	000-8-16	BLK	16 AWG	GXL
8	070-1-8	BLU	16 AWG	GXL
8	070-1-9	BLU	16 AWG	GXL

X21				
CONN POS	WIRE DESIGNATION	COLOR	GAUGE	TYPE
1	065-1-2	ORG	16 AWG	GXL
2	062-2-2	VEL	16 AWG	GXL
3	070-1-19	BLU	16 AWG	GXL
4	062-4-4	VEL	16 AWG	GXL

X22				
CONN POS	WIRE DESIGNATION	COLOR	GAUGE	TYPE
1	051-6	BLU	16 AWG	GXL
2	000-8-3	BLK	16 AWG	GXL
3	051-7	BLU	16 AWG	GXL
4	000-8-2	BLK	16 AWG	GXL
5	072-1	BLU	16 AWG	GXL
6	000-8-1	BLK	16 AWG	GXL

X50B				
CONN POS	WIRE DESIGNATION	COLOR	GAUGE	TYPE
1	000-7-3	BLK	16 AWG	GXL
2	062-13	VEL	16 AWG	GXL
3	061-9	RED	16 AWG	GXL
4	074-9	BRN	14 AWG	GXL
5	074-8	BRN	14 AWG	GXL
6	000-8-4	BLK	14 AWG	GXL
7	052-2	WHT	16 AWG	GXL
8	062-14	VEL	16 AWG	GXL

X50A				
CONN POS	WIRE DESIGNATION	COLOR	GAUGE	TYPE
1	062-12-2	VEL	16 AWG	GXL
2	076-8	GRN	16 AWG	GXL
3	000-7-2	BLK	16 AWG	GXL
4				
5	LSI	SHIELD	18 AWG	SHLD
6	LSI 1	RED	18 AWG	
7	LSI 2	BLK	18 AWG	
8	LSI PWR	BLU	18 AWG	
9	085-1	BLU	16 AWG	GXL
10	CAN	SHIELD	18 AWG	SHLD
11	CAN HI	RED	18 AWG	
12	CAN LO	BLK	18 AWG	

SW26				
CONN POS	WIRE DESIGNATION	COLOR	GAUGE	TYPE
1	062-11	VEL	16 AWG	GXL
2	071-13	BLU	16 AWG	GXL
3	061-8-3	RED	16 AWG	GXL
4				
5	071-4-1	BLU	16 AWG	GXL
7				
8	070-1-18	BLU	16 AWG	GXL
10	000-8-25	BLK	16 AWG	GXL
10	000-8-26	BLK	16 AWG	GXL
17	071-5	BLU	16 AWG	GXL
17	071-5-1	BLU	16 AWG	GXL
18	071-6	BLU	16 AWG	GXL
18	071-6-1	BLU	16 AWG	GXL

SW08				
CONN POS	WIRE DESIGNATION	COLOR	GAUGE	TYPE
1				
2	062-3	VEL	16 AWG	GXL
2	062-3-1	VEL	16 AWG	GXL
3	076-3	GRN	16 AWG	GXL
4				
5				
6				
7	000-8-26	BLK	16 AWG	GXL
8				

SW09				
CONN POS	WIRE DESIGNATION	COLOR	GAUGE	TYPE
1				
2	062-9	VEL	16 AWG	GXL
3	072-1	BLU	16 AWG	GXL
4				
5				
6				
7	000-8-24	BLK	16 AWG	GXL
7	000-8-25	BLK	16 AWG	GXL
8	070-1-17	BLU	16 AWG	GXL
8	070-1-18	BLU	16 AWG	GXL

## SECTION 10 - ELECTRICAL

**FIGURE 10-11. CAB HARNESS (G5-18A SN 0160046189 to Present; 2505 SN 0160042694 to Present; Including 0160045424 and 0160045775)**

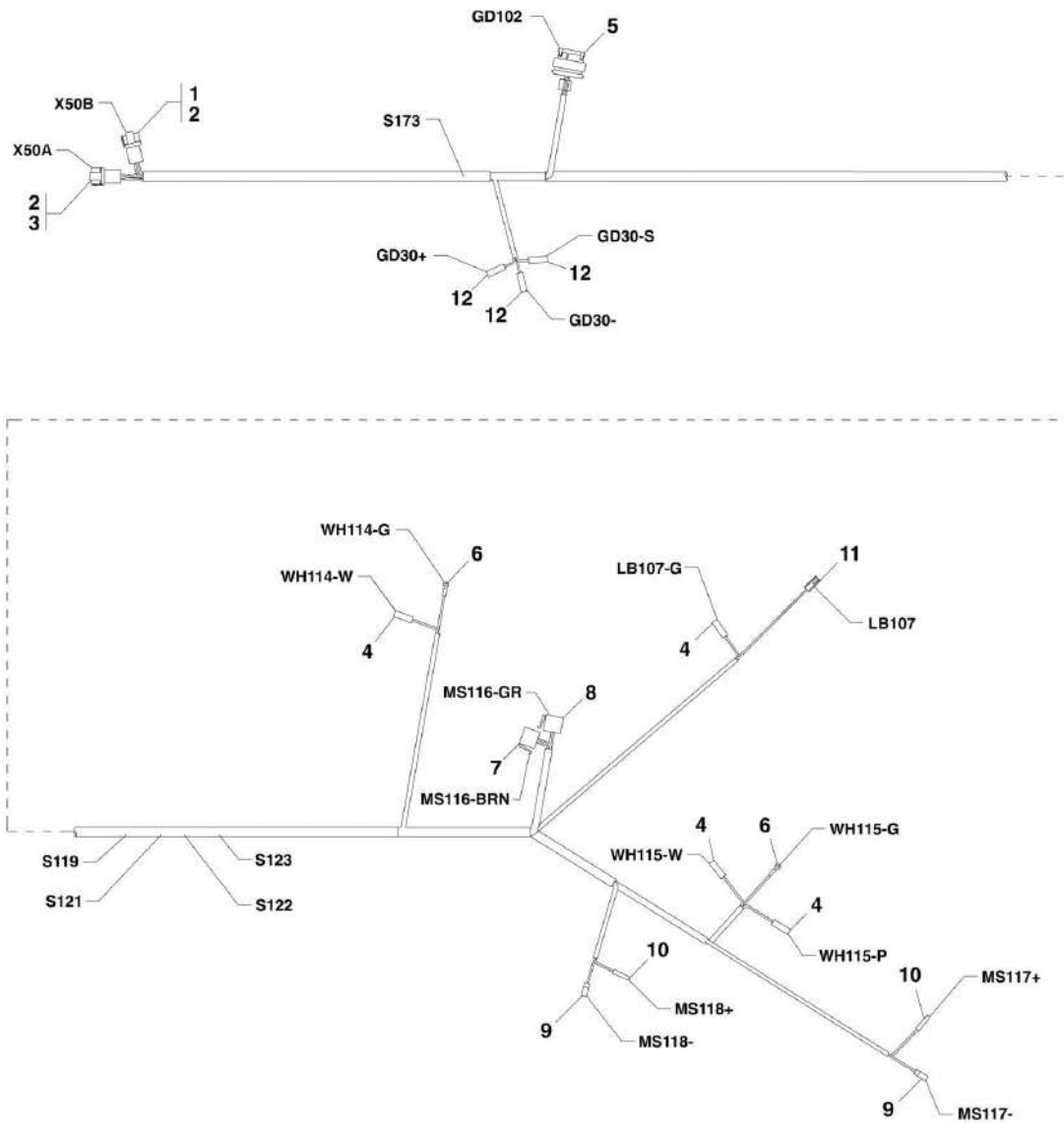
ITEM	PART NUMBER	QTY	DESCRIPTION	REV
	1001122248	1	CAB HARNESS, (includes all items)	C
1	1001117081	1	CONNECTOR	
1	1001104519	7	TERMINAL	
2	1001117081	1	CONNECTOR	
2	1001104519	8	TERMINAL	
3	1001117106	1	TERMINAL RING, 1/4, 8 AWG	
4	4460312	1	TERMINAL RING, 1/4, 10-12 AWG	
5	8220115	1	TERMINAL RING, 3/8, 6 AWG	
6	4460994	1	CONNECTOR	
6	1001104519	3	TERMINAL	
7	4460994	1	CONNECTOR	
7	1001104519	2	TERMINAL	
8	1001127066	1	CONNECTOR	
8	4460259	4	TERMINAL	
9	1001117081	1	CONNECTOR	
9	1001104519	8	TERMINAL	
10	4460930	1	CONNECTOR	
10	80604025	1	WEDGE LOCK	
10	4460465	8	TERMINAL	
11	1001116920	1	CONNECTOR	
11	4640464	30	TERMINAL	
11	4460466	1	PLUG	
12	4460894	1	CONNECTOR	
12	80604023	1	WEDGE LOCK	
12	4460466	1	PLUG	
12	4460465	5	TERMINAL	
13	1001103012	1	CONNECTOR	
13	1001107854	2	TERMINAL	
13	1001116698	2	PLUG	
14	1001117005	1	CONNECTOR	
14	1001116713	13	TERMINAL	
15	1001117119	1	CONNECTOR	
15	3990013	2	DIODE	
15	4460419	5	TERMINAL	
16	1001117119	1	CONNECTOR	
16	4460419	4	TERMINAL	
17	1001121961	1	CONNECTOR	
17	4460465	26	TERMINAL	
17	4460466	1	PLUG	
18	4460894	1	CONNECTOR	
18	80604023	1	WEDGE LOCK	
18	4460465	4	TERMINAL	
18	4460466	2	PLUG	
19	1001117081	1	CONNECTOR	
19	1001104519	6	TERMINAL	
20	4460884	1	CONNECTOR	
20	80604021	1	WEDGE LOCK	
20	4460465	4	TERMINAL	
21	4460894	1	CONNECTOR	

## SECTION 10 - ELECTRICAL

ITEM	PART NUMBER	QTY	DESCRIPTION	REV
21	80604023	1	WEDGE LOCK	
21	4460465	6	TERMINAL	
22	4460851	1	CONNECTOR	
22	80604025	1	WEDGE LOCK	
22	4460465	8	TERMINAL	
23	4460933	1	CONNECTOR	
23	80604016	1	WEDGE LOCK	
23	4460466	1	PLUG	
23	4460465	11	TERMINAL	
24		Ref	FUSE HOLDER ASSY, (See CAB FUSE HOLDER for Breakdown)	
25	4460994	1	CONNECTOR	
25	1001104519	2	TERMINAL	
26	1001117081	1	CONNECTOR	
26	1001104519	10	TERMINAL	
27	1001117082	1	CONNECTOR	
27	1001104519	11	TERMINAL	
28	1001117081	4	CONNECTOR	
28	1001104519	6	TERMINAL	
29	1001117081	1	CONNECTOR	
29	1001104519	11	TERMINAL	
30	1001117081	2	CONNECTOR	
30	1001104519	10	TERMINAL	
31	1001117059	1	CONNECTOR	
31	1001116736	3	TERMINAL	
32	1001117080	1	CONNECTOR	
32	1001116737	1	TERMINAL	
32	1001116738	4	TERMINAL	
33	1001117079	1	CONNECTOR	
33	1001104519	11	TERMINAL	
34	1001119032	1	CONNECTOR	
34	4460268	4	TERMINAL	
35	4460994	1	CONNECTOR	
35	1001104519	2	TERMINAL	
36	4460891	1	CONNECTOR	
36	80604018	1	WEDGE LOCK	
36	4460465	2	TERMINAL	
37	4461262	1	CONNECTOR	
37	1001107854	3	TERMINAL	
38	1001117081	1	CONNECTOR	
38	1001104519	4	TERMINAL	
N1	Note	Ref	<b>TERMINAL QUANTITIES FOR ITEMS 28 &amp; 30 ARE FOR A SINGLE CONNECTOR.</b>	

# SECTION 10 - ELECTRICAL

FIGURE 10-12. CAB ROOF HARNESS (G5-18A Prior to SN 0160046246; 2505 Prior to SN 0160042694)



PAP17110

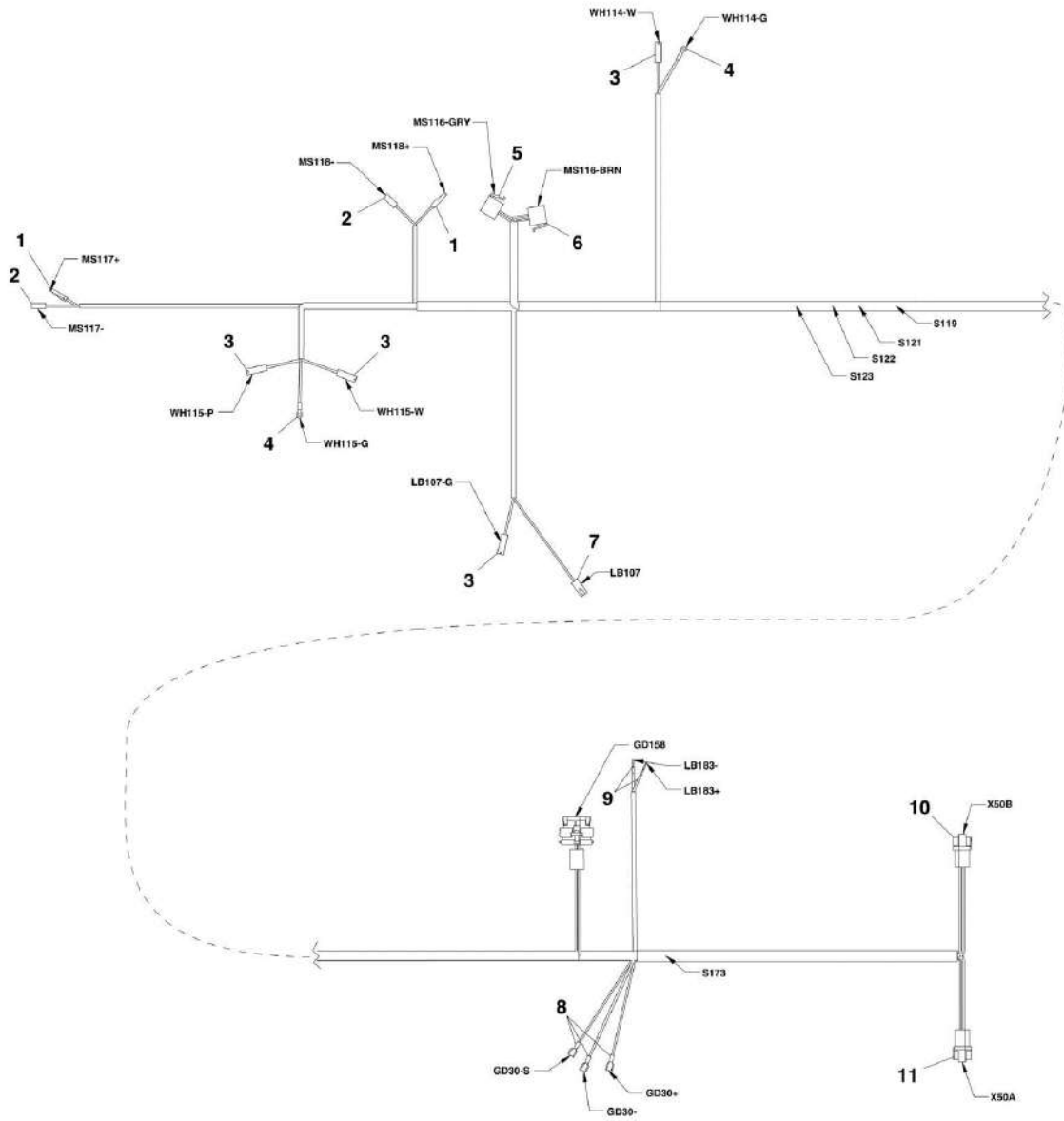
## SECTION 10 - ELECTRICAL

**FIGURE 10-12. CAB ROOF HARNESS (G5-18A Prior to SN 0160046246; 2505 Prior to SN 0160042694)**

ITEM	PART NUMBER	QTY	DESCRIPTION	REV
	1001080758	1	CAB ROOF HARNESS, (includes all items)	H
1	N.S.S.	1	CONNECTOR	
2	91503106	2	WEDGE LOCK	
3	4460931	1	CONNECTOR, (includes item 2)	
4	4460260	4	CONNECTOR	
5	1001116994	1	CONNECTOR	
6	8220007	2	RING TERMINAL	
7	1001116984	1	CONNECTOR	
8	1001116985	1	CONNECTOR	
9	1001117002	2	HOUSING	
10	1001116995	2	FEMALE COVER	
11	4460994	1	2 WAY 90, CONNECTOR	
12	4460185	3	CONNECTOR	

# SECTION 10 - ELECTRICAL

FIGURE 10-13. CAB ROOF HARNESS (G5-18A SN 0160046246 to Present; 2505 SN 0160042694 to Present)



PAP17540

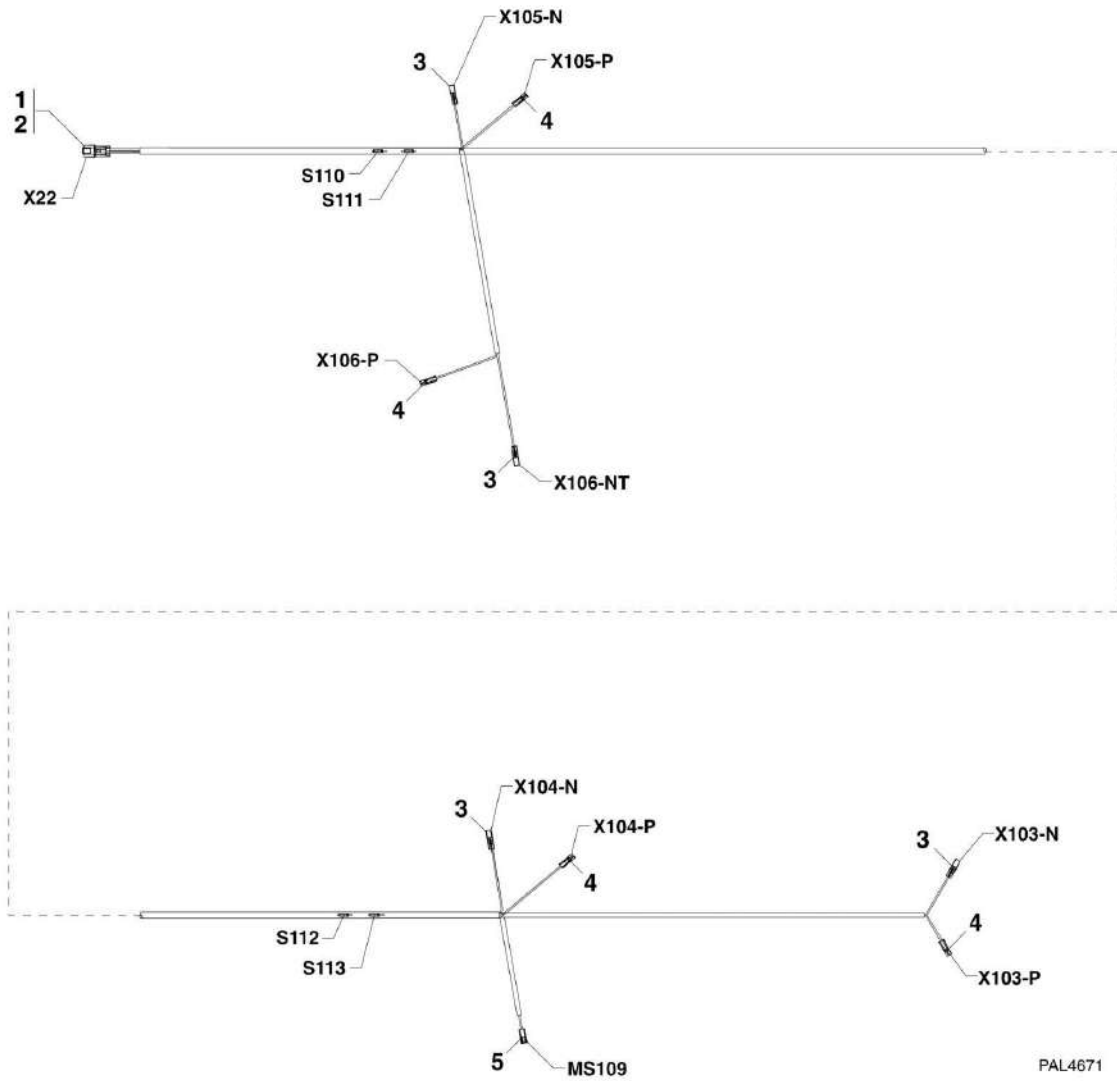
## SECTION 10 - ELECTRICAL

**FIGURE 10-13. CAB ROOF HARNESS (G5-18A SN 0160046246 to Present; 2505 SN 0160042694 to Present)**

ITEM	PART NUMBER	QTY	DESCRIPTION	REV
	1001122259	1	CAB ROOF HARNESS, (includes all items)	C
1	1001116982	2	CONNECTOR	
2	1001117002	2	CONNECTOR	
3	4460260	4	CONNECTOR	
4	8220007	2	TERMINAL	
5	1001116985	1	CONNECTOR	
6	1001116984	1	CONNECTOR	
7	4460994	1	CONNECTOR	
8	4460185	3	CONNECTOR	
9	1001118387	2	TERMINAL	
10	1001116813	1	CONNECTOR	
11	4460970	1	CONNECTOR	

# SECTION 10 - ELECTRICAL

FIGURE 10-14. ROOF WORKLIGHT HARNESS (Prior to SN 0160037441)



PAL4671



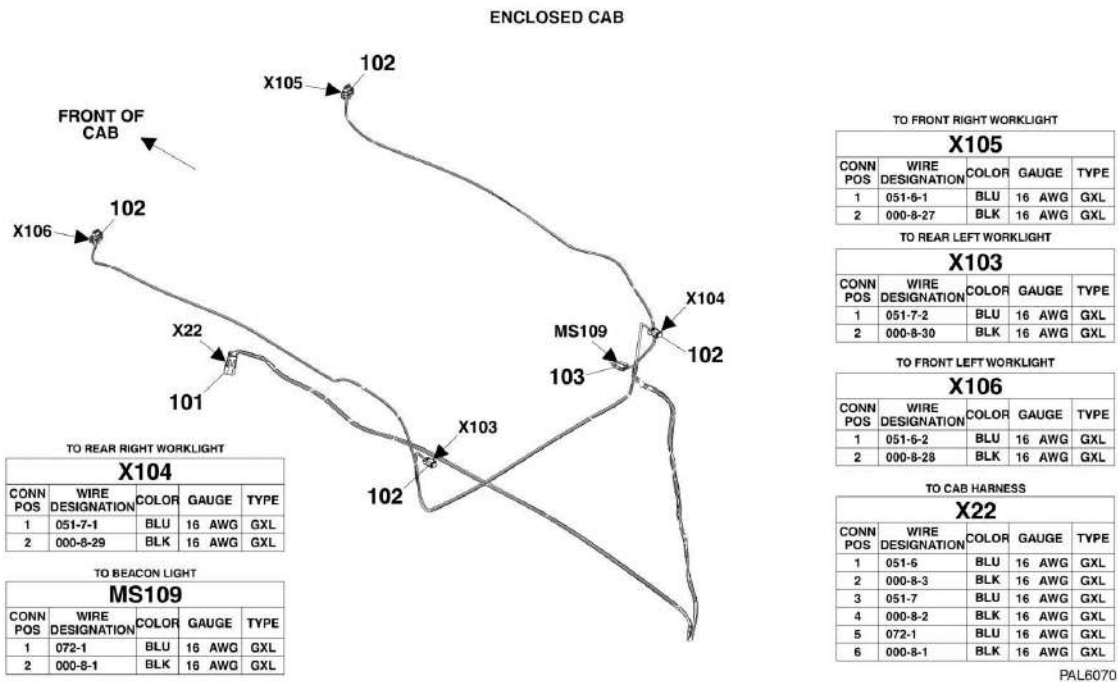
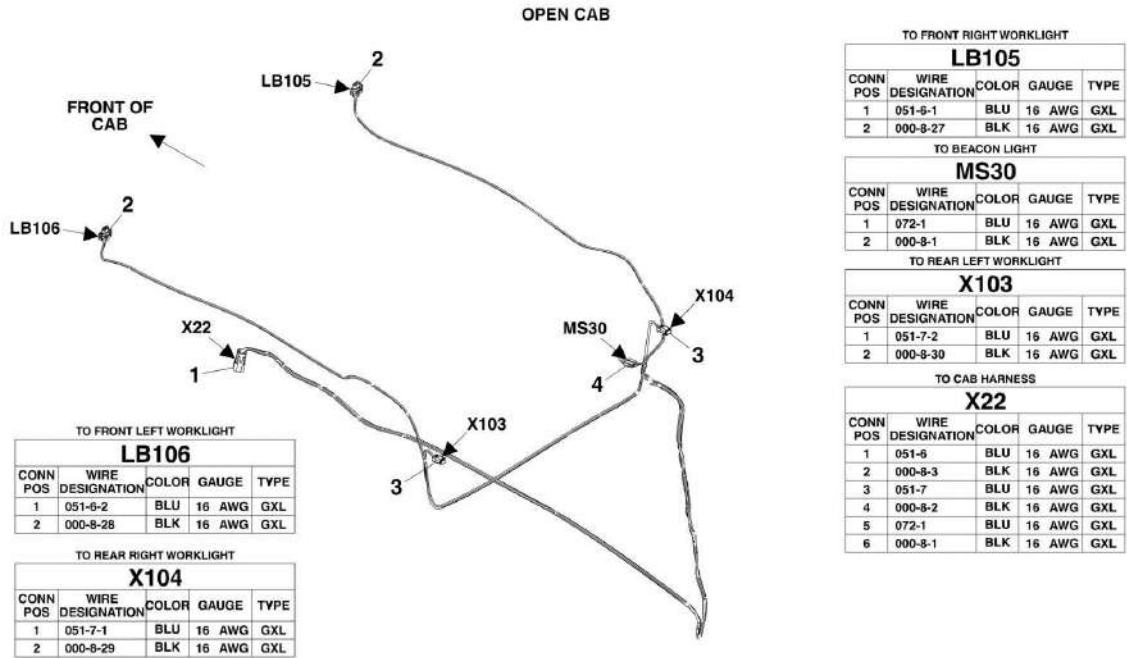
## SECTION 10 - ELECTRICAL

**FIGURE 10-14. ROOF WORKLIGHT HARNESS (Prior to SN 0160037441)**

ITEM	PART NUMBER	QTY	DESCRIPTION	REV
	1001080865	1	ROOF WORKLIGHT HARNESS, (includes all items)	C
1	4460899	1	CONNECTOR	
2	91503104	1	LOCK TERMINAL	
3	1001117004	4	CONNECTOR	
4	4460260	4	HOUSING TERMINAL	
5	4460994	1	2 WAY 90, CONNECTOR	

# SECTION 10 - ELECTRICAL

## FIGURE 10-15. ROOF WORKLIGHT HARNESS (SN 0160037441 to Present)



PAL6070

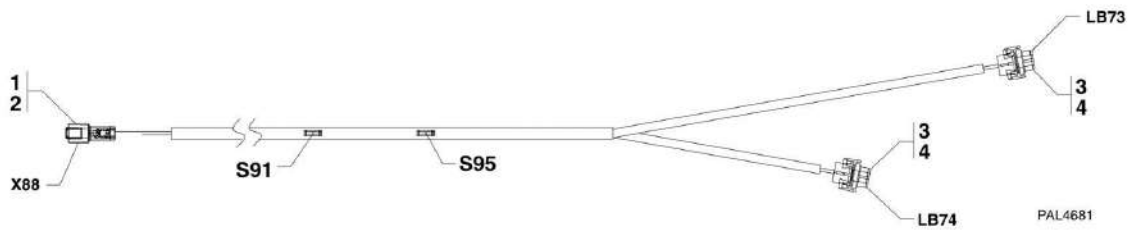
## SECTION 10 - ELECTRICAL

**FIGURE 10-15. ROOF WORKLIGHT HARNESS (SN 0160037441 to Present)**

ITEM	PART NUMBER	QTY	DESCRIPTION	REV
	1001111156	1	ROOF WORKLIGHT HARNESS, (open cab, if equipped), (includes items 1 thru 4)	C
1	4460899	1	CONNECTOR, (includes wedge lock)	
1	80604022	1	WEDGE LOCK	
1	4460464	6	TERMINAL	
2	4461115	2	CONNECTOR	
2	1001103564	2	WEDGE LOCK	
2	4460746	4	TERMINAL	
2	4460458	4	SEAL	
3	4460891	2	CONNECTOR, (includes wedge lock)	
3	80604018	2	WEDGE LOCK	
3	4460465	4	TERMINAL	
4	4460994	1	CONNECTOR	
4	1001104519	2	TERMINAL	
	1001109566	1	ROOF WORKLIGHT HARNESS, (enclosed cab, if equipped), (includes items 101 thru 103)	B
101	4460899	1	CONNECTOR, (includes wedge lock)	
101	80604022	1	WEDGE LOCK	
101	4460464	6	TERMINAL	
102	4460891	4	CONNECTOR, (includes wedge lock)	
102	80604018	4	WEDGE LOCK	
102	4460465	16	TERMINAL	
103	4460994	1	CONNECTOR	
103	1001104519	2	TERMINAL	

# SECTION 10 - ELECTRICAL

## FIGURE 10-16. BOOM WORKLIGHTS HARNESS



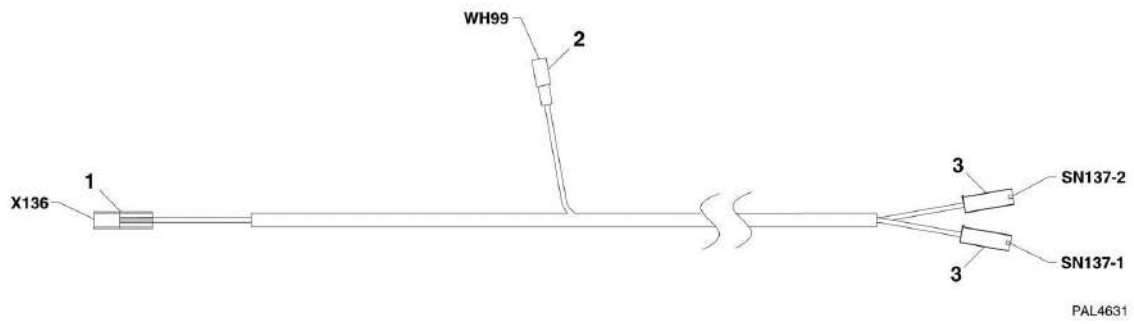
## SECTION 10 - ELECTRICAL

### FIGURE 10-16. BOOM WORKLIGHTS HARNESS

ITEM	PART NUMBER	QTY	DESCRIPTION	REV
	1001080656	1	BOOM WORKLIGHTS HARNESS, (includes all items)	C
1	4460897	1	CONNECTOR	
2	80604017	1	WEDGE LOCK	
3	4461115	2	CONNECTOR	
4	1001103564	2	TERMINAL	

# SECTION 10 - ELECTRICAL

## FIGURE 10-17. AC SYSTEM HARNESS



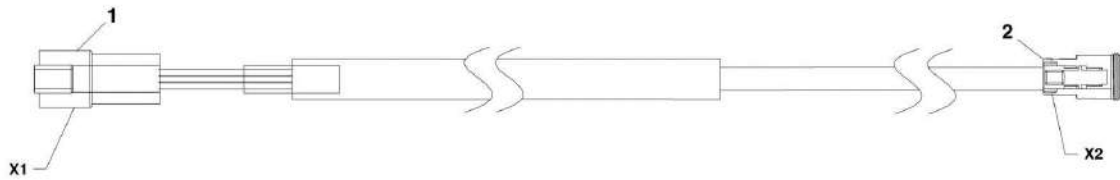
## SECTION 10 - ELECTRICAL

### FIGURE 10-17. AC SYSTEM HARNESS

ITEM	PART NUMBER	QTY	DESCRIPTION	REV
	1001080733	1	AC SYSTEM HARNESS, (includes all items)	B
1	1001117004	1	CONNECTOR	
2	70021712	1	TERMINAL	
3	4460260	2	HOUSING TERMINAL	

# SECTION 10 - ELECTRICAL

FIGURE 10-18. BOOM AUX HARNESS (SN 0160032766 to Present)



PAP17120



## SECTION 10 - ELECTRICAL

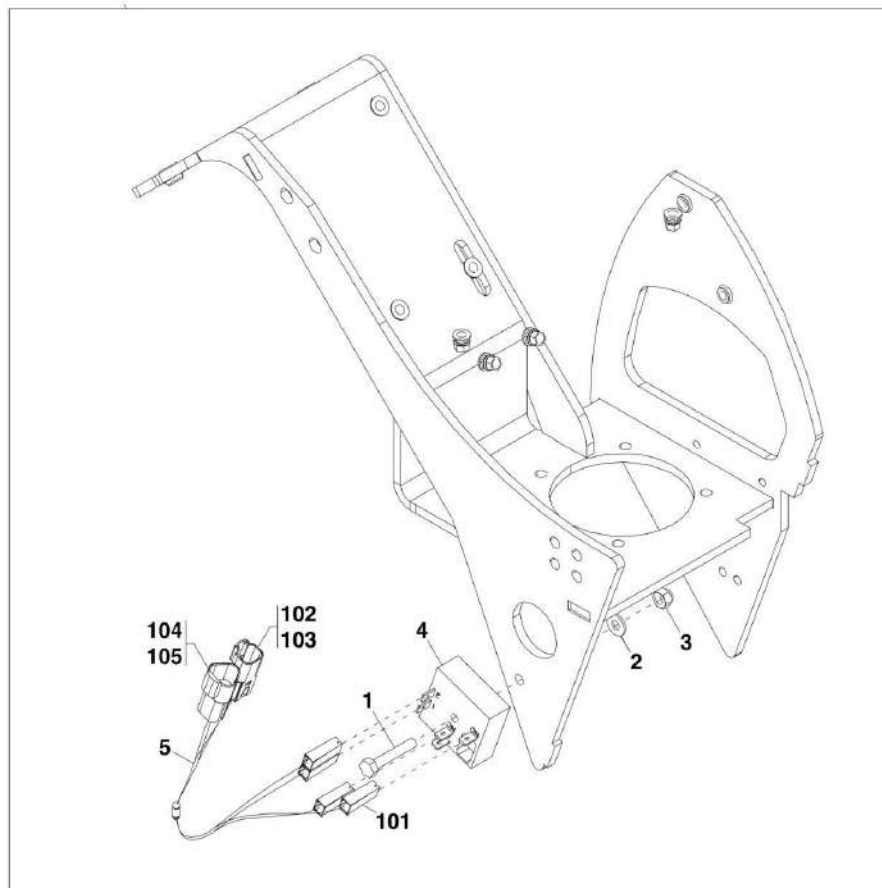
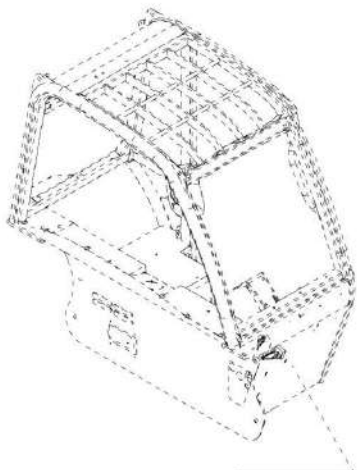
**FIGURE 10-18. BOOM AUX HARNESS (SN 0160032766 to Present)**

ITEM	PART NUMBER	QTY	DESCRIPTION	REV
	1001080397	1	BOOM AUX HARNESS, (includes all items)	A
1	80484072	1	CONNECTOR	
2	7026408	1	CONNECTOR	

# SECTION 10 - ELECTRICAL

## FIGURE 10-19. LSI TIMER INSTALL - 2505 (Prior to SN 0160042694)

2505 - AUS



PAL5090

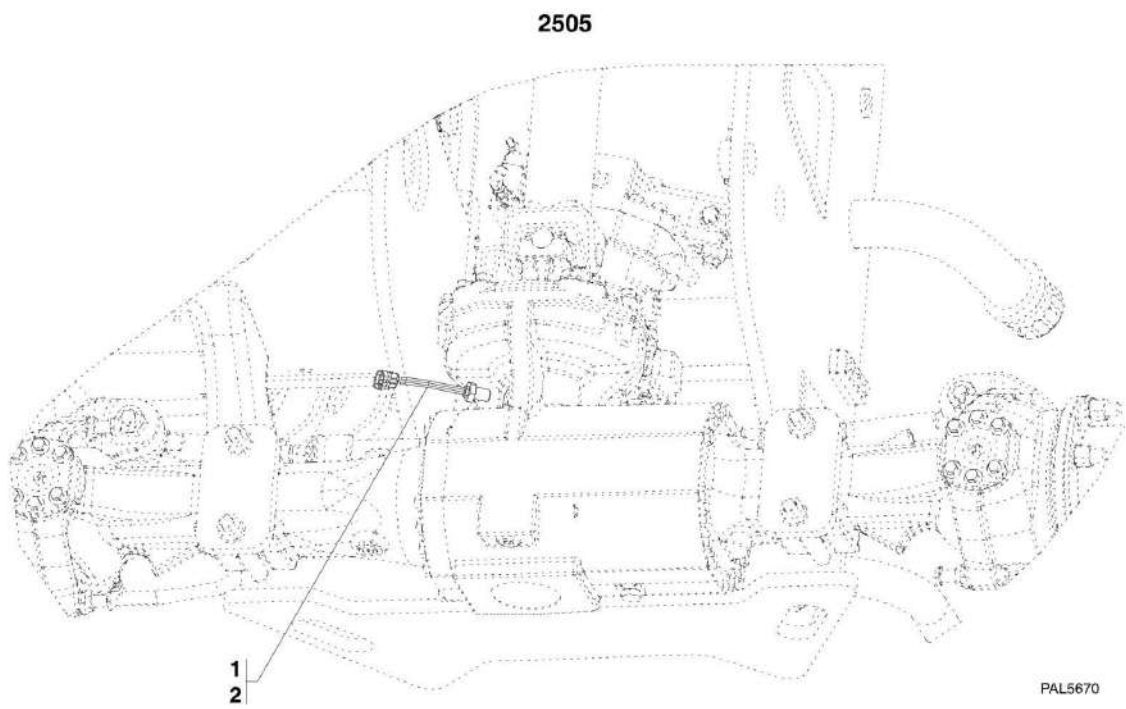
## SECTION 10 - ELECTRICAL

**FIGURE 10-19. LSI TIMER INSTALL - 2505 (Prior to SN 0160042694)**

ITEM	PART NUMBER	QTY	DESCRIPTION	REV
	1001107115	Ref	LSI TIMER INSTALLATION, (AUS-2505), (not available to order, see items 1 thru 5 for service)	C
1	0641412	1	HEX HD CAPSCREW, 1/4-20X1-1/2, GR5	
2	4711400	1	WASHER, 1/4	
3	8305624	1	HEX LOCKNUT, 1/4-20	
4	1001106876	1	TIME DELAY RELAY	
5	1001106951	1	LSI INTERFACE HARNESS, (includes items 101 thru 105)	B
101	4460260	4	CONNECTOR	
102	4460897	1	CONNECTOR	
103	80604017	1	LOCKING WEDGE	
104	4460536	1	CONNECTOR	
105	91503104	1	LOCKING WEDGE	

# SECTION 10 - ELECTRICAL

FIGURE 10-20. SPEEDOMETER SENSOR INSTALLATION - 2505 (SN 0160042694 to Present)



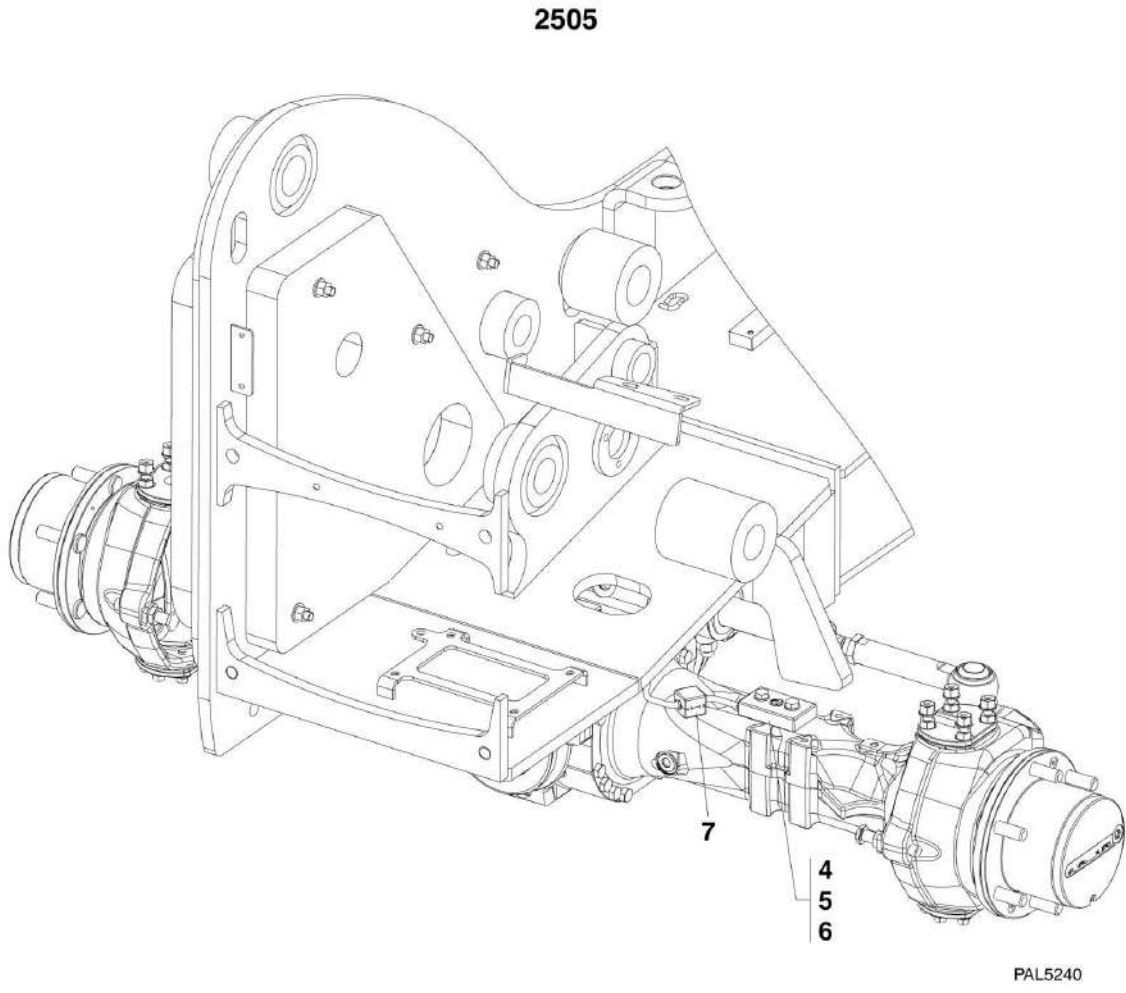
## SECTION 10 - ELECTRICAL

**FIGURE 10-20. SPEEDOMETER SENSOR INSTALLATION - 2505 (SN 0160042694 to Present)**

ITEM	PART NUMBER	QTY	DESCRIPTION	REV
	1001081068	Ref	SPEEDOMETER SENSOR INSTALLATION - 2505, (not available to order, see items 1 & 2 for service)	E
1	1001081086	1	SPEEDOMETER SENSOR	
2	10837724	1	WASHER SEAL	

# SECTION 10 - ELECTRICAL

FIGURE 10-21. LSI INSTALLATION - 2505 (Prior to SN 0160042694)



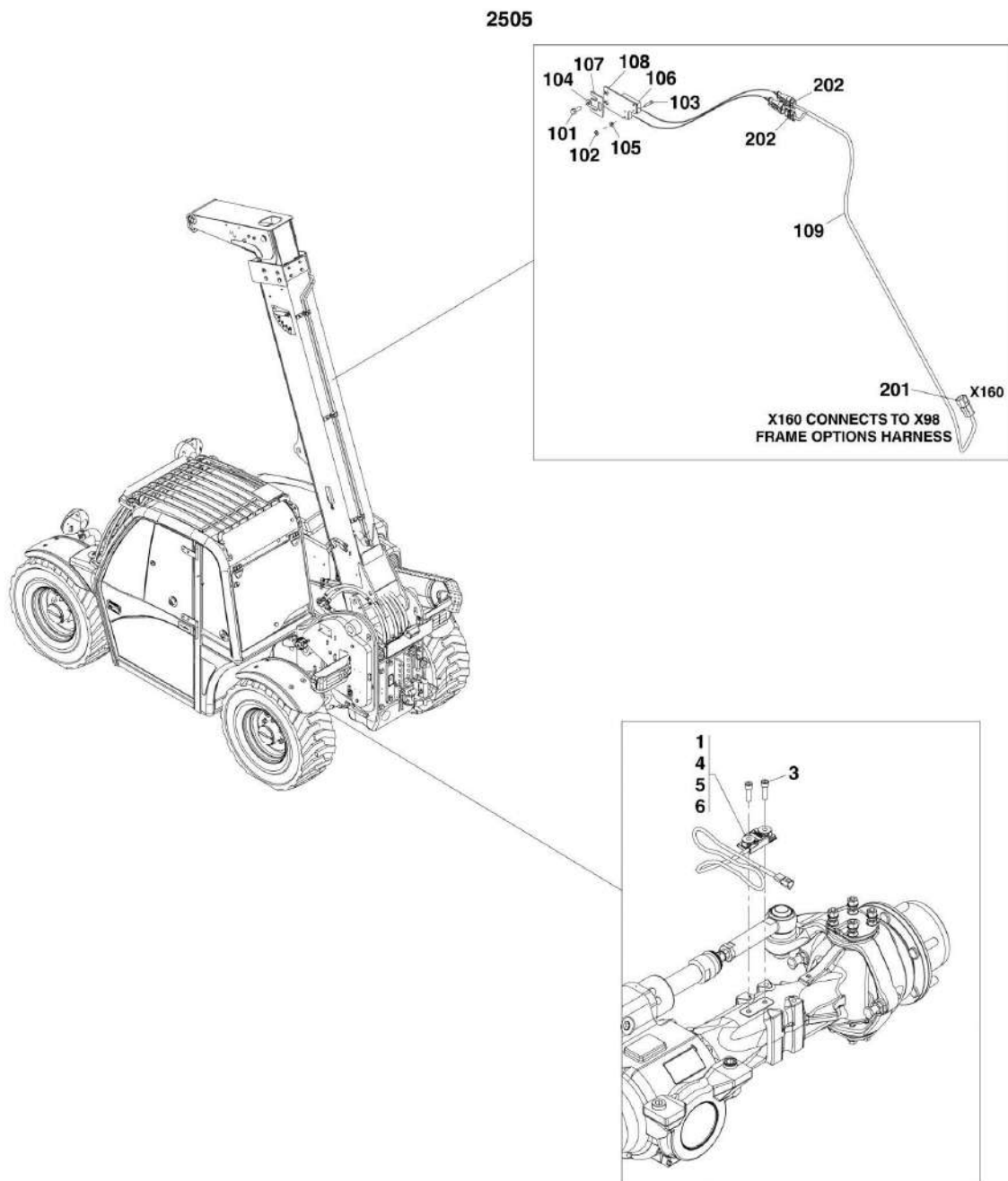
## SECTION 10 - ELECTRICAL

**FIGURE 10-21. LSI INSTALLATION - 2505 (Prior to SN 0160042694)**

ITEM	PART NUMBER	QTY	DESCRIPTION	REV
	1001080650	Ref	LSI INSTALLATION - 2505, (not available to order, see items 4 thru 7 for service)	F
4	0771016	2	HEX HD CAPSCREW, M10X40, GR10.9	
5	4812000	2	WASHER, 10mm	
6	1001099060	1	REAR AXLE LSI SENSOR	
7	1001102594	1	LSI HARNESS	

# SECTION 10 - ELECTRICAL

FIGURE 10-22. LSI AXLE SENSOR AND BOOM PROXIMITY SENSOR INSTALLATION - 2505 (SN 0160042694 to Present)



ART\_31200360-10-22



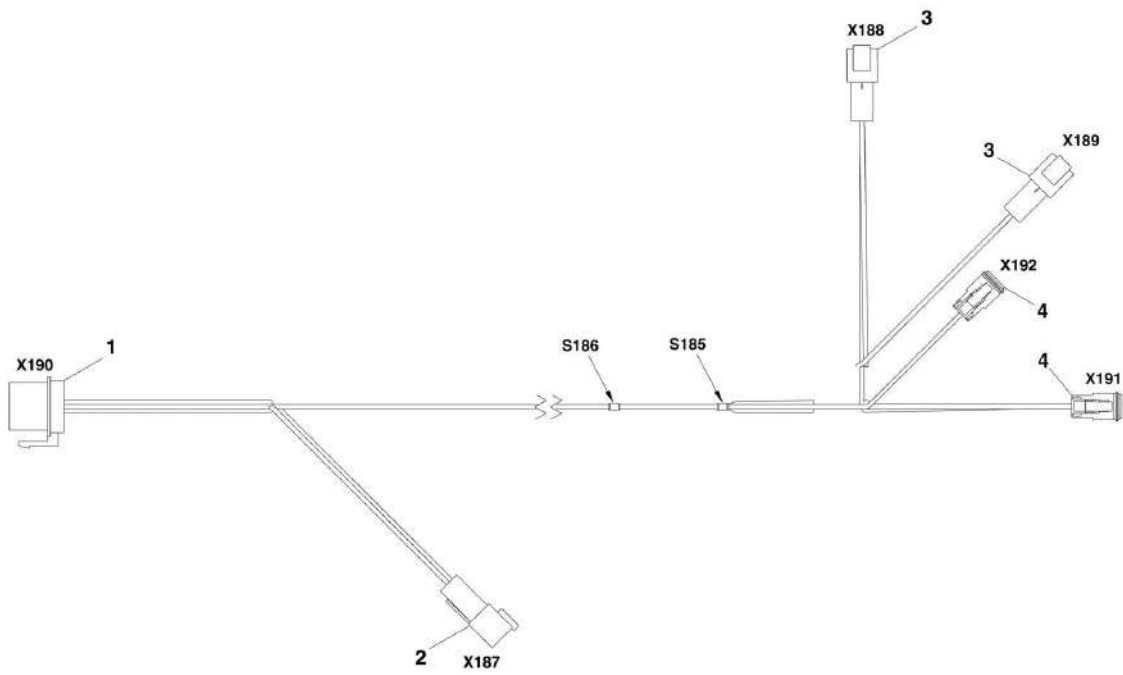
## SECTION 10 - ELECTRICAL

**FIGURE 10-22. LSI AXLE SENSOR AND BOOM PROXIMITY SENSOR INSTALLATION - 2505 (SN 0160042694 to Present)**

ITEM	PART NUMBER	QTY	DESCRIPTION	REV
	1001131864	Ref	LSI AXLE SENSOR INSTALLATION - 2505, (not available to order, see items 1 thru 6)	C
1	1001129370	NLA	REAR AXLE LSI SENSOR, (no longer available, use 1001160730 for replacement)	
1	1001160730	1	REAR AXLE LSI SENSOR	
3	5272011	NLA	HEX SOCKET HD SCREW, M10X35, GR12.9, (no longer available, use 5272012 for replacement)	
3	5272012	2	HEX SOCKET HD SCREW, M10X40, GR12.9	
4	1001125465	AR	LOCTITE 7063	
5	1001129425	AR	LOCTITE ADHESIVE AND ACTIVATOR	
6	1001116128	AR	SEAL, POLYSILOXANE SEALANT <b>(SN 0160046865 to Present)</b>	
	1001130475	Ref	BOOM PROXIMITY SENSOR INSTALLATION, (not available to order, see items 101 thru 109)	D
101	0641406	2	HEX HD CAPSCREW, 1/4-20X3/4, GR5	
102	3310805	4	HEX LOCKNUT, 8-32, GR2	
103	3930812	4	SOCKET HD CAPSCREW, 8-32X3/4	
104	4711400	2	WASHER, 1/4	
105	4750800	4	WASHER	
106	1001121021	2	PROXIMITY SENSOR	
107	1001121953	6	PROXIMITY SENSOR SHIM	
108	1001122290	1	BOOM PROXIMITY SENSOR BRACKET	
109	1001129801	1	LSI BOOM SENSOR HARNESS, (includes items 201 & 202)	A
201	4460899	1	CONNECTOR	
201	80604022	1	WEDGE LOCK	
201	4460464	6	TERMINAL	
202	4461262	1	CONNECTOR	
202	1001107854	3	TERMINAL	

# SECTION 10 - ELECTRICAL

## FIGURE 10-23. FUNCTION CUTOUT JUMP HARNESS



PAP17350

## SECTION 10 - ELECTRICAL

**FIGURE 10-23. FUNCTION CUTOFF JUMP HARNESS**

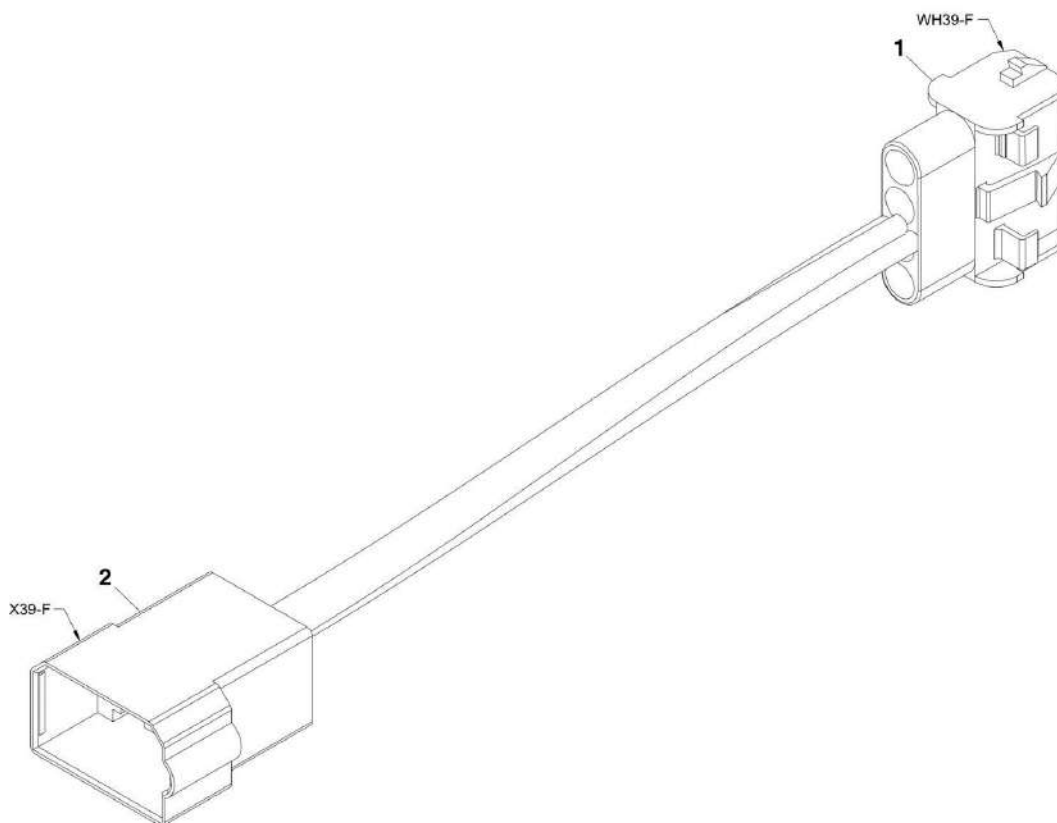
ITEM	PART NUMBER	QTY	DESCRIPTION	REV
	1001141513	1	FUNCTION CUTOFF JUMP HARNESS, (includes all items)	A
1	1001117057	1	CONNECTOR	
2	4460932	1	RECEPTACLE	
3	4460892	2	RECEPTACLE	
4	4460891	2	PLUG	

# SECTION 10 - ELECTRICAL

## FIGURE 10-24. HEATER JUMPER HARNESS

WH39-F  
TO HVAC FAN

CONN POS	WIRE DESIGNATION	COLOR	GAUGE	TYPE
1	073-3	YEL	14 AWG	GXL
2	000-7-1	BLK	14 AWG	GXL
3	073-1	ORG	14 AWG	GXL
4	073-2	RED	14 AWG	GXL



X39-F

CONN POS	WIRE DESIGNATION	COLOR	GAUGE	TYPE
A	073-1	ORG	14 AWG	GXL
B	073-2	RED	14 AWG	GXL
C	073-3	YEL	14 AWG	GXL
D	000-7-1	BLK	14 AWG	GXL

PY8340

## SECTION 10 - ELECTRICAL

### FIGURE 10-24. HEATER JUMPER HARNESS

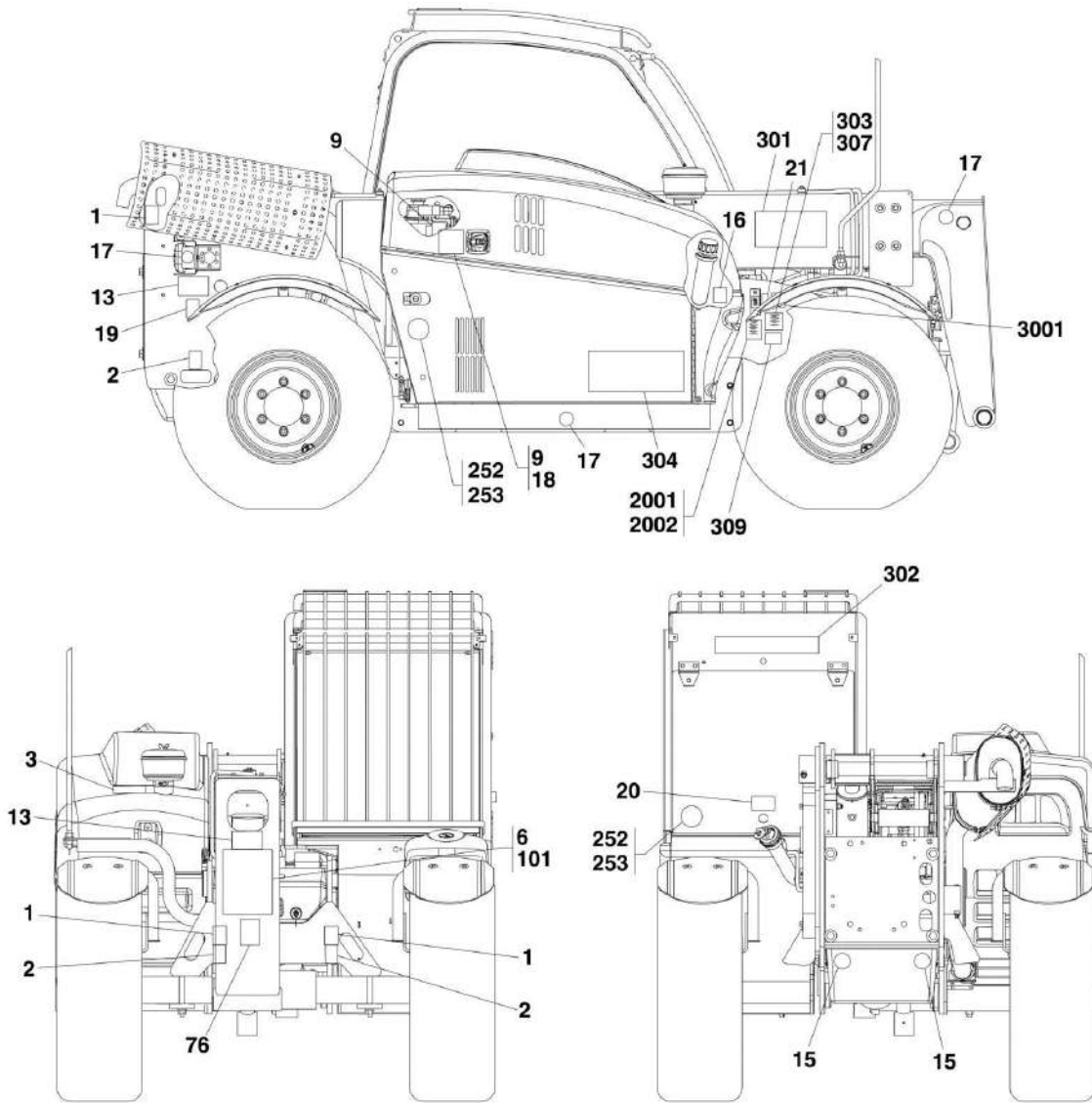
ITEM	PART NUMBER	QTY	DESCRIPTION	REV
	1001110377	1	HEATER JUMPER HARNESS, (includes all items)	C
1	1001119032	1	CONNECTOR	
2	1001117011	1	CONNECTOR	



**SECTION 11 - DECALS**

# SECTION 11 - DECALS

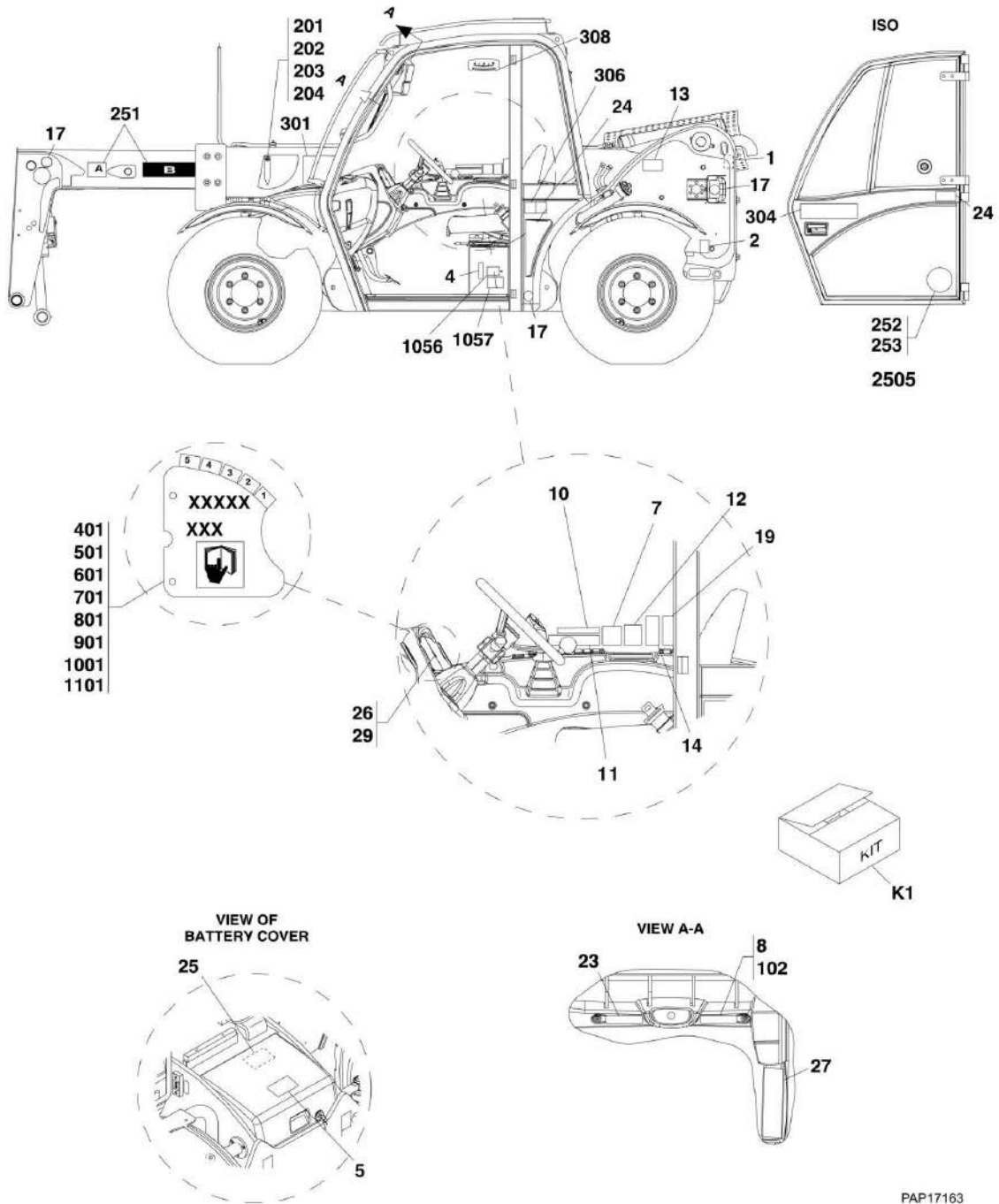
## FIGURE 11-1. FRAME AND BOOM DECALS



ART\_31200360-11-1



# SECTION 11 - DECALS



# SECTION 11 - DECALS

## FIGURE 11-1. FRAME AND BOOM DECALS

ITEM	PART NUMBER	QTY	DESCRIPTION	REV
	1001081054	Ref	ISO COMMON DECAL INSTALLATION, (CE), (ANSI, if equipped), (not available to order, see items 1 thru 29 for service)	K
	1001081103	Ref	ASME COMMON DECAL INSTALLATION, (ANSI, if equipped), (not available to order, see items 1 thru 3, 5, 7, 9 thru 14, 16, 20, 21, 23 thru 27, 29, 101 & 102 for service)	I
	1001119045	Ref	AUS COMMON DECAL INSTALLATION, (AUS), (not available to order, see items 1 thru 5, 7 thru 21, 23 thru 27, 29 & 76 for service)	B
1	1701500	4	LIFT DECAL	
2	1702300	4	TIE DOWN DECAL	
3	1706098	1	ETHER START WARNING DECAL, (ISO and AUS)	
3	1706300	1	ETHER START WARNING DECAL, (ASME)	
4	1706209	1	PARK BRAKE DECAL, (ISO and AUS)	
5	1706281	1	BATTERY WARNING DECAL, (ISO and AUS)	
5	1706296	1	BATTERY WARNING DECAL, (ASME)	
6	1706282	1	CARRY PERSONNEL DECAL, (ISO)	
7	1706283	1	DO NOT JUMP DECAL, (ISO and AUS)	
7	1706851	1	DO NOT JUMP DECAL, (ASME)	
8	1706284	1	ELECTROCUTION HAZARD DECAL, (ISO and AUS)	
9	1706285	2	MOVING PARTS DECAL, (ISO and AUS)	
9	1706301	2	ROTATING PART WARNING DECAL, (ASME)	
10	1706287	1	READ MANUAL DECAL, (ISO and AUS)	
10	1706303	1	READ MANUAL DECAL, (ASME)	
11	1706288	1	TIP OVER WARNING DECAL, (ISO and AUS)	
11	1706306	1	TIP OVER WARNING DECAL, (ASME)	
12	1706289	1	VEHICLE ROLL AWAY DECAL, (ISO and AUS)	
12	1706767	1	VEHICLE ROLL AWAY DECAL, (ASME)	
13	1706292	3	PINCH POINT DECAL, (ISO and AUS)	
13	1706302	3	PINCH POINT DECAL, (ASME)	
14	1706293	1	RUN-OVER HAZARD DECAL, (ISO and AUS)	
14	1706304	1	RUN-OVER HAZARD DECAL, (ASME)	
15	3931579	2	REFLECTOR, (ISO and AUS)	
16	4100181	1	HYDRAULIC OIL FILL DECAL	
17	3700016	6	REFLECTOR, (ISO and AUS)	
18	8005670	1	READ OPERATORS MANUAL DECAL, (ISO and AUS)	
19	8005671	2	CYLINDER LOCK WARNING DECAL, (ISO and AUS)	
20	8005870	1	EMERGENCY EXIT DECAL	
21	91563220	1	OIL LEVEL DECAL	
23	1001092877	1	CRUSH HAZARD WARNING DECAL, (ISO and AUS)	
23	1706850	1	CRUSH HAZARD WARNING DECAL, (ASME)	
24	1001092878	1	NO RIDERS DECAL, (ISO and AUS)	
24	1706768	1	NO RIDERS DECAL, (ASME)	
25	1001097475	1	FUSE COVER DECAL	
26	1001099710	1	MAINTENANCE CHART, (ASME), (ISO and AUS) <b>(Prior to SN 0160042694)</b>	
26	1001138089	1	MAINTENANCE CHART, (ISO and AUS) <b>(SN 0160042694 to Present)</b>	
27	1001101071	1	JOYSTICK DECAL	
29	1001100107	1	LUBE CHART	
76	8006038	1	NO RIDERS DECAL, (AUS)	
101	1706298	1	ATTACHMENT FALLING OFF WARNING DECAL, (ASME)	
102	1706299	1	CONTACTING POWER LINES WARNING DECAL, (ASME)	

## SECTION 11 - DECALS

ITEM	PART NUMBER	QTY	DESCRIPTION	REV
201	7075611	1	BOOM ANGLE INDICATOR	
202	4105262	1	BOOM ANGLE DECAL	
203	3311705	1	LOCKNUT, 7/16-14	
204	4711700	3	FLAT WASHER, 7/16	
251	1001099783	1	BOOM EXTEND DECAL	
252	1001081158	3	SPEED DECAL, 30KPH, (Germany), (if equipped)	
253	2603207	3	SPEED DECAL, 20KPH, (Germany), (if equipped)	
	1001081110	Ref	DECAL INSTALLATION, (2505 - CE), (not available to order, see items 301, 303, 304, 306, 307 & 309 for service)	F
	1001081108	Ref	DECAL INSTALLATION, (G5-18A), (not available to order, see items 301 thru 304, 307 & 309 for service)	F
	1001107675	Ref	DECAL INSTALLATION, (2505 - AUS), (not available to order, see items 301, 303, 304, 306 thru 308 for service)	D
301	1702773	2	JLG DECAL	
302	1704885	1	JLG WEBSITE DECAL	
303	N.S.S.	1	SN PLATE	
304	1001099708	1	SN PLATE G5-18A DECAL	
304	1001099707	2	SN PLATE 2505 DECAL	
306	1705979	1	105dB ACOUSTIC DECAL	
307	N.S.S.	4	AMTAK FASTENER	
308	8466306	1	TILT ANGLE GAUGE	
309	1001131271	1	PATENT TELEHANDLERS DECAL	
401	1001102000	1	CAPACITY CHART BOOKLET, ENGLISH UNIT, (G5-18A), (use with hydraulic or manual quick coupler)	F
501	1001102010	1	CAPACITY CHART BOOKLET, METRIC UNIT, (2505), (use with hydraulic or manual quick coupler)	D
601	1001107400	1	CAPACITY CHART BOOKLET, METRIC UNIT, (2505 - AUS), (use with hydraulic quick coupler or manual quick coupler) <b>(Prior to SN 0160045913)</b>	C
601	1001136635	1	CAPACITY CHART BOOKLET, METRIC UNIT, (2505 - AUS), (use with hydraulic quick coupler or manual quick coupler) <b>(SN 0160045913 to Present)</b>	A
701	1001102030	Ref	CAPACITY CHART BOOKLET, ENGLISH UNIT, (G5-18A), (use with universal quick coupler), (Prior to SN 0160040809, for use with UQC 1001098709)	E
701	1001126677	1	CAPACITY CHART BOOKLET, ENGLISH UNIT, (G5-18A), (use with universal quick coupler), (SN 0160040809 to Present, for use with UQC 1001117498)	E
801	1001117338	1	CAPACITY CHART BOOKLET, METRIC UNIT, (G5-18A), (use with universal quick coupler), (Prior to SN 0160040809, for use with UQC 1001098709)	B
801	1001126685	1	CAPACITY CHART BOOKLET, METRIC UNIT, (G5-18A), (use with universal quick coupler), (SN 0160040809 to Present, for use with UQC 1001117498)	D
901	1001102040	Ref	CAPACITY CHART BOOKLET, METRIC UNIT, (2505), (use with universal quick coupler), (Prior to SN 0160040809, for use with UQC 1001098709)	E
901	1001126678	1	CAPACITY CHART BOOKLET, METRIC UNIT, (2505), (use with universal quick coupler), (SN 0160040809 to Present, for use with UQC 1001117498)	A
1001	1001126681	1	CAPACITY CHART BOOKLET, (2505 - AUS), (use with universal quick coupler) <b>(Prior to SN 0160045913)</b>	B
1001	1001136633	1	CAPACITY CHART BOOKLET, (2505 - AUS), (use with universal quick coupler) <b>(SN 0160045913 to Present)</b>	A
1056	N.S.S.	1	NAMEPLATE DECAL	
1057	1001109365	1	ROPS WARNING DECAL <b>(Prior to SN 0160042433)</b>	

## SECTION 11 - DECALS

ITEM	PART NUMBER	QTY	DESCRIPTION	REV
1101	1001117326	1	CAPACITY CHART BOOKLET, METRIC UNIT, (G5-18A), (use with hydraulic or manual quick coupler)	E
	1001081374	1	HOMOLOGATION PLATE INSTALLATION, (2505 - Germany), (includes items 2001 & 2002)	D
2001	1001003536	1	HOMOLOGATION IDENTIFICATION PLATE	
2002	2080057	4	FASTENER	
3001	N.S.S.	1	ENGINE IDENTIFICATION PLATE	
K1	1001140667	1	LEAVITT DECAL KIT	

## **SECTION 12 - RECOMMENDED SPARE PARTS**

## **SECTION 12 - RECOMMENDED SPARE PARTS**

## SECTION 12 - RECOMMENDED SPARE PARTS

FIGURE 12-1. RECOMMENDED SPARE PARTS

ITEM	PART NUMBER	QTY	DESCRIPTION	REV
	Note	Ref	<b>The following list will service fleets of machines (built to current production per date on the front cover) with repair parts which can be installed in the field. Parts from the list should be replaced when inventory is depleted to keep service parts stock supplied. For further information, contact your JLG dealer or the JLG Industries Parts Department.</b>	
		Ref	<b>Boom</b>	
	1001080209	1	Boom Hose, Twin Line, (Tilt and Aux), (Mechanical Quick Coupler)	
	1001080299	1	Boom Hose, Twin Line, (Tilt), (Hydraulic Quick Coupler)	
	1001080209	1	Boom Hose, Twin Line, (Aux), (Hydraulic Quick Coupler)	
	7082362	2	Shim, 0.134	
	7126182	2	Shim, 0.0747	
	7300518	6	Shim, 0.0747	
	1001096584	AR	Shim, 0.0359	
	1001096585	AR	Shim, 0.0359	
	7300032	8	Wear Pad, 15.88	
	7300034	4	Wear Pad, 15.9	
	1001080391	2	Wear Pad Spacer, 1.00	
		Ref	<b>ENGINE</b>	
	1001080707	1	Fuel Cap Assy	
	1001062773	1	Air Filter Pre-cleaner	
	1001081316	1	Hydraulic Oil Filter Element	
	1001080897	1	Engine Oil Filler Cap	
	3790213	1	Engine Oil Filler Cap Seal	
	70021190	1	Pre-fuel Filter Assy	
	7028655	1	Secondary Fuel Filter	
	70021187	1	Engine Oil Dipstick	
	70021192	1	Thermostat	
	8006013	1	Engine Oil Filter	
	70021188	1	Alternator	
	1001080274	1	Fan	
	70021184	1	Fan Belt	
	7026442	1	Radiator Cap	
	70020623	1	Air Filter Primary Element	
	70020624	1	Air Filter Secondary Element	
	1001080702	1	Belt, Air Conditioning	
		Ref	<b>DRIVE TRAIN</b>	
	91474512	3	Breather	
	91514087	1	Plug, Front/Rear Hub	
	70021177	1	Plug, Front/Rear Hub Magnetic	
	80204117	4	Plug, Rear Hub	
		Ref	<b>Hydraulic</b>	
	1001080092	1	Hydraulic Tank Cover Gasket	
	1001081070	1	Hydraulic Cap Assy	
	1001080256	1	Boom Joystick	
	70020769	1	Boom Joystick Handle Assy	
	70020389	1	Seal Kit, Comp. Cylinder	
	70020401	1	Seal Kit, Extend/Retract Cylinder	
	70020389	1	Seal Kit, Tilt Cylinder	

## SECTION 12 - RECOMMENDED SPARE PARTS

ITEM	PART NUMBER	QTY	DESCRIPTION	REV
	70020377	1	Seal Kit, Lift Cylinder	
	70020922	1	Seal Kit, Park Brake Lever	
	70020919	1	Seal Kit, Brake Valve Master Cylinder	
	70020867	2	Seal Kit, Steer Select Valve	
	70020370	4	Bushings, Tilt/Lift Cylinder	
	70020399	4	Bushings, Extend/Retract Cylinder	
	70020390	4	Bushings, Comp Cylinder	
		Ref	<b>ELECTRICAL</b>	
	1001001514	1	Oil Pressure Switch	
	2420229	1	Temperature Sender	
	1001080162	1	Fuel Level Sender	
	0400075	1	12V Battery	
	91143357	1	Horn	
	1001101808	1	Back Up Alarm, (2505)	
	1001099810	1	Back Up Alarm, (G5-18A)	
		Ref	<b>MISC.</b>	
	70020621	1	Ignition Key	
	8342813	1	Exterior Door Key	
	1001102157	1	Padlock	
	31200359	1	Operation and Safety Manual	
	31200361	1	Service Manual	
		Ref	<b>Special Tools</b>	
	70021971	1	Spline Socket, Drive Axle	
	70021972	1	Keyed Wrench, Drive Axle	
	70021973	1	Hex Wrench, Drive Axle	
	70021974	1	Gauge, Drive Axle	
	70021946	1	Mounting Sleeve, Hydrostatic Transmission	
	70021947	1	O-Ring Removal Sleeve, Hydrostatic Transmission	





**PART NUMBER INDEX**

# PART NUMBER INDEX

0100011.....12, 23, 37, 39, 78, 81, 91, 93, 173, 181, 183, 197, 199, 201	0642014..... 81	1001003536..... 324	1001080239.....91
0100020..... 13	0642032..... 49, 51	1001004708..... 77	1001080240..... 199, 201
0100071..... 19	0642216..... 45	1001006487..... 233	1001080241..... 18
0100093..... 18	0681404..... 205	1001007527..... 59	1001080243..... 177
01043892..... 147	0681406..... 13	1001007529..... 59	1001080247..... 177
0240143..... 51	0681414..... 161	1001007537..... 59	1001080248..... 177
0275491..... 17	0681810..... 17	1001007539..... 59	1001080249..... 177
0275492..... 130	0681828..... 77	1001008436..... 18	1001080250..... 177
0275494..... 41	0681832..... 43, 45	1001008475..... 18, 19	1001080251..... 179
0275501..... 91	0681836..... 41	1001008479..... 45	1001080252..... 179
0275502..... 93	0681844..... 41	1001008605..... 67	1001080253..... 37
0275504..... 263	0682018..... 27	1001008666..... 67	1001080254..... 37
0275505..... 23	0682040..... 27	1001008741..... 77	1001080256..... 155, 326
0275506..... 123	0682220..... 12, 17, 29	1001008742..... 143	1001080262..... 247
0275507..... 123	0682228..... 130	1001008926..... 256	1001080263..... 85
0275778..... 18	0682230..... 131	1001008979..... 45	1001080265..... 181, 183, 185
0275779..... 18	0682232..... 17	1001009062..... 18, 19	1001080266..... 181, 185
0275791..... 25	0682234..... 17	1001009094..... 45	1001080268..... 81
0275792..... 25	0682238..... 17, 27	1001009126..... 131	1001080274..... 81, 326
0280221..... 99	0682264..... 23	1001010838..... 18, 19	1001080279..... 189
0280222..... 111	0682264..... 23	1001055652..... 45	1001080293..... 193
0280225..... 99	0682440..... 130	1001061633..... 45	1001080294..... 197
0280226..... 111	0700510..... 189, 191	1001061659..... 45	1001080299..... 197, 326
0313279..... 259	0700610..... 81	1001061660..... 45	1001080301..... 197
0388450..... 259	0700816..... 95	1001061662..... 45	1001080308..... 197
0400075..... 255, 327	0700826..... 81	1001061891..... 45	1001080309..... 193
0630455..... 255	0700827..... 49, 51	1001061892..... 45	1001080312..... 41
0630464..... 151	0701014..... 39, 81	1001061893..... 45	1001080313..... 41
0630467..... 91	0701017..... 81	1001062117..... 45	1001080314..... 41
0630468..... 12, 14, 131	0701018..... 39	1001062773..... 12, 326	1001080317..... 177
0630582..... 77	0701027..... 45	1001080039..... 81	1001080319..... 181, 183
0630604..... 149	0701215..... 77	1001080043..... 231	1001080327..... 169, 173
0641403..... 13	0711618..... 81	1001080044..... 91	1001080333..... 43
0641404..... 255	0721008..... 259	1001080050..... 39	1001080334..... 221
0641406..... 12, 161, 313	0741506..... 29	1001080084..... 17	1001080337..... 165
0641408..... 77, 149, 161, 199, 201, 255	0760605..... 43	1001080086..... 17	1001080343..... 165
0641410..... 130, 259	0760607..... 183	1001080090..... 17	1001080344..... 169
0641412..... 307	0760806..... 18, 25	1001080091..... 13	1001080345..... 169, 173
0641413..... 183	0760808..... 255	1001080092..... 13, 326	1001080346..... 169, 173
0641415..... 255	0760810..... 67, 81, 93	1001080097..... 165	1001080351..... 169, 173
0641418..... 205	0761007..... 149	1001080098..... 91	1001080353..... 241
0641420..... 193	0761008..... 78	1001080116..... 37	1001080356..... 165
0641422..... 181, 183	0761010..... 39, 77, 149	1001080117..... 37	1001080357..... 165
0641503..... 91, 149	0761015..... 93	1001080124..... 37	1001080359..... 247
0641506..... 12, 14, 17	0761016..... 255	1001080143..... 165	1001080360..... 129
0641508..... 12, 14, 161	0761216..... 51	1001080152..... 37	1001080361..... 271
0641512..... 14, 195, 197	0761612..... 59	1001080154..... 41	1001080363..... 255
0641514..... 12, 17, 179, 193, 195, 259	0761617..... 99	1001080155..... 41	1001080364..... 267
0641516..... 23, 31, 195, 197	0771016..... 311	1001080162..... 13, 327	1001080365..... 267
0641522..... 227	0771619..... 25	1001080163..... 18	1001080366..... 267
0641606..... 77, 91, 169, 173	0791004..... 255	1001080171..... 17	1001080367..... 267
0641607..... 31, 193	0791508..... 13	1001080176..... 227	1001080368..... 267
0641608..... 43, 157	0801601..... 37	1001080196..... 13	1001080369..... 267
0641610..... 149	0903083..... 25, 27	1001080203..... 193	1001080370..... 267
0641611..... 199, 203, 255	0903366..... 51	1001080204..... 193	1001080371..... 267
0641614..... 197	1001001240..... 45, 199, 201	1001080205..... 195	1001080372..... 267
0641624..... 13	1001001241..... 45, 199, 201	1001080206..... 195	1001080373..... 267
0641628..... 37	1001001422..... 18	1001080207..... 197	1001080374..... 267
0641634..... 173	1001001514..... 81, 327	1001080208..... 197	1001080375..... 267
0641810..... 41	1001001556..... 193, 197	1001080209..... 195, 197, 326	1001080376..... 267
0641836..... 13	1001001557..... 45, 199, 201	1001080212..... 23	1001080377..... 267
0641852..... 13	1001001853..... 95	1001080216..... 23	1001080378..... 267
	1001002778..... 259	1001080228..... 124	1001080379..... 129
	1001002779..... 260	1001080229..... 124	1001080380..... 157
	1001003064..... 67	1001080237..... 197	1001080381..... 259
	1001003299..... 45		
	1001003369..... 130		

## PART NUMBER INDEX

1001080382 ..... 130, 143	1001080644..... 18	1001080866..... 151	1001081036 ..... 12
1001080383 ..... 143	1001080650..... 311	1001080867 ..... 135	1001081037 ..... 93
1001080390 ..... 93	1001080653..... 151	1001080872 ..... 130	1001081038 ..... 81
1001080391 ..... 39, 326	1001080655..... 256	1001080876 ..... 146	1001081042 ..... 146
1001080394 ..... 195, 197	1001080656..... 301	1001080877 ..... 143	1001081043 ..... 146
1001080397 ..... 305	1001080658..... 123	1001080889 ..... 81	1001081044 ..... 146
1001080408 ..... 166	1001080659..... 123	1001080890 ..... 77	1001081045 ..... 146
1001080409 ..... 255	1001080662..... 123	1001080891 ..... 23	1001081046 ..... 146
1001080410 ..... 255	1001080663..... 123	1001080897 ..... 81, 326	1001081047 ..... 146
1001080411 ..... 165	1001080669..... 263	1001080900 ..... 157	1001081048 ..... 146
1001080418 ..... 129	1001080674..... 183	1001080913 ..... 259	1001081049 ..... 146
1001080423 ..... 255	1001080685..... 25	1001080918 ..... 259	1001081050 ..... 146
1001080424 ..... 255	1001080686..... 25	1001080926 ..... 139	1001081051 ..... 146
1001080427 ..... 169, 173	1001080688..... 128	1001080927 ..... 141	1001081054 ..... 322
1001080430 ..... 195	1001080692..... 128	1001080930 ..... 146	1001081055 ..... 21
1001080431 ..... 195	1001080694..... 128	1001080931 ..... 130, 147	1001081056 ..... 21
1001080437 ..... 195	1001080702..... 149, 326	1001080932 ..... 130, 143	1001081057 ..... 21
1001080438 ..... 195	1001080707..... 18, 326	1001080933 ..... 130	1001081058 ..... 21
1001080442 ..... 271	1001080717..... 149	1001080935 ..... 165	1001081059 ..... 21
1001080448 ..... 166, 185, 187	1001080718..... 149	1001080938 ..... 77	1001081060 ..... 21
1001080449 ..... 179	1001080719..... 149	1001080939 ..... 77	1001081061 ..... 21
1001080456 ..... 181	1001080733..... 303	1001080940 ..... 77	1001081063 ..... 21
1001080457 ..... 181	1001080752..... 91	1001080941 ..... 129	1001081064 ..... 21
1001080458 ..... 93	1001080753..... 91	1001080942 ..... 259	1001081065 ..... 21
1001080462 ..... 157	1001080754..... 91	1001080944 ..... 13	1001081066 ..... 21
1001080463 ..... 157	1001080757..... 285	1001080945 ..... 151	1001081067 ..... 149
1001080465 ..... 157	1001080758..... 293	1001080947 ..... 151	1001081068 ..... 309
1001080492 ..... 130	1001080763..... 269	1001080951 ..... 151	1001081069 ..... 146
1001080493 ..... 129	1001080764..... 128	1001080952 ..... 151	1001081070 ..... 13, 326
1001080494 ..... 130, 131	1001080765..... 128	1001080953 ..... 151	1001081071 ..... 23
1001080499 ..... 143	1001080771..... 81	1001080954 ..... 151	1001081073 ..... 146
1001080511 ..... 166	1001080773..... 149	1001080955 ..... 151	1001081075 ..... 21
1001080513 ..... 169, 173	1001080775..... 169, 173	1001080956 ..... 152	1001081076 ..... 21
1001080515 ..... 169, 173	1001080780..... 12	1001080957 ..... 151	1001081077 ..... 21
1001080516 ..... 149	1001080789..... 149	1001080958 ..... 151	1001081078 ..... 21
1001080535 ..... 183	1001080791..... 12	1001080959 ..... 152	1001081079 ..... 21
1001080539 ..... 91	1001080796..... 139	1001080960 ..... 151	1001081080 ..... 81
1001080557 ..... 146	1001080797..... 135	1001080961 ..... 130	1001081085 ..... 99, 102
1001080560 ..... 149	1001080798..... 133, 135	1001080962 ..... 130	1001081086 ..... 309
1001080564 ..... 78	1001080801..... 135	1001080969 ..... 131	1001081093 ..... 129
1001080565 ..... 43	1001080802..... 130	1001080970 ..... 131	1001081096 ..... 14
1001080570 ..... 91	1001080803..... 131	1001080974 ..... 146	1001081100 ..... 23
1001080571 ..... 18	1001080808..... 81	1001080975 ..... 146	1001081103 ..... 322
1001080573 ..... 17	1001080811..... 146	1001080976 ..... 146	1001081105 ..... 17
1001080582 ..... 169, 173	1001080812..... 146	1001080977 ..... 146	1001081106 ..... 17
1001080583 ..... 181, 183	1001080813..... 131	1001080978 ..... 267	1001081107 ..... 17
1001080584 ..... 277	1001080821..... 135	1001080983 ..... 129	1001081108 ..... 323
1001080585 ..... 169, 173	1001080823..... 143	1001080985 ..... 143	1001081110 ..... 323
1001080586 ..... 169, 173	1001080824..... 130	1001080986 ..... 129	1001081112 ..... 21
1001080587 ..... 169, 173	1001080826..... 157	1001080987 ..... 129	1001081120 ..... 255
1001080589 ..... 130	1001080827..... 81	1001080988 ..... 129	1001081123 ..... 255
1001080590 ..... 149	1001080831..... 77	1001080992 ..... 131	1001081125 ..... 21
1001080591 ..... 149	1001080832..... 128	1001080996 ..... 77	1001081126 ..... 21
1001080609 ..... 165	1001080837..... 81	1001080997 ..... 77	1001081127 ..... 21
1001080610 ..... 25, 130, 259	1001080844..... 152	1001080998 ..... 91	1001081137 ..... 95
1001080611 ..... 27	1001080847..... 130	1001081000 ..... 18	1001081144 ..... 21
1001080612 ..... 129	1001080848..... 130	1001081002 ..... 263	1001081146 ..... 95
1001080618 ..... 255	1001080851..... 147	1001081003 ..... 159	1001081147 ..... 21
1001080619 ..... 255	1001080852..... 146	1001081004 ..... 159	1001081148 ..... 21
1001080620 ..... 255	1001080853..... 130	1001081005 ..... 159	1001081149 ..... 21
1001080625 ..... 199, 203	1001080854..... 263	1001081006 ..... 159	1001081150 ..... 21
1001080628 ..... 199	1001080859..... 131	1001081007 ..... 159	1001081151 ..... 161
1001080631 ..... 149	1001080860..... 131	1001081016 ..... 159	1001081152 ..... 161
1001080632 ..... 149	1001080861..... 17	1001081021 ..... 159	1001081153 ..... 161
1001080633 ..... 149	1001080862..... 147	1001081022 ..... 159	1001081154 ..... 183
1001080634 ..... 149	1001080863..... 147	1001081023 ..... 146	1001081155 ..... 77
	1001080865..... 297	1001081024 ..... 159	1001081156 ..... 249

# PART NUMBER INDEX

1001081157.....249	1001081301..... 131	1001081444..... 33	1001099707.....323
1001081158.....323	1001081302..... 131	1001090103..... 197	1001099708.....323
1001081159..... 17	1001081304..... 17	1001090344..... 33	1001099710.....322
1001081161..... 151	1001081305..... 17	1001091573..... 263	1001099736..... 49
1001081162..... 151	1001081306..... 143	1001092585..... 255	1001099783.....323
1001081163..... 151	1001081307..... 143	1001092877..... 322	1001099810.....255, 327
1001081164..... 151	1001081308..... 143	1001092878..... 322	1001099831..... 61
1001081165..... 151	1001081309..... 143	1001093171..... 70	1001099887..... 18
1001081170..... 183	1001081310..... 143	1001094555..... 65	1001100053.....129
1001081171..... 183	1001081311..... 143	1001094556..... 65	1001100107.....322
1001081172..... 149	1001081314..... 136	1001095650..... 23	1001100635.....165
1001081178..... 183	1001081316..... 77, 326	1001095704..... 269, 271, 274	1001100701.....149
1001081179..... 183	1001081319..... 77	1001096116..... 152	1001100772.....95
1001081185..... 17	1001081322..... 259	1001096130..... 77	1001100781.....259
1001081187..... 151	1001081323..... 77, 165	1001096142..... 14	1001100916.....197
1001081189..... 151	1001081326..... 203	1001096144..... 14	1001100965.....259
1001081190..... 12	1001081328..... 21	1001096148..... 14, 77	1001100966.....128
1001081218..... 123	1001081329..... 21	1001096152..... 14	1001101039.....199, 201
1001081219..... 123	1001081330..... 21	1001096153..... 13	1001101040.....199, 201
1001081220..... 123	1001081331..... 147	1001096180..... 12	1001101041.....43, 199, 201
1001081221..... 123	1001081332..... 147	1001096187..... 13	1001101042.....43, 199, 201
1001081222..... 124	1001081333..... 99, 111, 165, 169, 173, 177	1001096450..... 13	1001101071.....322
1001081223..... 157	1001081334..... 179	1001096464..... 77	1001101185..... 45
1001081224..... 123	1001081336..... 205	1001096498..... 77	1001101208.....199
1001081227..... 21	1001081338..... 251	1001096584..... 39, 326	1001101209.....199
1001081228..... 21	1001081343..... 205	1001096585..... 39, 326	1001101235.....199, 201
1001081229..... 21	1001081344..... 205	1001096697..... 14	1001101236.....199
1001081230..... 21	1001081345..... 205	1001096698..... 14	1001101332.....151
1001081233..... 82	1001081346..... 205	1001096730..... 43	1001101333.....151
1001081234..... 130	1001081347..... 195	1001096781..... 93	1001101451.....77, 95
1001081235..... 135	1001081348..... 195	1001096782..... 14	1001101533.....259
1001081236..... 135	1001081356..... 21	1001096911..... 169, 173	1001101534.....259
1001081239..... 136	1001081357..... 25	1001097069..... 169, 173	1001101808.....255, 327
1001081241..... 135	1001081358..... 25	1001097099..... 143	1001101977..... 63
1001081242..... 135	1001081361..... 82	1001097108..... 129	1001101978..... 67
1001081243..... 135	1001081362..... 81	1001097159..... 33	1001101979..... 67
1001081244..... 135	1001081363..... 13	1001097160..... 14	1001101981..... 51
1001081245..... 135	1001081364..... 17	1001097252..... 43	1001102000.....323
1001081246..... 135	1001081374..... 324	1001097255..... 43	1001102010.....323
1001081247..... 135	1001081375..... 147	1001097283..... 49	1001102030.....323
1001081248..... 135	1001081376..... 147	1001097319..... 130	1001102040.....323
1001081249..... 135	1001081377..... 29	1001097360..... 12	1001102157.....327
1001081250..... 135	1001081378..... 29	1001097412..... 77	1001102333.....73
1001081252..... 12	1001081379..... 27	1001097475..... 322	1001102427.....161
1001081254..... 12	1001081380..... 27	1001097628..... 43	1001102428.....161
1001081256..... 12	1001081393..... 95	1001097640..... 23	1001102433.....161
1001081262..... 12	1001081394..... 29, 31	1001097684..... 31, 193	1001102434.....161
1001081264..... 12	1001081398..... 259	1001097728..... 43, 45	1001102435.....161
1001081266..... 136	1001081412..... 81	1001097729..... 43, 45	1001102438.....161
1001081267..... 12	1001081413..... 189, 191	1001098069..... 165	1001102439.....161
1001081268..... 136	1001081414..... 12	1001098088..... 243	1001102440.....161
1001081269..... 21	1001081419..... 14	1001098153..... 247	1001102441.....161
1001081280..... 139	1001081420..... 31	1001098171..... 43	1001102456.....161
1001081281..... 139	1001081421..... 31	1001098235..... 128	1001102457.....269
1001081282..... 139	1001081422..... 31	1001098472..... 43	1001102486.....255
1001081283..... 139	1001081425..... 31	1001098514..... 12	1001102594.....311
1001081284..... 139	1001081426..... 189, 191	1001098648..... 199, 203	1001103012.....285, 290
1001081285..... 139	1001081427..... 229	1001098709..... 45	1001103069.....165
1001081286..... 131	1001081428..... 229	1001099060..... 311	1001103075..... 12
1001081287..... 131	1001081431..... 33	1001099425..... 73	1001103077..... 12
1001081288..... 135	1001081432..... 33	1001099457..... 59	1001103139.....263
1001081289..... 139	1001081433..... 12	1001099458..... 59	1001103509.....135
1001081291..... 133	1001081435..... 33	1001099568..... 149	1001103533..... 63
1001081292..... 135	1001081438..... 33	1001099613..... 53	1001103564.....299, 301
1001081296..... 131	1001081440..... 12	1001099614..... 67	1001103939..... 13
1001081298..... 131	1001081441..... 33	1001099615..... 67	1001104008..... 55
1001081300..... 21			1001104022..... 57

## PART NUMBER INDEX

1001104477 ..... 235	1001110269..... 152	1001116996.....277	1001128007 ..... 123
1001104519 ..... 264, 274, 277, 279, 285, 286, 290, 291, 299	1001110377.....317	1001117002.....293, 295	1001129036 ..... 91
1001104654 ..... 267	1001110723.....264	1001117004.....297, 303	1001129037 ..... 91
1001104726 ..... 203	1001111156.....299	1001117005.....285, 290	1001129370 ..... 313
1001104727 ..... 203	1001111341.....263	1001117011.....317	1001129425 ..... 313
1001104728 ..... 203	1001111548.....149	1001117020.....271, 274	1001129801 ..... 313
1001104729 ..... 203	1001111700.....18	1001117026.....277, 279	1001129887 ..... 187
1001104784 ..... 18	1001112058.....151	1001117057.....274, 315	1001129888 ..... 187
1001104790 ..... 203	1001112165.....199	1001117059.....286, 291	1001129889 ..... 185, 187
1001104791 ..... 203	1001112167.....199	1001117079.....286, 291	1001129891 ..... 185, 187
1001104944 ..... 45	1001112236.....18	1001117080.....286, 291	1001129893 ..... 185, 187
1001104966 ..... 45	1001112556.....123	1001117081.....285, 286, 290, 291	1001129894 ..... 185, 187
1001105474 ..... 67	1001112557.....123	1001117082.....286, 291	1001129895 ..... 185, 187
1001105475 ..... 67	1001112558.....123	1001117106.....274, 285, 290	1001129898 ..... 187
1001105476 ..... 67	1001112683.....19	1001117119.....285, 290	1001129900 ..... 173
1001105836 ..... 259	1001112684.....19	1001117133.....277, 279	1001129925 ..... 207
1001105990 ..... 99, 111	1001112694.....18	1001117158.....129	1001129926 ..... 207
1001106589 ..... 165	1001112697.....255	1001117326.....324	1001130178 ..... 245
1001106622 ..... 179	1001112793.....51	1001117338.....323	1001130200 ..... 13
1001106876 ..... 307	1001112913.....123	1001117498.....45	1001130237 ..... 151
1001106951 ..... 307	1001113050.....81	1001117945.....59	1001130243 ..... 128
1001107115 ..... 307	1001113154.....263	1001118379.....274, 277, 280	1001130244 ..... 128
1001107400 ..... 323	1001113155.....263	1001118386.....274	1001130245 ..... 128
1001107651 ..... 17	1001113276.....146	1001118387.....295	1001130246 ..... 128
1001107652 ..... 17	1001113277.....146	1001118392.....277, 280	1001130247 ..... 128
1001107653 ..... 17	1001113279.....146	1001118672.....259, 277	1001130248 ..... 128
1001107675 ..... 323	1001113610.....147	1001118674.....259, 286	1001130289 ..... 13
1001107701 ..... 17	1001114213.....177	1001119032.....291, 317	1001130291 ..... 13
1001107711 ..... 17	1001114675.....129	1001119045.....322	1001130338 ..... 37
1001107806 ..... 27	1001114867.....129	1001119669.....280	1001130475 ..... 313
1001107807 ..... 27	1001114868.....147	1001120539.....149	1001131064 ..... 151
1001107854 ..... 277, 279, 285, 286, 290, 291, 313	1001115871.....123	1001121021.....313	1001131271 ..... 323
1001107997 ..... 139	1001116128.....313	1001121953.....313	1001131864 ..... 313
1001108078 ..... 129, 151	1001116697.....275	1001121961.....290	1001132161 ..... 213
1001108079 ..... 157	1001116698.....285, 290	1001122248.....290	1001132207 ..... 213
1001108115 ..... 131	1001116707.....271, 274	1001122249.....274	1001132208 ..... 213
1001108127 ..... 263	1001116710.....269	1001122259.....295	1001132329 ..... 173
1001108129 ..... 263	1001116711.....269	1001122279.....279	1001132331 ..... 166
1001108134 ..... 143	1001116712.....269	1001122280.....255	1001132342 ..... 245
1001108137 ..... 130, 159	1001116713.....285, 290	1001122287.....256	1001132411 ..... 191
1001108152 ..... 151	1001116723.....286	1001122290.....313	1001132412 ..... 191
1001108155 ..... 151	1001116725.....274	1001125107.....13	1001132453 ..... 41
1001108161 ..... 139	1001116726.....274	1001125465.....313	1001132795 ..... 256
1001108180 ..... 12	1001116727.....274	1001125649.....78	1001133671 ..... 13
1001108191 ..... 12	1001116728.....274	1001125774.....147	1001133787 ..... 18
1001108194 ..... 129	1001116729.....279	1001125775.....146	1001133788 ..... 18
1001108196 ..... 129, 147	1001116733.....274	1001126033.....13	1001133821 ..... 259
1001108198 ..... 159	1001116735.....269	1001126034.....12	1001133822 ..... 17
1001108241 ..... 143	1001116736.....286, 291	1001126036.....13	1001133930 ..... 149
1001108242 ..... 131	1001116737.....286, 291	1001126227.....146	1001134532 ..... 87
1001108243 ..... 12	1001116738.....286, 291	1001126233.....12	1001134534 ..... 89
1001108547 ..... 139	1001116774.....279	1001126253.....146	1001135075 ..... 151
1001108548 ..... 31, 139	1001116808.....279	1001126257.....146	1001135671 ..... 123
1001108549 ..... 31, 139	1001116812.....279, 280	1001126594.....21	1001135672 ..... 123
1001108552 ..... 139	1001116813.....295	1001126595.....21	1001135673 ..... 123
1001109113 ..... 59	1001116920.....286, 290	1001126677.....323	1001135674 ..... 123
1001109365 ..... 323	1001116921.....271, 274	1001126678.....323	1001135677 ..... 123
1001109417 ..... 139	1001116950.....271, 274	1001126681.....323	1001135759 ..... 201
1001109478 ..... 131	1001116952.....271, 274	1001126685.....323	1001135799 ..... 197
1001109565 ..... 263	1001116953.....271, 274	1001127066.....285, 290	1001135801 ..... 201
1001109566 ..... 299	1001116982.....295	1001127308.....152	1001135803 ..... 201
1001109663 ..... 189, 191	1001116983.....271, 274	1001127397.....152	1001135805 ..... 201
1001109664 ..... 189, 191	1001116984.....293, 295	1001127546.....152	1001135807 ..... 201
1001110067 ..... 139	1001116985.....293, 295	1001128006.....123	1001135845 ..... 256
	1001116986.....286		
	1001116994.....293		
	1001116995.....293		

# PART NUMBER INDEX

1001135846.....256	10837724.....309	2130606 .... 165, 177, 205	2755037.....165
1001136633.....323	1101244.....245	2130608 .... 169, 173, 177	2920204.....259
1001136635.....323	1170028.....49	2130610.....203	2920206.....263
1001136913.....13	1271599.....18	2130810.....199, 203	2920207.....259
1001137099.....17	1320022.....77	2131008.....195	2920208.....259
1001137454.....146	1321301.....77	2131010 ... 165, 189, 201	2920209.....151
1001137574.....147	1321367.....95	2131212.....169, 173	2940045.....13
1001137688.....143	1321716.....149	2131216 .... 77, 169, 173	31200359.....327
1001138001.....147	14404793.....37, 39	2131616.....166	31200361.....327
1001138089.....322	1684511.....211	2144614.....169, 173	3160335.....229
1001138172.....77	1684512.....219	2145004.....179	3220140.....95
1001138655.....13	1684515.....217	2145005.....165	3271405.....130
1001138703.....131	1684517.....215	2145010.....99	3271601.....13, 255
1001138985.....129	1701500.....322	2145011.....169, 173	3271801.....13, 77
1001139011.....131	1702300.....322	2145016.....165	3272201.....17, 23, 130
1001139042.....37	1702773.....323	2150404.....179	3272401.....130
1001139043.....37	1704885.....323	2150406 ... 165, 169, 173, 181, 183, 185, 187	3290405.....129
1001139177.....37	1705979.....323	2150606.....197, 205	3290505.... 189, 191, 255
1001140667.....324	1706098.....322	2150608.....177	3290507.....25, 27
1001141339.....78	1706209.....322	2150608.....195	3290601.....67, 263
1001141513.....315	1706281.....322	2150808.....195	3290605. 14, 81, 255, 263
1001141863.....123	1706282.....322	2150810.....201	3290805.... 49, 51, 63, 95
1001144509.....131	1706283.....322	2151010.....165	3290807.....259
1001144544.....131	1706284.....322	2160002.....43	3291001.....77
1001145211.....14	1706285.....322	2170110 ... 165, 189, 191	3291007.....45
1001148177.....18	1706287.....322	2170210.....201	3291201.....131
1001148733.....131	1706288.....322	2170306.....173, 205	3291205.....51
1001148734.....131	1706289.....322	2170308.....197	3300143.....255
1001148735.....130	1706292.....322	2170408.....169, 173	3300240.....49, 51
1001148736.....130	1706293.....322	2170506.....169, 173	3300430.....37
1001151086.... 17, 19, 25	1706296.....322	2170704.....165, 179	3300454.....129
1001151132.... 17, 19, 25	1706298.....322	2170706 ... 165, 169, 203, 205	3310805.....313
1001151133.....25	1706299.....322	2170708.....195	3311005.....259
1001151147.....25	1706300.....322	2170712.....169, 173	3311405.....13, 131
1001151148.....25	1706301.....322	2170804.....165	3311408.....13
1001151150.....25	1706302.....322	2170806.....203	3311505.....14, 17, 259
1001153624.....131	1706303.....322	2171112.....169	3311508.....255
1001153625.....131	1706304.....322	2171212.....173	3311705.....323
1001153626.....131	1706306.....322	2171712.....165	3312005.....27
1001153627.....131	1706702.....49	2171716.....165	3312201.....45
1001153629.....157	1706767.....322	2172106.....203	3380585.....95
1001153630.....151	1706768.....322	2172108.....199, 203	3380724.....13
1001153631.....151	1706850.....322	2172406.....165	3391410.....43
1001153634.....151	1706851.....322	2220218.....197	3423258.....51
1001153635.....151	1784861.....18	2220235.....249	3423275.....49, 51
1001153748.....239	1810046.....152	2220239.....13	3450303.....14
1001156087.....161	2080057.....324	2220251.....149	3470003.....161
1001160730.....313	2110404 ... 165, 169, 181, 183, 185, 187, 249	2220591.....165, 177	3576766.....23
1001165585.....136	2110406 ... 181, 183, 185, 187	2220612.....189, 191	3700016.....322
1001167706.....18	2110606 ... 169, 173, 181, 183, 205, 207	2221086.....81	3740080.....271, 274
1001179547.....143	2110608.....165, 177	2221285.....99, 179	3746405.....130
1001180466.....65	2110610.....203	2221290.....197	3760508.....49, 51
1001180796.....157	2110808.....195	2340037.....59	3790213.....81, 326
1001189948.....147	2110810 ... 195, 199, 201, 203	2340040.....59	3900210.....14, 37
1001190022.....147	2111010 ... 169, 173, 189, 191, 193, 197	2340041.....59	3900251.....129
1001192979.....152	2111012.....165	2340043.....59	3900272.....12, 77
1001208759.....18	2111212.....169, 173	2340044.....59	3900302.....130, 143
1001217623.....263	2111216.....169, 173	2420205.....13	3900393.....39
1001226247.....256	2111616.....165	2420211.....152	3930812.....313
101977201.....129, 179	2112020.....166	2420229.....81, 327	3931412.....129, 155
1060628.....18	2130404 43, 99, 165, 169, 173	250176.....271, 274	3931416.....17
10700730.....29		2603207.....323	3931448.....256
10701275.....67		2700118.....70	3931548.... 197, 199, 203
10701310.....255		2755031.....165	3931579.....322
10726999.....105, 115		2755032.....165	3944574.....25, 27
10733183.....93		2755036.....165	3960600.....25, 27
10837580.....245			3960622.....13

## PART NUMBER INDEX

3964987 .....	43	4460933 .....	291	4892200.....	12, 23	70020286.....	107
3980039 .....	141	4460942 ....	277, 279, 280	4892400.....	131	70020287.....	107
3984301 .....	101	4460944 .....	279, 280	5200605.....	95	70020288.....	113
3990013 .....	285, 290	4460970 .....	295	5220500.....	259	70020289.....	107
4031509 .....	129	4460994 ...	285, 286, 290, 291, 293, 295, 297, 299	5241000.....	45, 81	70020290.....	107
4031612 .....	25, 27	4461008 .....	277, 280	5272011.....	313	70020291.....	107
4031918 .....	201	4461021 .....	25, 27	5272012.....	313	70020292.....	107
4032011 .....	81, 165	4461115 .....	299, 301	70002064.....	245	70020293.....	107
4040283 .....	49, 51	4461118 .....	271, 275	70002386.....	245, 251	70020294.....	107
4040291 .....	121	4461174 .....	129, 263	70020173.....	105, 115	70020295.....	107
4060803 .....	129	4461262 ...	277, 279, 286, 291, 313	70020186.....	263	70020296.....	107
4060804 .....	149	4520259 .....	124	70020201.....	70	70020297.....	107
4100181 .....	322	4520658 .....	123	70020202.....	70	70020298.....	107
4105262 .....	323	4520659 .....	123	70020203.....	70	70020299.....	107
4240017 .....	129	463929 .....	43	70020204.....	70	70020300.....	109, 119
4240032 ....	91, 149, 263	4640163 .....	124	70020205.....	70	70020301.....	109, 119
4240033 .....	77	4640464 .....	286, 290	70020206.....	70	70020302.....	109, 119
4240084 .....	123	4641474 .....	247	70020229.....	101	70020303.....	113
4360658 .....	259	4641506 .....	157	70020230.....	101	70020311.....	229
4400498 .....	91	4641519 .....	237	70020231.....	101	70020312.....	229
4460042 .....	271, 274	4700500 .....	12	70020232.....	101	70020314.....	231
4460043 .....	271, 275	4711400 ...	12, 13, 37, 77, 130, 165, 183, 199, 201, 255, 256, 259, 263, 307, 313	70020233.....	101, 113	70020314.....	231
4460185 .....	293, 295	4711500 ...	12, 14, 17, 23, 91, 149, 161, 179, 193	70020234.....	101, 113	70020324.....	231
4460227 .....	280	4711600 43, 77, 169, 173, 255		70020235.....	101	70020325.....	231
4460259 .....	290	4711700 .....	149, 323	70020236.....	101, 113	70020326.....	231
4460260 ...	271, 274, 277, 280, 293, 295, 297, 303, 307	4711800 .....	17, 41	70020237.....	101, 113	70020327.....	231
4460268 .....	291	4712000 .....	27	70020238.....	101	70020328.....	231
4460312 .....	285, 290	4712200 .....	17, 18, 45	70020239.....	101, 113	70020329.....	231
4460374 .....	271, 274	4740120 .....	143	70020240.....	101, 113	70020330.....	231
4460419 ....	269, 285, 290	4750600 .....	13	70020242.....	101, 113	70020333.....	231
4460458 .....	299	4750800 .....	313	70020243.....	101	70020339.....	231
4460464 ...	264, 277, 279, 280, 299, 313	4751000 .....	259	70020244.....	101, 113	70020345.....	113
4460465 ...	274, 275, 277, 279, 280, 285, 286, 290, 291, 299	4751400 .....	149	70020245.....	101, 113	70020346.....	113
4460466 ...	274, 275, 277, 279, 280, 285, 286, 290, 291	4751500 .....	14	70020247 ...	101, 107, 113	70020370 .	211, 213, 217, 327
4460488 .....	263	4751600 .	13, 31, 91, 149, 199, 203	70020249.....	101, 113	70020371 .....	211
4460518 .....	279	4752200 .....	17, 45	70020250.....	101	70020372 .....	211, 213
4460536 .....	280, 307	4752201 .....	29	70020251.....	101, 113	70020372 .....	211, 213
4460539 ...	275, 279, 280, 285	4761000 .....	255	70020252.....	101	70020374 .....	211
4460746 .....	299	4761400 .....	161, 255	70020253.....	101	70020375 .	211, 213, 217, 219
4460761 .....	280	4761600 .....	43	70020254.....	101	70020376 ..	211, 215, 217
4460851 ....	279, 285, 291	4762200 .....	17, 45	70020255.....	101	70020377 ..	211, 213, 327
4460884 ...	271, 274, 285, 290	4791700 .....	149	70020256.....	101	70020378 .....	217
4460891 ...	271, 274, 277, 279, 280, 285, 286, 291, 299, 315	4804533 .....	25, 27	70020257.....	101	70020379 .....	217
4460892 .....	315	4805921 .....	25	70020258.....	101	70020380 .....	217, 219
4460894 ...	277, 279, 280, 285, 286, 290	4805932 .....	25	70020259.....	101	70020381 .....	217, 219
4460897 ....	279, 301, 307	4811400 .....	129	70020260.....	101	70020382 .....	217
4460899 ...	264, 297, 299, 313	4811600 25, 27, 189, 191		70020261.....	101	70020384 .....	217
4460911 .....	280	4811700 .....	14, 183, 263	70020262.....	101	70020389 ..	217, 219, 326
4460915 .....	279	4811900 .....	18, 255, 259	70020263.....	101	70020390 .....	219, 327
4460928 .....	279, 280	4811902 .....	93	70020264.....	101	70020391 .....	219
4460930 ...	271, 274, 285, 290	4812000 .	39, 77, 93, 149, 255, 311	70020265.....	101	70020393 .....	219
4460931 .....	293	4812100 .....	77	70020266.....	101	70020394.....	215
4460932 .....	315	4812300 .....	25, 81	70020267.....	102	70020395.....	215
		4831700 .....	263	70020269... 102, 109, 119		70020396.....	215
		4831900 .....	81	70020270.....	102	70020397.....	215
		4891400 ....	181, 183, 205	70020271.....	102	70020398.....	215
		4891500 .....	17, 227, 259	70020272.....	102	70020399.....	215, 327
		4892000 .....	81	70020273.....	107	70020400.....	215
				70020274.....	107	70020401 .....	215, 326
				70020276.....	107	70020529.....	81
				70020279.....	107	70020530.....	81
				70020280.....	107	70020531.....	81
				70020281.....	107	70020555.....	70
				70020282.....	107	70020560.....	61
				70020283.....	107	70020562.....	61
				70020284.....	107	70020571 .....	85, 87, 89
				70020285.....	107		

# PART NUMBER INDEX

70020572.....85, 87, 89	70021095..... 135	70021271..... 221	70021580..... 141
70020574.....85, 87, 89	70021096..... 135	70021272..... 221	70021712..... 303
70020575..... 165	70021108..... 135	70021273..... 221	70021785..... 85
70020576..... 165	70021147..... 105, 115	70021274..... 221	70021928..... 101, 113
70020577..... 165	70021148..... 105, 115	70021275..... 221	70021929..... 101, 113
70020578..... 157	70021149..... 105, 115	70021276..... 221	70021939..... 101
70020621..... 129, 327	70021150..... 105, 115	70021338 .. 49, 53, 55, 57	70021940..... 107
70020623..... 93, 326	70021151..... 105, 115	70021339..... 49, 53	70021941..... 107
70020624..... 93, 326	70021152..... 105, 115	70021341..... 259	70021942..... 107
70020715..... 229	70021153..... 105, 115	70021342..... 53, 61	70021946..... 327
70020716..... 227	70021154..... 105, 115	70021343..... 53, 55	70021947..... 327
70020717..... 227	70021155..... 105, 115	70021345..... 53, 55	70021971..... 327
70020718..... 227	70021156..... 105, 115	70021346..... 53, 55	70021972..... 327
70020719..... 227	70021157..... 105, 115	70021347..... 53, 55	70021973..... 327
70020764..... 233, 235	70021158..... 105, 115	70021348..... 53, 55	70021974..... 327
70020765..... 233	70021159..... 105, 115	70021349..... 53, 55, 57	70022077..... 255
70020766..... 233	70021160..... 105, 115	70021350 .. 53, 55, 57, 73	70022078..... 255
70020769..... 155, 326	70021161..... 105, 115	70021351..... 53, 55	70022079..... 255
70020770..... 155	70021162..... 105, 115	70021352..... 227	70022088..... 21
70020771..... 155	70021163..... 105, 115	70021356..... 61	70022097..... 55, 57
70020795..... 151	70021164..... 105, 115	70021357..... 61	70022102..... 55, 57
70020796..... 263	70021165..... 105, 115	70021358..... 61	70022103..... 55, 57
70020860..... 231	70021166..... 105, 115	70021359..... 61	70022104..... 55, 57
70020861..... 231	70021167..... 105, 115	70021360..... 61	70022105..... 55, 57
70020862..... 231	70021168..... 105, 115	70021361..... 61	70022106..... 55
70020863..... 231	70021169..... 105, 115	70021362..... 61	70022107..... 57
70020866..... 237	70021170..... 105, 115	70021363..... 223	70022108..... 225
70020867... 237, 239, 327	70021171..... 105, 115	70021364..... 61	70022109..... 57
70020868..... 237	70021172..... 105	70021365..... 61	70022110..... 57
70020871..... 247	70021173..... 105	70021366..... 61	70022111..... 57
70020872..... 149	70021174..... 105, 115	70021367..... 61	70022112..... 57
70020874..... 146	70021175..... 105, 115	70021368..... 61	70022113..... 225
70020875..... 146	70021176..... 105, 115	70021369..... 61	70022340..... 87, 89
70020876..... 146	70021177 . 101, 102, 116, 326	70021370..... 61	70022613..... 109, 119
70020877..... 146	70021178..... 105, 115	70021384..... 73	70022847..... 247
70020878..... 147	70021179..... 105, 115	70021387..... 61	70022896..... 63
70020879..... 147	70021180..... 105, 115	70021397..... 57	70022897..... 63
70020913..... 157	70021181..... 105, 115	70021399..... 61	70022898..... 63
70020914..... 157	70021182..... 105, 115	70021415..... 57	70022899..... 63
70020915..... 157	70021183..... 105, 115	70021429..... 73	70022900..... 63
70020916..... 157	70021184 . 85, 87, 89, 326	70021430..... 73	70022901..... 63
70020917..... 157	70021185..... 85, 87, 89	70021431..... 73	70022902..... 63
70020918..... 157	70021186..... 85, 87, 89	70021432..... 73	70022903..... 63
70020919..... 247, 327	70021187 . 85, 87, 89, 326	70021433..... 73	70022904..... 63
70020920..... 247	70021188 . 85, 87, 89, 326	70021434..... 73	70022905..... 63
70020921..... 247	70021189..... 85, 87, 89	70021435..... 73	70022906..... 63
70020922..... 247, 327	70021190 . 85, 87, 89, 326	70021436..... 73	70022907..... 63
70020923..... 157	70021191..... 85, 87, 89	70021437..... 73	70022908..... 63
70020924..... 157	70021192 . 85, 87, 89, 326	70021438..... 73	70022910..... 63
70020925..... 157	70021193..... 85, 87, 89	70021440..... 223, 225	70022911..... 63
70020926..... 157	70021194..... 85, 87, 89	70021444..... 223, 225	70022912..... 63
70020927..... 157	70021195..... 85, 87, 89	70021445..... 223	70022913..... 63
70020929..... 141	70021196..... 113	70021446..... 223, 225	70022914..... 63
70021038..... 135	70021197..... 115	70021447..... 223, 225	70022915..... 63
70021054..... 243	70021198..... 116	70021448..... 223, 225	70022916..... 63
70021055..... 243	70021199..... 116	70021451..... 223, 225	70022917..... 63
70021066..... 135	70021200..... 116	70021452..... 223, 225	70022918..... 63
70021075..... 135	70021208..... 249	70021459..... 227	70022919..... 63
70021076..... 113	70021209..... 249	70021462..... 223, 225	70022921..... 227
70021077..... 135	70021221..... 113	70021463..... 223	70023040..... 141
70021078..... 135	70021242..... 63	70021465..... 223	70023041..... 141
70021079..... 135	70021243..... 63	70021468..... 223	70023104..... 93
70021080..... 135	70021246..... 63	70021475..... 247	70023125..... 85, 87, 89
70021082..... 135	70021266..... 241	70021531..... 235	70023126..... 85, 87, 89
70021090..... 135	70021267..... 241	70021543..... 227	70023127..... 85, 87, 89
70021092..... 135	70021270..... 221	70021546..... 147	70023275..... 63
70021093..... 135		70021547..... 147	70023472..... 109, 119



# PART NUMBER INDEX

70023473 ..... 105, 116	7029782 ..... 85, 87, 89	8036463.....147	8310382 ..... 205
70023945 ..... 245	7029865 ..... 227	8036629.....211, 213	8310658 ..... 37
70023946 ..... 245	7029969 ..... 259, 260	8036633.....217, 219	8310725 ..... 13
70023973 ..... 213	7029970 ..... 259, 260	80384185.....136	8342813 ..... 135, 327
70023974 ..... 213	7029971 ..... 260	80384187.....136	8360005 ..... 149
70026582 ..... 239	7075611 ..... 323	80474017.....93	83683308 ..... 91
70027306 ..... 65	7082362 ..... 39, 326	80484072.....305	8405006 ..... 17
70027307 ..... 65	7126182 ..... 39, 326	80604016.....291	8405007 ..... 149
70027308 ..... 65	7126662 ..... 37	80604017...279, 301, 307	8405104 ..... 91
70027309 ..... 65	7139886 ..... 41	80604018..271, 274, 277, 279, 280, 286, 291, 299	8405201 ..... 91
70027310 ..... 65	7300032 ..... 39, 326	80604019.....280	8405202 ..... 91
70027311 ..... 65	7300034 ..... 39, 326	80604021..271, 274, 286, 290	8405203 ..... 81
70027312 ..... 65	7300518 ..... 39, 326	80604022.....299, 313	8405204 ..... 81, 149
7010542 ..... 251	7301302 ..... 146	80604023..277, 279, 280, 285, 286, 290, 291	8405305 ..... 81
7010543 ... 245, 247, 251	77133137 ... 31, 193, 195, 197	80604025..271, 275, 279, 285, 290, 291	8406105 ..... 77, 169, 173
7012941 ..... 247	77143015 ..... 149	80623016.....189, 191	8406302 ..... 166
7012953 ..... 241	77323029 ... 31, 193, 195, 197	806253.....18	8410002 ..... 161
7012972 ..... 251	77363082 ..... 165, 177	806264.....18	8410009 ..... 81, 146
7023903 ..... 251	77363244 . 275, 279, 280, 285	80963070.....271	8410013 ..... 12
7024085 ..... 231	8001888 ..... 43	80983191...269, 271, 274	8420053 .43, 45, 199, 201
7024872 ..... 247	8001989 ..... 259	82033995.....81	8420055 ..... 43, 199, 201
7024885 ..... 241	8001991 ..... 259	82033997.....130, 143	8430033 ..... 165
7026408 ..... 305	8002027 ..... 43	8220007.....293, 295	84521056 ..... 91
7026442 ..... 91, 326	8002110 ..... 43	8220114.....271, 274	8466306 ..... 129, 323
7026798 ..... 141	8002789 ..... 25, 27	8220115.....285, 290	8520001 ..... 189, 191
7026799 ..... 141	8005670 ..... 322	8220116.....271, 274	8522012 ..... 37
7026900 ..... 141	8005671 ..... 18, 322	8220164....271, 274, 277, 279	8522031 ..... 37
7026901 ..... 141	8005870 ..... 322	8220890.....279	8526203 ..... 124
7026902 ..... 141	8006013 .. 85, 87, 89, 326	8220891.....274	8584003 ..... 189, 191
7026905 ..... 141	8006038 ..... 322	8223531.....149	85841094 ..... 77
7026906 ..... 141	8010200 ..... 25, 27	8229242....269, 271, 274	85941016 ..... 255, 264
7028654 ..... 85, 87, 89	8010204 ..... 25, 27	8229243....269, 271, 274	85941017 ..... 255, 264
7028655 .. 85, 87, 89, 326	8010234 ..... 25, 27	8229244....269, 271, 274	8642207 ..... 37
7028659 ..... 85, 87, 89	80204005 ..... 102, 116	8229245....269, 271, 274	8642224 ..... 37
7028660 ..... 85, 87, 89	80204065 ..... 105, 115	8229246.....269	86561311 ..... 165
7028665 ..... 85, 87, 89	80204111 ..... 107	8275212.....77, 95	86883327 ..... 17
7028666 ..... 85, 87, 89	80204117 . 105, 107, 115, 116, 326	8303034....129, 130, 131, 146, 147, 151, 161, 179, 263	8760550 ..... 165
7028669 ..... 85, 87, 89	80204147 ..... 101	8303114.....77, 165	8769122 .... 43, 195, 197
7028673 ..... 85, 87, 89	80204178 ..... 101	8303119.....31	8769123 .... 43, 195, 197
7028674 ..... 85, 87, 89	80204209 ..... 107	8303545.....67	8769128 ..... 193
7028676 ..... 85, 87, 89	80204213 ..... 113	8303739.....43	8769139 ..... 193
7028677 ..... 85, 87, 89	80204281 ..... 107	8303839.....255	8770241 ..... 99, 179
7028678 ..... 85, 87, 89	80233256 ..... 179	8305002.....143	8770269 ..... 179
7028680 ..... 85, 87, 89	80233257 ..... 169, 173	8305624.....255, 307	88201023 ..... 197
7028684 ..... 85, 87, 89	80264035 ..... 135	8305626.....12, 197	88212210 ..... 13
7028688 ..... 85, 87, 89	80264045 ..... 135	8305645.....37, 197	88212229 ..... 177
7028689 ..... 85, 87, 89	80264138 ..... 155	8307024.....129	88261030 ..... 23
7028689 ..... 85, 87, 89	80264139 ..... 155	8307106.....197	88501010 ..... 27
7028691 ..... 85, 87, 89	80325 ..... 161	8307109.....129	88501012 ..... 17, 18, 29
7028733 ..... 105, 115	80333184 ..... 165	8307110.....197	88521205 ..... 129
7028798 ..... 229	8033761 ..... 245	8307202.....205	88521206 ..... 23, 91
7028803 ..... 229	8034800 ..... 135	8307220.....149	88521208 .41, 43, 45, 166
7028818 ..... 229	8035487 ..... 129	8307904.....37	88521304 ..... 151, 161
7028875 ..... 231	8035632 ..... 135	8310053.....129	88551010 ..... 91
7028876 ..... 231	8035767 ..... 217	8310070.....14	88631566 ..... 256
7029300 ..... 105, 115	8036064 ..... 135	8310160.....37	8866514 ..... 129
7029520 ..... 70	80363195 ..... 18	8310246.....23	8866529 ..... 129
7029521 ..... 70	80364004 ..... 135	8310308.....77	8866530 ..... 129
7029590 ..... 223	80364005 ..... 135	8310357.....29	88671001 ..... 37
7029690 ... 49, 53, 55, 57	80364009 ..... 135	8310369.....146	8880219-OM ..... 121
7029691 ..... 49, 53, 55	80364037 ..... 135		8880220 ..... 121
7029692 ..... 53, 61	8036438 ..... 147		8880221 ..... 121
7029700 ..... 53, 55	8036461 ..... 147		8881802 ..... 263
7029705 ..... 53, 55			90027187 ..... 197
7029711 ... 53, 55, 57, 61			90027471 ..... 13
7029713 ..... 53, 55			90027473 ..... 131
7029714 ..... 57, 61			90200003 ..... 49, 51
7029775 ..... 271			

## PART NUMBER INDEX

90207463.....	177	91084233.....	227	91404182.....	227	91514118.....	23, 115
90554016.....	73	91084278.....	227	91404186.....	227	91514119.....	23, 115
90554017...53, 55, 57, 61		91084279.....	227	91404309.....	136	91514120.....	23, 115
90554020...49, 53, 55, 57		91094023.....	227	91404326.....	155	91514123.....	105, 115
90554042.....	53, 55, 57	91094024.....	227	91474512 . 101, 105, 115,		91514154.....	107
90554045.....	53, 73, 223,	91143223.....	229	326		91514155.....	107
225		91143340.....	274	91474516.....	116	91514156.....	107
90554062.....	53, 61	91143357.....	255, 327	91474532.....	113	91514157.....	107
90554065.....	53, 55, 61	91144099.....	231	91503104 .. 264, 297, 307		91514224.....	155
90554076.....	53, 61	91164087.....	135	91503106.....	293	91554019.....	279, 280
90554080.....	70	91304025.....	155	91504028.....	155	91563136.....	13
909304.....	18	91403097.....	131	91504029.....	155	91563164.....	141
91083216..166, 169, 173,		91403153.....	131	91514087 . 101, 105, 115,		91563213.....	77
179		91403217.....	131	326		91563220.....	322
91084008.....	227	91403412.....	23	91514098.....	102, 116	91565094.....	70
91084010.....	227	91404013.....	155	91514099 .. 105, 115, 116		933940.....	43
91084019.....	227	91404016.....	155	91514117.....	105, 115		





31200360



An Oshkosh Corporation Company

**Corporate Office**  
**JLG Industries, Inc.**  
**1 JLG Drive**  
**McConnellsburg, PA 17233-9533 USA**  
☎ **(717) 485-5161 (Corporate)**  
☎ **(877) 554-5438 (Customer Support)**  
☎ **(717) 485-6417**

**Visit our website for JLG Worldwide Locations.**  
**[www.jlg.com](http://www.jlg.com)**