



Illustrated Parts Manual

Models

G6-42A

G9-43A

G10-43A

G6-42A
SN 0160048658 to Present
G9-43A & G10-43A
SN 0160048671 to Present
excluding 0160048773

31200727

Revised

September 28, 2018 - Rev P



An Oshkosh Corporation Company

EFFECTIVITY PAGE

September 28, 2012 - A - Original Release of Manual

February 15, 2013 - B - Revised Manual

April 8, 2013 - C - Revised Manual

July 30, 2013 - D - Revised Manual

January 22, 2014 - E - Revised Manual

October 28, 2014 - F - Revised Manual

March 13, 2015 - G - Revised Manual

February 26, 2016 - H - Revised Manual

August 22, 2016 - I - Revised Manual

November 22, 2016 - J - Revised Manual

February 28, 2017 - K - Revised Manual

May 12, 2017 - L - Revised Manual

August 22, 2017 - M - Revised Manual

December 15, 2017 - N - Revised Manual

April 17, 2018 - O - Revised Manual

September 28, 2018 - P - Revised Manual

TABLE OF CONTENTS

SECTION 1 - FRAME AND ATTACHING PARTS.....	11
FIGURE 1-1. FRAME AND ATTACHING PARTS	12
FIGURE 1-2. COVERS G6-42A.....	14
FIGURE 1-3. COVERS G9-43A AND G10-43A.....	18
FIGURE 1-4. OUTRIGGER INSTALLATION G10-43A.....	22
FIGURE 1-5. PINTLE HOOK.....	24
SECTION 2 - BOOM.....	27
FIGURE 2-1. BOOM INSTALLATION.....	28
FIGURE 2-2. FIRST BOOM SECTION G6-42A	30
FIGURE 2-3. FIRST BOOM SECTION G9-43A & G10-43A.....	32
FIGURE 2-4. SECOND BOOM SECTION G6-42A.....	34
FIGURE 2-5. SECOND BOOM SECTION G9-43A & G10-43A.....	38
FIGURE 2-6. THIRD BOOM SECTION G6-42A.....	40
FIGURE 2-7. THIRD BOOM SECTION G9-43A & G10-43A.....	42
FIGURE 2-8. PUSH BEAM/EXTEND CHAIN	44
FIGURE 2-9. RETRACT CHAINS.....	48
FIGURE 2-10. MANUAL QUICK SWITCH.....	50
FIGURE 2-11. HYDRAULIC QUICK ATTACH.....	52
SECTION 3 - ATTACHMENTS	55
FIGURE 3-1. TILT CARRIAGE (G6-42A Prior to SN 0160052010; G9-43A Prior to SN 0160051085; G10-43A Prior to SN 0160052011)	56
FIGURE 3-2. TILT CARRIAGE (G6-42A SN 0160052010 to Present; G9-43A SN 0160051085 to Present; G10-43A SN 0160052011 to Present)	58
FIGURE 3-3. SIDE TILT CARRIAGE.....	60
FIGURE 3-4. 50IN SIDE SHIFT CARRIAGE	62
FIGURE 3-5. 50IN DUAL FORK CARRIAGE ASSEMBLY	64
FIGURE 3-6. 90, SWING CARRIAGE	66
FIGURE 3-7. SHEET MATERIAL HANDLER ASSEMBLY.....	68
FIGURE 3-8. FORKS.....	70
FIGURE 3-9. FORK MOUNTED PLATFORM.....	72
FIGURE 3-10. LIFTING HOOK.....	74
FIGURE 3-11. FORK PIN LOCK INSTALLATION.....	76
FIGURE 3-12. BUCKETS.....	78
FIGURE 3-13. GRAPPLE BUCKET.....	80
FIGURE 3-14. TRUSS BOOM.....	82
FIGURE 3-15. 12FT TRUSS BOOM WITH WINCH	84
FIGURE 3-16. ADJUSTABLE TRUSS BOOM.....	86
FIGURE 3-17. 8FT STANDARD MAST	88
FIGURE 3-18. 8FT SIDE TILT ELECTRIC MAST	92
SECTION 4 - ENGINE AND ATTACHING PARTS	97
FIGURE 4-1. ENGINE INSTALLATION IF EQUIPPED FOR ULS.....	98
FIGURE 4-2. ENGINE INSTALLATION IF EQUIPPED FOR LS	100
FIGURE 4-3. ENGINE IF EQUIPPED FOR ULS (Prior to SN 0160069037)	102
FIGURE 4-4. ENGINE IF EQUIPPED FOR ULS (SN 0160069037 to Present).....	104
FIGURE 4-5. ENGINE IF EQUIPPED FOR LS.....	106
FIGURE 4-6. FUEL TANK AND LINES IF EQUIPPED FOR ULS	108
FIGURE 4-7. FUEL TANK AND LINES IF EQUIPPED FOR LS.....	110
FIGURE 4-8. RADIATOR AND COOLING INSTALLATION IF EQUIPPED FOR ULS	112
FIGURE 4-9. RADIATOR AND COOLING INSTALLATION IF EQUIPPED FOR LS.....	116
FIGURE 4-10. AIR CLEANER INSTALLATION IF EQUIPPED FOR ULS (Prior to SN 0160071240, Excluding 0160018840, 0160019245 and 0160019746).....	120
FIGURE 4-11. AIR CLEANER INSTALLATION IF EQUIPPED FOR ULS (SN 0160071240 to Present, Including 0160018840, 0160019245 and 0160019746).....	122
FIGURE 4-12. AIR CLEANER INSTALLATION IF EQUIPPED FOR LS (Prior to SN 0160071240, Excluding 0160018840, 0160019245 and 0160019746).....	124
FIGURE 4-13. AIR CLEANER INSTALLATION IF EQUIPPED FOR LS (SN 0160071240 to Present, Including 0160018840, 0160019245 and 0160019746).....	126
FIGURE 4-14. EXHAUST INSTALLATION IF EQUIPPED FOR ULS.....	128
FIGURE 4-15. EXHAUST INSTALLATION IF EQUIPPED FOR LS	130

TABLE OF CONTENTS

SECTION 5 - DRIVE TRAIN	133
FIGURE 5-1. DRIVE TRAIN COMPONENTS G6-42A	134
FIGURE 5-2. DRIVE TRAIN COMPONENTS G9-43A & G10-43A	136
FIGURE 5-3. FRONT AXLE	138
FIGURE 5-4. CENTRAL HOUSING AND STEERING G6-42A	140
FIGURE 5-5. CENTRAL HOUSING AND STEERING G9-43A & G10-43A	142
FIGURE 5-6. DIFFERENTIAL G6-42A	144
FIGURE 5-7. DIFFERENTIAL G9-43A & G10-43A	146
FIGURE 5-8. HUB REDUCTION G6-42A	148
FIGURE 5-9. HUB REDUCTION G9-43A & G10-43A	152
FIGURE 5-10. BRAKES G6-42A	156
FIGURE 5-11. BRAKES G9-43A & G10-43A	158
FIGURE 5-12. REAR AXLE	160
FIGURE 5-13. CENTRAL HOUSING AND STEERING G6-42A (Prior to SN 0160065511)	162
FIGURE 5-14. CENTRAL HOUSING AND STEERING G9-43A & G10-43A (Prior to SN 0160064120)	164
FIGURE 5-15. DIFFERENTIAL G6-42A (Prior to SN 0160065511)	166
FIGURE 5-16. DIFFERENTIAL G9-43A & G10-43A (Prior to SN 0160064120)	168
FIGURE 5-17. HUB REDUCTION G6-42A (Prior to SN 0160065511)	170
FIGURE 5-18. HUB REDUCTION G9-43A & G10-43A (Prior to SN 0160064120)	174
FIGURE 5-19. BRAKES G6-42A (Prior to SN 0160065511)	178
FIGURE 5-20. BRAKES G9-43A & G10-43A (Prior to SN 0160064120)	180
FIGURE 5-21. REAR AXLE	182
FIGURE 5-22. CENTRAL HOUSING G6-42A (SN 0160065511 to Present)	184
FIGURE 5-23. CENTRAL HOUSING G9-43A & G10-43A (SN 0160064120 to Present)	186
FIGURE 5-24. DIFFERENTIAL G6-42A (SN 0160065511 to Present)	188
FIGURE 5-25. DIFFERENTIAL G9-43A & G10-43A (SN 0160064120 to Present)	190
FIGURE 5-26. HUB REDUCTION G6-42A (SN 0160065511 to Present)	192
FIGURE 5-27. HUB REDUCTION G9-43A & G10-43A (SN 0160064120 to Present)	194
FIGURE 5-28. BRAKES G6-42A (SN 0160065511 to Present)	196
FIGURE 5-29. BRAKES G9-43A & G10-43A (SN 0160064120 to Present)	198
FIGURE 5-30. STEERING G6-42A (SN 0160065511 to Present)	200
FIGURE 5-31. STEERING G9-43A & G10-43A (SN 0160064120 to Present)	202
FIGURE 5-32. TRUNION G6-42A (SN 0160065511 to Present)	204
FIGURE 5-33. TRUNION G9-43A & G10-43A (SN 0160064120 to Present)	206
FIGURE 5-34. REAR AXLE DIFFERENTIAL ASSEMBLY G6-42A (SN 0160065511 to Present)	208
FIGURE 5-35. REAR AXLE DIFFERENTIAL ASSEMBLY G9-43A & G10-43A (SN 0160064120 to Present)	210
FIGURE 5-36. PLANET GEAR CARRIER KIT G6-42A (SN 0160065511 to Present)	212
FIGURE 5-37. PLANET GEAR CARRIER KIT G9-43A & G10-43A (SN 0160064120 to Present)	214
FIGURE 5-38. RING GEAR SUPPORT KIT G6-42A (SN 0160065511 to Present)	216
FIGURE 5-39. RING GEAR SUPPORT KIT G9-43A & G10-43A (SN 0160064120 to Present)	218
FIGURE 5-40. REDUCTION BUSHING (G6-42A SN 0160065511 to Present)	220
FIGURE 5-41. STEERING CASE KIT LH G9-43A & G10-43A (SN 0160064120 to Present)	222
FIGURE 5-42. STEERING CASE KIT RH G9-43A & G10-43A (SN 0160064120 to Present)	224
FIGURE 5-43. REAR AXLE SUPPORT ASSEMBLY G9-43A & G10-43A (SN 0160064120 to Present)	226
FIGURE 5-44. ZF TRANSMISSION	228
FIGURE 5-45. ZF TRANSMISSION - CONVERTER AND INPUT	230
FIGURE 5-46. ZF TRANSMISSION - GEARBOX HOUSING	232
FIGURE 5-47. ZF TRANSMISSION - FORWARD GEAR GROUP	234
FIGURE 5-48. ZF TRANSMISSION - REVERSE GEAR GROUP	236
FIGURE 5-49. ZF TRANSMISSION - 1ST SHAFT GROUP	238
FIGURE 5-50. ZF TRANSMISSION - 2ND SHAFT GROUP	240
FIGURE 5-51. ZF TRANSMISSION - 3RD SHAFT GROUP	242
FIGURE 5-52. ZF TRANSMISSION - 4TH SHAFT GROUP	244
FIGURE 5-53. ZF TRANSMISSION - POWER TAKE-OFF	246
FIGURE 5-54. ZF TRANSMISSION - CONTROL UNIT AND PRESSURE REGULATOR	248
FIGURE 5-55. ZF TRANSMISSION - GEARSHIFT SYSTEM	250
FIGURE 5-56. ZF TRANSMISSION - OIL PUMP, FILTER AND DIPSTICK	252
FIGURE 5-57. ZF TRANSMISSION - TRANSFER BOX	254
FIGURE 5-58. FENDER INSTALLATION (G6-42A Prior to SN 0160058377; G9-43A Prior to SN 0160058500, Excluding 160058213, 160058216, 160058217, 160058226, 160058230, 160058246, 160058248, 160058249, 1600582577 and 160058260; G10-43A Prior to SN 0160058998, Excluding 0160058678)	256
FIGURE 5-59. FENDER INSTALLATION (G6-42A SN 0160058377 to Present; G9-43A SN 0160058500 to Present, Including 160058213, 160058216, 160058217, 160058226, 160058230, 160058246, 160058248, 160058249, 160058257 and 160058260; G10-43A SN 0160058998 to Present, Including 0160058678)	258
FIGURE 5-60. WHEEL ASSEMBLY G6-42A & G9-43A	260
FIGURE 5-61. WHEEL ASSEMBLY G10-43A	262

TABLE OF CONTENTS

SECTION 6 - CAB.....	265
FIGURE 6-1. CAB INSTALLATION.....	266
FIGURE 6-2. CAB ASSEMBLY.....	270
FIGURE 6-3. CAB DOOR.....	274
FIGURE 6-4. CAB INTERIOR.....	276
FIGURE 6-5. WIPER.....	278
FIGURE 6-6. SUSPENSION SEAT.....	280
FIGURE 6-7. SEAT.....	282
FIGURE 6-8. HEATER INSTALLATION.....	284
FIGURE 6-9. HEATER INSTALLATION.....	286
FIGURE 6-10. AIR CONDITIONING INSTALLATION.....	288
SECTION 7 - CONTROLS.....	293
FIGURE 7-1. BRAKE.....	294
FIGURE 7-2. ACCELERATOR.....	296
FIGURE 7-3. STEERING COLUMN.....	298
FIGURE 7-4. BOOM JOYSTICK G6-42A.....	300
FIGURE 7-5. BOOM JOYSTICK G6-42A.....	302
FIGURE 7-6. BOOM JOYSTICK G9-43A & G10-43A.....	304
FIGURE 7-7. TILT AND FRAME LEVEL JOYSTICK INSTALLATION G6-42A & G9-43A.....	306
FIGURE 7-8. TILT AND FRAME LEVEL JOYSTICK ASSEMBLY G6-42A & G9-43A.....	308
FIGURE 7-9. FRAME LEVEL JOYSTICK INSTALLATION.....	310
FIGURE 7-10. AUXILIARY HYDRAULIC JOYSTICK INSTALLATION G6-42A.....	312
FIGURE 7-11. AUXILIARY HYDRAULIC JOYSTICK INSTALLATION G9-43A.....	314
FIGURE 7-12. ELECTRIC AUXILIARY HYDRAULIC JOYSTICK G9-43A & G10-43A.....	316
FIGURE 7-13. OUTRIGGER CONTROLLER G10-43A.....	318
SECTION 8 - HYDRAULIC CIRCUITS.....	321
FIGURE 8-1. SUPPLY CIRCUIT G6-42A.....	322
FIGURE 8-2. SUPPLY CIRCUIT G9-43A & G10-43A.....	326
FIGURE 8-3. DUMP CIRCUIT G6-42A.....	330
FIGURE 8-4. DUMP CIRCUIT G9-43A & G10-43A.....	334
FIGURE 8-5. STEER SELECT CIRCUIT.....	338
FIGURE 8-6. SERVICE BRAKE CIRCUIT G6-42A.....	340
FIGURE 8-7. SERVICE BRAKE CIRCUIT G9-43A & G10-43A.....	342
FIGURE 8-8. BOOM JOYSTICK CIRCUIT G6-42A.....	344
FIGURE 8-9. BOOM JOYSTICK CIRCUIT G9-43A & G10-43A.....	346
FIGURE 8-10. OUTRIGGER CONTROLLER G10-43A.....	348
FIGURE 8-11. LIFT CYLINDER CIRCUIT.....	350
FIGURE 8-12. EXTEND/RETRACT CYLINDER CIRCUIT G6-42A.....	352
FIGURE 8-13. EXTEND/RETRACT CYLINDER CIRCUIT G9-43A & G10-43A.....	354
FIGURE 8-14. TILT CYLINDER AND COMPENSATING CYLINDER CIRCUIT G6-42A.....	356
FIGURE 8-15. TILT CYLINDER AND COMPENSATING CYLINDER CIRCUIT G9-43A & G10-43A.....	358
FIGURE 8-16. AUXILIARY HYDRAULIC CIRCUIT G6-42A.....	360
FIGURE 8-17. AUXILIARY HYDRAULIC CIRCUIT G9-43A & G10-43A.....	362
FIGURE 8-18. FRAME LEVEL CIRCUIT.....	364
FIGURE 8-19. OUTRIGGER CIRCUIT G10-43A.....	366
SECTION 9 - HYDRAULIC COMPONENTS.....	369
FIGURE 9-1. LIFT CYLINDER G6-42A (Prior to SN 0160052707).....	370
FIGURE 9-2. LIFT CYLINDER G6-42A (SN 0160052707 to Present).....	372
FIGURE 9-3. LIFT CYLINDER G9-43A & G10-43A.....	374
FIGURE 9-4. LIFT CYLINDER INSTALLATION G9-43A & G10-43A (ARCTIC).....	376
FIGURE 9-5. LIFT CYLINDER G9-43A & G10-43A (ARCTIC).....	378
FIGURE 9-6. EXTEND/RETRACT CYLINDER G6-42A (Prior to SN 0160057307).....	380
FIGURE 9-7. EXTEND/RETRACT CYLINDER G6-42A (SN 0160057307 to Present).....	382
FIGURE 9-8. EXTEND/RETRACT CYLINDER G9-43A & G10-43A.....	384
FIGURE 9-9. EXTEND/RETRACT CYLINDER G9-43A & G10-43A (ARCTIC).....	386
FIGURE 9-10. TILT CYLINDER G6-42A (Prior to SN 0160057406).....	388
FIGURE 9-11. TILT CYLINDER G6-42A (SN 0160057406 to Present).....	390
FIGURE 9-12. TILT CYLINDER G9-43A & G10-43A (Prior to SN 0160060644, Excluding 0160056536, 0160056537, 0160060633 and 0160060635).....	392

TABLE OF CONTENTS

FIGURE 9-13. TILT CYLINDER G9-43A & G10-43A (SN 0160060644 to Present, Including 0160056536, 0160056537, 0160060633 and 0160060635)	394
FIGURE 9-14. TILT CYLINDER, (G9-43A & G10-43A) (ARCTIC)	396
FIGURE 9-15. COMPENSATION CYLINDER G6-42A (Prior to SN 0160057586)	398
FIGURE 9-16. COMPENSATION CYLINDER G6-42A (ARCTIC) (Prior to SN 0160057586)	400
FIGURE 9-17. COMPENSATION CYLINDER G6-42A (ARCTIC) (SN 0160057586 to Present)	402
FIGURE 9-18. COMPENSATION CYLINDER G9-43A & G10-43A	404
FIGURE 9-19. COMPENSATION CYLINDER G9-43A & G10-43A	406
FIGURE 9-20. COMPENSATION CYLINDER G9-43A & G10-43A (ARCTIC)	408
FIGURE 9-21. FRAME LEVEL CYLINDER G6-42A (Prior to SN 0160060495)	410
FIGURE 9-22. FRAME LEVEL CYLINDER G6-42A (SN 0160060495 to Present)	412
FIGURE 9-23. FRAME LEVEL CYLINDER, (G6-42A) (ARCTIC)	414
FIGURE 9-24. FRAME LEVEL CYLINDER G9-43A & G10-43A	416
FIGURE 9-25. FRAME LEVEL CYLINDER G9-43A & G10-43A (ARCTIC)	418
FIGURE 9-26. OUTRIGGER CYLINDER G10-43A	420
FIGURE 9-27. SIDE TILT CARRIAGE CYLINDER (Prior to SN 0160066391, Excluding 0160065311)	422
FIGURE 9-28. SIDE TILT CARRIAGE CYLINDER (SN 0160066391 to Present, Including 0160065311)	424
FIGURE 9-29. 50IN SIDE SHIFT CARRIAGE CYLINDER	426
FIGURE 9-30. 72IN, 90, SWING CARRIAGE CYLINDER	428
FIGURE 9-31. GRAPPLE BUCKET CYLINDER	430
FIGURE 9-32. MAIN CONTROL VALVE G6-42A	432
FIGURE 9-33. MAIN CONTROL VALVE G6-42A	436
FIGURE 9-34. MAIN CONTROL VALVE G9-43A	440
FIGURE 9-35. MAIN CONTROL VALVE G9-43A & G10-43A	442
FIGURE 9-36. HYDRAULIC PUMP G6-42A	444
FIGURE 9-37. HYDRAULIC PUMP G9-43A & G10-43A	446
FIGURE 9-38. HYDRAULIC TANK G6-42A	450
FIGURE 9-39. HYDRAULIC TANK G9-43A & G10-43A	452
FIGURE 9-40. STEER SELECT VALVE	454
FIGURE 9-41. BRAKE VALVE	456
FIGURE 9-42. PRIORITY VALVE G6-42A	460
FIGURE 9-43. SOLENOID VALVE G6-42A	462
FIGURE 9-44. HYDRAULIC VALVE G9-43A & G10-43A	464
FIGURE 9-45. OUTRIGGER CONTROL VALVE G10-43A	466
FIGURE 9-46. CYLINDER - QUICK ATTACH ASSEMBLY	468
FIGURE 9-47. QUICK COUPLER CYLINDER	470
 SECTION 10 - ELECTRICAL	 473
FIGURE 10-1. ENGINE COMPARTMENT ELECTRICAL INSTALLATION	474
FIGURE 10-2. ARCTIC PACKAGE INSTALLATION	478
FIGURE 10-3. BOOM AND FRAME ELECTRICAL INSTALLATION G6-42A	482
FIGURE 10-4. BOOM AND FRAME ELECTRICAL INSTALLATION G9-43A & G10-43A	484
FIGURE 10-5. CAB ELECTRICAL INSTALLATION	486
FIGURE 10-6. CAB SWITCHES	488
FIGURE 10-7. WORK LIGHTS INSTALLATION	490
FIGURE 10-8. ROAD LIGHTS INSTALLATION	494
FIGURE 10-9. REVERSE SENSOR INSTALLATION	496
FIGURE 10-10. ENGINE HARNESS IF EQUIPPED FOR ULS	498
FIGURE 10-11. ENGINE HARNESS IF EQUIPPED FOR LS	500
FIGURE 10-12. TRANSMISSION HARNESS	502
FIGURE 10-13. FRAME HARNESS	504
FIGURE 10-14. VEC OPTIONS HARNESS	508
FIGURE 10-15. TRANSMISSION RELAY HARNESS	510
FIGURE 10-16. ENCLOSED CAB OPTION HARNESS	512
FIGURE 10-17. DASH HARNESS	514
FIGURE 10-18. INSTRUMENT PANEL HARNESS	516
FIGURE 10-19. FRAME ROAD LIGHTS HARNESS	518
FIGURE 10-20. BOOM WORK LIGHTS HARNESS	520
FIGURE 10-21. CAB ROAD LIGHTS HARNESS	522
FIGURE 10-22. CAB WORK LIGHT HARNESS (G6-42A Prior to SN 0160059453; G9-43A Prior to SN 0160059453; G10-43A Prior to SN 0160058678)	524
FIGURE 10-23. CAB WORK LIGHT HARNESS (G6-42A SN 0160059453 to Present; G9-43A SN 0160059453 to Present; G10-43A SN 0160058678 to Present)	526
FIGURE 10-24. CAB WORK LIGHT HARNESS	528
FIGURE 10-25. A/C HARNESS	530
FIGURE 10-26. VEC HARNESS	532

TABLE OF CONTENTS

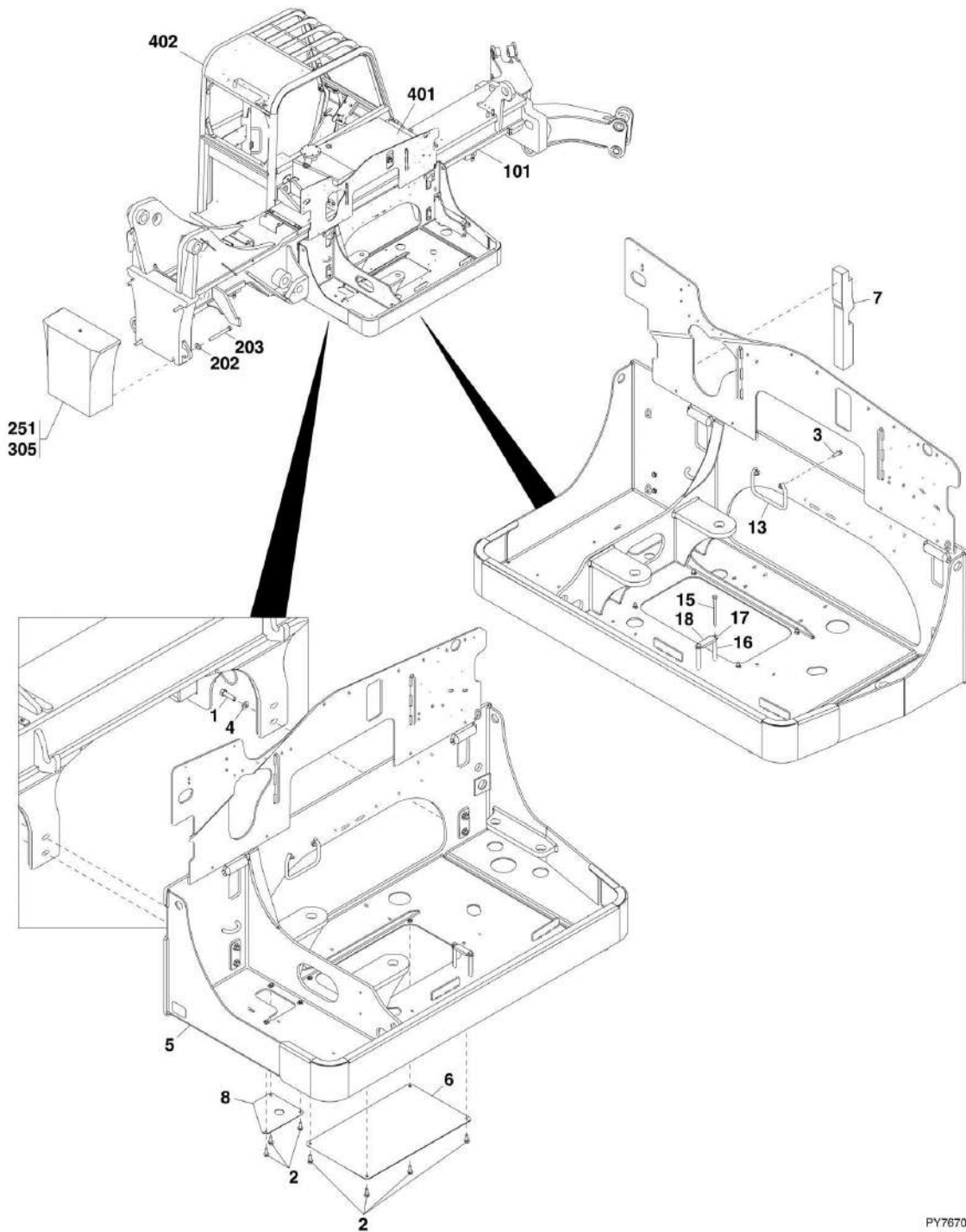
FIGURE 10-27. TILT AND AUX CONTROL MODULE G9-43A & G10-43A	534
FIGURE 10-28. ACCESSORY MODULE HARNESS	536
FIGURE 10-29. ELECTRICAL INSTALLATION G6-42A, G9-43A & G10-43A	538
FIGURE 10-30. REVERSE SENSOR HARNESS.....	540
FIGURE 10-31. TELEMATICS INSTALLATION, UNITED RENTALS	542
SECTION 11 - DECALS.....	545
FIGURE 11-1. CAB AND FRAME DECALS	546
FIGURE 11-2. BOOM DECALS.....	552
SECTION 12 - RECOMMENDED SPARE PARTS	555
FIGURE 12-1. RECOMMENDED SPARE PARTS	556
PART NUMBER INDEX	559

SECTION 1 - FRAME AND ATTACHING PARTS

SECTION 1 - FRAME AND ATTACHING PARTS

SECTION 1 - FRAME AND ATTACHING PARTS

FIGURE 1-1. FRAME AND ATTACHING PARTS



PY7670

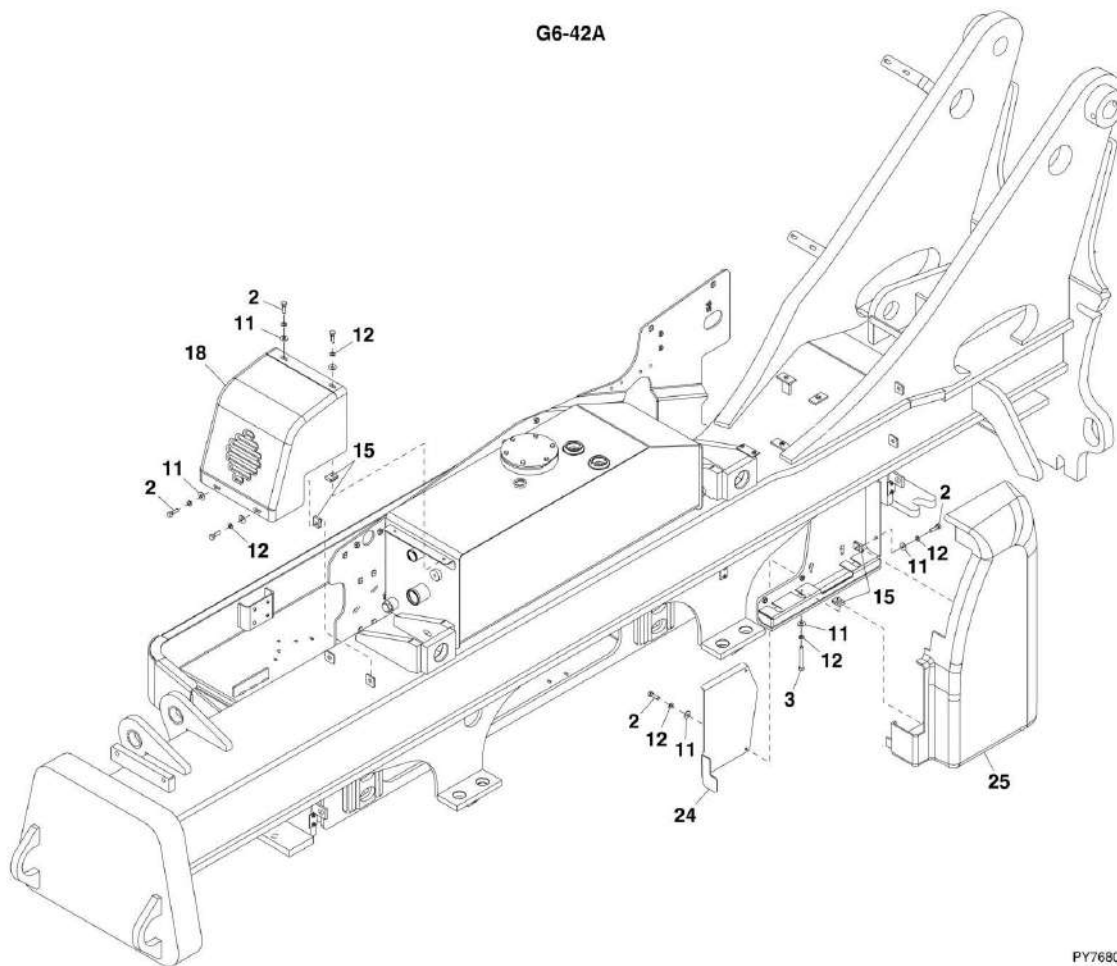
SECTION 1 - FRAME AND ATTACHING PARTS

FIGURE 1-1. FRAME AND ATTACHING PARTS

ITEM	PART NUMBER	QTY	DESCRIPTION	REV
	1001131905	Ref	ENGINE POD INSTALLATION, (G6-42A), (if equipped for ULS), (not available to order, see items 1 thru 18)	F
	1001139428	Ref	ENGINE POD INSTALLATION, (G6-42A), (if equipped for LS), (not available to order, see items 1 thru 18)	E
	1001131899	Ref	ENGINE POD INSTALLATION, (G9-43A & G10-43A), (if equipped for ULS), (not available to order, see items 1 thru 18)	F
	1001139427	Ref	ENGINE POD INSTALLATION, (G9-43A & G10-43A), (if equipped for LS), (not available to order, see items 1 thru 18)	E
1	0682018	4	HEX HD CAPSCREW, 5/8-11X2-1/4	
2	0811608	7	SCREW, 3/8-16X1	
3	0811610	2	SCREW, 3/8-16X1-1/4	
4	4892000	4	HARDENED WASHER, 5/8	
5	1001121031	1	POD WELDMENT SUPPORT	
6	1001121047	1	BOTTOM COVER PLATE	
7	1001125491	1	FOAM GASKET SEAL	
8	1001128248	1	COOLER ACCESS COVER PLATE	
13	1001132796	1	HOSE GUIDE BRACKET	
15	0641640	2	HEX HD CAPSCREW, 3/8-16X5	
16	1001143653	2	SPACER TUBE	
17	1001143654	1	HOSE GUIDE PLATE	
18	1001150299	1	HOSE, 3/4	
101	N.S.S.	1	FRAME WELDMENT	
202	80241137	4	SPECIAL WASHER	
203	83201030	4	HEX HD CAPSCREW, 1-8X3-1/2, (G6-42A)	
203	80241147	4	HEX HD CAPSCREW, 1-8X9-1/2, (G9-43A & G10-43A)	
251	91140001CP	1	COUNTERWEIGHT, (if equipped)	
251	1001097095CP	1	COUNTERWEIGHT W/PINTLE HITCH ASSY, (if equipped), (includes items 304 & 305)	C
304		Ref	PINTLE HOOK, (not shown), (See PINTLE HOOK for Breakdown)	
305	1001091458CP	1	COUNTERWEIGHT	
401		Ref	HYDRAULIC TANK, (See HYDRAULIC COMPONENTS SECTION for Breakdown)	
402		Ref	CAB WELDMENT, (See CAB SECTION for Breakdown)	

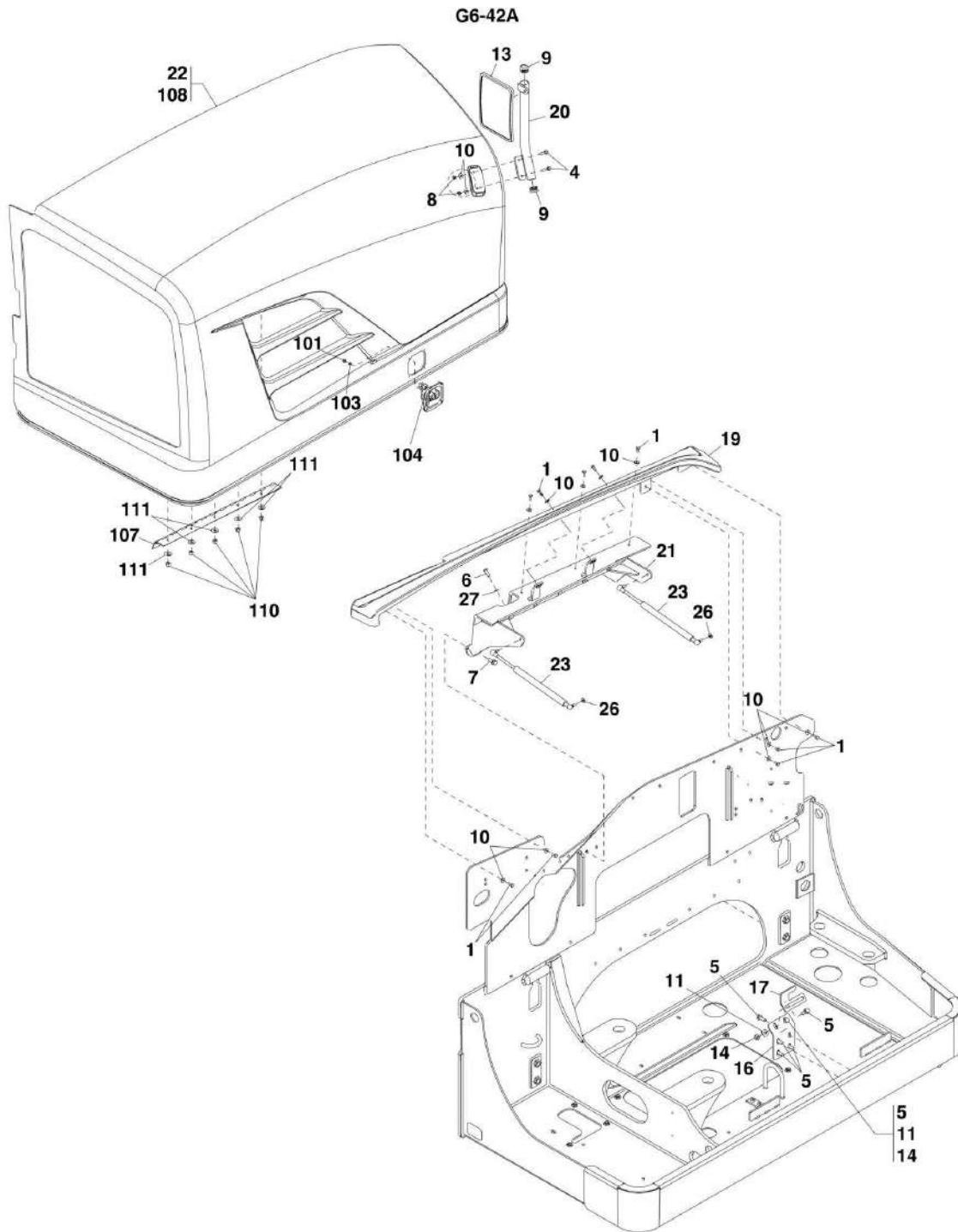
SECTION 1 - FRAME AND ATTACHING PARTS

FIGURE 1-2. COVERS G6-42A



PY7680

SECTION 1 - FRAME AND ATTACHING PARTS



ART_PAP26730-B

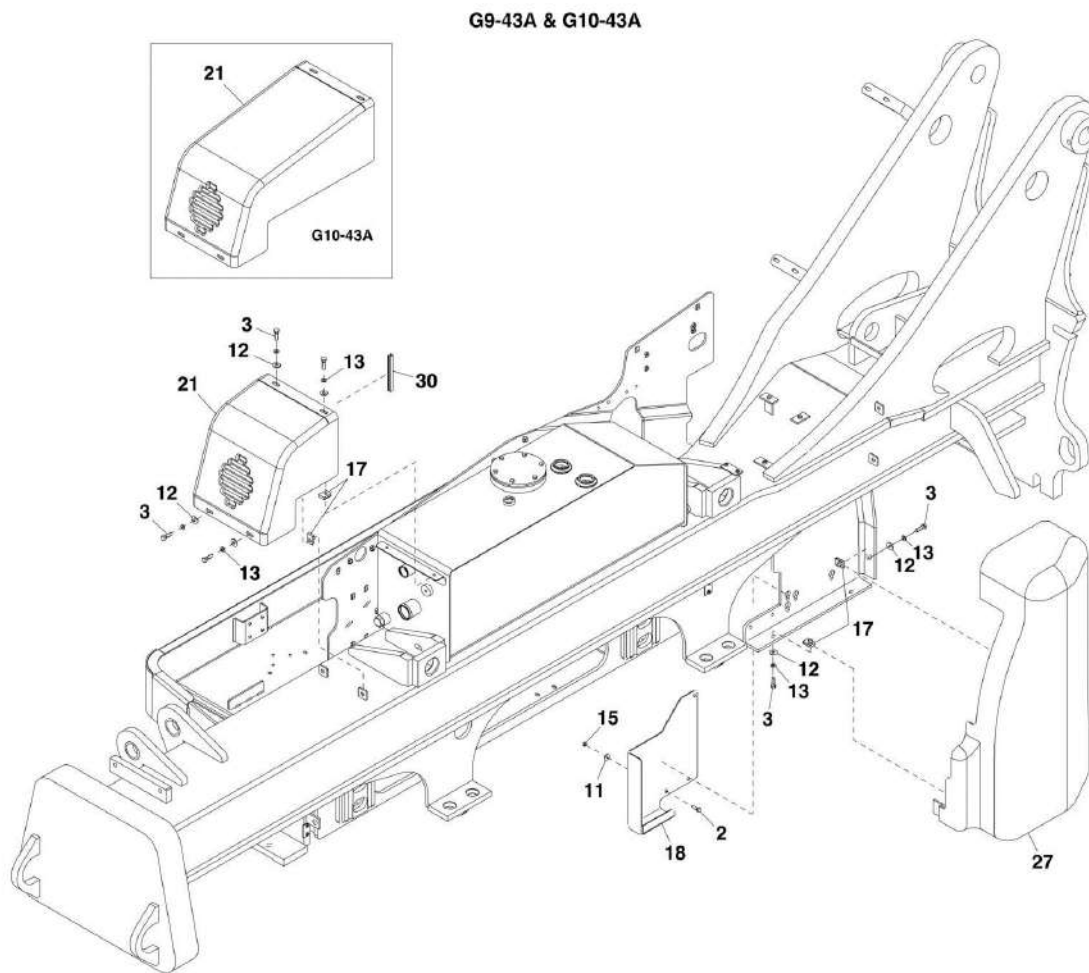
SECTION 1 - FRAME AND ATTACHING PARTS

FIGURE 1-2. COVERS G6-42A

ITEM	PART NUMBER	QTY	DESCRIPTION	REV
	1001133442	Ref	HOOD INSTALLATION, (G6-42A), (not available to order, see items 1 thru 27 for service)	C
1	0641406	10	HEX HD CAPSCREW, 1/4-20X3/4	
2	0641610	10	HEX HD CAPSCREW, 3/8-16X1-1/4	
3	0641624	3	HEX HD CAPSCREW, 3/8-16X3	
4	0791410	2	SCREW, 1/4-20X1-1/4	
5	0791608	6	SCREW, 3/8-16X1	
6	3900316	5	BUTTON HD SCREW, 3/8-16X1	
7	0811608	6	SCREW, 3/8-16X1	
8	3311405	2	HEX LOCKNUT, 1/4-20, GR2	
9	3520176	2	PLUG, 1-1/4	
10	4751400	12	WASHER, 1/4	
11	4751600	15	WASHER, 3/8	
12	4761600	13	LOCKWASHER, 3/8	
13	8866348	1	MIRROR ASSY	
14	88501006	2	HEX NUT, 3/8-16	
15	88662523	10	TINNERMAN NUT	
16	1001121332	1	LATCH MOUNT BRACKET	
17	1001121337	1	LATCH CATCH BRACKET	
18	1001128847	1	FRONT COVER	
19	1001129637	1	HINGE COVER	
20	1001129639	1	MIRROR BRACKET	
21	1001144114	1	HINGE MOUNT SUPPORT	
22	1001131147	1	ENGINE COVER ASSY, (includes items 101 thru 111)	F
23	1001131247	2	GAS SPRING	
24	1001132508	1	VALVE COVER PANEL	
25	91473085	1	MAIN VALVE COVER	
26	4711500	2	WASHER, 5/16	
27	4711600	5	WASHER, 3/8	
101	3290605	4	HEX LOCKNUT, M6X1	
103	4811700	4	WASHER, 6mm	
104	1001122219	1	COMPRESSION LATCH	
104	91404275	1	ENGINE COVER KEY	
107	1001129358	1	ENGINE COVER HINGE	
108	1001129638	1	ENGINE COVER	
110	3300492	5	NYLON INSERT LOCKNUT	
111	4751600	5	WASHER, 3/8	

SECTION 1 - FRAME AND ATTACHING PARTS

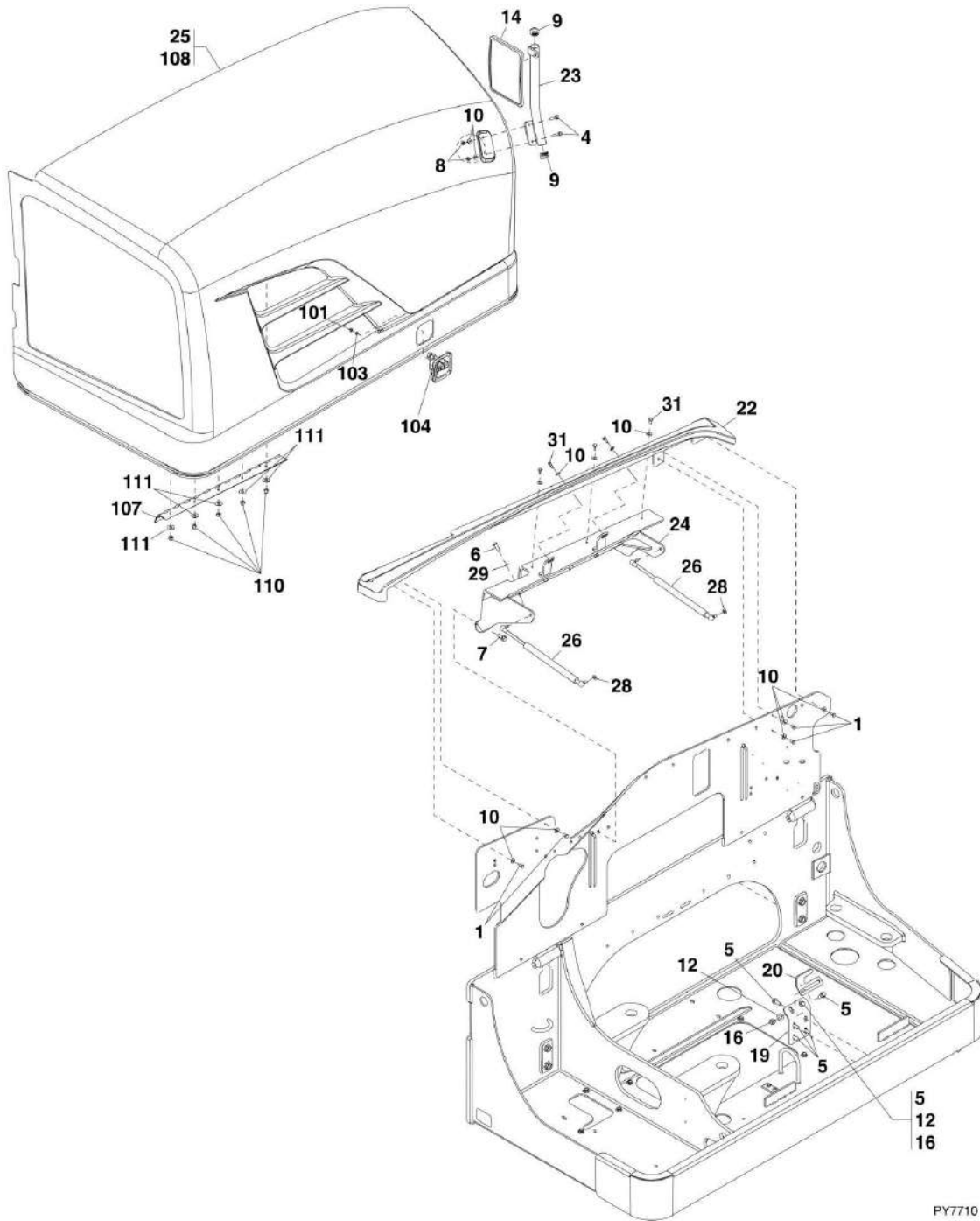
FIGURE 1-3. COVERS G9-43A AND G10-43A



PAP26721

SECTION 1 - FRAME AND ATTACHING PARTS

G9-43A & G10-43A



SECTION 1 - FRAME AND ATTACHING PARTS

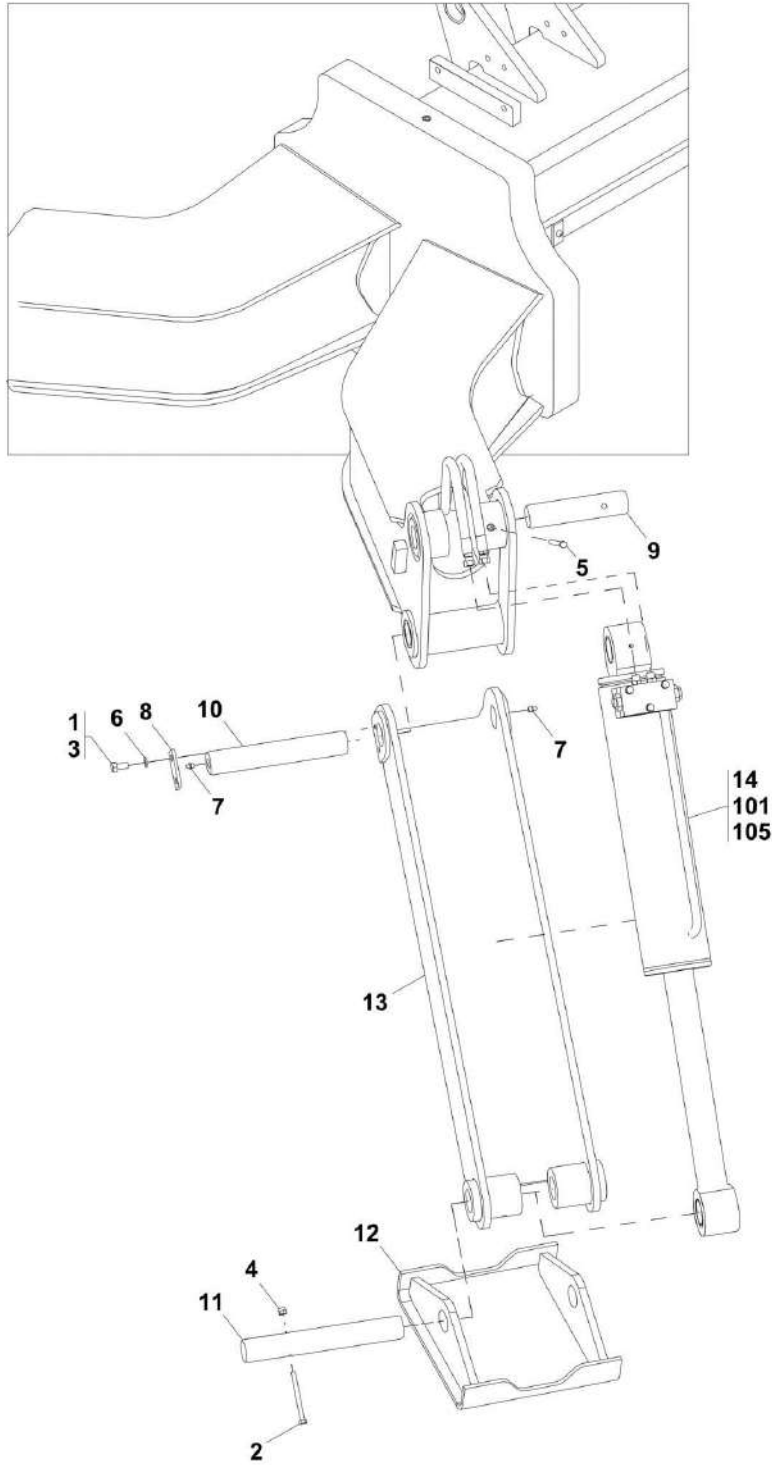
FIGURE 1-3. COVERS G9-43A AND G10-43A

ITEM	PART NUMBER	QTY	DESCRIPTION	REV
	1001131775	Ref	HOOD INSTALLATION, (G9-43A), (not available to order, see items 1 thru 31 for service)	D
	1001132536	Ref	HOOD INSTALLATION, (G10-43A), (not available to order, see items 1 thru 31 for service)	G
1	0641405	5	HEX HD CAPSCREW, 1/4-20X5/8	
2	0641508	3	HEX HD CAPSCREW, 5/16-18X1	
3	0641610	9	HEX HD CAPSCREW, 3/8-16X1-1/4	
4	0791410	2	SCREW, 1/4-20X1-1/4	
5	0791608	6	SCREW, 3/8-16X1	
6	0811606	5	BUTTON HD SCREW, 3/8-16X3/4, (G9-43A)	
6	3900316	5	BUTTON HD SCREW, 3/8-16X1, (G10-43A)	
7	0811608	6	SCREW, 3/8-16X1	
8	3311405	2	HEX LOCKNUT, 1/4-20, GR2	
9	3520176	2	PLUG, 1-1/4	
10	4751400	12	WASHER, 1/4	
11	4751500	3	WASHER, 5/16	
12	4751600	11	WASHER, 3/8	
13	4761600	9	LOCKWASHER, 3/8	
14	8866348	1	MIRROR ASSY	
15	88501005	3	HEX NUT, 5/16-18	
16	88501006	2	HEX NUT, 3/8-16	
17	88662523	9	TINNERMAN NUT	
18	1001132441	1	VALVE COVER PANEL	
19	1001121332	1	LATCH MOUNT BRACKET	
20	1001121337	1	LATCH CATCH BRACKET	
21	1001128847	1	FRONT COVER, (G9-43A)	
21	1001128846	1	FRONT COVER, (G10-43A)	
22	1001129637	1	HINGE COVER	
23	1001129639	1	MIRROR BRACKET	
24	1001144114	1	HINGE MOUNT SUPPORT	
25	1001131147	1	ENGINE COVER ASSY, (includes items 101 thru 111)	F
26	1001131247	2	GAS SPRING	
27	91513122	1	MAIN VALVE COVER	
28	4711500	2	WASHER, 5/16	
29	4711600	5	WASHER, 3/8, (G10-43A)	
30	90206198	5 in	TRIM-LOK	
31	0641406	5	HEX HD CAPSCREW, 1/4-20X3/4	
101	3290605	4	HEX LOCKNUT, M6X1	
103	4811700	4	WASHER, 6mm	
104	1001122219	1	COMPRESSION LATCH	
104	91404275	1	ENGINE COVER KEY	
107	1001129358	1	ENGINE COVER HINGE	
108	1001129638	1	ENGINE COVER	
110	3300492	5	NYLON INSERT LOCKNUT	
111	4751600	5	WASHER, 3/8	

SECTION 1 - FRAME AND ATTACHING PARTS

FIGURE 1-4. OUTRIGGER INSTALLATION G10-43A

G10-43A



ART_31200727-1-4

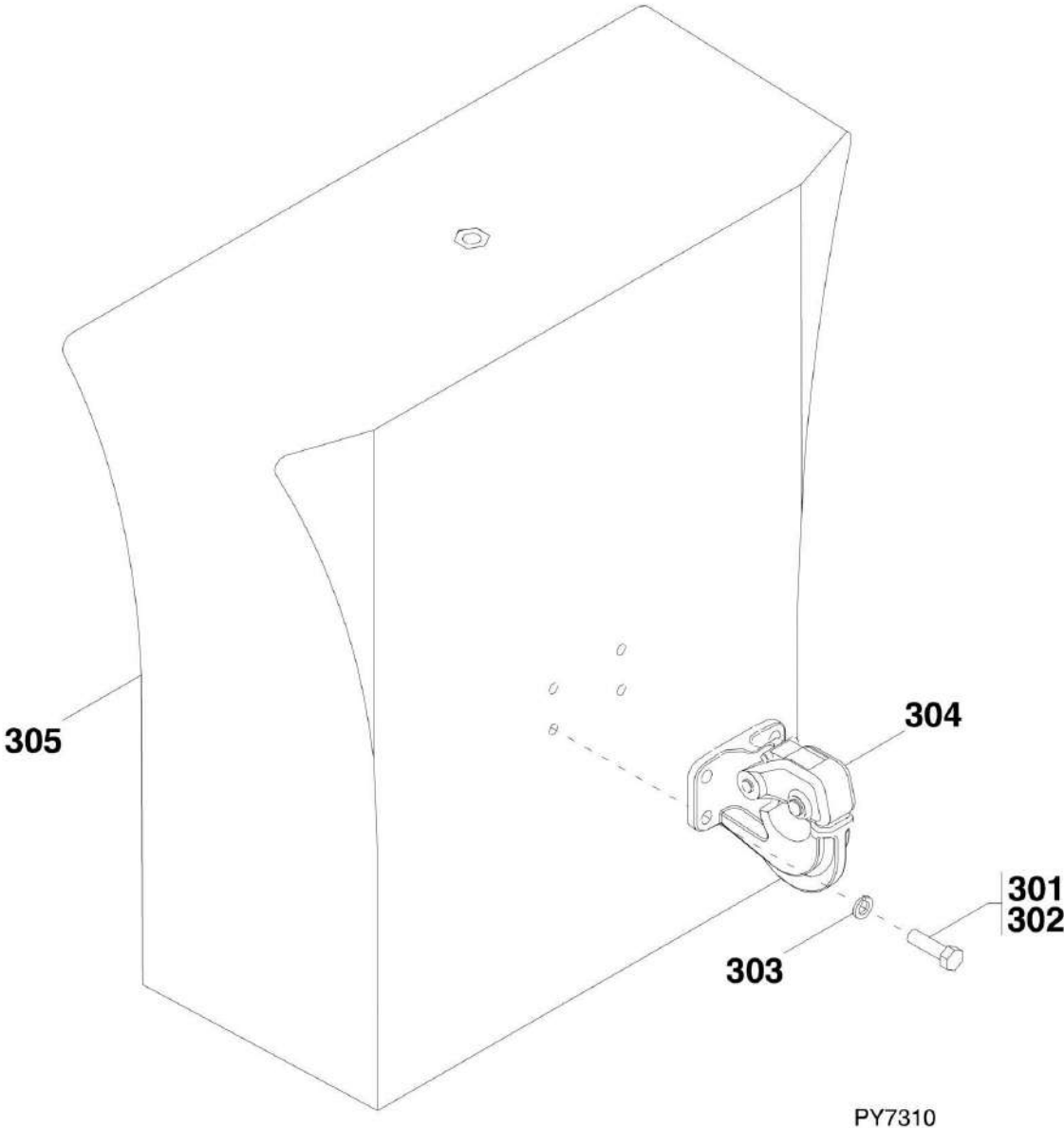
SECTION 1 - FRAME AND ATTACHING PARTS

FIGURE 1-4. OUTRIGGER INSTALLATION G10-43A

ITEM	PART NUMBER	QTY	DESCRIPTION	REV
	1001148233	Ref	OUTRIGGER INSTALLATION, (G10-43A), (not available to order, see items 1 thru 15 for service)	B
1	0100011	AR	LOCTITE 242	
2	0641634	2	HEX HD CAPSCREW, 3/8-16X4-1/4, GR5	
3	0641808	4	HEX HD CAPSCREW, 1/2-13X1, GR5	
4	3300143	4	HEX LOCKNUT, 3/8-16	
5	3931672	2	SOCKET HD CAPSCREW, 3/8-16X4-1/2, GR8	
6	4761800	4	LOCKWASHER, 1/2	
7	88671001	4	LUBE FITTING, STRAIGHT, 1/8	
8	91081313	2	KEEPER	
9	91563197	2	OUTRIGGER CYLINDER PIN	
10	91563198	2	ARM PIN	
11	91563199	2	SHOE PIN	
12	1001141892	2	PAD WELD STABILIZER	
13	1001142258	2	OUTRIGGER ARM WELDMENT	
14	1001001211	2	OUTRIGGER CYLINDER ASSY, (includes items 101 & 105)	B
15		Ref	HOSE ASSY, (not shown), (See HYDRAULIC CIRCUITS SECTION for Breakdown)	
101		Ref	OUTRIGGER CYLINDER AND MOUNTING HARDWARE, (See HYDRAULIC COMPONENTS SECTION for Breakdown)	
105		Ref	STRAIGHT FITTING, (See HYDRAULIC CIRCUITS SECTION for Breakdown)	

SECTION 1 - FRAME AND ATTACHING PARTS

FIGURE 1-5. PINTLE HOOK



SECTION 1 - FRAME AND ATTACHING PARTS

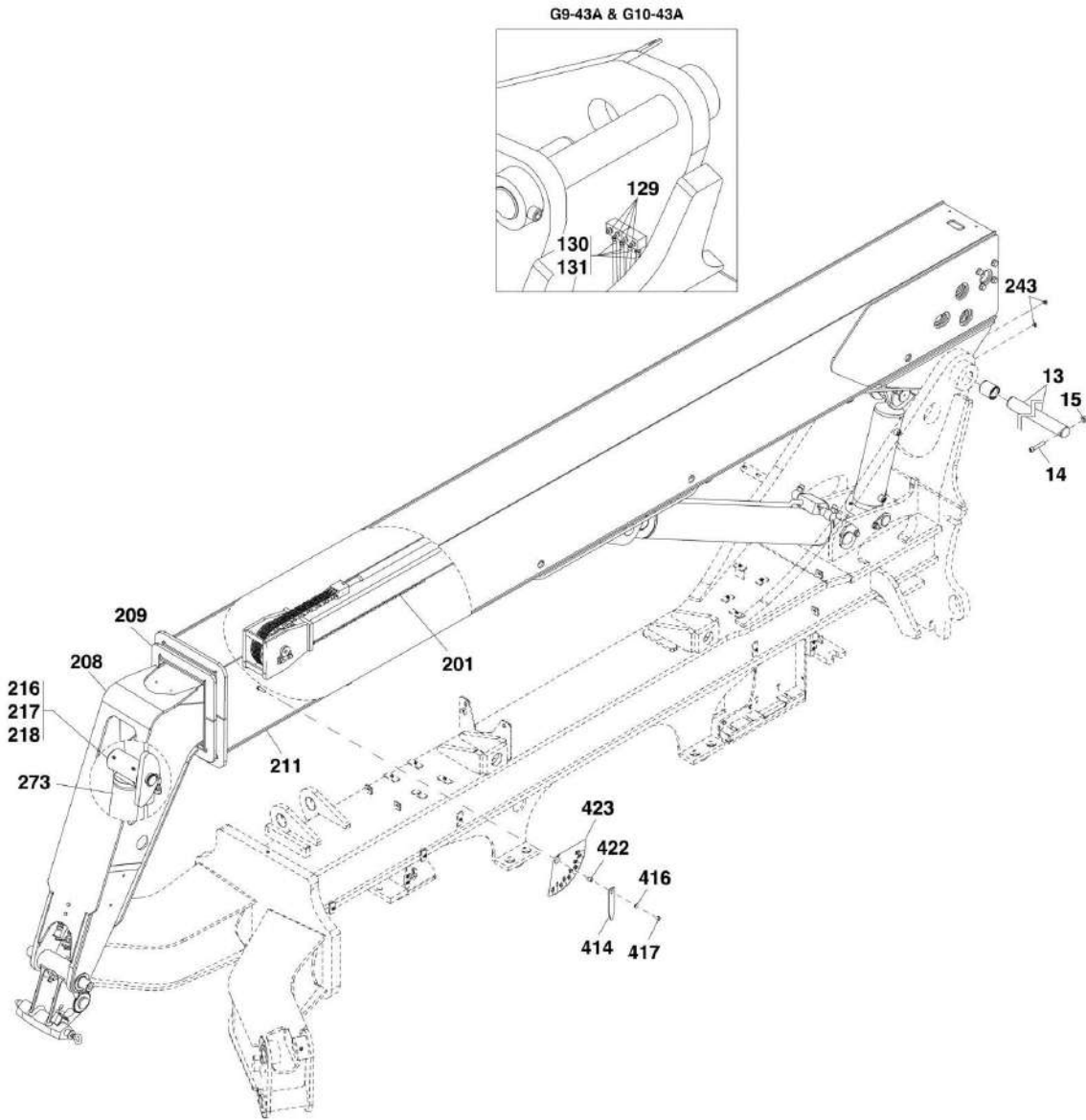
FIGURE 1-5. PINTLE HOOK

ITEM	PART NUMBER	QTY	DESCRIPTION	REV
301	0100011	AR	LOCTITE 242	
302	0681814	4	HEX HD CAPSCREW, 1/2-13X1-3/4, GR8, (torque to 105 lb-ft/145 Nm)	
303	88551013	4	LOCKWASHER, 1/2	
304	90200602CP	1	PINTLE HOOK	
305		Ref	COUNTERWEIGHT, (See FRAME AND ATTACHING PARTS for Breakdown)	

SECTION 2 - BOOM

SECTION 2 - BOOM

FIGURE 2-1. BOOM INSTALLATION



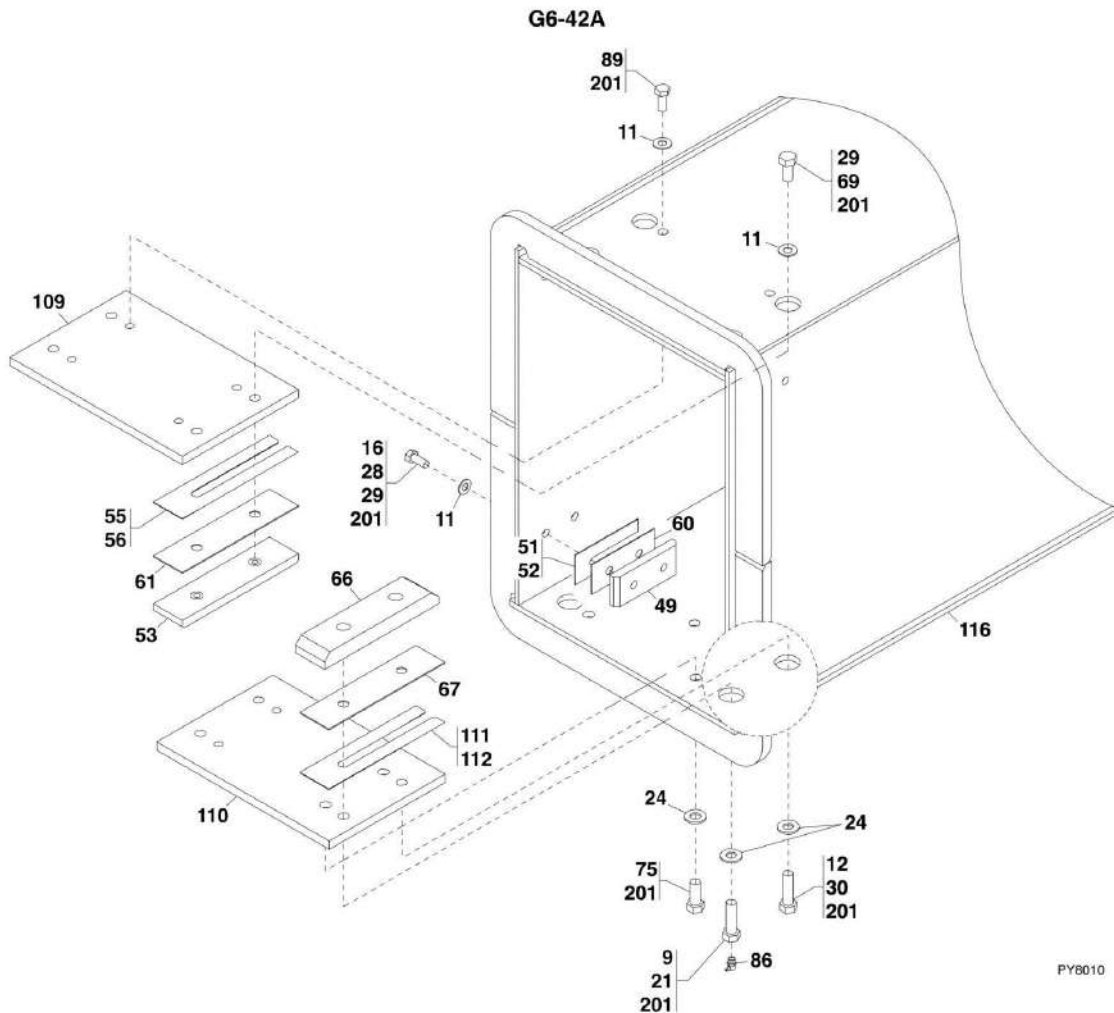
ART_31200727-2-1

FIGURE 2-1. BOOM INSTALLATION

ITEM	PART NUMBER	QTY	DESCRIPTION	REV
	1001120418	Ref	BOOM INSTALLATION, (G6-42A), (not available to order, see items 13 thru 15 for service)	G
	1001103137	Ref	BOOM INSTALLATION, (G9-43A & G10-43A), (not available to order, see items 13 thru 15 & 129 thru 131 for service)	K
13	91403025	1	PIN, (G6-42A)	
13	91513047	1	PIN, (G9-43A & G10-43A)	
14	88212288	1	SOCKET HD CAPSCREW, 3/4-10X6-1/2, (G6-42A)	
14	0682048	1	HEX HD CAPSCREW, 5/8-11X6, GR8, (G9-43A & G10-43A)	
15	88521010	1	HEX LOCKNUT, 5/8-11 (G6-42A)	
15	88521012	1	HEX LOCKNUT, 750-10 GR8 (G9-43A & G10-43A)	
129	2160002	4	GREASE FITTING, (G9-43A & G10-43A)	
130	88661002	4	STRAIGHT FITTING, (G9-43A & G10-43A)	
131	84719940	4	HOSE ASSY, (G9-43A & G10-43A)	
	1001099575	1	BOOM ASSEMBLY, (G6-42A), (includes items 201 thru 273)	L
	1001137538	1	BOOM ASSEMBLY, (G9-43A & G10-43A), (includes items 201 thru 273)	F
201		Ref	PUSH BEAM/EXTEND CHAIN, (See PUSH BEAM/EXTEND CHAIN for Breakdown)	
202		Ref	RETRACT CHAIN COMPONENTS, (not shown), (See RETRACT CHAINS for Breakdown)	
208		Ref	THIRD BOOM SECTION, (See THIRD BOOM SECTION for Breakdown)	
209		Ref	SECOND BOOM SECTION, (See SECOND BOOM SECTION for Breakdown)	
211		Ref	FIRST BOOM SECTION, (See FIRST BOOM SECTION for Breakdown)	
216	8307904	AR	SHIM	
217	8310093	AR	SHIM	
218	8307918	AR	SHIM	
243	2160001	2	GREASE FITTING	
273		Ref	TILT CYLINDER AND MOUNTING HARDWARE, (See HYDRAULIC COMPONENTS SECTION for Breakdown)	
414		Ref	ANGLE INDICATOR DECAL, (See DECALS SECTION for Breakdown)	
416	4711600	1	WASHER, 3/8	
417	8305645	1	HEX LOCKNUT, 3/8	
422	1001096404	1	SPACER	
423	1001098769	1	ANGLE INDICATOR	

SECTION 2 - BOOM

FIGURE 2-2. FIRST BOOM SECTION G6-42A



Note: Wear Pad Shimming:

Whenever a shim is used with a pad, a spacer with holes must be inserted between pad and shim.

The wear pad or wear pad insert must not sit directly on the slotted surface of shims.

Add wear pad shims and spacers as required to shim boom to maintain a total minimum gap of 0.070 to 0.130 in (1,8 to 3,3 mm) in both horizontal and vertical directions.

Wear pad bolts require one hardened washer. However, up to (2) hardened washers may be used except where noted otherwise. Under no circumstances should more than (2) hardened washers ever be used. The length of pad bolts depends on the number of the shims used. The bolt cannot extend past chamfer on wear pad.

Add Mystik Tetrimoly Grease (14404793) to all wear pads and all wear pad slide pathways. If applicable, this includes all pad grease fittings at the rear of boom.

PY8010

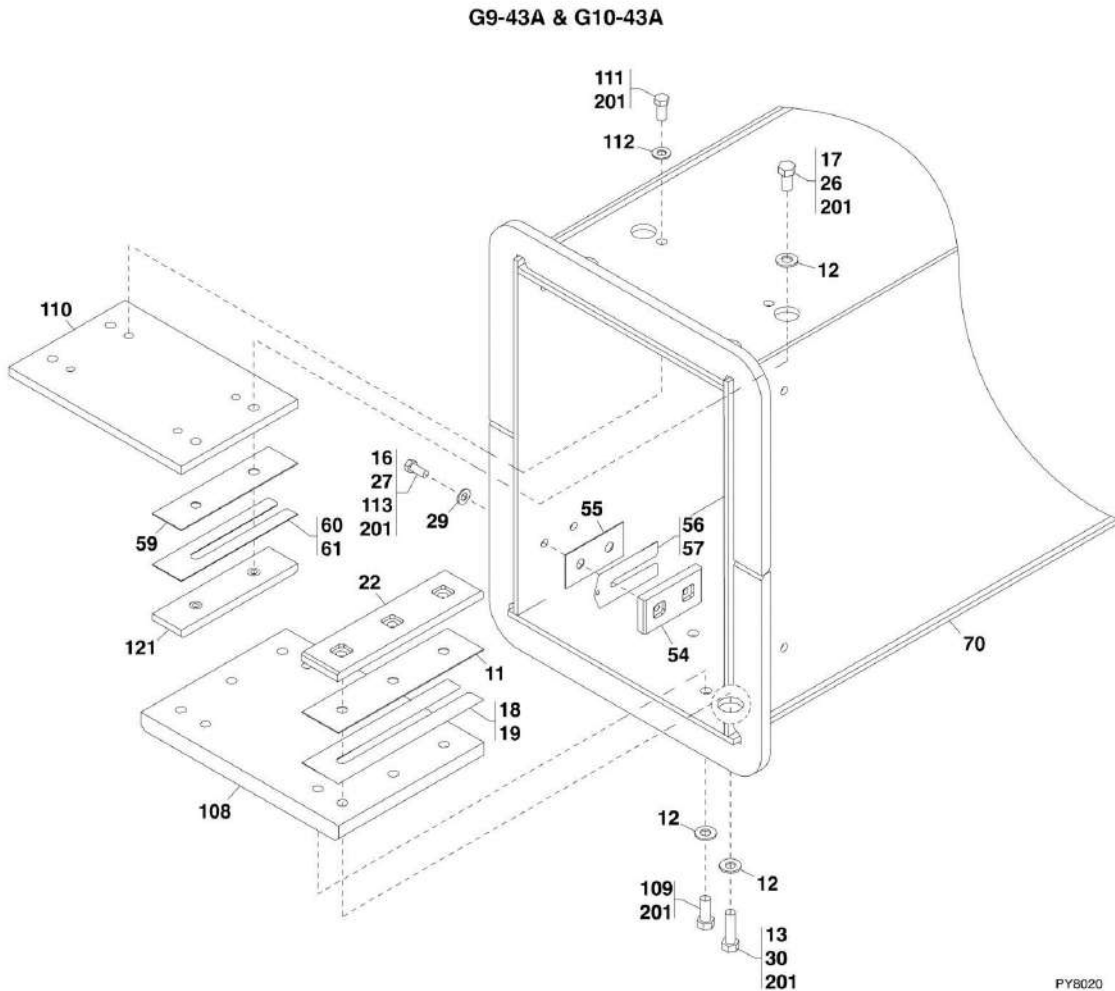
SECTION 2 - BOOM

FIGURE 2-2. FIRST BOOM SECTION G6-42A

ITEM	PART NUMBER	QTY	DESCRIPTION	REV
9	91161222	AR	HOLLOW HEX HD CAPSCREW, 1/2-20X1-1/2, (torque to 45-50 lb-ft/61-68 Nm)	
11	90027470	16	WASHER, 3/8	
12	0651812	AR	HEX HD CAPSCREW, 1/2-20X1-1/2, GR5, (torque to 76-86 lb-ft/103-117 Nm)	
16	0651607	AR	HEX HD CAPSCREW, 3/8-24X7/8, GR5, (torque to 32-37 lb-ft/43-50 Nm)	
21	88991005	AR	HOLLOW HEX HD CAPSCREW, 1/2-20X1-1/4, (torque to 45-50 lb-ft/61-68 Nm)	
24	90027471	6	WASHER, 1/2	
28	0651606	AR	HEX HD CAPSCREW, 3/8-24X3/4, GR5, (torque to 32-37 lb-ft/43-50 Nm)	
29	0651608	AR	HEX HD CAPSCREW, 3/8-24X1, GR5, (torque to 32-37 lb-ft/43-50 Nm)	
30	0651810	AR	HEX HD CAPSCREW, 1/2-20X1-1/4, GR5, (torque to 76-86 lb-ft/103-117 Nm)	
49	91403530	4	WEAR PAD	
51	91471227	AR	SHIM, 0.0359	
52	91471226	AR	SHIM, 0.0598	
53	91403532	2	WEAR PAD	
55	91401215	AR	SHIM, 0.0598	
56	91401216	AR	SHIM, 0.0359	
60	91401223	4	SPACER	
61	91401224	2	SPACER	
66	1001117654	2	WEAR PAD	
67	91401450	2	SPACER	
69	0651610	AR	HEX HD CAPSCREW, 3/8-24X1-1/4, GR5, (torque to 32-37 lb-ft/43-50 Nm)	
75	0641808	4	HEX HD CAPSCREW, 1/2-13X1, GR5, (torque to 85 lb-ft/116 Nm)	
86	88671008	2	GREASE FITTING	
89	0641607	4	HEX HD CAPSCREW, 3/8-16X7/8, GR5	
109	91401472	1	SUPPORT PLATE	
110	91401469	1	SUPPORT PLATE	
111	91401457	AR	SHIM, 0.0359	
112	91401456	AR	SHIM, 0.0598	
116	91476041	1	WELDMENT	
201	0100011	AR	LOCTITE 242	

SECTION 2 - BOOM

FIGURE 2-3. FIRST BOOM SECTION G9-43A & G10-43A



Note: Wear Pad Shimming:

Whenever a shim is used with a pad, a spacer with holes must be inserted between pad and shim.

The wear pad or wear pad insert must not sit directly on the slotted surface of shims.

Add wear pad shims and spacers as required to shim boom to maintain a total minimum gap of 0.070 to 0.130 in (1,8 to 3,3 mm) in both horizontal and vertical directions.

Wear pad bolts require one hardened washer. However, up to (2) hardened washers may be used except where noted otherwise. Under no circumstances should more than (2) hardened washers ever be used. The length of pad bolts depends on the number of the shims used. The bolt cannot extend past chamfer on wear pad.

Add Mystik Tetrinoly Grease (14404793) to all wear pads and all wear pad slide pathways. If applicable, this includes all pad grease fittings at the rear of boom.

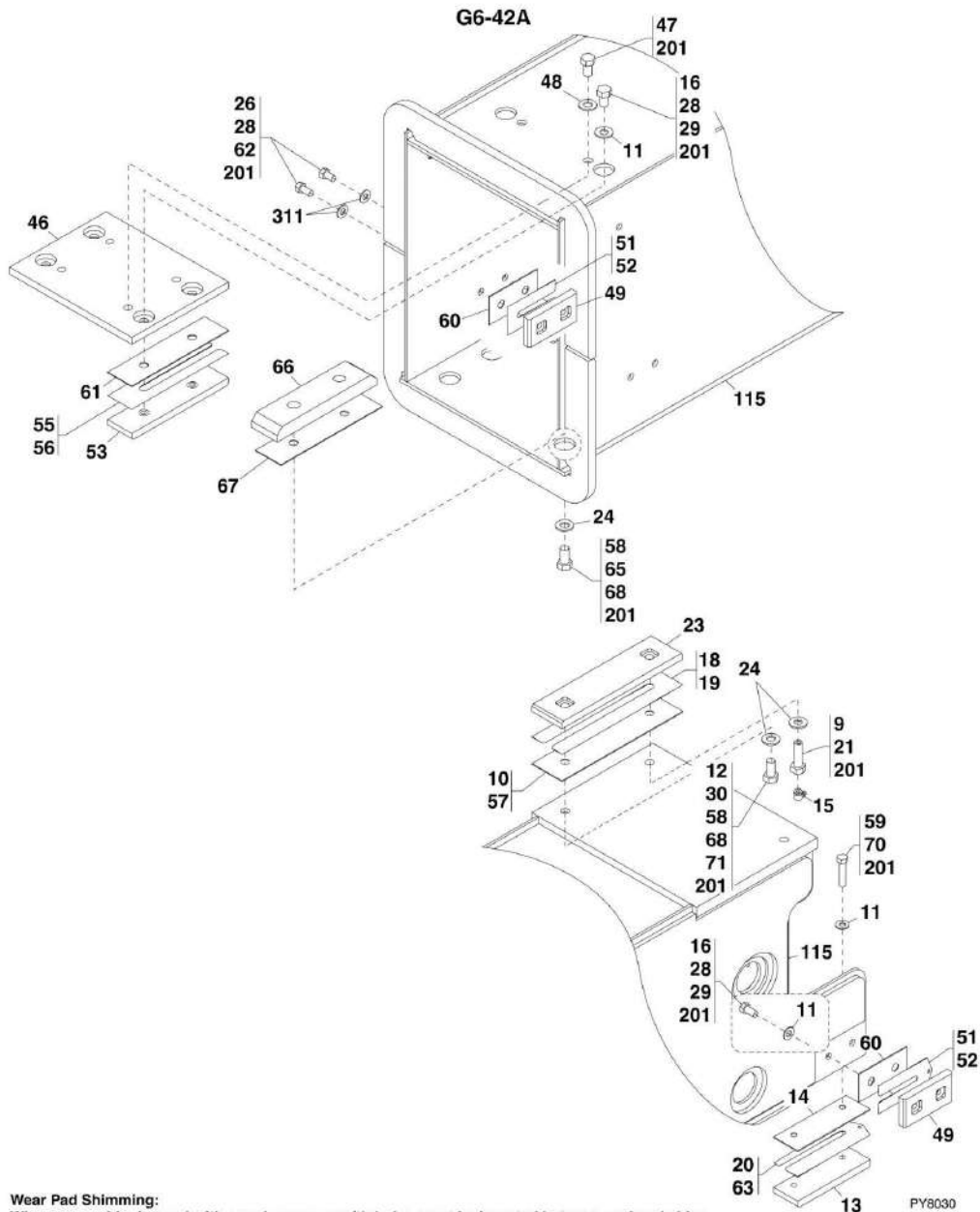
SECTION 2 - BOOM

FIGURE 2-3. FIRST BOOM SECTION G9-43A & G10-43A

ITEM	PART NUMBER	QTY	DESCRIPTION	REV
11	91511100	2	SPACER	
12	90027471	14	WASHER, 1/2	
13	0651812	AR	HEX HD CAPSCREW, 1/2-20X1-1/2, GR5, (torque to 76-86 lb-ft/103-117 Nm)	
16	0651607	AR	HEX HD CAPSCREW, 3/8-24X7/8, GR5, (torque to 32-37 lb-ft/43-50 Nm)	
17	0651808	AR	HEX HD CAPSCREW, 1/2-20X1, GR5, (torque to 76-86 lb-ft/103-117 Nm)	
18	91511101	AR	SHIM, 0.0598	
19	91511102	AR	SHIM, 0.0359	
22	1001117656	2	WEAR PAD	
26	0651810	AR	HEX HD CAPSCREW, 1/2-20X1-1/4, GR5, (torque to 76-86 lb-ft/103-117 Nm)	
27	0651606	AR	HEX HD CAPSCREW, 3/8-24X3/4, GR5, (torque to 32-37 lb-ft/43-50 Nm)	
29	90027470	8	WASHER, 3/8	
30	0651814	AR	HEX HD CAPSCREW, 1/2-20X1-3/4, GR5, (torque to 76-86 lb-ft/103-117 Nm)	
54	91403530	4	WEAR PAD	
55	91401223	4	SPACER	
56	91471226	AR	SHIM, 0.0598	
57	91471227	AR	SHIM, 0.0359	
59	91401450	2	SPACER	
60	91401456	AR	SHIM, 0.0598	
61	91401457	AR	SHIM, 0.0359	
70	91516009	1	WELDMENT	
108	91511039	1	SUPPORT PLATE	
109	0641810	4	HEX HD CAPSCREW, 1/2-12X1-1/4, GR5, (torque to 76-86 lb-ft/103-117 Nm)	
110	91511038	1	SUPPORT PLATE	
111	0641708	4	HEX HD CAPSCREW, 7/16-14X1	
112	4711700	4	WASHER, 7/16	
113	0651608	AR	HEX HD CAPSCREW, 3/8-24X1, GR5, (torque to 32-37 lb-ft/43-50 Nm)	
121	1001117654	2	WEAR PAD	
201	0100011	AR	LOCTITE 242	

SECTION 2 - BOOM

FIGURE 2-4. SECOND BOOM SECTION G6-42A



Note: Wear Pad Shimming:

Whenever a shim is used with a pad, a spacer with holes must be inserted between pad and shim.

The wear pad or wear pad insert must not sit directly on the slotted surface of shims.

Add wear pad shims and spacers as required to shim boom to maintain a total minimum gap of 0.070 to 0.130 in (1,8 to 3,3 mm) in both horizontal and vertical directions.

Wear pad bolts require one hardened washer. However, up to (2) hardened washers may be used except where noted otherwise. Under no circumstances should more than (2) hardened washers ever be used. The length of pad bolts depends on the number of the shims used. The bolt cannot extend past chamfer on wear pad.

Add Mystik Tetrिमoly Grease (14404793) to all wear pads and all wear pad slide pathways. If applicable, this includes all pad grease fittings at the rear of boom.

PY8030

SECTION 2 - BOOM

FIGURE 2-4. SECOND BOOM SECTION G6-42A

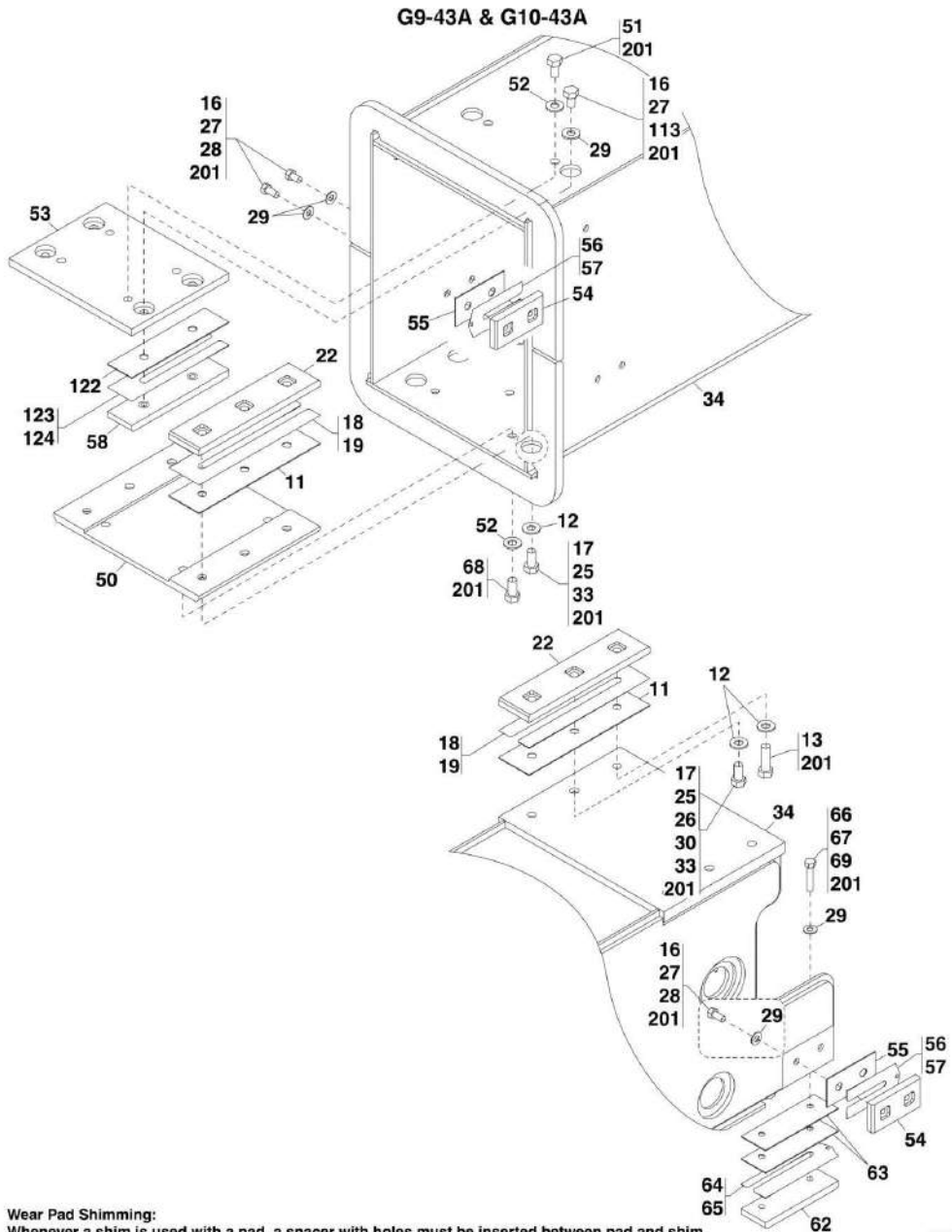
ITEM	PART NUMBER	QTY	DESCRIPTION	REV
9	91161222	AR	HOLLOW HEX HD CAPSCREW, 1/2-20X1-1/2, (torque to 45-50 lb-ft/61-68 Nm)	
10	91401451	2	SPACER	
11	90027470	16	WASHER, 3/8	
12	0651812	AR	HEX HD CAPSCREW, 1/2-20X1-1/2, GR5, (torque to 76-86 lb-ft/103-117 Nm)	
13	91403531	2	WEAR PAD	
14	91401225	2	SPACER	
15	88671027	2	GREASE FITTING	
16	0651607	AR	HEX HD CAPSCREW, 3/8-24X7/8, GR5, (torque to 32-37 lb-ft/43-50 Nm)	
18	91401453	AR	SHIM, 0.0598	
19	91401454	AR	SHIM, 0.0359	
20	91471228	AR	SHIM, 0.0598	
21	88991005	AR	HOLLOW HEX HD CAPSCREW, 1/2-20X1-1/4, (torque to 45-50 lb-ft/61-68 Nm)	
23	1001117655	2	WEAR PAD	
24	90027471	4	WASHER, 1/2	
26	0651605	AR	HEX HD CAPSCREW, 3/8-24X5/8, GR5, (torque to 32-37 lb-ft/43-50 Nm)	
28	0651606	AR	HEX HD CAPSCREW, 3/8-24X3/4, GR5, (torque to 32-37 lb-ft/43-50 Nm)	
29	0651608	AR	HEX HD CAPSCREW, 3/8-24X1, GR5, (torque to 32-37 lb-ft/43-50 Nm)	
30	0651810	AR	HEX HD CAPSCREW, 1/2-20X1-1/4, GR5, (torque to 76-86 lb-ft/103-117 Nm)	
46	91401197	1	SUPPORT PLATE	
47	0641807	AR	HEX HD CAPSCREW, 1/2-13X7/8, GR5	
48	4711800	4	WASHER, 1/2	
49	91403530	6	WEAR PAD	
51	91471227	AR	SHIM, 0.0359	
52	91471226	AR	SHIM, 0.0598	
53	91403532	2	WEAR PAD	
55	91401215	AR	SHIM, 0.0598	
56	91401216	AR	SHIM, 0.0359	
57	91401191	2	SPACER	
58	0651806	AR	HEX HD CAPSCREW, 1/2-20X3/4, GR5, (torque to 76-86 lb-ft/103-117 Nm)	
59	0651614	AR	HEX HD CAPSCREW, 3/8-24X1-3/4, GR5, (torque to 32-37 lb-ft/43-50 Nm)	
60	91401223	6	SPACER	
61	91401224	2	SPACER	
62	88201530	AR	HEX HD CAPSCREW, 3/8-24X1/2, GR5, (torque to 32-37 lb-ft/43-50 Nm)	
63	91471229	AR	SHIM, 0.0359	
65	0651805	AR	HEX HD CAPSCREW, 1/2-20X5/8, GR5, (torque to 76-86 lb-ft/103-117 Nm)	
66	1001117654	2	WEAR PAD	
67	91401450	2	SPACER	
68	0651807	AR	HEX HD CAPSCREW, 1/2-20X7/8, GR5, (torque to 76-86 lb-ft/103-117 Nm)	
70	0651616	AR	HEX HD CAPSCREW, 3/8-24X2, GR5, (torque to 32-37 lb-ft/43-50 Nm)	

SECTION 2 - BOOM

ITEM	PART NUMBER	QTY	DESCRIPTION	REV
71	0651808	AR	HEX HD CAPSCREW, 1/2-20X1, GR5, (torque to 76-86 lb-ft/103-117 Nm)	
115	91476042B	1	WELDMENT	
201	0100011	AR	LOCTITE 242	

SECTION 2 - BOOM

FIGURE 2-5. SECOND BOOM SECTION G9-43A & G10-43A



Note: Wear Pad Shimming:
 Whenever a shim is used with a pad, a spacer with holes must be inserted between pad and shim.
 The wear pad or wear pad insert must not sit directly on the slotted surface of shims.
 Add wear pad shims and spacers as required to shim boom to maintain a total minimum gap of 0.070 to 0.130 in (1,8 to 3,3 mm) in both horizontal and vertical directions.
 Wear pad bolts require one hardened washer. However, up to (2) hardened washers may be used except where noted otherwise. Under no circumstances should more than (2) hardened washers ever be used. The length of pad bolts depends on the number of the shims used. The bolt cannot extend past chamfer on wear pad.
 Add Mystik Tetrимoly Grease (14404793) to all wear pads and all wear pad slide pathways. If applicable, this includes all pad grease fittings at the rear of boom.

PY8040

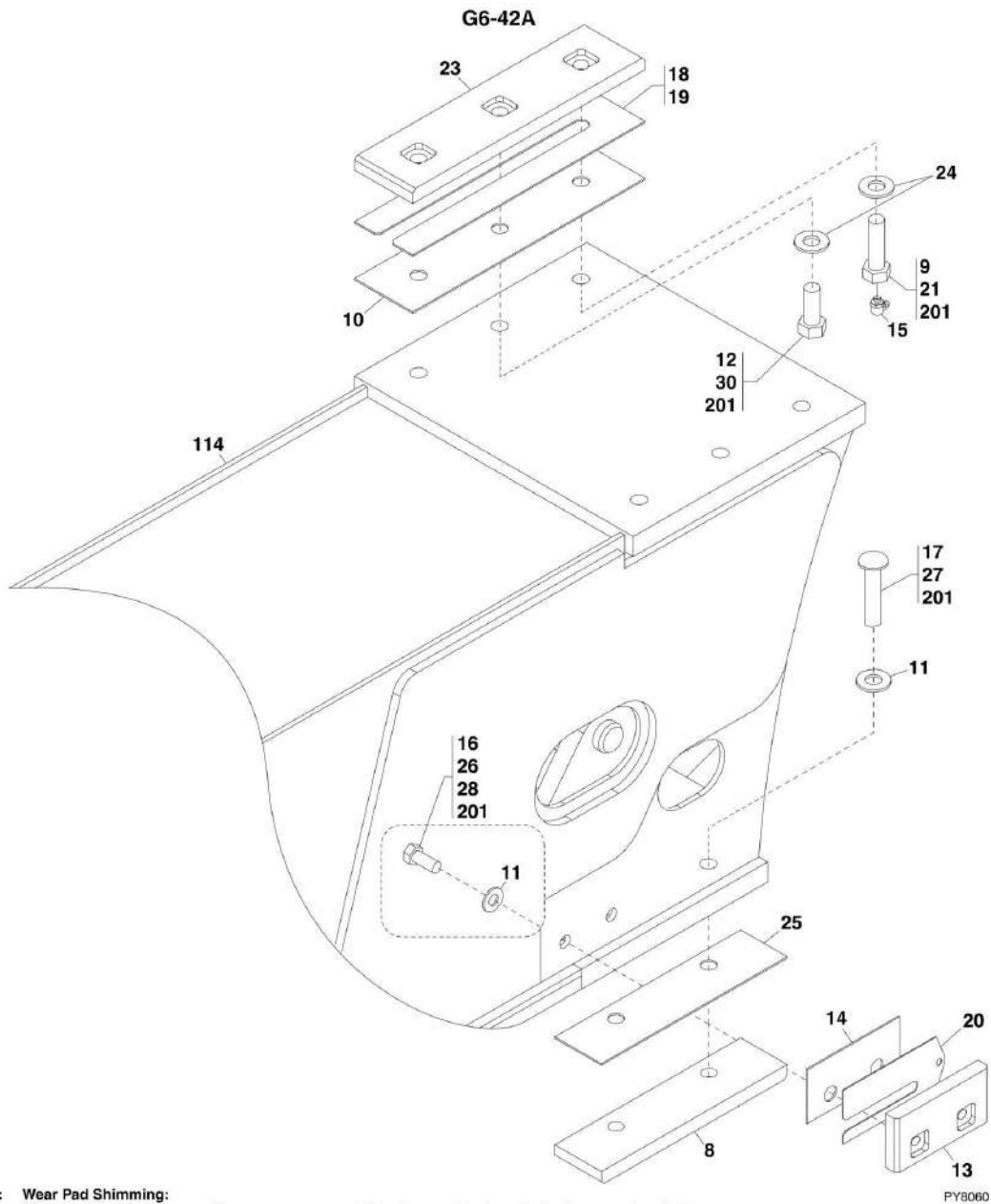
SECTION 2 - BOOM

FIGURE 2-5. SECOND BOOM SECTION G9-43A & G10-43A

ITEM	PART NUMBER	QTY	DESCRIPTION	REV
11	91511100	4	SPACER	
12	90027471	8	WASHER, 1/2	
13	0651812	2	HEX HD CAPSCREW, 1/2-20X1-1/2, GR5, (torque to 76-86 lb-ft/103-117 Nm)	
16	0651607	AR	HEX HD CAPSCREW, 3/8-24X7/8, GR5, (torque to 32-37 lb-ft/43-50 Nm)	
17	0651808	AR	HEX HD CAPSCREW, 1/2-20X1, GR5, (torque to 76-86 lb-ft/103-117 Nm)	
18	91511101	AR	SHIM, 0.0598	
19	91511102	AR	SHIM, 0.0359	
22	1001117656	2	WEAR PAD	
25	0651807	AR	HEX HD CAPSCREW, 1/2-20X7/8, GR5, (torque to 76-86 lb-ft/103-117 Nm)	
26	0651810	AR	HEX HD CAPSCREW, 1/2-20X1-1/4, GR5, (torque to 76-86 lb-ft/103-117 Nm)	
27	0651606	AR	HEX HD CAPSCREW, 3/8-24X3/4, GR5, (torque to 32-37 lb-ft/43-50 Nm)	
28	0651605	AR	HEX HD CAPSCREW, 3/8-24X5/8, GR5, (torque to 32-37 lb-ft/43-50 Nm)	
29	90027470	16	WASHER, 3/8	
30	0651814	AR	HEX HD CAPSCREW, 1/2-20X1-3/4, GR5, (torque to 76-86 lb-ft/103-117 Nm)	
33	0651806	AR	HEX HD CAPSCREW, 1/2-20X3/4, GR5, (torque to 76-86 lb-ft/103-117 Nm)	
34	1001102967B	1	WELDMENT	
50	91511008	1	SUPPORT PLATE	
51	0641807	4	HEX HD CAPSCREW, 1/2-13X7/8, GR5	
52	4711800	4	WASHER, 1/2	
53	1001102973	1	SUPPORT PLATE	
54	91403530	6	WEAR PAD	
55	91401223	6	SPACER	
56	91471226	AR	SHIM, 0.0598	
57	91471227	AR	SHIM, 0.0359	
58	91403532	6	WEAR PAD	
62	91513074	2	WEAR PAD	
63	91511094	4	SPACER	
64	91361049	AR	SHIM, 0.0598	
65	91511096	AR	SHIM, 0.0359	
66	0651614	AR	HEX HD CAPSCREW, 3/8-24X1-3/4, GR5, (torque to 32-37 lb-ft/43-50 Nm)	
67	0651612	AR	HEX HD CAPSCREW, 3/8-24X1-1/2, GR5, (torque to 32-37 lb-ft/43-50 Nm)	
68	0641806	4	HEX HD CAPSCREW, 1/2-12X3/4, GR5	
69	0651616	AR	HEX HD CAPSCREW, 3/8-24X2, GR5, (torque to 32-37 lb-ft/43-50 Nm)	
113	0651608	AR	HEX HD CAPSCREW, 3/8-24X1, GR5, (torque to 32-37 lb-ft/43-50 Nm)	
122	91401224	2	SPACER	
123	91401215	AR	SHIM, 0.0598	
124	91401216	AR	SHIM, 0.0359	
201	0100011	AR	LOCTITE 242	

SECTION 2 - BOOM

FIGURE 2-6. THIRD BOOM SECTION G6-42A



Note: Wear Pad Shimming:

Whenever a shim is used with a pad, a spacer with holes must be inserted between pad and shim.

The wear pad or wear pad insert must not sit directly on the slotted surface of shims.

Add wear pad shims and spacers as required to shim boom to maintain a total minimum gap of 0.070 to 0.130 in (1,8 to 3,3 mm) in both horizontal and vertical directions.

Wear pad bolts require one hardened washer. However, up to (2) hardened washers may be used except where noted otherwise. Under no circumstances should more than (2) hardened washers ever be used. The length of pad bolts depends on the number of the shims used. The bolt cannot extend past chamfer on wear pad.

Add Mystik Tetrinoly Grease (14404793) to all wear pads and all wear pad slide pathways. If applicable, this includes all pad grease fittings at the rear of boom.

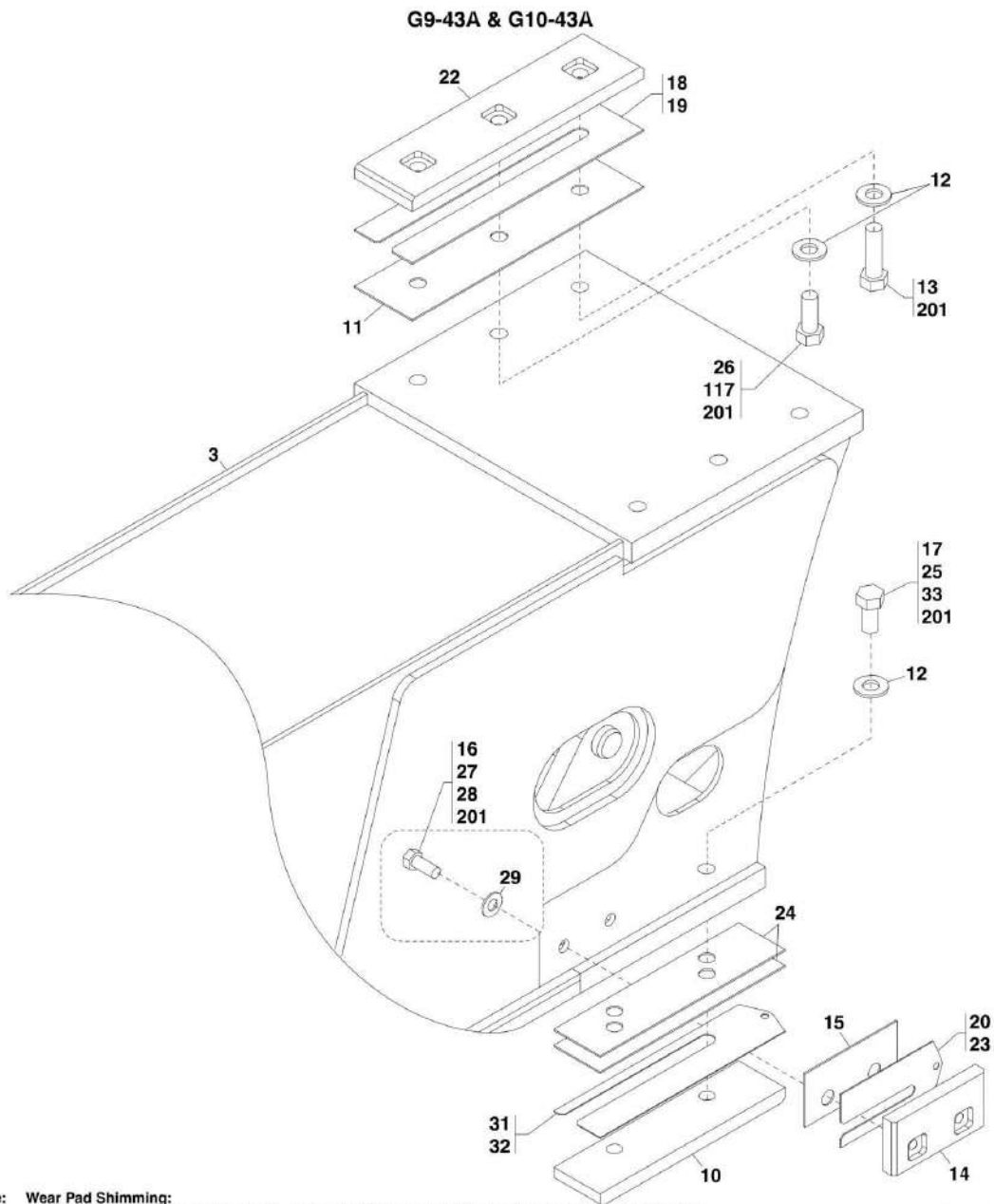
SECTION 2 - BOOM

FIGURE 2-6. THIRD BOOM SECTION G6-42A

ITEM	PART NUMBER	QTY	DESCRIPTION	REV
8	91403533	2	WEAR PAD	
9	91161222	AR	HOLLOW HEX HD CAPSCREW, 1/2-20X1-1/2, (torque to 45-50 lb-ft/61-68 Nm)	
10	91401451	2	SPACER	
11	90027470	8	WASHER, 3/8	
12	0651812	AR	HEX HD CAPSCREW, 1/2-20X1-1/2, GR5	
13	91403531	2	WEAR PAD	
14	91401225	2	SPACER	
15	88671027	2	GREASE FITTING	
16	0651607	AR	HEX HD CAPSCREW, 3/8-24X7/8, GR5, (torque to 32-37 lb-ft/43-50 Nm)	
17	88261128	AR	BUTTON HD CAPSCREW, 3/8-24X1, (torque to 32-37 lb-ft/43-50 Nm)	
18	91401453	AR	SHIM, 0.0598	
19	91401454	AR	SHIM, 0.0359	
20	91471228	AR	SHIM, 0.0598	
21	88991005	AR	HOLLOW HEX HD CAPSCREW, 1/2-20X1-1/4, (torque to 45-50 lb-ft/61-68 Nm)	
23	1001117655	2	WEAR PAD	
24	90027471	6	WASHER, 1/2	
25	91401226	2	SPACER	
26	0651605	AR	HEX HD CAPSCREW, 3/8-24X5/8, GR5, (torque to 32-37 lb-ft/43-50 Nm)	
27	88261129	AR	BUTTON HD CAPSCREW, 3/8-24X1-1/4	
28	0651606	AR	HEX HD CAPSCREW, 3/8-24X3/4, GR5, (torque to 32-37 lb-ft/43-50 Nm)	
30	0651810	AR	HEX HD CAPSCREW, 1/2-20X1-1/4, GR5, (torque to 76-86 lb-ft/103-117 Nm)	
114	1001102575B	1	WELDMENT	
201	0100011	AR	LOCTITE 242	

SECTION 2 - BOOM

FIGURE 2-7. THIRD BOOM SECTION G9-43A & G10-43A



Note: Wear Pad Shimming:

Whenever a shim is used with a pad, a spacer with holes must be inserted between pad and shim.
The wear pad or wear pad insert must not sit directly on the slotted surface of shims.

Add wear pad shims and spacers as required to shim boom to maintain a total minimum gap of 0.070 to 0.130 in (1,8 to 3,3 mm) in both horizontal and vertical directions.

Wear pad bolts require one hardened washer. However, up to (2) hardened washers may be used except where noted otherwise. Under no circumstances should more than (2) hardened washers ever be used. The length of pad bolts depends on the number of the shims used. The bolt cannot extend past chamfer on wear pad.

Add Mystik Tetrilmoly Grease (14404793) to all wear pads and all wear pad slide pathways. If applicable, this includes all pad grease fittings at the rear of boom.

PY8071

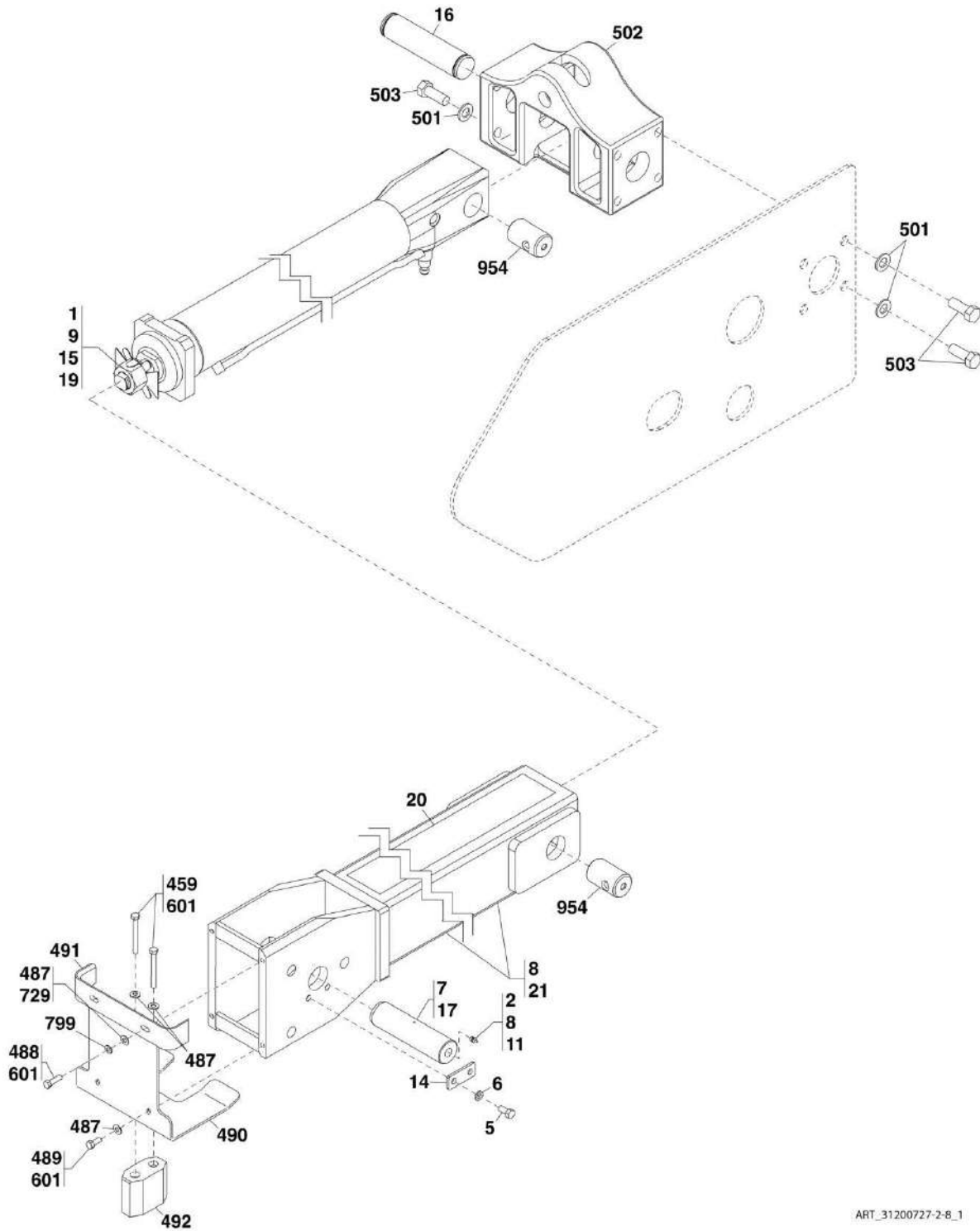
SECTION 2 - BOOM

FIGURE 2-7. THIRD BOOM SECTION G9-43A & G10-43A

ITEM	PART NUMBER	QTY	DESCRIPTION	REV
3	1001102958B	1	WELDMENT	
10	1001117658	2	WEAR PAD	
11	91511100	2	SPACER	
12	90027471	6	WASHER, 1/2	
13	0651812	AR	HEX HD CAPSCREW, 1/2-20X1-1/2, GR5, (torque to 76-86 lb-ft/103-117 Nm)	
14	91403531	2	WEAR PAD	
15	91401225	2	SPACER	
16	0651607	AR	HEX HD CAPSCREW, 3/8-24X7/8, GR5, (torque to 32-37 lb-ft/43-50 Nm)	
17	0651808	AR	HEX HD CAPSCREW, 1/2-20X1, GR5, (torque to 76-86 lb-ft/103-117 Nm)	
18	91511101	AR	SHIM, 0.0598	
19	91511102	AR	SHIM, 0.0359	
20	91471229	AR	SHIM, 0.0359	
22	1001117656	2	WEAR PAD	
23	91471228	AR	SHIM, 0.0598	
24	91511097	2	SPACER	
25	0651807	AR	HEX HD CAPSCREW, 1/2-20X7/8, GR5, (torque to 76-86 lb-ft/103-117 Nm)	
26	0651810	AR	HEX HD CAPSCREW, 1/2-20X1-1/4, GR5, (torque to 76-86 lb-ft/103-117 Nm)	
27	0651606	AR	HEX HD CAPSCREW, 3/8-24X3/4, GR5, (torque to 32-37 lb-ft/43-50 Nm)	
28	0651605	AR	HEX HD CAPSCREW, 3/8-24X5/8, GR5, (torque to 32-37 lb-ft/43-50 Nm)	
29	90027470	4	WASHER, 3/8	
31	91511098	AR	SHIM, 0.0598	
32	91511099	AR	SHIM, 0.0359	
33	0651806	AR	HEX HD CAPSCREW, 1/2-20X3/4, GR5, (torque to 76-86 lb-ft/103-117 Nm)	
117	0651811	AR	HEX HD CAPSCREW, 1/2-20X1-3/8, GR5, (torque to 76-86 lb-ft/103-117 Nm)	
201	0100011	AR	LOCTITE 242	

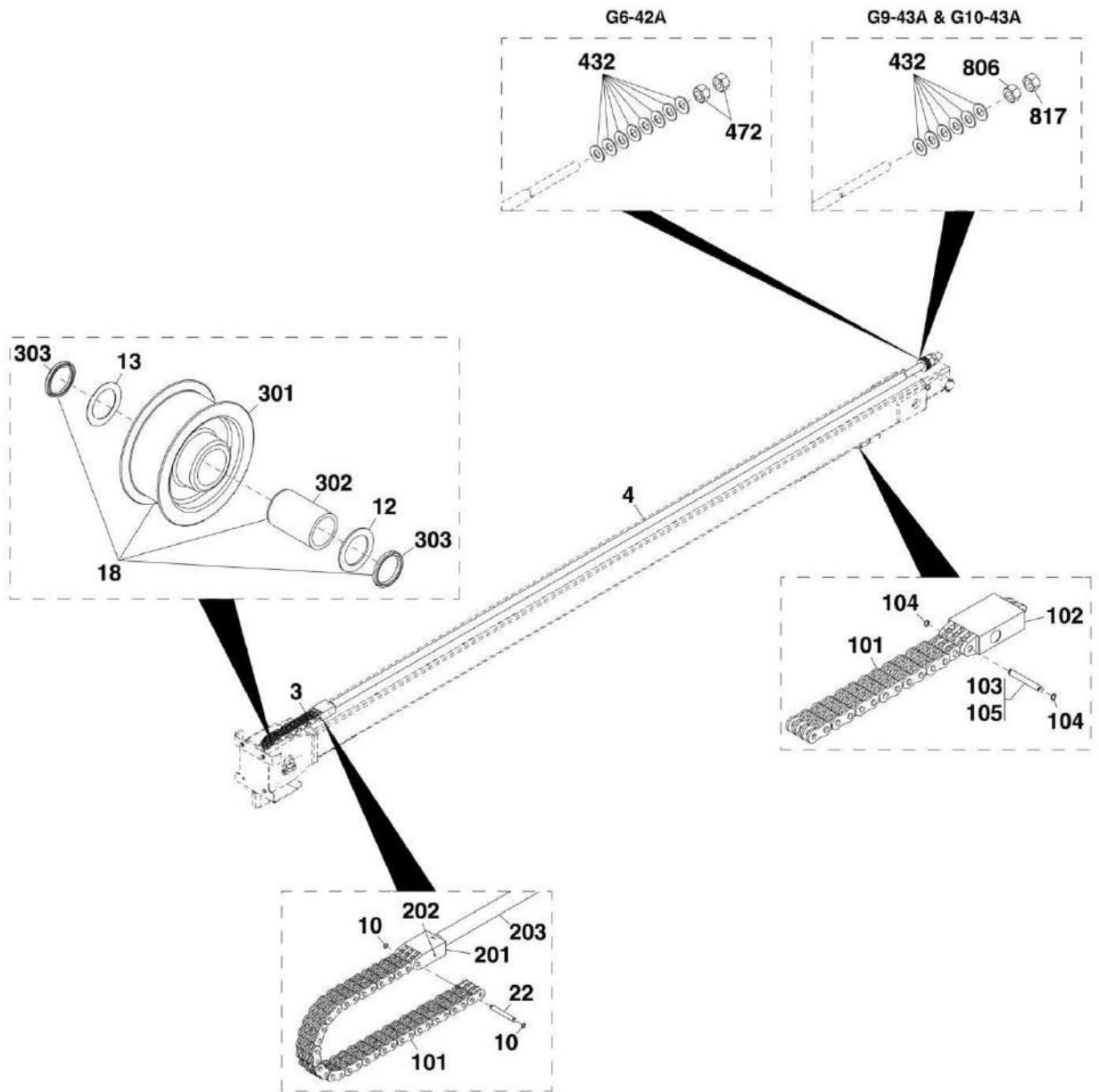
SECTION 2 - BOOM

FIGURE 2-8. PUSH BEAM/EXTEND CHAIN



ART_31200727-2-8_1

SECTION 2 - BOOM



ART_31200727-2-8_2

SECTION 2 - BOOM

FIGURE 2-8. PUSH BEAM/EXTEND CHAIN

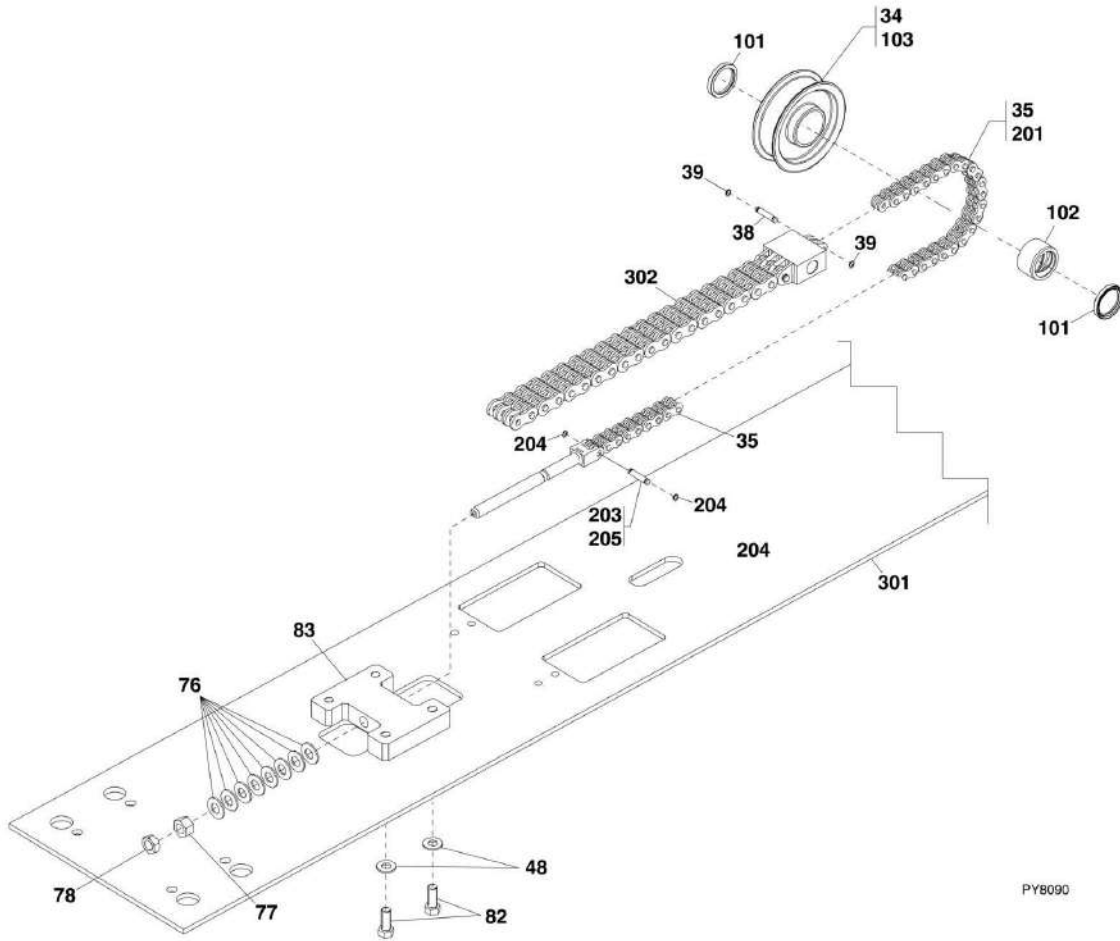
ITEM	PART NUMBER	QTY	DESCRIPTION	REV
	0275798	Ref	PUSH BEAM/EXTEND CHAIN INSTALLATION, (G6-42A), (not available to order, see items 1 thru 22 for service)	D
	0275799	Ref	PUSH BEAM/EXTEND CHAIN INSTALLATION, (G9-43A & G10-43A), (not available to order, see items 1 thru 22 for service)	D
1	0100011	AR	LOCTITE 242	
2	0100075	AR	LOCTITE 545, (G6-42A)	
3	0274674	Ref	EXTEND CHAIN INSTALLATION, (G6-42A), (not available to order, see items 101 thru 105 for service)	C
3	0274676	Ref	EXTEND CHAIN INSTALLATION, (G9-43A & G10-43A), (not available to order, see items 101 thru 105 for service)	C
4	0274799	Ref	CHAIN CLEVIS INSTALLATION, (G6-42A), (not available to order, see items 201 thru 203 for service)	C
4	0274800	Ref	CHAIN CLEVIS INSTALLATION, (G9-43A & G10-43A), (not available to order, see items 201 thru 203 for service)	C
5	0641808	2	HEX HD CAPSCREW, 1/2-13X1, GR5	
6	4761800	2	LOCKWASHER, 1/2	
7	14403323	AR	LUBE	
8	14404793	AR	MYSTIK TETRIMOLY GREASE	
9		Ref	HEX NUT, 3/8-12, (See HYDRAULIC COMPONENTS SECTION for Breakdown)	
10	88581112	2	SNAP RING, (G6-42A)	
10	88581115	2	SNAP RING, (G9-43A & G10-43A)	
11	88671001	1	GREASE FITTING	
12	91041451	1	SHIM	
13	91041596	1	SHIM	
14	91401189	1	KEEPER PLATE	
15		Ref	WASHER TAB, (See HYDRAULIC COMPONENTS SECTION for Breakdown)	
17	91403017	1	PIN, (G6-42A)	
17	91513018	1	PIN, (G9-43A & G10-43A)	
18	91403045	1	EXTEND CHAIN ROLLER ASSY, (G6-42A), (includes items 301 thru 303)	B
18	91513016	1	EXTEND CHAIN ROLLER ASSY, (G9-43A & G10-43A), (includes items 301 thru 303)	B
19		Ref	WASHER, (See HYDRAULIC COMPONENTS SECTION for Breakdown)	
20	91513029	156 in	TAPE, (G6-42A)	
20	91513029	160 in	TAPE, (G9-43A & G10-43A)	
21	91406015	1	WELDMENT, (G6-42A)	
21	91516008	1	WELDMENT, (G9-43A & G10-43A)	
22	91413122	1	PIN, (G6-42A)	
22	91513176	1	PIN, (G9-43A & G10-43A)	
101	91403432	1	CHAIN, BL866, (G6-42A)	
101	91513028	1	CHAIN, BL1066, (G9-43A & G10-43A)	
102	1360298	1	CLEVIS, (G6-42A)	
102	1360302	1	CLEVIS, (G9-43A & G10-43A)	
103	91413123	1	PIN, (G6-42A)	
103	91513176	1	PIN, (G9-43A & G10-43A)	
104	88581112	2	SNAP RING, (G6-42A)	
104	88581115	2	SNAP RING, (G9-43A & G10-43A)	
105	8522012	AR	ANTI-SEIZE LUBE	
201	1360306	1	CLEVIS, (G6-42A)	

SECTION 2 - BOOM

ITEM	PART NUMBER	QTY	DESCRIPTION	REV
201	1360305	1	CLEVIS, (G9-43A & G10-43A)	
202	91403044	1	PIN, (G6-42A)	
202	91513006	1	PIN, (G9-43A & G10-43A)	
203	91503014	1	ROD, (G6-42A)	
203	91513175	1	ROD, (G9-43A & G10-43A)	
301	91403042	1	ROLLER, (G6-42A)	
301	91513015	1	ROLLER, (G9-43A & G10-43A)	
302	91403047	1	BUSHING, (G6-42A)	
302	91513017	1	BUSHING, (G9-43A & G10-43A)	
303	91403119	2	SEAL	
432	91413139	8	WASHER, 7/8, (G6-42A)	
432	91513200	6	WASHER, (G9-43A & G10-43A)	
459	0651614	2	HEX HD CAPSCREW, 3/8-24X1-3/4, GR5, (G6-42A)	
459	0651624	2	HEX HD CAPSCREW, 3/8-24X3, GR5, (G9-43A & G10-43A)	
472	91403493	2	HEX NUT, (G6-42A)	
487	4711600	6	WASHER, (G6-42A)	
487	4711600	4	WASHER, (G6-42A)	
488	0681610	2	HEX HD CAPSCREW, 3/8-16X1-1/4, GR8, (G6-42A)	
488	0641610	2	HEX HD CAPSCREW, 3/8-16X1-1/4, GR5, (G9-43A & G10-43A)	
489	0641607	2	HEX HD CAPSCREW, 3/8-16X7/8, GR5	
490	91401204	1	BRACKET, (G6-42A)	
490	91511048	1	BRACKET, (G9-43A & G10-43A)	
491	91401568	1	GUIDE BAR, (G6-42A)	
491	91511047	1	GUIDE BAR, (G9-43A & G10-43A)	
492	91403087	1	WEAR PAD, (G6-42A)	
492	1001102974	1	WEAR PAD, (G9-43A & G10-43A)	
501	4712000	8	WASHER, 5/8, (G6-42A)	
501	4712200	8	WASHER, 3/4, (G9-43A & G10-43A)	
502	91403061	1	WELDMENT, (G6-42A)	
502	91513003	1	WELDMENT, (G9-43A & G10-43A)	
503	0642012	8	HEX HD CAPSCREW, 5/8-11X1-1/2, GR5, (G6-42A)	
503	0642216	8	HEX HD CAPSCREW, 3/4-10X2, GR5, (G9-43A & G10-43A)	
601	0100011	AR	LOCTITE 242	
729	90027470	2	WASHER, 3/8, (G9-43A & G10-43A)	
799	4761600	2	LOCKWASHER, 3/8, (G9-43A & G10-43A)	
806	88501020	1	HEX NUT, 1/4-7, GR8, (G9-43A & G10-43A)	
817	88501120	1	HEX NUT, 1/4-7, GR8, (G9-43A & G10-43A)	
954	91141128	2	PIN	

SECTION 2 - BOOM

FIGURE 2-9. RETRACT CHAINS



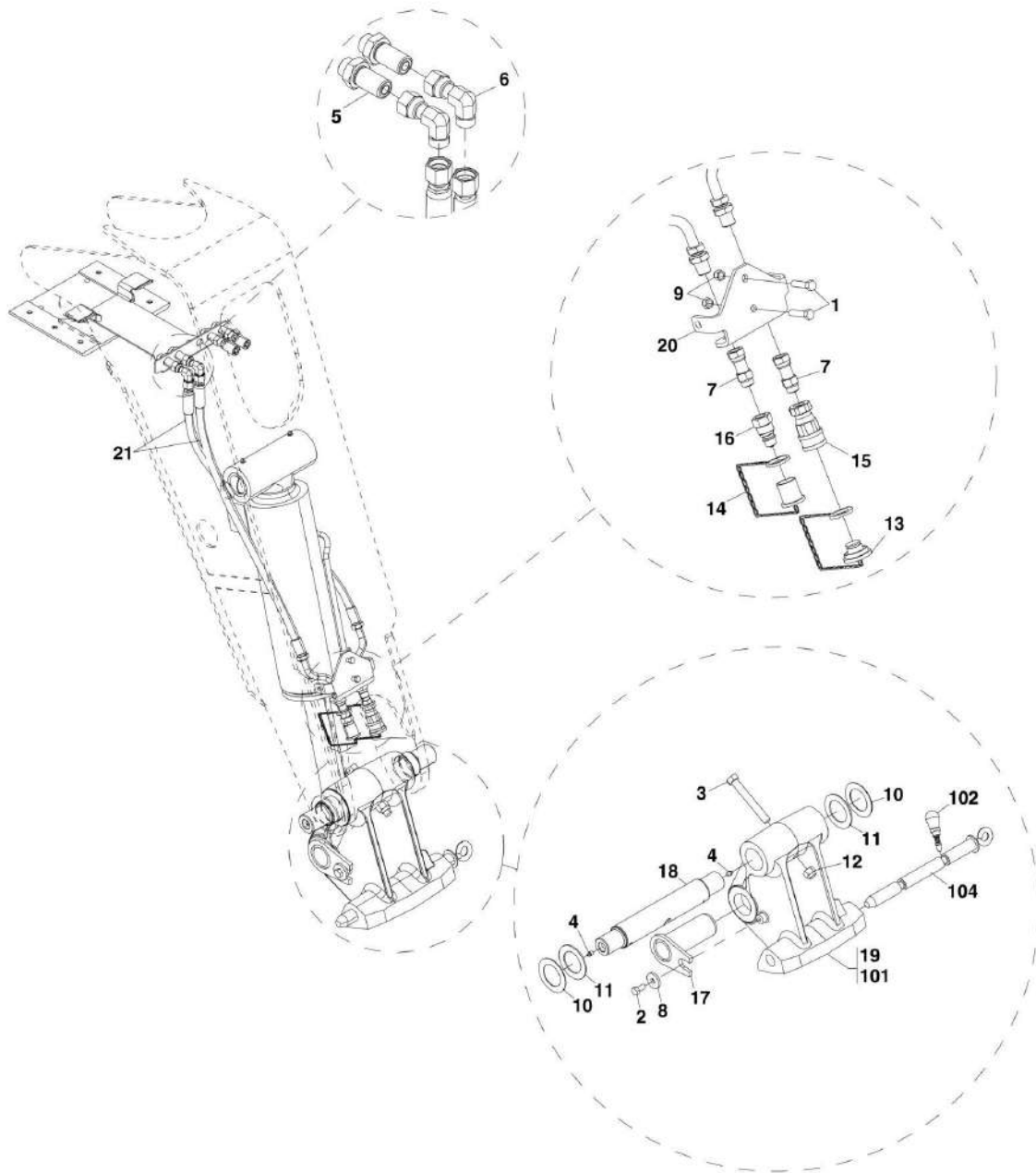
PY8090

FIGURE 2-9. RETRACT CHAINS

ITEM	PART NUMBER	QTY	DESCRIPTION	REV
34	91403519	1	ROLLER ASSY, (G6-42A), (includes items 101 thru 103)	B
34	91513242	1	ROLLER ASSY, (G9-43A & G10-43A), (includes items 101 thru 103)	B
35	0274669	Ref	CHAIN INSTALLATION, (G6-42A), (not available to order, see items 201 thru 205 for service)	C
35	0274672	Ref	CHAIN INSTALLATION, (G9-43A & G10-43A), (not available to order, see items 201 thru 205 for service)	C
38	91413127	1	PIN, (G6-42A)	
38	91513177	1	PIN, (G9-43A & G10-43A)	
39	88681344	2	RETAINING RING, (G6-42A)	
39	88581112	2	RETAINING RING, (G9-43A & G10-43A)	
48	4711800	4	WASHER, 1/2, (G6-42A)	
48	90027472	4	WASHER, 5/8, (G9-43A & G10-43A)	
76	91413138	8	WASHER, 5/8, (G6-42A)	
76	91513199	14	WASHER, 3/4, (G9-43A & G10-43A)	
77	88501310	1	HEX NUT, 5/8-18, GR5, (G6-42A)	
77	88501312	1	HEX NUT, 3/8-16, GR5, (G9-43A & G10-43A)	
78	88501410	1	HEX NUT, 5/8-18, GR5, (G6-42A)	
78	88501412	1	HEX NUT, 3/8-16, GR5, (G9-43A & G10-43A)	
82	0641810	4	HEX HD CAPSCREW, 1/2-13X1-1/4, GR5, (G6-42A)	
82	0641812	4	HEX HD CAPSCREW, 5/8-11X1-1/2, GR5, (G9-43A & G10-43A)	
83	91401193	1	ANCHOR PLATE, (G6-42A)	
83	91511049	1	ANCHOR PLATE, (G9-43A & G10-43A)	
101	91403053	2	SEAL	
102	91403052	1	BUSHING, (G6-42A)	
102	91513011	1	BUSHING, (G9-43A & G10-43A)	
103	91403518	1	ROLLER, (G6-42A)	
103	91513241	1	ROLLER, (G9-43A & G10-43A)	
201	91403433	1	CHAIN, (G6-42A)	
201	91513035	1	CHAIN, (G9-43A & G10-43A)	
202	1360291	1	CLEVIS, (G6-42A)	
202	1360294	1	CLEVIS, (G9-43A & G10-43A)	
203	91413127	1	PIN, (G6-42A)	
203	91513177	1	PIN, (G9-43A & G10-43A)	
204	88681344	2	SNAP RING, (G6-42A)	
204	88581112	2	SNAP RING, (G9-43A & G10-43A)	
205	8522012	AR	ANTI-SEIZE LUBE	
301		Ref	THIRD BOOM SECTION, (See THIRD BOOM SECTION for Breakdown)	
302		Ref	EXTEND CHAIN, (See PUSH BEAM/EXTEND CHAIN for Breakdown)	

SECTION 2 - BOOM

FIGURE 2-10. MANUAL QUICK SWITCH



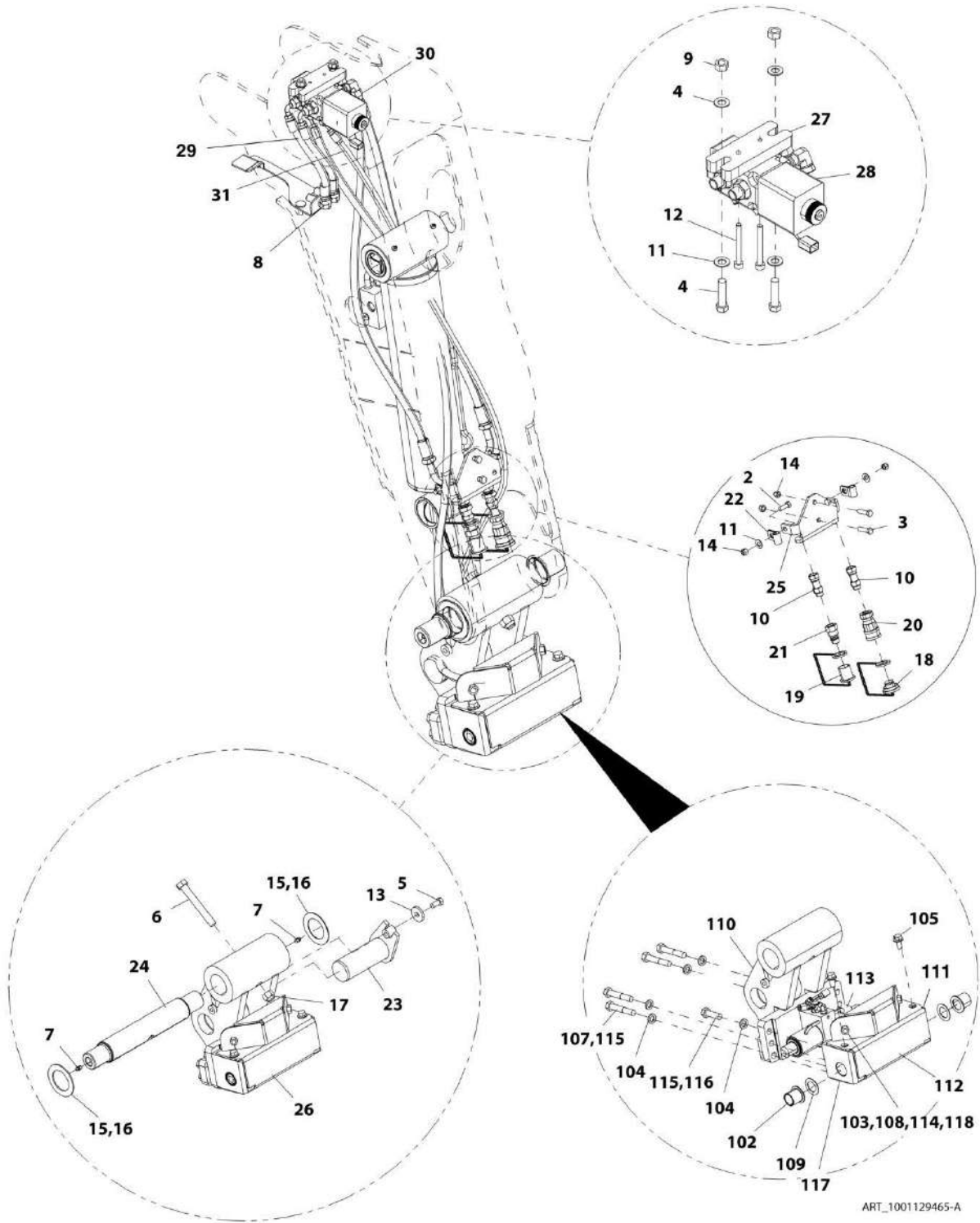
PAP18110

FIGURE 2-10. MANUAL QUICK SWITCH

ITEM	PART NUMBER	QTY	DESCRIPTION	REV
	1001142243	Ref	MANUAL QUICK SWITCH INSTALLATION, (G6-42A), (not available to order, see items 1 thru 21 for service)	A
	1001142788	Ref	MANUAL QUICK SWITCH INSTALLATION, (G9-43A & G10-43A), (not available to order, see items 1 thru 21 for service)	A
1	0641612	2	HEX HD CAPSCREW, 3/8-16X1-1/2, GR5	
2	0641808	1	HEX HD CAPSCREW, 1/2-13X1, GR5	
3	0682244	1	HEX HD CAPSCREW, 3/4-10X5-1/2, GR8	
4	2160002	2	GREASE FITTING	
5	2171106	2	STRAIGHT FITTING, (includes o-ring), (G6-42A)	
5	2171108	2	STRAIGHT FITTING, (includes o-ring), (G9-43A & G10-43A)	
6	2172106	2	ADAPTER, 90, (includes o-ring), (G6-42A)	
6	2172108	2	ADAPTER, 90, (includes o-ring), (G9-43A & G10-43A)	
7	2180849	2	STRAIGHT FITTING, (includes o-ring)	
8	4740003	1	WASHER, 1/2	
9	8305645	2	HEX LOCK NUT, 3/8-16	
10	8307916	AR	SHIM	
11	8307917	AR	SHIM	
12	8310067	1	LOCKNUT, 3/4-10	
13	91043125	1	DUST PLUG	
14	91043126	1	DUST CAP	
15	91403413	1	FEMALE QUICK CONNECT	
16	91403414	1	MALE QUICK DISCONNECT	
17	1001098218	1	WELDMENT	
18	1001098233	1	PIN	
19	1001098382	1	QUICK SWITCH ASSY, (includes items 101 thru 104)	E
20	1001098425	1	BRACKET	
21	1001099889	2	HOSE ASSY, (G6-42A)	
21	1001099890	2	HOSE ASSY, (G9-43A & G10-43A)	
101	1001098174	1	QUICK SWITCH COUPLER	
102	1001143692	1	POPPIN PIN ASSY	
104	1001105441	1	QUICK SWITCH LOCK PIN	

SECTION 2 - BOOM

FIGURE 2-11. HYDRAULIC QUICK ATTACH



ART_1001129465-A

FIGURE 2-11. HYDRAULIC QUICK ATTACH

ITEM	PART NUMBER	QTY	DESCRIPTION	REV
	1001129465	Ref	HYDRAULIC QUICK SWITCH INSTALLATION, (G6-42A), (not available to order, see items 1 thru 31 for service)	A
	1001129466	Ref	HYDRAULIC QUICK SWITCH INSTALLATION, (G9-43A & G10-43A), (not available to order, see items 1 thru 31 for service)	A
1	0100011	AR	LOCTITE 242	
2	0641608	2	HEX HD CAPSCREW, 3/8-16X1	
3	0641612	2	HEX HD CAPSCREW, 3/8-16X1-1/2	
4	0641714	2	HEX HD CAPSCREW, 7/16-14X1-3/4	
5	0641808	1	HEX HD CAPSCREW, 1/2-13X1	
6	0682244	1	HEX HD CAPSCREW, 3/4-10X5-1/2	
7	2160002	2	STRAIGHT FITTING	
8	2171206	2	ADAPTER, 90, (includes o-ring) (G6-42A)	
8	2171208	2	ADAPTER, 90, (includes o-ring) (G9-43A & G10-43A)	
9	3311701	2	HEX NUT, 7/16-14	
10	2180849	2	ADAPTER	
11	4711700	6	WASHER, 7/16	
12	4031918	2	SOC HD CAPSCREW, M8X70	
13	4740003	1	FLAT WASHER	
14	8305645	4	HEX LOCK NUT	
15	8307916	AR	WASHER, SHIM	
16	8307917	AR	WASHER, SHIM	
17	8310067	1	HEX LOCK NUT	
18	91043125	1	DUST PLUG	
19	91043126	1	DUST CAP	
20	91403413	1	ADPT,SP CQD FORB 8 FG	
21	91403414	1	ADPT,SP NQD FORB 8 FG	
22	1001080996	2	P-CLAMP	
23	1001098218	1	PIN	
24	1001098233	1	PIVOT PIN	
25	1001098425	1	BRACKET	
26	1001120135	1	HYDRAULIC QUICK ATTACH INSTALLATION, (includes items 101 thru 118)	C
27	1001127353	1	VALVE ATTACHMENT PLATE	
28	1001126962	1	HYDRAULIC VALVE, (G6-42A)	
28	1001127006	1	HYDRAULIC VALVE, (G9-43A & G10-43A)	
29	1001126963	2	HOSE ASSY, (G6-42A)	
29	1001127007	2	HOSE ASSY, (G9-43A & G10-43A)	
30	1001126964	2	HOSE ASSY, (G6-42A)	
30	1001127008	2	HOSE ASSY, (G9-43A & G10-43A)	
31	1001126965	2	HOSE ASSY, (G6-42A)	
31	1001127009	2	HOSE ASSY, (G9-43A & G10-43A)	
101	0100011	AR	LOCTITE 242	
102	0440321	2	FLANGE BEARING	
103	0641807	2	HEX HD CAPSCREW, 1/2-13X7/8	
104	4762000	6	WASHER, 5/8	
105	0791808	2	SCREW, 1/2X13X1	
107	10700689	4	CAPSCREW, 0.625-18X3.50	
108	3311805	2	HEX LOCK NUT	
109	91561240	AR	SHIM	
110	1001120120	1	ADAPTER	

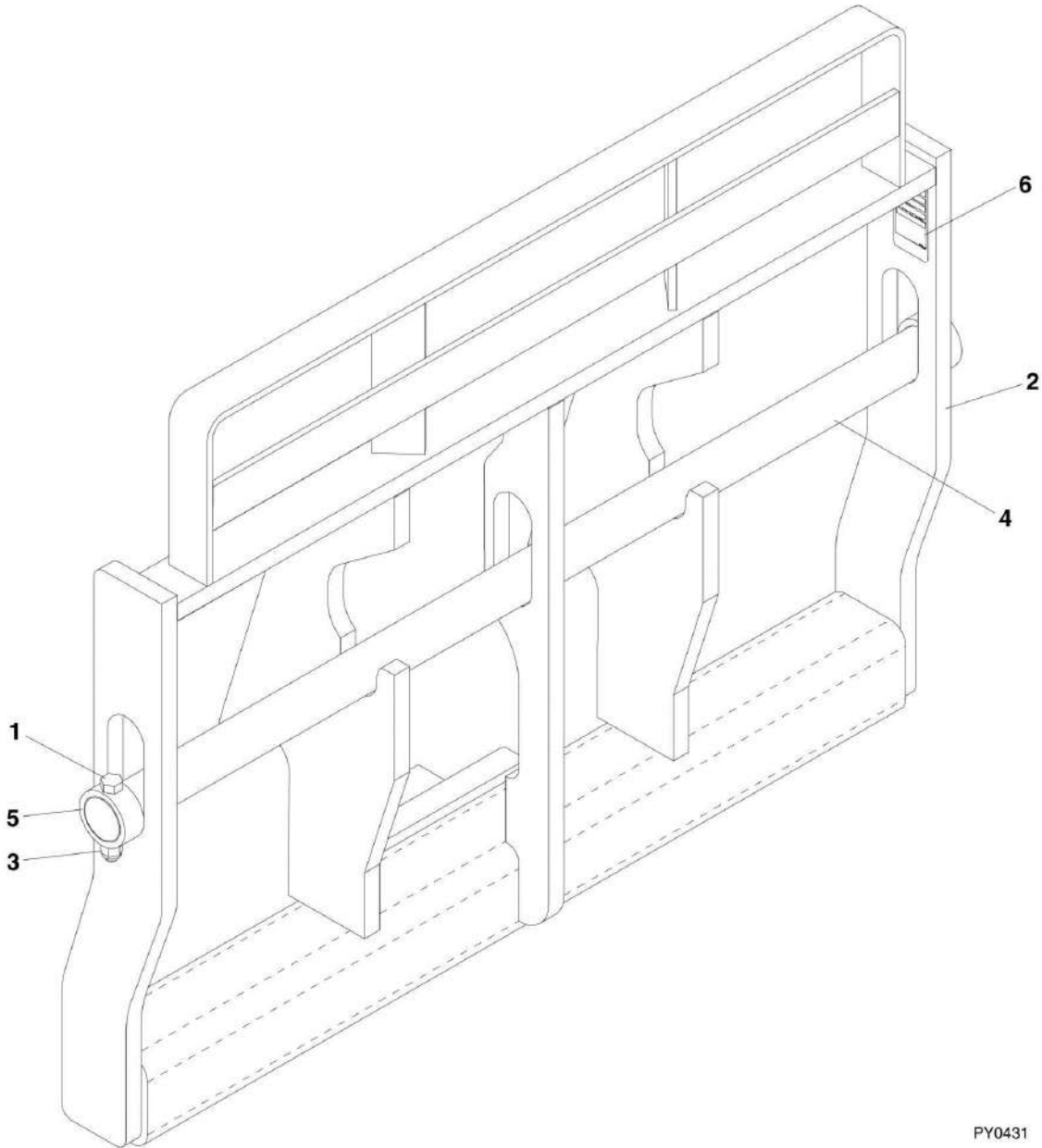
SECTION 2 - BOOM

ITEM	PART NUMBER	QTY	DESCRIPTION	REV
111	1001120124	1	CYLINDER ATTACHMENT PLATE	
112	1001120130	1	CYLINDER COVER	
113	1001120164	1	CYLINDER, (See Separate Breakdown in HYDRAULIC COMPONENTS Section)	
114	1001080996	2	P-CLAMP	
115	0100019	AR	LOCTITE 242	
116	10700683	2	CAPSCREW, 0.625-18X2	
117	1001145386	1	CYLINDER ATTACHMENT PLATE (Right)	
118	4711800	2	WASHER, 1/2	

SECTION 3 - ATTACHMENTS

SECTION 3 - ATTACHMENTS

FIGURE 3-1. TILT CARRIAGE (G6-42A Prior to SN 0160052010; G9-43A Prior to SN 0160051085; G10-43A Prior to SN 0160052011)



PY0431

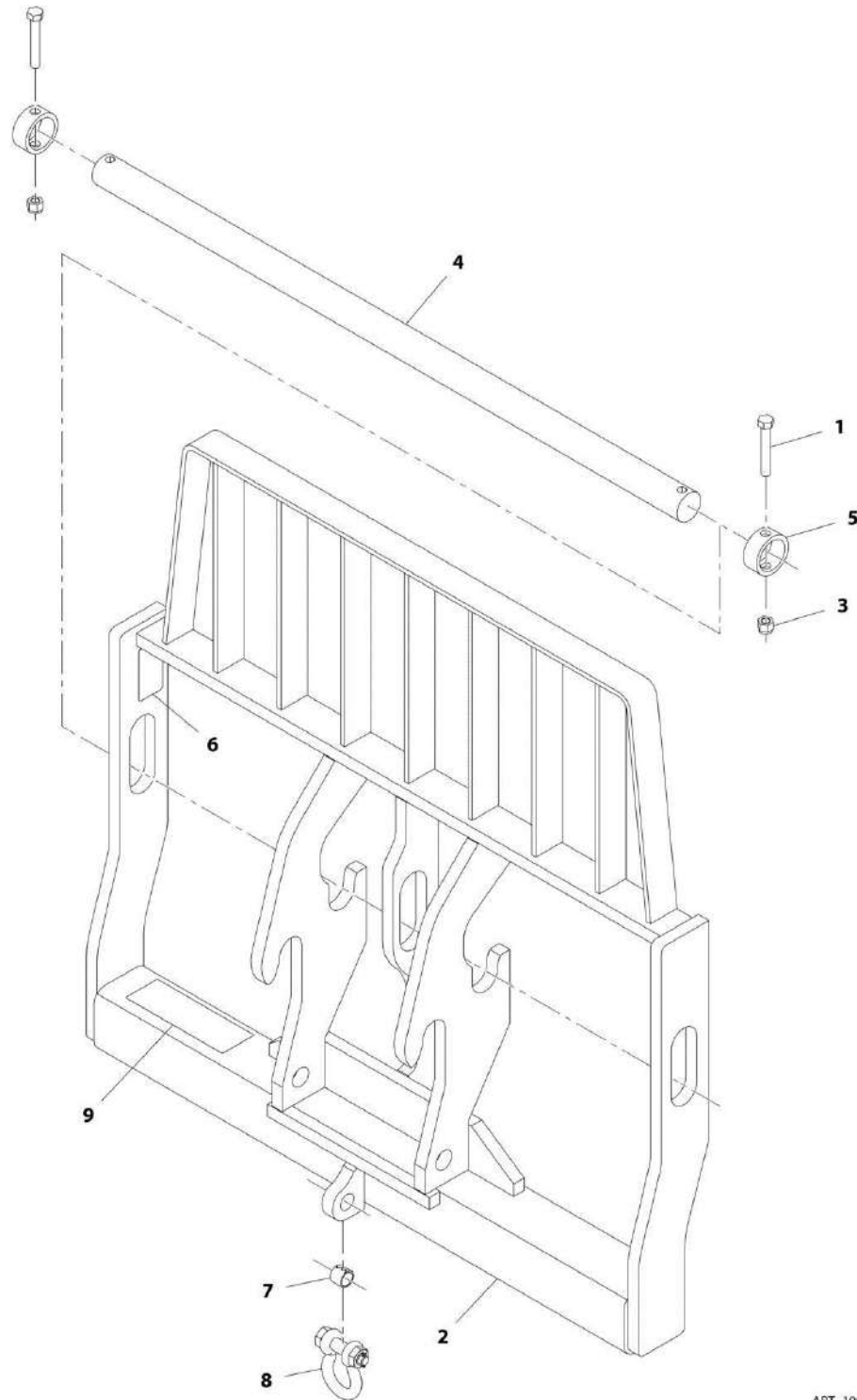
SECTION 3 - ATTACHMENTS

FIGURE 3-1. TILT CARRIAGE (G6-42A Prior to SN 0160052010; G9-43A Prior to SN 0160051085; G10-43A Prior to SN 0160052011)

ITEM	PART NUMBER	QTY	DESCRIPTION	REV
	1170021	1	50IN TILT CARRIAGE, (includes all items)	E
	1170024	1	60IN TILT CARRIAGE, (includes all items)	E
	1001132514	1	72IN TILT CARRIAGE, (includes all items)	B
1	0642032	2	HEX HD CAPSCREW, 5/8-11X4, GR5	
2	N.S.S.	1	TILT CARRIAGE	
3	3300240	2	LOCKNUT, 5/8-11	
4	3423275	1	50IN FORK PIN	
4	3423242	1	60IN FORK PIN	
4	3423276	1	72IN FORK PIN	
5	90200003	2	COLLAR	
6	N.S.S.	1	SN PLATE	

SECTION 3 - ATTACHMENTS

FIGURE 3-2. TILT CARRIAGE (G6-42A SN 0160052010 to Present; G9-43A SN 0160051085 to Present; G10-43A SN 0160052011 to Present)



ART_1001146084-D

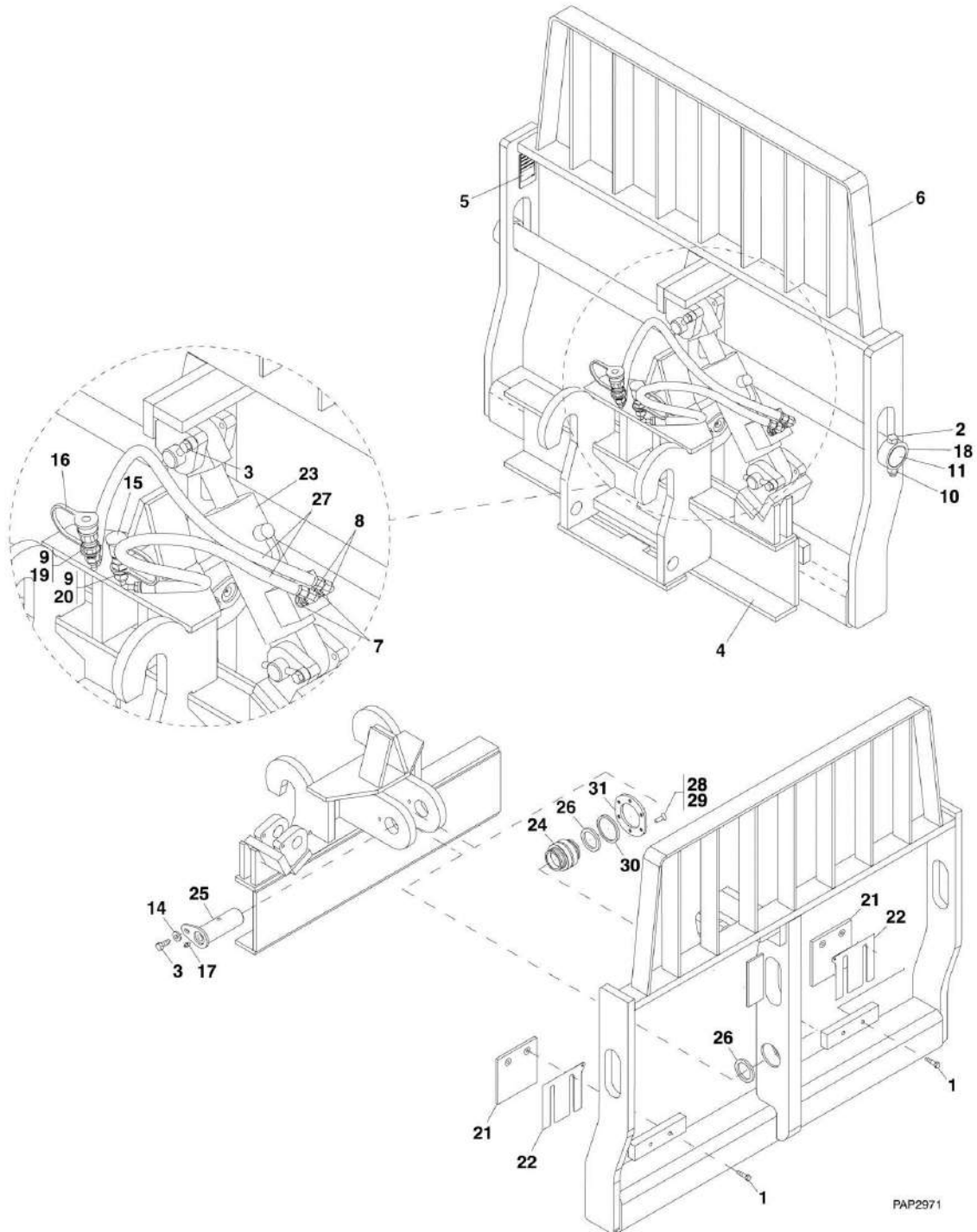
SECTION 3 - ATTACHMENTS

**FIGURE 3-2. TILT CARRIAGE (G6-42A SN 0160052010 to Present; G9-43A SN 0160051085 to Present;
G10-43A SN 0160052011 to Present)**

ITEM	PART NUMBER	QTY	DESCRIPTION	REV
	1001146084	1	50 IN TILT CARRIAGE, (includes items 1 thru 9)	D
	1001146086	1	60 IN TILT CARRIAGE, (includes items 1 thru 9)	D
	1001146088	1	72 IN TILT CARRIAGE, (includes items 1 thru 9)	D
1	0642032	2	HEX HD CAPSCREW, 5/8-11X4, GR5	
2	N.S.S.	1	TILT CARRIAGE	
3	3300240	2	LOCKNUT, 5/8-11	
4	3423275	1	50 IN FORK PIN	
4	3423242	1	60 IN FORK PIN	
4	3423276	1	72 IN FORK PIN	
5	90200003	2	COLLAR	
6	N.S.S.	1	S/N PLATE	
7	1001146159	1	SLEEVE	
8	1001146160	1	SHACKLE	
9	1001151561	1	DANGER SWING LOADS DECAL	

SECTION 3 - ATTACHMENTS

FIGURE 3-3. SIDE TILT CARRIAGE



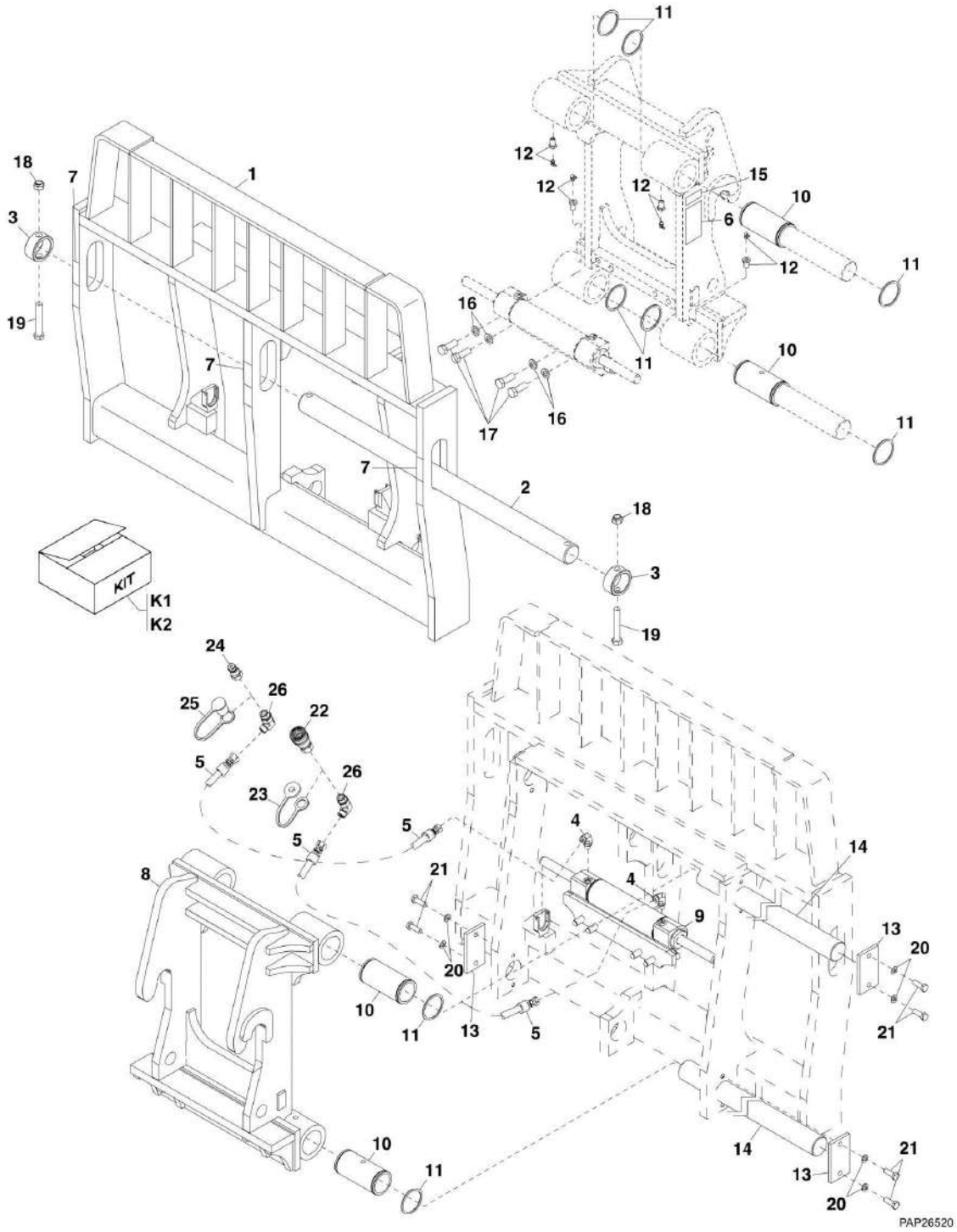
SECTION 3 - ATTACHMENTS

FIGURE 3-3. SIDE TILT CARRIAGE

ITEM	PART NUMBER	QTY	DESCRIPTION	REV
	1170054	1	50IN SIDE TILT CARRIAGE, (includes all items)	J
	1001101956	1	60IN SIDE TILT CARRIAGE, (includes all items)	K
	1170057	1	72IN SIDE TILT CARRIAGE, (includes all items)	J
1	0641612	4	HEX HD CAPSCREW, 3/8-16X1-1/2	
2	0642032	2	HEX HD CAPSCREW, 5/8-11X4	
3	0681810	3	HEX HD CAPSCREW, 1/2-13X1-1/4	
4	1001133072	1	CARRIAGE BASE	
5	N.S.S.	1	SN PLATE	
6	N.S.S.	1	SIDE TILT CARRIAGE	
7	2110606	2	CONNECTOR	
8	2172106	2	ADAPTER, 90	
9	2110808	2	CONNECTOR	
10	3300240	2	LOCKNUT, 5/8-11	
11	3423275	1	50IN FORK PIN	
11	3423242	1	60IN FORK PIN	
11	3423276	1	72IN FORK PIN	
14	4891800	1	WASHER, 1/2	
15	8420053	1	DUST CAP	
16	8420055	1	DUST PLUG	
17	88671001	1	GREASE FITTING	
18	90200003	2	COLLAR	
19	91403413	1	CONNECTOR	
20	91403414	1	CONNECTOR	
21	1001090063	2	WEAR PAD	
22	1001090064	AR	SHIM	
23		Ref	SIDE TILT CARRIAGE CYLINDER AND MOUNTING HARDWARE, (See HYDRAULIC COMPONENTS SECTION for Breakdown)	
24	1001090140	1	BEARING	
25	1001099113	1	PIN	
26	1001099115	2	SLEEVE	
27	1001102378	2	HOSE ASSY, 3/8X39	
28	0100011	AR	LOCTITE 242	
29	0741610	6	FLAT HD SOCKET SCREW, 3/8-16X1-1/4	
30	1001120914	1	BEARING RETAINER SHIM	
31	1001120915	1	BEARING RETAINER PLATE	

SECTION 3 - ATTACHMENTS

FIGURE 3-4. 50IN SIDE SHIFT CARRIAGE



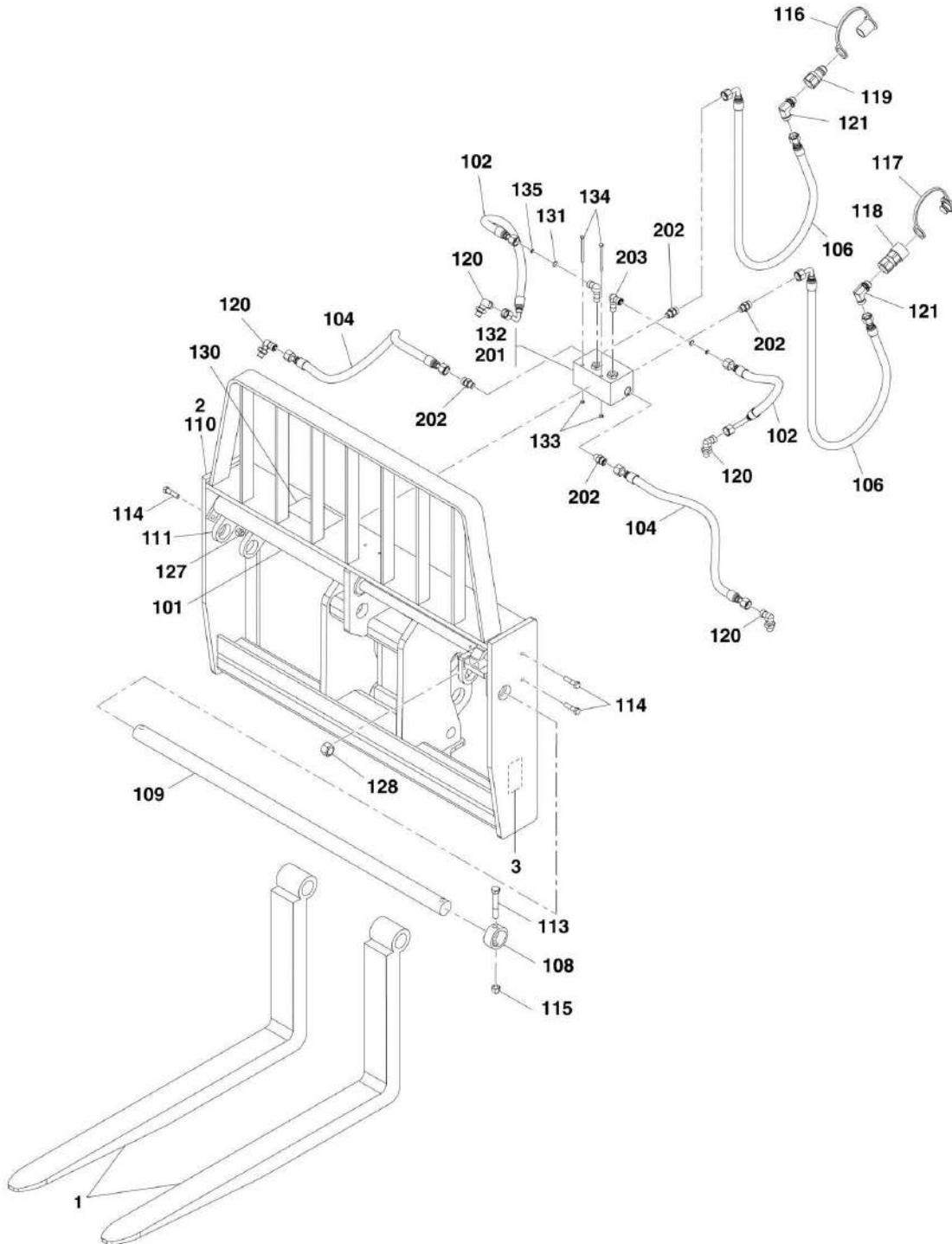
SECTION 3 - ATTACHMENTS

FIGURE 3-4. 50IN SIDE SHIFT CARRIAGE

ITEM	PART NUMBER	QTY	DESCRIPTION	REV
	1001142790	1	50IN SIDE SHIFT CARRIAGE, (includes all items)	C
1	N.S.S.	1	WELDMENT	
2	70024535	1	SHAFT	
3	70024536	2	COLLAR	
4	70024123	2	ADAPTER, 90, (includes o-ring)	
5	70024537	2	HOSE ASSEMBLY	
6	N.S.S.	1	SN PLATE	
7	70024538	3	WARNING DECAL	
8	N.S.S.	1	WELDMENT	
9		Ref	50IN SIDE SHIFT CYLINDER, (See HYDRAULIC COMPONENTS SECTION for Breakdown)	
10	70024540	4	BUSHING	
11	70024541	8	CIRCLIP	
12	70024542	4	GREASE FITTING	
13	70024543	4	RETAINER	
14	70024544	2	SHAFT	
15	N.S.S.	1	SN PLATE	
16	70024551	4	LOCKWASHER, 16mm	
17	70024552	4	HEX HD CAPSCREW, M16X45, GR10.9	
18	70024553	2	HEX NUT, M16, GR8	
19	70024554	2	HEX HD CAPSCREW, M16X100, GR10.9	
20	70022997	8	LOCKWASHER, 12mm	
21	70024555	8	HEX HD CAPSCREW, M12X35, GR10.9	
22	91403413	1	FEMALE QUICK DISCONNECT	
23	8420055	1	DUST PLUG	
24	91403414	1	MALE QUICK DISCONNECT	
25	8420053	1	DUST CAP	
26	70024550	2	ADAPTER, 90, (includes o-ring)	
K1	70024545	1	HYDRAULIC REPAIR KIT, (includes items 5 & 22 thru 26)	B
K2	70024546	1	RETAINER KIT, (includes items 13, 20 & 21)	B

SECTION 3 - ATTACHMENTS

FIGURE 3-5. 50IN DUAL FORK CARRIAGE ASSEMBLY



ART_7301295-F

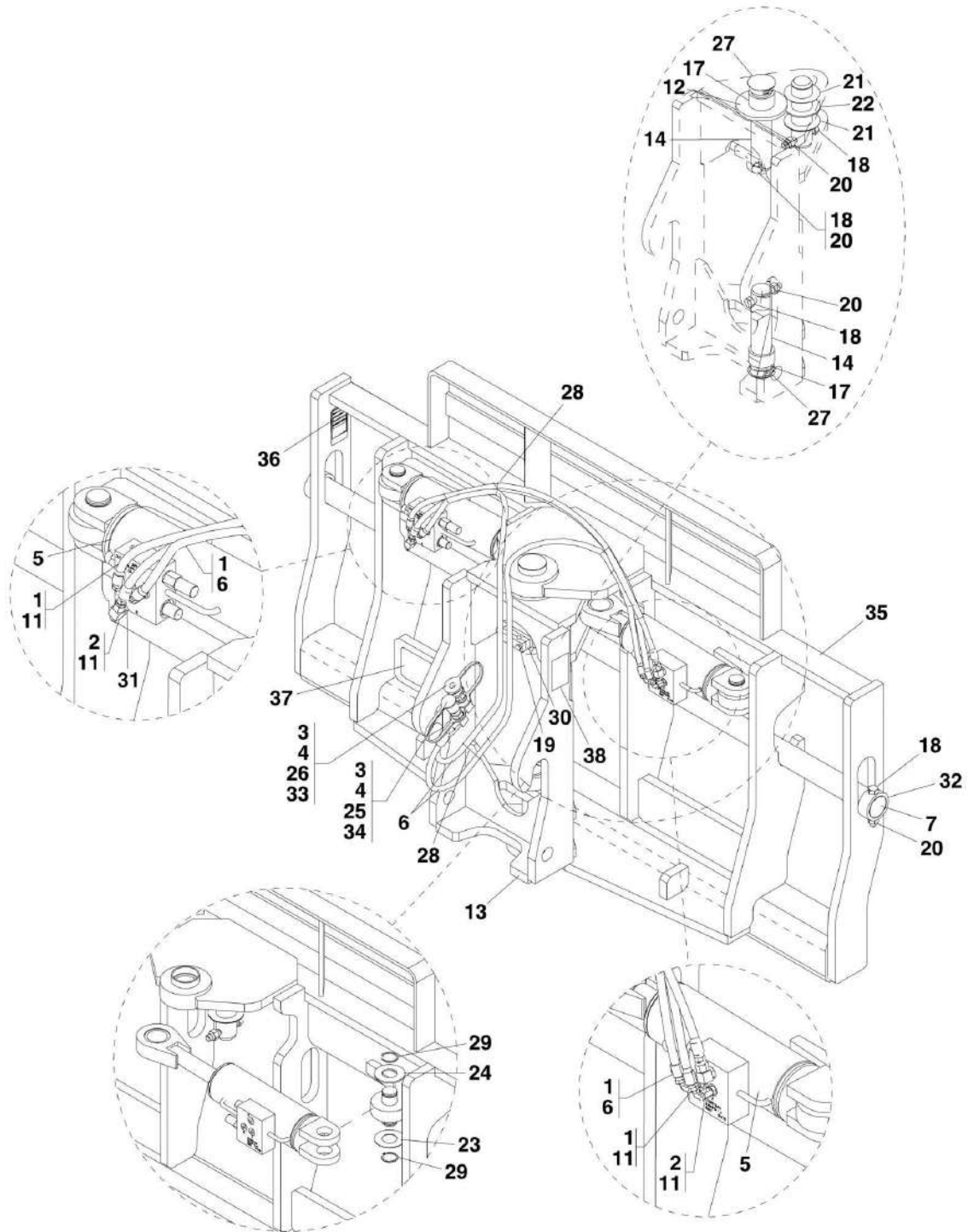
SECTION 3 - ATTACHMENTS

FIGURE 3-5. 50IN DUAL FORK CARRIAGE ASSEMBLY

ITEM	PART NUMBER	QTY	DESCRIPTION	REV
	7301295	1	50IN DUAL FORK CARRIAGE ASSEMBLY, (includes items 1 thru 3)	F
1	N.S.S.	2	PALLET FORK, (60X100X1220MM)	
2	N.S.S.	1	50IN CARRIAGE, (includes items 101 thru 135)	I
3	N.S.S.	1	SN PLATE	
101	2717283	2	FORK POSITIONING CYLINDER	
102	2717160	2	HOSE ASSY	
104	2717161	2	HOSE ASSY	
106	2717162	2	HOSE ASSY	
108	90200003	2	FORK PIN COLLAR	
109	90451058	1	FORK SHAFT	
110	N.S.S.	1	50 IN CARRIAGE WELDMENT	
111	7301579	2	FORK ADAPTER WELDMENT	
113	8303634	2	HEX HD CAPSCREW, 5/8-11X4, GR5	
114	8303658	4	HEX HD CAPSCREW, 1/2-13X2, GR5	
115	8305643	2	HEX LOCKNUT, 5/8-11	
116	8420053	1	DUST CAP	
117	8420055	1	DUST PLUG	
118	91403413	1	CONNECTOR	
119	91403414	1	CONNECTOR	
120	2130606	4	ELBOW, 90, (includes o-ring)	
121	2130608	2	ELBOW, 90, (includes o-ring)	
127	8310302	4	HEX LOCKNUT, 1/2-13	
128	10705034	2	HEX LOCKNUT, 1-14	
130	4110473	1	HOSE ROUTING DECAL	
131	7139918	2	ORIFICE DISK	
132	4641502	1	VALVE ASSY, (includes items 201 thru 203)	B
133	8305624	2	HEX LOCKNUT, 1/4-20	
134	8310435	2	HEX HD CAPSCREW, 1/4-20X3-3/4, GR5	
135	8630003	2	O-RING	
201	4641501	1	FLOW DIVIDER VALVE	
202	2110606	4	CONNECTOR	
203	2130606	2	ELBOW, 90, (includes o-ring)	

SECTION 3 - ATTACHMENTS

FIGURE 3-6. 90, SWING CARRIAGE



ART_1001095418-L

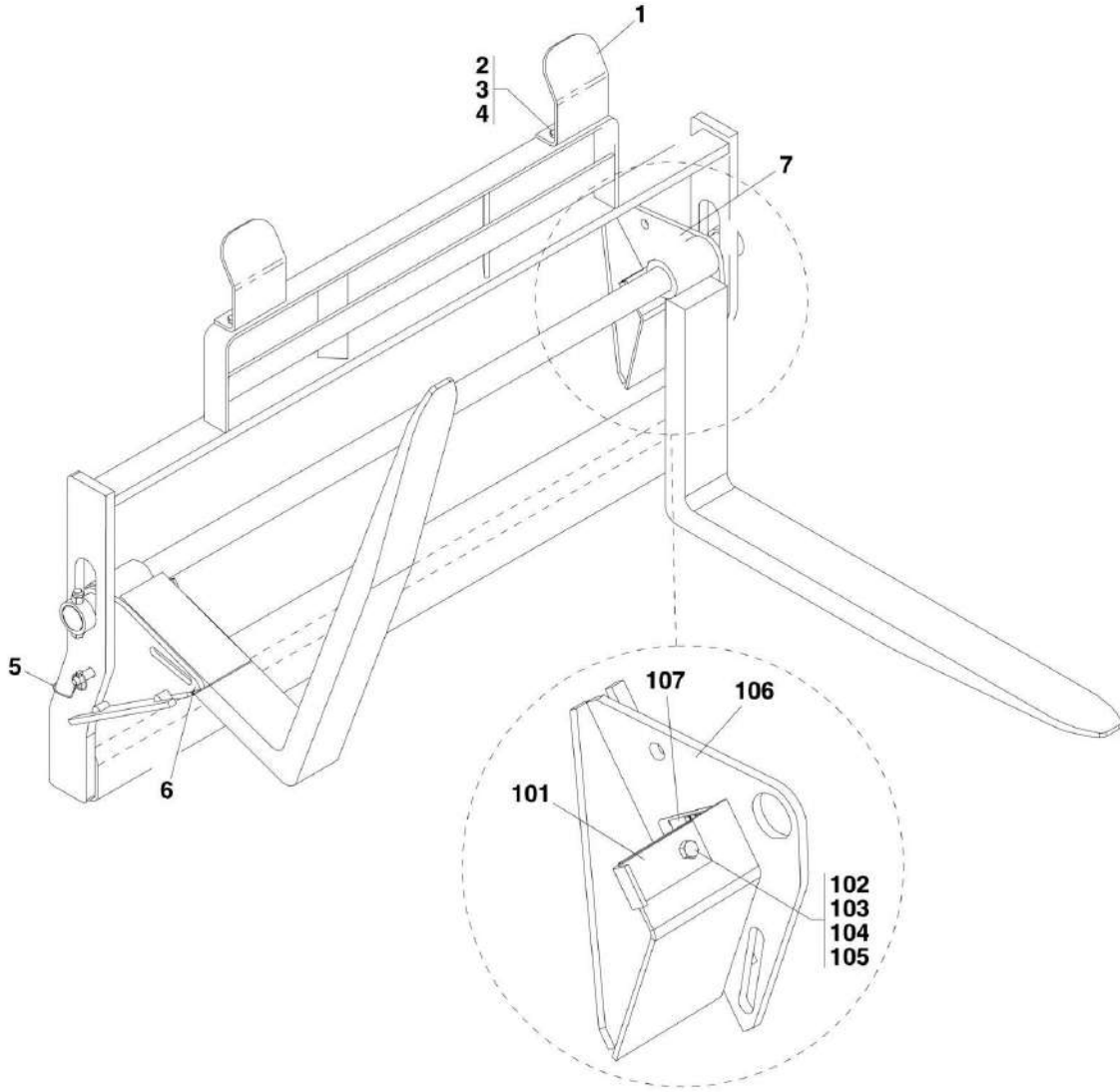
SECTION 3 - ATTACHMENTS

FIGURE 3-6. 90, SWING CARRIAGE

ITEM	PART NUMBER	QTY	DESCRIPTION	REV
	1001095418	1	90, SWING CARRIAGE, 72IN, (includes all items)	L
1	2220415	4	CONNECTOR	
2	2220473	2	CONNECTOR, 90	
3	2220609	2	CONNECTOR	
4	2220628	2	CONNECTOR, 90	
5		Ref	SWING CARRIAGE CYLINDER AND MOUNTING HARDWARE, (See HYDRAULIC COMPONENTES SECTION for Breakdown)	
6	2717287	2	HOSE ASSY	
7	3423276	1	PIN	
11	6604662	2	HOSE ASSY	
12	7062922	1	WASHER	
13	N.S.S.	1	PIVOT WELDMENT	
14	7110702	2	PIVOT PIN	
17	8065062	2	BUSHING	
18	8303634	3	HEX HD CAPSCREW, 5/8-11X4, GR5	
19	8303715	3	HEX HD CAPSCREW, 5/16-18X1-1/2, GR5	
20	8305643	3	HEX NUT, 5/8-11	
21	8307904	AR	SHIM	
22	8307918	AR	SHIM	
23	8310160	AR	SHIM	
24	8310161	AR	SHIM	
25	8420053	1	DUST CAP	
26	8420055	1	DUST PLUG	
27	8580315	2	PLUG	
28	8584001	5	TIE WRAP	
29	8642207	4	RETAINING RING	
30	8769132	2	CLAMP	
31	8770016	2	CONNECTOR	
32	90200003	2	COLLAR	
33	91403413	1	CONNECTOR	
34	91403414	1	CONNECTOR	
35	N.S.S.	1	CARRIAGE FRAME	
36	N.S.S.	1	SN PLATE	
37	1001110704	1	WARNING CRUSH HAZARD DECAL	
38	1001111190	2	WARNING DECAL	

SECTION 3 - ATTACHMENTS

FIGURE 3-7. SHEET MATERIAL HANDLER ASSEMBLY



PY1510

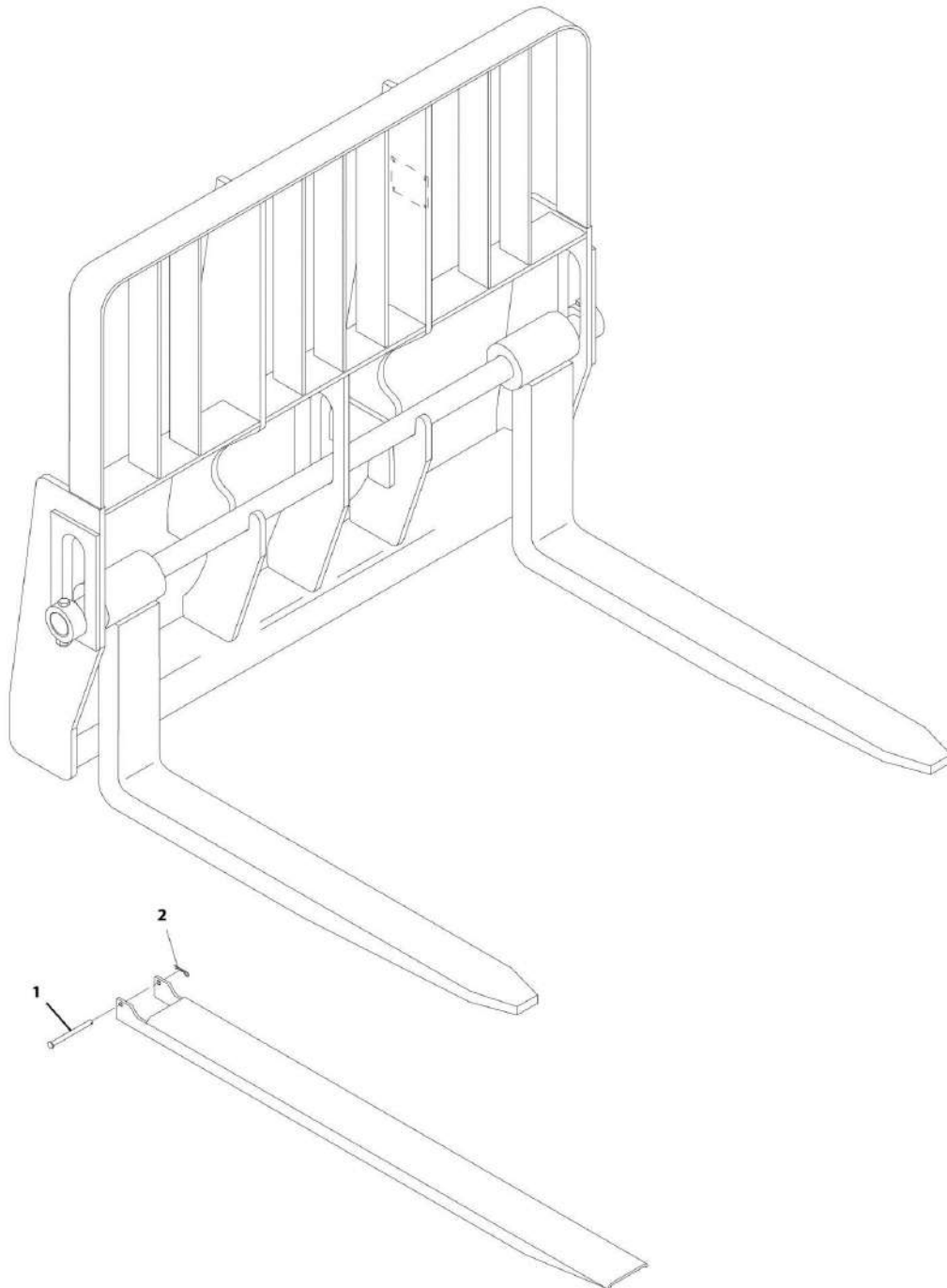
SECTION 3 - ATTACHMENTS

FIGURE 3-7. SHEET MATERIAL HANDLER ASSEMBLY

ITEM	PART NUMBER	QTY	DESCRIPTION	REV
	1001100227	1	SHEET MATERIAL HANDLER ASSEMBLY, (includes all items)	A
1	7112642	2	BACKREST EXTENSION	
2	8303626	4	HEX HD CAPSCREW, 1/2-13X1-1/2 GR5	
3	8305012	4	HEX NUT, 1/2-13	
4	8307007	4	LOCKWASHER, 1/2	
5	1001093377	2	HITCH PIN	
6	1001101115	1	RH FORK SUPPORT ASSEMBLY, (includes items 101 thru 107)	B
7	1001101116	1	LH FORK SUPPORT ASSEMBLY, (includes items 101 thru 107)	C
101	7114941	1	LOCK BAR	
102	8303626	1	HEX HD CAPSCREW, 1/2-13X1-1/2, GR5	
103	8305644	1	HEX LOCKNUT, 1/2-13	
104	8307007	1	LOCKWASHER, 1/2	
105	8307112	1	WASHER, 1/2	
106	1001100228	1	RH FORK SUPPORT, (not shown)	
106	1001100229	1	LH FORK SUPPORT, (shown)	
107	N.S.S.	1	SN PLATE	

SECTION 3 - ATTACHMENTS

FIGURE 3-8. FORKS



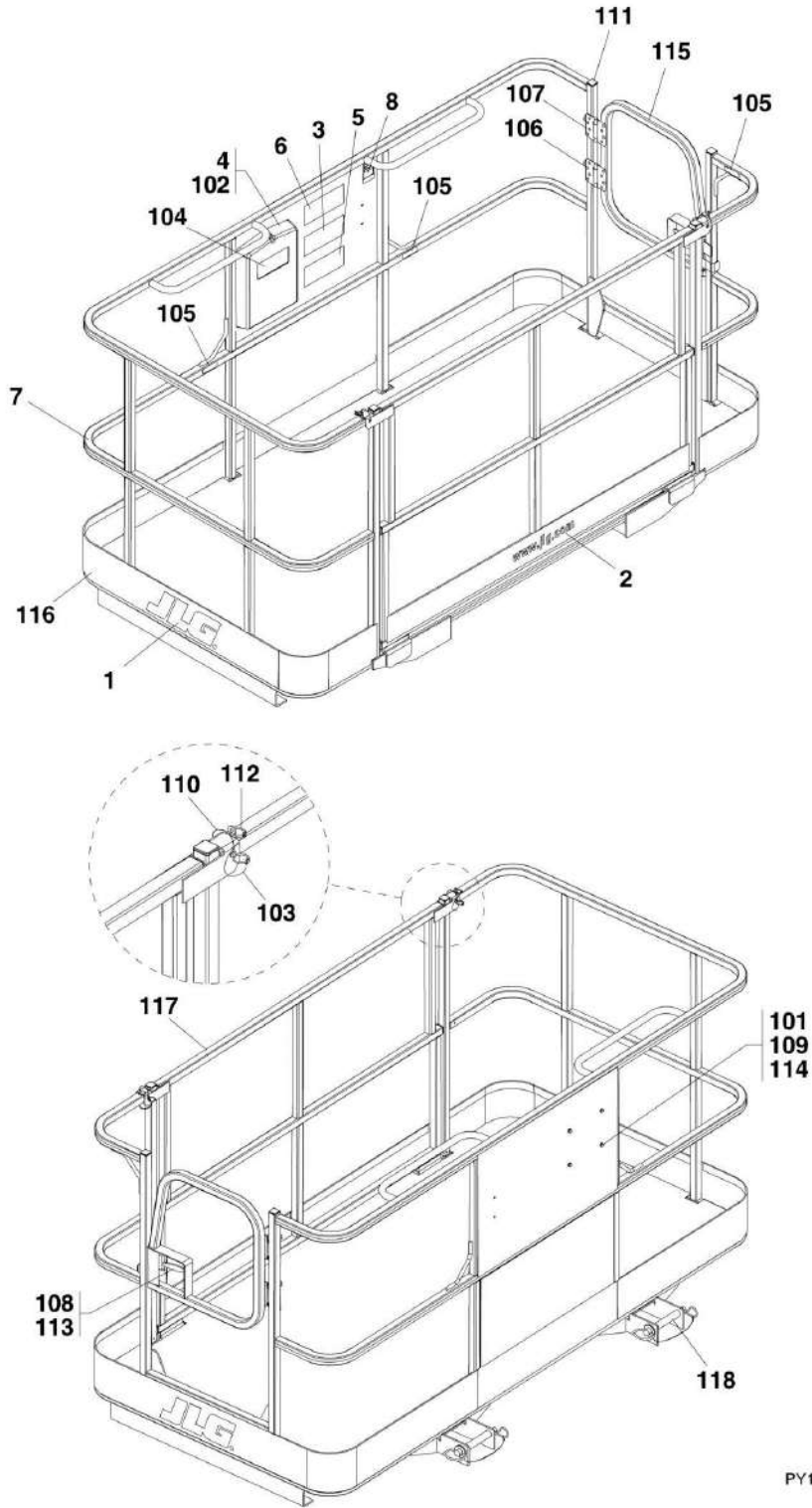
SECTION 3 - ATTACHMENTS

FIGURE 3-8. FORKS

ITEM	PART NUMBER	QTY	DESCRIPTION	REV
	2340037	6	48IN CUBING FORK, 2X2, 11,640lbs	A
	2340045	2	48IN PALLET FORK, 2-23/64X4, 10,950lbs	B
	2340038	2	48IN PALLET FORK, 2-23/64X5, 13,700lbs	B
	2340046	2	60IN DUAL TAPER FORK, 1-3/4X7, 10,800lbs	B
	2340039	2	60IN DUAL TAPER FORK, 2-23/64X6, 16,300lbs	B
	1001092391	2	72IN DUAL TAPER FORK, 2X6, 11,300lbs	B
	1001137512	2	90IN FORK EXTENSION, (includes items 1 & 2)	D
1	70024306	1	PIN	
2	70024307	1	CLIP	
N1	Note	Ref	FORKS RATED LESS THAN THE ATTACHMENT OR MACHINE'S CAPACITY DECREASES CAPACITY OF THE ATTACHMENT OR MACHINE TO THAT OF THE FORKS. FORKS RATED MORE THAN THE ATTACHMENT OR MACHINE'S CAPACITY DO NOT INCREASE ATTACHMENT OR MACHINE'S CAPACITY.	
N2	Note	Ref	PLEASE CONSULT JLG PARTS DEPARTMENT TO DETERMINE THE CORRECT FORKS APPLICABLE TO YOUR SPECIFIC CARRIAGE ASSEMBLY AND APPLICATION.	

SECTION 3 - ATTACHMENTS

FIGURE 3-9. FORK MOUNTED PLATFORM



PY1640

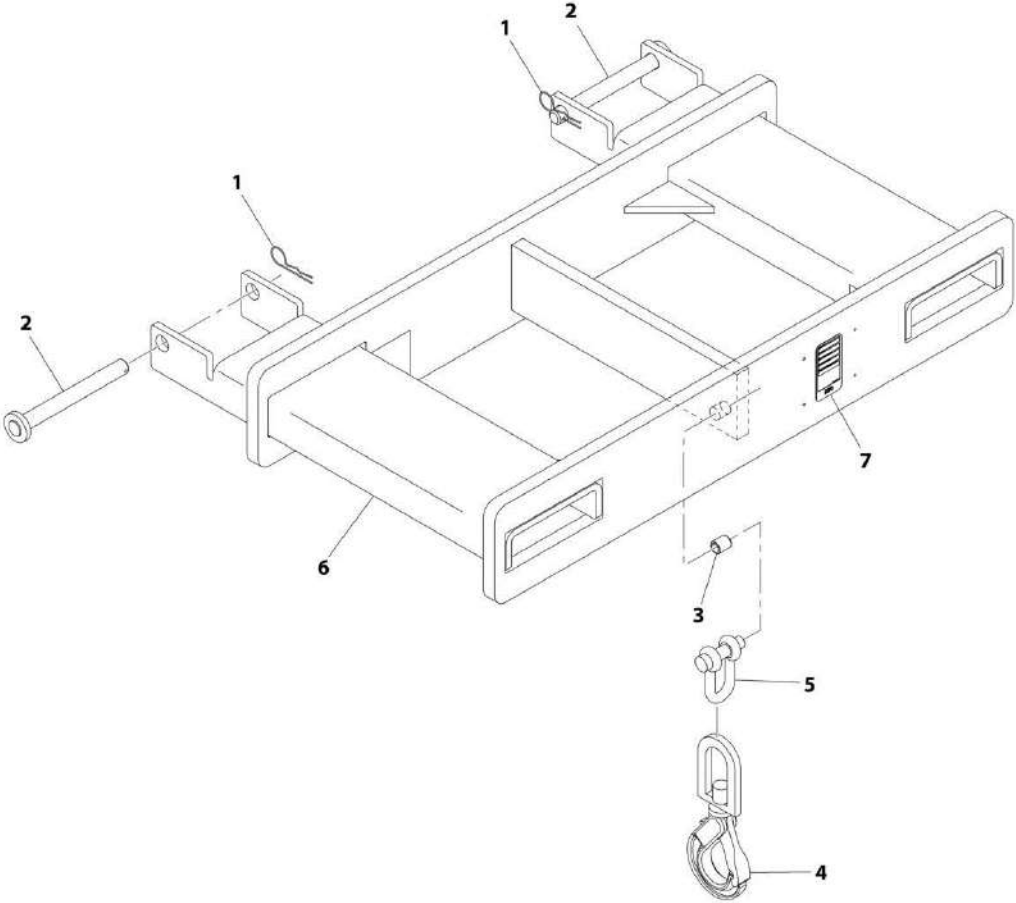
SECTION 3 - ATTACHMENTS

FIGURE 3-9. FORK MOUNTED PLATFORM

ITEM	PART NUMBER	QTY	DESCRIPTION	REV
	1001103637	1	FORK MOUNTED PERSONNEL PLATFORM, (ASME), (includes all items)	D
	1001103730	1	FORK MOUNTED PERSONNEL PLATFORM, (ISO), (includes all items)	D
	1001103736	1	FORK MOUNTED PERSONNEL PLATFORM, (FRENCH), (includes all items)	D
1	1702773	2	JLG DECAL	
2	1704885	1	WEBSITE DECAL	
3	1706892	1	PLATFORM WARNING DECAL, (ASME)	
3	1001096025	1	PLATFORM WARNING DECAL, (ISO)	
3	1001096024	1	PLATFORM WARNING DECAL, (FRENCH)	
4	31200160	1	OPERATION AND SAFETY MANUAL, (ASME)	
4	31200387	1	OPERATION AND SAFETY MANUAL, (SPANISH)	
4	31200388	1	OPERATION AND SAFETY MANUAL, (PORTUGUESE)	
4	31200336	1	OPERATION AND SAFETY MANUAL, (FRENCH)	
5	1001092481	1	WARNING DECAL, (ASME)	
5	1001096021	1	WARNING DECAL, (ISO)	
5	1001096019	1	WARNING DECAL, (FRENCH)	
6	1001092482	1	CAPACITY DECAL, (ASME)	
6	1001096023	1	CAPACITY DECAL, (ISO)	
6	1001096020	1	CAPACITY DECAL, (FRENCH)	
7	1001096162	1	FORK MOUNTED PLATFORM, (includes items 101 thru 118)	J
8	N.S.S.	1	SN PLATE	
101	0641405	4	HEX HD CAPSCREW, 1/4-20X5/8	
102	0860520	1	MANUAL STORAGE BOX	
103	1060379	2	LANYARD CABLE	
104	1701509	1	MANUAL DECAL	
105	1704277	3	LANYARD ATTACH DECAL	
106	2080040	16	FASTENER	
107	2600281	2	HINGE	
108	2940074	1	LATCH	
109	3311405	4	HEX LOCKNUT, 1/4-20	
110	3421453	2	PIN	
111	3520072	10	PLUG	
112	3760170	4	RING	
113	3820020	4	RIVET	
114	4711400	8	WASHER, 1/4	
115	4846452	1	GATE WELDMENT	
116	N.S.S.	1	PLATFORM	
117	1001095810	1	GATE WELDMENT	
118	1001102813	2	HITCH PIN	

SECTION 3 - ATTACHMENTS

FIGURE 3-10. LIFTING HOOK



ART_1001097205-H

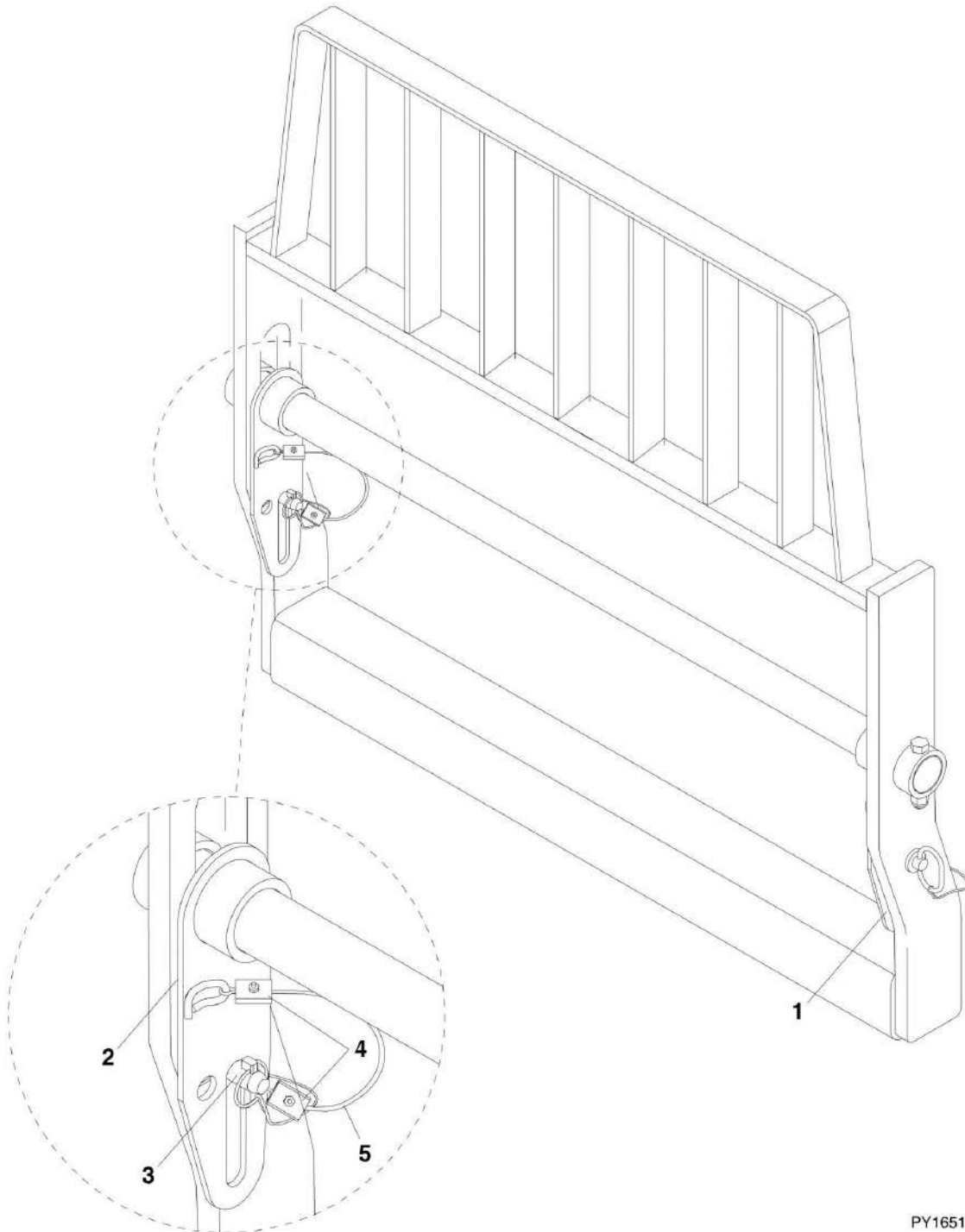
SECTION 3 - ATTACHMENTS

FIGURE 3-10. LIFTING HOOK

ITEM	PART NUMBER	QTY	DESCRIPTION	REV
	91565094	NLA	LIFTING HOOK, (no longer available, use 1001097205 for replacement or items 1 through 7 for service)	G
	1001097205	1	FORK MOUNTED HOOK, (includes all items)	G
1	7029520	2	Pin, Cotter	
2	1001093171	2	Pin	
3	70020555	1	Bushing	
4	90554080	1	Hook	
5	7029521	1	Shackle	
6	N.S.S.	1	Weldment, Hook	
7	N.S.S.	1	S/N Plate	

SECTION 3 - ATTACHMENTS

FIGURE 3-11. FORK PIN LOCK INSTALLATION



PY1651

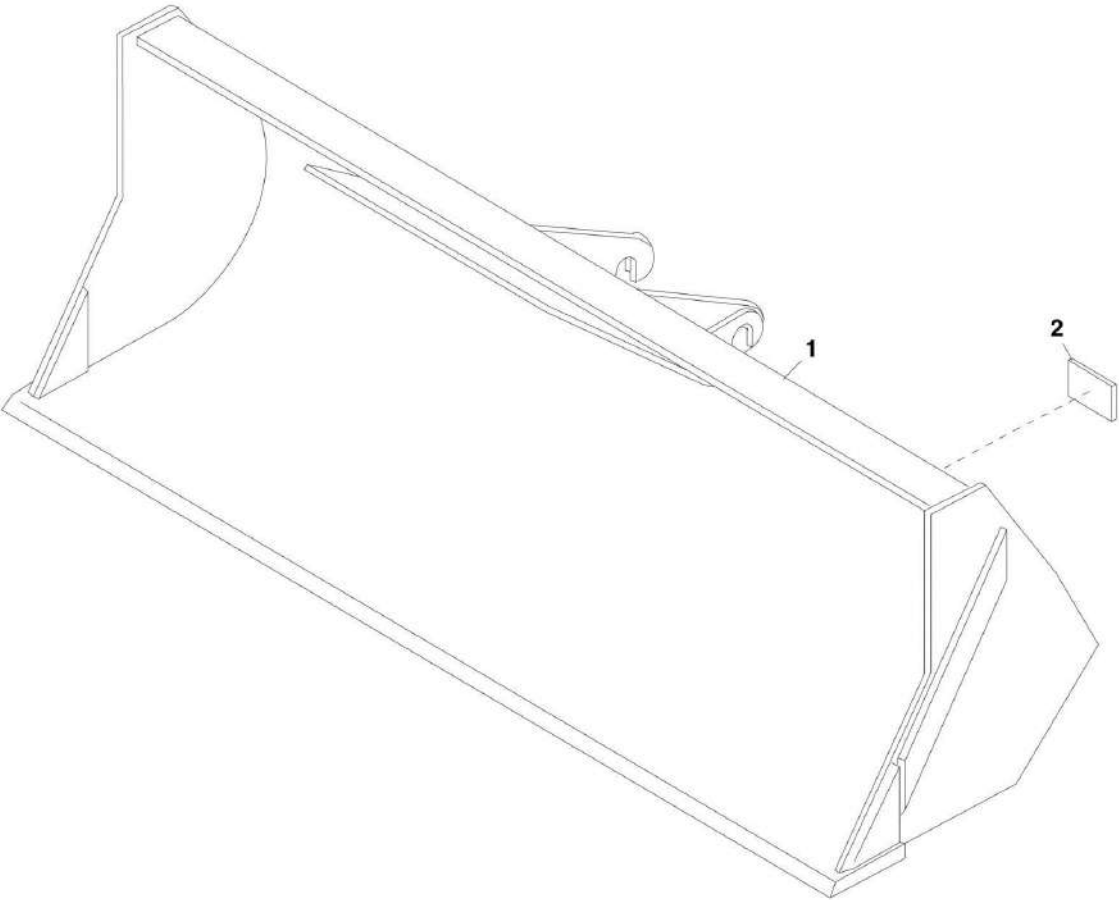
SECTION 3 - ATTACHMENTS

FIGURE 3-11. FORK PIN LOCK INSTALLATION

ITEM	PART NUMBER	QTY	DESCRIPTION	REV
	1001093465	1	FORK PIN LOCK INSTALLATION (includes all items)	B
1	0240156	1	LH FORK PIN LOCK	
2	1001093273	1	RH FORK PIN LOCK	
3	1001093377	2	HITCH PIN	
4	1001094830	4	CLAMP	
5	1001094330	2	LANYARD	

SECTION 3 - ATTACHMENTS

FIGURE 3-12. BUCKETS



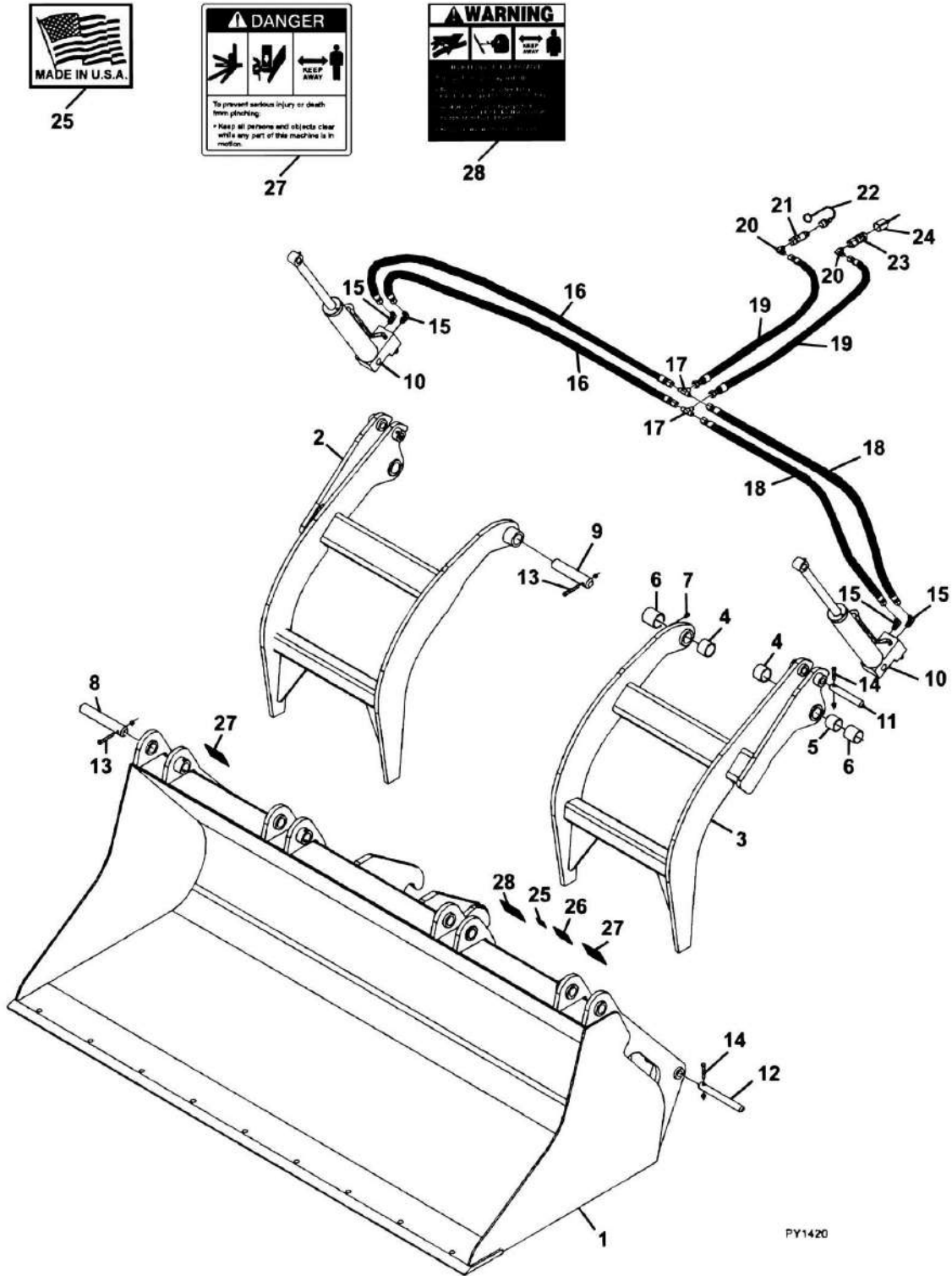
SECTION 3 - ATTACHMENTS

FIGURE 3-12. BUCKETS

ITEM	PART NUMBER	QTY	DESCRIPTION	REV
1	1001100822	1	72IN BUCKET, 1.0 YD ³ , (includes item 2)	C
1	1001100823	1	96IN BUCKET, 1.5 YD ³ , (includes item 2)	C
1	1001100824	1	102IN BUCKET, 2.0 YD ³ , (includes item 2)	C
2	N.S.S.	1	SN PLATE	

SECTION 3 - ATTACHMENTS

FIGURE 3-13. GRAPPLE BUCKET



PY1420

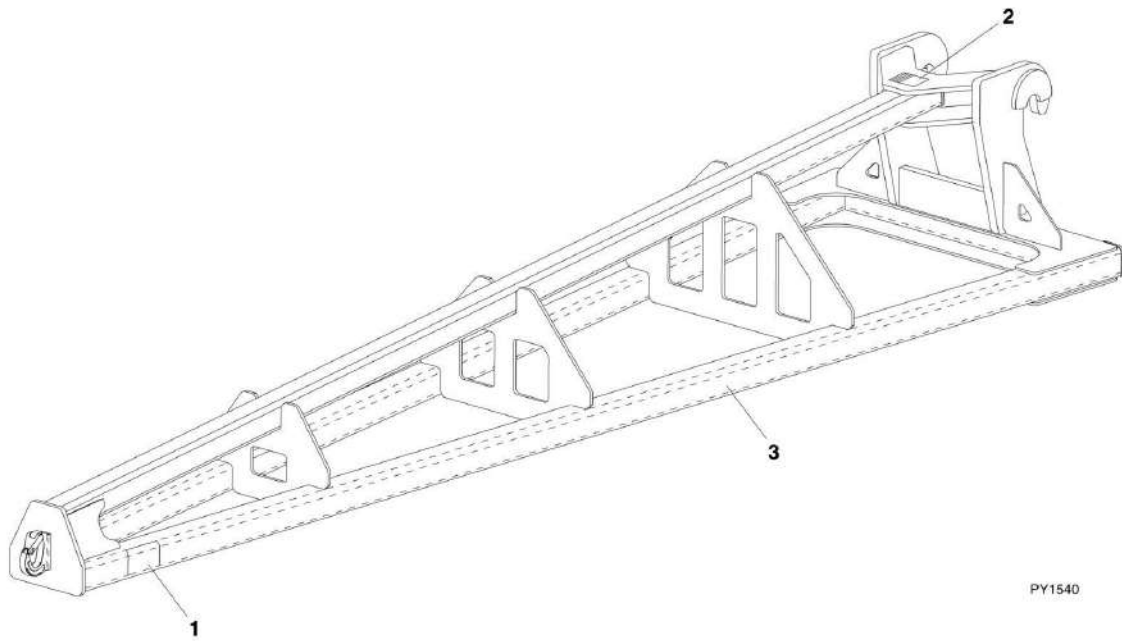
SECTION 3 - ATTACHMENTS

FIGURE 3-13. GRAPPLE BUCKET

ITEM	PART NUMBER	QTY	DESCRIPTION	REV
	0930020	1	GRAPPLE BUCKET, (includes all items)	H
1	N.S.S.	1	BUCKET	
1	70021387	4	HOSE CLAMP	
2	70021391	1	RIGHT GRAPPLE HOOK	
3	70021392	1	LEFT GRAPPLE HOOK	
4	70021358	4	BUSHING	
5	70021359	2	SPACER	
6	70021360	4	BUSHING	
7	7029714	4	GREASE FITTING	
8	70021361	2	OUTER PIVOT PIN	
9	70021362	2	INNER PIVOT PIN	
10		Ref	GRAPPLE BUCKET CYLINDER AND MOUNTING HARDWARE, (See HYDRAULIC COMPONENTS SECTION for Breakdown)	
11		Ref	CYLINDER PIN, (base end), (See HYDRAULIC COMPONENTS SECTION for Breakdown)	
12		Ref	CYLINDER PIN, (rod end), (See HYDRAULIC COMPONENTS SECTION for Breakdown)	
13	70021366	4	HEX HD CAPSCREW, 3/8X2-3/4	
13	70021367	4	LOCKNUT, 3/8	
14		Ref	HEX HD CAPSCREW, 3/8X2-1/4, (See HYDRAULIC COMPONENTS SECTION for Breakdown)	
14		Ref	LOCKNUT, 3/8, (See HYDRAULIC COMPONENTS SECTION for Breakdown)	
15	90554065	4	ELBOW, 90	
16	70021980	2	HOSE ASSY, 3/8X73	
17	70020562	2	TEE FITTING	
18	70021981	2	HOSE ASSY, 3/8X46	
19	70021982	2	HOSE ASSY, 3/8X34	
20	70022527	2	ELBOW, 90	
21	7029692	1	MALE QUICK COUPLER	
22	90554062	1	DUST COVER	
23	70021342	1	FEMALE QUICK COUPLER	
24	90554076	1	DUST COVER	
25	90554016	1	MADE IN USA DECAL	
29	N.S.S.	1	SN PLATE	
27	90554017	2	DANGER PINCH POINT DECAL	
28	90554018	1	WARNING HIGH PRESSURE DECAL	

SECTION 3 - ATTACHMENTS

FIGURE 3-14. TRUSS BOOM



PY1540

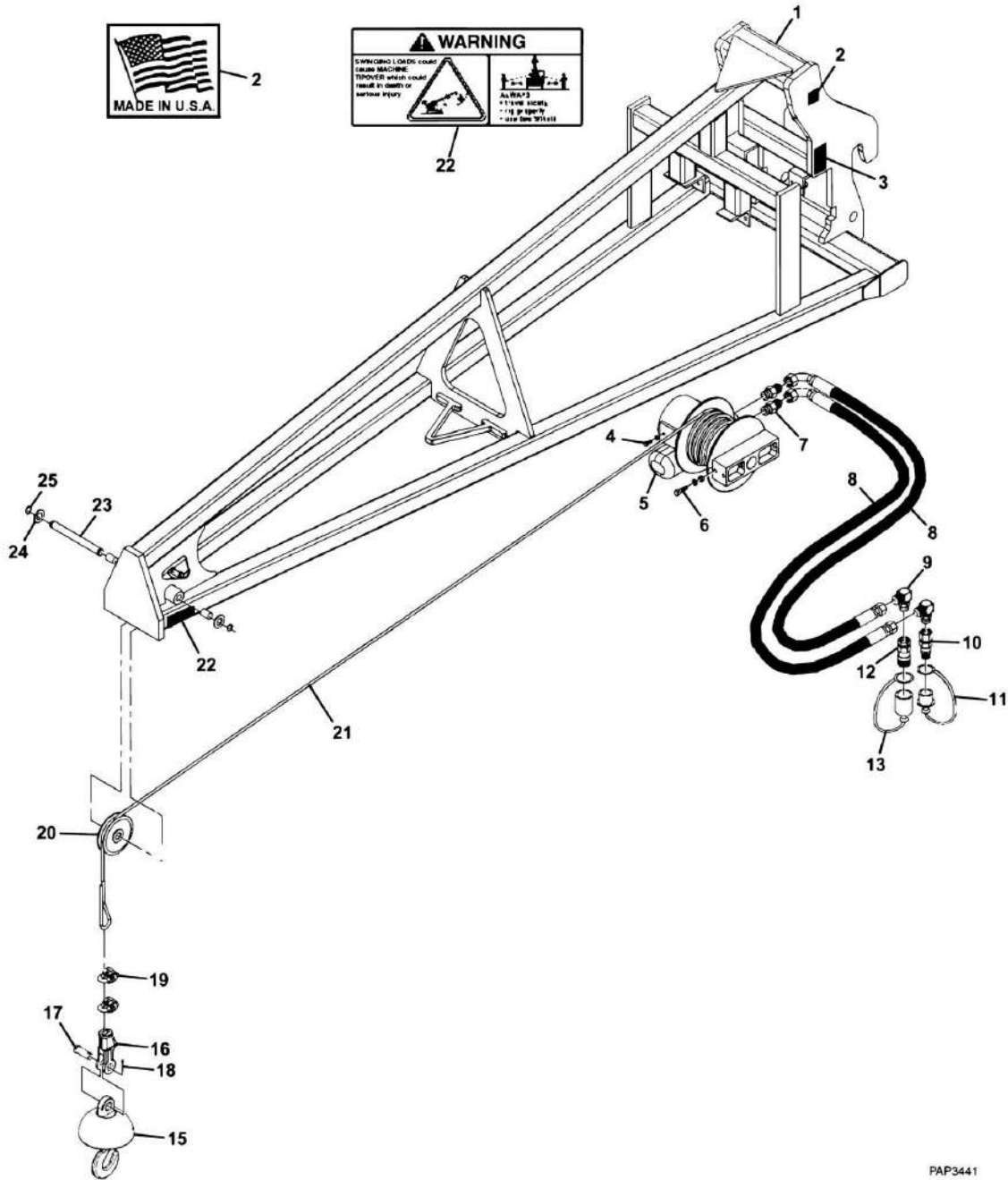
SECTION 3 - ATTACHMENTS

FIGURE 3-14. TRUSS BOOM

ITEM	PART NUMBER	QTY	DESCRIPTION	REV
	1001099902	1	12FT TRUSS BOOM, (includes all items)	B
	1001099901	1	15FT TRUSS BOOM, (includes all items)	B
1	4110422	2	WARNING SWINGING LOADS DECAL	
2	N.S.S.	1	SN PLATE	
3	N.S.S.	1	TRUSS BOOM	

SECTION 3 - ATTACHMENTS

FIGURE 3-15. 12FT TRUSS BOOM WITH WINCH



PAP3441

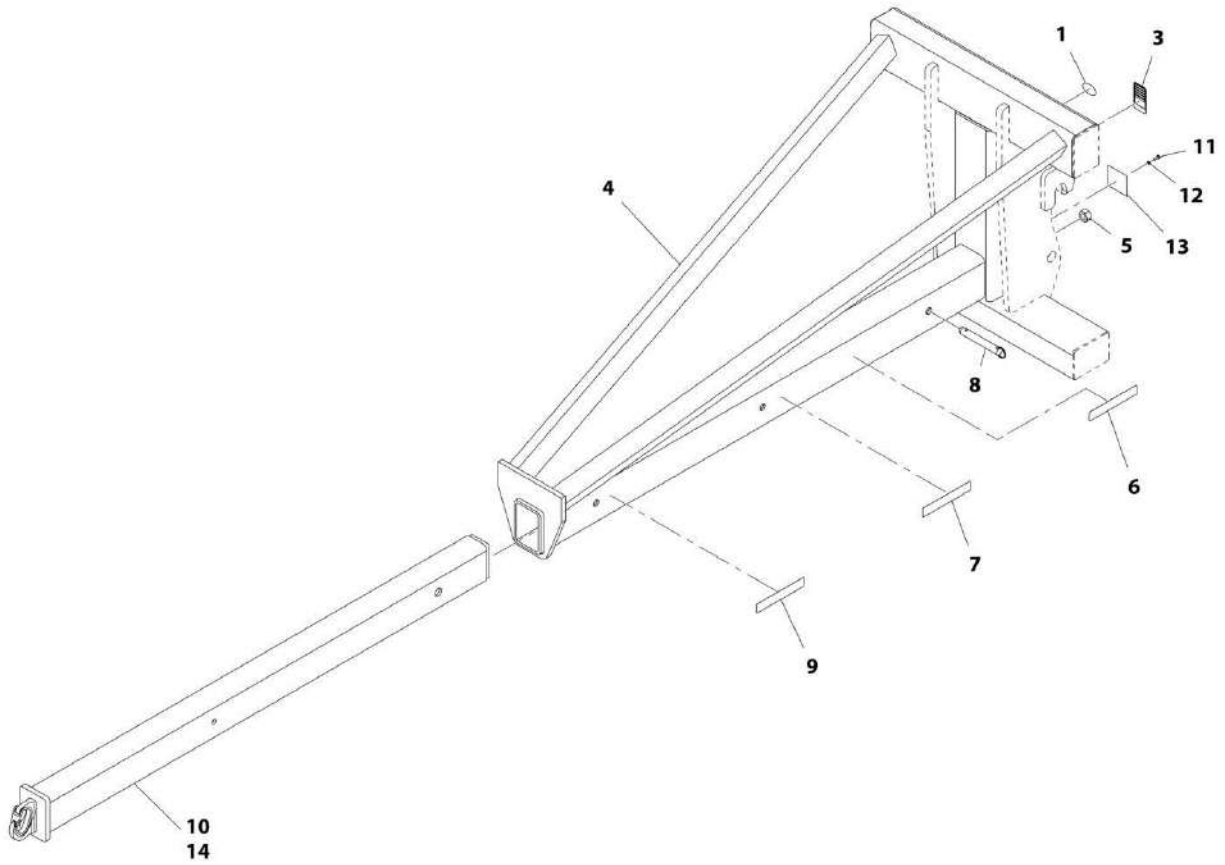
SECTION 3 - ATTACHMENTS

FIGURE 3-15. 12FT TRUSS BOOM WITH WINCH

ITEM	PART NUMBER	QTY	DESCRIPTION	REV
	1001099351	1	12FT TRUSS BOOM WITH WINCH, (includes all items)	G
1	N.S.S.	1	TRUSS BOOM FRAME	
2	90554016	1	MADE IN USA DECAL	
3	N.S.S.	1	SN PLATE	
4	70021349	4	HEX HD CAPSCREW, 3/8X1	
4	90554042	4	LOCKWASHER, 3/8	
5	70021921	1	TRUSS BOOM WINCH MOTOR	
6	N.S.S.	2	HEX HD CAPSCREW, 1/2X1-3/4	
6	90554020	2	LOCKWASHER, 1/2	
6	90554054	2	HEX NUT, 1/2	
7	70021415	2	CONNECTOR	
8	70021977	2	HOSE ASSY, 3/8X32	
9	N.S.S.	2	ELBOW, 90	
10	7029692	1	MALE QUICK COUPLER	
11	90554062	1	DUST CAP	
12	70021342	1	FEMALE QUICK COUPLER	
13	90554076	1	DUST COVER	
14	70021387	2	CLAMP	
15	70021978	1	BALL SWIVEL W/SAFETY HOOK	
16	70021979	1	SOCKET ASSY	
17	N.S.S.	1	PIN	
18	N.S.S.	1	COTTER PIN	
19	N.S.S.	2	CLAMP	
20	70021935	1	PULLEY	
21	70022028	1	CABLE	
22	4110422	2	WARNING SWINGING LOADS DECAL	
23	N.S.S.	1	PIN	
24	N.S.S.	2	FLAT WASHER, 1	
25	N.S.S.	2	SNAP RING	

SECTION 3 - ATTACHMENTS

FIGURE 3-16. ADJUSTABLE TRUSS BOOM



ART_1001176515-B

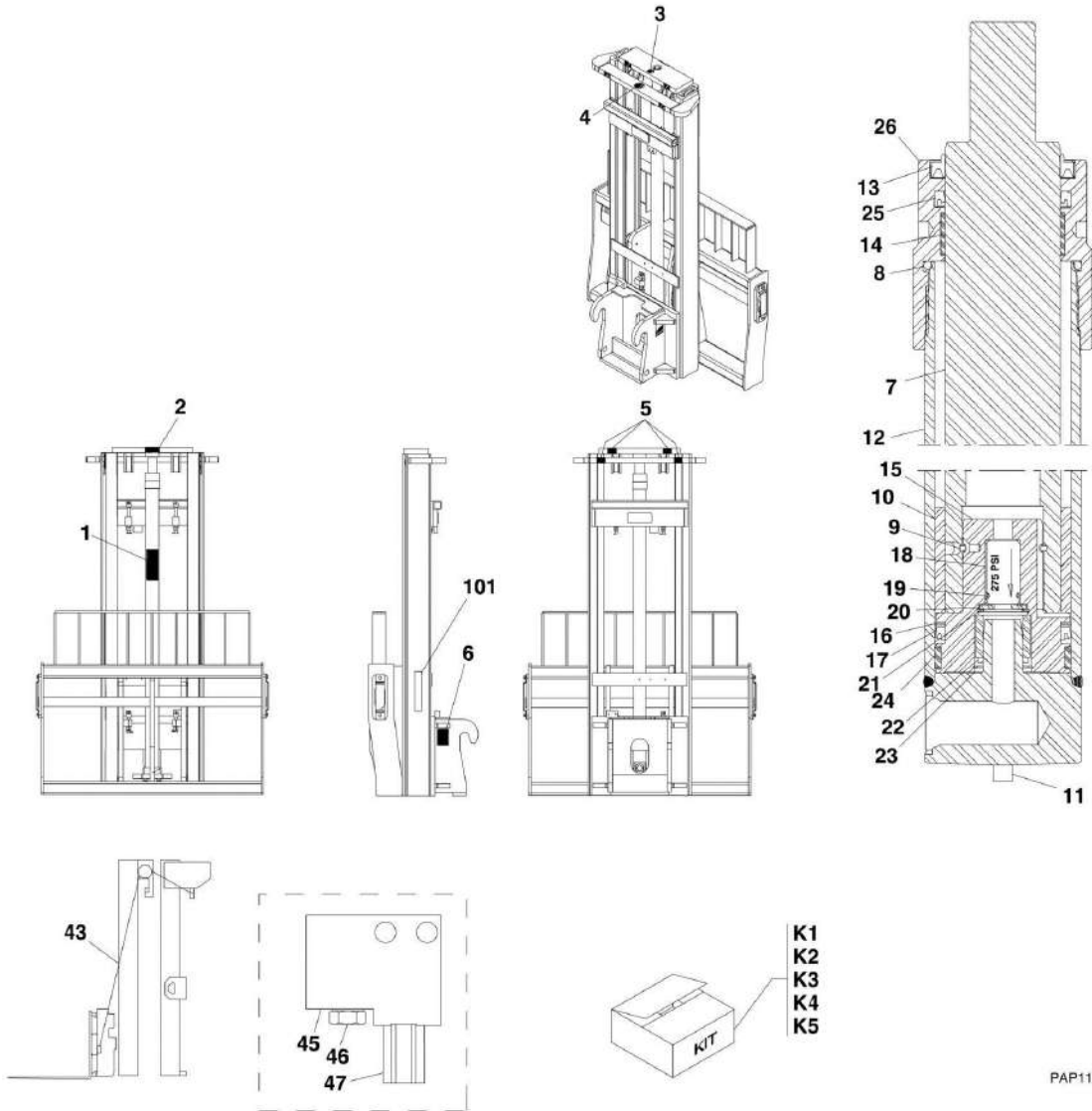
SECTION 3 - ATTACHMENTS

FIGURE 3-16. ADJUSTABLE TRUSS BOOM

ITEM	PART NUMBER	QTY	DESCRIPTION	REV
	1001176515	1	ADJUSTABLE TRUSS BOOM	A
1	90554016	1	DECAL, MADE IN USA	
3	N.S.S.	1	SN PLATE	
4	N.S.S.	1	TRUSS BOOM, ADJUSTABLE	
5	70021440	1	NUT, LOCK	
6	70024062	2	DECAL, 4000 LBS CAP	
7	70026944	2	DECAL, 3000 LBS CAP	
8	70026946	1	PIN	
9	70026699	2	DECAL, 2000 LBS CAP	
10	70026747	1	STOP ROD, BOOM EXTENSION	
11	90554033	1	BOLT, 3/4X1/4	
12	90554034	1	WASHER, LOCK 1/4	
13	70026948	1	PLATE, STOP	
14	70026949	1	BOOM, TELESCOPIC	

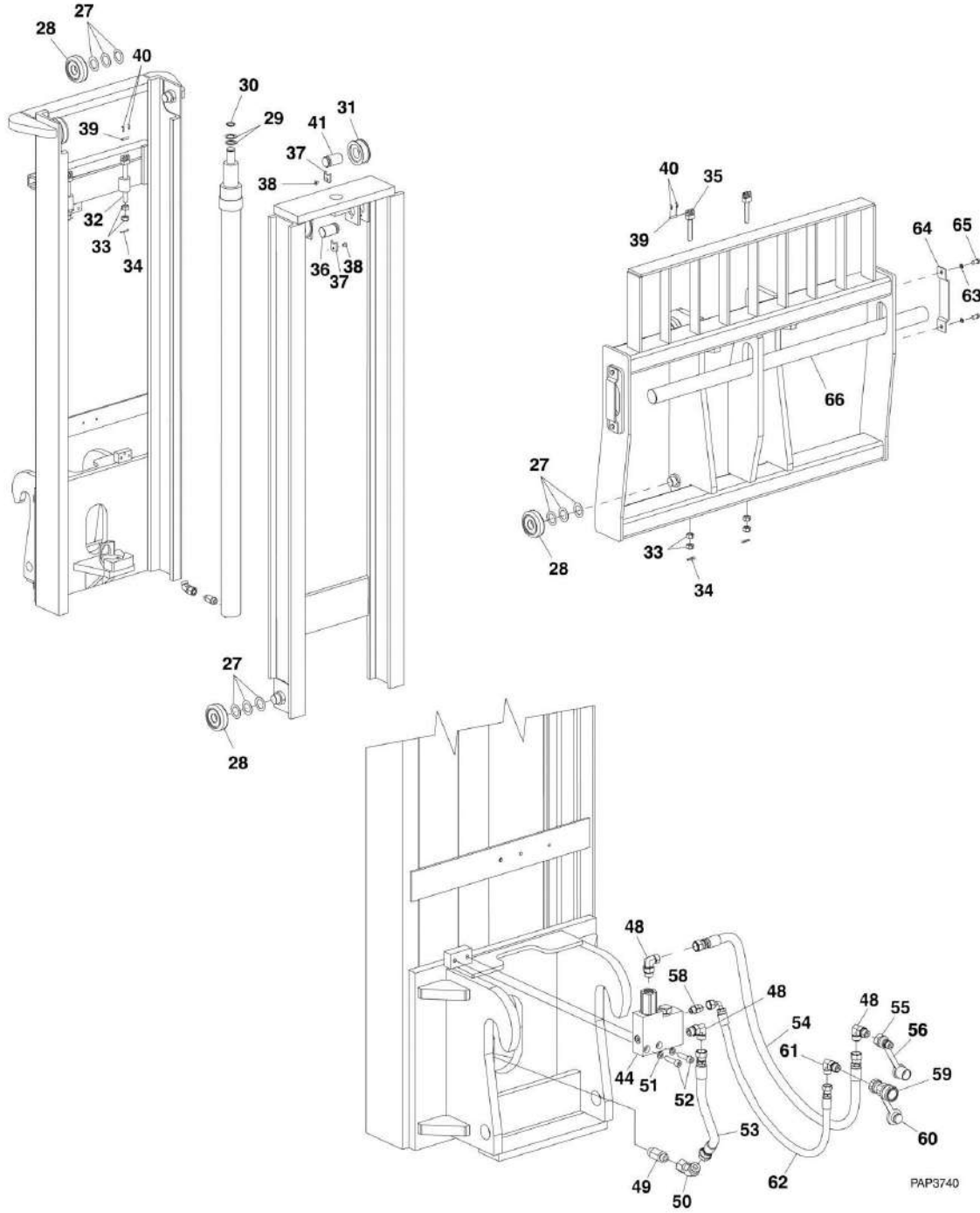
SECTION 3 - ATTACHMENTS

FIGURE 3-17. 8FT STANDARD MAST



PAP11330

SECTION 3 - ATTACHMENTS



SECTION 3 - ATTACHMENTS

FIGURE 3-17. 8FT STANDARD MAST

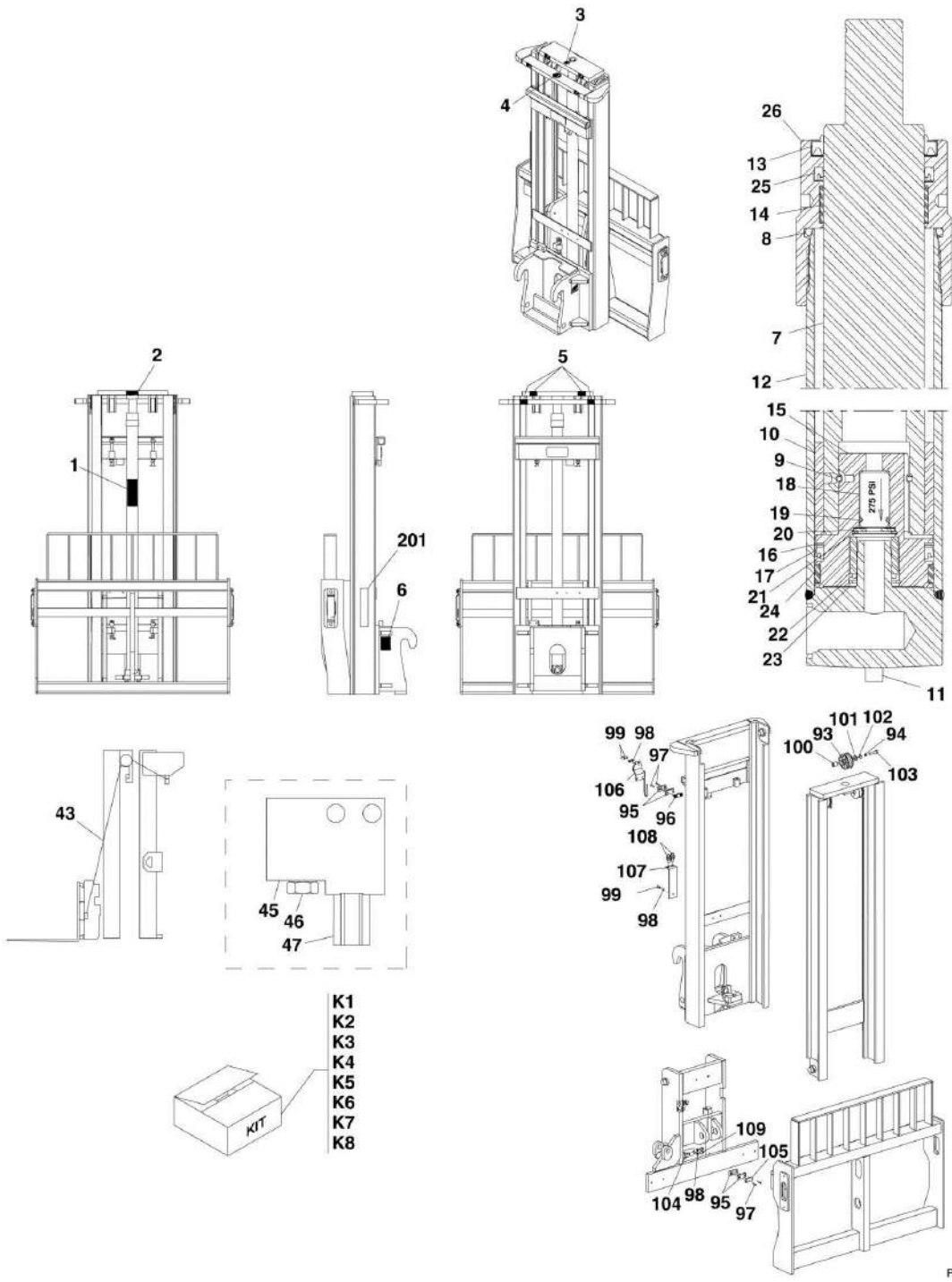
ITEM	PART NUMBER	QTY	DESCRIPTION	REV
	1001108668	1	8FT STANDARD MAST, (4,500lb), (includes all items)	C
1	Kit	1	WARNING DECAL	
2	Kit	1	WARNING DECAL	
3	Kit	1	NO STEP DECAL	
4	Kit	1	NO STEP DECAL	
5	Kit	4	HANDS OFF DECAL	
6	Kit	2	HOSE ROUTING DECAL	
6	70023008	1	MAIN LIFT CYLINDER, (includes items 7 thru 26)	
7	N.S.S.	1	ROD/PLUNGER	
8	Kit	1	O-RING	
9	Kit	1	PULL WIRE	
10	N.S.S.	1	SPACER	
11	N.S.S.	2	ROLL PIN	
12	N.S.S.	1	BARREL	
13	Kit	1	WIPER	
14	Kit	1	BUSHING	
15	N.S.S.	1	PISTON	
16	Kit	1	NYLON RING	
17	Kit	1	PISTON SEAL	
18	Kit	1	CHECK VALVE	
19	Kit	1	O-RING	
20	Kit	1	WASHER	
21	Kit	1	CIRCLIP	
22	N.S.S.	1	SLEEVE	
23	Kit	1	RETAINING RING	
24	Kit	1	WEAR RING	
25	Kit	1	ROD SEAL	
26	70023004	1	RETAINER/GLAND	
27	70023014	24	SHIM	
28	70022987	8	BALL BEARING	
29	Kit	2	WASHER SHIM	
30	70023016	1	SNAP RING	
31	70022969	2	SHEAVE ASSY	
32	70022960	2	CHAIN ANCHOR	
33	70022957	8	NUT, 0.625-18UNF	
34	70022993	4	COTTER PIN	
35	70022995	2	CHAIN ANCHOR	
36	70022984	1	SHEAVE SHAFT	
37	70022970	2	RETAINER BAR	
38	70023003	2	FLAT HD CAPSCREW	
39	70022994	4	CHAIN ANCHOR PIN	
40	70022992	8	COTTER PIN	
41	70022985	1	SHEAVE SHAFT	
43	70023009	2	LIFT CHAIN	
44	70022932	1	PO CHECK VALVE ASSY, (includes items 45 thru 47)	
45	N.S.S.	1	MANIFOLD	
46	70022931	1	PO CHECK VALVE CARTRIDGE	
47	70023010	1	PO CHECK	
48	70022934	3	FITTING, 90	
49	70022936	1	FLOW LIMITER	

SECTION 3 - ATTACHMENTS

ITEM	PART NUMBER	QTY	DESCRIPTION	REV
50	70022937	1	FITTING, 45	
51	70022949	2	LOCKWASHER, M10	
52	70022950	2	HEX SOCKET CAPSCREW	
53	70022942	1	HOSE ASSY	
54	70022952	1	HOSE ASSY	
55	91403414	1	MALE QUICK DISCONNECT COUPLING	
56	91043126	1	DUST CAP	
58	70022939	1	STRAIGHT FITTING, 6	
59	91403413	1	FEMALE QUICK DISCONNECT COUPLING	
60	91043125	1	DUST PLUG	
61	70022935	1	STRAIGHT THREAD ELBOW	
62	70022946	1	HOSE ASSY	
63	70022949	4	LOCKWASHER, M10	
64	70022980	2	FORK PIN KEEPER	
65	70022998	4	CAPSCREW, M10X20	
66	70022990	1	FORK PIN	
101	N.S.S.	1	SN PLATE	
K1	70023925	1	DECAL KIT, (includes items 1 thru 6)	
K2	70023005	1	MAIN LIFT CYLINDER SEAL KIT, (includes items 8, 9, 13, 14, 16, 17, 19, 21 & 23 thru 25)	
K3	70023006	1	CHECK VALVE KIT, (includes items 18 thru 21 & 23)	
K4	70023007	1	SHIM KIT	
K5	70023015	1	MAST COMMON PARTS KIT, (includes items 27 thru 41)	

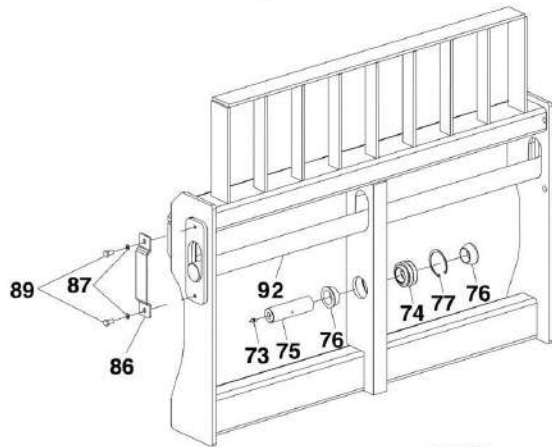
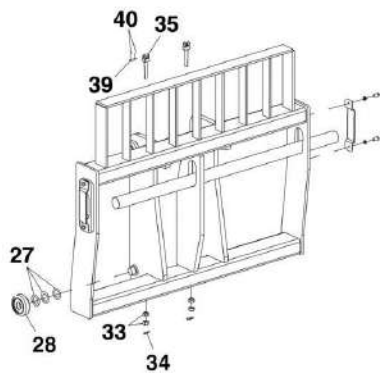
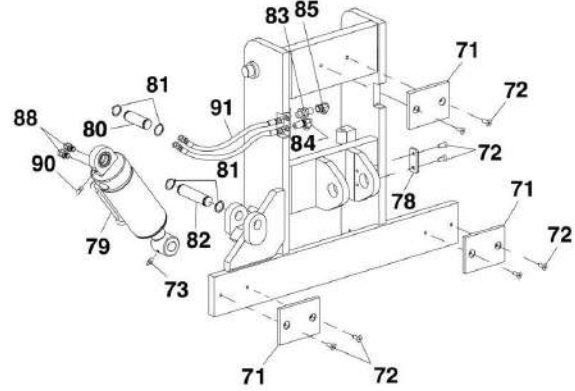
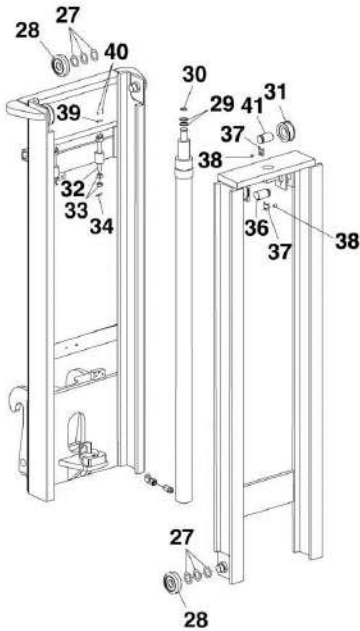
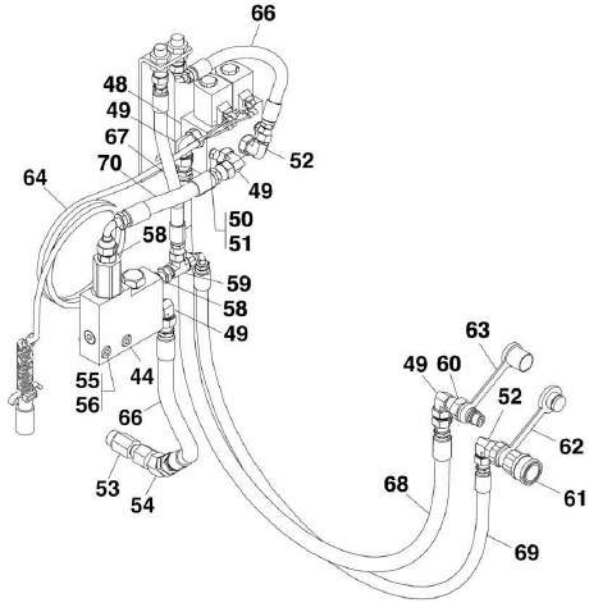
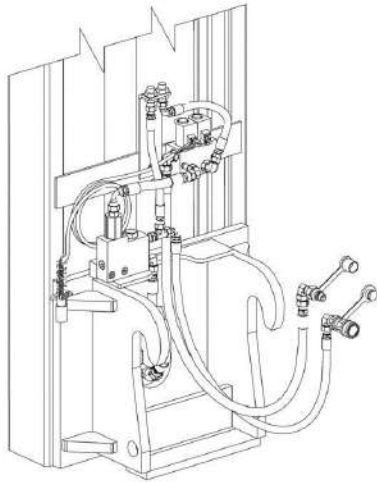
SECTION 3 - ATTACHMENTS

FIGURE 3-18. 8FT SIDE TILT ELECTRIC MAST



PAP11320

SECTION 3 - ATTACHMENTS



PAP3720

SECTION 3 - ATTACHMENTS

FIGURE 3-18. 8FT SIDE TILT ELECTRIC MAST

ITEM	PART NUMBER	QTY	DESCRIPTION	REV
	1001108669	1	8FT SIDE TILT ELECTRIC MAST, (includes all items)	C
1	Kit	1	WARNING DECAL	
2	Kit	1	WARNING DECAL	
3	Kit	1	NO STEP DECAL	
4	Kit	1	NO STEP DECAL	
5	Kit	4	HANDS OFF DECAL	
6	1001111190	2	HOSE ROUTING DECAL	
6	70023008	1	MAIN LIFT CYLINDER, (includes items 7 thru 26)	
7	N.S.S.	1	ROD/PLUNGER	
8	Kit	1	O-RING	
9	Kit	1	PULL WIRE	
10	N.S.S.	1	SPACER	
11	N.S.S.	2	ROLL PIN	
12	N.S.S.	1	BARREL	
13	Kit	1	WIPER	
14	Kit	1	BUSHING	
15	N.S.S.	1	PISTON	
16	Kit	1	NYLON RING	
17	Kit	1	PISTON SEAL	
18	Kit	1	CHECK VALVE	
19	Kit	1	O-RING	
20	Kit	1	WASHER	
21	Kit	1	CIRCLIP	
22	N.S.S.	1	SLEEVE	
23	Kit	1	RETAINING RING	
24	Kit	1	WEAR RING	
25	Kit	1	ROD SEAL	
26	70023004	1	RETAINER/GLAND	
27	70023014	24	SHIM	
28	70022987	8	BALL BEARING	
29	Kit	2	WASHER SHIM	
30	70023016	1	SNAP RING	
31	70022969	2	SHEAVE ASSY	
32	70022960	2	CHAIN ANCHOR	
33	70022957	8	NUT, 0.625-18UNF	
34	70022993	4	COTTER PIN	
35	70022995	2	CHAIN ANCHOR	
36	70022984	1	SHEAVE SHAFT	
37	70022970	2	RETAINER BAR	
38	70023003	2	FLAT HD CAPSCREW	
39	70022994	4	CHAIN ANCHOR PIN	
40	70022992	8	COTTER PIN	
41	70022985	1	SHEAVE SHAFT	
43	70023009	2	LIFT CHAIN	
44	70022932	1	PO CHECK VALVE ASSY, (includes items 45 thru 47)	
45	N.S.S.	1	MANIFOLD	
46	70022931	1	PO CHECK VALVE CARTRIDGE	
47	70023010	1	PO CHECK	
48	70022933	1	SOLENOID VALVE BANK	
49	70022934	4	FITTING, 90	

SECTION 3 - ATTACHMENTS

ITEM	PART NUMBER	QTY	DESCRIPTION	REV
50	70022948	2	LOCKWASHER, M8	
51	70022951	2	CAPSCREW, M8X60	
52	70022935	2	STRAIGHT THREAD ELBOW	
53	70022936	1	FLOW LIMITER	
54	70022937	1	FITTING, 45	
55	70022949	2	LOCKWASHER, M10	
56	70022950	2	HEX SOCKET CAPSCREW	
57	70022938	1	STRAIGHT FITTING	
58	70022939	1	STRAIGHT FITTING, #6	
59	70022940	1	TEE FITTING	
60	91403414	1	MALE QUICK DISCONNECT COUPLING	
61	91403413	1	FEMALE QUICK DISCONNECT COUPLING	
62	91043125	1	DUST PLUG	
63	91043126	1	DUST CAP	
64	70022941	1	HARNESS	
65	70022942	1	HOSE ASSY	
66	70022943	1	HOSE ASSY	
67	70022944	1	HOSE ASSY	
68	70022945	1	HOSE ASSY	
69	70022946	1	HOSE ASSY	
70	70022947	1	HOSE ASSY	
71	70022972	3	WEAR PAD	
72	70022971	8	FLAT HD CAPSCREW	
73	70023001	2	GREASE FITTING	
74	70022975	1	BEARING	
75	70022973	1	PIVOT SHAFT	
76	70022974	2	BEVELED SPACER	
77	70022988	1	RETAINING RING	
78	70022976	1	RETAINER PLATE	
79	2716143	1	TILT CYLINDER	
80	70022977	1	PIN, 128.1mm	
81	70023016	4	SNAP RING, 1-1/4	
82	70022978	1	PIN, 128.1mm	
83	70023000	1	BULKHEAD UNION, (with locknut)	
84	70022999	1	BULKHEAD UNION ELBOW	
85	70022982	1	STRAIGHT THREAD ELBOW	
86	70022980	2	FORK PIN KEEPER	
87	70022949	4	LOCKWASHER, M10	
88	70022991	2	STRAIGHT THREAD ELBOW, 90	
89	70022998	4	CAPSCREW, M10X20	
90	70022966	1	GREASE FITTING	
91	70022979	2	HOSE ASSY	
92	70022990	1	FORK PIN	
93	70022965	1	SHEAVE	
94	70022997	1	LOCKWASHER, M12	
95	70022967	4	HOSE CLAMP	
96	70022962	1	BAR ASSY	
97	70023002	4	CAPSCREW, M6X25	
98	70022949	5	LOCKWASHER, M10	
99	70022958	3	CAPSCREW, M10X20	
100	70022961	1	SHAFT	

SECTION 3 - ATTACHMENTS

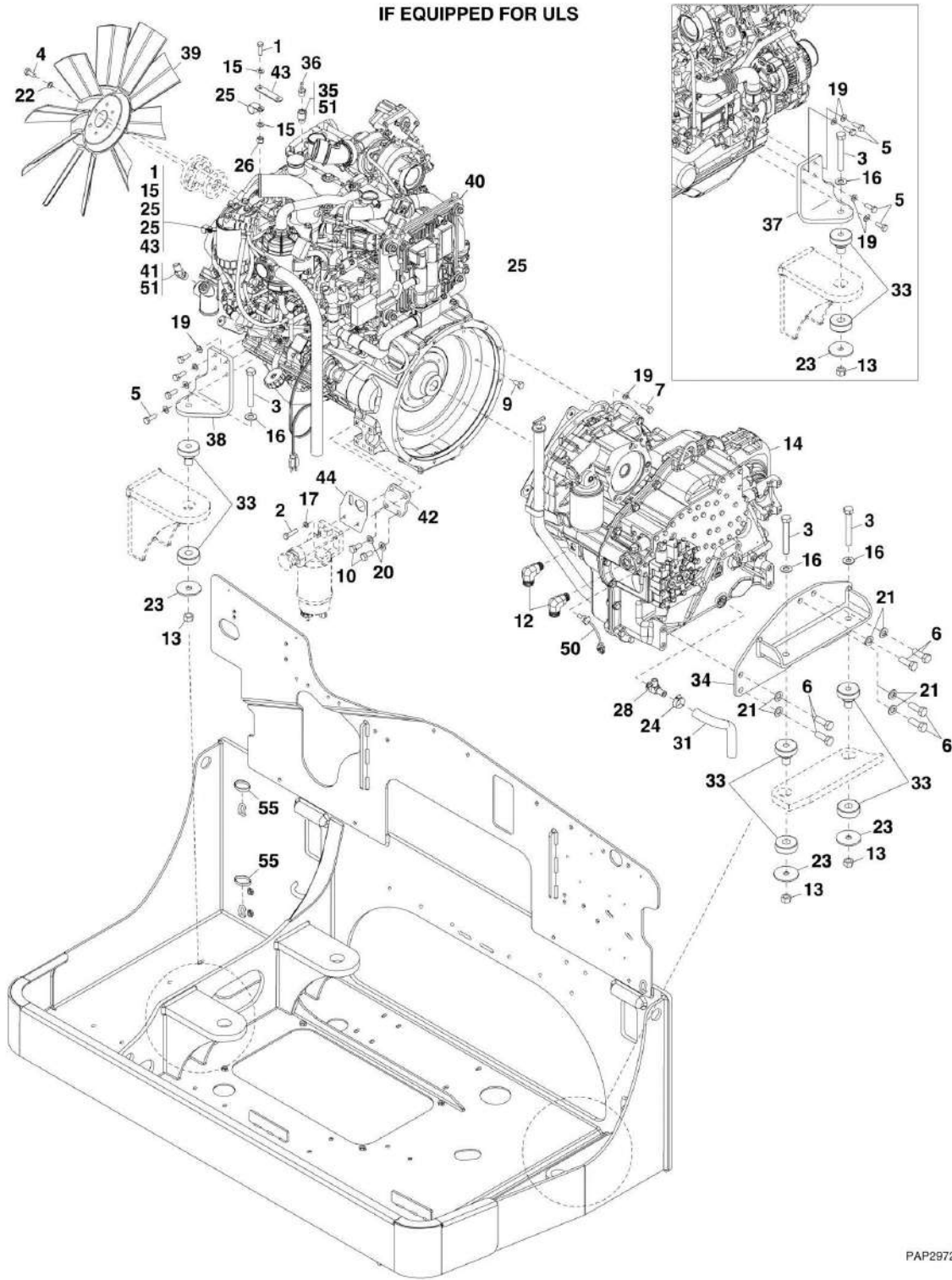
ITEM	PART NUMBER	QTY	DESCRIPTION	REV
101	70022959	1	WASHER	
102	70022989	1	RETAINING RING	
103	70022964	1	CAPSCREW, M12X55	
104	70022981	1	IHR BRACKET	
105	70022968	1	HOSE CLAMP BAR	
106	70023011	1	IHR BRACKET	
107	70022983	1	TERMINATION BRACKET	
108	70023000	2	BULKHEAD UNION AND LOCKNUT	
109	70022996	3	CAPSCREW, M10X16	
110	70022963	2	HOSE ASSY, (not shown)	
201	N.S.S.	1	SN PLATE	
K1	70023925	1	DECAL KIT, (includes items 1 thru 6)	
K2	70023005	1	MAIN LIFT CYLINDER SEAL KIT, (includes items 8, 9, 13, 14, 16, 17, 19, 21 & 23 thru 25)	
K3	70023006	1	CHECK VALVE KIT, (includes items 18 thru 21 & 23)	
K4	70023007	1	SHIM KIT	
K5	70023015	1	MAST COMMON PARTS KIT, (includes items 27 thru 41)	
K6	8035831	1	TILT CYLINDER SEAL KIT	
K7	70023013	1	IHR COMMON PARTS KIT, (includes items 93 thru 109)	
K8	70022986	1	IHR KIT, (includes items 93 thru 110)	

SECTION 4 - ENGINE AND ATTACHING PARTS

SECTION 4 - ENGINE AND ATTACHING PARTS

SECTION 4 - ENGINE AND ATTACHING PARTS

FIGURE 4-1. ENGINE INSTALLATION IF EQUIPPED FOR ULS



PAP29720

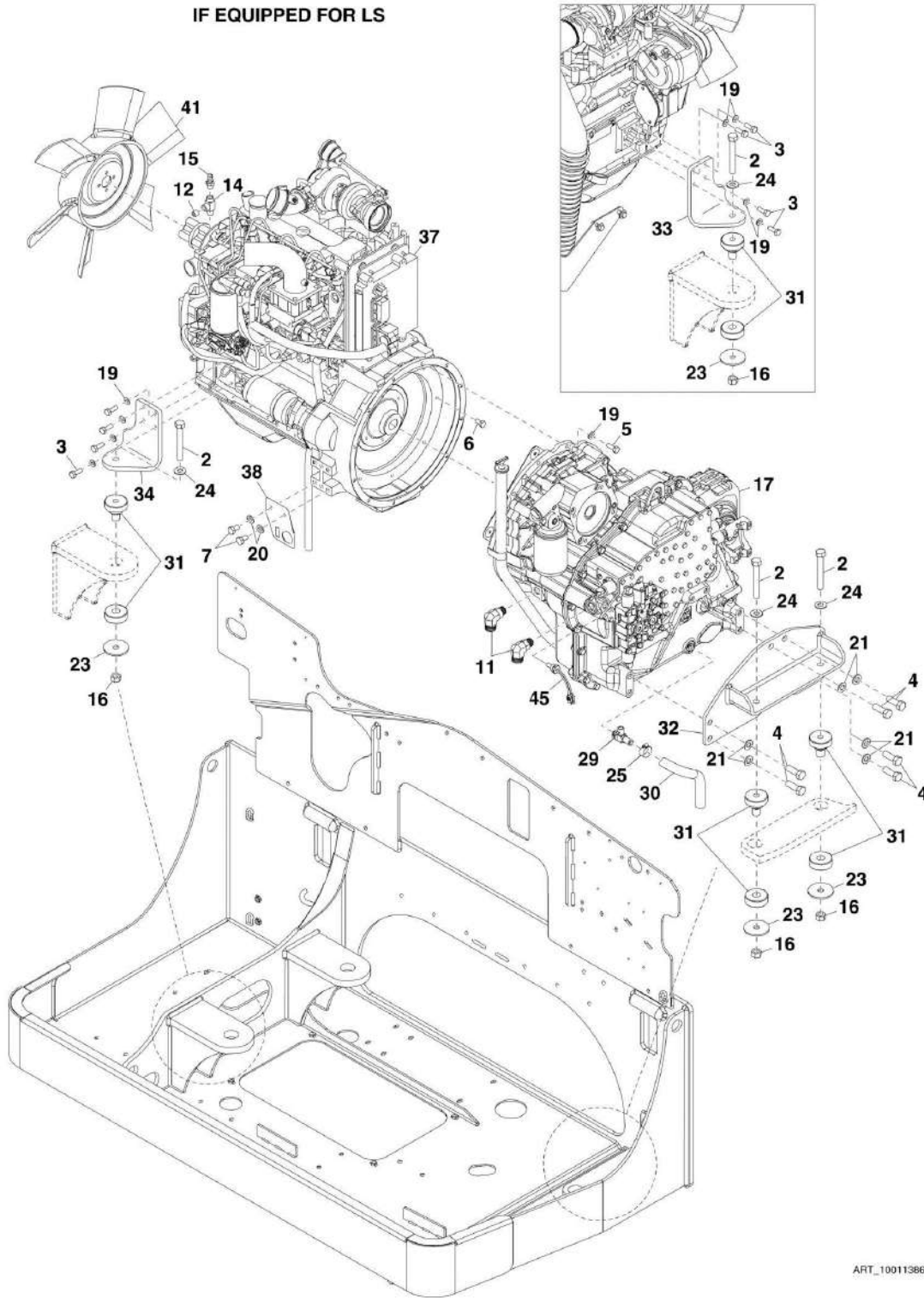
SECTION 4 - ENGINE AND ATTACHING PARTS

FIGURE 4-1. ENGINE INSTALLATION IF EQUIPPED FOR ULS

ITEM	PART NUMBER	QTY	DESCRIPTION	REV
	1001131859	Ref	ENGINE INSTALLATION, (if equipped for ULS), (not available to order, see items 1 thru 55 for service)	J
1	0641607	2	HEX HD CAPSCREW, 3/8-16X7/8	
2	0641612	2	HEX HD CAPSCREW, 3/8-16X1-1/2, GR5	
3	0682036	4	HEX HD CAPSCREW, 5/8-11X4-1/2, GR8	
4	0701012	6	HEX HD CAPSCREW, M10X25, GR8.8	
5	0701014	8	HEX HD CAPSCREW, M10X30, GR8.8	
6	0701617	6	HEX HD CAPSCREW, M16X45, GR8.8	
7	0711014	12	HEX HD CAPSCREW, M10X30, GR10.9	
9	0761010	4	HEX HD CAPSCREW, M10X20, GR8.8	
10	0761212	2	HEX HD CAPSCREW, M12X25, GR8.8	
12	2131210	2	ADAPTER, 90, (includes o-ring)	
13	3272001	4	HEX LOCKNUT, 5/8-11, GR8	
14		Ref	TRANSMISSION, (See DRIVE TRAIN SECTION for Breakdown)	
15	4711600	2	WASHER, 3/8	
16	8307107	4	WASHER, 3/8	
17	4761600	2	LOCKWASHER, 3/8	
19	4812000	20	WASHER, 10mm	
20	4812100	2	WASHER, 12mm	
21	4812300	6	WASHER, 16mm	
22	4832000	6	LOCKWASHER, 10mm	
23	7300435	4	REBOUND WASHER	
24	8405007	1	GEAR CLAMP, 1-1/4	
25	8406303	1	TUBE CLIP, 1-3/16	
26	3311605	1	HEX LOCKNUT, 3/8-16, GR2	
28	1001097053	1	OIL DRAIN VALVE	
31	1001109536	1	DRAIN HOSE	
33	1001121309	4	MOUNT	
34	1001121883	1	TRANSMISSION MOUNTING BRACKET	
35	1001122801	1	ADAPTER, STRAIGHT	
36	1001122807	1	HOSE BARB COUPLING	
37	1001129578	1	LH FRONT ENGINE BRACKET	
38	1001129579	1	RH FRONT ENGINE BRACKET	
39	1001129824	1	SUCTION FAN	
40		Ref	ENGINE, (See ENGINE for Breakdown)	
41	1001133871	1	ELBOW, 45	
42	1001134932	1	FUEL FILTER BRACKET	
43	1001135585	1	COOLANT FILL HOSE BRACKET	
44	1001135602	1	ELECTRICAL DIAGNOSTIC BRACKET	
50	1001147072	1	OIL TEMPERATURE SWITCH	
51	0100020	AR	LOCTITE 567	
55	4240018	2	PLASTIC TIE STRAP	

SECTION 4 - ENGINE AND ATTACHING PARTS

FIGURE 4-2. ENGINE INSTALLATION IF EQUIPPED FOR LS



SECTION 4 - ENGINE AND ATTACHING PARTS

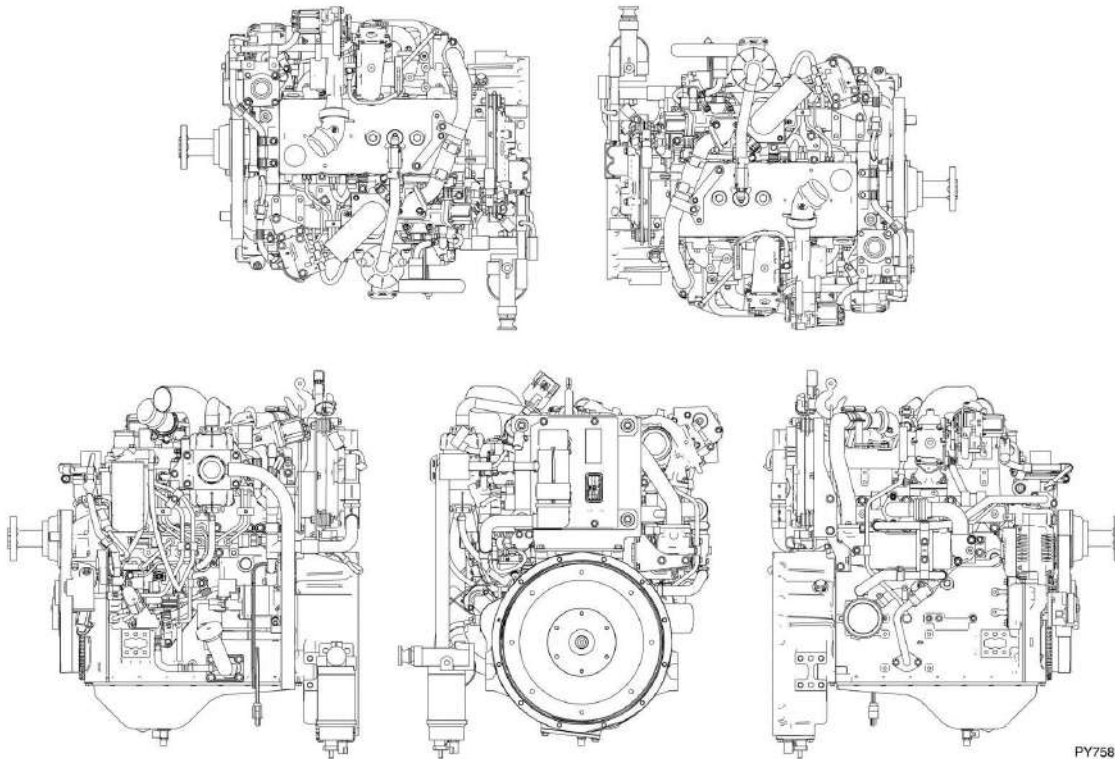
FIGURE 4-2. ENGINE INSTALLATION IF EQUIPPED FOR LS

ITEM	PART NUMBER	QTY	DESCRIPTION	REV
	1001138613	Ref	ENGINE INSTALLATION, (if equipped for LS), (not available to order, see items 2 thru 45 for service)	G
2	0682036	4	HEX HD CAPSCREW, 5/8-11X4-1/2, GR8	
3	0701014	8	HEX HD CAPSCREW, M10X30, GR8.8	
4	0701617	6	HEX HD CAPSCREW, M16X45, GR8.8	
5	0711014	12	HEX HD CAPSCREW, M10X30, GR10.9	
6	0761010	5	HEX HD CAPSCREW, M10X20, GR8.8	
7	0761210	2	HEX HD CAPSCREW, M12X20, GR8.8	
11	2131210	2	ADAPTER, 90, (includes o-ring)	
12	2200233	1	DRAIN PLUG	
14	2220444	1	TEE FITTING	
15	2220806	1	STRAIGHT FITTING	
16	3272001	4	HEX LOCKNUT, 5/8-11, GR8	
17		Ref	TRANSMISSION, (See DRIVE TRAIN SECTION for Breakdown)	
19	4812000	20	WASHER, 10mm	
20	4812100	2	WASHER, 12mm	
21	4812300	6	WASHER, 16mm	
23	7300435	4	REBOUND WASHER	
24	8307107	4	WASHER, 3/8	
25	8405007	1	GEAR CLAMP, 1-1/4	
29	1001097053	1	OIL DRAIN VALVE	
30	1001109536	1	DRAIN HOSE	
31	1001121309	4	MOUNT	
32	1001121883	1	TRANSMISSION MOUNTING BRACKET	
33	1001129578	1	LH FRONT ENGINE BRACKET	
34	1001129579	1	RH FRONT ENGINE BRACKET	
37		Ref	ENGINE, (See ENGINE for Breakdown)	
38	1001135602	1	ELECTRICAL DIAGNOSTIC BRACKET	
41	1001138615	1	SUCTION FAN	
45	1001147072	1	OIL TEMPERATURE SWITCH	

SECTION 4 - ENGINE AND ATTACHING PARTS

FIGURE 4-3. ENGINE IF EQUIPPED FOR ULS (Prior to SN 0160069037)

IF EQUIPPED FOR ULS



PY7581

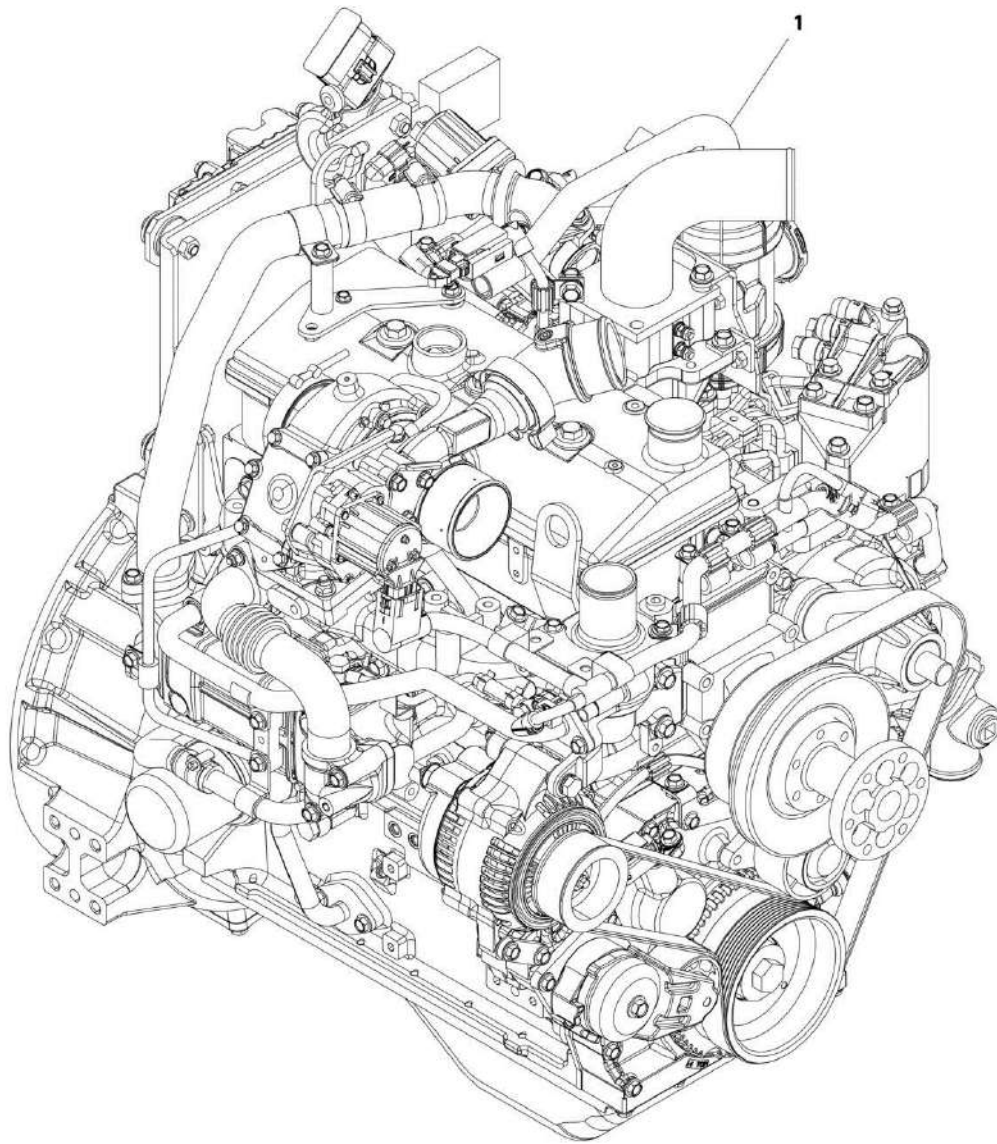
SECTION 4 - ENGINE AND ATTACHING PARTS

FIGURE 4-3. ENGINE IF EQUIPPED FOR ULS (Prior to SN 0160069037)

ITEM	PART NUMBER	QTY	DESCRIPTION	REV
	1001131807	1	CUMMINS ENGINE, 3.3L, (if equipped for ULS), (includes all items)	D
	70024274	1	FAN BELT	
	70024385	1	FAN SPACER	
	70024276	1	ALTERNATOR	
	70024277	1	STARTER	
	70024278	1	OIL FILTER ELEMENT	
	70021854	1	DIPSTICK	
	70023793	1	DIPSTICK TUBE	
	70022843	1	OIL FILL CAP	
	70024281	1	THERMOSTAT	
	70023950	1	PRIMARY FUEL FILTER ASSY, (includes filter, bowl and head)	
	70021851	1	FUEL/WATER SEPARATOR FILTER ELEMENT	
	70022846	1	SECONDARY FUEL FILTER ELEMENT	
	70022844	1	OIL PAN PLUG	
	70024284	1	CRANKCASE VENT FILTER ELEMENT	
	70023807	1	AIR INTAKE HEATER	
	70023791	1	AIR INTAKE HEATER GASKET	
	70023794	1	OIL PAN	
	70022845	1	OIL PAN PLUG GASKET	

SECTION 4 - ENGINE AND ATTACHING PARTS

FIGURE 4-4. ENGINE IF EQUIPPED FOR ULS (SN 0160069037 to Present)



ART_1001182931-A

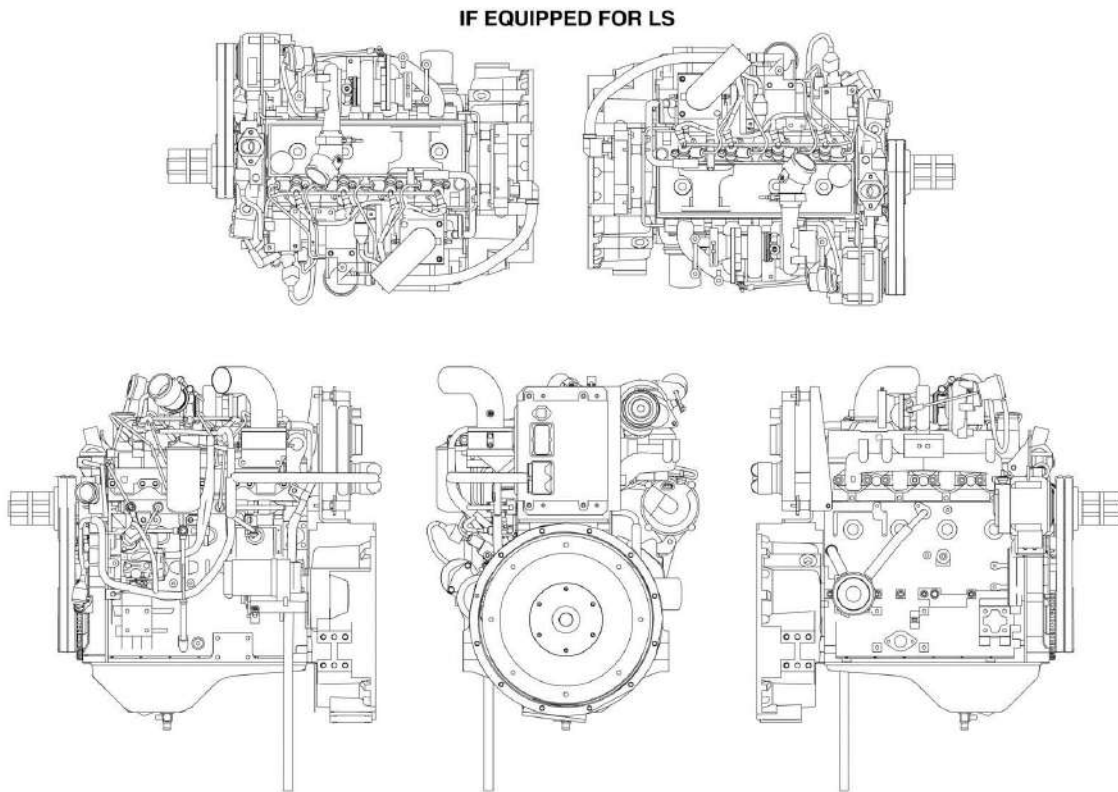
SECTION 4 - ENGINE AND ATTACHING PARTS

FIGURE 4-4. ENGINE IF EQUIPPED FOR ULS (SN 0160069037 to Present)

ITEM	PART NUMBER	QTY	DESCRIPTION	REV
	1001182931	1	CUMMINS ENGINE, 3.3L, (if equipped for ULS)	A
	70024274	1	FAN BELT	
	70024385	1	FAN SPACER	
	70024276	1	ALTERNATOR	
	70024277	1	STARTER	
	8036204	1	OIL FILTER ELEMENT	
	70021854	1	DIPSTICK	
	70023793	1	DIPSTICK TUBE	
	70022843	1	OIL FILL CAP	
	70024281	1	THERMOSTAT	
	70023950	1	PRIMARY FUEL FILTER ASSY, (includes filter, bowl and head)	
	70021851	1	FUEL/WATER SEPARATOR FILTER ELEMENT	
	70022846	1	SECONDARY FUEL FILTER ELEMENT	
	70022844	1	OIL PAN PLUG	
	70027104	1	CRANKCASE VENT FILTER ELEMENT	
	70023807	1	AIR INTAKE HEATER	
	70023791	1	AIR INTAKE HEATER GASKET	
	70023794	1	OIL PAN	
	70022845	1	OIL PAN PLUG GASKET	

SECTION 4 - ENGINE AND ATTACHING PARTS

FIGURE 4-5. ENGINE IF EQUIPPED FOR LS



PY7591

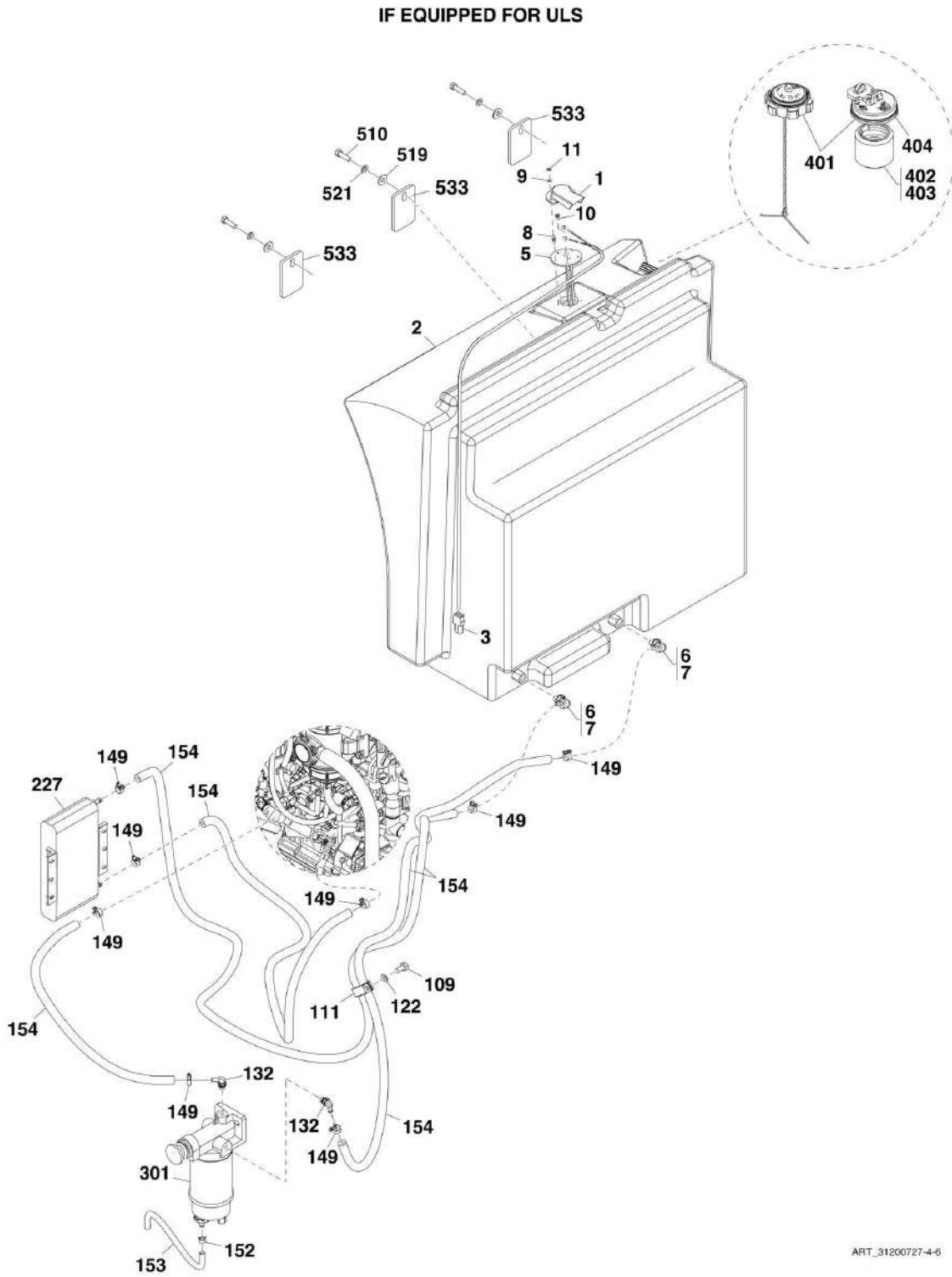
SECTION 4 - ENGINE AND ATTACHING PARTS

FIGURE 4-5. ENGINE IF EQUIPPED FOR LS

ITEM	PART NUMBER	QTY	DESCRIPTION	REV
	1001134415	1	CUMMINS ENGINE, 3.3L, (if equipped for LS), (includes all items)	C
	70024285	1	FAN BELT	
	70024385	1	FAN SPACER	
	70021849	1	ALTERNATOR	
	70021850	1	STARTER	
	8036204	1	OIL FILTER ELEMENT	
	70021854	1	DIPSTICK	
	70023565	1	DIPSTICK TUBE	
	70022842	1	OIL FILL CAP	
	70024286	1	THERMOSTAT	
	70022846	1	SECONDARY FUEL FILTER ELEMENT	
	70022844	1	OIL PAN PLUG	

SECTION 4 - ENGINE AND ATTACHING PARTS

FIGURE 4-6. FUEL TANK AND LINES IF EQUIPPED FOR ULS



ART_31200727-4-6

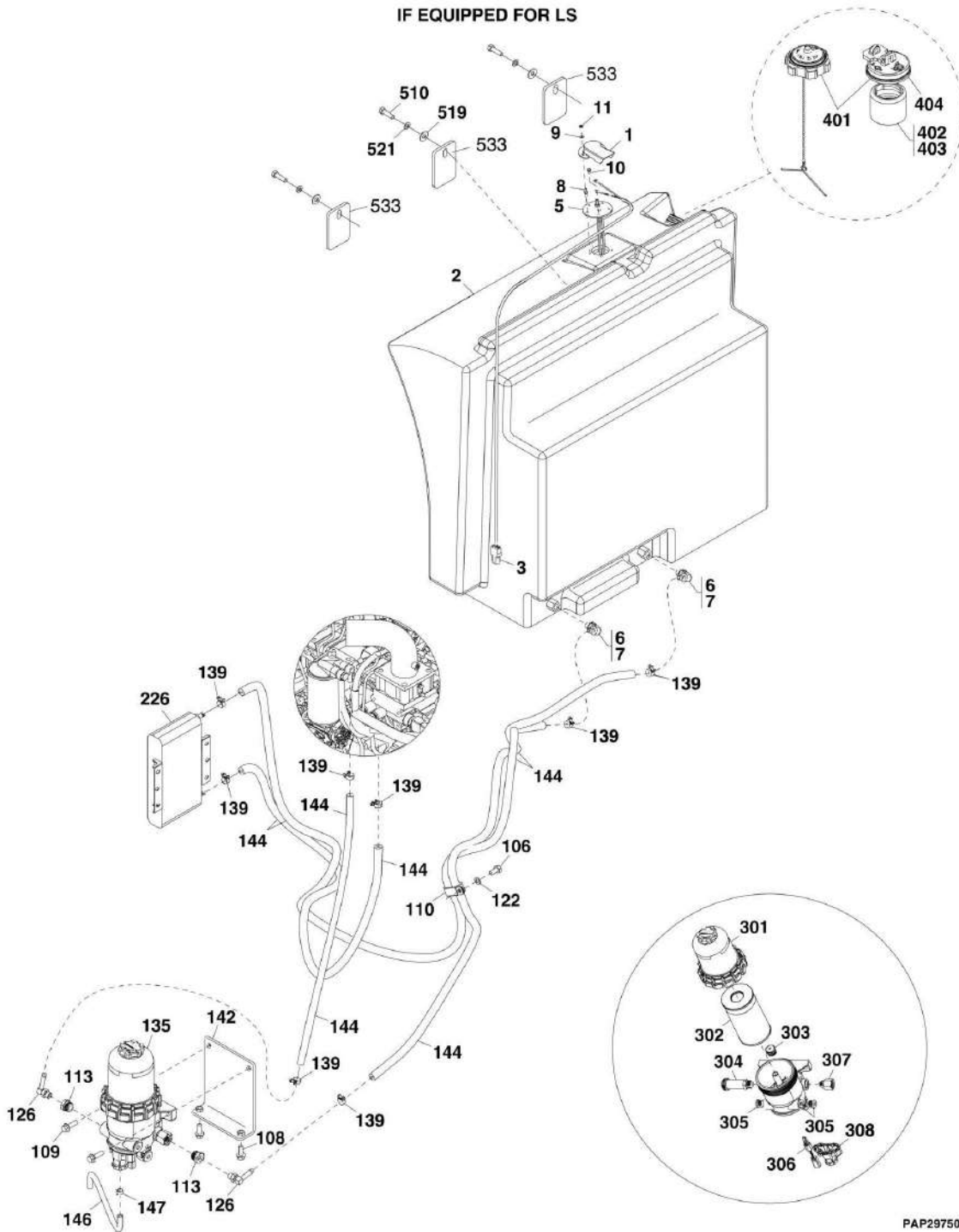
SECTION 4 - ENGINE AND ATTACHING PARTS

FIGURE 4-6. FUEL TANK AND LINES IF EQUIPPED FOR ULS

ITEM	PART NUMBER	QTY	DESCRIPTION	REV
	1001130780	Ref	FUEL TANK ASSY, (if equipped for ULS), (not available to order, see items 1 thru 11 for service)	C
1	1671313	1	FUEL SENDER COVER	
2	1001134413	1	FUEL TANK	
3	4923452	1	FUEL SENDER HARNESS	
5	1001148837	1	FUEL LEVEL SENDER	
6	1001130776	2	HOSE BARB ADAPTER	
7	0100093	AR	LOCTITE 30512	
8	1001148847	3	ADAPTER	
9	4811600	3	WASHER, 5mm	
10	0731003	2	HEX HD MACHINE SCREW, 10-32X3/8	
11	1001149344	3	SPECIAL NUT, 8-32	
109	0761010	1	HEX HD CAPSCREW, M10X20, GR8.8	
111	1321716	1	DOUBLE P-CLAMP	
122	4832000	1	LOCKWASHER, 10mm	
132	1001182094	2	BANJO ADAPTER, M14X3/8	
149	1001136975	8	FUEL HOSE CLAMP	
152	1001144802	1	HOSE CLAMP	
153	1001080998	1	FUEL FILTER DRAIN HOSE	
154	1001141400	323 in	FUEL HOSE	
227		Ref	FUEL RADIATOR, (See RADIATOR AND COOLING INSTALLATION for Breakdown)	
301		Ref	PRIMARY FUEL FILTER ASSY, (See ENGINE for Breakdown)	
401	1001093641	1	FUEL CAP, NON-LOCKING	
401	1001102657	1	FUEL CAP, LOCKABLE, (includes items 402 thru 404)	A
402	0100093	AR	LOCTITE 30512	
403	1001001422	1	FILLER NECK TANK ADAPTER	
404	1001080707	1	LOCKING FUEL CAP	
510	0641608	3	HEX HD CAPSCREW, 3/8-16X1	
519	4711600	3	WASHER, 3/8	
521	4761600	3	LOCKWASHER, 3/8	
533	1001150364	3	FUEL TANK HOLD DOWN	

SECTION 4 - ENGINE AND ATTACHING PARTS

FIGURE 4-7. FUEL TANK AND LINES IF EQUIPPED FOR LS



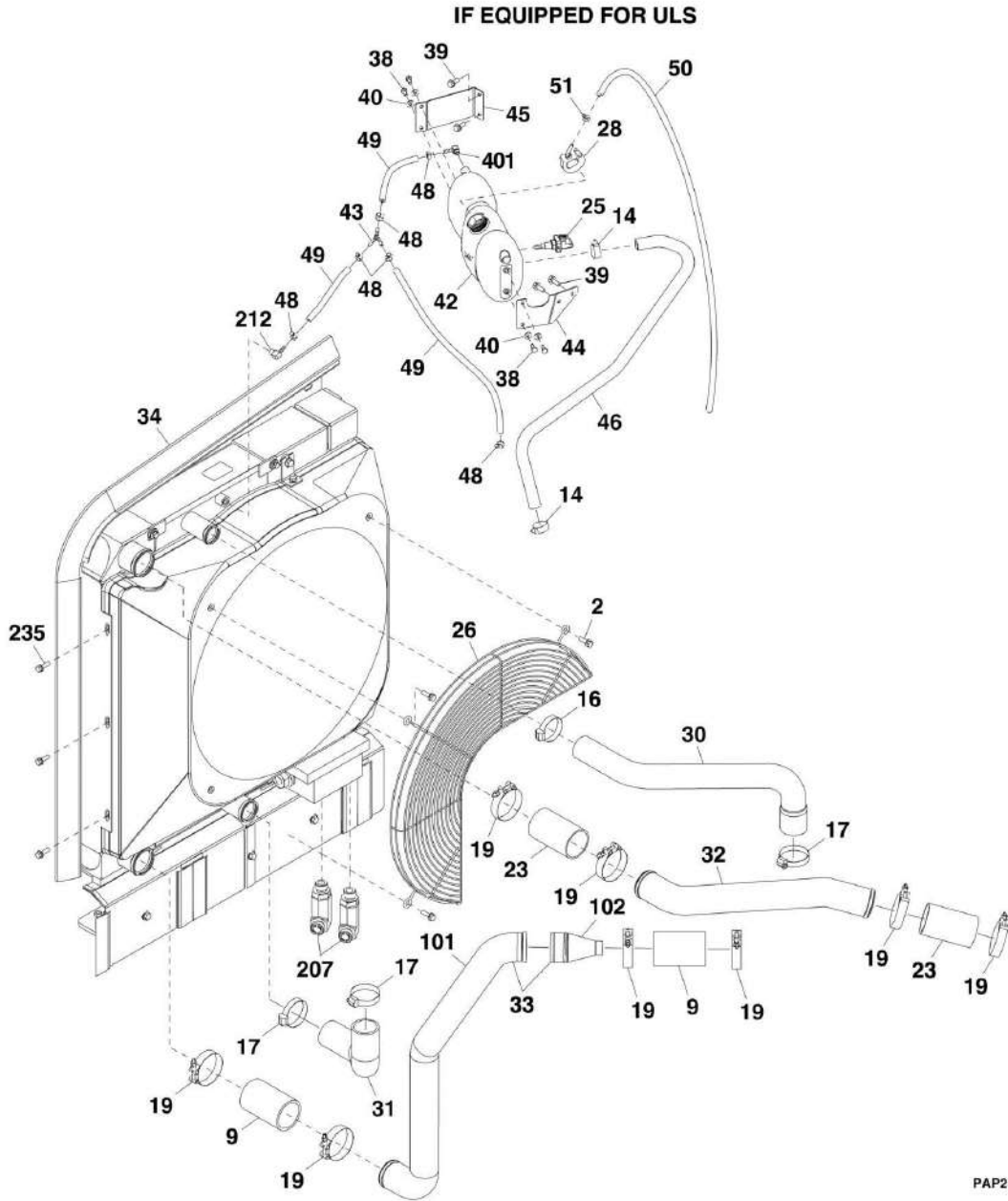
SECTION 4 - ENGINE AND ATTACHING PARTS

FIGURE 4-7. FUEL TANK AND LINES IF EQUIPPED FOR LS

ITEM	PART NUMBER	QTY	DESCRIPTION	REV
	1001130780	Ref	FUEL TANK ASSY, (if equipped for LS), (not available to order, see items 1 thru 11 for service)	C
1	1671313	1	FUEL SENDER COVER	
2	1001134413	1	FUEL TANK	
3	4923452	1	FUEL SENDER HARNESS	
5	1001148837	1	FUEL LEVEL SENDER	
6	1001130776	2	HOSE BARB ADAPTER	
7	0100093	AR	LOCTITE 30512	
8	1001148847	3	ADAPTER	
9	4811600	3	WASHER, 5mm	
10	0731003	2	HEX HD MACHINE SCREW, 10-32X3/8	
11	1001149344	3	SPECIAL NUT, 8-32	
106	0761010	1	HEX HD CAPSCREW, M10X20, GR8.8	
108	0791608	2	SCREW, 3/8-16X1	
109	0791610	2	SCREW, 3/8-16X1-1/4	
110	1321716	1	DOUBLE P-CLAMP	
113	2220218	2	ADAPTER, STRAIGHT, (includes o-ring)	
122	4832000	1	LOCKWASHER, 10mm	
126	8430034	2	ELBOW, 90, (includes o-ring)	
135	1001133534	1	FUEL FILTER, (includes items 301 thru 308)	A
139	1001136975	8	FUEL HOSE CLAMP	
142	1001139197	1	FUEL FILTER BRACKET	
144	1001141400	312 in	FUEL HOSE	
146	1001080998	1	FUEL FILTER DRAIN HOSE	
147	1001144802	1	HOSE CLAMP	
226		Ref	FUEL RADIATOR, (See RADIATOR AND COOLING INSTALLATION for Breakdown)	
301	70024155	1	COVER ASSY, (includes vent cap, vent cap o-ring, collar, cover, cover o-ring and spring)	
302	70024156	1	FILTER ELEMENT	
303	70024157	1	CHECK VALVE ASSY	
304	70024158	1	PRIMER	
305	70024159	3	PLUG	
306	70024160	1	WATER-IN-FUEL SENSOR	
307	70024161	1	CHECK VALVE	
308	70024162	1	BOTTOM BOWL ASSY, (includes bottom bowl seal, bottom bowl screws, drain valve o-ring and drain valve)	
401	1001093641	1	FUEL CAP, NON-LOCKING	
401	1001102657	1	FUEL CAP, LOCKABLE, (includes items 402 thru 404)	A
402	0100093	AR	LOCTITE 30512	
403	1001001422	1	FILLER NECK TANK ADAPTER	
404	1001080707	1	LOCKING FUEL CAP	
510	0641608	3	HEX HD CAPSCREW, 3/8-16X1-1/4	
519	4711600	3	WASHER, 3/8	
521	4761600	3	LOCKWASHER, 3/8	
533	1001150364	3	FUEL TANK HOLD DOWN	

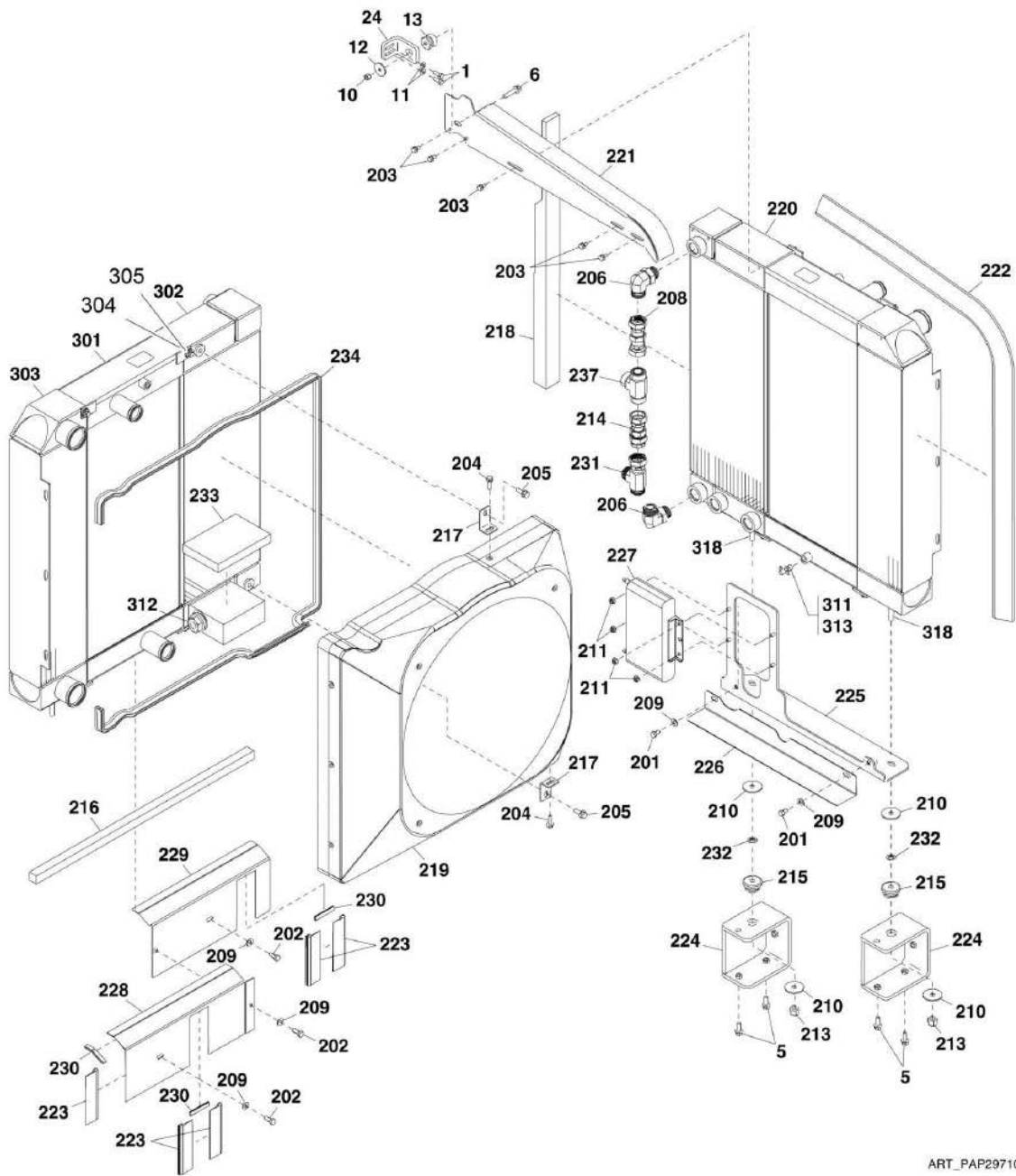
SECTION 4 - ENGINE AND ATTACHING PARTS

FIGURE 4-8. RADIATOR AND COOLING INSTALLATION IF EQUIPPED FOR ULS



SECTION 4 - ENGINE AND ATTACHING PARTS

IF EQUIPPED FOR ULS



ART_PAP29710-B

SECTION 4 - ENGINE AND ATTACHING PARTS

FIGURE 4-8. RADIATOR AND COOLING INSTALLATION IF EQUIPPED FOR ULS

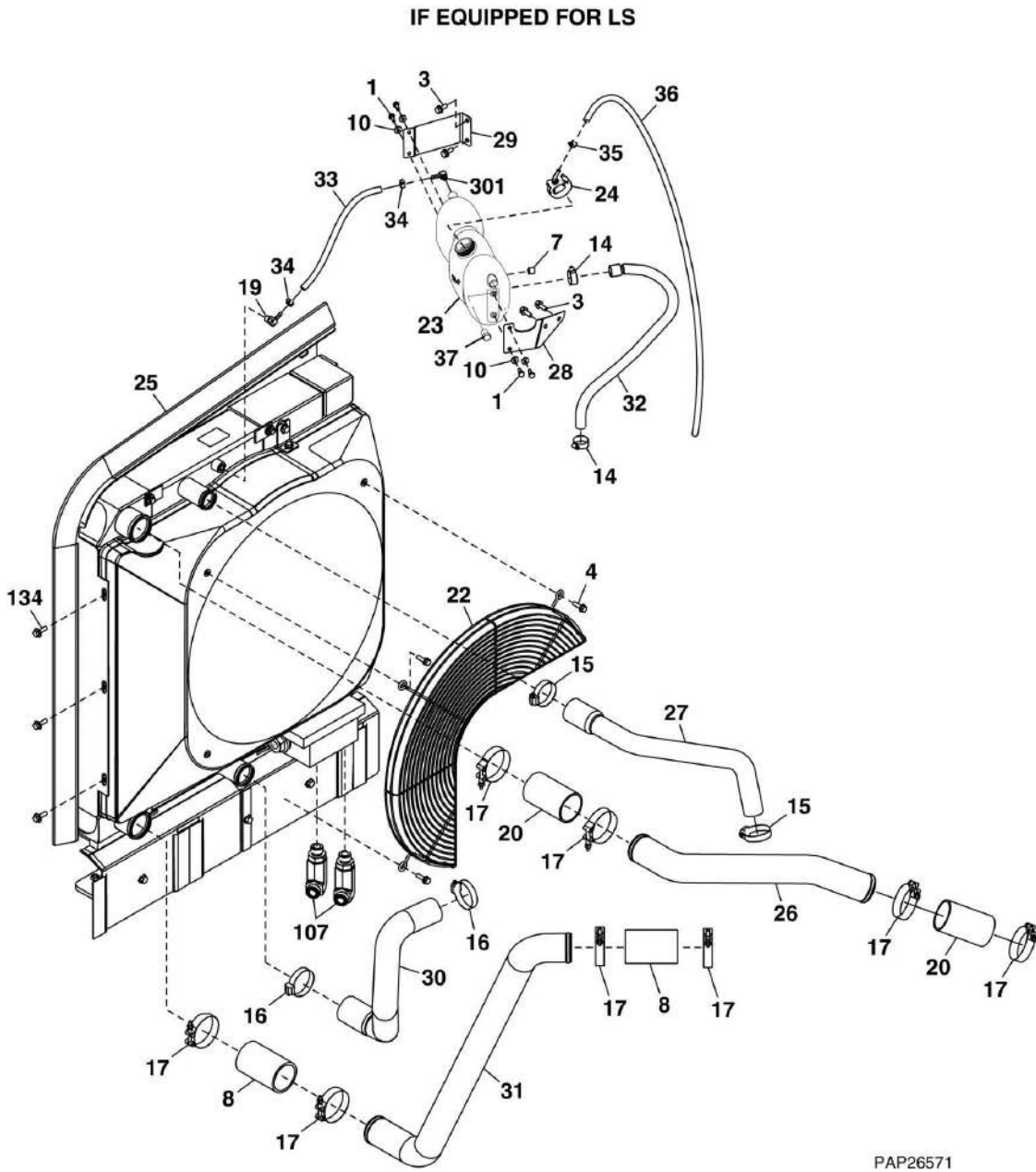
ITEM	PART NUMBER	QTY	DESCRIPTION	REV
	1001131810	Ref	COOLER INSTALLATION, (if equipped for ULS), (not available to order, see items 1 thru 51 for service)	E
1	0641508	2	HEX HD CAPSCREW, 5/16-18X1	
2	0791508	3	SCREW, 5/16-18x1	
5	0811608	4	SCREW, 3/8-16X1	
6	0811616	1	SCREW, 3/8-16X2	
9	2720644	2	CHARGE AIR COOLER HUMP HOSE, 2-1/2	
10	8305603	1	HEX LOCKNUT, 3/8-16	
11	4711500	2	WASHER, 5/16	
12	7057141	1	FLAT WASHER	
13	8278020	1	RUBBER ISOLATOR MOUNT	
14	8405007	2	GEAR CLAMP, 1-1/4 MAX DIA	
16	8405104	1	GEAR CLAMP, 2-1/4 MAX DIA	
17	8405201	3	GEAR CLAMP, 2-1/2 MAX DIA	
19	8405212	8	T-BOLT CLAMP	
23	1001114495	2	CHARGE AIR COOLER STRAIGHT HOSE, 2-1/2	
24	1001121050	1	COOLER ISOLATOR MOUNT PLATE	
25	1001121955	1	COOLANT LEVEL SENSOR	
26	1001122338	1	FAN GUARD GRILL	
28	1001128341	1	PRESSURE CAP	
30	1001129580	1	RADIATOR COOLANT HOSE	
31	1001129581	1	RADIATOR COOLANT HOSE	
32	1001129624	1	CHARGE AIR COOLER INLET PIPE	
33	1001141033	1	CHARGE AIR COOLER OUTLET REDUCER PIPE, (includes items 101 & 102)	D
34	1001131809	1	COOLER ASSY, (includes item 201 thru 237)	G
38	0641405	4	HEX HD CAPSCREW, 1/4-20X5/8	
39	0791506	4	SCREW, 5/16-18X3/4	
40	4711400	4	WASHER, 1/4	
42	1001128338	1	DEAERATION TANK, (includes item 401)	H
43	1001128510	1	HOSE BARB COUPLING	
44	1001138715	1	COOLANT TANK FRONT BRACKET	
45	1001138716	1	COOLANT TANK REAR BRACKET	
46	1001138751	1	COOLANT FILL HOSE	
48	1320022	6	HOSE CLAMP	
49	1001139685	33 in	BULK HOSE, 1/4	
50	1001080998	1	EXPANSION TANK HOSE	
51	1001144802	1	HOSE CLAMP	
101	1001141031	1	CHARGE AIR COOLER OUTLET PIPE	
102	1001141032	1	CHARGE AIR COOLER REDUCER PIPE	
201	0641605	2	HEX HD CAPSCREW, 3/8-16X5/8	
202	0641607	3	HEX HD CAPSCREW, 3/8-16X7/8	
203	0791504	5	SCREW, 5/16-18X1/2	
204	0791508	2	SCREW, 5/16-18x1	
205	0791604	2	SCREW, 3/8-16X1/2	
206	2131616	2	ADAPTER, 90, (includes o-ring)	
207	2170212	2	ADAPTER, 90, (long), (includes o-ring)	
208	2172416	1	ADAPTER, STRAIGHT, (includes o-ring)	
209	4711600	5	WASHER, 3/8	
210	4740274	4	SNUBBING WASHER	

SECTION 4 - ENGINE AND ATTACHING PARTS

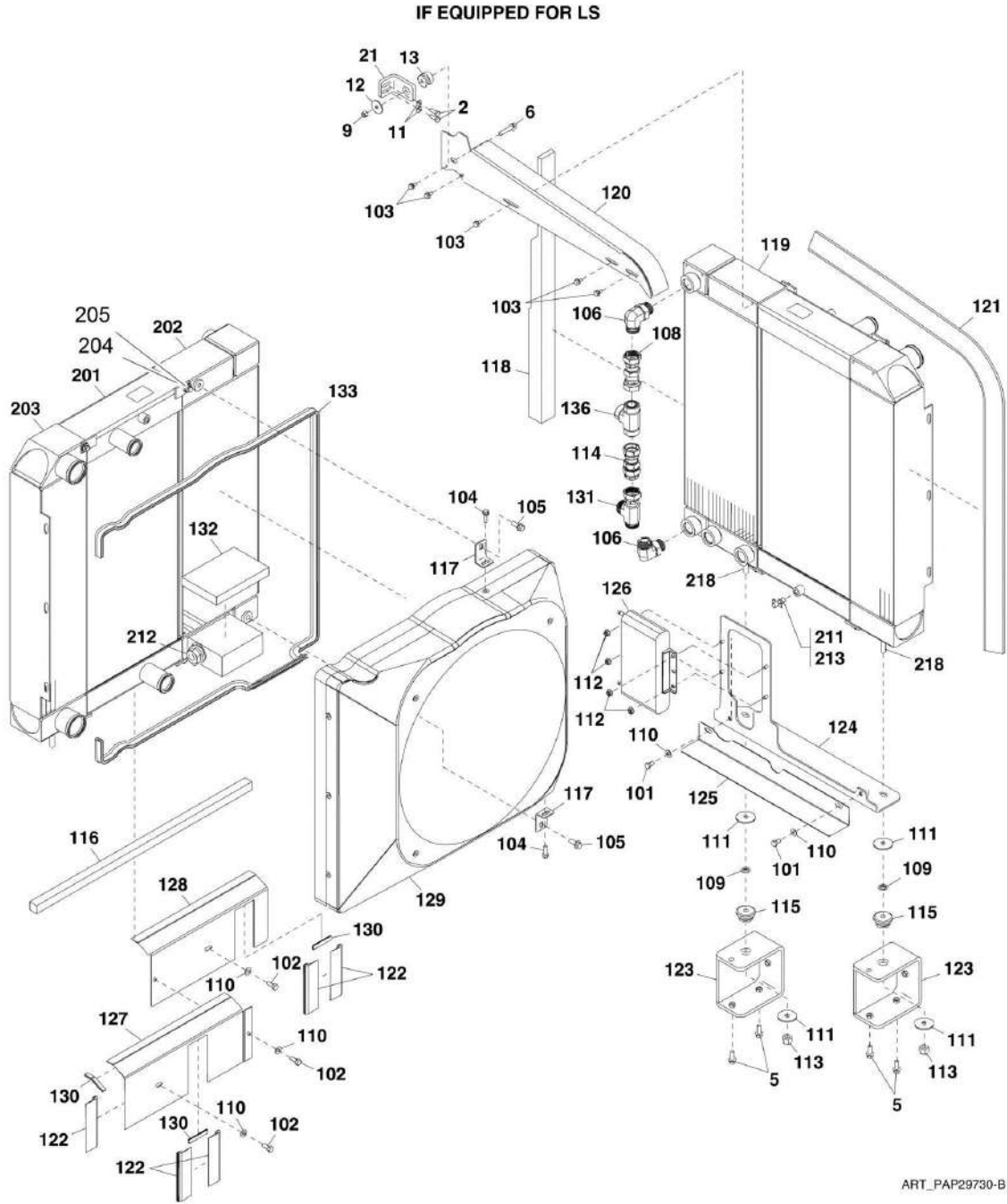
ITEM	PART NUMBER	QTY	DESCRIPTION	REV
211	77143006	4	WHIZ-LOCKNUT, 5/16-18	
212	2220317	1	HOSE BARB FITTING	
213	88521208	2	LOCKNUT, 1/2-13	
214	1001159129	1	CHECK VALVE	
215	1001114803	2	ISOLATOR MOUNT	
216	1001118092	1	FOAM GASKET SEAL	
217	1001121404	2	SHROUD MOUNTING BRACKET	
218	1001121962	1	FOAM GASKET SEAL	
219	1001129577	1	FAN SHROUD	
220	1001129855	1	RADIATOR COOLING PACKAGE, (includes items 301 thru 318)	E
221	1001130046	1	AIR DAM PLATE	
222	1001130079	1	FOAM GASKET SEAL	
223	1001133877	5	TRIM-LOK FLAP SEAL	
224	1001134453	2	COOLER SUPPORT	
225	1001134456	1	FUEL COOLER MOUNT	
226	1001134458	1	DRIP SHIELD PLATE	
227	1001134516	1	FUEL RADIATOR	
228	1001138258	1	AIR DAM RIGHT PLATE	
229	1001138313	1	AIR DAM WELD PLATE	
230	90206194	9 in	VINYL EDGE TRIM, 1/16	
231	2170716	1	ADAPTER, RUN TEE, (includes o-ring)	
232	3300246	2	STEEL PUSH NUT	
233	1001147450	1	FOAM GASKET SEAL	
234	1001120639	100 in	BULB SEAL	
235	1001149227	3	HEX FLANGE SCREW, 5/16-18X1	
236	1001149756	1	FOAM GASKET SEAL	
237	2170516	1	ADAPTER, RUN TEE, (includes o-ring)	
301	70024110	1	RADIATOR	
302	70024111	1	COOLER	
303	70024109	1	CHARGE AIR COOLER	
304	70024113	6	HEX HD CAPSCREW, 5/16-18X1/2	
305	70024115	6	WASHER	
311	70024112	1	DRAINCOCK, 1/4	
312	70024116	1	THERMAL BYPASS VALVE	
313	70023337	1	OVERFLOW HOSE	
318	70024114	2	STUD, 1/2-13X3-1/2	
401	8420213	1	HOSE BARB ELBOW, 90	

SECTION 4 - ENGINE AND ATTACHING PARTS

FIGURE 4-9. RADIATOR AND COOLING INSTALLATION IF EQUIPPED FOR LS



SECTION 4 - ENGINE AND ATTACHING PARTS



SECTION 4 - ENGINE AND ATTACHING PARTS

FIGURE 4-9. RADIATOR AND COOLING INSTALLATION IF EQUIPPED FOR LS

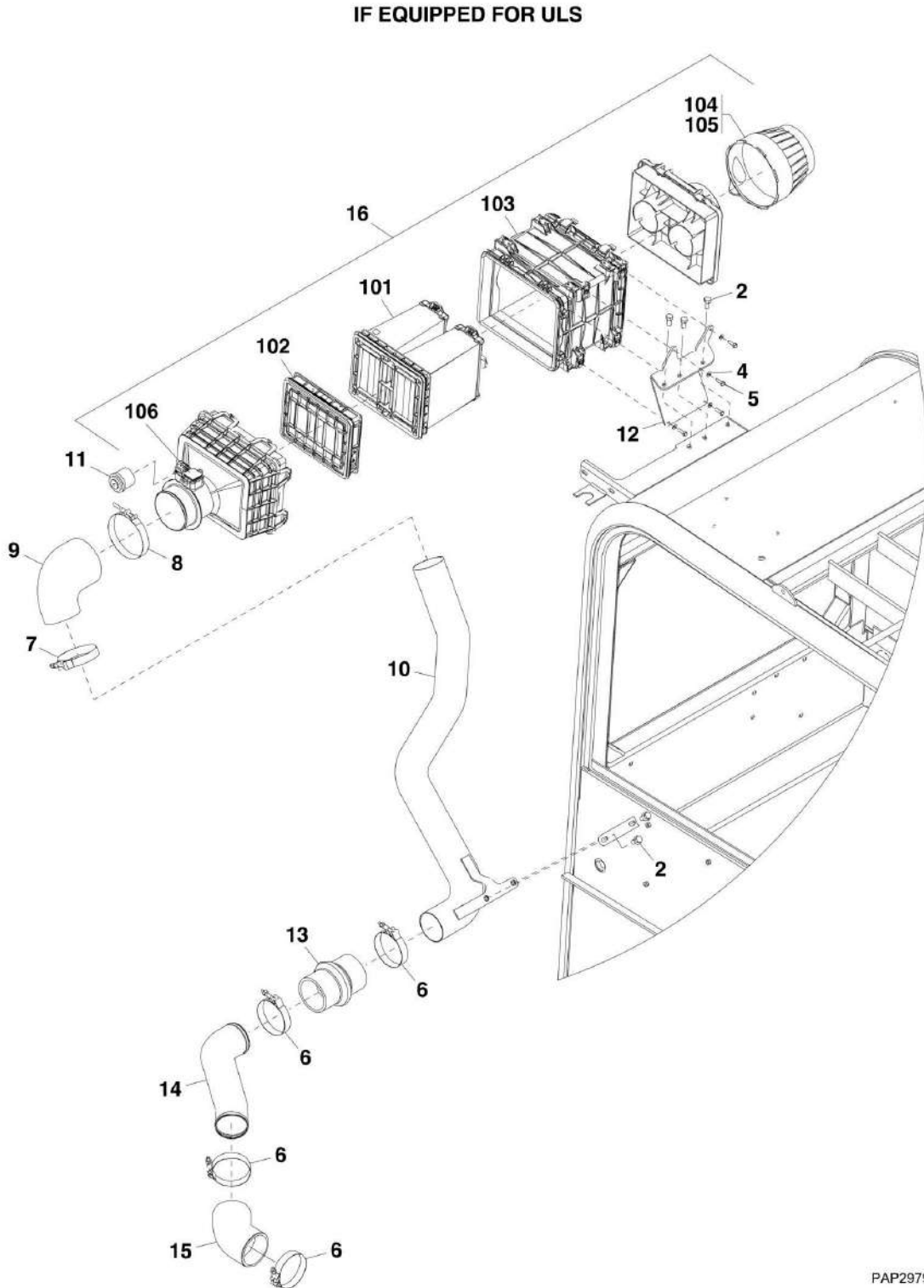
ITEM	PART NUMBER	QTY	DESCRIPTION	REV
	1001138669	Ref	COOLER INSTALLATION, (if equipped for LS), (not available to order, see items 1 thru 36 for service)	D
1	0641405	4	HEX HD CAPSCREW, 1/4-20X5/8	
2	0641508	2	HEX HD CAPSCREW, 5/16-18X1	
3	0791506	4	SCREW, 5/16-18X3/4	
4	0791508	3	SCREW, 5/16-18x1	
5	0811608	4	SCREW, 3/8-16X1	
6	0811616	1	SCREW, 3/8-16X2	
7	8530025	1	HEX SOCKET PLUG FITTING	
8	2720644	2	CHARGE AIR COOLER HUMP HOSE, 2-1/2	
9	3311601	1	HEX NUT, 3/8-16, GR2	
10	4711400	4	WASHER, 1/4	
11	4711500	2	WASHER, 5/16	
12	7057141	1	FLAT WASHER	
13	8278020	1	RUBBER ISOLATOR MOUNT	
14	8405007	2	GEAR CLAMP, 1-1/4 MAX DIA	
15	8405104	2	GEAR CLAMP, 2-1/4 MAX DIA	
16	8405201	2	GEAR CLAMP, 2-1/2 MAX DIA	
17	8405212	8	T-BOLT CLAMP	
19	2220317	1	HOSE BARB FITTING	
20	1001114495	2	CHARGE AIR COOLER STRAIGHT HOSE, 2-1/2	
21	1001121050	1	COOLER ISOLATOR MOUNT PLATE	
22	1001122338	1	FAN GUARD GRILL	
23	1001153912	1	DEAERATION TANK, (includes item 301)	C
24	1001128341	1	PRESSURE CAP	
25	1001138668	1	COOLER ASSY, (includes item 101 thru 136)	E
26	1001138701	1	CHARGE AIR COOLER INLET PIPE	
27	1001138713	1	RADIATOR COOLANT HOSE	
28	1001138715	1	COOLANT TANK FRONT BRACKET	
29	1001138716	1	COOLANT TANK REAR BRACKET	
30	1001138754	1	RADIATOR COOLANT HOSE	
31	1001138756	1	CHARGE AIR COOLER OUTLET PIPE	
32	1001139620	1	COOLANT FILL HOSE	
33	1001139685	12 in	BULK HOSE, 1/4	
34	1320022	2	HOSE CLAMP	
35	1001144802	1	HOSE CLAMP	
36	1001080998	1	EXPANSION TANK HOSE	
37	1001110712	1	PLUG	
101	0641605	2	HEX HD CAPSCREW, 3/8-16X5/8	
102	0641607	3	HEX HD CAPSCREW, 3/8-16X7/8	
103	0791504	5	SCREW, 5/16-18X1/2	
104	0791508	2	SCREW, 5/16-18x1	
105	0791604	2	SCREW, 3/8-16X1/2	
106	2131616	2	ADAPTER, 90, (includes o-ring)	
107	2170212	2	ADAPTER, 90, (long), (includes o-ring)	
108	2172416	1	ADAPTER, STRAIGHT, (includes o-ring)	
109	3300246	2	STEEL PUSH NUT	
110	4711600	5	WASHER, 3/8	
111	4740274	4	SNUBBING WASHER	
112	77143006	4	WHIZ-LOCKNUT, 5/16-18	

SECTION 4 - ENGINE AND ATTACHING PARTS

ITEM	PART NUMBER	QTY	DESCRIPTION	REV
113	88521208	2	LOCKNUT, 1/2-13	
114	1001159129	1	CHECK VALVE	
115	1001114803	2	ISOLATOR MOUNT	
116	1001118092	1	FOAM GASKET SEAL	
117	1001121404	2	SHROUD MOUNTING BRACKET	
118	1001121962	1	FOAM GASKET SEAL	
119	1001129855	1	RADIATOR COOLING PACKAGE, (includes items 201 thru 218)	E
120	1001130046	1	AIR DAM PLATE	
121	1001130079	1	FOAM GASKET SEAL	
122	1001133877	5	TRIM-LOK FLAP SEAL	
123	1001134453	2	COOLER SUPPORT	
124	1001134456	1	FUEL COOLER MOUNT	
125	1001134458	1	DRIP SHIELD PLATE	
126	1001134516	1	FUEL RADIATOR	
127	1001138258	1	AIR DAM RIGHT PLATE	
128	1001138313	1	AIR DAM WELD PLATE	
129	1001138667	1	FAN SHROUD	
130	90206194	9 in	VINYL EDGE TRIM, 1/16	
131	2170716	1	ADAPTER, RUN TEE, (includes o-ring)	
132	1001147450	1	FOAM GASKET SEAL	
133	1001120639	101 in	BULB SEAL	
134	1001149227	3	HEX FLANGE SCREW, 5/16-18X1	
135	1001149756	1	FOAM GASKET SEAL	
136	2170516	1	ADAPTER, RUN TEE (includes o-ring)	
201	70024110	1	RADIATOR	
202	70024111	1	COOLER	
203	70024109	1	CHARGE AIR COOLER	
204	70024113	6	HEX HD CAPSCREW, 5/16-18X1/2	
205	70024115	6	WASHER	
211	70024112	1	DRAINCOCK, 1/4	
212	70024116	1	THERMAL BYPASS VALVE	
213	70023337	1	OVERFLOW HOSE	
218	70024114	2	STUD, 1/2-13X3-1/2	
301	8420213	1	HOSE BARB ELBOW, 90	

SECTION 4 - ENGINE AND ATTACHING PARTS

FIGURE 4-10. AIR CLEANER INSTALLATION IF EQUIPPED FOR ULS (Prior to SN 0160071240, Excluding 0160018840, 0160019245 and 0160019746)



PAP29791

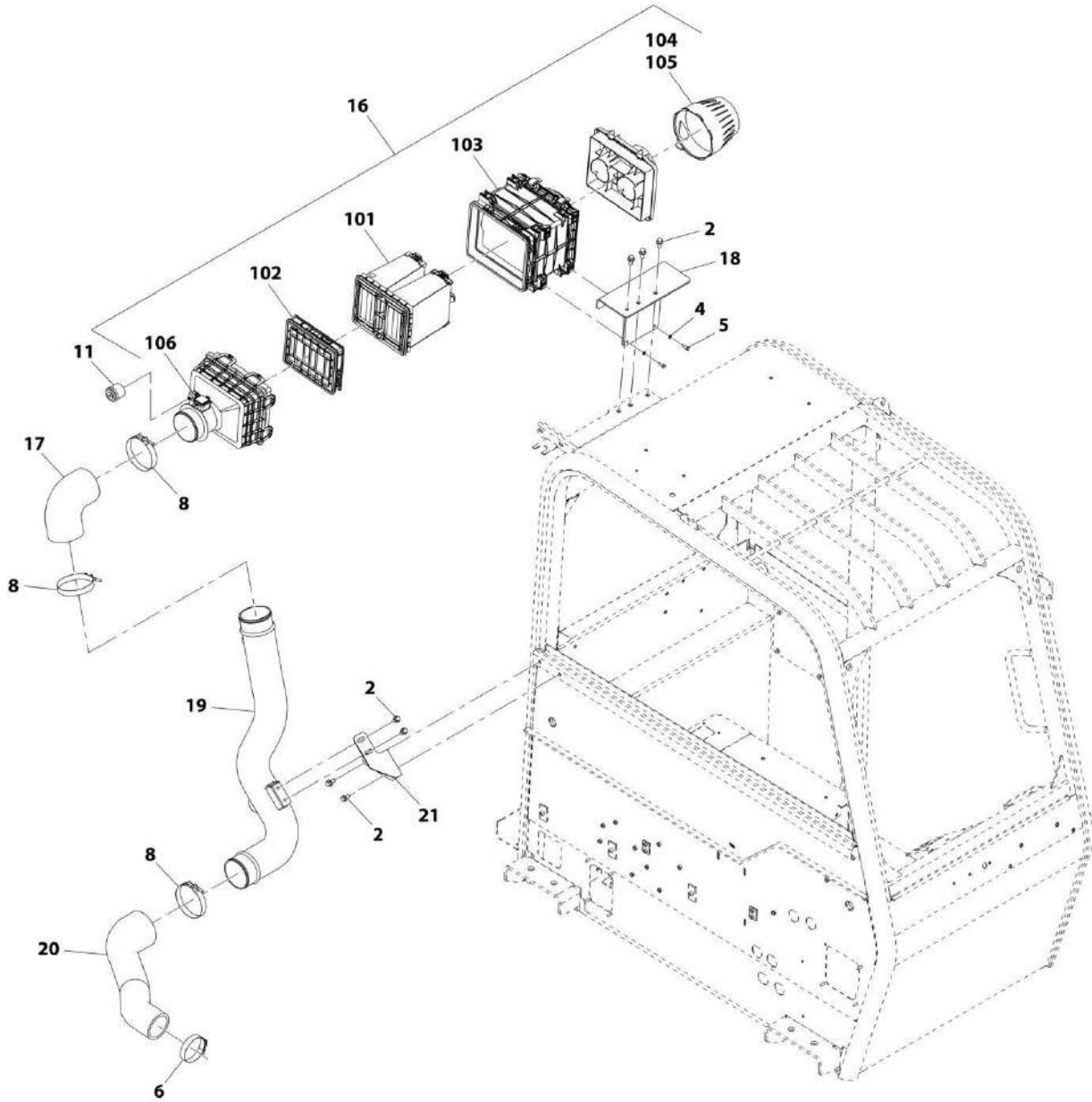
SECTION 4 - ENGINE AND ATTACHING PARTS

**FIGURE 4-10. AIR CLEANER INSTALLATION IF EQUIPPED FOR ULS (Prior to SN 0160071240,
Excluding 0160018840, 0160019245 and 0160019746)**

ITEM	PART NUMBER	QTY	DESCRIPTION	REV
	1001129484	Ref	AIR CLEANER INSTALLATION, (if equipped for ULS), (not available to order, see items 2 thru 16 for service)	C
2	0811606	5	FLANGE SCREW, 3/8-16X3/4	
4	4811700	4	WASHER, 6mm	
5	8303544	4	HEX HD CAPSCREW, M6X20, GR8.8, (torque to 2.9 lb-ft/.3 Nm)	
6	8405305	4	T-BOLT CLAMP, 3.38 ID	
7	8410010	1	T-BOLT CLAMP	
8	77383790	1	BAND CLAMP, (torque to 40 lb-ft/4.5 Nm)	
9	91153007	1	REDUCTION ELBOW	
10	91513205	1	AIR INTAKE TUBE	
11	91563129	1	RESTRICTION INDICATOR, (torque to 15-20 lb-ft/1.7-2.3 Nm)	
12	1001129485	1	AIR CLEANER SUPPORT BRACKET	
13	1001129514	1	HUMP HOSE	
14	1001129515	1	AIR FILTER PIPE	
15	1001129518	1	AIR INTAKE HOSE	
16	1001132110	1	AIR FILTER, (includes items 101 thru 106)	D
101	70024177	1	PRIMARY ELEMENT	
102	70024176	1	SAFETY ELEMENT	
103	70024318	1	COVER	
104	70024270	1	VACUATOR VALVE	
105	70024271	1	PRE-CLEANER	
106	70024841	1	MASS AIR FLOW SENSOR	

SECTION 4 - ENGINE AND ATTACHING PARTS

FIGURE 4-11. AIR CLEANER INSTALLATION IF EQUIPPED FOR ULS (SN 0160071240 to Present, Including 0160018840, 0160019245 and 0160019746)



ART_1001129484-F

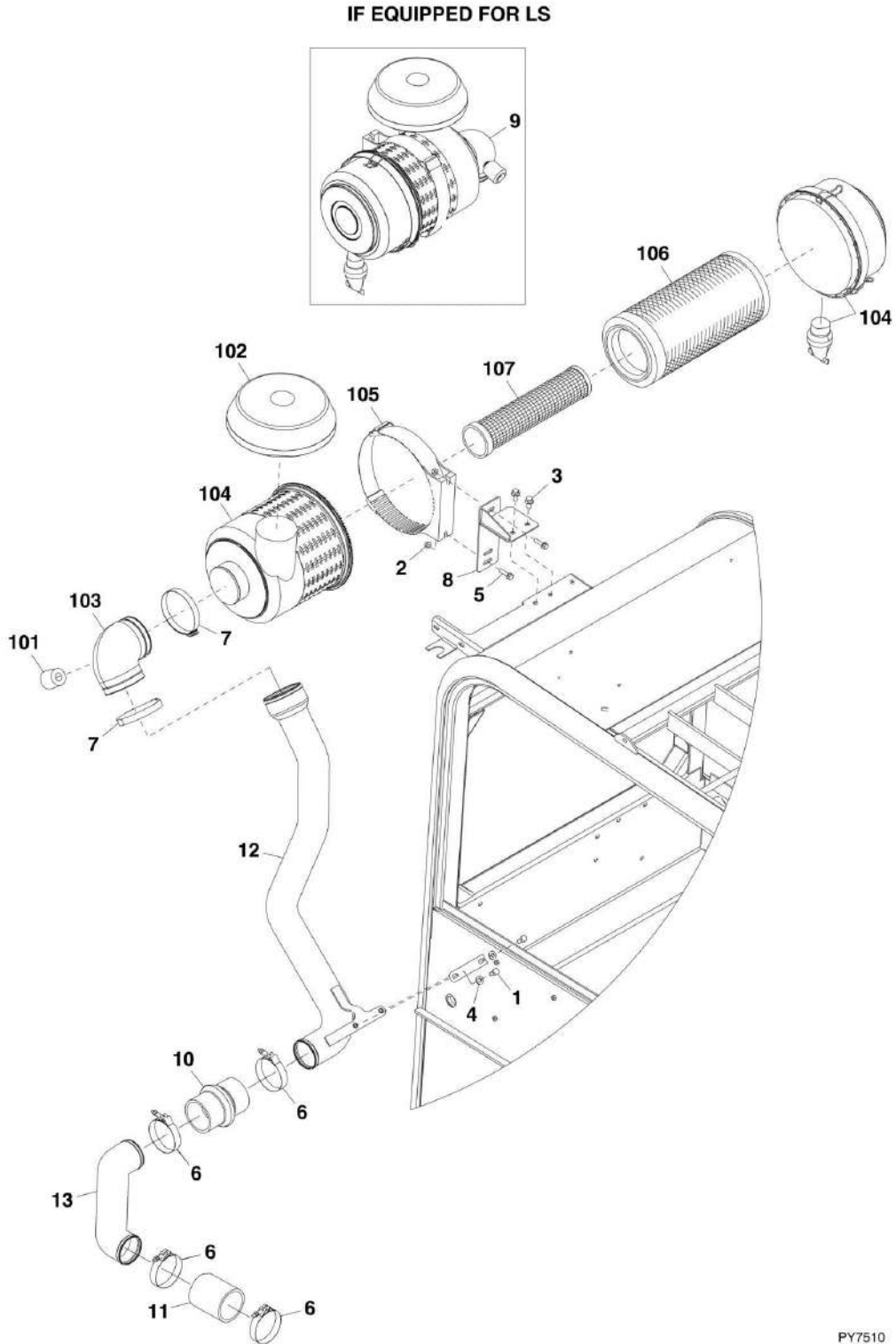
SECTION 4 - ENGINE AND ATTACHING PARTS

**FIGURE 4-11. AIR CLEANER INSTALLATION IF EQUIPPED FOR ULS (SN 0160071240 to Present,
Including 0160018840, 0160019245 and 0160019746)**

ITEM	PART NUMBER	QTY	DESCRIPTION	REV
	1001129484	Ref	AIR CLEANER INSTALLATION, (if equipped for ULS), (not available to order, see items 2 thru 21 for service)	F
2	0811606	7	FLANGE SCREW, 3/8-16X3/4	
4	4811700	4	WASHER, M6	
5	8303544	4	HEX HD CAPSCREW, M6X20, GR8.8, (torque to 2.9 lb-ft/.3 Nm)	
6	8405305	1	T-BOLT CLAMP, 3.38 ID	
8	80933367	3	BAND CLAMP	
11	91563129	1	RESTRICTION INDICATOR, (torque to 15-20 lb-ft/1.7-2.3 Nm)	
16	1001132110	1	AIR FILTER, (includes items 101 thru 106)	D
17	1001165357	1	REDUCTION ELBOW	
18	1001161231	1	AIR CLEANER SUPPORT BRACKET	
19	91563079	1	AIR INTAKE TUBE	
20	1001162379	1	AIR FILTER PIPE	
21	1001160987	1	BRACKET	
101	70024177	1	PRIMARY ELEMENT	
102	70024176	1	SAFETY ELEMENT	
103	70024318	1	COVER	
104	70024270	1	VACUATOR VALVE	
105	70024271	1	PRE-CLEANER	
106	70024841	1	MASS AIR FLOW SENSOR	

SECTION 4 - ENGINE AND ATTACHING PARTS

FIGURE 4-12. AIR CLEANER INSTALLATION IF EQUIPPED FOR LS (Prior to SN 0160071240, Excluding 0160018840, 0160019245 and 0160019746)



PY7510

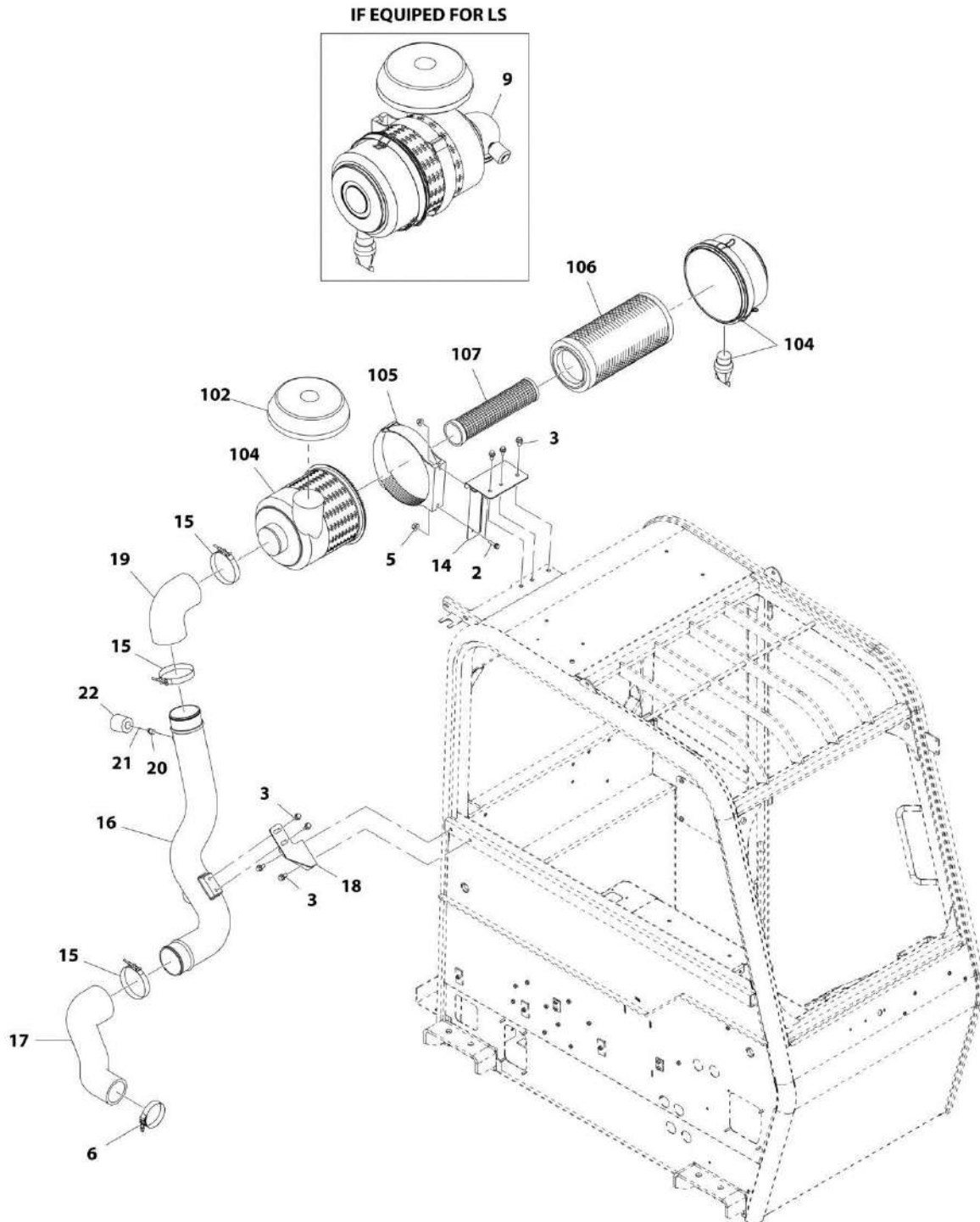
SECTION 4 - ENGINE AND ATTACHING PARTS

**FIGURE 4-12. AIR CLEANER INSTALLATION IF EQUIPPED FOR LS (Prior to SN 0160071240,
Excluding 0160018840, 0160019245 and 0160019746)**

ITEM	PART NUMBER	QTY	DESCRIPTION	REV
	1001138706	Ref	AIR CLEANER INSTALLATION, (if equipped for LS), (not available to order, see items 1 thru 13 for service)	A
1	0641606	2	HEX HD CAPSCREW, 3/8-16X3/4, GR5	
2	0811510	2	SCREW, 5/16-18X1-1/4	
3	0811606	2	FLANGE SCREW, 3/8-16X3/4	
4	4711600	2	WASHER, 3/8	
5	8310420	2	FLANGE NUT, 5/16-18	
6	8405305	4	T-BOLT CLAMP, 3.38 ID	
7	10719267	2	HOSE CLAMP	
8	1001120393	1	AIR CLEANER SUPPORT BRACKET	
9	1001121278	1	AIR CLEANER, (includes items 101 thru 107)	E
10	1001129514	1	HUMP HOSE	
11	1001138718	1	AIR INTAKE HOSE	
12	1001138720	1	AIR INTAKE PIPE	
13	1001138749	1	AIR FILTER PIPE	
101	70023531	1	RESTRICTION INDICATOR	
102	70023532	1	RAIN CAP	
103	70023533	1	ELBOW	
104	N.S.S.	1	COVER AND BODY ASSY	
105	70023534	1	MOUNTING BAND	
106	70023535	1	PRIMARY ELEMENT	
107	70023536	1	SECONDARY ELEMENT	

SECTION 4 - ENGINE AND ATTACHING PARTS

FIGURE 4-13. AIR CLEANER INSTALLATION IF EQUIPPED FOR LS (SN 0160071240 to Present, Including 0160018840, 0160019245 and 0160019746)



ART_1001138706-E

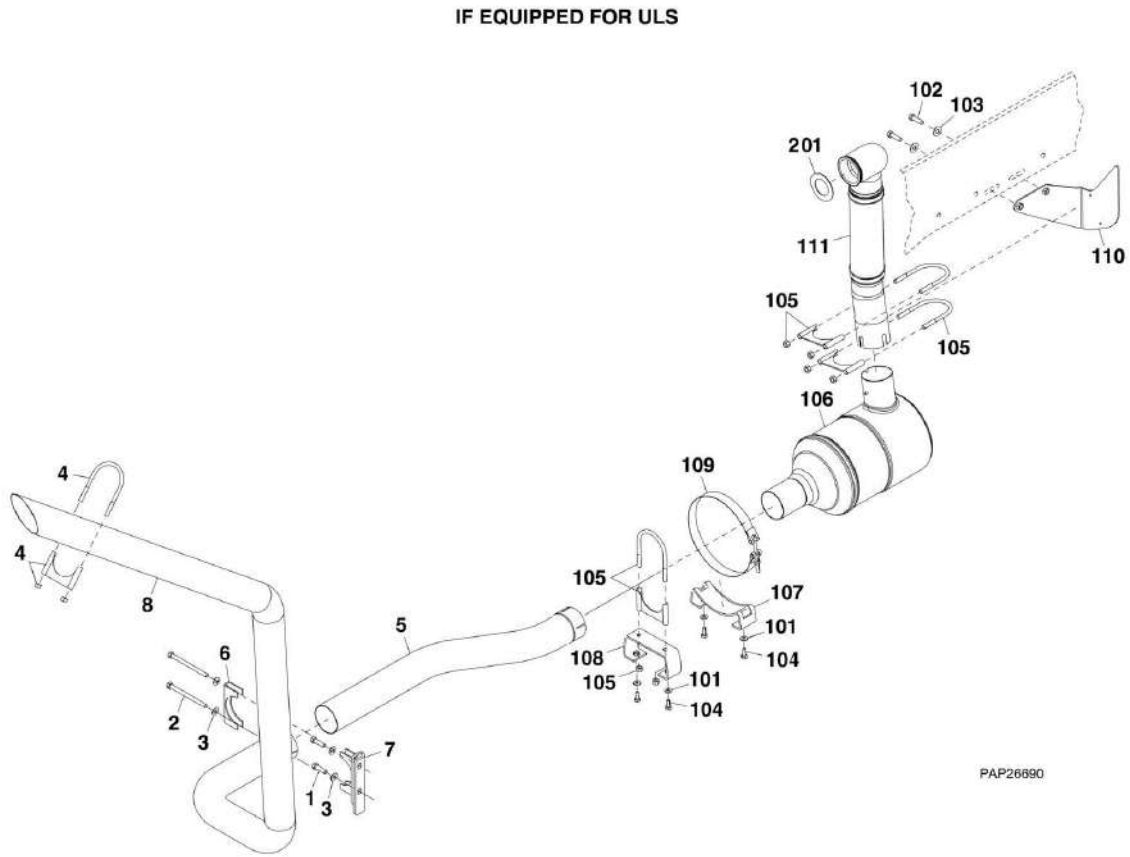
SECTION 4 - ENGINE AND ATTACHING PARTS

**FIGURE 4-13. AIR CLEANER INSTALLATION IF EQUIPPED FOR LS (SN 0160071240 to Present,
Including 0160018840, 0160019245 and 0160019746)**

ITEM	PART NUMBER	QTY	DESCRIPTION	REV
	1001138706	Ref	AIR CLEANER INSTALLATION, (if equipped for LS), (not available to order, see items 1 thru 22 for service)	E
2	0811510	2	SCREW, 5/16-18X1-1/4	
3	0811606	7	FLANGE SCREW, 3/8-16X3/4	
5	8310420	2	FLANGE NUT, 5/16-18	
6	8405305	1	T-BOLT CLAMP, 3.38 ID	
9	1001121278	1	AIR CLEANER, (includes items 102 thru 107)	G
14	1001160930	1	BRACKET, AIR CLEANER	
15	80933367	3	BAND CLAMP	
16	1001162955	1	TUBE, AIR INTAKE	
17	1001162379	1	HOSE, AIR INTAKE	
18	1001160987	1	BRACKET, AIR INTAKE	
19	1001165357	1	HOSE	
20	1001176983	1	ADAPTER	
21	1001177201	1	FILTER	
22	1001180469	1	SENSOR	
102	70023532	1	RAIN CAP	
104	N.S.S.	1	COVER AND BODY ASSY	
105	70023534	1	MOUNTING BAND	
106	70023535	1	PRIMARY ELEMENT	
107	70023536	1	SECONDARY ELEMENT	

SECTION 4 - ENGINE AND ATTACHING PARTS

FIGURE 4-14. EXHAUST INSTALLATION IF EQUIPPED FOR ULS



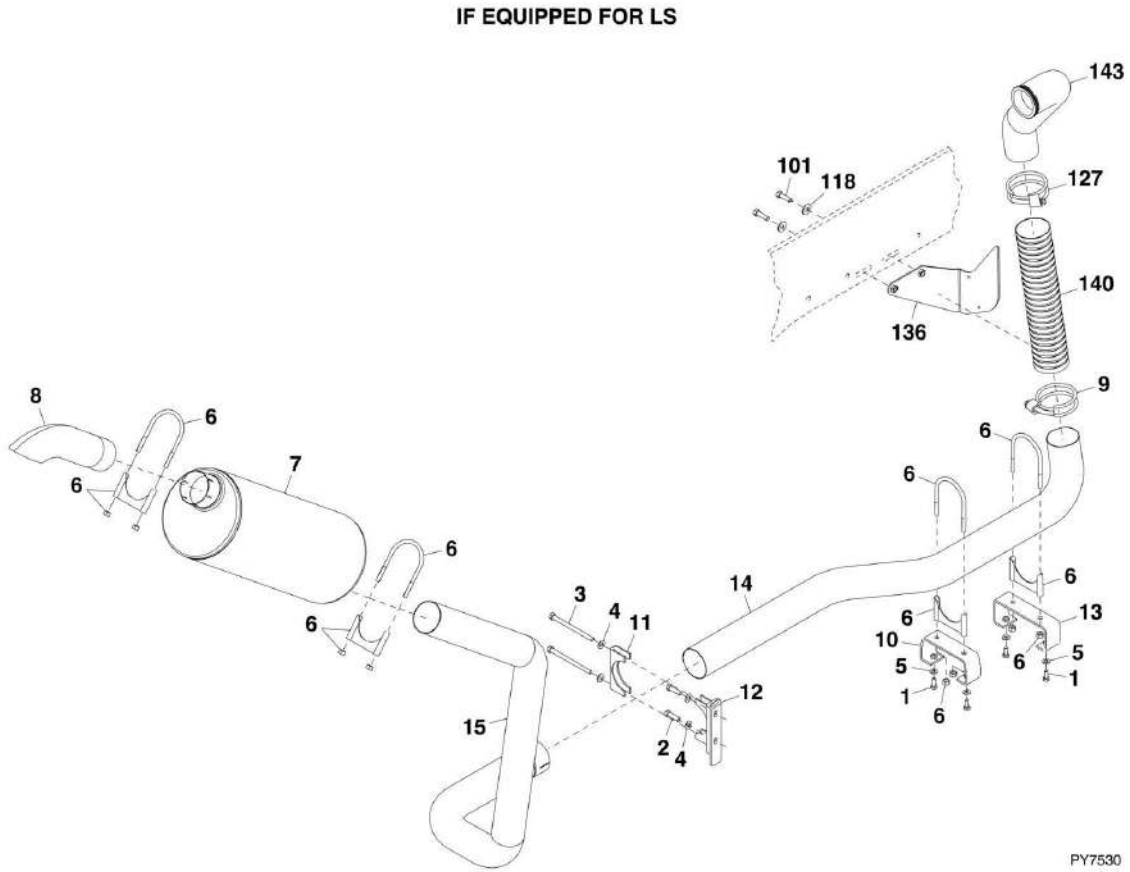
SECTION 4 - ENGINE AND ATTACHING PARTS

FIGURE 4-14. EXHAUST INSTALLATION IF EQUIPPED FOR ULS

ITEM	PART NUMBER	QTY	DESCRIPTION	REV
	1001132492	Ref	EXHAUST INSTALLATION, (G6-42A), (if equipped for ULS), (not available to order, see items 1 thru 8 for service)	B
	1001132459	Ref	EXHAUST INSTALLATION, (G9-43A & G10-43A), (if equipped for ULS), (not available to order, see items 1 thru 8 for service)	B
1	0641610	2	HEX HD CAPSCREW, 3/8-16X1-1/4	
2	0641638	2	HEX HD CAPSCREW, 3/8-16X4-3/4	
3	4711600	4	WASHER, 3/8	
4	24921332	1	EXHAUST CLAMP, 3IN	
5	1001129560	1	DOC OUTLET PIPE	
6	1001129787	1	EXHAUST CLAMP SADDLE MOUNT	
7	1001130031	1	EXHAUST PIPE SUPPORT	
8	1001132332	1	EXHAUST PIPE, (G6-42A)	
	1001120613	1	EXHAUST PIPE, (G9-43A & G10-43A)	
	1001131937	Ref	ENGINE POD EXHAUST INSTALLATION, (if equipped for ULS), (not available to order, see items 101 thru 111 for service)	C
101	0641506	4	HEX HD CAPSCREW, 5/16-18X3/4	
102	0641610	2	HEX HD CAPSCREW, 3/8-16X1-1/4	
103	4751600	2	WASHER, 3/8	
104	4891500	4	WASHER, 5/16	
105	24921332	3	EXHAUST CLAMP, 3IN	
106	1001127855	1	DOC AFTERTREATMENT	
107	1001128363	1	DOC MOUNT BRACKET	
108	1001128364	1	DOC PIPE MOUNT BRACKET	
109	1001128901	1	DOC CLAMP STRAP	
110	1001134241	1	HOSE WELD BRACKET	
111	1001129559	1	EXHAUST FLEX PIPE, (includes item 201)	
201	1001139846	1	ORIFICE PLATE	

SECTION 4 - ENGINE AND ATTACHING PARTS

FIGURE 4-15. EXHAUST INSTALLATION IF EQUIPPED FOR LS



PY7530

SECTION 4 - ENGINE AND ATTACHING PARTS

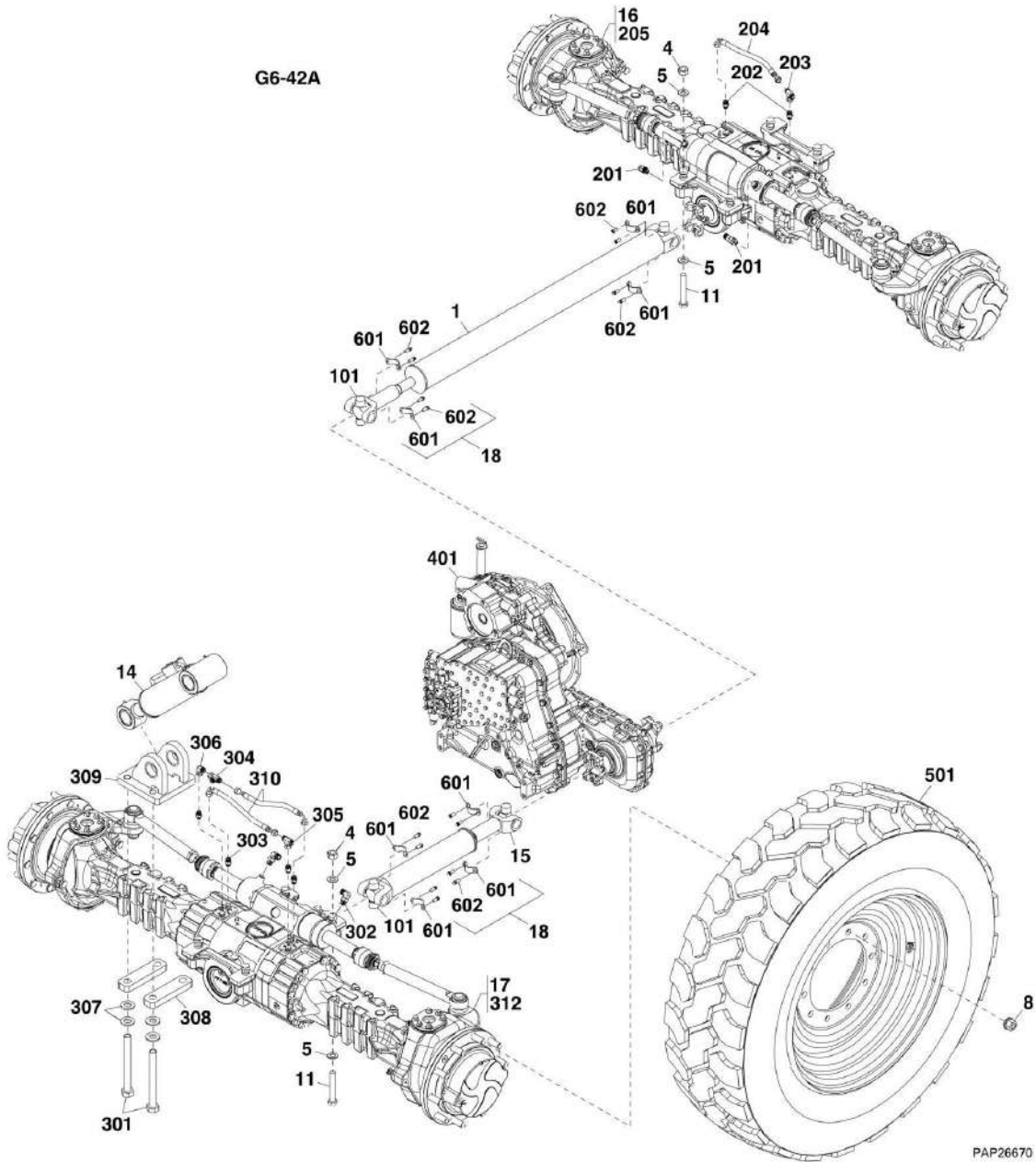
FIGURE 4-15. EXHAUST INSTALLATION IF EQUIPPED FOR LS

ITEM	PART NUMBER	QTY	DESCRIPTION	REV
	1001141119	Ref	EXHAUST INSTALLATION, (G6-42A), (if equipped for LS), (not available to order, see items 1 thru 15 for service)	B
	1001139321	Ref	EXHAUST INSTALLATION, (G9-43A & G10-43A), (if equipped for LS), (not available to order, see items 1 thru 15 for service)	B
1	0641506	4	HEX HD CAPSCREW, 5/16-18X3/4	
2	0641610	2	HEX HD CAPSCREW, 3/8-16X1-1/4	
3	0641640	2	HEX HD CAPSCREW, 3/8-16X5	
4	4711600	4	WASHER, 3/8	
5	4891500	4	WASHER, 5/16	
6	24921332	4	EXHAUST CLAMP, 3IN	
7	91163035	1	MUFFLER	
8	91403489	1	TAIL PIPE TUBE	
9	91403601	1	PIPE CLAMP	
10	1001128364	1	DOC PIPE ASSY MOUNT BRACKET	
11	1001129787	1	EXHAUST CLAMP SADDLE MOUNT	
12	1001130031	1	EXHAUST PIPE SUPPORT	
13	1001138137	1	EXHAUST PIPE BRACKET ASSY	
14	1001139348	1	EXHAUST PIPE	
15	1001141113	1	EXHAUST PIPE, (G6-42A)	
15	1001139322	1	EXHAUST PIPE, (G9-43A & G10-43A)	
101	0641610	2	HEX HD CAPSCREW, 3/8-16X1-1/4	
118	4751600	2	WASHER, 3/8	
127	91403601	1	PIPE CLAMP	
136	1001134241	1	HOSE WELD BRACKET	
140	1001138132	1	FLEX TUBE	
143	1001139308	1	TURBO EXHAUST PIPE	

SECTION 5 - DRIVE TRAIN

SECTION 5 - DRIVE TRAIN

FIGURE 5-1. DRIVE TRAIN COMPONENTS G6-42A



PAP26670

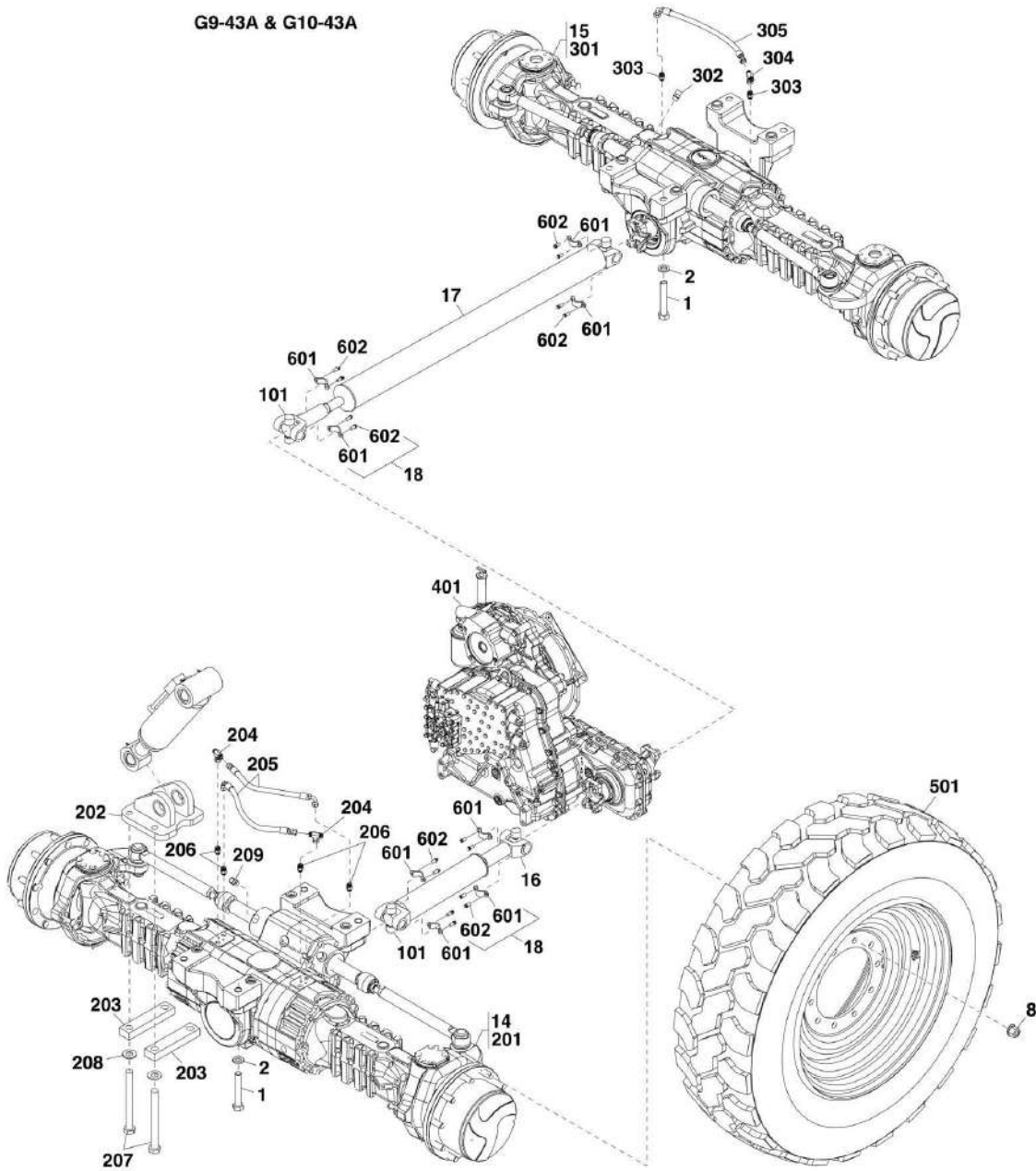
SECTION 5 - DRIVE TRAIN

FIGURE 5-1. DRIVE TRAIN COMPONENTS G6-42A

ITEM	PART NUMBER	QTY	DESCRIPTION	REV
	1001131799	Ref	DRIVETRAIN INSTALLATION, (G6-42A), (not available to order, see items 1 thru 18 for service)	D
1	4040292	1	REAR DRIVE SHAFT, (includes item 101)	
4	80501012	8	HEX NUT, 3/4-10	
5	90027473	16	HARDENED WASHER, 3/4	
7	91143220	100 in	PVC VINYL EDGE TRIM, 1/2, (not shown)	
8	91403193	40	WHEEL NUT, M22X1.5, (torque to 350-400 lb-ft/474-542 Nm)	
11	91403412	8	HEX HD CAPSCREW, 3/4-10X5, GR8	
14		Ref	FRAME LEVEL CYLINDER AND MOUNTING HARDWARE, (See HYDRAULIC COMPONENTS SECTION for Breakdown)	
15	1001117865	1	FRONT DRIVE SHAFT, (includes item 101)	
16	1001132467	1	REAR AXLE ASSY, (includes items 201 thru 205)	D
17	1001132468	1	FRONT AXLE ASSY, (includes items 301 thru 312)	D
18	8880218-OM	4	KIT, STRAP, DANA 1480, (includes items 601 & 602)	
101	8036433	4	UNIVERSAL JOINT KIT	
201	2130808	2	ADAPTER, 90, (includes o-ring)	
202	2144605	2	STRAIGHT FITTING, (includes o-ring)	
203	2170806	1	TEE FITTING, (includes o-ring)	
204	1001139375	1	HOSE ASSY	
205		Ref	REAR AXLE, (See REAR AXLE for Breakdown)	
301	0682676	4	HEX HD CAPSCREW, 1-8X9-1/2	
302	2130808	2	ADAPTER, 90, (includes o-ring)	
303	2144605	4	STRAIGHT FITTING, (includes o-ring)	
304	2170706	1	TEE FITTING, (includes o-ring)	
305	2170806	1	TEE FITTING, (includes o-ring)	
306	2172106	1	ADAPTER, 90, (includes o-ring)	
307	90027475	8	WASHER	
308	91471213	2	RETAINER PLATE	
309	91475074	1	SWAY LUG ASSY	
310	1001139375	2	HOSE ASSY	
312		Ref	FRONT AXLE, (See FRONT AXLE for Breakdown)	
401		Ref	TRANSMISSION, (See ZF TRANSMISSION for Breakdown)	
501		Ref	WHEEL ASSY, (See WHEEL ASSEMBLY for Breakdown)	
601	8880216-OM	NLA	STRAP, (no longer available, use 8880218-OM for replacement)	
602	8880217-OM	NLA	STRAP BOLT, 0.375-24X0.75, GR9, (no longer available, use 8880218-OM for replacement)	

SECTION 5 - DRIVE TRAIN

FIGURE 5-2. DRIVE TRAIN COMPONENTS G9-43A & G10-43A



ART_31200727-5-2

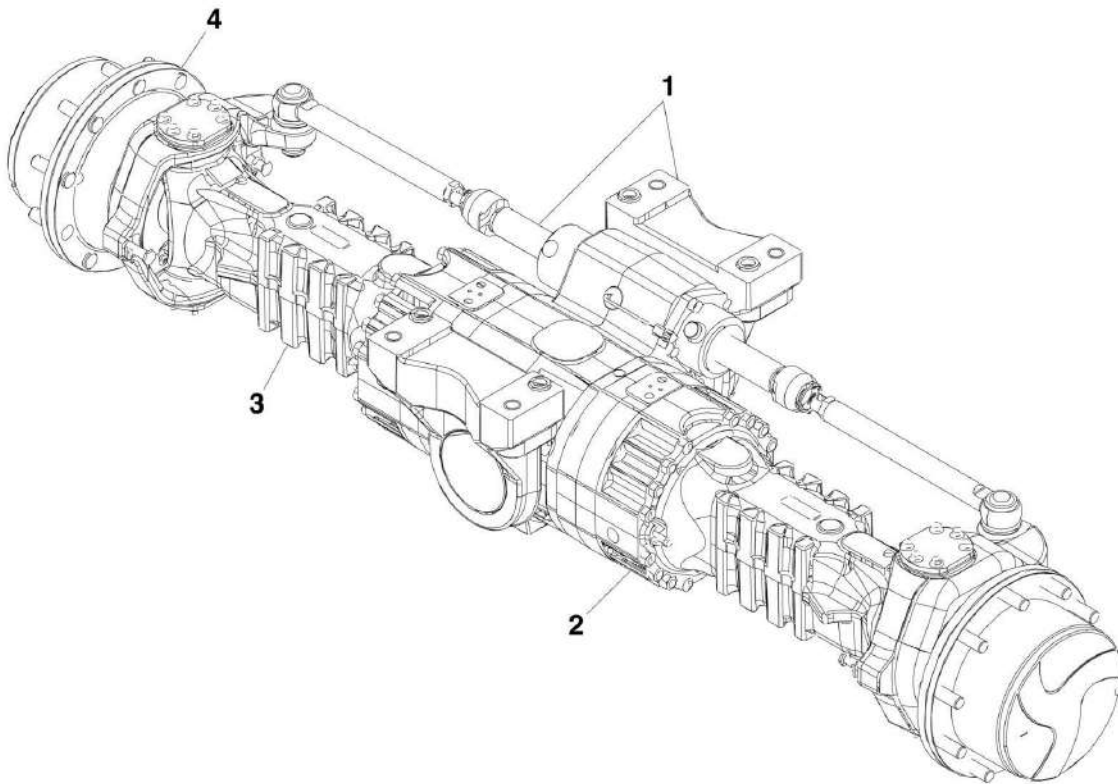
SECTION 5 - DRIVE TRAIN

FIGURE 5-2. DRIVE TRAIN COMPONENTS G9-43A & G10-43A

ITEM	PART NUMBER	QTY	DESCRIPTION	REV
	1001131776	Ref	DRIVETRAIN INSTALLATION, (G9-43A & G10-43A), (not available to order, see items 1 thru 18 for service)	C
1	0682444	16	HEX HD CAPSCREW, 7/8-9X5-1/2	
2	77383118	16	HARDENED WASHER, 7/8	
6	90206198	3.5 in	PVC VINYL EDGE TRIM, 3/16, (not shown)	
7	90206203	91 in	PVC VINYL EDGE TRIM, 1/2, (not shown)	
8	91403193	40	WHEEL NUT, M22X1.5, (torque to 350-400 lb-ft/474-542 Nm)	
14	1001097463	1	FRONT AXLE ASSY, (includes items 201 thru 209)	E
15	1001097464	1	REAR AXLE ASSY, (includes items 301 thru 305)	E
16	1001106573	1	FRONT DRIVE SHAFT	
17	1001106574	1	REAR DRIVE SHAFT	
18	8880218-OM	4	KIT, STRAP, DANA 1480, (includes items 601 & 602)	
101	8036433	4	UNIVERSAL JOINT KIT	
201		Ref	FRONT AXLE, (See FRONT AXLE for Breakdown)	
202	91515022	1	SWAY PIVOT ASSY	
203	91511105	2	RETAINER PLATE	
204	2170806	2	TEE FITTING, (includes o-ring)	
205	1001097466	2	HOSE ASSY	
206	2144605	4	STRAIGHT FITTING, (includes o-ring)	
207	77101143	4	HEX HD CAPSCREW	
208	90027475	7	WASHER	
209	2110808	2	STRAIGHT FITTING, (includes o-ring)	
301		Ref	REAR AXLE, (See REAR AXLE for Breakdown)	
302	2110808	2	STRAIGHT FITTING, (includes o-ring)	
303	2144605	2	STRAIGHT FITTING, (includes o-ring)	
304	2170806	1	TEE FITTING, (includes o-ring)	
305	1001097466	1	HOSE ASSY	
401		Ref	TRANSMISSION, (See ZF TRANSMISSION for Breakdown)	
501		Ref	WHEEL ASSY, (See WHEEL ASSEMBLY for Breakdown)	
601	8880216-OM	NLA	STRAP, (no longer available, use 8880218-OM for replacement)	
602	8880217-OM	NLA	STRAP BOLT, 0.375-24X0.75, GR9, (no longer available, use 8880218-OM for replacement)	

SECTION 5 - DRIVE TRAIN

FIGURE 5-3. FRONT AXLE



PY8050

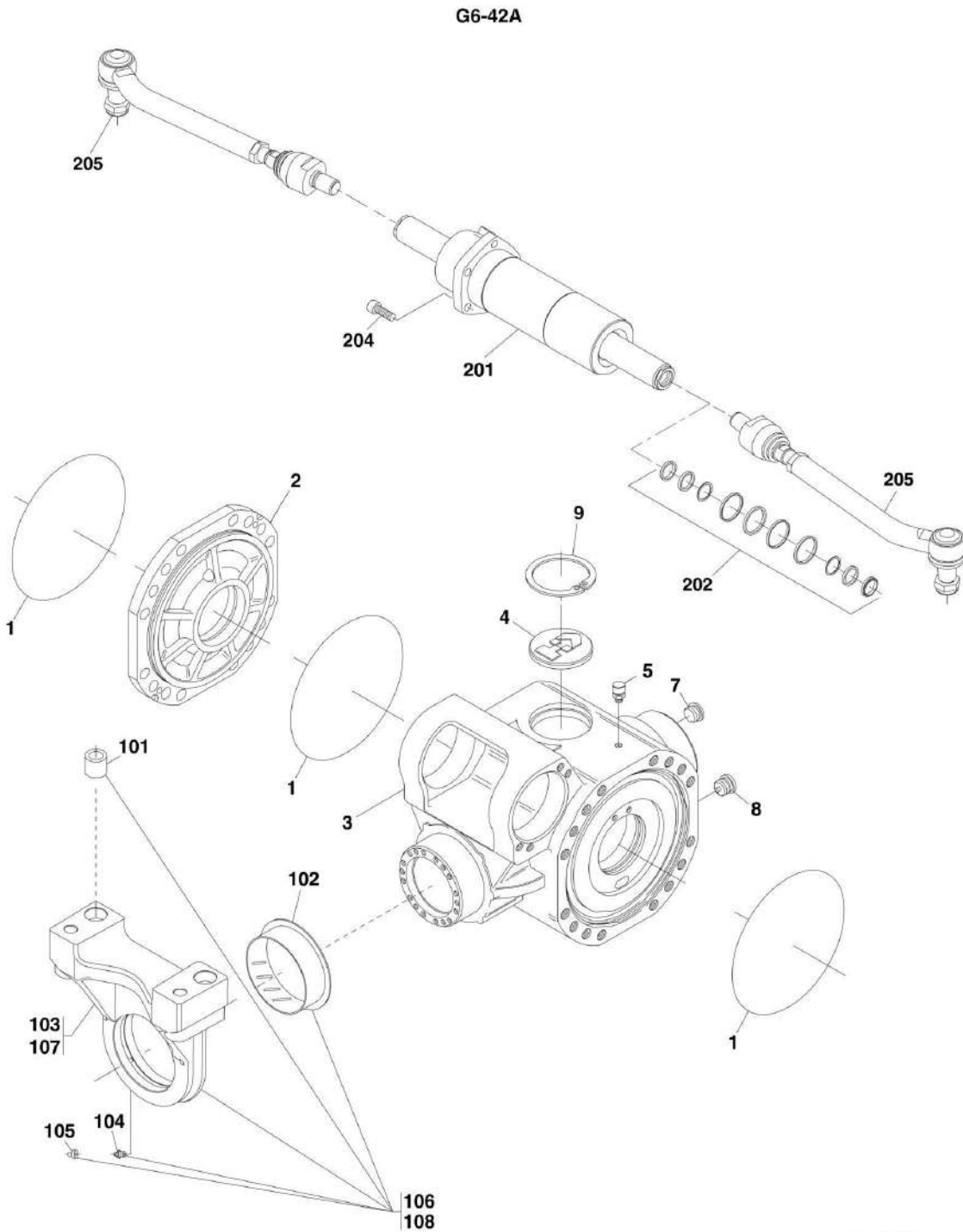
SECTION 5 - DRIVE TRAIN

FIGURE 5-3. FRONT AXLE

ITEM	PART NUMBER	QTY	DESCRIPTION	REV
	1001136365	1	FRONT AXLE, (G6-42A), (includes all items)	D
	1001136367	1	FRONT AXLE, (G9-43A & G10-43A), (includes all items)	C
1		Ref	CENTRAL HOUSING AND STEERING, (See CENTRAL HOUSING AND STEERING for Breakdown)	
2		Ref	DIFFERENTIAL, (See DIFFERENTIAL for Breakdown)	
3		Ref	HUB REDUCTION, (See HUB REDUCTION for Breakdown)	
4		Ref	BRAKES, (See BRAKES for Breakdown)	

SECTION 5 - DRIVE TRAIN

FIGURE 5-4. CENTRAL HOUSING AND STEERING G6-42A



ART_31200727-5-4

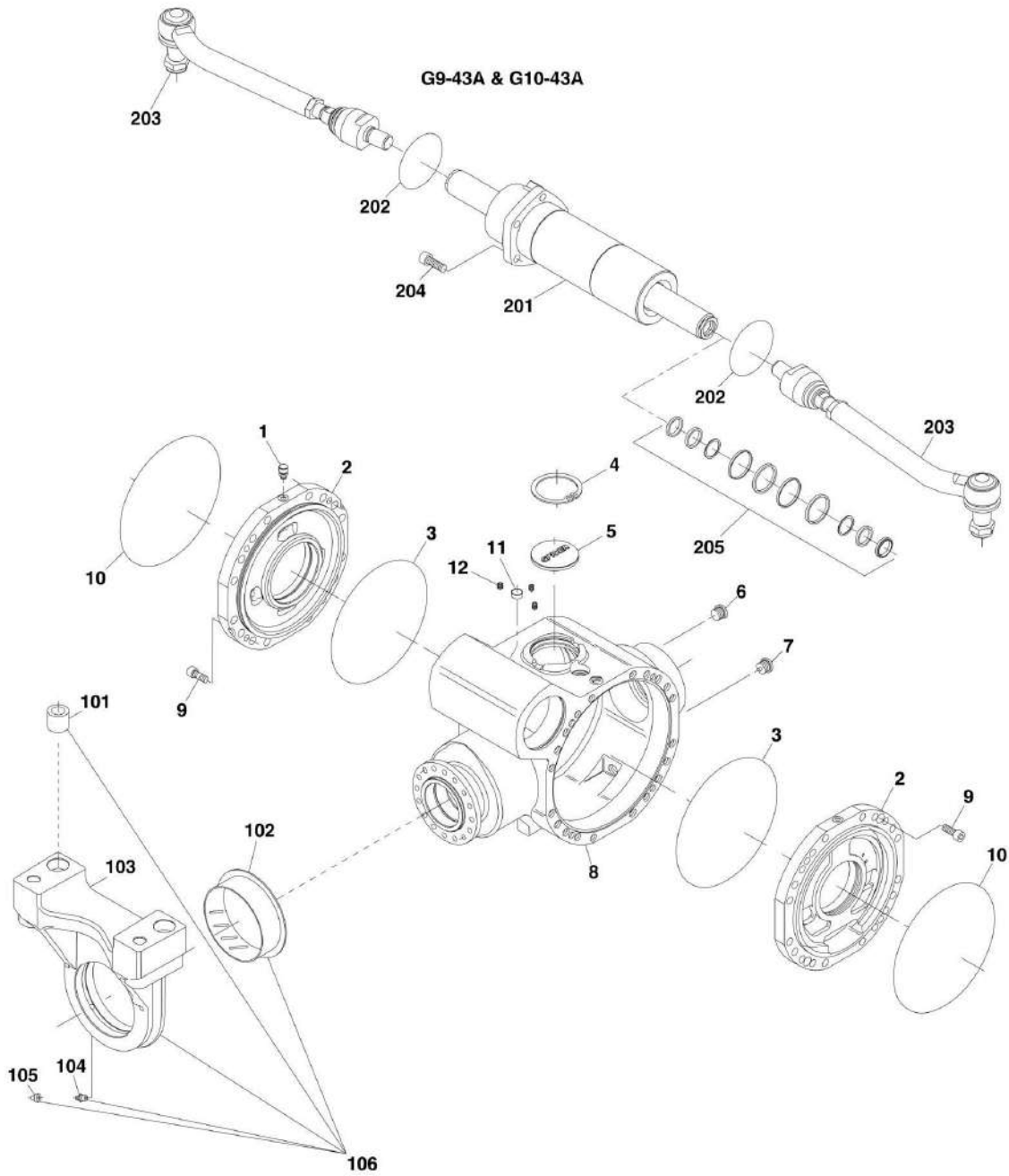
SECTION 5 - DRIVE TRAIN

FIGURE 5-4. CENTRAL HOUSING AND STEERING G6-42A

ITEM	PART NUMBER	QTY	DESCRIPTION	REV
1	91474507	3	O-RING	
2	70024872	1	COVER	
3	7029279	1	HOUSING	
4	91514098	1	PLUG	
5	91474512	1	VENT	
7	91514188	1	PLUG	
8	91474513	1	MAGNET PLUG	
9	80204005	1	CIRCLIP	
101	91474516	2	REDUCTION BUSHING	
102	91474515	1	THRUST BUSHING	
103	7029282	1	FRONT SUPPORT ASSY, (includes items 1, 2, 4 & 5)	
104	91514099	1	GREASE FITTING	
105	80204117	1	PLUG	
106	N.S.S.	Ref	FRONT SUPPORT, (no longer sold separately, order item 103)	
107	7029283	1	REAR SUPPORT ASSY, (includes items 1, 2, 4 & 5)	
108	N.S.S.	Ref	REAR SUPPORT, (no longer sold separately, order item 107)	
201	91474522	4	BOLT	
202	7029529	1	SEAL KIT	
204	7029528	1	STEERING CYLINDER	
205	91474521	2	TIE ROD	

SECTION 5 - DRIVE TRAIN

FIGURE 5-5. CENTRAL HOUSING AND STEERING G9-43A & G10-43A



ART_31200727-5-5

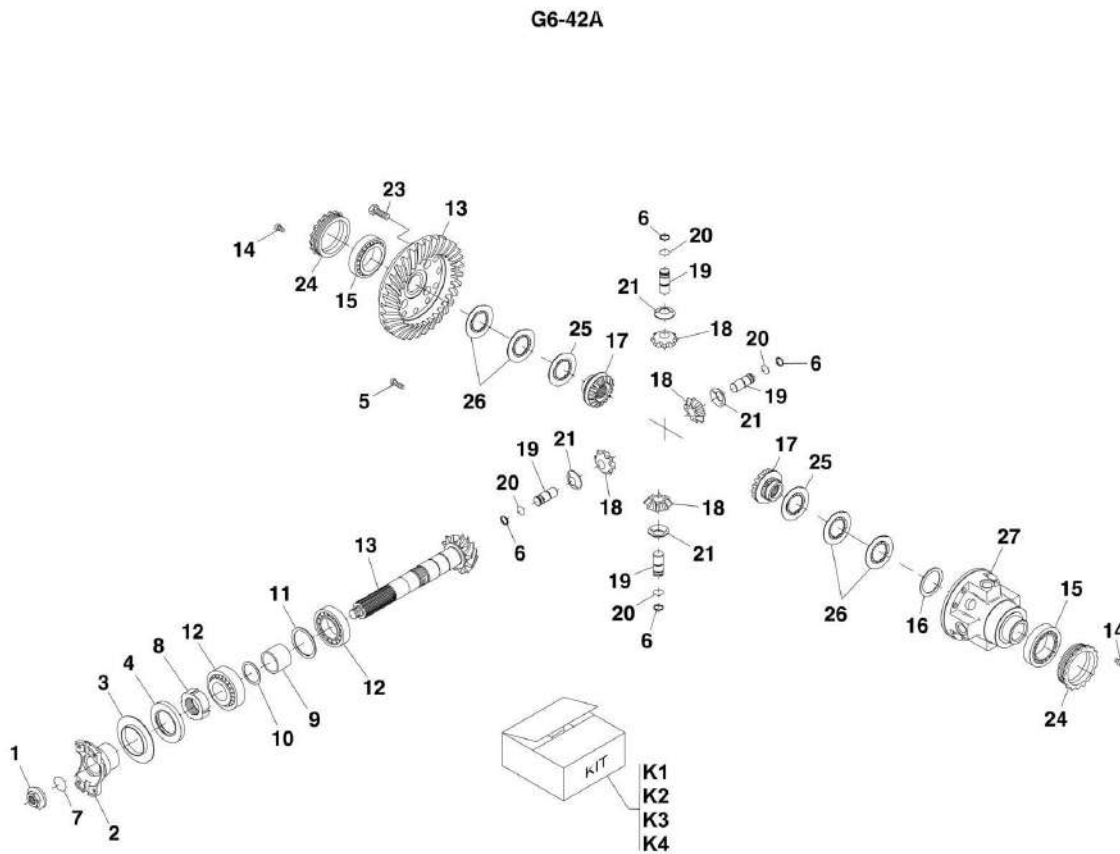
SECTION 5 - DRIVE TRAIN

FIGURE 5-5. CENTRAL HOUSING AND STEERING G9-43A & G10-43A

ITEM	PART NUMBER	QTY	DESCRIPTION	REV
1	91474512	1	VENT	
2	7029288	1	INTERMEDIATE COVER	
3	80204002	1	O-RING	
4	80204005	1	CIRCLIP	
5	91514098	1	PLUG	
6	91514087	1	PLUG	
7	70021177	1	MAGNET PLUG	
8	7029289	1	HOUSING	
9	91514101	4	BOLT	
10	91514089	2	O-RING	
11	7029307	1	PLUG	
12	7029306	3	BOLT	
101	7029290	4	BUSHING	
102	91514090	2	BUSHING	
103	7029291	2	SUPPORT	
104	91514099	2	GREASE FITTING	
105	80204117	2	PLUG	
106	7029292	2	SUPPORT ASSY, (includes items 101 thru 105)	
201	7026490	1	STEERING CYLINDER	
202	80204143	2	O-RING	
203	70021614	2	TIE ROD	
204	80204144	5	BOLT	
205	7029127	1	STEERING CYLINDER SEAL KIT	

SECTION 5 - DRIVE TRAIN

FIGURE 5-6. DIFFERENTIAL G6-42A



ART_31200727-5-6

SECTION 5 - DRIVE TRAIN

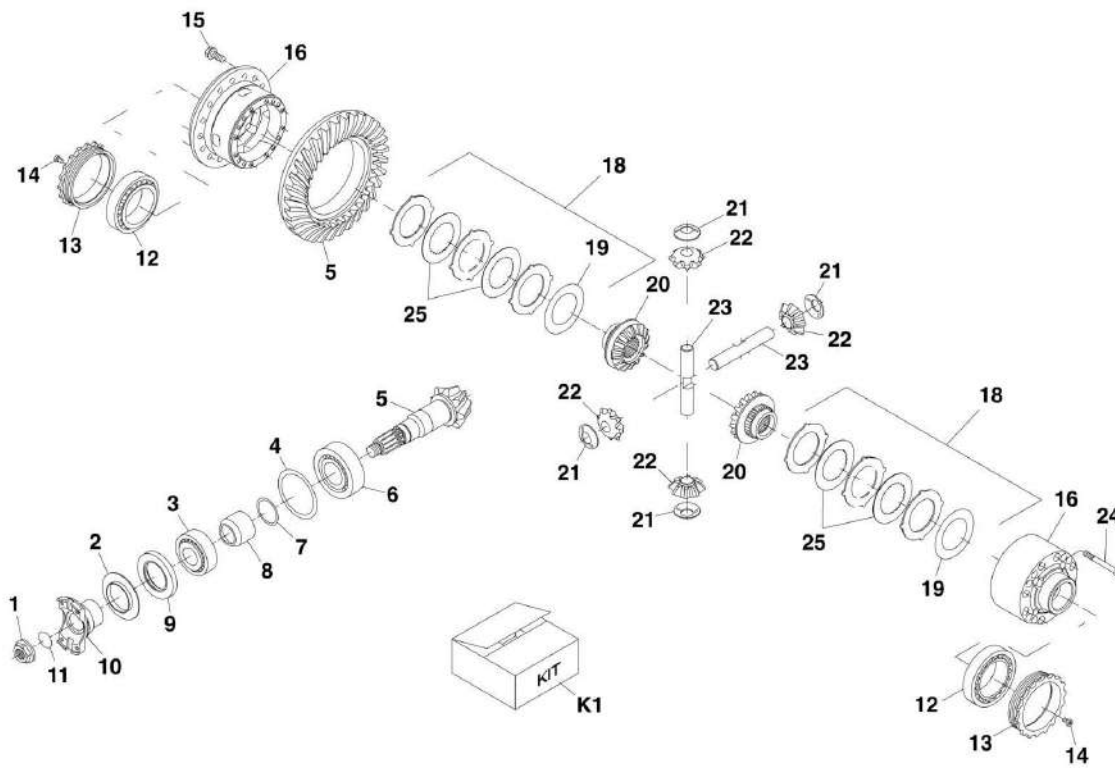
FIGURE 5-6. DIFFERENTIAL G6-42A

ITEM	PART NUMBER	QTY	DESCRIPTION	REV
1	91474528	1	NUT	
2	70022797	1	FLANGE	
3	91474531	1	COVER PLATE	
4	70024522	1	SEAL	
5	91474591	4	BOLT	
6	91474550	4	CIRCLIP	
7	91474529	1	O-RING	
8	91474533	1	RING NUT	
9	91474539	1	SPACER	
10	91474535	AR	SHIM	
10	91474536	AR	SHIM	
10	91474537	AR	SHIM	
10	91474538	AR	SHIM	
11	91474540	AR	SHIM	
11	91474541	AR	SHIM	
11	91474542	AR	SHIM	
11	91474543	AR	SHIM	
12	3968141	2	TAPER ROLLER BEARING	
13	91474544	1	BEVEL GEAR SET	
14	91514134	2	BOLT	
15	91474548	2	TAPER ROLLER BEARING	
16	N.S.S.	1	SPACER	
17	91474549	2	DIFFERENTIAL SIDE GEAR	
18	7029129	4	DIFFERENTIAL PINION	
19	7029131	4	PIN	
20	91474551	4	CIRCLIP	
21	91474553	4	FRICTION WASHER	
23	91514123	12	BOLT	
24	91474547	2	RING NUT	
25	N.S.S.	2	DISC	
26	N.S.S.	4	DISC	
27	8007751	1	DIFFERENTIAL CARRIER	
K1	7028710	1	LIMITED SLIP DIFFERENTIAL, (includes items 6, 16 thru 22 & 25 thru 27)	
K2	8007755	2	DISC KIT, (includes items 16, 22, 25 & 26)	
K3	70022797	1	FLANGE AND COVER PLATE ASSY, (includes items 2 & 3)	
K4	7029131	4	PPIN & CIRCLIP ASSY, (includes items 19 & 20)	

SECTION 5 - DRIVE TRAIN

FIGURE 5-7. DIFFERENTIAL G9-43A & G10-43A

G9-43A & G10-43A



ART_31200727-5-7

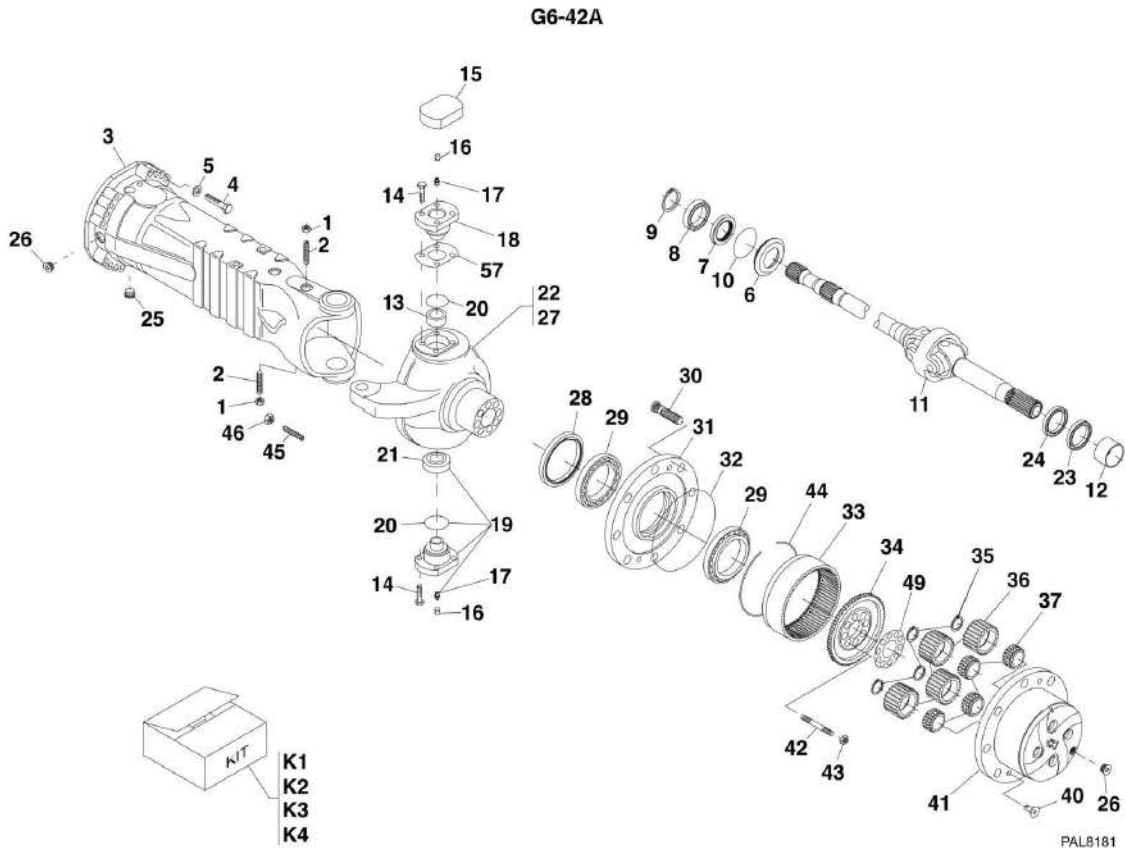
SECTION 5 - DRIVE TRAIN

FIGURE 5-7. DIFFERENTIAL G9-43A & G10-43A

ITEM	PART NUMBER	QTY	DESCRIPTION	REV
1	80204043	1	NUT	
2	91514130	1	COVERPLATE	
3	80204048	1	TAPER ROLLER BEARINGS	
4	70023469	1	SHIM	
5	91514124	1	BEVEL GEAR SET	
6	80204035	1	TAPER ROLLER BEARING	
7	70023494	1	RING KIT	
8	70022140	1	SPACER	
9	70025887	1	SEAL	
10	91514131	1	FLANGE	
11	10725554	1	O-RING	
12	80204033	2	TAPER ROLLER BEARING	
13	91514133	2	RING NUT	
14	91514134	2	BOLT	
15	91514123	16	BOLT	
16	70024004	1	DIFFERENTIAL CARRIER	
18	70023496	2	CLUTCH DISC, (includes items 19 and 25)	
19	N.S.S.	2	DISC	
20	70025856	2	DIFFERENTIAL SIDE GEAR	
21	70023491	4	FRICTION WASHER	
22	70025339	4	DIFFERENTIAL PINION	
23	70023490	2	DIFFERENTIAL SHAFT	
24	91514143	15	BOLT	
25	N.S.S.	4	DISC	
K1	70024005	1	DIFFERENTIAL KIT, (includes items 16 thru 25)	

SECTION 5 - DRIVE TRAIN

FIGURE 5-8. HUB REDUCTION G6-42A



SECTION 5 - DRIVE TRAIN

FIGURE 5-8. HUB REDUCTION G6-42A

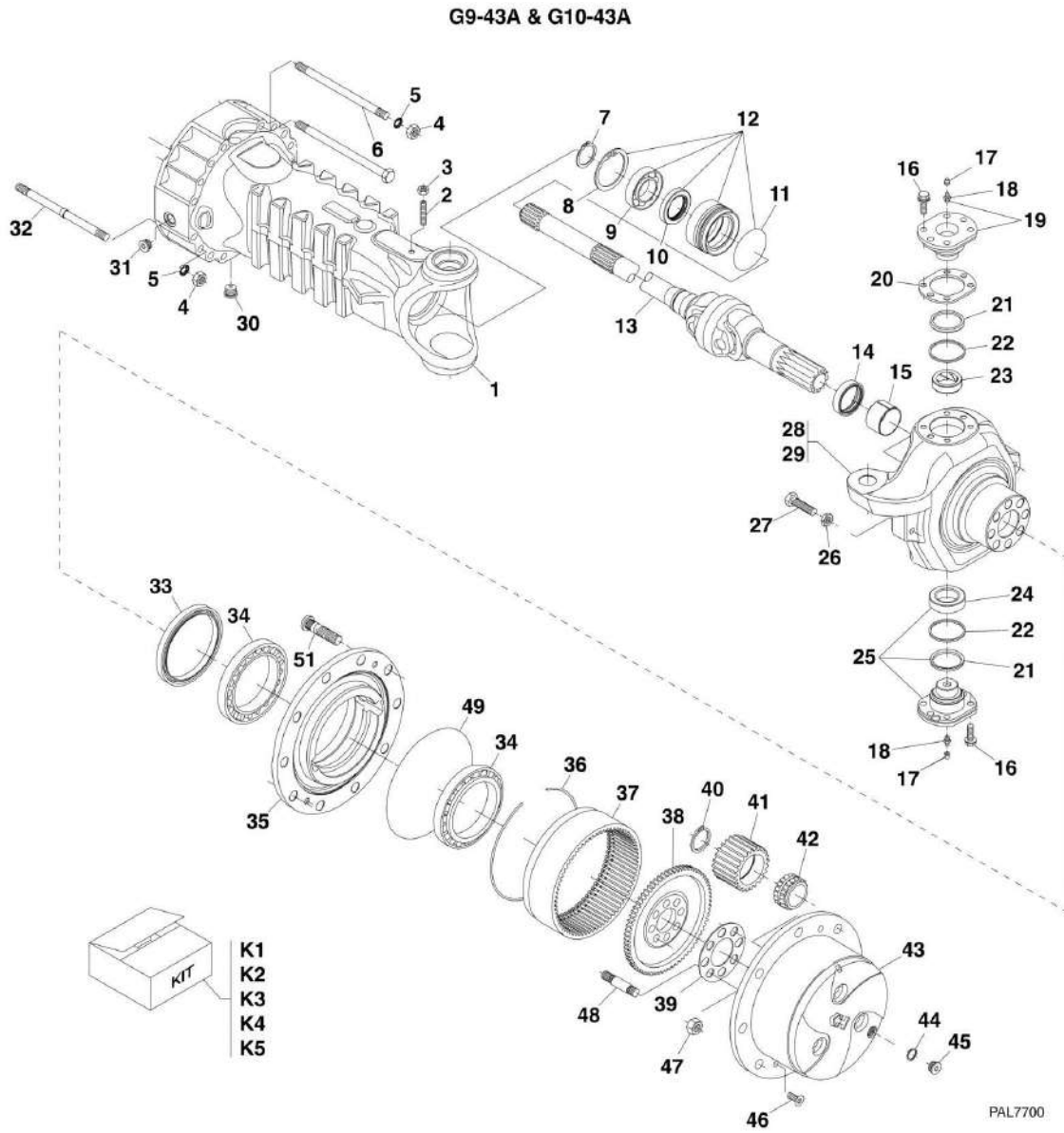
ITEM	PART NUMBER	QTY	DESCRIPTION	REV
1	91514082	2	NUT	
2	91514081	2	BOLT	
3	N.S.S.	2	AXLE CASE	
4	N.S.S.	24	BOLT	
5	91514084	8	WASHER	
6	91514149	2	REDUCTION BUSHING	
7	91514147	2	SEAL	
8	91514146	2	BALL BEARING	
9	80204071	2	CIRCLIP	
10	91514148	2	O-RING	
11	70025810	2	JOINT	
12	91514111	1	THRUST BUSHING	
13	7028714	2	BUSHING	
14	91514123	24	BOLT	
15	91474524	2	COVER	
16	80204117	2	PLUG	
17	91514099	2	GREASE FITTING	
18	91514112	2	PIVOT PIN	
19	7028715	2	PIVOT PIN	
20	7028716	2	DUST EXCLUDER	
21	91514095	2	BEARING	
22	91474527	1	STEERING CASE	
23	70025857	2	SEAL	
25	91474513	2	MAGNET PLUG	
26	91514188	4	PLUG	
27	91474526	1	STEERING CASE	
28	7028721	2	SEAL	
29	91474576	4	BEARING	
30	80214120	20	WHEEL STUD	
31	7029737	2	WHEEL HUB	
32	91514181	2	O-RING	
33	91474580	2	RING GEAR	
34	91474581	2	RING GEAR SUPPORT	
35	91474585	8	CIRCLIP	
36	91474586	8	PLANET GEAR	
37	91474587	8	BEARING	
40	91514189	4	COUNTERSUNK BOLT	
41	7029286	2	PLANET GEAR CARRIER	
42	91474583	20	STUD	
43	91474584	20	NUT	
44	91474579	2	CIRCLIP	
45	91514117	4	BOLT	
46	80204065	4	NUT	
49	91474582	2	LOCKING PLATE	
50	80204005	2	CIRCLIP	
57	70025561	1	SHIM KIT	
61	N.S.S.	8	STUD	
62	91514083	8	NUT	
63	91474507	2	O-RING	
K1	7029431	2	PLANET GEAR CARRIER KIT, (includes items 35 thru 37 & 41)	

SECTION 5 - DRIVE TRAIN

ITEM	PART NUMBER	QTY	DESCRIPTION	REV
K2	91474527	1	LEFT STEERING CASE KIT, (includes items 12 & 22)	
K3	91474526	1	RIGHT STEERING CASE KIT, (includes items 12 & 27)	
K4	7028733	4	STEERING ADJUSTING BOLT KIT, (includes items 45 & 46)	

SECTION 5 - DRIVE TRAIN

FIGURE 5-9. HUB REDUCTION G9-43A & G10-43A



SECTION 5 - DRIVE TRAIN

FIGURE 5-9. HUB REDUCTION G9-43A & G10-43A

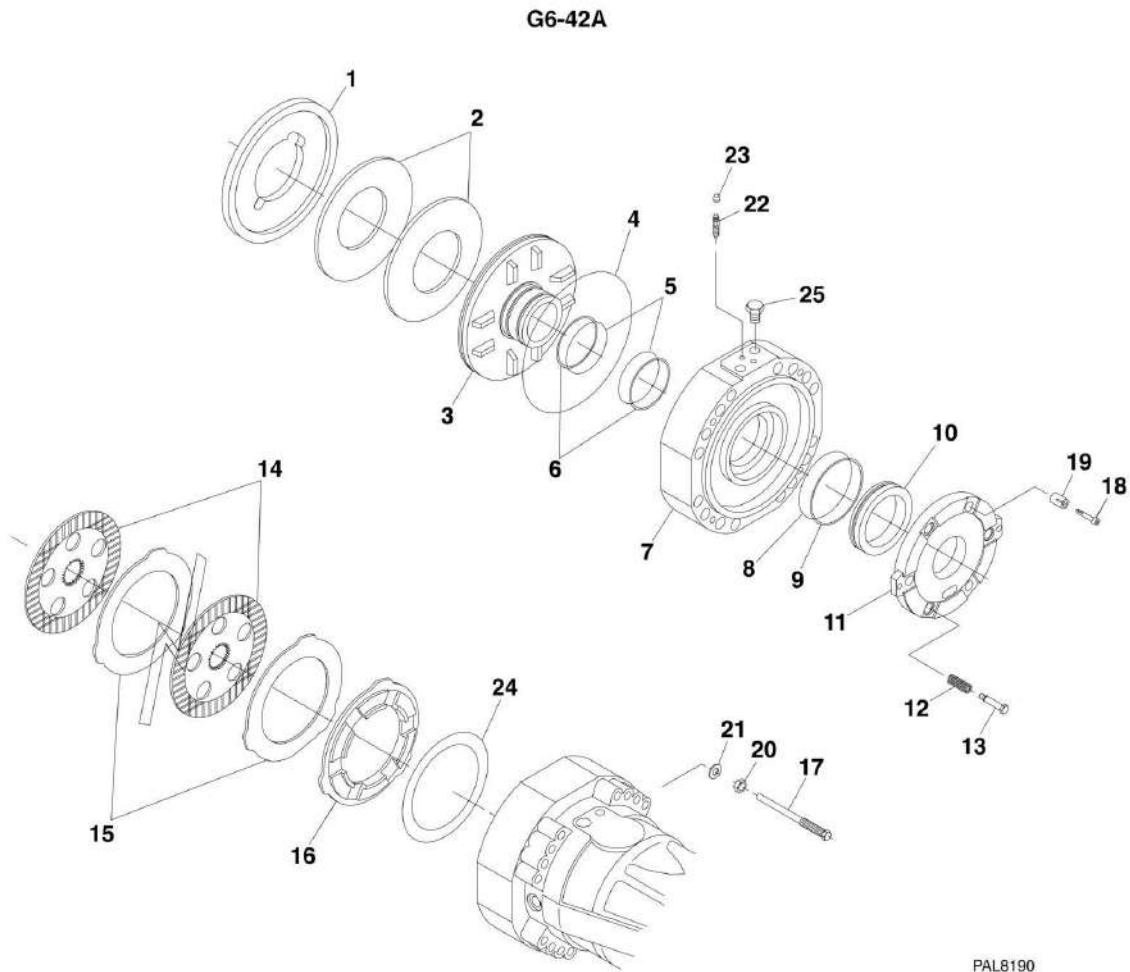
ITEM	PART NUMBER	QTY	DESCRIPTION	REV
1	N.S.S.	2	AXLE CASE	
2	91514081	2	BOLT	
3	91514082	2	NUT	
4	91514083	8	NUT	
5	91514084	8	WASHER	
6	7029309	24	BOLT	
7	80204071	2	CIRCLIP	
8	80204005	2	CIRCLIP	
9	91514146	2	BALL BEARING	
10	91514147	2	SEAL	
11	91514148	2	O-RING	
12	91514149	2	REDUCTION BUSHING	
13	70024671	2	DOUBLE UNIVERSAL JOINT	
14	70025857	2	SEAL	
15	91514111	1	THRUST BUSHING	
16	91514123	24	BOLT	
18	91514099	2	GREASE FITTING	
19	91514112	2	PIVOT PIN	
20	70025561	1	SHIM KIT	
21	7028716	2	DUST EXCLUDER	
23	7028714	2	BUSHING	
24	91514095	2	BEARING	
25	7028715	2	PIVOT PIN	
26	80204065	4	NUT	
27	91514117	4	BOLT	
28	7029750	1	LH STEERING CASE	
29	7029295	1	RH STEERING CASE	
30	70021177	2	MAGNET PLUG	
31	91514087	2	PLUG	
32	70024851	8	STUD	
33	7029300	2	SEAL	
34	80204076	4	TAPER ROLLER BEARING	
35	91514174	2	WHEEL HUB	
36	91514175	2	CIRCLIP	
37	70024147	2	RING GEAR	
38	91514177	2	RING GEAR SUPPORT	
39	91514178	2	LOCKING PLATE	
40	91514184	6	SNAP RING	
41	91514185	6	PLANET GEAR	
42	91514186	6	BEARING	
43	7026731	2	PLANET GEAR CARRIER	
45	91514188	2	PLUG	
46	91514189	4	COUNTERSUNK BOLT	
47	91514179	16	NUT	
48	91514180	16	STUD	
49	91514181	2	O-RING	
51	80214120	20	WHEEL STUD	
53	91514089	2	O-RING	
K1	7029733	2	PLANET GEAR CARRIER KIT, (includes items 36 thru 38 & 40 thru 43)	

SECTION 5 - DRIVE TRAIN

ITEM	PART NUMBER	QTY	DESCRIPTION	REV
K2	7029750	1	LEFT STEERING CASE KIT, (includes items 15 & 28)	
K3	7029751	1	RIGHT STEERING CASE KIT, (includes items 15 & 29)	
K4	7028733	4	STEERING ADJUST BOLT KIT, (includes items 26 & 27)	
K5	70024146	2	RING GEAR SUPPORT KIT, (includes items 36 thru 38)	

SECTION 5 - DRIVE TRAIN

FIGURE 5-10. BRAKES G6-42A



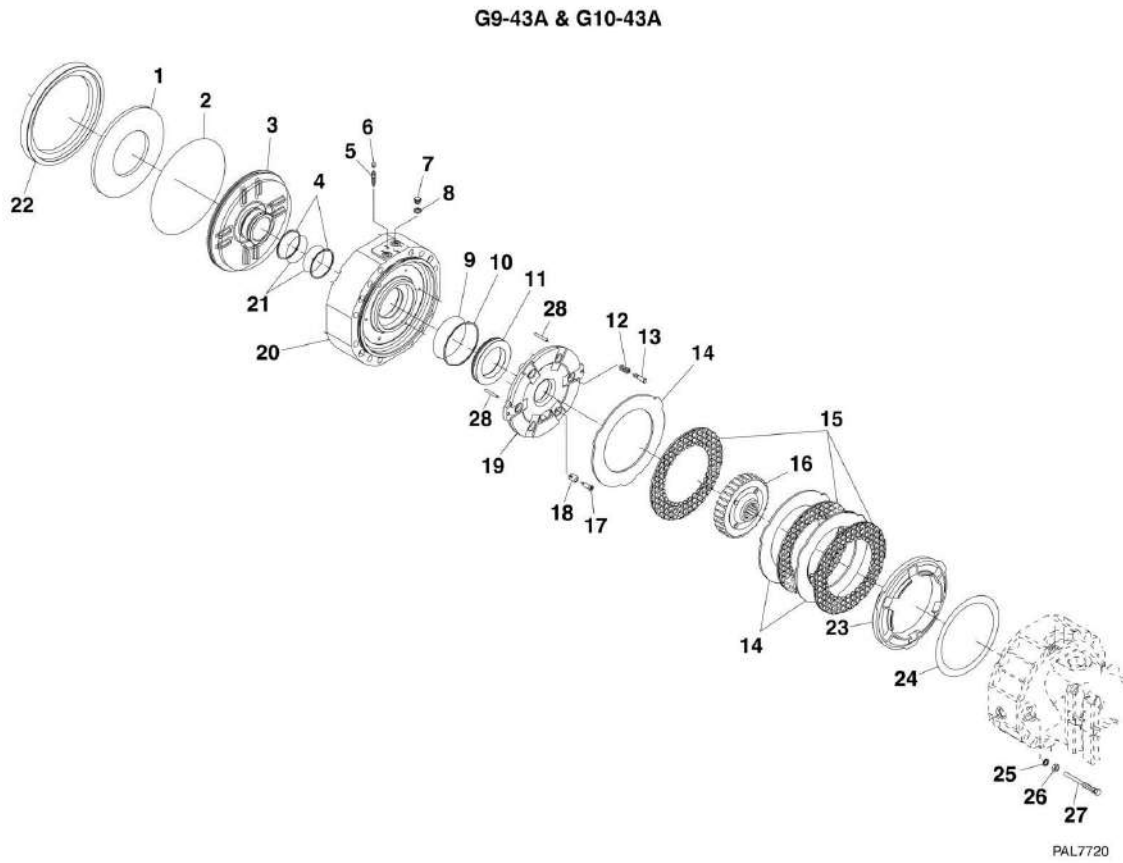
SECTION 5 - DRIVE TRAIN

FIGURE 5-10. BRAKES G6-42A

ITEM	PART NUMBER	QTY	DESCRIPTION	REV
1	7028734	1	SPACER	
2	91474559	4	SPRING	
3	91474560	2	PISTON	
4	91474561	2	O-RING	
5	91514167	4	O-RING	
6	91514153	4	BACKUP RING	
7	7028735	2	COVER	
8	91474562	2	O-RING	
9	91474563	2	BACKUP RING	
10	91474564	2	PISTON	
11	91474565	2	INTERMEDIATE BRAKE DISC	
12	91514159	6	SPRING	
13	70024210	6	ADJUSTING BOLT	
14	91474568	8	DISC	
15	91474569	8	INTERMEDIATE BRAKE DISC	
16	91474570	2	SPACER	
17	70024213	4	BOLT	
18	7029788	6	ADJUSTING BOLT	
19	91514165	6	SPRING	
20	80204060	4	NUT	
21	80204108	4	LOCKWASHER	
22	80204281	4	BLEEDING BOLT	
23	80204117	4	PLUG	
24	70025981	1	SHIM	
25	91514154	4	PLUG	

SECTION 5 - DRIVE TRAIN

FIGURE 5-11. BRAKES G9-43A & G10-43A



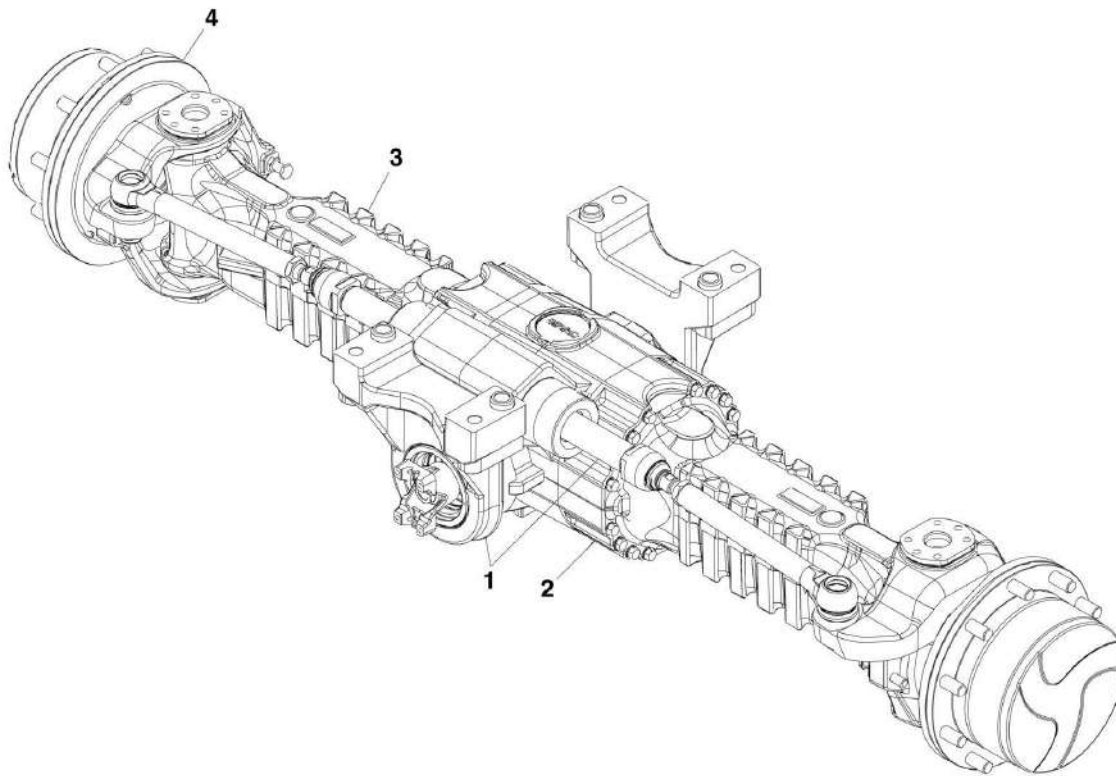
SECTION 5 - DRIVE TRAIN

FIGURE 5-11. BRAKES G9-43A & G10-43A

ITEM	PART NUMBER	QTY	DESCRIPTION	REV
1	91514151	2	SPRING	
2	91514089	2	O-RING	
3	91514152	2	PISTON	
4	91514153	4	BACKUP RING	
5	80204281	4	BLEEDING BOLT	
6	80204117	4	PLUG	
7	91514154	4	PLUG	
9	91514156	2	O-RING	
10	91514157	2	BACKUP RING	
11	91514158	2	PISTON	
12	91514159	6	SPRING	
13	70024210	6	ADJUSTING BOLT	
14	91514161	6	INTERMEDIATE BRAKE DISC	
15	7029735	6	BRAKE DISC	
16	7029734	2	REDUCTION BUSHING	
17	7029787	1	ADJUSTING BOLT	
18	91514165	6	SPRING	
19	70024849	2	DISC, INTERMEDIATE BRAKE	
20	70024848	2	COVER	
21	91514167	4	O-RING	
23	7029298	2	SPACER	
24	70025970	1	SHIM	
25	80204108	4	LOCKWASHER	
26	80204060	4	NUT	
27	70024213	4	BOLT	
28	70024215	4	DOWEL	

SECTION 5 - DRIVE TRAIN

FIGURE 5-12. REAR AXLE



PY8210

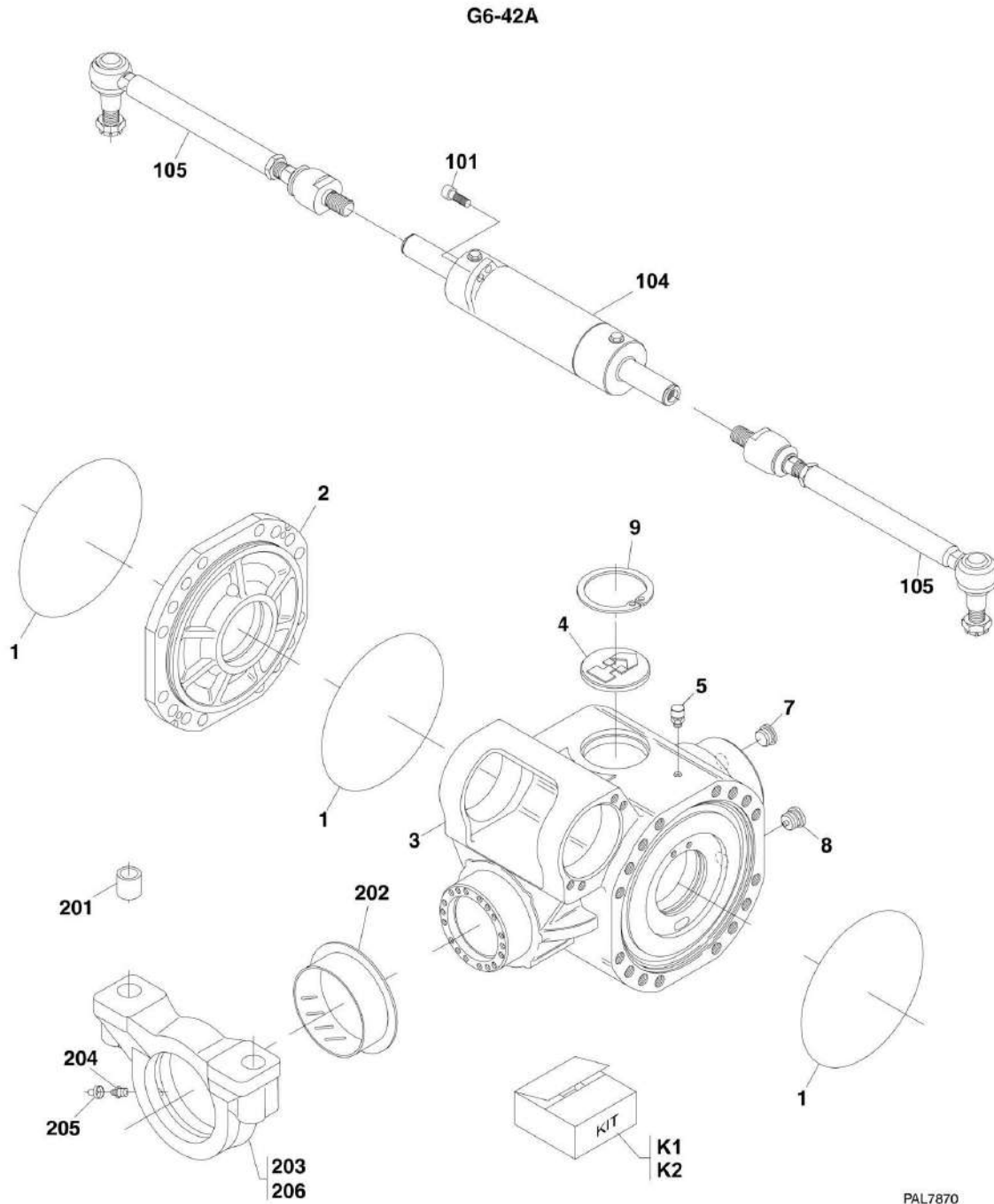
SECTION 5 - DRIVE TRAIN

FIGURE 5-12. REAR AXLE

ITEM	PART NUMBER	QTY	DESCRIPTION	REV
	1001136366	1	REAR AXLE, (G6-42A), (includes all items) (Prior to SN 0160065511)	E
	1001136368	1	REAR AXLE, (G9-43A & G10-43A), (includes all items) (Prior to SN 0160064120)	E
1		Ref	CENTRAL HOUSING AND STEERING, (See CENTRAL HOUSING AND STEERING for Breakdown)	
2		Ref	DIFFERENTIAL, (See DIFFERENTIAL for Breakdown)	
3		Ref	HUB REDUCTION, (See HUB REDUCTION for Breakdown)	
4		Ref	BRAKES, (See BRAKES for Breakdown)	

SECTION 5 - DRIVE TRAIN

FIGURE 5-13. CENTRAL HOUSING AND STEERING G6-42A (Prior to SN 0160065511)



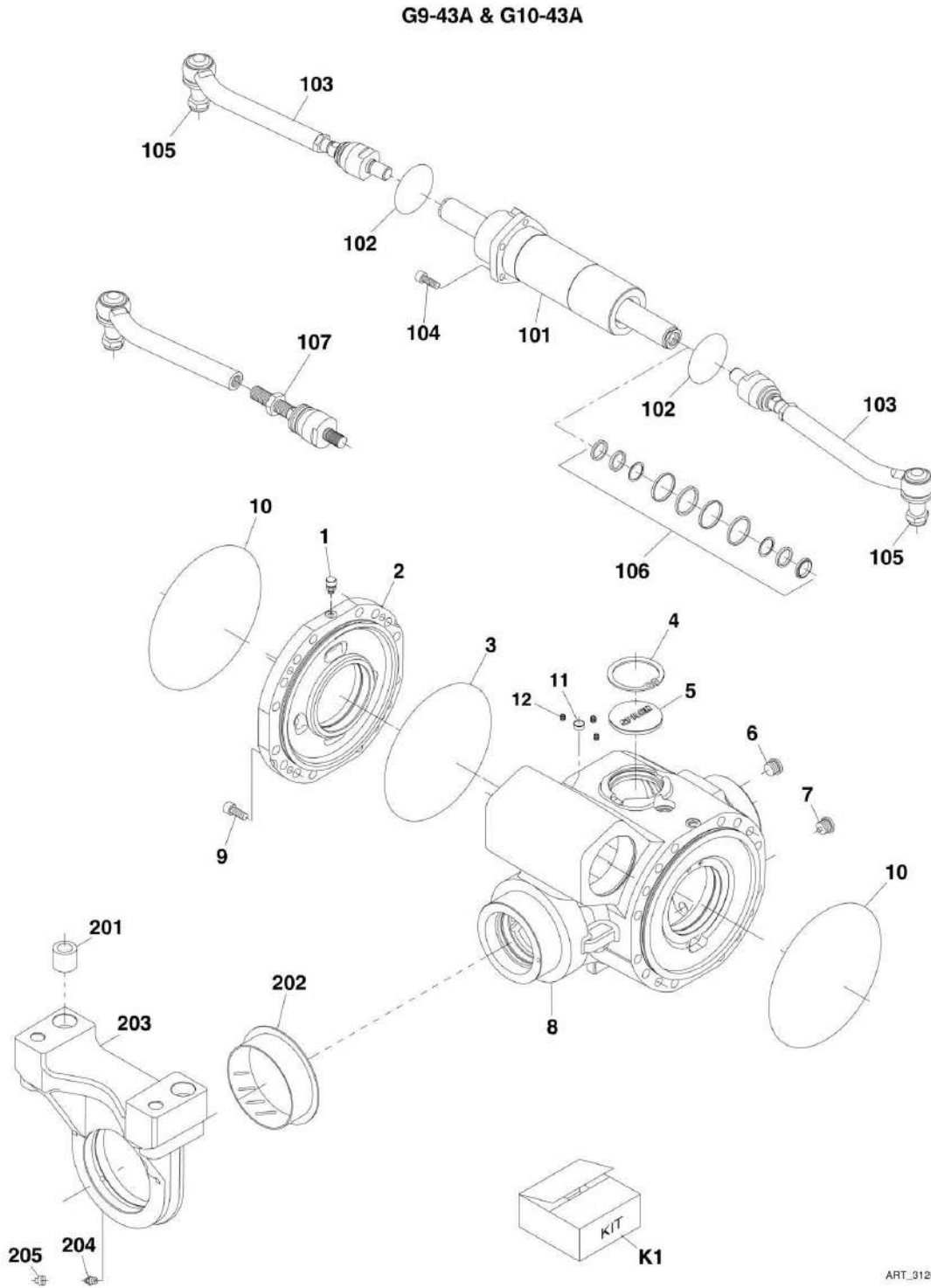
SECTION 5 - DRIVE TRAIN

FIGURE 5-13. CENTRAL HOUSING AND STEERING G6-42A (Prior to SN 0160065511)

ITEM	PART NUMBER	QTY	DESCRIPTION	REV
1	91474507	3	O-RING	
2	70024519	1	INTERMEDIATE COVER	
3	7029279	1	HOUSING	
4	91514098	1	PLUG	
5	91474512	1	VENT	
7	91514188	1	PLUG	
8	91474513	1	MAGNET PLUG	
9	80204005	1	CIRCLIP	
101	91474522	4	BOLT	
104	7029528	1	STEERING CYLINDER	
105	91474521	2	TIE ROD	
201	91474516	2	REDUCTION BUSHING	
202	91474515	1	THRUST BUSHING	
203	7029282	1	FRONT SUPPORT	
204	91514099	1	GREASE FITTING	
205	80204117	1	PLUG	
206	7029283	1	REAR SUPPORT	
K1	7029282	1	FRONT SUPPORT ASSY, (includes items 201 thru 205)	
K2	7029283	1	REAR SUPPORT ASSY, (includes items 201, 202 & 204 thru 206)	

SECTION 5 - DRIVE TRAIN

FIGURE 5-14. CENTRAL HOUSING AND STEERING G9-43A & G10-43A (Prior to SN 0160064120)



ART_31200727-5-14

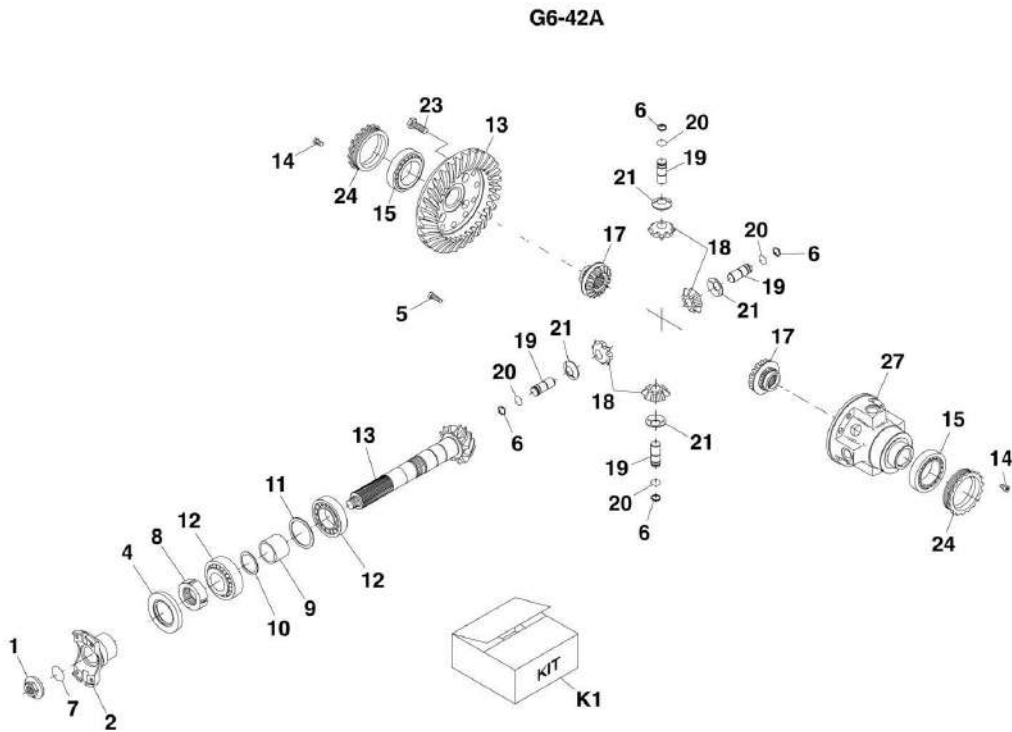
SECTION 5 - DRIVE TRAIN

FIGURE 5-14. CENTRAL HOUSING AND STEERING G9-43A & G10-43A (Prior to SN 0160064120)

ITEM	PART NUMBER	QTY	DESCRIPTION	REV
1	91474512	1	VENT	
2	7029288	1	INTERMEDIATE COVER	
3	80204002	1	O-RING	
4	80204005	1	CIRCLIP	
5	91514098	1	PLUG	
6	91514087	1	PLUG	
7	70021177	1	MAGNET PLUG	
8	7029289	1	HOUSING	
9	91514101	4	BOLT	
10	91514089	2	O-RING	
11	7029307	1	PLUG	
12	7029306	3	BOLT	
101	7026490	1	STEERING CYLINDER	
102	80204143	2	O-RING	
103	70021614	2	TIE-ROD	
104	80204144	5	BOLT	
105	70025974	2	SELF LOCKING NUT	
106	7029127	1	SEAL KIT	
107	70025973	2	NUT	
201	7029290	4	BUSHING	
202	91514090	2	THRUST BUSHING	
203	7029291	2	SUPPORT	
204	91514099	2	GREASE FITTING	
205	80204117	2	PLUG	
K1	7029292	2	SUPPORT ASSY, (includes items 201 thru 205)	

SECTION 5 - DRIVE TRAIN

FIGURE 5-15. DIFFERENTIAL G6-42A (Prior to SN 0160065511)



ART_31200727-5-15

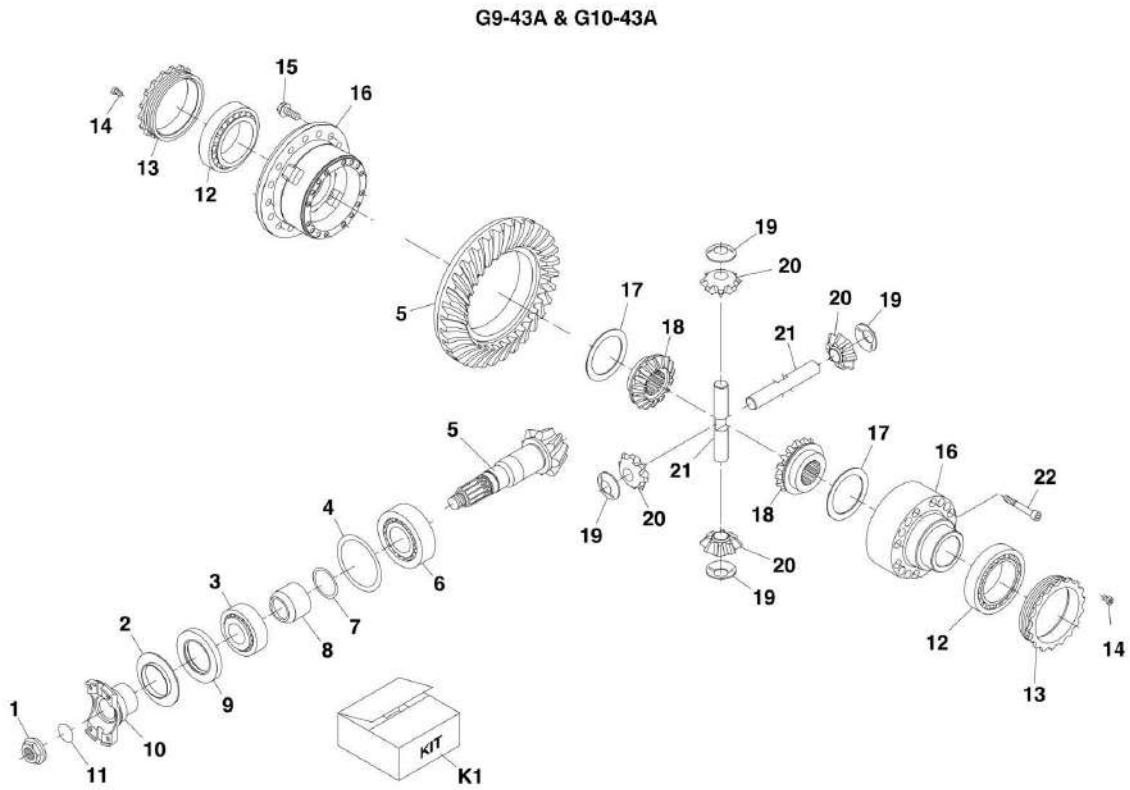
SECTION 5 - DRIVE TRAIN

FIGURE 5-15. DIFFERENTIAL G6-42A (Prior to SN 0160065511)

ITEM	PART NUMBER	QTY	DESCRIPTION	REV
1	91474528	1	NUT	
2	70022797	1	FLANGE	
4	70024522	1	SEAL	
5	91474591	4	BOLT	
6	91474550	4	CIRCLIP	
7	91474529	1	O-RING	
8	91474533	1	RING NUT	
9	91474539	1	SPACER	
10	91474535	AR	SHIM	
10	91474536	AR	SHIM	
10	91474537	AR	SHIM	
10	91474538	AR	SHIM	
10	70024520	AR	SHIM	
10	70024521	AR	SHIM	
11	91474540	AR	SHIM	
11	91474541	AR	SHIM	
11	91474542	AR	SHIM	
11	91474543	AR	SHIM	
12	3968141	2	TAPER ROLLER BEARING	
13	91474592	1	BEVEL GEAR SET	
14	91514134	2	BOLT	
15	70026031	2	TAPER ROLLER BEARING	
17	91474594	2	DIFFERENTIAL SIDE GEAR	
18	7029129	4	DIFFERENTIAL PINION	
19	7029131	4	PIN	
20	91474551	4	CIRCLIP	
21	91474553	4	FRICITION WASHER	
23	91514123	12	BOLT	
24	91474547	2	RING NUT	
27	91474595	1	DIFFERENTIAL CARRIER	
K1	91474596	1	DIFFERENTIAL KIT, (includes items 6, 17 thru 21 & 27)	

SECTION 5 - DRIVE TRAIN

FIGURE 5-16. DIFFERENTIAL G9-43A & G10-43A (Prior to SN 0160064120)



ART_31200727-5-16

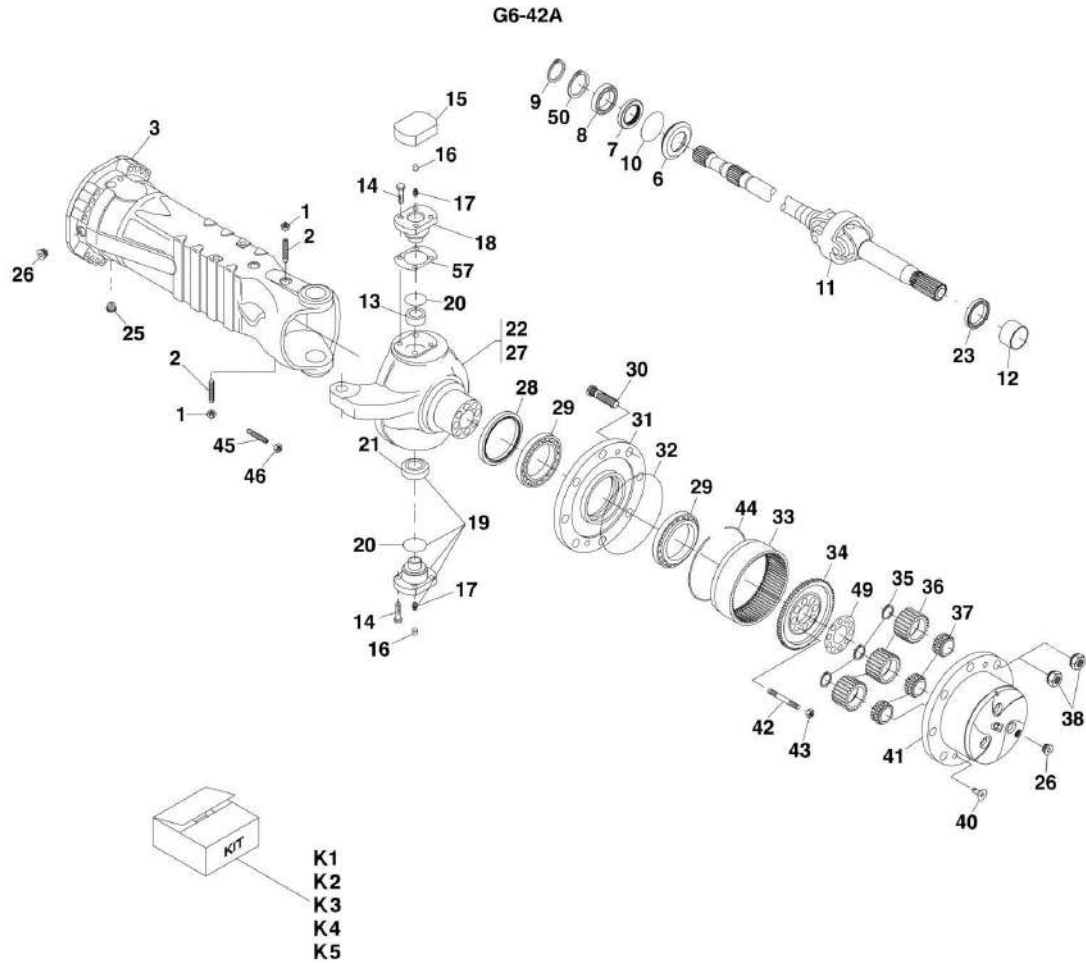
SECTION 5 - DRIVE TRAIN

FIGURE 5-16. DIFFERENTIAL G9-43A & G10-43A (Prior to SN 0160064120)

ITEM	PART NUMBER	QTY	DESCRIPTION	REV
1	80204043	1	NUT	
2	91514130	1	COVERPLATE	
3	80204048	1	TAPER ROLLER BEARING	
4	70023469	1	SHIM	
5	91514191	1	BEVEL GEAR SET	
6	80204035	1	TAPER ROLLER BEARING	
7	70023494	1	RING KIT	
8	70022140	1	SPACER	
9	70025887	1	SEAL	
10	91514131	1	FLANGE	
11	10725554	1	O-RING	
12	80204033	2	TAPER ROLLER BEARING	
13	91514133	2	RING NUT	
14	91514134	2	BOLT	
15	91514123	16	BOLT	
16	70025337	1	DIFFERENTIAL CARRIER	
17	70023493	2	FRICTION WASHER	
18	70025338	2	DIFFERENTIAL SIDE GEAR	
19	70023491	4	FRICTION WASHER	
20	70025339	4	DIFFERENTIAL PINION	
21	70023490	2	DIFFERENTIAL SHAFT	
22	70023489	15	BOLT	
K1	70025971	Ref	DIFFERENTIAL KIT, (includes items 16 thru 22)	

SECTION 5 - DRIVE TRAIN

FIGURE 5-17. HUB REDUCTION G6-42A (Prior to SN 0160065511)



ART_31200727-5-17

SECTION 5 - DRIVE TRAIN

FIGURE 5-17. HUB REDUCTION G6-42A (Prior to SN 0160065511)

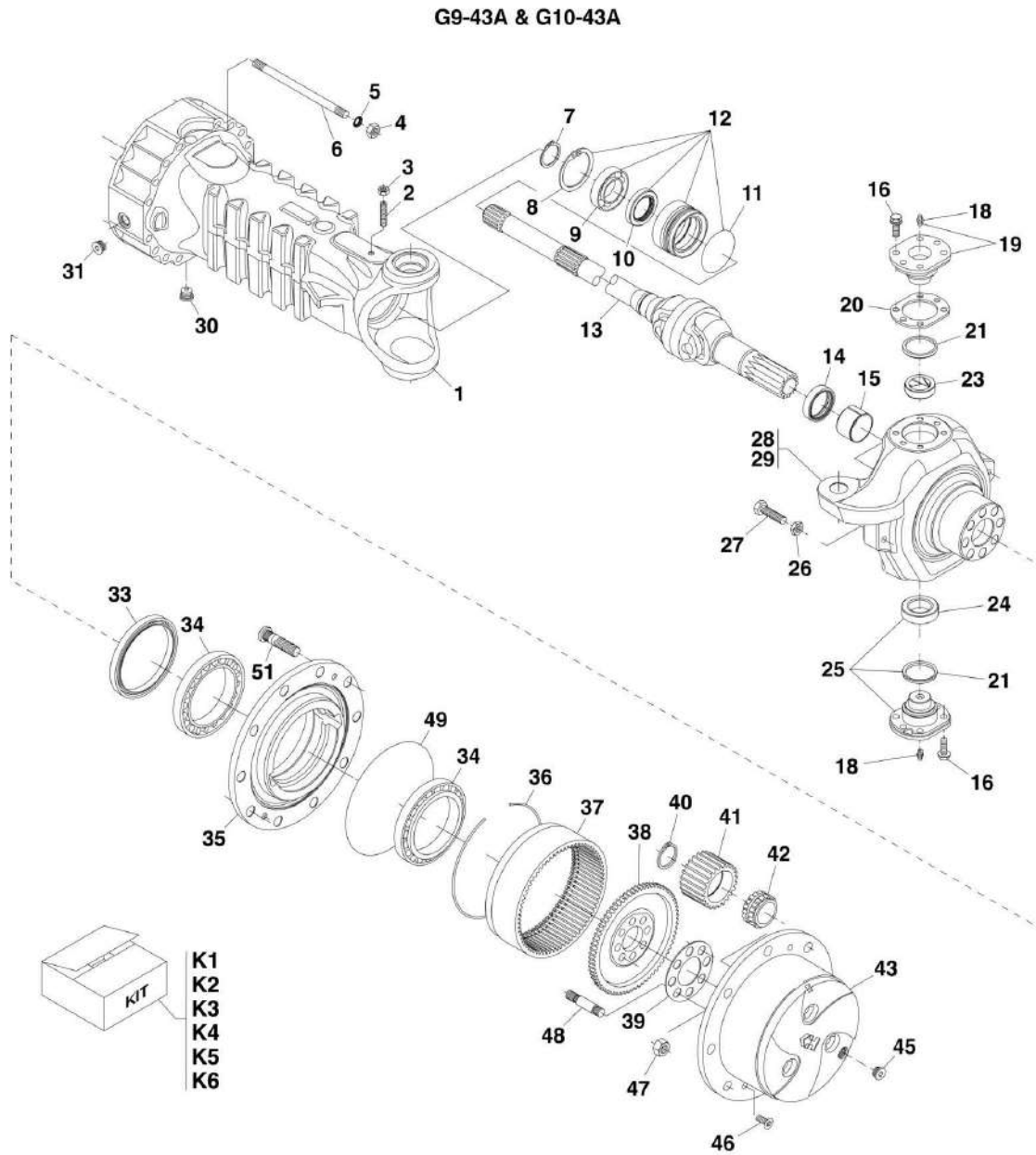
ITEM	PART NUMBER	QTY	DESCRIPTION	REV
1	91514082	2	NUT	
2	91514081	2	BOLT	
3	N.S.S.	2	AXLE CASE	
6	91514149	2	REDUCTION BUSHING	
7	91514147	2	SEAL	
8	91514146	2	BALL BEARING	
9	80204071	2	CIRCLIP	
10	91514148	2	O-RING	
11	70025810	2	DOUBLE UNIVERSAL JOINT	
12	91514111	1	THRUST BUSHING	
13	7028714	2	BUSHING	
14	91514123	24	BOLT	
15	91474524	2	COVER	
16	80204117	2	PLUG	
17	91514099	2	GREASE FITTING	
18	91514112	2	PIVOT PIN	
19	7028715	2	PIVOT PIN	
20	7028716	2	DUST EXCLUDER	
21	91514095	2	BEARING	
22	7029284	1	LH STEERING CASE	
23	70025857	2	SEAL	
25	91474513	2	MAGNET PLUG	
26	91514188	4	PLUG	
27	91474526	1	RH STEERING CASE	
28	7028721	2	SEAL	
29	91474576	4	BEARING	
30	80214120	20	WHEEL STUD	
31	7029737	2	WHEEL HUB	
32	91514181	2	O-RING	
33	91474580	2	RING GEAR	
34	91474581	2	RING GEAR SUPPORT	
35	91474585	8	CIRCLIP	
36	91474586	8	PLANET GEAR	
37	91474587	8	BEARING	
38	91474584	20	NUT	
40	91514189	4	COUNTERSUNK BOLT	
41	7029286	2	PLANET GEAR CARRIER	
42	91474583	20	STUD	
43	91474584	20	NUT	
44	91474579	2	CIRCLIP	
45	91514117	4	BOLT	
46	80204065	4	NUT	
49	91474582	2	LOCKING PLATE	
50	80204005	2	CIRCLIP	
57	91514113	AR	SHIM	
57	91514114	AR	SHIM	
57	91514115	AR	SHIM	
K1	7029431	1	PLANET GEAR CARRIER KIT, (includes items 35 thru 37 & 41)	
K2	7029284	1	STEERING ADJUSTMENT KIT, (includes items 45 & 46)	
K3	7029285	1	RH STEERING CASE KIT, (includes items 12 & 27)	

SECTION 5 - DRIVE TRAIN

ITEM	PART NUMBER	QTY	DESCRIPTION	REV
K4	7028733	1	STEERING ADJUSTMENT KIT, (includes items 45 & 46)	
K5	7029736	1	RING GEAR SUPPORT KIT, (includes items 33, 34 & 44)	

SECTION 5 - DRIVE TRAIN

FIGURE 5-18. HUB REDUCTION G9-43A & G10-43A (Prior to SN 0160064120)



ART_31200727-5-18

SECTION 5 - DRIVE TRAIN

FIGURE 5-18. HUB REDUCTION G9-43A & G10-43A (Prior to SN 0160064120)

ITEM	PART NUMBER	QTY	DESCRIPTION	REV
1	70025980	2	AXLE CASE	
2	91514081	2	BOLT	
3	91514082	2	NUT	
6	70022814	32	HEXAGON BOLT	
7	80204071	2	CIRCLIP	
8	80204005	2	CIRCLIP	
9	91514146	2	BALL BEARING	
10	91514147	2	SEAL	
11	91514148	2	O-RING	
12	91514149	2	REDUCTION BUSHING	
13	70024671	2	DOUBLE UNIVERSAL JOINT	
14	70025857	2	SEAL	
15	91514111	1	THRUST BUSHING	
16	91514123	24	BOLT	
18	91514099	2	GREASE FITTING	
19	91514112	2	PIVOT PIN	
20	70025561	1	SHIM KIT	
21	7028716	2	DUST EXCLUDER	
23	7028714	2	BUSHING	
24	91514095	2	BEARING	
25	7028715	2	PIVOT PIN	
26	80204065	4	NUT	
27	91514117	4	BOLT	
28	7029750	1	LH STEERING CASE	
29	7029295	1	RH STEERING CASE	
30	70021177	2	MAGNET PLUG	
31	91514087	2	PLUG	
33	7029300	2	SEAL	
34	80204076	4	TAPER ROLLER BEARING	
35	91514174	2	WHEEL HUB	
36	91514175	2	CIRCLIP	
37	70024147	2	RING GEAR	
38	91514177	2	RING GEAR SUPPORT	
39	91514178	2	LOCKING PLATE	
40	91514184	6	SNAP RING	
41	91514185	6	PLANET GEAR	
42	91514186	6	BEARING	
43	7026731	2	PLANET GEAR CARRIER	
45	91514188	2	PLUG	
46	91514189	4	COUNTERSUNK BOLT	
47	91514179	16	NUT	
48	91514180	16	STUD	
49	91514181	2	O-RING	
51	80214120	20	WHEEL STUD	
K1	7029733	2	PLANET GEAR CARRIER KIT, (includes items 40 thru 43)	
K2	7029750	1	LH STEERING CASE KIT, (includes items 15 & 28)	
K3	7029751	1	RH STEERING CASE KIT, (includes items 15 & 29)	
K4	7028733	4	STEERING ADJUST BOLT KIT, (includes items 26 & 27)	
K5	70024146	2	RING GEAR SUPPORT KIT, (includes items 36 thru 38)	
K6	70025972	2	PLANET GEAR CARRIER SUPPORT KIT, (includes items 36 thru	

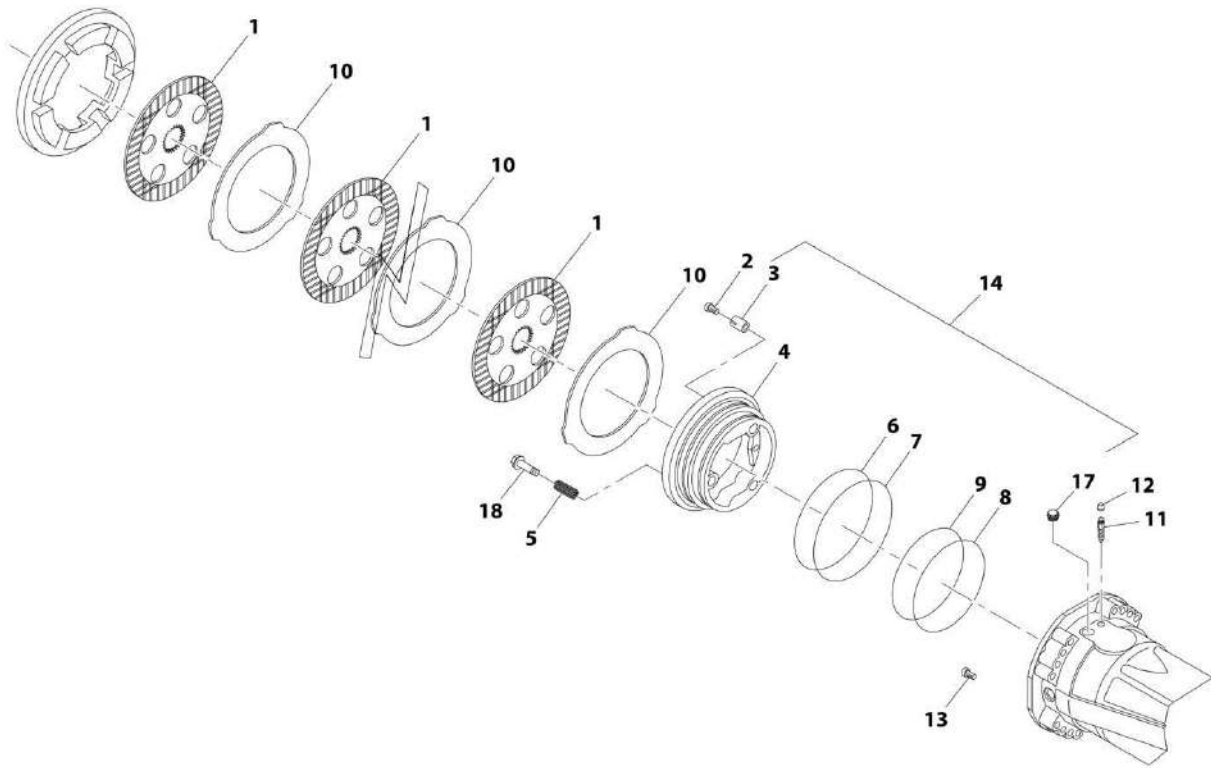
SECTION 5 - DRIVE TRAIN

ITEM	PART NUMBER	QTY	DESCRIPTION	REV
			38 and 40 thru 43)	

SECTION 5 - DRIVE TRAIN

FIGURE 5-19. BRAKES G6-42A (Prior to SN 0160065511)

G6-42A



ART_31200727-5-19

SECTION 5 - DRIVE TRAIN

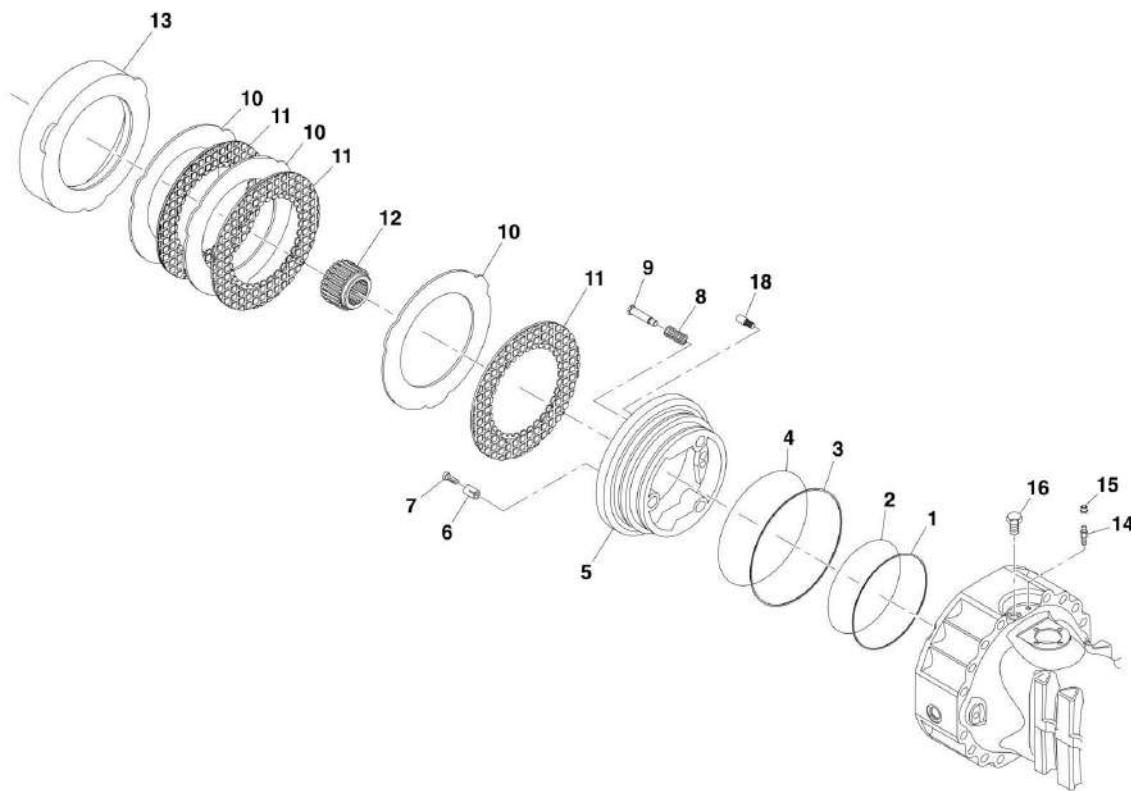
FIGURE 5-19. BRAKES G6-42A (Prior to SN 0160065511)

ITEM	PART NUMBER	QTY	DESCRIPTION	REV
1	91474568	8	DISC	
2	7029786	6	ADJUSTING BOLT	
3	91514165	6	SPRING	
4	70024525	2	PISTON	
5	91514159	6	SPRING	
6	3984436	2	BACK-UP RING	
7	3984458	2	O-Ring	
8	3984447	2	BACK-UP RING	
9	3984469	2	O-RING	
10	91474569	10	INTERMEDIATE BRAKE DISC	
11	80204281	2	BLEEDING BOLT	
12	80204117	2	PLUG	
13	70021613	2	PILOT BOLT	
14	70024525	2	PISTON KIT	
17	91514154	2	PLUG	
18	91514160	6	ADJUSTING BOLT	

SECTION 5 - DRIVE TRAIN

FIGURE 5-20. BRAKES G9-43A & G10-43A (Prior to SN 0160064120)

G9-43A & G10-43A



ART_31200727-5-20

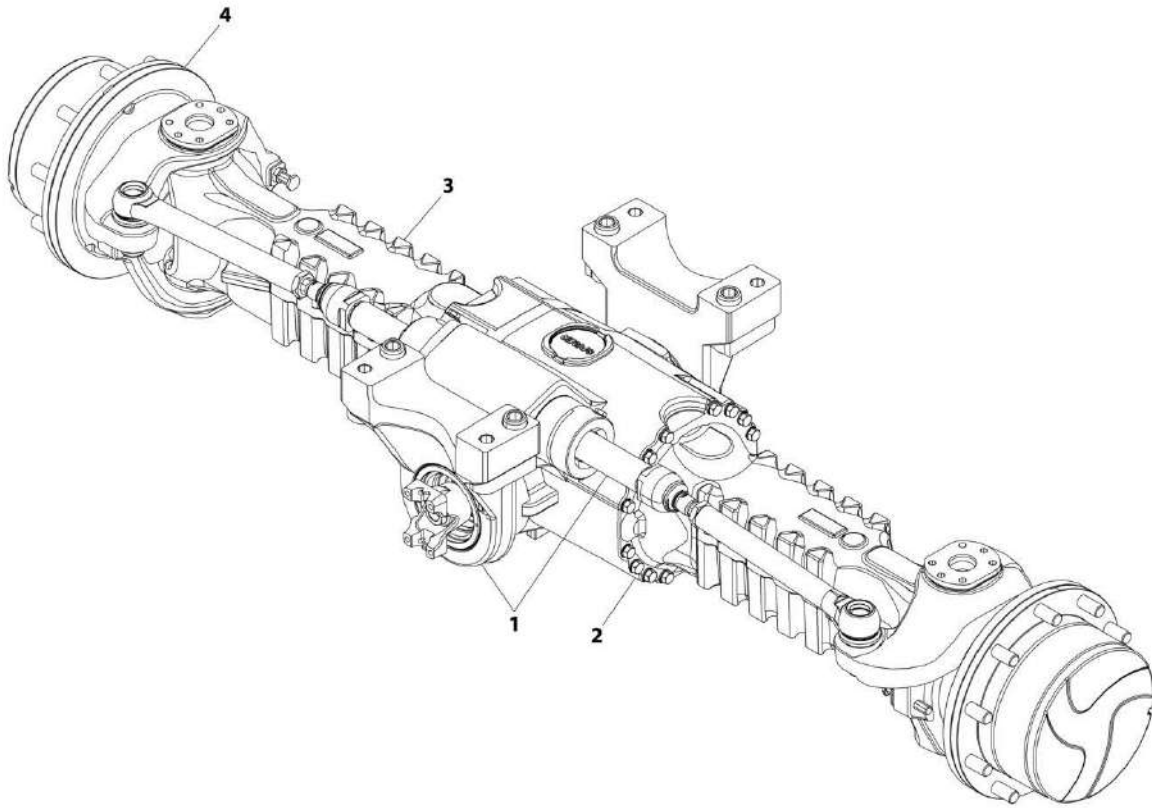
SECTION 5 - DRIVE TRAIN

FIGURE 5-20. BRAKES G9-43A & G10-43A (Prior to SN 0160064120)

ITEM	PART NUMBER	QTY	DESCRIPTION	REV
1	70021609	2	BACKUP RING	A
2	70021610	2	O-RING	
3	70021612	2	BACKUP RING	
4	70021611	2	O-RING	
5	70024216	2	PISTON	
6	91514165	6	SPRING	
7	70021607	6	ADJUSTING BOLT	
8	91514159	6	SPRING	
9	70024210	6	ADJUSTING BOLT	
10	91514161	6	INTERMEDIATE BRAKE DISC	
11	7029735	6	BRAKE DISC	
12	7029734	2	REDUCTION BUSHING	
13	70021606	2	SPACER	
14	80204281	2	BLEEDING BOLT	
15	80204117	2	PLUG	
16	91514154	2	PLUG	
18	70021613	2	PILOT BOLT	

SECTION 5 - DRIVE TRAIN

FIGURE 5-21. REAE AXLE



ART_31200727-5-21

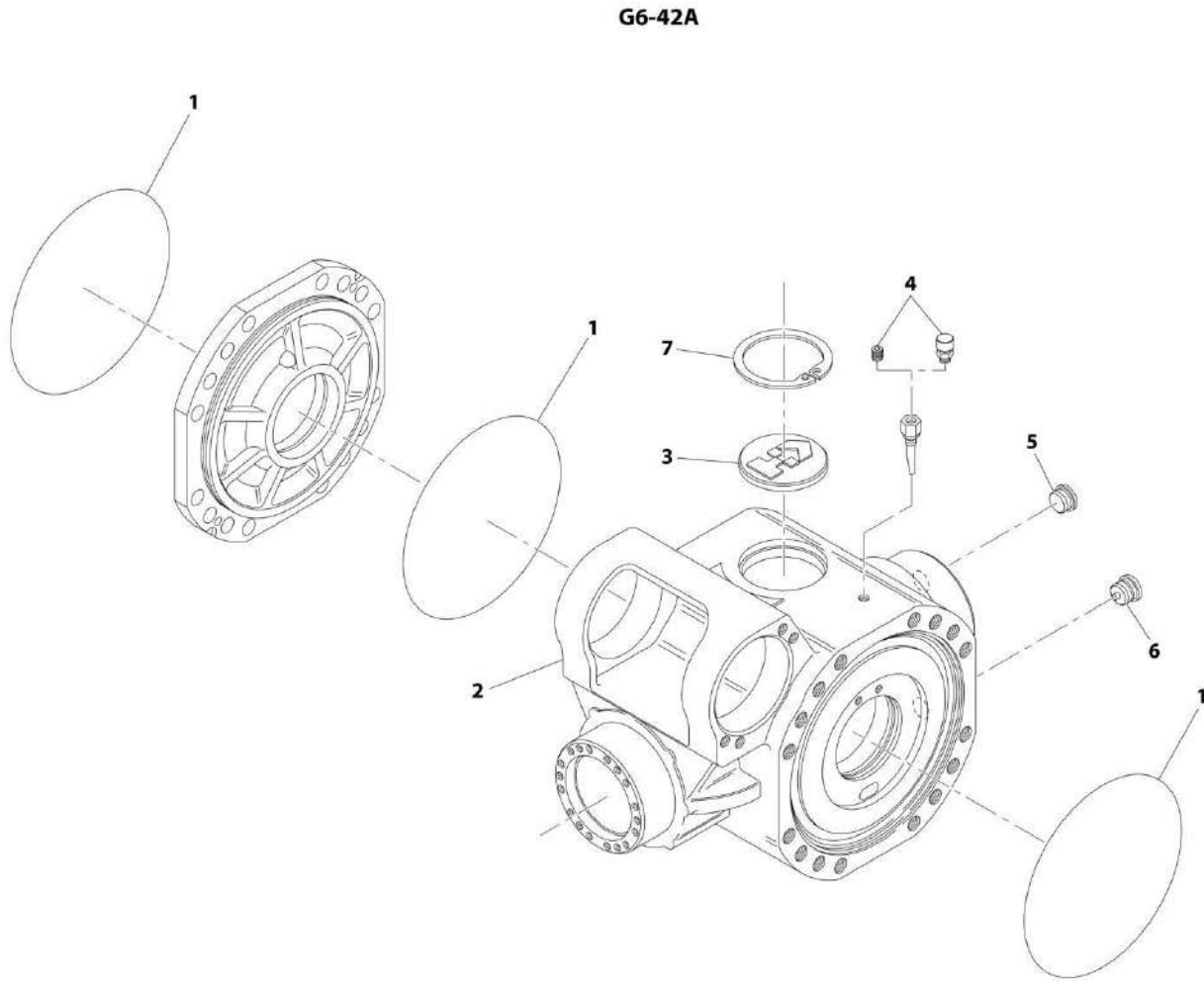
SECTION 5 - DRIVE TRAIN

FIGURE 5-21. REAE AXLE

ITEM	PART NUMBER	QTY	DESCRIPTION	REV
	1001182614	Ref	REAR AXLE (G6-42A), (includes all items) (SN 0160065511 to Present)	C
	1001179606	Ref	REAR AXLE (G9-43A & G10-43A), (includes all items) (SN 0160064120 to Present)	D
1		Ref	CENTRAL HOUSING, (See Separate Breakdown in this Section)	
2		Ref	DIFFERENTIAL, (See Separate Breakdown in this Section)	
3		Ref	HUB REDUCTION, (See Separate Breakdown in this Section)	
4		Ref	BRAKES, (See Separate Breakdown in this Section)	
5		Ref	STEERING, (not shown), (See Separate Breakdown in this Section)	
6		Ref	TRUNION, (not shown), (See Separate Breakdown in this Section)	

SECTION 5 - DRIVE TRAIN

FIGURE 5-22. CENTRAL HOUSING G6-42A (SN 0160065511 to Present)



ART_1001182614_1-C

SECTION 5 - DRIVE TRAIN

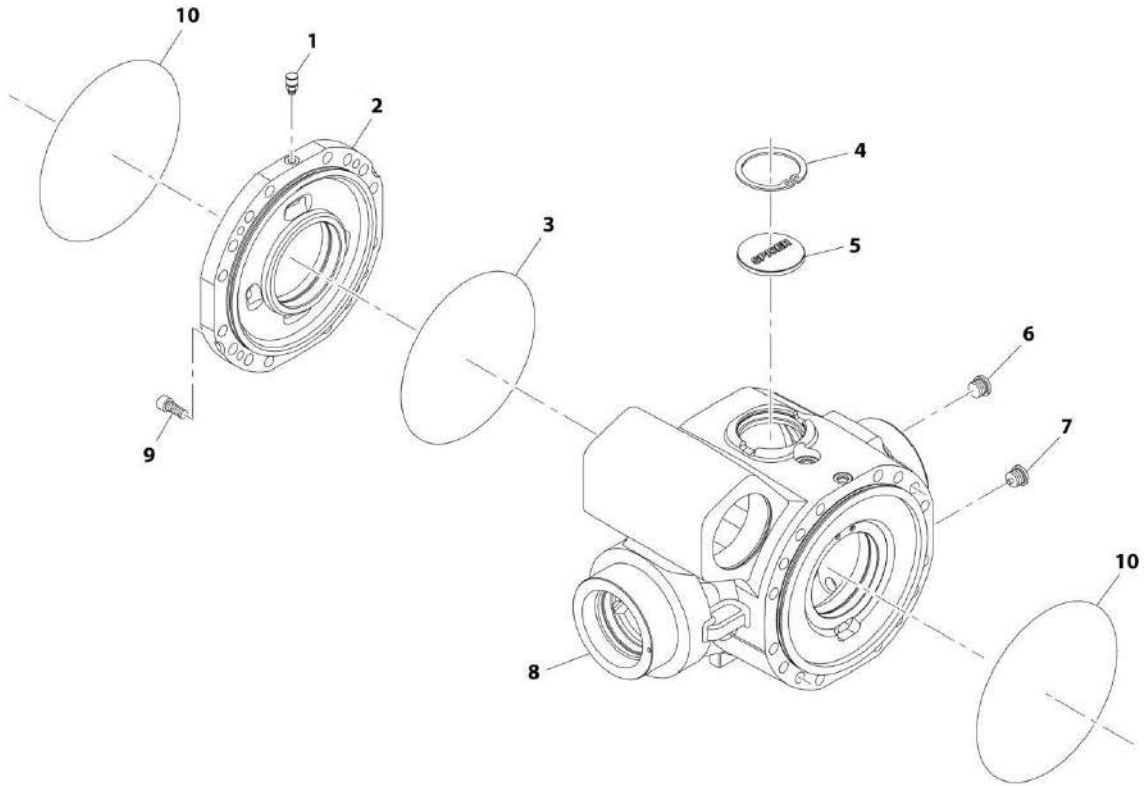
FIGURE 5-22. CENTRAL HOUSING G6-42A (SN 0160065511 to Present)

ITEM	PART NUMBER	QTY	DESCRIPTION	REV
1	91474507	3	O-RING	
2	70026977	1	HOUSING	
3	91514098	1	PLUG	
4	91474512	1	VENT	
5	91514188	1	PLUG	
6	91474513	1	MAGNETIC PLUG	
7	80204005	1	CIRCLIP	

SECTION 5 - DRIVE TRAIN

FIGURE 5-23. CENTRAL HOUSING G9-43A & G10-43A (SN 0160064120 to Present)

G9-43A & G10-43A



ART_1001179606_1-D

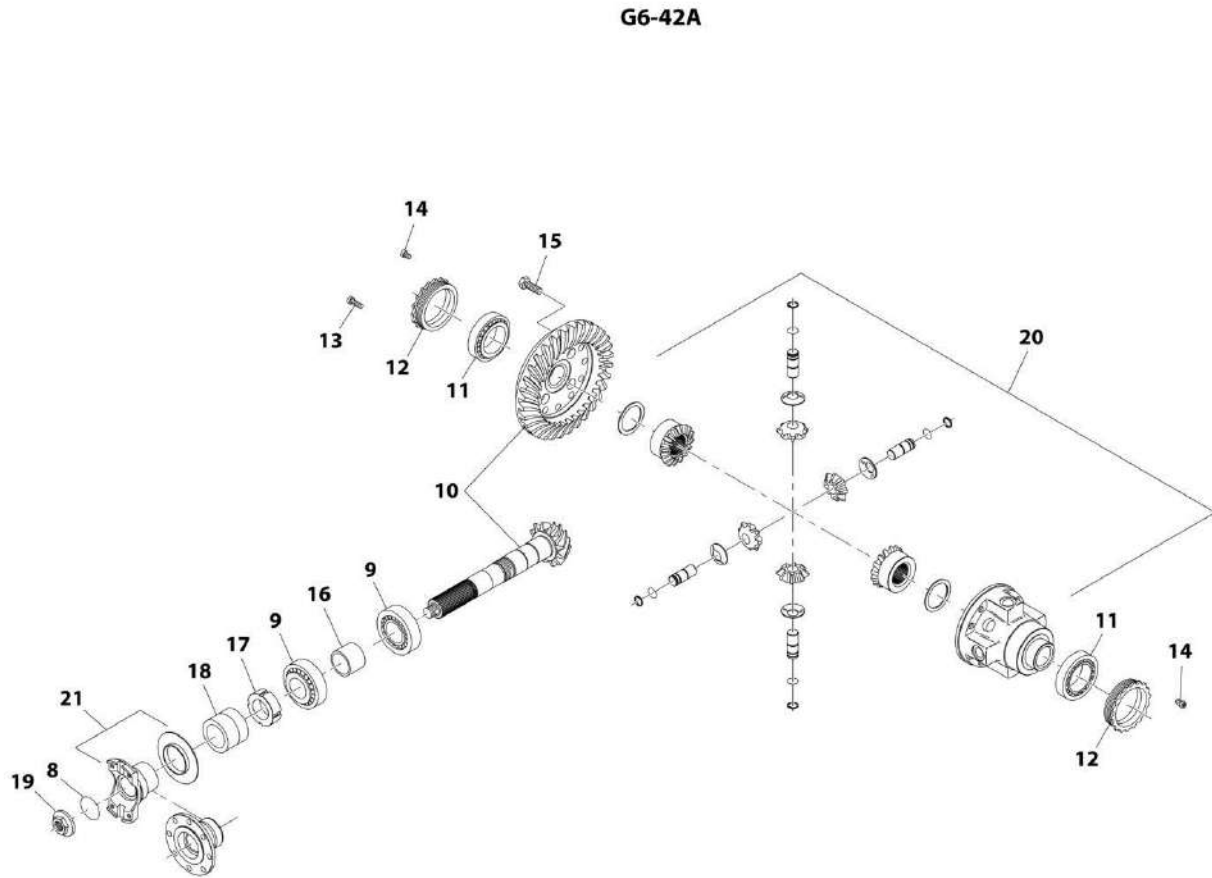
SECTION 5 - DRIVE TRAIN

FIGURE 5-23. CENTRAL HOUSING G9-43A & G10-43A (SN 0160064120 to Present)

ITEM	PART NUMBER	QTY	DESCRIPTION	REV
1	91474512	1	VENT	
2	7029288	1	INTERMEDIATE COVER	
3	80204002	1	O-RING	
4	80204005	1	CIRCLIP	
5	91514098	1	PLUG	
6	91514087	1	PLUG	
7	70021177	1	MAGNETIC PLUG	
8	7029289	1	HOUSING	
9	91514101	4	BOLT	
10	91514089	2	O-RING	

SECTION 5 - DRIVE TRAIN

FIGURE 5-24. DIFFERENTIAL G6-42A (SN 0160065511 to Present)



ART_1001182614_2-C

SECTION 5 - DRIVE TRAIN

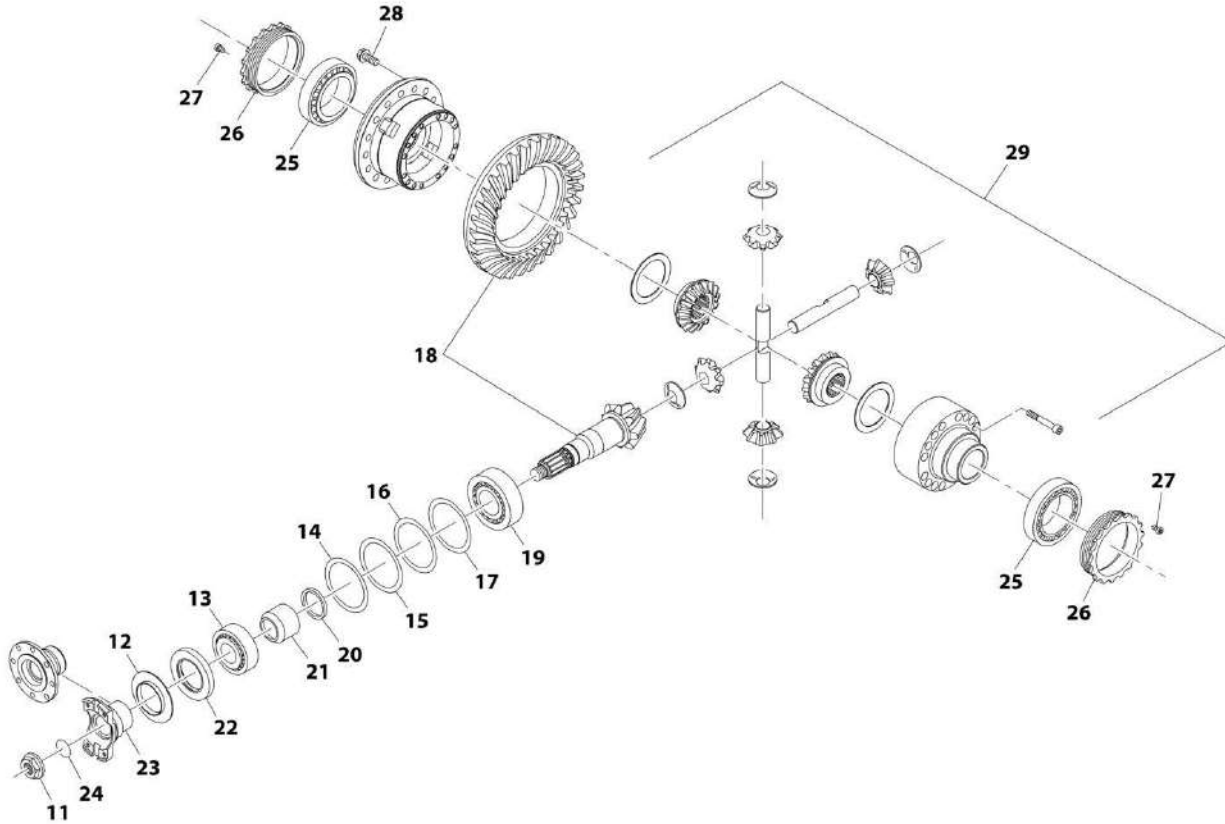
FIGURE 5-24. DIFFERENTIAL G6-42A (SN 0160065511 to Present)

ITEM	PART NUMBER	QTY	DESCRIPTION	REV
8	91474529	1	O-RING	
9	3968141	2	TAPER ROLLER BEARING	
10	91474592	1	BEVEL GEAR SET	
11	70026031	2	TAPER ROLLER BEARING	
12	91474547	2	RING NUT	
13	91474591	4	CYLINDER BOLT	
14	91514134	2	BOLT	
15	91514123	12	BOLT	
16	91474539	1	SPACER	
17	91474533	1	RING NUT	
18	70024522	1	SEAL	
19	70026631	1	NUT	
20	91474596	1	DIFFERENTIAL, (See Separate Breakdown in this Section)	
21	70022797	1	FLANGE	

SECTION 5 - DRIVE TRAIN

FIGURE 5-25. DIFFERENTIAL G9-43A & G10-43A (SN 0160064120 to Present)

G9-43A & G10-43A



ART_1001179606_2-D

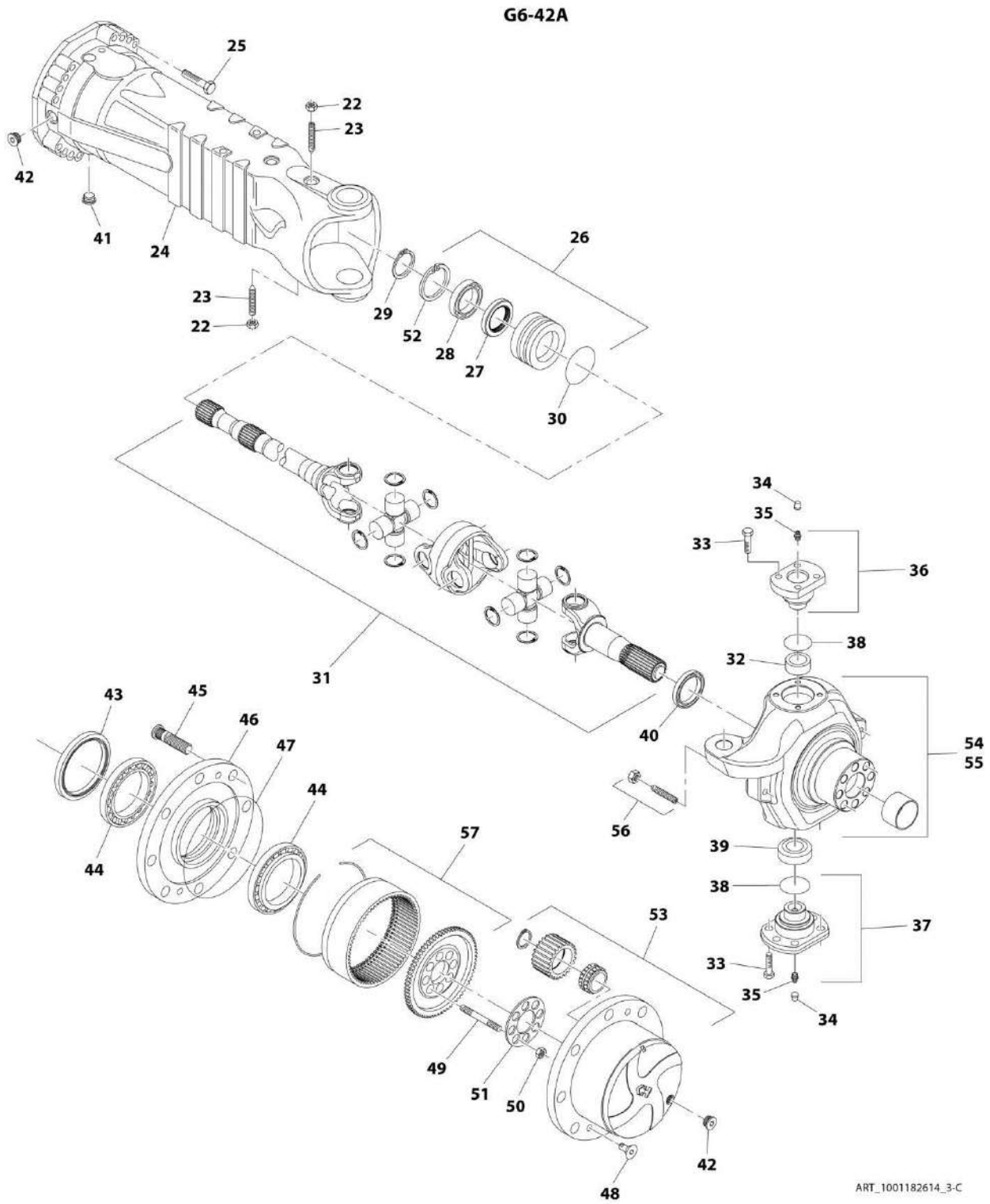
SECTION 5 - DRIVE TRAIN

FIGURE 5-25. DIFFERENTIAL G9-43A & G10-43A (SN 0160064120 to Present)

ITEM	PART NUMBER	QTY	DESCRIPTION	REV
11	80204043	1	NUT	
12	91514130	1	COVER PLATE	
13	80204048	1	TAPER ROLLER BEARING	
14	80204049	1	SHIM	
15	80204050	1	SHIM	
16	80204051	1	SHIM	
17	80204052	1	SHIM	
18	91514191	1	BEVEL GEAR SET	
19	80204035	1	TAPER ROLLER BEARING	
20	70023494	1	RING KIT	
21	70022140	1	SPACER	
22	70025887	1	SEAL	
23	91514131	1	FLANGE	
24	10725554	1	O-RING	
25	80204033	2	TAPER ROLLER BEARING	
26	91514133	2	RING NUT	
27	91514134	2	BOLT	
28	91514123	16	BOLT	
29	70026030	1	DIFFERENTIAL KIT, (See Separate Breakdown in this Section)	

SECTION 5 - DRIVE TRAIN

FIGURE 5-26. HUB REDUCTION G6-42A (SN 0160065511 to Present)



ART_1001182614_3-C

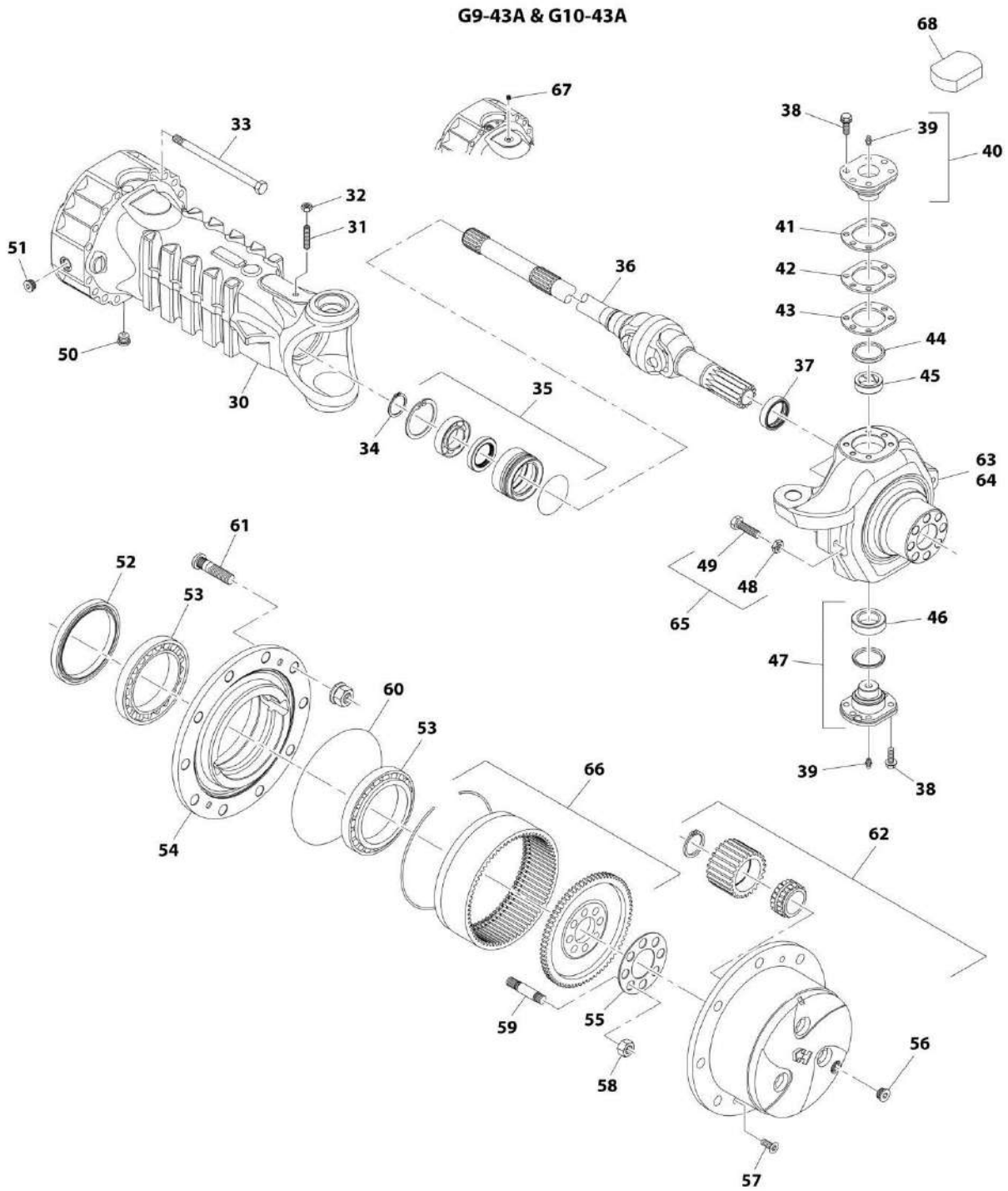
SECTION 5 - DRIVE TRAIN

FIGURE 5-26. HUB REDUCTION G6-42A (SN 0160065511 to Present)

ITEM	PART NUMBER	QTY	DESCRIPTION	REV
22	91514082	2	NUT	
23	91514081	2	BOLT	
24	70022798	2	AXLE CASE	
25	70022799	32	BOLT	
26	91514149	2	REDUCTION BUSHING, (See Separate Breakdown in this Section)	
27	91514147	2	SEAL	
28	91514146	2	BALL BEARING	
29	80204071	2	CIRCLIP	
30	91514148	2	O - RING	
31	70026390	2	DOUBLE UNIVERSAL JOINT	
32	7028714	2	BUSHING	
33	91514123	24	BOLT	
34	80204117	2	PLUG	
35	91514099	2	GREASE FITTING	
36	91514112	2	PIVOT PIN	
37	7028715	2	PIVOT PIN	
38	7028716	2	DUST EXCLUDER	
39	91514095	2	BEARING	
40	70026238	2	SEAL	
41	91474513	2	MAGNETIC PLUG	
42	91514188	4	PLUG	
43	7028721	2	SEAL	
44	91474576	4	BEARING	
45	80214120	20	WHEEL STUD	
46	7029737	2	WHEEL HUB	
47	91514181	2	O-RING	
48	91514189	4	COUNTERSUNK BOLT	
49	70027315	20	STUD	
50	91474584	20	NUT	
51	91474582	2	LOCKING PLATE	
52	80204005	2	CIRCLIP	
53	7029431	2	PLANET GEAR CARRIER, (See Separate Breakdown in this Section)	
54	70026391	1	STEERING CASE	
55	70026392	1	STEERING CASE	
56	7028733	4	STEERING ADJUST BOLT	
57	7029736	2	RING GEAR SUPPORT, (See Separate Breakdown in this Section)	

SECTION 5 - DRIVE TRAIN

FIGURE 5-27. HUB REDUCTION G9-43A & G10-43A (SN 0160064120 to Present)



ART_1001179606_3-D

SECTION 5 - DRIVE TRAIN

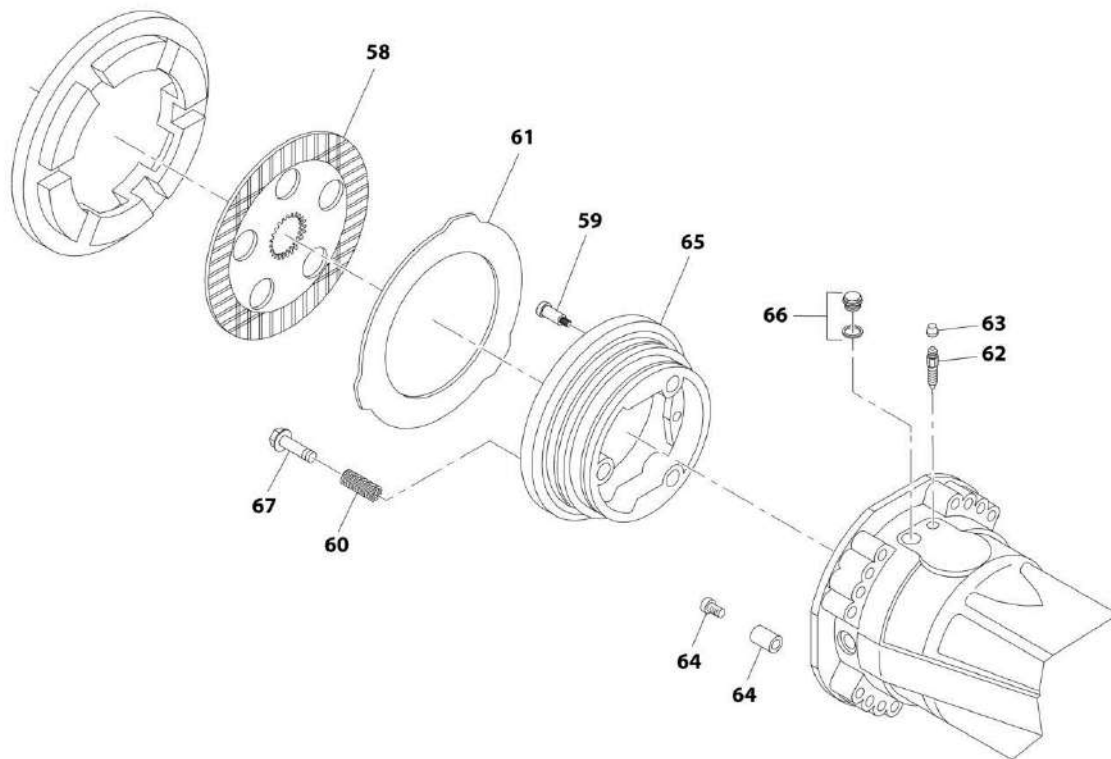
FIGURE 5-27. HUB REDUCTION G9-43A & G10-43A (SN 0160064120 to Present)

ITEM	PART NUMBER	QTY	DESCRIPTION	REV
30	70025980	2	AXLE CASE	
31	91514081	2	BOLT	
32	91514082	2	NUT	
33	70022814	32	HEXAGON BOLT	
34	80204071	2	CIRCLIP	
35	91514149	2	REDUCTION BUSHING, (See Separate Breakdown in this Section)	
36	70025855	2	DOUBLE UNIVERSAL JOINT	
37	70026238	2	SEAL	
38	70025562	24	BOLT	
39	91514099	2	GREASE FITTING	
40	91514112	2	PIVOT PIN	
41	91514113	2	SHIM	
42	91514114	2	SHIM	
43	91514115	2	SHIM	
44	7028716	2	DUST EXCLUDER	
45	7028714	2	BUSHING	
46	91514095	2	BEARING	
47	7028715	2	PIVOT PIN	
48	80204065	4	NUT	
49	91514117	4	BOLT	
50	70021177	2	MAGNETIC PLUG	
51	91514087	2	PLUG	
52	70026002	2	SEAL	
53	80204076	4	TAPER ROLLER BEARING	
54	91514174	2	WHEEL HUB	
55	91514178	1	LOCKING PLATE	
56	91514188	2	PLUG	
57	91514189	4	COUNTERSUNK BOLT	
58	91514179	16	NUT	
59	91514180	16	STUD	
60	91514181	2	O-RING	
61	80214120	20	WHEEL STUD	
62	7029733	2	PLANET GEAR CARRIER KIT, (See Separate Breakdown in this Section)	
63	70026239	1	STEERING CASE KIT LH, (See Separate Breakdown in this Section)	
64	70026240	1	STEERING CASE KIT RH, (See Separate Breakdown in this Section)	
65	7028733	4	STEERING ADJUST BOLT KIT	
66	70024146	2	RING GEAR SUPPORT KIT, (See Separate Breakdown in this Section)	
67	80204012	2	PLUG	
68	91474524	2	COVER	

SECTION 5 - DRIVE TRAIN

FIGURE 5-28. BRAKES G6-42A (SN 0160065511 to Present)

G6-42A



ART_1001182614_4-C

SECTION 5 - DRIVE TRAIN

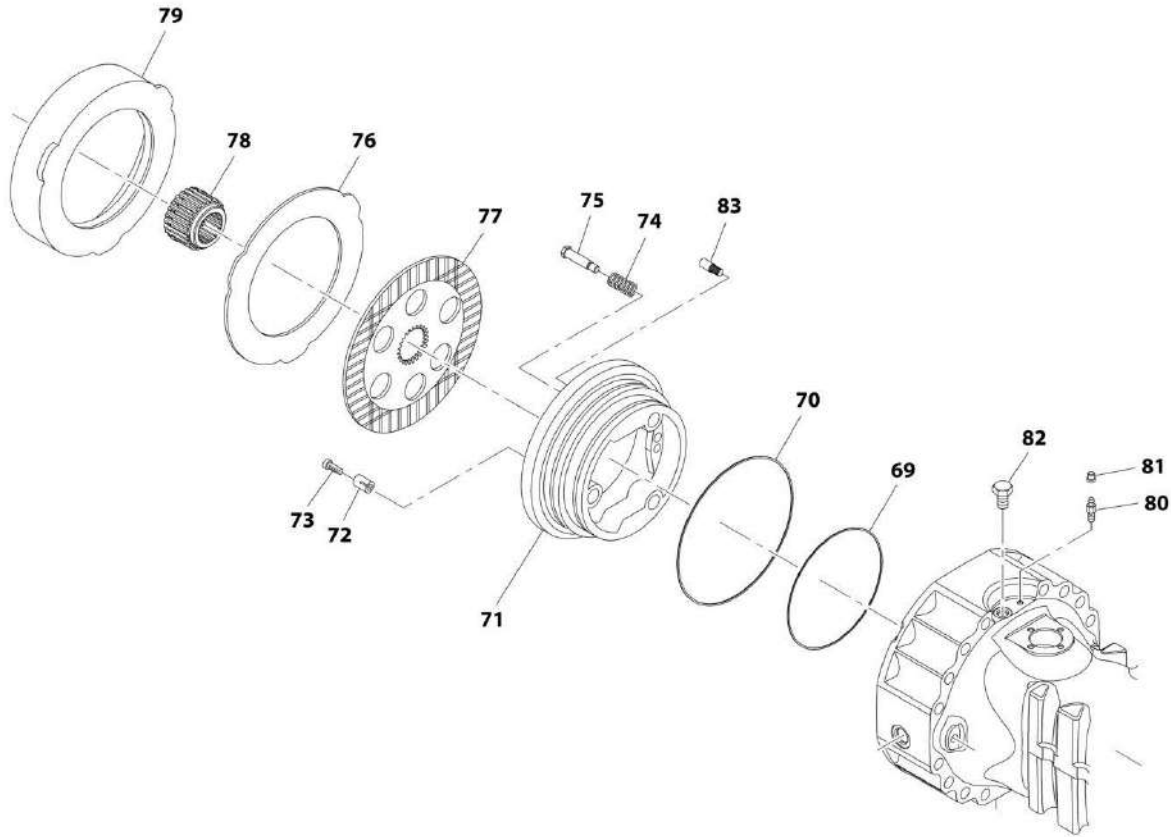
FIGURE 5-28. BRAKES G6-42A (SN 0160065511 to Present)

ITEM	PART NUMBER	QTY	DESCRIPTION	REV
58	91474568	8	DISC	
59	7029786	6	ADJUSTING BOLT	
60	91514159	6	SPRING	
61	91474569	10	INTERMEDIATE BRAKE DISC	
62	80204281	2	BLEEDING BOLT	
63	80204117	2	PLUG	
64	70021613	2	PILOT BOLT	
65	70026072	2	PISTON	
66	91514154	2	PLUG	
67	70024210	6	ADJUSTING BOLT	

SECTION 5 - DRIVE TRAIN

FIGURE 5-29. BRAKES G9-43A & G10-43A (SN 0160064120 to Present)

G9-43A & G10-43A



ART_1001179606_4-D

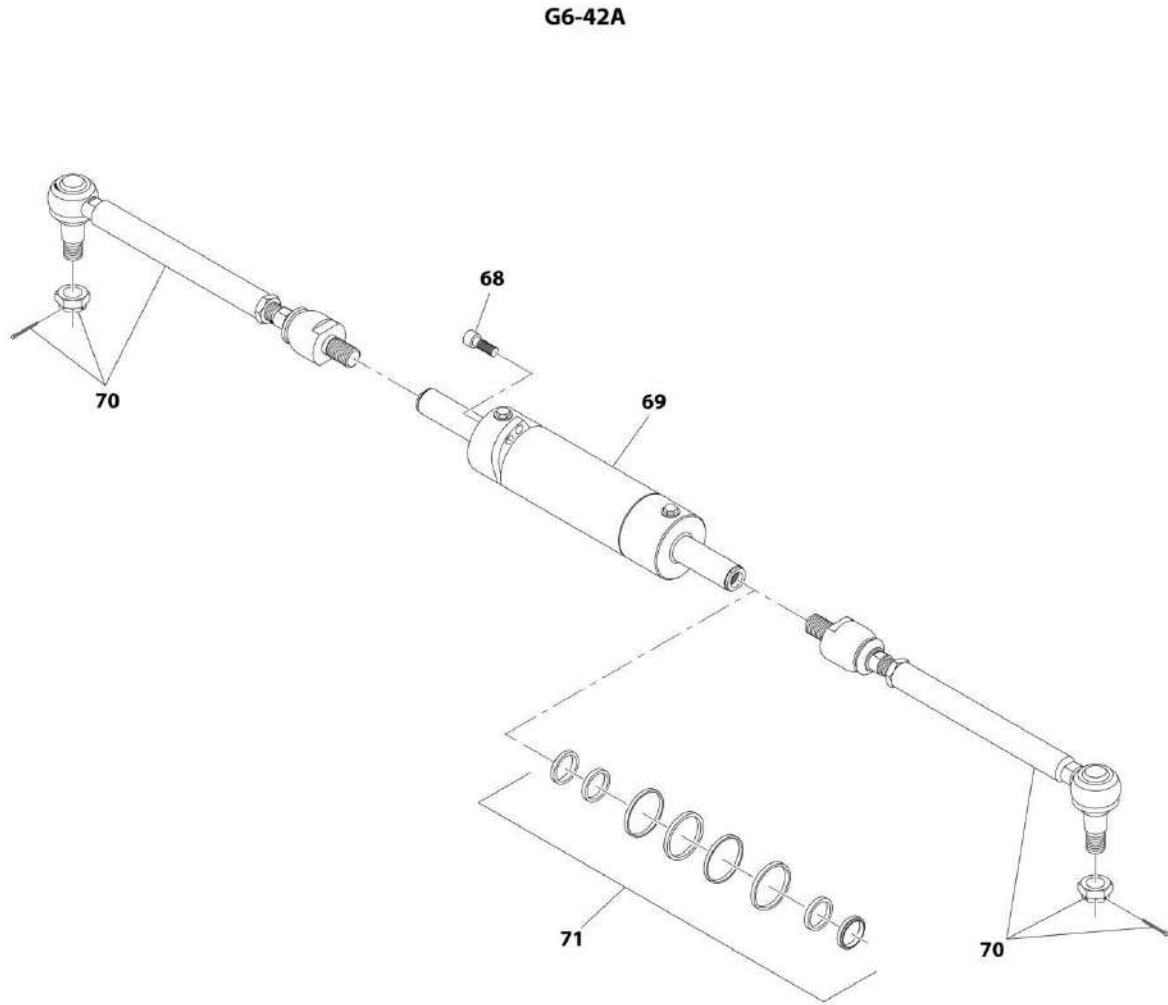
SECTION 5 - DRIVE TRAIN

FIGURE 5-29. BRAKES G9-43A & G10-43A (SN 0160064120 to Present)

ITEM	PART NUMBER	QTY	DESCRIPTION	REV
69	70026747	2	SEAL	
70	70026748	2	SEAL	
71	70024216	2	PISTON	
72	91514165	6	SPRING	
73	70021607	6	ADJUSTING BOLT	
74	91514159	6	SPRING	
75	70024210	6	ADJUSTING BOLT	
76	70027022	6	INTERMEDIATE BRAKE DISC	
77	7029735	6	BRAKE DISC	
78	7029734	2	REDUCTION BUSHING	
79	70021606	2	SPACER	
80	80204281	2	BLEEDING BOLT	
81	80204117	2	PLUG	
82	91514154	2	PLUG	
83	70021613	2	PILOT BOLT	

SECTION 5 - DRIVE TRAIN

FIGURE 5-30. STEERING G6-42A (SN 0160065511 to Present)



ART_1001182614_5-C

SECTION 5 - DRIVE TRAIN

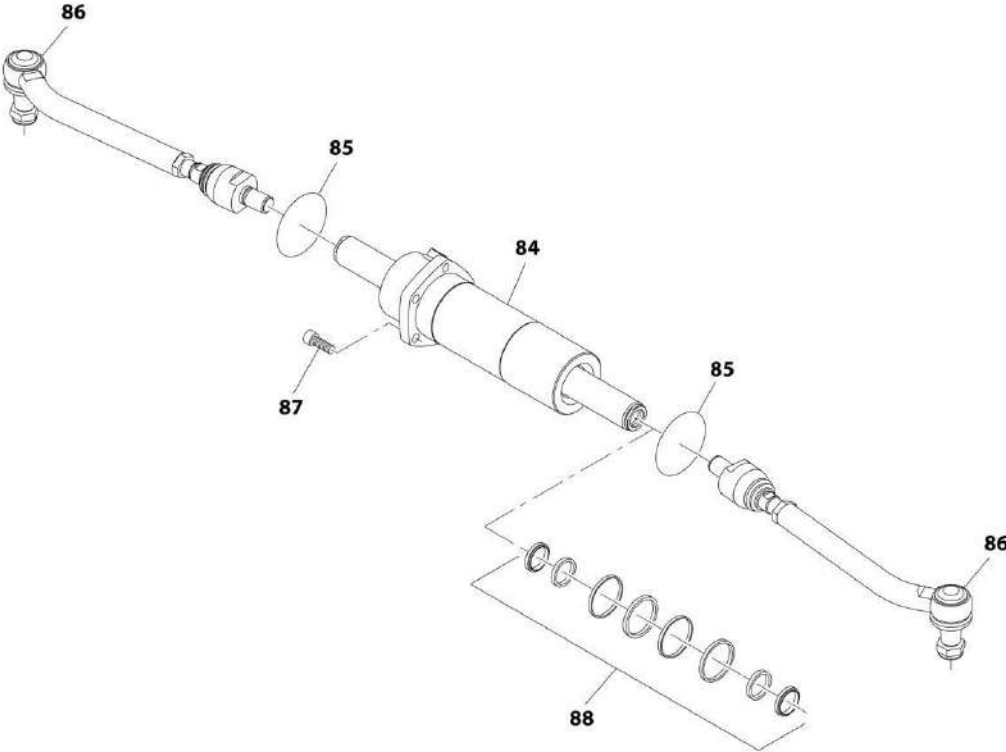
FIGURE 5-30. STEERING G6-42A (SN 0160065511 to Present)

ITEM	PART NUMBER	QTY	DESCRIPTION	REV
68	91474522	4	BOLT	
69	7029528	1	CYLINDER	
70	70026799	2	BAR	
71	7029529	1	SEAL KIT	

SECTION 5 - DRIVE TRAIN

FIGURE 5-31. STEERING G9-43A & G10-43A (SN 0160064120 to Present)

G9-43A & G10-43A



ART_1001179606_5-D

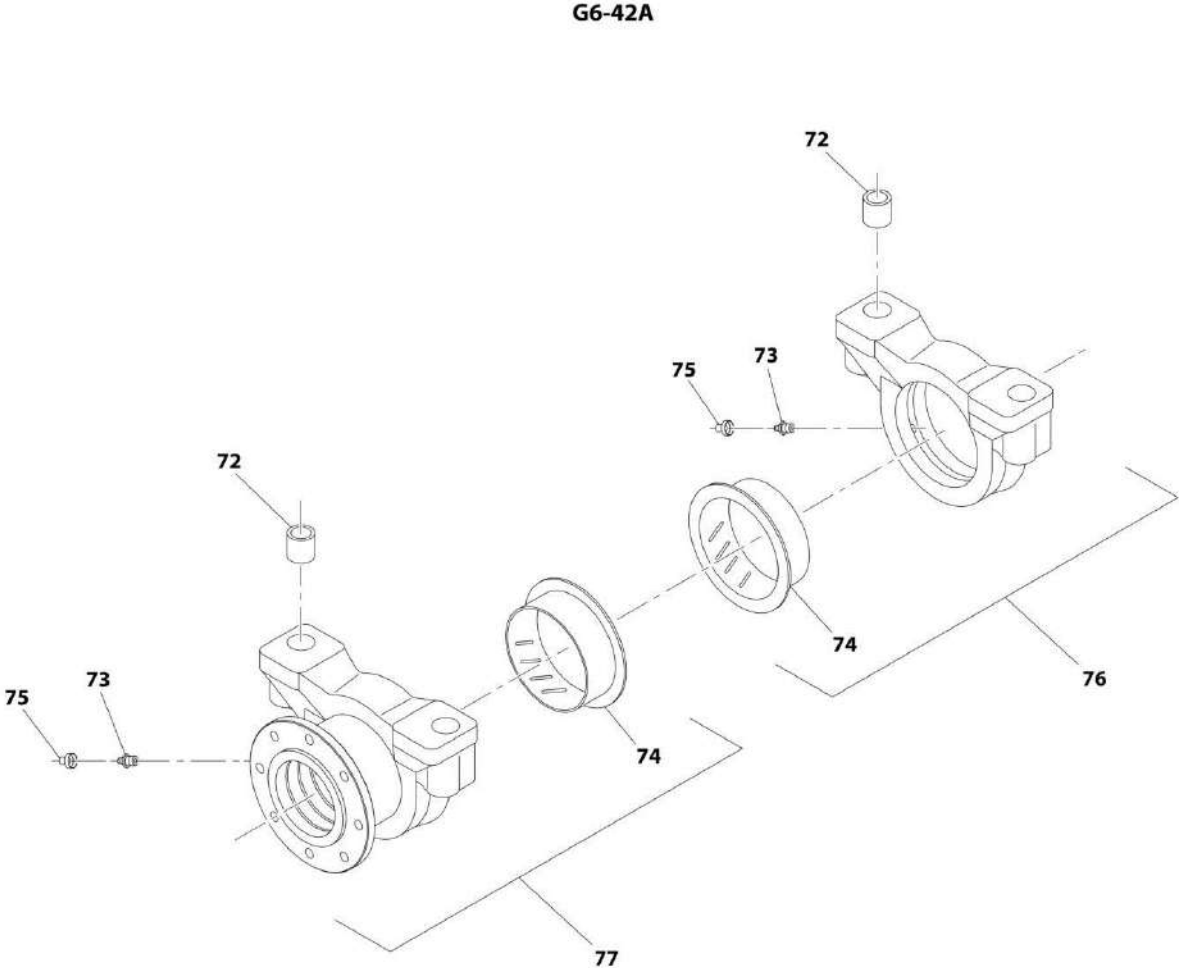
SECTION 5 - DRIVE TRAIN

FIGURE 5-31. STEERING G9-43A & G10-43A (SN 0160064120 to Present)

ITEM	PART NUMBER	QTY	DESCRIPTION	REV
84	7026490	1	CYLINDER	
85	80204143	2	O-RING	
86	70026753	2	BAR	
86	70022773	2	NUT	
87	80204144	5	BOLT	
88	7029127	1	SEAL KIT	

SECTION 5 - DRIVE TRAIN

FIGURE 5-32. TRUNION G6-42A (SN 0160065511 to Present)



ART_1001182614_6-C

SECTION 5 - DRIVE TRAIN

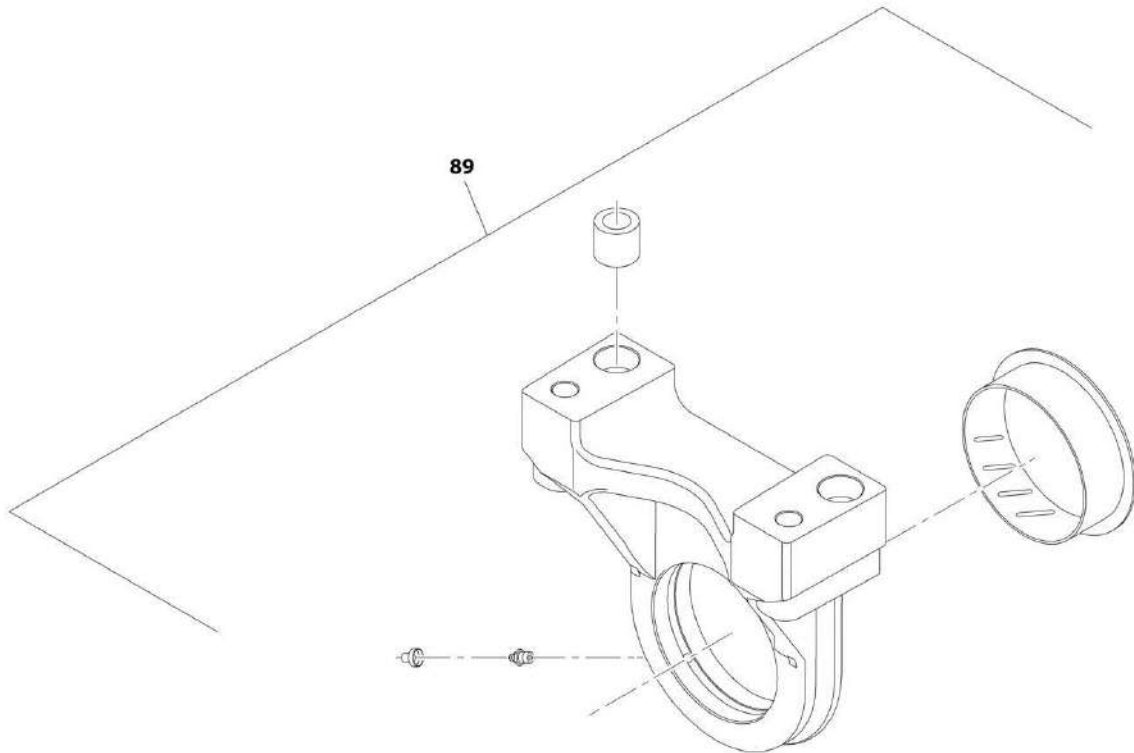
FIGURE 5-32. TRUNION G6-42A (SN 0160065511 to Present)

ITEM	PART NUMBER	QTY	DESCRIPTION	REV
72	91474516	2	REDUCTION BUSHING	
73	91514099	1	GREASE FITTING	
74	91474515	1	THRUST BUSHING	
75	80204117	1	PLUG	
76	70026065	1	SUPPORT	
77	70026064	1	SUPPORT	

SECTION 5 - DRIVE TRAIN

FIGURE 5-33. TRUNION G9-43A & G10-43A (SN 0160064120 to Present)

G9-43A & G10-43A



ART_1001179606_6-D

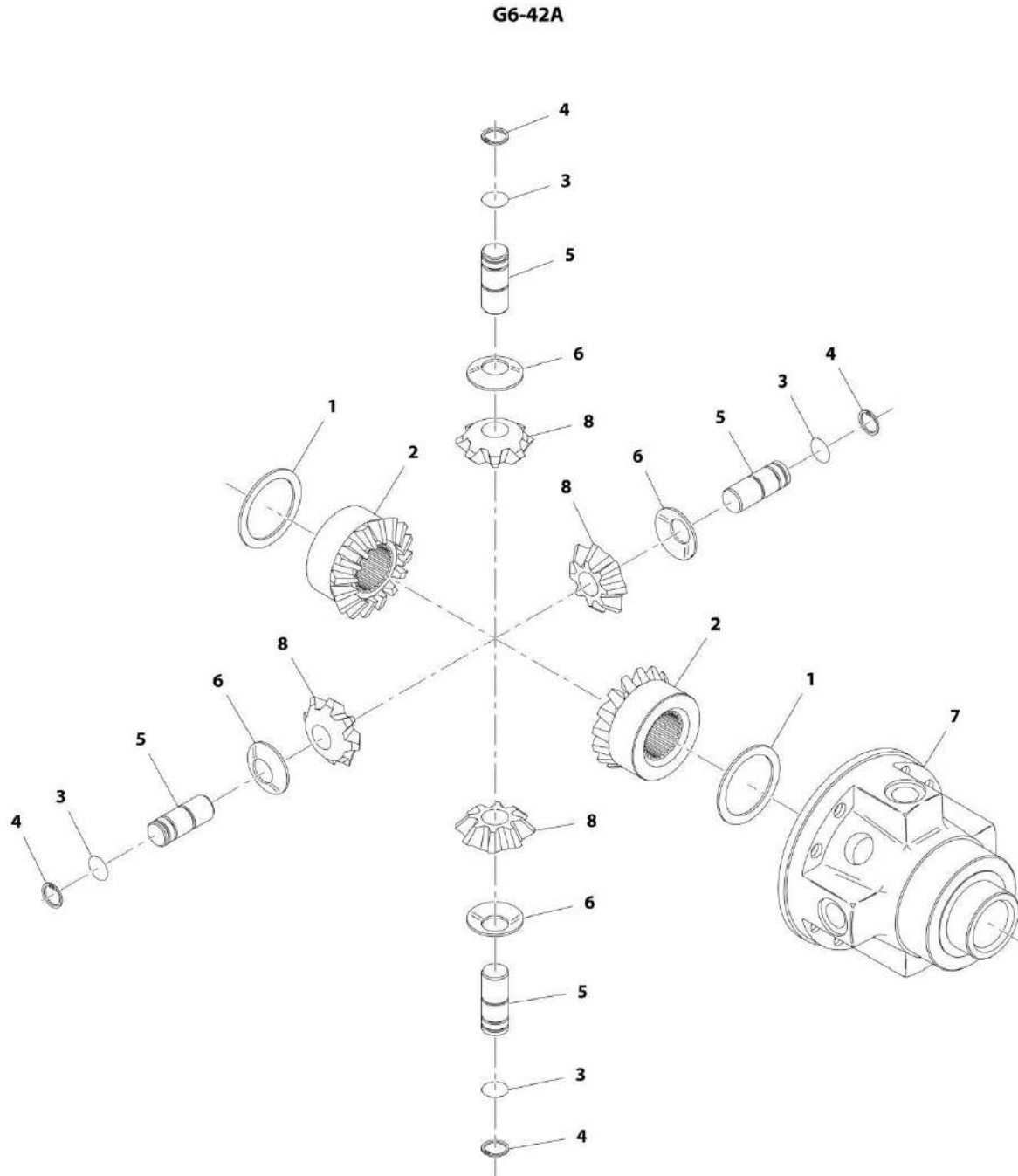
SECTION 5 - DRIVE TRAIN

FIGURE 5-33. TRUNION G9-43A & G10-43A (SN 0160064120 to Present)

ITEM	PART NUMBER	QTY	DESCRIPTION	REV
89	7029292	2	SUPPORT	

SECTION 5 - DRIVE TRAIN

FIGURE 5-34. REAR AXLE DIFFERENTIAL ASSEMBLY G6-42A (SN 0160065511 to Present)



ART_91474596

SECTION 5 - DRIVE TRAIN

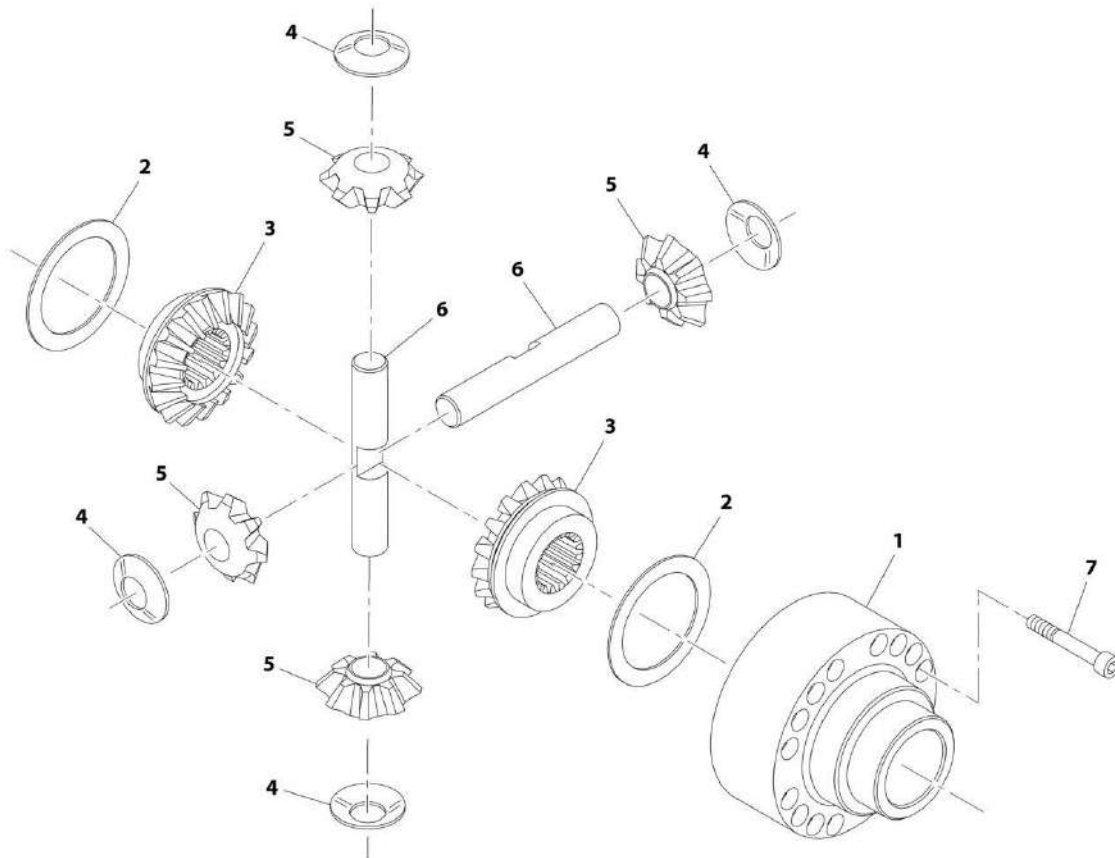
FIGURE 5-34. REAR AXLE DIFFERENTIAL ASSEMBLY G6-42A (SN 0160065511 to Present)

ITEM	PART NUMBER	QTY	DESCRIPTION	REV
	91474596	1	REAR AXLE DIFFERENTIAL ASSEMBLY	
1	91474593	2	FRICION WASHER	
2	91474594	2	DIFFERENTIAL SIDE GEAR	
3	91474551	4	CIRCLIP	
4	91474550	4	CIRCLIP	
5	7029131	4	PIN	
6	91474553	4	FRICION WASHER	
7	91474595	1	DIFFERENTIAL CARRIER	
8	7029129	4	DIFFERENTIAL PINION	

SECTION 5 - DRIVE TRAIN

FIGURE 5-35. REAR AXLE DIFFERENTIAL ASSEMBLY G9-43A & G10-43A (SN 0160064120 to Present)

G9-43A & G10-43A



ART_70026030

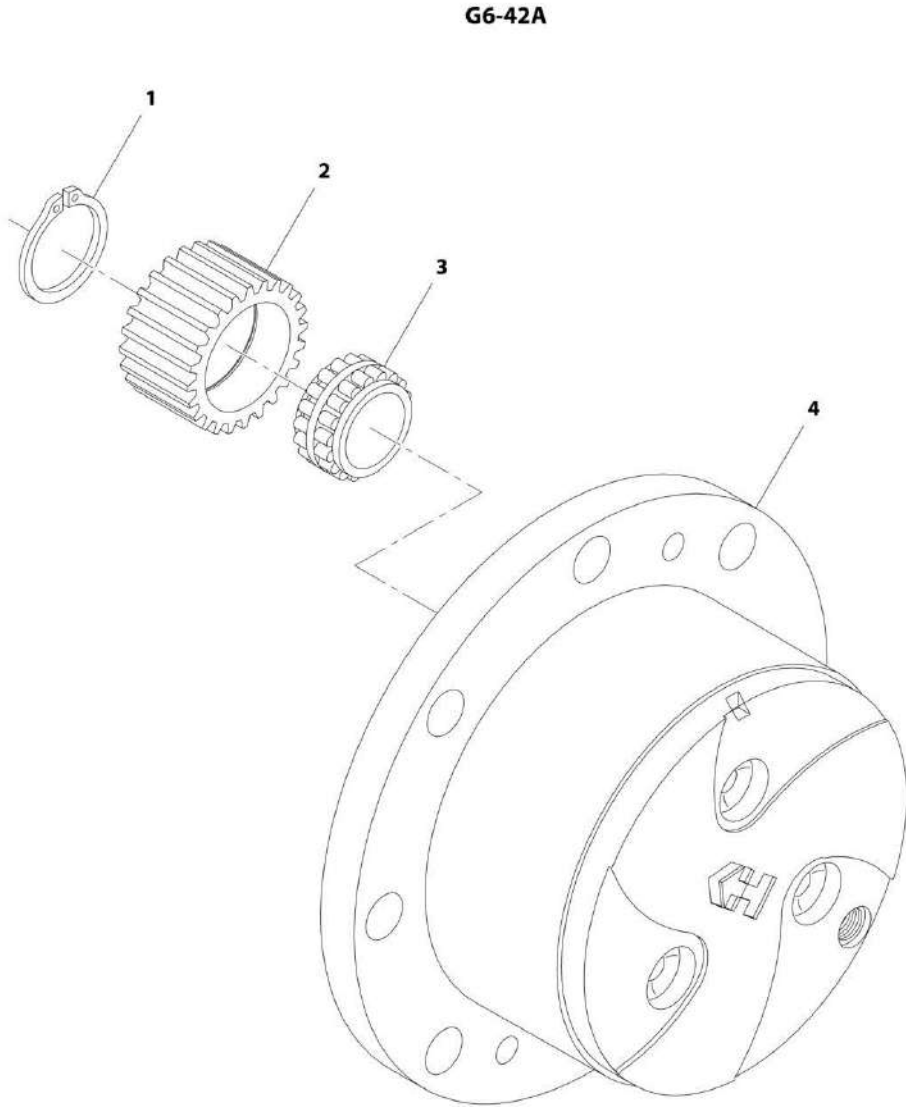
SECTION 5 - DRIVE TRAIN

FIGURE 5-35. REAR AXLE DIFFERENTIAL ASSEMBLY G9-43A & G10-43A (SN 0160064120 to Present)

ITEM	PART NUMBER	QTY	DESCRIPTION	REV
	70026030	1	REAR AXLE DIFFERENTIAL ASSEMBLY	
1	70025337	1	DIFFERENTIAL CARRIER	
2	70023493	2	FRICTION WASHER	
3	70025338	2	DIFFERENTIAL SIDE GEAR	
4	70027105	4	FRICTION WASHER	
5	70025339	4	DIFFERENTIAL PINION	
6	70023490	2	DIFFERENTIAL SHAFT	
7	70023489	15	BOLT	

SECTION 5 - DRIVE TRAIN

FIGURE 5-36. PLANET GEAR CARRIER KIT G6-42A (SN 0160065511 to Present)



ART_7029431

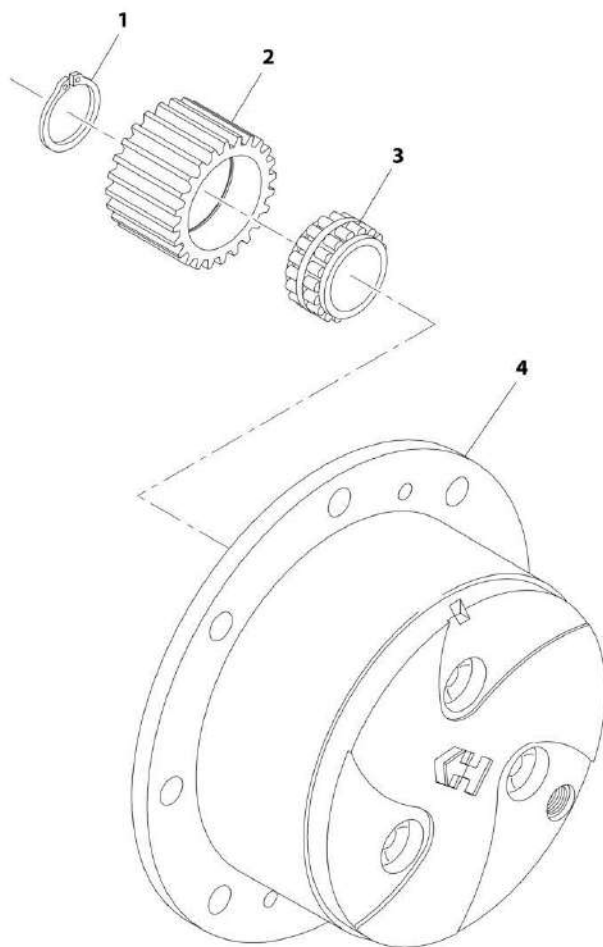
SECTION 5 - DRIVE TRAIN

FIGURE 5-36. PLANET GEAR CARRIER KIT G6-42A (SN 0160065511 to Present)

ITEM	PART NUMBER	QTY	DESCRIPTION	REV
	7029431	1	PLANET GEAR CARRIER KIT	
1	91474585	8	CIRCLIP	
2	91474586	8	PLANET GEAR	
3	91474587	8	BEARING	
4	7029286	2	PLANET GEAR CARRIER	

SECTION 5 - DRIVE TRAIN

FIGURE 5-37. PLANET GEAR CARRIER KIT G9-43A & G10-43A (SN 0160064120 to Present)



ART_7029733

SECTION 5 - DRIVE TRAIN

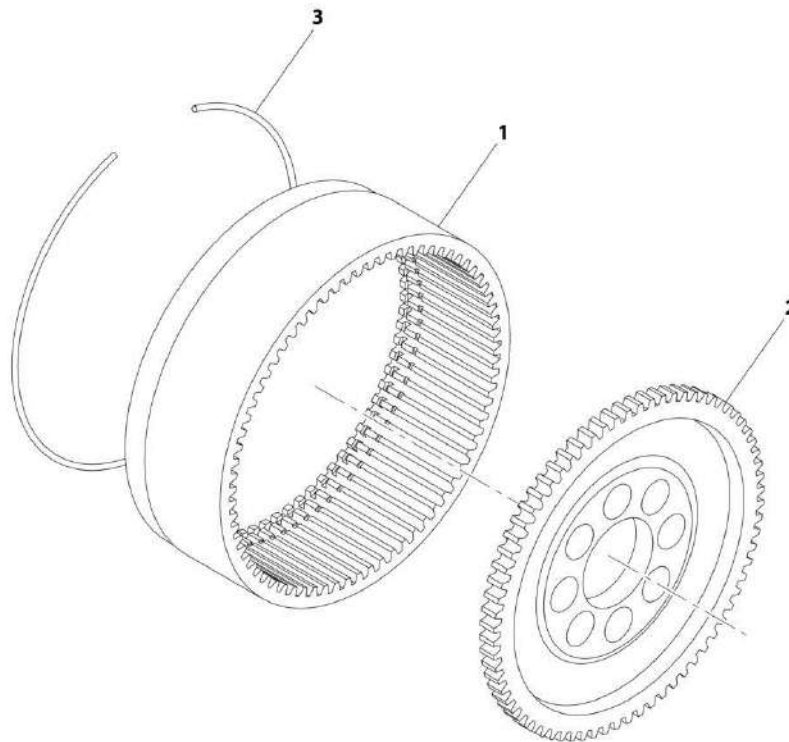
FIGURE 5-37. PLANET GEAR CARRIER KIT G9-43A & G10-43A (SN 0160064120 to Present)

ITEM	PART NUMBER	QTY	DESCRIPTION	REV
	7029733	1	PLANET GEAR CARRIER KIT	
1	91514184	6	SNAP RING	
2	91514185	6	PLANET GEAR	
3	91514186	6	BEARING	
4	7026731	2	PLANET GEAR CARRIER	

SECTION 5 - DRIVE TRAIN

FIGURE 5-38. RING GEAR SUPPORT KIT G6-42A (SN 0160065511 to Present)

G6-42A



ART_7029736

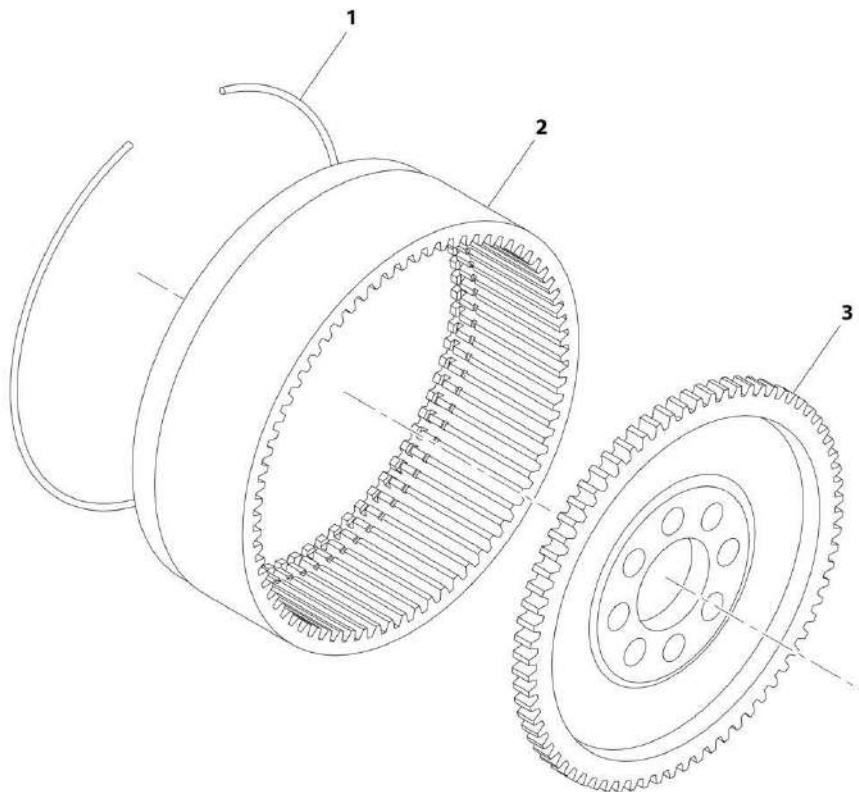
SECTION 5 - DRIVE TRAIN

FIGURE 5-38. RING GEAR SUPPORT KIT G6-42A (SN 0160065511 to Present)

ITEM	PART NUMBER	QTY	DESCRIPTION	REV
	7029736	1	RING GEAR SUPPORT KIT	
1	91474580	2	RING GEAR	
2	91474581	2	RING GEAR SUPPORT	
3	91474579	2	CIRCLIP	

SECTION 5 - DRIVE TRAIN

FIGURE 5-39. RING GEAR SUPPORT KIT G9-43A & G10-43A (SN 0160064120 to Present)



ART_70024146

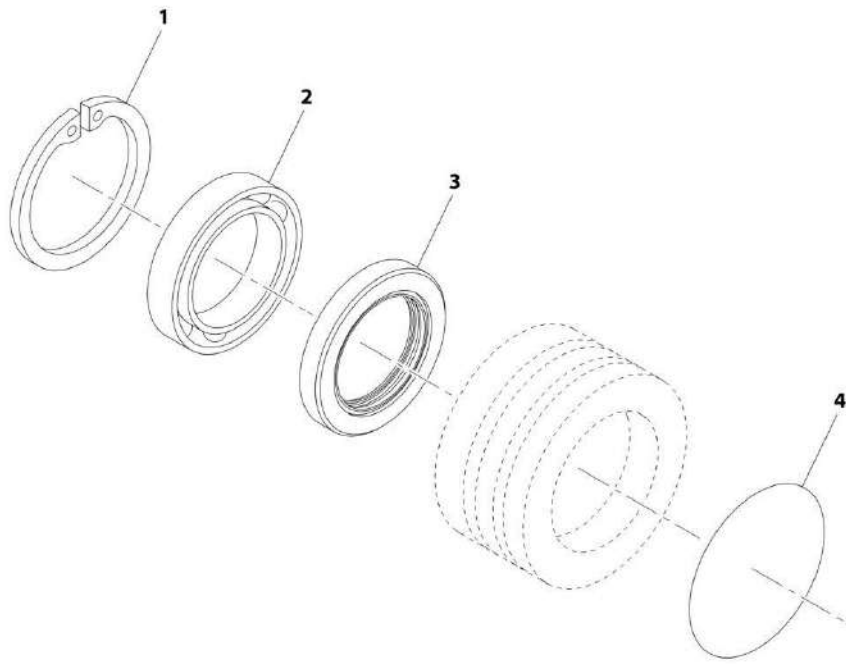
SECTION 5 - DRIVE TRAIN

FIGURE 5-39. RING GEAR SUPPORT KIT G9-43A & G10-43A (SN 0160064120 to Present)

ITEM	PART NUMBER	QTY	DESCRIPTION	REV
	70024146	1	RING GEAR SUPPORT KIT	
1	91514175	2	CIRCLIP	
2	70024147	2	RING GEAR	
3	9151477	2	RING GEAR SUPPORT	

SECTION 5 - DRIVE TRAIN

FIGURE 5-40. REDUCTION BUSHING (G6-42A SN 0160065511 to Present)



ART_91514149

SECTION 5 - DRIVE TRAIN

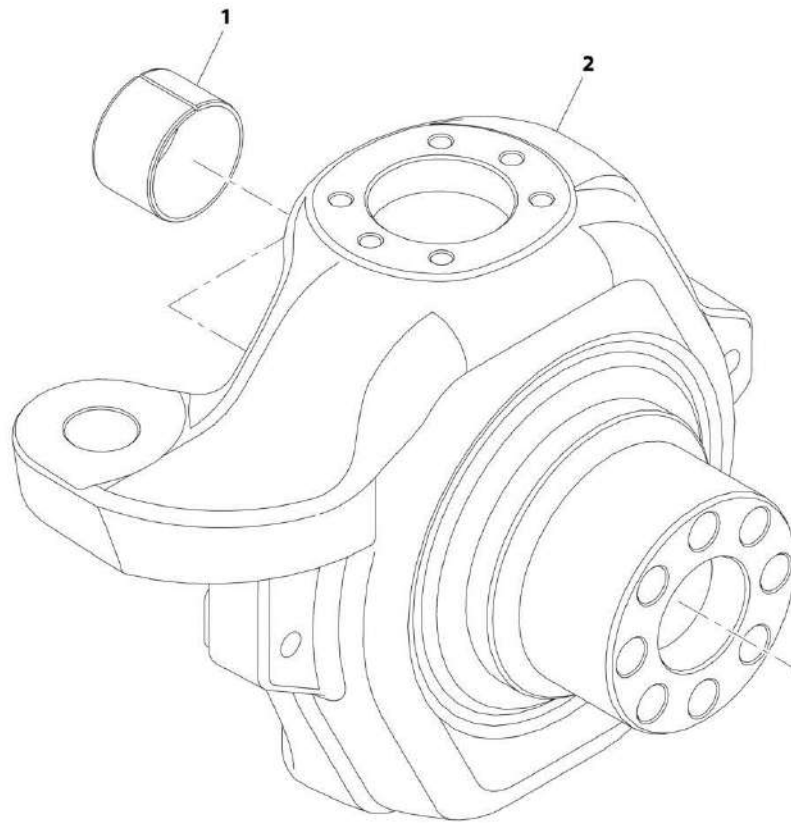
FIGURE 5-40. REDUCTION BUSHING (G6-42A SN 0160065511 to Present)

ITEM	PART NUMBER	QTY	DESCRIPTION	REV
	91514149	1	REDUCTION BUSHING	
1	80204005	2	CIRCLIP	
2	91514146	2	BALL BEARING	
3	91514147	2	SEAL	
4	91514148	2	O-RING	

SECTION 5 - DRIVE TRAIN

FIGURE 5-41. STEERING CASE KIT LH G9-43A & G10-43A (SN 0160064120 to Present)

G9-43A & G10-43A



ART_70026239

SECTION 5 - DRIVE TRAIN

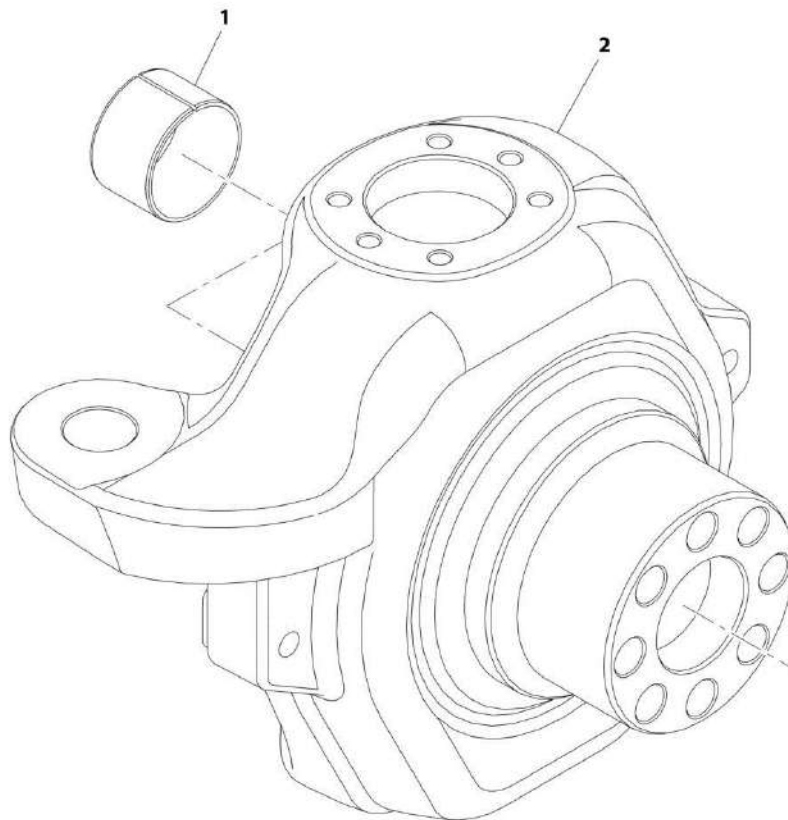
FIGURE 5-41. STEERING CASE KIT LH G9-43A & G10-43A (SN 0160064120 to Present)

ITEM	PART NUMBER	QTY	DESCRIPTION	REV
1	70026239	1	STEERING CASE KIT LH	
1	91514111	1	THRUST BUSHING	
2	N.S.S.	1	STEERING CASE	

SECTION 5 - DRIVE TRAIN

FIGURE 5-42. STEERING CASE KIT RH G9-43A & G10-43A (SN 0160064120 to Present)

G9-43A & G10-43A



ART_70026240

SECTION 5 - DRIVE TRAIN

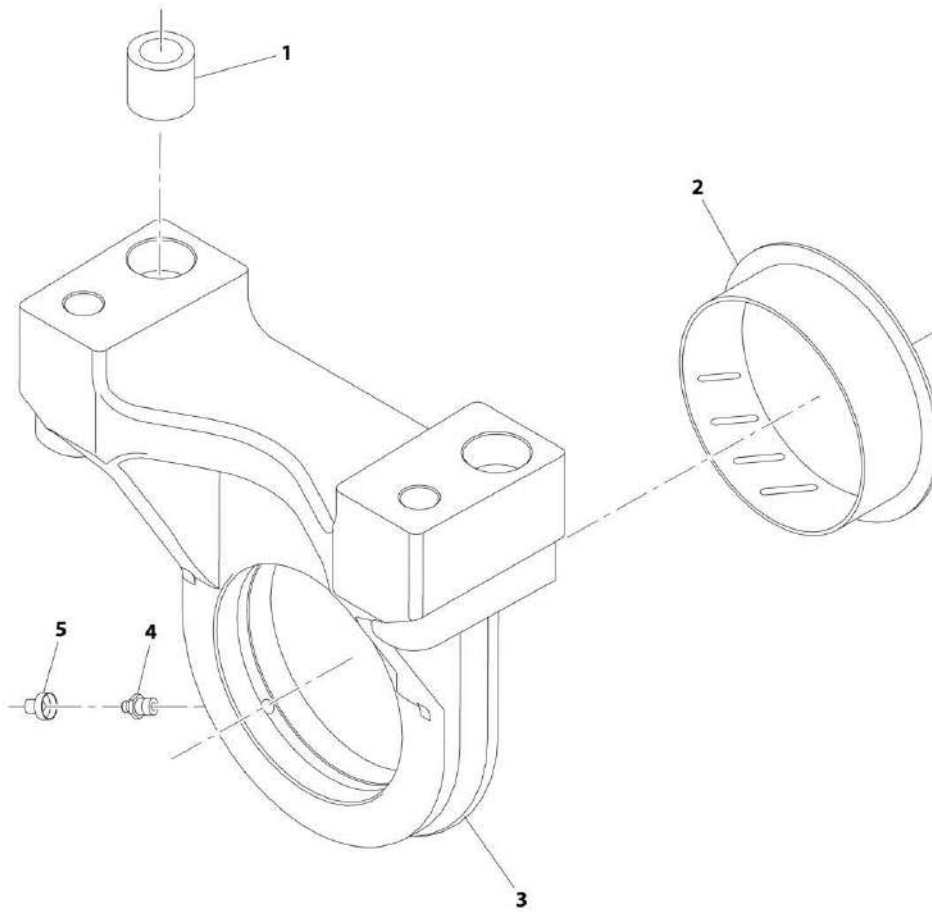
FIGURE 5-42. STEERING CASE KIT RH G9-43A & G10-43A (SN 0160064120 to Present)

ITEM	PART NUMBER	QTY	DESCRIPTION	REV
	70026240	1	STEERING CASE KIT RH	
1	91514111	1	THRUST BUSHING	
2	N.S.S.	1	STEERING CASE	

SECTION 5 - DRIVE TRAIN

FIGURE 5-43. REAR AXLE SUPPORT ASSEMBLY G9-43A & G10-43A (SN 0160064120 to Present)

G9-43A & G10-43A



ART_7029292

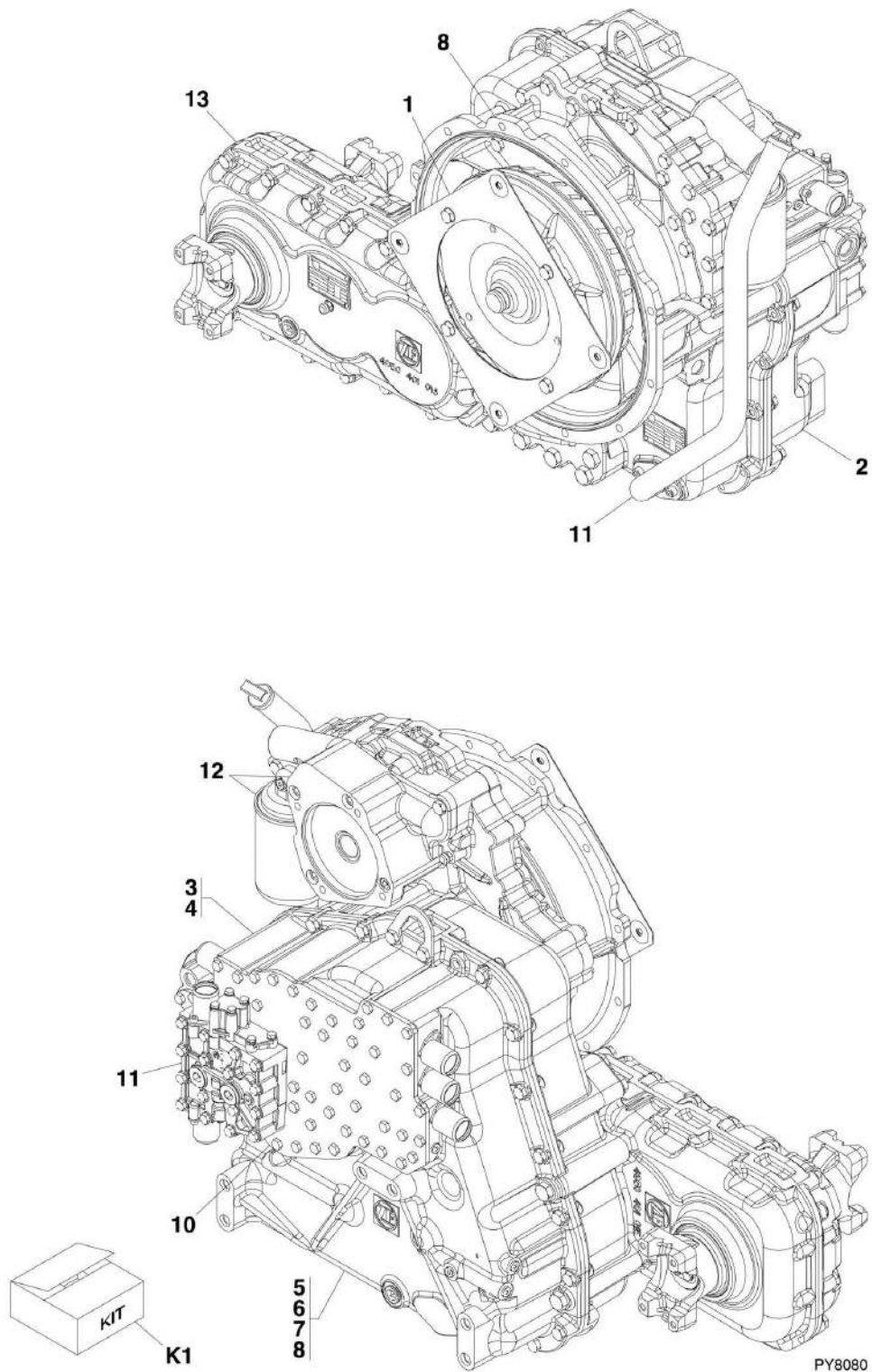
SECTION 5 - DRIVE TRAIN

FIGURE 5-43. REAR AXLE SUPPORT ASSEMBLY G9-43A & G10-43A (SN 0160064120 to Present)

ITEM	PART NUMBER	QTY	DESCRIPTION	REV
	7029292	1	REAR AXLE SUPPORT ASSEMBLY	
1	7029290	4	BUSHING	
2	91514090	2	THRUST BUSHING	
3	N.S.S.	1	TRUNION	
4	91514099	2	GREASE FITTING	
5	80204117	2	PLUG	

SECTION 5 - DRIVE TRAIN

FIGURE 5-44. ZF TRANSMISSION



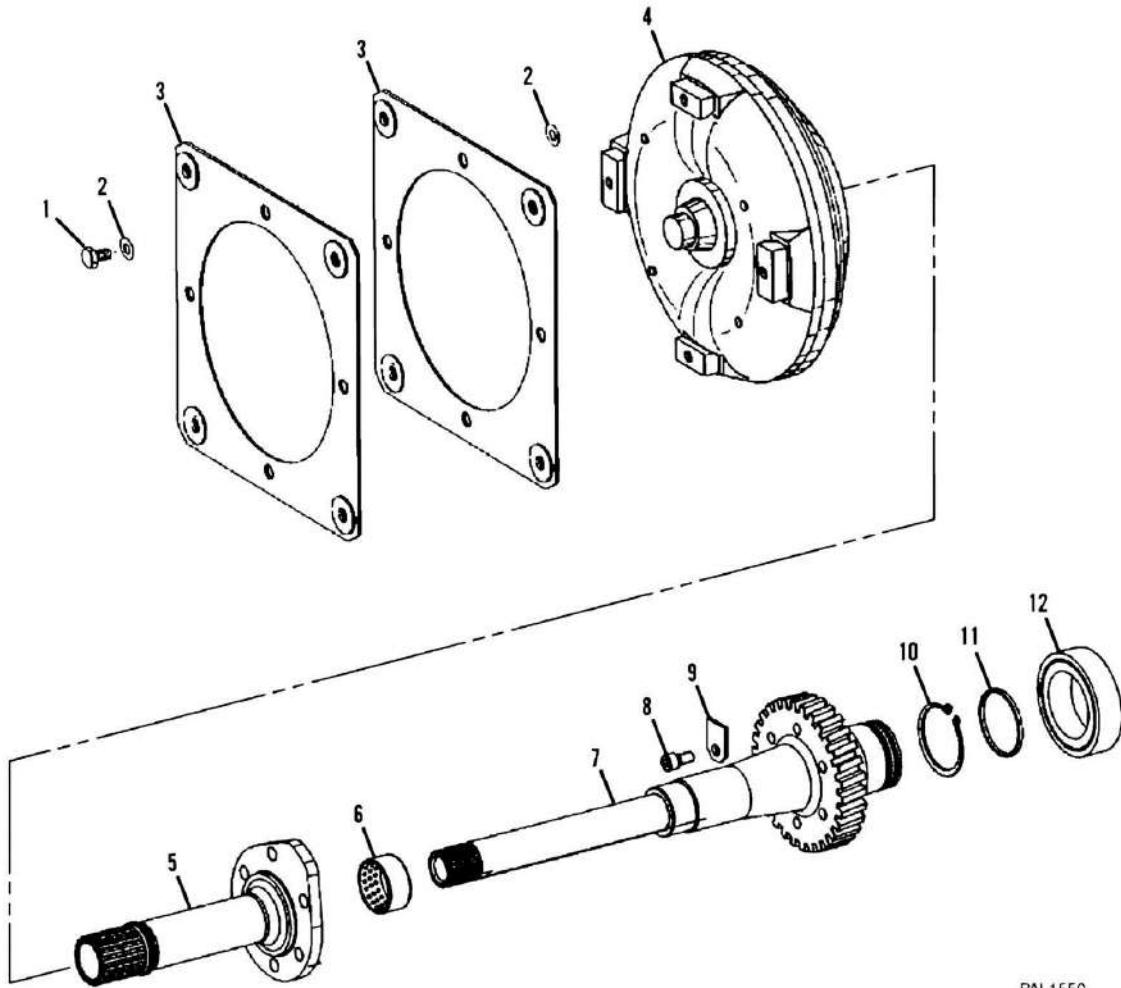
SECTION 5 - DRIVE TRAIN

FIGURE 5-44. ZF TRANSMISSION

ITEM	PART NUMBER	QTY	DESCRIPTION	REV
	4540020	1	ZF TRANSMISSION, (includes all items)	C
1		Ref	TORQUE CONVERTER AND INPUT, (See ZF TRANSMISSION - CONVERTER AND INPUT for Breakdown)	
2		Ref	GEARBOX HOUSING, (See ZF TRANSMISSION - GEARBOX HOUSING for Breakdown)	
3		Ref	FORWARD GEAR GROUP, (See ZF TRANSMISSION - FORWARD GEAR GROUP for Breakdown)	
4		Ref	REVERSE GEAR GROUP, (See ZF TRANSMISSION - REVERSE GEAR GROUP for Breakdown)	
5		Ref	1ST SHAFT GROUP, (See ZF TRANSMISSION - 1ST SHAFT GROUP for Breakdown)	
6		Ref	2ND SHAFT GROUP, (See ZF TRANSMISSION - 2ND SHAFT GROUP for Breakdown)	
7		Ref	3RD SHAFT GROUP, (See ZF TRANSMISSION - 3RD SHAFT GROUP for Breakdown)	
8		Ref	4TH SHAFT GROUP, (See ZF TRANSMISSION - 4TH SHAFT GROUP for Breakdown)	
9		Ref	POWER TAKE-OFF, (See ZF TRANSMISSION - POWER TAKE-OFF for Breakdown)	
10		Ref	CONTROL UNIT AND PRESSURE REGULATOR, (See ZF TRANSMISSION - CONTROL UNIT AND PRESSURE REGULATOR for Breakdown)	
11		Ref	GEARSHIFT SYSTEM, (See ZF TRANSMISSION - GEARSHIFT SYSTEM for Breakdown)	
12		Ref	OIL PUMP, FILTER AND DIPSTICK, (See ZF TRANSMISSION - OIL PUMP, FILTER AND DIPSTICK for Breakdown)	
13		Ref	TRANSFER BOX, (See ZF TRANSMISSION - TRANSFER BOX for Breakdown)	
K1	7026797	1	SEAL KIT, (includes all seals required for rebuild)	

SECTION 5 - DRIVE TRAIN

FIGURE 5-45. ZF TRANSMISSION - CONVERTER AND INPUT



PAL1550

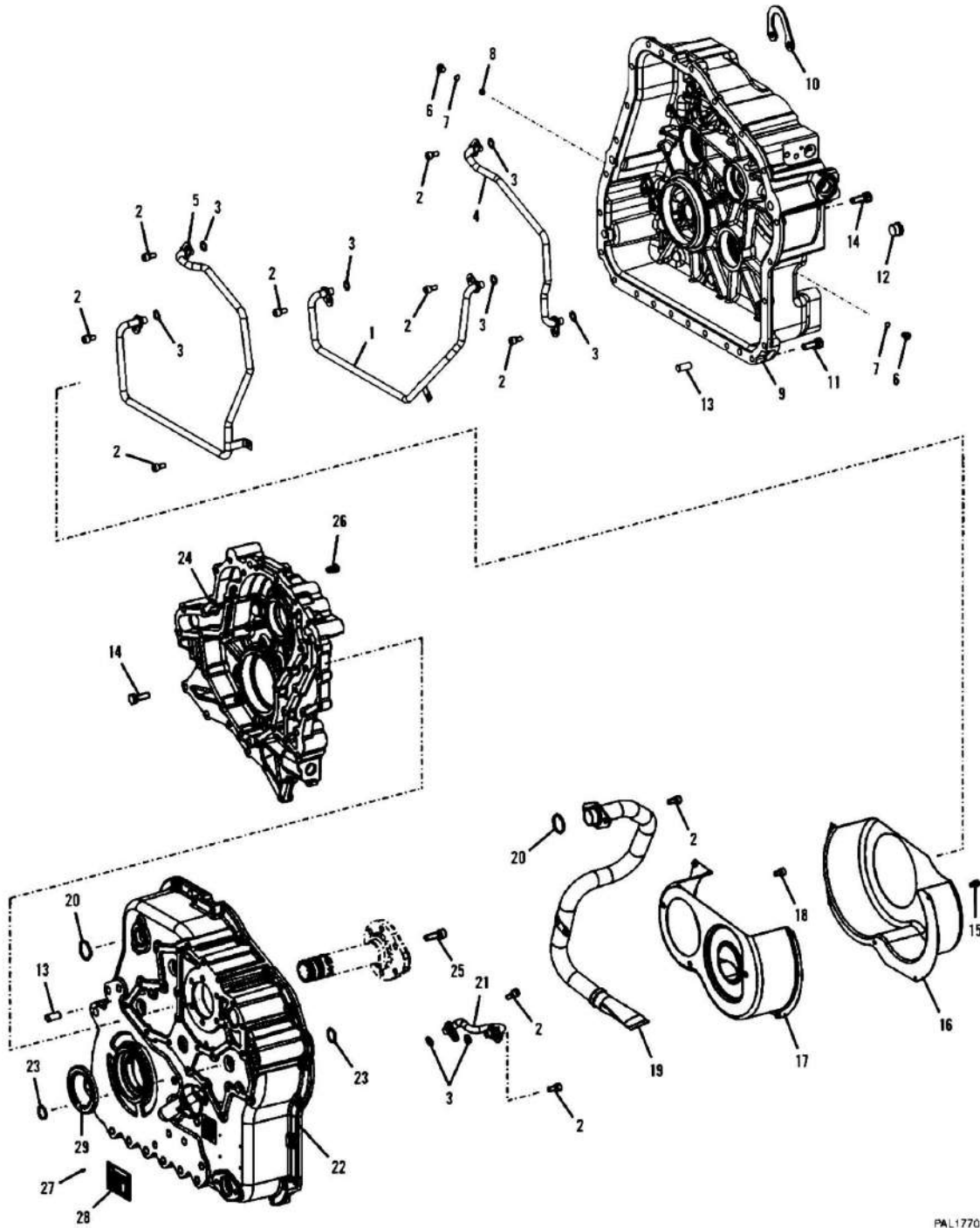
SECTION 5 - DRIVE TRAIN

FIGURE 5-45. ZF TRANSMISSION - CONVERTER AND INPUT

ITEM	PART NUMBER	QTY	DESCRIPTION	REV
1	7026744	4	HEX HD CAPSCREW, M10X16, GR8.8	
2	7026745	8	WASHER	
3	1319229	2	DIAPHRAGM	
4	7026746	1	CONVERTER	
5	7026748	1	STATOR SHAFT	
6	1319558	1	BEARING BUSHING	
7	7026747	1	TURBINE SHAFT	
8	N.S.S.	2	CAPSCREW, M8X16, GR8.8	
9	N.S.S.	2	SHACKLE	
10	80304405	1	RETAINING RING	
11	7026749	1	PISTON RING	
12	1319563	1	BALL BEARING	

SECTION 5 - DRIVE TRAIN

FIGURE 5-46. ZF TRANSMISSION - GEARBOX HOUSING



PAL1770

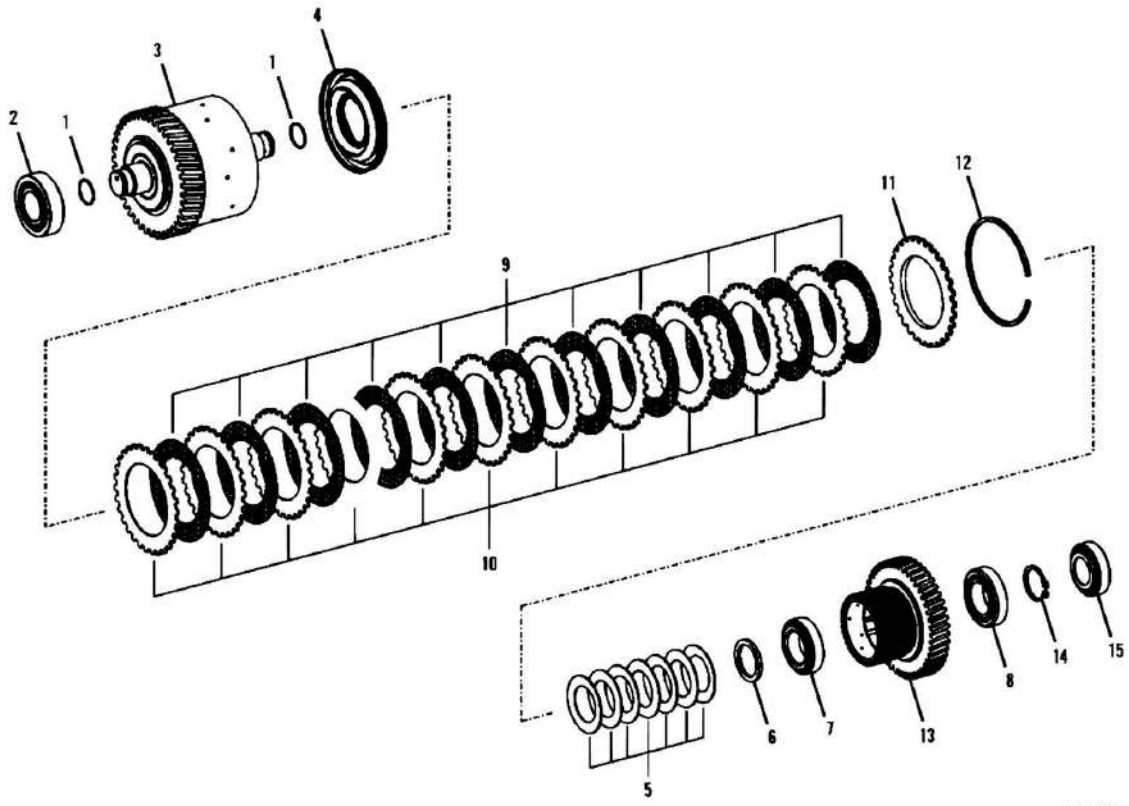
SECTION 5 - DRIVE TRAIN

FIGURE 5-46. ZF TRANSMISSION - GEARBOX HOUSING

ITEM	PART NUMBER	QTY	DESCRIPTION	REV
1	7026751	1	PIPE	
2	1319585	11	HEX HD CAPSCREW, M8X16, GR8.8	
3	8036847	8	O-RING	
4	7026750	1	PIPE	
5	7026752	1	PIPE	
6	1319670	7	PLUG	
7	80304327	7	O-RING	
8	N.S.S.	1	ORIFICE	
9	N.S.S.	1	HOUSING	
10	1319590	1	BRACKET	
11	N.S.S.	6	HEX HD CAPSCREW, M10X50, GR8.8	
12	N.S.S.	1	PLUG	
13	1319571	4	PIN	
14	80304394	31	HEX HD CAPSCREW, M10X30, GR8.8	
15	1319646	5	HEX HD CAPSCREW	
16	7026756	1	SCREEN SHEET	
17	7026755	1	SCREEN SHEET	
18	N.S.S.	3	CAPSCREW, M8X12, GR8.8	
19	7026753	1	SUCTION TUBE	
20	1319581	2	O-RING	
21	7026754	1	PIPE	
22	N.S.S.	1	HOUSING	
23	N.S.S.	2	O-RING	
24	N.S.S.	1	HOUSING	
25	N.S.S.	6	CAPSCREW, M10X30, GR8.8	
26	10731744	1	BREATHER	
27	N.S.S.	4	GROOVED STUD, 3X5	
28	N.S.S.	1	TYPE PLATE	
29	1319641	1	SHAFT SEAL	

SECTION 5 - DRIVE TRAIN

FIGURE 5-47. ZF TRANSMISSION - FORWARD GEAR GROUP



PAL1780

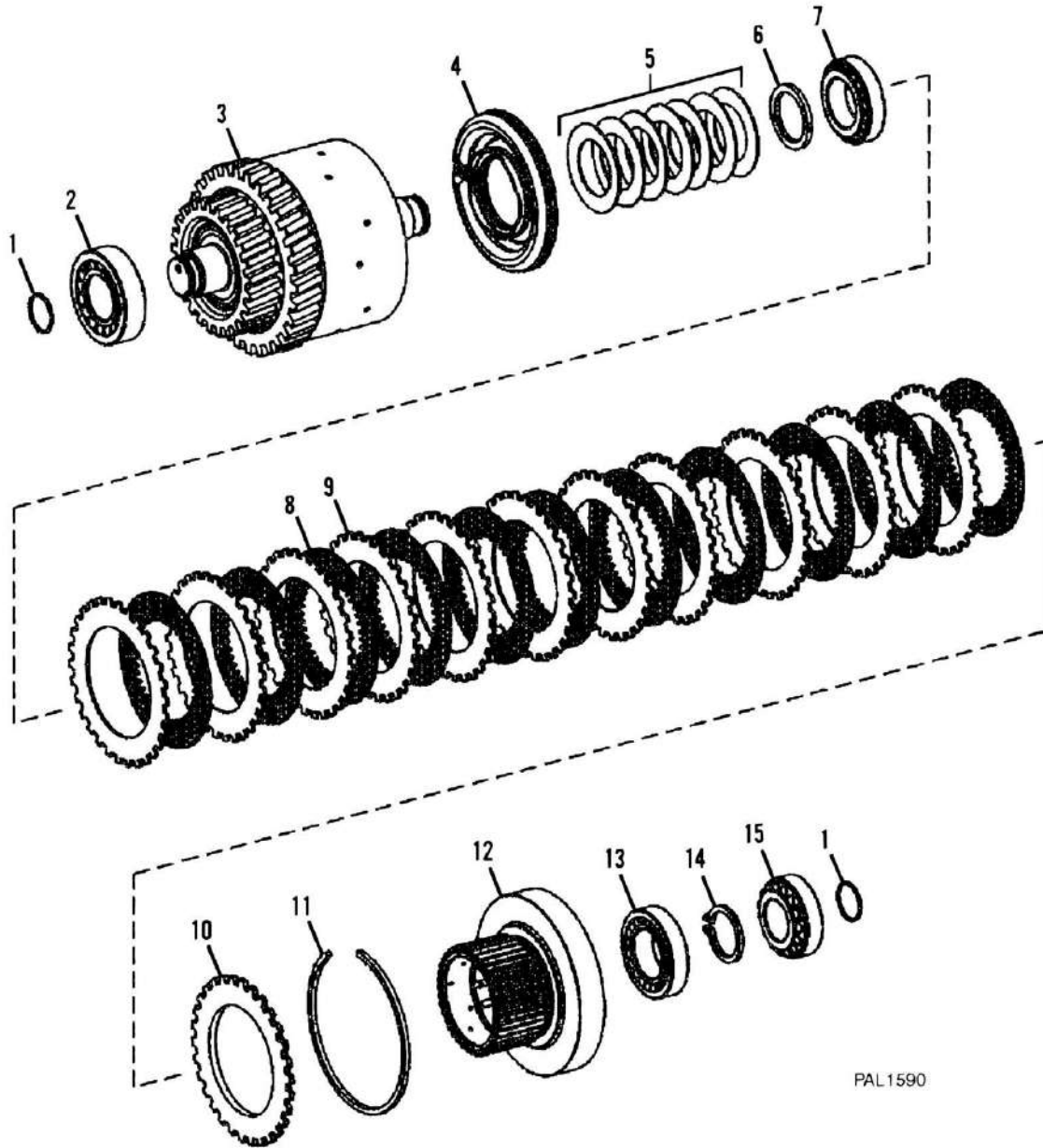
SECTION 5 - DRIVE TRAIN

FIGURE 5-47. ZF TRANSMISSION - FORWARD GEAR GROUP

ITEM	PART NUMBER	QTY	DESCRIPTION	REV
1	7026761	2	PISTON RING	
2	1319615	1	ROLLER BEARING	
3	7026757	1	COUPLING	
4	8036575	1	PISTON	
5	1319595	7	CUP SPRING	
6	1319617	1	SUPPORT SHIM	
7	1319618	1	ROLLER BEARING	
8	1319620	1	ROLLER BEARING	
9	7026758	11	FRICITION DISC	
10	7026759	11	STATIC DISC	
11	7026760	1	END SHIM	
12	1319600	AR	SNAP RING, 4.0	
12	7029850	AR	SNAP RING, 3.75	
12	1319601	AR	SNAP RING, 3.5	
12	7029849	AR	SNAP RING, 3.25	
12	1319602	AR	SNAP RING, 3.0	
12	7029852	AR	SNAP RING, 2.75	
12	1319603	AR	SNAP RING, 2.5	
12	7029851	AR	SNAP RING, 2.25	
12	1319604	AR	SNAP RING, 2.0	
13	1319638	1	DISC CARRIER	
14	1319621	AR	RETAINING RING, 3.20	
14	1319622	AR	RETAINING RING, 3.10	
14	1319623	AR	RETAINING RING, 3.00	
14	1319624	AR	RETAINING RING, 2.90	
14	1319625	AR	RETAINING RING, 2.80	
14	1319626	AR	RETAINING RING, 2.70	
14	1319627	AR	RETAINING RING, 2.60	
14	1319628	AR	RETAINING RING, 2.50	
14	1319629	AR	RETAINING RING, 2.40	
14	1319630	AR	RETAINING RING, 2.30	
14	1319631	AR	RETAINING RING, 2.20	
14	1319632	AR	RETAINING RING, 2.10	
15	1319636	1	ROLLER BEARING	

SECTION 5 - DRIVE TRAIN

FIGURE 5-48. ZF TRANSMISSION - REVERSE GEAR GROUP



PAL1590

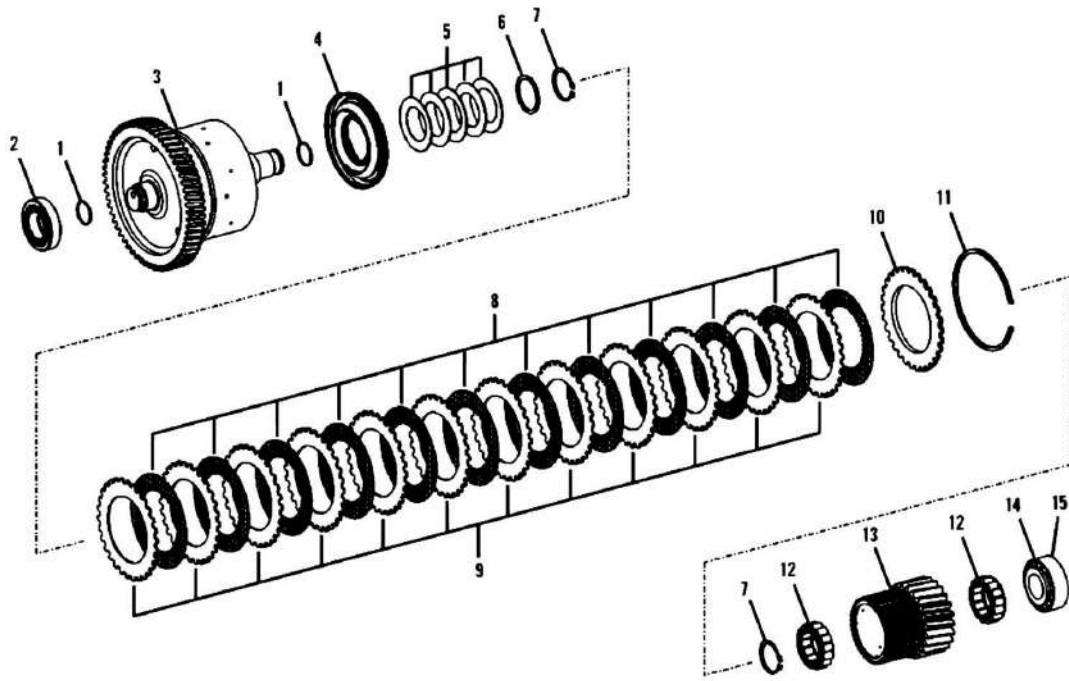
SECTION 5 - DRIVE TRAIN

FIGURE 5-48. ZF TRANSMISSION - REVERSE GEAR GROUP

ITEM	PART NUMBER	QTY	DESCRIPTION	REV
1	7026761	2	PISTON RING	
2	1319615	1	ROLLER BEARING	
3	7026762	1	COUPLING	
4	8036575	1	PISTON	
5	1319595	7	CUP SPRING	
6	1319617	1	SUPPORT SHIM	
7	1319618	1	ROLLER BEARING	
8	7026758	11	FRICTION DISC	
9	7026759	11	STATIC DISC	
10	7026760	1	END SHIM	
11	1319600	AR	SNAP RING, 4.0	
11	7029850	AR	SNAP RING, 3.75	
11	1319601	AR	SNAP RING, 3.5	
11	7029849	AR	SNAP RING, 3.25	
11	1319602	AR	SNAP RING, 3.0	
11	7029852	AR	SNAP RING, 2.75	
11	1319603	AR	SNAP RING, 2.5	
11	7029851	AR	SNAP RING, 2.25	
11	1319604	AR	SNAP RING, 2.0	
12	1319638	1	DISC CARRIER	
13	1319620	1	ROLLER BEARING	
14	1319621	AR	RETAINING RING, 3.20	
14	1319622	AR	RETAINING RING, 3.10	
14	1319623	AR	RETAINING RING, 3.00	
14	1319624	AR	RETAINING RING, 2.90	
14	1319625	AR	RETAINING RING, 2.80	
14	1319626	AR	RETAINING RING, 2.70	
14	1319627	AR	RETAINING RING, 2.60	
14	1319628	AR	RETAINING RING, 2.50	
14	1319629	AR	RETAINING RING, 2.40	
14	1319630	AR	RETAINING RING, 2.30	
14	1319631	AR	RETAINING RING, 2.20	
14	1319632	AR	RETAINING RING, 2.10	
15	1319636	1	ROLLER BEARING	

SECTION 5 - DRIVE TRAIN

FIGURE 5-49. ZF TRANSMISSION - 1ST SHAFT GROUP



PAL1790

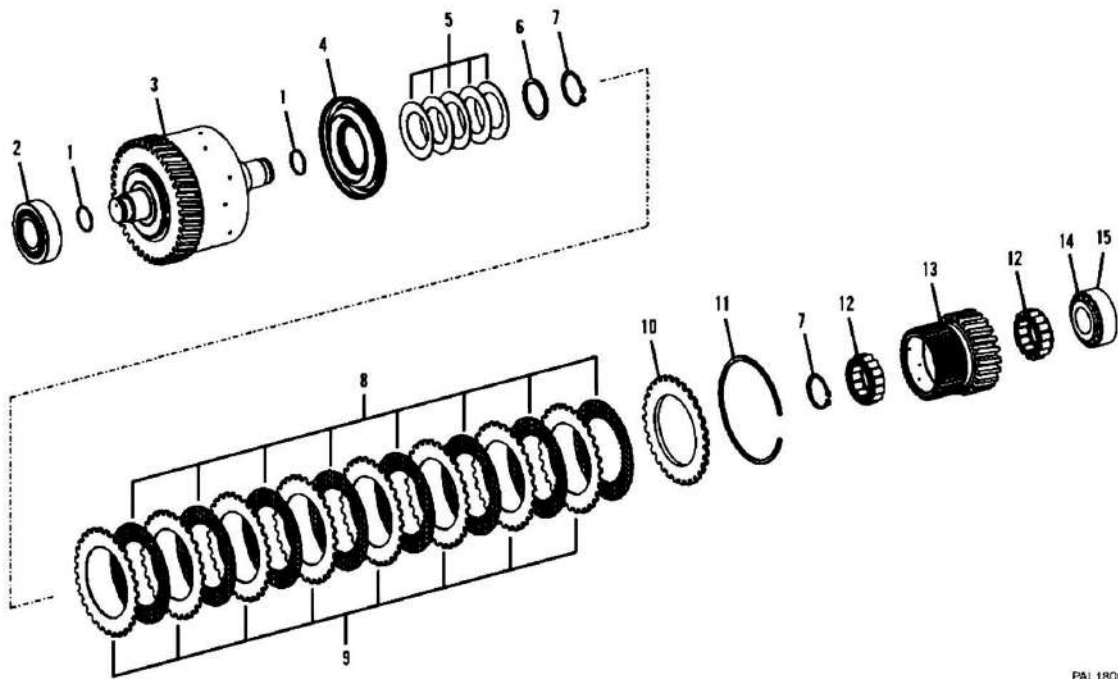
SECTION 5 - DRIVE TRAIN

FIGURE 5-49. ZF TRANSMISSION - 1ST SHAFT GROUP

ITEM	PART NUMBER	QTY	DESCRIPTION	REV
1	7026761	2	PISTON RING	
2	1319608	1	ROLLER BEARING	
3	1319591	1	COUPLING	
4	8036575	1	PISTON	
5	1319595	5	CUP SPRING	
6	1319596	1	SHIM	
7	10731845	2	RETAINING RING	
8	7026758	12	FRICTION DISC	
9	7026759	12	STATIC DISC	
10	7026760	1	END SHIM	
11	1319600	AR	SNAP RING, 4.0	
11	7029850	AR	SNAP RING, 3.75	
11	1319601	AR	SNAP RING, 3.5	
11	7029849	AR	SNAP RING, 3.25	
11	1319602	AR	SNAP RING, 3.0	
11	7029852	AR	SNAP RING, 2.75	
11	1319603	AR	SNAP RING, 2.5	
11	7029851	AR	SNAP RING, 2.25	
11	1319604	AR	SNAP RING, 2.0	
12	1319606	2	ROLLER CAGE	
13	1319607	1	DISC CARRIER	
14	7029532	1	OUTER RING	
15	7029533	1	INNER RING	

SECTION 5 - DRIVE TRAIN

FIGURE 5-50. ZF TRANSMISSION - 2ND SHAFT GROUP



PAL1800

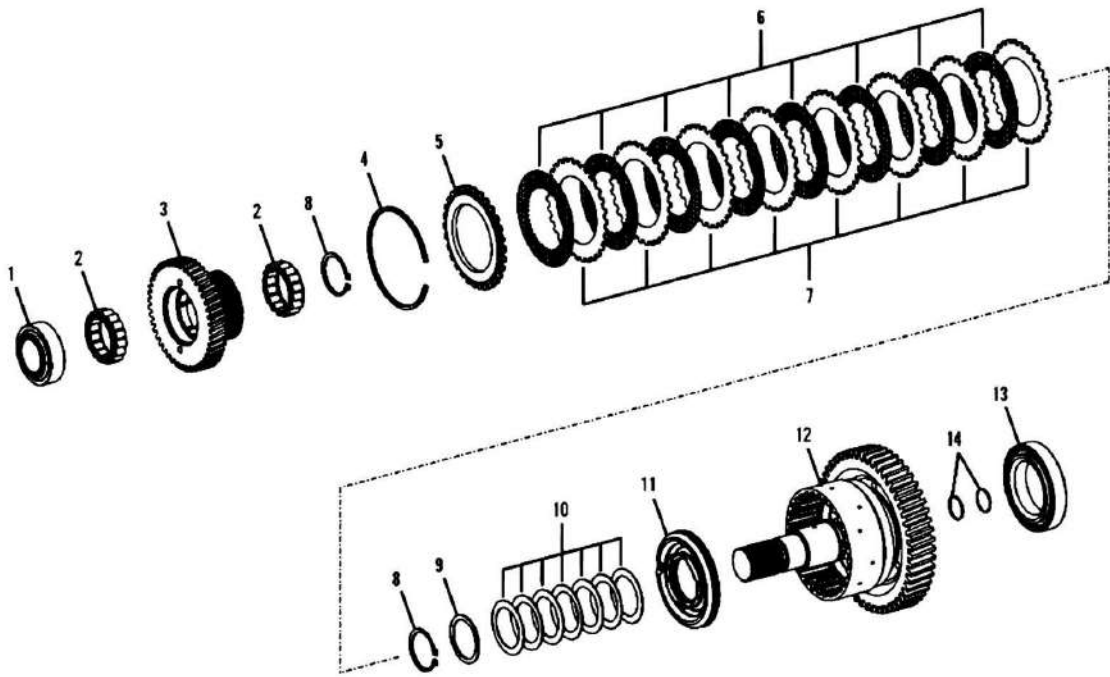
SECTION 5 - DRIVE TRAIN

FIGURE 5-50. ZF TRANSMISSION - 2ND SHAFT GROUP

ITEM	PART NUMBER	QTY	DESCRIPTION	REV
1	7026761	2	PISTON RING	
2	1319615	1	ROLLER BEARING	
3	7026763	1	COUPLING	
4	8036575	1	PISTON	
5	1319595	5	CUP SPRING	
6	1319596	1	SHIM	
7	10731845	2	RETAINING RING	
8	7026758	8	FRICTION DISC	
9	7026759	8	STATIC DISC	
10	7026760	1	END SHIM	
11	1319600	AR	SNAP RING, 4.0	
11	7029850	AR	SNAP RING, 3.75	
11	1319601	AR	SNAP RING, 3.5	
11	7029849	AR	SNAP RING, 3.25	
11	1319602	AR	SNAP RING, 3.0	
11	7029852	AR	SNAP RING, 2.75	
11	1319603	AR	SNAP RING, 2.5	
11	7029851	AR	SNAP RING, 2.25	
11	1319604	AR	SNAP RING, 2.0	
12	1319606	2	ROLLER CAGE	
13	1319614	1	DISC CARRIER	
14	8036190	1	ROLLER BEARING	
15	7029533	1	INNER RING	

SECTION 5 - DRIVE TRAIN

FIGURE 5-51. ZF TRANSMISSION - 3RD SHAFT GROUP



PAL1810

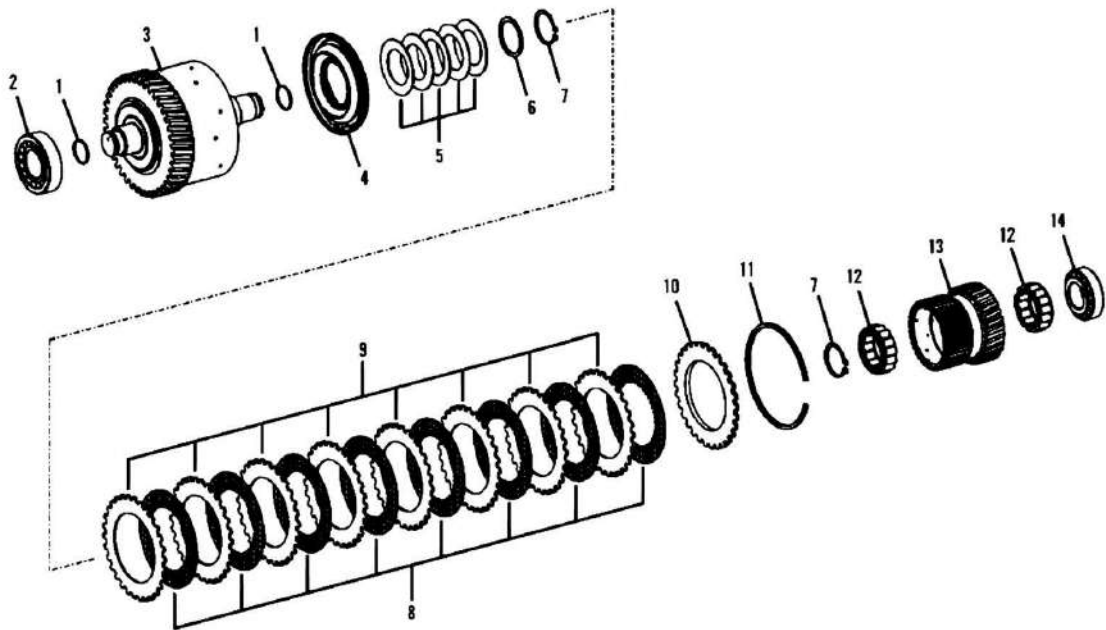
SECTION 5 - DRIVE TRAIN

FIGURE 5-51. ZF TRANSMISSION - 3RD SHAFT GROUP

ITEM	PART NUMBER	QTY	DESCRIPTION	REV
1	7026768	1	ROLLER BEARING	
2	7026767	1	ROLLER BEARING	
3	1319619	1	DISC CARRIER	
4	1319600	AR	SNAP RING, 4.0	
4	7029850	AR	SNAP RING, 3.75	
4	1319601	AR	SNAP RING, 3.5	
4	7029849	AR	SNAP RING, 3.25	
4	1319602	AR	SNAP RING, 3.0	
4	7029852	AR	SNAP RING, 2.75	
4	1319603	AR	SNAP RING, 2.5	
4	7029851	AR	SNAP RING, 2.25	
4	1319604	AR	SNAP RING, 2.0	
5	7026760	1	END SHIM	
6	7026758	8	FRICITION DISC	
7	7026759	8	STATIC DISC	
8	80304227	2	RETAINING RING	
9	7026766	1	WASHER	
10	7026765	7	CUP SPRING	
11	8036575	1	PISTON	
12	7026764	1	COUPLING	
13	7026769	1	ROLLER BEARING	
14	7026761	2	PISTON BEARING	

SECTION 5 - DRIVE TRAIN

FIGURE 5-52. ZF TRANSMISSION - 4TH SHAFT GROUP



PAL 1860

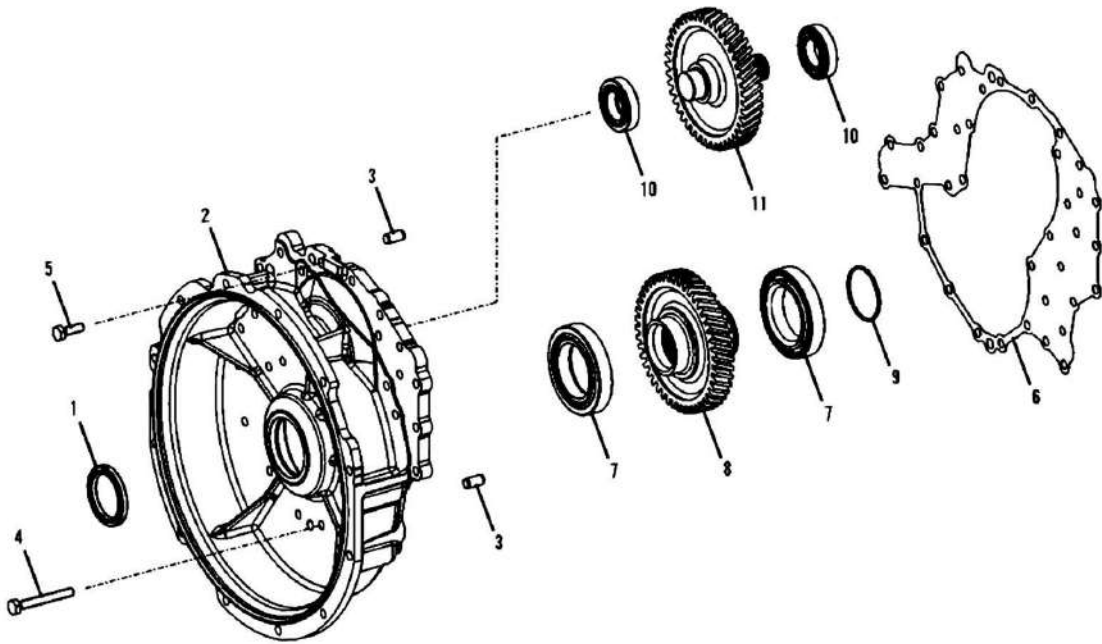
SECTION 5 - DRIVE TRAIN

FIGURE 5-52. ZF TRANSMISSION - 4TH SHAFT GROUP

ITEM	PART NUMBER	QTY	DESCRIPTION	REV
1	7026761	2	PISTON RING	
2	1319615	1	ROLLER BEARING	
3	7026770	1	COUPLING	
4	8036575	1	PISTON	
5	1319595	5	CUP SPRING	
6	1319596	1	SHIM	
7	10731845	2	RETAINING RING	
8	7026758	12	FRICTION DISC	
9	7026759	12	STATIC DISC	
10	7026760	1	END SHIM	
11	1319600	AR	SNAP RING, 4.0	
11	7029850	AR	SNAP RING, 3.75	
11	1319601	AR	SNAP RING, 3.5	
11	7029849	AR	SNAP RING, 3.25	
11	1319602	AR	SNAP RING, 3.0	
11	7029852	AR	SNAP RING, 2.75	
11	1319603	AR	SNAP RING, 2.5	
11	7029851	AR	SNAP RING, 2.25	
11	1319604	AR	SNAP RING, 2.0	
12	1319606	2	ROLLER CAGE	
13	1319635	1	DISC CARRIER	
14	1319636	1	ROLLER BEARING	

SECTION 5 - DRIVE TRAIN

FIGURE 5-53. ZF TRANSMISSION - POWER TAKE-OFF



PAL1820

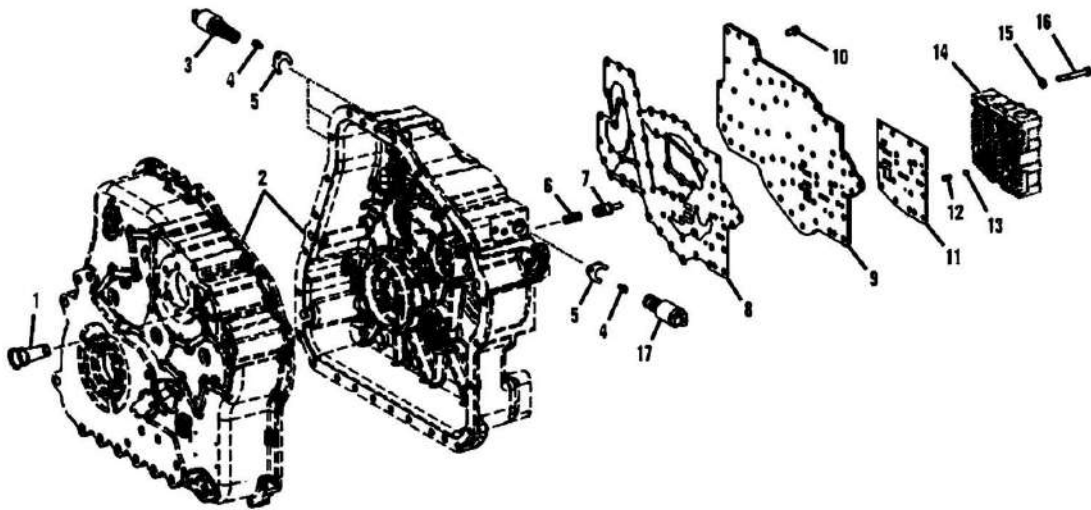
SECTION 5 - DRIVE TRAIN

FIGURE 5-53. ZF TRANSMISSION - POWER TAKE-OFF

ITEM	PART NUMBER	QTY	DESCRIPTION	REV
1	1319576	1	SHAFT SEAL	
2	70021526	1	HOUSING	
3	1319571	2	CYLINDRICAL PIN	
4	7026775	15	HEX HD CAPSCREW, M10X80, GR8.8	
5	80304394	21	HEX HD CAPSCREW, M10X30, GR8.8	
6	7026774	1	GASKET	
7	7026769	2	ROLLER BEARING	
8	7026771	1	SHAFT	
9	7026772	1	PISTON RING	
10	1319608	2	ROLLER BEARING	
11	7026773	1	SHAFT	

SECTION 5 - DRIVE TRAIN

FIGURE 5-54. ZF TRANSMISSION - CONTROL UNIT AND PRESSURE REGULATOR



PAL1830

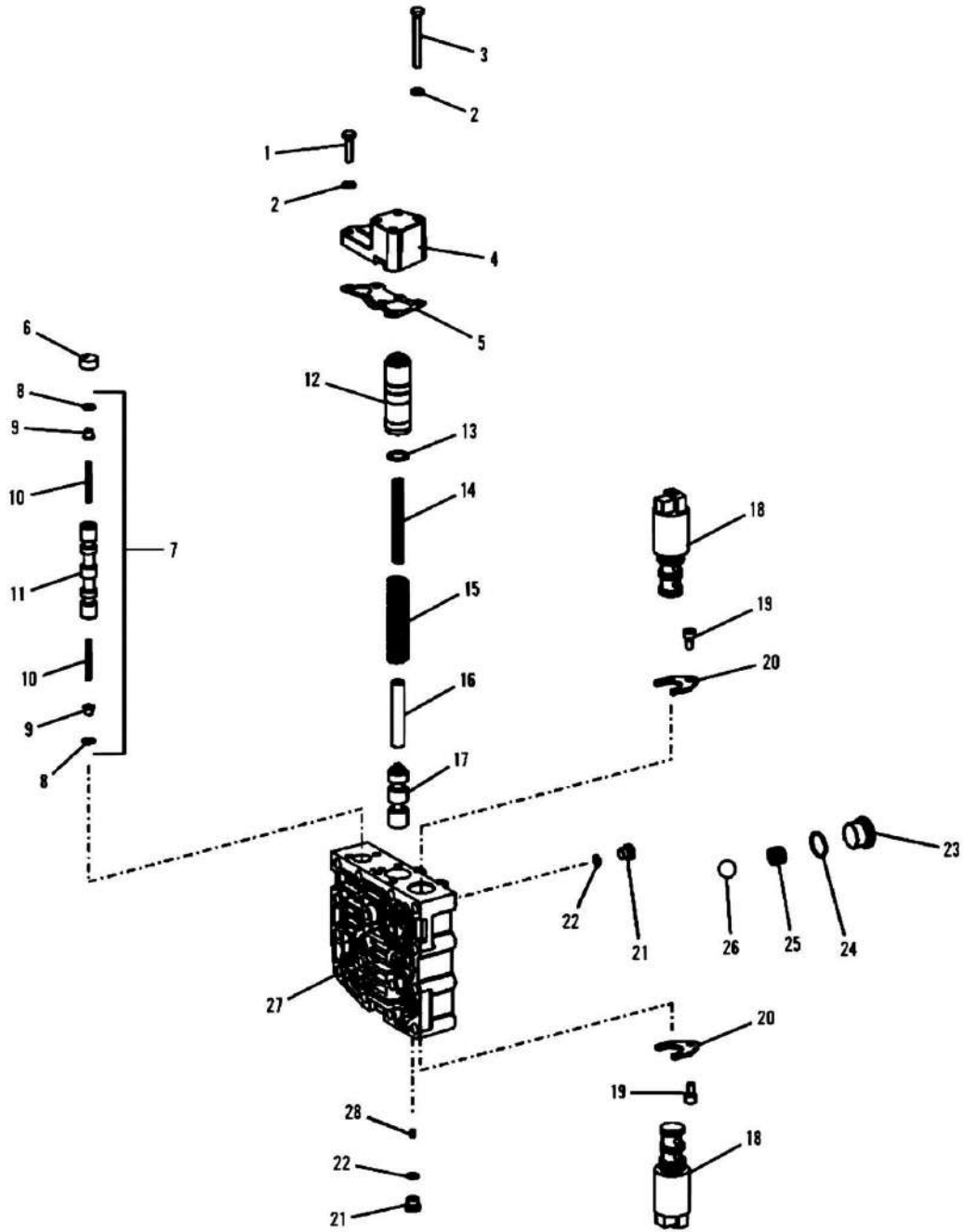
SECTION 5 - DRIVE TRAIN

FIGURE 5-54. ZF TRANSMISSION - CONTROL UNIT AND PRESSURE REGULATOR

ITEM	PART NUMBER	QTY	DESCRIPTION	REV
1	7026782	1	VALVE	
2		Ref	HOUSING, (See ZF TRANSMISSION - GEARBOX HOUSING for Breakdown)	
3	8036529	3	SOLENOID VALVE	
4	N.S.S.	4	CAPSCREW, M6X12, GR8.8	
5	N.S.S.	4	BRACKET	
6	7026784	1	COMPRESSED SPRING	
7	7026783	1	PISTON	
8	7026776	1	GASKET	
9	7026777	1	PLATE	
10	7026780	46	HEX HD CAPSCREW	
11	7026779	1	INTERMEDIATE SHEET	
12	7026778	1	COMPRESSED SPRING	
13	10731761	1	BALL	
14		Ref	VALVE HOUSING, (See ZF TRANSMISSION - GEARSHIFT SYSTEM for Breakdown)	
15	10731756	16	WASHER	
16	7026781	16	HEX HD CAPSCREW, M8X60, GR10.9	
17	8036528	1	SOLENOID VALVE	

SECTION 5 - DRIVE TRAIN

FIGURE 5-55. ZF TRANSMISSION - GEARSHIFT SYSTEM



FAL1840

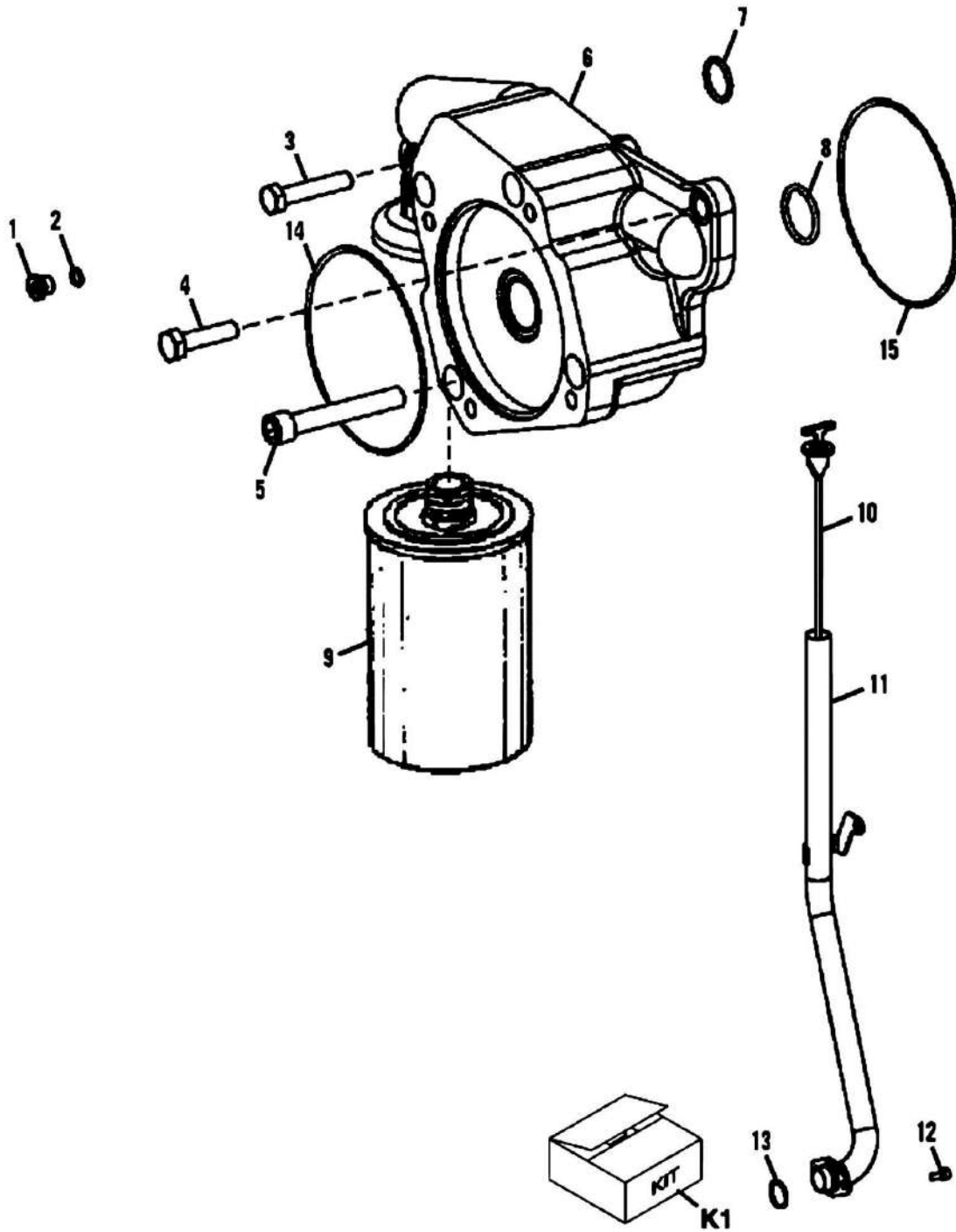
SECTION 5 - DRIVE TRAIN

FIGURE 5-55. ZF TRANSMISSION - GEARSHIFT SYSTEM

ITEM	PART NUMBER	QTY	DESCRIPTION	REV
1	1319693	2	HEX HD CAPSCREW, M6X25, GR10.9	
2	1319661	6	WASHER	
3	1321265	4	HEX HD CAPSCREW, M6X55, GR10.9	
4	7026789	1	COVER	
5	7026788	1	GASKET	
6	7026787	1	SPACER	
7	1319694	1	VALVE ASSY, (includes items 8 thru 11)	
8	N.S.S.	2	SNAP RING	
9	N.S.S.	2	SPRING SLEEVE	
10	N.S.S.	2	COMPRESSED SPRING	
11	N.S.S.	1	PISTON	
12	7026790	1	PISTON	
13	1319685	AR	WASHER, 2.0	
13	1319686	AR	WASHER, 1.0	
13	1319687	AR	WASHER, 0.5	
13	1319688	AR	WASHER, 0.3	
13	1319689	AR	WASHER, 0.2	
14	1319684	1	COMPRESSED SPRING	
15	1319683	1	COMPRESSED SPRING	
16	7026786	1	SLEEVE	
17	7026785	1	CONTROL PISTON	
18	8036528	2	SOLENOID VALVE	
19	N.S.S.	2	HEX HD CAPSCREW, M6X12, GR8.8	
20	N.S.S.	2	BRACKET	
21	1319670	2	PLUG, M10	
22	80304327	2	O-RING	
23	N.S.S.	2	PLUG, M24	
24	70000656	2	O-RING	
25	10732072	2	COMPRESSED SPRING	
26	10732071	2	BALL	
27	70022790	1	VALVE HOUSING	
28	1319652	1	ORIFICE	

SECTION 5 - DRIVE TRAIN

FIGURE 5-56. ZF TRANSMISSION - OIL PUMP, FILTER AND DIPSTICK



PAL1673

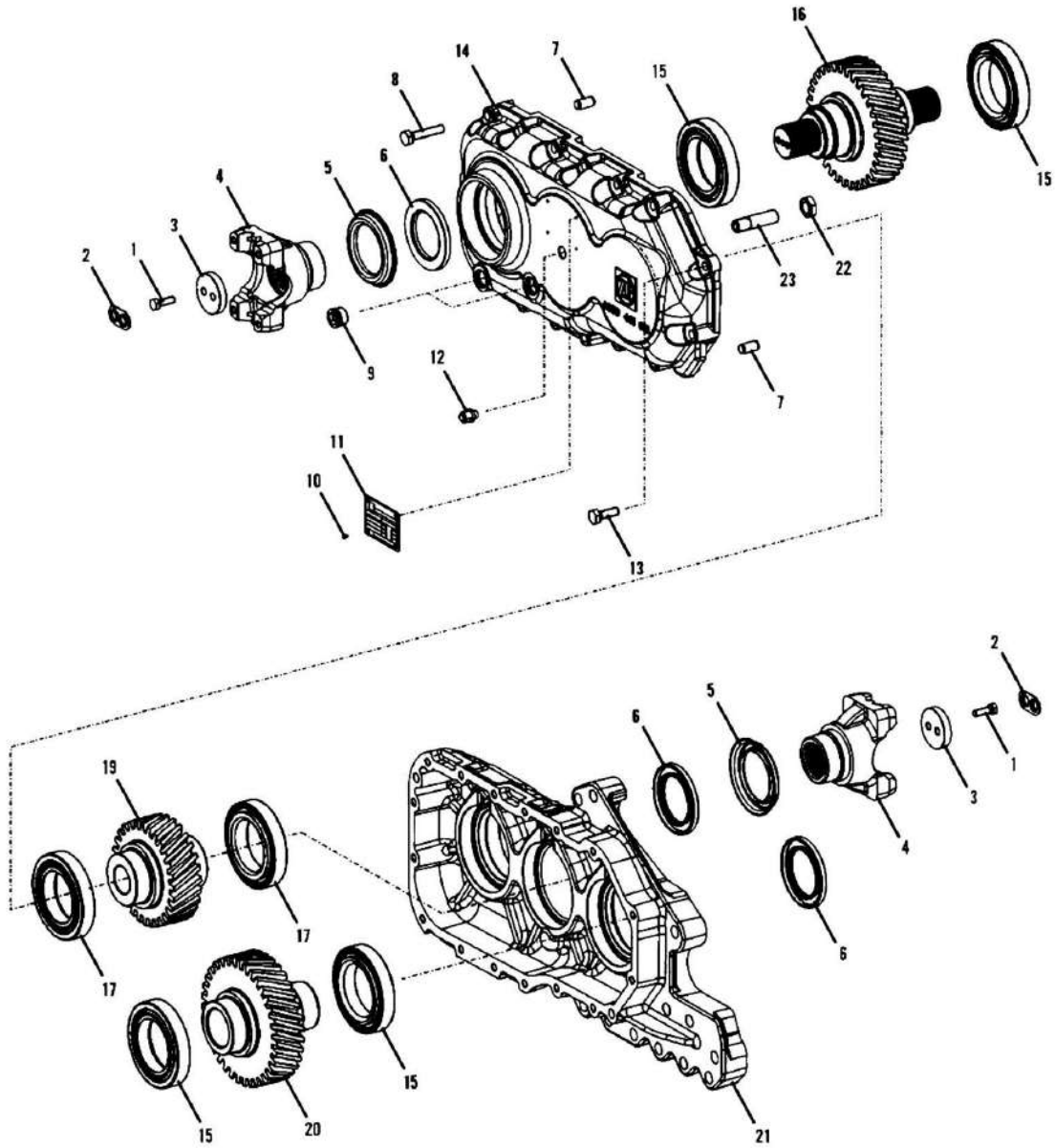
SECTION 5 - DRIVE TRAIN

FIGURE 5-56. ZF TRANSMISSION - OIL PUMP, FILTER AND DIPSTICK

ITEM	PART NUMBER	QTY	DESCRIPTION	REV
1	1319670	2	PLUG, M10X1	
2	80304327	2	O-RING	
3	7026794	1	HEX HD CAPSCREW, M10X50, GR8.8	
4	80304394	1	HEX HD CAPSCREW, M10X30, GR8.8	
5	7026793	4	CAPSCREW, M12X80, GR10.9	
6	7026791	1	PUMP	
6	7029417	1	O-RING, (located between two halves of oil pump)	
7	7026792	3	O-RING	
8	1319719	1	O-RING	
9	1319726	1	FILTER	
10	8841322	1	DIPSTICK	
11	1001095744	1	DIPSTICK TUBE	
12	1319585	2	CAPSCREW, M8X16, GR8.8	
13	1319581	1	O-RING	
14	80933113	1	O-RING	
15	8036250	1	O-RING, (located between oil pump and transmission)	
K1	1001095738	1	OIL LEVEL GAUGE KIT, (includes items 10 & 11)	

SECTION 5 - DRIVE TRAIN

FIGURE 5-57. ZF TRANSMISSION - TRANSFER BOX



PAL1740

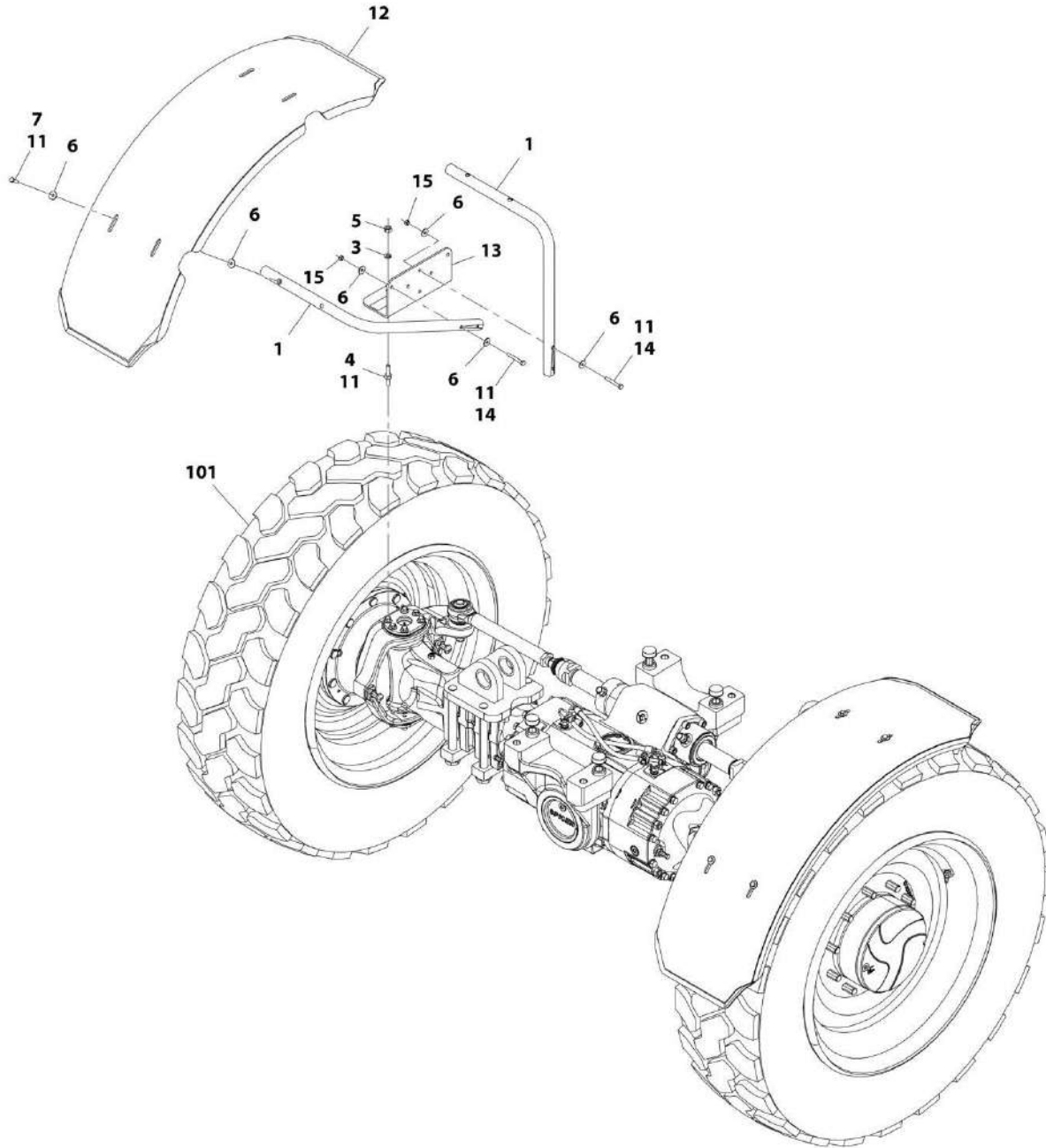
SECTION 5 - DRIVE TRAIN

FIGURE 5-57. ZF TRANSMISSION - TRANSFER BOX

ITEM	PART NUMBER	QTY	DESCRIPTION	REV
	70020549	1	TRANSFER BOX, (includes all items)	
1	10731959	4	HEX HD CAPSCREW, M8X25, GR10.9	
2	N.S.S.	2	TAB WASHER	
3	1319648	2	WASHER	
4	7027273	2	FLANGE	
5	1319647	2	SCREEN SHEET	
6	1320755	3	SHAFT SEAL	
7	1319571	2	CYLINDRICAL PIN	
8	70023801	15	HEX HD CAPSCREW, M10X50, GR10.9	
9	70023404	2	PLUG	
10	10731758	4	STUD, 3X5	
11	N.S.S.	1	SN PLATE	
12	1319436	1	BREATHER	
13	70023800	1	HEX HD CAPSCREW, M10X30, GR10.9	
14	70023267	1	HOUSING	
15	7026769	4	ROLLER BEARING	
16	7029848	1	OUTPUT SHAFT	
17	N.S.S.	4	TAPERED ROLLER BEARING	
17	1320748	1	CUP	
17	1320754	1	CONE	
19	7027270	1	IDLER GEAR	
20	N.S.S.	1	INPUT SHAFT	
20	70020493	1	INPUT GEAR	
20	70020036	1	SEAL	
21	70023266	1	HOUSING	
22	7026578	1	HEX NUT, M16	
23	7026577	1	SLEEVE	

SECTION 5 - DRIVE TRAIN

FIGURE 5-58. FENDER INSTALLATION (G6-42A Prior to SN 0160058377; G9-43A Prior to SN 0160058500, Excluding 160058213, 160058216, 160058217, 160058226, 160058230, 160058246, 160058248, 160058249, 1600582577 and 160058260; G10-43A Prior to SN 0160058998, Excluding 0160058678)



ART_1001142564-E

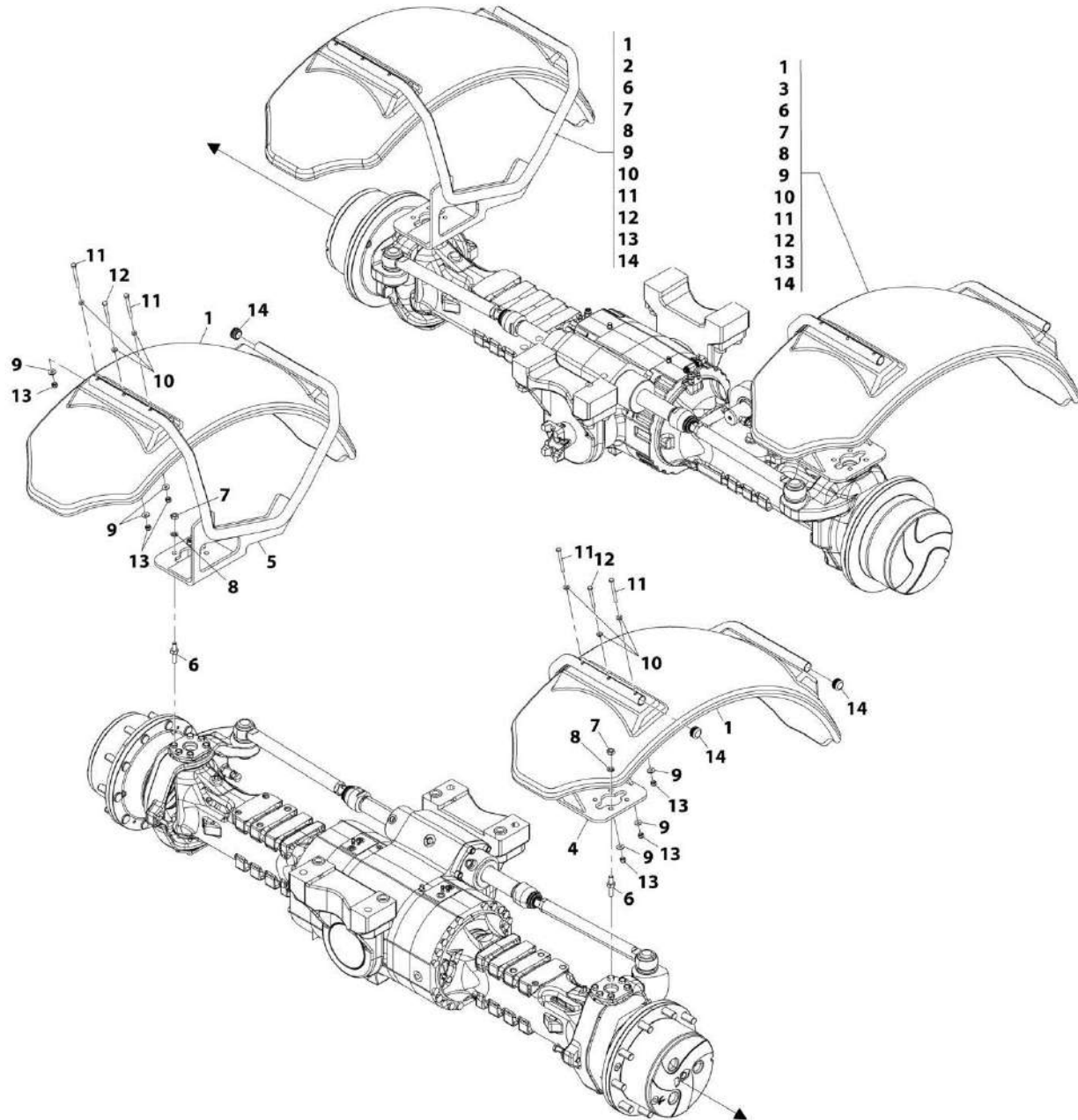
SECTION 5 - DRIVE TRAIN

FIGURE 5-58. FENDER INSTALLATION (G6-42A Prior to SN 0160058377; G9-43A Prior to SN 0160058500, Excluding 160058213, 160058216, 160058217, 160058226, 160058230, 160058246, 160058248, 160058249, 1600582577 and 160058260; G10-43A Prior to SN 0160058998, Excluding 0160058678)

ITEM	PART NUMBER	QTY	DESCRIPTION	REV
	1001142564	1	FENDER INSTALLATION, (includes items 1 thru 15)	E
1	1001142561	8	FENDER BRACKET	
3	83191010	16	LOCKWASHER	
4	91514118	16	FENDER STUD	
5	91513266	16	HEX NUT, M12X1-1/4	
6	4811902	64	WASHER, 8mm	
7	0760812	16	HEX HD CAPSCREW, M8X25, GR8.8	
11	1001095650	AR	LOCTITE 243	
12	1001154055	4	FENDER DUNLOFLEX	
13	1001160551	4	BRACKET, FENDER BASE	
14	0760820	16	HEXHD SCR, M8 X 60 LG	
15	3290807	16	HEX LOCK NUT, M8 X1.25	
101		Ref	WHEEL ASSY, (See WHEEL ASSEMBLY for Breakdown)	

SECTION 5 - DRIVE TRAIN

FIGURE 5-59. FENDER INSTALLATION (G6-42A SN 0160058377 to Present; G9-43A SN 0160058500 to Present, Including 160058213, 160058216, 160058217, 160058226, 160058230, 160058246, 160058248, 160058249, 160058257 and 160058260; G10-43A SN 0160058998 to Present, Including 0160058678)



ART_31200727-5-59

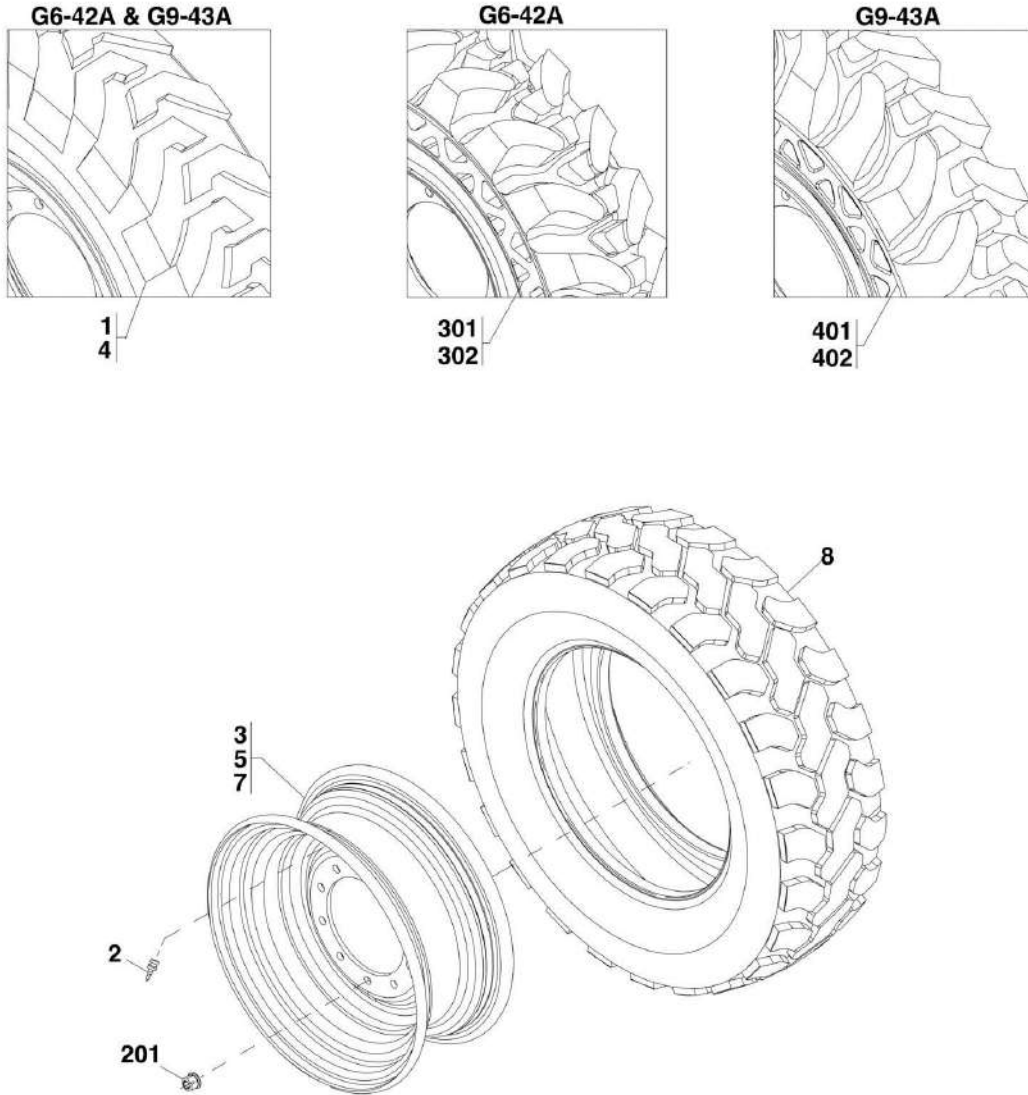
SECTION 5 - DRIVE TRAIN

FIGURE 5-59. FENDER INSTALLATION (G6-42A SN 0160058377 to Present; G9-43A SN 0160058500 to Present, Including 160058213, 160058216, 160058217, 160058226, 160058230, 160058246, 160058248, 160058249, 160058257 and 160058260; G10-43A SN 0160058998 to Present, Including 0160058678)

ITEM	PART NUMBER	QTY	DESCRIPTION	REV
	91475103	1	FENDER INSTALLATION, (G6-42A) (includes all items)	C
	91515071	1	FENDER INSTALLATION, (G9-43A) (includes all items)	C
1	91473126	4	ROTOMOLD FENDER	
2	91476054	1	RIGHT REAR FENDER MOUNT	
	91516043	1	RIGHT REAR FENDER BRACKET	
3	91476055	1	LEFT REAR FENDER MOUNT	
	91516041	1	LEFT REAR FENDER BRACKET	
4	91516040	1	LEFT FRONT FENDER BRACKET	
5	91516042	1	RIGHT FRONT FENDER BRACKET	
6	91514118	16	FENDER STUD, (torque to 94-104 lb-ft/127-141 Nm)	
7	91513266	16	HEX NUT, M12X1-1/4	
8	88551013	16	LOCKWASHER, 1/2	
9	88561003	24	WASHER, 5/16	
10	88561108	24	WASHER, 5/16	
11	88201030	16	HEX HD CAPSCREW, 5/16-18X3-1/2, GR5	
12	88201028	8	HEX HD CAPSCREW, 5/16-18X3, GR5	
13	88521205	24	LOCKNUT, 5/16-18	
14	3520176	8	PLUG	
101		Ref	FRONT AXLE, (not shown) (See FRONT AXLE for Breakdown)	
102		Ref	REAR AXLE, (not shown) (See REAR AXLE for Breakdown)	
201		Ref	CAB FENDER INSTALLATION, (not shown) (See CAB SECTION for Breakdown)	

SECTION 5 - DRIVE TRAIN

FIGURE 5-60. WHEEL ASSEMBLY G6-42A & G9-43A



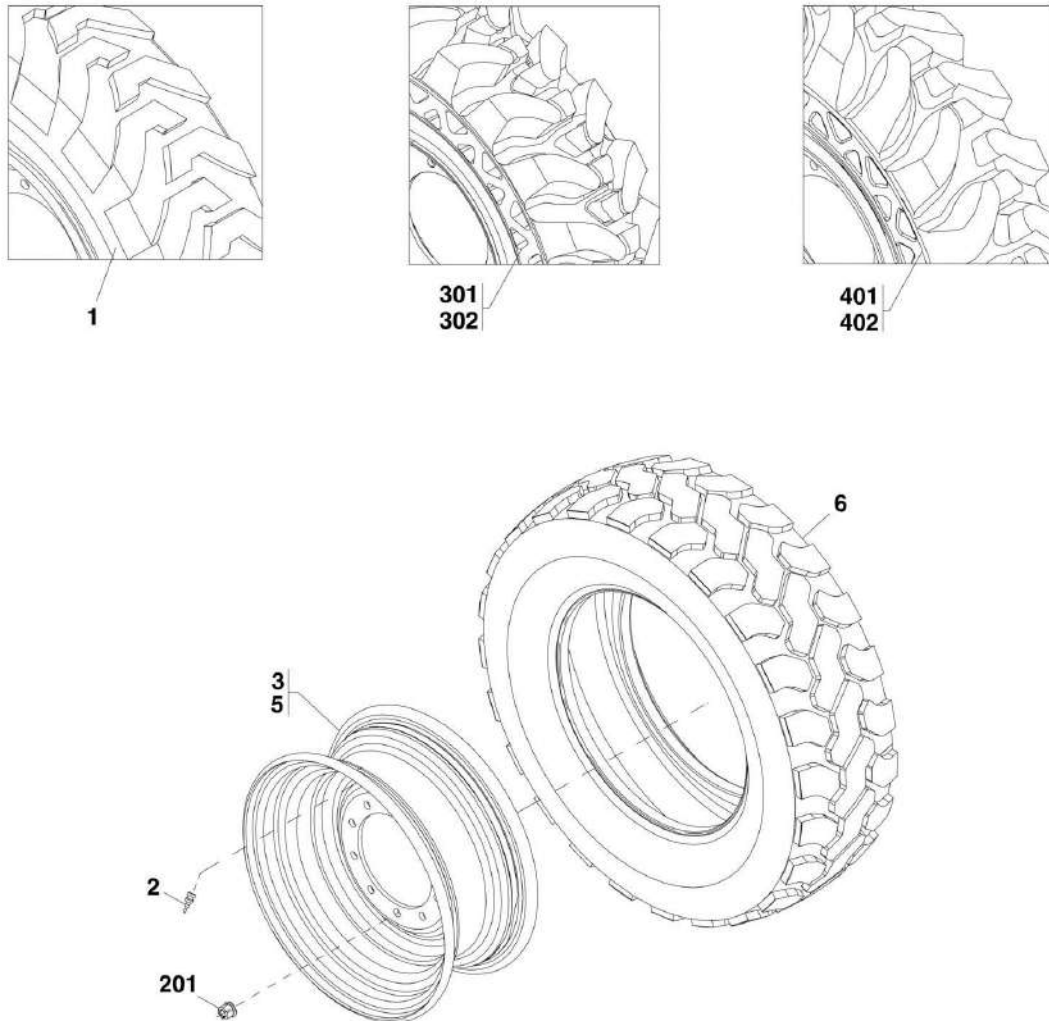
SECTION 5 - DRIVE TRAIN

FIGURE 5-60. WHEEL ASSEMBLY G6-42A & G9-43A

ITEM	PART NUMBER	QTY	DESCRIPTION	REV
	4520368	1	TIRE SET, 13.00-24 BIAS, G-2	B
	91405035	2	RH TIRE AND WHEEL ASSY, 13.00-24 BIAS, G-2, (includes items 1 thru 3)	I
	91405036	2	LH TIRE AND WHEEL ASSY, 13.00-24 BIAS, G-2, (includes items 1 thru 3)	I
	4520455	1	TIRE SET, 15.50-25 BIAS, G-2	B
	91475031	2	RH TIRE AND WHEEL ASSY, 15.50-25 BIAS, G-2, (includes items 2, 4 & 5)	D
	91475032	2	LH TIRE AND WHEEL ASSY, 15.50-25 BIAS, G-2, (includes items 2, 4 & 5)	D
	4520370	1	TIRE SET, 13.00-24 BIAS, G-2, FOAM FILLED	B
	91475054	2	RH TIRE AND WHEEL ASSY, 13.00-24 BIAS, G-2, FOAM FILLED, 542lb, (includes items 1 thru 3 & 6)	E
	91475055	2	LH TIRE AND WHEEL ASSY, 13.00-24 BIAS, G-2, FOAM FILLED, 542lb, (includes items 1 thru 3 & 6)	E
	4520456	1	TIRE SET, 15.50-25 BIAS, G-2, FOAM FILLED	B
	4520449	2	RH TIRE AND WHEEL ASSY, 15.50-25 BIAS, G-2, FOAM FILLED, 600lb, (includes items 2 & 4 thru 6)	B
	4520450	2	LH TIRE AND WHEEL ASSY, 15.50-25 BIAS, G-2, FOAM FILLED, 600lb, (includes items 2 & 4 thru 6)	B
	1001120963	1	TIRE SET, 370/75-28, 14 PLY	B
	1001100323	4	TIRE AND WHEEL ASSY, 370/75-28, 14 PLY, (includes items 2, 7 & 8)	D
	1001121519	1	TIRE SET, 370/75-28, 14 PLY, FOAM FILLED	B
	1001121101	4	TIRE AND WHEEL ASSY, 370/75-28, 14 PLY, FOAM FILLED, 464lb, (includes items 2, 6, 7 & 8)	B
1	8780031	1	TIRE, 13.00-24 BIAS, DIRECTIONAL	
2	8786514	1	VALVE STEM	
3	91473206	1	WHEEL, 24X9, 0.219 OFFSET	
4	8780036	1	TIRE, 15.50-25 BIAS, DIRECTIONAL	
5	91473207	1	WHEEL, 25X13, 0.219 OFFSET	
6	8526203	AR	BALLAST FLAT PROOFING FOAM FILL, (not shown)	
7	1001099976	1	WHEEL, 28X11, 0.219 OFFSET, (if equipped with Firestone 370/75-28)	
8	1001100284	1	TIRE, 370/75-28, 14 PLY	
201		Ref	WHEEL NUT, (See DRIVE TRAIN COMPONENTS for Breakdown)	
	1001151106	1	SOLIDEAL TIRE SET, 13.00X24, 0.219 OFFSET, (include items 301 & 302)	A
301	1001151097	2	LH SOLIDEAL TIRE AND WHEEL ASSY	A
302	1001151098	2	RH SOLIDEAL TIRE AND WHEEL ASSY	A
	1001151108	1	SOLIDEAL TIRE SET, 14.00X24, 0.219 OFFSET, (include items 401 & 402)	A
401	1001151101	2	LH SOLIDEAL TIRE AND WHEEL ASSY	A
402	1001151102	2	RH SOLIDEAL TIRE AND WHEEL ASSY	A

SECTION 5 - DRIVE TRAIN

FIGURE 5-61. WHEEL ASSEMBLY G10-43A



SECTION 5 - DRIVE TRAIN

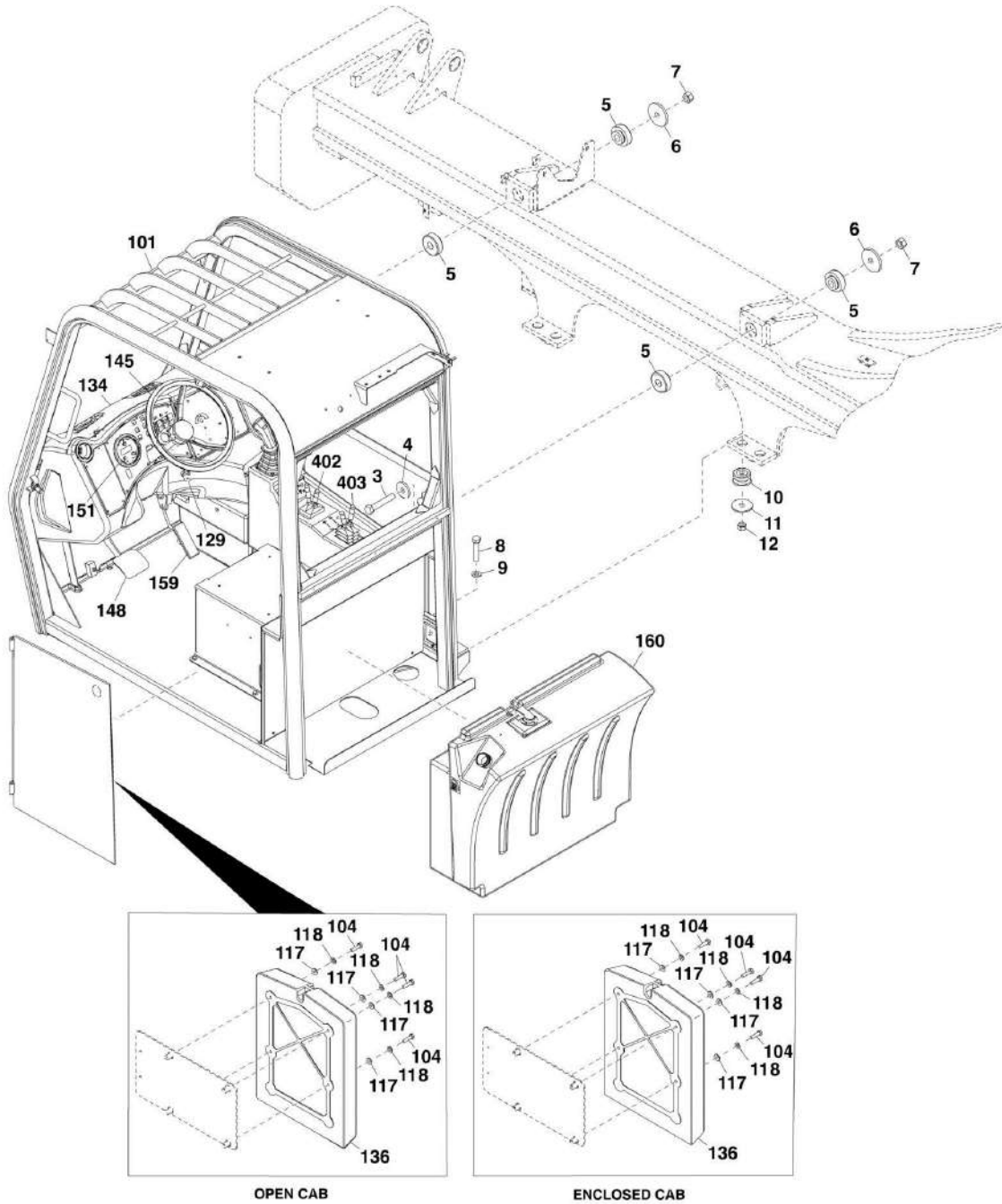
FIGURE 5-61. WHEEL ASSEMBLY G10-43A

ITEM	PART NUMBER	QTY	DESCRIPTION	REV
	4520481	1	TIRE SET, 14.00-24 BIAS, G-2	B
	91355034	2	RH TIRE AND WHEEL ASSY, 14.00-24 BIAS, G-2, (includes items 1 thru 3)	D
	91355035	2	LH TIRE AND WHEEL ASSY, 14.00-24 BIAS, G-2, (includes items 1 thru 3)	D
	4520482	1	TIRE SET, 14.00-24 BIAS, G-2, FOAM FILLED	C
	91355037	2	RH TIRE AND WHEEL ASSY, 14.00-24 BIAS, G-2, FOAM FILLED, 720 lb, (includes items 1 thru 4)	F
	91355038	2	LH TIRE AND WHEEL ASSY, 14.00-24 BIAS, G-2, FOAM FILLED, 720 lb, (includes items 1 thru 4)	F
	1001121109	1	TIRE SET, 400/75-28, 16 PLY	B
	1001121103	4	TIRE AND WHEEL ASSY, 400/75-28, 16 PLY, (includes items 2, 5 & 6)	B
	1001125410	1	TIRE SET, 400/75-28, 16 PLY, FOAM FILLED	B
	1001121105	4	TIRE AND WHEEL ASSY, 400/75-28, 16 PLY, FOAM FILLED, 570 lb, (includes items 2 & 4 thru 6)	C
1	91043084	1	TIRE, 14.00-24 BIAS, DIRECTIONAL	
2	8786514	1	VALVE STEM	
3	91473206	1	WHEEL, 24X9, 0.219 OFFSET	
4	8526203	AR	BALLAST FLAT PROOFING FOAM FILL, (not shown)	
5	1001120178	1	WHEEL, 28X12, 0.75 OFFSET, (if equipped with Firestone 400/75-28)	
6	1001120179	1	TIRE, 400/75-28, 16PLY	
201		Ref	WHEEL NUT, (See DRIVE TRAIN COMPONENTS for Breakdown)	
	1001151106	1	SOLIDEAL TIRE SET, 13.00X24, 0.219 OFFSET, (include items 301 & 302)	A
301	1001151097	2	LH SOLIDEAL TIRE AND WHEEL ASSY	A
302	1001151098	2	RH SOLIDEAL TIRE AND WHEEL ASSY	A
	1001151108	1	SOLIDEAL TIRE SET, 14.00X24, 0.219 OFFSET, (include items 401 & 402)	A
401	1001151101	2	LH SOLIDEAL TIRE AND WHEEL ASSY	A
402	1001151102	2	RH SOLIDEAL TIRE AND WHEEL ASSY	A

SECTION 6 - CAB

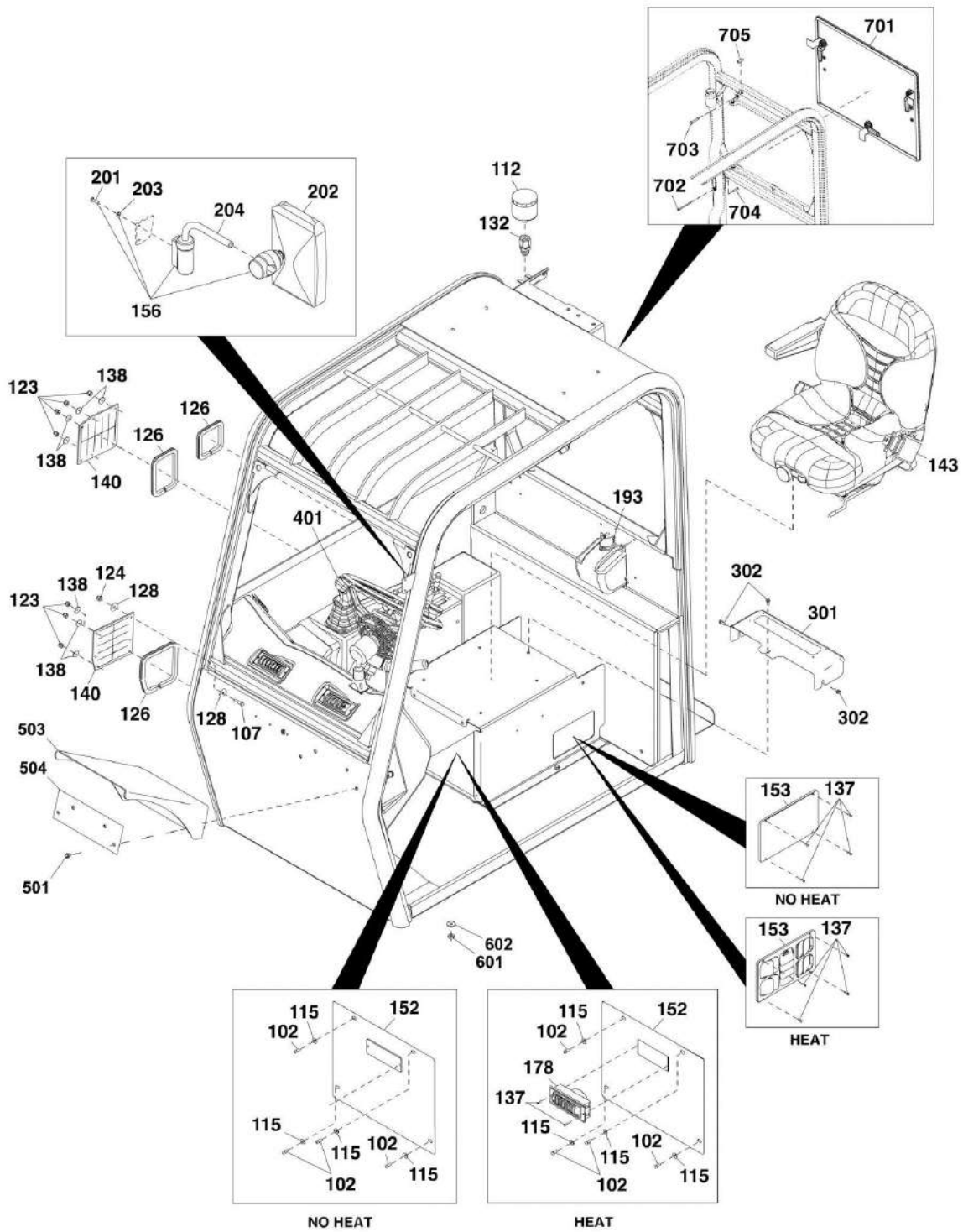
SECTION 6 - CAB

FIGURE 6-1. CAB INSTALLATION



ART_31200727-6-1_1

SECTION 6 - CAB



ART_31200727-6-1_2

SECTION 6 - CAB

FIGURE 6-1. CAB INSTALLATION

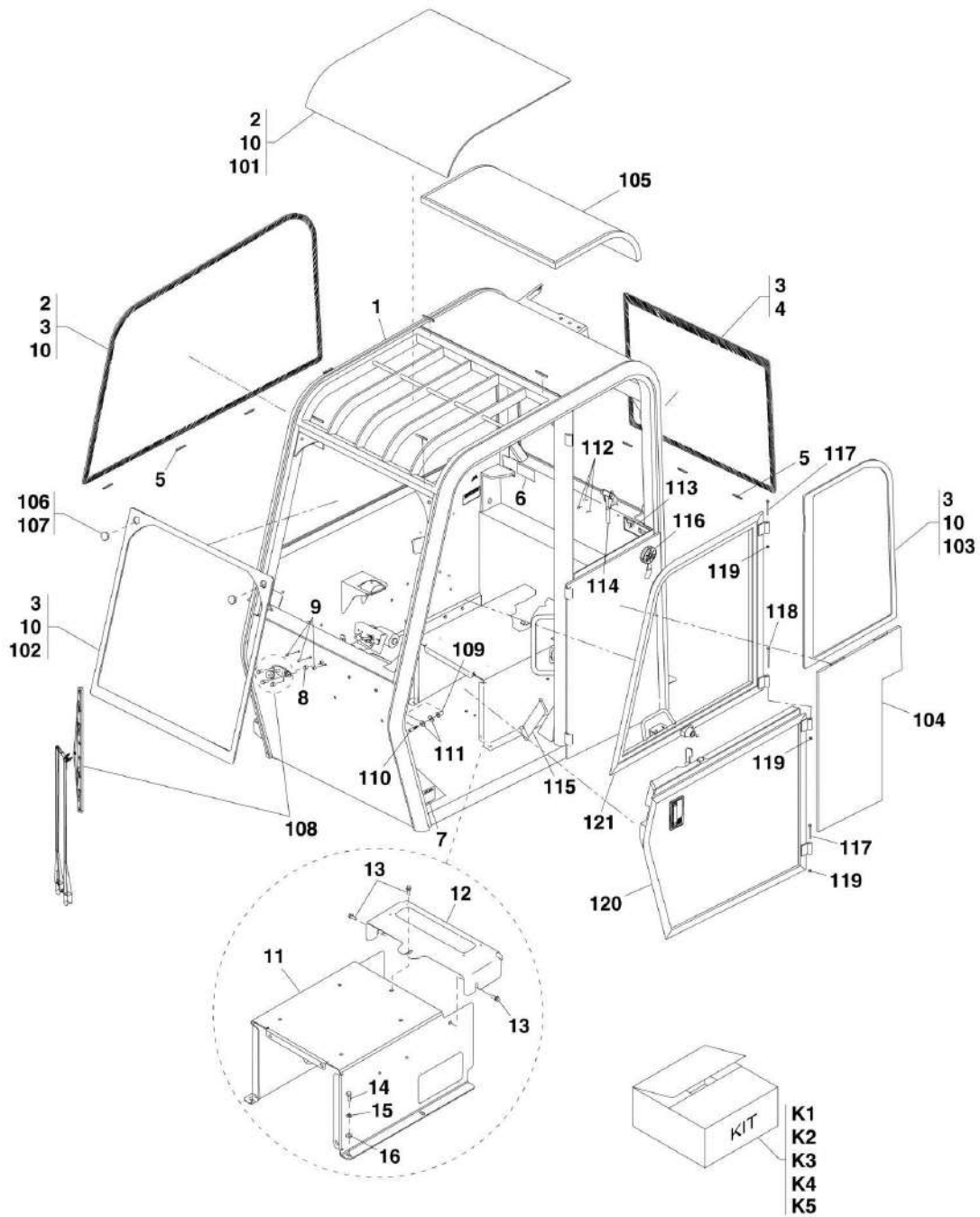
ITEM	PART NUMBER	QTY	DESCRIPTION	REV
	1001098254	Ref	CAB INSTALLATION, (not available to order, see items 3 thru 12 for service)	D
3	0682440	2	HEX HD CAPSCREW, 7/8-9X5	
4	1001108383	2	TAIL WASHER	
5	91403153	4	SHOCK MOUNT	
6	91403217	2	REBOUND WASHER	
7	88501014	2	HEX NUT, 7/8-9	
8	0682230	4	HEX HD CAPSCREW, 3/4-10X3-3/4	
9	90027473	4	HARD WASHER, 3/4	
10	91403097	4	CENTER BONDED MOUNT	
11	91403098	4	TAIL WASHER	
12	88501012	4	HEX NUT, 3/4-10	
101		Ref	CAB ASSY, (See CAB ASSEMBLY for Breakdown)	
102	0630407	4	BUTTON HD CAPSCREW, 1/4-20X5/8	
104	0641408	4	HEX HD CAPSCREW, 1/4-20X1, (open cab)	
104	0641408	4	HEX HD CAPSCREW, 1/4-20X1, (enclosed cab)	
107	0641510	1	HEX HD CAPSCREW, 5/16-18X1-1/4	
112	1340021	1	AIR BREATHER	
115	4711400	8	WASHER, 1/4	
117	4711400	4	WASHER, 1/4, (open cab)	
117	4711400	4	WASHER, 1/4, (enclosed cab)	
118	4761400	4	WASHER, 1/4	
123	88521004	7	LOCKNUT, 1/4-20	
124	88521005	1	LOCKNUT, 5/16-18	
126	90206195	54 in	TRIM-LOK	
128	91023098	2	WASHER, 5/16	
129		Ref	IGNITION SWITCH, (See ELECTRICAL SECTION for Breakdown)	
132	91163100	1	ADAPTER	
134		Ref	CAB INTERIOR, (See CAB INTERIOR for Breakdown)	
136	91403230	1	MANUAL STORAGE BOX	
137	91413036	4	SCREW, 6X1/2, (NO HEAT)	
137	91413036	6	SCREW, 6X1/2, (HEAT)	
138	91413050	7	WASHER, 1/4	
140	91473163	2	HOSE GUARD	
143		Ref	SEAT ASSY, (See SEAT for Breakdown)	
145		Ref	STEERING COLUMN AND STEERING WHEEL, (See CONTROLS SECTION for Breakdown)	
148		Ref	BRAKE AND MOUNTING HARDWARE, (See CONTROLS SECTION for Breakdown)	
149		Ref	TRANSMISSION RELAY HARNESS, (not shown), (See ELECTRICAL SECTION for Breakdown)	
151		Ref	DASH INSTRUMENT PANEL AND CAB SWITCHES, (See ELECTRICAL SECTION for Breakdown)	
152	1001103567	1	SEAT RISER PANEL	
153	1001106866	1	SEAT RISER SIDE PANEL, (NO HEAT)	
153	1001106849	1	RETURN AIR VENT, (HEAT)	
154		Ref	DASH HARNESS, (not shown), (See ELECTRICAL SECTION for Breakdown)	
156	1001115153	Ref	CAB MIRROR INSTALLATION, (not available to order, see items 201 thru 204 for service)	C
159		Ref	ACCELERATOR AND MOUNTING HARDWARE, (See CONTROLS	

SECTION 6 - CAB

ITEM	PART NUMBER	QTY	DESCRIPTION	REV
160		Ref	SECTION for Breakdown) FUEL TANK ASSY, (See ENGINE AND ATTACHING PARTS SECTION for Breakdown)	
169		Ref	ENCLOSED CAB OPTION HARNESS, (not shown), (See ELECTRICAL SECTION for Breakdown)	
178		Ref	HEATING COMPONENTS, (See HEATER INSTALLATION for Breakdown)	
193		Ref	WINDOW WASHER FLUID TANK, (enclosed cab), (See WIPER for Breakdown)	
201	0700610	2	HEX HD CAPSCREW, M6X20, GR8.8	
202	1001148177	1	MIRROR	
203	8307024	2	LOCKWASHER, 6mm	
204	1001114675	1	BRACKET	
301	1001117136	1	ACCESS PANEL	
302	0791406	3	SCREW, 1/4-20X3/4	
401		Ref	BOOM JOYSTICK, (See CONTROLS SECTION for Breakdown)	
402		Ref	FRAME LEVEL JOYSTICK, (See CONTROLS SECTION for Breakdown)	
403		Ref	OUTRIGGER JOYSTICK, (See CONTROLS SECTION for Breakdown)	
450	1001152569	1	NON-SKID FLOOR, (not shown)	
	91565067	NLA	CAB FENDER INSTALLATION, (no longer available, see 1001145754 for replacement or items 501 thru 504 for service)	B
	1001145754	1	THERMOFORMED FENDER ASSY, (includes items 501 thru 504)	B
501	0791608	4	HEX HD CAPSCREW, 3/8-16X1, GR5	
503	1001145702	1	THERMOFORMED FENDER	
504	1001145753	1	FENDER PLATE	
601	3311505	4	LOCKNUT, 5/16-18	
602	4711500	4	FLAT WASHER, 5/16	
	1001159949	Ref	REAR WINDOW EXIT INSTALLATION, (includes items 701 thru 705)	B
701	1001160889	1	REAR DROPOUT WINDOW	
702	0641436	1	HEX HD CAPSCREW, 1/4-20X2-1/8	
703	0641617	2	HEX HD CAPSCREW, 3/8-16X2-1/8	
704	1001165578	1	SHIM	
705	1001165579	2	SHIM	

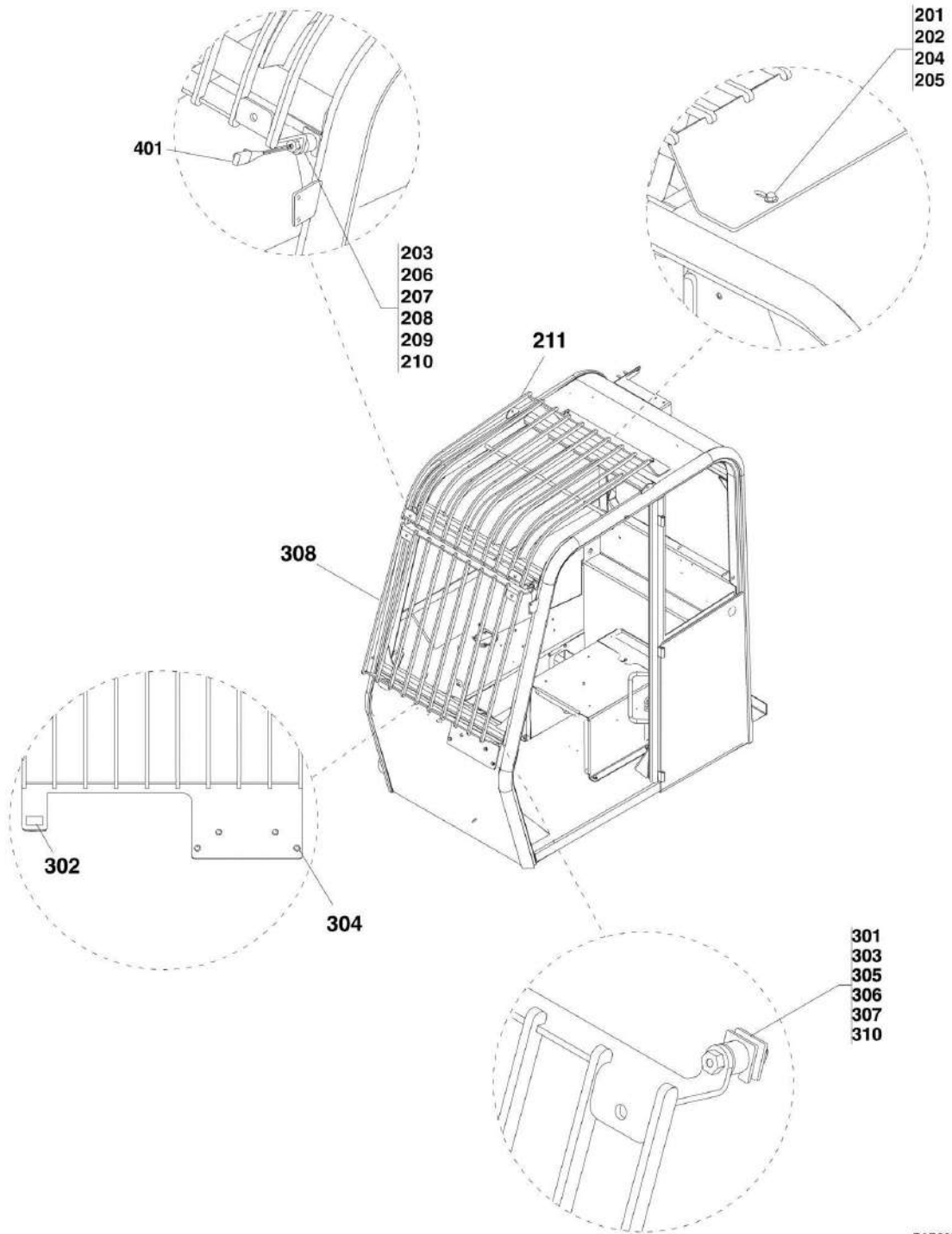
SECTION 6 - CAB

FIGURE 6-2. CAB ASSEMBLY



PAP29840

SECTION 6 - CAB



PAP26500

SECTION 6 - CAB

FIGURE 6-2. CAB ASSEMBLY

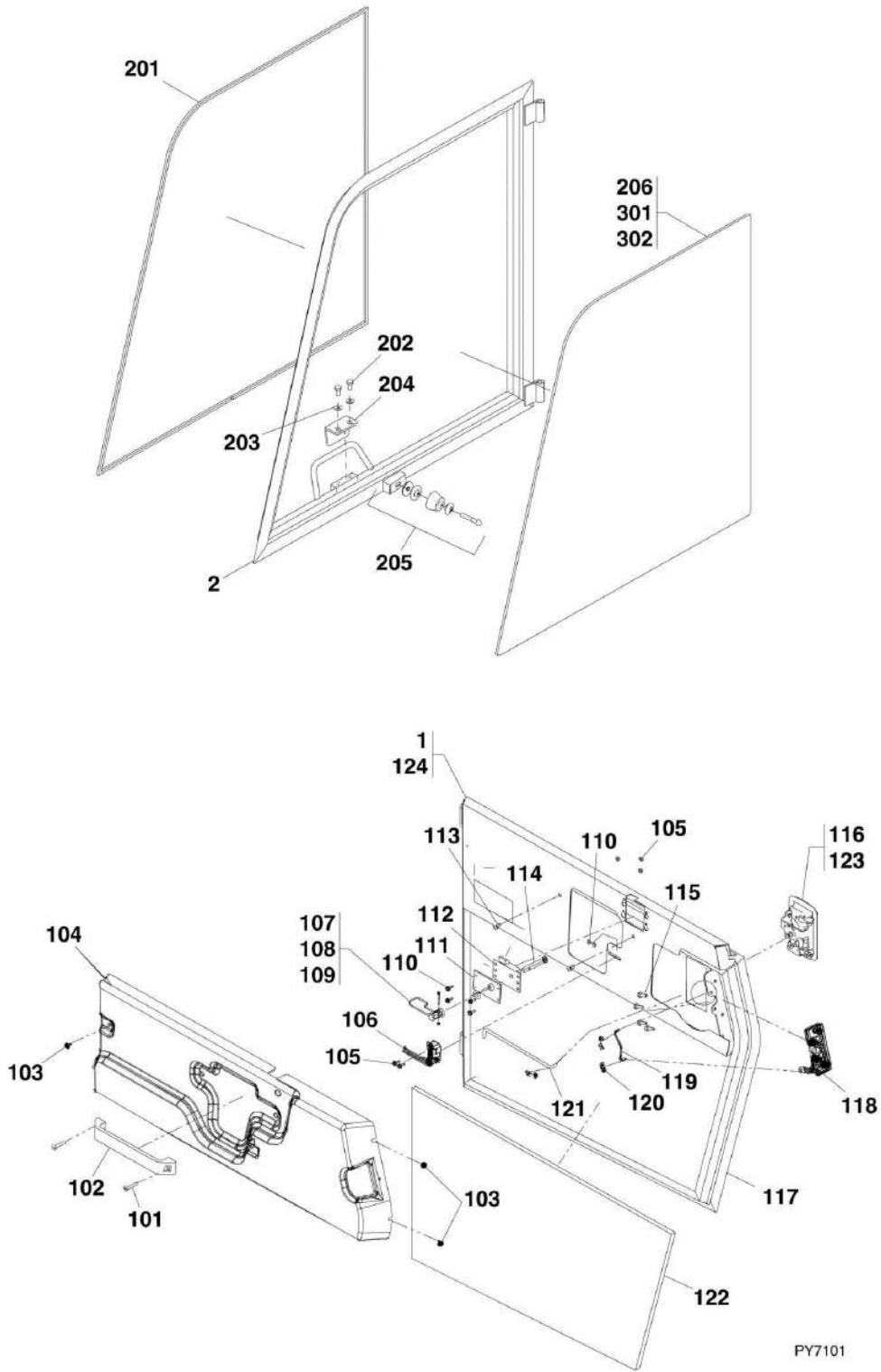
ITEM	PART NUMBER	QTY	DESCRIPTION	REV
	1001119958	1	OPEN CAB ASSY, (includes items 1 thru 16)	E
	1001119959	1	ENCLOSED CAB ASSY, (includes items 1 thru 7 & 10 thru 121)	B
1	N.S.S.	1	CAB WELDMENT	
2	91404109	1	RH SIDE WINDOW	
3	80364009	AR	URETHANE SEALANT	
4	91404110	1	REAR WINDOW	
5	80264031	7	SETTING BLOCK, 1/8X1/4X2	
6	N.S.S.	1	SN PLATE	
7	91164094	1	ROPS WARNING DECAL	
8	91164087	1	HOLE PLUG, 3/4	
9	91164086	3	HOLE PLUG, 3/8	
10	91404302	AR	ACTIVATOR	
11	1001103663	1	SEAT RISER WELDMENT	
12		Ref	ACCESS PANEL, (See CAB INSTALLATION for Breakdown)	
13		Ref	SCREW, 1/4-20X3/4, (See CAB INSTALLATION for Breakdown)	
14	0641608	4	HEX HD CAPSCREW, 3/8-16X1	
15	4761600	4	LOCKWASHER, 3/8	
16	4711600	4	WASHER, 3/8	
101	91404290	1	SKYLIGHT WINDOW	
102	91404291	1	FRONT WINDOW	
103	80364030	1	LH SIDE WINDOW	
104	91404294	1	LH SIDE PANEL FOAM	
105	91404295	1	HEAD LINER	
106	91404296	2	HOLE PLUG	
107	80364012	AR	SEALANT	
108		Ref	WIPERS, (See WIPER for Breakdown)	
109	80364023	1	STRIKER BOLT	
110	91334024	1	HEX BOLT, 3/8-16X7/8	
111	91404297	2	WASHER	
112	91404298	3	RIVET	
113	91404299	1	EMERGENCY EXIT DECAL	
114	91404301	1	EMERGENCY EXIT HAMMER	
115	80384218	1	DOOR STRAP	
116	91404303	1	DOOR HOLD OPEN ASSY	
117	80384205	2	HEX BOLT, 3/8-16X4	
118	80384305	1	HEX BOLT, 3/8-16X5	
119	91404306	3	HEX NUT, 3/8-16	
120		Ref	LOWER DOOR ASSY, (See CAB DOOR for Breakdown)	
121		Ref	UPPER DOOR ASSY, (See CAB DOOR for Breakdown)	
	1001100879	Ref	TOP BRICK GUARD INSTALLATION, (if equipped), (not available to order, see items 201 thru 211 for service)	B
201	0641608	2	HEX HD CAPSCREW, 3/8-16X1, GR5	
202	3271601	2	HEX NUT, 3/8-16, GR8	
203	4071133	4	KEEPER	
204	4711600	4	WASHER, 3/8	
205	4761600	2	LOCKWASHER, 3/8	
206	4761800	2	LOCKWASHER, 1/2	
207	14404173	AR	SILICONE SEALANT	
208	88501008	2	HEX NUT, 1/2	
209	91403503	2	SPACER	

SECTION 6 - CAB

ITEM	PART NUMBER	QTY	DESCRIPTION	REV
210	1001096728	2	BOLT, 1/2-13	
211	1001098344	1	BRICK GUARD BRACKET	
	1001100880	Ref	FRONT BRICK GUARD BRACKET INSTALLATION, (not available to order, see items 301 thru 310 for service)	B
301	4071133	4	KEEPER	
302	4420060	1	DOUBLE SIDED TAPE	
303	4761800	2	LOCKWASHER, 1/2	
304	77143003	4	WHIZ LOCK SCREW, 5/16-18X0.625	
305	88501008	2	HEX NUT, 1/2-13	
306	91403503	2	SPACER	
307	1001096728	2	BOLT, 1/2-13	
308	1001098042	1	BRICK GUARD BRACKET	
310	14404173	AR	SILICONE SEALANT	
	1001135607	Ref	BRICK GUARD WORK LIGHT HARNESS INSTALLATION, (includes item 401)	A
401	1001100895	1	CAB WORK LIGHT HARNESS	
601	8035523	AR	URETHANE, (not shown)	
K1	1001144796	1	CAB ENCLOSURE KIT WITH HEAT, (if equipped for ULS), (includes heater components, door components, rear window, skylight window, harnesses, hoses and other enclosed cab components)	C
K2	1001144797	1	CAB ENCLOSURE KIT WITH HEAT AND A/C, (if equipped for ULS), (includes heater components, door components, rear window, skylight window, harnesses, hoses and other enclosed cab components)	E
K3	1001144798	1	CAB ENCLOSURE KIT WITH HEAT, (if equipped for LS), (includes heater components, door components, rear window, skylight window, harnesses, hoses and other enclosed cab components)	D
K4	1001144799	1	CAB ENCLOSURE KIT WITH HEAT AND A/C, (if equipped for LS), (includes heater components, door components, rear window, skylight window, harnesses, hoses and other enclosed cab components)	F
K5	91413142	1	SKYLIGHT WINDOW KIT, (includes items 101 & 601)	

SECTION 6 - CAB

FIGURE 6-3. CAB DOOR



PY7101

FIGURE 6-3. CAB DOOR

ITEM	PART NUMBER	QTY	DESCRIPTION	REV
1	91474481	1	LOWER DOOR ASSY, (includes items 101 thru 124)	
2	91474482	1	UPPER DOOR ASSY, (includes items 201 thru 206)	
101	8035461	2	FLAT HD SCREW, 1/4-20X1-1/4	
102	91404316	1	GRAB HANDLE	
103	80264066	3	SCREW, M6X1X12	
104	91404311	1	PLASTIC DOOR COVER	
105	80384191	6	WHIZ-LOCK SCREW, 10-24X0.5	
106	80384192	1	INSIDE HANDLE	
107	91404315	1	RH WINDOW AND LH DOOR RELEASE LEVER	
108	91404317	1	SOCKET HD CAPSCREW, 8-32X1.12	
109	91404318	1	NYLOCK NUT, 8-32	
110	91404313	6	LOCKNUT, 10-24	
111	91404320	1	SLAM LATCH STIFFENER	
112	91404319	1	LH SLAM LATCH	
113	8866334	2	RIVNUT, 1/4-20	
114	91404321	1	LOWER DOOR DRIVE BAR WELDMENT	
115	80384189	4	HEX SCREW, 1/4-20X3/4	
116	1001081241	1	DOOR HANDLE, (includes item 123)	
117	80364001	8 ft	BULB SEAL	
118	80364079	1	RH CAM LATCH	
119	91404309	1	EXTERIOR RELEASE DOOR ROD	
120	80384187	3	ROD END RETAINER CLIP	
121	91404310	1	INTERIOR RELEASE DOOR ROD	
122	91404312	1	FOAM, LOWER DOOR	
123	80964051	1	DOOR KEY	
124	70023193	1	LOWER DOOR WELDMENT, (includes hinges)	
201	80364001	11 ft	BULB SEAL	
202	91404324	2	HEX BOLT, 5/16-18X5/8	
203	91334032	2	WASHER	
204	91404323	1	SLAM LATCH	
205	91474492	1	MALE DOOR HOLD-OPEN	
206	91404322	1	UPPER DOOR GLASS	
301	80364009	AR	URETHANE SEALANT	
302	91404302	AR	ACTIVATOR	

SECTION 6 - CAB

FIGURE 6-4. CAB INTERIOR

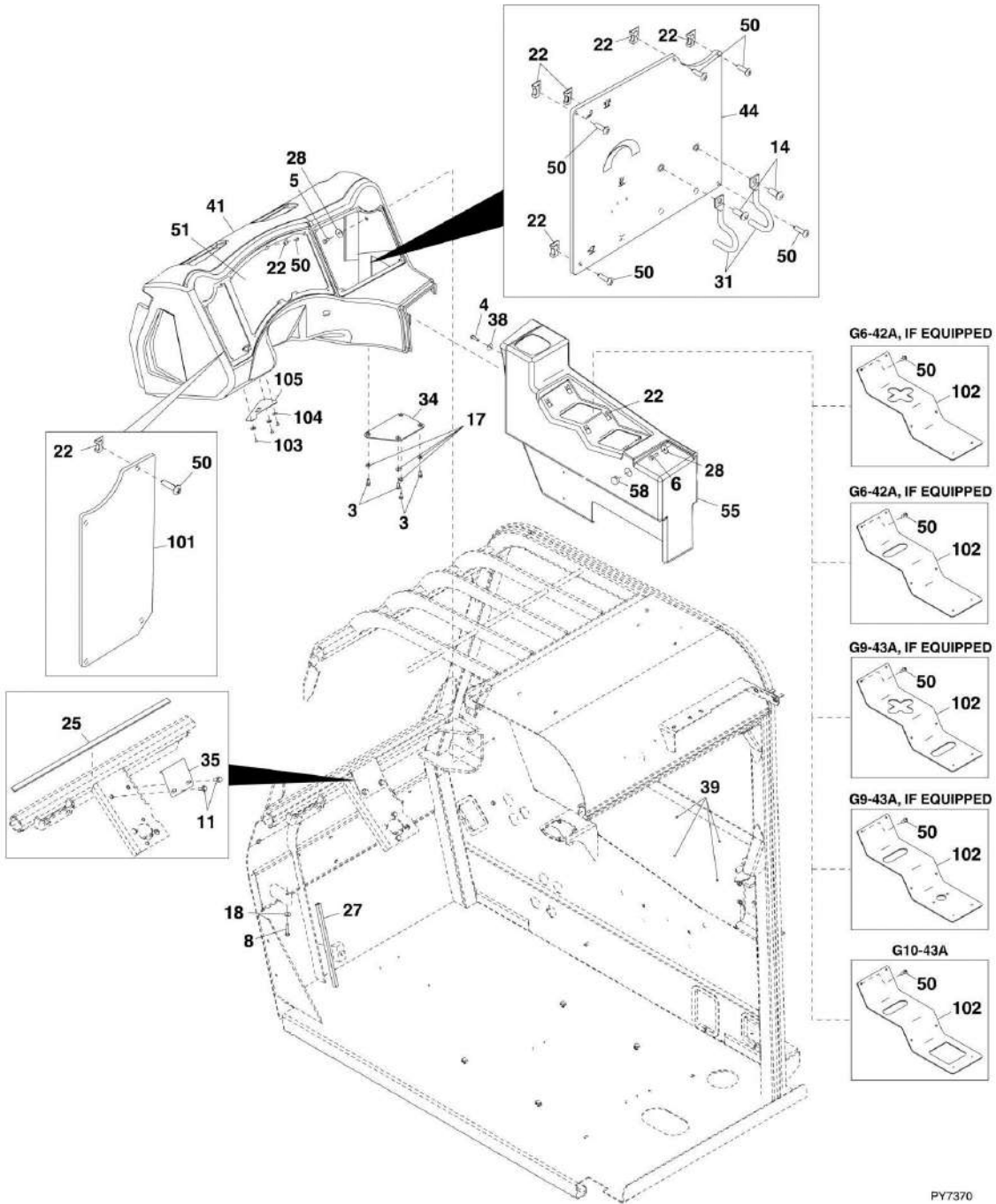
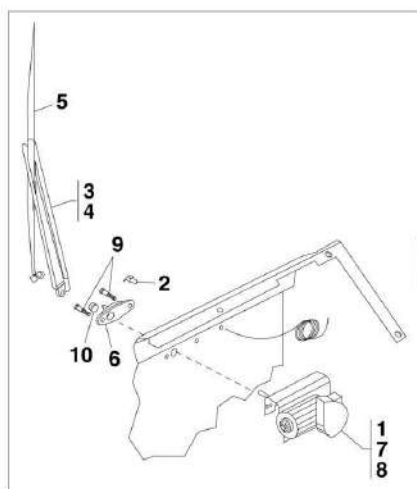
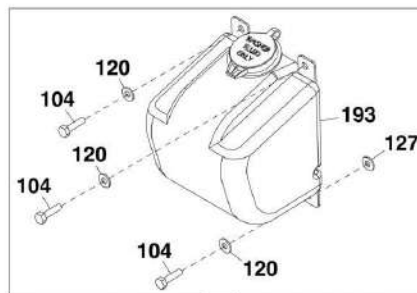
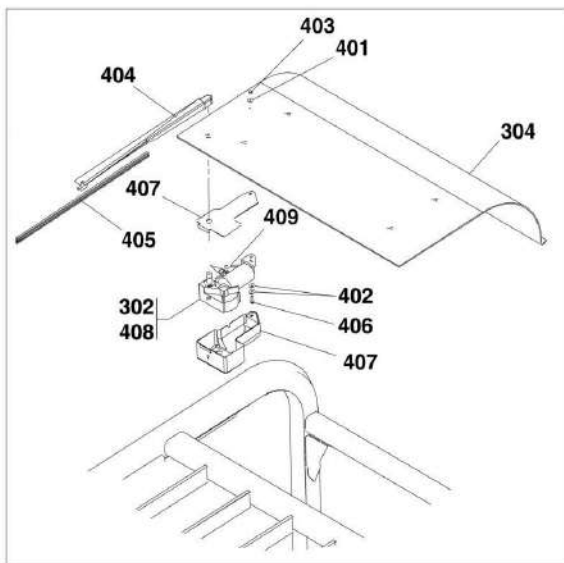


FIGURE 6-4. CAB INTERIOR

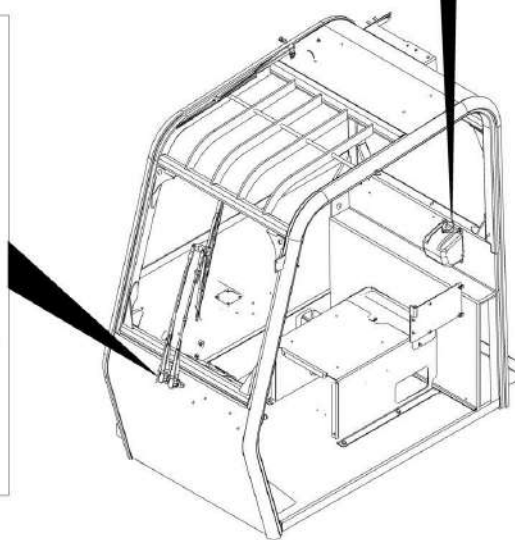
ITEM	PART NUMBER	QTY	DESCRIPTION	REV
3	0641405	4	HEX HD CAPSCREW, 1/4-20X5/8, GR5	
4	0641408	1	HEX HD CAPSCREW, 1/4-20X1, GR5	
5	0641506	1	HEX HD CAPSCREW, 5/16-18X3/4, GR5	
6	0641508	1	HEX HD CAPSCREW, 5/16-18X1, GR5, (enclosed cab)	
8	0641514	1	HEX HD CAPSCREW, 5/16-18X1-3/4, GR5	
11	0791608	2	SCREW, 3/8-16X1	
14	3911410	2	ROUND HD SCREW, 1/4-20X5/8	
17	4751400	4	WASHER, 1/4	
18	4751500	1	WASHER, 5/16	
22	80363034	22	TINNERMAN NUT, 10-24	
25	90200755	32 in	GASKA TAPE	
27	90206198	13 in	TRIM-LOK	
28	91023098	1	WASHER, 5/16, (open cab)	
28	91023098	2	WASHER, 5/16, (enclosed cab)	
31	91163087	2	LOAD CHART BRACKET	
34	91401516	1	DASH BRACE	
35	91401590	1	DASH CLAMP	
38	91413050	1	WASHER, 1/4	
39	91413130	4	HOLE PLUG	
41	91473211	1	DASH, (open cab)	
41	1001103553	1	DASH, (enclosed cab)	
44	91563191	1	RH DASH PANEL (G6-42A Prior to SN 01600030921; G9-43A Prior to SN 01600056012; G10-43A Prior to SN 01600056167)	
44	1001156272	1	RH DASH PANEL (G6-42A SN 01600030921 to Present; G9-43A SN 01600056012 to Present; G10-43A SN 01600056167 to Present)	
50	1001100322	12	PAN HD SCREW	
51		Ref	DASH INSTRUMENT PANEL AND SWITCHES, (See ELECTRICAL SECTION for Breakdown)	
55	1001108890	1	RH CONSOLE PANEL	
58	1001131130	1	HOLE PLUG	
101	91403316	1	LH DASH PANEL, (G6-42A)	
101	91403324	1	LH BLANK DASH PANEL, (G9-43A)	
101	1001131808	1	LH DASH PANEL, (G10-43A)	
102	1001112717		RH SIDE JOYSTICK PANEL, (G6-42A, if equipped)	
102	1001110799		RH SIDE JOYSTICK PANEL, (G6-42A, if equipped)	
102	1001107828	1	RH SIDE JOYSTICK PANEL, (G9-43A, if equipped)	
102	1001108252	1	RH SIDE JOYSTICK PANEL, (G9-43A, if equipped)	
102	1001110808	1	RH SIDE JOYSTICK PANEL, (G10-43A)	
103	3820020	3	RIVET, (G9-43A, if equipped), (G10-43A)	
104	4711400	3	WASHER, 1/4, (G9-43A, if equipped), (G10-43A)	
105	1001110104	1	ANALYZER MOUNT PLATE, (G9-43A, if equipped), (G10-43A)	

SECTION 6 - CAB

FIGURE 6-5. WIPER



FRONT WIPER INSTALLATION



Note:

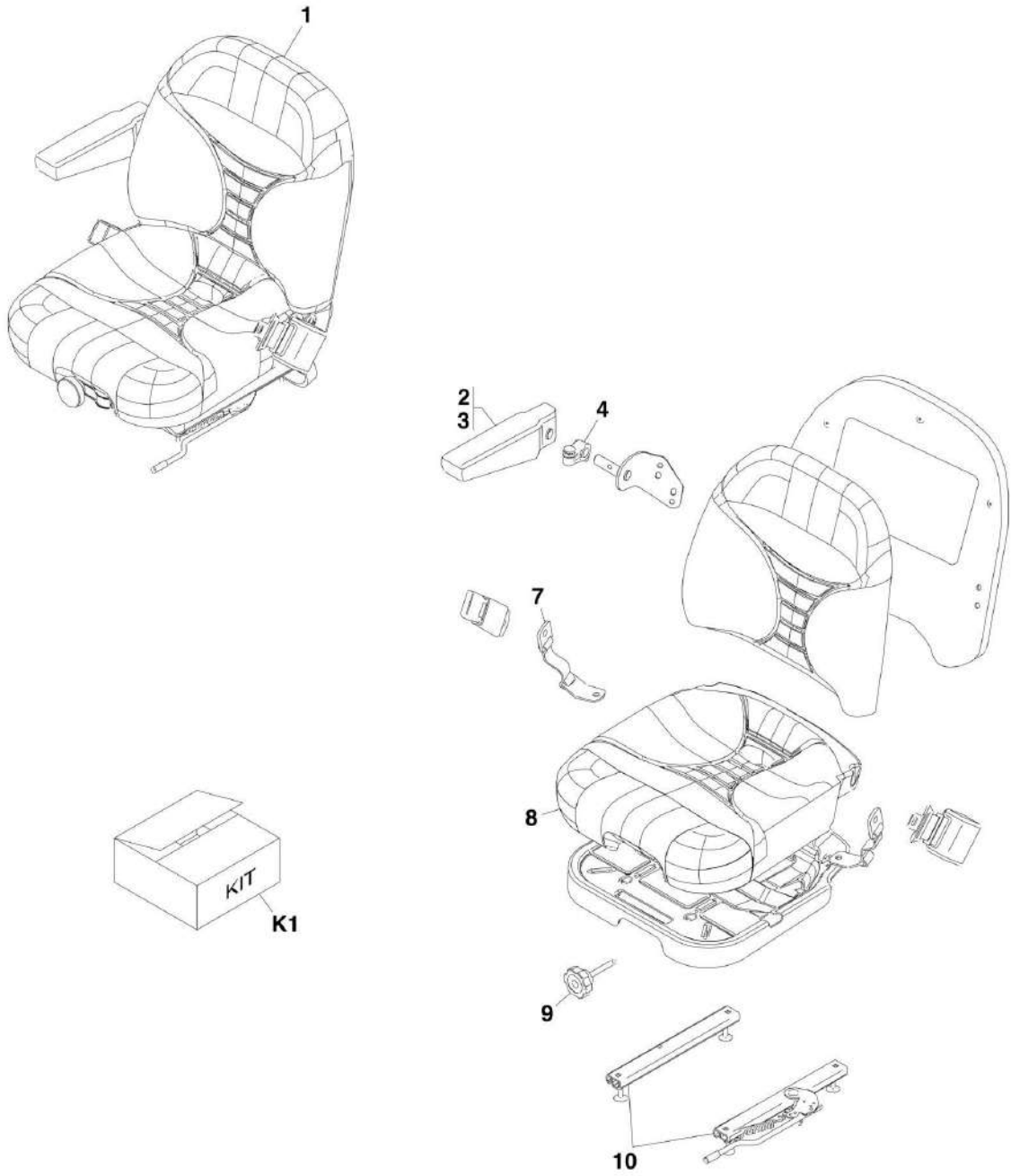
1. USE LOCTITE® 242™ AS NEEDED ON BOLTS & NUTS.
2. USE SEALANT (P/N 14403190) VULKEM SEALANT ON TOP OF CAB AS NEEDED AROUND WIPER MOTOR, SCREW & ROD.

FIGURE 6-5. WIPER

ITEM	PART NUMBER	QTY	DESCRIPTION	REV
1	80384203	1	WIPER DRIVE ARM	
2	1001081310	1	WET ARM ADAPTER	
3	1001081311	1	WET ARM KIT	
4	1001081308	1	WIPER ARM	
5	80384213	1	WIPER BLADE	
6	1001081307	1	WIPER PIVOT MOUNT	
7	91144478	1	WIPER MOTOR SHAFT AND PIVOT ASSY	
8	91404293	1	WIPER MOTOR ASSY, (includes items 1 & 7)	
8	7029860	1	WIPER MOTOR, 12V	
9	80384207	2	HEX HD CAPSCREW, 1/4-28X3/4	
10	91334035	1	SPACER	
104	0641408	3	HEX HD CAPSCREW, 1/4-20X1, GR5	
120	4711400	3	WASHER, 1/4	
127	4791400	1	STAR WASHER, 1/4	
193	1001111112	1	WINDOW WASHER FLUID TANK, (includes cap)	
	1001139927	Ref	SKYLIGHT WIPER INSTALLATION, (not available to order, see items 301 thru 304 for service)	B
301		Ref	LOCTITE 242	
302	1001111086	1	SKYLIGHT WIPER ASSY, (includes items 401 thru 409)	C
303	14403190	AR	SEALANT	
304	8096D097	48 in	CONDUIT	
401	4740553	1	WASHER, 1/4	
402	8036678	2	WASHER, 1/4	
403	8034805	1	HEX NUT, 10-24	
404	8034807	1	WIPER ARM	
405	8035498	1	WIPER BLADE	
406	8036088	1	HEX BOLT, 10-24X3/4	
407	70020528	1	WIPER COVER	
408	1001107799	1	WIPER MOTOR	
409	1001093828	1	WIPER MOTOR HARNESS	

SECTION 6 - CAB

FIGURE 6-6. SUSPENSION SEAT



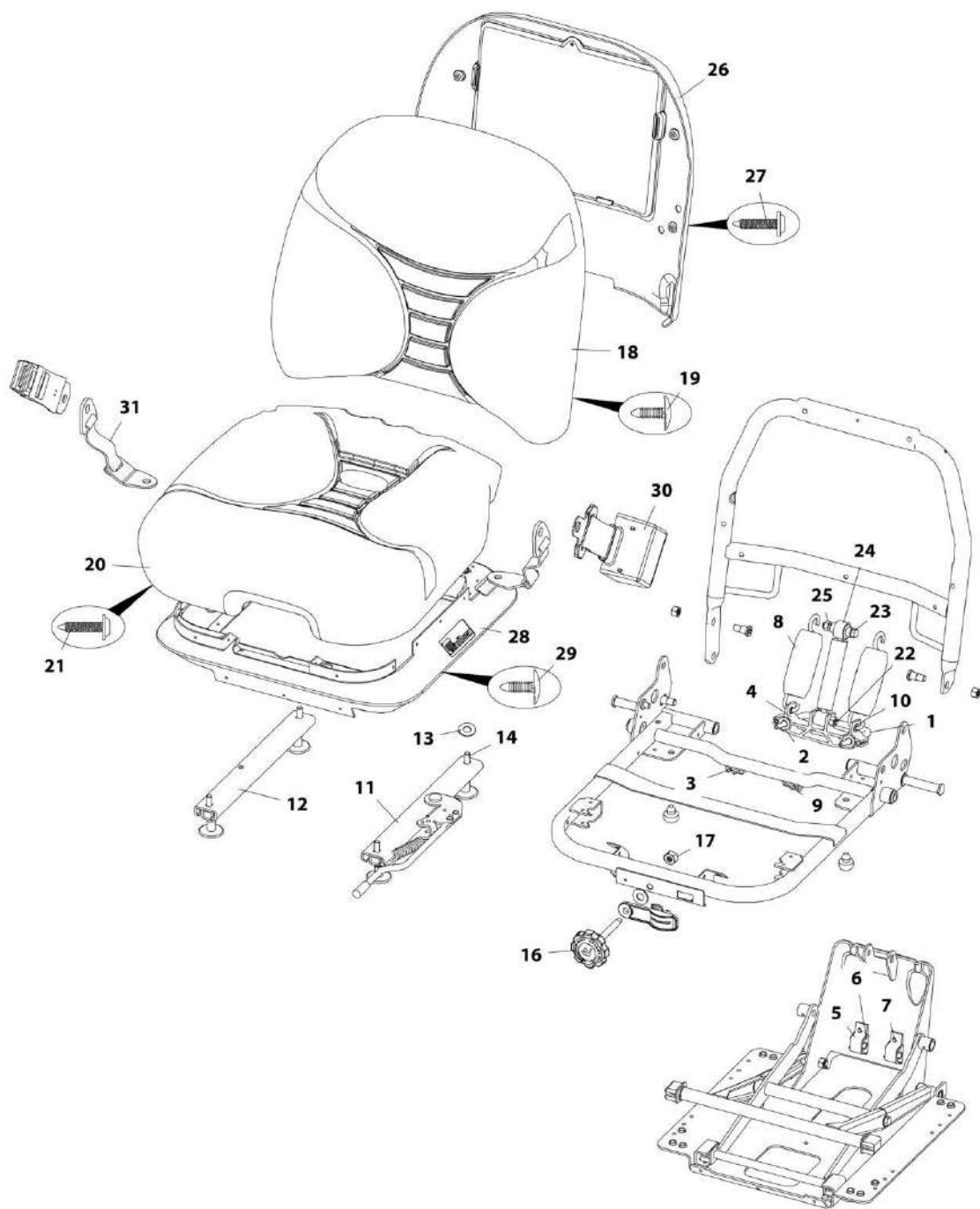
ART_31200727-6-6

FIGURE 6-6. SUSPENSION SEAT

ITEM	PART NUMBER	QTY	DESCRIPTION	REV
	91563158	1	SUSPENSION SEAT, (includes all items)	G
1	1001101085	1	SEAT (See SEAT for Breakdown)	
2	7026904	1	RH ARMREST ASSY KIT, (includes items 3 & 4)	
3	N.S.S.	1	ARMREST, MOLDED KIT	
4	N.S.S.	1	ARMREST STOP ASSY	
	91563164	1	SEAT BELT, 3IN, (California Only), (not included with 91563158)	
7	7026906	1	TETHER KIT	
8	7026901	1	SEAT CUSHION KIT	
9	7026799	1	KNOB KIT	
10	7026798	1	SLIDE KIT	
K1	70023139	1	SEAT BELT KIT, 3IN, (California only), (includes retractor and female ends)	

SECTION 6 - CAB

FIGURE 6-7. SEAT



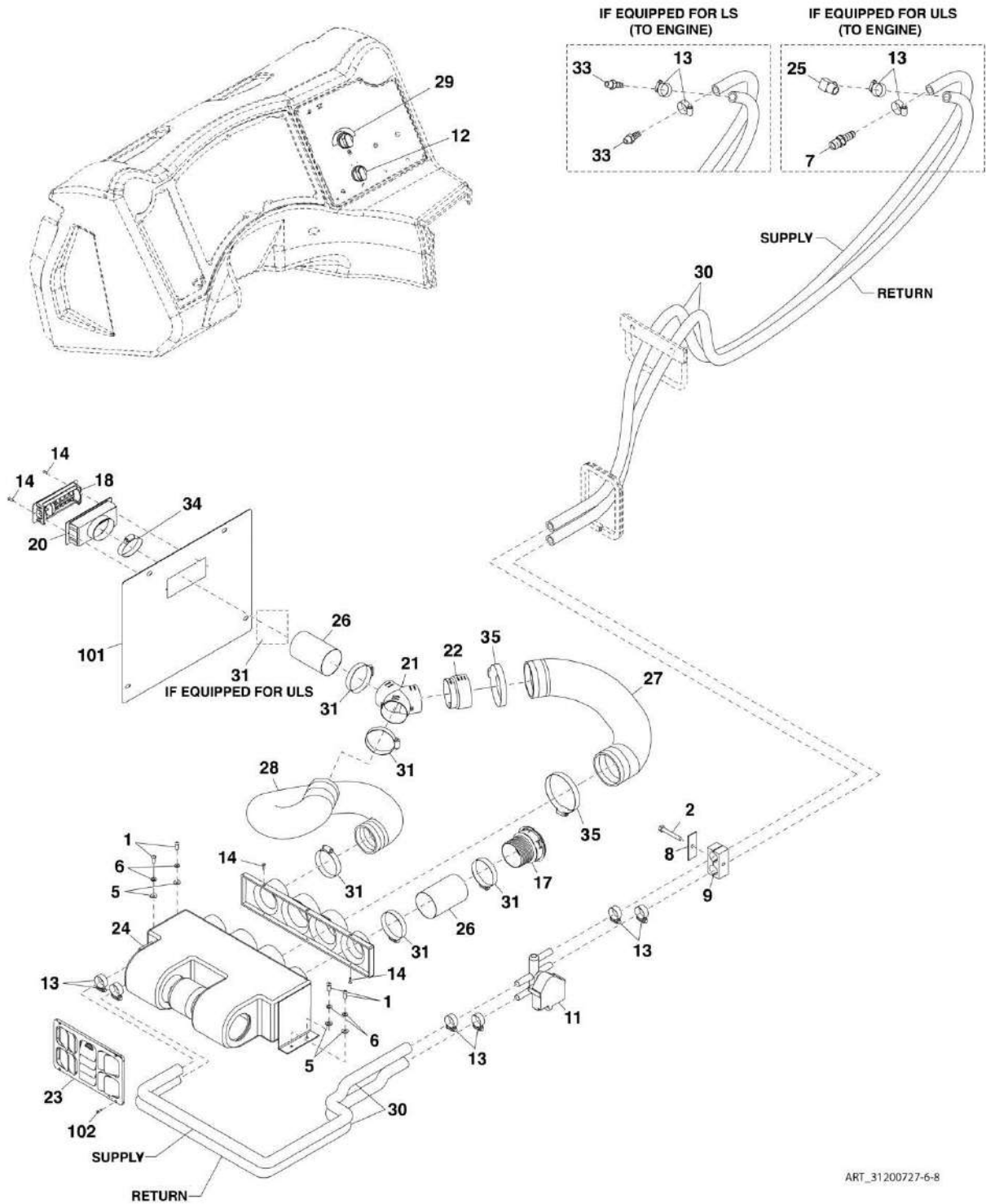
ART_1001101085-D

FIGURE 6-7. SEAT

ITEM	PART NUMBER	QTY	DESCRIPTION	REV
	1001101085	1	SEAT	D
	70020928	1	KIT, SPRING AND SADDLE	
1	N.S.S.	1	ARM, SPRING	
2	N.S.S.	2	BUSHING, SADDLE	
3	N.S.S.	2	BEARING, SPRING	
4	N.S.S.	1	SADDLE, SPRING	
5	N.S.S.	2	STRAP, PIVOT BLOCK	
6	N.S.S.	2	BLOCK, PIVOT	
7	N.S.S.	2	SCREW, TAPTITE 1/4-20	
8	N.S.S.	2	SPRING, SUSPENSION	
9	N.S.S.	2	SCREW, 8-18	
10	N.S.S.	2	BUSHING, SPRING	
	7026798	1	KIT, SLIDE	
11	N.S.S.	1	ASSEMBLY, ADJUSTER	
12	N.S.S.	1	ADJUSTER, SLAVE	
13	N.S.S.	4	SPACER, NYLON	
14	N.S.S.	4	SCREW, TAPTITE, 5/16-18	
	7026799	1	KIT, KNOB	
16	N.S.S.	1	KNOB	
17	N.S.S.	1	NUT, 5/16-18	
	7026900	1	BACK CUSHION KIT	
18	N.S.S.	1	CUSHION, BACK	
19	N.S.S.	6	CLIP	
	7026901	1	KIT, SEAT CUSHION	
20	N.S.S.	1	CUSHION, SEAT	
21	N.S.S.	2	SCREW, TAPTITE 1/4-15	
	70023040	1	KIT, SHOCK ABSORBER	
22	N.S.S.	1	PIN, SHOCK	
23	N.S.S.	1	PIN, SHOCK	
24	N.S.S.	1	ABSORBER, SHOCK	
25	N.S.S.	2	NUT, 5/16-18	
	7026902	1	KIT, BACK PANEL	
26	N.S.S.	1	PANEL, BACK	
27	N.S.S.	1	SCREW, 8-18	
	70023890	1	KIT, BOOT	
28	N.S.S.	1	BOOT	
29	N.S.S.	27	CLIP	
30	7026905	1	KIT, SEAT BELT (2IN)	
	7026906	1	KIT, TETHER	
31	N.S.S.	2	STRAP, TETHER	

SECTION 6 - CAB

FIGURE 6-8. HEATER INSTALLATION



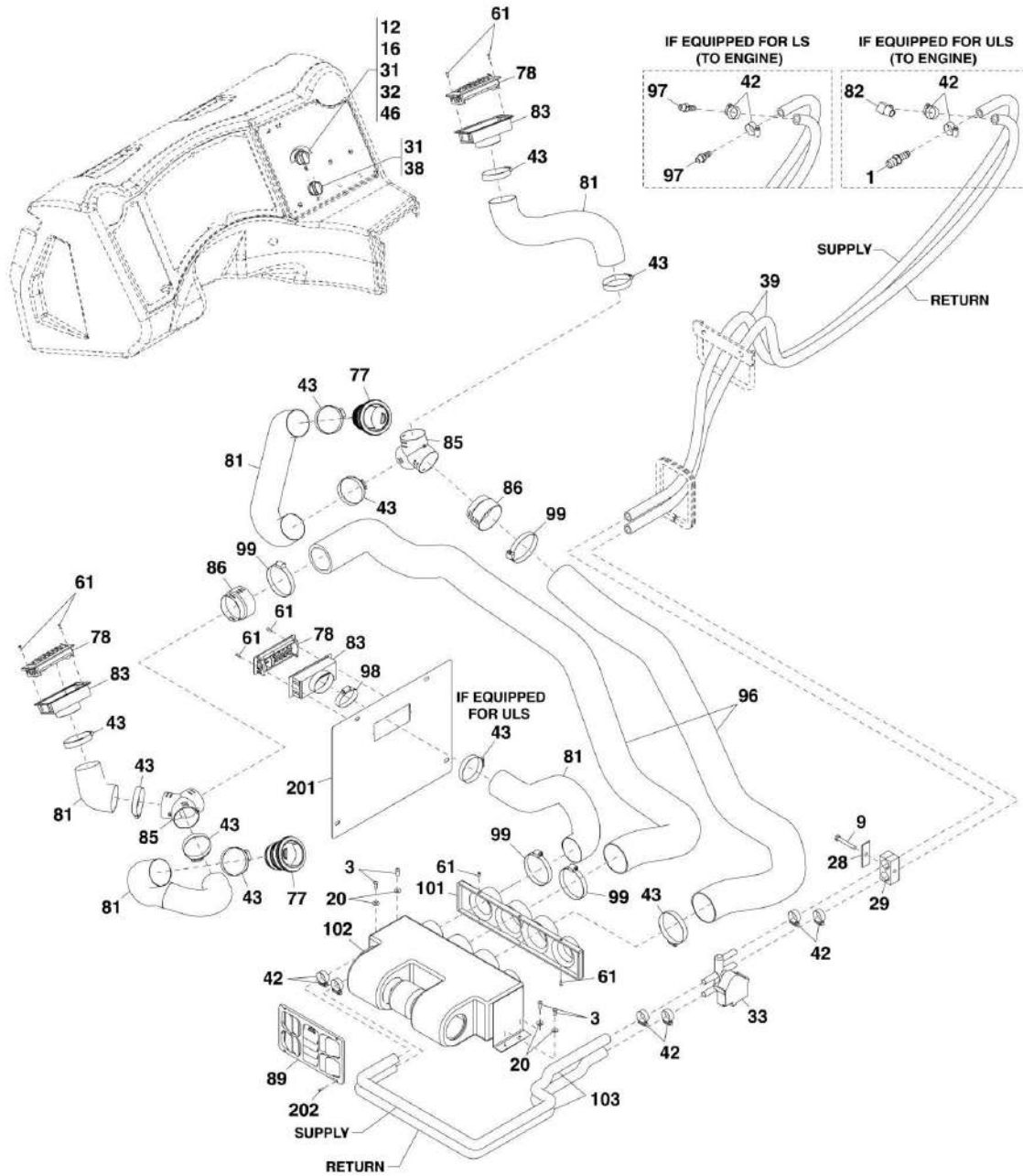
ART_31200727-6-8

FIGURE 6-8. HEATER INSTALLATION

ITEM	PART NUMBER	QTY	DESCRIPTION	REV
	1001133461	Ref	HEATER INSTALLATION, (open cab), (if equipped for ULS), (not available to order, see items 1 thru 35 for service)	D
	1001144772	Ref	HEATER INSTALLATION, (open cab), (if equipped for LS), (not available to order, see items 1 thru 6, 8 thru 24 & 26 thru 35 for service)	D
1	0630407	4	BUTTON HD SCREW, 1/4-20X5/8	
2	0641518	1	HEX HD CAPSCREW, 5/16-18X2-1/4, GR5	
5	4711400	4	WASHER, 1/4	
6	4761400	4	LOCKWASHER, 1/4	
7	8430048	1	ADAPTER, (if equipped for ULS)	
8	77133137	1	COVER PLATE	
9	77133279	1	CLAMP SET	
11	80383231	1	HEATER CONTROL VALVE	
12		Ref	BLOWER SWITCH, (See ELECTRICAL SECTION for Breakdown)	
13	86683193	8	HOSE CLAMP	
14	91413036	8	SCREW, 6X1/2	
15		Ref	ENCLOSED CAB OPTION HARNESS, (not shown), (See ELECTRICAL SECTION for Breakdown)	
17	1001100278	1	AIR CONDITIONING VENT	
18	1001100279	1	DEFROST VENT	
20	1001101216	1	DEFROST BASE VENT	
21	1001101668	1	CONDUIT	
22	1001101669	1	CONDUIT	
23		Ref	RETURN AIR VENT, (See CAB INSTALLATION for Breakdown)	
24	1001114282	1	3 SPEED HEATER ASSY	
25	1001135035	1	ADAPTER, 90, (if equipped for ULS)	
26	1001100446	11 in	VENT HOSE	
27	1001100447	1.4 ft	HOSE	
28	71492152	30 in	AIR HOSE, (if equipped for ULS)	
	71492152	47 in	AIR HOSE, (if equipped for LS)	
29		Ref	POTENTIOMETER ASSY, (See ELECTRICAL SECTION for Breakdown)	
30	82033995	13.8 ft	HOSE, (if equipped for ULS)	
	82033995	19.3 ft	HOSE, (if equipped for LS)	
31	86883328	5	HOSE CLAMP	
33	2220806	2	STRAIGHT FITTING, (if equipped for LS)	
34	84231107	1	HOSE CLAMP, (if equipped for LS)	
35	8410011	2	GEAR CLAMP	
101		Ref	SEAT RISER PANEL, (See CAB INSTALLTION for Breakdown)	
102		Ref	SCREW, 6X1/2, (See CAB INSTALLTION for Breakdown)	

SECTION 6 - CAB

FIGURE 6-9. HEATER INSTALLATION



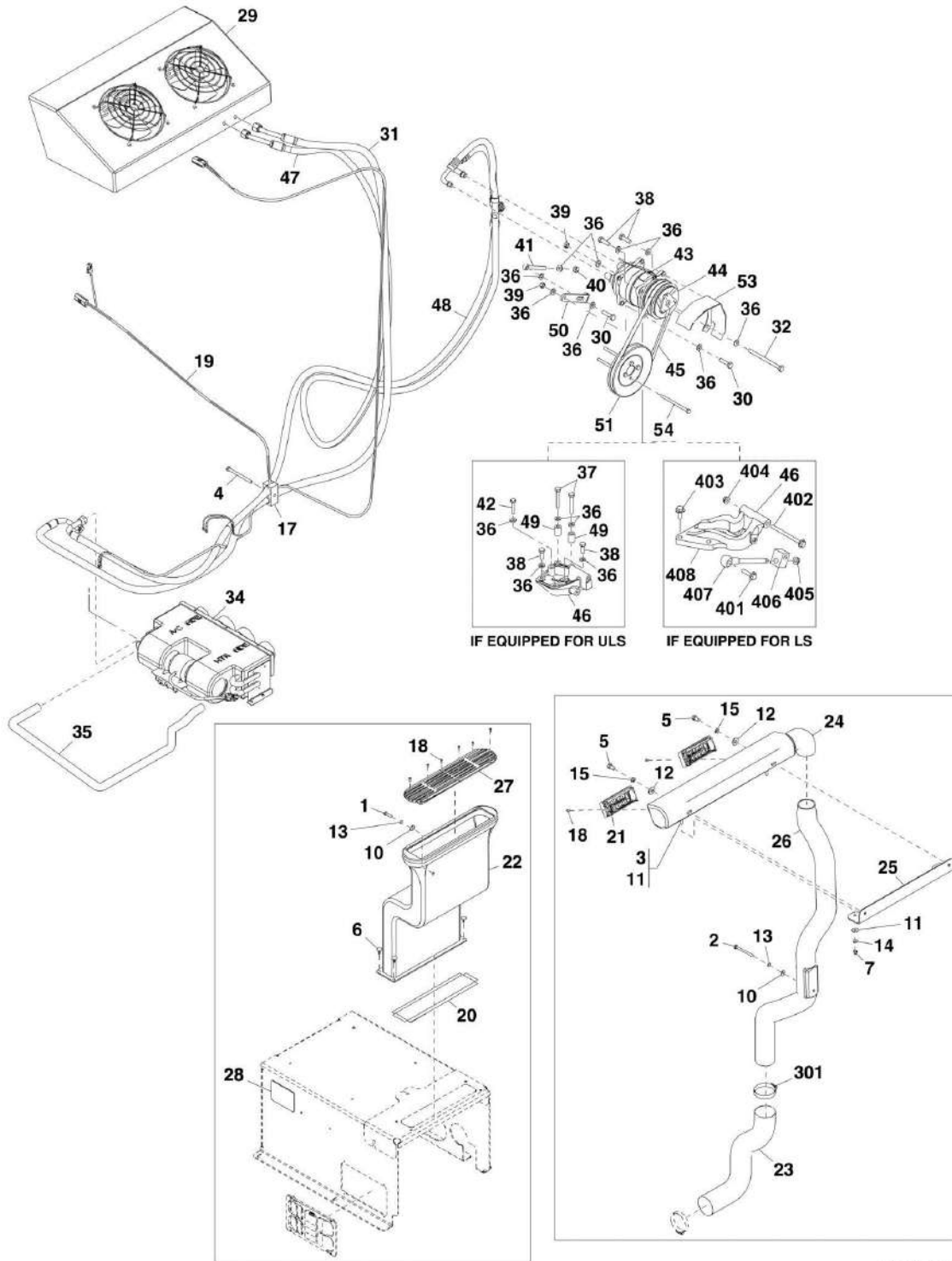
ART_31200727-6-9

FIGURE 6-9. HEATER INSTALLATION

ITEM	PART NUMBER	QTY	DESCRIPTION	REV
	1001131977	Ref	HEATER INSTALLATION, (enclosed cab), (if equipped for ULS), (not available to order, see items 1 thru 96 & 99 for service)	K
	1001139634	Ref	HEATER INSTALLATION, (enclosed cab), (if equipped for LS), (not available to order, see items 3 thru 81 & 83 thru 99 for service)	J
1	8430048	1	ADAPTER, (if equipped for ULS)	
3	0641405	4	HEX HD CAPSCREW, 1/4-20X5/8	
9	0641518	1	HEX HD CAPSCREW, 5/16-18X2-1/4, GR5	
12		Ref	SOCKET HD CAPSCREW, 6-32X0.62, (See ELECTRICAL SECTION for Breakdown)	
16		Ref	HEX NUT, 6-32X0.62, (See ELECTRICAL SECTION for Breakdown)	
20	4711400	4	WASHER, 1/4	
28	77133137	1	COVER PLATE	
29	77133279	1	CLAMP SET	
31		Ref	KNOB, (See ELECTRICAL SECTION for Breakdown)	
32		Ref	POTENTIOMETER ASSY, (See ELECTRICAL SECTION for Breakdown)	
33	80383231	1	HEATER CONTROL VALVE	
38		Ref	BLOWER SWITCH, (See ELECTRICAL SECTION for Breakdown)	
39	82033995	102 in	HOSE, (if equipped for ULS)	
39	82033995	168 in	HOSE, (if equipped for LS)	
40	82033997	132 in	WASHER FLUID HOSE, (not shown)	
42	86683193	8	HOSE CLAMP	
43	86883328	9	HOSE CLAMP	
46		Ref	CLIP, (See ELECTRICAL SECTION for Breakdown)	
61	91413036	12	SCREW, 6X1/2	
69		Ref	ENCLOSED CAB OPTION HARNESS, (not shown), (See ELECTRICAL SECTION for Breakdown)	
77	1001100278	3	AIR CONDITIONING VENT	
78	1001100279	3	DEFROST VENT	
81	1001100446	74 in	VENT HOSE, (if equipped for ULS)	
81	1001100446	67 in	VENT HOSE, (if equipped for LS)	
82	1001135035	1	ADAPTER, 90, (if equipped for ULS)	
83	1001101216	3	DEFROST BASE VENT	
85	1001101668	2	CONDUIT	
86	1001101669	2	CONDUIT	
89		Ref	RETURN AIR VENT, (See CAB INSTALLATION for Breakdown)	
96	1001100447	122 in	HOSE, (if equipped for ULS)	
96	1001100447	148 in	HOSE, (if equipped for LS)	
97	2220806	2	STRAIGHT FITTING, (if equipped for LS)	
98	84231107	3	HOSE CLAMP, (if equipped for ULS)	
	84231107	1	HOSE CLAMP, (if equipped for LS)	
99	8410011	4	GEAR CLAMP	
101	1001100282	1	BLOWER UNIT COVER	
102	1001114282	1	3 SPEED HEATER ASSY	
103	82033995	64 in	HOSE	
201		Ref	SEAT RISER PANEL, (See CAB INSTALLATION for Breakdown)	
202		Ref	SCREW, 6X1/2, (See CAB INSTALLATION for Breakdown)	

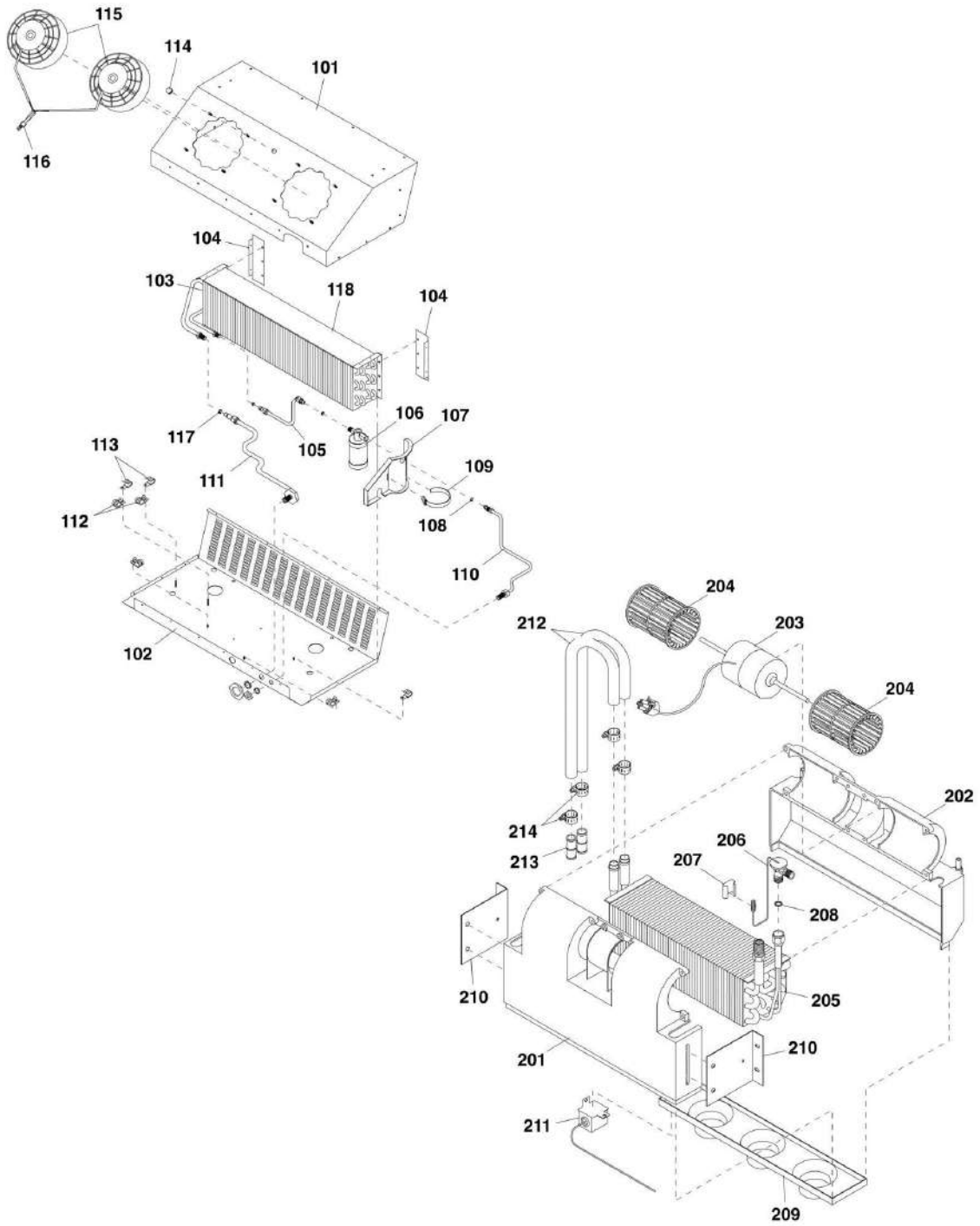
SECTION 6 - CAB

FIGURE 6-10. AIR CONDITIONING INSTALLATION



ART_31200727-6-10_1

SECTION 6 - CAB



ART_31200727-6-10_2

SECTION 6 - CAB

FIGURE 6-10. AIR CONDITIONING INSTALLATION

ITEM	PART NUMBER	QTY	DESCRIPTION	REV
	1001131979	Ref	AIR CONDITIONING INSTALLATION, (if equipped for ULS), (not available to order, see items 1 thru 53 & 56 for service)	L
	1001139643	Ref	AIR CONDITIONING INSTALLATION, (if equipped for LS), (not available to order, see items 1 thru 7, 9 thru 36, 38 thru 39, 43 thru 48 & 51 thru 53 & 56 for service)	F
1	0641408	1	HEX HD CAPSCREW, 1/4-20X1	
2	0641424	1	HEX HD CAPSCREW, 1/4-20X3	
3	0641507	2	HEX HD CAPSCREW, 5/16-18X7/8	
4	0641532	1	HEX HD CAPSCREW, 5/16-18X4	
5	0641605	2	HEX HD CAPSCREW, 3/8-16X5/8	
6	1380158	4	PANEL RETAINER CLIP	
7	2080063	2	LOCKNUT FASTENER, 1/4-20	
9	4240033	5	WIRE TIE, (not shown), (if equipped for ULS)	
9	4240033	7	WIRE TIE, (not shown), (if equipped for LS)	
10	4711400	2	WASHER, 1/4	
11	4751500	4	WASHER, 5/16	
12	4751600	2	WASHER, 3/8	
13	4761400	2	LOCKWASHER, 1/4	
14	4761500	2	LOCKWASHER, 5/16	
15	4761600	2	LOCKWASHER, 3/8	
17	77323029	1	CLAMP SET	
18	91413036	10	SCREW, 6X1/2	
19		Ref	A/C HARNESS, (not shown), (See ELECTRICAL SECTION for Breakdown)	
20	1001090344	28 in	NEOPRENE TAPE, 1/16X1/2	
21	1001100279	2	DEFROST VENT	
22	1001100281	1	MAIN SUCTION VENT	
23	1001100446	20 in	HOSE ASSY	
24	1001100770	1	TUBE	
25	1001100773	1	BRACKET	
26	1001101259	1	TUBE	
27	1001101640	1	SUCTION VENT FILTER	
28		Ref	A/C TEMPERATURE DECAL, (See DECALS SECTION for Breakdown)	
29	1001107340	1	A/C OVERHEAD CONDENSER, (includes items 101 thru 122)	A
30	0701016	2	HEX HD CAPSCREW, M10X40, GR8.8, (if equipped for ULS)	
30	0701020	1	HEX HD CAPSCREW, M10X60, GR8.8, (if equipped for LS)	
31	1001107428	1	HOSE ASSY	
32	0711031	1	HEX HD CAPSCREW, M10X140, GR10.9, (if equipped for ULS)	
33		Ref	ENCLOSED CAB, (not shown), (See CAB ASSEMBLY for Breakdown)	
34	1001142350	1	HEATER AND A/C ASSY, 3 SPEED, (includes items 201 thru 221)	C
35	82033995	28 in	HEATER HOSE, 5/8	
36	4891600	15	WASHER, 3/8, (if equipped for ULS)	
36	4891600	4	WASHER, 3/8, (if equipped for LS)	
37	0701022	2	HEX HD CAPSCREW, M10X70, GR8.8, (if equipped for ULS)	
38	0761014	5	HEX HD CAPSCREW, M10X30, GR8.8, (if equipped for ULS)	
38	0761014	2	HEX HD CAPSCREW, M10X35, GR8.8, (if equipped for LS)	
39	8305038	1	HEX NUT, M10X1-1/2	
40	3291007	1	HEX LOCKNUT, M10X1-1/2, (if equipped for ULS)	
41	8310737	1	ROD END, (if equipped for ULS)	

SECTION 6 - CAB

ITEM	PART NUMBER	QTY	DESCRIPTION	REV
42	8310748	1	HEX HD CAPSCREW, M10X50, GR8.8, (if equipped for ULS)	
43	1001093526	1	A/C REFRIGERANT DECAL	
44	1001107339	1	A/C COMPRESSOR CLUTCH	
45	1001130379	1	BELT, (if equipped for ULS)	
45	1001138998	1	BELT, (if equipped for LS)	
46	1001133435	1	A/C COMPRESSOR BRACKET, (if equipped for ULS)	E
46	1001139646	1	A/C COMPRESSOR BRACKET, (if equipped for LS), (includes items 401 to 408)	B
47	1001135649	1	HOSE ASSY	
48	1001135657	1	HOSE ASSY	
49	1001135662	2	FUEL FILTER SPACER TUBE, (if equipped for ULS)	
50	1001135664	1	A/C ADJUST PLATE, (if equipped for ULS)	
51	1001120544	1	A/C DRIVE PULLEY, (if equipped for LS)	
53	1001140255	1	A/C COMPRESSOR SHIELD	
54	0710829	4	HEX HD CAPSCREW, M8X120, GR10.9	
56	7301536	1	GUARD, HOSE (Not Shown)	
101	70020643	1	CASE TOP	
102	70022880	1	CASE BOTTOM	
103	70020644	1	COIL	
104	70022881	2	BRACKET	
105	91514270	1	TUBE ASSY	
106	91514266	1	DRIER	
107	70022882	1	BRACKET	
108	80363102	3	O-RING	
109	70022883	1	CLAMP	
110	70020645	1	TUBE ASSY	
111	70020646	1	TUBE ASSY	
112	70022884	4	CLAMP	
113	70022885	3	CLAMP	
114	70022886	1	PLUG	
115	91514295	2	FAN	
116	70020647	1	FAN HARNESS	
117	80363103	1	O-RING	
118	70022891	2 ft	FOAM	
120	70022890	4	BOLT, 3/8-16X1-3/4, (not shown)	
121	70022888	4	WASHER, 3/8, (not shown)	
122	70022889	4	LOCKWASHER, 3/8, (not shown)	
201	70022552	1	CASE TOP	
202	70022553	1	CASE BOTTOM	
203	70022805	1	BLOWER MOTOR	
204	70023108	2	BLOWER WHEEL	
205	70022876	1	HEATER/COOLER COIL	
206	91514272	1	VALVE	
207	70022877	1	CLAMP	
208	80363103	1	O-RING	
209	N.S.S.	1	3 HOLE TOP	
210	N.S.S.	2	LEG	
211	N.S.S.	1	THERMOSTAT	
212	N.S.S.	2	HOSE	
213	N.S.S.	2	HEATER SPLICE	
214	70022879	4	CLAMP	
215	70022555	1	ARM RESTRICTER, (not shown)	

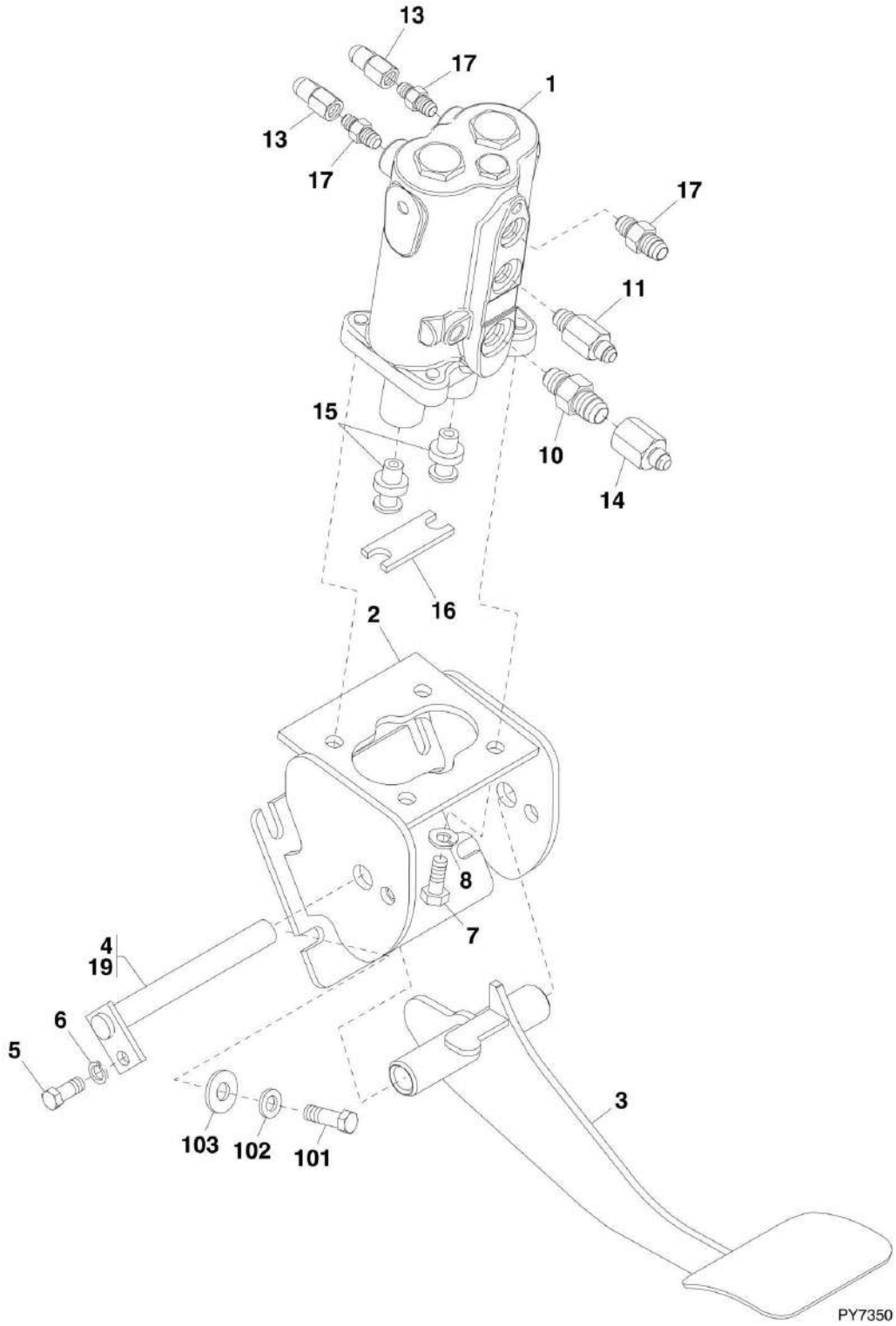
SECTION 6 - CAB

ITEM	PART NUMBER	QTY	DESCRIPTION	REV
216	91514296	1	METRO SWITCH, (not shown)	
217	70020640	1	12V RELAY, (not shown)	
218	70022556	3 ft	HOSE, (not shown)	
219	70022557	1	DRAIN ELBOW, 3/8, (not shown)	
220	70022558	1	DRAIN TEE, 3/8, (not shown)	
221	80363099	1	PRESSURE SWITCH, (not shown)	
301	86883328	1	CLAMP	
401	1001148770	2	HEX HD CAPSCREW	
402	1001148771	1	HEX HD CAPSCREW	
403	1001148772	4	HEX HD CAPSCREW	
404	1001148773	2	HEX HD NUT	
405	1001148774	1	HEX HD NUT	
406	1001148775	1	ADJUSTING END LINK	
407	1001148776	1	ADJUSTING LINK	
408	1001148778	1	REF COMPRESSOR SUPPORT	

SECTION 7 - CONTROLS

SECTION 7 - CONTROLS

FIGURE 7-1. BRAKE



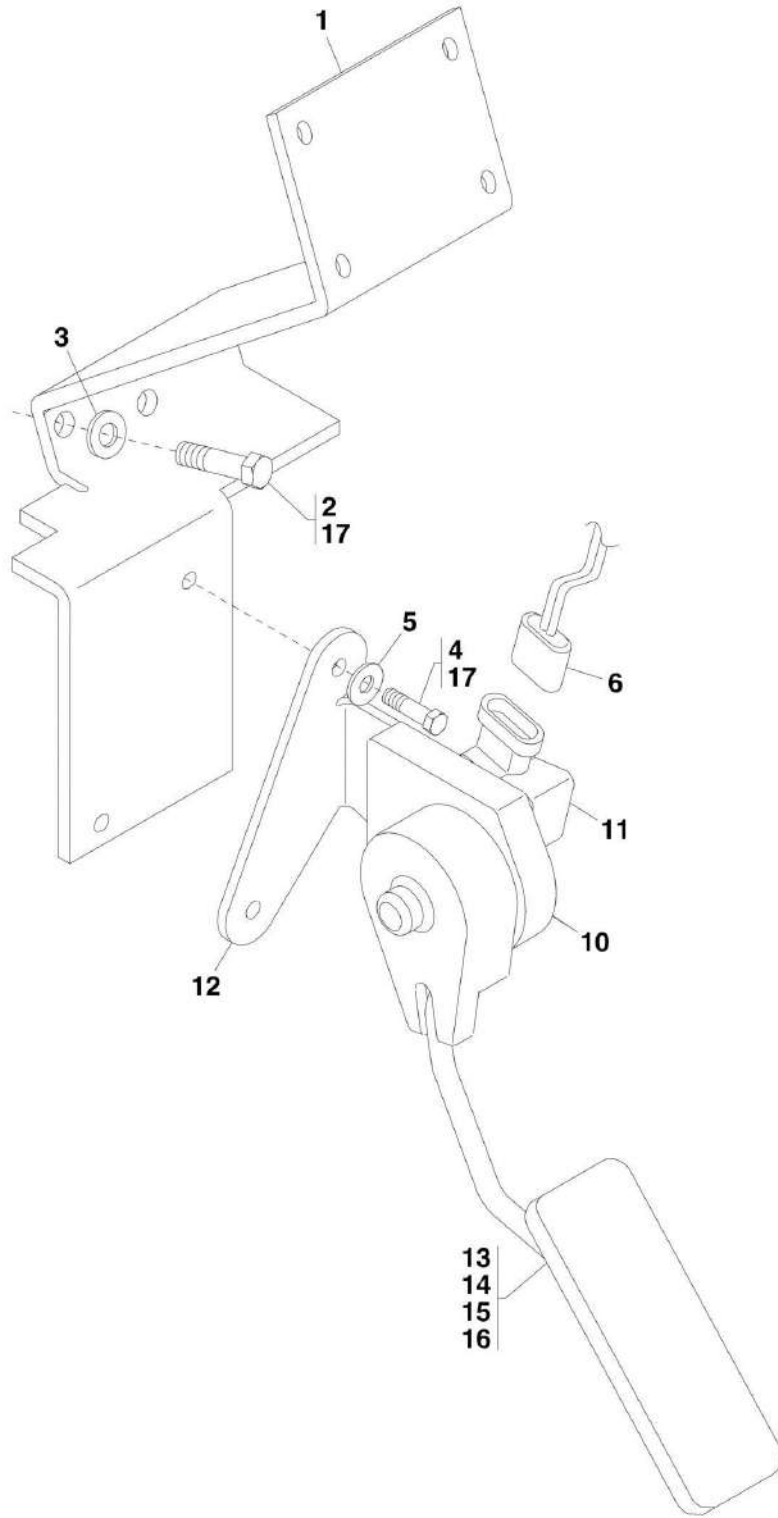
SECTION 7 - CONTROLS

FIGURE 7-1. BRAKE

ITEM	PART NUMBER	QTY	DESCRIPTION	REV
	1001091173	Ref	BRAKE INSTALLATION, (not available to order, see items 1 thru 19 for service)	F
1		Ref	BRAKE VALVE, (See HYDRAULIC COMPONENTS SECTION for Breakdown)	
2	1001091118	1	BRACKET	
3	1001090741	1	PEDAL	
4	91476031	1	PIN	
5	0641608	1	HEX HD CAPSCREW, 3/8-16X1, GR5	
6	4761600	1	LOCKWASHER, 3/8	
7	0701014	4	HEX HD CAPSCREW, M10X30, GR8.8	
8	4832000	4	LOCKWASHER, 10mm	
10	2221257	1	STRAIGHT FITTING, (includes o-ring)	
11	8770258	1	STRAIGHT FITTING, (includes o-ring)	
13	2172106	2	ADAPTER, 90, (swivel nut)	
14	2221244	1	REDUCER ADAPTER, (includes o-ring)	
15	91513180	2	ACTUATOR	
16	91511145	1	TIE BAR	
17	2144605	3	STRAIGHT FITTING, (includes o-ring)	
19	3020039	AR	MOLY PASTE	
101	0641508	4	HEX HD CAPSCREW, 5/16-18X1	
102	4761500	4	LOCKWASHER, 5/16	
103	4751500	4	WASHER, 5/16	

SECTION 7 - CONTROLS

FIGURE 7-2. ACCELERATOR



PY7360

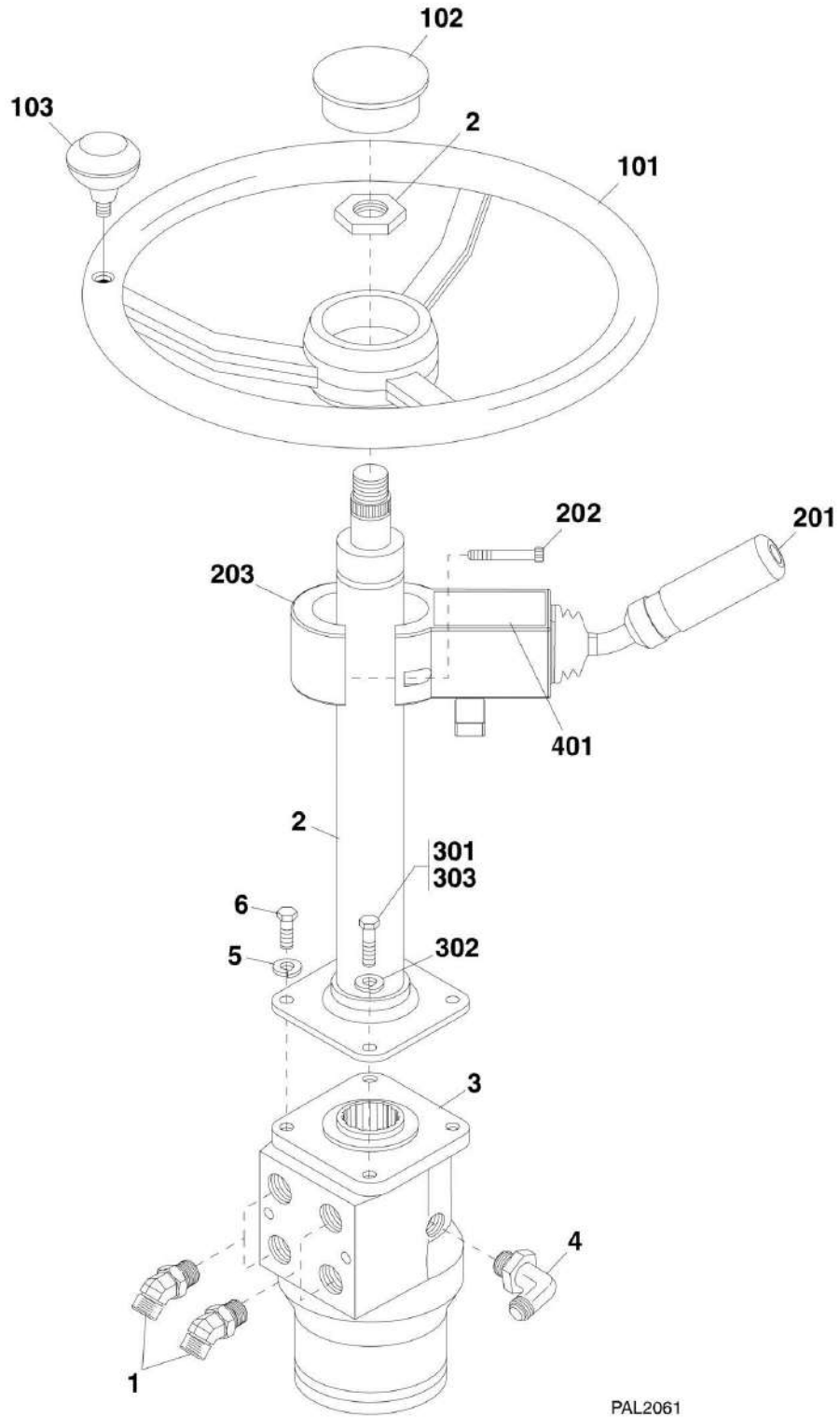
SECTION 7 - CONTROLS

FIGURE 7-2. ACCELERATOR

ITEM	PART NUMBER	QTY	DESCRIPTION	REV
1	91561192	1	BRACKET	C
2	0641508	2	HEX HD CAPSCREW, 5/16-18X1, GR5, (torque to 17 lb-ft/23 Nm)	
3	4711500	2	WASHER, 5/16	
4	0641408	2	HEX HD CAPSCREW, 1/4-20X1, GR5, (torque to 96 lb-ft/130 Nm)	
5	4711400	2	WASHER, 1/4	
6		Ref	ENGINE HARNESS, (See ELECTRICAL SECTION for Breakdown)	
10	1001090003	1	PEDAL, (includes items 11 thru 16)	
11	7029908	1	SENSOR KIT, (includes screws)	
12	N.S.S.	1	BRACKET	
13	70023325	1	PEDAL KIT, (includes items 14 & 16)	
14	N.S.S.	1	PEDAL SPRING	
15	7026481	1	PEDAL ARM	
16	N.S.S.	1	PEDAL PIN	
17	0100011	AR	LOCTITE 242	

SECTION 7 - CONTROLS

FIGURE 7-3. STEERING COLUMN



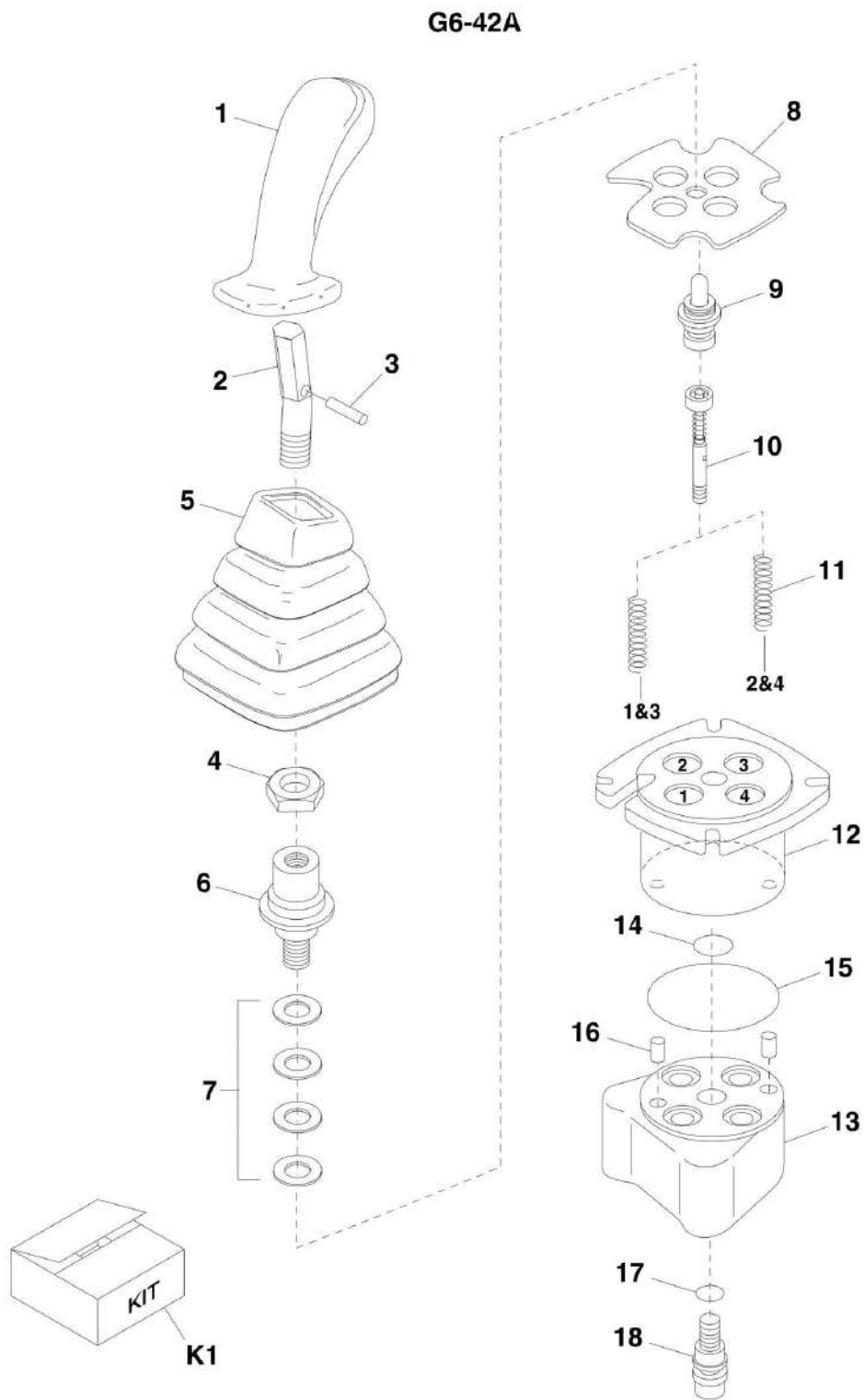
SECTION 7 - CONTROLS

FIGURE 7-3. STEERING COLUMN

ITEM	PART NUMBER	QTY	DESCRIPTION	REV
	1001001213	1	STEERING CONTROL ASSY, (includes items 1 thru 6)	A
1	2150808	4	ELBOW, 45, (includes o-ring)	
2	91513125	1	STEERING COLUMN	
2	70020923	1	STEERING WHEEL NUT, (torque to 29-34 lb-ft/39-46 Nm)	
3	91123126	1	STEERING CONTROL VALVE	
3	91144190	1	STEERING CONTROL VALVE SEAL KIT	
4	2130404	1	ADAPTER, 90, (includes o-ring)	
5	4761600	2	LOCKWASHER	
6	0641606	2	HEX HD CAPSCREW, 3/8-16X3/4, GR5	
101	91563208	1	STEERING WHEEL, (includes items 102 & 103)	
102	7026477	1	CENTER CAP	
103	7026478	1	SPINNER KNOB	
201	91563226	1	F-N-R SHIFTER, (includes items 202 & 203)	
202	N.S.S.	1	HEX HD CAPSCREW, (torque to 30-35 lb-ft/41-47 Nm)	
203	N.S.S.	1	CLAMP SET	
301	0641608	2	HEX HD CAPSCREW, 3/8-16X1, GR5	
302	4761600	2	LOCKWASHER, 3/8	
303	0100011	AR	LOCTITE 242	
401		Ref	SHIFTER DECAL, (See DECALS SECTION for Breakdown)	

SECTION 7 - CONTROLS

FIGURE 7-4. BOOM JOYSTICK G6-42A



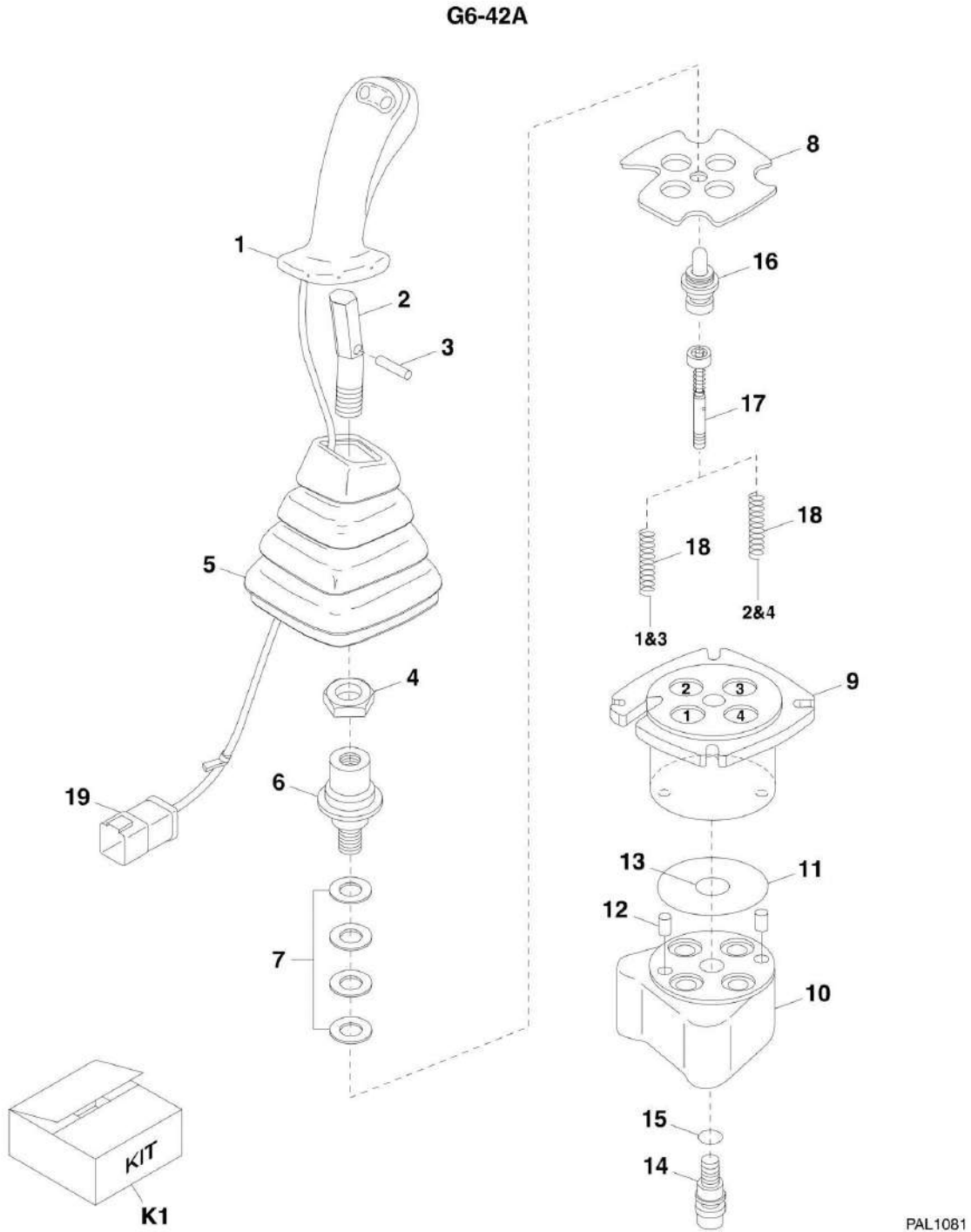
SECTION 7 - CONTROLS

FIGURE 7-4. BOOM JOYSTICK G6-42A

ITEM	PART NUMBER	QTY	DESCRIPTION	REV
	91403490	Ref	JOYSTICK ASSY, (G6-42A), (if equipped), (includes all items)	A
1	91404010	1	GRIP	
2	91404011	1	BENT LEVER KIT, (includes items 3 & 4)	
3	N.S.S.	1	SPRING PIN	
4	N.S.S.	1	HEX NUT	
5	80364095	1	BOOT	
6	80264138	1	CARDAN KIT, (includes item 7)	
7	N.S.S.	1	SHIM	
8	91404013	1	RETAINING PLATE	
9	80934498	4	PLUNGER AND GUIDE KIT	
10	91404327	4	REGULATING UNIT	
11	91504028	1	SPRING, (ports 1 & 3), (pack of two)	
	91504029	1	SPRING, (ports 2 & 4), (pack of two)	
12	91404016	1	UPPER BODY, (includes item 13)	
13	N.S.S.	1	LOWER BODY	
14	Kit	1	O-RING	
15	Kit	1	O-RING	
16	Kit	1	DOWEL PIN	
17	Kit	1	O-RING	
18	Kit	1	SCREW ASSY	
K1	91404326	AR	SEAL KIT, (includes items 14 thru 18)	

SECTION 7 - CONTROLS

FIGURE 7-5. BOOM JOYSTICK G6-42A



NOTE: THE JOYSTICK HANDLE SWITCH IS NOT A FIELD SERVICEABLE COMPONENT. ANY ATTEMPT BY NON-FACTORY AUTHORIZED PERSONNEL TO REPAIR OR REPLACE THE SWITCH WILL VOID THE WARRANTY AND CAN RESULT IN A JOYSTICK MALFUNCTION.

SECTION 7 - CONTROLS

FIGURE 7-5. BOOM JOYSTICK G6-42A

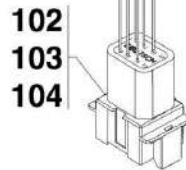
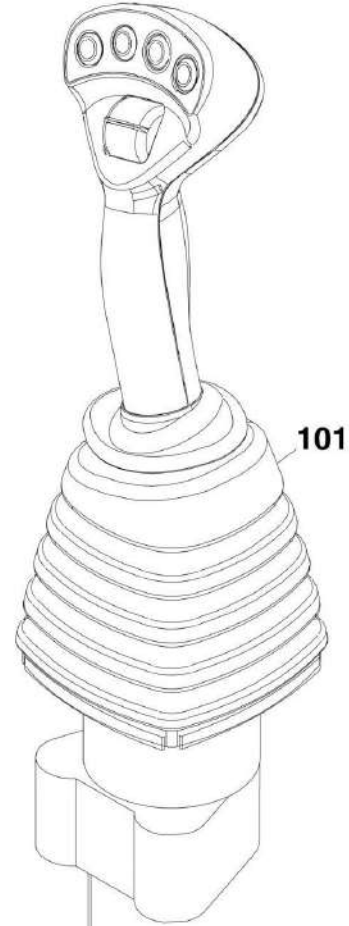
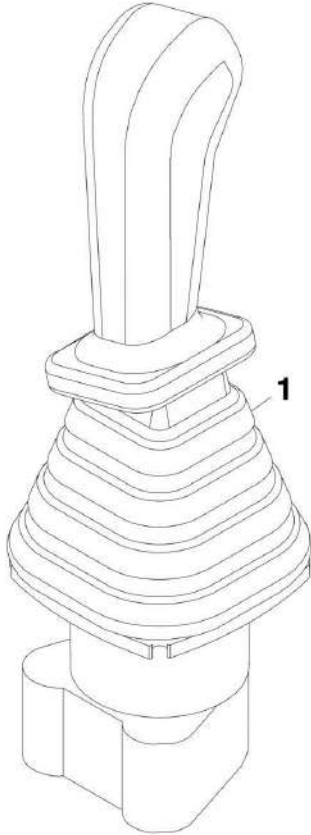
ITEM	PART NUMBER	QTY	DESCRIPTION	REV
	91403491	Ref	BOOM JOYSTICK W/TILT, (G6-42A), (if equipped), (includes all items)	A
1	91404325	1	HANDLE W/WIRE AND CONNECTOR	
2	91404011	1	BENT LEVER KIT, (includes items 3 & 4)	
3	N.S.S.	1	SPRING PIN	
4	N.S.S.	1	HEX NUT	
5	80364095	1	BOOT	
6	80264138	1	CARDAN KIT, (includes item 7)	
7	N.S.S.	AR	SHIM	
8	91404013	1	RETAINING PLATE	
9	91404016	1	UPPER BODY, (includes item 10)	
10	N.S.S.	1	LOWER BODY	
11	Kit	1	O-RING	
12	Kit	2	DOWEL PIN	
13	Kit	1	O-RING	
14	Kit	1	SCREW ASSY	
15	Kit	1	O-RING	
16	80934498	4	PLUNGER AND GUIDE KIT	
17	91404327	4	REGULATING UNIT	
18	91504028	1	SPRING, (ports 1 & 3), (pack of two)	
18	91504029	1	SPRING, (ports 2 & 4), (pack of two)	
19	80264139	1	GROMMET W/CABLE TIE KIT	
K1	91404326	AR	SEAL KIT, (includes items 11 thru 15)	

SECTION 7 - CONTROLS

FIGURE 7-6. BOOM JOYSTICK G9-43A & G10-43A

G9-43A & G10-43A

G9-43A



PY5661

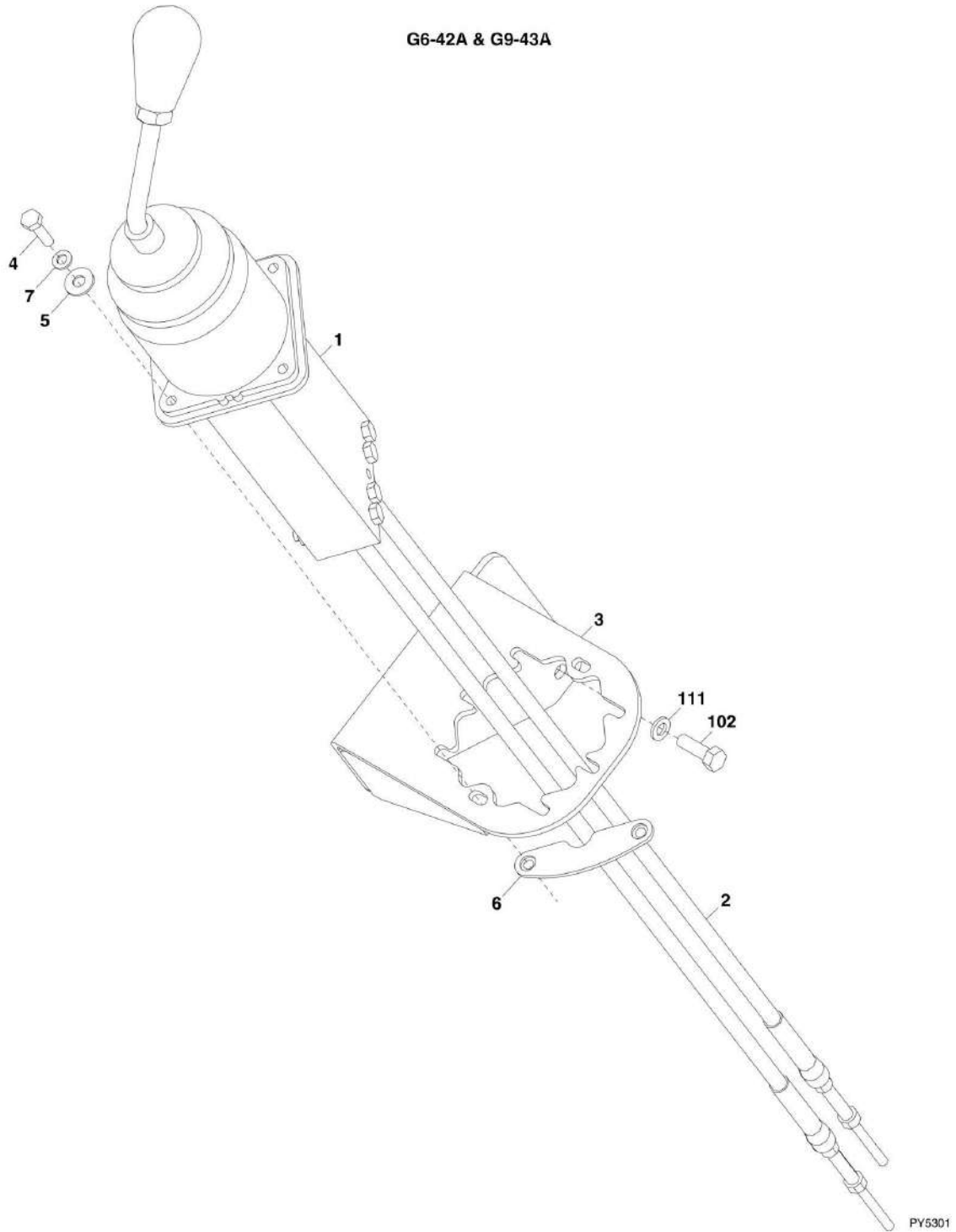
SECTION 7 - CONTROLS

FIGURE 7-6. BOOM JOYSTICK G9-43A & G10-43A

ITEM	PART NUMBER	QTY	DESCRIPTION	REV
1	1001130050	1	BOOM JOYSTICK, (G9-43A, if equipped)	A
101	1001130045	1	BOOM JOYSTICK WITH TILT, (G9-43A, if equipped), (G10-43A), (includes items 102 thru 104)	B
102	70023500	1	CONNECTOR	
102	70023499	1	WEDGE LOCK	
103	4460917	6	TERMINAL	
104	4460518	2	PLUG	

SECTION 7 - CONTROLS

FIGURE 7-7. TILT AND FRAME LEVEL JOYSTICK INSTALLATION G6-42A & G9-43A



SECTION 7 - CONTROLS

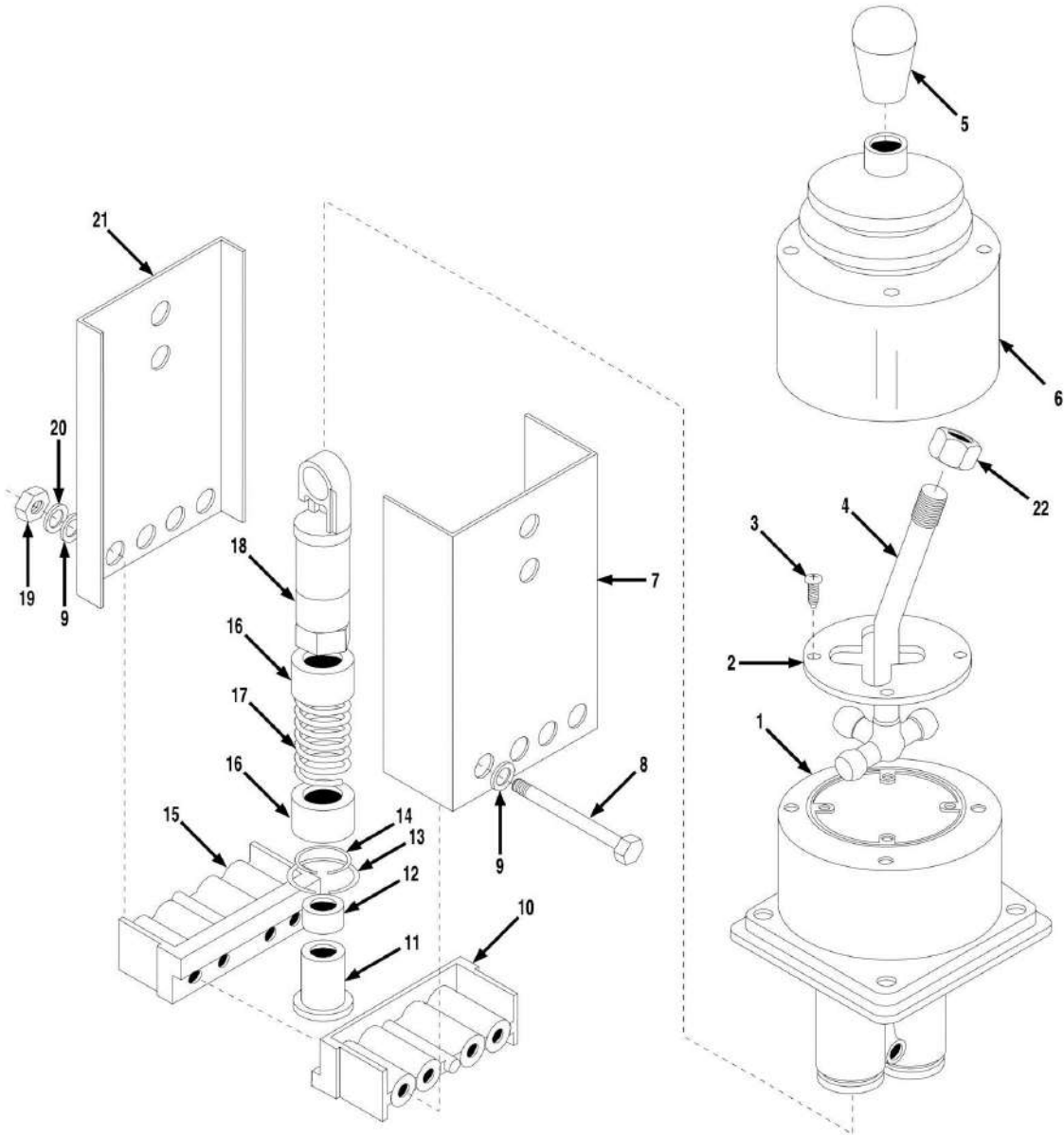
FIGURE 7-7. TILT AND FRAME LEVEL JOYSTICK INSTALLATION G6-42A & G9-43A

ITEM	PART NUMBER	QTY	DESCRIPTION	REV
	91475033	Ref	TILT AND FRAME LEVEL JOYSTICK INSTALLATION, (G6-42A & G9-43A), (if equipped), (not available to order, see items 1 thru 7 for service)	F
1		Ref	TILT AND FRAME LEVEL JOYSTICK ASSY, (See TILT AND FRAME LEVEL JOYSTICK ASSEMBLY for Breakdown)	
2	91473146	2	CONTROL CABLE	
3	91416013	1	RH CONTROL BRACKET	
4	88201006	4	HEX HD CAPSCREW, 1/4-20X1-1/4, GR5	
5	88561107	4	FLAT WASHER, 1/4	
6	91416017	2	WELD NUT PLATE WELDMENT	
7	88551009	4	LOCKWASHER, 1/4	
102	0641508	3	HEX HD CAPSCREW, 5/16-18X1, GR5	
111	4761500	3	WASHER, 5/16	

SECTION 7 - CONTROLS

FIGURE 7-8. TILT AND FRAME LEVEL JOYSTICK ASSEMBLY G6-42A & G9-43A

G6-42A & G9-43A



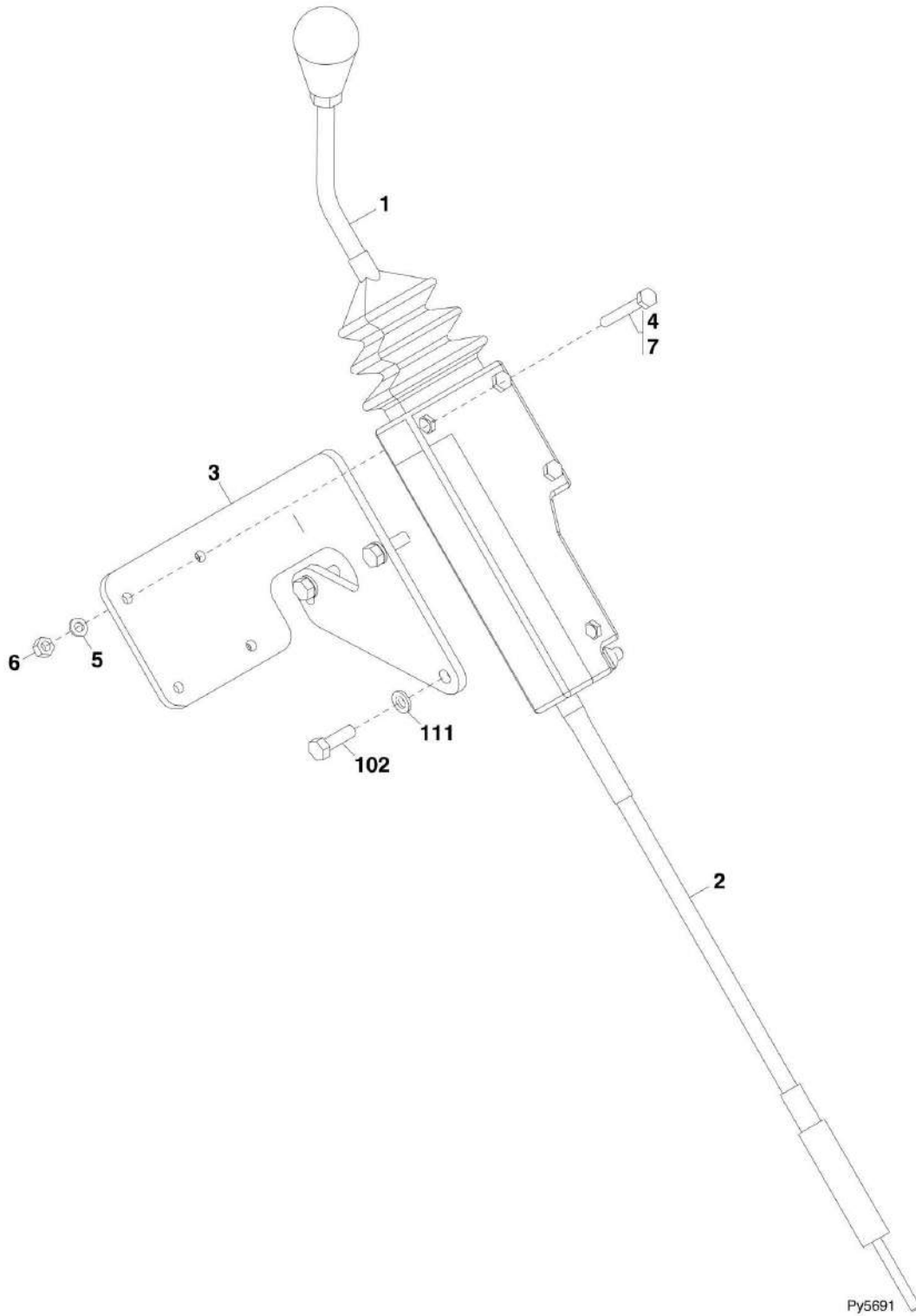
SECTION 7 - CONTROLS

FIGURE 7-8. TILT AND FRAME LEVEL JOYSTICK ASSEMBLY G6-42A & G9-43A

ITEM	PART NUMBER	QTY	DESCRIPTION	REV
	91403178	1	TILT AND FRAME LEVEL JOYSTICK ASSY, (G6-42A & G9-43A), (if equipped), (includes all items)	G
1	91404207	1	HOUSING	
2	91404088	1	RESTRICTOR PLATE	
3	91404089	4	SELF-TAPPING SCREW, 10X3/4	
4	91404208	1	INPUT LEVER ASSY	
5	91404091	1	KNOB	
6	8160419	1	BOOT	
7	91404093	1	HOUSING, (outer)	
8	91404094	6	HEX HD CAPSCREW	
9	91404095	12	FLAT WASHER	
10	91404096	1	CABLE ANCHOR, (inner)	
11	91404097	2	CABLE LOCK SCREW	
12	91404098	2	CABLE BUSHING	
13	91404099	2	RETAINING RING	
14	91404100	2	RETAINING RING	
15	91404101	1	CABLE ANCHOR, (outer)	
16	91404102	4	BUSHING	
17	91404103	2	SPRING	
18	91404209	2	SLIDER ASSY	
19	91404105	6	HEX NUT, 1/4-20	
20	91404106	6	LOCKWASHER	
21	91404107	1	HOUSING, (inner)	
22	91404210	1	JAM NUT	

SECTION 7 - CONTROLS

FIGURE 7-9. FRAME LEVEL JOYSTICK INSTALLATION



Py5691

SECTION 7 - CONTROLS

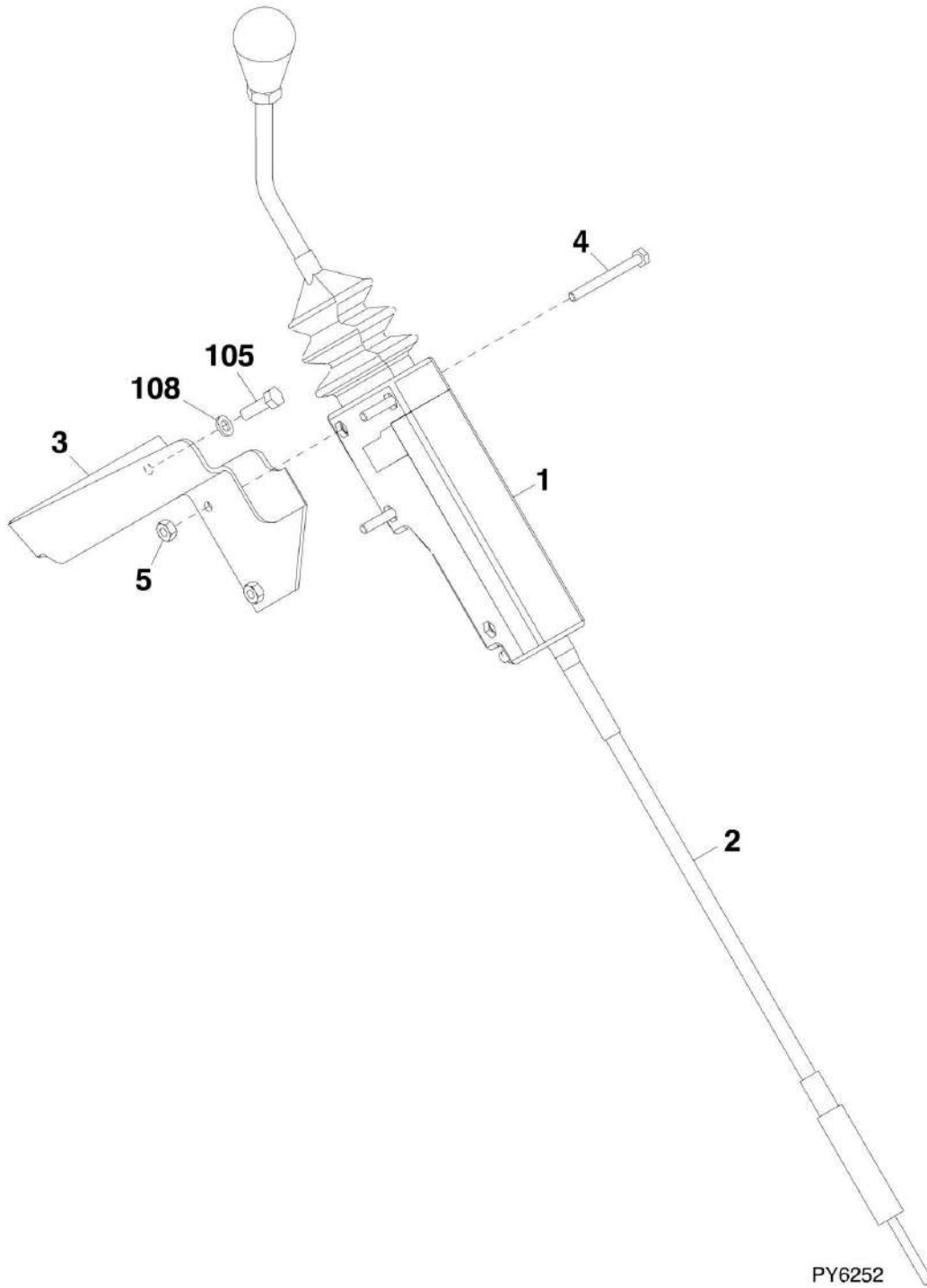
FIGURE 7-9. FRAME LEVEL JOYSTICK INSTALLATION

ITEM	PART NUMBER	QTY	DESCRIPTION	REV
	91515047	Ref	FRAME LEVEL JOYSTICK INSTALLATION, (G6-42A & G9-43A, if equipped), (G10-43A), (not available to order, see items 1 thru 7 for service)	E
1	91513204	1	SINGLE VALVE CONTROL	
2	91473146	1	CABLE	
3	1001092843	1	BRACKET	
4	0641416	3	HEX HD CAPSCREW, 1/4-20X2	
5	4761400	3	LOCKWASHER, 1/4	
6	3311401	3	HEX NUT, 1/4-20, GR2	
7	0100011	AR	LOCTITE 242	
102	0641508	3	HEX HD CAPSCREW, 5/16-18X1, GR5	
111	4761500	3	WASHER, 5/16	

SECTION 7 - CONTROLS

FIGURE 7-10. AUXILIARY HYDRAULIC JOYSTICK INSTALLATION G6-42A

G6-42A



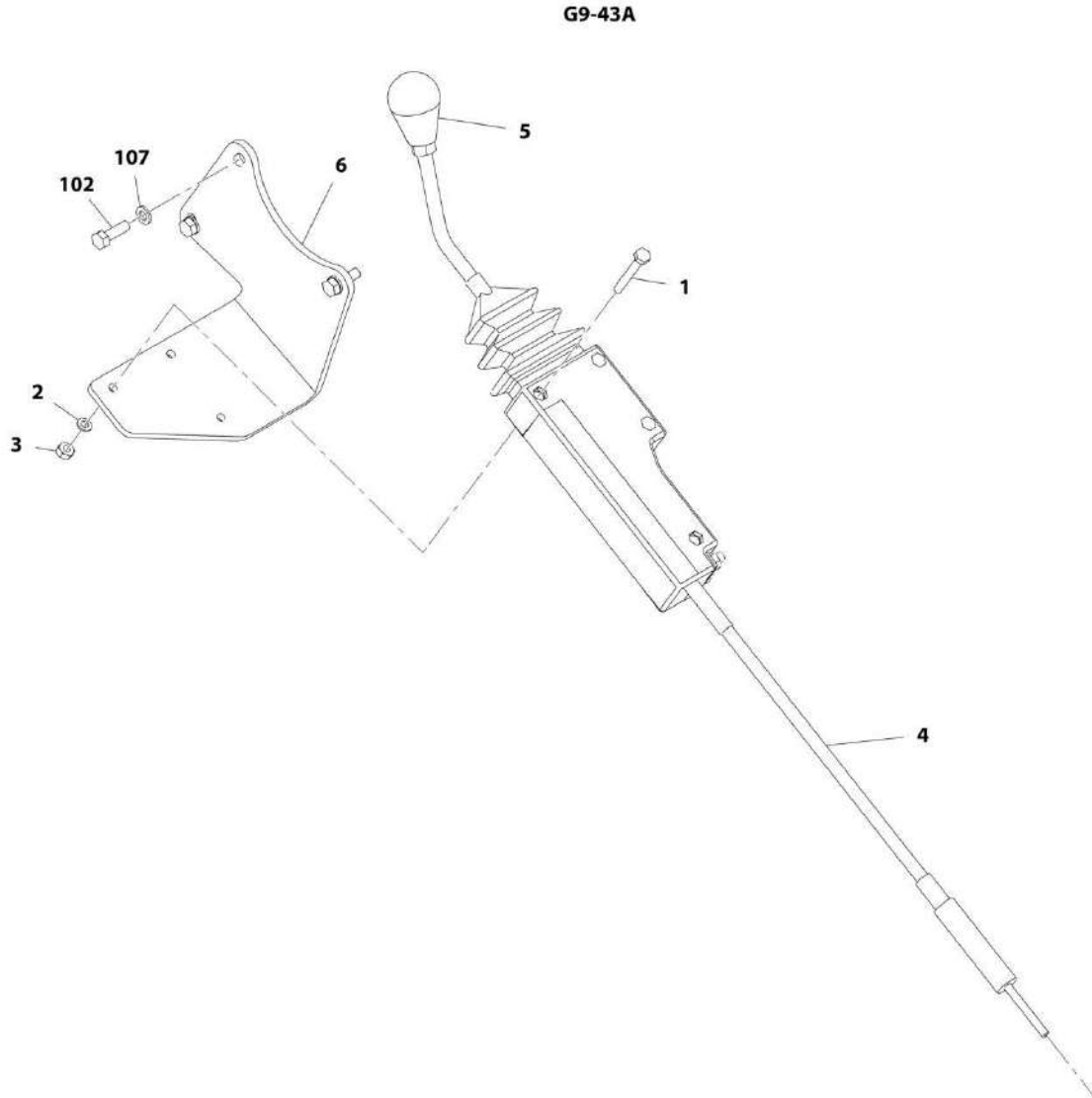
SECTION 7 - CONTROLS

FIGURE 7-10. AUXILIARY HYDRAULIC JOYSTICK INSTALLATION G6-42A

ITEM	PART NUMBER	QTY	DESCRIPTION	REV
	1001091320	Ref	AUXILIARY HYDRAULIC JOYSTICK INSTALLATION, (G6-42A), (not available to order, see items 1 thru 5 for service)	A
1	91403273	1	JOYSTICK ASSY	
2	91473088	1	CABLE	
3	1001091157	1	LH BRACKET	
4	88201011	3	HEX HD CAPSCREW, 1/4-20X2-1/2	
5	88501004	3	HEX NUT, 1/4-20	
105	0641808	2	HEX HD CAPSCREW, 1/2-13X1, GR5	
108	4711800	2	WASHER, 1/2	

SECTION 7 - CONTROLS

FIGURE 7-11. AUXILIARY HYDRAULIC JOYSTICK INSTALLATION G9-43A



ART_1001107895-C

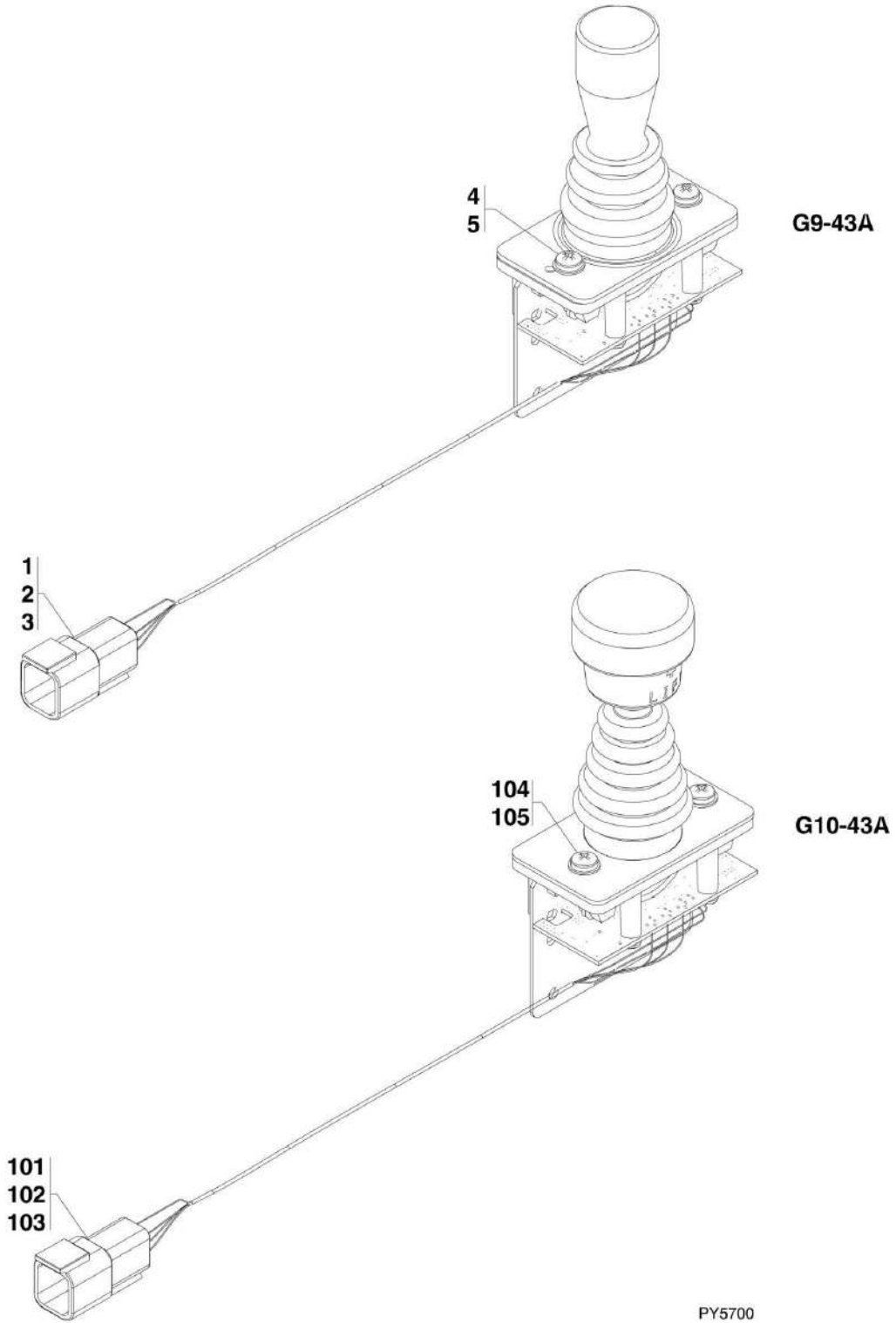
SECTION 7 - CONTROLS

FIGURE 7-11. AUXILIARY HYDRAULIC JOYSTICK INSTALLATION G9-43A

ITEM	PART NUMBER	QTY	DESCRIPTION	REV
	1001107895	Ref	AUXILIARY HYDRAULIC JOYSTICK INSTALLATION, (G9-43A), (if equipped), (not available to order, see items 1 thru 6 for service)	C
1	0641416	3	HEX HD CAPSCREW, 1/4-20X2, GR5	
2	4761400	3	LOCKWASHER, 1/4	
3	88501004	3	HEX NUT, 1/4-20, GR2	
4	91473146	1	CABLE	
5	91513204	1	SINGLE VALVE CONTROL JOYSTICK ASSY	
6	1001107955	1	BRACKET	
102	0641508	3	HEX HD CAPSCREW, 5/16-18X1, GR5	
107	4761500	3	WASHER, 5/16	

SECTION 7 - CONTROLS

FIGURE 7-12. ELECTRIC AUXILIARY HYDRAULIC JOYSTICK G9-43A & G10-43A



PY5700

SECTION 7 - CONTROLS

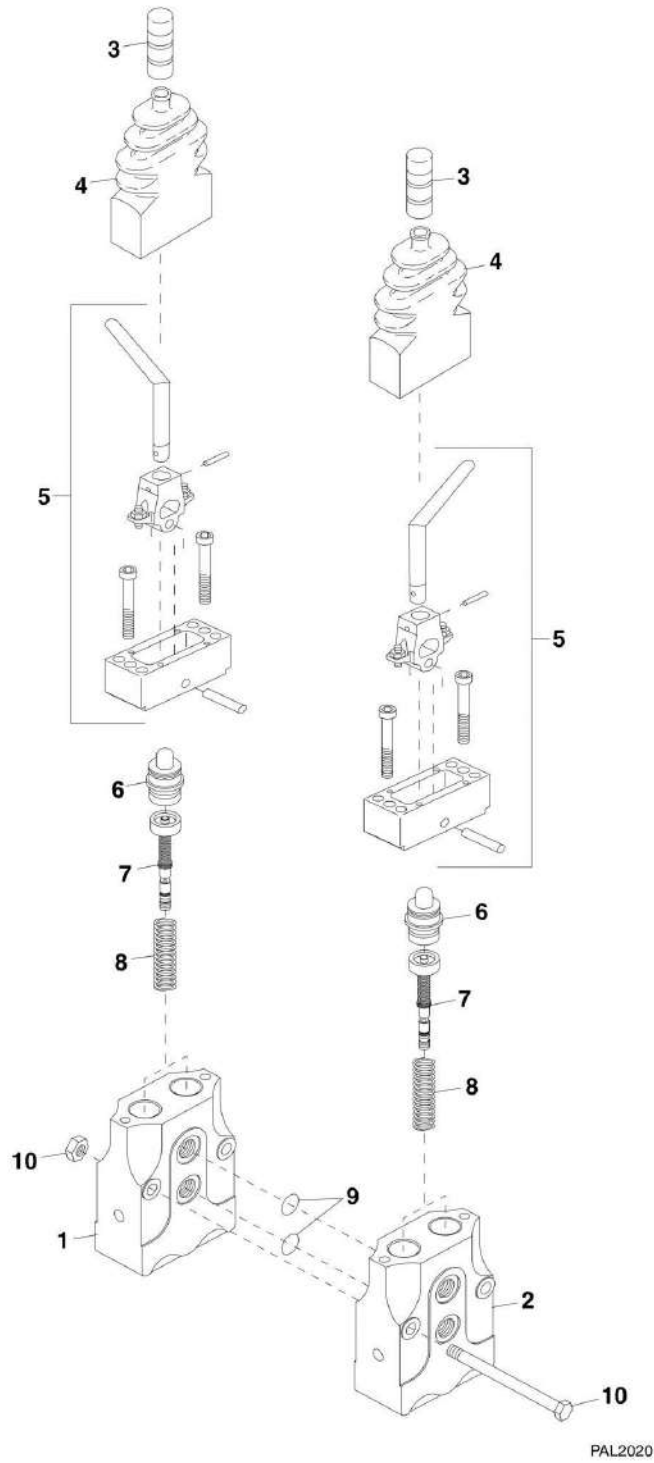
FIGURE 7-12. ELECTRIC AUXILIARY HYDRAULIC JOYSTICK G9-43A & G10-43A

ITEM	PART NUMBER	QTY	DESCRIPTION	REV
	1001106508	1	ELECTRIC AUXILIARY HYDRAULIC JOYSTICK, (G9-43A), (if equipped), (includes items 1 thru 5)	A
1	4461217	1	CONNECTOR	
1	70020823	1	WEDGE LOCK	
2	4460917	5	TERMINAL	
3	4460518	1	PLUG	
4	N.S.S.	2	PAN HD CAPSCREW, M5X12	
5	N.S.S.	2	PLASTIC WASHER, 10	
	1001131806	1	ELECTRIC AUXILIARY HYDRAULIC JOYSTICK, (G10-43A), (includes items 101 thru 105)	A
101	4461217	1	CONNECTOR	
101	70020823	1	WEDGE LOCK	
102	4460917	5	TERMINAL	
103	4460518	1	PLUG	
104	N.S.S.	2	PAN HD CAPSCREW, M5X12	
105	N.S.S.	2	PLASTIC WASHER, 10	

SECTION 7 - CONTROLS

FIGURE 7-13. OUTRIGGER CONTROLLER G10-43A

G10-43A



SECTION 7 - CONTROLS

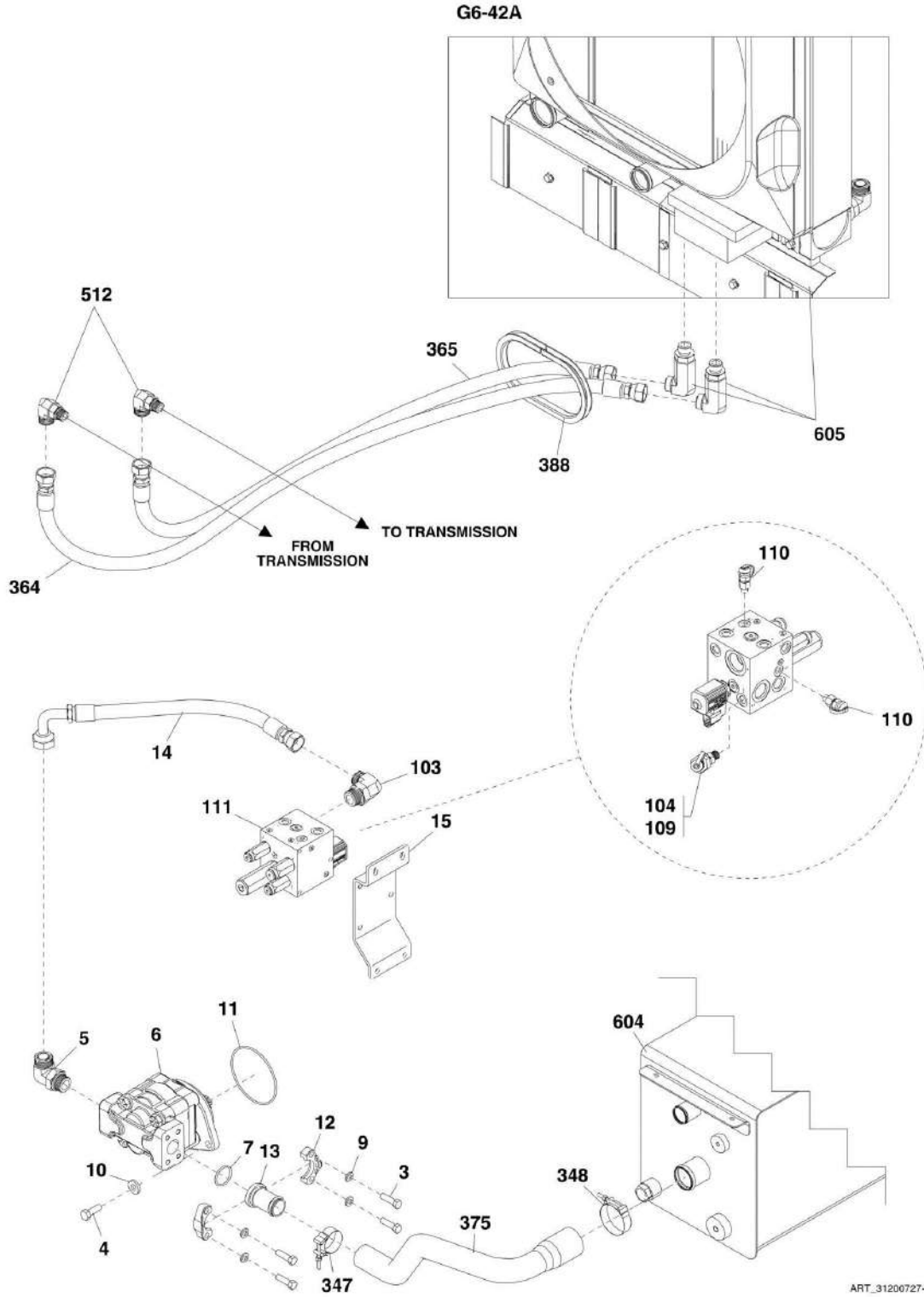
FIGURE 7-13. OUTRIGGER CONTROLLER G10-43A

ITEM	PART NUMBER	QTY	DESCRIPTION	REV
	91563200	1	OUTRIGGER CONTROLLER, (G10-43A), (includes all items)	A
1	91563201	1	HYDRAULIC CONTROLLER, (includes one each of items 3 thru 8)	
2	7026741	1	HYDRAULIC CONTROLLER, (includes one each of items 3 thru 8)	
3	91504030	2	GRIP	
4	91504031	2	RUBBER BOOT	
5	7026739	2	LEVER OPERATION KIT	
6	80934498	2	PLUNGER KIT	
7	7026740	2	REGULATING UNIT KIT	
8	91504029	2	RETURN SPRING	
9	7026742	2	O-RING	
10	7026743	1	BOLT AND NUT KIT	

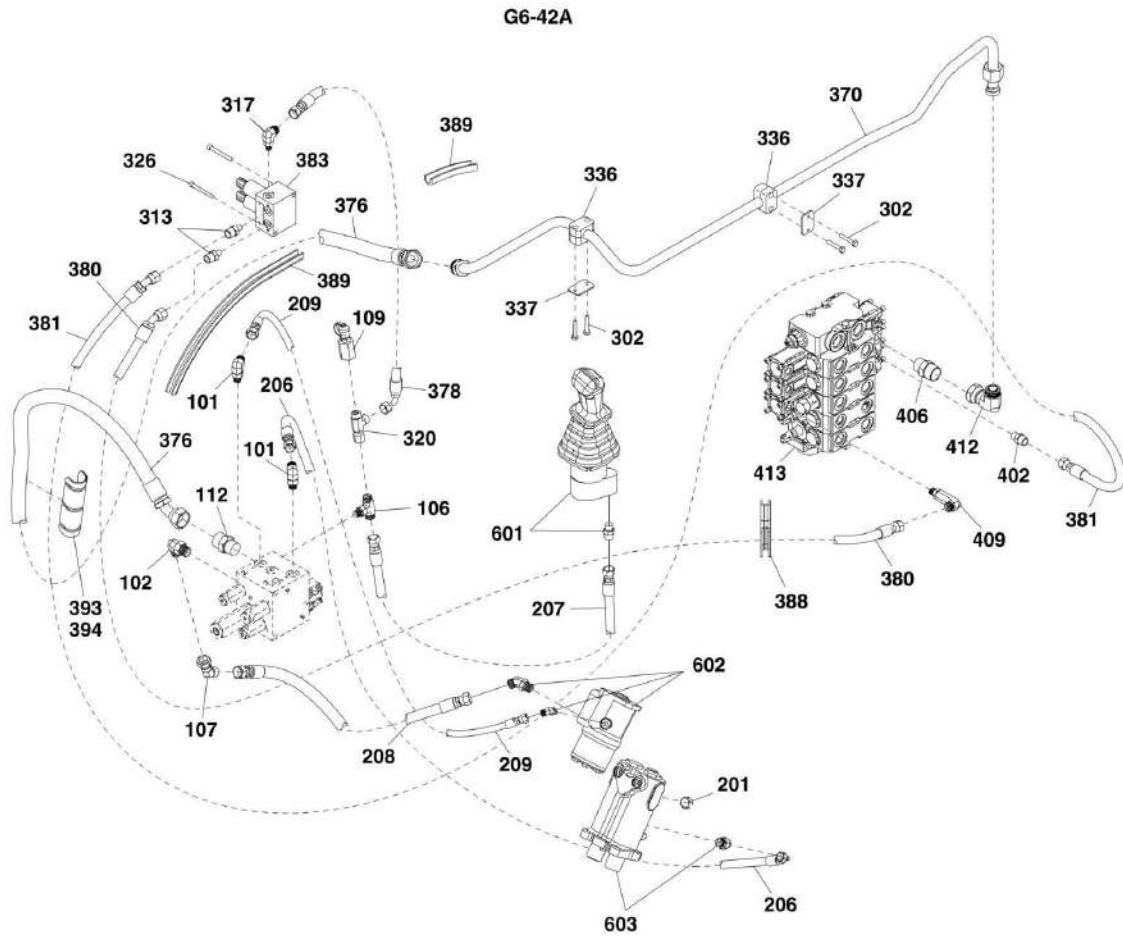
SECTION 8 - HYDRAULIC CIRCUITS

SECTION 8 - HYDRAULIC CIRCUITS

FIGURE 8-1. SUPPLY CIRCUIT G6-42A



SECTION 8 - HYDRAULIC CIRCUITS



ART_31200727-8-1_2

SECTION 8 - HYDRAULIC CIRCUITS

FIGURE 8-1. SUPPLY CIRCUIT G6-42A

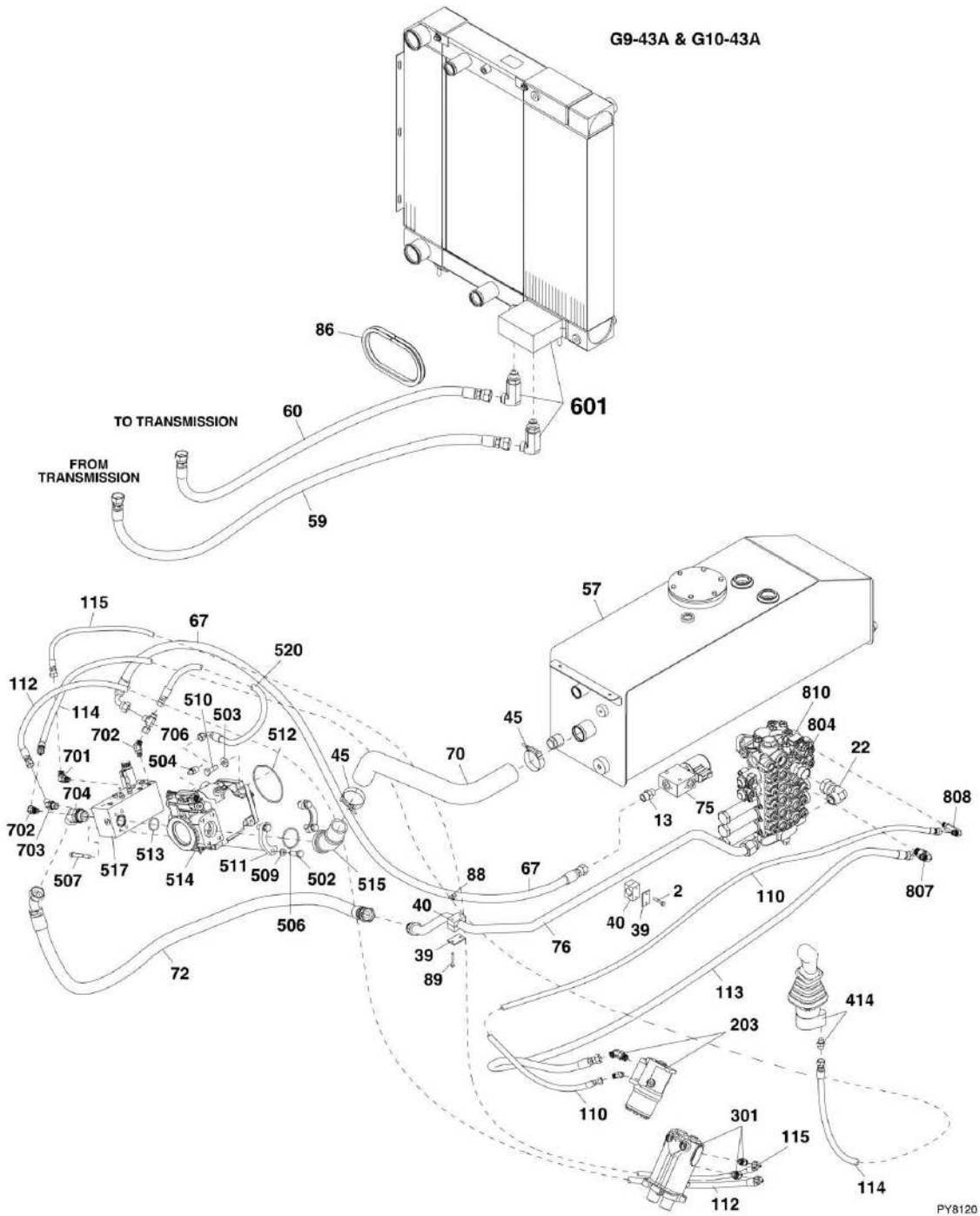
ITEM	PART NUMBER	QTY	DESCRIPTION	REV
3	0681712	4	HEX HD CAPSCREW, 7/16-14X1-1/2, GR8, (torque to 50 lb-ft/68 Nm)	
4	0701215	3	HEX HD CAPSCREW, M12X35, GR8.8, (torque to 64.9 lb-ft/88 Nm)	
5	2131616	1	ADAPTER, 90, (includes o-ring)	
6		Ref	HYDRAULIC PUMP, (See HYDRAULIC COMPONENTS SECTION for Breakdown)	
7	3790222	1	O-RING	
9	4761700	4	WASHER, 7/16	
10	4891800	3	WASHER, 1/2	
11	8630019	1	O-RING	
12	84711334	2	HALF FLANGE	
13	1001103997	1	TUBE ADAPTER	
14	1001134948	1	HOSE ASSEMBLY	
15		Ref	BRACKET, (See DUMP CIRCUIT for Breakdown)	
101	2130606	3	ADAPTER, 90, (includes o-ring)	
102	2130808	1	ADAPTER, 90, (includes o-ring)	
103	2131216	1	ADAPTER, 90, (includes o-ring)	
104	2150606	2	ADAPTER, 45, (includes o-ring)	
106	2170406	1	TEE FITTING, (includes o-ring)	
107	2221231	1	ADAPTER, 45, (includes o-ring)	
109	88662546	1	DIAGNOSTIC ADAPTER	
110	91053020	2	TEST PORT	
111		Ref	PRIORITY VALVE, (See HYDRAULIC COMPONENTS SECTION for Breakdown)	
112	2111212	1	STRAIGHT FITTING, (includes o-ring)	
201	2170906	1	CAP	
206	1001134975	1	HOSE ASSEMBLY	
207	1001134977	1	HOSE ASSEMBLY	
208	1001134978	1	HOSE ASSEMBLY	
209	1001134985	1	HOSE ASSEMBLY	
302	0641412	4	HEX HD CAPSCREW, 1/4-20X1-1/2, GR5	
313	2110604	2	STRAIGHT FITTING, (if equipped with tilt on joystick), (includes o-ring)	
317	2130604	1	ADAPTER, 90, (if equipped with tilt on joystick), (includes o-ring)	
320	2170706	1	ADAPTER, RUN TEE, (if equipped with tilt on joystick), (includes o-ring)	
326	3931436	2	SOCKET HD CAPSCREW, 1/4-20X2-1/4, (if equipped with tilt on joystick)	
336	8769152	2	CLAMP SET	
337	8769153	2	COVER PLATE	
347	90028695	1	HEAVY DUTY BAND CLAMP	
348	90028720	1	HEAVY DUTY BAND CLAMP, (torque to 40-50 lb-in/4.51-5.64 Nm)	
364	1001125119	1	HOSE ASSY	
365	1001125128	1	HOSE ASSY	
370	1001142649	1	TUBE ASSY	
375	1001134947	1	HOSE ASSY	
376	1001134968	1	HOSE ASSY	
378	1001135864	1	HOSE ASSEMBLY, (if equipped with tilt on joystick)	
380	1001135932	1	HOSE ASSY, (if equipped with tilt on joystick)	
381	1001135934	1	HOSE ASSY, (if equipped with tilt on joystick)	
383		Ref	TILT VALVE SOLENOID, (if equipped with tilt on joystick), (See	

SECTION 8 - HYDRAULIC CIRCUITS

ITEM	PART NUMBER	QTY	DESCRIPTION	REV
			HYDRAULIC COMPONENTS SECTION for Breakdown)	
388	90206203	57 in	TRIM-LOK	
389	91143220	23 in	PVC VINYL TRIM	
389	91143220	30 in	PVC VINYL TRIM, (if equipped with tilt on joystick)	
393	7301536	1	HOSE GUARD	
394	4240033	3	WIRE TIE	
402	2110606	1	ADAPTER, CONNECTOR, (includes o-ring)	
406	2111212	1	ADAPTER, CONNECTOR, (includes o-ring)	
409	2170206	1	ADAPTER, 90, (long), (includes o-ring)	
412	2172112	1	ADAPTER, 90, (includes o-ring)	
413		Ref	MAIN CONTROL VALVE, (See HYDRAULIC COMPONENTS SECTION for Breakdown)	
512		Ref	ADAPTER, 90, (See ENGINE AND ATTACHING PARTS SECTION for Breakdown)	
601		Ref	BOOM JOYSTICK, (See CONTROLS SECTION for Breakdown)	
602		Ref	STEERING CONTROL VALVE, (See CONTROLS SECTION for Breakdown)	
603		Ref	BRAKE VALVE, (See CONTROLS SECTION for Breakdown)	
604		Ref	HYDRAULIC TANK, (See HYDRAULIC COMPONENTS SECTION for Breakdown)	
605		Ref	RADIATOR, (See ENGINE AND ATTACHING PARTS SECTION for Breakdown)	

SECTION 8 - HYDRAULIC CIRCUITS

FIGURE 8-2. SUPPLY CIRCUIT G9-43A & G10-43A



SECTION 8 - HYDRAULIC CIRCUITS

FIGURE 8-2. SUPPLY CIRCUIT G9-43A & G10-43A

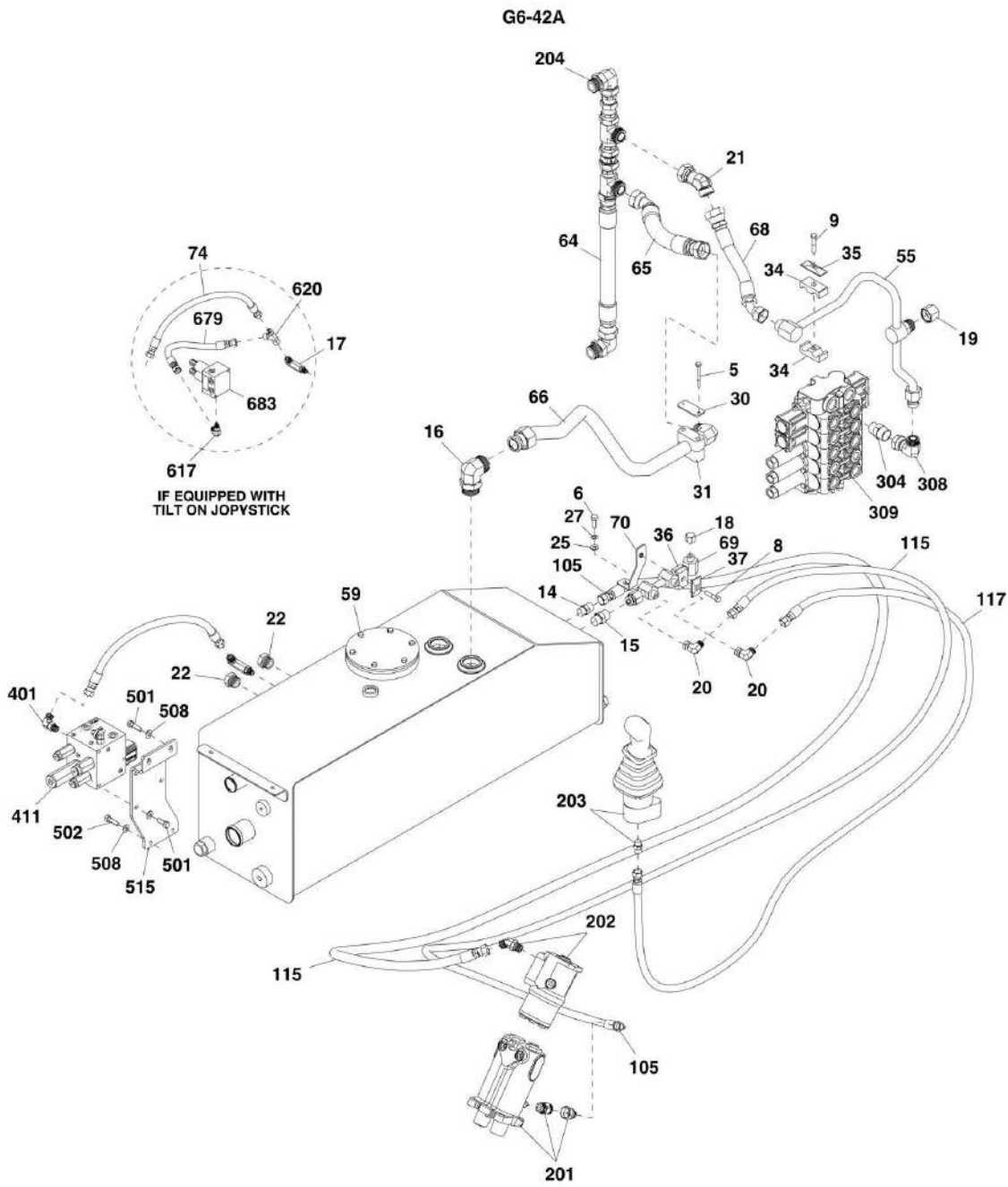
ITEM	PART NUMBER	QTY	DESCRIPTION	REV
2	0641412	2	HEX HD CAPSCREW, 1/4-20X1-1/2, GR5	
13	2110606	1	ADAPTER, CONNECTOR, (includes o-ring)	
22	2172116	1	ADAPTER, 90, (includes o-ring)	
39	77133052	2	COVER PLATE	
40	77133073	2	CLAMP	
45	90028720	2	HEAVY DUTY BAND CLAMP, (torque to 45-50 lb-in/5.08-5.64 Nm)	
57		Ref	HYDRAULIC TANK, (See HYDRAULIC COMPONENTS SECTION for Breakdown)	
59	1001125119	1	HOSE ASSY	
60	1001125128	1	HOSE ASSY	
67	1001130213	1	HOSE ASSY	
70	1001132162	1	SUCTION HOSE	
72	1001132579	1	HOSE ASSY	
75		Ref	PRESSURE REDUCING VALVE, (See DUMP CIRCUIT for Breakdown)	
76	1001148109	1	HYDRAULIC PRESSURE PIPE	
86	90206203	57 in	TRIM-LOK	
88	8750044	2	RAIL NUT, M6	
89	0700617	2	HEX HD CAPSCREW, M6X45, GR8.8	
110	1001137208	1	HOSE ASSY	
112	1001105622	1	HOSE ASSY	
113	1001105627	1	HOSE ASSY	
114	1001105631	1	HOSE ASSY	
115	1001149242	1	HOSE ASSY	
203		Ref	STEERING CONTROL VALVE, (See CONTROLS SECTION for Breakdown)	
301		Ref	BRAKE VALVE, (See CONTROLS SECTION for Breakdown)	
414		Ref	BOOM JOYSTICK, (See CONTROLS SECTION for Breakdown)	
502	0641812	4	HEX HD CAPSCREW, 1/2-13X1-1/2, GR5	
503	0701215	4	HEX HD CAPSCREW, M12X35, GR8.8	
504	2110604	1	ADAPTER, CONNECTOR, (includes o-ring)	
506	3790228	1	O-RING	
507	3931648	4	SOCKET HD CAPSCREW, 3/8-16X3, (torque to 35 lb-ft/47.45 Nm)	
509	4761800	4	LOCKWASHER, 1/2	
510	4891800	4	WASHER, 1/2	
511	8546407	2	FLANGE HALF	
512	8630019	1	O-RING	
513	91083106	1	O-RING	
514		Ref	HYDRAULIC PUMP, (See HYDRAULIC COMPONENTS SECTION for Breakdown)	
515	1001107814	1	ADAPTER, 45	
517		Ref	HYDRAULIC MANIFOLD, (See HYDRAULIC COMPONENTS SECTION for Breakdown)	
520	1001116005	1	HOSE ASSY	
601		Ref	RADIATOR ASSY, (See ENGINE AND ATTACHING PARTS SECTION for Breakdown)	
701	2130606	1	ADAPTER, 90, (includes o-ring)	
702	2150606	2	ADAPTER, 45, (includes o-ring)	
703	2150608	1	ADAPTER, 45, (includes o-ring)	
704	2151616	1	ADAPTER, 45, (includes o-ring)	
706	2170706	1	ADAPTER, RUN TEE, (includes o-ring)	

SECTION 8 - HYDRAULIC CIRCUITS

ITEM	PART NUMBER	QTY	DESCRIPTION	REV
804	2111616	1	ADAPTER, CONNECTOR, (includes o-ring)	
807	2130810	1	ADAPTER, 90, (long), (includes o-ring)	
808	2170206	1	ADAPTER, 90, (includes o-ring)	
810		Ref	MAIN CONTROL VALVE, (See HYDRAULIC COMPONENTS SECTION for Breakdown)	

SECTION 8 - HYDRAULIC CIRCUITS

FIGURE 8-3. DUMP CIRCUIT G6-42A



IF EQUIPPED WITH
TILT ON JOYSTICK

PAP29800

SECTION 8 - HYDRAULIC CIRCUITS

FIGURE 8-3. DUMP CIRCUIT G6-42A

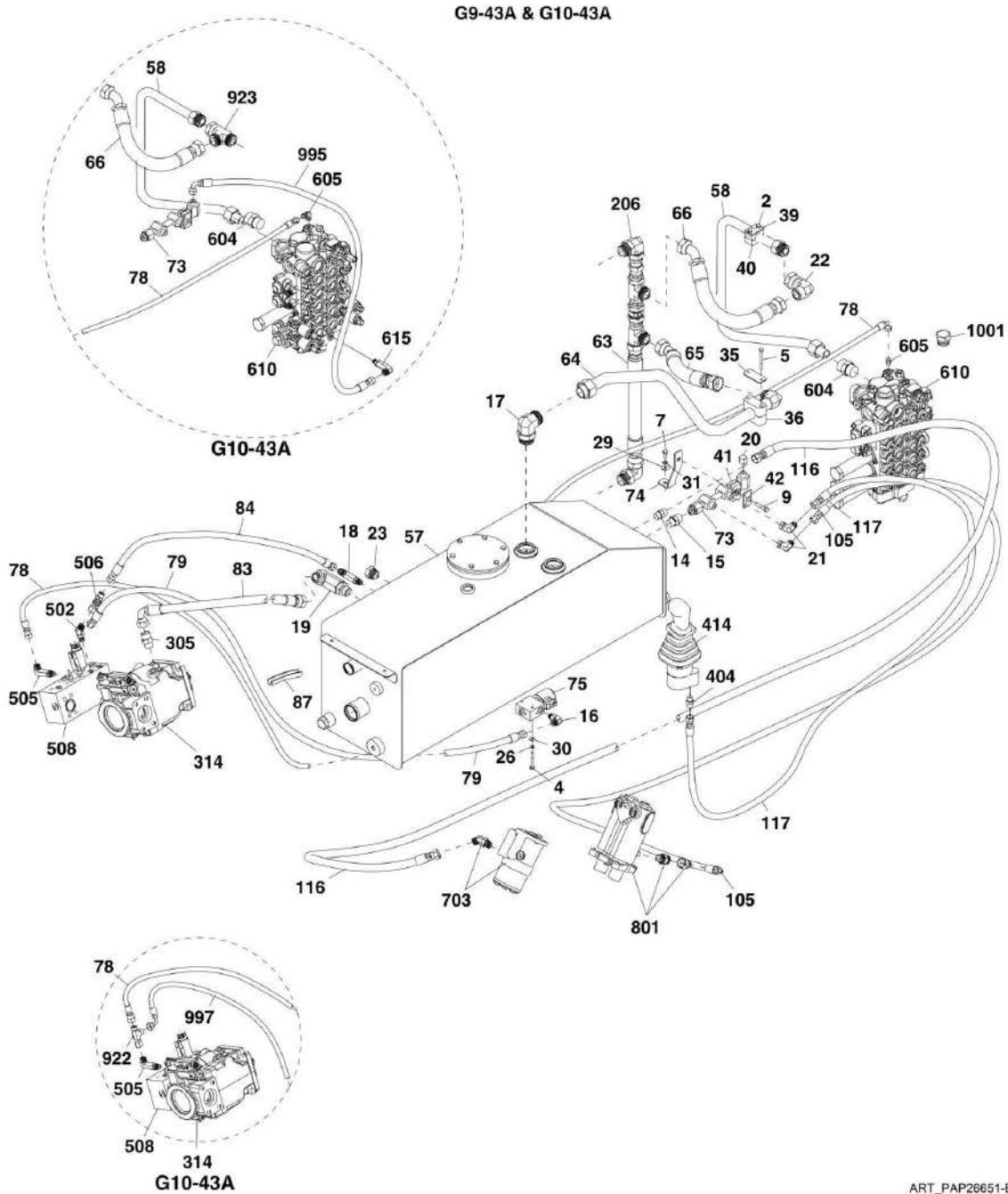
ITEM	PART NUMBER	QTY	DESCRIPTION	REV
5	0641420	2	HEX HD CAPSCREW, 1/4-20X2-1/2, GR5	
6	0641506	1	HEX HD CAPSCREW, 5/16-18X3/4, GR5	
8	0641512	1	HEX HD CAPSCREW, 5/16-18X1-1/2, GR5	
9	0641514	1	HEX HD CAPSCREW, 5/16-18X1-3/4, GR5	
14	2110808	1	ADAPTER, CONNECTOR, (includes o-ring)	
15	2111010	1	ADAPTER, CONNECTOR, (includes o-ring)	
16	2132020	1	ADAPTER, 90, (includes o-ring)	
17	2170206	1	ADAPTER, 90, (includes o-ring)	
18	2170906	1	ADAPTER, CAP	
19	2170912	1	ADAPTER, CAP	
20	2172106	2	ADAPTER, 90, (includes o-ring)	
21	2172316	1	ADAPTER, 45, (includes o-ring)	
22	2220240	2	ADAPTER, PLUG	
25	4751500	1	WASHER, 5/16	
27	4761500	1	LOCKWASHER, 5/16	
30	8750001	1	COVER PLATE	
31	8750005	1	CLAMP SET	
34	77133136	1	TWIN CLAMP	
35	77133137	1	CLAMP SET	
36	77133139	1	CLAMP SET	
37	77133140	1	COVER PLATE	
55	1001106786	1	HYDRAULIC PIPE	
59		Ref	HYDRAULIC TANK, (See HYDRAULIC COMPONENTS SECTION for Breakdown)	
64	1001130065	1	HOSE ASSY	
65	1001130126	1	HOSE ASSY	
66	1001132126	1	HYDRAULIC RETURN PIPE	
68	1001133267	1	HOSE ASSY	
69	1001133896	1	HYDRAULIC RETURN PIPE	
70	1001134142	1	BRACKET	
74	1001134969	1	HOSE ASSY	
105	1001134210	1	HOSE ASSY	
115	1001132112	1	HOSE ASSY	
117	1001132383	1	HOSE ASSY	
201		Ref	BRAKE VALVE, (See CONTROLS SECTION for Breakdown)	
202		Ref	STEERING CONTROL VALVE, (See CONTROLS SECTION for Breakdown)	
203		Ref	BOOM JOYSTICK, (See CONTROLS SECTION for Breakdown)	
204		Ref	RADIATOR, (See ENGINE AND ATTACHING PARTS SECTION for Breakdown)	
304	2111212	1	ADAPTER, CONNECTOR, (includes o-ring)	
308	2172112	1	ADAPTER, 90, (includes o-ring)	
309		Ref	MAIN CONTROL VALVE, (See HYDRAULIC COMPONENTS SECTION for Breakdown)	
401	2130606	1	ADAPTER, 90, (includes o-ring)	
411		Ref	PRIORITY VALVE, (See HYDRAULIC COMPONENTS SECTION for Breakdown)	
501	0641608	5	HEX HD CAPSCREW, 3/8-16X1, GR5	
502	0641610	2	HEX HD CAPSCREW, 3/8-16X1-1/4, GR5	
508	4711600	7	WASHER, 3/8	
515	1001134990	1	VALVE MOUNT PLATE	

SECTION 8 - HYDRAULIC CIRCUITS

ITEM	PART NUMBER	QTY	DESCRIPTION	REV
617	2130604	1	ADAPTER, 90, (includes o-ring), (if equipped with tilt on joystick)	
620	2170706	1	ADAPTER, RUN TEE, (includes o-ring), (if equipped with tilt on joystick)	
679	1001135904	1	HOSE ASSY, (if equipped with tilt on joystick)	
683		Ref	TILT VALVE SOLENOID, (if equipped with tilt on joystick) , (See HYDRAULIC COMPONENTS SECTION for Breakdown)	

SECTION 8 - HYDRAULIC CIRCUITS

FIGURE 8-4. DUMP CIRCUIT G9-43A & G10-43A



SECTION 8 - HYDRAULIC CIRCUITS

FIGURE 8-4. DUMP CIRCUIT G9-43A & G10-43A

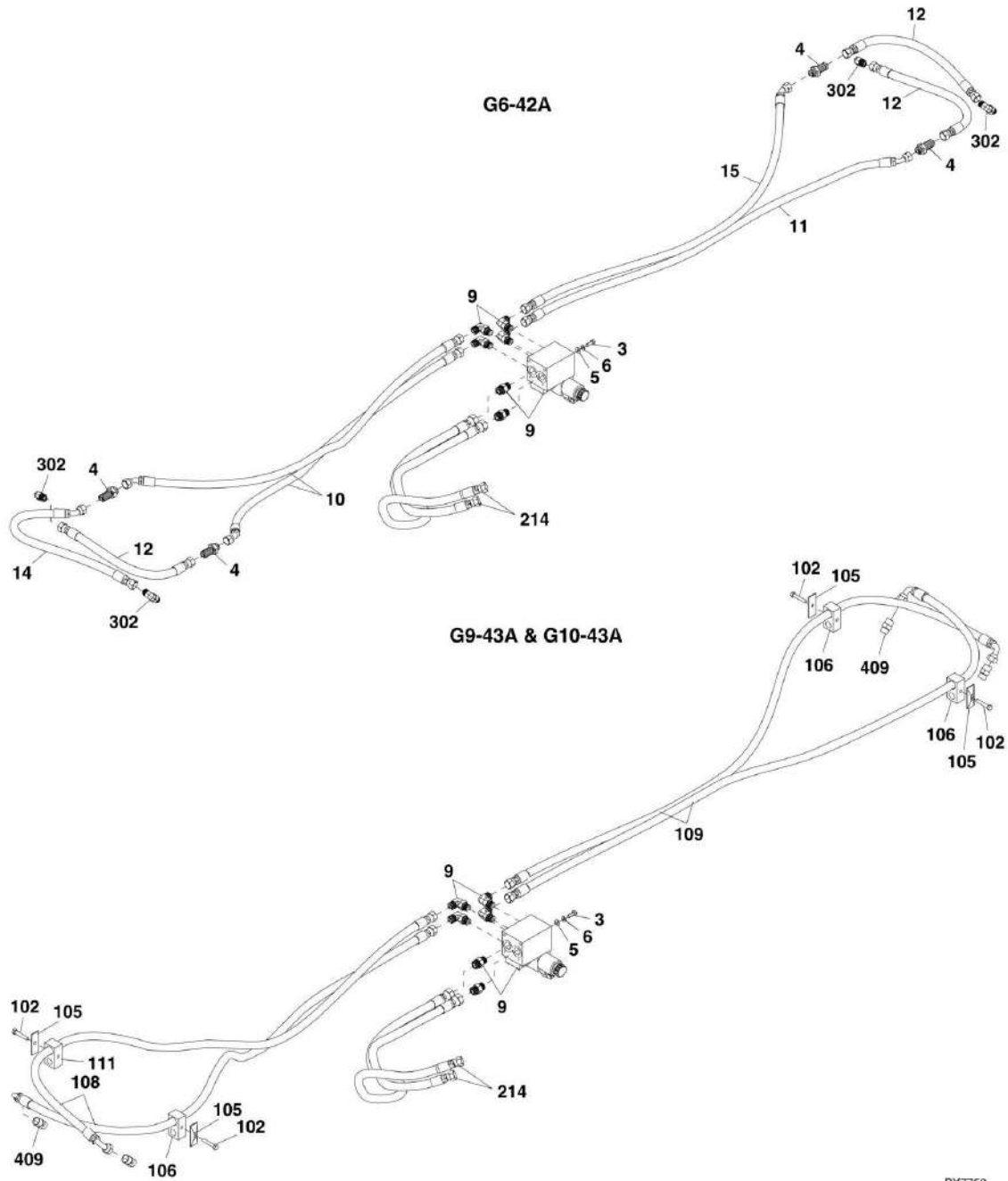
ITEM	PART NUMBER	QTY	DESCRIPTION	REV
2	0641412	2	HEX HD CAPSCREW, 1/4-20X1-1/2, GR5	
4	0641416	2	HEX HD CAPSCREW, 1/4-20X2, GR5	
5	0641420	2	HEX HD CAPSCREW, 1/4-20X2-1/2, GR5	
7	0641506	1	HEX HD CAPSCREW, 5/16-18X3/4, GR5	
9	0641512	1	HEX HD CAPSCREW, 5/16-18X1-1/2, GR5	
14	2110808	1	ADAPTER, CONNECTOR, (includes o-ring)	
15	2111010	1	ADAPTER, CONNECTOR, (includes o-ring)	
16	2130606	1	ADAPTER, 90, (includes o-ring)	
17	2132020	1	ADAPTER, 90, (includes o-ring)	
18	2170206	1	ADAPTER, 90, (long), (includes o-ring)	
19	2170212	1	ADAPTER, 90, (long), (includes o-ring)	
20	2170906	1	ADAPTER, CAP	
21	2172106	2	ADAPTER, 90, (includes o-ring)	
22	2172116	1	ADAPTER, 90, (includes o-ring)	
23	2220240	1	ADAPTER, PLUG	
26	4711400	2	WASHER	
29	4751500	1	WASHER, 5/16	
30	4761400	2	LOCKWASHER, 1/4	
31	4761500	1	LOCKWASHER, 5/16	
35	8750001	1	COVER PLATE	
36	8750005	1	CLAMP SET	
39	77133052	1	COVER PLATE	
40	77133073	1	CLAMP	
41	77133139	1	CLAMP SET	
42	77133140	1	COVER PLATE	
57		Ref	HYDRAULIC TANK, (See HYDRAULIC COMPONENTS SECTION for Breakdown)	
58	1001122407	1	INLET PIPE	
63	1001130065	1	HOSE ASSY	
64	1001130085	1	RETURN PIPE	
65	1001130126	1	HOSE ASSY	
66	1001130127	1	HOSE ASSY	
73	1001133896	1	RETURN PIPE	
74	1001134142	1	WELD BRACKET	
75	1001136501	1	PRESSURE REDUCING VALVE	
78	1001136955	1	HOSE ASSY	
78	1001136955	1	HOSE ASSY, (G9-43A, if equipped with tilt on joystick), (G10-43A)	
79	1001136977	1	HOSE ASSY	
83	1001130904	1	HOSE ASSY	
84	1001130905	1	HOSE ASSY	
105	1001134210	1	HOSE ASSY	
116	1001132112	1	HOSE ASSY	
117	1001132383	1	HOSE ASSY	
117		Ref	HOSE ASSY, (G9-43A, if equipped with tilt on joystick), (G10-43A), (See BOOM JOYSTICK CIRCUIT for Breakdown)	
206		Ref	ADAPTER, 90, (See ENGINE AND ATTACHING PARTS SECTION for Breakdown)	
305	2111010	1	ADAPTER, CONNECTOR, (includes o-ring)	
314		Ref	HYDRAULIC PUMP, (See HYDRAULIC COMPONENTS SECTION for Breakdown)	

SECTION 8 - HYDRAULIC CIRCUITS

ITEM	PART NUMBER	QTY	DESCRIPTION	REV
404		Ref	ADAPTER, CONNECTOR, (See BOOM JOYSTICK CIRCUIT for Breakdown)	
414		Ref	BOOM JOYSTICK, (See CONTROLS SECTION for Breakdown)	
502	2150606	1	ADAPTER, 45, (includes o-ring)	
505	2170206	1	ADAPTER, 90, (long), (includes o-ring)	
506	2170706	1	ADAPTER, RUN TEE, (includes o-ring)	
508		Ref	HYDRAULIC MANIFOLD, (See HYDRAULIC COMPONENTS SECTION for Breakdown)	
604	2111616	1	ADAPTER, CONNECTOR, (includes o-ring)	
605	2110404	1	ADAPTER, CONNECTOR, (includes o-ring)	
605	2130404	1	ADAPTER, 90, (includes o-ring), (G10-43A)	
610		Ref	MAIN CONTROL VALVE, (See HYDRAULIC COMPONENTS SECTION for Breakdown)	
615	2170206	1	ADAPTER, 90, (long), (includes o-ring), (G10-43A)	
703		Ref	STEERING CONTROL VALVE, (See CONTROLS SECTION for Breakdown)	
801		Ref	BRAKE VALVE, (See CONTROLS SECTION for Breakdown)	
922	2170706	1	ADAPTER, RUN TEE, (includes o-ring)	
923	2170716	1	ADAPTER, RUN TEE, (includes o-ring)	
995	1001132506	1	HOSE ASSY, (G9-43A, if equipped with tilt on joystick), (G10-43A)	
997	1001132704	1	HOSE ASSY	
1001	2220242	1	ADAPTER PLUG, (if equipped with main control valve)	

SECTION 8 - HYDRAULIC CIRCUITS

FIGURE 8-5. STEER SELECT CIRCUIT



PY7750

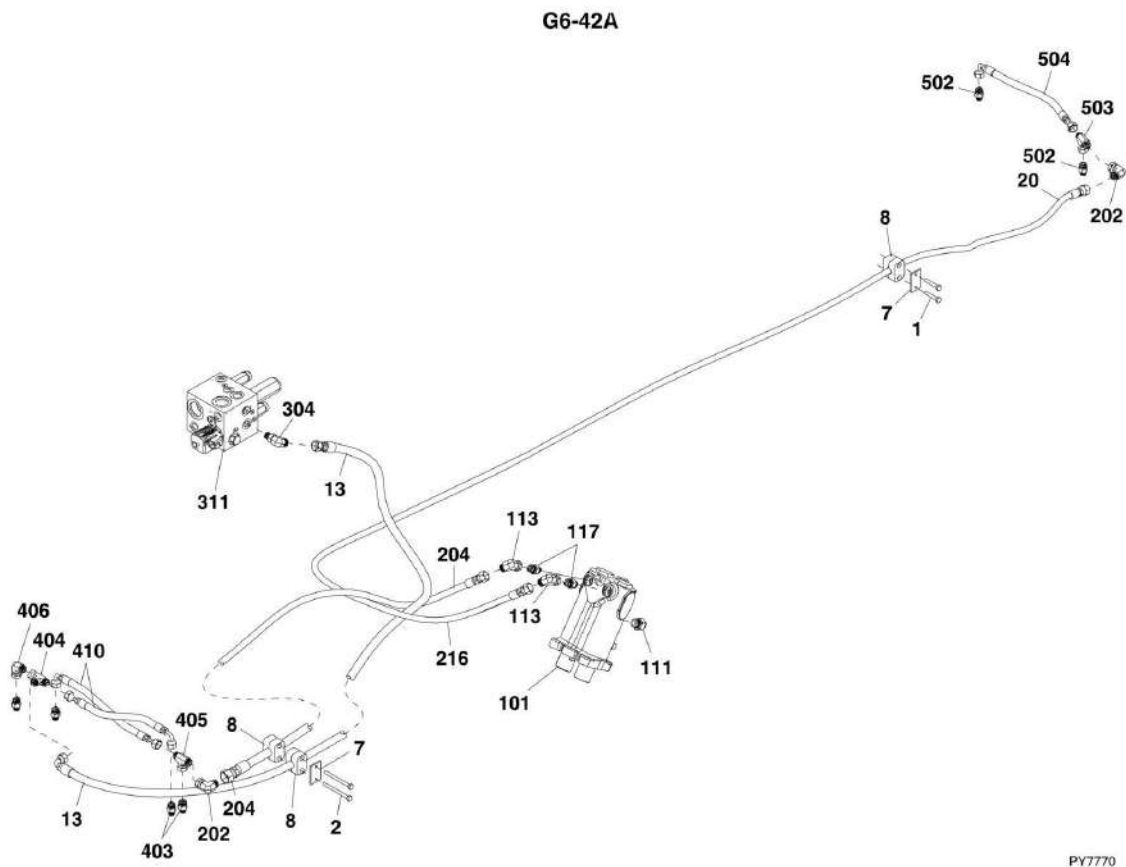
SECTION 8 - HYDRAULIC CIRCUITS

FIGURE 8-5. STEER SELECT CIRCUIT

ITEM	PART NUMBER	QTY	DESCRIPTION	REV
	1001132495	Ref	DRIVETRAIN HYDRAULIC INSTALLATION, (G6-42A), (not available to order, see items 3 thru 15 for service)	C
	1001132005	Ref	DRIVETRAIN HYDRAULIC INSTALLATION, (G9-43A & G10-43A), (not available to order, see items 3, 5 thru 9 & 102 thru 111 for service)	C
3	0641506	4	HEX HD CAPSCREW, 5/16-18X3/4, GR5, (torque to 17lb-ft/23Nm)	
4	2171108	4	BULKHEAD UNION, 3/4-16X1/2, TUBE	
5	4711500	4	FLAT WASHER, 5/16	
6	4761500	4	LOCKWASHER, 5/16	
9		Ref	STEER SELECT VALVE, (See HYDRAULIC COMPONENTS SECTION for Breakdown)	
10	1001096950	2	HOSE ASSY	
11	1001096952	1	HOSE ASSY	
12	1001097745	3	HOSE ASSY	
14	1001148921	1	HOSE ASSY	
15	1001148924	1	HOSE ASSY	
102	0641514	4	HEX HD CAPSCREW, 5/16-18X1-3/4, GR5	
105	77133137	4	TWIN CLAMP COVER PLATE	
106	80933140	3	CLAMP SET	
108	1001098440	2	HOSE ASSY	
109	1001098441	2	HOSE ASSY	
111	77323029	1	CLAMP SET	
214	1001096390	2	HOSE ASSY	
302	2130808	4	ADAPTER, 90, (includes o-ring)	
409	2110808	4	ADAPTER, CONNECTOR, (includes o-ring)	

SECTION 8 - HYDRAULIC CIRCUITS

FIGURE 8-6. SERVICE BRAKE CIRCUIT G6-42A



PY7770

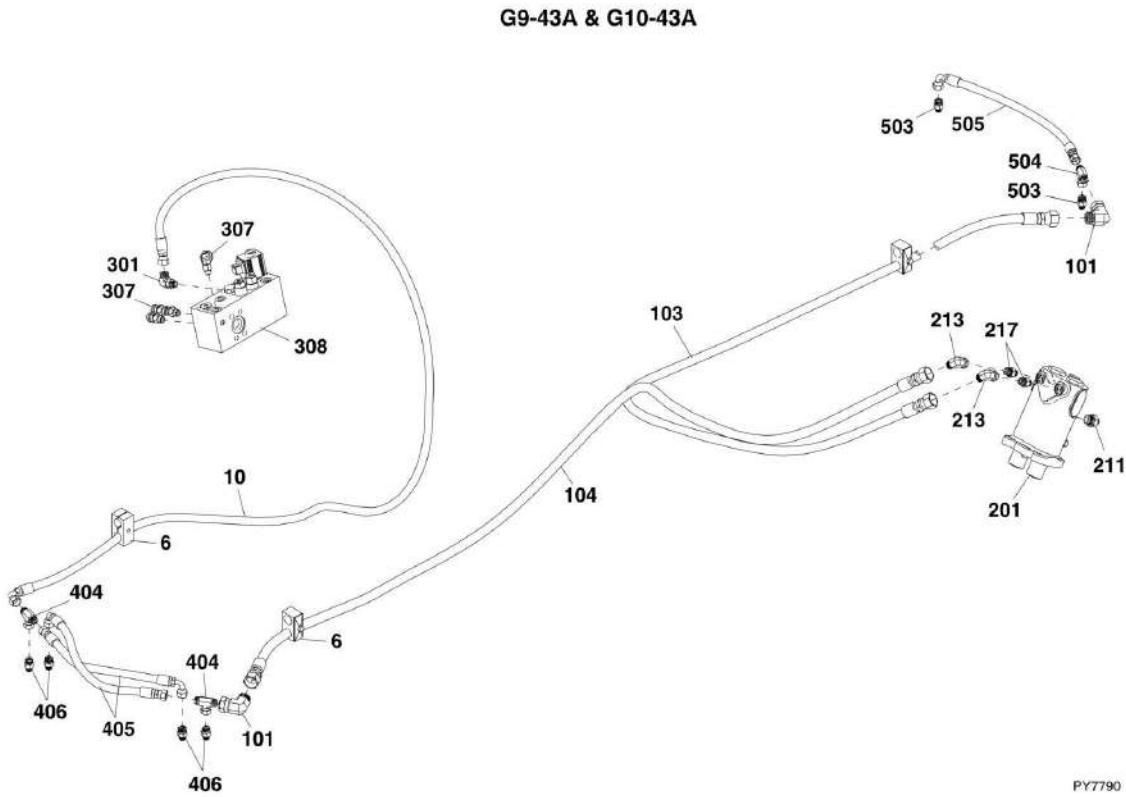
SECTION 8 - HYDRAULIC CIRCUITS

FIGURE 8-6. SERVICE BRAKE CIRCUIT G6-42A

ITEM	PART NUMBER	QTY	DESCRIPTION	REV
1	0641412	2	HEX HD CAPSCREW, 1/4-20X1-1/2, GR5	
2	0641424	2	HEX HD CAPSCREW, 1/4-20X3, GR5	
7	77133052	2	COVER PLATE	
8	8769154	3	CLAMP SET	
13	1001134986	1	HOSE ASSY	
101		Ref	POWER BRAKE VALVE, (See HYDRAULIC COMPONENTS SECTION for Breakdown)	
111		Ref	ADAPTER, CONNECTOR, (See CONTROLS SECTION for Breakdown)	
113	2172106	2	ADAPTER, 90, (includes o-ring)	
117	2144605	2	ADAPTER, CONNECTOR, (includes o-ring)	
202	2172106	2	ADAPTER, 90, (includes o-ring)	
204	1001132380	1	HOSE ASSY	
216	1001132377	1	HOSE ASSY	
304	2150606	1	ADAPTER, 90, (includes o-ring)	
311		Ref	PRIORITY VALVE, (See HYDRAULIC COMPONENTS SECTION for Breakdown)	
403	2144605	4	ADAPTER, CONNECTOR, (includes o-ring)	
404	2170706	1	ADAPTER, RUN TEE, (includes o-ring)	
405	2170806	1	ADAPTER, BRANCH TEE, (includes o-ring)	
406	2172106	1	ADAPTER, 90, (includes o-ring)	
410	1001139375	2	HOSE ASSY	
502	2144605	2	ADAPTER, CONNECTOR, (includes o-ring)	
503	2170806	1	ADAPTER, BRANCH TEE, (includes o-ring)	
504	1001139375	1	HOSE ASSY	

SECTION 8 - HYDRAULIC CIRCUITS

FIGURE 8-7. SERVICE BRAKE CIRCUIT G9-43A & G10-43A



PY7790

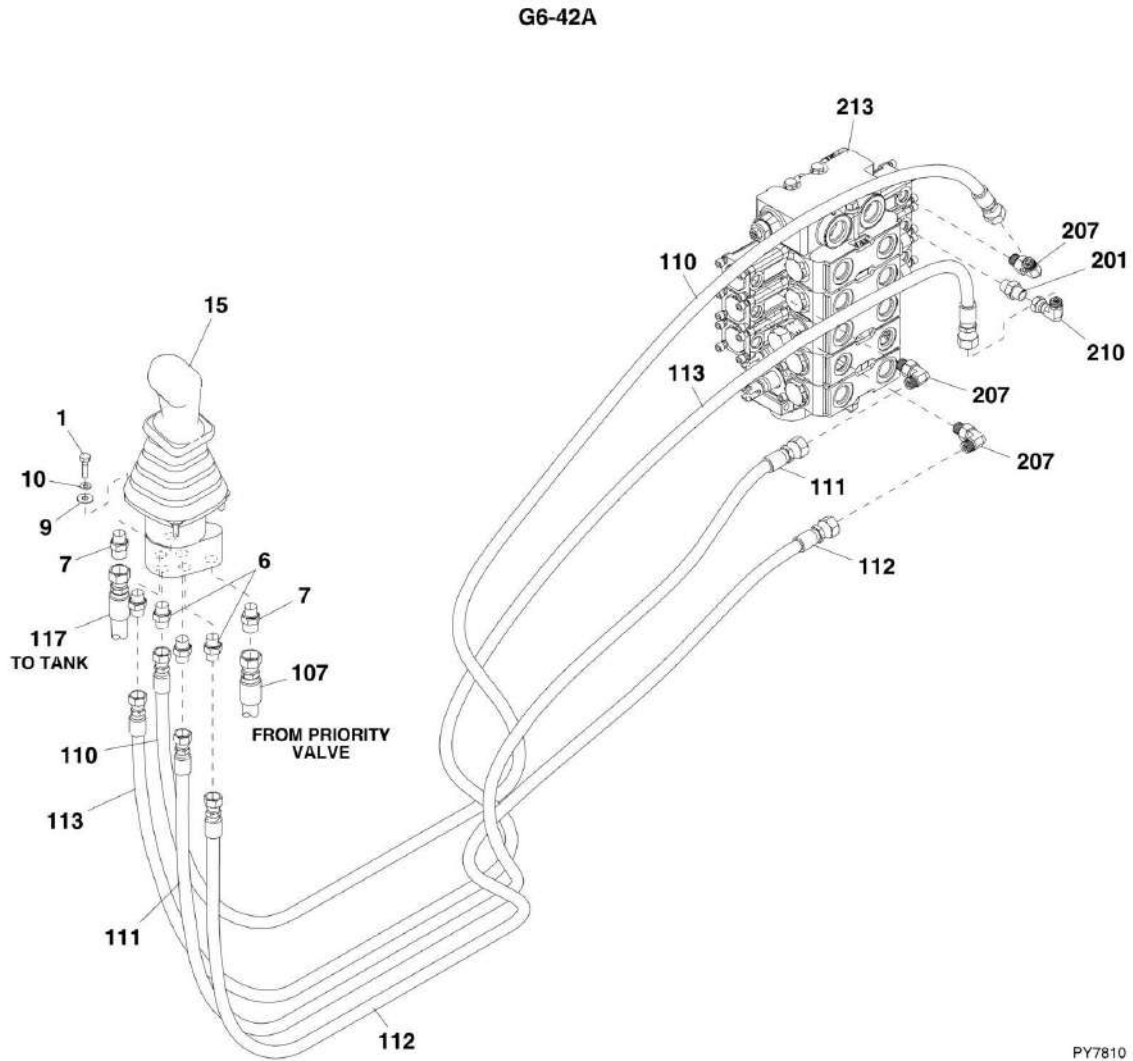
SECTION 8 - HYDRAULIC CIRCUITS

FIGURE 8-7. SERVICE BRAKE CIRCUIT G9-43A & G10-43A

ITEM	PART NUMBER	QTY	DESCRIPTION	REV
6		Ref	CLAMP SET, (See STEER SELECT CIRCUIT for Breakdown)	
10	1001130214	1	HOSE ASSY	
101	2172106	2	ADAPTER, 90, (includes o-ring)	
103	1001132377	1	HOSE ASSY	
104	1001132380	1	HOSE ASSY	
201		Ref	POWER BRAKE VALVE, (See HYDRAULIC COMPONENTS SECTION for Breakdown)	
211		Ref	ADAPTER, CONNECTOR, (See CONTROLS SECTION for Breakdown)	
213	2172106	2	ADAPTER, 90, (includes o-ring)	
217	2144605	2	ADAPTER, CONNECTOR, (includes o-ring)	
301		Ref	ADAPTER, 90, (includes o-ring)	
307	77133089	4	MINI-CHECK	
308		Ref	PRIORITY MANIFOLD, (See HYDRAULIC COMPONENTS SECTION for Breakdown)	
404	2170806	2	ADAPTER, BRANCH TEE, (includes o-ring)	
405	1001097466	2	HOSE ASSY	
406	2144605	4	ADAPTER, CONNECTOR, (includes o-ring)	
503	2144605	2	ADAPTER, CONNECTOR, (includes o-ring)	
504	2170806	1	ADAPTER, BRANCH TEE, (includes o-ring)	
505	1001097466	1	HOSE ASSY	

SECTION 8 - HYDRAULIC CIRCUITS

FIGURE 8-8. BOOM JOYSTICK CIRCUIT G6-42A



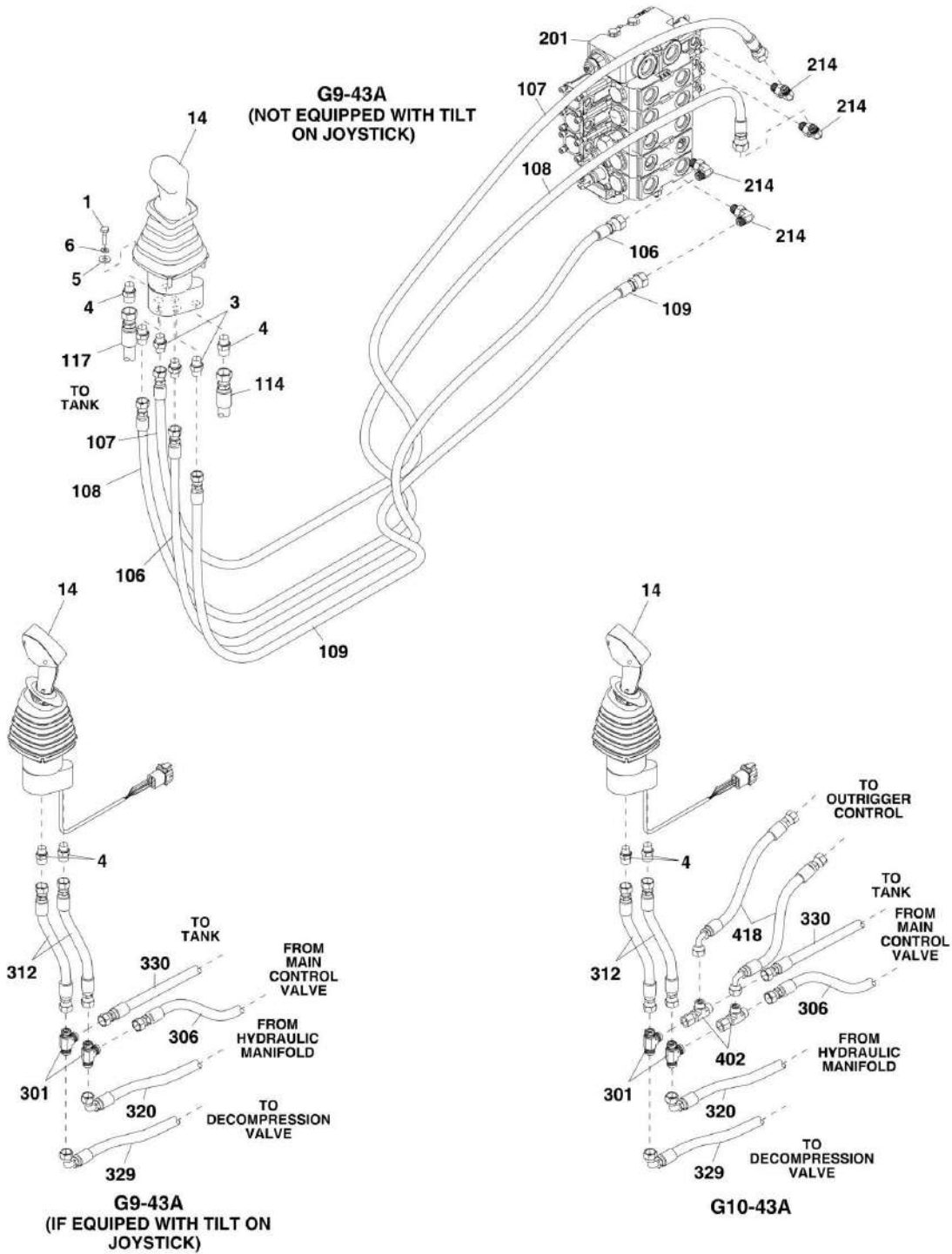
SECTION 8 - HYDRAULIC CIRCUITS

FIGURE 8-8. BOOM JOYSTICK CIRCUIT G6-42A

ITEM	PART NUMBER	QTY	DESCRIPTION	REV
1	0641408	4	HEX HD CAPSCREW, 1/4-20X1, GR5	
6	2110406	4	ADAPTER, CONNECTOR, (includes o-ring)	
7	2110606	2	ADAPTER, CONNECTOR, (includes o-ring)	
9	4751400	4	WASHER, 1/4	
10	4761400	4	LOCKWASHER, 1/4	
15		Ref	BOOM JOYSTICK, (See CONTROLS SECTION for Breakdown)	
107		Ref	HOSE ASSY, (See DUMP CIRCUIT for Breakdown)	
110	1001135966	1	HOSE ASSY	
111	1001135967	1	HOSE ASSY	
112	1001135968	1	HOSE ASSY	
113	1001135969	1	HOSE ASSY	
117		Ref	HOSE ASSY, (See SUPPLY CIRCUIT for Breakdown)	
201	2110406	1	ADAPTER, CONNECTOR, (includes o-ring)	
207	2170206	3	ADAPTER, 90, (includes o-ring)	
210	2130606	1	ADAPTER, 90, (includes o-ring)	
213		Ref	MAIN CONTROL VALVE, (See HYDRAULIC COMPONENTS SECTION for Breakdown)	

SECTION 8 - HYDRAULIC CIRCUITS

FIGURE 8-9. BOOM JOYSTICK CIRCUIT G9-43A & G10-43A



PY7830

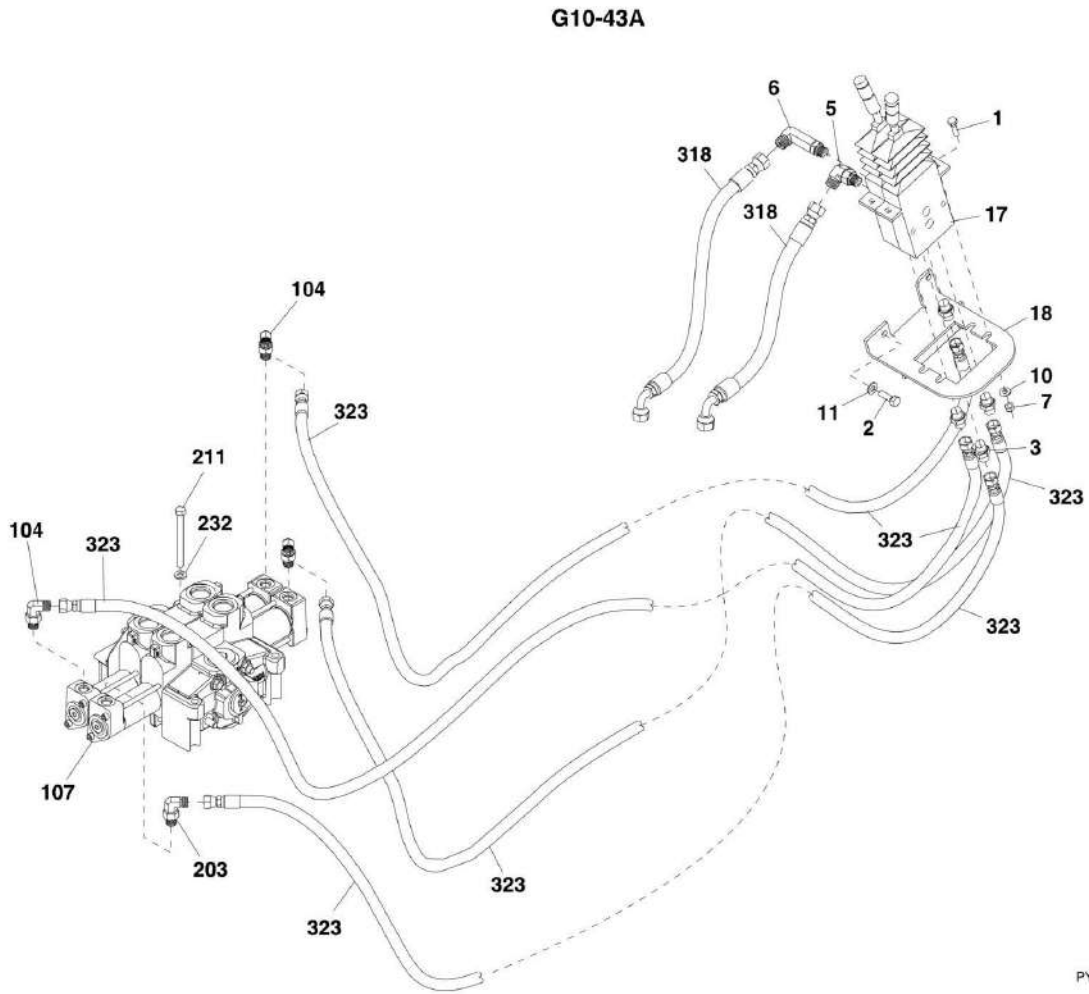
SECTION 8 - HYDRAULIC CIRCUITS

FIGURE 8-9. BOOM JOYSTICK CIRCUIT G9-43A & G10-43A

ITEM	PART NUMBER	QTY	DESCRIPTION	REV
1	0641408	4	HEX HD CAPSCREW, 1/4-20X1, GR5	
3	2110406	4	ADAPTER, CONNECTOR, (includes o-ring)	
4	2110606	2	ADAPTER, CONNECTOR, (includes o-ring)	
5	4751400	4	WASHER, 1/4	
6	4761400	4	LOCKWASHER, 1/4	
14		Ref	BOOM JOYSTICK, (See CONTROLS SECTION for Breakdown)	
106	1001135966	1	HOSE ASSY	
107	1001135967	1	HOSE ASSY	
108	1001135968	1	HOSE ASSY	
109	1001135969	1	HOSE ASSY	
114		Ref	HOSE ASSY, (See SUPPLY CIRCUIT for Breakdown)	
117		Ref	HOSE ASSY, (See DUMP CIRCUIT for Breakdown)	
201		Ref	MAIN CONTROL VALVE, (See HYDRAULIC COMPONENTS SECTION for Breakdown)	
214	2130406	4	ADAPTER, 90, (includes o-ring), (G9-43A, not equipped with tilt on joystick), (G10-43A)	
214	2130606	4	ADAPTER, 90, (includes o-ring), (G9-43A, if equipped with tilt On joystick)	
301	2170506	2	ADAPTER, RUN TEE, (includes o-ring)	
306	1001132395	1	HOSE ASSY	
312	1001136439	2	HOSE ASSY	
320	1001132394	1	HOSE ASSY	
329		Ref	HOSE ASSY, (See AUXILIARY HYDRAULIC CIRCUIT for Breakdown)	
330	1001132417	1	HOSE ASSY	
402	2170706	2	ADAPTER, RUN TEE, (includes o-ring)	
418	1001152168	2	HOSE ASSY	

SECTION 8 - HYDRAULIC CIRCUITS

FIGURE 8-10. OUTRIGGER CONTROLLER G10-43A



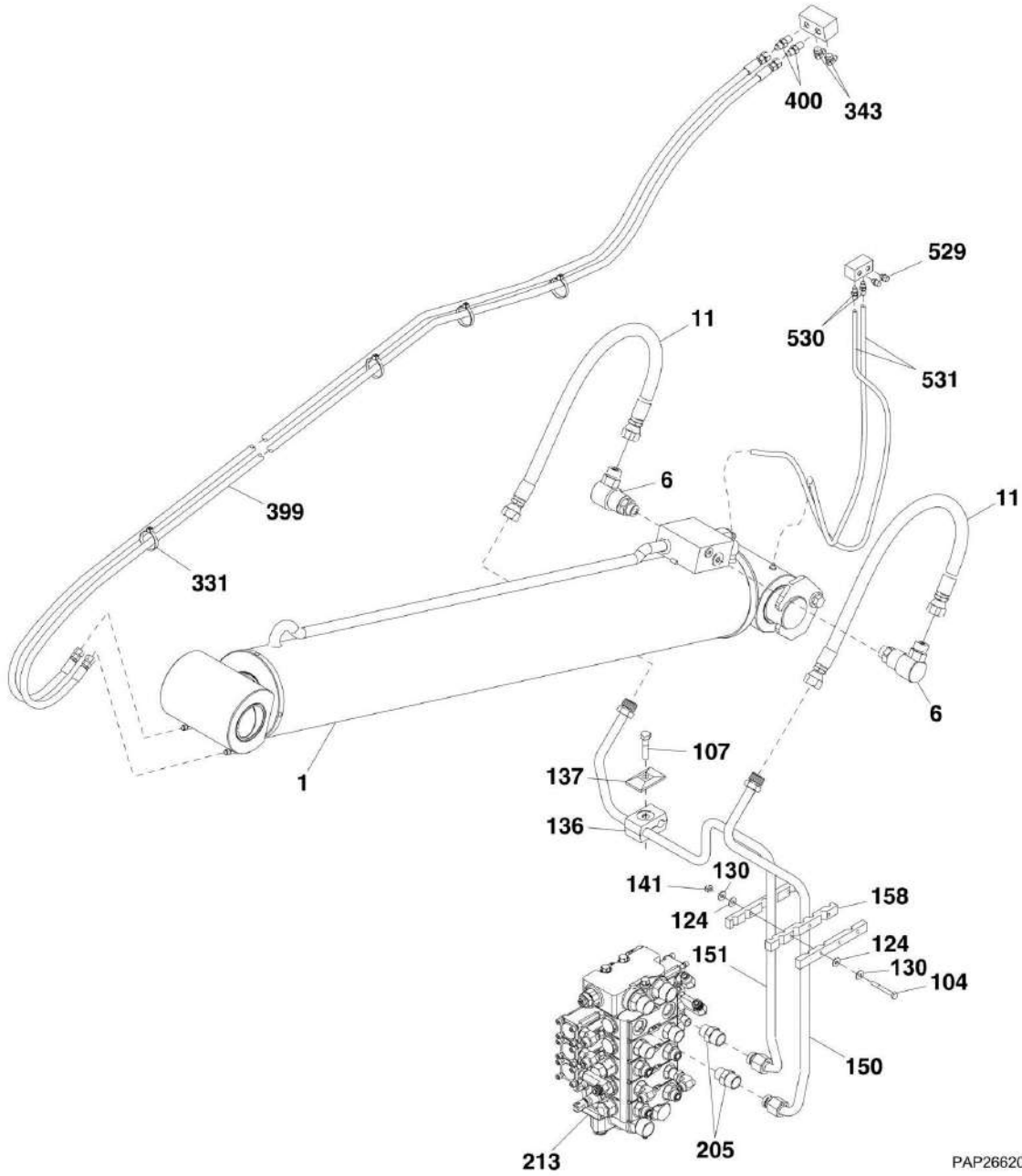
SECTION 8 - HYDRAULIC CIRCUITS

FIGURE 8-10. OUTRIGGER CONTROLLER G10-43A

ITEM	PART NUMBER	QTY	DESCRIPTION	REV
1	0641408	4	HEX HD CAPSCREW, 1/4-20X1, GR5	
2	0641508	3	HEX HD CAPSCREW, 5/16-18X1, GR5	
3	2110406	4	ADAPTER, CONNECTOR, (includes o-ring)	
5	2130606	1	ADAPTER, 90, (includes o-ring)	
6	2170206	1	ADAPTER, 90, (includes o-ring)	
7	3311405	4	HEX LOCKNUT, 1/4-20	
10	4711400	4	WASHER, 1/4	
11	4711500	3	WASHER, 5/16	
17		Ref	CONTROLLER, (See CONTROLS SECTION for Breakdown)	
18	1001090021	1	BRACKET	
104	2130406	4	ADAPTER, 90, (includes o-ring)	
107		Ref	OUTRIGGER VALVE ASSY, (See HYDRAULIC COMPONENTS SECTION for Breakdown)	
211	0641520	3	HEX HD CAPSCREW, 5/16-18X2-1/2, GR5	
232	4711500	3	WASHER, 5/16	
318		Ref	HOSE ASSY, (See BOOM JOYSTICK CIRCUIT for Breakdown)	
323	1001136489	4	HOSE ASSY	

SECTION 8 - HYDRAULIC CIRCUITS

FIGURE 8-11. LIFT CYLINDER CIRCUIT



PAP26620

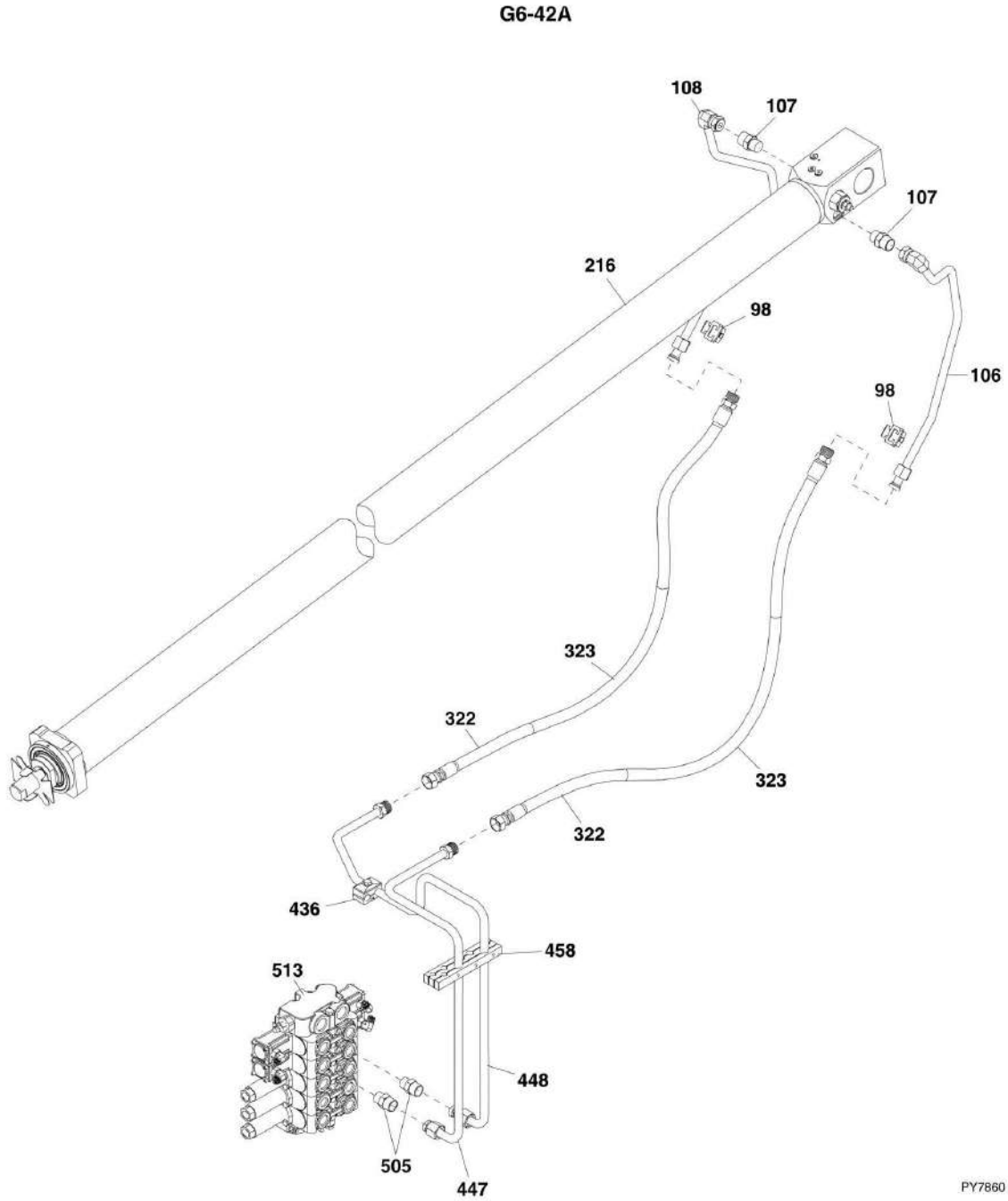
SECTION 8 - HYDRAULIC CIRCUITS

FIGURE 8-11. LIFT CYLINDER CIRCUIT

ITEM	PART NUMBER	QTY	DESCRIPTION	REV
1		Ref	LIFT CYLINDER, (See HYDRAULIC COMPONENTS SECTION for Breakdown)	
6	1001001250	2	FITTING, 90, (G6-42A)	
6	2131212	2	FITTING, 90, (G9-43A & G10-43A)	
11	1001098560	2	HOSE ASSY, (G6-42A)	
11	1001105159	2	HOSE ASSY, (G9-43A & G10-43A)	
104	0641418	3	HEX HD CAPSCREW, 1/4-20X 1/4, GR52, (G6-42A)	
104	0641430	4	HEX HD CAPSCREW, 1/4-20X3-3/4, GR5 (G9-43A & G10-43A)	
107	0641511	1	HEX HD CAPSCREW, 5/16-18X1-3/8, GR5	
124	4751400	8	WASHER, 1/4	
130	4761400	4	LOCKWASHER, 1/4 (G9-43A & G10-43A)	
136	77133139	1	CLAMP SET	
137	77133140	1	COVER PLATE	
141	3311401	4	HEX NUT, 1/4-20 (G6-42A)	
150	88521304	1	HEX NUT, 1/4-20, (G9-43A & G10-43A)	
150	1001098932	1	TUBE ASSEMBLY, (G6-42A)	
150	1001113495	1	TUBE ASSEMBLY, (G9-43A & G10-43A)	
151	1001098933	1	TUBE ASSEMBLY, (G6-42A)	
151	1001113496	1	TUBE ASSEMBLY, (G9-43A & G10-43A)	
158	1001117929	1	CLAMP, (G6-42A)	
158	1001126756	1	CLAMP (G9-43A & G10-43A)	
205	2111010	2	ADAPTER, CONNECTOR, (includes o-ring), (G6-42A)	
205	2111212	2	STRAIGHT FITTING, (includes o-ring), (G9-43A & G10-43A)	
213		Ref	MAIN CONTROL VALVE, (See HYDRAULIC COMPONENTS SECTION for Breakdown)	
331	86683122	6	TIE-WRAP	
343	2160001	2	GREASE FITTING, 1/8, (G6-42A)	
343	2160002	2	GREASE FITTING, 1/8, (G9-43A & G10-43A)	
399	84718545	2	HYDRAULIC HOSE	
400	88661002	2	ADAPTER, CONNECTOR	
529	2160002	2	GREASE FITTING, STRAIGHT, (G9-43A & G10-43A)	
530	88661002	2	ADAPTER, CONNECTOR, (G9-43A & G10-43A)	
531	84719940	2	GREASE HOSE, (G9-43A & G10-43A)	

SECTION 8 - HYDRAULIC CIRCUITS

FIGURE 8-12. EXTEND/RETRACT CYLINDER CIRCUIT G6-42A



SECTION 8 - HYDRAULIC CIRCUITS

FIGURE 8-12. EXTEND/RETRACT CYLINDER CIRCUIT G6-42A

ITEM	PART NUMBER	QTY	DESCRIPTION	REV
98	91083214	2	CUSHION CLAMP	
106	1001098362	1	HYDRAULIC TUBE	
107	2111010	2	ADAPTER, CONNECTOR, (includes o-ring)	
108	1001098363	1	HYDRAULIC TUBE	
216		Ref	CROWD CYLINDER, (See HYDRAULIC COMPONENTS SECTION for Breakdown)	
322	1001101593	2	HOSE ASSY	
323	4100026	36 in	NYLON HOSE SLEEVE	
436		Ref	CLAMP, (See LIFT CYLINDER CIRCUIT for Breakdown)	
447	1001097788	1	HYDRAULIC TUBE	
448	1001098360	1	HYDRAULIC TUBE	
458		Ref	CLAMP, (See LIFT CYLINDER CIRCUIT for Breakdown)	
505	2111010	2	ADAPTER, CONNECTOR, (includes o-ring)	
513		Ref	MAIN CONTROL VALVE, (See HYDRAULIC COMPONENTS SECTION for Breakdown)	

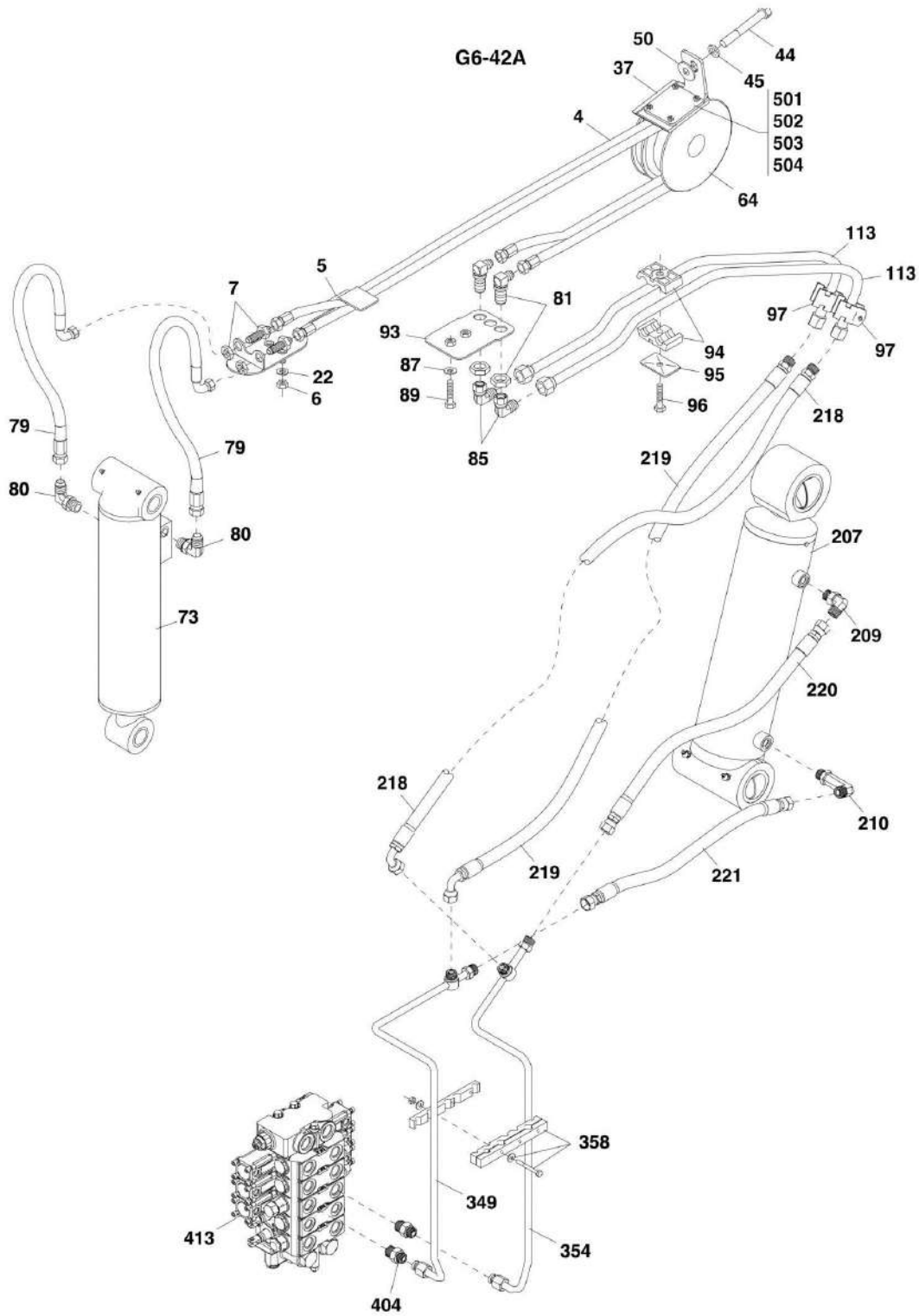
SECTION 8 - HYDRAULIC CIRCUITS

FIGURE 8-13. EXTEND/RETRACT CYLINDER CIRCUIT G9-43A & G10-43A

ITEM	PART NUMBER	QTY	DESCRIPTION	REV
2	2111212	2	CONNECTOR, (includes o-ring)	
104	1001107162	1	TUBE ASSY, (left)	
105	90207463	2	CLAMP	
114	1001102093	1	TUBE ASSY, (right)	
203	2111212	2	CONNECTOR, (includes o-ring)	
210		Ref	MAIN CONTROL VALVE, (See HYDRAULIC COMPONENTS SECTION for Breakdown)	
317		Ref	CROWD CYLINDER, (See HYDRAULIC COMPONENTS SECTION for Breakdown)	
421	1001103060	2	HOSE ASSY	
553	1001113497	1	PIPE ASSY	
554	1001113498	1	PIPE ASSY	
577		Ref	TWIN CLAMP, (See LIFT CYLINDER CIRCUIT for Breakdown)	
581		Ref	TUBES CLAMP, (See LIFT CYLINDER CIRCUIT for Breakdown)	

SECTION 8 - HYDRAULIC CIRCUITS

FIGURE 8-14. TILT CYLINDER AND COMPENSATING CYLINDER CIRCUIT G6-42A



PY7880

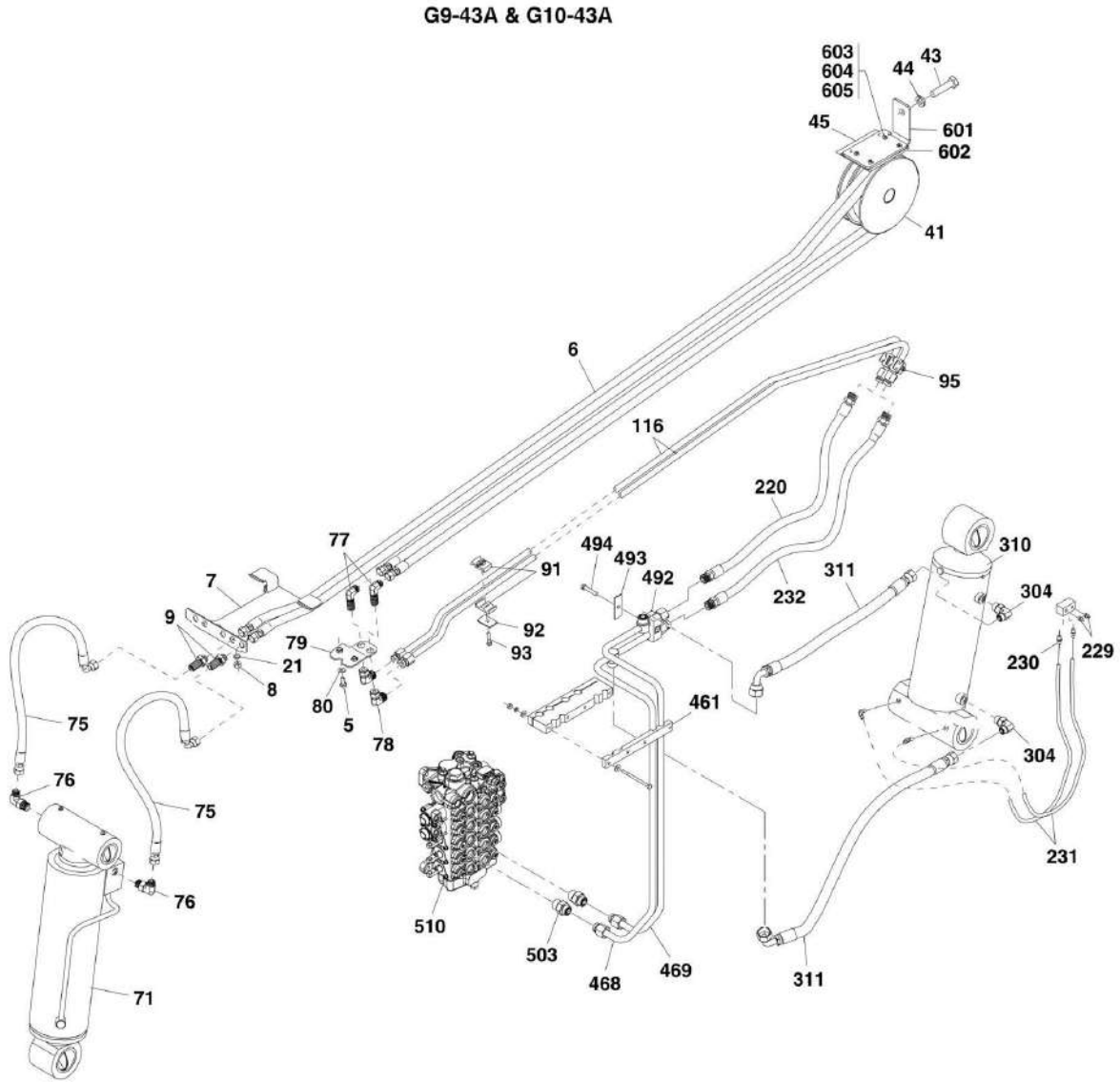
SECTION 8 - HYDRAULIC CIRCUITS

FIGURE 8-14. TILT CYLINDER AND COMPENSATING CYLINDER CIRCUIT G6-42A

ITEM	PART NUMBER	QTY	DESCRIPTION	REV
4	1001112207	1	TWIN LINE HOSE ASSY	A
5	0903293	1	HOSE RETAINER	
6	88501006	2	HEX NUT, 3/8-16	
7	2171106	2	BULKHEAD UNION, 3/8	
22	4761600	2	LOCKWASHER, 3/8	
37	91405085	1	HOSE RETAINER ASSY, (includes items 501 thru 504)	
44	0641829	1	HEX HD CAPSCREW, 1/2-13X3-5/8, GR5	
45	4761800	1	SPRING LOCKWASHER, 1/2	
50	4751800	1	WASHER, 1/2	
64	3580347	1	HOSE SHEAVE PULLY	
73		Ref	TILT CYLINDER, (See HYDRAULIC COMPONENTS SECTION for Breakdown)	
79	1001101617	2	HOSE ASSY	
80	2130610	2	ELBOW, 90, (includes o-ring)	
81	2171206	2	BULKHEAD FITTING, 90	
85	2221253	2	FITTING, 90	
87	4711600	2	FLAT WASHER, 3/8	
89	0641607	4	HEX HD CAPSCREW, 3/8-16X7/8, GR5	
93	1001090364	1	HOSE BRACKET	
94	77133168	3	CLAMP SET	
95	77133140	3	COVER PLATE	
96	0641511	3	HEX HD CAPSCREW, 0.312-18X1.375, GR5	
97	91083216	2	CLAMP ASSY	
113	1001001332	1	TUBE ASSY	
207		Ref	COMPENSATION CYLINDER, (See HYDRAULIC COMPONENTS SECTION for Breakdown)	
209	2130808	1	ELBOW, 90	
210	2170208	1	ELBOW, 90	
218	1001101588	1	HOSE ASSY	
219	1001101589	1	HOSE ASSY	
220	1001101591	1	HOSE ASSY	
221	1001101592	1	HOSE ASSY	
349	1001098361	1	TUBE ASSY	
354	1001102623	1	TUBE ASSY	
358		Ref	TUBE CLAMP, (See LIFT CYLINDER CIRCUIT for Breakdown)	
404	2110810	2	ADAPTER, CONNECTOR, (includes o-ring)	
413		Ref	MAIN CONTROL VALVE, (See HYDRAULIC COMPONENTS SECTION for Breakdown)	
501	91401435	1	HOSE RETAINER	
502	91403499	1	PAD	
503	88241023	4	FLAT HD CAPSCREW, 10-24X5/8	
504	88501612	4	HEX NUT, 10-24	

SECTION 8 - HYDRAULIC CIRCUITS

FIGURE 8-15. TILT CYLINDER AND COMPENSATING CYLINDER CIRCUIT G9-43A & G10-43A



ART_31200727-8-15

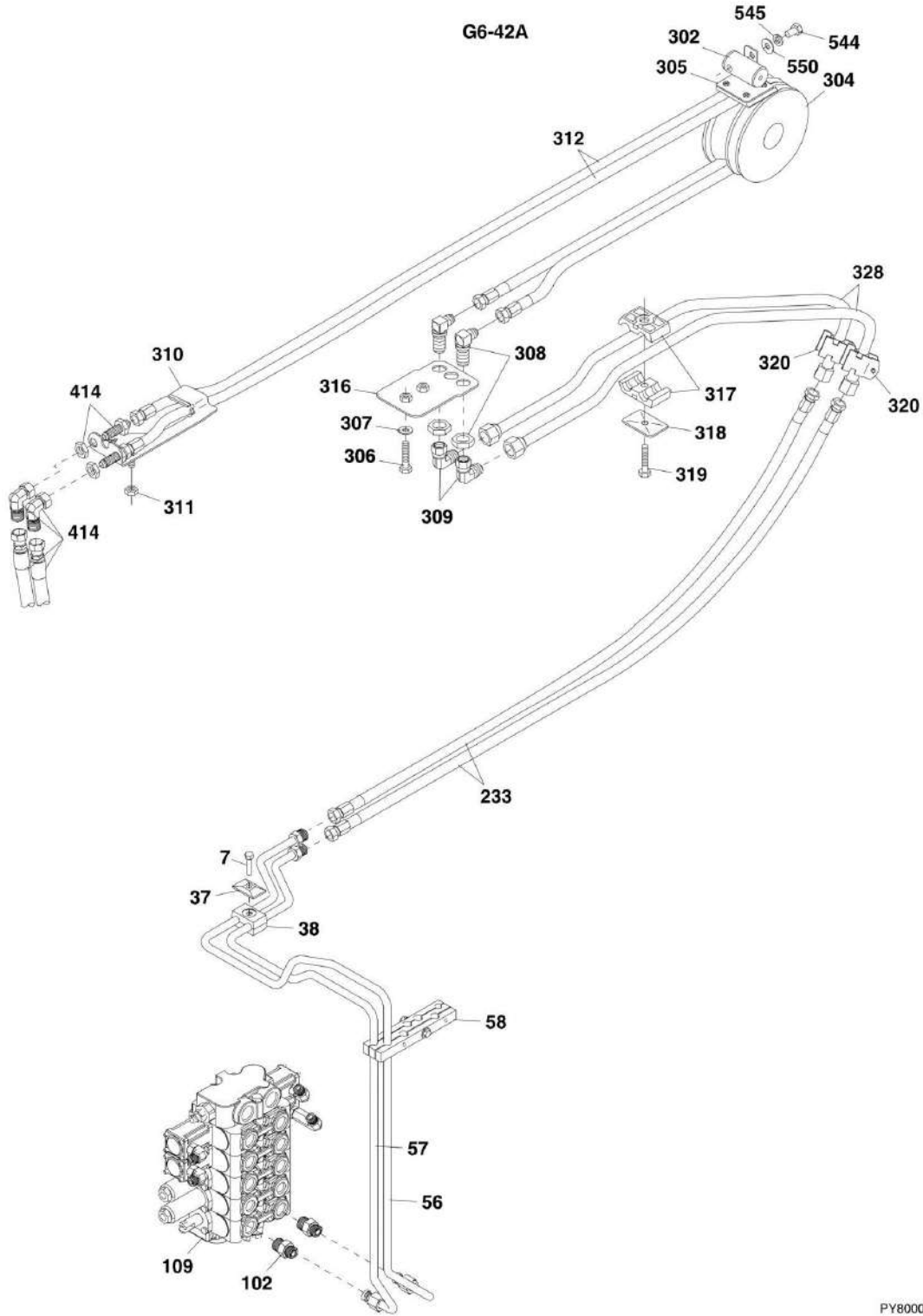
SECTION 8 - HYDRAULIC CIRCUITS

FIGURE 8-15. TILT CYLINDER AND COMPENSATING CYLINDER CIRCUIT G9-43A & G10-43A

ITEM	PART NUMBER	QTY	DESCRIPTION	REV
5	0641607	2	HEX HD CAPSCREW, 3/8-16X7/8, GR5	
6	1001102977	1	TWIN LINE HOSE	
7	1001113353	1	HOSE SUPPORT	
8	3311602	2	HEX NUT, 3/8-16	
9	2171108	2	BULKHEAD	
21	4761600	2	LOCKWASHER, 3/8	
41	3580346	1	HOSE SEAVE	
43	0641832	1	HEX HD CAPSCREW, 1/2-13X4, GR5	
44	4761800	2	LOCKWASHER, 1/2	
45	91515002	1	HOSE RETAINER ASSY, (includes items 601 thru 605)	E
71		Ref	TILT CYLINDER, (See HYDRAULIC COMPONENTS SECTION for Breakdown)	
75	1001103293	2	HOSE ASSY	
76	2130810	2	ADAPTER, 90, (includes o-ring)	
77	2171208	2	BULKHEAD, 90	
78	2221254	2	BULKHEAD, 90, (swivel nut)	
79	1001090125	1	HOSE BRACKET	
80	4711600	2	FLAT WASHER, 3/8	
91	77133139	4	CLAMP SET	
92	77133140	4	COVER PLATE	
93	77133177	4	HEX BOLT, 5/16X1-3/8	
95	91083217	2	CLAMP	
116	1001001340	1	TUBE ASSY	
220	1001103057	1	HOSE ASSY	
229	2160002	2	GREASE FITTING, STRAIGHT	
230	88661002	2	ADAPTER, CONNECTOR	
231	84719940	2	GREASE HOSE ASSY	
232	1001153342	1	HOSE ASSY	
304	2130810	2	ADAPTER, 90, (includes o-ring)	
310		Ref	COMPENSATION CYLINDER, (See HYDRAULIC COMPONENTS SECTION for Breakdown)	
311	1001103039	2	HOSE ASSY	
461		Ref	TUBE CLAMP, (See LIFT CYLINDER CIRCUIT for Breakdown)	
468	1001151641	1	PIPE ASSY	
469	1001151642	1	PIPE ASSY	
492	1001153241	1	CLAMP	
493	77133137	1	COVER PLATE	
494	0641514	1	HEX HD CAPSCREW, 5/16-18X1-3/4, GR5	
503	2111012	2	ADAPTER, CONNECTOR, (includes o-ring)	
510		Ref	MAIN CONTROL VALVE, (See HYDRAULIC COMPONENTS SECTION for Breakdown)	
601	91511050	1	HOSE RETAINER	
602	91513026	1	PAD	
603	0741005	4	FLAT HD SOCKET SCREW, 10-24X5/8	
604	88501612	4	HEX NUT, 10-24	
605	0100003	AR	LOCTITE 277	

SECTION 8 - HYDRAULIC CIRCUITS

FIGURE 8-16. AUXILIARY HYDRAULIC CIRCUIT G6-42A



PY8000

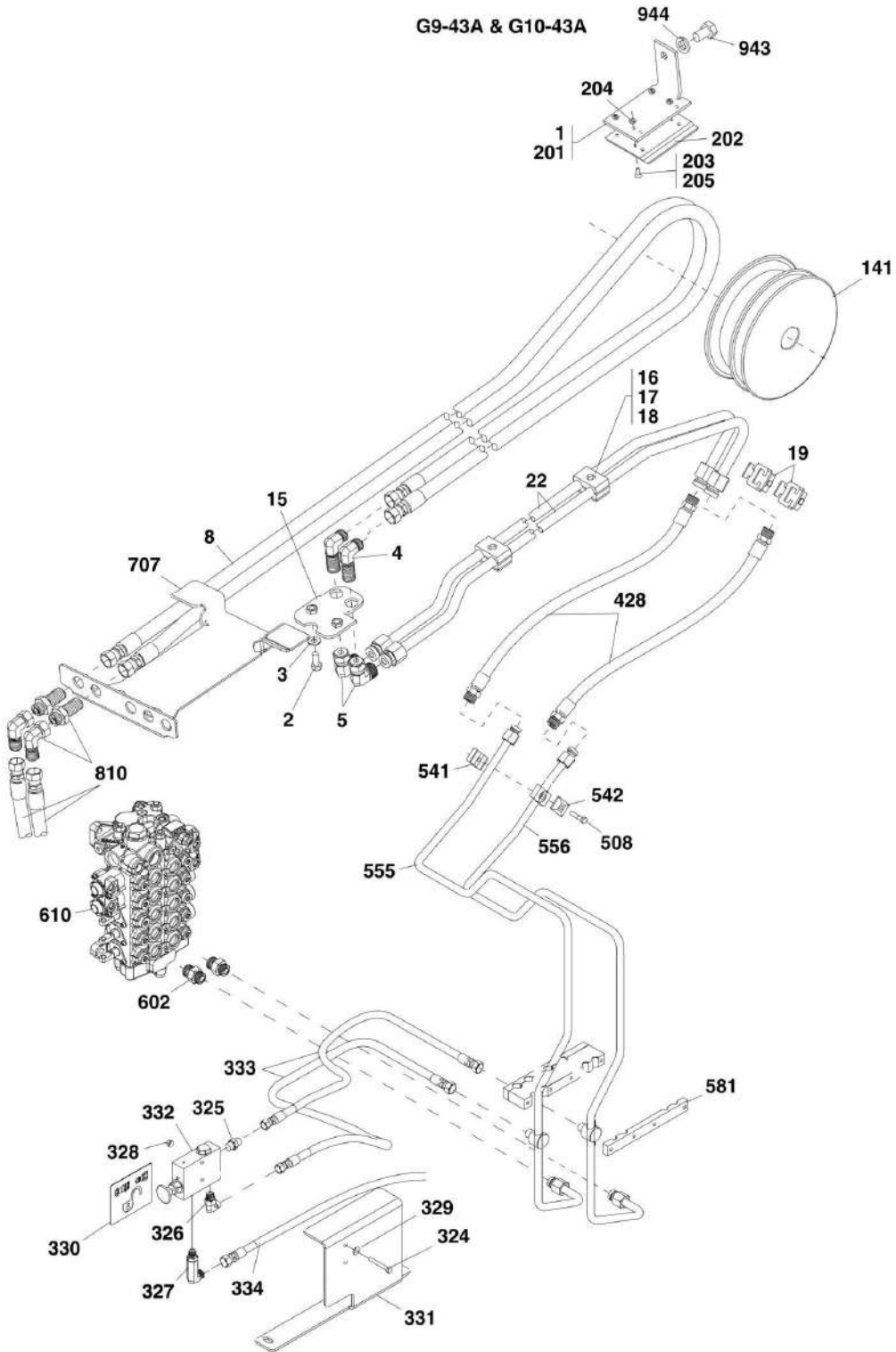
SECTION 8 - HYDRAULIC CIRCUITS

FIGURE 8-16. AUXILIARY HYDRAULIC CIRCUIT G6-42A

ITEM	PART NUMBER	QTY	DESCRIPTION	REV
7	0641511	1	HEX HD CAPSCREW, 5/16-18X1-3/8, GR5	
37	77133140	1	COVER PLATE	
38	77133168	1	CLAMP SET	
56	1001117887	1	TUBE ASSY	
57	1001117888	1	TUBE ASSY	
58		Ref	TUBE CLAMP, (See LIFT CYLINDER CIRCUIT for Breakdown)	
102	2110810	2	ADAPTER, STRAIGHT, (includes o-ring)	
109		Ref	MAIN CONTROL VALVE, (See HYDRAULIC COMPONENTS SECTION for Breakdown)	
233	1001120497	2	HOSE ASSY	
	1001100092	1	AUX HYDRAULICS ASSY, (includes items 302 thru 328)	F
302	91403127	1	THRUST WASHER	
304	3580347	1	HOSE SHEAVE PULLY	
305	91405086	1	HOSE RETAINER ASSY, (includes the following items)	B
305	91401436	1	HOSE RETAINER, RH	
305	91403499	1	PAD	
305	88241023	4	SOCKET FLAT HD CAPSCREW, 10-24X5/8	
305	88501612	4	HEX NUT, 10-24	
306	0641607	2	HEX HD CAPSCREW, 3/8-16X7/8, GR5	
307	4711600	2	FLAT WASHER, 3/8	
308	2171206	2	BULKHEAD FITTING, 90, (includes o-ring)	
309	2221253	2	ELBOW, 90	
310	1001101788	1	HOSE RETAINER	
311	88501006	2	HEX NUT, 3/8-16	
312	1001112207	1	HOSE ASSY	
316	1001090032	1	HOSE BRACKET	
317	77133168	3	CLAMP	
318	77133140	3	COVER PLATE	
319	0641511	3	HEX BOLT, 5/16X1-3/8	
320	91083216	2	HOSE CLAMP	
321	91403126	1	THRUST WASHER	
328	1001001333	2	HYDRAULIC TUBE	
414		Ref	HYDRAULIC INSTALLATION, (See BOOM SECTION for Breakdown)	
544	0641829	1	HEX HD CAPSCREW, 1/2-13X3-5/8, GR5	
545	4761800	1	LOCKWASHER, 1/2	
550	4751800	1	WASHER, 1/2	

SECTION 8 - HYDRAULIC CIRCUITS

FIGURE 8-17. AUXILIARY HYDRAULIC CIRCUIT G9-43A & G10-43A



PAP26640

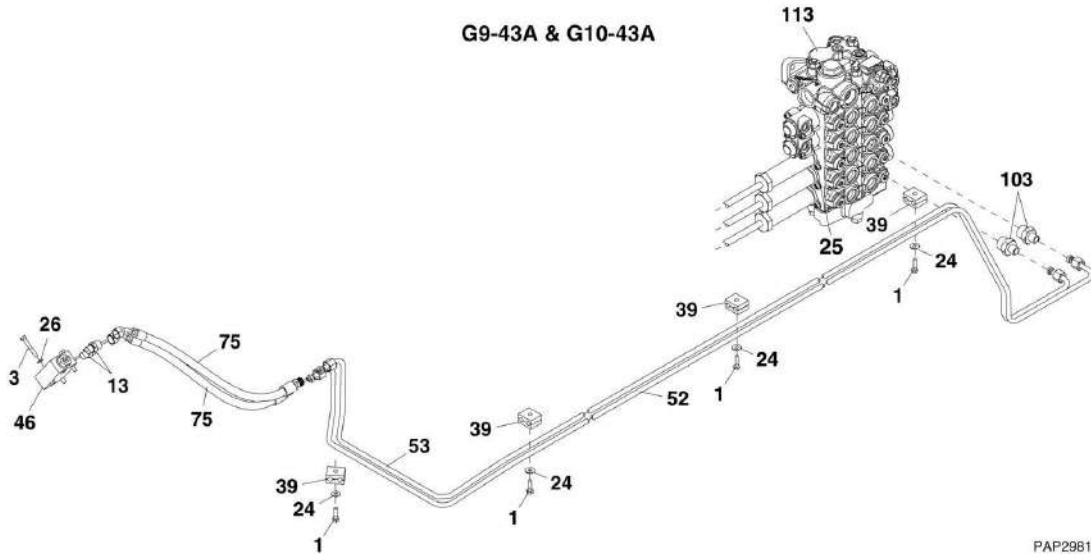
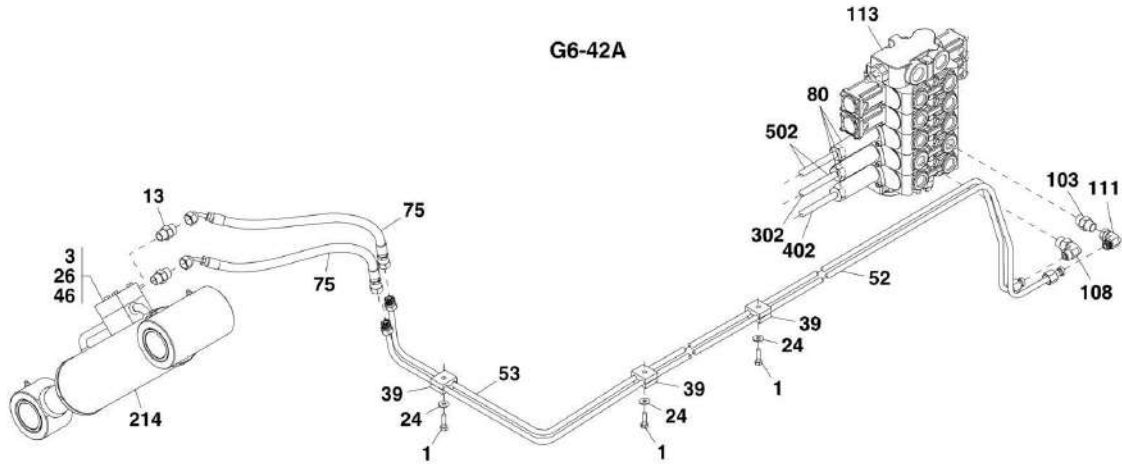
SECTION 8 - HYDRAULIC CIRCUITS

FIGURE 8-17. AUXILIARY HYDRAULIC CIRCUIT G9-43A & G10-43A

ITEM	PART NUMBER	QTY	DESCRIPTION	REV
1	91515028	1	HOSE RETAINER ASSY, (includes items 201 thru 205)	D
2	0641607	2	HEX HD CAPSCREW, 3/8-16X7/8, GR5	
3	4711600	2	FLAT WASHER, 3/8	
4	2171208	2	BULKHEAD, 90	
5	2221254	2	ELBOW, 90, (swivel nut)	
8	1001102977	1	TWIN LINE HOSE	
15	1001090126	1	HOSE BRACKET	
16	77133139	4	CLAMP SET	
17	77133140	4	COVER PLATE	
18	77133177	4	HEX BOLT, 5/16X1-3/8	
19	91083217	2	CLAMP	
22	1001001341	2	TUBE ASSY	
26	2172108	2	ADAPTER, 90, (includes o-ring), (not shown)	
141	3580346	1	HOSE PULLEY	
201	91511111	1	HOSE RETAINER	
202	91513026	1	PAD	
203	88241023	4	FLAT HD SCREW, 10-24X5/8	
204	88501612	4	HEX NUT, 10-24	
205	14404102	AR	LOCTITE 277	
324	0641416	2	HEX HD CAPSCREW, 1/4-20X2, GR5	
325	2110406	1	ADAPTER, CONNECTOR, (includes o-ring)	
326	2130406	1	ADAPTER, 90, (includes o-ring)	
327	2170206	1	ADAPTER, 90, (long), (includes o-ring)	
328	3311401	2	HEX NUT, 1/4-20	
329	4761400	2	LOCKWASHER, 1/4	
330	91503112	1	DECOMPRESSION VALVE DECAL	
331	1001143207	1	DECOMPRESSION VALVE MOUNT PLATE	
332	1001143273	1	DECOMPRESSION VALVE	
333	1001143803	2	HOSE ASSY	
334	1001143809	1	HOSE ASSY	
428	1001098874	2	HOSE ASSY	
508	0641511	1	HEX HD CAPSCREW, 5/16-18X1-3/8, GR5	
541	77133139	1	CLAMP SET	
542	77133140	1	COVER PLATE	
555	1001143121	1	PIPE ASSY	
556	1001143122	1	PIPE ASSY	
581		Ref	TUBES CLAMP, (See LIFT CYLINDER CIRCUIT for Breakdown)	
602	2111012	2	CONNECTOR, (includes o-ring)	
610		Ref	MAIN CONTROL VALVE, (See HYDRAULIC COMPONENTS SECTION for Breakdown)	
707		Ref	HOSE SUPPORT, (See TILT CYLINDER AND COMPENSATING CYLINDER CIRCUIT for Breakdown)	
810		Ref	HYDRAULIC INSTALLATION, (See BOOM SECTION for Breakdown)	
943	0641832	1	HEX HD CAPSCREW, 1/2-13X4, GR5	
944	4761800	1	LOCKWASHER, 1/2	

SECTION 8 - HYDRAULIC CIRCUITS

FIGURE 8-18. FRAME LEVEL CIRCUIT



PAP29810

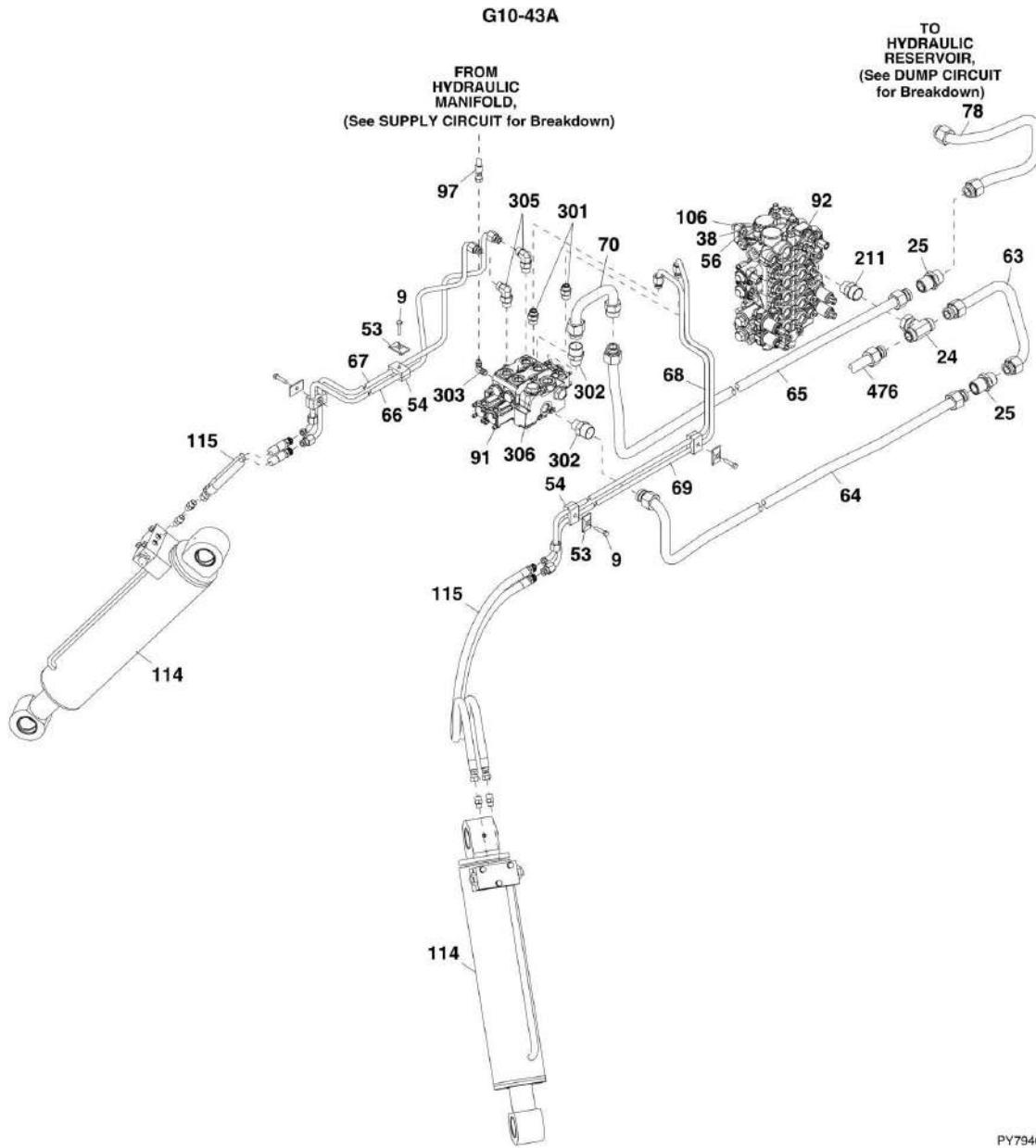
SECTION 8 - HYDRAULIC CIRCUITS

FIGURE 8-18. FRAME LEVEL CIRCUIT

ITEM	PART NUMBER	QTY	DESCRIPTION	REV
1	0641408	3	HEX HD CAPSCREW, 1/4-20X1, GR5, (G6-42A)	
1	0641408	4	HEX HD CAPSCREW, 1/4-20X1, GR5, (G9-43A & G10-43A)	
3	0641414	3	HEX HD CAPSCREW, 1/4-20X1-3/4, GR5	
13	2110606	2	ADAPTER, CONNECTOR, (includes o-ring)	
24	4751400	3	WASHER, 1/4, (G6-42A)	
24	4751400	4	WASHER, 1/4, (G9-43A & G10-43A)	
25	4031709	2	HEX SOC HD SCR, M6 X 25 LG, (G9-43A, if equipped with tilt on joystick), (G10-43A)	
26	4761400	3	LOCKWASHER, 1/4	
39	77133270	3	CLAMP SET, (G6-42A)	
39	77133270	4	CLAMP SET, (G9-43A & G10-43A)	
46	91473188	1	FRAME LEVEL CYLINDER VALVE	
52	1001101615	1	HYDRAULIC PIPE, (G6-42A)	
52	1001105339	1	HYDRAULIC PIPE, (G9-43A & G10-43A)	
53	1001101616	1	HYDRAULIC PIPE, (G6-42A)	
53	1001105338	1	HYDRAULIC PIPE, (G9-43A & G10-43A)	
75	1001096957	2	HOSE ASSEMBLY, (G6-42A)	
75	1001118560	2	HOSE ASSEMBLY, (G9-43A & G10-43A)	
80	91123062	3	CABLE ADAPTER BONNET, (G6-42A)	
80	91513124	3	CABLE ADAPTER BONNET, (G9-43A)	
80	91513124	1	CABLE ADAPTER BONNET, (G9-43A, if equipped with tilt on joystick), (G10-43A)	
103	2110608	1	ADAPTER, CONNECTOR, (includes o-ring), (G6-42A)	
103	2110612	2	ADAPTER, CONNECTOR, (includes o-ring), (G9-43A & G10-43A)	
108	2130608	1	ADAPTER, 90, (includes o-ring)	
111	2172106	1	ADAPTER, 90, (includes o-ring)	
113		Ref	MAIN CONTROL VALVE, (See HYDRAULIC COMPONENTS SECTION for Breakdown)	
214		Ref	FRAME LEVEL CYLINDER, (See HYDRAULIC COMPONENTS SECTION for Breakdown)	
302		Ref	FRAME LEVEL CONTROL, (See CONTROLS SECTION for Breakdown)	
402		Ref	AUXILIARY HYDRAULIC CONTROL, (See CONTROLS SECTION for Breakdown)	
502		Ref	TILT AND FRAME LEVEL CONTROL, (See CONTROLS SECTION for Breakdown)	

SECTION 8 - HYDRAULIC CIRCUITS

FIGURE 8-19. OUTRIGGER CIRCUIT G10-43A



PY7940

SECTION 8 - HYDRAULIC CIRCUITS

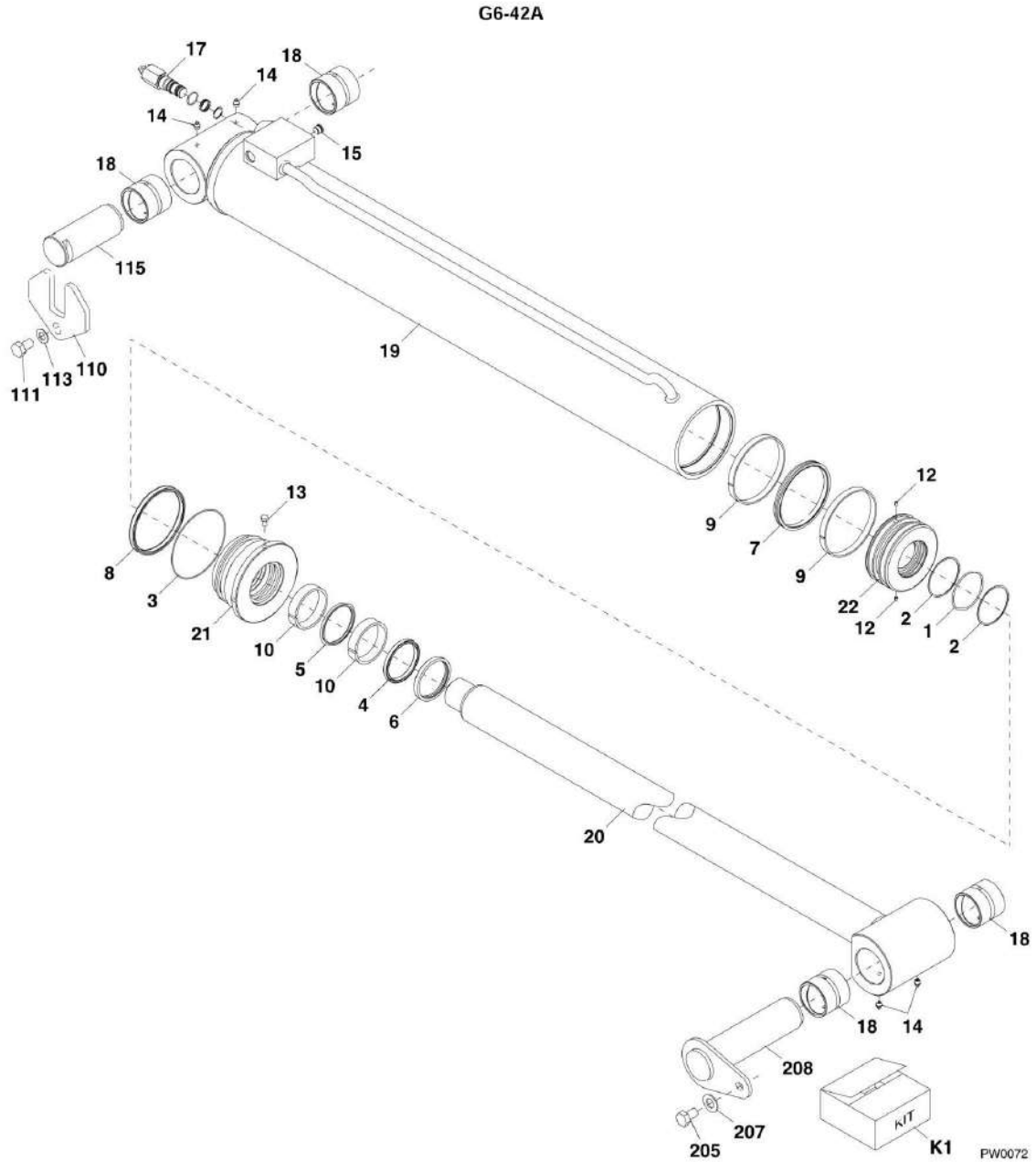
FIGURE 8-19. OUTRIGGER CIRCUIT G10-43A

ITEM	PART NUMBER	QTY	DESCRIPTION	REV
9	0641511	4	HEX HD CAPSCREW, 5/16-18X1-3/8, GR5	
24	2170816	1	ADAPTER, BRANCH TEE, (includes o-ring)	
25	2171116	2	FITTING, BULKHEAD UNION	
38	4761600	8	LOCKWASHER, 3/8	
53	77133140	4	COVER PLATE	
54	77133168	4	CLAMP SET	
56	88501006	4	HEX NUT, 3/8-16	
63	1001105751	1	HYDRAULIC PIPE	
64	1001105752	1	HYDRAULIC PIPE	
65	1001105753	1	HYDRAULIC PIPE	
66	1001105755	1	HYDRAULIC PIPE	
67	1001105756	1	HYDRAULIC PIPE	
68	1001105757	1	HYDRAULIC PIPE	
69	1001105758	1	HYDRAULIC PIPE	
70	1001108288	1	HYDRAULIC PIPE	
78	1001122395	1	HYDRAULIC PIPE	
91		Ref	OUTRIGGER CONTROL VALVE ASSY, (See HYDRAULIC COMPONENTS SECTION for Breakdown)	
92		Ref	OUTRIGGER MAIN CONTROL VALVE ASSY, (See HYDRAULIC COMPONENTS SECTION for Breakdown)	
97	1001132704	1	HOSE ASSY	
106	1001137203	4	CARRIAGE BOLT, 3/8-16X1-3/4	
114		Ref	OUTRIGGER CYLINDER, (See HYDRAULIC COMPONENTS SECTION for Breakdown)	
115	1001165142	4	HOSE ASSY	
211	2111616	1	ADAPTER, STRAIGHT, (includes o-ring)	
301	2110810	2	ADAPTER, STRAIGHT, (includes o-ring)	
302	2111612	2	ADAPTER, STRAIGHT, (includes o-ring)	
303	2130404	2	ADAPTER, 90, (includes o-ring)	
305	2130810	1	ADAPTER, STRAIGHT, (includes o-ring)	
306	2220240	3	ADAPTER, PLUG	
476		Ref	HYDRAULIC PRESSURE PIPE, (See SUPPLY CIRCUIT for Breakdown)	

SECTION 9 - HYDRAULIC COMPONENTS

SECTION 9 - HYDRAULIC COMPONENTS

FIGURE 9-1. LIFT CYLINDER G6-42A (Prior to SN 0160052707)



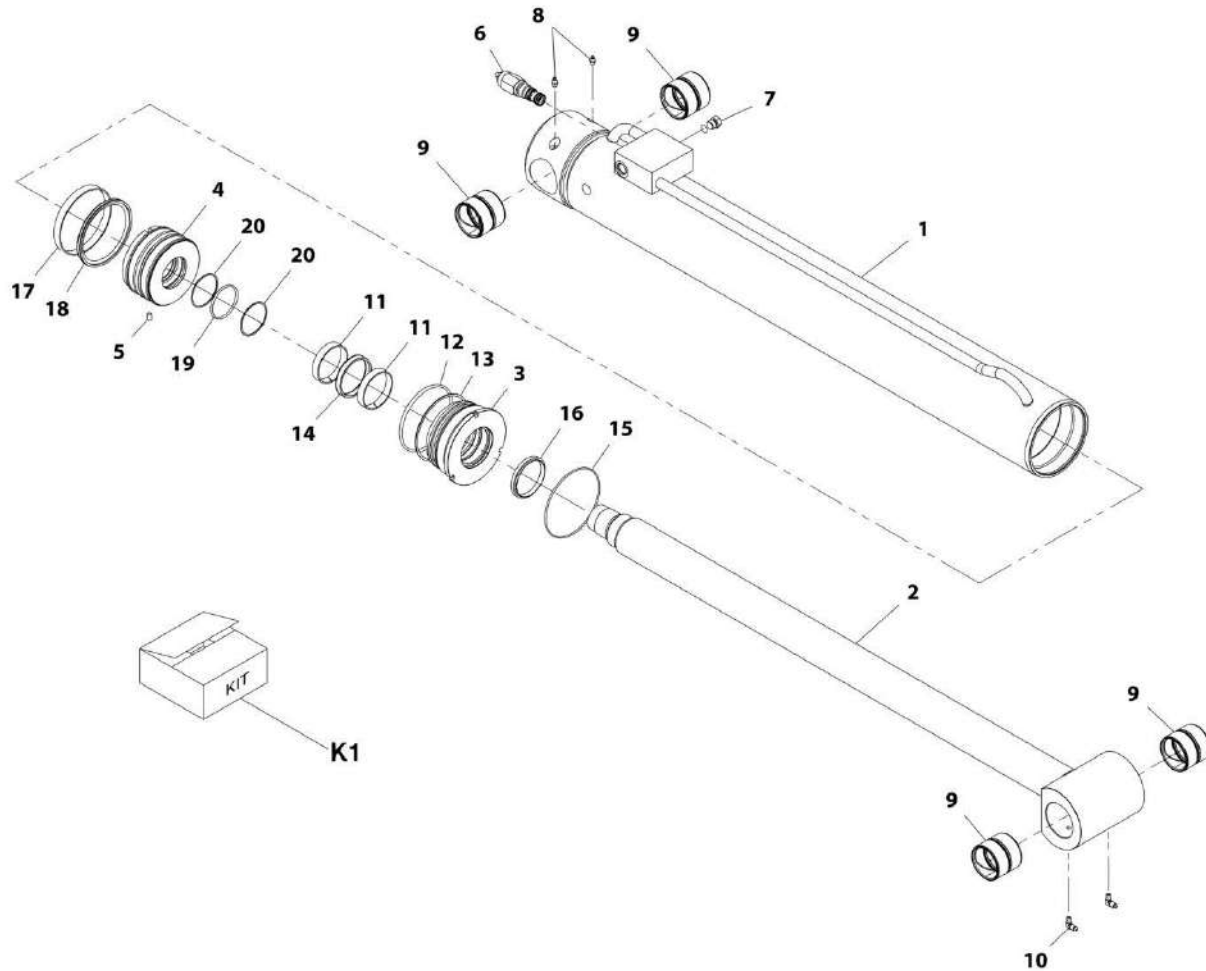
SECTION 9 - HYDRAULIC COMPONENTS

FIGURE 9-1. LIFT CYLINDER G6-42A (Prior to SN 0160052707)

ITEM	PART NUMBER	QTY	DESCRIPTION	REV
	1001101280	1	LIFT CYLINDER, (G6-42A), (includes items 1 thru 22)	E
1	Kit	1	O-RING	
2	Kit	2	BACK-UP	
3	Kit	1	O-RING	
4	Kit	1	SEAL	
5	Kit	1	SEAL	
6	Kit	1	WIPER	
7	Kit	1	SEAL	
8	Kit	1	SEAL	
9	Kit	2	WEAR RING	
10	Kit	2	WEAR RING	
12	70021757	2	SET SCREW	
13	70021630	1	SELF TAPPING SCREW	
14	7003242	4	LUBE FITTING	
15	70021648	1	PORT PLUG	
17	70023324	1	VALVE	
18	70021756	4	BUSHING	
19	70021958	1	TUBE ASSY	
20	70021754	1	ROD ASSY	
21	70021957	1	HEAD	
22	70021752	1	PISTON	
110	91471240	1	KEEPER PLATE	
111	0681810	1	HEX HD CAPSCREW, 1/2-13X1-1/4, GR8, (torque to 100-110 lb-ft)	
113	4891800	1	HARD WASHER, 1/2	
115	91473233	1	LIFT CYLINDER PIN	
205	0681810	1	HEX HD CAPSCREW, 1/2-13X1-1/4, GR8	
207	4891800	1	HARD WASHER, 1/2	
208	1001101703	1	LIFT CYLINDER PIN	
K1	70021758	1	SEAL KIT, (includes items 1 thru 10)	

SECTION 9 - HYDRAULIC COMPONENTS

FIGURE 9-2. LIFT CYLINDER G6-42A (SN 0160052707 to Present)



ART_1001152917-A

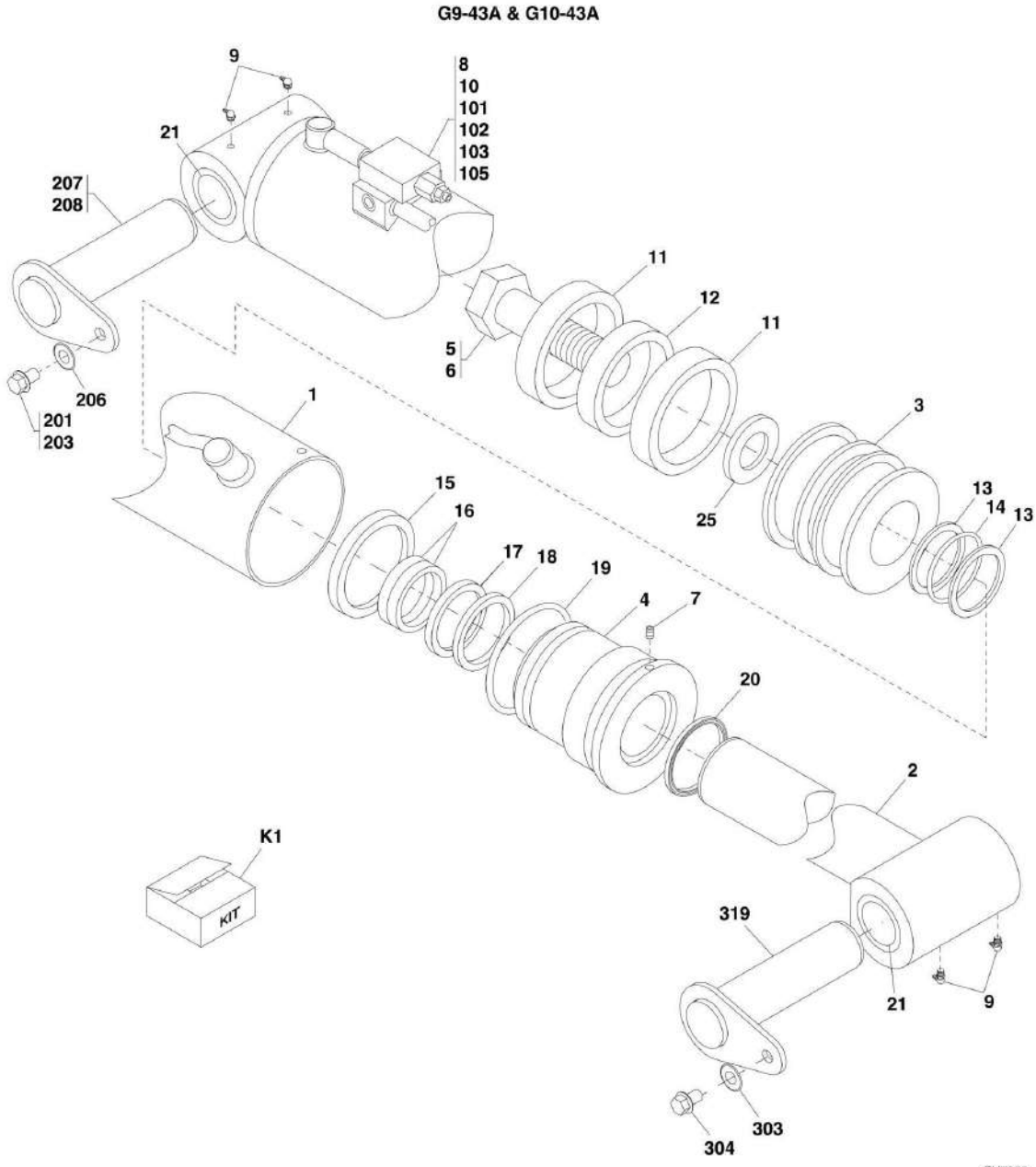
SECTION 9 - HYDRAULIC COMPONENTS

FIGURE 9-2. LIFT CYLINDER G6-42A (SN 0160052707 to Present)

ITEM	PART NUMBER	QTY	DESCRIPTION	REV
	1001152917	1	LIFT CYLINDER, (G6-42A)	A
1	70025329	1	BARREL	
2	70025330	1	ROD	
3	70025331	1	ROD GUIDE	
4	70025332	1	PISTON	
5	70020438	1	SCREW	
6	70023324	1	COUNTERBALANCE VALVE	
7	70026003	1	STEEL PLUG	
8	70026004	2	GREASE NIPPLE	
9	70026005	4	BUSHING	
10	70026006	2	ADAPTOR	
11	Kit	2	BEARING	
12	Kit	1	O-RING	
13	Kit	1	BACKUP RING	
14	Kit	1	ROD SEAL	
15	Kit	1	O-RING	
16	Kit	1	WIPER	
17	Kit	2	BEARING	
18	Kit	1	PISTON SEAL	
19	Kit	1	O-RING	
20	Kit	2	BACKUP RING	
K1	70025333	1	SEAL KIT, (includes items 11 thru 20)	

SECTION 9 - HYDRAULIC COMPONENTS

FIGURE 9-3. LIFT CYLINDER G9-43A & G10-43A



PY7820

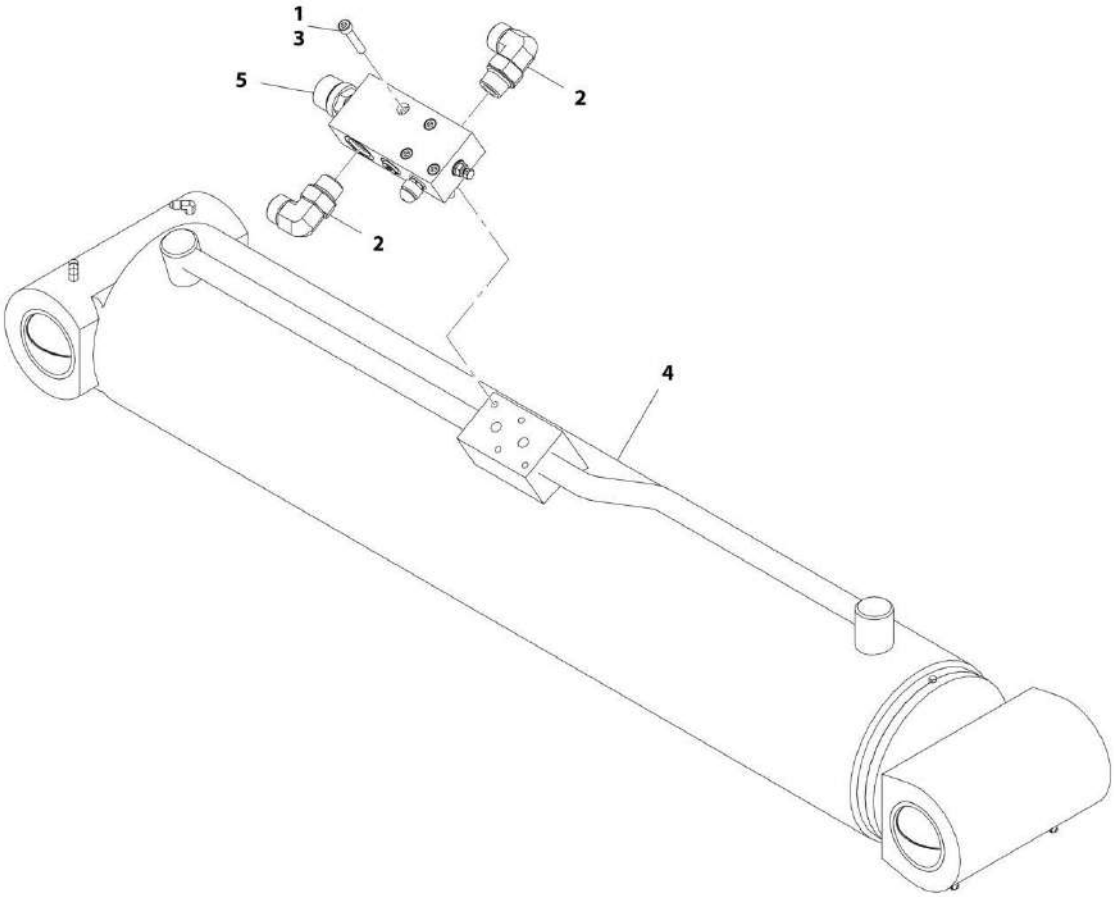
SECTION 9 - HYDRAULIC COMPONENTS

FIGURE 9-3. LIFT CYLINDER G9-43A & G10-43A

ITEM	PART NUMBER	QTY	DESCRIPTION	REV
	1001108380	1	LIFT CYLINDER, (G9-43A & G10-43A), (includes items 1 thru 105)	D
	1001103347	Ref	LIFT CYLINDER, (not sold separately, use 1001108380 for replacement or use items 1 thru 21 for service)	E
1	70024266	1	BARREL ASSY	
2	70022058	1	ROD ASSY, (includes item 21)	
3	70022059	1	PISTON ASSY	
4	70022060	1	ROD BEARING ASSY	
5	70023293	1	CAPSCREW	
6	70022292	1	WASHER	
7	7029760	1	CAPSCREW	
8	70024267	2	O-RING	
9	91044080	4	GREASE FITTING	
10	70024268	4	CAPSCREW	
11	Kit	2	WEAR RING	
12	Kit	1	PISTON SEAL	
13	Kit	2	BACK-UP RING	
14	Kit	1	O-RING	
15	Kit	1	PISTON SEAL	
16	Kit	2	WEAR RING	
17	Kit	1	BUFFER SEAL	
18	Kit	1	ROD SEAL	
19	Kit	1	O-RING	
20	Kit	1	WIPER	
21	70022062	4	BUSHING	
101	0100011	AR	LOCTITE 242	
102	2131212	2	ELBOW, 90, (includes o-ring)	
103	4031913	4	SOCKET HD CAPSCREW, M8X45	
105	1001125714	1	HOLDING VALVE CARTRIDGE	
201	0100011	AR	LOCTITE 242	
203	0682010	1	HEX HD CAPSCREW, 5/8-11X1-1/4	
206	4892000	1	HARDENED WASHER, 5/8	
207	14403323	AR	NEVER-SEEZ LUBE	
208	91513279	1	CYLINDER PIN	
303	4892000	1	HARDENED WASHER, 5/8	
304	0682010	1	HEX HD CAPSCREW, 5/8-11X1-1/4	
319	1001101706	1	CYLINDER PIN	
K1	70022061	1	SEAL KIT, (includes items 11 thru 20)	

SECTION 9 - HYDRAULIC COMPONENTS

FIGURE 9-4. LIFT CYLINDER INSTALLATION G9-43A & G10-43A (ARCTIC)



ART_1001158763-A

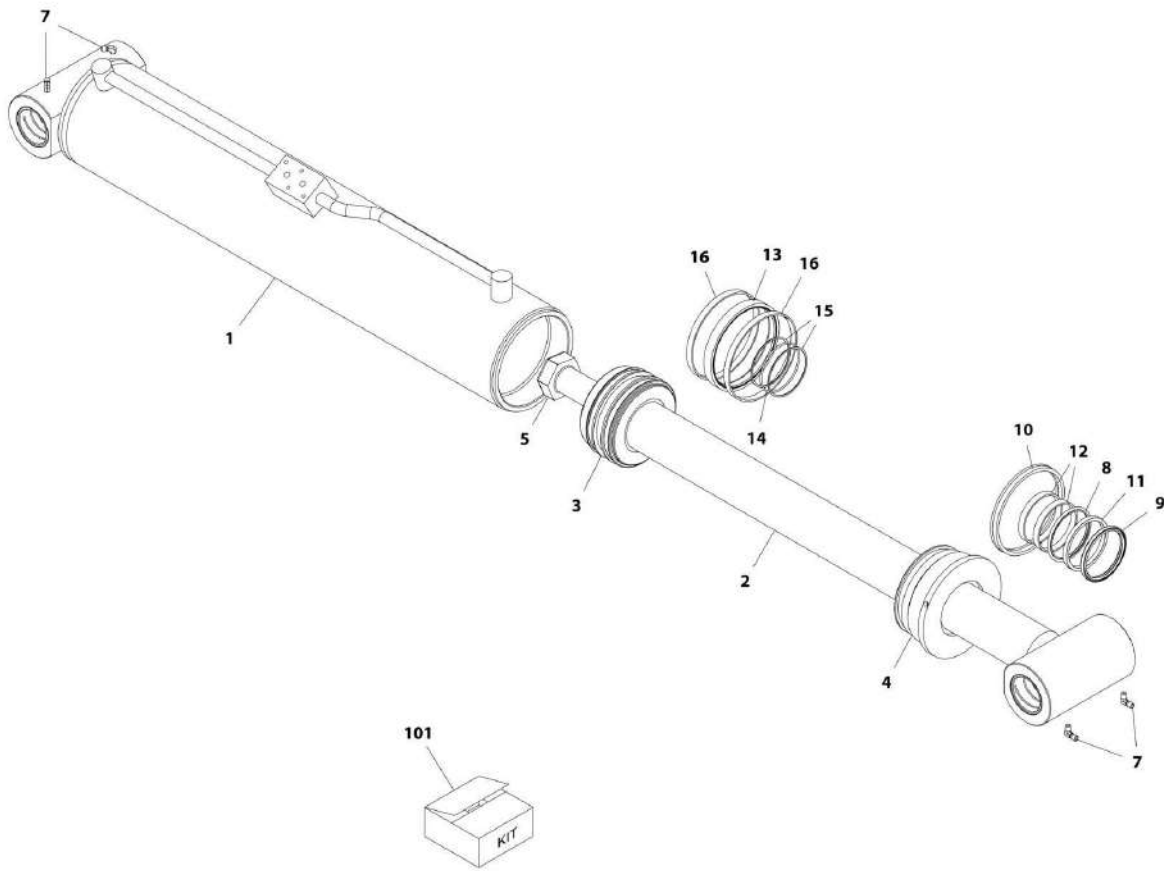
SECTION 9 - HYDRAULIC COMPONENTS

FIGURE 9-4. LIFT CYLINDER INSTALLATION G9-43A & G10-43A (ARCTIC)

ITEM	PART NUMBER	QTY	DESCRIPTION	REV
	1001158763	1	LIFT CYLINDER INSTALLATION, (G9-43A & G10-43A), (ARCTIC)	A
1	0100011	AR	LOCTITE 242	
2	2131212	2	ELBOW, 90 (includes o-ring)	
3	4031913	4	SOCKET HD CAPSCREW, M8X45	
4	1001166829	AR	CYLINDER, LIFT (See LIFT CYLINDER for Breakdown)	
5	1001125714	1	HOLDING VALVE CARTRIDGE	

SECTION 9 - HYDRAULIC COMPONENTS

FIGURE 9-5. LIFT CYLINDER G9-43A & G10-43A (ARCTIC)



ART_1001166829-A

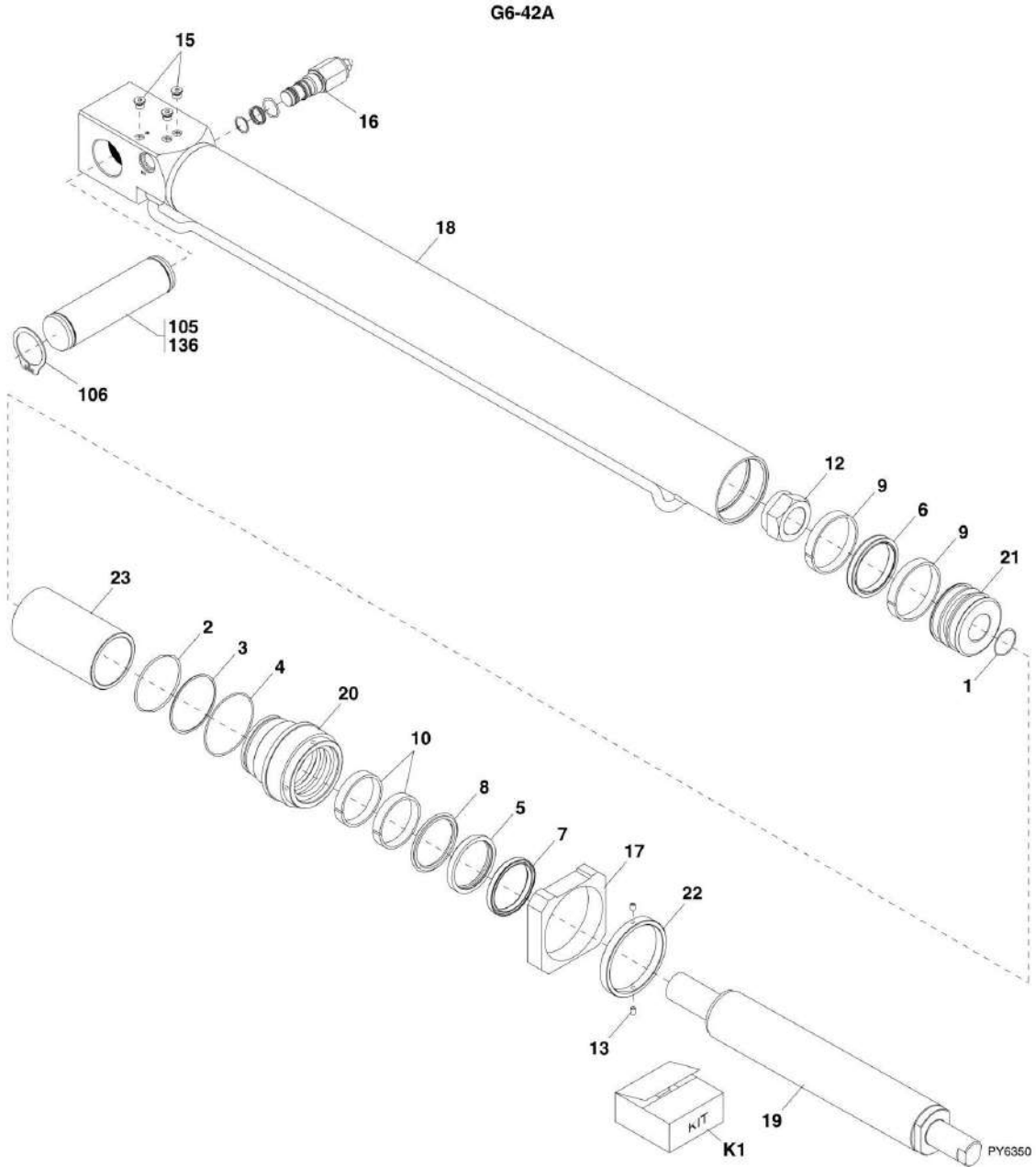
SECTION 9 - HYDRAULIC COMPONENTS

FIGURE 9-5. LIFT CYLINDER G9-43A & G10-43A (ARCTIC)

ITEM	PART NUMBER	QTY	DESCRIPTION	REV
	1001166829	1	LIFT CYLINDER, (G9-43A & G10-43A), (ARCTIC)	A
1	70026012	1	BARREL ASSEMBLY	
2	70022058	1	ROD ASSEMBLY	
3	70022059	1	PISTON ASSEMBLY	
4	70026013	1	ROD BEARING ASSEMBLY	
5	70023293	1	CAP SCREW	
7	70026014	4	GREASE FITTING	
8	Kit	1	BUFFER SEAL	
9	Kit	1	CANNED WIPER	
10	Kit	1	PISTON SEAL	
11	Kit	1	ROD SEAL	
12	Kit	2	WEAR RING	
13	Kit	1	PISTON SEAL	
14	Kit	1	O-RING	
15	Kit	2	BACK-UP RING	
16	Kit	2	WEAR RING	
101	70026015	1	SEAL KIT (includes items 8 thru 16)	

SECTION 9 - HYDRAULIC COMPONENTS

FIGURE 9-6. EXTEND/RETRACT CYLINDER G6-42A (Prior to SN 0160057307)



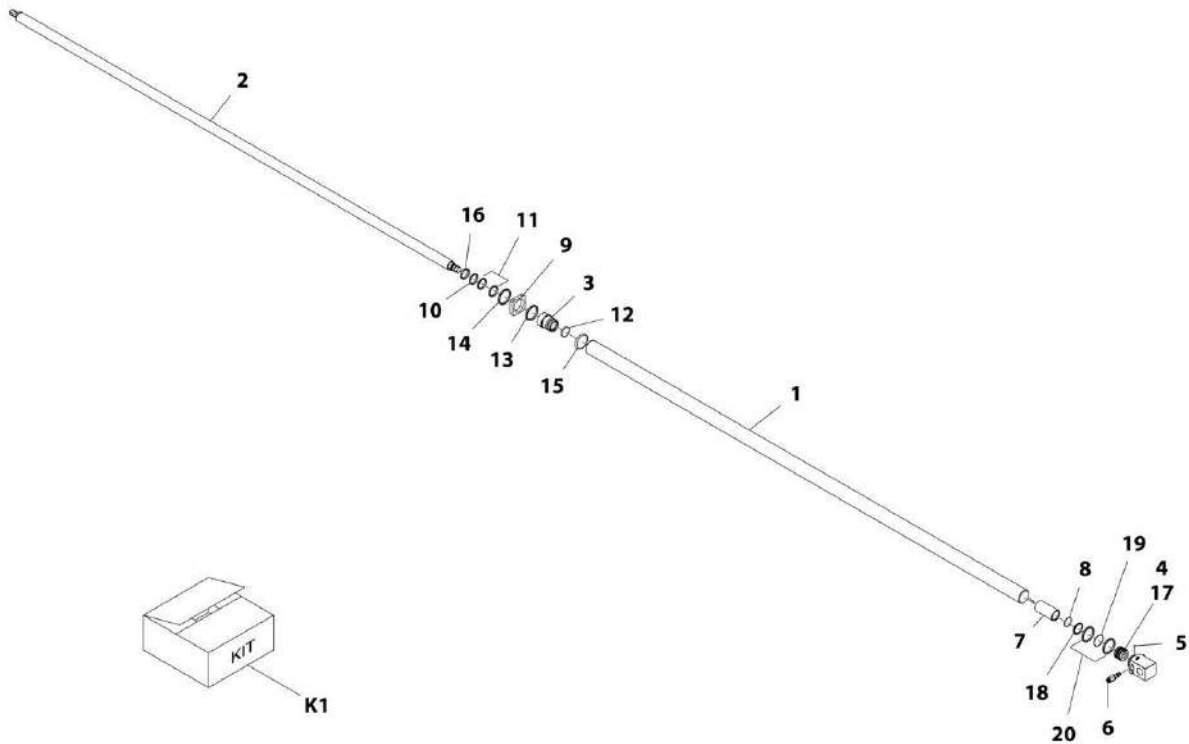
SECTION 9 - HYDRAULIC COMPONENTS

FIGURE 9-6. EXTEND/RETRACT CYLINDER G6-42A (Prior to SN 0160057307)

ITEM	PART NUMBER	QTY	DESCRIPTION	REV
	91473230	NLA	EXTEND/RETRACT CYLINDER, (no longer available, use items 1 thru 23 for service)	C
1	Kit	1	O-RING	
2	Kit	1	O-RING	
3	Kit	1	BACK-UP RING	
4	Kit	1	O-RING	
5	Kit	1	SEAL	
6	Kit	1	SEAL	
7	Kit	1	WIPER	
8	Kit	1	SEAL	
9	Kit	2	WEAR RING	
10	Kit	2	WEAR RING	
12	7003226	1	LOCKNUT	
13	70021774	2	SET SCREW	
15	7005365	3	PORT PLUG	
16	1001109225	1	COUNTERBALANCE VALVE	
17	70021772	1	WEAR PAD	
18	70021771	1	TUBE ASSY	
19	70021770	1	ROD	
20	70021769	1	HEAD	
21	70021768	1	PISTON	
22	70021767	1	COLLAR	
23	70021766	1	SPACER	
105	91403022	1	EXTEND/RETRACT CYLINDER PIN	
106	88581149	2	RETAINING RING	
136	14403323	AR	NEVER SEEZE LUBE	
K1	70021775	1	SEAL KIT, (includes items 1 thru 10)	

SECTION 9 - HYDRAULIC COMPONENTS

FIGURE 9-7. EXTEND/RETRACT CYLINDER G6-42A (SN 0160057307 to Present)



ART_1001152916-C

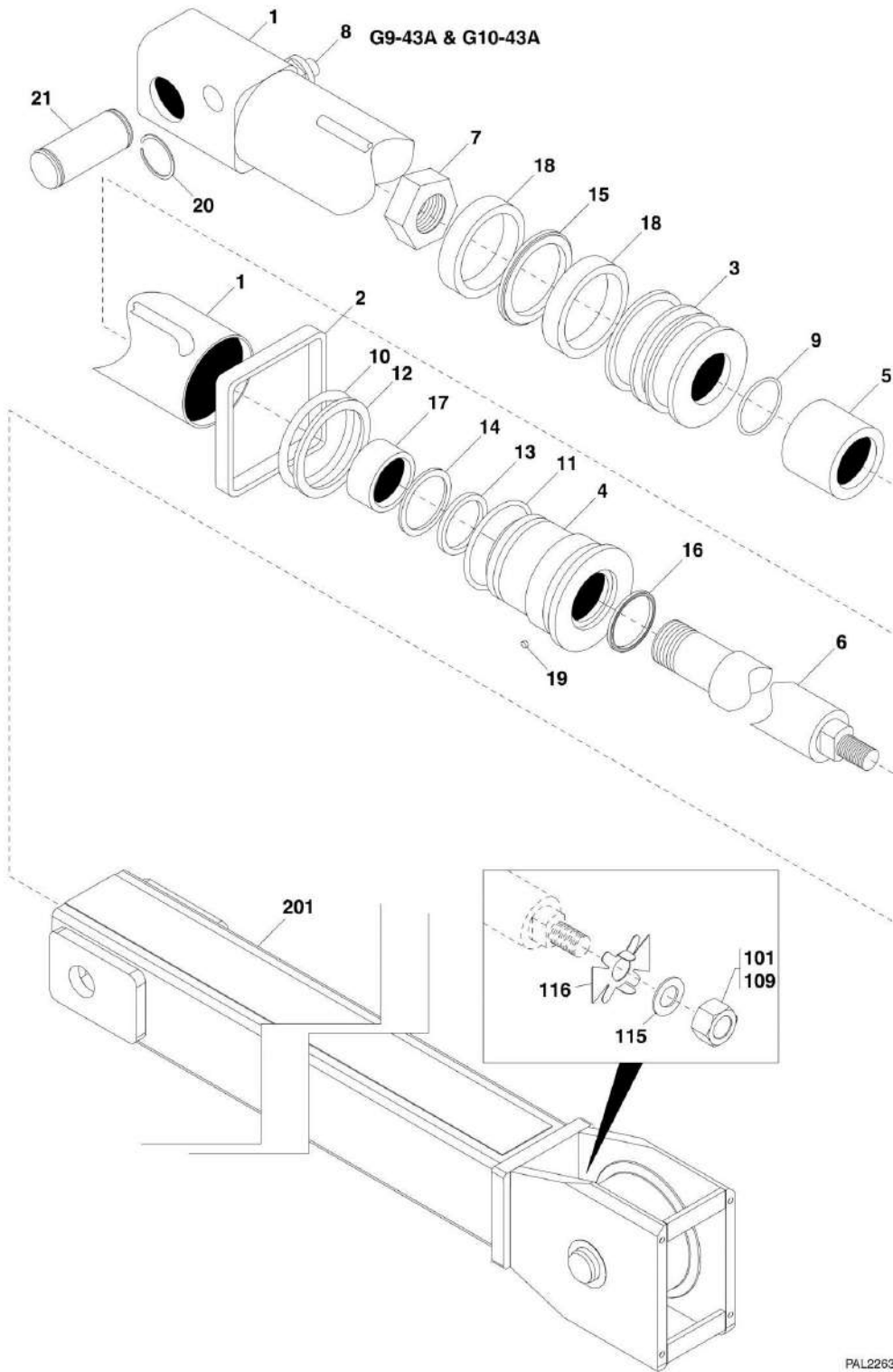
SECTION 9 - HYDRAULIC COMPONENTS

FIGURE 9-7. EXTEND/RETRACT CYLINDER G6-42A (SN 0160057307 to Present)

ITEM	PART NUMBER	QTY	DESCRIPTION	REV
	1001152916	1	EXTEND/RETRACT CYLINDER, (includes items 1 thru 20)	C
1	70025320	1	BARREL ASSY	
2	70025321	1	ROD ASSY	
3	70025322	1	ROD GUIDE	
4	70025323	1	PISTON	
5	70023915	2	SCREW	
6	1001109225	1	COUNTERBALANCE VALVE	
7	70025324	1	SPACER	
8	70025325	1	RING	
9	70025326	1	WEAR RING	
10	70025327	1	GLAND	
11	Kit	2	BEARING	
12	Kit	1	O-RING	
13	Kit	1	BACK-UP RING	
14	Kit	1	ROD SEAL	
15	Kit	1	O-RING	
16	Kit	1	WIPER	
17	Kit	2	BEARING	
18	Kit	1	PISTON SEAL	
19	Kit	1	O-RING	
20	Kit	2	BACK-UP RING	
K1	70025328	1	SEAL KIT, (includes items 11 thru 20)	

SECTION 9 - HYDRAULIC COMPONENTS

FIGURE 9-8. EXTEND/RETRACT CYLINDER G9-43A & G10-43A



PAL2263

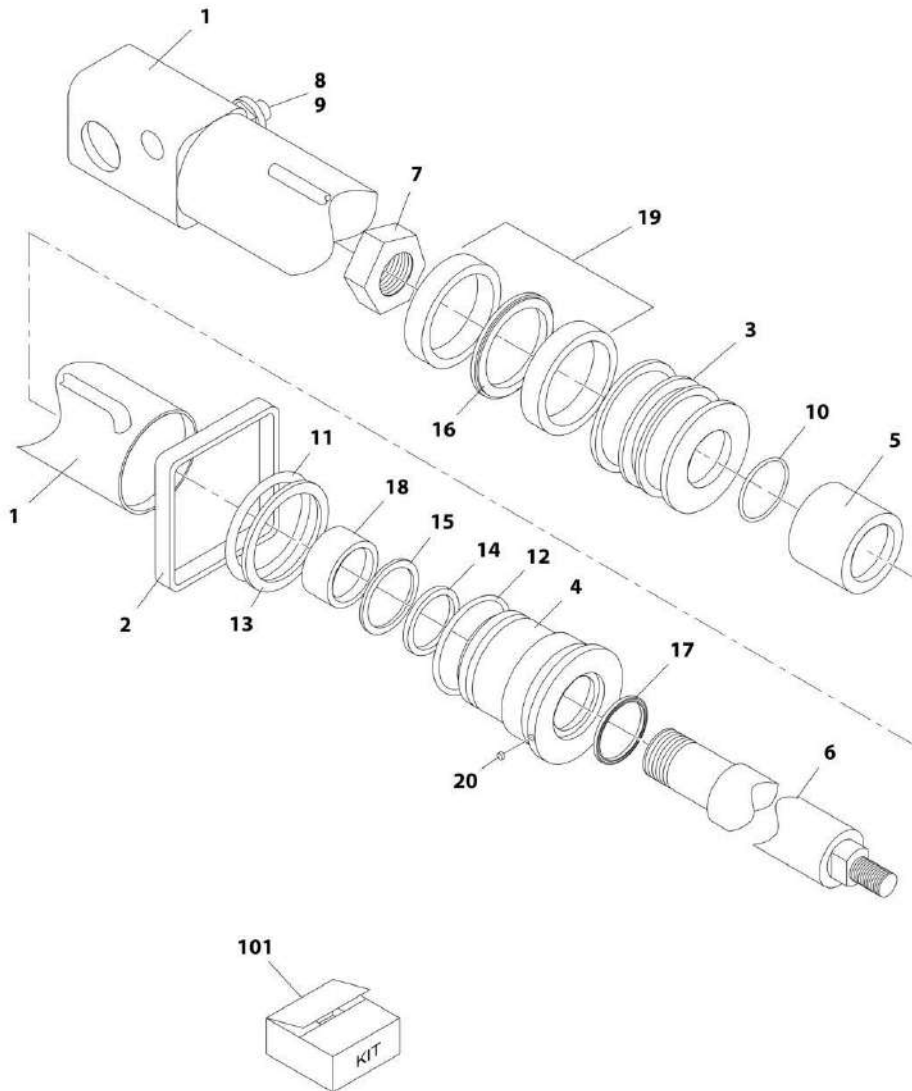
SECTION 9 - HYDRAULIC COMPONENTS

FIGURE 9-8. EXTEND/RETRACT CYLINDER G9-43A & G10-43A

ITEM	PART NUMBER	QTY	DESCRIPTION	REV
	91513276	1	EXTEND/RETRACT CYLINDER, (G9-43A & G10-43A), (includes items thru 19)	B
1	70022852	1	CASE ASSY	
2	70022853	1	WEAR WASHER	
3	70022854	1	PISTON	
4	70022855	2	HEAD GLAND, (torque to 300-400 lb-ft/406-542 Nm)	
5	70022856	1	ROD SPACER	
6	70022857	1	SHAFT ASSY	
7	8035865	1	LOCKNUT, (torque to 745-825 lb-ft/1010-1119 Nm)	
8	4641312	1	HOLDING VALVE, (torque to 105-115 lb-ft/142-156 Nm)	
8	91514251	1	SEAL KIT	
9	Kit	1	O-RING	
10	Kit	1	O-RING	
11	Kit	1	O-RING	
12	Kit	1	BACKUP RING	
13	Kit	1	U-CUP	
14	Kit	1	BUFFER SEAL	
15	Kit	1	T-SEAL	
16	Kit	1	WIPER	
17	Kit	1	WEAR BAND	
18	Kit	1	WEAR BAND	
19	Kit	1	LOCKING INSERT	
20	88581149	2	RETAINING RING	
21	91141124	1	CYLINDER PIN	
101	0100011	AR	LOCTITE 242	
109	88501022	1	HEX NUT, 1-3/8-12, (torque to 155-195 lb-ft/210-264 Nm)	
115	91403065	1	WASHER	
116	91511142	1	WASHER TAB	
201		Ref	PUSH BEAM/EXTEND CHAIN, (See PUSH BEAM/EXTEND CHAIN for Breakdown)	
K1	70022858	1	SEAL KIT, (includes items 9 thru 19)	

SECTION 9 - HYDRAULIC COMPONENTS

FIGURE 9-9. EXTEND/RETRACT CYLINDER G9-43A & G10-43A (ARCTIC)



ART_1001158766-A

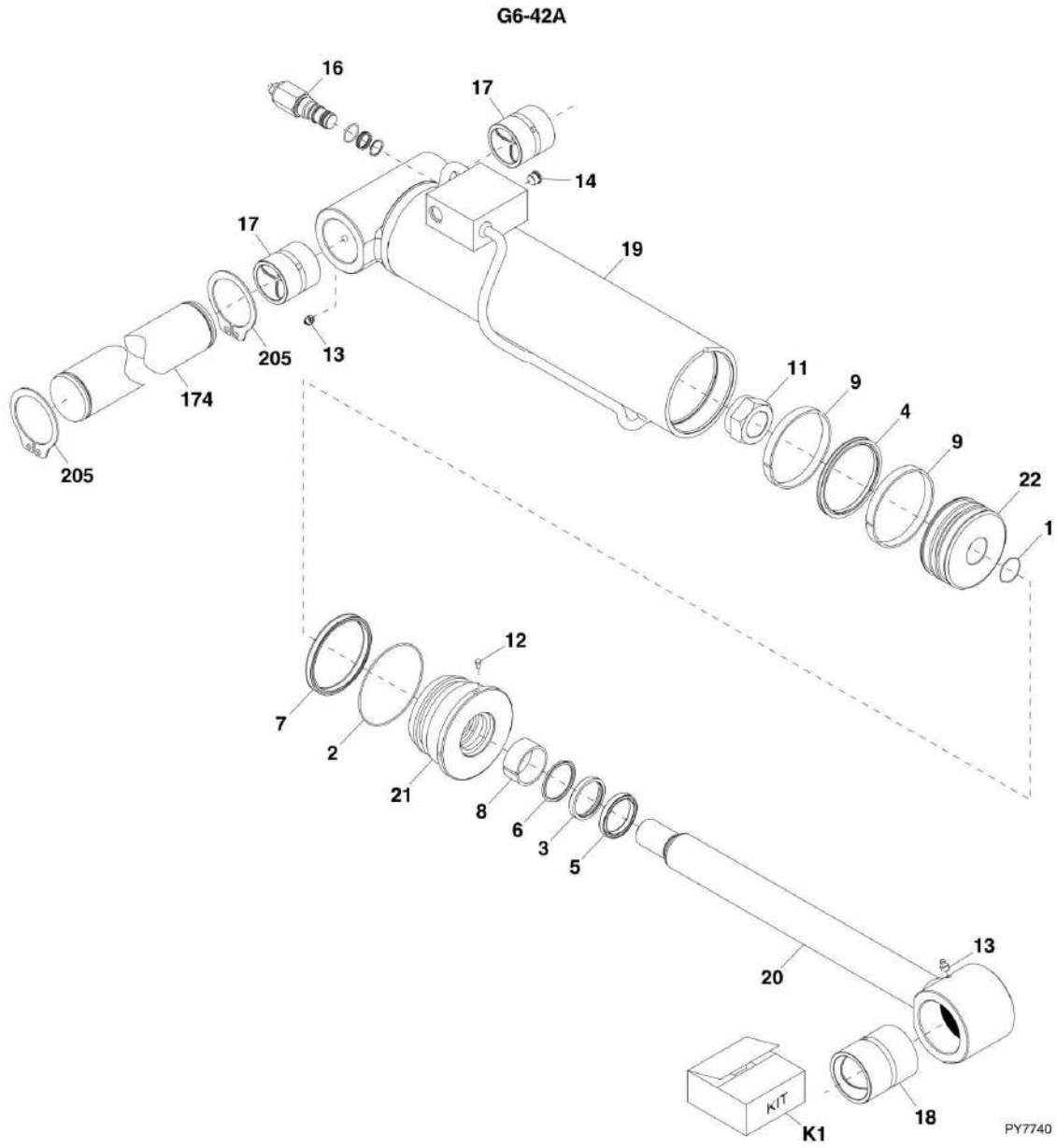
SECTION 9 - HYDRAULIC COMPONENTS

FIGURE 9-9. EXTEND/RETRACT CYLINDER G9-43A & G10-43A (ARCTIC)

ITEM	PART NUMBER	QTY	DESCRIPTION	REV
	1001158766	1	EXTEND/RETRACT CYLINDER, (G9-43A & G10-43A) (ARCTIC)	A
1	70022852	1	CASE ASSEMBLY	
2	70022853	1	WEAR WASHER	
3	70022854	1	PISTON	
4	70022855	1	HEAD GLAND	
5	70022856	1	ROD SPACER	
6	70022857	1	SHAFT ASSEMBLY	
7	8035865	1	LOCKNUT	
8	4641312	1	HOLDING VALVE	
9	91514251	1	HOLDING VALVE SEAL	
10	Kit	1	O-RING	
11	Kit	1	O-RING	
12	Kit	1	O-RING	
13	Kit	1	BACKUP RING	
14	Kit	1	DEEP Z-SEAL	
15	Kit	1	BUFFER SEAL	
16	Kit	1	T-SEAL	
17	Kit	1	WIPER	
18	Kit	1	WEAR BAND	
19	Kit	2	WEAR BAND	
20	Kit	2	LOCKING INSERT	
101	70025968	1	SEAL KIT, (includes items 10 thru 20)	

SECTION 9 - HYDRAULIC COMPONENTS

FIGURE 9-10. TILT CYLINDER G6-42A (Prior to SN 0160057406)



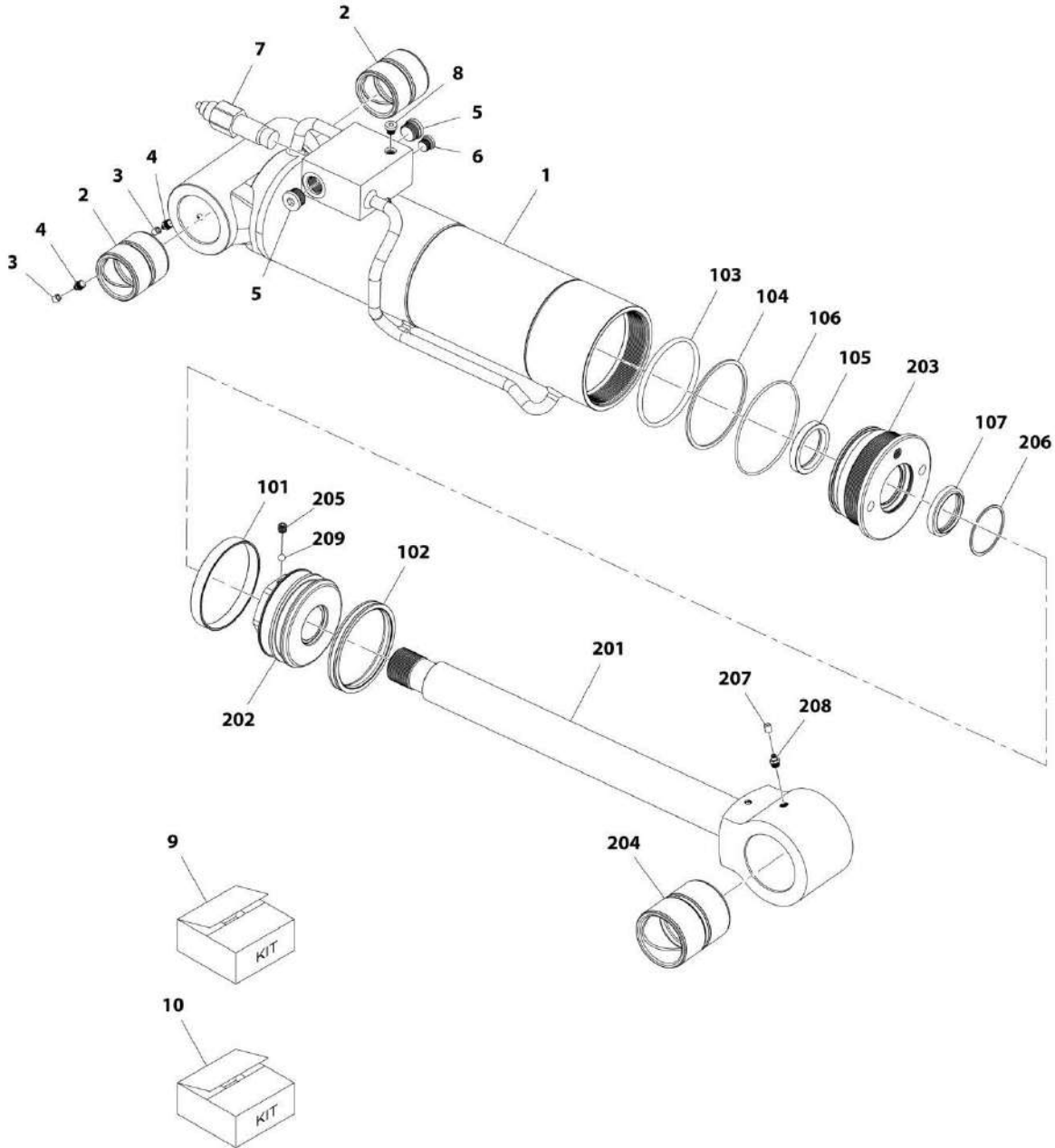
SECTION 9 - HYDRAULIC COMPONENTS

FIGURE 9-10. TILT CYLINDER G6-42A (Prior to SN 0160057406)

ITEM	PART NUMBER	QTY	DESCRIPTION	REV
	91413156	1	TILT CYLINDER, (G6-42A), (includes items 1 thru 22)	B
1	Kit	1	O-RING	
2	Kit	1	O-RING	
3	Kit	1	SEAL	
4	Kit	1	SEAL	
5	Kit	1	WIPER	
6	Kit	1	SEAL	
7	Kit	1	SEAL	
8	Kit	1	WEAR RING	
9	Kit	2	WEAR RING	
11	7003226	1	LOCKNUT, (torque to 1125-1375 lb-ft/1525-1864 Nm)	
12	70021630	1	SELF-TAPPING SCREW	
13	7003242	3	LUBE FITTING	
14	70021648	1	PORT PLUG	
16	1001109225	1	COUNTERBALANCE VALVE, (torque to 44 lb-ft/60 Nm)	
17	70021763	2	BUSHING	
18	70021765	1	BUSHING	
19	70021762	1	TUBE ASSY	
20	70021761	1	ROD ASSY	
21	70021760	1	HEAD	
22	70021759	1	PISTON	
174	1001098223	1	CYLINDER PIN	
205	88581149	2	RETAINING RING	
K1	70021764	1	SEAL KIT, (includes items 1 thru 9)	

SECTION 9 - HYDRAULIC COMPONENTS

FIGURE 9-11. TILT CYLINDER G6-42A (SN 0160057406 to Present)



ART_1001152466-A

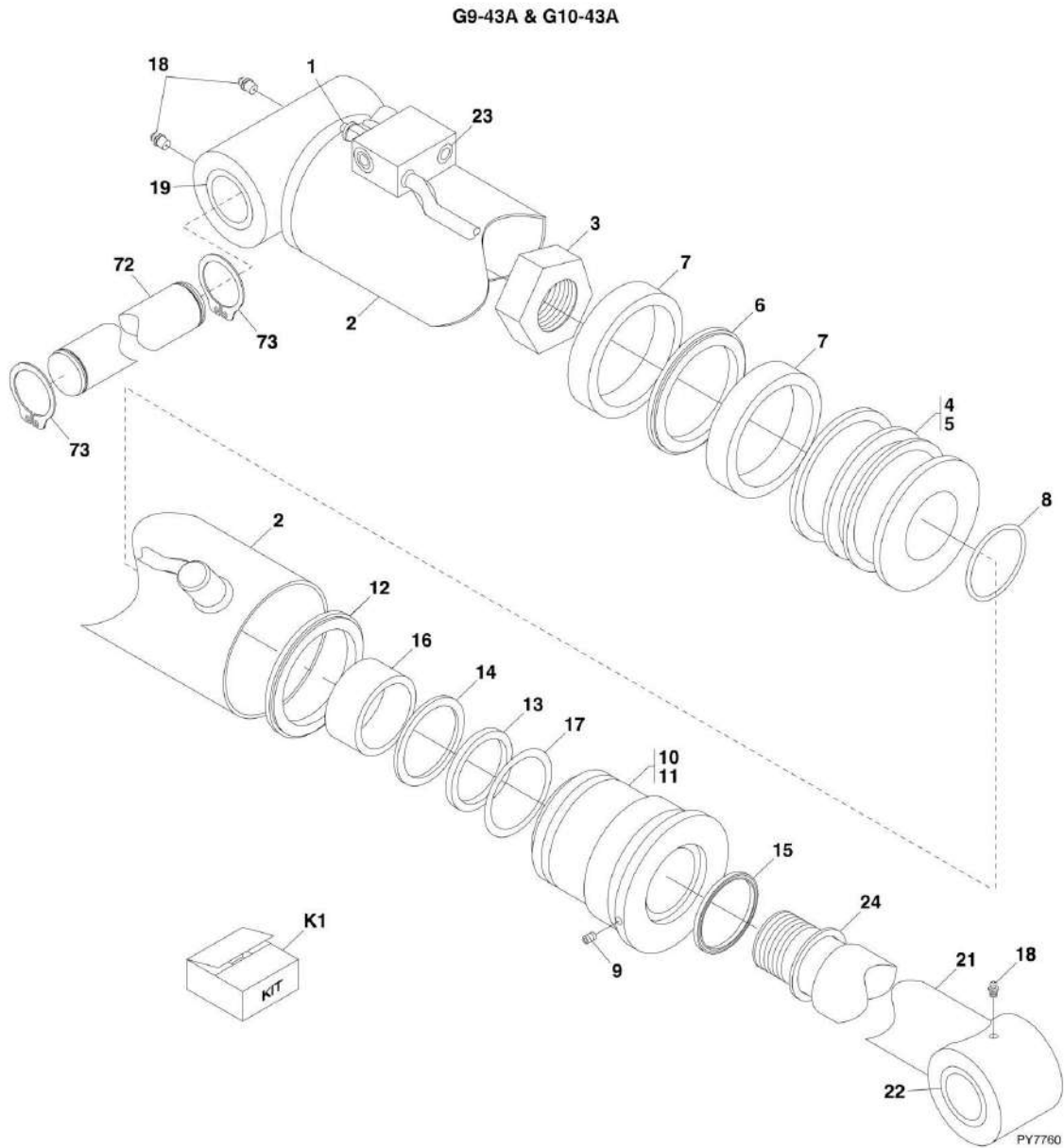
SECTION 9 - HYDRAULIC COMPONENTS

FIGURE 9-11. TILT CYLINDER G6-42A (SN 0160057406 to Present)

ITEM	PART NUMBER	QTY	DESCRIPTION	REV
	1001152466	1	TILT CYLINDER, (G6-42A)	A
1	70025950	1	BARREL	
2	70025955	2	BUSHING	
3	70024020	2	GREASE FITTING	
4	70025957	2	GREASE NIPPLE	
5	70025958	2	STEEL PLUG	
6	70025959	1	STEEL PLUG	
7	70025960	1	COUNTERBALANCE VALVE	
8	70025961	1	STEEL BLANKING PLUG	
9	70025962	1	SEAL KIT (includes items 101 thru 107)	
101	Kit	1	PISTON HEAD BEARING RING	
102	Kit	1	PISTON SEAL	
103	Kit	1	O-RING	
104	Kit	1	BACK UP RING	
105	Kit	1	ROD SEAL	
106	Kit	1	O-RING	
107	Kit	1	WIPER	
10	70027054	1	ROD, PISTON HEAD KIT (includes items 201 thru 209)	
201	Kit	1	ROD (not available outside of 70027054 Assy)	
202	70025952	1	PISTON ASSY	
203	70025953	1	GLAND	
204	70025954	1	BUSHING	
205	70025956	1	LOCKING SCREW	
206	70023101	1	SNAP RING	
207	70024020	1	GREASE FITTING	
208	70025957	1	GREASE NIPPLE	
209	70025614	1	BALL	

SECTION 9 - HYDRAULIC COMPONENTS

FIGURE 9-12. TILT CYLINDER G9-43A & G10-43A (Prior to SN 0160060644, Excluding 0160056536, 0160056537, 0160060633 and 0160060635)



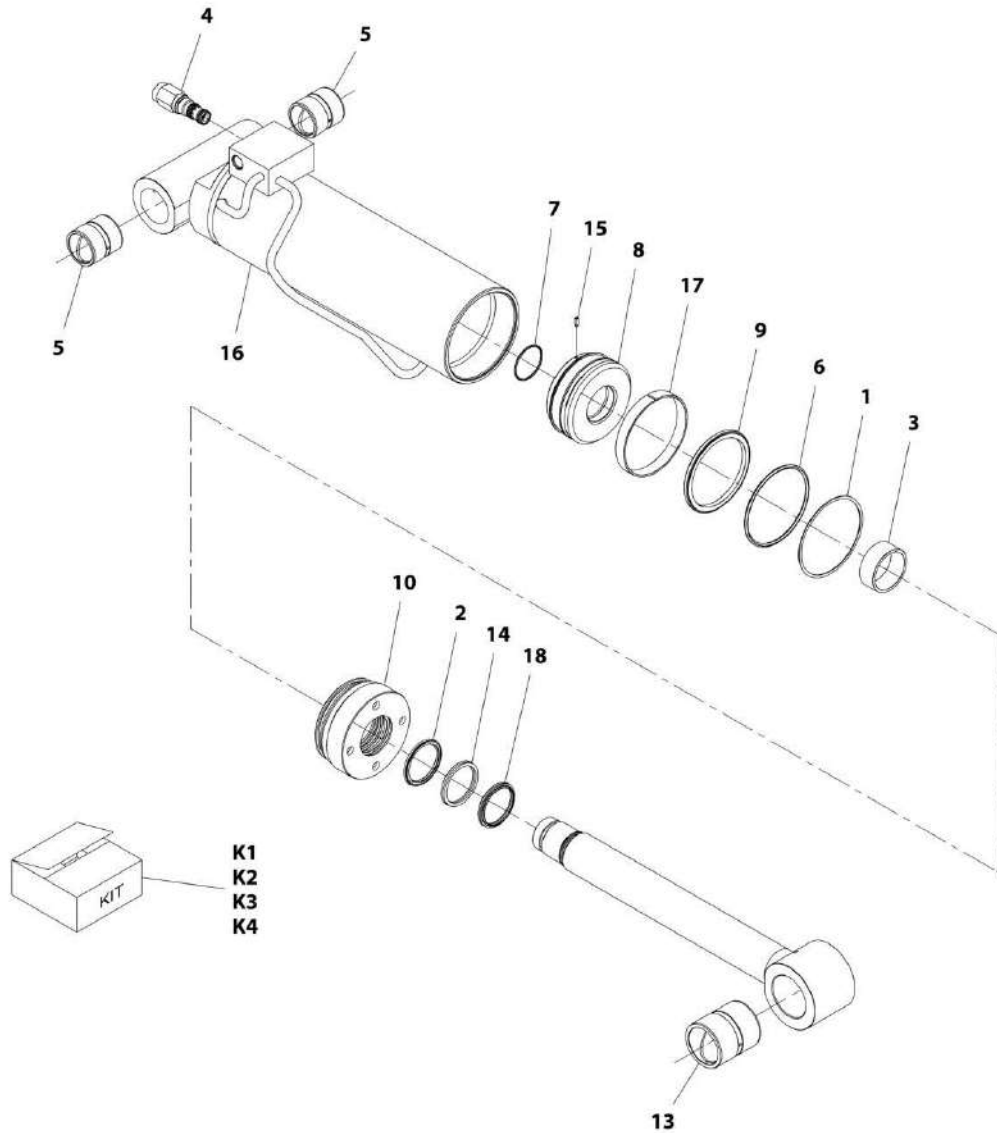
SECTION 9 - HYDRAULIC COMPONENTS

FIGURE 9-12. TILT CYLINDER G9-43A & G10-43A (Prior to SN 0160060644, Excluding 0160056536, 0160056537, 0160060633 and 0160060635)

ITEM	PART NUMBER	QTY	DESCRIPTION	REV
	91513275		TILT CYLINDER, (G9-43A & G10-43A), (includes items 1 thru 23)	C
1	1001109225	1	RELIEF VALVE, (torque to 44 lb-ft/60 Nm)	
1	91404382	1	SEAL KIT	
2	70022063	1	BARREL ASSY, (includes item 19)	
3	10727280	1	LOCKNUT, (torque to 1550-1810 lb-ft/2101-2454 Nm)	
4	70022065	1	PISTON ASSY, (includes items 5 thru 8)	
5	N.S.S.	1	PISTON	
6	Kit	1	PISTON SEAL	
7	Kit	2	WEAR RING	
8	Kit	1	O-RING	
9	7029760	1	CAPSCREW	
10	70022056	1	ROD BEARING ASSY, (includes items 11 thru 17)	
11	N.S.S.	1	ROD BEARING	
12	Kit	1	PISTON SEAL	
13	Kit	1	ROD SEAL	
14	Kit	1	BUFFER SEAL	
15	N.S.S.	1	WIPER	
16	Kit	2	WEAR RING	
17	Kit	1	O-RING	
18	91404080	3	GREASE FITTING	
19	7029871	2	BUSHING, (manganese phosphate coating)	
20	70022066	1	PLUG, (torque to 10-15 lb-ft/14-20 Nm)	
21	70022064	1	ROD ASSY	
22	7029872	1	BUSHING, (manganese phosphate coating)	
23	70022067	1	PLUG, (torque to 10-15 lb-ft/14-20 Nm)	
72	1001115739	1	CYLINDER PIN	
73	88581149	2	RETAINING RING	
K1	91514281	1	SEAL KIT, (includes items 6 thru 8, 12 thru 14, 16 & 17)	

SECTION 9 - HYDRAULIC COMPONENTS

FIGURE 9-13. TILT CYLINDER G9-43A & G10-43A (SN 0160060644 to Present, Including 0160056536, 0160056537, 0160060633 and 0160060635)



ART_1001140445-A

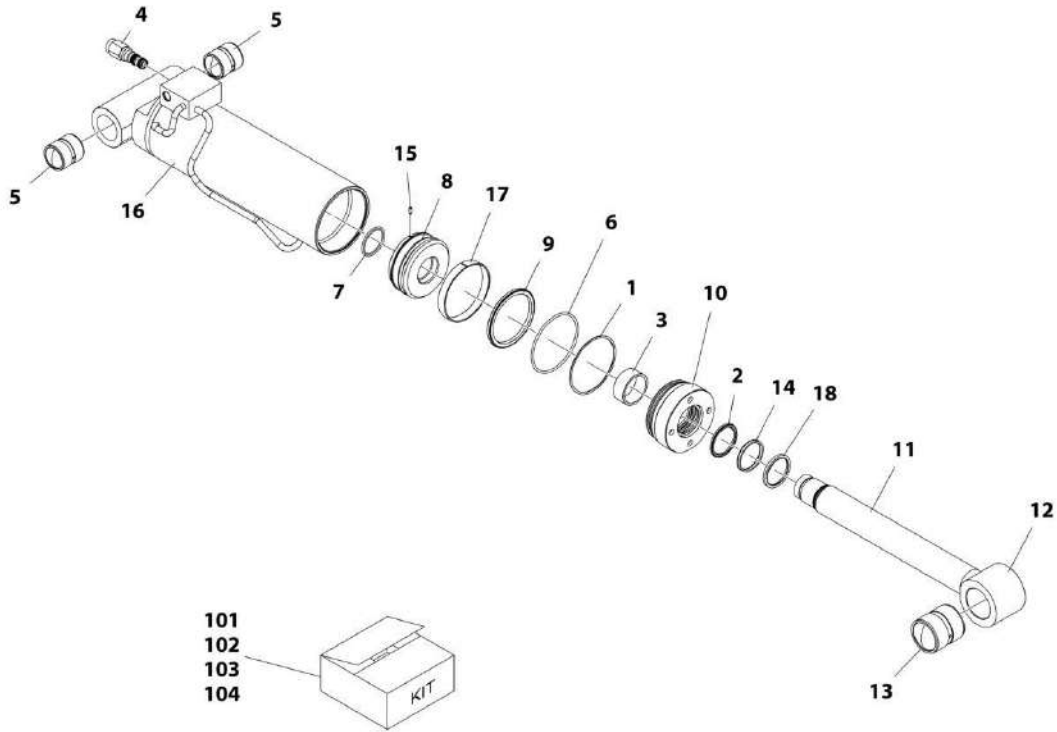
SECTION 9 - HYDRAULIC COMPONENTS

FIGURE 9-13. TILT CYLINDER G9-43A & G10-43A (SN 0160060644 to Present, Including 0160056536, 0160056537, 0160060633 and 0160060635)

ITEM	PART NUMBER	QTY	DESCRIPTION	REV
	1001140445	1	TILT CYLINDER, (G9-43A & G10-43A) (includes items 1 thru 18)	A
1	Kit	1	BACK-UP RING	
2	Kit	1	BUFFER RING	
3	Kit	1	BUSHING	
4	70025930	1	COUNTERBALANCE VALVE	
5	70025931	2	HEAD END BUSHING	
6	Kit	1	O-RING	
7	Kit	1	O-RING	
8	Kit	1	PISTON	
9	Kit	1	PISTON SEAL	
10	Kit	1	RETAINER	
13	70025924	1	ROD END BUSHING	
14	Kit	1	ROD SEAL	
15	Kit	1	SET SCREW	
16	70025932	1	BARREL	
17	Kit	1	WEAR RING	
18	Kit	1	WIPER	
K1	70025920	1	SERVICE KIT, (includes items 1,2,3,6,7,9,14,17,18)	
K2	70025933	1	ROD SERVICE KIT, (includes items 11,12,13)	
K3	70025921	1	RETAINER SUB ASSY, (includes items 1,2,3,6,10,14,18)	
K4	70025922	1	PISTON SUB ASSY, (includes items 8,9,15,17)	

SECTION 9 - HYDRAULIC COMPONENTS

FIGURE 9-14. TILT CYLINDER, (G9-43A & G10-43A) (ARCTIC)



ART_1001174530-A

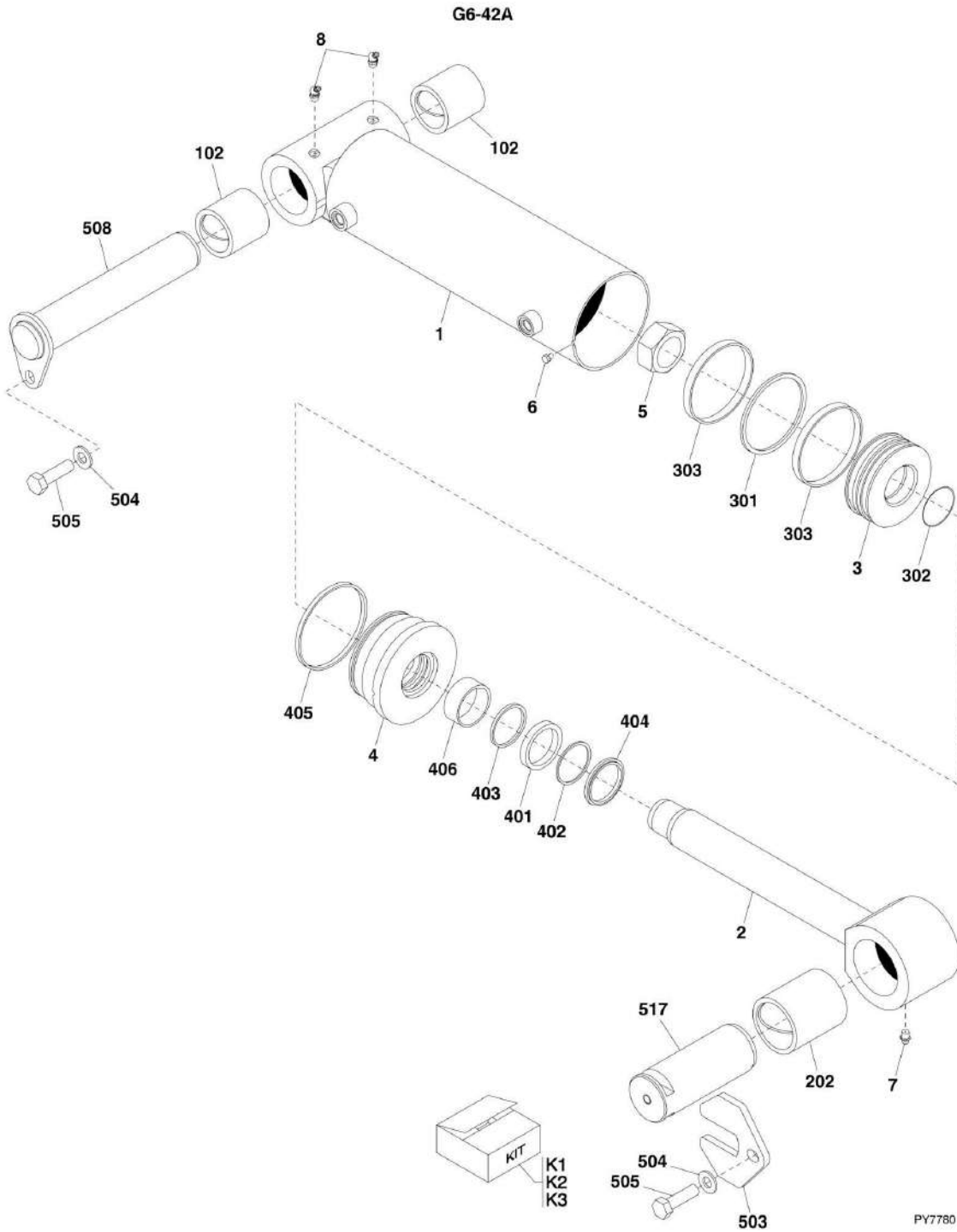
SECTION 9 - HYDRAULIC COMPONENTS

FIGURE 9-14. TILT CYLINDER, (G9-43A & G10-43A) (ARCTIC)

ITEM	PART NUMBER	QTY	DESCRIPTION	REV
	1001174530	1	TILT CYLINDER, (G9-43A & G10-43A) (ARCTIC)	A
1	Kit	1	BACK-UP RING	
2	Kit	1	BUFFER RING	
3	Kit	1	BUSHING	
4	70025930	1	C/BALANCE VALVE	
5	70025931	2	HEAD END BUSHING	
6	Kit	1	O-RING	
7	Kit	1	O-RING	
8	Kit	1	PISTON	
9	Kit	1	PISTON SEAL	
10	Kit	1	RETAINER	
11	Kit	1	ROD	
12	Kit	1	ROD END	
13	Kit	1	ROD END BUSHING	
14	Kit	1	ROD SEAL	
15	Kit	1	SET SCREW	
16	70025932	1	BARREL	
17	Kit	1	WEAR RING	
18	Kit	1	WIPER	
101	70025934	1	SERVICE KIT, (includes items 1,2,3,6,7,9,14,17,18)	
102	70025933	1	ROD SERVICE KIT, (includes items 11,12,13)	
103	70025935	1	RETAINER SUB ASSY, (includes items 1,2,3,6,10,14,18)	
104	70025922	1	PISTON SUB ASSY, (includes items 8,9,15,17)	

SECTION 9 - HYDRAULIC COMPONENTS

FIGURE 9-15. COMPENSATION CYLINDER G6-42A (Prior to SN 0160057586)



SECTION 9 - HYDRAULIC COMPONENTS

FIGURE 9-15. COMPENSATION CYLINDER G6-42A (Prior to SN 0160057586)

ITEM	PART NUMBER	QTY	DESCRIPTION	REV
	91413154	1	COMPENSATION CYLINDER, (G6-42A), (includes items 1 thru 8)	C
1	7029866	1	BARREL ASSY, (includes item 102)	
2	7029869	1	ROD ASSY, (includes item 202)	
3	7029868	1	PISTON ASSY, (includes items 301 thru 303)	
4	7029870	1	ROD BEARING ASSY, (includes items 401 thru 406)	
5	91014066		NUT, (torque to 990-1210 lb-ft/1342-1640 Nm)	
6	7029760	1	CAPSCREW	
7	91044080	1	GREASE FITTING	
8	70021913	2	GREASE FITTING	
102	7029871	2	BUSHING	
202	7029872	1	BUSHING	
301	Kit	1	PISTON SEAL	
302	Kit	1	O-RING	
303	Kit	2	WEAR RING	
401	Kit	1	ROD SEAL	
402	Kit	1	BACK-UP	
403	Kit	1	BUFFER	
404	Kit	1	WIPER	
405	Kit	1	SEAL	
406	Kit	1	WEAR RING	
503	91471240	1	KEEPER PLATE	
504	4891800	2	HARDENED WASHER, 1/2	
505	0681810	2	HEX HD CAPSCREW, 1/2-13X1-1/4, GR8	
508	1001142989	1	CYLINDER PIN	
517	91513282	1	CYLINDER PIN	
K1	7029873	1	PISTON SEAL KIT, (includes items 301 thru 303)	
K2	7029874	1	ROD BEARING SEAL KIT, (includes items 401 thru 406)	
K3	7029821	1	CYLINDER SEAL KIT, (includes items 301 thru 406)	

SECTION 9 - HYDRAULIC COMPONENTS

FIGURE 9-16. COMPENSATION CYLINDER G6-42A (ARCTIC) (Prior to SN 0160057586)

NOTE: INFORMATION IS NOT AVAILABLE AT THE TIME OF PUBLISHING

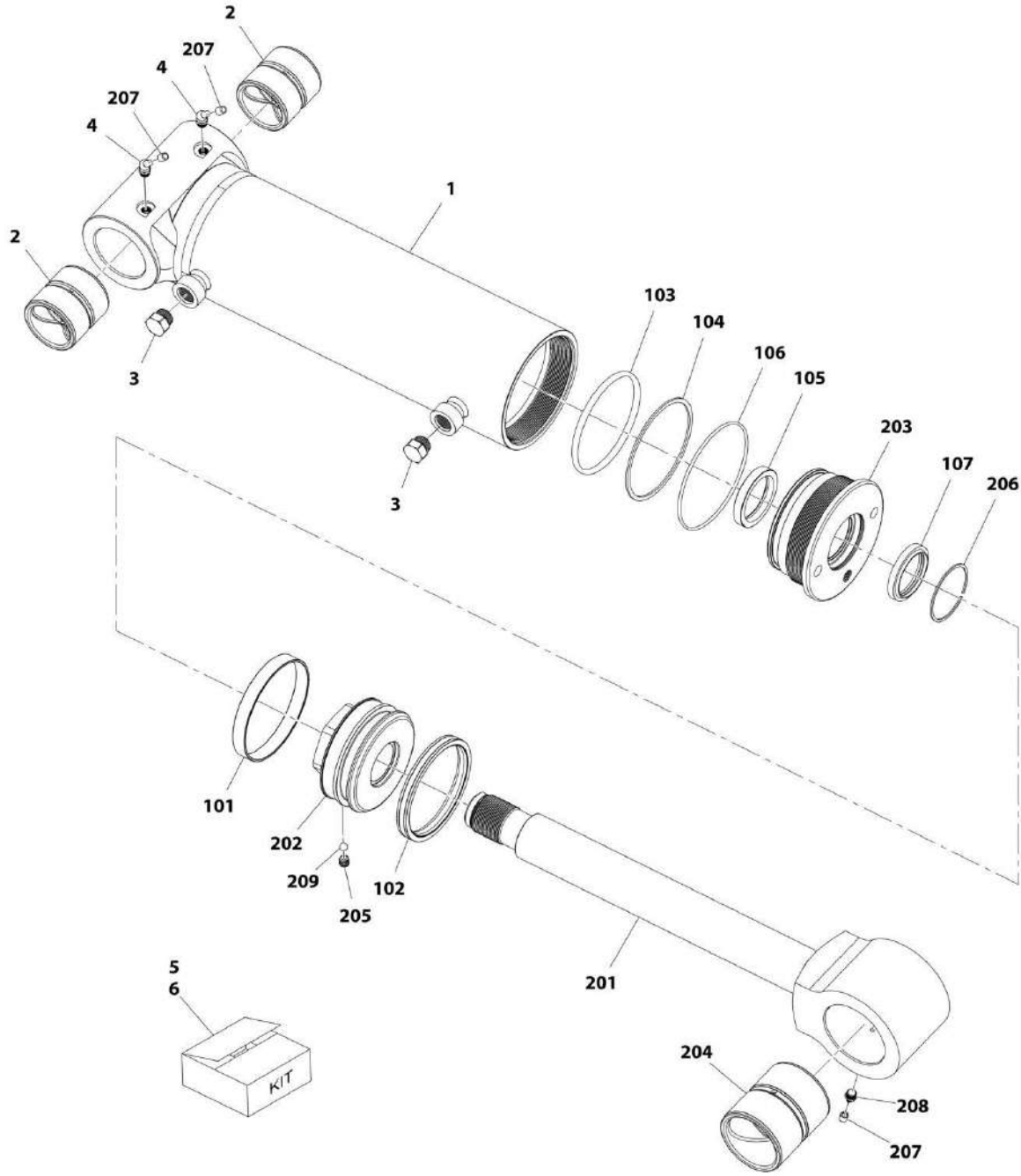
SECTION 9 - HYDRAULIC COMPONENTS

FIGURE 9-16. COMPENSATION CYLINDER G6-42A (ARCTIC) (Prior to SN 0160057586)

ITEM	PART NUMBER	QTY	DESCRIPTION	REV
	1001158759	Ref	COMPENSATION CYLINDER, (G6-42A) (ARCTIC)	A

SECTION 9 - HYDRAULIC COMPONENTS

FIGURE 9-17. COMPENSATION CYLINDER G6-42A (ARCTIC) (SN 0160057586 to Present)



ART_1001152467-A

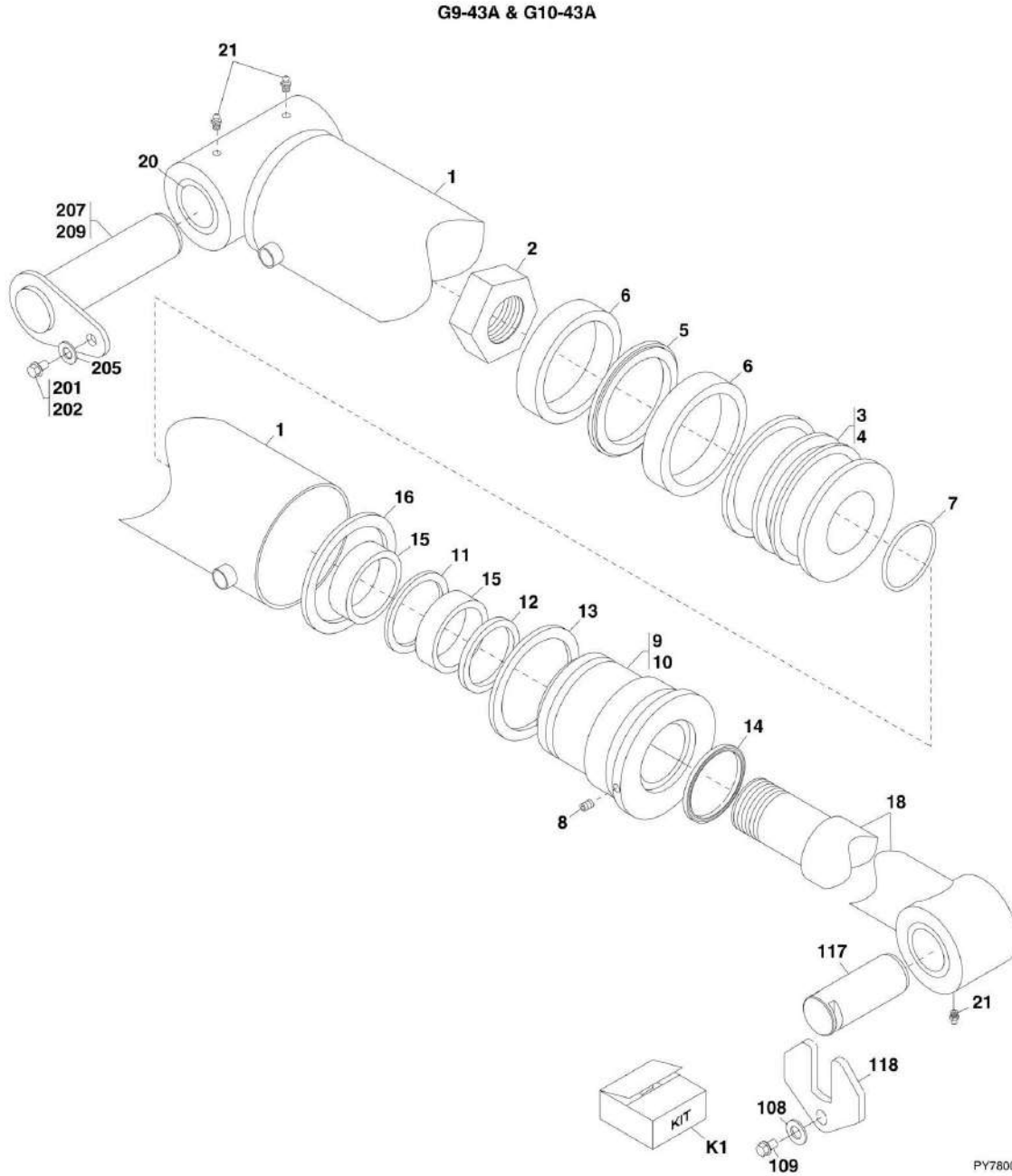
SECTION 9 - HYDRAULIC COMPONENTS

FIGURE 9-17. COMPENSATION CYLINDER G6-42A (ARCTIC) (SN 0160057586 to Present)

ITEM	PART NUMBER	QTY	DESCRIPTION	REV
	1001152467	1	COMPENSATION CYLINDER, (G6-42A) (ARCTIC)	A
1	70025963	1	BARREL	
2	70025955	2	BUSHING	
3	70025965	2	BLANKING PLUG	
4	70025966	2	GREASE FITTING	
5	70025962	1	SEAL KIT (includes items 101 thru 107)	
101	Kit	1	PISTON HEAD BEARING RING	
102	Kit	1	PISTON SEAL	
103	Kit	1	O-RING	
104	Kit	1	BACK UP RING	
105	Kit	1	ROD SEAL	
106	Kit	1	O-RING	
107	Kit	1	WIPER	
6	70027023	1	ROD, PISTON HEAD KIT (includes items 201 thru 209)	
201	Kit	1	ROD (not available outside of 70027023 Assy)	
202	70025952	1	PISTON ASSY	
203	70025953	1	GLAND	
204	70025954	1	BUSHING	
205	70025956	1	LOCKING SCREW	
206	70023101	1	SNAP RING	
207	70024020	3	GREASE FITTING	
208	70025957	1	GREASE NIPPLE	
209	70025614	1	BALL	

SECTION 9 - HYDRAULIC COMPONENTS

FIGURE 9-18. COMPENSATION CYLINDER G9-43A & G10-43A



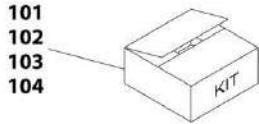
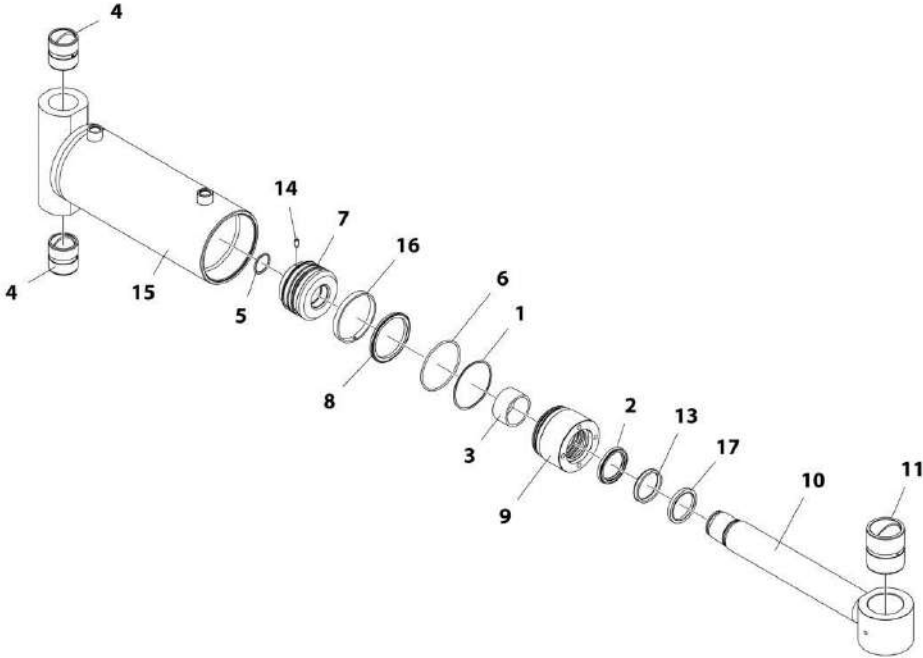
SECTION 9 - HYDRAULIC COMPONENTS

FIGURE 9-18. COMPENSATION CYLINDER G9-43A & G10-43A

ITEM	PART NUMBER	QTY	DESCRIPTION	REV
	91513272	1	COMPENSATION CYLINDER, (G9-43A & G10-43A), (includes items 1 thru 21) (Prior to SN 0160060644, Excluding 0160056536, 0160056537, 0160060633 and 0160060635)	D
1	70022053	1	BARREL ASSY, (includes item 20)	
2	10727280	1	LOCKNUT, (torque to 1550-1810 lb-ft/2101-2454 Nm)	
3	70022055	1	PISTON ASSY, (includes items 4 thru 7)	
4	N.S.S.	1	PISTON	
5	Kit	1	PISTON SEAL	
6	Kit	2	WEAR RING	
7	Kit	1	O-RING	
8	7029760	1	CAPSCREW	
9	70022056	1	ROD BEARING ASSY, (includes items 10 thru 16)	
10	N.S.S.	1	ROD BEARING, (torque to 550-600 lb-ft/745-813 Nm)	
11	Kit	1	BUFFER SEAL	
12	Kit	1	ROD SEAL	
13	Kit	1	PISTON SEAL	
14	Kit	1	WIPER	
15	Kit	2	WEAR RING	
16	Kit	1	O-RING	
18	70022054	1	ROD ASSY, (includes item 19)	
19	7029872	1	BUSHING, (manganese phosphate coating)	
20	7029871	2	BUSHING, (manganese phosphate coating)	
21	91044080	3	GREASE FITTING	
108	4891800	1	HARDENED WASHER, 1/2	
109	0681810	1	HEX HD CAPSCREW, 1/2-13X1-1/4, GR8, (torque to 100-110 lb-ft/136-149 Nm)	
117	91513282	1	CYLINDER PIN	
118	91471240	1	KEEPER PLATE	
201	0100011	AR	LOCTITE 242	
202	0681810	1	HEX HD CAPSCREW, 1/2-13X1-1/4, GR8, (torque to 100-110 lb-ft/136-149 Nm)	
205	4891800	1	HARDENED WASHER, 1/2	
207	14403323	AR	NEVER-SEEZ LUBE	
209	91513280	1	CYLINDER PIN	
K1	70024012	1	SEAL KIT, (includes items 5 thru 7 & 11 thru 16)	

SECTION 9 - HYDRAULIC COMPONENTS

FIGURE 9-19. COMPENSATION CYLINDER G9-43A & G10-43A



ART_1001140446-B

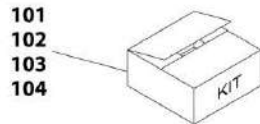
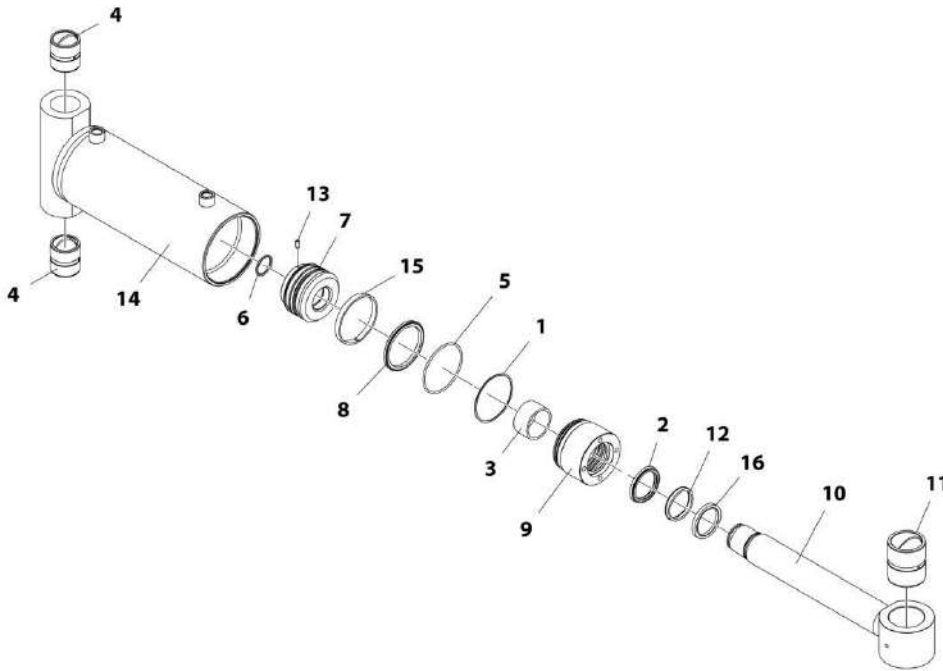
SECTION 9 - HYDRAULIC COMPONENTS

FIGURE 9-19. COMPENSATION CYLINDER G9-43A & G10-43A

ITEM	PART NUMBER	QTY	DESCRIPTION	REV
	1001140446	1	COMPENSATION CYLINDER, (G9-43A & G10-43A), (includes items 1 thru 17) (SN 0160060644 to Present, Including 0160056536, 0160056537, 0160060633 and 0160060635)	B
1	Kit	1	BACK-UP RING	
2	Kit	1	BUFFER RING	
3	Kit	1	BUSHING	
4	70025918	2	HEAD END BUSHING	
5	Kit	1	O-RING	
6	Kit	1	O-RING	
7	Kit	1	PISTON	
8	Kit	1	PISTON SEAL	
9	Kit	1	RETAINER	
10	Kit	1	ROD	
11	Kit	1	ROD END BUSHING	
13	Kit	1	ROD SEAL	
14	Kit	1	SET SCREW	
15	70025919	1	BARREL	
16	Kit	1	WEAR RING	
17	Kit	1	WIPER	
101	70025920	1	SERVICE KIT, (includes items 1,2,3,5,6,8,13,16,17)	
102	70025921	1	RETAINER SUB ASSY, (includes items 1,2,3,5,9,13,17)	
103	70025922	1	PISTON SUB ASSY, (includes items 7,8,14,16)	
104	70025923	1	ROD SERVICE KIT, (includes items 10,11,12)	

SECTION 9 - HYDRAULIC COMPONENTS

FIGURE 9-20. COMPENSATION CYLINDER G9-43A & G10-43A (ARCTIC)



ART_1001174531-B

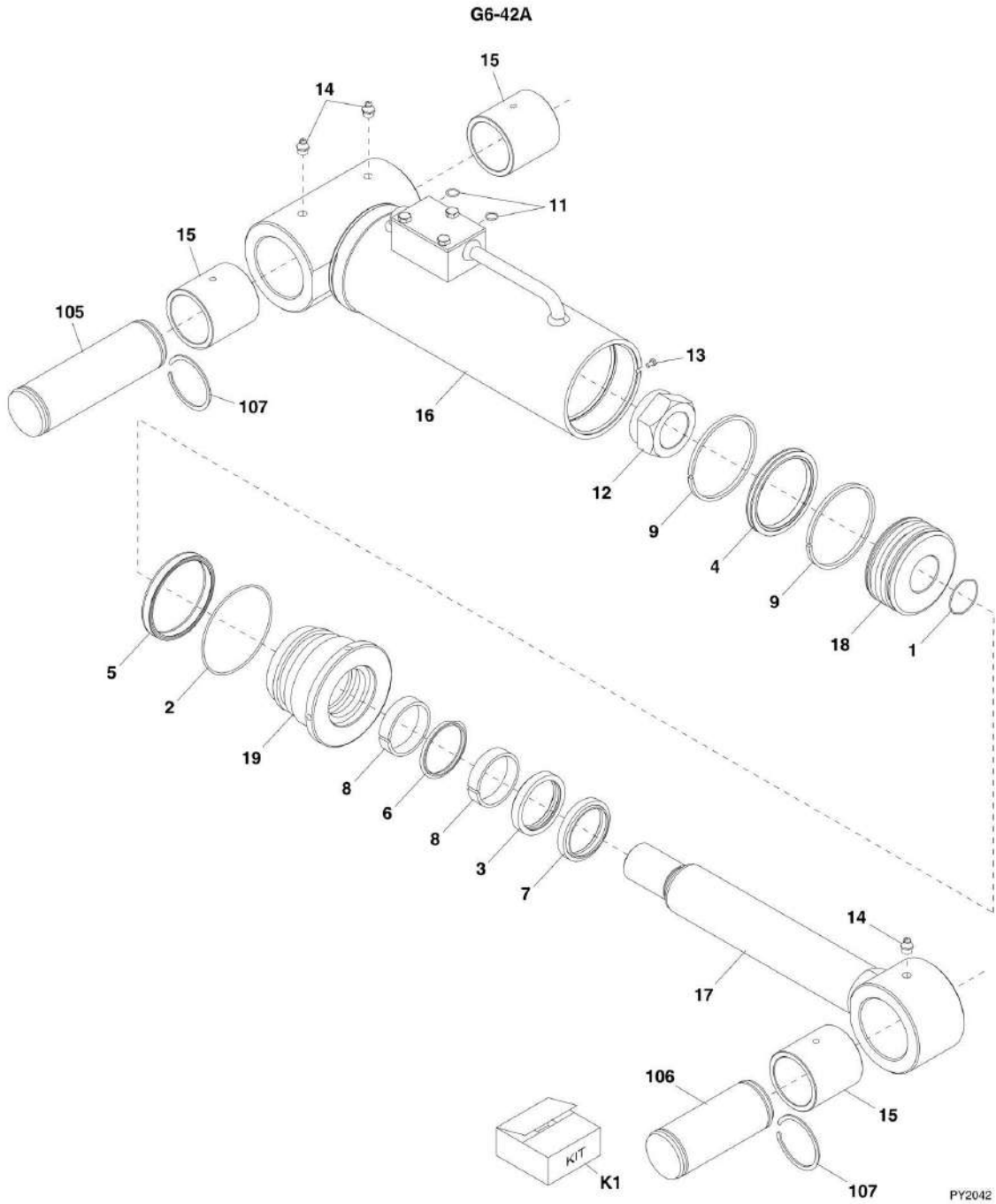
SECTION 9 - HYDRAULIC COMPONENTS

FIGURE 9-20. COMPENSATION CYLINDER G9-43A & G10-43A (ARCTIC)

ITEM	PART NUMBER	QTY	DESCRIPTION	REV
	1001174531	1	COMPENSATION CYLINDER, (G9-43A & G10-43A) (ARCTIC)	B
1	Kit	1	BACK-UP RING	
2	Kit	1	BUFFER RING	
3	Kit	1	BUSHING	
4	70025918	2	HEAD END BUSHING	
5	Kit	1	O-RING	
6	Kit	1	O-RING	
7	Kit	1	PISTON	
8	Kit	1	PISTON SEAL	
9	Kit	1	RETAINER	
10	Kit	1	ROD	
11	Kit	1	ROD END BUSHING	
12	Kit	1	ROD SEAL	
13	Kit	1	SET SCREW	
14	70025919	1	BARREL	
15	Kit	1	WEAR RING	
16	Kit	1	WIPER	
101	70025934	1	SERVICE KIT, (includes items 1,2,3,5,6,8,13,16,17)	
102	70025935	1	RETAINER KIT, (includes items 1,2,3,5,9,13,17)	
103	70025922	1	PISTON KIT, (includes items 7,8,14,16)	
104	70025923	1	ROD SERVICE KIT, (includes items 10,11,12)	

SECTION 9 - HYDRAULIC COMPONENTS

FIGURE 9-21. FRAME LEVEL CYLINDER G6-42A (Prior to SN 0160060495)



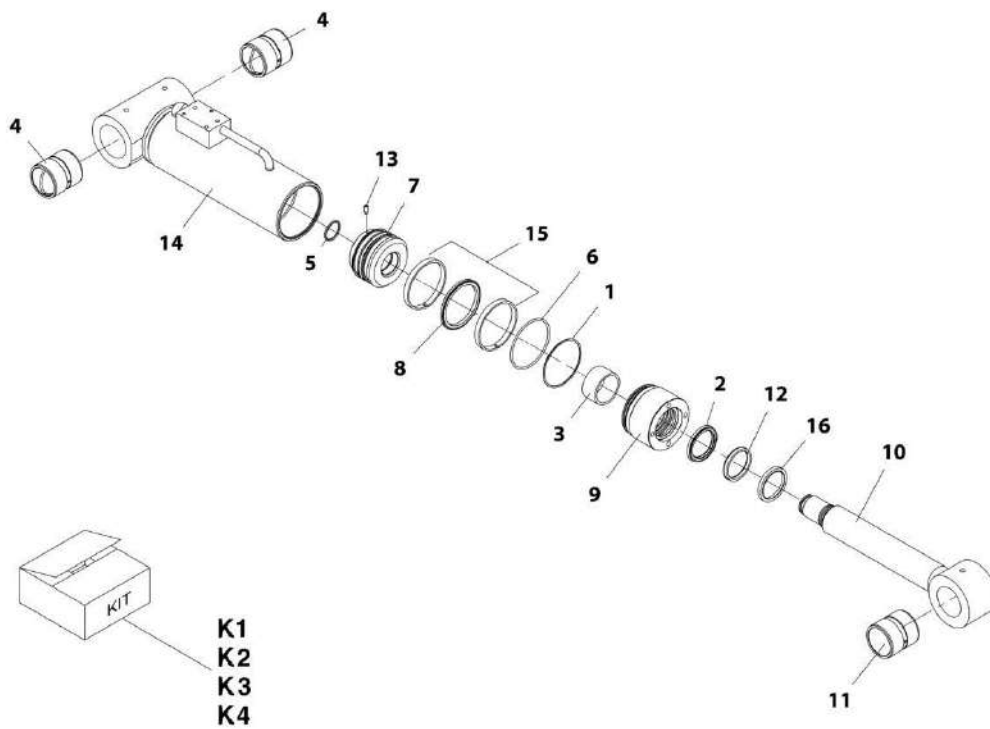
SECTION 9 - HYDRAULIC COMPONENTS

FIGURE 9-21. FRAME LEVEL CYLINDER G6-42A (Prior to SN 0160060495)

ITEM	PART NUMBER	QTY	DESCRIPTION	REV
	91473231	1	FRAME LEVEL CYLINDER, (G6-42A), (includes items 1 thru 19)	B
1	Kit	1	O-RING	
2	Kit	1	O-RING	
3	Kit	1	SEAL	
4	Kit	1	SEAL	
5	Kit	1	SEAL	
6	Kit	1	SEAL	
7	Kit	1	WIPER	
8	Kit	2	WEAR RING	
9	Kit	2	WEAR RING	
11	7023500	2	O-RING	
12	7003226	1	LOCKNUT, (torque to 800-1000 lb-ft/1085-1355 Nm)	
13	70021630	1	SELF-TAPPING SCREW	
14	7003242	3	LUBE FITTING	
15	70021634	3	BUSHING	
16	70021637	1	TUBE ASSY	
17	70021638	1	ROD ASSY	
18	70021635	1	PISTON	
19	70021636	1	HEAD	
105	91403226	1	CYLINDER PIN	
106	91403225	1	CYLINDER PIN	
107	90028935	4	RETAINING RING	
K1	70021633	1	SEAL KIT, (includes items 1 thru 9)	

SECTION 9 - HYDRAULIC COMPONENTS

FIGURE 9-22. FRAME LEVEL CYLINDER G6-42A (SN 0160060495 to Present)



ART_1001140444-A

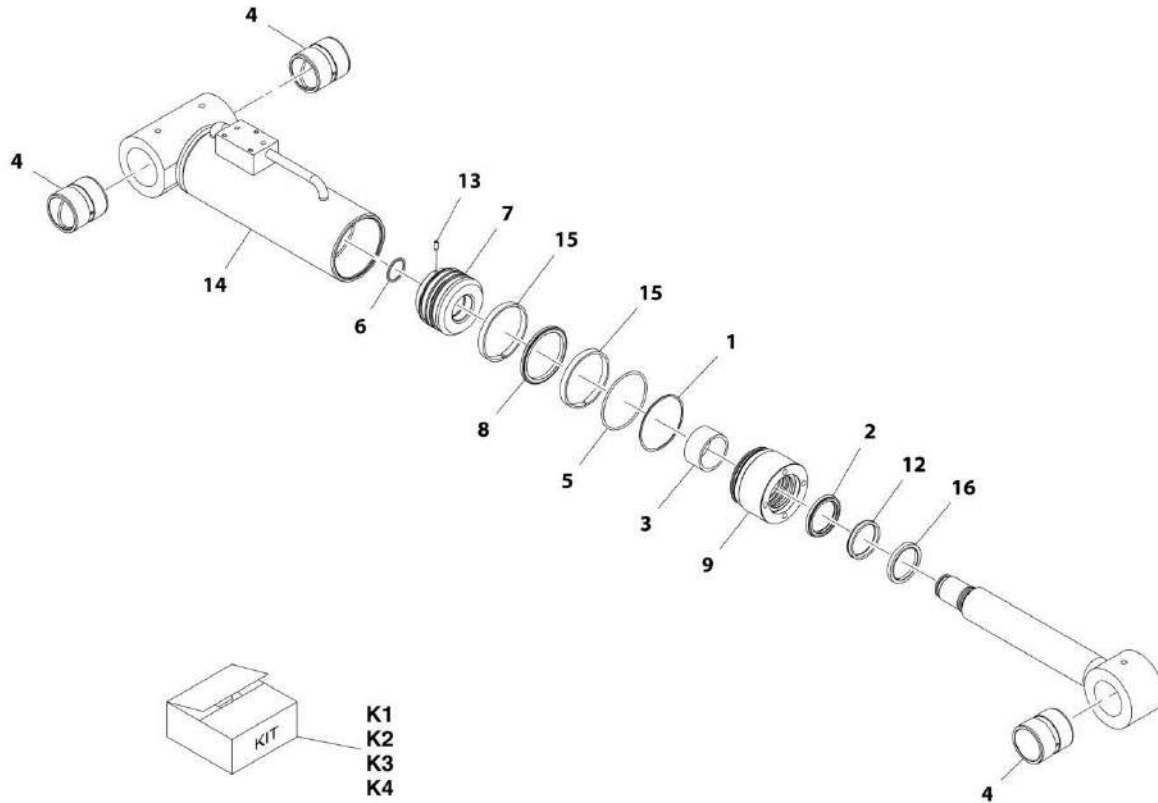
SECTION 9 - HYDRAULIC COMPONENTS

FIGURE 9-22. FRAME LEVEL CYLINDER G6-42A (SN 0160060495 to Present)

ITEM	PART NUMBER	QTY	DESCRIPTION	REV
	1001140444	1	FRAME LEVEL CYLINDER, (G6-42A), (includes items 1 thru 16)	A
1	Kit	1	BACK-UP RING	
2	Kit	1	BUFFER RING	
3	Kit	1	BUSHING	
4	Kit	3	BUSHING	
5	Kit	1	O-RING	
6	Kit	1	O-RING	
7	Kit	1	PISTON	
8	Kit	1	PISTON SEAL	
9	Kit	1	RETAINER	
10	Kit	1	ROD	
11	Kit	1	ROD END	
12	Kit	1	ROD SEAL	
13	Kit	1	SET SCREW	
14	70025936	1	BARREL	
15	Kit	2	WEAR RING	
16	Kit	1	WIPER	
K1	70025937	1	SERVICE KIT, (includes items 1,2,3,5,6,8,12,15,16)	
K2	70025938	1	ROD ASSY KIT, (includes items 4,10,11)	
K3	70025939	1	RETAINER SUB ASSY KIT, (includes items 1,2,3,5,9,12,16)	
K4	70025940	1	PISTON SUB ASSY KIT, (includes items 7,8,13,15)	

SECTION 9 - HYDRAULIC COMPONENTS

FIGURE 9-23. FRAME LEVEL CYLINDER, (G6-42A) (ARCTIC)



ART_1001158762-A

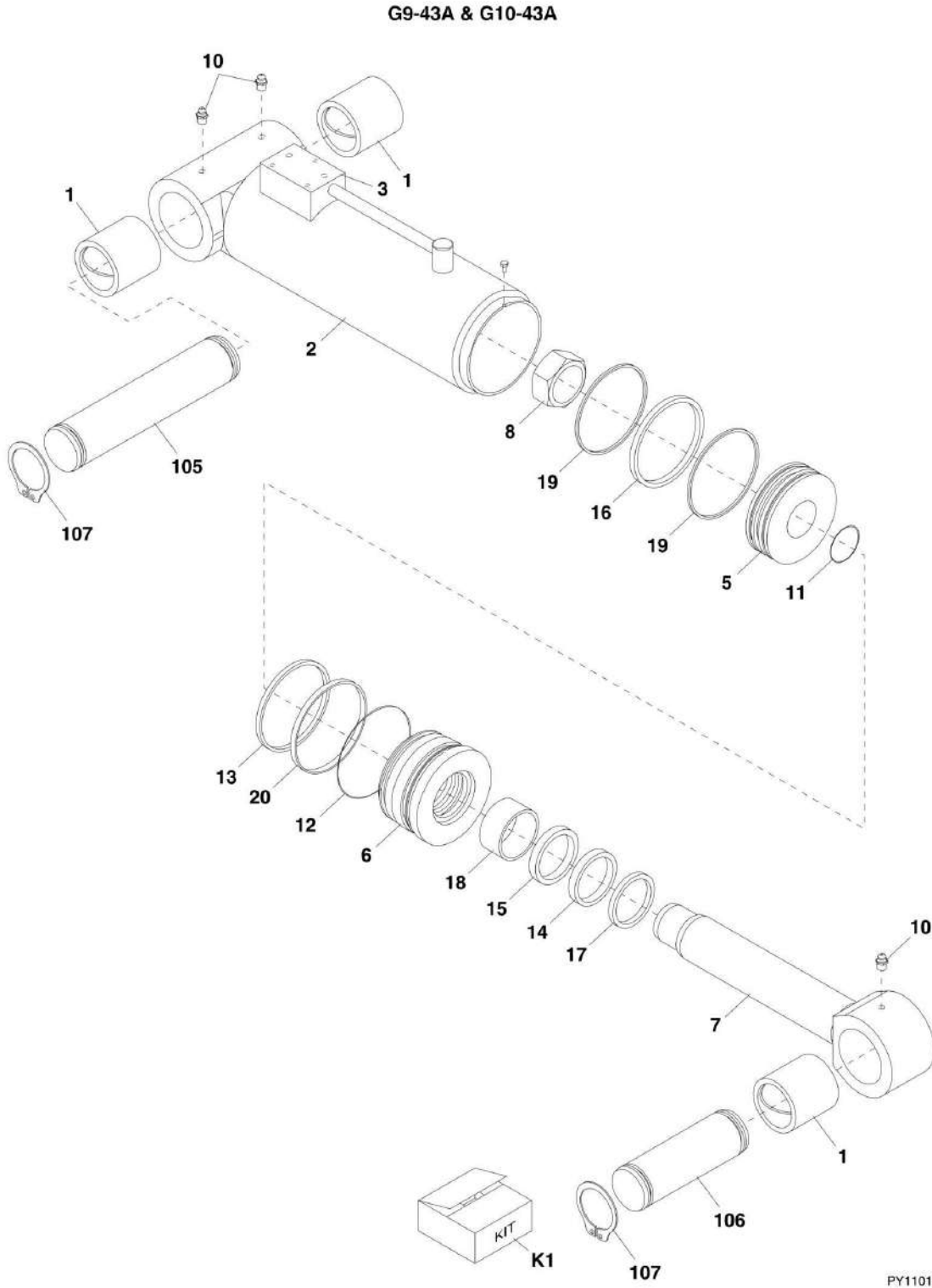
SECTION 9 - HYDRAULIC COMPONENTS

FIGURE 9-23. FRAME LEVEL CYLINDER, (G6-42A) (ARCTIC)

ITEM	PART NUMBER	QTY	DESCRIPTION	REV
	1001158762	1	FRAME LEVEL CYLINDER, (G6-42A) (ARCTIC), (included items 1 thru 16)	A
1	Kit	1	BACKUP RING	
2	Kit	1	BUFFER RING	
3	Kit	1	BUSHING	
4	Kit	3	BUSHING	
5	Kit	1	O-RING	
6	Kit	1	O-RING	
7	Kit	1	PISTON	
8	Kit	1	PISTON SEAL	
9	Kit	1	RETAINER	
12	Kit	1	ROD SEAL	
13	Kit	1	SET SCREW	
14	70025936	1	BARREL	
15	Kit	2	WEAR RING	
16	Kit	1	WIPER	
K1	70025941	1	SERVICE KIT, (include items 1 thru 3,5,6,8,12,15,16)	
K2	70025938	1	ROD ASSY KIT, (include item 4)	
K3	70025942	1	RETAINER SUB ASY KIT, (include items 1 thru 3,5,9,12,16)	
K4	70025940	1	PISTON SUB ASSY KIT, (include items 7,8,13,15)	

SECTION 9 - HYDRAULIC COMPONENTS

FIGURE 9-24. FRAME LEVEL CYLINDER G9-43A & G10-43A



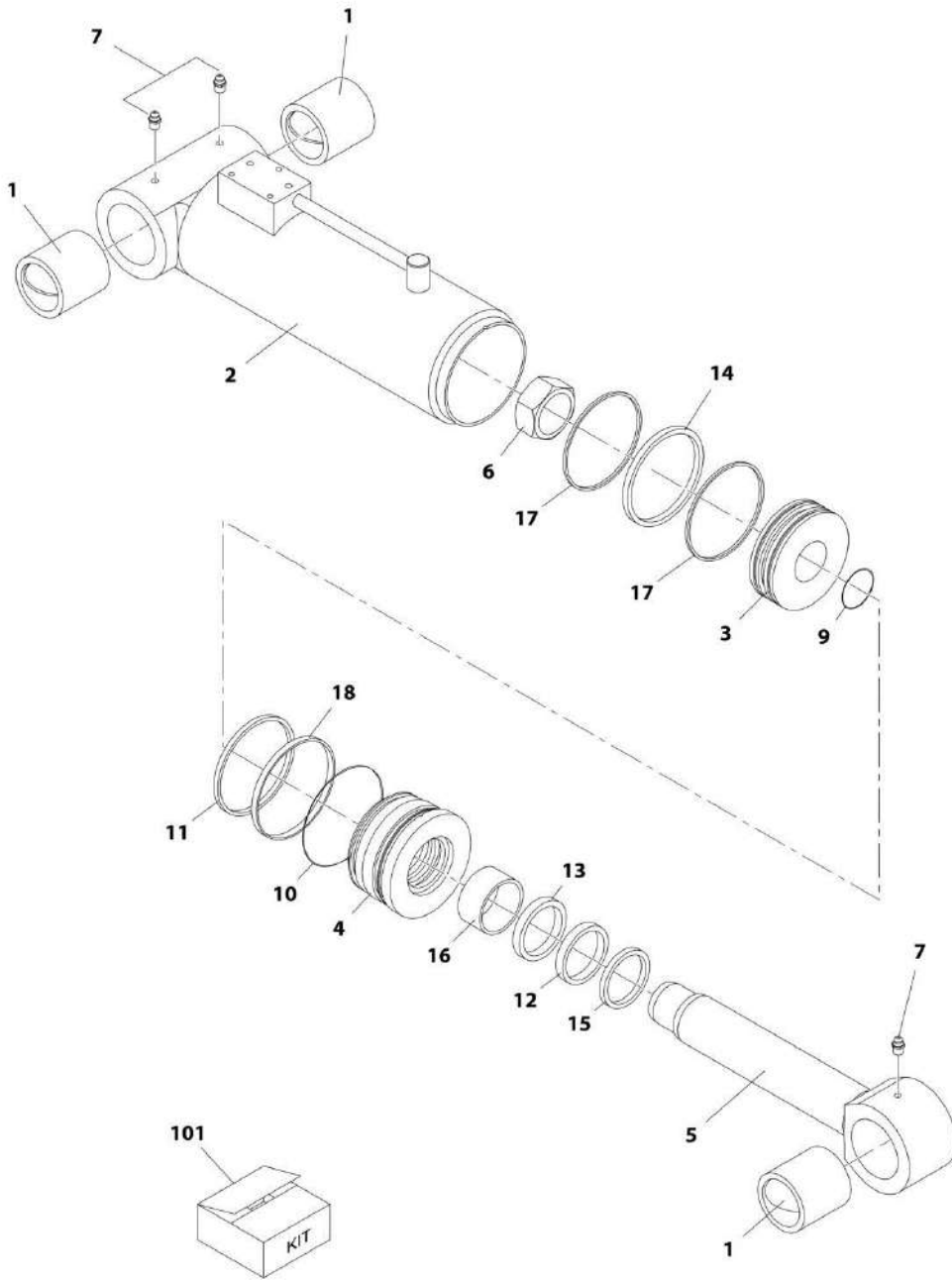
SECTION 9 - HYDRAULIC COMPONENTS

FIGURE 9-24. FRAME LEVEL CYLINDER G9-43A & G10-43A

ITEM	PART NUMBER	QTY	DESCRIPTION	REV
	91513273	1	FRAME LEVEL CYLINDER, (G9-43A & G10-43A), (includes items 1 thru 20)	A
1	70022508	3	BEARING	
2	70022859	1	TUBE ASSY	
3	N.S.S.	1	GASKET	
5	70022861	1	PISTON	
6	70022862	1	HEAD GLAND, (torque to 300-400 lb-ft/407-542 Nm)	
7	70022863	1	ROD ASSY	
8	8035865	1	LOCKNUT, (loctite and torque to 720-800 lb-ft/976-1085 Nm)	
10	70020375	3	GREASE FITTING	
11	Kit	1	O-RING	
12	Kit	1	O-RING	
13	Kit	1	POLYPAK	
14	Kit	1	U-CUP	
15	Kit	1	BUFFER SEAL	
16	Kit	1	T-SEAL	
17	Kit	1	SCRAPER	
18	Kit	1	WEAR BAND	
19	Kit	2	WEAR BAND	
20	Kit	2	LOCKING INSERT	
105	91403226	1	CYLINDER PIN	
106	91403225	1	CYLINDER PIN	
107	90028935	4	RETAINING RING	
K1	70022864	1	SEAL KIT, (includes items 11 thru 20)	

SECTION 9 - HYDRAULIC COMPONENTS

FIGURE 9-25. FRAME LEVEL CYLINDER G9-43A & G10-43A (ARCTIC)



ART_1001158767-A

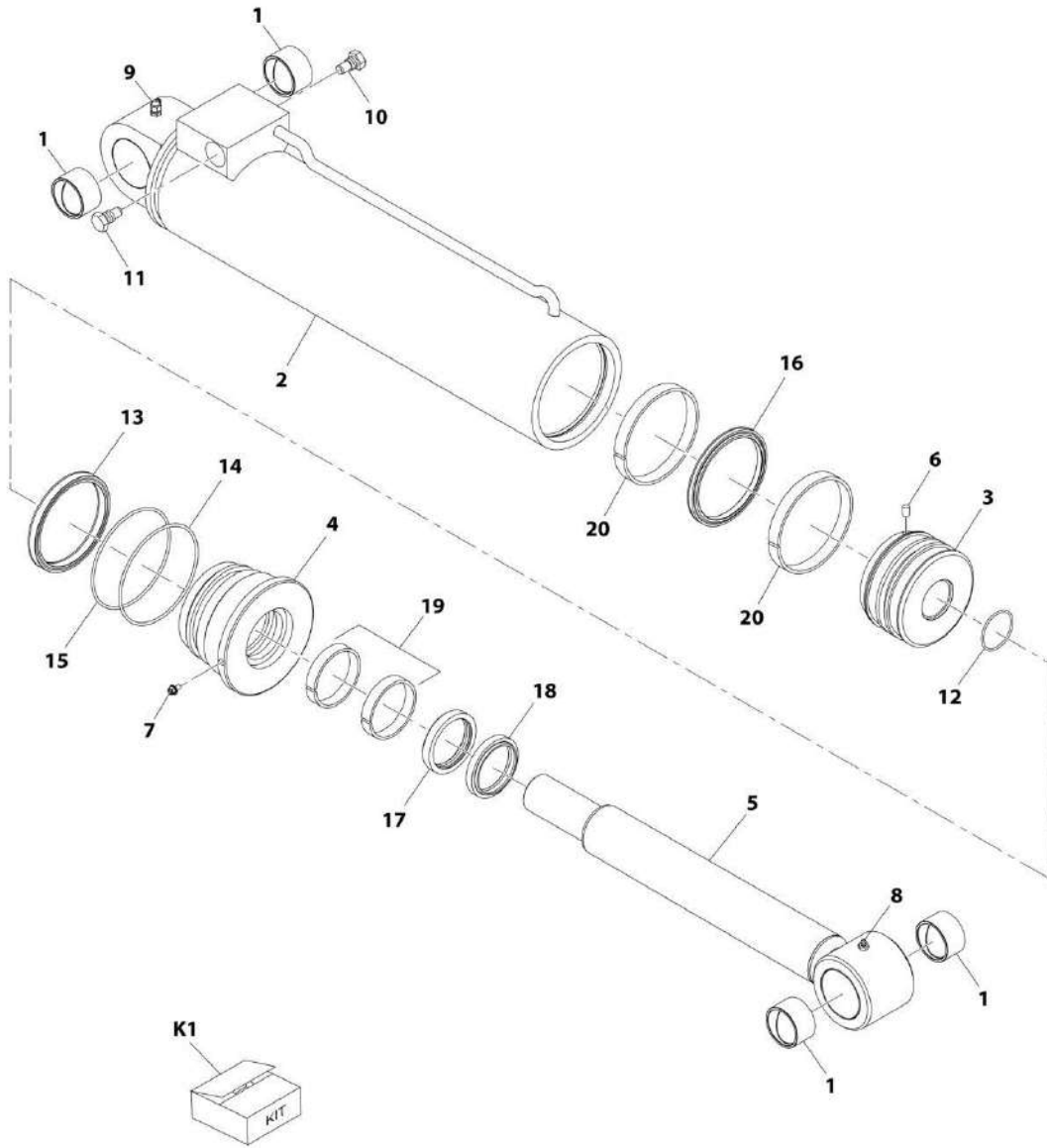
SECTION 9 - HYDRAULIC COMPONENTS

FIGURE 9-25. FRAME LEVEL CYLINDER G9-43A & G10-43A (ARCTIC)

ITEM	PART NUMBER	QTY	DESCRIPTION	REV
	1001158767	1	FRAME LEVEL CYLINDER, (G9-43A & G10-43A), (ARCTIC)	A
1	70022508	3	BEARING	
2	70022859	1	BARREL	
3	70022861	1	PISTON	
4	70022862	1	GLAND	
5	70022863	1	ROD	
6	8035865	1	LOCKNUT	
7	70020375	3	GREASE FITTING	
9	Kit	1	O-RING	
10	Kit	2	O-RING	
11	Kit	1	POLYPAK	
12	Kit	1	DEEP Z-SEAL	
13	Kit	1	BUFFER SEAL	
14	Kit	1	T-SEAL	
15	Kit	1	SCRAPER	
16	Kit	1	WEAR BAND	
17	Kit	2	WEAR BAND	
18	Kit	2	LOCKING INSERT	
101	70025969	1	SEAL KIT, (includes items 9 thru 18)	

SECTION 9 - HYDRAULIC COMPONENTS

FIGURE 9-26. OUTRIGGER CYLINDER G10-43A



ART_1001116439-C

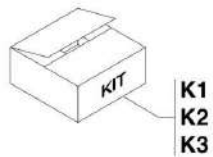
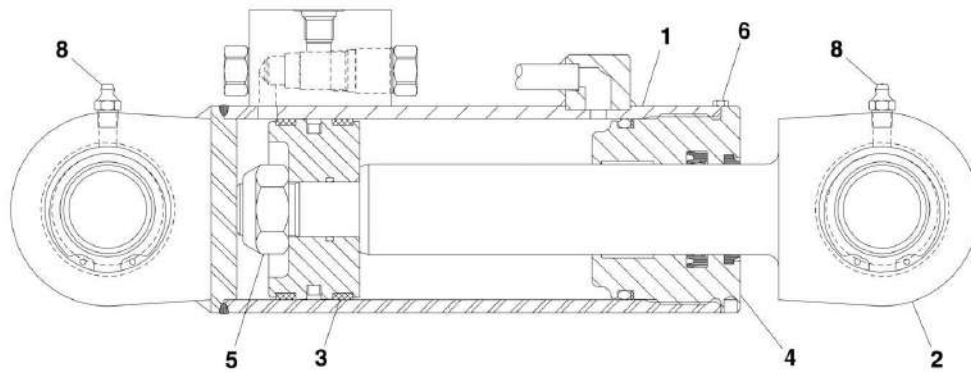
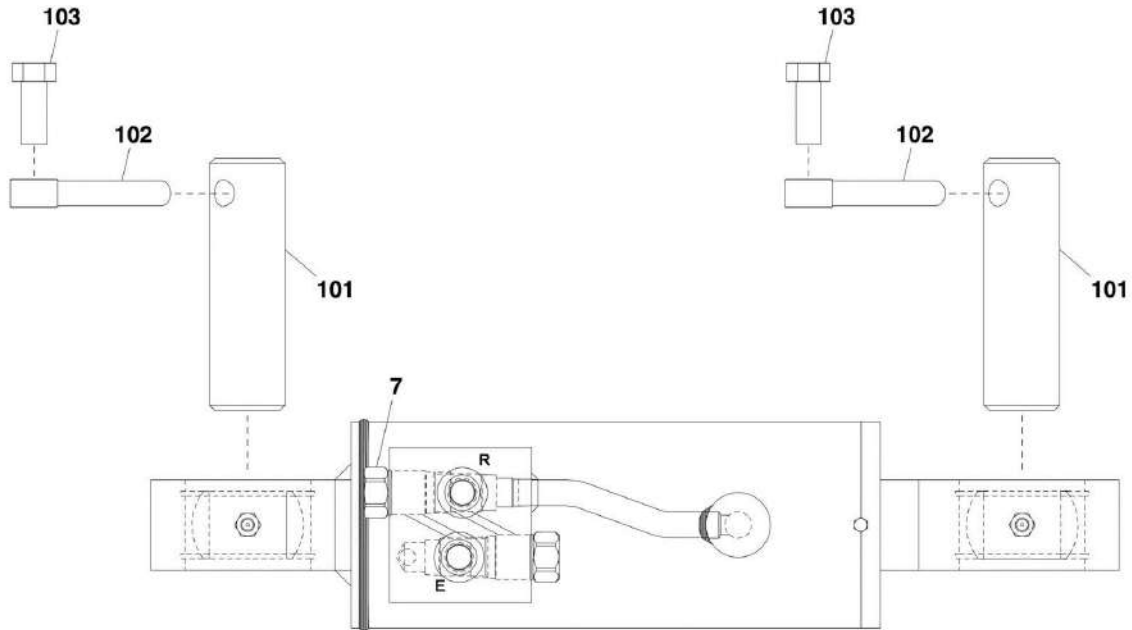
SECTION 9 - HYDRAULIC COMPONENTS

FIGURE 9-26. OUTRIGGER CYLINDER G10-43A

ITEM	PART NUMBER	QTY	DESCRIPTION	REV
	1001116439	2	OUTRIGGER CYLINDER, (G10-43A), (includes items 1 thru 20), (included item quantities are per single cylinder)	C
1	70020370	4	BUSHING	
2	70023892	1	BARREL	
3	70023893	1	PISTON, (loctite and torque to 2350-2600 lb-ft/3186-3525 Nm)	
4	70023894	1	HEAD GLAND, (torque to 300-400 lb-ft/407-542 Nm)	
5	70023895	1	ROD	
6	8036629	1	SET SCREW, 3/8-16X3/4, (torque to 16-18 lb-ft/22-24 Nm)	
7	70023896	1	TAPPING SCREW	
8	70023897	1	GREASE FITTING	
9	8520021	1	GREASE FITTING, 90	
10	8036750	1	PO CHECK VALVE, (torque to 30-35 lb-ft/41-47 Nm)	
11	70023898	1	PO CHECK VALVE W/THERMAL RELIEF, (torque to 30-35 lb-ft/41-47 Nm)	
12	Kit	1	O-RING	
13	Kit	1	O-RING	
14	Kit	1	O-RING	
15	Kit	1	BACK-UP RING	
16	Kit	1	PISTON SEAL	
17	Kit	1	ROD SEAL	
18	Kit	1	ROD WIPER	
19	Kit	2	WEAR BAND	
20	Kit	2	WEAR BAND	
K1	70023899	1	SEAL KIT, (includes items 12 thru 20)	

SECTION 9 - HYDRAULIC COMPONENTS

FIGURE 9-27. SIDE TILT CARRIAGE CYLINDER (Prior to SN 0160066391, Excluding 0160065311)



Py1583

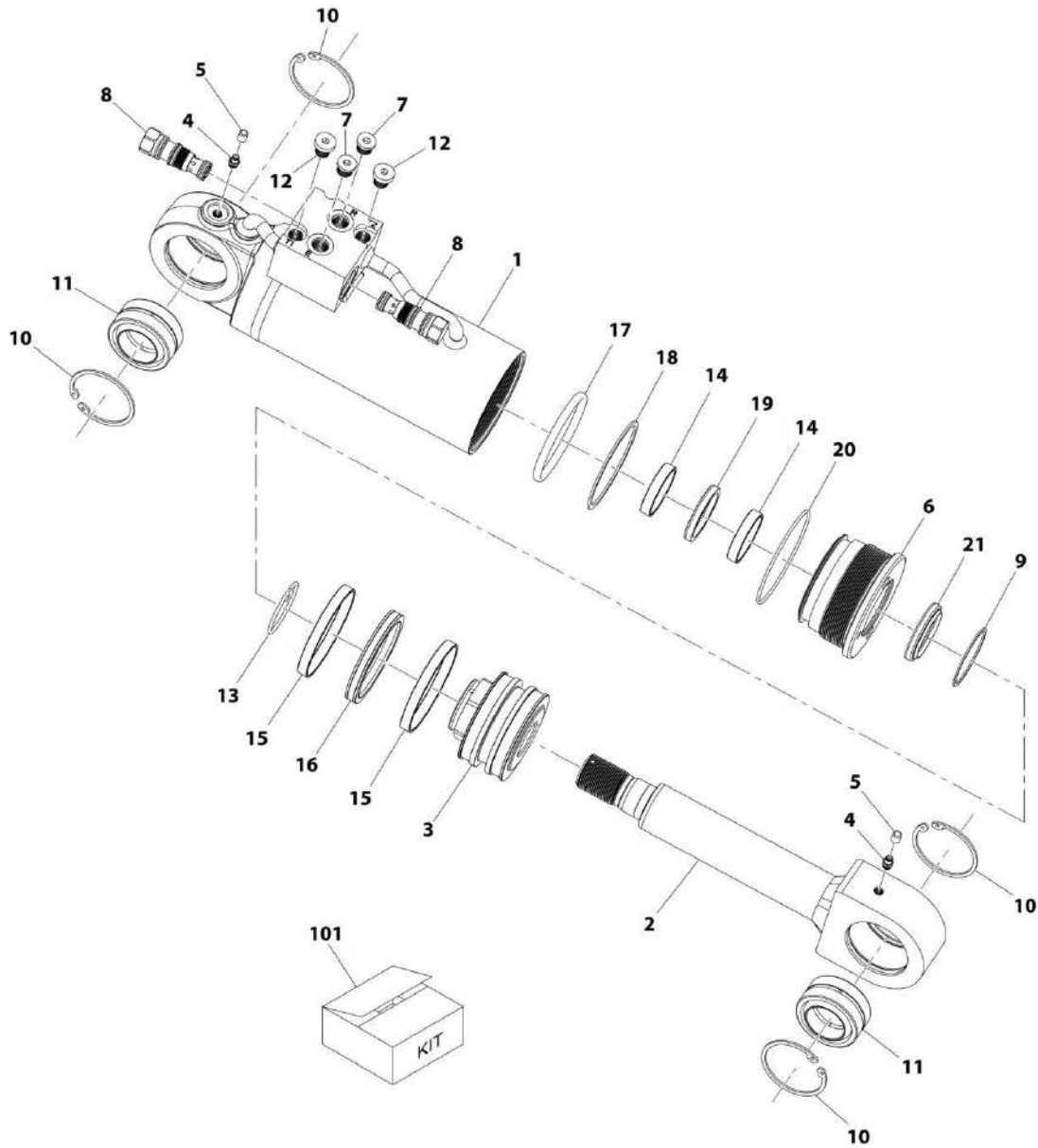
SECTION 9 - HYDRAULIC COMPONENTS

FIGURE 9-27. SIDE TILT CARRIAGE CYLINDER (Prior to SN 0160066391, Excluding 0160065311)

ITEM	PART NUMBER	QTY	DESCRIPTION	REV
	1001090134	1	SIDE TILT CARRIAGE CYLINDER, (includes items 1 thru 8)	C
1	70022038	1	BARREL ASSY	
2	70022039	1	ROD ASSY	
3	70022040	1	PISTON	
4	70024002	1	ROD BEARING	
5	90022230	1	HEX NUT	
6	7029760	1	CAPSCREW	
7	4640438	2	CHECK VALVE	
7	2900770	1	SEAL KIT	
8	91044080	2	GREASE FITTING	
101	3423307	2	CYLINDER PIN	
102	3841203	2	KEEPER	
103	0681810	2	HEX HD CAPSCREW, 1/2-13X1-1/4, GR8	
K1	70022041	1	SEAL KIT, (includes kits K2 & K3)	
K2	70022042	1	PISTON SEAL KIT	
K3	70022043	1	ROD BEARING SEAL KIT	

SECTION 9 - HYDRAULIC COMPONENTS

FIGURE 9-28. SIDE TILT CARRIAGE CYLINDER (SN 0160066391 to Present, Including 0160065311)



ART_1001163414-A

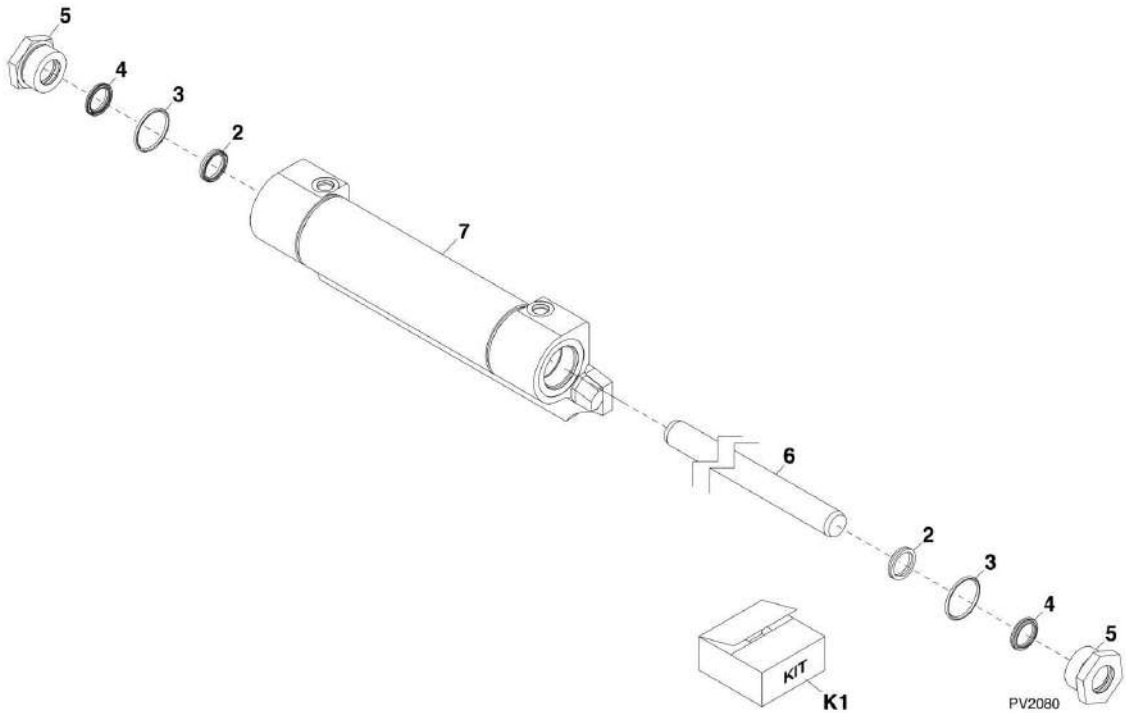
SECTION 9 - HYDRAULIC COMPONENTS

FIGURE 9-28. SIDE TILT CARRIAGE CYLINDER (SN 0160066391 to Present, Including 0160065311)

ITEM	PART NUMBER	QTY	DESCRIPTION	REV
	1001163414	Ref	SIDE TILT CARRIAGE CYLINDER, (includes all items)	A
1	70026056	1	BARREL	
2	70026057	1	ROD	
3	70026058	1	SCREWED PISTON HEAD, 90MM	
4	70025606	2	GREASE NIPPLE	
5	70024020	2	GREASER PROTECTOR	
6	70003849	1	GLAND	
7	70025959	2	BLANKING SCREW	
8	70026059	2	P/O CHECK VALVE	
9	70002219	1	INTERNAL SNAP RING	
10	70026060	4	INTERNAL SNAP RING	
11	70026061	2	SPHERICAL BEARING	
12	70024262	2	BLANKING SCREW	
13	70002224	1	LOCKING RING	
14	Kit	2	ROD BEARING RING	
15	Kit	2	PISTON BEARING RING	
16	Kit	1	PISTON SEAL	
17	Kit	1	O-RING	
18	Kit	1	BACK UP RING	
19	Kit	1	ROD SEAL	
20	Kit	1	O-RING	
21	Kit	1	WIPER SEAL	
101	70026062	1	SEAL KIT, (includes items 14 thru 21)	

SECTION 9 - HYDRAULIC COMPONENTS

FIGURE 9-29. 50IN SIDE SHIFT CARRIAGE CYLINDER



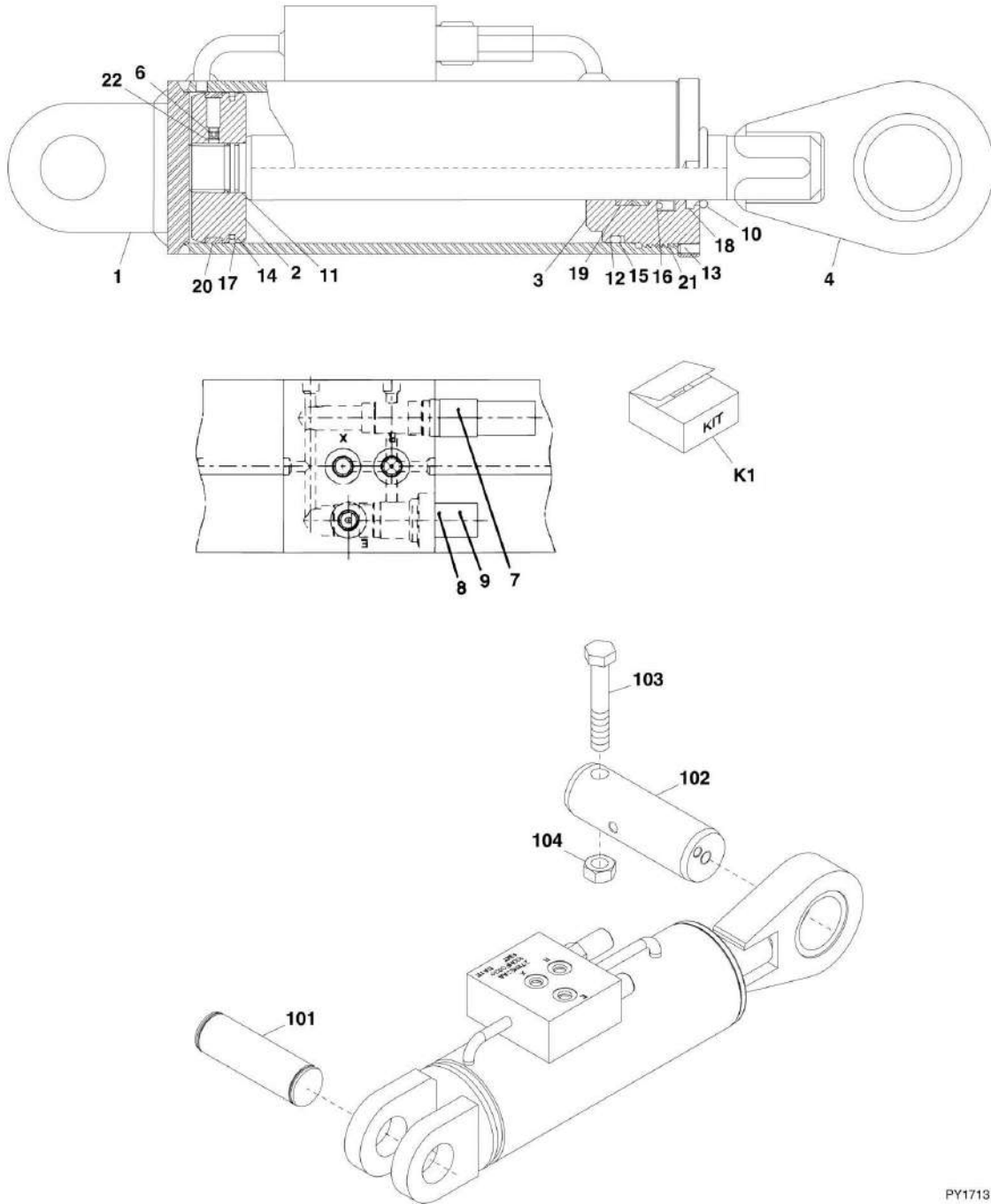
SECTION 9 - HYDRAULIC COMPONENTS

FIGURE 9-29. 50IN SIDE SHIFT CARRIAGE CYLINDER

ITEM	PART NUMBER	QTY	DESCRIPTION	REV
	70024539	1	50IN SIDE SHIFT CARRIAGE CYLINDER, (includes all items)	B
2	Kit	2	ROD SEAL	
3	70024547	2	O-RING	
4	Kit	2	ROD WIPER SEAL	
5	70024548	2	RETAINER SEAL	
6	N.S.S.	1	ROD	
7	N.S.S.	1	BARREL	
K1	70024549	1	SEAL KIT, (includes items 2 & 4)	

SECTION 9 - HYDRAULIC COMPONENTS

FIGURE 9-30. 72IN, 90, SWING CARRIAGE CYLINDER



PY1713

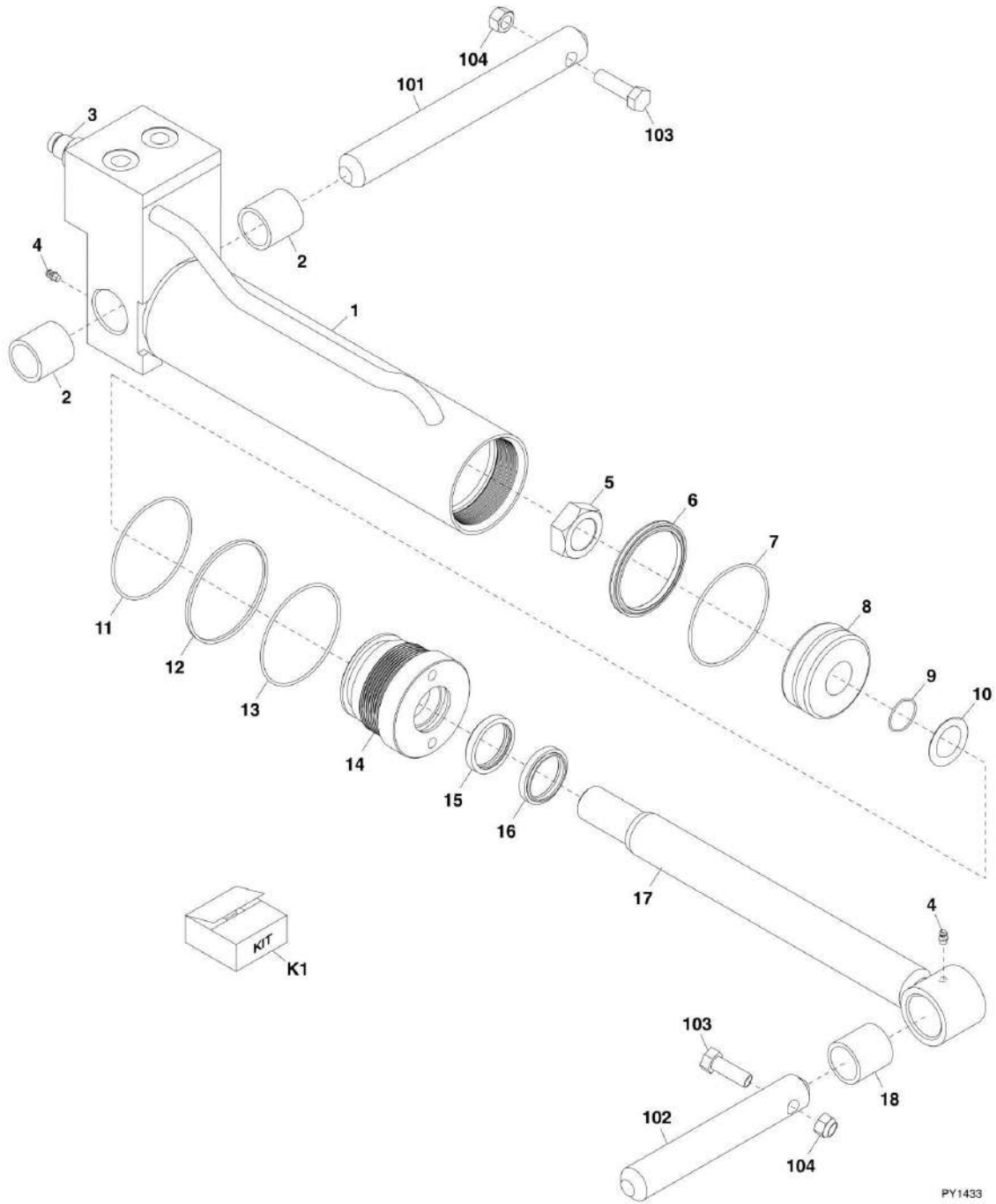
SECTION 9 - HYDRAULIC COMPONENTS

FIGURE 9-30. 72IN, 90, SWING CARRIAGE CYLINDER

ITEM	PART NUMBER	QTY	DESCRIPTION	REV
	1001103182	2	72IN 90 SWING CARRIAGE CYLINDER, (includes items 1 thru 22), (included item quantities are per single cylinder)	B
1	70022044	1	TUBE ASSY	
2	8035863	1	PISTON	
3	8035862	1	HEAD GLAND	
4	70022045	1	ROD ASSY	
5	70022046	1	BEARING, (not shown)	
6	8035536	2	SET SCREW, 5/16-18X1/2	
7	70020428	1	RELIEF VALVE, (pre-set to 2000psi)	
7	7024574	1	SEAL KIT	
8	8033786	1	COUNTER BALANCE VALVE, (pre-set to 3000psi)	
8	8205655	1	SEAL KIT	
9	70021812	1	TAMPERPROOF CAP	
11	Kit	1	O-RING	
12	Kit	1	O-RING	
13	Kit	1	O-RING	
14	Kit	1	SQUARE RING	
15	Kit	1	BACK-UP RING	
16	Kit	1	SEAL	
17	Kit	1	PISTON SEAL	
18	Kit	1	ROD WIPER	
19	Kit	2	WEAR BAND	
20	Kit	1	WEAR BAND	
21	Kit	2	INSERT	
22	Kit	2	INSERT	
101	7110722	2	CYLINDER PIN, (base end)	
102	7110712	2	CYLINDER PIN, (rod end)	
103	8303634	2	HEX HD CAPSCREW, 5/8-11X4, GR5	
104	8305643	2	HEX NUT, 5/8-11	
K1	2915023	1	SEAL KIT, (includes items 11 thru 22)	

SECTION 9 - HYDRAULIC COMPONENTS

FIGURE 9-31. GRAPPLE BUCKET CYLINDER



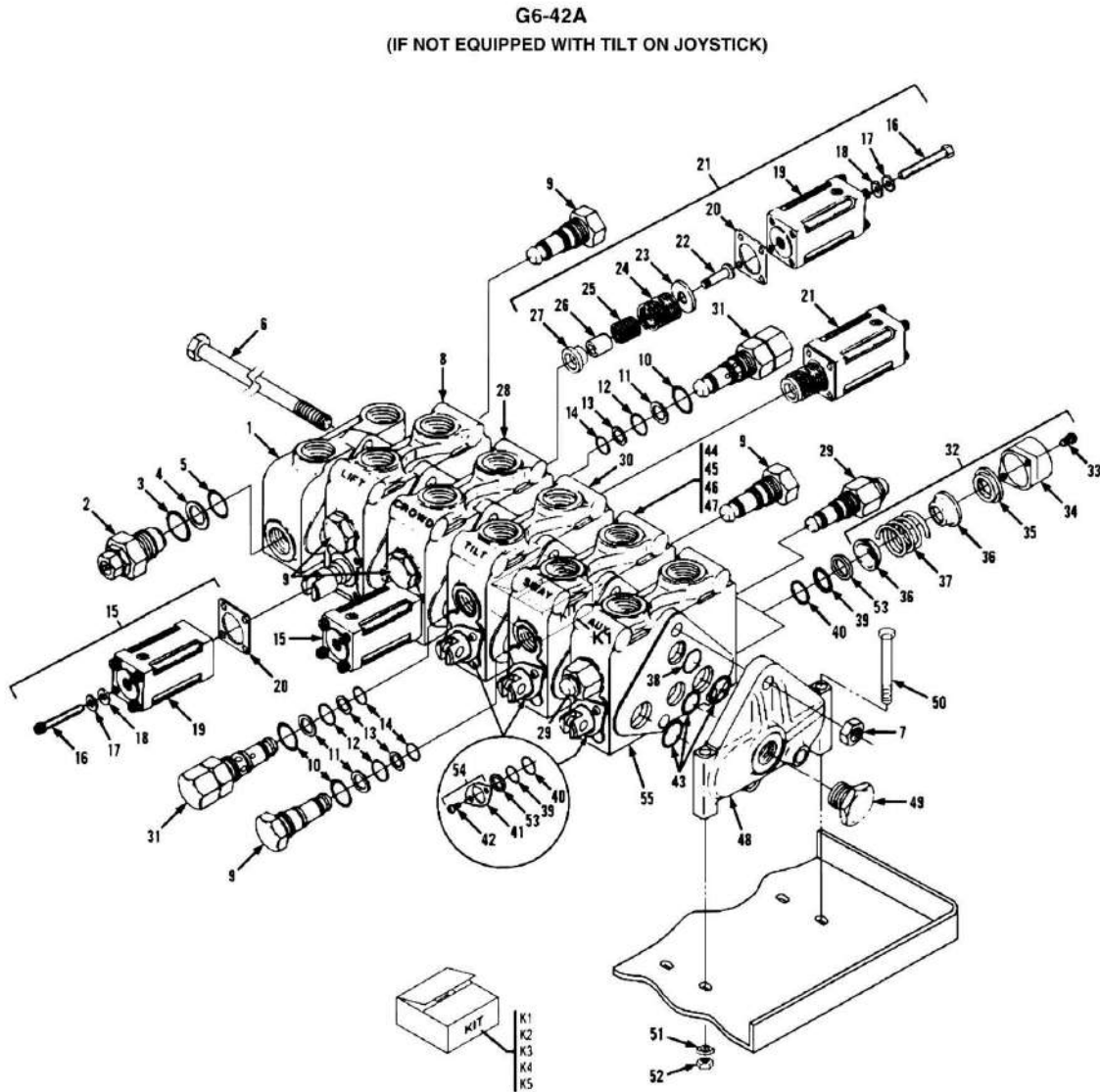
SECTION 9 - HYDRAULIC COMPONENTS

FIGURE 9-31. GRAPPLE BUCKET CYLINDER

ITEM	PART NUMBER	QTY	DESCRIPTION	REV
	70021393	2	GRAPPLE BUCKET CYLINDER, (includes items 1 thru 18), (included item quantities are per single cylinder)	
1	70021465	1	CYLINDER TUBE	
2	70021448	2	BUSHING	
3	70021464	2	VALVE CARTRIDGE	
4	90554045	2	GREASE FITTING	
5	70021440	1	HEX NUT	
6	Kit	1	PISTON RING	
7	Kit	1	O-RING	
8	70021451	1	PISTON	
9	Kit	1	O-RING	
10	70021444	1	WASHER	
11	Kit	1	O-RING	
12	Kit	1	BACK-UP WASHER	
13	Kit	1	O-RING	
14	70021446	1	CYLINDER GLAND	
15	Kit	1	POLY-PAK SEAL	
16	Kit	1	ROD WIPER	
17	70021462	1	PISTON ROD	
18	70021447	1	BUSHING	
101	70021364	2	CYLINDER PIN, (base end)	
102	70021365	2	CYLINDER PIN, (rod end)	
103	70021399	4	HEX HD CAPSCREW, 3/8X2-1/4	
104	70021367	4	LOCKNUT, 3/8	
K1	70021452	1	SEAL KIT, (includes items 6, 7, 9, 11 thru 13, 15 & 16)	

SECTION 9 - HYDRAULIC COMPONENTS

FIGURE 9-32. MAIN CONTROL VALVE G6-42A



SECTION 9 - HYDRAULIC COMPONENTS

FIGURE 9-32. MAIN CONTROL VALVE G6-42A

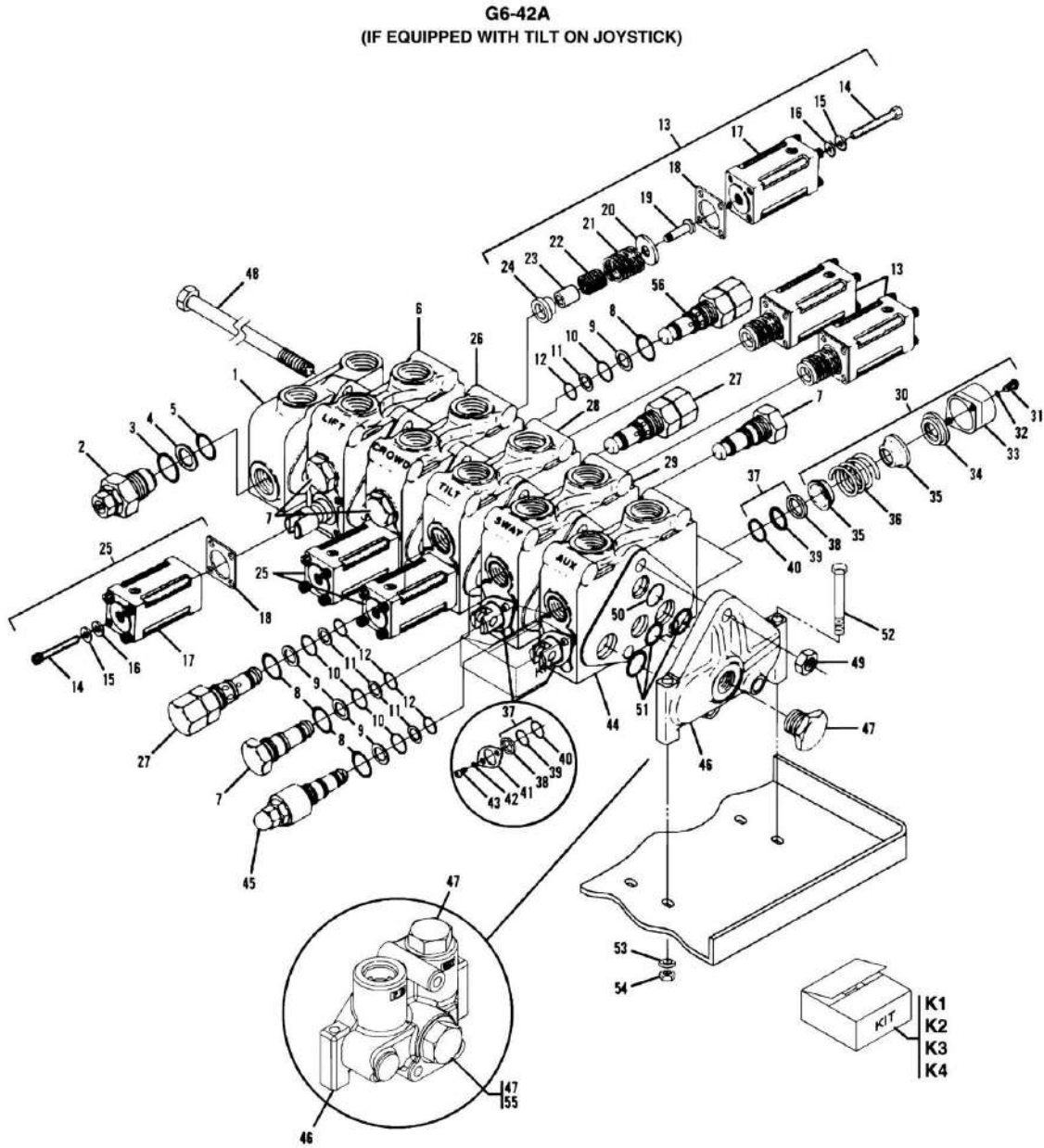
ITEM	PART NUMBER	QTY	DESCRIPTION	REV
	1001109217	1	MAIN HYDRAULIC CONTROL VALVE, (G6-42A), (if not equipped with tilt on joystick), (includes all items)	A
1	91084008	1	INLET COVER ASSY, (includes item 2)	
2	91084009	1	MAIN RELIEF, (includes items 3 thru 5)	
3	Kit	1	O-RING	
4	Kit	1	BACKUP RING	
5	Kit	1	O-RING	
6	Kit	3	HEX HD CAPSCREW	
7	Kit	3	HEX NUT	
8	91404182	1	VALVE SECTION ASSY, (Lift), (includes one each of items 15 & 21 & two of item 9)	
9	91084010	3	LOAD CHECK PLUG, (includes items 10 thru 14)	
10	Kit	2	O-RING	
11	Kit	1	BACKUP RING	
12	Kit	1	O-RING	
13	Kit	1	O-RING	
14	Kit	2	BACKUP RING	
15	91094023	2	HYDRAULIC REMOTE POSITIONER, (includes items 16 thru 20)	
16	N.S.S.	4	SCREW	
17	N.S.S.	4	LOCKWASHER	
18	N.S.S.	4	BEARING PLATE	
19	N.S.S.	1	BONNET	
20	N.S.S.	1	SEAL	
21	91094024	2	HYDRAULIC REMOTE POSITIONER, (includes items 16 thru 20 & 22 thru 27)	
22	N.S.S.	1	SPOOL POSITIONER	
23	N.S.S.	1	WASHER	
24	N.S.S.	1	SPRING, (large)	
25	N.S.S.	1	SPRING, (small)	
26	N.S.S.	1	STOP SLEEVE	
27	N.S.S.	1	STOP COLLAR	
28	91404186	1	VALVE SECTION ASSY, (Extend/Retract), (includes one each of items 9, 15, 21 & 31)	
29	91404187	1	RELIEF CARTRIDGE, (includes items 10 thru 14)	
30	91404188	1	VALVE SECTION ASSY, (Tilt), (includes one each of items 32 & 53 & two each of 31, 39, 40 & 54)	
31	91404189	2	RELIEF CARTRIDGE, (includes items 10 thru 14)	
32	91084004	3	SPOOL POSITIONER ASSY, (includes items 33 thru 37)	
33	N.S.S.	2	SCREW	
34	N.S.S.	1	BONNET	
35	N.S.S.	1	SPOOL SPUD	
36	N.S.S.	2	SPRING COLLAR	
37	N.S.S.	1	SPRING	
38	Kit	1	O-RING	
39	Kit	6	BACKUP WASHER	
40	Kit	6	O-RING	
41	N.S.S.	1	RETAINER PLATE	
42	N.S.S.	2	SCREW	
43	Kit	3	O-RING	
44	91404191	1	VALVE SECTION ASSY, (Frame Level), (includes one each of items 32 & 53 & two each of 9, 39, 40 & 54)	

SECTION 9 - HYDRAULIC COMPONENTS

ITEM	PART NUMBER	QTY	DESCRIPTION	REV
45	91404192	2	PORT RESTRICTOR ASSY, (includes items 46 & 47)	
46	N.S.S.	1	ORIFICE PLATE	
47	N.S.S.	1	CONICAL SPRING	
48	91084278	1	OUTLET COVER ASSY, (includes item 49)	
49	91084279	1	PLUG	
50	88201028	3	HEX HD CAPSCREW, 5/16-18X3, GR5	
51	88561003	3	FLAT WASHER, 5/16	
52	88521305	3	NYLOCK NUT, 5/16-18	
53	91404214	6	SEAL RETAINER	
54	91084006	3	SEAL RETAINER KIT, (includes items 41 & 42)	
55	7029862	1	VALVE SECTION ASSY, (Aux), (includes one each of items 32 & 54 & two each of items 29, 39, 40 & 53)	
K1	91084203	1	STUD KIT, (includes items 6 & 7)	
K2	91404178	6	VALVE SECTION SEAL KIT, (includes items 38 & 43)	
K3	91404179	1	MAIN RELIEF SEAL KIT, (includes items 3, 4 & 5)	
K4	70020717	8	PLUG SEAL KIT, (includes items 10 thru 14)	
K5	91084005	6	SPOOL SEAL KIT, (includes one each of items 39, 40 & 53)	

SECTION 9 - HYDRAULIC COMPONENTS

FIGURE 9-33. MAIN CONTROL VALVE G6-42A



PAL1873

SECTION 9 - HYDRAULIC COMPONENTS

FIGURE 9-33. MAIN CONTROL VALVE G6-42A

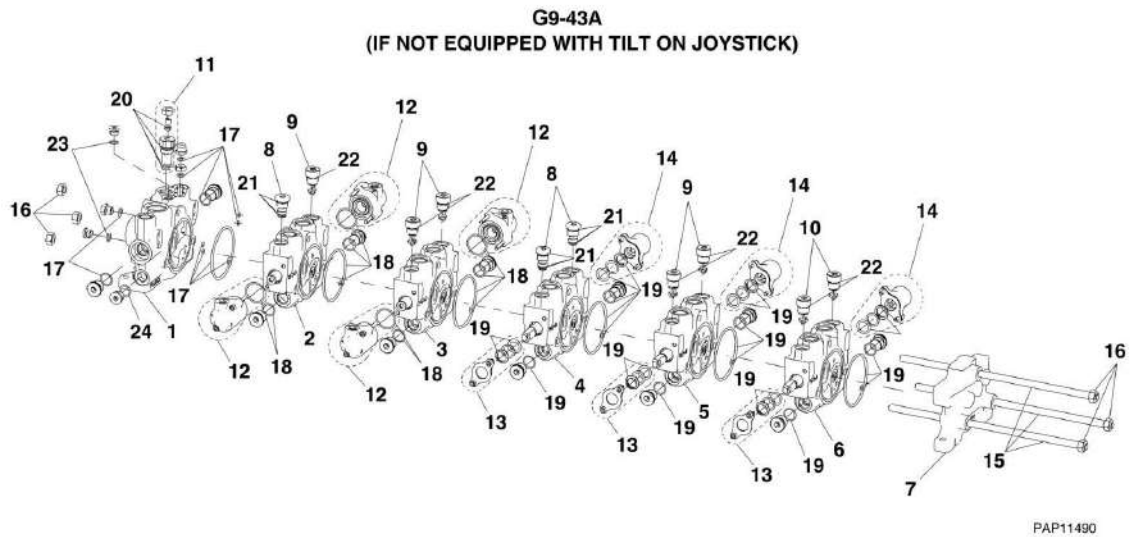
ITEM	PART NUMBER	QTY	DESCRIPTION	REV
	1001001062	1	MAIN CONTROL VALVE, (G6-42A), (if equipped with tilt on joystick), (includes items 1 thru 51 & 56)	C
1	91084008	1	INLET COVER ASSY, (includes item 2)	
2	70021544	1	MAIN RELIEF, 4000PSI, (includes items 3 thru 5)	
3	Kit	1	O-RING	
4	Kit	1	BACKUP RING	
5	Kit	1	O-RING	
6	91404182	1	VALVE SECTION ASSY, (Lift), (includes one each of items 13 & 25 and two of item 7)	
7	91084010	5	LOAD CHECK PLUG, (includes items 8 thru 12)	
8	Kit	10	O-RING	
9	Kit	10	BACKUP RING	
10	Kit	10	O-RING	
11	Kit	10	BACKUP RING	
12	Kit	10	O-RING	
13	91094024	3	HYDRAULIC REMOTE POSITIONER, (includes items 14 thru 24)	
14	N.S.S.	24	HEX HD CAPSCREW, 1/4-20X3	
15	N.S.S.	24	LOCKWASHER, 1/4	
16	N.S.S.	6	BEARING PLATE	
17	N.S.S.	6	BONNET	
18	N.S.S.	6	SEAL	
19	N.S.S.	3	SPOOL POSITIONER	
20	N.S.S.	3	WASHER	
21	N.S.S.	3	SPRING, (large)	
22	N.S.S.	3	SPRING, (small)	
23	N.S.S.	3	STOP SLEEVE	
24	N.S.S.	3	STOP COLLAR	
25	91094023	3	HYDRAULIC REMOTE POSITIONER, (includes items 14 thru 18)	
26	91404186	1	VALVE SECTION ASSY, (Extend/Retract), (includes one each of items 7, 13, 25 & 56)	
27	70021460	2	RELIEF CARTRIDGE, 4300PSI, (includes items 8 thru 12)	
28	91504080	1	VALVE SECTION ASSY, (Tilt), (includes one each of items 13 & 25 and two of item 7)	
29	91404191	1	VALVE SECTION ASSY, (Frame Level), (includes one each of items 30 & 41 and two each of 7 & 37)	
30	91084004	2	SPOOL POSITIONER ASSY, (includes items 31 thru 36)	
31	N.S.S.	4	SCREW	
32	N.S.S.	4	WASHER	
33	N.S.S.	2	BONNET	
34	N.S.S.	2	SPOOL COLLAR	
35	N.S.S.	4	SPRING COLLAR	
36	N.S.S.	2	SPRING	
37	91084005	4	SPOOL SEAL KIT, (includes items 38 thru 40)	
38	N.S.S.	4	RETAINER	
39	N.S.S.	4	WASHER	
40	N.S.S.	4	SEAL	
41	91084006	2	SPOOL RETAINER, (includes items 42 & 43)	
42	N.S.S.	4	WASHER	
43	N.S.S.	4	SCREW	

SECTION 9 - HYDRAULIC COMPONENTS

ITEM	PART NUMBER	QTY	DESCRIPTION	REV
44	7029862	1	VALVE SECTION ASSY, (Aux), (includes one each of items 30 & 41 and two each of 37 & 45)	
45	70021461	2	RELIEF CARTRIDGE, 3000PSI, (includes items 8 thru 12)	
46	91084278	1	OUTLET COVER ASSY, (no outrigger), (includes item 47)	
46	70021281	1	OUTLET COVER ASSY, (with outrigger), (includes items 47 & 55)	
47	91084279	1	PLUG, (no outrigger)	
47	70021279	2	PLUG, (with outrigger)	
48	Kit	3	HEX HD CAPSCREW	
49	Kit	3	HEX NUT	
50	Kit	7	O-RING	
51	Kit	17	O-RING	
52	88411045	3	CARRIAGE BOLT, 5/16-18X3	
53	4751500	3	FLAT WASHER, 5/16	
54	88521305	3	HEX LOCKNUT, 5/16-18	
55	70021280	1	PLUG	
56	70021459	1	RELIEF CARTRIDGE, 3800PSI, (includes items 8 thru 12)	
K1	7029863	1	VALVE SECTION SEAL KIT, (includes items 50 & 51)	
K2	7029864	1	STUD KIT, (no outrigger), (includes items 48 & 49)	
K2	70021278	1	STUD KIT, (with outrigger), (includes items 48 & 49)	
K3	91034237	1	MAIN RELIEF SEAL KIT, (includes items 3, 4 & 5)	
K4	7029865	5	PLUG SEAL KIT, (includes items 8 thru 12)	

SECTION 9 - HYDRAULIC COMPONENTS

FIGURE 9-34. MAIN CONTROL VALVE G9-43A



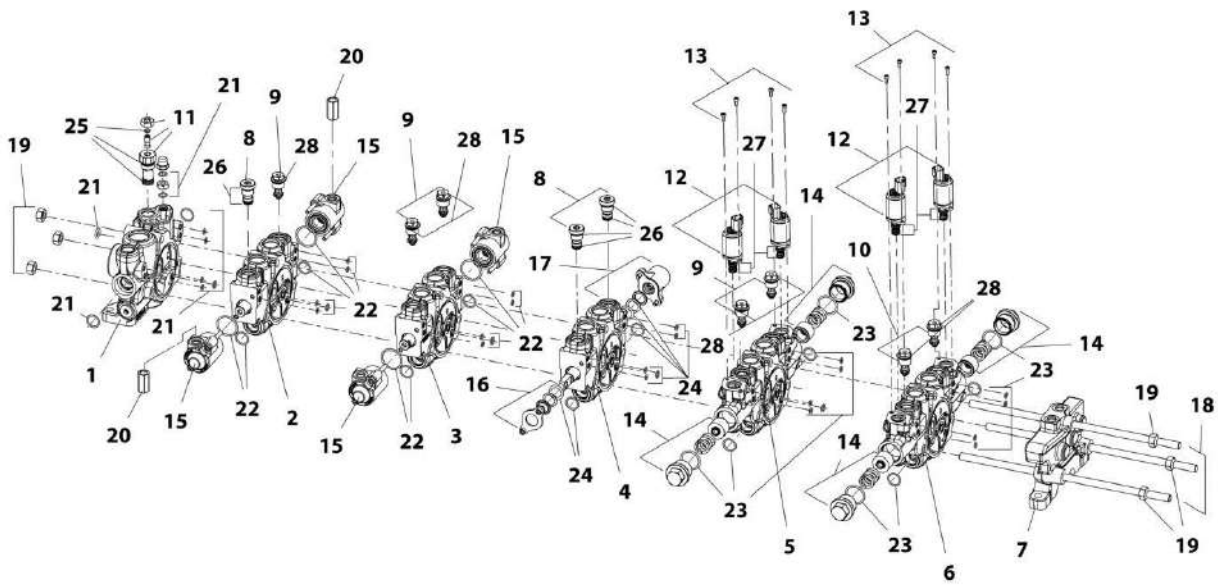
SECTION 9 - HYDRAULIC COMPONENTS

FIGURE 9-34. MAIN CONTROL VALVE G9-43A

ITEM	PART NUMBER	QTY	DESCRIPTION	REV
	1001105611	1	MAIN CONTROL VALVE, (G9-43A, if not equipped with tilt on joystick), (includes items 1 thru 24)	G
1	70023311	1	INLET SECTION ASSY	
2	70024192	1	SPOOL SECTION ASSY, LIFT	
3	70024193	1	SPOOL SECTION ASSY, EXTEND/RETRACT	
4	70024194	1	SPOOL SECTION ASSY, FRAME LEVEL	
5	70024195	1	SPOOL SECTION ASSY, TILT	
6	70024196	1	SPOOL SECTION ASSY, AUX	
7	70024197	1	OUTLET SECTION ASSY	
8	70022008	3	SHUT-OFF PLUG ASSY	
9	70022010	5	RELIEF VALVE, 280 BAR	
10	70022011	2	RELIEF VALVE, 185 BAR	
11	70024198	1	DRAIN REGULATOR ASSY	
12	70022016	4	END MECHANISM PO KIT	
13	70023318	3	SEAL PLATE GROUP	
14	70023319	3	END MECHANISM KIT	
15	70023320	3	TIE ROD, METRIC	
16	70022019	6	TIE ROD NUT, METRIC	
17	70022020	1	INLET SEAL KIT	
18	70024199	2	PO SECTION SEAL KIT	
19	70024200	3	MANUAL SECTION SEAL KIT	
20	8036508	1	DRAIN REGULATOR SEAL KIT	
21	70022023	3	SHUT-OFF PLUG/FULL FLOW RV SEAL KIT	
22	70022025	7	O-RING	
23	70024201	2	O-RING	
24	70024202	1	O-RING	
108	8304042	4	ROUND HD CARRIAGE BOLT, 3/8-16X1-1/2, (not shown)	
109	4761600	4	LOCKWASHER, 3/8, (not shown)	
110	88501006	4	HEX NUT, 3/8-16, (not shown)	
115	4751600	4	WASHER, 3/8, (not shown)	

SECTION 9 - HYDRAULIC COMPONENTS

FIGURE 9-35. MAIN CONTROL VALVE G9-43A & G10-43A



ART_1001107464-C

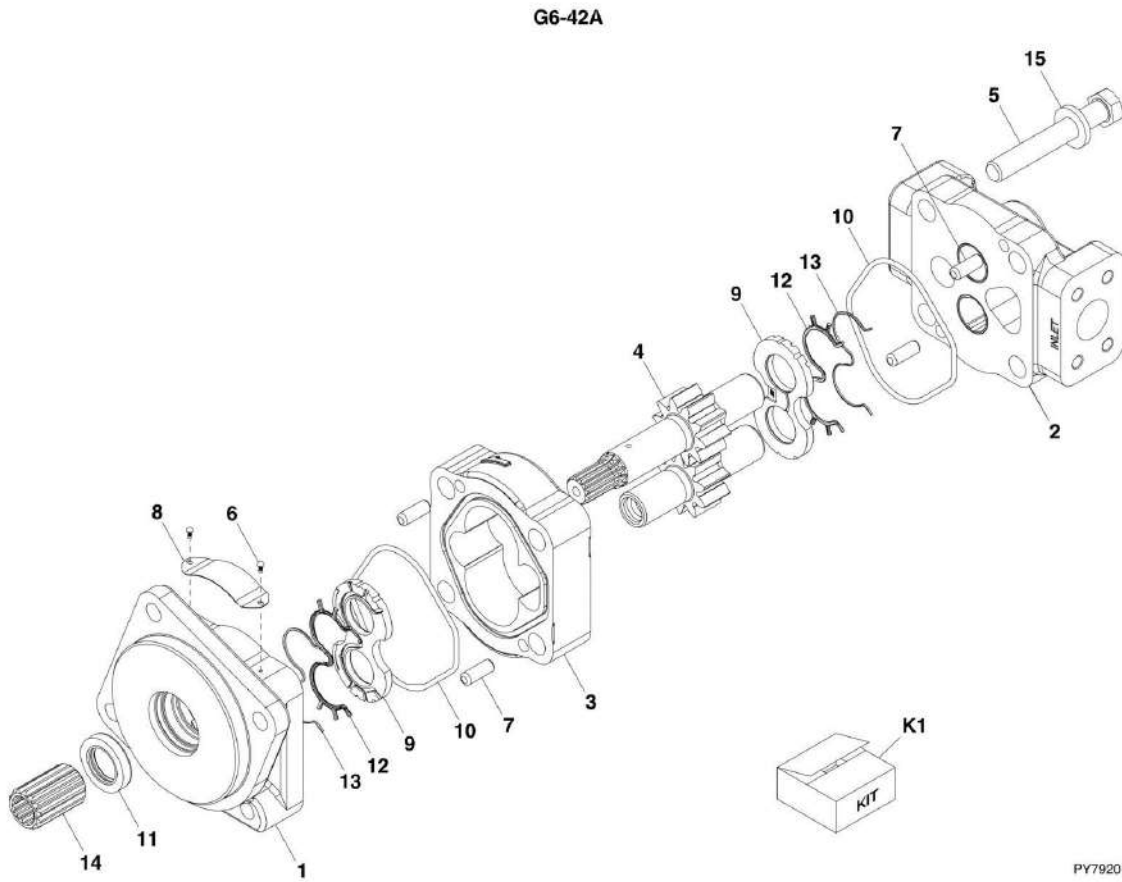
SECTION 9 - HYDRAULIC COMPONENTS

FIGURE 9-35. MAIN CONTROL VALVE G9-43A & G10-43A

ITEM	PART NUMBER	QTY	DESCRIPTION	REV
	1001107464	1	MAIN CONTROL VALVE, (G9-43A, if equipped with tilt on joystick), (G10-43A), (includes all items)	C
1	70023311	1	INLET SECTION ASSY	
2	70023312	1	SPOOL SECTION ASSY, LIFT	
3	70023313	1	SPOOL SECTION ASSY, EXTEND/RETRACT	
4	70023314	1	SPOOL SECTION ASSY, FRAME LEVEL	
5	70023315	1	SPOOL SECTION ASSY, TILT	
6	70023316	1	SPOOL SECTION ASSY, AUX	
7	70022007	1	OUTLET SECTION ASSY	
8	70022008	3	SHUT-OFF PLUG ASSY	
9	70022010	5	RELIEF VALVE, 280 BAR	
10	70022011	2	RELIEF VALVE, 185 BAR	
11	70023317	1	DRAIN REGULATOR ASSY	
12	70022013	4	SOLENOID-CARTRIDGE VALVE	
13	70022014	8	SOCKET HD CAPSCREW	
14	70022015	4	END MECHANISM KIT	
15	70022016	4	END MECHANISM KIT, PO	
16	70023318	1	SEAL PLATE GROUP	
17	70023319	1	SPOOL END GROUP	
18	70023320	3	TIE ROD	
19	70022019	6	TIE ROD NUT	
20	70023321	2	CHECK VALVE ASSY	
21	70022020	1	INLET SEAL KIT	
22	70022021	1	PO SECTION SEAL KIT	
23	70022022	1	EH SECTION SEAL KIT	
24	70023322	1	MANUAL SECTION SEAL KIT	
25	8036508	1	DRAIN REGULATOR SEAL KIT	
26	70022023	1	SHUT-OFF PLUG AND FULL FLOW RV SEAL KIT	
27	70022024	1	PPRV SEAL KIT	
28	70023323	1	O-RING	

SECTION 9 - HYDRAULIC COMPONENTS

FIGURE 9-36. HYDRAULIC PUMP G6-42A



PY7920

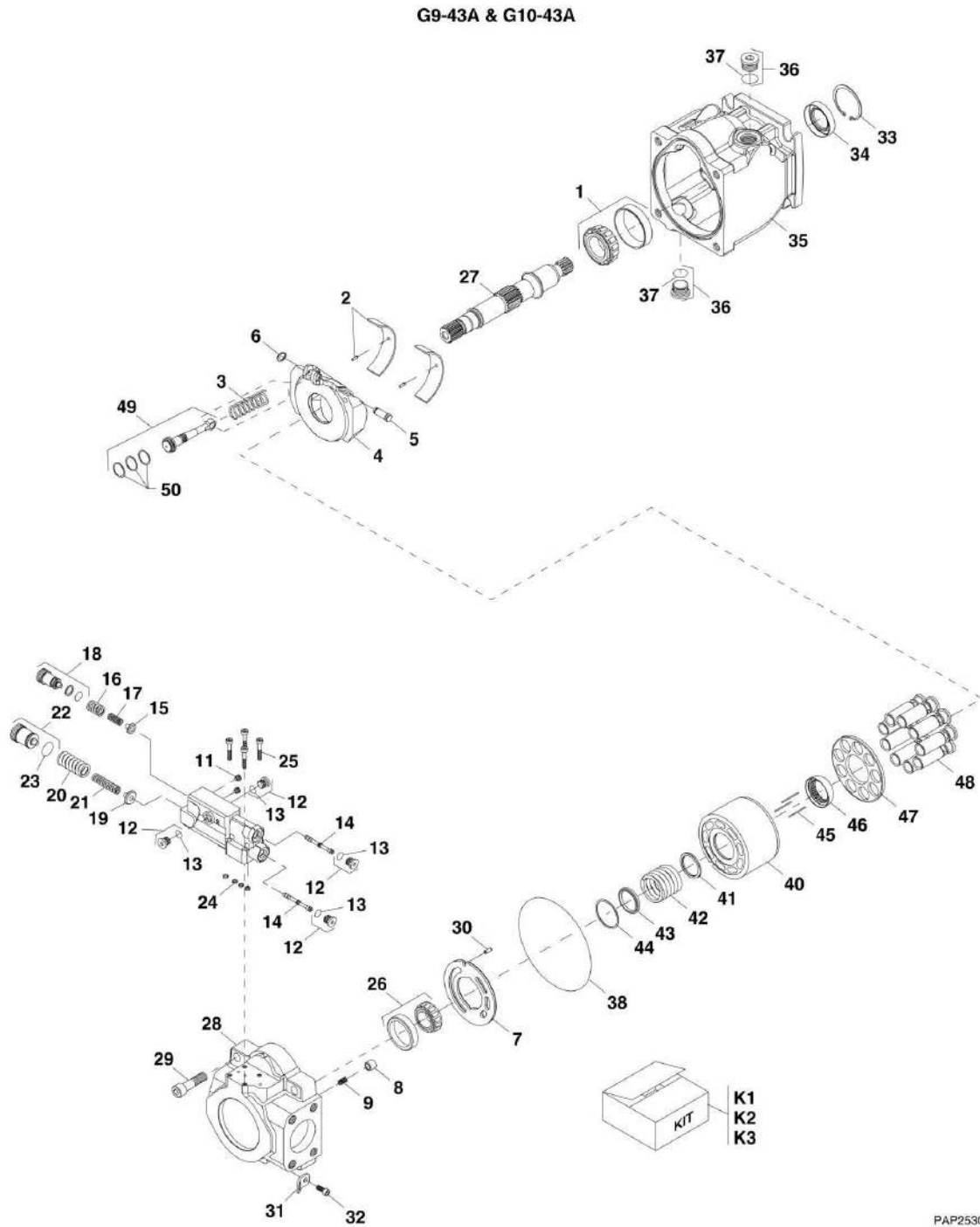
SECTION 9 - HYDRAULIC COMPONENTS

FIGURE 9-36. HYDRAULIC PUMP G6-42A

ITEM	PART NUMBER	QTY	DESCRIPTION	REV
	3600449	1	HYDRAULIC PUMP, (G6-42A), (includes all items)	B
1	7029844	1	SHAFT END COVER ASSY	
2	91474178	1	PORT END COVER ASSY	
3	91474179	1	GEAR HOUSING	
4	7029843	1	GEAR SHAFT SET	
5	91474181	4	CAPSCREW	
6	7029112	2	DRIVE SCREW	
7	83671037	4	DOWEL PIN	
8	7029842	1	NAME PLATE	
9	83674096	2	THRUST PLATE	
10	Kit	2	O-RING	
11	Kit	1	LIP SEAL	
12	Kit	2	CHANNEL SEAL	
13	Kit	2	BACK-UP SEAL	
14	8035744	1	SPLINE ADAPTER	
15	8035261	4	WASHER	
K1	91474624	1	SEAL KIT, (includes items 10 thru 13)	

SECTION 9 - HYDRAULIC COMPONENTS

FIGURE 9-37. HYDRAULIC PUMP G9-43A & G10-43A



PAP2530

SECTION 9 - HYDRAULIC COMPONENTS

FIGURE 9-37. HYDRAULIC PUMP G9-43A & G10-43A

ITEM	PART NUMBER	QTY	DESCRIPTION	REV
	1001105613	1	HYDRAULIC PUMP, (G9-43A & G10-43A), (includes all items)	C
1	70002578	1	FRONT BEARING KIT	
2	70002579	1	SWATCH PLATE BEARING KIT	
3	70002580	1	SPRING	
4	70002581	1	SWASH PLATE	
5	70002582	1	RETAINER SHAFT	
6	70002583	1	RETAING RING	
7	70023349	1	LH VALVE PLATE	
8	70001956	1	CHECK VALVE POPPET	
9	70001955	1	SPRING	
11	70023351	2	SET SCREW	
12	70002133	4	PLUG	
13	7007207	8	O-RING	
14	70023352	2	SPOOL	
15	70023353	1	SPRING GUIDE, LS	
16	70023354	1	OUTER SPRING, LS	
17	70023355	1	INNER SPRING, LS	
18	70023356	2	ADJUSTING PLUG, LS	
19	70023357	1	SPRING GUIDE, PC	
20	70023358	1	OUTER SPRING, PC	
21	70023359	1	INNER SPRING, PC	
22	70023360	1	ADJUSTING PLUG, PC	
23	70023361	2	O-RING	
24	70023362	8	SEAL RING	
25	70023363	4	SCREW	
26	70002585	1	REAR BEARING KIT	
27	70023364	1	SHAFT	
28	70023365	1	RADIAL END CAP	
29	70002588	4	SCREW	
30	7007446	1	SLOTTED PIN	
31	7022340	1	LIFTING BRACKET	
32	70002590	1	SCREW	
33	7023962	1	RETAINING RING	
34	70022287	2	LIP SEAL	
35	70022288	1	HOUSING	
36	7023964	2	PLUG	
37	7007415	4	O-RING	
38	70002595	2	END CAP SEAL	
40	70023366	1	CYLINDER BLOCK	
41	7007429	1	SPRING SEAT	
42	70002591	1	SPRING	
43	7007427	1	SPRING SEAT	
44	7007426	1	RETAINING RING	
45	7021275	3	HOLD DOWN PIN	
46	70002592	1	SLIPPER RETAINER GUIDE	
47	70002593	1	SLIPPER RETAINER	
48	70002594	9	PISTON ASSY	
49	70023367	1	SERVO PISTON ASSY	
50	70002598	6	PISTON RING	
K1	70023350	1	CONTROL KIT, (includes items 11 thru 25)	

SECTION 9 - HYDRAULIC COMPONENTS

ITEM	PART NUMBER	QTY	DESCRIPTION	REV
K2	70002596	1	CYLINDER BLOCK KIT, (includes items 40 thru 48)	
K3	70002599	1	OVERHAUL SEAL KIT	

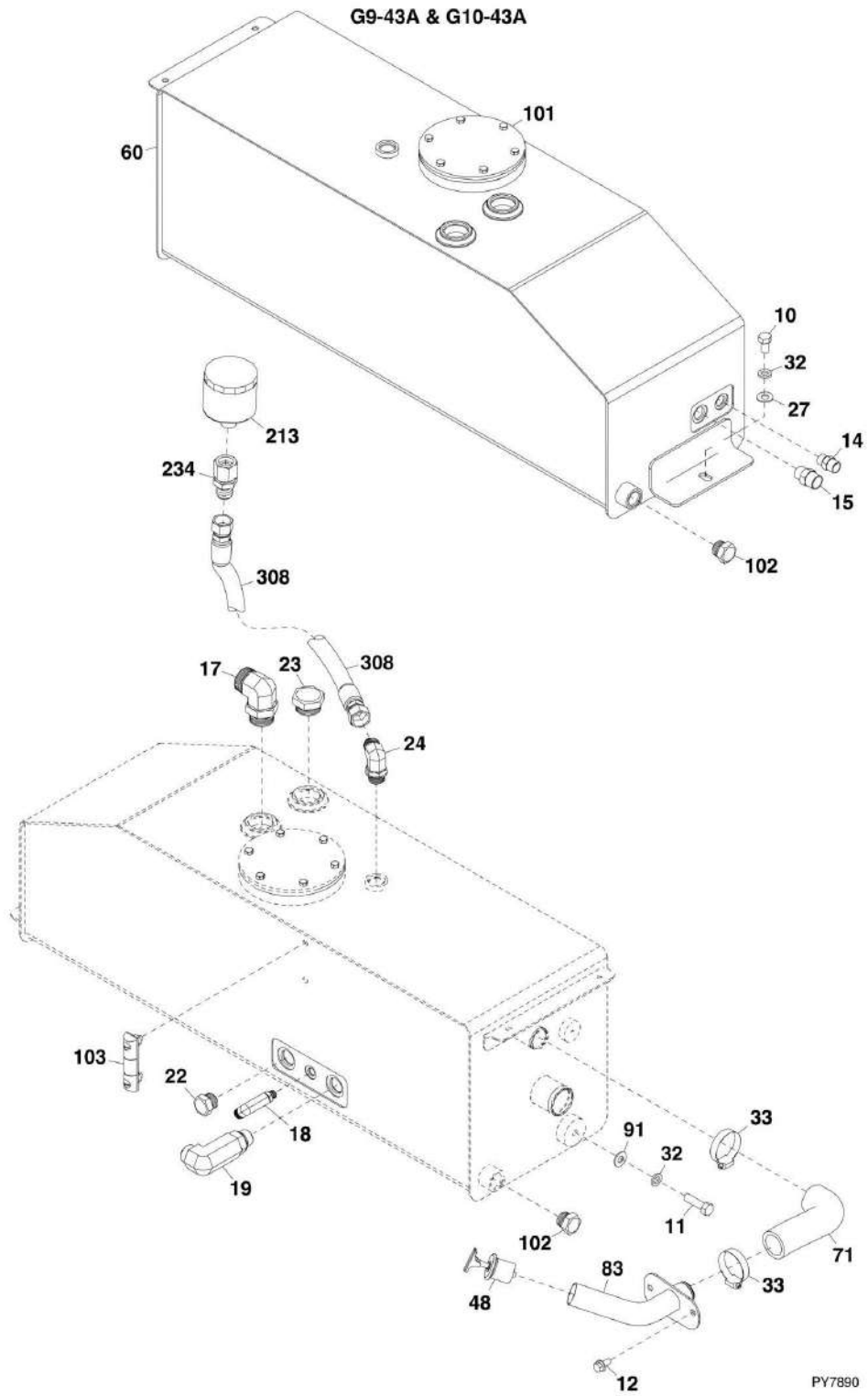
SECTION 9 - HYDRAULIC COMPONENTS

FIGURE 9-38. HYDRAULIC TANK G6-42A

ITEM	PART NUMBER	QTY	DESCRIPTION	REV
10	0641807	1	HEX HD CAPSCREW, 1/2-13X7/8, GR5	
11	0641814	1	HEX HD CAPSCREW, 1/2-13X1-3/4, GR5	
12	0811606	2	SCREW, 3/8-16X3/4	
14	2110808	1	STRAIGHT FITTING, (includes o-ring)	
15	2111010	1	STRAIGHT FITTING, (includes o-ring)	
16	2132020	1	ADAPTER, 90, (includes o-ring)	
17	2170206	1	ADAPTER, 90, (includes o-ring)	
21	2220240	2	PLUG, (includes o-ring)	
22	2220243	1	PLUG, (includes o-ring)	
23	2220578	1	ADAPTER, 90, (includes o-ring)	
25	4711800	1	WASHER, 1/2	
29	4761800	2	LOCKWASHER, 1/2	
30	8405104	2	2-1/4IN CLAMP	
48	91403579	1	CAP	
75	1001120654	1	HYDRAULIC TANK, (includes items 101 thru 103)	K
80	1001136981	1	TUBE, WELDMENT	
81	1001128038	1	HOSE	
82	91561241	1	WASHER, 1/2	
101	70024152	1	FILTER KIT, (includes filter and gasket)	
102	70023345	2	PLUG	
103	91563136	1	SIGHT GAUGE	
213	1340021	1	AIR BREATHER	
234	91163100	1	ADAPTER	
308	1001121498	1	HOSE ASSY	

SECTION 9 - HYDRAULIC COMPONENTS

FIGURE 9-39. HYDRAULIC TANK G9-43A & G10-43A



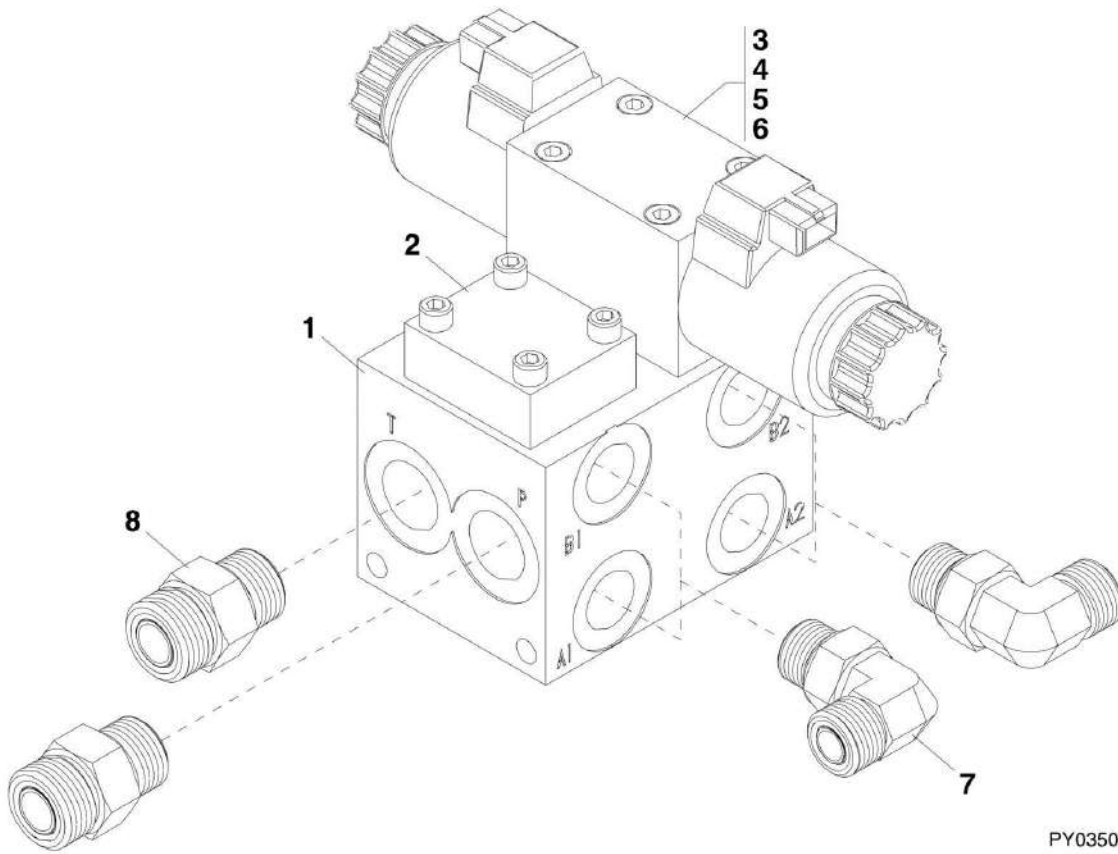
SECTION 9 - HYDRAULIC COMPONENTS

FIGURE 9-39. HYDRAULIC TANK G9-43A & G10-43A

ITEM	PART NUMBER	QTY	DESCRIPTION	REV
10	0641807	1	HEX HD CAPSCREW, 1/2-13X7/8, GR5	
11	0641814	1	HEX HD CAPSCREW, 1/2-13X1-3/4, GR5	
12	0811606	2	SCREW, 3/8-16X3/4	
14	2110808	1	STRAIGHT FITTING, (includes o-ring)	
15	2111010	1	STRAIGHT FITTING, (includes o-ring)	
17	2132020	1	ADAPTER, 90, (includes o-ring)	
18	2170206	1	ADAPTER, 90, (includes o-ring)	
19	2170212	1	ADAPTER, 90, (includes o-ring)	
22	2220240	1	PLUG, (includes o-ring)	
23	2220243	1	PLUG, (includes o-ring)	
24	2220578	1	ADAPTER, 90, (includes o-ring)	
27	4711800	1	WASHER, 1/2	
32	4761800	2	LOCKWASHER, 1/2	
33	8405104	2	2-1/4IN CLAMP	
48	91403579	1	CAP	
60	1001120654	1	HYDRAULIC TANK, (includes items 101 thru 103)	K
71	1001128038	1	HOSE	
83	1001136981	1	TUBE, WELDMENT	
91	91561241	1	WASHER, 1/2	
101	70024152	1	FILTER KIT, (includes filter and gasket)	
102	70023345	2	PLUG	
103	70024153	1	SIGHT GAUGE	
213	1340021	1	AIR BREATHER	
234	91163100	1	ADAPTER	
308	1001123065	1	HOSE ASSY	

SECTION 9 - HYDRAULIC COMPONENTS

FIGURE 9-40. STEER SELECT VALVE



PY0350

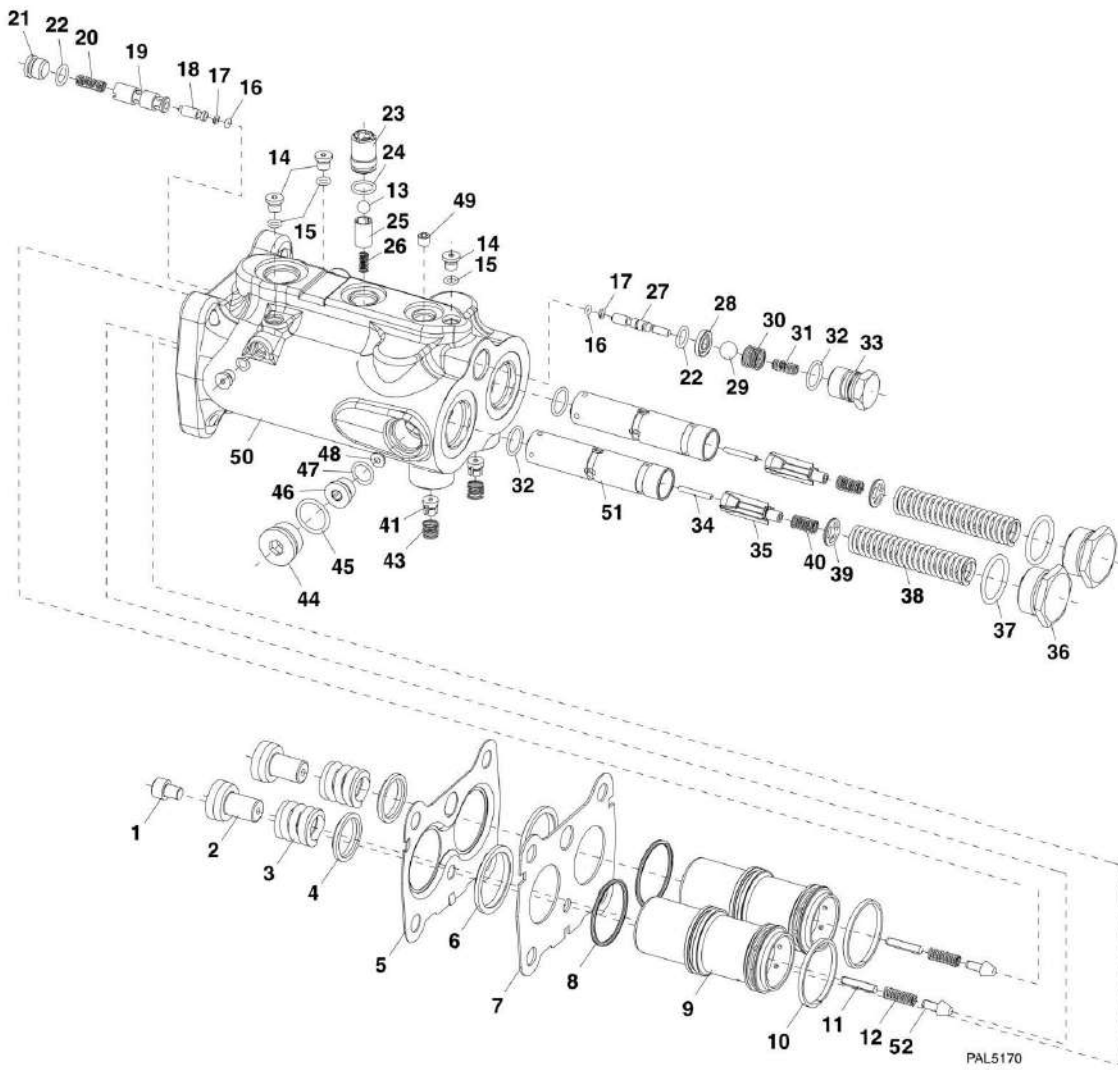
SECTION 9 - HYDRAULIC COMPONENTS

FIGURE 9-40. STEER SELECT VALVE

ITEM	PART NUMBER	QTY	DESCRIPTION	REV
	1001001016	1	STEERING SELECT VALVE, (includes all items)	C
1	7029915	1	STEERING	
2	7029916	1	COVER PLATE	
3	91474402	1	DIRECTIONAL CONTROL VALVE, (includes items 4 thru 6)	
4	91474407	2	COIL	
5	7029917	2	NUT	
6	7012773	1	SEAL KIT	
7	88662065	4	ADAPTER, 90, (includes o-ring)	
8	88662019	2	CONNECTOR, (includes o-ring)	

SECTION 9 - HYDRAULIC COMPONENTS

FIGURE 9-41. BRAKE VALVE



SECTION 9 - HYDRAULIC COMPONENTS

FIGURE 9-41. BRAKE VALVE

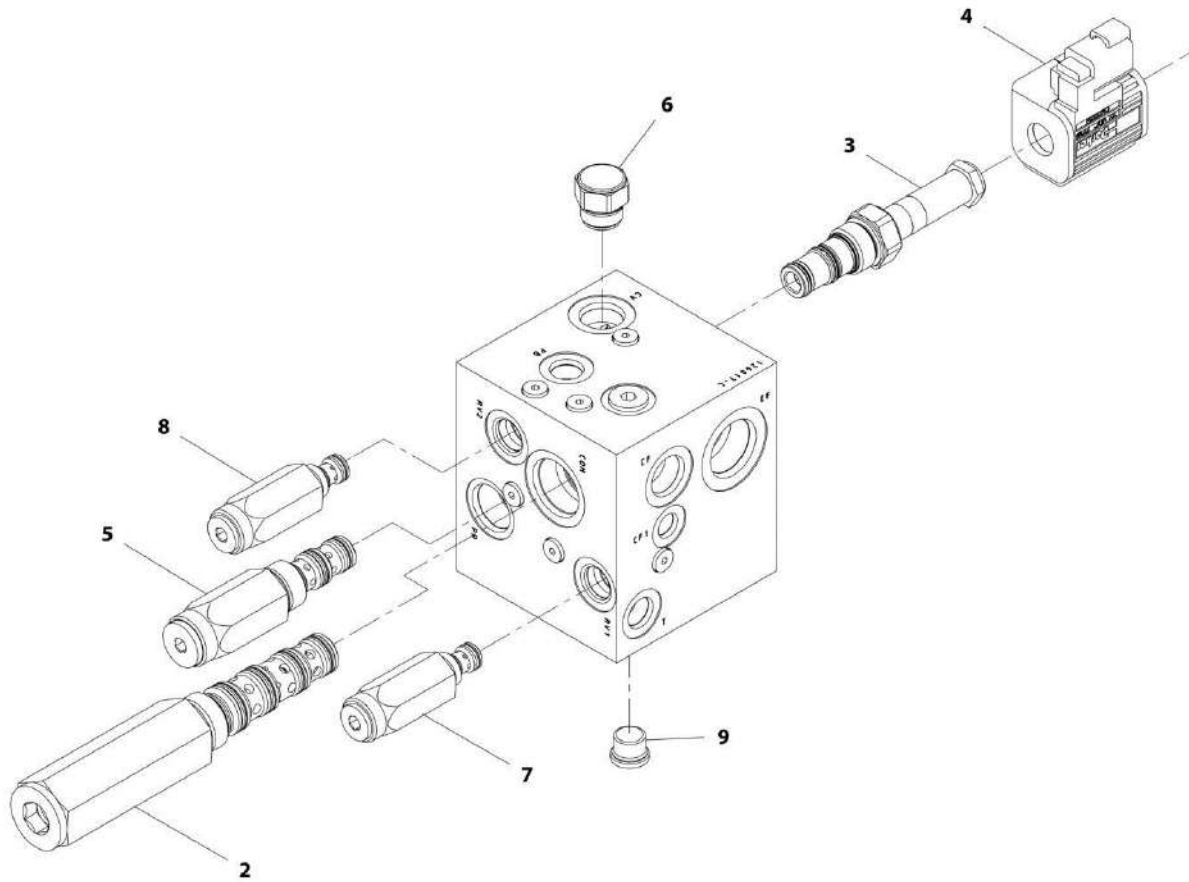
ITEM	PART NUMBER	QTY	DESCRIPTION	REV
	1001106836	1	POWER BRAKE VALVE, (includes all items)	A
1	91474454	1	SCREW	
2	91474442	2	PIN	
3	70020659	2	SPRING	
4	91474441	2	WIPER	
5	70020660	1	COVER	
6	91474440	2	WIPER	
7	70020661	1	COVER	
8	91474439	2	QUAD RING	
9	70020662	2	PISTON	
10	70020663	2	PISTON RING	
11	70023037	2	PIN	
12	91474438	2	SPRING	
13	91474452	1	BALL	
14	91474450	4	PLUG	
15	91474451	4	O-RING	
16	91474453	2	O-RING	
17	91514199	2	BACKUP RING	
18	91474455	1	DUMP PISTON	
19	91474456	1	DUMP SPOOL	
20	70020665	1	SPRING	
21	91474458	1	PLUG	
22	91514198	2	O-RING	
23	70020666	1	INLET SEAT	
24	70020667	1	O-RING	
25	70020668	1	RETAINER	
26	70020669	1	SPRING	
27	91474447	1	PISTON	
28	91474446	1	SEAT	
29	70020670	1	BALL	
30	70020671	1	SPRING	
31	70020672	1	SPRING	
32	91514197	3	O-RING	
33	91474443	1	PLUG	
34	70020673	2	NEEDLE ROLLER	
35	70020674	2	MAKE-UP CHECK	
36	91474434	2	PLUG	
37	91474435	2	O-RING	
38	70020675	2	SPRING	
39	70020676	2	SPRING GUIDE	
40	70020677	2	SPRING	
41	70020678	2	ORIFICE	
43	70020679	2	SPRING	
44	91474459	1	PLUG	
45	91474460	1	O-RING	
46	70020680	1	PLUG	
47	70020681	1	O-RING	
48	70020682	1	ORIFICE	
49	70023039	1	ORIFICE	
50	N.S.S.	1	HOUSING	

SECTION 9 - HYDRAULIC COMPONENTS

ITEM	PART NUMBER	QTY	DESCRIPTION	REV
51	N.S.S.	2	SPOOL	
52	70023038	2	POPPET	

SECTION 9 - HYDRAULIC COMPONENTS

FIGURE 9-42. PRIORITY VALVE G6-42A



ART_1001132258_B

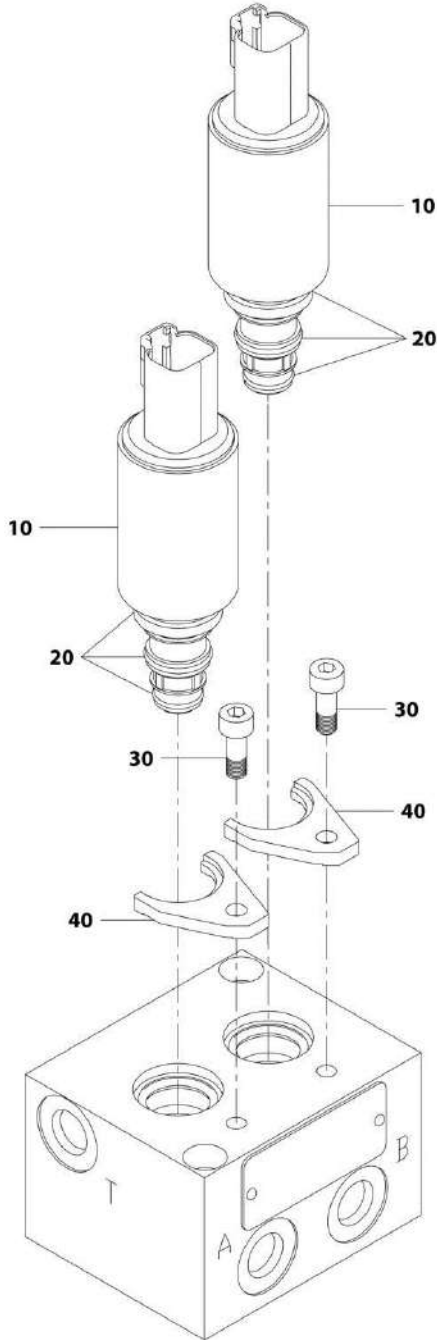
SECTION 9 - HYDRAULIC COMPONENTS

FIGURE 9-42. PRIORITY VALVE G6-42A

ITEM	PART NUMBER	QTY	DESCRIPTION	REV
	1001132258	1	PRIORITY VALVE, (G6-42A)	B
2	91474488	1	COMPENSATOR CART	
3	7029883	1	SOLENOID VALVE	
4	70025900	1	COIL	
5	7029885	1	REDUCING VALVE	
6	91474023	1	CHECK VALVE	
7	70024350	1	RELIEF VALVE CATRIDGE	
8	7029887	1	RELIEF VALVE	
9	91474486	1	ORIFICE PLUG	

SECTION 9 - HYDRAULIC COMPONENTS

FIGURE 9-43. SOLENOID VALVE G6-42A



ART_1001137436-A

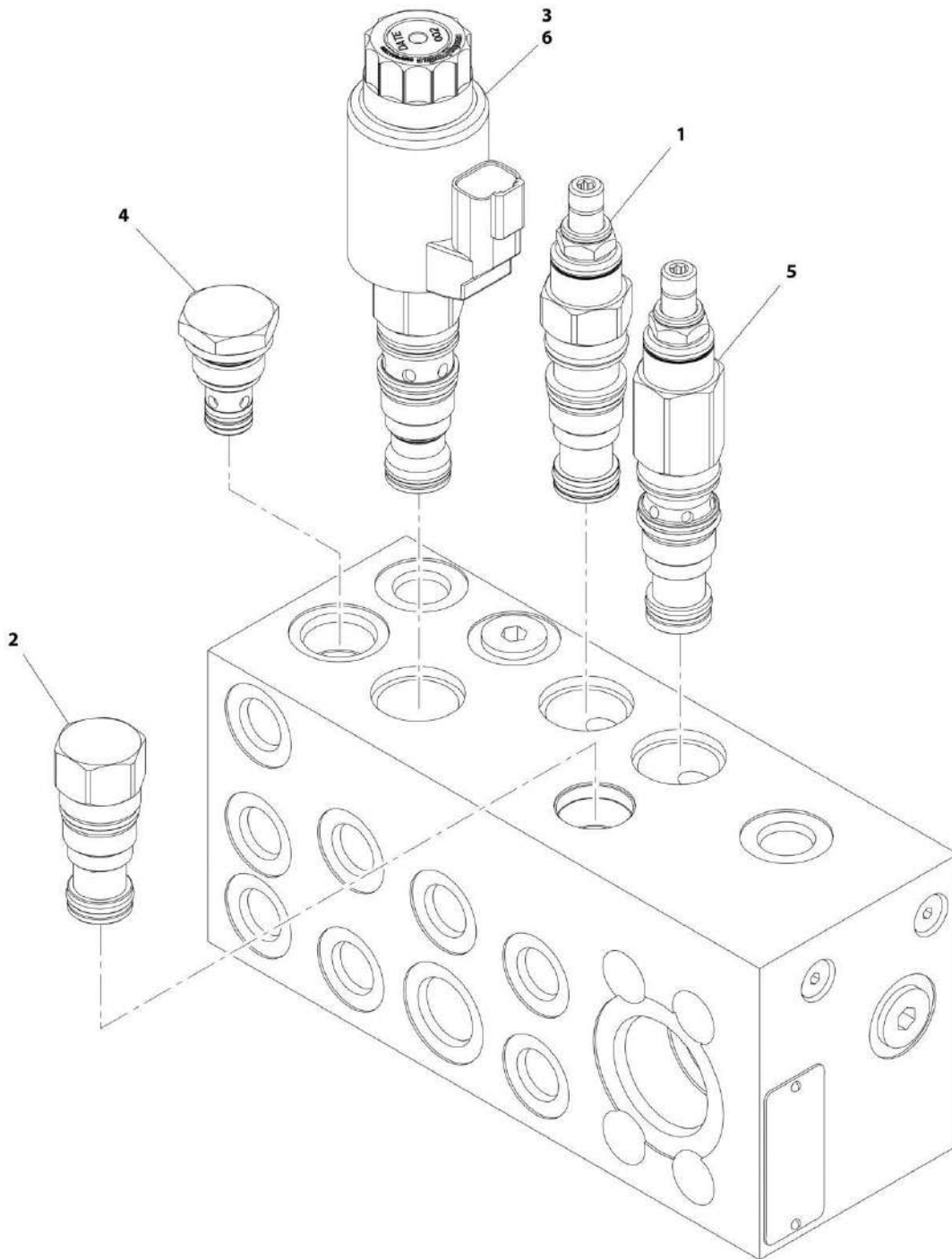
SECTION 9 - HYDRAULIC COMPONENTS

FIGURE 9-43. SOLENOID VALVE G6-42A

ITEM	PART NUMBER	QTY	DESCRIPTION	REV
	1001137436	1	SOLENOID VALVE, (G6-42A)	A
10	70026185	2	PROPORTIONAL REDUCING VALVE	
20	70026186	1	SEAL KIT, PROPORTIONAL RED VLV	
30	70026187	2	SOCKET HD SCREW	
40	70026188	2	FLANGE, CONNECTING	

SECTION 9 - HYDRAULIC COMPONENTS

FIGURE 9-44. HYDRAULIC VALVE G9-43A & G10-43A



ART_91563190-E

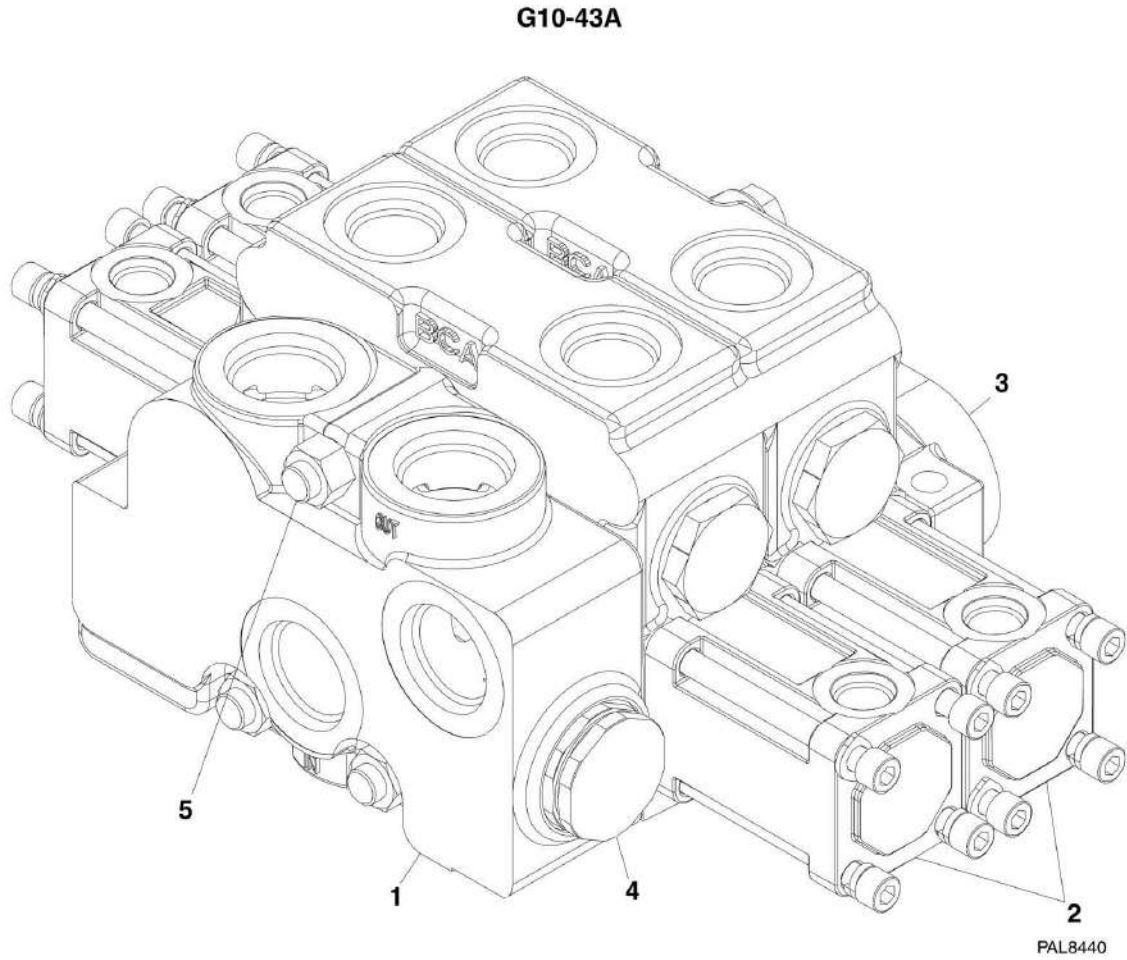
SECTION 9 - HYDRAULIC COMPONENTS

FIGURE 9-44. HYDRAULIC VALVE G9-43A & G10-43A

ITEM	PART NUMBER	QTY	DESCRIPTION	REV
	91563190	1	HYDRAULIC MANIFOLD VALVE, (G9-43A & G10-43A), (includes all items)	E
1	7026998	1	PRESSURE REDUCING VALVE	
2	7026999	1	CHECK VALVE	
3	70023992	1	SOLENOID VALVE (Prior to SN 0160063150)	
	7026022	1	SOLENOID VALVE (SN 0160063150 to Present)	
4	7018300	1	SHUTTLE VALVE	
5	7027100	1	PRESSURE REDUCING VALVE	
6	80434249	1	COIL (Prior to SN 0160063150)	
	70026348	1	COIL (SN 0160063150 to Present)	

SECTION 9 - HYDRAULIC COMPONENTS

FIGURE 9-45. OUTRIGGER CONTROL VALVE G10-43A



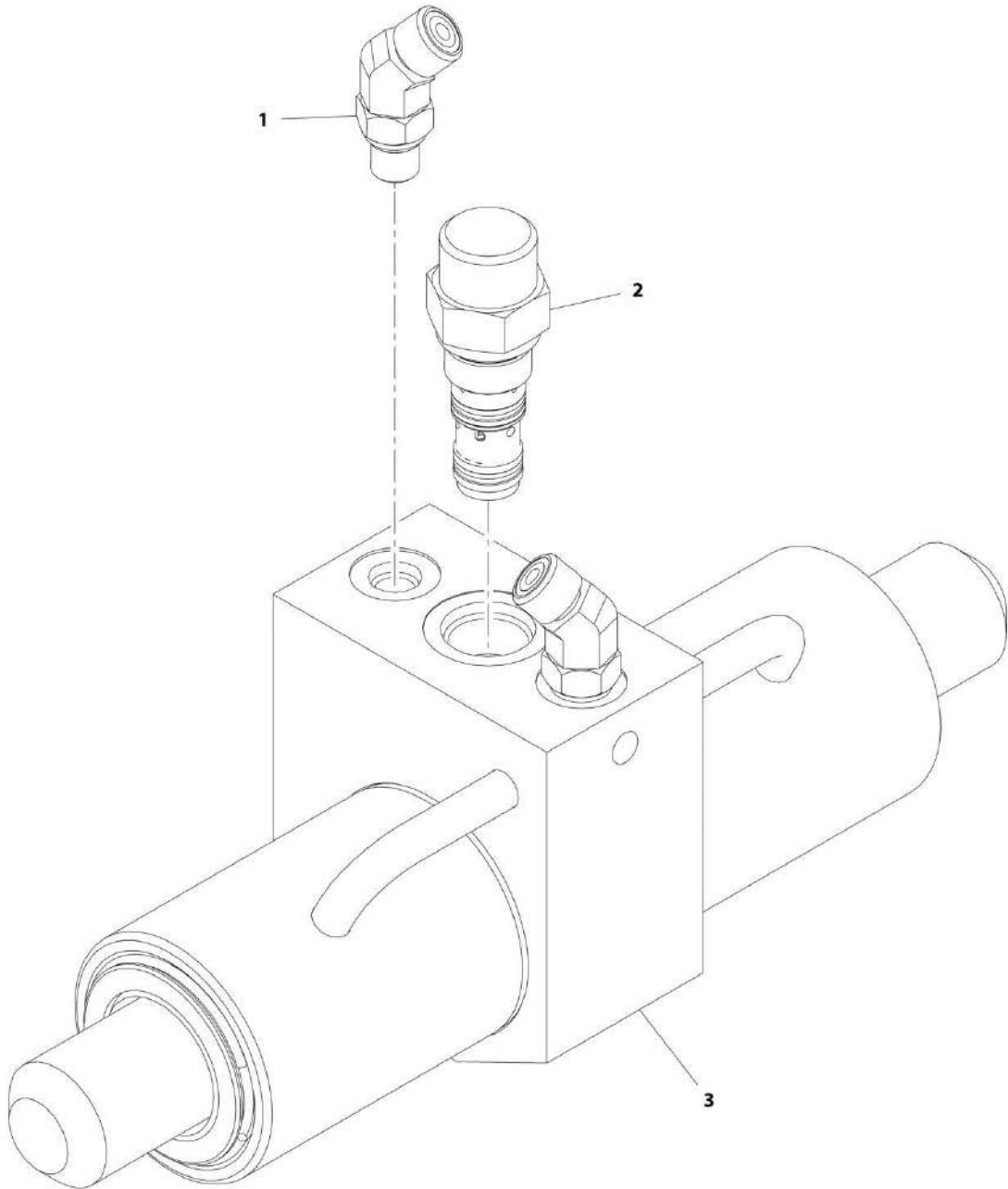
SECTION 9 - HYDRAULIC COMPONENTS

FIGURE 9-45. OUTRIGGER CONTROL VALVE G10-43A

ITEM	PART NUMBER	QTY	DESCRIPTION	REV
	1001107686	1	OUTRIGGER CONTROL VALVE, (G10-43A), (includes all items)	A
1	70023814	1	INLET SECTION	
2	70023815	2	WORK SECTIONS	
3	70023816	1	OUTLET SECTION	
4	70023817	1	MAIN RV PLUG	
5	70023818	1	STUD KIT	

SECTION 9 - HYDRAULIC COMPONENTS

FIGURE 9-46. CYLINDER - QUICK ATTACH ASSEMBLY



ART_1001120164-A

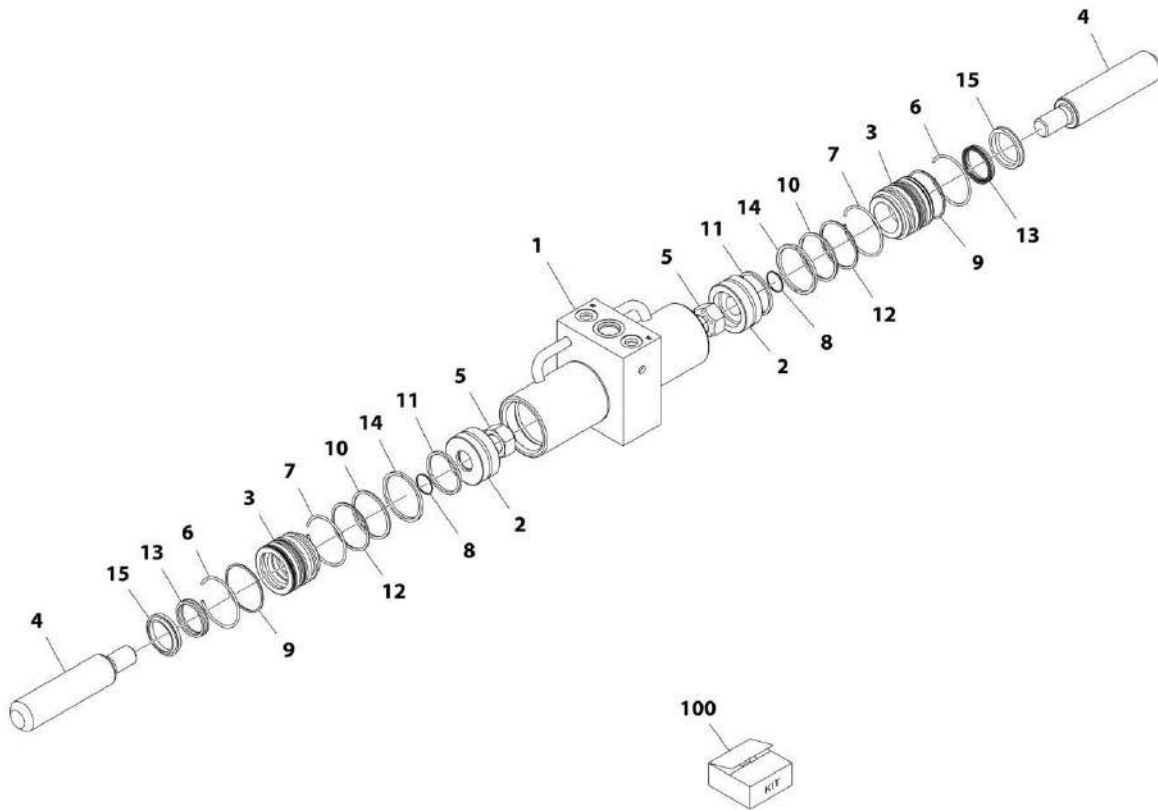
SECTION 9 - HYDRAULIC COMPONENTS

FIGURE 9-46. CYLINDER - QUICK ATTACH ASSEMBLY

ITEM	PART NUMBER	QTY	DESCRIPTION	REV
	1001120164	Ref	CYLINDER, QUICK ATTACH ASSEMBLY	A
1	2150404	2	ADAPTER, 45	
2	1001007056	1	VALVE	
3	1001120163	1	QUICK COUPLER CYLINDER (See Separate Breakdown in this Section)	

SECTION 9 - HYDRAULIC COMPONENTS

FIGURE 9-47. QUICK COUPLER CYLINDER



ART_1001120163-D

SECTION 9 - HYDRAULIC COMPONENTS

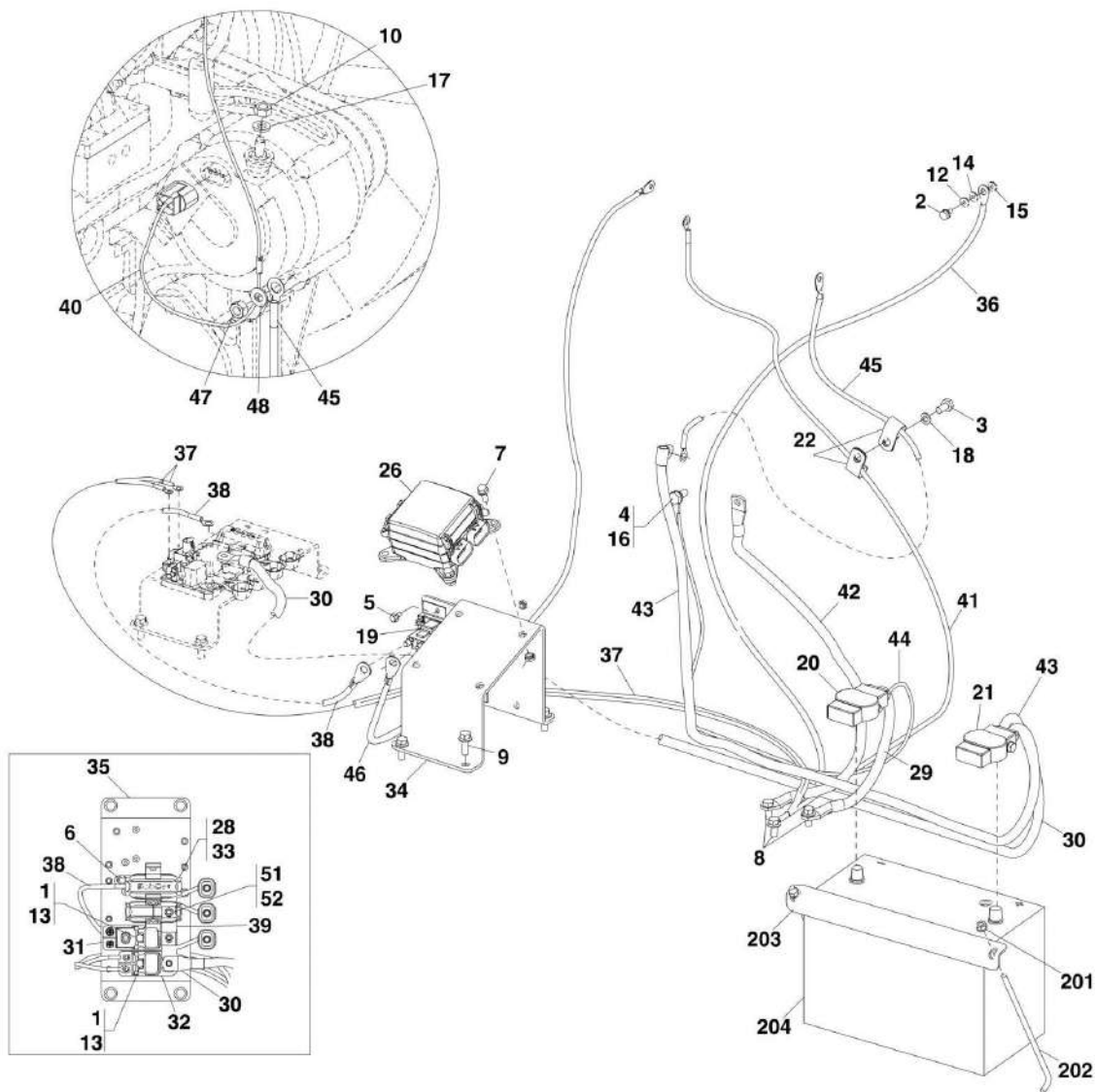
FIGURE 9-47. QUICK COUPLER CYLINDER

ITEM	PART NUMBER	QTY	DESCRIPTION	REV
	1001120163	Ref	QUICK COUPLER CYLINDER	D
1	70026211	1	BARREL	
2	70026212	2	PISTON	
3	70026213	2	GLAND, HEAD	
4	70026214	2	ROD, CYLINDER	
5	8037140	2	NUT, LOCK	
6	Kit	2	RING, RETAINING ROUND	
7	Kit	2	RING, RETAINING ROUND	
8	Kit	2	O-RING	
9	Kit	2	O-RING	
10	Kit	2	O-RING	
11	Kit	2	RING, SQUARE	
12	Kit	2	RING, BACKUP	
13	Kit	2	SEAL, ROD	
14	Kit	2	SEAL, PISTON	
15	Kit	2	WIPER, ROD	
100	70026215	1	KIT, SEAL (includes item 6 thru 15)	

SECTION 10 - ELECTRICAL

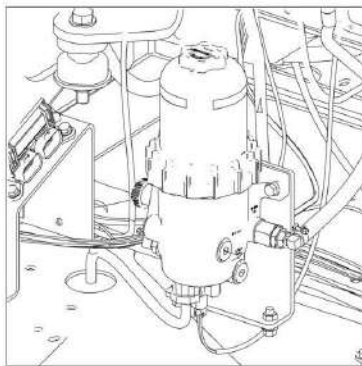
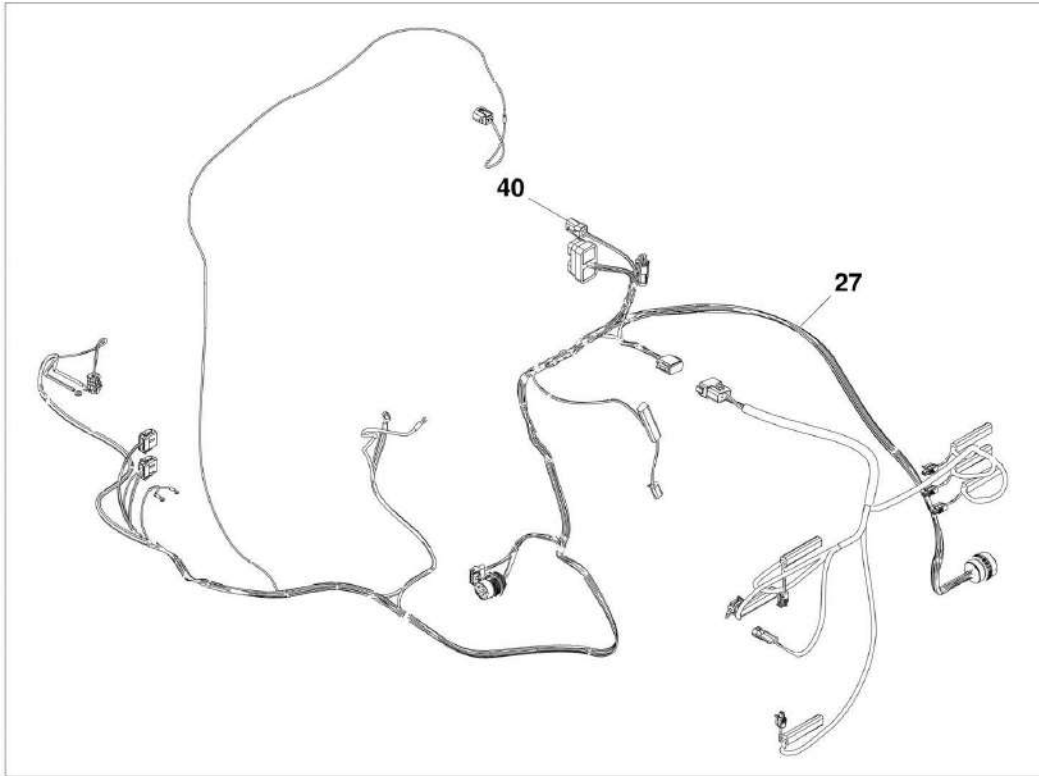
SECTION 10 - ELECTRICAL

FIGURE 10-1. ENGINE COMPARTMENT ELECTRICAL INSTALLATION

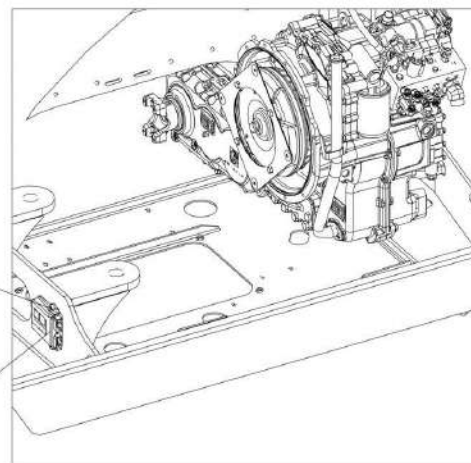


PAP26700

SECTION 10 - ELECTRICAL



53 IF EQUIPPED FOR LS



G9-43A & G10-43A
IF EQUIPPED FOR ULS

PAP26530

SECTION 10 - ELECTRICAL

FIGURE 10-1. ENGINE COMPARTMENT ELECTRICAL INSTALLATION

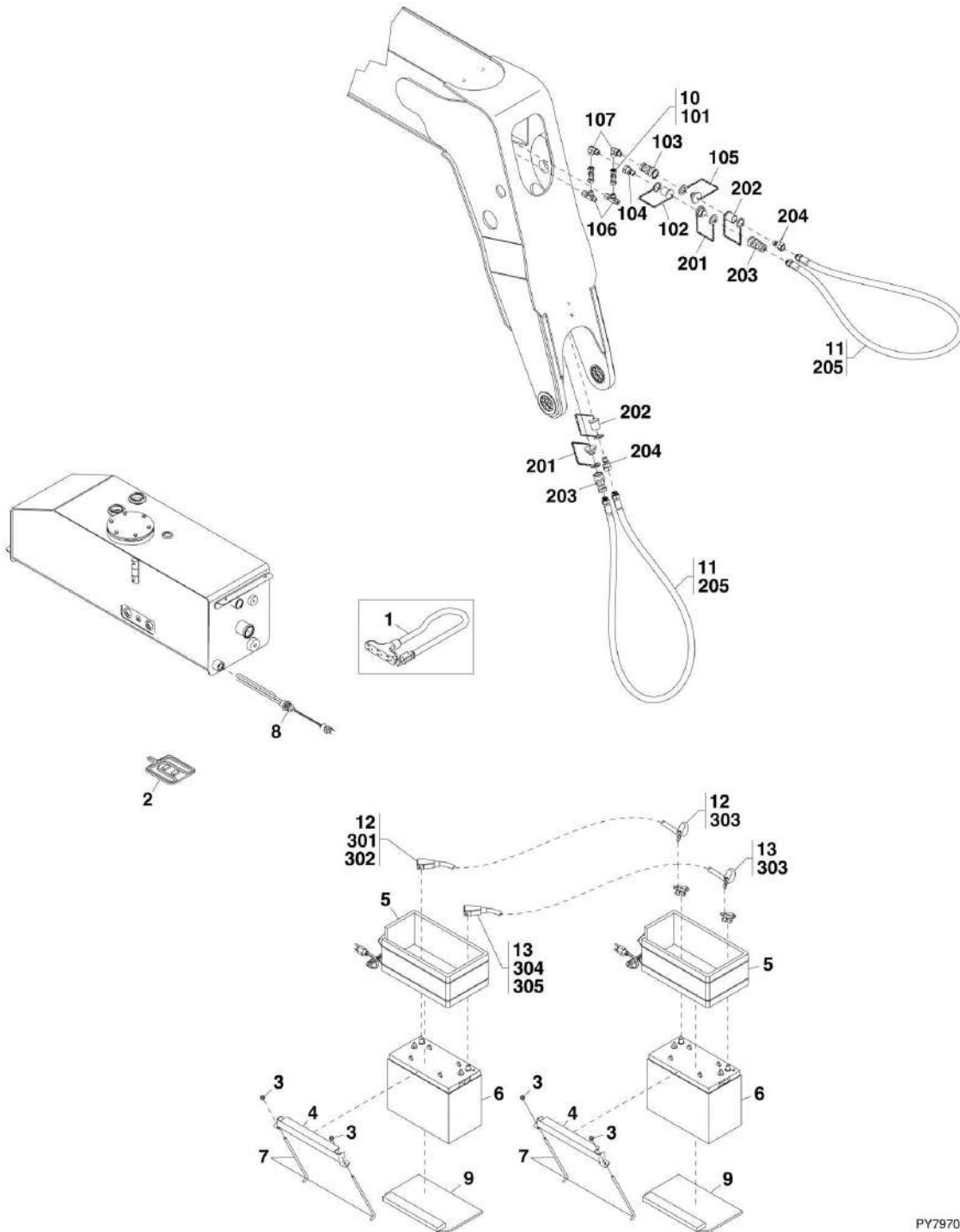
ITEM	PART NUMBER	QTY	DESCRIPTION	REV
	1001131821	Ref	ELECTRICAL COMPONENT INSTALLATION, (if equipped for ULS), (not available to order, see items 1 thru 52 for service)	L
	1001139438	Ref	ELECTRICAL COMPONENT INSTALLATION, (if equipped for LS), (includes items 1 thru 53 for service)	F
1	0641415	2	HEX HD CAPSCREW, 1/4-20X1.875, GR5	
2	0641504	1	HEX HD CAPSCREW, 5/16-18X1/2, GR5	
3	0761010	1	HEX HD CAPSCREW, M10X20, GR8.8	
4	0761012	1	HEX HD CAPSCREW, M10X25, GR8.8	
5	0791404	3	SCREW, 1/4-20X1/2	
6	0791406	2	SCREW, 1/4-20X3/4	
7	0791506	4	SCREW, 5/16-18X3/4	
8	0791606	3	SCREW, 3/8-16X3/4	
9	0811608	8	SCREW, 3/8-16X1	
10	3290601	1	HEX NUT, M6X1, (if equipped for ULS)	
10	3290801	1	HEX NUT, M8X1.25, (if equipped for LS)	
12	4711500	1	WASHER, 5/16	
13	4761400	2	WASHER, 1/4	
14	4761500	1	WASHER, 5/16	
15	4771500	1	STAR WASHER, 5/16	
16	4812000	1	WASHER, 10mm	
17	4831700	1	SPRING LOCKWASHER, 6mm, (if equipped for ULS)	
17	4831900	1	SPRING LOCKWASHER, 8mm, (if equipped for LS)	
18	4832000	1	SPRING LOCKWASHER, 10mm	
19	8225122	1	RELAY	
20	1001148992	1	NEGATIVE BATTERY CLAMP	
21	1001148991	1	POSITIVE BATTERY CLAMP	
22	8406105	2	TUBE CLIP, 0.75	
26	1001108433	1	CONTROL, VEC MODULE	
26	70024843	4	RELAY, 12V 30AMP	
27		Ref	TRANSMISSION HARNESS, (See TRANSMISSION HARNESS for Breakdown)	
28	1001118245	1	FUSE, 250 AMP, (if equipped for ULS)	
28	2400087	1	FUSE, 300 AMP, (if equipped for LS)	
29	1001145301	1	CABLE	
30	1001127488	1	CABLE	
31	1001163729	1	RELAY	
32	1001127699	1	FUSE	
33	1001127700	1	FUSE HOLDER	
34	1001127748	1	VEC BOX MOUNT	
35	1001127756	1	ELECTRONICS MOUNT	
36	1001129277	1	GROUND CABLE	
37		Ref	VEC HARNESS, (See VEC HARNESS for Breakdown)	
38	1001134236	1	FUSE	
39	1001134470	1	BUSSBAR CONNECTOR	
40		Ref	ENGINE HARNESS, (See ENGINE HARNESS for Breakdown)	
41	1001136332	1	ALTERNATOR POWER CABLE	
42	1001127489	1	STARTER GROUND CABLE	
43	1001151408	1	RELAY TO STARTER POSITIVE CABLE	
44	1001143377	1	ENGINE TO BATTERY NEGATIVE CABLE	
45	1001134232	1	ALTERNATOR GROUND CABLE	

SECTION 10 - ELECTRICAL

ITEM	PART NUMBER	QTY	DESCRIPTION	REV
46	1001134235	1	HEATER POWER CABLE	
47	3290807	1	HEX LOCKNUT, M8X1.25	
48	4811900	1	WASHER, 8mm	
49	90206198	2 in	TRIM-LOK, (not shown)	
50	90206203	9 in	TRIM-LOK, (not shown)	
51	8310453	1	HEX NUT, 5/16-18, GR5	
52	0641506	1	HEX HD CAPSCREW, 5/16-18X0.75, GR5	
53	1001127519	1	WATER IN FUEL HARNESS, (if equipped for LS)	
201	3311508	2	HEX NUT, 5/16-18	
202	91081640	2	BATTERY HOLD DOWN BOLT	
203	91401281	1	BATTERY HOLD DOWN BRACKET	
204	0400075	1	BATTERY, 12V GROUP 31, 6 EYE	
301	0641412	2	HEX HD CAPSCREW, 1/4-20X1 1/2, GR5, (if equipped for ULS)	
308	4761400	2	LOCK WASHER, 1/4, (if equipped for ULS)	
316	1001128743	1	PUMP DISPLACEMENT CONTROLLER, (if equipped for ULS)	

SECTION 10 - ELECTRICAL

FIGURE 10-2. ARCTIC PACKAGE INSTALLATION



PY7970

SECTION 10 - ELECTRICAL

FIGURE 10-2. ARCTIC PACKAGE INSTALLATION

ITEM	PART NUMBER	QTY	DESCRIPTION	REV
	1001135694	Ref	ARCTIC PACKAGE INSTALLATION, (G6-42A), (if equipped for ULS), (not available to order, see items 1 thru 13 for service)	B
	1001144953	Ref	ARCTIC PACKAGE INSTALLATION, (G6-42A), (if equipped for LS), (not available to order, see items 1 thru 11 for service)	A
	1001133450	Ref	ARCTIC PACKAGE INSTALLATION, (G9-43A & G10-43A), (if equipped for ULS), (not available to order, see items 1 thru 13 for service)	B
	1001144952	Ref	ARCTIC PACKAGE INSTALLATION, (G9-43A & G10-43A), (if equipped for LS), (not available to order, see items 1 thru 11 for service)	A
1	1060626	2	3-WAY EXTENSION CORD	
2	2580040	1	OIL PAN HEATER	
3	3311508	4	HEX NUT, 5/16-18, (if equipped for ULS)	
3	3311508	2	HEX NUT, 5/16-18, (if equipped for LS)	
4	1001141596	2	BATTERY HOLD DOWN PLATE, (if equipped for ULS)	
4	1001141596	1	BATTERY HOLD DOWN PLATE, (if equipped for LS)	
5	1001093564	2	BATTERY HEATER, (if equipped for ULS)	
5	1001093564	1	BATTERY HEATER, (if equipped for LS)	
6	1001098762	2	BATTERY, 12V, (if equipped for ULS)	
6	1001098762	1	BATTERY, 12V, (if equipped for LS)	
7	91081640	4	BATTERY HOLD DOWN BOLT, (if equipped for ULS)	
7	91081640	2	BATTERY HOLD DOWN BOLT, (if equipped for LS)	
8	1001105886	1	HYDRAULIC IMMERSION HEATER	
9	1001115878	2	BATTERY BASE INSULATION, (if equipped for ULS)	
9	1001115878	1	BATTERY BASE INSULATION, (if equipped for LS)	
10	1001121458	Ref	TILT RECIRCULATION INSTALLATION, (G6-42A), (not available to order, see items 101 thru 107 for service)	A
10	1001121459	Ref	TILT RECIRCULATION INSTALLATION, (G9-43A & G10-43A), (not available to order, see items 101 thru 107 for service)	A
11	1001121460	2	ARCTIC RECIRCULATION HOSE, (includes items 201 thru 205)	A
12	1001135349	1	START AID NEGATIVE CABLE, (includes items 301 thru 303)	A
13	1001136344	1	START AID POSITIVE CABLE, (includes items 303 thru 305)	A
101	2172406	2	ADAPTER, CONNECTOR, (includes o-ring), (G6-42A)	
101	2172408	2	ADAPTER, CONNECTOR, (includes o-ring), (G9-43A & G10-43A)	
102	91043126	1	DUST CAP	
103	91403413	1	ADAPTER, QUICK DISCONNECT COUPLER, (female)	
104	91403414	1	ADAPTER, QUICK DISCONNECT COUPLER, (male)	
105	91043125	1	DUST PLUG	
106	2170706	2	ADAPTER, RUN TEE, (includes o-ring), (G6-42A)	
106	2170708	2	ADAPTER, RUN TEE, (includes o-ring), (G9-43A & G10-43A)	
107	2130608	2	ADAPTER, 90, (includes o-ring), (G6-42A)	
107	2130808	2	ADAPTER, 90, (includes o-ring), (G9-43A & G10-43A)	
201	91043125	1	DUST PLUG	
202	91043126	1	DUST CAP	
203	91403413	1	ADAPTER, QUICK DISCONNECT COUPLER, (female)	
204	91403414	1	ADAPTER, QUICK DISCONNECT COUPLER, (male)	
205	1001121454	1	HOSE ASSY	
301	4461266	1	BATTERY TERMINAL, (includes item 302 and bolt)	
302	4461234	1	BOOT	
303	4461270	1	TERMINAL RING	
304	4461265	1	BATTERY TERMINAL, (includes item 305 and bolt)	

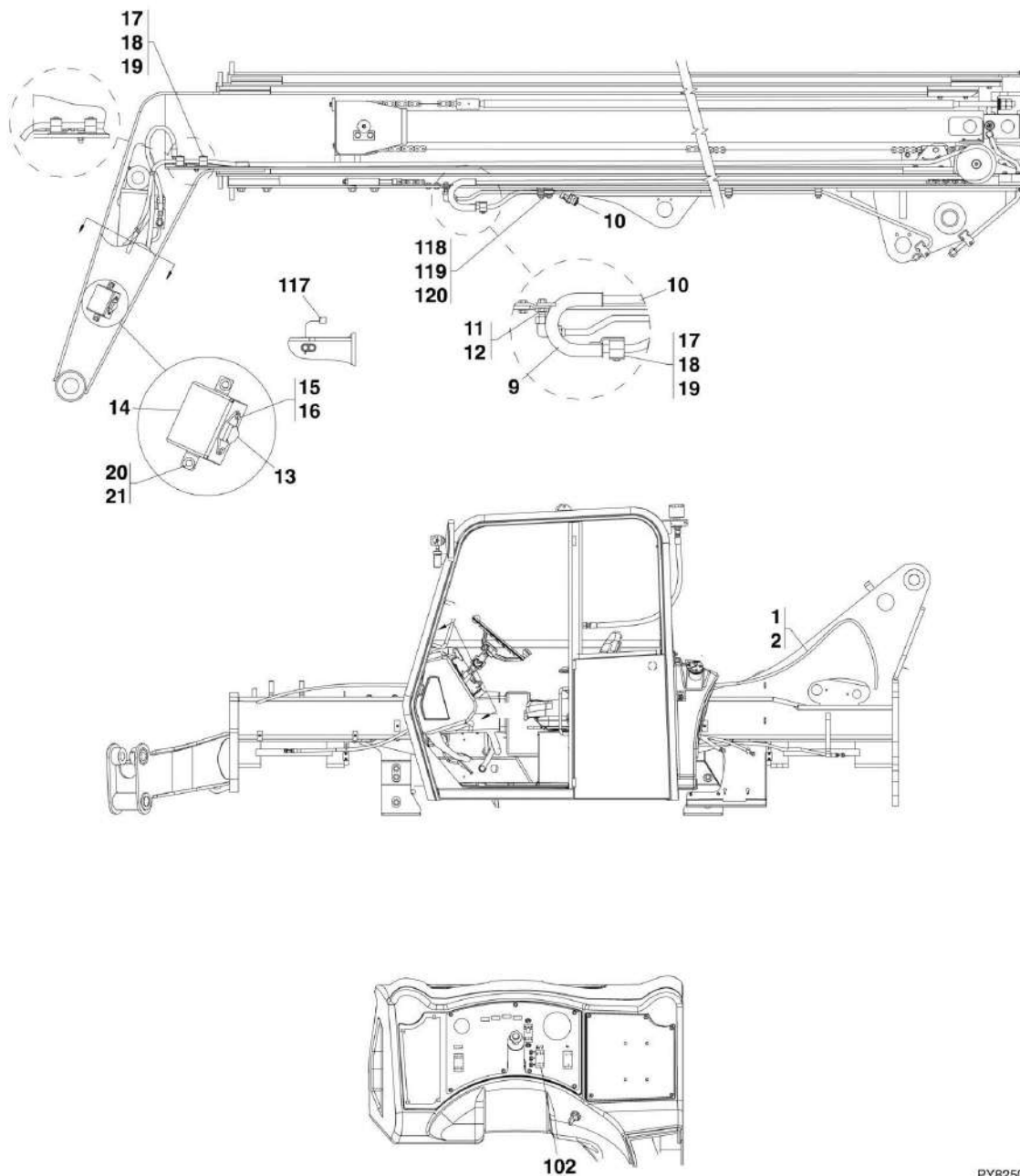
SECTION 10 - ELECTRICAL

ITEM	PART NUMBER	QTY	DESCRIPTION	REV
305	4461233	1	BOOT	

SECTION 10 - ELECTRICAL

FIGURE 10-3. BOOM AND FRAME ELECTRICAL INSTALLATION G6-42A

G6-42A



PY8250

SECTION 10 - ELECTRICAL

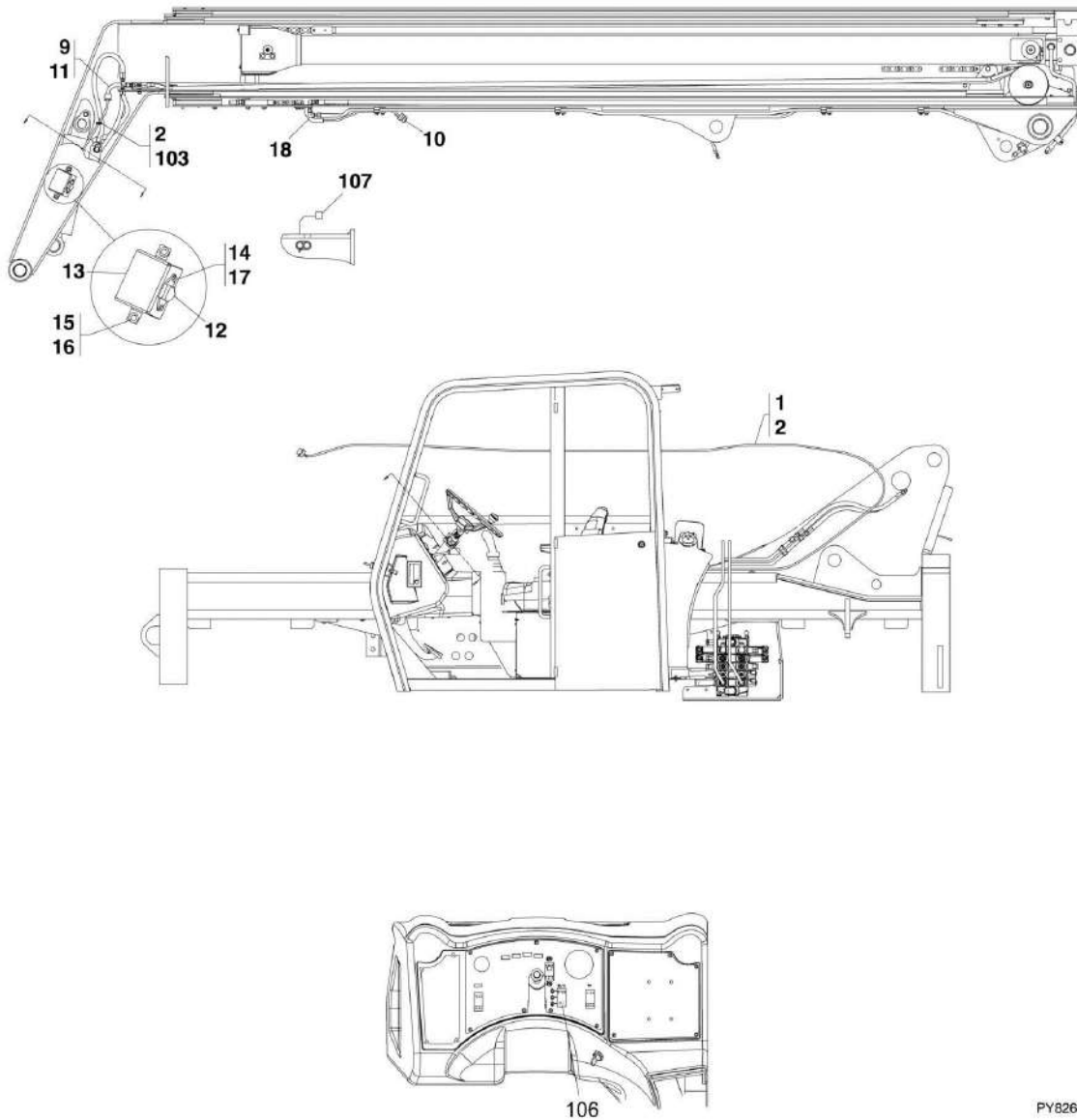
FIGURE 10-3. BOOM AND FRAME ELECTRICAL INSTALLATION G6-42A

ITEM	PART NUMBER	QTY	DESCRIPTION	REV
	1001101743	Ref	BOOM AUXILIARY ELECTRICAL INSTALLATION, (G6-42A), (if equipped with Manual Quick Switch), (not available to order, see items 1 thru 21 for service)	B
	1001001068	Ref	BOOM AUXILIARY ELECTRICAL INSTALLATION, (G6-42A), (if equipped with Hydraulic Quick Switch), (not available to order, see items 1, 9 thru 11, 17 thru 20 & 102 thru 120 for service)	G
1	1001128320	1	AUX FRAME HARNESS, (includes items 201 & 202)	
2	8584003	9	NYLON TIE	
9	91403520	1	TUBE	
10	91403522	Ref	AUXILIARY ELECTRICAL HARNESS, (includes items 301 thru 303)	
11	0641607	1	HEX HD CAPSCREW, 3/8-16X7/8, GR5	
12	4751600	1	WASHER, 3/8	
13	90207661	1	6 CONTACT SWITCH	
14	1001099812	1	CONNECTOR COVER	
15	4711400	2	FLAT WASHER, 1/4	
16	0641408	2	HEX HD CAPSCREW, 1/4-20X1, GR5	
17	77133497	3	CLAMP	
18	77133498	3	COVER PLATE	
19	77133209	6	HEX HD CAPSCREW, 1/4-20X1 3/8	
20	4711600	2	FLAT WASHER, 3/8	
21	0641808	2	HEX HD CAPSCREW, 3/8-16X1, GR5	
102		Ref	HYDRAULIC QUICK SWITCH, (See CAB SWITCHES for Breakdown)	
117	1001090006	Ref	QUICK SWITCH HARNESS, (includes item 401)	
118	77133139	1	CLAMP	
119	77133140	1	COVER PLATE	
120	77133177	1	HEX HD CAPSCREW, 0.313-18X1 3/8	
201	77363232	1	CONNECTOR	
201	4460464	5	TERMINAL	
201	4460466	1	PLUG	
202	77363233	1	CONNECTOR	
202	4460465	5	TERMINAL	
202	4460466	1	PLUG	
301	77363233	1	CONNECTOR	
302	91143107	1	STRAIN RELIEF	
303	77363229	5	SOCKET CONTACT	
401	4460891	1	CONNECTOR	
401	80604018	1	SECONDARY LOCK WEDGE	

SECTION 10 - ELECTRICAL

FIGURE 10-4. BOOM AND FRAME ELECTRICAL INSTALLATION G9-43A & G10-43A

G9-43A & G10-43A



PY8260

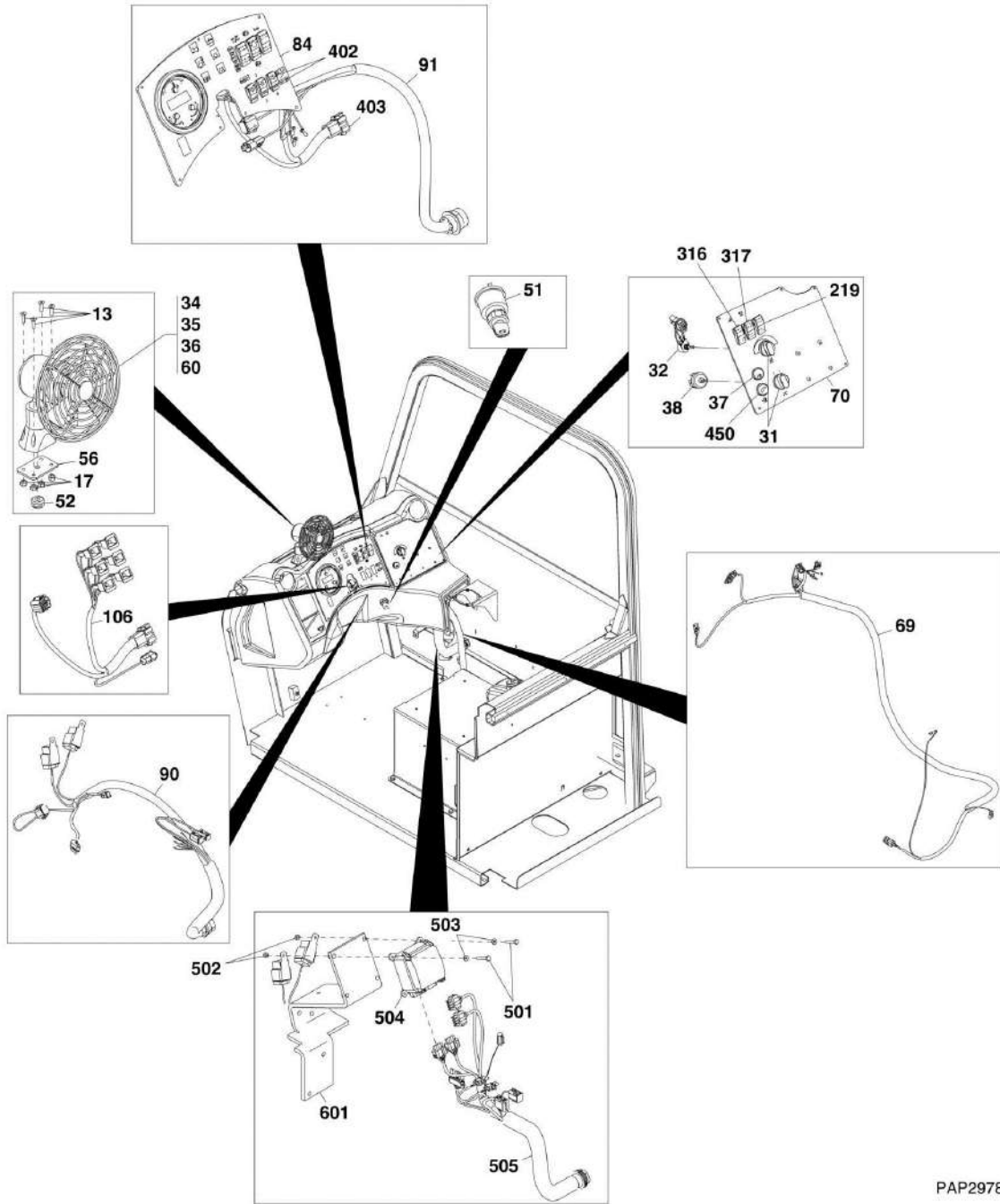
SECTION 10 - ELECTRICAL

FIGURE 10-4. BOOM AND FRAME ELECTRICAL INSTALLATION G9-43A & G10-43A

ITEM	PART NUMBER	QTY	DESCRIPTION	REV
	1001101742	Ref	AUXILIARY BOOM ELECTRICAL INSTALLATION, (G9-43A & G10-43A), (if equipped with Manual Quick Switch), (not available to order, see items 1 thru 18 for service)	B
	1001128461	Ref	AUXILIARY BOOM ELECTRICAL INSTALLATION, (G9-43A & G10-43A), (if equipped with Hydraulic Quick Switch), (not available to order, see items 1, 9 thru 11, 18 & 103 thru 107 for service)	A
1	1001128320	1	AUXILIARY FRAME HARNESS, (includes items 201 & 202)	
2	8584003	9	NYLON TIE	
9	91513115	1	TUBE ASSY	
10	91513123	1	AUX ELECTRICAL HARNESS, (includes items 301 thru 303)	
11	2230025	1	CONNECTOR	
12	90207661	1	6 CONTACT SOCKET	
13	1001099812	1	CONNECTOR COVER	
14	0641408	2	HEX HD CAPSCREW, 1/4-20X1, GR5	
15	0641608	2	HEX HD CAPSCREW, 3/8-16X1, GR5	
16	4711600	2	FLAT WASHER, 3/8	
17	4711400	2	FLAT WASHER, 1/4	
18	4569258	1	TUBE ASSY	
103	90027187	7	TIE STRAP	
106		Ref	HYDRAULIC QUICK SWITCH, (See CAB SWITCHES for Breakdown)	
107	1001090006	1	HYDRAULIC QUICK SWITCH HARNESS, (includes item 401)	
201	77363232	1	CONNECTOR	
201	4460464	5	TERMINAL	
201	4460466	1	PLUG	
202	77363233	1	CONNECTOR	
202	4460465	5	TERMINAL	
202	4460466	1	PLUG	
301	77363233	1	CONNECTOR	
302	91143107	1	STRAIN RELIEF	
303	77363229	5	SOCKET CONTACT	
401	4460891	1	CONNECTOR	
401	80604018	1	SECONDARY LOCK WEDGE	

SECTION 10 - ELECTRICAL

FIGURE 10-5. CAB ELECTRICAL INSTALLATION



PAP29780

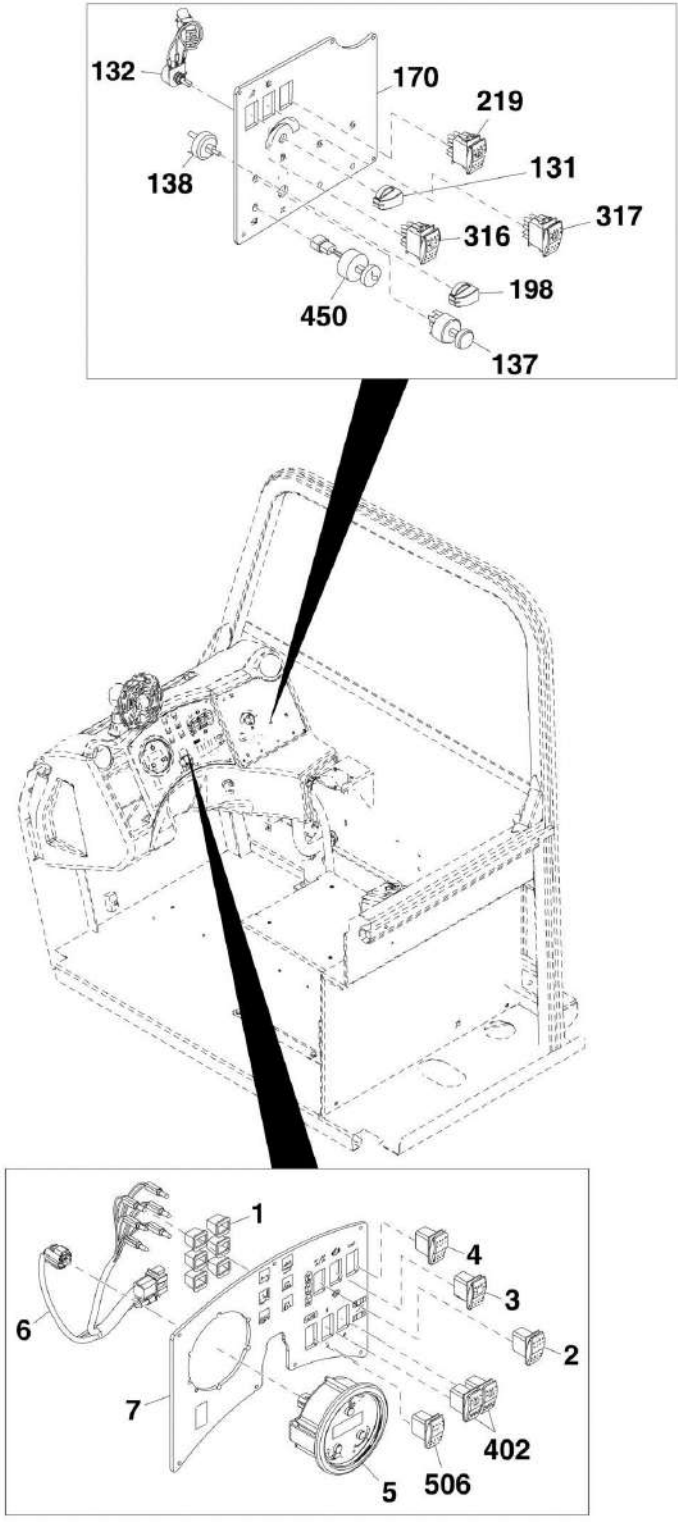
SECTION 10 - ELECTRICAL

FIGURE 10-5. CAB ELECTRICAL INSTALLATION

ITEM	PART NUMBER	QTY	DESCRIPTION	REV
13	88211030	4	SOCKET HD CAPSCREW, 10-24X3/4, (enclosed cab)	
17	77143017	4	WHIZ LOCKNUT, 10-24, (enclosed cab)	
31		Ref	KNOB, (See CAB SWITCHES for Breakdown)	
32		Ref	POTENTIOMETER ASSY, (See CAB SWITCHES for Breakdown)	
34	80963058	1	WEATHERPACK SHROUD, (enclosed cab)	
35	80963065	2	WEATHERPACK SEAL, (enclosed cab)	
36	80963069	2	MALE WEATHERPACK PIN, (enclosed cab)	
37		Ref	WIPER SWITCH, (See CAB SWITCHES for Breakdown)	
38		Ref	BLOWER SWITCH, (See CAB SWITCHES for Breakdown)	
51	91033317	1	IGNITION SWITCH, (includes key)	
52	91033425	1	GROMMET, (enclosed cab)	
56	91401443	1	PLATE, (enclosed cab)	
60	91403608	1	FAN, (enclosed cab)	
69		Ref	ENCLOSED CAB OPTIONS HARNESS, (if equipped), (See ENCLOSED CAB OPTIONS HARNESS for Breakdown)	
70		Ref	RH DASH PANEL, (See CAB SECTION for Breakdown)	
84		Ref	INSTRUMENT PANEL, (See CAB SWITCHES for Breakdown)	
90		Ref	TRANSMISSION RELAY HARNESS, (See TRANSMISSION RELAY HARNESS for Breakdown)	
91		Ref	DASH HARNESS, (See DASH HARNESS for Breakdown)	
106		Ref	INSTRUMENT PANEL HARNESS, (See INSTRUMENT PANEL HARNESS for Breakdown)	
219		Ref	HAZARD SWITCH, (See CAB SWITCHES for Breakdown)	
316		Ref	WORK LIGHT SWITCH, (See CAB SWITCHES for Breakdown)	
317		Ref	BEACON LIGHT SWITCH, (See CAB SWITCHES for Breakdown)	
402		Ref	AUX ELECTRIC SWITCHES, (See CAB SWITCHES for Breakdown)	
403	91563192	1	CAB AUXILIARY ELECTRICAL HARNESS	A
403	4460970	1	CONNECTOR	
403	80363179	1	WEDGELOCK	
403	4460464	9	TERMINAL	
403	4460466	3	PLUG	
403	4460419	14	TERMINAL	
450		Ref	TILT RHEOSTAT, (See CAB SWITCHES for Breakdown)	
	1001115891	Ref	ELECTRICAL OPTIONS ASSY, (not available to order, see items 501 thru 506 for service)	B
501	0641412	4	HEX HD CAPSCREW, 1/4-20X1-1/2, GR5, (torque to 96 lb-ft/130 Nm)	
502	3311401	4	HEX NUT, 1/4-20	
503	4751200	4	WASHER, 1/2	
504	1001126285	1	VEC OPTIONS BOX	
504	70024843	1	RELAY, 12V 30AMP	
505		Ref	VEC OPTIONS HARNESS, (See VEC HARNESS for Breakdown)	
506	4240033	2	TIE WRAP, (not shown)	
601		Ref	BRACKET, (See CONTROLS SECTION for Breakdown)	

SECTION 10 - ELECTRICAL

FIGURE 10-6. CAB SWITCHES



ART_31200727-10-6

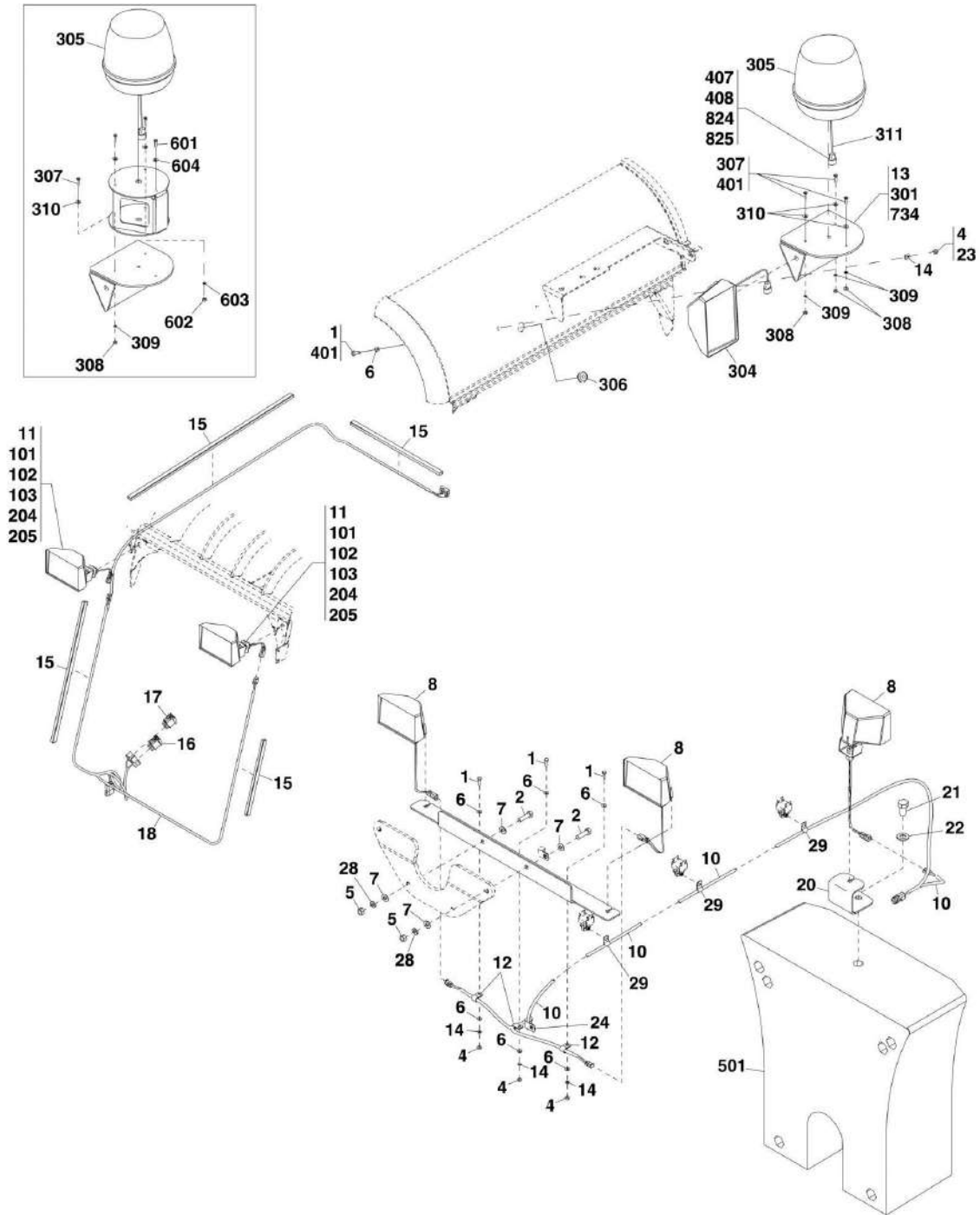
SECTION 10 - ELECTRICAL

FIGURE 10-6. CAB SWITCHES

ITEM	PART NUMBER	QTY	DESCRIPTION	REV
	1001101666	1	INSTRUMENT PANEL, (includes items 1 thru 7)	N
1	N.S.S.	6	BULB HOUSING	
2	91473127	1	STEER SELECT SWITCH	
3	91474465	1	PARK BRAKE SWITCH	
4	7026440	1	HORN SWITCH	
5	1001099163	1	3-IN-1 GAUGE	
6		Ref	INSTRUMENT PANEL HARNESS, (See INSTRUMENT PANEL HARNESS for Breakdown)	
7	1001099378	1	DASH PANEL	
131	1001151847	2	KNOB, (if equipped)	
132	1001151643	1	POTENTIOMETER ASSY, (if equipped)	
137	80963101	1	WIPER SWITCH, (enclosed cab)	
138	80964001	1	BLOWER SWITCH, (if equipped)	
170		Ref	RH DASH PANEL, (See CAB SECTION for Breakdown)	
198	1001152326	1	KNOB HANDLE	
219	1001090459	1	HAZARD SWITCH, (if equipped)	
316	1001090460	1	WORK LIGHT SWITCH, (if equipped)	
317	1001090461	1	BEACON LIGHT SWITCH, (if equipped)	
402	91473127	2	AUXILIARY ELECTRICAL SWITCH, (if equipped)	
450	1001099174	1	TILT RHEOSTAT SWITCH	
506	1001001242	1	HYDRAULIC QUICK SWITCH, (if equipped)	

SECTION 10 - ELECTRICAL

FIGURE 10-7. WORK LIGHTS INSTALLATION



ART_31200727-10-7

SECTION 10 - ELECTRICAL

FIGURE 10-7. WORK LIGHTS INSTALLATION

ITEM	PART NUMBER	QTY	DESCRIPTION	REV
	1001110091	Ref	WORK LIGHT WITH BEACON INSTALLATION, (if equipped), (not available to order, see items 1 thru 29 for service) (G9-43A Prior to SN 0160059453; G10-43A Prior to SN 0160058678; SN G6 through 42A)	C
	1001162757	Ref	WORK LIGHT WITH BEACON INSTALLATION, (if equipped), (not available to order, see items 1 thru 29 & 303 thru 306 & 734 for service) (G6-42A SN 0160059453 to Present; G9-43A SN 0160059453 to Present; G10-43A SN 0160058678 to Present)	B
	1001114492	Ref	BEACON LIGHT INSTALLATION, (if equipped), (not available to order, see items 1, 4, 6, 14, 15, 17, 18, 23, 301, 306 thru 310, 407 & 408 for service) (G6-42A Prior to SN 0160059453; G9-43A Prior to SN 0160059453; G10-43A Prior to SN 0160058678)	B
	1001162758	Ref	BEACON LIGHT INSTALLATION, (if equipped), (not available to order, see items 15, 17, 18, 23, 305, 306, 824 & 825 for service) (G6-42A SN 0160059453 to Present; G9-43A SN 0160059453 to Present; G10-43A SN 0160058678 to Present)	B
1	0641407	5	HEX HD CAPSCREW, 1/4-20X7/8, GR5, (torque to 96 lb-ft/130 Nm), (WORK LIGHT WITH BEACON INSTALLATION)	
1	0641407	2	HEX HD CAPSCREW, 1/4-20X7/8, GR5, (torque to 96 lb-ft/130 Nm), (BEACON LIGHT INSTALLATION) (G6-42A Prior to SN 0160059453; G9-43A Prior to SN 0160059453; G10-43A Prior to SN 0160058678)	
2	0641814	2	HEX HD CAPSCREW, 1/2-13X2-3/4, GR5, (torque to 75 lb-ft/102 Nm) (WORKLIGHT WITH BEACON INSTALLATION)	
3	0903661	1	BRACKET	
4	3311401	5	HEX NUT, 1/4-20, GR2, (WORK LIGHT WITH BEACON INSTALLATION)	
4	3311401	2	HEX NUT, 1/4-20, GR2, (BEACON LIGHT INSTALLATION) (G6-42A Prior to SN 0160059453; G9-43A Prior to SN 0160059453; G10-43A Prior to SN 0160058678)	
5	3311801	2	HEX NUT, 1/2-13, GR2	
6	4711400	8	WASHER, 1/4, (WORK LIGHT WITH BEACON INSTALLATION)	
6	4711400	2	WASHER, 1/4, (BEACON LIGHT INSTALLATION) (G6-42A Prior to SN 0160059453; G9-43A Prior to SN 0160059453; G10-43A Prior to SN 0160058678)	
7	4711800	8	WASHER, 1/2	
8	1001095342	3	LIGHT ASSY, (includes items 101 thru 103)	B
10		Ref	BOOM WORK LIGHTS HARNESS, (See BOOM WORK LIGHTS HARNESS for Breakdown)	
11	1001090580	2	LIGHT ASSY, (includes items 101 thru 103, 204 & 205)	B
12	1320263	3	3/8IN CLAMP	
13	1001090581	Ref	BEACON/WORK LIGHT INSTALLATION, (not available to order, see items 301 thru 311 for service) (G6-42A Prior to SN 0160059453; G9-43A Prior to SN 0160059453; G10-43A Prior to SN 0160058678)	E
14	4761400	5	LOCKWASHER, 1/4, (WORK LIGHT WITH BEACON INSTALLATION)	
14	4761400	2	LOCKWASHER, 1/4, (BEACON LIGHT INSTALLATION) (G6-42A Prior to SN 0160059453; G9-43A Prior to SN 0160059453; G10-43A Prior to SN 0160058678)	
15	8096D097	7.3 ft	CONDUIT, (WORK LIGHT WITH BEACON INSTALLATION)	
15	8096D097	6 ft	CONDUIT, (BEACON LIGHT INSTALLATION)	
16		Ref	WORK LIGHT SWITCH (See CAB SWITCHES for Breakdown)	
17		Ref	BEACON SWITCH, (See CAB SWITCHES for Breakdown)	
18		Ref	CAB WORK LIGHT HARNESS, (See CAB WORK LIGHT HARNESS for Breakdown)	

SECTION 10 - ELECTRICAL

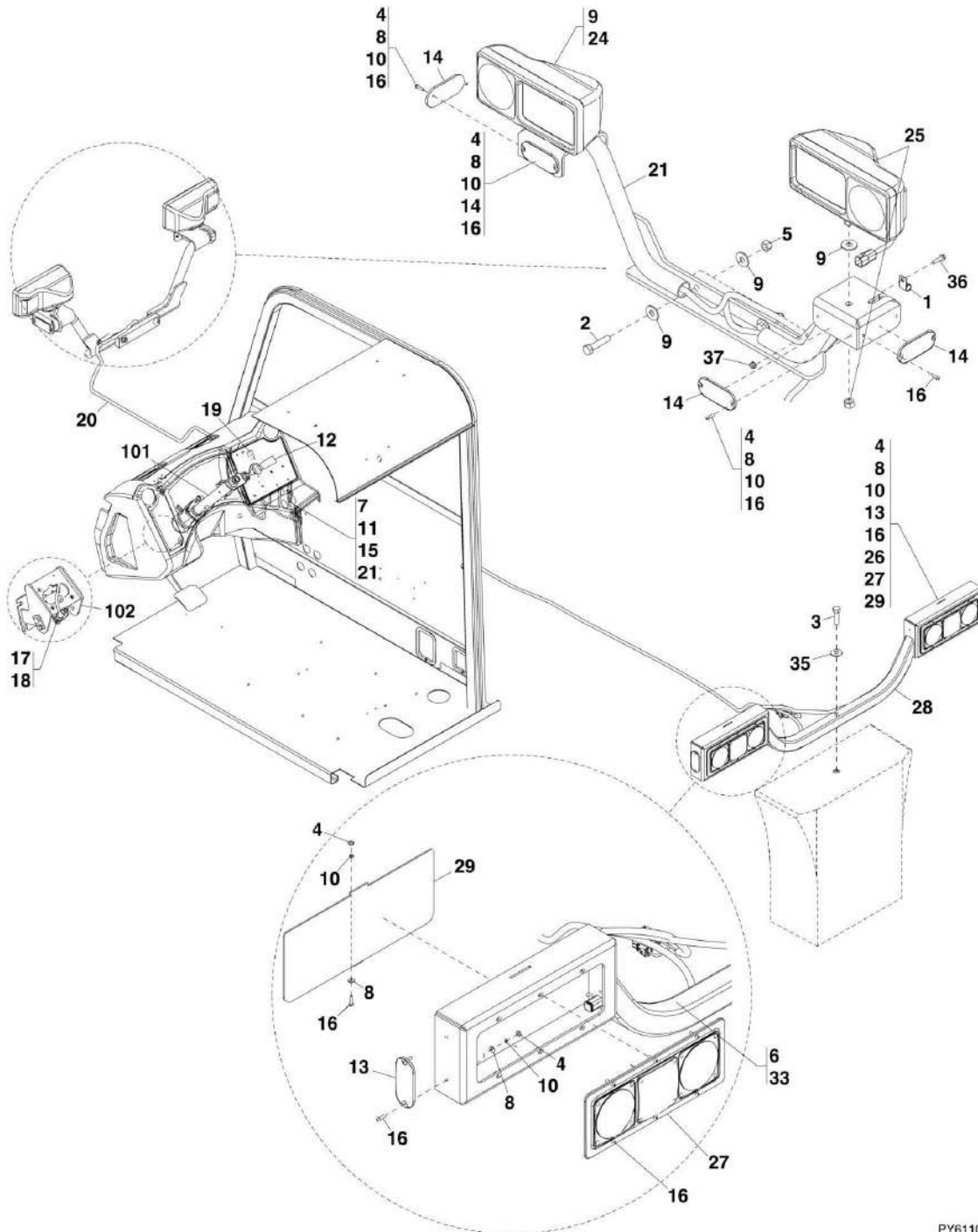
ITEM	PART NUMBER	QTY	DESCRIPTION	REV
20	1001090522	1	BRACKET	
21	0642210	1	HEX HD CAPSCREW, 3/4-10X1-1/4, GR5	
22	4712200	1	WASHER, 3/4	
23	14404173	AR	SILICONE SEALANT	
24	8406105	1	3/4 IN CLAMP	
28	4761800	2	LOCKWASHER, 1/2	
29	1320263	3	3/8 IN CLAMP	
101	4460897	1	CONNECTOR	
101	80604017	1	WEDGE LOCK	
102	4460464	2	TERMINAL	
103	80963050	1	LIGHT, (includes hardware)	
103	80964070	1	BULB	
204	91403503	1	SPACER	
205	91413052	1	BOLT	
301	0903669	1	BRACKET (G6-42A Prior to SN 0160059453; G9-43A Prior to SN 0160059453; G10-43A Prior to SN 0160058678)	
302	4460897	2	CONNECTOR	
302	80604017	2	WEDGE LOCK	
303	4460464	2	TERMINAL	
304	1001099276	1	LIGHT ASSY	
304	80964070	1	BULB	
305	91343031	1	BEACON LIGHT (G6-42A Prior to SN 0160059453; G9-43A Prior to SN 0160059453; G10-43A Prior to SN 0160058678)	
305	8500066	1	BEACON LIGHT (G6-42A SN 0160059453 to Present; G9-43A SN 0160059453 to Present; G10-43A SN 0160058678 to Present)	
305	91344053	1	BULB	
306	1001090615	1	GROMMET	
307	0721006	3	SCREW, 10-24X3/4 (G6-42A Prior to SN 0160059453; G9-43A Prior to SN 0160059453; G10-43A Prior to SN 0160058678)	
308	3311001	3	HEX NUT, 10-24, GR2 (G6-42A Prior to SN 0160059453; G9-43A Prior to SN 0160059453; G10-43A Prior to SN 0160058678)	
309	4751000	3	WASHER, 10 (G6-42A Prior to SN 0160059453; G9-43A Prior to SN 0160059453; G10-43A Prior to SN 0160058678)	
310	4761000	3	LOCKWASHER, 10 (G6-42A Prior to SN 0160059453; G9-43A Prior to SN 0160059453; G10-43A Prior to SN 0160058678)	
311	2820035	2.3 ft	INSULATION	
401	0100011	AR	LOCTITE 242 (G6-42A Prior to SN 0160059453; G9-43A Prior to SN 0160059453; G10-43A Prior to SN 0160058678)	
407	4460508	2	TERMINAL, (BEACON LIGHT INSTALLATION) (G6-42A Prior to SN 0160059453; G9-43A Prior to SN 0160059453; G10-43A Prior to SN 0160058678)	
408	4461017	1	CONNECTOR, (BEACON LIGHT INSTALLATION) (G6-42A Prior to SN 0160059453; G9-43A Prior to SN 0160059453; G10-43A Prior to SN 0160058678)	
408	N.S.S.	1	WEDGE LOCK, (BEACON LIGHT INSTALLATION)	
501		Ref	COUNTERWEIGHT, (See FRAME AND ATTACHING PARTS SECTION for Breakdown)	
	1001096708	NLA	BEACON LIGHT MOUNTING INSTALLATION, (if equipped with A/C), (no longer available, use 1001162758 for replacement or items 601 through 605 for service)	A
601	0721006	1	SCREW, 10-24X3/4	
602	3311001	1	HEX NUT, 10-24, GR2	
603	4751000	1	WASHER, 10	
604	4761000	1	LOCKWASHER, 10	

SECTION 10 - ELECTRICAL

ITEM	PART NUMBER	QTY	DESCRIPTION	REV
605	1001096709	1	BRACKET	
734	1001146009	1	BRACKET, WORKLIGHT (WORKLIGHT WITH BEACON INSTALLATION)	
824	1001117021	1	CONNECTOR, (BEACON LIGHT INSTALLATION) (G6-42A SN 0160059453 to Present; G9-43A SN 0160059453 to Present; G10-43A SN 0160058678 to Present)	
825	8220890	1	CONNECTOR LOCK	

SECTION 10 - ELECTRICAL

FIGURE 10-8. ROAD LIGHTS INSTALLATION



PY6110

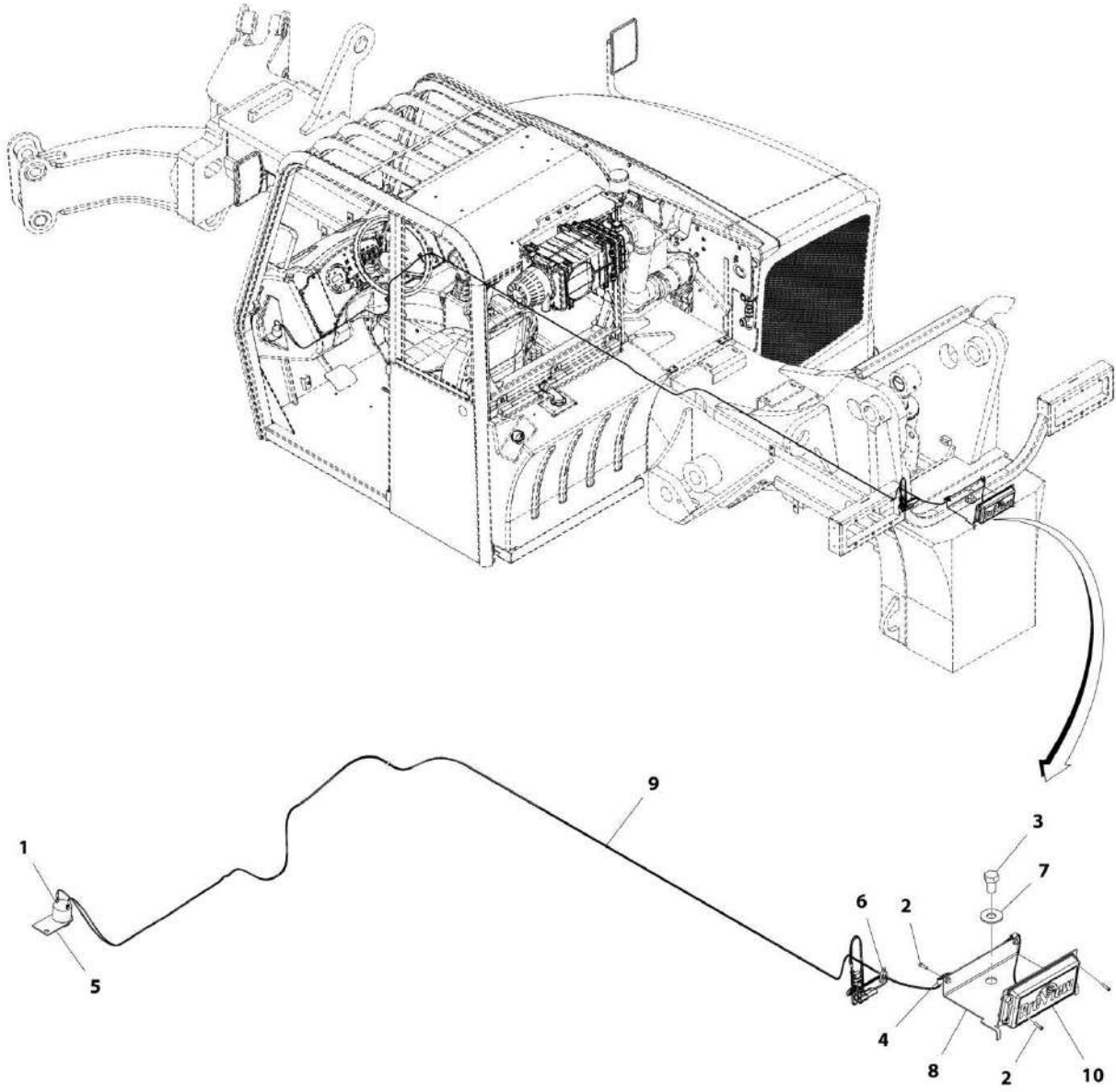
SECTION 10 - ELECTRICAL

FIGURE 10-8. ROAD LIGHTS INSTALLATION

ITEM	PART NUMBER	QTY	DESCRIPTION	REV
	1001113091	Ref	ROAD LIGHTS INSTALLATION, (if equipped), (not available to order, see items 1 thru 37 for service)	A, 4
1	85941016	1	1/2IN CLAMP	
2	0641818	2	HEX HD CAPSCREW, 1/2-13X2-1/4, GR5	
3	0642222	1	HEX HD CAPSCREW, 3/4-10X2-3/4, GR5	
4	3311001	26	HEX NUT, 10-24, GR2	
5	3311805	2	HEX LOCKNUT, 1/2-13, GR2	
6	3941506	2	SELF-TAPPING MACHINE SCREW, 5/16X3/4	
7	4461254	1	CONNECTOR	
8	4711000	28	WASHER, 10	
9	4751800	6	WASHER, 1/2	
10	4761000	26	LOCKWASHER, 10	
11	8220050	1	CONNECTOR	
12	8223073	1	TURN SIGNAL SELECTOR	
13	10718991	2	RED REFLECTOR	
14	10718992	4	YELLOW REFLECTOR	
15	80983168	1	FLASHER, VARIABLE LOAD	
16	88261010	26	BUTTON HD CAPSCREW, 10-24X3/4	
17	91143117	1	STOPLIGHT SWITCH	
18	91511127	1	STOPLIGHT SWITCH MOUNTING TAB	
19	1001090459	1	HAZARD SWITCH	
20		Ref	FRAME ROAD LIGHTS HARNESS, (See FRAME ROAD LIGHTS HARNESS for Breakdown)	
21		Ref	CAB ROAD LIGHTS HARNESS, (See CAB ROAD LIGHTS HARNESS for Breakdown)	
23	1001094264	1	FRONT ROAD LIGHTS BRACKET	
24	1001094390	1	RH FORWARD ROAD LIGHT ASSY, (torque to 50 lb-ft/68 Nm)	
25	1001094391	1	LH FORWARD ROAD LIGHT ASSY, (torque to 50 lb-ft/68 Nm)	
26	1001094392	1	RH TAIL LIGHT ASSY	
27	1001094393	1	LH TAIL LIGHT ASSY	
28	1001094523	1	TAIL LIGHT BRACKET	
29	1001094824	2	TAIL LIGHT COVER	
33	1320263	2	3/8IN CLAMP	
35	4752200	1	WASHER, 3/4	
36	0791408	1	SERRATED FLANGE HEX HD CAPSCREW, 1/4-20X1	
37	3311408	1	FLANGE NUT, 1/4-20, GRADE F	
101		Ref	STEERING COLUMN, (See CONTROLS SECTION for Breakdown)	
102		Ref	BRAKE PEDAL INSTALLATION, (See CONTROLS SECTION for Breakdown)	

SECTION 10 - ELECTRICAL

FIGURE 10-9. REVERSE SENSOR INSTALLATION



ART_1001152538-A

SECTION 10 - ELECTRICAL

FIGURE 10-9. REVERSE SENSOR INSTALLATION

ITEM	PART NUMBER	QTY	DESCRIPTION	REV
	1001152538	Ref	REVERSE SENSING INSTALLATION	A
1	0140011	1	ALARM DEVICE	
2	3931012	6	SOCKET HD CAPSCREW, 3/4X10-24	
3	0642210	1	HEX HD CAPSCREW, 3/4-10X1-1/4, GR5	
4	1320136	2	CABLE CLAMP	
5	1001182662	1	BRACKET	
6	4240033	AR	WIRE TIE	
7	4752200	1	WASHER, 3/4	
8	1001152220	1	BRACKET	
9		Ref	REVERSE SENSOR HARNESS, (See REVERSE SENSOR HARNESS for Breakdown)	
10	1001182358	1	REVERSE SENSOR CONTROL	

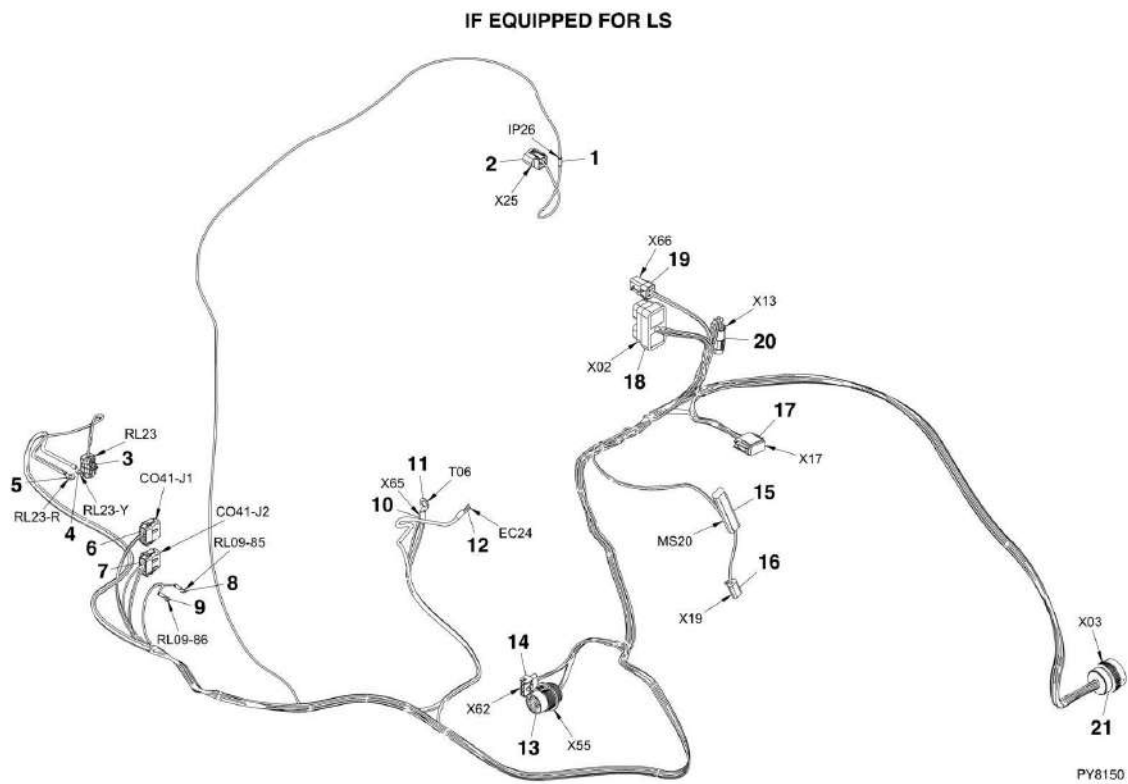
SECTION 10 - ELECTRICAL

FIGURE 10-10. ENGINE HARNESS IF EQUIPPED FOR ULS

ITEM	PART NUMBER	QTY	DESCRIPTION	REV
	1001136140	1	ENGINE HARNESS, (if equipped for ULS), (includes all items)	J
1	1001125027	1	CONNECTOR	
1	8220124	3	TERMINAL	
2	91363021	1	MOLDED DIODE	
3	1001125748	1	CONNECTOR	
3	1001125773	1	TERMINAL	
4	1001134192	1	CONNECTOR	
5	1001145707	1	CONNECTOR	
5	1001116733	4	TERMINAL	
5	8220101	1	PLUG	
6	1001116950	1	CONNECTOR	
6	1001118390	2	TERMINAL	
7	4460312	1	RING TERMINAL	
8	1001117106	1	RING TERMINAL	
9	1001116808	1	PLUG	
9	4460928	3	TERMINAL	
10	1001116774	1	PLUG	
10	4460928	4	TERMINAL	
11	4460247	1	RING TERMINAL	
12	4460247	1	RING TERMINAL	
13	1001117111	1	FORK TERMINAL	
14	8220164	1	RING TERMINAL	
15	4460256	1	RING TERMINAL	
16	4460891	1	PLUG	
16	4460465	2	SOCKET TERMINAL	
17	1001112612	1	CONNECTOR	
17	1001106736	1	DUST CAP AND LANYARD	
17	4460464	2	TERMINAL	
17	4460943	2	TERMINAL	
18	4460761	1	CONNECTOR	
18	4460321	1	PLUG	
18	1001143551	2	SEAL	
18	4460809	4	SEAL PLUG	
18	4460267	4	TERMINAL	
19	4460897	1	CONNECTOR	
19	4460464	2	TERMINAL	
20	91363021	1	MOLDED DIODE	
21	4460891	1	PLUG	
21	4460465	2	SOCKET TERMINAL	
22	4460933	1	PLUG	
22	4460465	10	SOCKET TERMINAL	
23	1001126208	1	PLUG	
23	1001126009	25	TERMINAL	
24	1001144147	1	CONNECTOR	
24	4460943	2	TERMINAL	
25	1001116938	1	PLUG	
25	4460465	30	SOCKET TERMINAL	

SECTION 10 - ELECTRICAL

FIGURE 10-11. ENGINE HARNESS IF EQUIPPED FOR LS



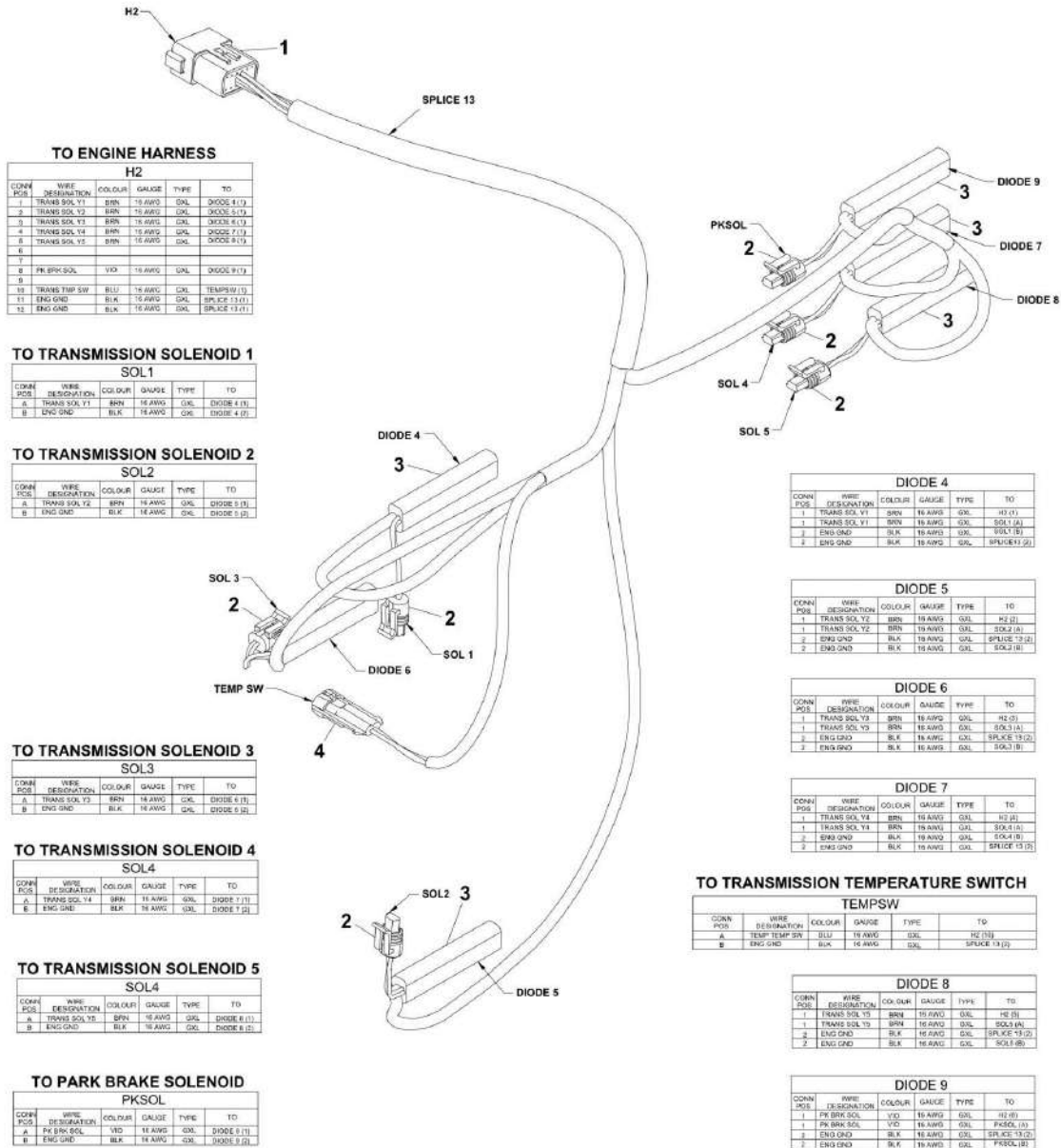
SECTION 10 - ELECTRICAL

FIGURE 10-11. ENGINE HARNESS IF EQUIPPED FOR LS

ITEM	PART NUMBER	QTY	DESCRIPTION	REV
	1001139248	1	ENGINE HARNESS, (if equipped for LS), (includes all items)	G
1	91363021	1	MOLDED DIODE	
2	1001125748	1	CONNECTOR	
2	1001125773	3	TERMINAL	
3	1001116950	1	CONNECTOR	
3	4460942	2	TERMINAL	
4	4460312	1	RING TERMINAL	
5	4460312	1	RING TERMINAL	
5	4460312	2	RING TERMINAL	
6	1001116808	1	PLUG	
6	4460928	3	TERMINAL	
7	1001116774	1	PLUG	
7	4460918	2	TERMINAL	
7	4460928	2	TERMINAL	
8	4460247	1	RING TERMINAL	
9	4460247	1	RING TERMINAL	
10	4460256	1	RING TERMINAL	
11	4460019	1	RING TERMINAL	
11	4460019	2	RING TERMINAL	
12	1001152595	1	FORK TERMINAL	
13	1001112612	1	CONNECTOR	
13	1001106736	1	DUST CAP AND LANYARD	
13	4460464	2	TERMINAL	
13	4460943	2	TERMINAL	
14	4460761	1	CONNECTOR	
14	4460321	1	PLUG	
14	1001143551	1	SEAL	
14	4460809	1	SEAL PLUG	
14	4460267	4	TERMINAL	
15	91363021	1	MOLDED DIODE	
16	4460891	1	PLUG	
16	4460465	2	SOCKET TERMINAL	
17	4460933	1	PLUG	
17	4460465	10	SOCKET TERMINAL	
18	1001116831	1	PLUG	
18	1001119619	14	TERMINAL	
19	1001116810	1	PLUG	
19	4460509	4	TERMINAL	
20	1001144147	1	CONNECTOR	
20	4460943	2	TERMINAL	
21	1001116938	1	PLUG	
21	4460465	24	SOCKET TERMINAL	
21	4460944	2	TERMINAL	

SECTION 10 - ELECTRICAL

FIGURE 10-12. TRANSMISSION HARNESS



PAP25860

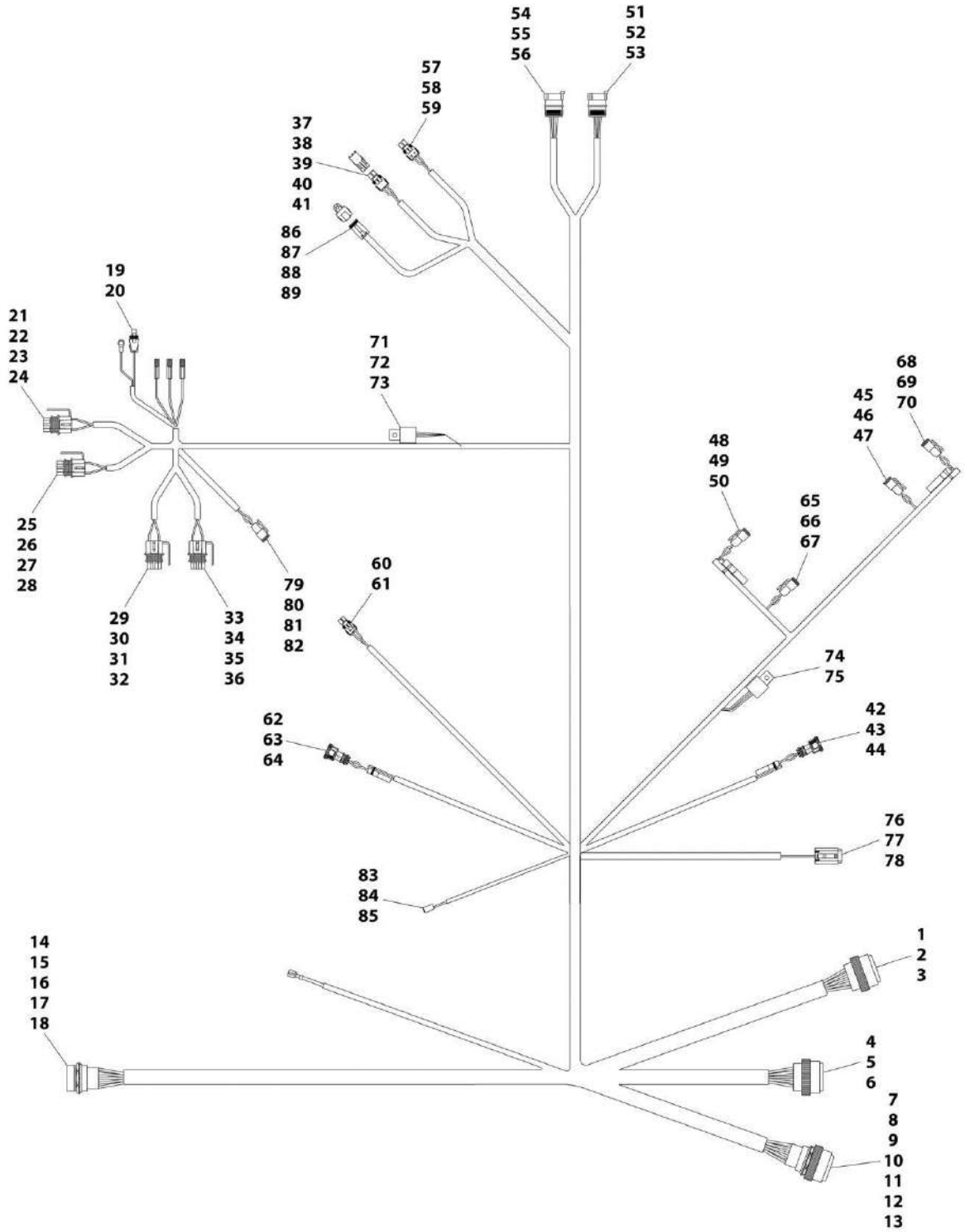
SECTION 10 - ELECTRICAL

FIGURE 10-12. TRANSMISSION HARNESS

ITEM	PART NUMBER	QTY	DESCRIPTION	REV
	1001115528	1	TRANSMISSION HARNESS, (includes all items)	C
1	4460970	1	FEMALE RECEPTACLE, (includes rear seal)	
1	80363179	1	SECONDARY WEDGE LOCK	
1	4460465	9	TERMINAL	
1	4460466	3	PLUG	
2	4460955	6	CONNECTOR	
2	1001116748	2	TERMINAL	
3	91363021	6	MOLDED DIODE	
4	1001117073	1	CONNECTOR	
4	70022741	1	WEDGE LOCK	

SECTION 10 - ELECTRICAL

FIGURE 10-13. FRAME HARNESS



ART_1001133354-H

SECTION 10 - ELECTRICAL

FIGURE 10-13. FRAME HARNESS

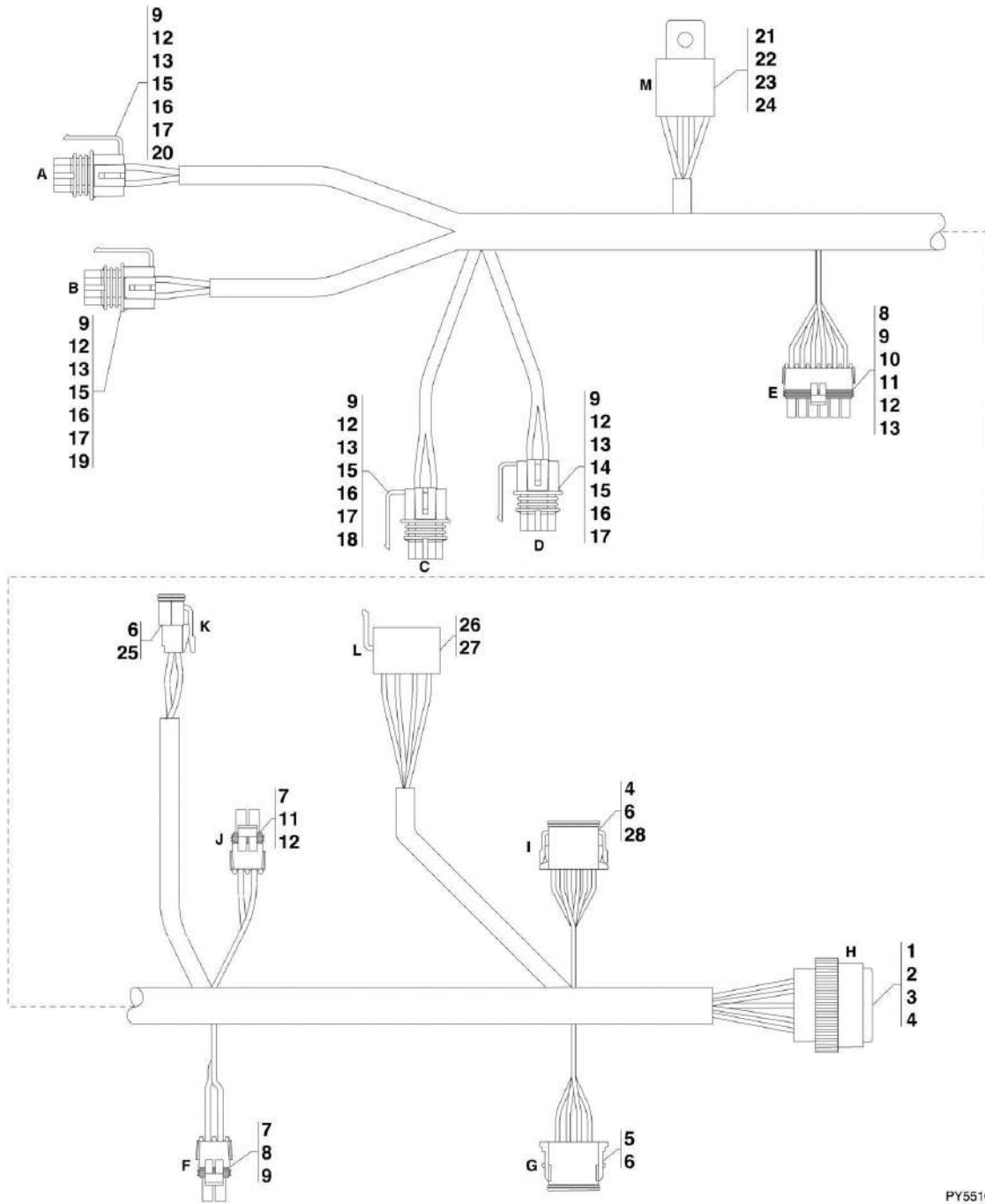
ITEM	PART NUMBER	QTY	DESCRIPTION	REV
	1001133354	1	FRAME HARNESS	H
1	7026910	1	CONNECTOR	
2	4460464	30	TERMINAL	
3	4460466	1	PLUG	
4	4460502	1	CONNECTOR	
5	4460465	29	TERMINAL	
6	4460466	1	PLUG	
7	7026415	1	CONNECTOR	
8	83481286	1	NUT	
9	83481285	1	LOCKWASHER	
10	4460465	13	TERMINAL	
11	4460509	6	TERMINAL	
12	4460466	1	PLUG	
13	4460469	1	CAP	
14	1001116934	1	CONNECTOR	
15	83481286	1	NUT	
16	83481285	1	LOCKWASHER	
17	4460464	31	TERMINAL	
18	4460466	1	PLUG	
19	80963056	1	CONNECTOR	
20	4460475	1	TERMINAL	
21	1001121557	NLA	CONNECTOR (no longer available, use 80484086 for replacement)	
21	80484086	1	CONNECTOR	
22	7026414	1	CONNECTOR LOCK	
23	4460746	3	TERMINAL	
24	1001116747	5	TERMINAL	
25	80484085	1	CONNECTOR	
26	7026414	1	CONNECTOR LOCK	
27	4460746	4	TERMINAL	
28	1001116747	4	TERMINAL	
29	80484084	1	BLUE CONNECTOR	
30	7026414	1	CONNECTOR LOCK	
31	4460746	7	TERMINAL	
32	1001116747	1	TERMINAL	
33	80484081	1	GREEN CONNECTOR	
34	7026414	1	CONNECTOR LOCK	
35	4460746	6	TERMINAL	
36	1001116747	2	TERMINAL	
37	80963061	1	CONNECTOR	
38	4460457	4	TERMINAL	
39	80963062	1	CONNECTOR	
40	80963070	1	DUST CAP	
41	1001116727	1	PLUG	
42	1001116983	1	HOUSING	
43	1001116706	2	TERMINAL	
44	1001137578	2	WIRE SEAL	
45	4460891	1	PLUG CONNECTOR, (includes rear seal)	
46	80604018	1	WEDGE LOCK	
47	4460465	2	TERMINAL	

SECTION 10 - ELECTRICAL

ITEM	PART NUMBER	QTY	DESCRIPTION	REV
48	4460891	1	PLUG CONNECTOR, (includes rear seal)	
49	80604018	1	WEDGE LOCK	
50	4460465	2	TERMINAL	
51	7026413	1	CONNECTOR	
52	4460464	5	TERMINAL	
53	4460466	1	PLUG	
54	7026413	1	CONNECTOR	
55	4460464	5	TERMINAL	
56	4460466	1	PLUG	
57	1001117021	1	CONNECTOR	
58	8220890	1	SECONDARY LOCK	
59	4460746	2	TERMINAL	
60	4460742	1	CONNECTOR	
61	4460457	2	TERMINAL	
62	1001116983	1	CONNECTOR	
63	1001116706	2	TERMINAL	
64	1001137578	2	SEAL	
65	4460891	1	PLUG CONNECTOR, (includes rear seal)	
66	80604018	1	WEDGE LOCK	
67	4460465	2	TERMINAL	
68	4460891	1	PLUG CONNECTOR, (includes rear seal)	
69	80604018	1	WEDGE LOCK	
70	4460465	2	TERMINAL	
71	3740080	1	RELAY	
72	1001117025	1	CONNECTOR	
73	1001116733	4	TERMINAL	
74	1001117025	1	CONNECTOR	
75	1001116733	4	TERMINAL	
76	4460884	1	HOUSING	
77	4460465	4	TERMINAL	
78	80604021	1	WEDGE LOCK	
79	4460894	1	CONNECTOR	
80	4460465	6	TERMINAL	
81	80604023	1	WEDGE LOCK	
82	4460466	1	PLUG	
83	4460891	1	PLUG CONNECTOR, (includes rear seal)	
84	80604018	1	WEDGE LOCK	
85	4460465	2	TERMINAL	
86	4460884	1	CONNECTOR	
87	4460465	1	TERMINAL	
88	4460466	1	PLUG	
89	1001192401	1	CAP	

SECTION 10 - ELECTRICAL

FIGURE 10-14. VEC OPTIONS HARNESS



PY5510

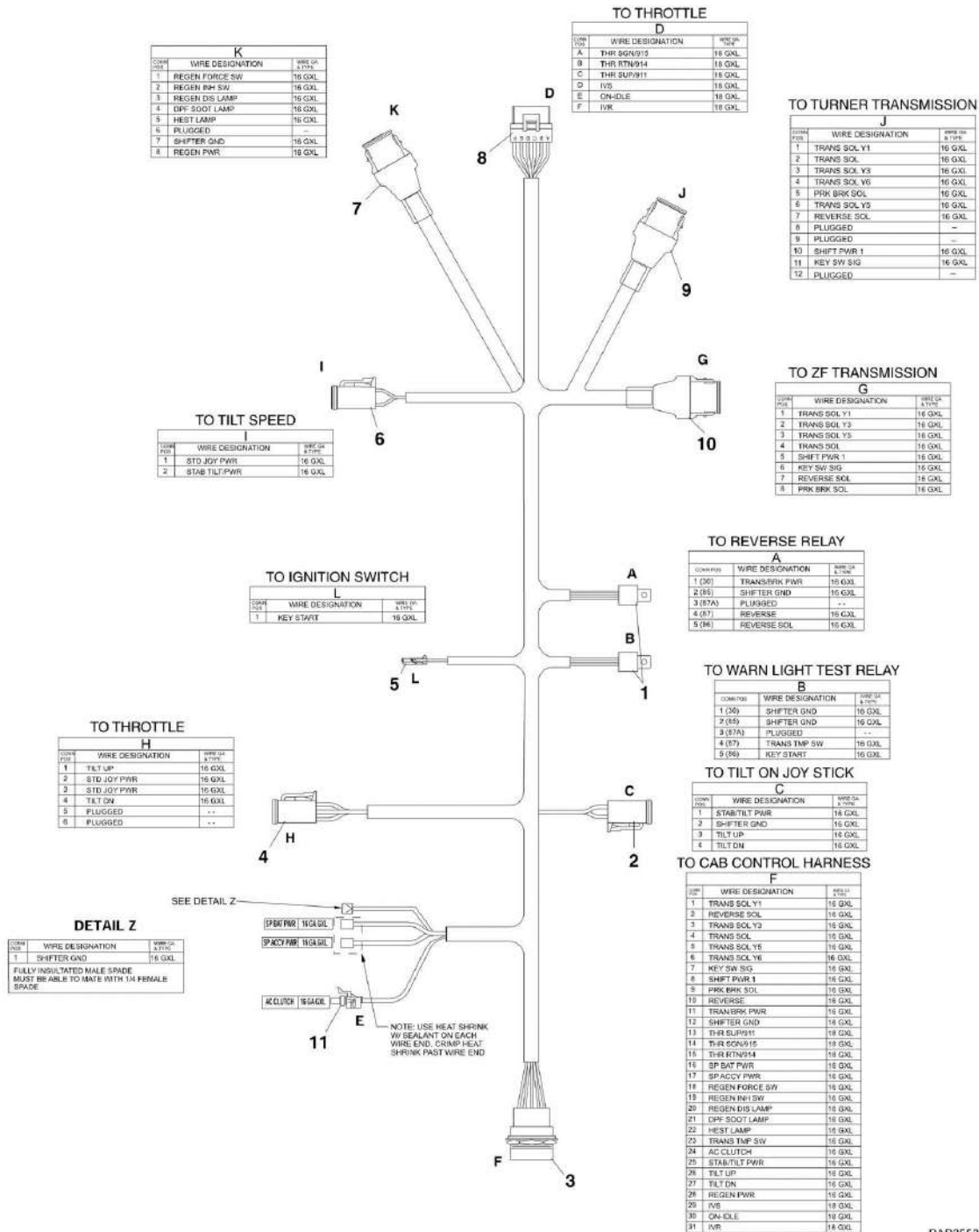
SECTION 10 - ELECTRICAL

FIGURE 10-14. VEC OPTIONS HARNESS

ITEM	PART NUMBER	QTY	DESCRIPTION	REV
	1001112039	1	VEC BOX HARNESS, (includes all items)	E
1	91504089	1	CONNECTOR	
2	4460464	1	CONTACT	
3	4460508	1	CONTACT	
4	4460466	1	PLUG	
5	4460930	1	CONNECTOR	
5	80604025	1	WEDGE LOCK	
6	4460465	2	TERMINAL	
7	4460742	2	CONNECTOR	
8	4460790	2	TERMINAL	
9	8220089	6	SEAL	
10	4460461	1	CONNECTOR	
11	4460457	2	TERMINAL	
12	4460458	4	SEAL	
13	1001116727	3	PLUG	
14	80484081	1	GREEN CONNECTOR	
15	7026414	4	CONNECTOR LOCK	
16	4460746	4	TERMINAL	
17	1001116747	4	TERMINAL	
18	80484084	1	BLUE CONNECTOR	
19	80484085	1	GRAY CONNECTOR	
20	1001121557	NLA	BLACK CONNECTOR (no longer available, use 80484086 for replacement)	
20	80484086	1	BLACK CONNECTOR	
21	1001118282	1	CONNECTOR, (includes item 22)	
22	3740080	1	RELAY	
23	1001116733	1	TERMINAL	
24	91554023	1	PLUG	
25	4460891	1	CONNECTOR	
25	80604018	1	WEDGE LOCK	
26	7026439	1	HOUSING	
27	4460419	1	TERMINAL	
28	4460933	1	CONNECTOR	
28	80604016	1	WEDGE LOCK	

SECTION 10 - ELECTRICAL

FIGURE 10-15. TRANSMISSION RELAY HARNESS



PAP25530

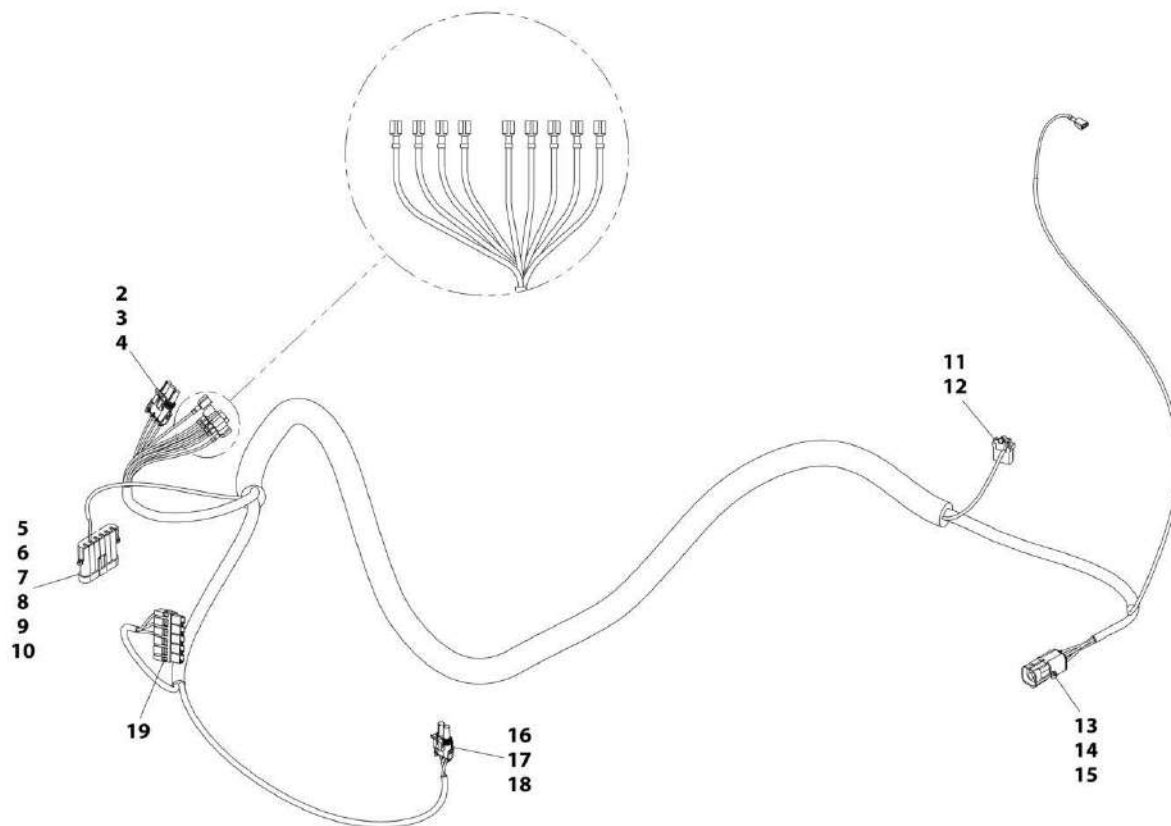
SECTION 10 - ELECTRICAL

FIGURE 10-15. TRANSMISSION RELAY HARNESS

ITEM	PART NUMBER	QTY	DESCRIPTION	REV
	1001140233	1	TRANSMISSION RELAY HARNESS, (includes all items)	D
1	3740080	2	RELAY	
1	1001118282	1	METRI-PACK RELAY	
1	1001116733	4	TERMINAL	
1	1001128128	1	PLUG	
2	4460884	1	CONNECTOR	
2	80604021	1	CONNECTOR LOCK	
2	4460465	4	TERMINAL	
3	4460503	1	CONNECTOR	
3	4460464	31	TERMINAL	
3	83481286	1	NUT	
3	83481285	1	LOCKWASHER	
4	91504088	1	CONNECTOR	
4	91504107	1	CONNECTOR LOCK	
4	77363229	4	CONTACT	
4	4460466	2	PLUG	
5	80963055	1	CONNECTOR	
5	4460457	1	TERMINAL	
5	77394009	1	CABLE SEAL, RED	
6	7026408	1	CONNECTOR	
6	80604018	1	CONNECTOR LOCK	
6	77363229	2	CONTACT	
7	4460851	1	CONNECTOR	
7	80604025	1	WEDGE LOCK	
7	77363229	7	CONTACT	
7	4460466	1	PLUG	
7	70020870	1	BOOT	
8	1001230931	1	CONNECTOR	
8	1001116748	6	TERMINAL	
9	80604016	1	WEDGE LOCK	
9	4460465	9	TERMINAL	
9	4460930	1	CONNECTOR	
9	80604025	1	WEDGE LOCK	
10	4460930	1	CONNECTOR	
10	80604025	1	WEDGE LOCK	
10	4460465	1	TERMINAL	
10	70020870	1	BOOT	
11	80963055	1	CONNECTOR	
11	80963068	1	TERMINAL	
11	80963065	1	CABLE SEAL	

SECTION 10 - ELECTRICAL

FIGURE 10-16. ENCLOSED CAB OPTION HARNESS



ART_91563185-B

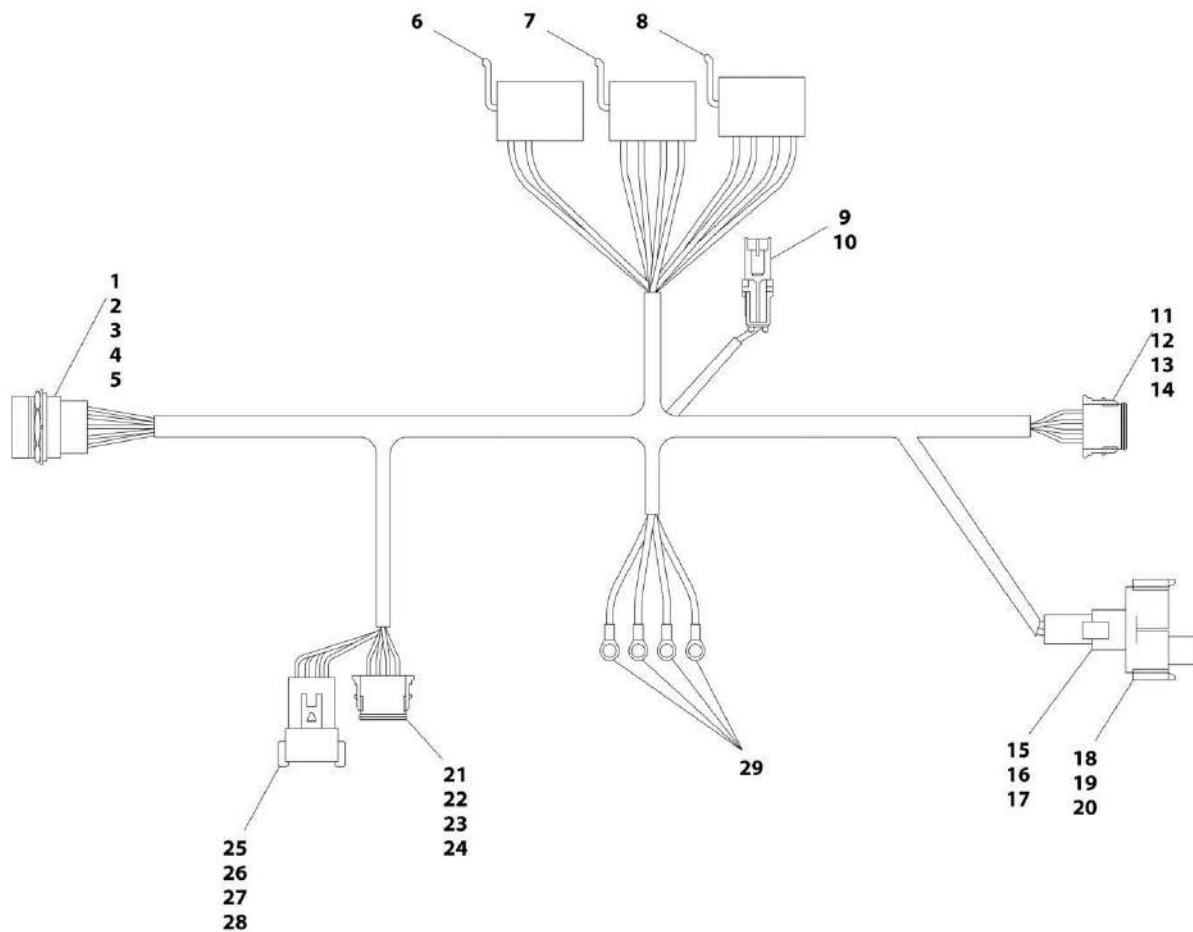
SECTION 10 - ELECTRICAL

FIGURE 10-16. ENCLOSED CAB OPTION HARNESS

ITEM	PART NUMBER	QTY	DESCRIPTION	REV
	91563185	Ref	ENCLOSED CAB OPTION HARNESS	B
2	4460459	1	TERMINAL, CONNECTOR	
3	4460743	3	TERMINAL, SOCKET	
4	80963065	1	SEAL, WEATHERPACK CABLE	
5	80963065	1	SEAL, WEATHERPACK CABLE	
6	80963064	1	SHROUD	
7	80963069	2	PIN, WEATHERPACK MALE	
8	4460850	3	TERMINAL,MALE PIN	
9	80963067	1	SEAL	
10	80963070	1	PLUG, DUST CAP	
11	7026429	1	CONNECTOR	
12	7026430	3	TERMINAL	
13	80963065	1	SEAL, WEATHERPACK CABLE	
14	80963069	4	PIN, WEATHERPACK MALE	
15	80963062	1	CONNECTOR	
16	80963057	1	TOWER	
17	80963068	2	TERMINAL	
18	80963065	1	SEAL, WEATHERPACK CABLE	
19	7026431	1	CONNECTOR	

SECTION 10 - ELECTRICAL

FIGURE 10-17. DASH HARNESS



ART_1001108841-F

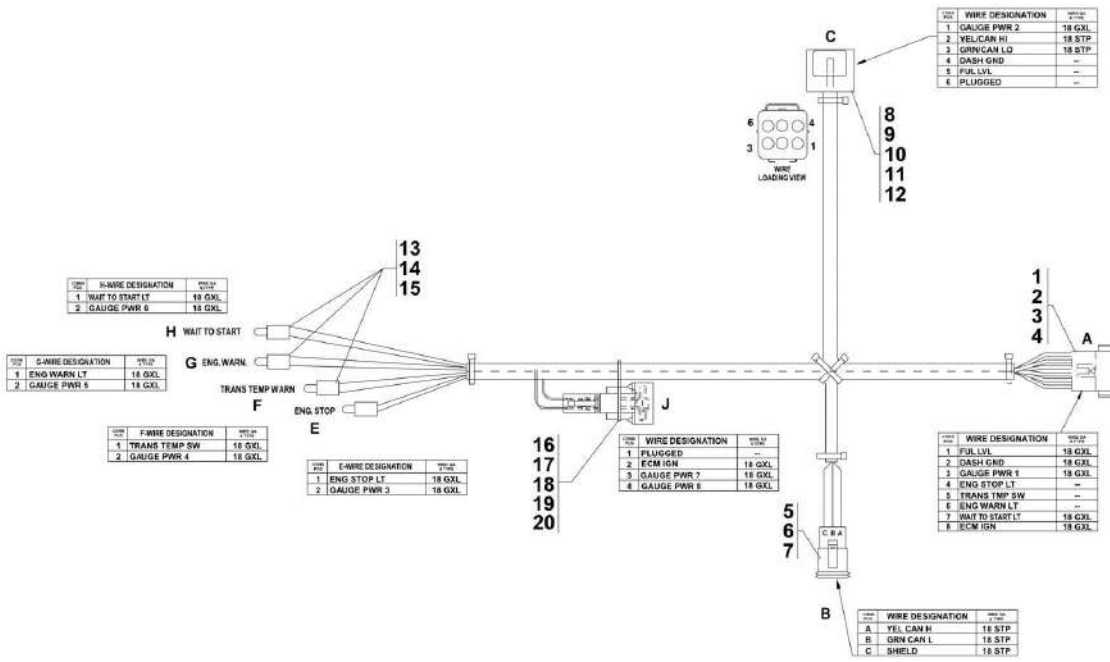
SECTION 10 - ELECTRICAL

FIGURE 10-17. DASH HARNESS

ITEM	PART NUMBER	QTY	DESCRIPTION	REV
	1001108841	1	DASH HARNESS	F
1	4460500	1	CONNECTOR	
2	4460465	30	TERMINAL	
3	4460466	1	PLUG	
4	83481286	1	NUT	
5	83481285	1	LOCKWASHER	
6	4460419	2	METRI-PACK CONNECTOR	
7	4460419	6	METRI-PACK CONNECTOR	
8	4460419	4	METRI-PACK CONNECTOR	
9	80963056	1	CONNECTOR	
10	4460475	1	TERMINAL	
11	8220524	1	CONNECTOR	
12	8220525	1	WEDGE LOCK	
13	4460465	7	TERMINAL	
14	4460466	1	PLUG	
15	77363242	1	CONNECTOR	
16	91554019	1	CONNECTOR LOCK	
17	4460944	2	TERMINAL	
18	7026425	1	CONNECTOR	
19	80604016	1	LOCK, CONNECTOR	
20	4460465	10	TERMINAL	
21	4460466	1	TERMINAL	
22	80363178	1	CONNECTOR	
23	80363179	1	LOCK, CONNECTOR	
24	4460465	1	TERMINAL	
25	4460466	1	PLUG	
26	4460945	1	TERMINAL	
27	70022224	1	CONNECTOR	
28	91554019	1	LOCK, CONNECTOR	
29	4460042	4	16 GA TERMINAL RING	

SECTION 10 - ELECTRICAL

FIGURE 10-18. INSTRUMENT PANEL HARNESS



PAP26600

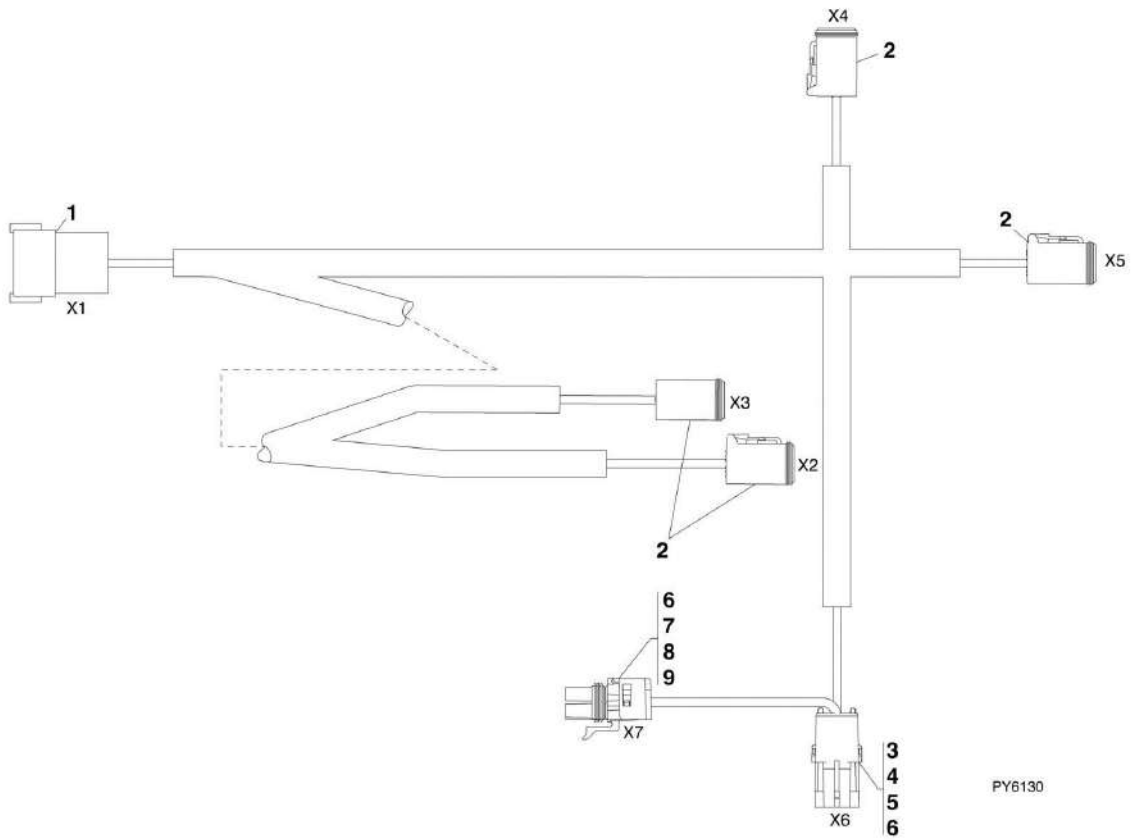
SECTION 10 - ELECTRICAL

FIGURE 10-18. INSTRUMENT PANEL HARNESS

ITEM	PART NUMBER	QTY	DESCRIPTION	REV
	1001102815	1	INSTRUMENT PANEL HARNESS, (includes all items)	C
1	91503105	1	8 PIN RECEPTACLE	
2	91503106	1	WEDGE LOCK	
3	77363228	7	TERMINAL	
4	4460466	1	PLUG	
5	N.S.S.	1	CONNECTOR	
6	70022691	1	WEDGE LOCK	
7	4460944	3	CONTACT	
8	N.S.S.	1	CONNECTOR	
9	N.S.S.	1	DOUBLE LOCK PLATE	
10	N.S.S.	1	SOCKET	
11	N.S.S.	1	WIRE SEAL	
12	N.S.S.	1	PLUG	
13	7026437	4	BULB BASE	
14	7026438	8	TERMINAL	
15	80484088	4	BULB	
16	1001116816	1	DIODE	
17	4460465	3	TERMINAL	
18	80604021	1	WEDGE LOCK	
19	4460884	1	CONNECTOR	
20	4460466	1	PLUG	

SECTION 10 - ELECTRICAL

FIGURE 10-19. FRAME ROAD LIGHTS HARNESS



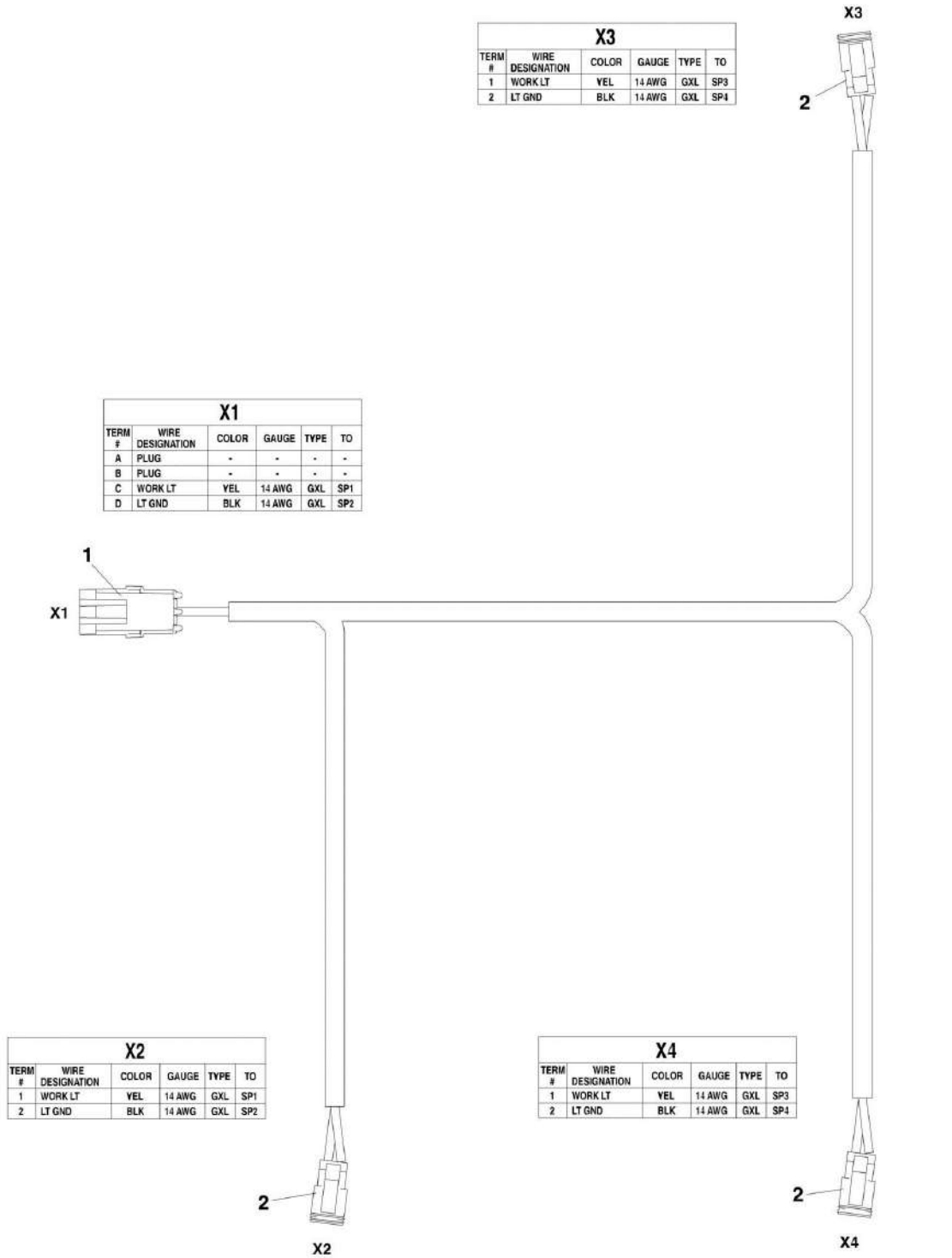
SECTION 10 - ELECTRICAL

FIGURE 10-19. FRAME ROAD LIGHTS HARNESS

ITEM	PART NUMBER	QTY	DESCRIPTION	REV
	1001125385	1	FRAME ROAD LIGHTS HARNESS, (if equipped), (includes all items)	A
1	91503105	1	CONNECTOR	
1	91503106	1	WEDGE LOCK	
2	7026909	4	CONNECTOR	
2	80604023	4	WEDGE LOCK	
3	80963062	1	CONNECTOR	
4	4460850	3	TERMINAL	
5	8220089	1	SEAL	
6	1001116727	4	PLUG	
7	80963061	1	CONNECTOR	
8	4460457	2	TERMINAL	
9	4460458	1	SEAL	

SECTION 10 - ELECTRICAL

FIGURE 10-20. BOOM WORK LIGHTS HARNESS



PAP2790

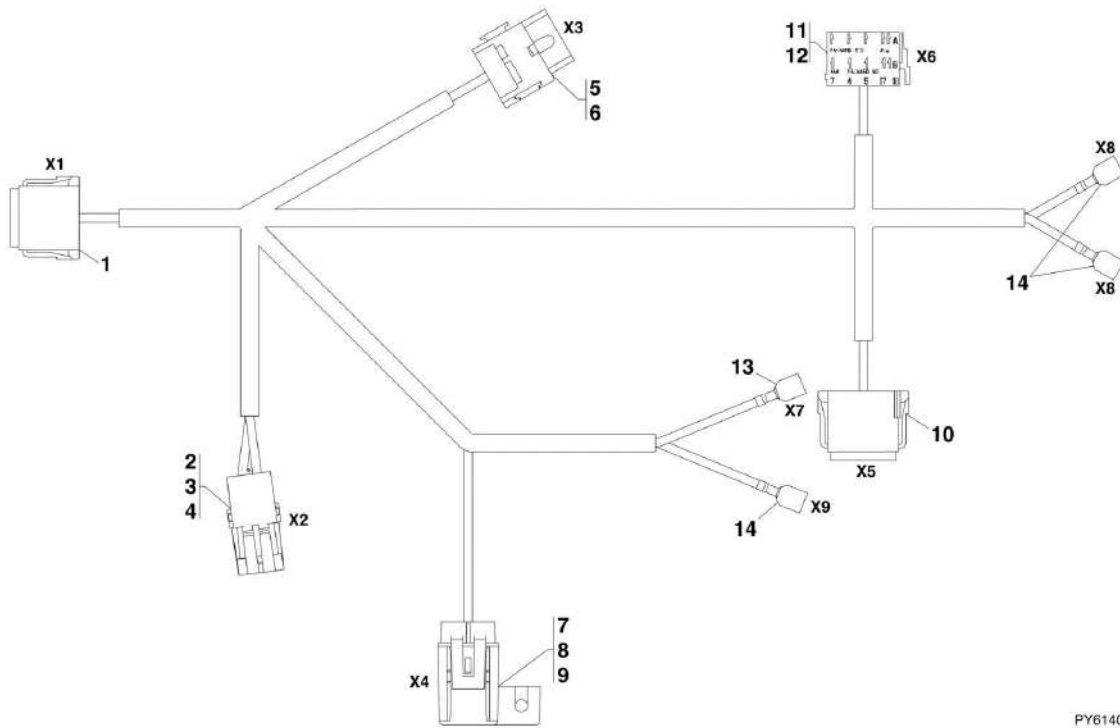
SECTION 10 - ELECTRICAL

FIGURE 10-20. BOOM WORK LIGHTS HARNESS

ITEM	PART NUMBER	QTY	DESCRIPTION	REV
	1001125382	1	BOOM WORK LIGHTS HARNESS, (if equipped), (includes all items)	A
1	80963062	1	CONNECTOR	
1	4460850	2	TERMINAL	
1	8220081	2	SEAL	
1	1001116727	2	PLUG	
2	4460891	3	PLUG CONNECTOR, (includes rear seal)	
2	80604018	1	WEDGE LOCK	
2	4460942	2	TERMINAL	

SECTION 10 - ELECTRICAL

FIGURE 10-21. CAB ROAD LIGHTS HARNESS



PY6140

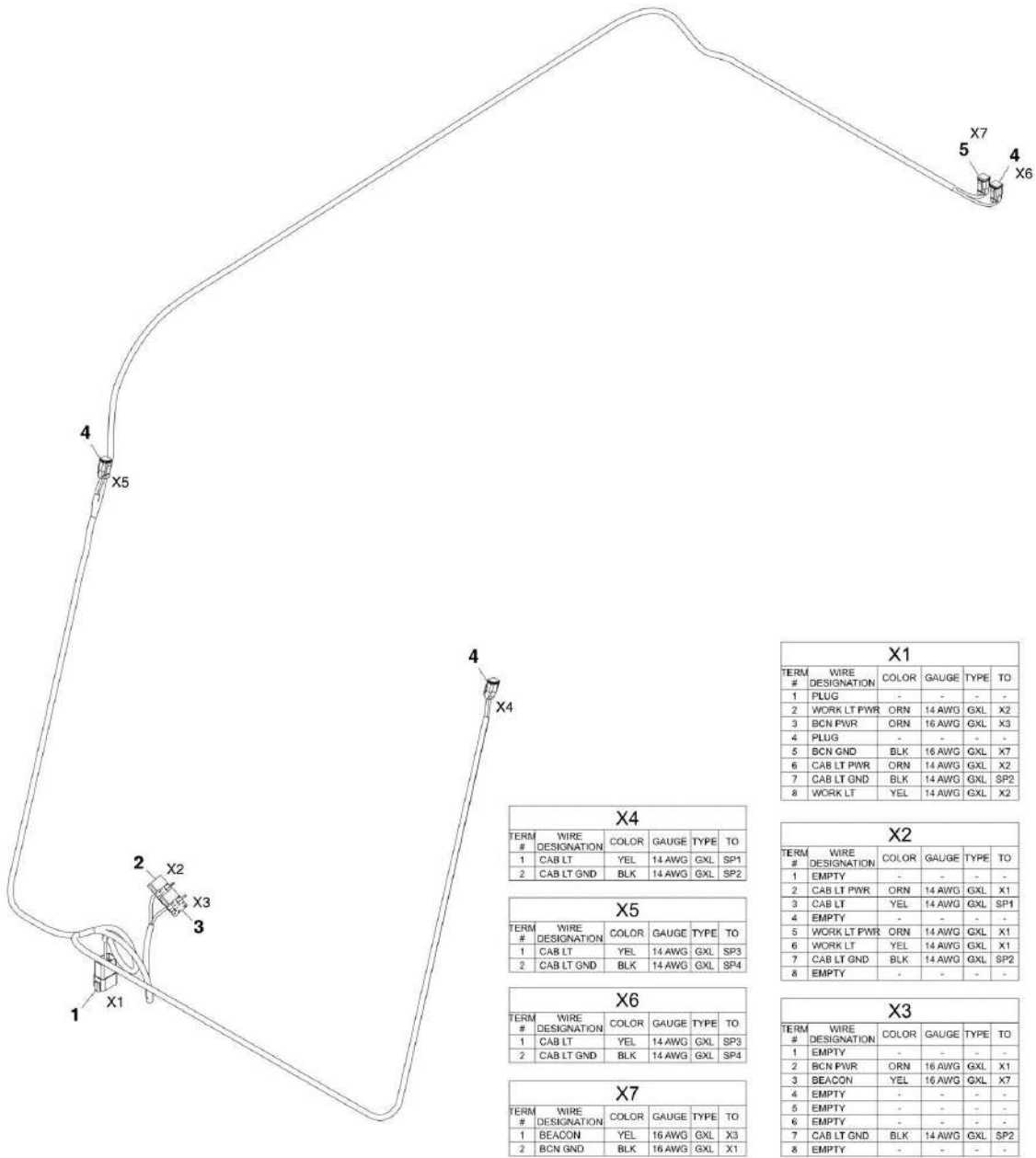
SECTION 10 - ELECTRICAL

FIGURE 10-21. CAB ROAD LIGHTS HARNESS

ITEM	PART NUMBER	QTY	DESCRIPTION	REV
	1001090509	1	CAB ROAD LIGHTS HARNESS, (if equipped), (includes all items)	C
1	4460851	1	CONNECTOR	
1	80604025	1	WEDGE LOCK	
2	4461157	1	CONNECTOR	
3	4460475	2	TERMINAL	
4	8220081	1	SEAL	
5	1001117058	1	CONNECTOR	
6	4460419	2	TERMINAL	
7	1001117018	1	CONNECTOR, (includes 15 amp fuse)	
8	1001116733	2	TERMINAL	
9	7029771	1	COVER	
10	4460934	1	CONNECTOR	
10	80604016	1	WEDGE LOCK	
11	1001117079	1	CONNECTOR	
12	1001118384	7	TERMINAL	
13	N.S.S.	1	1/4 SPADE TERMINAL	
14	N.S.S.	3	1/4 FEMALE TERMINAL	

SECTION 10 - ELECTRICAL

FIGURE 10-22. CAB WORK LIGHT HARNESS (G6-42A Prior to SN 0160059453; G9-43A Prior to SN 0160059453; G10-43A Prior to SN 0160058678)



X4					
TERM #	WIRE DESIGNATION	COLOR	GAUGE	TYPE	TO
1	CAB LT	YEL	14 AWG	GXL	SP1
2	CAB LT GND	BLK	14 AWG	GXL	SP2

X5					
TERM #	WIRE DESIGNATION	COLOR	GAUGE	TYPE	TO
1	CAB LT	YEL	14 AWG	GXL	SP3
2	CAB LT GND	BLK	14 AWG	GXL	SP4

X6					
TERM #	WIRE DESIGNATION	COLOR	GAUGE	TYPE	TO
1	CAB LT	YEL	14 AWG	GXL	SP3
2	CAB LT GND	BLK	14 AWG	GXL	SP4

X7					
TERM #	WIRE DESIGNATION	COLOR	GAUGE	TYPE	TO
1	BEACON	YEL	16 AWG	GXL	X3
2	BCN GND	BLK	16 AWG	GXL	X1

X1					
TERM #	WIRE DESIGNATION	COLOR	GAUGE	TYPE	TO
1	PLUG	-	-	-	-
2	WORK LT PWR	ORN	14 AWG	GXL	X2
3	BCN PWR	ORN	16 AWG	GXL	X3
4	PLUG	-	-	-	-
5	BCN GND	BLK	16 AWG	GXL	X7
6	CAB LT PWR	ORN	14 AWG	GXL	X2
7	CAB LT GND	BLK	14 AWG	GXL	SP2
8	WORK LT	YEL	14 AWG	GXL	X2

X2					
TERM #	WIRE DESIGNATION	COLOR	GAUGE	TYPE	TO
1	EMPTY	-	-	-	-
2	CAB LT PWR	ORN	14 AWG	GXL	X1
3	CAB LT	YEL	14 AWG	GXL	SP1
4	EMPTY	-	-	-	-
5	WORK LT PWR	ORN	14 AWG	GXL	X1
6	WORK LT	YEL	14 AWG	GXL	X1
7	CAB LT GND	BLK	14 AWG	GXL	SP2
8	EMPTY	-	-	-	-

X3					
TERM #	WIRE DESIGNATION	COLOR	GAUGE	TYPE	TO
1	EMPTY	-	-	-	-
2	BCN PWR	ORN	16 AWG	GXL	X1
3	BEACON	YEL	16 AWG	GXL	X7
4	EMPTY	-	-	-	-
5	EMPTY	-	-	-	-
6	EMPTY	-	-	-	-
7	CAB LT GND	BLK	14 AWG	GXL	SP2
8	EMPTY	-	-	-	-

PAL7070

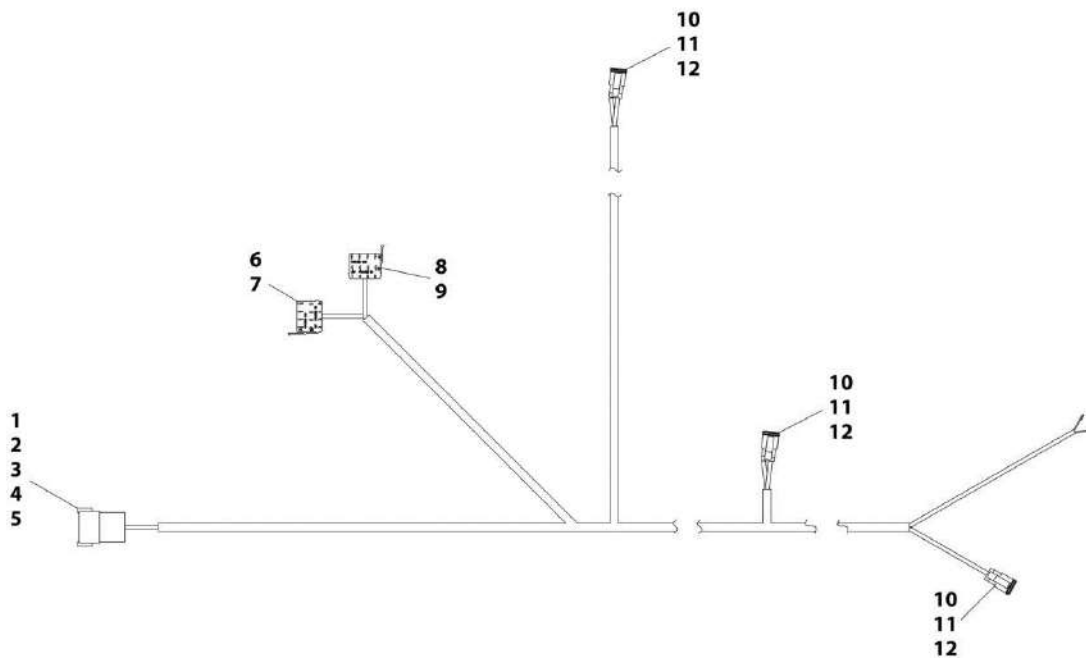
SECTION 10 - ELECTRICAL

FIGURE 10-22. CAB WORK LIGHT HARNESS (G6-42A Prior to SN 0160059453; G9-43A Prior to SN 0160059453; G10-43A Prior to SN 0160058678)

ITEM	PART NUMBER	QTY	DESCRIPTION	REV
	1001125384	1	CAB WORK LIGHT HARNESS, (if equipped), (includes all items)	B
1	4460931	1	DEUTSCH CONNECTOR, (includes rear seal)	
1	8220525	1	WEDGELOCK	
1	4460465	2	SOCKET TERMINAL	
1	4460942	4	SOCKET TERMINAL	
1	4460466	2	PLUG	
2	7026439	1	CONNECTOR	
2	1001118384	5	TERMINAL	
3	7026439	1	CONNECTOR	
3	1001118384	3	TERMINAL	
4	4460891	3	PLUG CONNECTOR, (includes rear seal)	
4	80604018	1	WEDGELOCK	
4	4460942	2	SOCKET TERMINAL	
5	4460891	3	PLUG CONNECTOR, (includes rear seal)	
5	80604018	1	WEDGELOCK	
5	4460465	2	SOCKET TERMINAL	

SECTION 10 - ELECTRICAL

FIGURE 10-23. CAB WORK LIGHT HARNESS (G6-42A SN 0160059453 to Present; G9-43A SN 0160059453 to Present; G10-43A SN 0160058678 to Present)



ART_1001158896-B

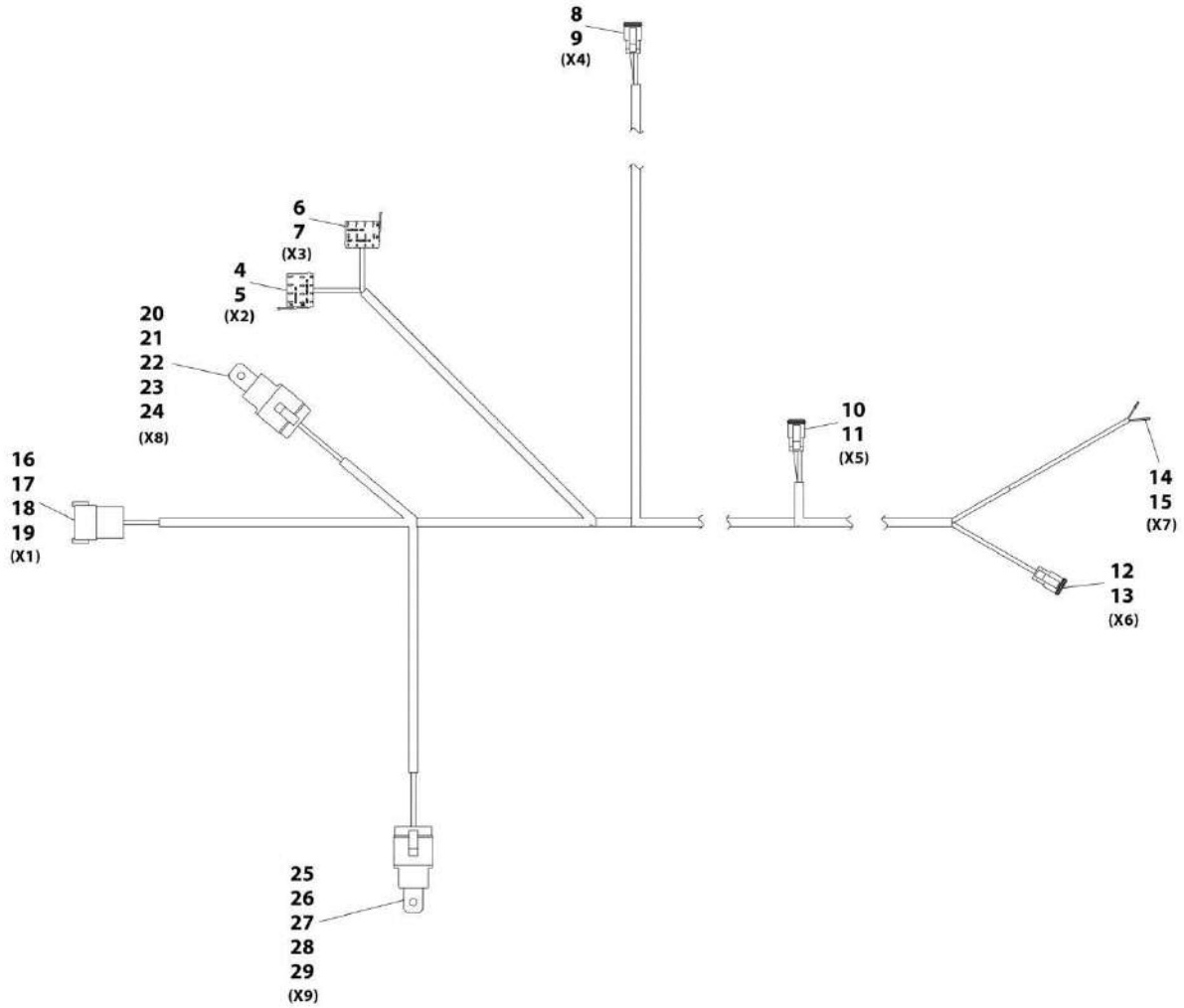
SECTION 10 - ELECTRICAL

FIGURE 10-23. CAB WORK LIGHT HARNESS (G6-42A SN 0160059453 to Present; G9-43A SN 0160059453 to Present; G10-43A SN 0160058678 to Present)

ITEM	PART NUMBER	QTY	DESCRIPTION	REV
	1001158896	Ref	CAB WORK LIGHT HARNESS, (if equipped) (no longer available, see items 1 thru 12 for service or 1001224062 for replacement)	B
1	91503105	1	CONNECTOR	
2	8220525	1	LOCK	
3	77363229	4	TERMINAL	
4	4460942	2	TERMINAL	
5	4460466	2	TERMINAL, SEALING PLUG	
6	7026439	1	HOUSING	
7	1001118384	5	TERMINAL	
8	7026439	1	HOUSING	
9	1001118384	3	TERMINAL	
10	7026408	3	CONNECTOR	
11	80604018	1	WEDGELOCK	
12	80463058	2	TERMINAL	

SECTION 10 - ELECTRICAL

FIGURE 10-24. CAB WORK LIGHT HARNESS



ART_1001224062-B

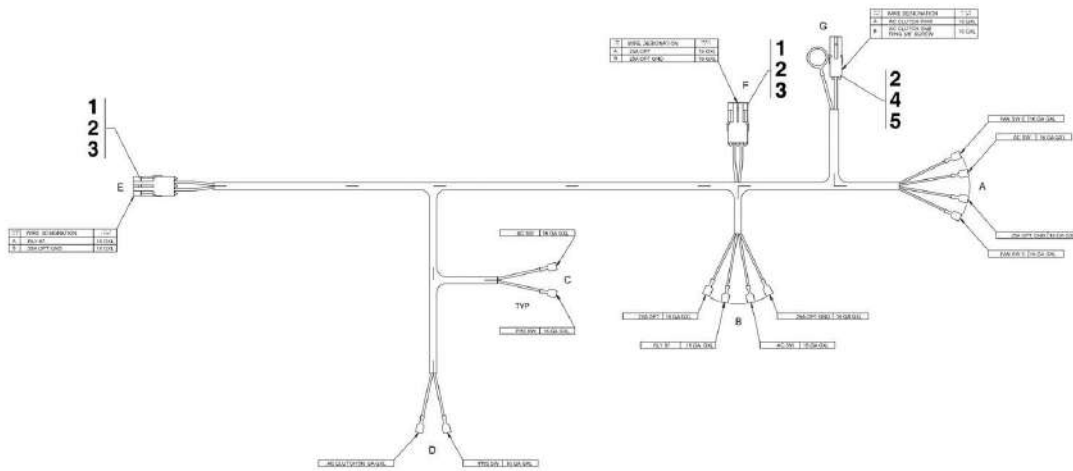
SECTION 10 - ELECTRICAL

FIGURE 10-24. CAB WORK LIGHT HARNESS

ITEM	PART NUMBER	QTY	DESCRIPTION	REV
	1001224062	1	CAB WORK LIGHT HARNESS, (if equipped)	B
4	8220904	1	CONNECTOR	
5	1001118384	5	TERMINAL	
6	8220904	1	CONNECTOR	
7	1001118384	3	TERMINAL	
8	4460891	1	CONNECTOR	
9	4460942	2	TERMINAL	
10	4460891	1	CONNECTOR	
11	4460942	2	TERMINAL	
12	4460891	1	CONNECTOR	
13	4460942	2	TERMINAL	
14	4460458	1	SEAL	
15	4460746	2	TERMINAL	
16	4460931	1	CONNECTOR	
17	4460941	5	TERMINAL	
18	1001157891	1	TERMINAL	
19	4460466	2	PLUG	
20	1001120851	1	CONNECTOR	
21	3740080	1	RELAY	
22	1001116733	2	TERMINAL	
23	1001116734	2	TERMINAL	
24	1001128128	1	PLUG	
25	1001120851	1	CONNECTOR	
26	3740080	1	RELAY	
27	1001116733	2	TERMINAL	
28	1001116734	2	TERMINAL	
29	1001128128	1	PLUG	

SECTION 10 - ELECTRICAL

FIGURE 10-25. A/C HARNESS



PAL3011

WIRE CHART										
WIRE DESIGNATION	WIRE COLOR/STRIP	WIRE GAUGE	WIRE END A	WIRE END B	WIRE END C	WIRE END D	WIRE END E	WIRE END F	WIRE END G	REMARKS
25A OPT	ORANGE	16		1/4 FEMALE SPADE				PACKARD ASSY		25 AMP OPTION
25A OPT GND	BLACK	16	1/4 FEMALE SPADE	1/4 FEMALE SPADE			PACKARD ASSY	PACKARD ASSY	RING 3/8" SCREW	25 AMP OPTICAL GROUND
AC SW	YELLOW	16	1/4 FEMALE SPADE	1/4 FEMALE SPADE	1/4 FEMALE SPADE					AC SWITCH
AC CLUTCH	WHITE	16				1/4 FEMALE SPADE			PACKARD ASSY	AC CLUTCH
FAN SW C	GREEN	16	1/4 FEMALE SPADE X							AC SWITCH TO FAN C
PRS SW	VIOLET	16			1/4 FEMALE SPADE	1/4 FEMALE SPADE				PRESSURE SWITCH
RLY 87	ORANGE	16		1/4 FEMALE SPADE				PACKARD ASSY		RELAY 87

SECTION 10 - ELECTRICAL

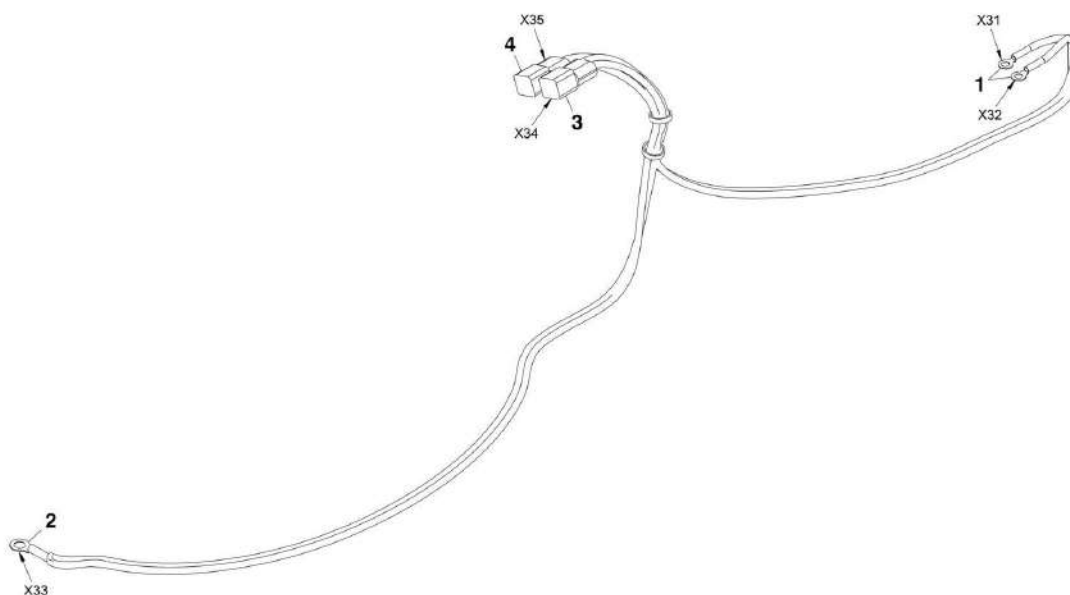
FIGURE 10-25. A/C HARNESS

ITEM	PART NUMBER	QTY	DESCRIPTION	REV
	91563247	1	A/C HARNESS, (includes items 1 thru 5)	D
1	80963058	2	SHROUD	
2	80963069	3	TERMINAL	
3	80963067	2	CABLE SEAL	
4	80963056	1	CONNECTOR	
5	80963065	1	CABLE SEAL, GREEN	

SECTION 10 - ELECTRICAL

FIGURE 10-26. VEC HARNESS

X31				X32			
CONN POS	WIRE COLOR	WIRE LABEL	GAUGE	CONN POS	WIRE COLOR	WIRE LABEL	GAUGE
1	RED	VEC PWR	8 AWG	1	RED	VEC PWR	8 AWG



X33			
CONN POS	WIRE COLOR	WIRE LABEL	GAUGE
1	BLK	VEC GND	8 AWG
1	BLK	VEC GND	8 AWG

X34				X35			
CONN POS	WIRE COLOR	WIRE LABEL	GAUGE	CONN POS	WIRE COLOR	WIRE LABEL	GAUGE
1	RED	VEC PWR	8 AWG	1	BLK	VEC GND	8 AWG
2	RED	VEC PWR	8 AWG	2	BLK	VEC GND	8 AWG

FY8100

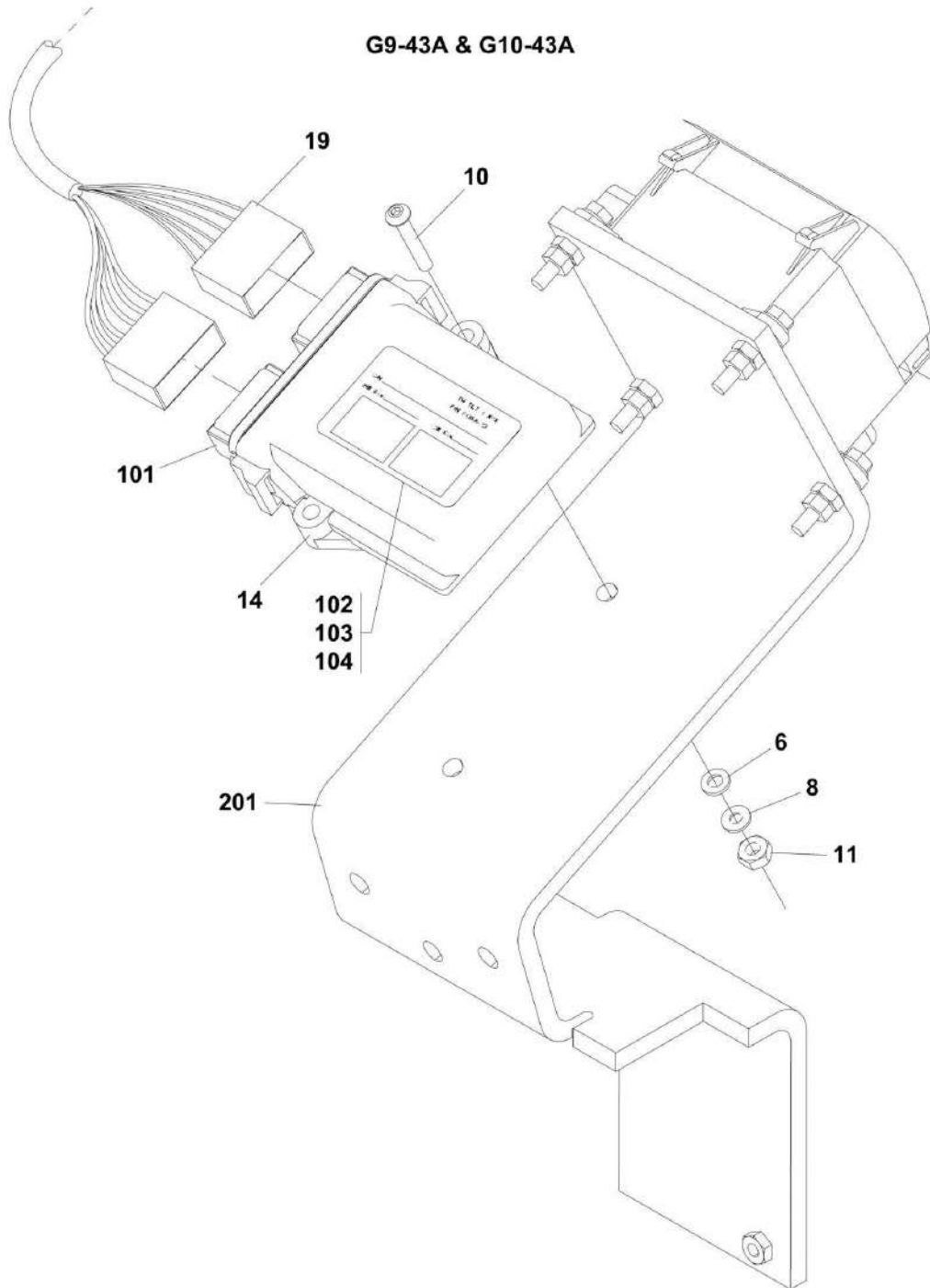
SECTION 10 - ELECTRICAL

FIGURE 10-26. VEC HARNESS

ITEM	PART NUMBER	QTY	DESCRIPTION	REV
	1001131891	1	VEC HARNESS, (includes all items)	C
1	1001117106	2	RING TERMINAL	
2	1001117112	1	RING TERMINAL	
3	1001117104	1	POSITIVE VEC CONNECTOR	
4	1001117103	1	NEGATIVE VEC CONNECTOR	

SECTION 10 - ELECTRICAL

FIGURE 10-27. TILT AND AUX CONTROL MODULE G9-43A & G10-43A



PAP27131

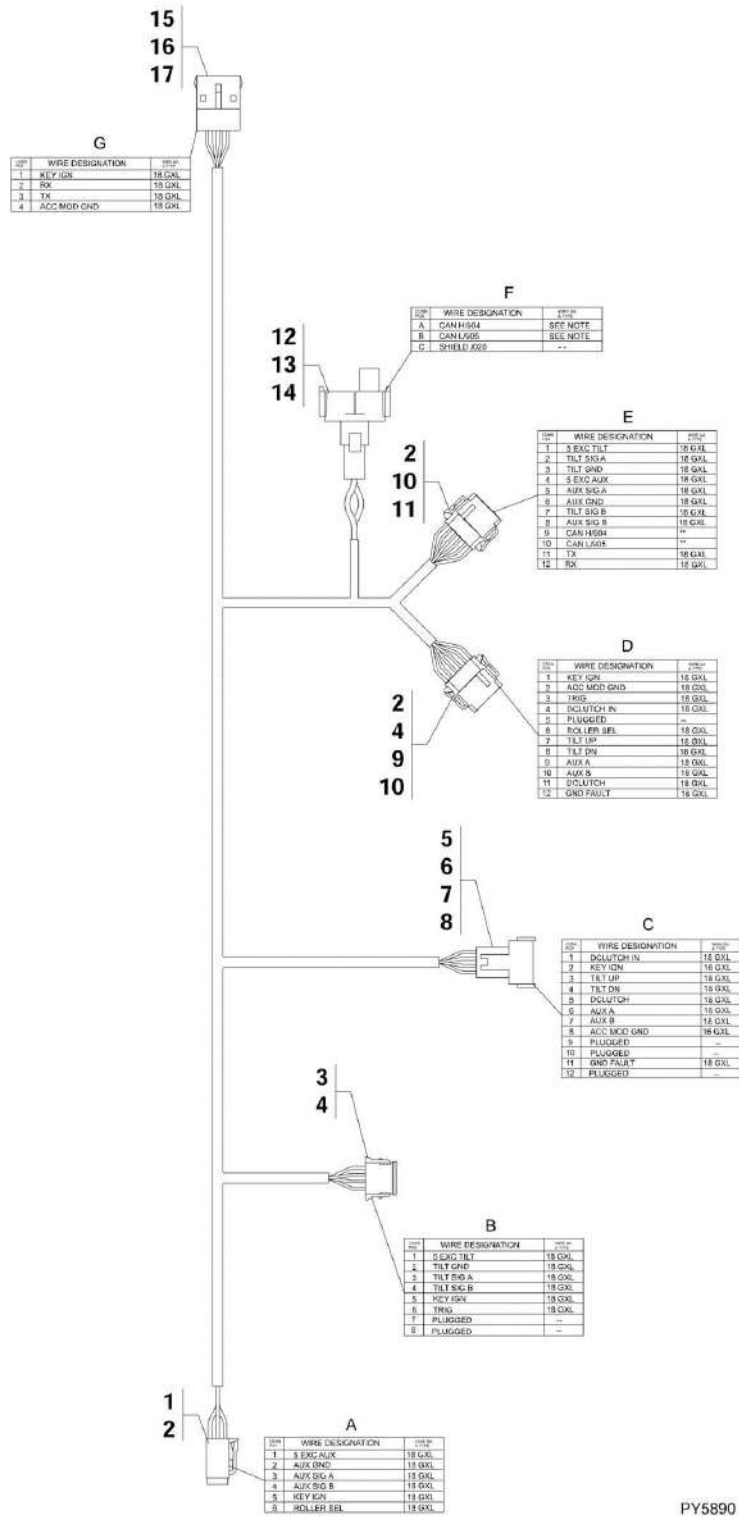
SECTION 10 - ELECTRICAL

FIGURE 10-27. TILT AND AUX CONTROL MODULE G9-43A & G10-43A

ITEM	PART NUMBER	QTY	DESCRIPTION	REV
6	4711400	2	LOCKWASHER, 1/4, (G9-43A), (if equipped with tilt on joystick)	G
6	4711000	2	WASHER, 10, (G10-43A), (if equipped with outrigger)	
8	4761400	2	LOCKWASHER, 1/4	
10	8310722	2	BUTTON HD CAPSCREW, 1/4-20X1-1/2	
11	10701506	2	HEX NUT, 1/4-20	
14	1001106351	1	TILT AND AUX CONTROL MODULE, (includes items 101 thru 104)	
19		Ref	ACCESSORY MODULE HARNESS, (See ACCESSORY MODULE HARNESS for Breakdown)	
101	1001106352	NLA	ACCESSORY MODULE PC BOARD, (no longer available, use 1001221933 for replacement)	
101	1001221933	1	ACCESSORY MODULE PC BOARD	
101	4460909	1	MATING CONNECTOR	
101	4460908	1	MATING CONNECTOR	
101	4460928	2	TERMINAL	
101	4460916	2	PLUG	
102	0861493	1	CIRCUIT CARD BOX	
103	1001106353	1	TILT AND AUX DECAL	
104	1001106354	1	SOFTWARE	
201		Ref	ACCELERATOR BRACKET, (See CONTROLS SECTION for Breakdown)	

SECTION 10 - ELECTRICAL

FIGURE 10-28. ACCESSORY MODULE HARNESS



PY5890

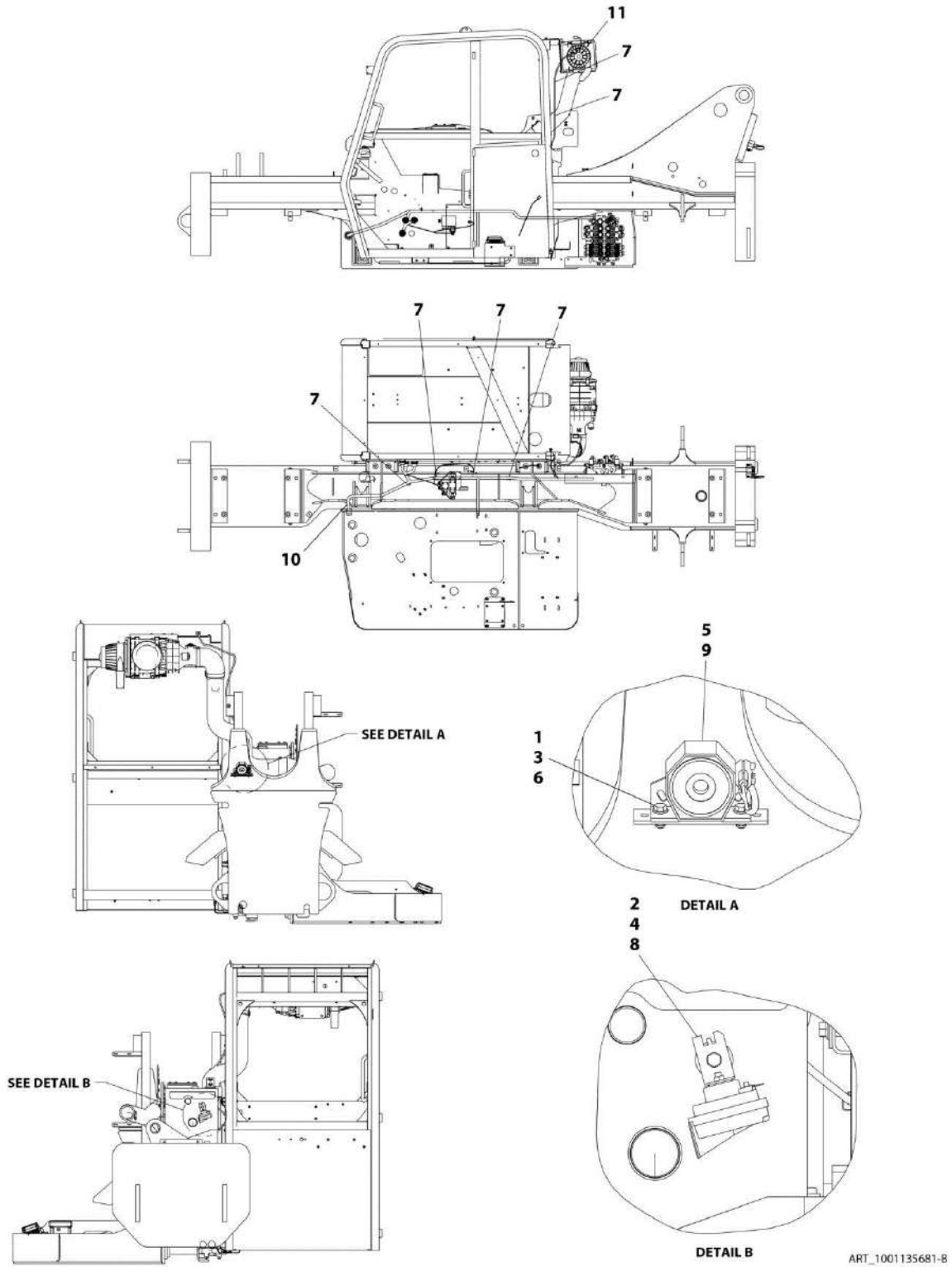
SECTION 10 - ELECTRICAL

FIGURE 10-28. ACCESSORY MODULE HARNESS

ITEM	PART NUMBER	QTY	DESCRIPTION	REV
	1001111148	1	ACCESSORY MODULE HARNESS, (includes all items)	D
1	1001126007	1	CONNECTOR	
1	N.S.S.	1	LOCK	
1	N.S.S.		REAR SEAL	
2	1001116694	4	TERMINAL	
3	70023831	1	CONNECTOR	
3	N.S.S.	1	LOCK	
3	N.S.S.		REAR SEAL	
4	4460518	2	TERMINAL	
5	80363178	1	CONNECTOR	
6	80363179	1	SECONDARY WEDGE LOCK	
7	4460464	1	CONNECTOR	
8	4460466	1	TERMINAL	
9	1001116808	1	CONNECTOR	
10	4460915	2	WEDGE LOCK	
11	1001116774	1	CONNECTOR, DTM SERIES PLUG	
12	4460539	1	CONNECTOR, DTM SERIES PLUG	
13	91554019	1	SECONDARY WEDGE LOCK	
14	4460944	1	TERMINAL	
15	1001119032	1	CONNECTOR	
16	4460761	1	CONNECTOR	
17	4460267	1	TERMINAL	

SECTION 10 - ELECTRICAL

FIGURE 10-29. ELECTRICAL INSTALLATION G6-42A, G9-43A & G10-43A



ART_1001135681-B

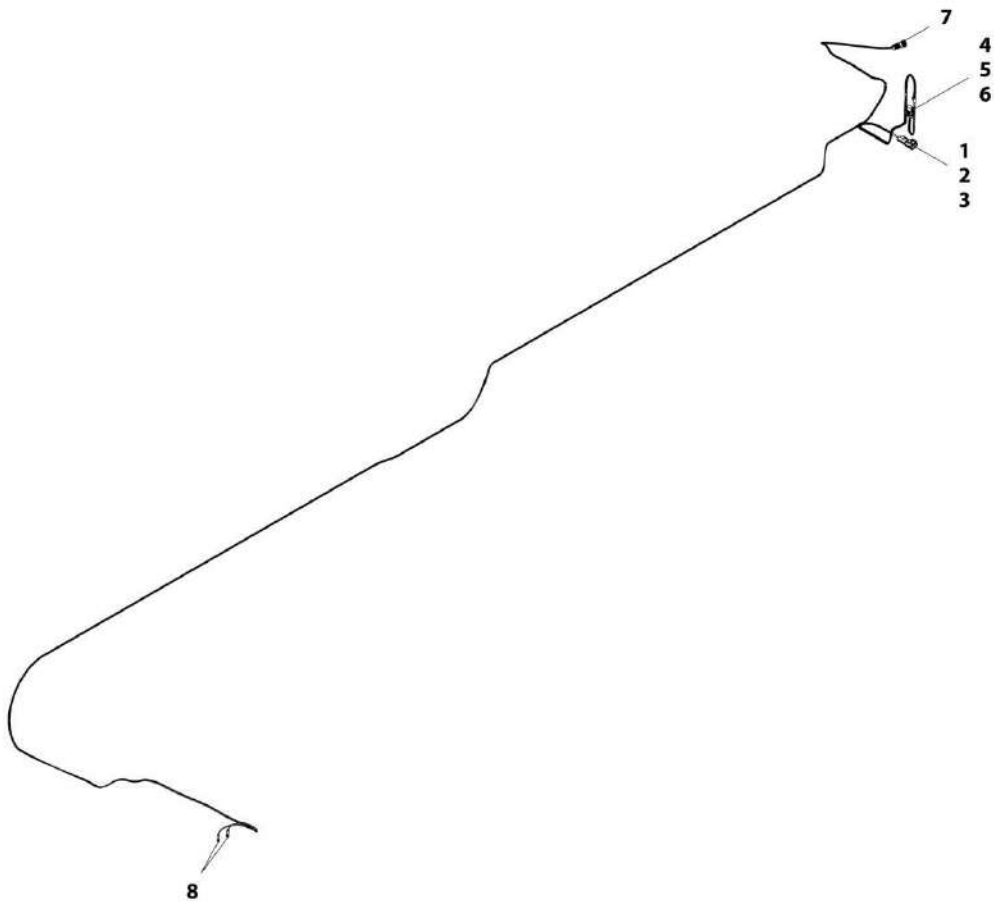
SECTION 10 - ELECTRICAL

FIGURE 10-29. ELECTRICAL INSTALLATION G6-42A, G9-43A & G10-43A

ITEM	PART NUMBER	QTY	DESCRIPTION	REV
	1001135681	Ref	ELECTRICAL INSTALLATION, (G6-42A, G9-43A & G10-43A), (if equipped), (not available to order, see items 1 thru 11)	B
1	0641406	2	HEX HD CAPSCREW, 1/4-20X3/4	
2	0641504	1	HEX HD CAPSCREW, 5/16-18X1/2, GR5	
3	4711400	2	WASHER, 1/4	
4	4761500	1	LOCKWASHER, 5/16	
5	8270621	1	ALRAM, BACKUP	
6	8305624	2	HEX LOCKNUT, 1/4-20	
7	8881800	6	TIE STRAP	
8	91143357	1	HORN	
9	1001116274	1	RESISTOR, MOLDED	
10	1001133354	1	HARNESS, FRAME, (See FRAME HARNESS for Breakdown)	
11	1001136490	1	MASS AIR FLOW	

SECTION 10 - ELECTRICAL

FIGURE 10-30. REVERSE SENSOR HARNESS



ART_1001153084-B

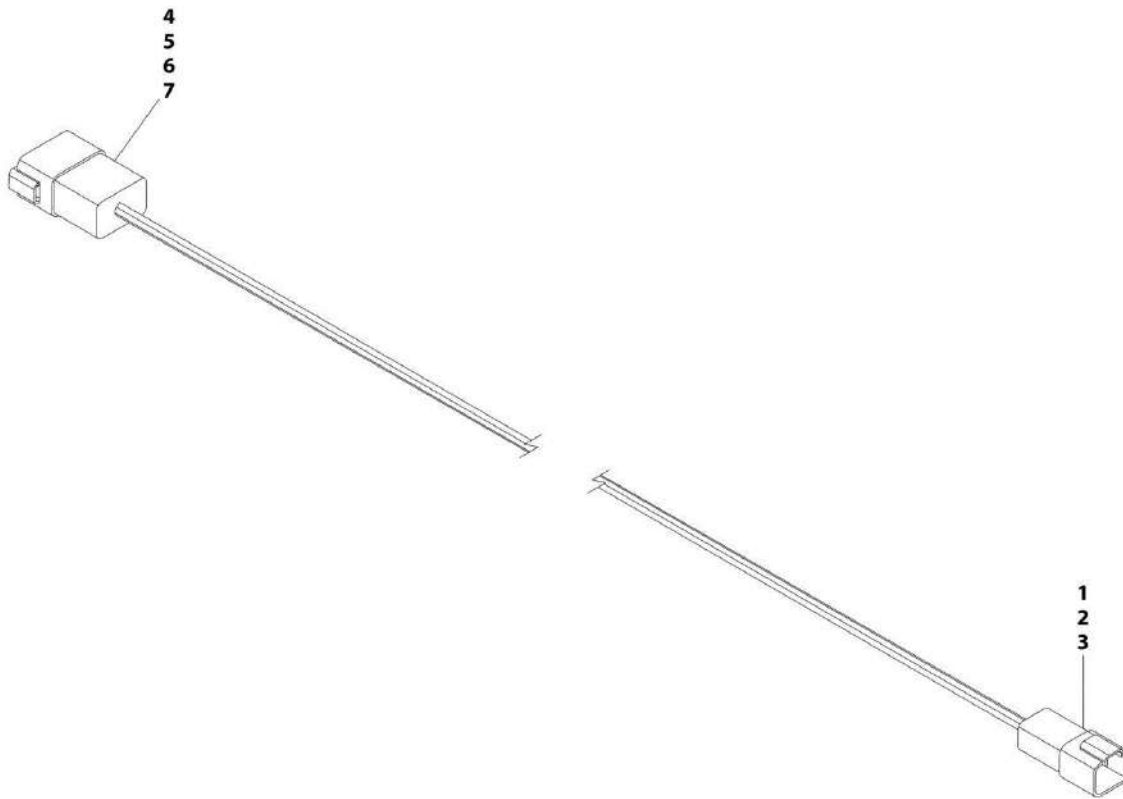
SECTION 10 - ELECTRICAL

FIGURE 10-30. REVERSE SENSOR HARNESS

ITEM	PART NUMBER	QTY	DESCRIPTION	REV
	1001153084	Ref	REVERSE SENSOR HARNESS	B
1	1001117021	1	CONNECTOR	
2	1001116728	2	TERMINAL	
3	4460458	2	TERMINAL, SEAL	
4	1001117026	1	CONNECTOR	
5	1001116745	2	TERMINAL	
6	4460458	2	TERMINAL, SEAL	
7	1001175733	1	CONNECTOR	
8	1001098122	1	TERMINAL, RING	
9	1001098122	1	TERMINAL, RING	

SECTION 10 - ELECTRICAL

FIGURE 10-31. TELEMATICS INSTALLATION, UNITED RENTALS



ART_1001195424-A

SECTION 10 - ELECTRICAL

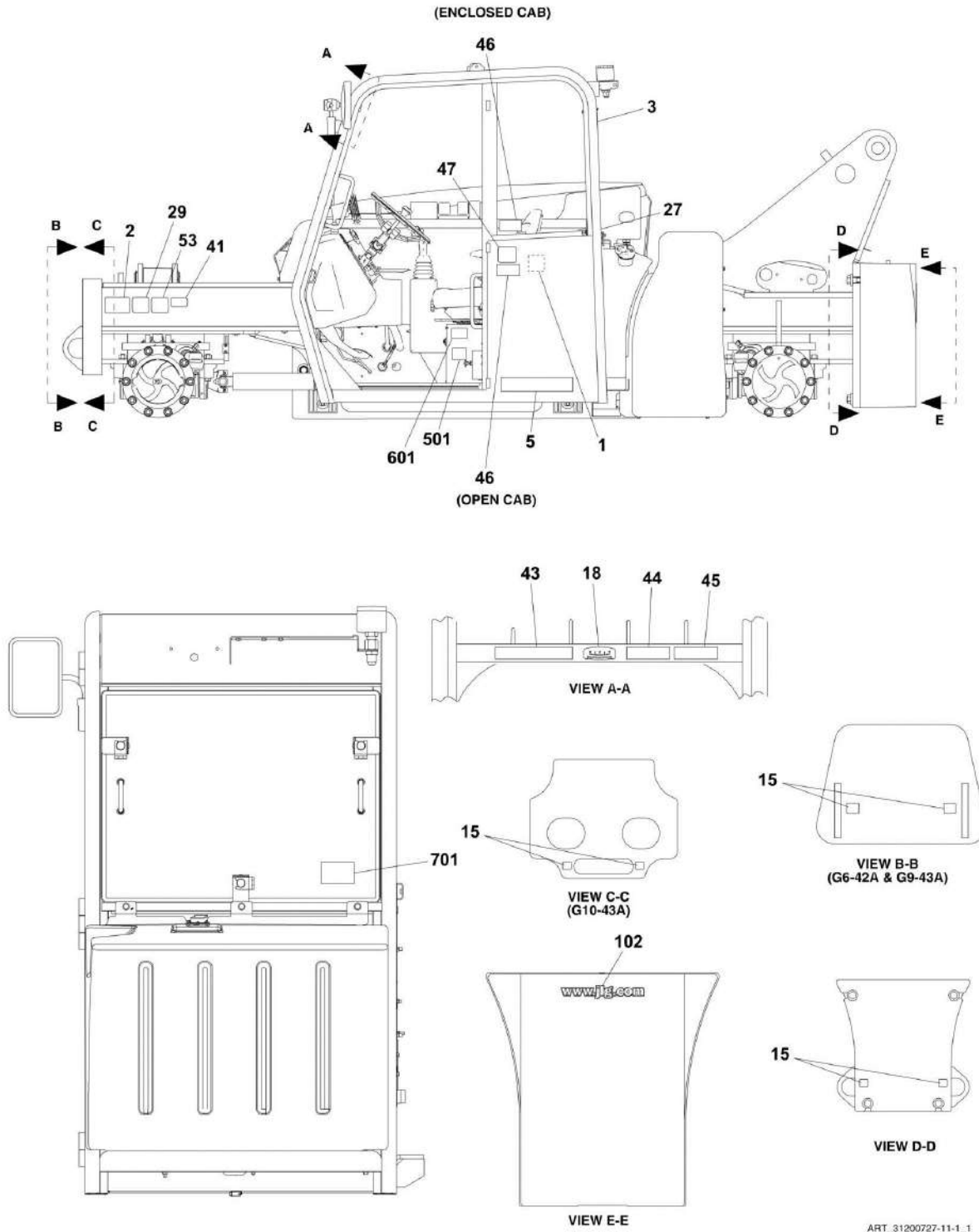
FIGURE 10-31. TELEMATICS INSTALLATION, UNITED RENTALS

ITEM	PART NUMBER	QTY	DESCRIPTION	REV
	1001195424	Ref	TELEMATICS INSTALLATION, UNITED RENTALS	A
1	4460932	1	CONNECTOR	
2	80604020	1	LOCK CONNECTOR	
3	4460464	4	TERMINAL	
4	4460931	1	CONNECTOR	
5	80604022	1	LOCK CONNECTOR	
6	4460464	4	TERMINAL	
7	4460466	4	PLUG	

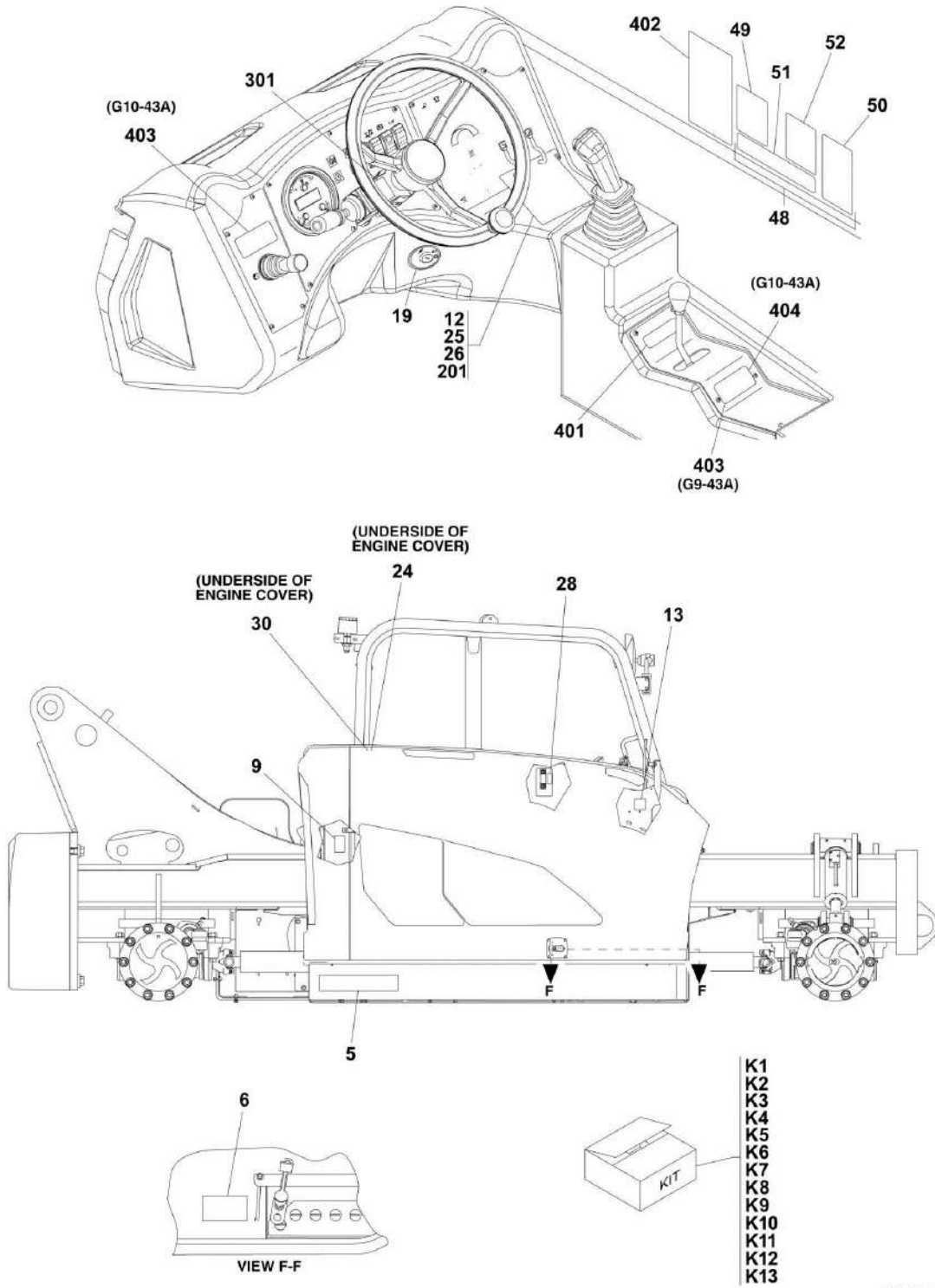
SECTION 11 - DECALS

SECTION 11 - DECALS

FIGURE 11-1. CAB AND FRAME DECALS



SECTION 11 - DECALS



ART_31200727-11-1_2

SECTION 11 - DECALS

FIGURE 11-1. CAB AND FRAME DECALS

ITEM	PART NUMBER	QTY	DESCRIPTION	REV
	1001139899	Ref	DECAL INSTALLATION, (G6-42A), (ANSI), (not available to order, See items 1 thru 53 on CAB AND FRAME DECALS and items on BOOM DECALS for service)	G
	1001139900	Ref	DECAL INSTALLATION, (G6-42A), (ISO), (not available to order, See items 1 thru 53 on CAB AND FRAME DECALS and items on BOOM DECALS for service)	H
	1001163586	Ref	DECAL INSTALLATION, (G6-42A), (ENGLISH\FRENCH), (not available to order, see items 1 thru 53 on CAB AND FRAME DECALS & all items on BOOM DECALS for services)	B
	1001139867	Ref	DECAL INSTALLATION, (G9-43A), (ANSI), (not available to order, See items 1 thru 53 on CAB AND FRAME DECALS and items on BOOM DECALS for service)	G
	1001139868	Ref	DECAL INSTALLATION, (G9-43A), (ISO), (not available to order, See items 1 thru 53 on CAB AND FRAME DECALS and items on BOOM DECALS for service)	H
	1001163581	Ref	DECAL INSTALLATION, (G9-43A), (ENGLISH\FRENCH), (not available to order, see items 1 thru 53 on CAB AND FRAME DECALS & all items on BOOM DECALS for services)	B
	1001139869	Ref	DECAL INSTALLATION, (G10-43A), (ANSI), (not available to order, See items 1 thru 53 on CAB AND FRAME DECALS and items on BOOM DECALS for service)	G
	1001139870	Ref	DECAL INSTALLATION, (G10-43A), (ISO), (not available to order, See items 1 thru 53 on CAB AND FRAME DECALS and items on BOOM DECALS for service)	I
	1001163582	Ref	DECAL INSTALLATION, (G10-43A), (ENGLISH\FRENCH), (not available to order, see items 1 thru 53 on CAB AND FRAME DECALS & all items on BOOM DECALS for services)	B
1	1701640	1	MANUAL DECAL	
2	N.S.S.	1	SN PLATE	
3	1706300	1	ETHER START WARNING DECAL, (ANSI)	
3	1706098	1	ETHER START WARNING DECAL, (ISO)	
3	1001163212	1	ETHER START WARNING DECAL, (ENGLISH\FRENCH)	
5	1706189	2	DECAL G6-42A	
5	1706188	2	DECAL G9-43A	
5	1001112770	2	DECAL G10-43A	
6	1706296	1	BATTERY DECAL, (ANSI)	
6	1706281	1	BATTERY DECAL, (ISO)	
6	1001163174	1	BATTERY DECAL, (ENGLISH\FRENCH)	
9	1706301	1	ROTATING PARTS DECAL, (ANSI)	
9	1706285	1	ROTATING PARTS DECAL, (ISO)	
9	1001163222	1	ROTATING PARTS DECAL, (ENGLISH\FRENCH)	
12	1001130920	1	MAINTENANCE CHART DECAL	
13	4100181	1	HYDRAULIC OIL FILL DECAL	
15	1702300	4	TIE DOWN DECAL	
18	8466306	1	TILT ANGLE GAUGE	
19	91413061	1	IGNITION SWITCH DECAL	
24	1001109053	1	COOLANT FILL DECAL	
25	1001130782	1	LUBRICATION CHART DECAL, (G6-42A & G9-43A)	
25	1001130792	1	LUBRICATION CHART DECAL, (G10-43A)	
26	1001130802	1	MAINTENANCE CHART DECAL	
27	1001125387	1	ULTRA LOW SULFUR FUEL DECAL, (ANSI)	
27	1001139654	1	ULTRA LOW SULFUR FUEL DECAL, (ISO)	
27	1001163355	1	ULTRA LOW SULFUR FUEL DECAL, (ENGLISH\FRENCH)	

SECTION 11 - DECALS

ITEM	PART NUMBER	QTY	DESCRIPTION	REV
28	91563220	1	OIL LEVEL DECAL	
29	1001131271	1	TELEHANDLERS PATENT DECAL	
30	1001139578	1	HOT FLUID WARNING DECAL, (ANSI)	
30	1001139942	1	HOT FLUID WARNING DECAL, (ISO)	
30	1001163323	1	HOT FLUID WARNING DECAL, (ENGILISH\FRENCH)	
41	1001143852	1	EXPORT DECAL, (ISO), (if equipped for LS)	
42	1001115208	1	CAB DECAL KIT, (ANSI), (includes items 43 thru 47), (not shown)	1
42	1001115209	1	CAB DECAL KIT, (ISO), (includes items 43 thru 47), (not shown)	B
42	1001163420	1	CAB DECAL KIT, (ENGILISH\FRENCH), (includes items 43 thru 47), (not shown)	B
43	1706306	1	TIP OVER DECAL, (ANSI)	
43	1706288	1	TIP OVER DECAL, (ISO)	
43	1001163285	1	TIP OVER DECAL, (ENGILISH\FRENCH)	
44	1706299	1	ELECTROCUTION HAZARD DECAL, (ANSI)	
44	1706284	1	ELECTROCUTION HAZARD DECAL, (ISO)	
44	1001163210	1	ELECTROCUTION HAZARD DECAL, (ENGILISH\FRENCH)	
45	1706850	1	CRUSH HAZARD WARNING DECAL, (ANSI)	
45	1001092877	1	CRUSH HAZARD WARNING DECAL, (ISO)	
45	1001163304	1	CRUSH HAZARD WARNING DECAL, (ENGILISH\FRENCH)	
46	1706768	1	NO RIDERS DECAL, (ANSI)	
46	1001092878	1	NO RIDERS DECAL, (ISO)	
46	1001163300	1	NO RIDERS DECAL, (ENGILISH\FRENCH)	
47	3251813	1	BUILT IN THE USA NAMEPLATE	
48	1001115205	1	RIGHT SIDE DASH DECAL KIT, (ANSI), (includes items 49 thru 52)	1
48	1001115206	1	RIGHT SIDE DASH DECAL KIT, (ISO), (includes items 49 thru 52)	1
48	1001163422	1	RIGHT SIDE DASH DECAL KIT, (ENGILISH\FRENCH), (includes items 49 thru 52)	A
49	1706851	1	DO NOT JUMP WARNING DECAL, (ANSI)	
49	1706283	1	DO NOT JUMP WARNING DECAL, (ISO)	
49	1001163321	1	DO NOT JUMP WARNING DECAL, (ENGILISH\FRENCH)	
50	1706304	1	RUN OVER DECAL, (ANSI)	
50	1706293	1	RUN OVER DECAL, (ISO)	
50	1001163276	1	RUN OVER DECAL, (ENGILISH\FRENCH)	
51	1706303	1	READ MANUAL DECAL, (ANSI)	
51	1706287	1	READ MANUAL DECAL, (ISO)	
51	1001163273	1	READ MANUAL DECAL, (ENGILISH\FRENCH)	
52	1706767	1	MACHINE ROLL DECAL, (ANSI)	
52	1706289	1	MACHINE ROLL DECAL, (ISO)	
52	1001163291	1	MACHINE ROLL DECAL, (ENGILISH\FRENCH)	
53	1702631	1	BAR CODE ASSY DECAL	
102	1704885	1	WEBSITE DECAL	
201	1001130793	1	CAPACITY CHART BOOKLET, (G6-42A), (ANSI)	B
201	1001130739	1	OPTIONAL CAPACITY CHART BOOKLET, (G6-42A), (ANSI)	E
201	1001131185	1	CAPACITY CHART BOOKLET, (G6-42A), (ISO)	B
201	1001130743	1	OPTIONAL CAPACITY CHART BOOKLET, (G6-42A), (ISO)	F
201	1001130663	1	CAPACITY CHART BOOKLET, (G9-43A), (ANSI)	B
201	1001130708	1	OPTIONAL CAPACITY CHART BOOKLET, (G9-43A), (ANSI)	E
201	1001130825	1	CAPACITY CHART BOOKLET, (G9-43A), (ISO)	B
201	1001130818	1	OPTIONAL CAPACITY CHART BOOKLET, (G9-43A), (ISO)	F
201	1001130935	1	CAPACITY CHART BOOKLET, (G10-43A), (ANSI)	B
201	1001130844	1	OPTIONAL CAPACITY CHART BOOKLET, (G10-43A), (ANSI)	E

SECTION 11 - DECALS

ITEM	PART NUMBER	QTY	DESCRIPTION	REV
201	1001132131	1	CAPACITY CHART BOOKLET, (G10-43A), (ISO)	C
201	1001130852	1	OPTIONAL CAPACITY CHART BOOKLET, (G10-43A), (ISO)	E
301	91163028	1	SHIFTER DECAL	
401	1001108836	1	TILT/FRAME LEVEL DECAL, (G6-42A & G9-43A, if equipped)	
401	1001108847	1	FRAME LEVEL DECAL, (G6-42A & G9-43A, if equipped with tilt on joystick), (G10-43A)	
402	1001109459	1	JOYSTICK DECAL, (G6-42A & G9-43A, if equipped)	
402	1001131745	1	JOYSTICK DECAL, (G6-42A, if equipped with tilt on joystick)	
402	1001109458	1	JOYSTICK DECAL, (G9-43A, if equipped with tilt on joystick), (G10-43A)	
403	1001131509	1	AUXILIARY HYDRAULIC DECAL, (G9-43A & G10-43A)	
404	1001111229	1	OUTRIGGERS DECAL, (G10-43A)	
501	91503112	1	AUXILIARY HYDRAULIC DE-PRESSURIZATION DECAL, (G9-43A, if equipped), (G10-43A)	
601	1001103956	1	A/C TEMPERATURE DECAL, (if equipped)	
701	1001160071	1	REAR EMERGENCY EXIT DECAL, (ENGLISH) (if equipped)	
701	1001160787	1	REAR EMERGENCY EXIT DECAL, (ENGLISH\FRENCH) (if equipped)	
701	1001160912	1	REAR EMERGENCY EXIT DECAL, (ISO) (if equipped)	
K1	91515073	1	NES DECAL KIT	
K2	1001196704	1	BLUELINE RENTALS DECAL KIT	
K3	91515055	1	UNITED RENTALS DECAL KIT	
K4	91515074	1	H AND E DECAL KIT	
K5	1001196620	1	AHERN RENTALS DECAL KIT	
K6	1001128553	1	HERTZ DECAL KIT	
K7	1001141458	1	LEAVITT DECAL KIT, (G9-43A & G10-43A)	
K8	1001200330	1	CUSTOMER SUPPLIED TELEMATICS KIT, (G6-42A)	
K9	1001200332	1	CUSTOMER SUPPLIED TELEMATICS KIT, (G9-43A & G10-43A)	
K10	1001197992	1	SUN BELT DECAL KIT, (G6-42A)	
K11	1001197993	1	SUNBELT RENTALS DECAL KIT, (G9-43A)	
K12	1001197994	1	SUNBELT RENTALS DECAL KIT, (G10-43A)	
K13	1001151499	1	TITAN RENTALS DECAL KIT	

SECTION 11 - DECALS

FIGURE 11-2. BOOM DECALS

ITEM	PART NUMBER	QTY	DESCRIPTION	REV
	1001139899	Ref	DECAL INSTALLATION, (G6-42A), (ANSI), (not available to order, See items 7 thru 21 on BOOM DECALS and items on CAB AND FRAME DECALS for service)	G
	1001139900	Ref	DECAL INSTALLATION, (G6-42A), (ISO), (not available to order, See items 7 thru 21 on BOOM DECALS and items on CAB AND FRAME DECALS for service)	H
	1001163586	Ref	DECAL INSTALLATION, (G6-42A), (ENGLISH\FRENCH), (not available to order, see items 1 thru 53 on CAB AND FRAME DECALS & all items on BOOM DECALS for services)	B
	1001139867	Ref	DECAL INSTALLATION, (G9-43A), (ANSI), (not available to order, See items 7 thru 21 on BOOM DECALS and items on CAB AND FRAME DECALS for service)	G
	1001139868	Ref	DECAL INSTALLATION, (G9-43A), (ISO), (not available to order, See items 7 thru 21 on BOOM DECALS and items on CAB AND FRAME DECALS for service)	H
	1001163581	Ref	DECAL INSTALLATION, (G9-43A), (ENGLISH\FRENCH), (not available to order, see items 1 thru 53 on CAB AND FRAME DECALS & all items on BOOM DECALS for services)	B
	1001139869	Ref	DECAL INSTALLATION, (G10-43A), (ANSI), (not available to order, See items 7 thru 21 on BOOM DECALS and items on CAB AND FRAME DECALS for service)	G
	1001139870	Ref	DECAL INSTALLATION, (G10-43A), (ISO), (not available to order, See items 7 thru 21 on BOOM DECALS and items on CAB AND FRAME DECALS for service)	I
	1001163582	Ref	DECAL INSTALLATION, (G10-43A), (ENGLISH\FRENCH), (not available to order, see items 1 thru 53 on CAB AND FRAME DECALS & all items on BOOM DECALS for services)	B
7	1706298	1	CARRY PERSONNEL DECAL, (ANSI)	
7	1706282	1	CARRY PERSONNEL DECAL, (ISO)	
7	1001163206	1	CARRY PERSONAL DECAL, (ENGLISH\FRENCH)	
10	1706302	5	PINCH POINT DECAL, (ANSI)	
10	1706292	5	PINCH POINT DECAL, (ISO)	
10	1001163223	5	PINCH POINT DECAL, (ENGLISH\FRENCH)	
14	4105262	1	BOOM ANGLE INDICATOR DECAL	
21	91553072	1	BOOM NUMBERS DECAL	
23		Ref	BOOM ANGLE INDICATOR PLATE AND MOUNTING HARDWARE, (See BOOM SECTION for Breakdown)	
101	1705864	2	JLG DECAL	

SECTION 12 - RECOMMENDED SPARE PARTS

SECTION 12 - RECOMMENDED SPARE PARTS

FIGURE 12-1. RECOMMENDED SPARE PARTS

ITEM	PART NUMBER	QTY	DESCRIPTION	REV
	Note	Ref	Note: The following list will service fleets of machines (built to current production per date on the front cover) with repair parts which can be installed in the field. Parts from the list should be replaced when inventory is depleted to keep service parts stock supplied. For further information, contact your JLG dealer or the JLG Industries Parts Department.	
		Ref	BOOM ASSEMBLY	
	1001101617	2	Tilt Cylinder Hose, (G6-42A)	
	1001103293	2	Tilt Cylinder Hose, (G9-43A & G10-43A)	
	1001112207	2	Boom Hose, (G6-42A)	
	1001102977	2	Boom Hose, (G9-43A & G10-43A)	
	3580347	1	Hose Pulley, (G6-42A)	
	3580346	1	Hose Pulley, (G9-43A & G10-43A)	
	91403530	10	Bearing Pad	
	91403531	4	Bearing Pad, (G6-42A)	
	91403531	2	Bearing Pad, (G9-43A & G10-43A)	
	91403532	4	Bearing Pad, (G6-42A)	
	91403532	6	Bearing Pad, (G9-43A & G10-43A)	
	91403533	2	Bearing Pad, (G6-42A)	
	1001117658	2	Bearing Pad, (G9-43A & G10-43A)	
	1001117654	4	Bearing Pad, (G6-42A)	
	1001117654	2	Bearing Pad, (G9-43A & G10-43A)	
	91513074	2	Bearing Pad, (G9-43A & G10-43A)	
	1001117656	6	Bearing Pad, (G9-43A & G10-43A)	
	91401215	AR	Shim, 0.0598	
	91401216	AR	Shim, 0.0359	
	91401453	AR	Shim, 0.0598, (G6-42A)	
	91401454	AR	Shim, 0.0359, (G6-42A)	
	91401456	AR	Shim, 0.0598	
	91401457	AR	Shim, 0.0359	
	91361049	AR	Shim, 0.0598, (G9-43A & G10-43A)	
	91511096	AR	Shim, 0.0359, (G9-43A & G10-43A)	
	91511098	AR	Shim, 0.0598, (G9-43A & G10-43A)	
	91511099	AR	Shim, 0.0359, (G9-43A & G10-43A)	
	91511101	AR	Shim, 0.0598, (G9-43A & G10-43A)	
	91511102	AR	Shim, 0.0359, (G9-43A & G10-43A)	
	91401191	2	Spacer, 0.1875, (G6-42A)	
	91401223	10	Spacer, 0.0598	
	91401224	4	Spacer, 0.0598, (G6-42A)	
	91401224	2	Spacer, 0.0598, (G9-43A & G10-43A)	
	91401225	4	Spacer, 0.0598, (G6-42A)	
	91401225	2	Spacer, 0.0598, (G9-43A & G10-43A)	
	91401226	2	Spacer, 0.0598, (G6-42A)	
	91401450	4	Spacer, 0.0598, (G6-42A)	
	91401450	2	Spacer, 0.0598, (G9-43A & G10-43A)	
	91401451	4	Spacer, 0.0598, (G6-42A)	
	91511094	4	Spacer, 0.0598, (G9-43A & G10-43A)	
	91511097	2	Spacer, 0.0598, (G9-43A & G10-43A)	
	91511100	8	Spacer, 0.0598, (G9-43A & G10-43A)	

SECTION 12 - RECOMMENDED SPARE PARTS

ITEM	PART NUMBER	QTY	DESCRIPTION	REV
	91403087	1	Bearing Pad, Push Beam, (G6-42A)	
	1001102974	1	Bearing Pad, Push Beam, (G9-43A & G10-43A)	
	1001105441	1	Quick Switch Lock Pin	
	2940074	1	Latch	
	88671027	4	Grease Fitting, (G6-42A)	
		Ref	ENGINE	
	1001158567	1	250 HR Filter Kit, (if equipped for ULS) (Prior to SN 0160069037)	
	1001158568	1	1000 HR Filter Kit, (if equipped with ULS) (Prior to SN 0160069037)	
	1001158564	1	250 HR Filter Kit, (if equipped for LS)	
	1001158565	1	1000 HR Filter Kit, (if equipped with LS)	
	70022846	1	Secondary Fuel Filter	
	70024278	1	Oil Filter, (if equipped for ULS)	
	8036204	1	Oil Filter	
	70024177	1	Primary Air Filter, (if equipped for ULS)	
	70023535	1	Primary Air Filter, (if equipped for LS)	
	70024176	1	Safety Element, (if equipped for ULS)	
	70023536	1	Secondary Element, (if equipped for LS)	
	1001093641	1	Fuel Tank Cap, Non-Locking	
	1001102657	1	Fuel Tank Cap, Locking	
	1001129824	1	Fan, (if equipped for ULS)	
	1001138615	1	Fan, (if equipped for LS)	
	70024274	1	Fan Belt, (if equipped for ULS)	
	70024285	1	Fan Belt, (if equipped for LS)	
	70021854	1	Dipstick	
	70021851	1	Primary Fuel Filter, (if equipped for ULS)	
	70024152	1	Tank Filter Kit	
	1340021	1	Breather	
	70024284	1	Crankcase Vent Filter, (if equipped for ULS)	
	1319726	1	Transmission Filter	
	70024156	1	Primary Fuel Filter, (if equipped for LS)	
		Ref	DRIVE TRAIN	
	91563226	1	FNR Shifter	
	70023325	1	Accelerator Pedal Kit	
	7029908	1	Accelerator Sensor Kit	
	7028718	4	Wheel End Seal	
	91514111	4	Wheel End Bushing	
	7028721	2	Wheel Hub Seal, (G6-42A)	
	7029300	2	Wheel Hub Seal, (G9-43A & G10-43A)	
	8036433	4	Universal Joint Kit	
		Ref	HYDRAULIC SYSTEM	
	91403490	1	Boom Joystick Assy, (G6-42A), (if equipped)	
	91403491	1	Boom Joystick Assy With Tilt, (G6-42A), (if equipped)	
	91404010	1	Boom Joystick Handle Assy, (G6-42A), (if equipped)	
	91404325	1	Boom Joystick Handle With Wire and Connector, (G6-42A), (if equipped)	
	1001130050	1	Boom Joystick, (G9-43A), (if equipped)	
	1001130045	1	Boom Joystick With Tilt, (G9-43A, if equipped), (G10-43A)	
	70022061	1	Lift Cylinder Seal Kit, (G9-43A & G10-43A)	
	70021775	1	Extend/Retract Cylinder Seal Kit, (G6-42A)	
	70022858	1	Extend/Retract Cylinder Seal Kit, (G9-43A & G10-43A)	
	70021764	1	Tilt Cylinder Seal Kit, (G6-42A)	

SECTION 12 - RECOMMENDED SPARE PARTS

ITEM	PART NUMBER	QTY	DESCRIPTION	REV
	91514281	1	Tilt Cylinder Seal Kit, (G9-43A & G10-43A)	
	7029821	1	Compensation Cylinder Seal Kit, (G6-42A)	
	70024012	1	Compensation Cylinder Seal Kit, (G9-43A & G10-43A)	
	70021633	1	Frame Level Cylinder Seal Kit, (G6-42A)	
	70022864	1	Frame Level Cylinder Seal Kit, (G9-43A & G10-43A)	
	70023899	2	Outrigger Cylinder Seal Kit, (G10-43A)	
	70024152	1	Tank Filter Kit	
	1340021	1	Breather	
	70024153	1	Sight Gauge	
	70022041	1	Side Tilt Carriage Cylinder Seal Kit	
	2915023	1	90, Swing Carriage Cylinder Seal Kit	
	70021452	1	Grapple Bucket Cylinder Seal Kit	
		Ref	ELECTRICAL	
	1001147072	1	Oil Temperature Switch, (if equipped for ULS)	
	91563121	1	Oil Temperature Switch, (if equipped for LS)	
	1001148837	1	Fuel Level Sender	
	91033317	1	Ignition Switch	
	70024276	1	Alternator, (if equipped for ULS)	
	70021849	1	Alternator, (if equipped for LS)	
	70024277	1	Starter, (if equipped for ULS)	
	70021850	1	Starter, (if equipped for LS)	
	91143357	1	Horn	
		Ref	MISC.	
	77384578	1	Ignition Key	
	80964051	1	Cab Door Key	
	80904003	1	Hydraulic Test Kit	
	24604083	1	ORS O-Ring Kit	
	90214009	1	O-Ring Kit	
	31200744	1	Operation and Safety Manual	
	31200792	1	Service Manual	
		Ref	SPECIAL TOOLS	
	70021968	1	Indicator Plate, Dana Axle, (G6-42A)	
	70021969	1	Pinion Gauge, Dana Axle, (G6-42A)	
	70021970	1	Pinion Gauge, Dana Axle, (G6-42A)	
	70021975	1	Gauge, T11, Dana Axle, (G9-43A & G10-43A)	
	2901443	1	Analyzer Kit, (includes cable), (G9-43A & G10-43A)	
	1060633	1	Analyzer Cable, (G9-43A & G10-43A)	

PART NUMBER INDEX

PART NUMBER INDEX

0100003.....359	0641617 269	0701617 99, 101	1001090021.....349
0100011....23, 25, 31, 33, 36, 39, 41, 43, 46, 47, 53, 61, 297, 299, 311, 375, 377, 385, 405, 492	0641624 16	0710829 291	1001090032.....361
0100019.....54	0641634 23	0711014 99, 101	1001090063.....61
0100020.....99	0641638 129	0711031 290	1001090064.....61
0100075.....46	0641640 13, 131	0721006 492	1001090125.....359
0100093.....109, 111	0641708 33	0731003 109, 111	1001090126.....363
0140011.....497	0641714 53	0741005 359	1001090134.....423
0240156.....77	0641806 39	0741610 61	1001090140.....61
0274669.....49	0641807 . 35, 39, 53, 451, 453	0760812 257	1001090344.....290
0274672.....49	0641808 ... 23, 31, 46, 51, 53, 313, 483	0760820 257	1001090364.....357
0274674.....46	0641810 33, 49	0761010 99, 101, 109, 111, 476	1001090459.....489, 495
0274676.....46	0641812 49, 327	0761012 476	1001090460.....489
0274799.....46	0641814 ... 451, 453, 491	0761014 290	1001090461.....489
0274800.....46	0641818 495	0761210 101	1001090509.....523
0275798.....46	0641829 357, 361	0761212 99	1001090522.....492
0275799.....46	0641832 359, 363	0791404 476	1001090580.....491
0400075.....477	0642012 47	0791406 269, 476	1001090581.....491
044032153	0642032 57, 59, 61	0791408 495	1001090615.....492
0630407268, 285	0642210 492, 497	0791410 16, 20	1001090741.....295
0641405 20, 73, 114, 118, 277, 287	0642216 47	0791410 16, 20	1001091118.....295
0641406.....16, 20, 539	0642222 495	0791504 114, 118	1001091157.....313
0641407.....491	0651605 ... 35, 39, 41, 43	0791506 ... 114, 118, 476	1001091173.....295
0641408....268, 277, 279, 290, 297, 345, 347, 349, 365, 483, 485	0651606 ... 31, 33, 35, 39, 41, 43	0791508 114, 118	1001091320.....313
0641412....324, 327, 335, 341, 477, 487	0651607 ... 31, 33, 35, 39, 41, 43	0791604 114, 118	1001091458CP.....13
0641414.....365	0651608 ... 31, 33, 35, 39	0791606 476	1001092391.....71
0641415.....476	0651610 31	0791608 16, 20, 111, 269, 277	1001092481.....73
0641416....311, 315, 335, 363	0651612 39	0791610 111	1001092482.....73
0641418.....351	0651614 35, 39, 47	0791808 53	1001092843.....311
0641420.....331, 335	0651616 35, 39	0811510 125, 127	1001092877.....549
0641424.....290, 341	0651624 47	0811606 20, 121, 123, 125, 127, 451, 453	1001092878.....549
0641430.....351	0651805 35	0811608 . 13, 16, 20, 114, 118, 476	1001093171.....75
0641436.....269	0651806 35, 39, 43	0811610 13	1001093273.....77
0641504.....476, 539	0651807 35, 39, 43	0811616 114, 118	1001093377.....69, 77
0641506....129, 131, 277, 331, 335, 339, 477	0651808 ... 33, 36, 39, 43	0860520 73	1001093465.....77
0641507.....290	0651810 ... 31, 33, 35, 39, 41, 43	0861493 535	1001093526.....291
0641508.....20, 114, 118, 277, 295, 297, 307, 311, 315, 349	0651811 43	0903293 357	1001093564.....479
0641510.....268	0651812 ... 31, 33, 35, 39, 41, 43	0903661 491	1001093641....109, 111, 557
0641511351, 357, 361, 363, 367	0651814 33, 39	0903669 492	1001093828.....279
0641512.....331, 335	0681610 47	0930020 81	1001094264.....495
0641514....277, 331, 339, 359	0681712 324	1001001016 455	1001094330.....77
0641518.....285, 287	0681810 61, 371, 399, 405, 423	1001001062 437	1001094390.....495
0641520.....349	0681814 25	1001001068 483	1001094391.....495
0641532.....290	0682010 375	1001001211 23	1001094393.....495
0641605....114, 118, 290	0682018 13	1001001213 299	1001094523.....495
0641606.....125, 299	0682036 99, 101	1001001242 489	1001094824.....495
0641607..31, 47, 99, 114, 118, 357, 359, 361, 363, 483	0682048 29	1001001250 351	1001094830.....77
0641608.....53, 109, 111, 272, 295, 299, 331, 485	0682230 268	1001001332 357	1001095342.....491
0641610..16, 20, 47, 129, 131, 331	0682244 51, 53	1001001333 361	1001095418.....67
0641612....51, 53, 61, 99	0682440 268	1001001340 359	1001095500.....257
	0682444 137	1001001341 363	1001095738.....253
	0682676 135	1001001422 109, 111	1001095744.....253
	0700610 269	1001007056 469	1001095810.....73
	0700617 327	1001080707 109, 111	1001096019.....73
	0701012 99	1001080996 53, 54	1001096020.....73
	0701014 99, 101, 295	1001080998 109, 111, 114, 118	1001096021.....73
	0701016 290	1001081241 275	1001096023.....73
	0701020 290	1001081307 279	1001096024.....73
	0701022 290	1001081308 279	1001096162.....73
	0701215 324, 327	1001081310 279	1001096390.....339
		1001081311 279	1001096404.....29
		1001090003 297	1001096708.....492
		1001090006 483, 485	1001096709.....493
			1001096728.....273

PART NUMBER INDEX

1001096950 339	1001100879.....272	1001105753.....367	1001113496 351
1001096952 339	1001100880.....273	1001105755.....367	1001113497 355
1001096957 365	1001100895.....273	1001105756.....367	1001113498 355
1001097053 99, 101	1001101085..... 281, 283	1001105757.....367	1001114282 285, 287
1001097095CP 13	1001101115..... 69	1001105758.....367	1001114492 491
1001097205 75	1001101116..... 69	1001105886.....479	1001114495 114, 118
1001097463 137	1001101216..... 285, 287	1001106351.....535	1001114675 269
1001097464 137	1001101259.....290	1001106352.....535	1001114803 115, 119
1001097466 137, 343	1001101280.....371	1001106353.....535	1001115153 268
1001097745 339	1001101588.....357	1001106354.....535	1001115205 549
1001097788 353	1001101589.....357	1001106508.....317	1001115206 549
1001098042 273	1001101591.....357	1001106573.....137	1001115208 549
1001098122 541	1001101592.....357	1001106574.....137	1001115209 549
1001098174 51	1001101593.....353	1001106736.....499, 501	1001115528 503
1001098218 51, 53	1001101615.....365	1001106786.....331	1001115739 393
1001098223 389	1001101616.....365	1001106836.....457	1001115878 479
1001098233 51, 53	1001101617..... 357, 556	1001106849.....268	1001115891 487
1001098254 268	1001101640.....290	1001106866.....268	1001116005 327
1001098344 273	1001101666.....489	1001107162.....355	1001116274 539
1001098360 353	1001101668..... 285, 287	1001107339.....291	1001116439 421
1001098361 357	1001101669..... 285, 287	1001107340.....290	1001116694 537
1001098362 353	1001101703.....371	1001107428.....290	1001116706 505, 506
1001098363 353	1001101706.....375	1001107464.....443	1001116727 505, 509, 519, 521
1001098382 51	1001101742.....485	1001107686.....467	1001116728 541
1001098425 51, 53	1001101743.....483	1001107799.....279	1001116733 499, 506, 509, 511, 523, 529
1001098440 339	1001101788.....361	1001107814.....327	1001116734 529
1001098441 339	1001101956..... 61	1001107828.....277	1001116745 541
1001098560 351	1001102093.....355	1001107895.....315	1001116747 505, 509
1001098762 479	1001102378..... 61	1001107955.....315	1001116748 503, 511
1001098769 29	1001102575B 41	1001108252.....277	1001116774 499, 501, 537
1001098874 363	1001102623.....357	1001108288.....367	1001116808 499, 501, 537
1001098932 351	1001102657..... 109, 111, 557	1001108380.....375	1001116810 501
1001098933 351	1001102813..... 73	1001108383.....268	1001116816 517
1001099113 61	1001102815.....517	1001108433.....476	1001116831 501
1001099115 61	1001102958B 43	1001108668..... 90	1001116934 505
1001099163 489	1001102967B 39	1001108669..... 94	1001116938 499, 501
1001099174 489	1001102973..... 39	1001108836.....550	1001116950 499, 501
1001099276 492	1001102973..... 39	1001108841.....515	1001116983 505, 506
1001099351 85	1001102974..... 47, 557	1001108847.....550	1001117018 523
1001099378 489	1001102977..... 359, 363, 556	1001108890.....277	1001117021 493, 506, 541
1001099575 29	1001103039.....359	1001109053.....548	1001117025 506
1001099812 483, 485	1001103057.....359	1001109217.....433	1001117026 541
1001099889 51	1001103060.....355	1001109225..... 381, 383, 389, 393	1001117058 523
1001099890 51	1001103137.....29	1001109458.....550	1001117073 503
1001099901 83	1001103182.....429	1001109459.....550	1001117079 523
1001099902 83	1001103293..... 359, 556	1001109536..... 99, 101	1001117103 533
1001099976 261	1001103347.....375	1001110091.....491	1001117106 499, 533
1001100092 361	1001103347.....375	1001110841.....515	1001117111 499
1001100227 69	1001103553.....277	10011108847.....550	1001117112 533
1001100228 69	1001103567.....268	1001110890.....277	1001117136 269
1001100229 69	1001103637..... 73	10011109053.....548	1001117654 ... 31, 33, 35, 556
1001100278 285, 287	1001103663.....272	10011109217.....433	1001117655 35, 41
1001100279 285, 287, 290	1001103730..... 73	1001109225..... 381, 383, 389, 393	1001117656 ... 33, 39, 43, 556
1001100281 290	1001103736..... 73	1001109458.....550	1001117658 43, 556
1001100282 287	1001103956.....550	1001109459.....550	1001117865 135
1001100284 261	1001103997.....324	1001109536..... 99, 101	1001117887 361
1001100322 277	1001105159.....351	1001110091.....491	1001117888 361
1001100323 261	1001105338.....365	1001110104.....277	1001117929 351
1001100446 285, 287, 290	1001105339.....365	1001110704..... 67	1001118092 115, 119
1001100447 285, 287	1001105441..... 51, 557	1001110712.....118	
1001100770 290	1001105611.....441	1001110719.....277	
1001100773 290	1001105613.....447	1001110808.....277	
1001100822 79	1001105622.....327	1001111086.....279	
1001100823 79	1001105627.....327	1001111112.....279	
1001100824 79	1001105631.....327	1001111148.....537	
	1001105751.....367	1001111190..... 67, 94	
	1001105752.....367	1001111229.....550	
		1001112039.....509	
		1001112207..... 357, 361, 556	
		1001112612..... 499, 501	
		1001112717.....277	
		1001112770.....548	
		1001113091.....495	
		1001113353.....359	
		1001113495.....351	

PART NUMBER INDEX

1001118245.....476	1001125714..... 375, 377	1001130065..... 331, 335	1001132492.....129
1001118282.....509, 511	1001125748..... 499, 501	1001130079..... 115, 119	1001132495.....339
1001118384.....523, 525, 527, 529	1001125773..... 499, 501	1001130085..... 335	1001132506.....336
1001118390.....499	1001126007..... 537	1001130126..... 331, 335	1001132508..... 16
1001118560.....365	1001126009..... 499	1001130127..... 335	1001132514..... 57
1001119032.....537	1001126208..... 499	1001130213..... 327	1001132536..... 20
1001119619.....501	1001126285..... 487	1001130214..... 343	1001132579..... 327
1001119958.....272	1001126756..... 351	1001130379..... 291	1001132704..... 336, 367
1001119959.....272	1001126962..... 53	1001130663..... 549	1001132796..... 13
1001120120.....53	1001126963..... 53	1001130708..... 549	1001133072..... 61
1001120124.....54	1001126964..... 53	1001130739..... 549	1001133267..... 331
1001120130.....54	1001126965..... 53	1001130743..... 549	1001133354..... 505, 539
1001120135.....53	1001127006..... 53	1001130776..... 109, 111	1001133435..... 291
1001120163..... 469, 471	1001127007..... 53	1001130780..... 109, 111	1001133442..... 16
1001120164..... 54, 469	1001127008..... 53	1001130782..... 548	1001133450..... 479
1001120178.....263	1001127009..... 53	1001130792..... 548	1001133461..... 285
1001120179.....263	1001127353..... 53	1001130793..... 549	1001133534..... 111
1001120393..... 125	1001127488..... 476	1001130802..... 548	1001133871..... 99
1001120418.....29	1001127489..... 476	1001130818..... 549	1001133877..... 115, 119
1001120497.....361	1001127519..... 477	1001130825..... 549	1001133896..... 331, 335
1001120544.....291	1001127699..... 476	1001130844..... 549	1001134142..... 331, 335
1001120613..... 129	1001127700..... 476	1001130852..... 550	1001134192..... 499
1001120639..... 115, 119	1001127748..... 476	1001130904..... 335	1001134210..... 331, 335
1001120654..... 451, 453	1001127756..... 476	1001130905..... 335	1001134232..... 476
1001120851.....529	1001127855..... 129	1001130920..... 548	1001134235..... 477
1001120914..... 61	1001128038..... 451, 453	1001130935..... 549	1001134236..... 476
1001120915..... 61	1001128128..... 511, 529	1001131130..... 277	1001134241..... 129, 131
1001120963.....261	1001128248..... 13	1001131147..... 16, 20	1001134413..... 109, 111
1001121031..... 13	1001128320..... 483, 485	1001131185..... 549	1001134415..... 107
1001121047..... 13	1001128338..... 114	1001131247..... 16, 20	1001134453..... 115, 119
1001121050..... 114, 118	1001128341..... 114, 118	1001131271..... 549	1001134456..... 115, 119
1001121101.....261	1001128363..... 129	1001131509..... 550	1001134458..... 115, 119
1001121103.....263	1001128364..... 129, 131	1001131745..... 550	1001134470..... 476
1001121105.....263	1001128461..... 485	1001131775..... 20	1001134516..... 115, 119
1001121109.....263	1001128510..... 114	1001131776..... 137	1001134932..... 99
1001121278..... 125, 127	1001128553..... 550	1001131799..... 135	1001134947..... 324
1001121309..... 99, 101	1001128743..... 477	1001131806..... 317	1001134948..... 324
1001121332..... 16, 20	1001128846..... 20	1001131807..... 103	1001134968..... 324
1001121337..... 16, 20	1001128847..... 16, 20	1001131808..... 277	1001134969..... 331
1001121404..... 115, 119	1001128901..... 129	1001131809..... 114	1001134975..... 324
1001121454..... 479	1001129277..... 476	1001131810..... 114	1001134977..... 324
1001121458..... 479	1001129358..... 16, 20	1001131821..... 476	1001134978..... 324
1001121459..... 479	1001129465..... 53	1001131859..... 99	1001134985..... 324
1001121460..... 479	1001129466..... 53	1001131891..... 533	1001134986..... 341
1001121498..... 451	1001129484..... 121, 123	1001131899..... 13	1001134990..... 331
1001121519.....261	1001129485..... 121	1001131905..... 13	1001135035..... 285, 287
1001121557..... 505, 509	1001129514..... 121, 125	1001131937..... 129	1001135349..... 479
1001121883..... 99, 101	1001129515..... 121	1001131977..... 287	1001135585..... 99
1001121955..... 114	1001129518..... 121	1001131979..... 290	1001135602..... 99, 101
1001121962..... 115, 119	1001129559..... 129	1001132005..... 339	1001135607..... 273
1001122219..... 16, 20	1001129560..... 129	1001132110..... 121, 123	1001135649..... 291
1001122338..... 114, 118	1001129577..... 115	1001132112..... 331, 335	1001135657..... 291
1001122395.....367	1001129578..... 99, 101	1001132126..... 331	1001135662..... 291
1001122407.....335	1001129579..... 99, 101	1001132131..... 550	1001135664..... 291
1001122801..... 99	1001129580..... 114	1001132162..... 327	1001135681..... 539
1001122807..... 99	1001129581..... 114	1001132258..... 461	1001135694..... 479
1001123065..... 453	1001129624..... 114	1001132332..... 129	1001135864..... 324
1001125027..... 499	1001129637..... 16, 20	1001132377..... 341, 343	1001135904..... 332
1001125119..... 324, 327	1001129638..... 16, 20	1001132380..... 341, 343	1001135932..... 324
1001125128..... 324, 327	1001129639..... 16, 20	1001132383..... 331, 335	1001135934..... 324
1001125382..... 521	1001129787..... 129, 131	1001132394..... 347	1001135966..... 345, 347
1001125384..... 525	1001129824..... 99, 557	1001132395..... 347	1001135967..... 345, 347
1001125385..... 519	1001129855..... 115, 119	1001132417..... 347	1001135968..... 345, 347
1001125387..... 548	1001130031..... 129, 131	1001132441..... 20	1001135969..... 345, 347
1001125410..... 263	1001130045..... 305, 557	1001132459..... 129	1001136140..... 499
1001125491..... 13	1001130046..... 115, 119	1001132467..... 135	1001136332..... 476
	1001130050..... 305, 557	1001132468..... 135	1001136344..... 479

PART NUMBER INDEX

1001136365.....	139	1001140444.....	413	1001148776.....	292	1001162758.....	491
1001136366.....	161	1001140445.....	395	1001148778.....	292	1001162955.....	127
1001136367.....	139	1001140446.....	407	1001148837.....	109, 111, 558	1001163174.....	548
1001136368.....	161	1001141031.....	114	1001148847.....	109, 111	1001163206.....	553
1001136439.....	347	1001141032.....	114	1001148921.....	339	1001163210.....	549
1001136489.....	349	1001141033.....	114	1001148924.....	339	1001163212.....	548
1001136490.....	539	1001141113.....	131	1001148991.....	476	1001163222.....	548
1001136501.....	335	1001141119.....	131	1001148992.....	476	1001163223.....	553
1001136955.....	335	1001141400.....	109, 111	1001149227.....	115, 119	1001163273.....	549
1001136975.....	109, 111	1001141458.....	550	1001149242.....	327	1001163276.....	549
1001136977.....	335	1001141596.....	479	1001149344.....	109, 111	1001163285.....	549
1001136981.....	451, 453	1001141892.....	23	1001149756.....	115, 119	1001163291.....	549
1001137203.....	367	1001142243.....	51	1001150299.....	13	1001163300.....	549
1001137208.....	327	1001142258.....	23	1001150364.....	109, 111	1001163304.....	549
1001137436.....	463	1001142350.....	290	1001151097.....	261, 263	1001163321.....	549
1001137512.....	71	1001142561.....	257	1001151098.....	261, 263	1001163323.....	549
1001137538.....	29	1001142564.....	257	1001151101.....	261, 263	1001163355.....	548
1001137578.....	505, 506	1001142649.....	324	1001151102.....	261, 263	1001163414.....	425
1001138132.....	131	1001142788.....	51	1001151106.....	261, 263	1001163420.....	549
1001138137.....	131	1001142790.....	63	1001151108.....	261, 263	1001163422.....	549
1001138258.....	115, 119	1001142989.....	399	1001151108.....	261, 263	1001163581.....	548, 553
1001138313.....	115, 119	1001143121.....	363	1001151408.....	476	1001163582.....	548, 553
1001138613.....	101	1001143122.....	363	1001151499.....	550	1001163586.....	548, 553
1001138615.....	101, 557	1001143207.....	363	1001151561.....	59	1001163729.....	476
1001138667.....	119	1001143273.....	363	1001151641.....	359	1001165142.....	367
1001138668.....	118	1001143377.....	476	1001151642.....	359	1001165357.....	123, 127
1001138669.....	118	1001143551.....	499, 501	1001151643.....	489	1001165578.....	269
1001138701.....	118	1001143653.....	13	1001151847.....	489	1001165579.....	269
1001138706.....	125, 127	1001143654.....	13	1001152168.....	347	1001166829.....	377, 379
1001138713.....	118	1001143692.....	51	1001152220.....	497	1001174530.....	397
1001138715.....	114, 118	1001143803.....	363	1001152326.....	489	1001174531.....	409
1001138716.....	114, 118	1001143809.....	363	1001152466.....	391	1001175733.....	541
1001138718.....	125	1001143852.....	549	1001152467.....	403	1001176515.....	87
1001138720.....	125	1001144114.....	16, 20	1001152538.....	497	1001176983.....	127
1001138749.....	125	1001144147.....	499, 501	1001152569.....	269	1001177201.....	127
1001138751.....	114	1001144772.....	285	1001152595.....	501	1001179606.....	183
1001138754.....	118	1001144796.....	273	1001152916.....	383	1001180469.....	127
1001138756.....	118	1001144797.....	273	1001152917.....	373	1001182094.....	109
1001138998.....	291	1001144798.....	273	1001153084.....	541	1001182358.....	497
1001139197.....	111	1001144799.....	273	1001153241.....	359	1001182614.....	183
1001139248.....	501	1001144802.....	109, 111, 114, 118	1001153342.....	359	1001182662.....	497
1001139308.....	131	1001144952.....	479	1001153912.....	118	1001182931.....	105
1001139321.....	131	1001144953.....	479	1001154055.....	257	1001192401.....	506
1001139322.....	131	1001145301.....	476	1001156272.....	277	1001195424.....	543
1001139348.....	131	1001145386.....	54	1001157891.....	529	1001196620.....	550
1001139375.....	135, 341	1001145702.....	269	1001158564.....	557	1001196704.....	550
1001139427.....	13	1001145707.....	499	1001158565.....	557	1001197992.....	550
1001139428.....	13	1001145707.....	499	1001158567.....	557	1001197993.....	550
1001139438.....	476	1001145753.....	269	1001158568.....	557	1001197994.....	550
1001139578.....	549	1001145754.....	269	1001158759.....	401	1001200330.....	550
1001139620.....	118	1001146009.....	493	1001158762.....	415	1001200332.....	550
1001139634.....	287	1001146084.....	59	1001158763.....	377	1001221933.....	535
1001139643.....	290	1001146086.....	59	1001158766.....	387	1001224062.....	529
1001139646.....	291	1001146088.....	59	1001158767.....	419	1001230931.....	511
1001139654.....	548	1001146159.....	59	1001158896.....	527	1060379.....	73
1001139685.....	114, 118	1001146160.....	59	1001159129.....	115, 119	1060626.....	479
1001139846.....	129	1001147072.....	99, 101, 558	1001159949.....	269	1060633.....	558
1001139867.....	548, 553	1001147450.....	115, 119	1001160071.....	550	10700683.....	54
1001139868.....	548, 553	1001148109.....	327	1001160551.....	257	10700689.....	53
1001139869.....	548, 553	1001148177.....	269	1001160787.....	550	10701506.....	535
1001139870.....	548, 553	1001148233.....	23	1001160889.....	269	10705034.....	65
1001139899.....	548, 553	1001148770.....	292	1001160912.....	550	10718991.....	495
1001139900.....	548, 553	1001148771.....	292	1001160930.....	127	10718992.....	495
1001139927.....	279	1001148772.....	292	1001160987.....	123, 127	10719267.....	125
1001139942.....	549	1001148773.....	292	1001161231.....	123	10725554.....	147, 169, 191
1001140233.....	511	1001148774.....	292	1001162379.....	123, 127	10727280.....	393, 405
1001140255.....	291	1001148775.....	292	1001162757.....	491	10731744.....	233

PART NUMBER INDEX

10731756.....	249	1319684.....	251	1706851.....	549	2171106.....	51, 357
10731758.....	255	1319685.....	251	1706892.....	73	2171108.....	51, 339, 359
10731761.....	249	1319686.....	251	2080040.....	73	2171116.....	367
10731845....	239, 241, 245	1319687.....	251	2080063.....	290	2171206.....	53, 357, 361
10731959.....	255	1319688.....	251	2110404.....	336	2171208.....	53, 359, 363
10732071.....	251	1319689.....	251	2110406 ...	345, 347, 349, 363	217210651, 61, 135, 295, 331, 335, 341, 343, 365	
10732072.....	251	1319693.....	251	2110604.....	324, 327	2172108.....	51, 363
1170021.....	57	1319694.....	251	211060661, 65, 325, 327, 345, 347, 365		2172112.....	325, 331
1170024.....	57	1319719.....	253	2110608.....	365	2172116.....	327, 335
1170054.....	61	1319726.....	253, 557	2110612.....	365	2172316.....	331
1170057.....	61	1320022.....	114, 118	2110612.....	365	2172406.....	479
1319229.....	231	1320136.....	497	2110808	61, 137, 331, 335, 339, 451, 453	2172408.....	479
1319436.....	255	1320263 ...	491, 492, 495	2110810	357, 361, 367	2172416.....	114, 118
1319558.....	231	1320748.....	255	2111010 ...	331, 335, 351, 353, 451, 453	2180849.....	51, 53
1319563.....	231	1320754.....	255	2111012.....	359, 363	2200233.....	101
1319571....	233, 247, 255	1320755.....	255	2111212 ...	324, 325, 331, 351, 355	2202018.....	111
1319576.....	247	1321265.....	251	2111612.....	367	2202024....	331, 335, 367, 451, 453
1319581.....	233, 253	1321716.....	109, 111	2111616	328, 336, 367	22020317.....	115, 118
1319585.....	233, 253	1340021 ...	268, 451, 453, 557, 558	2130404 ...	299, 336, 367	22020415.....	67
1319590.....	233	1360291.....	49	2130406 ...	347, 349, 363	2220444.....	101
1319591.....	239	1360294.....	49	2130604.....	324, 332	2220473.....	67
1319595....	235, 237, 239, 241, 245	1360298.....	46	2130606	65, 324, 327, 331, 335, 345, 347, 349	2220578.....	451, 453
1319596....	239, 241, 245	1360302.....	46	2130608	65, 365, 479	2220609.....	67
1319600....	235, 237, 239, 241, 243, 245	1360305.....	47	2130610.....	357	2220628.....	67
1319601....	235, 237, 239, 241, 243, 245	1360306.....	46	2130808	135, 324, 339, 357, 479	2220806....	101, 285, 287
1319602....	235, 237, 239, 241, 243, 245	1380158.....	290	2130810	328, 359, 367	2221231.....	324
1319603....	235, 237, 239, 241, 243, 245	14403190.....	279	2131210.....	99, 101	2221244.....	295
1319604....	235, 237, 239, 241, 243, 245	14403323 ...	46, 375, 381, 405	2131212 ...	351, 375, 377	2221253.....	357, 361
1319606....	239, 241, 245	14404102.....	363	2131216.....	324	2221254.....	359, 363
1319607.....	239	14404173 ..	272, 273, 492	2131616	114, 118, 324	2221257.....	295
1319608.....	239, 247	14404793.....	46	2132020 ...	331, 335, 451, 453	2230025.....	485
1319614.....	241	1671313.....	109, 111	2144605 ...	135, 137, 295, 341, 343	2340037.....	71
1319615....	235, 237, 241, 245	1701509.....	73	2150404.....	469	2340038.....	71
1319617.....	235, 237	1701640.....	548	2150606 ...	324, 327, 336, 341	2340039.....	71
1319618.....	235, 237	1702300.....	548	2150608.....	327	2340045.....	71
1319619.....	243	1702631.....	549	2150808.....	299	2340046.....	71
1319620.....	235, 237	1702773.....	73	2151616.....	327	2400087.....	476
1319621.....	235, 237	1704277.....	73	2160001.....	29, 351	24604083.....	558
1319622.....	235, 237	1704885.....	73, 549	2160002 .	29, 51, 53, 351, 359	24921332.....	129, 131
1319623.....	235, 237	1705864.....	553	2170206 ...	325, 328, 331, 335, 336, 345, 349, 363, 451, 453	2580040.....	479
1319624.....	235, 237	1706098.....	548	2170208.....	357	2600281.....	73
1319625.....	235, 237	1706188.....	548	2170212 ...	114, 118, 335, 453	2716143.....	95
1319626.....	235, 237	1706189.....	548	2170406.....	324	2717160.....	65
1319627.....	235, 237	1706281.....	548	2170506.....	347	2717161.....	65
1319628.....	235, 237	1706282.....	553	2170516.....	115, 119	2717162.....	65
1319629.....	235, 237	1706283.....	549	2170706 ...	135, 324, 327, 332, 336, 341, 347, 479	2717283.....	65
1319630.....	235, 237	1706284.....	549	2170708.....	479	2717287.....	67
1319631.....	235, 237	1706285.....	548	2170716	115, 119, 336	2720644.....	114, 118
1319632.....	235, 237	1706287.....	549	2170806 ...	135, 137, 341, 343	2820035.....	492
1319635.....	245	1706288.....	549	2170816.....	367	2900770.....	423
1319636....	235, 237, 245	1706289.....	549	2170906	324, 331, 335	2901443.....	558
1319638.....	235, 237	1706292.....	553	2170912.....	331	2915023.....	429, 558
1319641.....	233	1706293.....	549			2940074.....	73, 557
1319646.....	233	1706296.....	548			3020039.....	295
1319647.....	255	1706298.....	553			31200160.....	73
1319648.....	255	1706299.....	549			31200336.....	73
1319652.....	251	1706300.....	548			31200387.....	73
1319661.....	251	1706301.....	548			31200388.....	73
1319670....	233, 251, 253	1706302.....	553			31200744.....	558
1319683.....	251	1706303.....	549			31200792.....	558
		1706304.....	549			3251813.....	549
		1706306.....	549			3271601.....	272
		1706767.....	549			3272001.....	99, 101
		1706768.....	549				
		1706850.....	549				

PART NUMBER INDEX

3290601 476	4460247 499, 501	4460970..... 487, 503	4761700 324
3290605 16, 20	4460256 499, 501	4461017..... 492	4761800 23, 46, 272, 273,
3290801 476	4460267 499, 501, 537	4461157..... 523	327, 357, 359, 361,
3290807 257, 477	4460312 499, 501	4461217..... 317	363, 451, 453, 492
3291007 290	4460321 499, 501	4461233..... 480	4762000 53
3300143 23	4460419 ... 487, 509, 515,	4461234..... 479	4771500 476
3300240 57, 59, 61	523	4461254..... 495	4791400 279
3300246 115, 118	4460457 ... 505, 506, 509,	4461265..... 479	4811600 109, 111
3300492 16, 20	511, 519	4461266..... 479	4811700 .16, 20, 121, 123
3311001 492, 495	4460458 ... 509, 519, 529,	4461270..... 479	4811900 477
3311401 ... 311, 351, 363,	541	4520368..... 261	4811902 257
487, 491	4460459 513	4520370..... 261	4812000 99, 101, 476
3311405 .. 16, 20, 73, 349	4460461 509	4520449..... 261	4812100 99, 101
3311408 495	4460464 ... 483, 485, 487,	4520450..... 261	4812300 99, 101
3311505 269	492, 499, 501, 505,	4520455..... 261	4831700 476
3311508 477, 479	506, 509, 511, 537, 543	4520456..... 261	4831900 476
3311601 118	4460465 ... 483, 485, 499,	4520481..... 263	4832000 99, 109, 111,
3311602 359	501, 503, 505, 506,	4520482..... 263	295, 476
3311605 99	509, 511, 515, 517, 525	4540020..... 229	4846452 73
3311701 53	4460466 ... 483, 485, 487,	4569258..... 485	4891500 129, 131
3311801 491	503, 505, 506, 509,	4640438..... 423	4891600 290
3311805 53, 495	511, 515, 517, 525,	4641312..... 385, 387	4891800 61, 324, 327,
3421453 73	527, 529, 537, 543	4641501..... 65	371, 399, 405
3423242 57, 59, 61	4460469 505	4641502..... 65	4892000 13, 375
3423275 57, 59, 61	4460475 505, 515, 523	4711000..... 495, 535	4923452 109, 111
3423276 57, 59, 61, 67	4460500 515	4711400..... 73, 114, 118,	6604662 67
3423307 423	4460502 505	268, 277, 279, 285,	70000656 251
3520072 73	4460503 511	287, 290, 297, 335,	70001955 447
3520176 16, 20, 259	4460508 492, 509	349, 483, 485, 491,	70001956 447
3580346 359, 363, 556	4460509 501, 505	535, 539	70002133 447
3580347 357, 361, 556	4460518 305, 317, 537	4711500 16, 20, 114, 118,	70002219 425
3600449 445	4460539 537	269, 297, 339, 349, 476	70002224 425
3740080 ... 506, 509, 511,	4460742 506, 509	4711600.... 16, 20, 29, 47,	70002578 447
529	4460743 513	99, 109, 111, 114, 118,	70002579 447
3760170 73	4460746 ... 505, 506, 509,	125, 129, 131, 272,	70002580 447
3790222 324	529	331, 357, 359, 361,	70002581 447
3790228 327	4460761 499, 501, 537	363, 483, 485	70002582 447
3820020 73, 277	4460790 509	4711700..... 33, 53	70002583 447
3841203 423	4460809 499, 501	4711800.... 35, 39, 49, 54,	70002585 447
3900316 16, 20	4460850 513, 519, 521	313, 451, 453, 491	70002588 447
3911410 277	4460851 511, 523	4712000..... 47	70002590 447
3931012 497	4460884 506, 511, 517	4712200..... 47, 492	70002591 447
3931436 324	4460891 ... 483, 485, 499,	4740003..... 51, 53	70002592 447
3931648 327	501, 505, 506, 509,	4740274..... 114, 118	70002593 447
3931672 23	521, 525, 529	4740553..... 279	70002594 447
3941506 495	4460894 506	4751000..... 492	70002595 447
3968141 145, 167, 189	4460897 492, 499	4751200..... 487	70002596 448
3984436 179	4460908 535	4751400 16, 20, 277, 345,	70002598 447
3984447 179	4460909 535	347, 351, 365	70002599 448
3984458 179	4460915 537	4751500..... 20, 277, 290,	70003849 425
3984469 179	4460916 535	295, 331, 335, 438	70020036 255
4031709 365	4460917 305, 317	4751600 16, 20, 129, 131,	70020370 421
4031913 375, 377	4460918 501	290, 441, 483	70020375 417, 419
4031918 53	4460928 499, 501, 535	4751800..... 357, 361, 495	70020428 429
4040292 135	4460930 509, 511	4752200..... 495, 497	70020438 373
4071133 272, 273	4460931 ... 525, 529, 543	4761000..... 492, 495	70020493 255
4100026 353	4460932 543	4761400.... 268, 285, 290,	70020528 279
4100181 548	4460933 499, 501, 509	311, 315, 335, 345,	70020549 255
4105262 553	4460934 523	347, 351, 363, 365,	70020555 75
4110422 83, 85	4460941 529	476, 477, 491, 535	70020562 81
4110473 65	4460942 ... 501, 521, 525,	4761500.... 290, 295, 307,	70020640 292
4240018 99	527, 529	311, 315, 331, 335,	70020643 291
4240033 ... 290, 325, 487,	4460943 499, 501	339, 476, 539	70020644 291
497	4460944 ... 501, 515, 517,	4761600.... 16, 20, 47, 99,	70020645 291
4420060 273	537	109, 111, 272, 290,	70020646 291
4460019 501	4460945 515	295, 299, 357, 359,	70020647 291
4460042 515	4460955 503	367, 441	70020659 457

PART NUMBER INDEX

70020660.....457	70021609..... 181	70022021 443	70022863.....417, 419
70020661.....457	70021610..... 181	70022022 443	70022864.....417, 558
70020662.....457	70021611..... 181	70022023 441, 443	70022876.....291
70020663.....457	70021612..... 181	70022024 443	70022877.....291
70020665.....457	70021613.. 179, 181, 197, 199	70022025 441	70022879.....291
70020666.....457	70021614..... 143, 165	70022028 85	70022880.....291
70020667.....457	70021630.. 371, 389, 411	70022038 423	70022881.....291
70020668.....457	70021633..... 411, 558	70022039 423	70022882.....291
70020669.....457	70021634..... 411	70022040 423	70022883.....291
70020670.....457	70021635..... 411	70022041 423, 558	70022884.....291
70020671.....457	70021636..... 411	70022042 423	70022885.....291
70020672.....457	70021637..... 411	70022043 423	70022886.....291
70020673.....457	70021638..... 411	70022044 429	70022888.....291
70020674.....457	70021648..... 371, 389	70022045 429	70022889.....291
70020675.....457	70021752..... 371	70022046 429	70022890.....291
70020676.....457	70021754..... 371	70022053 405	70022891.....291
70020677.....457	70021756..... 371	70022054 405	70022931.....90, 94
70020678.....457	70021757..... 371	70022055 405	70022932.....90, 94
70020679.....457	70021758..... 371	70022056 393, 405	70022933.....94
70020680.....457	70021759..... 389	70022058 375, 379	70022934.....90, 94
70020681.....457	70021760..... 389	70022059 375, 379	70022935.....91, 95
70020682.....457	70021761..... 389	70022060 375	70022936.....90, 95
70020717.....434	70021762..... 389	70022061 375, 557	70022937.....91, 95
70020823.....317	70021763..... 389	70022062 375	70022938.....95
70020870.....511	70021764..... 389, 557	70022063 393	70022939.....91, 95
70020923.....299	70021765..... 389	70022064 393	70022940.....95
70020928.....283	70021766..... 381	70022065 393	70022941.....95
70021177..143, 153, 165, 175, 187, 195	70021767..... 381	70022066 393	70022942.....91, 95
70021278.....438	70021768..... 381	70022067 393	70022943.....95
70021279.....438	70021769..... 381	70022140 .. 147, 169, 191	70022944.....95
70021280.....438	70021770..... 381	70022224 515	70022945.....95
70021281.....438	70021771..... 381	70022287 447	70022946.....91, 95
70021342.....81, 85	70021772..... 381	70022288 447	70022947.....95
70021349.....85	70021774..... 381	70022292 375	70022948.....95
70021358.....81	70021775..... 381, 557	70022508 417, 419	70022949.....91, 95
70021359.....81	70021812..... 429	70022527 81	70022950.....91, 95
70021360.....81	70021849..... 107, 558	70022552 291	70022951.....95
70021361.....81	70021850..... 107, 558	70022553 291	70022952.....91
70021362.....81	70021851.. 103, 105, 557	70022555 291	70022957.....90, 94
70021364.....431	70021854. 103, 105, 107, 557	70022556 292	70022958.....95
70021365.....431	70021913..... 399	70022557 292	70022959.....96
70021366.....81	70021921..... 85	70022558 292	70022960.....90, 94
70021367.....81, 431	70021935..... 85	70022691 517	70022961.....95
70021387.....81, 85	70021957..... 371	70022741 503	70022962.....95
70021391.....81	70021958..... 371	70022773 203	70022963.....96
70021392.....81	70021968..... 558	70022790 251	70022964.....96
70021393.....431	70021969..... 558	70022797 .. 145, 167, 189	70022965.....95
70021399.....431	70021970..... 558	70022798 193	70022966.....95
70021415.....85	70021975..... 558	70022799 193	70022967.....95
70021440.....87, 431	70021977..... 85	70022805 291	70022968.....96
70021444.....431	70021978..... 85	70022814 175, 195	70022969.....90, 94
70021446.....431	70021979..... 85	70022842 107	70022970.....90, 94
70021447.....431	70021980..... 81	70022843 103, 105	70022971.....95
70021448.....431	70021981..... 81	70022844 .. 103, 105, 107	70022972.....95
70021451.....431	70021982..... 81	70022845 103, 105	70022973.....95
70021452.....431, 558	70022007..... 443	70022846 . 103, 105, 107, 557	70022974.....95
70021459.....438	70022008..... 441, 443	70022852 385, 387	70022975.....95
70021460.....437	70022010..... 441, 443	70022853 385, 387	70022976.....95
70021461.....438	70022011..... 441, 443	70022854 385, 387	70022977.....95
70021462.....431	70022013..... 443	70022855 385, 387	70022978.....95
70021464.....431	70022014..... 443	70022856 385, 387	70022979.....95
70021465.....431	70022015..... 443	70022857 385, 387	70022980.....91, 95
70021526.....247	70022016..... 441, 443	70022858 385, 557	70022981.....96
70021544.....437	70022019..... 441, 443	70022859 417, 419	70022982.....95
70021606..... 181, 199	70022020..... 441, 443	70022861 417, 419	70022983.....96
70021607..... 181, 199		70022862 417, 419	70022984.....90, 94
			70022985.....90, 94

PART NUMBER INDEX

70022986	96	70023358	447	70024146..	154, 175, 195,	70024546	63
70022987	90, 94	70023359	447	219		70024547	427
70022988	95	70023360	447	70024147...	153, 175, 219	70024548	427
70022989	96	70023361	447	70024152..	451, 453, 557,	70024549	427
70022990	91, 95	70023362	447	558		70024550	63
70022991	95	70023363	447	70024153.....	453, 558	70024551	63
70022992	90, 94	70023364	447	70024155.....	111	70024552	63
70022993	90, 94	70023365	447	70024156.....	111, 557	70024553	63
70022994	90, 94	70023366	447	70024157.....	111	70024554	63
70022995	90, 94	70023367	447	70024158.....	111	70024555	63
70022996	96	70023404	255	70024159.....	111	70024671	153, 175
70022997	63, 95	70023469	147, 169	70024160.....	111	70024841	121, 123
70022998	91, 95	70023489	169, 211	70024161.....	111	70024843	476, 487
70022999	95	70023490 ..	147, 169, 211	70024162.....	111	70024848	159
70023000	95, 96	70023491	147, 169	70024176... 121, 123, 557		70024849	159
70023001	95	70023493	169, 211	70024177... 121, 123, 557		70024851	153
70023002	95	70023494 ..	147, 169, 191	70024192.....	441	70024872	141
70023003	90, 94	70023496	147	70024193.....	441	70025320	383
70023004	90, 94	70023499	305	70024194.....	441	70025321	383
70023005	91, 96	70023500	305	70024195.....	441	70025322	383
70023006	91, 96	70023531	125	70024196.....	441	70025323	383
70023007	91, 96	70023532	125, 127	70024197.....	441	70025324	383
70023008	90, 94	70023533	125	70024198.....	441	70025325	383
70023009	90, 94	70023534	125, 127	70024199.....	441	70025326	383
70023010	90, 94	70023535 ..	125, 127, 557	70024200.....	441	70025327	383
70023011	96	70023536 ..	125, 127, 557	70024201.....	441	70025328	383
70023013	96	70023565	107	70024202.....	441	70025329	373
70023014	90, 94	70023791	103, 105	70024210..	157, 159, 181,	70025330	373
70023015	91, 96	70023793	103, 105	197, 199		70025331	373
70023016	90, 94, 95	70023794	103, 105	70024213.....	157, 159	70025332	373
70023037	457	70023800	255	70024215.....	159	70025333	373
70023038	458	70023801	255	70024216.....	181, 199	70025337	169, 211
70023039	457	70023807	103, 105	70024262.....	425	70025338	169, 211
70023040	283	70023814	467	70024266.....	375	70025339 ..	147, 169, 211
70023101	391, 403	70023815	467	70024267.....	375	70025561 ..	149, 153, 175
70023108	291	70023816	467	70024268.....	375	70025562	195
70023139	281	70023817	467	70024270.....	121, 123	70025606	425
70023193	275	70023818	467	70024271.....	121, 123	70025614	391, 403
70023266	255	70023831	537	70024274... 103, 105, 557		70025810	149, 171
70023267	255	70023890	283	70024276... 103, 105, 558		70025855	195
70023293	375, 379	70023892	421	70024277... 103, 105, 558		70025856	147
70023311	441, 443	70023893	421	70024278.....	103, 557	70025857 ..	149, 153, 171,
70023312	443	70023894	421	70024281.....	103, 105	175	
70023313	443	70023895	421	70024284.....	103, 557	70025887 ..	147, 169, 191
70023314	443	70023896	421	70024285.....	107, 557	70025900	461
70023315	443	70023897	421	70024286.....	107	70025918	407, 409
70023316	443	70023898	421	70024306.....	71	70025919	407, 409
70023317	443	70023899	421, 558	70024307.....	71	70025920	395, 407
70023318	441, 443	70023915	383	70024318.....	121, 123	70025921	395, 407
70023319	441, 443	70023925	91, 96	70024350.....	461	70025922 ..	395, 397, 407,
70023320	441, 443	70023950	103, 105	70024385... 103, 105, 107		409	
70023321	443	70023992	465	70024519.....	163	70025923	407, 409
70023322	443	70024002	423	70024520.....	167	70025924	395
70023323	443	70024004	147	70024521.....	167	70025930	395, 397
70023324	371, 373	70024005	147	70024522... 145, 167, 189		70025931	395, 397
70023325	297, 557	70024012	405, 558	70024525.....	179	70025932	395, 397
70023337	115, 119	70024020 ..	391, 403, 425	70024535.....	63	70025933	395, 397
70023345	451, 453	70024062	87	70024536.....	63	70025934	397, 409
70023349	447	70024109	115, 119	70024537.....	63	70025935	397, 409
70023350	447	70024110	115, 119	70024538.....	63	70025936	413, 415
70023351	447	70024111	115, 119	70024539.....	427	70025937	413
70023352	447	70024112	115, 119	70024540.....	63	70025938	413, 415
70023353	447	70024113	115, 119	70024541.....	63	70025939	413
70023354	447	70024114	115, 119	70024542.....	63	70025940	413, 415
70023355	447	70024115	115, 119	70024543.....	63	70025941	415
70023356	447	70024116	115, 119	70024544.....	63	70025942	415
70023357	447	70024123	63	70024545.....	63	70025950	391

PART NUMBER INDEX

70025952.....	391, 403	70026946.....	87	7026758 ...	235, 237, 239, 241, 243, 245	7028733.....	150, 154, 172, 175, 193, 195
70025953.....	391, 403	70026948.....	87	7026759 ...	235, 237, 239, 241, 243, 245	7028734.....	157
70025954.....	391, 403	70026949.....	87	7026760 ...	235, 237, 239, 241, 243, 245	7028735.....	157
70025955.....	391, 403	70026977.....	185	7026761 ...	235, 237, 239, 241, 243, 245	7029112.....	445
70025956.....	391, 403	70027022.....	199	7026762.....	237	7029127.....	143, 165, 203
70025957.....	391, 403	70027023.....	403	7026763.....	241	7029129.....	145, 167, 209
70025958.....	391	70027054.....	391	7026764.....	243	7029131.....	145, 167, 209
70025959.....	391, 425	70027104.....	105	7026765.....	243	7029279.....	141, 163
70025960.....	391	70027105.....	211	7026766.....	243	7029282.....	141, 163
70025961.....	391	70027315.....	193	7026767.....	243	7029283.....	141, 163
70025962.....	391, 403	7003226 ...	381, 389, 411	7026768.....	243	7029284.....	171
70025963.....	403	7003242 ...	371, 389, 411	7026769 ...	243, 247, 255	7029285.....	171
70025965.....	403	7005365.....	381	7026770.....	245	7029286.....	149, 171, 213
70025966.....	403	7007207.....	447	7026771.....	247	7029288.....	143, 165, 187
70025968.....	387	7007415.....	447	7026772.....	247	7029289.....	143, 165, 187
70025969.....	419	7007426.....	447	7026773.....	247	7029290.....	143, 165, 227
70025970.....	159	7007427.....	447	7026774.....	247	7029291.....	143, 165
70025971.....	169	7007429.....	447	7026775.....	247	7029292.....	143, 165, 207, 227
70025972.....	175	7007446.....	447	7026776.....	249	7029295.....	153, 175
70025973.....	165	7012773.....	455	7026777.....	249	7029298.....	159
70025974.....	165	7018300.....	465	7026778.....	249	7029300.....	153, 175, 557
70025980.....	175, 195	7021275.....	447	7026779.....	249	7029306.....	143, 165
70025981.....	157	7022340.....	447	7026780.....	249	7029307.....	143, 165
70026002.....	195	7023500.....	411	7026781.....	249	7029309.....	153
70026003.....	373	7023962.....	447	7026782.....	249	7029417.....	253
70026004.....	373	7023964.....	447	7026783.....	249	7029431.....	149, 171, 193, 213
70026005.....	373	7024574.....	429	7026784.....	249	7029520.....	75
70026006.....	373	7026022.....	465	7026785.....	251	7029521.....	75
70026012.....	379	7026408.....	511, 527	7026786.....	251	7029528.....	141, 163, 201
70026013.....	379	7026413.....	506	7026787.....	251	7029529.....	141, 201
70026014.....	379	7026414.....	505, 509	7026788.....	251	7029532.....	239
70026015.....	379	7026415.....	505	7026789.....	251	7029533.....	239, 241
70026030.....	191, 211	7026425.....	515	7026790.....	251	7029692.....	81, 85
70026031.....	167, 189	7026429.....	513	7026791.....	253	7029714.....	81
70026056.....	425	7026430.....	513	7026792.....	253	7029733.....	153, 175, 195, 215
70026057.....	425	7026431.....	513	7026793.....	253	7029734.....	159, 181, 199
70026058.....	425	7026437.....	517	7026794.....	253	7029735.....	159, 181, 199
70026059.....	425	7026438.....	517	7026797.....	229	7029736.....	172, 193, 217
70026060.....	425	7026439 ...	509, 525, 527	7026798.....	281, 283	7029737.....	149, 171, 193
70026061.....	425	7026440.....	489	7026799.....	281, 283	7029750.....	153, 154, 175
70026062.....	425	7026477.....	299	7026900.....	283	7029751.....	154, 175
70026064.....	205	7026478.....	299	7026901.....	281, 283	7029760.....	375, 393, 399, 405, 423
70026065.....	205	7026481.....	297	7026902.....	283	7029771.....	523
70026072.....	197	7026481 ...	143, 165, 203	7026904.....	281	7029786.....	179, 197
70026185.....	463	7026490 ...	143, 165, 203	7026905.....	283	7029787.....	159
70026186.....	463	7026577.....	255	7026906.....	281, 283	7029788.....	157
70026187.....	463	7026578.....	255	7026909.....	519	7029821.....	399, 558
70026188.....	463	7026731 ...	153, 175, 215	7026910.....	505	7029842.....	445
70026211.....	471	7026739.....	319	7026998.....	465	7029843.....	445
70026212.....	471	7026740.....	319	7026999.....	465	7029844.....	445
70026213.....	471	7026741.....	319	7027100.....	465	7029848.....	255
70026214.....	471	7026742.....	319	7027270.....	255	7029849.....	235, 237, 239, 241, 243, 245
70026215.....	471	7026743.....	319	7027273.....	255	7029850.....	235, 237, 239, 241, 243, 245
70026238.....	193, 195	7026744.....	231	7028710.....	145	7029851.....	235, 237, 239, 241, 243, 245
70026239.....	195, 223	7026745.....	231	7028714 ...	149, 153, 171, 175, 193, 195	7029852.....	235, 237, 239, 241, 243, 245
70026240.....	195, 225	7026746.....	231	7028715 ...	149, 153, 171, 175, 193, 195	7029860.....	279
70026348.....	465	7026747.....	231	7028716 ...	149, 153, 171, 175, 193, 195	7029862.....	434, 438
70026390.....	193	7026748.....	231	7028718.....	557	7029863.....	438
70026391.....	193	7026749.....	231	7028721 ...	149, 171, 193, 557		
70026392.....	193	7026750.....	233				
70026631.....	189	7026751.....	233				
70026699.....	87	7026752.....	233				
70026747.....	87, 199	7026753.....	233				
70026748.....	199	7026754.....	233				
70026753.....	203	7026755.....	233				
70026799.....	201	7026756.....	233				
70026944.....	87	7026757.....	235				

PART NUMBER INDEX

7029864.....	438	80204005 .141, 143, 149,	80364023.....	272	80964001.....	489
7029865.....	438	153, 163, 165, 171,	80364030.....	272	80964051.....	275, 558
7029866.....	399	175, 185, 187, 193, 221	80364079.....	275	80964070.....	492
7029868.....	399	80204012.....	80364095.....	301, 303	8096D097.....	279, 491
7029869.....	399	195	8036433.....	135, 137, 557	80983168.....	495
7029870.....	399	80204033 ..147, 169, 191	8036508.....	441, 443	8160419.....	309
7029871	393, 399, 405	80204035 ..147, 169, 191	8036528.....	249, 251	82033995..	285, 287, 290
7029872	393, 399, 405	80204043 ..147, 169, 191	8036529.....	249	82033997.....	287
7029873.....	399	80204048 ..147, 169, 191	8036575.....	235, 237, 239,	8205655.....	429
7029874.....	399	80204049.....	241, 243, 245	8220050.....	495	
7029883.....	461	80204050.....	8036629.....	421	8220081.....	521, 523
7029885.....	461	80204051.....	8036678.....	279	8220089.....	509, 519
7029887.....	461	80204052.....	8036750.....	421	8220101.....	499
7029908.....	297, 557	80204060.....	8036847.....	233	8220124.....	499
7029915.....	455	80204065 .149, 153, 171,	8037140.....	471	8220164.....	499
7029916.....	455	175, 195	80383231.....	285, 287	8220524.....	515
7029917.....	455	80204071 .149, 153, 171,	80384187.....	275	8220525	515, 525, 527
7057141.....	114, 118	175, 193, 195	80384189.....	275	8220890.....	493, 506
7062922.....	67	80204076 ..153, 175, 195	80384191.....	275	8220904.....	529
7110702.....	67	80204108.....	80384192.....	275	8223073.....	495
7110712.....	429	157, 159, 163, 165,	80384203.....	279	8225122.....	476
7110722.....	429	171, 179, 181, 193,	80384205.....	272	8270621.....	539
7112642.....	69	197, 199, 205, 227	80384207.....	279	8278020.....	114, 118
7114941.....	69	80204143 ..143, 165, 203	80384213.....	279	8303544.....	121, 123
7139918.....	65	80204144 ..143, 165, 203	80384218.....	272	8303626.....	69
71492152.....	285	80204281 .157, 159, 179,	80384305.....	272	8303634.....	65, 67, 429
7300435.....	99, 101	181, 197, 199	80434249.....	465	8303658.....	65
7301295.....	65	80214120 .149, 153, 171,	80463058.....	527	8303715.....	67
7301536.....	291, 325	175, 193, 195	80484081.....	505, 509	8304042.....	441
7301579.....	65	80241137.....	80484084.....	505, 509	8305012.....	69
77101143.....	137	80241147.....	80484085.....	505, 509	8305038.....	290
77133052 ..	327, 335, 341	80264031.....	80484086.....	505, 509	8305603.....	114
77133073.....	327, 335	80264066.....	80484088.....	517	8305624.....	65, 539
77133089.....	343	80264138.....	80501012.....	135	8305643.....	65, 67, 429
77133136.....	331	80264139.....	80604016..	509, 511, 515,	8305644.....	69
77133137 .285, 287, 331,		80304227.....	523	8305645.....	29, 51, 53	
339, 359		80304327 ..233, 251, 253	80604017.....	492	8307007.....	69
77133139 .331, 335, 351,		80304394 ..233, 247, 253	80604018..	483, 485, 505,	8307024.....	269
359, 363, 483		80304405.....	506, 509, 511, 521,		8307107.....	99, 101
77133140 .331, 335, 351,		8033786.....	525, 527		8307112.....	69
357, 359, 361, 363,		8034805.....	80604020.....	543	8307904.....	29, 67
367, 483		8034807.....	80604021...506, 511, 517		8307916.....	51, 53
77133168 ..357, 361, 367		8035261.....	80604022.....	543	8307917.....	51, 53
77133177 ..359, 363, 483		8035461.....	80604023.....	506, 519	8307918.....	29, 67
77133209.....	483	8035498.....	80604025...509, 511, 523		8310067.....	51, 53
77133270.....	365	8035523.....	8065062.....	67	8310093.....	29
77133279.....	285, 287	8035536.....	80904003.....	558	8310160.....	67
77133497.....	483	8035744.....	80933113.....	253	8310161.....	67
77133498.....	483	8035831.....	80933140.....	339	8310302.....	65
77143003.....	273	8035862.....	80933367.....	123, 127	8310420.....	125, 127
77143006.....	115, 118	8035863.....	80934498...301, 303, 319		8310435.....	65
77143017.....	487	8035865 ...385, 387, 417,	80963050.....	492	8310453.....	477
77323029.....	290, 339	419	80963055.....	511	8310722.....	535
77363228.....	517	8036088.....	80963056...505, 515, 531		8310737.....	290
77363229 .483, 485, 511,		8036190.....	80963057.....	513	8310748.....	291
527		8036204105, 107, 557	80963058.....	487, 531	83191010.....	257
77363232.....	483, 485	8036250.....	80963061.....	505, 519	83201030.....	13
77363233.....	483, 485	80363034.....	80963062..	505, 513, 519,	83481285..	505, 511, 515
77363242.....	515	80363099.....	521		83481286..	505, 511, 515
77383118.....	137	80363102.....	80963064.....	513	83671037.....	445
77383790.....	121	80363103.....	80963065..	487, 511, 513,	8405007....	99, 101, 114,
77384578.....	558	80363178.....	531		118	
77394009.....	511	80363179 .487, 503, 515,	80963067.....	513, 531	8405104... 114, 118, 451,	
8007751.....	145	537	80963068.....	511, 513	453	
8007755.....	145	80364001.....	80963069...487, 513, 531		8405201.....	114, 118
80204002 ..143, 165, 187		80364009.....	80963070.....	505, 513	8405212.....	114, 118
		80364012.....	80963101.....	489		

PART NUMBER INDEX

8405305.....121, 123, 125, 127	88501310..... 49	90554018..... 81	91344053.....492
8406105.....476, 492	88501312..... 49	90554020..... 85	91355034.....263
8406303.....99	88501410..... 49	90554033..... 87	91355035.....263
8410010.....121	88501412..... 49	90554034..... 87	91355037.....263
8410011.....285, 287	88501612 . 357, 359, 361, 363	90554042..... 85	91355038.....263
8420053.....61, 63, 65, 67	88521004..... 268	90554045..... 431	91361049.....39, 556
8420055.....61, 63, 65, 67	88521005..... 268	90554054..... 85	91363021... 499, 501, 503
8420213.....115, 119	88521010..... 29	90554062..... 81, 85	91401189.....46
84231107.....285, 287	88521012..... 29	90554065..... 81	91401191.....35, 556
8430034.....111	88521205..... 259	90554076..... 81, 85	91401193.....49
8430048.....285, 287	88521208..... 115, 119	90554080..... 75	91401197.....35
8466306.....548	88521304..... 351	91014066..... 399	91401204.....47
84711334.....324	88521305..... 434, 438	91023098..... 268, 277	91401215.31, 35, 39, 556
84718545.....351	88551009..... 307	91033317..... 487, 558	91401216.31, 35, 39, 556
84719940.....29, 351, 359	88551013..... 25, 259	91033425..... 487	91401223..31, 33, 35, 39, 556
8500066.....492	88561003..... 259, 434	91034237..... 438	91401224.31, 35, 39, 556
8520021.....421	88561107..... 307	91041451..... 46	91401225.35, 41, 43, 556
8522012.....46, 49	88561108..... 259	91041596..... 46	91401226.....41, 556
8526203.....261, 263	88581112..... 46, 49	91043084..... 263	91401281.....477
8530025.....118	88581115..... 46	91043125 .51, 53, 91, 95, 479	91401281.....477
8546407.....327	88581149 .381, 385, 389, 393	91043126 .51, 53, 91, 95, 479	91401435.....357
8580315.....67	88661002 29, 351, 359	91044080 .375, 399, 405, 423	91401436.....361
8584001.....67	88662019..... 455	91053020..... 324	91401443.....487
8584003.....483, 485	88662065..... 455	91081313..... 23	91401450.31, 33, 35, 556
85941016.....495	88662523..... 16, 20	91081640..... 477, 479	91401451.....35, 41, 556
8630003.....65	88662546..... 324	91083106..... 327	91401453.....35, 41, 556
8630019.....324, 327	8866334..... 275	91083214..... 353	91401454.....35, 41, 556
8642207.....67	8866348..... 16, 20	91083216..... 357, 361	91401456.....31, 33, 556
86683122.....351	88671001..... 23, 46, 61	91083217..... 359, 363	91401457.....31, 33, 556
86683193.....285, 287	88671008..... 31	91084004..... 433, 437	91401469.....31
86883328...285, 287, 292	88671027..... 35, 41, 557	91084005..... 434, 437	91401472.....31
8750001.....331, 335	88681344..... 49	91084006..... 434, 437	91401516.....277
8750005.....331, 335	8880216-OM..... 135, 137	91084008..... 433, 437	91401568.....47
8750044.....327	8880217-OM..... 135, 137	91084009..... 433	91401590.....277
8769132.....67	8880218-OM..... 135, 137	91084010..... 433, 437	91403017.....46
8769152.....324	8881800..... 539	91084203..... 434	91403022.....381
8769153.....324	88991005..... 31, 35, 41	91084278..... 434, 438	91403025.....29
8769154.....341	90022230..... 423	91084279..... 434, 438	91403042.....47
8770016.....67	90027187..... 485	91094023..... 433, 437	91403044.....47
8770258.....295	90027470 .31, 33, 35, 39, 41, 43, 47	91094024..... 433, 437	91403045.....46
8780031.....261	90027471 .31, 33, 35, 39, 41, 43	91123062..... 365	91403047.....47
8780036.....261	90027472..... 49	91123126..... 299	91403052.....49
8786514.....261, 263	90027473..... 135, 268	91140001CP..... 13	91403053.....49
88201006.....307	90027475..... 135, 137	91141124..... 385	91403061.....47
88201011.....313	90027475..... 135, 137	91141128..... 47	91403065.....385
88201028.....259, 434	90028695..... 324	91143107..... 483, 485	91403087.....47, 557
88201030.....259	90028720..... 324, 327	91143117..... 495	91403097.....268
88201530.....35	90028935..... 411, 417	91143220..... 135, 325	91403098.....268
88211030.....487	90200003 .57, 59, 61, 65, 67	91143357..... 539, 558	91403119.....47
88212288.....29	90200602CP..... 25	91144190..... 299	91403126.....361
88241023...357, 361, 363	90200755..... 277	91144478..... 279	91403127.....361
88261010.....495	90206194..... 115, 119	91153007..... 121	91403153.....268
88261128.....41	90206195..... 268	91161222..... 31, 35, 41	91403178.....309
88261129.....41	90206198... 20, 137, 277, 477	91163028..... 550	91403193..... 135, 137
88411045.....438	90206203 .137, 325, 327, 477	91163035..... 131	91403217.....268
8841322.....253	90207463..... 355	91163087..... 277	91403225..... 411, 417
88501004.....313, 315	90207661..... 483, 485	91163100 ..268, 451, 453	91403226..... 411, 417
88501005.....20	90214009..... 558	91164086..... 272	91403230.....268
88501006.....16, 20, 357, 361, 367, 441	90451058..... 65	91164087..... 272	91403273.....313
88501008.....272, 273	90554016..... 81, 85, 87	91164094..... 272	91403316.....277
88501012.....268	90554017..... 81	91334024..... 272	91403324.....277
88501014.....268		91334032..... 275	91403412.....135
88501020.....47		91334035..... 279	91403413..51, 53, 61, 63, 65, 67, 91, 95, 479
88501022.....385		91343031..... 492	91403414..51, 53, 61, 63, 65, 67, 91, 95, 479
88501120.....47			91403432.....46

PART NUMBER INDEX

91403433	49	91404301	272	91474402	455	91474565	157
91403489	131	91404302	272, 275	91474407	455	91474568 ..	157, 179, 197
91403490	301, 557	91404303	272	91474434	457	91474569 ..	157, 179, 197
91403491	303, 557	91404306	272	91474435	457	91474570	157
91403493	47	91404309	275	91474438	457	91474576 ..	149, 171, 193
91403499	357, 361	91404310	275	91474439	457	91474579 ..	149, 171, 217
91403503 ..	272, 273, 492	91404311	275	91474440	457	91474580 ..	149, 171, 217
91403518	49	91404312	275	91474441	457	91474581 ..	149, 171, 217
91403519	49	91404313	275	91474442	457	91474582 ..	149, 171, 193
91403520	483	91404315	275	91474443	457	91474583	149, 171
91403522	483	91404316	275	91474446	457	91474584 ..	149, 171, 193
91403530 ..	31, 33, 35, 39, 556	91404317	275	91474447	457	91474585 ..	149, 171, 213
91403531 ..	35, 41, 43, 556	91404318	275	91474450	457	91474586 ..	149, 171, 213
91403532 ..	31, 35, 39, 556	91404319	275	91474451	457	91474587 ..	149, 171, 213
91403533	41, 556	91404320	275	91474452	457	91474591 ..	145, 167, 189
91403579	451, 453	91404321	275	91474453	457	91474592	167, 189
91403601	131	91404322	275	91474454	457	91474593	209
91403608	487	91404323	275	91474455	457	91474594	167, 209
91404010	301, 557	91404324	275	91474456	457	91474595	167, 209
91404011	301, 303	91404325	303, 557	91474458	457	91474596 ..	167, 189, 209
91404013	301, 303	91404326	301, 303	91474459	457	91474624	445
91404016	301, 303	91404327	301, 303	91474460	457	91475031	261
91404080	393	91404382	393	91474465	489	91475032	261
91404088	309	91405035	261	91474481	275	91475033	307
91404089	309	91405036	261	91474482	275	91475054	261
91404091	309	91405085	357	91474486	461	91475055	261
91404093	309	91405086	361	91474488	461	91475074	135
91404094	309	91406015	46	91474492	275	91475103	259
91404095	309	91413036 ..	268, 285, 287, 290	91474507 ..	141, 149, 163, 185	91476031	295
91404096	309	91413050	268, 277	91474512 ..	141, 143, 163, 165, 185, 187	91476041	31
91404097	309	91413052	492	91474513 ..	141, 149, 163, 171, 185, 193	91476042B	36
91404098	309	91413061	548	91474515 ...	141, 163, 205	91476054	259
91404099	309	91413122	46	91474516 ...	141, 163, 205	91476055	259
91404100	309	91413123	46	91474521 ...	141, 163	91503014	47
91404101	309	91413127	49	91474522 ...	141, 163, 201	91503105 ..	517, 519, 527
91404102	309	91413130	277	91474524 ...	149, 171, 195	91503112	517, 519
91404103	309	91413138	49	91474526 ...	149, 150, 171	91504028	301, 303
91404105	309	91413139	47	91474527	149, 150	91504029 ..	301, 303, 319
91404106	309	91413142	273	91474528	145, 167	91504030	319
91404107	309	91413154	399	91474529 ...	145, 167, 189	91504031	319
91404109	272	91413156	389	91474531	145	91504080	437
91404110	272	91416013	307	91474532 ...	145, 167, 189	91504088	511
91404178	434	91416017	307	91474533 ...	145, 167, 189	91504089	509
91404179	434	91471213	135	91474535	145, 167	91504107	511
91404182	433, 437	91471226 ..	31, 33, 35, 39	91474536	145, 167	91511008	39
91404186	433, 437	91471227 ..	31, 33, 35, 39	91474537	145, 167	91511038	33
91404187	433	91471228	35, 41, 43	91474538	145, 167	91511039	33
91404188	433	91471229	35, 43	91474539 ...	145, 167, 189	91511047	47
91404189	433	91471240 ..	371, 399, 405	91474540	145, 167	91511048	47
91404191	433, 437	91473085	16	91474541	145, 167	91511049	49
91404192	434	91473088	313	91474542	145, 167	91511050	359
91404207	309	91473126	259	91474543	145, 167	91511094	39, 556
91404208	309	91473127	489	91474544	145	91511096	39, 556
91404209	309	91473146 ..	307, 311, 315	91474547 ...	145, 167, 189	91511097	43, 556
91404210	309	91473163	268	91474548	145	91511098	43, 556
91404214	434	91473188	365	91474549	145	91511099	43, 556
91404275	16, 20	91473206	261, 263	91474550 ...	145, 167, 209	91511100 ..	33, 39, 43, 556
91404290	272	91473207	261	91474551 ...	145, 167, 209	91511101 ..	33, 39, 43, 556
91404291	272	91473211	277	91474553 ...	145, 167, 209	91511102 ..	33, 39, 43, 556
91404293	279	91473230	381	91474559	157	91511105	137
91404294	272	91473231	411	91474560	157	91511111	363
91404295	272	91473233	371	91474561	157	91511127	495
91404296	272	91474023	461	91474562	157	91511142	385
91404297	272	91474178	445	91474563	157	91511145	295
91404298	272	91474179	445	91474564	157	91513003	47
91404299	272	91474181	445			91513006	47

PART NUMBER INDEX

91513011.....49	91514089 . 143, 153, 159, 165, 187	91514154 . 157, 159, 179, 181, 197, 199	91515028.....363
91513015.....47	91514090 .. 143, 165, 227	91514156 159	91515047.....311
91513016.....46	91514095 . 149, 153, 171, 175, 193, 195	91514157 159	91515055.....550
91513017.....47	91514098 . 141, 143, 163, 165, 185, 187	91514158 159	91515071.....259
91513018.....46	91514099 . 141, 143, 149, 153, 163, 165, 171, 175, 193, 195, 205, 227	91514159 . 157, 159, 179, 181, 197, 199	91515073.....550
91513026.....359, 363	91514101 .. 143, 165, 187	91514160 179	91515074.....550
91513028.....46	91514111 . 149, 153, 171, 175, 223, 225, 557	91514161 159, 181	91516008.....46
91513029.....46	91514112 . 149, 153, 171, 175, 193, 195	91514165 . 157, 159, 179, 181, 199	91516009.....33
91513035.....49	91514113 171, 195	91514167 157, 159	91516040.....259
91513047.....29	91514114 171, 195	91514174 .. 153, 175, 195	91516041.....259
91513074.....39, 556	91514115 171, 195	91514175 .. 153, 175, 219	91516042.....259
91513115.....485	91514117 . 149, 153, 171, 175, 195	91514177 153, 175	91516043.....259
91513122.....20	91514118 257, 259	91514178 .. 153, 175, 195	91553072.....553
91513123.....485	91514123 . 145, 147, 149, 153, 167, 169, 171, 175, 189, 191, 193	91514179 .. 153, 175, 195	91554019.....515, 537
91513124.....365	91514124 147	91514180 .. 153, 175, 195	91554023.....509
91513125.....299	91514130 .. 147, 169, 191	91514181 . 149, 153, 171, 175, 193, 195	91561192.....297
91513175.....47	91514131 .. 147, 169, 191	91514184 .. 153, 175, 215	91561240.....53
91513176.....46	91514133 .. 147, 169, 191	91514185 .. 153, 175, 215	91561241.....451, 453
91513177.....49	91514134 . 145, 147, 167, 169, 189, 191	91514186 .. 153, 175, 215	91563079.....123
91513180.....295	91514143 147	91514188 . 141, 149, 153, 163, 171, 175, 185, 193, 195	91563121.....558
91513199.....49	91514146 . 149, 153, 171, 175, 193, 221	91514189 . 149, 153, 171, 175, 193, 195	91563129.....121, 123
91513200.....47	91514147 . 149, 153, 171, 175, 193, 221	91514191 169, 191	91563136.....451
91513204.....311, 315	91514148 . 149, 153, 171, 175, 193, 221	91514197 457	91563158.....281
91513205.....121	91514149 . 149, 153, 171, 175, 193, 195, 221	91514198 457	91563164.....281
91513241.....49	91514151 159	91514199 457	91563185.....513
91513242.....49	91514152 159	91514251 385, 387	91563190.....465
91513266.....257, 259	91514153 157, 159	91514266 291	91563191.....277
91513272.....405		91514270 291	91563192.....487
91513273.....417		91514272 291	91563197.....23
91513275.....393		91514281 393, 558	91563198.....23
91513276.....385		91514295 291	91563199.....23
91513279.....375		91514296 292	91563200.....319
91513280.....405		9151477 219	91563201.....319
91513282.....399, 405		91515002 359	91563208.....299
91514081..149, 153, 171, 175, 193, 195		91515022 137	91563220.....549
91514082..149, 153, 171, 175, 193, 195			91563226.....299, 557
91514083.....149, 153			91563247.....531
91514084.....149, 153			91565067.....269
91514087..143, 153, 165, 175, 187, 195			91565094.....75



31200727



An Oshkosh Corporation Company

Corporate Office
JLG Industries, Inc.
1 JLG Drive
McConnellsburg, PA 17233-9533 USA
☎ **(717) 485-5161 (Corporate)**
☎ **(877) 554-5438 (Customer Support)**
☎ **(717) 485-6417**

Visit our website for JLG Worldwide Locations.
www.jlg.com