



Illustrated Parts Manual

Models ***G10-55A*** ***G12-55A***

SN 0160045636 to Present including
0160045082, 0160045094,
0160045209, 0160045295,
0160045296 & 0160045449

31200728

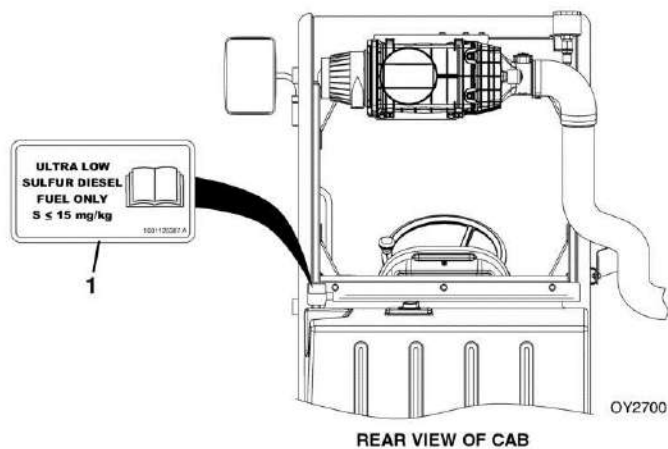
Revised
September 28, 2018 - Rev O



EFFECTIVITY PAGE

May 1, 2012 - A - Original Issue of Manual
January 4, 2013 - B - Revised Manual
January 29, 2013 - C - Revised Manual
April 3, 2013 - D - Revised Manual
August 2, 2013 - E - Revised Manual
January 10, 2014 - F - Revised Manual
March 4, 2014 - G - Revised Manual
January 23, 2015 - H - Revised Manual
February 5, 2015 - I - Revised Manual
October 28, 2016 - J - Revised Manual
February 28, 2017 - K - Revised Manual
May 12, 2017 - L - Revised Manual
September 6, 2017 - M - Revised Manual
April 13, 2018 - N - Revised Manual
September 28, 2018 - O - Revised Manual

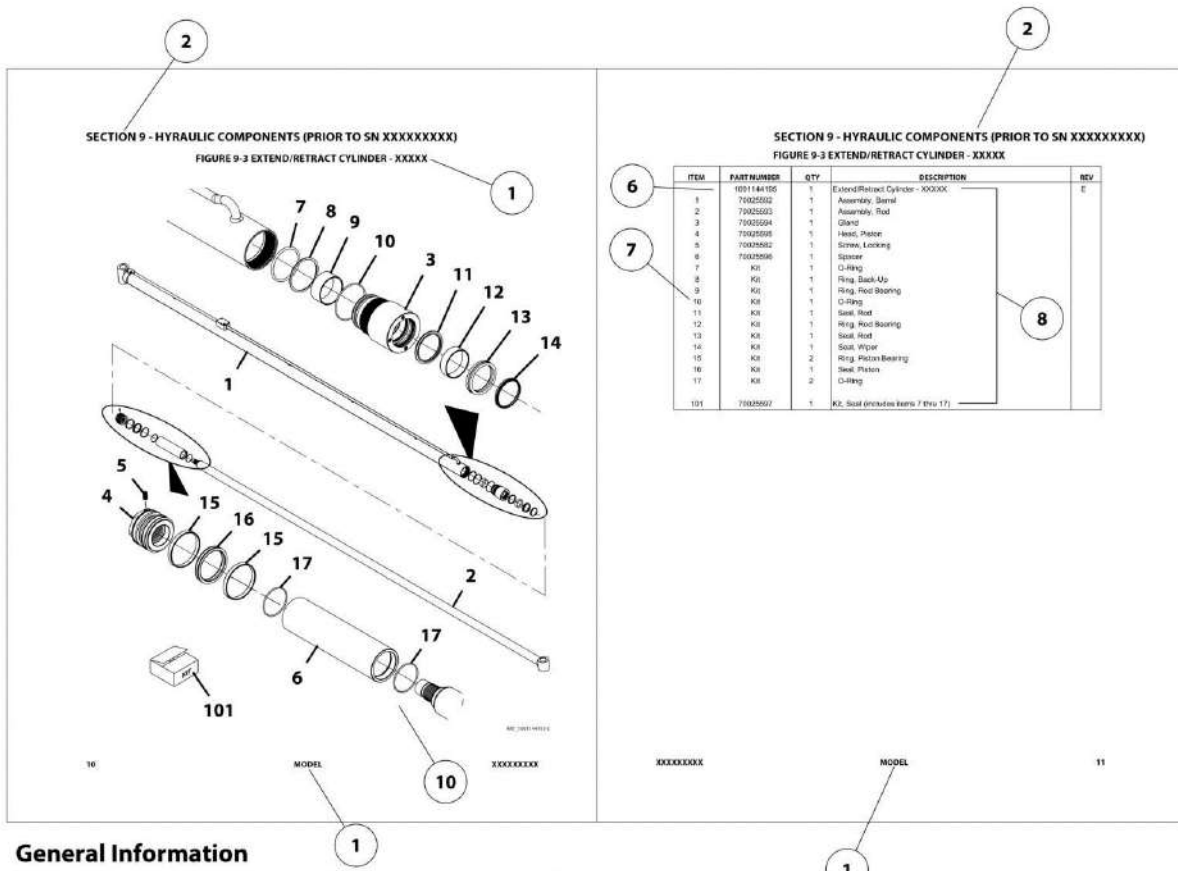
Machine Configuration



Two configurations of each machine are included in this manual. Determine if machine is equipped with Ultra Low Sulfur Fuel Decal (1).

If equipped with the Ultra Low Sulfur decal, all specific references to this machine configuration will be referred to as Ultra Low Sulfur (ULS) from this point forward.

If not equipped with the Ultra Low Sulfur decal, all specific references to this machine configuration will be referred to as Low Sulfur (LS) from this point forward.



General Information

1. MACHINE IDENTIFICATION

Machines are identified by model and in some cases a combination of model, serial number (S/N) or regional standard (e.g. ANSI, CE, CSA, AUS). Components may also be identified by S/N or manufacturer. Common components that may be identified by these characteristics are attachments, engine, transmission and hydraulic components.

2. PARTS MANUAL ORGANIZATION

Product information in this manual is organized under section titles. Frame, Engine and Electrical are a few examples. Each section is organized by Figure and page number. The information within the Figure is then organized by item number, part number, description and corresponding illustration(s).

3. TABLE OF CONTENTS

A table of contents (TOC) is found toward the beginning of the manual. Figure number, description and page number are provided for quick reference to the page containing the related information.

4. RECOMMENDED SPARE PARTS

The Recommended Spare Parts, located near the end of the manual, references most frequently used maintenance parts.

5. PARTS NUMBER INDEX

A numerical index listing all part numbers and the corresponding page number(s) appears at the back of the manual.

6. NON-SERVICED PARTS

In some instances it is necessary to display non-serviced parts, assemblies or installations. In the case of assemblies and installations there will be a Ref in the QTY column and a note after the item description stating what is available for service within. In the case of parts that are not available for service within assemblies or components there will be a NSS (Not Sold Separately) listed in the part number column of the manual.

7. PARTS LIST ITEM NUMBERS

Numbers shown in the Item column correspond to numbers used in the associated illustration(s). Item numbers which are missing from sequence and are not shown in the illustration(s) are not used on that page.

8. INDENTED PART DESCRIPTION

An indented part description is included in the item under which it is indented.

9. ABBREVIATIONS AND SYMBOLS

AC	Alternating Current
A/C	Air Conditioning
ADE	Advanced Design Electronics
AG	Agriculture
AMP	Amperage
ANSI	American National Standards Institute
AR	As Required
ASSY	Assembly
AUS	Australia
AUX	Auxiliary
AWG	American Wire Gauge
CAC	Charge Air Cooler
CE	European Conformity
CM	Centimeter
CONST	Construction
CSA	Canadian Standards Association
DEF	Diesel Exhaust Fluid
DIA	Diameter
DC	Direct Current
DTZ	Decentralized Transmission Zeros
ECU	Electronic Control Unit
EMS	Emergency Stop
FNR	Forward Neutral Reverse
FT	Foot
GA	Gauge
GR	Grade
HBP	High Boom Pivot
HHP	High Horse Power
HOC	Hydraulic Oil Cooler
HVAC	Heating, Ventilating, and Air Conditioning
ID	Inside Diameter
IN	Inch
ISO	International Organization for Standards
ITSDF	Industrial Truck Standards Development Foundation
JIC	Joint Industry Council
KG	Kilogram
KW	Kilowatt
L	Liter

LB	Pound
LBP	Low Boom Pivot
LCD	Liquid Crystal Display
LED	Light Emitting Diode
LH	Left Hand
LHD	Left Hand Drive
LHP	Low Horse Power
LMIS	Load Management Indicator System
LS	Low Sulfur
LSI	Load Stability Indicator
LSS	Load Sensing System
M ³	Cubic Meter
MA	Milliamp
M(m)	Metric/Meter
MM	Millimeter
N	Newton
NACD	North America Construction Division
NLA	No Longer Available
NSS	Not Sold Separately
OD	Outside Diameter
ORB	O-Ring Boss
ORFS	O-Ring Face Seal
OZ	Ounce
PR	Ply Rating
QT	Quart
QTY	Quantity
REF	Reference
REV	Revision
RH	Right Hand
RHD	Right Hand Drive
RHOC	Remote Hydraulic Oil Cooler
RUS	Russia
SAE	Society of Automotive Engineers
SAHR	Spring Applied Hydraulically Released
SN	Serial Number
SPD	Speed
TLU	Torque Lock Up
UGM	Universal Ground Module

10. ILLUSTRATION REFERENCE LETTERS

When necessary, illustrations may contain reference letters that are intended to track information from one point to another in the illustration such as harnesses and hoses or any other information that has been separated in the illustration

Note: Due to continuous product improvements, JLG Industries, Inc. reserves the right to make specification changes without prior notification. Contact JLG Industries, Inc. for updated information.

TABLE OF CONTENTS

SECTION 1 - FRAME AND ATTACHING PARTS.....	11
FIGURE 1-1. FRAME AND ATTACHING PARTS	12
FIGURE 1-2. COVERS.....	14
FIGURE 1-3. OUTRIGGER INSTALLATION.....	18
FIGURE 1-4. PINTLE HOOK.....	20
SECTION 2 - BOOM.....	23
FIGURE 2-1. BOOM INSTALLATION.....	24
FIGURE 2-2. FIRST BOOM SECTION G10-55A.....	26
FIGURE 2-3. FIRST BOOM SECTION G12-55A.....	28
FIGURE 2-4. SECOND BOOM SECTION G10-55A.....	30
FIGURE 2-5. SECOND BOOM SECTION G12-55A.....	34
FIGURE 2-6. THIRD BOOM SECTION G10-55A.....	38
FIGURE 2-7. THIRD BOOM SECTION G12-55A.....	42
FIGURE 2-8. FOURTH BOOM SECTION G10-55A.....	46
FIGURE 2-9. FOURTH BOOM SECTION G12-55A.....	48
FIGURE 2-10. EXTEND CHAINS G10-55A.....	50
FIGURE 2-11. EXTEND CHAINS G12-55A.....	52
FIGURE 2-12. RETRACT CHAINS G10-55A.....	54
FIGURE 2-13. RETRACT CHAINS G12-55A.....	56
FIGURE 2-14. MANUAL QUICK ATTACH.....	60
SECTION 3 - ATTACHMENTS.....	63
FIGURE 3-1. STANDARD CARRIAGE (Prior to SN 0160052000).....	64
FIGURE 3-2. STANDARD CARRIAGE (SN 0160052000 to Present).....	66
FIGURE 3-3. SIDE TILT CARRIAGE.....	68
FIGURE 3-4. 50 IN SIDE SHIFT CARRIAGE.....	70
FIGURE 3-5. DUAL FORK POSITIONING CARRIAGE.....	72
FIGURE 3-6. 90, SWING CARRIAGE.....	74
FIGURE 3-7. 180, SWING CARRIAGE.....	76
FIGURE 3-8. SHEET HANDLER CARRIAGE.....	80
FIGURE 3-9. FORKS AND ATTACHING PARTS.....	82
FIGURE 3-10. FORK MOUNTED PLATFORM.....	84
FIGURE 3-11. FORK MOUNTED HOOK.....	86
FIGURE 3-12. GENERAL PURPOSE BUCKET.....	88
FIGURE 3-13. GRAPPLE BUCKET.....	90
FIGURE 3-14. TRUSS BOOM.....	92
FIGURE 3-15. TRUSS BOOM WITH WINCH.....	94
FIGURE 3-16. ADJUSTABLE TRUSS BOOM.....	96
FIGURE 3-17. 8 FOOT STANDARD MAST.....	98
FIGURE 3-18. 8 FT SIDE TILT ELECTRIC MAST.....	102
SECTION 4 - ENGINE AND ATTACHING PARTS.....	107
FIGURE 4-1. ENGINE INSTALLATION.....	108
FIGURE 4-2. ENGINE.....	110
FIGURE 4-3. ENGINE.....	112
FIGURE 4-4. FUEL TANK AND LINES.....	114
FIGURE 4-5. RADIATOR INSTALLATION.....	116
FIGURE 4-6. AIR CLEANER INSTALLATION.....	120
FIGURE 4-7. AIR CLEANER INSTALLATION.....	122
FIGURE 4-8. EXHAUST INSTALLATION.....	124
FIGURE 4-9. EXHAUST INSTALLATION.....	126
SECTION 5 - DRIVE TRAIN.....	129
FIGURE 5-1. DRIVETRAIN COMPONENTS (Prior to SN 0160054609).....	130
FIGURE 5-2. DRIVETRAIN COMPONENTS (SN 0160054609 to Present).....	134
FIGURE 5-3. FRONT AXLE.....	138
FIGURE 5-4. FRONT AXLE (SN 0160063540 to Present).....	140
FIGURE 5-5. FRONT AXLE - CENTRAL HOUSING AND STEERING (Prior to SN 0160046229, SN 0160046235 through 0160063539, Excluding 0160045209, 0160045296, 0160045449 and 0160045636).....	142

TABLE OF CONTENTS

FIGURE 5-6. FRONT AXLE - CENTRAL HOUSING AND STEERING (SN 0160046229 through 0160046235, Including 0160045209, 0160045296, 0160045449 and 0160045636).....	144
FIGURE 5-7. FRONT AXLE - CENTRAL HOUSING (SN 0160063540 to Present)	146
FIGURE 5-8. FRONT AXLE - DIFFERENTIAL	148
FIGURE 5-9. FRONT AXLE - DIFFERENTIAL (SN 0160063540 to Present)	150
FIGURE 5-10. FRONT AXLE - HUB REDUCTION (Prior to SN 0160046229, SN 0160046235 through 0160063539, Excluding 0160045209, 0160045296, 0160045449 and 0160045636).....	152
FIGURE 5-11. FRONT AXLE - HUB REDUCTION (SN 0160046229 through 0160046235, Including 0160045209, 0160045296, 0160045449 and 0160045636)	156
FIGURE 5-12. FRONT AXLE - HUB REDUCTION (SN 0160063540 to Present).....	160
FIGURE 5-13. FRONT AXLE - BRAKES (Prior to SN 0160046229, SN 0160046235 through 0160063539, Excluding 0160045209, 0160045296, 0160045449 and 0160045636).....	162
FIGURE 5-14. FRONT AXLE - BRAKES (SN 0160046229 through 0160046235, Including 0160045209, 0160045296, 0160045449 and 0160045636)	164
FIGURE 5-15. FRONT AXLE - BRAKES (SN 0160063540 to Present)	166
FIGURE 5-16. FRONT AXLE - STEERING (SN 0160063540 to Present)	168
FIGURE 5-17. FRONT AXLE - TRUNION (SN 0160063540 to Present)	170
FIGURE 5-18. REAR AXLE	172
FIGURE 5-19. REAR AXLE (SN 0160063541 to Present)	174
FIGURE 5-20. REAR AXLE - CENTRAL HOUSING AND STEERING (Prior to SN 0160054609)	176
FIGURE 5-21. REAR AXLE - CENTRAL HOUSING AND STEERING (SN 0160054609 through 0160063540)	178
FIGURE 5-22. REAR AXLE - CENTRAL HOUSING (SN 0160063541 to Present)	180
FIGURE 5-23. REAR AXLE - DIFFERENTIAL (Prior to SN 0160054609)	182
FIGURE 5-24. REAR AXLE - DIFFERENTIAL (SN 0160054609 through 0160063540).....	184
FIGURE 5-25. REAR AXLE - DIFFERENTIAL (SN 0160063541 to Present)	186
FIGURE 5-26. REAR AXLE - HUB REDUCTION (Prior to SN 0160054609).....	188
FIGURE 5-27. REAR AXLE - HUB REDUCTION (SN 0160054609 through 0160063540)	190
FIGURE 5-28. REAR AXLE - HUB REDUCTION (SN 0160063541 to Present)	192
FIGURE 5-29. REAR AXLE - BRAKES (Prior to SN 0160054609)	194
FIGURE 5-30. REAR AXLE - BRAKES (SN 0160054609 through 0160063540).....	196
FIGURE 5-31. REAR AXLE - BRAKES (SN 0160063541 to Present)	198
FIGURE 5-32. REAR AXLE - STEERING (SN 0160063541 to Present).....	200
FIGURE 5-33. REAR AXLE - TRUNION (SN 0160063541 to Present).....	202
FIGURE 5-34. REAR AXLE - DIFFERENTIAL ASSEMBLY (SN 0160063541 to Present)	204
FIGURE 5-35. REAR AXLE - RING GEAR SUPPORT KIT (SN 0160063541 to Present).....	206
FIGURE 5-36. REAR AXLE - PLANET GEAR CARRIER KIT (SN 0160063541 to Present)	208
FIGURE 5-37. REAR AXLE - SUPPORT ASSEMBLY (SN 0160063541 to Present)	210
FIGURE 5-38. TRANSMISSION	212
FIGURE 5-39. TRANSMISSION - CONVERTER AND INPUT	214
FIGURE 5-40. TRANSMISSION - GEARBOX HOUSING.....	216
FIGURE 5-41. TRANSMISSION - FORWARD GEAR GROUP	218
FIGURE 5-42. TRANSMISSION - REVERSE GEAR GROUP	220
FIGURE 5-43. TRANSMISSION - 1ST SHAFT GROUP.....	222
FIGURE 5-44. TRANSMISSION - 2ND SHAFT GROUP	224
FIGURE 5-45. TRANSMISSION - 3RD SHAFT GROUP	226
FIGURE 5-46. TRANSMISSION - 4TH SHAFT GROUP.....	228
FIGURE 5-47. TRANSMISSION - POWER TAKE-OFF	230
FIGURE 5-48. TRANSMISSION - CONTROL UNIT AND PRESSURE REGULATOR.....	232
FIGURE 5-49. TRANSMISSION - GEARSHIFT SYSTEM	234
FIGURE 5-50. TRANSMISSION - OIL PUMP, FILTER AND DIPSTICK.....	236
FIGURE 5-51. TRANSMISSION - TRANSFER BOX	238
FIGURE 5-52. WHEEL ASSEMBLY.....	240
FIGURE 5-53. FENDER INSTALLATION (Prior to SN 0160052014, SN 0160058370 to Present).....	242
FIGURE 5-54. FENDER INSTALLATION (SN 0160052014 through 0160058369)	244
SECTION 6 - CAB	247
FIGURE 6-1. CAB INSTALLATION.....	248
FIGURE 6-2. CAB ASSEMBLY	252
FIGURE 6-3. CAB DOOR	256
FIGURE 6-4. CAB INTERIOR	258
FIGURE 6-5. WIPERS	260
FIGURE 6-6. SEATS.....	262
FIGURE 6-7. HEATER INSTALLATION.....	264
FIGURE 6-8. AIR CONDITIONING INSTALLATION.....	268
SECTION 7 - CONTROLS.....	273

TABLE OF CONTENTS

FIGURE 7-1. BRAKE.....	274
FIGURE 7-2. ACCELERATOR.....	276
FIGURE 7-3. STEERING COLUMN.....	278
FIGURE 7-4. BOOM JOYSTICK.....	280
FIGURE 7-5. OUTRIGGER AND FRAME LEVEL/AUXILIARY CONTROLLER.....	282
SECTION 8 - HYDRAULIC CIRCUITS.....	285
FIGURE 8-1. SUPPLY CIRCUIT.....	286
FIGURE 8-2. DUMP CIRCUIT.....	290
FIGURE 8-3. STEER SELECT CIRCUIT.....	292
FIGURE 8-4. SERVICE BRAKE CIRCUIT.....	294
FIGURE 8-5. BOOM JOYSTICK CIRCUIT.....	296
FIGURE 8-6. FRAME LEVEL/AUXILIARY CONTROLLER.....	298
FIGURE 8-7. OUTRIGGER CONTROLLER.....	300
FIGURE 8-8. LIFT CYLINDER CIRCUIT.....	302
FIGURE 8-9. EXTEND/RETRACT CYLINDER CIRCUIT.....	304
FIGURE 8-10. TILT CYLINDER AND COMPENSATION CYLINDER CIRCUIT.....	306
FIGURE 8-11. BOOM HYDRAULIC ASSEMBLY.....	308
FIGURE 8-12. AUXILIARY HYDRAULIC CIRCUIT.....	310
FIGURE 8-13. FRAME LEVEL CIRCUIT.....	314
FIGURE 8-14. OUTRIGGER CIRCUIT.....	316
FIGURE 8-15. QUICK ATTACH INSTALLATION.....	318
SECTION 9 - HYDRAULIC COMPONENTS.....	321
FIGURE 9-1. LIFT CYLINDER AND HARDWARE.....	322
FIGURE 9-2. LIFT CYLINDER AND HARDWARE.....	324
FIGURE 9-3. EXTEND/RETRACT CYLINDER AND HARDWARE.....	326
FIGURE 9-4. TILT CYLINDER AND HARDWARE.....	328
FIGURE 9-5. COMPENSATION CYLINDER AND HARDWARE.....	330
FIGURE 9-6. FRAME LEVEL CYLINDER AND HARDWARE.....	332
FIGURE 9-7. OUTRIGGER CYLINDER AND HARDWARE.....	334
FIGURE 9-8. STABILIZER CYLINDER AND HARDWARE.....	336
FIGURE 9-9. SIDE TILT CARRIAGE CYLINDER (Prior to SN 0160066379).....	338
FIGURE 9-10. SIDE TILT CARRIAGE CYLINDER (SN 0160066379 to Present).....	340
FIGURE 9-11. 50 IN SIDE SHIFT CARRIAGE CYLINDER.....	342
FIGURE 9-12. SWING CARRIAGE CYLINDER.....	344
FIGURE 9-13. GRAPPLE BUCKET CYLINDER.....	348
FIGURE 9-14. MAIN CONTROL VALVE.....	350
FIGURE 9-15. PISTON PUMP.....	352
FIGURE 9-16. HYDRAULIC TANK.....	356
FIGURE 9-17. STEER SELECT VALVE.....	358
FIGURE 9-18. BRAKE VALVE.....	360
FIGURE 9-19. HYDRAULIC MANIFOLD VALVE.....	364
FIGURE 9-20. DECOMPRESSION VALVE.....	366
FIGURE 9-21. QUICK ATTACH VALVE.....	368
FIGURE 9-22. QUICK ATTACH INSTALLATION, G SERIES.....	370
FIGURE 9-23. CYLINDER - QUICK ATTACH ASSEMBLY.....	372
FIGURE 9-24. QUICK COUPLER CYLINDER.....	374
FIGURE 9-25. DIVERTOR VALVE.....	376
SECTION 10 - ELECTRICAL.....	379
FIGURE 10-1. ENGINE COMPARTMENT ELECTRICAL INSTALLATION.....	380
FIGURE 10-2. ENGINE COMPARTMENT ELECTRICAL INSTALLATION.....	384
FIGURE 10-3. ARCTIC PACKAGE INSTALLATION.....	388
FIGURE 10-4. BOOM AND FRAME ELECTRICAL INSTALLATION.....	390
FIGURE 10-5. CAB ELECTRICAL INSTALLATION.....	394
FIGURE 10-6. CAB SWITCHES.....	396
FIGURE 10-7. CLEARSKY INSTALLATION.....	398
FIGURE 10-8. WORK LIGHTS (Prior to SN 0160059446).....	400
FIGURE 10-9. WORK LIGHTS (SN 0160059446 to Present).....	404
FIGURE 10-10. REVERSE SENSING SYSTEM INSTALLATION.....	406
FIGURE 10-11. DRIVE LIGHTS.....	408
FIGURE 10-12. ENGINE HARNESS.....	410
FIGURE 10-13. ENGINE HARNESS.....	414

TABLE OF CONTENTS

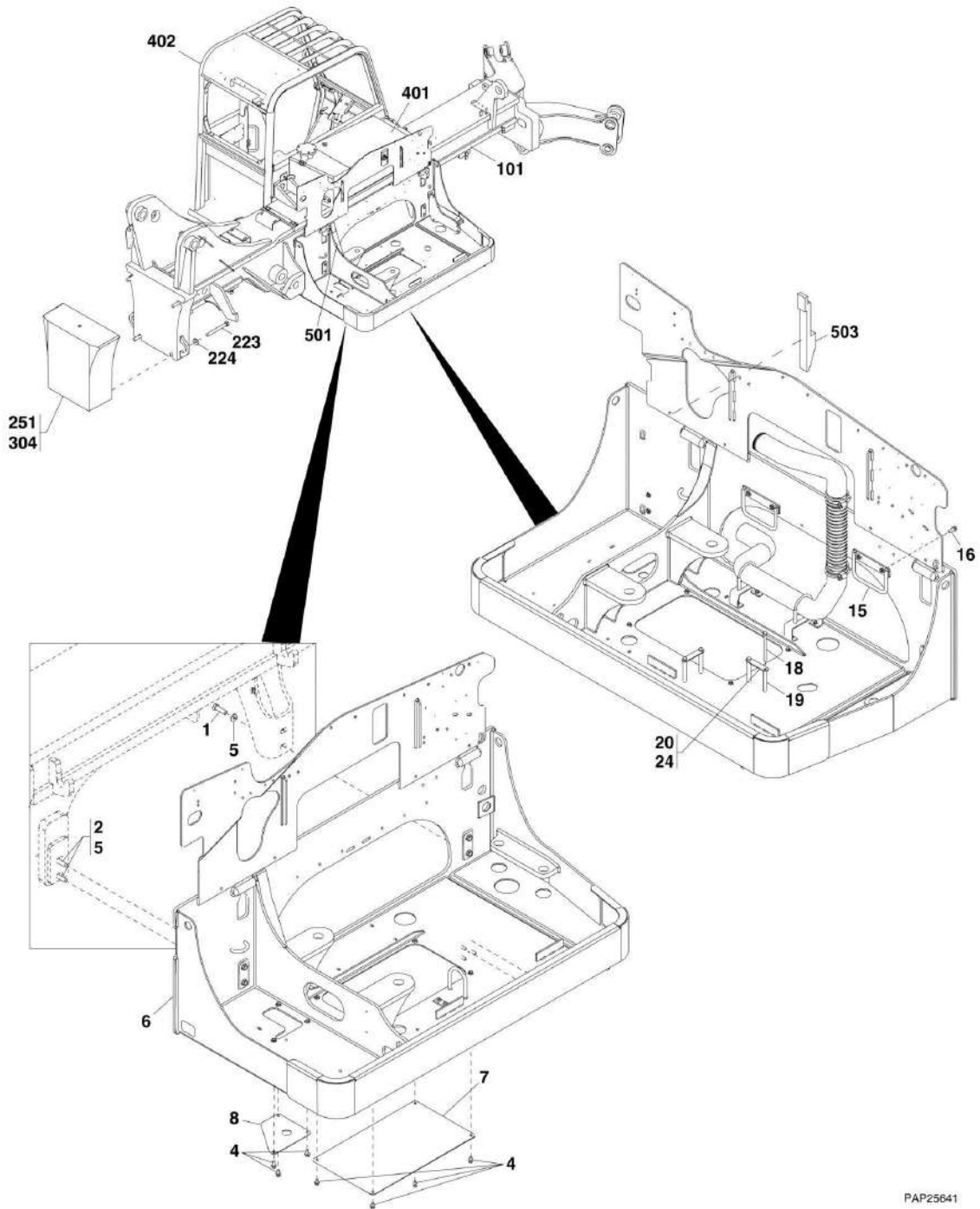
FIGURE 10-14. TRANSMISSION HARNESS	418
FIGURE 10-15. FRAME HARNESS.....	420
FIGURE 10-16. VEC OPTIONS HARNESS.....	424
FIGURE 10-17. TRANSMISSION RELAY HARNESS	428
FIGURE 10-18. ENCLOSED CAB OPTIONS HARNESS	430
FIGURE 10-19. DASH HARNESS	432
FIGURE 10-20. INSTRUMENT PANEL HARNESS	434
FIGURE 10-21. FRAME ROAD LIGHT HARNESS	436
FIGURE 10-22. BOOM WORK LIGHT HARNESS.....	438
FIGURE 10-23. CAB ROAD LIGHT HARNESS	440
FIGURE 10-24. CAB WORK LIGHT HARNESS (Prior to SN 0160059446).....	442
FIGURE 10-25. CAB WORK LIGHT HARNESS (SN 0160059446 to Present).....	444
FIGURE 10-26. CAB WORK LIGHT HARNESS	446
FIGURE 10-27. A/C HARNESS	448
FIGURE 10-28. VEC HARNESS.....	450
FIGURE 10-29. TELEMATICS INSTALLATION, UNITED RENTALS, (WITH SHORT JUMPER HARNESS).....	452
FIGURE 10-30. TELEMATICS INSTALLATION, UNITED RENTALS, (WITH LONG JUMPER HARNESS)	454
FIGURE 10-31. REVERSE SENSOR HARNESS	456
SECTION 11 - DECALS	459
FIGURE 11-1. CAB AND FRAME DECALS.....	460
FIGURE 11-2. BOOM DECALS	464
SECTION 12 - RECOMMENDED SPARE PARTS.....	467
FIGURE 12-1. RECOMMENDED SPARE PARTS.....	468
PART NUMBER INDEX.....	471

SECTION 1 - FRAME AND ATTACHING PARTS

SECTION 1 - FRAME AND ATTACHING PARTS

SECTION 1 - FRAME AND ATTACHING PARTS

FIGURE 1-1. FRAME AND ATTACHING PARTS



PAP25641

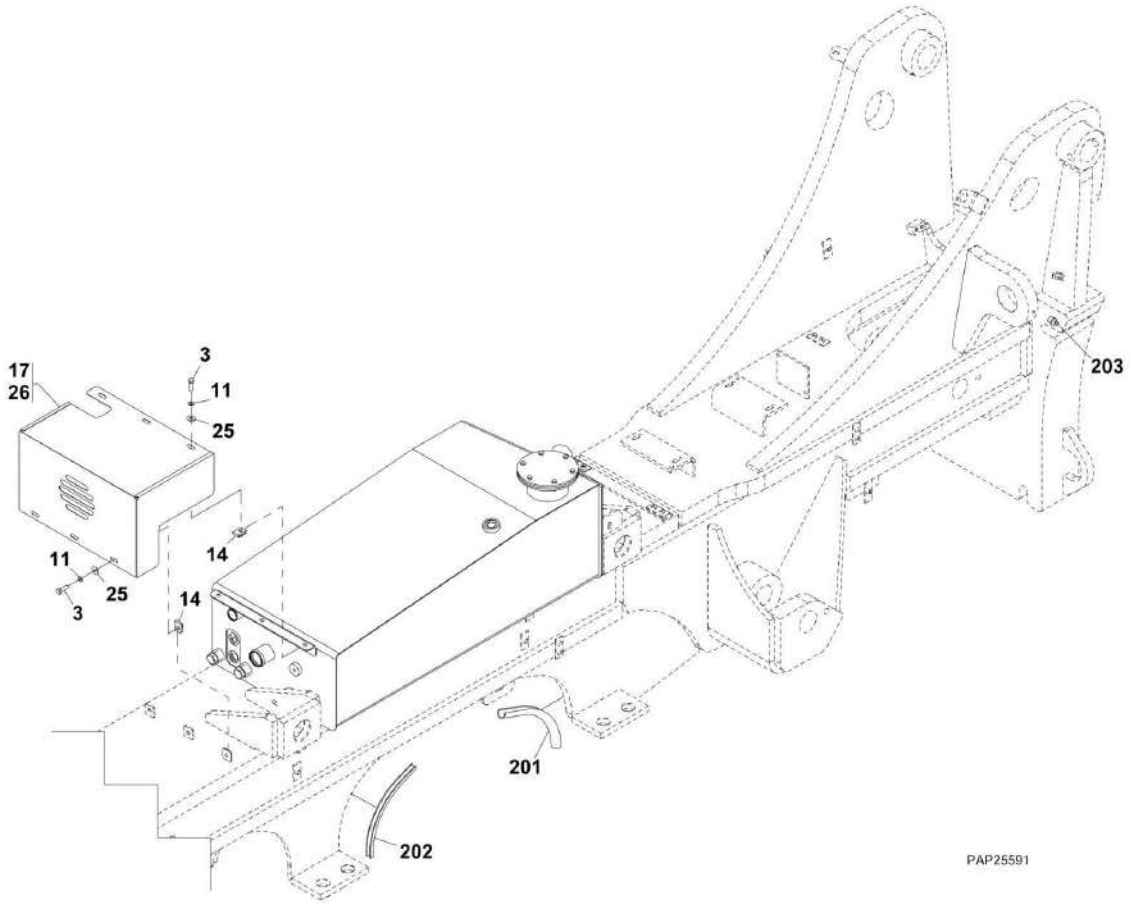
SECTION 1 - FRAME AND ATTACHING PARTS

FIGURE 1-1. FRAME AND ATTACHING PARTS

ITEM	PART NUMBER	QTY	DESCRIPTION	REV
	1001130125	Ref	ENGINE POD INSTALLATION, (if equipped for ULS), (not available to order, see items 1 thru 24 for service)	H
	1001136089	Ref	ENGINE POD INSTALLATION, (if equipped for LS), (not available to order, see items 1 thru 24 for service)	E
1	0682018	2	HEX HD CAPSCREW, 5/8-11X2-1/4	
2	0682032	2	HEX HD CAPSCREW, 5/8-11X4	
4	0811606	7	SCREW, 3/8-16X3/4	
5	4892000	4	WASHER, 5/8	
6	1001121031	1	POD WELDMENT SUPPORT	
7	1001121047	1	BOTTOM COVER PLATE	
8	1001128248	1	COOLER ACCESS COVER PLATE	
15	1001132796	2	HOSE GUIDE BRACKET	
16	0811610	4	SCREW, 3/8-16X1-1/4	
18	0641640	4	HEX HD CAPSCREW, 3/8-16X5	
19	1001143653	4	SPACER TUBE	
20	1001123654	2	HOSE GUIDE PLATE	
24	1001150299	2	HOSE, 3/4	
101	N.S.S.	1	FRAME WELDMENT	
223	83201147	4	HEX HD CAPSCREW, 1-8X8-1/2, GR8, (torque to 860 lb-ft/1170 Nm)	
224	80241137	4	WASHER	
251	91140001	1	COUNTERWEIGHT, (if equipped)	
251	1001097095	1	COUNTERWEIGHT WITH PINTLE HITCH ASSY, (if equipped),	B
303		Ref	PINTLE HOOK, (not shown), (See PINTLE HOOK for Breakdown)	
304	1001091458	1	COUNTERWEIGHT	
401		Ref	HYDRAULIC TANK, (See HYDRAULIC COMPONENTS SECTION for Breakdown)	
402		Ref	CAB WELDMENT, (See CAB SECTION for Breakdown)	
501	90206202	11 in	TRIM-LOK	
502	4060918	39 in	TRIM-LOK, (not shown)	
503	1001125491	1	FOAM GASKET SEAL	

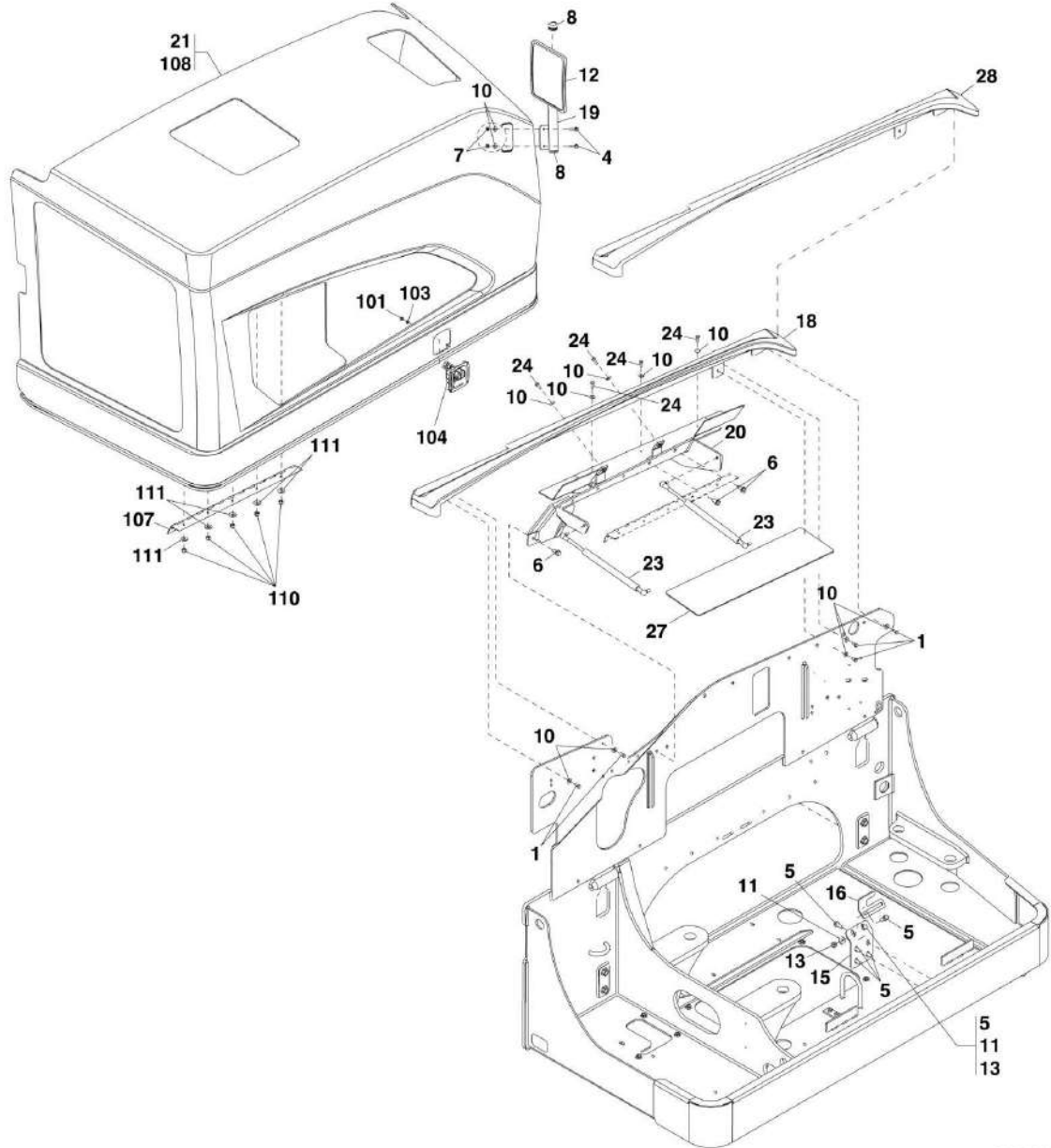
SECTION 1 - FRAME AND ATTACHING PARTS

FIGURE 1-2. COVERS



PAP25591

SECTION 1 - FRAME AND ATTACHING PARTS



PAP25600

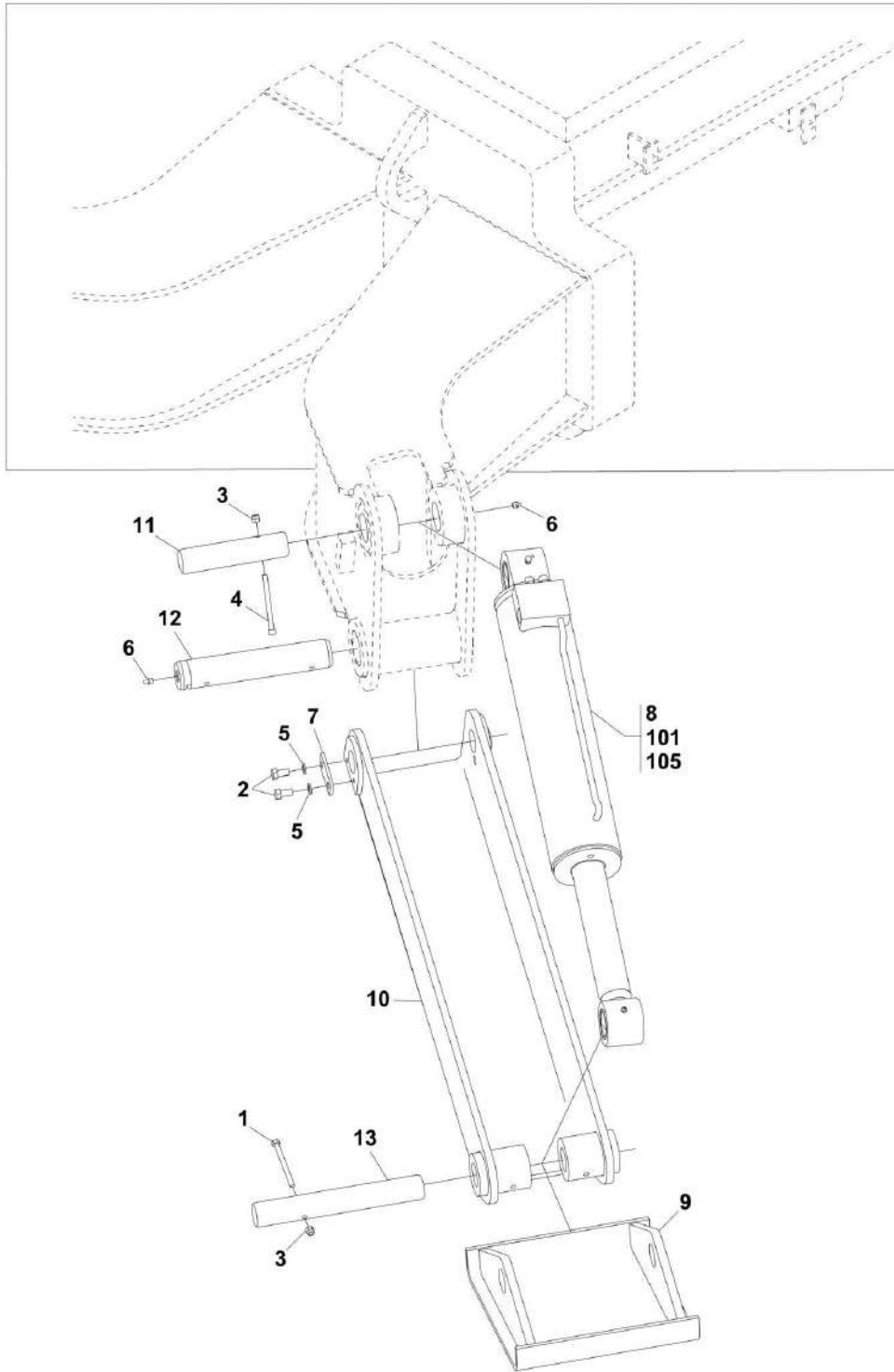
SECTION 1 - FRAME AND ATTACHING PARTS

FIGURE 1-2. COVERS

ITEM	PART NUMBER	QTY	DESCRIPTION	REV
	1001129636	Ref	COVERS INSTALLATION, (not available to order, see items 1 thru 28 for service)	H
1	0641405	10	HEX HD CAPSCREW, 1/4-20X5/8, GR5	
3	0641610	5	HEX HD CAPSCREW, 3/8-16X1-1/4, GR5	
4	0791410	2	SCREW, 1/4-20X1-1/4	
5	0791608	6	SCREW, 3/8-16X1	
6	0811606	5	SCREW, 3/8-16X3/4	
7	3311405	2	HEX LOCKNUT, 1/4-20	
8	3520176	2	PLUG	
10	4751400	12	WASHER, 1/4	
11	4751600	7	WASHER, 3/8	
12	8866348	1	RH MIRROR, (includes washer and locknut)	
13	88501006	2	HEX NUT, 3/8-16	
14	88662523	5	TINNERMAN NUT	
15	1001121332	1	LATCH MOUNT BRACKET	
16	1001121337	1	LATCH CATCH BRACKET	
17	1001128390	1	COVER, FRONT	
18	1001129637	1	HINGE COVER	
19	1001129639	1	MIRROR BRACKET	
20	1001144114	1	HINGE MOUNT SUPPORT	
21	1001131147	1	ENGINE ASSY COVER, (includes items 101 thru 111)	F
23	1001131247	2	GAS SPRING	
24	0811608	6	SCREW, 3/8-16X1	
25	4761600	5	LOCKWASHER, 3/8	
26	90206198	3 in	TRIM-LOK	
27	1001146367	1	INSULATE	
28	1001146371	1	INSULATE	
101	3290605	4	HEX LOCKNUT, M6X1	
103	4811700	4	WASHER, 6mm	
104	1001122219	1	COMPRESSION LATCH	
107	1001129358	1	ENGINE COVER HINGE	
108	1001129638	1	ENGINE COVER	
110	3300492	5	LOCKING NUT	
111	4751600	5	WASHER, 3/8	
201	1001144101	15.5 in	SPLIT CONDUIT	
202	90206203	13.5 in	TRIM-LOK	
203	88671001	2	GREASE FITTING, 1/8	

SECTION 1 - FRAME AND ATTACHING PARTS

FIGURE 1-3. OUTRIGGER INSTALLATION



PAP27020

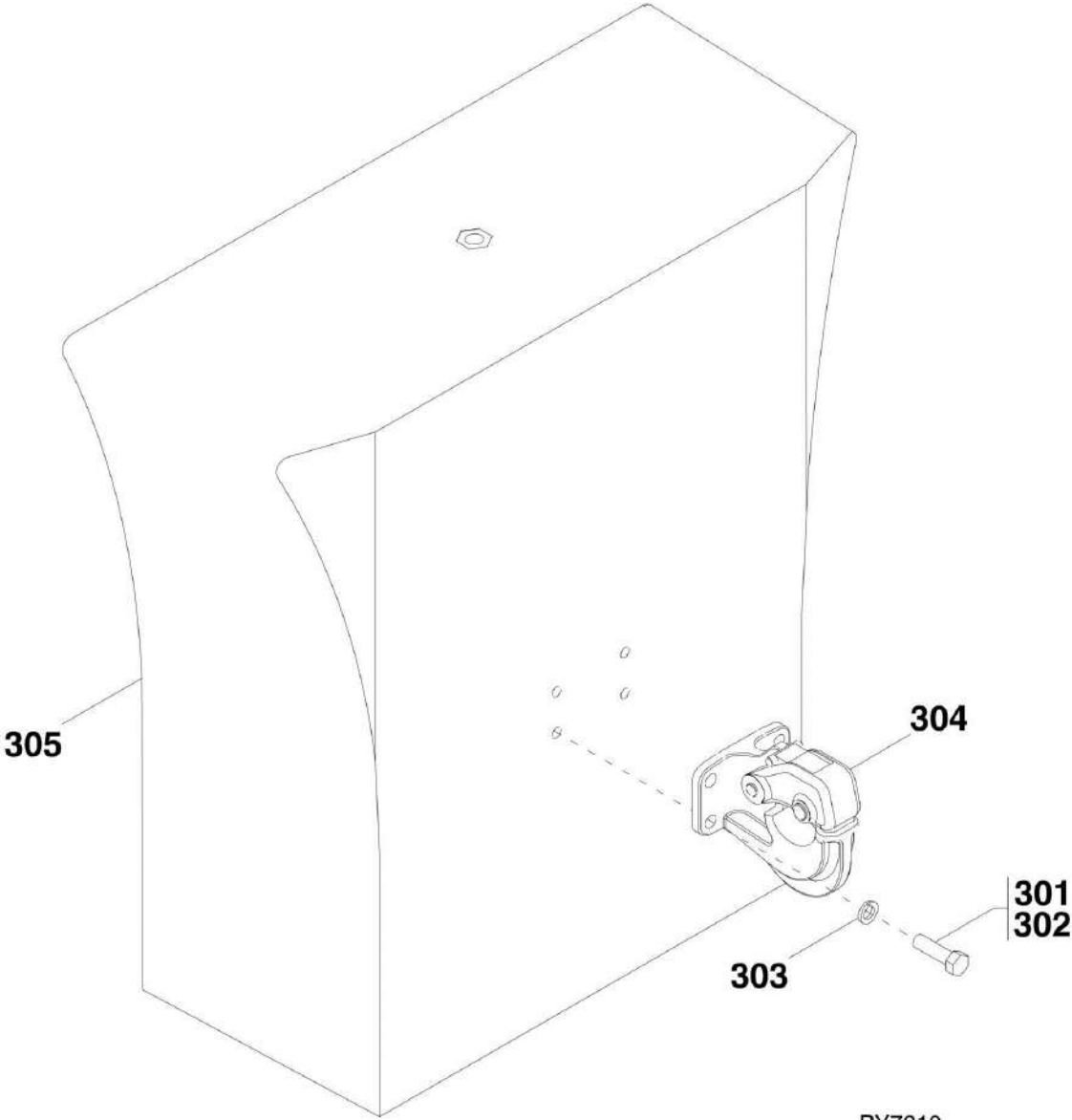
SECTION 1 - FRAME AND ATTACHING PARTS

FIGURE 1-3. OUTRIGGER INSTALLATION

ITEM	PART NUMBER	QTY	DESCRIPTION	REV
	1001143633	Ref	OUTRIGGER INSTALLATION, (includes items 1 thru 13)	A
1	0641634	2	HEX HD CAPSCREW, 3/8-16X4-1/4, GR5	
2	0641808	4	HEX HD CAPSCREW, 1/2-13X1, GR5	
3	3300143	4	HEX LOCKNUT, 3/8-16	
4	3931672	2	SOCKET HD CAPSCREW, 3/8-16X4-1/2, GR8	
5	4761800	4	LOCKWASHER, 1/2	
6	88671001	4	LUBE FITTING, STRAIGHT, 1/8	
7	91081313	2	KEEPER	
8	1001001211	2	OUTRIGGER CYLINDER ASSY, (includes items 101 & 105)	B
9	1001141892	2	PAD WELD STABILIZER	
10	1001142258	2	OUTRIGGER ARM WELDMENT	
11	91563197	2	OUTRIGGER CYLINDER PIN	
12	91563198	2	ARM PIN	
13	91563199	2	SHOE PIN	
101		Ref	OUTRIGGER CYLINDER AND ATTACHING HARDWARE, (See HYDRAULIC COMPONENTS SECTION for Breakdown)	
105		Ref	STRAIGHT FITTING, (See HYDRAULIC CIRCUITS SECTION for Breakdown)	

SECTION 1 - FRAME AND ATTACHING PARTS

FIGURE 1-4. PINTLE HOOK



SECTION 1 - FRAME AND ATTACHING PARTS

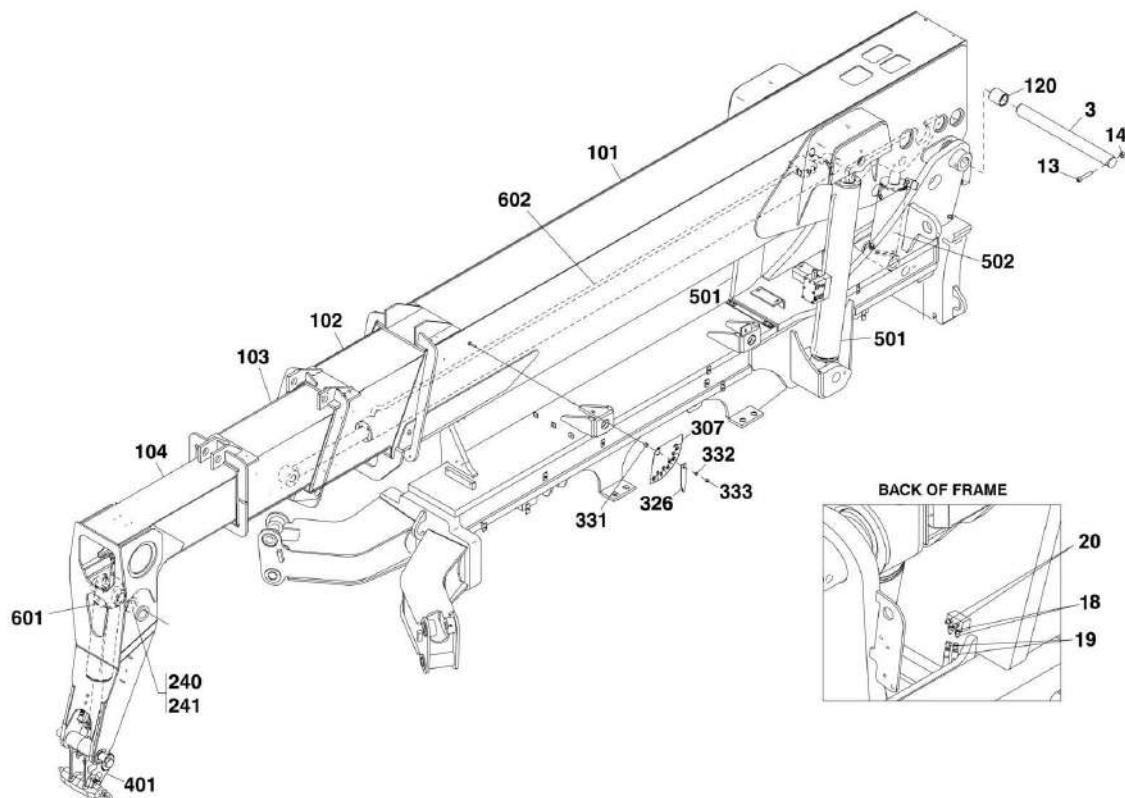
FIGURE 1-4. PINTLE HOOK

ITEM	PART NUMBER	QTY	DESCRIPTION	REV
301	0100011	AR	LOCTITE 242	
302	0681814	4	HEX HD CAPSCREW, 1/2-13X1-3/4, GR8, (torque to 105 lb-ft/145 Nm)	
303	88551013	4	LOCKWASHER, 1/2	
304	90200602	1	PINTLE HOOK	
305		Ref	COUNTERWEIGHT, (See FRAME AND ATTACHING PARTS for Breakdown)	

SECTION 2 - BOOM

SECTION 2 - BOOM

FIGURE 2-1. BOOM INSTALLATION



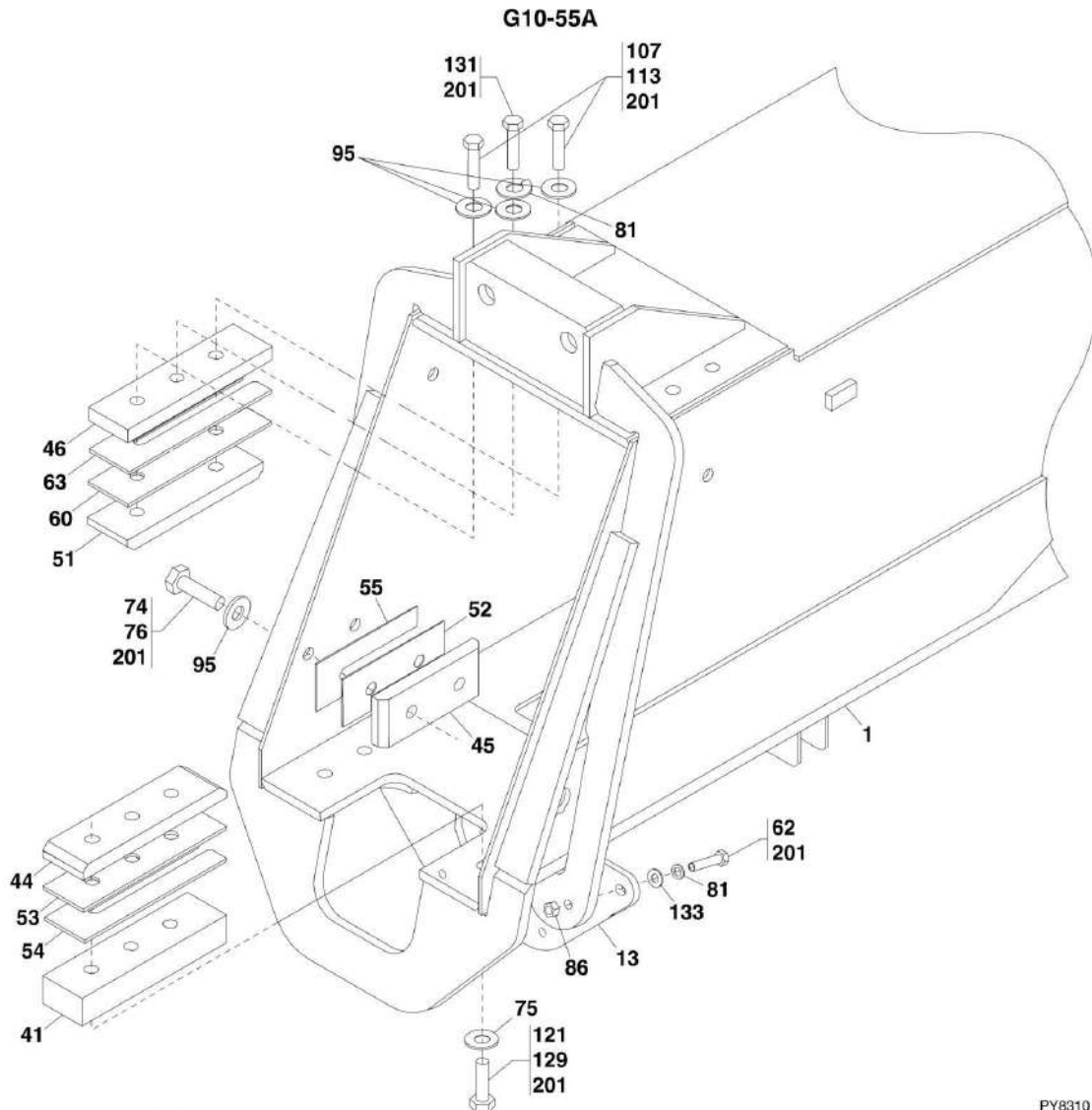
PAP25812

FIGURE 2-1. BOOM INSTALLATION

ITEM	PART NUMBER	QTY	DESCRIPTION	REV
	1001099663	Ref	BOOM INSTALLATION, (G10-55A), (not available to order, see items 3 thru 20 for service)	I
	1001099662	Ref	BOOM INSTALLATION, (G12-55A), (not available to order, see items 3 thru 20 for service)	I
3	3423247	1	PIN	
13	88212287	1	SOCKET HD CAPSCREW, 3/4-10X6	
14	8310067	1	HEX LOCKNUT, 3/4-10	
18	88661002	2	STRAIGHT FITTING	
19	84719940	2	HOSE ASSY	
20	2160002	2	GREASE FITTING	
	1001113744B	1	BOOM ASSY, (G10-55A), (includes items 101 thru 106 & 120 thru 241)	I
	1001114138B	1	BOOM ASSY, (G12-55A), (includes items 101 thru 106 & 120 thru 241)	I
101		Ref	FIRST BOOM SECTION, (See FIRST BOOM SECTION for Breakdown)	
102		Ref	SECOND BOOM SECTION, (See SECOND BOOM SECTION for Breakdown)	
103		Ref	THIRD BOOM SECTION, (See THIRD BOOM SECTION for Breakdown)	
104		Ref	FOURTH BOOM SECTION, (See FOURTH BOOM SECTION for Breakdown)	
105		Ref	EXTEND CHAINS, (not shown), (See EXTEND CHAINS for Breakdown)	
106		Ref	RETRACT CHAINS, (not shown), (See RETRACT CHAINS for Breakdown)	
120	91141301	2	BUSHING	
125		Ref	BOOM HYDRAULICS, (not shown), (See HYDRAULIC CIRCUITS SECTION for Breakdown)	
240	8307916	AR	SHIM, 2.5X3.875X.075	
241	8307917	AR	SHIM, 2.5X3.875X.134	
307		Ref	ANGLE DECAL, (See DECALS SECTION for breakdown)	
326	1001098769	1	BOOM ANGLE INDICATOR	
331	1001096404	1	BOOM ANGLE SPACER	
332	4711600	1	WASHER, 3/8	
333	8305645	1	HEX LOCKNUT, 3/8-16	
401		Ref	MECHANICAL QUICK ATTACH INSTALLATION, (See MANUAL QUICK ATTACH for Breakdown)	
501		Ref	LIFT CYLINDER AND HARDWARE, (See HYDRAULIC COMPONENTS SECTION for Breakdown)	
502		Ref	COMPENSATION CYLINDER AND HARDWARE, (See HYDRAULIC COMPONENTS SECTION for Breakdown)	
601		Ref	TILT CYLINDER AND HARDWARE, (See HYDRAULIC COMPONENTS SECTION for Breakdown)	
602		Ref	EXTEND/RETRACT CYLINDER AND HARDWARE, (See HYDRAULIC COMPONENTS SECTION for Breakdown)	

SECTION 2 - BOOM

FIGURE 2-2. FIRST BOOM SECTION G10-55A



Note: Wear Pad Shimming:

Whenever a shim is used with a pad, a spacer with holes must be inserted between pad and shim.

The wear pad or wear pad insert must not sit directly on the slotted surface of shims.

Add wear pad shims and spacers as required to shim boom to maintain a total minimum gap of 0.070 to 0.130 in (1,8 to 3,3 mm) in both horizontal and vertical directions.

Wear pad bolts require one hardened washer. However, up to (2) hardened washers may be used except where noted otherwise. Under no circumstances should more than (2) hardened washers ever be used.

The length of pad bolts depends on the number of the shims used. The bolt cannot extend past chamfer on wear pad.

Add Mystik Tetrimoly Grease (14404793) to all wear pads and all wear pad slide pathways. If applicable, this includes all pad grease fittings at the rear of boom.

PY8310

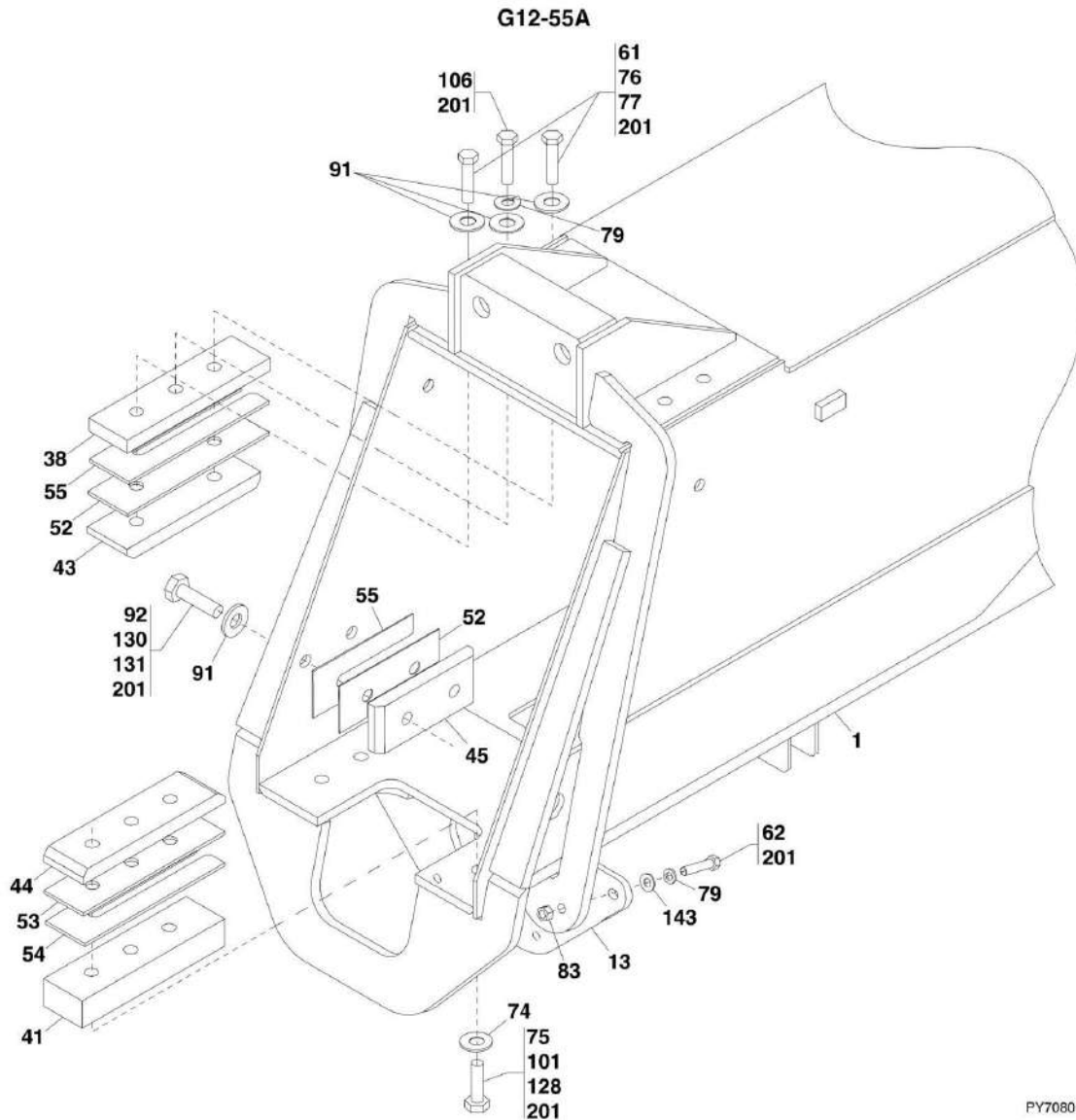
SECTION 2 - BOOM

FIGURE 2-2. FIRST BOOM SECTION G10-55A

ITEM	PART NUMBER	QTY	DESCRIPTION	REV
1	1001113588	1	FIRST BOOM SECTION WELDMENT	
13	91561156B	1	EXTEND/RETRACT CYLINDER SUPPORT PLATE	
38	91161171	2	WEAR PAD SUPPORT	
41	91161167	2	WEAR PAD SUPPORT	
43	91033189	2	WEAR PAD	
44	1001117653	2	WEAR PAD	
45	91033186	4	WEAR PAD	
52	91031236	6	SPACER	
53	91161183	2	SPACER	
54	91161184	AR	SHIM, 0.0598	
55	90205870	AR	SHIM, 0.0598	
62	0641818	2	HEX HD CAPSCREW, 1/2-13X2-1/4, GR5, (torque to 85 lb-ft/116 Nm)	
74	0651607	AR	HEX HD CAPSCREW, 3/8-24X.88, GR5, (torque to 32-37 lb-ft/43-50 Nm)	
76	0651606	AR	HEX HD CAPSCREW, 3/8-24X3/4, GR5, (torque to 32-37 lb-ft/43-50 Nm)	
81	4761800	4	SPRING LOCKWASHER	
86	3311801	2	HEX NUT, 1/2-13	
95	4891600	14	WASHER, 3/8	
107	0651612	AR	HEX HD CAPSCREW, 3/8-24X1-1/2, GR5, (torque to 32-37 lb-ft/43-50 Nm)	
113	0651614	AR	HEX HD CAPSCREW, 3/8-24X1-3/4, GR5, (torque to 32-37 lb-ft/43-50 Nm)	
121	0651820	AR	HEX HD CAPSCREW, 1/2-20X2-1/2, GR5, (torque to 76-86 lb-ft/103-117 Nm)	
129	0651822	AR	HEX HD CAPSCREW, 1/2-20X2-3/4, GR5, (torque to 76-86 lb-ft/103-117 Nm)	
131	0641810	2	HEX HD CAPSCREW, 1/2-13X1-1/4, GR5, (torque to 76-86 lb-ft/103-117 Nm)	
133	4711800	2	WASHER, 1/2	
201	0100011	AR	LOCTITE 242	

SECTION 2 - BOOM

FIGURE 2-3. FIRST BOOM SECTION G12-55A



PY7080

Note: **Wear Pad Shimming:**
 Whenever a shim is used with a pad, a spacer with holes must be inserted between pad and shim.
 The wear pad or wear pad insert must not sit directly on the slotted surface of shims.
 Add wear pad shims and spacers as required to shim boom to maintain a total minimum gap of 0.070 to 0.130 in (1,8 to 3,3 mm) in both horizontal and vertical directions.
 Wear pad bolts require one hardened washer. However, up to (2) hardened washers may be used except where noted otherwise.
 Under no circumstances should more than (2) hardened washers ever be used.
 The length of pad bolts depends on the number of the shims used. The bolt cannot extend past chamfer on wear pad.
 Add Mystik Tetrimoly Grease (14404793) to all wear pads and all wear pad slide pathways. If applicable, this includes all pad grease fittings at the rear of boom.

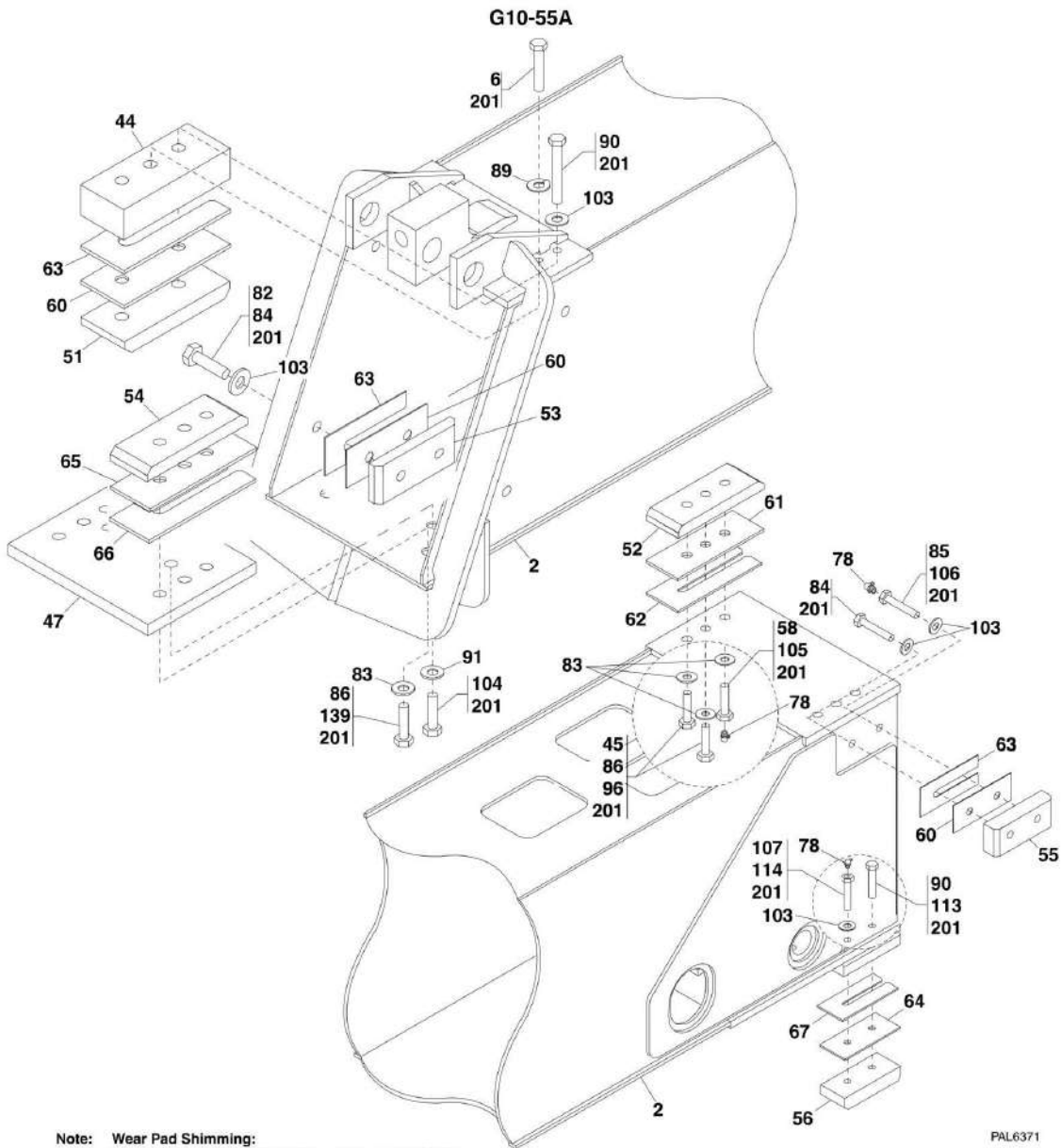
SECTION 2 - BOOM

FIGURE 2-3. FIRST BOOM SECTION G12-55A

ITEM	PART NUMBER	QTY	DESCRIPTION	REV
1	1001113690	1	FIRST BOOM SECTION WELDMENT	
13	91561156B	1	EXTEND/RETRACT CYLINDER SUPPORT PLATE	
38	91161171	2	WEAR PAD SUPPORT	
41	91561101	2	WEAR PAD SUPPORT	
43	91033189	2	WEAR PAD	
44	1001117653	2	WEAR PAD	
45	91033186	4	WEAR PAD	
52	91031236	6	SPACER	
53	91161183	2	SPACER	
54	91161184	AR	SHIM, 0.0598	
55	90205870	AR	SHIM, 0.0598	
61	0651610	AR	HEX HD CAPSCREW, 3/8-24X1-1/4, GR5, (torque to 32-37 lb-ft/43-50 Nm)	
62	0641818	2	HEX HD CAPSCREW, 1/2-13X2-1/4, GR5, (torque to 85 lb-ft/116 Nm)	
74	90027471	6	WASHER	
75	0651822	AR	HEX HD CAPSCREW, 1/2-20X2-3/4, GR5, (torque to 76-86 lb-ft/103-117 Nm)	
76	0651614	AR	HEX HD CAPSCREW, 3/8-24X1-3/4, GR5, (torque to 32-37 lb-ft/43-50 Nm)	
77	0651612	AR	HEX HD CAPSCREW, 3/8-24X1-1/2, GR5, (torque to 32-37 lb-ft/43-50 Nm)	
79	4761800	4	SPRING LOCKWASHER	
83	3311801	2	HEX NUT, 1/2-13	
91	4891600	14	WASHER, 3/8	
92	0651606	AR	HEX HD CAPSCREW, 3/8-24X3/4, GR5, (torque to 32-37 lb-ft/43-50 Nm)	
101	0651820	AR	HEX HD CAPSCREW, 1/2-20X2-1/2, GR5, (torque to 76-86 lb-ft/103-117 Nm)	
106	0641808	2	HEX HD CAPSCREW, 1/2-13X1, GR5, (torque to 76-86 lb-ft/103-117 Nm)	
128	0651818	AR	HEX HD CAPSCREW, 1/2-20X2-1/4, GR5, (torque to 76-86 lb-ft/103-117 Nm)	
130	0651605	AR	HEX HD CAPSCREW, 3/8-24X.625, GR5, (torque to 32-37 lb-ft/43-50 Nm)	
131	0651607	AR	HEX HD CAPSCREW, 3/8-24X.88, GR5, (torque to 32-37 lb-ft/43-50 Nm)	
143	4711800	2	WASHER, 1/2	
201	0100011	AR	LOCTITE 242	

SECTION 2 - BOOM

FIGURE 2-4. SECOND BOOM SECTION G10-55A



Note: Wear Pad Shimming:
 Whenever a shim is used with a pad, a spacer with holes must be inserted between pad & shim.
 The wear pad or wear pad insert must not sit directly on the slotted surface of shims.
 Add wear pad shims & spacers as required to shim boom to maintain a total minimum gap of 0.070 to 0.130 in (1,8 to 3,3 mm) in both horizontal & vertical directions.
 Wear pad bolts require one hardened washer. However, up to (2) hardened washers may be used except where noted otherwise.
 Under no circumstances should more than (2) hardened washers ever be used.
 The length of pad bolts depends on the number of the shims used. The bolt cannot extend past chamfer on wear pad.
 Add Mystik Tetrimoly Grease (14404793) to all wear pads & all wear pad slide pathways. If applicable, this includes all pad grease

PAL6371

SECTION 2 - BOOM

FIGURE 2-4. SECOND BOOM SECTION G10-55A

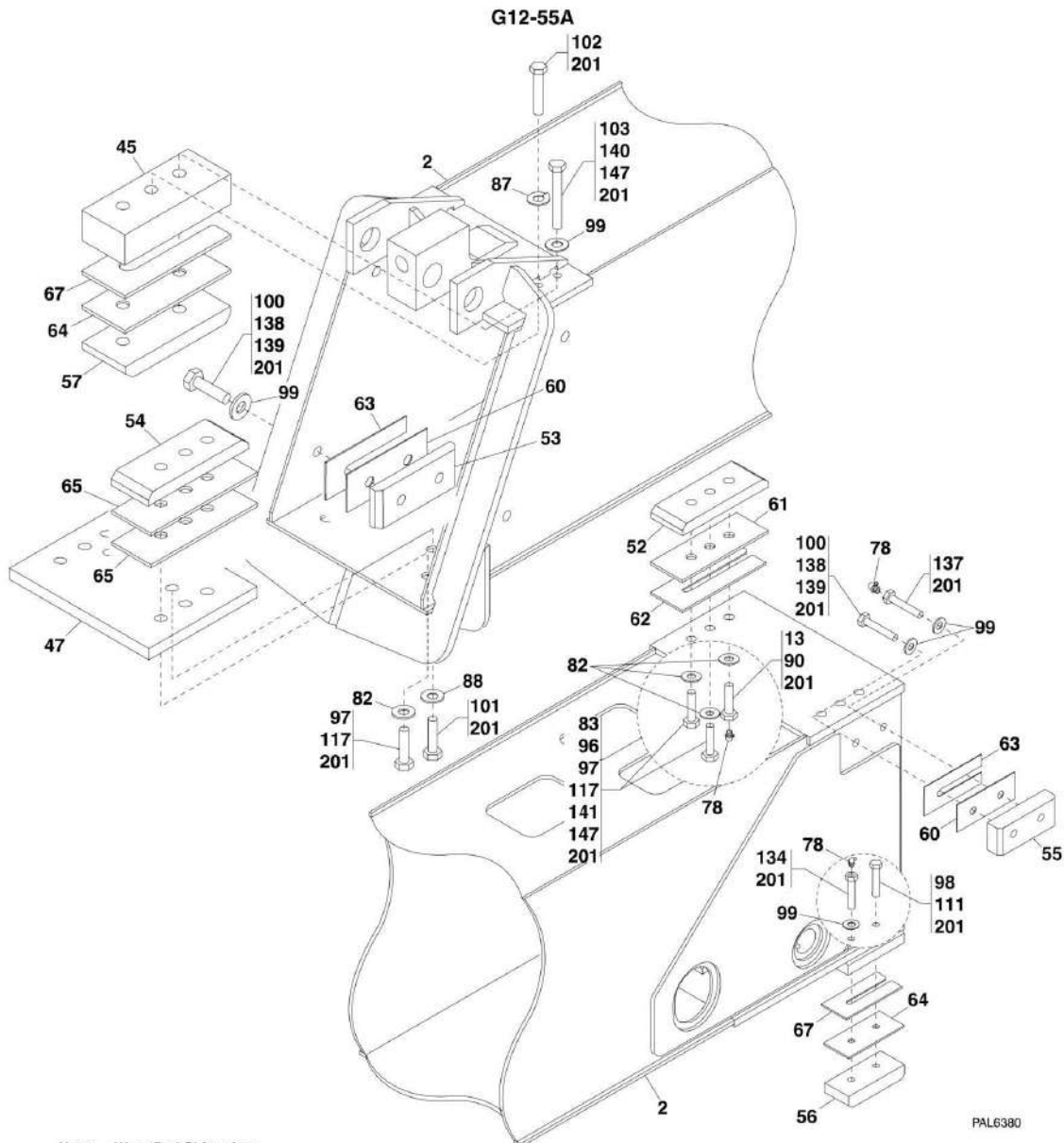
ITEM	PART NUMBER	QTY	DESCRIPTION	REV
2	91576006B	1	SECOND BOOM SECTION WELDMENT	
6	0641810	2	HEX HD CAPSCREW, 1/2-13X1-1/4, GR5, (torque to 32-37 lb-ft/43-50 Nm)	
44	91161170	2	WEAR PAD SUPPORT	
45	0651814	AR	HEX HD CAPSCREW, 1/2-20X1-3/4, GR5, (torque to 76-86 lb-ft/103-117 Nm)	
47	1001113609	1	SUPPORT PLATE	
51	91033189	2	WEAR PAD	
52	1001117653	2	WEAR PAD	
53	91033186	4	WEAR PAD	
54	1001117652	2	WEAR PAD	
55	91163188	2	WEAR PAD	
56	91163214	2	WEAR PAD	
58	91161221	AR	HOLLOW HEX HD CAPSCREW, 1/2-20X1-3/4, (torque to 45-50 lb-ft/61-68 Nm)	
60	91031236	8	SPACER	
61	91161183	2	SPACER	
62	91161184	AR	SHIM, 0.0598	
63	90205870	AR	SHIM, 0.0598	
64	91511094	2	SPACER	
65	91141303	2	SPACER	
66	91141302	AR	SHIM, 0.0598	
67	91121082	AR	SHIM, 0.0598	
78	88671027	6	GREASE FITTING	
82	0651607	AR	HEX HD CAPSCREW, 3/8-24X.88, GR5, (torque to 32-37 lb-ft/43-50 Nm)	
83	90027471	12	WASHER	
84	0651606	AR	HEX HD CAPSCREW, 3/8-24X3/4, GR5, (torque to 32-37 lb-ft/43-50 Nm)	
85	91161248	AR	HOLLOW HEX HD CAPSCREW, 3/8-24X3/4, (torque to 15-17 lb-ft/20-23 Nm)	
86	0651812	AR	HEX HD CAPSCREW, 1/2-20X1-1/2, GR5, (torque to 76-86 lb-ft/103-117 Nm)	
89	4761800	2	SPRING LOCKWASHER	
90	0651618	AR	HEX HD CAPSCREW, 3/8-24X2-1/4, GR5, (torque to 32-37 lb-ft/43-50 Nm)	
91	4892200	2	WASHER, 3/4	
96	0651808	AR	HEX HD CAPSCREW, 1/2-20X1, GR5, (torque to 76-86 lb-ft/103-117 Nm)	
103	4891600	14	WASHER, 3/8	
104	0642210	2	HEX HD CAPSCREW, 3/4-10X1-1/4, GR5, (torque to 285 lb-ft/388 Nm)	
105	91161222	AR	HOLLOW HEX HD CAPSCREW, 1/2-20X1-1/2, (torque to 45-50 lb-ft/61-68 Nm)	
106	91361045	AR	HOLLOW HEX HD CAPSCREW, 3/8-24X7/8, (torque to 15-17 lb-ft/20-23 Nm)	
107	91361046	AR	HOLLOW HEX HD CAPSCREW, 3/8-24X2-1/4, (torque to 15-17 lb-ft/20-23 Nm)	
113	0651616	AR	HEX HD CAPSCREW, 3/8-24X2, GR5, (torque to 32-37 lb-ft/43-50 Nm)	
114	91161278	AR	HOLLOW HEX HD CAPSCREW, 3/8-24X2, (torque to 15-17 lb-ft/20-23 Nm)	
139	0651811	AR	HEX HD CAPSCREW, 1/2-20X1-3/8, GR5, (torque to 76-86 lb-	

SECTION 2 - BOOM

ITEM	PART NUMBER	QTY	DESCRIPTION	REV
201	0100011	AR	ft/103-117 Nm) LOCTITE 242	

SECTION 2 - BOOM

FIGURE 2-5. SECOND BOOM SECTION G12-55A



Note: Wear Pad Shimming:

Whenever a shim is used with a pad, a spacer with holes must be inserted between pad & shim.

The wear pad or wear pad insert must not sit directly on the slotted surface of shims.

Add wear pad shims & spacers as required to shim boom to maintain a total minimum gap of 0.070 to 0.130 in (1,8 to 3,3 mm) in both horizontal & vertical directions.

Wear pad bolts require one hardened washer. However, up to (2) hardened washers may be used except where noted otherwise. Under no circumstances should more than (2) hardened washers ever be used.

The length of pad bolts depends on the number of the shims used. The bolt cannot extend past chamfer on wear pad.

Add Mystik Tetrimoly Grease (14404793) to all wear pads & all wear pad slide pathways. If applicable, this includes all pad grease fittings at the rear of boom.

SECTION 2 - BOOM

FIGURE 2-5. SECOND BOOM SECTION G12-55A

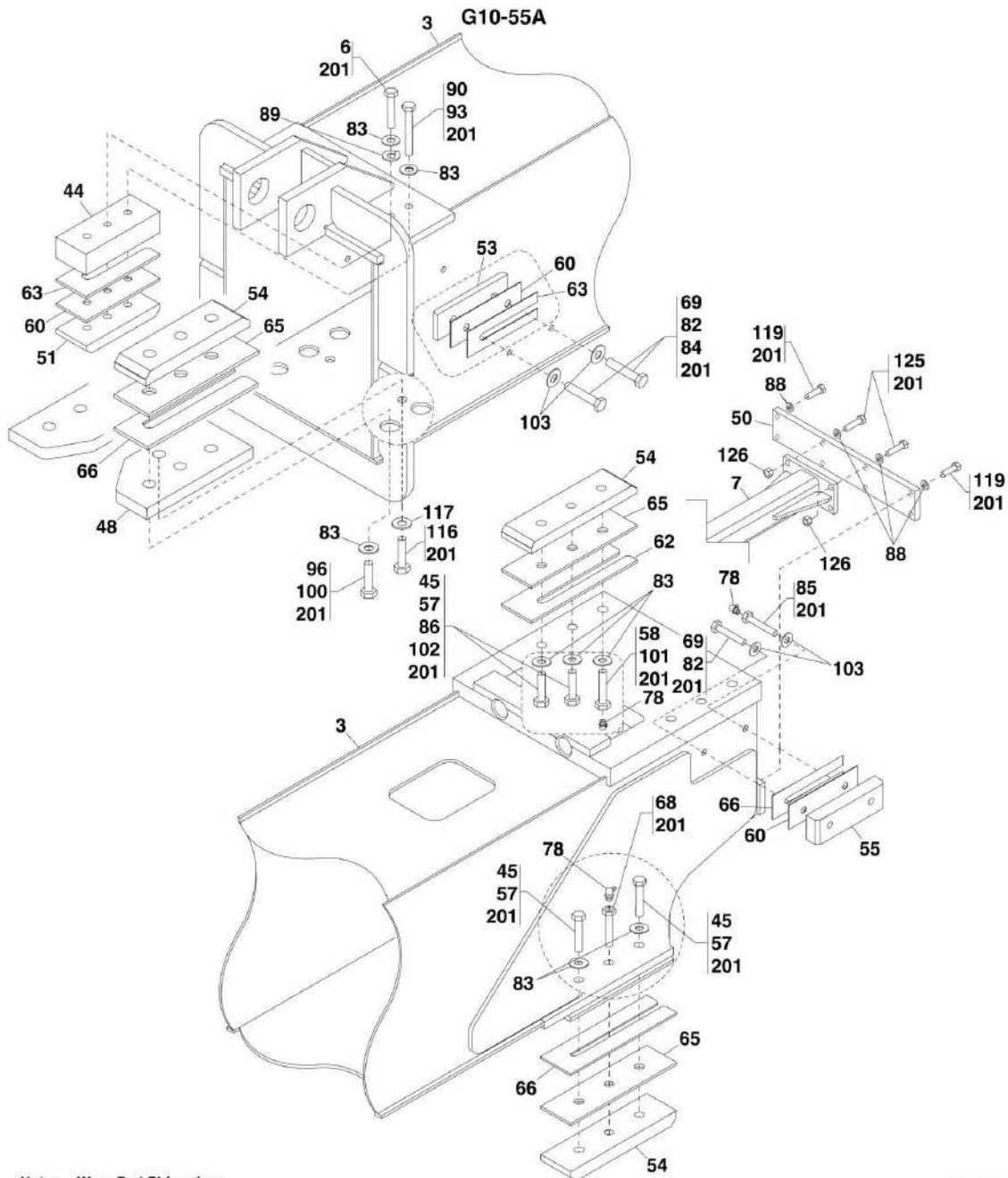
ITEM	PART NUMBER	QTY	DESCRIPTION	REV
2	91566007B	1	SECOND BOOM SECTION WELDMENT	
13	91161221	AR	HOLLOW HEX HD CAPSCREW, 1/2-20X1-3/4, (torque to 45-50 lb-ft/61-68 Nm)	
45	1001121290	2	WEAR PAD SUPPORT	
47	91161168	1	SUPPORT PLATE	
52	1001117653	2	WEAR PAD	
53	91033186	4	WEAR PAD	
54	1001117652	2	WEAR PAD	
55	91163188	2	WEAR PAD	
56	91163214	2	WEAR PAD	
57	91563028	2	WEAR PAD	
60	91031236	4	SPACER	
61	91161183	2	SPACER	
62	91161184	AR	SHIM, 0.0598	
63	90205870	AR	SHIM, 0.0598	
64	91511094	2	SPACER	
65	91141303	4	SPACER	
67	91121082	AR	SHIM, 0.0598	
78	88671027	6	GREASE FITTING	
82	4891600	6	WASHER	
83	0651812	AR	HEX HD CAPSCREW, 1/2-20X1-1/2, GR5, (torque to 76-86 lb-ft/103-117 Nm)	
87	4761800	2	SPRING LOCKWASHER	
88	4892200	2	WASHER, 3/4	
90	91161222	AR	HOLLOW HEX HD CAPSCREW, 1/2-20X1-1/2, (torque to 45-50 lb-ft/61-68 Nm)	
96	0651808	AR	HEX HD CAPSCREW, 1/2-20X1, GR5, (torque to 76-86 lb-ft/103-117 Nm)	
97	0651812	AR	HEX HD CAPSCREW, 1/2-20X1-1/2, GR5, (torque to 76-86 lb-ft/103-117 Nm)	
98	0651620	AR	HEX HD CAPSCREW, 3/8-24X2-1/2, GR5, (torque to 32-37 lb-ft/43-50 Nm)	
99	90027471	18	WASHER	
100	0651606	AR	HEX HD CAPSCREW, 3/8-24X3/4, GR5, (torque to 32-37 lb-ft/43-50 Nm)	
101	0642210	2	HEX HD CAPSCREW, 3/4-10X1-1/4, GR5	
102	3931828	2	SOCKET HD CAPSCREW, 1/2-13X1-3/4	
103	88211551	AR	SOCKET HD CAPSCREW, 3/8-24X3, (torque to 32-37 lb-ft/43-50 Nm)	
111	0651622	AR	HEX HD CAPSCREW, 3/8-24X2-3/4, GR5, (torque to 32-37 lb-ft/43-50 Nm)	
117	0651814	AR	HEX HD CAPSCREW, 1/2-20X1-3/4, GR5, (torque to 76-86 lb-ft/103-117 Nm)	
134	91563147	AR	HOLLOW HEX HD CAPSCREW, 3/8-24X1/2, (torque to 15-17 lb-ft/20-23 Nm)	
137	91161248	AR	HOLLOW HEX HD CAPSCREW, 3/8-24X3/4, (torque to 15-17 lb-ft/20-23 Nm)	
138	0651605	AR	HEX HD CAPSCREW, 3/8-24X.62, GR5, (torque to 32-37 lb-ft/43-50 Nm)	
139	0651607	AR	HEX HD CAPSCREW, 3/8-24X.88, GR5, (torque to 32-37 lb-ft/43-50 Nm)	
140	88211550	AR	SOCKET HD CAPSCREW, 3/8-24X2-1/2, (torque to 32-37 lb-ft/43-50 Nm)	

SECTION 2 - BOOM

ITEM	PART NUMBER	QTY	DESCRIPTION	REV
141	0651810	AR	HEX HD CAPSCREW, 1/2-20X1-1/4, GR5, (torque to 76-86 lb-ft/103-117 Nm)	
143	0651807	AR	HEX HD CAPSCREW, 1/2-20X.88, GR5, (torque to 76-86 lb-ft/103-117 Nm)	
147	88681343	AR	SOCKET HD CAPSCREW, 3/8-24X2-3/4, (torque to 32-37 lb-ft/43-50 Nm)	
201	0100011	AR	LOCTITE 242	

SECTION 2 - BOOM

FIGURE 2-6. THIRD BOOM SECTION G10-55A



Note: Wear Pad Shimming:
 Whenever a shim is used with a pad, a spacer with holes must be inserted between pad and shim.
 The wear pad or wear pad insert must not sit directly on the slotted surface of shims.
 Add wear pad shims and spacers as required to shim boom to maintain a total minimum gap of 0.070 to 0.130 in (1,8 to 3,3 mm) in both horizontal and vertical directions.
 Wear pad bolts require one hardened washer. However, up to (2) hardened washers may be used except where noted otherwise.
 Under no circumstances should more than (2) hardened washers ever be used.
 The length of pad bolts depends on the number of the shims used. The bolt cannot extend past chamfer on wear pad.
 Add Mystik Tetrimoly Grease (14404793) to all wear pads and all wear pad slide pathways. If applicable, this includes all pad grease fittings at the rear of boom.

PAL6390

SECTION 2 - BOOM

FIGURE 2-6. THIRD BOOM SECTION G10-55A

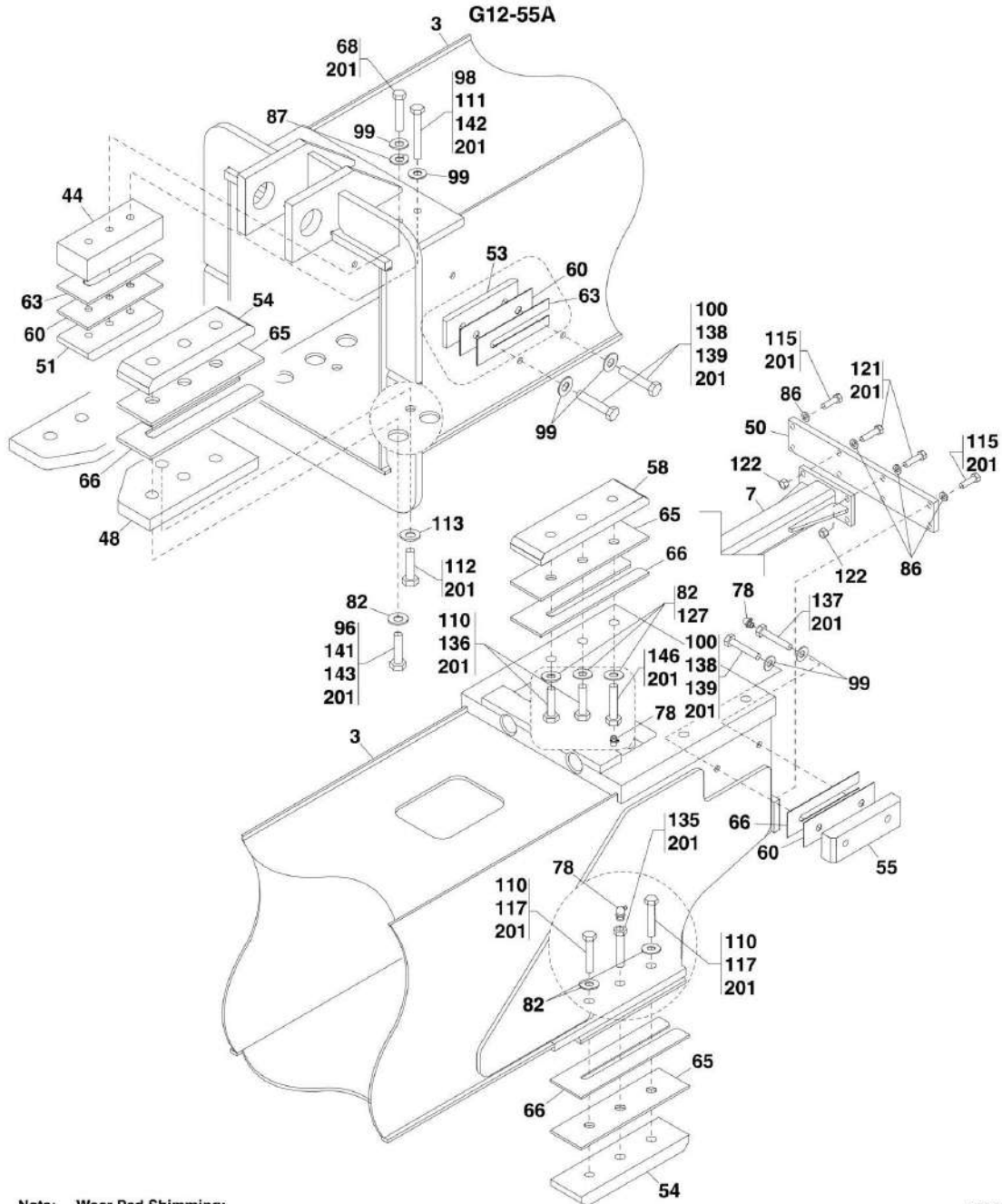
ITEM	PART NUMBER	QTY	DESCRIPTION	REV
3	1001113528B	1	THIRD BOOM SECTION WELDMENT	
6	0641810	2	HEX HD CAPSCREW, 1/2-13X1-1/4, GR5, (torque to 76-86 lb-ft/103-117 Nm)	
7		Ref	BOOM HYDRAULIC INSTALLATION, (See HYDRAULIC CIRCUITS SECTION for Breakdown)	
44	91161170	2	WEAR PAD SUPPORT	
45	0651814	AR	HEX HD CAPSCREW, 1/2-20X1-3/4, GR5, (torque to 76-86 lb-ft/103-117 Nm)	
48	91161169	1	SUPPORT PLATE	
50	91161173	1	BRACKET	
51	91033189	2	WEAR PAD	
53	91033186	4	WEAR PAD	
54	1001117652	6	WEAR PAD	
55	91163188	2	WEAR PAD	
57	0651816	AR	HEX HD CAPSCREW, 1/2-20X2, GR5, (torque to 76-86 lb-ft/103-117 Nm)	
58	91161221	AR	HOLLOW HEX HD CAPSCREW, 1/2-20X1-3/4, (torque to 45-50 lb-ft/61-68 Nm)	
60	91031236	8	SPACER	
62	91161184	AR	SHIM, 0.0598	
63	90205870	AR	SHIM, 0.0598	
65	91141303	6	SPACER	
66	91141302	AR	SHIM, 0.0598	
68	91161277	2	HOLLOW HEX HD CAPSCREW, 1/2-20X2, (torque to 45-50 lb-ft/61-68 Nm)	
69	0651605	AR	HEX HD CAPSCREW, 3/8-24X.62, GR5, (torque to 32-37 lb-ft/43-50 Nm)	
78	88671027	6	GREASE FITTING	
82	0651607	AR	HEX HD CAPSCREW, 3/8-24X.88, GR5, (torque to 32-37 lb-ft/43-50 Nm)	
83	90027471	22	WASHER	
84	0651606	AR	HEX HD CAPSCREW, 3/8-24X3/4, GR5, (torque to 32-37 lb-ft/43-50 Nm)	
85	91161248	2	HOLLOW HEX HD CAPSCREW, 3/8-24X3/4, (torque to 15-17 lb-ft/20-23 Nm)	
86	0651812	AR	HEX HD CAPSCREW, 1/2-20X1-1/2, GR5, (torque to 76-86 lb-ft/103-117 Nm)	
88	4891600	8	WASHER	
89	4761800	2	SPRING LOCKWASHER	
90	0651618	AR	HEX HD CAPSCREW, 3/8-24X2-1/4, GR5, (torque to 32-37 lb-ft/43-50 Nm)	
93	0651620	AR	HEX HD CAPSCREW, 3/8-24X2-1/2, GR5, (torque to 32-37 lb-ft/43-50 Nm)	
96	0651808	AR	HEX HD CAPSCREW, 1/2-20X1, GR5, (torque to 76-86 lb-ft/103-117 Nm)	
100	0651806	AR	HEX HD CAPSCREW, 1/2-20X3/4, GR5, (torque to 76-86 lb-ft/103-117 Nm)	
101	91361047	AR	HOLLOW HEX HD CAPSCREW, 1/2-20X1-1/2, (torque to 45-50 lb-ft/61-68 Nm)	
102	0651810	AR	HEX HD CAPSCREW, 1/2-20X1-1/4, GR5, (torque to 76-86 lb-ft/103-117 Nm)	
103	90027470	12	WASHER, 3/8	
116	0642010	2	HEX HD CAPSCREW, 5/8-11X1-1/4, GR5	

SECTION 2 - BOOM

ITEM	PART NUMBER	QTY	DESCRIPTION	REV
117	4892000	2	WASHER	
119	0641610	4	HEX HD CAPSCREW, 3/8-16X1-1/4, GR5	
125	0641612	4	HEX HD CAPSCREW, 3/8-16X1-1/2, GR5	
126	3311601	4	HEX NUT, 3/8-16	
201	0100011	AR	LOCTITE 242	

SECTION 2 - BOOM

FIGURE 2-7. THIRD BOOM SECTION G12-55A



Note: Wear Pad Shimming:

Whenever a shim is used with a pad, a spacer with holes must be inserted between pad and shim. The wear pad or wear pad insert must not sit directly on the slotted surface of shims.

Add wear pad shims and spacers as required to shim boom to maintain a total minimum gap of 0.070 to 0.130 in (1,8 to 3,3 mm) in both horizontal and vertical directions.

Wear pad bolts require one hardened washer. However, up to (2) hardened washers may be used except where noted otherwise. Under no circumstances should more than (2) hardened washers ever be used.

The length of pad bolts depends on the number of the shims used. The bolt cannot extend past chamfer on wear pad.

Add Mystik Tetrimoly Grease (14404793) to all wear pads and all wear pad slide pathways. If applicable, this includes all pad grease fittings at the rear of boom.

PAL6400

SECTION 2 - BOOM

FIGURE 2-7. THIRD BOOM SECTION G12-55A

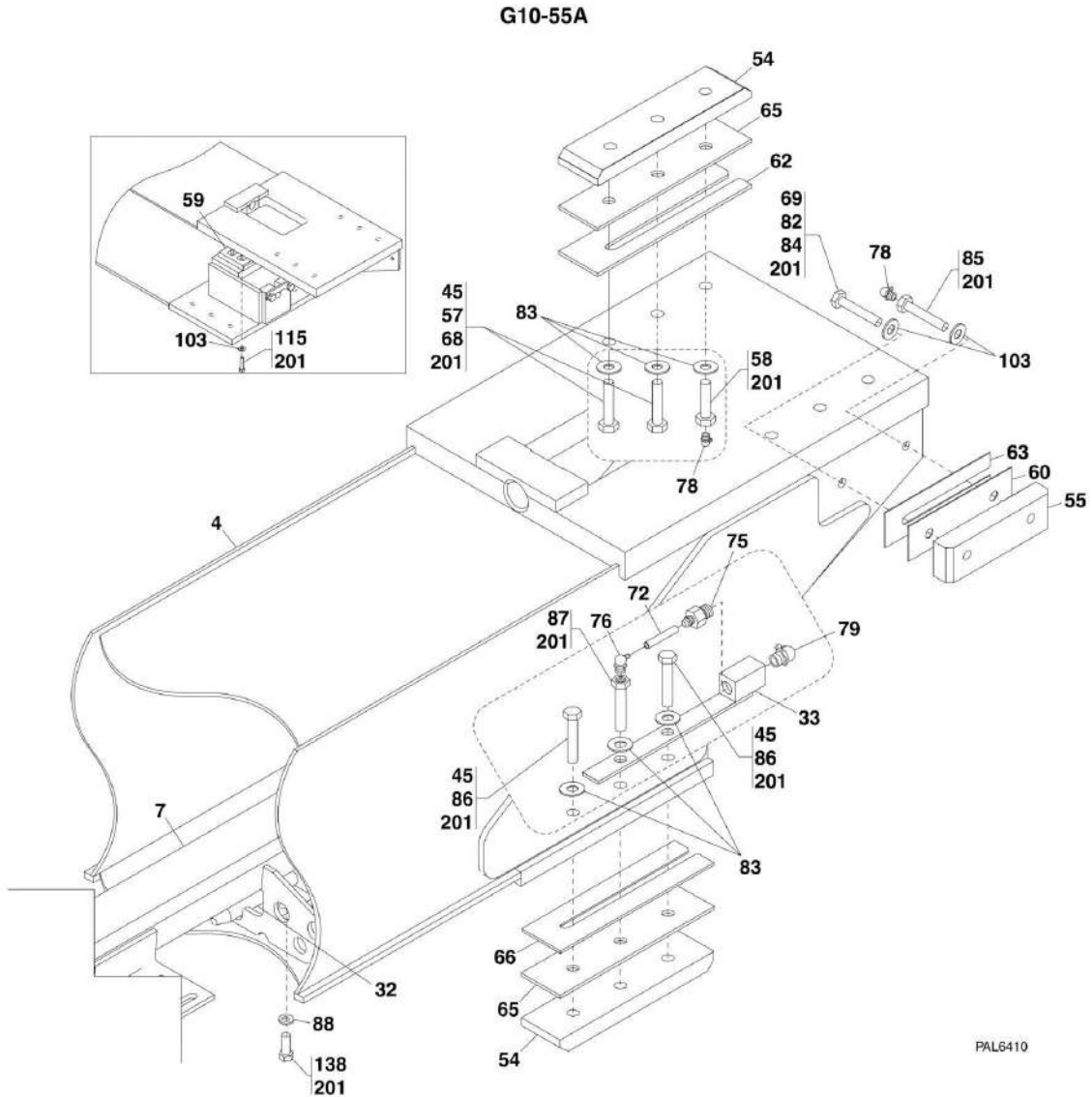
ITEM	PART NUMBER	QTY	DESCRIPTION	REV
3	1001114001B	1	THIRD BOOM SECTION WELDMENT	
7		Ref	BOOM HYDRAULIC INSTALLATION, (See HYDRAULIC CIRCUITS SECTION for Breakdown)	
44	91561108	2	WEAR PAD SUPPORT	
48	91161169	1	SUPPORT PLATE	
50	91161173	1	BRACKET	
51	91033189	2	WEAR PAD	
53	91033186	4	WEAR PAD	
54	1001117652	4	WEAR PAD	
55	91163188	2	WEAR PAD	
58	1001117660	2	WEAR PAD	
60	91031236	8	SPACER	
63	90205870	AR	SHIM, 0.0598	
65	91141303	6	SPACER	
66	91141302	AR	SHIM, 0.0598	
68	0641816	2	HEX HD CAPSCREW, 1/2-13X2, (torque to 76-86 lb-ft/103-117 Nm)	
78	88671027	6	GREASE FITTING	
82	90027471	16	WASHER	
86	4761600	8	WASHER	
87	4761800	2	SPRING LOCKWASHER	
96	0651808	AR	HEX HD CAPSCREW, 1/2-20X1, GR5, (torque to 76-86 lb-ft/103-117 Nm)	
98	0651620	AR	HEX HD CAPSCREW, 3/8-24X2-1/2, GR5, (torque to 32-37 lb-ft/43-50 Nm)	
99	4891600	18	WASHER	
100	0651606	AR	HEX HD CAPSCREW, 3/8-24X3/4, GR5, (torque to 32-37 lb-ft/43-50 Nm)	
110	0651816	AR	HEX HD CAPSCREW, 1/2-20X2, GR5, (torque to 76-86 lb-ft/103-117 Nm)	
111	0651622	AR	HEX HD CAPSCREW, 3/8-24X2-3/4, GR5, (torque to 32-37 lb-ft/43-50 Nm)	
112	0642008	2	HEX HD CAPSCREW, 5/8-11X1, GR5	
113	4892000	2	WASHER, 5/8	
115	0641610	4	HEX HD CAPSCREW, 3/8-16X1-1/4, GR5	
117	0651814	AR	HEX HD CAPSCREW, 1/2-20X1-3/4, GR5, (torque to 76-86 lb-ft/103-117 Nm)	
121	0641612	4	HEX HD CAPSCREW, 3/8-16X1-1/2, GR5	
122	3311601	4	HEX NUT, 3/8-16	
127	91041450	AR	SHIM, 0.0478 IN	
135	91161277	2	HOLLOW HEX HD CAPSCREW, 1/2-20X2, (torque to 45-50 lb-ft/61-68 Nm)	
136	0651818	AR	HEX HD CAPSCREW, 1/2-20X2-1/4, GR5, (torque to 76-86 lb-ft/103-117 Nm)	
137	91161248	2	HOLLOW HEX HD CAPSCREW, 3/8-24X3/4, (torque to 15-17 lb-ft/20-23 Nm)	
138	0651605	AR	HEX HD CAPSCREW, 3/8-24X.62, GR5, (torque to 32-37 lb-ft/43-50 Nm)	
139	0651607	AR	HEX HD CAPSCREW, 3/8-24X.88, GR5, (torque to 32-37 lb-ft/43-50 Nm)	
141	0651810	AR	HEX HD CAPSCREW, 1/2-20X1-1/4, GR5, (torque to 76-86 lb-ft/103-117 Nm)	
142	0651618	AR	HEX HD CAPSCREW, 3/8-24X2-1/4, GR5, (torque to 32-37 lb-ft/43-50 Nm)	

SECTION 2 - BOOM

ITEM	PART NUMBER	QTY	DESCRIPTION	REV
143	0651807	AR	HEX HD CAPSCREW, 1/2-20X.88, GR5, (torque to 76-86 lb-ft/103-117 Nm)	
146	91563161	2	HOLLOW HEX HD CAPSCREW, 1/2-20X2-1/4, (torque to 45-50 lb-ft/61-68 Nm)	
201	0100011	AR	LOCTITE 242	

SECTION 2 - BOOM

FIGURE 2-8. FOURTH BOOM SECTION G10-55A



Note: Wear Pad Shimming:

Whenever a shim is used with a pad, a spacer with holes must be inserted between pad and shim.

The wear pad or wear pad insert must not sit directly on the slotted surface of shims.

Add wear pad shims and spacers as required to shim boom to maintain a total minimum gap of 0.070 to 0.130 in (1,8 to 3,3 mm) in both horizontal and vertical directions.

Wear pad bolts require one hardened washer. However, up to (2) hardened washers may be used except where noted otherwise.

Under no circumstances should more than (2) hardened washers ever be used.

The length of pad bolts depends on the number of the shims used. The bolt cannot extend past chamfer on wear pad.

Add Mystik Tetrimoly Grease (14404793) to all wear pads and all wear pad slide pathways. If applicable, this includes all pad grease fittings at the rear of boom.

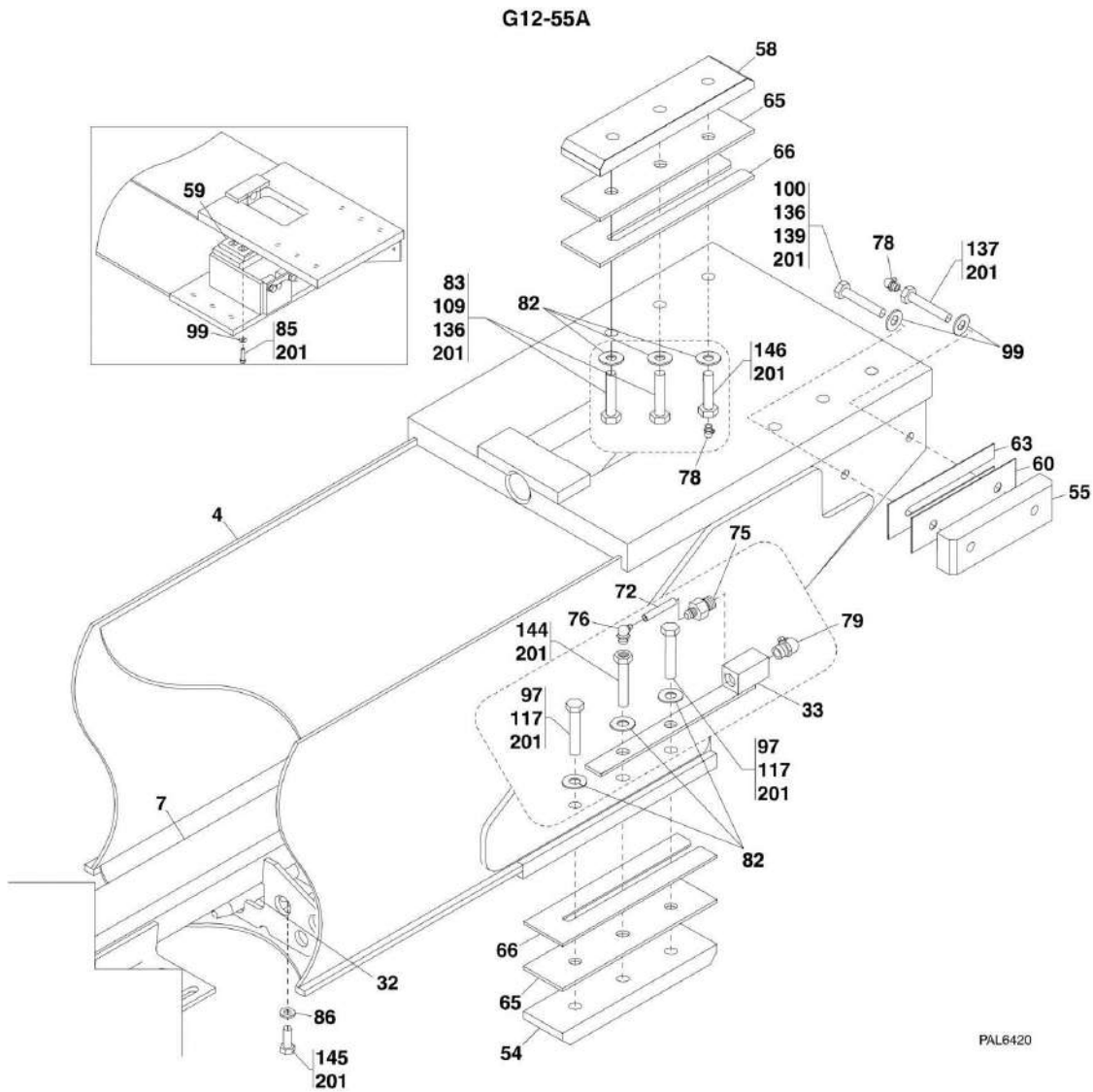
SECTION 2 - BOOM

FIGURE 2-8. FOURTH BOOM SECTION G10-55A

ITEM	PART NUMBER	QTY	DESCRIPTION	REV
4	1001113745B	1	FOURTH BOOM SECTION WELDMENT	
7		Ref	BOOM HYDRAULIC INSTALLATION, (See HYDRAULIC CIRCUITS SECTION for Breakdown)	
32	91166039	1	BRACKET	
33	91166065	2	BRACKET	
45	0651814	AR	HEX HD CAPSCREW, 1/2-20X1-3/4, GR5, (torque to 76-86 lb-ft/103-117 Nm)	
54	1001117652	4	WEAR PAD	
55	91163188	2	WEAR PAD	
57	0651816	AR	HEX HD CAPSCREW, 1/2-20X2, GR5, (torque to 76-86 lb-ft/103-117 Nm)	
58	91161221	2	HOLLOW HEX HD CAPSCREW, 1/2-20X1-3/4, (torque to 45-50 lb-ft/61-68 Nm)	
59	91033187	1	WEAR PAD	
60	91031236	2	SPACER	
62	91161184	AR	SHIM, 0.0598	
63	90205870	AR	SHIM, 0.0598	
65	91141303	4	SPACER	
66	91141302	AR	SHIM, 0.0598	
68	91161277	AR	HOLLOW HEX HD CAPSCREW, 1/2-20X2, (torque to 45-50 lb-ft/61-68 Nm)	
69	0651605	AR	HEX HD CAPSCREW, 3/8-24X.62, GR5, (torque to 32-37 lb-ft/43-50 Nm)	
72	72088049	15 in	NYLON TUBING, 1/4	
75	86881273	2	STRAIGHT FITTING	
76	86881276	2	GREASE FITTING	
78	88671027	4	GREASE FITTING	
79	88671018	2	GREASE FITTING	
82	0651607	AR	HEX HD CAPSCREW, 3/8-24X.88, GR5, (torque to 32-37 lb-ft/43-50 Nm)	
83	90027471	12	WASHER	
84	0651606	AR	HEX HD CAPSCREW, 3/8-24X3/4, GR5, (torque to 32-37 lb-ft/43-50 Nm)	
85	91161248	2	HOLLOW HEX HD CAPSCREW, 3/8-24X3/4, (torque to 15-17 lb-ft/20-23 Nm)	
86	0651812	AR	HEX HD CAPSCREW, 1/2-20X1-1/2, GR5, (torque to 76-86 lb-ft/103-117 Nm)	
87	91161274	AR	HEX HD CAPSCREW, 1/2-20X1-3/4, GR5, (torque to 76-86 lb-ft/103-117 Nm)	
88	4761600	2	WASHER	
103	4891600	6	WASHER	
115	0651612	2	HEX HD CAPSCREW, 3/8-24X1-1/2, GR5, (torque to 32-37 lb-ft/43-50 Nm)	
138	0641608	2	HEX HD CAPSCREW, 3/8-16X1, GR5, (torque to 35 lb-ft/48 Nm)	
201	0100011	AR	LOCTITE 242	

SECTION 2 - BOOM

FIGURE 2-9. FOURTH BOOM SECTION G12-55A



PAL6420

Note: Wear Pad Shimming:

Whenever a shim is used with a pad, a spacer with holes must be inserted between pad and shim.

The wear pad or wear pad insert must not sit directly on the slotted surface of shims.

Add wear pad shims and spacers as required to shim boom to maintain a total minimum gap of 0.070 to 0.130 in (1,8 to 3,3 mm) in both horizontal and vertical directions.

Wear pad bolts require one hardened washer. However, up to (2) hardened washers may be used except where noted otherwise.

Under no circumstances should more than (2) hardened washers ever be used.

The length of pad bolts depends on the number of the shims used. The bolt cannot extend past chamfer on wear pad.

Add Mystik Tetrinoly Grease (14404793) to all wear pads and all wear pad slide pathways. If applicable, this includes all pad grease fittings at the rear of boom.

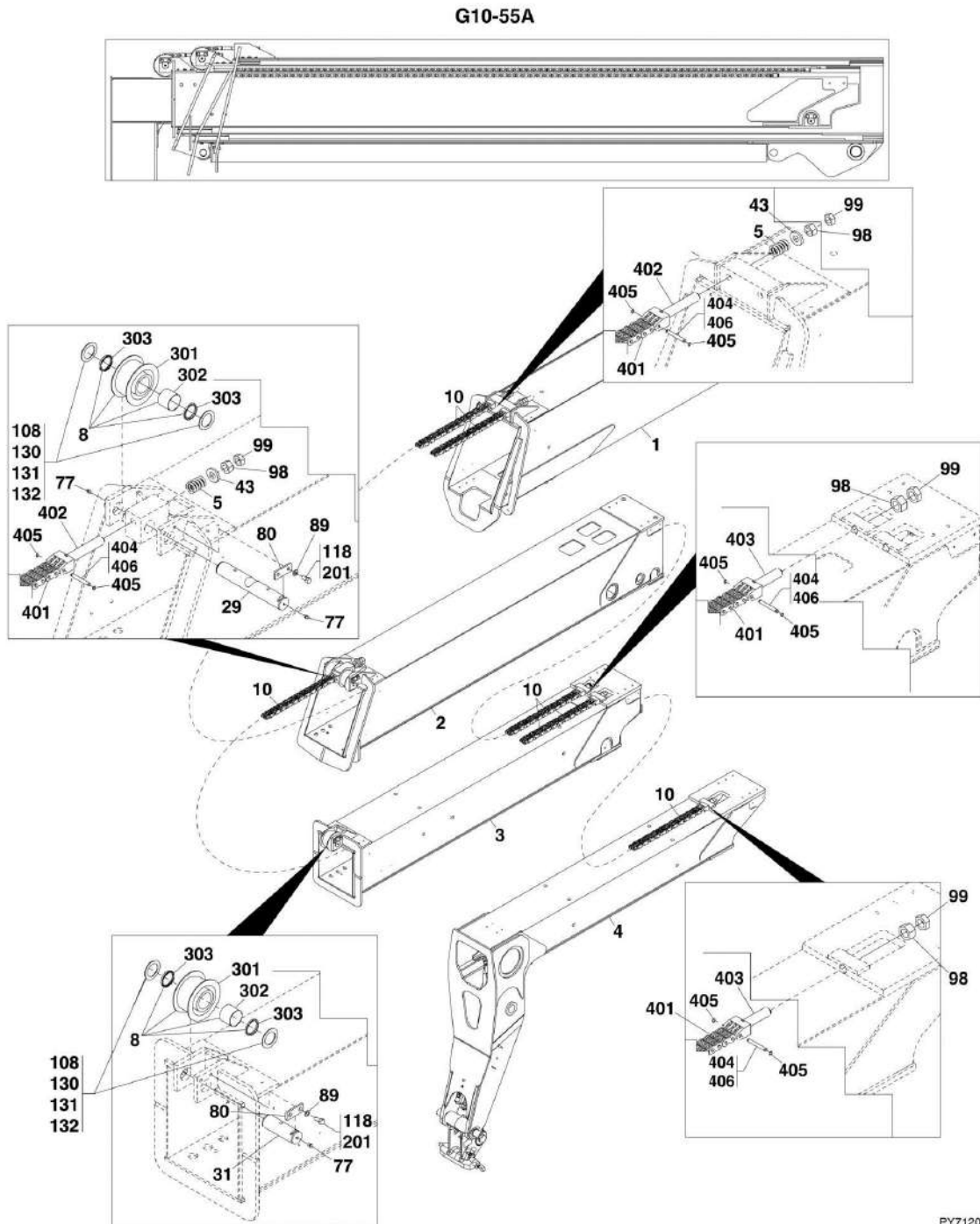
SECTION 2 - BOOM

FIGURE 2-9. FOURTH BOOM SECTION G12-55A

ITEM	PART NUMBER	QTY	DESCRIPTION	REV
4	1001114008B	1	FOURTH BOOM SECTION WELDMENT	
7		Ref	BOOM HYDRAULIC INSTALLATION, (See HYDRAULIC CIRCUITS SECTION for Breakdown)	
32	91166039	1	BRACKET	
33	91166065	2	BRACKET	
54	1001117652	2	WEAR PAD	
55	91163188	2	WEAR PAD	
58	1001117660	2	WEAR PAD	
59	91033187	1	WEAR PAD	
60	91031236	2	SPACER	
63	90205870	AR	SHIM, 0.0598	
65	91141303	4	SPACER	
66	91141302	AR	SHIM, 0.0598	
72	72088049	15 in	NYLON TUBING, 1/4	
75	86881273	2	STRAIGHT FITTING	
76	86881276	2	GREASE FITTING	
78	88671027	4	GREASE FITTING	
79	88671018	2	GREASE FITTING	
82	90027471	12	WASHER	
83	0651822	AR	HEX HD CAPSCREW, 1/2-20X2-3/4, GR5, (torque to 76-86 lb-ft/103-117 Nm)	
85	0651612	2	HEX HD CAPSCREW, 3/8-24X1-1/2, GR5, (torque to 32-37 lb-ft/43-50 Nm)	
86	4761600	2	WASHER	
97	0651812	AR	HEX HD CAPSCREW, 1/2-20X1-1/2, GR5, (torque to 76-86 lb-ft/103-117 Nm)	
99	4891600	6	WASHER	
100	0651606	AR	HEX HD CAPSCREW, 3/8-24X3/4, GR5, (torque to 32-37 lb-ft/43-50 Nm)	
109	0651820	AR	HEX HD CAPSCREW, 1/2-20X2-1/2, GR5, (torque to 76-86 lb-ft/103-117 Nm)	
117	0651814	AR	HEX HD CAPSCREW, 1/2-20X1-3/4, GR5, (torque to 76-86 lb-ft/103-117 Nm)	
136	0651818	AR	HEX HD CAPSCREW, 1/2-20X2-1/4, GR5, (torque to 76-86 lb-ft/103-117 Nm)	
137	91161248	2	HOLLOW HEX HD CAPSCREW, 3/8-24X3/4, (torque to 15-17 lb-ft/20-23 Nm)	
139	0651607	AR	HEX HD CAPSCREW, 3/8-24X.88, GR5, (torque to 32-37 lb-ft/43-50 Nm)	
144	91161274	2	HEX HD CAPSCREW, 1/2-20X1-3/4, GR5, (torque to 76-86 lb-ft/103-117 Nm)	
145	0641608	2	HEX HD CAPSCREW, 3/8-16X1, GR5, (torque to 35 lb-ft/48 Nm)	
146	91563161	2	HOLLOW HEX HD CAPSCREW, 1/2-20X2-1/4, (torque to 45-50 lb-ft/61-68 Nm)	
201	0100011	AR	LOCTITE 242	

SECTION 2 - BOOM

FIGURE 2-10. EXTEND CHAINS G10-55A



PY7120

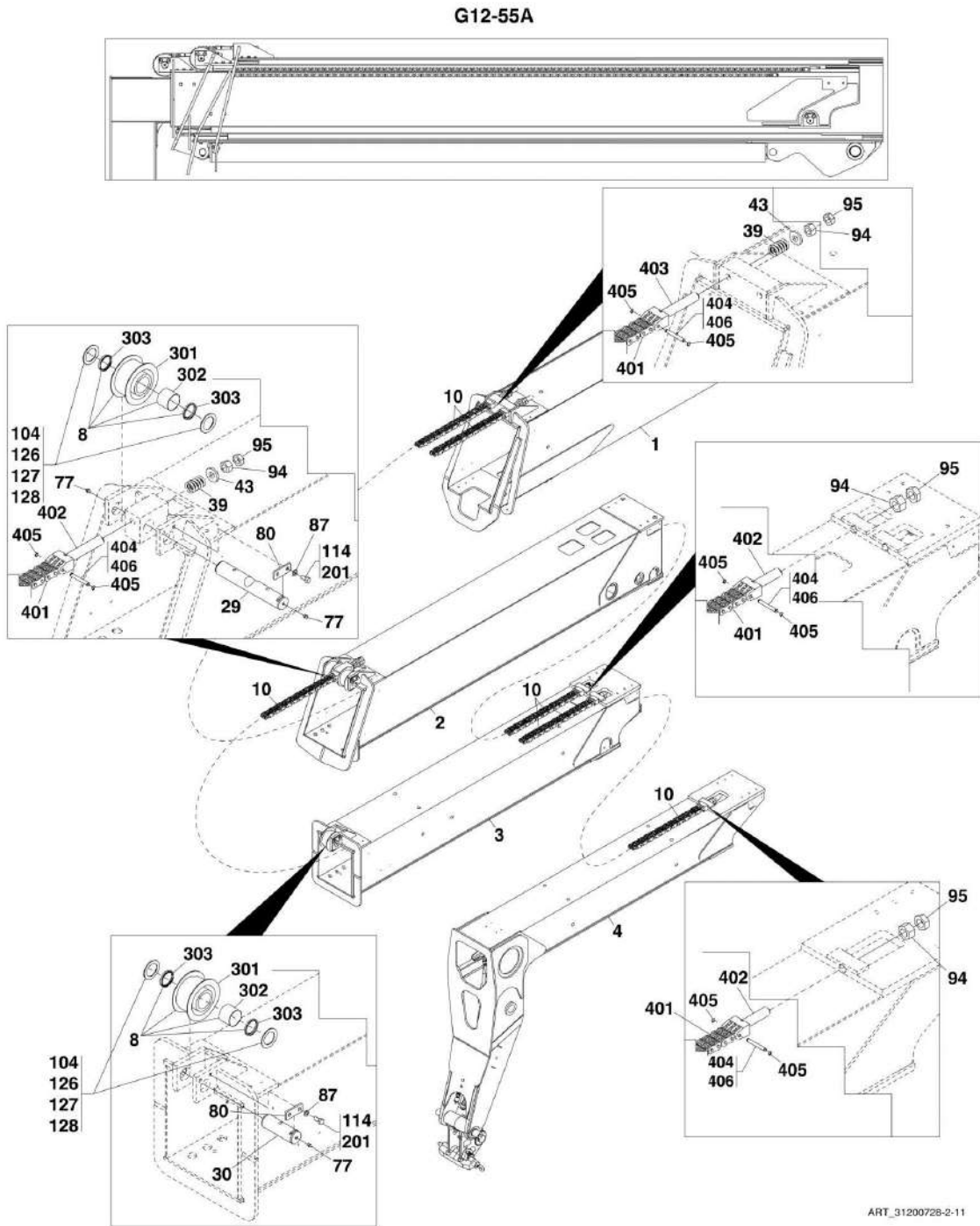
SECTION 2 - BOOM

FIGURE 2-10. EXTEND CHAINS G10-55A

ITEM	PART NUMBER	QTY	DESCRIPTION	REV
1		Ref	FIRST BOOM SECTION WELDMENT, (See FIRST BOOM SECTION for Breakdown)	
2		Ref	SECOND BOOM SECTION WELDMENT, (See SECOND BOOM SECTION for Breakdown)	
3		Ref	THIRD BOOM SECTION WELDMENT, (See THIRD BOOM SECTION for Breakdown)	
4		Ref	FOURTH BOOM SECTION WELDEMNT, (See FOURTH BOOM SECTION for Breakdown)	
5	91163163	3	SPRING	
8	91165022	3	CHAIN ROLLER ASSY, (includes items 301 thru 303)	A
10	0274675	3	CHAIN ASSY, (includes items 401 thru 406)	C
29	91161266	1	PIN	
31	91161267	1	PIN	
43	91161218	3	WASHER	
77	2160002	3	GREASE FITTING	
80	91401189	2	PLATE	
89	4761800	4	SPRING LOCKWASHER	
98	88501314	6	HEX NUT, 7/8-14, GR5	
99	88501414	6	HEX JAM NUT, 7/8-14, GR5, (torque to 100 lb-ft/136 Nm)	
108	91041451	6	SHIM, 0.106 IN	
118	0641808	4	HEX HD CAPSCREW, 1/2-13X1, GR5, (torque to 85 lb-ft/116 Nm)	
130	91041449	AR	SHIM, 0.060 IN	
131	91041450	AR	SHIM, 0.0478 IN	
132	91041596	AR	SHIM, 0.0359 IN	
201	0100011	AR	LOCTITE 242	
301	N.S.S.	1	ROLLER	
302	91163204	1	BUSHING	
303	86921268	2	SEAL	
401	91163036	1	LEAF CHAIN, BL866	
402	1360296	1	LEAF CHAIN CLEVIS, BL866	
403	1360297	1	LEAF CHAIN CLEVIS, BL866	
404	91413122	2	PIN	
405	88581112	4	SNAP RING	
406	8522012	AR	ANTI-SIEZE LUBE	

SECTION 2 - BOOM

FIGURE 2-11. EXTEND CHAINS G12-55A



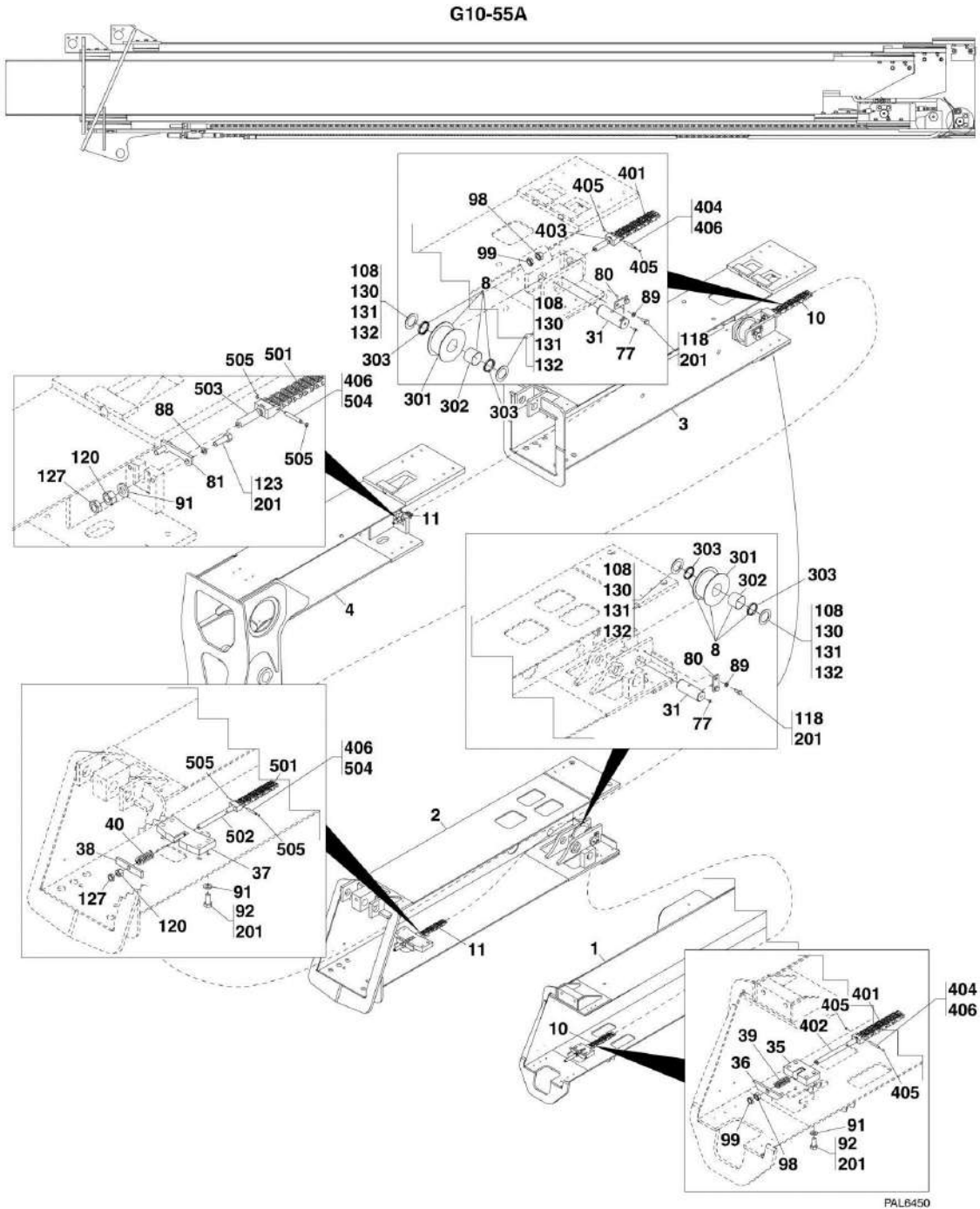
SECTION 2 - BOOM

FIGURE 2-11. EXTEND CHAINS G12-55A

ITEM	PART NUMBER	QTY	DESCRIPTION	REV
1		Ref	FIRST BOOM SECTION WELDMENT, (See FIRST BOOM SECTION for Breakdown)	
2		Ref	SECOND BOOM SECTION WELDMENT, (See SECOND BOOM SECTION for Breakdown)	
3		Ref	THIRD BOOM SECTION WELDMENT, (See THIRD BOOM SECTION for Breakdown)	
4		Ref	FOURTH BOOM SECTION WELDEMNT, (See FOURTH BOOM SECTION for Breakdown)	
8	91565005	3	CHAIN ROLLER ASSY, (includes items 301 thru 303)	A
10	0274677	3	CHAIN ASSY, (includes items 401 thru 406)	C
29	1001129352	1	PIN	C
30	91563030	1	PIN	
39	91563219	3	SPRING	
43	91561107	3	WASHER	
77	2160002	3	GREASE FITTING	
80	91401189	2	PLATE	
87	4761800	4	SPRING LOCKWASHER	
94	3313001	6	HEX NUT, 1-1/4 GR5	
95	3313002	6	HEX JAM NUT, 1-1/4, GR5, (torque to 100 lb-ft/136 Nm)	
104	91041451	6	SHIM, 0.106 IN	
114	0641808	4	HEX HD CAPSCREW, 1/2-13X1, GR5, (torque to 85 lb-ft/116 Nm)	
126	91041449	AR	SHIM, 0.060 IN	
127	91041450	AR	SHIM, 0.0478 IN	
128	91041596	AR	SHIM, 0.0359 IN	
201	0100011	AR	LOCTITE 242	
301	91563026	1	ROLLER	
302	91563025	1	BUSHING	
303	91403119	2	SEAL	
401	91563035	1	LEAF CHAIN, BL1066	
402	1360300	1	LEAF CHAIN CLEVIS, BL1066	
403	1360301	1	LEAF CHAIN CLEVIS, BL1066	
404	91513176	2	PIN	
405	88581115	4	SNAP RING	
406	8522012	AR	ANTI-SIEZE LUBE	

SECTION 2 - BOOM

FIGURE 2-12. RETRACT CHAINS G10-55A



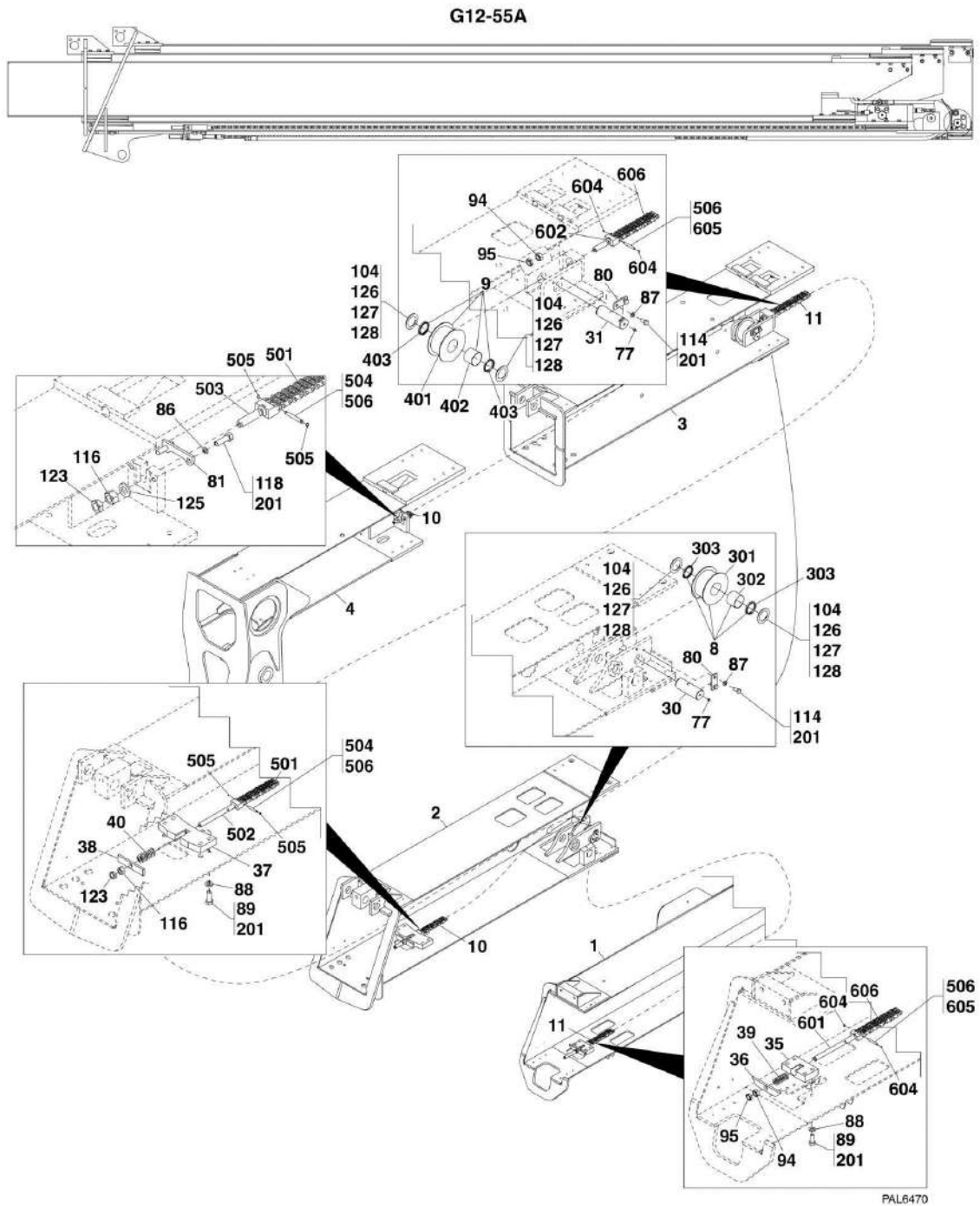
SECTION 2 - BOOM

FIGURE 2-12. RETRACT CHAINS G10-55A

ITEM	PART NUMBER	QTY	DESCRIPTION	REV
1		Ref	FIRST BOOM SECTION WELDMENT, (See FIRST BOOM SECTION for Breakdown)	
2		Ref	SECOND BOOM SECTION WELDMENT, (See SECOND BOOM SECTION for Breakdown)	
3		Ref	THIRD BOOM SECTION WELDMENT, (See THIRD BOOM SECTION for Breakdown)	
4		Ref	FOURTH BOOM SECTION WELDEMNT, (See FOURTH BOOM SECTION for Breakdown)	
8	91165022	2	CHAIN ROLLER ASSY, (includes items 301 thru 303)	A
10	0274675	1	CHAIN ASSY, (includes items 401 thru 406)	C
11	0274671	1	CHAIN ASSY, (includes items 406 & 501 thru 505)	C
31	91161267	2	PIN	
35	91161211	1	CHAIN ADJUSTMENT BLOCK	
36	91161213	1	PLATE	
37	91161212	1	CHAIN ADJUSTMENT BLOCK	
38	91161214	1	PLATE	
39	91163161	1	SPRING	
40	91163162	1	SPRING	
77	2160002	2	GREASE FITTING	
80	91401189	2	PLATE	
81	91161180	1	PLATE	
88	4761600	2	WASHER	
89	4761800	4	SPRING LOCKWASHER	
91	4892200	9	WASHER, 3/4	
92	0682214	8	HEX HD CAPSCREW, 3/4-10X1-3/4, GR5, (torque to 340-365 lb-ft/461-495 Nm)	
98	88501314	2	HEX NUT, 7/8-14, GR5	
99	88501414	2	HEX JAM NUT, 7/8-14, GR5, (torque to 100 lb-ft/136 Nm)	
108	91041451	4	SHIM, 0.106 IN	
118	0641808	4	HEX HD CAPSCREW, 1/2-13X1, GR5, (torque to 85 lb-ft/116 Nm)	
120	88501312	2	HEX NUT, 3/4-16, GR5, (torque to 100 lb-ft/136 Nm)	
123	0641606	2	HEX HD CAPSCREW, 3/8-16X3/4, GR5, (torque to 35 lb-ft/48 Nm)	
127	88501412	2	HEX JAM NUT, 3/4-16, GR5, (torque to 100 lb-ft/136 Nm)	
130	91041449	AR	SHIM, 0.060 IN	
131	91041450	AR	SHIM, 0.0478 IN	
132	91041596	AR	SHIM, 0.0359 IN	
201	0100011	AR	LOCTITE 242	
301	N.S.S.	1	ROLLER	
302	91163204	1	BUSHING	
303	86921268	2	SEAL	
401	91163036	1	LEAF CHAIN, BL866	
402	1360296	1	LEAF CHAIN CLEVIS, BL866	
403	1360297	1	LEAF CHAIN CLEVIS, BL866	
404	91413122	2	PIN	
405	88581112	4	SNAP RING	
406	8522012	AR	ANTI-SIEZE LUBE	
501	91163037	1	LEAF CHAIN, BL666	
502	1360292	1	LEAF CHAIN CLEVIS, BL666	
503	1360293	1	LEAF CHAIN CLEVIS, BL666	
504	91413129	2	PIN	
505	88681344	4	SNAP RING	

SECTION 2 - BOOM

FIGURE 2-13. RETRACT CHAINS G12-55A



SECTION 2 - BOOM

FIGURE 2-13. RETRACT CHAINS G12-55A

ITEM	PART NUMBER	QTY	DESCRIPTION	REV
1		Ref	FIRST BOOM SECTION WELDMENT, (See FIRST BOOM SECTION for Breakdown)	
2		Ref	SECOND BOOM SECTION WELDMENT, (See SECOND BOOM SECTION for Breakdown)	
3		Ref	THIRD BOOM SECTION WELDMENT, (See THIRD BOOM SECTION for Breakdown)	
4		Ref	FOURTH BOOM SECTION WELDEMNT, (See FOURTH BOOM SECTION for Breakdown)	
8	91565005	1	CHAIN ROLLER ASSY, (includes items 301 thru 303)	D
9	91565004	1	CHAIN ROLLER ASSY, (includes items 401 thru 403)	C
10	0274677	1	CHAIN ASSY, (includes items 501 thru 506)	C
11	0274673	1	CHAIN ASSY,(includes items 506, 601, 602 & 604 thru 606)	C
30	91563030	1	PIN	
31	91161267	1	PIN	
35	91561090	1	CHAIN ADJUSTMENT BLOCK	
36	91561250	1	PLATE	
37	1001116033	1	CHAIN ADJUSTMENT BLOCK	
38	1001116125	1	PLATE	
39	91563219	1	SPRING	
40	91163161	1	SPRING	
77	2160002	2	GREASE FITTING	
80	91401189	2	PLATE	
81	91161180	1	PLATE	
86	4761600	2	WASHER	
87	4761800	4	SPRING LOCKWASHER	
88	4892200	8	WASHER, 3/4	
89	0682214	8	HEX HD CAPSCREW, 3/4-10X1-3/4, GR5, (torque to 340-365 lb-ft/461-495 Nm)	
94	3313001	2	HEX NUT, 1-1/4 GR5	
95	3313002	2	HEX JAM NUT, 1-1/4, GR5, (torque to 100 lb-ft/136 Nm)	
104	91041451	4	SHIM, 0.106 IN	
114	0641808	4	HEX HD CAPSCREW, 1/2-13X1, GR5, (torque to 85 lb-ft/116 Nm)	
116	88501314	2	HEX NUT, 7/8-14, GR5	
118	0641606	2	HEX HD CAPSCREW, 3/8-16X3/4, GR5, (torque to 35 lb-ft/48 Nm)	
123	88501414	2	HEX JAM NUT, 7/8-14, GR5, (torque to 100 lb-ft/136 Nm)	
125	4892400	1	WASHER	
126	91041449	AR	SHIM, 0.060 IN	
127	91041450	AR	SHIM, 0.0478 IN	
128	91041596	AR	SHIM, 0.0359 IN	
201	0100011	AR	LOCTITE 242	
301	91563026	1	ROLLER	
302	91563025	1	BUSHING	
303	91403119	2	SEAL	
401	91563021	1	ROLLER	
402	91163204	1	BUSHING	
403	86921268	2	SEAL	
501	91563035	1	LEAF CHAIN, BL1066	
502	1360300	1	LEAF CHAIN CLEVIS, BL1066	
503	1360301	1	LEAF CHAIN CLEVIS, BL1066	
504	91513176	2	PIN	
505	88581115	4	SNAP RING	

SECTION 2 - BOOM

ITEM	PART NUMBER	QTY	DESCRIPTION	REV
506	8522012	AR	ANTI-SIEZE LUBE	
601	1360296	1	LEAF CHAIN CLEVIS, BL866	
602	1360297	1	LEAF CHAIN CLEVIS, BL866	
604	88581112	4	SNAP RING	
605	91413122	2	PIN	
606	91563036	1	LEAF CHAIN, BL866	

SECTION 2 - BOOM

FIGURE 2-14. MANUAL QUICK ATTACH

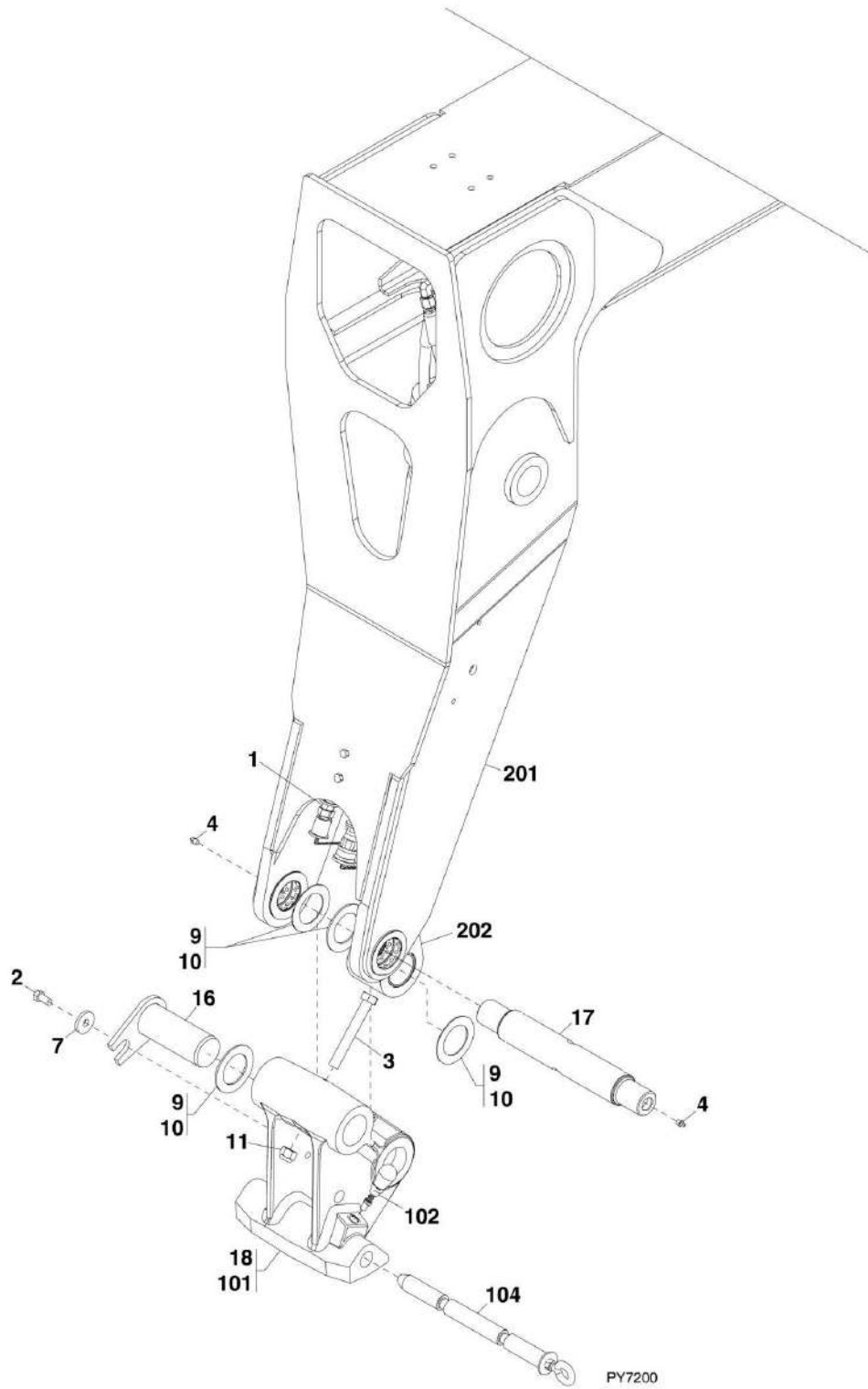


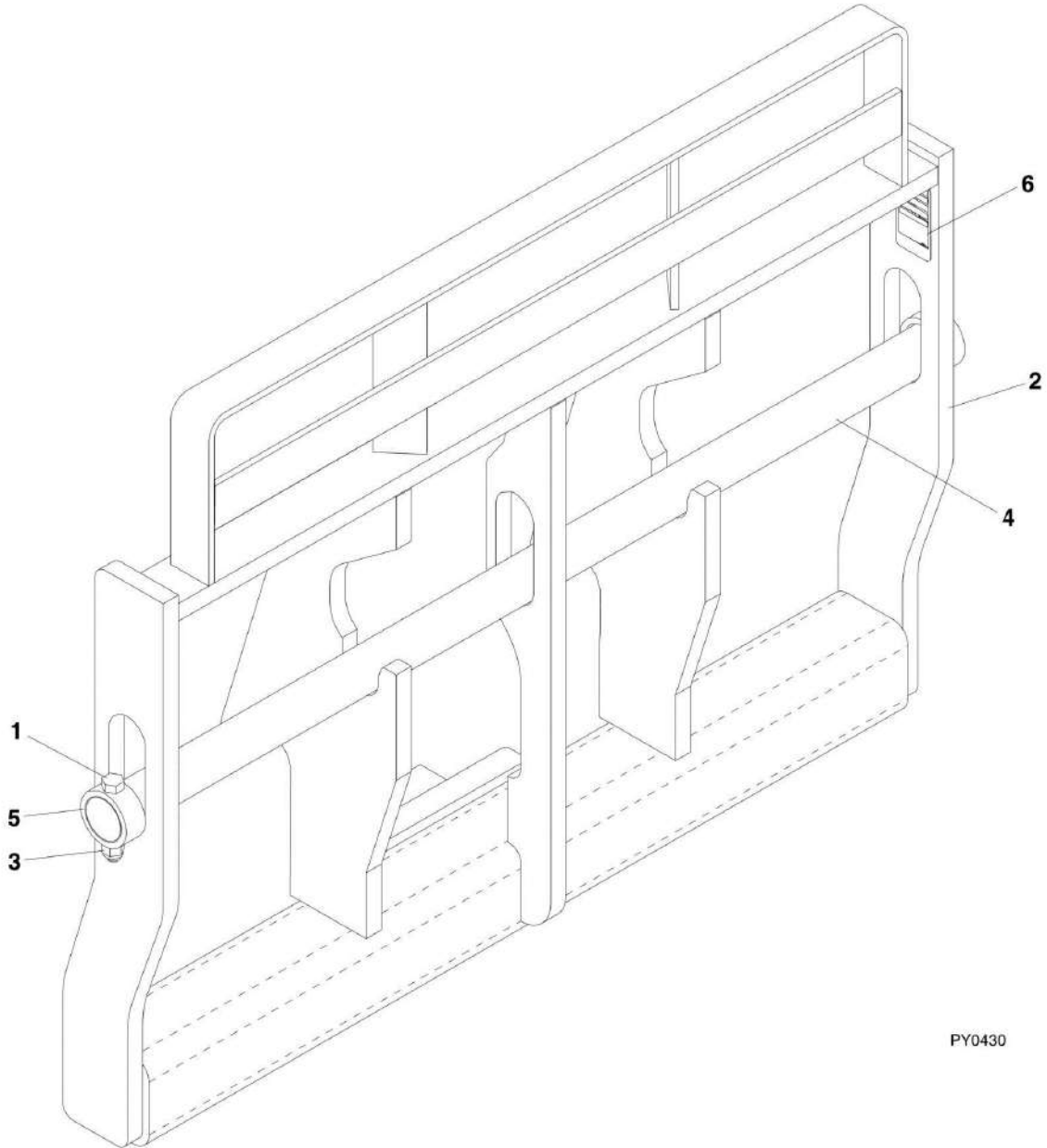
FIGURE 2-14. MANUAL QUICK ATTACH

ITEM	PART NUMBER	QTY	DESCRIPTION	REV
	1001142789	Ref	MANUAL QUICK ATTACH INSTALLATION, (not available to order, see items 1 thru 18 for service)	A
1		Ref	TILT CYLINDER HYDRAULICS, (See HYDRAULIC CIRCUITS SECTION for Breakdown)	
2	0641808	1	HEX HD CAPSCREW, 1/2-13X1, GR5	
3	0682244	1	HEX HD CAPSCREW, 3/4-10X5-1/2, GR8	
4	2160002	2	GREASE FITTING	
7	4740003	1	WASHER	
9	8307916	AR	SHIM, 2.5X.075X3.875	
10	8307917	AR	SHIM, 2.5X.134X3.875	
11	8310067	1	HEX LOCKNUT, 3/4-10	
16	1001098218	1	PIN	
17	1001098233	1	PIN	
18	1001098382	1	QUICK ATTACH ASSY, (includes items 101, 102 & 104)	E
101	1001098174	1	QUICK ATTACH	
102	1001143692	1	PIN	
104	1001105441	1	PIN	
201		Ref	FOURTH BOOM SECTION, (See FOURTH BOOM SECTION for Breakdown)	
202		Ref	TILT CYLINDER, (See HYDRAULIC COMPONENTS SECTION for Breakdown)	

SECTION 3 - ATTACHMENTS

SECTION 3 - ATTACHMENTS

FIGURE 3-1. STANDARD CARRIAGE (Prior to SN 0160052000)



PY0430

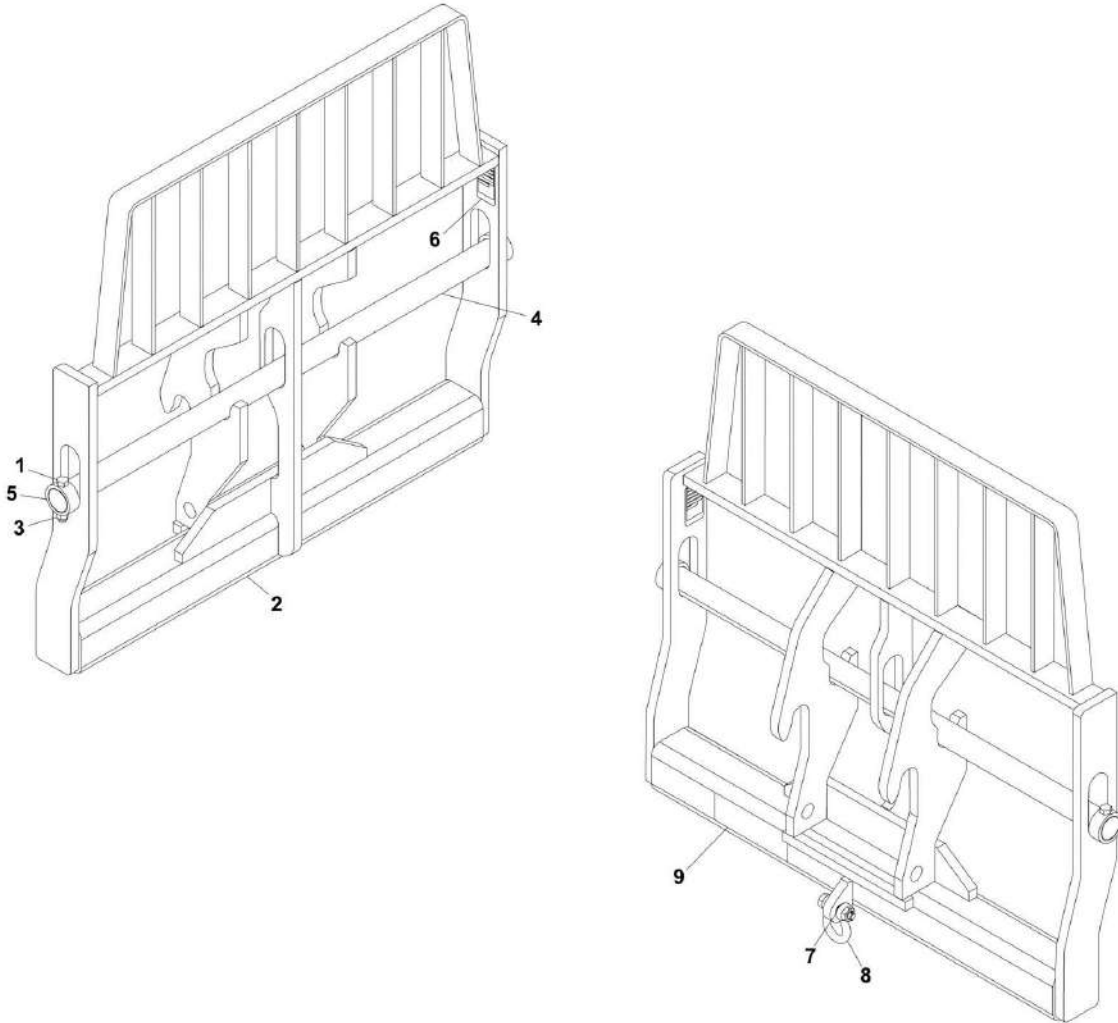
SECTION 3 - ATTACHMENTS

FIGURE 3-1. STANDARD CARRIAGE (Prior to SN 0160052000)

ITEM	PART NUMBER	QTY	DESCRIPTION	REV
	1170021	1	50 IN CARRIAGE, (includes all items)	E
	1170024	1	60 IN CARRIAGE, (includes all items)	E
	1001132514	1	72 IN CARRIAGE, (includes all items)	B
1	0642032	2	HEX HD CAPSCREW, 5/8-11X4, GR5	
2	N.S.S.	1	TILT CARRIAGE	
3	3300240	2	LOCKNUT, 5/8-11	
4	3423275	1	50 IN FORK PIN	
4	3423242	1	60 IN FORK PIN	
4	3423276	1	72 IN FORK PIN	
5	90200003	2	COLLAR	
6	N.S.S.	1	SN PLATE	

SECTION 3 - ATTACHMENTS

FIGURE 3-2. STANDARD CARRIAGE (SN 0160052000 to Present)



ART_31200728-3-2

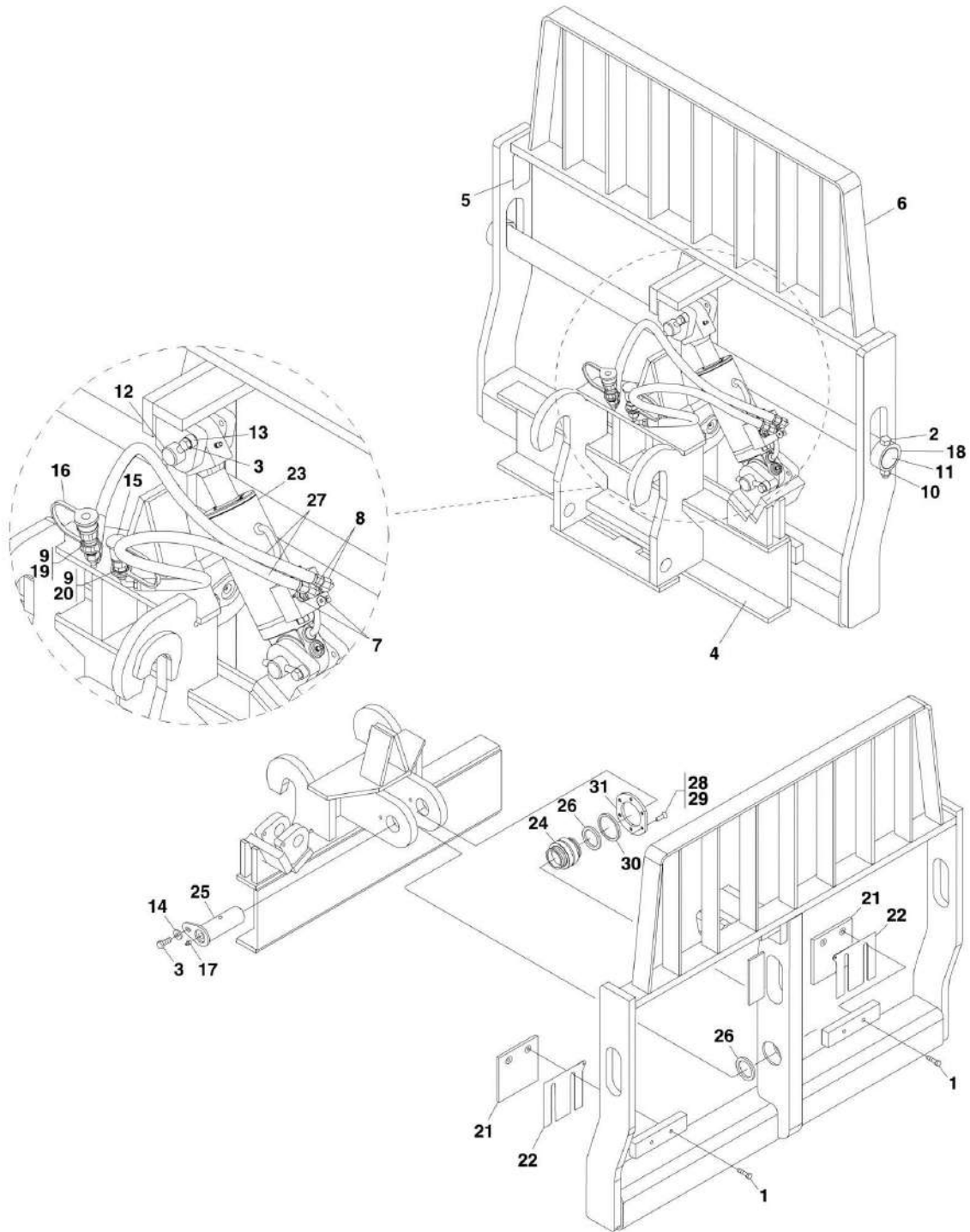
SECTION 3 - ATTACHMENTS

FIGURE 3-2. STANDARD CARRIAGE (SN 0160052000 to Present)

ITEM	PART NUMBER	QTY	DESCRIPTION	REV
	1001146084	1	50 IN TILT CARRIAGE WITH LIFT LUG, (includes all items)	C
	1001146086	1	60 IN TILT CARRIAGE WITH LIFT LUG, (includes all items)	C
	1001146088	1	72 IN TILT CARRIAGE WITH LIFT LUG, (includes all items)	C
1	0642032	2	HEX HD CAPSCREW, 5/8-11X4, GR5	
2	N.S.S.	1	TILT CARRIAGE	
3	3300240	2	LOCKNUT, 5/8-11	
4	3423275	1	50 IN FORK PIN	
4	3423242	1	60 IN FORK PIN	
4	3423276	1	72 IN FORK PIN	
5	90200003	2	COLLAR	
6	N.S.S.	1	SN PLATE	
7	1001146159	1	SLEEVE	
8	1001146160	1	SHACKLE	
9	1001151561	1	DANGER SWINGING LOADS DECAL	

SECTION 3 - ATTACHMENTS

FIGURE 3-3. SIDE TILT CARRIAGE



ART_31200728-3-3

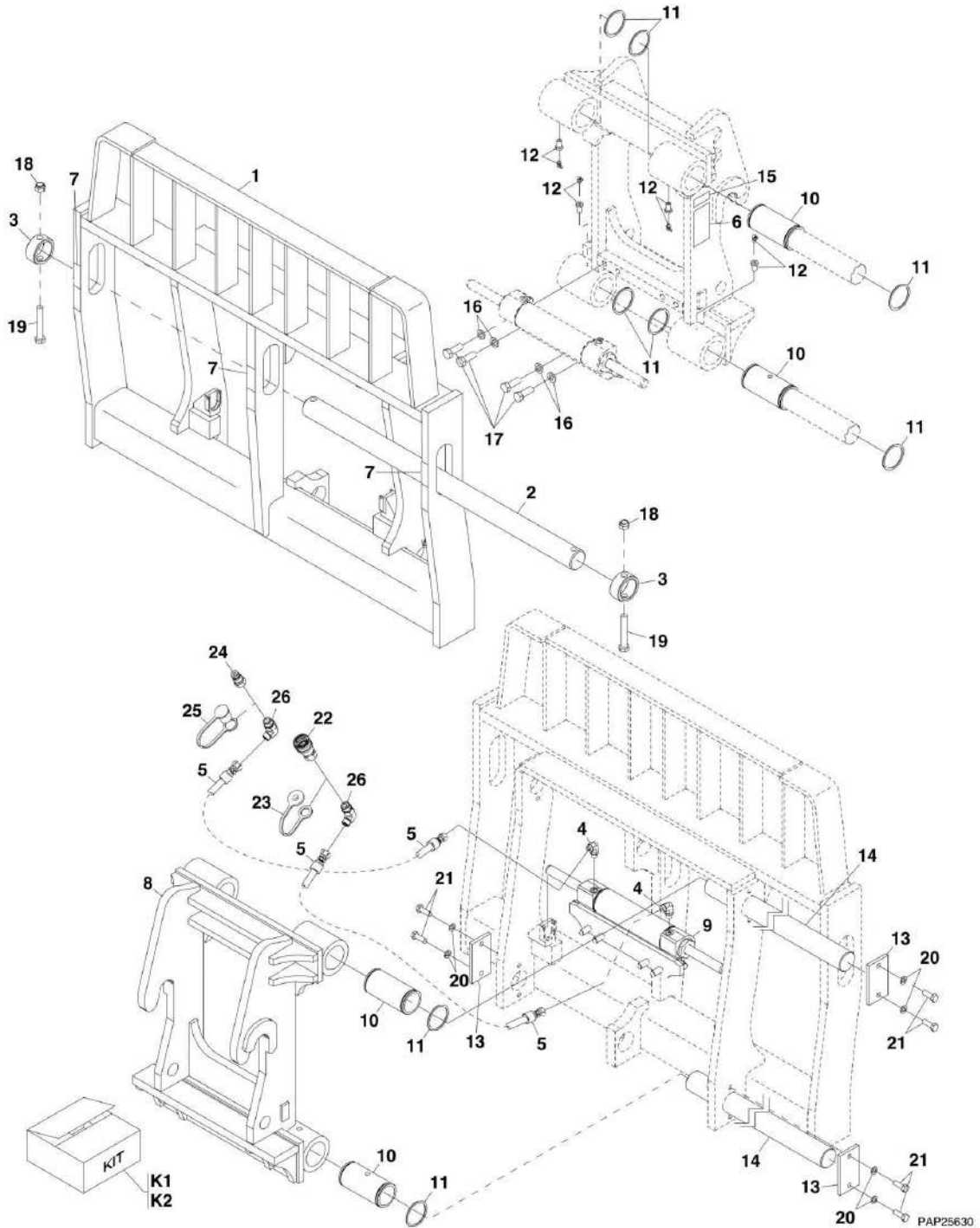
SECTION 3 - ATTACHMENTS

FIGURE 3-3. SIDE TILT CARRIAGE

ITEM	PART NUMBER	QTY	DESCRIPTION	REV
	1170054	1	50 IN SIDE TILT CARRIAGE, (includes all items)	J
	1001101956	1	60 IN SIDE TILT CARRIAGE, (includes all items)	K
	1170057	1	72 IN SIDE TILT CARRIAGE, (includes all items)	J
1	0641612	4	HEX HD CAPSCREW, 3/8-16X1-1/2	
2	0642032	2	HEX HD CAPSCREW, 5/8-11X4	
3	0681810	3	HEX HD CAPSCREW, 1/2-13X1-1/4	
4	1001133072	1	CARRIAGE BASE	
5	N.S.S.	1	SN PLATE	
6	N.S.S.	1	SIDE TILT CARRIAGE	
7	2110606	2	CONNECTOR	
8	2172106	2	ADAPTER, 90	
9	2110808	2	CONNECTOR, (50 IN and 72 IN)	
9	2110808	2	CONNECTOR, (60 IN)	
10	3300240	2	LOCK NUT, 5/8-11	
11	3423275	1	50 IN FORK PIN	
11	3423242	1	60 IN FORK PIN	
11	3423276	1	72 IN FORK PIN	
12	3423307	2	PIN	
13	3841203	2	KEEPER	
14	4891800	1	WASHER, 1/2	
15	8420053	1	DUST CAP	
16	8420055	1	DUST PLUG	
17	88671001	1	GREASE FITTING	
18	90200003	2	COLLAR	
19	91403413	1	CONNECTOR	
20	91403414	1	CONNECTOR	
21	1001090063	2	WEAR PAD	
22	1001090064	AR	SHIM	
23		Ref	HYDRAULIC CYLINDER, (See HYDRAULIC COMPONENTS SECTION for Breakdown)	
24	1001090140	1	BEARING	
25	1001099113	1	PIN	
26	1001099115	2	SLEEVE	
27	1001102378	2	HOSE ASSY	
28	0100011	AR	LOCTITE 242	
29	0741610	6	FLAT HD SOCKET SCREW, 3/8-16X1-1/4	
30	1001120914	1	BEARING RETAINER SHIM	
31	1001120915	1	BEARING RETAINER PLATE	

SECTION 3 - ATTACHMENTS

FIGURE 3-4. 50 IN SIDE SHIFT CARRIAGE



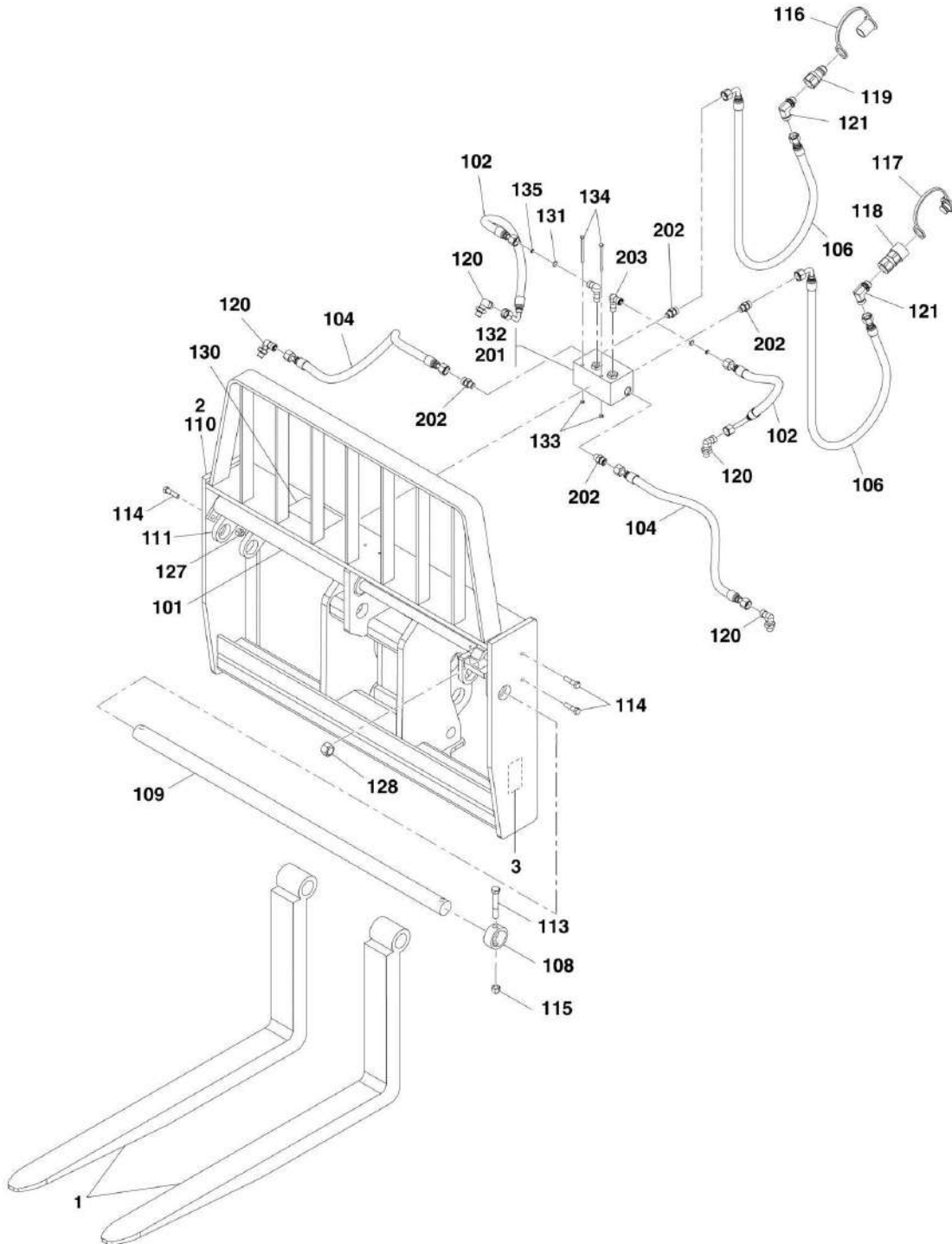
SECTION 3 - ATTACHMENTS

FIGURE 3-4. 50 IN SIDE SHIFT CARRIAGE

ITEM	PART NUMBER	QTY	DESCRIPTION	REV
	1001142790	1	50 IN SIDE SHIFT CARRIAGE, (includes all items)	C
1	N.S.S.	1	WELDMENT	
2	70024535	1	SHAFT	
3	70024536	2	COLLAR	
4	70024123	2	ADAPTER, 90, (includes o-ring)	
5	70024537	2	HOSE ASSEMBLY	
6	N.S.S.	1	SN PLATE	
7	70024538	3	WARNING DECAL	
8	N.S.S.	1	WELDMENT	
9		Ref	50 IN SIDE SHIFT CYLINDER, (See HYDRAULIC COMPONENTS SECTION for Breakdown)	
10	70024540	4	BUSHING	
11	70024541	8	CIRCLIP	
12	70024542	4	GREASE FITTING	
13	70024543	4	RETAINER	
14	70024544	2	SHAFT	
15	N.S.S.	1	SN PLATE	
16	70024551	4	LOCKWASHER, 16mm	
17	70024552	4	HEX HD CAPSCREW, M16X45, GR10.9	
18	70024553	2	HEX NUT, M16, GR8	
19	70024554	2	HEX HD CAPSCREW, M16X100, GR10.9	
20	70022997	8	LOCKWASHER, 12mm	
21	70024555	8	HEX HD CAPSCREW, M12X35, GR10.9	
22	91403413	1	FEMALE QUICK DISCONNECT	
23	8420055	1	DUST PLUG	
24	91403414	1	MALE QUICK DISCONNECT	
25	8420053	1	DUST CAP	
26	70024550	2	ADAPTER, 90, (includes o-ring)	
K1	70024545	1	HYDRAULIC REPAIR KIT, (includes items 5 & 22 thru 26)	B
K2	70024546	1	RETAINER KIT, (includes items 13, 20 & 21)	B

SECTION 3 - ATTACHMENTS

FIGURE 3-5. DUAL FORK POSITIONING CARRIAGE



ART_7301295-F

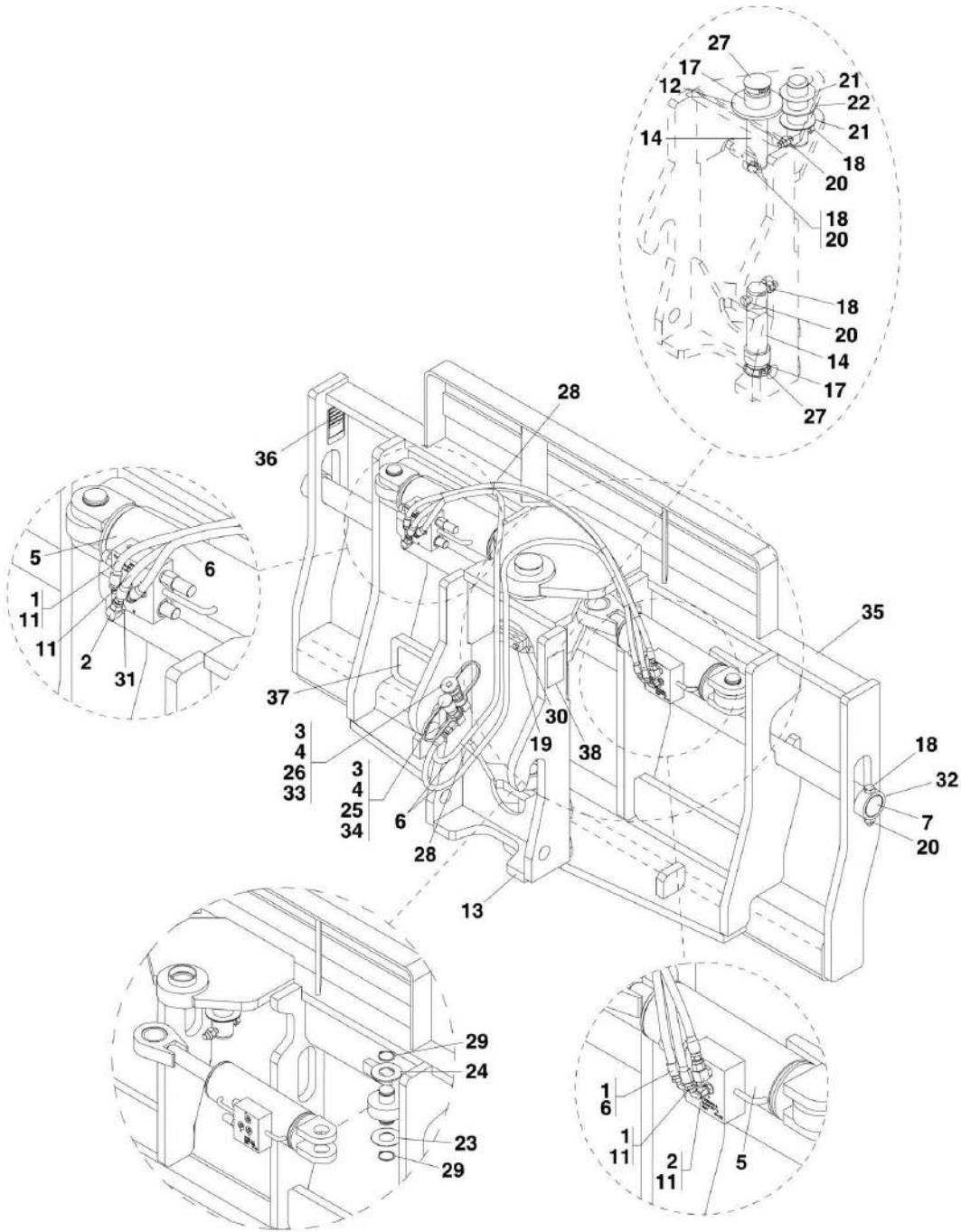
SECTION 3 - ATTACHMENTS

FIGURE 3-5. DUAL FORK POSITIONING CARRIAGE

ITEM	PART NUMBER	QTY	DESCRIPTION	REV
	7301295	1	50 IN DUAL FORK POSITIONING CARRIAGE, (includes items 1 thru 3)	F
1	7301408	2	PALLET FORK, (60X100X1220mm)	
2	N.S.S.	1	50 IN CARRIAGE, (includes items 101 thru 135)	I
3	N.S.S.	1	SN PLATE	
101	2717283	2	FORK POSITIONING CYLINDER	
102	2717160	2	HOSE ASSY	
104	2717161	2	HOSE ASSY	
106	2717162	2	HOSE ASSY	
108	90020003	2	FORK PIN COLLAR	
109	90451058	1	FORK SHAFT	
110	N.S.S.	1	50 IN CARRIAGE WELDMENT	
111	7301579	2	FORK ADAPTER WELDMENT	
113	8303634	2	HEX HD CAPSCREW, 5/8-11X4, GR5	
114	8303658	4	HEX HD CAPSCREW, 1/2-13X2, GR5	
115	8305643	2	HEX LOCKNUT, 5/8-11	
116	8420053	1	DUST CAP	
117	8420055	1	DUST PLUG	
118	91403413	1	CONNECTOR	
119	91403414	1	CONNECTOR	
120	2130606	4	ADAPTER, 90, (includes o-ring)	
121	2130608	2	ADAPTER, 90, (includes o-ring)	
127	8310302	4	HEX LOCKNUT, 1/2-13	
128	10705034	2	HEX LOCKNUT, 1-14	
130	4110473	1	HOSE ROUTING DECAL	
131	7139918	2	ORIFICE DISK	
132	4641502	1	VALVE ASSY, (includes items 201 thru 203)	B
133	8305624	2	HEX LOCKNUT, 1/4-20	
134	8310435	2	HEX HD CAPSCREW, 1/4-20X3-3/4, GR5	
135	8630003	2	O-RING	
201	4641501	1	FLOW DIVIDER VALVE	
202	2110606	4	CONNECTOR	
203	2130606	2	ADAPTER, 90, (includes o-ring)	

SECTION 3 - ATTACHMENTS

FIGURE 3-6. 90, SWING CARRIAGE



PH5140

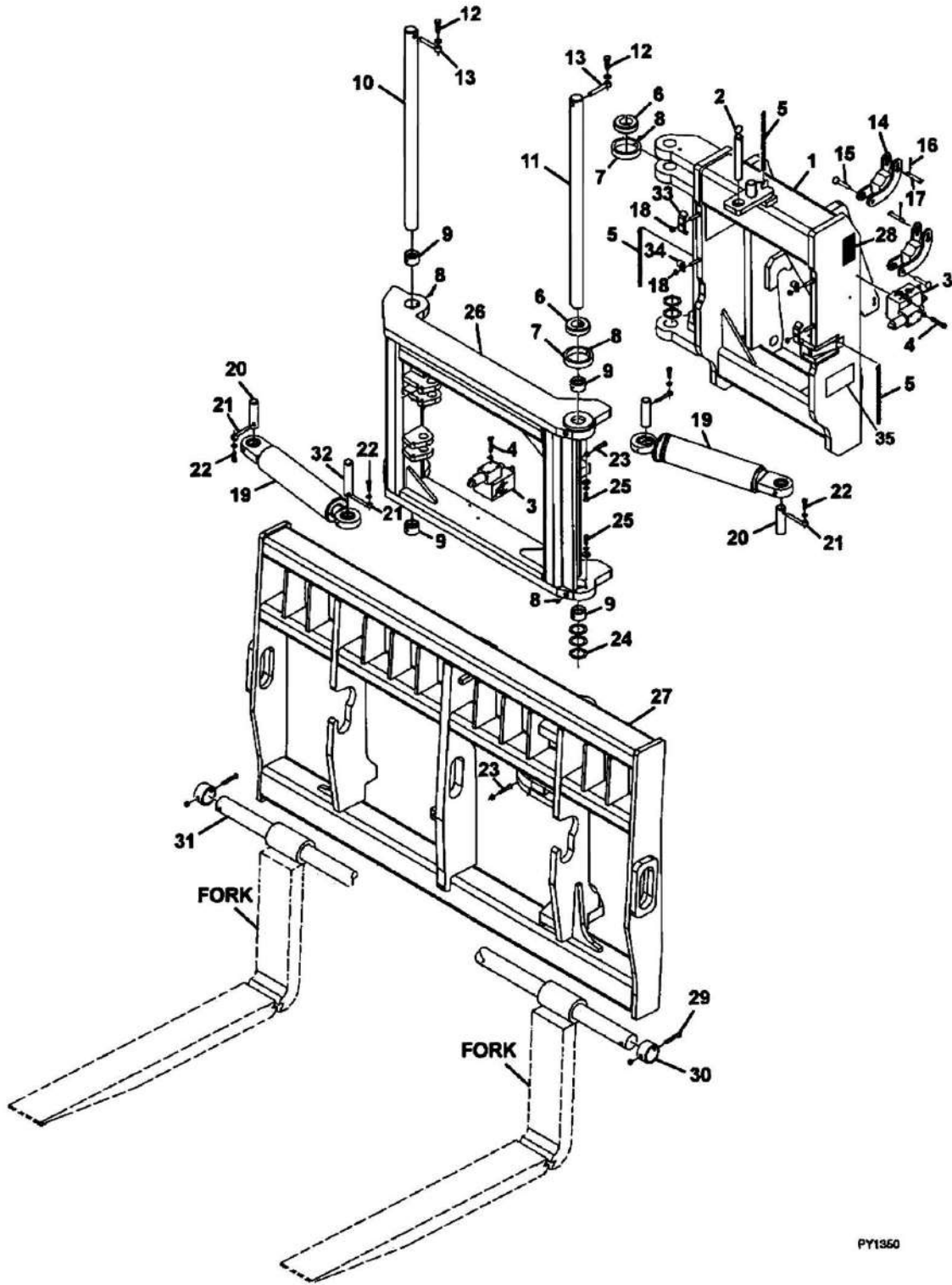
SECTION 3 - ATTACHMENTS

FIGURE 3-6. 90, SWING CARRIAGE

ITEM	PART NUMBER	QTY	DESCRIPTION	REV
	1001095418	1	72 IN 90, SWING CARRIAGE, (includes all items)	L
1	2220415	4	CONNECTOR	
2	2220473	2	ADAPTER, 90	
3	2220609	2	CONNECTOR	
4	2220628	2	ADAPTER, 90	
5		Ref	SWING CYLINDER, (See HYDRAULIC COMPONENTS SECTION for Breakdown)	
6	2717287	2	HOSE ASSY	
7	3423276	1	PIN	
11	6604662	2	HOSE ASSY	
12	7062922	1	WASHER	
13	N.S.S.	1	PIVOT WELDMENT	
14	7110702	2	PIVOT PIN	
17	8065062	2	BUSHING	
18	8303634	3	HEX HD CAPSCREW, 5/8-11X4, GR5	
19	8303715	3	HEX HD CAPSCREW, 5/16-18X1-1/2, GR5	
20	8305643	3	HEX NUT, 5/8-11	
21	8307904	AR	SHIM	
22	8307918	AR	SHIM	
23	8310160	AR	SHIM	
24	8310161	AR	SHIM	
25	8420053	1	DUST CAP	
26	8420055	1	DUST PLUG	
27	8580315	2	PLUG	
28	8584001	5	TIE WRAP	
29	8642207	4	RETAINING RING	
30	8769132	2	CLAMP	
31	8770016	2	CONNECTOR	
32	90200003	2	COLLAR	
33	91403413	1	CONNECTOR	
34	91403414	1	CONNECTOR	
35	N.S.S.	1	CARRIAGE FRAME	
36	N.S.S.	1	SN PLATE	
37	1001110704	1	WARNING CRUSH HAZARD DECAL	
38	1001111190	2	WARNING DECAL	

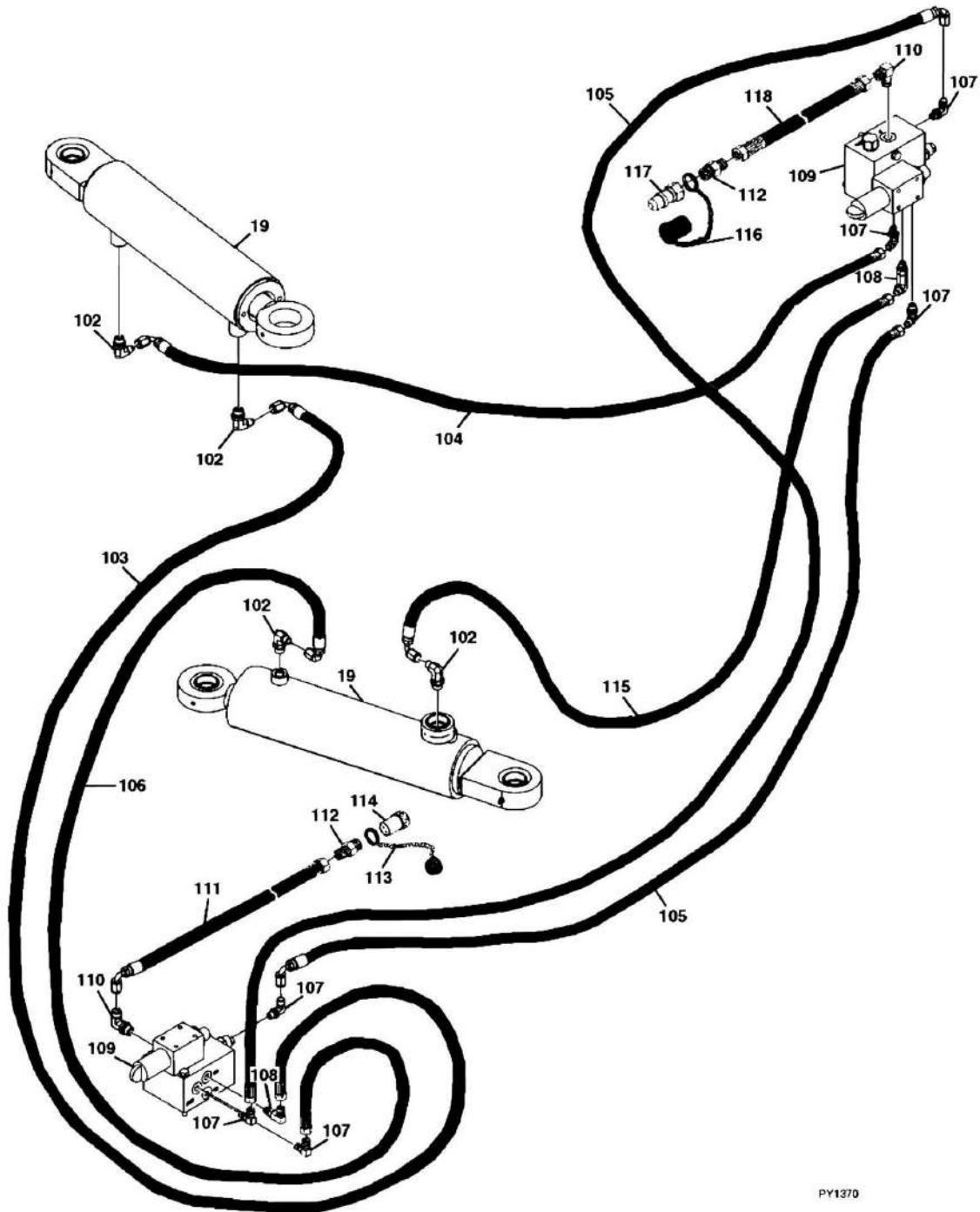
SECTION 3 - ATTACHMENTS

FIGURE 3-7. 180, SWING CARRIAGE



PY1360

SECTION 3 - ATTACHMENTS



PY1370

SECTION 3 - ATTACHMENTS

FIGURE 3-7. 180, SWING CARRIAGE

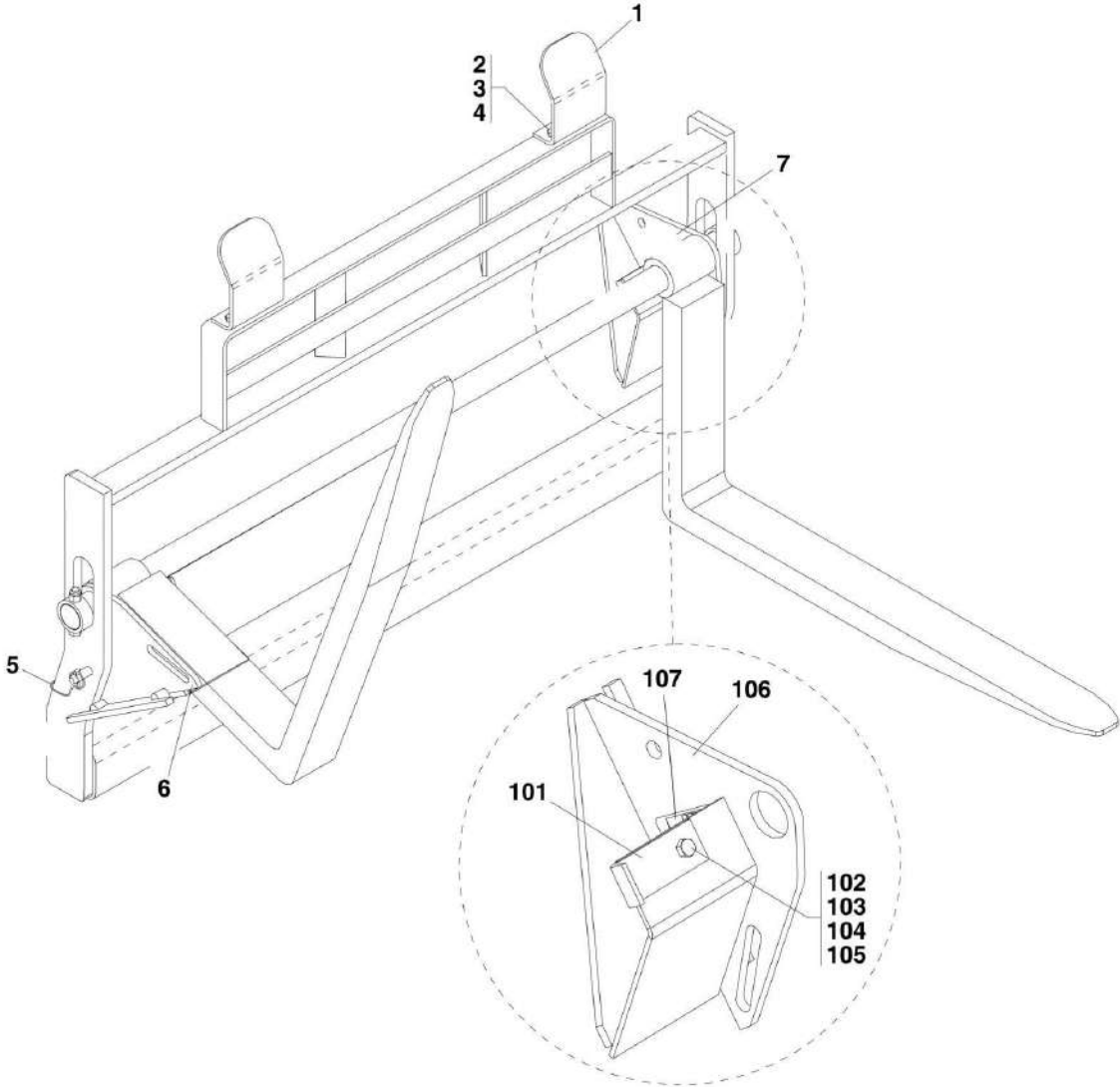
ITEM	PART NUMBER	QTY	DESCRIPTION	REV
	1001104992	1	72 IN 180, SWING CARRIAGE, (includes all items)	B
1		Ref	BACK FRAME	
2	90554026	2	LOCK PIN	
3	91564003	2	VALVE	
4	90554070	4	HEX HD CAPSCREW, 5/16X3	
4	90554067	4	LOCKWASHER, 5/16	
5	90554025	3	CHAIN	
6	90554042	2	BEARING	
7	70020017	2	BEARING	
8	90554045	10	GREASE FITTING	
9	70020015	4	BUSHING	
10	70020026	1	PIN	
11	70020025	1	PIN	
12	70021382	2	HEX HD CAPSCREW, 1/2X1.5	
12	90554020	2	LOCK WASHER, 1/2	
13	90554021	2	PIN	
14	90554027	2	PIN SUPPORT	
15	90554035	2	PIN	
16	1316794	2	COTTER PIN	
17	70020029	2	CLEVIS PIN	
18	70021367	6	LOCK NUT, 3/8	
19		Ref	CYLINDER ASSY, (See HYDRAULIC COMPONENTS SECTION for Breakdown)	
20	90554044	3	PIN	
21	90554043	4	PIN	
22	70021429	4	HEX HD CAPSCREW, 3/8X1.25	
22	90554042	4	LOCKWASHER, 3/8	
23	70020004	2	HEX HD CAPSCREW, 3/4X2.5	
23	90554056	2	HEX NUT, 3/4	
24	90554040	5	WASHER	
25	7029997	6	HEX HD CAPSCREW, 3/8X.75	
25	90554042	6	LOCKWASHER, 3/8	
25	7029703	6	FLAT WASHER, 3/8	
26	N.S.S.	1	MIDDLE FRAME	
27	N.S.S.	1	FRONT FRAME	
28	N.S.S.	1	SN PLATE	
29	70020002	2	HEX HD CAPSCREW, 1/2X3.5	
29	90554038	2	LOCK NUT, 1/2	
30	70020028	2	BUSHING	
31	70020027	1	PIN	
32	N.S.S.	1	PIN	
33	90554039	3	CLAMP	
34	7029996	3	CLAMP	
35	1001110704	1	DECAL, WARNING CRUSH HAZARD	
102	90554057	4	ADAPTER, 90	
103	90554058	1	HOSE ASSY	
104	90554059	1	HOSE ASSY	
105	90554060	2	HOSE ASSY	
106	90554073	1	HOSE ASSY	
107	90554069	6	ADAPTER, 90	

SECTION 3 - ATTACHMENTS

ITEM	PART NUMBER	QTY	DESCRIPTION	REV
108	90554071	2	ADAPTER, 90	
109	91564003	2	VALVE	
110	90554065	2	ADAPTER, 90	
111	70021983	1	HOSE ASSY	
112	90554063	2	CONNECTOR	
113	90554076	1	DUST PLUG	
114	90554077	1	FEMALE QUICK COUPLER	
115	90554072	1	HOSE ASSY	
116	90554062	1	DUST CAP	
117	90554061	1	MALE QUICK COUPLER	
118	90554064	1	HOSE ASSY	

SECTION 3 - ATTACHMENTS

FIGURE 3-8. SHEET HANDLER CARRIAGE



PY1510

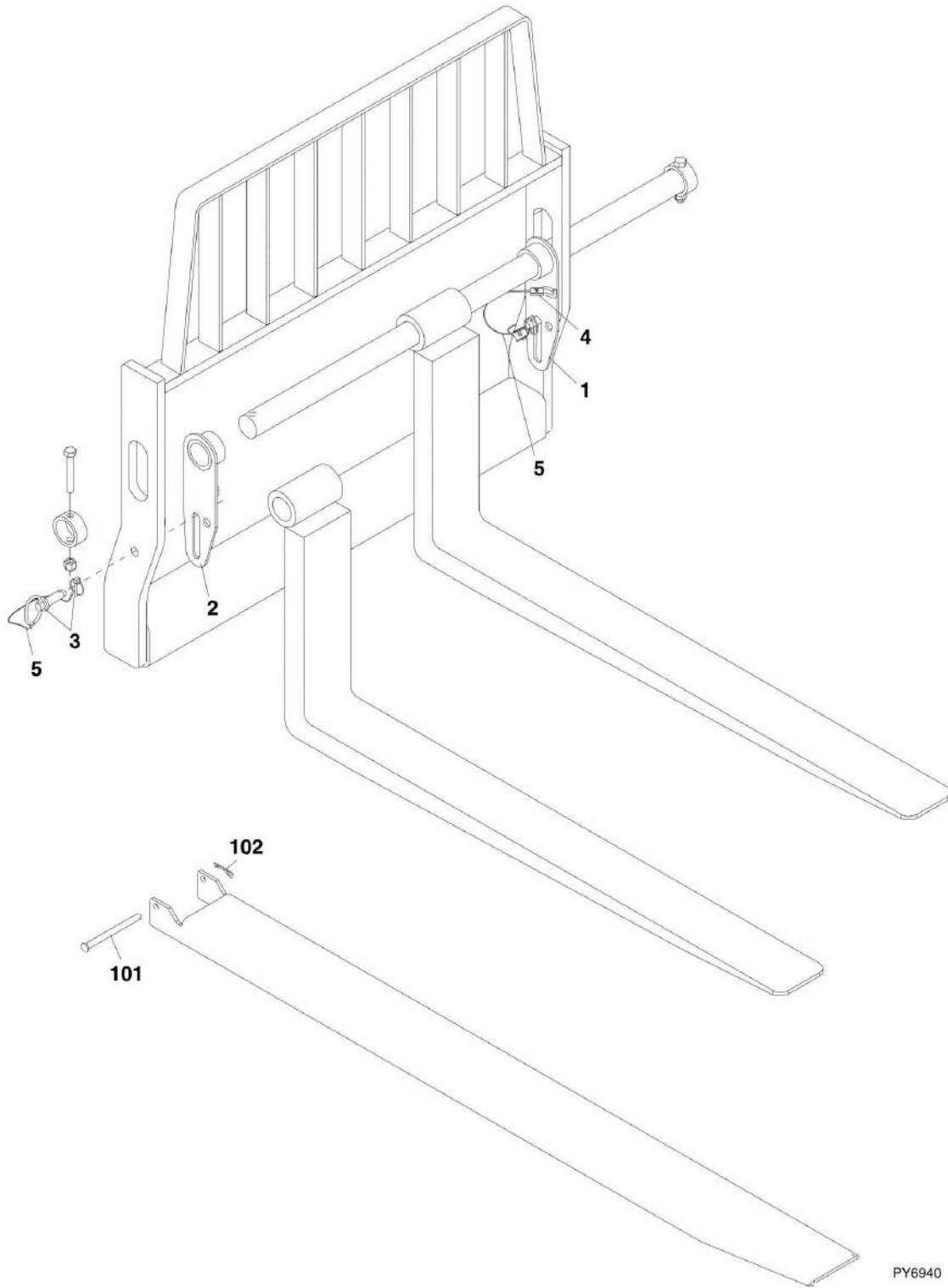
SECTION 3 - ATTACHMENTS

FIGURE 3-8. SHEET HANDLER CARRIAGE

ITEM	PART NUMBER	QTY	DESCRIPTION	REV
	1001100227	1	SHEET MATERIAL CARRIAGE, (includes all items)	A
1	7112642	2	BACKREST EXTENSION	
2	8303626	4	HEX HD CAPSCREW, 1/2-13X1-1/2 GR5	
3	8305012	4	HEX NUT, 1/2-13	
4	8307007	4	LOCKWASHER, 1/2	
5	1001093377	2	HITCH PIN	
6	1001101115	1	RH FORK SUPPORT ASSY, (includes items 101 thru 107)	B
7	1001101116	1	LH FORK SUPPORT ASSY, (includes items 101 thru 107)	C
101	7114941	1	LOCK BAR	
102	8303626	1	HEX HD CAPSCREW, 1/2-13X1-1/2 GR5	
103	8305644	1	HEX LOCK NUT, 1/2-13	
104	8307007	4	LOCKWASHER, 1/2	
105	8307112	1	WASHER, 1/2	
106	1001100228	1	RH FORK SUPPORT, (not shown)	
106	1001100229	1	LH FORK SUPPORT, (shown)	
107	N.S.S.	1	SN PLATE	

SECTION 3 - ATTACHMENTS

FIGURE 3-9. FORKS AND ATTACHING PARTS



PY6940

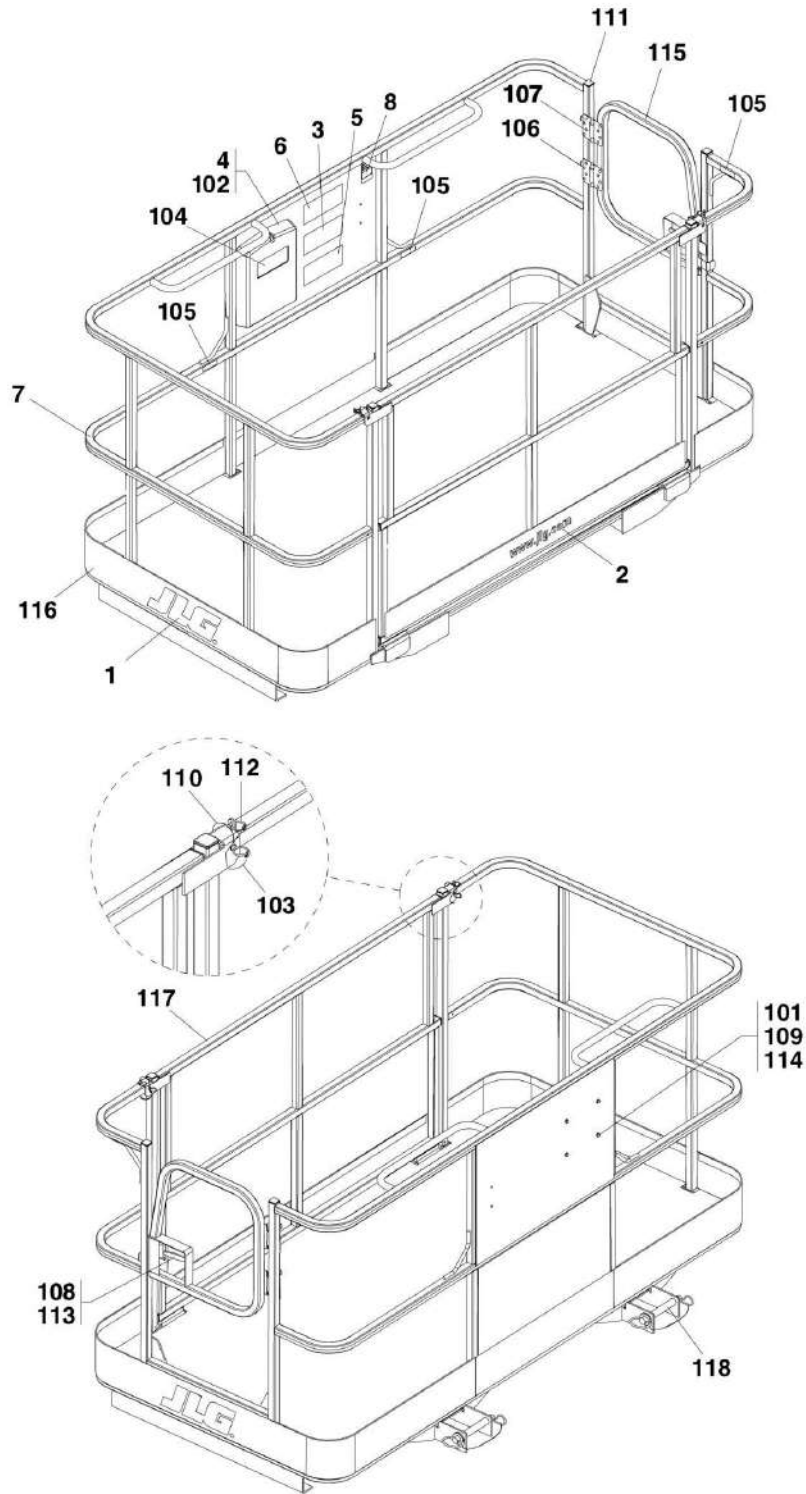
SECTION 3 - ATTACHMENTS

FIGURE 3-9. FORKS AND ATTACHING PARTS

ITEM	PART NUMBER	QTY	DESCRIPTION	REV
	2340037	6	48 IN (1219 mm) CUBING FORKS, 2 IN X 2 IN (50 mm X 50 mm), 3,880 LB (1760 kg)	A
	2340045	2	48 IN (1219 mm) PALLET FORKS, 2.36 IN X 4 IN (60 mm X 102 mm), 10,950 LB (5000 kg)	B
	2340038	2	48 IN (1219 mm) PALLET FORKS, 2.36 IN X 5 IN (60 mm X 127 mm), 13,700 LB (6300 kg)	B
	2340046	2	60 IN (1524 mm) LUMBER FORKS, 1.75 IN X 7 IN (44 mm X 178 mm), 10,800 LB (5000 kg)	B
	2340039	2	60 IN (1524 mm) LUMBER FORKS, 2.36 IN X 6 IN (60 mm X 152 mm), 16,300 LB (7500 kg)	B
	1001092391	2	72 IN (1828 mm) DUEL TAPER FORKS, 2 IN X 6 IN (50mm X 152 mm), 11,300 LB (5120 kg)	B
	1001093465	Ref	FORK PIN LOCK INSTALLATION, (not available to order, see items 1 thru 5 for service)	B
1	0240156	1	FORK PIN LOCK ATTACH	
2	1001093273	1	FORK PIN LOCK ATTACH	
3	1001093377	2	HITCH PIN	
4	1001094830	4	WIRE ROPE CLAMP	
5	1001094330	2	PIN LOCK LANYARD	
	1001137512	2	90 IN FORK EXTENSION, (includes items 101 & 102)	D
101	70024306	1	PIN	
102	70024307	1	CLIP	
N1	Note	Ref	FORKS RATED LESS THAN THE ATTACHMENT OR MACHINE'S CAPACITY DECREASE CAPACITY OF THE ATTACHMENT OR MACHINE TO THAT OF THE FORKS. FORKS RATED MORE THAN THE ATTACHMENT OR MACHINE'S CAPACITY DO NOT INCREASE ATTACHMENT OR MACHINE'S CAPACITY.	
N2	Note	Ref	PLEASE CONSULT JLG PARTS DEPARTMENT TO DETERMINE THE CORRECT FORKS APPLICABLE TO YOUR SPECIFIC CARRIAGE ASSEMBLY AND APPLICATION.	

SECTION 3 - ATTACHMENTS

FIGURE 3-10. FORK MOUNTED PLATFORM



PY1640

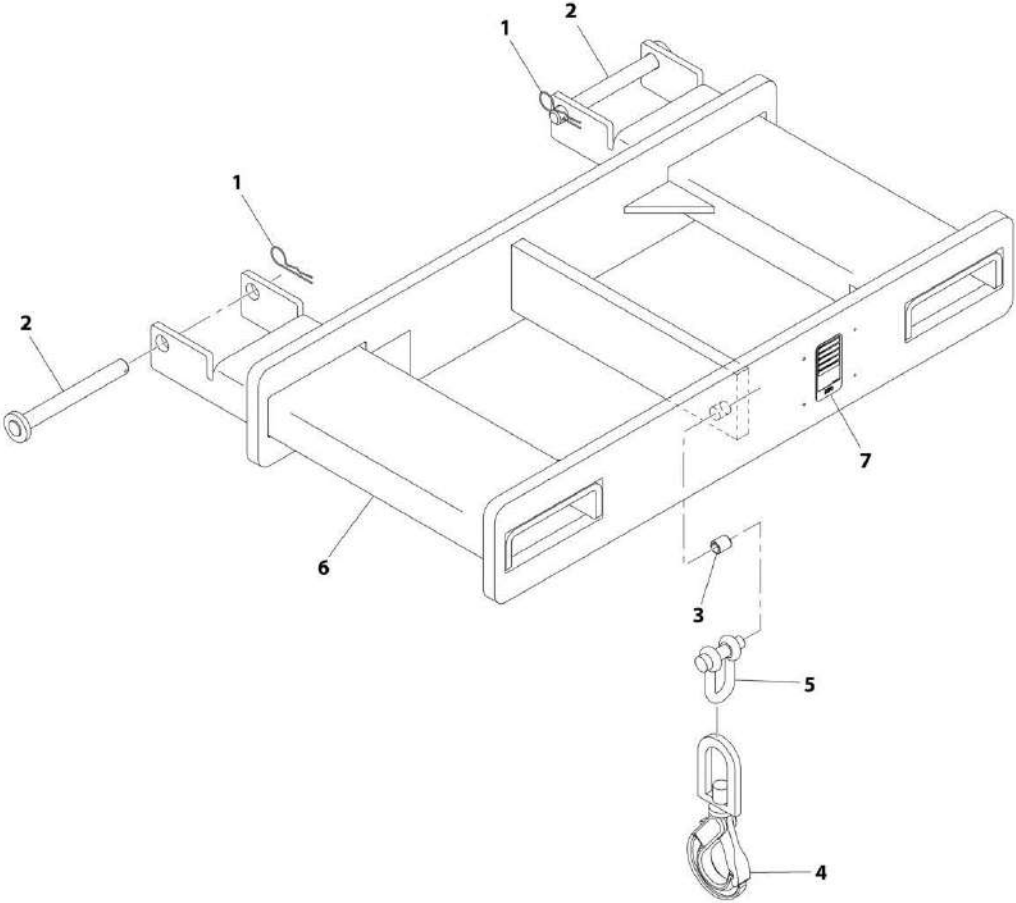
SECTION 3 - ATTACHMENTS

FIGURE 3-10. FORK MOUNTED PLATFORM

ITEM	PART NUMBER	QTY	DESCRIPTION	REV
	1001103637	1	FORK MOUNTED PERSONNEL PLATFORM, (ASME), (includes items 1 thru 8)	E
	1001103730	1	FORK MOUNTED PERSONNEL PLATFORM, (ISO), (includes items 1 thru 8)	E
	1001103736	1	FORK MOUNTED PERSONNEL PLATFORM, (French), (includes items 1 thru 8)	E
1	1702773	2	JLG DECAL	
2	1704885	1	WEBSITE DECAL	
3	1706892	1	PLATFORM WARNING DECAL, (ASME)	
3	1001096025	1	PLATFORM WARNING DECAL, (ISO)	
3	1001096024	1	PLATFORM WARNING DECAL, (French)	
4	31200160	1	OPERATION AND SAFETY MANUAL, (ASME)	
4	31200387	1	OPERATION AND SAFETY MANUAL, (Spanish)	
4	31200388	1	OPERATION AND SAFETY MANUAL, (Portuguese)	
4	31200386	1	OPERATION AND SAFETY MANUAL, (French)	
5	1001092481	1	WARNING DECAL, (ASME)	
5	1001096021	1	WARNING DECAL, (ISO)	
5	1001096019	1	WARNING DECAL, (French)	
6	1001092482	1	CAPACITY DECAL, (ASME)	
6	1001096023	1	CAPACITY DECAL, (ISO)	
6	1001096020	1	CAPACITY DECAL, (French)	
7	1001096162	1	FORK MOUNTED PLATFORM, (includes items 101 thru 118)	J
8	N.S.S.	1	SN PLATE	
101	0641405	4	HEX HD CAPSCREW, 1/4-20X5/8	
102	0860520	1	MANUAL STORAGE BOX	
103	1060379	2	LANYARD CABLE	
104	1701509	1	MANUAL DECAL	
105	1704277	3	LANYARD ATTACH DECAL	
106	2080040	16	FASTENER	
107	2600281	2	HINGE	
108	2940074	1	LATCH	
109	3311405	4	HEX NUT, 1/4-20	
110	3421453	2	PIN	
111	3520072	10	PLUG	
112	3760170	4	RING	
113	3820020	4	RIVET	
114	4711400	8	WASHER, 1/4	
115	4846452	1	GATE WELDMENT	
116	N.S.S.	1	PLATFORM	
117	1001095810	1	GATE WELDMENT	
118	1001102813	2	HITCH PIN	

SECTION 3 - ATTACHMENTS

FIGURE 3-11. FORK MOUNTED HOOK



ART_1001097205-H

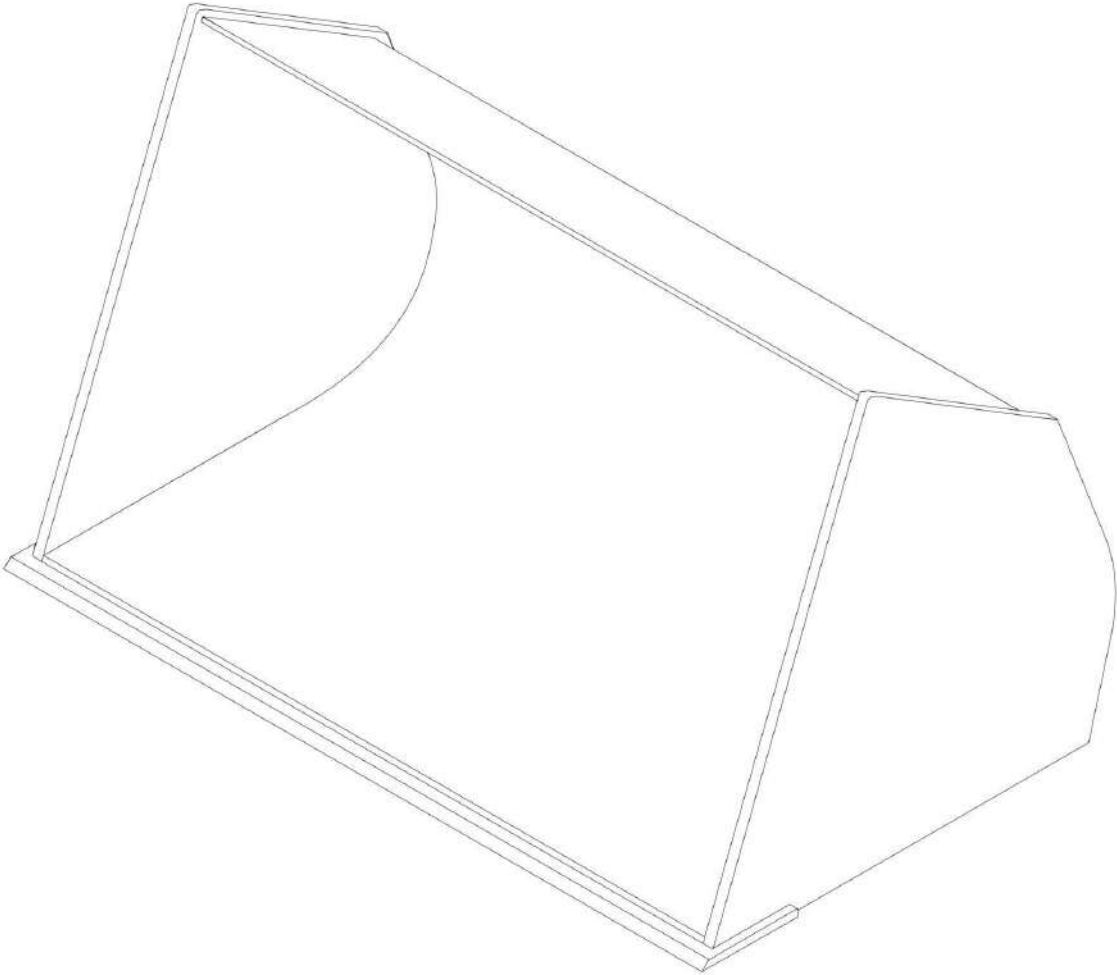
SECTION 3 - ATTACHMENTS

FIGURE 3-11. FORK MOUNTED HOOK

ITEM	PART NUMBER	QTY	DESCRIPTION	REV
	91565094	NLA	LIFTING HOOK, (no longer available, use 1001097205 for replacement or items 1 through 7 for service)	G
	1001097205	1	FORK MOUNTED HOOK, (includes all items)	G
1	7029520	2	HAIRPIN CLIP	
2	1001093171	2	PIN	
3	70020555	1	SPRING BUSHING	
4	90554080	1	SLING HOOK	
5	7029521	1	CHAIN SHACKLE, 12,000LB	
6	N.S.S.	1	LIFTING HOOK	
7	N.S.S.	1	SN PLATE	

SECTION 3 - ATTACHMENTS

FIGURE 3-12. GENERAL PURPOSE BUCKET



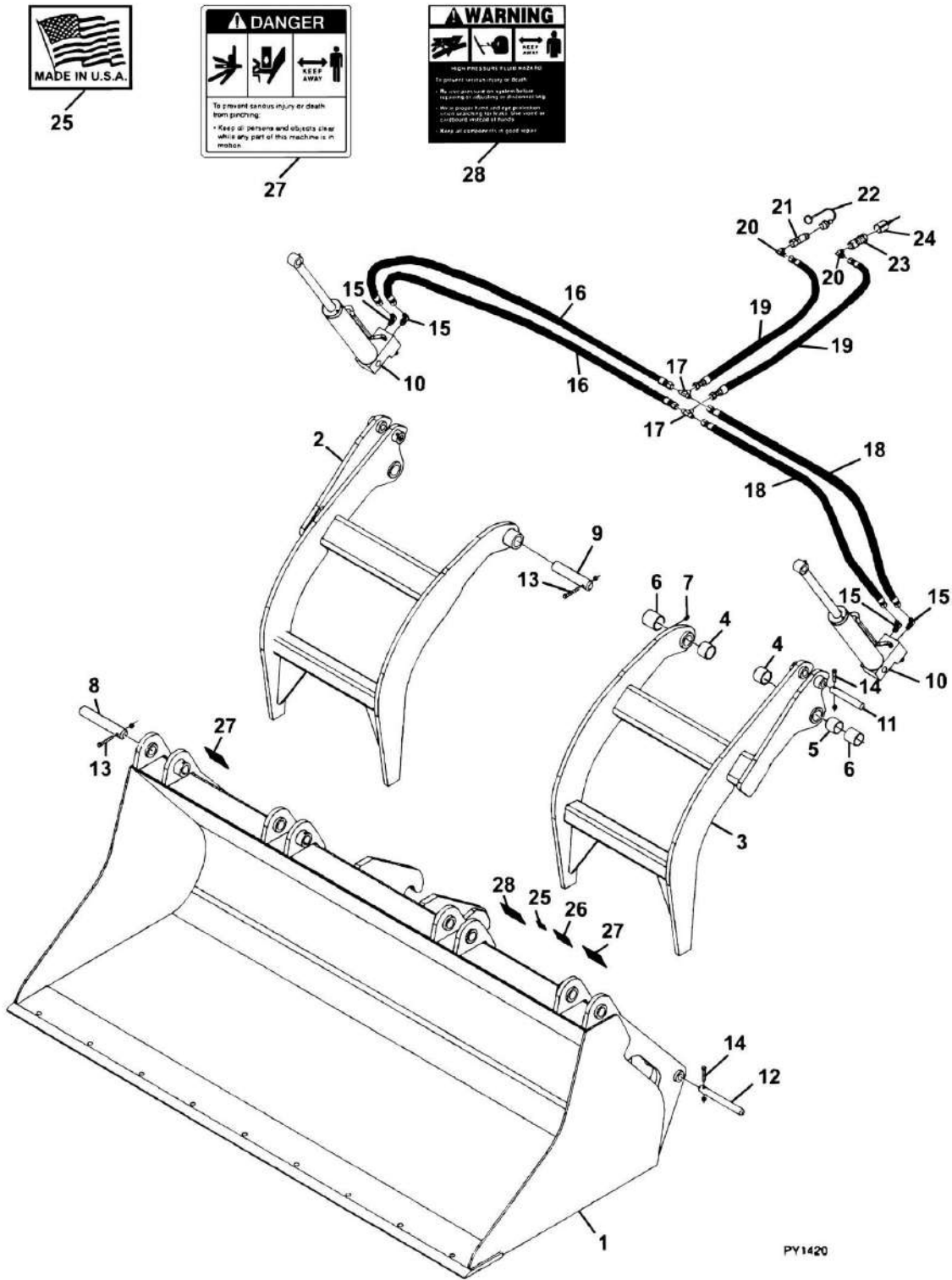
SECTION 3 - ATTACHMENTS

FIGURE 3-12. GENERAL PURPOSE BUCKET

ITEM	PART NUMBER	QTY	DESCRIPTION	REV
	1001100822	1	72 IN BUCKET, 1.0 ³ YARD	C
	1001100823	1	96 IN BUCKET, 1.5 ³ YARD	C
	1001100824	1	102 IN BUCKET, 2.0 ³ YARD	C

SECTION 3 - ATTACHMENTS

FIGURE 3-13. GRAPPLE BUCKET



PY1420

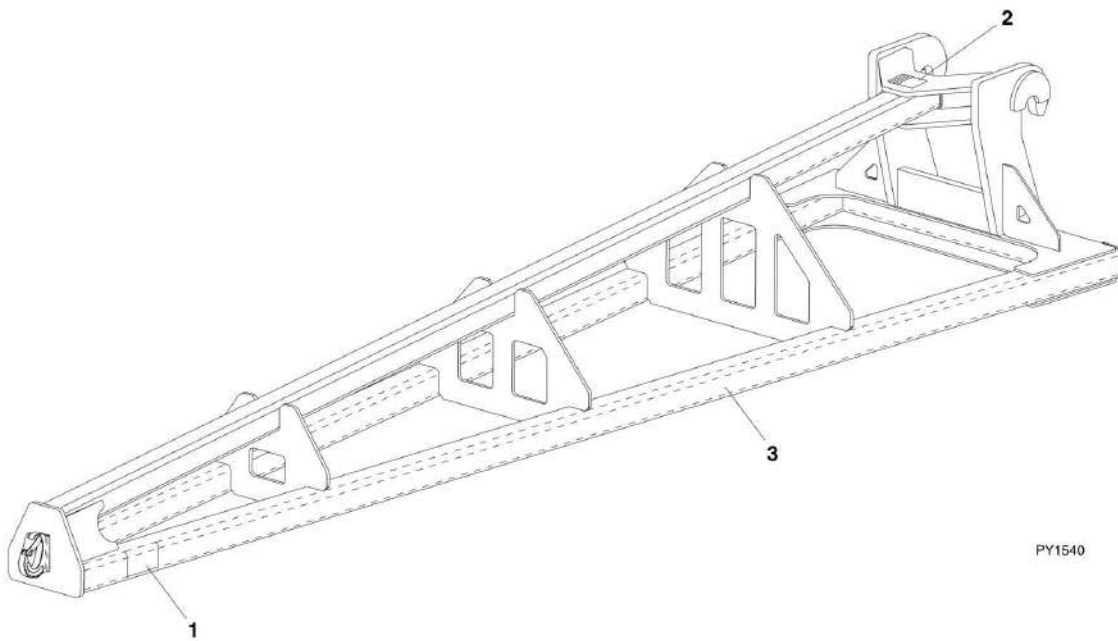
SECTION 3 - ATTACHMENTS

FIGURE 3-13. GRAPPLE BUCKET

ITEM	PART NUMBER	QTY	DESCRIPTION	REV
	0930020	1	GRAPPLE BUCKET, (includes all items)	H
1	N.S.S.	1	BUCKET	
1	70021387	4	HOSE CLAMP	
2	70021391	1	RIGHT GRAPPLE HOOK	
3	70021392	1	LEFT GRAPPLE HOOK	
4	70021358	4	BUSHING	
5	70021359	2	SPACER	
6	70021360	4	BUSHING	
7	7029714	4	GREASE FITTING	
8	70021361	2	OUTER PIVOT PIN	
9	70021362	2	INNER PIVOT PIN	
10		Ref	GRAPPLE BUCKET CYLINDER AND MOUNTING HARDWARE, (See HYDRAULIC COMPONENTS SECTION for Breakdown)	
11		Ref	CYLINDER PIN, (base end), (See HYDRAULIC COMPONENTS SECTION for Breakdown)	
12		Ref	CYLINDER PIN, (rod end), (See HYDRAULIC COMPONENTS SECTION for Breakdown)	
13	70021366	4	HEX HD CAPSCREW, 3/8X2-3/4	
13	70021367	4	LOCK NUT, 3/8	
14		Ref	HEX HD CAPSCREW, 3/8X2-1/4, (See HYDRAULIC COMPONENTS SECTION for Breakdown)	
14		Ref	LOCK NUT, 3/8, (See HYDRAULIC COMPONENTS SECTION for Breakdown)	
15	90554065	4	ELBOW, 90	
16	70021980	2	HOSE ASSY, 3/8X73	
17	70020562	2	FITTING, TEE	
18	70021981	2	HOSE ASSY, 3/8X46	
19	70021982	2	HOSE ASSY, 3/8X34	
20	70022527	2	ELBOW, 90	
21	7029692	1	MALE QUICK COUPLER	
22	90554062	1	DUST COVER	
23	70021342	1	FEMALE QUICK COUPLER	
24	90554076	1	DUST COVER	
25	90554016	1	MADE IN USA DECAL	
26	N.S.S.	1	SN PLATE	
27	90554017	2	DANGER PINCH POINT DECAL	
28	90554018	1	WARNING HIGH PRESSURE DECAL	

SECTION 3 - ATTACHMENTS

FIGURE 3-14. TRUSS BOOM



PY1540

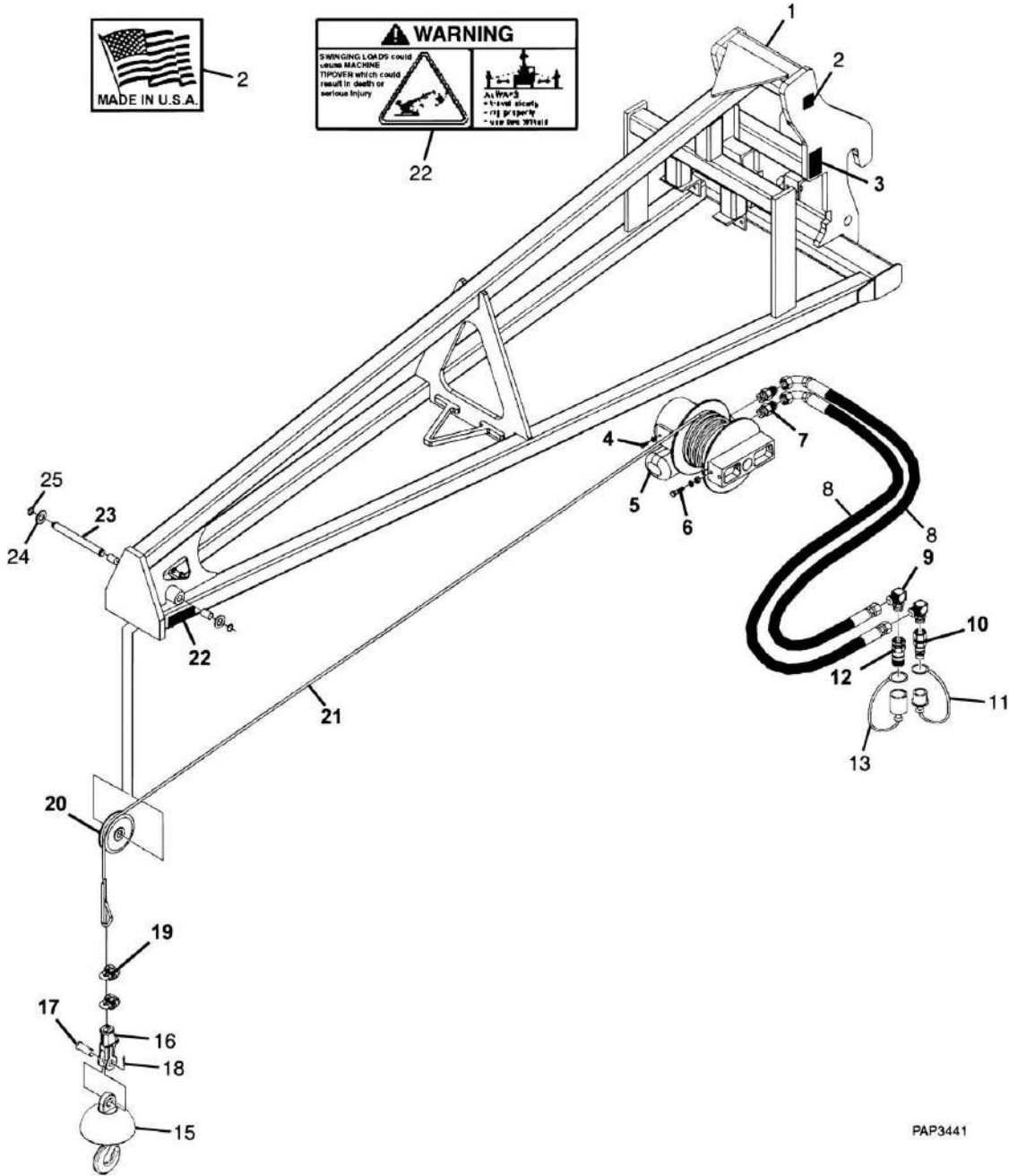
SECTION 3 - ATTACHMENTS

FIGURE 3-14. TRUSS BOOM

ITEM	PART NUMBER	QTY	DESCRIPTION	REV
	1001099902	1	12 FT TRUSS BOOM, (includes all items)	B
	1001099901	1	15 FT TRUSS BOOM, (includes all items)	C
1	4110422	2	DECAL, WARNING SWINGING LOADS	
2	N.S.S.	1	SN PLATE	
3	N.S.S.	1	TRUSS BOOM	

SECTION 3 - ATTACHMENTS

FIGURE 3-15. TRUSS BOOM WITH WINCH



PAP3441

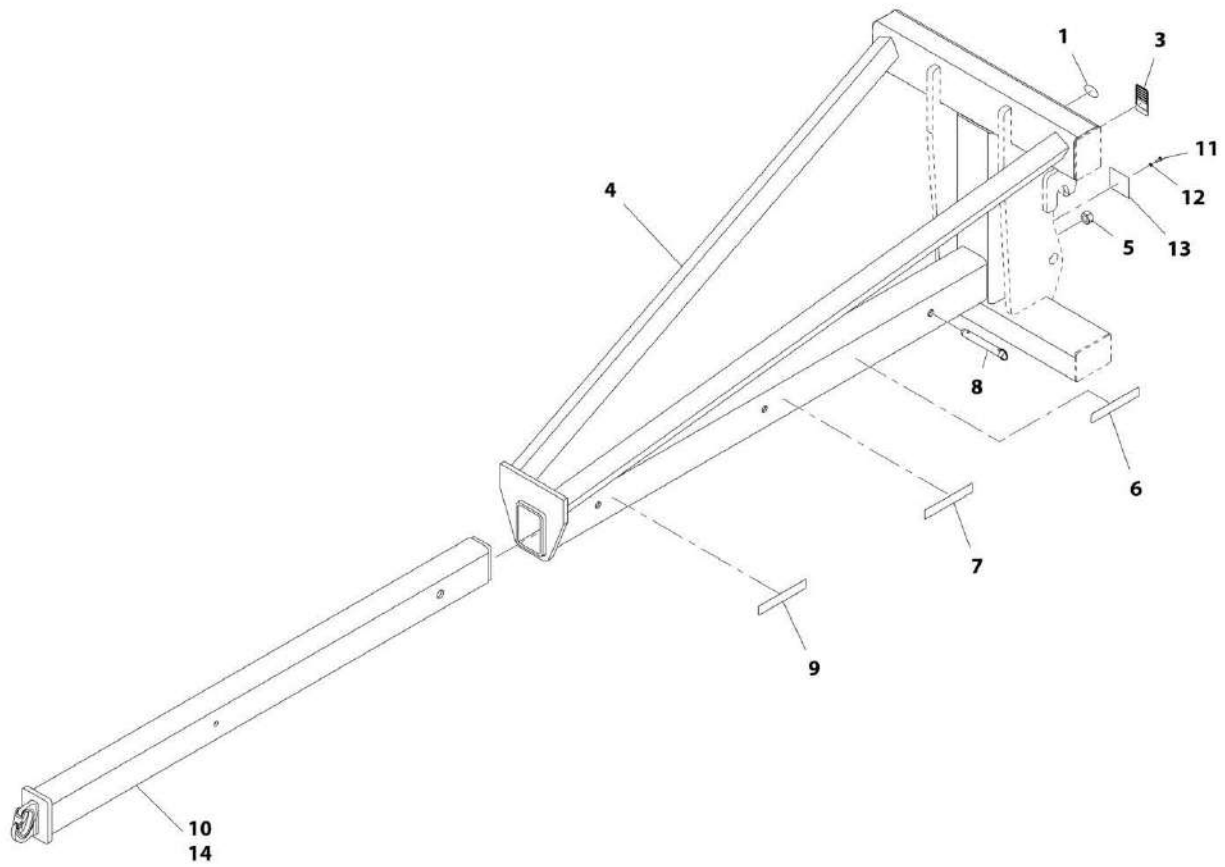
SECTION 3 - ATTACHMENTS

FIGURE 3-15. TRUSS BOOM WITH WINCH

ITEM	PART NUMBER	QTY	DESCRIPTION	REV
	1001099351	1	12 FT TRUSS BOOM WITH WINCH, (includes all items)	G
1	N.S.S.	1	TRUSS BOOM FRAME	
2	90554016	1	MADE IN USA DECAL	
3	N.S.S.	1	SN PLATE	
4	70021349	4	HEX HD CAPSCREW, 3/8X1	
4	90554042	4	LOCKWASHER, 3/8	
5	70021921	1	TRUSS BOOM WINCH MOTOR	
6	N.S.S.	2	HEX HD CAPSCREW, 1/2X1-3/4	
6	90554020	2	LOCKWASHER, 1/2	
6	90554054	2	HEX NUT, 1/2	
7	70021415	2	CONNECTOR	
8	70021977	2	HOSE ASSY, 3/8X32	
9	N.S.S.	2	ELBOW, 90	
10	7029692	1	MALE QUICK COUPLER	
11	90554062	1	DUST CAP	
12	70021342	1	FEMALE QUICK COUPLER	
13	90554076	1	DUST COVER	
15	70021978	1	BALL SWIVEL WITH SAFETY HOOK	
16	70021979	1	SOCKET ASSY	
17	N.S.S.	1	PIN	
18	N.S.S.	1	COTTER PIN	
19	N.S.S.	2	CLAMP	
20	70021935	1	PULLEY	
21	70022028	1	CABLE	
22	4110422	2	WARNING SWINGING LOADS DECAL	
23	N.S.S.	1	PIN	
24	N.S.S.	2	FLAT WASHER, 1	
25	N.S.S.	2	SNAP RING	

SECTION 3 - ATTACHMENTS

FIGURE 3-16. ADJUSTABLE TRUSS BOOM



ART_1001176515-B

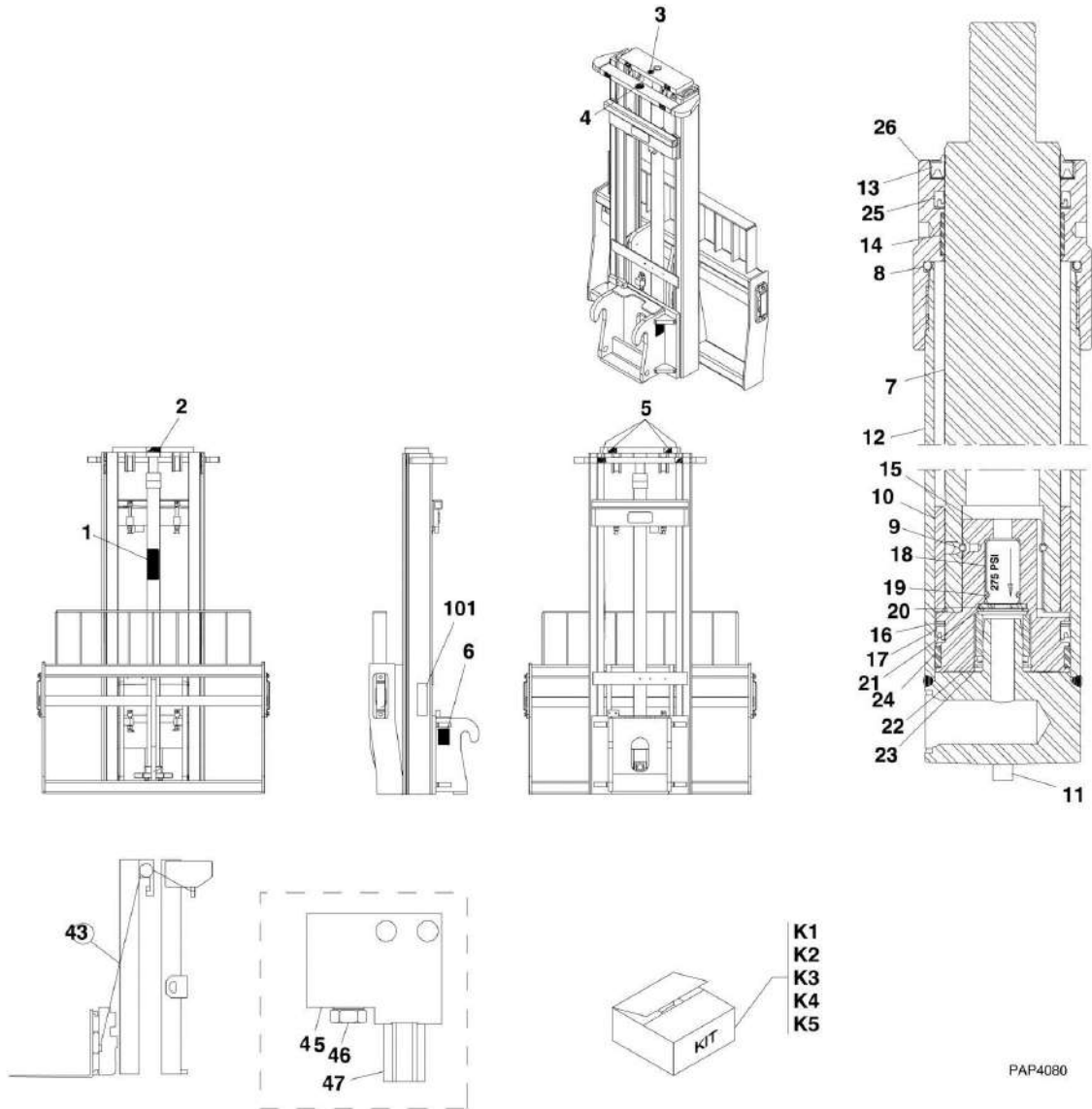
SECTION 3 - ATTACHMENTS

FIGURE 3-16. ADJUSTABLE TRUSS BOOM

ITEM	PART NUMBER	QTY	DESCRIPTION	REV
	1001176515	1	ADJUSTABLE TRUSS BOOM	A
1	90554016	1	DECAL, MADE IN USA	
3	N.S.S.	1	SN PLATE	
4	N.S.S.	1	TRUSS BOOM, ADJUSTABLE	
5	70021440	1	NUT, LOCK	
6	70024062	2	DECAL, 4000 LBS CAP	
7	70026944	2	DECAL, 3000 LBS CAP	
8	70026946	1	PIN	
9	70026699	2	DECAL, 2000 LBS CAP	
10	70026747	1	STOP ROD, BOOM EXTENSION	
11	90554033	1	BOLT, 3/4X1/4	
12	90554034	1	WASHER, LOCK 1/4	
13	70026948	1	PLATE, STOP	
14	70026949	1	BOOM, TELESCOPIC	

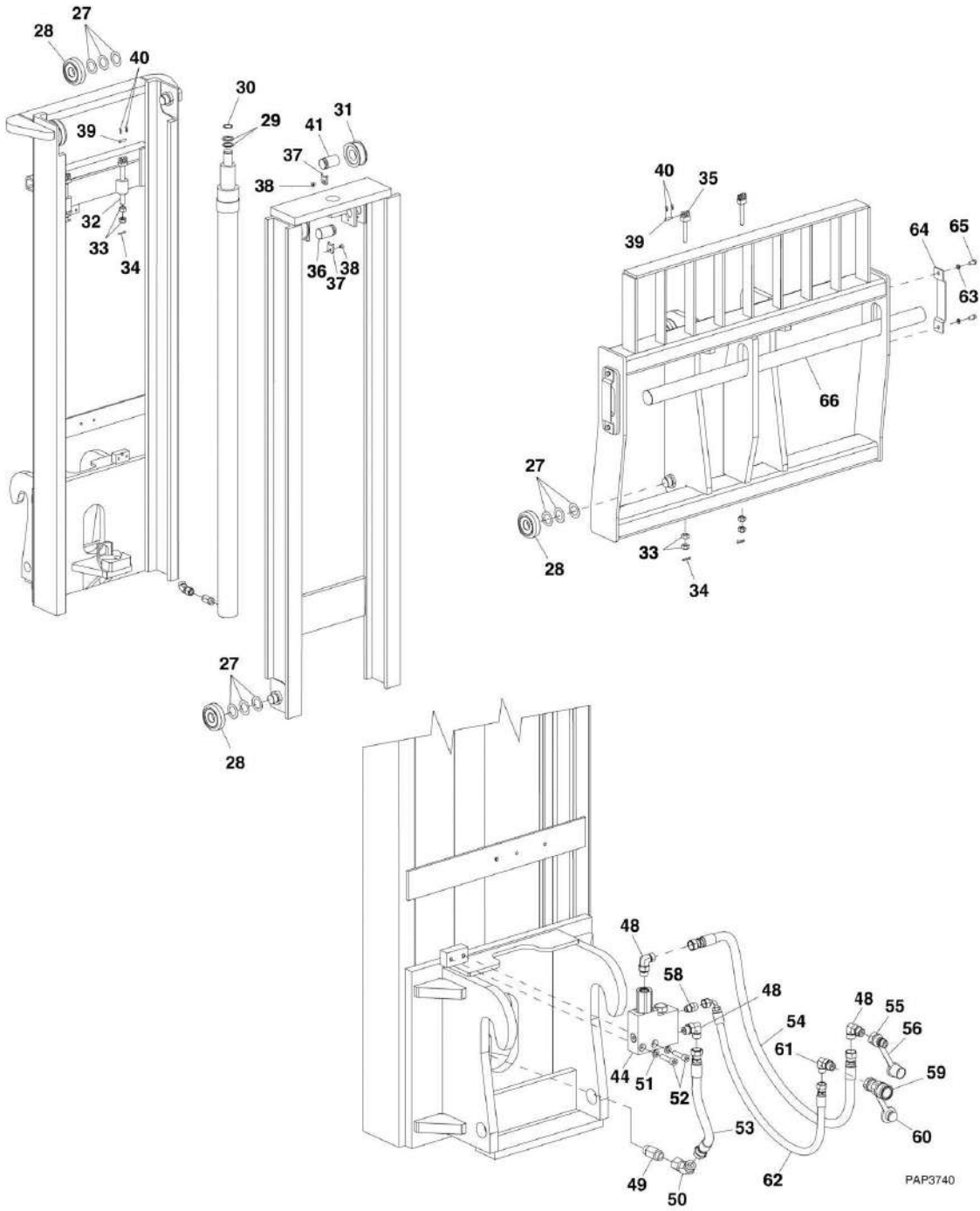
SECTION 3 - ATTACHMENTS

FIGURE 3-17. 8 FOOT STANDARD MAST



PAP4080

SECTION 3 - ATTACHMENTS



SECTION 3 - ATTACHMENTS

FIGURE 3-17. 8 FOOT STANDARD MAST

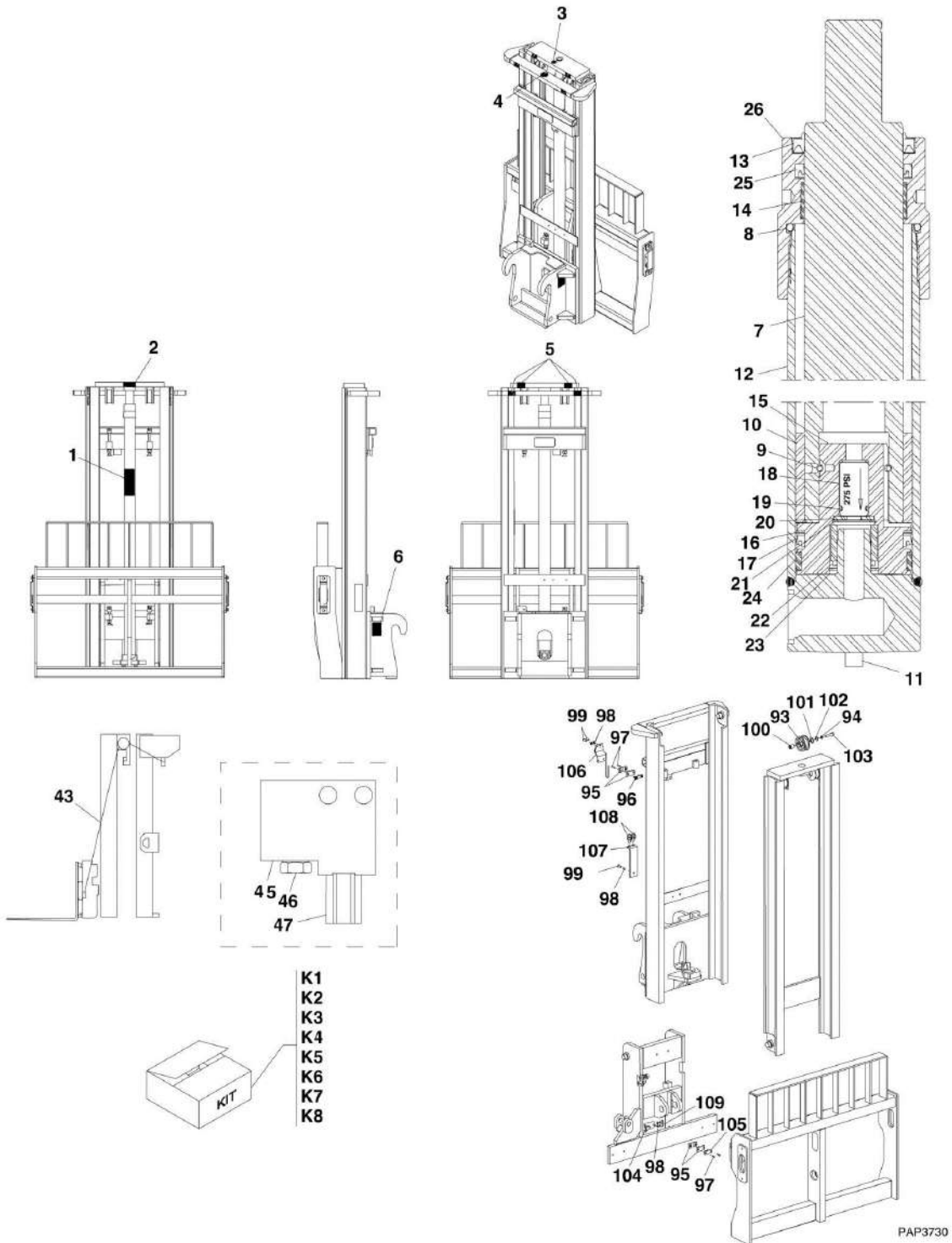
ITEM	PART NUMBER	QTY	DESCRIPTION	REV
	1001108668	1	8 FT STANDARD MAST, (4500 lb), (includes all items)	C
1	Kit	1	WARNING DECAL	
2	Kit	1	WARNING DECAL	
3	Kit	1	NO STEP DECAL	
4	Kit	1	NO STEP DECAL	
5	Kit	4	HANDS OFF DECAL	
6	Kit	2	HOSE ROUTING DECAL	
	70023008	1	MAIN LIFT CYLINDER, (includes items 7 thru 26)	
7	N.S.S.	1	ROD/PLUNGER	
8	Kit	1	O-RING	
9	Kit	1	PULL WIRE	
10	N.S.S.	1	SPACER	
11	N.S.S.	2	ROLL PIN	
12	N.S.S.	1	BARREL	
13	Kit	1	WIPER	
14	Kit	1	BUSHING	
15	N.S.S.	1	PISTON	
16	Kit	1	NYLON RING	
17	Kit	1	PISTON SEAL	
18	Kit	1	CHECK VALVE	
19	Kit	1	O-RING	
20	Kit	1	WASHER	
21	Kit	1	CIRCLIP	
22	N.S.S.	1	SLEEVE	
23	Kit	1	RETAINING RING	
24	Kit	1	WEAR RING	
25	Kit	1	ROD SEAL	
26	70023004	1	RETAINER/GLAND	
27	70023014	24	SHIM	
28	70022987	8	BALL BEARING	
29	Kit	2	WASHER SHIM	
30	70023016	1	SNAP RING	
31	70022969	2	SHEAVE ASSY	
32	70022960	2	CHAIN ANCHOR	
33	70022957	8	NUT, 0.625-18UNF	
34	70022993	4	COTTER PIN	
35	70022995	2	CHAIN ANCHOR	
36	70022984	1	SHEAVE SHAFT	
37	70022970	2	RETAINER BAR	
38	70023003	2	FLAT HD CAPSCREW	
39	70022994	4	CHAIN ANCHOR PIN	
40	70022992	8	COTTER PIN	
41	70022985	1	SHEAVE SHAFT	
43	70023009	2	LIFT CHAIN	
44	70022932	1	PO CHECK VALVE ASSY, (includes items 45, 46 & 47)	
45	N.S.S.	1	MANIFOLD	
46	70022931	1	PO CHECK VALVE CARTRIDGE	
47	70023010	1	PO CHECK	
48	70022934	3	FITTING, 90	
49	70022936	1	FLOW LIMITER	

SECTION 3 - ATTACHMENTS

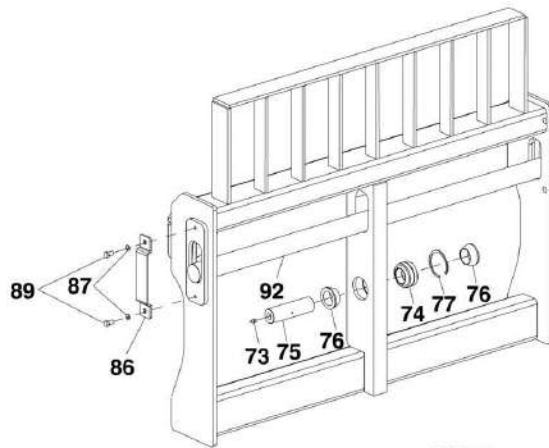
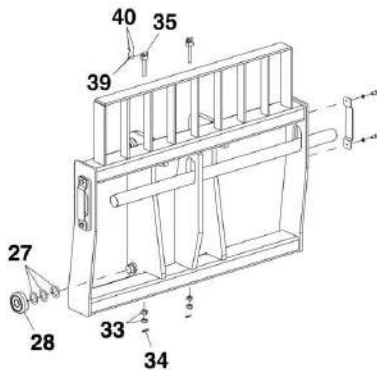
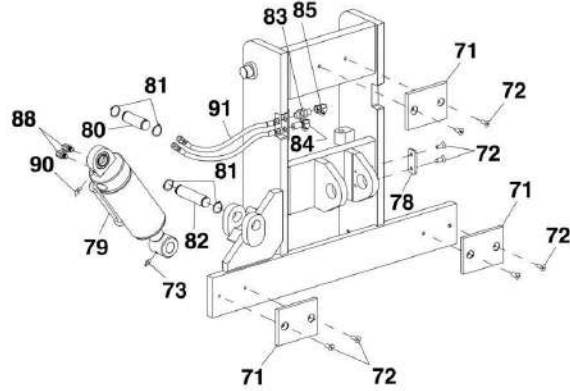
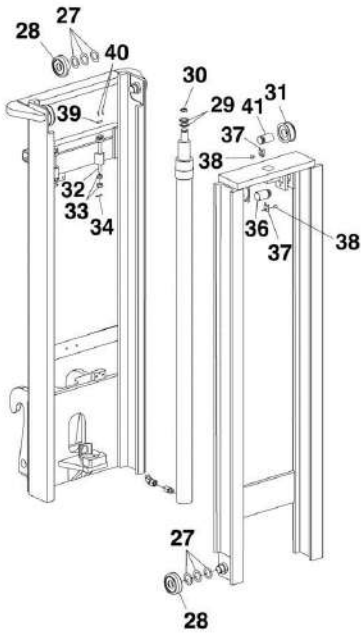
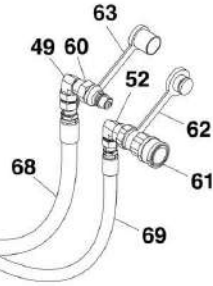
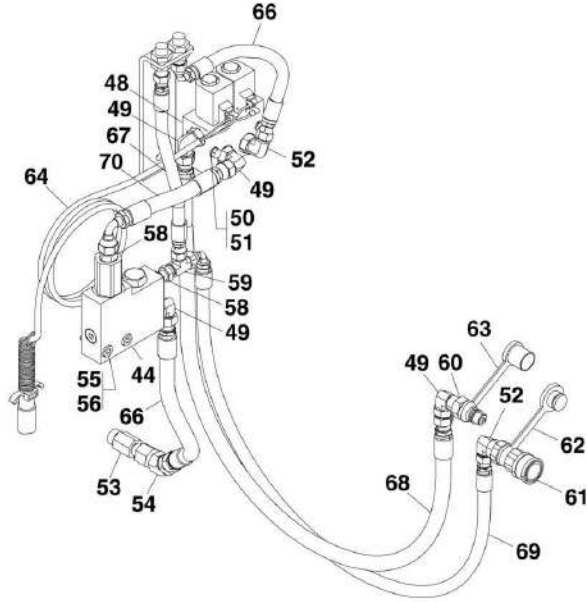
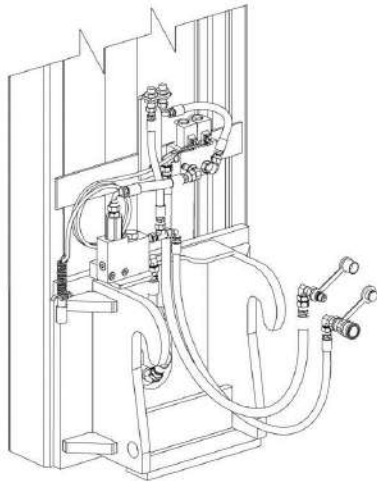
ITEM	PART NUMBER	QTY	DESCRIPTION	REV
50	70022937	1	FITTING, 45	
51	70022949	2	LOCKWASHER, M10	
52	70022950	2	HEX SOCKET CAPSCREW	
53	70022942	1	HOSE ASSY	
54	70022952	1	HOSE ASSY	
55	91403414	1	MALE QUICK DISCONNECT COUPLING	
56	91043126	1	DUST CAP	
58	70022939	1	STRAIGHT FITTING, #6	
59	91403413	1	FEMALE QUICK DISCONNECT COUPLING	
60	91043125	1	DUST PLUG	
61	70022935	1	STRAIGHT THREAD ELBOW	
62	70022946	1	HOSE ASSY	
63	70022949	4	LOCKWASHER, M10	
64	70022980	2	FORK PIN KEEPER	
65	70022998	4	CAPSCREW, M10X20	
66	70022990	1	FORK PIN	
101	N.S.S.	1	SN PLATE	
K1	70023925	1	DECAL KIT, (includes items 1 thru 6)	
K2	70023005	1	MAIN LIFT CYLINDER SEAL KIT, (includes items 8, 9, 13, 14, 16, 17, 19, 21 & 23 thru 25)	
K3	70023006	1	CHECK VALVE KIT, (includes items 18 thru 21 & 23)	
K4	70023007	1	SHIM KIT	
K5	70023015	1	MAST COMMON PARTS KIT, (includes items 27 thru 41)	

SECTION 3 - ATTACHMENTS

FIGURE 3-18. 8 FT SIDE TILT ELECTRIC MAST



SECTION 3 - ATTACHMENTS



PAP3720

SECTION 3 - ATTACHMENTS

FIGURE 3-18. 8 FT SIDE TILT ELECTRIC MAST

ITEM	PART NUMBER	QTY	DESCRIPTION	REV
	1001108669	1	8 FT SIDE TILT ELECTRIC MAST, (includes all items)	D
1	Kit	1	WARNING DECAL	
2	Kit	1	WARNING DECAL	
3	Kit	1	NO STEP DECAL	
4	Kit	1	NO STEP DECAL	
5	Kit	4	HANDS OFF DECAL	
6	Kit	2	HOSE ROUTING	
6	70023008	1	MAIN LIFT CYLINDER, (includes items 7 thru 26)	
7	N.S.S.	1	ROD/PLUNGER	
8	Kit	1	O-RING	
9	Kit	1	PULL WIRE	
10	N.S.S.	1	SPACER	
11	N.S.S.	2	ROLL PIN	
12	N.S.S.	1	BARREL	
13	Kit	1	WIPER	
14	Kit	1	BUSHING	
15	N.S.S.	1	PISTON	
16	Kit	1	NYLON RING	
17	Kit	1	PISTON SEAL	
18	Kit	1	CHECK VALVE	
19	Kit	1	O-RING	
20	Kit	1	WASHER	
21	Kit	1	CIRCLIP	
22	N.S.S.	1	SLEEVE	
23	Kit	1	RETAINING RING	
24	Kit	1	WEAR RING	
25	Kit	1	ROD SEAL	
26	70023004	1	RETAINER/GLAND	
27	70023014	24	SHIM	
28	70022987	8	BALL BEARING	
29	Kit	2	WASHER SHIM	
30	70023016	1	SNAP RING	
31	70022969	2	SHEAVE ASSY	
32	70022960	2	CHAIN ANCHOR	
33	70022957	8	NUT, 0.625-18UNF	
34	70022993	4	COTTER PIN	
35	70022995	2	CHAIN ANCHOR	
36	70022984	1	SHEAVE SHAFT	
37	70022970	2	RETAINER BAR	
38	70023003	2	FLAT HD CAPSCREW	
39	70022994	4	PIN, CHAIN ANCHOR	
40	70022992	8	COTTER PIN	
41	70022985	1	SHEAVE SHAFT	
43	70023009	2	LIFT CHAIN	
44	70022932	1	PO CHECK VALVE ASSY, (includes items 45, 46 & 47)	
45	N.S.S.	1	MANIFOLD	
46	70022931	1	PO CHECK VALVE CARTRIDGE	
47	70023010	1	P.O. CHECK	
48	70022933	1	SOLENOID VALVE BANK	
49	70022934	4	FITTING, 90	

SECTION 3 - ATTACHMENTS

ITEM	PART NUMBER	QTY	DESCRIPTION	REV
50	70022948	2	LOCKWASHER, M8	
51	70022951	2	CAPSCREW, M8X60	
52	70022935	2	STRAIGHT THREAD ELBOW	
53	70022936	1	FLOW LIMITER	
54	70022937	1	FITTING, 45	
55	70022949	2	LOCKWASHER, M10	
56	70022950	2	HEX SOCKET CAPSCREW	
57	70022938	1	STRAIGHT FITTING	
58	70022939	1	STRAIGHT FITTING, #6	
59	70022940	1	TEE FITTING	
60	91403414	1	MALE QUICK DISCONNECT COUPLING	
61	91403413	1	FEMALE QUICK DISCONNECT COUPLING	
62	91043125	1	DUST PLUG	
63	91043126	1	DUST CAP	
64	70022941	1	HARNES	
65	70022942	1	HOSE ASSY	
66	70022943	1	HOSE ASSY	
67	70022944	1	HOSE ASSY	
68	70022945	1	HOSE ASSY	
69	70022946	1	HOSE ASSY	
70	70022947	1	HOSE ASSY	
71	70022972	3	WEAR PAD	
72	70022971	8	FLAT HD CAPSCREW	
73	70023001	2	GREASE FITTING	
74	70022975	1	BEARING	
75	70022973	1	PIVOT SHAFT	
76	70022974	2	BEVELED SPACER	
77	70022988	1	RETAINING RING	
78	70022976	1	RETAINER PLATE	
79	2716143	1	TILT CYLINDER	
80	70022977	1	PIN, 128.1mm	
81	70023016	4	SNAP RING, 1-1/4	
82	70022978	1	PIN, 128.1mm	
83	70023000	1	BULKHEAD UNION, (with locknut)	
84	70022999	1	BULKHEAD UNION ELBOW	
85	70022982	1	STRAIGHT THREAD ELBOW	
86	70022980	2	FORK PIN KEEPER	
87	70022949	4	LOCKWASHER, M10	
88	70022991	2	STRAIGHT THREAD ELBOW, 90	
89	70022998	4	CAPSCREW, M10X20 LG	
90	70022966	1	GREASE FITTING	
91	70022979	2	HOSE ASSY	
92	70022990	1	FORK PIN	
93	70022965	1	SHEAVE	
94	70022997	1	LOCKWASHER, M12	
95	70022967	4	HOSE CLAMP	
96	70022962	1	BAR ASSY	
97	70023002	4	CAPSCREW, M6X25 LG	
98	70022949	5	LOCKWASHER, M10	
99	70022958	3	CAPSCREW, M10X20	
100	70022961	1	SHAFT	

SECTION 3 - ATTACHMENTS

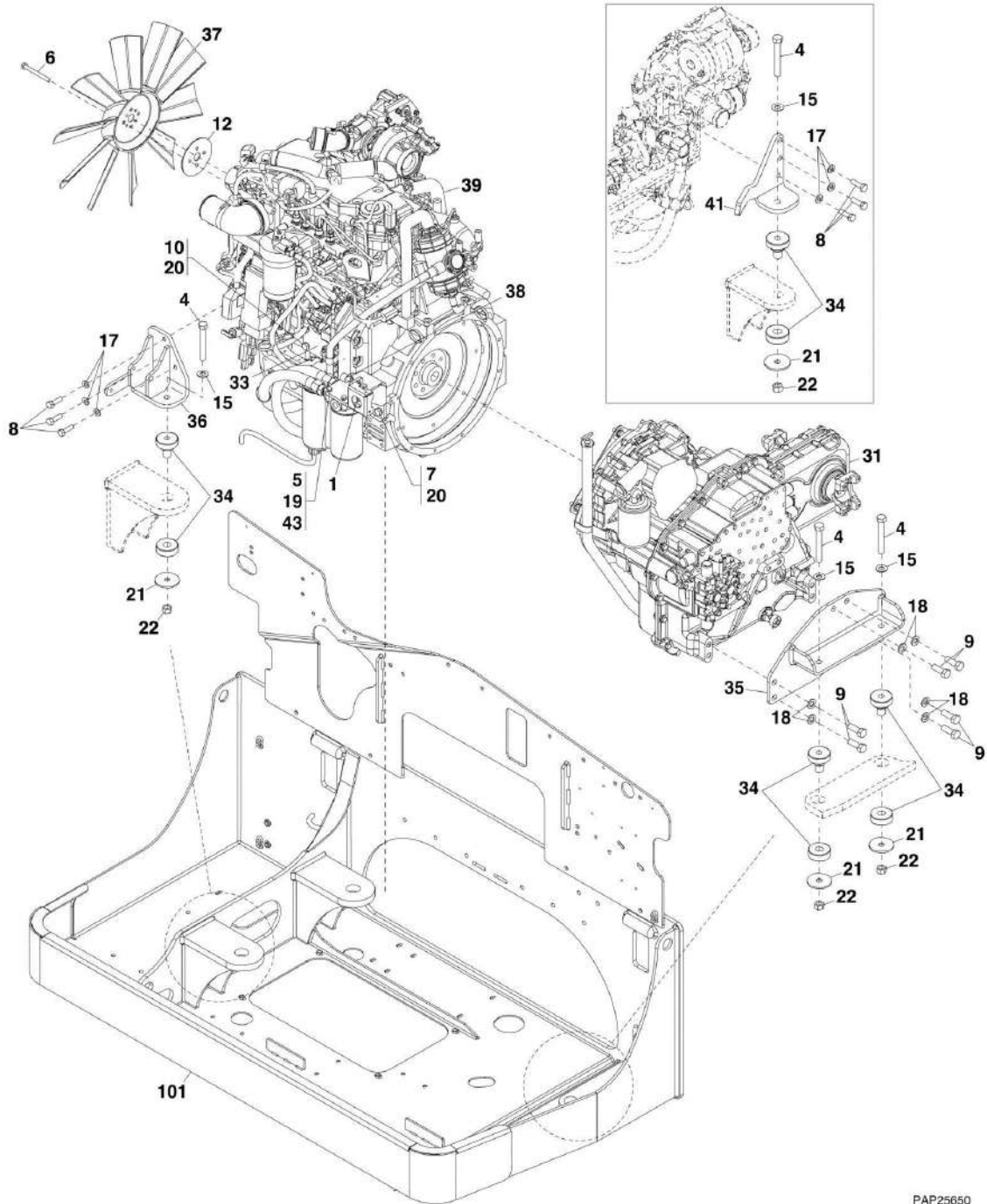
ITEM	PART NUMBER	QTY	DESCRIPTION	REV
101	70022959	1	WASHER	
102	70022989	1	RETAINING RING	
103	70022964	1	CAPSCREW, M12X55	
104	70022981	1	IHR BRACKET	
105	70022968	1	HOSE CLAMP BAR	
106	70023011	1	IHR BRACKET	
107	70022983	1	TERMINATION BRACKET	
108	70023000	2	BULKHEAD UNION AND LOCKNUT	
109	70022996	3	CAPSCREW, M10X16 LG	
110	70022963	2	HOSE ASSY, (not shown)	
K1	70023925	1	DECAL KIT, (includes items 1 thru 6)	
K2	70023005	1	SEAL KIT, MAIN LIFT CYLINDER, (includes items 8, 9, 13, 14, 16, 17, 19, 21, 23, 24 & 25)	
K3	70023006	1	CHECK VALVE KIT, (includes items 18, 19, 20, 21 & 23)	
K4	70023007	1	SHIM KIT	
K5	70023015	1	MAST COMMON PARTS KIT, (includes items 27 thru 42)	
K6	8035831	1	SEAL KIT, TILT CYLINDER	
K7	70023013	1	IHR COMMON PARTS KIT, (includes items 93 thru 109)	
K8	70022986	1	IHR KIT, (includes items 93 thru 110)	

SECTION 4 - ENGINE AND ATTACHING PARTS

SECTION 4 - ENGINE AND ATTACHING PARTS

SECTION 4 - ENGINE AND ATTACHING PARTS

FIGURE 4-1. ENGINE INSTALLATION



PAP25650

SECTION 4 - ENGINE AND ATTACHING PARTS

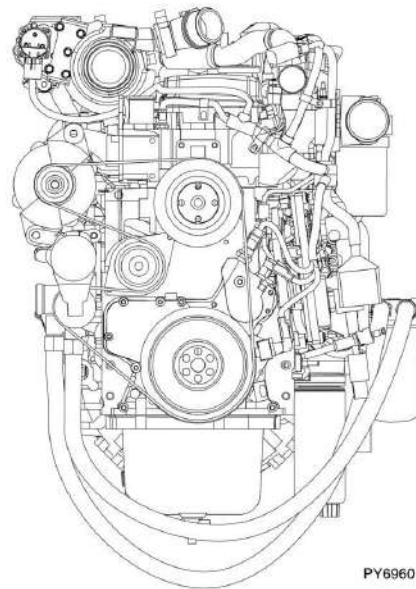
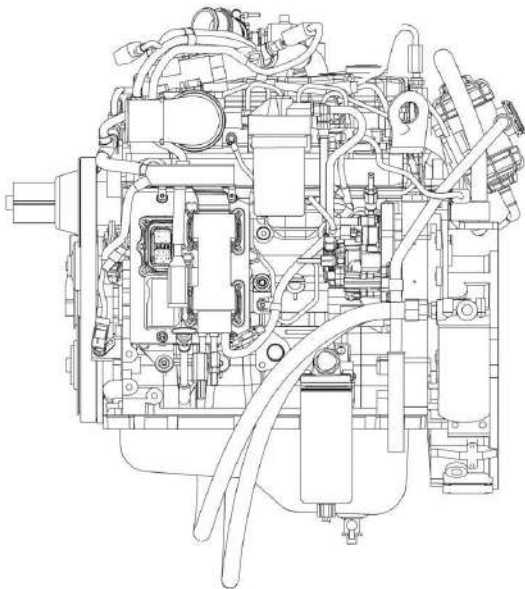
FIGURE 4-1. ENGINE INSTALLATION

ITEM	PART NUMBER	QTY	DESCRIPTION	REV
	1001130098	Ref	ENGINE INSTALLATION, (if equipped for ULS), (not available to order, see items 1 thru 44 for service)	O
	1001136090	Ref	ENGINE INSTALLATION, (if equipped for LS), (not available to order, see items 1 thru 44 for service)	H
1		Ref	HEX HD CAPSCREW, 1/4-20X3/4, GR5, (See ELECTRICAL SECTION for Breakdown)	
2	0641520	1	HEX HD CAPSCREW, 5/16-18X2-1/2, GR5, (not shown)	
4	0682036	4	HEX HD CAPSCREW, 5/8-11X4-1/2, GR8	
5	0700812	4	HEX HD CAPSCREW, M8X25, GR8.8, (if equipped for ULS)	
5	0760810	4	HEX HD CAPSCREW, M8X20, (if equipped for LS)	
6	0701027	4	HEX HD CAPSCREW, M10X100, GR8.8	
7	0701215	4	HEX HD CAPSCREW, M12X35, GR8.8	
8	0701216	6	HEX HD CAPSCREW, M12X40, GR8.8	
9	0701617	6	HEX HD CAPSCREW, M16X45, GR8.8	
10	0761214	3	HEX HD CAPSCREW, 12X30mm, GR8.8, (if equipped for ULS)	
12	3575947	1	FAN HUB PLATE	
15	8307107	4	WASHER	
17	4812100	6	WASHER, 12mm	
18	4812300	6	WASHER, 16mm	
19	4831900	4	SPRING LOCKWASHER, 8mm, (if equipped for ULS)	
19	88551009	4	LOCKWASHER, 1/4, (if equipped for LS)	
20	4832100	7	SPRING LOCKWASHER, 12mm, (if equipped for ULS)	
20	4832100	4	SPRING LOCKWASHER, 12mm, (if equipped for LS)	
21	7300435	4	WASHER	
22	3272001	4	HEX LOCKNUT, 5/8-11, GR8	
26	8750024	1	CLAMP SET, 1.18, (not shown)	
27	8750025	1	COVER PLATE, (not shown)	
31		Ref	TRANSMISSION, (See DRIVE TRAIN SECTION for Breakdown)	
33	1001136919	1	FUEL FILTER MOUNT PLATE, (if equipped for ULS)	
34	1001121309	4	MOUNT	
35	1001121883	1	BRACKET	
36	1001137239	1	BRACKET	
37	1001122234	1	FAN	
38		Ref	SUPPORT CLAMP, (See FUEL TANK AND LINES for Breakdown for Breakdown)	
39		Ref	ENGINE, (See ENGINE for Breakdown)	
41	1001131022	1	BRACKET	
43	1001139038	1	FILTER BRACKET	
44		Ref	TIE WRAP, (not shown), (See FUEL TANK AND LINES for Breakdown)	
101		Ref	ENGINE POD, (See FRAME AND ATTACHING PARTS SECTION for Breakdown)	

SECTION 4 - ENGINE AND ATTACHING PARTS

FIGURE 4-2. ENGINE

IF EQUIPPED FOR ULS



PY6960

SECTION 4 - ENGINE AND ATTACHING PARTS

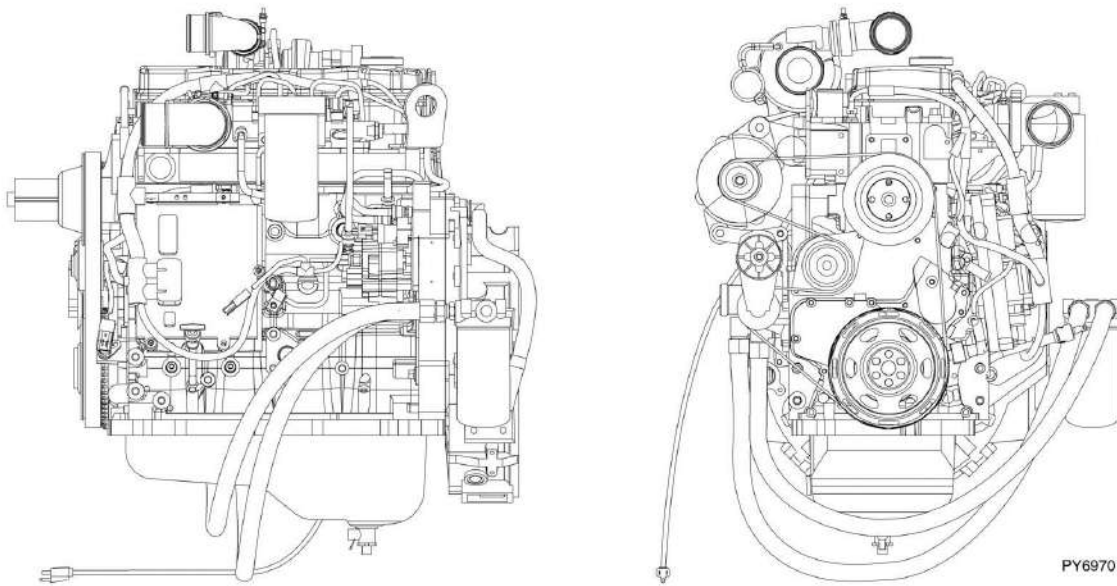
FIGURE 4-2. ENGINE

ITEM	PART NUMBER	QTY	DESCRIPTION	REV
	1001128428	1	ENGINE, 130HP, (if equipped for ULS), (includes all items) (Prior to SN 0160067381, Excluding 0160047286)	E
	1001182934	1	ENGINE, 130HP, (if equipped for ULS), (includes all items) (SN 0160067381 to Present, Including 0160047286)	A
	70024309	1	FAN BELT	
	70024310	1	ALTERNATOR	
	70024311	1	STARTER	
	70020358	1	OIL FILTER ELEMENT	
	70020350	1	DIPSTICK	
	70020351	1	DIPSTICK TUBE	
	70024312	1	OIL FILL CAP	
	70024313	1	THERMOSTAT	
	70024314	1	FUEL FILTER ELEMENT, (primary)	
	70024315	1	FUEL FILTER ELEMENT, (secondary)	
	70021803	1	OIL PAN PLUG	
	70024284	1	CRANKCASE VENT FILTER ELEMENT	
	1001150521	1	FILTER KIT, 250 HOUR, (if equipped for ULS), (includes all items)	A
	70020358	1	ENGINE OIL FILTER	
	70024314	1	PRIMARY FUEL FILTER	
	70024315	1	SECONDARY FUEL FILTER	
	70024175	1	PRIMARY AIR FILTER ELEMENT	
	70024176	1	SECONDARY AIR FILTER ELEMENT	
	1001150522	1	FILTER KIT, 1000 HOUR, (if equipped for ULS), (includes all items)	A
	70020358	1	ENGINE OIL FILTER	
	70024314	1	PRIMARY FUEL FILTER	
	70024315	1	SECONDARY FUEL FILTER	
	70024175	1	PRIMARY AIR FILTER ELEMENT	
	70024176	1	SECONDARY AIR FILTER ELEMENT	
	70024152	1	HYDRAULIC RETURN FILTER	
	1340021	1	HYDRAULIC BREATHER	
	70024284	1	CRANKCASE VENT FILTER ELEMENT	
	1319726	1	TRANSMISSION FILTER	

SECTION 4 - ENGINE AND ATTACHING PARTS

FIGURE 4-3. ENGINE

IF EQUIPPED FOR LS



PY6970

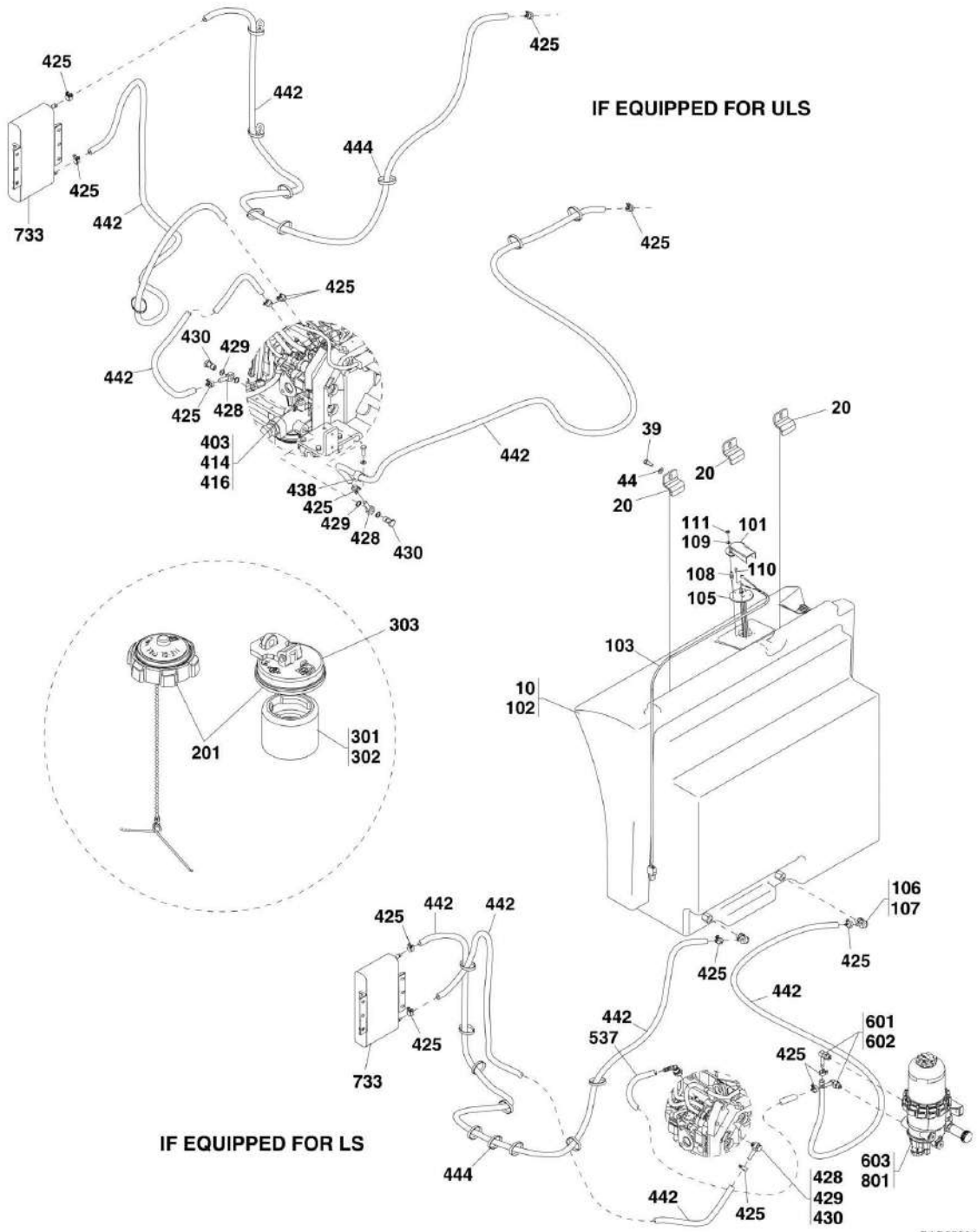
SECTION 4 - ENGINE AND ATTACHING PARTS

FIGURE 4-3. ENGINE

ITEM	PART NUMBER	QTY	DESCRIPTION	REV
	1001136077	1	ENGINE, 130HP, (if equipped for LS), (includes all items)	B
	70024309	1	FAN BELT	
	70029919	1	FAN SPACER	
	70024310	1	ALTERNATOR	
	70024311	1	STARTER	
	70020358	1	OIL FILTER ELEMENT	
	70020350	1	DIPSTICK	
	70020351	1	DIPSTICK TUBE	
	70024312	1	OIL FILL CAP	
	70024313	1	THERMOSTAT	
	70020348	1	FUEL FILTER ELEMENT, (primary)	
	1001150519	1	FILTER KIT, 250 HOUR, (if equipped for LS), (includes all items)	A
	70020358	1	ENGINE OIL FILTER	
	70020348	1	SECONDARY FUEL FILTER	
	70024156	1	PRIMARY FUEL FILTER	
	70023878	1	PRIMARY AIR FILTER ELEMENT	
	70023879	1	SECONDARY AIR FILTER ELEMENT	
	1001150520	1	FILTER KIT, 1000 HOUR, (if equipped for LS), (includes all items)	A
	70020358	1	ENGINE OIL FILTER	
	70020348	1	SECONDARY FUEL FILTER	
	70024156	1	PRIMARY FUEL FILTER	
	70023878	1	PRIMARY AIR FILTER ELEMENT	
	70023879	1	SECONDARY AIR FILTER ELEMENT	
	70024152	1	HYDRAULIC RETURN FILTER	
	1340021	1	HYDRAULIC BREATHER	
	1319726	1	TRANSMISSION FILTER	

SECTION 4 - ENGINE AND ATTACHING PARTS

FIGURE 4-4. FUEL TANK AND LINES



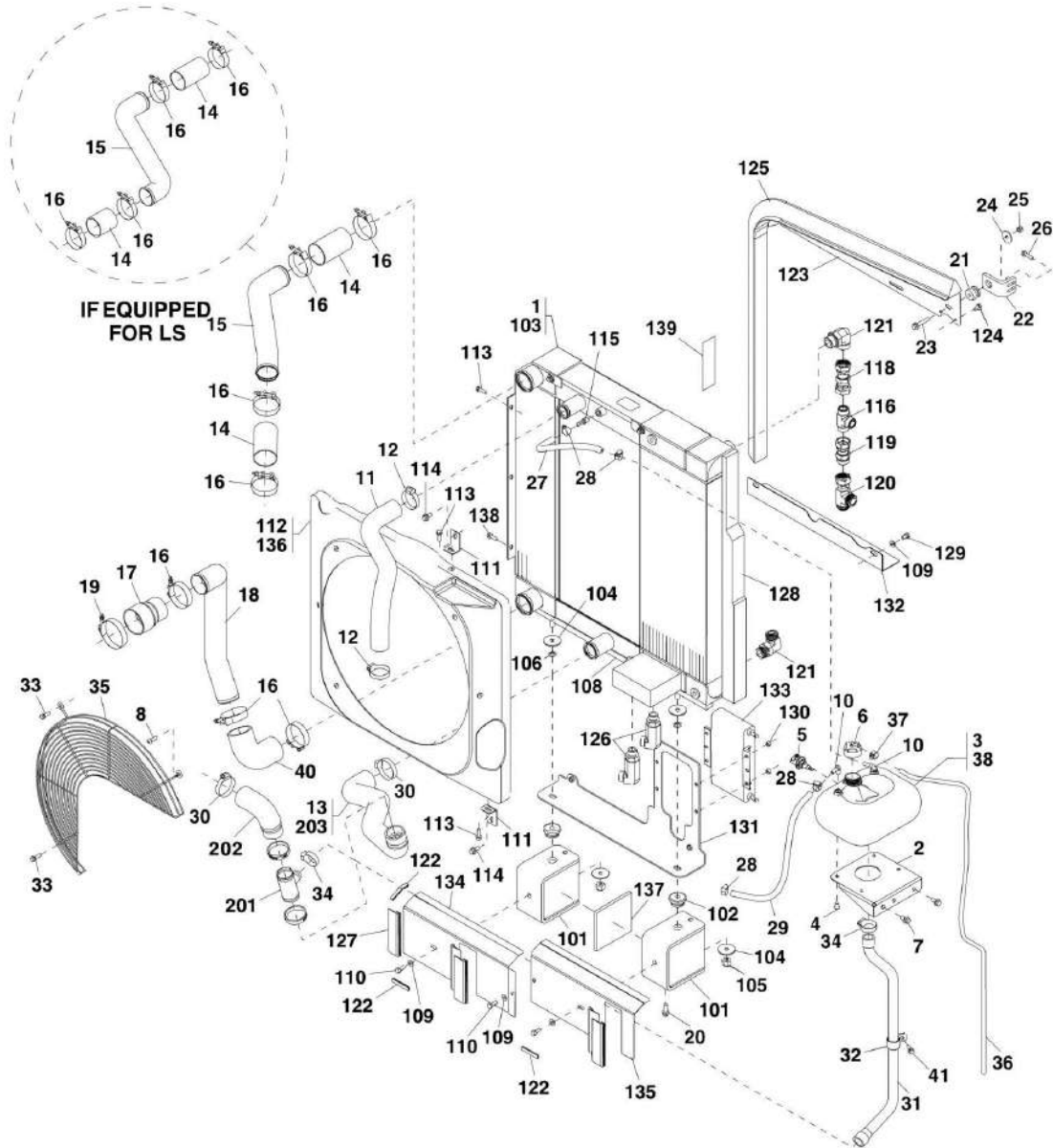
SECTION 4 - ENGINE AND ATTACHING PARTS

FIGURE 4-4. FUEL TANK AND LINES

ITEM	PART NUMBER	QTY	DESCRIPTION	REV
10	1001130780	1	FUEL TANK, (includes items 101 thru 111)	C
20	1001150364	3	FUEL TANK HOLD DOWN BRACKET	
39	0641608	3	HEX HD CAPSCREW, 3/8-16X1, GR5	
44	4711600	3	WASHER, 3/8	
101	1671313	1	FUEL SENDER COVER	
102	1001134413	1	FUEL TANK	
103	4923452	1	FUEL SENDER HARNESS	
105	1001148837	1	FUEL LEVEL SENDER	
106	1001130776	2	FITTING, HOSE BARB	
107	0100093	AR	LOCTITE 30512	
108	1001148847	3	ADAPTER	
109	4811600	3	WASHER, 5mm	
110	0731003	2	HEX HD CAPSCREW, 10 X0.50	
111	1001149344	3	HEX NUT	
201	1001093641	1	FUEL CAP, NON LOCKING	
201	1001102657	1	FUEL CAP, LOCKING, (includes items 301 thru 303)	A
301	0100093	AR	LOCTITE 30512	
302	1001001422	1	FILLER NECK TANK ADAPTER	
303	1001080707	1	LOCKING FUEL CAP	
403	0641709	2	HEX HD CAPSCREW, 7/16-14X1-1/8, (if equipped for ULS)	
414	4711700	2	WASHER, 7/16, (if equipped for ULS)	
416	4761700	2	LOCKWASHER, 7/16, (if equipped for ULS)	
425	1001136975	8	FUEL HOSE CLAMP, (if equipped for ULS)	
425	1001136975	7	FUEL HOSE CLAMP, (if equipped for LS)	
428	1001102931	2	BANJO BOLT, M14, (if equipped for ULS)	
428	1001105643	2	BANJO BOLT, (if equipped for LS)	
429	1001102933	4	COPPER RING SEAL, (if equipped for ULS)	
429	1001105639	2	COPPER CRUSH WASHER, (if equipped for LS)	
430	1001113511	2	BANJO MECHANICAL ADAPTER, (if equipped for ULS)	
430	1001105638	2	BANJO MECHANICAL ADAPTER, (if equipped for LS)	
438	91143122	1	SUPPORT CLAMP, (if equipped for ULS)	
442	1001141400	345 in	FUEL HOSE, (if equipped for ULS)	
442	1001141400	292 in	FUEL HOSE, (if equipped for LS)	
444	4240018	9	Tie Strap	
537	1001138226	1	FUEL HOSE, (if equipped for LS)	
	1001136655	Ref	FUEL FILTER INSTALLATION, (if equipped for LS), (not available to order, see items 601 thru 603 for service)	B
601	2220218	2	ADAPTER, CONNECTOR	
602	8430034	2	ADAPTER, 90	
603	1001133534	1	FUEL FILTER	
733		Ref	FUEL RADIATOR, (See RADIATOR INSTALLATION for Breakdown)	
801	0811612	2	SCREW, 3/8-16X1-1/2, (if equipped for LS)	

SECTION 4 - ENGINE AND ATTACHING PARTS

FIGURE 4-5. RADIATOR INSTALLATION



SECTION 4 - ENGINE AND ATTACHING PARTS

FIGURE 4-5. RADIATOR INSTALLATION

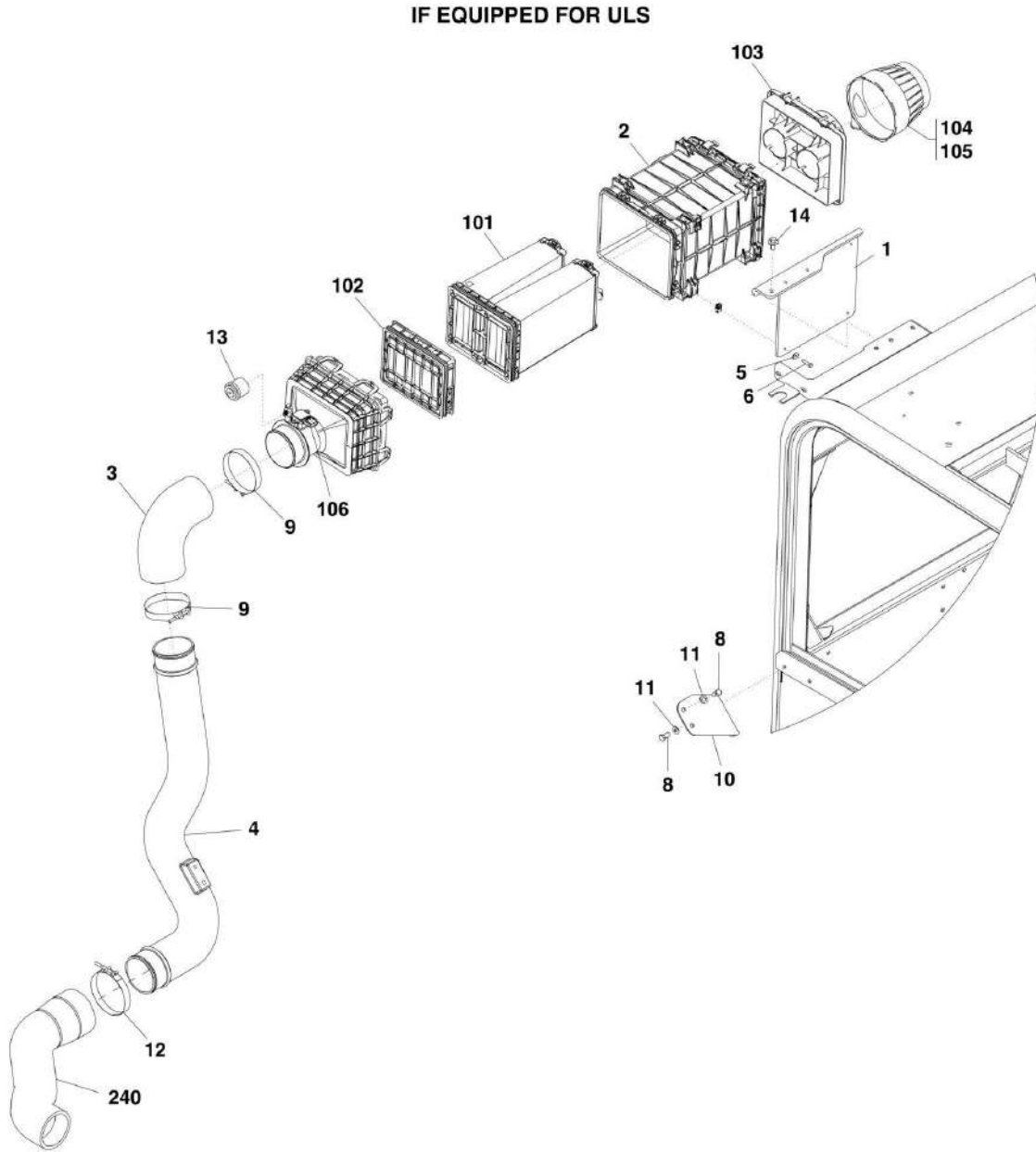
ITEM	PART NUMBER	QTY	DESCRIPTION	REV
	1001130057	Ref	RADIATOR ASSY, (if equipped for ULS), (not available to order, see items 1 thru 41 for service)	I
	1001137579	Ref	RADIATOR INSTALLATION, (if equipped for LS), (not available to order, see items 1 thru 4 & 6 thru 41 for service)	E
1	1001130286	Ref	COOLER INSTALLATION, (not available to order, see items 101 thru 139 for service)	J
2	1001128945	1	COOLANT TANK BRACKET	
3	1001128144	1	COOLANT TANK	
4	88261026	4	BUTTON HD CAPSCREW, 0.375-16X0.625	
5	1001121955	1	COOLANT LEVEL SENSOR, (if equipped for ULS)	
6	1001128341	1	PRESSURE PLUG CAP	
7	0811606	2	SCREW, 3/8-16X3/4	
8	3900316	1	BUTTON HD SCREW, 3/8-16X1.00, (if equipped for ULS)	
8	8310494	1	SCREW, 3/8-16X1.25, (if equipped for LS)	
10	2180467	2	BARB FITTING	
11	1001136887	1	RADIATOR INLET HOSE	
12	8405104	2	GEAR CLAMP	
13	1001130370	1	LOWER RADIATOR HOSE ASSY, (includes items 201 thru 203)	B
14	1001114495	2	CHARGE AIR COOLER HOSE, (if equipped for ULS)	
14	1001099251	1	CHARGE AIR COOLER HOSE, (if equipped for LS)	
14	1001114495	1	CHARGE AIR COOLER HOSE, (if equipped for LS)	
15	1001127153	1	PIPE, (if equipped for ULS)	
15	1001146568	1	PIPE, (if equipped for LS)	
16	8405212	7	T-BOLT CLAMP	
17	1001138348	1	REDUCER HOSE	
18	1001136940	1	OUTLET PIPE, (if equipped for ULS)	
18	1001146569	1	OUTLET PIPE, (if equipped for LS)	
19	8405306	1	T-BOLT CLAMP, (if equipped for ULS)	
19	8405305	1	T-BOLT CLAMP, (if equipped for LS)	
20	0811608	4	SCREW, 3/8-16X1	
21	8278020	1	RUBBER ISOLATOR MOUNT	
22	1001121050	1	COOLER ISOLATOR MOUNT PLATE	
23	0811616	1	SCREW, 3/8-16X2	
24	7057141	1	FLAT WASHER	
25	3300492	1	NYLON INSERT LOCKING NUT	
26	0811510	2	SCREW, 5/16-18X1-1/4	
27	1001121506	1	RADIATOR VENT HOSE	
28	8410013	4	GEAR CLAMP	
29	1001130312	1	ENGINE VENT HOSE, (if equipped for ULS)	
29	1001138490	1	ENGINE VENT HOSE, (if equipped for LS)	
30	8405201	2	GEAR CLAMP	
31	1001130378	1	SURGE TANK RETURN HOSE	
32	8406303	1	HOSE CLAMP, 1-3/16	
33	0791508	2	SCREW, 5/16-18x1	
34	8405102	2	GEAR CLAMP	
35	1001122338	1	FAN GUARD GRILL	
36	1001080998	1	EXPANSION TANK HOSE	
37	1001144802	1	HOSE CLAMP	
38	8530025	1	FITTING PLUG, (if equipped for LS)	
40	1001125246	1	CHARGE AIR COOLER COLD SIDE HOSE	

SECTION 4 - ENGINE AND ATTACHING PARTS

ITEM	PART NUMBER	QTY	DESCRIPTION	REV
41	0791506	1	SCREW, 5/16-18 X 3/4 LG	
101	1001134453	2	COOLER SUPPORT	
102	1001114803	2	ISOLATOR MOUNT	
103	1001129855	1	RADIATOR	
104	4740274	4	SPECIAL WASHER	
105	88521208	2	LOCKNUT, 1/2-13	
106	3300246	2	STEEL PUSH NUT	
108	1001118092	1	FOAM GASKET SEAL	
109	4711600	5	WASHER, 3/8	
110	0641607	3	HEX HD CAPSCREW, 3/8-16X7/8, GR5	
111	1001121404	2	SHROUD MOUNTING BRACKET	
112	1001122566	1	FAN SHROUD	
113	0791508	2	SCREW, 5/16-18x1	
114	0811606	2	SCREW, 3/8-16X3/4	
115	2220767	1	STRAIGHT FITTING	
116	2170516	1	ADAPTER, BRANCH TEE, (includes o-ring)	
118	2172416	1	ADAPTER, CONNECTOR, (includes o-ring)	
119	1001159129	1	CHECK VALVE	
120	2170716	1	ADAPTER, RUN TEE, (includes o-ring)	
121	2131616	2	ADAPTER, 90, (includes o-ring)	
122	90206194	AR	TRIM	
123	1001130046	1	AIR DAM PLATE	
124	0791504	5	WHIZ-LOCK SCREW, 5/16-18X1/2	
125	1001130079	1	FOAM GASKET SEAL	
126	2170212	2	ADAPTER, 90, (long), (includes o-ring)	
127	1001133877	5	TRIM-LOK SEAL	
128	1001121962	1	FOAM GASKET SEAL	
129	0641605	2	HEX HD CAPSCREW, 3/8-16X5/8, GR5	
130	77143006	4	HEX NUT, 0.312-18	
131	1001134456	1	FUEL COOLER MOUNT	
132	1001134458	1	DRIP SHIELD PLATE	
133	1001134516	1	FUEL RADIATOR	
134	1001138258	1	AIR DAM PLATE, RIGHT	
135	1001138313	1	AIR DAM WELD PLATE	
136	1001120639	AR	BULB SEAL	
137	1001147450	1	FOAM GASKET SEAL	
138	1001149227	3	SCREW, 5/16-18X1	
139	1001149756	1	FOAM GASKET SEAL	
201	1001121514	1	BRANCH PIPE	
202	1001121873	1	WATER INLET HOSE	
203	1001121874	1	RADIATOR OUTLET HOSE	

SECTION 4 - ENGINE AND ATTACHING PARTS

FIGURE 4-6. AIR CLEANER INSTALLATION



PAP25571

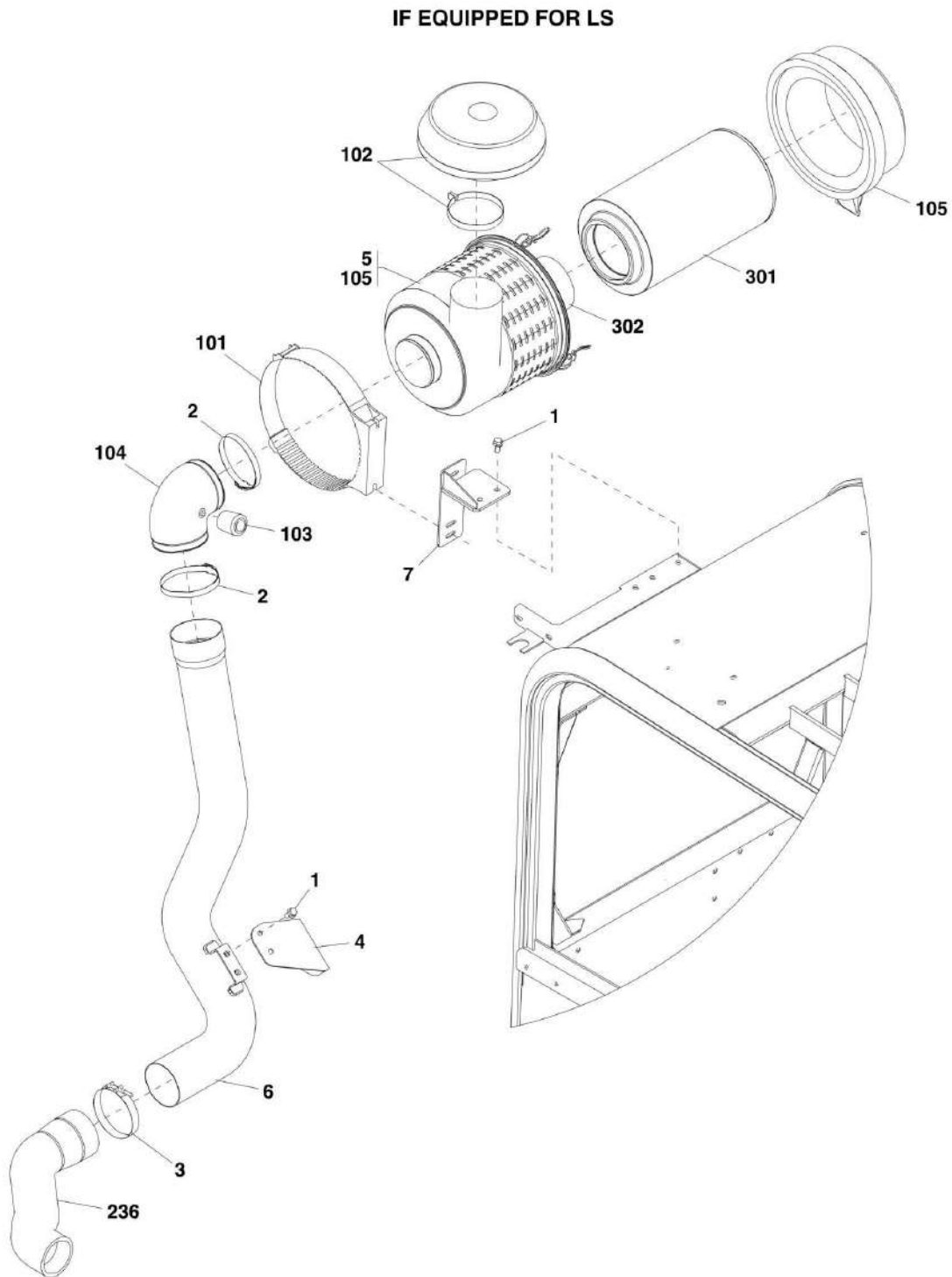
SECTION 4 - ENGINE AND ATTACHING PARTS

FIGURE 4-6. AIR CLEANER INSTALLATION

ITEM	PART NUMBER	QTY	DESCRIPTION	REV
	1001128739	Ref	AIR CLEANER INSTALLATION, (if equipped for ULS), (not available to order, see items 1 thru 14 for service)	B
1	1001128746	1	AIR CLEANER SUPPORT BRACKET	
2	1001128745	1	AIR CLEANER FILTER, (includes items 101 thru 105)	C
3	09523572	1	ELBOW, 90	
4	91563079	1	AIR INTAKE TUBE	
5	4811702	4	WASHER, 6mm, (hand torque to 1-2 lb-ft/1.35-2.7 Nm)	
6	0760612	4	HEX HD CAPSCREW, M6X25, GR8.8	
8	0641606	4	HEX HD CAPSCREW, 3/8-16X3/4, GR5, (torque to 30 lb-ft/41 Nm)	
9	77383790	2	HEAVY DUTY BAND CLAMP	
10	1001121869	1	AIR INTAKE BRACKET	
11	4711600	4	WASHER, 3/8	
12	80933367	1	HEAVY DUTY BAND CLAMP	
13	91563129	1	RESTRICTION INDICATOR	
14	0811606	3	SCREW, 3/8-16X3/4, (torque to 30 lb-ft/41 Nm)	
101	70024175	1	PRIMARY FILTER	
102	70024176	1	SECONDARY FILTER	
103	70024318	1	COVER	
104	70024270	1	VACUATOR VALVE	
105	70024271	1	PRE-CLEANER	
106	70024841	1	MASS AIR FLOW SENSOR	
240	1001130675	1	AIR INTAKE HOSE	

SECTION 4 - ENGINE AND ATTACHING PARTS

FIGURE 4-7. AIR CLEANER INSTALLATION



PAP25560

SECTION 4 - ENGINE AND ATTACHING PARTS

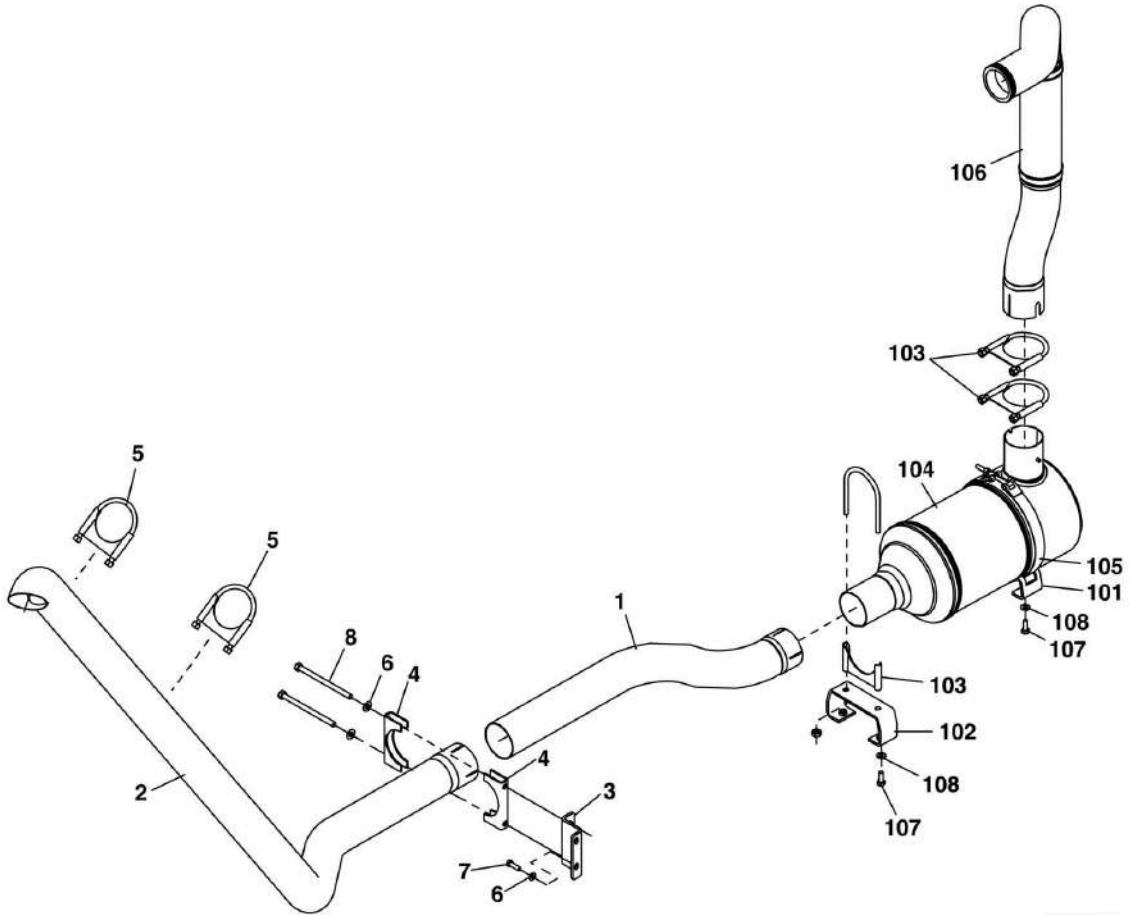
FIGURE 4-7. AIR CLEANER INSTALLATION

ITEM	PART NUMBER	QTY	DESCRIPTION	REV
	1001137031	Ref	AIR CLEANER INSTALLATION, (if equipped for LS), (not available to order, see items 1 thru 7 for service)	B
1	0811606	4	SCREW, 3/8-16X3/4, (torque to 30 lb-ft/41 Nm)	
2	1320037	2	HOSE CLAMP	
3	80933367	1	HEAVY DUTY BAND CLAMP	
4	91563163	1	AIR INTAKE BRACKET	
5	1001136984	1	AIR CLEANER FILTER	
6	1001138049	1	AIR INTAKE PIPE	
7	1001138561	1	AIR CLEANER SUPPORT BRACKET	
101	1001130443	1	AIR CLEANER CLAMP	
102	1001137042	1	AIR CLEANER RAIN CAP	
103	1001137044	1	RESTRICTION INDICATOR	
104	1001137045	1	AIR INTAKE ELBOW	
105	1001137930	1	AIR CLEANER FILTER, (includes items 301 & 302)	A
236	1001138033	1	AIR INTAKE HOSE	
301	70023878	1	MAIN FILTER ELEMENT	
302	70023879	1	SECONDARY FILTER ELEMENT	

SECTION 4 - ENGINE AND ATTACHING PARTS

FIGURE 4-8. EXHAUST INSTALLATION

IF EQUIPPED FOR ULS



PAP33020

SECTION 4 - ENGINE AND ATTACHING PARTS

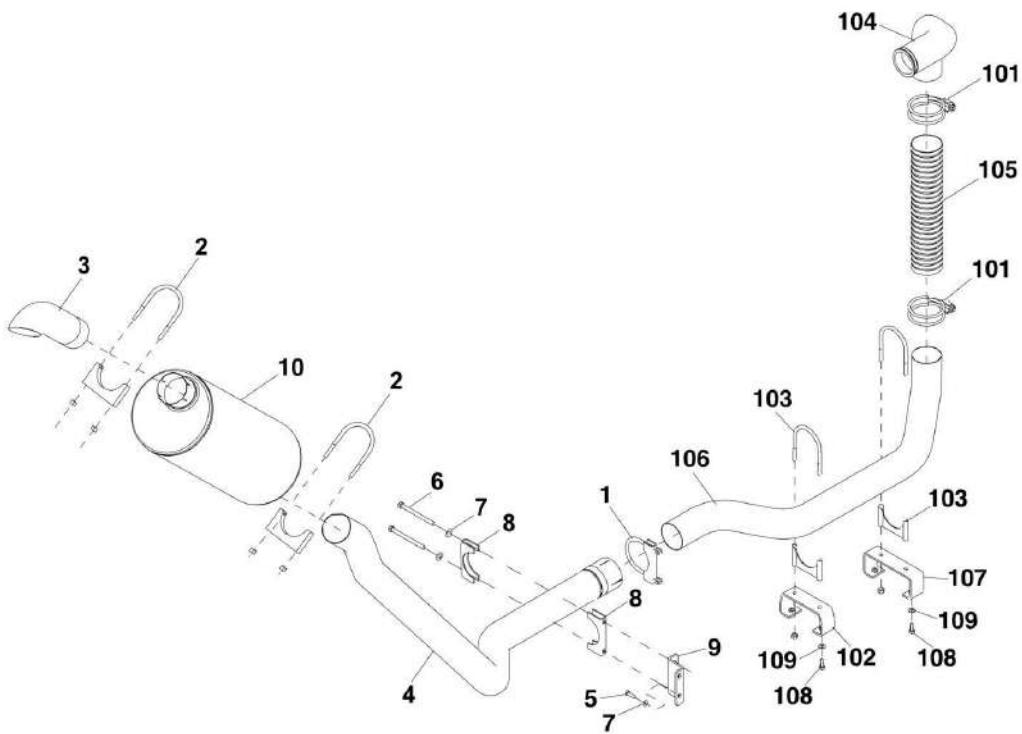
FIGURE 4-8. EXHAUST INSTALLATION

ITEM	PART NUMBER	QTY	DESCRIPTION	REV
	1001129741	Ref	EXHAUST INSTALLATION, (if equipped for ULS), (not available to order, see items 1 thru 8 for service)	B
1	1001130943	1	ENGINE POD EXHAUST PIPE	
2	1001130906	1	EXHAUST TAIL PIPE	
3	1001129785	1	EXHAUST MOUNT BRACKET	
4	1001129787	2	EXHAUST CLAMP SADDLE MOUNT	
5	24921332	2	EXHAUST CLAMP, 3 IN	
6	4711600	4	WASHER, 3/8	
7	0641610	2	HEX HD CAPSCREW, 3/8-16X1-1/4, GR5	
8	0641638	2	HEX HD CAPSCREW, 3/8-16X5-1/2, GR5	
	1001130139	Ref	ENGINE POD EXHAUST INSTALLATION, (not available to order, see items 101 thru 108 for service)	C
101	1001128363	1	MOUNT BRACKET	
102	1001128364	1	PIPE MOUNT BRACKET	
103	24921332	3	EXHAUST CLAMP, 3 IN	
104	1001128714	1	MUFFLER	
105	1001128901	1	DOC CLAMP STRAP	
106	1001128602	1	EXHAUST FLEX PIPE	
107	0641507	4	HEX HD CAPSCREW, 5/16-18X7/8, GR5	
108	4891500	4	WASHER, 5/16	

SECTION 4 - ENGINE AND ATTACHING PARTS

FIGURE 4-9. EXHAUST INSTALLATION

IF EQUIPPED FOR LS



PAP25791

SECTION 4 - ENGINE AND ATTACHING PARTS

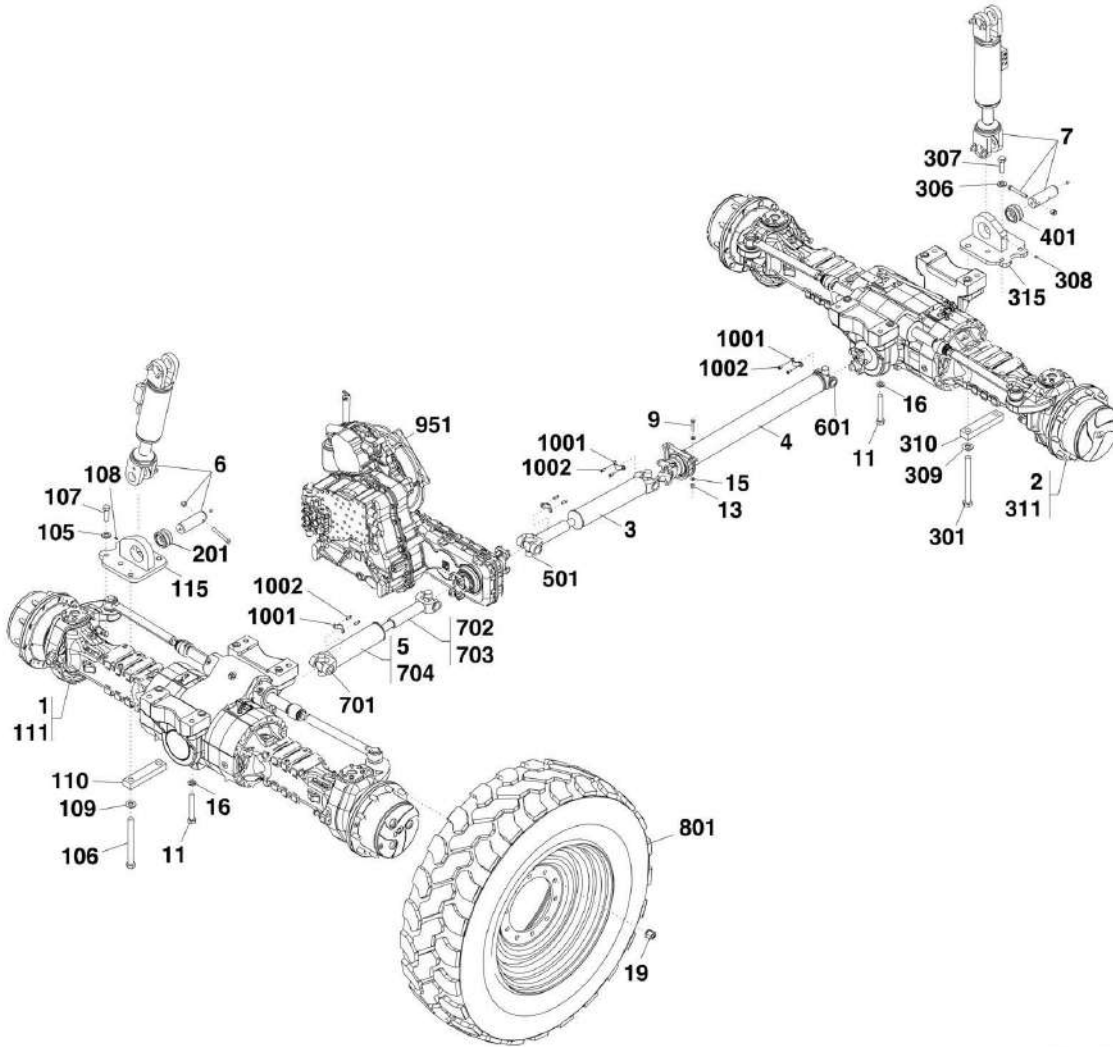
FIGURE 4-9. EXHAUST INSTALLATION

ITEM	PART NUMBER	QTY	DESCRIPTION	REV
	1001145050	Ref	EXHAUST INSTALLATION, (if equipped for LS), (includes all items)	C
1	8275247	1	MUFFLER CLAMP, 3 IN	
2	24921332	2	EXHAUST CLAMP, 3 IN	
3	91403489	1	TAIL PIPE	
4	1001145049	1	EXHAUST PIPE	
5	0641610	2	HEX HD CAPSCREW, 3/8-16X1.25, GR5	
6	0641638	2	HEX HD CAPSCREW, 3/8-16X5-1/2, GR5	
7	4711600	4	WASHER, 3/8	
8	1001129787	2	EXHAUST CLAMP SADDLE MOUNT	
9	1001129785	1	EXHAUST MOUNT BRACKET	
10	91163035	1	MUFFLER, 3 IN	
	1001138136	Ref	ENGINE POD EXHAUST INSTALLATION, (not available to order, see items 101 thru 109 for service)	B
101	91403601	2	PIPE CLAMP	
102	1001128364	1	PIPE MOUNT BRACKET	
103	24921332	2	EXHAUST CLAMP, 3 IN	
104	1001138131	1	FLANGED EXHAUST OUTLET PIPE	
105	1001138132	1	FLEX TUBE	
106	1001145048	1	EXHAUST PIPE	
107	1001138137	1	EXHAUST PIPE BRACKET ASSY	
108	0641507	4	HEX HD CAPSCREW, 5/16-18X7/8, GR5	
109	4891500	4	WASHER, 5/16	

SECTION 5 - DRIVE TRAIN

SECTION 5 - DRIVE TRAIN

FIGURE 5-1. DRIVETRAIN COMPONENTS (Prior to SN 0160054609)



PAP25840

SECTION 5 - DRIVE TRAIN

FIGURE 5-1. DRIVETRAIN COMPONENTS (Prior to SN 0160054609)

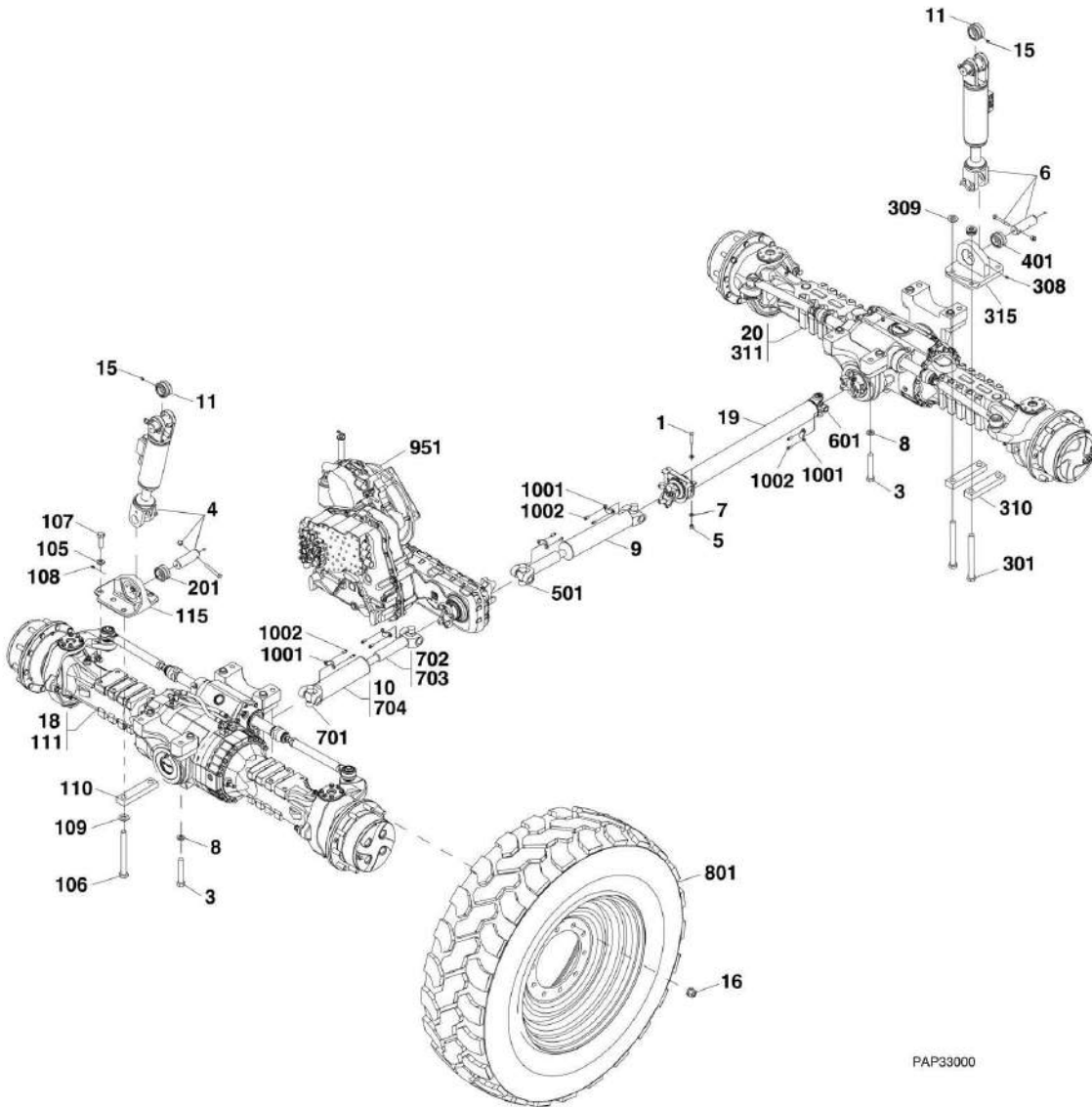
ITEM	PART NUMBER	QTY	DESCRIPTION	REV
	1001129459	Ref	DRIVETRAIN INSTALLATION, (not available to order, see items 1 thru 26 for service)	D
1	1001097803	Ref	FRONT AXLE ASSY, (not available to order, see items 105 thru 111 & item 115 for service)	H
2	1001097804	Ref	REAR AXLE ASSY, (not available to order, see items 301, 306 thru 311 & item 315 for service)	F
3	7139914	1	FRONT DRIVE SHAFT, (includes item 501)	C
4	91563209	1	REAR DRIVE SHAFT, (includes item 601)	B
5	7150580	1	REAR DRIVE SHAFT ASSY, (includes items 701 thru 704)	C
6		Ref	FRAME LEVEL CYLINDER AND HARDWARE, (See HYDRAULIC COMPONENTS SECTION for Breakdown)	
7		Ref	STABILIZER CYLINDER AND HARDWARE, (See HYDRAULIC COMPONENTS SECTION for Breakdown)	
9	0641716	2	HEX HD CAPSCREW, 7/16-14X2, GR8, (torque to 50 lb-ft/68 Nm)	
11	0682444	16	HEX HD CAPSCREW, 7/8-9X5-1/2, GR8, (torque to 530-565 lb-ft/718.5-766 Nm)	
13	3311705	2	HEX LOCKNUT, 7/16-14	
15	4711700	4	WASHER, 7/16	
16	4892400	16	WASHER, 7/8	
18		Ref	GREASE FITTING, 1/8, (not shown), (See FRAME AND ATTACHING PARTS SECTION for Breakdown)	
19	91403193	40	LUG NUT, M22X1.5, (torque to 474.5-542.3 Nm/350-400 lb-ft)	
24		Ref	SPLIT CONDUIT, (not shown), (See FRAME AND ATTACHING PARTS SECTION for Breakdown)	
25		Ref	TRIM-LOK, (not shown), (See FRAME AND ATTACHING PARTS SECTION for Breakdown)	
26	8880218-OM	5	STRAP KIT, (includes items 1001 & 1002), (not shown)	
105	4892400	1	WASHER, 7/8	
106	77101143	2	HEX HD CAPSCREW, (torque to 290-340 lb-ft/393.1-460.9 Nm)	
107	80333162	4	HEX HD CAPSCREW, M20X65mm, (torque to 545-595 lb-ft/738.9-806.7 Nm)	
108	88671001	1	GREASE FITTING, 1/8	
109	90027475	2	WASHER	
110	91511105	1	RETAINER PLATE	
111		Ref	FRONT AXLE, (See FRONT AXLE for Breakdown)	
115	1001097992	1	BRACKET ASSY, (includes item 201) (SN 0160054609 through 0160063539)	B
115	1001099602	1	BRACKET ASSY, (includes item 201) (SN 0160063540 to Present)	C
201	8065640	1	SELF ALIGN BEARING	
301	77101143	2	HEX HD CAPSCREW, (torque to 290-340 lb-ft/393.1-460.9 Nm)	
306	77383118	4	HARDENED WASHER, 7/8	
307	80333162	4	HEX HD CAPSCREW, M20X65mm, (torque to 545-595 lb-ft/738.9-806.7 Nm)	
308	88671001	1	GREASE FITTING, 1/8	
309	90027475	2	WASHER	
310	91511105	1	RETAINER PLATE	
311		Ref	REAR AXLE, (See REAR AXLE for Breakdown)	
315	1001097992	1	BRACKET ASSY, (includes item 401)	A
401	8065640	1	SELF ALIGN BEARING	
501	91474035	2	UNIVERSAL JOINT KIT	
601	7026911	1	UNIVERSAL JOINT KIT	
701	8036433	2	CROSS AND BEARING KIT	

SECTION 5 - DRIVE TRAIN

ITEM	PART NUMBER	QTY	DESCRIPTION	REV
702	8035779	1	DUST CAP KIT	
703	N.S.S.	1	SLIP JOINT	
704	N.S.S.	1	YOKE SHAFT	
801		Ref	TIRE AND WHEEL ASSY, (See WHEEL ASSEMBLY for Breakdown)	
901	14403364	AR	LOCTITE 242	
951		Ref	TRANSMISSION, (See TRANSMISSION for Breakdown)	
1001	N.S.S.	10	STRAP	
1002	N.S.S.	20	STRAP BOLT, 0.37-24X0.75, GR9	

SECTION 5 - DRIVE TRAIN

FIGURE 5-2. DRIVETRAIN COMPONENTS (SN 0160054609 to Present)



PAP33000

SECTION 5 - DRIVE TRAIN

FIGURE 5-2. DRIVETRAIN COMPONENTS (SN 0160054609 to Present)

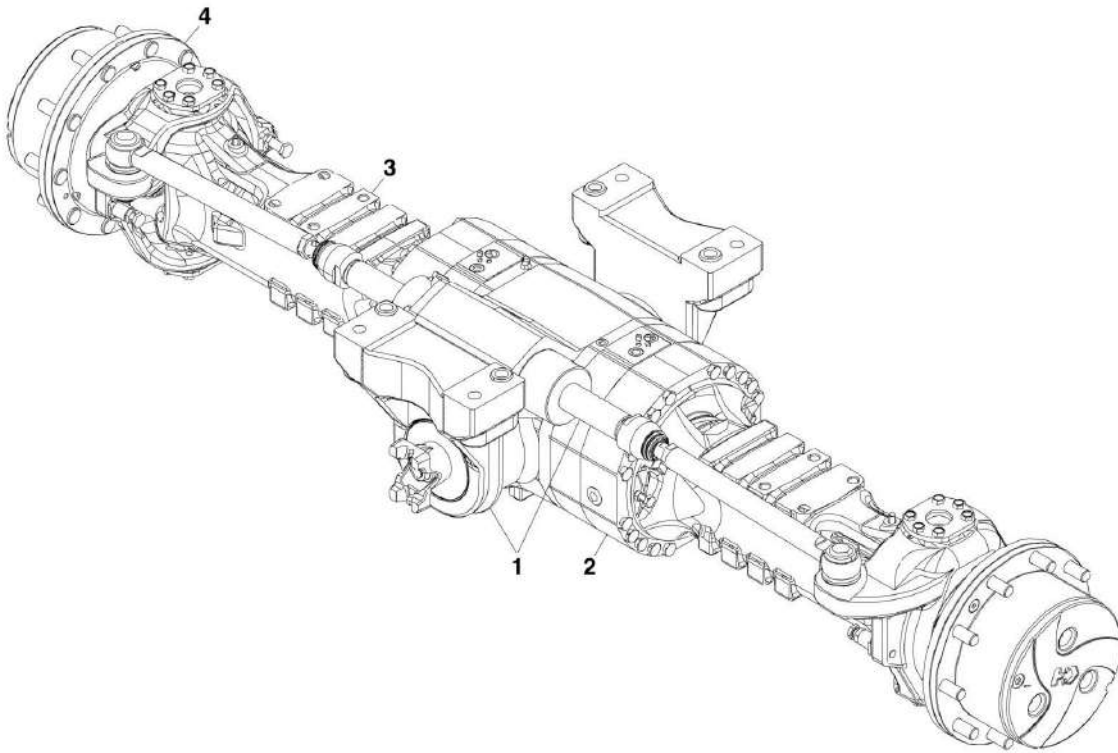
ITEM	PART NUMBER	QTY	DESCRIPTION	REV
	1001148529	Ref	DRIVETRAIN INSTALLATION, (not available to order, see items 1 thru 24 for service)	C
1	0641716	2	HEX HD CAPSCREW, 7/16-14X2, GR8	
3	0682444	16	HEX HD CAPSCREW, 7/8-9X5-1/2, GR8, (torque to 530-565 lb-ft/718.5-766 Nm)	
4		Ref	FRAME LEVEL CYLINDER AND HARDWARE, (See HYDRAULIC COMPONENTS SECTION for Breakdown)	
5	3311705	2	HEX LOCKNUT, 7/16-14	
6		Ref	STABILIZER CYLINDER AND HARDWARE, (See HYDRAULIC COMPONENTS SECTION for Breakdown)	
7	4711700	4	WASHER, 7/16	
8	4892400	16	WASHER, 7/8	
9	7139914	1	FRONT DRIVE SHAFT, (includes item 501)	
10	7150580	1	REAR DRIVE SHAFT ASSY, (includes items 701 thru 704)	
11	8065640	2	SELF ALIGN BEARING	
15	88671001	2	LUBE FITTING, STRAIGHT, 1/8	
16	91403193	40	LUG NUT, M22X1.5, (torque to 474.5-542.3 Nm/350-400 lb-ft)	
17	8880218-OM	5	STRAP KIT, (includes items 1001 & 1002), (not shown)	
18	1001097803	1	FRONT AXLE ASSY, (not available to order, see items 105 thru 115 for service)	E
19	1001143724	1	REAR DRIVE SHAFT, (includes item 601)	
20	1001146680	1	REAR AXLE ASSY, (not available to order, see items 301, 308 thru 315 for service)	C
23		Ref	SPLIT CONDUIT, (not shown), (See FRAME AND ATTACHING PARTS SECTION for Breakdown)	
24		Ref	TRIM-LOK, (not shown), (See FRAME AND ATTACHING PARTS SECTION for Breakdown)	
105	77383118	4	HARDENED WASHER, 7/8	
106	77101143	4	HEX HD CAPSCREW, (torque to 290-340 lb-ft/393.1-460.9 Nm)	
107	80333162	4	HEX HD CAPSCREW, M20X65mm, (torque to 545-595 lb-ft/738.9-806.7 Nm)	
108	88671001	1	GREASE FITTING, 1/8	
109	90027475	2	WASHER	
110	91511105	1	RETAINER PLATE	
111		Ref	FRONT AXLE, (See FRONT AXLE for Breakdown)	
115	1001097992	1	BRACKET ASSY, (includes item 201)	
201	8065640		SELF ALIGN BEARING	
301	77101143	4	HEX HD CAPSCREW, (torque to 545-595 lb-ft/393.1-460.9 Nm)	
306	77383118	4	HARDENED WASHER, 7/8	
307	80333162	4	HEX HD CAPSCREW, M20X65mm, (torque to 545-595 lb-ft/738.9-806.7 Nm)	
308	88671001	1	GREASE FITTING, 1/8	
309	90027475	7	WASHER	
310	91511105	2	RETAINER PLATE	
311		Ref	REAR AXLE, (See REAR AXLE for Breakdown)	
315	1001142892	1	BRACKET ASSY, (includes item 401)	
401	8065640	1	SELF ALIGN BEARING	
501	91474035	2	UNIVERSAL JOINT KIT	
601		Ref	UNIVERSAL JOINT KIT	
701	8036433	2	CROSS AND BEARING KIT	
702	8035779	1	DUST CAP KIT	
703	N.S.S.	1	SLIP JOINT	

SECTION 5 - DRIVE TRAIN

ITEM	PART NUMBER	QTY	DESCRIPTION	REV
704	N.S.S.	1	YOKE SHAFT	
801		Ref	TIRE AND WHEEL ASSY, (See WHEEL ASSEMBLY for Breakdown)	
901	14403364	AR	LOCTITE 242	
951		Ref	TRANSMISSION, (See TRANSMISSION for Breakdown)	
1001	N.S.S.	10	STRAP	
1002	N.S.S.	20	STRAP BOLT, 0.375-24X0.75, GR9	

SECTION 5 - DRIVE TRAIN

FIGURE 5-3. FRONT AXLE



PAL6610

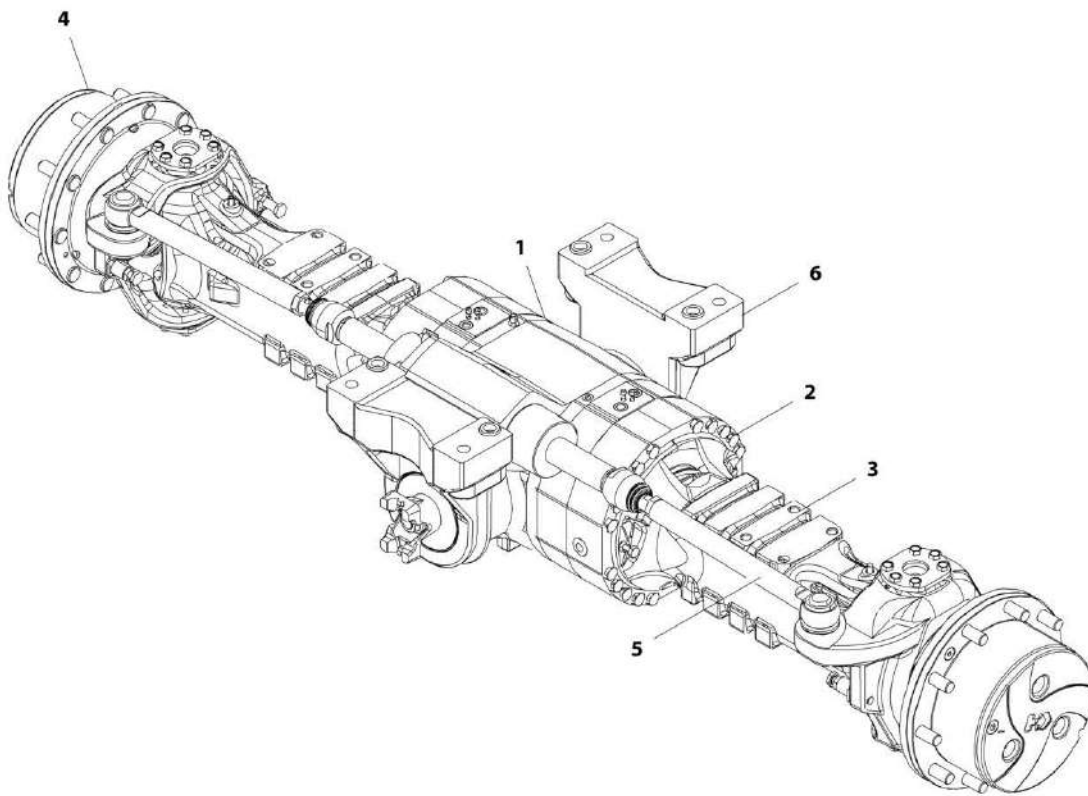
SECTION 5 - DRIVE TRAIN

FIGURE 5-3. FRONT AXLE

ITEM	PART NUMBER	QTY	DESCRIPTION	REV
	1001136369	1	FRONT AXLE , (includes all items) (Prior to SN 0160046229, SN 0160046235 through 0160063539, Excluding 0160045209, 0160045296, 0160045449 and 0160045636)	D
	91563282	1	FRONT AXLE , (includes all items) (SN 0160046229 through 0160046235, Including 0160045209, 0160045296, 0160045449 and 0160045636)	E
1		Ref	CENTRAL HOUSING AND STEERING, (See FRONT AXLE - CENTRAL HOUSING AND STEERING for Breakdown)	
2		Ref	DIFFERENTIAL, (See FRONT AXLE - DIFFERENTIAL for Breakdown)	
3		Ref	HUB REDUCTION, (See FRONT AXLE - HUB REDUCTION for Breakdown)	
4		Ref	BRAKES, (See FRONT AXLE – BRAKES for Breakdown)	

SECTION 5 - DRIVE TRAIN

FIGURE 5-4. FRONT AXLE (SN 0160063540 to Present)



ART_1001179605-D

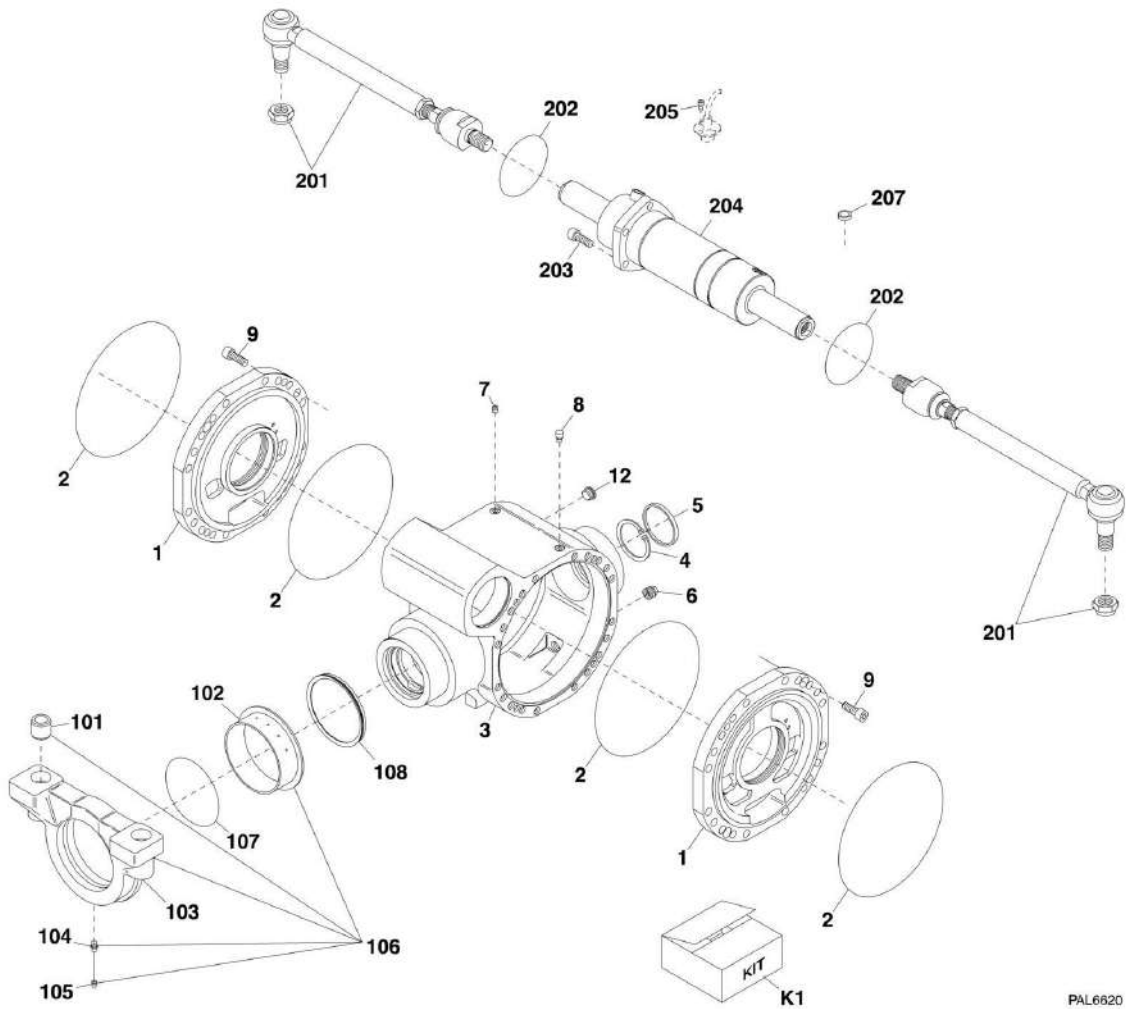
SECTION 5 - DRIVE TRAIN

FIGURE 5-4. FRONT AXLE (SN 0160063540 to Present)

ITEM	PART NUMBER	QTY	DESCRIPTION	REV
1	1001179605	Ref	FRONT AXLE	D
		Ref	FRONT AXLE, CENTRAL HOUSING, (See FRONT AXLE, CENTRAL HOUSING for Breakdown)	
2		Ref	FRONT AXLE, DIFFERENTIAL, (See FRONT AXLE, DIFFERENTIAL for Breakdown)	
3		Ref	FRONT AXLE, HUB REDUCTION, (See FRONT AXLE, HUB REDUCTION for Breakdown)	
4		Ref	FRONT AXLE, BRAKES, (See FRONT AXLE, BRAKES for Breakdown)	
5		Ref	FRONT AXLE, STEERING, (See FRONT AXLE, STEERING for Breakdown)	
6		Ref	FRONT AXLE, TRUNION, (See FRONT AXLE, TRUNION for Breakdown)	

SECTION 5 - DRIVE TRAIN

FIGURE 5-5. FRONT AXLE - CENTRAL HOUSING AND STEERING (Prior to SN 0160046229, SN 0160046235 through 0160063539, Excluding 0160045209, 0160045296, 0160045449 and 0160045636)



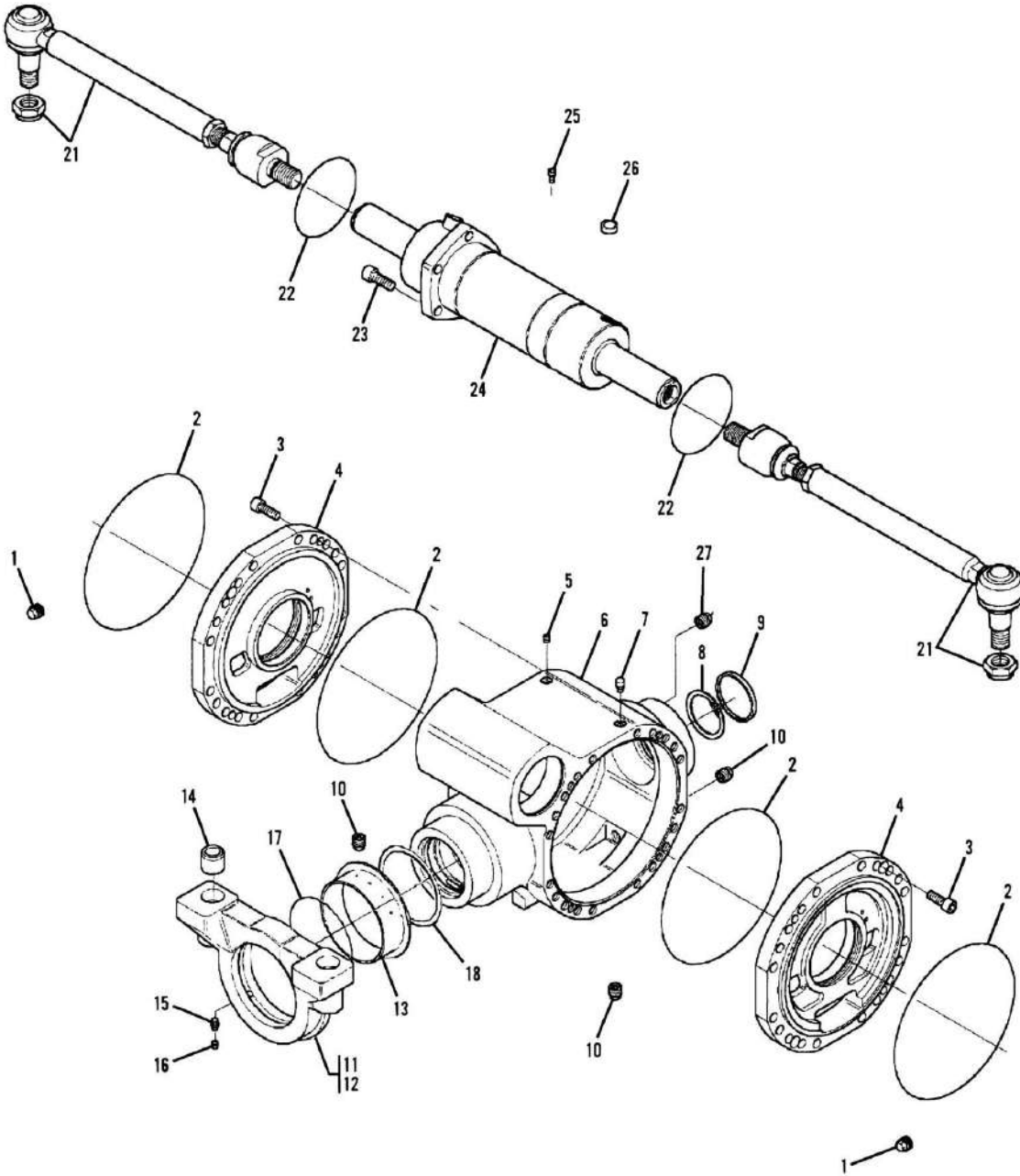
SECTION 5 - DRIVE TRAIN

FIGURE 5-5. FRONT AXLE - CENTRAL HOUSING AND STEERING (Prior to SN 0160046229, SN 0160046235 through 0160063539, Excluding 0160045209, 0160045296, 0160045449 and 0160045636)

ITEM	PART NUMBER	QTY	DESCRIPTION	REV
1	70024203	2	INTERMEDIATE COVER (Prior to Axle SN SITA703955)	
1	70024670	2	COVER, INTERMEDIATE (Axle SN SITA703955 to Present)	
2	7026487	4	O-RING	
3	70023258	1	HOUSING	
4	80204005	1	CIRCLIP	
5	91514098	1	PLUG	
6	70021177	1	PLUG	
7	80204012	1	PLUG	
8	91474512	1	VENT	
9	80204144	4	BOLT	
12	91514087	1	PLUG	
101	7029290	4	BUSHING	
102	91514090	2	BUSHING	
103	7029291	2	SUPPORT	
104	91514099	2	GREASE FITTING	
105	80204117	2	PLUG	
106	7029303	2	SUPPORT ASSY, (includes items 101 thru 105)	A
107	7029304	2	O-RING	
108	7029305	2	O-RING	
201	70021614	2	TIE-ROD	
201	70022773	2	NUT	
202	80204143	2	O-RING	
203	80204144	5	BOLT	
204	7026490	1	STEERING CYLINDER	
205	7029306	3	BOLT	
207	7029307	1	PLUG	
K1	7029127	1	STEERING CYLINDER SEAL KIT	

SECTION 5 - DRIVE TRAIN

FIGURE 5-6. FRONT AXLE - CENTRAL HOUSING AND STEERING (SN 0160046229 through 0160046235, Including 0160045209, 0160045296, 0160045449 and 0160045636)



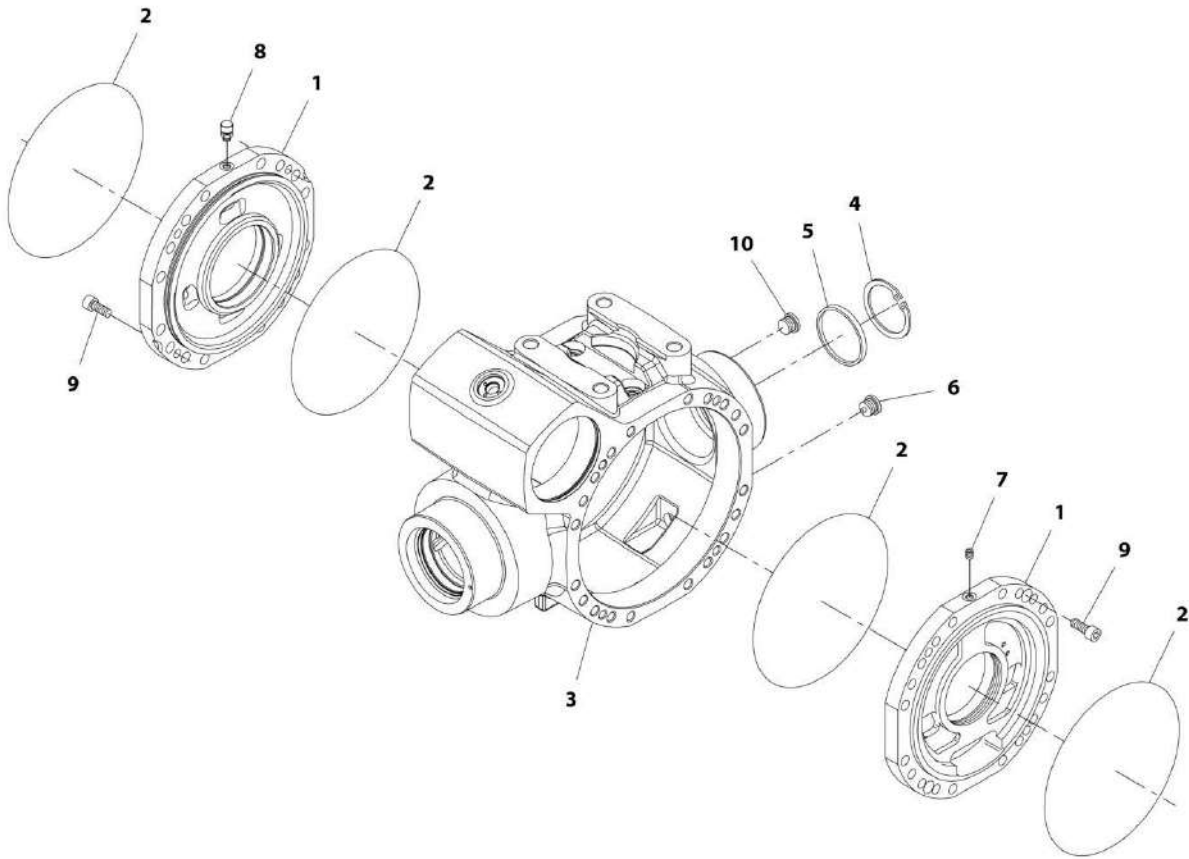
SECTION 5 - DRIVE TRAIN

FIGURE 5-6. FRONT AXLE - CENTRAL HOUSING AND STEERING (SN 0160046229 through 0160046235, Including 0160045209, 0160045296, 0160045449 and 0160045636)

ITEM	PART NUMBER	QTY	DESCRIPTION	REV
1	80204016	2	PLUG	F
2	7026487	4	O-RING	
3	80204144	4	CYLINDER BOLT	
4	7026486	2	INTERMEDIATE COVER	
5	80204012	3	PLUG	
6	7029302	1	HOUSING	
7	91474512	1	VENT	
8	80204005	1	CIRCLIP	
9	91514098	1	PLUG	
10	80204007	3	MAGNETIC PLUG	
11	7029303	2	SUPPORT ASSY, (includes items 12 thru 16)	
12	7029291	2	SUPPORT	
13	91514090	2	THRUST BUSHING	
14	7029290	4	REDUCTION BUSHING	
15	91514099	2	GREASE FITTING	
16	80204117	2	PLUG	
17	7029304	2	O-RING	
18	7029305	2	DUST EXCLUDER	
21	7029293	2	ARTICULATED TIE ROD	
21	70022773	2	TIE ROD NUT, M27X1.5	
22	80204143	2	O-RING	
23	80204144	5	CYLINDER BOLT	
24	7026490	1	CYLINDER	
24	7029127	1	SEAL KIT	
25	7029306	3	BOLT	
26	7029307	1	PLUG	
27	91514188	1	PLUG	

SECTION 5 - DRIVE TRAIN

FIGURE 5-7. FRONT AXLE - CENTRAL HOUSING (SN 0160063540 to Present)



ART_1001179605_1-D

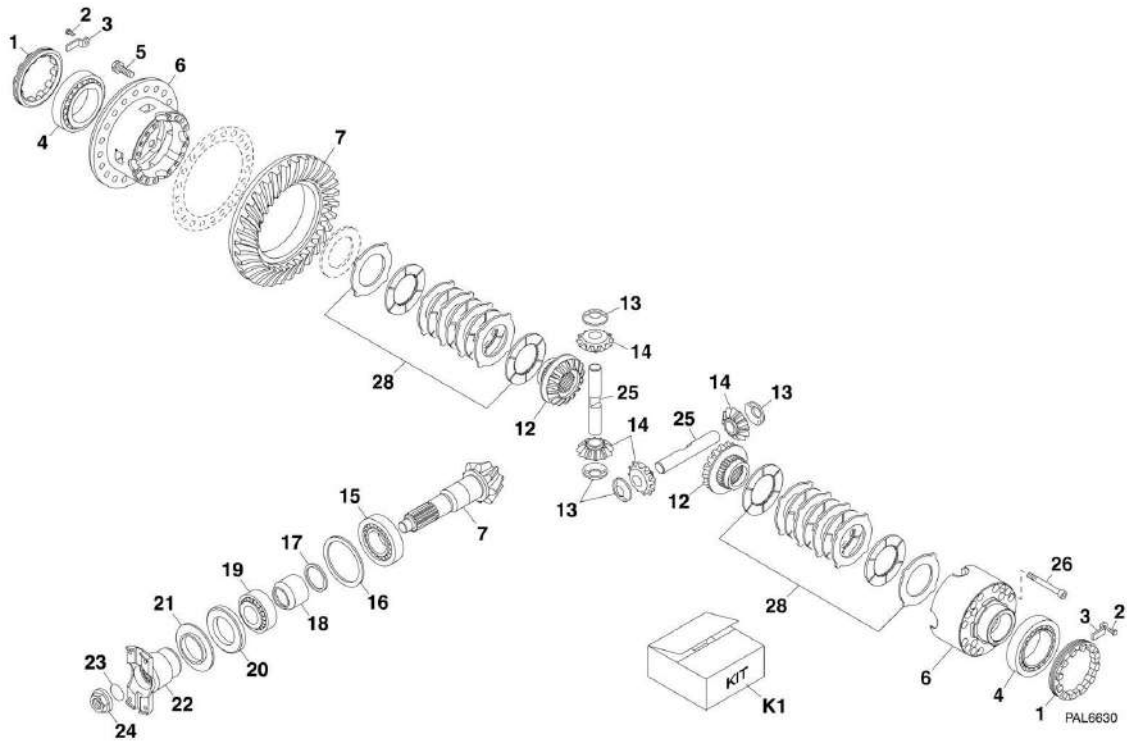
SECTION 5 - DRIVE TRAIN

FIGURE 5-7. FRONT AXLE - CENTRAL HOUSING (SN 0160063540 to Present)

ITEM	PART NUMBER	QTY	DESCRIPTION	REV
1	70024670	2	COVER, INTERMEDIATE	
2	7026487	4	O-RING	
3	70023258	1	HOUSING	
4	80204005	1	CIRCLIP	
5	91514098	1	PLUG	
6	70021177	1	PLUG	
7	80204012	1	PLUG	
8	80204014	1	VENT	
9	80204144	4	BOLT, CYLINDER	
10	91514087	1	PLUG	

SECTION 5 - DRIVE TRAIN

FIGURE 5-8. FRONT AXLE - DIFFERENTIAL



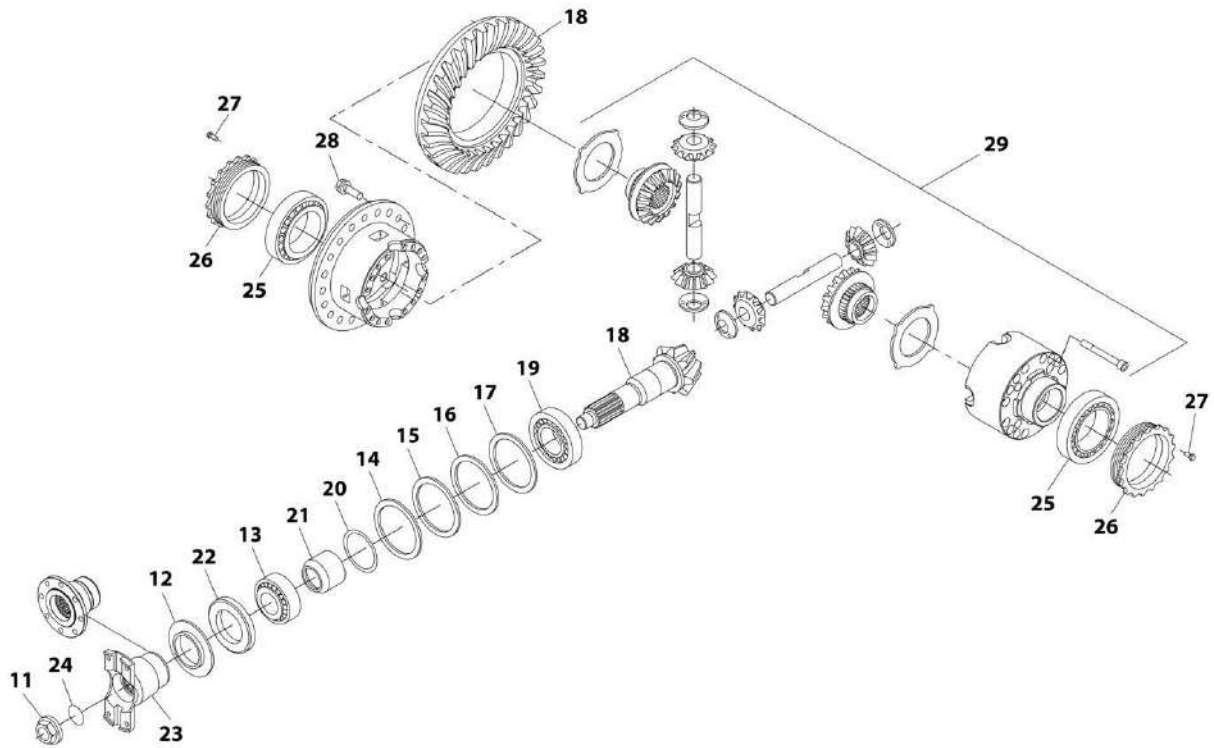
SECTION 5 - DRIVE TRAIN

FIGURE 5-8. FRONT AXLE - DIFFERENTIAL

ITEM	PART NUMBER	QTY	DESCRIPTION	REV
1	7026491	2	RING NUT (Prior to Axle SN SITA703955)	
1	91514133	2	NUT, RING (Axle SN SITA703955 to Present)	
2	7026492	4	BOLT (Prior to Axle SN SITA703955)	
2	91514134	2	BOLT (Axle SN SITA703955 to Present)	
3	70022142	2	LOCKING PLATE (Prior to Axle SN SITA703955)	
4	80204033	2	ROLLER BEARING	
5	91514123	20	BOLT	
6	70024204	1	DIFFERENTIAL CARRIER	
7	7026495	1	BEVEL GEAR SET	
12	91514141	2	DIFFERENTIAL SIDE GEAR (Prior to Axle SN RITA729658)	
12	70025856	2	GEAR, DIFFERENTIAL SIDE (Axle SN RITA729658 to Present)	
13	70023491	4	FRICTION WASHER	
14	80204025	4	DIFFERENTIAL PINION (Prior to Axle SN RITA729658)	
14	70025339	4	PINION, DIFFERENTIAL (Axle SN RITA729658 to Present)	
15	80204035	1	ROLLER BEARING	
16	80204049	AR	SHIM	
16	80204050	AR	SHIM	
16	80204051	AR	SHIM	
16	80204052	AR	SHIM	
17	70023494	1	SPACER KIT	
18	70022140	1	SPACER	
19	80204048	1	ROLLER BEARING	
20	80204047	1	SEAL	
21	91514130	1	COVER PLATE	
22	91514131	1	FLANGE	
23	10725554	1	O-RING	
24	80204043	1	NUT	
25	70023490	1	DIFFERENTIAL SHAFT	
26	91514143	15	BOLT	
28	70023496	2	CLUTCH DISC	
K1	70025886	1	DIFFERENTIAL KIT, (includes items 6, 12 thru 14, 25, 26 & 28)	

SECTION 5 - DRIVE TRAIN

FIGURE 5-9. FRONT AXLE - DIFFERENTIAL (SN 0160063540 to Present)



ART_1001179605_2-D

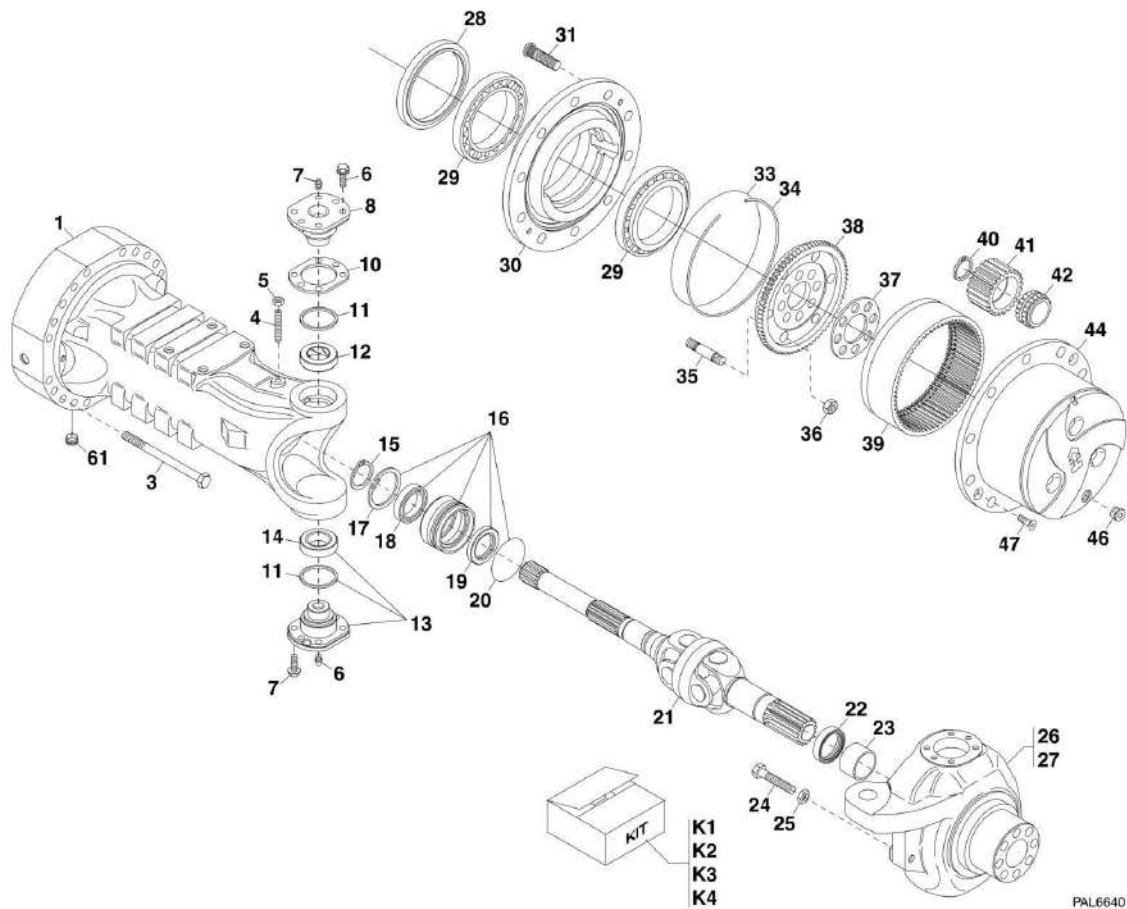
SECTION 5 - DRIVE TRAIN

FIGURE 5-9. FRONT AXLE - DIFFERENTIAL (SN 0160063540 to Present)

ITEM	PART NUMBER	QTY	DESCRIPTION	REV
11	80204043	1	NUT	
12	91514130	1	PLATE, COVER	
13	80204048	1	BEARING	
14	80204049	1	SHIM	
15	80204050	1	SHIM	
16	80204051	1	SHIM	
17	80204052	1	SHIM	
18	7026495	1	GEAR, BEVEL	
19	80204035	1	BEARING	
20	70023494	1	RING	
21	70022140	1	SPACER	
22	80204047	1	SEAL	
23	91514131	1	FLANGE	
24	10725554	1	O-RING	
25	80204033	2	BEARING	
26	91514133	2	NUT, RING	
27	91514134	2	BOLT	
28	91514123	20	BOLT	
29	70026766	1	ASSEMBLY, DIFFERENTIAL, (See FRONT AXLE DIFFERENTIAL ASSEMBLY for Breakdown)	

SECTION 5 - DRIVE TRAIN

FIGURE 5-10. FRONT AXLE - HUB REDUCTION (Prior to SN 0160046229, SN 0160046235 through 0160063539, Excluding 0160045209, 0160045296, 0160045449 and 0160045636)



SECTION 5 - DRIVE TRAIN

FIGURE 5-10. FRONT AXLE - HUB REDUCTION (Prior to SN 0160046229, SN 0160046235 through 0160063539, Excluding 0160045209, 0160045296, 0160045449 and 0160045636)

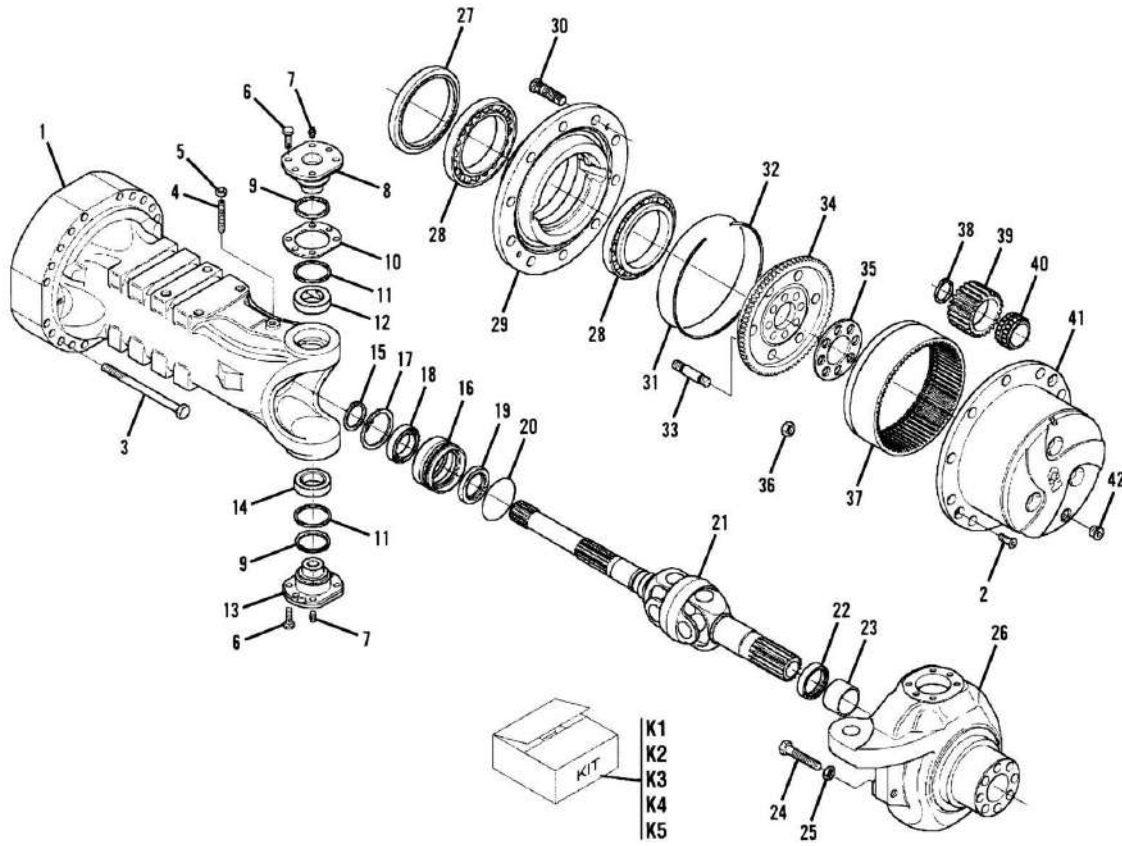
ITEM	PART NUMBER	QTY	DESCRIPTION	REV
1	70024206	2	AXLE CASE (Prior to Axle SN SITA765948)	
1	70026073	2	AXLE CASE (Axle SN SITA765948 to Present)	
3	70024207	40	BOLT, M16X195	
4	7026499	2	BOLT	
5	91514082	2	NUT	
6	91514123	24	BOLT	
7	91514099	4	GREASE FITTING	
8	70026063	2	PIN, PIVOT	
10	91514113	AR	SHIM, 0.006	
10	91514114	AR	SHIM, 0.008	
10	91514115	AR	SHIM, 0.019	
11	7028716	2	DUST SEAL	
12	7029312	2	BUSHING	
13	7029313	2	PIVOT PIN KIT, (includes items 7 & 8)	
14	91514095	2	BEARING	
15	80204071	2	CIRCLIP	
16	91514149	2	REDUCTION BUSHING, (includes items 17 thru 20)	
17	80204005	2	CIRCLIP	
18	91514146	2	BALL BEARING	
19	91514147	2	SEAL	
20	91514148	2	O-RING	
21	70026067	2	DOUBLE UNIVERSAL JOINT SHAFT	
22	70025857	2	SEAL	
23	91514111	1	THRUST BUSHING	
24	70021603	4	STEERING ADJUSTING BOLT	
25	80204065	4	NUT	
26	N.S.S.	1	LEFT STEERING CASE	
27	N.S.S.	1	RIGHT STEERING CASE	
28	7029300	2	SEAL	
29	80204076	4	TAPER ROLLER BEARING	
30	91514174	2	WHEEL HUB	
31	80214120	20	WHEEL STUD	
33	91514181	2	O-RING	
34	91514175	2	CIRCLIP	
35	91514180	16	STUD	
36	91514179	16	NUT	
37	91514178	2	LOCKING PLATE	
38	91514177	2	RING GEAR SUPPORT	
39	70024147	2	RING GEAR	
40	91514184	8	SNAP RING	
41	91514185	8	PLANET GEAR	
42	91514186	8	BEARING	
44	7029317	2	PLANET GEAR CARRIER	
46	91514188	4	PLUG	
47	91514189	4	BOLT	
61	91474513	2	MAGNET PLUG	
K1	7029743	2	PLANET GEAR CARRIER KIT, (includes items 40 thru 41 & 44)	
K2	7029746	1	LEFT STEERING CASE KIT, (includes items 23 & 26)	
K3	7029747	1	RIGHT STEERING CASE KIT, (includes items 23 & 27)	

SECTION 5 - DRIVE TRAIN

ITEM	PART NUMBER	QTY	DESCRIPTION	REV
K4	70024146	2	RING GEAR SUPPORT KIT, (includes items 34, 38 & 39)	

SECTION 5 - DRIVE TRAIN

FIGURE 5-11. FRONT AXLE - HUB REDUCTION (SN 0160046229 through 0160046235, Including 0160045209, 0160045296, 0160045449 and 0160045636)



SECTION 5 - DRIVE TRAIN

FIGURE 5-11. FRONT AXLE - HUB REDUCTION (SN 0160046229 through 0160046235, Including 0160045209, 0160045296, 0160045449 and 0160045636)

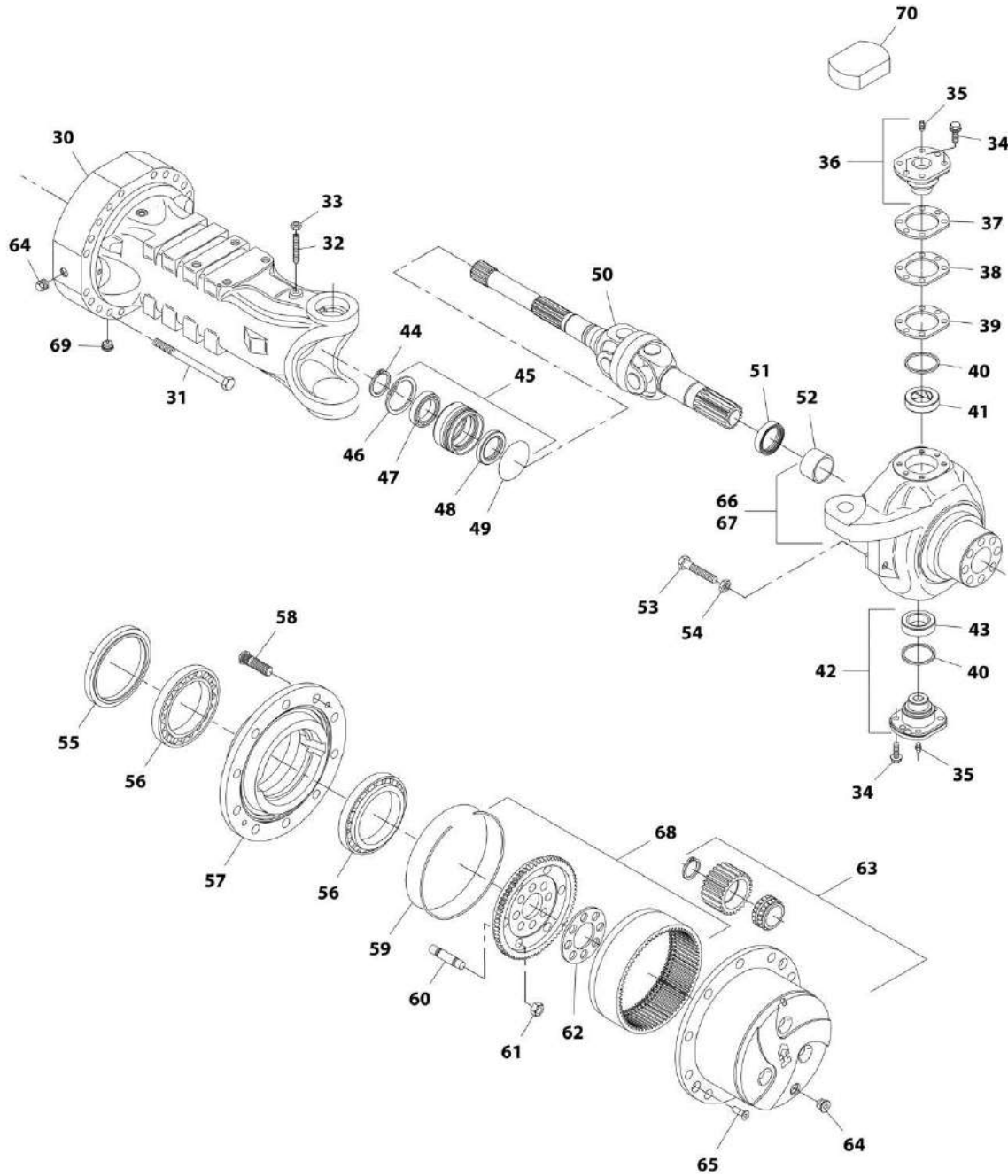
ITEM	PART NUMBER	QTY	DESCRIPTION	REV
1	7026496	2	AXLE CASE	F
2	91514189	4	COUNTERSUNK BOLT	
3	7029309	40	BOLT	
4	7026499	2	BOLT	
5	91514082	2	NUT	
6	91514123	24	BOLT	
7	91514099	4	GREASE FITTING	
8	7029310	2	PIVOT PIN	
9	7029311	4	SPACER	
10	91514113	2	SHIM	
10	91514114	2	SHIM	
10	91514115	2	SHIM	
11	7028716	2	DUST SEAL	
12	7029312	2	BUSHING	
13	7029313	2	PIVOT PIN, (includes items 7 & 8)	
14	91514095	2	BEARING	
15	80204071	2	CIRCLIP	
16	91514149	2	REDUCTION BUSHING, (includes items 17 thru 20)	
17	80204005	2	CIRCLIP	
18	91514146	2	BALL BEARING	
19	91514147	2	SEAL	
20	91514148	2	O-RING	
21	70026067	2	DOUBLE UNIVERSAL JOINT SHAFT	
21	70023829	2	CROSS KIT (includes circlips)	
22	7028718	2	SEAL	
23	91514111	2	THRUST BUSHING	
24	N.S.S.	4	STEERING ADJUST BOLT	
25	N.S.S.	4	NUT	
26	N.S.S.	2	STEERING CASE, (see Position Kits for replacement)	
27	7029300	2	SEAL	
28	80204076	4	TAPER ROLLER BEARING	
29	91514174	2	WHEEL HUB	
30	80214120	20	WHEEL STUD	
31	91514181	2	O-RING	
32	91514175	2	CIRCLIP	
33	91514180	16	STUD	
34	91514177	2	RING GEAR SUPPORT	
35	91514178	2	LOCKING PLATE	
36	91514179	16	NUT	
37	91514176	2	RING GEAR	
38	91514184	8	CIRCLIP	
39	91514185	8	PLANETARY GEAR	
40	91514186	8	BEARING	
41	7029317	2	PLANETARY GEAR CARRIER	
42	91514188	2	PLUG	
K1	7029743	1	PLANETARY CARRIER KIT, (includes items 38 thru 41)	
K2	7029732	1	RING GEAR SUPPORT, (includes items 32, 34 & 37)	
K3	7029746	1	POSITION KIT, (left), (includes one each of items 23 & 26)	
K4	7029747	1	POSITION KIT, (right), (includes one each of items 23 & 26)	

SECTION 5 - DRIVE TRAIN

ITEM	PART NUMBER	QTY	DESCRIPTION	REV
K5	7028733	4	STEERING ADJUST BOLT KIT, (includes items 24 & 25)	

SECTION 5 - DRIVE TRAIN

FIGURE 5-12. FRONT AXLE - HUB REDUCTION (SN 0160063540 to Present)



ART_1001179605_3-D

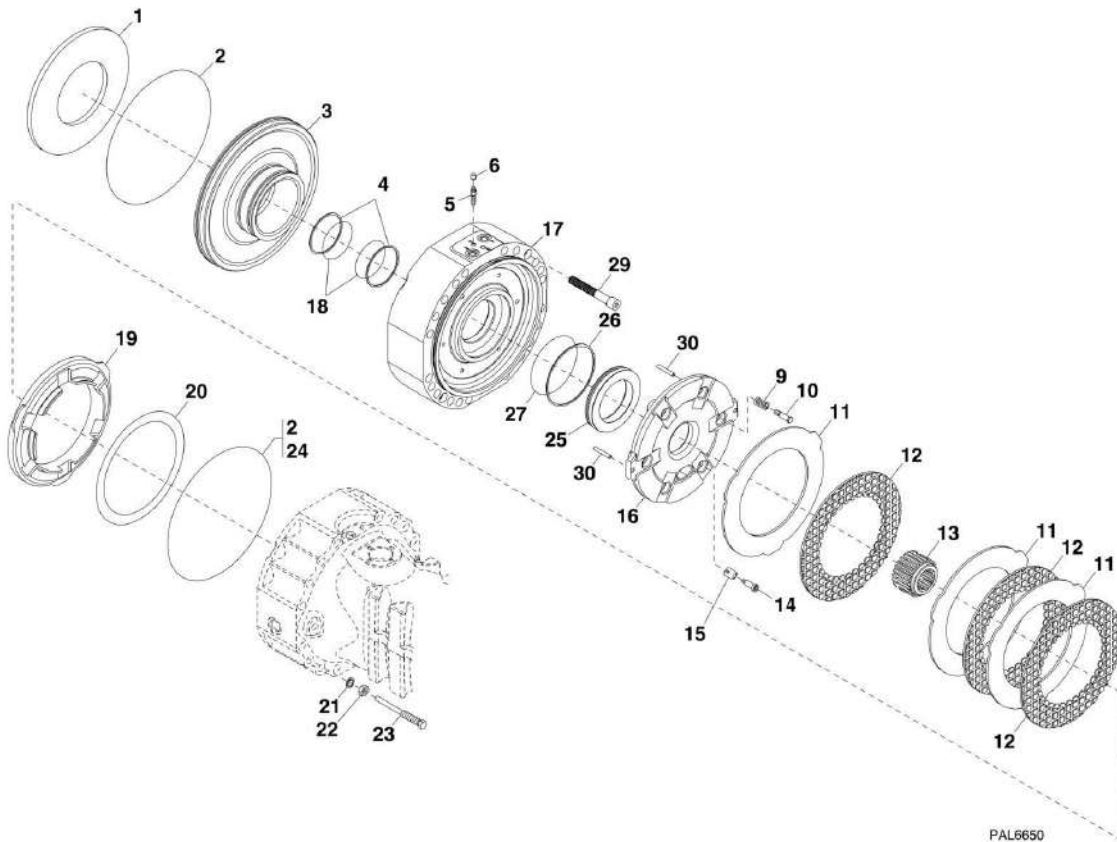
SECTION 5 - DRIVE TRAIN

FIGURE 5-12. FRONT AXLE - HUB REDUCTION (SN 0160063540 to Present)

ITEM	PART NUMBER	QTY	DESCRIPTION	REV
30	70026073	2	AXLE CASE	
31	70024207	40	BOLT, M16X195	
32	7026499	2	BOLT	
33	91514082	2	NUT	
34	70025562	24	BOLT	
35	91514099	4	FITTING, GREASE	
36	70026063	2	PIN, PIVOT, (Includes Item 35)	
37	91514113	2	SHIM	
38	91514114	2	SHIM	
39	91514115	2	SHIM	
40	7028716	4	SEAL, DUST	
41	7029312	2	BUSHING	
42	7029313	2	PIN, PIVOT	
43	91514095	2	BEARING	
44	80204071	2	CIRCLIP	
45	91514149	2	BUSHING, REDUCTION	
46	80204005	2	CIRCLIP	
47	91514146	2	BALL BEARING	
48	91514147	2	SEAL	
49	91514148	2	O-RING	
50	70026067	2	SHAFT, DOUBLE UNIVERSAL JOINT	
51	70026238	2	SEAL	
52	91514111	2	BUSHING, THRUST	
53	70021603	4	BOLT, STEERING ADJUST	
54	80204065	4	NUT	
55	70026002	2	SEAL	
56	80204076	4	BEARING	
57	91514174	2	HUB, WHEEL	
58	91514183	20	STUD	
59	91514181	2	O-RING	
60	91514180	16	STUD	
61	91514179	16	NUT	
62	91514178	2	PLATE, LOCKING	
63	7029743	2	KIT, PLANET GEAR CARRIER, (See FRONT AXLE PLANET GEAR CARRIER KIT for Breakdown)	
64	91514188	4	PLUG	
65	91514189	4	BOLT, COUNTERSUNK	
66	70026767	1	CASE, STEERING, (RF, Includes Item 52)	
67	70026768	1	CASE, STEERING, (LF, Includes Item 52)	
68	70024146	2	KIT, RING GEAR SUPPORT, (See FRONT AXLE RING GEAR SUPPORT KIT for Breakdown)	
69	91474513	2	PLUG, MAGNET	
70	91474524	2	PLUG, MAGNET	

SECTION 5 - DRIVE TRAIN

FIGURE 5-13. FRONT AXLE - BRAKES (Prior to SN 0160046229, SN 0160046235 through 0160063539, Excluding 0160045209, 0160045296, 0160045449 and 0160045636)



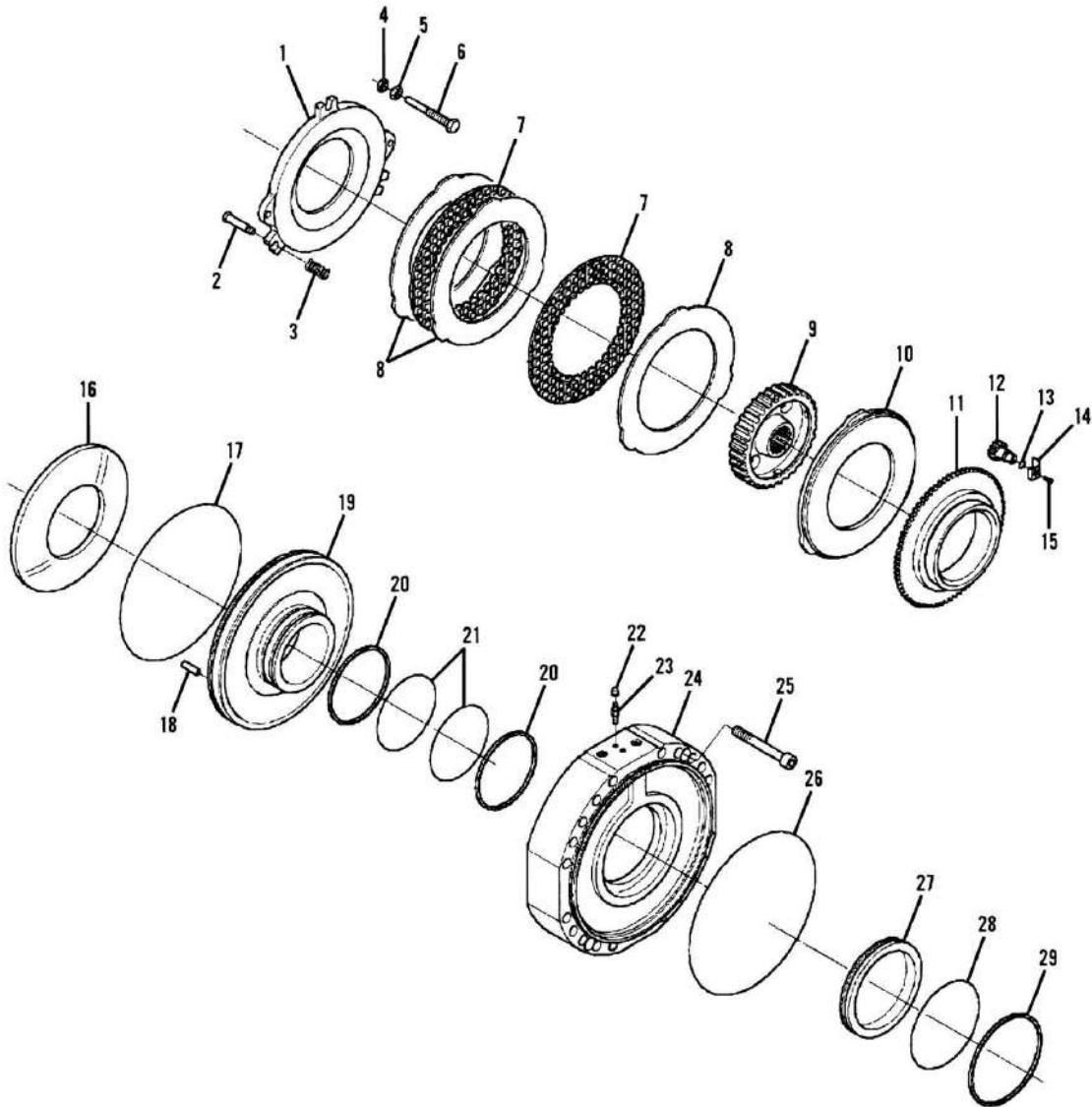
SECTION 5 - DRIVE TRAIN

FIGURE 5-13. FRONT AXLE - BRAKES (Prior to SN 0160046229, SN 0160046235 through 0160063539, Excluding 0160045209, 0160045296, 0160045449 and 0160045636)

ITEM	PART NUMBER	QTY	DESCRIPTION	REV
1	91514151	2	SPRING	
2	7026713	2	O-RING	
3	70024209	2	PISTON	
4	7026716	4	BACK-UP RING	
5	80204281	4	BOLT	
6	80204117	4	PLUG	
9	91514159	6	SPRING	
10	70024210	6	ADJUSTING BOLT	
11	91514161	6	INTERMEDIATE BRAKE DISC	
12	7029735	6	BRAKE DISC	
13	7029734	2	REDUCTION BUSHING	
14	7029789	6	BOLT	
15	91514165	6	SPRING	
16	70024211	2	INTERMEDIATE BRAKE DISC	
17	70024212	2	COVER	
18	7026717	4	SEAL	
19	91514169	2	SPACER	
20	91514171	AR	SHIM, 0.2mm	
20	91514172	AR	SHIM, 0.3mm	
20	91514173	AR	SHIM, 0.5mm	
21	80204108	4	LOCKWASHER	
22	80204060	4	NUT	
23	70024213	4	BOLT, M12X122.5	
24	7026487	2	O-RING, (if equipped)	
25	7026718	2	PISTON	
26	7026720	2	BACK-UP RING	
27	7026719	2	O-RING	
29	70024214	4	BOLT, M14X100	
30	70024215	4	DOWEL	

SECTION 5 - DRIVE TRAIN

FIGURE 5-14. FRONT AXLE - BRAKES (SN 0160046229 through 0160046235, Including 0160045209, 0160045296, 0160045449 and 0160045636)



PAL2552

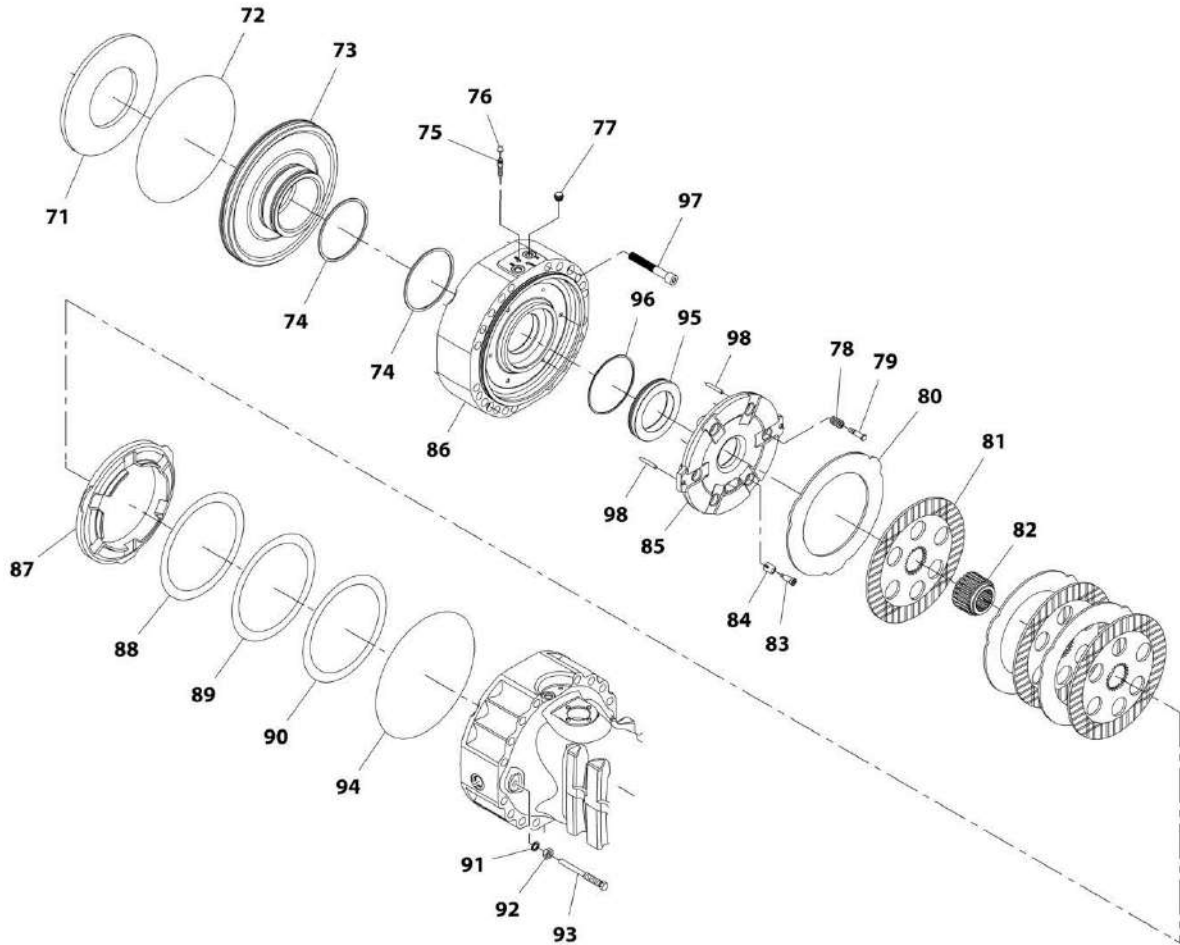
SECTION 5 - DRIVE TRAIN

FIGURE 5-14. FRONT AXLE - BRAKES (SN 0160046229 through 0160046235, Including 0160045209, 0160045296, 0160045449 and 0160045636)

ITEM	PART NUMBER	QTY	DESCRIPTION	REV
1	7026721	2	INTERMEDIATE BRAKE DISC	E
2	80204116	6	ADJUSTING BOLT	
3	80204115	6	SPRING	
4	80204108	4	LOCKWASHER	
5	80204060	4	NUT	
6	7026722	4	BOLT	
7	7029735	6	BRAKE DISC	
8	91514161	6	INTERMEDIATE BRAKE DISC	
9	7029734	2	REDUCTION BUSHING	
10	7026723	2	INTERMEDIATE BRAKE DISC	
11	7026724	2	RING	
12	80204123	2	PINION	
13	80204131	2	O-RING	
14	7026725	2	LOCKING PLATE	
15	80204121	2	HEXAGON BOLT	
16	91514151	1	BELLEVILLE WASHER	
17	7026713	2	O-RING	
18	80204166	2	ROLL PIN	
19	7026712	2	PISTON	
20	7026716	4	BACK-UP RING	
21	7026717	4	SEAL	
22	80204117	4	PLUG	
23	80204281	4	BLEEDING BOLT	
24	7026714	2	INTERMEDIATE COVER	
25	7026715	4	CYLINDER BOLT	
26	7026487	2	O-RING	
27	7026718	2	PISTON	
28	7026719	2	O-RING	
29	7026720	2	BACK-UP RING	

SECTION 5 - DRIVE TRAIN

FIGURE 5-15. FRONT AXLE - BRAKES (SN 0160063540 to Present)



ART_1001179605_4-D

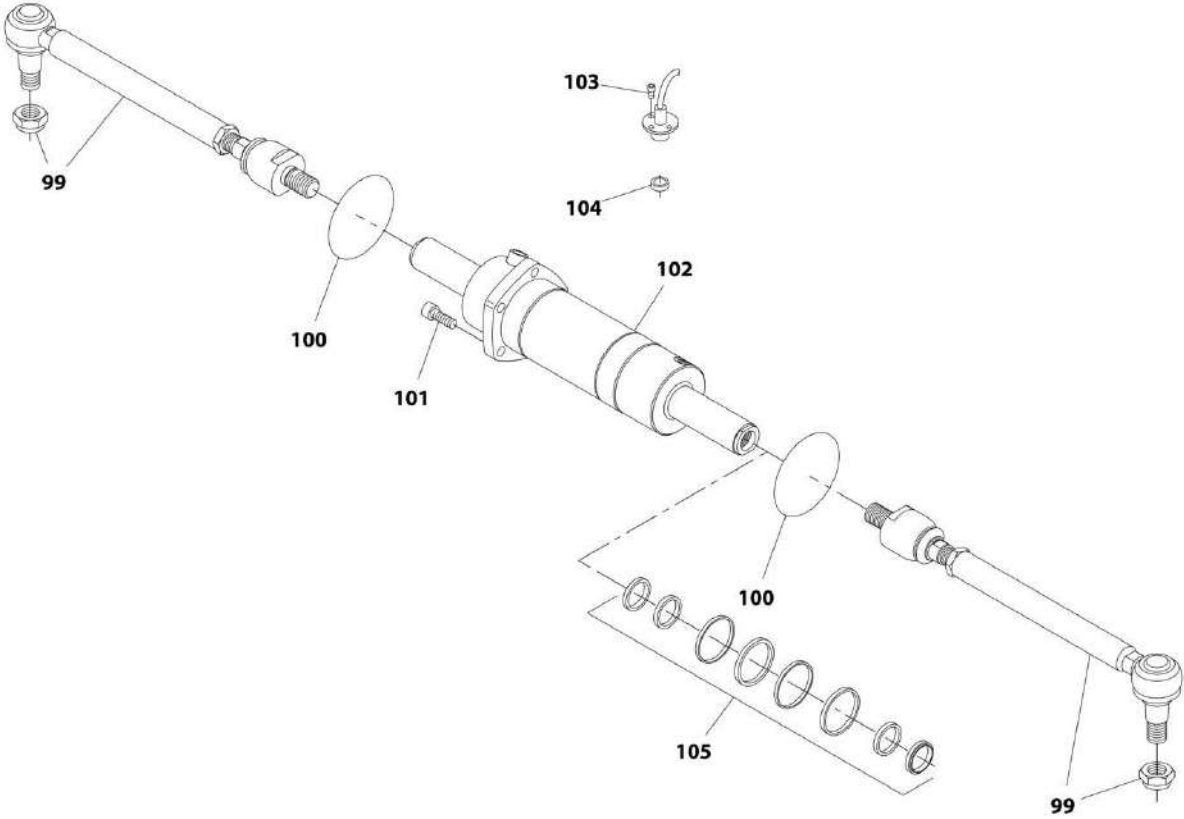
SECTION 5 - DRIVE TRAIN

FIGURE 5-15. FRONT AXLE - BRAKES (SN 0160063540 to Present)

ITEM	PART NUMBER	QTY	DESCRIPTION	REV
71	91514151	2	WASHER	
72	7026713	2	O-RING	
73	70024209	2	PISTON	
74	70026754	4	Seal	
75	80204281	4	BOLT, BLEEDING	
76	80204117	4	PLUG	
77	91514154	4	PLUG	
78	91514159	6	SPRING	
79	70024210	6	BOLT, ADJUSTING	
80	70027022	6	INTERMEDIATE BRAKE DISC	
81	7029735	6	DISC, BRAKE	
82	7029734	2	BUSHING, REDUCTION	
83	7029789	6	BOLT	
84	91514165	6	SPRING	
85	70024849	2	DISC, INTERMEDIATE BRAKE	
86	70026769	2	COVER	
87	70026756	2	SPACER	
88	91514171	2	SHIM, M0.2	
89	91514172	2	SHIM, M0.3	
90	91514173	2	SHIM, M0.5	
91	80204108	4	WASHER, LOCK	
92	80204060	4	NUT	
93	70024213	4	BOLT, M12X122.5	
94	7026487	2	O-RING	
95	7026718	2	PISTON	
96	70026755	2	SEAL	
97	70024214	4	BOLT, M14X100	
98	70024215	4	DOWEL	

SECTION 5 - DRIVE TRAIN

FIGURE 5-16. FRONT AXLE - STEERING (SN 0160063540 to Present)



ART_1001179605_5-D

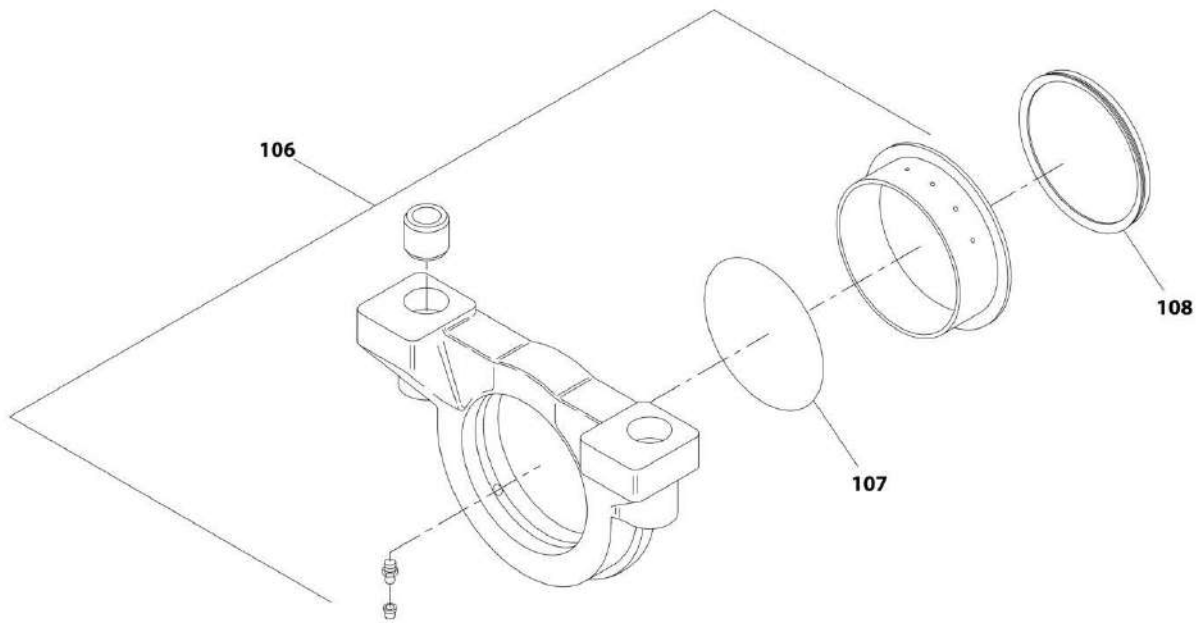
SECTION 5 - DRIVE TRAIN

FIGURE 5-16. FRONT AXLE - STEERING (SN 0160063540 to Present)

ITEM	PART NUMBER	QTY	DESCRIPTION	REV
99	70026753	2	BAR, (Includes Nut)	
99	70022773	2	NUT	
100	80204143	2	O-RING	
101	80204144	5	BOLT	
102	7026490	1	CYLINDER	
103	8008175	3	BOLT	
104	7029307	1	PLUG	
105	7029127	1	KIT, SEAL	

SECTION 5 - DRIVE TRAIN

FIGURE 5-17. FRONT AXLE - TRUNION (SN 0160063540 to Present)



ART_1001179605_6-D

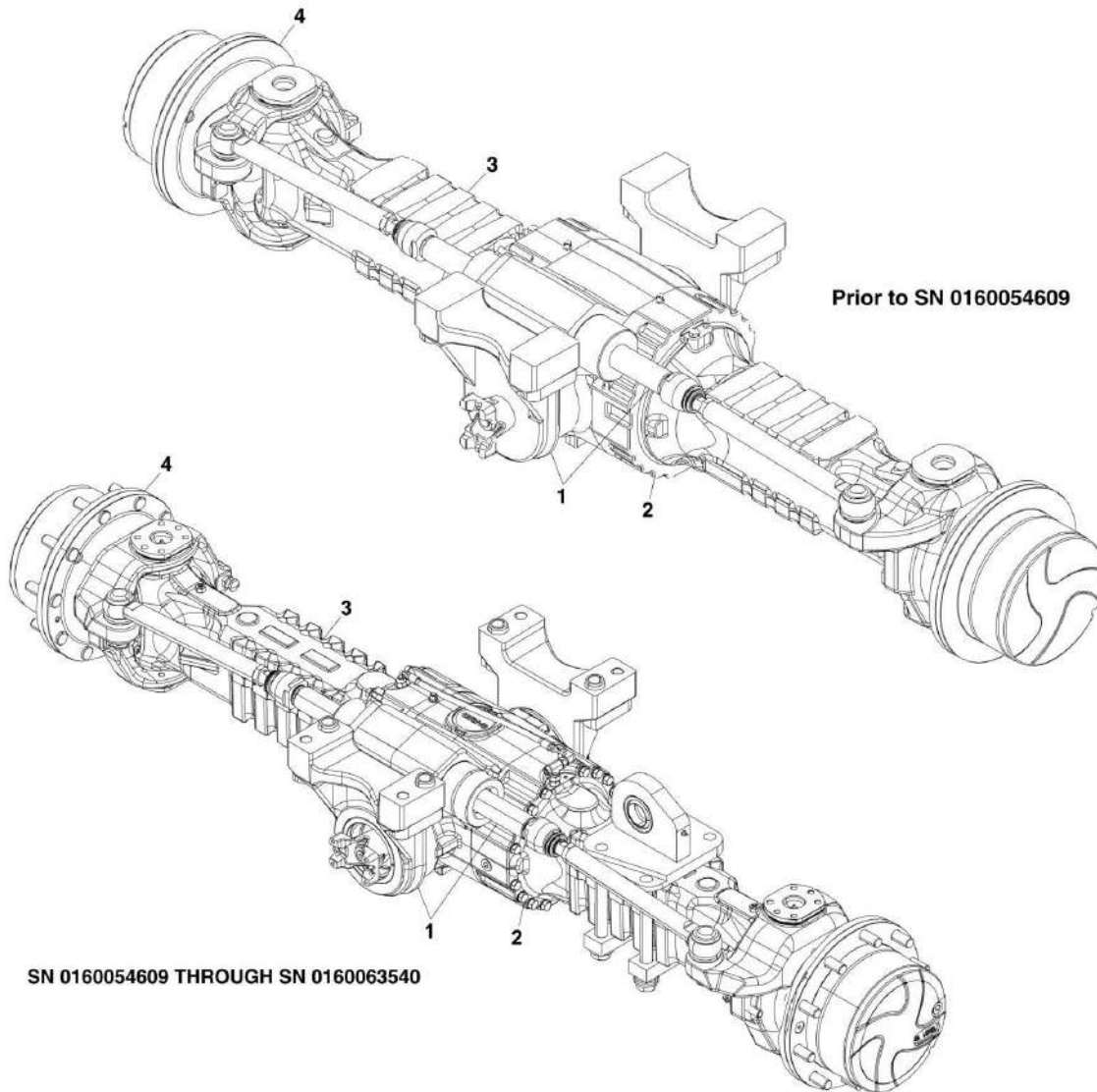
SECTION 5 - DRIVE TRAIN

FIGURE 5-17. FRONT AXLE - TRUNION (SN 0160063540 to Present)

ITEM	PART NUMBER	QTY	DESCRIPTION	REV
106	7029303	2	ASSEMBLY, FRONT AXLE SUPPORT, (See FRONT AXLE SUPPORT ASSEMBLY for Breakdown)	
107	7029304	2	O-RING	
108	7029305	2	DUST EXCLUDER	

SECTION 5 - DRIVE TRAIN

FIGURE 5-18. REAR AXLE



ART_31200728-5-18

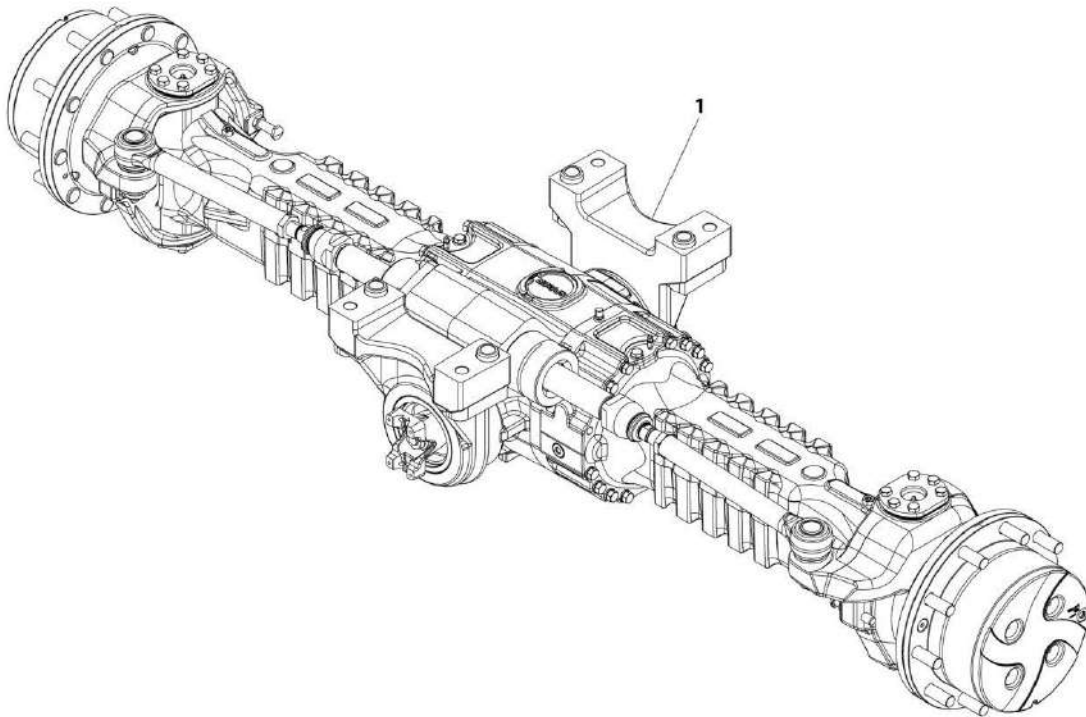
SECTION 5 - DRIVE TRAIN

FIGURE 5-18. REAR AXLE

ITEM	PART NUMBER	QTY	DESCRIPTION	REV
	1001136370	1	REAR AXLE, (includes all items) (Prior to SN 0160054609)	C
	1001139459	1	REAR AXLE, (includes all items) (SN 0160054609 through 0160063540)	E
1		Ref	CENTRAL HOUSING AND STEERING, (See CENTRAL HOUSING AND STEERING for Breakdown)	
2		Ref	DIFFERENTIAL, (See REAR AXLE – DIFFERENTIAL for Breakdown)	
3		Ref	HUB REDUCTION, (See REAR AXLE - HUB REDUCTION for Breakdown)	
4		Ref	BRAKES, (See REAR AXLE – BRAKES for Breakdown)	

SECTION 5 - DRIVE TRAIN

FIGURE 5-19. REAR AXLE (SN 0160063541 to Present)



ART_1001179607-E

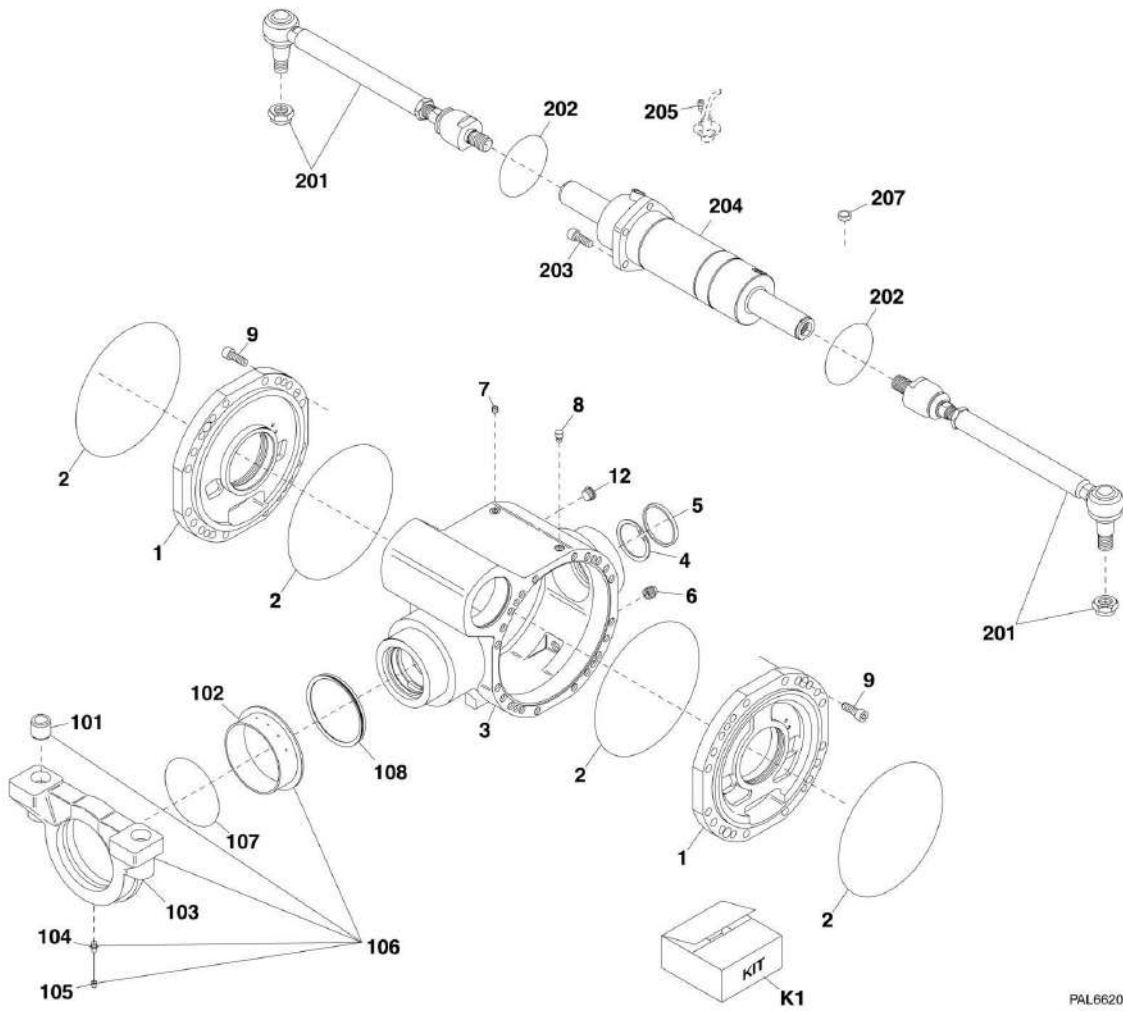
SECTION 5 - DRIVE TRAIN

FIGURE 5-19. REAR AXLE (SN 0160063541 to Present)

ITEM	PART NUMBER	QTY	DESCRIPTION	REV
1	1001179607	Ref	REAR AXLE	E
		Ref	REAR AXLE, CENTRAL HOUSING (See Separate Breakdown in this Section)	
2		Ref	REAR AXLE, DIFFERENTIAL (See Separate Breakdown in this Section)	
3		Ref	REAR AXLE, HUB REDUCTION (See Separate Breakdown in this Section)	
4		Ref	REAR AXLE, BRAKES (See Separate Breakdown in this Section)	
5		Ref	REAR AXLE, STEERING (See Separate Breakdown in this Section)	
6		Ref	REAR AXLE, TRUNION (See Separate Breakdown in this Section)	

SECTION 5 - DRIVE TRAIN

FIGURE 5-20. REAR AXLE - CENTRAL HOUSING AND STEERING (Prior to SN 0160054609)



PAL6620

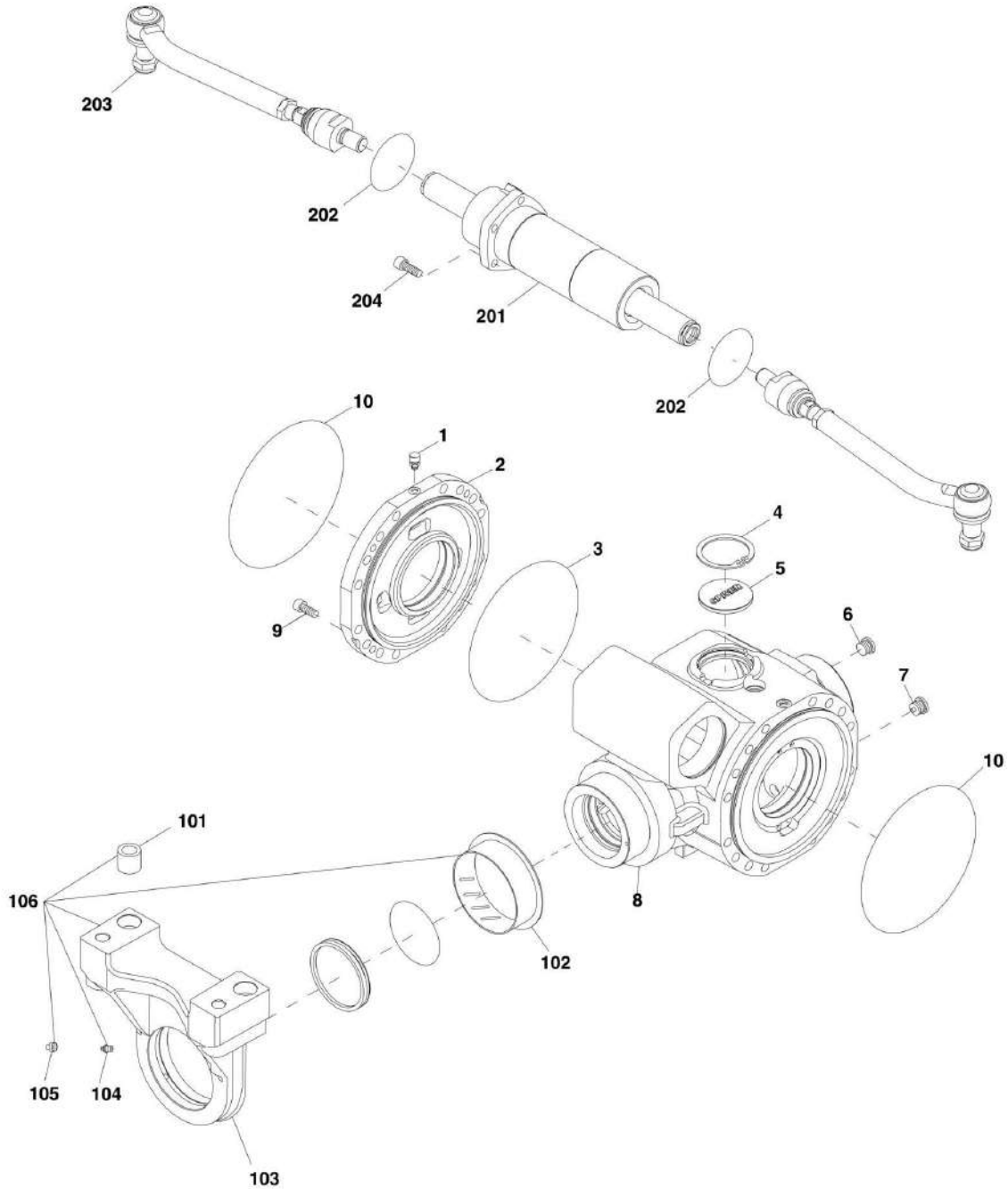
SECTION 5 - DRIVE TRAIN

FIGURE 5-20. REAR AXLE - CENTRAL HOUSING AND STEERING (Prior to SN 0160054609)

ITEM	PART NUMBER	QTY	DESCRIPTION	REV
1	70021601	2	INTERMEDIATE COVER	
2	7026487	4	O-RING	
3	70023258	1	HOUSING	
4	80204005	1	CIRCLIP	
5	91514098	1	PLUG	
6	70021177	1	PLUG	
7	80204012	1	PLUG	
8	91474512	1	VENT	
9	80204144	4	BOLT	
12	91514087	1	PLUG	
101	7029290	4	BUSHING	
102	91514090	2	BUSHING	
103	7029291	2	SUPPORT	
104	91514099	2	GREASE FITTING	
105	80204117	2	PLUG	
106	7029303	2	SUPPORT ASSY, (includes items 101 thru 105)	
107	7029304	2	O-RING	
108	7029305	2	O-RING	
201	70021614	2	TIE-ROD	
202	80204143	2	O-RING	
203	80204144	5	BOLT	
204	7026490	1	STEERING CYLINDER	
205	7029306	3	BOLT	
207	7029307	1	PLUG	
K1	7029127	1	STEERING CYLINDER SEAL KIT	

SECTION 5 - DRIVE TRAIN

FIGURE 5-21. REAR AXLE - CENTRAL HOUSING AND STEERING (SN 0160054609 through 0160063540)



PAP30800

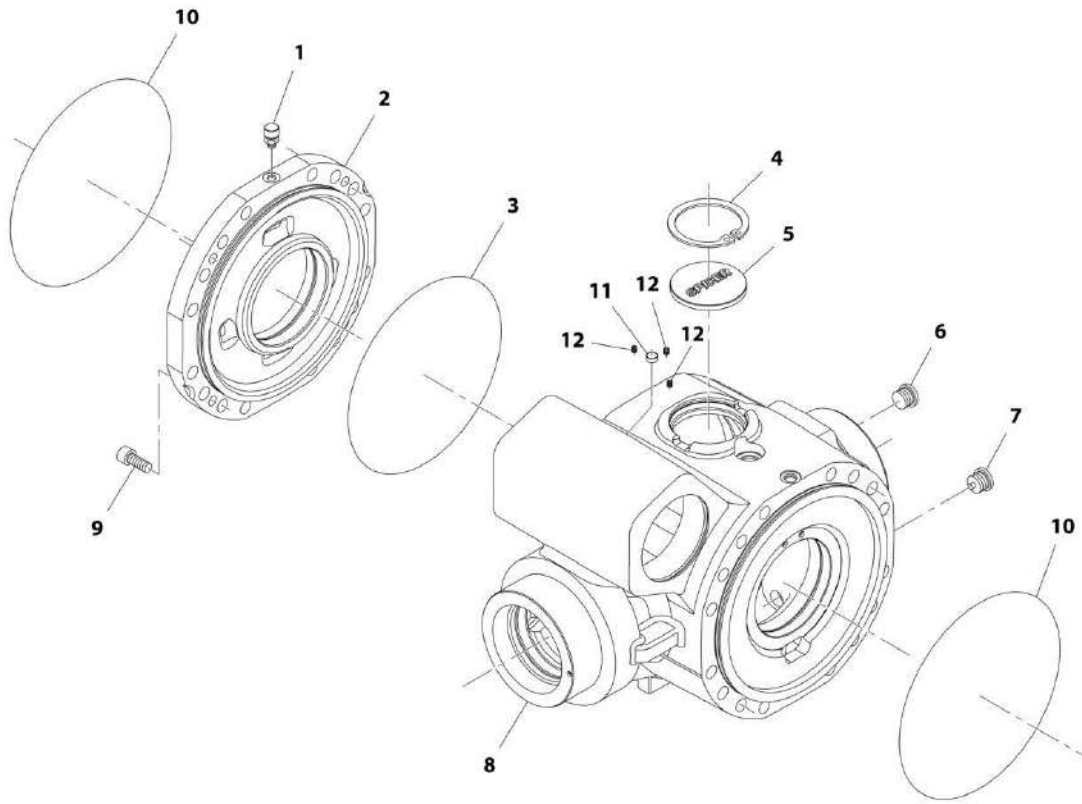
SECTION 5 - DRIVE TRAIN

FIGURE 5-21. REAR AXLE - CENTRAL HOUSING AND STEERING (SN 0160054609 through 0160063540)

ITEM	PART NUMBER	QTY	DESCRIPTION	REV
1	91474512	1	VENT	
2	7029288	1	INTERMEDIATE COVER	
3	3969073	1	O-RING	
4	80204005	1	CIRCLIP	
5	91514098	1	PLUG	
6	91514087	1	PLUG	
7	70021177	1	MAGNET PLUG	
8	70025335	1	HOUSING	
9	91514101	4	BOLT	
10	91514089	2	O-RING	
101	7029290	4	BUSHING	
102	91514090	2	THRUST BUSHING	
103	7029291	2	SUPPORT	
104	91514099	2	GREASE FITTING	
105	80204117	2	PLUG	
106	7029292	2	SUPPORT	
201	7026490	1	CYLINDER	
202	80204143	2	O-RING	
203	70021614	2	BAR	
204	80204144	5	BOLT	

SECTION 5 - DRIVE TRAIN

FIGURE 5-22. REAR AXLE - CENTRAL HOUSING (SN 0160063541 to Present)



ART_1001179607_1-E

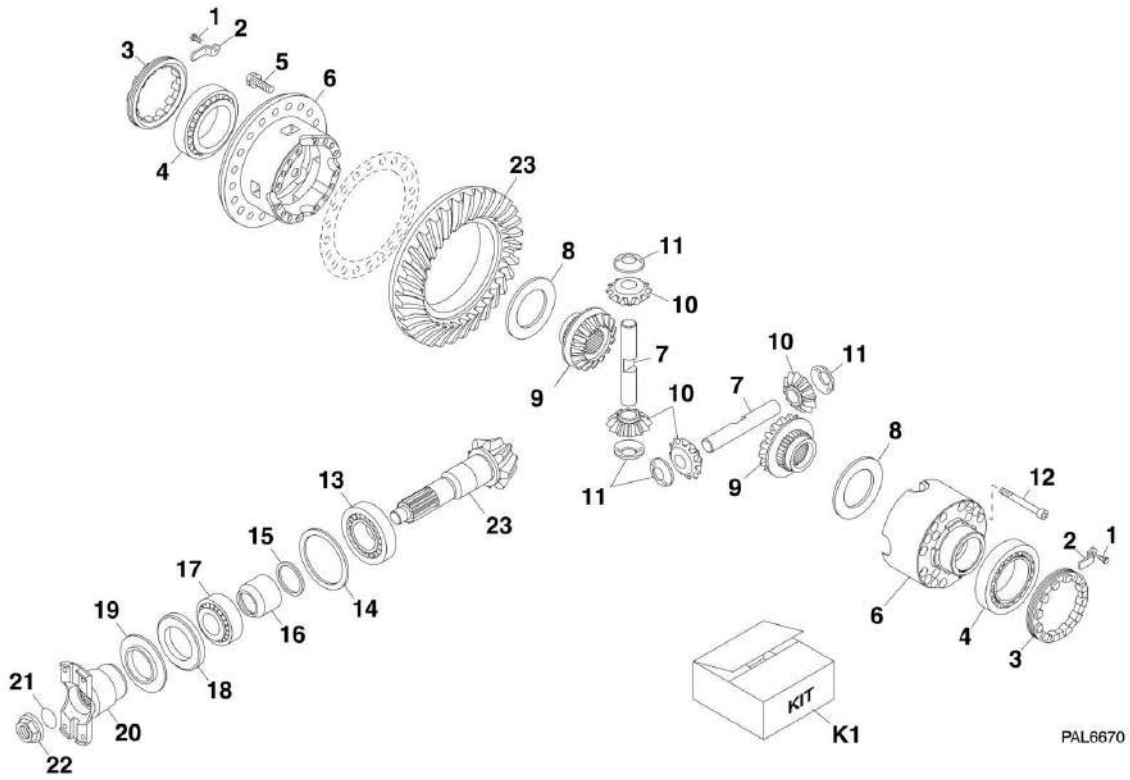
SECTION 5 - DRIVE TRAIN

FIGURE 5-22. REAR AXLE - CENTRAL HOUSING (SN 0160063541 to Present)

ITEM	PART NUMBER	QTY	DESCRIPTION	REV
1	91474512	1	VENT	
2	7029288	1	COVER, INTERMEDIATE	
3	80204002	1	O-RING	
4	80204005	1	CIRCLIP	
5	91514098	1	PLUG	
6	91514087	1	PLUG	
7	70021177	1	PLUG, MAGNETIC	
8	70025335	1	HOUSING	
9	91514101	4	BOLT	
10	91514089	2	O-RING	
11	7029307	1	PLUG	
12	8008175	3	BOLT	

SECTION 5 - DRIVE TRAIN

FIGURE 5-23. REAR AXLE - DIFFERENTIAL (Prior to SN 0160054609)



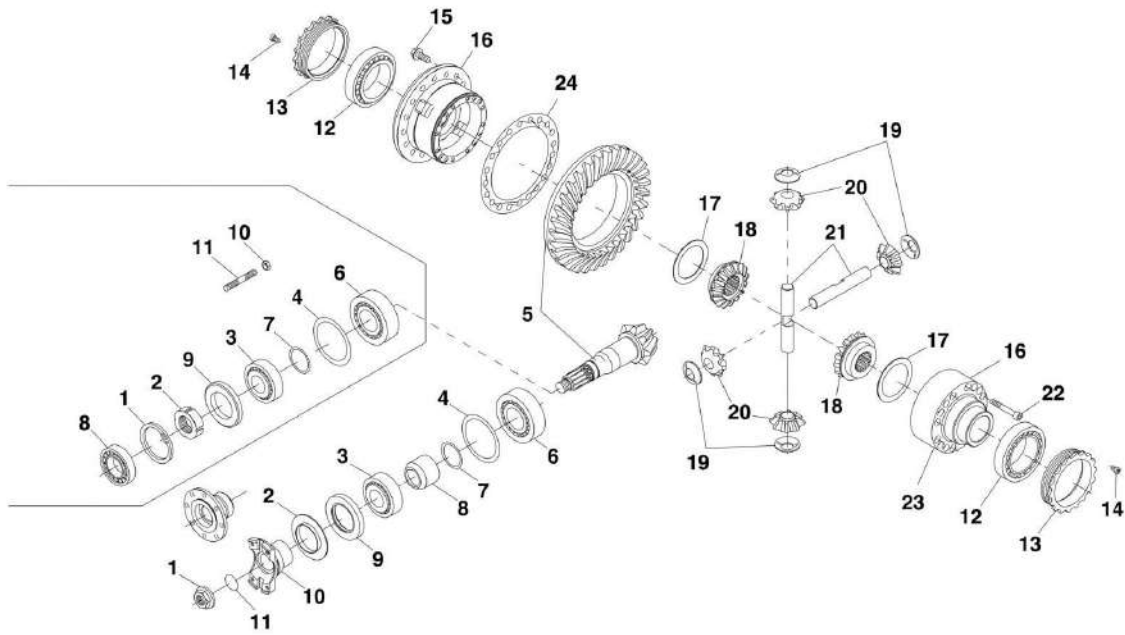
SECTION 5 - DRIVE TRAIN

FIGURE 5-23. REAR AXLE - DIFFERENTIAL (Prior to SN 0160054609)

ITEM	PART NUMBER	QTY	DESCRIPTION	REV
1	7026492	4	BOLT	
2	70022142	2	LOCKING PLATE	
3	7026491	2	RING NUT	
4	80204033	2	ROLLER BEARING	
5	91514123	20	BOLT	
6	70023487	1	DIFFERENTIAL CARRIER	
7	70023490	2	DIFFERENTIAL SHAFT	
8	70023493	2	FRICTION WASHER	
9	70023492	2	DIFFERENTIAL SIDE GEAR	
10	80204025	4	DIFFERENTIAL PINION	
11	70023491	4	FRICTION WASHER	
12	70024193	15	BOLT	
13	80204035	1	ROLLER BEARING	
14	80204049	AR	SHIM	
14	80204050	AR	SHIM	
14	80204052	AR	SHIM	
14	80204052	AR	SHIM	
15	70023494	1	RING KIT	
16	70022140	1	SPACER	
17	80204048	1	ROLLER BEARING	
18	80204047	1	SEAL	
19	91514130	1	COVER PLATE	
20	91514131	1	FLANGE	
21	80204044	1	O-RING	
22	80204043	1	NUT	
23	7026728	1	BEVEL GEAR SET	
K1	70023488	1	DIFFERENTIAL KIT, (includes items 6 thru 12)	

SECTION 5 - DRIVE TRAIN

FIGURE 5-24. REAR AXLE - DIFFERENTIAL (SN 0160054609 through 0160063540)



PAP30900

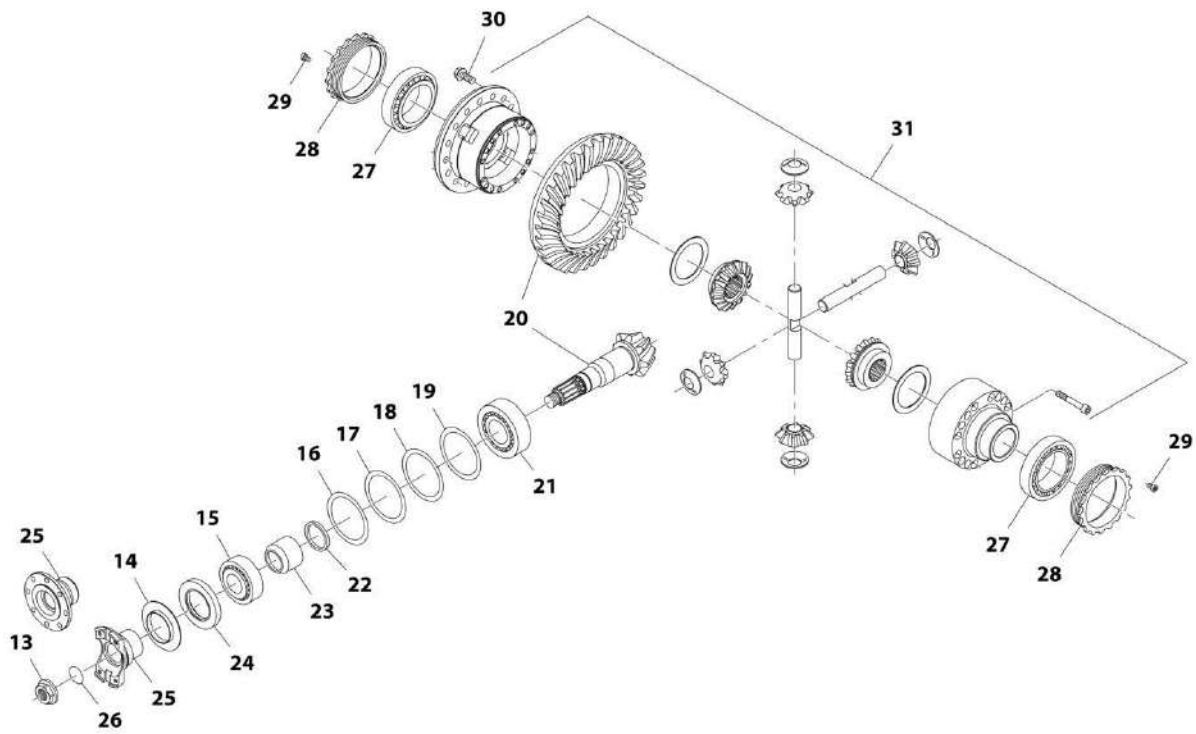
SECTION 5 - DRIVE TRAIN

FIGURE 5-24. REAR AXLE - DIFFERENTIAL (SN 0160054609 through 0160063540)

ITEM	PART NUMBER	QTY	DESCRIPTION	REV
1	80204043	1	NUT	
2	91514130	1	COVER PLATE	
3	80204048	1	TAPER ROLLER BEARING	
4	80204049	1	SHIM	
4	80204050	1	SHIM	
4	80204051	1	SHIM	
4	80204052	1	SHIM	
5	70025336	1	BEVEL GEAR SET	
6	80204035	1	TAPER ROLLER BEARING	
7	70023494	1	RING KIT	
8	70022140	1	SPACER	
9	80204047	1	SEAL	
10	91514131	1	FLANGE	
11	80204044	1	O-RING	
12	80204033	2	TAPER ROLLER BEARING	
13	91514133	2	RING NUT	
14	91514134	2	BOLT	
15	91514123	16	BOLT	
16	70025337	1	DIFFERENTIAL CARRIER	
17	70023493	2	FRICITION WASHER	
18	70025338	2	DIFFERENTIAL SIDE GEAR	
19	70023491	4	FRICITION WASHER	
20	70025339	4	DIFFERENTIAL PINION	
21	70023490	2	DIFFERENTIAL SHAFT	
22	70023489	15	BOLT	
23	70025340	1	DIFFERENTIAL	

SECTION 5 - DRIVE TRAIN

FIGURE 5-25. REAR AXLE - DIFFERENTIAL (SN 0160063541 to Present)



ART_1001179607_2-E

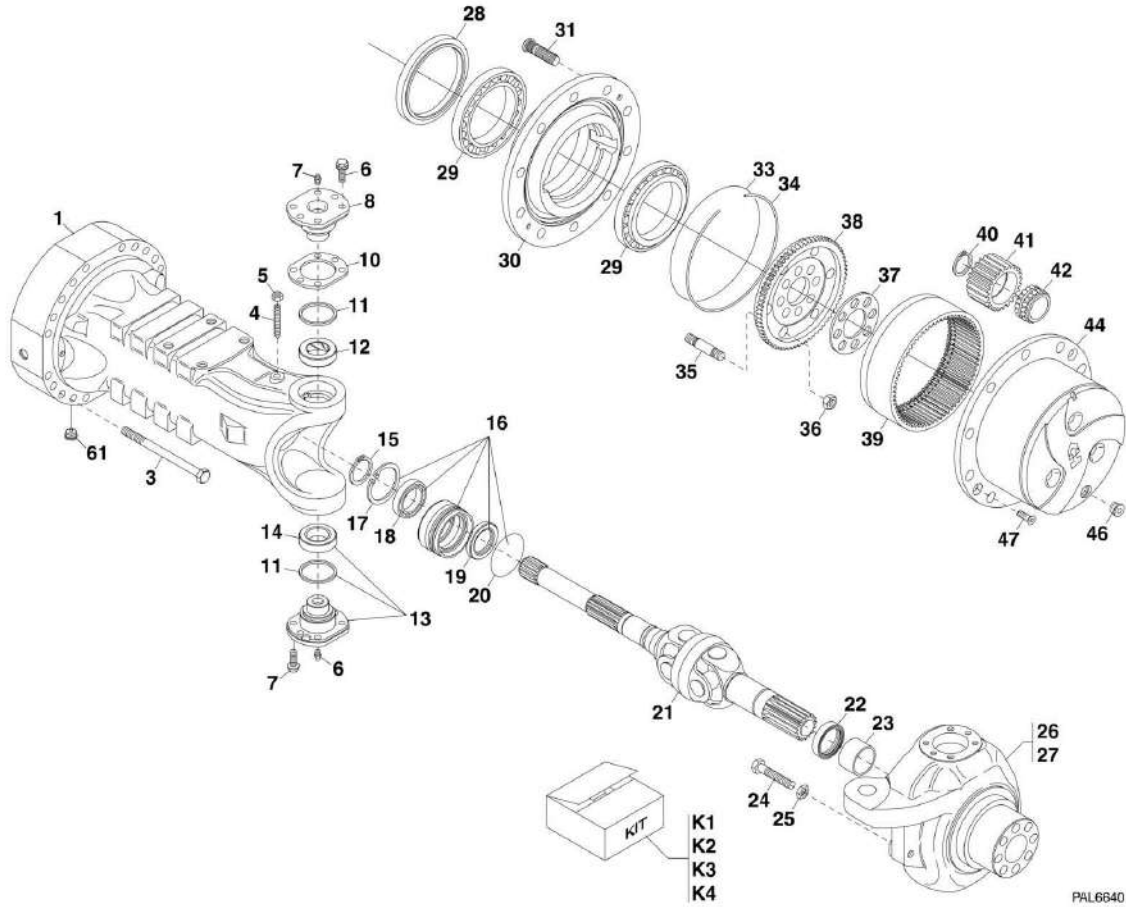
SECTION 5 - DRIVE TRAIN

FIGURE 5-25. REAR AXLE - DIFFERENTIAL (SN 0160063541 to Present)

ITEM	PART NUMBER	QTY	DESCRIPTION	REV
13	80204043	1	NUT	
14	91514130	1	COVER PLATE	
15	80204048	1	BEARING, TAPER ROLLER	
16	80204049	1	SHIM	
17	80204050	1	SHIM	
18	80204051	1	SHIM	
19	80204052	1	SHIM	
20	70025336	1	SET, BEVEL GEAR	
21	80204035	1	BEARING, TAPER ROLLER	
22	70023494	1	KIT, SPACER	
23	70022140	1	SPACER	
24	80204047	1	SEAL	
25	91514131	1	FLANGE	
26	10725554	1	O-RING	
27	80204033	2	BEARING, TAPER ROLLER	
28	91514133	2	NUT, RING	
29	91514134	2	BOLT	
30	91514123	16	BOLT	
31	70026030	1	ASSEMBLY, DIFFERENTIAL (See Separate Breakdown in this Section)	

SECTION 5 - DRIVE TRAIN

FIGURE 5-26. REAR AXLE - HUB REDUCTION (Prior to SN 0160054609)



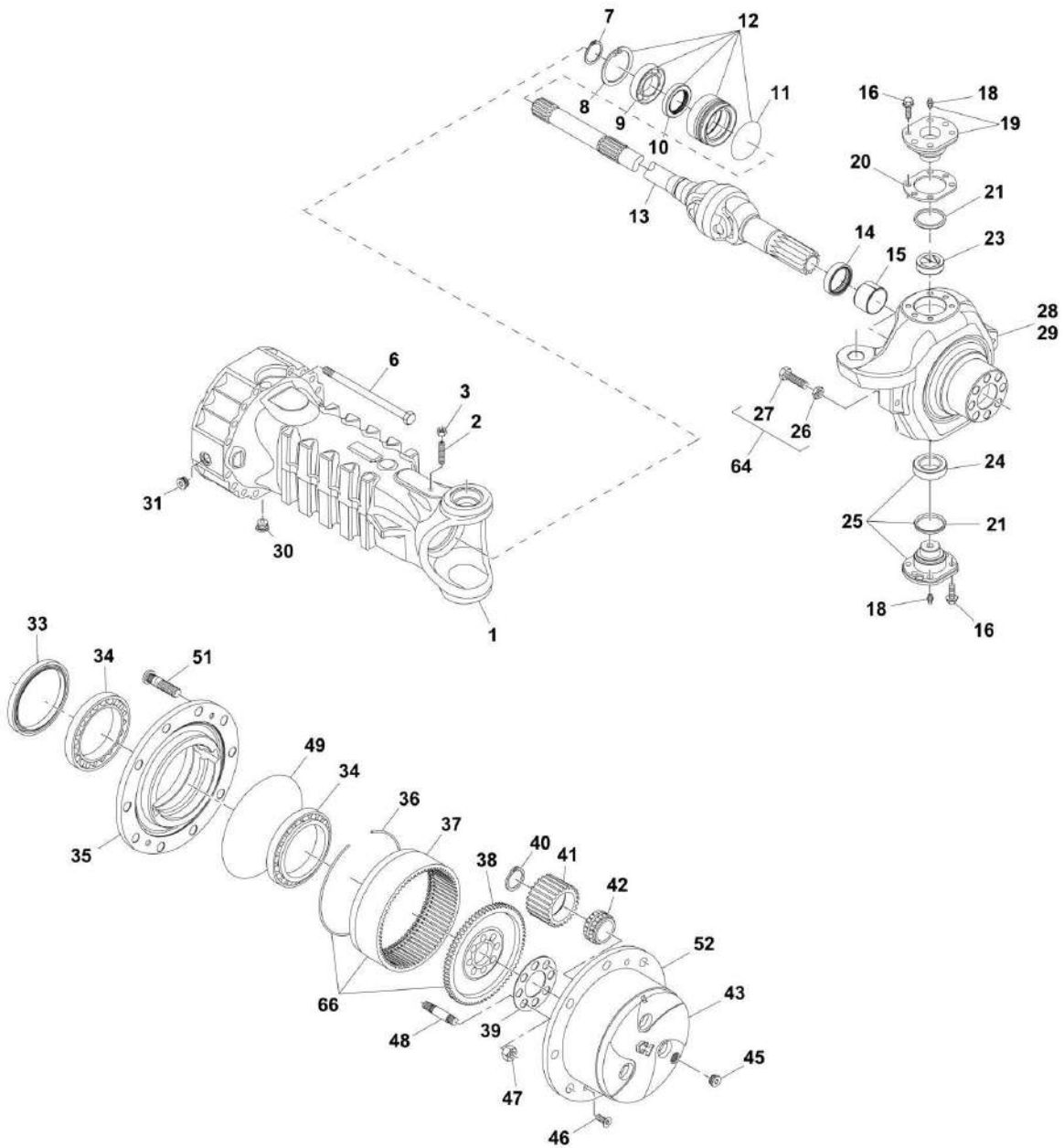
SECTION 5 - DRIVE TRAIN

FIGURE 5-26. REAR AXLE - HUB REDUCTION (Prior to SN 0160054609)

ITEM	PART NUMBER	QTY	DESCRIPTION	REV
1	70021944	2	AXLE CASE	
3	70021604	40	BOLT, M16X195	
4	7026499	2	BOLT	
5	91514082	2	NUT	
6	91514123	24	BOLT	
7	91514099	4	GREASE FITTING	
8	7029310	2	PIVOT PIN	
10	91514113	AR	SHIM, 0.006	
10	91514114	AR	SHIM, 0.008	
10	91514115	AR	SHIM, 0.019	
11	7028716	2	DUST SEAL	
12	7029312	2	BUSHING	
13	7029313	2	PIVOT PIN KIT, (includes items 11 & 14)	
14	91514095	2	BEARING	
15	80204071	2	CIRCLIP	
16	91514149	2	REDUCTION BUSHING, (includes items 17 thru 20)	
17	80204005	2	CIRCLIP	
18	91514146	2	BALL BEARING	
19	91514147	2	SEAL	
20	91514148	2	O-RING	
21	70021602	2	DOUBLE UNIVERSAL JOINT	
22	7028718	2	SEAL	
23	91514111	1	THRUST BUSHING	
24	70021603	4	STEERING ADJUSTING BOLT	
25	80204065	4	NUT	
26	N.S.S.	1	LEFT STEERING CASE	
27	N.S.S.	1	RIGHT STEERING CASE	
28	7029300	2	SEAL	
29	80204076	4	TAPER ROLLER BEARING	
30	91514174	2	WHEEL HUB	
31	80214120	20	WHEEL STUD	
33	91514181	2	O-RING	
34	91514175	2	CIRCLIP	
35	91514180	16	STUD	
36	91514179	16	NUT	
37	91514178	2	LOCKING PLATE	
38	91514177	2	RING GEAR SUPPORT	
39	70024147	2	RING GEAR	
40	91514184	8	SNAP RING	
41	91514185	8	PLANET GEAR	
42	91514186	8	BEARING	
44	7029317	2	PLANET GEAR CARRIER	
46	91514188	4	PLUG	
47	91514189	4	BOLT	
61	91474513	2	MAGNET PLUG	
K1	7029743	2	PLANET GEAR CARRIER KIT, (includes items 40 thru 41 & 44)	
K2	7029746	1	LEFT STEERING CASE KIT, (includes items 23 & 26)	
K3	7029747	1	RIGHT STEERING CASE KIT, (includes items 23 & 27)	
K4	70024146	2	RING GEAR SUPPORT KIT, (includes items 34, 38 & 39)	

SECTION 5 - DRIVE TRAIN

FIGURE 5-27. REAR AXLE - HUB REDUCTION (SN 0160054609 through 0160063540)



ART_31200728-5-27

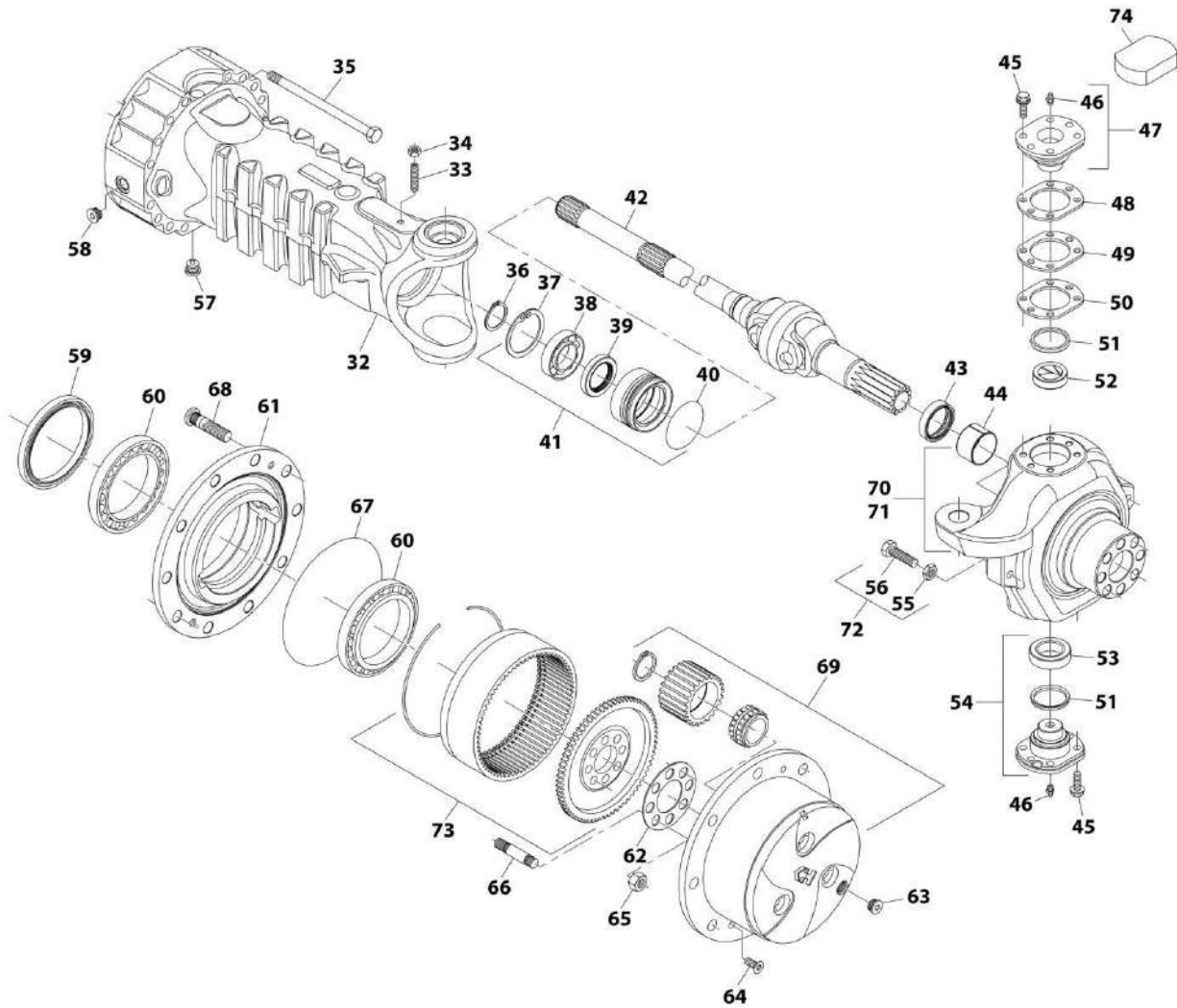
SECTION 5 - DRIVE TRAIN

FIGURE 5-27. REAR AXLE - HUB REDUCTION (SN 0160054609 through 0160063540)

ITEM	PART NUMBER	QTY	DESCRIPTION	REV
1	70025341	2	AXLE CASE	
2	91514081	2	BOLT	
3	91514082	2	NUT	
6	70022814	32	HEXAGON BOLT	
7	80204071	2	CIRCLIP	
8	80204005	2	CIRCLIP	
9	91514146	2	BALL BEARING	
10	91514147	2	SEAL	
11	91514148	2	O-RING	
12	91514149	2	REDUCTION BUSHING	
13	70025342	2	DOUBLE UNIVERSAL JOINT	
14	7028718	2	SEAL	
15	91514111	1	THRUST BUSHING	
16	91514123	24	BOLT	
18	91514099	2	GREASE FITTING	
19	91514112	2	PIVOT PIN	
20	91514113	2	SHIM	
20	91514114	2	SHIM	
20	91514115	2	SHIM	
21	7028716	2	DUST EXCLUDER	
23	7028714	2	BUSHING	
24	91514095	2	BEARING	
25	7028715	2	PIVOT PIN	
26	80204065	4	NUT	
27	91514117	4	BOLT	
28	70025345	1	STEERING CASE ASSY (left), (includes item 23)	
29	70025346	1	STEERING CASE ASSY (right), (includes item 23)	
30	70021177	2	MAGNET PLUG	
31	91514188	2	PLUG	
33	7029300	2	SEAL	
34	80204076	4	TAPER ROLLER BEARING	
35	91514174	2	WHEEL HUB	
36	91514175	2	CIRCLIP	
37	70024147	2	RING GEAR	
38	91514177	2	RING GEAR SUPPORT	
39	91514178	2	LOCKING PLATE	
40	91514184	8	SNAP RING	
41	91514185	8	PLANET GEAR	
42	91514186	8	BEARING	
43	7029317	2	PLANET GEAR CARRIER	
45	91514087	2	PLUG	
46	91514189	4	COUNTERSUNK BOLT	
47	91514179	16	NUT	
48	91514180	16	STUD	
49	91514181	2	O-RING	
51	80214120	20	WHEEL STUD	
52	7029743	2	PLANET GEAR CARRIER	
64	7028733	1	STEERING ADJUST BOLT	
66	70024146	2	RING GEAR SUPPORT	

SECTION 5 - DRIVE TRAIN

FIGURE 5-28. REAR AXLE - HUB REDUCTION (SN 0160063541 to Present)



ART_1001179607_3-E

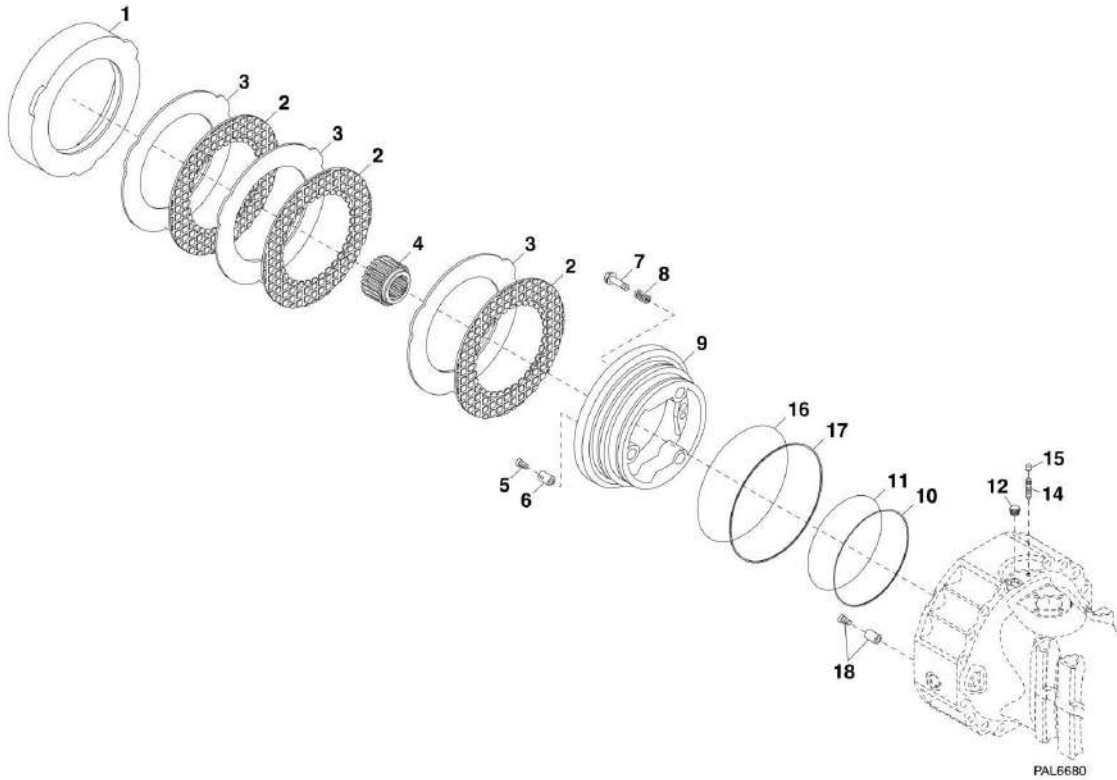
SECTION 5 - DRIVE TRAIN

FIGURE 5-28. REAR AXLE - HUB REDUCTION (SN 0160063541 to Present)

ITEM	PART NUMBER	QTY	DESCRIPTION	REV
32	70025341	2	CASE, AXLE	
33	91514081	2	BOLT	
34	91514082	2	NUT	
35	70022814	32	BOLT	
36	80204071	2	CIRCLIP	
37	80204005	2	CIRCLIP	
38	91514146	2	BALL BEARING	
39	91514147	2	SEAL	
40	91514148	2	O-RING	
41	91514149	2	BUSHING, REDUCTION	
42	70026066	2	JOINT, DOUBLE UNIVERSAL	
43	70026238	2	SEAL	
44	91514111	2	BUSHING, THRUST	
45	70025562	24	BOLT	
46	91514099	2	FITTING, GREASE	
47	91514112	2	PIVOT PIN	
48	91514113	2	SHIM	
49	91514114	2	SHIM	
50	91514115	2	SHIM	
51	7028716	2	SEAL, DUST	
52	7028714	2	BUSHING	
53	91514095	2	BEARING	
54	7028715	2	PIVOT PIN	
55	2401305	4	NUT	
56	91514117	4	BOLT	
57	70021177	2	PLUG	
58	91514087	2	PLUG	
59	70026002	2	SEAL	
60	80204076	4	BEARING, TAPER ROLLER	
61	91514174	2	WHEEL HUB	
62	91514178	2	PLATE, LOCKING	
63	91514188	2	PLUG	
64	91514189	4	BOLT, COUNTERSUNK	
65	91514179	16	NUT	
66	91514180	16	STUD	
67	91514181	2	O-RING	
68	80214120	20	STUD, WHEEL	
69	7029743	2	KIT, PLANET GEAR CARRIER (See Separate Breakdown in this Section)	
70	70026260	1	CASE, STEERING (right)	
71	70026261	1	CASE, STEERING (left)	
72	7028733	4	BOLT, STEERING ADJUST	
73	70024146	2	KIT, RING GEAR SUPPORT (See Separate Breakdown in this Section)	
74	91474524	2	COVER	

SECTION 5 - DRIVE TRAIN

FIGURE 5-29. REAR AXLE - BRAKES (Prior to SN 0160054609)



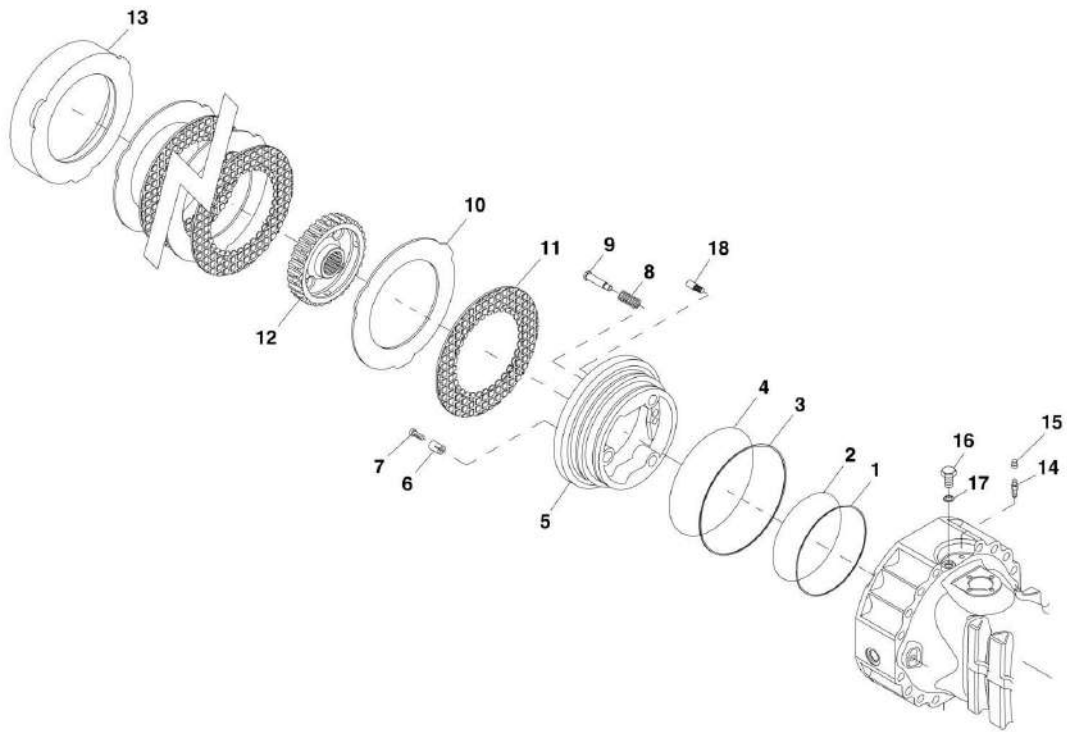
SECTION 5 - DRIVE TRAIN

FIGURE 5-29. REAR AXLE - BRAKES (Prior to SN 0160054609)

ITEM	PART NUMBER	QTY	DESCRIPTION	REV
1	70021606	2	SPACER	
2	7029735	6	BRAKE DISC	
3	91514161	6	INTERMEDIATE BRAKE DISC	
4	7029734	2	REDUCTION BUSHING	
5	70021607	6	ADJUSTING BOLT	
6	91514165	6	SPRING	
7	91514160	6	ADJUSTING BOLT	
8	91514159	6	SPRING	
9	70024216	2	PISTON	
10	70021609	2	BACK-UP RING	
11	70021610	2	O-RING	
12	91514154	2	PLUG	
14	80204281	2	BLEEDING BOLT	
15	80204117	2	PLUG	
16	70021611	2	O-RING	
17	70021612	2	BACK-UP RING	
18	70021613	2	PILOT BOLT	

SECTION 5 - DRIVE TRAIN

FIGURE 5-30. REAR AXLE - BRAKES (SN 0160054609 through 0160063540)



PAP30910

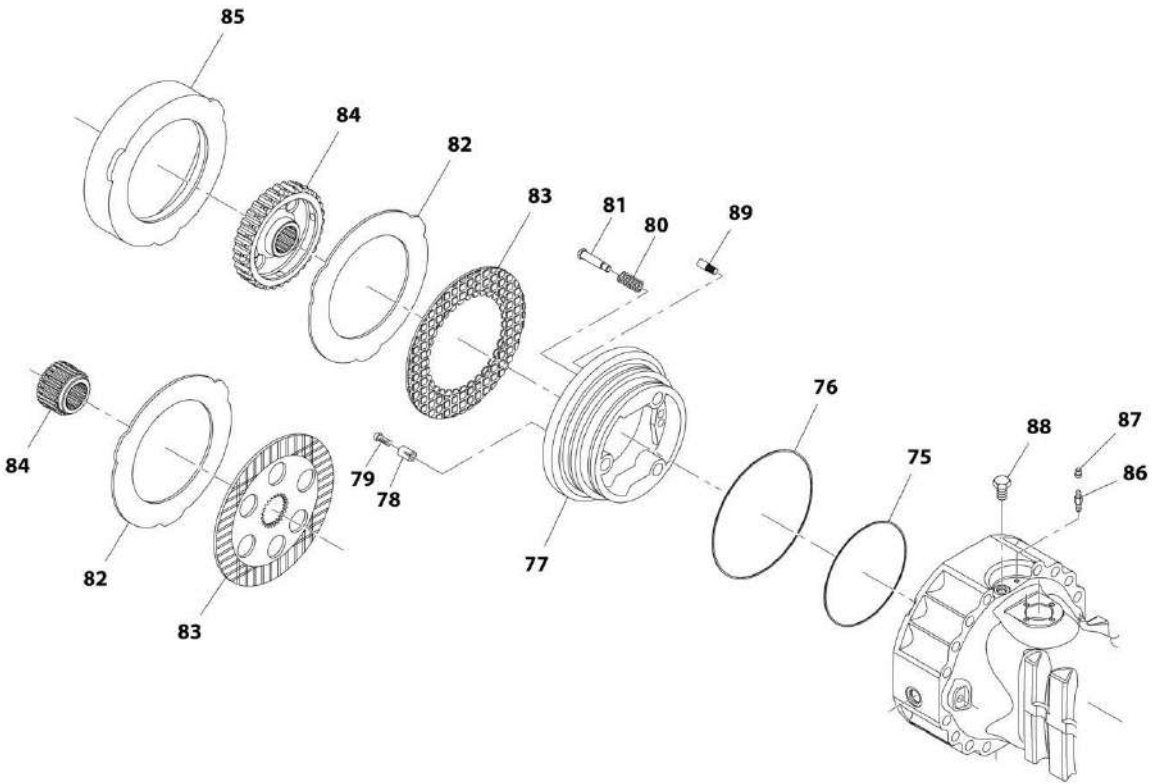
SECTION 5 - DRIVE TRAIN

FIGURE 5-30. REAR AXLE - BRAKES (SN 0160054609 through 0160063540)

ITEM	PART NUMBER	QTY	DESCRIPTION	REV
1	70021609	2	BACK-UP RING	
2	70021610	2	O-RING	
3	70021612	2	BACK-UP RING	
4	70021611	2	O-RING	
5	70024216	2	PISTON	
6	91514165	6	SPRING	
7	70021607	6	ADJUSTING BOLT	
8	91514159	6	SPRING	
9	91514160	6	ADJUSTING BOLT	
10	91514161	6	INTERMEDIATE BRAKE DISC	
11	7029735	6	BRAKE DISC	
12	7029734	2	REDUCTION BUSHING	
13	70021606	2	SPACER	
14	80204281	2	BLEEDING BOLT	
15	80204117	2	PLUG	
16	91514154	2	PLUG	
18	70021613	2	PILOT BOLT	

SECTION 5 - DRIVE TRAIN

FIGURE 5-31. REAR AXLE - BRAKES (SN 0160063541 to Present)



ART_1001179607_4-E

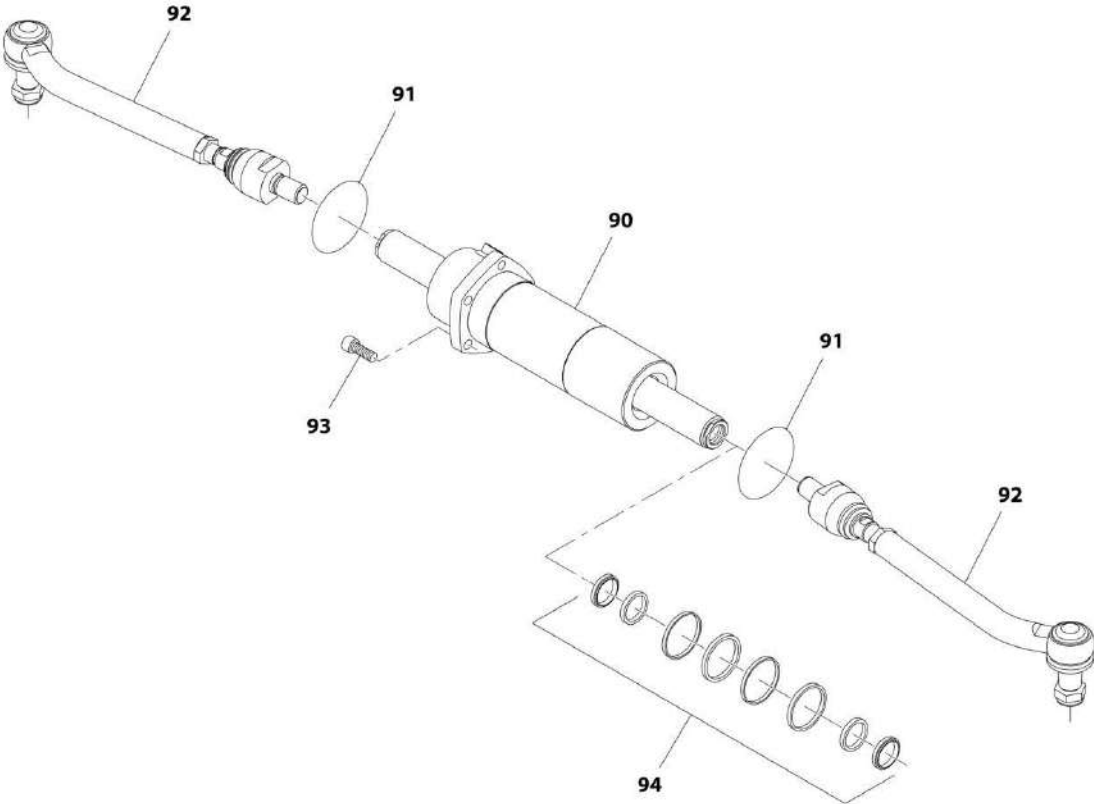
SECTION 5 - DRIVE TRAIN

FIGURE 5-31. REAR AXLE - BRAKES (SN 0160063541 to Present)

ITEM	PART NUMBER	QTY	DESCRIPTION	REV
75	70026747	2	SEAL	
76	70026748	2	SEAL	
77	70024216	2	PISTON	
78	91514165	6	SPRING	
79	70021607	6	BOLT, ADJUSTING	
80	91514159	6	SPRING	
81	70024210	6	BOLT, ADJUSTING	
82	91514161	6	DISC, INTERMEDIATE BRAKE	
83	7029735	6	DISK, BRAKE	
84	7029734	2	BUSHING, REDUCTION	
85	70021606	2	SPACER	
86	2960243	2	BOLT, BLEEDING	
87	80204117	2	PLUG	
88	91514154	2	BOLT	
89	70021613	2	BOLT, PILOT	

SECTION 5 - DRIVE TRAIN

FIGURE 5-32. REAR AXLE - STEERING (SN 0160063541 to Present)



ART_1001179607_5-E

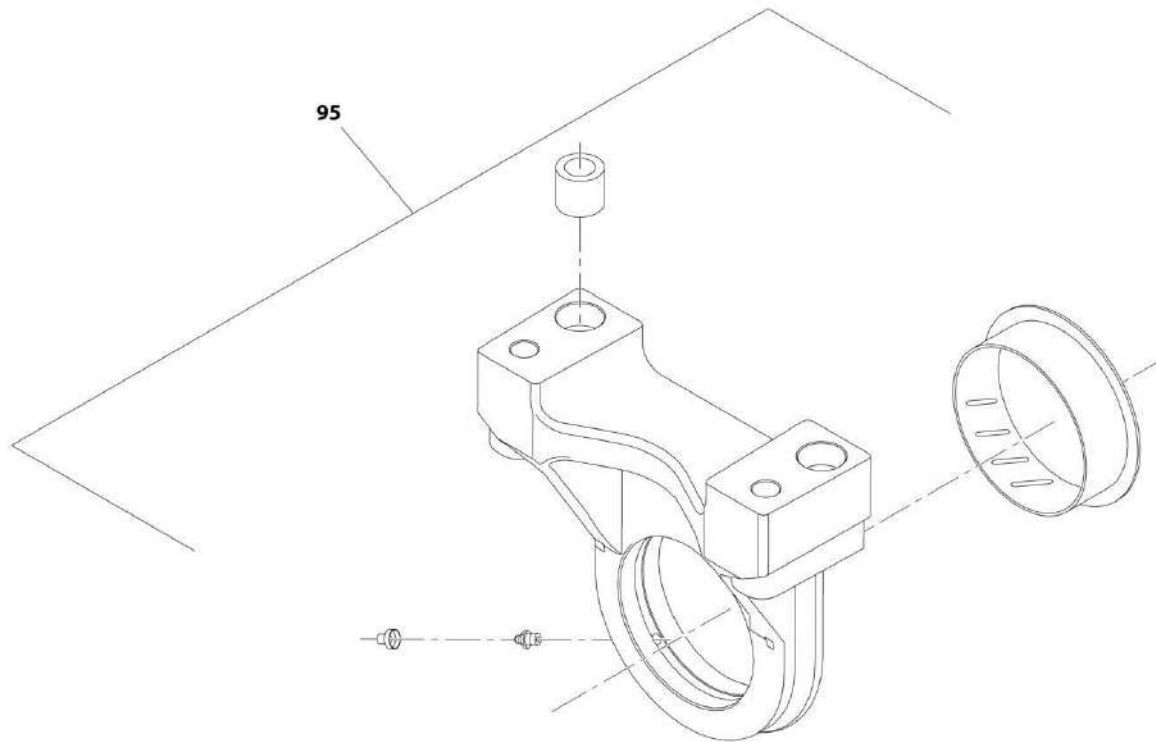
SECTION 5 - DRIVE TRAIN

FIGURE 5-32. REAR AXLE - STEERING (SN 0160063541 to Present)

ITEM	PART NUMBER	QTY	DESCRIPTION	REV
90	7026490	1	CYLINDER	
91	80204143	2	O-RING	
92	70026753	2	BAR	
93	80204144	5	BOLT	
94	7029127	1	SEAL KIT	

SECTION 5 - DRIVE TRAIN

FIGURE 5-33. REAR AXLE - TRUNION (SN 0160063541 to Present)



ART_1001179607_6-E

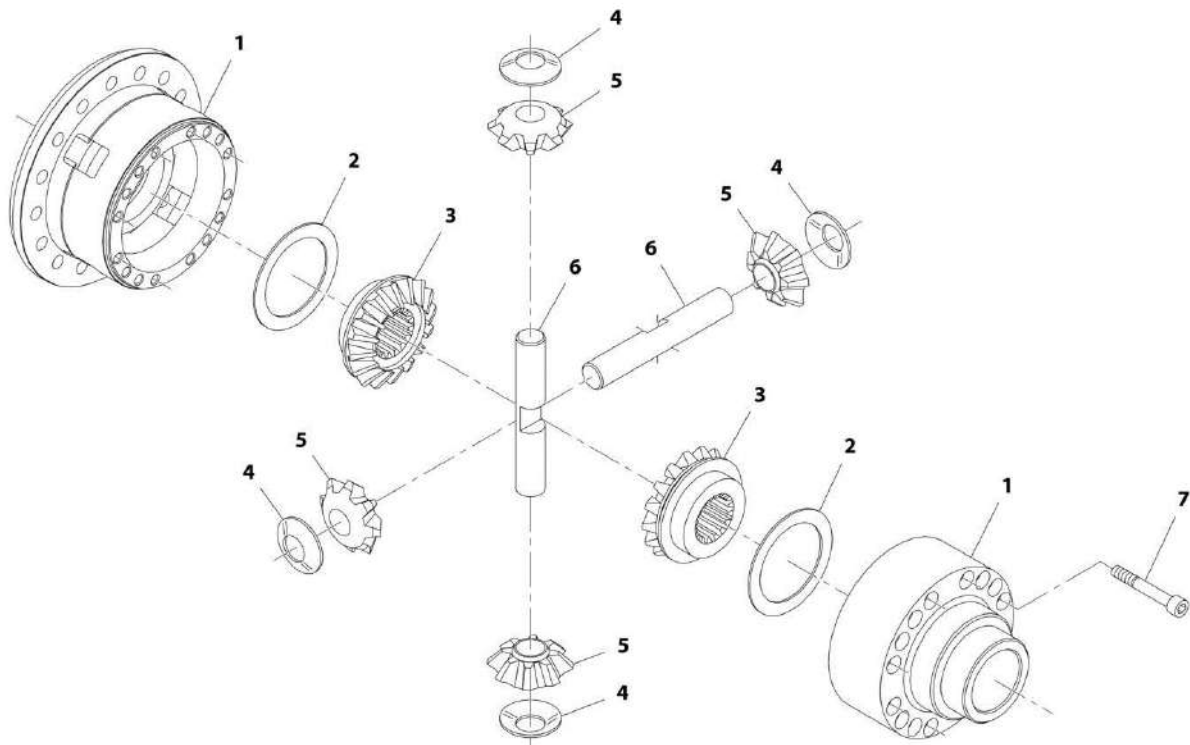
SECTION 5 - DRIVE TRAIN

FIGURE 5-33. REAR AXLE - TRUNION (SN 0160063541 to Present)

ITEM	PART NUMBER	QTY	DESCRIPTION	REV
95	7029292	2	REAR AXLE SUPPORT ASSEMBLY (See Separate Breakdown in this Section)	

SECTION 5 - DRIVE TRAIN

FIGURE 5-34. REAR AXLE - DIFFERENTIAL ASSEMBLY (SN 0160063541 to Present)



ART_1001179607_7-E

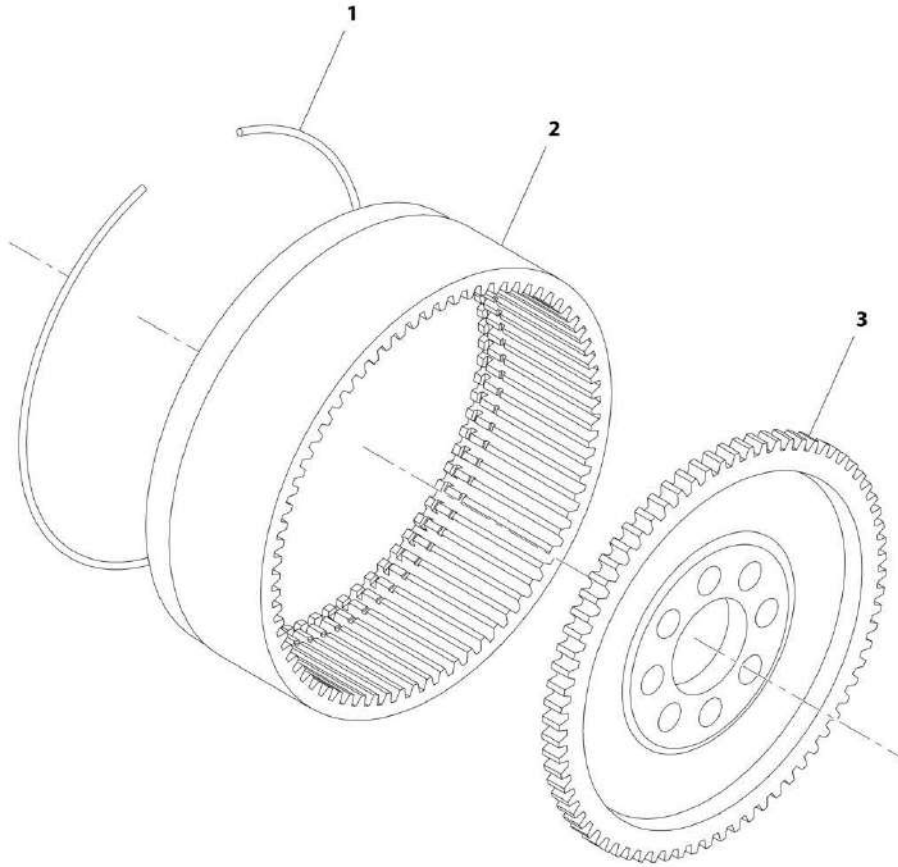
SECTION 5 - DRIVE TRAIN

FIGURE 5-34. REAR AXLE - DIFFERENTIAL ASSEMBLY (SN 0160063541 to Present)

ITEM	PART NUMBER	QTY	DESCRIPTION	REV
	70026030	Ref	REAR AXLE DIFFERENTIAL ASSEMBLY	
1	70025337	1	DIFFERENTIAL CARRIER	
2	70023493	2	WASHER, FRICTION	
3	70025338	2	GEAR, DIFFERENTIAL SIDE	
4	70023491	4	WASHER, FRICTION	
5	70025339	4	PINION, DIFFERENTIAL	
6	70023490	2	SHAFT, DIFFERENTIAL	
7	70023489	15	BOLT	

SECTION 5 - DRIVE TRAIN

FIGURE 5-35. REAR AXLE - RING GEAR SUPPORT KIT (SN 0160063541 to Present)



ART_1001179607_8-E

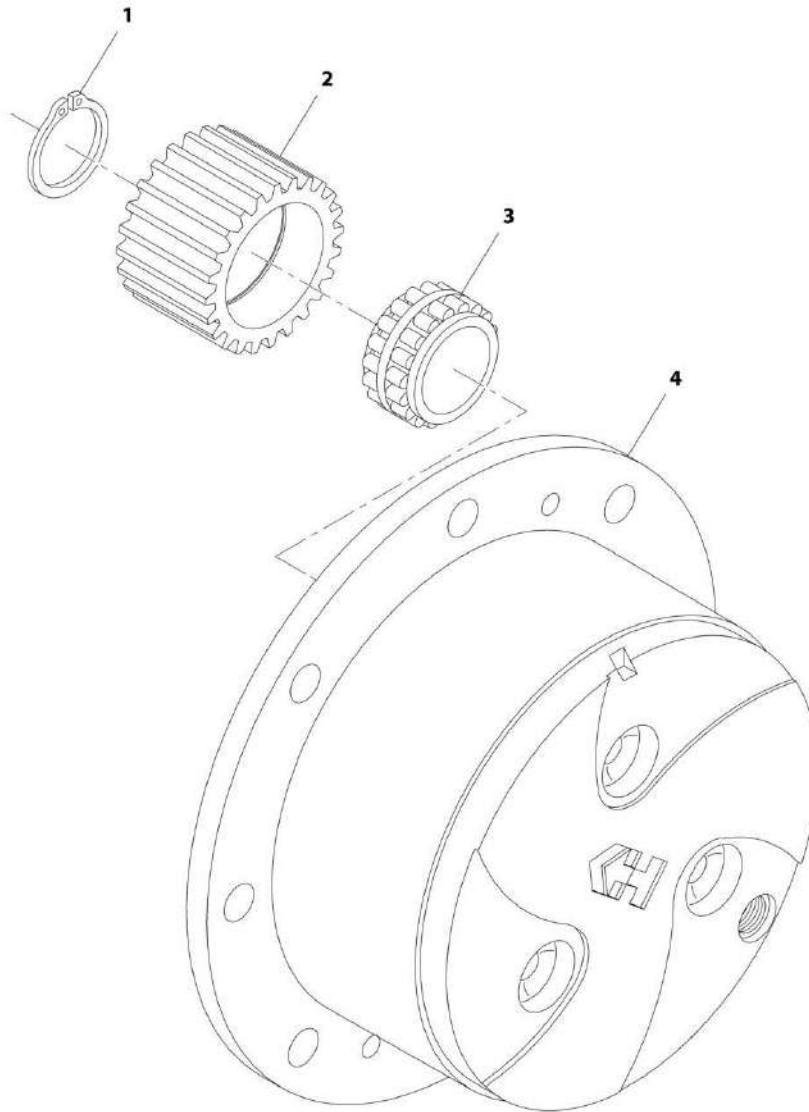
SECTION 5 - DRIVE TRAIN

FIGURE 5-35. REAR AXLE - RING GEAR SUPPORT KIT (SN 0160063541 to Present)

ITEM	PART NUMBER	QTY	DESCRIPTION	REV
	70024146	Ref	REAR AXLE RING GEAR SUPPORT KIT	
1	91514175	2	CIRCLIP	
2	70024147	2	RING GEAR	
3	91514177	2	SUPPORT, RING GEAR	

SECTION 5 - DRIVE TRAIN

FIGURE 5-36. REAR AXLE - PLANET GEAR CARRIER KIT (SN 0160063541 to Present)



ART_1001179607_9-E

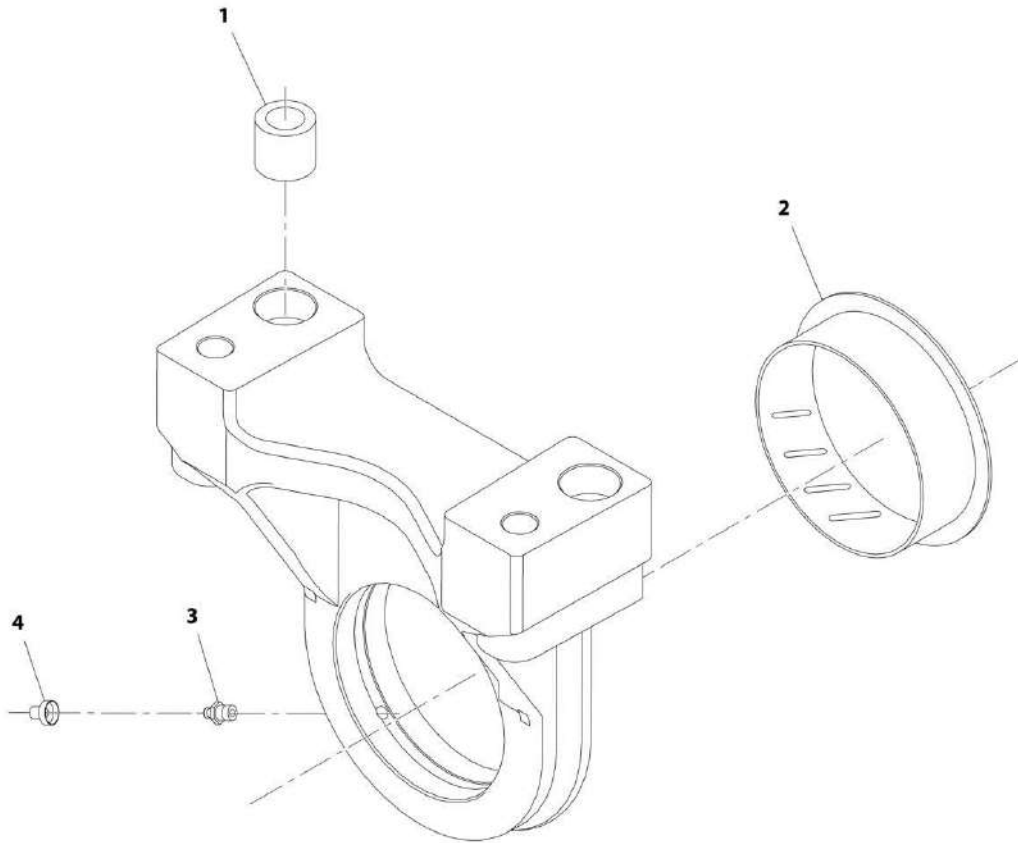
SECTION 5 - DRIVE TRAIN

FIGURE 5-36. REAR AXLE - PLANET GEAR CARRIER KIT (SN 0160063541 to Present)

ITEM	PART NUMBER	QTY	DESCRIPTION	REV
	7029743	Ref	REAR AXLE PLANET GEAR CARRIER KIT	
1	91514184	8	CIRCLIP	
2	91514185	8	GEAR, PLANET	
3	91514186	8	BEARING	
4	7029317	2	PLANET GEAR CARRIER	

SECTION 5 - DRIVE TRAIN

FIGURE 5-37. REAR AXLE - SUPPORT ASSEMBLY (SN 0160063541 to Present)



ART_1001179607_10-E

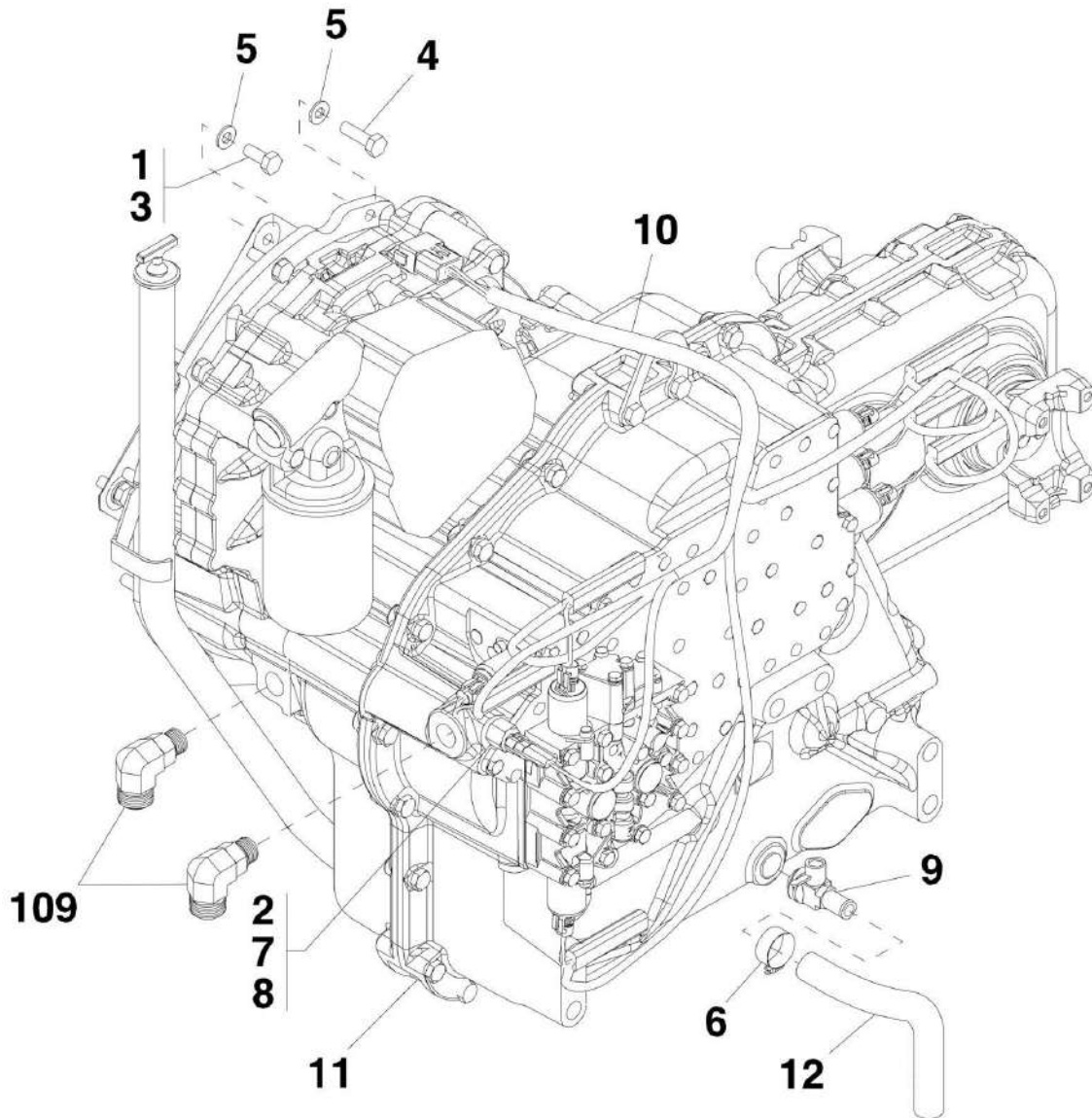
SECTION 5 - DRIVE TRAIN

FIGURE 5-37. REAR AXLE - SUPPORT ASSEMBLY (SN 0160063541 to Present)

ITEM	PART NUMBER	QTY	DESCRIPTION	REV
	7029292	Ref	REAR AXLE SUPPORT ASSEMBLY	
1	7029290	4	BUSHING	
2	91514090	2	BUSHING, THRUST	
3	91514099	2	FITTING, GREASE	
4	80204117	2	PLUG	

SECTION 5 - DRIVE TRAIN

FIGURE 5-38. TRANSMISSION



ART_31200728-5-38

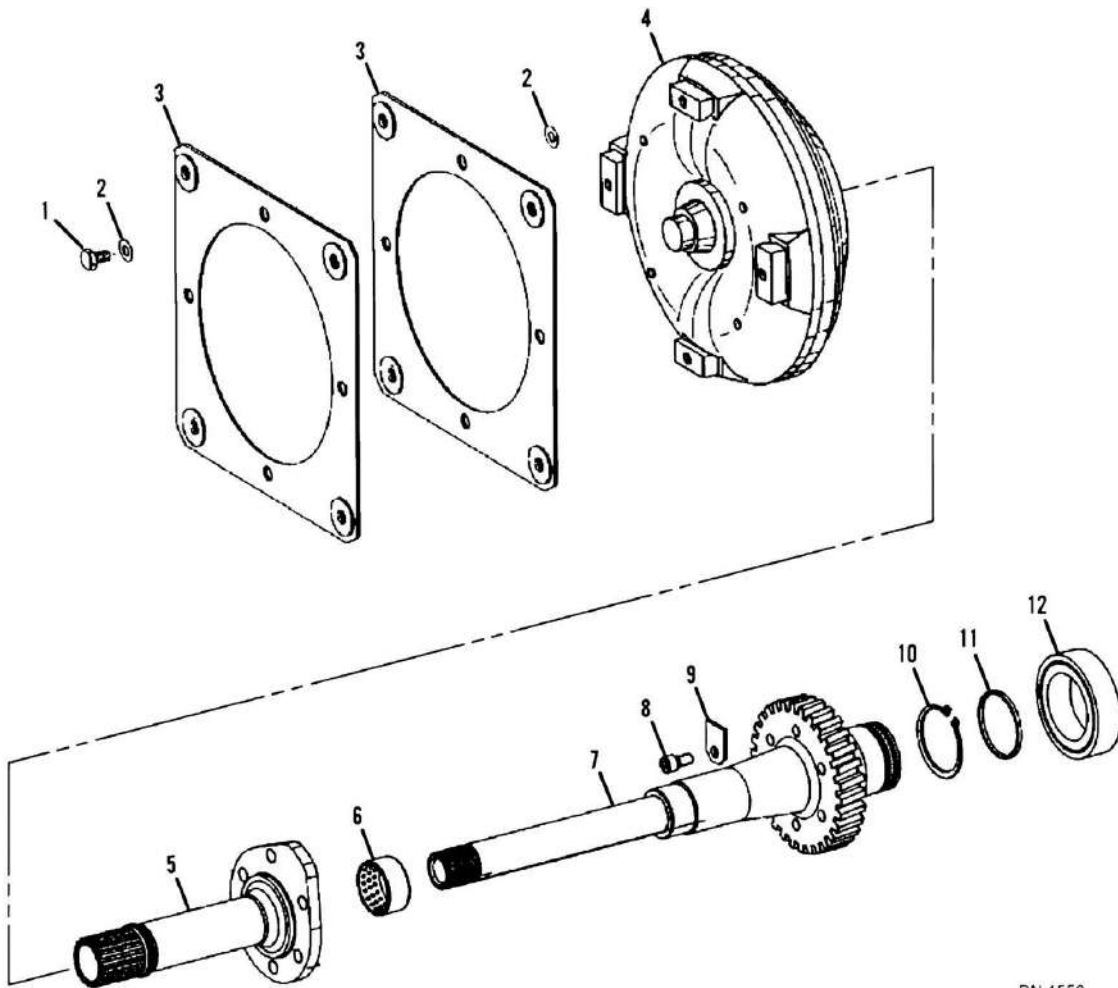
SECTION 5 - DRIVE TRAIN

FIGURE 5-38. TRANSMISSION

ITEM	PART NUMBER	QTY	DESCRIPTION	REV
	1001115508	Ref	TRANSMISSION INSTALLATION, (not available to order, see items 1 thru 12 for service)	D
1	0100011	AR	LOCTITE 242	
2	0100020	AR	LOCTITE 567	
3	0701010	4	HEX HD CAPSCREW, M10X20, GR8.8, (torque to 35.2-52.87 Nm/26-39 lb-ft)	
4	0711015	12	HEX HD CAPSCREW, M10X55, GR10.9, (torque to 71.85-78.63 Nm/53-58 lb-ft)	
5	4812000	12	WASHER, 10mm	
6	8405007	1	GEAR CLAMP, 1.25	
7	91563091	1	ADAPTER, CONNECTOR	
8	91563121	1	OIL TEMPERATURE SWITCH	
9	1001097053	1	OIL DRAIN VALVE	
10		Ref	TRANSMISSION HARNESS, (See ELECTRICAL SECTION for Breakdown)	
11	1001125962	1	TRANSMISSION	
11		Ref	TORQUE CONVERTER AND INPUT, (See TRANSMISSION - CONVERTER AND INPUT for Breakdown)	
11		Ref	GEARBOX HOUSING, (See TRANSMISSION - GEARBOX HOUSING for Breakdown)	
11		Ref	FORWARD GEAR GROUP, (See TRANSMISSION - FORWARD GEAR GROUP for Breakdown)	
11		Ref	REVERSE GEAR GROUP, (See TRANSMISSION - REVERSE GEAR GROUP for Breakdown)	
11		Ref	1ST SHAFT GROUP, (See TRANSMISSION - 1ST SHAFT GROUP for Breakdown)	
11		Ref	2ND SHAFT GROUP, (See TRANSMISSION - 2ND SHAFT GROUP for Breakdown)	
11		Ref	3RD SHAFT GROUP, (See TRANSMISSION - 3RD SHAFT GROUP for Breakdown)	
11		Ref	4TH SHAFT GROUP, (See TRANSMISSION - 4TH SHAFT GROUP for Breakdown)	
11		Ref	POWER TAKE-OFF, (See TRANSMISSION - POWER TAKE OFF for Breakdown)	
11		Ref	CONTROL UNIT AND PRESSURE REGULATOR, (See TRANSMISSION - CONTROL UNIT AND PRESSURE REGULATOR for Breakdown)	
11		Ref	GEARSHIFT SYSTEM, (See TRANSMISSION - GEARSHIFT SYSTEM for Breakdown)	
11		Ref	OIL PUMP, FILTER AND DIPSTICK, (See TRANSMISSION - OIL PUMP, FILTER AND DIPSTICK for Breakdown)	
11		Ref	TRANSFER BOX, (See TRANSMISSION - TRANSFER BOX for Breakdown)	
12	1001109536	1	DRAIN HOSE	
109		Ref	ADAPTER, 90, (See HYDRAULIC CIRCUITS SECTION for Breakdown)	

SECTION 5 - DRIVE TRAIN

FIGURE 5-39. TRANSMISSION - CONVERTER AND INPUT



PAL1550

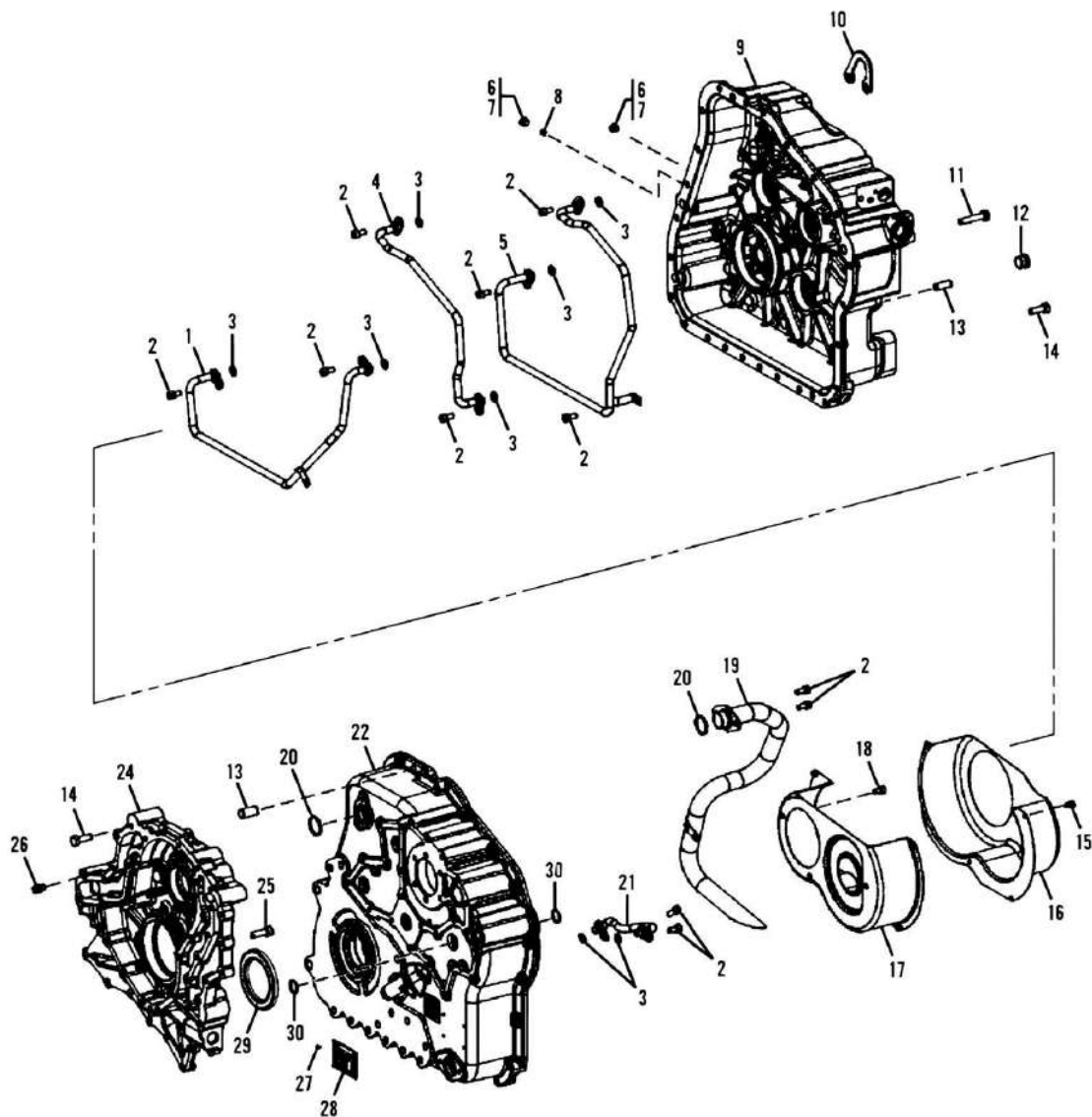
SECTION 5 - DRIVE TRAIN

FIGURE 5-39. TRANSMISSION - CONVERTER AND INPUT

ITEM	PART NUMBER	QTY	DESCRIPTION	REV
1	7026744	4	HEX HD CAPSCREW, M10X16	
2	7026745	8	WASHER	
3	1319229	2	DIAPHRAGM	
4	7026746	1	CONVERTER	
5	7026748	1	STATOR SHAFT	
6	1319558	1	BEARING BUSHING	
7	7026747	1	TURBINE SHAFT	
8	1319585	2	CAPSCREW, M8X16	
9	N.S.S.	1	SHACKLE	
10	80304405	1	RETAINING RING	
11	7026749	1	PISTON RING	
12	1319563	1	BALL BEARING	

SECTION 5 - DRIVE TRAIN

FIGURE 5-40. TRANSMISSION - GEARBOX HOUSING



PAL 1572

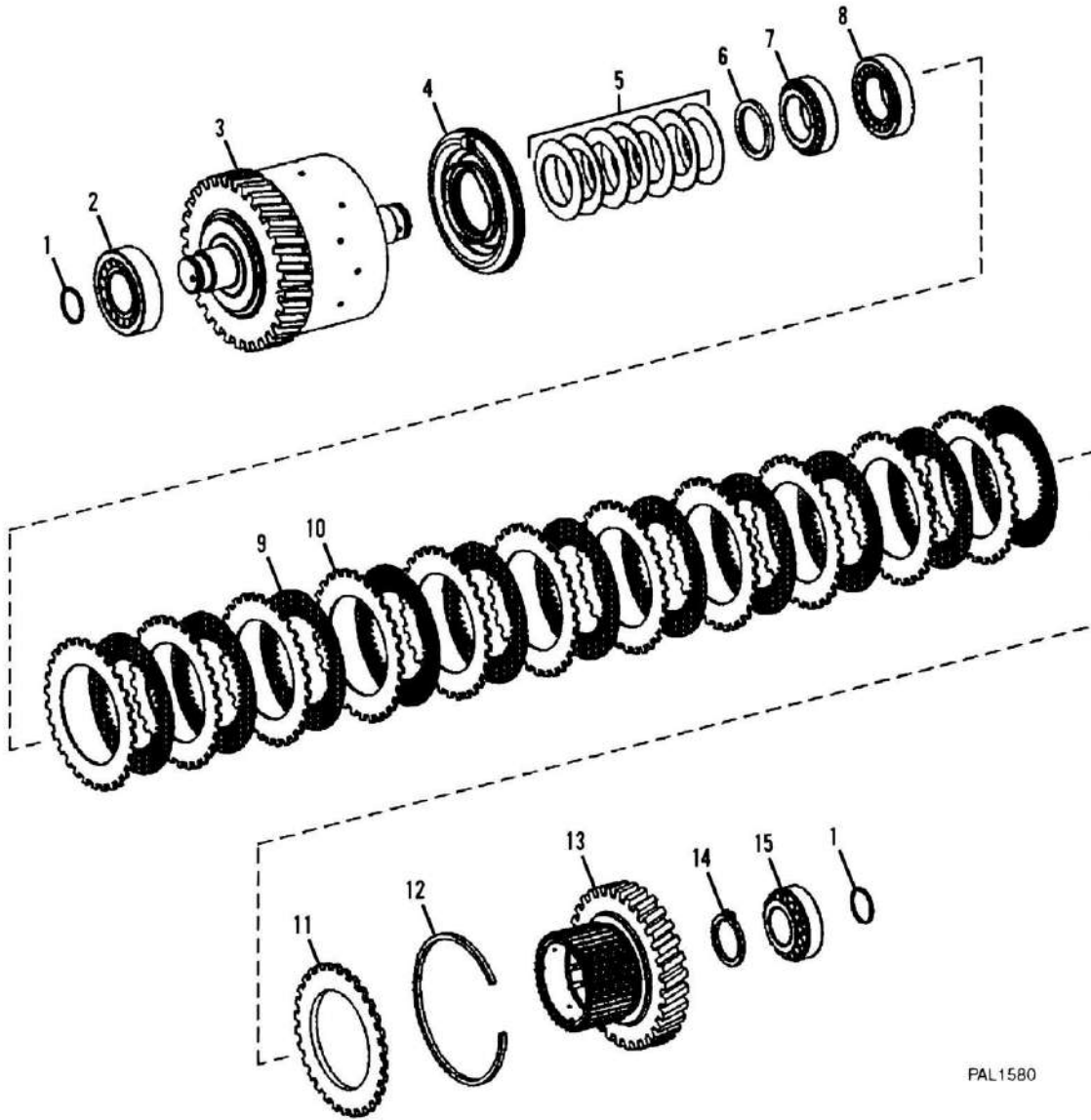
SECTION 5 - DRIVE TRAIN

FIGURE 5-40. TRANSMISSION - GEARBOX HOUSING

ITEM	PART NUMBER	QTY	DESCRIPTION	REV
1	7026751	1	PIPE	
2	1319585	11	HEX HD CAPSCREW, M8X16	
3	8036847	8	O-RING	
4	7026750	1	PIPE	
5	7026752	1	PIPE	
6	1319670	7	PLUG	
7	10731709	7	O-RING	
8	N.S.S.	1	ORIFICE	
9	N.S.S.	1	HOUSING	
10	1319590	1	BRACKET	
11	7026794	6	HEX HD CAPSCREW, M10X50	
12	70023404	1	PLUG	
13	1319571	4	PIN	
14	80304394	31	HEX HD CAPSCREW, M10X30	
15	1319646	5	HEX HD CAPSCREW	
16	7026756	1	SCREEN SHEET	
17	7026755	1	SCREEN SHEET	
18	N.S.S.	3	CAPSCREW, M8X12	
19	7026753	1	SUCTION TUBE	
20	1319581	2	O-RING	
21	7026754	1	PIPE	
22	N.S.S.	1	HOUSING	
24	70021920	1	HOUSING	
25	N.S.S.	6	CAPSCREW, M10X30	
26	10731744	1	BREATHER	
27	1319573	4	GROOVED STUD, 3X5	
28	N.S.S.	1	TYPE PLATE	
29	1319641	1	SHAFT SEAL	
30	7026792	2	O-RING	

SECTION 5 - DRIVE TRAIN

FIGURE 5-41. TRANSMISSION - FORWARD GEAR GROUP



PAL1580

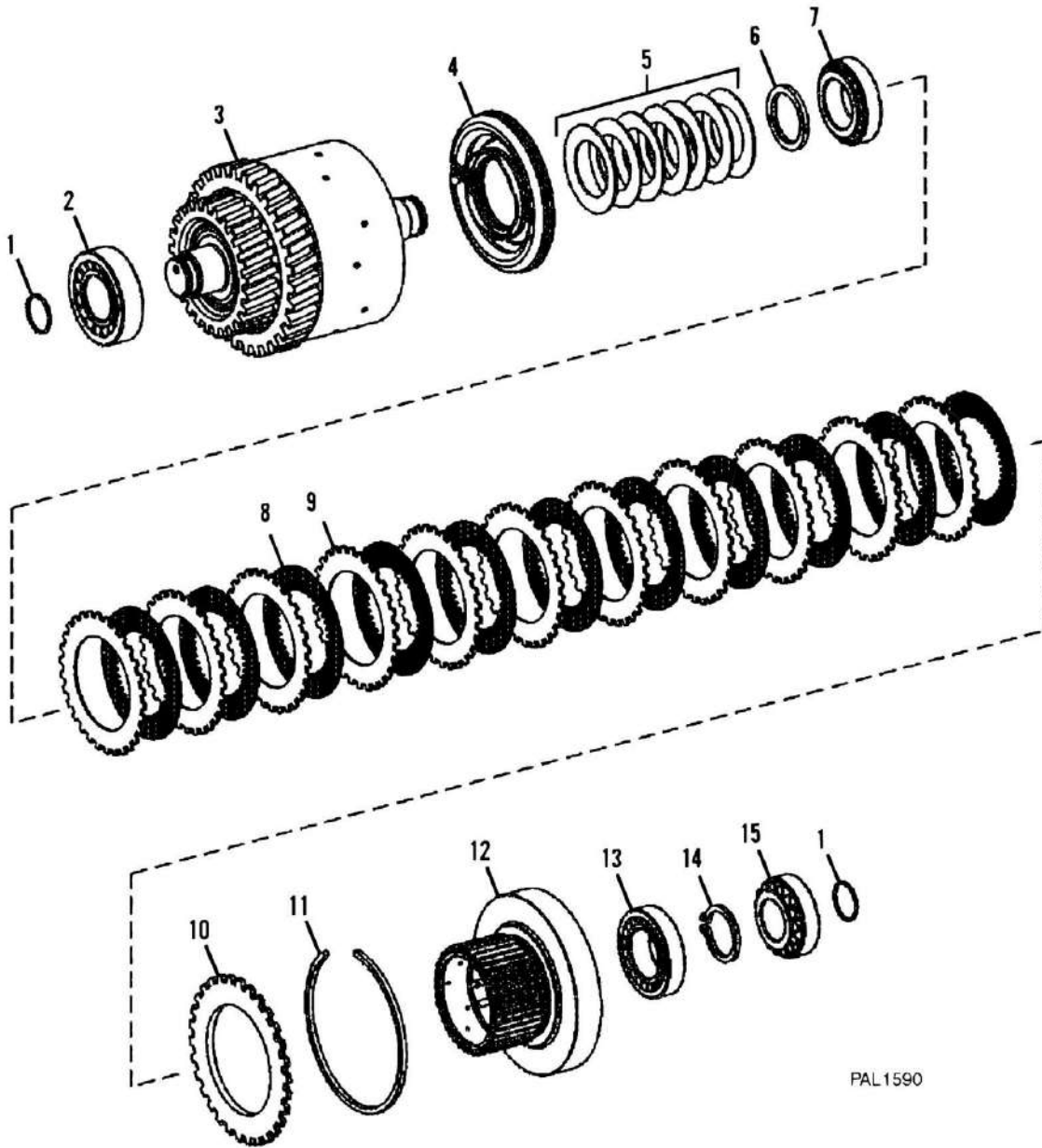
SECTION 5 - DRIVE TRAIN

FIGURE 5-41. TRANSMISSION - FORWARD GEAR GROUP

ITEM	PART NUMBER	QTY	DESCRIPTION	REV
1	7026761	2	PISTON RING	
2	1319615	1	ROLLER BEARING	
3	7026757	1	COUPLING	
4	70022075	1	PISTON, (die casted)	
4	1319593	1	O-RING, 52X3	
4	1319594	1	O-RING, 115X3	
5	1319595	7	CUP SPRING	
6	1319617	1	SUPPORT SHIM	
7	1319618	1	ROLLER BEARING	
8	1319620	1	ROLLER BEARING	
9	7026758	11	FRICTION DISC	
10	7026759	11	STATIC DISC	
11	7026760	1	END SHIM	
12	1319600	AR	SNAP RING, 4.0	
12	1319601	AR	SNAP RING, 3.5	
12	1319602	AR	SNAP RING, 3.0	
12	1319603	AR	SNAP RING, 2.5	
12	1319604	AR	SNAP RING, 2.0	
12	7029849	AR	SNAP RING, 3.25	
12	7029850	AR	SNAP RING, 3.75	
12	7029851	AR	SNAP RING, 2.25	
12	7029852	AR	SNAP RING, 2.75	
13	1319638	1	DISC CARRIER	
14	1319621	AR	RETAINING RING, 3.20	
14	1319622	AR	RETAINING RING, 3.10	
14	1319623	AR	RETAINING RING, 3.00	
14	1319624	AR	RETAINING RING, 2.90	
14	1319625	AR	RETAINING RING, 2.80	
14	1319626	AR	RETAINING RING, 2.70	
14	1319627	AR	RETAINING RING, 2.60	
14	1319628	AR	RETAINING RING, 2.50	
14	1319629	AR	RETAINING RING, 2.40	
14	1319630	AR	RETAINING RING, 2.30	
14	1319631	AR	RETAINING RING, 2.20	
14	1319632	AR	RETAINING RING, 2.10	
15	1319636	1	ROLLER BEARING	

SECTION 5 - DRIVE TRAIN

FIGURE 5-42. TRANSMISSION - REVERSE GEAR GROUP



PAL1590

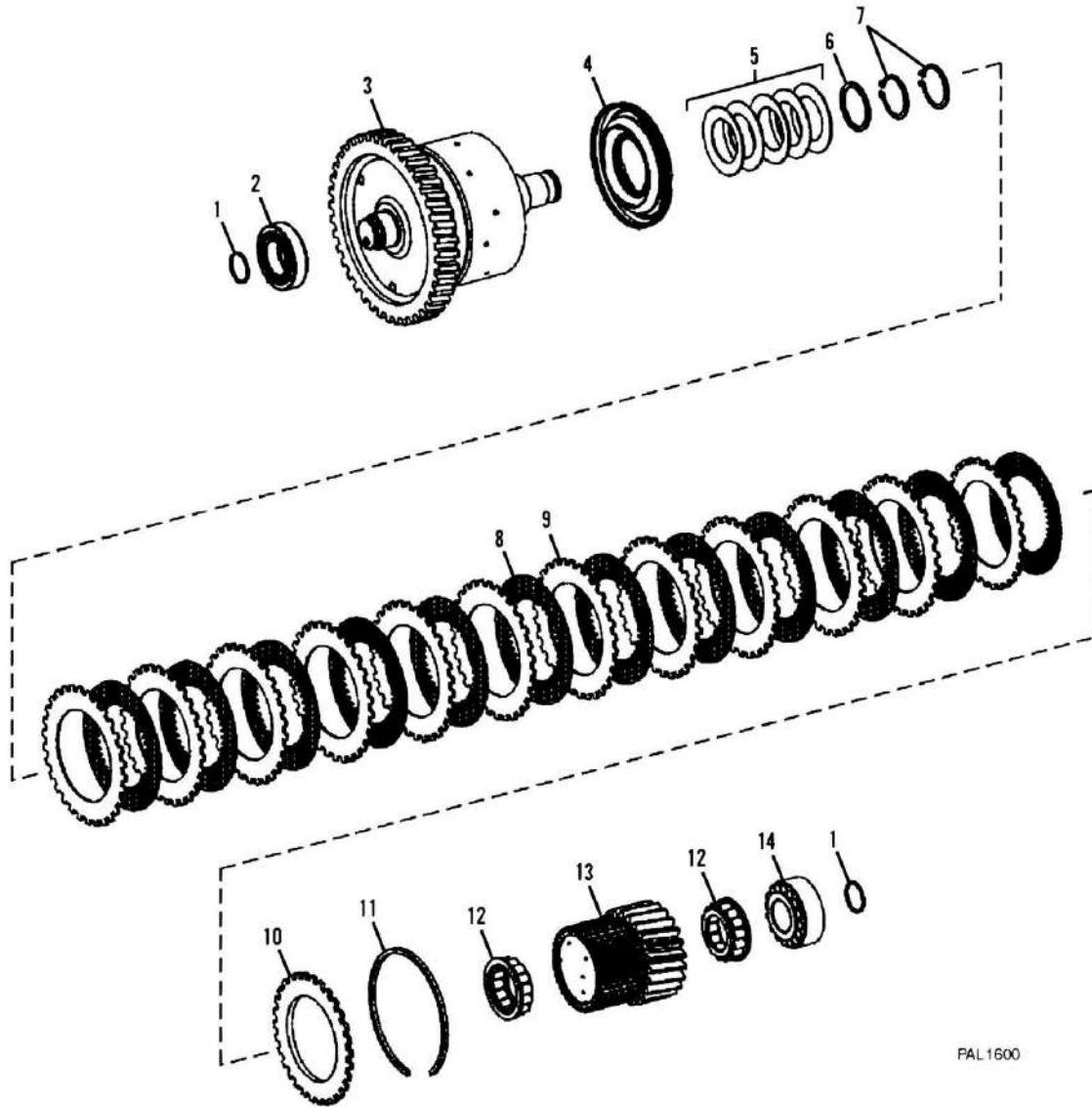
SECTION 5 - DRIVE TRAIN

FIGURE 5-42. TRANSMISSION - REVERSE GEAR GROUP

ITEM	PART NUMBER	QTY	DESCRIPTION	REV
1	7026761	2	PISTON RING	
2	1319615	1	ROLLER BEARING	
3	7026762	1	COUPLING	
4	70022075	1	PISTON, (die casted)	
4	1319593	1	O-RING, 52X3	
4	1319594	1	O-RING, 115X3	
5	1319595	7	CUP SPRING	
6	1319617	1	SUPPORT SHIM	
7	1319618	1	ROLLER BEARING	
8	7026758	11	FRICITION DISC	
9	7026759	11	STATIC DISC	
10	7026760	1	END SHIM	
11	1319600	AR	SNAP RING, 4.0	
11	1319601	AR	SNAP RING, 3.5	
11	1319602	AR	SNAP RING, 3.0	
11	1319603	AR	SNAP RING, 2.5	
11	1319604	AR	SNAP RING, 2.0	
11	7029849	AR	SNAP RING, 3.25	
11	7029850	AR	SNAP RING, 3.75	
11	7029851	AR	SNAP RING, 2.25	
11	7029852	AR	SNAP RING, 2.75	
12	1319638	1	DISC CARRIER	
13	1319620	1	ROLLER BEARING	
14	1319621	AR	RETAINING RING, 3.20	
14	1319622	AR	RETAINING RING, 3.10	
14	1319623	AR	RETAINING RING, 3.00	
14	1319624	AR	RETAINING RING, 2.90	
14	1319625	AR	RETAINING RING, 2.80	
14	1319626	AR	RETAINING RING, 2.70	
14	1319627	AR	RETAINING RING, 2.60	
14	1319628	AR	RETAINING RING, 2.50	
14	1319629	AR	RETAINING RING, 2.40	
14	1319630	AR	RETAINING RING, 2.30	
14	1319631	AR	RETAINING RING, 2.20	
14	1319632	AR	RETAINING RING, 2.10	
15	1319636	1	ROLLER BEARING	

SECTION 5 - DRIVE TRAIN

FIGURE 5-43. TRANSMISSION - 1ST SHAFT GROUP



PAL 1600

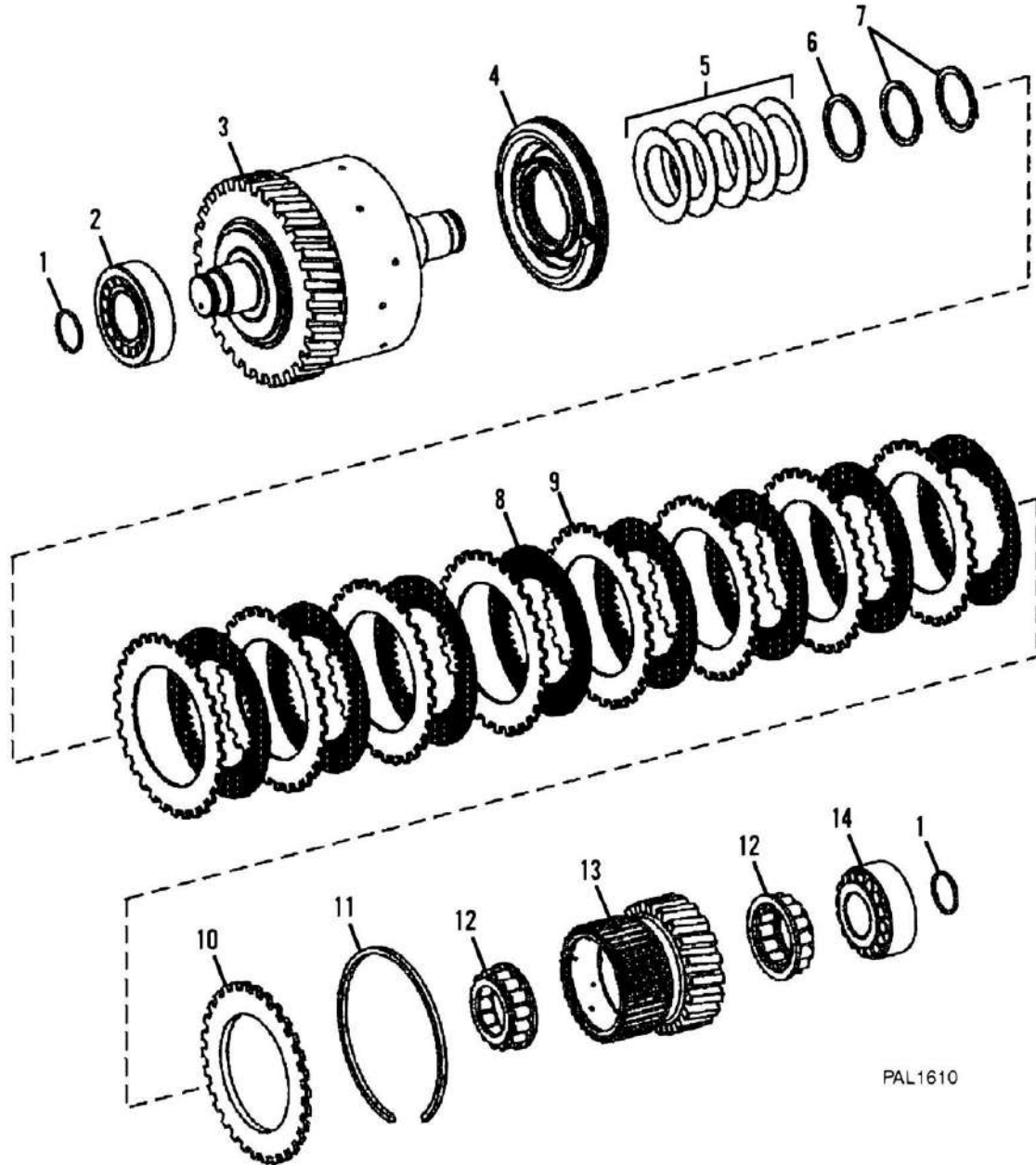
SECTION 5 - DRIVE TRAIN

FIGURE 5-43. TRANSMISSION - 1ST SHAFT GROUP

ITEM	PART NUMBER	QTY	DESCRIPTION	REV
1	7026761	2	PISTON RING	
2	1319608	1	ROLLER BEARING	
3	1319591	1	COUPLING	
4	70022075	1	PISTON, (die casted)	
4	1319593	1	O-RING, 52X3	
4	1319594	1	O-RING, 115X3	
5	1319595	5	CUP SPRING	
6	1319596	1	SHIM	
7	10731845	2	RETAINING RING	
8	7026758	12	FRICITION DISC	
9	7026759	12	STATIC DISC	
10	7026760	1	END SHIM	
11	1319600	AR	SNAP RING, 4.0	
11	1319601	AR	SNAP RING, 3.5	
11	1319602	AR	SNAP RING, 3.0	
11	1319603	AR	SNAP RING, 2.5	
11	1319604	AR	SNAP RING, 2.0	
11	7029849	AR	SNAP RING, 3.25	
11	7029850	AR	SNAP RING, 3.75	
11	7029851	AR	SNAP RING, 2.25	
11	7029852	AR	SNAP RING, 2.75	
12	1319606	2	ROLLER CAGE	
13	1319607	1	DISC CARRIER	
14	7029532	1	ROLLER BEARING, (inner ring)	
14	7029533	1	ROLLER BEARING, (outer ring)	

SECTION 5 - DRIVE TRAIN

FIGURE 5-44. TRANSMISSION - 2ND SHAFT GROUP



PAL1610

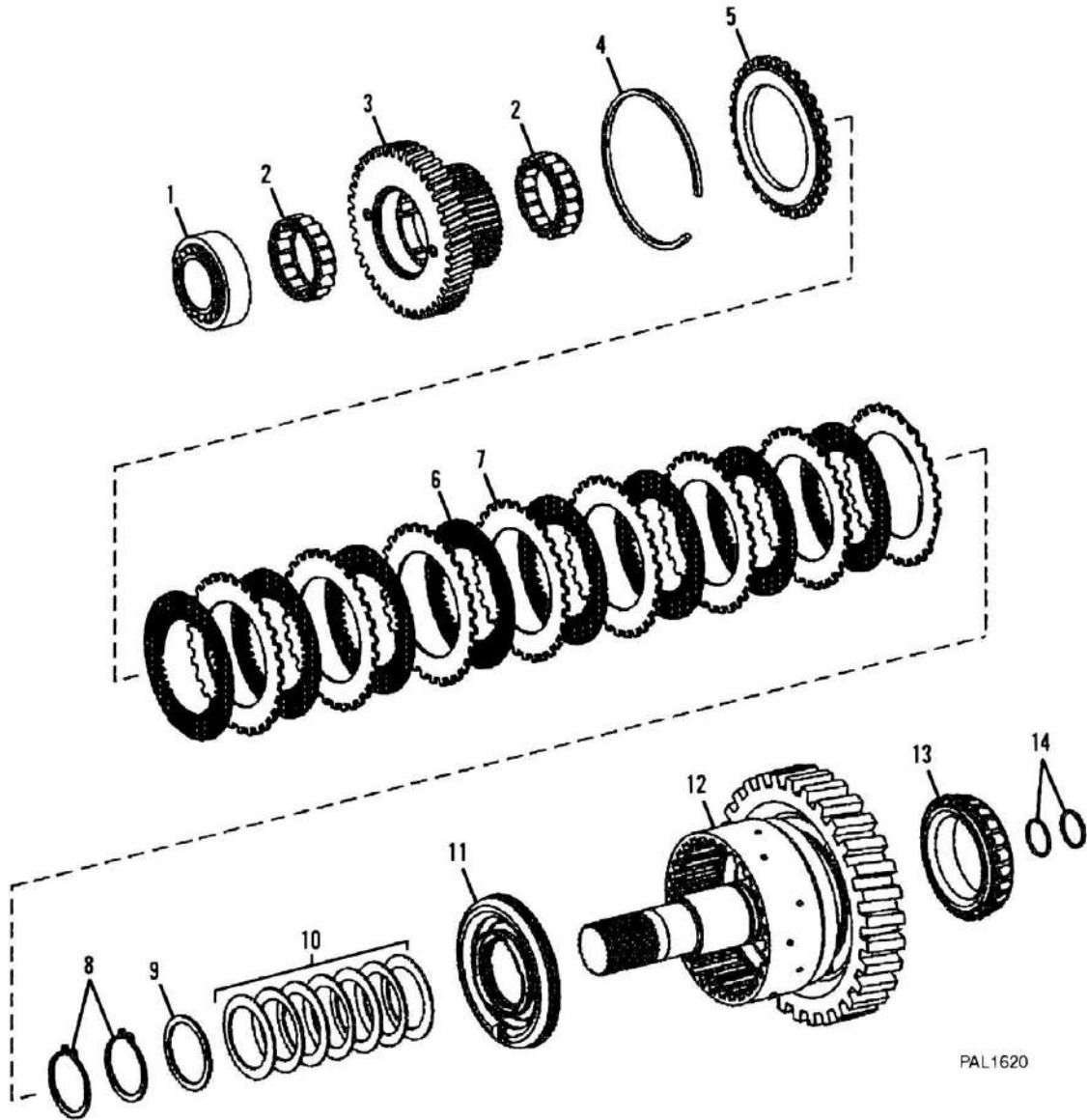
SECTION 5 - DRIVE TRAIN

FIGURE 5-44. TRANSMISSION - 2ND SHAFT GROUP

ITEM	PART NUMBER	QTY	DESCRIPTION	REV
1	7026761	2	PISTON RING	
2	1319615	1	ROLLER BEARING	
3	7026763	1	COUPLING	
4	70022075	1	PISTON, (die casted)	
4	1319593	1	O-RING, 52X3	
4	1319594	1	O-RING, 115X3	
5	1319595	5	CUP SPRING	
6	1319596	1	SHIM	
7	10731845	2	RETAINING RING	
8	7026758	8	FRICITION DISC	
9	7026759	8	STATIC DISC	
10	7026760	1	END SHIM	
11	1319600	AR	SNAP RING, 4.0	
11	1319601	AR	SNAP RING, 3.5	
11	1319602	AR	SNAP RING, 3.0	
11	1319603	AR	SNAP RING, 2.5	
11	1319604	AR	SNAP RING, 2.0	
11	7029849	AR	SNAP RING, 3.25	
11	7029850	AR	SNAP RING, 3.75	
11	7029851	AR	SNAP RING, 2.25	
11	7029852	AR	SNAP RING, 2.75	
12	1319606	2	ROLLER CAGE	
13	1319614	1	DISC CARRIER	
14	7029532	1	ROLLER BEARING, (inner ring)	
14	7029533	1	ROLLER BEARING, (outer ring)	

SECTION 5 - DRIVE TRAIN

FIGURE 5-45. TRANSMISSION - 3RD SHAFT GROUP



PAL1620

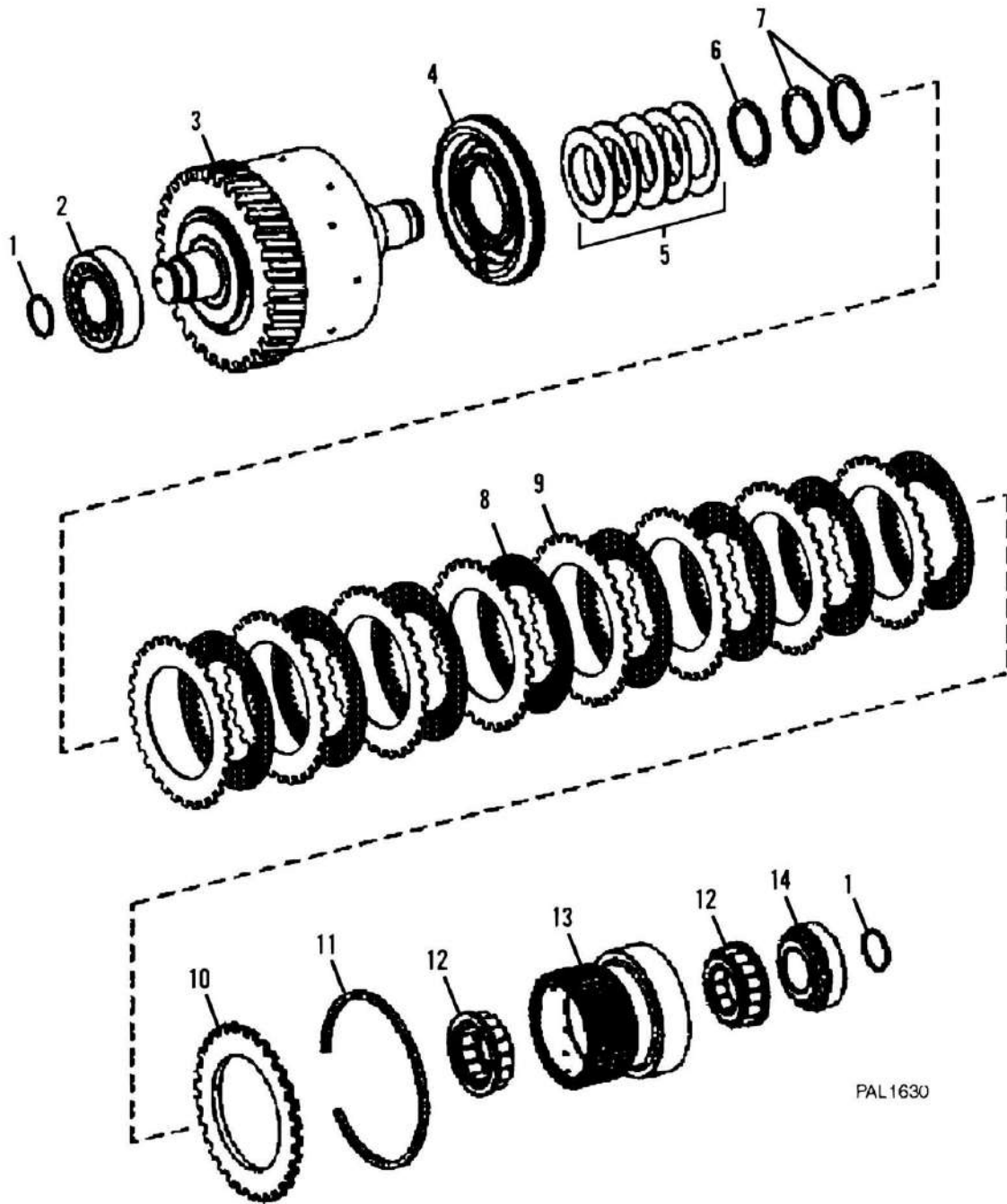
SECTION 5 - DRIVE TRAIN

FIGURE 5-45. TRANSMISSION - 3RD SHAFT GROUP

ITEM	PART NUMBER	QTY	DESCRIPTION	REV
1	N.S.S.	1	ROLLER BEARING ASSY	
1	70021268	1	BEARING OUTER RING	
1	70021269	1	BEARING INNER RING	
2	N.S.S.	1	ROLLER BEARING ASSY	
2	70021227	1	RING	
2	70021228	1	ROLLER CAGE	
3	1319619	1	DISC CARRIER	
4	1319600	AR	SNAP RING, 4.0	
4	1319601	AR	SNAP RING, 3.5	
4	1319602	AR	SNAP RING, 3.0	
4	1319603	AR	SNAP RING, 2.5	
4	1319604	AR	SNAP RING, 2.0	
4	7029849	AR	SNAP RING, 3.25	
4	7029850	AR	SNAP RING, 3.75	
4	7029851	AR	SNAP RING, 2.25	
4	7029852	AR	SNAP RING, 2.75	
5	7026760	1	END SHIM	
6	7026758	8	FRICTION DISC	
7	7026759	8	STATIC DISC	
8	80304227	2	RETAINING RING	
9	7026766	1	WASHER	
10	7026765	7	CUP SPRING	
11	70022075	1	PISTON, (die casted)	
11	1319593	1	O-RING, 52X3	
11	1319594	1	O-RING, 115X3	
12	7026764	1	COUPLING	
13	7026769	1	ROLLER BEARING	
14	7026761	2	PISTON BEARING	

SECTION 5 - DRIVE TRAIN

FIGURE 5-46. TRANSMISSION - 4TH SHAFT GROUP



PAL1630

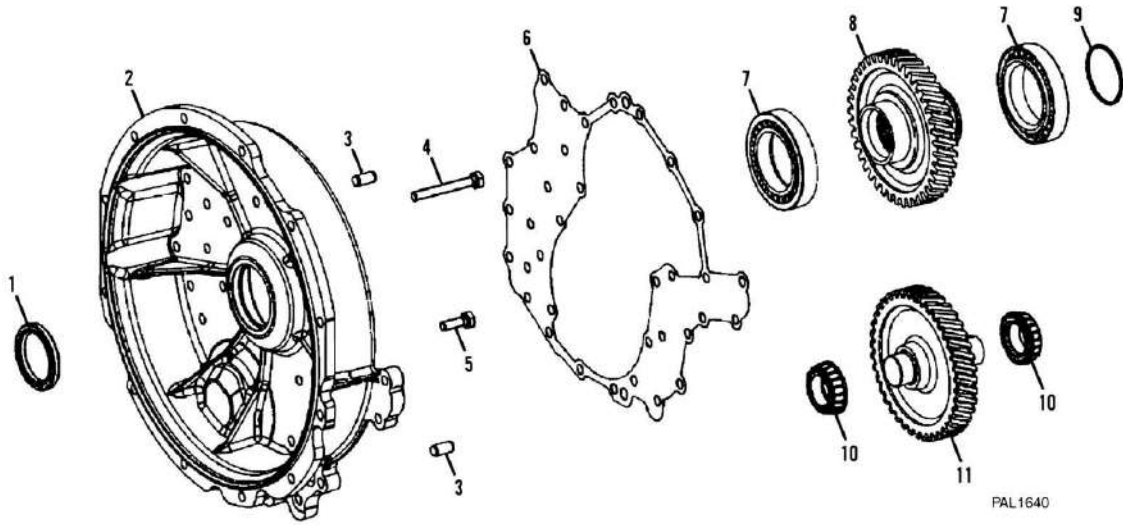
SECTION 5 - DRIVE TRAIN

FIGURE 5-46. TRANSMISSION - 4TH SHAFT GROUP

ITEM	PART NUMBER	QTY	DESCRIPTION	REV
1	7026761	2	PISTON RING	
2	1319615	1	ROLLER BEARING	
3	7026770	1	COUPLING	
4	70022075	1	PISTON, (die casted)	
4	1319593	1	O-RING, 52X3	
4	1319594	1	O-RING, 115X3	
5	1319595	5	CUP SPRING	
6	1319596	1	SHIM	
7	10731845	2	RETAINING RING	
8	7026758	8	FRICITION DISC	
9	7026759	8	STATIC DISC	
10	7026760	1	END SHIM	
11	1319600	AR	SNAP RING, 4.0	
11	1319601	AR	SNAP RING, 3.5	
11	1319602	AR	SNAP RING, 3.0	
11	1319603	AR	SNAP RING, 2.5	
11	1319604	AR	SNAP RING, 2.0	
11	7029849	AR	SNAP RING, 3.25	
11	7029850	AR	SNAP RING, 3.75	
11	7029851	AR	SNAP RING, 2.25	
11	7029852	AR	SNAP RING, 2.75	
12	1319606	2	ROLLER CAGE	
13	1319635	1	DISC CARRIER	
14	1319636	1	ROLLER BEARING	

SECTION 5 - DRIVE TRAIN

FIGURE 5-47. TRANSMISSION - POWER TAKE-OFF



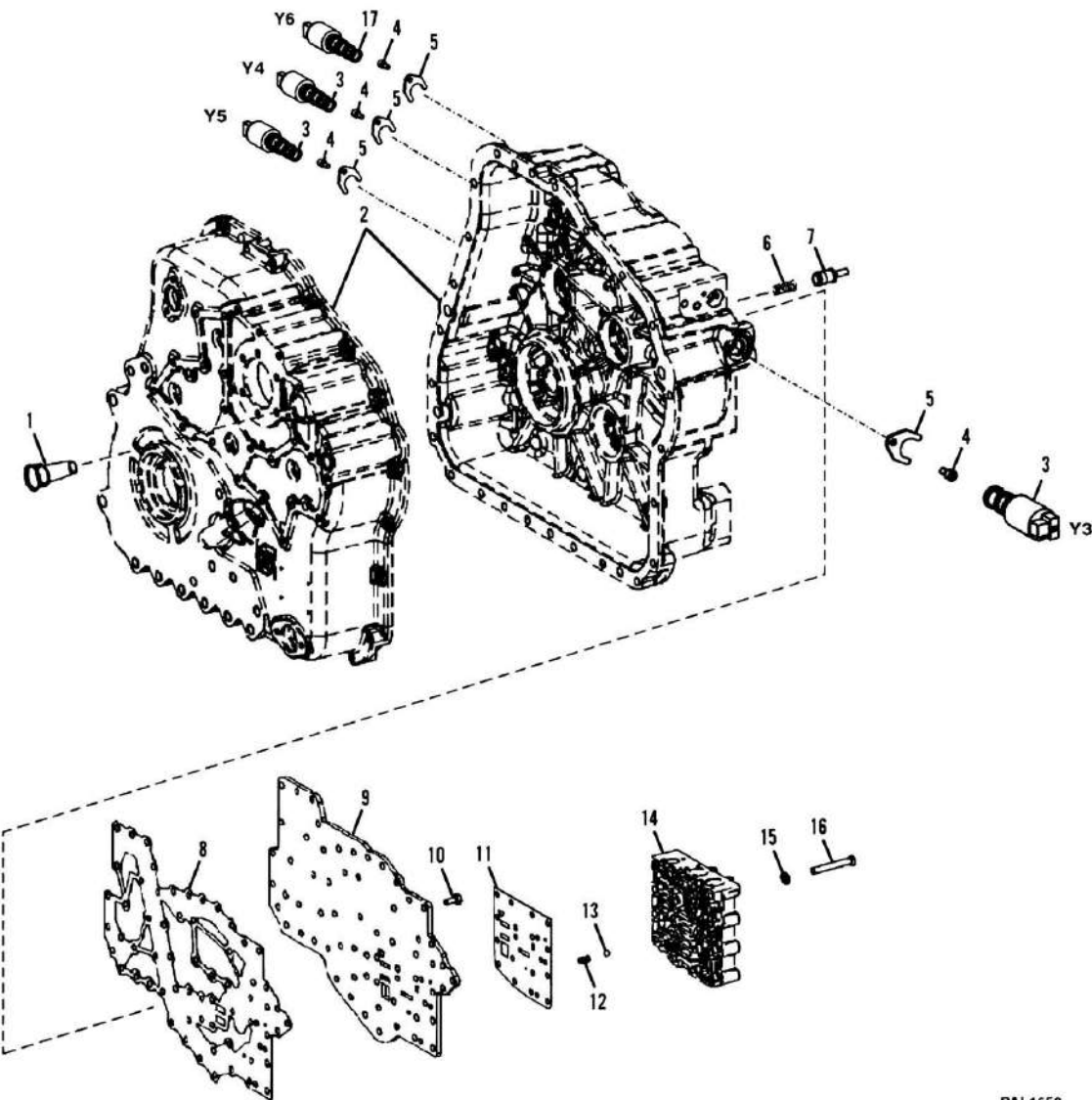
SECTION 5 - DRIVE TRAIN

FIGURE 5-47. TRANSMISSION - POWER TAKE-OFF

ITEM	PART NUMBER	QTY	DESCRIPTION	REV
1	1319576	1	SHAFT SEAL	
2	70021526	1	HOUSING	
3	1319571	2	CYLINDRICAL PIN	
4	7026775	15	HEX HD CAPSCREW	
5	80304394	21	HEX HD CAPSCREW	
6	7026774	1	GASKET	
7	7026769	2	ROLLER BEARING	
8	7026771	1	SHAFT	
9	7026772	1	PISTON RING	
10	1319608	2	ROLLER BEARING	
11	7026773	1	SHAFT	

SECTION 5 - DRIVE TRAIN

FIGURE 5-48. TRANSMISSION - CONTROL UNIT AND PRESSURE REGULATOR



PAL1652

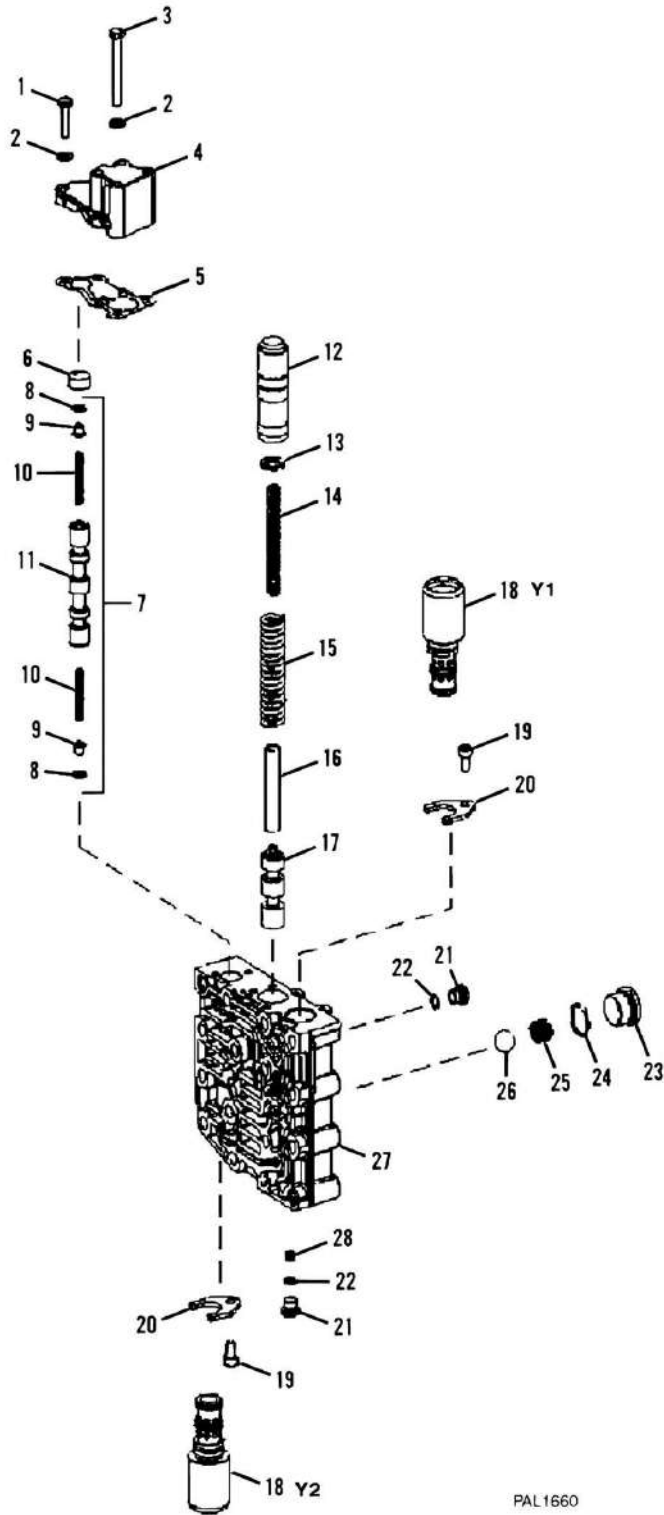
SECTION 5 - DRIVE TRAIN

FIGURE 5-48. TRANSMISSION - CONTROL UNIT AND PRESSURE REGULATOR

ITEM	PART NUMBER	QTY	DESCRIPTION	REV
1	7026782	1	VALVE	
2		Ref	HOUSING, (See TRANSMISSION - GEARBOX HOUSING for Breakdown)	
3	8036529	3	SOLENOID VALVE	
4	N.S.S.	4	CAPSCREW, M6X12	
5	N.S.S.	4	BRACKET	
6	7026784	1	COMPRESSED SPRING	
7	7026783	1	PISTON	
8	7026776	1	GASKET	
9	7026777	1	PLATE	
10	7026780	46	HEX HD CAPSCREW	
11	7026779	1	INTERMEDIATE SHEET	
12	7026778	1	COMPRESSED SPRING	
13	10731761	1	BALL	
14		Ref	VALVE HOUSING, (See TRANSMISSION - GEARSHIFT SYSTEM for Breakdown)	
15	10732095	16	WASHER	
16	7026781	16	HEX HD CAPSCREW	
17	8036528	1	SOLENOID VALVE	

SECTION 5 - DRIVE TRAIN

FIGURE 5-49. TRANSMISSION - GEARSHIFT SYSTEM



PAL1660

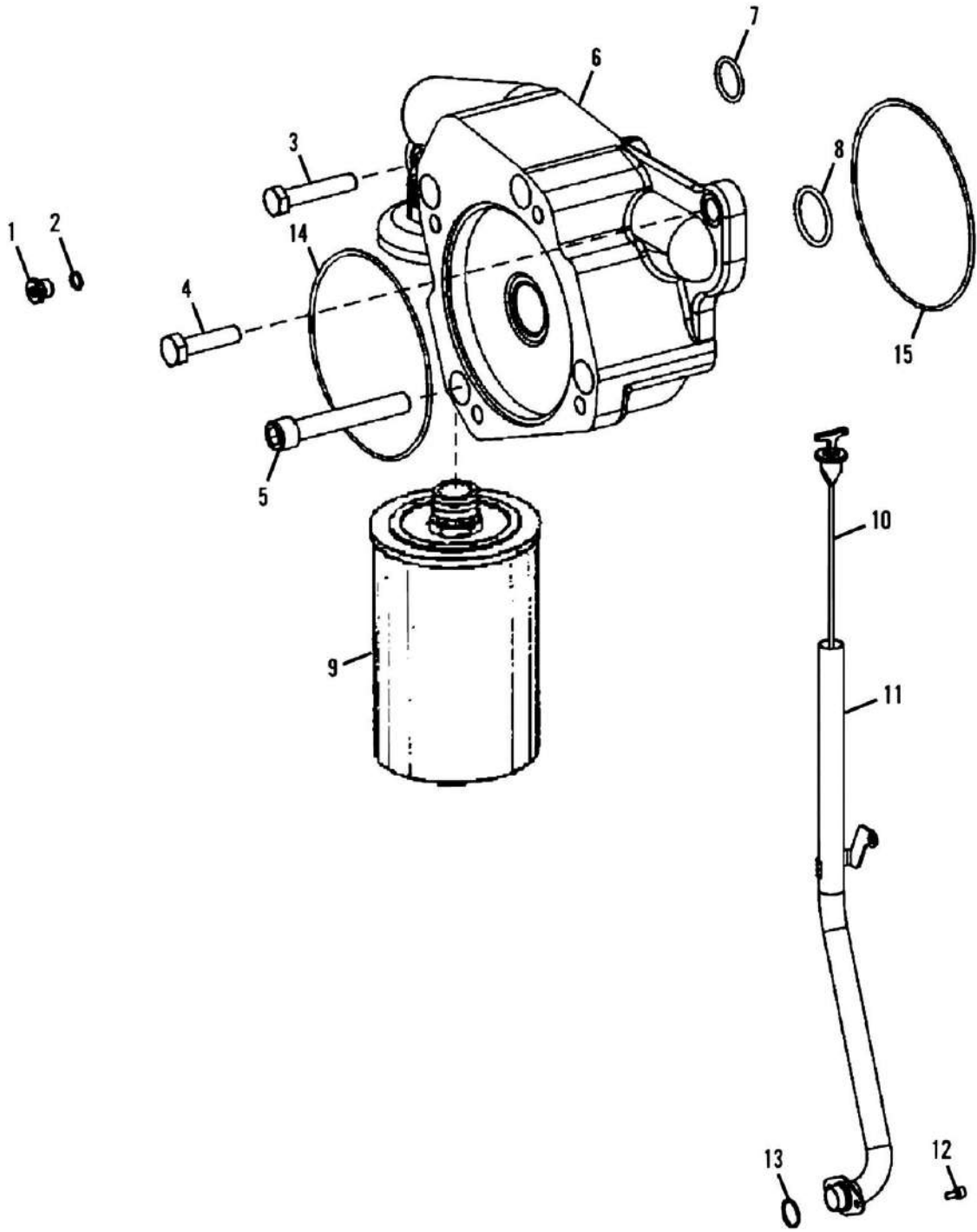
SECTION 5 - DRIVE TRAIN

FIGURE 5-49. TRANSMISSION - GEARSHIFT SYSTEM

ITEM	PART NUMBER	QTY	DESCRIPTION	REV
1	1319693	2	HEX HD CAPSCREW, M6X25	
2	1319661	6	WASHER	
3	1321265	4	HEX HD CAPSCREW, M6X55	
4	7026789	1	COVER	
5	7026788	1	GASKET	
6	7026787	1	SPACER	
7	1319694	1	VALVE ASSY, (includes items 8 thru 11)	
8	N.S.S.	2	SNAP RING	
9	N.S.S.	2	SPRING SLEEVE	
10	N.S.S.	2	COMPRESSED SPRING	
11	N.S.S.	1	PISTON	
12	7026790	1	PISTON	
13	1319685	AR	WASHER, 2.0	
13	1319686	AR	WASHER, 1.0	
13	1319687	AR	WASHER, 0.5	
13	1319688	AR	WASHER, 0.3	
13	1319689	AR	WASHER, 0.2	
14	1319684	1	COMPRESSED SPRING	
15	1319683	1	COMPRESSED SPRING	
16	7026786	1	SLEEVE	
17	7026785	1	CONTROL PISTON	
18	8036528	2	SOLENOID VALVE	
19	N.S.S.	2	HEX HD CAPSCREW	
20	N.S.S.	2	BRACKET	
21	1319670	2	PLUG, M10	
22	10731709	2	O-RING	
23	N.S.S.	2	PLUG, M24	
24	70000656	2	O-RING	
25	10732072	2	COMPRESSED SPRING	
26	10732071	2	BALL	
27	70022790	1	VALVE HOUSING	
28	1319652	1	ORIFICE	

SECTION 5 - DRIVE TRAIN

FIGURE 5-50. TRANSMISSION - OIL PUMP, FILTER AND DIPSTICK



PAL1672

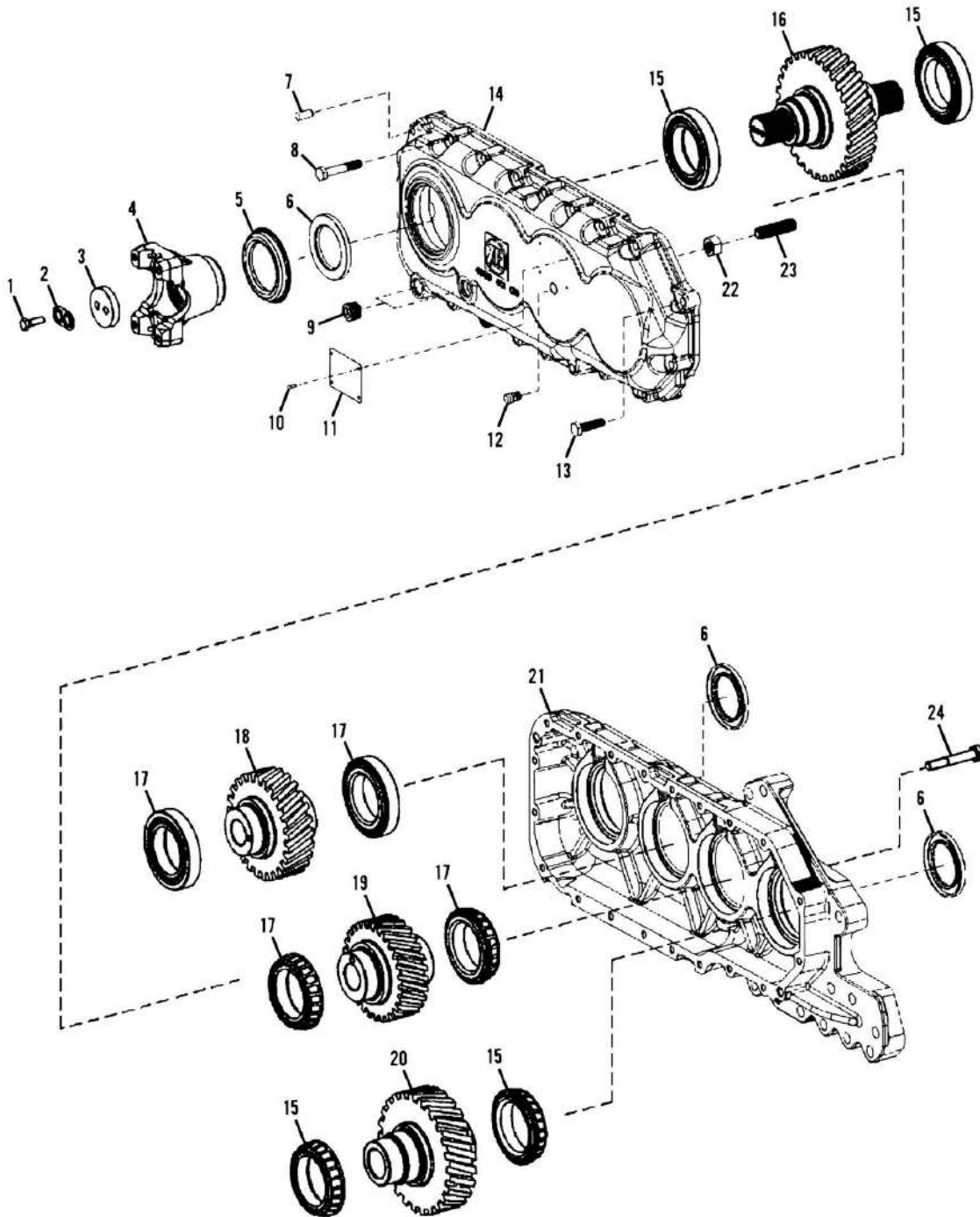
SECTION 5 - DRIVE TRAIN

FIGURE 5-50. TRANSMISSION - OIL PUMP, FILTER AND DIPSTICK

ITEM	PART NUMBER	QTY	DESCRIPTION	REV
1	1319670	2	PLUG, M10X1	
2	10731709	2	O-RING	
3	7026794	1	HEX HD CAPSCREW, M10X50	
4	80304394	1	HEX HD CAPSCREW, M10X30	
5	7026793	4	CAPSCREW, M12X80	
6	7026791	1	PUMP	
6	7029417	1	O-RING, (located between two halves of oil pump)	
7	7026792	3	O-RING	
8	1319719	1	O-RING	
9	1319726	1	FILTER	
10	8841322	1	DIPSTICK	
11	1001095744	1	DIPSTICK TUBE	
12	1319585	2	CAPSCREW, M8X16	
13	1319581	1	O-RING	
14	N.S.S.	1	O-RING	
15	8036250	1	O-RING	

SECTION 5 - DRIVE TRAIN

FIGURE 5-51. TRANSMISSION - TRANSFER BOX



PAL1681

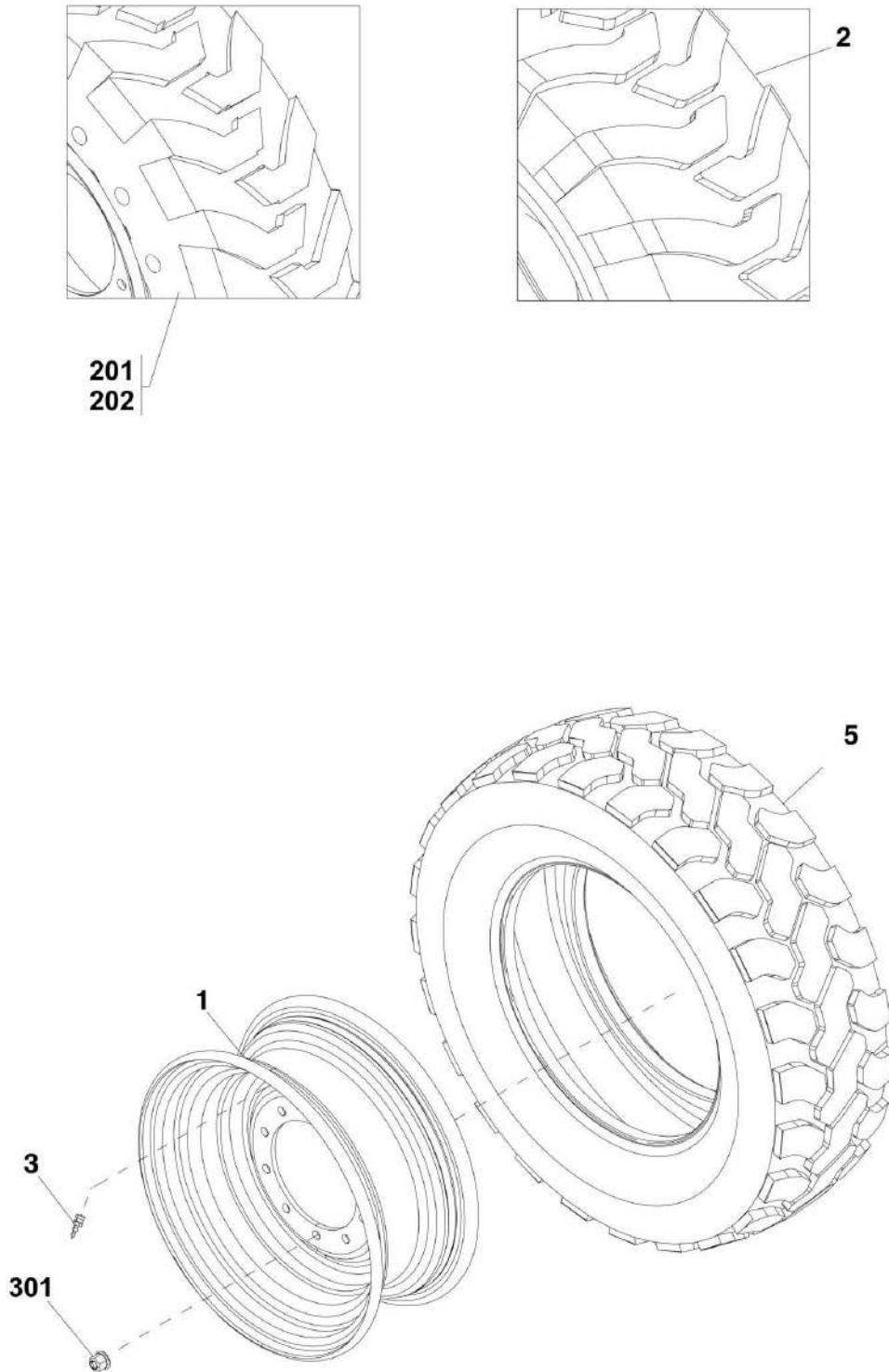
SECTION 5 - DRIVE TRAIN

FIGURE 5-51. TRANSMISSION - TRANSFER BOX

ITEM	PART NUMBER	QTY	DESCRIPTION	REV
	70023502	1	TRANSFER BOX, (includes all items)	
1	10731959	4	HEX HD CAPSCREW, (two per side)	
2	1319649	2	TAB WASHER, (one per side)	
3	1319648	2	WASHER, (one per side)	
4	7027273	2	FLANGE, (one per side)	
5	1319647	2	SCREEN SHEET, (one per side)	
6	1320755	3	SHAFT SEAL	
7	1319571	2	CYLINDRICAL PIN	
8	70023801	22	HEX HD CAPSCREW, M10X50	
9	1319578	2	PLUG	
10	1319573	4	STUD, 3X5	
11	N.S.S.	1	PLATE	
12	1319436	1	BREATHER	
13	70023800	1	HEX HD CAPSCREW, M10X30	
14	70023475	1	HOUSING	
15	7026769	4	ROLLER BEARING	
16	7027271	1	OUTPUT SHAFT	
17	N.S.S.	4	TAPERED ROLLER BEARING	
17	1320748	1	CUP	
17	1320754	1	CONE	
18	7027272	1	IDLER GEAR	
19	7027270	1	IDLER GEAR	
20	N.S.S.	1	INPUT SHAFT	
20	70020493	1	INPUT GEAR	
20	70020036	1	SEAL	
21	70023474	1	HOUSING	
22	7026578	1	HEX NUT, M16	
23	7026577	1	SLEEVE	
24	70023476	1	HEX BOLT, M10X65	

SECTION 5 - DRIVE TRAIN

FIGURE 5-52. WHEEL ASSEMBLY



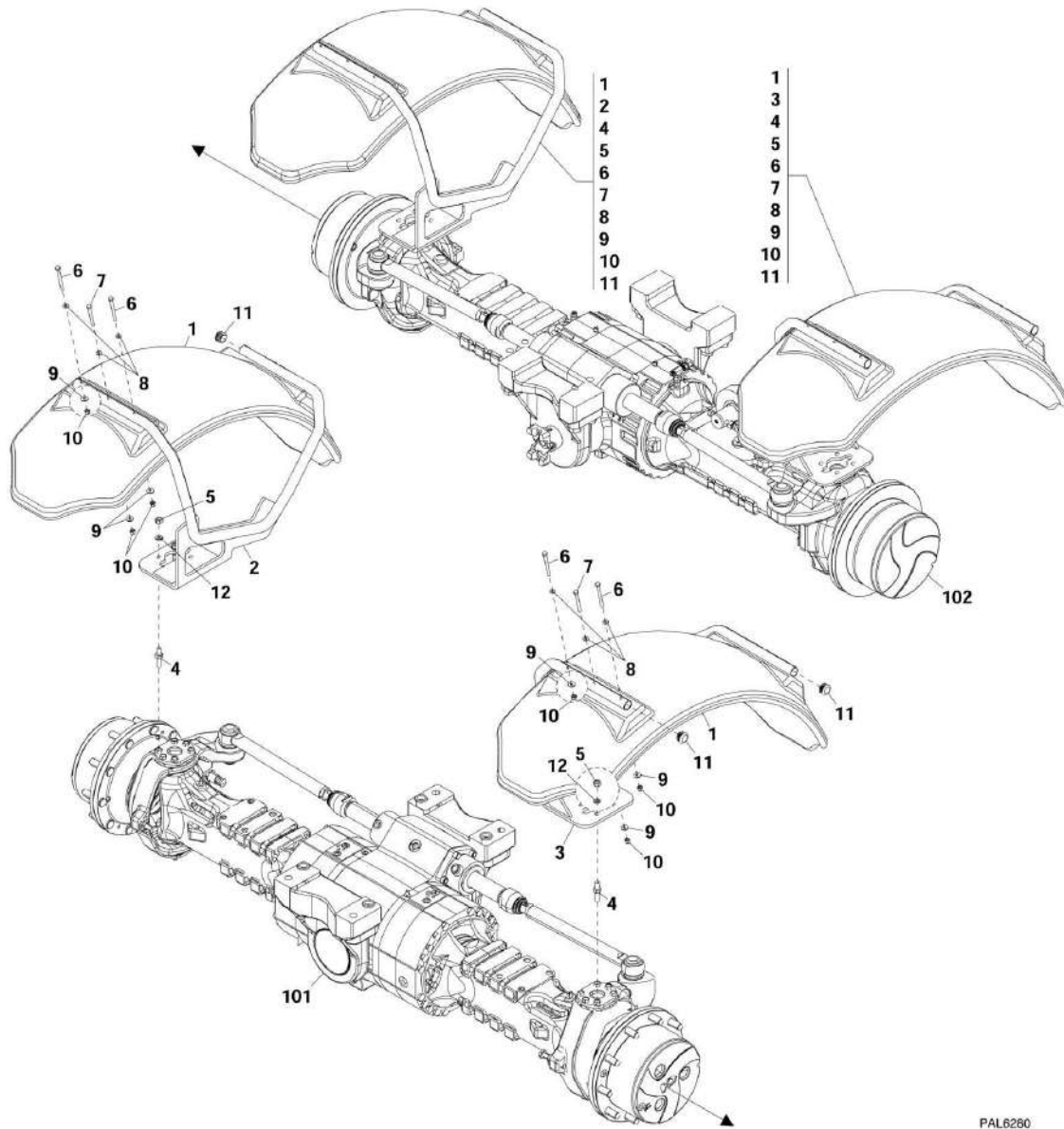
SECTION 5 - DRIVE TRAIN

FIGURE 5-52. WHEEL ASSEMBLY

ITEM	PART NUMBER	QTY	DESCRIPTION	REV
	4520481	1	TIRE SET, 14.00-24 BIAS, G-2	A
	91355034	2	RH TIRE AND WHEEL ASSY, 14.00-24 BIAS, G-2, (includes items 1 thru 3)	C
	91355035	2	LH TIRE AND WHEEL ASSY, 14.00-24 BIAS, G-2, (includes items 1 thru 3)	C
	4520482	1	TIRE SET, 14.00-24 BIAS, G-2, FOAM FILLED	B
	91355037	2	RH TIRE AND WHEEL ASSY, 14.00-24 BIAS, G-2, FOAM FILLED, (includes items 1 thru 4)	E
	91355038	2	LH TIRE AND WHEEL ASSY, 14.00-24 BIAS, G-2, FOAM FILLED, (includes items 1 thru 4)	E
	1001152430	1	TIRE SET, 17.50-25, 16 PLY	A
	1001152415	2	RH TIRE AND WHEEL ASSY, 17.50-25, 16 PLY, (includes items 1 thru 3)	A
	1001152416	2	LH TIRE AND WHEEL ASSY, 17.50-25, 16 PLY, (includes items 1 thru 3)	A
	4520519	1	TIRE SET, 17.50-25 BIAS, FOAM FILLED, G-2	A
	91565040	2	RH TIRE AND WHEEL ASSY, 17.50-25 BIAS, FOAM FILLED, 785 lb, G-2(includes items 1 thru 4)	E
	91565039	2	LH TIRE AND WHEEL ASSY, 17.50-25 BIAS, FOAM FILLED, 785 lb, G-2(includes items 1 thru 4)	E
	1001121109	1	TIRE SET, 400/75-28, 16 PLY	B
	1001121103	4	TIRE AND RIM ASSY, 400/75-28, 16PLY, (includes items 1, 3 & 5)	B
	1001125410	1	TIRE SET, 400/75-28, 16 PLY, FOAM FILLED	B
	1001121105	4	TIRE AND RIM ASSY, 400/75-28, 16PLY, FOAM FILLED, 464 lb,(includes items 1,3 & 5)	C
1	91473206	1	WHEEL, 24X9.00, 0.218 OFFSET	
1	91563250	1	WHEEL, 25X13, 1.687 OFFSET	
1	1001120178	1	WHEEL, 28X12, 0.75 OFFSET, (if equipped with Firestone 400/75-28)	
2	91043084	1	TIRE, 14.00-24 LOADER, 12 PLY, DIRECTIONAL, G-2	
2	4520527	1	TIRE, 17.50-25 LOADER, 12 PLY, DIRECTIONAL, L-2	
2	8780039	1	TIRE, 17.50-25 LOADER, 16 PLY, DIRECTIONAL, L-2	
3	91083385	1	VALVE STEM	
3	8786514	1	VALVE STEM, (if equipped with Firestone 400/75-28)	
4	8526203	1	BALLAST FLAT PROOFING FOAM FILL, (not shown)	
5	1001120179	1	TIRE, 400/75-28, 16PLY	
	1001151108	1	TIRE SET, SOLIDEAL, 14X24, SOLID, (includes items 201 & 202)	A
201	1001151101	2	LH TIRE, SOLIDEAL, 14X24, 0.219 OFFSET	A
202	1001151102	2	RH TIRE, SOLIDEAL, 14X24, 0.219 OFFSET	A
301		Ref	WHEEL NUT, (See DRIVETRAIN COMPONENTS for Breakdown)	

SECTION 5 - DRIVE TRAIN

FIGURE 5-53. FENDER INSTALLATION (Prior to SN 0160052014, SN 0160058370 to Present)



PAL6260

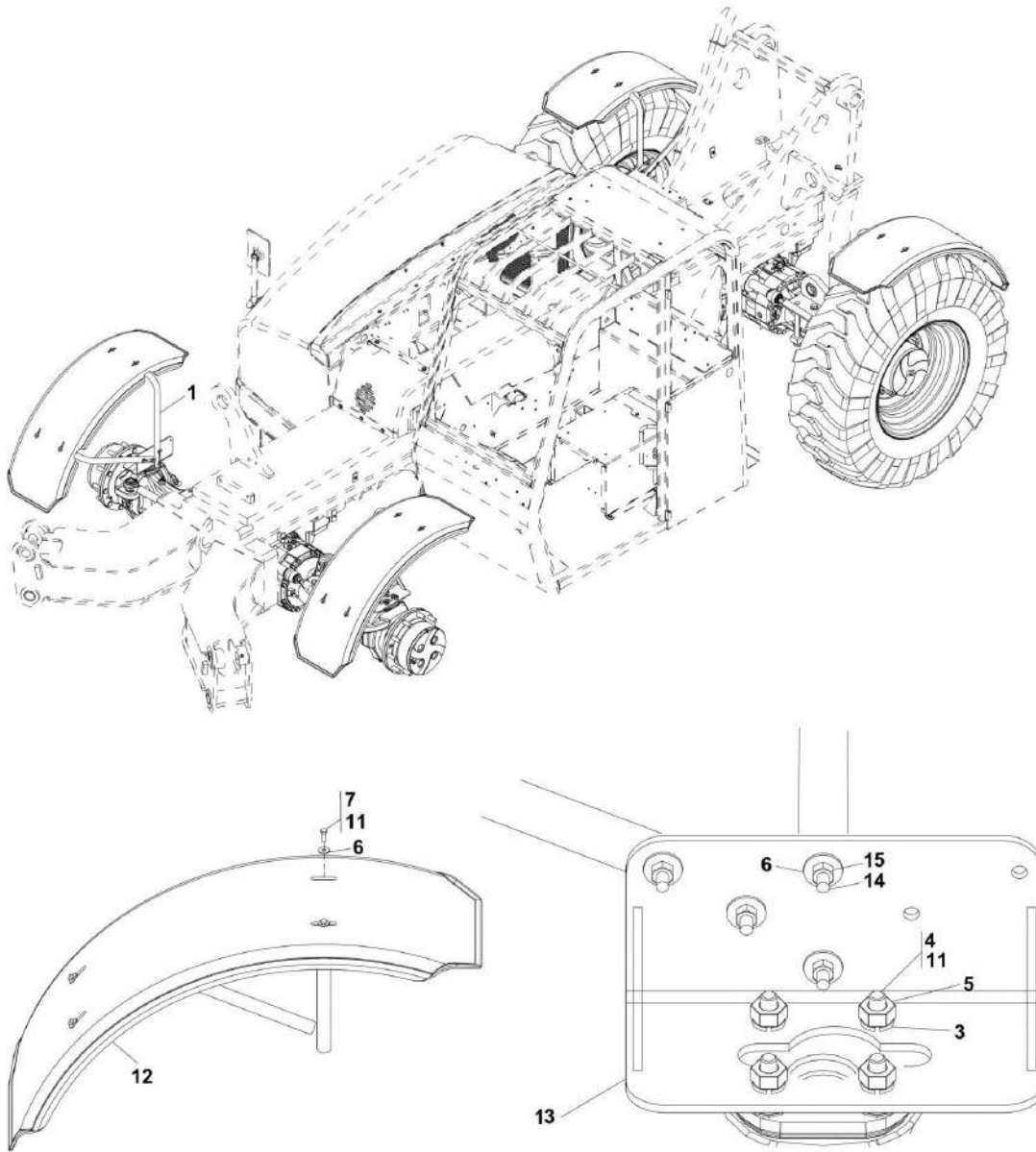
SECTION 5 - DRIVE TRAIN

FIGURE 5-53. FENDER INSTALLATION (Prior to SN 0160052014, SN 0160058370 to Present)

ITEM	PART NUMBER	QTY	DESCRIPTION	REV
	91565081	Ref	FENDER INSTALLATION, (not available to order, see items 1 thru 12 for service)	F
1	91473126	4	FENDER	
2	91566062	2	RH FENDER BRACKET	
3	91566063	2	LH FENDER BRACKET	
4	91514118	16	FENDER STUD, (torque to 94-104 lb-ft/127-141 Nm)	
5	91513266	16	HEX NUT, M12X1.25	
6	0641528	16	HEX HD CAPSCREW, 5/16-18X3-1/2, GR5	
7	0641524	8	HEX HD CAPSCREW, 5/16-18X3, GR5	
8	4711500	24	WASHER, 5/16	
9	4751500	24	WASHER, 5/16	
10	88521205	24	LOCKNUT, 5/16-18	
11	3520176	8	PLUG	
12	83191010	16	LOCKWASHER, 12mm	
101		Ref	FRONT AXLE, (See FRONT AXLE for Breakdown)	
102		Ref	REAR AXLE, (See REAR AXLE for Breakdown)	
201		Ref	CAB FENDER INSTALLATION, (not shown), (See CAB SECTION for Breakdown)	

SECTION 5 - DRIVE TRAIN

FIGURE 5-54. FENDER INSTALLATION (SN 0160052014 through 0160058369)



SECTION 5 - DRIVE TRAIN

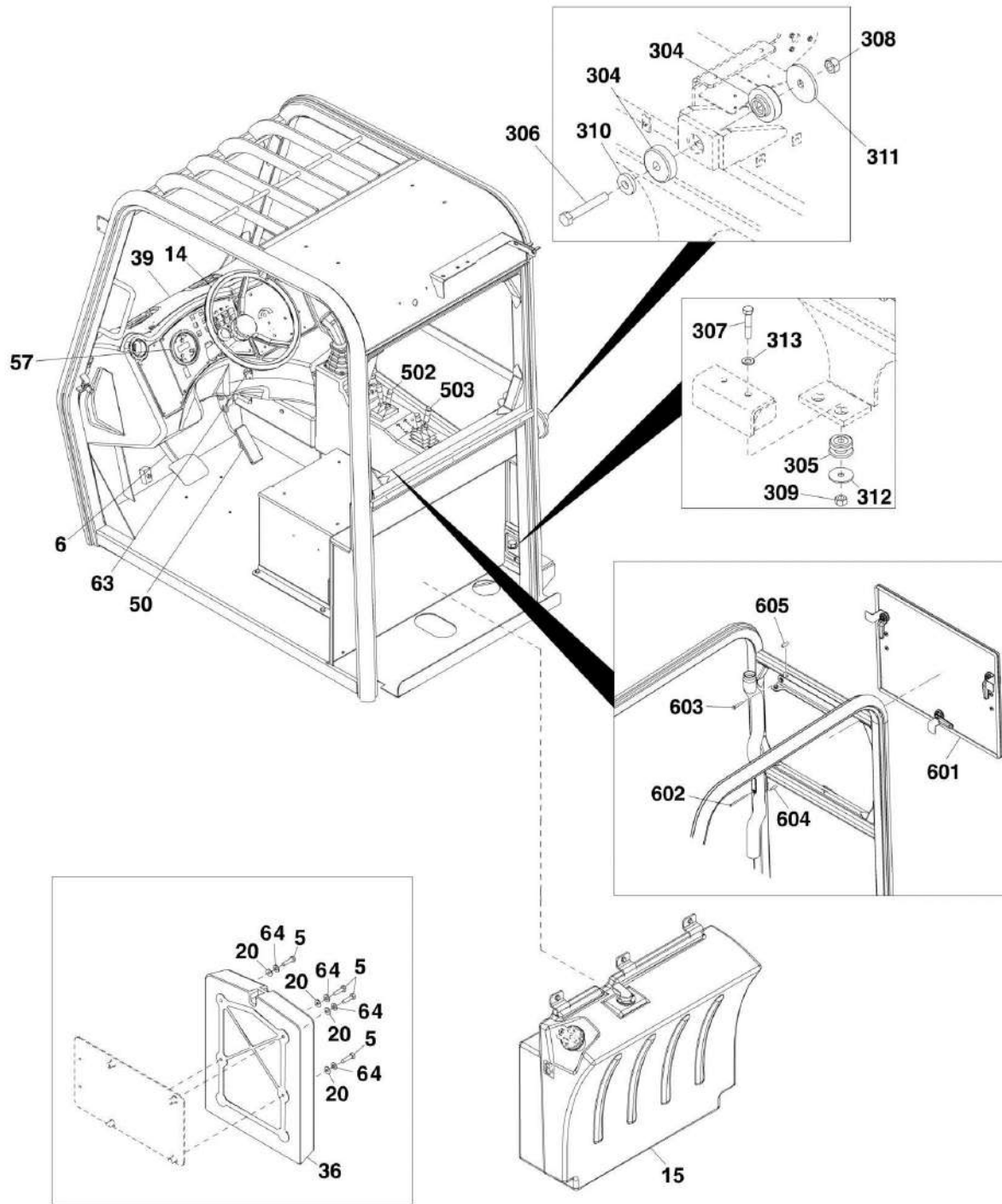
FIGURE 5-54. FENDER INSTALLATION (SN 0160052014 through 0160058369)

ITEM	PART NUMBER	QTY	DESCRIPTION	REV
	1001142563	1	FENDER INSTALLATION, (includes all items)	E
1	1001142560	8	FENDER WELDMENT BRACKET	
3	83191010	16	LOCKWASHER, M12	
4	91514118	16	FENDER STUD	
5	91513266	16	HEX NUT, M12X1-1/4	
6	4811902	64	WASHER, 8MM	
7	0760812	16	HEX HD SCREW, M8X25	
11	1001095650	AR	LOCTITE 242	
12	1001154055	4	FENDER DUNLOFLEX	
13	1001160551	4	BRACKET, FENDER BASE	
14	0760820	16	HEXHD SCR, M8 X 60 LG	
15	3290807	16	HEX LOCK NUT, M8 X1.25	

SECTION 6 - CAB

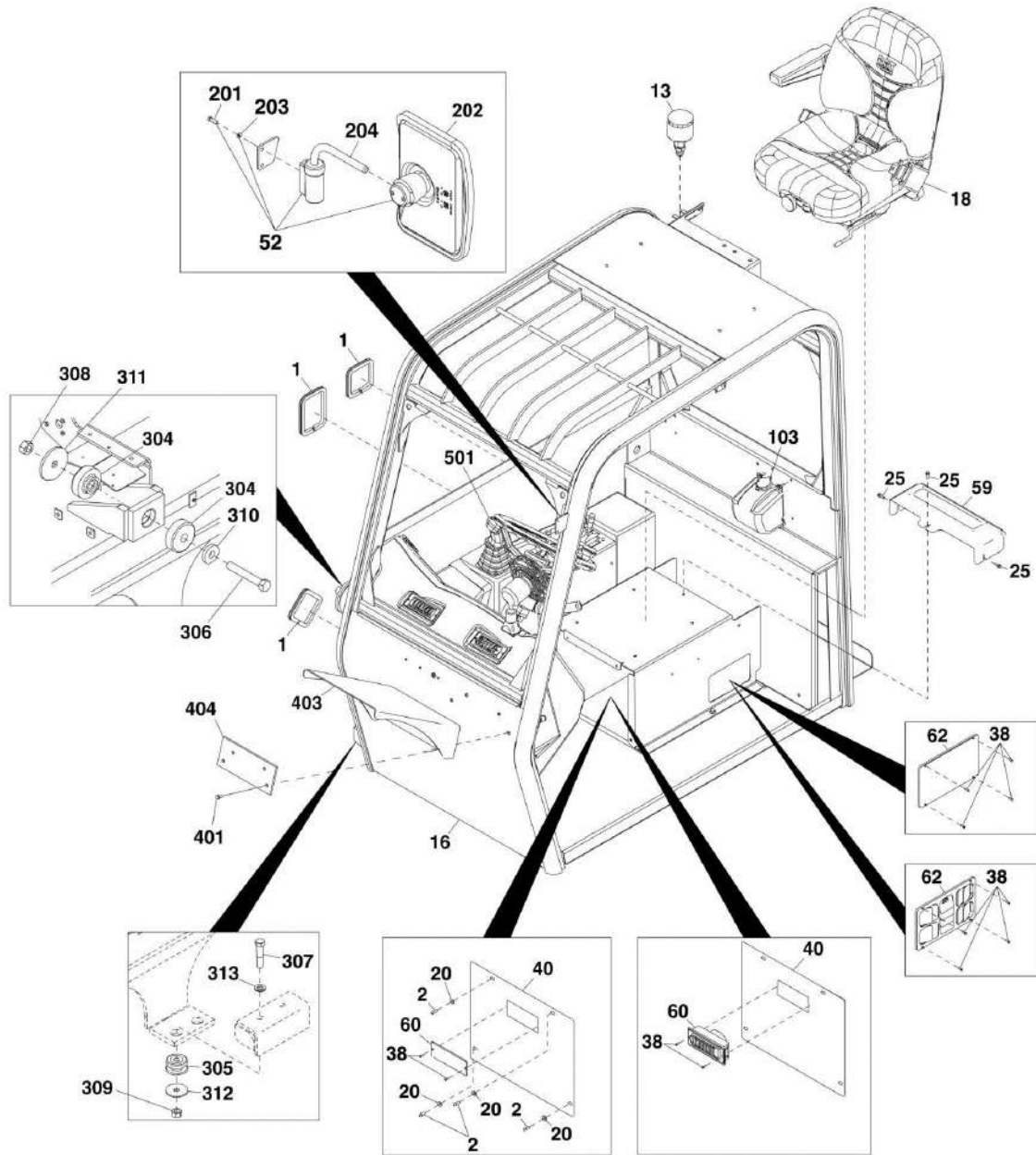
SECTION 6 - CAB

FIGURE 6-1. CAB INSTALLATION



ART_31200728-6-1_1

SECTION 6 - CAB



ART_31200728-6-1_2

SECTION 6 - CAB

FIGURE 6-1. CAB INSTALLATION

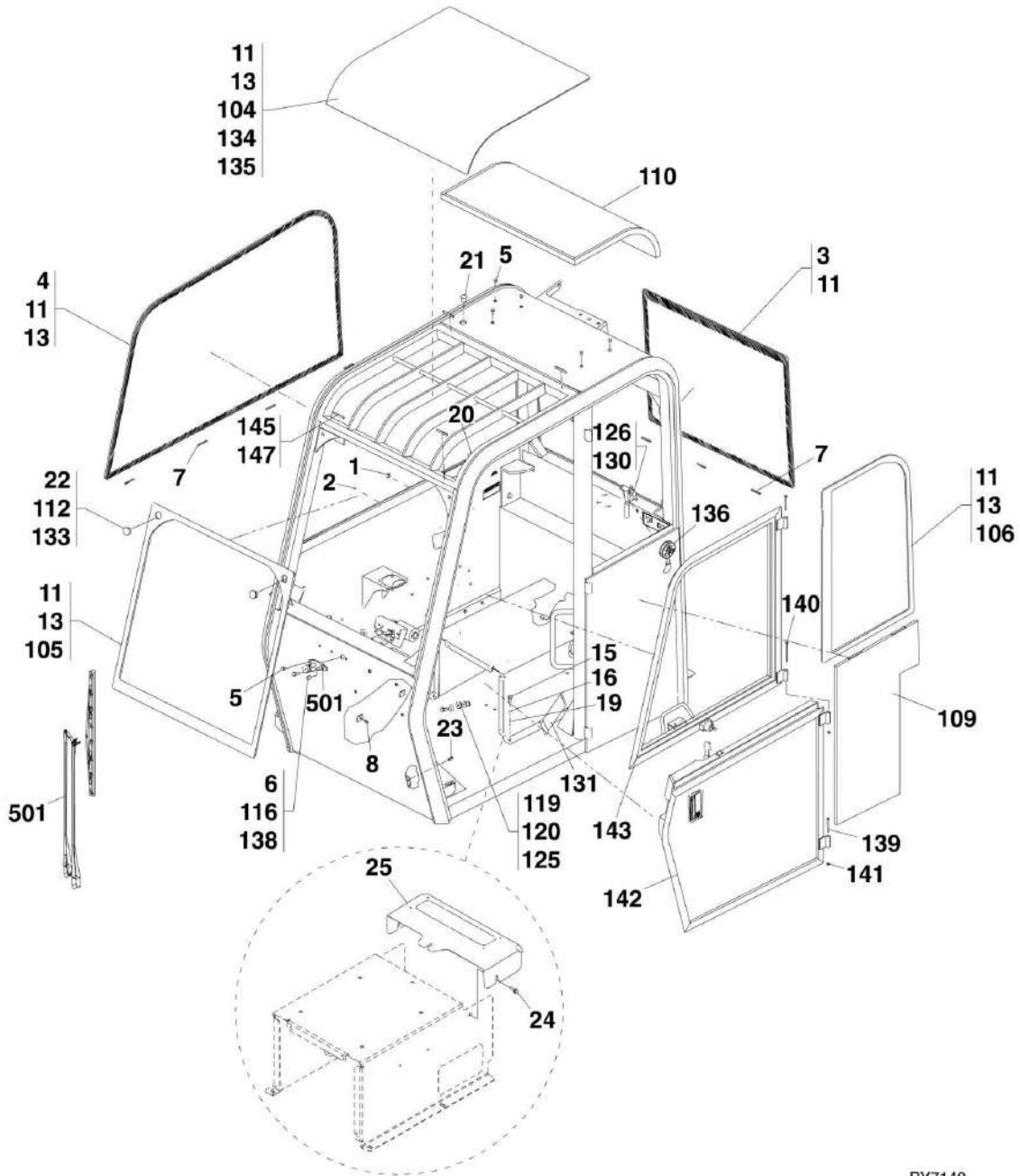
ITEM	PART NUMBER	QTY	DESCRIPTION	REV
	1001130311	1	OPEN CAB ASSY, (includes items 1 thru 64)	H
	1001130442	1	ENCLOSED CAB ASSY WITH HEAT	A
		Ref	3 SPEED HEATER, (See HEATER INSTALLATION for Breakdown)	
	1001130441	1	ENCLOSED CAB ASSY, (includes items 1 thru 64 & 103)	L
	1001130462	1	ENCLOSED CAB ASSY WITH HEAT AND A/C	L
		Ref	3 SPEED HEATER AND A/C UNIT, (See AIR CONDITIONING INSTALLATION for Breakdown)	
	1001130441	1	ENCLOSED CAB ASSY, (includes items 1 thru 64 & 103)	L
1	90206199	51 in	TRIM	
2	0630407	6	BUTTON HD CAPSCREW, 1/4-20X5/8	
5	0641408	4	HEX HD CAPSCREW, 1/4-20X1, GR5, (torque to 96 lb-ft/130 Nm)	
6		Ref	BRAKE AND MOUNTING HARDWARE, (See CONTROLS SECTION for Breakdown)	
13		Ref	HYDRAULIC TANK BREATHER, (See HYDRAULIC COMPONENTS SECTION for Breakdown)	
14		Ref	STEERING COLUMN AND STEERING WHEEL, (See CONTROLS SECTION for Breakdown)	
15		Ref	FUEL TANK AND MOUNTING HARDWARE, (See FUEL TANK AND LINES for Breakdown)	
16		Ref	CAB, (See CAB ASSEMBLY for Breakdown)	
18		Ref	SEAT AND MOUNTING HARDWARE, (See SEATS for Breakdown)	
20	4711400	8	WASHER, 1/4	
25	0791406	3	SCREW, 1/4-20X3/4	
36	91403230	1	MANUAL STORAGE BOX	
38	91413036	6	SCREW, #6X1/2	
39		Ref	CAB INTERIOR, (See CAB INTERIOR for Breakdown)	
40	1001103567	1	SEAT RISER PANEL	
50		Ref	ACCELERATOR AND MOUNTING HARDWARE, (See CONTROLS SECTION for Breakdown)	
52	1001115153	Ref	CAB MIRROR INSTALLATION, (not available to order, see items 201 thru 204 for service)	C
53		Ref	DASH HARNESS, (not shown), (See ELECTRICAL SECTION for Breakdown)	
56		Ref	TRANSMISSION RELAY HARNESS, (not shown), (See ELECTRICAL SECTION for Breakdown)	
57		Ref	DASH PANEL AND CAB SWITCHES, (See ELECTRICAL SECTION for Breakdown)	
59	1001117136	1	ACCESS PANEL	
60		Ref	HEATING COMPONENTS, (See HEATER INSTALLATION for Breakdown)	
62	1001106866	1	PANEL	
62		Ref	COVER, (if equipped with Heat or Heat and A/C), (See HEATER INSTALLATION for Breakdown)	
63		Ref	CAB ELECTRICAL INSTALLATION, (See ELECTRICAL SECTION for Breakdown)	
64	4761400	4	LOCKWASHER, 1/4	
103		Ref	WIPER COMPONENTS, (See WIPERS for Breakdown)	
201	0700610	2	HEX HD CAPSCREW, M6X20, GR8.8	
202	1001148177	1	MIRROR	
203	8307024	2	LOCKWASHER, 6MM	
204	1001114675	1	BRACKET	

SECTION 6 - CAB

ITEM	PART NUMBER	QTY	DESCRIPTION	REV
	91569003	Ref	CAB MOUNTING INSTALLATION, (not available to order, see items 304 thru 313 for service)	D
304	91563061	4	CAB MOUNT ISOLATOR	
305	91403097	4	RUBBER MOUNT	
306	0682652	2	HEX HD CAPSCREW, 1-8X6-1/2. GR8, (torque to 680-720 lb-ft/921-976 Nm)	
307	83201058	4	HEX HD CAPSCREW, 3/4-10X3-3/4, GR8, (torque to 280-308 lb-ft/380-417 Nm)	
308	88501016	2	HEX NUT, 1-8	
309	88501012	4	HEX NUT, 3/4-10	
310	1001106614	2	TAIL WASHER	
311	91563062	2	WASHER	
312	91403098	4	TAIL WASHER	
313	90027473	4	WASHER, 3/4	
	91565067	NLA	CAB FENDER INSTALLATION, (no longer available, see 1001145754 for replacement or items 401 thru 404 for service)	B
	1001145754	1	THERMOFORMED FENDER ASSY, (includes items 401 thru 404)	B
401	0791608	4	HEX HD CAPSCREW, 3/8-16X3/4, GR5	
403	1001145702	1	THERMOFORMED FENDER	
404	1001145753	1	FENDER PLATE	
501		Ref	BOOM JOYSTICK, (See CONTROLS SECTION for Breakdown)	
502		Ref	FRAME LEVEL JOYSTICK, (See CONTROLS SECTION for Breakdown)	
503		Ref	OUTRIGGER JOYSTICK, (See CONTROLS SECTION for Breakdown)	
	1001159949	Ref	REAR WINDOW EXIT INSTALLATION, (includes items 601 thru 605)	B
601	1001160889	1	REAR DROPOUT WINDOW	
602	0641436	1	HEX HD CAPSCREW, 1/4-20X2-1/8	
603	0641617	2	HEX HD CAPSCREW, 3/8-16X2-1/8	
604	1001165578	1	SHIM	
605	1001165579	2	SHIM	
	1001130914	1	CAB ENCLOSURE KIT WITH HEAT, (includes heater components, door components, rear window, skylight window, harnesses, hoses and other enclosed cab components)	C
	1001130915	1	CAB ENCLOSURE KIT WITH HEAT AND A/C, (includes heater with a/c components, door components, rear window, skylight window, harnesses, hoses and other enclosed cab components)	F

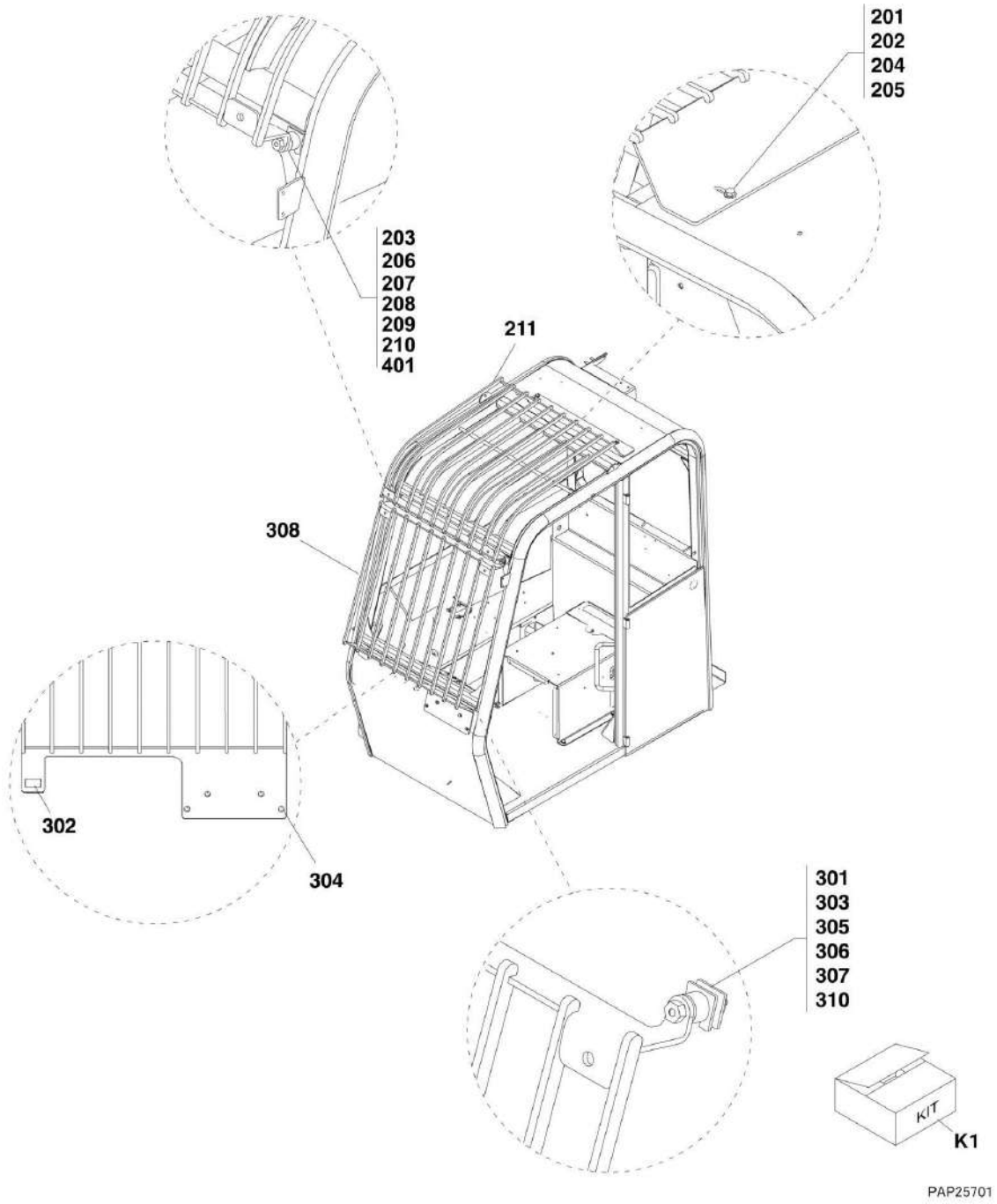
SECTION 6 - CAB

FIGURE 6-2. CAB ASSEMBLY



PY7140

SECTION 6 - CAB



SECTION 6 - CAB

FIGURE 6-2. CAB ASSEMBLY

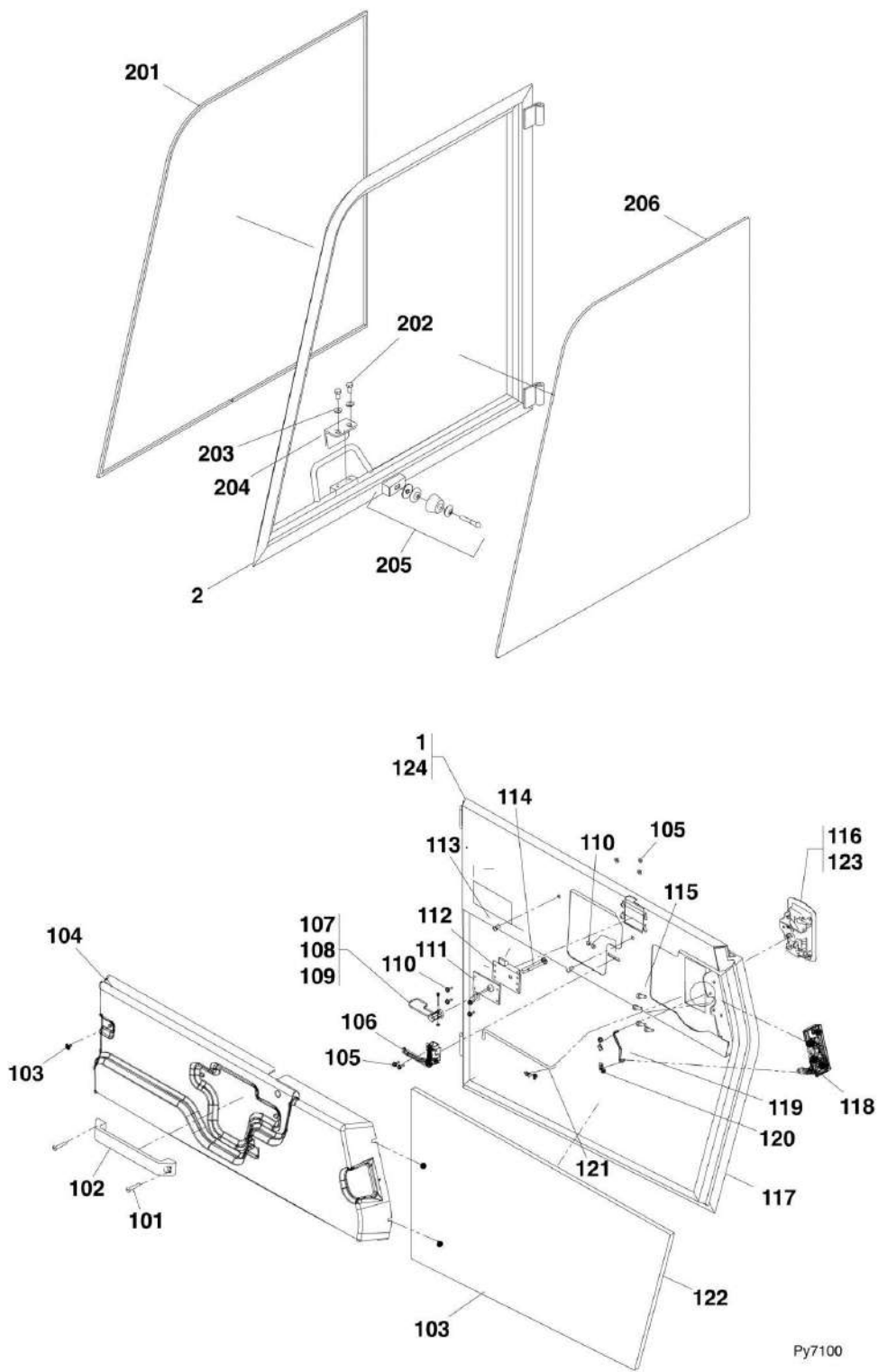
ITEM	PART NUMBER	QTY	DESCRIPTION	REV
	1001117305	1	OPEN CAB, (includes items 1 thru 25)	D
	1001117306	1	ENCLOSED CAB, (includes items 1 thru 143)	D
1	80264035	6	PLUG	
2	8036654	7	PLUG, 5/16	
3	91404110	1	REAR WINDOW	
4	91404109	1	RH SIDE WINDOW	
5	8036654	10	PLUG, 5/16	
6	91164087	1	HOLE PLUG	
7	80264031	13	BLOCK	
8	1001103509	18	RIVNUT	
10	91164094	1	ROPS WARNING DECAL	
11	80364009	AR	URETHANE	
13	91404302	AR	ACTIVATOR	
14	1001103663	1	SEAT RISER WELDMENT	
15	7029854	4	HEX BOLT	
16	80364037	4	WASHER	
19	7029855	4	LOCKWASHER	
20	70024001	1	VINYL GRIP	
21	80364011	1	PLUG	
22	91344046	AR	SEALANT	
23	7028939	1	RIVNUT	
24		Ref	SCREW, 1/4-20X3/4, (See CAB INSTALLATION for Breakdown)	
25		Ref	ACCESS PANEL, (See CAB INSTALLATION for Breakdown)	
104	91404290	1	WINDOW SKY LIGHT	
105	91404291	1	FRONT WINDOW	
106	80364030	1	WINDOW	
109	91404294	1	LH SIDE PANEL FOAM	
110	91404295	1	HEAD LINER	
112	91404296	2	HOLE PLUG	
116	80384207	2	SCREW	
119	80364023	1	STRIKER BOLT	
120	91334024	1	HEX BOLT	
125	91404297	2	WASHER	
126	91404298	3	RIVET	
127	91404299	1	EMERGENCY EXIT DECAL	
130	91404301	1	EMERGENCY EXIT HAMMER	
131	80384218	1	STRAP	
133	70020632	AR	SEAM SEAL	
134	91334034	AR	BLACK URETHANE	
135	91404302	AR	ACTIVATOR	
136	91404303	1	DOOR HOLD OPEN	
138	91334035	1	SPACER	
139	80384205	2	BOLT	
140	91404305	1	BOLT	
141	91404306	3	NUT	
142		Ref	LOWER CAB DOOR, (See CAB DOOR for Breakdown)	
143		Ref	UPPER CAB DOOR ASSY, (See CAB DOOR for Breakdown)	
145	80264031	15	BLOCK	
147	70020653	4	BLOCK	
	1001100879	Ref	TOP BRICK GUARD INSTALLATION, (if equipped), (not available)	B

SECTION 6 - CAB

ITEM	PART NUMBER	QTY	DESCRIPTION	REV
			to order, see items 201 thru 211 for service)	
201	0641608	2	HEX HD CAPSCREW, 3/8-16X1, GR5	
202	3271601	2	HEX NUT, 3/8-16, GR8	
203	4071133	4	KEEPER	
204	4711600	4	WASHER, 3/8	
205	4761600	2	LOCKWASHER, 3/8	
206	4761800	2	LOCKWASHER, 1/2	
207	14404173	AR	SILICONE SEALANT	
208	88501008	2	HEX NUT, 1/2	
209	91403503	2	SPACER	
210	1001096728	2	BOLT, 1/2-13	
211	1001098344	1	BRICK GUARD BRACKET	
	1001100880	Ref	FRONT BRICK GUARD BRACKET INSTALLATION, (not available to order, see items 301 thru 310 for service)	B
301	4071133	4	KEEPER	
302	4420060	1	DOUBLE SIDED TAPE	
303	4761800	2	LOCKWASHER, 1/2	
304	77143003	4	WHIZ-LOCK SCREW, 5/16-18X0.625	
305	88501008	2	HEX NUT, 1/2-13	
306	91403503	2	SPACER	
307	1001096728	2	BOLT, 1/2-13	
308	1001098042	1	BRICK GUARD BRACKET	
310	14404173	AR	SILICONE SEALANT	
401	1001100895	2	CAB WORK LIGHT HARNESS, (if equipped)	
501		Ref	WIPERS, (See WIPERS for Breakdown)	
601	8035523	AR	URETHANE, (not shown)	
K1	91413142	1	SKYLIGHT WINDOW KIT, (includes items 104 & 601)	

SECTION 6 - CAB

FIGURE 6-3. CAB DOOR



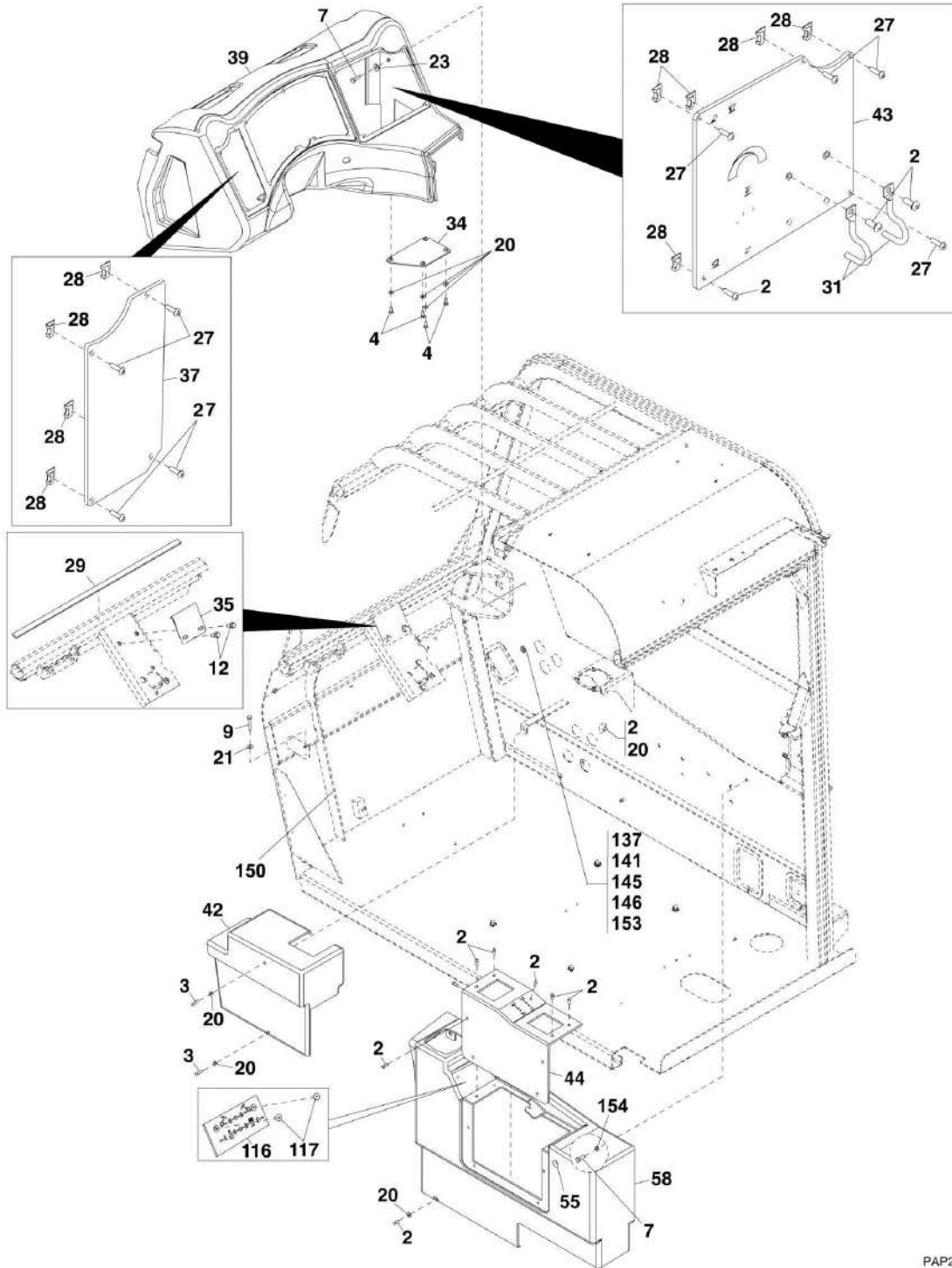
Py7100

FIGURE 6-3. CAB DOOR

ITEM	PART NUMBER	QTY	DESCRIPTION	REV
1	91474481	1	LOWER DOOR ASSY, (includes items 101 thru 124)	
2	91474482	1	UPPER DOOR ASSY, (includes items 201 thru 206)	
101	8035461	2	FLAT HD SCREW, 1/4-20X1-1/4	
102	91404316	1	GRAB HANDLE	
103	80264066	3	SCREW, M6X1X12	
104	91404311	1	PLASTIC DOOR COVER	
105	80384191	6	WHIZ-LOCK SCREW, #10-24X0.5	
106	80384192	1	INSIDE HANDLE ASY, LH	
107	91404315	1	RELEASE LEVER, RH WINDOW AND LH DOOR	
108	91404317	1	SOCKET HD SCREW, #8-32X1.12	
109	91404318	1	NUT, #8-32	
110	91404313	6	LOCKNUT, #10-24	
111	91404320	1	SLAM LATCH STIFFENER	
112	91404319	1	SLAM LATCH, LH	
113	8866334	2	RIVNUT, 1/4-20	
114	91404321	1	LOWER DOOR DRIVE BAR WELDMENT	
115	80384189	4	HEX SCREW, 1/4-20X3/4	
116	1001081241	1	PADDLE LATCH, LH, (includes item 323)	
117	80364001	8 ft	BULB SEAL	
118	80364079	1	CAM LATCH, RH	
119	91404309	1	EXTERIOR RELEASE DOOR ROD	
120	80384187	3	ROD END RETAINER CLIP	
121	91404310	1	INTER RELEASE DOOR ROD	
122	91404312	1	FOAM, LOWER DOOR	
123	80964051	1	DOOR KEY	
124	N.S.S.	1	DOOR WELDMENT	
201	80364001	11 ft	BULB SEAL	
202	91404324	2	HEX BOLT, 5/16-18X5/8	
203	91334032	2	WASHER	
204	91404323	1	SLAM LATCH	
205	91474492	1	MALE DOOR HOLD-OPEN	
206	91404322	1	UPPER GLASS	

SECTION 6 - CAB

FIGURE 6-4. CAB INTERIOR



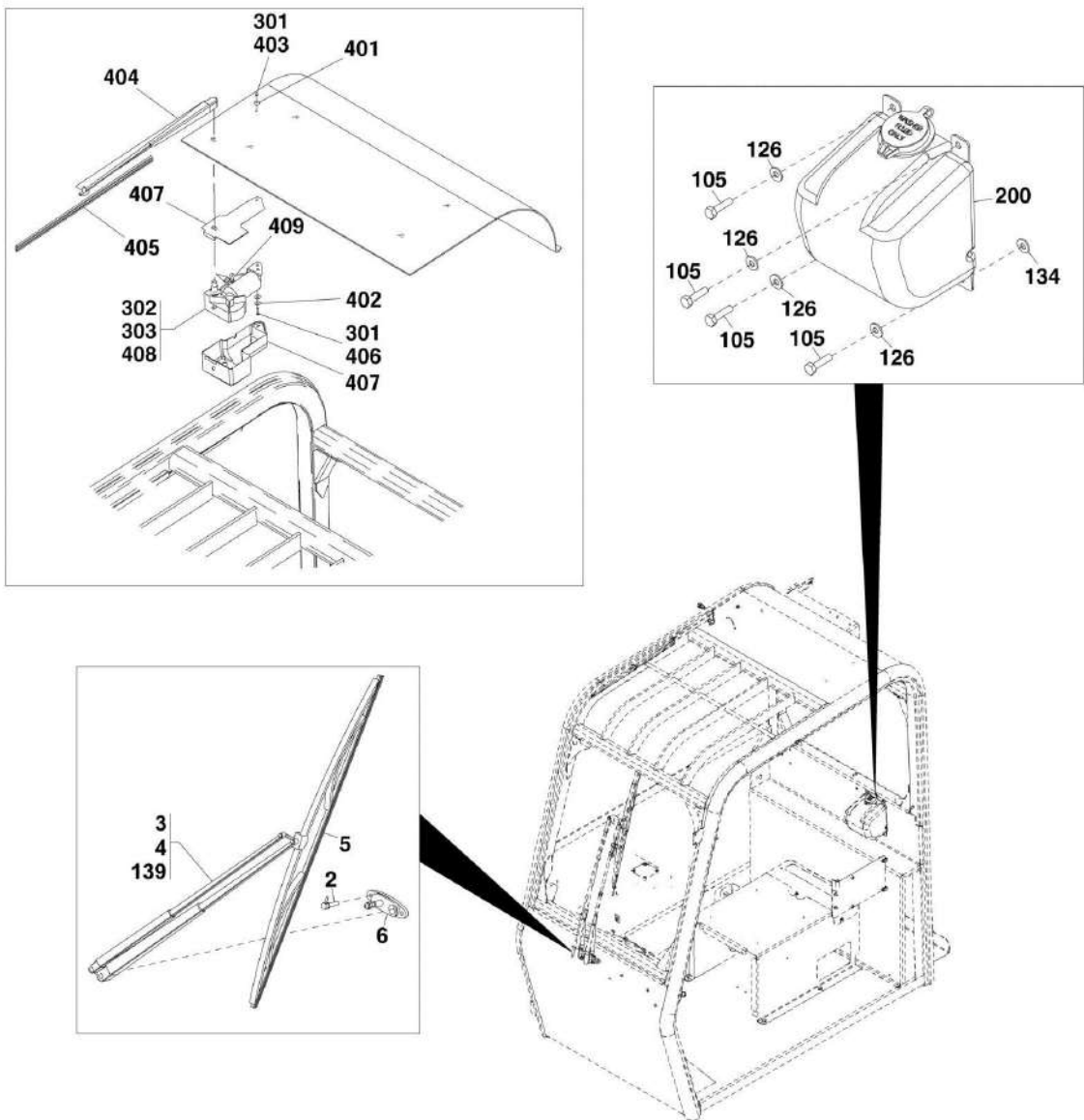
PAP25731

FIGURE 6-4. CAB INTERIOR

ITEM	PART NUMBER	QTY	DESCRIPTION	REV
2	0630407	12	BUTTON HD CAPSCREW, 1/4-20X5/8	
3	0630457	2	BUTTON HD CAPSCREW, 1/4-20X1	
4	0641405	4	HEX HD CAPSCREW, 1/4-20X5/8, GR5	
7	0641508	3	HEX HD CAPSCREW, 5/16-18X1, GR5	
9	0641514	1	HEX HD CAPSCREW, 5/16-18X1-3/4, GR5	
12	0791608	2	SCREW, 3/8-16X1	
20	4711400	8	WASHER, 1/4	
21	4711500	1	WASHER, 5/16	
23	4751500	1	WASHER, 5/16	
27	80363033	12	SCREW, #10-24X1, (open cab)	
27	1001100322	12	PAN HD CAPSCREW, #10, (enclosed cab)	
28	80363034	12	SPECIAL NUT, #10-24	
29	90200755	32 in	FOAM TAPE	
31	91163087	2	CAPACITY CHART BRACKET	
34	91401516	1	BRACKET	
35	91401590	1	DASH CLAMP	
37	91403324	1	LH COVER	
39	91473211	1	DASH PLASTIC, (open cab)	
39	1001103553	1	DASH PLASTIC, (enclosed cab)	
42	91563075	1	RH LOWER PLASTIC	
43	91563191	1	RH DASH PANEL (Prior to SN 0160056008)	
43	1001156272	1	RH DASH PANEL (SN 0160056008 to Present)	
44	91563205	1	RH COVER PLATE	
55	1001131130	2	HOLE PLUG	
58	1001103557	1	RH CONSOLE	
116	91563207	1	FRAME LEVEL/AUXILIARY PLATE	
117	0741404	2	FLAT SOCKET HD CAPSCREW, 1/4-20X1/2	
137	0641510	1	HEX HD CAPSCREW, 5/16-18X1-1/4, GR5	
141	3311505	1	LOCKNUT, 5/16-18	
145	4751500	1	FLAT WASHER, 5/16	
146	4771500	1	STAR WASHER, 5/16	
150	90206198	AR	TRIM-LOCK	
153	0100011	AR	LOCTITE 242	
154	91023098	2	FENDER WASHER	

SECTION 6 - CAB

FIGURE 6-5. WIPERS



- Note:
1. USE LOCTITE® 242™ AS NEEDED ON BOLTS & NUTS.
 2. USE SEALANT (P/N 14403190) VULKEM SEALANT ON TOP OF CAB AS NEEDED AROUND WIPER MOTOR, SCREW & ROD.

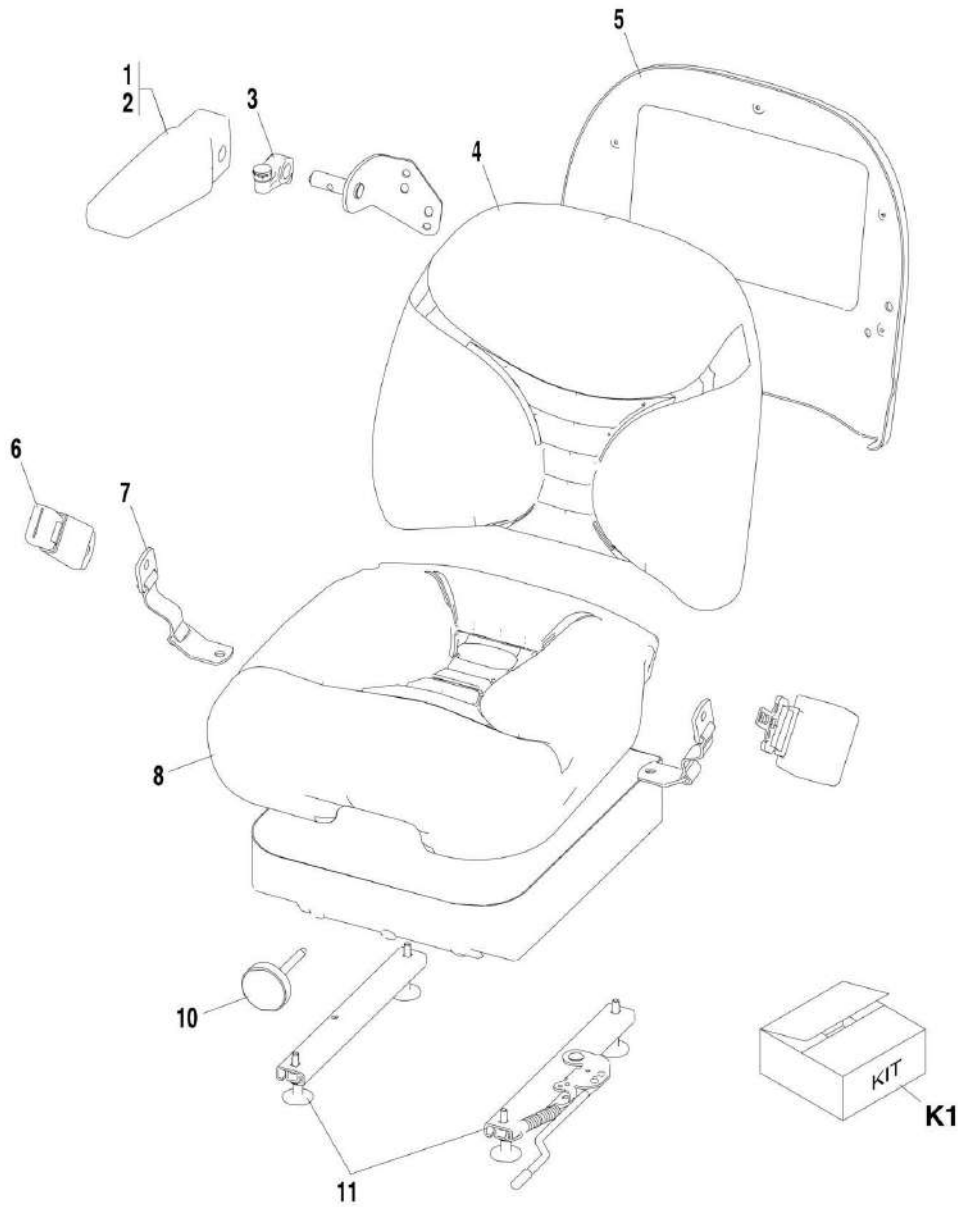
ART_31200728-6-5

FIGURE 6-5. WIPERS

ITEM	PART NUMBER	QTY	DESCRIPTION	REV
1	80384203	1	WIPER DRIVE ARM, (not shown)	
2	1001081310	1	WET ARM ADAPTER	
3	1001081311	1	WET ARM KIT	
4	1001081308	1	WIPER ARM	
5	8035392	1	WIPER BLADE	
6	1001081307	1	ADAPTER MOUNT	
7	91144478	1	WIPER MOTOR SHAFT, (not shown)	
8	7029860	1	WIPER MOTOR, (not shown)	
105	0641408	4	HEX HD CAPSCREW, 1/4-20X1, GR5	
126	4711400	4	WASHER, 1/4	
134	4791400	1	SPECIAL WASHER, 1/4	
139	82033997	131 in	HOSE	
200	1001111112	1	TANK, (includes cap)	
200	70025480	1	PUMP, RESERVOIR	
203	1320136	2	CLAMP, (not shown)	
	1001139927	Ref	SKYLIGHT WIPER INSTALLATION, (not available to order, see items 301 thru 304 for service)	B
301		Ref	LOCTITE 242	
302	1001111086	1	SKYLIGHT WIPER ASSY, (includes items 401 thru 409)	C
303	14403190	AR	SEALANT	
304	8096D097	48 in	CONDUIT, (not shown)	
401	4740553	1	WASHER, 1/4	
402	8036678	2	WASHER, 1/4	
403	8034805	1	HEX NUT, #10-24	
404	8034807	1	WIPER ARM	
405	8035498	1	WIPER BLADE	
406	8036088	1	HEX BOLT, #10-24X3/4	
407	70020528	1	WIPER COVER	
408	1001107799	1	WIPER MOTOR	
409	1001093828	1	WIPER MOTOR HARNESS	

SECTION 6 - CAB

FIGURE 6-6. SEATS



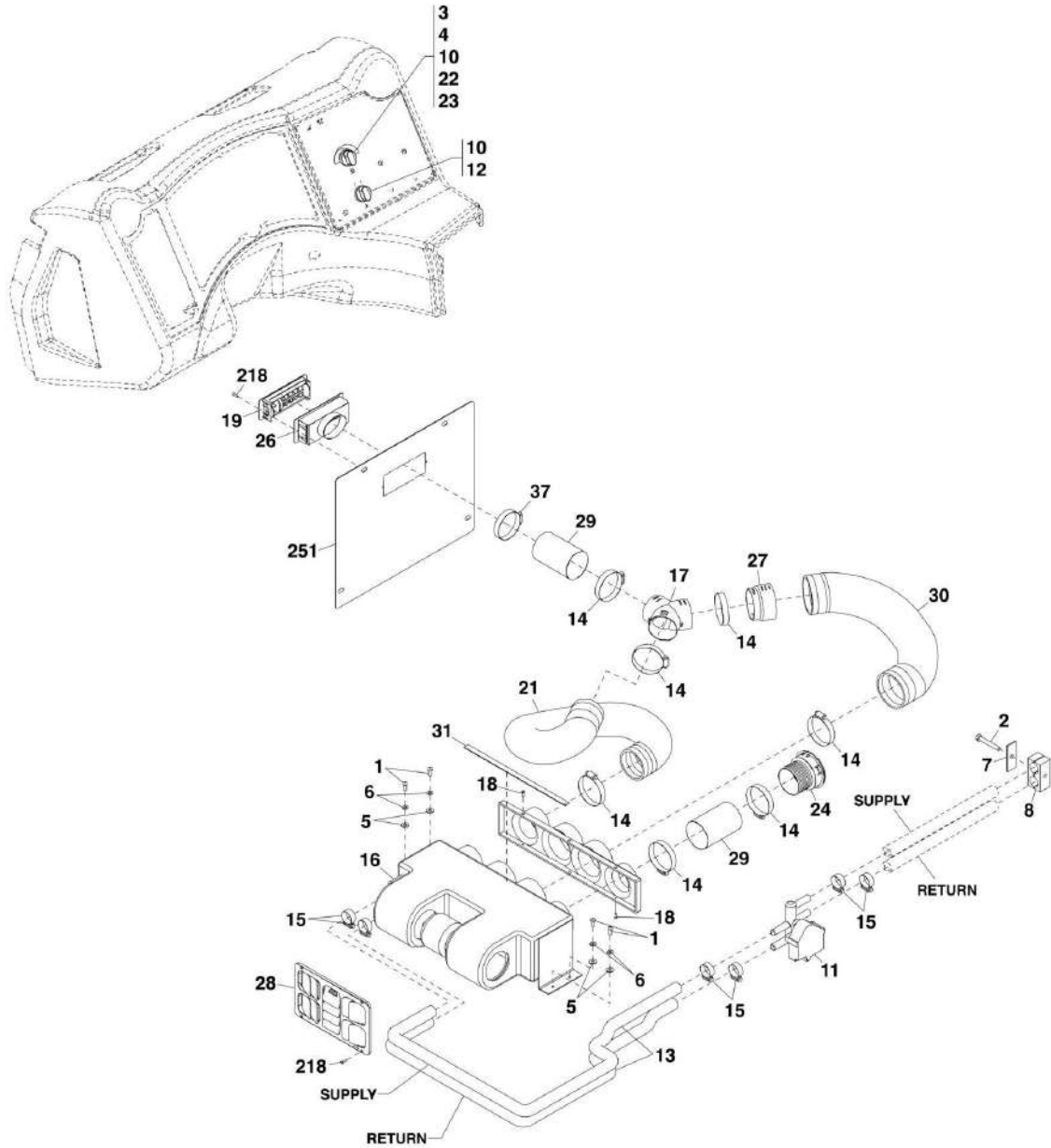
PY4571

FIGURE 6-6. SEATS

ITEM	PART NUMBER	QTY	DESCRIPTION	REV
	91563158	1	SUSPENSION SEAT, (includes all items)	G
1	7026904	1	ARMREST ASSY RH KIT, (includes items 2 & 3)	
2	N.S.S.	1	ARMREST, MOLDED KIT	
3	N.S.S.	1	ARMREST STOP ASSY	
4	7026900	1	BACK CUSHION KIT	
5	7026902	1	BACK PANEL KIT	
6	7026905	1	SEAT BELT KIT	
	91563164	1	SEAT BELT, 3 IN, (California Only), (not included with 91563158)	E
7	7026906	1	TETHER KIT	
8	7026901	1	SEAT CUSHION KIT	
10	7026799	1	KNOB KIT	
11	7026798	1	SLIDE KIT	
K1	70023139	1	SEAT BELT KIT, 3 IN, (California only), (includes retractor and female ends)	

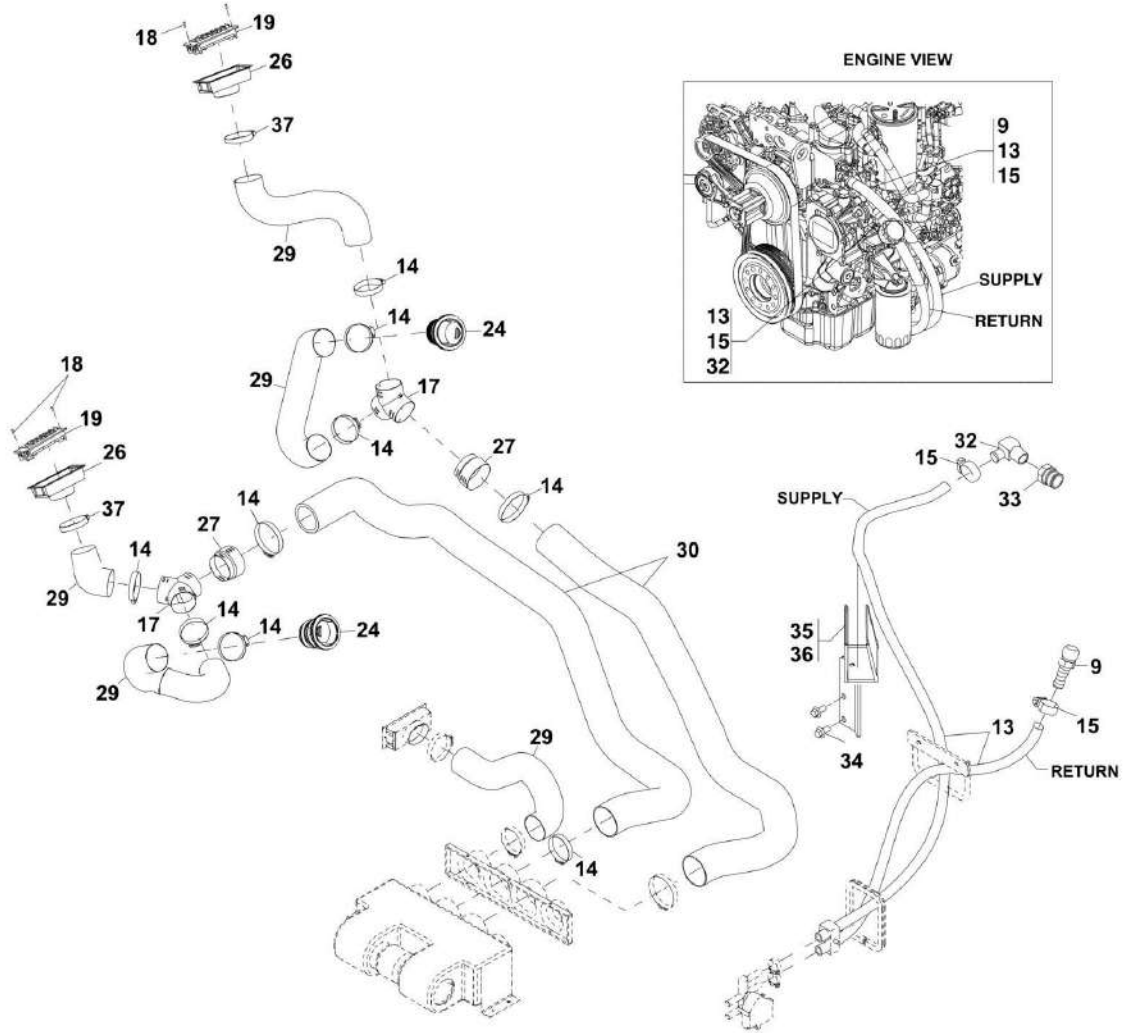
SECTION 6 - CAB

FIGURE 6-7. HEATER INSTALLATION



ART_31200728-6-7_1

SECTION 6 - CAB



PAP25801

SECTION 6 - CAB

FIGURE 6-7. HEATER INSTALLATION

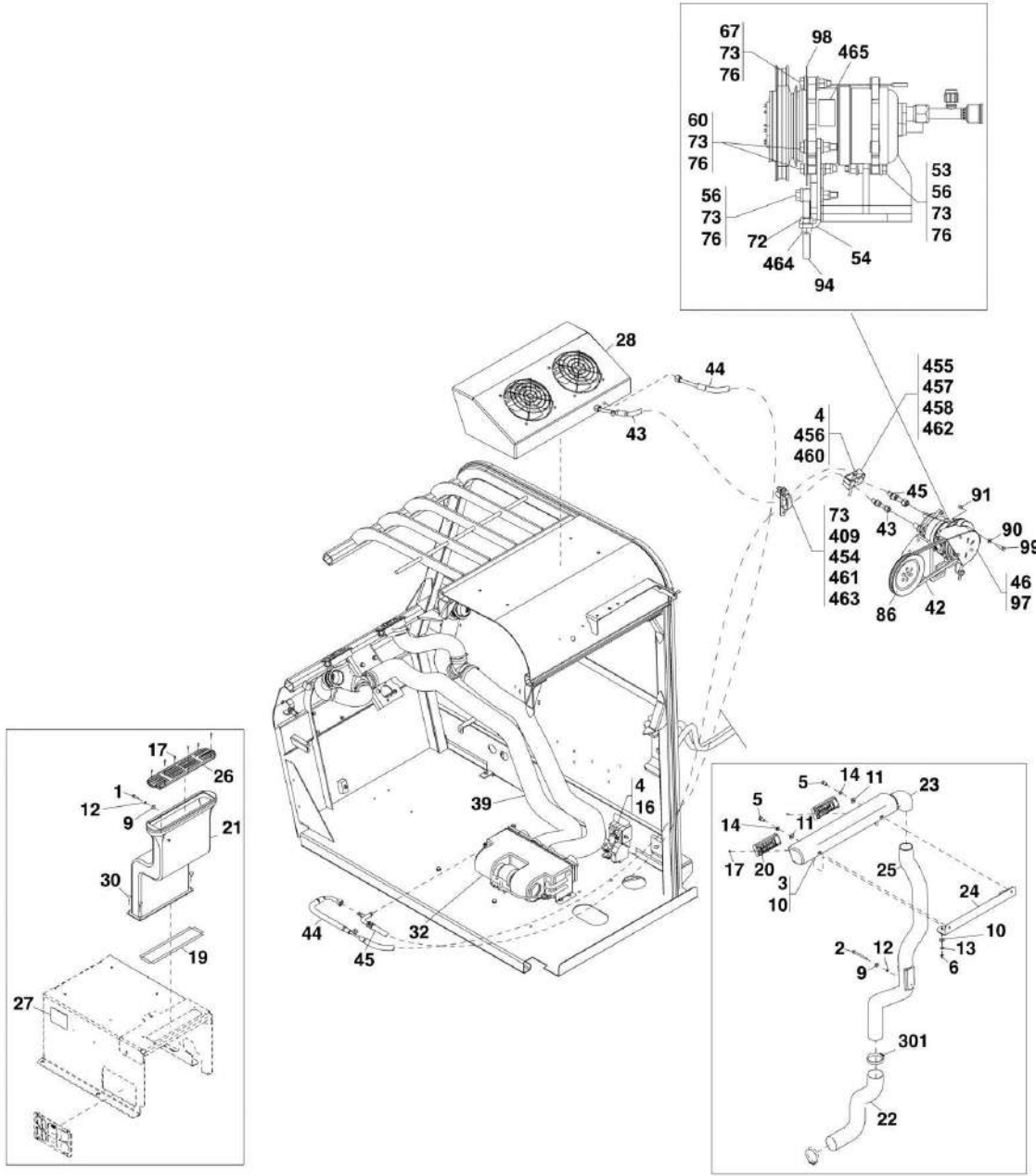
ITEM	PART NUMBER	QTY	DESCRIPTION	REV
	1001139139	Ref	HEATER INSTALLATION, (open cab), (not available to order, see items 1 thru 33 & 37 for service)	C
	1001130442	Ref	HEATER INSTALLATION, (enclosed cab), (not available to order, see items 1 thru 20, 22 thru 24 & 26 thru 37 for service)	A
1	0630407	4	BUTTON HD CAPSCREW, 1/4-20X5/8	
2	0641518	1	HEX HD CAPSCREW, 5/16-18X2-1/4, GR5	
3		Ref	SOCKET HD CAPSCREW, #6-32X.62, (See CAB INTERIOR for Breakdown), (enclosed Cab)	
4		Ref	HEX NUT, #6-32, GR2, (See CAB INTERIOR for Breakdown)	
5	4711400	4	WASHER, 1/4	
6	4761400	4	LOCKWASHER, 1/4	
7	77133137	1	COVER PLATE	
8	77133279	1	CLAMP SET	
9	77383540	1	ADAPTER, (open cab)	
9	1001104685	1	BARBED FITTING, (enclosed cab)	
10		Ref	KNOB, (See ELECTRICAL SECTION for Breakdown)	
11	80383231	1	VALVE	
12		Ref	BLOWER SWITCH, (See ELECTRICAL SECTION for Breakdown)	
13	82033995	21.8 ft	HOSE	
14	86883328	7	CLAMP, (open cab)	
14	86883328	13	CLAMP, (enclosed cab)	
15	86683193	8	CLAMP	
16	1001114282	1	3 SPEED HEATER ASSY	
17	1001101668	1	CONDUIT, (open cab)	
17	1001101668	3	CONDUIT, (enclosed cab)	
18	91413036	6	SCREW, #6X1/2, (open cab)	
18	91413036	10	SCREW, #6X1/2, (enclosed cab)	
19	1001100279	1	VENT, (open cab)	
19	1001100279	3	VENT, (enclosed cab)	
20		Ref	ENCLOSED CAB OPTIONS HARNESS, (not shown), (See ELECTRICAL SECTION for Breakdown)	
21	71492152	2.5 ft	HOSE, (open cab)	
22		Ref	POTENTIOMETER ASSY, (See ELECTRICAL SECTION for Breakdown)	
23		Ref	CLIP, (See ELECTRICAL SECTION for Breakdown)	
24	1001100278	1	VENT, (open cab)	
24	1001100278	3	VENT, (enclosed cab)	
26	1001101216	1	VENT BASE, (open cab)	
26	1001101216	3	VENT BASE, (enclosed cab)	
27	1001101669	1	CONDUIT, (open cab)	
27	1001101669	2	CONDUIT, (enclosed cab)	
28	1001106849	1	COVER	
29	1001100446	11 in	HOSE, (open cab)	
29	1001100446	73 in	HOSE, (enclosed cab)	
30	1001100447	1.4 ft	HOSE	
31	1001090344	2.7 ft	TAPE, (enclosed Cab)	
32	84712749	1	ADAPTER, 90	
33	2220282	1	REDUCER FITTING	
34	0781212	2	FLANGE SCREW, M12X25, (enclosed cab)	
35	1001138788	1	HOSE GUIDE SUPPORT, (enclosed cab)	
36	90206196	24 in	TRIM-LOK, (enclosed cab)	

SECTION 6 - CAB

ITEM	PART NUMBER	QTY	DESCRIPTION	REV
37	84231107	3	HOSE CLAMP, (enclosed cab)	
37	84231107	1	HOSE CLAMP, (open cab)	
218		Ref	SCREW, #6X1/2, (See CAB INSTALLATION for Breakdown)	
251		Ref	SEAT RISER PANEL, (See CAB INSTALLATION for Breakdown)	

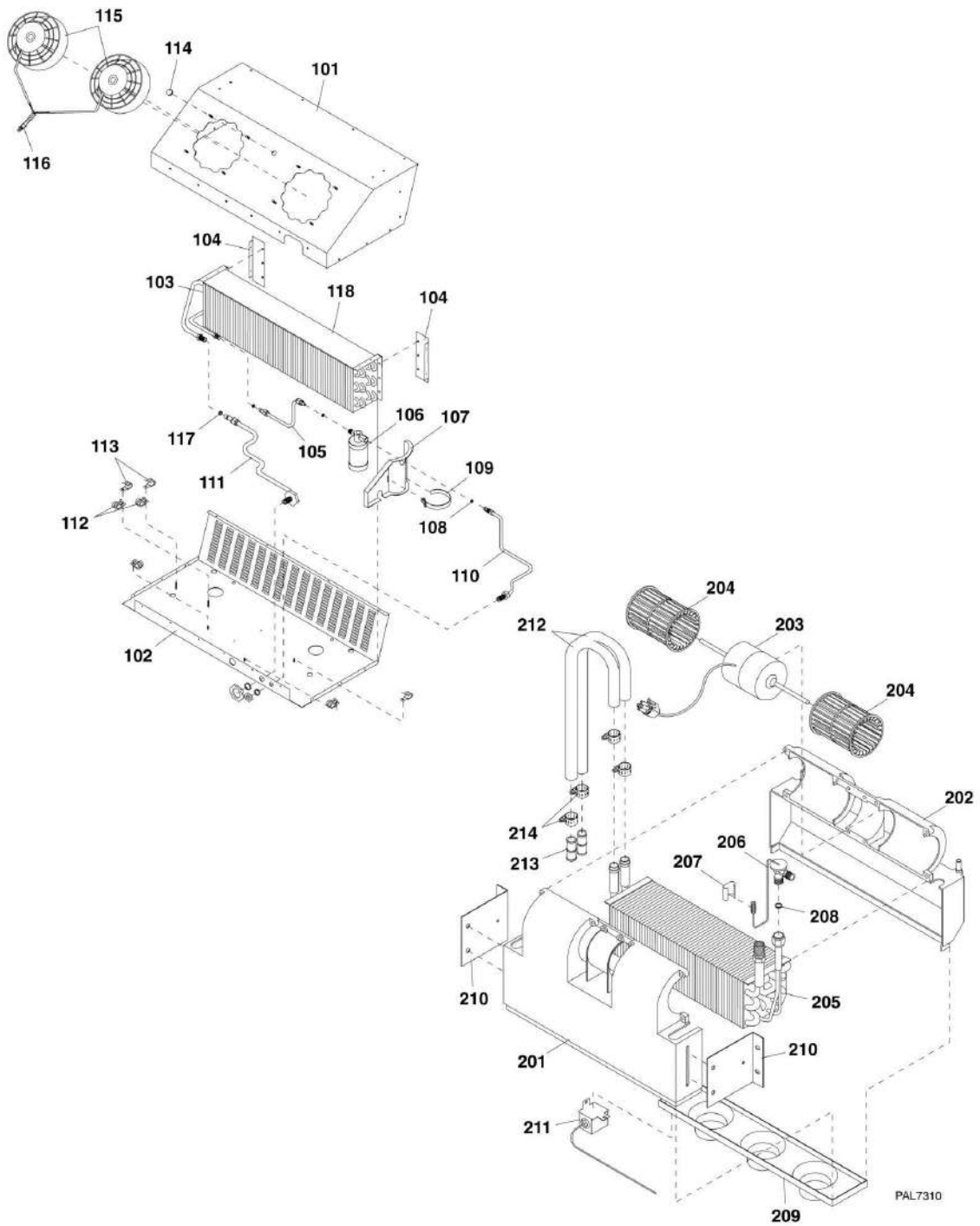
SECTION 6 - CAB

FIGURE 6-8. AIR CONDITIONING INSTALLATION



PAP25771

SECTION 6 - CAB



SECTION 6 - CAB

FIGURE 6-8. AIR CONDITIONING INSTALLATION

ITEM	PART NUMBER	QTY	DESCRIPTION	REV
	1001130462	Ref	AIR CONDITIONING INSTALLATION, (not available to order, see items 1 thru 99 & 409 thru 465 for service)	L
1	0641408	1	HEX HD CAPSCREW, 1/4-20X1, GR5	
2	0641424	1	HEX HD CAPSCREW, 1/4-20X3, GR5	
3	0641507	2	HEX HD CAPSCREW, 5/16-18X7/8, GR5	
4	0641532	2	HEX HD CAPSCREW, 5/16-18X4, GR5	
5	0641605	2	HEX HD CAPSCREW, 3/8-16X5/8, GR5	
6	2080063	2	HEX LOCKNUT, 1/4-20, GR2	
8	4240033	6	TIE WRAP, (not shown)	
9	4751400	2	WASHER, 1/4	
10	4751500	4	WASHER, 5/16	
11	4751600	2	WASHER, 3/8	
12	4761400	2	LOCKWASHER, 1/4	
13	4761500	2	LOCKWASHER, 5/16	
14	4761600	2	LOCKWASHER, 3/8	
16	77323029	1	CLAMP SET	
17	91413036	10	SCREW, #6X1/2	
18		Ref	A/C HARNESS, (not shown), (See ELECTRICAL SECTION for Breakdown)	
19	1001090344	28 in	TAPE	
20	1001100279	2	VENT	
21	1001100281	1	VENT	
22	1001100446	21 in	HOSE	
23	1001100770	1	TUBE	
24	1001100773	1	BRACKET	
25	1001101259	1	TUBE	
26	1001101640	1	FILTER	
27		Ref	A/C TEMPERATURE DECAL, (See DECALS SECTION for Breakdown)	
28	1001107340	1	A/C CONDENSER, (includes items 101 thru 122)	A
30	1380158	4	CLIP	
32	1001142350	1	3 SPEED HEATER AND A/C ASSY, (includes items 201 thru 221)	C
39		Ref	HEATING AND A/C DUCT COMPONENTS, (See HEATER INSTALLATION for Breakdown)	
42	1001140694	1	BELT	
43	1001146218	1	HOSE ASSY	
44	1001107428	1	HOSE	
45	1001146217	1	HOSE ASSY	
46	1001107339	1	A/C COMPRESSOR CLUTCH	
53	1001131818	1	BUSHING	
54	1001139703	1	BRACKET	
56	0681618	2	HEX HD CAPSCREW, 3/8-16X2-1/4, GR8	
60	83201057	2	HEX HD CAPSCREW, 3/8-16X2, GR8	
67	0641613	2	HEX HD CAPSCREW, 3/8-16X1.625, GR5	
72	3291001	1	HEX NUT, M10X1.5, GR8	
73	3300492	7	LOCK NUT, GR12	
76	4891600	12	WASHER, 3/8	
86	1001140468	1	A/C DRIVE PULLEY	
90	4711400	6	WASHER, 1/4	
91	3311405	3	HEX LOCK NUT, 1/4-20, GR2	

SECTION 6 - CAB

ITEM	PART NUMBER	QTY	DESCRIPTION	REV
94	8310737	1	ROD END, M10X1.5X100mm	
97	1001138945	1	COMPRESSOR COVER	
98	1001138944	1	A/C COVER SUPPORT	
99	0641406	3	HEX HD CAPSCREW, 1/4-20X3/4, GR5	
101	70020643	1	CASE TOP	
102	70022880	1	CASE BOTTOM	
103	70020644	1	COIL	
104	70022881	2	BRACKET	
105	91514270	1	TUBE ASSY	
106	91514266	1	DRIER	
107	70022882	1	BRACKET	
108	80363102	3	O-RING	
109	70022883	1	CLAMP	
110	70020645	1	TUBE ASSY	
111	70020646	1	TUBE ASSY	
112	70022884	4	CLAMP	
113	70022885	3	CLAMP	
114	70022886	1	PLUG	
115	91514295	2	FAN	
116	70020647	1	FAN HARNESS	
117	80363103	1	O-RING	
118	70022891	2 ft	FOAM	
120	70022890	4	BOLT, 3/8-16X1-3/4	
121	70022888	4	WASHER, 3/8	
122	70022889	4	LOCKWASHER,3/8	
201	70022552	1	CASE TOP	
202	70022553	1	CASE BOTTOM	
203	70022805	1	BLOWER MOTOR	
204	70023108	2	BLOWER MOTOR GASKET	
205	70022876	1	HEATER/COOLER COIL	
206	91514272	1	VALVE	
207	70022877	1	CLAMP	
208	80363103	1	O-RING	
209	N.S.S.	1	3 HOLE TOP	
210		Ref	LEG	
211		Ref	THERMOSTAT	
212		Ref	HOSE	
213	N.S.S.	2	HEATER SPLICE	
214	70022879	4	CLAMP	
215	70022555	1	AIR RESTRICTER, (not shown)	
216	91514296	1	METRO SWITCH, (not shown)	
217	70020640	1	12V RELAY, (not shown)	
218	70022556	3 ft	HOSE, (not shown)	
219	70022557	1	DRAIN ELBOW, 3/8, (not shown)	
220	70022558	1	DRAIN TEE, 3/8, (not shown)	
221	80363099	1	PRESSURE SWITCH, (not shown)	
301	86883328	1	CLAMP	
409	1321716	1	CLAMP	
454	0811610	1	SCREW, 3/8-16X1-1/4	
455	1321320	1	CLAMP	
456	4711500	1	WASHER, 5/16	

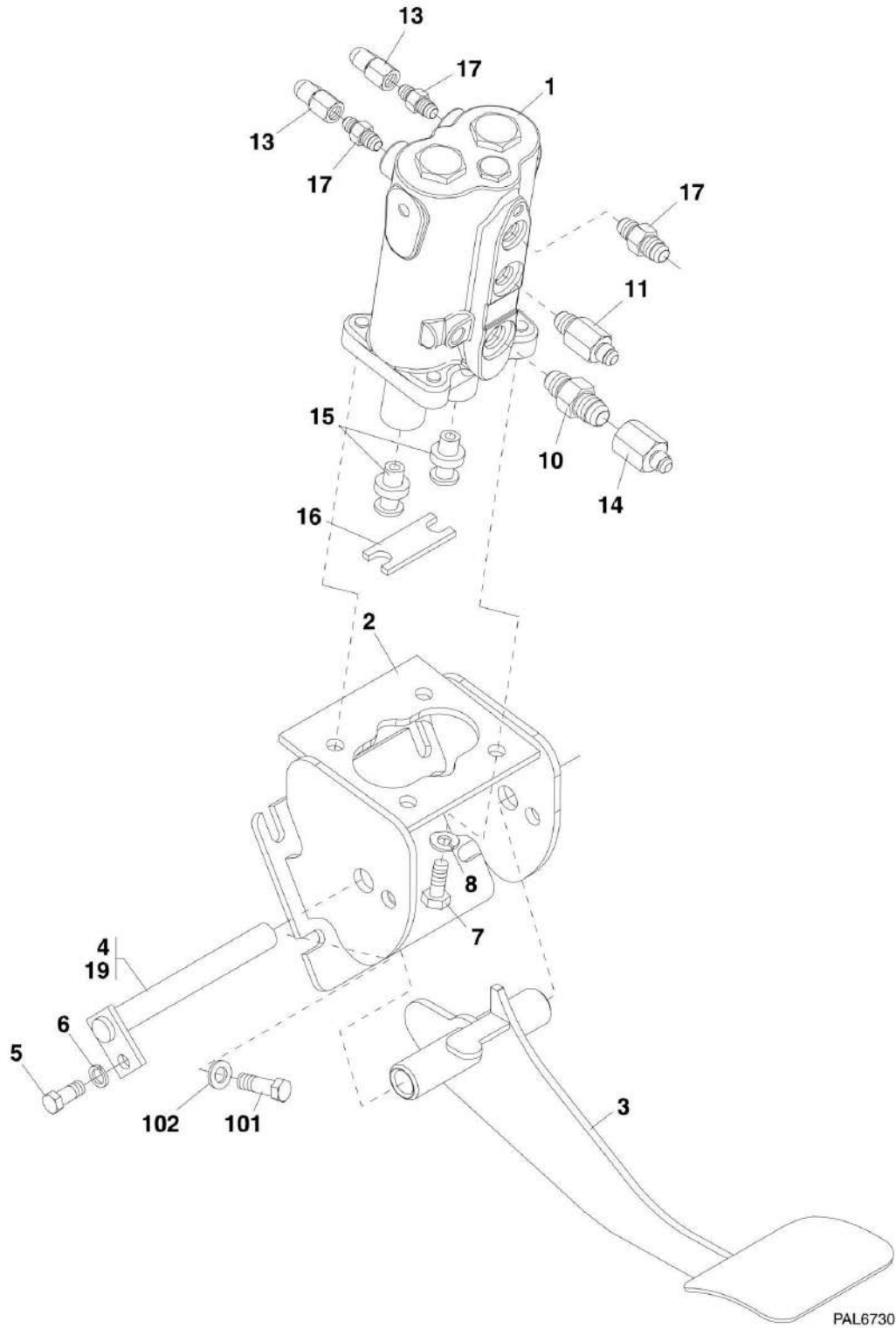
SECTION 6 - CAB

ITEM	PART NUMBER	QTY	DESCRIPTION	REV
457	77133134	1	COVER PLATE	
458	77133279	1	CLAMP	
460	88521205	1	HEX LOCKNUT, 5/16-18	
461	91143122	1	SUPPORT CLAMP	
462	77133137	1	COVER PLATE	
463	1001143654	1	HOSE GUIDE PLATE	
464	8305630	1	HEX LOCKNUT, M10X1.50	
465	1001093526	1	AC REFRIGERANT DECAL	

SECTION 7 - CONTROLS

SECTION 7 - CONTROLS

FIGURE 7-1. BRAKE



PAL6730

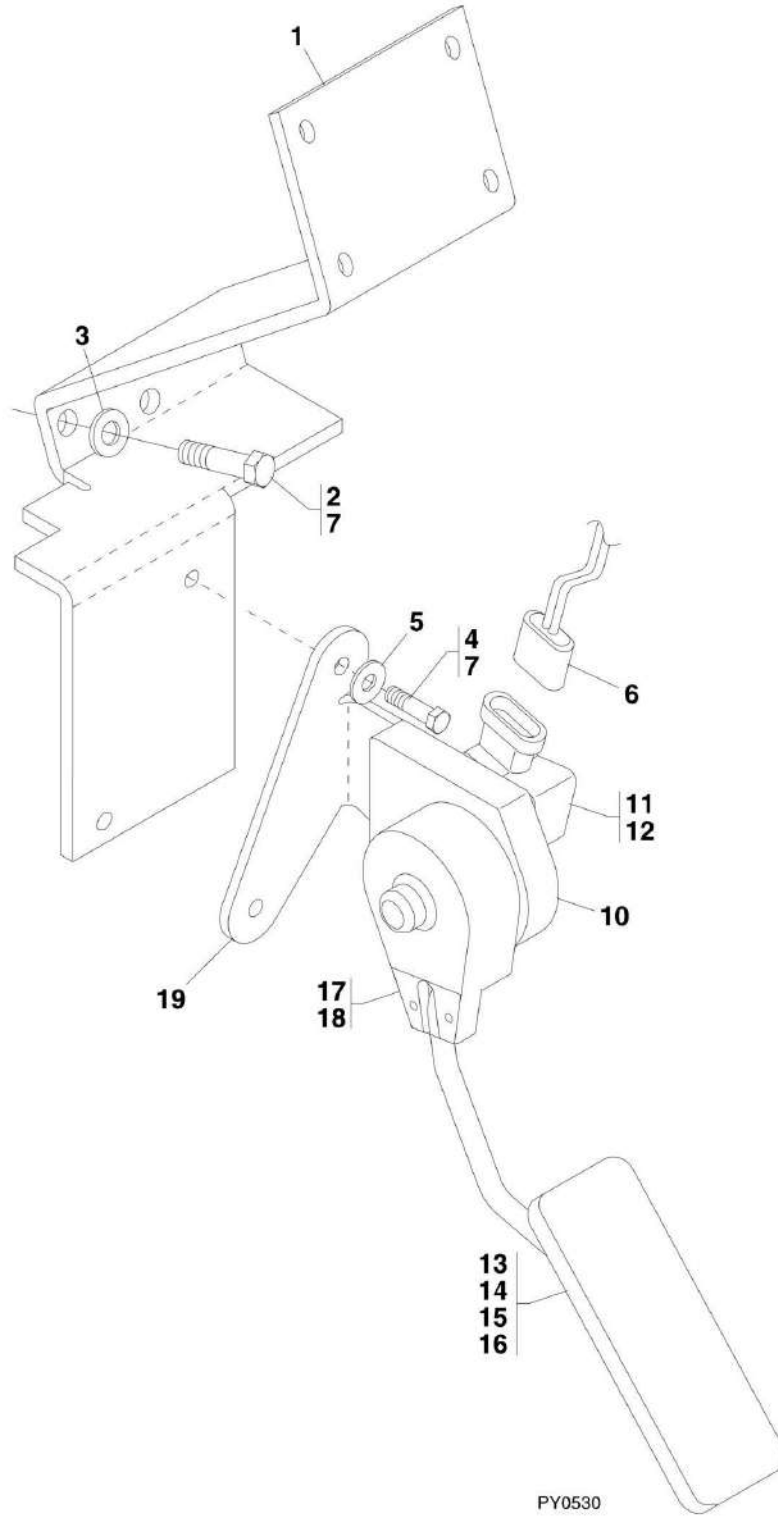
SECTION 7 - CONTROLS

FIGURE 7-1. BRAKE

ITEM	PART NUMBER	QTY	DESCRIPTION	REV
	1001091173	Ref	BRAKE INSTALLATION, (not available to order, see items 1 thru 19 for service)	F
1		Ref	BRAKE VALVE, (See HYDRAULIC COMPONENTS SECTION for Breakdown)	
2	1001091118	1	BRACKET	
3	1001090741	1	PEDAL	
4	91476031	1	PIN	
5	0641608	1	HEX HD CAPSCREW, 3/8-16X1, GR5	
6	4761600	1	LOCKWASHER, 3/8	
7	0701014	4	HEX HD CAPSCREW, M10X30, GR8.8	
8	4832000	4	LOCKWASHER, 10MM	
10	2221257	1	STRAIGHT FITTING, (includes o-ring)	
11	8770258	1	STRAIGHT FITTING, (includes o-ring)	
13	2172106	2	ADAPTER, 90, (swivel nut)	
14	2221244	1	REDUCER ADAPTER, (includes o-ring)	
15	91513180	2	ACTUATOR	
16	91511145	1	TIE BAR	
17	2144605	3	STRAIGHT FITTING, (includes o-ring)	
19	3020039	AR	MOLY PASTE	
101	0641506	4	HEX HD CAPSCREW, 5/16-18X3/4, GR5, (torque to 17 lb-ft/23 Nm)	
102	4711500	8	FLAT WASHER, 5/16	

SECTION 7 - CONTROLS

FIGURE 7-2. ACCELERATOR



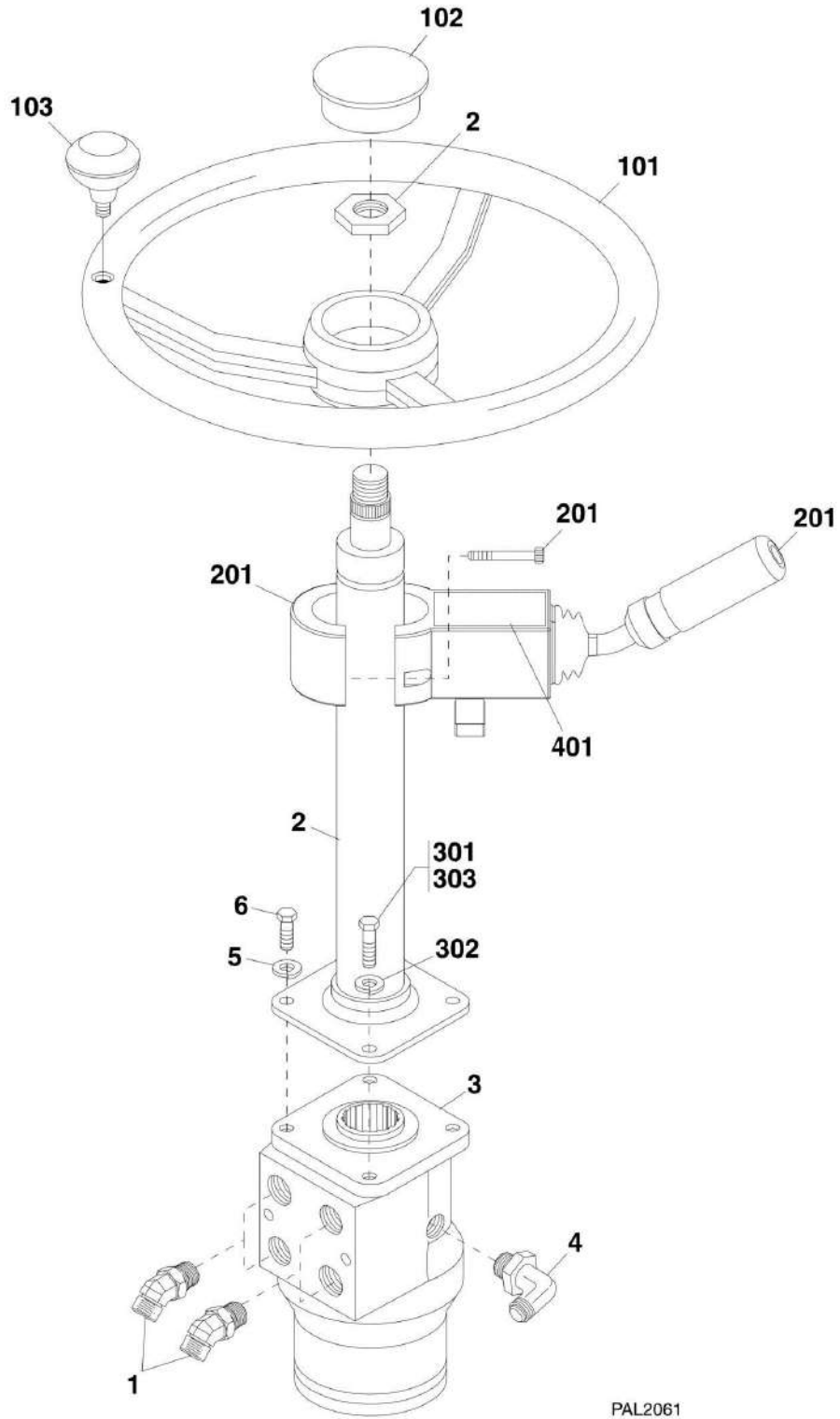
SECTION 7 - CONTROLS

FIGURE 7-2. ACCELERATOR

ITEM	PART NUMBER	QTY	DESCRIPTION	REV
1	91561192	1	BRACKET	
2	0641508	3	HEX HD CAPSCREW, 5/16-18X1, GR5, (torque to 17 lb-ft/23 Nm)	
3	4711500	3	FLAT WASHER, 5/16	
4	0641408	2	HEX HD CAPSCREW, 1/4-20X1, GR5, (torque to 96 lb-ft/130 Nm)	
5	4711400	2	LOCTITE 242	
6		Ref	ENGINE HARNESS, (See ELECTRICAL SECTION for Breakdown)	
7	0100011	AR	LOCTITE 242	
10	1001126589	1	PEDAL, (includes items 11 thru 16)	A
11	70024319	1	SENSOR KIT, (includes screws)	
12	N.S.S.	1	BRACKET	
13	70023325	1	PEDAL KIT, (includes items 14 & 16)	
14	N.S.S.	1	PEDAL SPRING	
15	7026481	1	PEDAL ARM	
16	N.S.S.	1	PEDAL PIN	

SECTION 7 - CONTROLS

FIGURE 7-3. STEERING COLUMN



PAL2061

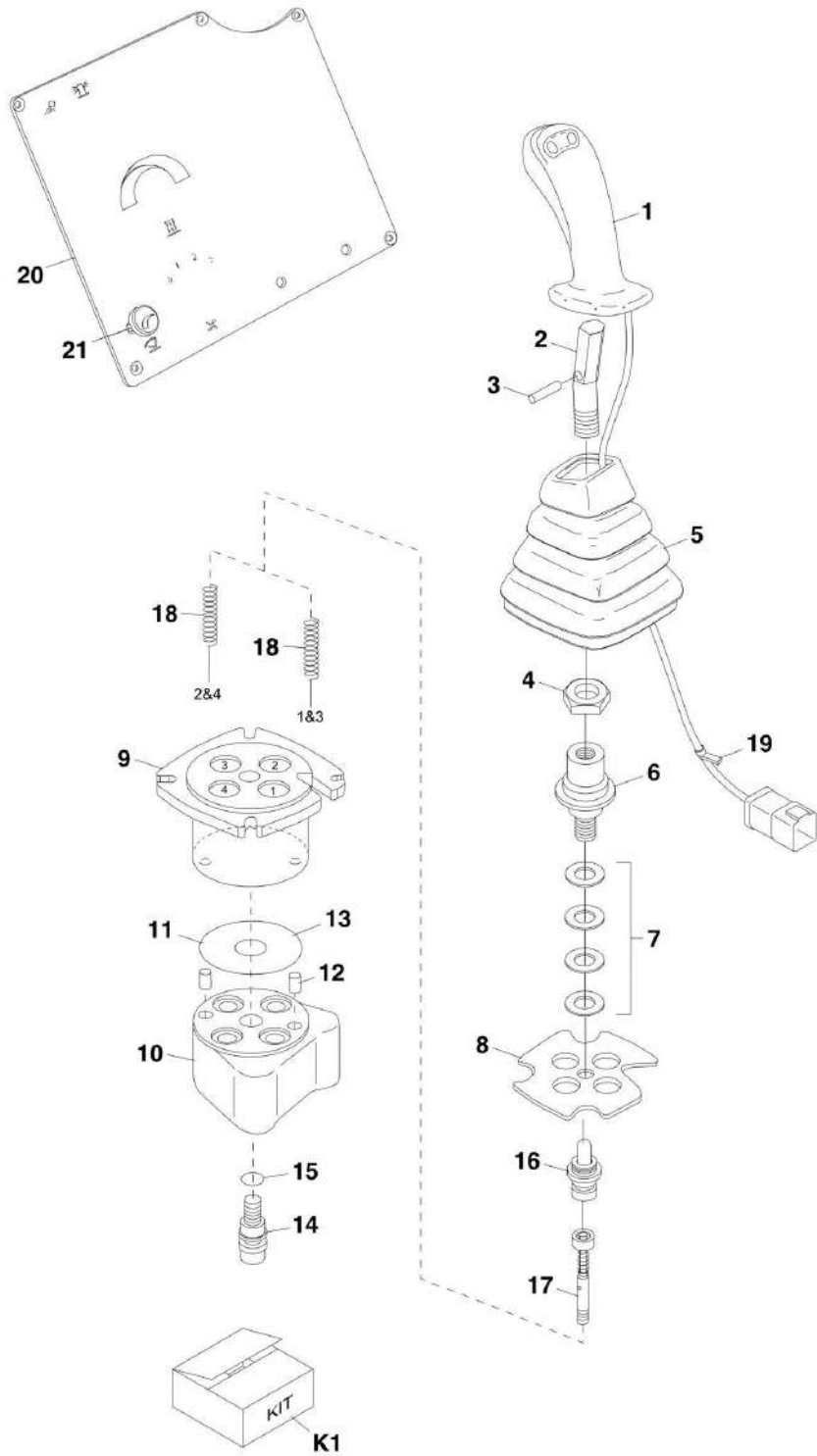
SECTION 7 - CONTROLS

FIGURE 7-3. STEERING COLUMN

ITEM	PART NUMBER	QTY	DESCRIPTION	REV
	1001001213	1	STEERING COLUMN, (includes 1 thru 6)	A
1	2150808	4	ADAPTER, 45, (includes o-ring)	
2	91513125	1	STEERING COLUMN	
2	91144191	1	STEERING WHEEL NUT, (torque to 29-34 lb-ft/39-46 Nm)	
3	91123126	1	STEERING CONTROL VALVE	
3	91144190	1	STEERING CONTROL VALVE SEAL KIT	
4	2130404	1	ADAPTOR, 90, (includes o-ring)	
5	4761600	2	LOCKWASHER	
6	0641606	2	HEX HD CAPSCREW, 3/8-16X3/4, GR 5, (torque to 30 lb-ft/41 Nm)	
101	91563208	1	STEERING WHEEL, (includes items 102 & 103)	
102	7026477	1	CENTER CAP	
103	7026478	1	SPINNER KNOB	
201	91563226	1	F-N-R SHIFTER, (includes items 202 & 203)	
202	N.S.S.	2	HEX HD CAPSCREW, (torque to 30-35 lb-ft/41-47 Nm)	
203	N.S.S.	1	CLAMP SET	
301	0641608	2	HEX HD CAPSCREW, 3/8-16X1, GR5, (torque to 40 lb-ft/55 Nm)	
302	4711600	2	WASHER, 3/8	
303	0100011	AR	LOCTITE 242	
401		Ref	SHIFTER DECAL, (See DECALS SECTION for Breakdown)	

SECTION 7 - CONTROLS

FIGURE 7-4. BOOM JOYSTICK



PAL2001

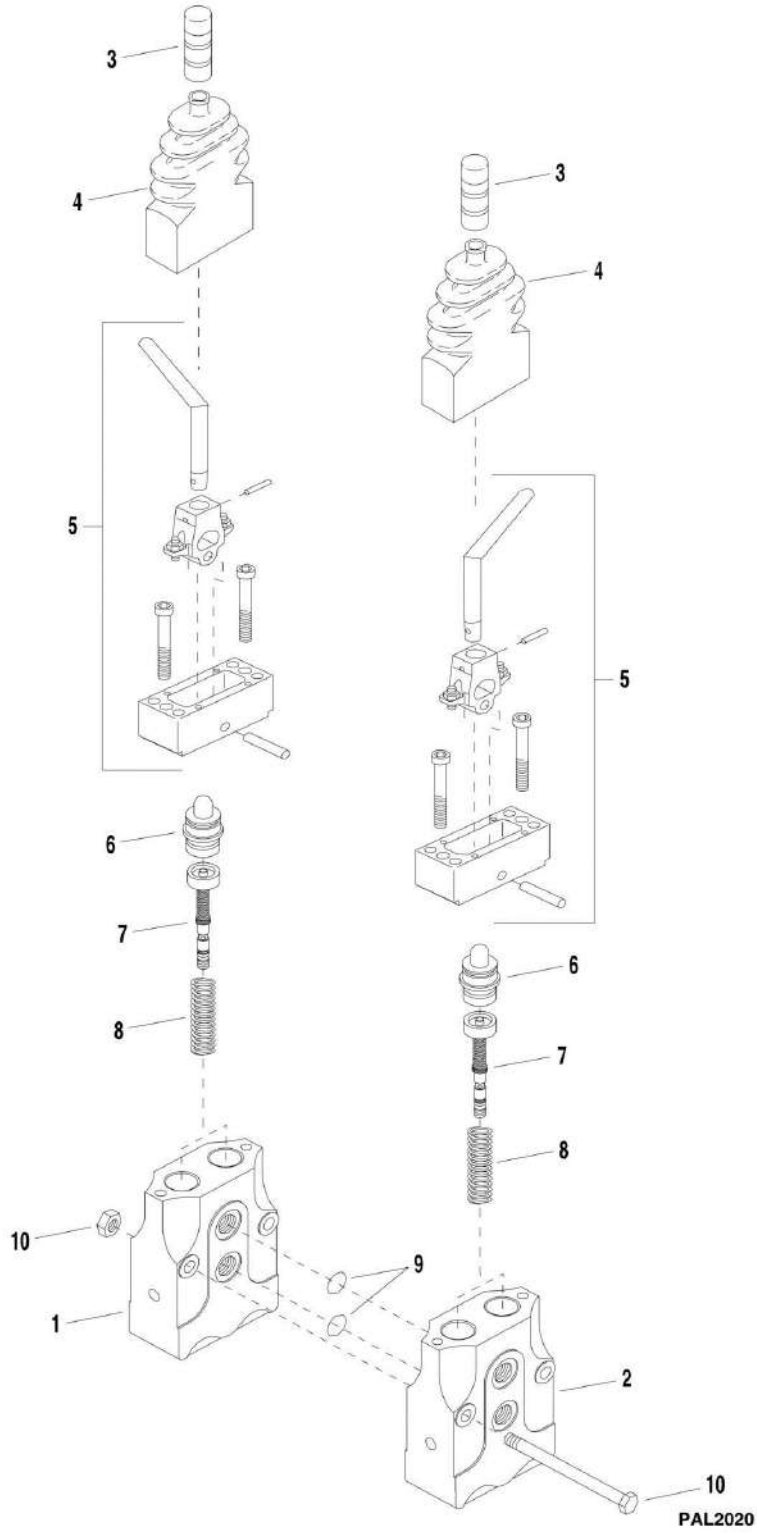
SECTION 7 - CONTROLS

FIGURE 7-4. BOOM JOYSTICK

ITEM	PART NUMBER	QTY	DESCRIPTION	REV
	91513212	1	BOOM JOYSTICK, (includes items 1 thru 19)	
1	91404325	1	GRIP ASSY	
2	91404011	1	BENT LEVER KIT, (includes items 3 & 4)	
3	N.S.S.	1	SPRING PIN	
4	N.S.S.	1	HEX NUT	
5	80364095	1	BOOT	
6	80264138	1	CARDON KIT, (includes item 7)	
7	N.S.S.	1	SHIM	
8	91404013	1	RETAINING PLATE	
9	91404016	1	UPPER BODY, (includes item 10)	
10	N.S.S.	AR	LOWER BODY	
11	Kit K1	1	O-RING	
12	Kit K1	2	DOWEL PIN	
13	Kit K1	1	O-RING	
14	Kit K1	1	SCREW ASSY	
15	Kit K1	1	O-RING	
16	80934498	4	PLUNGER AND GUIDE KIT	
17	91514224	4	REGULATING UNIT	
18	91504028	1	SPRING, (ports 1 & 3), (pack of two)	
18	91504029	1	SPRING, (ports 2 & 4), (pack of two)	
19	80264139	1	GROMMET WITH CABLE TIE KIT	
20		Ref	RH DASH PANEL, (See CAB SECTION for Breakdown)	
21		Ref	TILT RHEOSTAT SWITCH, (See ELECTRICAL SECTION for Breakdown)	
K1	91404326	AR	SEAL KIT, (includes items 11 thru 15)	

SECTION 7 - CONTROLS

FIGURE 7-5. OUTRIGGER AND FRAME LEVEL/AUXILIARY CONTROLLER



SECTION 7 - CONTROLS

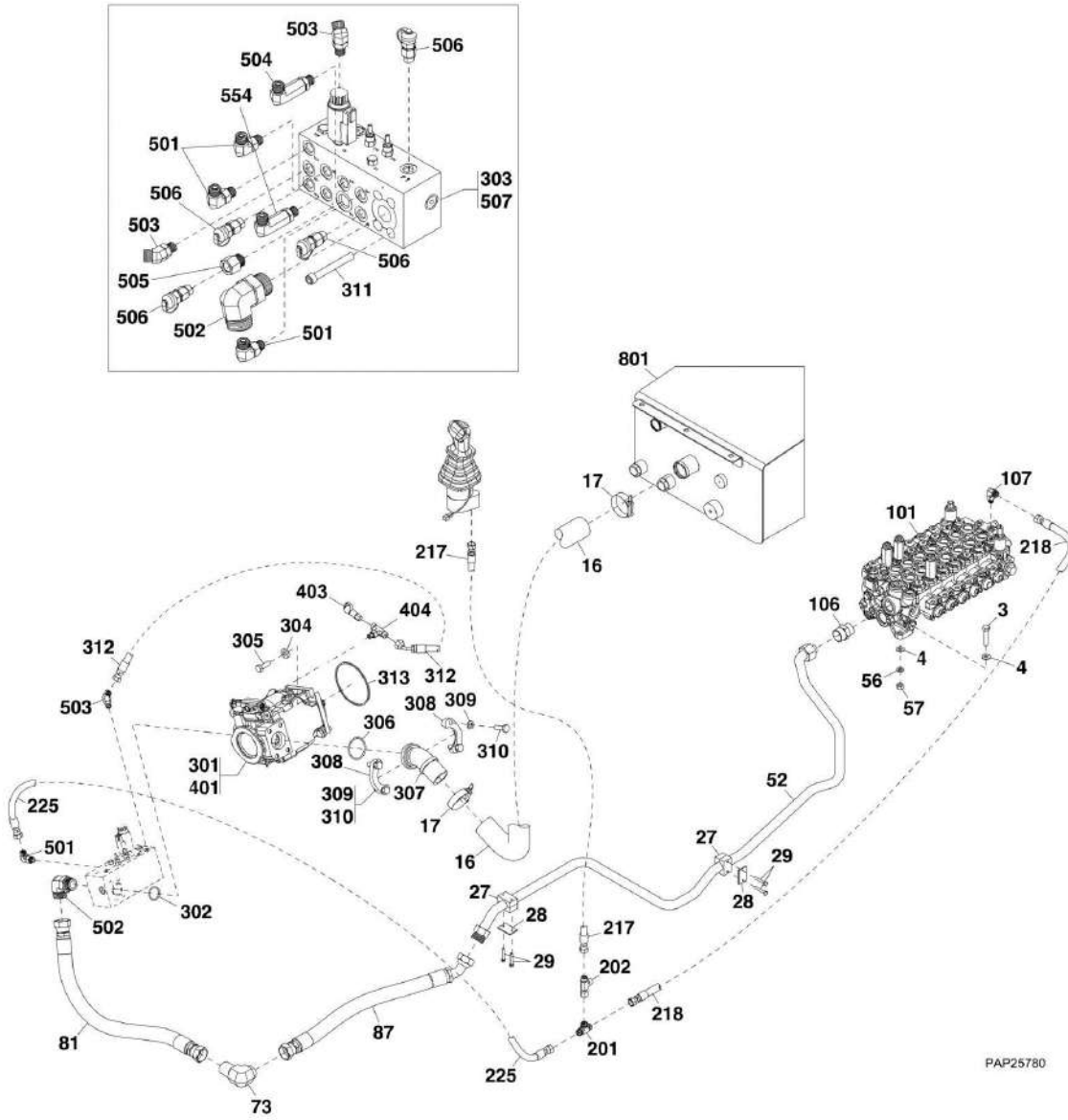
FIGURE 7-5. OUTRIGGER AND FRAME LEVEL/AUXILIARY CONTROLLER

ITEM	PART NUMBER	QTY	DESCRIPTION	REV
	91563200	2	HYDRAULIC CONTROLLER - OUTRIGGER AND FRAME LEVEL/AUX, (includes all items)	A
1	91563201	1	HYDRAULIC CONTROLLER, (includes one each of items 3 thru 8)	
2	7026741	1	HYDRAULIC CONTROLLER, (includes one each of items 3 thru 8)	
3	91504030	2	GRIP	
4	91504031	2	RUBBER BOOT	
5	7026739	2	LEVER OPERATION KIT	
6	80934498	2	PLUNGER KIT	
7	7026740	2	REGULATING UNIT KIT	
8	91504029	2	RETURN SPRING	
9	7026742	2	O-RING	
10	7026743	1	BOLT AND NUT KIT	

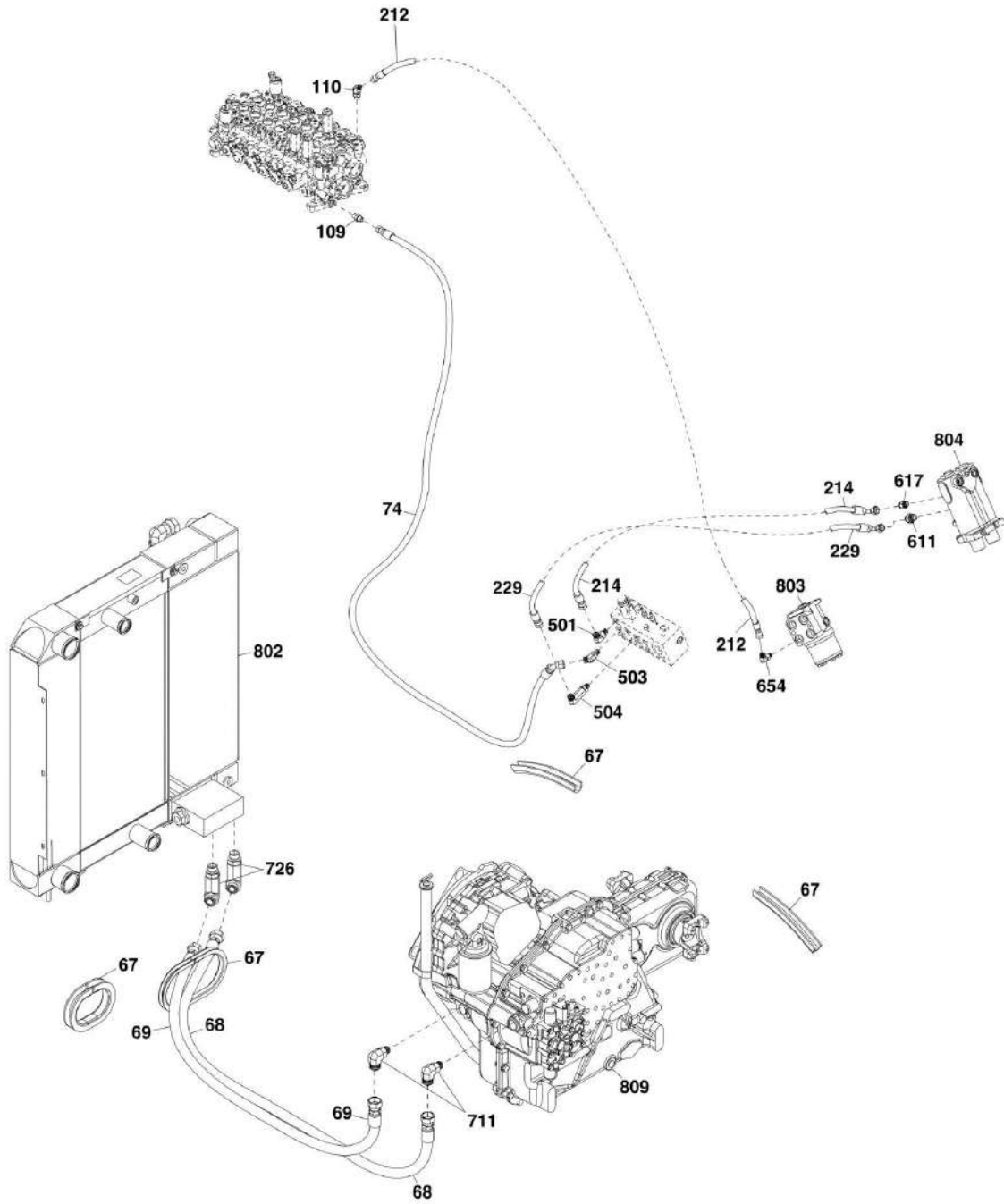
SECTION 8 - HYDRAULIC CIRCUITS

SECTION 8 - HYDRAULIC CIRCUITS

FIGURE 8-1. SUPPLY CIRCUIT



SECTION 8 - HYDRAULIC CIRCUITS



SECTION 8 - HYDRAULIC CIRCUITS

FIGURE 8-1. SUPPLY CIRCUIT

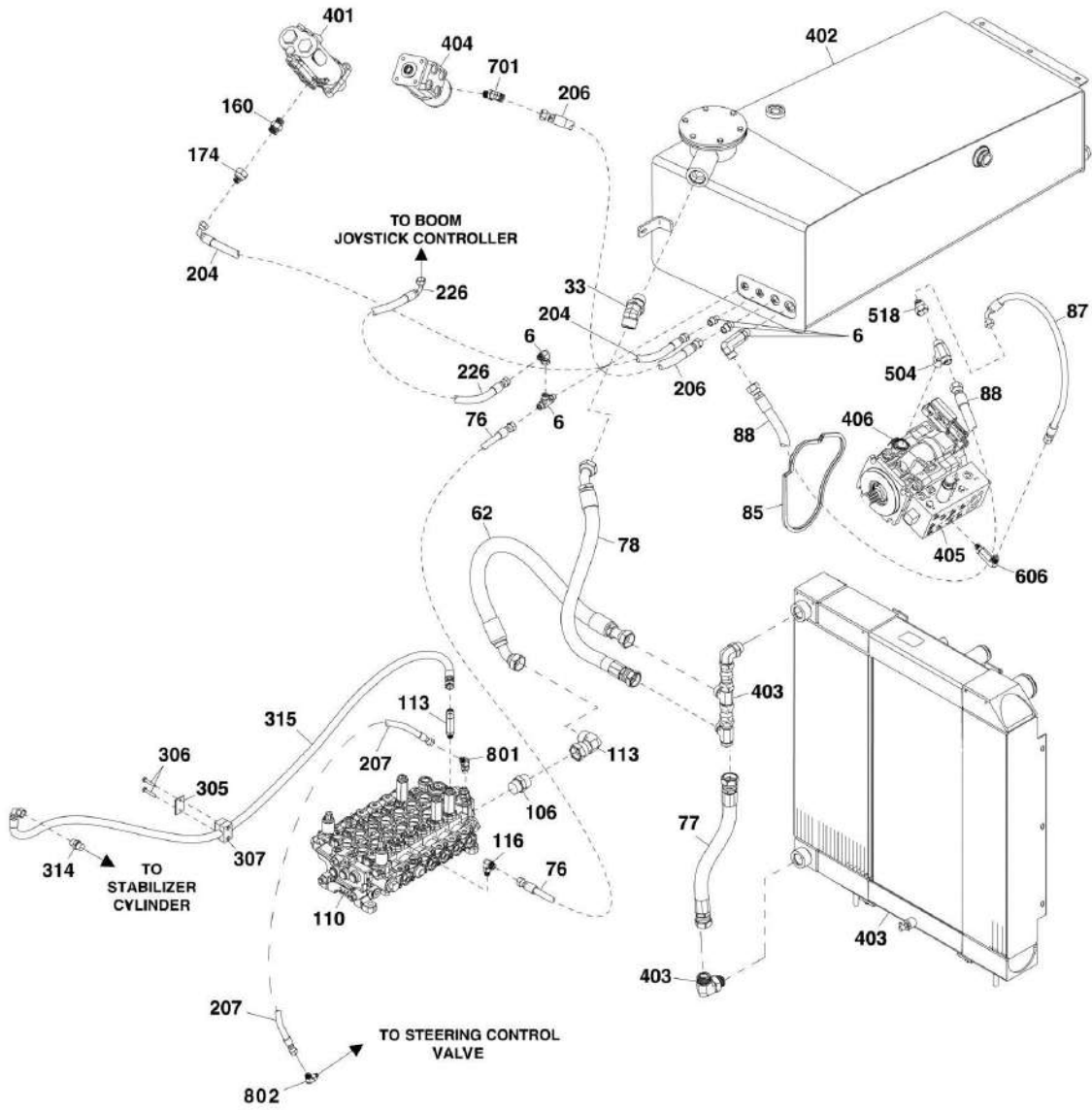
ITEM	PART NUMBER	QTY	DESCRIPTION	REV
3	0641614	4	HEX HD CAPSCREW, 3/8-16X1-3/4, GR5	
4	4711600	8	WASHER, 3/8	
16	1001139081	1	HOSE	
17	90028720	2	CLAMP	
27	77133073	2	CLAMP SET	
28	77133052	2	COVER PLATE	
29	0641412	4	HEX HD CAPSCREW, 1/4-20X1-1/2, GR5	
52	1001125404	1	TUBE ASSY	
56	4761600	4	LOCKWASHER, 3/8	
57	3311601	4	HEX NUT, 3/8-16X, GR2	
67	90206203	50 in	TRIM	
68	1001125119	1	HOSE ASSY	
69	1001125128	1	HOSE ASSY	
73	2171216	1	ADAPTER, 90, (includes o-ring)	
74	1001130679	1	HOSE ASSY	
81	1001136631	1	HOSE ASSY	
87	1001136630	1	HOSE ASSY	
101		Ref	MAIN CONTROL VALVE, (See HYDRAULIC COMPONENTS SECTION for Breakdown)	
106	2111616	1	STRAIGHT FITTING, (includes o-ring)	
107	2130606	1	ADAPTER, 90, (includes o-ring)	
109	2110406	1	STRAIGHT FITTING, (includes o-ring)	
110	2130810	1	ADAPTER, 45, (includes o-ring)	
201		Ref	TEE FITTING, (See DUMP CIRCUIT for Breakdown)	
202		Ref	TEE FITTING, (See DUMP CIRCUIT for Breakdown)	
212	1001096393	1	HOSE ASSY	
214	1001144724	1	HOSE ASSY	
217		Ref	HOSE ASSY, (See DUMP CIRCUIT for Breakdown)	
218	1001097928	1	HOSE ASSY	
225	1001115999	1	HOSE ASSY	
229	1001116011	1	HOSE ASSY	
	1001130288	Ref	HYDRAULIC PUMP INSTALLATION, (not available to order, see items 301 thru 313 for service)	C
301	1001130707	Ref	HYDRAULIC PUMP ASSY, (includes items 401 thru 405)	D
302	91083106	1	O-RING	
303	1001130440	Ref	HYDRAULIC MANIFOLD VALVE INSTALLATION, (not available to order, see items 501 thru 507 & 554 for service)	C
304	4891800	4	WASHER, 1/2	
305	0701215	4	HEX HD CAPSCREW, M12X35, GR8.8	
306	3790228	1	O-RING	
307	1001107814	1	PIPE, 45	
308	8546407	2	#32 FLANGE	
309	4761800	4	LOCKWASHER, 1/2	
310	0641812	4	HEX HD CAPSCREW, 1/2-13X1-1/2, GR5	
311	3931648	4	SOCKET HD CAPSCREW, 3/8-16X3	
312	1001145543	1	HOSE ASSY	
313	80933113	1	O-RING	
401		Ref	PISTON PUMP, (See HYDRAULIC COMPONENTS SECTION for Breakdown)	
402		Ref	TEE FITTING, (not shown), (See DUMP CIRCUIT for Breakdown)	

SECTION 8 - HYDRAULIC CIRCUITS

ITEM	PART NUMBER	QTY	DESCRIPTION	REV
403	1001103069	1	COUPLING,TEST ORFS 9/16-18 UNF	
404	2170404	1	TEE FITTING	
405		Ref	REDUCER ADAPTER, (not shown), (See DUMP CIRCUIT for Breakdown)	
501	2130606	3	ADAPTER, 90, (includes o-ring)	
502	2131616	1	ADAPTER, 90, (includes o-ring)	
503	2150606	1	ADAPTER, 45, (includes o-ring)	
504	2170206	1	ADAPTER, 90, (includes o-ring)	
505		Ref	STRAIGHT FITTING, (See DUMP CIRCUIT for Breakdown)	
506	77133089	4	CHECK FITTING	
507		Ref	HYDRAULIC MANIFOLD VALVE, (See HYDRAULIC COMPONENTS SECTION for Breakdown)	
554		Ref	ADAPTER, 90, (See DUMP CIRCUIT for Breakdown)	
611		Ref	STRAIGHT FITTING, (See CONTROLS SECTION for Breakdown)	
617		Ref	STRAIGHT FITTING, (See CONTROLS SECTION for Breakdown)	
654	2150808	1	ADAPTER, 90, (includes o-ring)	
711	2131210	2	ADAPTER, 90, (includes o-ring)	
726	2170212	2	ADAPTER, 90, (includes o-ring)	
801		Ref	HYDRAULIC TANK, (See HYDRAULIC COMPONENTS SECTION for Breakdown)	
802		Ref	RADIATOR, (See ENGINE AND ATTACHING PARTS SECTION for Breakdown)	
803		Ref	STEERING VALVE, (See CONTROLS SECTION for Breakdown)	
804		Ref	BRAKE VALVE, (See HYDRAULIC COMPONENTS SECTION for Breakdown)	
805		Ref	BOOM JOYSTICK, (See CONTROLS SECTION for Breakdown)	
809		Ref	TRANSMISSION, (See DRIVE TRAIN SECTION for Breakdown)	

SECTION 8 - HYDRAULIC CIRCUITS

FIGURE 8-2. DUMP CIRCUIT



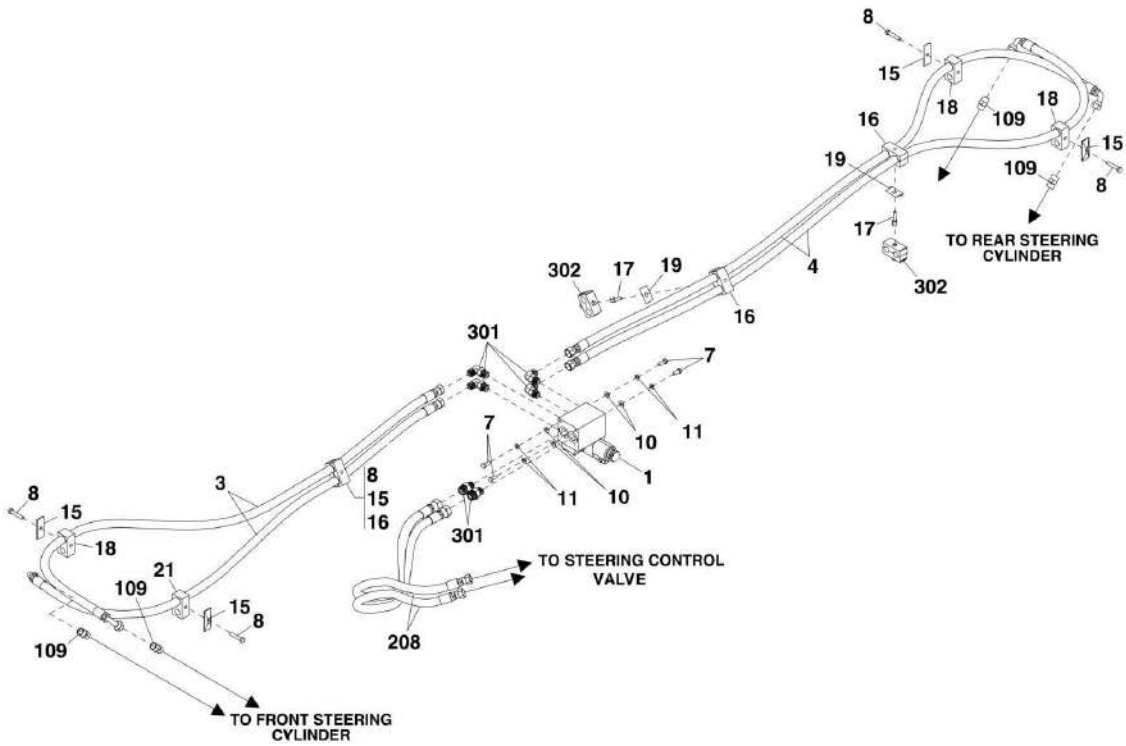
SECTION 8 - HYDRAULIC CIRCUITS

FIGURE 8-2. DUMP CIRCUIT

ITEM	PART NUMBER	QTY	DESCRIPTION	REV
6		Ref	HYDRAULIC TANK FITTINGS, (See HYDRAULIC COMPONENTS SECTION for Breakdown)	
33	2151620	1	ADAPTER, 45, (includes o-ring)	
62	1001130127	1	HOSE ASSY	
76	1001122608	1	HOSE ASSY	
77	1001130065	1	HOSE ASSY	
78	1001161806	1	HOSE ASSY	
85	90206202	37 in	TRIM	
87	1001141211	1	HOSE ASSY	
88	1001141212	1	HOSE ASSY	
106	2111616	1	STRAIGHT FITTING, (includes o-ring)	
110		Ref	MAIN CONTROL VALVE, (See HYDRAULIC COMPONENTS SECTION for Breakdown)	
113	2172116	1	ADAPTER, 90, (includes o-ring)	
116	2170206	1	ADAPTER, 90, (includes o-ring)	
160		Ref	STRAIGHT FITTING, (See CONTROLS SECTION for Breakdown)	
174		Ref	REDUCER ADAPTER, (See CONTROLS SECTION for Breakdown)	
204	1001137280	1	HOSE ASSY	
206	1001137281	1	HOSE ASSY	
207	1001096394	1	HOSE ASSY	
226	1001137259	1	HOSE ASSY	
305	77133052	1	COVER PLATE	
306	0641412	2	HEX HD CAPSCREW, 1/4-20X1-1/2, GR5	
307	77133053	1	CLAMP SET	
314	2110608	1	STRAIGHT FITTING, (includes o-ring)	
315	1001095431	1	HOSE ASSY	
401		Ref	BRAKE VALVE, (See HYDRAULIC COMPONENTS SECTION for Breakdown)	
402		Ref	HYDRAULIC TANK, (See HYDRAULIC COMPONENTS SECTION for Breakdown)	
403		Ref	RADIATOR, (See ENGINE AND ATTACHING PARTS SECTION for Breakdown)	
404		Ref	STEERING VALVE, (See CONTROLS SECTION for Breakdown)	
405		Ref	HYDRAULIC MANIFOLD VALVE, (See HYDRAULIC COMPONENTS SECTION for Breakdown)	
406		Ref	PISTON PUMP, (See HYDRAULIC COMPONENTS SECTION for Breakdown)	
504	2170410	1	TEE FITTING, (includes o-ring)	
518	2221244	1	REDUCER ADAPTER, (includes o-ring)	
606	2170206	1	ADAPTER, 90, (includes o-ring)	
701	2150808	1	ADAPTER, 45, (includes o-ring)	
801	2150406	1	ADAPTER, 45, (includes o-ring)	
802	2130404	1	ADAPTER, 90, (includes o-ring)	

SECTION 8 - HYDRAULIC CIRCUITS

FIGURE 8-3. STEER SELECT CIRCUIT



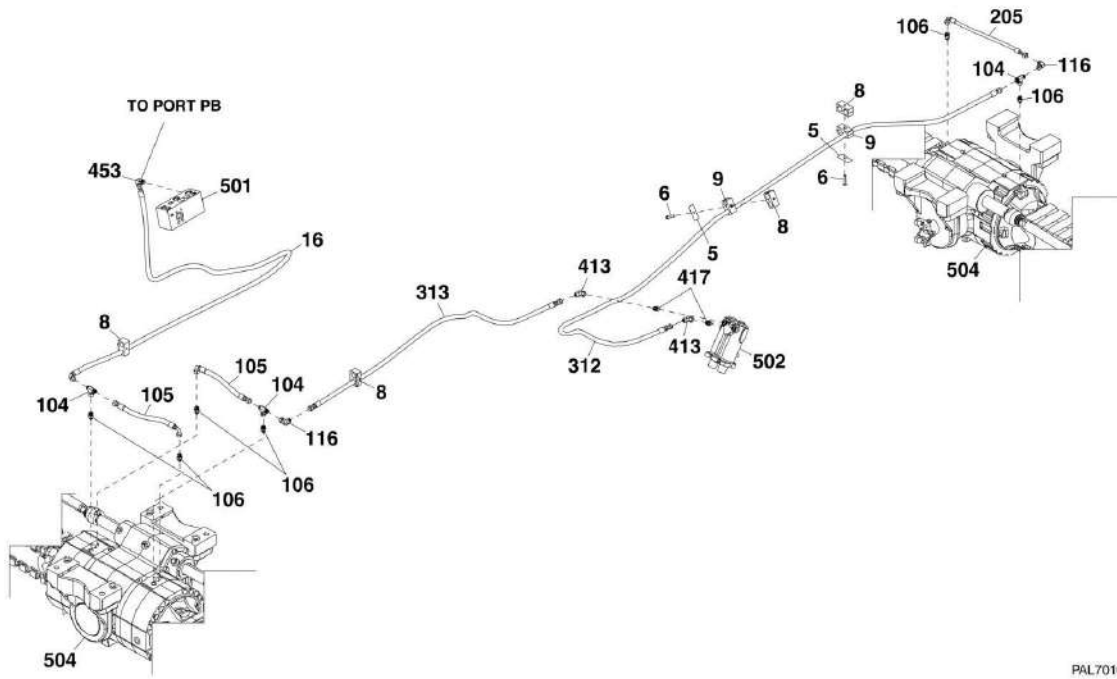
SECTION 8 - HYDRAULIC CIRCUITS

FIGURE 8-3. STEER SELECT CIRCUIT

ITEM	PART NUMBER	QTY	DESCRIPTION	REV
1		Ref	STEER SELECT VALVE, (See HYDRAULIC COMPONENTS SECTION for Breakdown)	
3	1001095434	2	HOSE ASSY	
4	1001095436	2	HOSE ASSY	
7	0641506	4	HEX HD CAPSCREW, 5/16-18X3/4, GR5	
8	0641514	5	HEX HD CAPSCREW, 5/16-18X1-3/4, GR5	
10	4711500	4	WASHER, 5/16	
11	4761500	4	LOCKWASHER, 5/16	
15	77133137	5	COVER PLATE	
16	77133279	3	CLAMP SET	
17	77133306	2	STACKING BOLT	
18	83663119	3	CLAMP SET	
19	77133390	2	SAFETY CLIP	
21	77323029	1	CLAMP SET	
22	86683122	AR	TIEWRAP (Not Shown)	
109	2110808	4	STRAIGHT FITTING, (includes o-ring)	
208	1001096390	2	HOSE ASSY	
301		Ref	STEER SELECT ADAPTERS, (See HYDRAULIC COMPONENTS SECTION for Breakdown)	
302		Ref	CLAMP SET, (See SERVICE BRAKE CIRCUIT for Breakdown)	

SECTION 8 - HYDRAULIC CIRCUITS

FIGURE 8-4. SERVICE BRAKE CIRCUIT



PAL7010

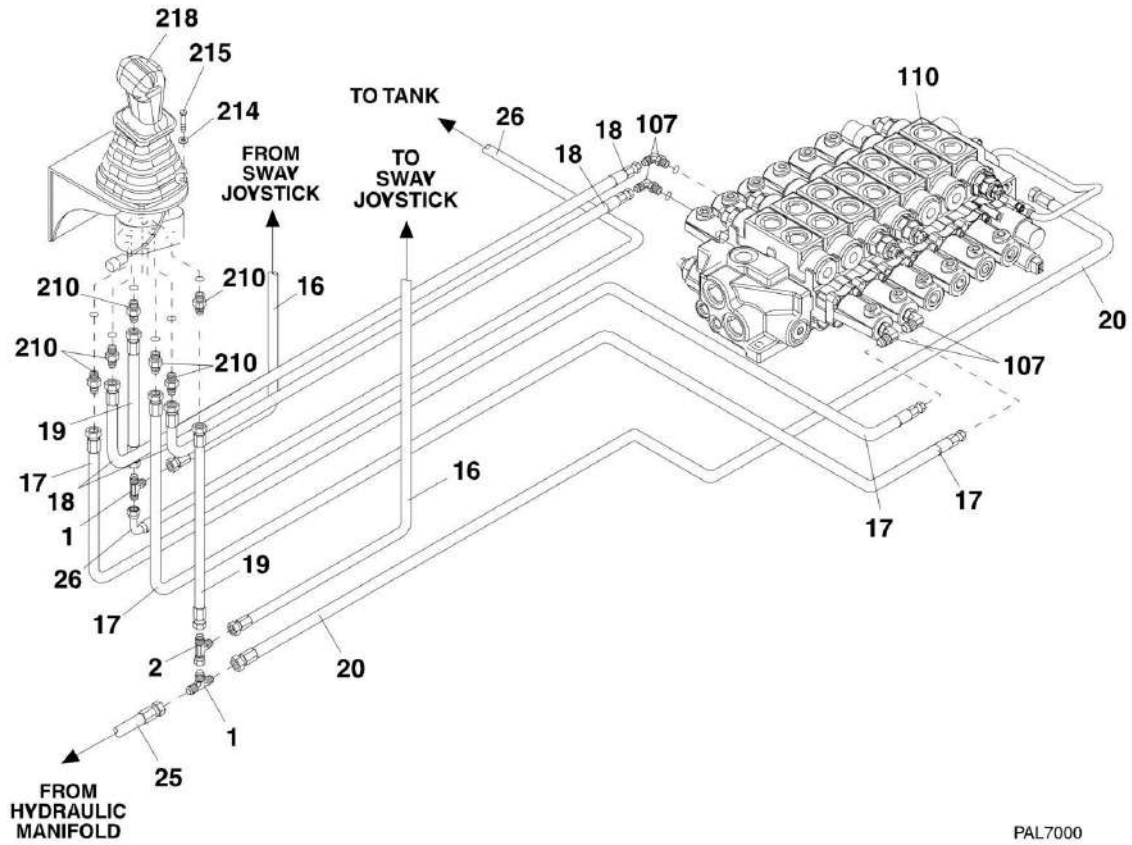
SECTION 8 - HYDRAULIC CIRCUITS

FIGURE 8-4. SERVICE BRAKE CIRCUIT

ITEM	PART NUMBER	QTY	DESCRIPTION	REV
5	77133137	2	COVER PLATE	
6	0641514	2	HEX HD CAPSCREW, 5/16-18X1-3/4, GR5	
8		Ref	CLAMP SET, (See DUMP CIRCUIT for Breakdown)	
9	77133136	2	TWIN CLAMP	
16	1001137231	1	HOSE ASSY	
104	2170806	3	TEE FITTING, (includes o-ring)	
105	1001097810	2	HOSE ASSY	
106	2144605	6	STRAIGHT FITTING, (includes o-ring)	
116	2172106	2	ADAPTER, 90, (includes o-ring)	
205	1001102509	1	HOSE ASSY	
312	1001096389	1	HOSE ASSY	
313	1001096388	1	HOSE ASSY	
413	2172106	2	ADAPTER, 90, (includes o-ring)	
417	2144605	2	STRAIGHT FITTING, (includes o-ring)	
453	2130606	1	ADAPTER, 90, (includes o-ring)	
501		Ref	HYDRAULIC MANIFOLD VALVE, (See HYDRAULIC COMPONENTS SECTION for Breakdown)	
502		Ref	BRAKE VALVE, (See HYDRAULIC COMPONENTS SECTION for Breakdown)	
503		Ref	FRONT AXLE, (See DRIVE TRAIN SECTION for Breakdown)	
504		Ref	REAR AXLE, (See DRIVE TRAIN SECTION for Breakdown)	

SECTION 8 - HYDRAULIC CIRCUITS

FIGURE 8-5. BOOM JOYSTICK CIRCUIT



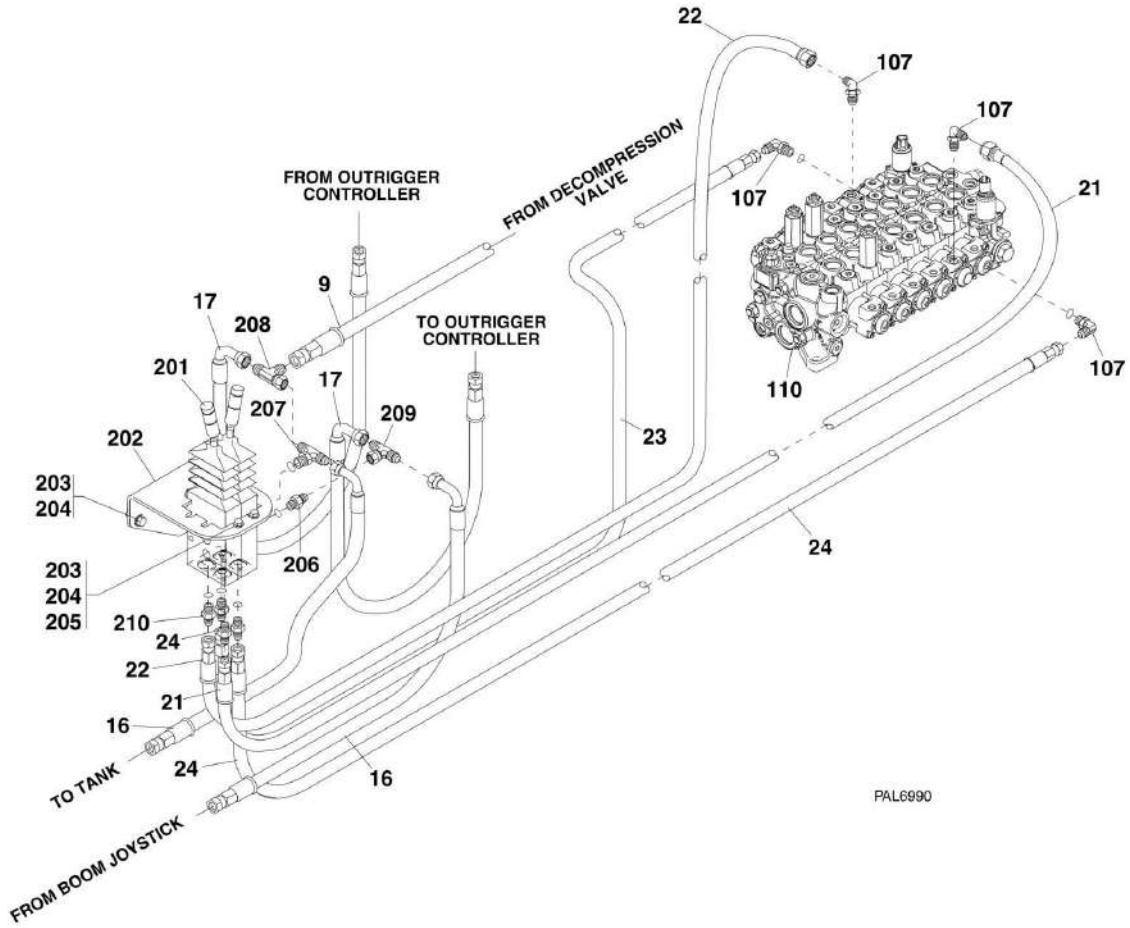
SECTION 8 - HYDRAULIC CIRCUITS

FIGURE 8-5. BOOM JOYSTICK CIRCUIT

ITEM	PART NUMBER	QTY	DESCRIPTION	REV
1	2170506	2	TEE FITTING, (includes o-ring)	
2	2170706	1	TEE FITTING, (includes o-ring)	
16		Ref	HOSE ASSY, (See FRAME LEVEL/AUXILIARY CONTROLLER for Breakdown)	
17	1001097924	2	HOSE ASSY	
18	1001097925	2	HOSE ASSY	
19	1001097926	2	HOSE ASSY	
20		Ref	HOSE ASSY, (See SUPPLY CIRCUIT for Breakdown)	
25		Ref	HOSE ASSY, (See SUPPLY CIRCUIT for Breakdown)	
26		Ref	HOSE ASSY, (See DUMP CIRCUIT for Breakdown)	
107	2130406	4	ADAPTER, 90, (includes o-ring)	
110		Ref	MAIN CONTROL VALVE, (See HYDRAULIC COMPONENTS SECTION for Breakdown)	
210	2110406	6	STRAIGHT FITTING, (includes o-ring)	
214	4751400	4	WASHER, 1/4	
215	0641408	4	HEX HD CAPSCREW, 1/4-20X1, GR5	
218		Ref	BOOM JOYSTICK, (See CONTROLS SECTION for Breakdown)	

SECTION 8 - HYDRAULIC CIRCUITS

FIGURE 8-6. FRAME LEVEL/AUXILIARY CONTROLLER



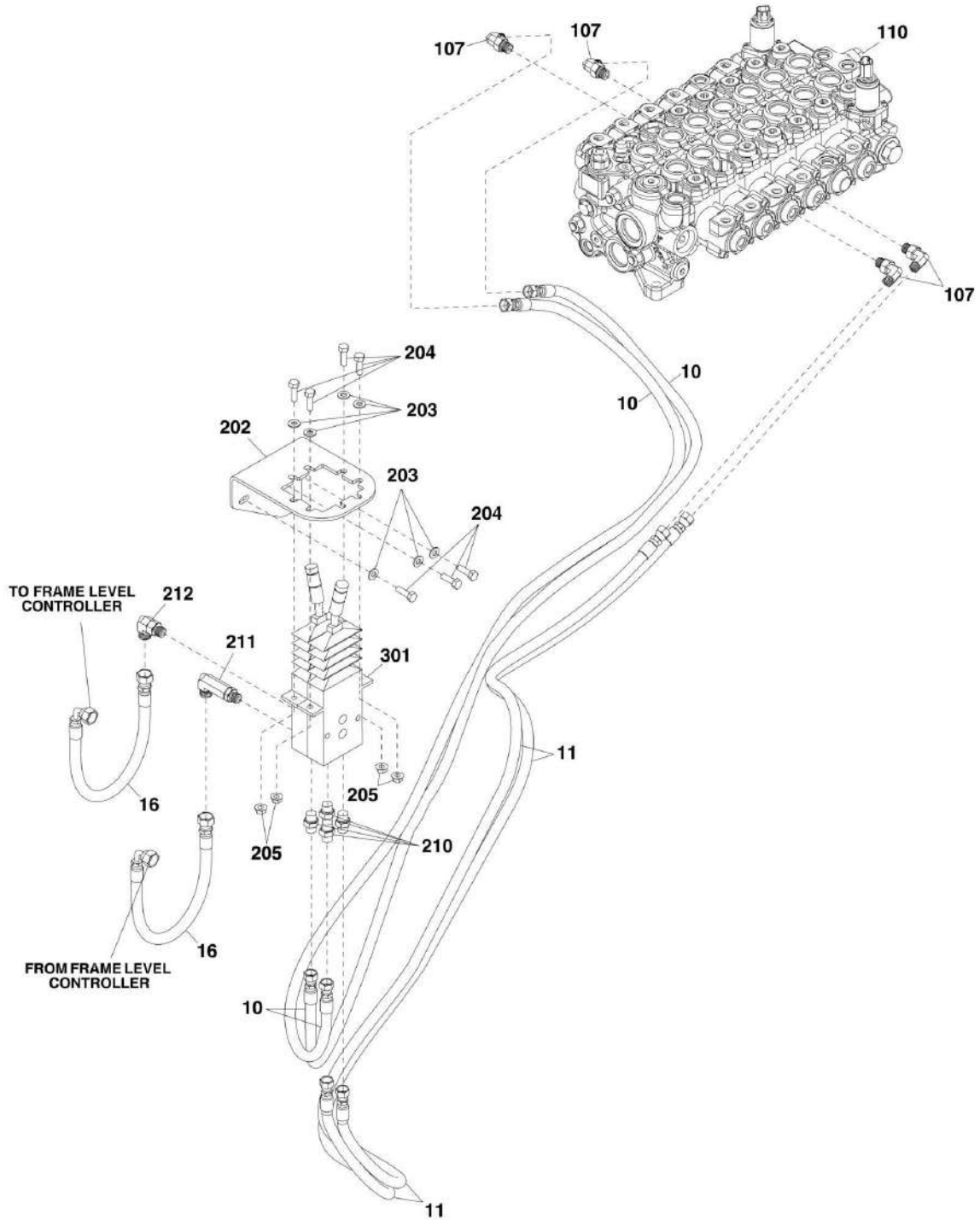
SECTION 8 - HYDRAULIC CIRCUITS

FIGURE 8-6. FRAME LEVEL/AUXILIARY CONTROLLER

ITEM	PART NUMBER	QTY	DESCRIPTION	REV
9		Ref	DECOMPRESSION VALVE ASSY, (See HYDRAULIC COMPONENTS SECTION for Breakdown)	
16	1001096396	2	HOSE ASSY	
17		Ref	HOSE ASSY, (See OUTRIGGER CONTROLLER for Breakdown)	
21	1001097930	1	HOSE ASSY	
22	1001097931	1	HOSE ASSY	
23	1001097932	1	HOSE ASSY	
24	1001097933	1	HOSE ASSY	
107	2130406	4	ADAPTER, 90, (includes o-ring)	
110		Ref	MAIN CONTROL VALVE, (See HYDRAULIC COMPONENTS SECTION for Breakdown)	
201		Ref	FRAME LEVEL/AUX CONTROLLER, (See CONTROLS SECTION for Breakdown)	
202	91561140	1	BRACKET	
203	4711500	7	WASHER, 5/16	
204	0641508	7	HEX HD CAPSCREW, 5/16-18X1, GR5	
205	3311508	4	HEX NUT, 5/16-18	
206	2110606	1	STRAIGHT ADAPTER, (includes o-ring)	
207	2170406	1	TEE FITTING, (includes o-ring)	
208	2170706	1	TEE FITTING, (includes o-ring)	
209	2170806	1	TEE FITTING, (includes o-ring)	
210	2110406	4	STRAIGHT FITTING, (includes o-ring)	

SECTION 8 - HYDRAULIC CIRCUITS

FIGURE 8-7. OUTRIGGER CONTROLLER



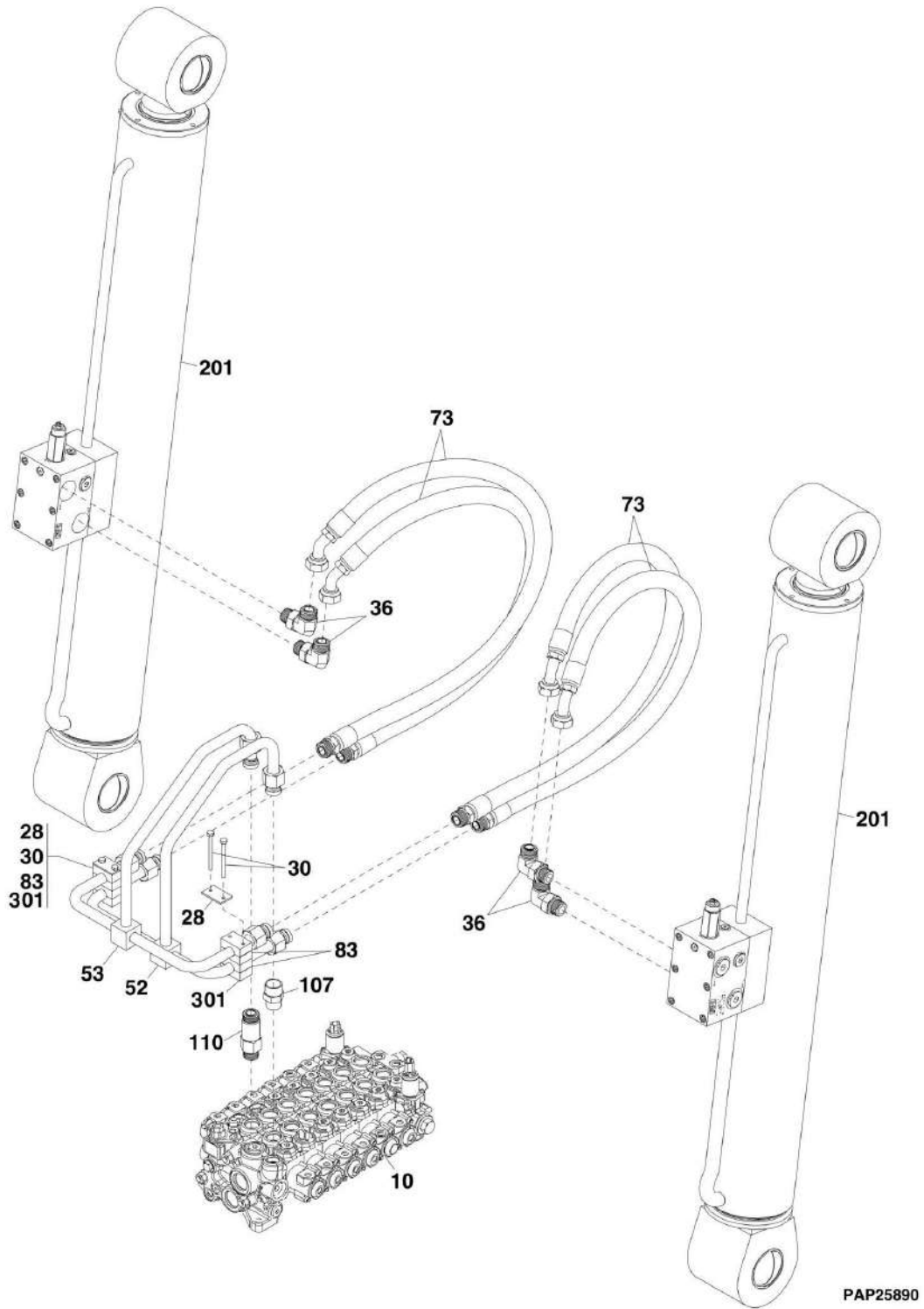
SECTION 8 - HYDRAULIC CIRCUITS

FIGURE 8-7. OUTRIGGER CONTROLLER

ITEM	PART NUMBER	QTY	DESCRIPTION	REV
10	1001096386	2	HOSE ASSY	
11	1001096387	2	HOSE ASSY	
16	1001096369	2	HOSE ASSY	
107	2130406	4	ADAPTER, 90, (includes o-ring)	
110		Ref	MAIN CONTROL VALVE, (See HYDRAULIC COMPONENTS SECTION for Breakdown)	
202	91561140	1	BRACKET	
203	4711500	7	WASHER, 5/16	
204	0641508	7	HEX HD CAPSCREW, 5/16-18X1, GR5	
205	3311508	4	HEX NUT, 5/16-18	
210	2110406	4	STRAIGHT FITTING, (includes o-ring)	
211	2170206	1	ADAPTER, 90, (includes o-ring)	
212	2130606	1	ADAPTER, 90, (includes o-ring)	
301		Ref	OUTRIGGER CONTROLLER, (See CONTROLS SECTION for Breakdown)	

SECTION 8 - HYDRAULIC CIRCUITS

FIGURE 8-8. LIFT CYLINDER CIRCUIT



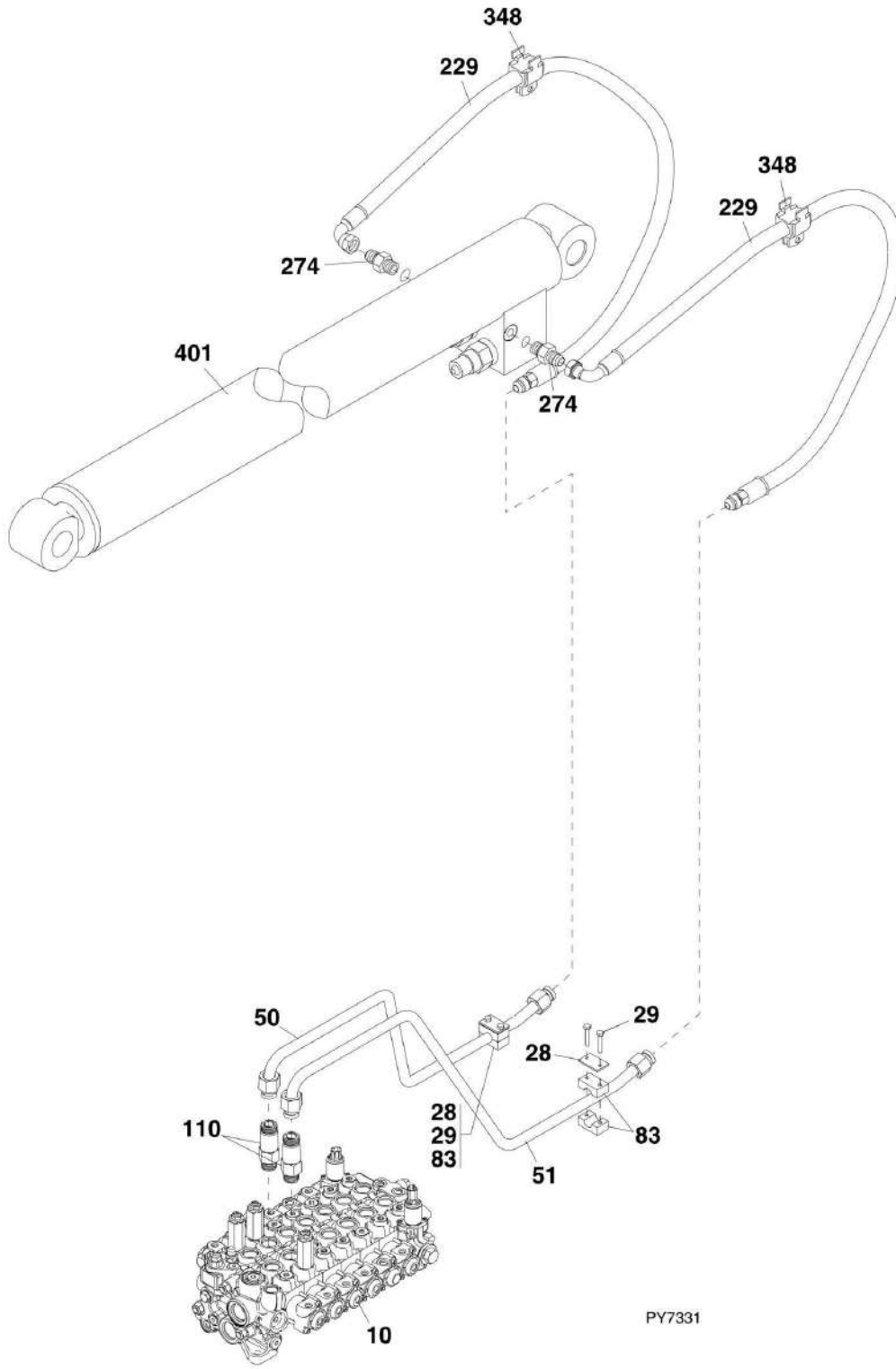
SECTION 8 - HYDRAULIC CIRCUITS

FIGURE 8-8. LIFT CYLINDER CIRCUIT

ITEM	PART NUMBER	QTY	DESCRIPTION	REV
10		Ref	MAIN CONTROL VALVE, (See HYDRAULIC COMPONENTS SECTION for Breakdown)	
28	77133052	2	COVER PLATE	
30	0641424	4	HEX HD CAPSCREW, 1/4-20X3, GR5	
36	2131212	4	ADAPTER, 90, (includes o-ring)	
52	1001105120	1	TUBE ASSY	
53	1001105121	1	TUBE ASSY	
73	1001102185	4	HOSE ASSY	
83	77133053	2	CLAMP	
107	2111212	1	STRAIGHT FITTING, (includes o-ring)	
110	2170112	1	STRAIGHT FITTING, (includes o-ring)	
201		Ref	LIFT CYLINDER, (See HYDRAULIC COMPONENTS SECTION for Breakdown)	
301	77133073	2	CLAMP SET	

SECTION 8 - HYDRAULIC CIRCUITS

FIGURE 8-9. EXTEND/RETRACT CYLINDER CIRCUIT



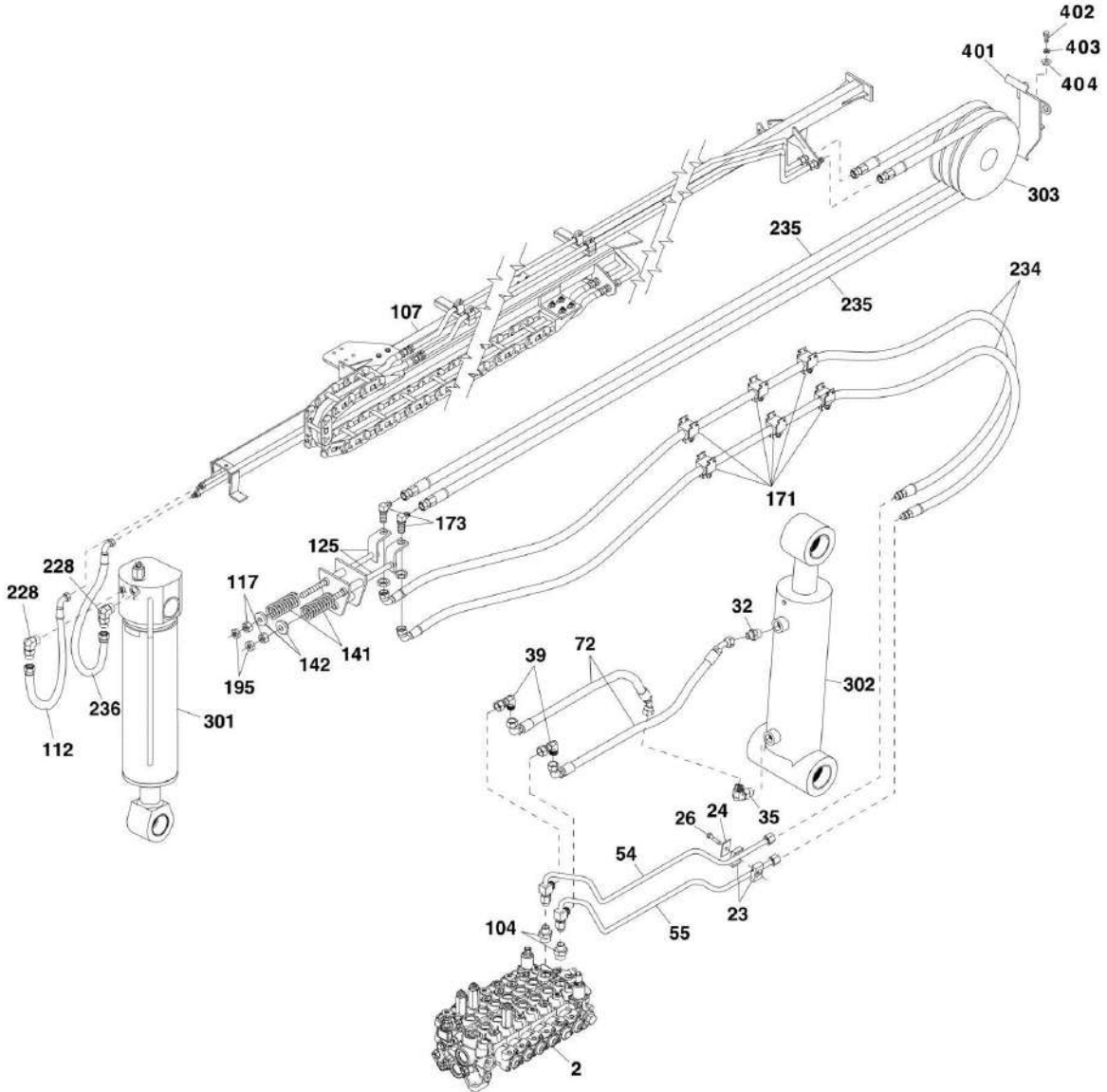
SECTION 8 - HYDRAULIC CIRCUITS

FIGURE 8-9. EXTEND/RETRACT CYLINDER CIRCUIT

ITEM	PART NUMBER	QTY	DESCRIPTION	REV
10		Ref	MAIN CONTROL VALVE ASSY, (See HYDRAULIC COMPONENTS SECTION for Breakdown)	
28	77133052	2	PLATE COVER	
29	0641412	4	HEX HD CAPSCREW, 1/4-20X1-1/2, GR5	
50	1001105118	1	TUBE ASSY	
51	1001105119	1	TUBE ASSY	
83	77133053	2	CLAMP SET	
110	2170112	2	STRAIGHT FITTING, (includes o-ring)	
229	1001097036	2	HOSE ASSY	
274	2111212	2	STRAIGHT FITTING, (includes o-ring)	
348	90205792	2	CUSHION CLAMP	
401		Ref	EXTEND/RETRACT CYLINDER, (See HYDRAULIC COMPONENTS SECTION for Breakdown)	

SECTION 8 - HYDRAULIC CIRCUITS

FIGURE 8-10. TILT CYLINDER AND COMPENSATION CYLINDER CIRCUIT



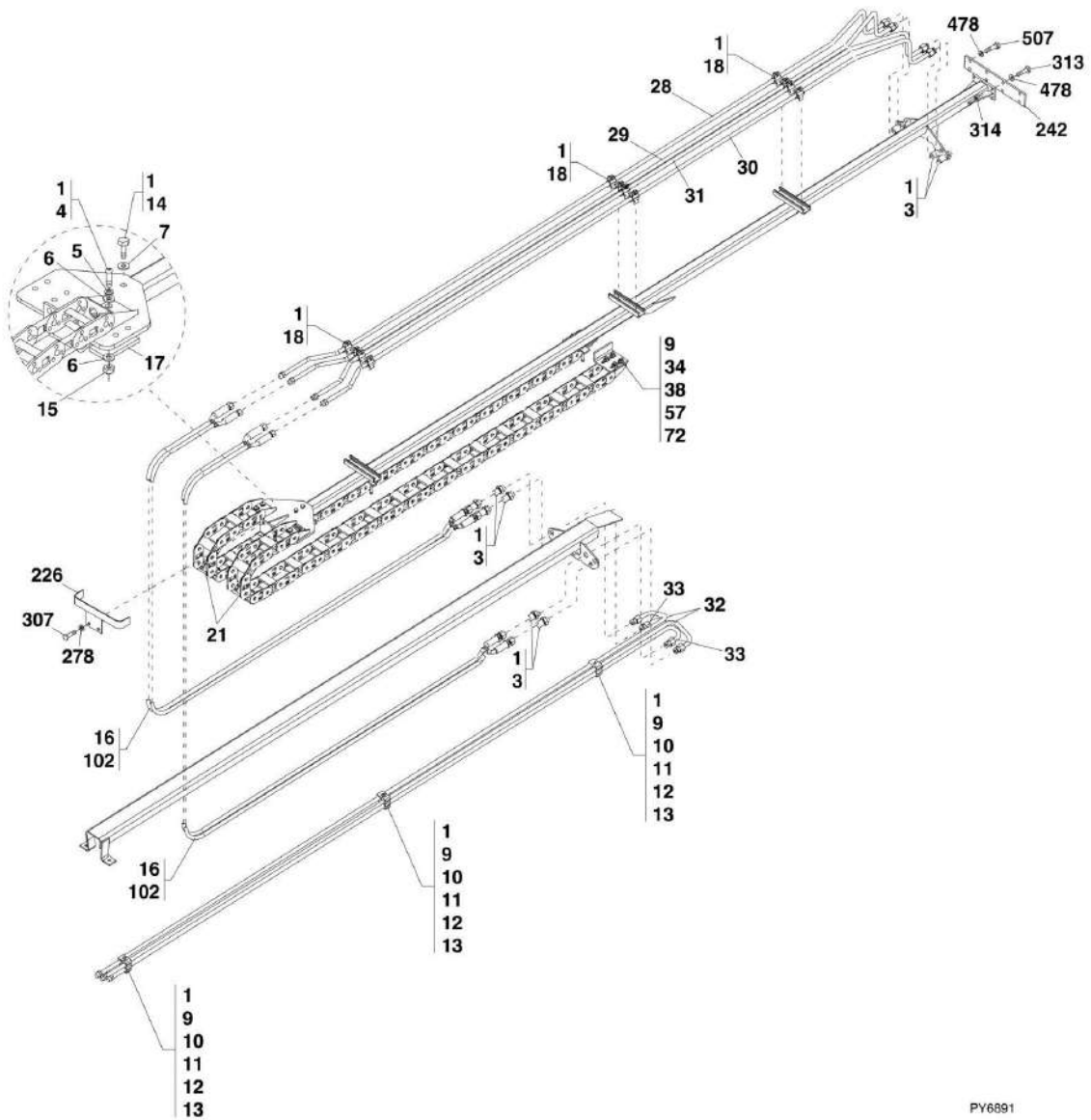
SECTION 8 - HYDRAULIC CIRCUITS

FIGURE 8-10. TILT CYLINDER AND COMPENSATION CYLINDER CIRCUIT

ITEM	PART NUMBER	QTY	DESCRIPTION	REV
2		Ref	MAIN CONTROL VALVE ASSY, (See HYDRAULIC COMPONENTS SECTION for Breakdown)	
23	77133168	1	CLAMP SET	
24	77133140	1	COVER PLATE	
26	0641511	1	HEX HD CAPSCREW, 5/16-18X1-3/8, GR5	
32	2110810	1	STRAIGHT FITTING, (includes o-ring)	
35	2130810	1	ADAPTER, 90, (includes o-ring)	
39	2172108	2	ADAPTER, 90, (includes o-ring)	
54	1001105122	1	TUBE ASSY	
55	1001105123	1	TUBE ASSY	
72	1001165230	2	HOSE ASSY	
104	2110812	2	STRAIGHT FITTING, (includes o-ring)	
107		Ref	BOOM HYDRAULIC ASSY, (See BOOM HYDRAULIC ASSEMBLY for Breakdown)	
112	1001098180	1	HOSE ASSY	
117	88501008	2	HEX NUT, 1/2-13	
125	1001091306	2	HOSE TENSION ROD	
141	91123054	2	COMPRESSION SPRING	
142	91121134	2	SPRING RETAINER	
171	90207464	6	CUSHION CLAMP	
173	2171208	2	ADAPTER, 90	
195	88501108	2	HEX JAM NUT, 1/2-13	
228	2131010	2	ADAPTER, 90, (includes o-ring)	
234	1001165212	2	HOSE ASSY	
235	1001097038	2	HOSE ASSY	
236	1001098179	1	HOSE ASSY	
301		Ref	TILT CYLINDER, (See HYDRAULIC COMPONENTS SECTION for Breakdown)	
302		Ref	COMPENSATION CYLINDER, (See HYDRAULIC COMPONENTS SECTION for Breakdown)	
303		Ref	HOSE SHEAVE, (See AUXILIARY HYDRAULIC CIRCUIT for Breakdown)	
401	1001157029	1	BRACKET	
402	0641607	3	HEX HD CAPSCREW, 3/8-16X7/8, GR5	
403	4761600	3	WASHER	
404	4751600	3	WASHER	

SECTION 8 - HYDRAULIC CIRCUITS

FIGURE 8-11. BOOM HYDRAULIC ASSEMBLY



PY6891

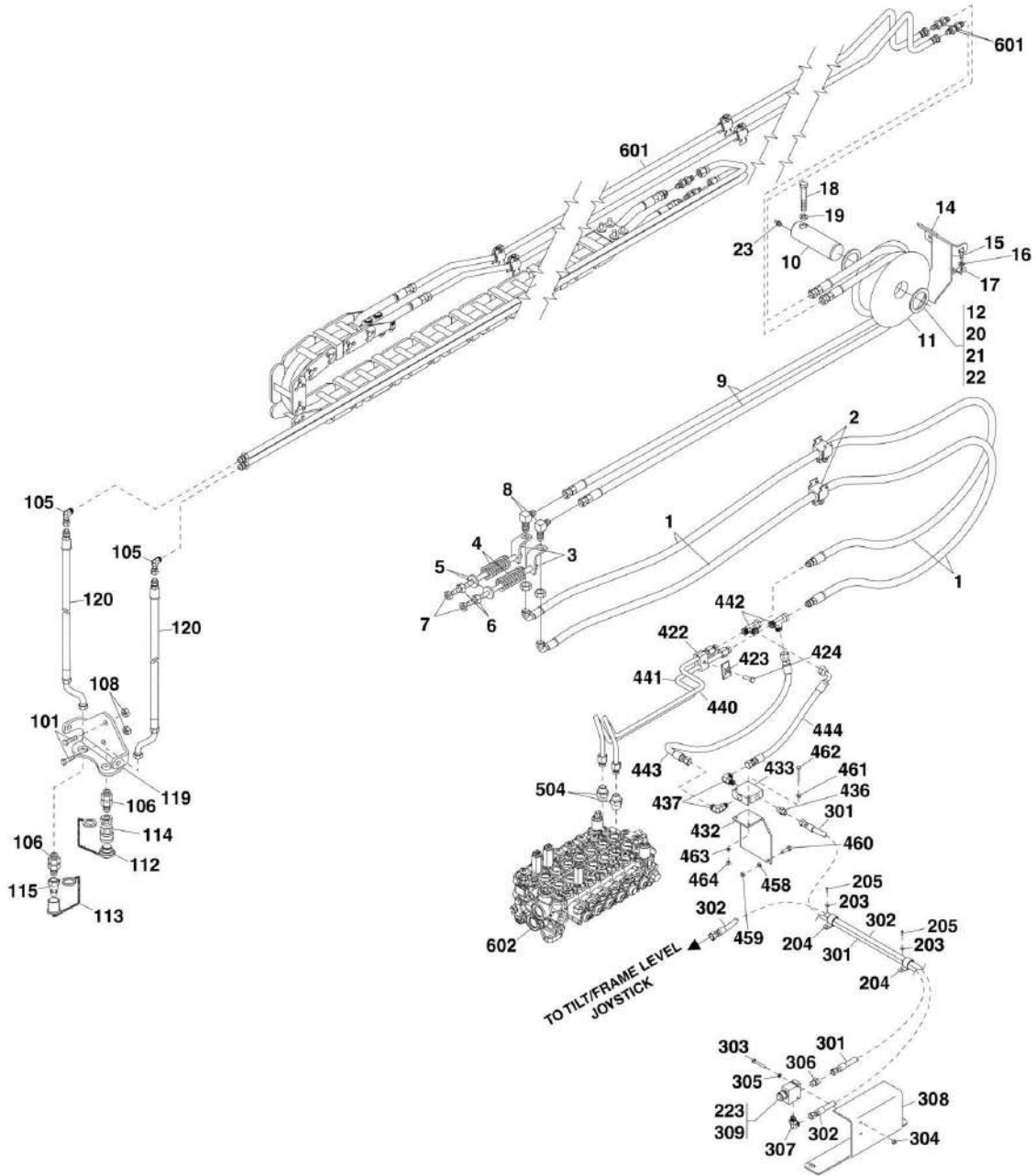
SECTION 8 - HYDRAULIC CIRCUITS

FIGURE 8-11. BOOM HYDRAULIC ASSEMBLY

ITEM	PART NUMBER	QTY	DESCRIPTION	REV
	1001090033	1	BOOM HYDRAULIC SUB ASSEMBLY, (INCLUDES ITEMS 1 THRU 33)	H
1	0100011	AR	LOCTITE 242	
3	2171110	8	STRAIGHT FITTING, (includes o-ring)	
4	3900232	16	BUTTON HD SCREW, 3/8-16x1 1/4	
5	4711600	16	WASHER, 3/8	
6	4751600	32	WASHER, 3/8	
7	4761600	2	LOCKWASHER, 3/8	
8	14404793	AR	MYSTIK TETRIMOLY GREASE	
9	77133139	6	CLAMP SET	
10	77133140	3	COVER PLATE	
11	77133177	3	HEX HD CAPSCREW, 3/8-24X1 3/4	
12	77133389	3	STACK BOLT	
13	77133390	3	SAFETY CLIP	
14	0641624	2	HEX HD CAPSCREW, 3/8-24X1 3/4, GR5	
15	88521306	16	HEX LOCKNUT, 1/2-20	
16	90027187	8	TY-WRAP	
17	91033187	1	WEAR PAD	
18	91083217	12	CLAMP, 5/8	
19	1001001524	1	HYDRAULIC CARRIER	
20	1001001525	1	HYDRAULIC CARRIER	
21	1001176342	2	HOSE CARRIER	
28	1001001479	1	TUBE ASSY	
29	1001001480	1	TUBE ASSY	
30	1001001481	1	TUBE ASSY	
31	1001001482	1	TUBE ASSY	
32	1001001477	2	TUBE ASSY	
33	1001001478	2	TUBE ASSY	
102	1001091746	4	HOSE ASSY	
226	1001113692	1	GUIDE BRACKET	
242		Ref	BRACKET, (See BOOM SECTION for Breakdown)	
278	4761600	6	LOCKWASHER	
307	0641610	2	HEX HD CAPSCREW, 3/8-16X1.25, GR5	
313		Ref	HEX HD CAPSCREW, 3/8-16X1.5, GR5, (See BOOM SECTION for Breakdown)	
314		Ref	HEX NUT, 0.375-16, GR2, (See BOOM SECTION for Breakdown)	
478		Ref	LOCKWASHER, (See BOOM SECTION for Breakdown)	
507		Ref	HEX HD CAPSCREW, 3/8-16X1.25, GR5, (See BOOM SECTION for Breakdown)	

SECTION 8 - HYDRAULIC CIRCUITS

FIGURE 8-12. AUXILIARY HYDRAULIC CIRCUIT



ART_31200728-8-12

SECTION 8 - HYDRAULIC CIRCUITS

FIGURE 8-12. AUXILIARY HYDRAULIC CIRCUIT

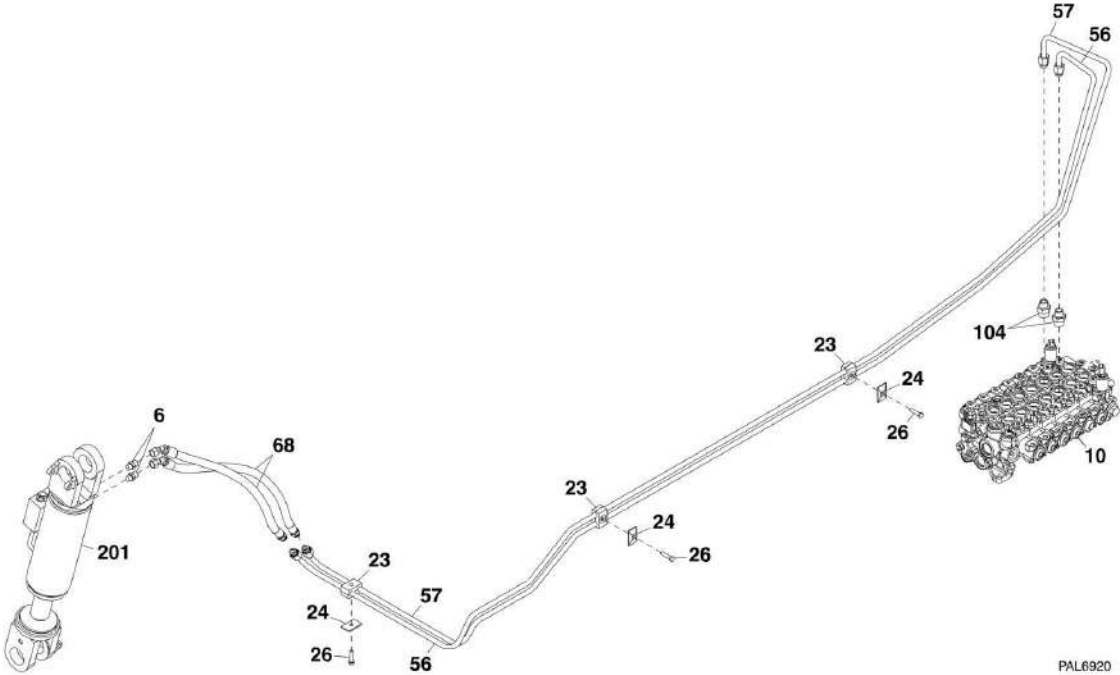
ITEM	PART NUMBER	QTY	DESCRIPTION	REV
	1001100091	Ref	AUXILIARY HYDRAULIC INTALLATION, (not available to order, see items 1 thru 23 for service)	G
1	1001165212	2	HOSE ASSY	
2	90207464	6	CLAMP	
3	1001091306	2	HOSE TENSION ROD	
4	91123054	2	COMPRESSION SPRING	
5	91121134	2	SPRING RETAINER	
6	88501008	2	HEX NUT, 1/2-13, GR5	
7	88501108	2	HEX NUT, 1/2-13, GR5	
8	2171208	2	ADAPTER, 90, (includes o-ring)	
9	1001097038	2	HOSE ASSY	
10	3423301	1	HOSE SHEAVE PIN	
11	91143024	1	HOSE SHEAVE	
12	91041451	2	SHIM	
14	1001157030	1	BRACKET	
15	0641607	3	HEX HD CAPSCREW, 3/8-16X7/8, GR5	
16	4761600	3	LOCKWASHER	
17	4751600	3	WASHER	
18	0641826	1	HEX HD CAPSCREW, 1/2-13X3-1/4, GR5	
19	4761800	1	LOCKWASHER	
20	91041449	AR	SHIM	
21	91401450	AR	SHIM	
22	91041596	AR	SHIM	
23	2160002	1	GREASE FITTING	
101	0641612	2	HEX HD CAPSCREW, 3/8-16X1-1/2, GR5	
105	2172108	2	ADAPTER, 90, (includes o-ring)	
106	2180849	2	STRAIGHT FITTING, (includes o-ring)	
108	8305645	2	HEX LOCKNUT, 3/8-16	
112	91043125	1	DUST PLUG	
113	91043126	1	DUST CAP	
114	91403413	1	FEMALE QUICK DISCONNECT	
115	91403414	1	MALE QUICK DISCONNECT	
119	1001098425	1	BRACKET	
120	1001098181	2	HOSE ASSY	
203	4711000	2	WASHER, #10	
204	85941017	2	CLAMP	
205	91413036	2	SCREW, #6X1/2	
223	1001098744	Ref	DECOMPRESSION VALVE INSTALLATION, (not available to order, see items 301 thru 309 for service)	B
301	1001098742	1	HOSE ASSY	
302	1001098743	1	HOSE ASSY	
303	88201008	2	HEX HD CAPSCREW, 1/4-20X1-3/4	
304	88501004	2	HEX NUT, 1/4-20	
305	88551009	2	LOCKWASHER, 1/4	
306	2110406	1	STRAIGHT FITTING, (includes o-ring)	
307	2130406	1	ADAPTER, 90, (includes o-ring)	
308	91501064	1	BRACKET	
309		Ref	DECOMPRESSION VALVE, (See HYDRAULIC COMPONENTS SECTION for Breakdown)	
422	77133168	1	CLAMP SET	

SECTION 8 - HYDRAULIC CIRCUITS

ITEM	PART NUMBER	QTY	DESCRIPTION	REV
423	77133140	1	COVER PLATE	
424	0641511	1	HEX HD CAPSCREW, 5/16-18X1-3/8, GR5	
432	91561268	1	BRACKET	
433	91503094	1	DECOMPRESSION SHUTTLE VALVE	
436	2110406	1	STRAIGHT FITTING, (includes o-ring)	
437	2130606	2	ADAPTER, 90, (includes o-ring)	
440	1001105102	1	TUBE ASSY	
441	1001105103	1	TUBE ASSY	
442	2170708	2	TEE FITTING, (includes o-ring)	
443	1001165216	1	HOSE ASSY	
444	1001165218	1	HOSE ASSY	
458	4761500	2	LOCKWASHER, 5/16	
459	88501005	2	HEX NUT, 5/16-18	
460	0641508	2	HEX HD CAPSCREW, 5/16-18X1, GR5	
461	4711400	2	WASHER, 1/4	
462	0641414	2	HEX HD CAPSCREW, 1/4-20X1-3/4, GR5	
463	4761400	2	LOCKWASHER, 1/4	
464	88501004	2	HEX NUT, 1/4-20	
504	2110812	2	STRAIGHT FITTING, (includes o-ring)	
601		Ref	BOOM HYDRAULIC SUB ASSY, (See BOOM HYDRAULIC ASSEMBLY for Breakdown)	
602		Ref	MAIN CONTROL VALVE, (See HYDRAULIC COMPONENTS SECTION for Breakdown)	

SECTION 8 - HYDRAULIC CIRCUITS

FIGURE 8-13. FRAME LEVEL CIRCUIT



PAL6920

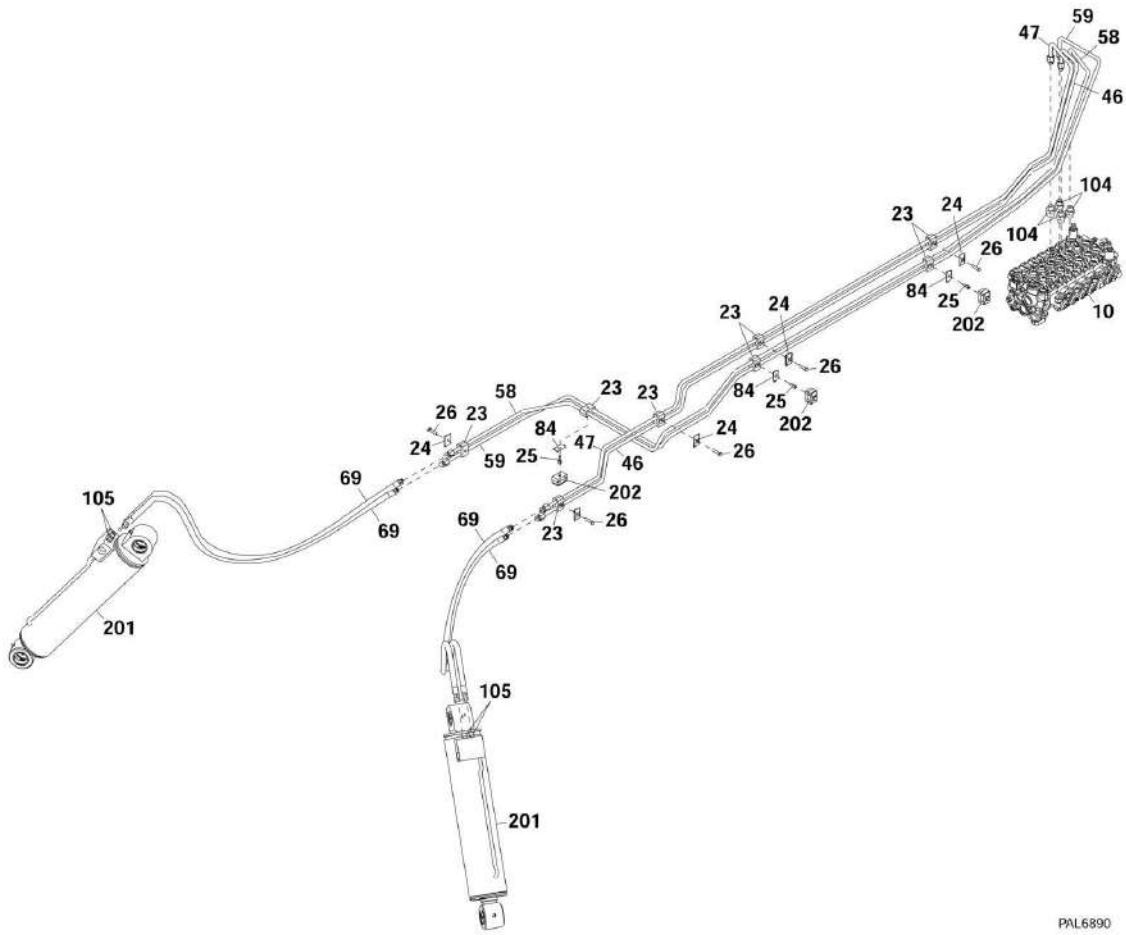
SECTION 8 - HYDRAULIC CIRCUITS

FIGURE 8-13. FRAME LEVEL CIRCUIT

ITEM	PART NUMBER	QTY	DESCRIPTION	REV
6	2110606	2	STRAIGHT FITTING, (includes o-ring)	
10		Ref	MAIN CONTROL VALVE ASSY, (See HYDRAULIC COMPONENTS SECTION for Breakdown)	
23	77133168	3	CLAMP SET	
24	77133140	3	COVER PLATE	
26	0641511	3	HEX HD CAPSCREW, 5/16-18X1-3/8, GR5	
56	1001114523	1	TUBE ASSY	
57	1001114524	1	TUBE ASSY	
68	1001165143	2	HOSE ASSY	
104	2110812	2	STRAIGHT FITTING, (includes o-ring)	
201		Ref	FRAME LEVEL CYLINDER, (See HYDRAULIC COMPONENTS SECTION for Breakdown)	

SECTION 8 - HYDRAULIC CIRCUITS

FIGURE 8-14. OUTRIGGER CIRCUIT



PAL6890

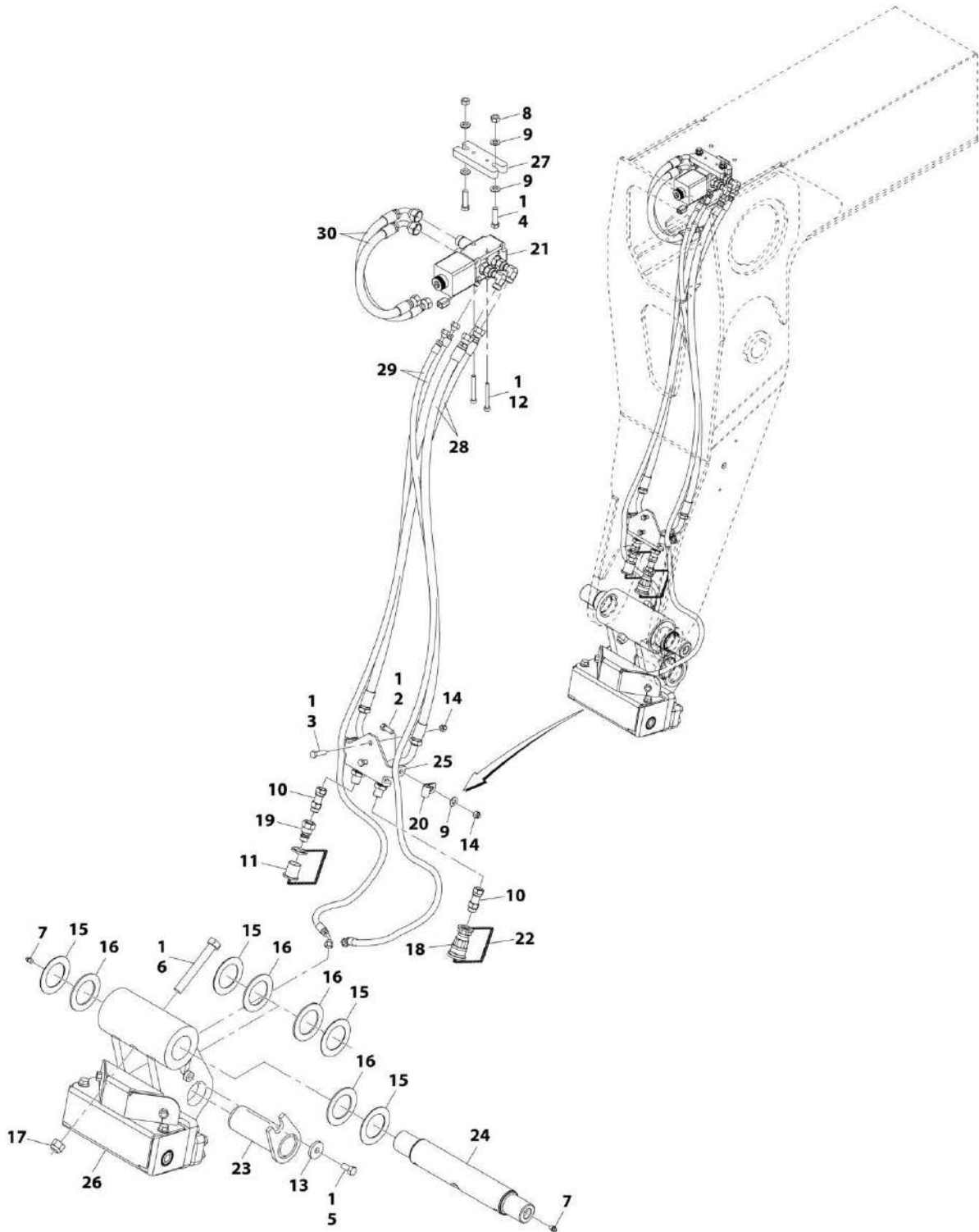
SECTION 8 - HYDRAULIC CIRCUITS

FIGURE 8-14. OUTRIGGER CIRCUIT

ITEM	PART NUMBER	QTY	DESCRIPTION	REV
10		Ref	MAIN CONTROL VALVE, (See HYDRAULIC COMPONENTS SECTION for Breakdown)	
23	77133168	8	CLAMP	
24	77133140	8	COVER PLATE	
25	77133389	3	STACK BOLT	
26	0641511	5	HEX HD CAPSCREW, 5/16-18X1-3/8, GR5	
46	1001105038	1	TUBE ASSY	
47	1001105046	1	TUBE ASSY	
58	1001114525	1	TUBE ASSY	
59	1001114526	1	TUBE ASSY	
69	1001165142	4	HOSE ASSY	
84	77133390	3	SAFETY CLIP	
104	2110812	4	STRAIGHT FITTING, (includes o-ring)	
105	2110606	4	STRAIGHT FITTING, (includes o-ring)	
201		Ref	OUTRIGGER CYLINDER, (See HYDRAULIC COMPONENTS SECTION for Breakdown)	
202		Ref	CLAMP AND HARDWARE, (See FRAME LEVEL CIRCUIT for Breakdown)	

SECTION 8 - HYDRAULIC CIRCUITS

FIGURE 8-15. QUICK ATTACH INSTALLATION



ART_1001129467-A

SECTION 8 - HYDRAULIC CIRCUITS

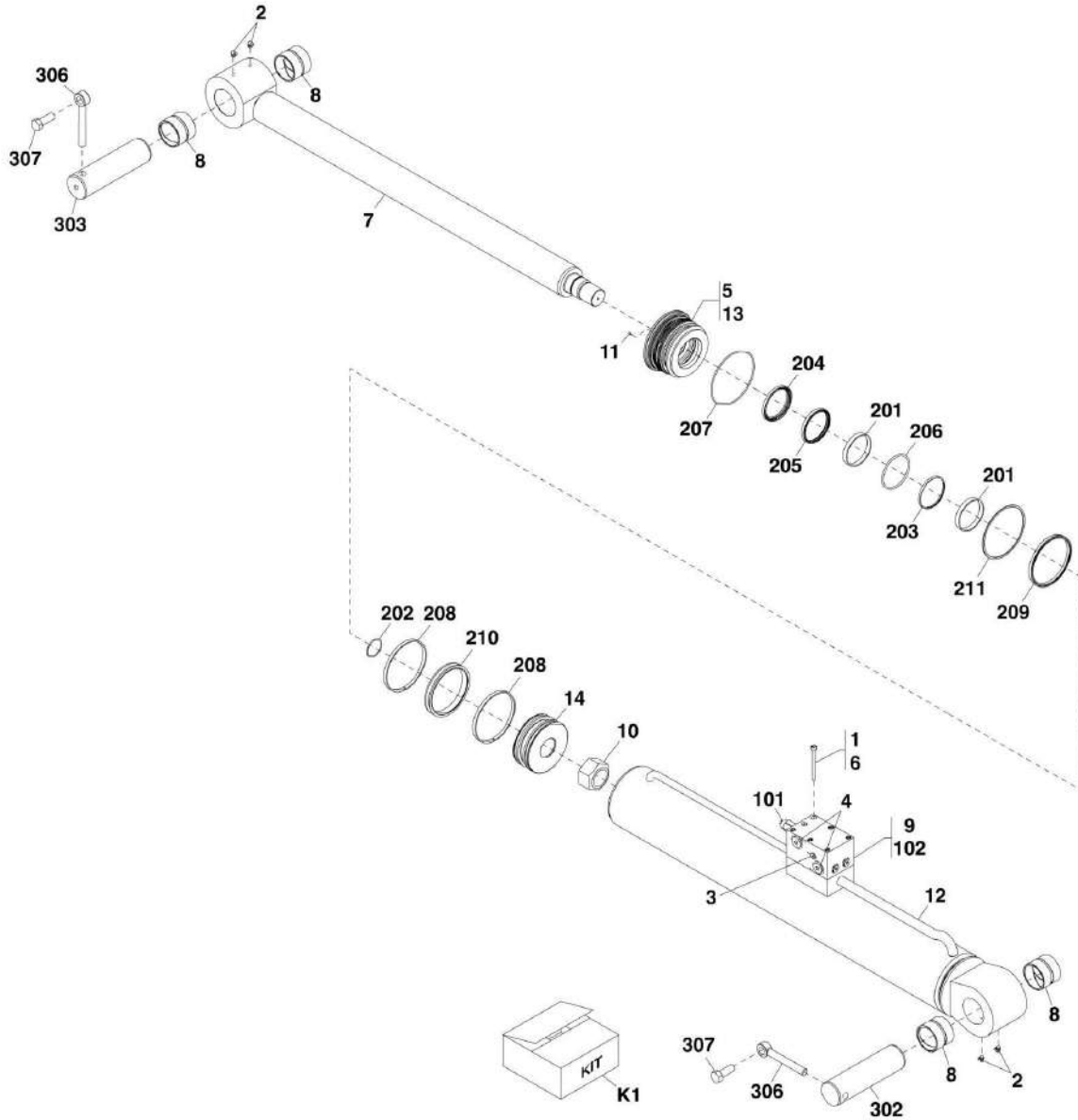
FIGURE 8-15. QUICK ATTACH INSTALLATION

ITEM	PART NUMBER	QTY	DESCRIPTION	REV
	1001129467	Ref	QUICK ATTACH INSTALLATION	A
1	0100011	AR	LOCTITE 242	
2	0641608	2	HEX HD CAPSCREW, 3/8-16X1, GR5	
3	0641612	2	HEX HD CAPSCREW, 3/8-16X1-1/2, GR5	
4	0641714	2	HEX HD CAPSCREW, 7/16-14X1-3/4, GR5	
5	0641808	1	HEX HD CAPSCREW, 1/2-13X1, GR5	
6	0682244	1	HEX HD CAPSCREW, 3/4-10X5-1/2, GR8	
7	2160002	2	GREASE FITTING	
8	3311701	2	HEX NUT, 7/16-14, GR2	
9	4711700	6	WASHER, 7/16	
10	2180849	2	STRAIGHT FITTING	
11	91043126	1	DUST CAP	
12	4031918	2	HEX HD SCREW, M8X70	
13	4740003	1	WASHER	
14	8305645	4	HEX LOCKNUT, 3/8-16	
15	8307916	AR	SHIM	
16	8307917	AR	SHIM	
17	8310067	1	HEX LOCKNUT, 3/4-10	
18	91403413	1	CONNECTOR	
19	91403414	1	CONNECTOR	
20	1001080996	2	CLAMP	
21	1001127006	1	QUICK ATTACH VALVE, (See Separate Breakdown in HYDRAULIC COMPONENTS Section)	
22	91043125	1	DUST PLUG	
23	1001098218	1	PIN	
24	1001098233	1	PIN	
25	1001098425	1	BRACKET	
26	1001120135	1	QUICK ATTACH, G SERIES, (See Separate Breakdown in HYDRAULIC COMPONENTS Section)	
27	1001127353	1	PLATE, VALVE ATTACHMENT	
28	1001127008	2	HOSE ASSEMBLY	
29	1001127009	2	HOSE ASSEMBLY	
30	1001127366	2	HOSE ASSEMBLY	

SECTION 9 - HYDRAULIC COMPONENTS

SECTION 9 - HYDRAULIC COMPONENTS

FIGURE 9-1. LIFT CYLINDER AND HARDWARE



ART_31200728-9-1

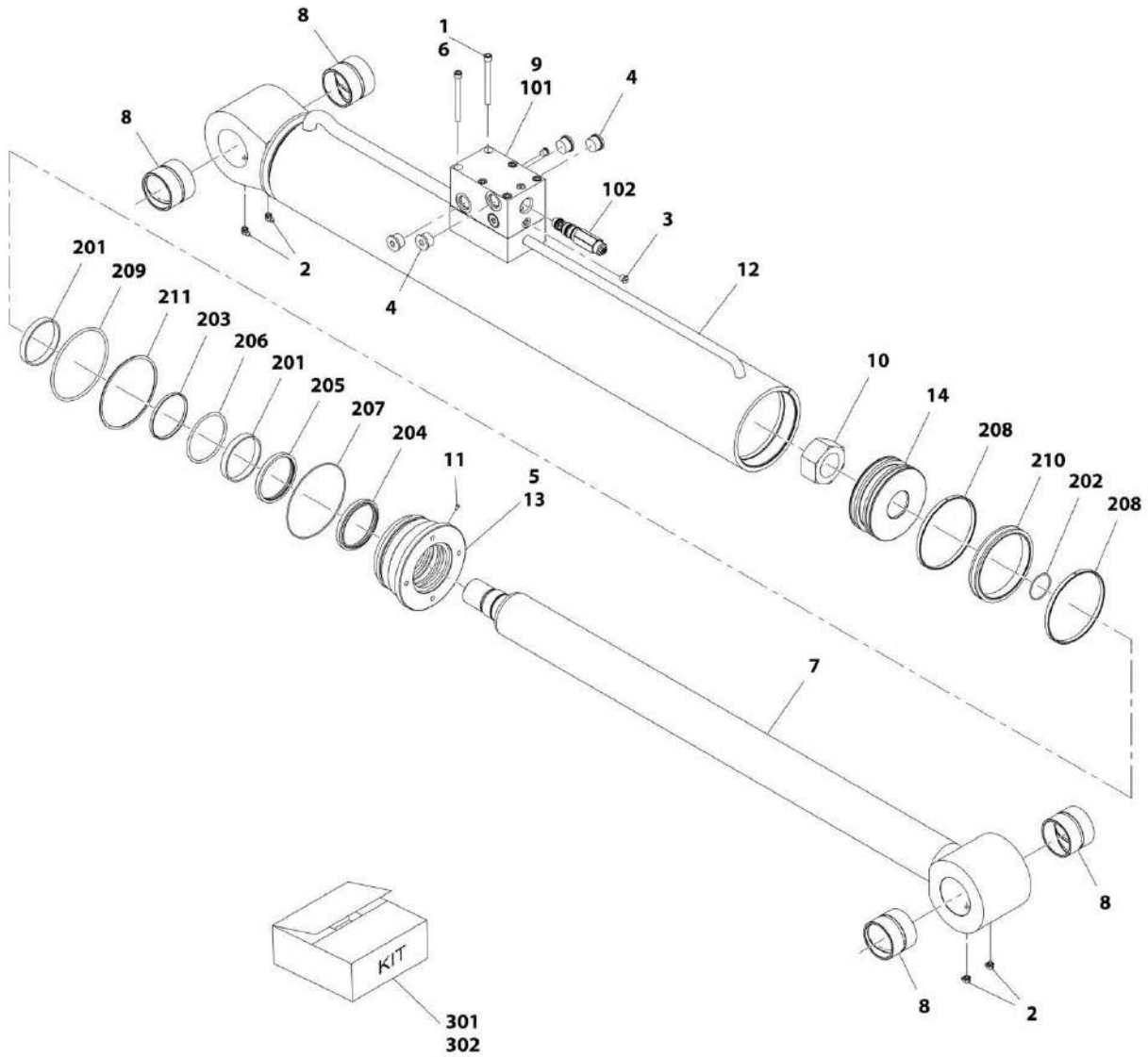
SECTION 9 - HYDRAULIC COMPONENTS

FIGURE 9-1. LIFT CYLINDER AND HARDWARE

ITEM	PART NUMBER	QTY	DESCRIPTION	REV
	1001125154	2	LIFT CYLINDER, (G10-55A), (includes items 1 thru 210) (Prior to SN 0160061436)	G
	1001152268	2	LIFT CYLINDER, (G10-55A), (ARCTIC), (includes items 1 thru 211)	D
	1001121417	2	LIFT CYLINDER, (G12-55A), (includes items 1 thru 210) (Prior to SN 0160061436)	G
	1001152295	2	LIFT CYLINDER, (G12-55A), (ARCTIC), (includes items 1 thru 211)	D
1	0100011	AR	LOCTITE 242	
2	2160001	4	GREASE FITTING	
3	2220883	2	PLUG, (includes o-ring)	
4	2220888	4	PLUG, (includes o-ring)	
5	3020043	AR	ANTI-SEIZE LUBE	
6	3931664	6	SOCKET HD CAPSCREW, 3/8-16X4	
7	1001121425	1	ROD	
8	1001121429	4	BEARING	
9	1001121430	NLA	VALVE ASSY, (no longer available, see 1001172288 for replacement)	D
	1001172288	1	VALVE ASSY, (includes items 101 & 102)	A
10	1001122453	1	LOCKNUT	
11	1001125137	1	SET SCREW, #8-32	
12	1001125155	1	BARREL, (G10-55A)	
12	1001121418	1	BARREL, (G12-55A)	
13	1001125158	1	GLAND, (G10-55A), (torque to 120 lb-ft/163 Nm)	
13	1001163567	1	GLAND, (G10-55A), (ARCTIC), (torque to 120 lb-ft/163 Nm)	
13	1001121427	1	GLAND, (G12-55A), (torque to 120 lb-ft/163 Nm)	
13	1001163565	1	GLAND, (G12-55A), (ARCTIC), (torque to 120 lb-ft/163 Nm)	
14	1001125159	1	PISTON, (G10-55A)	
14	1001121428	1	PISTON, (G12-55A)	
101	1001172274	1	CARTRIDGE, (includes o-ring), (torque to 45-50 lb-ft/61-67 Nm)	
102	1001167902	1	MANIFOLD	
201	Kit	2	WEAR RING	
202	Kit	1	O-RING	
203	Kit	1	BUFFER SEAL	
204	Kit	1	WIPER RING	
205	Kit	1	ROD SEAL	
206	Kit	1	O-RING	
207	Kit	1	O-RING	
208	Kit	1	WEAR RING	
209	Kit	1	GLAND SEAL	
210	Kit	1	PISTON SEAL	
211	Kit	1	BACK-UP RING	
302	91563046	2	PIN	
303	1001101595	2	PIN	
306	3841287	4	ROD KEEPER	
307	0682216	4	HEX HD CAPSCREW, 3/4-10X2, GR8	
K1	1001125160	1	SEAL KIT, (G10-55A), (includes items 201 thru 210)	
K1	1001152278	1	SEAL KIT, (G10-55A), (ARCTIC), (includes items 201 thru 211)	
K1	1001121434	1	SEAL KIT, (G12-55A), (includes items 201 thru 210)	
K1	1001152299	1	SEAL KIT, (G12-55A), (ARCTIC), (includes items 201 thru 211)	

SECTION 9 - HYDRAULIC COMPONENTS

FIGURE 9-2. LIFT CYLINDER AND HARDWARE



ART_31200728-9-2

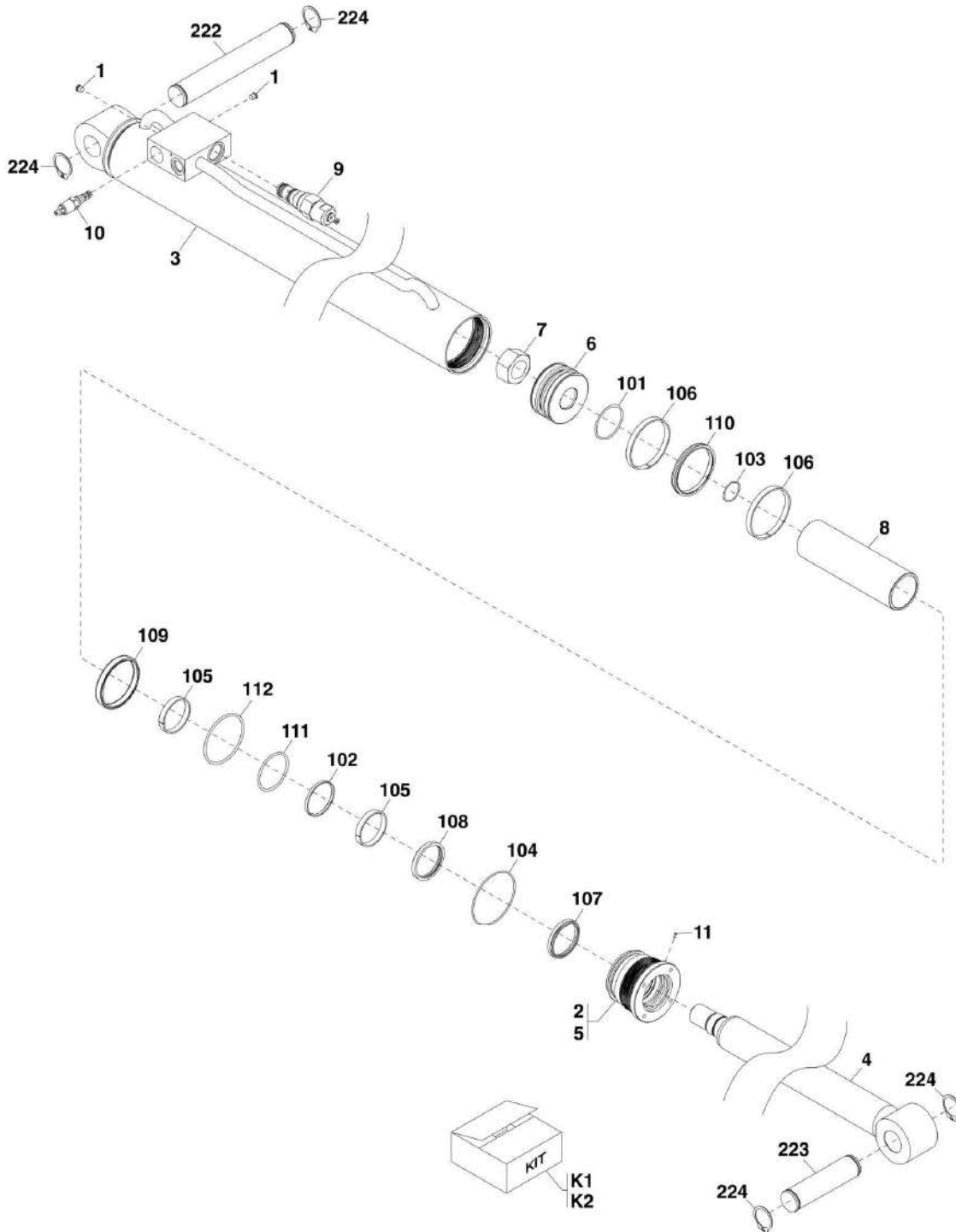
SECTION 9 - HYDRAULIC COMPONENTS

FIGURE 9-2. LIFT CYLINDER AND HARDWARE

ITEM	PART NUMBER	QTY	DESCRIPTION	REV
	1001163570	2	LIFT CYLINDER, (G10-55A), (includes items 1 thru 211) (SN 0160061436 to Present)	C
	1001163568	2	LIFT CYLINDER, (G12-55A), (includes items 1 thru 211) (SN 0160061436 to Present)	C
1	0100011	AR	LOCTITE 242	
2	2160001	4	GREASE FITTING	
3	2220883	2	PLUG, (includes o-ring)	
4	2220888	4	PLUG, (includes o-ring)	
5	3020043	AR	ANTI-SEIZE LUBE	
6	3931664	6	SOCKET HD CAPSCREW, 3/8-16X4	
7	1001121425	1	ROD	
8	1001121429	4	BEARING	
9	1001172288	1	VALVE ASSY, (includes items 101 & 102)	
10	1001122453	1	LOCKNUT	
11	1001125137	1	SET SCREW, #8-32	
12	1001125155	1	BARREL, (G10-55A)	
12	1001121418	1	BARREL, (G12-55A)	
13	1001163567	1	CYLINDER HEAD, (G10-55A)	
13	1001163565	1	CYLINDER HEAD, (G12-55A)	
14	1001125159	1	PISTON, (G10-55A)	
14	1001121428	1	PISTON, (G12-55A)	
101	1001167902	1	MANIFOLD	
102	1001172274	1	CATRIDGE COUNTERBALANCE VALVE	
201	Kit	2	WEAR RING	
202	Kit	1	O- RING	
203	Kit	1	BUFFER SEAL	
204	Kit	1	WIPER RING	
205	Kit	1	ROD SEAL	
206	Kit	1	O-RING	
207	Kit	1	O-RING	
208	Kit	2	WEAR RING	
209	Kit	1	O-RING	
210	Kit	1	PISTON SEAL	
211	Kit	1	BACKUP RING	
301	1001163543	1	SEAL KIT, (G10-55A), (includes items 201 thru 211)	
302	1001163541	1	SEAL KIT, (G12-55A), (includes items 201 thru 211)	

SECTION 9 - HYDRAULIC COMPONENTS

FIGURE 9-3. EXTEND/RETRACT CYLINDER AND HARDWARE



ART_31200728-9-3

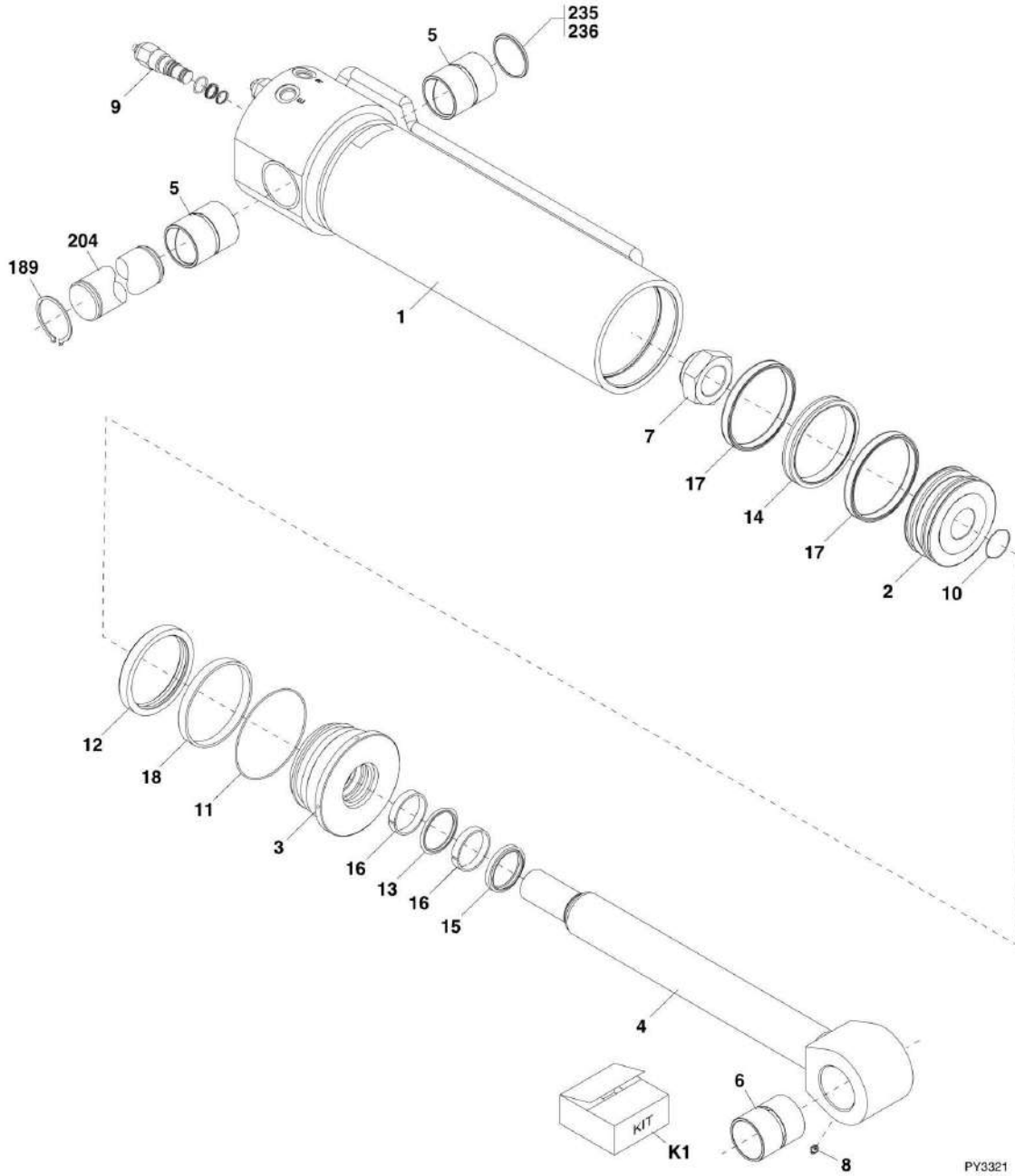
SECTION 9 - HYDRAULIC COMPONENTS

FIGURE 9-3. EXTEND/RETRACT CYLINDER AND HARDWARE

ITEM	PART NUMBER	QTY	DESCRIPTION	REV
	1001122483	1	EXTEND/RETRACT CYLINDER, (includes items 1 thru 111) (Prior to SN 0160061436)	F
	1001163569	1	EXTEND/RETRACT CYLINDER, (includes items 1 thru 112) (SN 0160061436 to Present)	B
	1001152272	1	EXTEND/RETRACT CYLINDER, (ARCTIC), (includes items 1 thru 111)	C
1	2220883	2	PLUG, (includes o-ring)	
2	3020043	AR	ANTI-SEIZE LUBE	
3	1001122484	1	BARREL	
4	1001122491	1	ROD	
5	1001122494	1	GLAND, (torque to 100 lb-ft/136 Nm) (Prior to SN 0160061436)	
5	1001163566	1	GLAND, (torque to 100 lb-ft/136 Nm) (SN 0160061436 to Present)	
5	1001163566	1	GLAND, (ARCTIC), (torque to 100 lb-ft/136 Nm)	
6	1001122495	1	PISTON	
7	1001122505	1	LOCKNUT	
8	1001123013	1	SPACER	
9	1001123014	1	COUNTERBALANCE VALVE, (includes o-ring)	
10	1001123015	1	COUNTERBALANCE VALVE, (includes o-ring)	
11	1001125137	1	SET SCREW, #8-32	
101	Kit	1	O-RING	
102	Kit	1	BUFFER SEAL	
103	Kit	1	O-RING	
104	Kit	1	O-RING	
105	Kit	2	WEAR RING	
106	Kit	1	WEAR RING	
107	Kit	1	WEAR RING	
108	Kit	1	ROD SEAL	
109	Kit	1	GLAND SEAL	
110	Kit	1	PISTON SEAL	
111	Kit	1	O-RING	
112	Kit	1	O-RING	
222	91161136	1	PIN	
223	91161137	1	PIN, (G10-55A)	
223	91563263	1	PIN, (G12-55A)	
224	88581149	4	RETAINING RING	
K1	1001122496	1	SEAL KIT, (includes items 101 thru 111) (Prior to SN 0160061436)	
K1	1001152279	1	SEAL KIT, (ARCTIC), (includes items 101 thru 111)	
K2	1001163542	1	SEAL KIT, (includes items 101 thru 112) (SN 0160061436 to Present)	

SECTION 9 - HYDRAULIC COMPONENTS

FIGURE 9-4. TILT CYLINDER AND HARDWARE



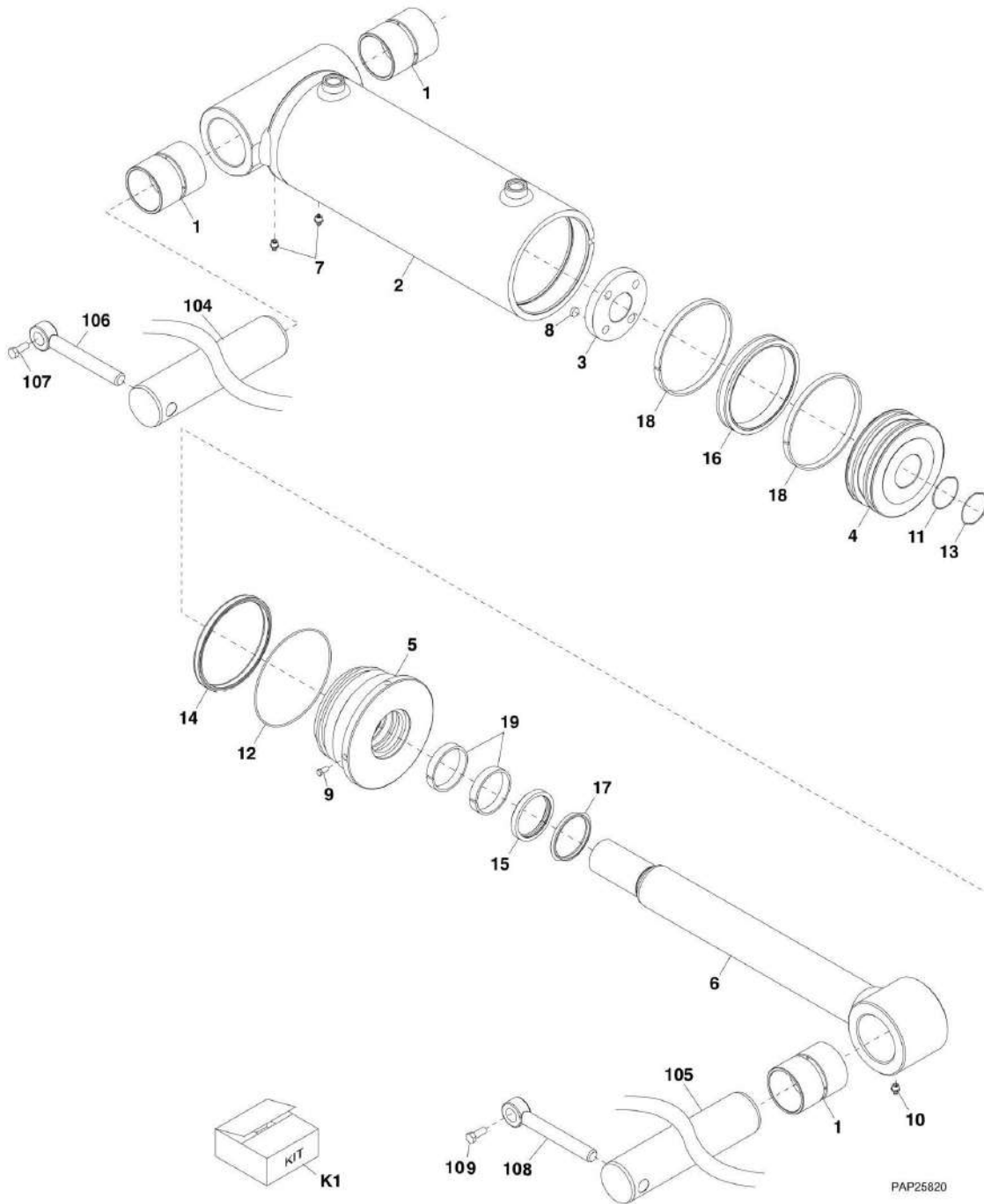
SECTION 9 - HYDRAULIC COMPONENTS

FIGURE 9-4. TILT CYLINDER AND HARDWARE

ITEM	PART NUMBER	QTY	DESCRIPTION	REV
	1684539	1	TILT CYLINDER, (G10-55A), (includes items 1 thru 18)	G
	1001152271	1	TILT CYLINDER, (G10-55A), (ARCTIC), (includes items 1 thru 18)	A
	1684538	1	TILT CYLINDER, (G12-55A), (includes items 1 thru 18)	G
	1001152298	1	TILT CYLINDER, (G12-55A), (ARCTIC), (includes items 1 thru 18)	A
1	70022089	1	BARREL, (G10-55A)	
1	70022094	1	BARREL, (G12-55A)	
2	70022090	1	PISTON, (G10-55A)	
2	70022095	1	PISTON, (G12-55A)	
3	70022091	1	GLAND, (G10-55A), (torque to 500-600 lb-ft)	
3	70022096	1	GLAND, (G12-55A), (torque to 500-600 lb-ft)	
4	70022092	1	ROD WELDMENT	
5	1001098409	2	BEARING	
6	91563244	1	BUSHING	
7	8036394	1	LOCKNUT, (torque to 2200-2500 ft lbs)	
8	70020375	1	LUBE FITTING	
9	70024330	1	COUNTERBALANCE VALVE, (G10-55A), (torque to 40-45 lb-ft)	
9	70023965	1	COUNTERBALANCE VALVE, (G12-55A), (torque to 40-45 lb-ft)	
9	91404382	1	SEAL KIT, (G10-55A)	
9	70024003	1	SEAL KIT, (G12-55A)	
10	Kit	1	O-RING	
11	Kit	1	O-RING	
12	Kit	1	SEAL	
13	Kit	1	SEAL	
14	Kit	1	SEAL	
15	Kit	1	WIPER	
16	Kit	1	WEAR RING	
17	Kit	2	WEAR RING	
18	Kit	2	INSERT	
189	88581157	2	RETAINING RING	
204	1001098220	1	CYLINDER PIN	
235	8307916	AR	SHIM	
236	8307917	AR	SHIM	
K1	70022093	1	SEAL KIT, (G10-55A), (includes items 10 thru 18)	
K1	70022098	1	SEAL KIT, (G12-55A), (includes items 10 thru 18)	

SECTION 9 - HYDRAULIC COMPONENTS

FIGURE 9-5. COMPENSATION CYLINDER AND HARDWARE



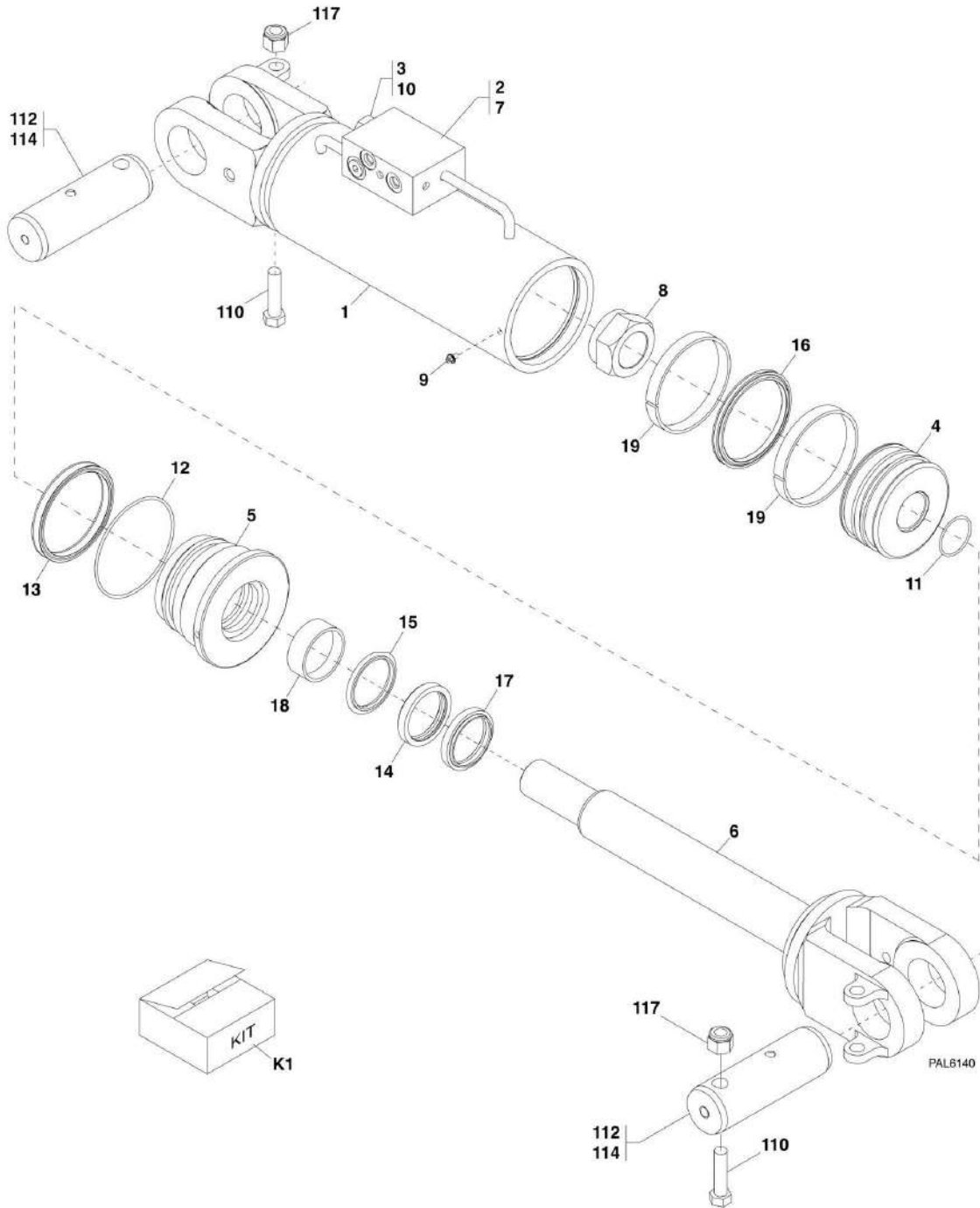
SECTION 9 - HYDRAULIC COMPONENTS

FIGURE 9-5. COMPENSATION CYLINDER AND HARDWARE

ITEM	PART NUMBER	QTY	DESCRIPTION	REV
	1001116442	1	COMPENSATION CYLINDER, (G10-55A), (includes items 1 thru 19)	D
	1001152269	1	COMPENSATION CYLINDER, (G10-55A), (ARCTIC), (includes items 1 thru 19)	A
	1001116441	1	COMPENSATION CYLINDER, (G12-55A), (includes items 1 thru 19)	D
	1001152296	1	COMPENSATION CYLINDER, (G12-55A), (ARCTIC), (includes items 1 thru 19)	A
1	70023979	3	BEARING	
2	70023980	1	BARREL, (G10-55A)	
2	70023987	1	BARREL, (G12-55A)	
3	70023981	1	LOCKING COLLAR	
4	70023982	1	PISTON, (G10-55A)	
4	70023988	1	PISTON, (G12-55A)	
5	70023983	1	GLAND, (G10-55A)	
5	70023989	1	GLAND, (G12-55A)	
6	70023984	1	ROD, (G10-55A)	
6	70023990	1	ROD, (G12-55A)	
7	70023985	2	GREASE FITTING	
8	8036629	4	SET SCREW, 3/8-16X3/4	
9	70023896	1	TAPPING SCREW	
10	70020375	1	GREASE FITTING	
11	Kit	1	O-RING	
12	Kit	1	O-RING	
13	Kit	2	BACK-UP RING	
14	Kit	1	POLYPAK	
15	Kit	1	SEAL	
16	Kit	1	CAP SEAL	
17	Kit	1	ROD WIPER	
18	Kit	2	WEAR BAND	
19	Kit	2	WEAR BAND	
104	91563047	1	PIN	
105	1001127962	1	PIN	
106	3841287	1	ROD KEEPER	
107	0682216	1	HEX HD CAPSCREW, 3/4-10X2, GR8	
108	3841356	1	ROD KEEPER	
109	0682618	1	HEX HD CAPSCREW, 1-8 X 2.25, GR8	
K1	70023986	1	SEAL KIT, (G10-55A), (includes items 11 thru 19)	
K1	70023991	1	SEAL KIT, (G12-55A), (includes items 11 thru 19)	
K1	70025976	1	SEAL KIT, (G12-55A), (ARCTIC), (includes items 11 thru 19)	

SECTION 9 - HYDRAULIC COMPONENTS

FIGURE 9-6. FRAME LEVEL CYLINDER AND HARDWARE



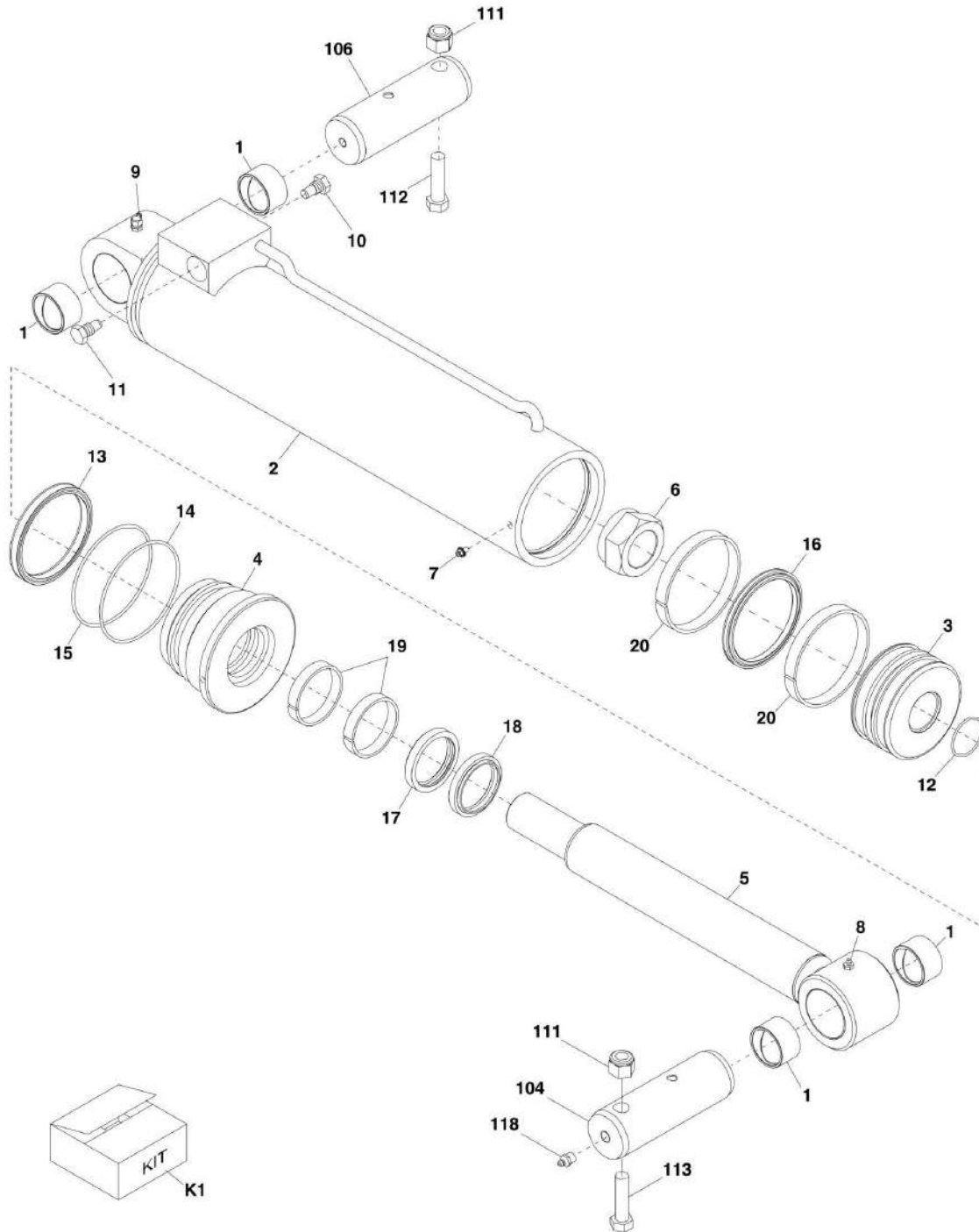
SECTION 9 - HYDRAULIC COMPONENTS

FIGURE 9-6. FRAME LEVEL CYLINDER AND HARDWARE

ITEM	PART NUMBER	QTY	DESCRIPTION	REV
	1001116440	1	FRAME LEVEL CYLINDER, (includes items 1 thru 19)	D
	1001152273	1	FRAME LEVEL CYLINDER, (ARCTIC), (includes items 1 thru 19)	A
1	70023934	1	TUBE WELDMENT	
2	70023935	1	ORIFICE PLUG, 0.052	
3	70023936	1	ORIFICE PLUG, 0.040	
4	70022861	1	PISTON	
5	70023940	1	HEAD GLAND	
6	70023937	1	ROD WELDMENT	
7	8035784	1	PLUG	
8	8035865	1	LOCKNUT, 1-1/4-12	
9	70023896	1	TAPPING SCREW, #8-32X1/4	
10	7026938	1	DUAL P.O. CHECK VALVE	
11	Kit	1	O-RING	
12	Kit	1	O-RING	
13	Kit	1	POLY-PAK SEAL	
14	Kit	1	U-CUP	
15	Kit	1	BUFFER SEAL	
16	Kit	1	T-SEAL	
17	Kit	1	ROD WIPER	
18	Kit	1	PRECISION WEARBAND	
19	Kit	2	PRECISION WEARBAND	
110	0641832	2	HEX HD CAPSCREW, 1/2-13X4, GR5	
112	2200221	2	FITTING PLUG, 1/8	
114	3423227	2	CYLINDER PIN	
117	88521208	2	LOCKNUT, 1/2-13	
K1	70023943	1	SEAL KIT, (includes items 11 thru 19)	

SECTION 9 - HYDRAULIC COMPONENTS

FIGURE 9-7. OUTRIGGER CYLINDER AND HARDWARE



ART_31200728-9-7

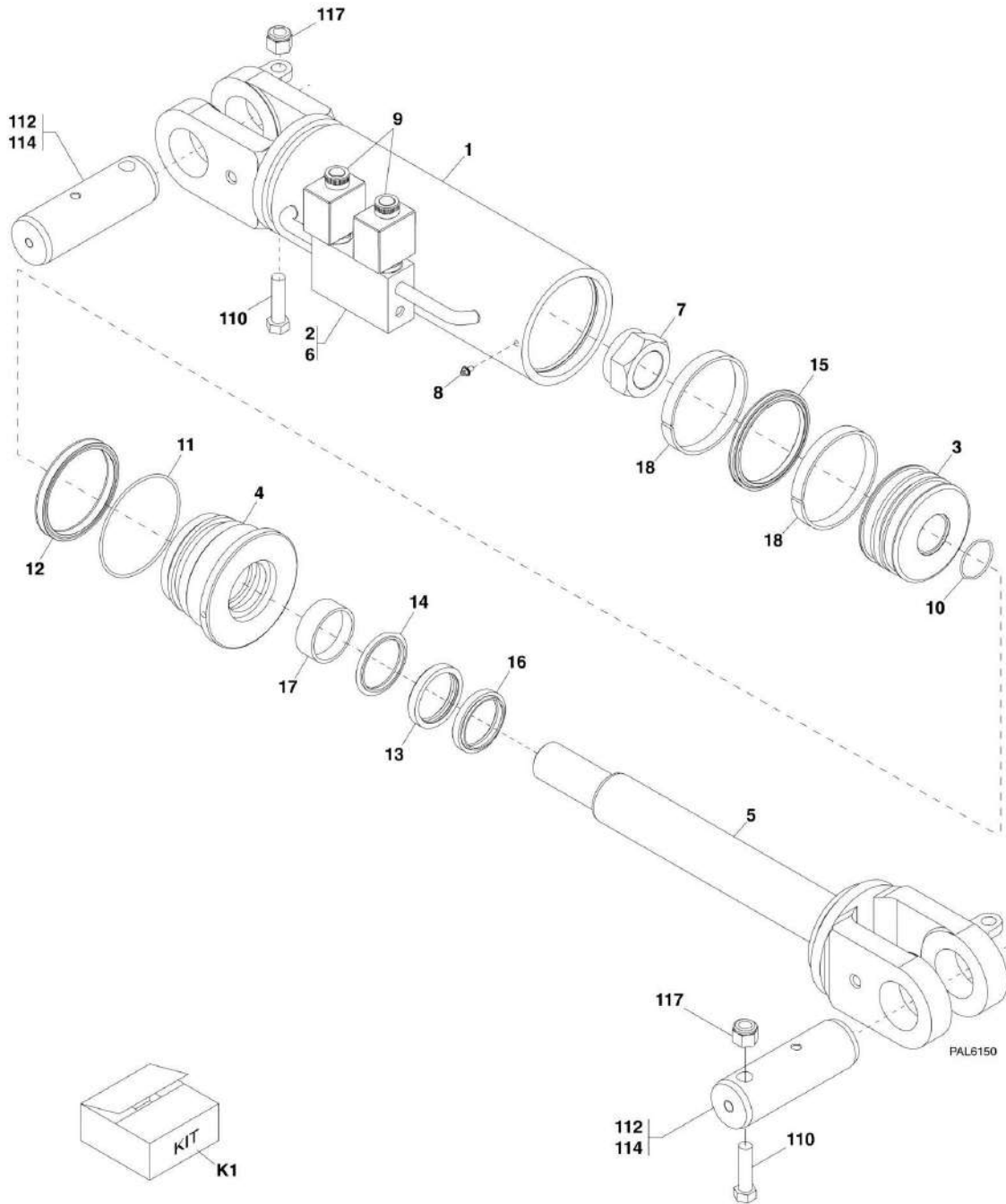
SECTION 9 - HYDRAULIC COMPONENTS

FIGURE 9-7. OUTRIGGER CYLINDER AND HARDWARE

ITEM	PART NUMBER	QTY	DESCRIPTION	REV
	1001116439	2	OUTRIGGER CYLINDER, (includes items 1 thru 20)	C
1	91563244	4	BUSHING	
2	70023892	1	BARREL	
3	70023893	1	PISTON	
4	70023894	1	GLAND	
5	70023895	1	ROD	
6	8036629	1	SET SCREW, 3/8-16X3/4	
7	70023896	1	TAPPING SCREW	
8	70020375	1	GREASE FITTING	
9	70023575	1	GREASE FITTING	
10	8036750	1	CHECK VALVE	
11	70023898	1	CHECK VALVE	
12	Kit	1	O-RING	
13	Kit	1	O-RING	
14	Kit	1	O-RING	
15	Kit	1	BACKUP RING	
16	Kit	1	PISTON SEAL	
17	Kit	1	ROD SEAL	
18	Kit	1	ROD WIPER	
19	Kit	2	WEARBAND	
20	Kit	2	WEARBAND	
104	91563199	2	PIN	
106	91563197	2	PIN	
111	3300143	4	LOCKNUT	
112	3931672	2	SOCKET HD CAPSCREW	
113	0641634	2	HEX HD CAPSCREW, 3/8-16X4-1/2, GR8	
118	88671001	4	LUBE FITTING, STRAIGHT, 1/8	
K1	70023899	2	SEAL KIT, (includes items 12 thru 20)	

SECTION 9 - HYDRAULIC COMPONENTS

FIGURE 9-8. STABILIZER CYLINDER AND HARDWARE



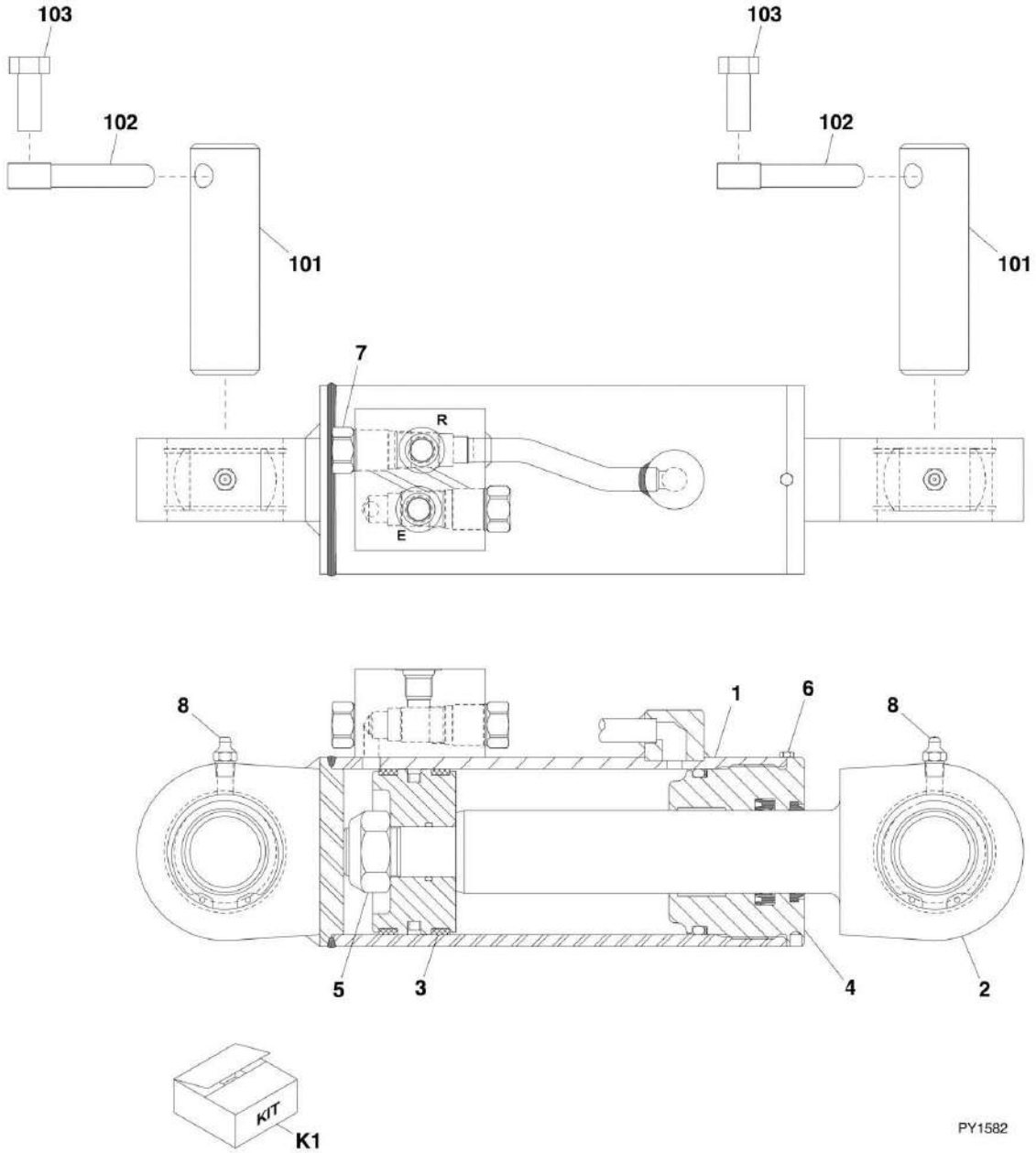
SECTION 9 - HYDRAULIC COMPONENTS

FIGURE 9-8. STABILIZER CYLINDER AND HARDWARE

ITEM	PART NUMBER	QTY	DESCRIPTION	REV
	1001116443	1	STABILIZER CYLINDER, (includes items 1 thru 18)	D
	1001152274	1	STABILIZER CYLINDER, (ARCTIC), (includes items 1 thru 18)	A
1	70023939	1	BARREL	
2	8035782	2	O-RING	
3	70022861	1	PISTON	
4	70023940	1	GLAND	
5	70023941	1	ROD	
6	8035784	2	PLUG	
7	8035865	1	LOCKNUT, 1-1/4	
8	70023896	1	TAPPING SCREW	
9	70023963	2	SOLENOID VALVE	
10	Kit	1	O-RING	
11	Kit	1	O-RING	
12	Kit	1	GLAND SEAL	
13	Kit	1	ROD SEAL	
14	Kit	1	BUFFER SEAL	
15	Kit	1	PISTON SEAL	
16	Kit	1	ROD WIPER	
17	Kit	1	WEARBAND	
18	Kit	2	WEARBAND	
110	0641832	2	HEX HD CAPSCREW, 1/2-13X4, GR5	
112	2200221	2	FITTING PLUG, 1/8	
114	3423227	2	CYLINDER PIN	
117	88521208	2	LOCKNUT, 1/2-13	
K1	70023943	1	SEAL KIT, (includes items 10 thru 18)	
K1	70025975	1	SEAL KIT, (ARCTIC), (includes items 10 thru 18)	

SECTION 9 - HYDRAULIC COMPONENTS

FIGURE 9-9. SIDE TILT CARRIAGE CYLINDER (Prior to SN 0160066379)



PY1582

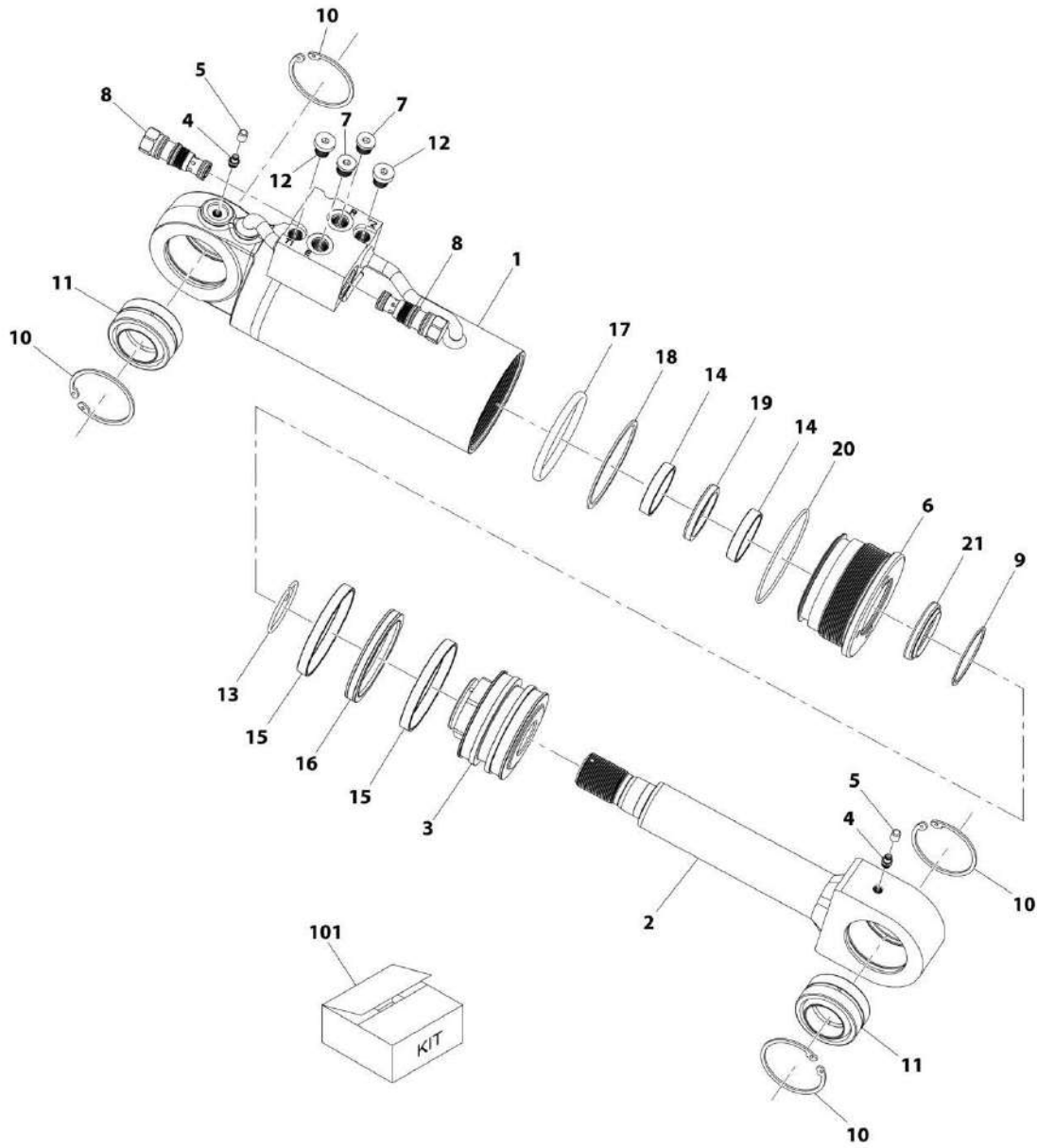
SECTION 9 - HYDRAULIC COMPONENTS

FIGURE 9-9. SIDE TILT CARRIAGE CYLINDER (Prior to SN 0160066379)

ITEM	PART NUMBER	QTY	DESCRIPTION	REV
	1001090134	1	SIDE TILT CARRIAGE CYLINDER, (includes all items)	C
1	70022038	1	BARREL	
2	70022039	1	ROD	
3	70022040	1	PISTON	
3	70022042	1	SEAL KIT	
4	70024002	1	ROD BEARING	
4	70022043	1	SEAL KIT	
5	90022230	1	HEX NUT	
6	7029760	1	CAPSCREW	
7	4640438	2	CHECK VALVE	
7	2900770	1	SEAL KIT	
8	91044080	2	GREASE FITTING	
101	3423307	2	PIN	
102	3841203	2	KEEPER	
103	0681810	2	HEX HD CAPSCREW, 1/2-13X1-1/4, GR8	
K1	70022041	1	SEAL KIT, (contains 70022042 & 70022043)	

SECTION 9 - HYDRAULIC COMPONENTS

FIGURE 9-10. SIDE TILT CARRIAGE CYLINDER (SN 0160066379 to Present)



ART_1001163414-A

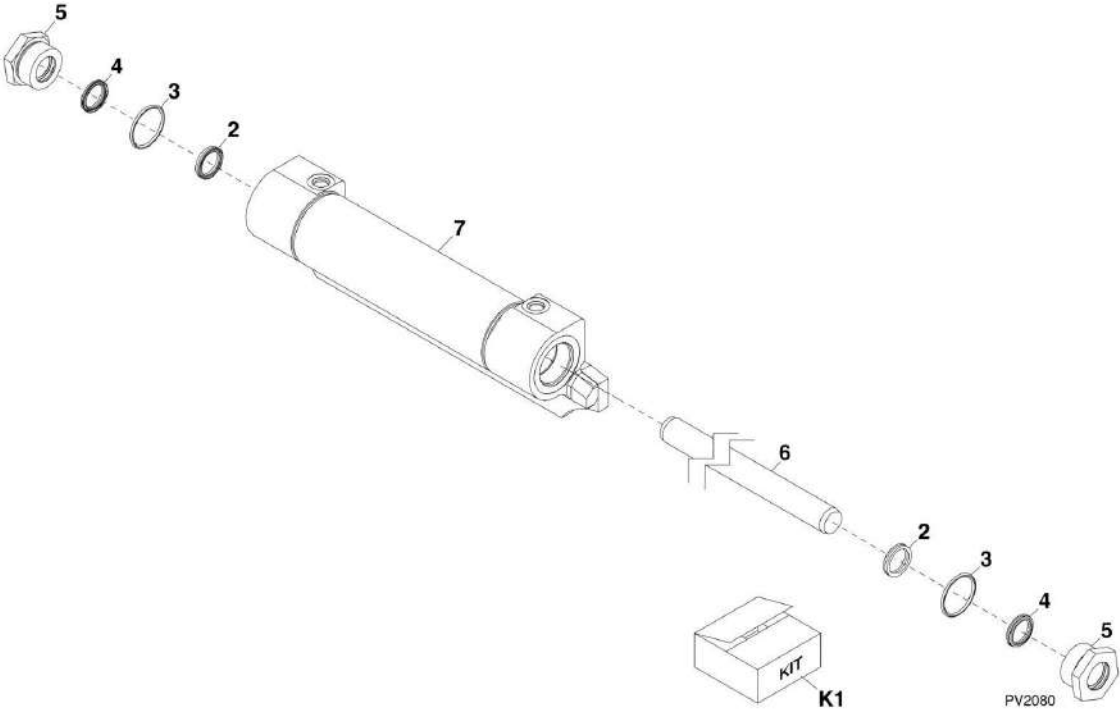
SECTION 9 - HYDRAULIC COMPONENTS

FIGURE 9-10. SIDE TILT CARRIAGE CYLINDER (SN 0160066379 to Present)

ITEM	PART NUMBER	QTY	DESCRIPTION	REV
	1001163414	Ref	SIDE TILT CARRIAGE CYLINDER, (includes all items)	A
1	70026056	1	BARREL	
2	70026057	1	ROD	
3	70026058	1	SCREWED PISTON HEAD, 90MM	
4	70025606	2	GREASE NIPPLE	
5	70024020	2	GREASER PROTECTOR	
6	70003849	1	GLAND	
7	70025959	2	BLANKING SCREW	
8	70026059	2	P/O CHECK VALVE	
9	70002219	1	INTERNAL SNAP RING	
10	70026060	4	INTERNAL SNAP RING	
11	70026061	2	SPHERICAL BEARING	
12	70024262	2	BLANKING SCREW	
13	70002224	1	LOCKING RING	
14	Kit	2	ROD BEARING RING	
15	Kit	2	PISTON BEARING RING	
16	Kit	1	PISTON SEAL	
17	Kit	1	O RING	
18	Kit	1	BACK UP RING	
19	Kit	1	ROD SEAL	
20	Kit	1	O RING	
21	Kit	1	WIPER SEAL	
101	70026062	1	SEAL KIT, (includes items 14 thru 21)	

SECTION 9 - HYDRAULIC COMPONENTS

FIGURE 9-11. 50 IN SIDE SHIFT CARRIAGE CYLINDER



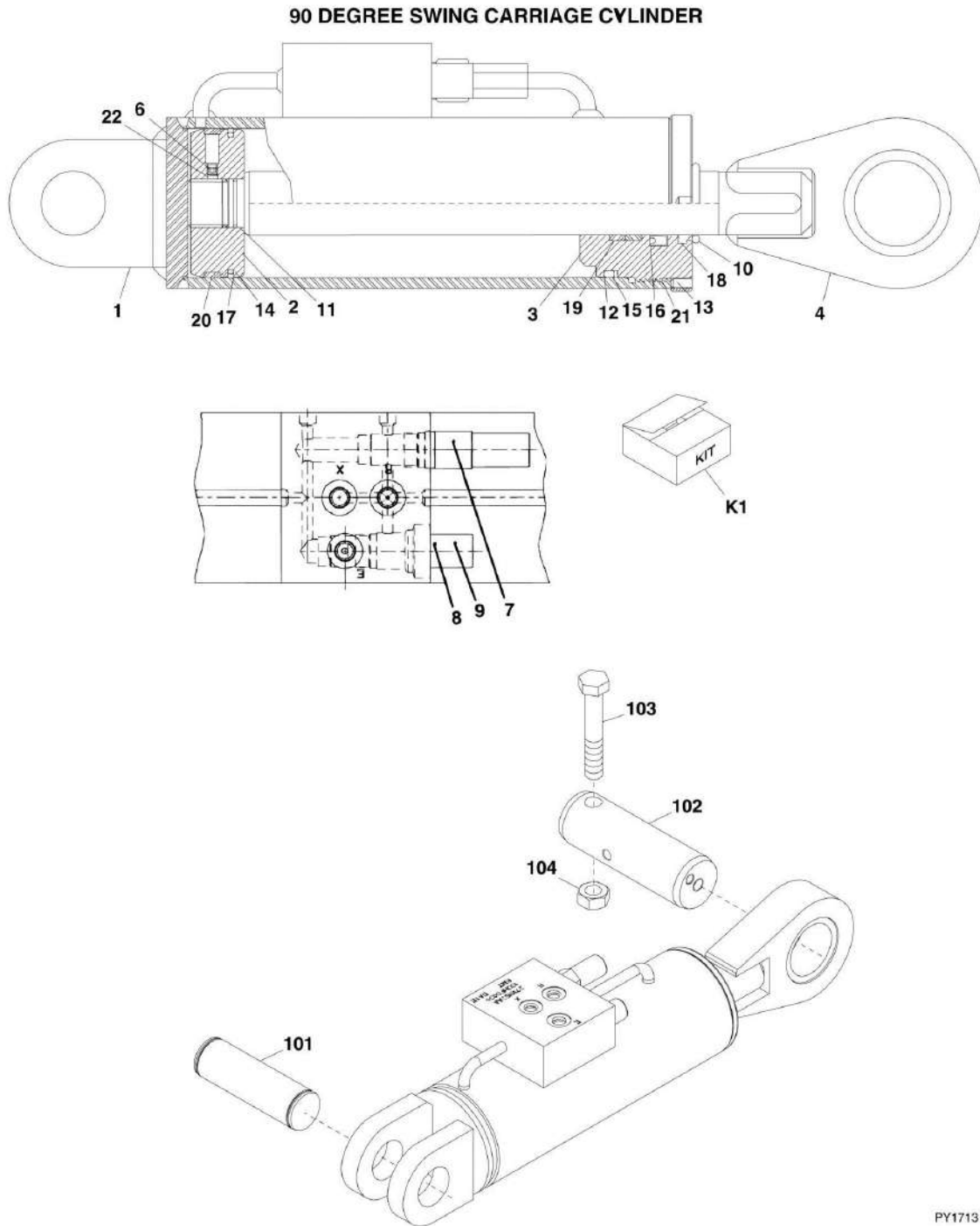
SECTION 9 - HYDRAULIC COMPONENTS

FIGURE 9-11. 50 IN SIDE SHIFT CARRIAGE CYLINDER

ITEM	PART NUMBER	QTY	DESCRIPTION	REV
	70024539	1	50 IN SIDE SHIFT CARRIAGE CYLINDER, (includes all items)	B
2	Kit	2	KIT	
3	70024547	2	O-RING	
4	Kit	2	KIT	
5	70024548	2	RETAINER SEAL	
6	N.S.S.	1	ROD	
7	N.S.S.	1	BARREL	

SECTION 9 - HYDRAULIC COMPONENTS

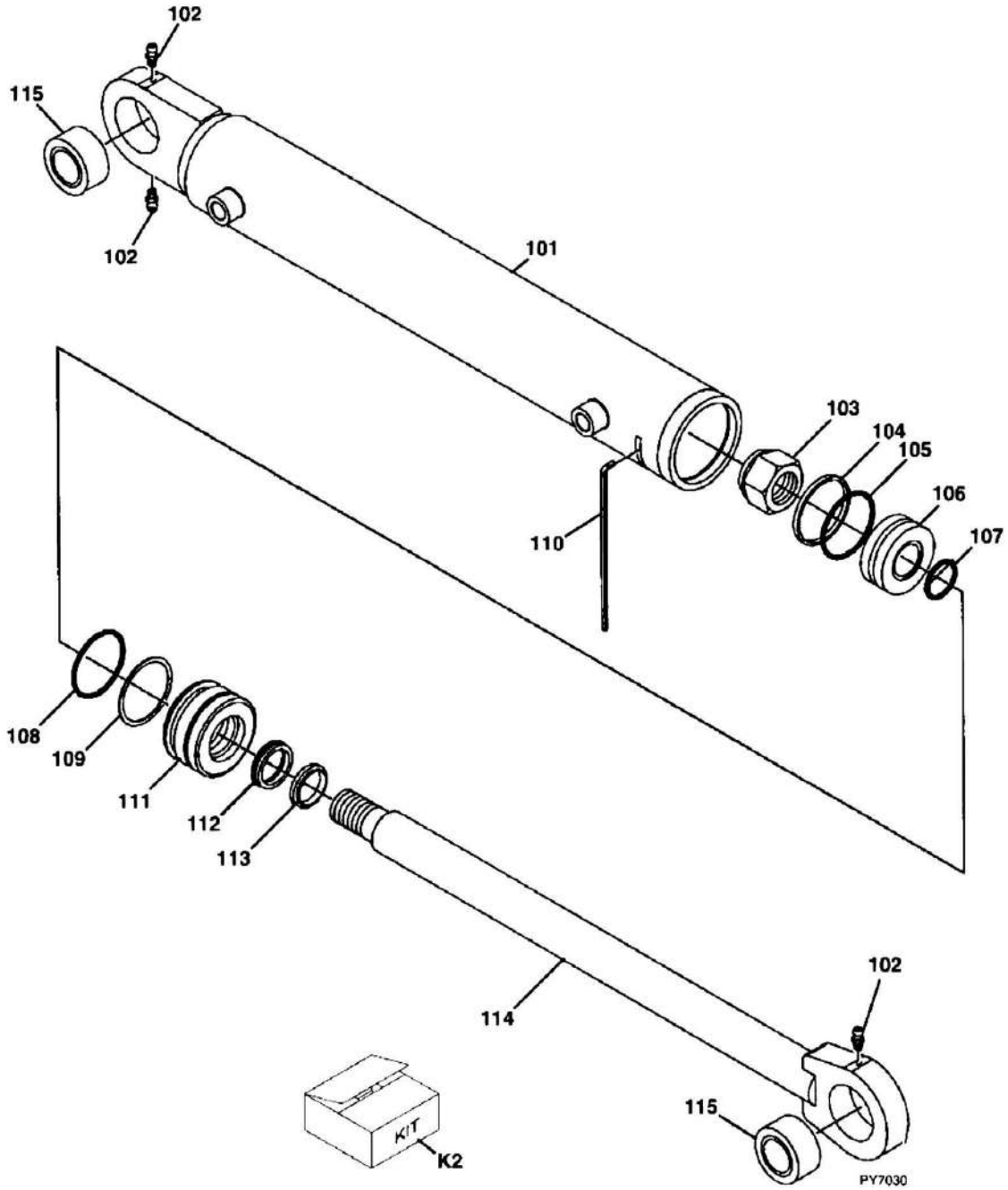
FIGURE 9-12. SWING CARRIAGE CYLINDER



PY1713

SECTION 9 - HYDRAULIC COMPONENTS

180 DEGREE SWING CARRIAGE CYLINDER



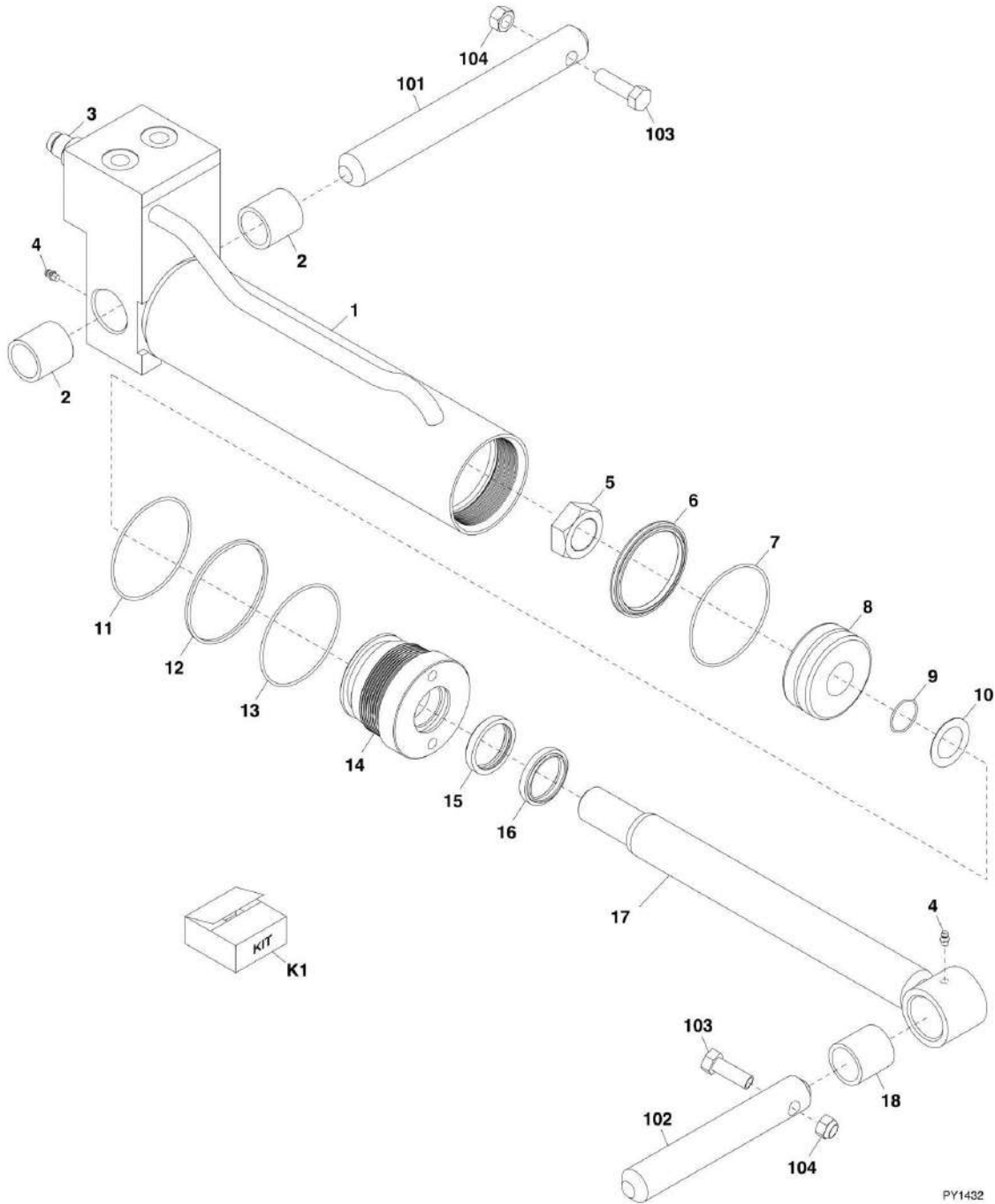
SECTION 9 - HYDRAULIC COMPONENTS

FIGURE 9-12. SWING CARRIAGE CYLINDER

ITEM	PART NUMBER	QTY	DESCRIPTION	REV
	1001103182	2	90, SWING CARRIAGE CYLINDER, (includes items 1 thru 22)	B
1	70022044	1	TUBE ASSY	
2	8035863	1	PISTON	
3	8035862	1	HEAD GLAND	
4	70022045	1	ROD ASSY	
5	70022046	1	BEARING, (not shown)	
6	8035536	2	SET SCREW, 5/16-18X1/2	
7	70020428	1	RELIEF VALVE, (preset to 2000 psi)	
7	7024574	1	SEAL KIT	
8	8033786	1	COUNTERBALANCE VALVE, (preset to 3000 psi)	
8	8205655	1	SEAL KIT	
9	70021812	1	TAMPERPROOF CAP	
11	Kit	1	O-RING	
12	Kit	1	O-RING	
13	Kit	1	O-RING	
14	Kit	1	SQUARE RING	
15	Kit	1	BACKUP RING	
16	Kit	1	SEAL	
17	Kit	1	PISTON SEAL	
18	Kit	1	ROD WIPER	
19	Kit	1	WEARBAND	
20	Kit	1	WEARBAND	
21	Kit	2	INSERT	
22	Kit	2	INSERT	
101	7110722	2	CYLINDER PIN, (base end)	
102	7110712	2	CYLINDER PIN, (rod end)	
103	8303634	2	HEX HD CAPSCREW, 5/8-11X4, GR5	
104	8305643	2	HEX NUT, 5/8-11	
K1	2915023	2	SEAL KIT, (includes items 11 thru 22)	
	7029995	1	180, SWING CARRIAGE CYLINDER, (includes items 101 thru 115)	G
101	70021441	1	CYLINDER TUBE	
102	90554045	3	GREASE FITTING	
103	70021440	1	HEX NUT	
104	Kit	1	PISTON RING	
105	Kit	1	O-RING	
106	70021976	1	PISTON	
107	Kit	1	O-RING	
108	Kit	1	O-RING	
109	Kit	1	BACKUP WASHER	
110	Kit	1	RETAINER RING	
111	70021443	1	CYLINDER GLAND	
112	Kit	1	POLY-PAK SEAL, TYPE B	
113	Kit	1	ROD WIPER	
114	70021442	1	CYLINDER ROD	
115	90554046	2	BUSHING	
K2	70021453	1	SEAL KIT (includes items 104, 105, 107 thru 110, 112 & 113)	

SECTION 9 - HYDRAULIC COMPONENTS

FIGURE 9-13. GRAPPLE BUCKET CYLINDER



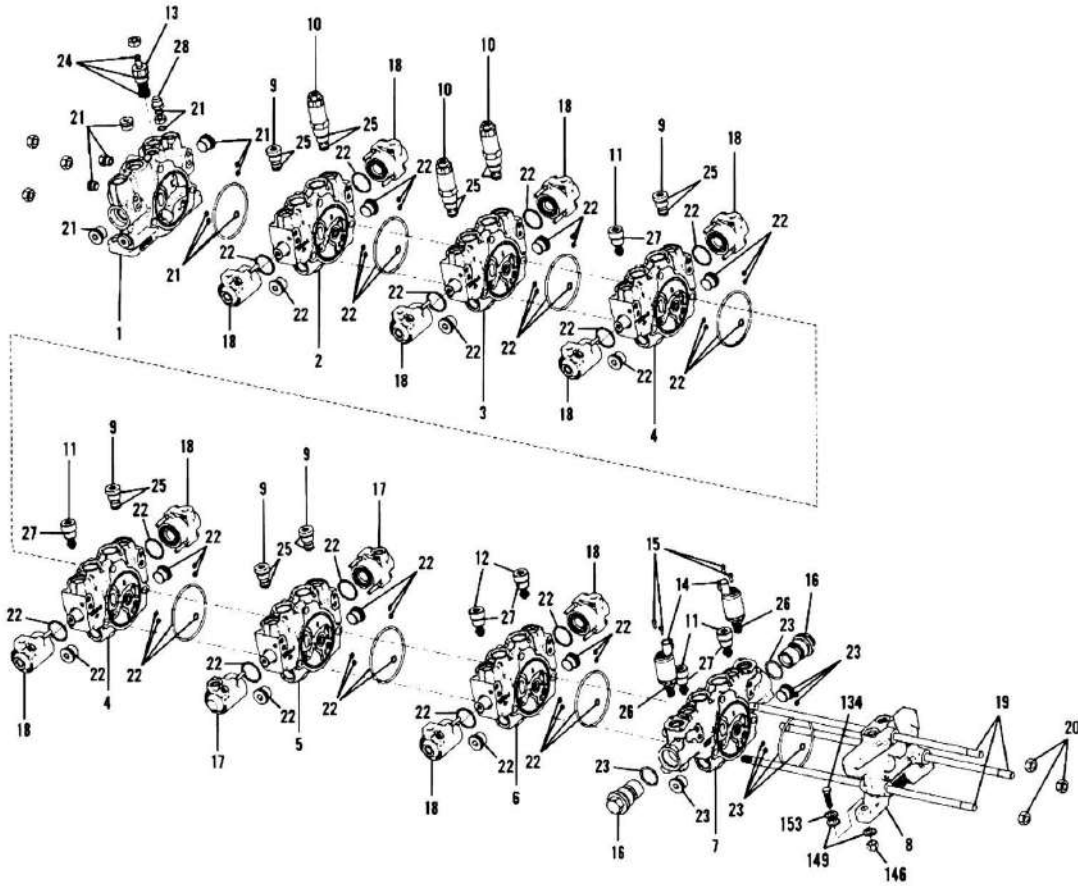
SECTION 9 - HYDRAULIC COMPONENTS

FIGURE 9-13. GRAPPLE BUCKET CYLINDER

ITEM	PART NUMBER	QTY	DESCRIPTION	REV
	70021393	2	GRAPPLE BUCKET CYLINDER, (includes all items)	
1	70021465	1	CYLINDER TUBE	
2	70021448	2	BUSHING	
3	70021464	2	VALVE CARTRIDGE	
4	90554045	2	GREASE FITTING	
5	70021440	1	HEX NUT	
6	Kit	1	PISTON RING	
7	Kit	1	O-RING	
8	70021451	1	PISTON	
9	Kit	1	O-RING	
10	70021444	1	WASHER	
11	Kit	1	O-RING	
12	Kit	1	BACK-UP WASHER	
13	Kit	1	O-RING	
14	70021446	1	CYLINDER GLAND	
15	Kit	1	POLY-PAK SEAL	
16	Kit	1	ROD WIPER	
17	70021466	1	PISTON ROD	
18	70021447	1	BUSHING	
101	70021364	2	CYLINDER PIN, (base end)	
102	70021365	2	CYLINDER PIN, (rod end)	
103	70021399	4	HEX HD CAPSCREW, 3/8X2-1/4	
104	70021367	4	LOCK NUT, 3/8	
K1	70021452	2	SEAL KIT, (includes items 6, 7, 9, 11 thru 13, 15 & 16)	

SECTION 9 - HYDRAULIC COMPONENTS

FIGURE 9-14. MAIN CONTROL VALVE



PAL4971

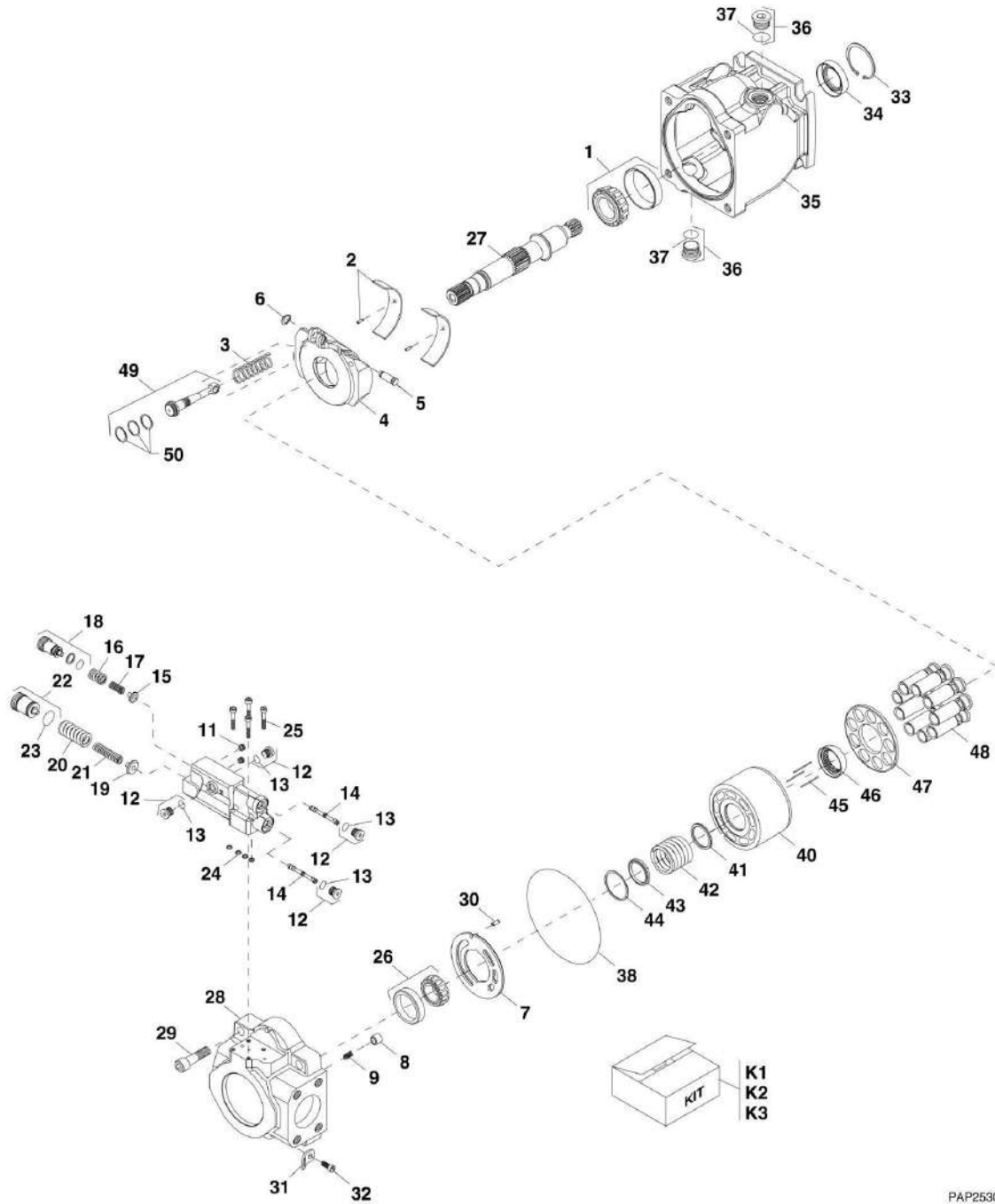
SECTION 9 - HYDRAULIC COMPONENTS

FIGURE 9-14. MAIN CONTROL VALVE

ITEM	PART NUMBER	QTY	DESCRIPTION	REV
	1001104918	1	MAIN CONTROL VALVE ASSY, (includes items 1 thru 28)	D
1	70022000	1	INLET SECTION ASSY, (includes items 21, 28 and all items required to replace the Inlet Section Assembly)	
2	70022001	1	SPOOL SECTION ASSY, LIFT, (includes items 18, 22 and all other seals required to replace one Lift Section Assembly)	
3	70022002	1	SPOOL SECTION ASSY, EXTEND/RETRACT, (includes items 18, 22 and all other seals required to replace one Crowd Section Assembly)	
4	70022003	2	SPOOL SECTION ASSY, OUTRIGGER, (includes items 18, 22 and all other seals required to replace one Outrigger Section Assembly)	
5	70022004	1	SPOOL SECTION ASSY, FRAME LEVEL, (includes items 17, 22 and all other seals required to replace one Sway Section Assembly)	
6	70022005	1	SPOOL SECTION ASSY, AUX, (includes items 18, 22 and all other seals required to replace one Aux Section Assembly)	
7	70022006	1	SPOOL SECTION ASSY, TILT, (includes items 14 thru 16, 23, 26 and all other seals required to replace one Tilt Section Assembly)	
8	70022007	1	OUTLET SECTION ASSY, (includes all items required to replace one Outlet Section Assembly)	
9	70022008	5	SHUT-OFF PLUG ASSY	
10	70022009	3	RELIEF VALVE, FULL FLOW	
11	70022010	4	RELIEF VALVE, 280	
12	70022011	2	RELIEF VALVE, 185	
13	70022012	1	DRAIN REGULATOR ASSY	
14	70022013	2	CARTRIDGE VALVE SOLENOID	
15	70022014	4	HEX HD CAPSCREW, METRIC	
16	70022015	2	END MECHANISM KIT, (includes all components and seals required to replace one End Mechanism)	
17	70022016	2	END MECHANISM PO KIT, (includes all components and seals required to replace one End Mechanism PO)	
18	70022017	10	SPOOL END GROUP, (includes all components and seals required to replace one Spool End)	
19	70022018	3	TIE ROD, METRIC	
20	70022019	6	TIE ROD NUT, METRIC	
21	70022020	1	INLET SEAL KIT	
22	70022021	1	PO SECTION SEAL KIT	
23	70022022	1	EH SECTION SEAL KIT	
24	8036508	1	DRAIN REGULATOR SEAL KIT	
25	70022023	1	SHUT-OFF PLUG/FULL FLOW RV SEAL KIT	
26	70022024	1	PPRV SEAL KIT	
27	70022025	1	O-RING	
28	10791807	1	SPECIAL NUT	
134	0641614	3	HEX HD CAPSCREW, 3/8-16X1-3/4, GR5	
146	3311601	3	HEX NUT, 3/8-16	
149	4711600	6	FLAT WASHER, 3/8	
153	4761600	3	LOCKWASHER, 3/8	

SECTION 9 - HYDRAULIC COMPONENTS

FIGURE 9-15. PISTON PUMP



PAP2530

SECTION 9 - HYDRAULIC COMPONENTS

FIGURE 9-15. PISTON PUMP

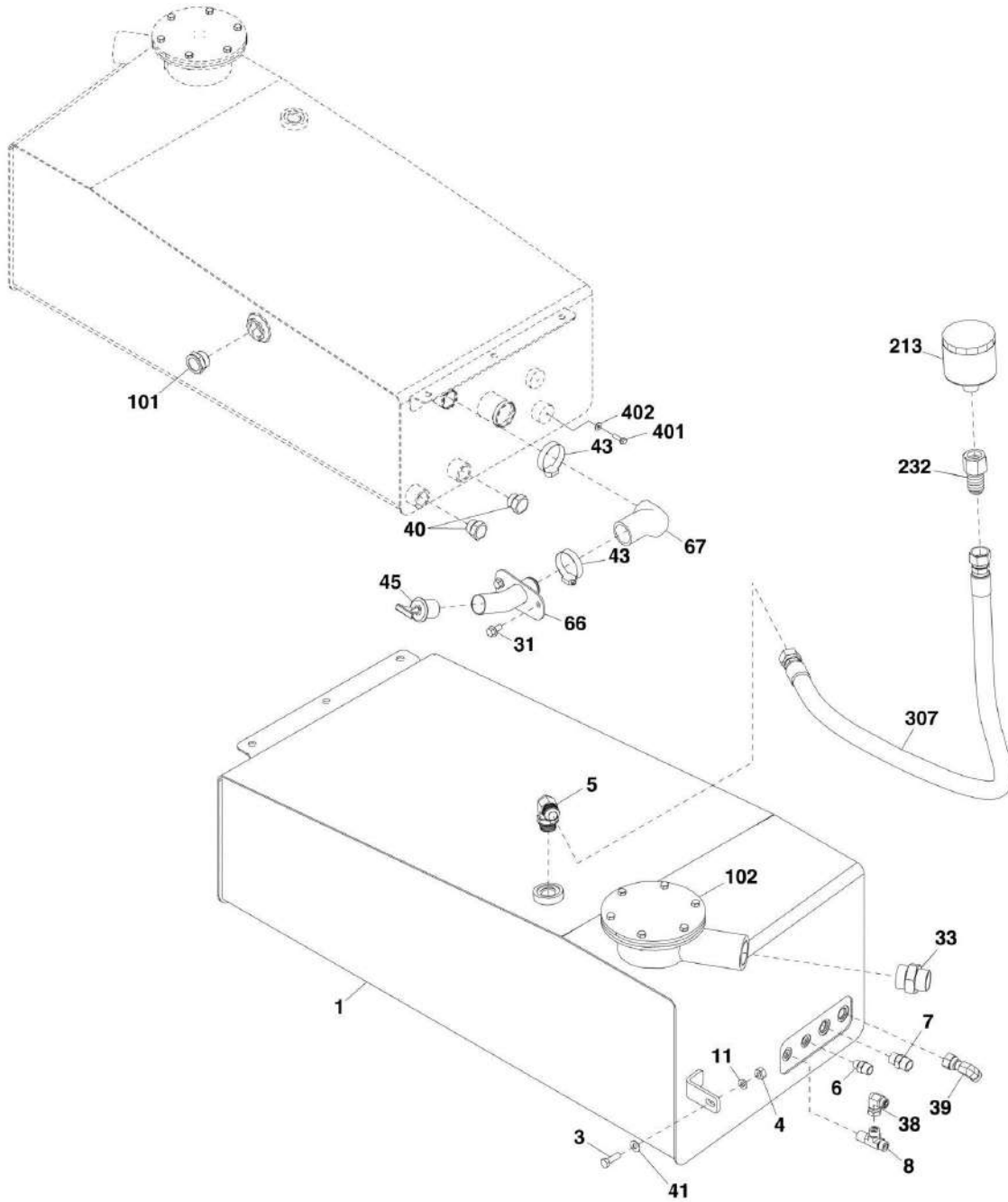
ITEM	PART NUMBER	QTY	DESCRIPTION	REV
	1001105613	1	PISTON PUMP, (includes all items)	C
1	70002578	1	FRONT BEARING KIT	
2	70002579	1	SWATCH PLATE BEARING KIT	
3	70002580	1	SPRING	
4	70002581	1	SWASH PLATE	
5	70002582	1	RETAINER SHAFT	
6	70002583	1	RETAING RING	
7	70023349	1	LH VALVE PLATE	
8	70001956	1	CHECK VALVE POPPET	
9	70001955	1	SPRING	
11	70023351	2	SET SCREW	
12	70002133	4	PLUG	
13	7007207	8	O-RING	
14	70023352	2	SPOOL	
15	70023353	1	SPRING GUIDE, LS	
16	70023354	1	OUTER SPRING, LS	
17	70023355	1	INNER SPRING, LS	
18	70023356	2	ADJUSTING PLUG, LS	
19	70023357	1	SPRING GUIDE, PC	
20	70023358	1	OUTER SPRING, PC	
21	70023359	1	INNER SPRING, PC	
22	70023360	1	ADJUSTING PLUG, PC	
23	70023361	2	O-RING	
24	70023362	8	SEAL RING	
25	70023363	4	SCREW	
26	70002585	1	REAR BEARING KIT	
27	70023364	1	SHAFT	
28	70023365	1	RADIAL END CAP	
29	70002588	4	SCREW	
30	7007446	1	SLOTTED PIN	
31	7022340	1	LIFTING BRACKET	
32	70002590	1	SCREW	
33	7023962	1	RETAINING RING	
34	70022287	2	LIP SEAL	
35	70022288	1	HOUSING	
36	7023964	2	PLUG	
37	7007415	4	O-RING	
38	70002595	2	END CAP SEAL	
40	70023366	1	CYLINDER BLOCK	
41	7007429	1	SPRING SEAT	
42	70002591	1	SPRING	
43	7007427	1	SPRING SEAT	
44	7007426	1	RETAINING RING	
45	7021275	3	HOLD DOWN PIN	
46	70002592	1	SLIPPER RETAINER GUIDE	
47	70002593	1	SLIPPER RETAINER	
48	70002594	9	PISTON ASSY	
49	70023367	1	SERVO PISTON ASSY	
50	70002598	6	PISTON RING	
K1	70023350	1	CONTROL KIT, (includes items 11 thru 25)	

SECTION 9 - HYDRAULIC COMPONENTS

ITEM	PART NUMBER	QTY	DESCRIPTION	REV
K2	70002596	1	CYLINDER BLOCK KIT, (includes items 40 thru 48)	
K3	70002599	1	OVERHAUL SEAL KIT	

SECTION 9 - HYDRAULIC COMPONENTS

FIGURE 9-16. HYDRAULIC TANK



PAP25880

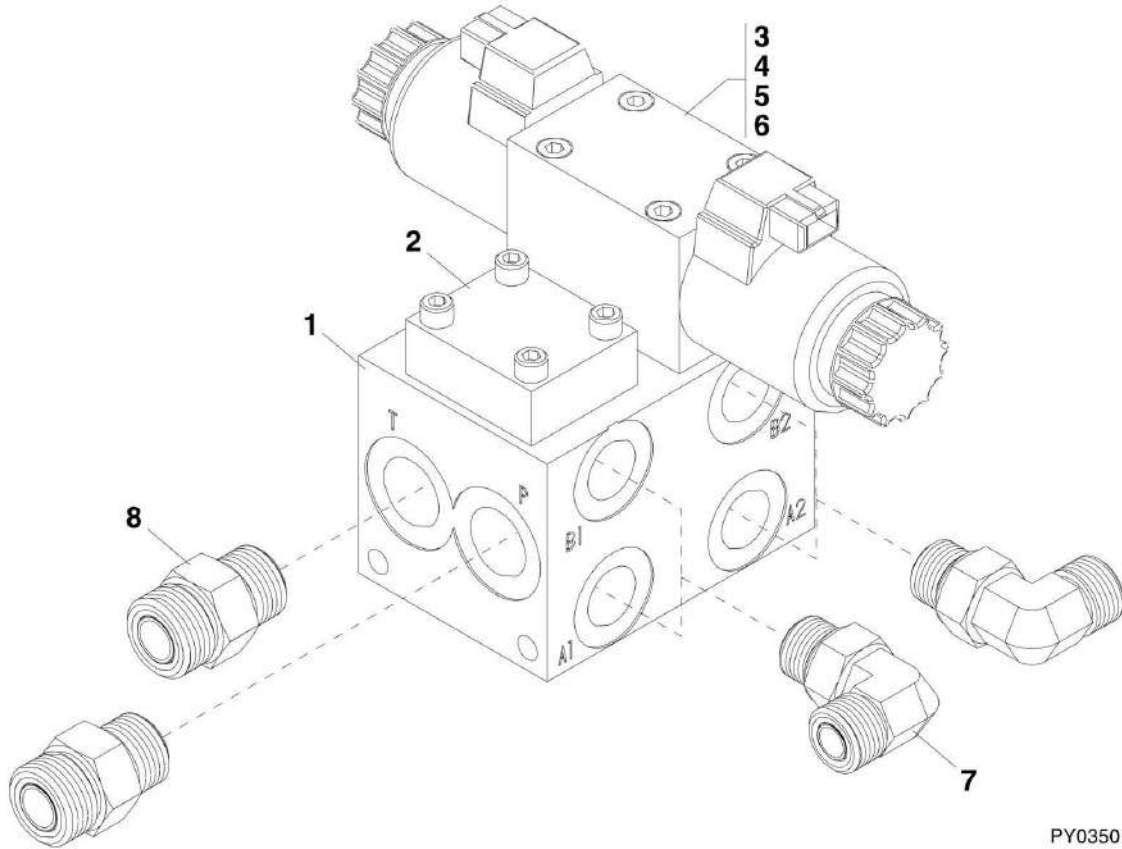
SECTION 9 - HYDRAULIC COMPONENTS

FIGURE 9-16. HYDRAULIC TANK

ITEM	PART NUMBER	QTY	DESCRIPTION	REV
1	1001119900	1	HYDRAULIC TANK, (includes items 101 & 102)	H
3	0811610	1	SCREW, 3/8-16X1-1/4	
4	88501006	1	HEX NUT, 3/8-16	
5	2220578	1	ADAPTER, 90, (includes o-ring)	
6	2110606	1	STRAIGHT FITTING, (includes o-ring)	
7	2110808	1	STRAIGHT FITTING, (includes o-ring)	
8	2170306	1	ADAPTER, RUN TEE, (includes o-ring)	
11	4761600	1	LOCKWASHER, 3/8	
31	0811606	2	SCREW, 3/8-16X3/4	
33	2111620	1	STRAIGHT FITTING, (includes o-ring)	
38	2172106	1	ADAPTER, 90, (includes o-ring)	
39	2170210	1	ADAPTER, 90, (includes o-ring)	
40	2220240	2	PLUG, (includes o-ring)	
41	4751600	1	WASHER, 3/8	
43	8405104	2	CLAMP, 2-1/4 IN	
45	91403579	1	CAP	
66	1001136981	1	FILL PIPE	
67	1001128110	1	FILL HOSE	
101	70024153	1	SIGHT GAUGE	
102	70024152	1	FILTER KIT, (includes filter and gasket)	
213	1340021	1	AIR BREATHER	
232	91163100	1	ADAPTER	
307	2752661	1	HOSE ASSY	
401	0811612	1	SCREW, 3/8-16X1-1/2	
402	10701277	1	WASHER, 3/8	

SECTION 9 - HYDRAULIC COMPONENTS

FIGURE 9-17. STEER SELECT VALVE



PY0350

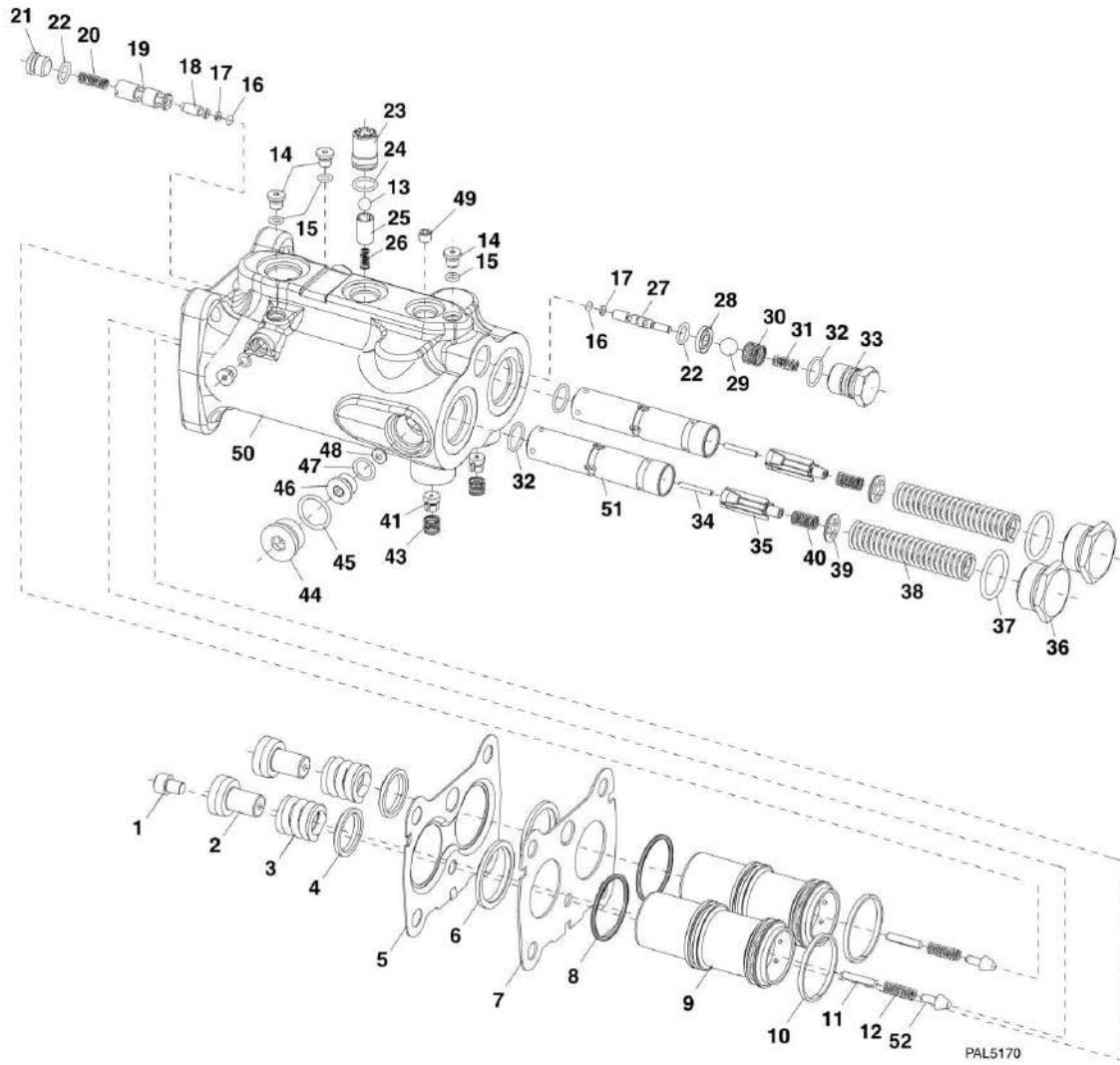
SECTION 9 - HYDRAULIC COMPONENTS

FIGURE 9-17. STEER SELECT VALVE

ITEM	PART NUMBER	QTY	DESCRIPTION	REV
	1001001016	1	STEERING SELECT VALVE, (includes all items)	C
1	7029915	1	STEERING MANIFOLD	
2	7029916	1	COVER PLATE	
3	91474402	1	DIRECTIONAL CONTROL VALVE, (includes items 4 thru 6)	
4	91474407	2	COIL	
5	7029917	2	NUT	
6	7012773	1	SEAL KIT	
7	88662065	4	ELBOW, 90, (includes o-ring)	
8	88662019	2	CONNECTOR, (includes o-ring)	

SECTION 9 - HYDRAULIC COMPONENTS

FIGURE 9-18. BRAKE VALVE



SECTION 9 - HYDRAULIC COMPONENTS

FIGURE 9-18. BRAKE VALVE

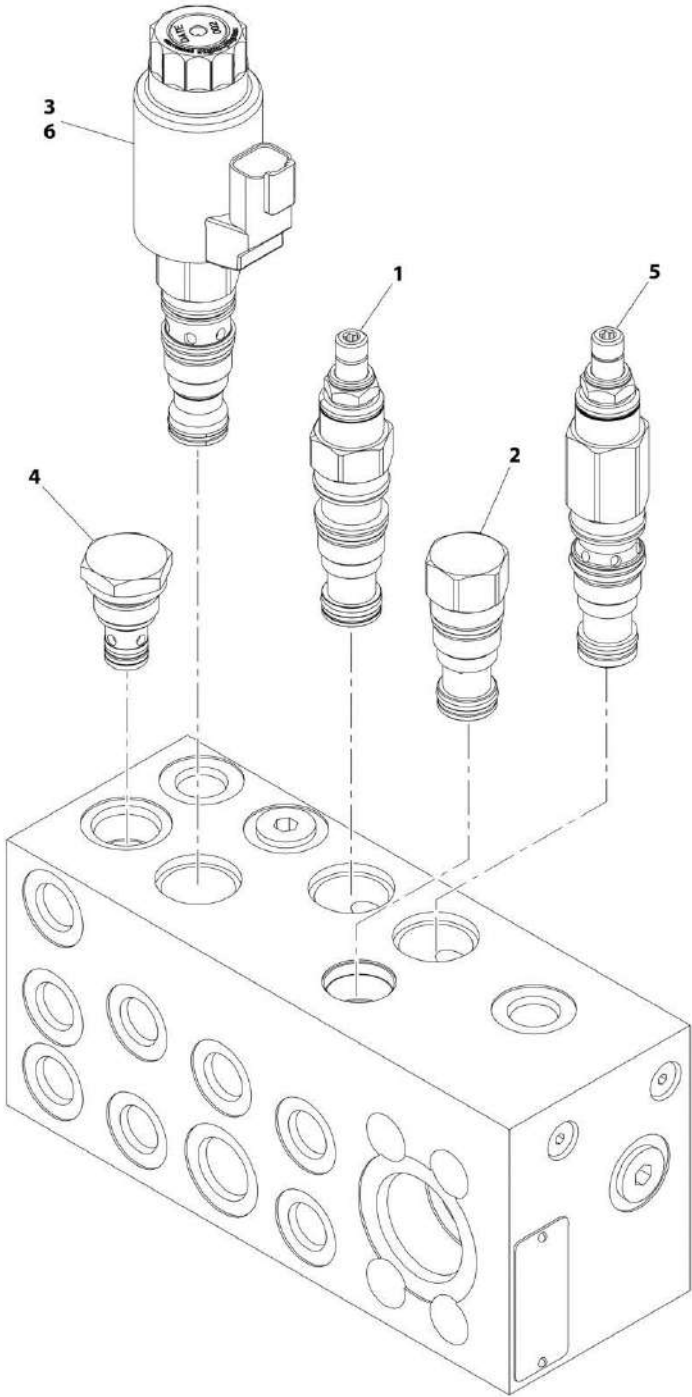
ITEM	PART NUMBER	QTY	DESCRIPTION	REV
	1001106836	1	BRAKE VALVE, (includes items 1 thru 52)	A
1	91474454	1	SCREW	
2	91474442	2	PIN	
3	70020659	2	SPRING	
4	91474441	2	WIPER	
5	70020660	1	COVER	
6	91474440	2	WIPER	
7	70020661	1	COVER	
8	91474439	2	QUAD RING	
9	70020662	2	PISTON	
10	70020663	2	PISTON RING	
11	70023037	2	PIN	
12	91474438	2	SPRING	
13	91474452	1	BALL	
14	91474450	4	PLUG	
15	91474451	4	O-RING	
16	91474453	2	O-RING	
17	91514199	2	BACKUP RING	
18	91474455	1	DUMP PISTON	
19	91474456	1	DUMP SPOOL	
20	70020665	1	SPRING	
21	91474458	1	PLUG	
22	91514198	2	O-RING	
23	70020666	1	INLET SEAT	
24	70020667	1	O-RING	
25	70020668	1	RETAINER	
26	70020669	1	SPRING	
27	91474447	1	PISTON	
28	91474446	1	SEAT	
29	70020670	1	BALL	
30	70020671	1	SPRING	
31	70020672	1	SPRING	
32	91514197	3	O-RING	
33	91474443	1	PLUG	
34	70020673	2	NEEDLE ROLLER	
35	70020674	2	MAKE-UP CHECK	
36	91474434	2	PLUG	
37	91474435	2	O-RING	
38	70020675	2	SPRING	
39	70020676	2	SPRING GUIDE	
40	70020677	2	SPRING	
41	70020678	2	ORIFICE	
43	70020679	2	SPRING	
44	91474459	1	PLUG	
45	91474460	1	O-RING	
46	70020680	1	PLUG	
47	70020681	1	O-RING	
48	70020682	1	ORIFICE	
49	70023039	1	ORIFICE	
50	N.S.S.	1	HOUSING	

SECTION 9 - HYDRAULIC COMPONENTS

ITEM	PART NUMBER	QTY	DESCRIPTION	REV
51	N.S.S.	1	SPOOL	
52	70023038	2	POPPET	

SECTION 9 - HYDRAULIC COMPONENTS

FIGURE 9-19. HYDRAULIC MANIFOLD VALVE



ART_91563190-E

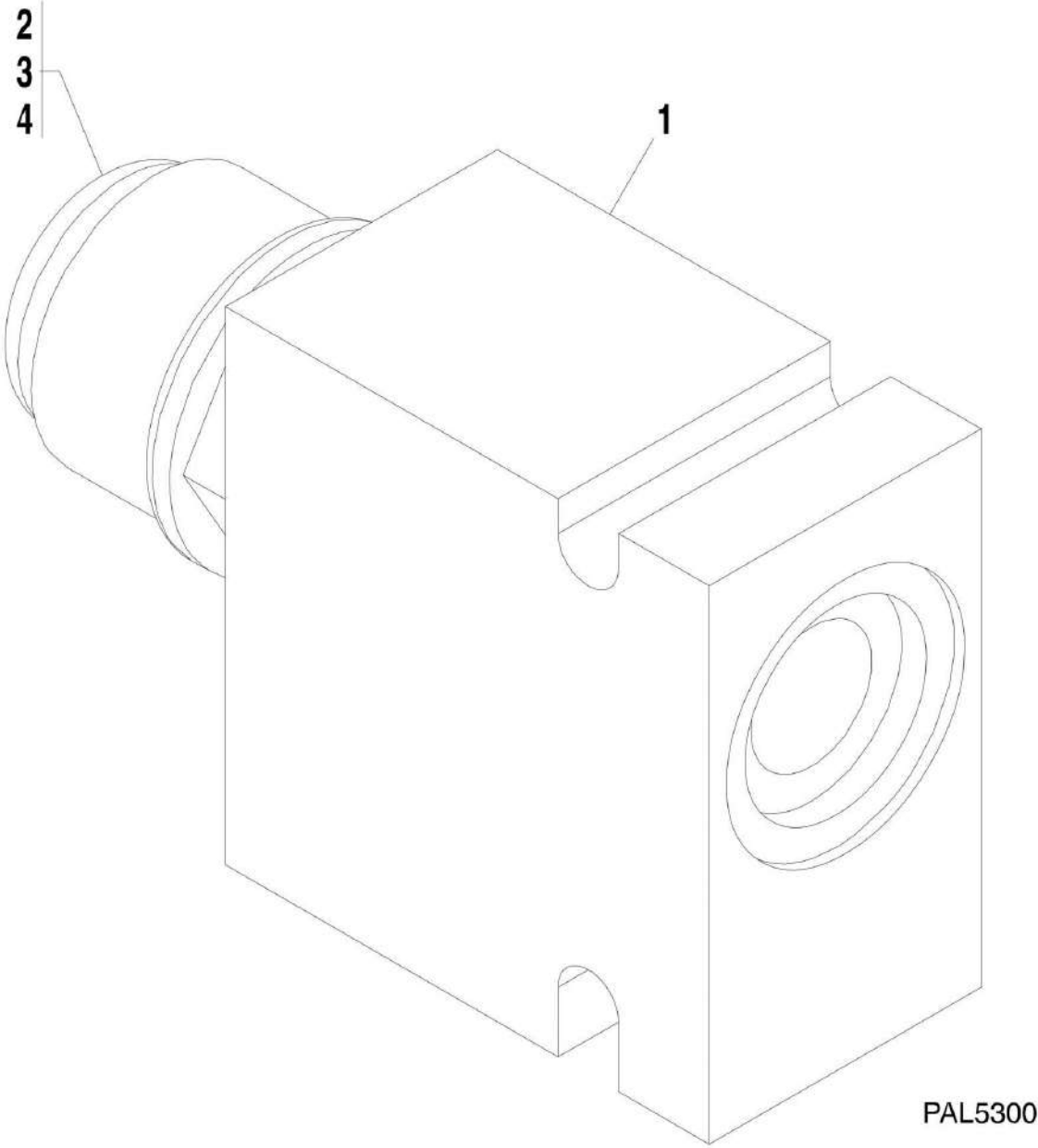
SECTION 9 - HYDRAULIC COMPONENTS

FIGURE 9-19. HYDRAULIC MANIFOLD VALVE

ITEM	PART NUMBER	QTY	DESCRIPTION	REV
	91563190	1	HYDRAULIC MANIFOLD VALVE, (includes all items)	E
1	7026998	1	PRESSURE REDUCING VALVE	
2	7026999	1	CHECK VALVE	
3	70023992	1	SOLENOID VALVE (Prior to SN 0160062852)	
3	7026022	1	SOLENOID VALVE (SN 0160062852 to Present)	
4	7018300	1	SHUTTLE VALVE	
5	7027100	1	PRESSURE REDUCING VALVE	
6	80434249	1	COIL, (Prior to SN 0160062852)	
6	70026348	1	COIL, (SN 0160062852 to Present)	

SECTION 9 - HYDRAULIC COMPONENTS

FIGURE 9-20. DECOMPRESSION VALVE



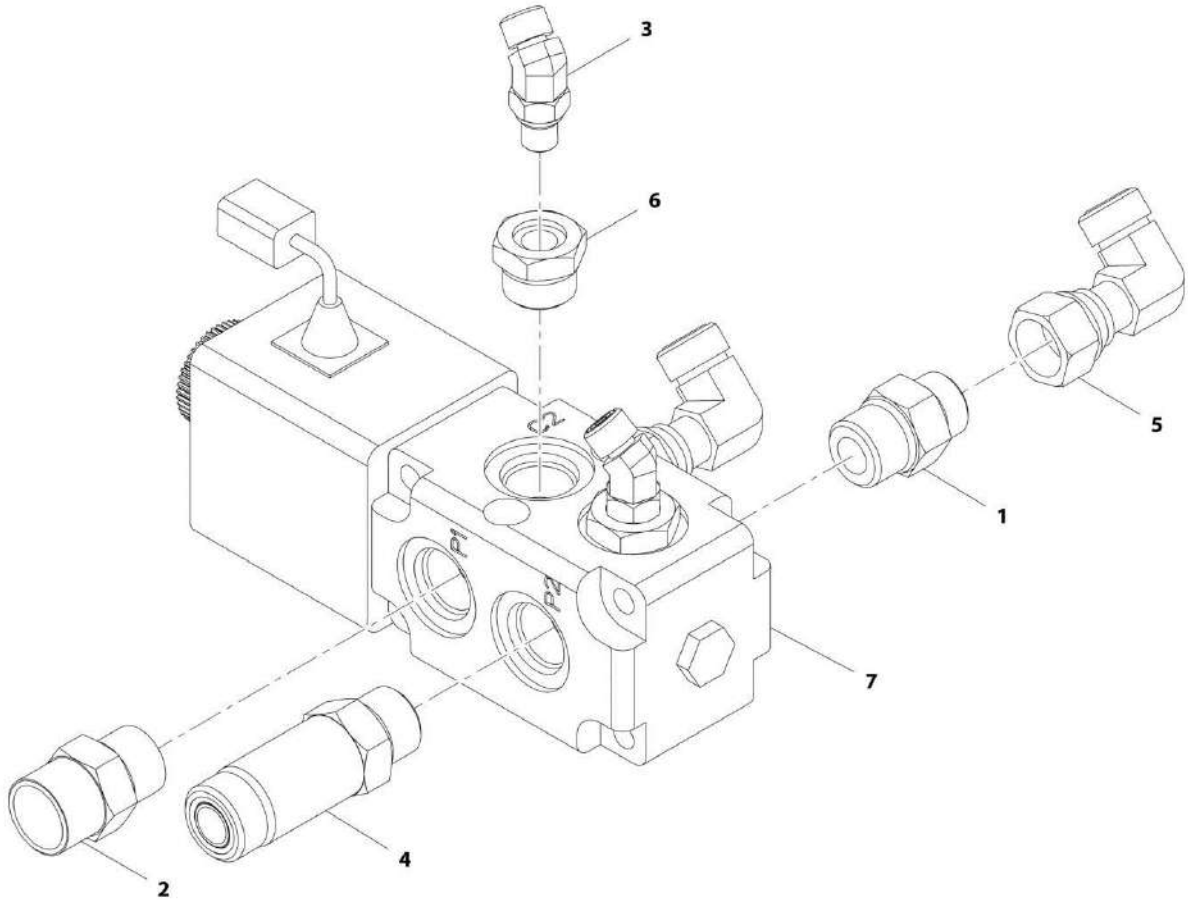
SECTION 9 - HYDRAULIC COMPONENTS

FIGURE 9-20. DECOMPRESSION VALVE

ITEM	PART NUMBER	QTY	DESCRIPTION	REV
	91503093	1	DECOMPRESSION VALVE, (includes all items)	A
1	91504056	1	VALVE BODY	
2	91504057	1	VALVE, (includes items 3 & 4)	
3	91504058	1	SEAL KIT	
4	91504059	1	PUSH BUTTON	

SECTION 9 - HYDRAULIC COMPONENTS

FIGURE 9-21. QUICK ATTACH VALVE



ART_1001127006-A

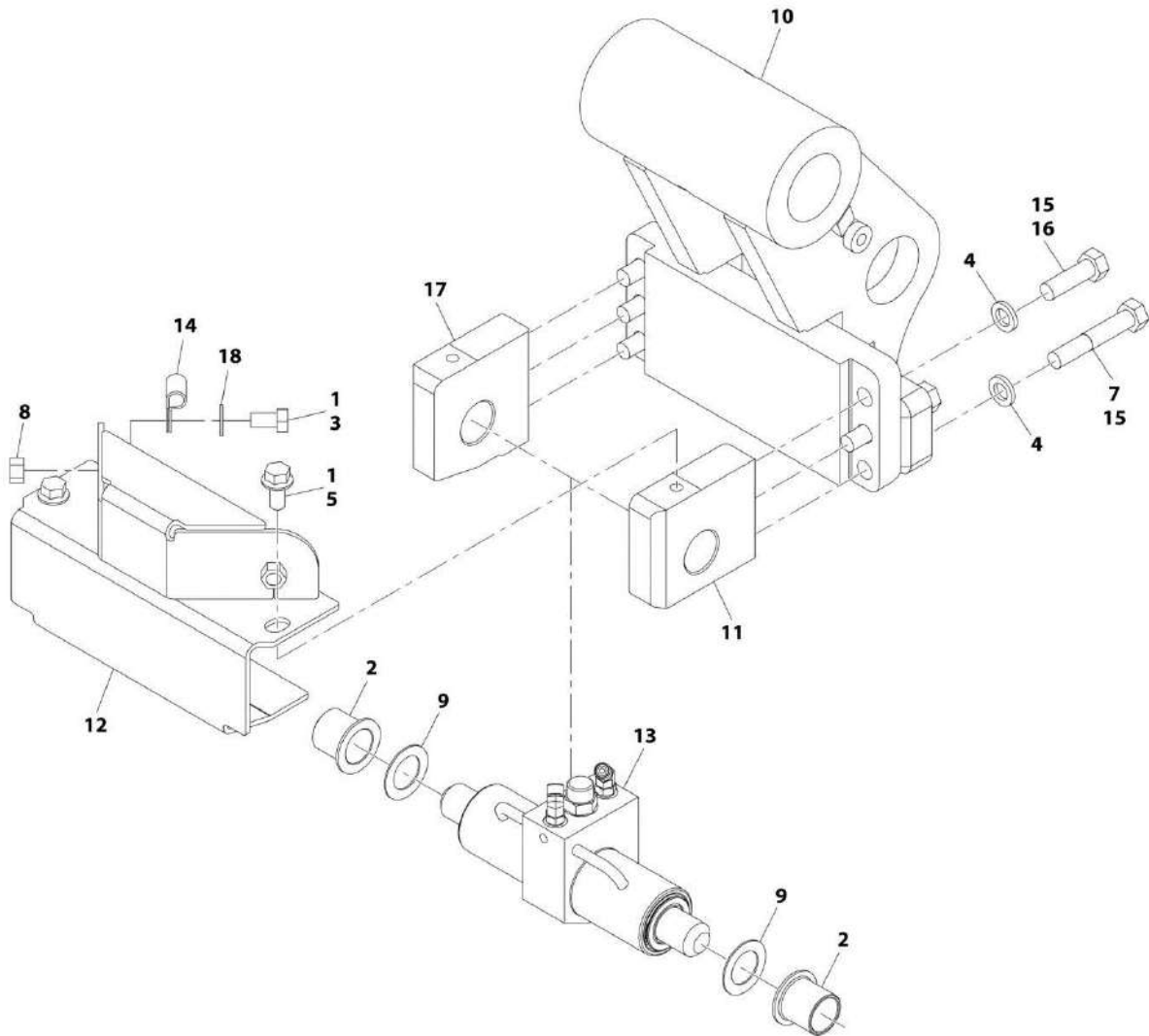
SECTION 9 - HYDRAULIC COMPONENTS

FIGURE 9-21. QUICK ATTACH VAVLE

ITEM	PART NUMBER	QTY	DESCRIPTION	REV
	1001127006	Ref	QUICK ATTACH VAVLE	A
1	2110810	2	STRAIGHT FITTING	
2	2111010	1	STRAIGHT FITTING	
3	2150404	2	ADAPTER, 45	
4	2170110	1	STRAIGHT FITTING	
5	2172108	2	ADAPTER, 90	
6	1001001568	2	STRAIGHT FITTING	
7	1001104477	1	DIVERTOR VALVE (See Separate Breakdown in this Section)	

SECTION 9 - HYDRAULIC COMPONENTS

FIGURE 9-22. QUICK ATTACH INSTALLATION, G SERIES



ART_1001120135-C

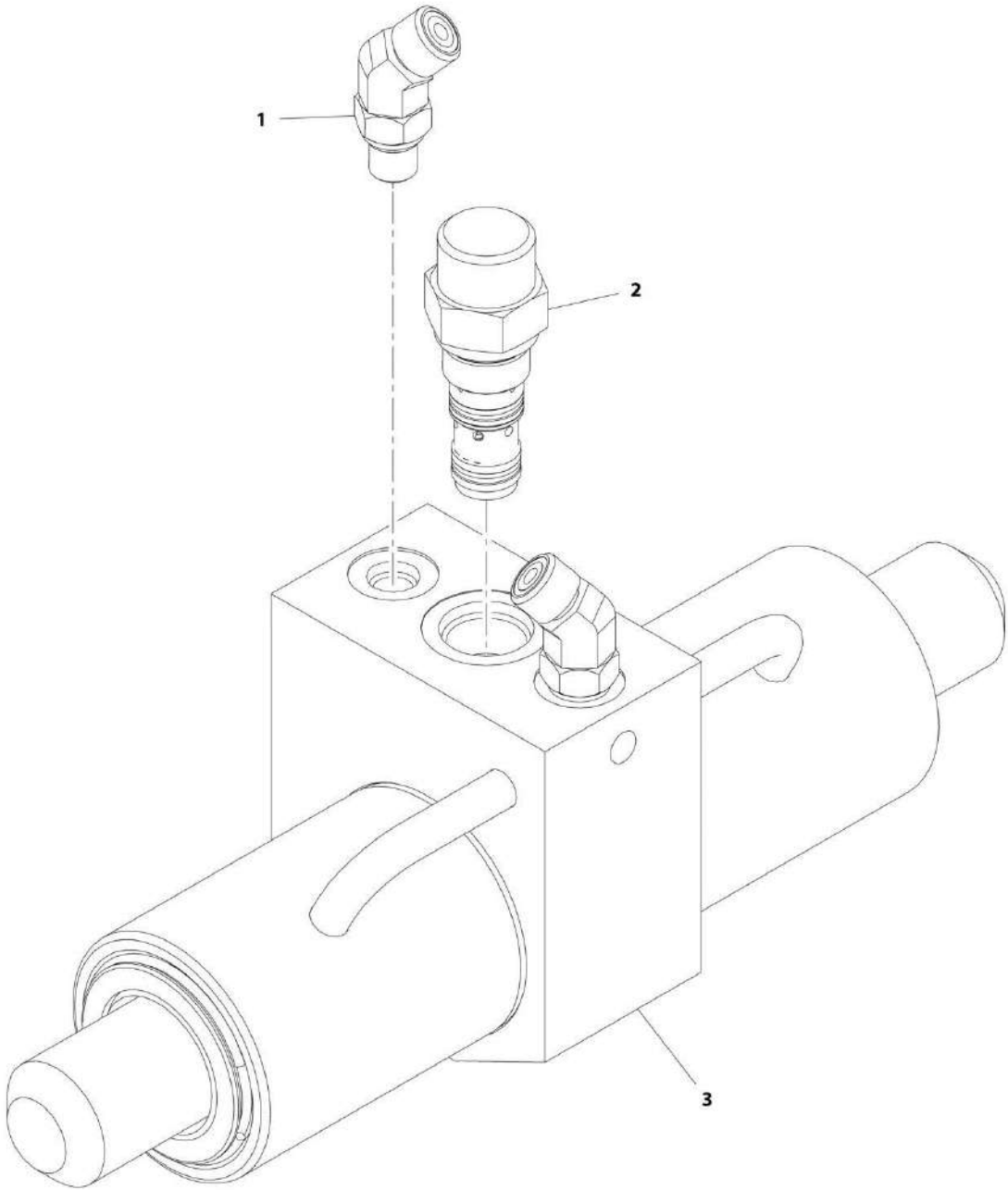
SECTION 9 - HYDRAULIC COMPONENTS

FIGURE 9-22. QUICK ATTACH INSTALLATION, G SERIES

ITEM	PART NUMBER	QTY	DESCRIPTION	REV
	1001120135	Ref	QUICK ATTACH INSTALLATION, G SERIES	C
1	0100011	AR	LOCTITE, 242	
2	0440321	2	BEARING, FLANGE	
3	0641807	2	HEX HD CAP SCREW, 1/2-13X7/8	
4	4762000	6	WASHER, 5/8	
5	0791808	2	SCREW, 1/2-13X1	
7	10700689	4	SCREW CAP, 0.625-18X3.5	
8	3311805	2	HEX LOCKNUT, 1/2-13, GR2	
9	91561240	AR	SHIM	
10	1001120120	1	ADAPTER	
11	1001120124	1	PLATE, CYLINDER ATTACHMENT (left)	
12	1001120130	1	COVER, CYLINDER	
13	1001120164	1	CYLINDER, QUICK ATTACH ASSEMBLY (See Separate Breakdown in this Section)	
14	1001080996	2	CLAMP	
15	0100019	AR	LOCTITE, 271	
16	10700683	2	SCREW CAP, 0.625-18X2	
17	1001145386	1	PLATE, CYLINDER ATTACHMENT (right)	
18	4711800	2	WASHER, 1/2	

SECTION 9 - HYDRAULIC COMPONENTS

FIGURE 9-23. CYLINDER - QUICK ATTACH ASSEMBLY



ART_1001120164-A

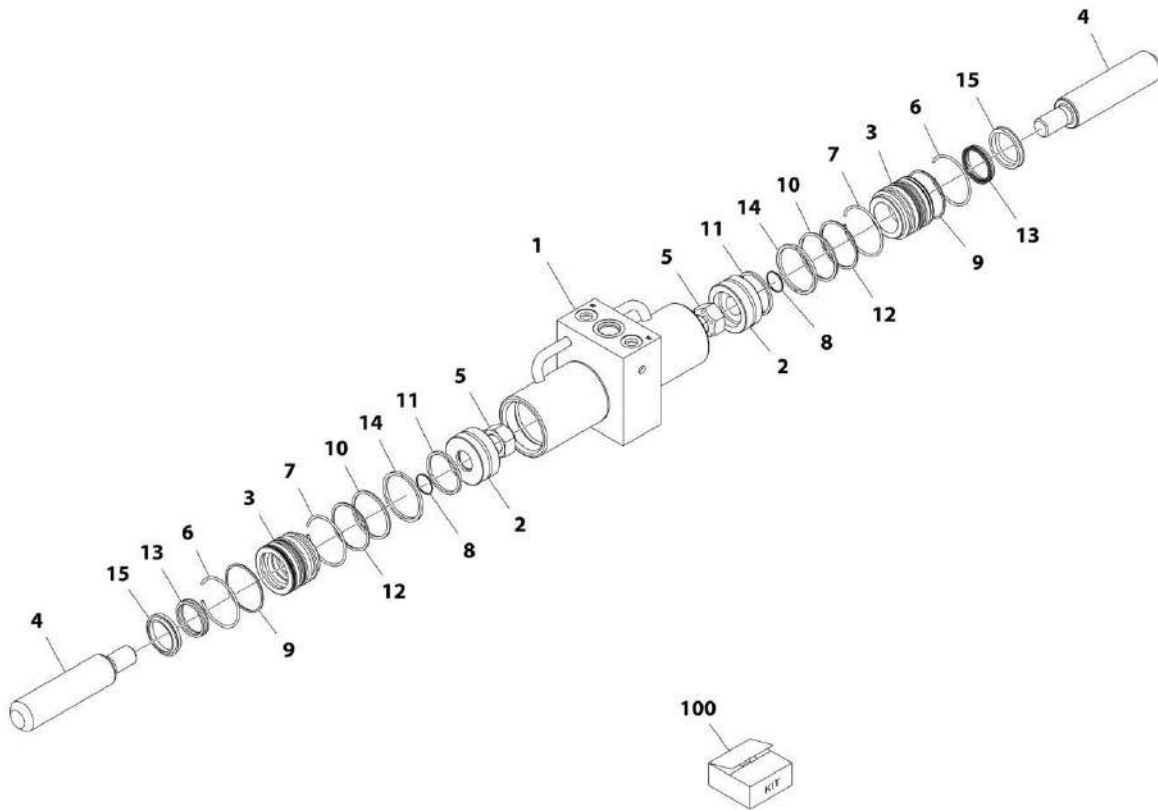
SECTION 9 - HYDRAULIC COMPONENTS

FIGURE 9-23. CYLINDER - QUICK ATTACH ASSEMBLY

ITEM	PART NUMBER	QTY	DESCRIPTION	REV
	1001120164	Ref	CYLINDER, QUICK ATTACH ASSEMBLY	A
1	2150404	2	ADAPTER, 45	
2	1001007056	1	VALVE	
3	1001120163	1	QUICK COUPLER CYLINDER (See Separate Breakdown in this Section)	

SECTION 9 - HYDRAULIC COMPONENTS

FIGURE 9-24. QUICK COUPLER CYLINDER



ART_1001120163-D

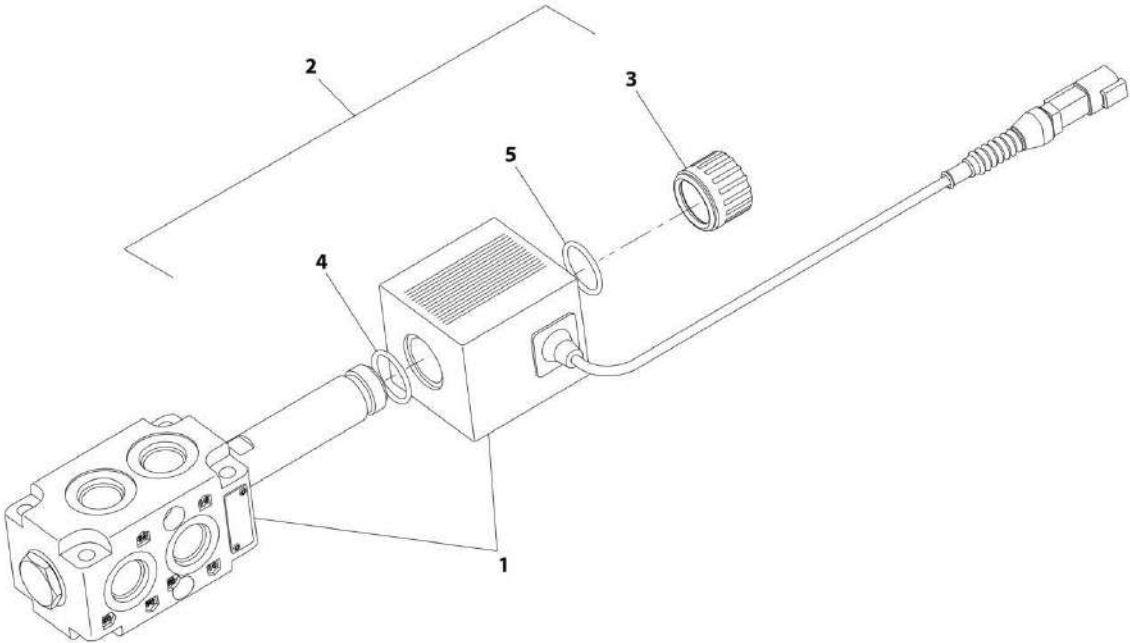
SECTION 9 - HYDRAULIC COMPONENTS

FIGURE 9-24. QUICK COUPLER CYLINDER

ITEM	PART NUMBER	QTY	DESCRIPTION	REV
	1001120163	Ref	QUICK COUPLER CYLINDER	D
1	70026211	1	BARREL	
2	70026212	2	PISTON	
3	70026213	2	GLAND, HEAD	
4	70026214	2	ROD, CYLINDER	
5	8037140	2	NUT, LOCK	
6	Kit	2	RING, RETAINING ROUND	
7	Kit	2	RING, RETAINING ROUND	
8	Kit	2	O-RING	
9	Kit	2	O-RING	
10	Kit	2	O-RING	
11	Kit	2	RING, SQUARE	
12	Kit	2	RING, BACKUP	
13	Kit	2	SEAL, ROD	
14	Kit	2	SEAL, PISTON	
15	Kit	2	WIPER, ROD	
100	70026215	1	KIT, SEAL (includes item 6 thru 15)	

SECTION 9 - HYDRAULIC COMPONENTS

FIGURE 9-25. DIVERTOR VALVE



ART_1001104477-D

SECTION 9 - HYDRAULIC COMPONENTS

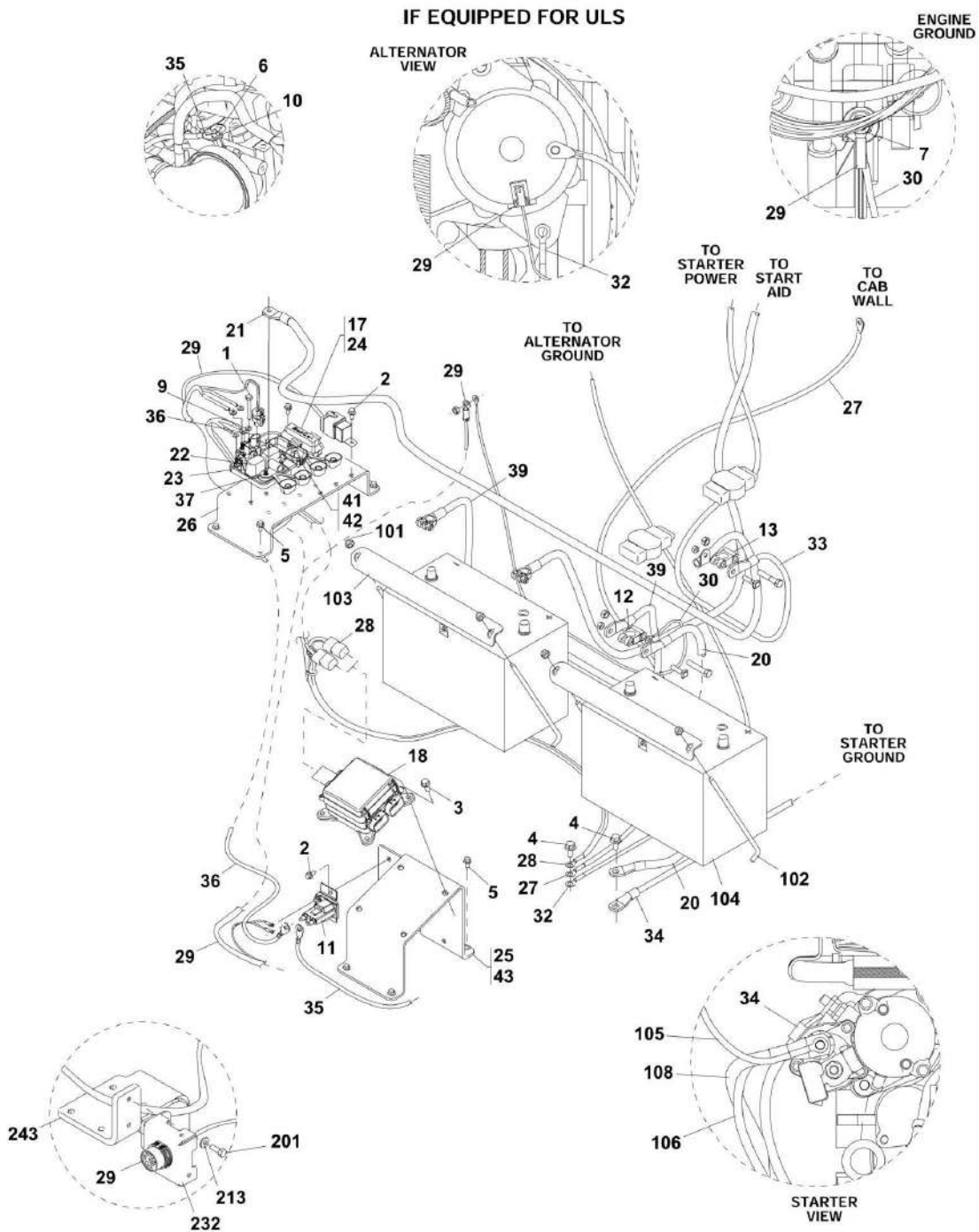
FIGURE 9-25. DIVERTOR VALVE

ITEM	PART NUMBER	QTY	DESCRIPTION	REV
	1001104477	Ref	DIVERTOR VALVE	D
1	70020764	1	COIL	
2	70021531	1	KIT, RETAINER	
3	N.S.S.	1	NUT	
4	N.S.S.	1	O-RING	
5	N.S.S.	1	O-RING	

SECTION 10 - ELECTRICAL

SECTION 10 - ELECTRICAL

FIGURE 10-1. ENGINE COMPARTMENT ELECTRICAL INSTALLATION



SECTION 10 - ELECTRICAL

FIGURE 10-1. ENGINE COMPARTMENT ELECTRICAL INSTALLATION

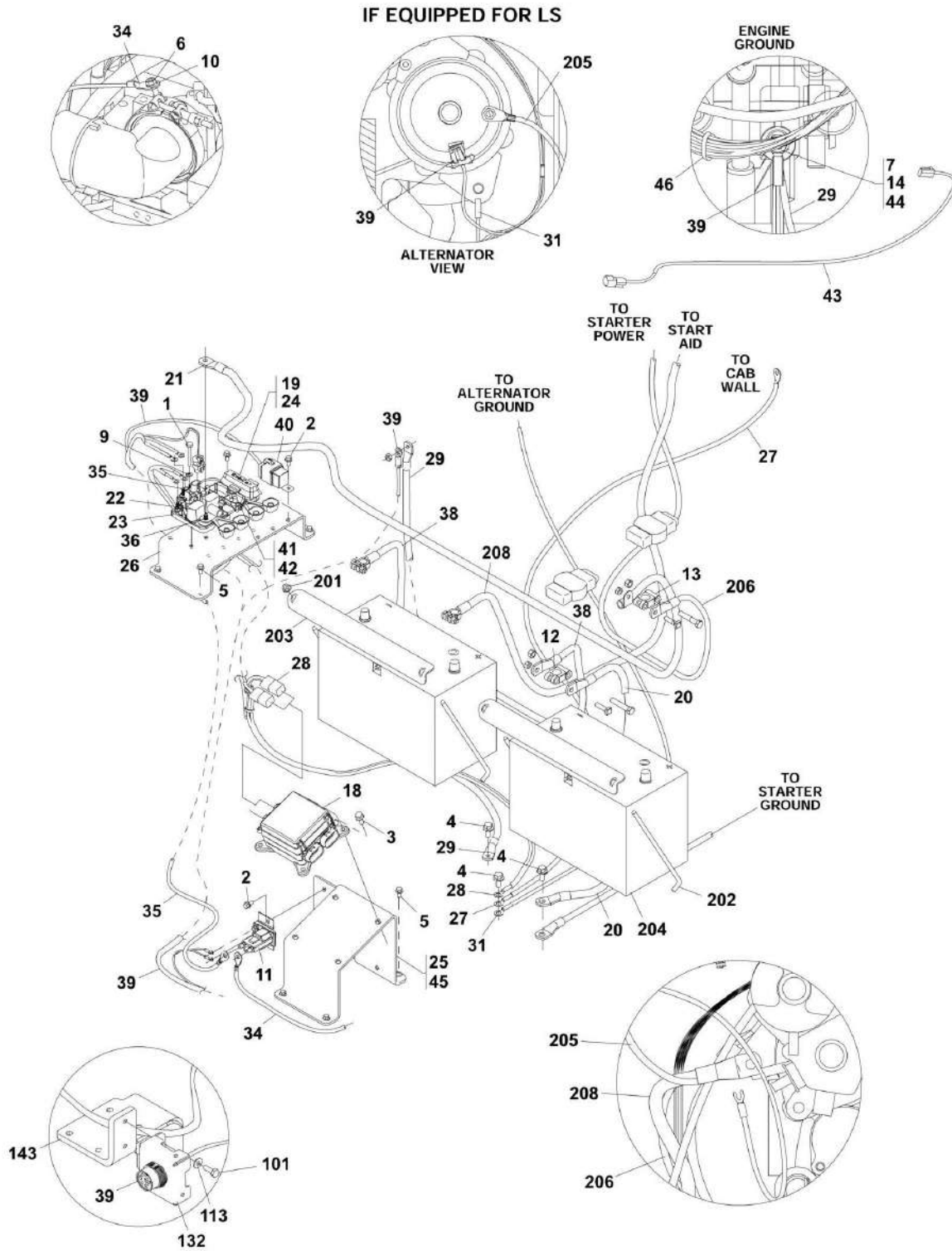
ITEM	PART NUMBER	QTY	DESCRIPTION	REV
	1001130159	Ref	ELECTRICAL COMPONENTS INSTALLATION, (if equipped for ULS), (not available to order, see items 1 thru 44 for service)	L
1	0641415	2	HEX HD CAPSCREW, 1/4-20X1-7/8	
2	0791404	5	WHIZ-LOK SCREW, 1/4-20X1/2	
3	0791506	4	WHIZ-LOK SCREW, 5/16-18X3/4	
4	0791606	3	WHIZ-LOK SCREW, 3/8-16X3/4	
5	0811606	8	SCREW, 3/8-16X3/4	
6	3290601	1	HEX NUT, M6X1	
7	3290801	1	HEX NUT, M8X1.25	
9	4761400	2	LOCKWASHER, 1/4	
10	4811700	1	WASHER, 6mm	
11	8225122	1	RELAY, 12VDC, 100A	
12	1001148992	1	BATTERY CLAMP, NEGATIVE	
13	1001148991	1	BATTERY CLAMP, POSITIVE	
17	1001118245	1	FUSE, 250 AMP	
18	1001108433	1	CONTROL, VEC MODULE	
18	70024843	4	RELAY, 12V 30AMP	
20	1001145301	1	BATTERY CABLE, NEGATIVE	
21	1001127488	1	BATTERY CABLE, POSITIVE	
22	1001163729	1	POWER MODULE RELAY	
23	1001127699	1	POWER MODULE FUSE	
24	1001127700	1	FUSE HOLDER	
25	1001127748	1	VEC BOX MOUNT	
26	1001127756	1	ELECTRONICS MOUNT	
27	1001129277	1	CAB GROUND CABLE	
28		Ref	VEC HARNESS, (See VEC HARNESS for Breakdown)	
29		Ref	ENGINE HARNESS, (See ENGINE HARNESS for Breakdown)	
30	1001143377	1	ENGINE GROUND CABLE	
32	1001134232	1	ALTERNATOR GROUND	
34	1001134234	1	STARTER GROUND	
35	1001134235	1	GRID HEATER POWER	
36	1001134236	1	GRID HEATER FUSE POWER CABLE	
37	1001134470	1	BUSS BAR CONNECTOR	
39	1001135349	1	START AID CABLE, NEGATIVE	
41	0641506	1	HEX HD CAPSCREW, 5/16-18X3/4, GR5	
42	8310453	1	HEX NUT, 5/16-18, GR5	
43	90206198	7 in	TRIM-LOK	
44	4240018	3	TIE STRAP, (not shown)	
	1001141965	Ref	DUAL BATTERY INSTALLATION, (not available to order, see items 101 thru 108 for service)	D
101	3311508	4	HEX NUT, 16-18	
102	91081640	4	BATTERY HOLD DOWN BOLT	
103	91401281	2	BATTERY HOLD DOWN BRACKET	
104	1001155219	2	12V BATTERY	
105	1001134231	1	ALTERNATOR POWER CABLE	
106	1001134233	1	STARTER POWER CABLE	
108	1001135348	1	START AID CABLE, POSITIVE	
201	0641406	2	HEX HD CAPSCREW, 1/4-20X3/4, GR5	
213	4711400	2	WASHER, 1/4	
232	1001115884	1	CONNECTOR BRACKET	

SECTION 10 - ELECTRICAL

ITEM	PART NUMBER	QTY	DESCRIPTION	REV
243		Ref	FILTER BRACKET, (See ENGINE AND ATTACHING PARTS SECTION for Breakdown)	

SECTION 10 - ELECTRICAL

FIGURE 10-2. ENGINE COMPARTMENT ELECTRICAL INSTALLATION



SECTION 10 - ELECTRICAL

FIGURE 10-2. ENGINE COMPARTMENT ELECTRICAL INSTALLATION

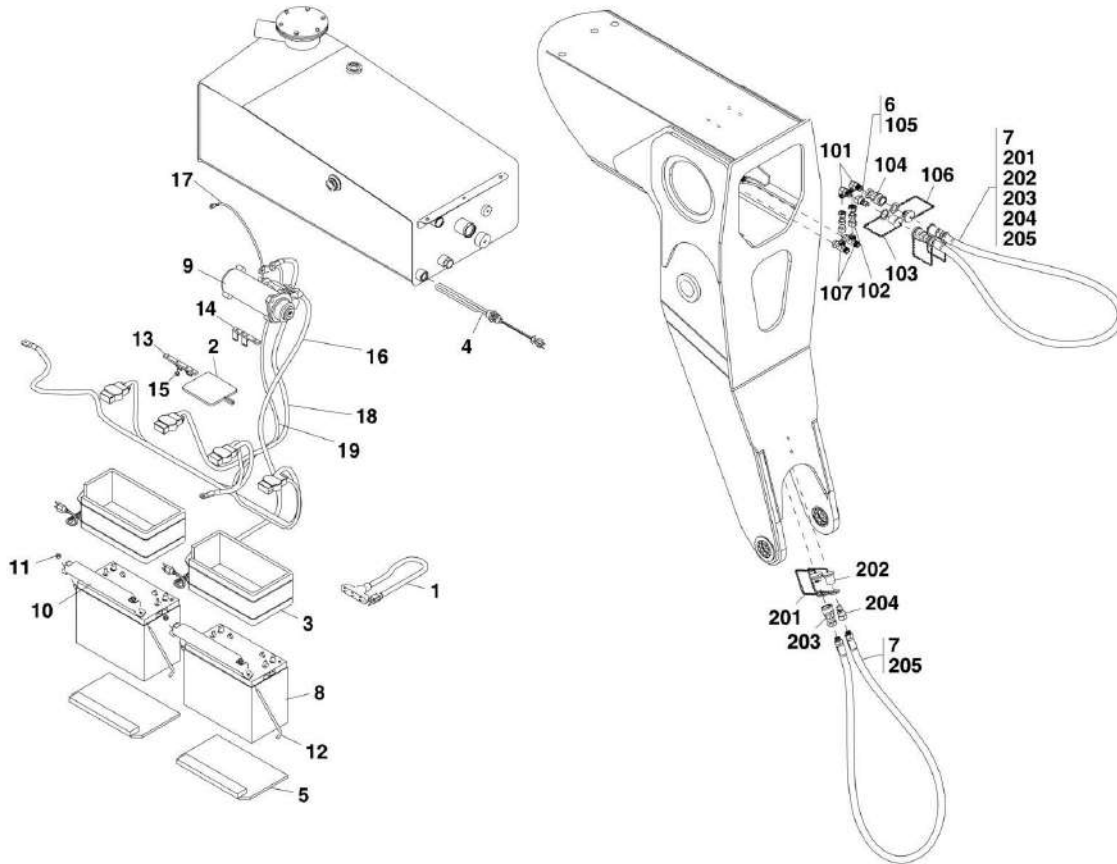
ITEM	PART NUMBER	QTY	DESCRIPTION	REV
	1001139873	Ref	ELECTRICAL COMPONENTS INSTALLATION, (if equipped for LS), (not available to order, see items 1 thru 46 for service)	I
1	0641415	2	HEX HD CAPSCREW, 1/4-20X1-7/8	
2	0791404	5	WHIZ-LOK SCREW, 1/4-20X1/2	
3	0791506	4	WHIZ-LOK SCREW, 5/16-18X3/4	
4	0791606	3	WHIZ-LOK SCREW, 3/8-16X3/4	
5	0811606	8	HEX FLANGE SCREW, 3/8-16X3/4	
6	3290601	1	HEX NUT, M6X1	
7	3290801	1	HEX NUT, M8X1.25	
9	4761400	2	LOCKWASHER, 1/4	
10	4811700	1	WASHER, 6mm	
11	8225122	1	RELAY, 12VDC, 100A	
12	1001148992	1	BATTERY CLAMP, NEGATIVE	
13	1001148991	1	BATTERY CLAMP, POSITIVE	
14	8310647	1	LOCKWASHER, #M8	
18	1001108433	1	VEC CONTROL MODULE	
19	1001118245	1	FUSE, 250 AMP	
20	1001145301	1	BATTERY CABLE, NEGATIVE	
21	1001127488	1	BATTERY CABLE, POSITIVE	
22	1001163729	1	POWER MODULE RELAY	
23	1001127699	1	POWER MODULE FUSE	
24	1001127700	1	FUSE HOLDER	
25	1001127748	1	VEC BOX MOUNT	
26	1001127756	1	ELECTRONICS MOUNT	
27	1001129277	1	CAB GROUND CABLE	
28		Ref	VEC HARNESS, (See VEC HARNESS for Breakdown)	
29	1001143377	1	ENGINE GROUND CABLE	
31	1001134232	1	ALTERNATOR GROUND	
34	1001134235	1	GRID HEATER POWER	
35	1001134236	1	GRID HEATER FUSE POWER CABLE	
36	1001134470	1	BUSS BAR CONNECTOR	
38	1001135349	1	START AID CABLE, NEGATIVE	
39		Ref	ENGINE HARNESS, (See ENGINE HARNESS for Breakdown)	
40	1001117025	1	CONNECTOR PLUG WITH RELAY	
41	0641506	1	HEX HD CAPSCREW, 5/16-18X3/4	
42	8310453	1	HEX NUT, 5/16-18	
43	1001127519	1	WATER IN FUEL HARNESS	
44	4811900	1	WASHER, #M8	
45	90206198	7 in	TRIM-LOK	
46	4240018	3	TIE STRAP	
101	0641406	2	HEX HD CAPSCREW, 1/4-20X3/4, GR5	
113	4711400	2	WASHER, 1/4	
132	1001115884	1	CONNECTOR BRACKET	
143		Ref	FILTER BRACKET, (See ENGINE AND ATTACHING PARTS SECTION for Breakdown)	
	1001141965	Ref	DUAL BATTERY INSTALLATION, (not available to order, see items 201 thru 208 for service)	D
201	3311508	4	HEX NUT, 16-18	
202	91081640	4	BATTERY HOLD DOWN BOLT	
203	91401281	2	BATTERY HOLD DOWN BRACKET	

SECTION 10 - ELECTRICAL

ITEM	PART NUMBER	QTY	DESCRIPTION	REV
204	1001155219	2	12V BATTERY	
205	1001134231	1	ALTERNATOR POWER CABLE	
206	1001134233	1	STARTER POWER CABLE	
208	1001135348	1	START AID CABLE, POSITIVE	

SECTION 10 - ELECTRICAL

FIGURE 10-3. ARCTIC PACKAGE INSTALLATION



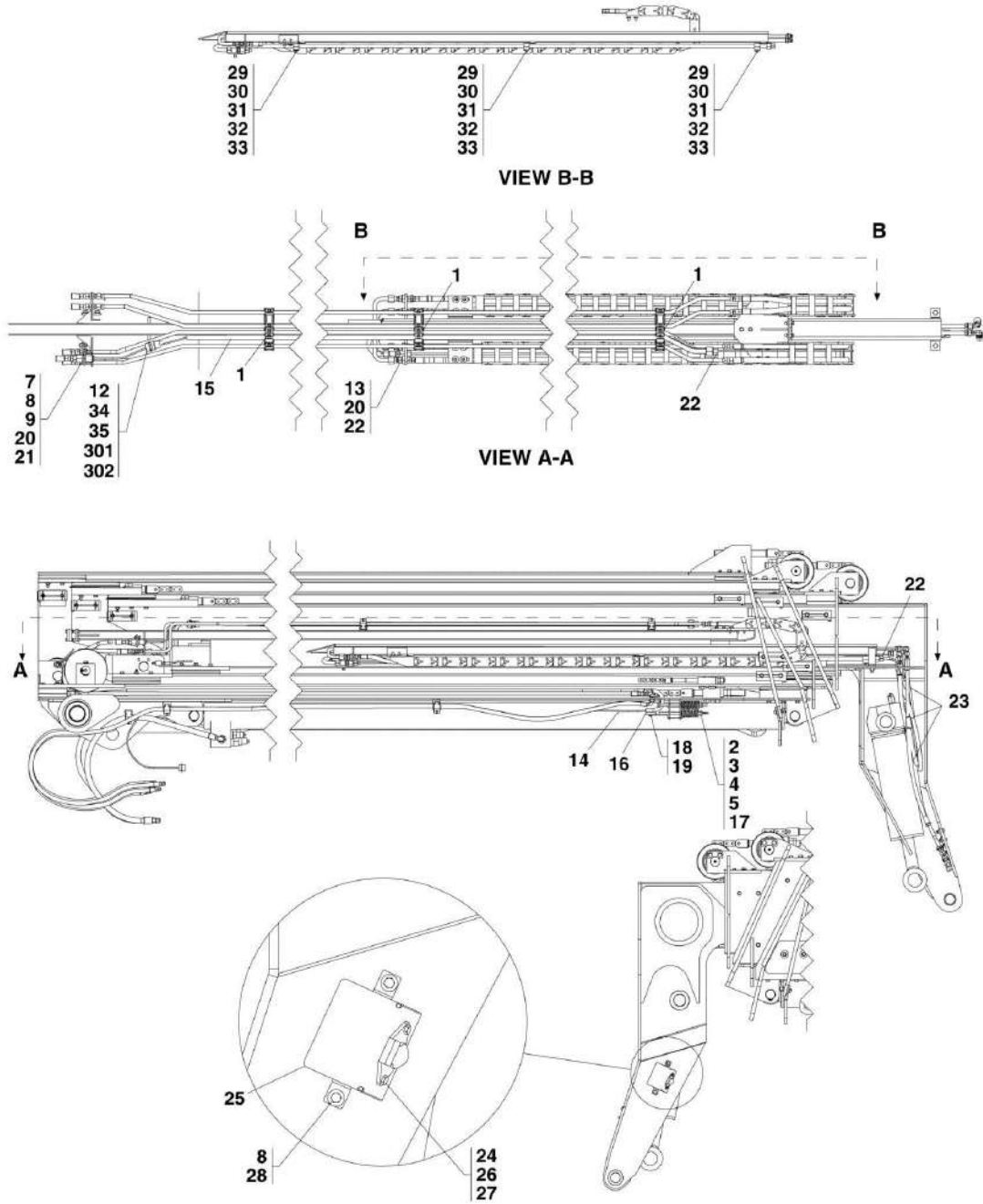
SECTION 10 - ELECTRICAL

FIGURE 10-3. ARCTIC PACKAGE INSTALLATION

ITEM	PART NUMBER	QTY	DESCRIPTION	REV
	1001130957	Ref	ARCTIC PACKAGE INSTALLATION, (if equipped for ULS), (not available to order, see items 1 thru 12 for service)	C
	1001141077	Ref	ARCTIC PACKAGE INSTALLATION, (if equipped for LS), (not available to order, see items 1 thru 12 for service)	C
1	1060626	2	3 WAY EXTENSION CORD	
2	2580040	1	OIL PAN HEATER	
3	1001093564	2	BATTERY HEATER	
4	1001105886	1	HYDRAULIC IMMERSION HEATER	
5	1001115878	2	BATTERY BASE INSULATE	
6	1001121459	Ref	TILT RECIRCULATOR INSTALL, (not available to order, see items 101 thru 107 for service)	A
7	1001121460	Ref	ARCTIC HOSE RECIRCULATOR, (not available to order, see items 201 thru 205 for service), (qty of 2 needed for this machine)	A
8	1001098762	2	12V BATTERY, 100CCA	
9	1001128594	1	STARTER MOTOR, (if equipped for ULS)	
9	1001125786	1	STARTER MOTOR, (if equipped for LS)	
10	1001141596	2	BATTERY HOLD DOWN PLATE	
11	3311508	4	HEX NUT, 5/16-18	
12	91081640	4	BATTERY HOLD DOWN BOLT	
13	1001143397	1	LEFT SIDE OIL PAN HEATER BRACKET	
14	1001143398	1	RIGHT SIDE OIL PAN HEATER BRACKET	
15	8305626	4	HEX NUT, 3/12-18	
16	1001144782	1	STARTER GROUND CABLE	
17	1001144790	1	ALTERNATOR POWER CABLE	
18	1001144801	1	START AID POSITIVE CABLE	
19	1001144803	1	START POWER CABLE	
101	2130808	2	ADAPTER, 90, (includes o-ring)	
102	2172408	2	ADAPTER, CONNECTOR, (includes o-ring)	
103	91043126	1	DUST CAP	
104	91403413	1	ADAPTER, QUICK DISCONNECT COUPLER, (female)	
105	91403414	1	ADAPTER, QUICK DISCONNECT COUPLER, (male)	
106	91043125	1	DUST PLUG	
107	2170708	2	ADAPTER, RUN TEE, (includes o-ring)	
201	91043125	1	DUST PLUG	
202	91043126	1	DUST CAP	
203	91403413	1	ADAPTER, QUICK DISCONNECT COUPLER, (female)	
204	91403414	1	ADAPTER, QUICK DISCONNECT COUPLER, (male)	
205	1001121454	1	HOSE ASSY	

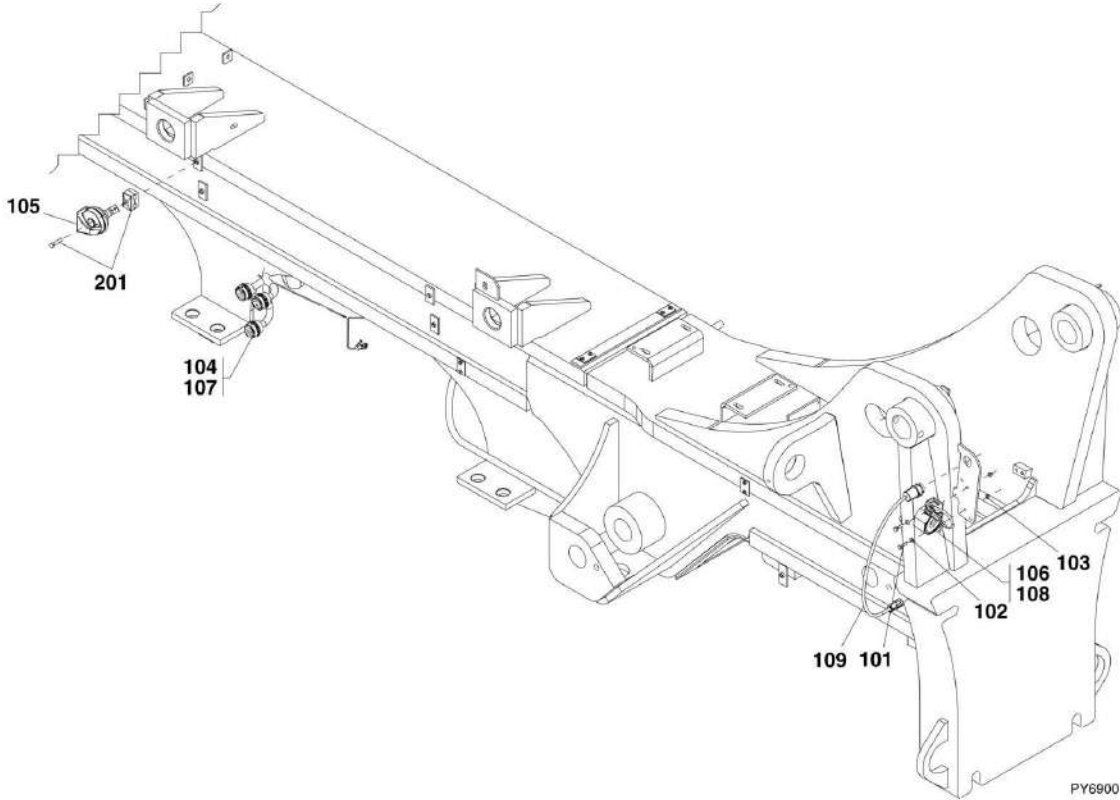
SECTION 10 - ELECTRICAL

FIGURE 10-4. BOOM AND FRAME ELECTRICAL INSTALLATION



ART_31200728-10-4_1

SECTION 10 - ELECTRICAL



SECTION 10 - ELECTRICAL

FIGURE 10-4. BOOM AND FRAME ELECTRICAL INSTALLATION

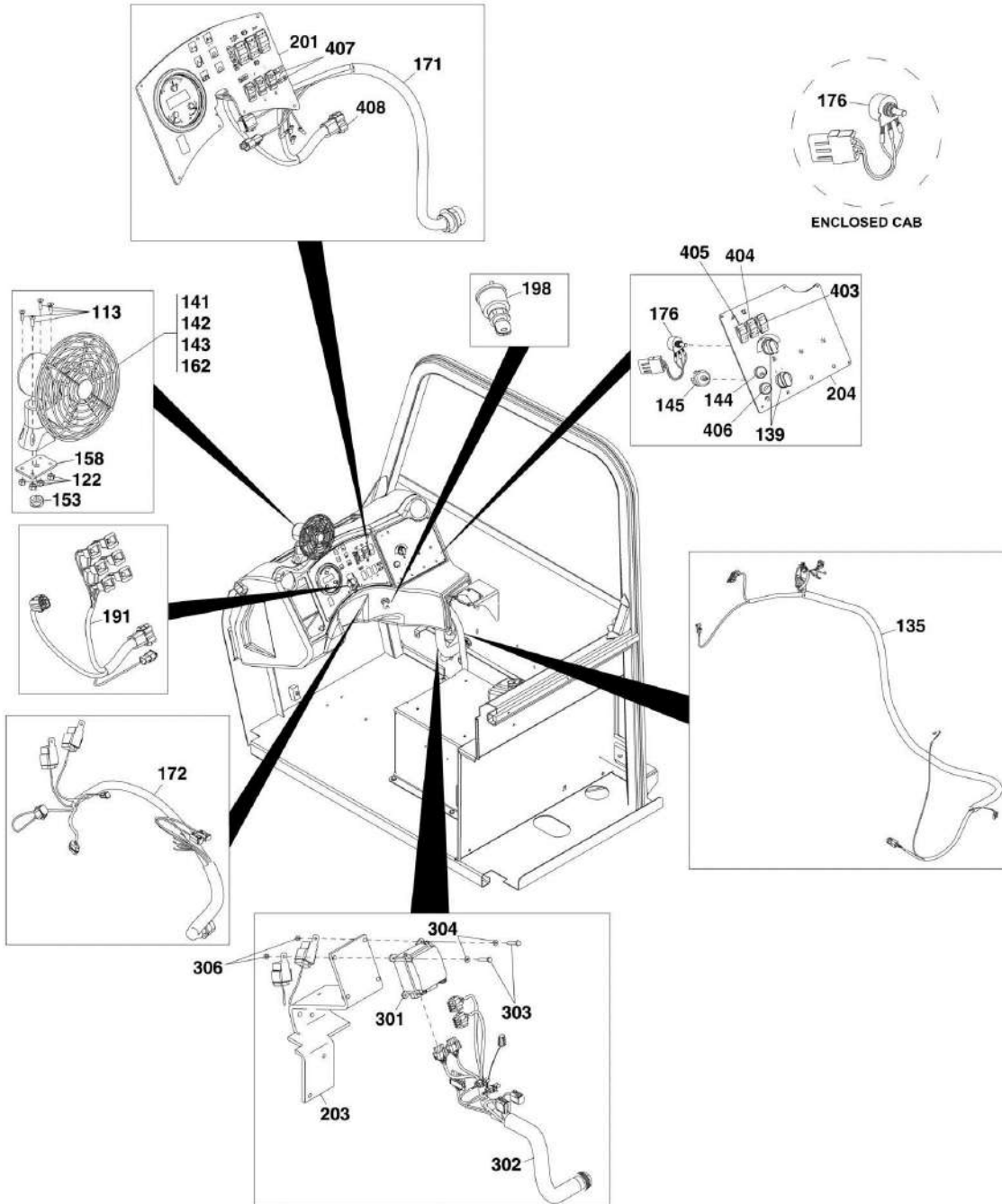
ITEM	PART NUMBER	QTY	DESCRIPTION	REV
	1001100291	Ref	AUXILIARY ELECTRIC ASSY, (not available to order, see items 1 thru 35 for service)	D
1	90207463	3	HYDRA ZORB CLAMP, 0.750	
2	91123054	1	COMPRESSION SPRING	
3	91121134	1	SPRING RETAINER	
4	3311801	1	HEX NUT, 1/2-13	
5	3311802	1	JAM NUT, 1/2-13	
7	91361032	1	DISCONNECT PLATE	
8	0641608	4	HEX HD CAPSCREW, 3/8-16X1, GR5	
9	4761600	2	LOCKWASHER, 3/8	
12	1001126834	NLA	BOOM AUXILIARY ELECRTIC HARNESS, (includes items 301 & 302), (no longer available, see 1001158435 for replacement)	B
13	91163066	1	TUBE ASSY	
14	91363151	1	AUX BOOM WIRE HARNESS	
14	77363233	2	CONNECTOR	
14	77363229	5	TERMINAL	
14	91143107	1	STRAIN RELIEF	
15	91363068	1	TUBE ASSY	
16	91366015	1	HOSE TAKE-UP WELDMENT	
17	91126032	1	CABLE TAKE UP WELDMENT	
18	0641505	2	HEX HD CAPSCREW, 5/16-18X5/8, GR5	
19	4761500	2	LOCKWASHER, 5/16	
20	91163100	2	ADAPTER, BULKHEAD FITTING	
21	2220346	1	ADAPTER, CONNECTOR	
22	91143141	3	CORD CONNECTOR	
23	8584003	3	TIE WRAP	
24	90207661	1	6 CONTACT SOCKET	
25	1001099812	1	CONNECTOR COVER PANEL	
26	4711400	2	FLAT WASHER, 1/4	
27	0641408	2	HEX HD CAPSCREW, 1/4-20X1	
28	4711600	2	FLAT WASHER, 3/8	
29	77133136	3	TUBE CLAMP, 3/4	
30	77133389	3	STACK BOLT	
31	0641514	3	HEX HD CAPSCREW, 5/16-18X1-3/4, GR5	
32	77133137	3	COVER PLATE	
33	77133390	3	SAFETY CLIP	
34	1001158178	1	HOSE ASSY	
35	1001158435	1	BOOM AUXILIARY ELECRTIC HARNESS	
	1001136433	Ref	ELECTRICAL INSTALLATION, (not available to order, see items 101 thru 109 for service)	C
101	0641408	2	HEX HD CAPSCREW, 1/4-20X1, GR5	
102	4711400	2	WASHER, 1/4	
103	8305624	2	HEX LOCKNUT, 0.250-20	
104	8881800	5	TIE STRAP	
105	10713707	1	HORN	
106	1001116274	1	MOLDED RESISTOR	
107		Ref	FRAME HARNESS, (See TRANSMISSION HARNESS for Breakdown)	
108	8270621	1	BACKUP ALARM	
109	91365037	1	PROXIMITY SENSOR	

SECTION 10 - ELECTRICAL

ITEM	PART NUMBER	QTY	DESCRIPTION	REV
201		Ref	CLAMP ASSY, (See HYDRAULIC CIRCUITS SECTION for Breakdown)	
301	77363232	1	CONNECTOR	
302	91143107	1	STRAIN RELIEF	

SECTION 10 - ELECTRICAL

FIGURE 10-5. CAB ELECTRICAL INSTALLATION



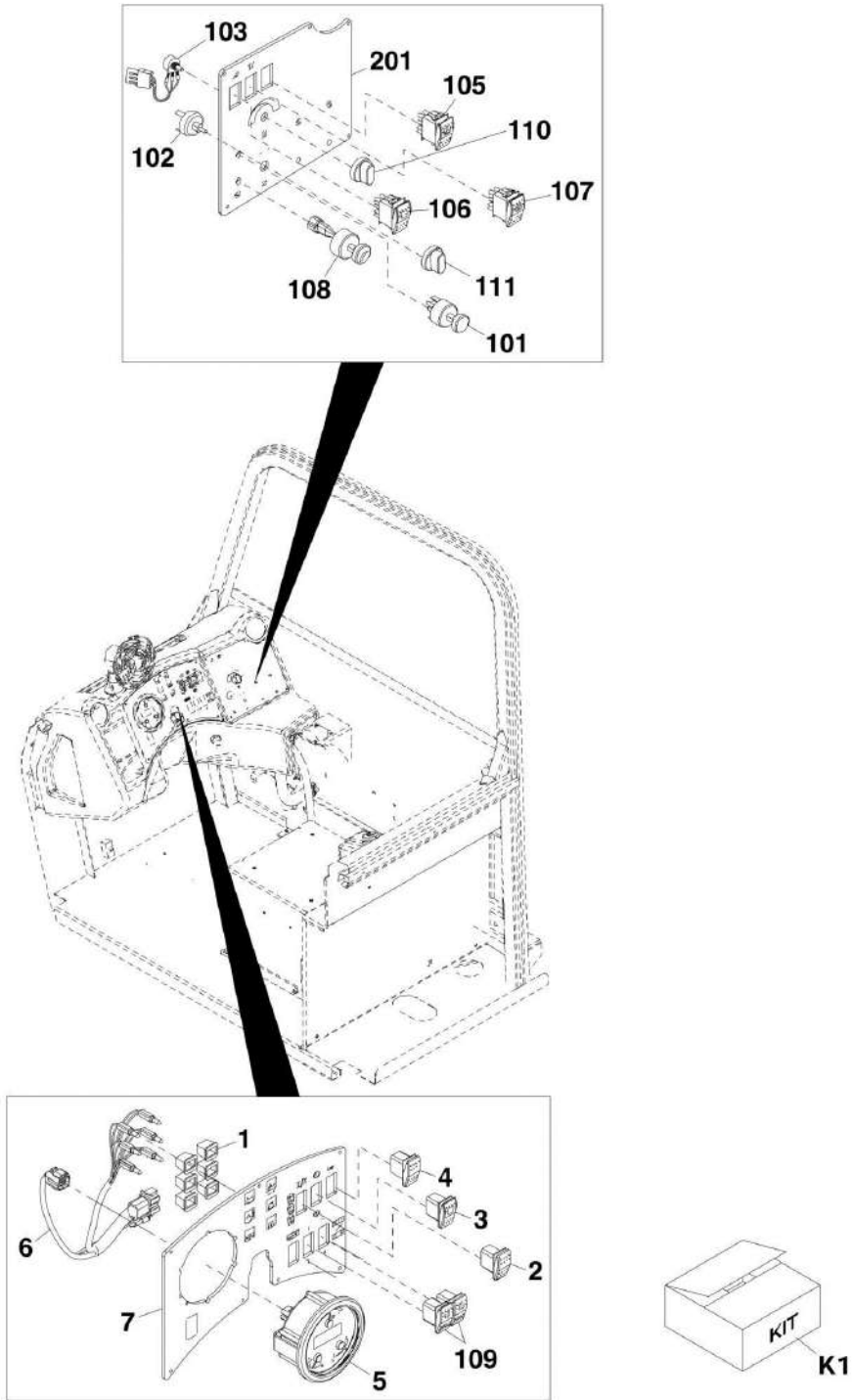
SECTION 10 - ELECTRICAL

FIGURE 10-5. CAB ELECTRICAL INSTALLATION

ITEM	PART NUMBER	QTY	DESCRIPTION	REV
113	0741006	4	FLAT HD CAPSCREW, #10-24X3/4, (enclosed cab)	
122	3311005	4	HEX LOCKNUT, #10-24, GR2, (enclosed cab)	
135		Ref	ENCLOSED CAB OPTIONS HARNESS, (if equipped), (See ENCLOSED CAB OPTIONS HARNESS for Breakdown)	
139		Ref	KNOB, (See CAB SWITCHES for Breakdown)	
141	80963058	1	WEATHER PACK SHROUD, (enclosed cab)	
142	80963065	2	WEATHER PACK SEAL, (enclosed cab)	
143	80963069	2	MALE WEATHER PACK PIN, (enclosed cab)	
144		Ref	WIPER SWITCH, (See CAB SWITCHES for Breakdown)	
145		Ref	BLOWER SWITCH, (See CAB SWITCHES for Breakdown)	
153	91033425	1	GROMMET, (enclosed cab)	
158	91401443	1	PLATE, (enclosed cab)	
162	91403608	1	FAN, (enclosed cab)	
171		Ref	DASH HARNESS, (See DASH HARNESS for Breakdown)	
172		Ref	TRANSMISSION RELAY HARNESS, (See TRANSMISSION RELAY HARNESS for Breakdown)	
176		Ref	POTENTIOMETER ASSY, (See CAB SWITCHES for Breakdown)	
191		Ref	DASH INSTRUMENT PANEL HARNESS, (See INSTRUMENT PANEL HARNESS for Breakdown)	
198	91033317	1	IGNITION SWITCH, (includes key)	
198	77384578	1	KEY, IGNITION	
201		Ref	INSTRUMENT PANEL, (See CAB SWITCHES for Breakdown)	
203		Ref	BRACKET, (See CONTROLS SECTION for Breakdown)	
204		Ref	RH DASH PANEL, (See CAB SECTION for Breakdown)	
	1001001186	Ref	CAB ELECTRICAL INSTALLATION, (not available to order, see items 301 thru 306 for service)	F
301	1001126285	1	BOX, VEC OPTIONS	
301	70024843	1	RELAY, 12V 30AMP	
302		Ref	VEC OPTIONS HARNESS, (See VEC OPTIONS HARNESS for Breakdown)	
303	0641412	4	HEX HD CAPSCREW, 1/4-20X1-1/2, GR5, (torque to 96 lb-ft/130 Nm)	
304	4751200	4	WASHER, 1/2	
305	4240033	2	TIE WRAP, (not shown)	
306	3311401	4	HEX NUT, 1/4-20	
403		Ref	HAZARD SWITCH, (See CAB SWITCHES for Breakdown)	
404		Ref	BEACON LIGHT SWITCH, (See CAB SWITCHES for Breakdown)	
405		Ref	WORK LIGHT SWITCH, (See CAB SWITCHES for Breakdown)	
406		Ref	TILT RHEOSTAT, (See CAB SWITCHES for Breakdown)	
407		Ref	AUX ELECTRICS SWITCHES, (See CAB SWITCHES for Breakdown)	
408	91563192	1	CAB AUX ELECTRIC HARNESS	
408	4460970	1	CONNECTOR	
408	80363179	1	WEDGE LOCK	
408	4460464	9	TERMINAL	
408	4460466	3	PLUG	
408	4460419	14	TERMINAL	

SECTION 10 - ELECTRICAL

FIGURE 10-6. CAB SWITCHES



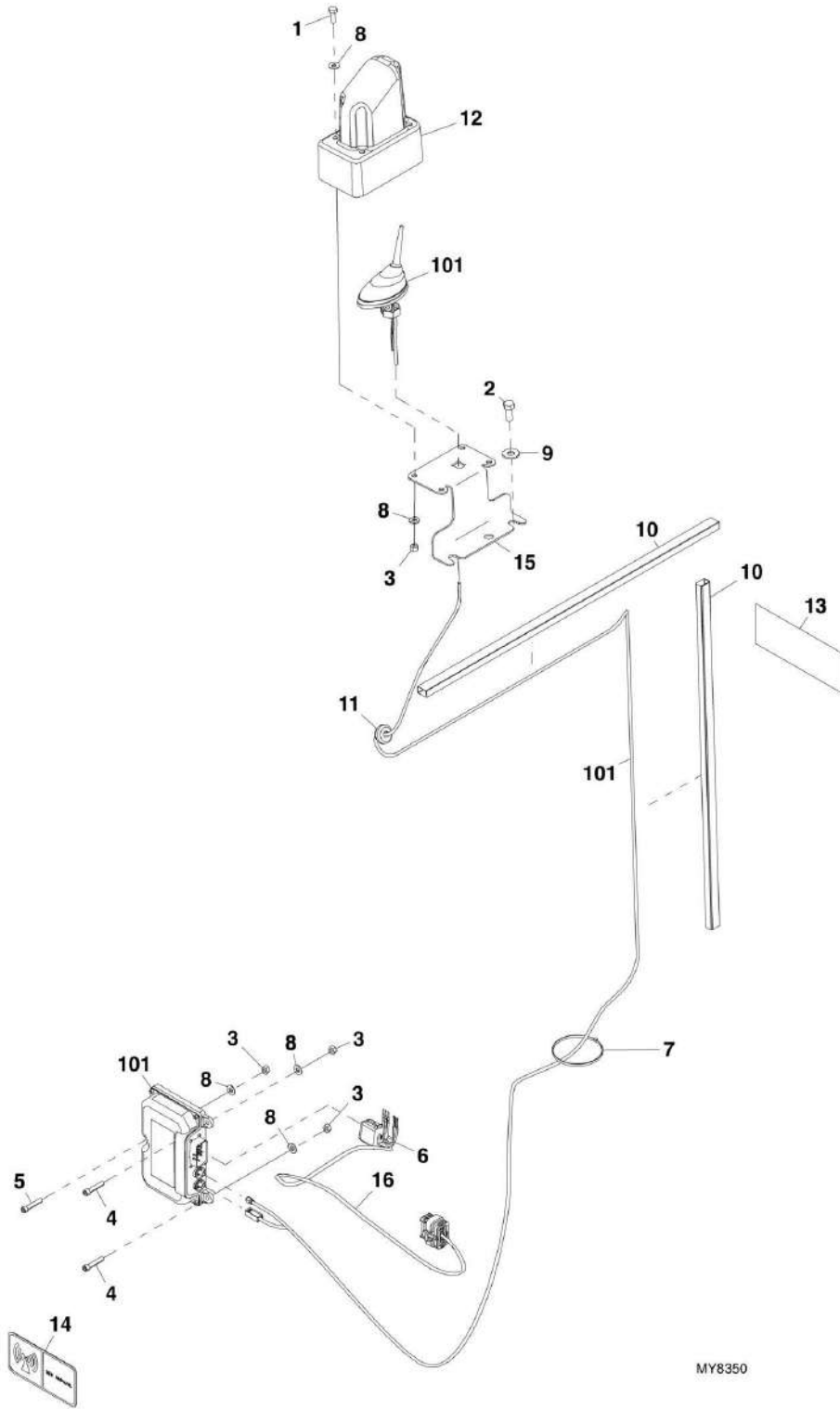
SECTION 10 - ELECTRICAL

FIGURE 10-6. CAB SWITCHES

ITEM	PART NUMBER	QTY	DESCRIPTION	REV
	1001101666	1	INSTRUMENT PANEL, (includes items 1 thru 7)	N
1	N.S.S.	6	BULB HOUSING	
2	91473127	1	STEER SELECT SWITCH	
3	91474465	1	PARK BRAKE SWITCH	
4	7026440	1	HORN SWITCH	
5	1001099163	1	3-IN-1 GAUGE	
6		Ref	INSTRUMENT PANEL HARNESS, (See INSTRUMENT PANEL HARNESS for Breakdown)	
7	1001099378	1	DASH PANEL	
101	80963101	1	WIPER SWITCH, (enclosed cab)	
102	80964001	1	BLOWER SWITCH, (if equipped)	
103	1001151643	1	POTENTIOMETER ASSY, (if equipped)	
105	1001090459	1	HAZARD SWITCH, (if equipped)	
106	1001090460	1	WORK LIGHT SWITCH, (if equipped)	
107	1001090461	1	BEACON LIGHT SWITCH, (if equipped)	
108	1001106688	1	TILT RHEOSTAT SWITCH	
109	91473127	2	AUX ELECTRIC SWITCH, (if equipped)	
110	1001151847	1	KNOB, (if equipped)	
111	1001152326	1	KNOB, (if equipped)	
201		Ref	RH PANEL, (See CAB SECTION for Breakdown)	
K1	1001152514	1	THERMOSTAT POTENTIOMETER REPLACEMENT KIT, (includes items 103, 110 & 111)	

SECTION 10 - ELECTRICAL

FIGURE 10-7. CLEARSKY INSTALLATION



MY8350

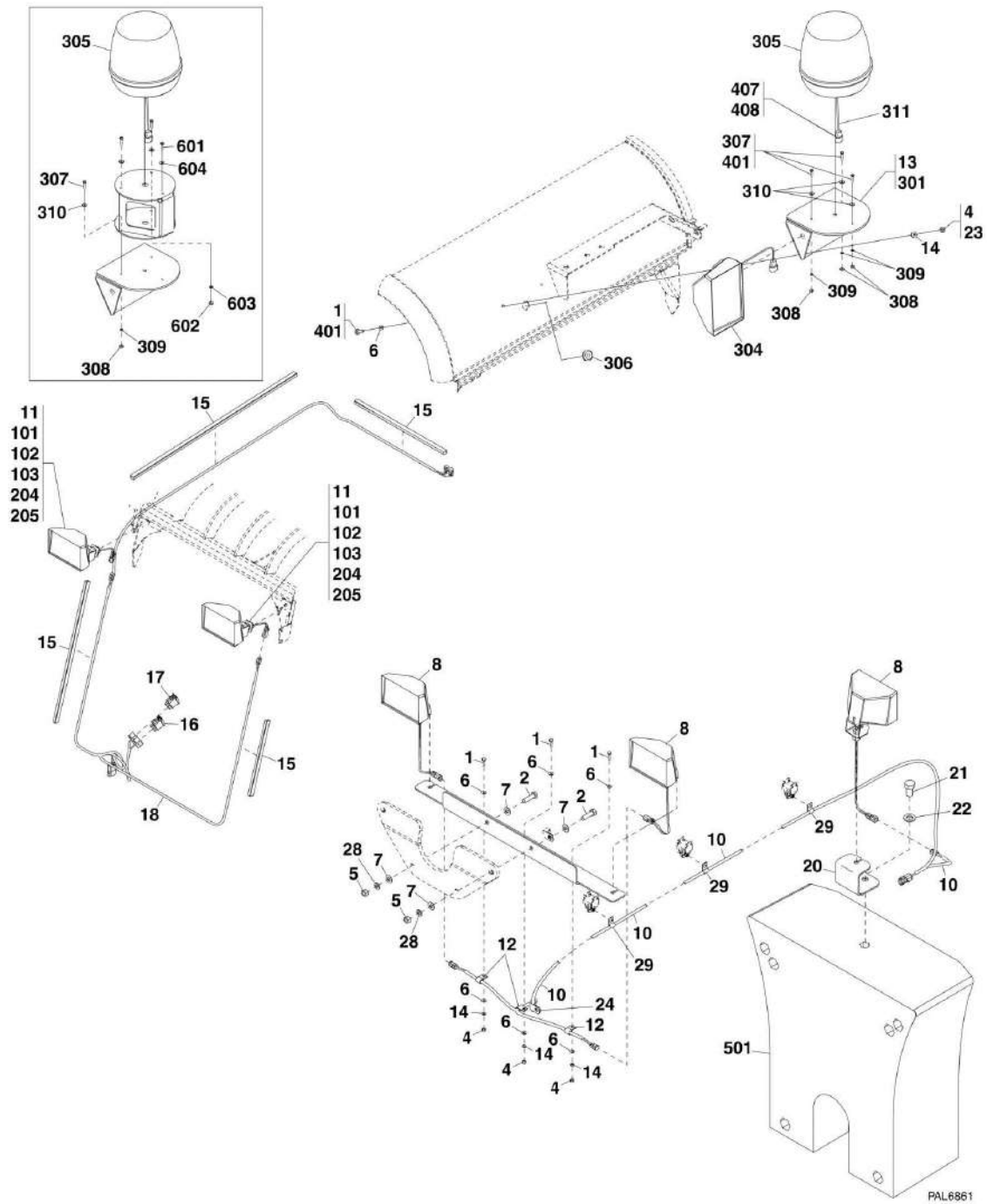
SECTION 10 - ELECTRICAL

FIGURE 10-7. CLEARSKY INSTALLATION

ITEM	PART NUMBER	QTY	DESCRIPTION	REV
	1001148860	Ref	CLEARSKY INSTALLATION, (not available to order, see items 1 thru 16 for service)	A
1	0641406	4	HEX HD CAPSCREW, 1/4-20X3/4, GR5	
2	0641607	3	HEX HD CAPSCREW, 3/8-16X7/8, GR5	
3	3311405	7	HEX NUT, 1/4-20, GR2	
4	3931412	2	SOCKET HD CAPSCREW, 1/4-20X3/4	
5	3931420	1	SOCKET HD CAPSCREW, 1/4-20X1-1/4	
6	4240032	1	TIE STRAP	
7	4240099	1	TIE STRAP	
8	4711400	11	WASHER, 1/4	
9	4751600	3	WASHER, 3/8	
10	80961142	2	CONDUIT	
11	1001090615	1	GROMMET	
12	1001100876	1	COVER	
13	1001116208	1	CLEARSKY DECAL	
14	1001120989	1	RADIO DECAL	
15	1001148427	1	BRACKET	
16	1001149909	1	HARNESS	
101	1001115238	1	CLEARSKY ASSEMBLY, (includes antenna and communication unit)	

SECTION 10 - ELECTRICAL

FIGURE 10-8. WORK LIGHTS (Prior to SN 0160059446)



PAL6861

SECTION 10 - ELECTRICAL

FIGURE 10-8. WORK LIGHTS (Prior to SN 0160059446)

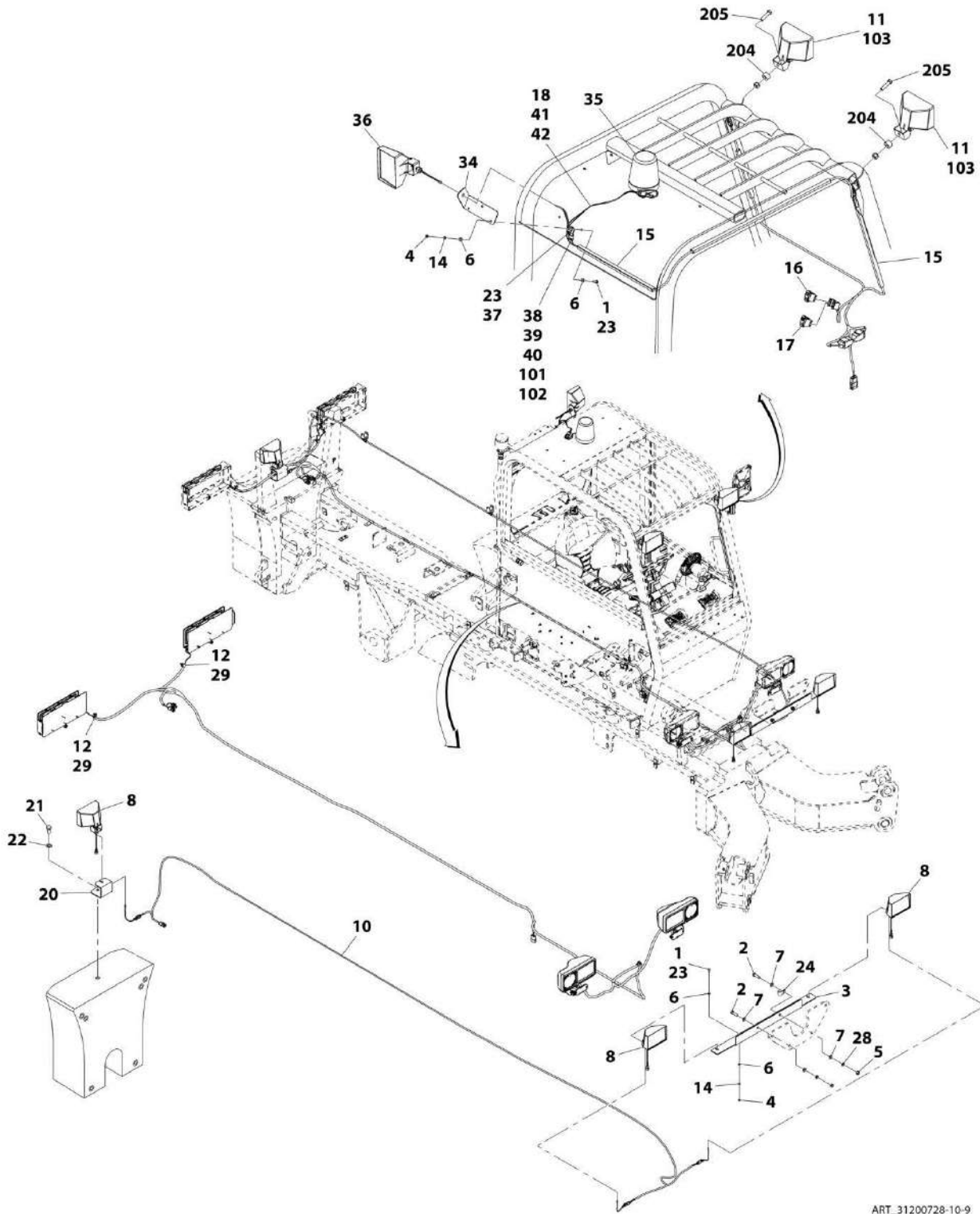
ITEM	PART NUMBER	QTY	DESCRIPTION	REV
	1001110091	Ref	WORK LIGHT WITH BEACON INSTALLATION, (if equipped), (not available to order, see items 1 thru 29 for service)	C-C
	1001114492	Ref	BEACON LIGHT INSTALLATION, (if equipped), (not available to order, see items 1, 4, 6, 14, 15, 17, 18, 23, 301, 306 thru 310, 407 & 408 for service)	B-C
1	0641407	5	HEX HD CAPSCREW, 1/4-20X7/8, GR5, (torque to 96 lb-ft/130 Nm), (WORK LIGHT WITH BEACON INSTALLATION)	
1	0641407	2	HEX HD CAPSCREW, 1/4-20X7/8, GR5, (torque to 96 lb-ft/130 Nm), (BEACON LIGHT INSTALLATION)	
2	0641814	2	HEX HD CAPSCREW, 1/2-13X2-3/4, GR5, (torque to 75 lb-ft/102 Nm)	
3	0903661	1	BRACKET	
4	3311401	5	HEX NUT, 1/4-20, GR2, (WORK LIGHT WITH BEACON INSTALLATION)	
4	3311401	2	HEX NUT, 1/4-20, GR2, (BEACON LIGHT INSTALLATION)	
5	3311801	2	HEX NUT, 1/2-13, GR2	
6	4711400	8	WASHER, 1/4, (WORK LIGHT WITH BEACON INSTALLATION)	
6	4711400	2	WASHER, 1/4, (BEACON LIGHT INSTALLATION)	
7	4711800	8	WASHER, 1/2	
8	1001095342	3	LIGHT ASSY, (includes items 101 thru 103)	B
10		Ref	BOOM WORK LIGHT HARNESS, (See BOOM WORK LIGHT HARNESS for Breakdown)	
11	1001090580	2	LIGHT ASSY, (includes items 101 thru 103, 204 & 205)	B
12	1320263	3	3/8 IN CLAMP	
13	1001090581	Ref	BEACON/WORK LIGHT INSTALLATION, (not available to order, see items 301 thru 311 for service) (Prior to SN 0160059446)	E
14	4761400	5	LOCKWASHER, 1/4, (WORK LIGHT WITH BEACON INSTALLATION)	
14	4761400	2	LOCKWASHER, 1/4, (BEACON LIGHT INSTALLATION)	
15	8096D097	7.3 ft	CONDUIT, (WORK LIGHT WITH BEACON INSTALLATION)	
15	8096D097	6 ft	CONDUIT, (BEACON LIGHT INSTALLATION)	
16		Ref	HAZARD SWITCH, (See CAB SWITCHES for Breakdown)	
17		Ref	BEACON SWITCH, (See CAB SWITCHES for Breakdown)	
18		Ref	CAB WORK LIGHT HARNESS, (See CAB WORK LIGHT HARNESS for Breakdown)	
20	1001090522	1	BRACKET	
21	0642210	1	HEX HD CAPSCREW, 3/4-10X1-1/4, GR5	
22	4712200	1	WASHER, 3/4	
23	14404173	AR	SILICONE SEALANT	
24	8406105	1	3/4 IN CLAMP	
28	4761800	2	LOCKWASHER, 1/2	
29	1320263	3	3/8 IN CLAMP	
101	4460897	1	CONNECTOR	
101	80604017	1	WEDGE LOCK	
102	4460464	2	TERMINAL	
103	80963050	1	LIGHT, (includes hardware)	
103	80964070	1	BULB	
204	91403503	1	SPACER	
205	91413052	1	BOLT	
301	0903669	1	BRACKET	
302	4460897	2	CONNECTOR	
302	80604017	2	WEDGE LOCK	

SECTION 10 - ELECTRICAL

ITEM	PART NUMBER	QTY	DESCRIPTION	REV
303	4460464	2	TERMINAL	
304	1001099276	1	LIGHT ASSY, (includes item 351 and hardware)	
304	80964070	1	BULB	
305	91343031	1	BEACON LIGHT	
305	91344053	1	BULB	
306	1001090615	1	GROMMET	
307	0721006	3	SCREW, #10-24X3/4	
308	3311001	3	HEX NUT, 10-24, GR2	
309	4751000	3	WASHER, #10	
310	4761000	3	LOCKWASHER, #10	
311	2820035	2.3 ft	INSULATION	
401	0100011	AR	LOCTITE 242	
407	4460508	2	TERMINAL, (BEACON LIGHT INSTALLATION)	
408	4461017	1	CONNECTOR, (BEACON LIGHT INSTALLATION)	
408	N.S.S.	1	WEDGE LOCK, (BEACON LIGHT INSTALLATION)	
501		Ref	COUNTERWEIGHT, (See FRAME AND ATTACHING PARTS for Breakdown)	
	1001096708	Ref	BEACON LIGHT MOUNTING INSTALLATION, (if equipped with A/C), (not available to order, see items 601 thru 605 for service) (Prior to SN 0160059446)	B
601	0721006	3	SCREW, #10-24X3/4	
602	3311001	3	HEX NUT, 10-24, GR2	
603	4751000	3	WASHER, #10	
604	4761000	3	LOCKWASHER, #10	
605	1001096709	1	BRACKET	

SECTION 10 - ELECTRICAL

FIGURE 10-9. WORK LIGHTS (SN 0160059446 to Present)



ART_31200728-10-9

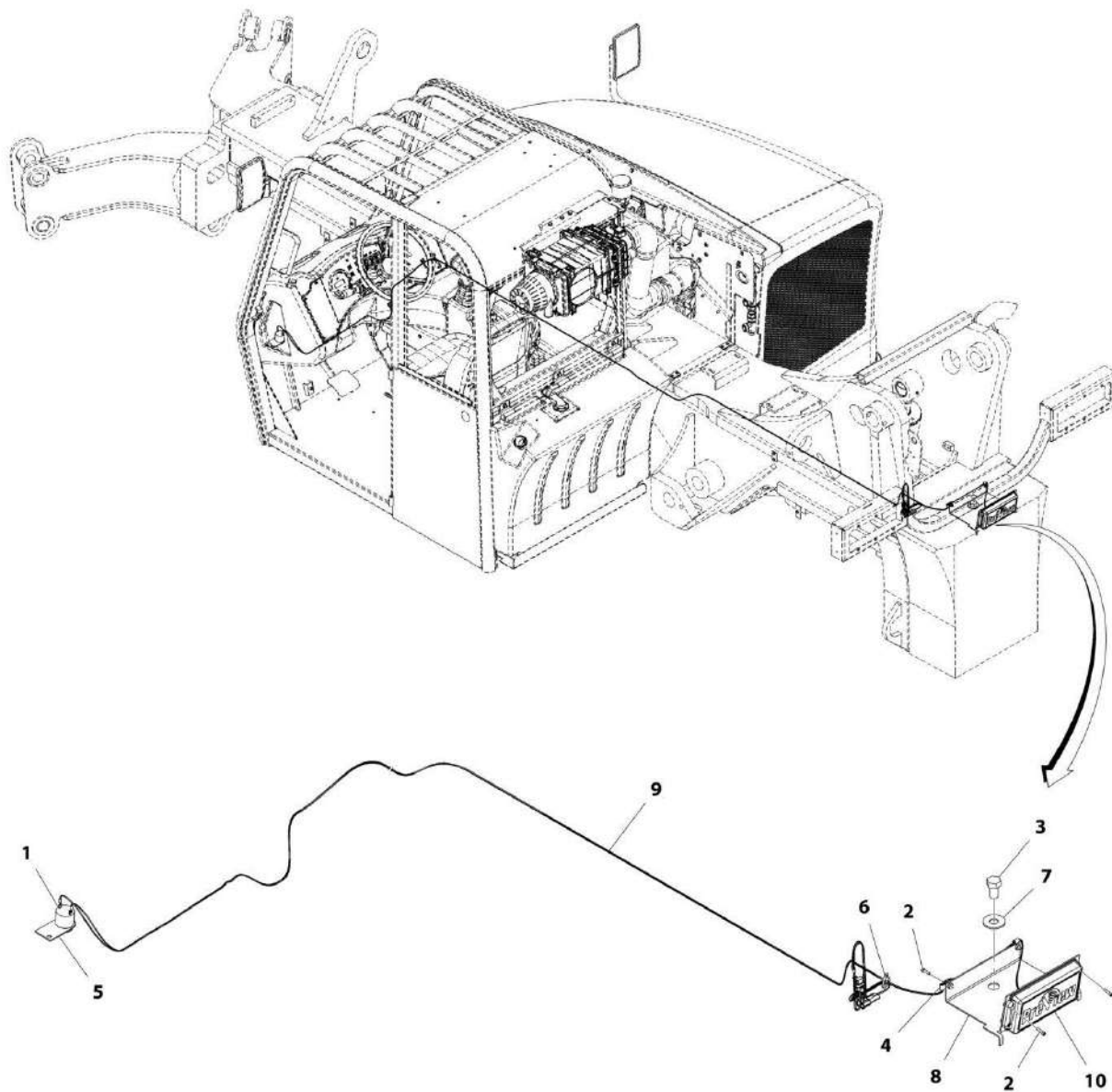
SECTION 10 - ELECTRICAL

FIGURE 10-9. WORK LIGHTS (SN 0160059446 to Present)

ITEM	PART NUMBER	QTY	DESCRIPTION	REV
	1001162757	Ref	WORK LIGHT WITH BEACON INSTALLATION, (if equipped), (not available to order, use items 1 thru 42 for service)	B
	1001162758	Ref	BEACON LIGHT INSTALLATION, (if equipped), (not available to order, use items 15, 17, 18, 23, 35, 37, 41 & 42 for service)	B
1	0641407	5	HEX HD CAPSCREW, 1/4-20X7/8, GR5, (torque to 96 lb-ft/130 Nm)	
2	0641814	2	HEX HD CAPSCREW, 1/2-13X2-3/4, GR5, (torque to 75 lb-ft/102 Nm)	
3	0903661	1	BRACKET	
4	3311401	5	HEX NUT, 1/4-20, GR2	
5	3311801	2	HEX NUT, 1/2-13, GR2	
6	4711400	8	WASHER, 1/4	
7	4711800	8	WASHER, 1/2	
8	1001095342	3	LIGHT ASSY, (includes items 101 thru 103)	B
10		Ref	BOOM WORK LIGHT HARNESS, (See Separate Breakdown in this Section)	
11	1001090580	2	LIGHT ASSY, (includes items 101 thru 103, 204 & 205)	B
12	1320263	3	3/8 IN CLAMP	
14	4761400	5	LOCKWASHER, 1/4	
15	8096D097	7.3 ft	CONDUIT, (WORK LIGHT WITH BEACON INSTALLATION)	
15	8096D097	6 ft	CONDUIT, (BEACON LIGHT INSTALLATION)	
16		Ref	SWITCH, WORK LIGHTS, (See Separate Breakdown in this Section)	
17		Ref	BEACON SWITCH, (See Separate Breakdown in this Section)	
18		Ref	CAB WORK LIGHT HARNESS, (See Separate Breakdown in this Section)	
20	1001090522	1	BRACKET	
21	0642210	1	HEX HD CAPSCREW, 3/4-10X1-1/4, GR5	
22	4712200	1	WASHER, 3/4	
23	14404173	AR	SILICONE SEALANT	
24	8406105	1	3/4 IN CLAMP	
28	4761800	2	LOCKWASHER, 1/2	
29	1320263	3	3/8 IN CLAMP	
34	1001146009	1	BRACKET	
35	8500066	1	LIGHT, BEACON	
36	1001099276	1	LIGHT ASSY, (includes hardware)	
	80964070	1	BULB	
37	1001090615	1	GROMMET	
38	4460464	2	TERMINAL	
39	4460897	1	CONNECTOR	
	80604017	1	WEDGE LOCK	
40	2820035	1.2 ft	INSULATION	
41	1001117021	1	CONNECTOR	
42	8220890	1	SECONDARY LOCK	
101	4460897	1	CONNECTOR	
	80604017	1	WEDGE LOCK	
102	4460464	2	TERMINAL	
103	80963050	1	LIGHT, (includes hardware)	
	80964070	1	BULB	
204	91403503	1	SPACER	
205	91413052	1	BOLT	

SECTION 10 - ELECTRICAL

FIGURE 10-10. REVERSE SENSING SYSTEM INSTALLATION



ART_1001152538-A

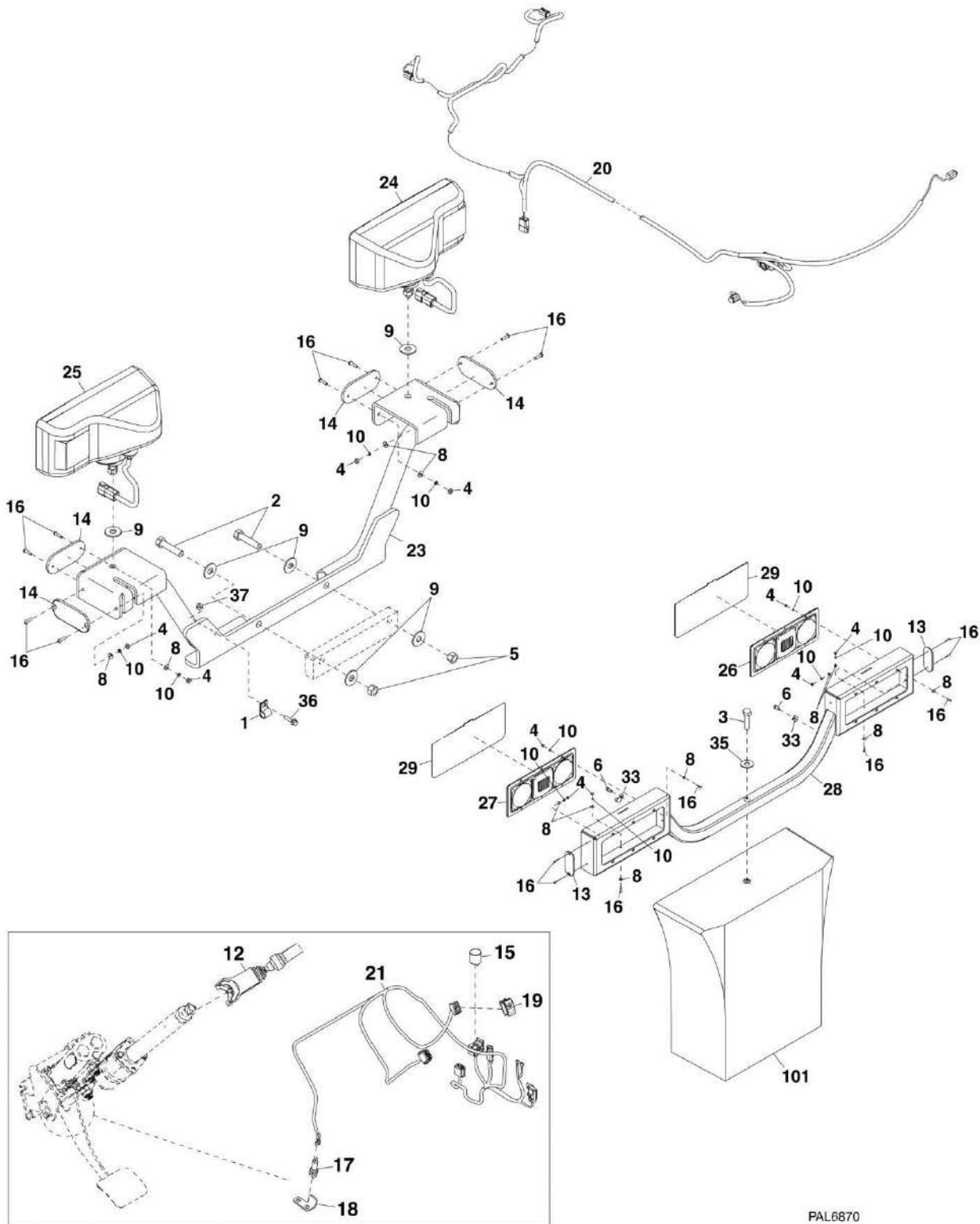
SECTION 10 - ELECTRICAL

FIGURE 10-10. REVERSE SENSING SYSTEM INSTALLATION

ITEM	PART NUMBER	QTY	DESCRIPTION	REV
	1001152538	Ref	REVERSE SENSING SYSTEM INSTALLATION	A
1	0140011	1	AUDIBLE SIGNAL DEVICE	
2	3931012	6	BOLT, 10-24X3/4	
3	0642210	1	BOLT, 3/4-10X1 1/4	
4	1320136	2	CLAMP, CABLE	
5	1001182662	1	BRACKET, AUDIBLE ALARM	
6	4240033	AR	STRAP, TIE	
7	4752200	1	WASHER, 3/4	
8	1001152220	1	BRACKET, BACKUP SENSOR	
9	1001153084	1	HARNES, REVERSE SENSOR, (See Separate Breakdown in this Section)	
10	1001182358	1	CONTROL, REVERSE SENSOR	

SECTION 10 - ELECTRICAL

FIGURE 10-11. DRIVE LIGHTS



PAL6870

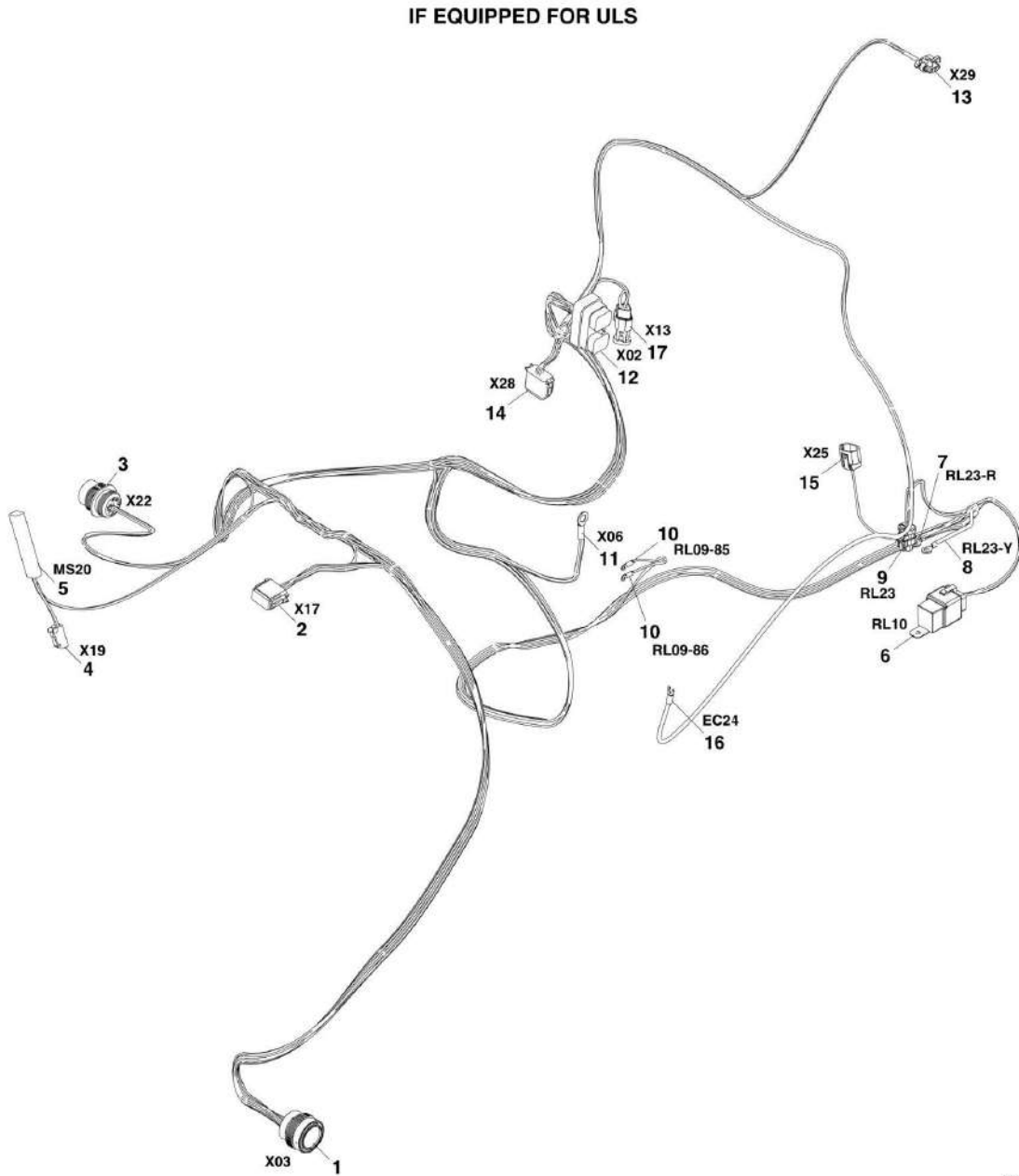
SECTION 10 - ELECTRICAL

FIGURE 10-11. DRIVE LIGHTS

ITEM	PART NUMBER	QTY	DESCRIPTION	REV
	1001090469	Ref	DRIVE LIGHT INSTALLATION, (if equipped), (not available to order, see items 1 thru 37 for service)	4-A
1	85941016	1	1/2 IN CLAMP	
2	0641818	2	HEX HD CAPSCREW, 1/2-13X2-1/4, GR5	
3	0642222	1	HEX HD CAPSCREW, 3/4-10X2-3/4, GR5	
4	3311001	26	HEX NUT, #10-24, GR2	
5	3311805	2	HEX LOCKNUT, 1/2-13, GR2	
6	3941506	2	SCREW, 5/16X3/4	
7	4461254	1	CONNECTOR, (not shown)	
8	4711000	28	WASHER, #10	
9	4751800	6	WASHER, 1/2	
10	4761000	26	LOCKWASHER, #10	
11	8220050	1	TERMINAL, (not shown)	
12	8223073	1	TURN SIGNAL SELECTOR	
13	10718991	2	RED REFLECTOR	
14	10718992	4	YELLOW REFLECTOR	
15	80983168	1	FLASHER	
16	88261010	26	BUTTON HD CAPSCREW, #10-24X3/4	
17	91143117	1	STOPLIGHT SWITCH	
18	91511127	1	MOUNTING TAB	
19		Ref	HAZARD SWITCH, (See CAB SWITCHES for Breakdown)	
20		Ref	FRAME ROAD LIGHT HARNESS, (See FRAME ROAD LIGHT HARNESS for Breakdown)	
21		Ref	CAB ROAD LIGHT HARNESS, (See CAB ROAD LIGHT HARNESS for Breakdown)	
23	1001094264	1	BRACKET	
24	1001094390	1	RH LIGHT, (includes hardware), (torque to 50 lb-ft/68 Nm)	
24	7016388	1	BULB	
24	4460899	1	CONNECTOR	
24	80604022	1	WEDGE LOCK	
25	1001094391	1	LH LIGHT, (includes hardware), (torque to 50 lb-ft/68 Nm)	
25	7016388	1	BULB	
25	4460899	1	CONNECTOR	
25	80604022	1	WEDGE LOCK	
26	1001094392	1	RH LIGHT	
26	7016388	1	BULB	
26	4460899	1	CONNECTOR	
26	80604022	1	WEDGE LOCK	
27	1001094393	1	LH LIGHT	
27	7016388	1	BULB	
27	4460899	1	CONNECTOR	
27	80604022	1	WEDGE LOCK	
28	1001094523	1	BRACKET	
29	1001094824	2	COVER	
33	1320263	2	3/8 IN CLAMP	
35	4752200	1	WASHER, 1/2	
36	0791408	1	FLANGE HEX HD CAPSCREW, 1/4-20X1	
37	3311408	1	FLANGE NUT, 1/4-20	
101		Ref	COUNTERWEIGHT, (See FRAME AND ATTACHING PARTS for Breakdown)	

SECTION 10 - ELECTRICAL

FIGURE 10-12. ENGINE HARNESS



PY6820

SECTION 10 - ELECTRICAL

IF EQUIPPED FOR ULS

TO STARTER LOCKOUT RELAY

RL10					
CONN WIRE POS DOLOR	WIRE LABEL	GAUGE	JACKET	TO	
1	GRN	ST BLY	16 AWG	GXL	X02 (1)
2	DRG	STRT L.O. SIG	16 AWG	GXL	X02 (1)
3					
4	GRN	STRT L.O. SIG	16 AWG	GXL	RL23 (1)
5	BLK	STRT L.O. RTN	16 AWG	GXL	S11 (2)

TO STARTER/ECM POWER

RL23-R					
CONN WIRE POS DOLOR	WIRE LABEL	GAUGE	JACKET	TO	
1	RED	ECM PWR	14 AWG	GXL	X10 (1)
1	RED	ECM PWR	14 AWG	GXL	X10 (2)
1	RED	ECM PWR	14 AWG	GXL	X02 (1)
1	RED	ECM PWR	14 AWG	GXL	X02 (2)

TO STARTER/ECM POWER

RL23-Y					
CONN WIRE POS DOLOR	WIRE LABEL	GAUGE	JACKET	TO	
1	DRG	STRT L.O.	10 AWG	GXL	EC24 (1)

TO STARTER/ECM POWER

RL23					
CONN WIRE POS DOLOR	WIRE LABEL	GAUGE	JACKET	TO	
1	GRN	STRT L.O. SIG	16 AWG	GXL	RL10 (4)
2	BLK	ENG GND	16 AWG	GXL	S15 (2)

TO TRANSMISSION

X17					
CONN WIRE POS DOLOR	WIRE LABEL	GAUGE	JACKET	TO	
1	BRN	TRANS SOL Y1	16 AWG	GXL	X03 (1)
2	BRN	TRANS SOL Y2	16 AWG	GXL	X03 (2)
3	BRN	TRANS SOL Y3	16 AWG	GXL	X03 (2)
4	BRN	TRANS SOL Y4	16 AWG	GXL	X03 (2)
5	BRN	TRANS SOL Y5	16 AWG	GXL	X03 (2)
6	BRN	TRANS SOL Y6	16 AWG	GXL	X03 (2)
7					
8	VIO	PK BRK SOL	16 AWG	GXL	S21 (2)
9					
10	DBL	TRANS TMP SW	16 AWG	GXL	X02 (1)
11	BLK	ENG GND	16 AWG	GXL	S18 (1)
12	BLK	ENG GND	16 AWG	GXL	S18 (1)

TO CHASSIS HARNESS

X03					
CONN WIRE POS DOLOR	WIRE LABEL	GAUGE	JACKET	TO	
1					
2	RED	DIAG PWR	18 AWG	GXL	X22 (2)
3	BLK	DIAG GND	18 AWG	GXL	X22 (1)
4	BLK	ENG GND	16 AWG	GXL	S18 (1)
5					
6	VIO	PK BRK SOL	16 AWG	GXL	S21 (1)
7	VIO	ENG WARP LT	16 AWG	GXL	X02 (1)
8	DRG	ENG STOP LT	16 AWG	GXL	X02 (8)
9	RED	ALT EXC	16 AWG	GXL	IP26 (2)
10	BRN	THR SUP@11	18 AWG	GXL	X02 (4)
11	GRN	THR SUP@15	18 AWG	GXL	X02 (5)
12	YEL	THR RTN@14	18 AWG	GXL	X02 (5)
13	GRN	ST BLY	16 AWG	GXL	RL10 (1)
14	YEL	CAN H904	18 AWG	GXL	X28 (2)
15	GRN	CAN L905	18 AWG	GXL	X28 (4)
16					
17	DBL	TRANS TMP SW	16 AWG	GXL	X17 (10)
18	VIO	SEN SUP 2	18 AWG	GXL	S30 (1)
19	BRN	TRANS SOL Y1	16 AWG	GXL	X17 (1)
20	WHT	WHT TO START LT	16 AWG	GXL	X02 (6)
21	BRN	TRANS SOL Y2	16 AWG	GXL	X17 (2)
22	BRN	TRANS SOL Y3	16 AWG	GXL	X17 (3)
23	DRG	THR RTN 2	18 AWG	GXL	X02 (2)
24	BLU	THR SOL 2	18 AWG	GXL	X02 (3)
25	BRN	TRANS SOL Y4	16 AWG	GXL	X17 (4)
26	BRN	TRANS SOL Y5	16 AWG	GXL	X17 (5)
27					
28	BRN	TRANS SOL Y6	16 AWG	GXL	X17 (6)
29					
30					
31					

TO ALTERNATOR

X25					
CONN WIRE POS DOLOR	WIRE LABEL	GAUGE	JACKET	TO	
1					
2	RED	ALT EXC	16 AWG	GXL	IP26 (1)
3					
4					

TO STARTER

EC24					
CONN WIRE POS DOLOR	WIRE LABEL	GAUGE	JACKET	TO	
1	DRG	STRT SOL	10 AWG	GXL	RL23-Y (1)

TO CANBUS TERMINATOR

X13					
CONN WIRE POS DOLOR	WIRE LABEL	GAUGE	JACKET	TO	
1	YEL	CAN H904	18 AWG	GXL	X28 (1)
2	GRN	CAN L905	18 AWG	GXL	X28 (1)
3					

TO GRID HEATER

RL09-85					
CONN WIRE POS DOLOR	WIRE LABEL	GAUGE	JACKET	TO	
1	WHT	GRID HTR	18 AWG	GXL	X02 (4)

TO GRID HEATER

RL09-86					
CONN WIRE POS DOLOR	WIRE LABEL	GAUGE	JACKET	TO	
1	BLK	GRID HTR RTN	18 AWG	GXL	S11 (2)

TO ENGINE GROUND

X06					
CONN WIRE POS DOLOR	WIRE LABEL	GAUGE	JACKET	TO	
1	BLK	ECM GND	14 AWG	GXL	X02 (2)
1	BLK	ECM GND	14 AWG	GXL	X02 (2)
1	BLK	ECM GND	14 AWG	GXL	X02 (3)
1	BLK	ECM GND	14 AWG	GXL	X02 (3)

TO DIAGNOSTIC PORT

X22					
CONN WIRE POS DOLOR	WIRE LABEL	GAUGE	JACKET	TO	
1	BLK	DIAG PWR	18 AWG	GXL	X03 (3)
2	RED	DIAG PWR	18 AWG	GXL	X03 (3)
3	YEL	CAN H904	18 AWG	GXL	X28 (1)
4	GRN	CAN L905	18 AWG	GXL	X28 (3)
5					
6					
7					
8					
9					

TO PARK BRAKE SOLENOID

X19					
CONN WIRE POS DOLOR	WIRE LABEL	GAUGE	JACKET	TO	
1	VIO	PK BRK SOL	16 AWG	GXL	M50 (1)
2	BLK	ENG GND	16 AWG	GXL	M50 (2)

MS20					
CONN WIRE POS DOLOR	WIRE LABEL	GAUGE	JACKET	TO	
1	VIO	PK BRK SOL	16 AWG	GXL	X19 (1)
1	VIO	PK BRK SOL	16 AWG	GXL	S21 (2)
2	BLK	ENG GND	16 AWG	GXL	X19 (2)
2	BLK	ENG GND	16 AWG	GXL	S15 (2)

TO CAN SPLICE

X28					
CONN WIRE POS DOLOR	WIRE LABEL	GAUGE	JACKET	TO	
1	YEL	CAN H904	18 AWG	GXL	X02 (1)
2	YEL	CAN H904	18 AWG	GXL	X02 (1)
3	GRN	CAN L905	18 AWG	GXL	X02 (1)
4	GRN	CAN L905	18 AWG	GXL	X02 (1)
5					
6					
7					
8					
9	GRN	CAN L905	18 AWG	GXL	X22 (4)
10	GRN	CAN L905	18 AWG	GXL	X13 (2)
11	YEL	CAN H904	18 AWG	GXL	X22 (2)
12	YEL	CAN H904	18 AWG	GXL	X13 (1)

TO ENGINE HARNESS

X02					
CONN WIRE POS DOLOR	WIRE LABEL	GAUGE	JACKET	TO	
1	RED	ECM PWR	16 AWG	GXL	RL23-R (1)
2	RED	ECM PWR	16 AWG	GXL	RL23-R (1)
3	WHT	WHT TO START LT	18 AWG	GXL	X02 (1)
4	WHT	GRD HTR	18 AWG	GXL	RL09-85 (1)
5					
6	WHT	WHT TO START LT	18 AWG	GXL	X02 (2)
7					
8	DRG	ENG STOP LT	18 AWG	GXL	X03 (8)
9					
10					
11	RED	ECM PWR	16 AWG	GXL	RL23-R (1)
12	RED	ECM PWR	16 AWG	GXL	RL23-R (1)
13	BLK	OUTPUT RTN	18 AWG	GXL	S11 (1)
14					
15	DRG	STRT L.O. SIG	16 AWG	GXL	RL10 (2)
16	VIO	ENG WARP LT	16 AWG	GXL	X03 (7)
17	YEL	CAN H904	18 AWG	GXL	X28 (1)
18	GRN	CAN L905	18 AWG	GXL	X28 (3)
19					
20					
21	BLK	ECM GND	18 AWG	GXL	X06 (1)
22	BLK	ECM GND	18 AWG	GXL	X06 (1)
23	DRG	THR RTN 2	18 AWG	GXL	X03 (2)
24					
25					
26					
27					
28					
29					
30					
31	BLK	ECM GND	18 AWG	GXL	X06 (1)
32	BLK	ECM GND	18 AWG	GXL	X06 (1)
33					
34					
35					
36					
37					
38					
39					
40					
41	YEL	THR SUP@14	18 AWG	GXL	X03 (1)
42	BRN	THR SUP@11	18 AWG	GXL	X03 (1)
43	BLK	DEM BEN RTN	18 AWG	GXL	X02 (3)
44	WHT	COOLANT LEVEL	18 AWG	GXL	X29 (2)
45					
46					
47					
48					
49					
50					
51	GRN	THR SUP@15	18 AWG	GXL	X03 (1)
52	VIO	SEN SUP 2	18 AWG	GXL	S30 (1)
53	BLU	THR SIG 2	18 AWG	GXL	X03 (4)
54					
55					
56					
57					
58					
59					
60					

X29

CONN WIRE POS DOLOR	WIRE LABEL	GAUGE	JACKET	TO	
1	VIO	SEN SUP 2	18 AWG	GXL	S30 (2)
2	WHT	COOLANT LEVEL	18 AWG	GXL	X02 (4)
3	BLK	DEM BEN RTN	18 AWG	GXL	X02 (4)

PAP25510

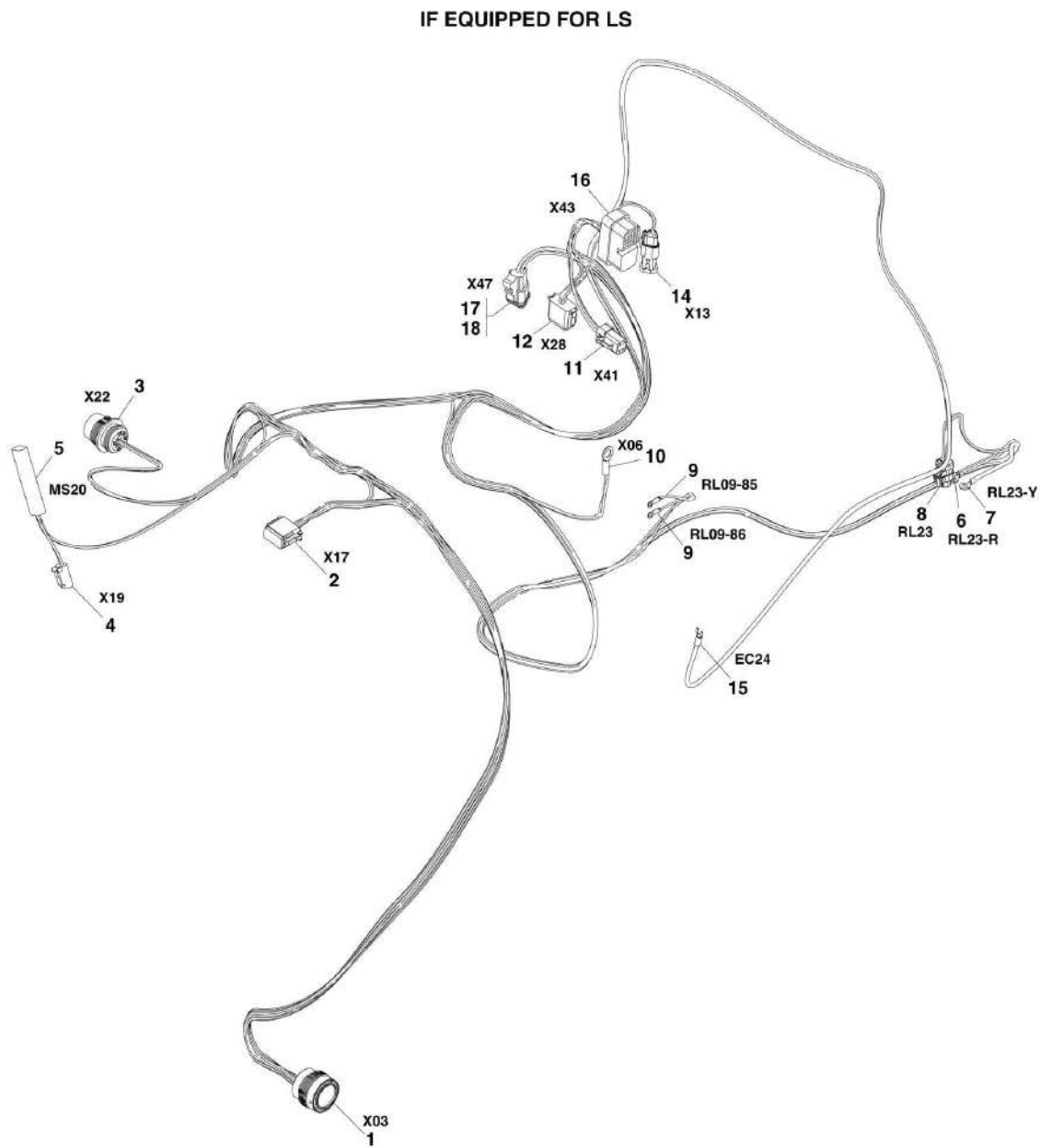
SECTION 10 - ELECTRICAL

FIGURE 10-12. ENGINE HARNESS

ITEM	PART NUMBER	QTY	DESCRIPTION	REV
	1001131966	1	ENGINE HARNESS, (if equipped for ULS), (includes all items)	G
1	1001116938	1	CONNECTOR	
1	4460465	24	TERMINAL	
1	4460944	2	TERMINAL	
1	4460466	5	PLUG	
2	4460933	1	CONNECTOR, (includes rear seal)	
2	80604016	1	WEDGE LOCK	
2	4460465	10	TERMINAL	
2	4460466	2	PLUG	
3	1001112612	1	CONNECTOR	
3	4460497	1	NUT	
3	4460496	1	LOCK WASHER	
3	1001149712	1	DUST CAP	
3	4460941	2	TERMINAL	
3	4460943	2	TERMINAL	
3	4460466	5	PLUG	
4	4460891	1	CONNECTOR	
4	4460465	2	TERMINAL	
5	91363021	1	MOLDED DIODE	
6	1001118282	1	CONNECTOR	
6	1001116733	4	TERMINAL	
6	8220101	1	PLUG	
7	1001117106	1	RING TERMINAL	
8	4460312	1	RING TERMINAL	
9	1001116950	1	CONNECTOR	
9	4460942	2	TERMINAL	
10	4460247	2	RING TERMINAL	
11	8220164	1	RING TERMINAL	
12	1001126208	1	CONNECTOR	
12	70024578	1	STRAIN RELIEF	
12	1001126009	25	TERMINAL	
12	4460518	35	PLUG	
13	1001125027	1	METRI-PACK CONNECTOR	
13	8220124	3	TERMINAL	
14	4460933	1	CONNECTOR	
14	80604016	1	WEDGE LOCK	
14	4460944	8	TERMINAL	
14	4460466	4	PLUG	
15	4460590	1	CONNECTOR	
15	8220124	1	TERMINAL	
15	1001116751	3	PLUG	
16	1001117111	1	TERMINAL FORK	
17	1001144147	1	CONNECTOR	
17	91554022	1	TERMINATOR LOCK	
17	1001116815	1	RECEPTICAL	
17	4460943	1	TERMINAL	
17	4460944	1	TERMINAL	
17	4460466	1	PLUG	

SECTION 10 - ELECTRICAL

FIGURE 10-13. ENGINE HARNESS



ART_31200728-10-13_1

SECTION 10 - ELECTRICAL

IF EQUIPPED FOR LS

TO CHASSIS HARNESS

X03				
CONN POS	WIRE COLOR	WIRE LABEL	GAUGE	JACKET TO
1	WHT	KEY SWT SIG	18 AWG	GXL X43 (9)
2	RED	DIAG PWR	18 AWG	GXL X22 (2)
3	BLK	DIAG GND	18 AWG	GXL X22 (1)
4	BLK	ENG GND	18 AWG	GXL S18 (1)
5				
6	W/O	PK BRK SOL	16 AWG	GXL S21 (1)
7	W/O	ENG WARN LT	18 AWG	GXL X43 (44)
8	ORG	ENG STOP LT	18 AWG	GXL X43 (43)
9				
10	BRN	THR SLIP/HT	18 AWG	GXL X43 (22)
11	GRN	THR SQ/WHS	18 AWG	GXL X43 (9)
12	YEL	THR RTM/PS	18 AWG	GXL X43 (23)
13	GRN	ST RELY	16 AWG	GXL RL23 (1)
14	YEL	CAN H984	18 AWG	GXL X28 (2)
15	GRN	CAN L986	18 AWG	GXL X28 (4)
16				
17	DBL	TRANS TMP SW	16 AWG	GXL X17 (16)
18	W/O	THR SUP 3	18 AWG	GXL X43 (21)
19	BRN	TRANS SOL Y1	16 AWG	GXL X17 (1)
20	WHT	WAIT TO STOP LT	18 AWG	GXL X43 (92)
21	BRN	TRANS SOL Y2	16 AWG	GXL X17 (2)
22	BRN	TRANS SOL Y3	16 AWG	GXL X17 (3)
23	ORG	THR RTN 2	18 AWG	GXL X43 (32)
24	BLU	THR SIG 2	18 AWG	GXL X43 (36)
25	BRN	TRANS SOL Y4	16 AWG	GXL X17 (4)
26	BRN	TRANS SOL Y5	16 AWG	GXL X17 (5)
27				
28	BRN	TRANS SOL Y6	16 AWG	GXL X17 (6)
29				
30				
31				

TO ECM

X41				
CONN POS	WIRE COLOR	WIRE LABEL	GAUGE	JACKET TO
1	BLK	ECM GND	14 AWG	GXL X06 (1)
2	BLK	ECM GND	14 AWG	GXL X06 (1)
3	RED	ECM PWR	14 AWG	GXL RL23-R (1)
4	RED	ECM PWR	14 AWG	GXL RL23-R (1)

TO CAN SPlice

X28				
CONN POS	WIRE COLOR	WIRE LABEL	GAUGE	JACKET TO
1	YEL	CAN H984	18 AWG	GXL X43 (46)
2	YEL	CAN H984	18 AWG	GXL X03 (14)
3	GRN	CAN L986	18 AWG	GXL X43 (47)
4	GRN	CAN L986	18 AWG	GXL X03 (16)
5				
6				
7				
8				
9	GRN	CAN L986	18 AWG	GXL X22 (4)
10	GRN	CAN L986	18 AWG	GXL X13 (2)
11	YEL	CAN H984	18 AWG	GXL X22 (3)
12	YEL	CAN H984	18 AWG	GXL X13 (1)

TO STARTER/ECM POWER

RL23-R				
CONN POS	WIRE COLOR	WIRE LABEL	GAUGE	JACKET TO
1	RED	ECM PWR	14 AWG	GXL X41 (3)
1	RED	ECM PWR	14 AWG	GXL X41 (4)

TO STARTER/ECM POWER

RL23-Y				
CONN POS	WIRE COLOR	WIRE LABEL	GAUGE	JACKET TO
1	ORG	STRT SOL	10 AWG	GXL EC24 (1)

TO STARTER/ECM POWER

RL23				
CONN POS	WIRE COLOR	WIRE LABEL	GAUGE	JACKET TO
1	GRN	ST RELY	16 AWG	GXL X03 (13)
2	BLK	ENG GND	18 AWG	GXL S18 (2)

TO TRANSMISSION

X17				
CONN POS	WIRE COLOR	WIRE LABEL	GAUGE	JACKET TO
1	BRN	TRANS SOL Y1	16 AWG	GXL X03 (19)
2	BRN	TRANS SOL Y2	16 AWG	GXL X03 (21)
3	BRN	TRANS SOL Y3	16 AWG	GXL X03 (22)
4	BRN	TRANS SOL Y4	16 AWG	GXL X03 (23)
5	BRN	TRANS SOL Y5	16 AWG	GXL X03 (24)
6	BRN	TRANS SOL Y6	16 AWG	GXL X03 (25)
7				
8	W/O	PK BRK SOL	16 AWG	GXL S21 (2)
9				
10	DBL	TRANS TMP SW	16 AWG	GXL X03 (17)
11	BLK	ENG GND	16 AWG	GXL S18 (1)
12	BLK	ENG GND	18 AWG	GXL S18 (1)

TO PARK BRAKE SOLENOID

X19				
CONN POS	WIRE COLOR	WIRE LABEL	GAUGE	JACKET TO
1	W/O	PK BRK SOL	16 AWG	GXL MS20 (1)
2	BLK	ENG GND	18 AWG	GXL MS20 (2)

TO MOLDED DIODE

MS20				
CONN POS	WIRE COLOR	WIRE LABEL	GAUGE	JACKET TO
1	W/O	PK BRK SOL	16 AWG	GXL X19 (1)
1	W/O	PK BRK SOL	16 AWG	GXL X21 (2)
2	BLK	ENG GND	18 AWG	GXL X19 (2)
2	BLK	ENG GND	18 AWG	GXL S18 (2)

TO CANBUS TERMINATOR

X13				
CONN POS	WIRE COLOR	WIRE LABEL	GAUGE	JACKET TO
1	YEL	CAN H984	18 AWG	GXL X03 (12)
2	GRN	CAN L986	18 AWG	GXL X03 (14)
3				

IP26				
CONN POS	WIRE COLOR	WIRE LABEL	GAUGE	JACKET TO
1	RED	ALT EXC	18 AWG	GXL X25 (2)
2	RED	ALT EXC	16 AWG	GXL X03 (6)

TO STARTER

EC24				
CONN POS	WIRE COLOR	WIRE LABEL	GAUGE	JACKET TO
1	ORG	STRT SOL	10 AWG	GXL RL23-Y (1)

X47				
CONN POS	WIRE COLOR	WIRE LABEL	GAUGE	JACKET TO
A	WHT	KEY SWT SIG	18 AWG	GXL 4492941 X43 (38)
B	WHT	KEY SWT SIG	18 AWG	GXL 4492941 X43 (1)
C				

TO DIAGNOSTIC RELAY

X22				
CONN POS	WIRE COLOR	WIRE LABEL	GAUGE	JACKET TO
1	BLK	DIAG GND	18 AWG	GXL X03 (3)
2	RED	DIAG PWR	18 AWG	GXL X03 (2)
3	YEL	CAN H984	18 AWG	GXL X28 (11)
4	GRN	CAN L986	18 AWG	GXL X28 (5)
5				
6				
7				
8				
9				

TO ENGINE HARNESS

X43				
CONN POS	WIRE COLOR	WIRE LABEL	GAUGE	JACKET TO
1				
2				
3				
4				
5				
6				
7				
8				
9	GRN	THR SQ/WHS	18 AWG	GXL X03 (11)
10				
11				
12				
13				
14				
15				
16				
17				
18				
19				
20	W/O	THR SUP 2	18 AWG	GXL X03 (18)
21	BRN	THR SUP/HT	18 AWG	GXL X03 (15)
22	YEL	THR RTN/PS	18 AWG	GXL X03 (12)
23				
24				
25				
26	BLU	THR SIG 2	18 AWG	GXL X03 (24)
27				
28				
29				
30				
31				
32	ORG	THR RTN 2	18 AWG	GXL X03 (23)
33				
34				
35				
36				
37				
38				
39	WHT	KEY SWT SIG	18 AWG	GXL X47 (1)
40	WHT	GRID HTR	18 AWG	GXL RL09-85 (1)
41				
42	BLK	OUTPUT RTN	18 AWG	GXL R09-86 (1)
43	ORG	ENG STOP LT	18 AWG	GXL X03 (8)
44	W/O	ENG WARN LT	18 AWG	GXL X03 (7)
45	YEL	CAN H984	18 AWG	GXL X28 (1)
46	GRN	CAN L986	18 AWG	GXL X28 (3)
47				
48				
49				
50	WHT	WAIT TO STOP LT	18 AWG	GXL X03 (20)

TO GRID HEATER

RL09-85				
CONN POS	WIRE COLOR	WIRE LABEL	GAUGE	JACKET TO
1	WHT	GRID HTR	18 AWG	GXL X43 (46)

TO GRID HEATER

RL09-86				
CONN POS	WIRE COLOR	WIRE LABEL	GAUGE	JACKET TO
1	BLK	OUTPUT RTN	18 AWG	GXL X43 (42)

TO ENGINE GROUND

X06				
CONN POS	WIRE COLOR	WIRE LABEL	GAUGE	JACKET TO
1	BLK	ECM GND	14 AWG	GXL X41 (1)
1	BLK	ECM GND	14 AWG	GXL X41 (2)

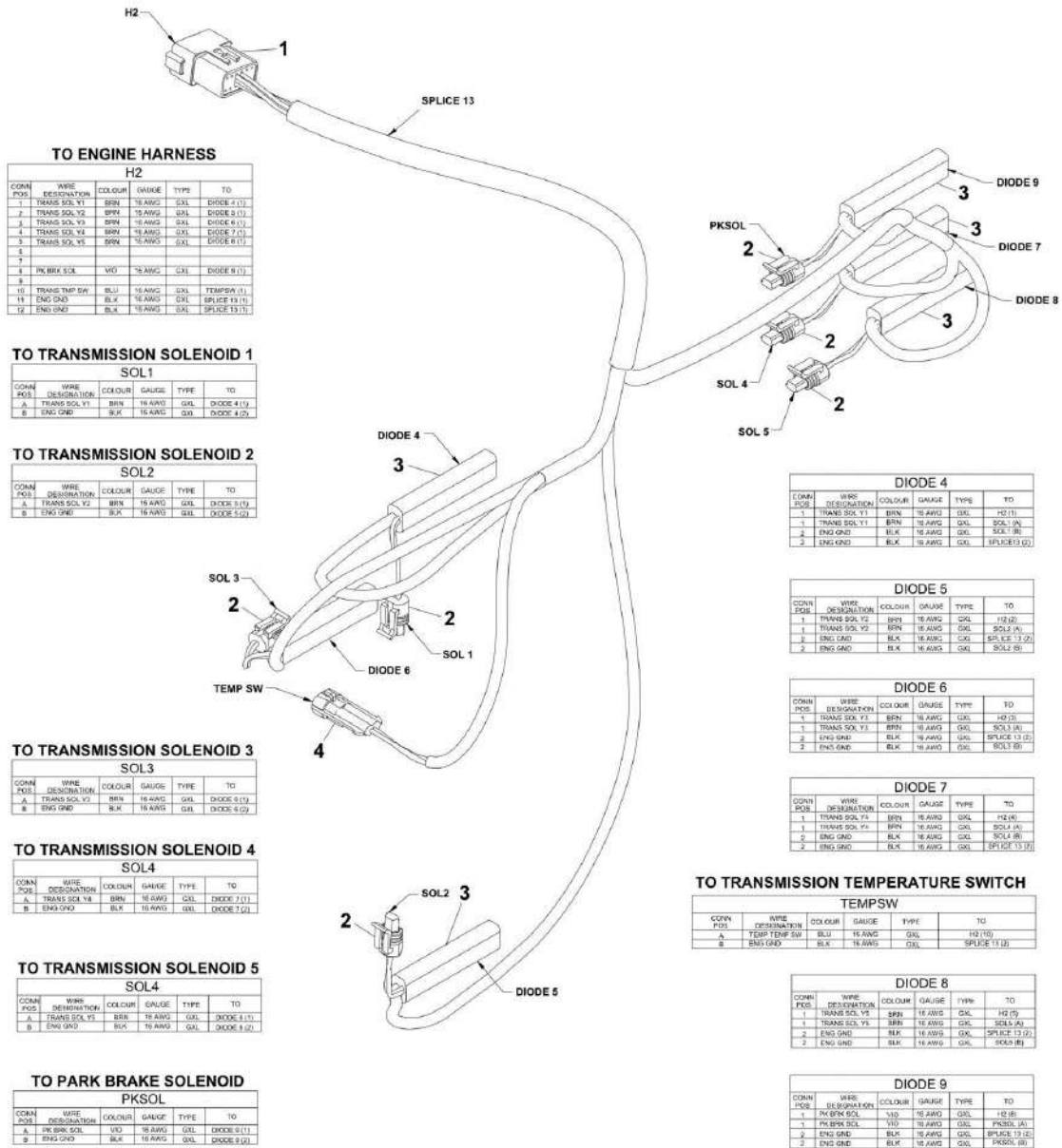
SECTION 10 - ELECTRICAL

FIGURE 10-13. ENGINE HARNESS

ITEM	PART NUMBER	QTY	DESCRIPTION	REV
	1001139249	1	ENGINE HARNESS, (if equipped for LS), (includes all items)	G
1	1001116938	1	CONNECTOR	
1	4460465	22	TERMINAL	
1	4460944	2	TERMINAL	
1	4460466	7	PLUG	
2	4460933	1	CONNECTOR, (includes rear seal)	
2	80604016	1	WEDGE LOCK	
2	4460465	10	TERMINAL	
2	4460466	2	PLUG	
3	1001112612	1	CONNECTOR	
3	4460497	1	NUT	
3	4460496	1	SPRING WASHER	
3	1001149712	1	DUST CAP	
3	4460941	2	TERMINAL	
3	4460943	2	TERMINAL	
3	4460466	5	PLUG	
4	4460891	1	CONNECTOR	
4	4460465	2	TERMINAL	
5	91363021	1	MOLDED DIODE	
6	1001117106	1	RING TERMINAL	
7	4460312	1	RING TERMINAL	
8	1001116950	1	CONNECTOR	
8	4460942	2	TERMINAL	
9	4460247	2	RING TERMINAL	
10	8220164	1	RING TERMINAL	
11	1001116810	1	CONNECTOR	
11	70021826	1	WEDGE LOCK	
11	4460509	4	TERMINAL	
12	4460933	1	CONNECTOR	
12	80604016	1	WEDGE LOCK	
12	4460944	8	TERMINAL	
12	4460466	4	PLUG	
14	1001144147	1	CONNECTOR	
14	91554022	1	TERMINATOR LOCK	
14	1001116815	1	RECEPTICAL	
14	4460943	2	TERMINAL	
14	4460466	1	PLUG	
15	1001117111	1	TERMINAL FORK	
16	1001116821	1	CONNECTOR	
16	4460518	37	PLUG	
16	1001126009	13	TERMINAL	
17	4461095	1	PLUG TERMINAL	
17	4460944	2	TERMINAL	
17	4460466	1	PLUG	
18	4461070	1	MATING CONNECTOR	

SECTION 10 - ELECTRICAL

FIGURE 10-14. TRANSMISSION HARNESS



PAP25860

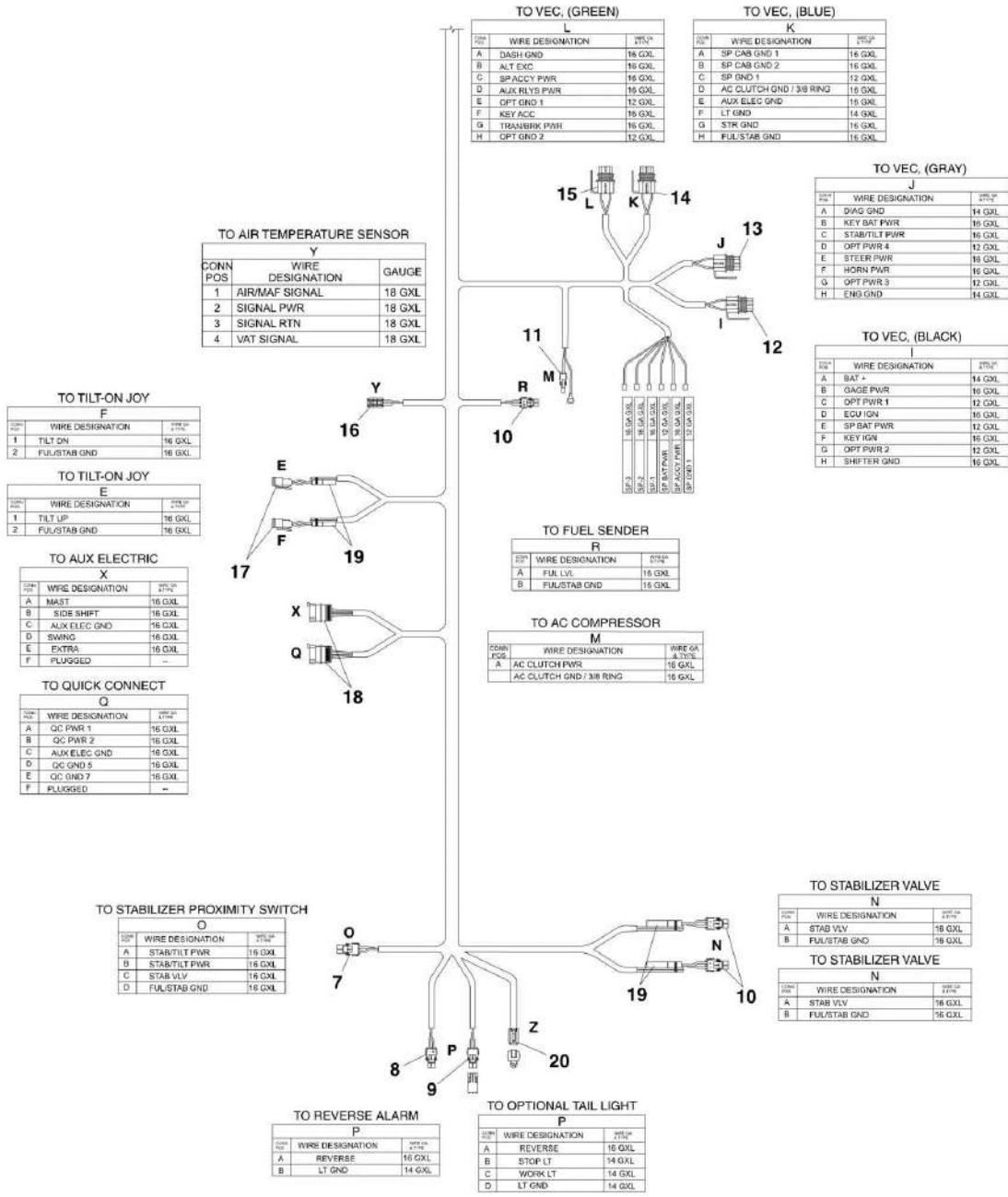
SECTION 10 - ELECTRICAL

FIGURE 10-14. TRANSMISSION HARNESS

ITEM	PART NUMBER	QTY	DESCRIPTION	REV
	1001115528	1	TRANSMISSION HARNESS, (includes all items)	C
1	4460970	1	FEMALE RECEPTACLE, (includes rear seal)	
1	80363179	1	SECONDARY WEDGE LOCK	
1	4460465	9	TERMINAL	
1	114017	3	PLUG	
2	4460955	6	CONNECTOR	
2	1001116748	2	TERMINAL	
3	91363021	6	MOLDED DIODE	
4	1001117073	1	CONNECTOR	
4	70022741	1	WEDGE LOCK	

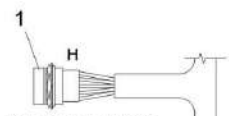
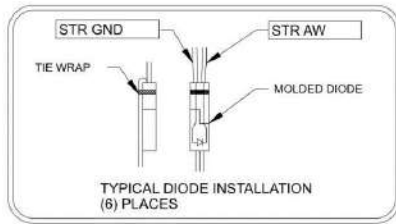
SECTION 10 - ELECTRICAL

FIGURE 10-15. FRAME HARNESS



ART_31200728-10-15_1

SECTION 10 - ELECTRICAL



TO ENGINE HARNESS

WIRE #	WIRE DESIGNATION	SIZE
1	ECU IGN	16 GXL
2	BAT +	14 GXL
3	DIAG GND	14 GXL
4	ENG GND	14 GXL
5	PLUGGED	---
6	PK BRK SOL	16 GXL
7	ENG WARN LT	16 GXL
8	ENG STOP LT	16 GXL
9	ALT EXC	16 GXL
10	THR SUPP11	16 GXL
11	THR SGN15	16 GXL
12	THR RTN14	16 GXL
13	ST RLY	16 GXL
14	CAN H204	*
15	CAN L205	*
16	SHIELD 020	*
17	TRANS TMP SW	16 GXL
18	IVS	16 GXL
19	TRANS SOL V1	16 GXL
20	WAT TO START LT	16 GXL
21	TRANS SOL V2	16 GXL
22	TRANS SOL V3	16 GXL
23	CON IDLE	16 GXL
24	IVR	16 GXL
25	TRANS SOL V4	16 GXL
26	TRANS SOL V5	16 GXL
27	SIGNAL PWR	16 GXL
28	TRANS SOL V6	16 GXL
29	WAT SIGNAL	16 GXL
30	AUX/MAF SIGNAL	16 GXL
31	SIGNAL RTN	16 GXL

TO DASH HARNESS

WIRE #	WIRE DESIGNATION	SIZE
1	KEY BAT PWR	16 GXL
2	KEY IGN	16 GXL
3	KEY ACC	16 GXL
4	KEY START	16 GXL
5	DASH GND	16 GXL
6	GAGE PWR	16 GXL
7	HORN PWR	16 GXL
8	STEER PWR	16 GXL
9	STR AW	16 GXL
10	STR CAB	16 GXL
11	HORN	16 GXL
12	FUL LVL	16 GXL
13	TRANS TMP SW	16 GXL
14	ST RLY	16 GXL
15	SHIFT PWR 1	16 GXL
16	PK BRK SOL	16 GXL
17	PLUGGED	---
18	PLUGGED	---
19	PLUGGED	---
20	WAT TO START LT	16 GXL
21	ENG WARN LT	16 GXL
22	ENG STOP LT	16 GXL
23	TRANS PWR	16 GXL
24	FULL STAB GND	16 GXL
25	PLUGGED	---
26	PLUGGED	---
27	PLUGGED	---
28	PLUGGED	---
29	CAN H204	*
30	CAN L205	*
31	SHIELD 020	*

G

WIRE #	WIRE DESIGNATION	SIZE
A	WORK LT	14 GXL
B	LT GND	14 GXL

TO CRAB VALVE

WIRE #	WIRE DESIGNATION	SIZE
A	STR CAB	16 GXL
B	STR GND	16 GXL

TO CRAB VALVE

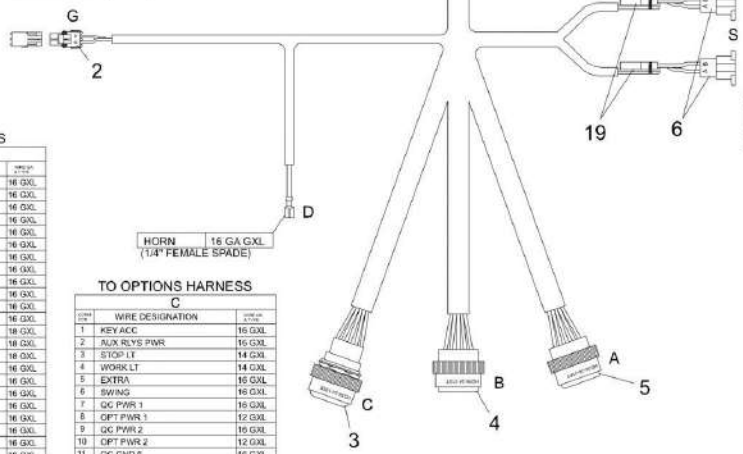
WIRE #	WIRE DESIGNATION	SIZE
A	STR AW	16 GXL
B	STR GND	16 GXL

TO CAB HARNESS

WIRE #	WIRE DESIGNATION	SIZE
1	TRANS SOL V1	16 GXL
2	TRANS SOL V2	16 GXL
3	TRANS SOL V3	16 GXL
4	TRANS SOL V4	16 GXL
5	TRANS SOL V5	16 GXL
6	TRANS SOL V6	16 GXL
7	KEY START	16 GXL
8	SHIFT PWR 1	16 GXL
9	PK BRK SOL	16 GXL
10	REVERSE	16 GXL
11	TRANS BRK PWR	16 GXL
12	SHIFTER GND	16 GXL
13	THR SUPP11	16 GXL
14	THR SGN15	16 GXL
15	THR RTN14	16 GXL
16	SP BAT PWR	16 GXL
17	SP ADDY PWR	16 GXL
18	SP CAB GND 1	16 GXL
19	SP CAB GND 2	16 GXL
20	SP-1	16 GXL
21	SP-2	16 GXL
22	SP-3	16 GXL
23	TRANS TMP SW	16 GXL
24	AC CLUTCH PWR	16 GXL
25	STABT LT PWR	16 GXL
26	TILT UP	16 GXL
27	TILT DN	16 GXL
28	SP BAT PWR	16 GXL
29	IVS	16 GXL
30	CON IDLE	16 GXL
31	IVR	16 GXL

TO OPTIONS HARNESS

WIRE #	WIRE DESIGNATION	SIZE
1	KEY ACC	16 GXL
2	AUX RLYS PWR	16 GXL
3	STOP LT	14 GXL
4	WORK LT	14 GXL
5	EXTRA	16 GXL
6	SWING	16 GXL
7	QC PWR 1	16 GXL
8	OPT PWR 1	12 GXL
9	QC PWR 2	16 GXL
10	OPT PWR 2	12 GXL
11	QC GND 5	16 GXL
12	OPT PWR 3	12 GXL
13	QC GND 7	16 GXL
14	OPT PWR 4	12 GXL
15	AUX ELEC GND	16 GXL
16	OPT GND 1	12 GXL
17	SIDE SHIFT	16 GXL
18	OPT GND 2	12 GXL
19	MAST	16 GXL



ART_31200728-10-15_2

SECTION 10 - ELECTRICAL

FIGURE 10-15. FRAME HARNESS

ITEM	PART NUMBER	QTY	DESCRIPTION	REV
	1001127386	1	FRAME HARNESS, (includes all items)	J
1	1001116934	1	CONNECTOR	
1	83481286	1	NUT	
1	83481285	1	LOCKWASHER	
1	4460464	27	TERMINAL	
1	4460466	1	PLUG	
2	4460742	1	CONNECTOR	
2	4460457	2	WEATHER PACK SOCKET TERMINAL	
2	80963065	2	SEAL	
2	4461157	1	DUST CAP	
2	1001116727	1	PLUG	
3	7026415	1	CONNECTOR	
3	83481286	1	NUT	
3	83481285	1	LOCKWASHER	
3	4460465	11	SOCKET TERMINAL	
3	4460509	8	SOCKET TERMINAL	
3	4460466	1	PLUG	
3	4460469	1	CONNECTOR CAP	
3	4460941	1	CONTACT	
4	4460502	1	CONNECTOR	
4	4460465	31	SOCKET TERMINAL	
4	4460466	1	PLUG	
5	7026910	1	CONNECTOR	
5	4460464	21	TERMINAL	
5	4460466	7	PLUG	
6	91474468	2	CONNECTOR	
6	91474469	2	TERMINAL	
7	80963061	1	CONNECTOR	
7	4460457	4	TERMINAL	
7	80963065	4	SEAL	
8	1001117021	1	CONNECTOR	
8	8220890	1	SECONDARY LOCK	
8	4460746	1	TERMINAL	
8	1001190037	1	SEAL	
8	1001116747	1	TERMINAL	
8	80963065	1	SEAL	
9	80963061	1	CONNECTOR	
9	4460457	1	TERMINAL	
9	80963065	1	SEAL	
9	1001116747	3	TERMINAL	
9	1001190037	3	SEAL	
9	80963062	1	CONNECTOR	
9	1001116727	1	DUST CAP	
10	4460742	3	WEATHER PACK CONNECTOR	
10	4460457	2	WEATHER PACK SOCKET TERMINAL	
10	80963065	2	SEAL	
11	80963056	1	CONNECTOR	
11	4460475	2	TERMINAL	
11	80963065	2	CABLE SEAL, (green)	
12	1001121557	NLA	CONNECTOR, (black) (no longer available, use 80484086 for	

SECTION 10 - ELECTRICAL

ITEM	PART NUMBER	QTY	DESCRIPTION	REV
			replacement)	
12	80484086	1	CONNECTOR, (black)	
12	7026414	1	CONNECTOR LOCK	
12	4460746	4	TERMINAL	
12	1001116747	4	TERMINAL	
12	80963065	4	SEAL	
12	80963067	4	SEAL	
13	80484085	1	CONNECTOR, (black)	
13	7026414	1	CONNECTOR LOCK	
13	4460746	4	TERMINAL	
13	1001116747	4	TERMINAL	
13	80963065	4	SEAL	
13	80963067	4	SEAL	
14	80484084	1	CONNECTOR, (blue)	
14	7026414	1	CONNECTOR LOCK	
14	4460746	6	TERMINAL	
14	1001116747	2	TERMINAL	
14	80963065	6	SEAL	
14	80963067	1	SEAL	
14	1001190037	1	SEAL	
15	80484081	1	CONNECTOR, (green)	
15	7026414	1	CONNECTOR LOCK	
15	4460746	6	TERMINAL	
15	1001116747	2	TERMINAL	
15	80963065	6	SEAL	
15	80963067	2	SEAL	
16	4460884	1	CONNECTOR	
16	4460465	4	TERMINAL	
16	80604021	1	CONNECTOR LOCK	
17	4460891	2	CONNECTOR	
17	80604018	1	CONNECTOR LOCK	
17	4460465	2	TERMINAL	
18	7026413	2	CONNECTOR	
18	4460464	5	TERMINAL	
18	4460466	1	PLUG	
18	7026419	1	CONNECTOR CAP	
19	91363021	6	MOLDED DIODE	
20	4460884	1	CONNECTOR	
20	4460465	3	TERMINAL	
20	4460466	1	PLUG	
20	1001192401	1	DUST CAP	

SECTION 10 - ELECTRICAL

FIGURE 10-16. VEC OPTIONS HARNESS

TO VEC OPTIONS, (BLACK)

CONN POS	WIRE DESIGNATION	WIRE GA & TYPE
A	OPT PWR 4	12 GXL
B	OPT PWR 3	12 GXL
C	OPT PWR 2	12 GXL
D	5A ROOF WIPER PWR	16 GXL
E	AUX SW GND	16 GXL
F	OPT PWR 1	12 GXL
G	15A OPT 2	16 GXL
H	25A OPT	12 GXL

TO ROOF WIPER MOTOR

CONN POS	WIRE DESIGNATION	WIRE GA & TYPE
A	5A ROOF WIPER PWR	16 GXL
B	5A ROOF WIPER GND	16 GXL

CONN POS	WIRE DESIGNATION	WIRE GA & TYPE
1 (30)	AUX RLYS PWR	14 SXL
2 (85)	QC PWR 1	16 GXL
3 (87A)	AUX ELEC PWR	14 SXL
4 (87)	PLUGGED	--
5 (86)	QC GND	16 GXL

TO CHASSIS OPTIONS HARNESS

CONN POS	WIRE DESIGNATION	WIRE GA & TYPE
1	KEY ACC	16 GXL
2	AUX RLYS PWR	16 GXL
3	STOP LT	14 GXL
4	WORKLT	14 GXL
5	EXTRA	16 GXL
6	SWING	16 GXL
7	QC PWR 1	16 GXL
8	OPT PWR 1	12 GXL
9	QC PWR 2	16 GXL
10	OPT PWR 2	12 GXL
11	QC GND 5	16 GXL
12	OPT PWR 3	12 GXL
13	QC GND 7	16 GXL
14	OPT PWR 4	12 GXL
15	PLUGGED	--
16	OPT GND 1	12 GXL
17	SIDESHIFT	16 GXL
18	OPT GND 2	12 GXL
19	MAST	16 GXL

TO VEC OPTIONS, (GRAY)

CONN POS	WIRE DESIGNATION	WIRE GA & TYPE
A	D FAN GND	16 GXL
B	OPT GND 2	12 GXL
C	OPT GND 1	12 GXL
D	5A ROOF WIPER GND	16 GXL
E	15A OPT 2 GND	16 GXL
F	25A OPT GND	12 GXL
G	QC GND	16 GXL
H	PLUGGED	--

CONN POS	WIRE DESIGNATION	WIRE GA & TYPE
A	15A OPT 2	16 GXL
B	15A OPT 2 GND	16 GXL

TO WORKLIGHT/BEACON OPTION HARNESS

CONN POS	WIRE DESIGNATION	WIRE GA & TYPE
1	STOP LT	14 GXL
2	S/W LT PWR	14 GXL
3	BCN PWR	16 GXL
4	DOMELT	14 GXL
5	DOME/BCN GND	14 GXL
6	CABL PWR	14 GXL
7	CABL GND	14 GXL
8	WORKLT	14 GXL

TO AUX ELECTRIC OPTION

CONN POS	WIRE DESIGNATION	WIRE GA & TYPE
1	SWING	16 GXL
2	EXTRA	16 GXL
3	SW2 87A	16 GXL
4	SW2 86	16 GXL
5	MAST	16 GXL
6	SW1 87A	16 GXL
7	SIDESHIFT	16 GXL
8	SW1 86	16 GXL
9	AUX SW GND	16 GXL
10	PLUGGED	--
11	PLUGGED	--
12	PLUGGED	--

TO AC RELAY

CONN POS	WIRE DESIGNATION	WIRE GA & TYPE
A	25A OPT	12 GXL
B	25A OPT GND	12 GXL

TO VEC OPTIONS, (BLUE)

CONN POS	WIRE DESIGNATION	WIRE GA & TYPE
A	SW1 86	16 GXL
B	HEATER GND	12 GXL
C	CABL GND	14 GXL
D	DOME/BCN GND	14 GXL
E	AUX ELEC PWR	14 SXL
F	SW1 87A	16 GXL
G	SW2 86	16 GXL
H	SW2 87A	16 GXL

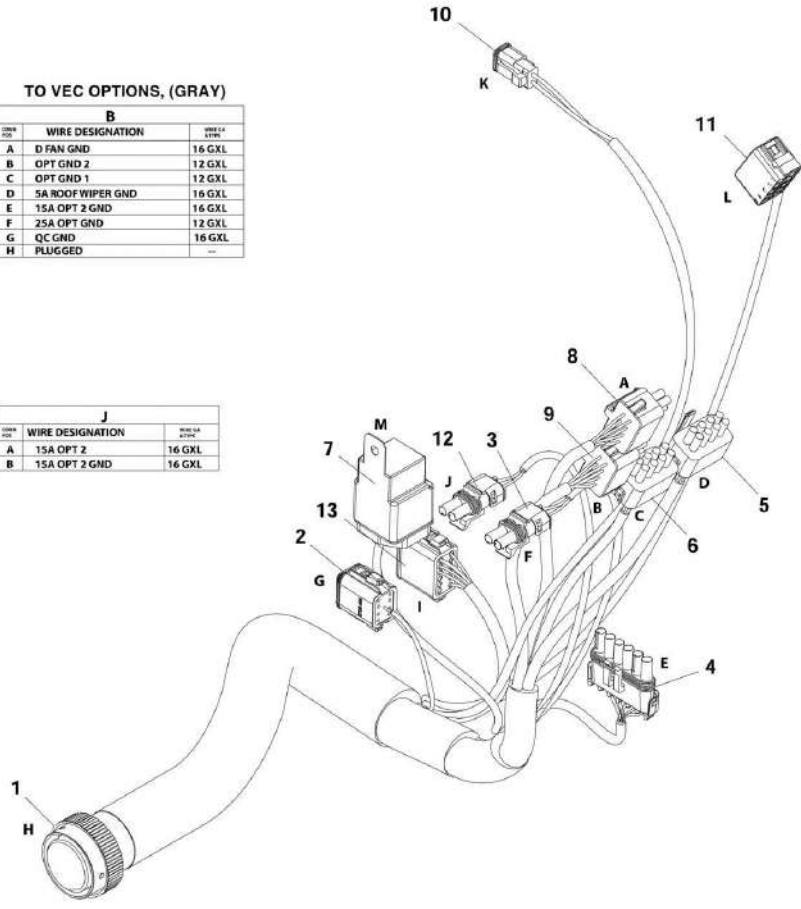
TO VEC OPTIONS, (GREEN)

CONN POS	WIRE DESIGNATION	WIRE GA & TYPE
A	WIPER PWR	12 GXL
B	HEATER PWR	12 GXL
C	KEY ACC	16 GXL
D	BCN PWR	16 GXL
E	D FAN PWR	16 GXL
F	DOMELT	14 GXL
G	CABL PWR	14 GXL
H	S/W LT PWR	14 GXL

TO ENCLOSED CAB HARNESS

CONN POS	WIRE DESIGNATION	WIRE GA & TYPE
A	D FAN PWR	16 GXL
B	HEATER PWR	12 GXL
C	WIPER PWR	12 GXL
D	HEATER GND	12 GXL
E	D FAN GND	16 GXL
F	PLUGGED	--

CONN POS	WIRE DESIGNATION	WIRE GA & TYPE
1	QC PWR 1	16 GXL
2	AUX RLYS PWR	16 GXL
3	QC PWR 2	16 GXL
4	QC GND 5	16 GXL
5	QC GND	16 GXL
6	QC GND 7	16 GXL
7	QC GND	16 GXL
8	EMPTY	--



PAP30870

SECTION 10 - ELECTRICAL

FIGURE 10-16. VEC OPTIONS HARNESS

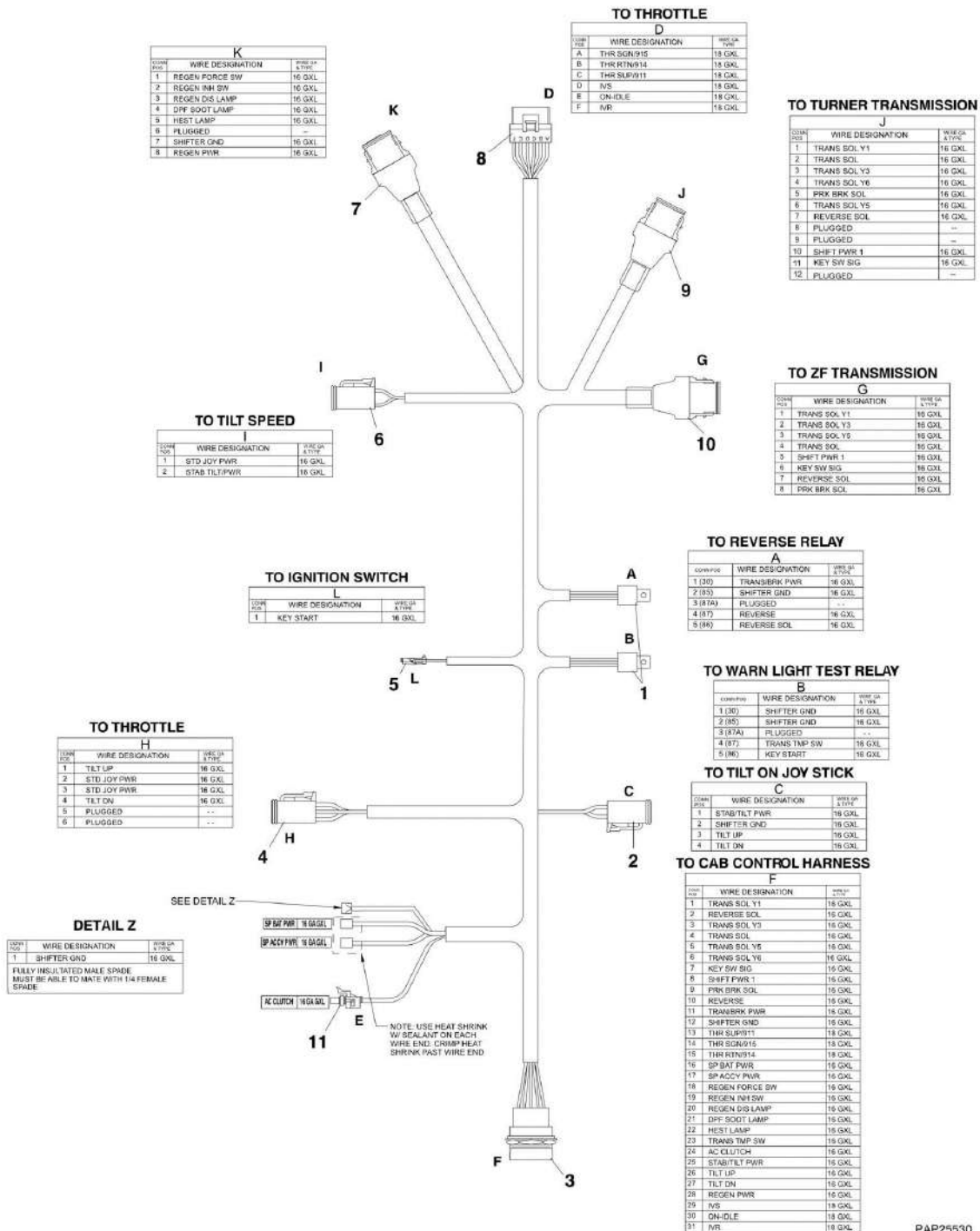
ITEM	PART NUMBER	QTY	DESCRIPTION	REV
	1001112039	1	VEC BOX HARNESS, (includes all items)	E
1	91504089	1	CONNECTOR	
1	4460464	10	CONTACT	
1	4460508	8	CONTACT	
1	4460466	1	PLUG	
2	4460930	1	CONNECTOR	
2	80604025	1	WEDGE LOCK	
2	4460465	8	TERMINAL	
3	4460742	1	CONNECTOR	
3	4460790	2	TERMINAL	
3	8220089	2	SEAL	
4	4460461	1	CONNECTOR	
4	4460457	2	TERMINAL	
4	4460790	3	TERMINAL	
4	4460458	2	SEAL	
4	8220089	3	SEAL	
4	1001116727	1	PLUG	
5	80484081	1	GREEN CONNECTOR	
5	7026414	1	CONNECTOR LOCK	
5	4460746	3	TERMINAL	
5	1001116727	1	PLUG	
5	4460458	3	SEAL	
5	1001116747	5	TERMINAL	
5	8220089	5	SEAL	
6	80484084	1	BLUE CONNECTOR	
6	7026414	1	CONNECTOR LOCK	
6	4460746	4	TERMINAL	
6	1001116727	1	PLUG	
6	4460458	4	SEAL	
6	1001116747	4	TERMINAL	
6	8220089	4	SEAL	
7	3740080	1	RELAY	
7	1001118282	1	CONNECTOR	
7	1001116733	4	TERMINAL	
7	1001128128	1	PLUG	
8	1001121557	NLA	BLACK CONNECTOR (no longer available, use 80484086 for replacement)	
8	80484086	1	BLACK CONNECTOR	
8	7026414	1	CONNECTOR LOCK	
8	4460746	3	TERMINAL	
8	1001116727	1	PLUG	
8	4460458	3	SEAL	
8	1001116747	5	TERMINAL	
8	8220089	5	SEAL	
9	80484085	1	GRAY CONNECTOR	
9	7026414	1	CONNECTOR LOCK	
9	4460746	4	TERMINAL	
9	1001116727	1	PLUG	
9	4460458	4	SEAL	
9	1001116747	3	TERMINAL	

SECTION 10 - ELECTRICAL

ITEM	PART NUMBER	QTY	DESCRIPTION	REV
9	8220089	3	SEAL	
10	4460891	1	CONNECTOR	
10	4460465	2	TERMINAL	
11	7026439	1	HOUSING	
11	4460419	7	TERMINAL	
12	4460742	1	CONNECTOR	
12	4460457	2	TERMINAL	
12	4460458	2	SEAL	
13	4460933	1	CONNECTOR	
13	80604016	1	WEDGE LOCK	
13	4460465	9	TERMINAL	
13	4460466	3	PLUG	

SECTION 10 - ELECTRICAL

FIGURE 10-17. TRANSMISSION RELAY HARNESS



PAP25530

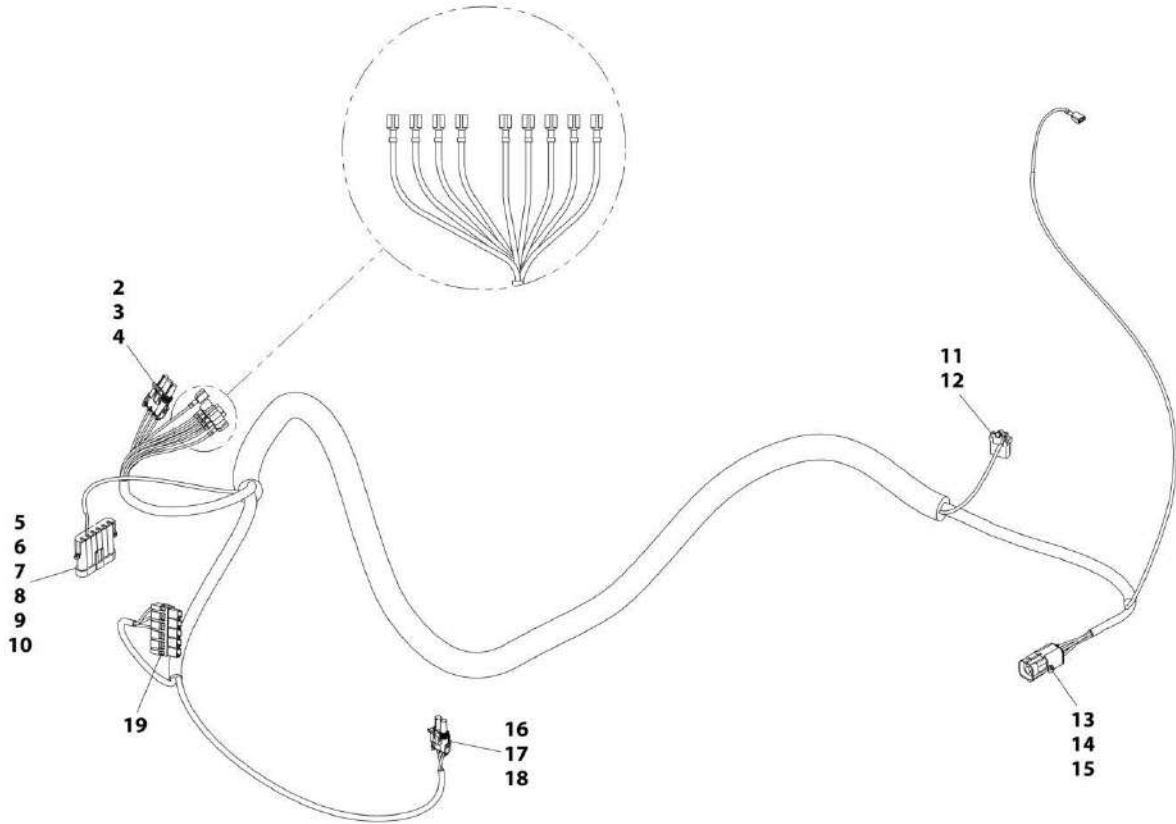
SECTION 10 - ELECTRICAL

FIGURE 10-17. TRANSMISSION RELAY HARNESS

ITEM	PART NUMBER	QTY	DESCRIPTION	REV
	1001140233	1	TRANSMISSION RELAY HARNESS, (includes all items)	D
1	3740080	2	RELAY	
1	1001118282	1	METRI-PACK RELAY	
1	1001116733	4	TERMINAL	
1	1001128128	1	PLUG	
2	4460884	1	CONNECTOR	
2	80604021	1	CONNECTOR LOCK	
2	4460465	4	TERMINAL	
3	4460503	1	CONNECTOR	
3	4460464	31	TERMINAL	
3	83481286	1	NUT	
3	83481285	1	LOCKWASHER	
4	91504088	1	CONNECTOR	
4	91504107	1	CONNECTOR LOCK	
4	77363229	4	CONTACT	
4	4460466	2	PLUG	
5	80963055	1	CONNECTOR	
5	4460457	1	TERMINAL	
5	77394009	1	CABLE SEAL, RED	
6	7026408	1	CONNECTOR	
6	80604018	1	CONNECTOR LOCK	
6	77363229	2	CONTACT	
7	4460851	1	CONNECTOR	
7	80604025	1	WEDGE LOCK	
7	77363229	7	CONTACT	
7	4460466	1	PLUG	
7	70020870	1	BOOT	
8	1001230931	1	CONNECTOR	
8	1001116748	6	TERMINAL	
9	80604016	1	WEDGE LOCK	
9	4460465	9	TERMINAL	
9	4460930	1	CONNECTOR	
9	80604025	1	WEDGE LOCK	
10	4460930	1	CONNECTOR	
10	80604025	1	WEDGE LOCK	
10	4460465	1	TERMINAL	
10	70020870	1	BOOT	
11	80963055	1	CONNECTOR	
11	80963068	1	TERMINAL	
11	80963065	1	CABLE SEAL	

SECTION 10 - ELECTRICAL

FIGURE 10-18. ENCLOSED CAB OPTIONS HARNESS



ART_91563185-B

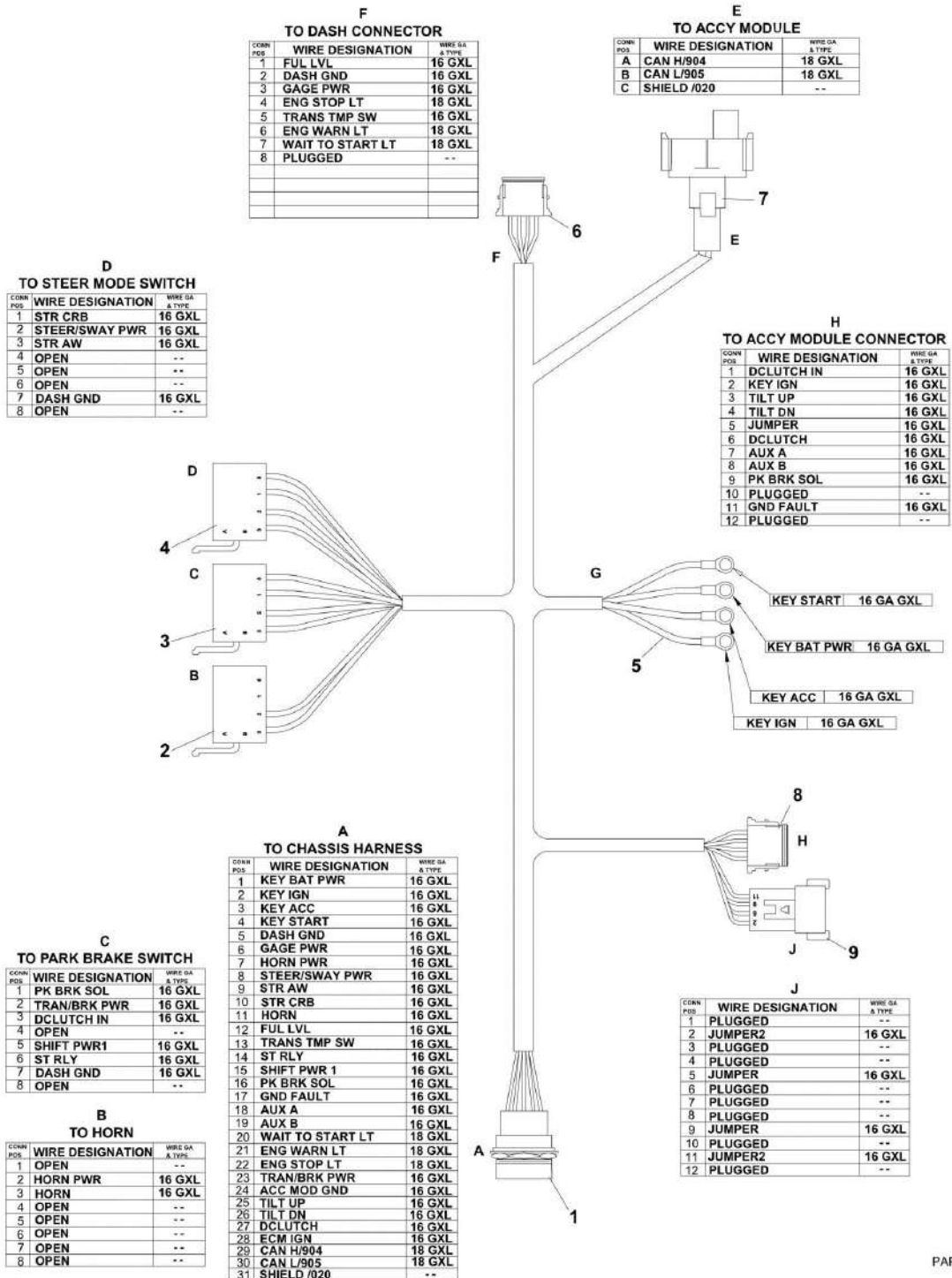
SECTION 10 - ELECTRICAL

FIGURE 10-18. ENCLOSED CAB OPTIONS HARNESS

ITEM	PART NUMBER	QTY	DESCRIPTION	REV
	91563185	Ref	ENCLOSED CAB OPTION HARNESS	B
2	4460459	1	TERMINAL, CONNECTOR	
3	4460743	3	TERMINAL, SOCKET	
4	80963065	1	SEAL, WEATHERPACK CABLE	
5	80963065	1	SEAL, WEATHERPACK CABLE	
6	80963064	1	SHROUD	
7	80963069	2	PIN, WEATHERPACK MALE	
8	4460850	3	TERMINAL, MALE PIN	
9	80963067	1	SEAL	
10	80963070	1	PLUG, DUST CAP	
11	7026429	1	CONNECTOR	
12	7026430	3	TERMINAL	
13	80963065	1	SEAL, WEATHERPACK CABLE	
14	80963069	4	PIN, WEATHERPACK MALE	
15	80963062	1	CONNECTOR	
16	80963057	1	TOWER	
17	80963068	2	TERMINAL	
18	80963065	1	SEAL, WEATHERPACK CABLE	
19	7026431	1	CONNECTOR	

SECTION 10 - ELECTRICAL

FIGURE 10-19. DASH HARNESS



PAP26610

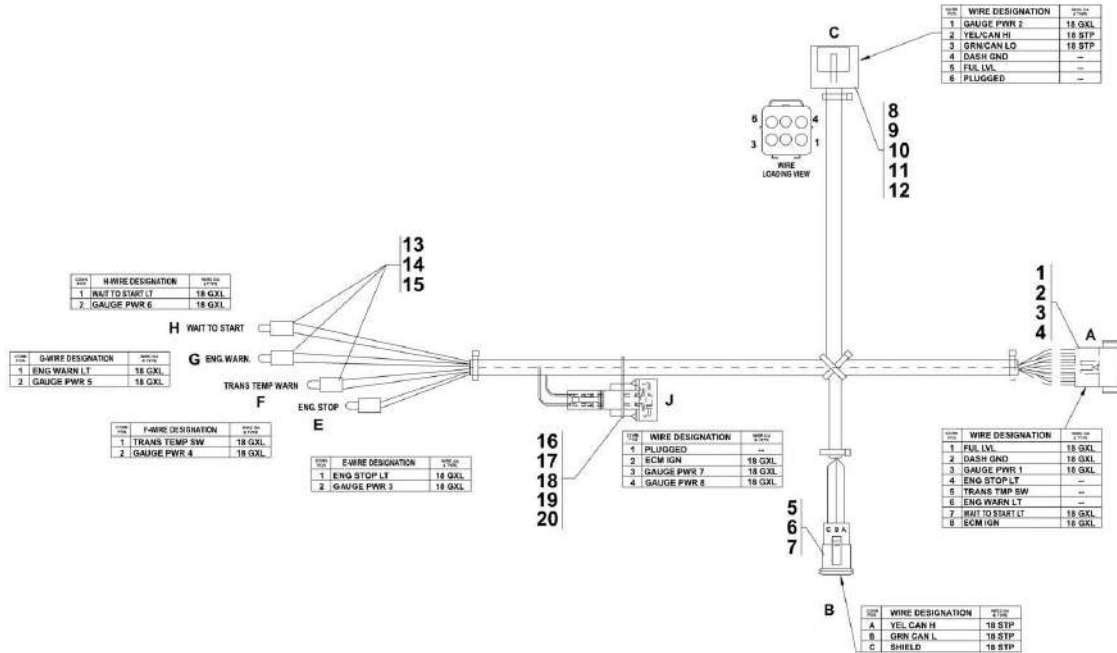
SECTION 10 - ELECTRICAL

FIGURE 10-19. DASH HARNESS

ITEM	PART NUMBER	QTY	DESCRIPTION	REV
	1001108841	1	DASH HARNESS, (includes all items)	F
1	4460500	1	CONNECTOR	
1	4460465	30	TERMINAL	
1	4460466	1	PLUG	
1	83481286	1	NUT	
1	83481285	1	LOCKWASHER	
2	4460419	2	METRI-PACK CONNECTOR	
3	4460419	6	METRI-PACK CONNECTOR	
4	4460419	4	METRI-PACK CONNECTOR	
5	80963056	1	CONNECTOR	
5	4460475	1	TERMINAL	
6	8220524	1	CONNECTOR	
6	8220525	1	WEDGE LOCK	
6	4460465	7	TERMINAL	
6	4460466	1	PLUG	
7	1001116812	1	CONNECTOR,DT 3-PIN PLUG J1939	
7	91554019	1	CONNECTOR LOCK	
7	4460944	2	TERMINAL	
7	4460945	1	CONNECTOR	
7	70022224	1	CONNECTOR	
7	91554019	1	CONNECTOR LOCK	
8	7026425	1	CONNECTOR	
8	80604016	1	CONNECTOR LOCK	
8	4460465	10	TERMINAL	
8	4460466	2	PLUG	
9	80363178	1	CONNECTOR	
9	80363179	1	CONNECTOR LOCK	
9	4460465	4	TERMINAL	
9	4460466	8	PLUG	

SECTION 10 - ELECTRICAL

FIGURE 10-20. INSTRUMENT PANEL HARNESS



PAP26600

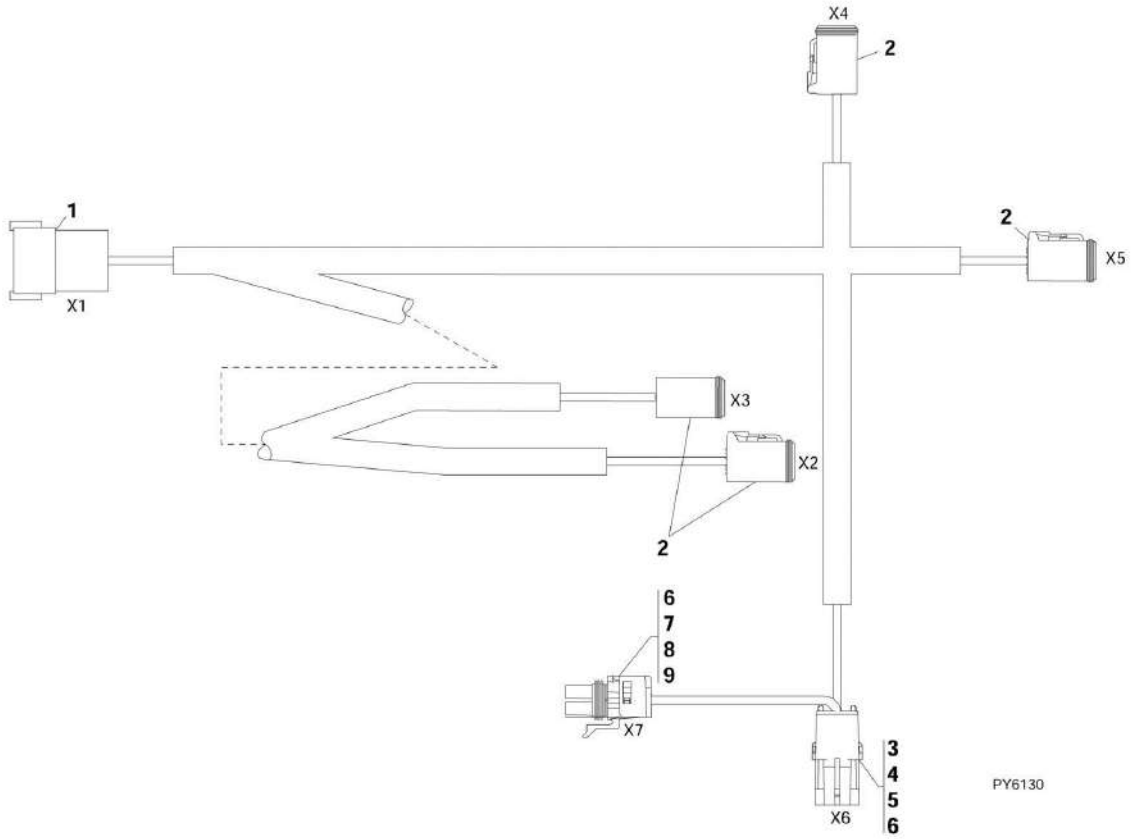
SECTION 10 - ELECTRICAL

FIGURE 10-20. INSTRUMENT PANEL HARNESS

ITEM	PART NUMBER	QTY	DESCRIPTION	REV
	1001102815	1	INSTRUMENT PANEL HARNESS, (includes all items)	C
1	91503105	1	8 PIN RECEPTACLE	
2	91503106	1	WEDGE LOCK	
3	77363228	7	TERMINAL	
4	4460466	1	PLUG	
5	N.S.S.	1	CONNECTOR	
6	70022691	1	WEDGE LOCK	
7	4460944	3	CONTACT	
8	N.S.S.	1	CONNECTOR	
9	N.S.S.	1	DOUBLE LOCK PLATE	
10	N.S.S.	1	SOCKET	
11	N.S.S.	1	WIRE SEAL	
12	N.S.S.	1	PLUG	
13	7026437	4	BULB BASE	
14	7026438	8	TERMINAL	
15	80484088	4	BULB	
16	1001116816	1	DIODE	
17	4460465	3	TERMINAL	
18	80604021	1	WEDGE LOCK	
19	4460884	1	CONNECTOR	
20	4460466	1	PLUG	

SECTION 10 - ELECTRICAL

FIGURE 10-21. FRAME ROAD LIGHT HARNESS



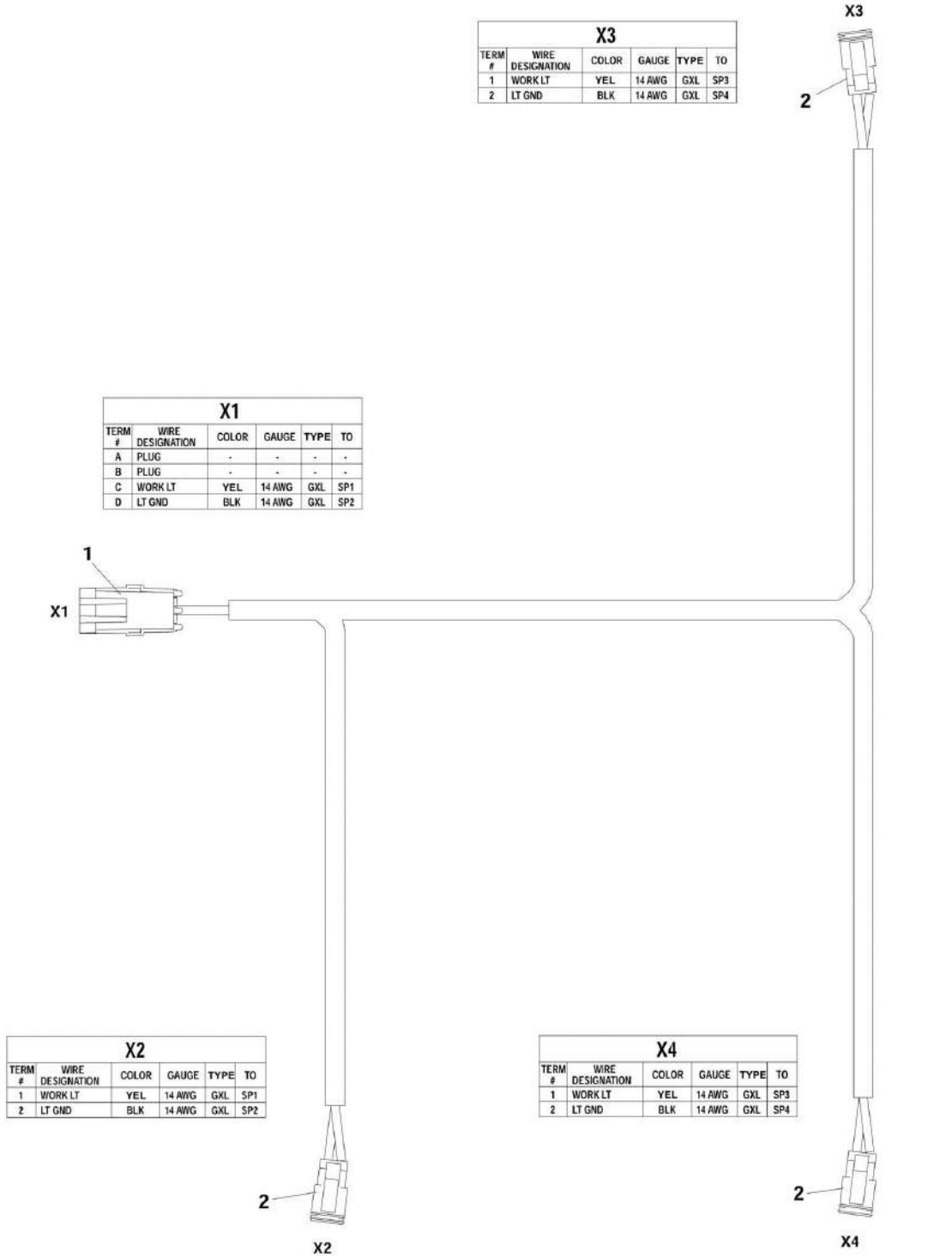
SECTION 10 - ELECTRICAL

FIGURE 10-21. FRAME ROAD LIGHT HARNESS

ITEM	PART NUMBER	QTY	DESCRIPTION	REV
	1001125385	1	FRAME ROAD LIGHTS HARNESS, (if equipped), (includes all items)	A
1	91503105	1	CONNECTOR	
1	91503106	1	WEDGE LOCK	
2	7026909	4	CONNECTOR	
2	80604023	4	WEDGE LOCK	
3	80963062	1	CONNECTOR	
4	4460850	3	TERMINAL	
5	8220089	1	SEAL	
6	1001116727	4	PLUG	
7	80963061	1	CONNECTOR	
8	4460457	2	TERMINAL	
9	4460458	1	SEAL	

SECTION 10 - ELECTRICAL

FIGURE 10-22. BOOM WORK LIGHT HARNESS



PAP2790

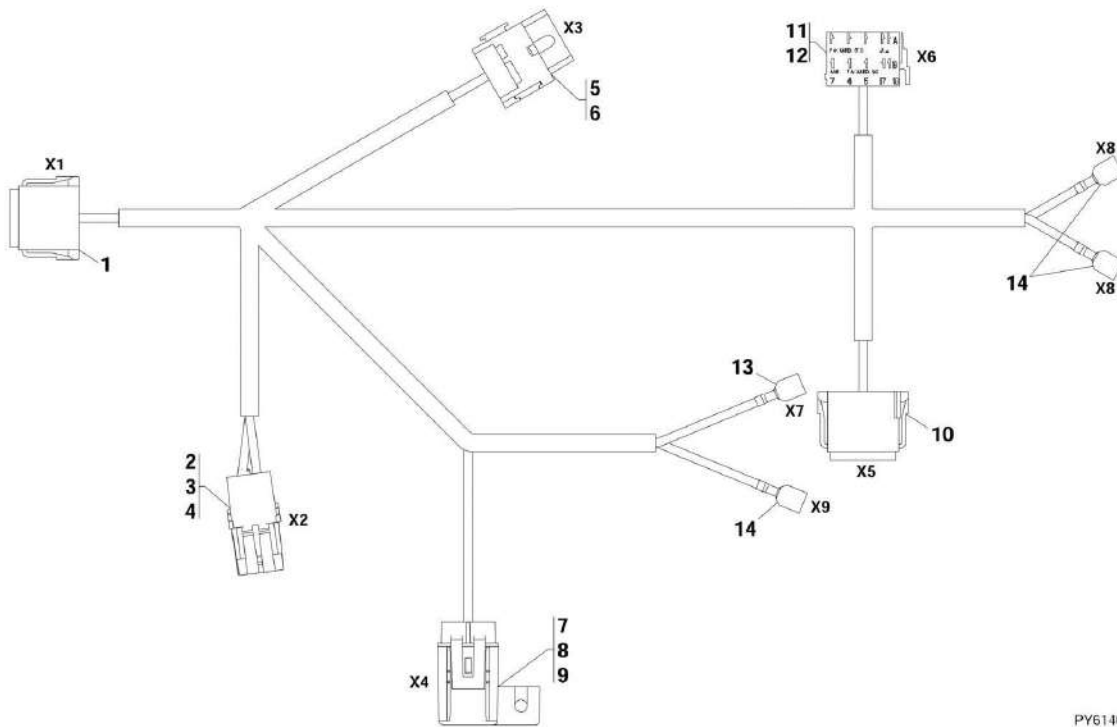
SECTION 10 - ELECTRICAL

FIGURE 10-22. BOOM WORK LIGHT HARNESS

ITEM	PART NUMBER	QTY	DESCRIPTION	REV
	1001125382	1	BOOM WORK LIGHTS HARNESS, (if equipped), (includes all items)	A
1	80963062	1	CONNECTOR	
1	4460850	2	TERMINAL	
1	8220081	2	SEAL	
1	1001116727	2	PLUG	
2	4460891	3	PLUG CONNECTOR, (includes rear seal)	
2	80604018	1	WEDGE LOCK	
2	4460942	2	TERMINAL	

SECTION 10 - ELECTRICAL

FIGURE 10-23. CAB ROAD LIGHT HARNESS



PY6140

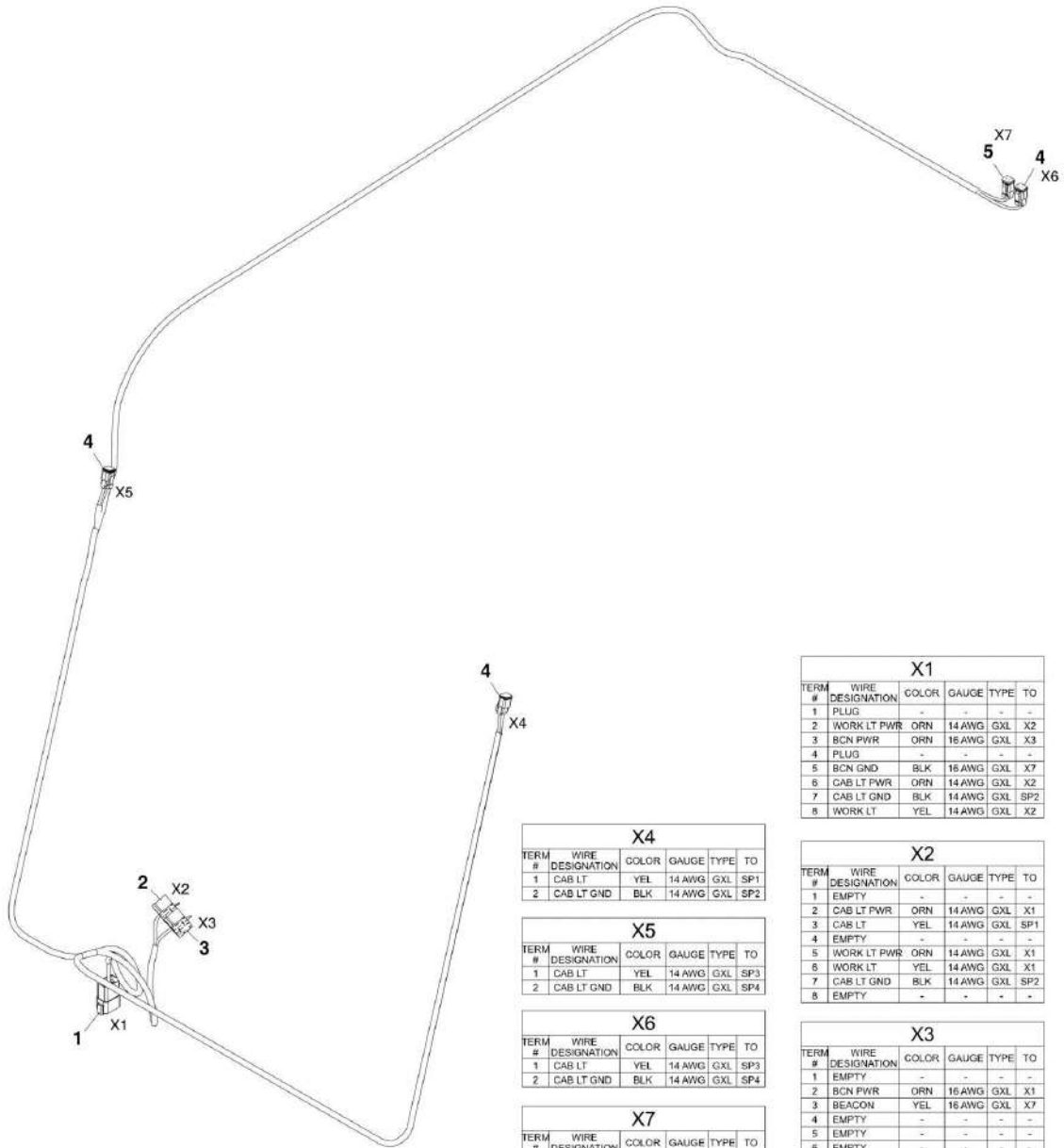
SECTION 10 - ELECTRICAL

FIGURE 10-23. CAB ROAD LIGHT HARNESS

ITEM	PART NUMBER	QTY	DESCRIPTION	REV
	1001090509	1	CAB ROAD LIGHTS HARNESS, (if equipped), (includes all items)	C
1	4460851	1	CONNECTOR	
1	80604025	1	WEDGE LOCK	
2	4461157	1	CONNECTOR	
3	4460475	2	TERMINAL	
4	8220081	1	SEAL	
5	1001117058	1	CONNECTOR	
6	4460419	2	TERMINAL	
7	1001117018	1	CONNECTOR, (includes 15 amp fuse)	
8	1001116733	2	TERMINAL	
9	7029771	1	COVER	
10	4460934	1	CONNECTOR	
10	80604016	1	WEDGE LOCK	
11	1001117079	1	CONNECTOR	
12	1001118384	7	TERMINAL	
13	N.S.S.	1	1/4 SPADE TERMINAL	
14	N.S.S.	1	1/4 FEMALE TERMINAL	

SECTION 10 - ELECTRICAL

FIGURE 10-24. CAB WORK LIGHT HARNESS (Prior to SN 0160059446)



X4					
TERM #	WIRE DESIGNATION	COLOR	GAUGE	TYPE	TO
1	CAB LT	YEL	14 AWG	GXL	SP1
2	CAB LT GND	BLK	14 AWG	GXL	SP2

X5					
TERM #	WIRE DESIGNATION	COLOR	GAUGE	TYPE	TO
1	CAB LT	YEL	14 AWG	GXL	SP3
2	CAB LT GND	BLK	14 AWG	GXL	SP4

X6					
TERM #	WIRE DESIGNATION	COLOR	GAUGE	TYPE	TO
1	CAB LT	YEL	14 AWG	GXL	SP3
2	CAB LT GND	BLK	14 AWG	GXL	SP4

X7					
TERM #	WIRE DESIGNATION	COLOR	GAUGE	TYPE	TO
1	BEACON	YEL	16 AWG	GXL	X3
2	BCN GND	BLK	16 AWG	GXL	X1

X1					
TERM #	WIRE DESIGNATION	COLOR	GAUGE	TYPE	TO
1	PLUG	-	-	-	-
2	WORK LT PWR	ORN	14 AWG	GXL	X2
3	BCN PWR	ORN	16 AWG	GXL	X3
4	PLUG	-	-	-	-
5	BCN GND	BLK	16 AWG	GXL	X7
6	CAB LT PWR	ORN	14 AWG	GXL	X2
7	CAB LT GND	BLK	14 AWG	GXL	SP2
8	WORK LT	YEL	14 AWG	GXL	X2

X2					
TERM #	WIRE DESIGNATION	COLOR	GAUGE	TYPE	TO
1	EMPTY	-	-	-	-
2	CAB LT PWR	ORN	14 AWG	GXL	X1
3	CAB LT	YEL	14 AWG	GXL	SP1
4	EMPTY	-	-	-	-
5	WORK LT PWR	ORN	14 AWG	GXL	X1
6	WORK LT	YEL	14 AWG	GXL	X1
7	CAB LT GND	BLK	14 AWG	GXL	SP2
8	EMPTY	-	-	-	-

X3					
TERM #	WIRE DESIGNATION	COLOR	GAUGE	TYPE	TO
1	EMPTY	-	-	-	-
2	BCN PWR	ORN	16 AWG	GXL	X1
3	BEACON	YEL	16 AWG	GXL	X7
4	EMPTY	-	-	-	-
5	EMPTY	-	-	-	-
6	EMPTY	-	-	-	-
7	CAB LT GND	BLK	14 AWG	GXL	SP2
8	EMPTY	-	-	-	-

PAL7070

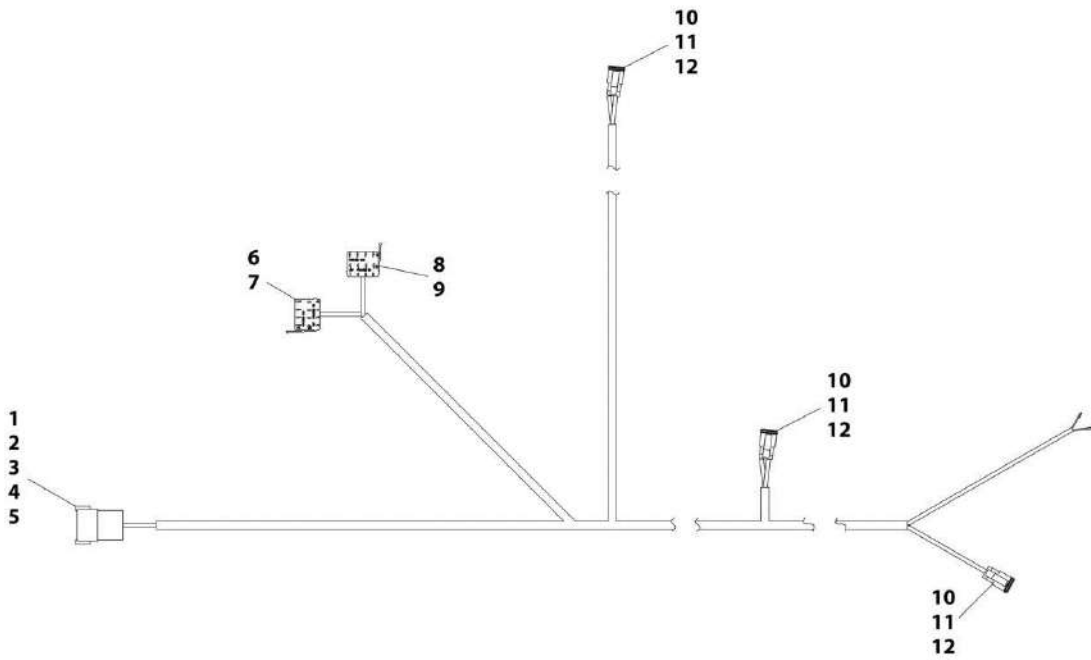
SECTION 10 - ELECTRICAL

FIGURE 10-24. CAB WORK LIGHT HARNESS (Prior to SN 0160059446)

ITEM	PART NUMBER	QTY	DESCRIPTION	REV
	1001125384	1	CAB WORK LIGHT HARNESS, (includes all items)	B
1	91554017	1	DEUTSCH CONNECTOR	
1	8220525	1	WEDGELOCK	
1	4460465	2	SOCKET TERMINAL	
1	4460942	4	SOCKET TERMINAL	
1	4460466	2	PLUG	
2	7026439	1	CONNECTOR	
2	1001118384	5	TERMINAL	
3	7026439	1	CONNECTOR	
3	1001118384	3	TERMINAL	
4	4460891	3	PLUG CONNECTOR, (includes rear seal)	
4	80604018	1	WEDGELOCK	
4	4460942	2	SOCKET TERMINAL	
5	4460891	3	PLUG CONNECTOR, (includes rear seal)	
5	80604018	1	WEDGELOCK	
5	4460465	2	SOCKET TERMINAL	

SECTION 10 - ELECTRICAL

FIGURE 10-25. CAB WORK LIGHT HARNESS (SN 0160059446 to Present)



ART_1001158896-B

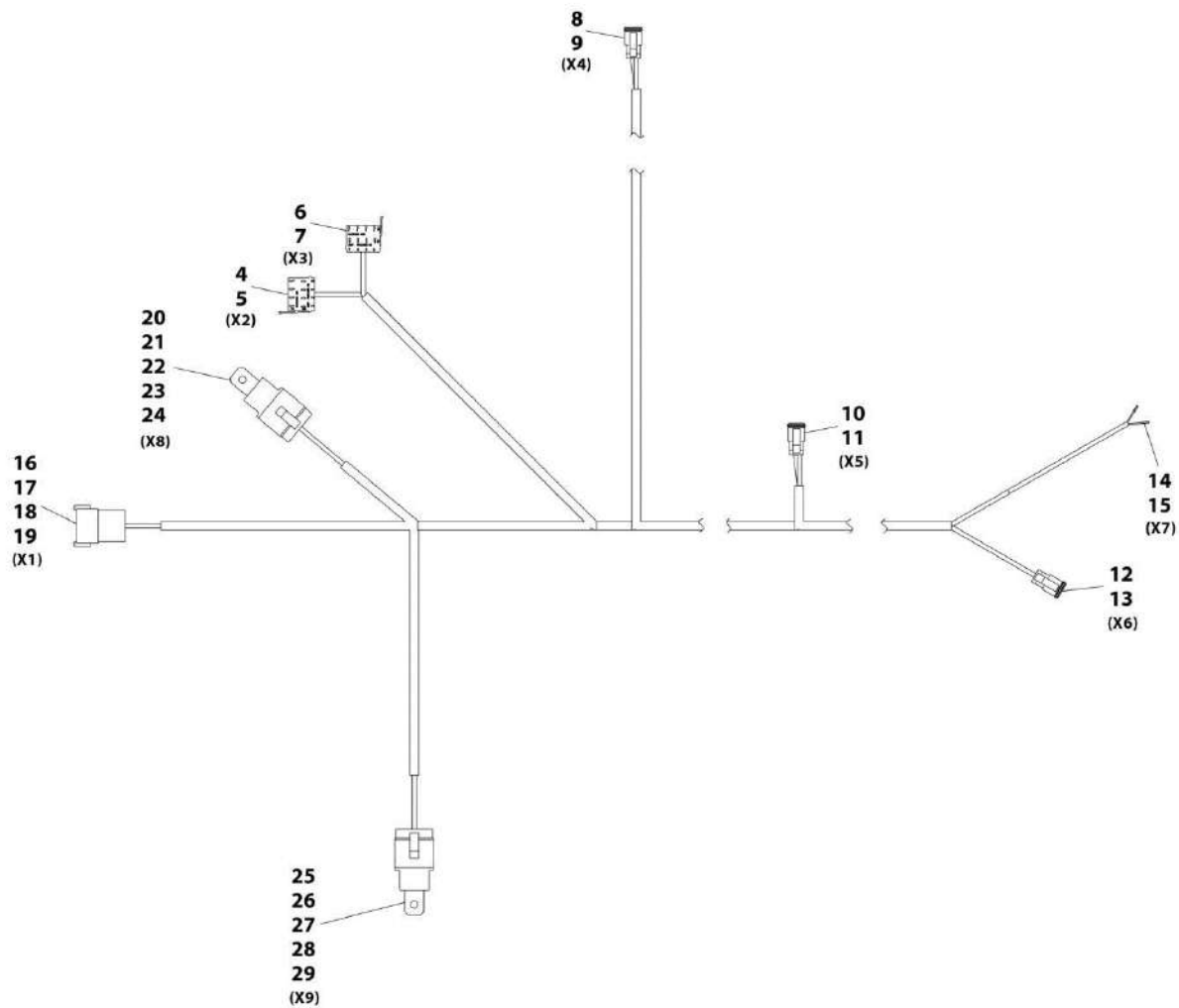
SECTION 10 - ELECTRICAL

FIGURE 10-25. CAB WORK LIGHT HARNESS (SN 0160059446 to Present)

ITEM	PART NUMBER	QTY	DESCRIPTION	REV
	1001158896	Ref	CAB WORKLIGHT HARNESS, (no longer available, see items 1 thru 12 for service or 1001224062 for replacement)	B
1	91503105	1	CONNECTOR	
2	8220525	1	LOCK	
3	77363229	4	TERMINAL	
4	4460942	2	TERMINAL	
5	4460466	2	TERMINAL, SEALING PLUG	
6	7026439	1	HOUSING	
7	1001118384	5	TERMINAL	
8	7026439	1	HOUSING	
9	1001118384	3	TERMINAL	
10	7026408	3	CONNECTOR	
11	80604018	1	WEDGE LOCK	
12	80463058	2	TERMINAL	

SECTION 10 - ELECTRICAL

FIGURE 10-26. CAB WORK LIGHT HARNESS



ART_1001224062-B

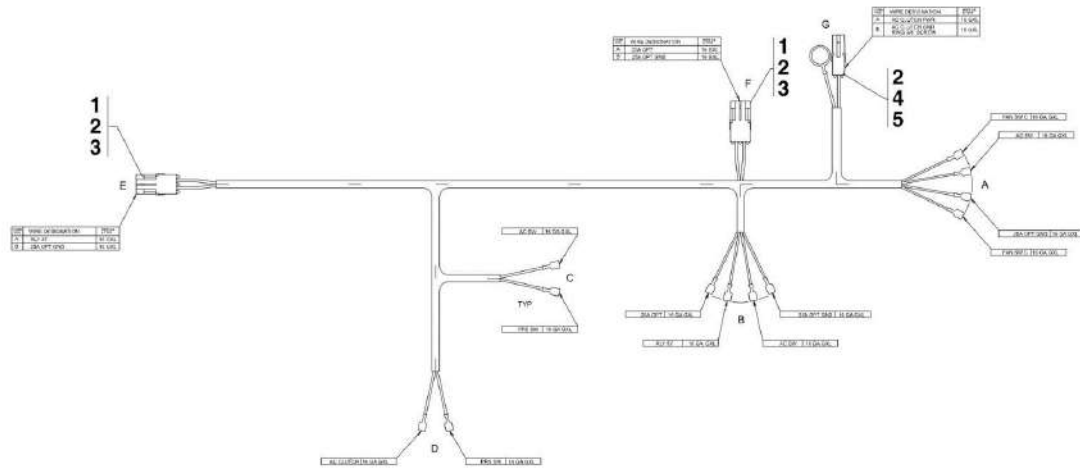
SECTION 10 - ELECTRICAL

FIGURE 10-26. CAB WORK LIGHT HARNESS

ITEM	PART NUMBER	QTY	DESCRIPTION	REV
	1001224062	Ref	CAB WORK LIGHT HARNESS	A
1	4460931	1	CONNECTOR	
2	4460941	6	TERMINAL	
3	4460466	2	PLUG	
4	8220904	1	CONNECTOR	
5	1001118384	5	TERMINAL	
6	8220904	1	CONNECTOR	
7	1001118384	3	TERMINAL	
8	4460891	1	CONNECTOR	
9	4460942	2	TERMINAL	
10	4460891	1	CONNECTOR	
11	4460942	2	TERMINAL	
12	4460891	1	CONNECTOR	
13	4460942	2	TERMINAL	
14	4460458	1	SEAL	
15	4460746	2	TERMINAL,TANGED FEMALE METRI-PACK 280	
16	1001117025	1	CONNECTOR	
17	3740080	1	RELAY	
18	1001116733	4	TERMINAL	
19	1001128128	1	PLUG	
20	1001117025	1	CONNECTOR	
21	3740080	1	RELAY	
22	1001116733	4	TERMINAL	
23	1001128128	1	PLUG	

SECTION 10 - ELECTRICAL

FIGURE 10-27. A/C HARNESS



PAL3011

WIRE CHART										
WIRE DESIGNATION	WIRE COLOR/STRPC	WIRE GAUGE	WIRE END A	WIRE END B	WIRE END C	WIRE END D	WIRE END E	WIRE END F	WIRE END G	REMARKS
25A OPT	ORANGE	16		1/4 FEMALE SPADE				PACKARD ASSY		25 AMP OPTION
25A OPT GND	BLACK	16	1/4 FEMALE SPADE	1/4 FEMALE SPADE			PACKARD ASSY	PACKARD ASSY	RING 3/8" SCREW	25 AMP OPTION GROUND
AC SW	YELLOW	16	1/4 FEMALE SPADE	1/4 FEMALE SPADE	1/4 FEMALE SPADE					AC SWITCH
AC CLUTCH	WHITE	16				1/4 FEMALE SPADE			PACKARD ASSY	AC CLUTCH
FAN SW C	GREEN	16	1/4 FEMALE SPADE 2X							AC SWITCH TO FAN C
PRS SW	VIOLET	16			1/4 FEMALE SPADE	1/4 FEMALE SPADE				PRESSURE SWITCH
RLY 87	ORANGE	16		1/4 FEMALE SPADE			PACKARD ASSY			RELAY 87

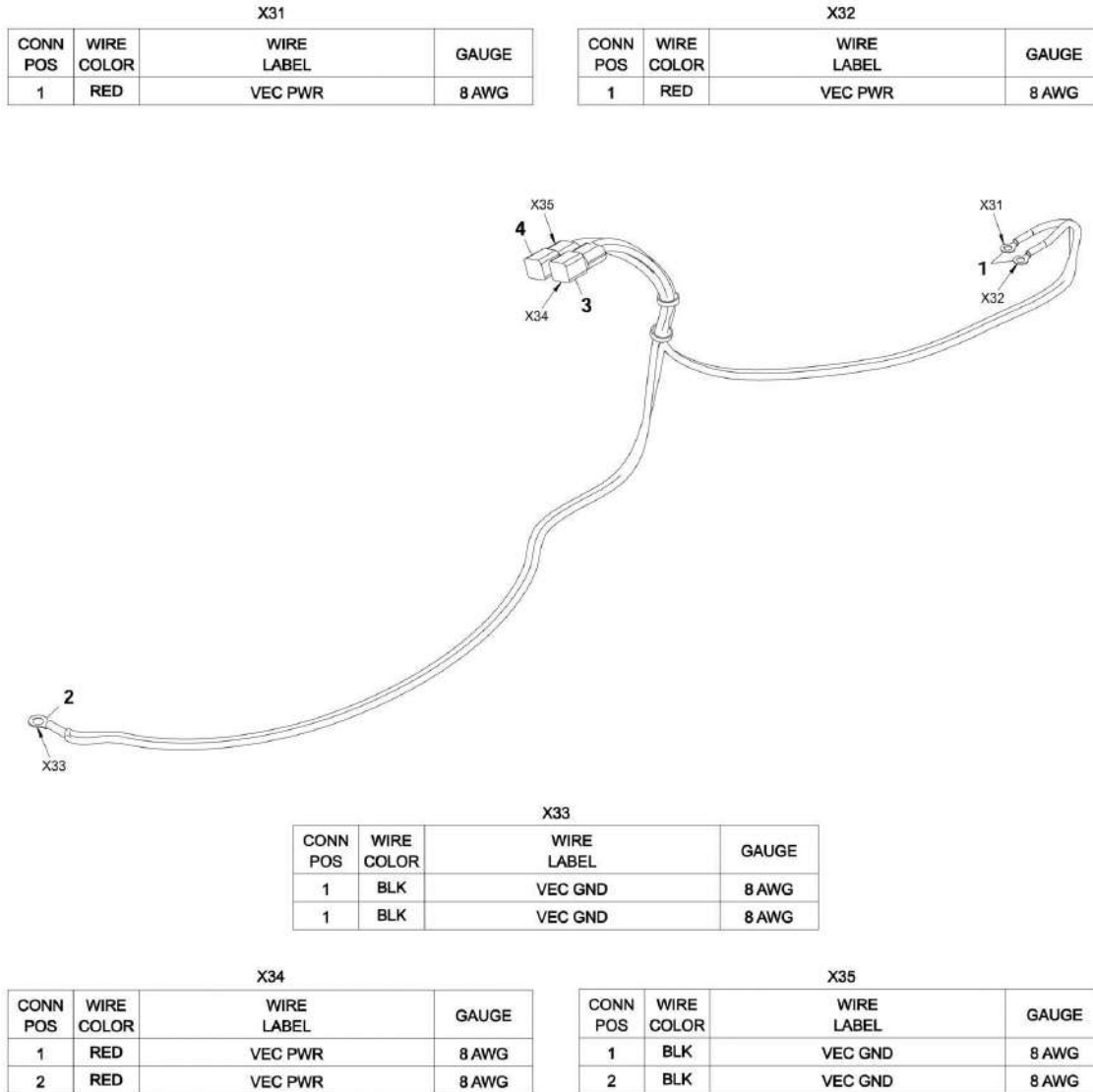
SECTION 10 - ELECTRICAL

FIGURE 10-27. A/C HARNESS

ITEM	PART NUMBER	QTY	DESCRIPTION	REV
	91563247	1	A/C HARNESS, (includes items 1 thru 5)	D
1	80963058	2	SHROUD	
2	80963069	3	TERMINAL	
3	80963067	2	CABLE SEAL	
4	80963056	1	CONNECTOR	
5	80963065	1	CABEL SEAL, GREEN	

SECTION 10 - ELECTRICAL

FIGURE 10-28. VEC HARNESS



PY8100

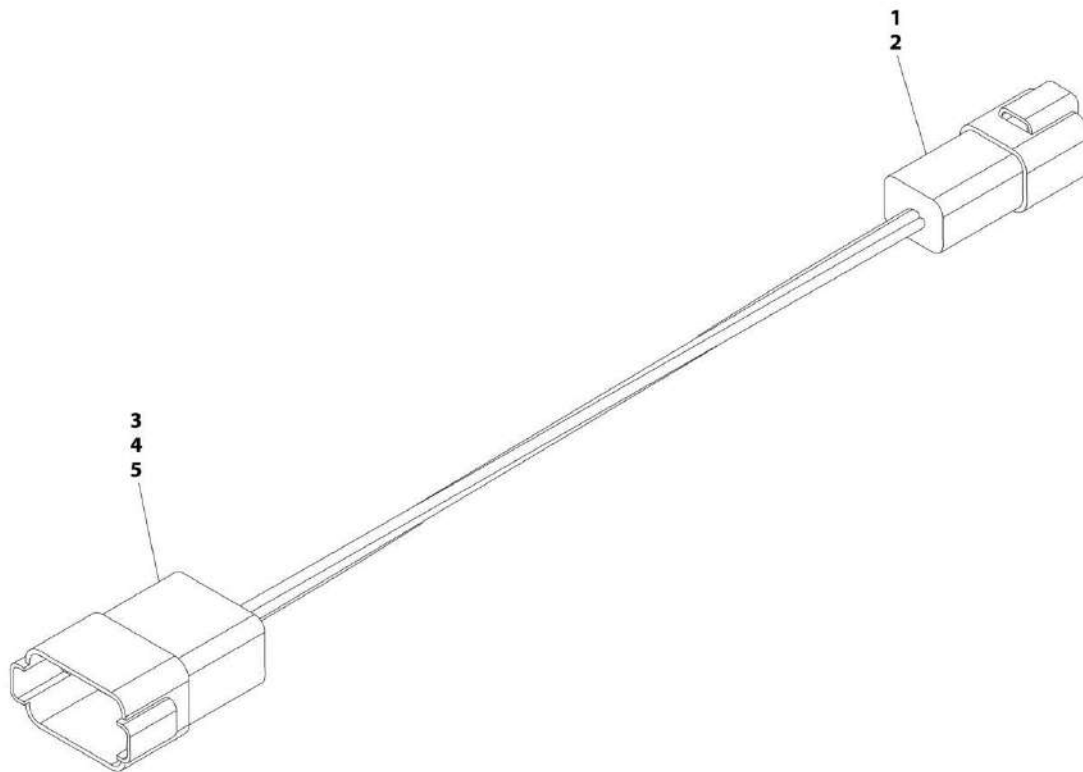
SECTION 10 - ELECTRICAL

FIGURE 10-28. VEC HARNESS

ITEM	PART NUMBER	QTY	DESCRIPTION	REV
	1001131891	1	VEC HARNESS	C
1	1001117106	2	RING TERMINAL	
2	1001117112	1	RING TERMINAL	
3	1001117104	1	POSITIVE VEC CONNECTOR	
4	1001117103	1	NEGATIVE VEC CONNECTOR	

SECTION 10 - ELECTRICAL

FIGURE 10-29. TELEMATICS INSTALLATION, UNITED RENTALS, (WITH SHORT JUMPER HARNESS)



ART_1001195423-B

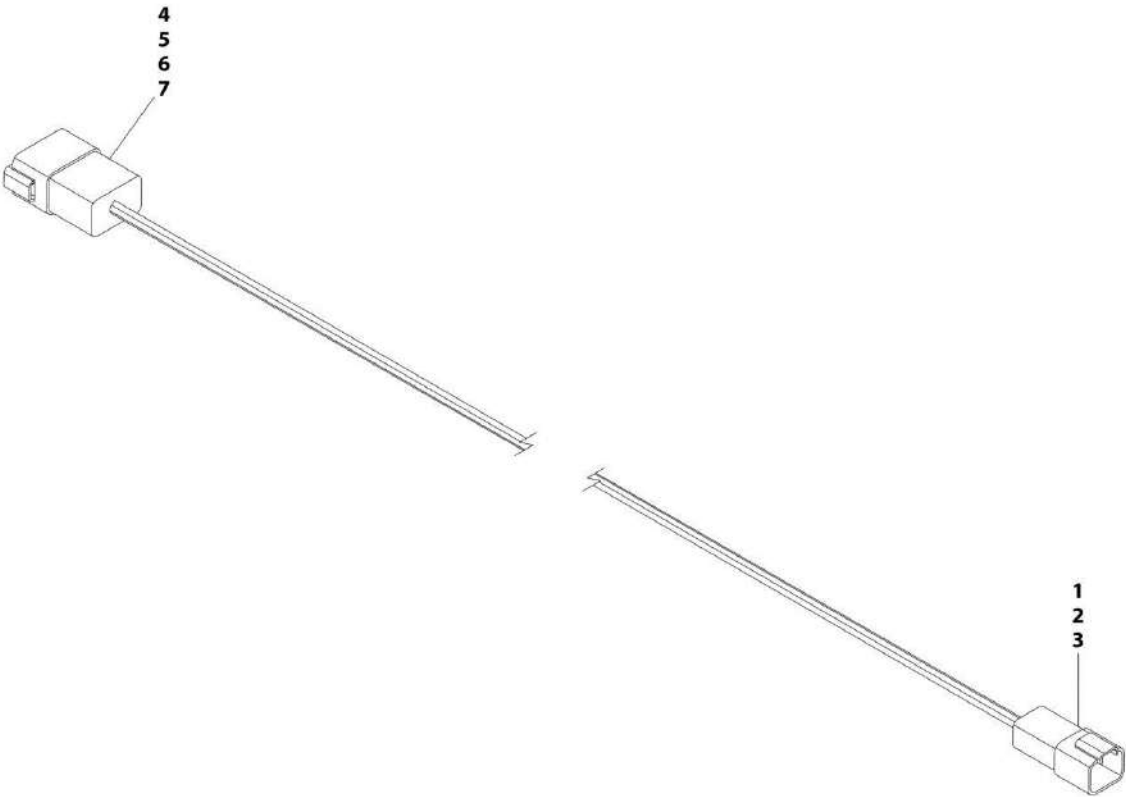
SECTION 10 - ELECTRICAL

FIGURE 10-29. TELEMATICS INSTALLATION, UNITED RENTALS, (WITH SHORT JUMPER HARNESS)

ITEM	PART NUMBER	QTY	DESCRIPTION	REV
	1001195423	1	TELEMATICS INSTALLATION, UNITED RENTALS, (with short jumper harness)	B
1	4460932	1	CONNECTOR	
2	4460464	4	TERMINAL	
3	4460931	1	CONNECTOR	
4	4460464	4	TERMINAL	
5	4460466	4	PLUG	

SECTION 10 - ELECTRICAL

FIGURE 10-30. TELEMATICS INSTALLATION, UNITED RENTALS, (WITH LONG JUMPER HARNESS)



ART_1001195424-A

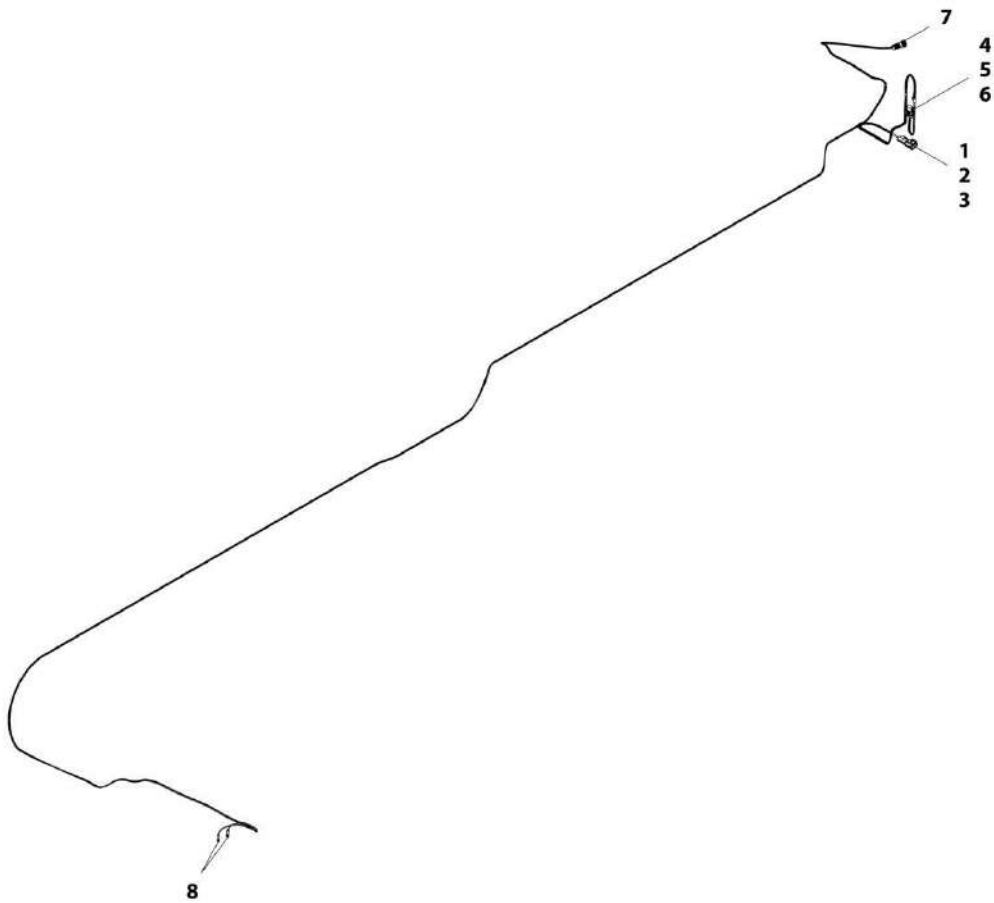
SECTION 10 - ELECTRICAL

FIGURE 10-30. TELEMATICS INSTALLATION, UNITED RENTALS, (WITH LONG JUMPER HARNESS)

ITEM	PART NUMBER	QTY	DESCRIPTION	REV
	1001195424	1	TELEMATICS INSTALLATION, UNITED RENTALS, (with long jumper harness)	A
1	4460932	1	CONNECTOR	
2	80604020	1	LOCK CONNECTOR	
3	4460464	4	TERMINAL	
4	4460931	1	CONNECTOR	
5	80604022	1	LOCK CONNECTOR	
6	4460464	4	TERMINAL	
7	4460466	4	PLUG	

SECTION 10 - ELECTRICAL

FIGURE 10-31. REVERSE SENSOR HARNESS



ART_1001153084-B

SECTION 10 - ELECTRICAL

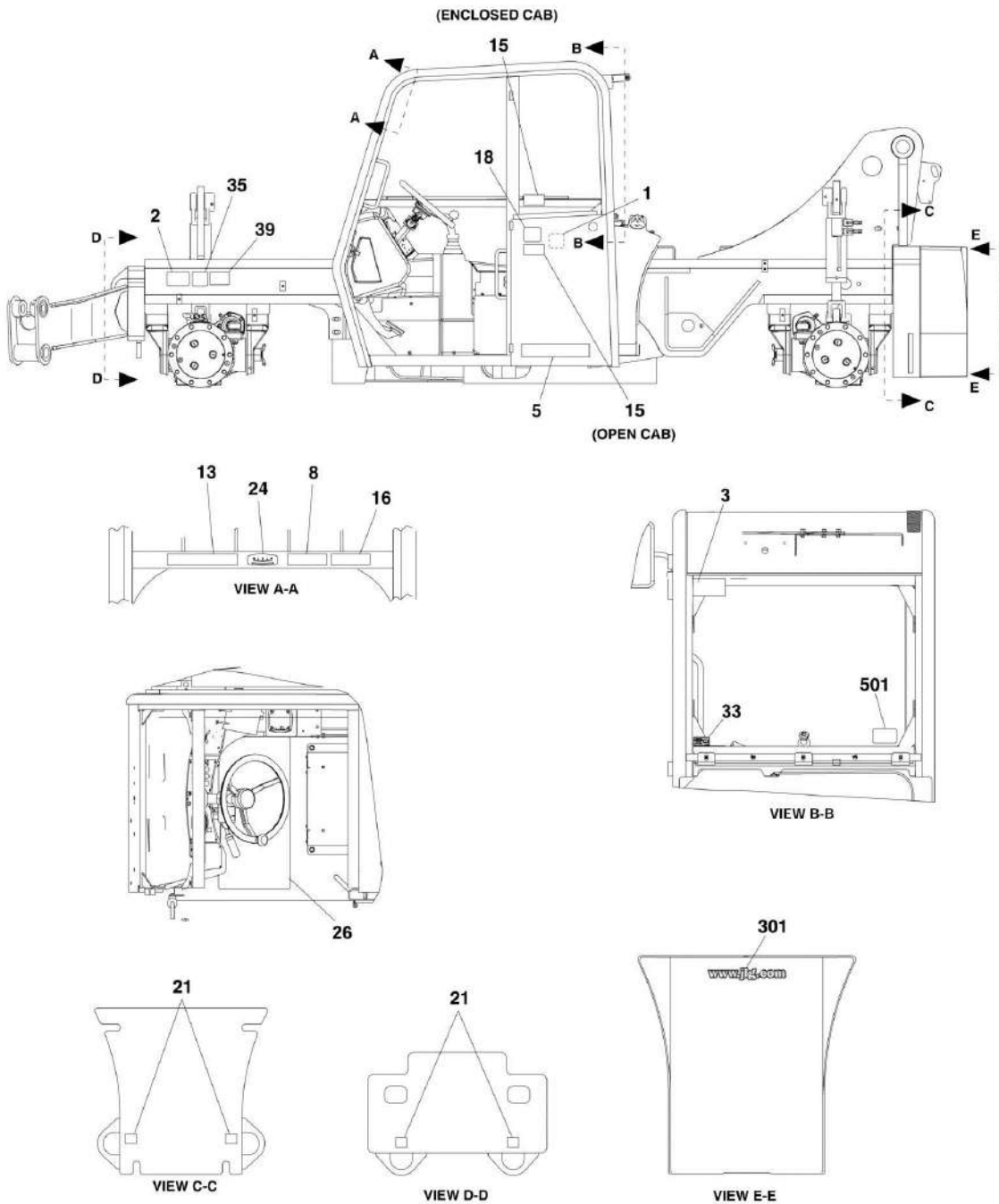
FIGURE 10-31. REVERSE SENSOR HARNESS

ITEM	PART NUMBER	QTY	DESCRIPTION	REV
	1001153084	Ref	REVERSE SENSOR HARNESS	B
1	1001117021	1	CONNECTOR	
2	1001116728	2	TERMINAL	
3	4460458	2	TERMINAL, SEAL	
4	1001117026	1	CONNECTOR	
5	1001116745	2	TERMINAL	
6	4460458	2	TERMINAL, SEAL	
7	1001175733	1	CONNECTOR	
8	1001098122	2	TERMINAL, RING	

SECTION 11 - DECALS

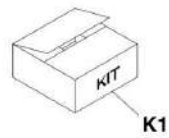
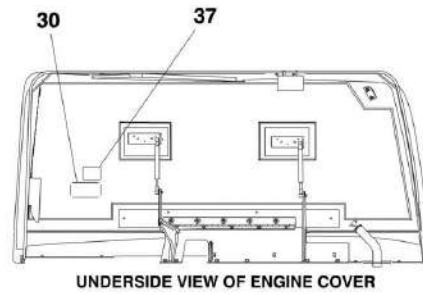
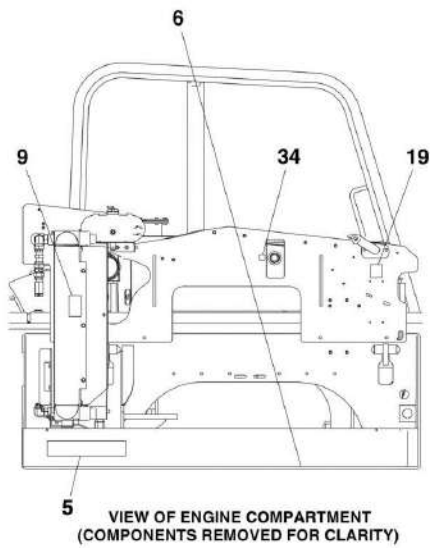
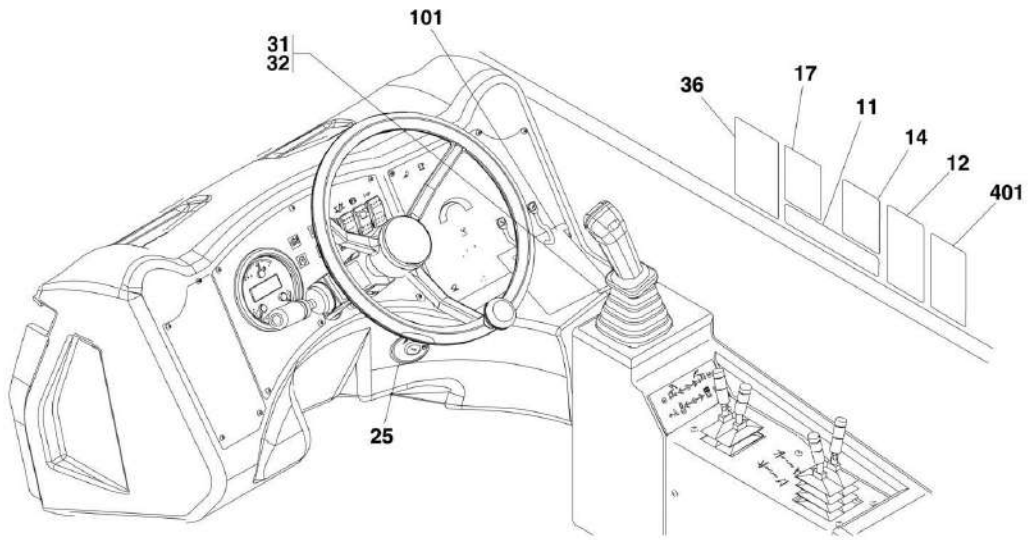
SECTION 11 - DECALS

FIGURE 11-1. CAB AND FRAME DECALS



ART_31200726-11-1_1

SECTION 11 - DECALS



ART_31200728-11-1_2

SECTION 11 - DECALS

FIGURE 11-1. CAB AND FRAME DECALS

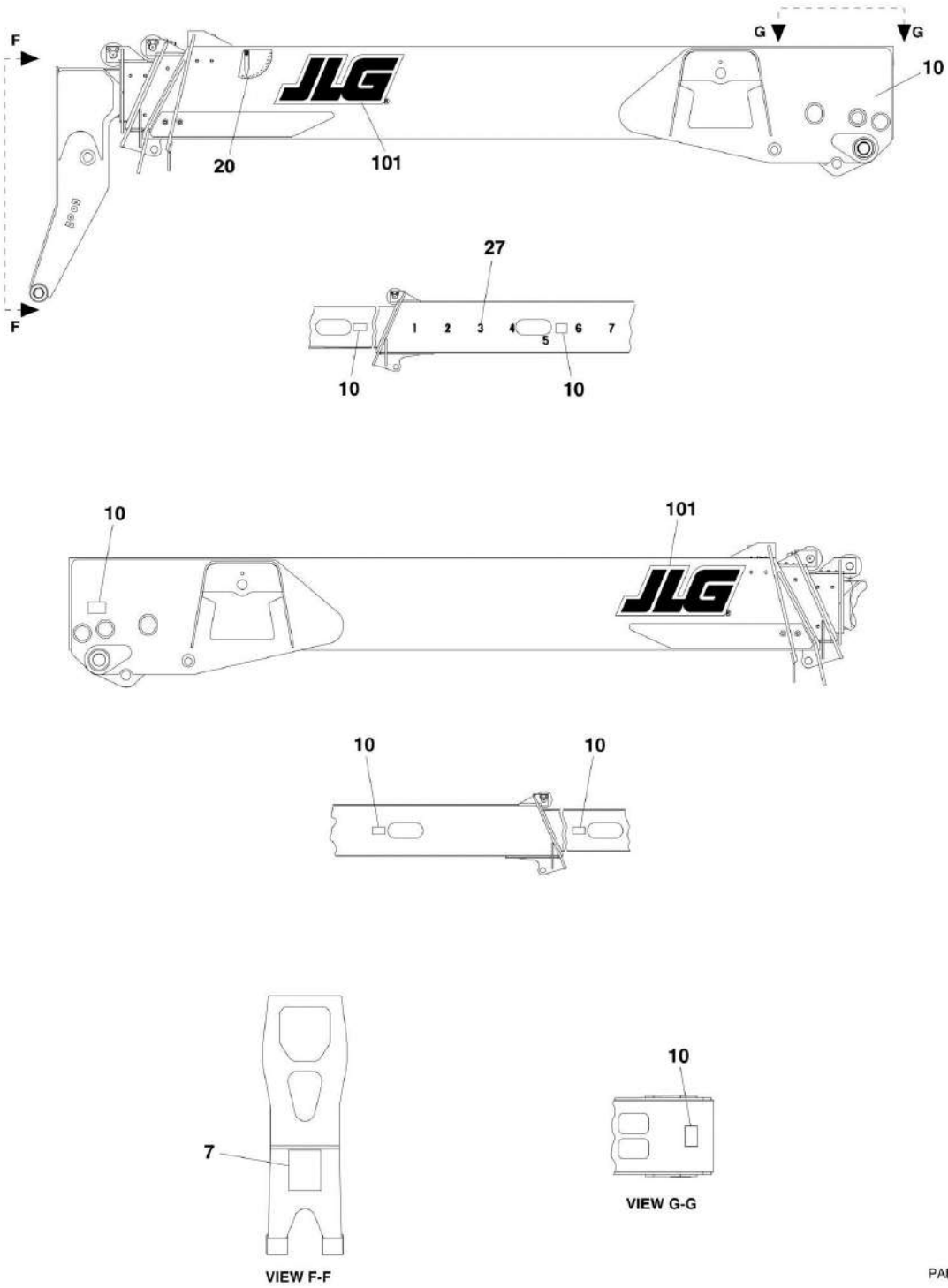
ITEM	PART NUMBER	QTY	DESCRIPTION	REV
	1001135774	Ref	DECAL INSTALLATION, (G10-55A), (ANSI), (not available to order, see items 1 thru 37 & 39 on CAB AND FRAME DECALS and all items on BOOM DECALS for service)	I
	1001135775	Ref	DECAL INSTALLATION, (G10-55A), (ISO), (not available to order, see items 1 thru 39 on CAB AND FRAME DECALS and all items on BOOM DECALS for service)	J
	1001135771	Ref	DECAL INSTALLATION, (G12-55A), (ANSI), (not available to order, see items 1 thru 37 & 39 on CAB AND FRAME DECALS and all items on BOOM DECALS for service)	J
	1001135773	Ref	DECAL INSTALLATION, (G12-55A), (ISO), (not available to order, see items 1 thru 39 on CAB AND FRAME DECALS and all items on BOOM DECALS for service)	J
	1001163578	Ref	DECAL INSTALLATION, (G10-55A), (English\French), (not available to order, see items 1 thru 39 on CAB AND FRAME DECALS and all items on BOOM DECALS for services)	C
	1001163574	Ref	DECAL INSTALLATION, (G12-55A), (English\French), (not available to order, see items 1 thru 39 on CAB AND FRAME DECALS and all items on BOOM DECALS for services)	C
1	1701640	1	MANUAL DECAL	
2	N.S.S.	1	SN PLATE	
3	1706300	1	ETHER START WARNING DECAL, (ANSI)	
3	1706098	1	ETHER START WARNING DECAL, (ISO)	
3	1001163212	1	ETHER START WARNING DECAL, (English\French)	
5	1706187	2	DECAL INSTALLATION G10-55A DECAL	
5	1706186	2	DECAL INSTALLATION G12-55A DECAL	
6	1706296	1	BATTERY DECAL, (ANSI)	
6	1706281	1	BATTERY DECAL, (ISO)	
6	1001163174	1	BATTERY DECAL, (English\French)	
8	1706299	1	ELECTROCUTION HAZARD DECAL, (ANSI)	
8	1706284	1	ELECTROCUTION HAZARD DECAL, (ISO)	
8	1001163210	1	ELECTROCUTION HAZARD DECAL, (English\French)	
9	1706301	1	ROTATING PARTS DECAL, (ANSI)	
9	1706285	1	ROTATING PARTS DECAL, (ISO)	
9	1001163222	1	ROTATING PARTS DECAL, (English\French)	
11	1706303	1	READ MANUAL DECAL, (ANSI)	
11	1706287	1	READ MANUAL DECAL, (ISO)	
11	1001163273	1	READ MANUAL DECAL, (English\French)	
12	1706304	1	RUN OVER DECAL, (ANSI)	
12	1706293	1	RUN OVER DECAL, (ISO)	
12	1001163276	1	RUN OVER DECAL, (English\French)	
13	1706306	1	TIP OVER DECAL, (ANSI)	
13	1706288	1	TIP OVER DECAL, (ISO)	
13	1001163285	1	TIP OVER DECAL, (English\French)	
14	1706767	1	MACHINE ROLL DECAL, (ANSI)	
14	1706289	1	MACHINE ROLL DECAL, (ISO)	
14	1001163291	1	MACHINE ROLL DECAL, (English\French)	
15	1706768	1	NO RIDERS DECAL, (ANSI)	
15	1001092878	1	NO RIDERS DECAL, (ISO)	
15	1001163300	1	NO RIDES DECAL, (English\French)	
16	1706850	1	CRUSH HAZARD WARNING DECAL, (ANSI)	
16	1001092877	1	CRUSH HAZARD WARNING DECAL, (ISO)	
16	1001163304	1	CRUS HAZARD WARNING DECAL, (English\French)	

SECTION 11 - DECALS

ITEM	PART NUMBER	QTY	DESCRIPTION	REV
17	1706851	1	TIP OVER DECAL, (ANSI)	
17	1706283	1	TIP OVER DECAL, (ISO)	
17	1001163321	1	TIP OVER DECAL, (English\French)	
18	3251813	1	USA DECAL	
19	4100181	1	HYDRAULIC OIL DECAL	
21	1702300	4	TIE-DOWN DECAL	
24	8466306	1	TILT ANGLE GAUGE	
25	91413061	1	IGNITION SWITCH DECAL	
26	1001152569	1	NON SKID FLOOR	
30	1001139578	1	HOT FLUID WARNING DECAL, (ANSI)	
30	1001163323	1	HOT FLUID WARNING DECAL, (English\French)	
31	1001145498	1	MAINTENANCE CHART DECAL, (ANSI AND ISO)	
31	1001145498	1	MAINTENANCE CHART DECAL, (English\French)	
32	1001121126	1	LUBRICATION CHART DECAL (Prior to SN 0160050017)	
32	1001150157	1	LUBRICATION CHART DECAL (SN 0160050017 to Present)	
33	1001125387	1	ULTRA LOW SULFUR DIESEL DECAL, (ANSI)	
33	1001163355	1	ULTRA LOW SULFUR DIESEL DECAL, (English\French)	
34	1001130323	1	OIL LEVEL DECAL	
35	1001131271	1	TELEHANDLERS PATENT DECAL	
36	1001131745	1	BOOM CONTROL DECAL	
37	1001109053	1	COOLANT FILL DECAL	
39	1702631	1	BAR CODE ASSY DECAL	
101	1001115135	1	CAPACITY CHART BOOKLET, (G10-55A), (ANSI)	B
101	1001115138	1	OPTIONAL CAPACITY CHART BOOKLET, (G10-55A), (ANSI)	G
101	1001115175	1	CAPACITY CHART BOOKLET, (G10-55A), (ISO)	B
101	1001115183	1	OPTIONAL CAPACITY CHART BOOKLET, (G10-55A), (ISO)	F
101	1001115536	1	CAPACITY CHART BOOKLET, (G12-55A), (ANSI)	B
101	1001115540	1	OPTIONAL CAPACITY CHART BOOKLET, (G12-55A), (ANSI)	G
101	1001115190	1	CAPACITY CHART BOOKLET, (G12-55A), (ISO)	B
101	1001115198	1	OPTIONAL CAPACITY CHART BOOKLET, (G12-55A), (ISO)	F
201	91163028	1	SHIFTER DECAL, (not shown)	
202	91503112	1	AUX HYDRAULIC DECAL, (not shown)	
204	1001103956	1	A/C TEMPERATURE DECAL, (if equipped), (not shown)	
301	1704885	1	WEBSITE DECAL	
401	1001160072	1	DECAL, REVERSE SENSING SYSTEM, (English)	
401	1001160945	1	DECAL, REVERSE SENSING SYSTEM, (English\French)	
401	1001160916	1	DECAL, REVERSE SENSING SYSTEM, (ISO)	
501	1001160071	1	REAR EMERGENCY EXIT DECAL, (English)	
501	1001160787	1	REAR EMERGENCY EXIT DECAL, (English\French)	
501	1001160912	1	REAR EMERGENCY EXIT DECAL, (ISO)	
K1	1001163420	1	DECAL CAB KIT, (English\French), (include items 8, 13, 15 thru 16)	
K1	1001163422	1	DECAL CAB KIT, (English\French), (include items 11, 12, 14 thru 17)	

SECTION 11 - DECALS

FIGURE 11-2. BOOM DECALS



PAP25940

SECTION 11 - DECALS

FIGURE 11-2. BOOM DECALS

ITEM	PART NUMBER	QTY	DESCRIPTION	REV
	1001135774	Ref	DECAL INSTALLATION, (G10-55A), (ANSI), (not available to order, see items 1 thru 37 & 39 on CAB AND FRAME DECALS and all items on BOOM DECALS for service)	I
	1001135775	Ref	DECAL INSTALLATION, (G10-55A), (ISO), (not available to order, see items 1 thru 39 on CAB AND FRAME DECALS and all items on BOOM DECALS for service)	J
	1001135771	Ref	DECAL INSTALLATION, (G12-55A), (ANSI), (not available to order, see items 1 thru 37 & 39 on CAB AND FRAME DECALS and all items on BOOM DECALS for service)	J
	1001135773	Ref	DECAL INSTALLATION, (G12-55A), (ISO), (not available to order, see items 1 thru 39 on CAB AND FRAME DECALS and all items on BOOM DECALS for service)	J
	1001163578	Ref	DECAL INSTALLATION, (G10-55A), (English\French), (not available to order, see items 1 thru 39 on CAB AND FRAME DECALS and all items on BOOM DECALS for services)	A
	1001163574	Ref	DECAL INSTALLATION, (G12-55A), (English\French), (not available to order, see items 1 thru 39 on CAB AND FRAME DECALS and all items on BOOM DECALS for services)	A
7	1706298	1	CARRY PERSONNEL DECAL, (ANSI)	
7	1706282	1	CARRY PERSONNEL DECAL, (ISO)	
7	1001163206	1	CARRY PERSONAL DECAL, (English\French)	
10	1706302	7	PINCH POINT DECAL, (ANSI)	
10	1706292	7	PINCH POINT DECAL, (ISO)	
10	1001163223	7	PINCH POINT DECAL, (English\French)	
20	4105262	1	BOOM ANGLE INDICATOR DECAL	
27	91553072	1	BOOM NUMBERS DECAL	
101	1706185	2	JLG DECAL	

SECTION 12 - RECOMMENDED SPARE PARTS

SECTION 12 - RECOMMENDED SPARE PARTS

SECTION 12 - RECOMMENDED SPARE PARTS

FIGURE 12-1. RECOMMENDED SPARE PARTS

ITEM	PART NUMBER	QTY	DESCRIPTION	REV
	Note	Ref	Note: The following list will service fleets of machines (built to current production per date on the front cover) with repair parts which can be installed in the field. Parts from the list should be replaced when inventory is depleted to keep service parts stock supplied. For further information, contact your JLG dealer or the JLG Industries Parts Department.	
		Ref	BOOM	
	91163036	3	LEAF CHAIN, (Extend), (G10-55A)	
	91163035	3	LEAF CHAIN, (Extend), (G12-55A)	
	91163036	1	LEAF CHAIN, (Retract), (G10-55A)	
	91163035	1	LEAF CHAIN, (Retract), (G12-55A)	
	1001098180	1	HOSE ASSY, (Tilt Cylinder)	
	1001098179	1	HOSE ASSY, (Tilt Cylinder)	
	1001097037	2	HOSE ASSY	
	1001097038	2	HOSE ASSY	
	91033189	6	WEAR PAD, (G10-55A)	
	91033189	4	WEAR PAD, (G12-55A)	
	91033186	12	WEAR PAD, (G10-55A)	
	91033186	12	WEAR PAD, (G12-55A)	
	1001117653	4	WEAR PAD, (G10-55A)	
	1001117652	12	WEAR PAD, (G10-55A)	
	1001117652	8	WEAR PAD, (G12-55A)	
	1001117653	4	WEAR PAD, (G12-55A)	
	91163188	6	WEAR PAD, (G10-55A)	
	91163188	6	WEAR PAD, (G12-55A)	
	91163214	2	WEAR PAD, (G10-55A)	
	91163214	6	WEAR PAD, (G12-55A)	
	1001117660	4	WEAR PAD, (G12-55A)	
	91161184	AR	SHIM, 0.0598	
	90205870	AR	SHIM, 0.0598	
	91121082	AR	SHIM, 0.0598	
	91141302	AR	SHIM, 0.0598	
	91161183	4	SPACER	
	91031236	24	SPACER, (G10-55A)	
	91031236	20	SPACER, (G12-55A)	
	91511094	2	SPACER	
	91141303	10	SPACER, (G10-55A)	
	91141303	14	SPACER, (G12-55A)	
	91033187	2	WEAR PAD, BOOM HYDRAULICS	
	1001105441	1	PIN	
	1001143692	1	PIN	
		Ref	ENGINE	
	70024315	1	SECONDARY FUEL FILTER, (if equipped for ULS)	
	70024156	1	PRIMARY FUEL FILTER, (if equipped for LS)	
	70024314	1	PRIMARY FUEL FILTER, (if equipped for ULS)	
	70020348	1	SECONDARY FUEL FILTER, (if equipped for LS)	
	70020358	1	OIL FILTER	
	70024175	1	PRIMARY AIR FILTER, (if equipped for ULS)	
	70023878	1	PRIMARY AIR FILTER, (if equipped for LS)	

SECTION 12 - RECOMMENDED SPARE PARTS

ITEM	PART NUMBER	QTY	DESCRIPTION	REV
	1001102657	1	LOCKING FUEL TANK CAP	
	70020350	1	DIPSTICK	
	1001122234	1	FAN	
	70024309	1	FAN BELT	
	70029919	1	FAN SPACER, (if equipped for LS)	
		Ref	DRIVE TRAIN	
	91563226	1	F-N-R SHIFTER	
	7028718	4	WHEEL END SEAL	
	91514111	4	WHEEL END BUSHING	
	7029300	2	WHEEL HUB SEAL	
	7026911	1	UNIVERSAL JOINT KIT	
	91474035	4	UNIVERSAL JOINT KIT	
	1319726	1	TRANSMISSION FILTER	
		Ref	HYDRAULICS	
	91513212	1	BOOM JOYSTICK ASSY	
	91404325	1	BOOM JOYSTICK HANDLE ASSY	
	1001125160	1	LIFT CYLINDER SEAL KIT, (G10-55A)	
	1001121434	1	LIFT CYLINDER SEAL KIT, (G12-55A)	
	1001122496	1	EXTEND/RETRACT CYLINDER SEAL KIT	
	70022093	1	TILT CYLINDER SEAL KIT, (G10-55A)	
	70022098	1	TILT CYLINDER SEAL KIT, (G12-55A)	
	70023986	1	COMPENSATING CYLINDER SEAL KIT, (G10-55A)	
	70023991	1	COMPENSATING CYLINDER SEAL KIT, (G12-55A)	
	70023943	1	FRAME LEVEL CYLINDER SEAL KIT	
	70023943	1	STABILIZER CYLINDER SEAL KIT	
	70023899	2	OUTRIGGER CYLINDER SEAL KIT	
	70024152	1	TANK FILTER KIT	
	1340021	1	BREATHER	
	70024153	1	SIGHT GAUGE	
	70022041	1	SIDE TILT CARRIAGE CYLINDER SEAL KIT	
	2915023	1	90, SWING CARRIAGE CYLINDER SEAL KIT	
	70021453	1	180, SWING CARRIAGE CYLINDER SEAL KIT	
	70021452	1	GRAPPLE BUCKET CYLINDER SEAL KIT	
		Ref	ELECTRICAL	
	8270621	1	BACKUP ALARM	
	10713707	1	HORN	
	1001121955	1	COOLANT LEVEL SENSOR, (if equipped for ULS)	
	1001101043	1	12V BATTERY	
	1001098762	1	12V BATTERY, (Arctic)	
	70024311	1	STARTER	
	1001128594	1	STARTER MOTOR, (Arctic, if equipped for ULS)	
	1001125786	1	STARTER MOTOR, (Arctic, if equipped for LS)	
	70024310	1	ALTERNATOR	
	70024313	1	THERMOSTAT	
		Ref	MISCELLANEOUS	
	80964051	1	CAB DOOR KEY	
	90214009	1	O-RING KIT	
	70000652		HYDRAULIC PRESSURE TEST KIT	
	70000101		DIGITAL HYDRAULIC PRESSURE TEST KIT	
	31200745	1	OPERATION AND SAFETY MANUAL	
	31200795	1	SERVICE MANUAL	

SECTION 12 - RECOMMENDED SPARE PARTS

ITEM	PART NUMBER	QTY	DESCRIPTION	REV
	70021975	Ref 1	SPECIAL TOOLS GAUGE, T17, DANA AXLE	

PART NUMBER INDEX

PART NUMBER INDEX

0100011.....21, 27, 29, 32, 36, 40, 44, 47, 49, 51, 53, 55, 57, 69, 213, 259, 277, 279, 309, 319, 323, 325, 371, 402	0641808... 19, 29, 51, 53, 55, 57, 61, 319	0741610 69	1001090615..... 399, 402, 405
0100019.....371	0641810 27, 31, 39	0760612 121	1001090741.....275
0100020.....213	0641812 288	0760810 109	1001091118.....275
0100093.....115	0641814 401, 405	0760812 245	1001091173.....275
0140011.....407	0641816 43	0760820 245	1001091306.....307, 311
0240156.....83	0641818 27, 29, 409	0761214 109	1001091458.....13
0274671.....55	0641826 311	0781212 266	1001091746 309
0274673.....57	0641832 333, 337	0791404 381, 385	1001092391.....83
0274675.....51, 55	0642008 43	0791406 250	1001092481.....85
0274677.....53, 57	0642010 39	0791408 409	1001092482.....85
0440321.....371	0642032 65, 67, 69	0791410 16	1001092877.....462
0630407.....250, 259, 266	064221031, 35, 401, 405, 407	0791504 118	1001092878.....462
0630457.....259	0642222 409	0791506 118, 381, 385	1001093171.....87
0641405.....16, 85, 259	0651605 ... 29, 35, 39, 43, 47	0791508 117, 118	1001093273.....83
0641406....271, 381, 385, 399	0651606 ... 27, 29, 31, 35, 39, 43, 47, 49	0791606 381, 385	1001093377.....81, 83
0641407.....401, 405	0651607 ... 27, 29, 31, 35, 39, 43, 47, 49	0791808 371	1001093465.....83
0641408....250, 261, 270, 277, 297, 392	0651610 29	0811510 117	1001093526.....272
0641412....288, 291, 305, 395	0651612 27, 29, 47, 49	0811606 13, 16, 117, 118, 121, 123, 357, 381, 385	1001093564.....389
0641414.....312	0651614 27, 29	0811608 16, 117	1001093641.....115
0641415.....381, 385	0651616 31	0811610 13, 271, 357	1001093828.....261
0641424.....270, 303	0651618 31, 39, 43	0811612 115, 357	1001094264.....409
0641436.....251	0651620 35, 39, 43	0811616 117	1001094330.....83
0641505.....392	0651622 35, 43	0860520 85	1001094390.....409
0641506....275, 293, 381, 385	0651806 39	0903661 401, 405	1001094391.....409
0641507.....125, 127, 270	0651807 36, 44	0903669 401	1001094392.....409
0641508....259, 277, 299, 301, 312	0651808 31, 35, 39, 43	0930020 91	1001094393.....409
0641510.....259	0651810 36, 39, 43	09523572 121	1001094523.....409
0641511....307, 312, 315, 317	0651811 31	1001001016 359	1001094824.....409
0641514....259, 293, 295, 392	0651812 ... 31, 35, 39, 47, 49	1001001186 395	1001094830 83
0641518.....266	0651814 ... 31, 35, 39, 43, 47, 49	1001001211 19	1001095342.....401, 405
0641520.....109	0651816 39, 43, 47	1001001213 279	1001095418.....75
0641524.....243	0651818 29, 43, 49	1001001422 115	1001095431.....291
0641528.....243	0651820 27, 29, 49	1001001477 309	1001095434.....293
0641532.....270	0651822 27, 29, 49	1001001478 309	1001095436.....293
0641605.....118, 270	0681618 270	1001001479 309	1001095650.....245
0641606.55, 57, 121, 279	0681810 69, 339	1001001480 309	1001095744.....237
0641607....118, 307, 311, 399	0681814 21	1001001481 309	1001095810.....85
0641608 47, 49, 115, 255, 275, 279, 319, 392	0682018 13	1001001482 309	1001096019.....85
0641610..16, 40, 43, 125, 127, 309	0682032 13	1001001524 309	1001096020.....85
0641612..40, 43, 69, 311, 319	0682036 109	1001001525 309	1001096021.....85
0641613.....270	0682214 55, 57	1001001526 309	1001096023.....85
0641614.....288, 351	0682216 323, 331	1001001568 369	1001096024.....85
0641617.....251	0682244 61, 319	1001001569 373	1001096025.....85
0641624.....309	0682444 131, 135	1001080707 115	1001096162.....85
0641634.....19, 335	0682618 331	1001080996 319, 371	1001096369.....301
0641638.....125, 127	0682652 251	1001080998 117	1001096386.....301
0641640.....13	0700610 250	1001081241 257	1001096387.....301
0641709.....115	0700812 109	1001081307 261	1001096388.....295
0641714.....319	0701010 213	1001081308 261	1001096389.....295
0641716.....131, 135	0701014 275	1001081310 261	1001096390.....293
0641807.....371	0701027 109	1001081311 261	1001096393.....288
	0701215 109, 288	1001090033 309	1001096394.....291
	0701216 109	1001090063 69	1001096396.....299
	0701617 109	1001090064 69	1001096404.....25
	0711015 213	1001090134 339	1001096708.....402
	0721006 402	1001090140 69	1001096709.....402
	0731003 115	1001090344 266, 270	1001096728.....255
	0741006 395	1001090459 397	1001097036.....305
	0741404 259	1001090460 397	1001097037.....468
		1001090461 397	1001097038.....307, 311, 468
		1001090469 409	1001097053.....213
		1001090509 441	1001097095.....13
		1001090522 401, 405	1001097205.....87
		1001090580 401, 405	1001097803.....131, 135
		1001090581 401	

PART NUMBER INDEX

1001097804.....	131	1001101595.....	323	1001112612.....	412, 416	1001117025.....	385, 447
1001097810.....	295	1001101640.....	270	1001113511.....	115	1001117026.....	457
1001097924.....	297	1001101666.....	397	1001113528B.....	39	1001117058.....	441
1001097925.....	297	1001101668.....	266	1001113588.....	27	1001117073.....	419
1001097926.....	297	1001101669.....	266	1001113609.....	31	1001117079.....	441
1001097928.....	288	1001101956.....	69	1001113690.....	29	1001117103.....	451
1001097930.....	299	1001102185.....	303	1001113692.....	309	1001117104.....	451
1001097931.....	299	1001102378.....	69	1001113744B.....	25	1001117106.....	412, 416, 451
1001097932.....	299	1001102509.....	295	1001113745B.....	47	1001117111.....	412, 416
1001097933.....	299	1001102657.....	115, 469	1001114001B.....	43	1001117112.....	451
1001097992.....	131, 135	1001102813.....	85	1001114008B.....	49	1001117136.....	250
1001098042.....	255	1001102815.....	435	1001114138B.....	25	1001117305.....	254
1001098122.....	457	1001102931.....	115	1001114282.....	266	1001117306.....	254
1001098174.....	61	1001102933.....	115	1001114492.....	401	1001117652... 31, 35, 39, 43, 47, 49, 468	
1001098179.....	307, 468	1001103069.....	289	1001114495.....	117	1001117653... 27, 29, 31, 35, 468	
1001098180.....	307, 468	1001103182.....	346	1001114523.....	315	1001117660.. 43, 49, 468	
1001098181.....	311	1001103509.....	254	1001114524.....	315	1001118092.....	118
1001098218.....	61, 319	1001103553.....	259	1001114525.....	317	1001118245.....	381, 385
1001098220.....	329	1001103557.....	259	1001114526.....	317	1001118282.....	412, 425, 429
1001098233.....	61, 319	1001103567.....	250	1001114675.....	250	1001118384.....	441, 443, 445, 447
1001098344.....	255	1001103637.....	85	1001114803.....	118	1001119900.....	357
1001098382.....	61	1001103663.....	254	1001115135.....	463	1001120120.....	371
1001098409.....	329	1001103730.....	85	1001115138.....	463	1001120124.....	371
1001098425.....	311, 319	1001103736.....	85	1001115153.....	250	1001120130.....	371
1001098742.....	311	1001103956.....	463	1001115175.....	463	1001120135.....	319, 371
1001098743.....	311	1001104477.....	369, 377	1001115183.....	463	1001120163.....	373, 375
1001098744.....	311	1001104685.....	266	1001115190.....	463	1001120164.....	371, 373
1001098762.....	389, 469	1001104918.....	351	1001115198.....	463	1001120178.....	241
1001098769.....	25	1001104992.....	78	1001115238.....	399	1001120179.....	241
1001099113.....	69	1001105038.....	317	1001115508.....	213	1001120639.....	118
1001099115.....	69	1001105046.....	317	1001115528.....	419	1001120914.....	69
1001099163.....	397	1001105102.....	312	1001115536.....	463	1001120915.....	69
1001099251.....	117	1001105103.....	312	1001115540.....	463	1001120989.....	399
1001099276.....	402, 405	1001105118.....	305	1001115878.....	389	1001121031.....	13
1001099351.....	95	1001105119.....	305	1001115884.....	381, 385	1001121047.....	13
1001099378.....	397	1001105120.....	303	1001115999.....	288	1001121050.....	117
1001099602.....	131	1001105121.....	303	1001116011.....	288	1001121103.....	241
1001099662.....	25	1001105122.....	307	1001116033.....	57	1001121105.....	241
1001099663.....	25	1001105123.....	307	1001116125.....	57	1001121109.....	241
1001099812.....	392	1001105441.....	61, 468	1001116208.....	399	1001121126.....	463
1001099901.....	93	1001105613.....	353	1001116274.....	392	1001121290.....	35
1001099902.....	93	1001105638.....	115	1001116439.....	335	1001121309.....	109
1001100091.....	311	1001105639.....	115	1001116440.....	333	1001121332.....	16
1001100227.....	81	1001105643.....	115	1001116441.....	331	1001121337.....	16
1001100228.....	81	1001105886.....	389	1001116442.....	331	1001121404.....	118
1001100229.....	81	1001106614.....	251	1001116443.....	337	1001121417.....	323, 325
1001100278.....	266	1001106688.....	397	1001116727.....	422, 425, 437, 439	1001121425.....	323, 325
1001100279.....	266, 270	1001106836.....	361	1001116728.....	457	1001121427.....	323
1001100281.....	270	1001106849.....	266	1001116733.....	412, 425, 429, 441, 447	1001121428.....	323, 325
1001100291.....	392	1001106866.....	250	1001116745.....	457	1001121429.....	323, 325
1001100322.....	259	1001107339.....	270	1001116747.....	422, 423, 425	1001121430.....	323
1001100446.....	266, 270	1001107340.....	270	1001116748.....	419, 429	1001121434.....	323, 469
1001100447.....	266	1001107428.....	270	1001116751.....	412	1001121454.....	389
1001100770.....	270	1001107799.....	261	1001116810.....	416	1001121459.....	389
1001100773.....	270	1001107814.....	288	1001116812.....	433	1001121460.....	389
1001100822.....	89	1001108433.....	381, 385	1001116815.....	412, 416	1001121506.....	117
1001100823.....	89	1001108668.....	100	1001116816.....	435	1001121514.....	118
1001100824.....	89	1001108669.....	104	1001116821.....	416	1001121557.....	422, 425
1001100876.....	399	1001108841.....	433	1001116934.....	422	1001121869.....	121
1001100879.....	254	1001109053.....	463	1001116938.....	412, 416	1001121873.....	118
1001100880.....	255	1001109536.....	213	1001116950.....	412, 416	1001121874.....	118
1001100895.....	255	1001110091.....	401	1001117018.....	441		
1001101043.....	469	1001110704.....	75, 78	1001117021.....	405, 422, 457		
1001101115.....	81	1001111086.....	261				
1001101116.....	81	1001111112.....	261				
1001101216.....	266	1001111190.....	75				
1001101259.....	270	1001112039.....	425				

PART NUMBER INDEX

1001121883.....109	1001128390.....16	1001133877.....118	1001139703.....270
1001121955.....117, 469	1001128428.....111	1001134231.....381, 386	1001139873.....385
1001121962.....118	1001128594.....389, 469	1001134232.....381, 385	1001139927.....261
1001122219.....16	1001128602.....125	1001134233.....381, 386	1001140233.....429
1001122234.....109, 469	1001128714.....125	1001134234.....381	1001140468.....270
1001122338.....117	1001128739.....121	1001134235.....381, 385	1001140694.....270
1001122453.....323, 325	1001128745.....121	1001134236.....381, 385	1001141077.....389
1001122483.....327	1001128746.....121	1001134413.....115	1001141211.....291
1001122484.....327	1001128901.....125	1001134453.....118	1001141212.....291
1001122491.....327	1001128945.....117	1001134456.....118	1001141400.....115
1001122494.....327	1001129277.....381, 385	1001134458.....118	1001141596.....389
1001122495.....327	1001129352.....53	1001134470.....381, 385	1001141892.....19
1001122496.....327, 469	1001129358.....16	1001134516.....118	1001141965.....381, 385
1001122505.....327	1001129459.....131	1001135348.....381, 386	1001142258.....19
1001122566.....118	1001129467.....319	1001135349.....381, 385	1001142350.....270
1001122608.....291	1001129636.....16	1001135771.....462, 465	1001142560.....245
1001123013.....327	1001129637.....16	1001135773.....462, 465	1001142563.....245
1001123014.....327	1001129638.....16	1001135774.....462, 465	1001142789.....61
1001123015.....327	1001129639.....16	1001135775.....462, 465	1001142790.....71
1001123654.....13	1001129741.....125	1001136077.....113	1001142892.....135
1001125027.....412	1001129785.....125, 127	1001136089.....13	1001143377.....381, 385
1001125119.....288	1001129787.....125, 127	1001136090.....109	1001143397.....389
1001125128.....288	1001129855.....118	1001136369.....139	1001143398.....389
1001125137.....323, 325, 327	1001130046.....118	1001136370.....173	1001143633.....19
1001125154.....323	1001130057.....117	1001136433.....392	1001143653.....13
1001125155.....323, 325	1001130065.....291	1001136630.....288	1001143654.....272
1001125158.....323	1001130079.....118	1001136631.....288	1001143692.....61, 468
1001125159.....323, 325	1001130098.....109	1001136655.....115	1001143724.....135
1001125160.....323, 469	1001130125.....13	1001136887.....117	1001144101.....16
1001125246.....117	1001130127.....291	1001136919.....109	1001144114.....16
1001125382.....439	1001130139.....125	1001136940.....117	1001144147.....412, 416
1001125384.....443	1001130159.....381	1001136975.....115	1001144724.....288
1001125385.....437	1001130286.....117	1001136981.....357	1001144782.....389
1001125387.....463	1001130288.....288	1001136984.....123	1001144790.....389
1001125404.....288	1001130311.....250	1001137031.....123	1001144801.....389
1001125410.....241	1001130312.....117	1001137042.....123	1001144802.....117
1001125491.....13	1001130323.....463	1001137044.....123	1001144803.....389
1001125786.....389, 469	1001130370.....117	1001137045.....123	1001145048.....127
1001125962.....213	1001130378.....117	1001137231.....295	1001145049.....127
1001126009.....412, 416	1001130440.....288	1001137239.....109	1001145050.....127
1001126208.....412	1001130441.....250	1001137259.....291	1001145301.....381, 385
1001126285.....395	1001130442.....250, 266	1001137280.....291	1001145386.....371
1001126589.....277	1001130443.....123	1001137281.....291	1001145498.....463
1001126834.....392	1001130462.....250, 270	1001137512.....83	1001145543.....288
1001127006.....319, 369	1001130675.....121	1001137579.....117	1001145702.....251
1001127008.....319	1001130679.....288	1001137930.....123	1001145753.....251
1001127009.....319	1001130707.....288	1001138033.....123	1001145754.....251
1001127153.....117	1001130776.....115	1001138049.....123	1001146009.....405
1001127353.....319	1001130780.....115	1001138131.....127	1001146084.....67
1001127366.....319	1001130906.....125	1001138132.....127	1001146086.....67
1001127386.....422	1001130914.....251	1001138136.....127	1001146088.....67
1001127488.....381, 385	1001130915.....251	1001138137.....127	1001146159.....67
1001127519.....385	1001130943.....125	1001138226.....115	1001146160.....67
1001127699.....381, 385	1001130957.....389	1001138258.....118	1001146217.....270
1001127700.....381, 385	1001131022.....109	1001138313.....118	1001146218.....270
1001127748.....381, 385	1001131130.....259	1001138348.....117	1001146367.....16
1001127756.....381, 385	1001131147.....16	1001138490.....117	1001146371.....16
1001127962.....331	1001131247.....16	1001138561.....123	1001146568.....117
1001128110.....357	1001131271.....463	1001138788.....266	1001146569.....117
1001128128.....425, 429, 447	1001131745.....463	1001138944.....271	1001146680.....135
1001128144.....117	1001131818.....270	1001138945.....271	1001147450.....118
1001128248.....13	1001131891.....451	1001139038.....109	1001148177.....250
1001128341.....117	1001131966.....412	1001139081.....288	1001148427.....399
1001128363.....125	1001132514.....65	1001139139.....266	1001148529.....135
1001128364.....125, 127	1001132796.....13	1001139249.....416	1001148837.....115
	1001133072.....69	1001139459.....173	1001148847.....115
	1001133534.....115	1001139578.....463	1001148860.....399

PART NUMBER INDEX

1001148991 381, 385	1001163223..... 465	10732095..... 233	1319652..... 235
1001148992 381, 385	1001163273..... 462	10791807..... 351	1319661..... 235
1001149227 118	1001163276..... 462	114017..... 419	1319670.... 217, 235, 237
1001149344 115	1001163285..... 462	1170021..... 65	1319683..... 235
1001149712 412, 416	1001163291..... 462	1170024..... 65	1319684..... 235
1001149756 118	1001163300..... 462	1170054..... 69	1319685..... 235
1001149909 399	1001163304..... 462	1170057..... 69	1319686..... 235
1001150157 463	1001163321..... 463	1316794..... 78	1319687..... 235
1001150299 13	1001163323..... 463	1319229..... 215	1319688..... 235
1001150364 115	1001163355..... 463	1319436..... 239	1319689..... 235
1001150519 113	1001163414..... 341	1319558..... 215	1319693..... 235
1001150520 113	1001163420..... 463	1319563..... 215	1319694..... 235
1001150521 111	1001163422..... 463	1319571..... 217, 231, 239	1319719..... 237
1001150522 111	1001163541..... 325	1319573..... 217, 239	1319726... 111, 113, 237, 469
1001151101 241	1001163542..... 327	1319576..... 231	1320037..... 123
1001151102 241	1001163543..... 325	1319578..... 239	1320136..... 261, 407
1001151108 241	1001163565..... 323, 325	1319581..... 217, 237	1320263.... 401, 405, 409
1001151561 67	1001163566..... 327	1319585..... 215, 217, 237	1320748..... 239
1001151643 397	1001163567..... 323, 325	1319590..... 217	1320754..... 239
1001151847 397	1001163568..... 325	1319591..... 223	1320755..... 239
1001152220 407	1001163569..... 327	1319593.... 219, 221, 223, 225, 227, 229	1321265..... 235
1001152268 323	1001163570..... 325	1319594.... 219, 221, 223, 225, 227, 229	1321320..... 271
1001152269 331	1001163574..... 462, 465	1319595.... 219, 221, 223, 225, 229	1321716..... 271
1001152271 329	1001163578..... 462, 465	1319596.... 219, 221, 223, 225, 229	1340021... 111, 113, 357, 469
1001152272 327	1001163729..... 381, 385	1319596.... 223, 225, 229	1360292..... 55
1001152273 333	1001165142..... 317	1319600.... 219, 221, 223, 225, 227, 229	1360293..... 55
1001152274 337	1001165143..... 315	1319601.... 219, 221, 223, 225, 227, 229	1360296..... 51, 55, 58
1001152278 323	1001165212..... 307, 311	1319602.... 219, 221, 223, 225, 227, 229	1360297..... 51, 55, 58
1001152279 327	1001165216..... 312	1319603.... 219, 221, 223, 225, 227, 229	1360300..... 53, 57
1001152295 323	1001165218..... 312	1319604.... 219, 221, 223, 225, 227, 229	1360301..... 53, 57
1001152296 331	1001165230..... 307	1319606.... 223, 225, 229	1380158..... 270
1001152298 329	1001165578..... 251	1319607..... 223	14403190..... 261
1001152299 323	1001165579..... 251	1319608..... 223, 231	14403364..... 132, 136
1001152326 397	1001167902..... 323, 325	1319614..... 225	14404173.. 255, 401, 405
1001152415 241	1001172274..... 323, 325	1319615.... 219, 221, 225, 229	14404793..... 309
1001152416 241	1001172288..... 323, 325	1319617..... 219, 221	1671313..... 115
1001152430 241	1001175733..... 457	1319618..... 219, 221	1684538..... 329
1001152514 397	1001176342..... 309	1319619..... 227	1684539..... 329
1001152538 407	1001176515..... 97	1319620..... 219, 221	1701509..... 85
1001152569 463	1001179605..... 141	1319621..... 219, 221	1701640..... 462
1001153084 407, 457	1001179607..... 175	1319622..... 219, 221	1702300..... 463
1001154055 245	1001182358..... 407	1319623..... 219, 221	1702631..... 463
1001155219 381, 386	1001182662..... 407	1319624..... 219, 221	1702773..... 85
1001156272 259	1001182934..... 111	1319625..... 219, 221	1704277..... 85
1001157029 307	1001190037..... 422, 423	1319626..... 219, 221	1704885..... 85, 463
1001157030 311	1001192401..... 423	1319627..... 219, 221	1706098..... 462
1001158178 392	1001195423..... 453	1319628..... 219, 221	1706185..... 465
1001158435 392	1001195424..... 455	1319629..... 219, 221	1706186..... 462
1001158896 445	1001224062..... 447	1319630..... 219, 221	1706187..... 462
1001159129 118	1001230931..... 429	1319631..... 219, 221	1706281..... 462
1001159949 251	1060379 85	1319632..... 219, 221	1706282..... 465
1001160071 463	1060626 389	1319633..... 229	1706283..... 463
1001160072 463	10700683 371	1319634..... 219, 221	1706284..... 462
1001160551 245	10700689 371	1319635..... 219, 221	1706285..... 462
1001160787 463	10701277 357	1319636.... 219, 221, 229	1706287..... 462
1001160889 251	10705034 73	1319637..... 219, 221	1706288..... 462
1001160912 463	10713707 392, 469	1319638..... 219, 221	1706289..... 462
1001160916 463	10718991 409	1319641..... 217	1706298..... 465
1001160945 463	10718992 409	1319646..... 217	1706299..... 462
1001161806 291	10725554 .. 149, 151, 187	1319647..... 239	1706300..... 462
1001162757 405	10731709 .. 217, 235, 237	1319648..... 239	1706301..... 462
1001162758 405	10731744 217	1319649..... 239	1706302..... 465
1001163174 462	10731761 233		
1001163206 465	10731845 .. 223, 225, 229		
1001163210 462	10731959 239		
1001163212 462	10732071 235		
1001163222 462	10732072 235		

PART NUMBER INDEX

1706303.....462	2172416 118	3311601 40, 43, 288, 351	4460466....395, 412, 416,
1706304.....462	2180467 117	3311701 319	422, 423, 425, 426,
1706306.....462	2180849 311, 319	3311705 131, 135	429, 433, 435, 443,
1706767.....462	2200221 333, 337	3311801 27, 29, 392, 401,	445, 447, 453, 455
1706768.....462	2220218 115	405	4460469.....422
1706850.....462	2220240 357	3311802 392	4460475.... 422, 433, 441
1706851.....463	2220282 266	3311805 371, 409	4460496.....412, 416
1706892.....85	2220346 392	3313001 53, 57	4460497.....412, 416
2080040.....85	2220415 75	3313002 53, 57	4460500.....433
2080063.....270	2220473 75	3421453 85	4460502.....422
2110406....288, 297, 299,	2220578 357	3423227 333, 337	4460503.....429
301, 311, 312	2220609 75	3423242 65, 67, 69	4460508.....402, 425
2110606 69, 73, 299, 315,	2220628 75	3423247 25	4460509.....416, 422
317, 357	2220767 118	3423275 65, 67, 69	4460518.....412, 416
2110608.....291	2220883 ... 323, 325, 327	3423276 ... 65, 67, 69, 75	4460590.....412
2110808.....69, 293, 357	2220888 323, 325	3423301 311	4460742.... 422, 425, 426
2110810.....307, 369	2221244 275, 291	3423307 69, 339	4460743.....431
2110812....307, 312, 315,	2221257 275	3520072 85	4460746.... 422, 423, 425,
317	2340037 83	3520176 16, 243	447
2111010.....369	2340038 83	3575947 109	4460790.....425
2111212.....303, 305	2340039 83	3740080 ... 425, 429, 447	4460850.... 431, 437, 439
2111616.....288, 291	2340045 83	3760170 85	4460851.....429, 441
2111620.....357	2340046 83	3790228 288	4460884.... 423, 429, 435
2130404.....279, 291	2401305 193	3820020 85	4460891.... 412, 416, 423,
2130406....297, 299, 301,	24921332 125, 127	3841203 69, 339	426, 439, 443, 447
311	2580040 389	3841287 323, 331	4460897.....401, 405
2130606....73, 288, 289,	2600281 85	3841356 331	4460899.....409
295, 301, 312	2716143 105	3900232 309	4460930.....425, 429
2130608.....73	2717160 73	3900316 117	4460931.... 447, 453, 455
2130808.....389	2717161 73	3931012 407	4460932.....453, 455
2130810.....288, 307	2717162 73	3931412 399	4460933.... 412, 416, 426
2131010.....307	2717283 73	3931420 399	4460934.....441
2131210.....289	2717287 75	3931648 288	4460941.... 412, 416, 422,
2131212.....303	2752661 357	3931664 323, 325	447
2131616.....118, 289	2820035 402, 405	3931672 19, 335	4460942.... 412, 416, 439,
2144605.....275, 295	2900770 339	3931828 35	443, 445, 447
2150404.....369, 373	2915023 346, 469	3941506 409	4460943.....412, 416
2150406.....291	2940074 85	3969073 179	4460944.... 412, 416, 433,
2150606.....289	2960243 199	4031918 319	435
2150808....279, 289, 291	3020039 275	4060918 13	4460945.....433
2151620.....291	3020043 ... 323, 325, 327	4071133 255	4460955.....419
2160001.....323, 325	31200160 85	4100181 463	4460970.....395, 419
2160002....25, 51, 53, 55,	31200386 85	4105262 465	4461017.....402
57, 61, 311, 319	31200387 85	4110422 93, 95	4461070.....416
2170110.....369	31200388 85	4110473 73	4461095.....416
2170112.....303, 305	31200745 469	4240018 ... 115, 381, 385	4461157.....422, 441
2170206....289, 291, 301	31200795 469	4240032 399	4461254.....409
2170210.....357	3251813 463	4240033 ... 270, 395, 407	4520481.....241
2170212.....118, 289	3271601 255	4240099 399	4520482.....241
2170306.....357	3272001 109	4420060 255	4520519.....241
2170404.....289	3290601 381, 385	4460247 412, 416	4520527.....241
2170406.....299	3290605 16	4460312 412, 416	4640438.....339
2170410.....291	3290801 381, 385	4460419 ... 395, 426, 433,	4641501.....73
2170506.....297	3290807 245	441	4641502.....73
2170516.....118	3291001 270	4460457 ... 422, 425, 426,	4711000.....311, 409
2170706.....297, 299	3300143 19, 335	429, 437	4711400.... 85, 250, 259,
2170708.....312, 389	3300240 65, 67, 69	4460458 ... 425, 426, 437,	261, 266, 270, 277,
2170716.....118	3300246 118	447, 457	312, 381, 385, 392,
2170806.....295, 299	3300492 16, 117, 270	4460459 431	399, 401, 405
2171110.....309	3311001 402, 409	4460461 425	4711500.... 243, 259, 271,
2171208.....307, 311	3311005 395	4460464 ... 395, 401, 402,	275, 277, 293, 299, 301
2171216.....288	3311401 ... 395, 401, 405	405, 422, 423, 425,	4711600.... 25, 115, 118,
2172106....69, 275, 295,	3311405 .16, 85, 270, 399	429, 453, 455	121, 125, 127, 255,
357	3311408 409	4460465 ... 412, 416, 419,	279, 288, 309, 351, 392
2172108....307, 311, 369	3311505 259	422, 423, 425, 426,	4711700.... 115, 131, 135,
2172116.....291	3311508 ... 299, 301, 381,	429, 433, 435, 443	319
2172408.....389	385, 389		

PART NUMBER INDEX

471180027, 29, 371, 401, 405	70002588 353	70021228.....227	70022001 351
4712200 401, 405	70002590 353	70021268.....227	70022002 351
4740003 61, 319	70002591 353	70021269.....227	70022003 351
4740274 118	70002592 353	70021342.....91, 95	70022004 351
4740553 261	70002593 353	70021349.....95	70022005 351
4751000 402	70002594 353	70021358.....91	70022006 351
4751200 395	70002595 353	70021359.....91	70022007 351
4751400 16, 270, 297	70002596 354	70021360.....91	70022008 351
4751500 243, 259, 270	70002598 353	70021361.....91	70022009 351
4751600 16, 270, 307, 309, 311, 357, 399	70002599 354	70021362.....91	70022010 351
4751800 409	70003849 341	70021364.....349	70022011 351
4752200 407, 409	70020002 78	70021365.....349	70022012 351
4761000 402, 409	70020004 78	70021366.....91	70022013 351
4761400 ... 250, 266, 270, 312, 381, 385, 401, 405	70020015 78	70021367.....78, 91, 349	70022014 351
4761500 ... 270, 293, 312, 392	70020017 78	70021382.....78	70022015 351
4761600 ... 16, 43, 47, 49, 55, 57, 255, 270, 275, 279, 288, 307, 309, 311, 351, 357, 392	70020025 78	70021387.....91	70022016 351
4761700 115	70020026 78	70021391.....91	70022017 351
4761800 ... 19, 27, 29, 31, 35, 39, 43, 51, 53, 55, 57, 255, 288, 311, 401, 405	70020027 78	70021392.....91	70022018 351
4762000 371	70020028 78	70021393.....349	70022019 351
4771500 259	70020029 78	70021399.....349	70022020 351
4791400 261	70020036 239	70021415.....95	70022021 351
4811600 115	70020348 113, 468	70021429.....78	70022022 351
4811700 16, 381, 385	70020350 .. 111, 113, 469	70021440.....97, 346, 349	70022023 351
4811702 121	70020351 111, 113	70021441.....346	70022024 351
4811900 385	70020358 .. 111, 113, 468	70021442.....346	70022025 351
4811902 245	70020375 .. 329, 331, 335	70021443.....346	70022028 95
4812000 213	70020428 346	70021444.....349	70022038 339
4812100 109	70020493 239	70021446.....349	70022039 339
4812300 109	70020528 261	70021447.....349	70022040 339
4831900 109	70020555 87	70021448.....349	70022041 339, 469
4832000 275	70020562 91	70021451.....349	70022042 339
4832100 109	70020632 254	70021452.....349, 469	70022043 339
4846452 85	70020640 271	70021453.....346, 469	70022044 346
4891500 125, 127	70020643 271	70021464.....349	70022045 346
4891600 ... 27, 29, 31, 35, 39, 43, 47, 49, 270	70020644 271	70021465.....349	70022046 346
4891800 69, 288	70020645 271	70021466.....349	70022075 . 219, 221, 223, 225, 227, 229
4892000 13, 40, 43	70020646 271	70021526.....231	70022089 329
4892200 ... 31, 35, 55, 57	70020647 271	70021531.....377	70022090 329
4892400 57, 131, 135	70020653 254	70021601.....177	70022091 329
4923452 115	70020659 361	70021602.....189	70022092 329
6604662 75	70020660 361	70021603... 153, 161, 189	70022093 329, 469
70000101 469	70020661 361	70021604.....189	70022094 329
70000652 469	70020662 361	70021606... 195, 197, 199	70022095 329
70000656 235	70020663 361	70021607... 195, 197, 199	70022096 329
70001955 353	70020665 361	70021609..... 195, 197	70022098 329, 469
70001956 353	70020666 361	70021610..... 195, 197	70022140 . 149, 151, 183, 185, 187
70002133 353	70020667 361	70021611..... 195, 197	70022142 149, 183
70002219 341	70020668 361	70021612..... 195, 197	70022224 433
70002224 341	70020668 361	70021613... 195, 197, 199	70022287 353
70002578 353	70020669 361	70021614... 143, 177, 179	70022288 353
70002579 353	70020670 361	70021803..... 111	70022527 91
70002580 353	70020671 361	70021812..... 346	70022552 271
70002581 353	70020672 361	70021826..... 416	70022553 271
70002582 353	70020673 361	70021920..... 217	70022555 271
70002583 353	70020674 361	70021921..... 95	70022556 271
70002585 353	70020675 361	70021935..... 95	70022557 271
	70020676 361	70021944..... 189	70022558 271
	70020677 361	70021975..... 470	70022691 435
	70020678 361	70021976..... 346	70022741 419
	70020679 361	70021977..... 95	70022773 .. 143, 145, 169
	70020680 361	70021978..... 95	70022790 235
	70020681 361	70021979..... 95	70022805 271
	70020682 361	70021980..... 91	70022814 191, 193
	70020764 377	70021981..... 91	70022861 333, 337
	70020870 429	70021982..... 91	70022876 271
	70021177 . 143, 147, 177, 179, 181, 191, 193	70021983..... 79	
	70021227 227	70022000..... 351	

PART NUMBER INDEX

70022877.....	271	70022989.....	106	70023494 .	149, 151, 183, 185, 187	70024212.....	163
70022879.....	271	70022990.....	101, 105	70023496	149	70024213.....	163, 167
70022880.....	271	70022991.....	105	70023502	239	70024214.....	163, 167
70022881.....	271	70022992.....	100, 104	70023575	335	70024215.....	163, 167
70022882.....	271	70022993.....	100, 104	70023800	239	70024216... ..	195, 197, 199
70022883.....	271	70022994.....	100, 104	70023801	239	70024262.....	341
70022884.....	271	70022995.....	100, 104	70023829	157	70024270.....	121
70022885.....	271	70022996.....	106	70023878 ..	113, 123, 468	70024271.....	121
70022886.....	271	70022997.....	71, 105	70023879	113, 123	70024284.....	111
70022888.....	271	70022998.....	101, 105	70023892	335	70024306.....	83
70022889.....	271	70022999.....	105	70023893	335	70024307.....	83
70022890.....	271	70023000.....	105, 106	70023894	335	70024309... ..	111, 113, 469
70022891.....	271	70023001.....	105	70023895	335	70024310... ..	111, 113, 469
70022931.....	100, 104	70023002.....	105	70023896 .	331, 333, 335, 337	70024311... ..	111, 113, 469
70022932.....	100, 104	70023003.....	100, 104	70023898	335	70024312.....	111, 113
70022933.....	104	70023004.....	100, 104	70023899	335, 469	70024313... ..	111, 113, 469
70022934.....	100, 104	70023005.....	101, 106	70023925	101, 106	70024314.....	111, 468
70022935.....	101, 105	70023006.....	101, 106	70023934	333	70024315.....	111, 468
70022936.....	100, 105	70023007.....	101, 106	70023935	333	70024318.....	121
70022937.....	101, 105	70023008.....	100, 104	70023936	333	70024319.....	277
70022938.....	105	70023009.....	100, 104	70023937	333	70024330.....	329
70022939.....	101, 105	70023010.....	100, 104	70023939	337	70024535.....	71
70022940.....	105	70023011.....	106	70023940	333, 337	70024536.....	71
70022941.....	105	70023013.....	106	70023941	337	70024537.....	71
70022942.....	101, 105	70023014.....	100, 104	70023943 ..	333, 337, 469	70024538.....	71
70022943.....	105	70023015.....	101, 106	70023963	337	70024539.....	343
70022944.....	105	70023016 ..	100, 104, 105	70023965	329	70024540.....	71
70022945.....	105	70023037	361	70023979	331	70024541.....	71
70022946.....	101, 105	70023038.....	362	70023980	331	70024542.....	71
70022947.....	105	70023039.....	361	70023981	331	70024543.....	71
70022948.....	105	70023108.....	271	70023982	331	70024544.....	71
70022949.....	101, 105	70023139.....	263	70023983	331	70024545.....	71
70022950.....	101, 105	70023258 ..	143, 147, 177	70023984	331	70024546.....	71
70022951.....	105	70023325.....	277	70023985	331	70024547.....	343
70022952.....	101	70023349.....	353	70023986	331, 469	70024548.....	343
70022957.....	100, 104	70023350.....	353	70023987	331	70024550.....	71
70022958.....	105	70023351.....	353	70023988	331	70024551.....	71
70022959.....	106	70023352.....	353	70023989	331	70024552.....	71
70022960.....	100, 104	70023353.....	353	70023990	331	70024553.....	71
70022961.....	105	70023354.....	353	70023991	331, 469	70024554.....	71
70022962.....	105	70023355.....	353	70023992	365	70024555.....	71
70022963.....	106	70023356.....	353	70024001	254	70024578.....	412
70022964.....	106	70023357.....	353	70024002	339	70024670.....	143, 147
70022965.....	105	70023358.....	353	70024003	329	70024841.....	121
70022966.....	105	70023359.....	353	70024020	341	70024843.....	381, 395
70022967.....	105	70023360.....	353	70024062	97	70024849.....	167
70022968.....	106	70023361.....	353	70024123	71	70025335.....	179, 181
70022969.....	100, 104	70023362.....	353	70024146 .	154, 161, 189, 191, 193, 207	70025336.....	185, 187
70022970.....	100, 104	70023363.....	353	70024147 .	153, 189, 191, 207	70025337.....	185, 205
70022971.....	105	70023364.....	353	70024152 .	111, 113, 357, 469	70025338.....	185, 205
70022972.....	105	70023365.....	353	70024153	357, 469	70025339... ..	149, 185, 205
70022973.....	105	70023366.....	353	70024156	113, 468	70025340.....	185
70022974.....	105	70023367.....	353	70024175 ..	111, 121, 468	70025341.....	191, 193
70022975.....	105	70023404.....	217	70024176	111, 121	70025342.....	191
70022976.....	105	70023474.....	239	70024193	183	70025345.....	191
70022977.....	105	70023475.....	239	70024203	143	70025346.....	191
70022978.....	105	70023476.....	239	70024204	149	70025480.....	261
70022979.....	105	70023487.....	183	70024206	153	70025562.....	161, 193
70022980.....	101, 105	70023488.....	183	70024207	153, 161	70025606.....	341
70022981.....	106	70023489.....	185, 205	70024209	163, 167	70025856.....	149
70022982.....	105	70023490 .	149, 183, 185, 205	70024210 ..	163, 167, 199	70025857.....	153
70022983.....	106	70023491 .	149, 183, 185, 205	70024211	163	70025886.....	149
70022984.....	100, 104	70023492.....	183			70025959.....	341
70022985.....	100, 104	70023493 ..	183, 185, 205			70025975.....	337
70022986.....	106					70025976.....	331
70022987.....	100, 104					70026002.....	161, 193
70022988.....	105					70026030.....	187, 205

PART NUMBER INDEX

70026056	341	7026481	277	7026775.....	231	7029307 ...	143, 145, 169, 177, 181
70026057	341	7026486	145	7026776.....	233	7029309	157
70026058	341	7026487 ...	143, 145, 147, 163, 165, 167, 177	7026777.....	233	7029310	157, 189
70026059	341	7026490 ...	143, 145, 169, 177, 179, 201	7026778.....	233	7029311	157
70026060	341	7026491	149, 183	7026779.....	233	7029312 ...	153, 157, 161, 189
70026061	341	7026492	149, 183	7026780.....	233	7029313 ...	153, 157, 161, 189
70026062	341	7026495	149, 151	7026781.....	233	7029317 ...	153, 157, 189, 191, 209
70026063	153, 161	7026496	157	7026782.....	233	7029417	237
70026066	193	7026499 ...	153, 157, 161, 189	7026783.....	233	7029520	87
70026067 ..	153, 157, 161	7026577	239	7026784.....	233	7029521	87
70026073	153, 161	7026578	239	7026785.....	235	7029532	223, 225
70026211	375	7026712	165	7026786.....	235	7029533	223, 225
70026212	375	7026713 ...	163, 165, 167	7026787.....	235	7029692	91, 95
70026213	375	7026714	165	7026788.....	235	7029703	78
70026214	375	7026715	165	7026789.....	235	7029714	91
70026215	375	7026716	163, 165	7026790.....	235	7029732	157
70026238	161, 193	7026717	163, 165	7026791.....	237	7029734 ...	163, 165, 167, 195, 197, 199
70026260	193	7026718 ...	163, 165, 167	7026792.....	217, 237	7029735 ...	163, 165, 167, 195, 197, 199
70026261	193	7026719	163, 165	7026793.....	237	7029743 ...	153, 157, 161, 189, 191, 193, 209
70026348	365	7026720	163, 165	7026794.....	217, 237	7029746 ...	153, 157, 189
70026699	97	7026721	165	7026798.....	263	7029747 ...	153, 157, 189
70026747	97, 199	7026722	165	7026799.....	263	7029760	339
70026748	199	7026723	165	7026900.....	263	7029771	441
70026753	169, 201	7026724	165	7026901.....	263	7029789	163, 167
70026754	167	7026725	165	7026902.....	263	7029849 ...	219, 221, 223, 225, 227, 229
70026755	167	7026728	183	7026904.....	263	7029850 ...	219, 221, 223, 225, 227, 229
70026756	167	7026739	283	7026905.....	263	7029851 ...	219, 221, 223, 225, 227, 229
70026766	151	7026740	283	7026906.....	263	7029852 ...	219, 221, 223, 225, 227, 229
70026767	161	7026741	283	7026909.....	437	7029854	254
70026768	161	7026742	283	7026910.....	422	7029855	254
70026769	167	7026743	283	7026911.....	131, 469	7029860	261
70026944	97	7026744	215	7026938.....	333	7029915	359
70026946	97	7026745	215	7026998.....	365	7029916	359
70026948	97	7026746	215	7026999.....	365	7029917	359
70026949	97	7026747	215	7027100.....	365	7029995	346
70027022	167	7026748	215	7027270.....	239	7029996	78
70029919	113, 469	7026749	215	7027271.....	239	7029997	78
7007207	353	7026750	217	7027272.....	239	7057141	117
7007415	353	7026751	217	7027273.....	239	7062922	75
7007426	353	7026752	217	7028714.....	191, 193	7110702	75
7007427	353	7026753	217	7028715.....	191, 193	7110712	346
7007429	353	7026754	217	7028716 ...	153, 157, 161, 189, 191, 193	7110722	346
7007446	353	7026755	217	7028718 ...	157, 189, 191, 469	7112642	81
7012773	359	7026756	217	7028733 ...	158, 191, 193	7114941	81
7016388	409	7026757	219	7028939.....	254	7139914	131, 135
7018300	365	7026758 ...	219, 221, 223, 225, 227, 229	7029127 ...	143, 145, 169, 177, 201	7139918	73
7021275	353	7026759 ...	219, 221, 223, 225, 227, 229	7029288.....	179, 181	71492152	266
7022340	353	7026760 ...	219, 221, 223, 225, 227, 229	7029290 ...	143, 145, 177, 179, 211	7150580	131, 135
7023962	353	7026761 ...	219, 221, 223, 225, 227, 229	7029291 ...	143, 145, 177, 179	72088049	47, 49
7023964	353	7026762	221	7029292 ...	179, 203, 211	7300435	109
7024574	346	7026763	225	7029293.....	145	7301295	73
7026022	365	7026764	227	7029300 ...	153, 157, 189, 191, 469	7301408	73
7026408	429, 445	7026765	227	7029302.....	145	7301579	73
7026413	423	7026766	227	7029303 ...	143, 145, 171, 177	77101143	131, 135
7026414	423, 425	7026769 ...	227, 231, 239	7029304 ...	143, 145, 171, 177	77133052 .	288, 291, 303, 305
7026415	422	7026770	229	7029305 ...	143, 145, 171, 177		
7026419	423	7026771	231	7029306 ...	143, 145, 177		
7026425	433	7026772	231				
7026429	431	7026773	231				
7026430	431	7026774	231				
7026431	431						
7026437	435						
7026438	435						
7026439 ...	426, 443, 445						
7026440	397						
7026477	279						
7026478	279						

PART NUMBER INDEX

77133053...291, 303, 305	80204108.. 163, 165, 167	8036678 261	8220525..... 433, 443, 445
77133073.....288, 303	80204115 165	8036750 335	8220890..... 405, 422
77133089.....289	80204116 165	8036847 217	8220904..... 447
77133134.....272	80204117 . 143, 145, 163,	8037140 375	8223073..... 409
77133136.....295, 392	165, 167, 177, 179,	80383231 266	8225122..... 381, 385
77133137..266, 272, 293,	195, 197, 199, 211	80384187 257	8270621..... 392, 469
295, 392	80204121 165	80384189 257	8275247..... 127
77133139.....309	80204123 165	80384191 257	8278020..... 117
77133140..307, 309, 312,	80204131 165	80384192 257	8303626..... 81
315, 317	80204143. 143, 145, 169,	80384203 261	8303634..... 73, 75, 346
77133168..307, 311, 315,	177, 179, 201	80384205 254	8303658..... 73
317	80204144. 143, 145, 147,	80384207 254	8303715..... 75
77133177.....309	169, 177, 179, 201	80384218 254	8305012..... 81
77133279...266, 272, 293	80204166 165	80434249 365	8305624..... 73, 392
77133306.....293	80204281 . 163, 165, 167,	80463058 445	8305626..... 389
77133389...309, 317, 392	195, 197	80484081 423, 425	8305630..... 272
77133390..293, 309, 317,	80214120. 153, 157, 189,	80484084 423, 425	8305643..... 73, 75, 346
392	191, 193	80484085 423, 425	8305644..... 81
77143003.....255	80241137 13	80484086 423, 425	8305645..... 25, 311, 319
77143006.....118	80264031 254	80484088 435	8307007..... 81
77323029.....270, 293	80264035 254	80604016 . 412, 416, 426,	8307024..... 250
77363228.....435	80264066 257	429, 433, 441	8307107..... 109
77363229...392, 429, 445	80264138 281	80604017 401, 405	8307112..... 81
77363232.....393	80264139 281	80604018 . 423, 429, 439,	8307904..... 75
77363233.....392	80304227 227	443, 445	8307916. 25, 61, 319, 329
77383118.....131, 135	80304394 .. 217, 231, 237	80604020 455	8307917. 25, 61, 319, 329
77383540.....266	80304405 215	80604021 .. 423, 429, 435	8307918..... 75
77383790.....121	80333162 131, 135	80604022 409, 455	8310067..... 25, 61, 319
77384578.....395	8033786 346	80604023 437	8310160..... 75
77394009.....429	8034805 261	80604025 .. 425, 429, 441	8310161..... 75
8008175.....169, 181	8034807 261	8065062 75	8310302..... 73
80204002.....181	8035392 261	8065640 131, 135	8310435..... 73
80204005.. 143, 145, 147,	8035461 257	80933113 288	8310453..... 381, 385
153, 157, 161, 177,	8035498 261	80933367 121, 123	8310494..... 117
179, 181, 189, 191, 193	8035523 255	80934498 281, 283	8310647..... 385
80204007.....145	8035536 346	80961142 399	8310737..... 271
80204012.. 143, 145, 147,	8035779 132, 135	80963050 401, 405	83191010..... 243, 245
177	8035782 337	80963055 429	83201057..... 270
80204014.....147	8035784 333, 337	80963056 .. 422, 433, 449	83201058..... 251
80204016.....145	8035831 106	80963057 431	83201147..... 13
80204025.....149, 183	8035862 346	80963058 395, 449	83481285.. 422, 429, 433
80204033.. 149, 151, 183,	8035863 346	80963061 422, 437	83481286.. 422, 429, 433
185, 187	8035865 333, 337	80963062 . 422, 431, 437,	83663119..... 293
80204035.. 149, 151, 183,	8036088 261	439	8405007..... 213
185, 187	8036250 237	80963064 431	8405102..... 117
80204043.. 149, 151, 183,	80363033 259	80963065 . 395, 422, 423,	8405104..... 117, 357
185, 187	80363034 259	429, 431, 449	8405201..... 117
80204044.....183, 185	80363099 271	80963067 .. 423, 431, 449	8405212..... 117
80204047.. 149, 151, 183,	80363102 271	80963068 429, 431	8405305..... 117
185, 187	80363103 271	80963069 .. 395, 431, 449	8405306..... 117
80204048.. 149, 151, 183,	80363178 433	80963070 431	8406105..... 401, 405
185, 187	80363179.. 395, 419, 433	80963101 397	8406303..... 117
80204049.. 149, 151, 183,	8036394 329	80964001 397	8410013..... 117
185, 187	80364001 257	80964051 257, 469	8420053..... 69, 71, 73, 75
80204050.. 149, 151, 183,	80364009 254	80964070 .. 401, 402, 405	8420055..... 69, 71, 73, 75
185, 187	80364011 254	8096D097.. 261, 401, 405	84231107..... 267
80204051.. 149, 151, 185,	80364023 254	80983168 409	8430034..... 115
187	80364030 254	82033995 266	8466306..... 463
80204052.. 149, 151, 183,	80364037 254	82033997 261	84712749..... 266
185, 187	80364079 257	8205655 346	84719940..... 25
80204060... 163, 165, 167	80364095 281	8220050 409	8500066..... 405
80204065.. 153, 161, 189,	8036433 131, 135	8220081 439, 441	8522012..... 51, 53, 55, 58
191	8036508 351	8220089 ... 425, 426, 437	8526203..... 241
80204071.. 153, 157, 161,	8036528 233, 235	8220101 412	8530025..... 117
189, 191, 193	8036529 233	8220124 412	8546407..... 288
80204076.. 153, 157, 161,	8036629 331, 335	8220164 412, 416	8580315..... 75
189, 191, 193	8036654 254	8220524 433	8584001..... 75

PART NUMBER INDEX

8584003	392	90027475	131, 135	91033189..	27, 29, 31, 39, 43, 468	91161277	39, 43, 47
85941016	409	90028720	288	91033317	395	91161278	31
85941017	311	90200003 ..	65, 67, 69, 75	91033425	395	91163028	463
8630003	73	90200602	21	91041449..	51, 53, 55, 57, 311	91163035	127, 468
8642207	75	90200755	259	91041450..	43, 51, 53, 55, 57	91163036	51, 55, 468
86683122	293	90205792	305	91041451..	51, 53, 55, 57, 311	91163037	55
86683193	266	90205870 ..	27, 29, 31, 35, 39, 43, 47, 49, 468	91041596..	51, 53, 55, 57, 311	91163066	392
86881273	47, 49	90206194	118	91043084	241	91163087	259
86881276	47, 49	90206196	266	91043125..	101, 105, 311, 319, 389	91163100	357, 392
86883328	266, 271	90206198 ...	16, 259, 381, 385	91043126..	101, 105, 311, 319, 389	91163161	55, 57
86921268	51, 55, 57	90206199	250	91044080	339	91163162	55
8750024	109	90206202	13, 291	91081313	19	91163163	51
8750025	109	90206203	16, 288	91081640..	381, 385, 389	91163188 ..	31, 35, 39, 43, 47, 49, 468
8769132	75	90207463	392	91083106	288	91163204	51, 55, 57
8770016	75	90207464	307, 311	91083217	309	91163214	31, 35, 468
8770258	275	90207661	392	91083385	241	91164087	254
8780039	241	90214009	469	91121082	31, 35, 468	91164094	254
8786514	241	90451058	73	91121134...307, 311, 392		91165022	51, 55
88201008	311	90554016	91, 95, 97	91123054...307, 311, 392		91166039	47, 49
88211550	35	90554017	91	91123126	279	91166065	47, 49
88211551	35	90554018	91	91126032	392	91334024	254
88212287	25	90554020	78, 95	91140001	13	91334032	257
88261010	409	90554021	78	91141301	25	91334034	254
88261026	117	90554025	78	91141302..31, 39, 43, 47, 49, 468		91334035	254
8841322	237	90554026	78	91141303..31, 35, 39, 43, 47, 49, 468		91343031	402
88501004	311, 312	90554027	78	91143024	311	91344046	254
88501005	312	90554033	97	91143107	392, 393	91344053	402
88501006	16, 357	90554034	97	91143117	409	91355034	241
88501008 ..	255, 307, 311	90554035	78	91143122	115, 272	91355035	241
88501012	251	90554038	78	91143141	392	91355037	241
88501016	251	90554039	78	91144190	279	91355038	241
88501108	307, 311	90554040	78	91144191	279	91361032	392
88501312	55	90554042	78, 95	91144478	261	91361045	31
88501314	51, 55, 57	90554043	78	91161136	327	91361046	31
88501412	55	90554044	78	91161137	327	91361047	39
88501414	51, 55, 57	90554045 ...	78, 346, 349	91161167	27	91363021 ..	412, 416, 419, 423
88521205	243, 272	90554046	346	91161168	35	91363068	392
88521208 ..	118, 333, 337	90554054	95	91161169	39, 43	91363151	392
88521306	309	90554056	78	91161170	31, 39	91365037	392
88551009	109, 311	90554057	78	91161171	27, 29	91366015	392
88551013	21	90554058	78	91161173	39, 43	91401189 ..	51, 53, 55, 57
88581112	51, 55, 58	90554059	78	91161180	55, 57	91401281	381, 385
88581115	53, 57	90554060	78	91161183..27, 29, 31, 35, 468		91401443	395
88581149	327	90554061	79	91161184..27, 29, 31, 35, 39, 47, 468		91401450	311
88581157	329	90554062	79, 91, 95	91161211	55	91401516	259
88661002	25	90554063	79	91161212	55	91401590	259
88662019	359	90554064	79	91161213	55	91403097	251
88662065	359	90554065	79, 91	91161214	55	91403098	251
88662523	16	90554067	78	91161218	51	91403119	53, 57
8866334	257	90554069	78	91161221...31, 35, 39, 47		91403193	131, 135
8866348	16	90554070	78	91161222	31, 35	91403230	250
88671001 16, 19, 69, 131, 135, 335		90554071	79	91161248..31, 35, 39, 43, 47, 49		91403324	259
88671018	47, 49	90554072	79	91161266	51	91403413 ..	69, 71, 73, 75, 101, 105, 311, 319, 389
88671027 ..	31, 35, 39, 43, 47, 49	90554073	78	91161267	51, 55, 57	91403414 ..	69, 71, 73, 75, 101, 105, 311, 319, 389
88681343	36	90554076	79, 91, 95	91161274	47, 49	91403489	127
88681344	55	90554077	79			91403503 ..	255, 401, 405
8880218-OM	131, 135	90554080	87			91403579	357
8881800	392	91023098	259			91403601	127
90020003	73	91031236 ..	27, 29, 31, 35, 39, 43, 47, 49, 468			91403608	395
90022230	339	91033186 ..	27, 29, 31, 35, 39, 43, 468			91404011	281
90027187	309	91033187	47, 49, 309, 468			91404013	281
90027470	39					91404016	281
90027471 ..	29, 31, 35, 39, 43, 47, 49					91404109	254
90027473	251						

PART NUMBER INDEX

91404110.....254	91474468.....422	91514130 . 149, 151, 183, 185, 187	91553072.....465
91404290.....254	91474469.....422	91514131 . 149, 151, 183, 185, 187	91554017.....443
91404291.....254	91474481.....257	91514133 . 149, 151, 185, 187	91554019.....433
91404294.....254	91474482.....257	91514134 . 149, 151, 185, 187	91554022.....412, 416
91404295.....254	91474512. 143, 145, 177, 179, 181	91514141 149	91561090.....57
91404296.....254	91474513.. 153, 161, 189	91514143 149	91561101.....29
91404297.....254	91474524 161, 193	91514146 . 153, 157, 161, 189, 191, 193	91561107.....53
91404298.....254	91476031 275	91514147 . 153, 157, 161, 189, 191, 193	91561108.....43
91404299.....254	91501064 311	91514148 . 153, 157, 161, 189, 191, 193	91561140.....299, 301
91404301.....254	91503093 367	91514149 . 153, 157, 161, 189, 191, 193	91561156B 27, 29
91404302.....254	91503094 312	91514151 .. 163, 165, 167	91561192.....277
91404303.....254	91503105.. 435, 437, 445	91514154 . 167, 195, 197, 199	91561240.....371
91404305.....254	91503106 435, 437	91514159 . 163, 167, 195, 197, 199	91561250.....57
91404306.....254	91503112 463	91514160 195, 197	91561268.....312
91404309.....257	91504028 281	91514161 . 163, 165, 195, 197, 199	91563021.....57
91404310.....257	91504029 281, 283	91514165 . 163, 167, 195, 197, 199	91563025 53, 57
91404311.....257	91504030 283	91514169 163	91563026.....53, 57
91404312.....257	91504031 283	91514171 163, 167	91563028.....35
91404313.....257	91504056 367	91514172 163, 167	91563030.....53, 57
91404315.....257	91504057 367	91514173 163, 167	91563035.....53, 57
91404316.....257	91504058 367	91514174 . 153, 157, 161, 189, 191, 193	91563036.....58
91404317.....257	91504059 367	91514175 . 153, 157, 189, 191, 207	91563046.....323
91404318.....257	91504088 429	91514176 157	91563047 331
91404319.....257	91504089 425	91514177 . 153, 157, 189, 191, 207	91563061.....251
91404320.....257	91504107 429	91514178 . 153, 157, 161, 189, 191, 193	91563062.....251
91404321.....257	91511094 31, 35, 468	91514180 . 153, 157, 161, 189, 191, 193	91563075.....259
91404322.....257	91511105 131, 135	91514183 161	91563079.....121
91404323.....257	91511127 409	91514184 . 153, 157, 189, 191, 209	91563091.....213
91404324.....257	91511145 275	91514185 . 153, 157, 189, 191, 209	91563121.....213
91404325.....281, 469	91513125 279	91514186 . 153, 157, 189, 191, 209	91563129.....121
91404326.....281	91513176 53, 57	91514188 . 145, 153, 157, 161, 189, 191, 193	91563147.....35
91404382.....329	91513180 275	91514189 . 153, 157, 161, 189, 191, 193	91563158.....263
91413036..250, 266, 270, 311	91513212 281, 469	91514197 361	91563161.....44, 49
91413052.....401, 405	91513266 243, 245	91514198 361	91563163.....123
91413061.....463	91514081 191, 193	91514199 361	91563164.....263
91413122.....51, 55, 58	91514082 . 153, 157, 161, 189, 191, 193	91514224 281	91563185.....431
91413129.....55	91514087 . 143, 147, 177, 179, 181, 191, 193	91514266 271	91563190.....365
91413142.....255	91514089 179, 181	91514270 271	91563191.....259
91473126.....243	91514090. 143, 145, 177, 179, 211	91514272 271	91563192.....395
91473127.....397	91514095 . 153, 157, 161, 189, 191, 193	91514295 271	91563197.....19, 335
91473206.....241	91514098. 143, 145, 147, 177, 179, 181	91514296 271	91563198.....19
91473211.....259	91514099. 143, 145, 153, 157, 161, 177, 179, 189, 191, 193, 211		91563199.....19, 335
91474035..131, 135, 469	91514101 179, 181		91563200.....283
91474402.....359	91514111 . 153, 157, 161, 189, 191, 193, 469		91563201.....283
91474407.....359	91514112 191, 193		91563205.....259
91474434.....361	91514113 . 153, 157, 161, 189, 191, 193		91563207.....259
91474435.....361	91514114. 153, 157, 161, 189, 191, 193		91563208.....279
91474438.....361	91514115. 153, 157, 161, 189, 191, 193		91563209.....131
91474439.....361	91514117 191, 193		91563219.....53, 57
91474440.....361	91514118 243, 245		91563226.....279, 469
91474441.....361	91514123. 149, 151, 153, 157, 183, 185, 187, 189, 191		91563244.....329, 335
91474442.....361			91563247.....449
91474443.....361			91563250.....241
91474444.....361			91563263.....327
91474445.....361			91563282.....139
91474446.....361			91564003.....78, 79
91474447.....361			91565004.....57
91474448.....361			91565005.....53, 57
91474450.....361			91565039.....241
91474451.....361			91565040.....241
91474452.....361			91565067.....251
91474453.....361			91565081.....243
91474454.....361			91565094.....87
91474455.....361			91566007B 35
91474456.....361			91566062.....243
91474458.....361			91566063.....243
91474459.....361			91569003.....251
91474460.....361			
91474465.....397			

PART NUMBER INDEX

91576006B..... 31



31200728



An Oshkosh Corporation Company

Corporate Office
JLG Industries, Inc.
1 JLG Drive
McConnellsburg, PA 17233-9533 USA
☎ **(717) 485-5161 (Corporate)**
☎ **(877) 554-5438 (Customer Support)**
☎ **(717) 485-6417**

Visit our website for JLG Worldwide Locations.
www.jlg.com