



Illustrated Parts Manual

Models

3614RS

4017RS

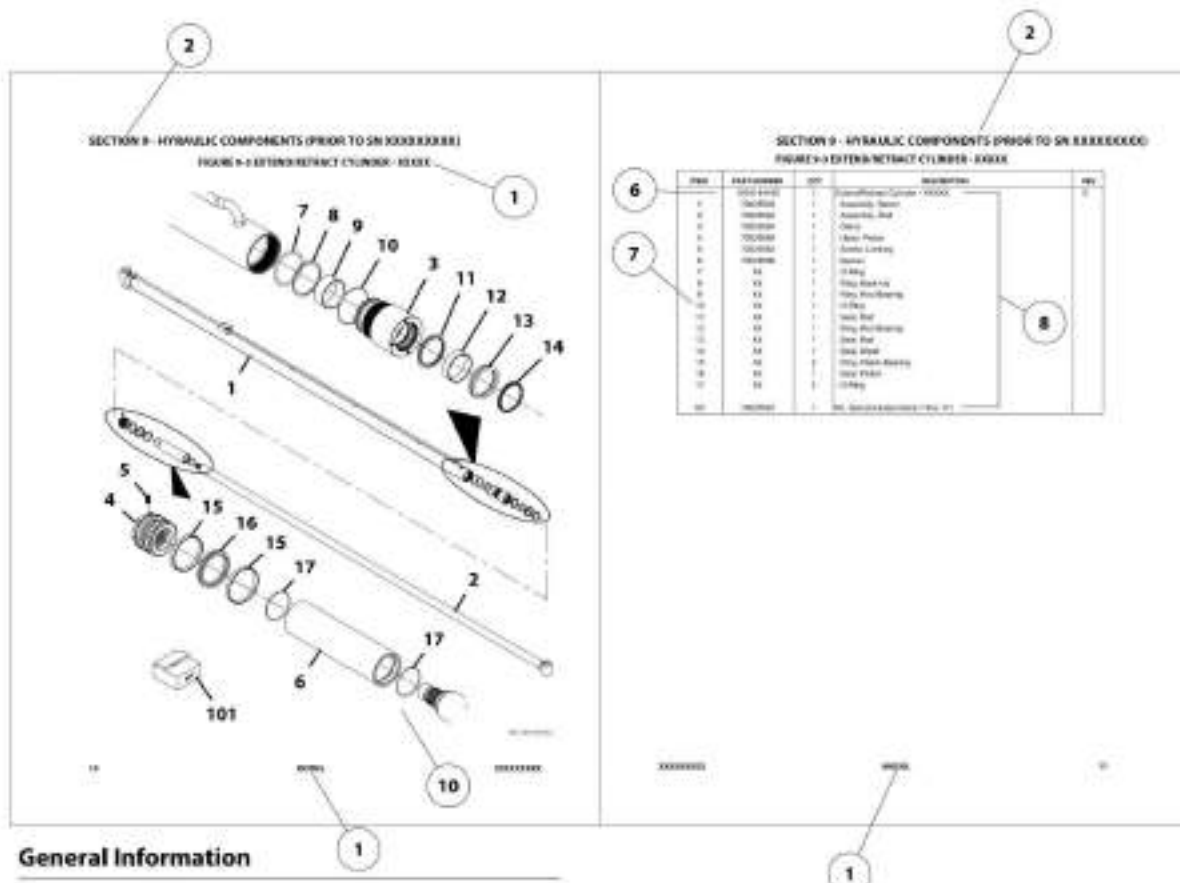
31200939

October 8, 2018 - Rev K



EFFECTIVITY PAGE

May 9, 2014 - A - Original Issue of Manual
February 5, 2015 - B - Revised Manual
December 17, 2015 - C - Revised Manual
April 27, 2016 - D - Revised Manual
August 19, 2016 - E - Revised Manual
November 30, 2016 - F - Revised Manual
March 8, 2017 - G - Revised Manual
May 19, 2017 - H - Revised Manual
October 13, 2017 - I - Revised Manual
July 18, 2018 - J - Revised Manual
October 8, 2018 - K - Revised Manual



General Information

1. MACHINE IDENTIFICATION

Machines are identified by model and in some cases a combination of model, serial number (S/N) or regional standard (e.g. ANSI, CE, CSA, AUS). Components may also be identified by S/N or manufacturer. Common components that may be identified by these characteristics are attachments, engine, transmission and hydraulic components.

2. PARTS MANUAL ORGANIZATION

Product information in this manual is organized under section titles. Frame, Engine and Electrical are a few examples. Each section is organized by Figure and page number. The information within the Figure is then organized by item number, part number, description and corresponding illustration(s).

3. TABLE OF CONTENTS

A table of contents (TOC) is found toward the beginning of the manual. Figure number, description and page number are provided for quick reference to the page containing the related information.

4. RECOMMENDED SPARE PARTS

The Recommended Spare Parts, located near the end of the manual, references most frequently used maintenance parts.

5. PARTS NUMBER INDEX

A numerical index listing all part numbers and the corresponding page number(s) appears at the back of the manual.

6. NON-SERVICED PARTS

In some instances it is necessary to display non-serviced parts, assemblies or installations. In the case of assemblies and installations there will be a Ref in the QTY column and a note after the item description stating what is available for service within. In the case of parts that are not available for service within assemblies or components there will be a NGS (Not Sold Separately) listed in the part number column of the manual.

7. PARTS LIST ITEM NUMBERS

Numbers shown in the Item column correspond to numbers used in the associated illustration(s). Item numbers which are missing from sequence and are not shown in the illustration(s) are not used on that page.

8. INDENTED PART DESCRIPTION

An indented part description is included in the item under which it is indented.

9. ABBREVIATIONS AND SYMBOLS

AC Alternating Current	LB Pound
ADE Advanced Design Electronics	LCD Liquid Crystal Display
ANSI American National Standards Institute	LED Light Emitting Diode
AR As Required	LH Left Hand
ASSY Assembly	LS Low Sulfur
AUS Australia	LSS Load Sensing System
AUX Auxiliary	M(m) Metric/Meter
AWG American Wire Gauge	MM Millimeter
CE European Conformity	MA Millamp
CM Centimeter	N Newton
CSA Canadian Standards Association	NLA No Longer Available
DIA Diameter	NSS Not Sold Separately
DC Direct Current	OD Outside Diameter
EMS Emergency Stop	ORB O-Ring Boss
FT Foot	ORFS O-Ring Face Seal
GA Gauge	OZ Ounce
GR Grade	QT Quart
HAC Heater and Air Conditioner	QTY Quantity
ID Inside Diameter	REF Reference
IN Inch	REV Revision
ISO International Organization for Standards	RH Right Hand
ITSDF Industrial Truck Standards Development Foundation	SN Serial Number
JIC Joint Industry Council	SAE Society of Automotive Engineers
KG Kilogram	UGM Universal Ground Module
KW Kilowatt	ULS Ultra Low Sulfur
L Liter	V Volt

10. ILLUSTRATION REFERENCE LETTERS

When necessary, illustrations may contain reference letters that are intended to track information from one point to another in the illustration such as harnesses and hoses or any other information that has been separated in the illustration.

Note: Due to continuous product improvements, JLG Industries, Inc. reserves the right to make specification changes without prior notification. Contact JLG Industries, Inc. for updated information.

TABLE OF CONTENTS

SECTION 1 - FRAME AND ATTACHING PARTS.....	17
FIGURE 1-1. FRAME INSTALLATION - 3614RS	18
FIGURE 1-2. FRAME INSTALLATION - 3614RS	20
FIGURE 1-3. FRAME INSTALLATION - 4017RS (74KW).....	22
FIGURE 1-4. FRAME INSTALLATION - 4017RS (74KW).....	24
FIGURE 1-5. FRAME INSTALLATION - 4017RS (55KW).....	26
FIGURE 1-6. FRAME INSTALLATION - 4017RS (55KW).....	28
FIGURE 1-7. ENCLOSURE GROUP INSTALLATION	30
FIGURE 1-8. MIRROR INSTALLATION - 3614RS	32
FIGURE 1-9. MIRROR INSTALLATION - 4017RS	34
FIGURE 1-10. REAR MIRROR INSTALLATION	36
FIGURE 1-11. MIRROR ASSEMBLY	38
FIGURE 1-12. BOOM PROP INSTALLATION	40
FIGURE 1-13. WHEEL CHOCK INSTALLATION	42
FIGURE 1-14. COUNTERWEIGHT INSTALLATION - 3614RS	44
FIGURE 1-15. COUNTERWEIGHT INSTALLATION - 4017RS	46
FIGURE 1-16. HOOD ASSEMBLY	48
FIGURE 1-17. SOUND SUPPRESSION INSTALLATION	50
FIGURE 1-18. CHASSIS COVER PLATE INSTALLATION - 3614RS	52
FIGURE 1-19. CHASSIS COVER PLATE INSTALLATION - 4017RS	54
FIGURE 1-20. LICENSE PLATE INSTALLATION	56
FIGURE 1-21. RETRIEVAL HITCH	58
FIGURE 1-22. HYDRAULIC TANK INSTALLATION	60
FIGURE 1-23. PAD LOCK.....	62
FIGURE 1-24. HITCH PIN ASSEMBLY	64
SECTION 2 - BOOM.....	67
FIGURE 2-1. BOOM INSTALLATION - 3614RS (NO AUXILIARY HYDRAULICS)	68
FIGURE 2-2. BOOM INSTALLATION - 3614RS (AUXILIARY HYDRAULICS)	70
FIGURE 2-3. BOOM INSTALLATION - 4017RS (NO AUXILIARY HYDRAULICS)	72
FIGURE 2-4. BOOM INSTALLATION - 4017RS (AUXILIARY HYDRAULICS)	74
FIGURE 2-5. BOOM ASSEMBLY - 3614RS (NO AUXILIARY HYDRAULICS)	76
FIGURE 2-6. BOOM ASSEMBLY - 3614RS (AUXILIARY HYDRAULICS).....	78
FIGURE 2-7. BOOM ASSEMBLY - 4017RS (NO AUXILIARY HYDRAULICS)	80
FIGURE 2-8. BOOM ASSEMBLY - 4017RS (AUXILIARY HYDRAULICS).....	84
FIGURE 2-9. EXTEND CHAIN ASSEMBLY - 3614RS	88
FIGURE 2-10. EXTEND CHAIN ASSEMBLY (1) - 4017RS.....	90
FIGURE 2-11. EXTEND CHAIN ASSEMBLY (2) - 4017RS.....	92
FIGURE 2-12. RETRACT CHAIN ASSEMBLY - 3614RS.....	94
FIGURE 2-13. RETRACT CHAIN ASSEMBLY (1) - 4017RS	96
FIGURE 2-14. RETRACT CHAIN ASSEMBLY (2) - 4017RS	98
FIGURE 2-15. COVER PLATE INSTALLATION - 3614RS	100
FIGURE 2-16. COVER PLATE INSTALLATION - 4017RS	102
FIGURE 2-17. FIRST BOOM SECTION - 3614RS.....	104
FIGURE 2-18. FIRST BOOM SECTION - 4017RS.....	106
FIGURE 2-19. SECOND BOOM SECTION - 3614RS.....	108
FIGURE 2-20. SECOND BOOM SECTION - 4017RS.....	110
FIGURE 2-21. THIRD BOOM SECTION - 3614RS	112
FIGURE 2-22. THIRD BOOM SECTION - 4017RS	114
FIGURE 2-23. FOURTH BOOM SECTION - 4017RS	116
FIGURE 2-24. HOSE SUPPORT ASSEMBLY - 4017RS	118
FIGURE 2-25. MANUAL QUICK ATTACH	120
FIGURE 2-26. HYDRAULICS INSTALLATION - 3614RS (NO AUXILIARY HYDRAULICS)	122
FIGURE 2-27. HYDRAULICS INSTALLATION - 3614RS (AUXILIARY HYDRAULICS)	124
FIGURE 2-28. HYDRAULICS INSTALLATION - 4017RS	126
FIGURE 2-29. HYDRAULICS ASSEMBLY - 4017RS.....	128
FIGURE 2-30. HYDRAULICS INSTALLATION - 4017RS (AUXILIARY HYDRAULICS)	130
FIGURE 2-31. AUXILIARY LINES INSTALLATION.....	132
FIGURE 2-32. BOOM BRUSH INSTALLATION - 3614RS	134
FIGURE 2-33. BOOM BRUSH INSTALLATION - 4017RS	136
FIGURE 2-34. BOOM BRUSH BRACKET ASSEMBLY (1)	138
FIGURE 2-35. BOOM BRUSH BRACKET ASSEMBLY (2)	140
FIGURE 2-36. BOOM BRUSH BRACKET ASSEMBLY (3)	142
FIGURE 2-37. BOOM BRUSH BRACKET ASSEMBLY (4) - 3614RS.....	144

TABLE OF CONTENTS

FIGURE 2-38. BOOM BRUSH BRACKET ASSEMBLY (5) - 3614RS.....	146
FIGURE 2-39. BOOM BRUSH BRACKET ASSEMBLY (6).....	148
FIGURE 2-40. BOOM BRUSH BRACKET ASSEMBLY (7) - 4017RS.....	150
FIGURE 2-41. BOOM BRUSH BRACKET ASSEMBLY (8) - 4017RS.....	152
FIGURE 2-42. BOOM BRUSH BRACKET ASSEMBLY (9) - 4017RS.....	154
FIGURE 2-43. BOOM BRUSH BRACKET ASSEMBLY (10) - 4017RS.....	156
FIGURE 2-44. BOOM BRUSH BRACKET ASSEMBLY (11) - 4017RS.....	158
SECTION 3 - ATTACHMENTS.....	161
FIGURE 3-1. CARRIAGE.....	162
FIGURE 3-2. FORKS.....	164
FIGURE 3-3. FORKS TINES.....	166
FIGURE 3-4. BUCKET 1.8M ³	168
FIGURE 3-5. BUCKET 0.9M ³	170
FIGURE 3-6. MULTI-PURPOSE BUCKET (Prior to SN 1160008687).....	172
FIGURE 3-7. MULTI-PURPOSE BUCKET (SN 1160008687 to Present).....	174
FIGURE 3-8. TRUSS BOOM.....	176
FIGURE 3-9. INSTALLATION, CARRIAGE FORK POSITIONING.....	178
FIGURE 3-10. INSTALLATION, FORK AND HOOK - 3614RS.....	180
FIGURE 3-11. INSTALLATION, FORK AND HOOK - 4017RS.....	182
FIGURE 3-12. 4 TON FORK HOOK.....	184
FIGURE 3-13. STANDARD CARRIAGE INSTALLATION WITH LIFT LUG - 3614RS.....	186
FIGURE 3-14. STANDARD CARRIAGE INSTALLATION WITH LIFT LUG - 4017RS.....	188
FIGURE 3-15. 4T FORK AND HOOK CARRIAGE.....	190
FIGURE 3-16. MANITOU CARRIAGE INSTALLATION - 3614RS.....	192
FIGURE 3-17. MANITOU CARRIAGE INSTALLATION - 4017RS.....	194
FIGURE 3-18. MANITOU COUPLER INSTALLATION.....	196
FIGURE 3-19. MANITOU CARRIAGE.....	198
FIGURE 3-20. JCB CARRIAGE INSTALLATION - 3614RS.....	200
FIGURE 3-21. JCB CARRIAGE INSTALLATION - 4017RS.....	202
FIGURE 3-22. JCB COUPLER INSTALLATION.....	204
FIGURE 3-23. JCB COUPLING.....	206
FIGURE 3-24. JCB FORK ASSEMBLY.....	208
FIGURE 3-25. SIDE SHIFT CARRIAGE INSTALLATION - 3614RS.....	210
FIGURE 3-26. SIDE SHIFT CARRIAGE INSTALLATION - 4017RS.....	212
FIGURE 3-27. SIDE SHIFT CARRIAGE ASSEMBLY (Prior to SN 1160008687).....	214
FIGURE 3-28. SIDE SHIFT CARRIAGE ASSEMBLY (SN 1160008687 to Present).....	216
FIGURE 3-29. FORK TRANSPORT LATCH INSTALLATION.....	218
FIGURE 3-30. HOMOLOGATION INSTALLATION - 3614RS (GERMANY).....	220
FIGURE 3-31. HOMOLOGATION WARNING PANEL INSTALLATION - 3614RS (GERMANY).....	222
FIGURE 3-32. REFLECTIVE PLATES INSTALLATION (FORKS).....	224
FIGURE 3-33. REFLECTIVE PLATES INSTALLATION (BUCKET) (ITALY).....	226
FIGURE 3-34. BUCKET GUARD ACCESSORY (ITALY).....	228
SECTION 4 - ENGINE AND ATTACHING PARTS.....	231
FIGURE 4-1. ENGINE AND TRANSMISSION INSTALLATION (ULS) - 74KW (Prior to SN 1160007354).....	232
FIGURE 4-2. ENGINE AND TRANSMISSION INSTALLATION (ULS) - 74KW (SN 1160007354 through 1160008518).....	234
FIGURE 4-3. ENGINE AND TRANSMISSION INSTALLATION (LS) - 74KW (Prior to SN 1160007354).....	236
FIGURE 4-4. ENGINE AND TRANSMISSION INSTALLATION (LS) - 74KW (SN 1160007354 through 1160008518).....	238
FIGURE 4-5. TRANSMISSION INSTALLATION (ULS) - 74KW (SN 1160008519 to Present).....	240
FIGURE 4-6. ENGINE AND TRANSMISSION INSTALLATION (ULS) - 55KW.....	242
FIGURE 4-7. ENGINE MOUNTING INSTALLATION.....	244
FIGURE 4-8. HYDRAULIC PUMP INSTALLATION.....	246
FIGURE 4-9. TURBO SHIELD INSTALLATION.....	248
FIGURE 4-10. FUEL LINES INSTALLATION (Prior to SN 1160007354).....	250
FIGURE 4-11. FUEL LINES INSTALLATION (SN 1160007354 to Present).....	252
FIGURE 4-12. FUEL TANK INSTALLATION.....	254
FIGURE 4-13. FUEL TANK.....	256
FIGURE 4-14. COOLING SYSTEM INSTALLATION - 74KW.....	258
FIGURE 4-15. COOLING SYSTEM INSTALLATION - 55KW.....	260
FIGURE 4-16. EXPANSION TANK.....	262
FIGURE 4-17. RADIATOR ASSEMBLY - 74KW.....	264
FIGURE 4-18. RADIATOR ASSEMBLY - 55KW.....	266
FIGURE 4-19. RADIATOR LINES INSTALLATION.....	268
FIGURE 4-20. RADIATOR LINES INSTALLATION - ARCTIC.....	270

TABLE OF CONTENTS

FIGURE 4-21. TRANSMISSION COOLING INSTALLATION	272
FIGURE 4-22. THERMAL BYPASS INSTALLATION - ARCTIC	274
FIGURE 4-23. HEATER LINES INSTALLATION	276
FIGURE 4-24. HEATER BLOCK INSTALLATION - ARCTIC	278
FIGURE 4-25. ENGINE COOLANT HOSE INSTALLATION	280
FIGURE 4-26. AIR SYSTEM INSTALLATION - 74KW	282
FIGURE 4-27. AIR SYSTEM INSTALLATION - 55KW	284
FIGURE 4-28. AIR FILTER ASSEMBLY	286
FIGURE 4-29. AIR INTAKE FILTER	288
FIGURE 4-30. EXHAUST SYSTEM INSTALLATION (ULS) - 74KW	290
FIGURE 4-31. EXHAUST SYSTEM INSTALLATION (ULS) - 55KW	292
FIGURE 4-32. EXHAUST SYSTEM INSTALLATION (LS)	294
FIGURE 4-33. ENGINE OIL DRAIN INSTALLATION	296
FIGURE 4-34. ENGINE INSTALLATION (SN 1160008519 to Present)	298
SECTION 5 - DRIVETRAIN	301
FIGURE 5-1. AXLE INSTALLATION - 3614RS (74KW)	302
FIGURE 5-2. AXLE INSTALLATION, (NO FOAM FILL) - 4017RS (74KW)	304
FIGURE 5-3. AXLE INSTALLATION (FOAM FILL) - 4017RS (74KW)	306
FIGURE 5-4. DRIVE SHAFT INSTALLATION - 3614RS	308
FIGURE 5-5. DRIVE SHAFT INSTALLATION - 4017RS	310
FIGURE 5-6. FRONT AXLE - 3614RS	312
FIGURE 5-7. FRONT AXLE, CENTRAL HOUSING - 3614RS	314
FIGURE 5-8. FRONT AXLE, DIFFERENTIAL - 3614RS	316
FIGURE 5-9. FRONT AXLE, HUB REDUCTION - 3614RS	318
FIGURE 5-10. FRONT AXLE, BRAKES - 3614RS	320
FIGURE 5-11. FRONT AXLE, STEERING - 3614RS	322
FIGURE 5-12. FRONT AXLE, TRUNION - 3614RS	324
FIGURE 5-13. FRONT AXLE, TRUNION KIT - 3614RS	326
FIGURE 5-14. DIFFERENTIAL KIT	328
FIGURE 5-15. FRONT AXLE - 4017RS (Prior to SN 1160007543, Excluding 1160007516 and 1160007537)	330
FIGURE 5-16. FRONT AXLE, CENTRAL HOUSING - 4017RS (Prior to SN 1160007543, Excluding 1160007516 and 1160007537)	332
FIGURE 5-17. FRONT AXLE, DIFFERENTIAL - 4017RS (Prior to SN 1160007543, Excluding 1160007516 and 1160007537)	334
FIGURE 5-18. FRONT AXLE, HUB REDUCTION - 4017RS (Prior to SN 1160007543, Excluding 1160007516 and 1160007537)	336
FIGURE 5-19. FRONT AXLE, BRAKES - 4017RS (Prior to SN 1160007543, Excluding 1160007516 and 1160007537)	338
FIGURE 5-20. FRONT AXLE, STEERING - 4017RS (Prior to SN 1160007543, Excluding 1160007516 and 1160007537)	340
FIGURE 5-21. FRONT AXLE, TRUNION - 4017RS (Prior to SN 1160007543, Excluding 1160007516 and 1160007537)	342
FIGURE 5-22. DIFFERENTIAL KIT - 4017RS (Prior to SN 1160007543, Including , Excluding 1160007516 and 1160007537)	344
FIGURE 5-23. FRONT AXLE - 4017RS (SN 1160007543 to Present, Including 1160007516 and 1160007537)	346
FIGURE 5-24. FRONT AXLE, CENTRAL HOUSING - 4017RS (SN 1160007543 to Present, Including 1160007516 and 1160007537)	348
FIGURE 5-25. FRONT AXLE, DIFFERENTIAL - 4017RS (SN 1160007543 to Present, Including 1160007516 and 1160007537)	350
FIGURE 5-26. FRONT AXLE, HUB REDUCTION - 4017RS (SN 1160007543 to Present, Including 1160007516 and 1160007537)	352
FIGURE 5-27. FRONT AXLE, BRAKES - 4017RS (SN 1160007543 to Present, Including 1160007516 and 1160007537)	354
FIGURE 5-28. FRONT AXLE, STEERING - 4017RS (SN 1160007543 to Present, Including 1160007516 and 1160007537)	356
FIGURE 5-29. FRONT AXLE, TRUNION - 4017RS (SN 1160007543 to Present, Including 1160007516 and 1160007537)	358
FIGURE 5-30. DIFFERENTIAL KIT (SN 1160007543 to Present, Including 1160007516 and 1160007537)	360
FIGURE 5-31. REDUCTION BUSHING (SN 1160007543 to Present, Including 1160007516 and 1160007537)	362
FIGURE 5-32. STEERING CASE KIT LH (SN 1160007543 to Present, Including 1160007516 and 1160007537)	364
FIGURE 5-33. STEERING CASE KIT LH (SN 1160007543 to Present, Including 1160007516 and 1160007537)	366
FIGURE 5-34. STEERING ADJUST BOLT KIT (SN 1160007543 to Present, Including 1160007516 and 1160007537)	368
FIGURE 5-35. RING GEAR SUPPORT KIT (SN 1160007543 to Present, Including 1160007516 and 1160007537)	370
FIGURE 5-36. PLANET GEAR CARRIER KIT (SN 1160007543 to Present, Including 1160007516 and 1160007537)	372
FIGURE 5-37. TRUNION KIT (SN 1160007543 to Present, Including 1160007516 and 1160007537)	374
FIGURE 5-38. REAR AXLE - 3614RS, 4017RS (NO FOAM FILL)	376
FIGURE 5-39. REAR AXLE, CENTRAL HOUSING - 3614RS, 4017RS (NO FOAM FILL)	378
FIGURE 5-40. REAR AXLE, DIFFERENTIAL - 3614RS, 4017RS (NO FOAM FILL)	380
FIGURE 5-41. REAR AXLE, HUB REDUCTION - 3614RS, 4017RS (NO FOAM FILL)	382
FIGURE 5-42. REAR AXLE, BRAKES - 3614RS, 4017RS (NO FOAM FILL)	384
FIGURE 5-43. REAR AXLE, STEERING - 3614RS, 4017RS (NO FOAM FILL)	386
FIGURE 5-44. REAR AXLE, TRUNION - 3614RS, 4017RS (NO FOAM FILL)	388
FIGURE 5-45. REAR AXLE, TRUNION KIT - 3614RS, 4017RS (NO FOAM FILL)	390

TABLE OF CONTENTS

FIGURE 5-46. PISTON KIT.....	392
FIGURE 5-47. REAR AXLE - 4017RS (FOAM FILL) (Prior to SN 1160007543, Excluding 1160007516 and 1160007537).....	394
FIGURE 5-48. REAR AXLE, CENTRAL HOUSING - 4017RS (FOAM FILL) (Prior to SN 1160007543, Excluding 1160007516 and 1160007537).....	396
FIGURE 5-49. REAR AXLE, DIFFERENTIAL - 4017RS (FOAM FILL) (Prior to SN 1160007543, Excluding 1160007516 and 1160007537).....	398
FIGURE 5-50. REAR AXLE, HUB REDUCTION - 4017RS (FOAM FILL) (Prior to SN 1160007543, Excluding 1160007516 and 1160007537).....	400
FIGURE 5-51. REAR AXLE, BRAKES - 4017RS (FOAM FILL) (Prior to SN 1160007543, Excluding 1160007516 and 1160007537).....	402
FIGURE 5-52. REAR AXLE, STEERING - 4017RS (FOAM FILL) (Prior to SN 1160007543, Excluding 1160007516 and 1160007537).....	404
FIGURE 5-53. REAR AXLE, TRUNION - 4017RS (FOAM FILL) (Prior to SN 1160007543, Excluding 1160007516 and 1160007537).....	406
FIGURE 5-54. SUPPORT - 4017RS (FOAM FILL) (Prior to SN 1160007543, Excluding 1160007516 and 1160007537).....	408
FIGURE 5-55. REAR AXLE - 4017RS (FOAM FILL) (SN 1160007543 to Present, Including 1160007516 and 1160007537).....	410
FIGURE 5-56. REAR AXLE, CENTRAL HOUSING - 4017RS (FOAM FILL) (SN 1160007543 to Present, Including 1160007516 and 1160007537).....	412
FIGURE 5-57. REAR AXLE, DIFFERENTIAL - 4017RS (SN 1160007543 to Present, Including 1160007516 and 1160007537).....	414
FIGURE 5-58. REAR AXLE, HUB REDUCTION - 4017RS (SN 1160007543 to Present, Including 1160007516 and 1160007537).....	416
FIGURE 5-59. REAR AXLE, BRAKES - 4017RS (SN 1160007543 to Present, Including 1160007516 and 1160007537).....	418
FIGURE 5-60. REAR AXLE, STEERING - 4017RS (SN 1160007543 to Present, Including 1160007516 and 1160007537).....	420
FIGURE 5-61. REAR AXLE, TRUNION - 4017RS (SN 1160007543 to Present, Including 1160007516 and 1160007537).....	422
FIGURE 5-62. DIFFERENTIAL KIT (SN 1160007543 to Present, Including 1160007516 and 1160007537).....	424
FIGURE 5-63. REDUCTION BUSHING (SN 1160007543 to Present, Including 1160007516 and 1160007537).....	426
FIGURE 5-64. STEERING CASE KIT LH (SN 1160007543 to Present, Including 1160007516 and 1160007537).....	428
FIGURE 5-65. STEERING CASE KIT RH (SN 1160007543 to Present, Including 1160007516 and 1160007537).....	430
FIGURE 5-66. STEERING ADJUST BOLT KIT (SN 1160007543 to Present, Including 1160007516 and 1160007537).....	432
FIGURE 5-67. RING GEAR SUPPORT KIT (SN 1160007543 to Present, Including 1160007516 and 1160007537).....	434
FIGURE 5-68. PLANET GEAR CARRIER KIT (SN 1160007543 to Present, Including 1160007516 and 1160007537).....	436
FIGURE 5-69. PISTON (SN 1160007543 to Present, Including 1160007516 and 1160007537).....	438
FIGURE 5-70. TRUNION KIT (SN 1160007543 to Present, Including 1160007516 and 1160007537).....	440
FIGURE 5-71. POWERSHIFT TRANSMISSION.....	442
FIGURE 5-72. POWERSHIFT TRANSMISSION, CONVERTER HOUSING.....	444
FIGURE 5-73. POWERSHIFT TRANSMISSION, TRANSMISSION PLATE.....	446
FIGURE 5-74. POWERSHIFT TRANSMISSION, TORQUE CONVERTER.....	448
FIGURE 5-75. POWERSHIFT TRANSMISSION, GEAR GROUP.....	450
FIGURE 5-76. POWERSHIFT TRANSMISSION, PUMP DRIVE.....	452
FIGURE 5-77. POWERSHIFT TRANSMISSION, CHARGE PUMP.....	454
FIGURE 5-78. POWERSHIFT TRANSMISSION, REVERSE IDLER.....	456
FIGURE 5-79. POWERSHIFT TRANSMISSION, FORWARD AND REVERSE SHAFT.....	458
FIGURE 5-80. POWERSHIFT TRANSMISSION, 3RD SHAFT.....	460
FIGURE 5-81. POWERSHIFT TRANSMISSION, 1ST & 2ND SHAFT.....	462
FIGURE 5-82. POWERSHIFT TRANSMISSION, OUTPUT SHAFT.....	464
FIGURE 5-83. POWERSHIFT TRANSMISSION, DROP BOX.....	466
FIGURE 5-84. POWERSHIFT TRANSMISSION, CONTROL.....	468
FIGURE 5-85. POWERSHIFT TRANSMISSION, MODULATION VALVE.....	470
FIGURE 5-86. POWERSHIFT TRANSMISSION, DRIVE PLATE.....	472
FIGURE 5-87. TIRE WHEEL SET, MITAS 15.5/80-24 - 3614RS.....	474
FIGURE 5-88. RH MITAS WHEEL - 3614RS (Prior to SN 1160008000).....	476
FIGURE 5-89. RH MITAS WHEEL - 3614RS (SN 1160008000 to Present).....	478
FIGURE 5-90. LH MITAS WHEEL - 3614RS (Prior to SN 1160008000).....	480
FIGURE 5-91. LH MITAS WHEEL - 3614RS (SN 1160008000 to Present).....	482
FIGURE 5-92. TIRE WHEEL SET, MITAS 14.00-24 - 4017RS.....	484
FIGURE 5-93. RH MITAS WHEEL - 4017RS.....	486
FIGURE 5-94. LH MITAS WHEEL - 4017RS.....	488
FIGURE 5-95. TIRE WHEEL SET, GOODYEAR 15.5-25 SGL - 3614RS.....	490
FIGURE 5-96. RH GOODYEAR WHEEL - 3614RS.....	492
FIGURE 5-97. LH GOODYEAR WHEEL - 3614RS.....	494
FIGURE 5-98. TIRE WHEEL SET, GOODYEAR 14.00-24 - 4017RS.....	496
FIGURE 5-99. RH GOODYEAR WHEEL - 4017RS.....	498
FIGURE 5-100. LH GOODYEAR WHEEL - 4017RS.....	500
FIGURE 5-101. TIRE WHEEL SET, MICHELIN 400/80-24 POWER CL - 3614RS.....	502
FIGURE 5-102. RH MICHELIN WHEEL - 3614RS.....	504
FIGURE 5-103. LH MICHELIN WHEEL - 3614RS.....	506
FIGURE 5-104. TIRE WHEEL SET, MICHELIN - 4017RS.....	508

TABLE OF CONTENTS

FIGURE 5-105. MICHELIN WHEEL - 4017RS	510
FIGURE 5-106. TIRE WHEEL SET, FIRESTONE 370/75-28 - 3614RS.....	512
FIGURE 5-107. FIRESTONE WHEEL - 3614RS.....	514
FIGURE 5-108. TIRE WHEEL SET, FIRESTONE 400/75-28 16 PLY - 4017RS.....	516
FIGURE 5-109. FIRESTONE WHEEL - 4017RS.....	518
FIGURE 5-110. FOAM FILLED WHEEL SET - 3614RS.....	520
FIGURE 5-111. RH FOAM WHEEL - 3614RS.....	522
FIGURE 5-112. LH FOAM WHEEL - 3614RS.....	524
FIGURE 5-113. FOAM FILLED WHEEL SET - 4017RS.....	526
FIGURE 5-114. RH FOAM WHEEL - 4017RS.....	528
FIGURE 5-115. LH FOAM WHEEL - 4017RS.....	530
FIGURE 5-116. FENDER INSTALLATION - 3614RS.....	532
FIGURE 5-117. RH FENDER ASSEMBLY - 3614RS.....	534
FIGURE 5-118. LH FENDER ASSEMBLY - 3614RS.....	536
FIGURE 5-119. FENDER INSTALLATION - 4017RS.....	538
FIGURE 5-120. RH FENDER ASSEMBLY - 4017RS.....	540
FIGURE 5-121. LH FENDER ASSEMBLY - 4017RS.....	542
FIGURE 5-122. POWERSHIFT TRANSMISSION.....	544
FIGURE 5-123. RH MITAS RIM ASSEMBLY - 3614RS.....	546
FIGURE 5-124. LH MITAS RIM ASSEMBLY - 3614RS.....	548
FIGURE 5-125. RH MITAS RIM ASSEMBLY - 4017RS.....	550
FIGURE 5-126. LH MITAS RIM ASSEMBLY - 4017RS.....	552
FIGURE 5-127. RH GOODYEAR RIM ASSEMBLY - 3614RS.....	554
FIGURE 5-128. LH GOODYEAR RIM ASSEMBLY - 3614RS.....	556
FIGURE 5-129. RH GOODYEAR RIM ASSEMBLY - 4017RS.....	558
FIGURE 5-130. LH GOODYEAR RIM ASSEMBLY - 4017RS.....	560
FIGURE 5-131. RH MICHELIN RIM ASSEMBLY - 3614RS.....	562
FIGURE 5-132. LH MICHELIN RIM ASSEMBLY - 3614RS.....	564
FIGURE 5-133. RH/LH MICHELIN RIM ASSEMBLY - 4017RS.....	566
FIGURE 5-134. FIRESTONE RIM ASSEMBLY - 3614RS.....	568
FIGURE 5-135. FIRESTONE RIM ASSEMBLY - 4017RS.....	570
FIGURE 5-136. RH FOAM RIM ASSEMBLY - 3614RS.....	572
FIGURE 5-137. LH FOAM RIM ASSEMBLY - 3614RS.....	574
FIGURE 5-138. RH FOAM RIM ASSEMBLY - 4017RS.....	576
FIGURE 5-139. LH FOAM RIM ASSEMBLY - 4017RS.....	578
SECTION 6 - CAB.....	581
FIGURE 6-1. CAB INSTALLATION (FNR LEVER) (Prior to SN E160000141, Excluding E160000120, E160000126, 1160008774, 1160008775 and 1160008777).....	582
FIGURE 6-2. CAB INSTALLATION (FNR LEVER) (SN E160000141 to Present, Including E160000120, E160000126, 1160008774, 1160008775 and 1160008777).....	584
FIGURE 6-3. CAB INSTALLATION (NO FNR LEVER) (Prior to SN E160000141, Excluding E160000120, E160000126, 1160008774, 1160008775 and 1160008777).....	586
FIGURE 6-4. CAB INSTALLATION (NO FNR LEVER) (SN E160000141 to Present, Including E160000120, E160000126, 1160008774, 1160008775 and 1160008777).....	588
FIGURE 6-5. CAB (FNR LEVER) (Prior to SN E160000141, Excluding E160000120, E160000126, 1160008774, 1160008775 and 1160008777).....	590
FIGURE 6-6. CAB (FNR LEVER) (SN E160000141 to Present, Including E160000120, E160000126, 1160008774, 1160008775 and 1160008777).....	592
FIGURE 6-7. CAB (NO FNR LEVER) (Prior to SN E160000141, Excluding E160000120, E160000126, 1160008774, 1160008775 and 1160008777).....	594
FIGURE 6-8. CAB (NO FNR LEVER) (SN E160000141 to Present, Including E160000120, E160000126, 1160008774, 1160008775 and 1160008777).....	596
FIGURE 6-9. CAB ASSEMBLY (Prior to SN E160000141, Excluding E160000120, E160000126, 1160008774, 1160008775 and 1160008777).....	598
FIGURE 6-10. CAB ASSEMBLY (SN E160000141 to Present, Including E160000120, E160000126, 1160008774, 1160008775 and 1160008777).....	600
FIGURE 6-11. CAB.....	602
FIGURE 6-12. FUEL DOOR INSTALLATION.....	604
FIGURE 6-13. DOOR STRAP INSTALLATION.....	606
FIGURE 6-14. INTERIOR MIRROR.....	608
FIGURE 6-15. MIRROR INSTALLATION.....	610
FIGURE 6-16. TRIM INSTALLATION (Prior to SN E160000141, Excluding E160000120, E160000126, 1160008774, 1160008775 and 1160008777).....	612
FIGURE 6-17. TRIM INSTALLATION (SN E160000141 to Present, Including E160000120, E160000126, 1160008774, 1160008775 and 1160008777).....	614

TABLE OF CONTENTS

FIGURE 6-18. COVER PANEL INSTALLATION.....	616
FIGURE 6-19. GASKET INSTALLATION.....	618
FIGURE 6-20. FRONT COVER ASSEMBLY.....	620
FIGURE 6-21. HEADLINER INSTALLATION (Prior to SN E160000141, Excluding E160000120, E160000126, 1160008774, 1160008775 and 1160008777).....	622
FIGURE 6-22. HEADLINER INSTALLATION (SN E160000141 to Present, Including E160000120, E160000126, 1160008774, 1160008775 and 1160008777).....	624
FIGURE 6-23. FRONT PANEL INSTALLATION.....	626
FIGURE 6-24. REAR COVER PANEL INSTALLATION.....	628
FIGURE 6-25. REAR WINDOW INSTALLATION.....	630
FIGURE 6-26. REAR WINDOW.....	632
FIGURE 6-27. CAB DOOR INSTALLATION.....	634
FIGURE 6-28. WINDOW INSTALLATION.....	636
FIGURE 6-29. CAB DOOR.....	638
FIGURE 6-30. VINYL SEAT INSTALLATION.....	640
FIGURE 6-31. VINYL SEAT.....	642
FIGURE 6-32. CLOTH SEAT INSTALLATION.....	644
FIGURE 6-33. CLOTH SEAT.....	646
FIGURE 6-34. FRONT WIPER INSTALLATION.....	648
FIGURE 6-35. FRONT WIPER INSTALLATION.....	650
FIGURE 6-36. ROOF WIPER INSTALLATION.....	652
FIGURE 6-37. HEATER INSTALLATION.....	654
FIGURE 6-38. AIR CONDITIONING INSTALLATION.....	656
FIGURE 6-39. HEATER (NO A/C).....	660
FIGURE 6-40. HEATER (A/C).....	662
FIGURE 6-41. CAB SCREEN (GP) SUN BLIND.....	664
FIGURE 6-42. STEP INSTALLATION.....	666
FIGURE 6-43. HYDRAULIC COVER INSTALLATION.....	668
FIGURE 6-44. A/C CONDENSER COVER INSTALLATION.....	670
FIGURE 6-45. TOP SCREEN GUARD INSTALLATION.....	672
FIGURE 6-46. FRONT SCREEN GUARD INSTALLATION.....	674
FIGURE 6-47. CLEARSKY INSTALLATION.....	676
FIGURE 6-48. TOOLBOX INSTALLATION.....	678
FIGURE 6-49. FRONT LICENSE PLATE INSTALLATION.....	680
FIGURE 6-50. LEVEL INDICATOR INSTALLATION.....	682
SECTION 7 - CONTROLS.....	685
FIGURE 7-1. BRAKE PEDAL INSTALLATION (Prior to SN E160000141, Excluding E160000120, E160000126, 1160008774, 1160008775 and 1160008777).....	686
FIGURE 7-2. BRAKE PEDAL INSTALLATION (SN E160000141 to Present, Including E160000120, E160000126, 1160008774, 1160008775 and 1160008777).....	688
FIGURE 7-3. BRAKE PEDAL INSTALLATION (Prior to SN E160000141, Excluding E160000120, E160000126, 1160008774, 1160008775 and 1160008777).....	690
FIGURE 7-4. BRAKE PEDAL INSTALLATION (SN E160000141 to Present, Including E160000120, E160000126, 1160008774, 1160008775 and 1160008777).....	692
FIGURE 7-5. BRAKE PEDAL ASSEMBLY (Prior to SN E160000141, Excluding E160000120, E160000126, 1160008774, 1160008775 and 1160008777).....	694
FIGURE 7-6. BRAKE PEDAL ASSEMBLY (SN E160000141 to Present, Including E160000120, E160000126, 1160008774, 1160008775 and 1160008777).....	696
FIGURE 7-7. ACCELERATOR PEDAL INSTALLATION.....	698
FIGURE 7-8. ACCELERATOR PEDAL.....	700
FIGURE 7-9. STEER COLUMN INSTALLATION (FNR LEVER) (Prior to SN E160000141, Excluding E160000120, E160000126, 1160008774, 1160008775 and 1160008777).....	702
FIGURE 7-10. STEER COLUMN INSTALLATION (FNR LEVER) (SN E160000141 to Present, Including E160000120, E160000126, 1160008774, 1160008775 and 1160008777).....	704
FIGURE 7-11. STEERING COLUMN (FNR LEVER).....	706
FIGURE 7-12. STEERING COLUMN INSTALLATION (NO FNR LEVER) (Prior to SN E160000141, Excluding E160000120, E160000126, 1160008774, 1160008775 and 1160008777).....	708
FIGURE 7-13. STEERING COLUMN INSTALLATION (NO FNR LEVER) (SN E160000141 to Present, Including E160000120, E160000126, 1160008774, 1160008775 and 1160008777).....	710
FIGURE 7-14. STEERING COLUMN (NO FNR LEVER).....	712
FIGURE 7-15. STEERING WHEEL.....	714
FIGURE 7-16. MECHANICAL HANDBRAKE INSTALLATION - 3614RS.....	716
FIGURE 7-17. HYDRAULIC HANDBRAKE INSTALLATION - 4017RS.....	718
FIGURE 7-18. JOYSTICK INSTALLATION (FNR LEVER).....	720
FIGURE 7-19. JOYSTICK INSTALLATION (NO FNR LEVER).....	722

TABLE OF CONTENTS

FIGURE 7-20. JOYSTICK INSTALLATION (AUX, FNR LEVER)	724
FIGURE 7-21. JOYSTICK INSTALLATION (AUX, NO FNR LEVER)	726
FIGURE 7-22. JOYSTICK (FNR LEVER)	728
FIGURE 7-23. JOYSTICK, (FNR LEVER)	730
FIGURE 7-24. JOYSTICK (NO FNR LEVER)	732
FIGURE 7-25. JOYSTICK, (NO FNR LEVER)	734
FIGURE 7-26. JOYSTICK (AUX, FNR LEVER)	736
FIGURE 7-27. JOYSTICK, (AUX, FNR LEVER)	738
FIGURE 7-28. JOYSTICK (AUX, NO FNR LEVER)	740
FIGURE 7-29. JOYSTICK, (AUX, NO FNR LEVER)	742
FIGURE 7-30. CLEARSKY TELEMATICS CONTROLLER	744
SECTION 8 - HYDRAULIC CIRCUITS	747
FIGURE 8-1. SUPPLY LINES INSTALLATION - 3614RS	748
FIGURE 8-2. SUPPLY LINES INSTALLATION - 4017RS	750
FIGURE 8-3. PUMP LINES INSTALLATION - 3614RS (NO AUXILIARY HYDRAULICS)	752
FIGURE 8-4. PUMP LINES INSTALLATION - 3614RS (AUXILIARY HYDRAULICS)	754
FIGURE 8-5. PUMP LINES INSTALLATION - 4017RS (NO AUXILIARY HYDRAULICS)	756
FIGURE 8-6. PUMP LINES INSTALLATION - 4017RS (AUXILIARY HYDRAULICS)	758
FIGURE 8-7. STEERING INSTALLATION - 3614RS	760
FIGURE 8-8. STEERING INSTALLATION - 4017RS	762
FIGURE 8-9. UPPER BRAKE LINES INSTALLATION - 3614RS (Prior to SN 1160008232)	764
FIGURE 8-10. UPPER BRAKE LINES INSTALLATION - 3614RS (SN 1160008232 to Present)	766
FIGURE 8-11. UPPER BRAKE LINES INSTALLATION - 4017RS (Prior to SN 1160008232)	768
FIGURE 8-12. UPPER BRAKE LINES INSTALLATION - 4017RS (SN 1160008232 to Present)	770
FIGURE 8-13. LOWER BRAKE LINES INSTALLATION - 3614RS	772
FIGURE 8-14. LOWER BRAKE LINES INSTALLATION - 4017RS	774
FIGURE 8-15. IMPLEMENT LINES INSTALLATION - 3614RS (NO AUX HYDRAULICS)	776
FIGURE 8-16. IMPLEMENT LINES INSTALLATION - 3614RS (AUXILIARY HYDRAULICS)	778
FIGURE 8-17. IMPLEMENT LINES INSTALLATION - 4017RS (NO AUX HYDRAULICS)	780
FIGURE 8-18. IMPLEMENT LINES INSTALLATION - 4017RS (AUXILIARY HYDRAULICS)	782
FIGURE 8-19. LEVELING AND OUTRIGGERS INSTALLATION - 3614RS	784
FIGURE 8-20. LEVELING AND OUTRIGGERS INSTALLATION - 4017RS	786
FIGURE 8-21. OUTRIGGER LEG ASSEMBLY	788
FIGURE 8-22. BREATHER INSTALLATION	790
FIGURE 8-23. REMOTE GREASE SYSTEM INSTALLATION	792
FIGURE 8-24. BOOM REMOTE GREASE INSTALLATION - 3614RS	794
FIGURE 8-25. BOOM REMOTE GREASE INSTALLATION - 4017RS	796
FIGURE 8-26. 17M PUMP LINES AUXILIARY INSTALLATION (HIGH VIS CAB)	798
FIGURE 8-27. 17M PUMP LINES NO AUXILIARY INSTALLATION (HIGH VIS CAB)	800
FIGURE 8-28. 17M SUCTION LINES INSTALLATION (HIGH VIS CAB)	802
FIGURE 8-29. BRAKE DAMPER INSTALLATION (ITALY)	804
SECTION 9 - HYDRAULIC COMPONENTS	807
FIGURE 9-1. LIFT CYLINDER - 3614RS (Prior to SN 1160007517)	808
FIGURE 9-2. LIFT CYLINDER - 3614RS (SN 1160007517 to Present)	810
FIGURE 9-3. LIFT CYLINDER - 4017RS (Prior to SN 1160007492)	812
FIGURE 9-4. LIFT CYLINDER - 4017RS (SN 1160007492 to Present)	814
FIGURE 9-5. EXTEND/RETRACT CYLINDER - 3614RS	816
FIGURE 9-6. EXTEND/RETRACT CYLINDER - 4017RS	818
FIGURE 9-7. TILT CYLINDER (Prior to SN 1160007470)	820
FIGURE 9-8. TILT CYLINDER (SN 1160007470 to Present)	822
FIGURE 9-9. COMPENSATION CYLINDER	824
FIGURE 9-10. FRAME LEVEL CYLINDER	826
FIGURE 9-11. FRAME LEVEL CYLINDER	828
FIGURE 9-12. OUTRIGGER CYLINDER	830
FIGURE 9-13. MAIN CONTROL VALVE (NO AUXILIARY HYDRAULICS)	832
FIGURE 9-14. MAIN CONTROL VALVE (AUXILIARY HYDRAULICS)	836
FIGURE 9-15. STEERING SELECT VALVE	840
FIGURE 9-16. OUTRIGGER VALVE	842
FIGURE 9-17. GEAR PUMP	844
FIGURE 9-18. HYDRAULIC TANK	846
FIGURE 9-19. HYDRAULIC PARK BRAKE RELEASE VALVE - 4017RS	848
FIGURE 9-20. HYDRAULIC OIL FILTER	850
FIGURE 9-21. OUTRIGGER VALVE	852

TABLE OF CONTENTS

SECTION 10 - ELECTRICAL.....	855
FIGURE 10-1. ENGINE ELECTRICAL INSTALLATION (Prior to SN E160000141, Excluding E160000120, E160000126, 1160008774, 1160008775 and 1160008777)	856
FIGURE 10-2. ENGINE ELECTRICAL INSTALLATION (SN E160000141 to Present, Including E160000120, E160000126, 1160008774, 1160008775 and 1160008777)	858
FIGURE 10-3. 200 AMP RELAY	860
FIGURE 10-4. BATTERY INSTALLATION.....	862
FIGURE 10-5. BATTERY INSTALLATION - ARCTIC	864
FIGURE 10-6. CAB ELECTRICAL INSTALLATION (Prior to SN E160000141, Excluding E160000120, E160000126, 1160008774, 1160008775 and 1160008777)	866
FIGURE 10-7. CAB ELECTRICAL INSTALLATION (SN E160000141 to Present, Including E160000120, E160000126, 1160008774, 1160008775 and 1160008777)	868
FIGURE 10-8. UGM CONTROL.....	870
FIGURE 10-9. PCB ELECTRICAL ASSEMBLY.....	872
FIGURE 10-10. PC BOARD.....	874
FIGURE 10-11. LSI INSTALLATION.....	876
FIGURE 10-12. RADIO INSTALLATION.....	878
FIGURE 10-13. CAB EARTH INSTALLATION.....	880
FIGURE 10-14. HORN INSTALLATION.....	882
FIGURE 10-15. BOOM ANGLE SENSOR INSTALLATION - 3614RS (Prior to SN 1160007423, Including 1160007354, 1160007357 and 1160007359)	884
FIGURE 10-16. BOOM ANGLE SENSOR INSTALLATION - 3614RS (SN 1160007423 to Present, Excluding 1160007354, 1160007357 and 1160007459)	886
FIGURE 10-17. BOOM ANGLE SENSOR INSTALLATION, (WITH FOLDING LIGHTS) - 3614RS.....	888
FIGURE 10-18. BOOM ANGLE SENSOR INSTALLATION - 4017RS.....	890
FIGURE 10-19. BOOM ANGLE SENSOR INSTALLATION, (WITH FOLDING LIGHTS) - 4017RS.....	892
FIGURE 10-20. BOOM RETRACT SENSOR INSTALLATION - 3614RS.....	894
FIGURE 10-21. BOOM RETRACT SENSOR INSTALLATION - 4017RS.....	896
FIGURE 10-22. LSI SENSOR INSTALLATION.....	898
FIGURE 10-23. BACK-UP ALARM INSTALLATION (Prior to SN 01160007442)	900
FIGURE 10-24. BACK-UP ALARM INSTALLATION (WHITE NOISE).....	902
FIGURE 10-25. BACK-UP ALARM INSTALLATION (FOLDING LIGHTS).....	904
FIGURE 10-26. BACK-UP ALARM INSTALLATION (FOLDING LIGHTS AND WHITE NOISE).....	906
FIGURE 10-27. CHASSIS HARNESS INSTALLATION - 3614RS (Prior to SN E160000141, Excluding E160000120, E160000126, 1160008774, 1160008775 and 1160008777)	908
FIGURE 10-28. CHASSIS HARNESS INSTALLATION - 3614RS (SN E160000141 to Present, Including E160000120, E160000126, 1160008774, 1160008775 and 1160008777)	910
FIGURE 10-29. CHASSIS HARNESS INSTALLATION - 4017RS (Prior to SN SN E160000141, Excluding E160000120, E160000126, 1160008774, 1160008775 and 1160008777)	912
FIGURE 10-30. CHASSIS HARNESS INSTALLATION - 4017RS (SN E160000141 to Present, Including E160000120, E160000126, 1160008774, 1160008775 and 1160008777)	914
FIGURE 10-31. DASH ELECTRICAL INSTALLATION (Prior to SN SN E160000141, Excluding E160000120, E160000126, 1160008774, 1160008775 and 1160008777)	916
FIGURE 10-32. DASH ELECTRICAL INSTALLATION (SN E160000141 to Present, Including E160000120, E160000126, 1160008774, 1160008775 and 1160008777)	918
FIGURE 10-33. CAB WORKLIGHTS INSTALLATION (NO HAC)	920
FIGURE 10-34. CAB WORKLIGHTS INSTALLATION (HAC).....	922
FIGURE 10-35. DRIVING LIGHTS INSTALLATION (GERMANY AND CE)	924
FIGURE 10-36. DRIVING LIGHTS INSTALLATION (UK/IRELAND).....	926
FIGURE 10-37. REAR LIGHTS INSTALLATION	928
FIGURE 10-38. BEACON INSTALLATION	930
FIGURE 10-39. BEACON READY INSTALLATION.....	932
FIGURE 10-40. OUTRIGGERS DEPLOYED INSTALLATION - 4017RS.....	934
FIGURE 10-41. ENGINE HARNESS (Prior to SN E160000141, Excluding E160000120, E160000126, 1160008774, 1160008775 and 1160008777)	936
FIGURE 10-42. ENGINE HARNESS (SN E160000141 to Present, Including E160000120, E160000126, 1160008774, 1160008775 and 1160008777)	940
FIGURE 10-43. CHASSIS HARNESS (Prior to SN E160000141, Excluding E160000120, E160000126, 1160008774, 1160008775 and 1160008777)	944
FIGURE 10-44. FRONT FRAME HARNESS (SN E160000141 to Present, Including E160000120, E160000126, 1160008774, 1160008775 and 1160008777)	948
FIGURE 10-45. REAR FRAME HARNESS (SN E160000141 to Present, Including E160000120, E160000126, 1160008774, 1160008775 and 1160008777)	950
FIGURE 10-46. CAB HARNESS (Prior to SN 1160007172, Excluding 1160007172, 1160007176, 1160007198 and 1160007201)	954

TABLE OF CONTENTS

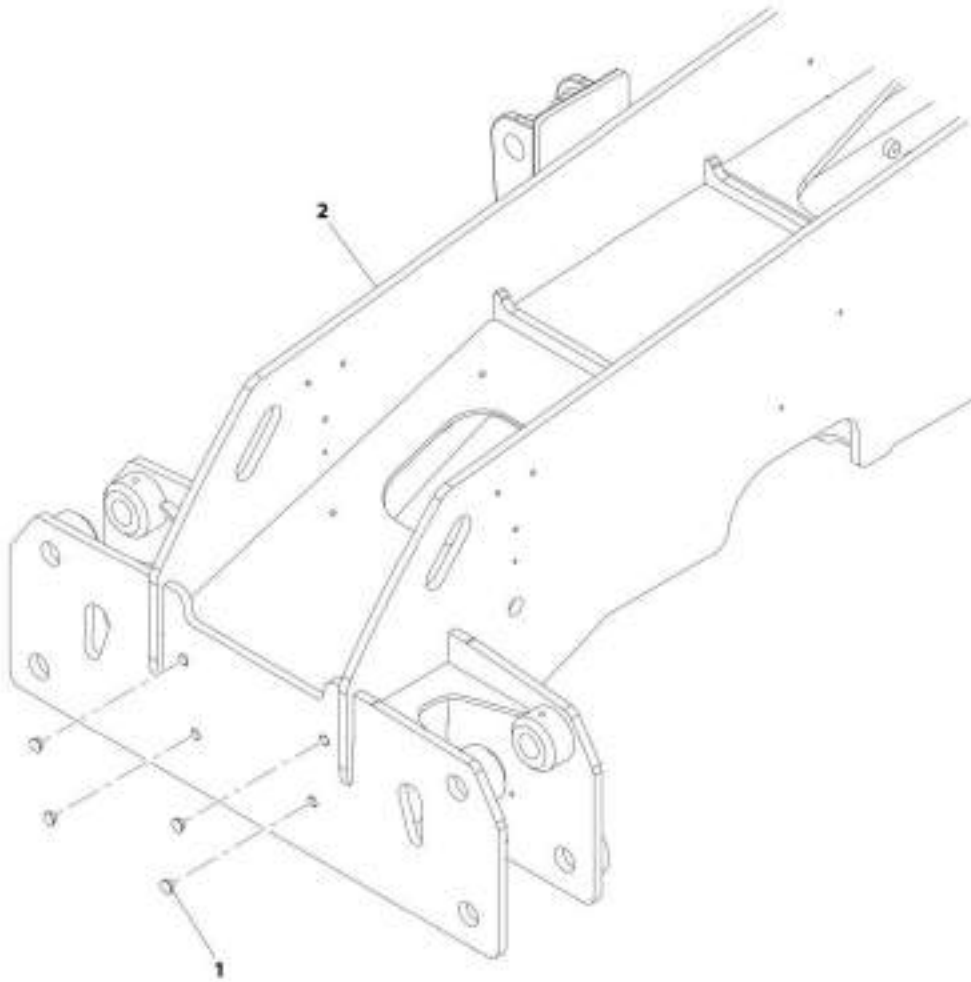
FIGURE 10-47. CAB HARNESS (Prior to SN E160000141, Excluding E160000120, E160000126, 1160008774, 1160008775 and 1160008777)	958
FIGURE 10-48. CAB HARNESS (SN E160000141 to Present, Including E160000120, E160000126, 1160008774, 1160008775 and 1160008777).....	962
FIGURE 10-49. CAB POWER HARNESS	966
FIGURE 10-50. RADIO HARNESS	968
FIGURE 10-51. WORKLIGHTS HARNESS.....	970
FIGURE 10-52. LIGHT EXTENSION HARNESS.....	972
FIGURE 10-53. BEACON HARNESS.....	974
FIGURE 10-54. OUTRIGGERS DEPLOYED CHASSIS HARNESS - 4017RS (Prior to SN 1160007172).....	976
FIGURE 10-55. OUTRIGGERS DEPLOYED INSTALLATION - 4017RS (SN 1160007172 to Present)	978
FIGURE 10-56. OUTRIGGERS DEPLOYED CAB HARNESS - 4017RS.....	980
FIGURE 10-57. ROOF WIPER HARNESS.....	982
FIGURE 10-58. HAC CAB HARNESS.....	984
FIGURE 10-59. HAC CHASSIS HARNESS	986
FIGURE 10-60. CLEARSKY HARNESS.....	988
FIGURE 10-61. UNIVERSAL TELEMATICS INSTALLATION.....	990
FIGURE 10-62. UNIVERSAL TELEMATICS HARNESS	992
FIGURE 10-63. REAR FRAME MODULE	994
FIGURE 10-64. FRONT FRAME MODULE.....	996
SECTION 11 - DECALS.....	999
FIGURE 11-1. DECAL LOCATION INSTALLATION (ULS)	1000
FIGURE 11-2. DECAL LOCATION INSTALLATION (LS).....	1002
FIGURE 11-3. JOYSTICK DECAL INSTALLATION, BUCKET (Prior to SN 1160008269, Excluding 1160008192 and 1160008201)	1004
FIGURE 11-4. JOYSTICK DECAL INSTALLATION, BUCKET (SN 1160008269 to Present, Including 1160008192 and 1160008201)	1006
FIGURE 11-5. JOYSTICK DECAL INSTALLATION, FORK (Prior to SN 1160008269, Excluding 1160008192 and 1160008201)	1008
FIGURE 11-6. JOYSTICK DECAL INSTALLATION, FORK (SN 1160008269 to Present, Including 1160008192 and 1160008201)	1010
FIGURE 11-7. BOOM DECAL INSTALLATION.....	1012
FIGURE 11-8. DECAL INSTALLATION, RUSSIA	1014
FIGURE 11-9. SOUND PLATE INSTALLATION, 74KW (106DB)	1016
FIGURE 11-10. SOUND PLATE INSTALLATION, 55KW (104DB)	1018
FIGURE 11-11. LOAD CHART, 3614RS	1020
FIGURE 11-12. LOAD CHART, 4017RS.....	1022
FIGURE 11-13. REFLECTOR INSTALLATION.....	1024
FIGURE 11-14. 25KPH SPEED DECAL INSTALLATION	1026
FIGURE 11-15. 20KPH SPEED DECAL INSTALLATION - 3614RS (GERMANY).....	1028
FIGURE 11-16. JLG DECAL INSTALLATION - 3614RS.....	1030
FIGURE 11-17. JLG DECAL INSTALLATION - 4017RS.....	1034
FIGURE 11-18. CONSTRUCTION INSTALLATION (UK/IRELAND).....	1038
FIGURE 11-19. CONSTRUCTION INSTALLATION (CE)	1040
FIGURE 11-20. CONSTRUCTION INSTALLATION (FRANCE).....	1042
FIGURE 11-21. EAC DECAL INSTALLATION	1044
FIGURE 11-22. HOMOLOGATION PLATE INSTALLATION - 3614RS (GERMANY)	1046
FIGURE 11-23. HOMOLOGATION PLATE INSTALLATION (SPAIN).....	1048
FIGURE 11-24. HOMOLOGATION PLATE INSTALLATION (BELGIUM)	1050
FIGURE 11-25. HOMOLOGATION PLATE INSTALLATION (ITALY)	1052
FIGURE 11-26. SUNVISOR INSTALLATION - 3614RS (GERMANY)	1054
FIGURE 11-27. DECAL HOMOLOGATION INSTALLATION (ITALY).....	1056
FIGURE 11-28. DECAL BOOM INSTALLATION.....	1060
FIGURE 11-29. DECAL BOOM INSTALLATION WITH CUSTOMER WINDOW.....	1062
SECTION 12 - RECOMMENDED SPARE PARTS	1065
FIGURE 12-1. RECOMMENDED SPARE PARTS	1066
PART NUMBER INDEX	1069

SECTION 1 - FRAME AND ATTACHING PARTS

SECTION 1 - FRAME AND ATTACHING PARTS

SECTION 1 - FRAME AND ATTACHING PARTS

FIGURE 1-1. FRAME INSTALLATION - 3614RS



ART_100146014-B

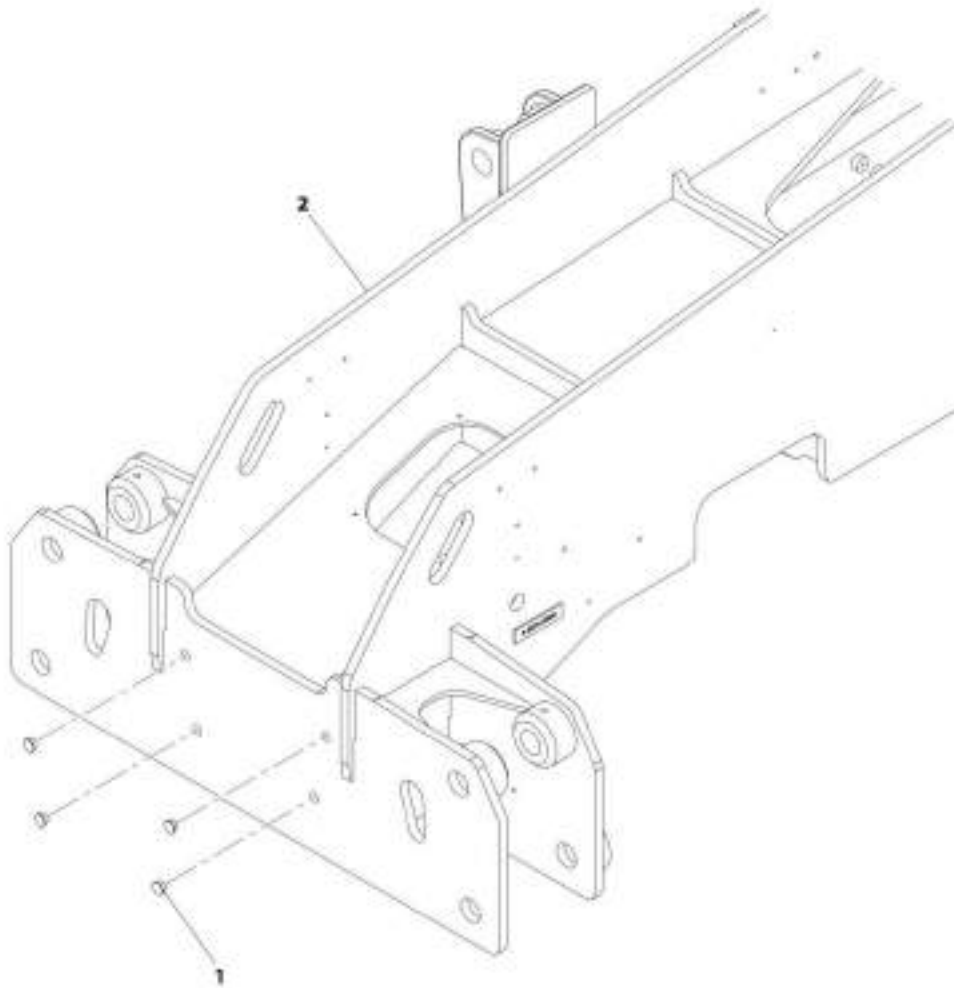
SECTION 1 - FRAME AND ATTACHING PARTS

FIGURE 1-1. FRAME INSTALLATION - 3614RS

ITEM	PART NUMBER	QTY	DESCRIPTION	REV
	1001146014	NLA	Frame Installation - 3614RS (no longer available, use 1001241916 for replacement)	B
1	1001091126	4	Plug	
2	N.S.S.	1	Weldment, Frame	

SECTION 1 - FRAME AND ATTACHING PARTS

FIGURE 1-2. FRAME INSTALLATION - 3614RS



ART_1001241916-A

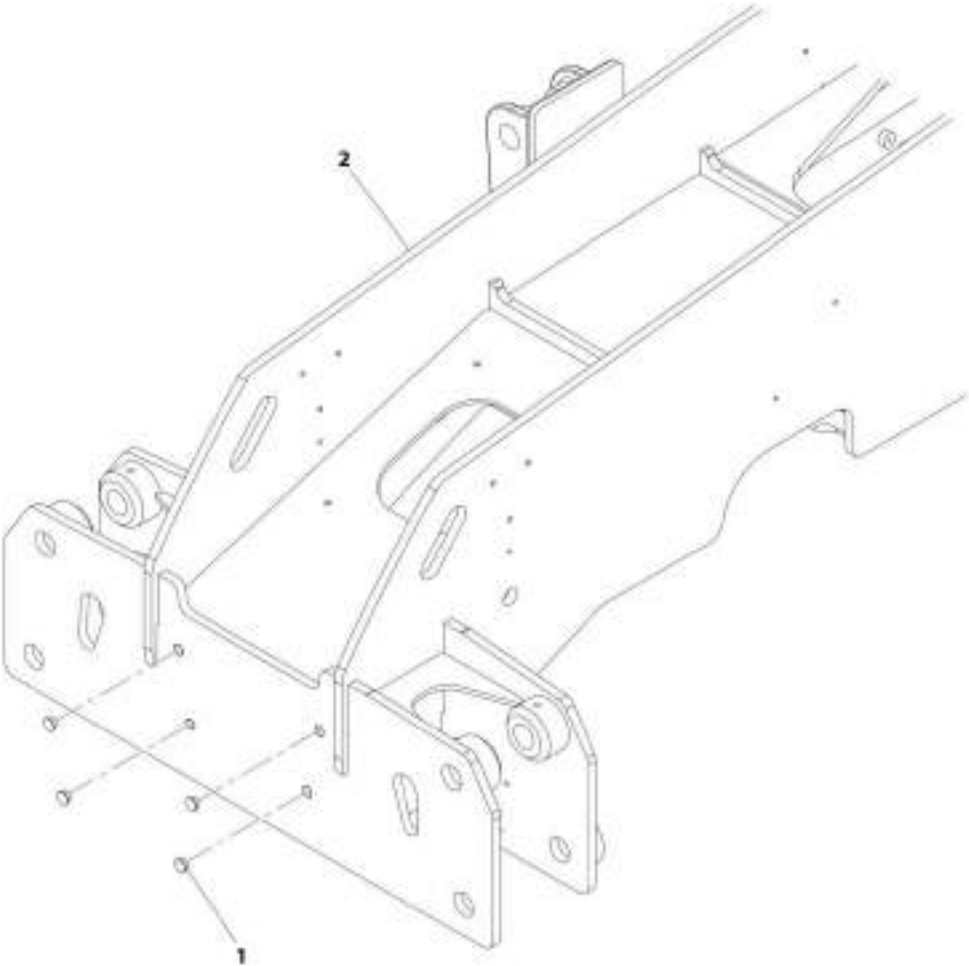
SECTION 1 - FRAME AND ATTACHING PARTS

FIGURE 1-2. FRAME INSTALLATION - 3614RS

ITEM	PART NUMBER	QTY	DESCRIPTION	REV
1	1001241916 1001091126	Ref 4	Frame Installation - 3614RS Plug	A
2	N.S.S.	1	Weldment, Frame	

SECTION 1 - FRAME AND ATTACHING PARTS

FIGURE 1-3. FRAME INSTALLATION - 4017RS (74KW)



ARC_101146017-B

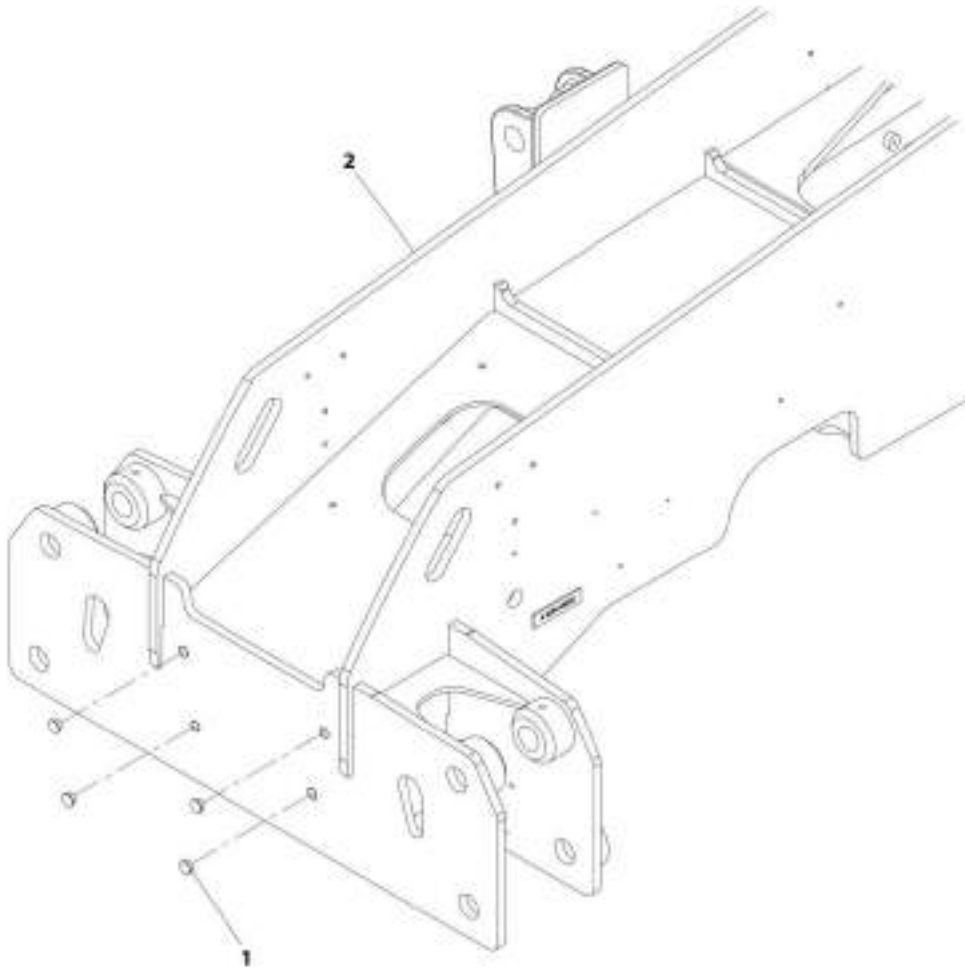
SECTION 1 - FRAME AND ATTACHING PARTS

FIGURE 1-3. FRAME INSTALLATION - 4017RS (74KW)

ITEM	PART NUMBER	QTY	DESCRIPTION	REV
	1001146017	NLA	Frame Installation - 4017RS (74KW) (no longer available, use 1001241918 for replacement)	B
1	1001091126	4	Plug	
2	N.S.S.	1	Weldment, Frame	

SECTION 1 - FRAME AND ATTACHING PARTS

FIGURE 1-4. FRAME INSTALLATION - 4017RS (74KW)



ARC_1001241010-A

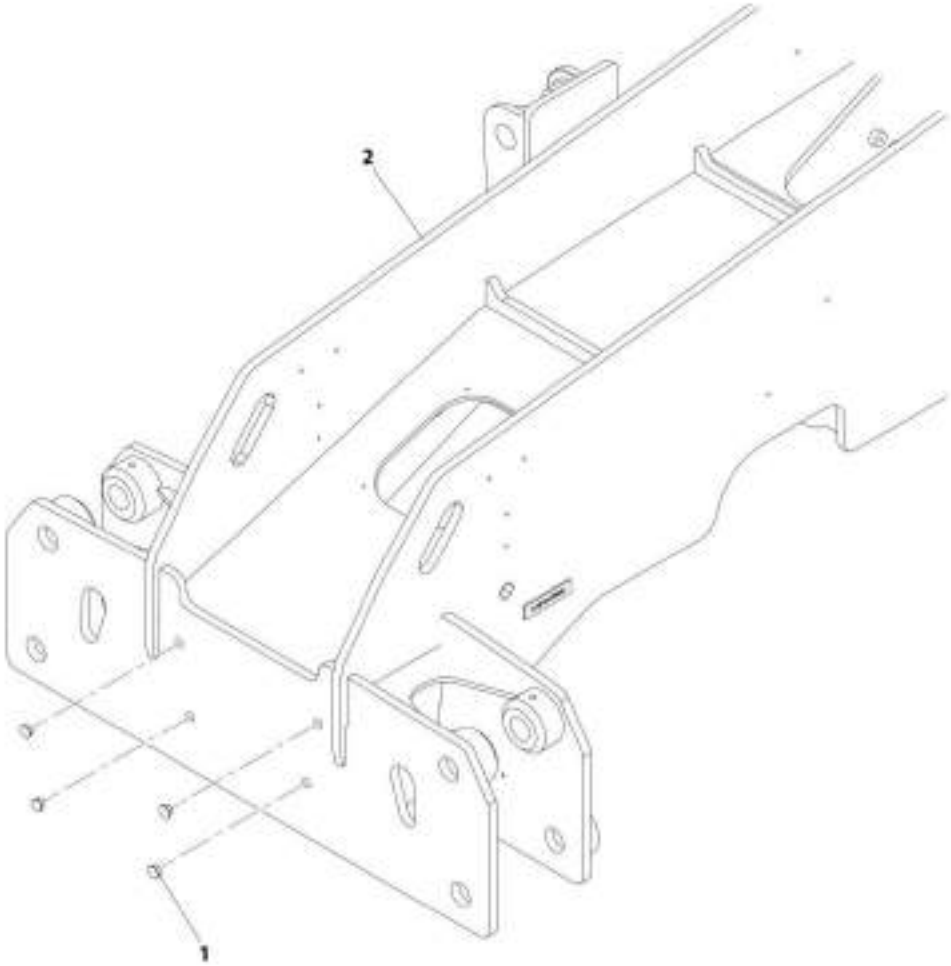
SECTION 1 - FRAME AND ATTACHING PARTS

FIGURE 1-4. FRAME INSTALLATION - 4017RS (74KW)

ITEM	PART NUMBER	QTY	DESCRIPTION	REV
	1001241918	Ref	Frame Installation - 4017RS (74KW)	A
1	1001091126	4	Plug	
2	N.S.S.	1	Weldment, Frame	

SECTION 1 - FRAME AND ATTACHING PARTS

FIGURE 1-5. FRAME INSTALLATION - 4017RS (55KW)



ART_10115689-0

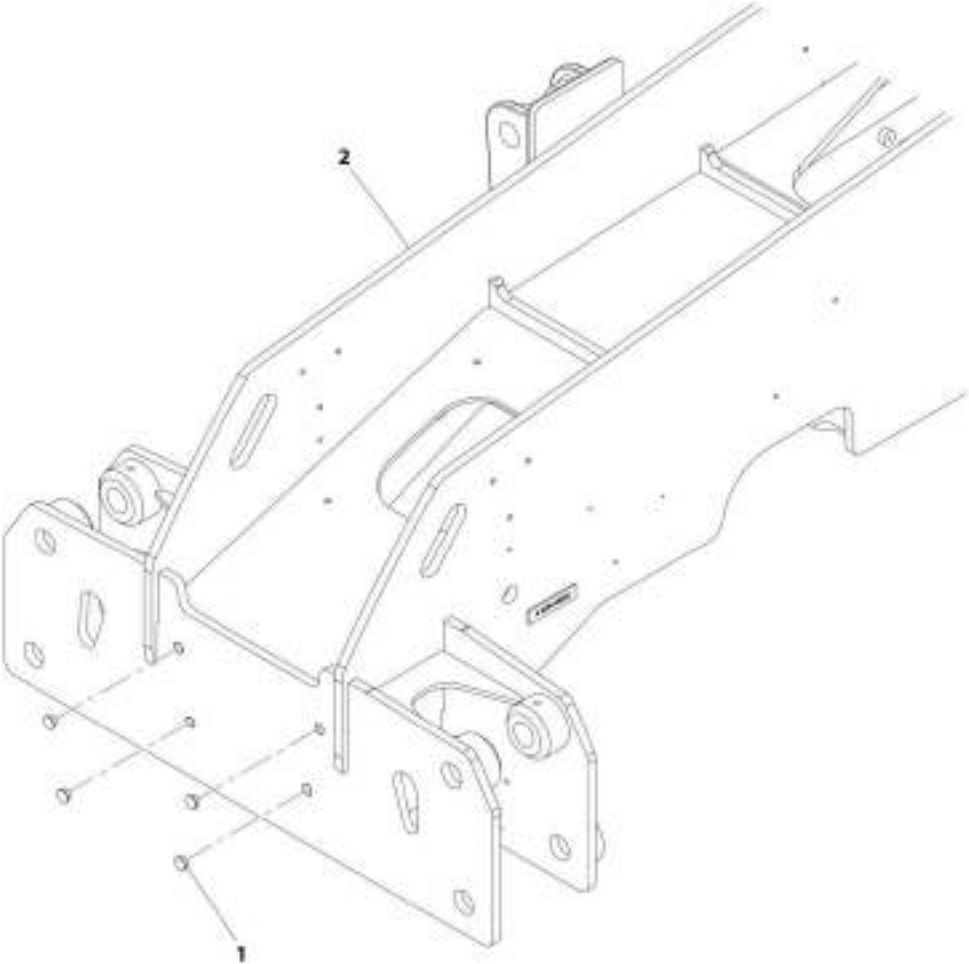
SECTION 1 - FRAME AND ATTACHING PARTS

FIGURE 1-5. FRAME INSTALLATION - 4017RS (55KW)

ITEM	PART NUMBER	QTY	DESCRIPTION	REV
	1001199699	NLA	Frame Installation - 4017RS (55KW) (no longer available, use 1001241920 for replacement)	B
1	1001091126	4	Plug	
2	N.S.S.	1	Weldment, Frame	

SECTION 1 - FRAME AND ATTACHING PARTS

FIGURE 1-6. FRAME INSTALLATION - 4017RS (55KW)



ARC_1001241600-A

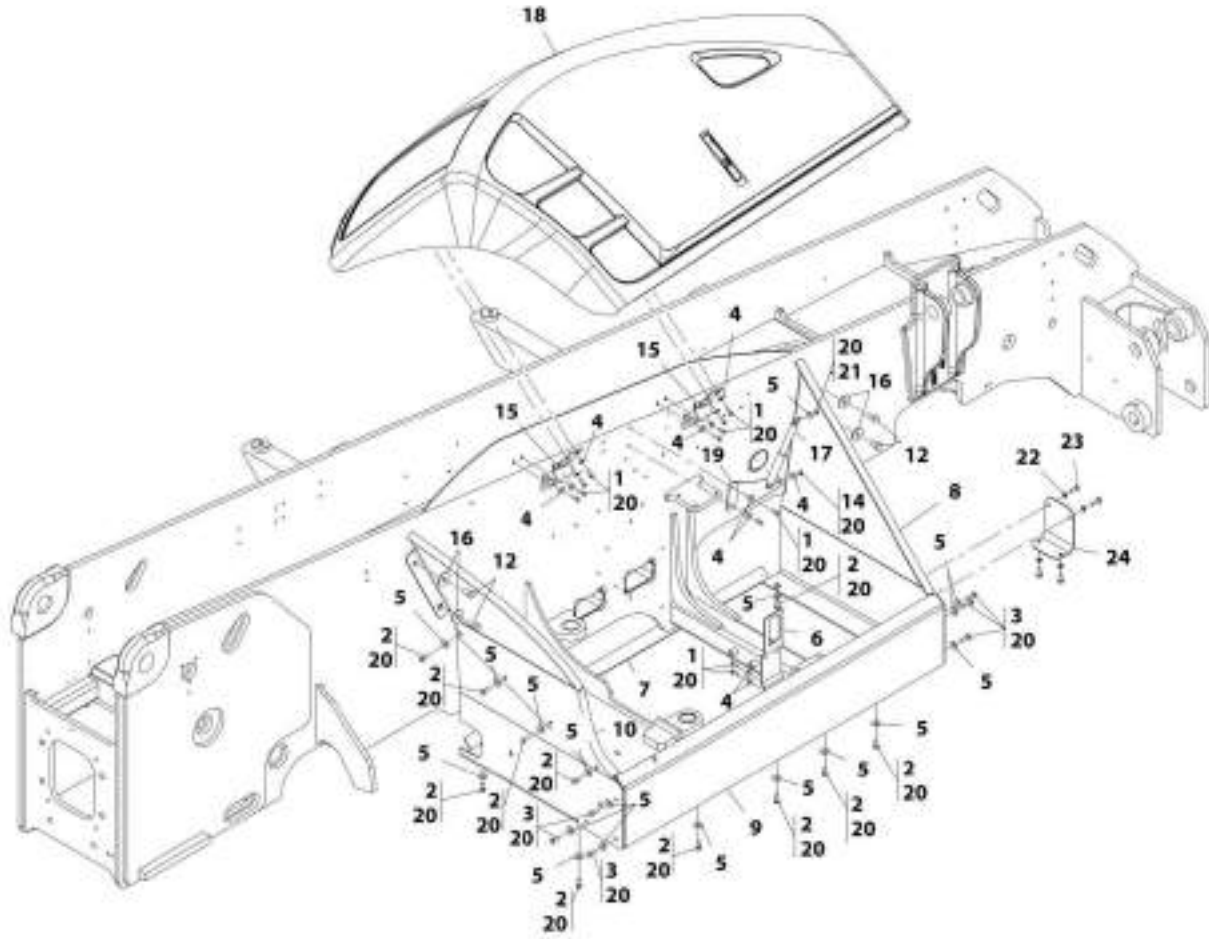
SECTION 1 - FRAME AND ATTACHING PARTS

FIGURE 1-6. FRAME INSTALLATION - 4017RS (55KW)

ITEM	PART NUMBER	QTY	DESCRIPTION	REV
	1001241920	Ref	Frame Installation - 4017RS (55KW)	A
1	1001091126	4	Plug	
2	N.S.S.	1	Weldment, Frame	

SECTION 1 - FRAME AND ATTACHING PARTS

FIGURE 1-7. ENCLOSURE GROUP INSTALLATION



ART_100145301-H

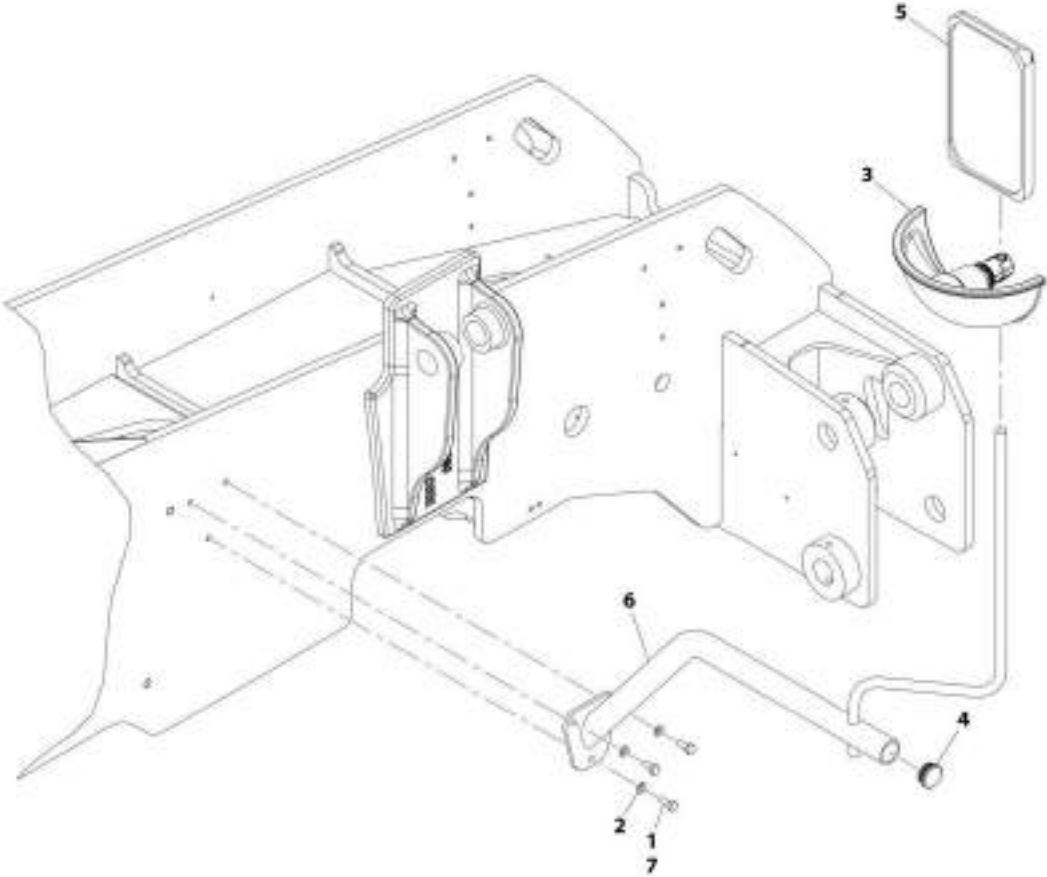
SECTION 1 - FRAME AND ATTACHING PARTS

FIGURE 1-7. ENCLOSURE GROUP INSTALLATION

ITEM	PART NUMBER	QTY	DESCRIPTION	REV
	1001145381	Ref	Enclosure Group Installation	H
1	0760812	12	Bolt, M8X25	
2	0761012	11	Bolt, M10X25	
3	0761014	6	Bolt, M10X30	
4	4811902	13	Washer, M8	
5	4812002	18	Washer, M10	
6	1001154688	1	Plate, Latch	
7	1001145307	1	Plate, Belly Pan	
8	1001179944	1	Panel, Front	
9	1001145313	1	Panel, Side	
10	1001149046	1	Panel, Rear	
12	0761614	4	Bolt, M16X30	
14	3290801	1	Nut, M8X1.25	
15	4806433	2	Hinge, Hood	
16	1001092256	4	Washer, M17	
17	1001167288	NLA	Spring, Hood (no longer available, see 1001237046 for replacement)	
17	1001237046	1	Spring, Hood	
18	1001150144	1	Assembly, Hood (See HOOD ASSEMBLY for Details)	
19	1001150624	1	Bracket, Hood	
20	1001095650	AR	Compound, Locking	
21	3291001	1	Nut, M10X1.5	
22	4811700	4	Washer, M6	
23	0760608	4	Bolt, M6X16	
24	1001180582J	1	Drain, Panel	

SECTION 1 - FRAME AND ATTACHING PARTS

FIGURE 1-8. MIRROR INSTALLATION - 3614RS



ART_000144111-C

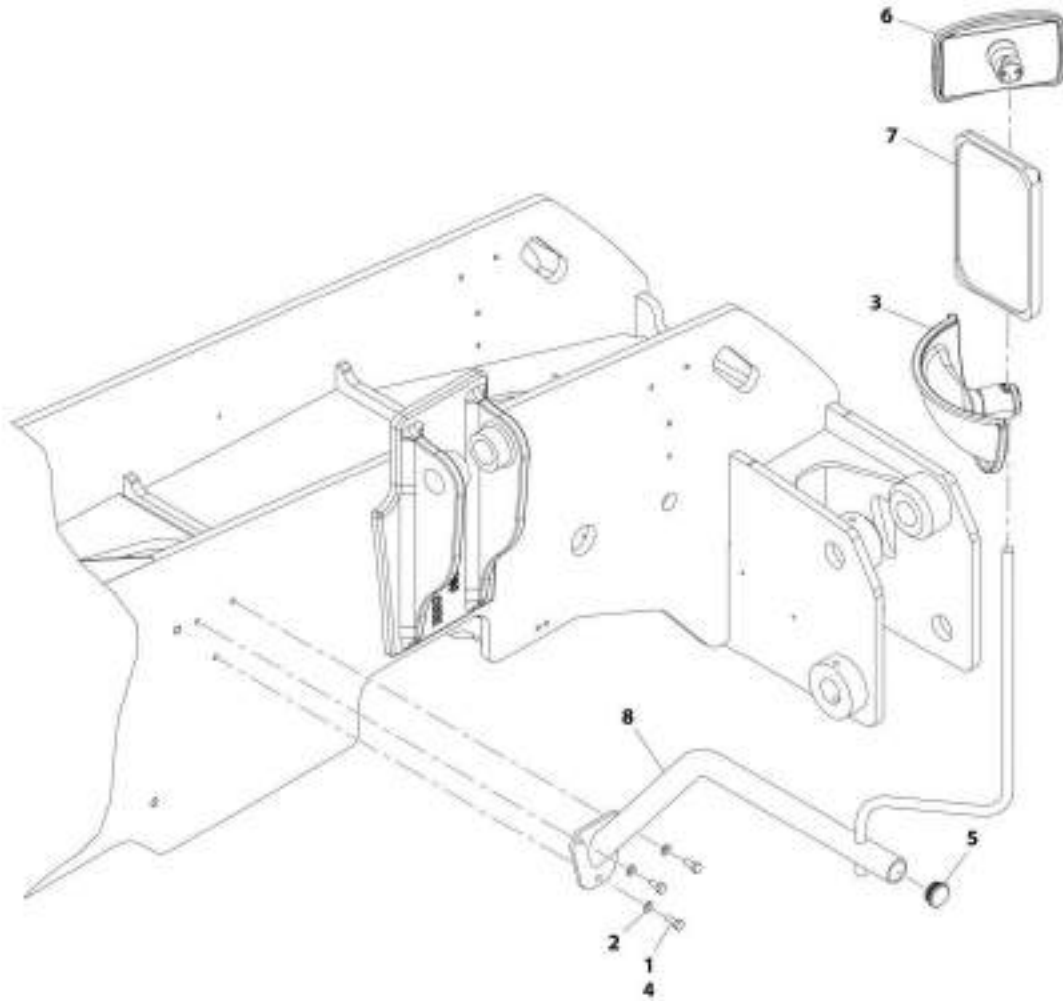
SECTION 1 - FRAME AND ATTACHING PARTS

FIGURE 1-8. MIRROR INSTALLATION - 3614RS

ITEM	PART NUMBER	QTY	DESCRIPTION	REV
	1001144111	Ref	Mirror Installation - 3614RS	C
1	0761012	3	Bolt, M10X25	
2	4812000	3	Washer, M10	
3	1001008436	1	Mirror, (See MIRROR ASSEMBLY for Breakdown)	
4	1001096913	1	Cap, Lamp Bracket	
5	1001150306	1	Mirror, Convex	
6	1001144430	1	Bracket, Mirror	
7	1001095650	AR	Compound, Locking	

SECTION 1 - FRAME AND ATTACHING PARTS

FIGURE 1-9. MIRROR INSTALLATION - 4017RS



ART_1001171098-C

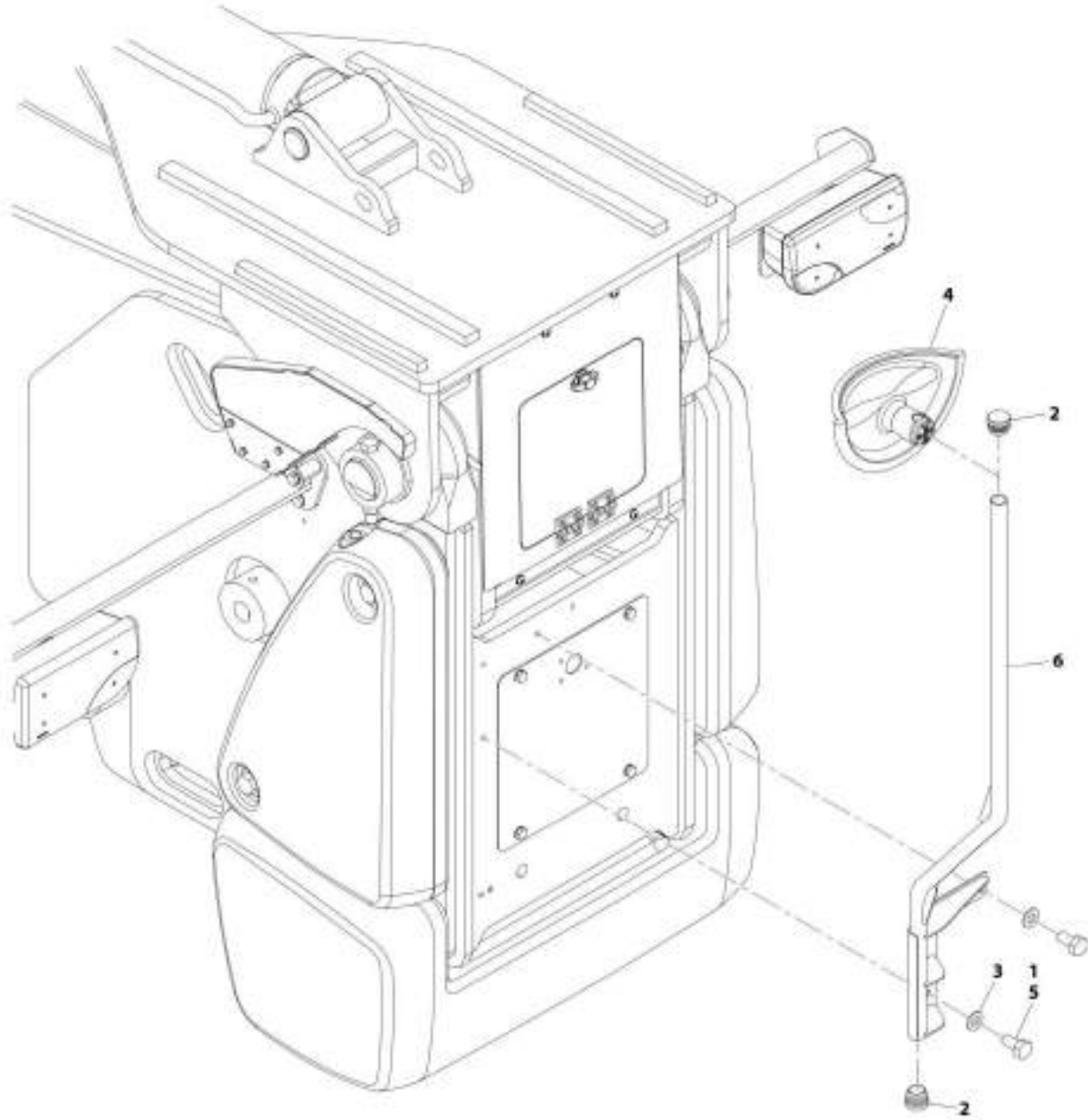
SECTION 1 - FRAME AND ATTACHING PARTS

FIGURE 1-9. MIRROR INSTALLATION - 4017RS

ITEM	PART NUMBER	QTY	DESCRIPTION	REV
	1001171098	Ref	Mirror Installation - 4017RS	C
1	0761012	3	Bolt, M10X25	
2	4812000	3	Washer, M10	
3	1001008436	1	Assembly, Mirror (See MIRROR ASSEMBLY for Breakdown)	
4	1001095650	AR	Compound, Locking	
5	1001096913	1	Cap, Lamp Bracket	
6	1001142724	1	Mirror, Convex	
7	1001150306	1	Mirror, Convex	
8	1001144430	1	Bracket, Mirror	

SECTION 1 - FRAME AND ATTACHING PARTS

FIGURE 1-10. REAR MIRROR INSTALLATION



88T_1001170963-A

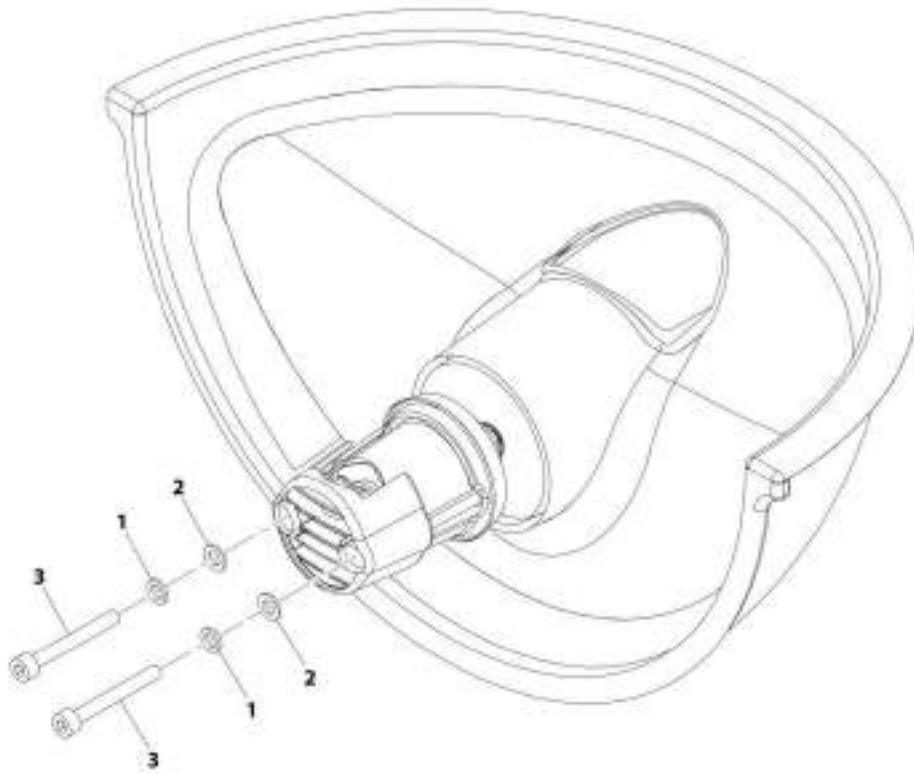
SECTION 1 - FRAME AND ATTACHING PARTS

FIGURE 1-10. REAR MIRROR INSTALLATION

ITEM	PART NUMBER	QTY	DESCRIPTION	REV
	1001179993	Ref	Rear Mirror Installation	A
1	0701010	3	Screw, M10X20	
2	1120592	2	Cap	
3	4812000	3	Washer, M10	
4	1001008436	1	Assembly, Mirror (See MIRROR ASSEMBLY for Breakdown)	
5	1001095650	AR	Compound, Locking	
6	1001179994	1	Bracket	

SECTION 1 - FRAME AND ATTACHING PARTS

FIGURE 1-11. MIRROR ASSEMBLY



ART_1001008-036-D

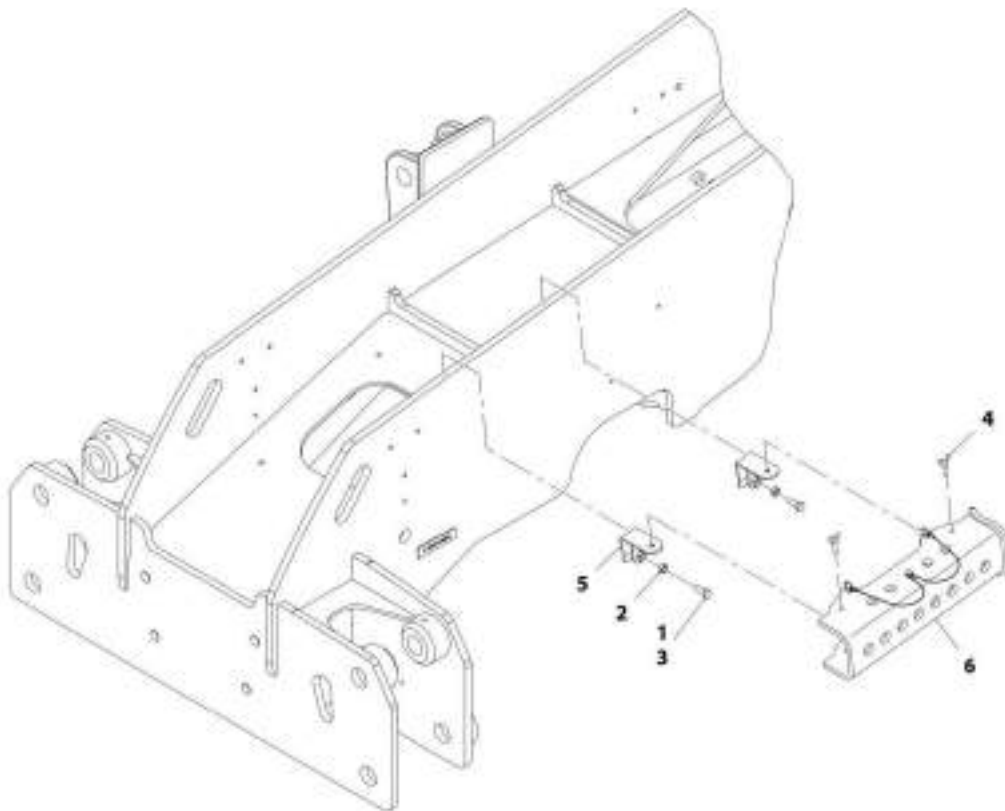
SECTION 1 - FRAME AND ATTACHING PARTS

FIGURE 1-11. MIRROR ASSEMBLY

ITEM	PART NUMBER	QTY	DESCRIPTION	REV
	1001008436	1	Mirror Assembly	D
1	1001008475	2	Lockwasher, M12	
2	1001009062	2	Washer	
3	1001010838	2	Bolt	

SECTION 1 - FRAME AND ATTACHING PARTS

FIGURE 1-12. BOOM PROP INSTALLATION



ART_1001164211-B

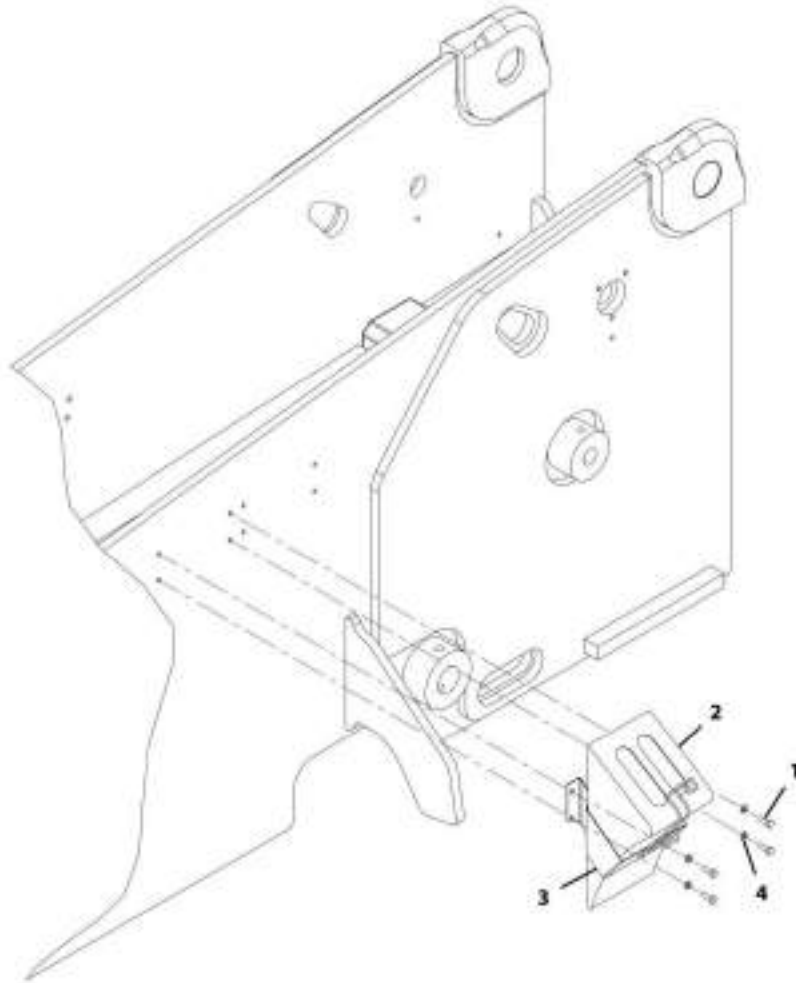
SECTION 1 - FRAME AND ATTACHING PARTS

FIGURE 1-12. BOOM PROP INSTALLATION

ITEM	PART NUMBER	QTY	DESCRIPTION	REV
	1001164211	Ref	Boom Prop Installation	B
1	0761214	2	Bolt, M12X30	
2	3291201	2	Nut, M12X1.75	
3	1001095650	AR	Compound, Locking	
4	1001101458	2	Bolt, Wing M8X40	
5	1001101628	2	Bracket, Boom Prop Mount	
6	1001164018	1	Bracket, Boom Prop	

SECTION 1 - FRAME AND ATTACHING PARTS

FIGURE 1-13. WHEEL CHOCK INSTALLATION



ART_100115796B-A

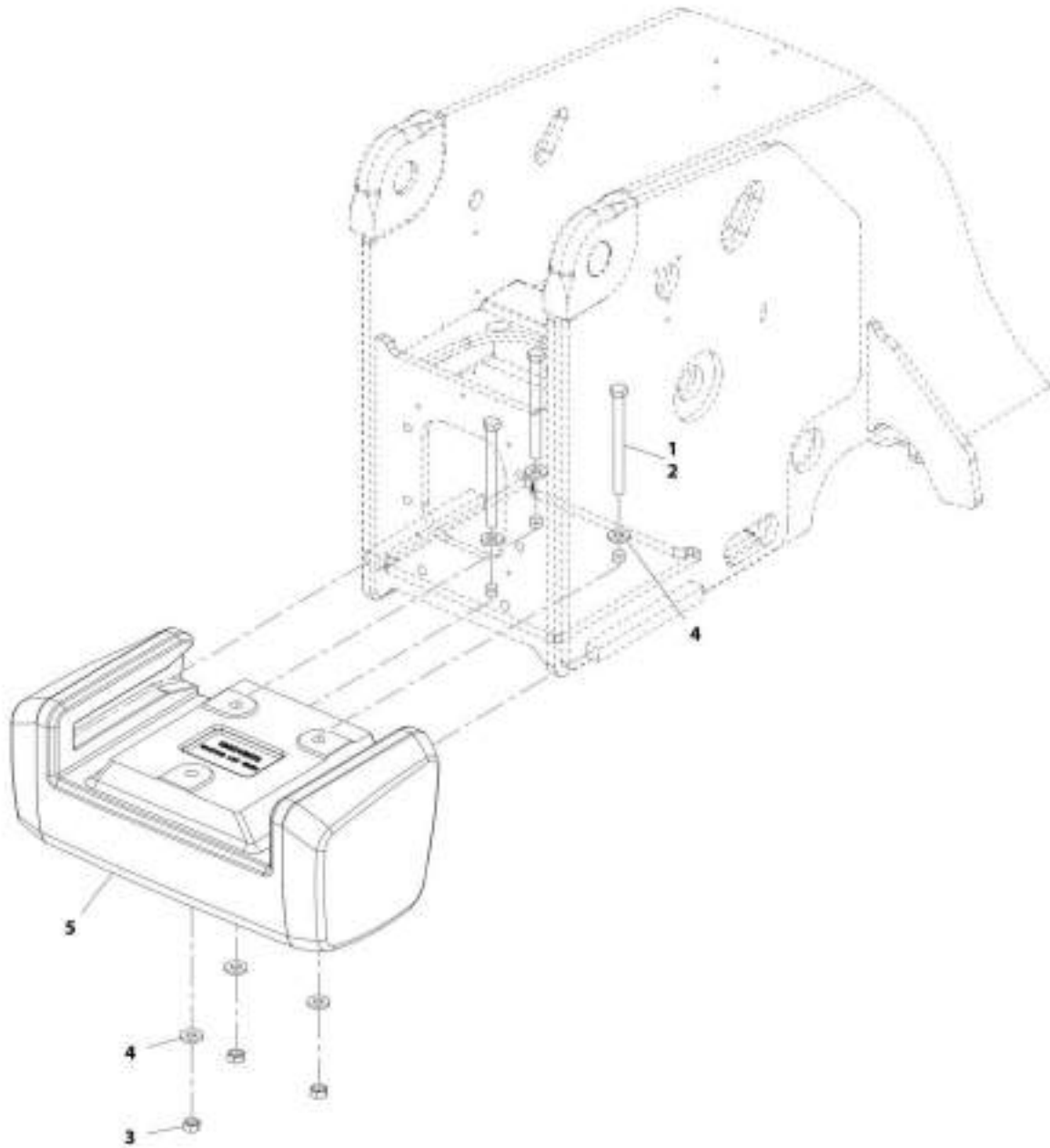
SECTION 1 - FRAME AND ATTACHING PARTS

FIGURE 1-13. WHEEL CHOCK INSTALLATION

ITEM	PART NUMBER	QTY	DESCRIPTION	REV
	1001157868	Ref	Wheel Chock Installation	A
1	0760812	4	Bolt, M8X25	
2	806253	1	Wedge	
3	806264	1	Holder, Wedge	
4	4811900	4	Washer, M8	

SECTION 1 - FRAME AND ATTACHING PARTS

FIGURE 1-14. COUNTERWEIGHT INSTALLATION - 3614RS



ART_100143545-B

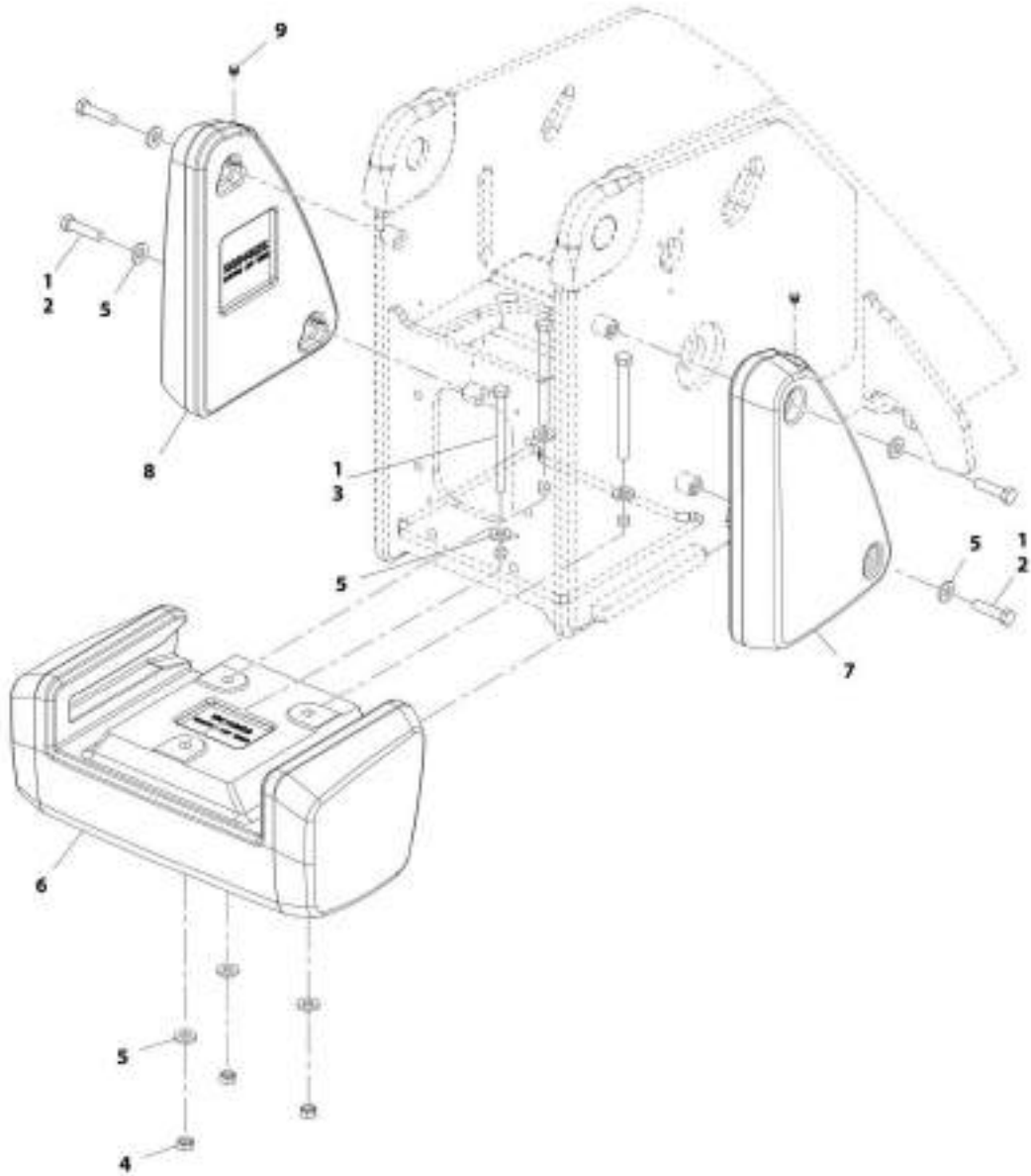
SECTION 1 - FRAME AND ATTACHING PARTS

FIGURE 1-14. COUNTERWEIGHT INSTALLATION - 3614RS

ITEM	PART NUMBER	QTY	DESCRIPTION	REV
	1001145545	Ref	Counterweight Installation - 3614RS	B
1	1001095650	AR	Compound, Locking	
2	0712040	3	Bolt, M20X230	
3	3332011	3	Nut, M20X2.5	
4	1001009146	6	Washer	
5	1001148123J	1	Counterweight, Lower JLG	

SECTION 1 - FRAME AND ATTACHING PARTS

FIGURE 1-15. COUNTERWEIGHT INSTALLATION - 4017RS



ART_1001345546-0

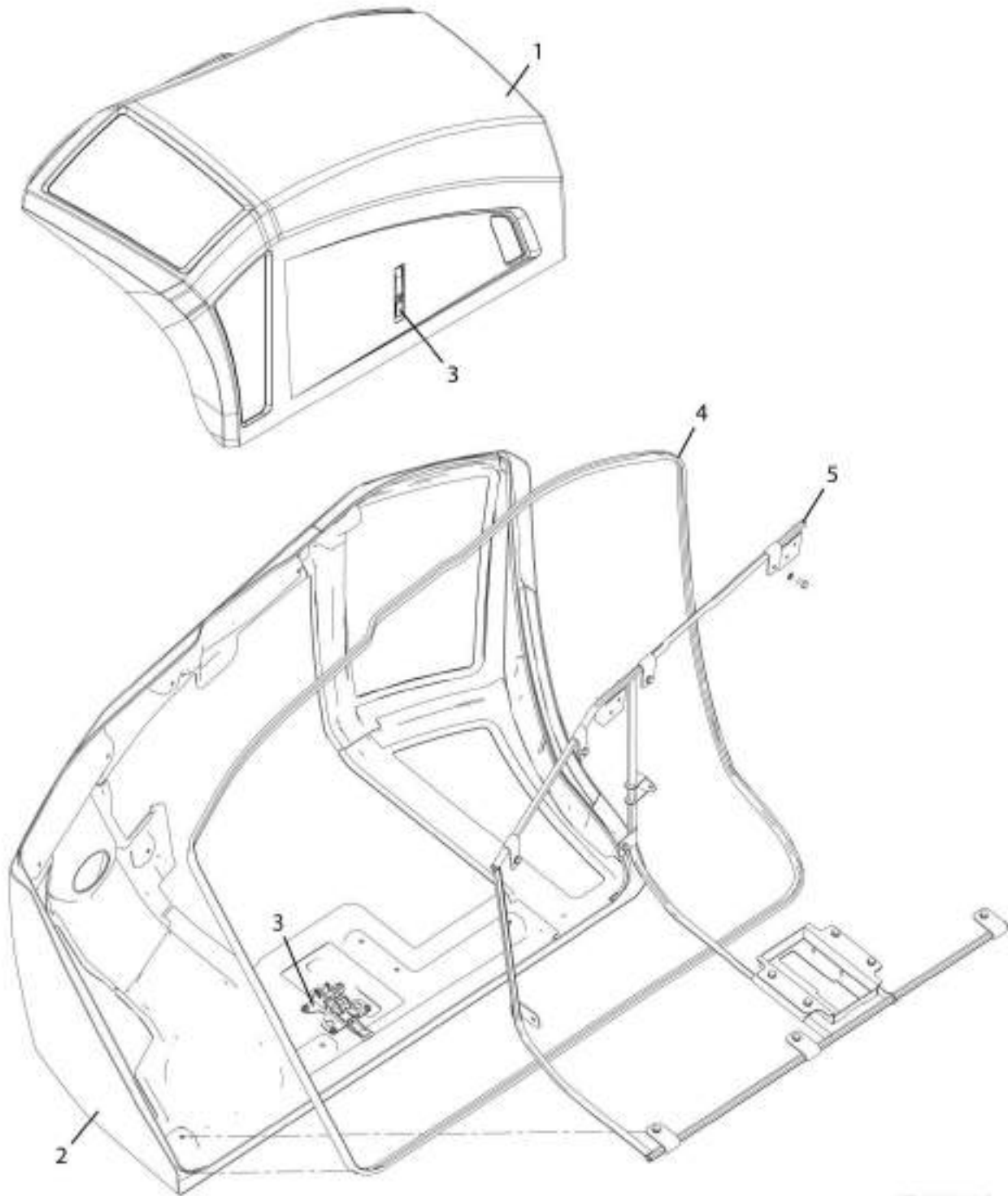
SECTION 1 - FRAME AND ATTACHING PARTS

FIGURE 1-15. COUNTERWEIGHT INSTALLATION - 4017RS

ITEM	PART NUMBER	QTY	DESCRIPTION	REV
	1001145546	Ref	Counterweight Installation - 4017RS	D
1	1001095650	AR	Compound, Locking	
2	0712024	4	Bolt, M20X80	
3	0712040	3	Bolt, M20X230	
4	3332011	3	Nut, M20X2.5	
5	1001009146	10	Washer	
6	1001148123J	1	Counterweight, Lower JLG	
7	1001148124J	1	Counterweight, RH JLG	
8	1001148125J	1	Counterweight, LH JLG	
9	1001096914	2	Cap	

SECTION 1 - FRAME AND ATTACHING PARTS

FIGURE 1-16. HOOD ASSEMBLY



WIT_1001150144-D

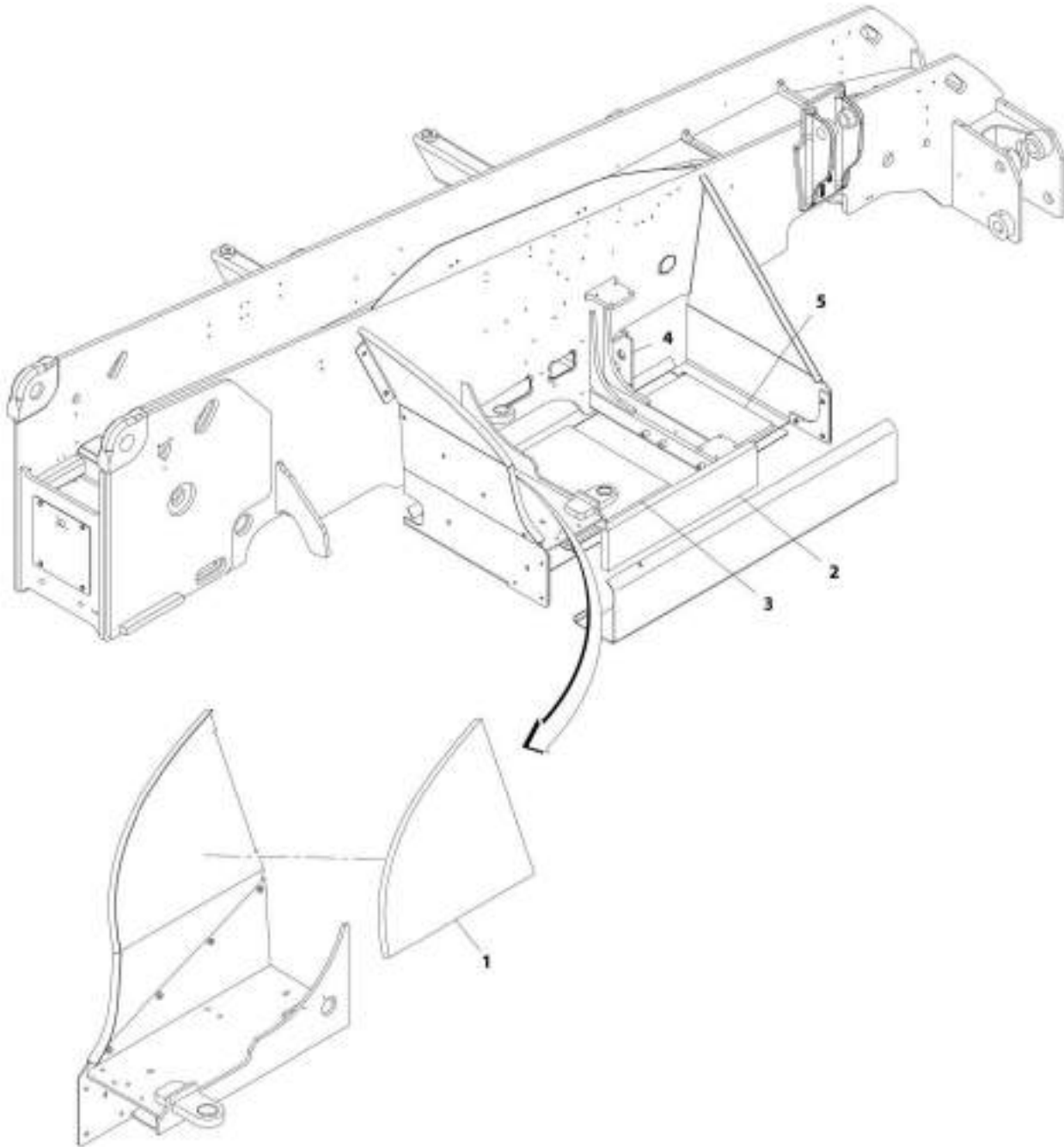
SECTION 1 - FRAME AND ATTACHING PARTS

FIGURE 1-16. HOOD ASSEMBLY

ITEM	PART NUMBER	QTY	DESCRIPTION	REV
	1001150144	1	Hood Assembly	D
1	70026744	1	Hood	
2	1001132873	1	Latch, Hood	
3	1001180728	1	Seal	
4	70025649	1	Frame	

SECTION 1 - FRAME AND ATTACHING PARTS

FIGURE 1-17. SOUND SUPPRESSION INSTALLATION



ART_100162775-C

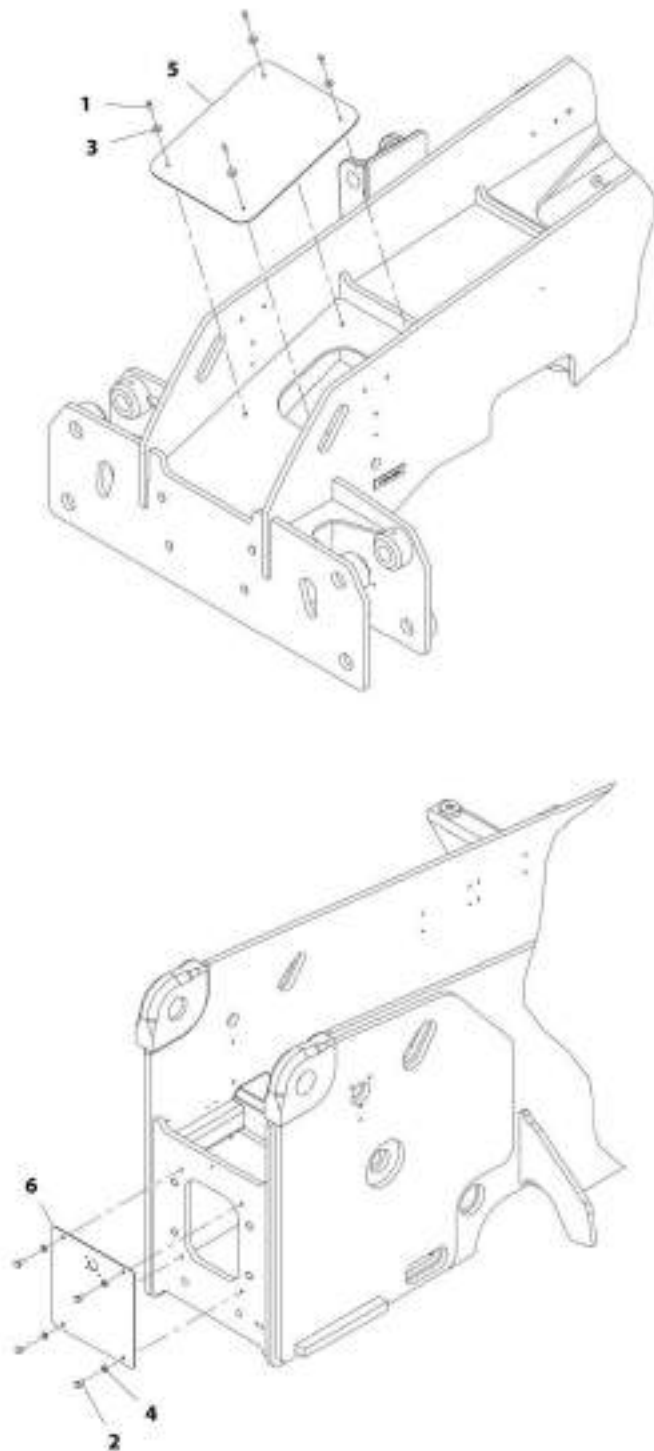
SECTION 1 - FRAME AND ATTACHING PARTS

FIGURE 1-17. SOUND SUPPRESSION INSTALLATION

ITEM	PART NUMBER	QTY	DESCRIPTION	REV
	1001162775	Ref	Sound Suppression Installation	C
1	1001162776	1	Insulate, Rear Panel Enclosure	
2	1001162778	1	Insulate, Side Skirt Enclosure	
3	1001162779	1	Insulate, Belly Pan Enclosure	
4	1001162780	1	Insulate, Transmission Cover	
5	1001162872	1	Insulate, Belly Pan Enclosure	

SECTION 1 - FRAME AND ATTACHING PARTS

FIGURE 1-18. CHASSIS COVER PLATE INSTALLATION - 3614RS



ARF_1301145.035-C

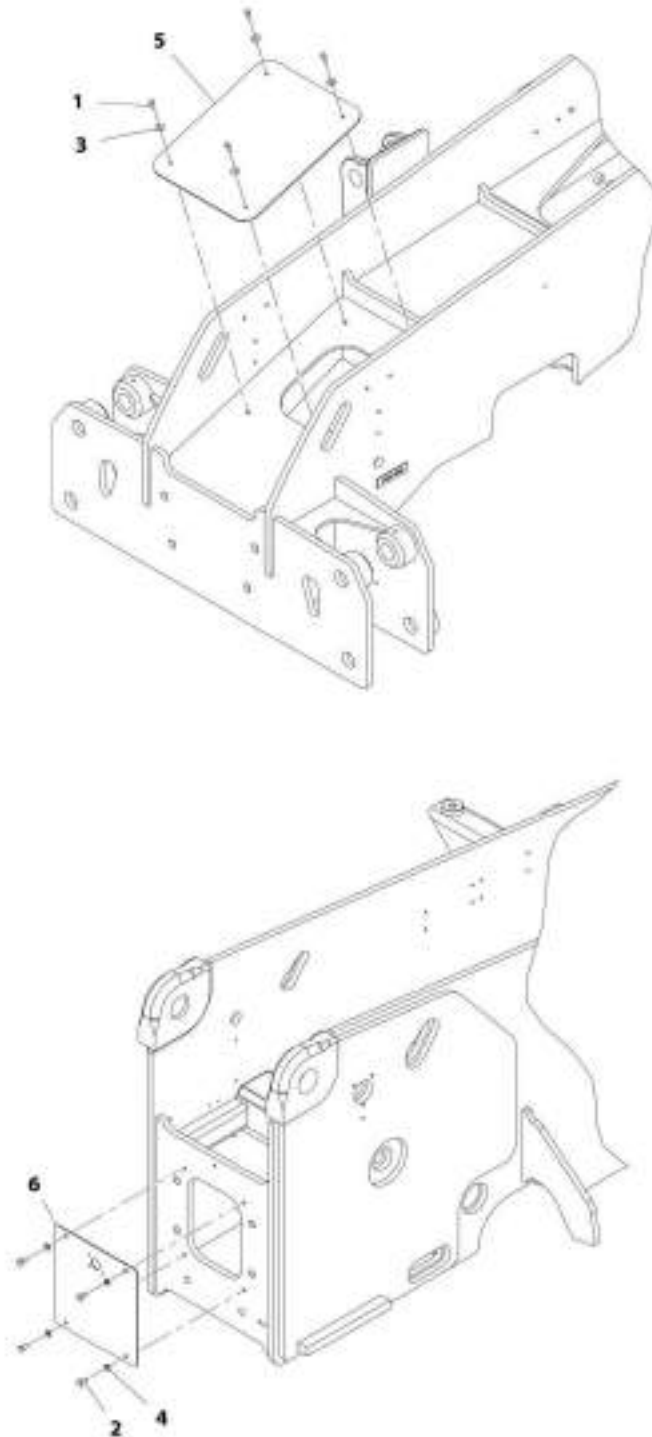
SECTION 1 - FRAME AND ATTACHING PARTS

FIGURE 1-18. CHASSIS COVER PLATE INSTALLATION - 3614RS

ITEM	PART NUMBER	QTY	DESCRIPTION	REV
	1001145333	Ref	Chassis Cover Plate Installation - 3614RS	C
1	0760812	4	Bolt, M8X25	
2	0761010	4	Bolt, M10X20	
3	4811902	4	Washer, M8	
4	4812000	4	Washer, M10	
5	1001112130J	1	Plate, Cover	
6	1001139272J	1	Plate, Access	

SECTION 1 - FRAME AND ATTACHING PARTS

FIGURE 1-19. CHASSIS COVER PLATE INSTALLATION - 4017RS



ART_1901156390-C

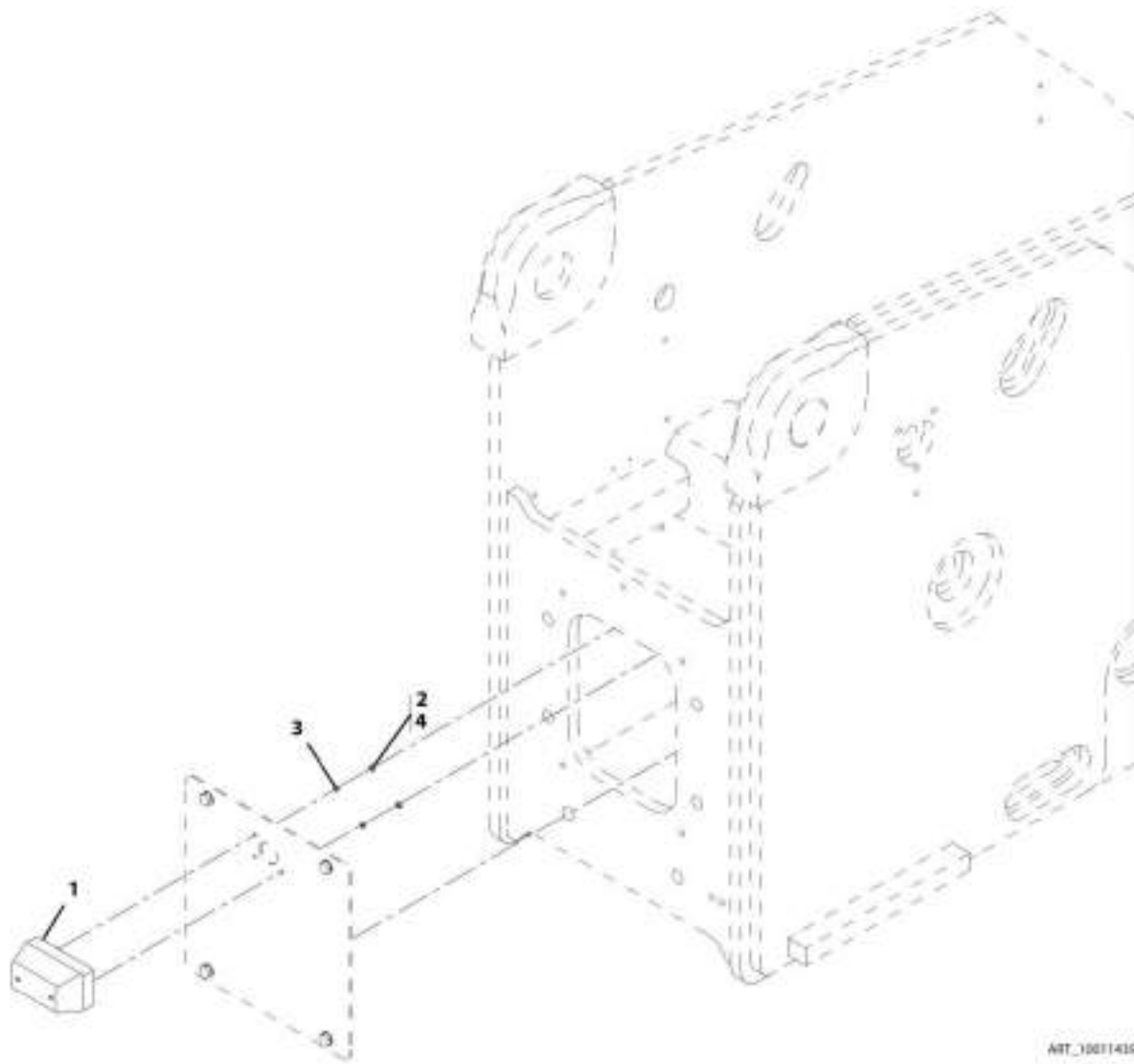
SECTION 1 - FRAME AND ATTACHING PARTS

FIGURE 1-19. CHASSIS COVER PLATE INSTALLATION - 4017RS

ITEM	PART NUMBER	QTY	DESCRIPTION	REV
	1001150350	Ref	Chassis Cover Plate Installation - 4017RS	C
1	0760812	4	Bolt, M8X25	
2	0761010	4	Bolt, M10X20	
3	4811902	4	Washer, M8	
4	4812000	4	Washer, M10	
5	1001112130J	1	Plate, Cover	
6	1001139272J	1	Plate, Access	

SECTION 1 - FRAME AND ATTACHING PARTS

FIGURE 1-20. LICENSE PLATE INSTALLATION



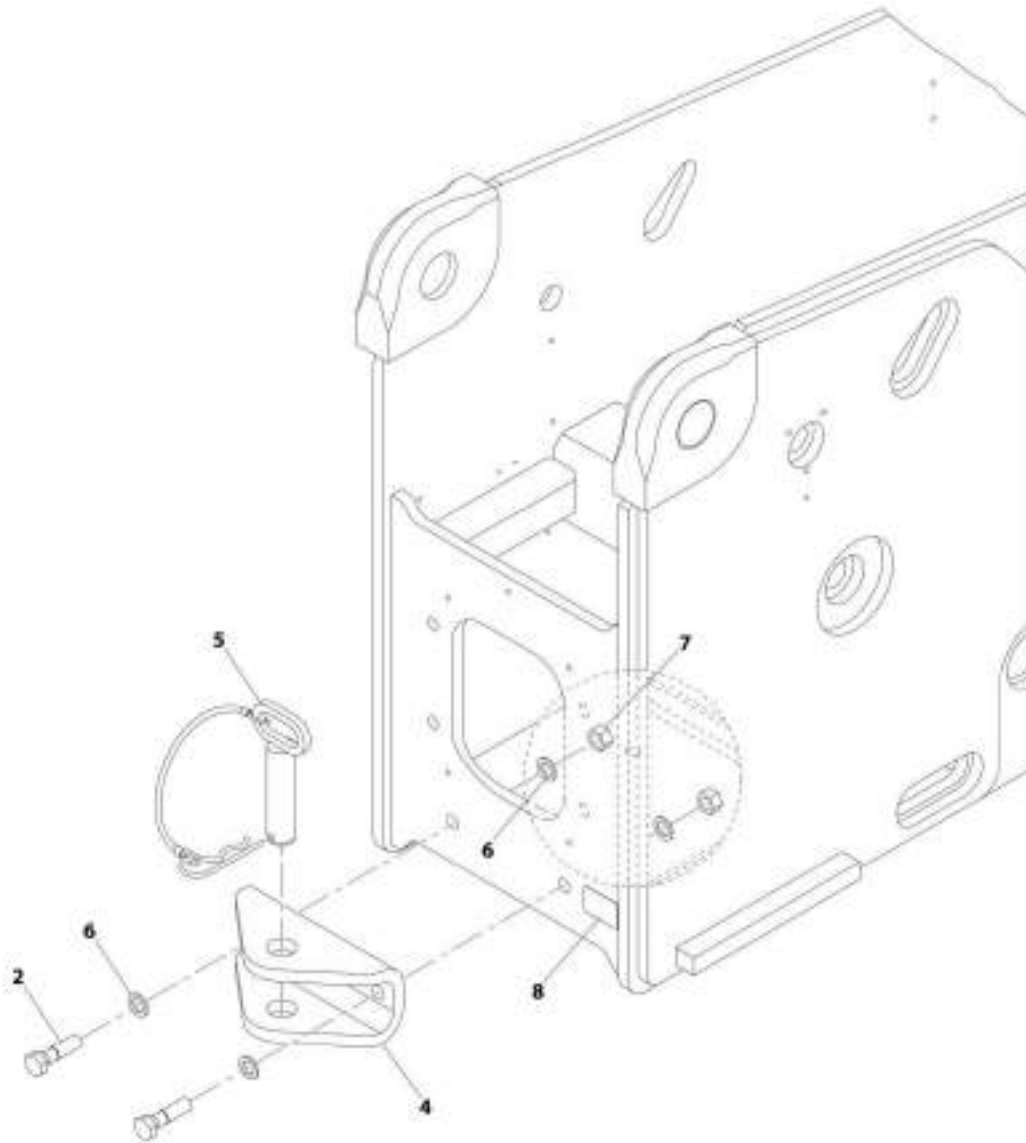
SECTION 1 - FRAME AND ATTACHING PARTS

FIGURE 1-20. LICENSE PLATE INSTALLATION

ITEM	PART NUMBER	QTY	DESCRIPTION	REV
	1001143959	REF	License Plate Installation	C
1	2920204	1	Light, License Plate	
1	70021341	1	Bulb, 12V-5W	
2	3290501	2	Nut, M5X0.8	
3	4811600	2	Washer, M5	
4	1001095650	AR	Compound, Locking	

SECTION 1 - FRAME AND ATTACHING PARTS

FIGURE 1-21. RETRIEVAL HITCH



ART_1001145332-D

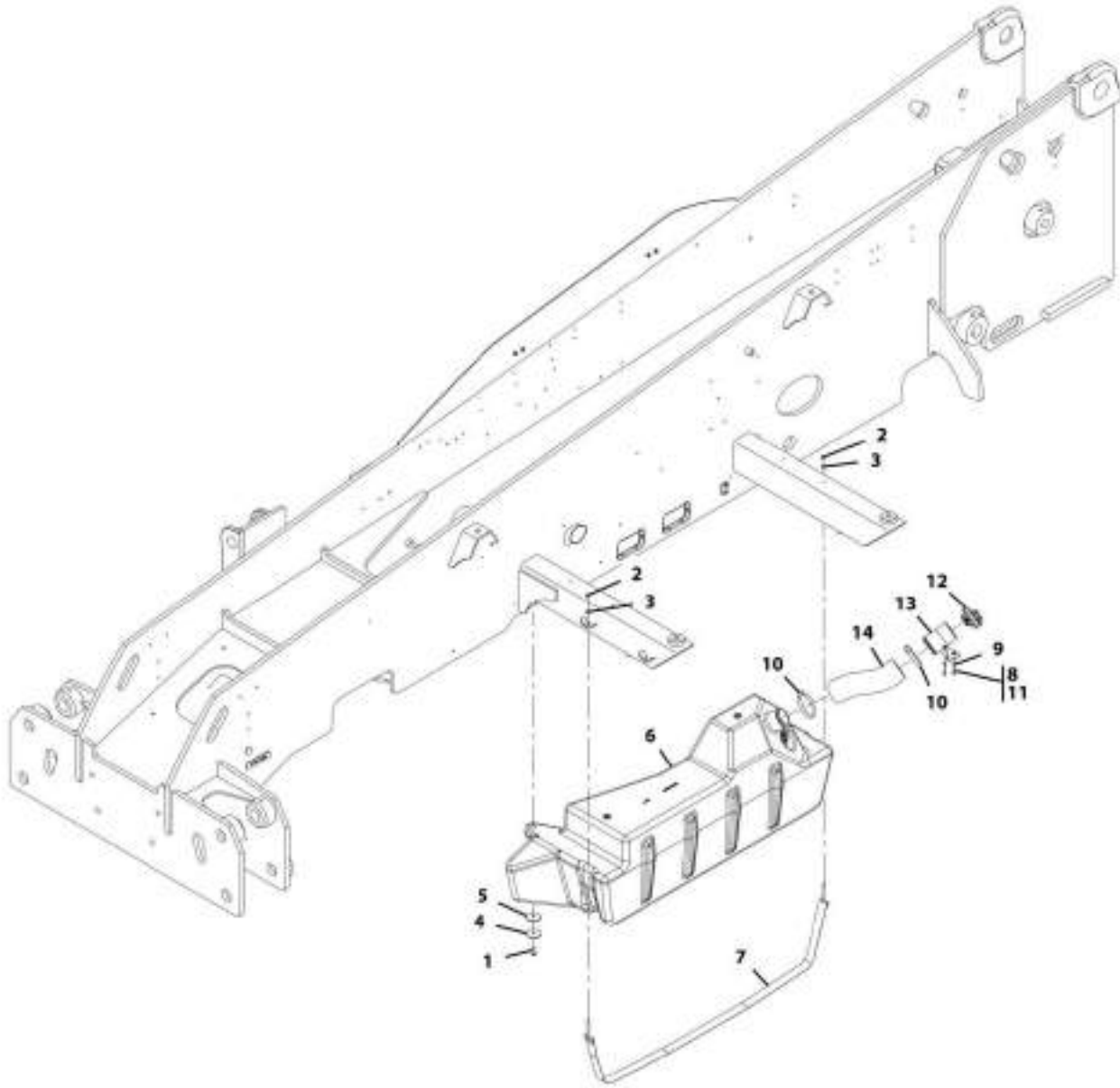
SECTION 1 - FRAME AND ATTACHING PARTS

FIGURE 1-21. RETRIEVAL HITCH

ITEM	PART NUMBER	QTY	DESCRIPTION	REV
	1001145332	Ref	Retrieval Hitch Installation	D
2	1001151044	2	Bolt, M20X75	
4	1001005134	NLA	Hitch, Retrieval (no longer available, use 1001237489 for replacement)	
4	1001237489	1	Hitch, Retrieval	
5	1001238877	1	Hitch Pin (See Separate Breakdown in this Section)	
6	1001009094	4	Washer	
7	1001009095	2	Nut	
8	1001241674	1	Decal, Retrieval Point	

SECTION 1 - FRAME AND ATTACHING PARTS

FIGURE 1-22. HYDRAULIC TANK INSTALLATION



ART_1001145360-E

SECTION 1 - FRAME AND ATTACHING PARTS

FIGURE 1-22. HYDRAULIC TANK INSTALLATION

ITEM	PART NUMBER	QTY	DESCRIPTION	REV
	1001145060	Ref	Hydraulic Tank Installation	E
1	0760814	1	Bolt, M8X30	
2	3290805	2	Nut, Lock M8X1.25	
3	4811900	2	Washer, M8	
4	1001006259	1	Washer	
5	1001166897	1	Washer	
6	1001146380	1	Tank, Hydraulic (See HYDRAULIC COMPONENTS SECTION for Breakdown)	
7	1001147729	1	Strap, Tank	
8	0760610	2	Bolt, M6X20	
9	4811700	2	Washer, M6	
10	8410011	2	Gear Clamp, 3.75	
11	1001095650	AR	Compound, Locking	
12	1001142659	1	Cap, Hydraulic	
13	1001151591	1	Tube, Hydraulic Fill	
14	1001155483	1	Hose, Hydraulic Tank	

SECTION 1 - FRAME AND ATTACHING PARTS

FIGURE 1-23. PAD LOCK



ART. 3001102152-A

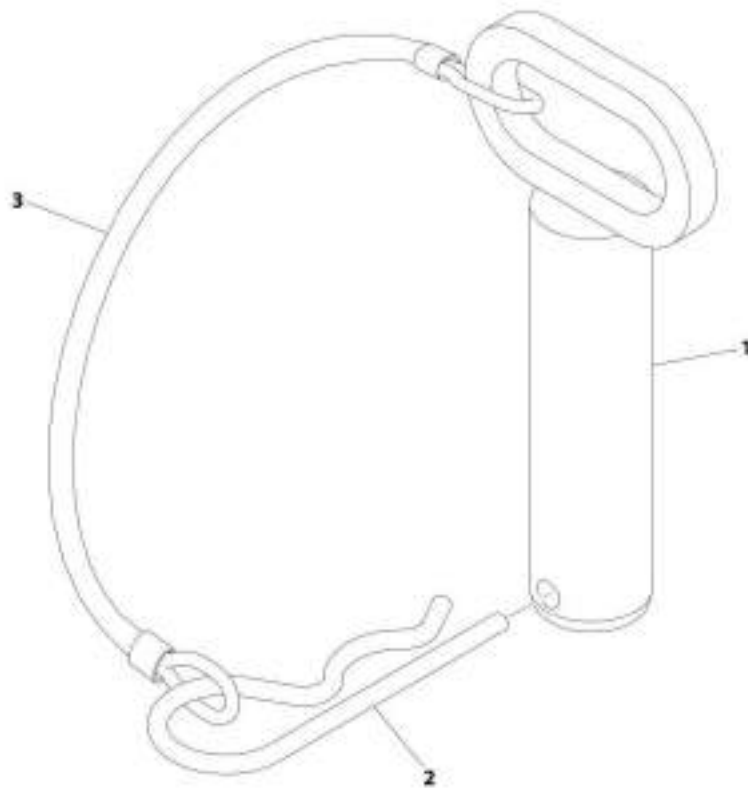
SECTION 1 - FRAME AND ATTACHING PARTS

FIGURE 1-23. PAD LOCK

ITEM	PART NUMBER	QTY	DESCRIPTION	REV
1	1001102157 8342813	Ref 1	Pad Lock Key	A

SECTION 1 - FRAME AND ATTACHING PARTS

FIGURE 1-24. HITCH PIN ASSEMBLY



ART_1001238877-A

SECTION 1 - FRAME AND ATTACHING PARTS

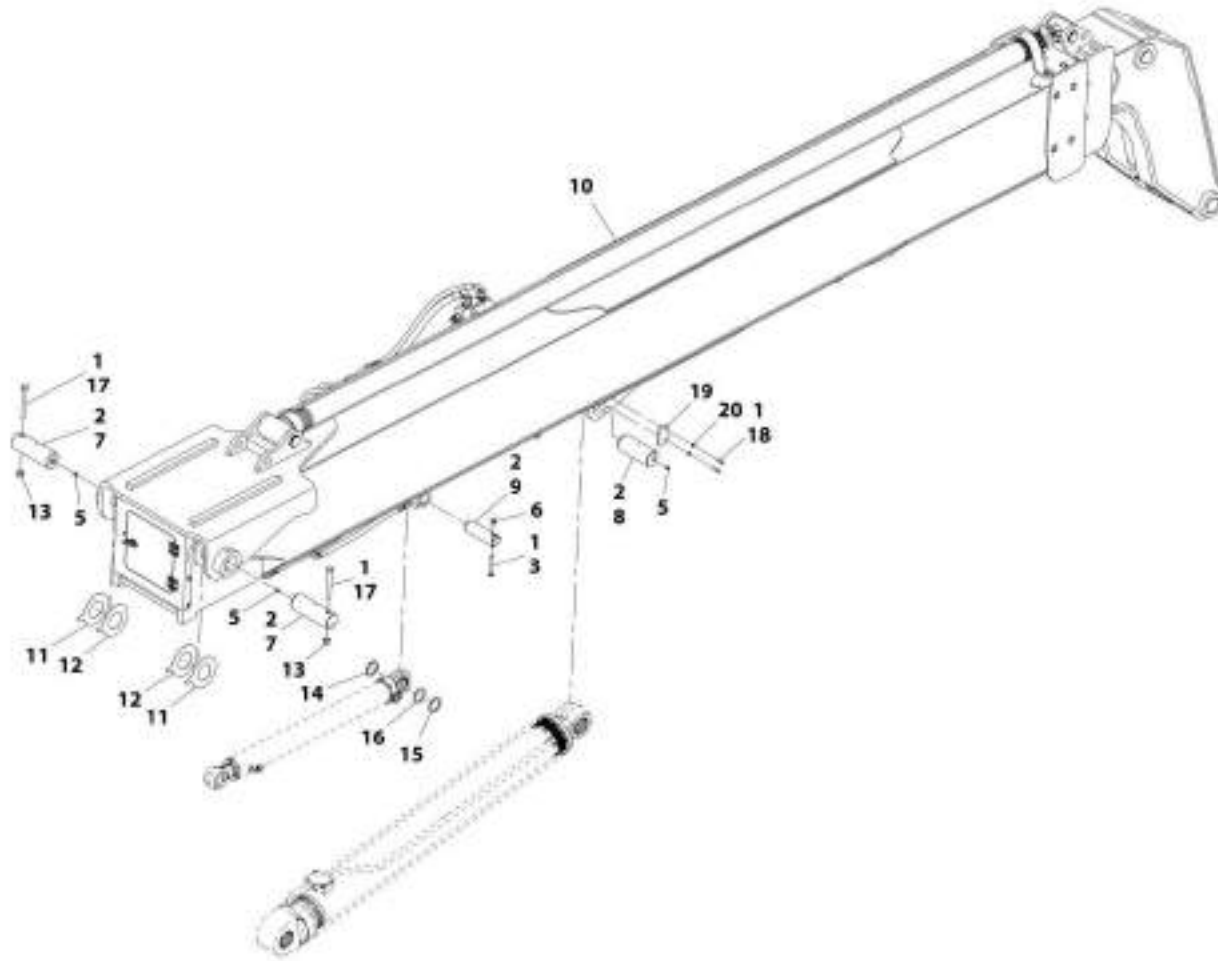
FIGURE 1-24. HITCH PIN ASSEMBLY

ITEM	PART NUMBER	QTY	DESCRIPTION	REV
	1001238877	Ref	Hitch Pin Assembly	A
1	1001005267	1	Pin	
2	1001238919	1	Pin Cotter	
3	1001238915	1	Lanyard, Hitch Pin	

SECTION 2 - BOOM

SECTION 2 - BOOM

FIGURE 2-1. BOOM INSTALLATION - 3614RS (NO AUXILIARY HYDRAULICS)



ART_100135613-J

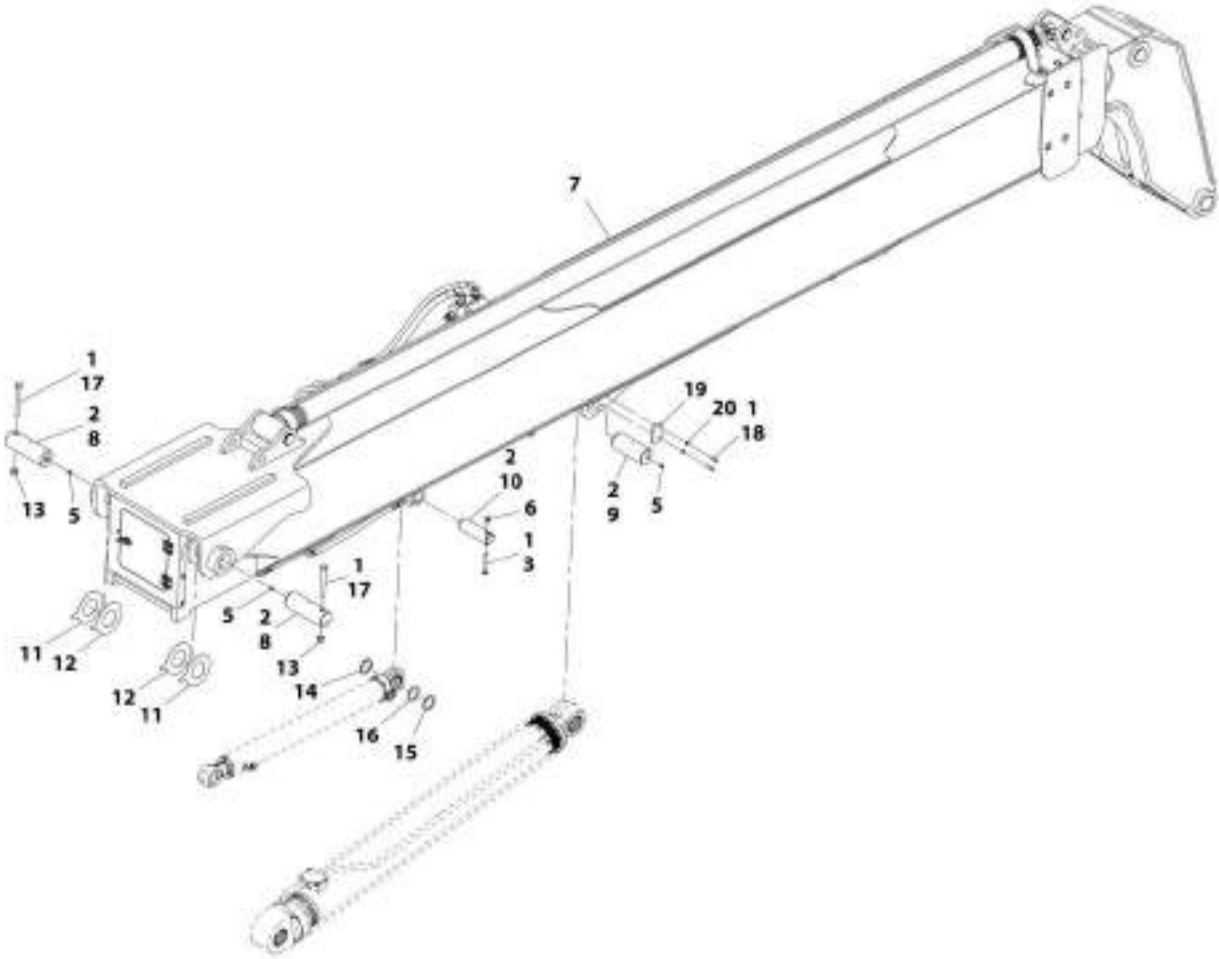
SECTION 2 - BOOM

FIGURE 2-1. BOOM INSTALLATION - 3614RS (NO AUXILIARY HYDRAULICS)

ITEM	PART NUMBER	QTY	DESCRIPTION	REV
	1001153613	Ref	Boom Installation - 3614RS (no auxiliary hydraulics)	J
1	1001095650	AR	Compound, Locking	
2	1001098457	AR	Lube, Lithium Grease	
3	0711225	1	Bolt, M12X85, Grade 10.9	
5	2160016	3	Fitting, Grease	
6	3291205	1	Nut, Lock, M12X1.75	
7	1001168549	2	Pin	
8	1001169068	1	Pin, Lift	
9	1001169040	1	Pin, Compensation	
10	1001148523	Ref	Assembly, Boom (See BOOM ASSEMBLY - 3614RS (NO AUXILIARY HYDRAULICS) for Breakdown)	
11	1001169049	2	Shim, 0.5	
12	1001169048	2	Shim, 1	
13	3291605	2	Nut, Lock, M16X2	
14	1001155958	AR	Shim, 3	
15	1001155959	AR	Shim, 2	
16	1001155960	AR	Shim, 1	
17	0701631	2	Bolt, M16X140, Grade 10.9	
18	0700814	4	Bolt, M8X30	
19	1001184996	2	Plate, Pin Keeper	
20	4811900	4	Washer, M8	

SECTION 2 - BOOM

FIGURE 2-2. BOOM INSTALLATION - 3614RS (AUXILIARY HYDRAULICS)



ART_100135814.J

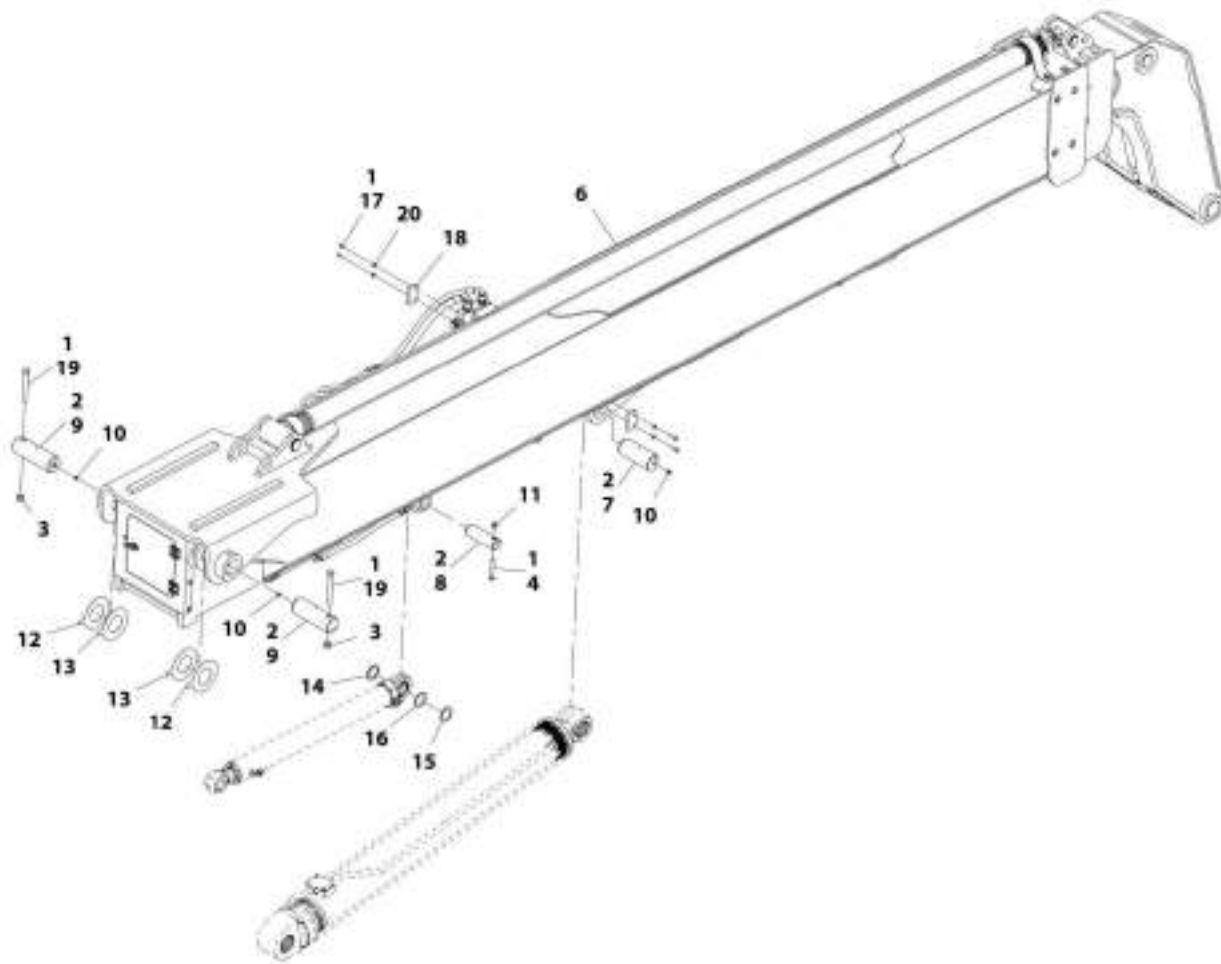
SECTION 2 - BOOM

FIGURE 2-2. BOOM INSTALLATION - 3614RS (AUXILIARY HYDRAULICS)

ITEM	PART NUMBER	QTY	DESCRIPTION	REV
	1001153614	Ref	Boom Installation - 3614RS (auxiliary hydraulics)	J
1	1001095650	AR	Compound, Locking	
2	1001098457	AR	Lube, Lithium Grease	
3	0711225	1	Bolt, M12X85, Grade 10.9	
5	2160016	3	Fitting, Grease	
6	3291205	1	Nut, Lock, M12X1.75	
7	1001144747	Ref	Assembly, Boom (See BOOM ASSEMBLY - 3614RS (AUXILIARY HYDRAULICS) for Breakdown)	
8	1001168549	2	Pin	
9	1001169068	1	Pin, Lift	
10	1001169040	1	Pin, Compensation	
11	1001169049	2	Shim, 0.5	
12	1001169048	2	Shim, 1	
13	3291605	2	Nut, Lock, M16X2	
14	1001155958	AR	Shim, 3	
15	1001155959	AR	Shim, 2	
16	1001155960	AR	Shim, 1	
17	0711631	2	Bolt, M16X140, Grade 10.9	
18	0700814	4	Bolt, M8X30	
19	1001184996	2	Plate, Pin Keeper	
20	4811900	4	Washer, M8	

SECTION 2 - BOOM

FIGURE 2-3. BOOM INSTALLATION - 4017RS (NO AUXILIARY HYDRAULICS)



ART_3001154017-H

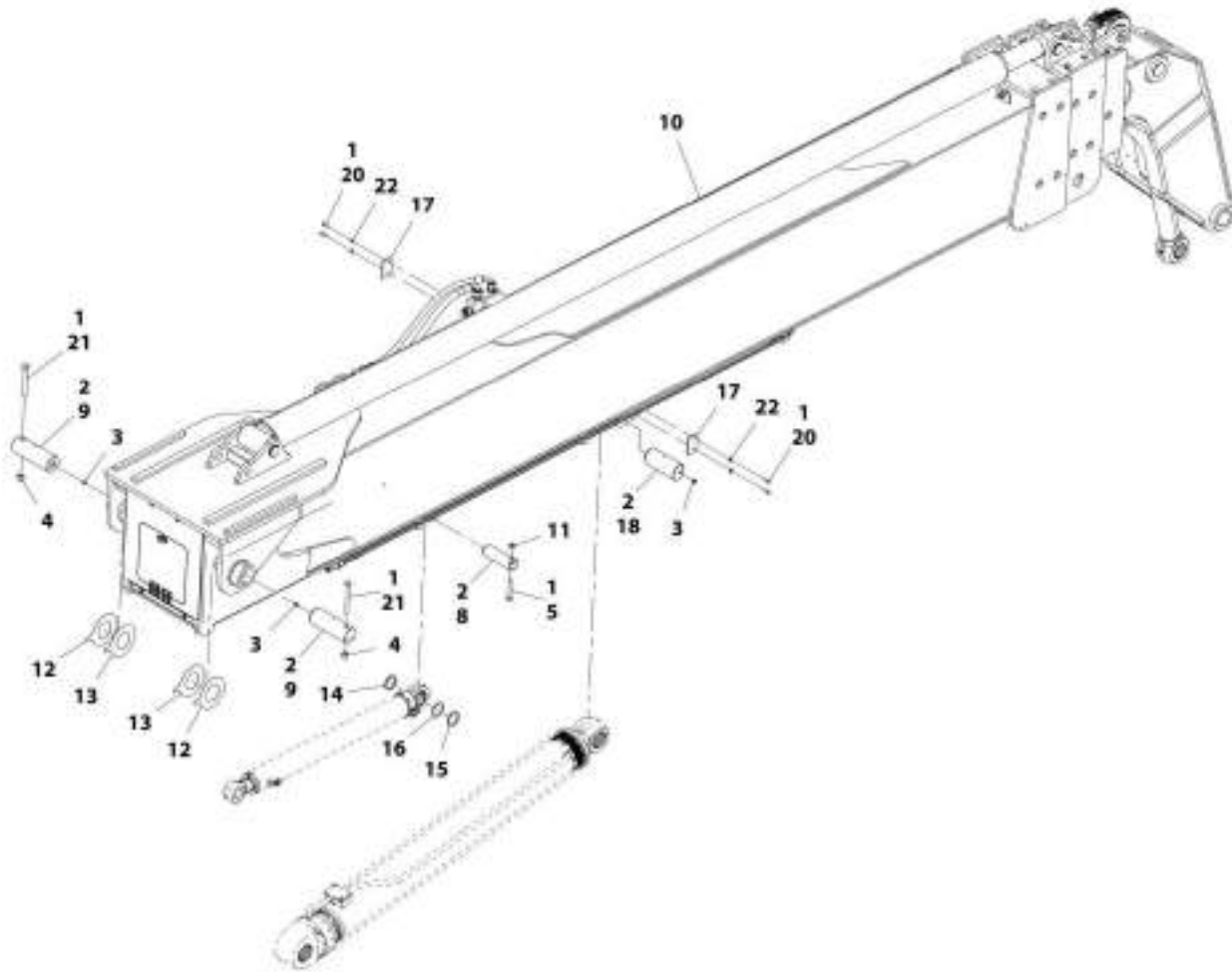
SECTION 2 - BOOM

FIGURE 2-3. BOOM INSTALLATION - 4017RS (NO AUXILIARY HYDRAULICS)

ITEM	PART NUMBER	QTY	DESCRIPTION	REV
	1001154017	Ref	Boom Installation - 4017RS (no auxiliary hydraulics)	H
1	1001095650	AR	Compound, Locking	
2	1001098457	AR	Lube, Lithium Grease	
3	3291605	2	Nut, Lock, M16X2	
4	0711225	1	Bolt, M12X85, Grade 10.9	
6	1001144686	1	Assembly, Boom (See BOOM ASSEMBLY - 4017RS (NO AUXILIARY HYDRAULICS) for Breakdown)	
7	1001169068	1	Pin, Lift	
8	1001169040	1	Pin, Compensation	
9	1001168593	2	Pin	
10	2160016	3	Fitting, Grease	
11	3291205	1	Nut, Lock, M12X1.75	
12	1001169049	AR	Shim, 0.5	
13	1001169048	AR	Shim, 1	
14	1001155958	AR	Shim, 3	
15	1001155959	AR	Shim, 2	
16	1001155960	AR	Shim, 1	
17	0700814	4	Bolt, M8X30	
18	1001184996	2	Plate, Pin Keeper	
19	0711631	2	Bolt, M16X140, Grade 10.9	
20	4811900	4	Washer, M8	

SECTION 2 - BOOM

FIGURE 2-4. BOOM INSTALLATION - 4017RS (AUXILIARY HYDRAULICS)



ART_1001154010-H

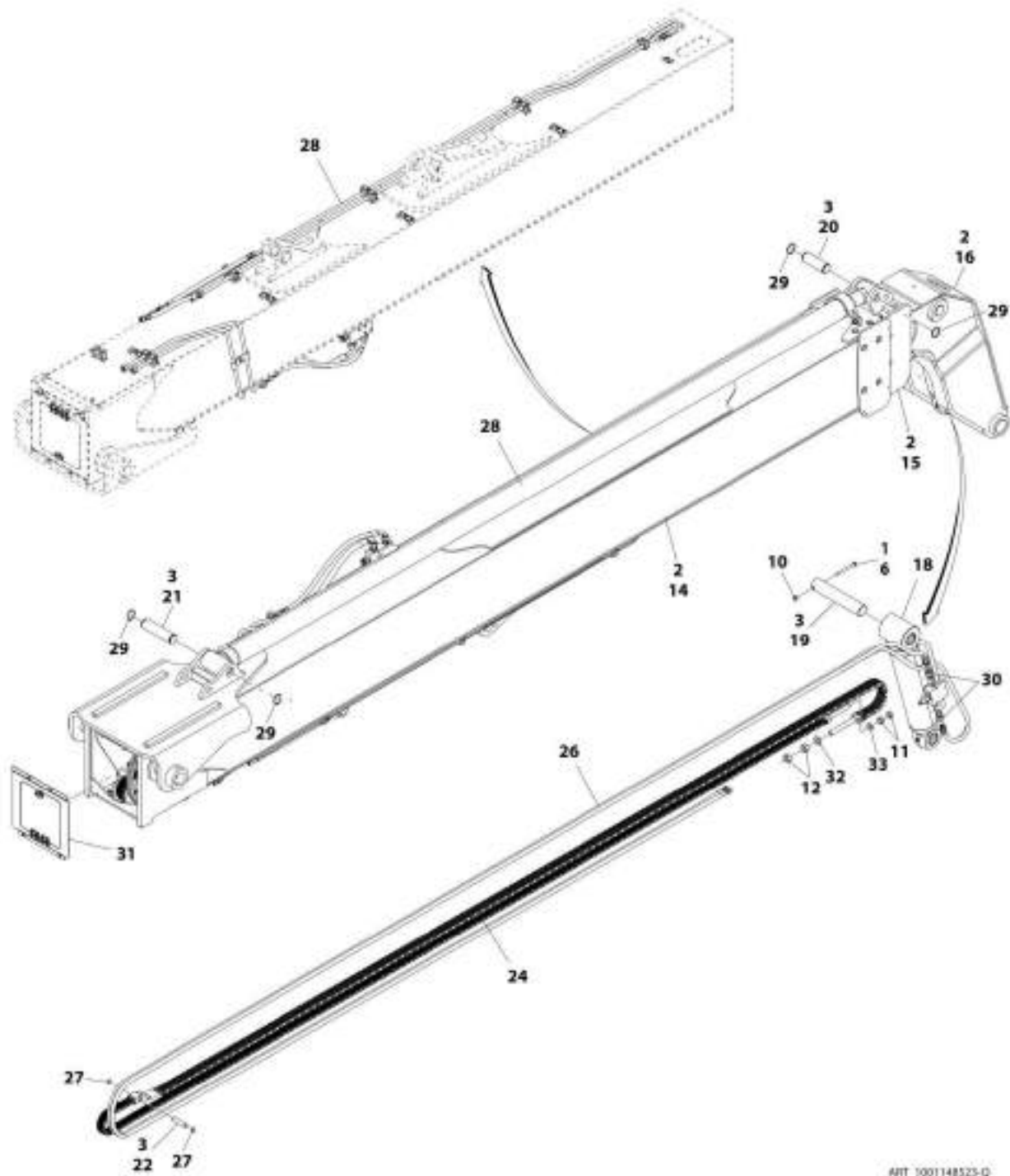
SECTION 2 - BOOM

FIGURE 2-4. BOOM INSTALLATION - 4017RS (AUXILIARY HYDRAULICS)

ITEM	PART NUMBER	QTY	DESCRIPTION	REV
	1001154018	Ref	Boom Installation - 4017RS (auxiliary hydraulics)	H
1	1001095650	AR	Compound, Locking	
2	1001098457	AR	Lube, Lithium Grease	
3	2160016	3	Fitting, Grease	
4	3291605	2	Nut, Lock, M16X2	
5	0711225	1	Bolt, M12X85, Grade 10.9	
8	1001169040	1	Pin, Compensation	
9	1001168593	2	Pin	
10	1001149547	1	Assembly, Boom (See BOOM ASSEMBLY - 4017RS (AUXILIARY HYDRAULICS) for Breakdown)	
11	3291205	1	Nut, Lock, M12X1.75	
12	1001169049	AR	Shim, 0.5	
13	1001169048	AR	Shim, 1	
14	1001155958	AR	Shim, 3	
15	1001155959	AR	Shim, 2	
16	1001155960	AR	Shim, 1	
17	1001184996	2	Plate, Pin Keeper	
18	1001169068	1	Pin, Lift	
20	0700814	4	Bolt, M8X30	
21	0711631	2	Bolt, M16X140, Grade 10.9	
22	4811900	4	Washer, M8	

SECTION 2 - BOOM

FIGURE 2-5. BOOM ASSEMBLY - 3614RS (NO AUXILIARY HYDRAULICS)



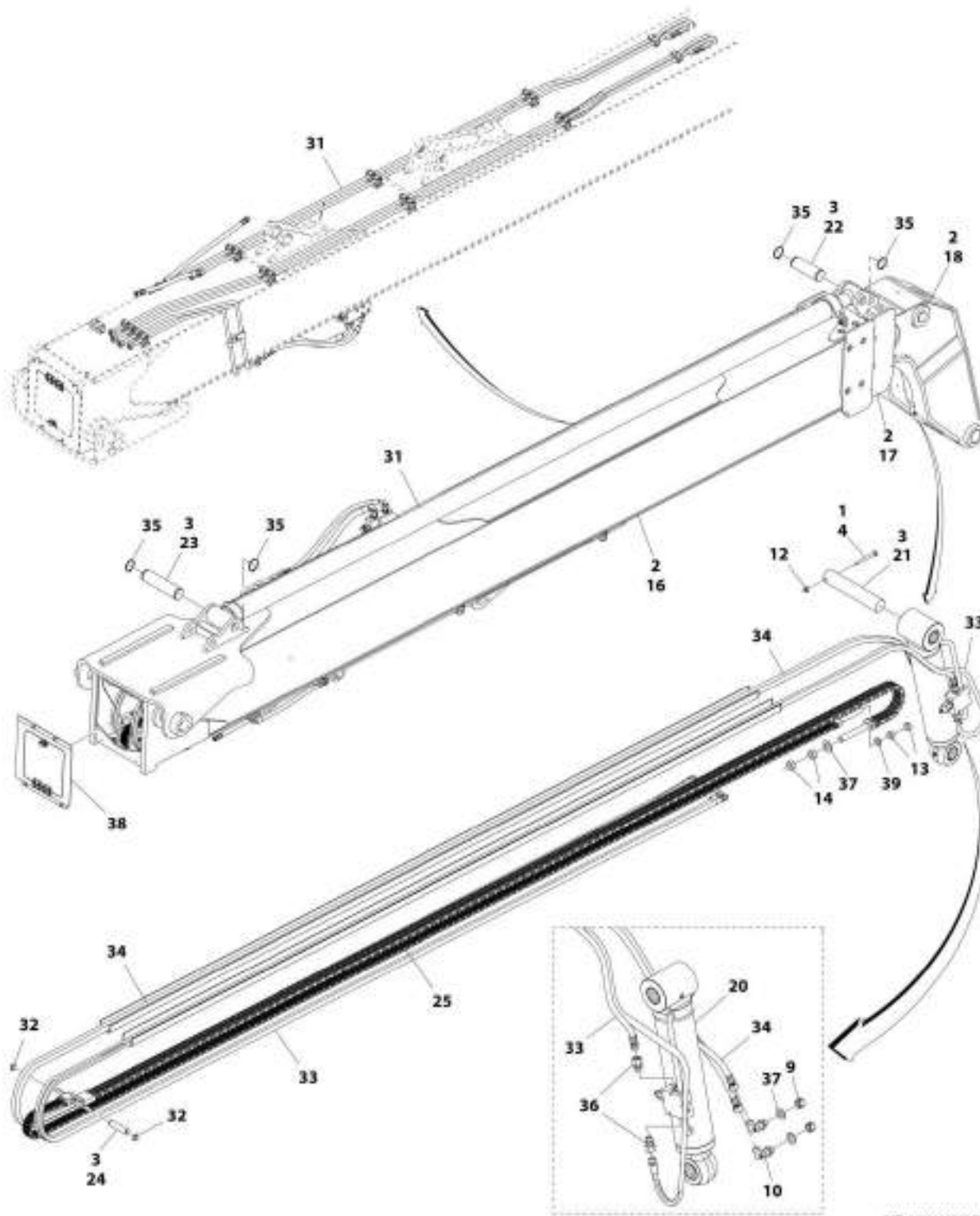
SECTION 2 - BOOM

FIGURE 2-5. BOOM ASSEMBLY - 3614RS (NO AUXILIARY HYDRAULICS)

ITEM	PART NUMBER	QTY	DESCRIPTION	REV
	1001148523	Ref	Boom Assembly - 3614RS (no auxiliary hydraulics)	Q
1	1001095650	AR	Compound, Locking	
2	1001098457	AR	Lube, Lithium Grease	
3	3020040	AR	Lubricant, Moly Paste	
6	0711229	1	Bolt, M12X120, Grade 10.9	
10	3291205	1	Nut, Lock, M12X1.75	
11	3332011	2	Nut, M20X2.5	
12	3332411	2	Nut, M24X3	
14	1001143146	1	Section, First Boom (See FIRST BOOM SECTION - 3614RS for Breakdown)	
15	1001143352	Ref	Section, Second Boom (See SECOND BOOM SECTION - 3614RS for Breakdown)	
16	1001143400	1	Section, Third Boom (See THIRD BOOM SECTION - 3614RS for Breakdown)	
18	1001144198	1	Cylinder, Tilt (See HYDRAULIC COMPONENTS SECTION for Breakdown)	
19	1001147527	1	Pin, Tilt Cylinder	
20	1001147596	1	Pin, Extend/Retract Cylinder, Rod End	
21	1001147597	1	Pin, Extend/Retract Cylinder, Barrel End	
22	1001149555	1	Pin, Clevis	
24	1001147839	1	Assembly, Retract Chain (See RETRACT CHAIN ASSEMBLY - 3614RS for Breakdown)	
26	1001152477	1	Hose - 3614RS (Prior to SN 1160007979, Excluding 1160007924, 1160007926, 1160007937, 1160007941 and 1160007946)	
26	1001180501	1	Hose - 3614RS (SN 1160007979 to Present, Including 1160007924, 1160007926, 1160007937, 1160007941 and 1160007946)	
27	1001149581	2	Ring, Snap	
28	1001149652	1	Installation, Boom Hydraulics (See HYDRAULICS INSTALLATION - 3614RS (NO AUXILIARY HYDRAULICS) for Breakdown)	
29	3760493	4	Ring, Retaining	
30	2142816	2	Connector, Swivel	
31	1001161951	1	Installation, Cover Plate (See COVER PLATE INSTALLATION - 3614RS for Breakdown)	
32	4812700	1	Washer, M24	
33	4812500	1	Washer, M20	

SECTION 2 - BOOM

FIGURE 2-6. BOOM ASSEMBLY - 3614RS (AUXILIARY HYDRAULICS)



WIT_1001144767-P

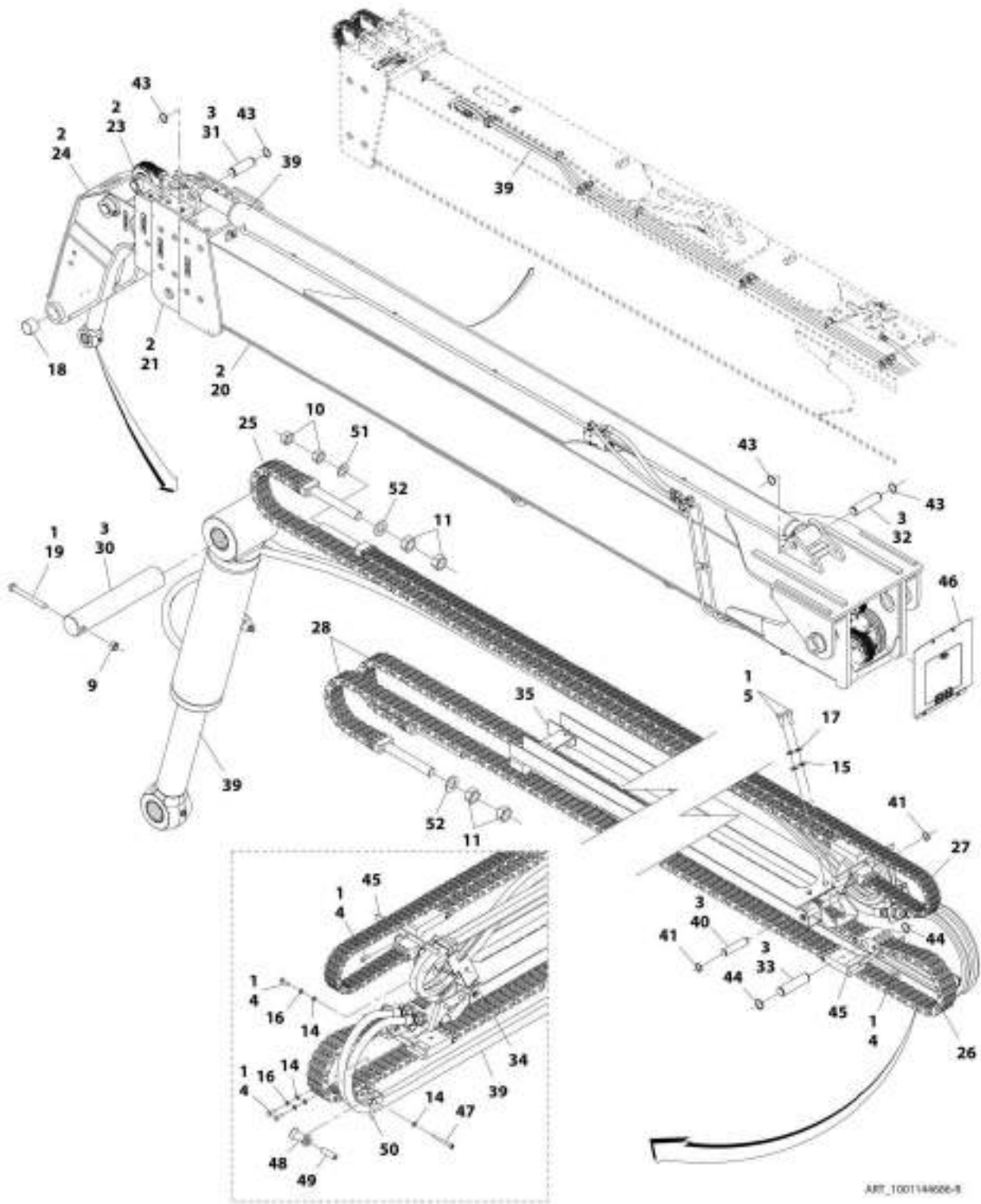
SECTION 2 - BOOM

FIGURE 2-6. BOOM ASSEMBLY - 3614RS (AUXILIARY HYDRAULICS)

ITEM	PART NUMBER	QTY	DESCRIPTION	REV
	1001144747	Ref	Boom Assembly - 3614RS (auxiliary hydraulics)	P
1	1001095650	AR	Compound, Locking	
2	1001098457	AR	Lube, Lithium Grease	
3	3020040	AR	Lubricant, Moly Paste	
4	0711229	1	Bolt, M12X120, Grade 10.9	
9	2142516	2	Adapter, Cap	
10	2143316	2	Fitting, Elbow	
12	3291205	1	Nut, Lock, M12X1.75	
13	3332011	2	Nut, M20X2.5	
14	3332411	2	Nut, M24X3	
16	1001143146	1	Section, First Boom (See FIRST BOOM SECTION - 3614RS for Breakdown)	
17	1001143352	1	Section, Second Boom (See SECOND BOOM SECTION - 3614RS for Breakdown)	
18	1001143400	1	Section, Third Boom (See THIRD BOOM SECTION - 3614RS for Breakdown)	
20	1001144198	1	Cylinder, Tilt (See HYDRAULIC COMPONENTS SECTION for Breakdown)	
21	1001147527	1	Pin, Tilt Cylinder	
22	1001147596	1	Pin, Extend/Retract, Rod End	
23	1001147597	1	Pin, Extend/Retract, Barrel End	
24	1001149555	1	Pin, Clevis	
25	1001147839	1	Assembly, Retract Chain (See RETRACT CHAIN ASSEMBLY - 3614RS for Breakdown)	
31	1001147622	1	Installation, Boom Hydraulics (See HYDRAULICS INSTALLATION - 3614RS (AUXILIARY HYDRAULICS) for Breakdown)	
32	1001149581	2	Ring, Snap	
33	1001152477	1	Hose - 3614RS (Prior to SN 1160007979, Excluding 1160007924, 1160007926, 116007937, 116007941 and 116007946)	
33	1001180501	1	Hose - 3614RS (SN 1160007979 to Present, Including 1160007924, 1160007926, 116007937, 116007941 and 116007946)	
34	1001154616	1	Hose - 3614RS (auxiliary hydraulics) (Prior to SN 1160007979, Excluding 1160007924, 1160007926, 116007937, 116007941 and 116007946)	
34	1001180502	1	Hose - 3614RS (auxiliary hydraulics) (SN 1160007979 to Present, Including 1160007924, 1160007926, 116007937, 116007941 and 116007946)	
35	3760493	4	Ring, Retaining	
36	2142816	2	Connector, Swivel	
37	4812700	3	Washer, M24	
38	1001161951	1	Installation, Cover Plate (See COVER PLATE INSTALLATION - 3614RS for Breakdown)	
39	4812500	1	Washer, M20	

SECTION 2 - BOOM

FIGURE 2-7. BOOM ASSEMBLY - 4017RS (NO AUXILIARY HYDRAULICS)



ART_1001149006-R

SECTION 2 - BOOM

FIGURE 2-7. BOOM ASSEMBLY - 4017RS (NO AUXILIARY HYDRAULICS)

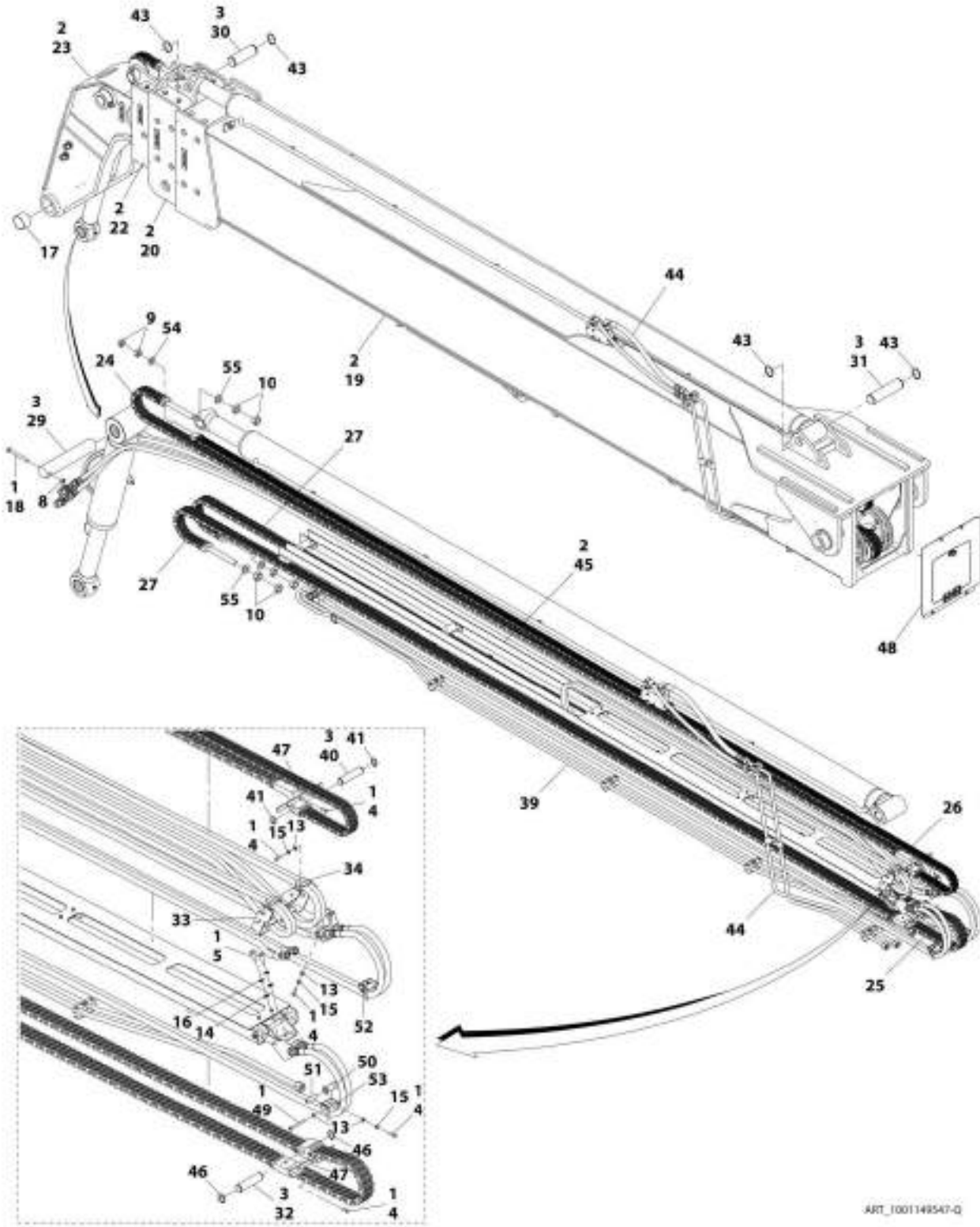
ITEM	PART NUMBER	QTY	DESCRIPTION	REV
	1001144686	Ref	Boom Assembly - 4017RS (no auxiliary hydraulics)	R
1	1001095650	AR	Compound, Locking	
2	1001098457	AR	Lube, Lithium Grease	
3	3020040	AR	Lubricant, Moly Paste	
4	0760610	7	Bolt, M6X20	
5	0701013	2	Bolt, M8X20	
9	3291205	1	Nut, Lock M12X1.75	
10	3332011	2	Nut, M20X2.5	
11	3332411	8	Nut, M24X3	
14	4811700	5	Washer, M6	
15	4812000	2	Washer, M8	
16	4831700	4	Washer, Lock 6	
17	4832000	2	Washer, Lock 8	
18	1001090150	2	Bearing	
19	0711229	1	Bolt, M12X120, Grade 10.9	
20	1001144158	1	Section, First Boom (See FIRST BOOM SECTION - 4017RS for Breakdown)	
21	1001144181	1	Section, Second Boom (See SECOND BOOM SECTION - 4017RS for Breakdown)	
23	1001144218	1	Section, Third Boom (See THIRD BOOM SECTION - 4017RS for Breakdown)	
24	1001144244	1	Section, Fourth Boom (See FOURTH BOOM SECTION - 4017RS for Breakdown)	
25	1001144713	1	Assembly, Extend Chain (See EXTEND CHAIN ASSEMBLY (1) - 4017RS for Breakdown)	
26	1001144758	1	Assembly, Retract Chain (See RETRACT CHAIN ASSEMBLY (1) - 4017RS for Breakdown)	
27	1001144771	1	Assembly, Retract Chain (See RETRACT CHAIN ASSEMBLY (2) - 4017RS for Breakdown)	
28	1001144780	2	Assembly, Extend Chain (See EXTEND CHAIN ASSEMBLY (2) - 4017RS for Breakdown)	
30	1001147527	1	Pin, Tilt Cylinder	
31	1001147596	1	Pin, Extend/Retract Cylinder, Rod End	
32	1001147597	1	Pin, Extend/Retract Cylinder, Barrel End	
33	1001147640	1	Pin, Chain Clevis	
34	1001147899	1	Bracket, Clamp	
35	1001151879	1	Assembly, Hose Support (See HOSE SUPPORT ASSEMBLY - 4017RS for Breakdown)	
39	1001149653	1	Installation, Boom Hydraulics (See HYDRAULICS INSTALLATION - 4017RS for Breakdown)	
40	1001149555	1	Pin, Clevis	
41	1001149581	2	Ring, Snap	
43	3760493	4	Ring, Retaining	
44	1001155805	2	Ring, Snap	
45	1001156947	2	Plate, Clevis	
46	1001165887	1	Installation, Cover Plate (See COVER PLATE INSTALLATION - 4017RS for Breakdown)	
47	4031716	1	Bolt, M6X60	
48	1001174034	1	Pulley, Hose Sheave	
49	1001174036	1	Spindle, Hose Sheave	
50	1001174042	1	Bracket, Hose Pulley	
51	4812500	1	Washer, M20	

SECTION 2 - BOOM

ITEM	PART NUMBER	QTY	DESCRIPTION	REV
52	4812700	4	Washer, M24	

SECTION 2 - BOOM

FIGURE 2-8. BOOM ASSEMBLY - 4017RS (AUXILIARY HYDRAULICS)



ART_1001149547-Q

SECTION 2 - BOOM

FIGURE 2-8. BOOM ASSEMBLY - 4017RS (AUXILIARY HYDRAULICS)

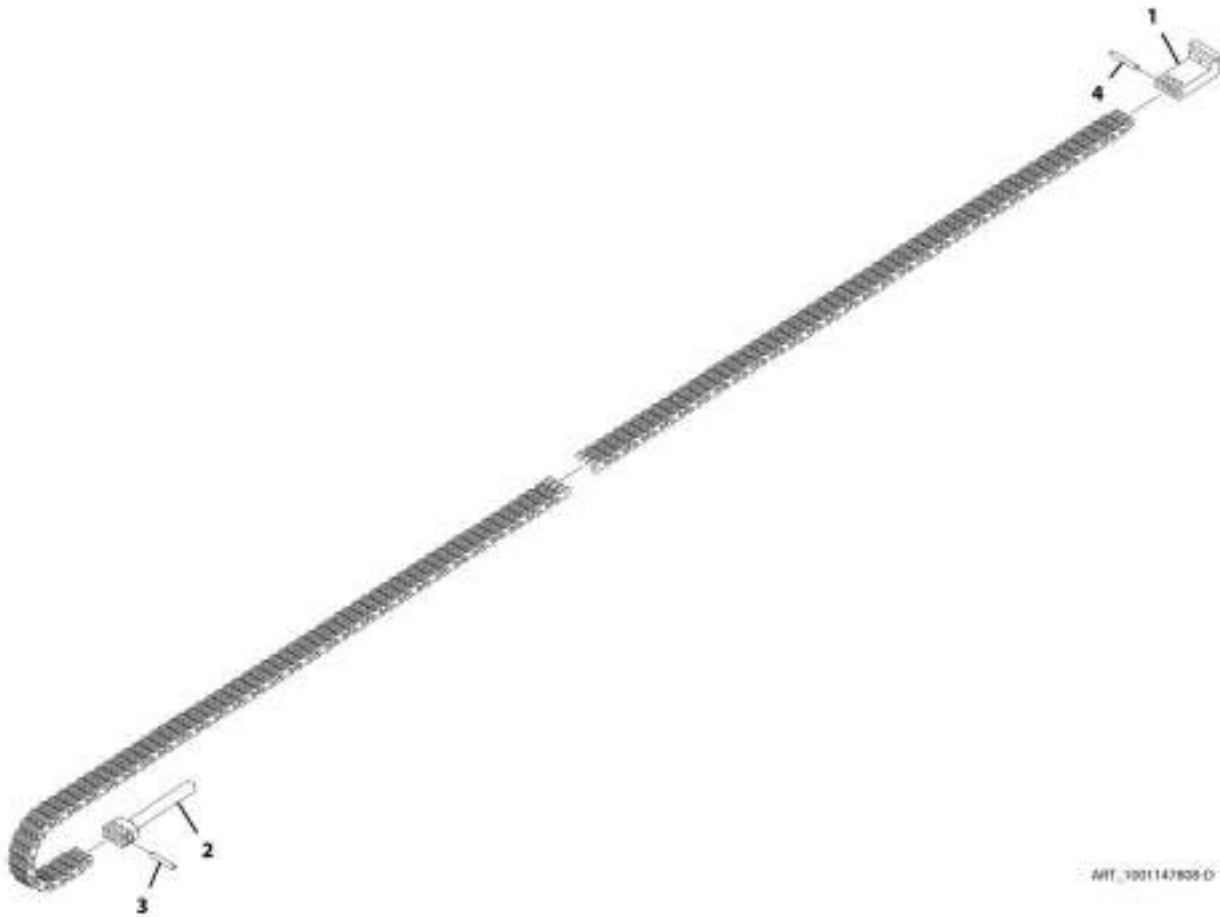
ITEM	PART NUMBER	QTY	DESCRIPTION	REV
	1001149547	Ref	Boom Assembly - 4017RS (auxiliary hydraulics)	Q
1	1001095650	AR	Compound, Locking	
2	1001098457	AR	Lube, Lithium Grease	
3	3020040	AR	Lubricant, Moly Paste	
4	0760610	11	Bolt, M6X20	
5	0701013	2	Bolt, M10X28	
8	3291205	1	Nut, Lock M12X1.75	
9	3332011	2	Nut, M20X2.5	
10	3332411	8	Nut, M24X3	
13	4811700	10	Washer, M6	
14	4812000	2	Washer, M10	
15	4831700	8	Washer, Lock 6	
16	4832000	2	Washer, Lock 10	
17	1001090150	2	Bearing	
18	0711229	1	Bolt, M12X120, Grade 10.9	
19	1001144158	1	Section, First Boom (See FIRST BOOM SECTION - 4017RS for Breakdown)	
20	1001144181	1	Section, Second Boom (See SECOND BOOM SECTION - 4017RS for Breakdown)	
22	1001144218	1	Section, Third Boom (See THIRD BOOM SECTION - 4017RS for Breakdown)	
23	1001144244	1	Section, Fourth Boom (See FOURTH BOOM SECTION - 4017RS for Breakdown)	
24	1001144713	1	Assembly, Extend Chain (See EXTEND CHAIN ASSEMBLY (1) - 4017RS for Breakdown)	
25	1001144758	1	Assembly, Retract Chain (See RETRACT CHAIN ASSEMBLY (1) - 4017RS for Breakdown)	
26	1001144771	1	Assembly, Retract Chain (See RETRACT CHAIN ASSEMBLY (2) - 4017RS for Breakdown)	
27	1001144780	2	Assembly, Extend Chain (See EXTEND CHAIN ASSEMBLY (2) - 4017RS for Breakdown)	
29	1001147527	1	Pin, Tilt Cylinder	
30	1001147596	1	Pin, Extend/Retract Cylinder, Rod End	
31	1001147597	1	Pin, Extend/Retract Cylinder, Barrel End	
32	1001147640	1	Pin, Chain Clevis	
33	1001147894	1	Bracket, Clamp	
34	1001147899	1	Bracket, Clamp	
39	1001149133	1	Installation, Boom Hydraulics (See HYDRAULICS INSTALLATION - 4017RS (AUXILIARY HYDRAULICS) for Breakdown)	
40	1001149555	1	Pin, Clevis	
41	1001149581	2	Ring, Snap	
43	3760493	4	Ring, Retaining	
44	1001149653	1	Installation, Boom Hydraulics (See HYDRAULICS INSTALLATION - 4017RS for Breakdown)	
45	1001151879	1	Assembly, Hose Support (see HOSE SUPPORT ASSEMBLY - 4017RS for Breakdown)	
46	1001155805	2	Ring, Snap	
47	1001156947	2	Plate, Clevis	
48	1001165887	1	Installation, Cover Plate (See COVER PLATE INSTALLATION - 4017RS for Breakdown)	
49	4031716	2	Bolt, M6X60	
50	1001174034	2	Pulley, Hose Sheave	

SECTION 2 - BOOM

ITEM	PART NUMBER	QTY	DESCRIPTION	REV
51	1001174036	2	Spindle, Hose Sheave	
52	1001174042	1	Bracket, Hose Pulley	
53	1001175475	1	Bracket, Hose Pulley	
54	4812500	1	Washer, M20	
55	4812700	4	Washer, M24	

SECTION 2 - BOOM

FIGURE 2-9. EXTEND CHAIN ASSEMBLY - 3614RS



ART_1001147808-D

FIGURE 2-9. EXTEND CHAIN ASSEMBLY - 3614RS

ITEM	PART NUMBER	QTY	DESCRIPTION	REV
	1001147808	Ref	Extend Chain Assembly - 3614RS	D
1	1001147695	1	Clevis, Chain	
2	1001148317	1	Clevis, Chain	
3	1001149163	1	Pin, Anchor	
4	1001149164	1	Pin, Anchor	

SECTION 2 - BOOM

FIGURE 2-10. EXTEND CHAIN ASSEMBLY (1) - 4017RS



KBT_1001144713-A

FIGURE 2-10. EXTEND CHAIN ASSEMBLY (1) - 4017RS

ITEM	PART NUMBER	QTY	DESCRIPTION	REV
	1001144713	Ref	Extend Chain Assembly - 4017RS	A
1	1001147695	1	Clevis, Chain	
2	1001148317	1	Clevis, Chain	
3	1001149163	1	Pin, Anchor	
4	1001149164	1	Pin, Anchor	

SECTION 2 - BOOM

FIGURE 2-11. EXTEND CHAIN ASSEMBLY (2) - 4017RS



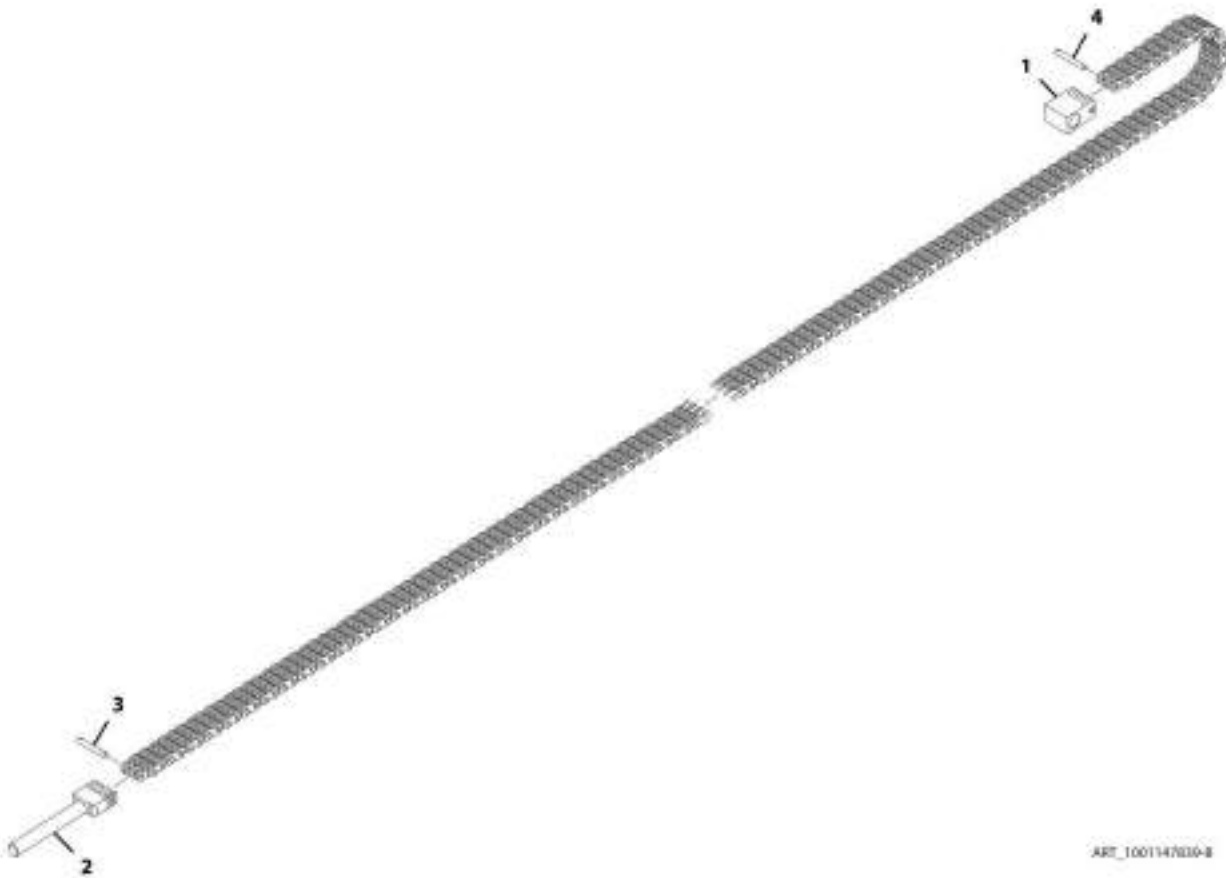
ART_1001144780-A

FIGURE 2-11. EXTEND CHAIN ASSEMBLY (2) - 4017RS

ITEM	PART NUMBER	QTY	DESCRIPTION	REV
	1001144780	Ref	Extend Chain Assembly - 4017RS	A
1	1001147695	1	Clevis, Chain	
2	1001148317	1	Clevis, Chain	
3	1001149163	1	Pin, Anchor	
4	1001149164	1	Pin, Anchor	

SECTION 2 - BOOM

FIGURE 2-12. RETRACT CHAIN ASSEMBLY - 3614RS



ART_100114/ND0-8

FIGURE 2-12. RETRACT CHAIN ASSEMBLY - 3614RS

ITEM	PART NUMBER	QTY	DESCRIPTION	REV
	1001147839	Ref	Retract Chain Assembly - 3614RS	B
1	1001147641	1	Clevis, Chain	
2	1001147739	1	Clevis, Chain	
3	1001149156	1	Pin, Anchor	
4	1001149699	1	Pin, Anchor	

SECTION 2 - BOOM

FIGURE 2-13. RETRACT CHAIN ASSEMBLY (1) - 4017RS



ART_1001344758-A

FIGURE 2-13. RETRACT CHAIN ASSEMBLY (1) - 4017RS

ITEM	PART NUMBER	QTY	DESCRIPTION	REV
	1001144758	Ref	Retract Chain Assembly - 4017RS	A
1	1001147623	1	Clevis, Chain	
2	1001148317	1	Clevis, Chain	
3	1001149163	1	Pin, Anchor	
4	1001149164	1	Pin, Anchor	

SECTION 2 - BOOM

FIGURE 2-14. RETRACT CHAIN ASSEMBLY (2) - 4017RS

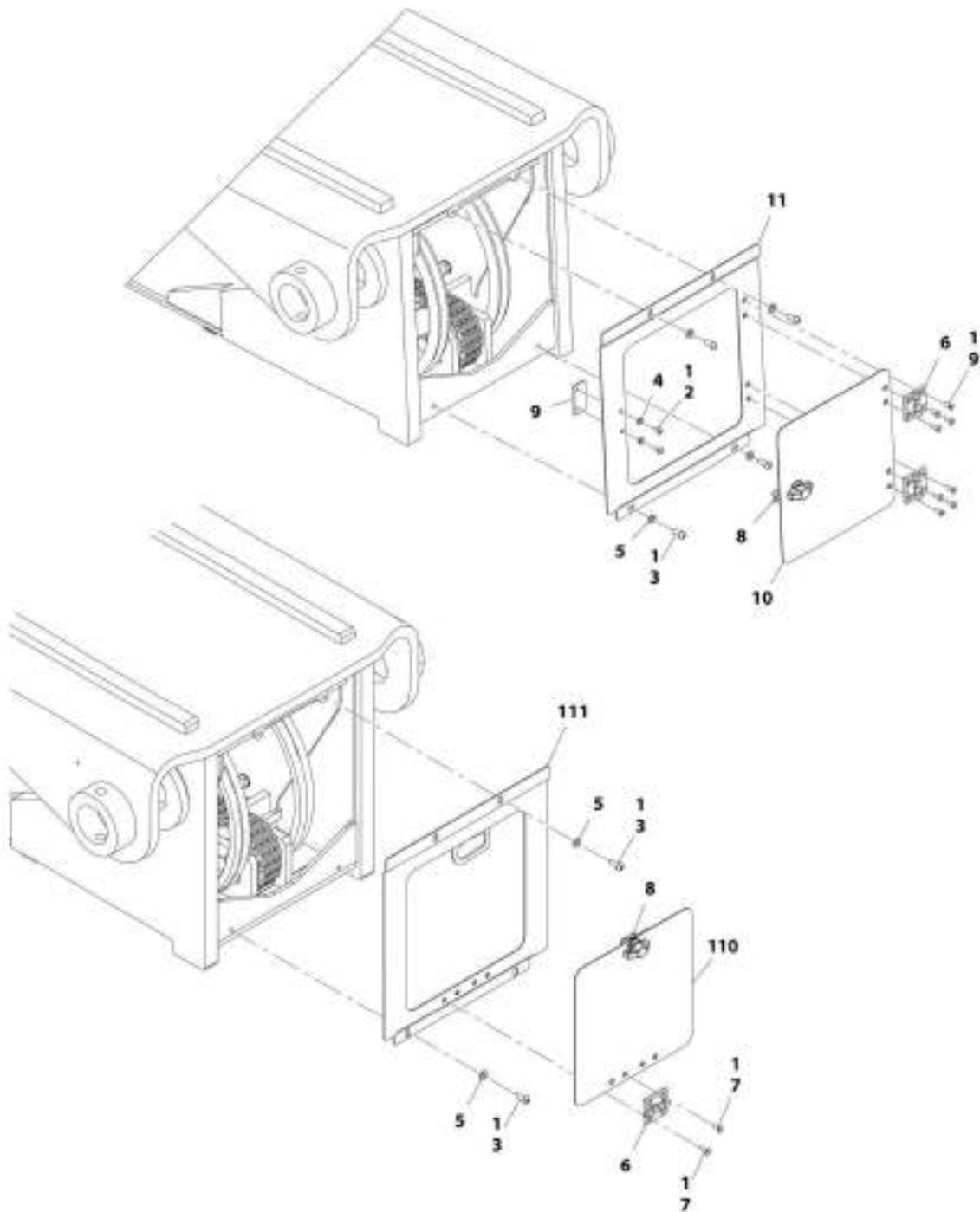


FIGURE 2-14. RETRACT CHAIN ASSEMBLY (2) - 4017RS

ITEM	PART NUMBER	QTY	DESCRIPTION	REV
	1001144771	Ref	Retract Chain Assembly - 4017RS	A
1	1001147641	1	Clevis, Chain	
2	1001147739	1	Clevis, Chain	
3	1001149156	1	Pin, Anchor	
4	1001149699	1	Pin, Anchor	

SECTION 2 - BOOM

FIGURE 2-15. COVER PLATE INSTALLATION - 3614RS



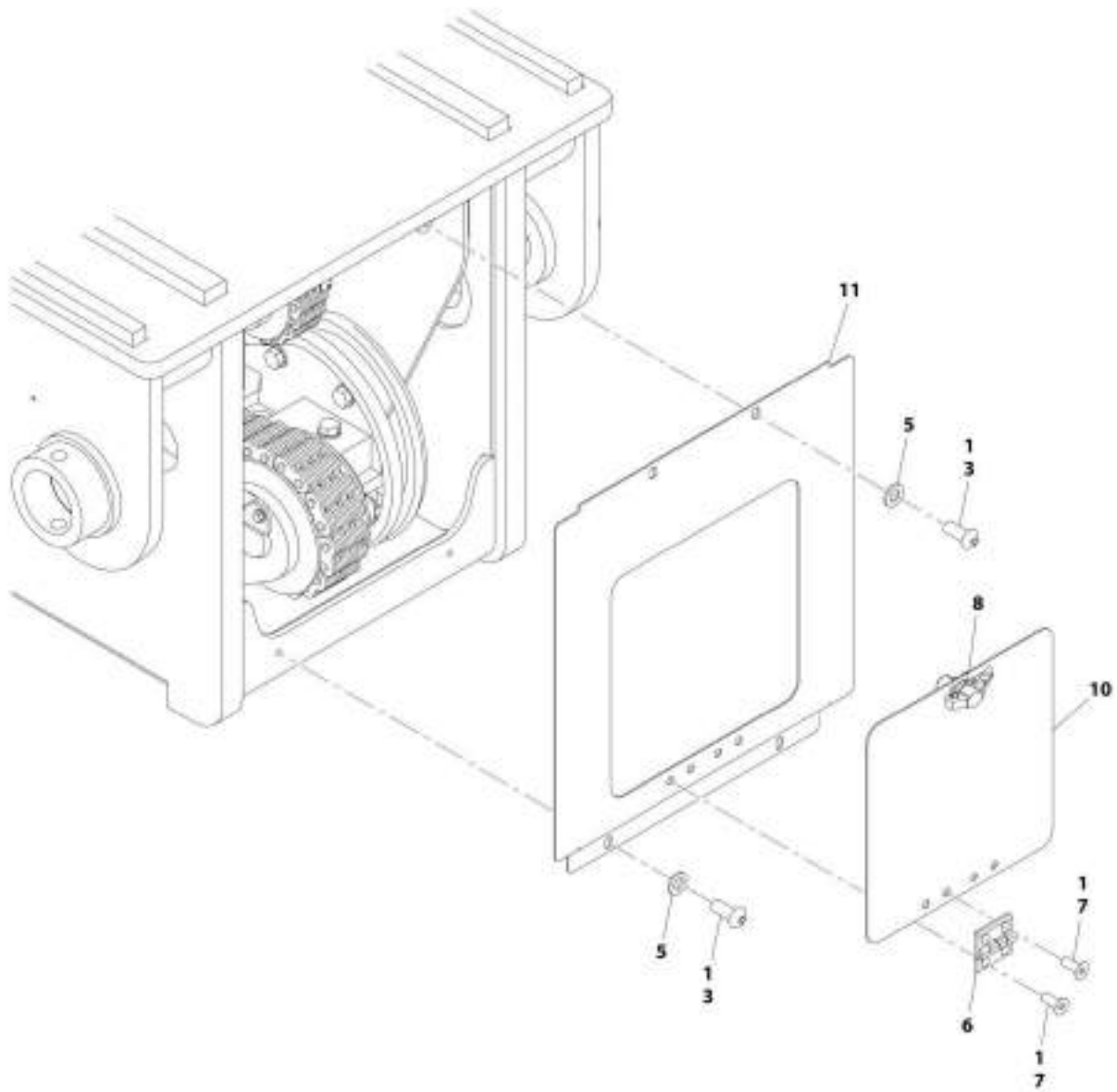
AWT_1001161551-D

FIGURE 2-15. COVER PLATE INSTALLATION - 3614RS

ITEM	PART NUMBER	QTY	DESCRIPTION	REV
	1001161951	Ref	Cover Plate Installation - 3614RS	D
1	1001095650	AR	Compound, Locking	
2	1001172289	2	Screw, M6X12 (Prior to SN 1160007970)	
3	1001164726	4	Bolt, M8X20	
4	4811700	2	Washer, M6 (Prior to SN 1160007970)	
5	4811900	4	Washer, M8	
6	8006105	2	Joint, Hinge	
7	1001162246	8	Screw, M6X16	
8	1001162375	1	Latch, Wing Knob	
9	1001162657	1	Plate, Latch (Prior to SN 1160007970)	
10	1001162364J	1	Bracket, Door Cover (Prior to SN 1160007970)	
11	1001172263J	1	Bracket, Cover (Prior to SN 1160007970)	
110	1001175165J	1	Bracket, Door Cover (SN 1160007970 to Present)	
111	1001189957J	1	Bracket, Cover (SN 1160007970 to Present)	

SECTION 2 - BOOM

FIGURE 2-16. COVER PLATE INSTALLATION - 4017RS



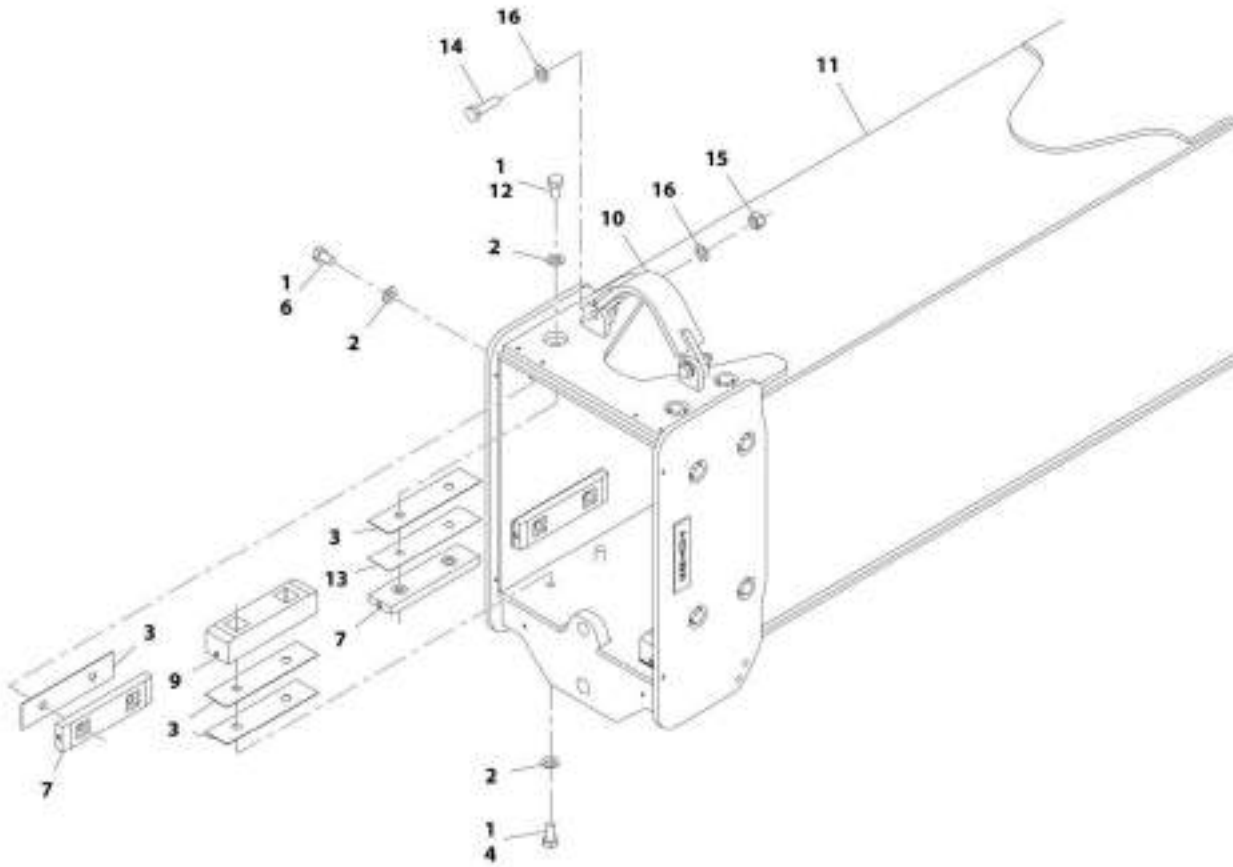
ART_100160667-C

FIGURE 2-16. COVER PLATE INSTALLATION - 4017RS

ITEM	PART NUMBER	QTY	DESCRIPTION	REV
	1001165887	Ref	Cover Plate Installation - 4017RS	C
1	1001095650	AR	Compound, Locking	
3	1001164726	4	Bolt, M8X20	
5	4811900	4	Washer, M8	
6	8006105	2	Joint, Hinge	
7	1001162246	8	Screw, M6X16	
8	1001162375	1	Latch, Wing Knob	
10	1001175165J	1	Bracket, Door Cover	
11	1001175234J	1	Panel, Boom Door	

SECTION 2 - BOOM

FIGURE 2-17. FIRST BOOM SECTION - 3614RS



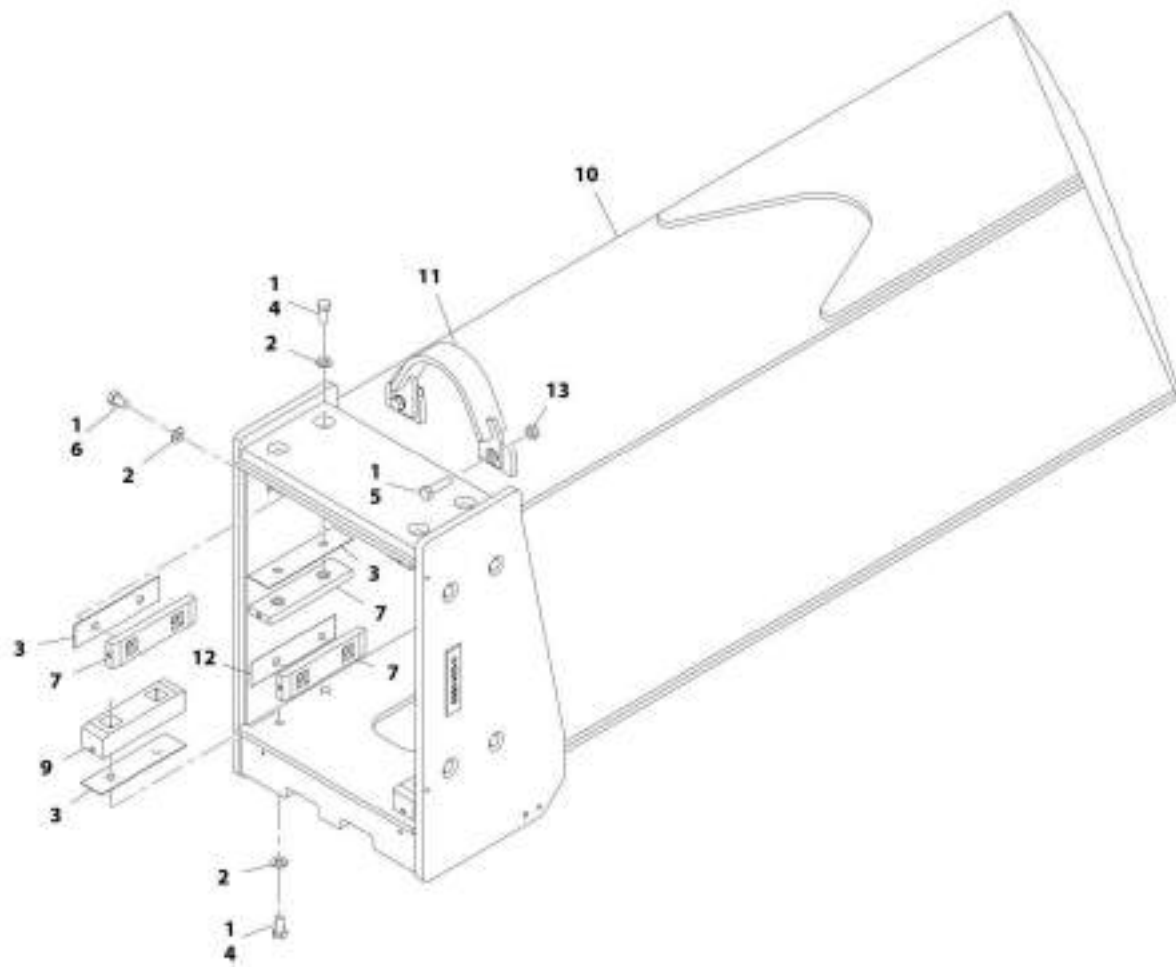
ART_100143146-M

FIGURE 2-17. FIRST BOOM SECTION - 3614RS

ITEM	PART NUMBER	QTY	DESCRIPTION	REV
	1001143146	Ref	First Boom Section - 3614RS	N
1	1001095650	AR	Compound, Locking	
2	1001125117	AR	Washer	
3	1001147731	AR	Shim, 1X45X185	
4	0771212	4	Bolt, M12X25, Grade 10.9	
6	0771210	8	Bolt, M12X20, Grade 10.9	
7	1001147657	6	Pad, 15X45X181	
9	1001147668	2	Pad, 39X45X181	
10	1001172206	1	Brace, Extend/Retract Cylinder	
11	1001192959J	1	Weldment	
12	0771211	4	Bolt, M12X22, Grade 10.9	
13	1001154174	AR	Shim, 0.5X45X185	
14	0711217	2	Bolt, M12X45, Grade 10.9	
15	3291205	2	Hex Lock Nut, M12X1.75	
16	4812100	4	Washer, M12	

SECTION 2 - BOOM

FIGURE 2-18. FIRST BOOM SECTION - 4017RS



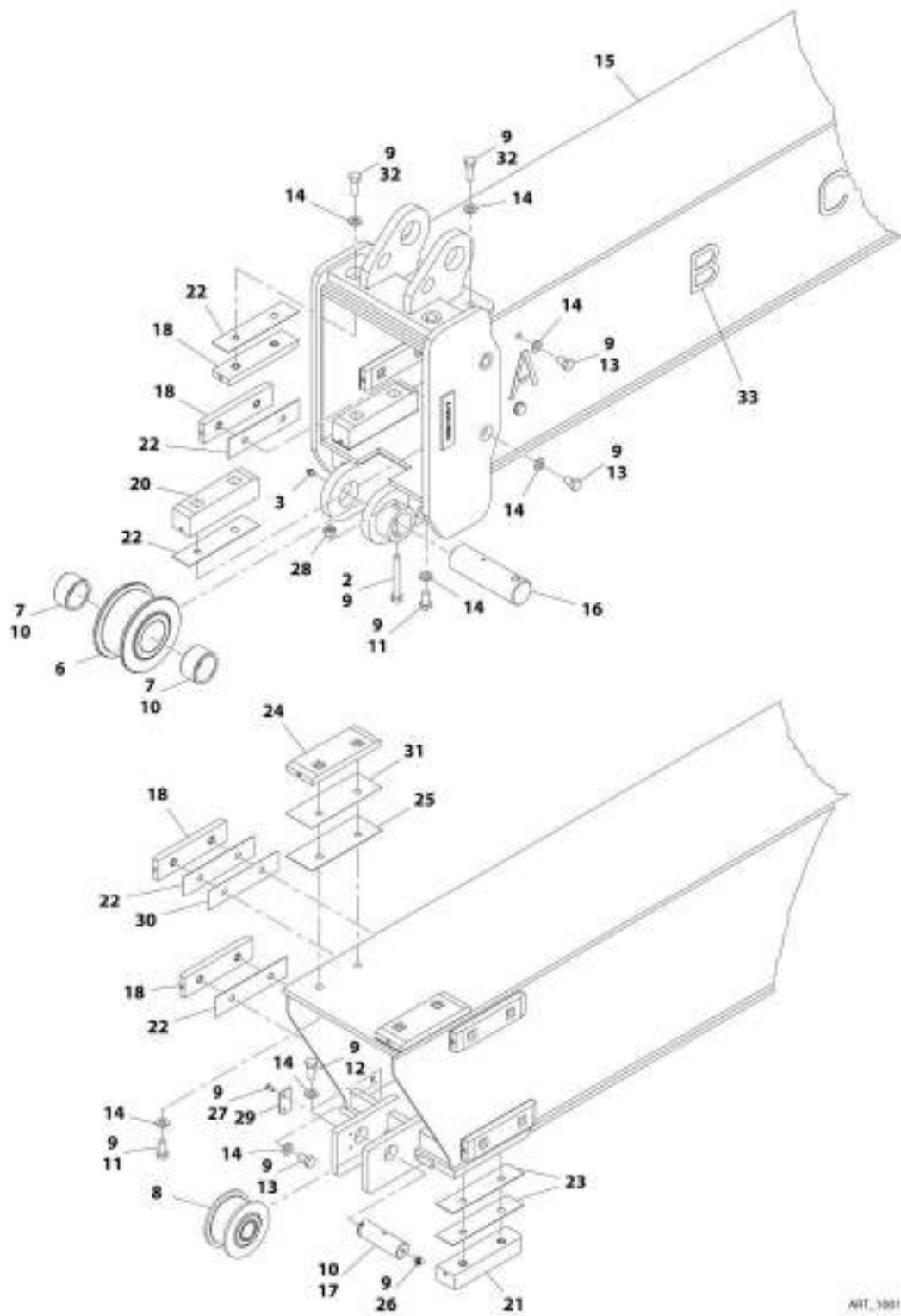
ART_100144158-M

FIGURE 2-18. FIRST BOOM SECTION - 4017RS

ITEM	PART NUMBER	QTY	DESCRIPTION	REV
	1001144158	Ref	First Boom Section - 4017RS	M
1	1001095650	AR	Compound, Locking	
2	1001125117	AR	Washer	
3	1001147731	AR	Shim, 1X45X185	
4	0771212	8	Bolt, M12X25, Grade 10.9	
5	0771217	2	Bolt, M12X45, Grade 10.9	
6	0771210	8	Bolt, M12X20, Grade 10.9	
7	1001147657	6	Pad, 15X45X181	
9	1001147668	2	Pad, 39X45X181	
10	1001192566J	1	Weldment	
11	1001161015	1	Bracket, Extend/Retract Cylinder	
12	1001154174	AR	Shim, 0.5X45X185	
13	3291201	2	Nut, M12X1.75	

SECTION 2 - BOOM

FIGURE 2-19. SECOND BOOM SECTION - 3614RS



ART. 388143352-L

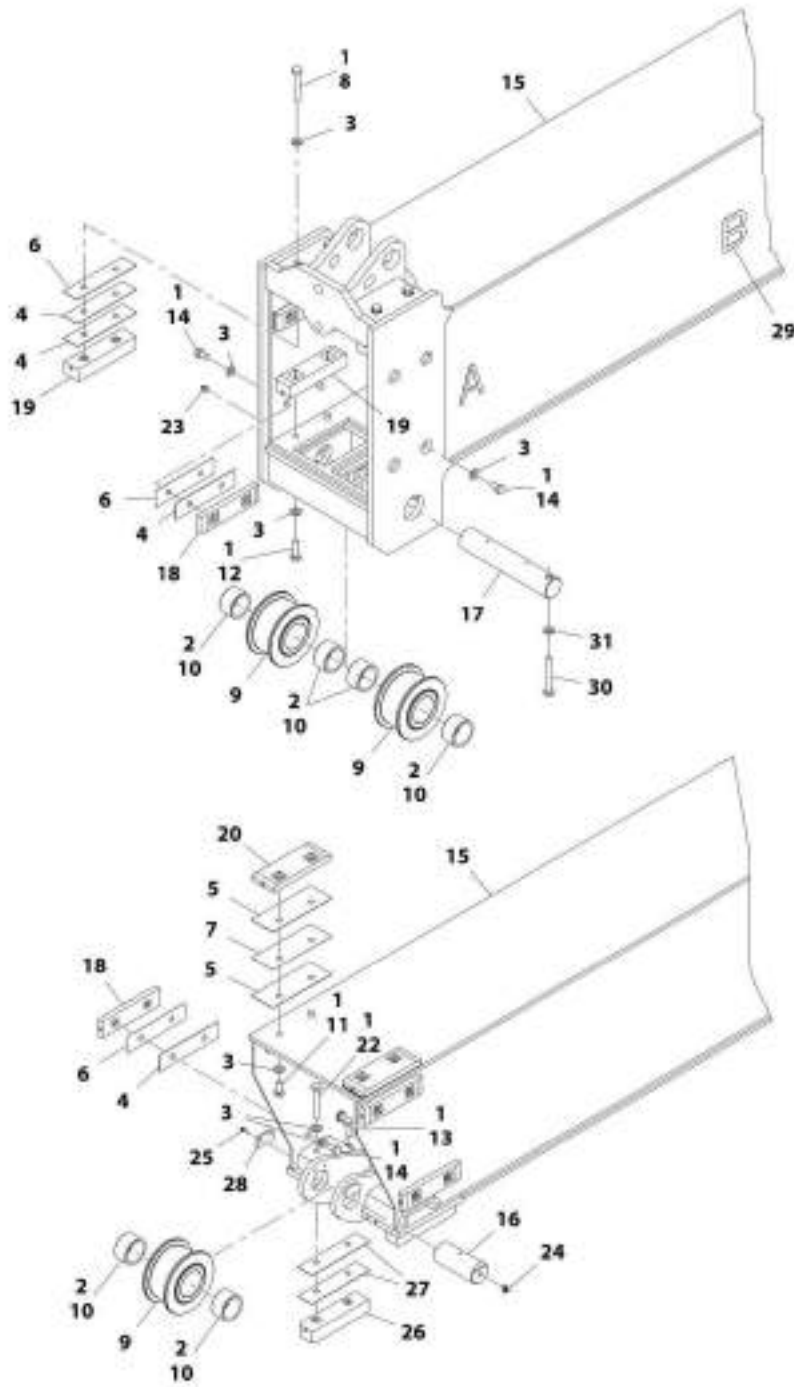
SECTION 2 - BOOM

FIGURE 2-19. SECOND BOOM SECTION - 3614RS

ITEM	PART NUMBER	QTY	DESCRIPTION	REV
	1001143352	Ref	Second Boom Section - 3614RS	L
2	0701226	1	Bolt, M12X90	
3	2160016	1	Fitting, Grease	
6	7114032	1	Sheave, Extend Chain	
7	7117502	2	Bushing, Sheave, Extend Chain	
8	7138986	1	Sheave, Retract Chain	
9	1001095650	AR	Compound, Locking	
10	1001098457	AR	Lube, Lithium Grease	
11	0771212	8	Bolt, M12X25, Grade 10.9	
12	0711214	4	Bolt, M12X30, Grade 10.9	
13	0771210	16	Bolt, M12X20, Grade 10.9	
14	1001125117	AR	Washer	
15	1001143354	1	Weldment	
16	1001147562	1	Pin, Sheave, Extend Chain	
17	1001147595	1	Pin, Sheave, Retract Chain	
18	1001147657	10	Pad, 15X45X181	
20	1001147670	2	Pad, 46X45X181	
21	1001147730	2	Pad, 34X45X181	
22	1001147731	AR	Shim, 1X45X185	
23	1001147802	AR	Shim, 1X45X185	
24	1001148103	2	Pad, 15X67.5X181	
25	1001148147	AR	Shim, 1X67.5X185	
26	2160018	1	Fitting, Grease	
27	3900362	2	Screw, M6-1X12	
28	3291205	1	Nut, Lock M12X1.75	
29	1001153960	1	Bracket, Pin Retainer	
30	1001154174	AR	Shim, 0.5X45X185	
31	1001154176	AR	Shim, 0.5X67.5X185	
32	0711215	4	Bolt, M12X35, Grade 10.9	
33	1001171798	1	Installation, Boom Decal (See DECALS SECTION for Breakdown)	

SECTION 2 - BOOM

FIGURE 2-20. SECOND BOOM SECTION - 4017RS



APR 1001144101-L

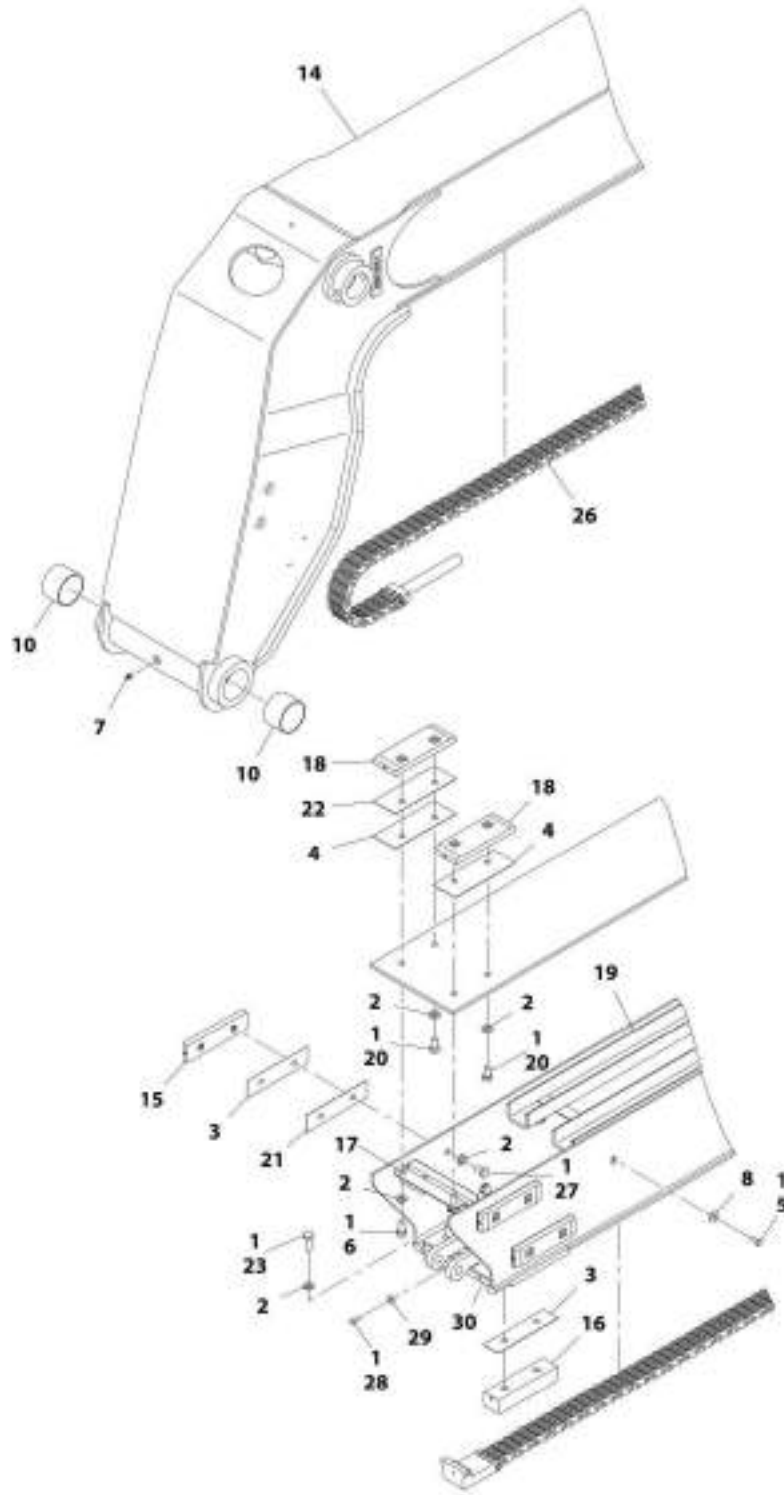
SECTION 2 - BOOM

FIGURE 2-20. SECOND BOOM SECTION - 4017RS

ITEM	PART NUMBER	QTY	DESCRIPTION	REV
	1001144181	Ref	Second Boom Section - 4017RS	L
1	1001095650	AR	Compound, Locking	
2	1001098457	AR	Lube, Lithium Grease	
3	1001125117	AR	Washer	
4	1001147731	AR	Shim, 1X45X185	
5	1001148147	AR	Shim, 1X67.5X185	
6	1001154174	AR	Shim, 0.5X45X185	
7	1001154176	AR	Shim, 0.5X67.5X185	
8	0711225	4	Bolt, M12X85, Grade 10.9	
9	7114032	3	Sheave, Extend Chain	
10	7117502	6	Bushing, Sheave, Extend Chain	
11	0771212	4	Bolt, M12X25, Grade 10.9	
12	0711216	4	Bolt, M12X40, Grade 10.9	
13	0711214	2	Bolt, M12X30, Grade 10.9	
14	0771210	16	Bolt, M12X20, Grade 10.9	
15	1001144182	1	Weldment	
16	1001147601	1	Pin, Sheave	
17	1001147602	1	Pin, Sheave	
18	1001147657	8	Pad, 15X45X181	
19	1001148101	4	Pad, 34X45X181	
20	1001148103	2	Pad, 15X67.5X181	
22	0711224	2	Bolt, M12X80, Grade 10.9	
23	2160016	1	Fitting, Grease	
24	2160018	1	Fitting, Grease	
25	0780608	2	Screw, M6-1X12	
26	1001147730	2	Pad, 34X45X181	
27	1001147802	AR	Shim, 1X45X185	
28	1001153960	1	Bracket, Pin Retainer	
29	1001171798	1	Installation, Boom Decal (See DECALS SECTION for Breakdown)	
30	0711226	1	Screw, M12X90	
31	4812100	1	Washer, M12	

SECTION 2 - BOOM

FIGURE 2-21. THIRD BOOM SECTION - 3614RS



AWT_1001140480 P

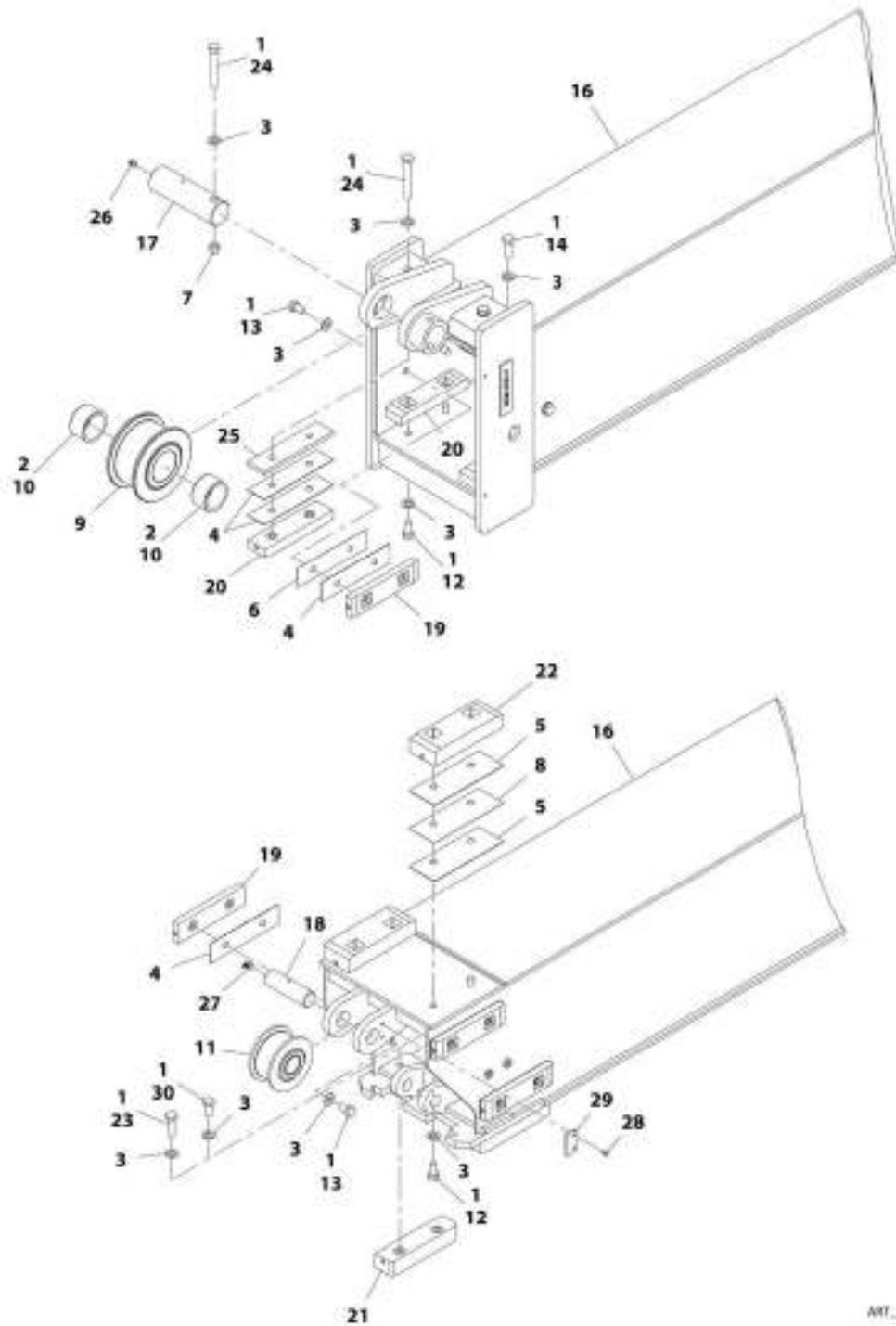
SECTION 2 - BOOM

FIGURE 2-21. THIRD BOOM SECTION - 3614RS

ITEM	PART NUMBER	QTY	DESCRIPTION	REV
	1001143400	Ref	Third Boom Section - 3614RS	P
1	1001095650	AR	Compound, Locking	
2	1001125117	AR	Washer	
3	1001147731	AR	Shim, 1X45X185	
4	1001148147	AR	Shim, 1X67.5X185	
5	0760810	10	Bolt, M8X20	
6	0771212	2	Bolt, M12X25, Grade 10.9	
7	2160016	1	Fitting, Grease	
8	4811902	10	Washer, M8	
10	1001090150	2	Bearing	
14	1001143401	1	Weldment	
15	1001147657	4	Pad, 15X45X181	
16	1001147668	2	Pad, 39X45X181	
17	1001152188	1	Bracket, Hose Clamp	
18	1001148103	2	Pad, 15X67.5X181	
19	1001152330	1	Bracket, Hose Tray	
20	0771211	2	Bolt, M12X22, Grade 10.9	
21	1001154174	AR	Shim, 0.5X45X185	
22	1001154176	AR	Shim, 0.5X67.5X185	
23	0711214	4	Bolt, M12X30, Grade 10.9	
26	1001147808	1	Assembly, Extend Chain (See EXTEND CHAIN ASSEMBLY - 3614RS for Breakdown)	
27	0771210	8	Bolt, M12X20, Grade 10.9	
28	0700610	1	Bolt, M6X20	
29	4811702	1	Washer, M6	
30	1001156947	1	Plate, Clevis	

SECTION 2 - BOOM

FIGURE 2-22. THIRD BOOM SECTION - 4017RS



ART_1001144216-1

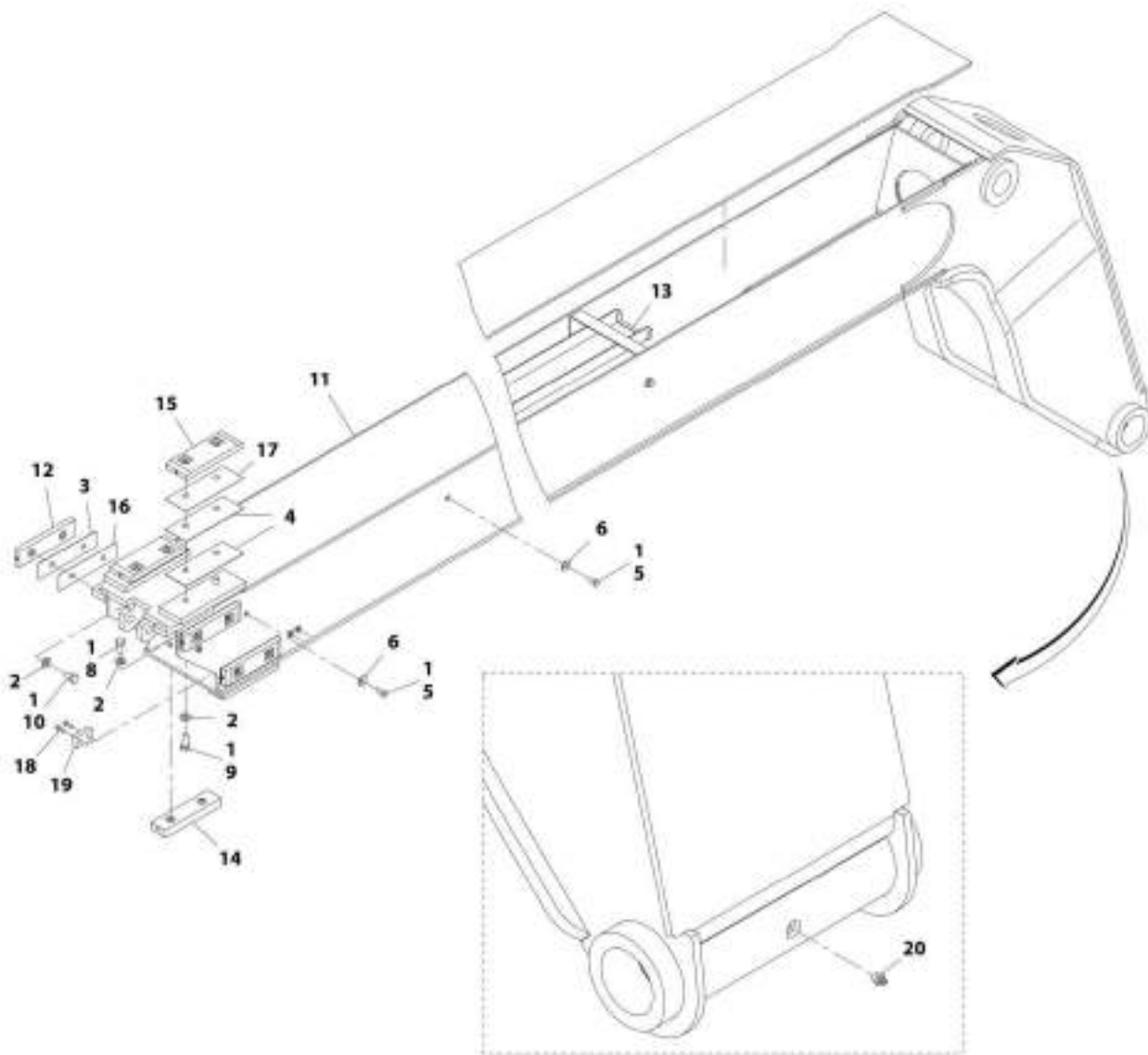
SECTION 2 - BOOM

FIGURE 2-22. THIRD BOOM SECTION - 4017RS

ITEM	PART NUMBER	QTY	DESCRIPTION	REV
	1001144218	Ref	Third Boom Section - 4017RS	J
1	1001095650	AR	Compound, Locking	
2	1001098457	AR	Lube, Lithium	
3	1001125117	AR	Washer	
4	1001147731	AR	Shim, 1X45X185	
5	1001148147	AR	Shim, 1X67.5X185	
6	1001154174	AR	Shim, 0.5X45X185	
7	3291205	1	Nut, Lock M12X1.75	
8	1001154176	AR	Shim, 0.5X67.5X185	
9	7114032	1	Sheave, Extend Chain	
10	7117502	2	Bushing, Sheave, Extend Chain	
11	7138986	1	Sheave, Retract Chain	
12	0771212	8	Bolt, M12X25, Grade 10.9	
13	0771210	12	Bolt, M12X20, Grade 10.9	
14	0711215	2	Bolt, M12X35, Grade 10.9	
16	1001192534	1	Weldment	
17	1001147562	1	Pin, Sheave, Extend Chain	
18	1001147595	1	Pin, Sheave, Retract Chain	
19	1001147657	6	Pad, 15X45X181	
20	1001148100	4	Pad, 22X45X181	
21	1001147730	2	Pad, 34X45X 181	
22	1001148105	2	Pad, 34X67.5X181	
23	0711216	2	Bolt, M12X40, Grade 10.9	
24	0711225	3	Bolt, M12X85, Grade 10.9	
25	1001149327	2	Pad, Spacer	
26	2160016	1	Fitting, Grease	
27	2160018	1	Fitting, Grease	
28	3900362	2	Screw, M6-1X12	
29	1001153960	1	Bracket, Pin Retainer	
30	0711214	2	Capscrew, 12X30	

SECTION 2 - BOOM

FIGURE 2-23. FOURTH BOOM SECTION - 4017RS



ART_1001146244-W

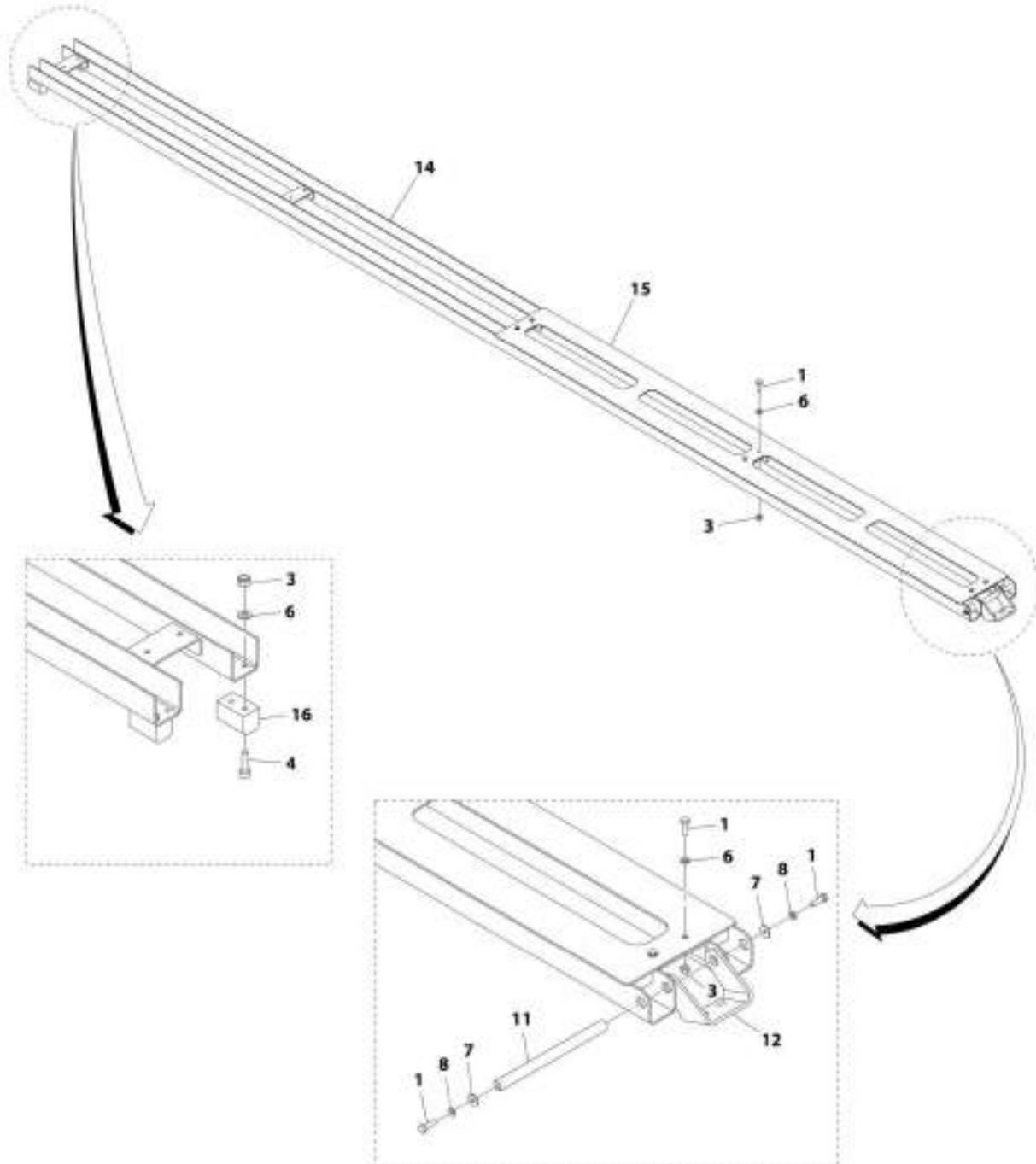
SECTION 2 - BOOM

FIGURE 2-23. FOURTH BOOM SECTION - 4017RS

ITEM	PART NUMBER	QTY	DESCRIPTION	REV
	1001144244	Ref	Fourth Boom Section - 4017RS	N
1	1001095650	AR	Compound, Locking	
2	1001125117	AR	Washer	
3	1001147731	AR	Shim, 1X45X185	
4	1001148147	AR	Shim, 1X67.5X185	
5	0760808	12	Bolt, M8X20	
6	4811902	12	Washer, M8	
8	0771212	4	Bolt, M12X25, Grade 10.9	
9	0711214	4	Bolt, M12X30, Grade 10.9	
10	0771210	8	Bolt, M12X20, Grade 10.9	
11	1001144245	1	Weldment	
12	1001147657	4	Pad, 15X45X181	
13	1001147902	1	Support, Hose	
14	1001148100	2	Pad, 22X45X181	
15	1001148103	2	Pad, 15X67.5X181	
16	1001154174	AR	Shim, 0.5X45X185	
17	1001154176	AR	Shim, 0.5X67.5X185	
18	4031707	8	Screw, M6X16	
19	1001147914	4	Pad, Hose Support	
20	2160016	1	Fitting, Grease	

SECTION 2 - BOOM

FIGURE 2-24. HOSE SUPPORT ASSEMBLY - 4017RS



AMT_1001151879-H

FIGURE 2-24. HOSE SUPPORT ASSEMBLY - 4017RS

ITEM	PART NUMBER	QTY	DESCRIPTION	REV
	1001151879	Ref	Hose Support Assembly - 4017RS	H
1	0760610	8	Bolt, M6X20	
3	3290605	10	Nut, Lock M6X1	
4	4031708	4	Bolt, M6X20	
6	4811700	16	Washer, M6	
7	4811702	2	Washer, M6	
8	4831700	2	Washer, Lock 6	
11	1001174625	1	Bar, Support	
12	1001174627	1	Bracket, Support	
14	1001177122	1	Support, Hose	
15	1001163539	1	Panel, Tray	
16	1001166995	2	Pad, Hose Tray	

SECTION 2 - BOOM

FIGURE 2-25. MANUAL QUICK ATTACH

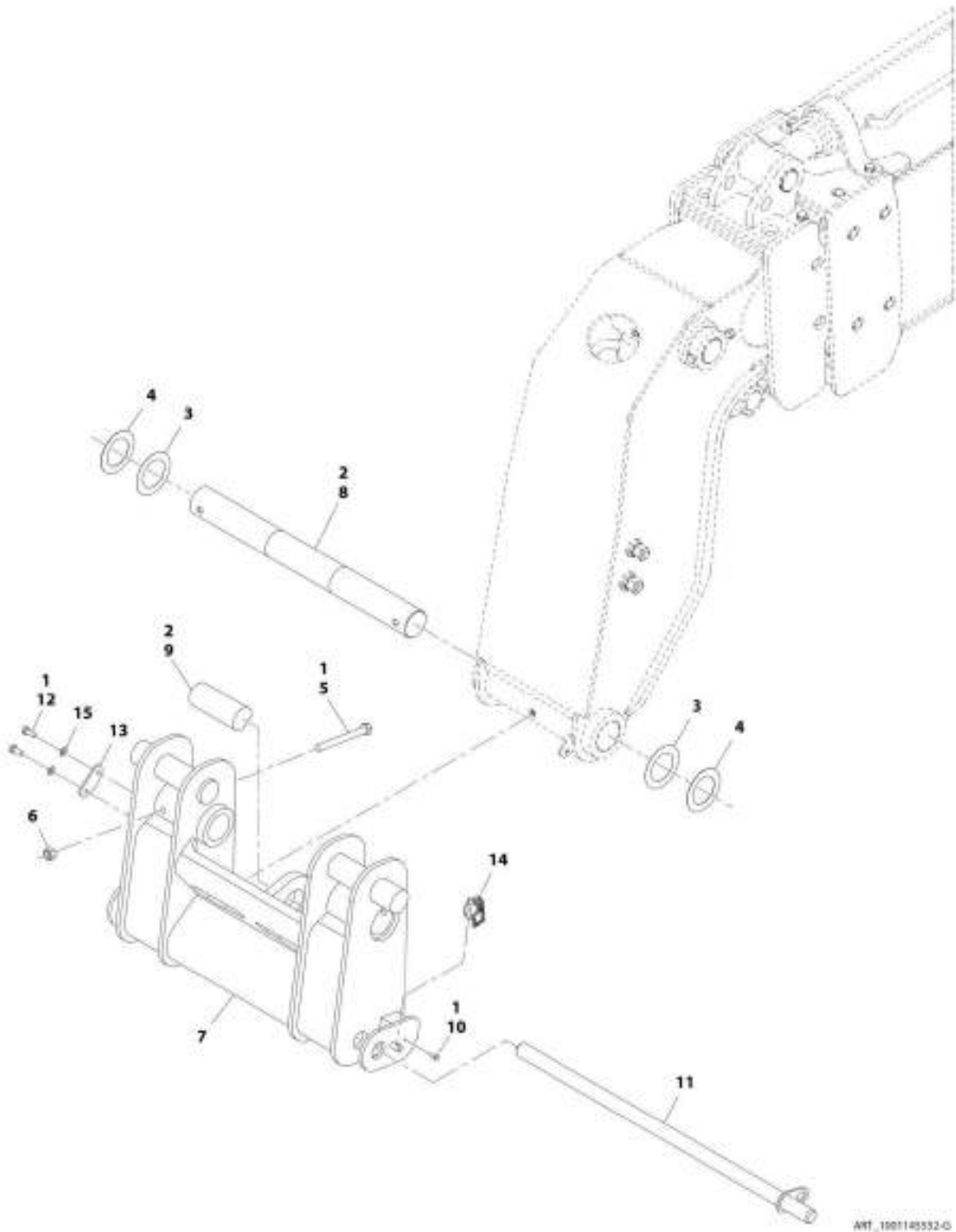
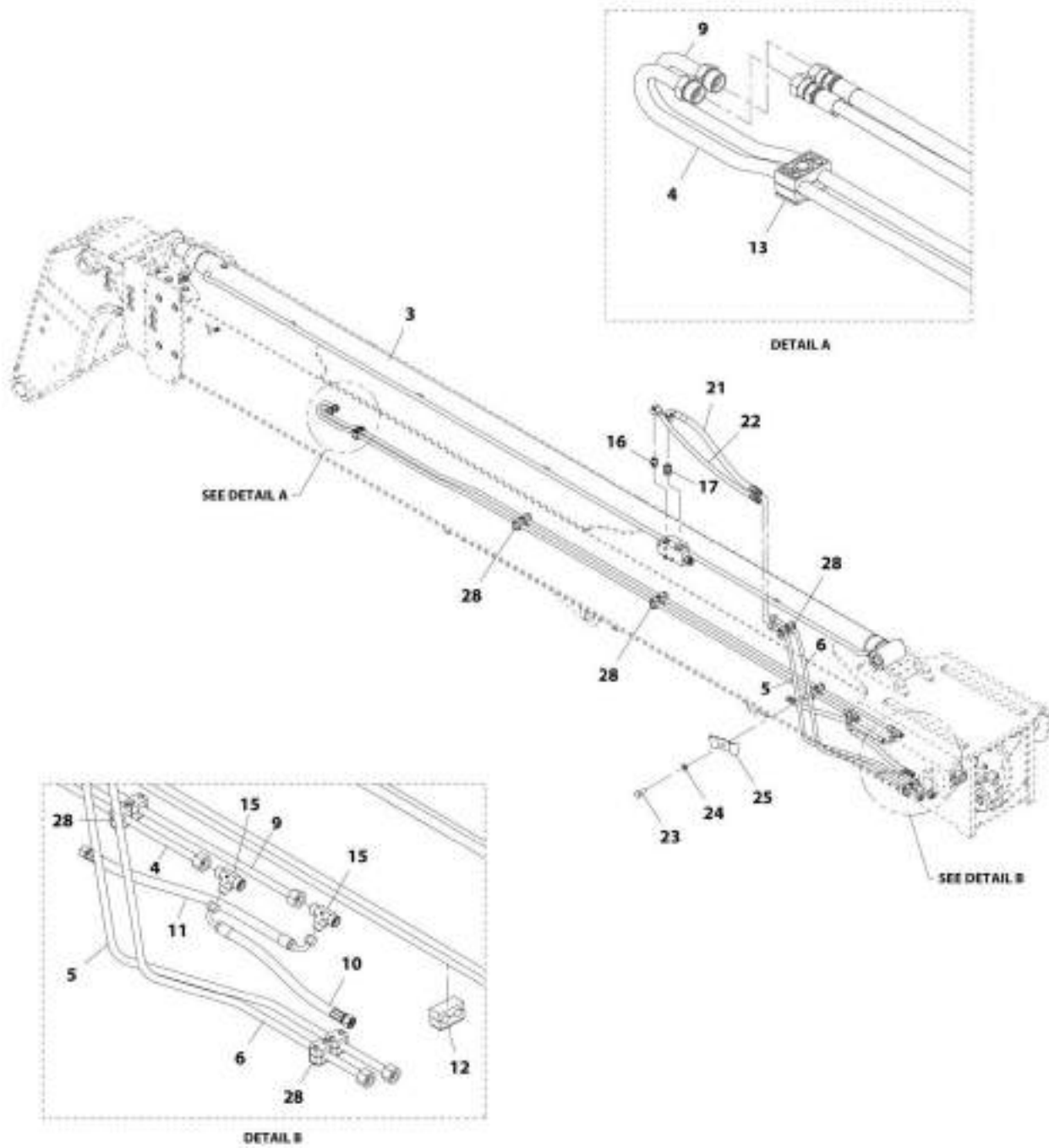


FIGURE 2-25. MANUAL QUICK ATTACH

ITEM	PART NUMBER	QTY	DESCRIPTION	REV
	1001145552	Ref	Manual Quick Attach	G
1	1001095650	AR	Compound, Locking	
2	1001098457	AR	Lube, Lithium Grease	
3	1001098146	AR	Shim, 72X110X 0.5	
4	1001098147	AR	Shim, 72X110X1.0	
5	0711229	2	Bolt, M12X120, Grade 10.9	
6	3291205	2	Nut, Lock M12X1.75	
7	N.S.S.	1	Weldment	
8	1001147843	1	Pin, Coupler	
9	1001147844	1	Pin, Coupler	
10	0700507	1	Bolt, M5X14	
11	1001162636	1	Pin, Coupler	
12	0760810	2	Bolt, M8X20	
13	1001192350	1	Plate, Pin Retention	
14	1001149923	1	Chain, Retaining Pin	
15	4811900	2	Washer, M8	

SECTION 2 - BOOM

FIGURE 2-26. HYDRAULICS INSTALLATION - 3614RS (NO AUXILIARY HYDRAULICS)



ART_1901149652-1

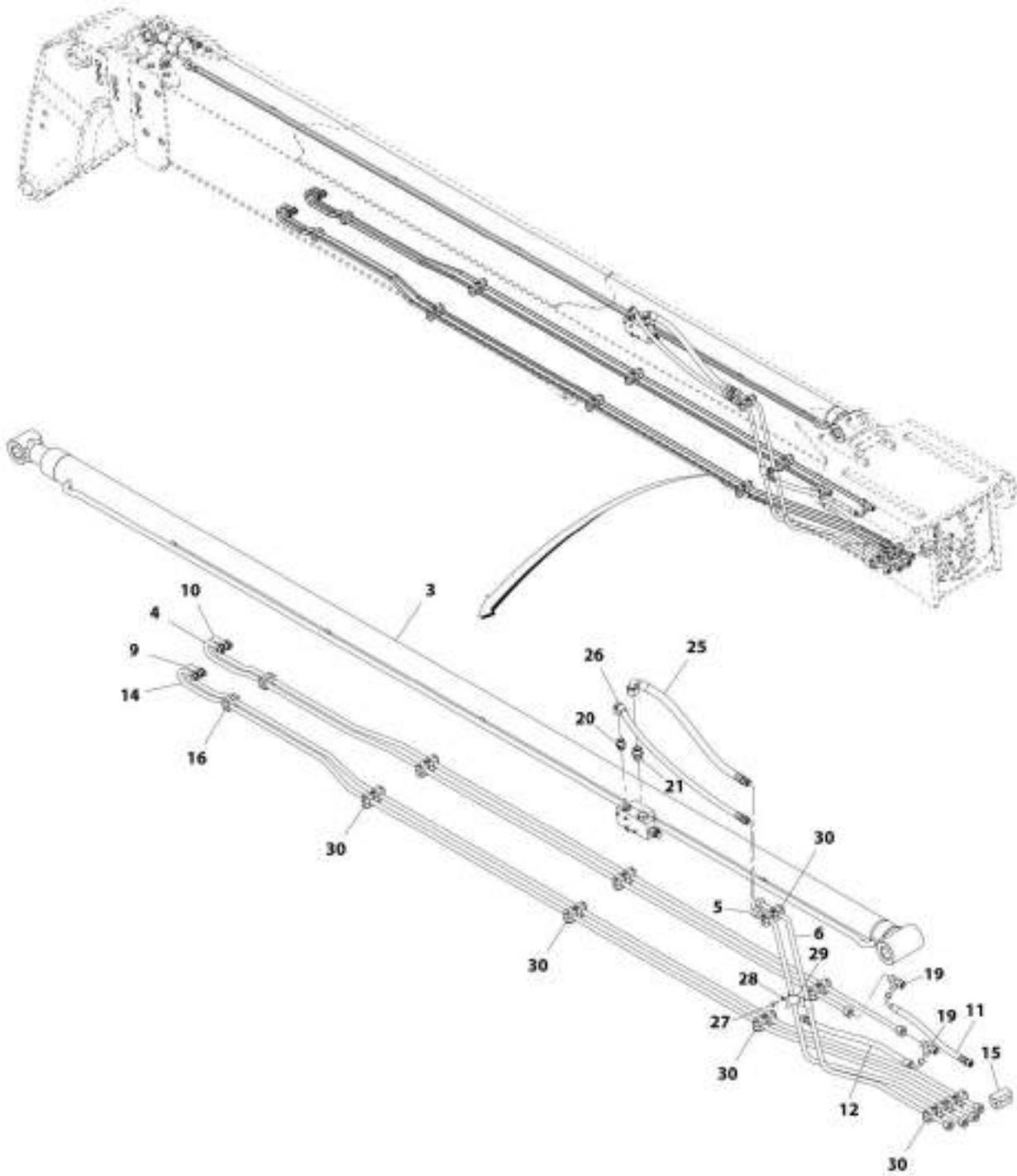
SECTION 2 - BOOM

FIGURE 2-26. HYDRAULICS INSTALLATION - 3614RS (NO AUXILIARY HYDRAULICS)

ITEM	PART NUMBER	QTY	DESCRIPTION	REV
	1001149652	Ref	Hydraulics Installation - 3614RS (no auxiliary hydraulics)	1
3	1001144195	1	Cylinder, Extend/Retract (See HYDRAULIC COMPONENTS SECTION for Breakdown)	
4	1001180495	1	Tube, Boom	
5	1001180503	1	Tube, Boom	
6	1001180504	1	Tube, Boom	
9	1001180496	1	Tube, Boom	
10	1001166932	1	Hose	
11	1001166931	1	Hose	
12	1001148371	1	Clamp, Tube	
13	1001148372	1	Clamp, Tube	
15	1001162852	2	Adapter	
16	2144823	1	Connector	
17	2144826	1	Connector	
21	1001168924	1	Hose	
22	1001180506	1	Hose	
23	0700810	1	Bolt, M8X20	
24	4831900	1	Washer, Lock 8	
25	1001178098	1	Bracket, Pipe Guide	
28	1001211353	10	Clamp Kit	

SECTION 2 - BOOM

FIGURE 2-27. HYDRAULICS INSTALLATION - 3614RS (AUXILIARY HYDRAULICS)



WIT_1001147822-M

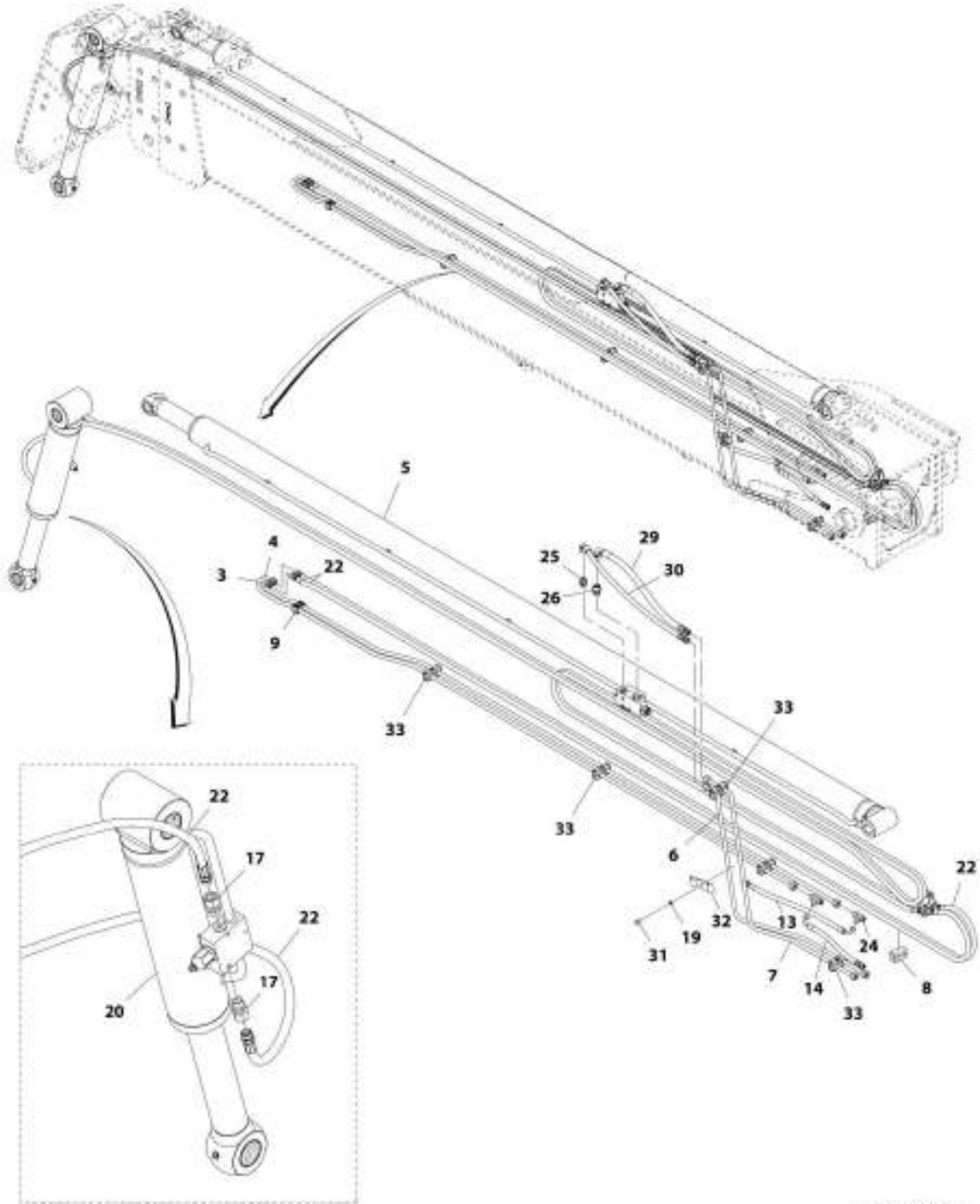
SECTION 2 - BOOM

FIGURE 2-27. HYDRAULICS INSTALLATION - 3614RS (AUXILIARY HYDRAULICS)

ITEM	PART NUMBER	QTY	DESCRIPTION	REV
	1001147622	Ref	Hydraulics Installation - 3614RS (auxiliary hydraulics)	M
3	1001144195	1	Cylinder, Extend/Retract (See HYDRAULIC COMPONENTS SECTION for Breakdown)	
4	1001180495	1	Tube, Boom	
5	1001180503	1	Tube, Boom	
6	1001180504	1	Tube, Boom	
9	1001180499	1	Tube, Boom	
10	1001180496	1	Tube, Boom	
11	1001166932	1	Hose	
12	1001166931	1	Hose	
14	1001180500	1	Tube, Boom	
15	1001148371	1	Clamp, Tube	
16	1001148372	2	Clamp, Tube	
19	1001162852	2	Adapter	
20	2144823	1	Connector	
21	2144826	1	Connector	
25	1001168924	1	Hose	
26	1001180506	1	Hose	
27	0700810	1	Bolt, M8X20	
28	4831900	1	Washer, Lock 8	
29	1001178098	1	Bracket, Pipe Guide	
30	1001211353	18	Clamp Kit	

SECTION 2 - BOOM

FIGURE 2-28. HYDRAULICS INSTALLATION - 4017RS



ART_10011-9W03-L

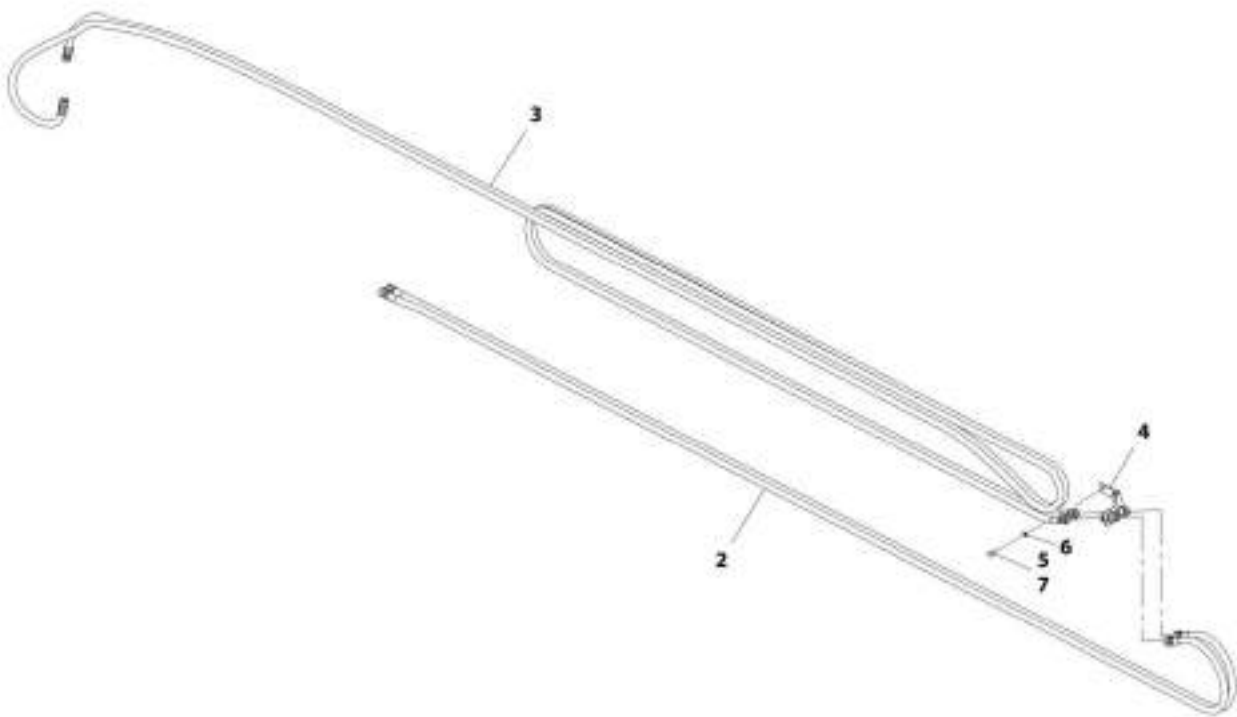
SECTION 2 - BOOM

FIGURE 2-28. HYDRAULICS INSTALLATION - 4017RS

ITEM	PART NUMBER	QTY	DESCRIPTION	REV
	1001149653	Ref	Hydraulics Installation - 4017RS	L
3	1001145229	1	Tube, Boom (Prior to SN 1160007979, Excluding 1160007924, 1160007926, 116007937, 116007941 and 116007946)	
3	1001186405	1	Tube, Boom (SN 1160007979 to Present, Including 1160007924, 1160007926, 116007937, 116007941 and 116007946)	
4	1001145437	1	Tube, Boom (Prior to SN 1160007979, Excluding 1160007924, 1160007926, 116007937, 116007941 and 116007946)	
4	1001186406	1	Tube, Boom (SN 1160007979 to Present, Including 1160007924, 1160007926, 116007937, 116007941 and 116007946)	
5	1001146579	Ref	Cylinder, Extend/Retract (See HYDRAULIC COMPONENTS SECTION for Breakdown)	
6	1001148304	1	Tube, Boom (Prior to SN 1160007979, Excluding 1160007924, 1160007926, 116007937, 116007941 and 116007946)	
6	1001180507	1	Tube, Boom (SN 1160007979 to Present, Including 1160007924, 1160007926, 116007937, 116007941 and 116007946)	
7	1001148305	1	Tube, Boom (Prior to SN 1160007979, Excluding 1160007924, 1160007926, 116007937, 116007941 and 116007946)	
7	1001180508	1	Tube, Boom (SN 1160007979 to Present, Including 1160007924, 1160007926, 116007937, 116007941 and 116007946)	
8	1001148371	1	Clamp, Tube	
9	1001148372	1	Clamp, Tube	
13	1001166931	1	Hose	
14	1001166932	1	Hose	
17	2142816	2	Connector	
19	4831900	1	Washer, Lock 8	
20	1001144198	Ref	Cylinder, Tilt (See HYDRAULIC COMPONENTS SECTION for Breakdown) (Prior to SN 1160007470)	
20	1001174556	Ref	Cylinder, Tilt (See HYDRAULIC COMPONENTS SECTION for Breakdown) (SN 1160007470 to Present)	
22	1001149536	Ref	Assembly, Boom Hydraulics (See HYDRAULICS ASSEMBLY - 4017RS for Breakdown)	
24	1001162852	2	Adapter	
25	2144823	1	Connector	
26	2144826	1	Connector	
27	4031914	4	Bolt, M8X50 (not shown) (Prior to SN 1160007470)	
28	1001168597	Ref	Valve, Counterbalance (not shown) (Prior to SN 1160007470)	
29	1001168924	1	Hose	
30	1001180506	1	Hose	
31	0700810	1	Bolt, M8X20	
32	1001178098	1	Bracket, Pipe Guide	
33	1001211353	10	Clamp Kit	

SECTION 2 - BOOM

FIGURE 2-29. HYDRAULICS ASSEMBLY - 4017RS



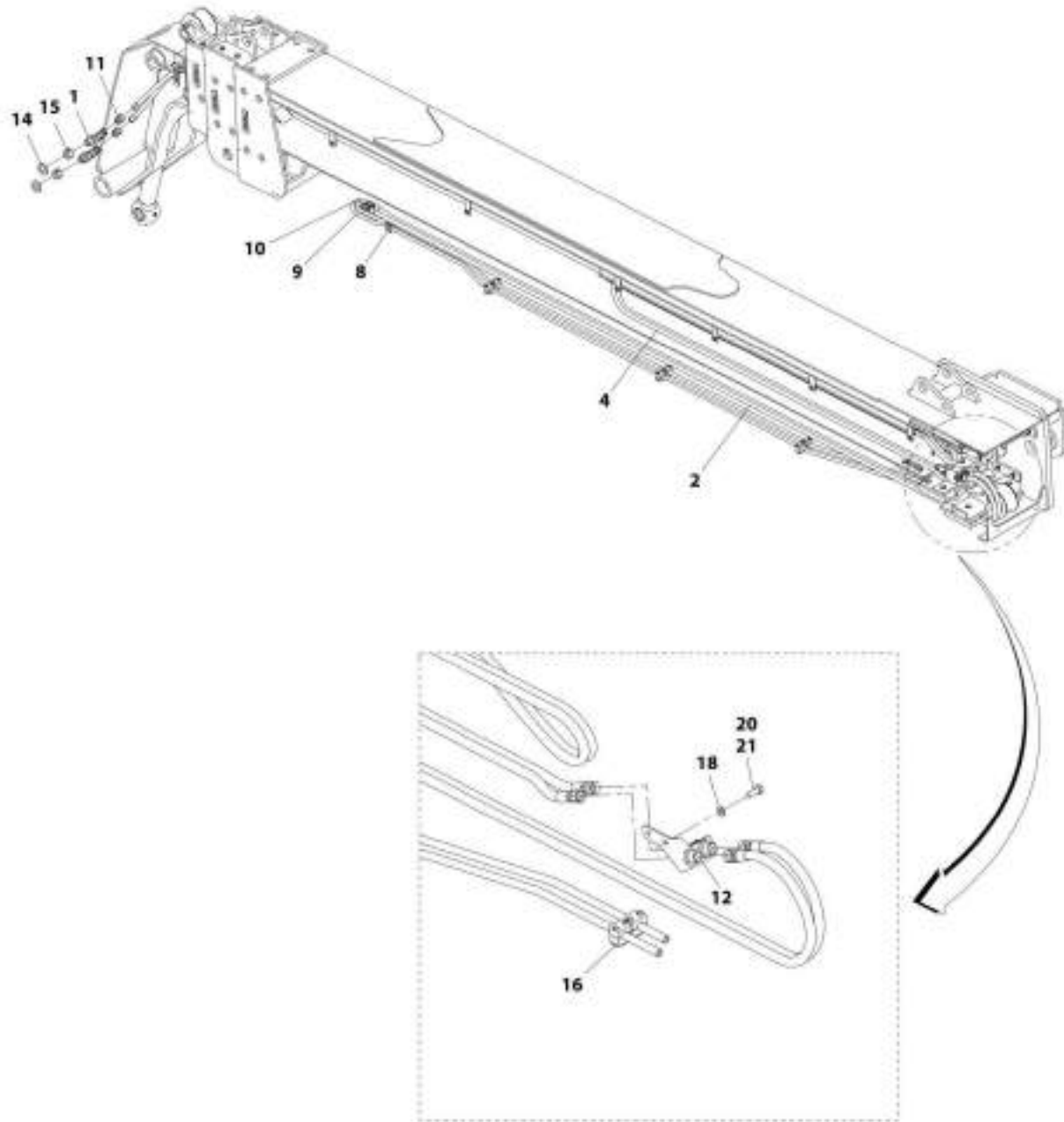
ART. 1001149236-C

FIGURE 2-29. HYDRAULICS ASSEMBLY - 4017RS

ITEM	PART NUMBER	QTY	DESCRIPTION	REV
	1001149536	Ref	Hydraulics Assembly - 4017RS	F
2	1001149130	1	Hose (Prior to SN 1160007470)	
2	1001180512	1	Hose (SN 1160007470 to Present)	
3	1001149132	1	Hose (Prior to SN 1160007470)	
3	1001191367	1	Hose (SN 1160007470 to Present)	
4	1001170802	1	Bracket (Prior to SN 1160007470)	
4	1001189881	1	Bracket (SN 1160007470 to Present)	
5	0700810	2	Bolt, M8X20	
6	4811900	2	Washer, M8	
7	1001095650	AR	Compound, Locking	

SECTION 2 - BOOM

FIGURE 2-30. HYDRAULICS INSTALLATION - 4017RS (AUXILIARY HYDRAULICS)



MT_301149133-K

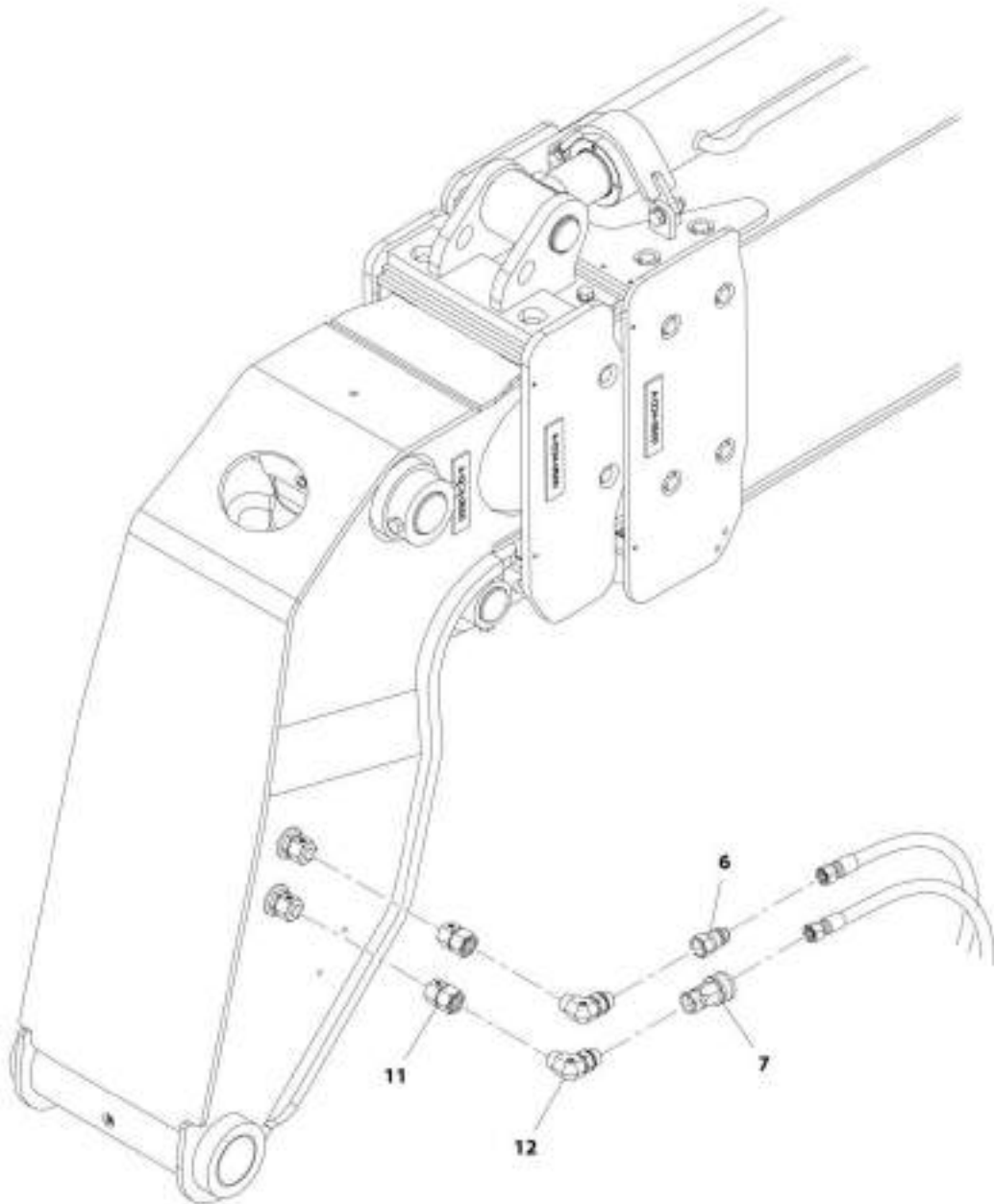
SECTION 2 - BOOM

FIGURE 2-30. HYDRAULICS INSTALLATION - 4017RS (AUXILIARY HYDRAULICS)

ITEM	PART NUMBER	QTY	DESCRIPTION	REV
	1001149133	Ref	Hydraulics Installation - 4017RS (auxiliary hydraulics)	K
1	2143316	2	Connector	
2	1001180512	1	Hose	
4	1001191363	1	Hose	
8	1001148372	1	Clamp, Tube	
9	1001180500	1	Tube, Boom	
10	1001180499	1	Tube, Boom	
11	2143616	2	Connector	
12	1001189953	1	Pipe	
14	4812700	2	Washer, M24	
15	2142516	2	Adapter, Cap	
16	1001211353	8	Clamp Kit	
18	4811900	2	Washer, M8	
20	0700810	2	Bolt, M8X20	
21	1001095650	AR	Compound, Locking	

SECTION 2 - BOOM

FIGURE 2-31. AUXILIARY LINES INSTALLATION



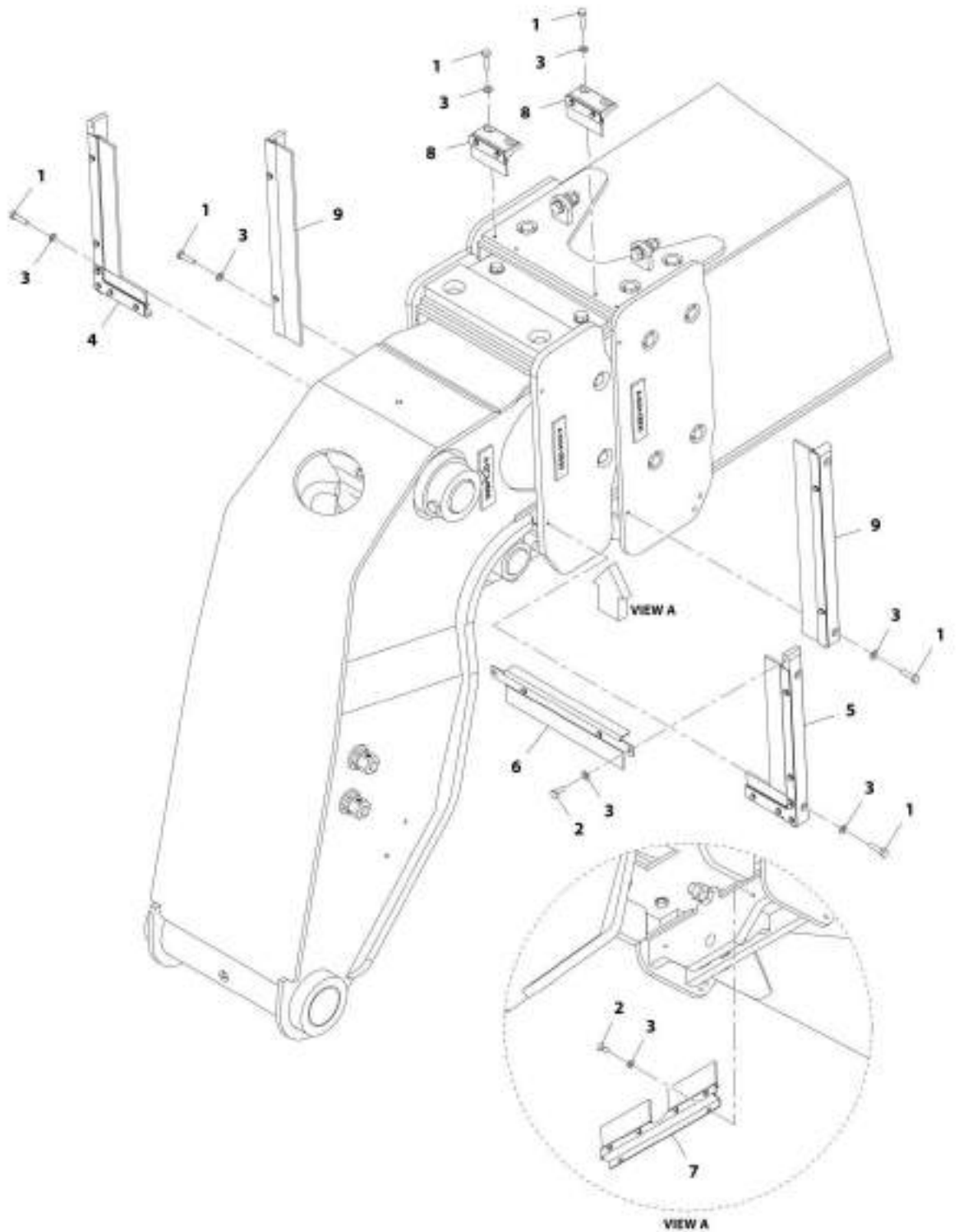
ART_1001172100-B

FIGURE 2-31. AUXILIARY LINES INSTALLATION

ITEM	PART NUMBER	QTY	DESCRIPTION	REV
	1001172106	Ref	Auxiliary Lines Installation	B
6	1001101041	1	Coupling, Male	
7	1001101042	1	Coupling, Female	
11	2143616	2	Connector	
12	1001201043	2	Adaptor	

SECTION 2 - BOOM

FIGURE 2-32. BOOM BRUSH INSTALLATION - 3614RS



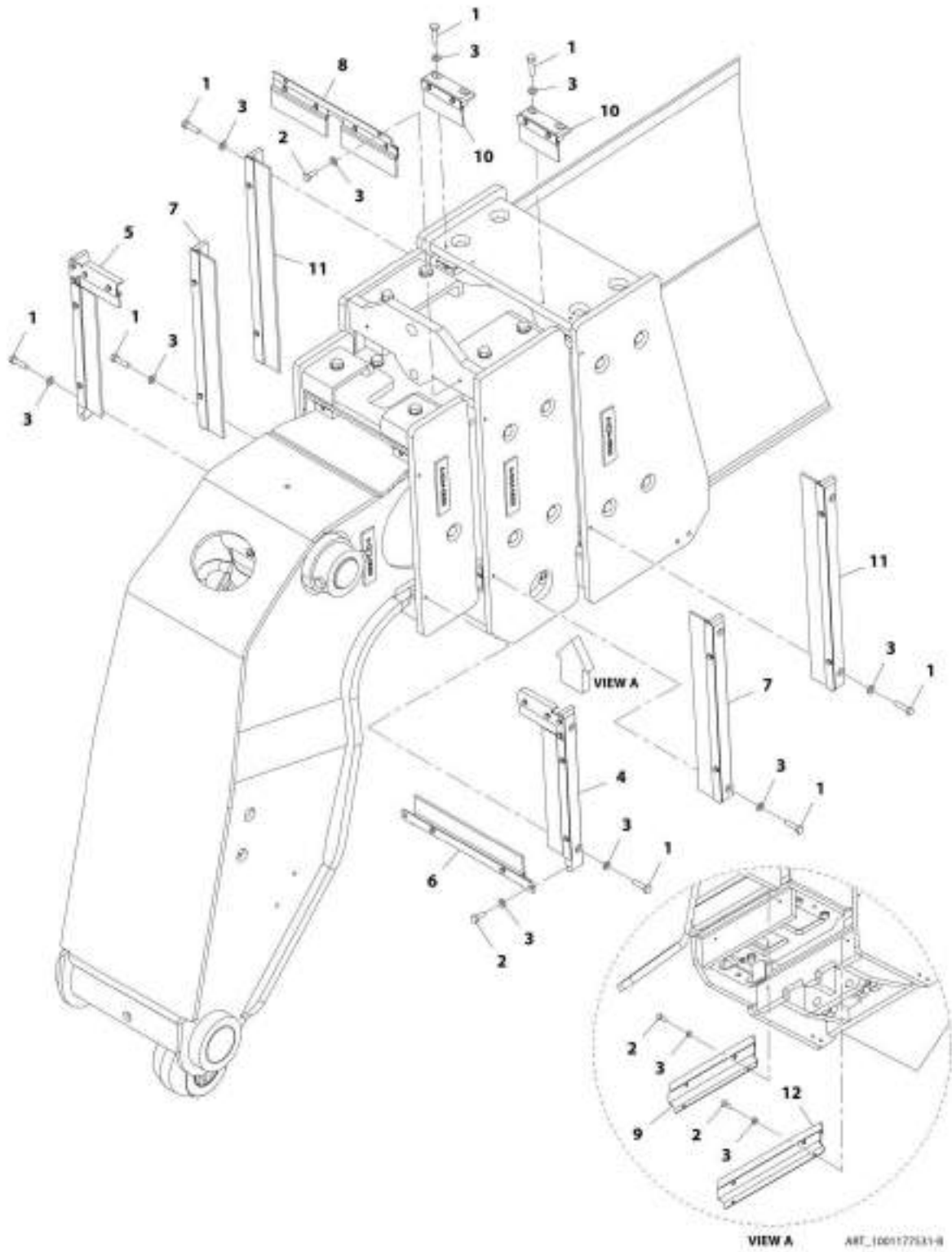
ART_100117532-01

FIGURE 2-32. BOOM BRUSH INSTALLATION - 3614RS

ITEM	PART NUMBER	QTY	DESCRIPTION	REV
	1001177532	Ref	Boom Brush Installation - 3614RS (If equipped)	B
1	0700510	12	Screw, M5X20	
2	0760506	4	Screw, M5X12	
3	4811600	16	Washer, M5	
4	1001176776	1	Bracket, Boom Brush (See BOOM BRUSH BRACKET ASSEMBLY (1) for Breakdown)	
5	1001176803	1	Bracket, Boom Brush (See BOOM BRUSH BRACKET ASSEMBLY (2) for Breakdown)	
6	1001176903	1	Bracket, Boom Brush (See BOOM BRUSH BRACKET ASSEMBLY (3) for Breakdown)	
7	1001176944	1	Bracket, Boom Brush (See BOOM BRUSH BRACKET ASSEMBLY (4) - 3614RS for Breakdown)	
8	1001177274	2	Bracket, Boom Brush (See BOOM BRUSH BRACKET ASSEMBLY (5) - 3614RS for Breakdown)	
9	1001177320	2	Bracket, Boom Brush (See BOOM BRUSH BRACKET ASSEMBLY (6) for Breakdown)	

SECTION 2 - BOOM

FIGURE 2-33. BOOM BRUSH INSTALLATION - 4017RS



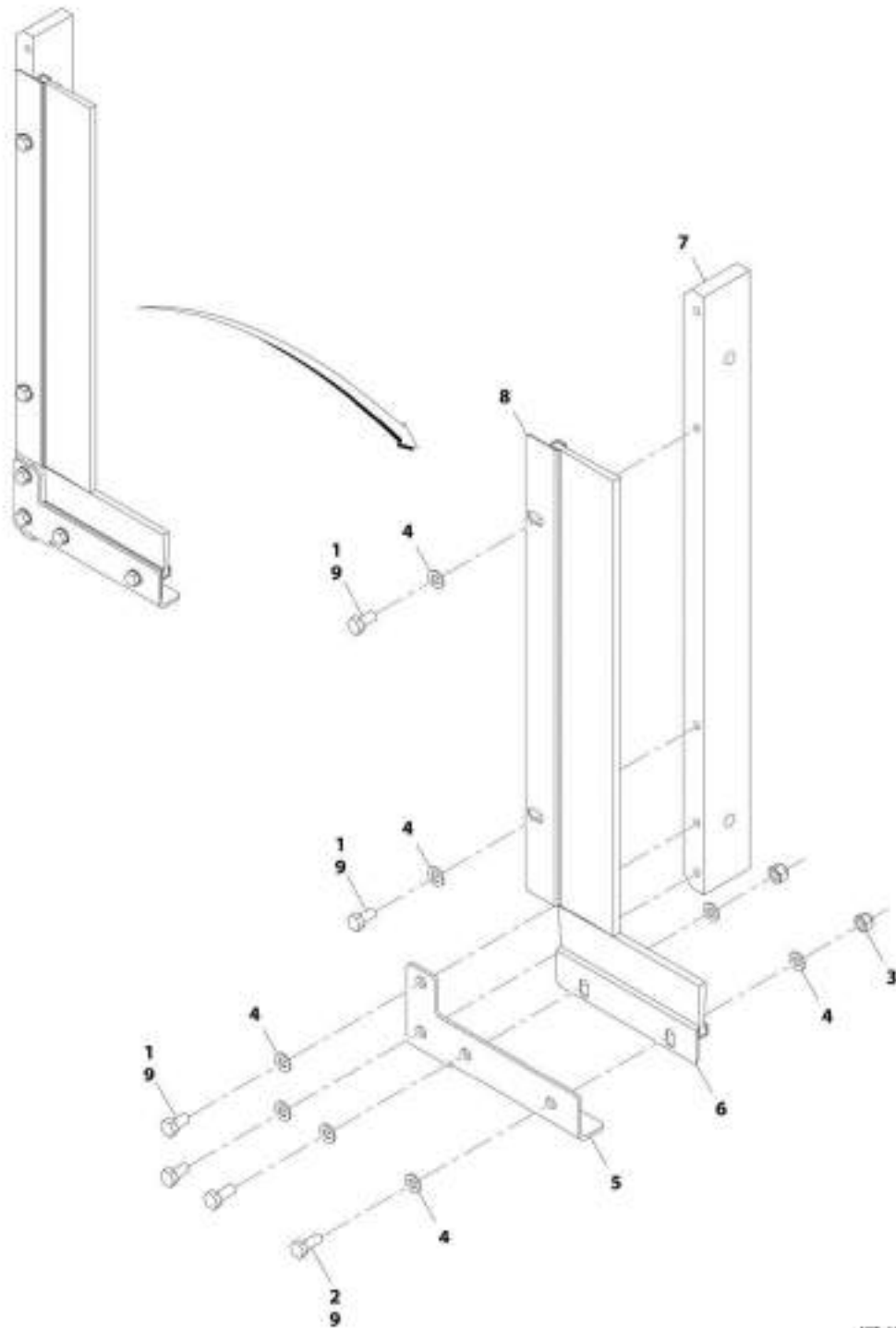
SECTION 2 - BOOM

FIGURE 2-33. BOOM BRUSH INSTALLATION - 4017RS

ITEM	PART NUMBER	QTY	DESCRIPTION	REV
	1001177531	Ref	Boom Brush Installation - 4017RS (If equipped)	B
1	0700510	16	Bolt, M5X20	
2	0760506	8	Bolt, M5X12	
3	4811600	24	Washer, M5	
4	1001176776	1	Bracket, Boom Brush (See BOOM BRUSH BRACKET ASSEMBLY (1) for Breakdown)	
5	1001176803	1	Bracket, Boom Brush (See BOOM BRUSH BRACKET ASSEMBLY (2) for Breakdown)	
6	1001176903	1	Bracket, Boom Brush (See BOOM BRUSH BRACKET ASSEMBLY (3) for Breakdown)	
7	1001177320	2	Bracket, Boom Brush (See BOOM BRUSH BRACKET ASSEMBLY (6) for Breakdown)	
8	1001177342	1	Bracket, Boom Brush (See BOOM BRUSH BRACKET ASSEMBLY (7) - 4017RS for Breakdown)	
9	1001177396	1	Bracket, Boom Brush (See BOOM BRUSH BRACKET ASSEMBLY (8) - 4017RS for Breakdown)	
10	1001177411	2	Bracket, Boom Brush (See BOOM BRUSH BRACKET ASSEMBLY (9) - 4017RS for Breakdown)	
11	1001177439	2	Bracket, Boom Brush (See BOOM BRUSH BRACKET ASSEMBLY (10) - 4017RS for Breakdown)	
12	1001177445	1	Bracket, Boom Brush (See BOOM BRUSH BRACKET ASSEMBLY (11) - 4017RS for Breakdown)	

SECTION 2 - BOOM

FIGURE 2-34. BOOM BRUSH BRACKET ASSEMBLY (1)



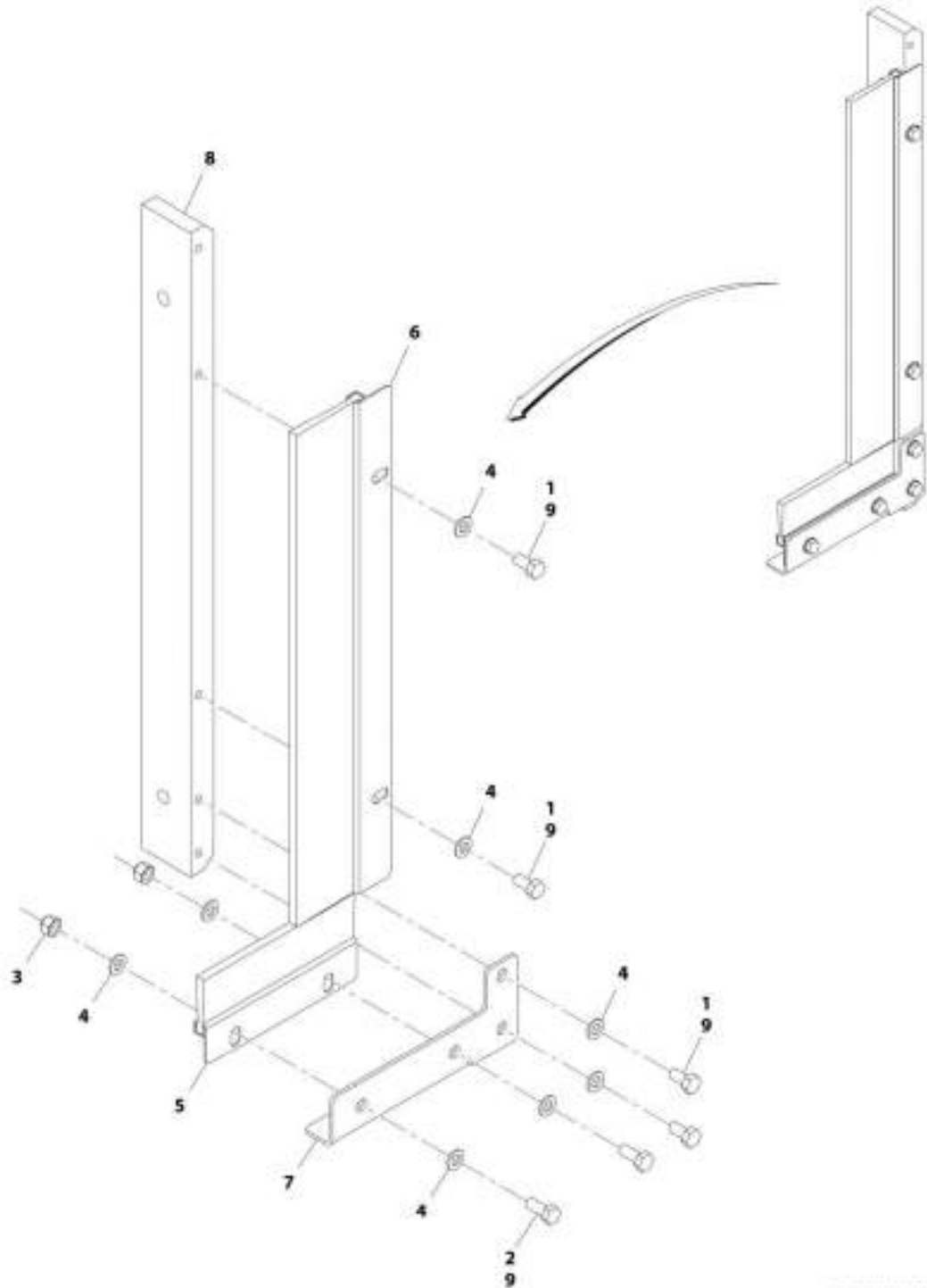
ART_1001176726-B

FIGURE 2-34. BOOM BRUSH BRACKET ASSEMBLY (1)

ITEM	PART NUMBER	QTY	DESCRIPTION	REV
	1001176776	Ref	Boom Brush Bracket Assembly	B
1	0760505	4	Bolt, M5X10	
2	0760506	2	Bolt, M5X12	
3	3290505	2	Nut, Lock M5X0.8	
4	4811600	8	Washer, M5	
5	1001176714	1	Bracket	
6	1001176763	1	Seal	
7	1001176768	1	Bracket	
8	1001176773	1	Seal	
9	1001095650	AR	Compound, Locking	

SECTION 2 - BOOM

FIGURE 2-35. BOOM BRUSH BRACKET ASSEMBLY (2)



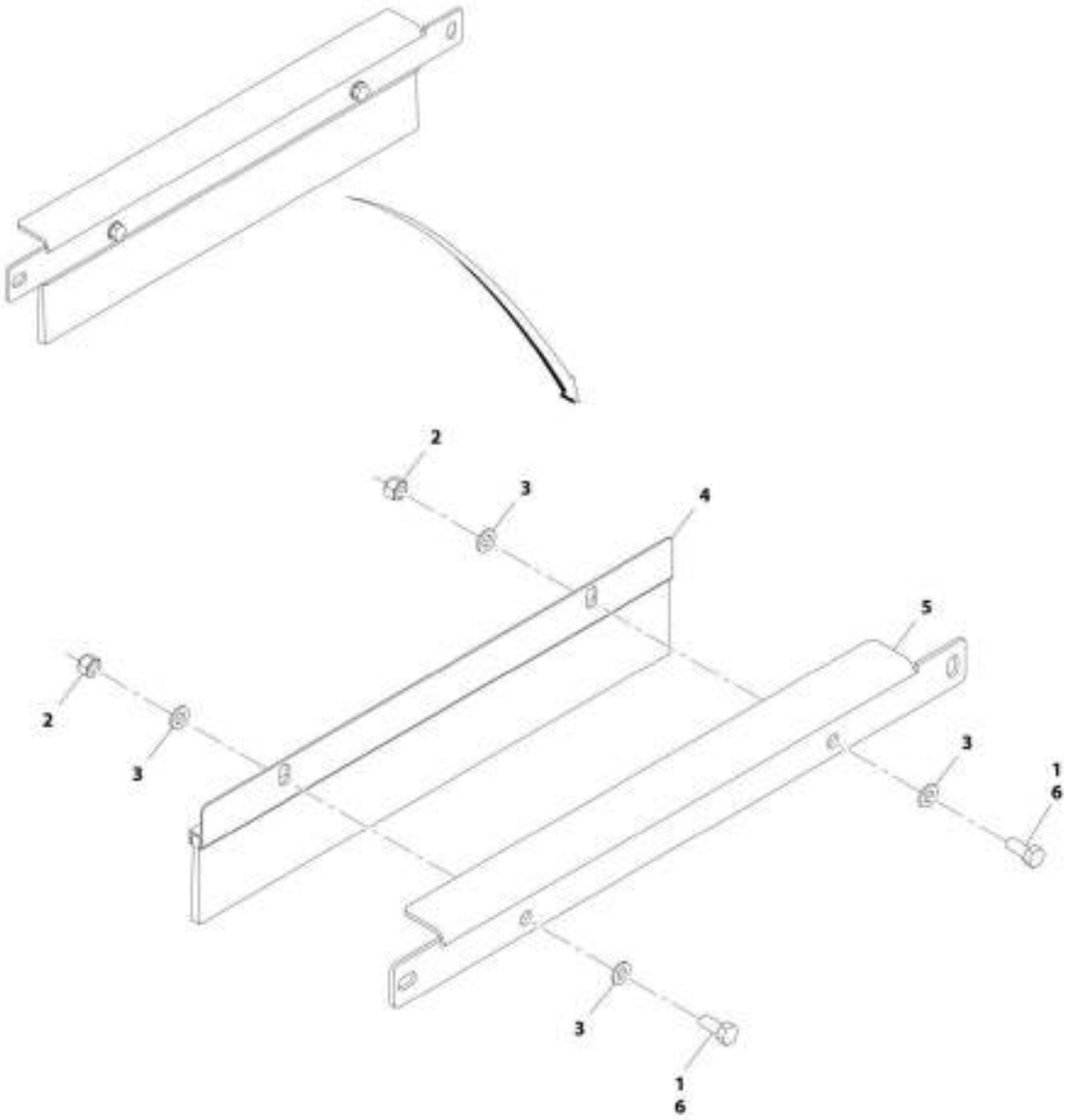
ART_100176809-8

FIGURE 2-35. BOOM BRUSH BRACKET ASSEMBLY (2)

ITEM	PART NUMBER	QTY	DESCRIPTION	REV
	1001176803	Ref	Boom Brush Bracket Assembly	B
1	0760505	4	Bolt, M5X10	
2	0760506	2	Bolt, M5X12	
3	3290505	2	Nut, Lock M5X0.8	
4	4811600	8	Washer, M5	
5	1001176763	1	Seal	
6	1001176773	1	Seal	
7	1001176791	1	Bracket	
8	1001176798	1	Bracket	
9	1001095650	AR	Compound, Locking	

SECTION 2 - BOOM

FIGURE 2-36. BOOM BRUSH BRACKET ASSEMBLY (3)



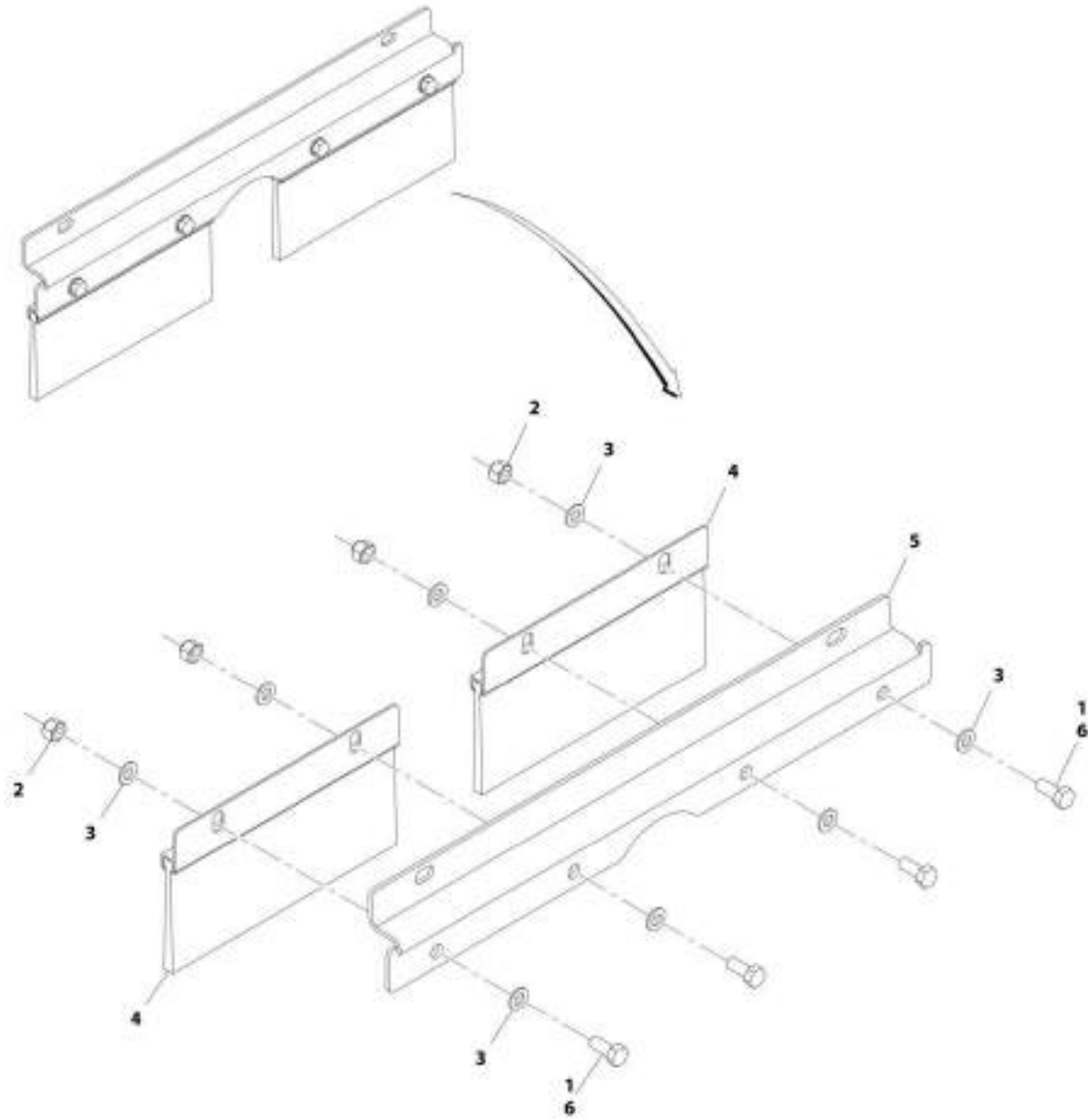
MIT_1001178903-A

FIGURE 2-36. BOOM BRUSH BRACKET ASSEMBLY (3)

ITEM	PART NUMBER	QTY	DESCRIPTION	REV
	1001176903	Ref	Boom Brush Bracket Assembly	A
1	0760506	2	Bolt, M5X12	
2	3290505	2	Nut, Lock M5X0.8	
3	4811600	4	Washer, M5	
4	1001176773	1	Seal	
5	1001176904	1	Bracket	
6	1001095650	AR	Compound, Locking	

SECTION 2 - BOOM

FIGURE 2-37. BOOM BRUSH BRACKET ASSEMBLY (4) - 3614RS



ART_1001170944-A

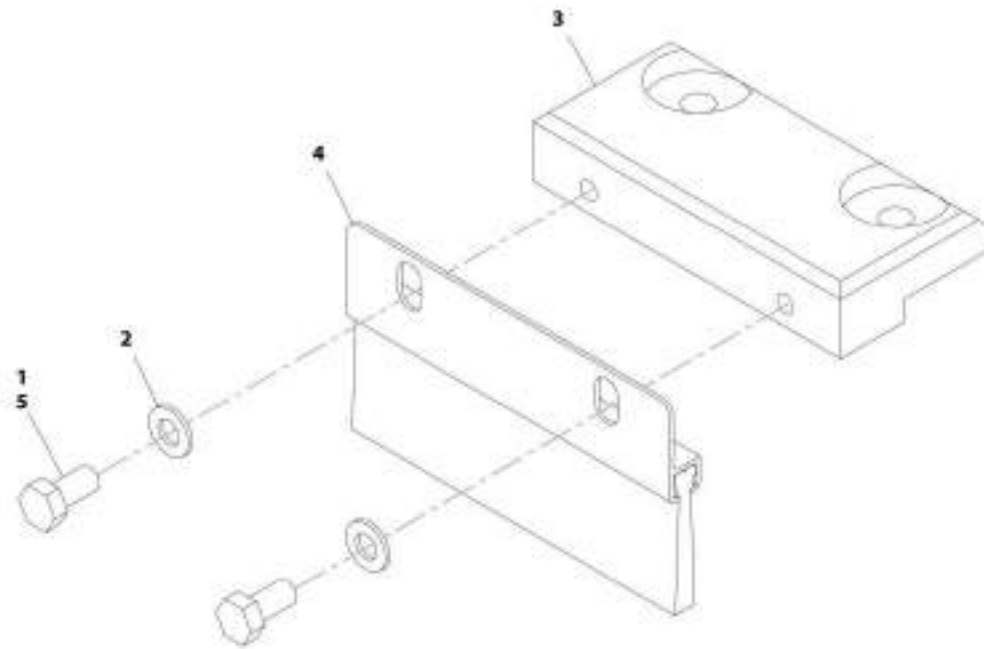
SECTION 2 - BOOM

FIGURE 2-37. BOOM BRUSH BRACKET ASSEMBLY (4) - 3614RS

ITEM	PART NUMBER	QTY	DESCRIPTION	REV
	1001176944	Ref	Boom Brush Bracket Assembly - 3614RS	A
1	0760506	4	Bolt, M5X12	
2	3290505	4	Nut, Lock M5X0.8	
3	4811600	8	Washer, M5	
4	1001177265	2	Seal	
5	1001177266	1	Bracket	
6	1001095650	AR	Compound, Locking	

SECTION 2 - BOOM

FIGURE 2-38. BOOM BRUSH BRACKET ASSEMBLY (5) - 3614RS



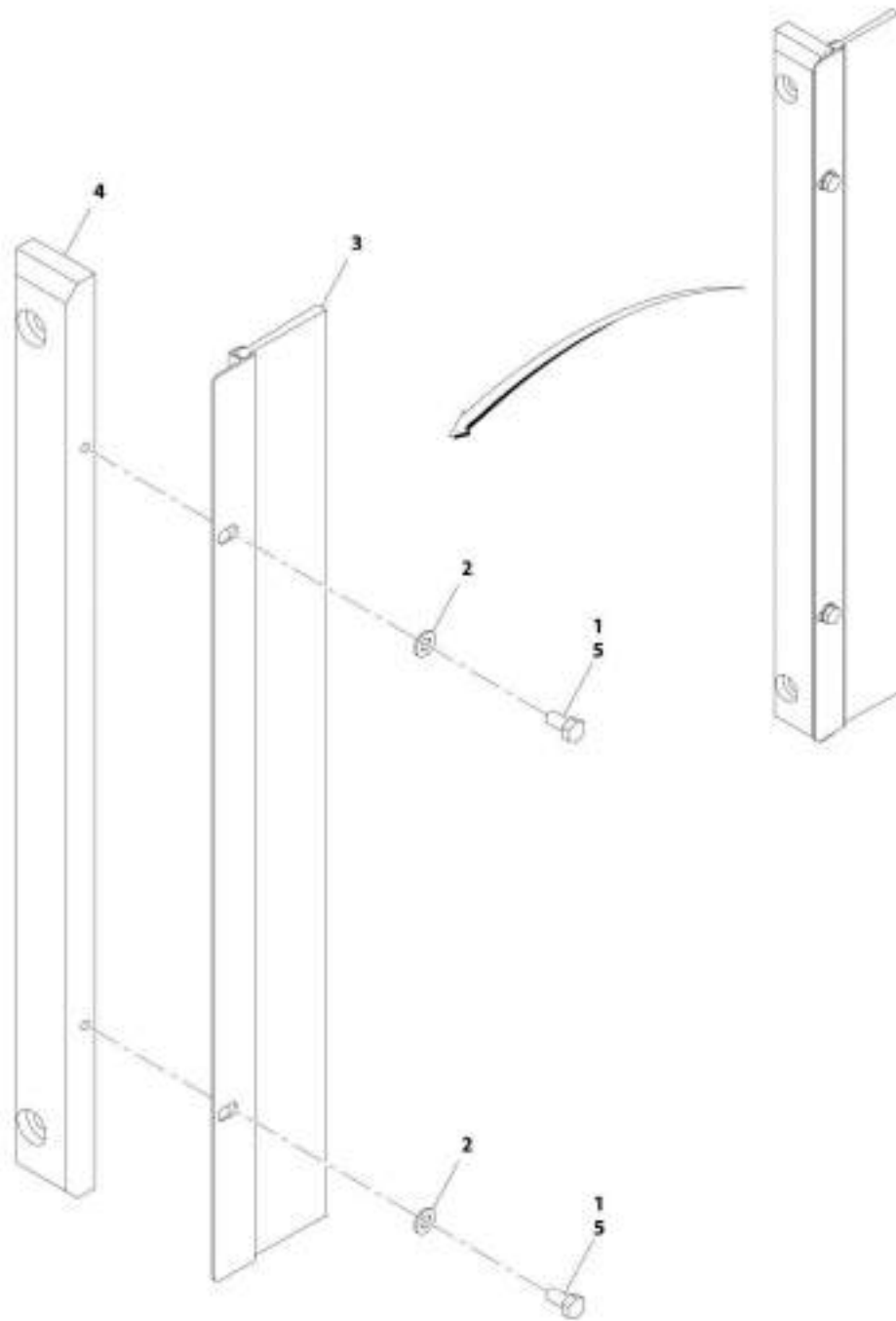
ART_1001177274-B

SECTION 2 - BOOM**FIGURE 2-38. BOOM BRUSH BRACKET ASSEMBLY (5) - 3614RS**

ITEM	PART NUMBER	QTY	DESCRIPTION	REV
	1001177274	Ref	Boom Brush Bracket Assembly - 3614RS	B
1	0760505	2	Bolt, M5X10	
2	4811600	2	Washer, M5	
3	1001177275	1	Bracket	
4	1001177276	1	Seal	
5	1001095650	AR	Compound, Locking	

SECTION 2 - BOOM

FIGURE 2-39. BOOM BRUSH BRACKET ASSEMBLY (6)



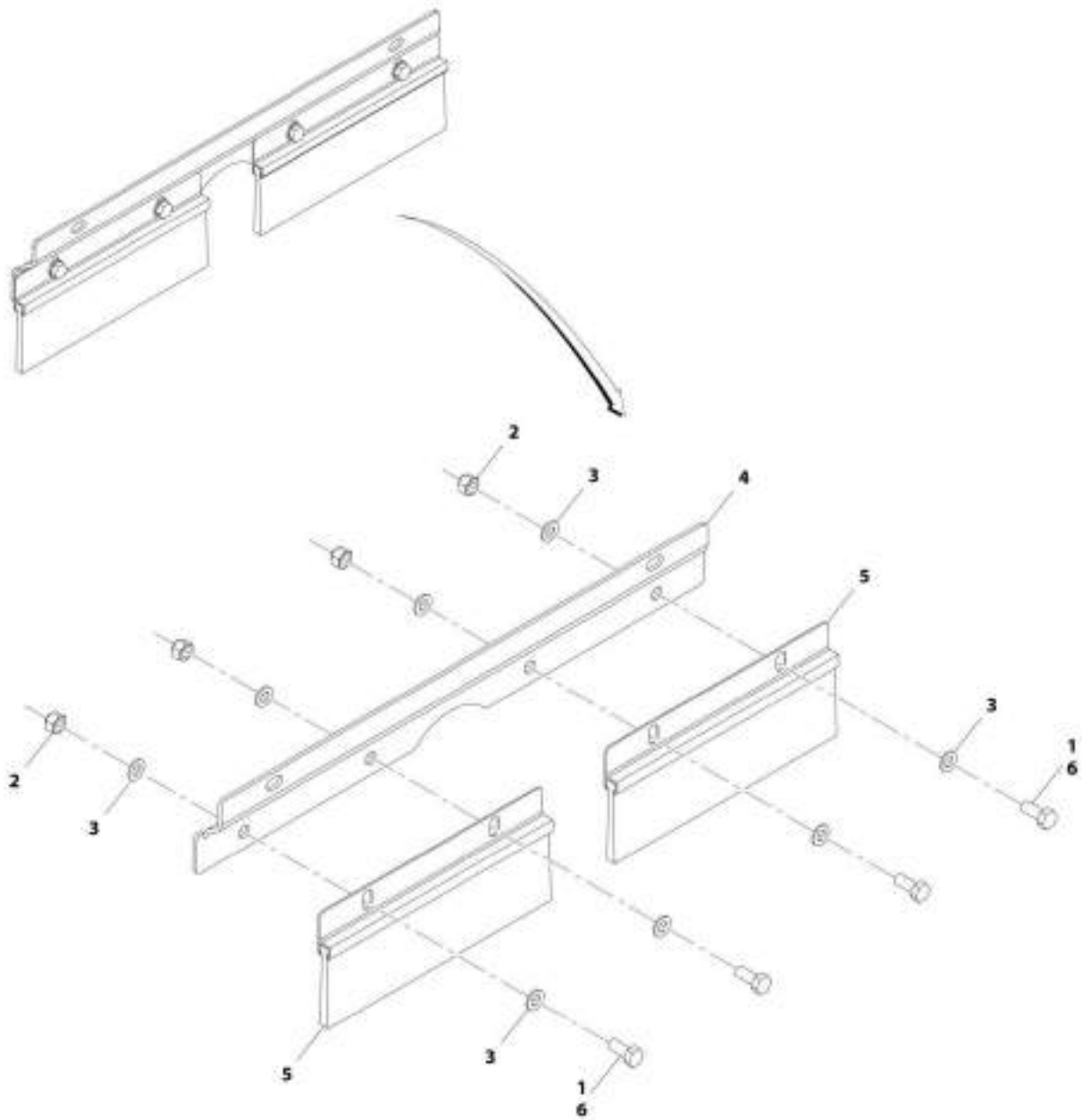
ART_100117320-A

FIGURE 2-39. BOOM BRUSH BRACKET ASSEMBLY (6)

ITEM	PART NUMBER	QTY	DESCRIPTION	REV
	1001177320	Ref	Boom Brush Bracket Assembly	A
1	0760505	2	Bolt, M5X10	
2	4811600	2	Washer, M5	
3	1001177319	1	Seal	
4	1001177321	1	Bracket	
5	1001095650	AR	Compound, Locking	

SECTION 2 - BOOM

FIGURE 2-40. BOOM BRUSH BRACKET ASSEMBLY (7) - 4017RS



AWT_100117342-A

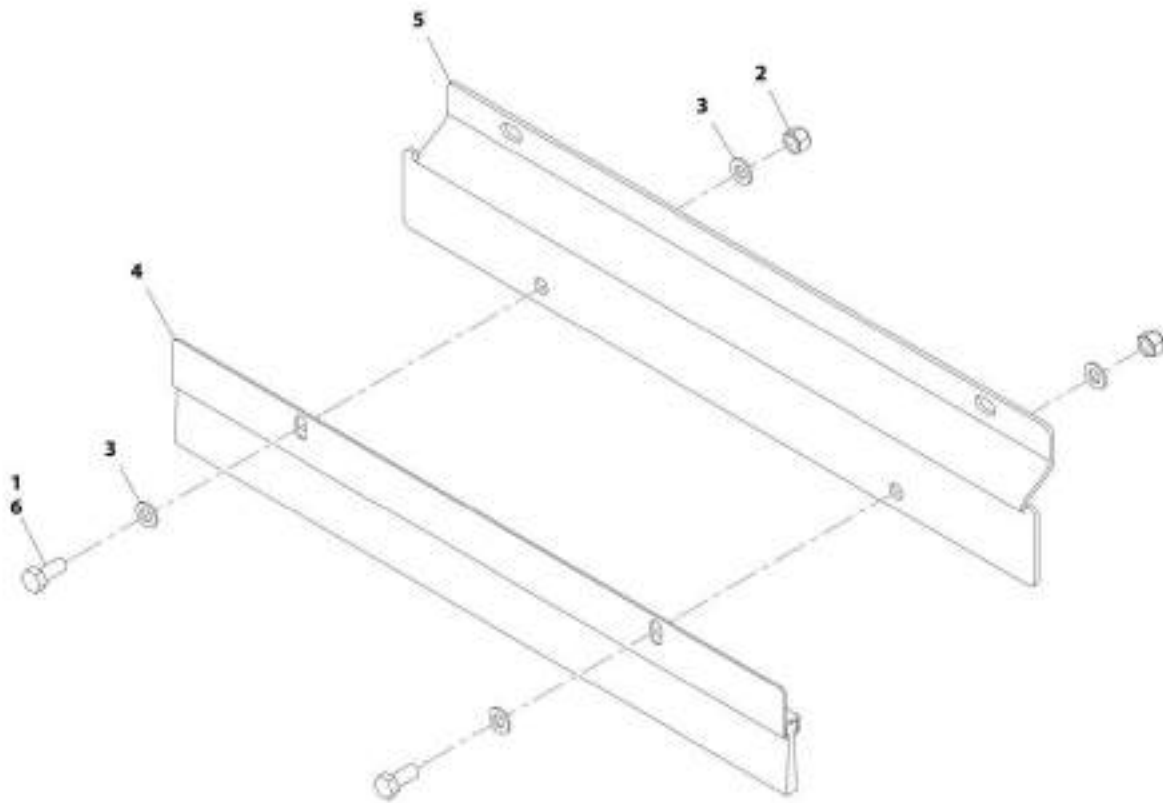
SECTION 2 - BOOM

FIGURE 2-40. BOOM BRUSH BRACKET ASSEMBLY (7) - 4017RS

ITEM	PART NUMBER	QTY	DESCRIPTION	REV
	1001177342	Ref	Boom Brush Bracket Assembly - 4017RS	A
1	0760506	4	Bolt, M5X12	
2	3290505	4	Nut, Lock M5X0.8	
3	4811600	8	Washer, M5	
4	1001177343	1	Bracket	
5	1001177344	2	Seal	
6	1001095650	AR	Compound, Locking	

SECTION 2 - BOOM

FIGURE 2-41. BOOM BRUSH BRACKET ASSEMBLY (8) - 4017RS



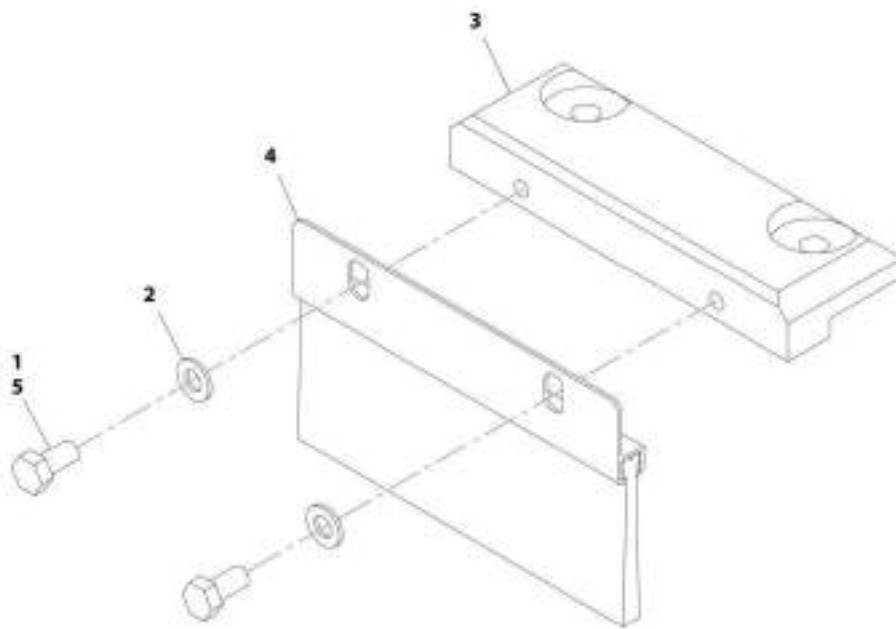
WRT_1001177396-A

SECTION 2 - BOOM**FIGURE 2-41. BOOM BRUSH BRACKET ASSEMBLY (8) - 4017RS**

ITEM	PART NUMBER	QTY	DESCRIPTION	REV
	1001177396	Ref	Boom Brush Bracket Assembly - 4017RS	A
1	0760506	2	Bolt, M5X12	
2	3290505	2	Nut, Lock M5X0.8	
3	4811600	4	Washer, M5	
4	1001177395	1	Seal	
5	1001177397	1	Bracket	
6	1001095650	AR	Compound, Locking	

SECTION 2 - BOOM

FIGURE 2-42. BOOM BRUSH BRACKET ASSEMBLY (9) - 4017RS



ART_100117415-A

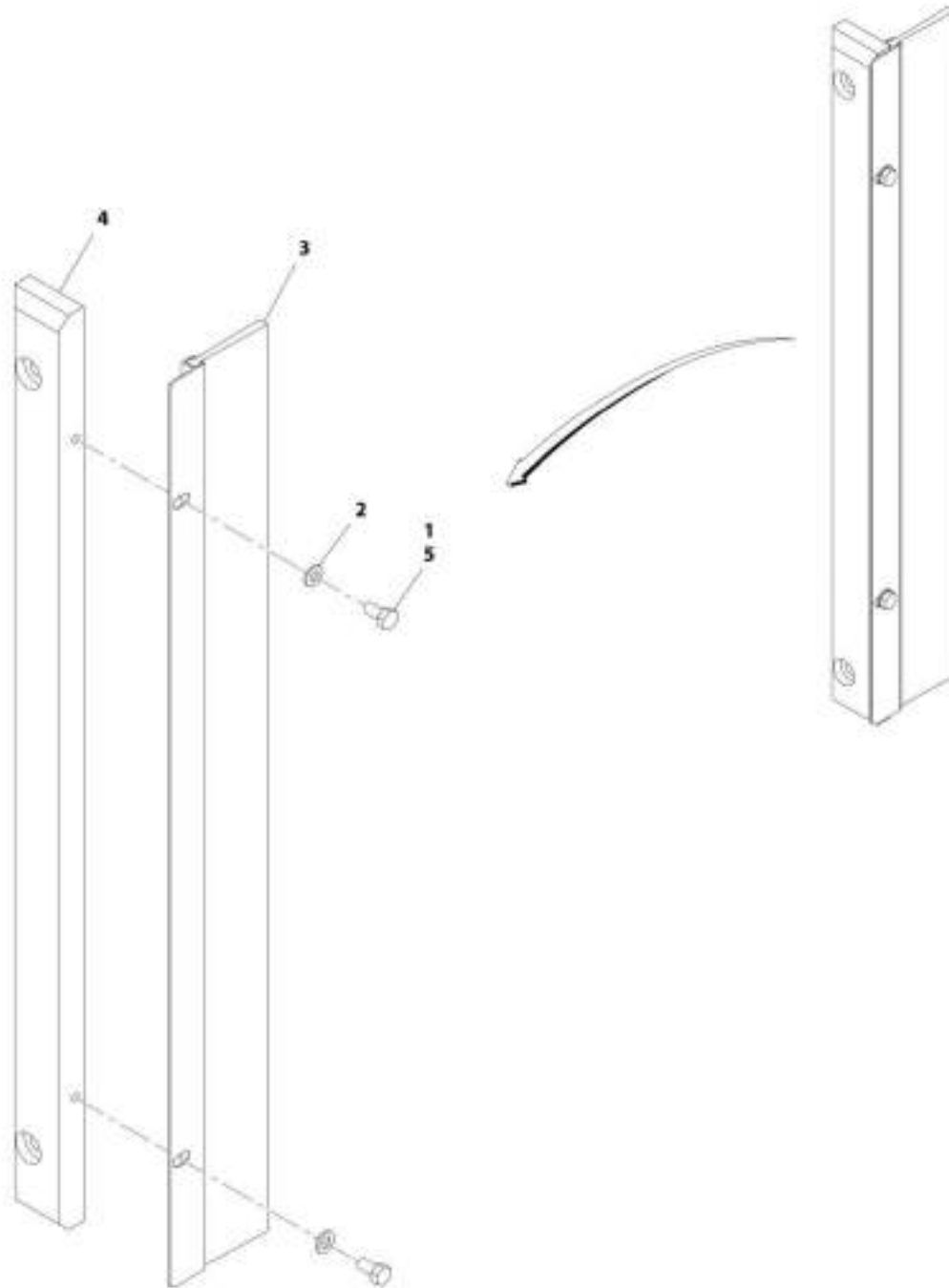
SECTION 2 - BOOM

FIGURE 2-42. BOOM BRUSH BRACKET ASSEMBLY (9) - 4017RS

ITEM	PART NUMBER	QTY	DESCRIPTION	REV
	1001177411	Ref	Boom Brush Bracket Assembly - 4017RS	A
1	0760505	2	Bolt, M5X10	
2	4811600	2	Washer, M5	
3	1001177413	1	Bracket	
4	1001177414	1	Seal	
5	1001095650	AR	Compound, Locking	

SECTION 2 - BOOM

FIGURE 2-43. BOOM BRUSH BRACKET ASSEMBLY (10) - 4017RS



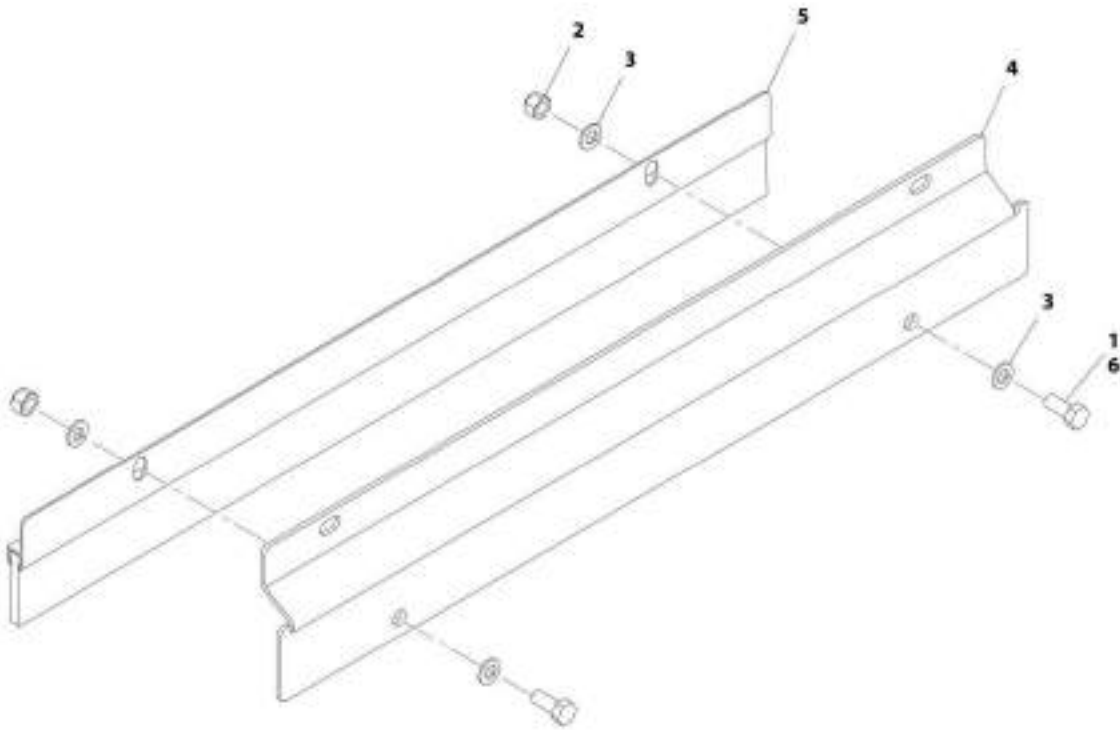
ART_100177434-A

SECTION 2 - BOOM**FIGURE 2-43. BOOM BRUSH BRACKET ASSEMBLY (10) - 4017RS**

ITEM	PART NUMBER	QTY	DESCRIPTION	REV
	1001177439	Ref	Boom Brush Bracket Assembly - 4017RS	A
1	0760505	2	Bolt, M5X10	
2	4811600	2	Washer, M5	
3	1001177438	1	Seal	
4	1001177440	1	Bracket	
5	1001095650	AR	Compound, Locking	

SECTION 2 - BOOM

FIGURE 2-44. BOOM BRUSH BRACKET ASSEMBLY (11) - 4017RS



ART_100177445-A

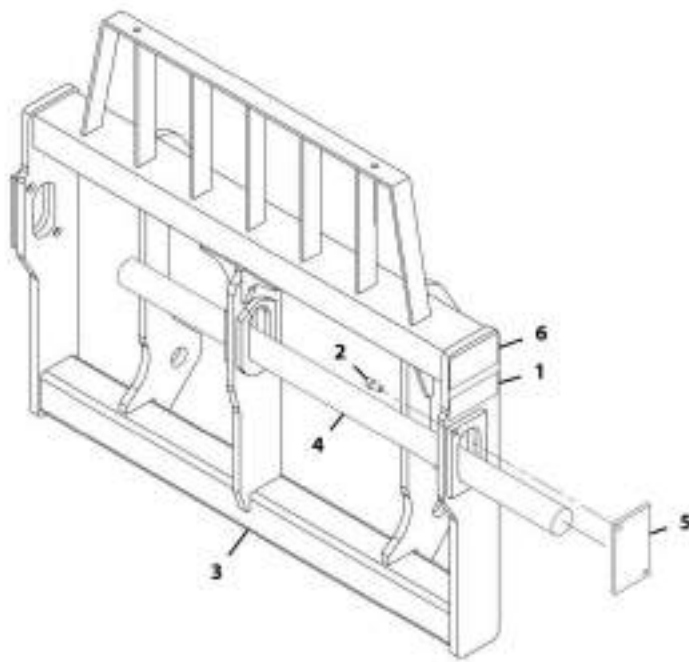
SECTION 2 - BOOM**FIGURE 2-44. BOOM BRUSH BRACKET ASSEMBLY (11) - 4017RS**

ITEM	PART NUMBER	QTY	DESCRIPTION	REV
	1001177445	Ref	Boom Brush Bracket Assembly - 4017RS	A
1	0760506	2	Bolt, M5X12	
2	3290505	2	Nut, Lock M5X0.8	
3	4811600	4	Washer, M5	
4	1001177446	1	Bracket	
5	1001177447	1	Seal	
6	1001095650	AR	Compound, Locking	

SECTION 3 - ATTACHMENTS

SECTION 3 - ATTACHMENTS

FIGURE 3-1. CARRIAGE



AWT_1001107333-A

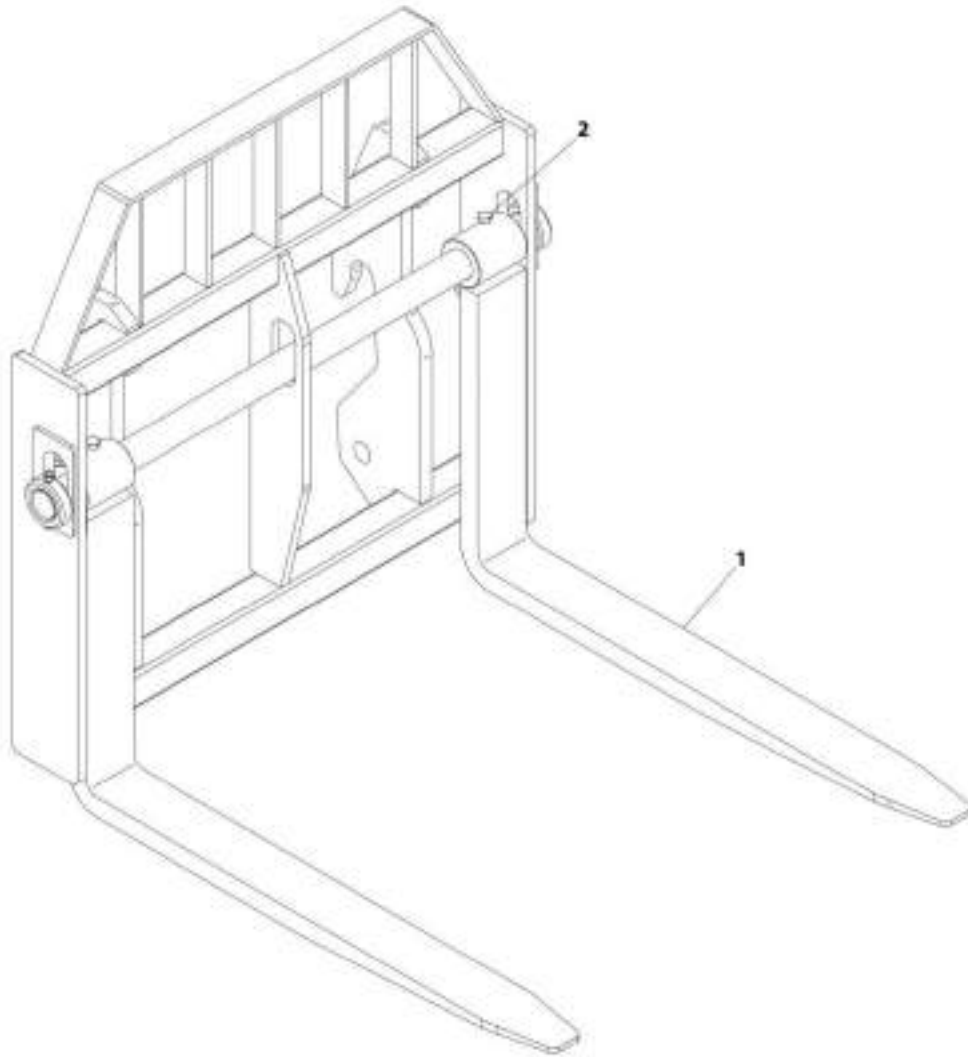
SECTION 3 - ATTACHMENTS

FIGURE 3-1. CARRIAGE

ITEM	PART NUMBER	QTY	DESCRIPTION	REV
	1001107333	1	Carriage Assembly (500mm)	A
1	N.S.S.	1	S/N Plate	
2	4032109	4	Bolt, M12X25	
3	N.S.S.	1	Weldment, Carriage	
4	1001107336	1	Shaft, Carriage	
5	1001107338	2	Cover, Shaft	
6	N.S.S.	1	Name Plate, Carriage	

SECTION 3 - ATTACHMENTS

FIGURE 3-2. FORKS



ART 234001-C

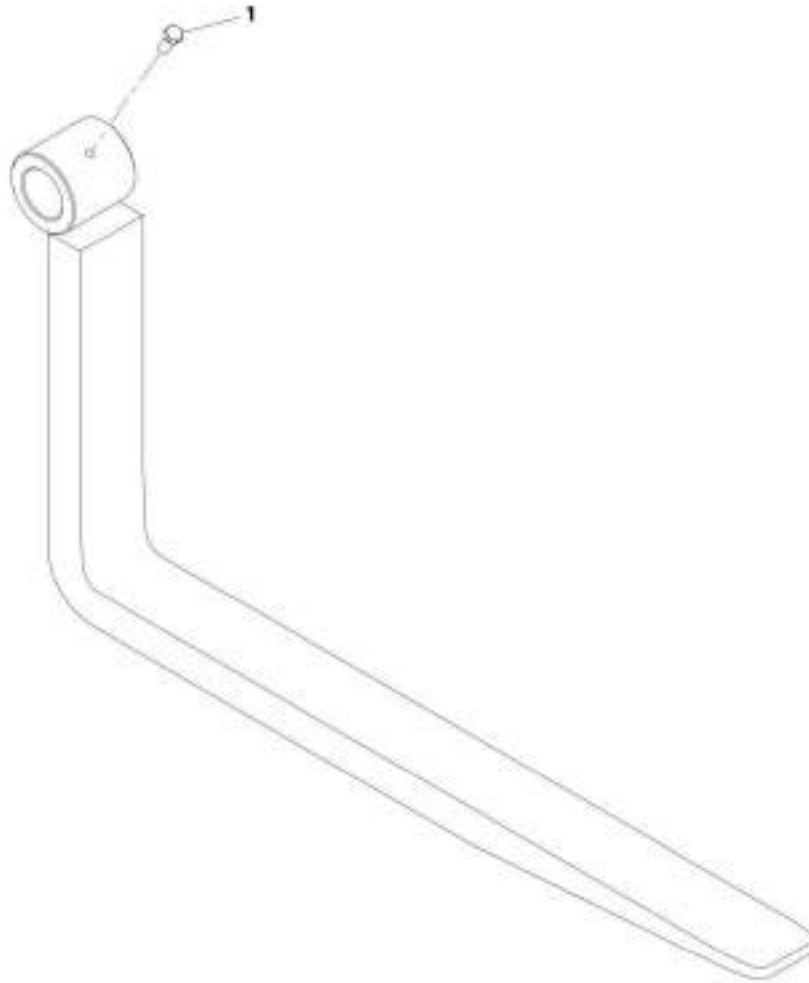
SECTION 3 - ATTACHMENTS

FIGURE 3-2. FORKS

ITEM	PART NUMBER	QTY	DESCRIPTION	REV
1	2340041	1	Pallet Fork Assembly (2000kg), (100X50X1200mm), (sold as pair)	C
2	0761612	2	Bolt, M16X25	
1	2340030	1	Fork Tine Assembly, (Lamy), (4000kg per pair), (100X50X1200mm), (sold as a pair)	D
2	7028628	2	Bolt, M16X30	

SECTION 3 - ATTACHMENTS

FIGURE 3-3. FORKS TINES



ART.1001117945-C

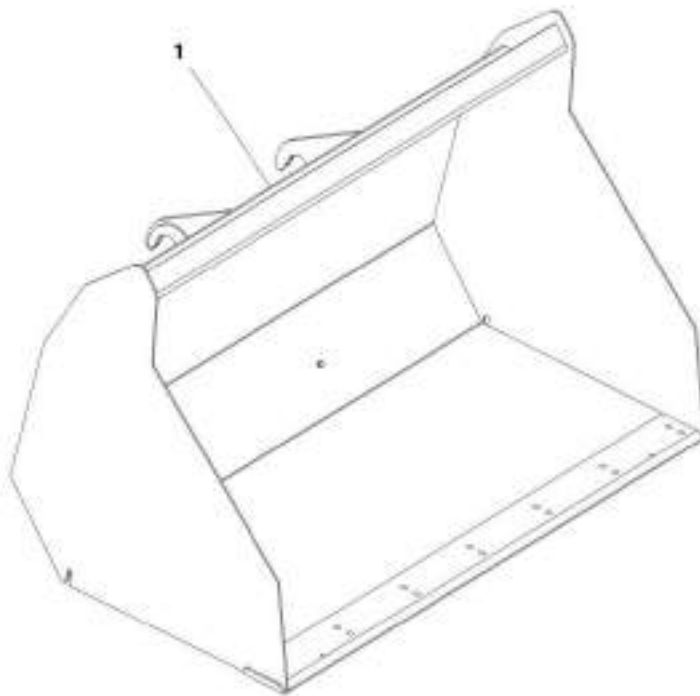
SECTION 3 - ATTACHMENTS

FIGURE 3-3. FORKS TINES

ITEM	PART NUMBER	QTY	DESCRIPTION	REV
1	1001117945 0761612	Ref 2	Forks Tines (2000kg) (120X50X1200mm) (sold as pair) Bolt, M16X25	C

SECTION 3 - ATTACHMENTS

FIGURE 3-4. BUCKET 1.8M³



ART_0010016-C

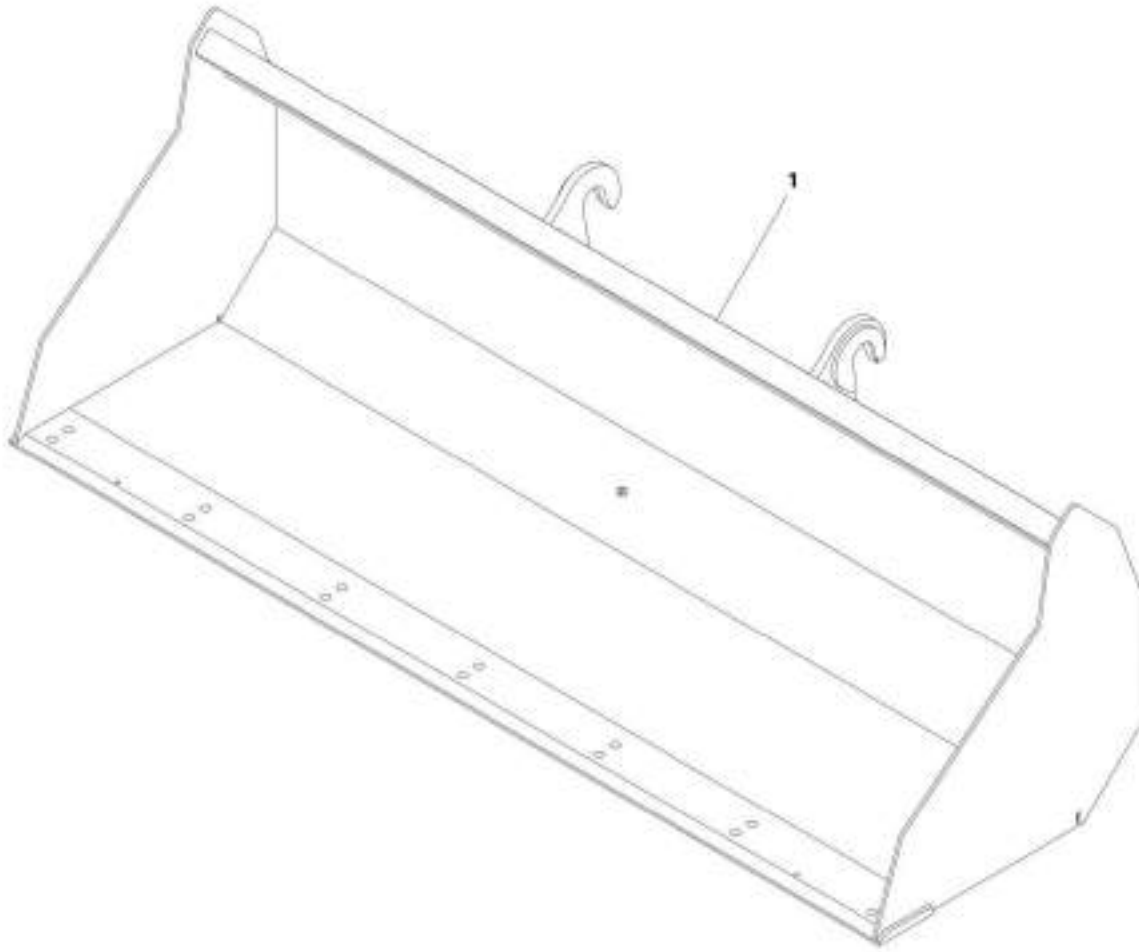
SECTION 3 - ATTACHMENTS

FIGURE 3-4. BUCKET 1.8M³

ITEM	PART NUMBER	QTY	DESCRIPTION	REV
	0930016	1	Bucket, 1.8m ³	C

SECTION 3 - ATTACHMENTS

FIGURE 3-5. BUCKET 0.9M³



ART_0930015-C

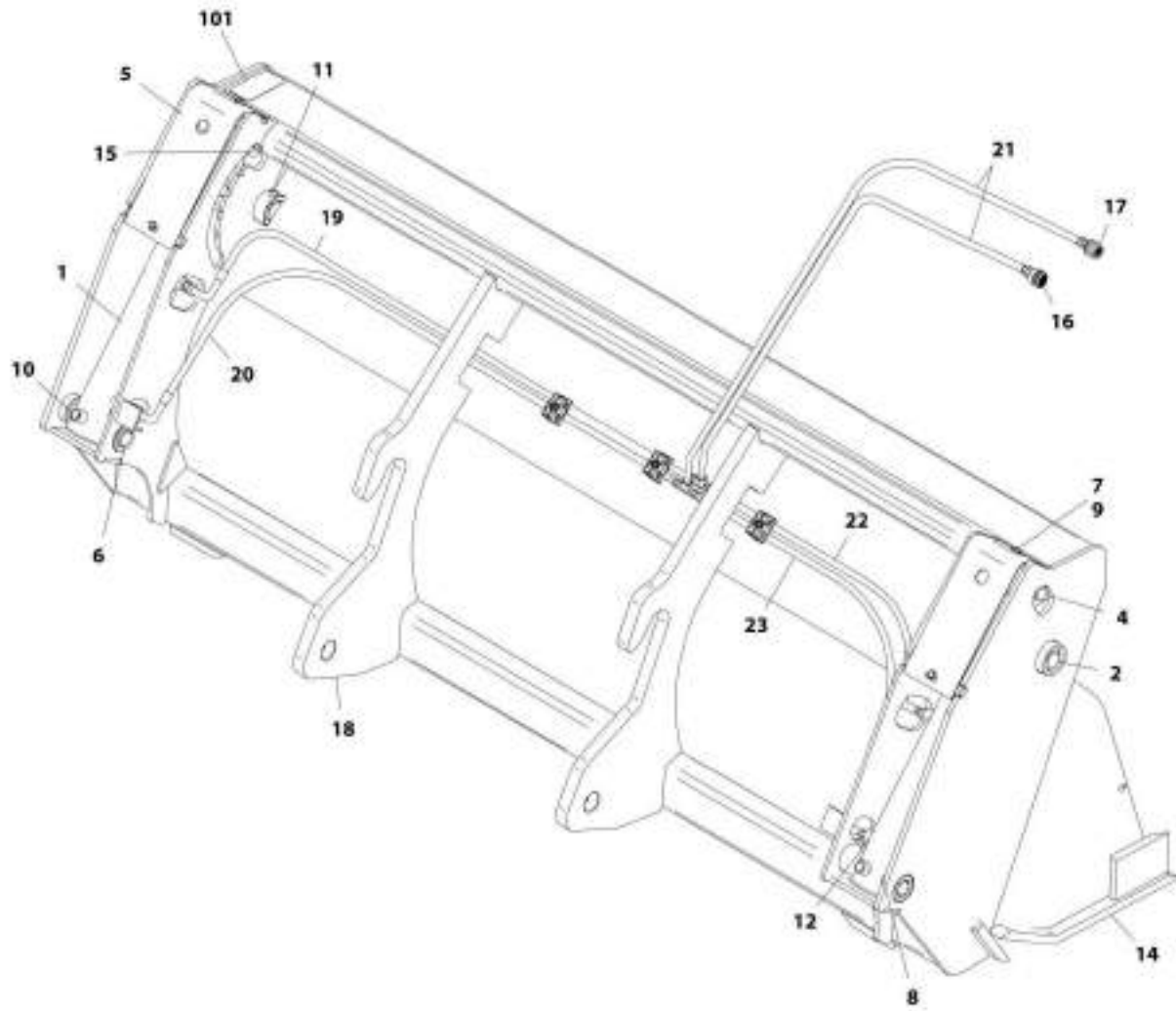
SECTION 3 - ATTACHMENTS

FIGURE 3-5. BUCKET 0.9M³

ITEM	PART NUMBER	QTY	DESCRIPTION	REV
	0930015	Ref	Bucket, 0.9m ³	C

SECTION 3 - ATTACHMENTS

FIGURE 3-6. MULTI-PURPOSE BUCKET (Prior to SN 1160008687)



ART_3930001-G

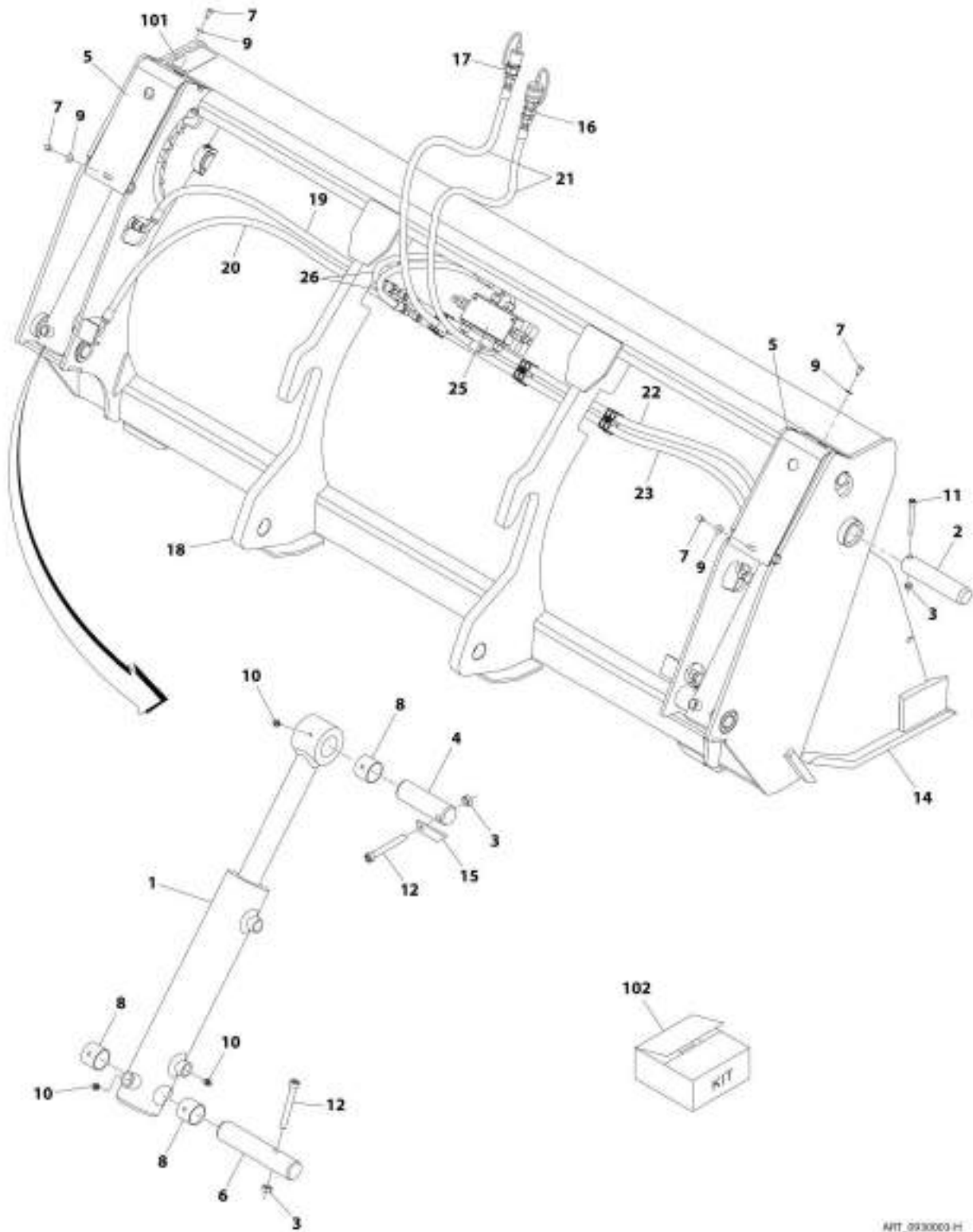
SECTION 3 - ATTACHMENTS

FIGURE 3-6. MULTI-PURPOSE BUCKET (Prior to SN 1160008687)

ITEM	PART NUMBER	QTY	DESCRIPTION	REV
	0930003	1	Multi-Purpose Bucket, 1.0m ³	G
1	7028990	2	Cylinder	
	7028910	AR	Kit, Seal, Cylinder	
2	7028911	2	Pin	
3	7028912	6	Nut (not shown)	
4	7028913	2	Pin	
5	7028914	2	Plate, Protective	
6	7028915	2	Pin	
7	7028916	4	Bolt	
8	7028131	6	Bushing	
9	7028917	4	Washer	
10	7028918	6	Nipple, Grease	
11	7028920	2	Screw	
12	7028919	4	Screw	
14	N.S.S.	1	Weldment	
15	7028923	1	Gauge	
16	1001094555	1	Coupling, Female Quick Disconnect	
17	1001094556	1	Coupling, Male Quick Disconnect	
18	N.S.S.	1	Weldment	
19	7028982	1	Hose	
20	7028983	1	Hose	
21	7028984	2	Hose	
22	7028985	1	Hose	
23	7028991	1	Hose	
101	N.S.S.	1	S/N Plate	

SECTION 3 - ATTACHMENTS

FIGURE 3-7. MULTI-PURPOSE BUCKET (SN 1160008687 to Present)



MIT_0930003 H

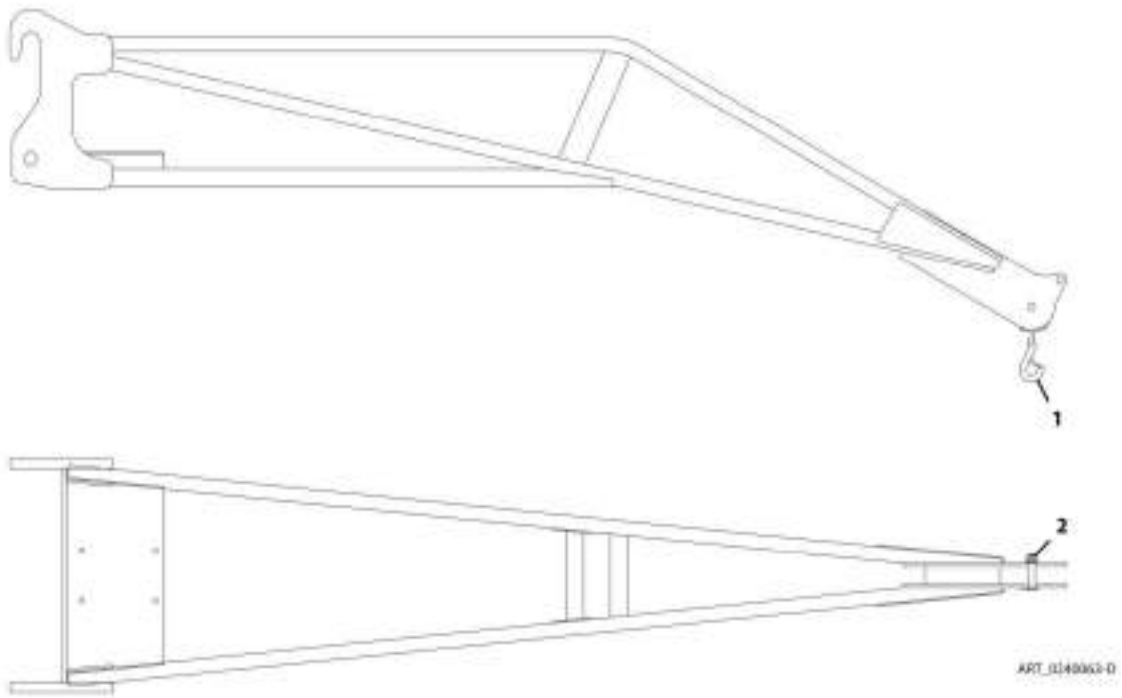
SECTION 3 - ATTACHMENTS

FIGURE 3-7. MULTI-PURPOSE BUCKET (SN 1160008687 to Present)

ITEM	PART NUMBER	QTY	DESCRIPTION	REV
	0930003	1	Multi-Purpose Bucket, 1.0m ³	H
1	7028990	2	Cylinder	
	7028910	AR	Kit, Seal, Cylinder	
2	7028911	2	Pin	
3	7028912	6	Nut	
4	7028913	2	Pin	
5	N.S.S.	2	Plate, Protective	
6	7028915	2	Pin	
7	7028916	4	Bolt	
8	7028131	6	Bushing	
9	7028917	4	Washer	
10	7028918	6	Nipple, Grease	
11	7028920	2	Screw	
12	7028919	4	Screw	
14	N.S.S.	1	Weldment	
15	7028923	1	Gauge	
16	1001094555	1	Coupling, Female Quick Disconnect	
17	1001094556	1	Coupling, Male Quick Disconnect	
18	N.S.S.	1	Weldment	
19	7028982	1	Hose	
20	7028983	1	Hose	
21	7028984	2	Hose	
22	7028995	1	Hose	
23	7028991	1	Hose	
25	70027291	1	Balancing Valve	
26	70029011	2	Hose	
101	N.S.S.	1	S/N Plate	
102	1001097287	1	Quick Disconnect Coupling Kit, (includes items 16, 17 dust cap and dust plug)	

SECTION 3 - ATTACHMENTS

FIGURE 3-8. TRUSS BOOM



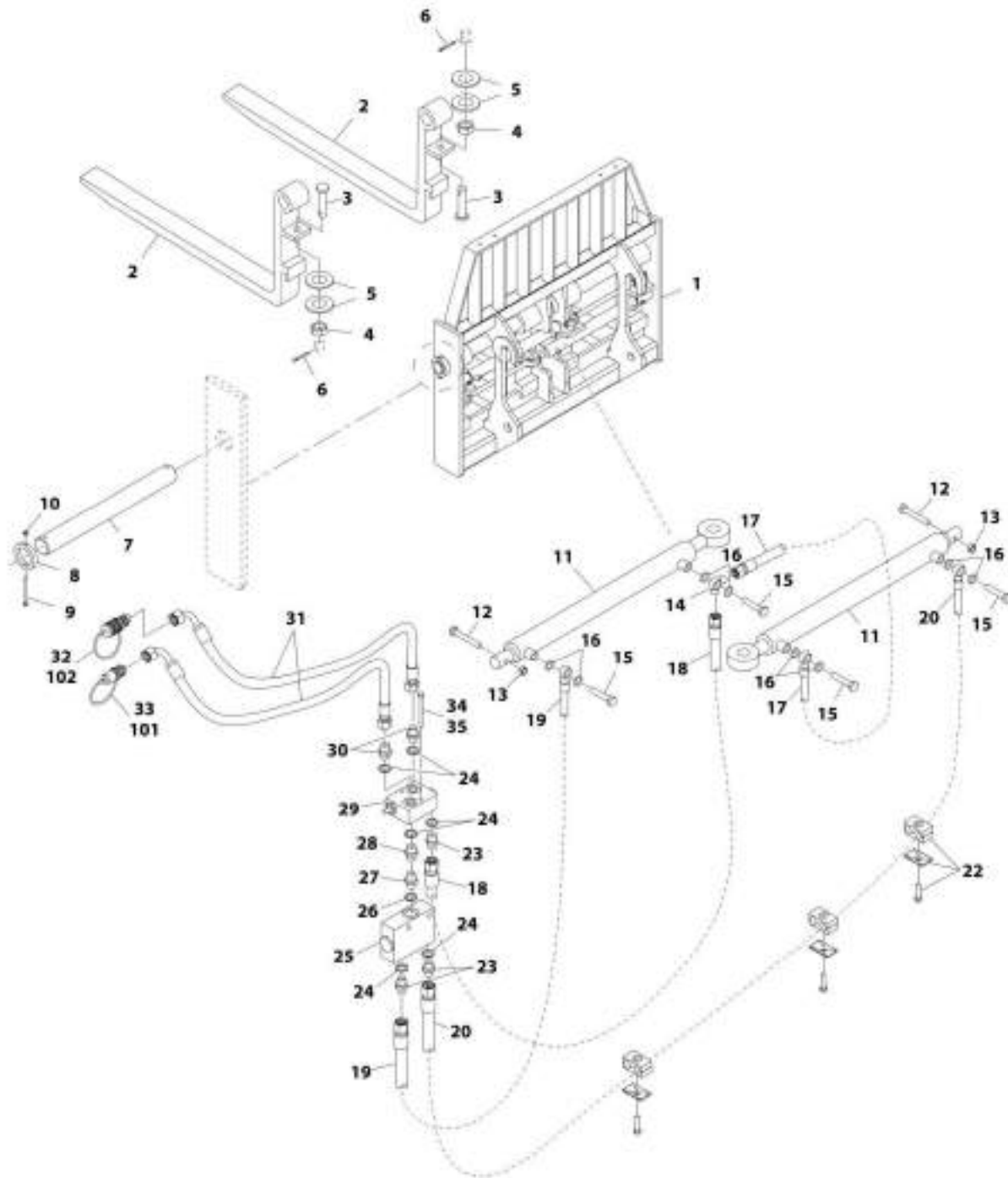
SECTION 3 - ATTACHMENTS

FIGURE 3-8. TRUSS BOOM

ITEM	PART NUMBER	QTY	DESCRIPTION	REV
	0240063	1	Truss Boom, 1000KG	D
1	70020421	1	Hook	
2	70020422	1	Bolt	

SECTION 3 - ATTACHMENTS

FIGURE 3-9. INSTALLATION, CARRIAGE FORK POSITIONING



ART_1001091313-A

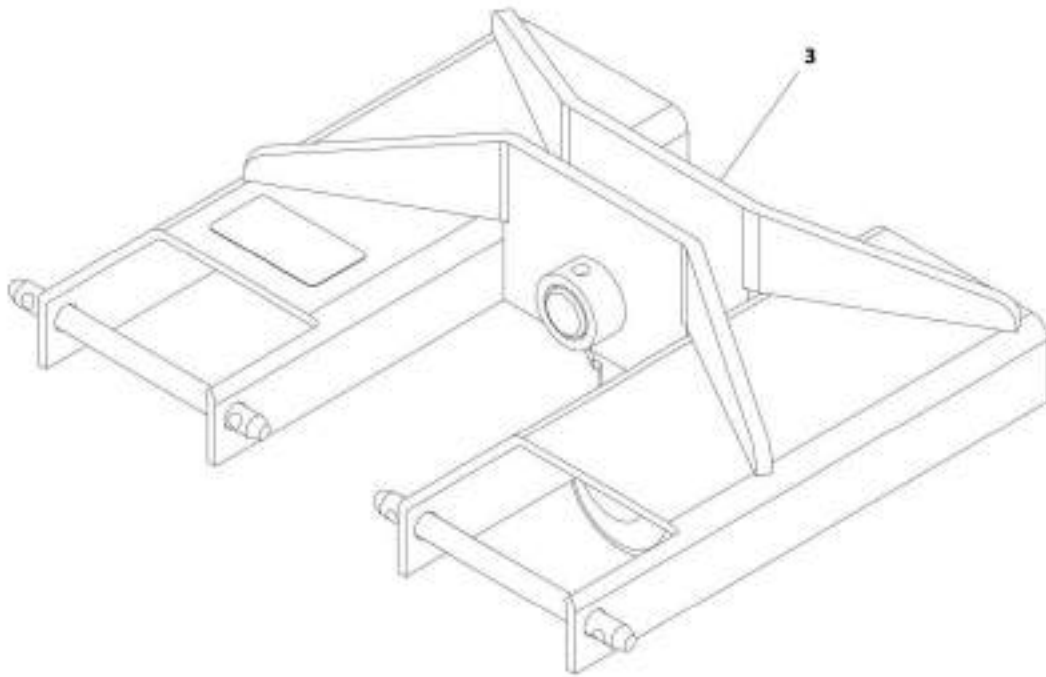
SECTION 3 - ATTACHMENTS

FIGURE 3-9. INSTALLATION, CARRIAGE FORK POSITIONING

ITEM	PART NUMBER	QTY	DESCRIPTION	REV
	1001091313	1	Fork Positioning Carriage W/Forks, (CE - 13M & 17M), (includes items 1 thru 35)	A
1	N.S.S.	1	Weldment	
2	70022922	2	Forks, (100X50X1200), (2000kg per fork)	
3	70021835	2	Rod Pin	
4	70026018	2	Nut, M30X3.5	
5	70028978	4	Washer	
6	70021836	2	Split Pin	
7	70022923	2	Carriage Shaft	
8	70022924	4	Shaft Collar	
9	70028979	4	Bolt	
10	70021241	4	Hex Locknut, M12	
11	70023276	2	Cylinder	
11	70023278	AR	Seal Kit, (use with cylinders marked 1.3351.01C.02.01)	
11	70023277	AR	Seal Kit, (use with cylinders marked 1.3351.01C.02.02)	
13	70028031	2	Locknut	
12	70028028	2	Bolt	
14	70022925	1	Elbow, 90	
15	1001103530	4	Bolt	
16	70020730	8	O-Ring	
17	70021838	1	Hose	
18	70021839	1	Hose	
19	70021840	1	Hose	
20	70021841	1	Hose	
22	1001103533	3	Clamp Set, (includes screw and plate)	
23	70020731	3	Fitting	
24	70022907	6	O-Ring	
25	70021842	1	Counter Valve	
26	70022927	1	O-Ring	
27	70022928	1	Fitting	
28	70022929	1	Fitting	
29	70021843	1	Pressure Valve	
30	70022906	2	Adapter	
31	70022930	2	Pipe	
32	1001094555	1	Female Quick Disconnect Coupling	
33	1001094556	1	Male Quick Disconnect Coupling	
34	70028980	2	Bolt	
35	70022912	2	Nut	
101	1001093826	1	Dust Cap	
102	1001093827	1	Dust Plug	

SECTION 3 - ATTACHMENTS

FIGURE 3-10. INSTALLATION, FORK AND HOOK - 3614RS



MIT, 301180471-A

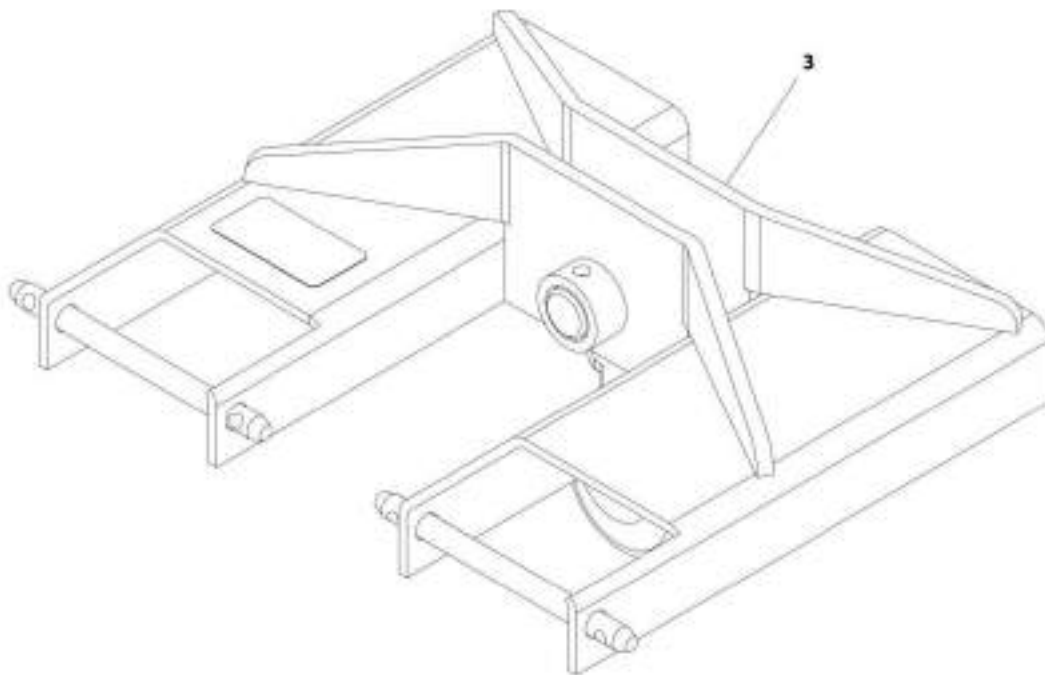
SECTION 3 - ATTACHMENTS

FIGURE 3-10. INSTALLATION, FORK AND HOOK - 3614RS

ITEM	PART NUMBER	QTY	DESCRIPTION	REV
1	1001180971	Ref	Installation, Fork and Hook - 3614RS	A
	1001180963	Ref	Chart, Load Metric Fork Hook - 3614RS (not shown) (See DECALS SECTION for Breakdown)	
2	1001180964	Ref	Chart, Load Metric Fork Hook (Outriggers) - 3614RS (not shown) (See DECALS SECTION for Breakdown)	
3	2700118	Ref	Hook, 4 Ton Fork (See 4 TON FORK HOOK for Breakdown)	

SECTION 3 - ATTACHMENTS

FIGURE 3-11. INSTALLATION, FORK AND HOOK - 4017RS



ART_3501180972-A

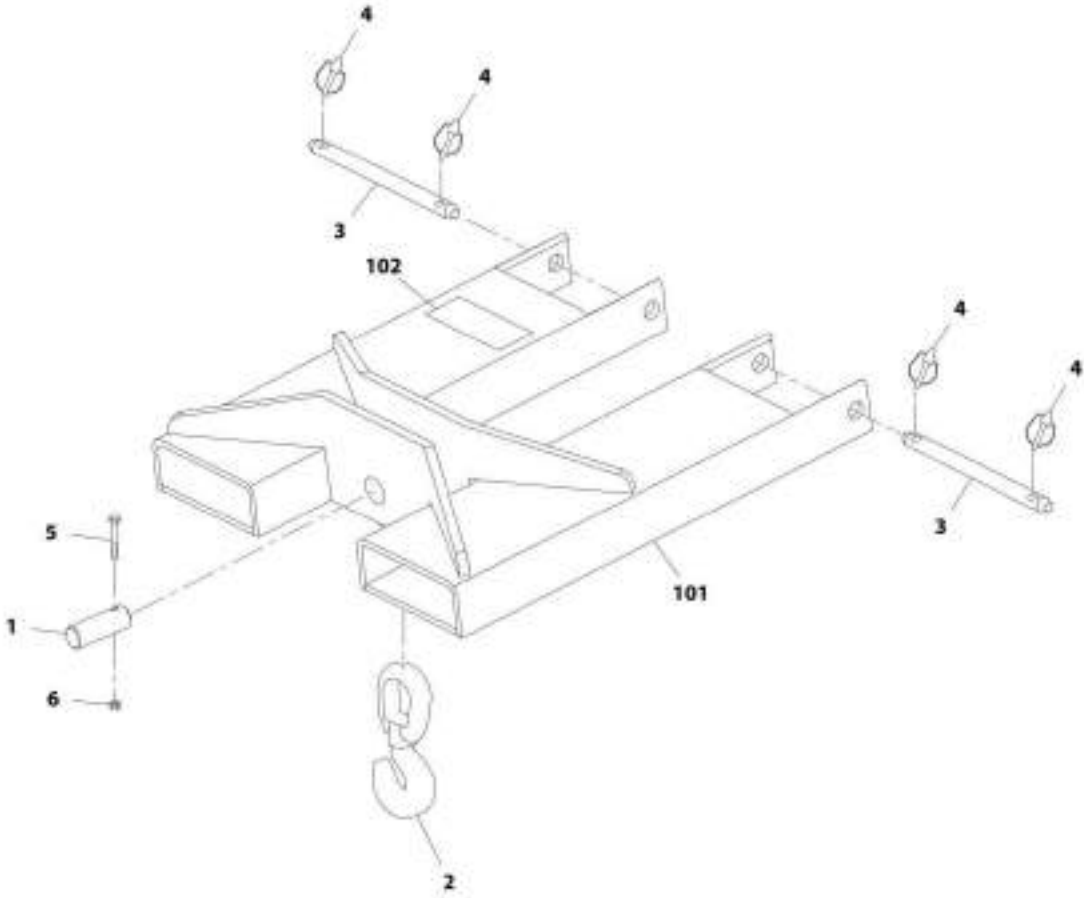
SECTION 3 - ATTACHMENTS

FIGURE 3-11. INSTALLATION, FORK AND HOOK - 4017RS

ITEM	PART NUMBER	QTY	DESCRIPTION	REV
1	1001180972	Ref	Installation, Fork and Hook - 4017RS	A
	1001180965	Ref	Chart, Load Metric Fork Hook - 4017RS (not shown) (See DECALS SECTION for Breakdown)	
2	1001180966	Ref	Chart, Load Metric Fork Hook (Outriggers) - 4017RS (not shown) (See DECALS SECTION for Breakdown)	
3	2700118	Ref	Hook, 4 Ton Fork (See 4 TON FORK HOOK for Breakdown)	

SECTION 3 - ATTACHMENTS

FIGURE 3-12. 4 TON FORK HOOK



ART_2700118-C

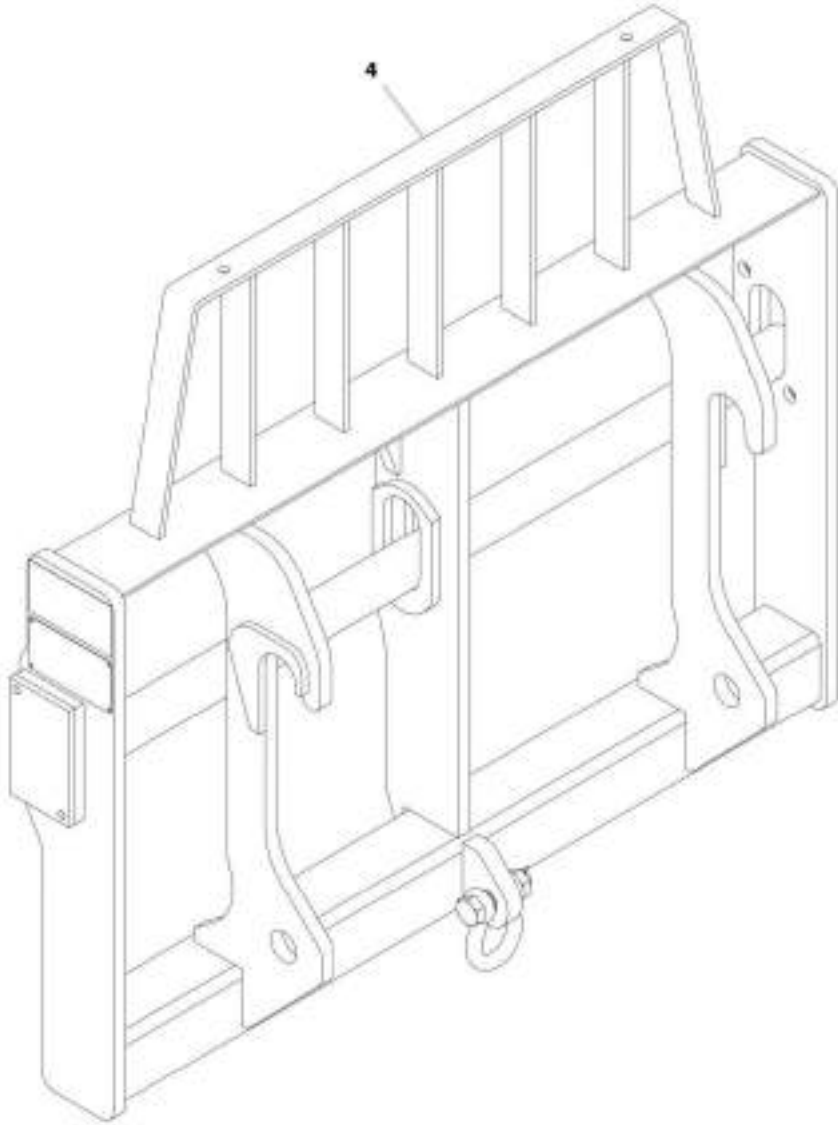
SECTION 3 - ATTACHMENTS

FIGURE 3-12. 4 TON FORK HOOK

ITEM	PART NUMBER	QTY	DESCRIPTION	REV
	2700118	1	4 Ton Fork Hook	C
1	70020201	1	Pin	
2	70020202	1	Hook	
3	70020203	2	Pin	
4	70020204	4	Retaining Ring	
5	70020205	1	Bolt	
6	70020206	1	Self Locking Nut	

SECTION 3 - ATTACHMENTS

FIGURE 3-13. STANDARD CARRIAGE INSTALLATION WITH LIFT LUG - 3614RS



ART_1001184289-A

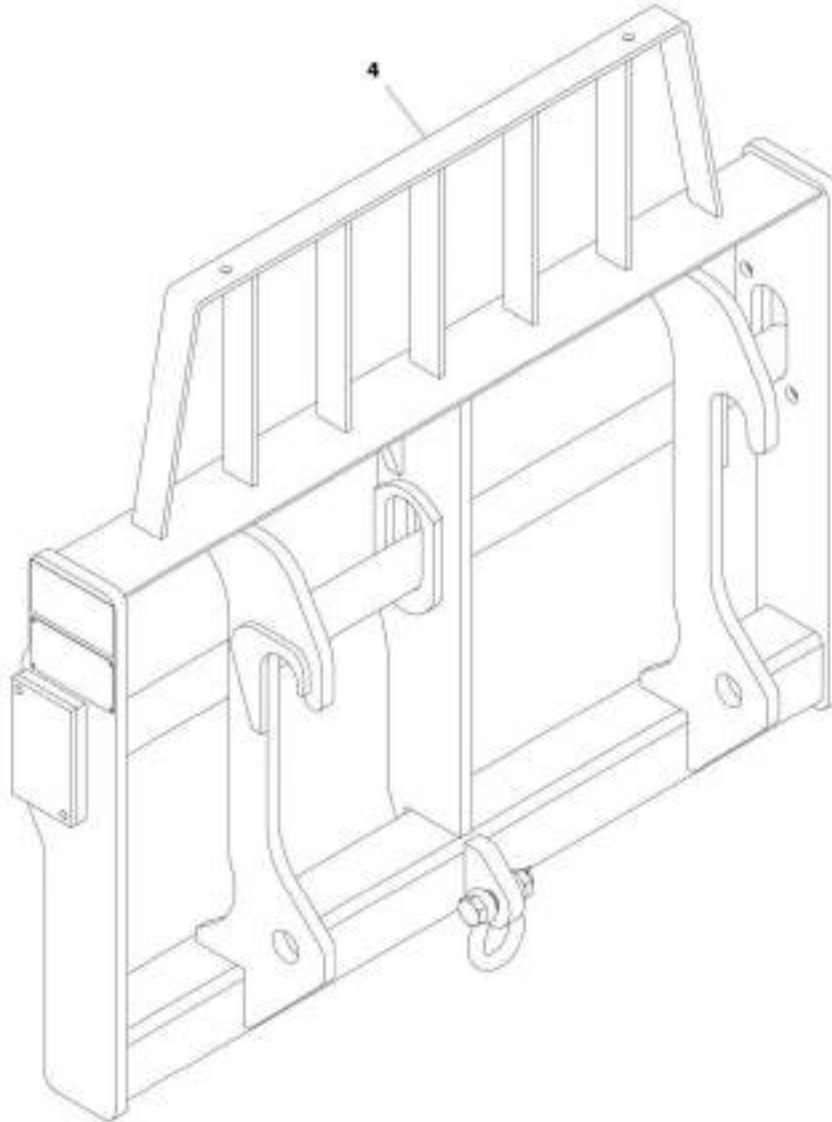
SECTION 3 - ATTACHMENTS

FIGURE 3-13. STANDARD CARRIAGE INSTALLATION WITH LIFT LUG - 3614RS

ITEM	PART NUMBER	QTY	DESCRIPTION	REV
1	1001184289 1001183289	1 Ref	Standard Carriage Installation with Lift Lug - 3614RS (If equipped) Chart, Load Standard Carriage with Lift Lug - 3614RS (not shown) (See DECALS SECTION for Breakdown)	A
2	1001183290	Ref	Chart, Load Standard Carriage with Lift Lug (Outriggers) - 3614RS (not shown) (See DECALS SECTION for Breakdown)	
3	1001185116	Ref	Chart, 4T Fork and Hook Standard Carriage with Lift Lug (Traveling) - 3614RS (not shown) (See DECALS SECTION for Breakdown)	
4	1001181380	1	Carriage, 4T Fork and Hook (See 4T FORK AND HOOK CARRIAGE for Breakdown)	

SECTION 3 - ATTACHMENTS

FIGURE 3-14. STANDARD CARRIAGE INSTALLATION WITH LIFT LUG - 4017RS



ART_1001184290-A

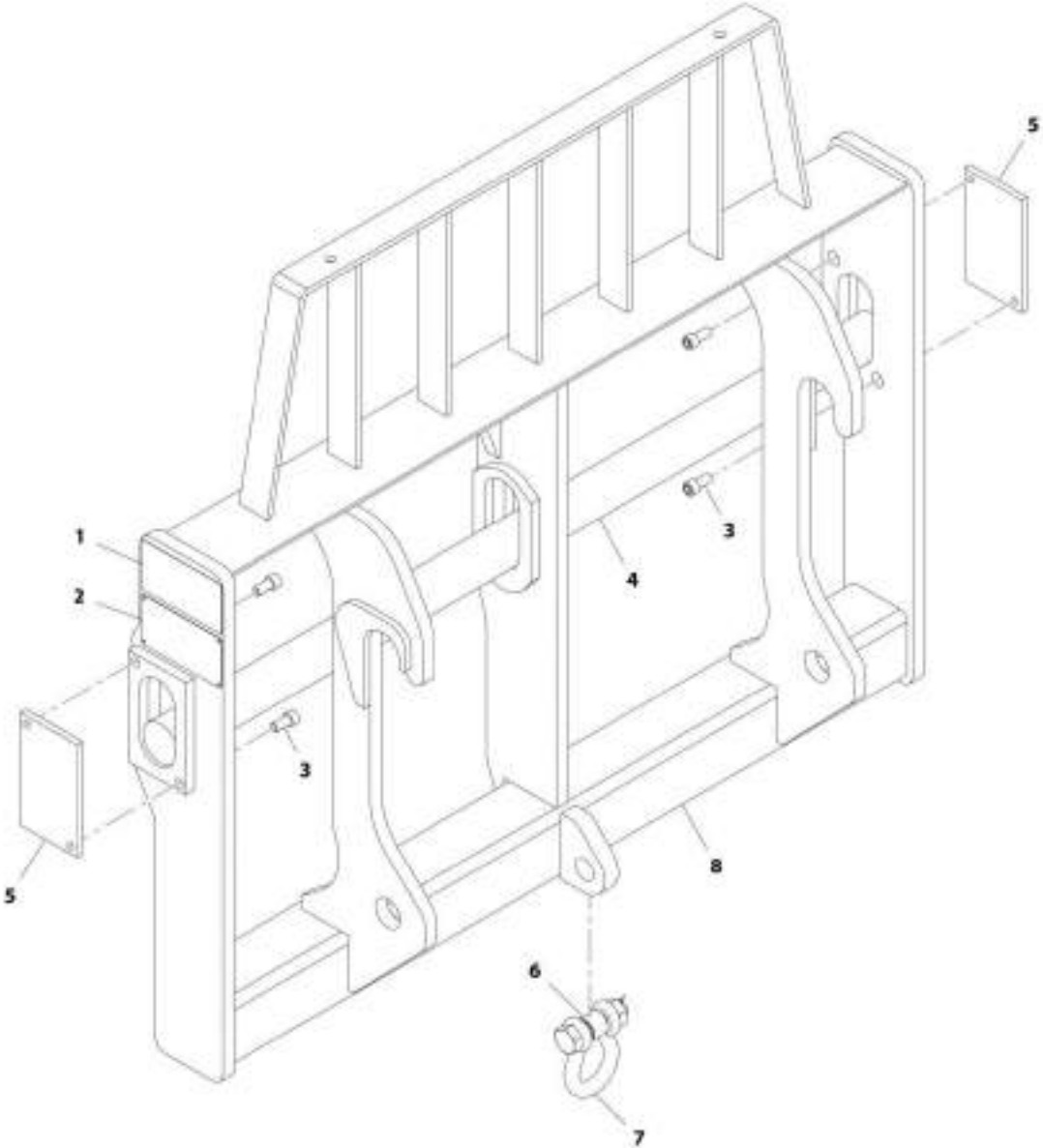
SECTION 3 - ATTACHMENTS

FIGURE 3-14. STANDARD CARRIAGE INSTALLATION WITH LIFT LUG - 4017RS

ITEM	PART NUMBER	QTY	DESCRIPTION	REV
1	1001184290	1	Standard Carriage Installation with Lift Lug - 4017RS (If equipped)	A
	1001183291	Ref	Chart, Load Standard Carriage with Lift Lug - 4017RS (not shown) (See DECALS SECTION for Breakdown)	
2	1001183292	Ref	Chart, Load Standard Carriage with Lift Lug (Outriggers) - 4017RS (not shown) (See DECALS SECTION for Breakdown)	
3	1001185116	Ref	Chart, 4T Fork and Hook Standard Carriage with Lift Lug (Traveling) - 4017RS (not shown) (See DECALS SECTION for Breakdown)	
4	1001181380	1	Carriage, 4T Fork and Hook (See 4T FORK AND HOOK CARRIAGE for Breakdown)	

SECTION 3 - ATTACHMENTS

FIGURE 3-15. 4T FORK AND HOOK CARRIAGE



ART_1001181380-A

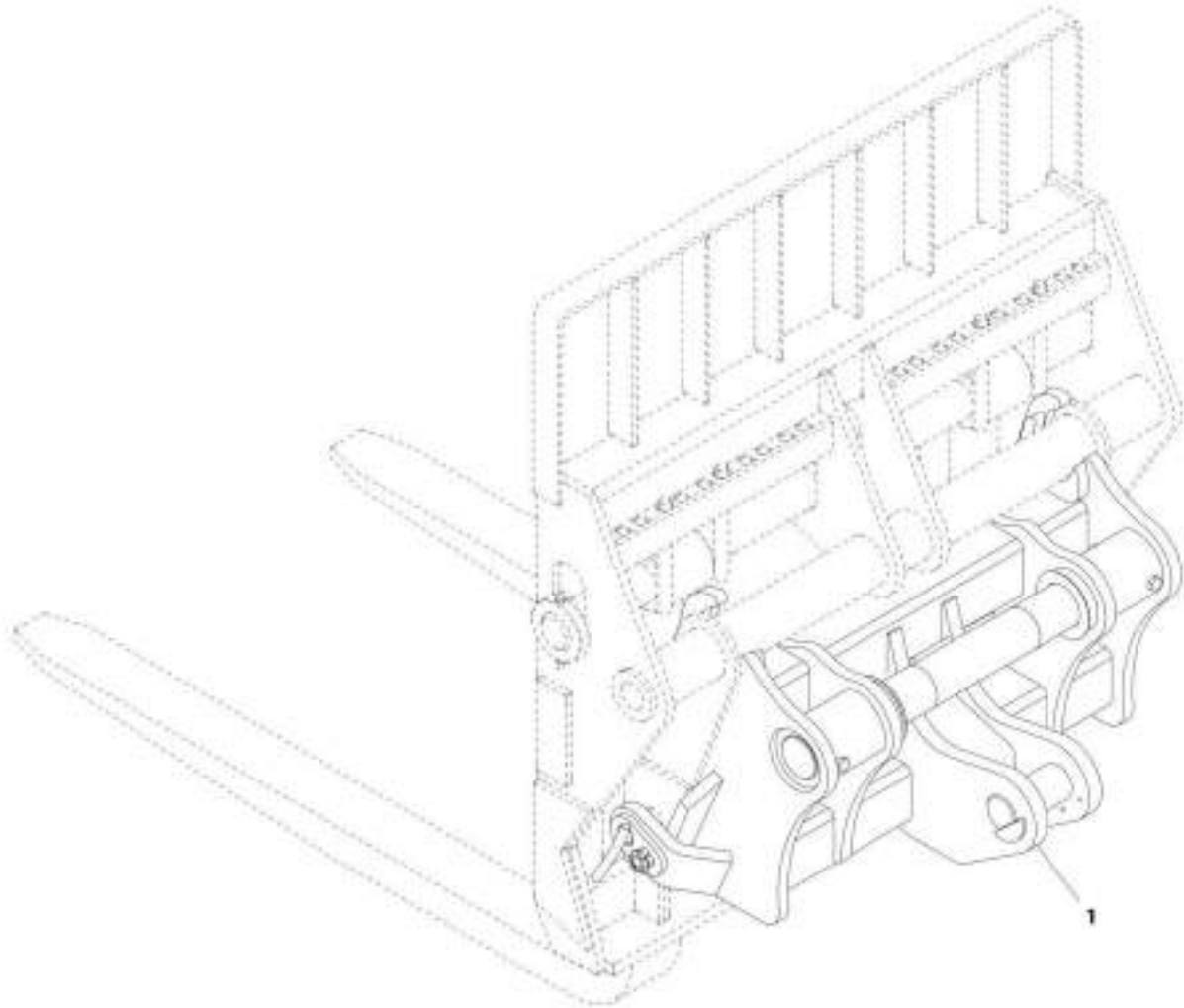
SECTION 3 - ATTACHMENTS

FIGURE 3-15. 4T FORK AND HOOK CARRIAGE

ITEM	PART NUMBER	QTY	DESCRIPTION	REV
	1001181380	1	4T Fork and Hook Carriage	A
1	N.S.S.	1	Name Plate, Carriage	
2	N.S.S.	1	S/N Plate	
3	4032109	4	Bolt, M12X25	
4	1001107336	1	Shaft, Carriage	
5	1001107338	2	Shaft Cover	
6	1001146159	1	Sleeve	
7	1001146160	1	Shackle	
8	N.S.S.	1	Weldment, Carriage	

SECTION 3 - ATTACHMENTS

FIGURE 3-16. MANITOU CARRIAGE INSTALLATION - 3614RS



ART_1001170601-A

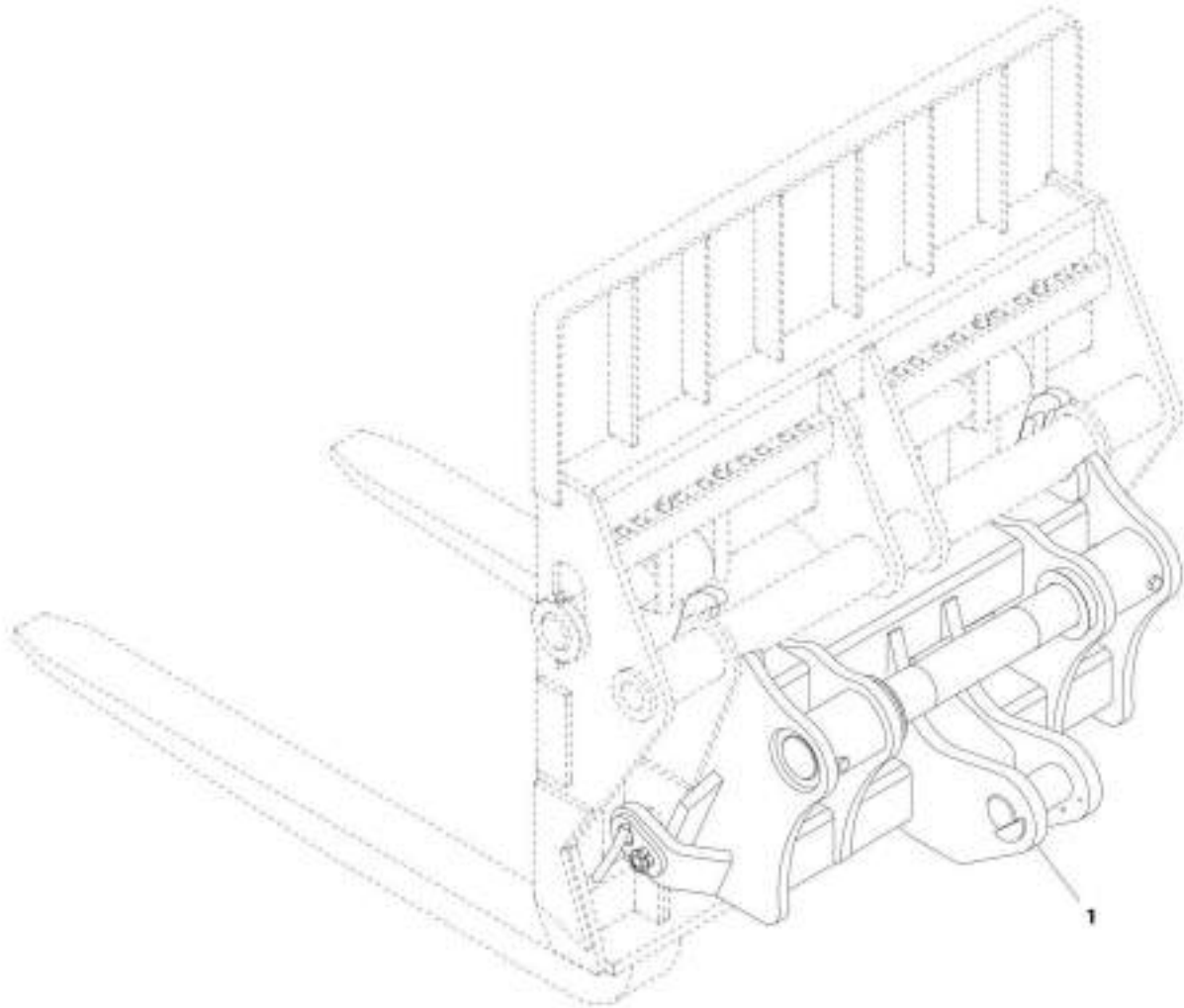
SECTION 3 - ATTACHMENTS

FIGURE 3-16. MANITOU CARRIAGE INSTALLATION - 3614RS

ITEM	PART NUMBER	QTY	DESCRIPTION	REV
1	1001179687	1	Manitou Carriage Installation - 3614RS	A
	1001177868	1	Installation, Manitou Coupler (See MANITOU COUPLER INSTALLATION for Breakdown)	
2	1001179679	Ref	Chart, Load Manitou Carriage - 3614RS (not shown) (See DECALS SECTION for Breakdown)	
3	1001179680	Ref	Chart, Load Manitou Carriage (Outriggers) - 3614RS (not shown) (See DECALS SECTION for Breakdown)	

SECTION 3 - ATTACHMENTS

FIGURE 3-17. MANITOU CARRIAGE INSTALLATION - 4017RS



ART_1001170688-A

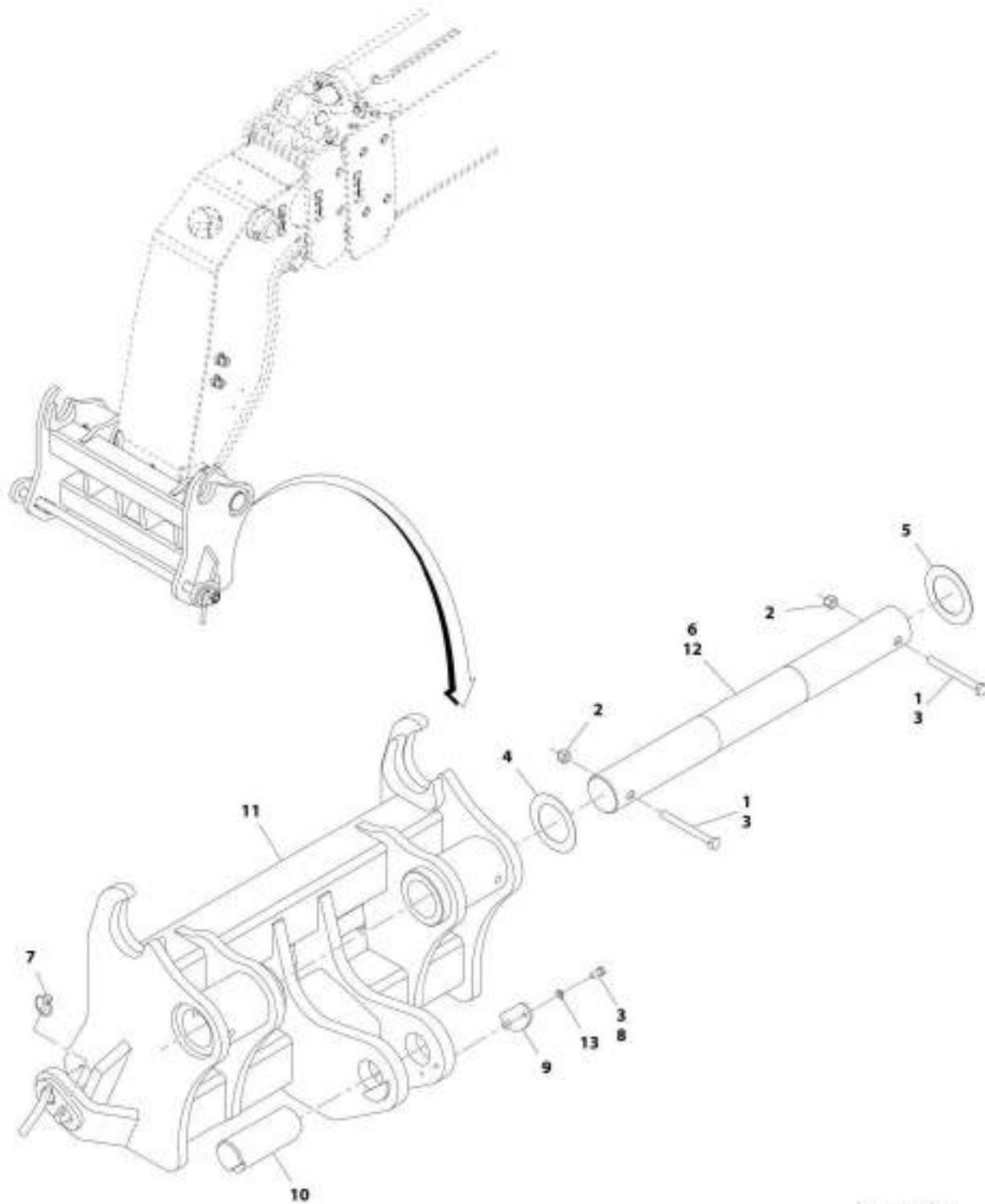
SECTION 3 - ATTACHMENTS

FIGURE 3-17. MANITOU CARRIAGE INSTALLATION - 4017RS

ITEM	PART NUMBER	QTY	DESCRIPTION	REV
1	1001179688	1	Manitou Carriage Installation - 4017RS	A
	1001177868	1	Installation, Manitou Coupler (See MANITOU COUPLER INSTALLATION for Breakdown)	
2	1001179681	Ref	Chart, Load Manitou Carriage - 4017RS (not shown) (See DECALS SECTION for Breakdown)	
3	1001179682	Ref	Chart, Load Manitou Carriage (Outriggers) - 4017RS (not shown) (See DECALS SECTION for Breakdown)	

SECTION 3 - ATTACHMENTS

FIGURE 3-18. MANITOU COUPLER INSTALLATION



ART_1001177866-C

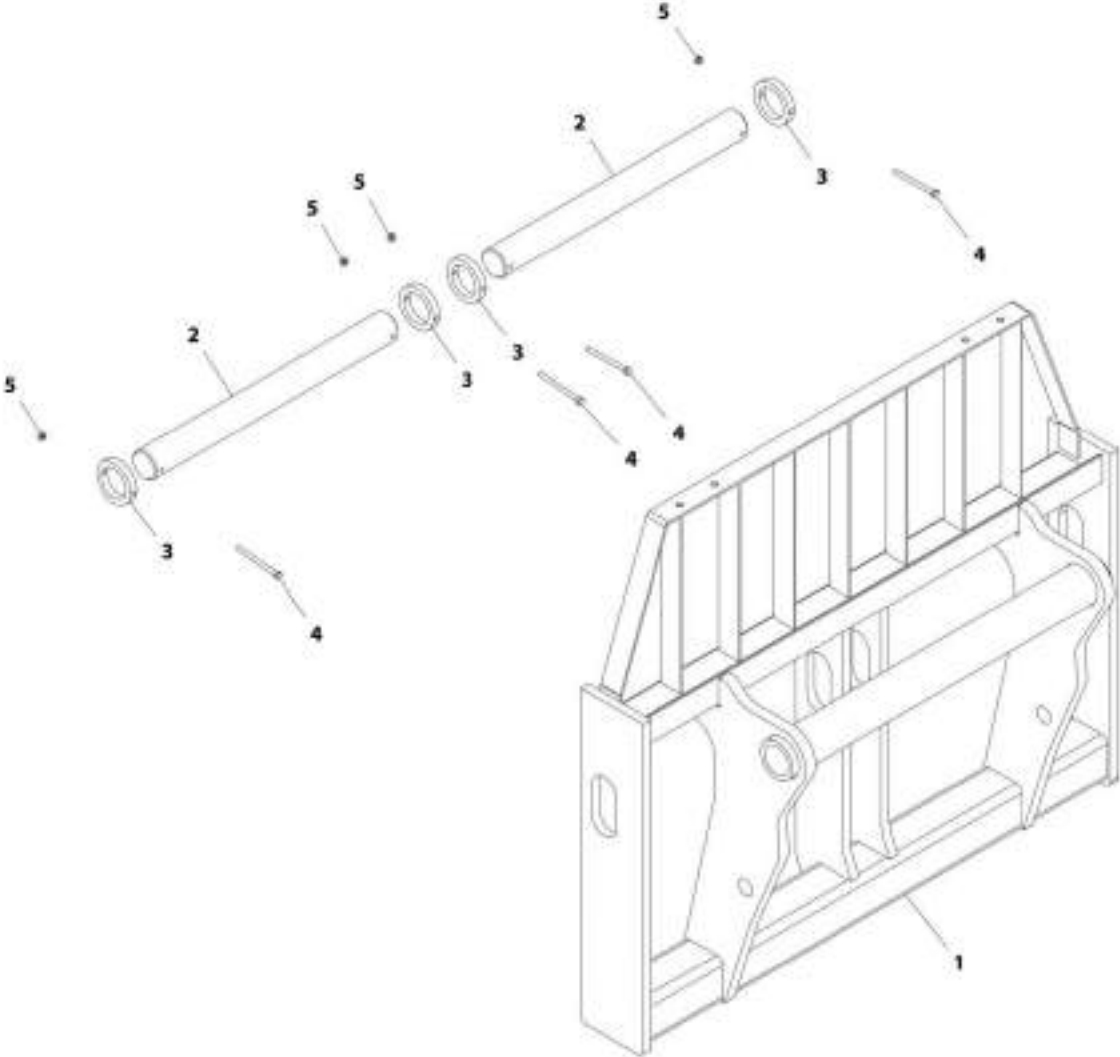
SECTION 3 - ATTACHMENTS

FIGURE 3-18. MANITOU COUPLER INSTALLATION

ITEM	PART NUMBER	QTY	DESCRIPTION	REV
	1001177868	1	Manitou Coupler Installation	C
1	0711229	2	Bolt, M12X120	
2	3291205	2	Nut, Lock, M12X1.75	
3	1001095650	AR	Compound, Locking	
4	1001098146	AR	Shim, 72X110X0.5	
5	1001098147	AR	Shim, 72X110X1.0	
6	1001098457	AR	Cat Multipurpose Grease - NLGI Grade 2	
7	1001104350	1	Pin	
8	0760810	2	Bolt, M8X20	
9	1001192350	1	Plate, Pin Retention	
10	1001147844	1	Pin, Coupler	
11	1001171794	1	Manitou Coupler	
12	1001147843	1	Pin, Coupler	
13	4811900	2	Washer, M8	

SECTION 3 - ATTACHMENTS

FIGURE 3-19. MANITOU CARRIAGE



ART. 1001102553-0

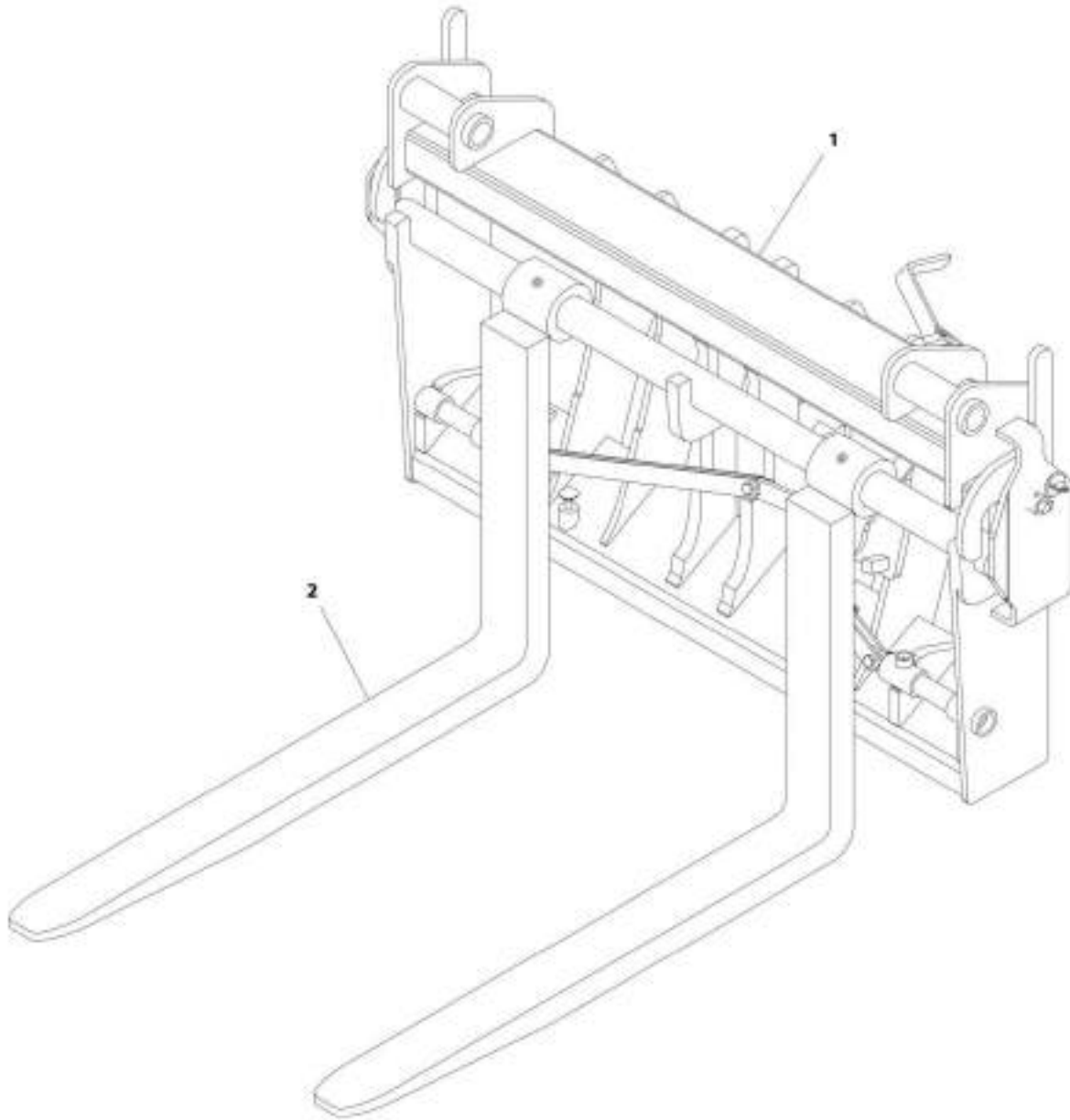
SECTION 3 - ATTACHMENTS

FIGURE 3-19. MANITOU CARRIAGE

ITEM	PART NUMBER	QTY	DESCRIPTION	REV
	1001102553	Ref	Manitou Carriage	B
1	4040283	2	Carriage Shaft	
2	3760508	4	Shaft Collar	
3	0700827	4	Hex HD Capscrew, M8x100	
4	3290805	4	Hex Locknut, M8	

SECTION 3 - ATTACHMENTS

FIGURE 3-20. JCB CARRIAGE INSTALLATION - 3614RS



ART_10017668-A

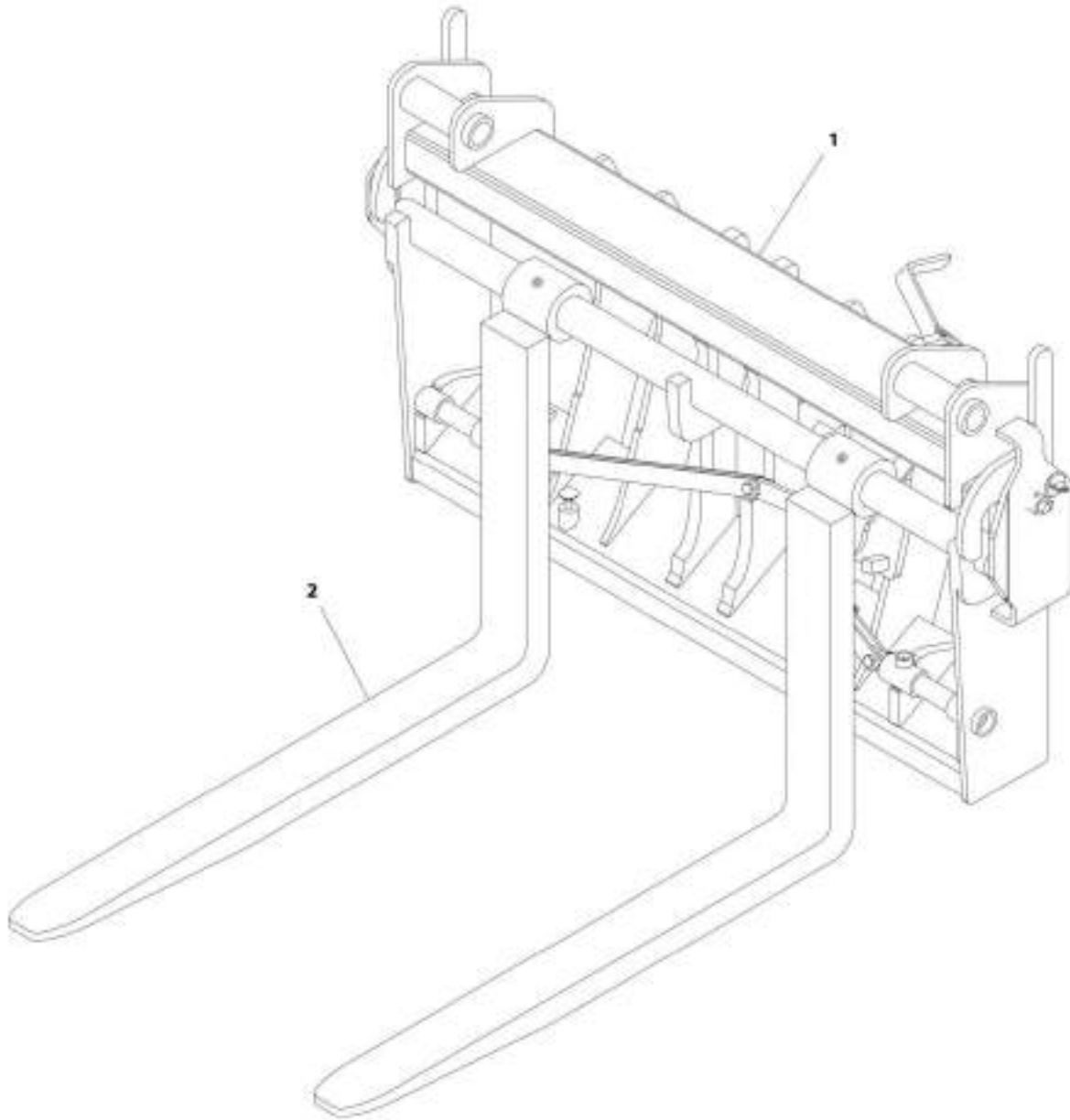
SECTION 3 - ATTACHMENTS

FIGURE 3-20. JCB CARRIAGE INSTALLATION - 3614RS

ITEM	PART NUMBER	QTY	DESCRIPTION	REV
1	1001179689	Ref	JCB Carriage Installation - 3614RS	A
	1001177869	1	Installation, JCB Coupler (See JCB COUPLER INSTALLATION for Breakdown)	
2	1001111758	1	Assembly, JCB Fork (See JCB FORK ASSEMBLY for Breakdown)	
3	1001179683	1	Chart, Load Metric JCB Coupler - 3614RS (not shown) (See DECALS SECTION for Breakdown)	
4	1001179684	1	Chart, Load Metric JCB Coupler (Outriggers) - 3614RS (not shown) (See DECALS SECTION for Breakdown)	

SECTION 3 - ATTACHMENTS

FIGURE 3-21. JCB CARRIAGE INSTALLATION - 4017RS



ART_10017966-A

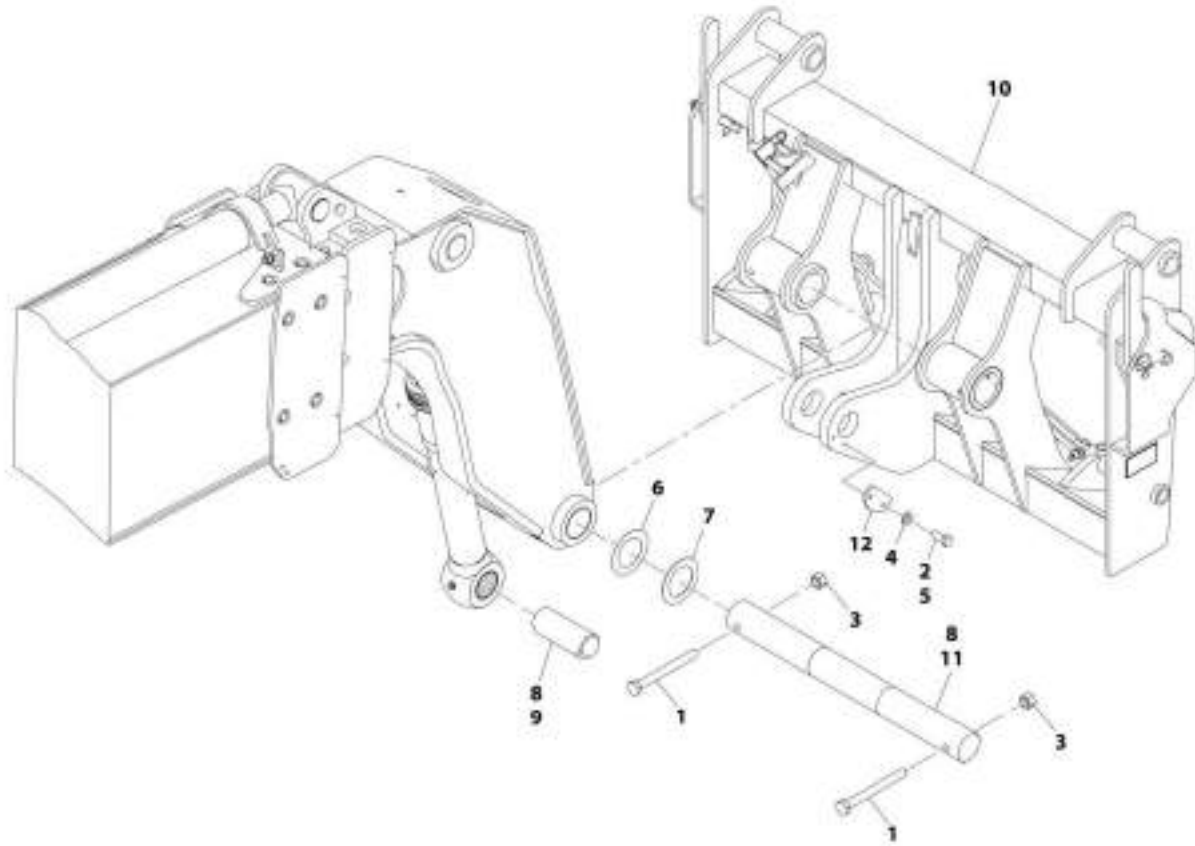
SECTION 3 - ATTACHMENTS

FIGURE 3-21. JCB CARRIAGE INSTALLATION - 4017RS

ITEM	PART NUMBER	QTY	DESCRIPTION	REV
1	1001179690	Ref	JCB Carriage Installation - 4017RS	A
	1001177869	1	Installation, JCB Coupler (See JCB COUPLER INSTALLATION for Breakdown)	
2	1001111758	1	Assembly, JCB Fork (See JCB FORK ASSEMBLY for Breakdown)	
3	1001179685	1	Chart, Load Metric JCB Coupler 4017RS (not shown) (See DECALS SECTION for Breakdown)	
4	1001179686	1	Chart, Load Metric JCB Coupler (Outriggers) - 4017RS (not shown) (See DECALS SECTION for Breakdown)	

SECTION 3 - ATTACHMENTS

FIGURE 3-22. JCB COUPLER INSTALLATION



ART_100117969-9

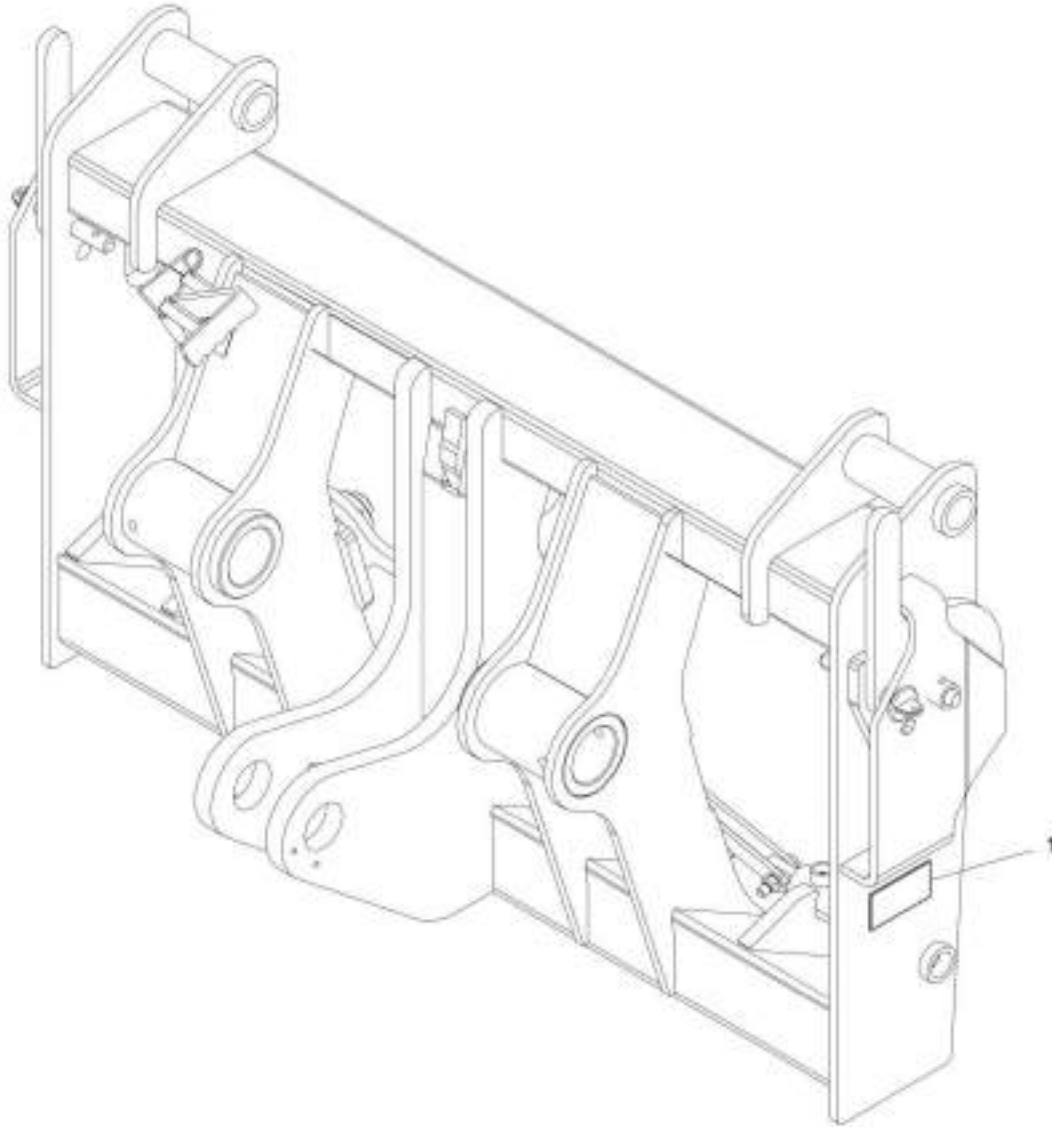
SECTION 3 - ATTACHMENTS

FIGURE 3-22. JCB COUPLER INSTALLATION

ITEM	PART NUMBER	QTY	DESCRIPTION	REV
	1001177869	Ref	JCB Coupler Installation	B
1	0711229	2	Bolt, M12X120	
2	0760810	2	Bolt, M8X20	
3	3291205	2	Nut, Lock M12X1.75	
4	4811900	2	Washer, M8	
5	1001095650	AR	Compound, Locking	
6	1001098146	AR	Shim, 72X110X0.5	
7	1001098147	AR	Shim, 72X110X1.0	
8	1001098457	AR	Lube, Lithium Grease	
9	1001147844	1	Pin	
10	1001199290	1	Coupling, JCB (See JCB COUPLING for Breakdown)	
11	1001147843	1	Pin	
12	1001192350	1	Plate, Pin Retention	

SECTION 3 - ATTACHMENTS

FIGURE 3-23. JCB COUPLING



ART_100199290-A

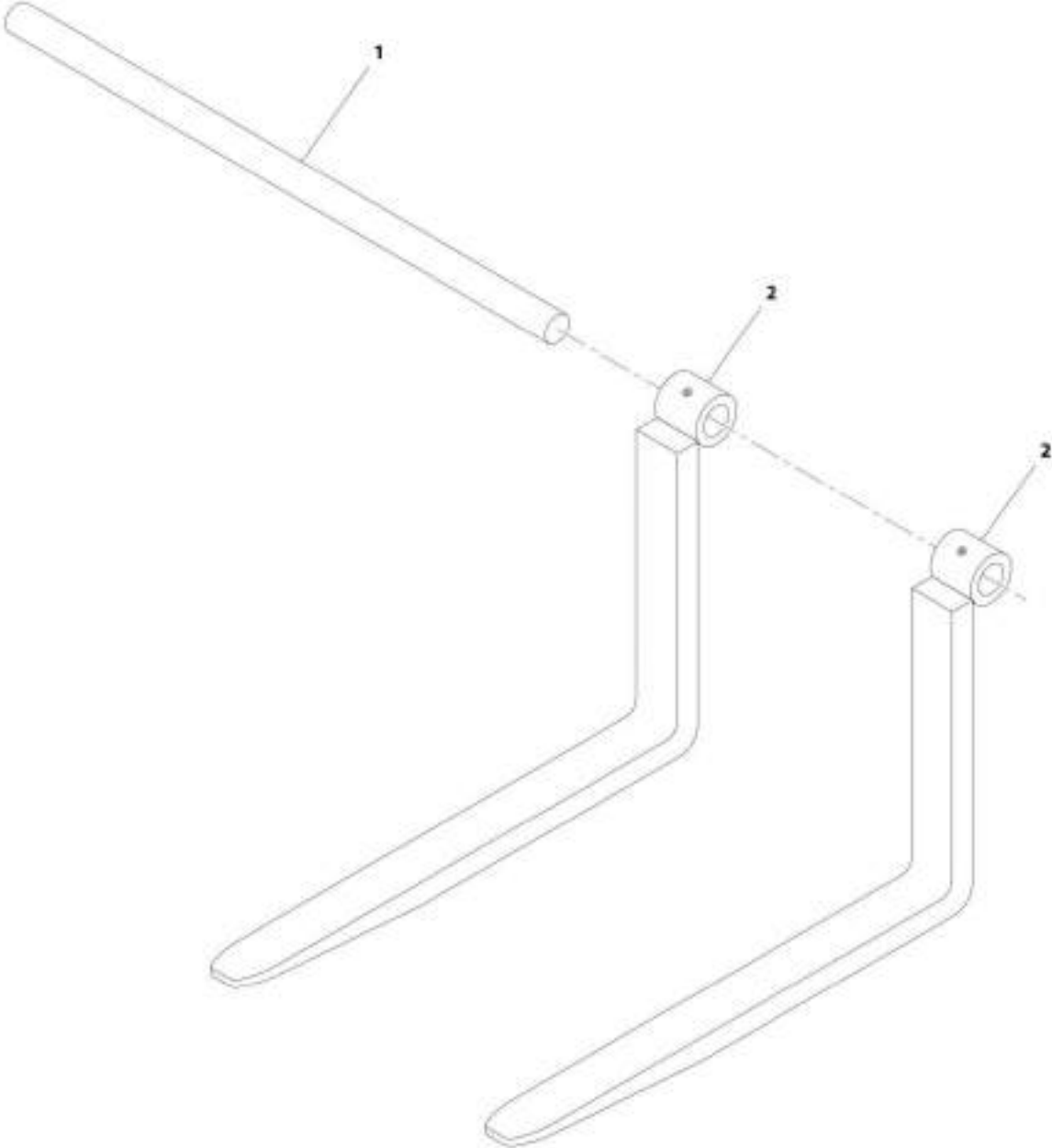
SECTION 3 - ATTACHMENTS

FIGURE 3-23. JCB COUPLING

ITEM	PART NUMBER	QTY	DESCRIPTION	REV
1	1001199290 1001199259	Ref 1	JCB Coupling Decal	A

SECTION 3 - ATTACHMENTS

FIGURE 3-24. JCB FORK ASSEMBLY



ART_100111758-E

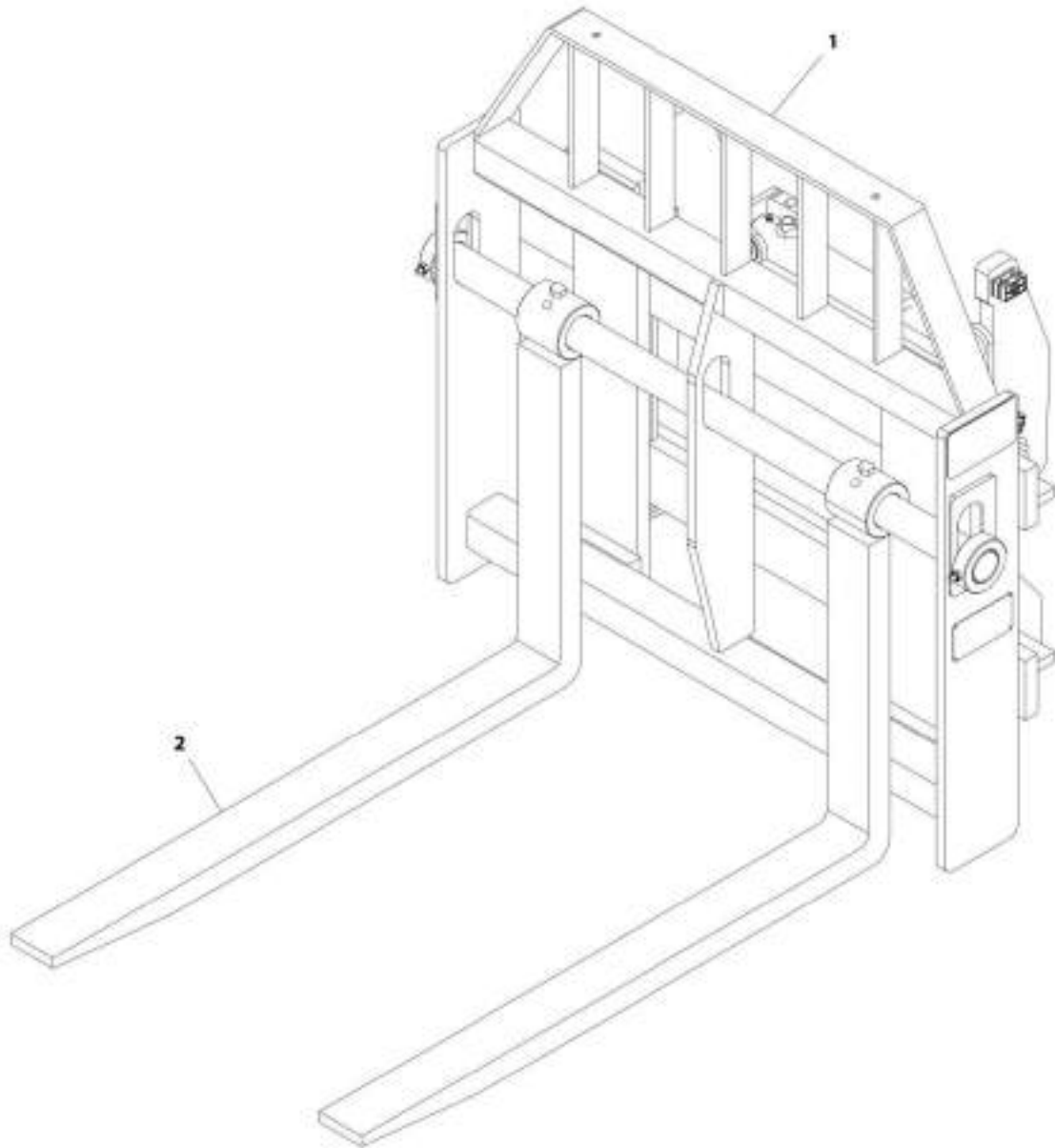
SECTION 3 - ATTACHMENTS

FIGURE 3-24. JCB FORK ASSEMBLY

ITEM	PART NUMBER	QTY	DESCRIPTION	REV
	1001111758	Ref	JCB Fork Assembly	E
1	1001108133	1	Fork Bar	
2	1001111757	2	Fork	

SECTION 3 - ATTACHMENTS

FIGURE 3-25. SIDE SHIFT CARRIAGE INSTALLATION - 3614RS



ART_1001301185-A

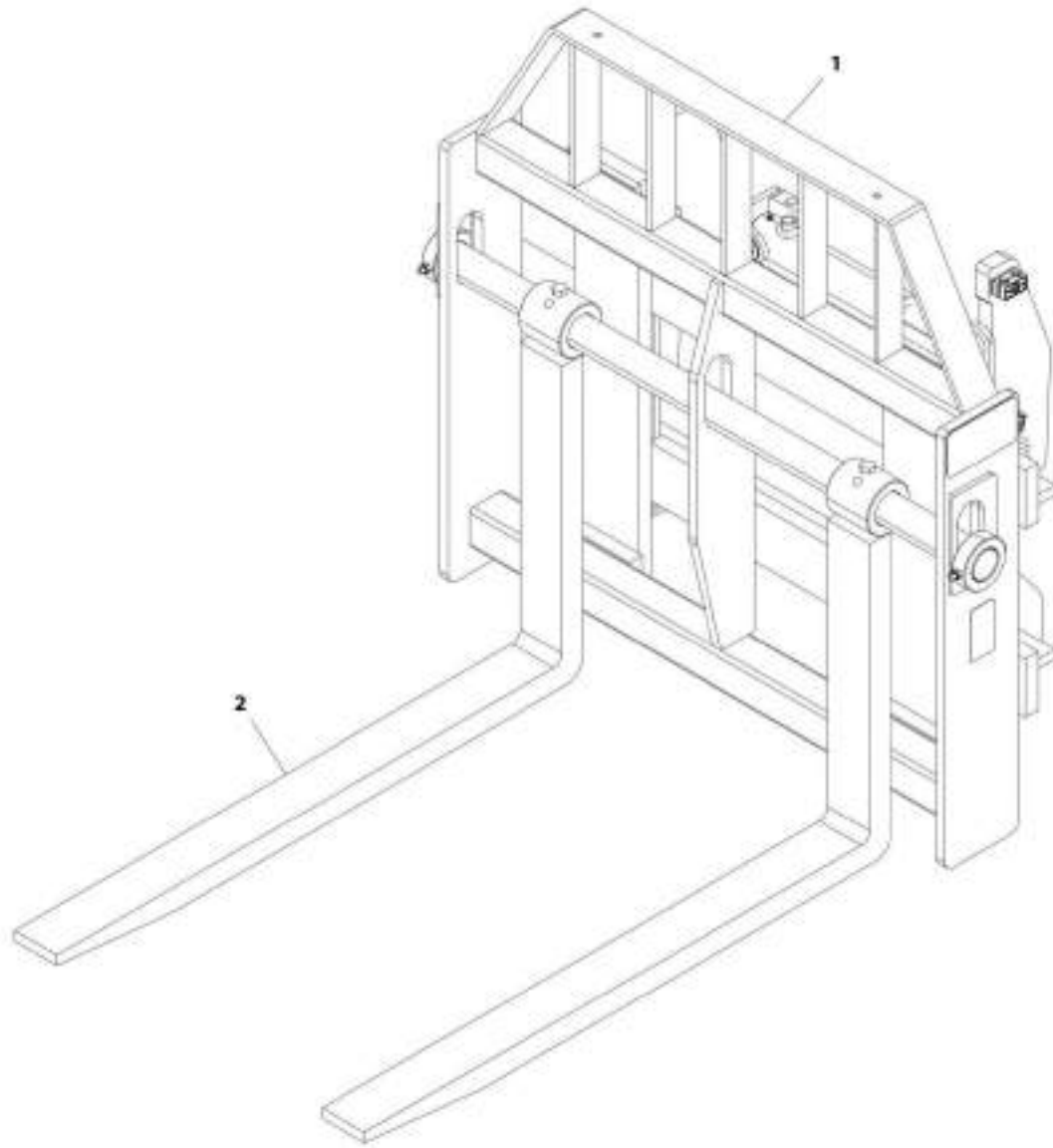
SECTION 3 - ATTACHMENTS

FIGURE 3-25. SIDE SHIFT CARRIAGE INSTALLATION - 3614RS

ITEM	PART NUMBER	QTY	DESCRIPTION	REV
	1001201185	Ref	Side Shift Carriage Installation - 3614RS	A
1	1170002	1	Carriage, Side Shift (See SIDE SHIFT CARRIAGE INSTALLATION - 4000Kg for Breakdown)	
2	2340030	1	Assembly, Fork Tine (See FORKS for Breakdown)	
3	1001201187	1	Chart, Load Metric Side Shift - 3614RS (not shown) (See DECALS SECTION for Breakdown)	
4	1001201188	1	Chart, Load Metric Side Shift (Outriggers) - 3614RS (not shown) (See DECALS SECTION for Breakdown)	

SECTION 3 - ATTACHMENTS

FIGURE 3-26. SIDE SHIFT CARRIAGE INSTALLATION - 4017RS



ART_1001261100-A

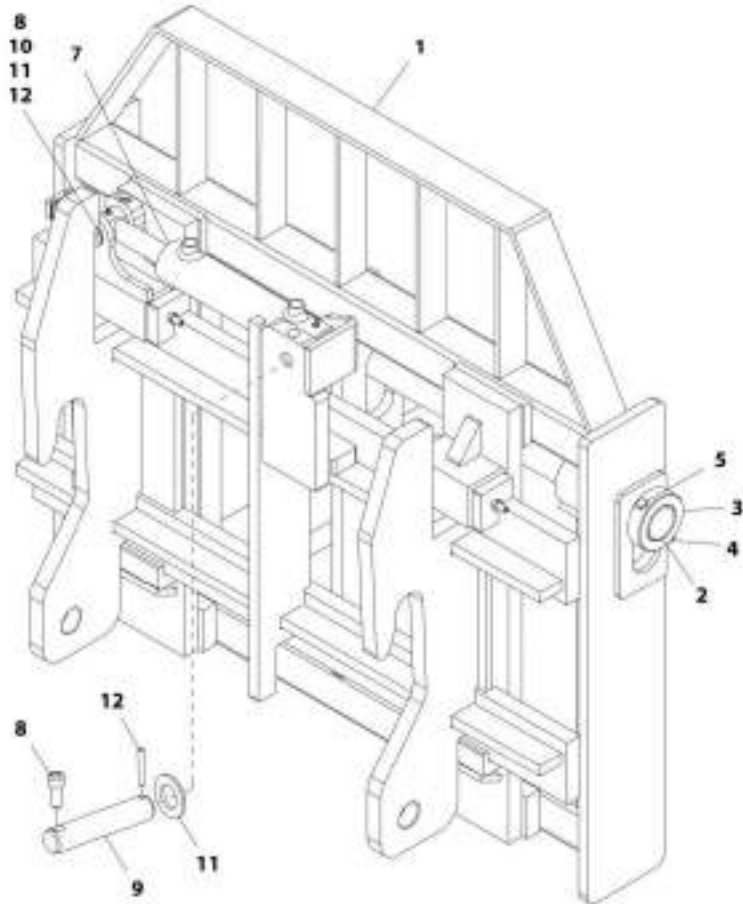
SECTION 3 - ATTACHMENTS

FIGURE 3-26. SIDE SHIFT CARRIAGE INSTALLATION - 4017RS

ITEM	PART NUMBER	QTY	DESCRIPTION	REV
	1001201189	Ref	Side Shift Carriage Installation - 4017RS	A
1	1170002	1	Carriage, Side Shift (See SIDE SHIFT CARRIAGE INSTALLATION - 4000Kg for Breakdown)	
2	2340030	1	Assembly, Fork Tine (See FORKS for Breakdown)	
3	1001201190	1	Chart, Load Metric Side Shift - 4017RS (not shown) (See DECALS SECTION for Breakdown)	
4	1001201191	1	Chart, Load Metric Side Shift (Outriggers) - 4017RS (not shown) (See DECALS SECTION for Breakdown)	

SECTION 3 - ATTACHMENTS

FIGURE 3-27. SIDE SHIFT CARRIAGE ASSEMBLY (Prior to SN 1160008687)



ART_1170013-J

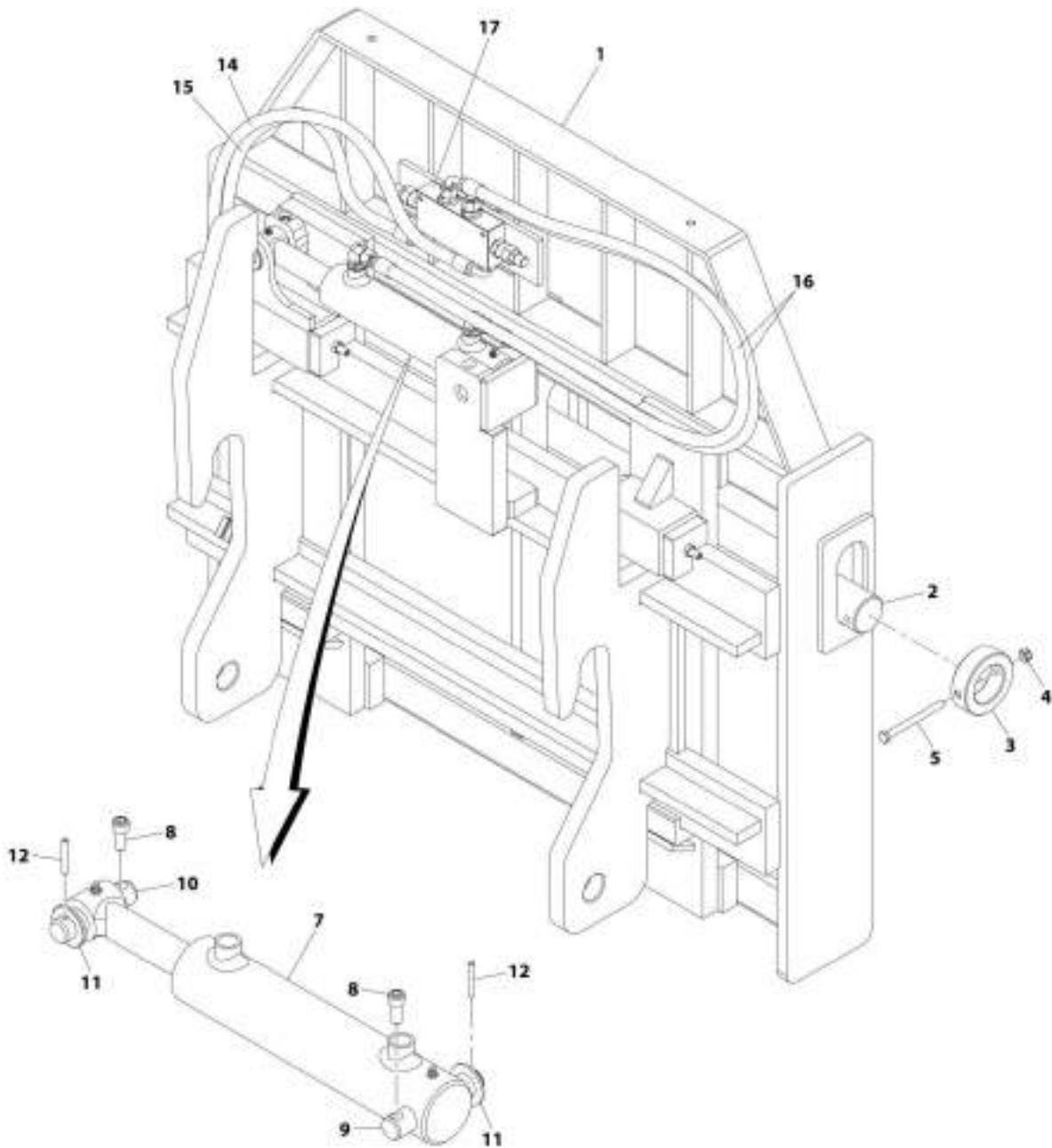
SECTION 3 - ATTACHMENTS

FIGURE 3-27. SIDE SHIFT CARRIAGE ASSEMBLY (Prior to SN 1160008687)

ITEM	PART NUMBER	QTY	DESCRIPTION	REV
	1170002	1	Side Shift Carriage Assembly, (Lamy), (includes items 1 thru 5 & 7 thru 13)	J
1	N.S.S.	1	Carriage Weldment	
2	7028136	1	Fork Pin	
3	7028137	2	Collar	
4	3291005	2	Nut	
5	0701029	2	Capscrew	
7	70021558	1	Cylinder	
8	70021559	2	Bolt	
9	70021560	1	Pin	
10	70021561	1	Pin	
11	70021562	2	Washer	
12	70021563	2	Roll Pin	
13	N.S.S.	1	S/N Plate (not shown)	

SECTION 3 - ATTACHMENTS

FIGURE 3-28. SIDE SHIFT CARRIAGE ASSEMBLY (SN 1160008687 to Present)



ART_117000-R

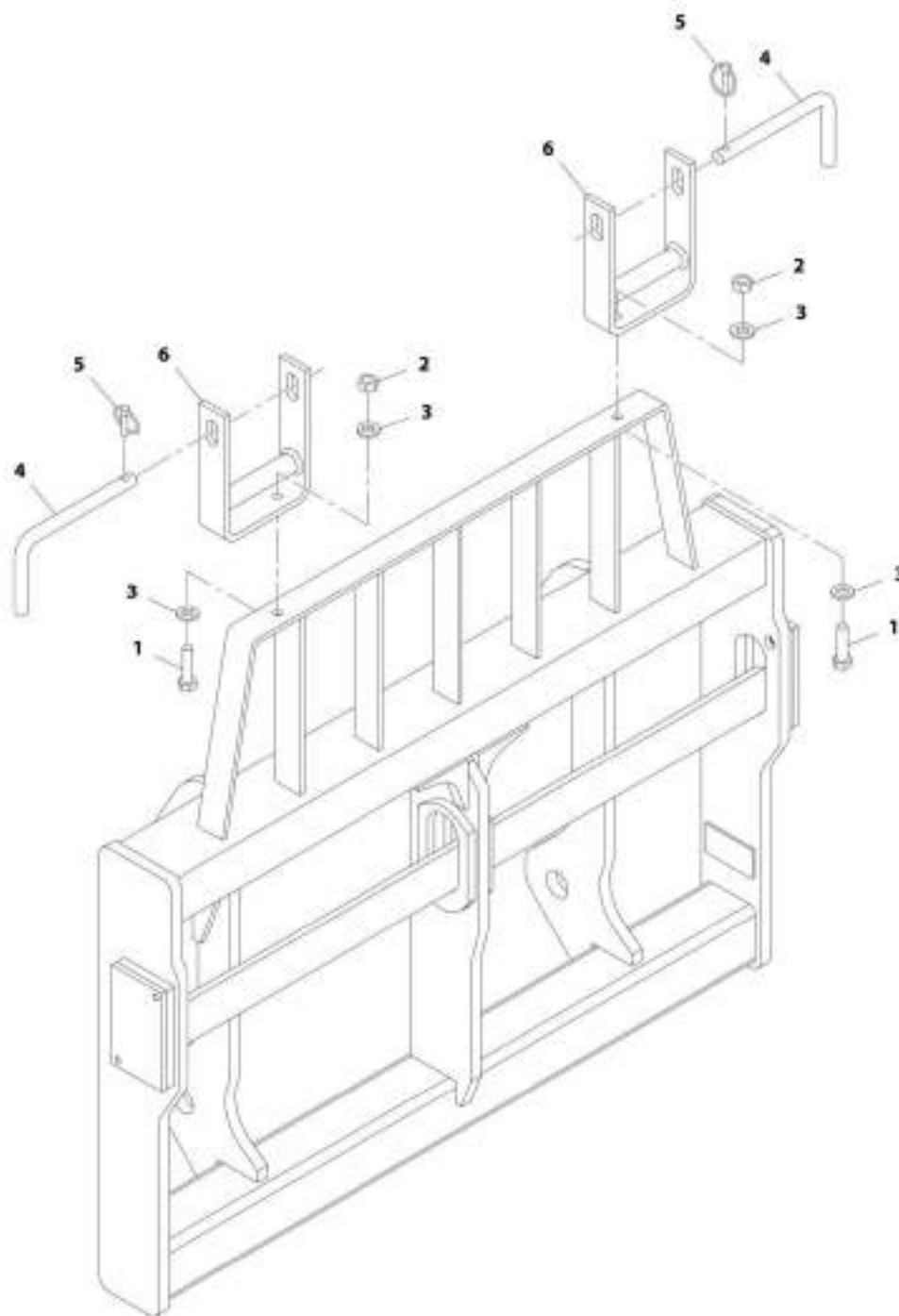
SECTION 3 - ATTACHMENTS

FIGURE 3-28. SIDE SHIFT CARRIAGE ASSEMBLY (SN 1160008687 to Present)

ITEM	PART NUMBER	QTY	DESCRIPTION	REV
	1170002	1	Side Shift Carriage Assembly	K
1	N.S.S.	1	Carriage Weldment	
2	7028136	1	Fork Pin	
3	7028137	2	Collar	
4	3291005	2	Nut	
5	0701029	2	Capscrew	
7	70021558	1	Cylinder	
8	70021559	2	Bolt	
9	70021560	1	Pin	
10	70021561	1	Pin	
11	70021562	2	Washer	
12	70021563	2	Roll Pin	
13	N.S.S.	1	S/N Plate (not shown)	
14	70029011	3	Hose	
15	70029012	1	Hose	
16	70029013	2	Hose	
17	70027291	1	Balancing Valve	

SECTION 3 - ATTACHMENTS

FIGURE 3-29. FORK TRANSPORT LATCH INSTALLATION



6RT_1501165144-C

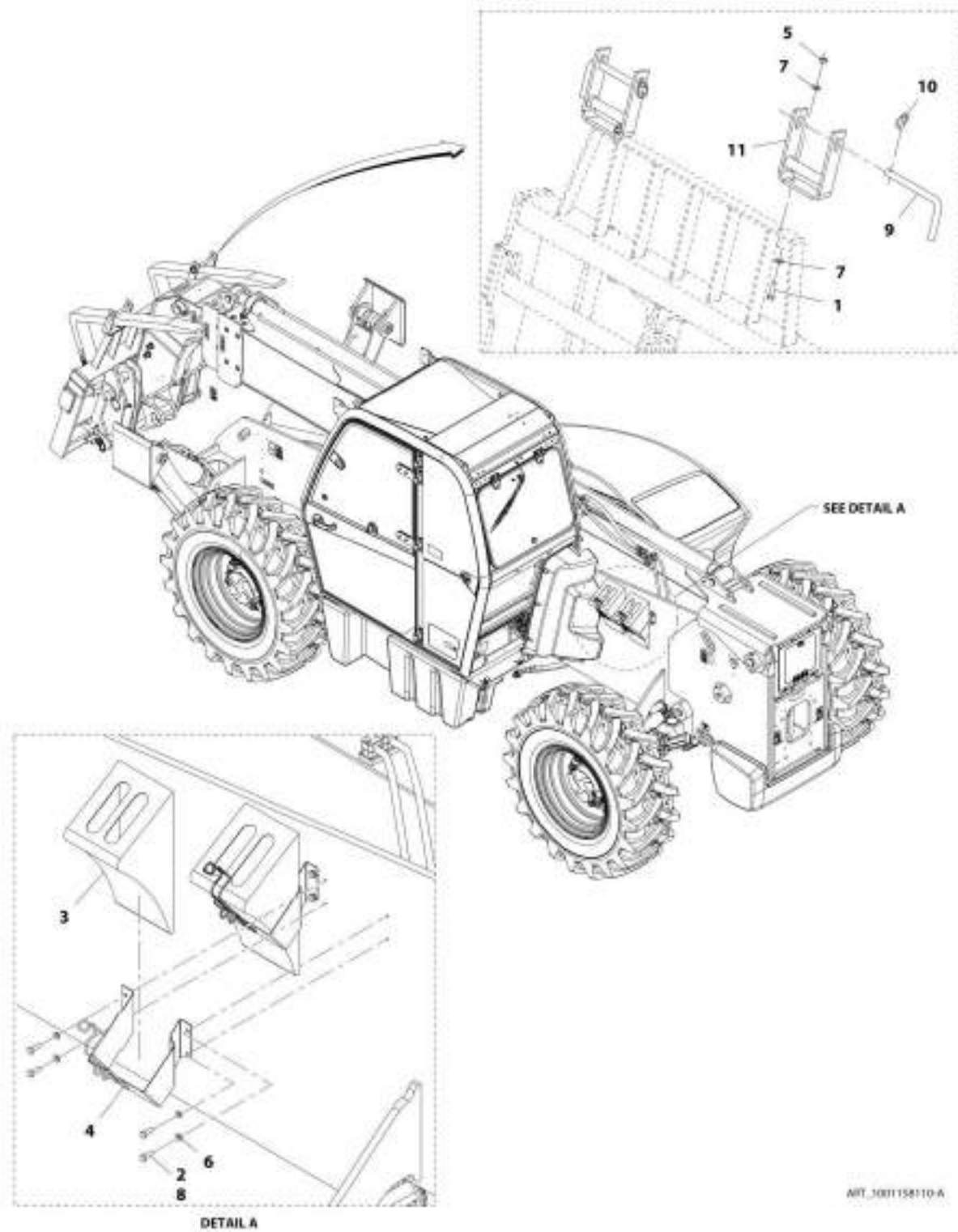
SECTION 3 - ATTACHMENTS

FIGURE 3-29. FORK TRANSPORT LATCH INSTALLATION

ITEM	PART NUMBER	QTY	DESCRIPTION	REV
	1001185346	Ref	Fork Transport Latch Installation (If equipped)	C
1	0701217	2	Bolt, M12X45	
2	3291201	2	Nut, M12X1.75	
3	5241200	4	Washer, M12	
4	1001218462	2	Pin, Carriage Fork Retainer	
5	1001109387	2	Pin, Linch	
6	1001218452	2	Bracket	

SECTION 3 - ATTACHMENTS

FIGURE 3-30. HOMOLOGATION INSTALLATION - 3614RS (GERMANY)



ART_3001158110-A

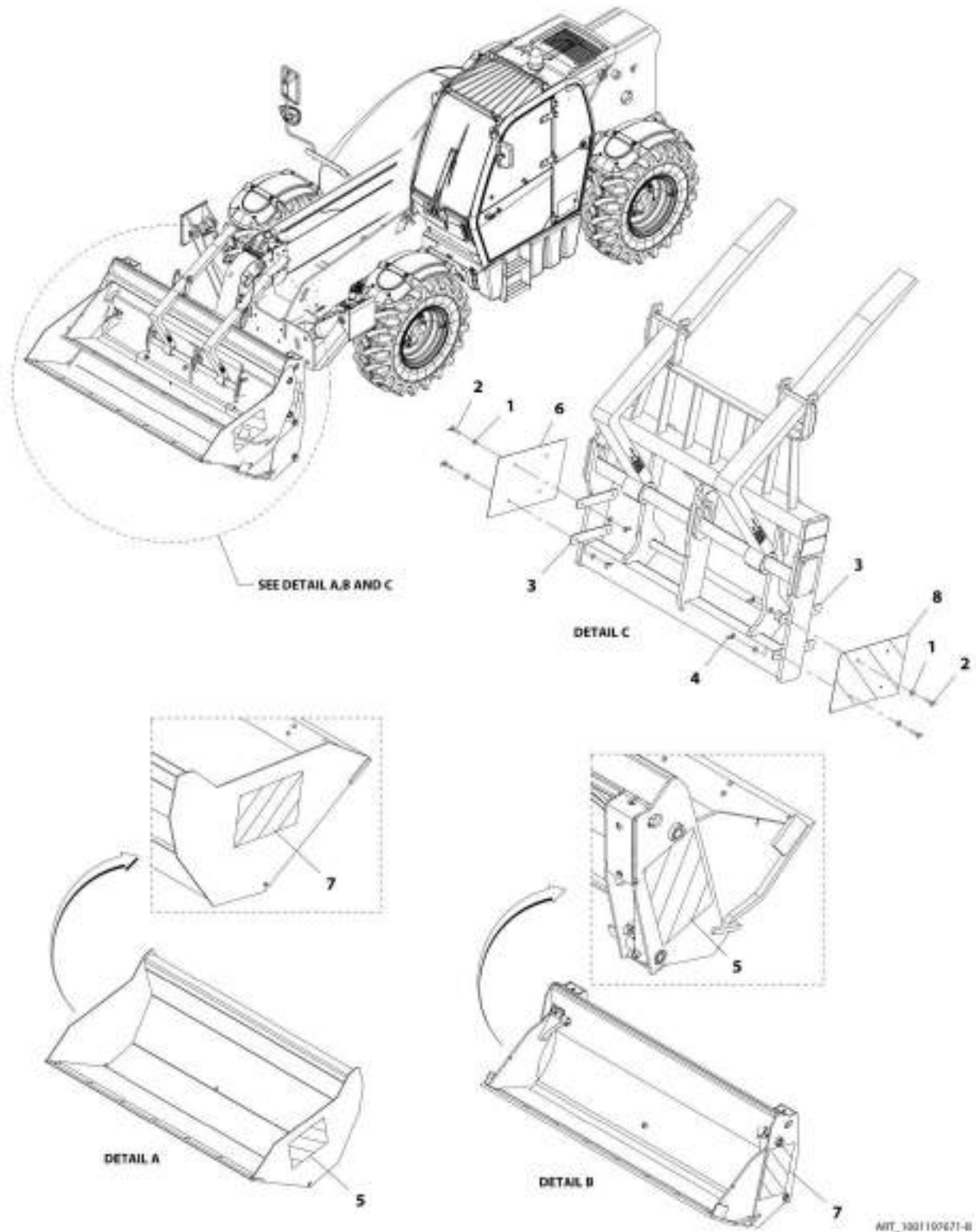
SECTION 3 - ATTACHMENTS

FIGURE 3-30. HOMOLOGATION INSTALLATION - 3614RS (GERMANY)

ITEM	PART NUMBER	QTY	DESCRIPTION	REV
	1001158110	Ref	Homologation Installation - 3614RS (Germany, if equipped)	A
1	0701217	2	Bolt, M12X45	
2	0760812	8	Bolt, M8X25	
3	806253	2	Wedge	
4	806264	2	Holder, Wedge	
5	3291201	2	Nut, M12X1.75	
6	4811900	8	Washer, M8	
7	5241200	4	Washer, M12	
8	1001095650	AR	Compound, Locking	
9	1001100262	2	Pin, Carriage Fork Retainer	
10	1001109387	2	Pin, Linch	
11	1001152259	2	Bracket	

SECTION 3 - ATTACHMENTS

FIGURE 3-31. HOMOLOGATION WARNING PANEL INSTALLATION - 3614RS (GERMANY)



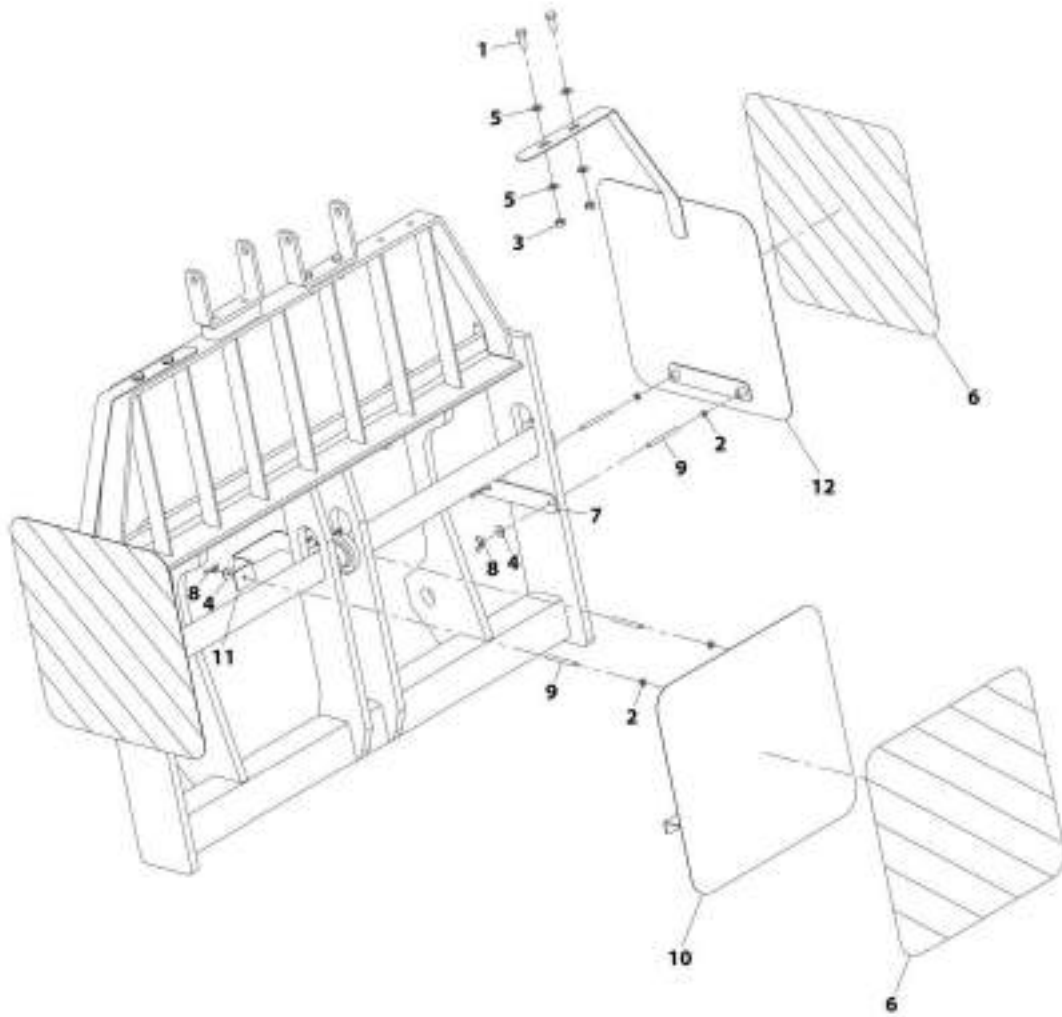
SECTION 3 - ATTACHMENTS

FIGURE 3-31. HOMOLOGATION WARNING PANEL INSTALLATION - 3614RS (GERMANY)

ITEM	PART NUMBER	QTY	DESCRIPTION	REV
	1001197671	Ref	Homologation Warning Installation - 3614RS (Germany, if equipped)	B
1	4811902	16	Washer, M8	
2	1001101458	8	Bolt, M8X40	
3	1001163938	4	Plate, Support	
4	1001164237	8	Nut, Wing M8X1.25	
5	1001197817	2	Film, Safety	
6	1001199861	1	Plate, Warning Panel	
7	1001201195	2	Film, Safety	
8	1001201236	1	Plate, Warning Panel	

SECTION 3 - ATTACHMENTS

FIGURE 3-32. REFLECTIVE PLATES INSTALLATION (FORKS)



ART_1001214854-C

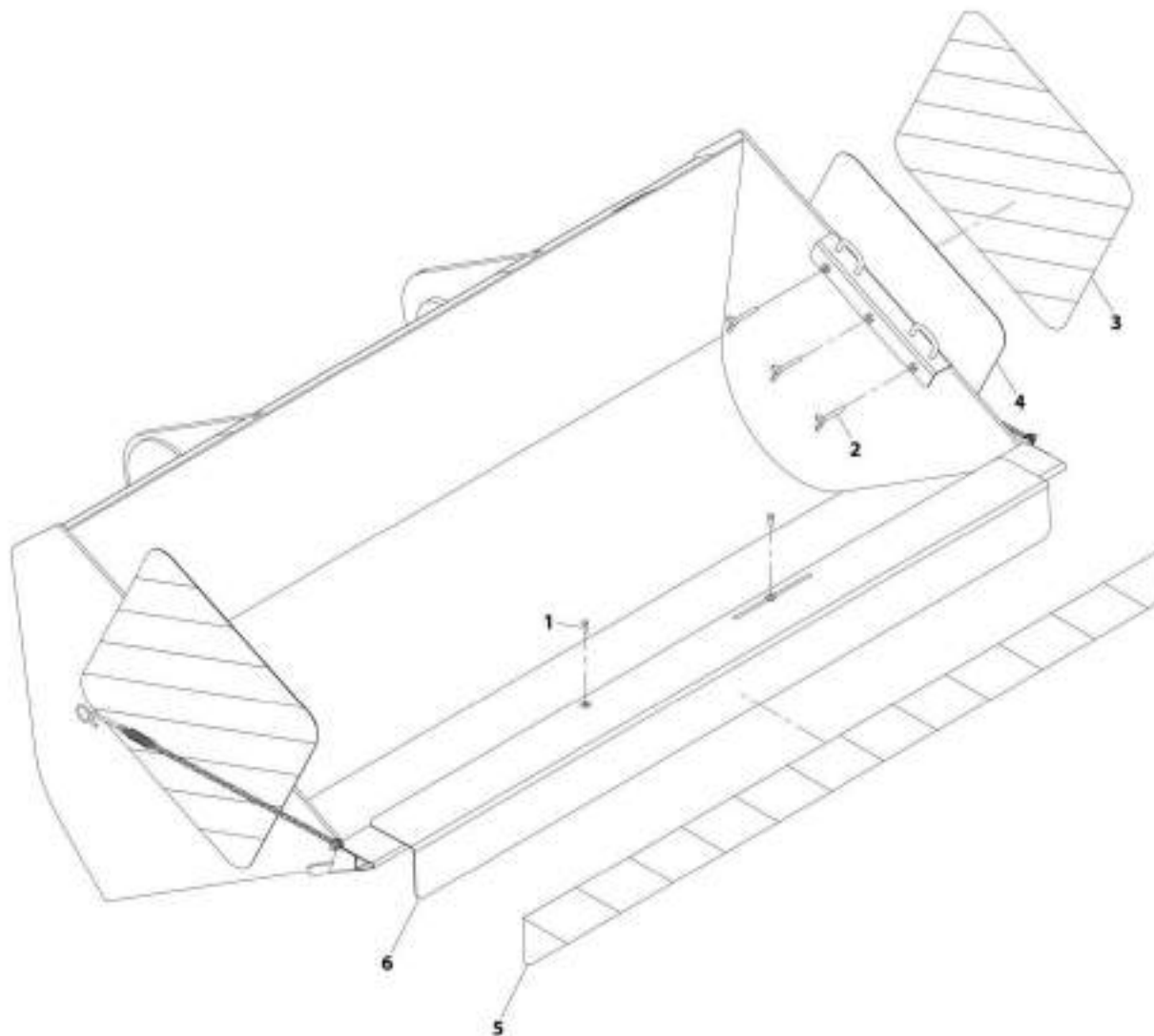
SECTION 3 - ATTACHMENTS

FIGURE 3-32. REFLECTIVE PLATES INSTALLATION (FORKS)

ITEM	PART NUMBER	QTY	DESCRIPTION	REV
	1001214454	Ref	Reflective Plates Installation (Forks)	C
1	0761214	4	Bolt, M12X30	
2	3290801	6	Nut, M8X1.25	
3	3291201	4	Nut, M12X1.75	
4	4811902	6	Washer, M8	
5	4812100	8	Washer, M12	
6	1001162771	3	Safety Film	
7	1001163938	2	Plate	
8	1001164237	6	Nut, M8X1.25	
9	1001164273	6	Stud, M8	
10	1001189707	1	Bracket, Warning Panel	
11	1001189709	1	Bracket, Support	
12	1001195493	2	Bracket, Warning Panel	

SECTION 3 - ATTACHMENTS

FIGURE 3-33. REFLECTIVE PLATES INSTALLATION (BUCKET) (ITALY)



ART. 100138997-A

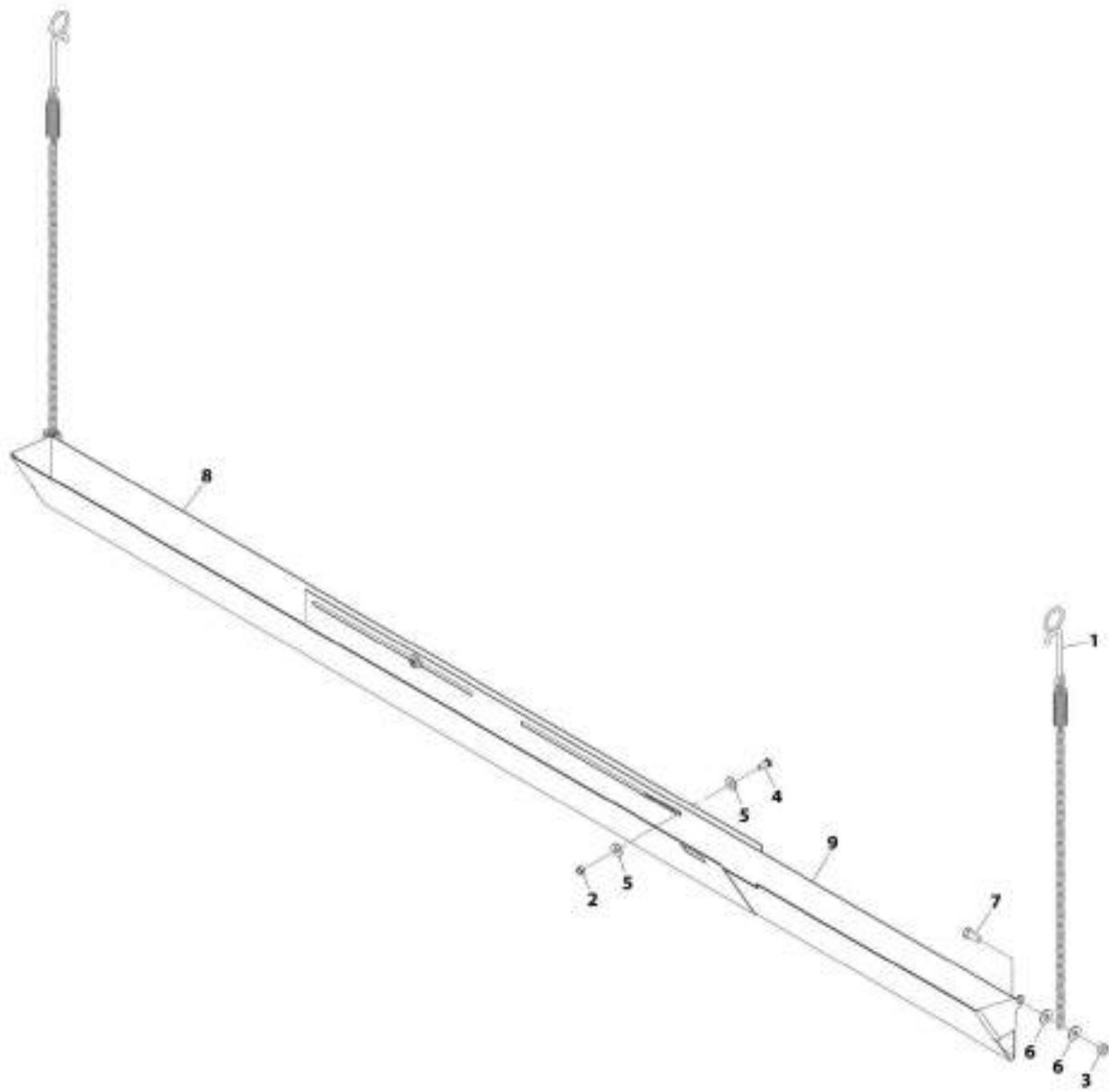
SECTION 3 - ATTACHMENTS

FIGURE 3-33. REFLECTIVE PLATES INSTALLATION (BUCKET) (ITALY)

ITEM	PART NUMBER	QTY	DESCRIPTION	REV
	1001188997	Ref	Reflective Plates Installation (Bucket) (Italy)	A
1	0760610	2	Bolt, M6X20	
2	1001139884	6	Bolt, M8	
3	1001162771	2	Safety Film	
4	1001163625	2	Bracket	
5	1001189705	1	Safety Film	
6	1001189706	1	Bracket	

SECTION 3 - ATTACHMENTS

FIGURE 3-34. BUCKET GUARD ACCESSORY (ITALY)



ART_100102436-0

SECTION 3 - ATTACHMENTS

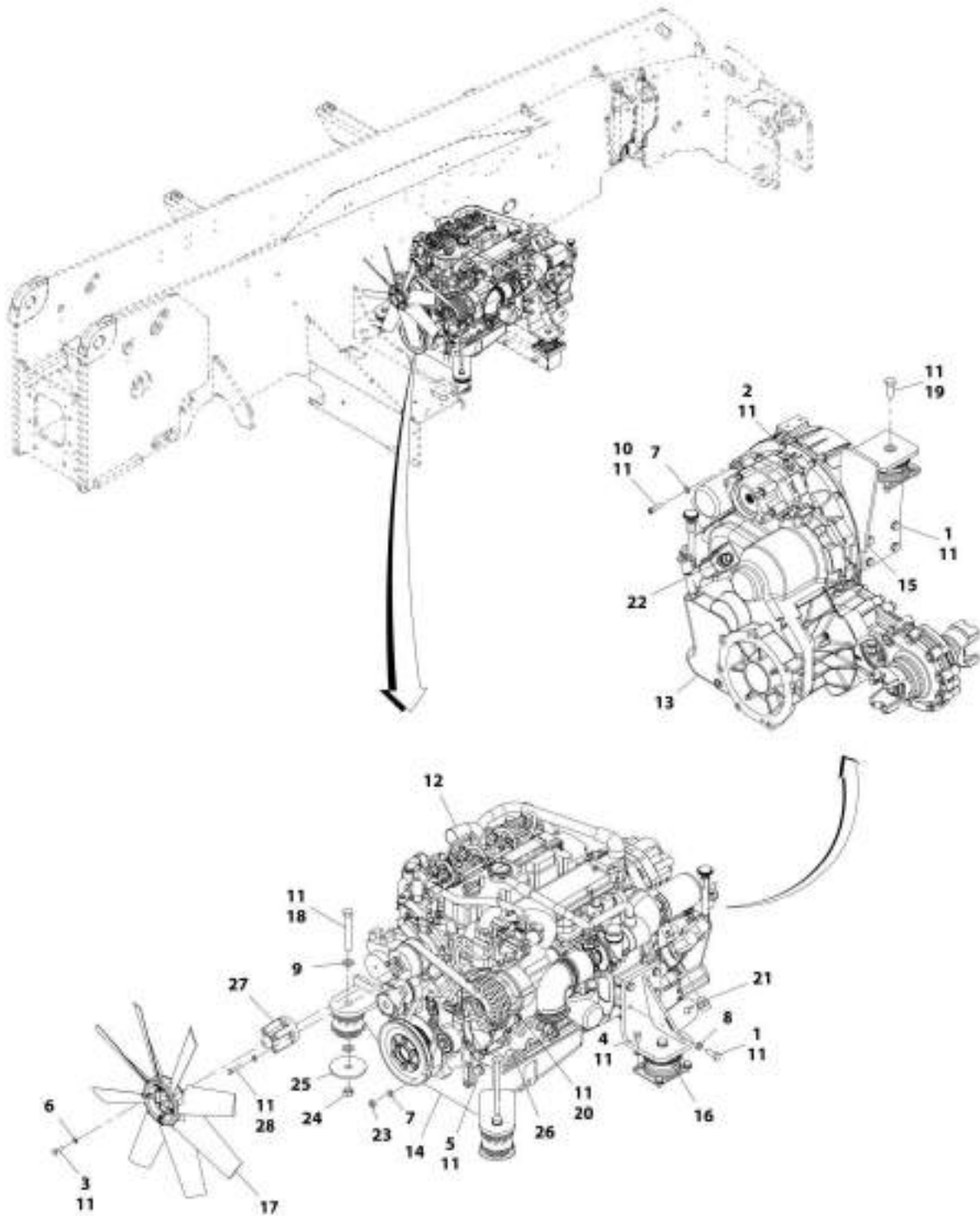
FIGURE 3-34. BUCKET GUARD ACCESSORY (ITALY)

ITEM	PART NUMBER	QTY	DESCRIPTION	REV
	1001105476	Ref	Bucket Guard Accessory (Italy)	B
1	1001003064	2	Retainer	
2	3290601	2	Nut, M6X1	
3	1001008605	2	Nut	
4	8303545	2	Nut, M6X1	
5	10701275	4	Washer	
6	1001008666	4	Washer	
7	0760810	2	Nut, M8X20	
8	1001105474	1	Plate, Bucket Guard Right	
9	1001105475	1	Plate, Bucket Guard Left	

SECTION 4 - ENGINE AND ATTACHING PARTS

SECTION 4 - ENGINE AND ATTACHING PARTS

FIGURE 4-1. ENGINE AND TRANSMISSION INSTALLATION (ULS) - 74KW (Prior to SN 1160007354)



XRT_1001141036-F

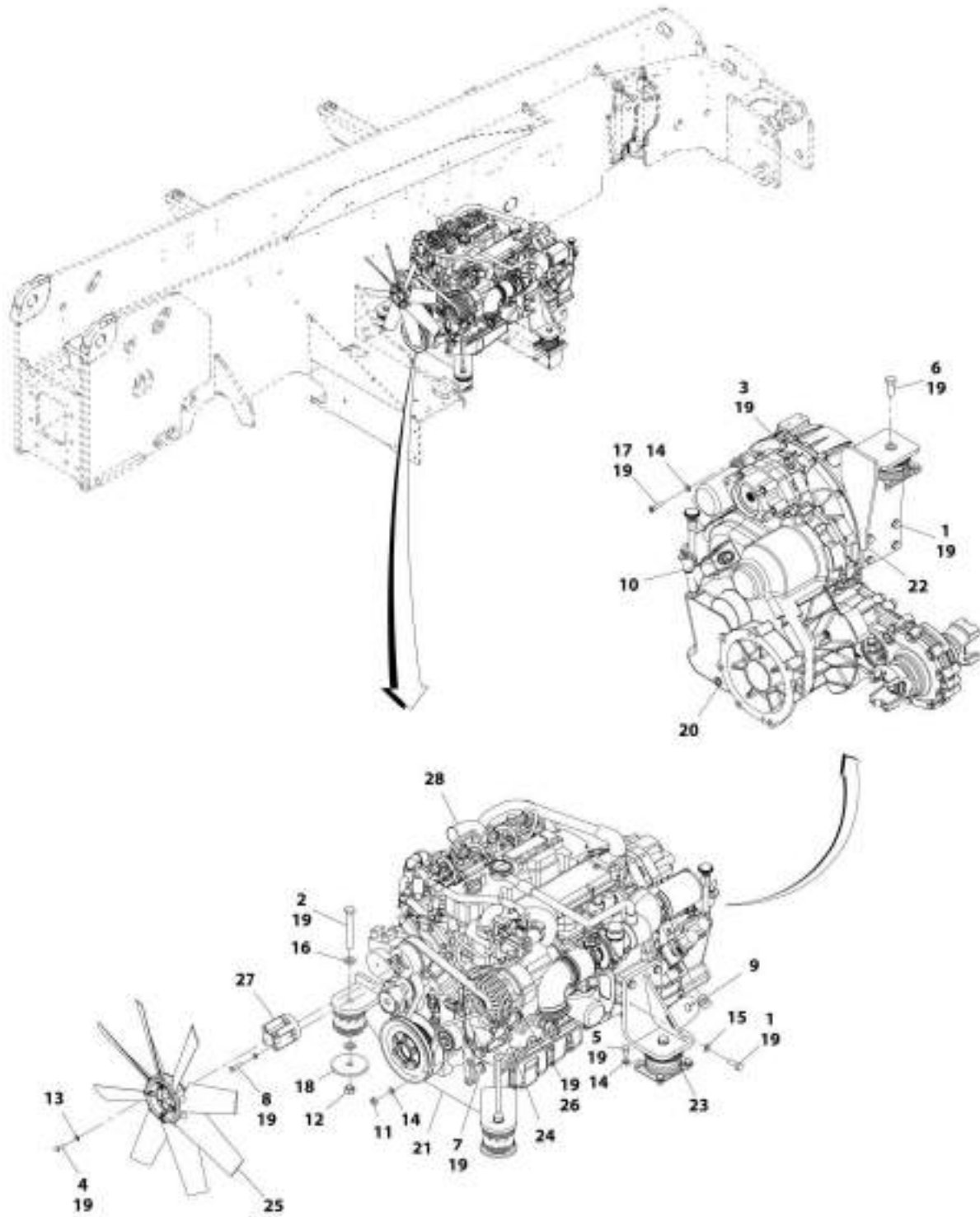
SECTION 4 - ENGINE AND ATTACHING PARTS

FIGURE 4-1. ENGINE AND TRANSMISSION INSTALLATION (ULS) - 74KW (Prior to SN 1160007354)

ITEM	PART NUMBER	QTY	DESCRIPTION	REV
	1001141038	Ref	Engine and Transmission Installation (if equipped with ULS) - 74KW	F
1	0701215	8	Bolt, M12X35	
2	0711014	9	Bolt, M10X30, Grade 10.9	
3	0760812	4	Bolt, M8X25	
4	0761010	8	Bolt, M10X20	
5	0761619	4	Bolt, M16X55	
6	4811900	8	Washer, M8	
7	4812000	19	Washer, M10	
8	4812100	8	Washer, M12	
9	4812300	10	Washer, M16	
10	91513234	1	Bolt, M10X30, Grade 10.9	
11	1001095650	AR	Compound, Locking	
12	1001141035	1	Engine, Deutz TCD 3.6 L4 (FOR ENGINE PARTS INFORMATION REFER TO DEUTZ ENGINE PARTS MANUAL 31211006)	E
13	1001141036	1	Transmission (See DRIVETRAIN SECTION for Breakdown)	
14	1001141093	1	Bracket, Engine Mount	
15	1001141097	1	Bracket, Engine Mount	
16	1001141100	1	Bracket, Engine Mount	
17	1001150752	1	Fan	
18	0701629	2	Bolt, M16X120	
19	0761616	2	Bolt, M16X40	
20	1001152378	1	Bolt, M10X110	
21	2144810	1	Connector	
22	2144811	1	Adapter, Straight	
23	3291001	1	Nut, M10X1.5	
24	3291601	2	Nut, M16X2	
25	1001008506	2	Washer	
26	1001150630	1	Shield, Alternator	
27	1001170311	1	Adapter, Fan	
28	0770815	4	Bolt, M8X35, Grade 10.9	

SECTION 4 - ENGINE AND ATTACHING PARTS

FIGURE 4-2. ENGINE AND TRANSMISSION INSTALLATION (ULS) - 74KW (SN 1160007354 through 1160008518)



ART_1001171220-B

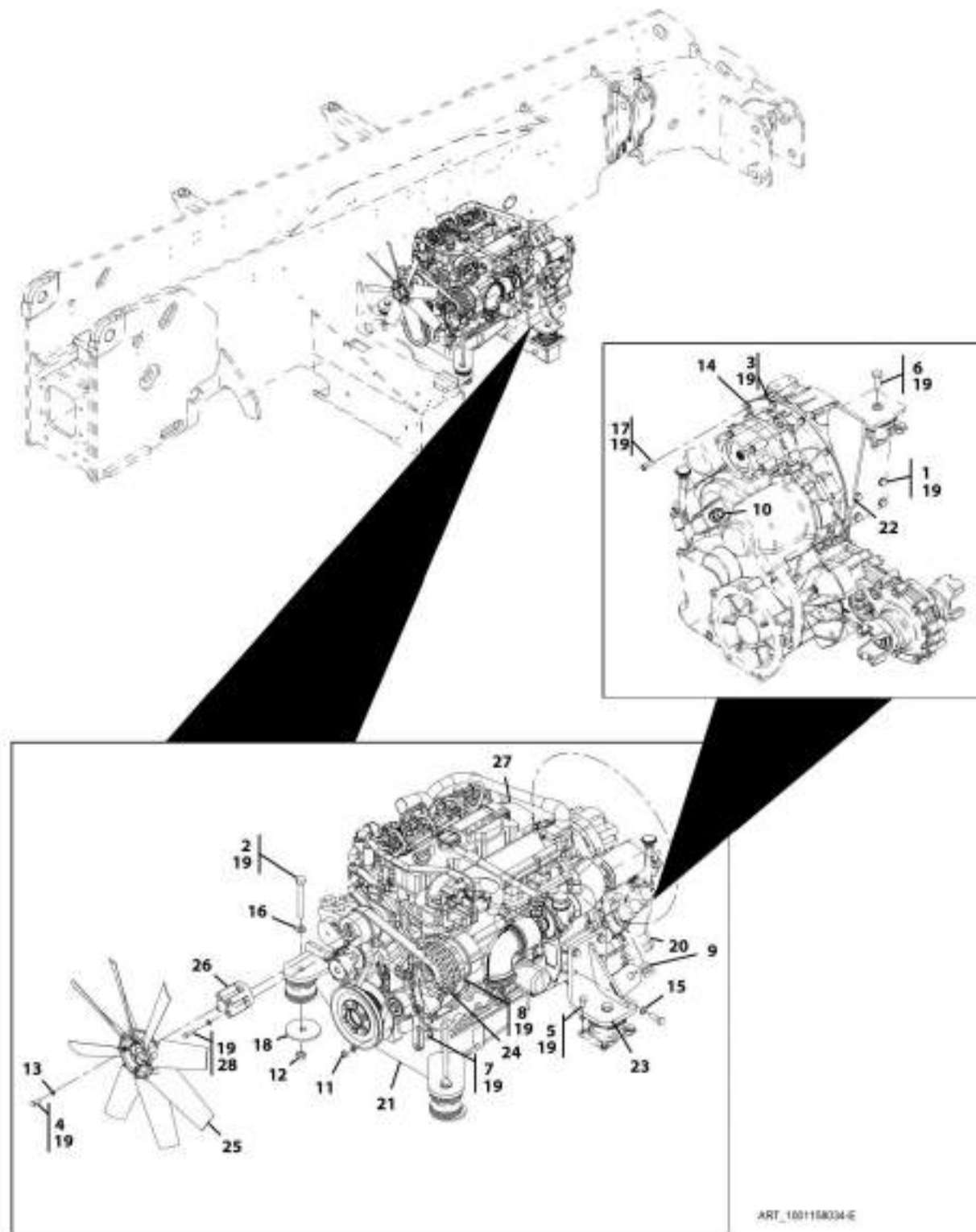
SECTION 4 - ENGINE AND ATTACHING PARTS

FIGURE 4-2. ENGINE AND TRANSMISSION INSTALLATION (ULS) - 74KW (SN 1160007354 through 1160008518)

ITEM	PART NUMBER	QTY	DESCRIPTION	REV
	1001171220	Ref	Engine and Transmission Installation (ULS) - 74KW	B
1	0701215	8	Bolt, M12X35	
2	0701629	2	Bolt, M16X120	
3	0711014	9	Bolt, M10X30, Grade 10.9	
4	0760812	4	Bolt, M8X25	
5	0761010	8	Bolt, M10X20	
6	0761616	2	Bolt, M16X40	
7	0761619	4	Bolt, M16X55	
8	0770815	4	Bolt, M8X35, Grade 10.9	
9	2144810	1	Connector	
10	2144811	1	Adapter, Straight	
11	3291001	1	Nut, M10X1.5	
12	3291601	2	Nut, M16X2	
13	4811900	8	Washer, M8	
14	4812000	19	Washer, M10	
15	4812100	8	Washer, M12	
16	4812300	10	Washer, M16	
17	91513234	1	Bolt, M10X30, Grade 10.9	
18	1001008506	2	Washer	
19	1001095650	AR	Compound, Locking	
20	1001141036	1	Transmission (See DRIVETRAIN SECTION for Breakdown)	
21	1001141093	1	Bracket, Engine Mount	
22	1001141097	1	Bracket, Engine Mount	
23	1001141100	NLA	Bracket, Engine Mount (no longer available, use 1001242118 for replacement)	
23	1001242118	1	Bracket, Engine Mount	
24	1001150630	1	Shield, Alternator	
25	1001150752	1	Fan	
26	1001152378	1	Bolt, M10X110	
27	1001170311	1	Adapter, Fan	
28	1001171222	1	Engine, Deutz TCD 3.6 L4 (FOR ENGINE PARTS INFORMATION REFER TO DEUTZ ENGINE PARTS MANUAL 31211006 AND 31211007)	E

SECTION 4 - ENGINE AND ATTACHING PARTS

FIGURE 4-3. ENGINE AND TRANSMISSION INSTALLATION (LS) - 74KW (Prior to SN 1160007354)



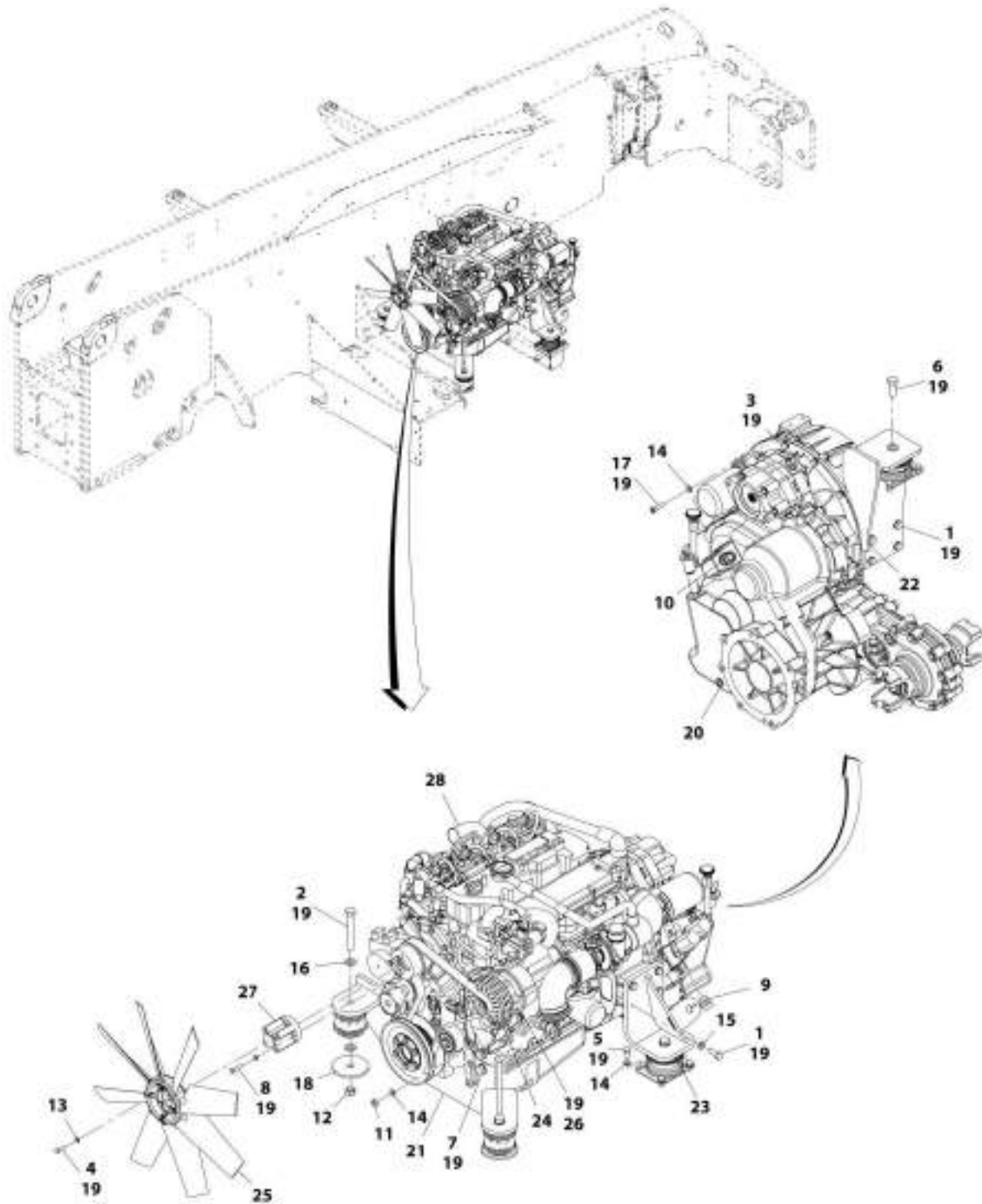
SECTION 4 - ENGINE AND ATTACHING PARTS

FIGURE 4-3. ENGINE AND TRANSMISSION INSTALLATION (LS) - 74KW (Prior to SN 1160007354)

ITEM	PART NUMBER	QTY	DESCRIPTION	REV
	1001158034	Ref	Engine and Transmission Installation (LS) - 74KW	E
1	0701215	8	Bolt, M12X35	
2	0701629	2	Bolt, M16X120	
3	0711014	9	Bolt, M10X30, Grade 10.9	
4	0760812	4	Bolt, M8X25	
5	0761010	8	Bolt, M10X20	
6	0761616	2	Bolt, M16X40	
7	0761619	4	Bolt, M16X55	
8	1001152378	1	Bolt, M10X110	
9	2144810	1	Connector	
10	2144811	1	Adapter, Straight	
11	3291001	1	Nut, M10X1.5	
12	3291601	2	Nut, M16X2	
13	4811900	8	Washer, M8	
14	4812000	19	Washer, M10	
15	4812100	8	Washer, M12	
16	4812300	10	Washer, M16	
17	91513234	1	Bolt, M10X30, Grade 10.9	
18	1001008506	2	Washer	
19	1001095650	AR	Compound, Locking	
20	1001141036	1	Transmission (See DRIVETRAIN SECTION for Breakdown)	
21	1001141093	1	Bracket, Engine Mount	
22	1001141097	1	Bracket, Engine Mount	
23	1001141100	1	Bracket, Engine Mount	
24	1001150630	1	Shield, Alternator	
25	1001150752	1	Fan	
26	1001170311	1	Adapter, Fan	
27	1001158033	1	Engine, Deutz TCD 3.6 L4 (FOR ENGINE PARTS INFORMATION REFER TO DEUTZ ENGINE PARTS MANUAL 31211006)	
28	0770815	4	Bolt, M8X35, Grade 10.9	

SECTION 4 - ENGINE AND ATTACHING PARTS

FIGURE 4-4. ENGINE AND TRANSMISSION INSTALLATION (LS) - 74KW (SN 1160007354 through 1160008518)



ART_1001171221-B

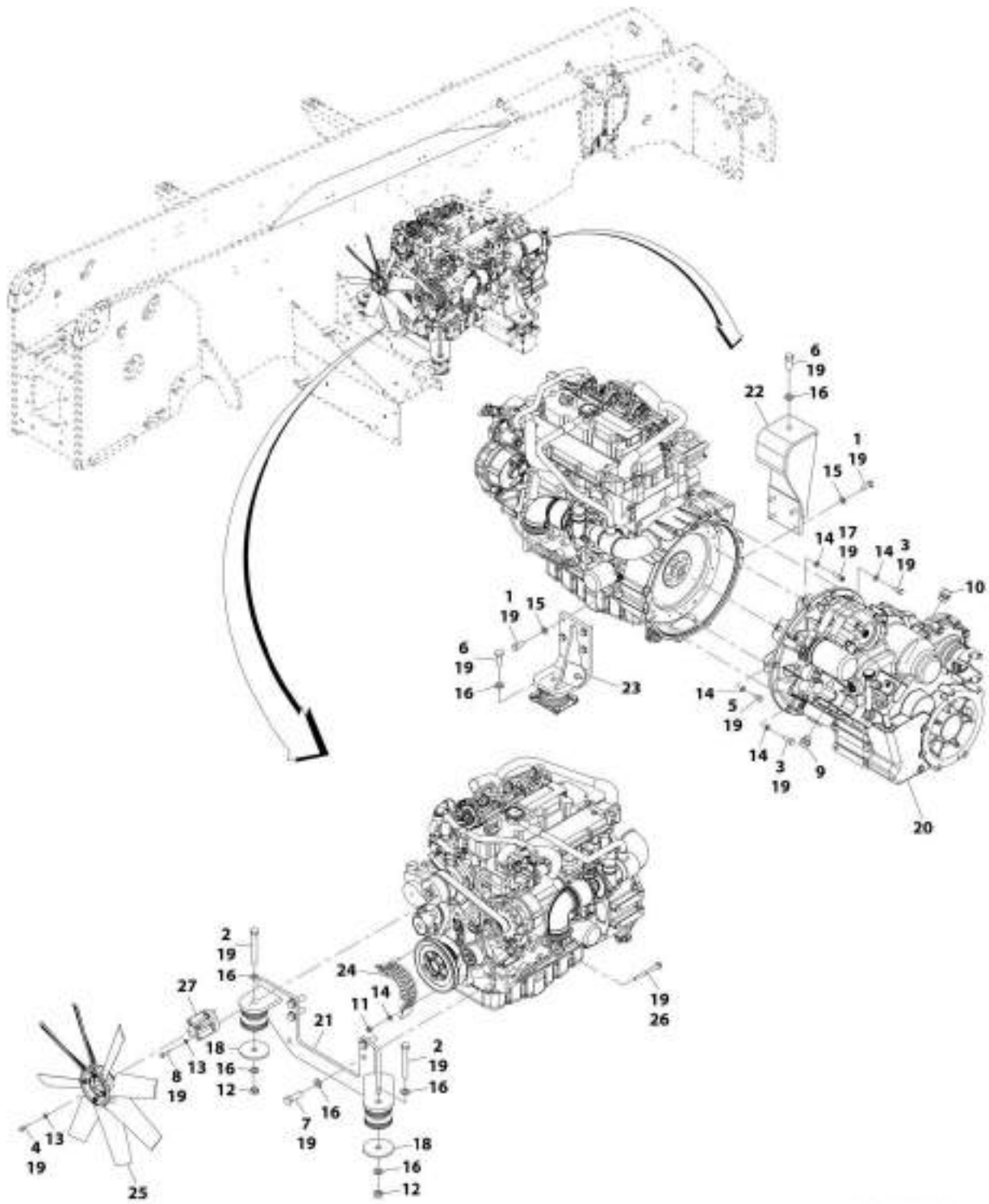
SECTION 4 - ENGINE AND ATTACHING PARTS

FIGURE 4-4. ENGINE AND TRANSMISSION INSTALLATION (LS) - 74KW (SN 1160007354 through 1160008518)

ITEM	PART NUMBER	QTY	DESCRIPTION	REV
	1001171221	Ref	Engine and Transmission Installation (LS) - 74KW	B
1	0701215	8	Bolt, M12X35	
2	0701629	2	Bolt, M16X120	
3	0711014	9	Bolt, M10X30, Grade 10.9	
4	0760812	4	Bolt, M8X25	
5	0761010	8	Bolt, M10X20	
6	0761616	2	Bolt, M16X40	
7	0761619	4	Bolt, M16X55	
8	0770815	4	Bolt, M8X35, Grade 10.9	
9	2144810	1	Connector	
10	2144811	1	Adapter, Straight	
11	3291001	1	Nut, M10X1.5	
12	3291601	2	Nut, M16X2	
13	4811900	8	Washer, M8	
14	4812000	19	Washer, M10	
15	4812100	8	Washer, M12	
16	4812300	10	Washer, M16	
17	91513234	1	Bolt, M10X30, Grade 10.9	
18	1001008506	2	Washer	
19	1001095650	AR	Compound, Locking	
20	1001141036	1	Transmission (See DRIVETRAIN SECTION for Breakdown)	
21	1001141093	1	Bracket, Engine Mount	
22	1001141097	1	Bracket, Engine Mount	
23	1001141100	NLA	Bracket, Engine Mount (no longer available, use 1001242118 for replacement)	
23	1001242118	1	Bracket, Engine Mount	
24	1001150630	1	Shield, Alternator	
25	1001150752	1	Fan	
26	1001152378	1	Bolt, M10X110	
27	1001170311	1	Adapter, Fan	
28	1001171223	1	Engine, Deutz TCD 3.6 L4 (FOR ENGINE PARTS INFORMATION REFER TO DEUTZ ENGINE PARTS MANUAL 31211006 AND 31211007)	D

SECTION 4 - ENGINE AND ATTACHING PARTS

FIGURE 4-5. TRANSMISSION INSTALLATION (ULS) - 74KW (SN 1160008519 to Present)



MTL_1001204279-8

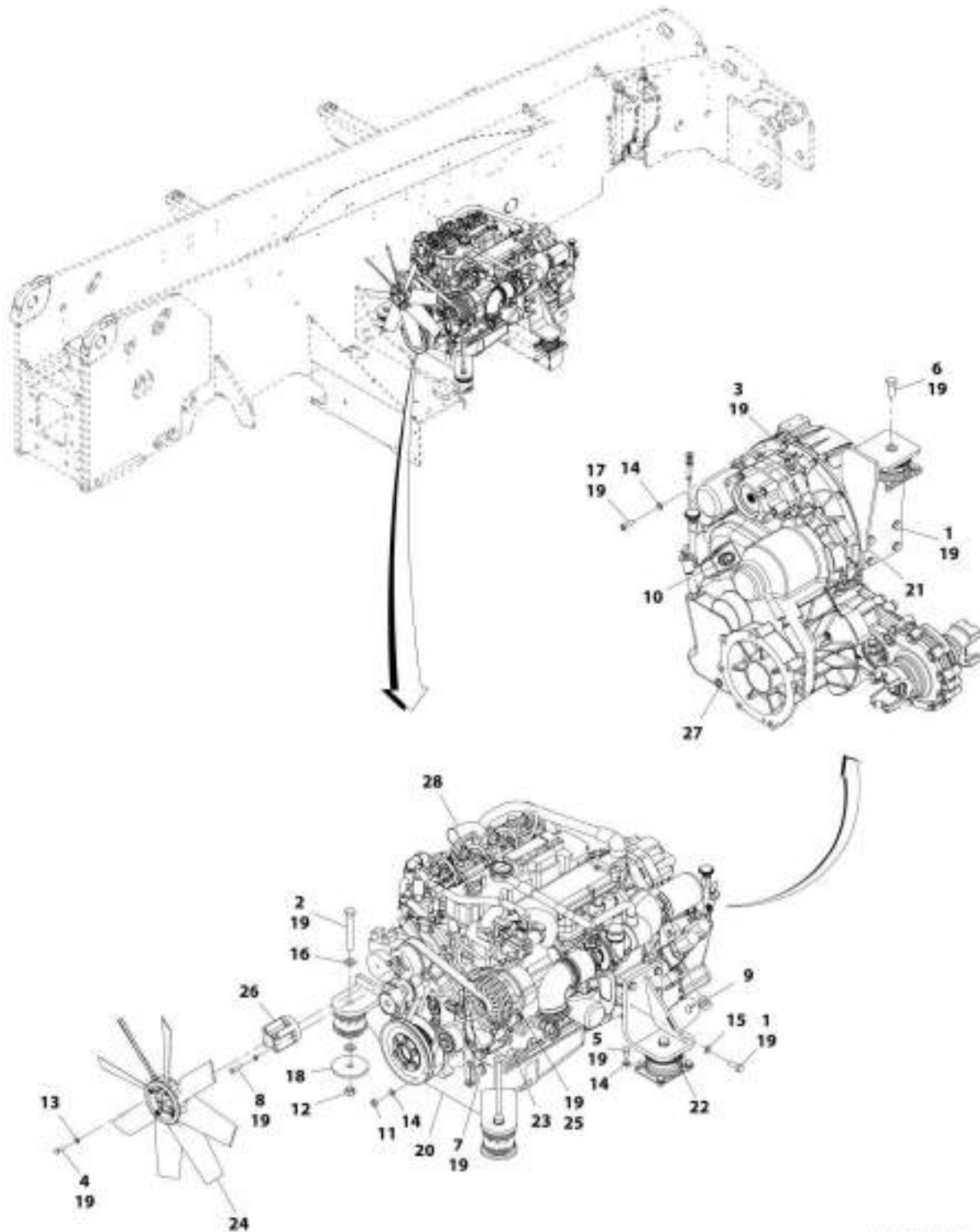
SECTION 4 - ENGINE AND ATTACHING PARTS

FIGURE 4-5. TRANSMISSION INSTALLATION (ULS) - 74KW (SN 1160008519 to Present)

ITEM	PART NUMBER	QTY	DESCRIPTION	REV
	1001204279	Ref	Engine and Transmission Installation (ULS) - 74KW	B
1	0701215	8	Bolt, M12X35	
2	0701629	2	Bolt, M16X120	
3	0711014	9	Bolt, M10X30	
4	0760812	4	Bolt, M8X25	
5	0761010	8	Bolt, M10X20	
6	0761616	2	Bolt, M16X40	
7	0761619	4	Bolt, M16X55	
8	0770815	4	Bolt, M8X35	
9	2144810	1	Connector, Male	
10	2144811	1	Adapter, Straight	
11	3291001	1	Nut, M10X1.5	
12	3291601	2	Nut, M16X2	
13	4811900	8	Washer, M8	
14	4812000	19	Washer, M10	
15	4812100	8	Washer, M12	
16	4812300	10	Washer, M16	
17	91513234	1	Bolt, M10X30, Grade 10.9	
18	1001008506	2	Washer	
19	1001095650	AR	Compound, Locking	
20	1001141036	1	Transmission (See Separate Breakdown in DRIVETRAIN Section)	
21	1001141093	1	Bracket, Engine Mount	
22	1001141097	1	Bracket, Engine Mount	
23	1001141100	NLA	Bracket, Engine Mount (no longer available, use 1001242118 for replacement)	
23	1001242118	1	Bracket, Engine Mount	
24	1001150630	1	Shield, Alternator	
25	1001150752	1	Fan	
26	1001152378	1	Bolt, M10X110	
27	1001170311	1	Adapter, Fan	

SECTION 4 - ENGINE AND ATTACHING PARTS

FIGURE 4-6. ENGINE AND TRANSMISSION INSTALLATION (ULS) - 55KW



ART_1001191066-C

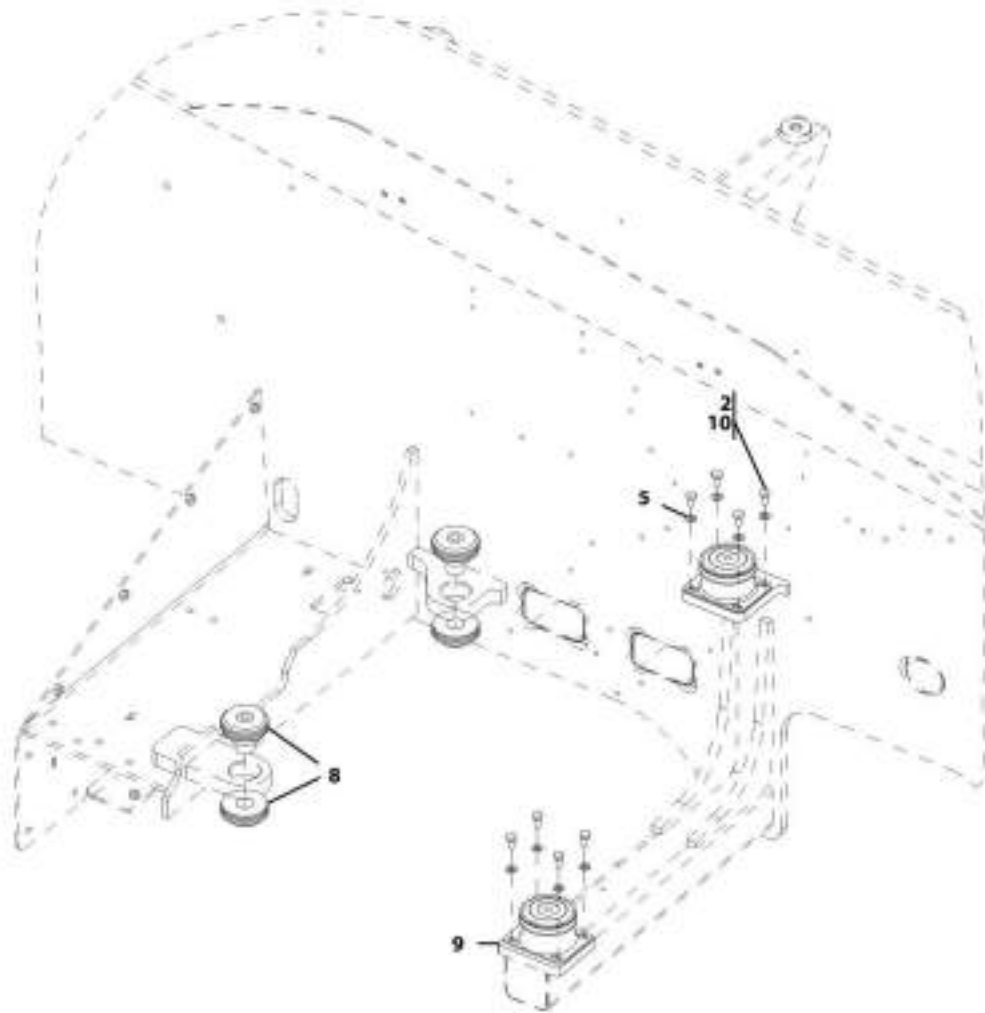
SECTION 4 - ENGINE AND ATTACHING PARTS

FIGURE 4-6. ENGINE AND TRANSMISSION INSTALLATION (ULS) - 55KW

ITEM	PART NUMBER	QTY	DESCRIPTION	REV
	1001191999	Ref	Engine and Transmission Installation (ULS) - 55KW	C
1	0701215	8	Bolt, M12X35	
2	0701629	2	Bolt, M16X120	
3	0711014	9	Bolt, M10X30	
4	0760812	4	Bolt, M8X25	
5	0761010	8	Bolt, M10X20	
6	0761616	2	Bolt, M16X40	
7	0761619	4	Bolt, M16X55	
8	0770815	4	Bolt, M8X35	
9	2144810	1	Connector, Male	
10	2144811	1	Adapter, Straight	
11	3291001	1	Nut, M10X1.5	
12	3291601	2	Nut, M16X2	
13	4811900	8	Washer, M8	
14	4812000	19	Washer, M10	
15	4812100	8	Washer, M12	
16	4812300	10	Washer, M16	
17	91513234	1	Bolt, M10X30, Grade 10.9	
18	1001008506	2	Washer	
19	1001095650	AR	Compound, Locking	
20	1001141093	1	Bracket, Engine Mount	
21	1001141097	1	Bracket, Engine Mount	
22	1001141100	NLA	Bracket, Engine Mount (no longer available, use 1001242118 for replacement)	
22	1001242118	1	Bracket, Engine Mount	
23	1001150630	1	Shield, Alternator	
24	1001150572	1	Fan (Prior to SN 1160008120, Excluding 1160007977, 1160008000 and 1160008003)	
24	1001204872	1	Fan (SN 1160008120 to Present, Including 1160007977, 1160008000 and 1160008003)	
25	1001152378	1	Bolt, M10X110	
26	1001170311	1	Adapter, Fan	
27	1001192001	1	Assembly, Transmission DANA (See DRIVETRAIN SECTION for Breakdown)	
28	1001192003	1	Engine, DEUTZ 55.4KW TCD3.6L4 (FOR ENGINE PARTS INFORMATION REFER TO DEUTZ ENGINE PARTS MANUAL 31211006)	D

SECTION 4 - ENGINE AND ATTACHING PARTS

FIGURE 4-7. ENGINE MOUNTING INSTALLATION



ART 3001341152-C

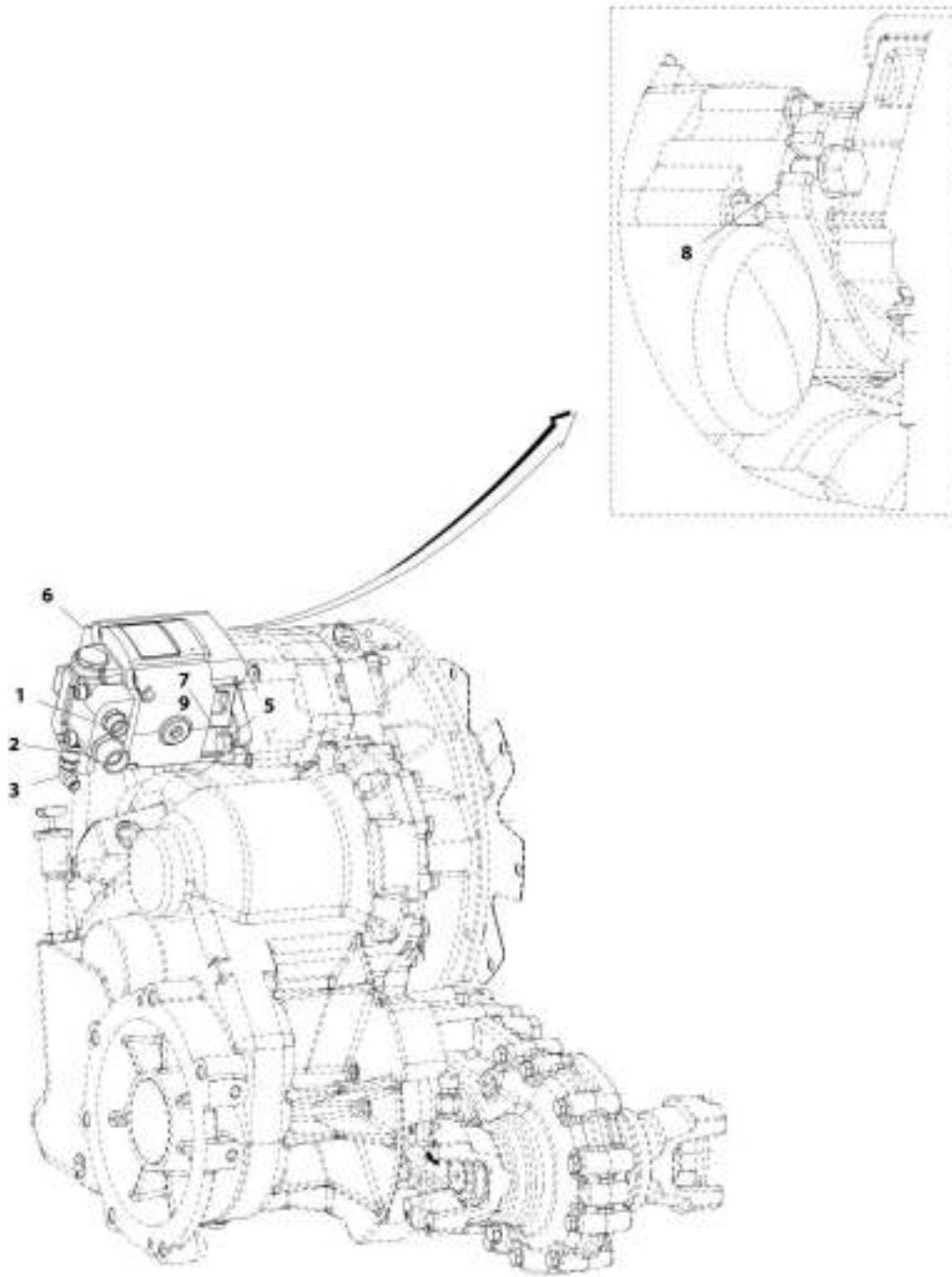
SECTION 4 - ENGINE AND ATTACHING PARTS

FIGURE 4-7. ENGINE MOUNTING INSTALLATION

ITEM	PART NUMBER	QTY	DESCRIPTION	REV
	1001141152	1	Engine Mounting Installation	C
2	0761010	8	Bolt, M10X20	
5	4812000	8	Washer, M10	
8	1001120523	2	Mount, Engine	
9	1001134127	2	Mount, Engine	
10	1001095650	AR	Compound, Locking	

SECTION 4 - ENGINE AND ATTACHING PARTS

FIGURE 4-8. HYDRAULIC PUMP INSTALLATION



ART_3001147993-E

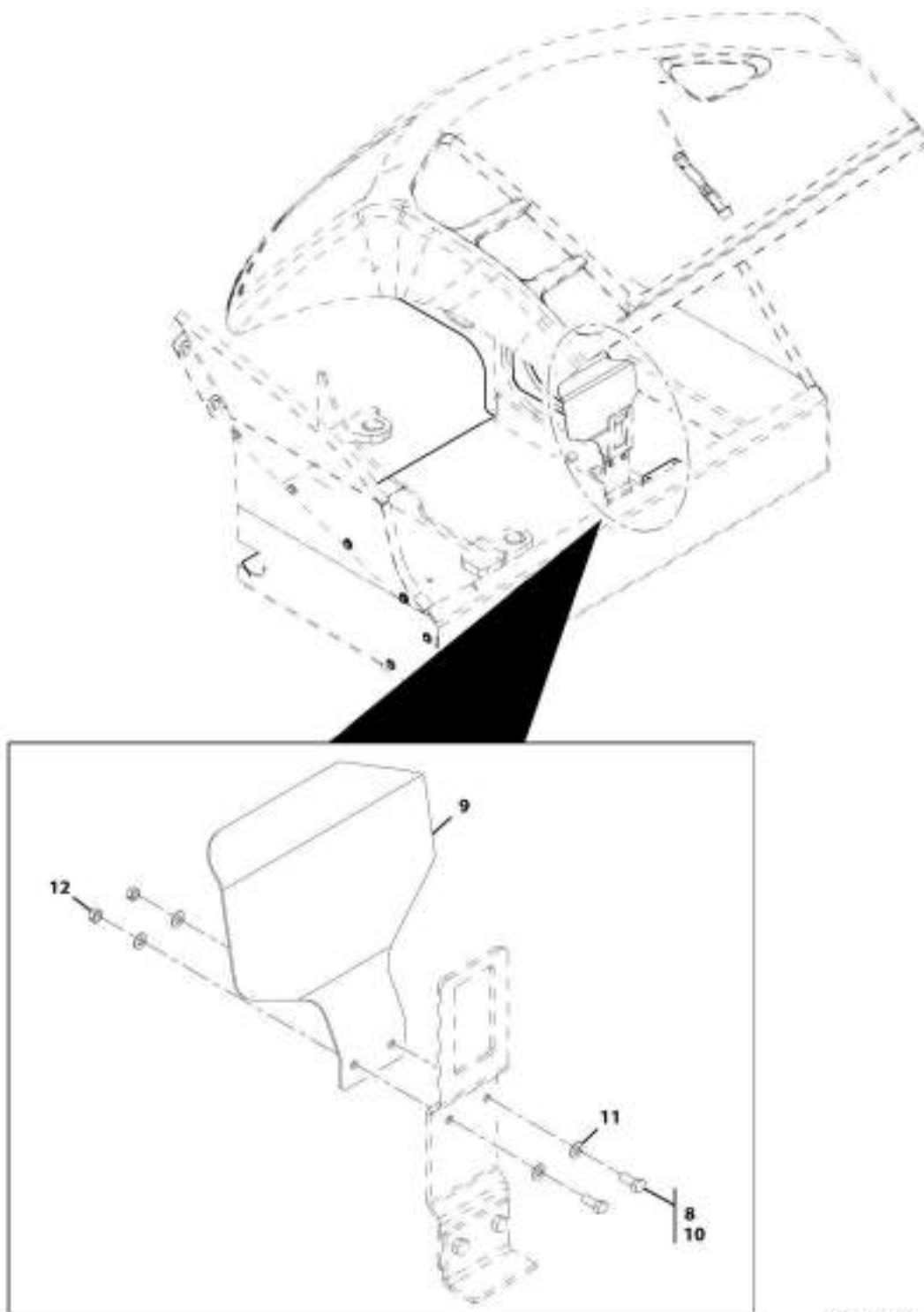
SECTION 4 - ENGINE AND ATTACHING PARTS

FIGURE 4-8. HYDRAULIC PUMP INSTALLATION

ITEM	PART NUMBER	QTY	DESCRIPTION	REV
	1001147693	1	Hydraulic Pump Installation	E
1	2142714	1	Connector	
2	2142735	1	Connector	
3	2143004	1	Fitting, 90 ORFS	
5	4740532	2	Washer	
6	1001142980	1	Pump, Gear (See HYDRAULIC COMPONENTS SECTION for Breakdown)	
7	0681812	2	Bolt, 1/2-13X1-1/2	
8	8526056	AR	Compound, Locking	
9	0100019	AR	Compound, Locking	

SECTION 4 - ENGINE AND ATTACHING PARTS

FIGURE 4-9. TURBO SHIELD INSTALLATION



XRT_1001190206-B

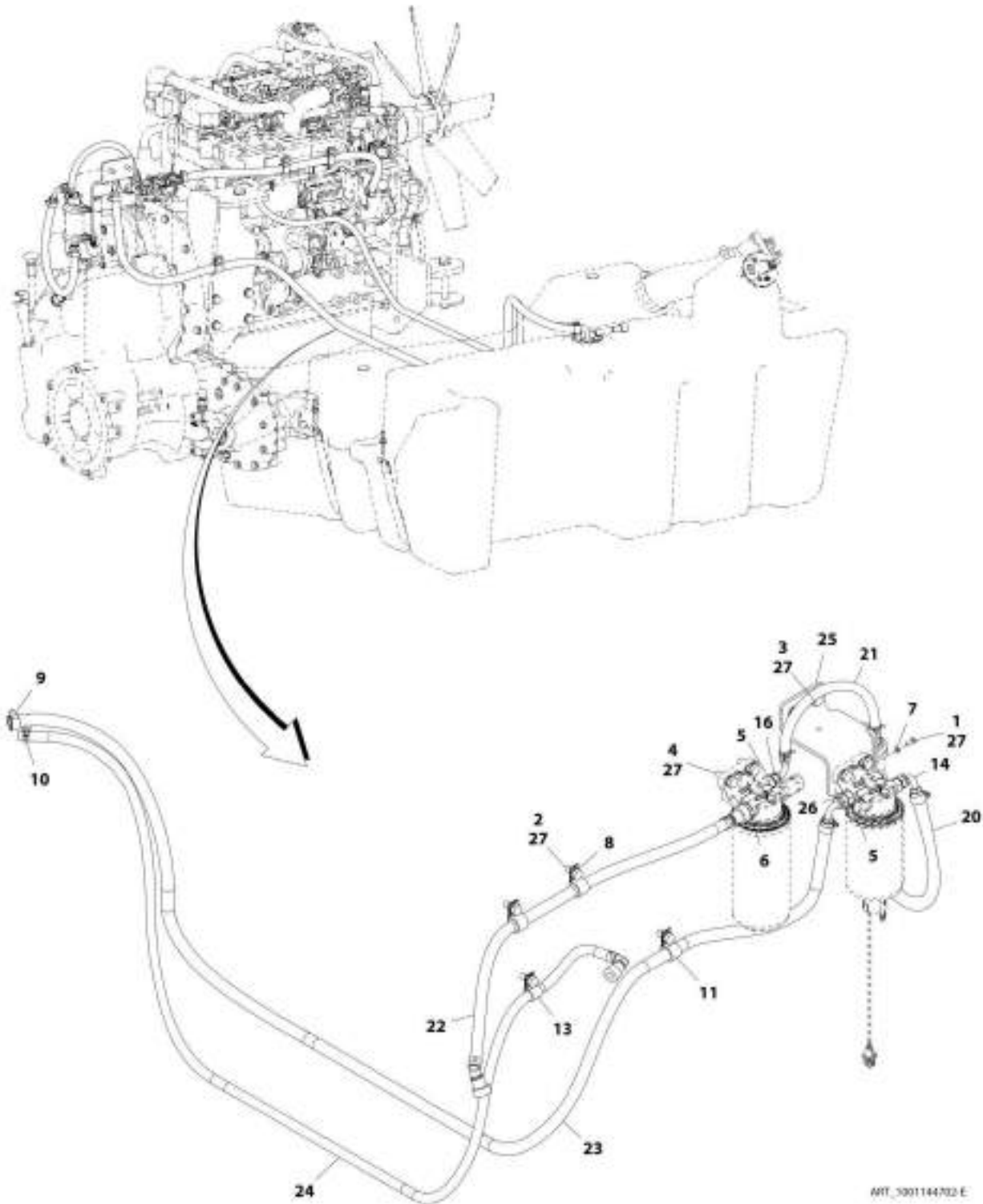
SECTION 4 - ENGINE AND ATTACHING PARTS

FIGURE 4-9. TURBO SHIELD INSTALLATION

ITEM	PART NUMBER	QTY	DESCRIPTION	REV
	1001150208	1	Turbo Shield Installation	B
8	1001095650	AR	Compound, Locking	
9	1001152589	1	Shield, Turbo	
10	0760810	2	Bolt, M8X20	
11	4811900	4	Washer, M8	
12	3290801	2	Nut, M8X1.25	

SECTION 4 - ENGINE AND ATTACHING PARTS

FIGURE 4-10. FUEL LINES INSTALLATION (Prior to SN 1160007354)



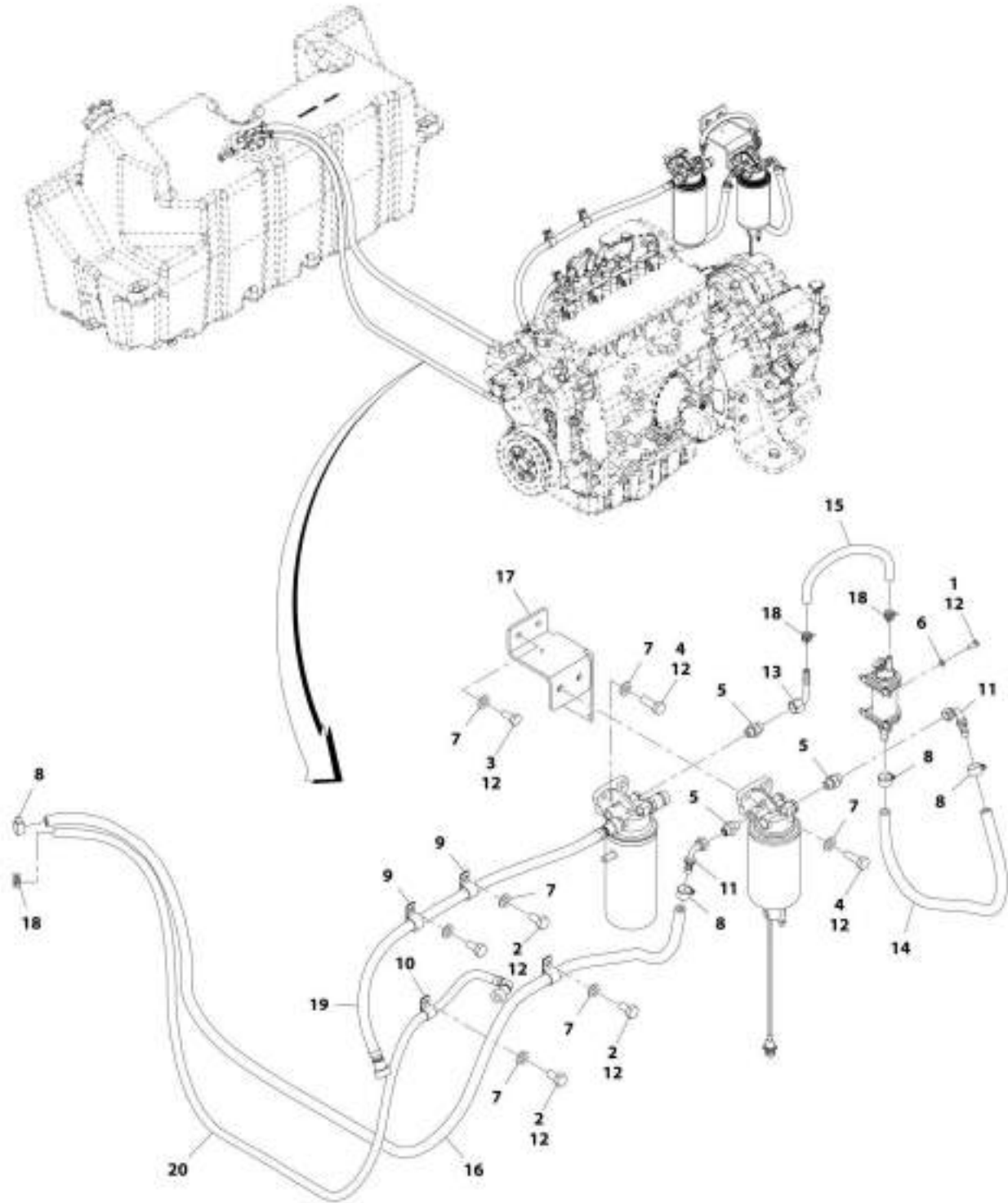
SECTION 4 - ENGINE AND ATTACHING PARTS

FIGURE 4-10. FUEL LINES INSTALLATION (Prior to SN 1160007354)

ITEM	PART NUMBER	QTY	DESCRIPTION	REV
	1001144702	Ref	Fuel Lines Installation (Prior to SN 1160007354)	E
1	0700507	4	Bolt, M5X14	
2	0761010	4	Bolt, M10X20	
3	0761012	2	Bolt, M10X25	
4	0761014	4	Bolt, M10X30	
5	2144606	3	Fitting, Straight ORFS	
6	2144610	1	Fitting, Straight ORFS	
7	4811600	4	Washer, M5	
8	4812000	10	Washer, M10	
9	8405006	6	Gear Clamp	
10	1001152729	4	Clamp, Spring Band	
11	1001004144	3	Clip	
13	1001009207	1	Clip	
14	1001095301	2	Fitting, 90 ORFS	
16	1001133793	1	Fitting, 90 ORFS	
20	1001145166	1	Hose	
21	1001145167	1	Hose	
22	1001145168	1	Hose	
23	1001145169	1	Hose	
24	1001145170	1	Hose	
25	1001145529	1	Bracket, Fuel Filter	
26	1001145681	1	Fitting, Straight ORFS	
27	1001095650	AR	Compound, Locking	

SECTION 4 - ENGINE AND ATTACHING PARTS

FIGURE 4-11. FUEL LINES INSTALLATION (SN 1160007354 to Present)



ARF_1001171302-P

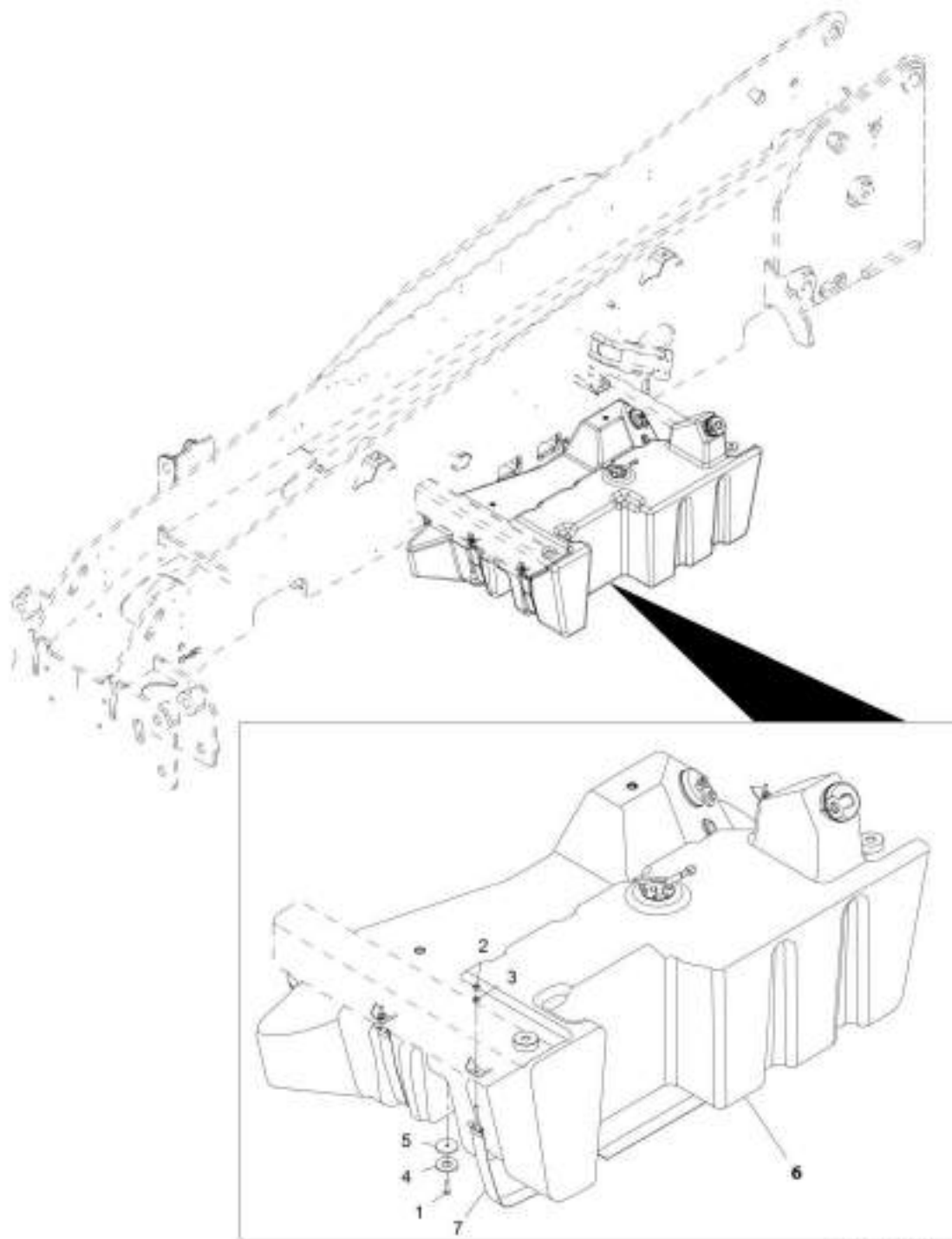
SECTION 4 - ENGINE AND ATTACHING PARTS

FIGURE 4-11. FUEL LINES INSTALLATION (SN 1160007354 to Present)

ITEM	PART NUMBER	QTY	DESCRIPTION	REV
	1001171302	Ref	Fuel Lines Installation (SN 1160007354 to Present)	F
1	0700507	4	Bolt, M5X14	
2	0761010	4	Bolt, M10X20	
3	0761012	2	Bolt, M10X25	
4	0761014	4	Bolt, M10X30	
5	2144606	3	Fitting, Straight ORFS	
6	4811600	4	Washer, M5	
7	4812000	10	Washer, M10	
8	8405006	4	Gear Clamp	
9	1001004144	3	Clip	
10	1001009207	1	Clip	
11	1001095301	2	Fitting, 90 ORFS	
12	1001095650	AR	Compound, Locking	
13	1001002852	1	Fitting, 90 ORFS	
14	1001145166	1	Hose	
15	1001177862	1	Hose	
16	1001145169	1	Hose	
17	1001145529	1	Bracket, Fuel Filter	
18	1001195443	1	Clamp	
19	1001171109	1	Hose	
20	1001171110	1	Hose	

SECTION 4 - ENGINE AND ATTACHING PARTS

FIGURE 4-12. FUEL TANK INSTALLATION



REF_30114061-G

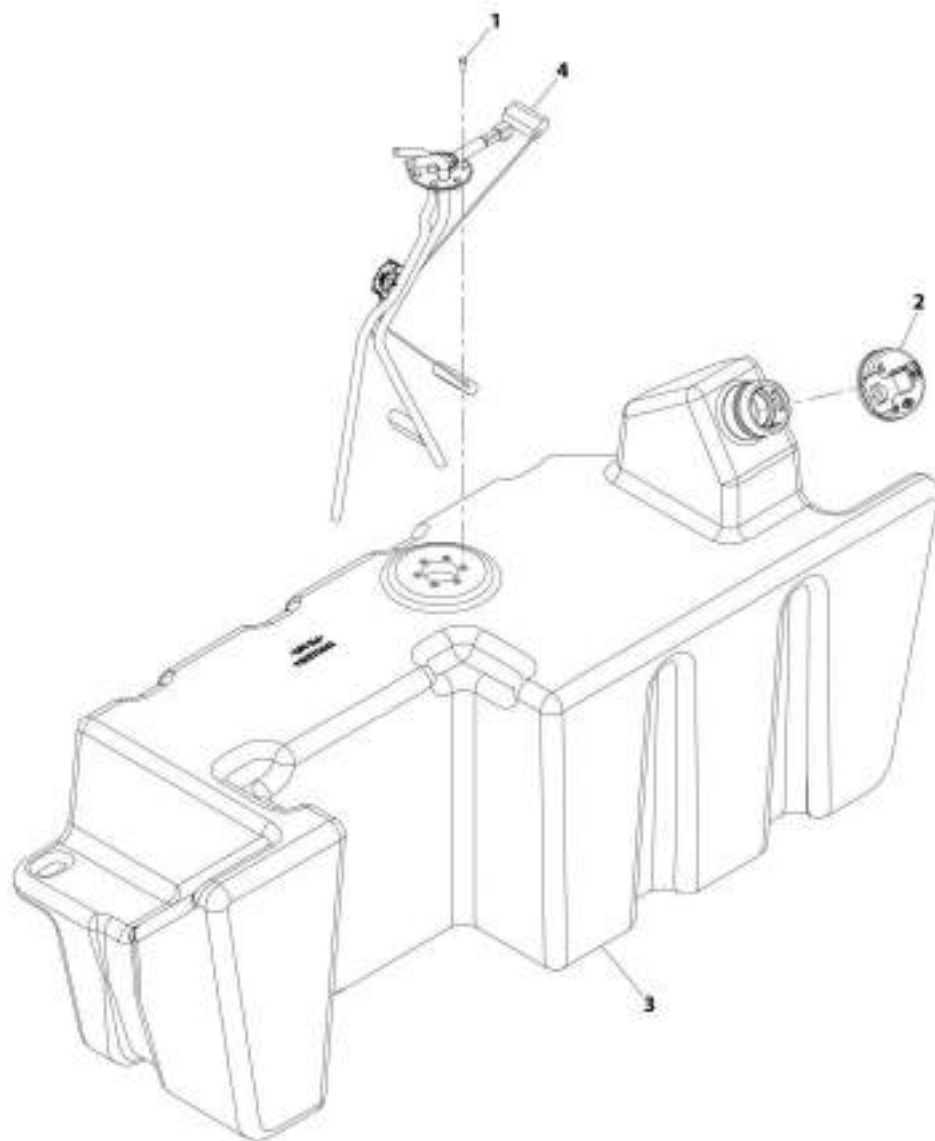
SECTION 4 - ENGINE AND ATTACHING PARTS

FIGURE 4-12. FUEL TANK INSTALLATION

ITEM	PART NUMBER	QTY	DESCRIPTION	REV
	1001145061	Ref	Fuel Tank Installation	G
1	0760814	2	Bolt, M8X30	
2	3290805	2	Nut, Lock M8X1.25	
3	4811900	2	Washer, M8	
4	1001006259	2	Washer	
5	1001166897	2	Washer	
6	1001145549	1	Tank, Fuel (See FUEL TANK for Breakdown)	
7	1001147729	1	Strap, Tank	

SECTION 4 - ENGINE AND ATTACHING PARTS

FIGURE 4-13. FUEL TANK



ART_1001145549-H

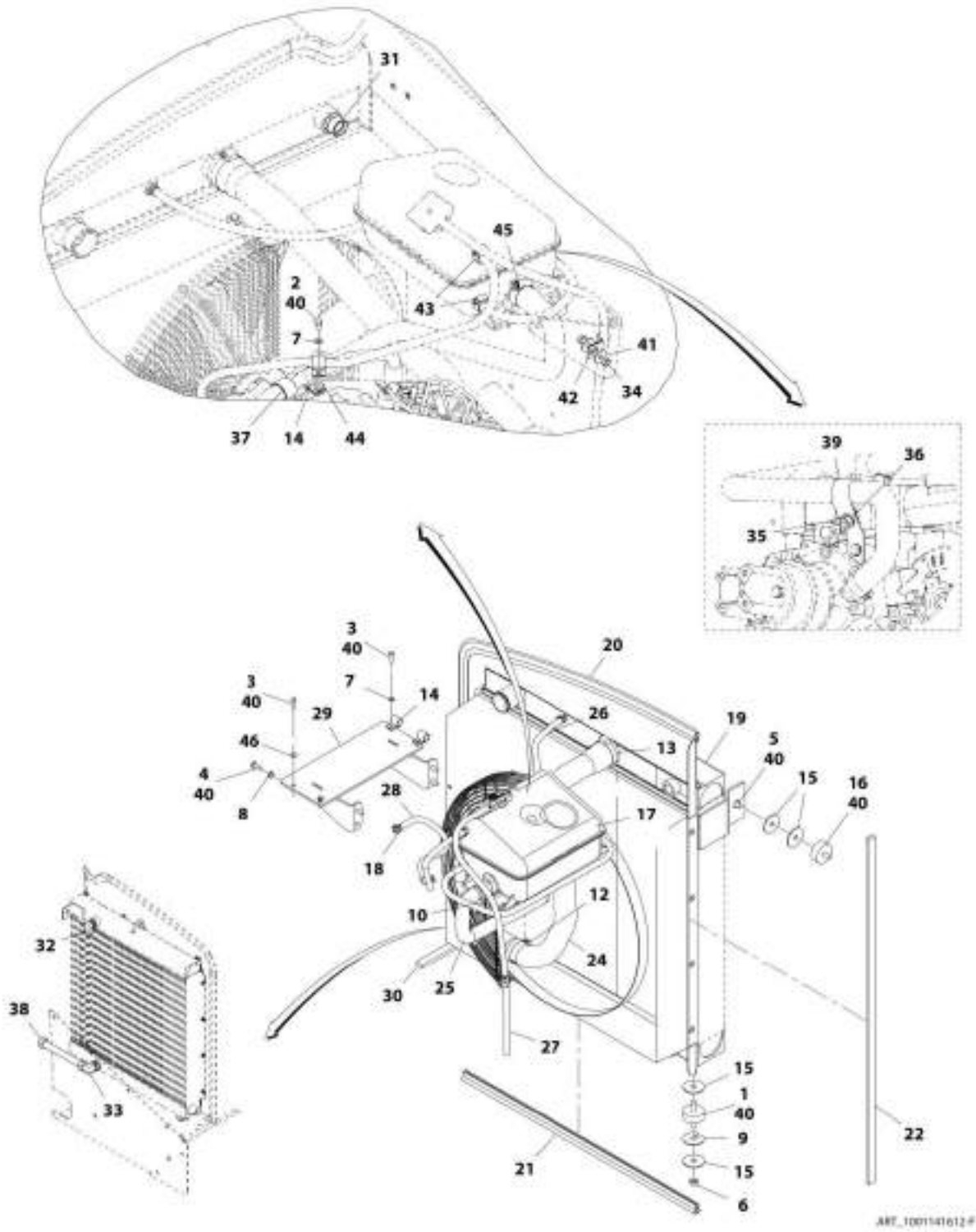
SECTION 4 - ENGINE AND ATTACHING PARTS

FIGURE 4-13. FUEL TANK

ITEM	PART NUMBER	QTY	DESCRIPTION	REV
	1001145549	Ref	Fuel Tank	H
1	0760507	6	Bolt, M5X14	
2	1001142658	1	Cap, Fuel	
3	1001145551	NLA	Tank, Fuel (no longer available, use 1001213084 for replacement)	
3	1001213084	1	Tank, Fuel	
4	1001147737	1	Gauge, Fuel Level	

SECTION 4 - ENGINE AND ATTACHING PARTS

FIGURE 4-14. COOLING SYSTEM INSTALLATION - 74KW



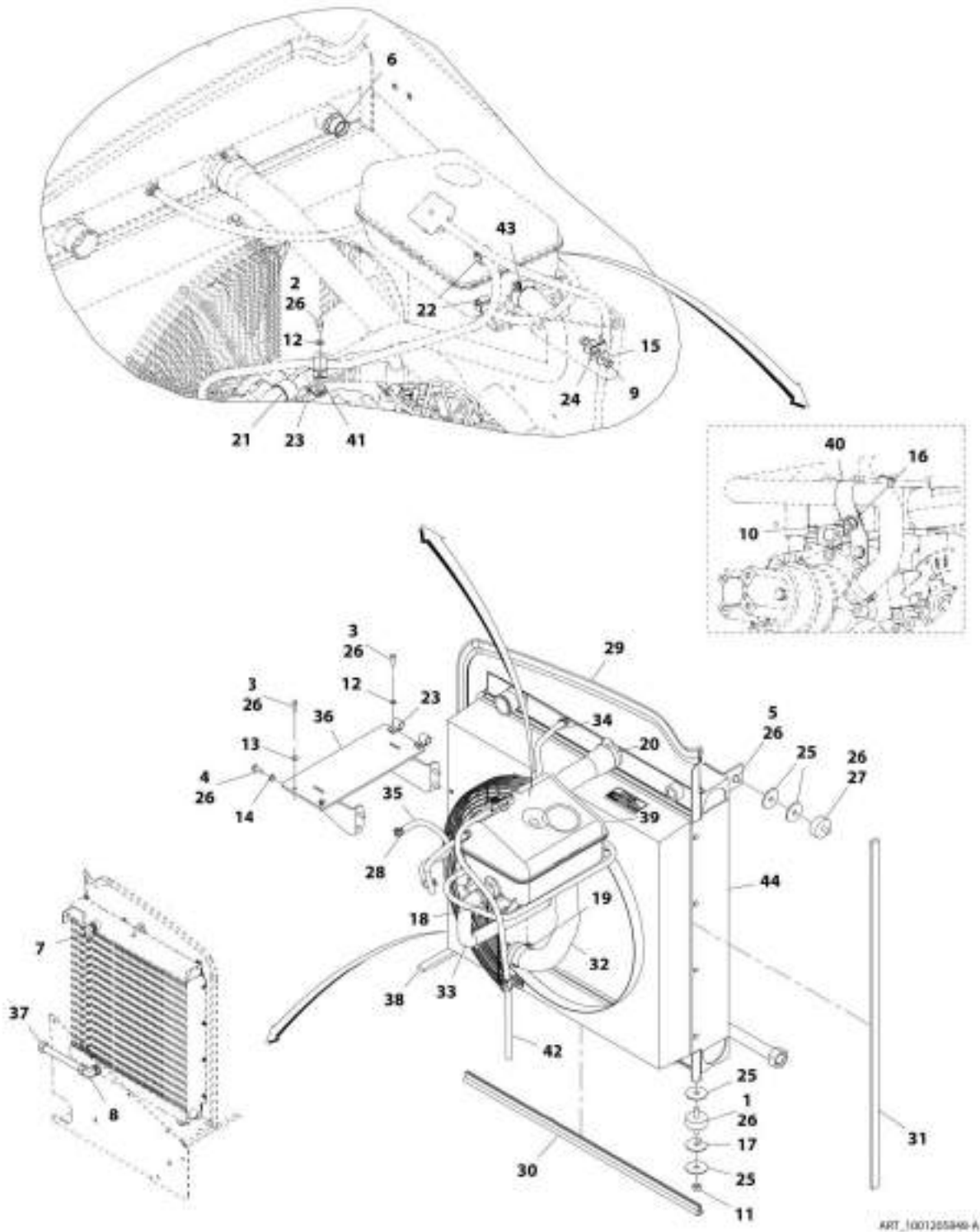
SECTION 4 - ENGINE AND ATTACHING PARTS

FIGURE 4-14. COOLING SYSTEM INSTALLATION - 74KW

ITEM	PART NUMBER	QTY	DESCRIPTION	REV
	1001141612	Ref	Cooling System Installation - 74KW	F
1	429063	2	Pad, Rubber Buffer	
2	0760606	1	Bolt, M6X12	
3	0760612	4	Bolt, M6X25	
4	0760810	6	Bolt, M8X20	
5	0761011	2	Bolt, M10X22	
6	3291007	2	Nut, Lock M10X1.5	
7	4811700	4	Washer, M6	
8	4811900	5	Washer, M8	
9	8005743	2	Washer, Spacer, 10	
10	8405007	1	Gear Clamp, 1.25	
12	8405104	1	Gear Clamp, 2.25	
13	8405201	1	Gear Clamp, 2.5	
14	1001003048	3	Clip	
15	1001091685	7	Washer, Special	
16	1001113669	1	Pad, Rubber Buffer	
17	1001149375	1	Tank, Expansion (See EXPANSION TANK for Breakdown)	
18	1001140296	2	Clamp, Spring Band	
19	1001141611	1	Assembly, Radiator (See RADIATOR ASSEMBLY - 74KW for Breakdown)	
20	1001141615	1	Seal, Edge Trim	
21	1001141616	1	Seal, Edge Trim	
22	1001141617	1	Seal, Baffle	
24	1001142084	1	Hose	
25	1001142085	1	Hose	
26	1001142183	1	Hose	
27	1001178604	1	Hose	
28	1001142185	1	Hose	
29	1001142833	1	Plate, Expansion Tank Support	
30	1001147497	1	Seal, Cooling Pack	
31	2142718	2	Connector	
32	2143009	1	Elbow	
33	2143010	1	Elbow	
34	3290801	1	Nut, M8X1.25	
35	3291001	1	Nut, M10X1.5	
36	4812000	2	Washer, M10	
37	8406302	1	Clamp, Hose	
38	1001146256	1	Tube, Oil Cooling	
39	1001154043	1	Bracket, Retaining	
40	1001095650	AR	Compound, Locking	
41	4811902	2	Washer, M8	
42	1001008721	1	Clip	
43	8410013	2	Gear Clamp, 0.78	
44	1001172192	1	Stud	
45	1001200709	1	Clamp	
46	4811702	1	Washer, M8	

SECTION 4 - ENGINE AND ATTACHING PARTS

FIGURE 4-15. COOLING SYSTEM INSTALLATION - 55KW



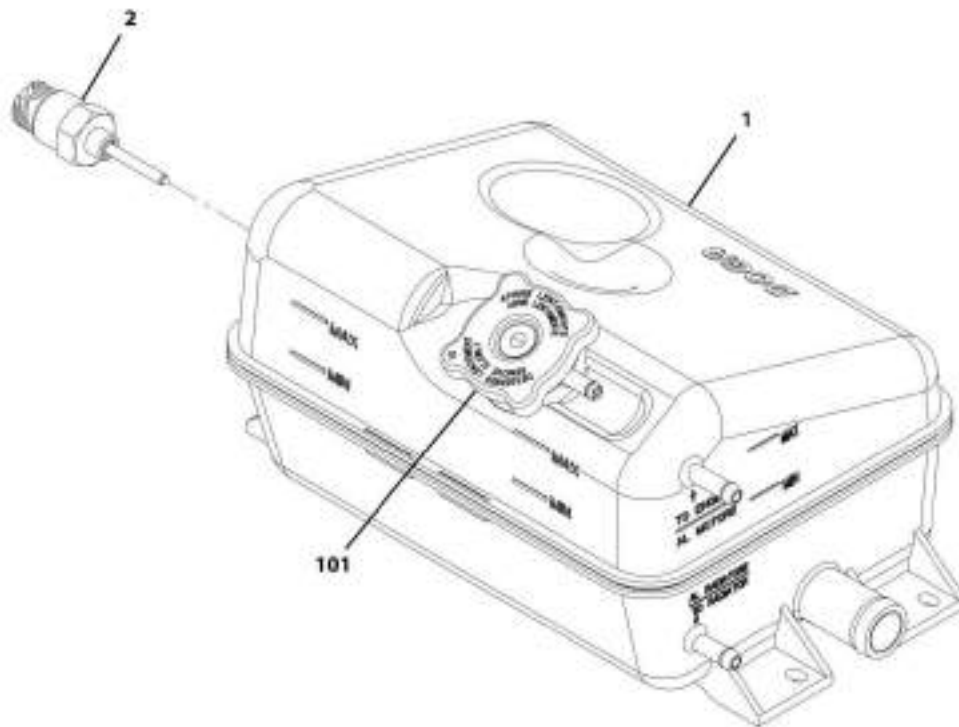
SECTION 4 - ENGINE AND ATTACHING PARTS

FIGURE 4-15. COOLING SYSTEM INSTALLATION - 55KW

ITEM	PART NUMBER	QTY	DESCRIPTION	REV
	1001205848	Ref	Cooling System Installation - 55KW	A
1	429063	2	Pad, Rubber Buffer	
2	0760606	1	Bolt, M6X12	
3	0760612	4	Bolt, M6X25	
4	0760810	6	Bolt, M8X20	
5	0761011	2	Bolt, M10X22	
6	2142718	2	Connector	
7	2143009	1	Elbow	
8	2143010	1	Elbow	
9	3290801	1	Nut, M8X1.25	
10	3291001	1	Nut, M10X1.5	
11	3291007	2	Nut, Lock M10X1.5	
12	4811700	4	Washer, M6	
13	4811702	2	Washer, M6	
14	4811900	5	Washer, M8	
15	4811902	2	Washer, M8	
16	4812000	1	Washer, M10	
17	8005743	2	Washer, Spacer, 10	
18	8405007	1	Gear Clamp, 1.25	
19	8405104	1	Gear Clamp, 2.25	
20	8405201	1	Gear Clamp, 2.5	
21	8406302	1	Clamp, Hose	
22	8410013	2	Gear Clamp, 0.78	
23	1001003048	3	Clip	
24	1001008721	1	Clip	
25	1001091685	7	Washer, Special	
26	1001095650	AR	Compound, Locking	
27	1001113669	1	Pad, Rubber Buffer	
28	1001140296	2	Clamp, Spring Band	
29	1001141615	1	Seal, Edge Trim	
30	1001141616	1	Seal, Edge Trim	
31	1001141617	1	Seal, Baffle	
32	1001142084	1	Hose	
33	1001142085	1	Hose	
34	1001142183	1	Hose	
35	1001142185	1	Hose	
36	1001142833	1	Plate, Expansion Tank Support	
37	1001146256	1	Tube, Oil Cooling	
38	1001147497	1	Seal, Cooling Pack	
39	1001149375	1	Tank, Expansion (See EXPANSION TANK for Breakdown)	
40	1001154043	1	Bracket, Retaining	
41	1001172192	1	Stud	
42	1001178604	1	Hose	
43	1001200709	1	Clamp	
44	1001205849	1	Assembly, Radiator (See RADIATOR ASSEMBLY - 55KW for Breakdown)	

SECTION 4 - ENGINE AND ATTACHING PARTS

FIGURE 4-16. EXPANSION TANK



ART_10011400325-B

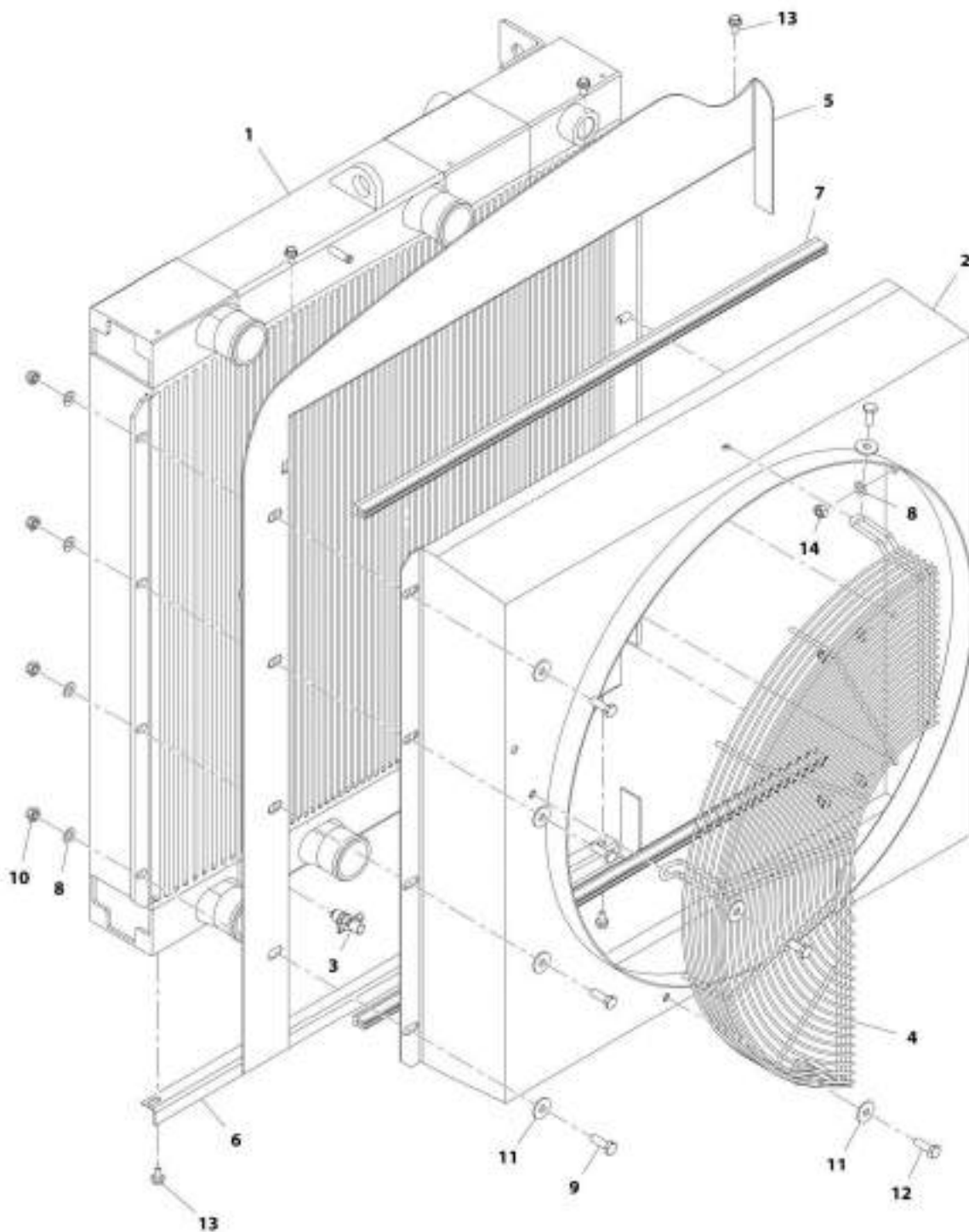
SECTION 4 - ENGINE AND ATTACHING PARTS

FIGURE 4-16. EXPANSION TANK

ITEM	PART NUMBER	QTY	DESCRIPTION	REV
	1001149375	Ref	Expansion Tank	B
1	1001149308	1	Tank, Expansion	
2	1001149376	1	Sensor	
101	70026997	1	Cap	

SECTION 4 - ENGINE AND ATTACHING PARTS

FIGURE 4-17. RADIATOR ASSEMBLY - 74KW



ART.1001141611-E

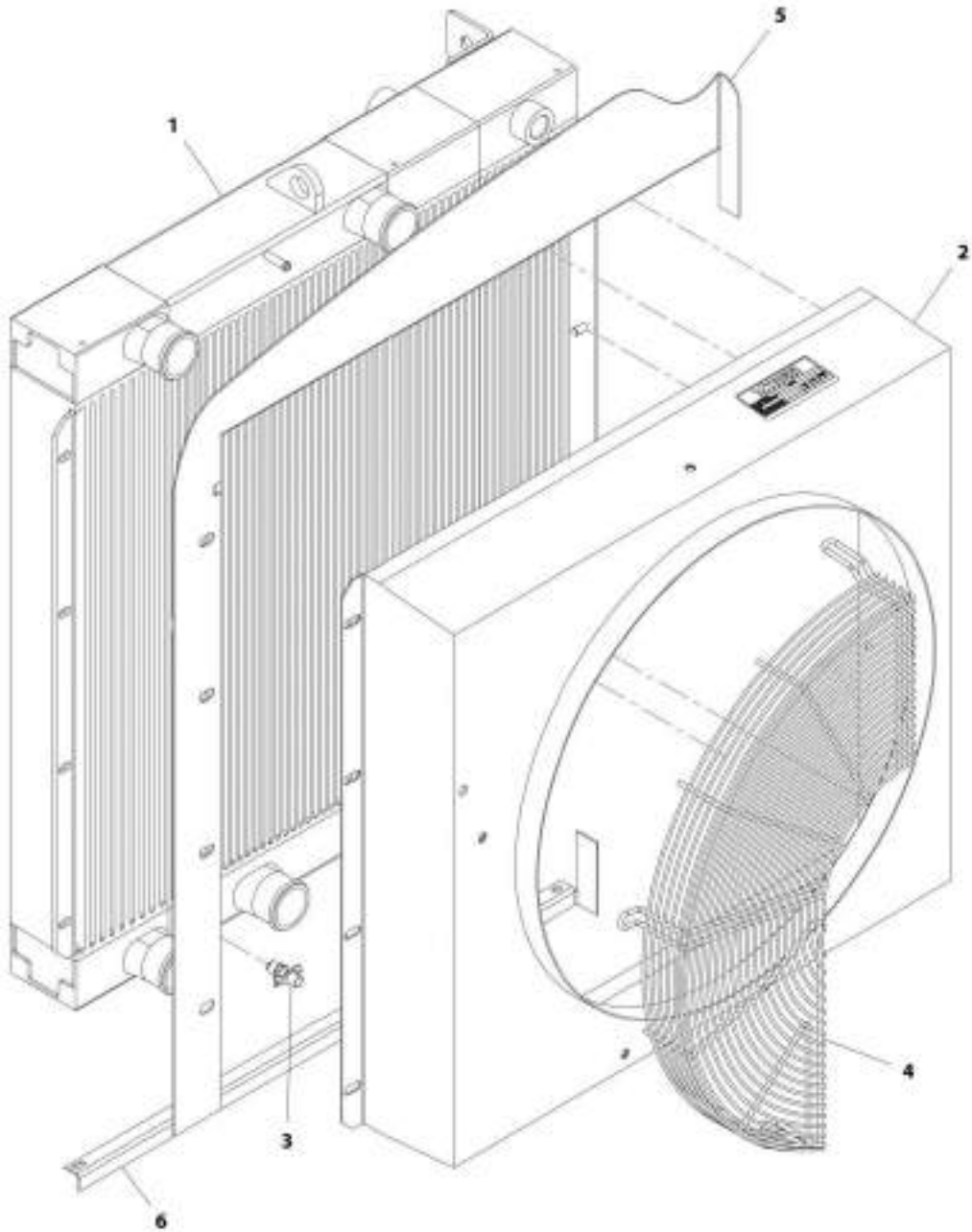
SECTION 4 - ENGINE AND ATTACHING PARTS

FIGURE 4-17. RADIATOR ASSEMBLY - 74KW

ITEM	PART NUMBER	QTY	DESCRIPTION	REV
	1001141611	Ref	Radiator Assembly - 74KW	E
1	70025642	1	Cooler, Radiator	
2	70025643	1	House, Fan	
3	70025644	1	Valve, Drain	
4	70025645	1	Guard, Fan	
5	70025646	1	Plate, Baffle	
6	70025647	1	Plate, Baffle	
7	70022396	2	Seal, Hatch	
8	70025653	8	Washer	
9	70025654	4	Bolt	
10	70025655	4	Nut	
11	70025656	7	Washer	
12	70025657	3	Bolt	
13	70025658	6	Bolt	
14	70025659	4	Nut	

SECTION 4 - ENGINE AND ATTACHING PARTS

FIGURE 4-18. RADIATOR ASSEMBLY - 55KW



ART_1001205844-8

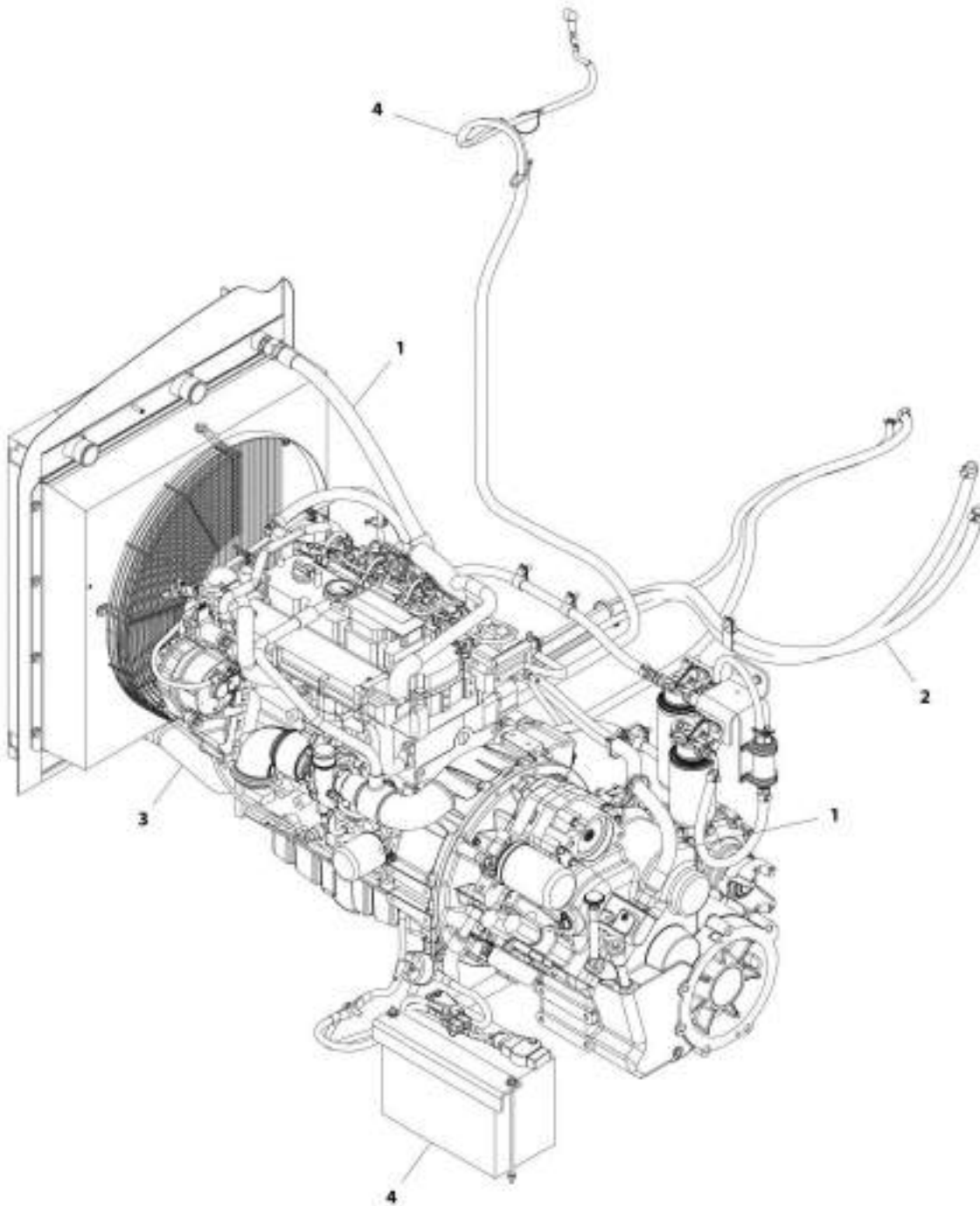
SECTION 4 - ENGINE AND ATTACHING PARTS

FIGURE 4-18. RADIATOR ASSEMBLY - 55KW

ITEM	PART NUMBER	QTY	DESCRIPTION	REV
	1001205849	Ref	Radiator Assembly - 55KW	B
1	70025642	1	Cooler	
2		Ref	Shroud	
3	70025644	1	Drain Valve	
4	70025645	1	Fan Guard	
5	70025647	1	Baffle Plate	
6	70025646	1	Baffle Plate	

SECTION 4 - ENGINE AND ATTACHING PARTS

FIGURE 4-19. RADIATOR LINES INSTALLATION



ART_100176702-A

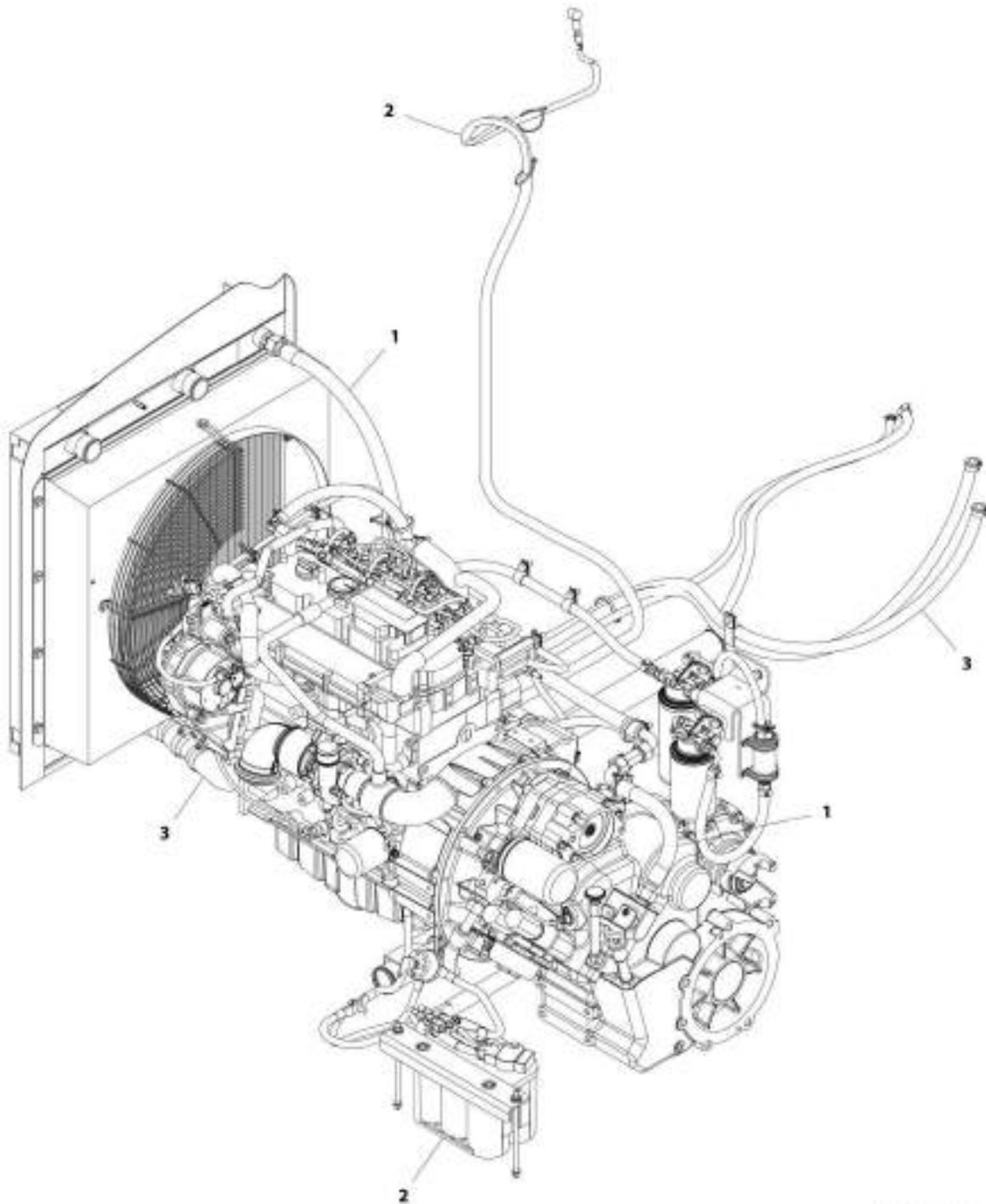
SECTION 4 - ENGINE AND ATTACHING PARTS

FIGURE 4-19. RADIATOR LINES INSTALLATION

ITEM	PART NUMBER	QTY	DESCRIPTION	REV
1	1001178702	Ref	Radiator Lines Installation	A
	1001144787	Ref	Installation, Cooling Transmission (See TRANSMISSION COOLING INSTALLATION for Breakdown)	
2	1001145073	Ref	Installation, Heater Lines (See HEATER LINES INSTALLATION for Breakdown)	
3	1001178605	Ref	Installation, Engine Coolant Hose (See ENGINE COOLANT HOSE INSTALLATION for Breakdown)	
4	1001145531	Ref	Installation, Battery (See ELECTRICAL SECTION for Breakdown)	

SECTION 4 - ENGINE AND ATTACHING PARTS

FIGURE 4-20. RADIATOR LINES INSTALLATION - ARCTIC



ART_100116090-A

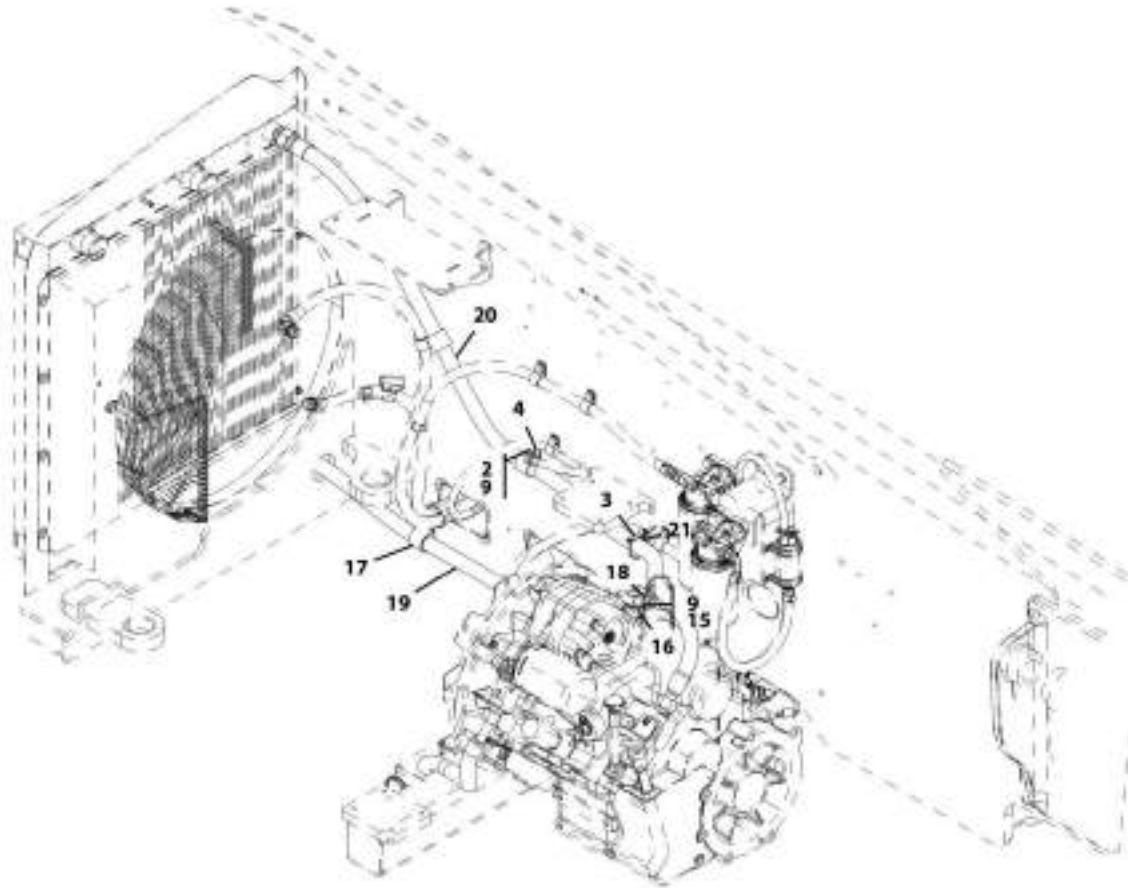
SECTION 4 - ENGINE AND ATTACHING PARTS

FIGURE 4-20. RADIATOR LINES INSTALLATION - ARCTIC

ITEM	PART NUMBER	QTY	DESCRIPTION	REV
1	1001160980	Ref	Radiator Lines Installation - ARCTIC	A
	1001159326	Ref	Installation, Thermal Bypass (See THERMAL BYPASS INSTALLATION - ARCTIC for Breakdown)	
2	1001167211	Ref	Installation, Battery (See ELECTRICAL SECTION for Breakdown)	
3	1001167591	Ref	Installation, Heater Block (See HEATER BLOCK INSTALLATION - ARCTIC for Breakdown)	

SECTION 4 - ENGINE AND ATTACHING PARTS

FIGURE 4-21. TRANSMISSION COOLING INSTALLATION



ART_1001544287-E

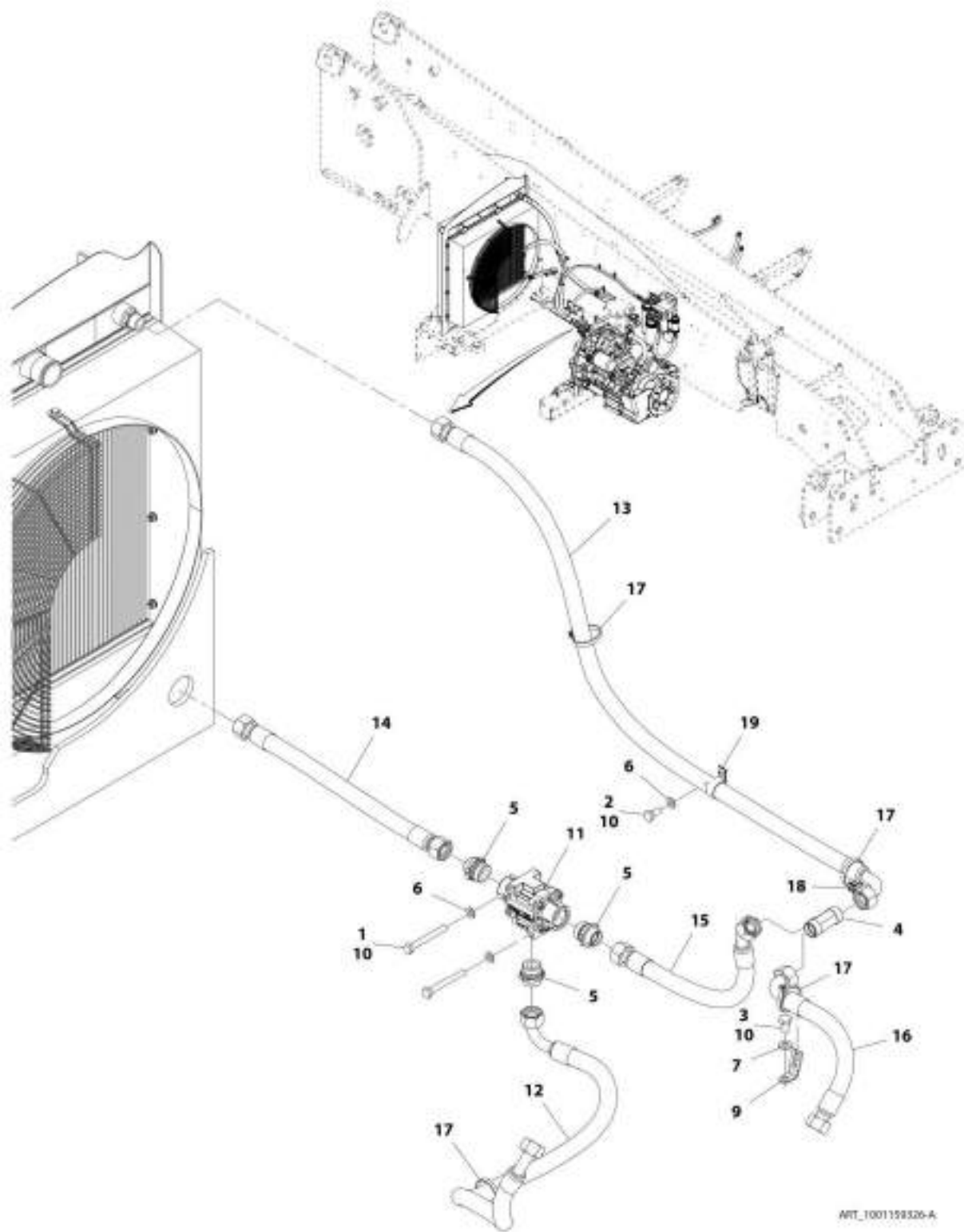
SECTION 4 - ENGINE AND ATTACHING PARTS

FIGURE 4-21. TRANSMISSION COOLING INSTALLATION

ITEM	PART NUMBER	QTY	DESCRIPTION	REV
	1001144787	Ref	Transmission Cooling Installation	E
2	0761011	3	Bolt, M10X22	
3	1062255	4	Tie, Strap	
4	4812000	3	Washer, M10	
9	1001095650	AR	Compound, Locking	
15	0761210	1	Bolt, M12X20	
16	4812100	1	Washer, M12	
17	1001008572	4	Clip	
18	1001025751	1	Clip	
19	1001161471	1	Hose	
20	1001155051	1	Hose	
21	1001004723	1	Saddle	

SECTION 4 - ENGINE AND ATTACHING PARTS

FIGURE 4-22. THERMAL BYPASS INSTALLATION - ARCTIC



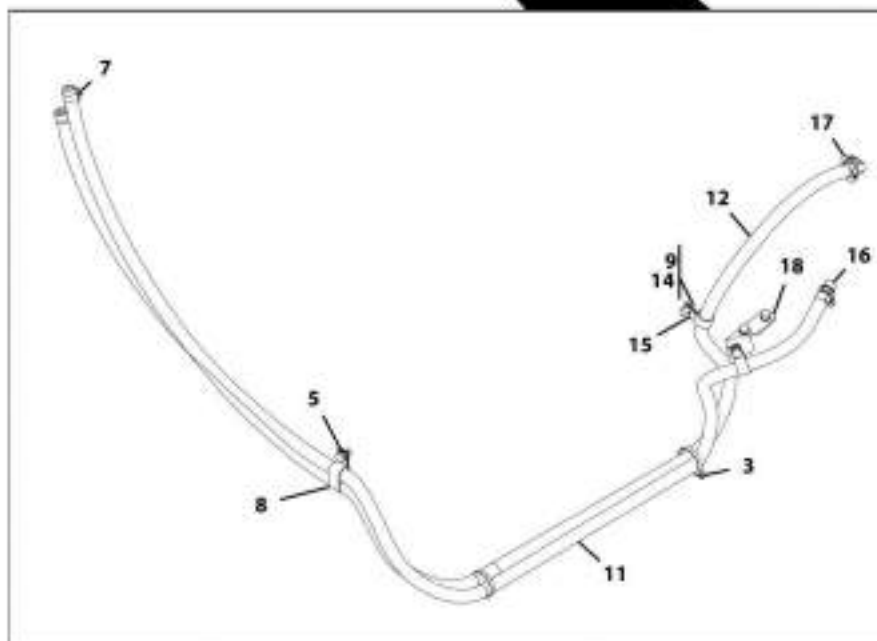
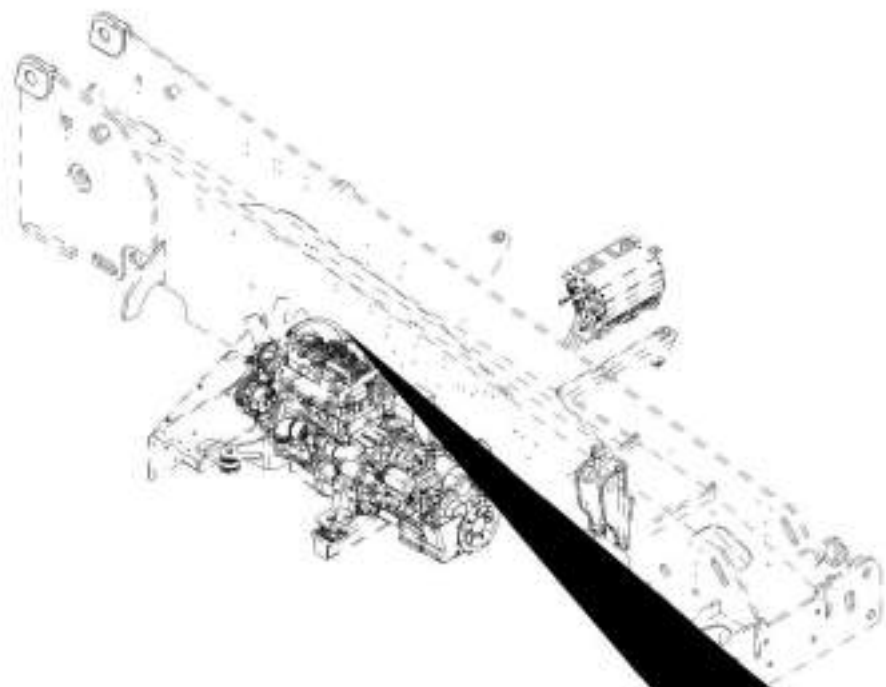
SECTION 4 - ENGINE AND ATTACHING PARTS

FIGURE 4-22. THERMAL BYPASS INSTALLATION - ARCTIC

ITEM	PART NUMBER	QTY	DESCRIPTION	REV
	1001159326	Ref	Thermal Bypass Installation - ARCTIC	A
1	0701026	2	Bolt, M10X90	
2	0761011	1	Bolt, M10X22	
3	0761210	1	Bolt, M12X20	
4	2141912	1	Fitting, Union Tee	
5	2144812	3	Adapter	
6	4812000	3	Washer, M10	
7	4812100	1	Washer, M12	
9	1001025751	1	Clip	
10	1001095650	AR	Compound, Locking	
11	1001119801	1	Valve, Thermal Bypass	
12	1001159327	1	Hose	
13	1001159328	1	Hose	
14	1001159329	1	Hose	
15	1001159330	1	Hose	
16	1001159331	1	Hose	
17	1062255	4	Tie, Strap	
18	1001004723	1	Saddle	
19	1001008572	2	Clip	

SECTION 4 - ENGINE AND ATTACHING PARTS

FIGURE 4-23. HEATER LINES INSTALLATION



ART_1001148073-C

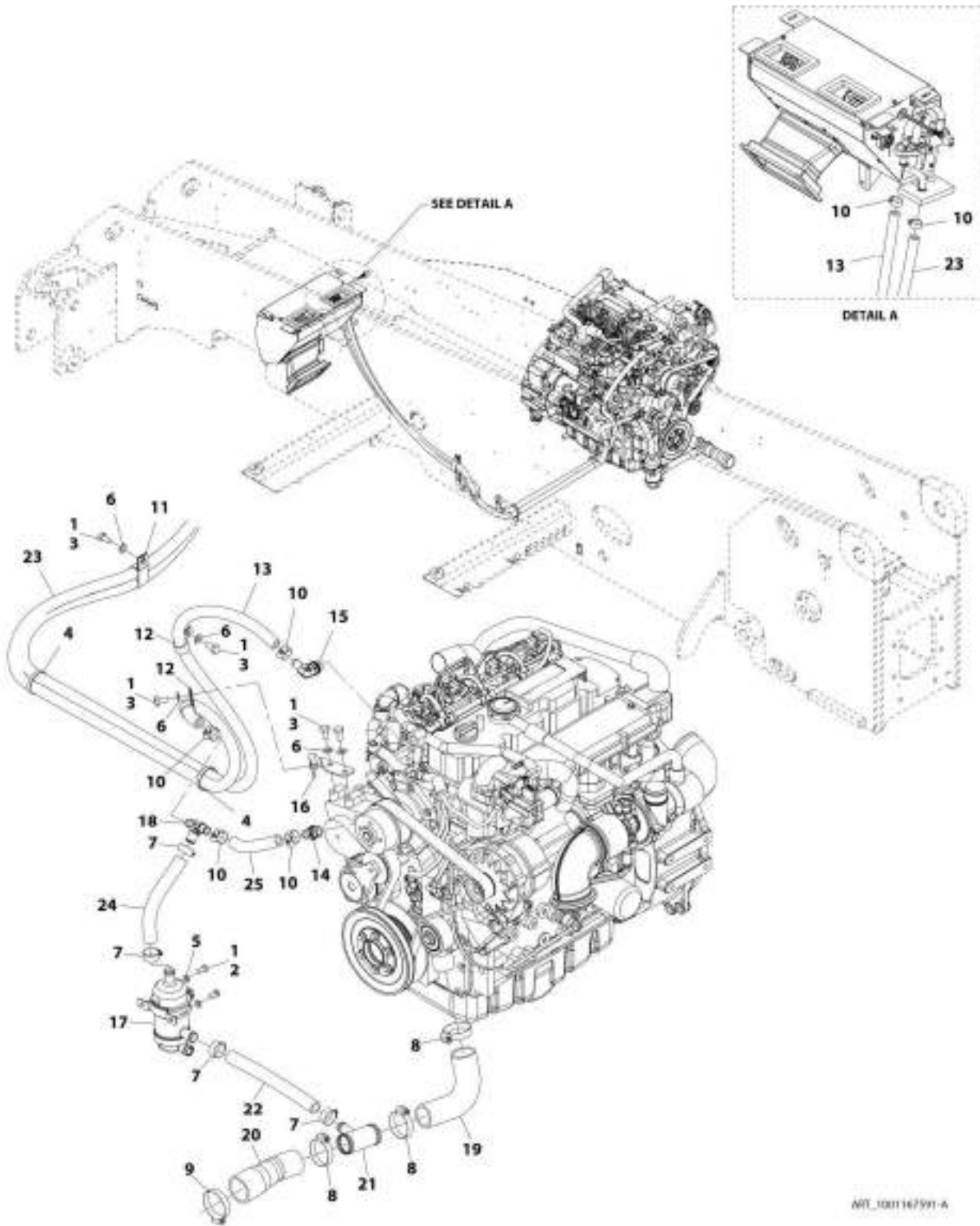
SECTION 4 - ENGINE AND ATTACHING PARTS

FIGURE 4-23. HEATER LINES INSTALLATION

ITEM	PART NUMBER	QTY	DESCRIPTION	REV
	1001145073	Ref	Heater Lines Installation	C
3	1062255	2	Tie, Strap	
5	4812000	5	Washer, M10	
7	1001008609	4	Clamp	
8	1001008720	1	Clip	
9	1001095650	AR	Compound, Locking	
11	1001145071	1	Hose	
12	1001145072	1	Hose	
14	0761010	5	Bolt, M10X20	
15	1001009384	2	Clip	
16	1001154262	1	Adapter	
17	1001154263	1	Adapter	
18	1001155013	1	Bracket, Heater Hose	

SECTION 4 - ENGINE AND ATTACHING PARTS

FIGURE 4-24. HEATER BLOCK INSTALLATION - ARCTIC



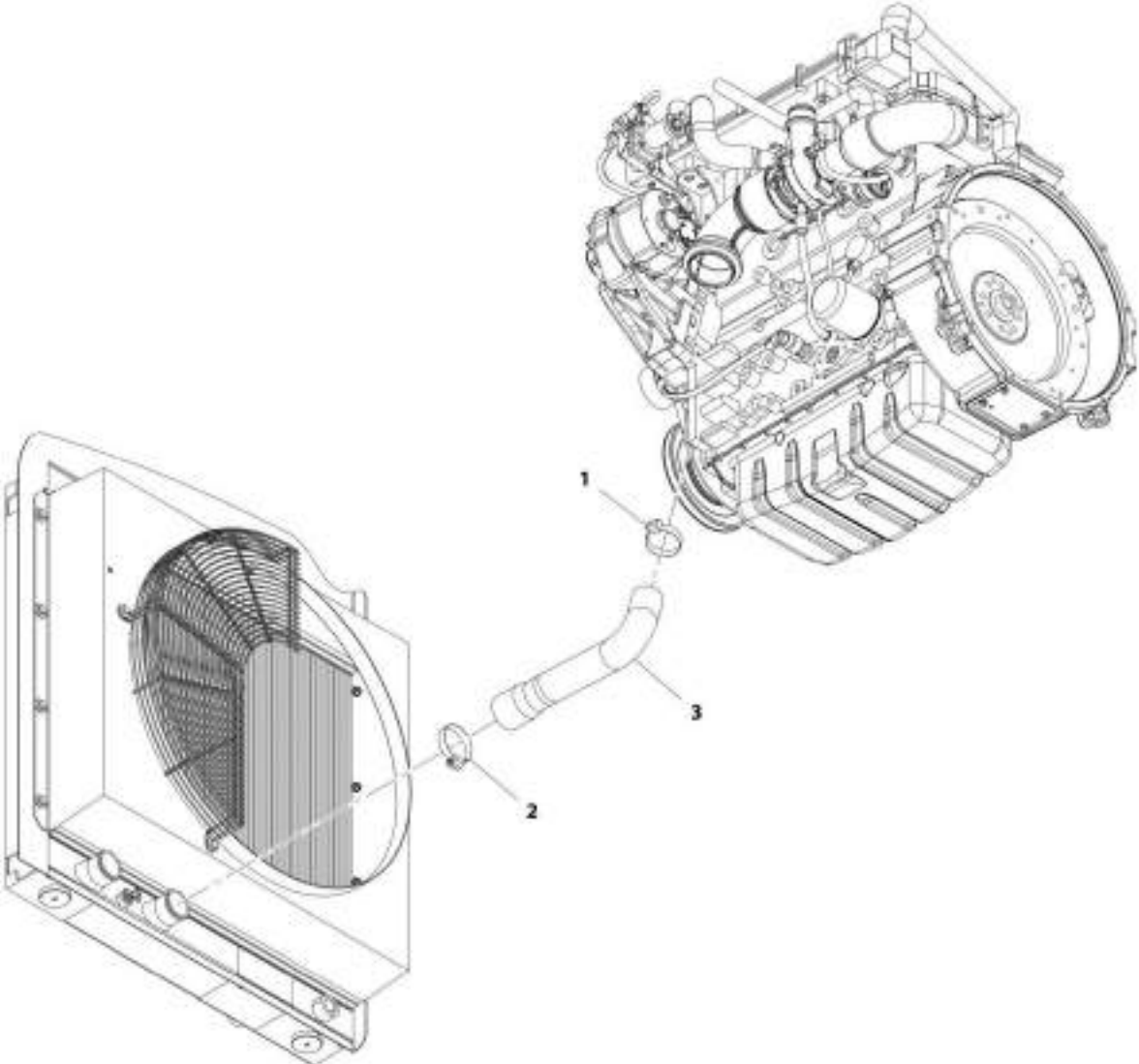
SECTION 4 - ENGINE AND ATTACHING PARTS

FIGURE 4-24. HEATER BLOCK INSTALLATION - ARCTIC

ITEM	PART NUMBER	QTY	DESCRIPTION	REV
	1001167591	Ref	Heater Block Installation - ARCTIC	A
1	1001095650	AR	Compound, Locking	
2	0760808	2	Bolt, M8X16	
3	0761010	5	Bolt, M10X20	
4	1062255	2	Tie, Strap	
5	4811900	2	Washer, M8	
6	4812000	5	Washer, M10	
7	8405007	4	Gear Clamp, 1.25	
8	8405104	3	Gear Clamp, 2.25	
9	8405201	1	Gear Clamp, 2.5	
10	1001008609	6	Clamp	
11	1001008720	1	Clip	
12	1001009384	2	Clip	
13	1001145072	1	Hose	
14	1001154262	1	Adapter	
15	1001154263	1	Adapter	
16	1001155013	1	Bracket, Heater Hose	
17	1001165069	1	Heater, Engine	
18	1001167773	1	Fitting	
19	1001167976	1	Hose	
20	1001167977	1	Hose	
21	1001170437	1	Pipe	
22	1001170489	1	Hose	
23	1001170490	1	Hose	
24	1001170491	1	Hose	
25	1001170492	1	Hose	

SECTION 4 - ENGINE AND ATTACHING PARTS

FIGURE 4-25. ENGINE COOLANT HOSE INSTALLATION



ART_1001170005-A

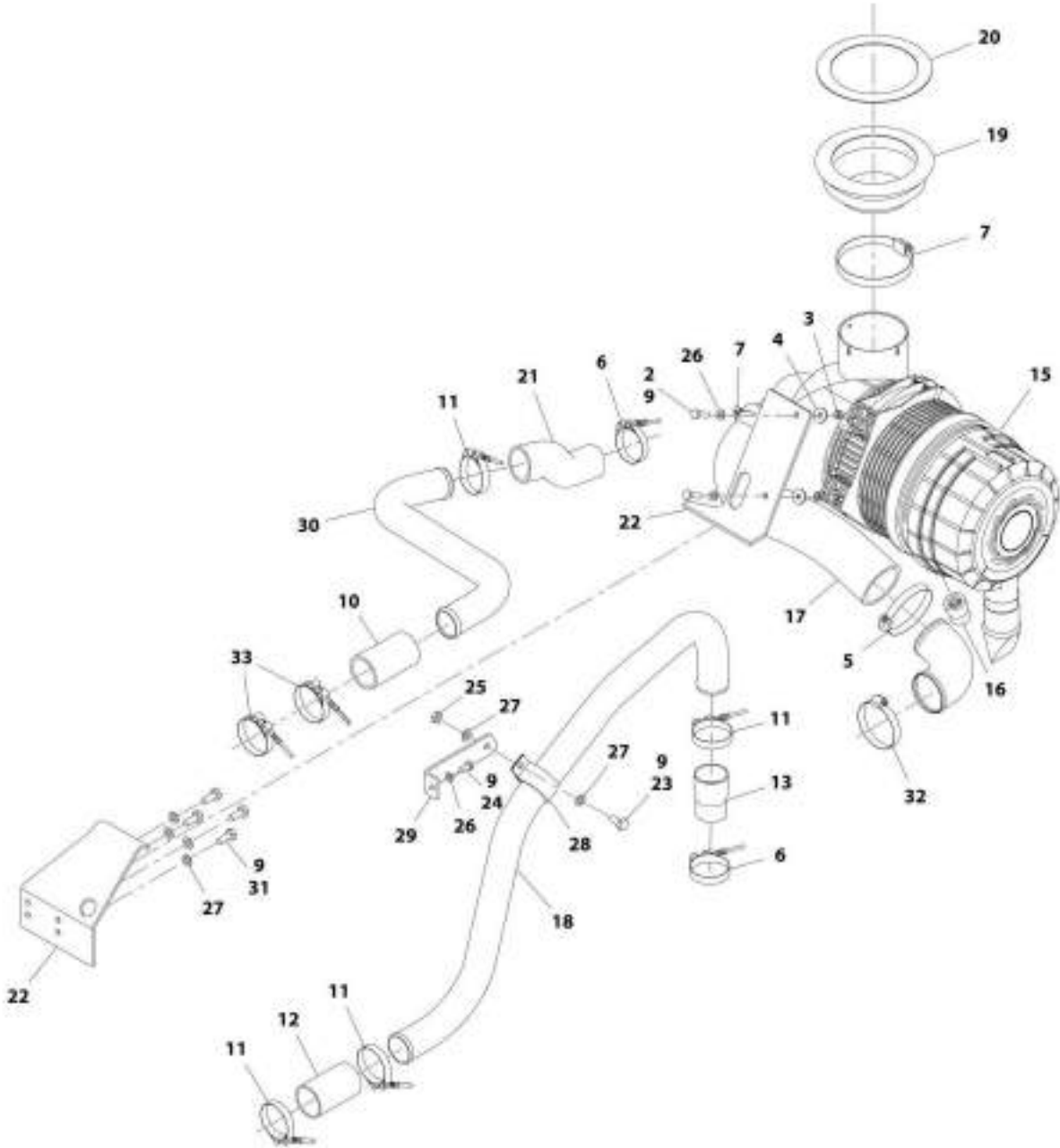
SECTION 4 - ENGINE AND ATTACHING PARTS

FIGURE 4-25. ENGINE COOLANT HOSE INSTALLATION

ITEM	PART NUMBER	QTY	DESCRIPTION	REV
	1001178605	Ref	Engine Coolant Hose Installation	A
1	8405104	1	Gear Clamp, 2.25	
2	8405201	1	Gear Clamp, 2.5	
3	1001142083	1	Hose	

SECTION 4 - ENGINE AND ATTACHING PARTS

FIGURE 4-26. AIR SYSTEM INSTALLATION - 74KW



ART_1001341100-H

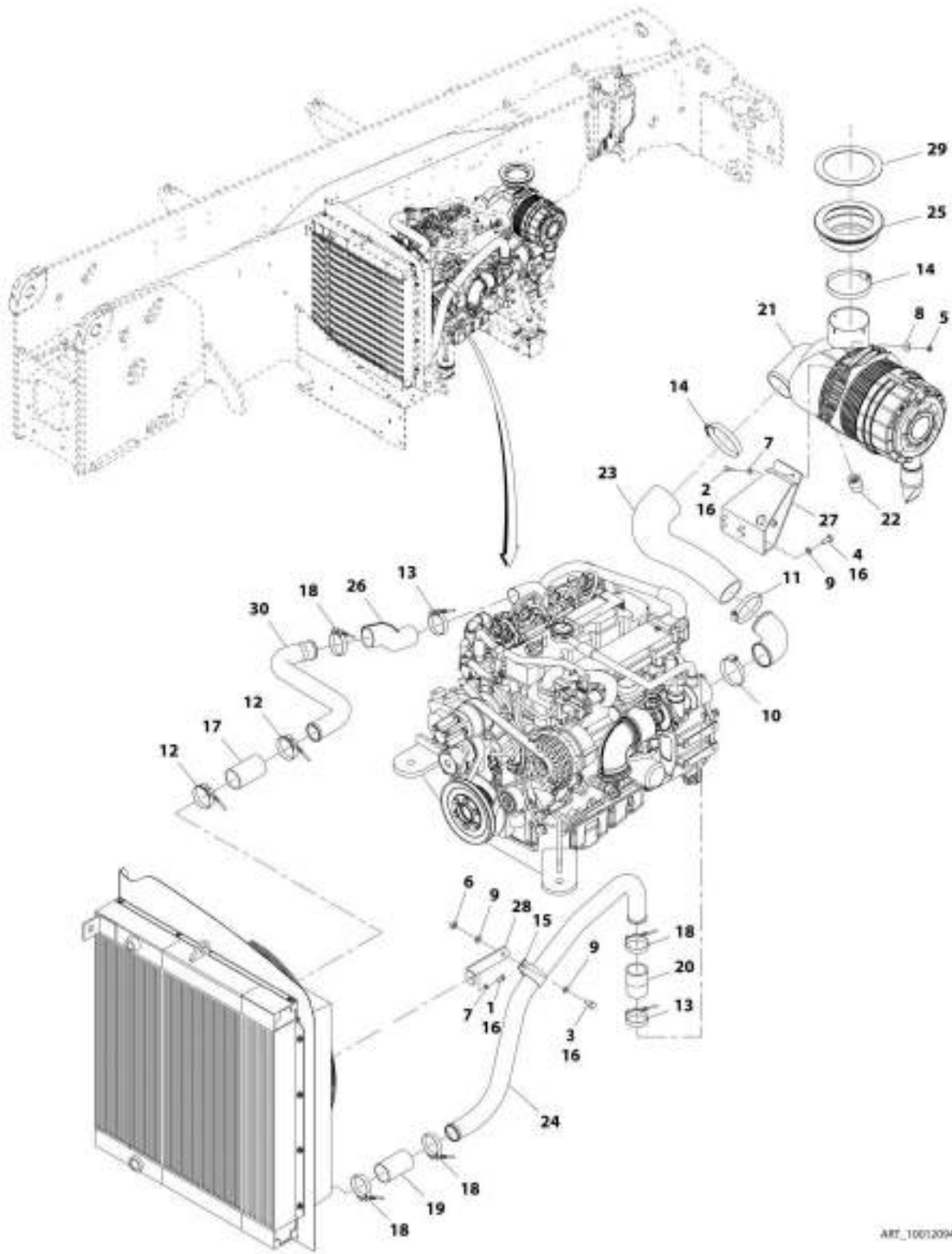
SECTION 4 - ENGINE AND ATTACHING PARTS

FIGURE 4-26. AIR SYSTEM INSTALLATION - 74KW

ITEM	PART NUMBER	QTY	DESCRIPTION	REV
	1001141199	Ref	Air System Installation - 74KW	H
2	0760814	2	Bolt, M8X30	
3	3290801	2	Nut, M8X1.25	
4	4811902	2	Washer, M8	
5	8410011	1	Gear Clamp	
6	1001006072	2	Clamp, Band, T-Bolt	
7	1001009154	1	Clamp, Hose	
9	1001095650	AR	Compound, Locking	
10	1001100117	1	Hose	
11	1001120904	4	Clamp, Band	
12	1001126737	1	Hose	
13	1001131642	1	Pipe, Charge Air Reducer	
15	1001141205	1	Assembly, Air Filter (See AIR FILTER ASSEMBLY for Breakdown)	
16	1001141952	1	Indicator, Restriction	
17	1001143462	1	Hose	
18	1001143463	1	Pipe, Charge Air	
19	1001144016	1	Boot, Air Filter Intake	
20	1001154682	1	Plate, Seal	
21	1001145062	1	Hose	
22	1001145221	1	Bracket, Air Cleaner	
23	0761011	1	Bolt, M10X22	
24	0760808	1	Bolt, M8X16	
25	3291001	1	Nut, M10X1.5	
26	4811900	3	Washer, M8	
27	4812000	6	Washer, M10	
28	1001025902	1	Clip	
29	1001148298	1	Bracket, Support	
30	1001141202	1	Pipe, Charge Air	
31	0761012	4	Bolt, M10X25	
32	8405204	1	Gear Clamp	
33	1001005438	1	Clamp, Band	

SECTION 4 - ENGINE AND ATTACHING PARTS

FIGURE 4-27. AIR SYSTEM INSTALLATION - 55KW



ART_1001209461-A

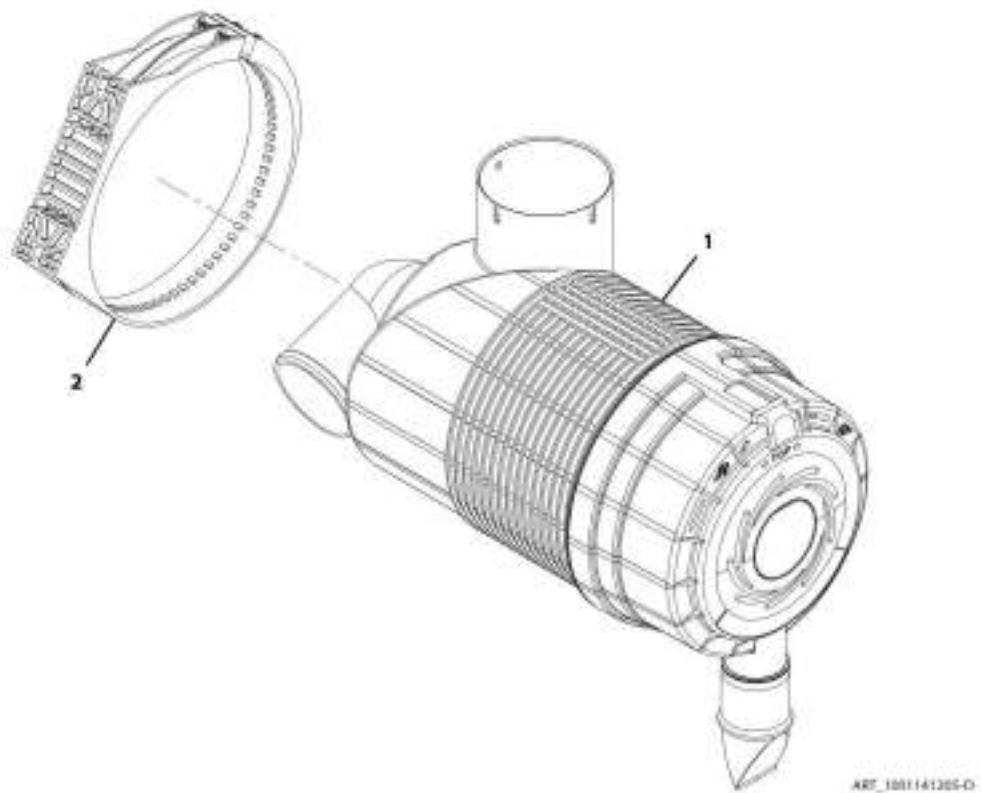
SECTION 4 - ENGINE AND ATTACHING PARTS

FIGURE 4-27. AIR SYSTEM INSTALLATION - 55KW

ITEM	PART NUMBER	QTY	DESCRIPTION	REV
	1001209461	Ref	Air System Installation - 55KW	A
1	0760808	1	Bolt, M8X16	
2	0760814	2	Bolt, M8X30	
3	0761011	1	Bolt, M10X22	
4	0761012	4	Bolt, M10X25	
5	3290801	2	Nut, M8X1.25	
6	3291001	1	Nut, M10X1.5	
7	4811900	3	Washer, M8	
8	4811902	2	Washer, M8	
9	4812000	6	Washer, M10	
10	8405204	1	Gear Clamp	
11	8410011	1	Gear Clamp	
12	1001005438	2	Clamp, Band	
13	1001006072	2	Clamp, Band, T-Bolt	
14	1001009154	2	Clamp, Hose	
15	1001025902	1	Clip	
16	1001095650	AR	Compound, Locking	
17	1001100117	1	Hose	
18	1001120904	4	Clamp, Band	
19	1001126737	1	Hose	
20	1001131642	1	Pipe, Charge Air Reducer	
21	1001141205	1	Assembly, Air Filter (See AIR FILTER ASSEMBLY for Breakdown)	
22	1001141952	1	Indicator, Restriction	
23	1001143462	1	Hose	
24	1001143463	1	Pipe, Charge Air	
25	1001144016	1	Boot, Air Filter Intake	
26	1001145062	1	Hose	
27	1001145221	1	Bracket, Air Cleaner	
28	1001148298	1	Bracket, Support	
29	1001154682	1	Plate, Seal	
30	1001209460	1	Pipe, Charge Air	

SECTION 4 - ENGINE AND ATTACHING PARTS

FIGURE 4-28. AIR FILTER ASSEMBLY



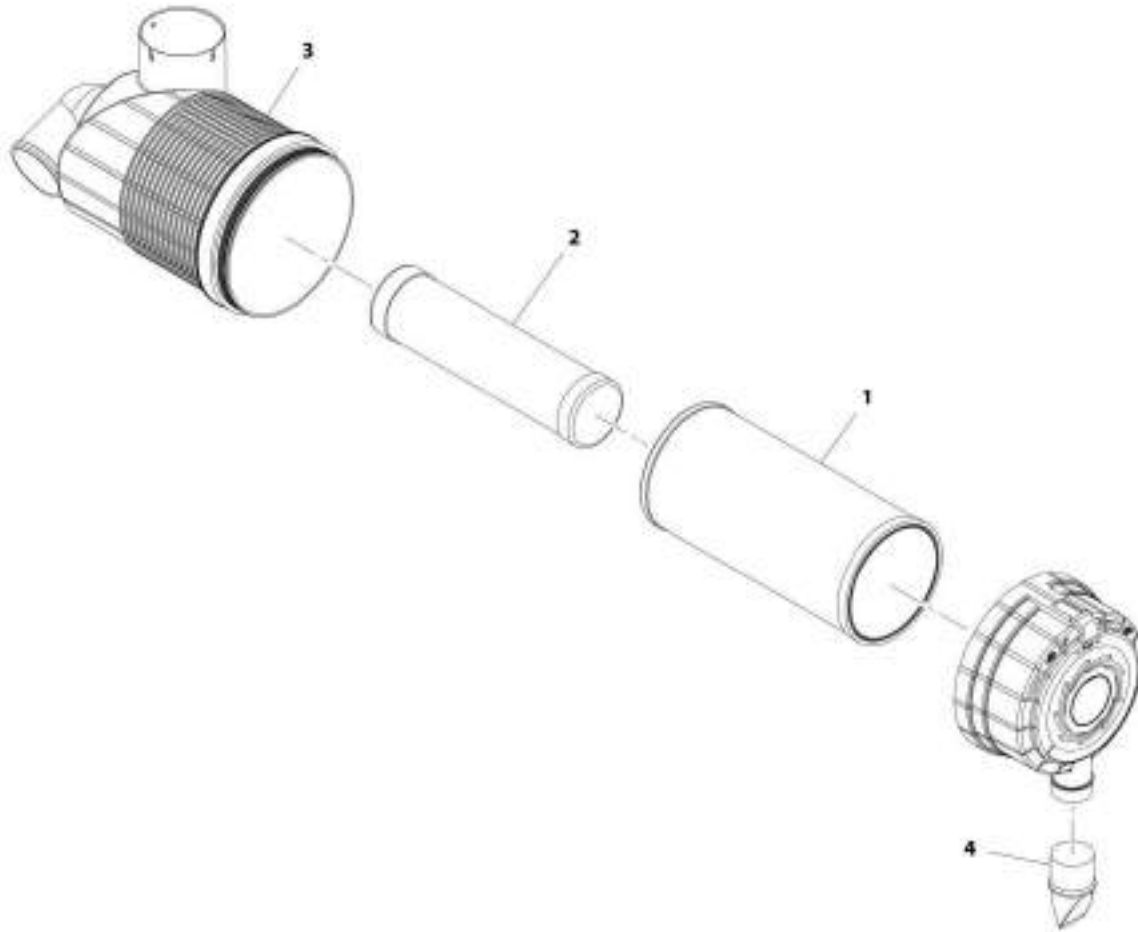
SECTION 4 - ENGINE AND ATTACHING PARTS

FIGURE 4-28. AIR FILTER ASSEMBLY

ITEM	PART NUMBER	QTY	DESCRIPTION	REV
	1001141205	Ref	Air Filter Assembly	D
1	1001143500	1	Filter, Air Intake (See AIR INTAKE FILTER for Breakdown)	
2	1001143745	1	Clamp, Air Filter	

SECTION 4 - ENGINE AND ATTACHING PARTS

FIGURE 4-29. AIR INTAKE FILTER



ART_100143300-0

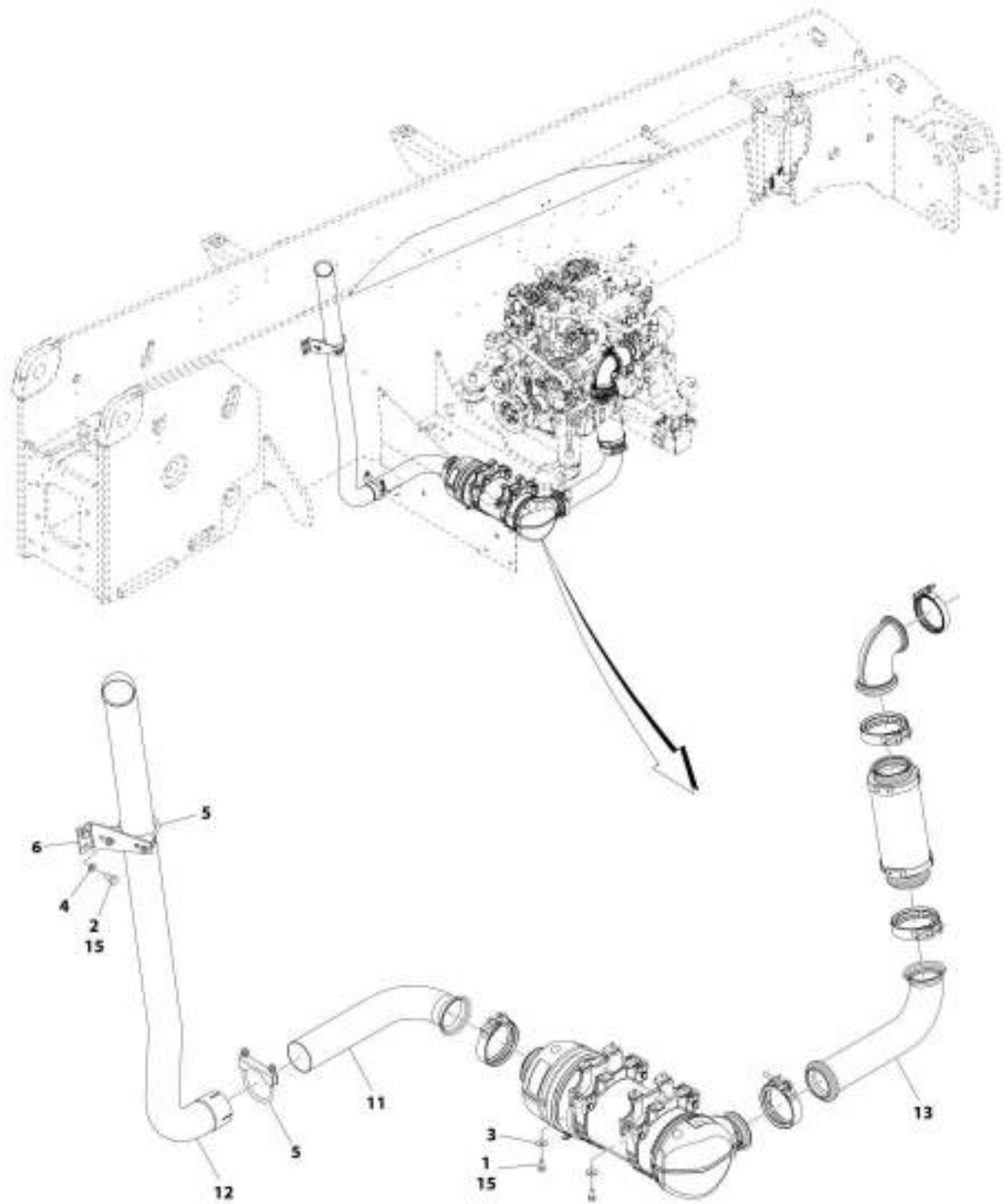
SECTION 4 - ENGINE AND ATTACHING PARTS

FIGURE 4-29. AIR INTAKE FILTER

ITEM	PART NUMBER	QTY	DESCRIPTION	REV
	1001143500	Ref	Air Intake Filter	B
1	80373094	1	Valve, Vacuator	
2	1101312	1	Element, Primary	
3	1101313	1	Element, Safety	
4	91364023	1	Cover	

SECTION 4 - ENGINE AND ATTACHING PARTS

FIGURE 4-30. EXHAUST SYSTEM INSTALLATION (ULS) - 74KW



ART_1001401382-C

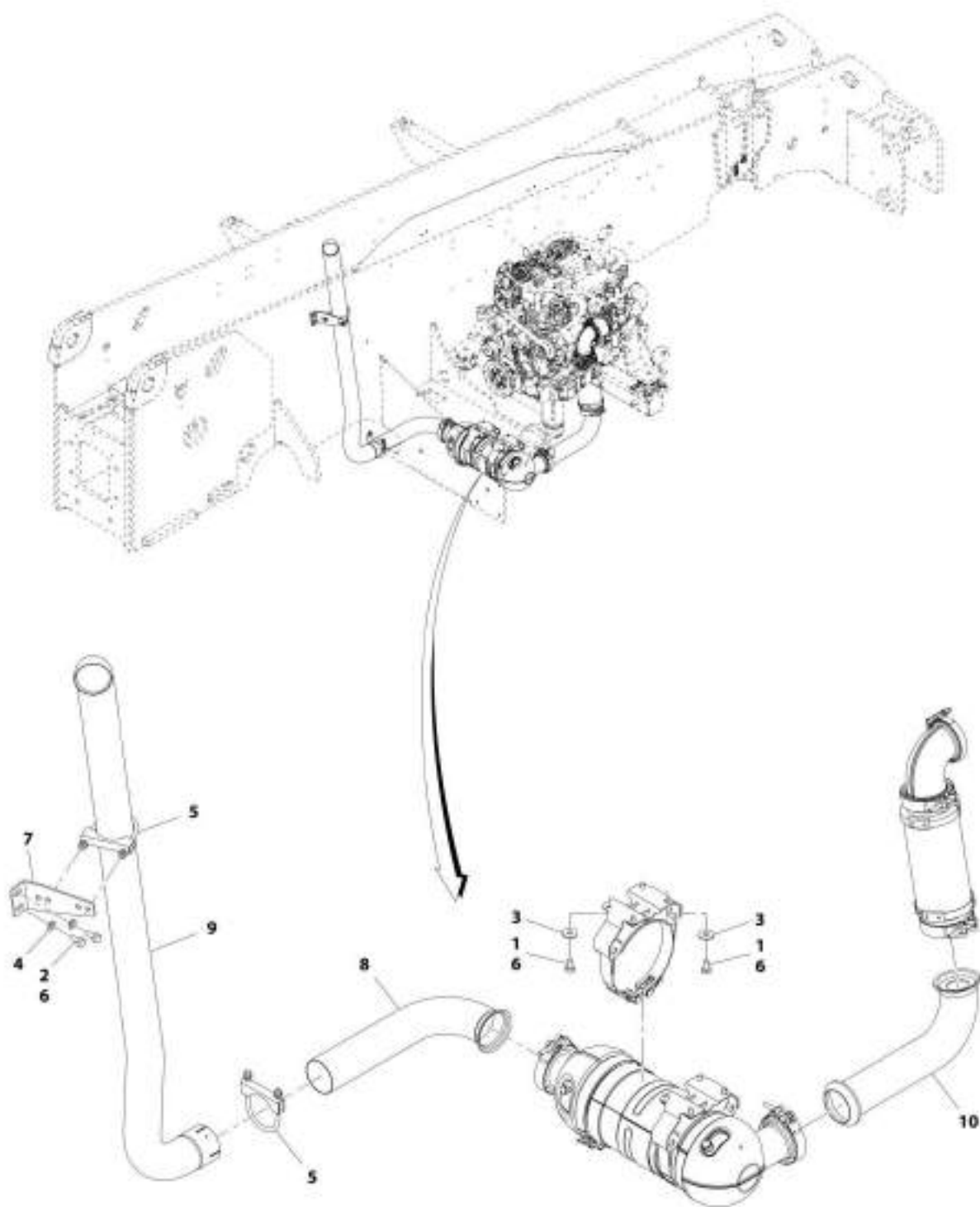
SECTION 4 - ENGINE AND ATTACHING PARTS

FIGURE 4-30. EXHAUST SYSTEM INSTALLATION (ULS) - 74KW

ITEM	PART NUMBER	QTY	DESCRIPTION	REV
	1001141387	Ref	Exhaust System Installation (ULS) - 74KW	C
1	0760810	8	Bolt, M8X20	
2	0761011	2	Bolt, M10X22	
3	4811902	8	Washer, M8	
4	4812000	2	Washer, M10	
5	8275247	2	Clamp, Muffler	
6	1001125286	1	Bracket, Exhaust	
11	1001141390	1	Pipe, Exhaust	
12	1001141391	1	Pipe, Exhaust	
13	1001146709	1	Pipe, Exhaust	
15	1001095650	AR	Compound, Locking	

SECTION 4 - ENGINE AND ATTACHING PARTS

FIGURE 4-31. EXHAUST SYSTEM INSTALLATION (ULS) - 55KW



ART_1001309008-A

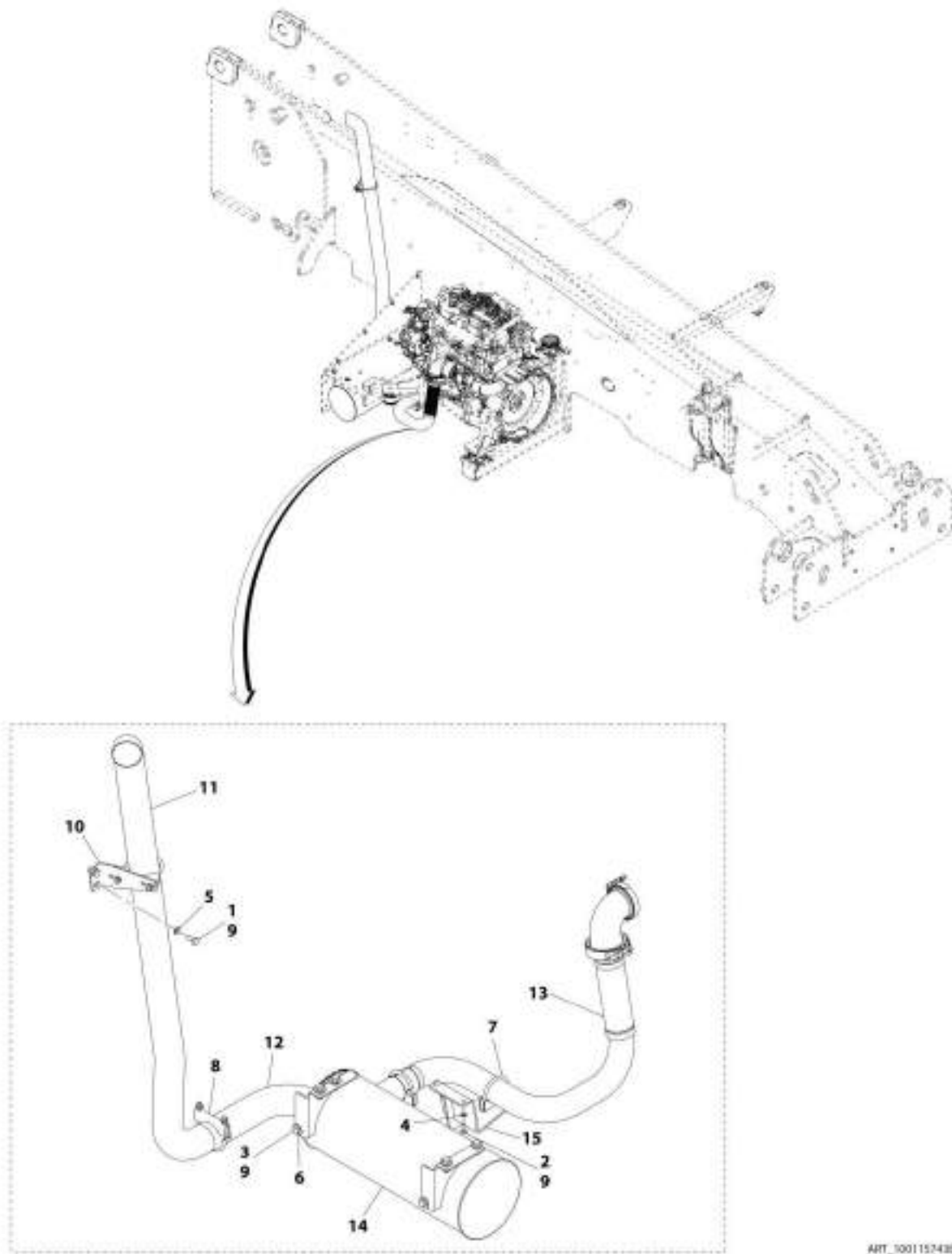
SECTION 4 - ENGINE AND ATTACHING PARTS

FIGURE 4-31. EXHAUST SYSTEM INSTALLATION (ULS) - 55KW

ITEM	PART NUMBER	QTY	DESCRIPTION	REV
	1001209008	Ref	Exhaust System Installation (ULS) - 55KW	A
1	0760807	8	Bolt, M8X14	
2	0761011	2	Bolt, M10X22	
3	4811902	8	Washer, M8	
4	4812000	2	Washer, M10	
5	8275247	2	Clamp, Muffler	
6	1001095650	AR	Compound, Locking	
7	1001125286	1	Bracket, Exhaust	
8	1001141390	1	Pipe, Exhaust	
9	1001141391	1	Pipe, Exhaust	
10	1001209007	1	Pipe, Exhaust	

SECTION 4 - ENGINE AND ATTACHING PARTS

FIGURE 4-32. EXHAUST SYSTEM INSTALLATION (LS)



ART_3001157439-C

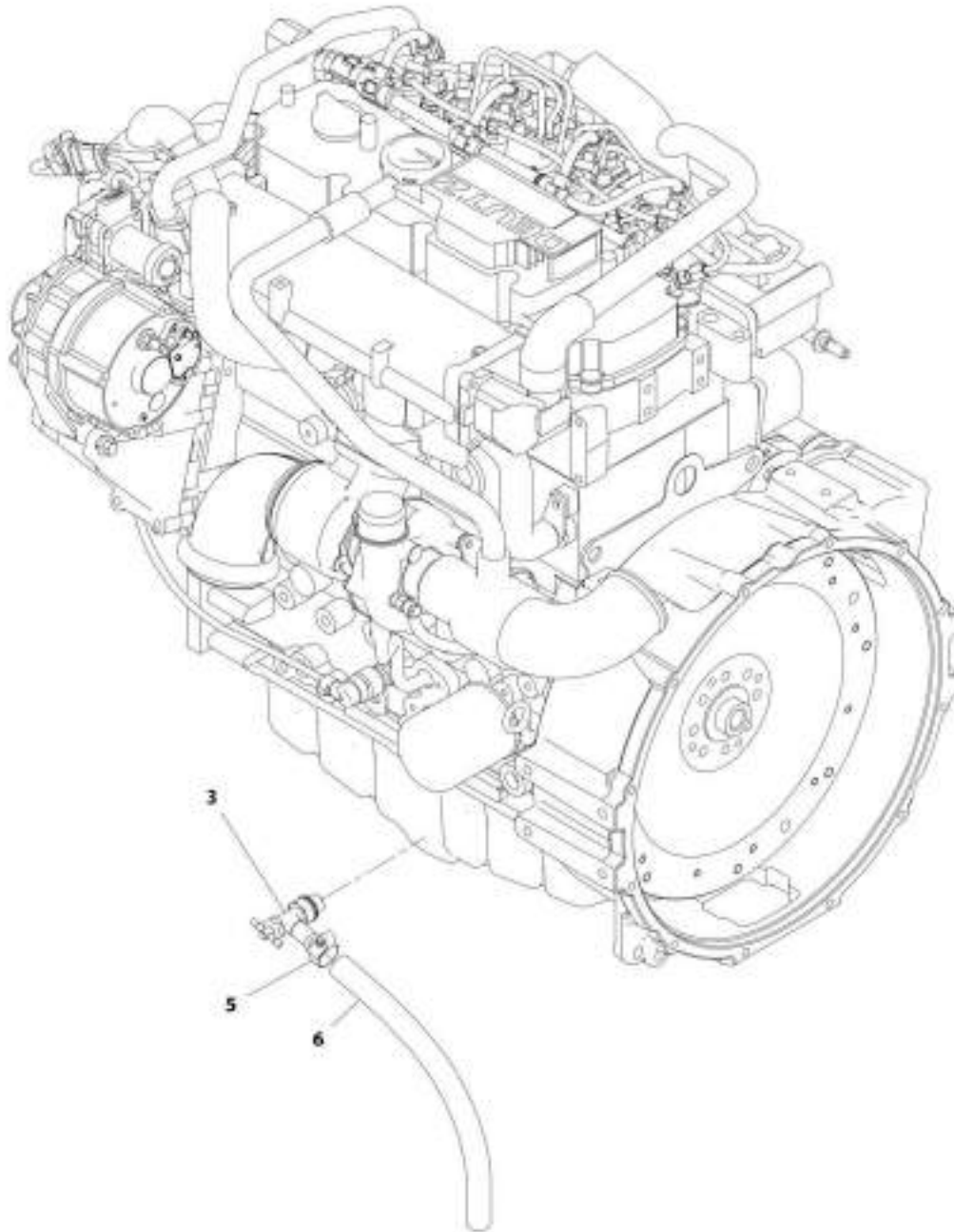
SECTION 4 - ENGINE AND ATTACHING PARTS

FIGURE 4-32. EXHAUST SYSTEM INSTALLATION (LS)

ITEM	PART NUMBER	QTY	DESCRIPTION	REV
	1001157438	Ref	Exhaust System Installation (LS)	C
1	0761011	2	Bolt, M10X22	
2	0760810	2	Bolt, M8X20	
3	0761014	6	Bolt, M10X30	
4	4811900	2	Washer, M8	
5	4812000	2	Washer, M10	
6	4812002	6	Washer, M10	
7	8275212	2	Clamp, Muffler	
8	8275247	3	Clamp, Muffler	
9	1001095650	AR	Compound, Locking	
10	1001125286	1	Bracket, Exhaust	
11	1001141391	1	Pipe, Exhaust	
12	1001157018	1	Pipe, Exhaust	
13	1001157020	1	Pipe, Exhaust, Flexible	
14	1001157409	1	Muffler	
15	1001157434	1	Bracket, Exhaust	

SECTION 4 - ENGINE AND ATTACHING PARTS

FIGURE 4-33. ENGINE OIL DRAIN INSTALLATION



ARE_1801169871-E

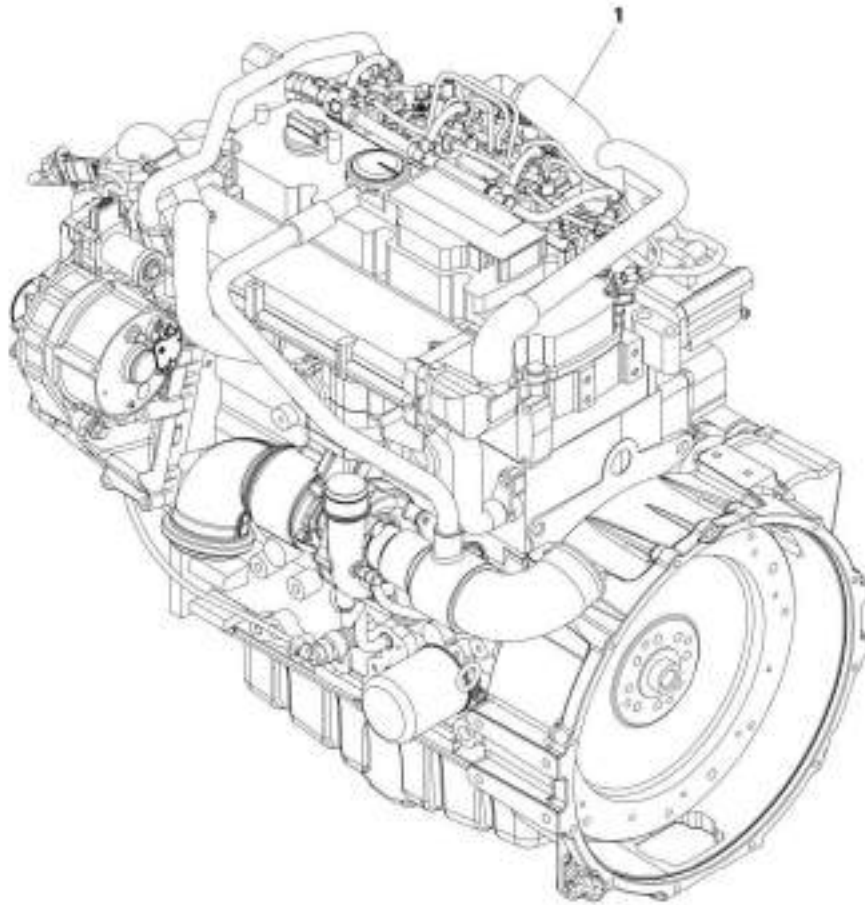
SECTION 4 - ENGINE AND ATTACHING PARTS

FIGURE 4-33. ENGINE OIL DRAIN INSTALLATION

ITEM	PART NUMBER	QTY	DESCRIPTION	REV
	1001169871	Ref	Engine Oil Drain Installation	C
3	1001144669	1	Oil Drain Valve	
5	1001008609	1	Clamp	
6	1001187260	1	Oil Drain Hose	

SECTION 4 - ENGINE AND ATTACHING PARTS

FIGURE 4-34. ENGINE INSTALLATION (SN 1160008519 to Present)



AFT_1001201615-A

SECTION 4 - ENGINE AND ATTACHING PARTS

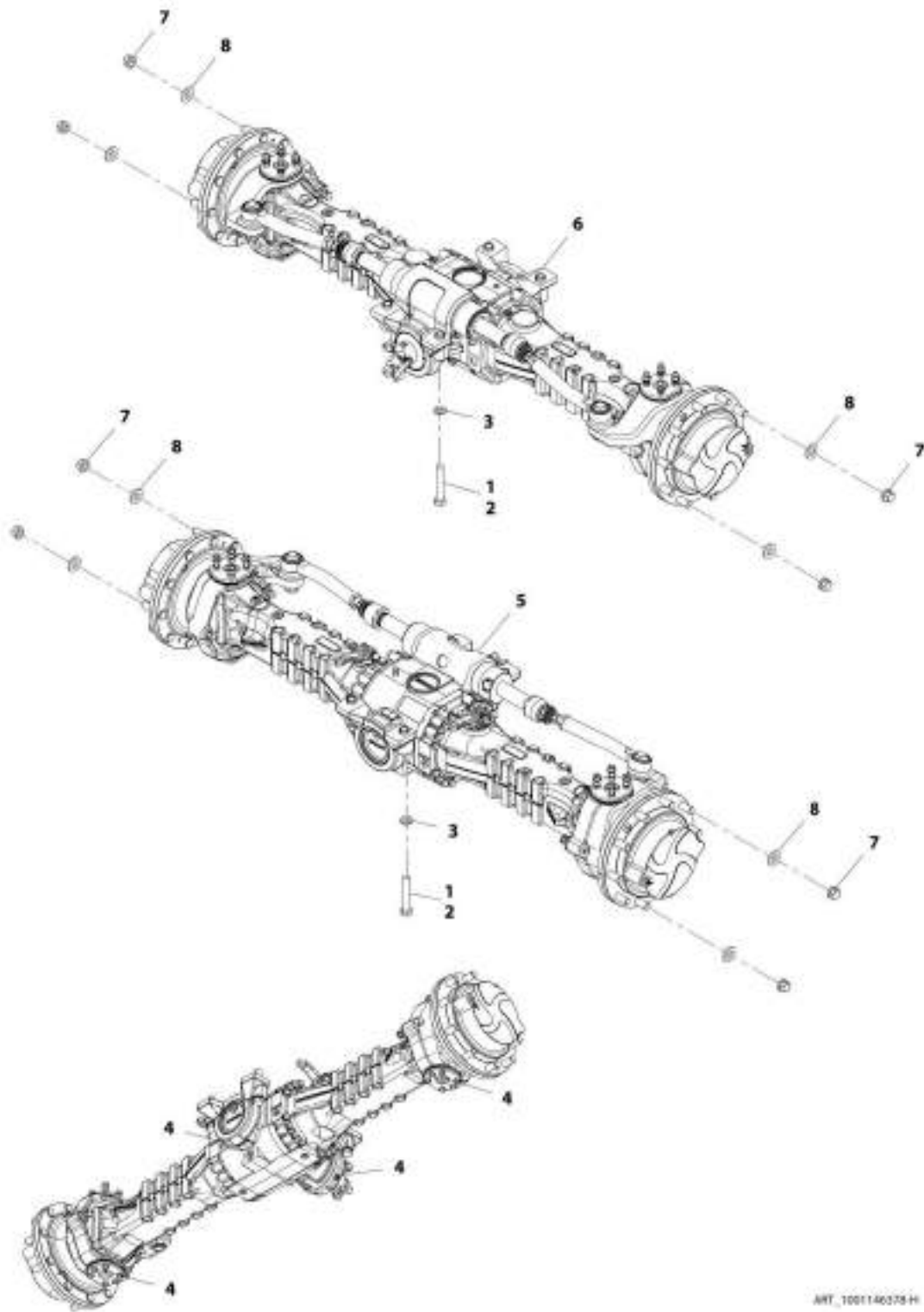
FIGURE 4-34. ENGINE INSTALLATION (SN 1160008519 to Present)

ITEM	PART NUMBER	QTY	DESCRIPTION	REV
1	1001203935	Ref	Engine Installation	A
	1001171222L	1	Engine, Deutz TCD 3.6 L4 (FOR ENGINE PARTS INFORMATION REFER TO DEUTZ ENGINE PARTS MANUAL 31211006 & 31211007)	E
2	1001203952	1	Flex Plate, (not shown)	

SECTION 5 - DRIVETRAIN

SECTION 5 - DRIVETRAIN

FIGURE 5-1. AXLE INSTALLATION - 3614RS (74KW)



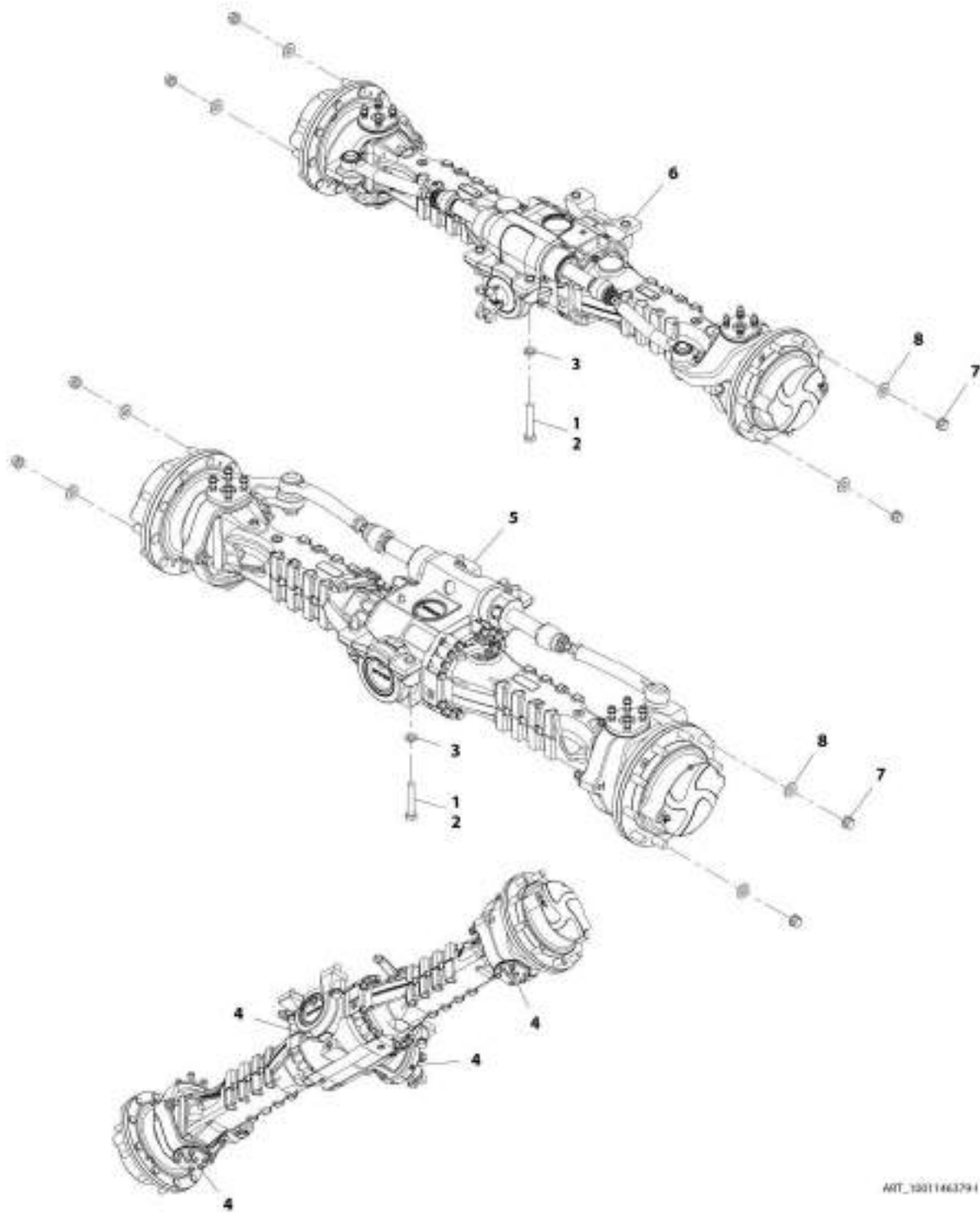
SECTION 5 - DRIVETRAIN

FIGURE 5-1. AXLE INSTALLATION - 3614RS (74KW)

ITEM	PART NUMBER	QTY	DESCRIPTION	REV
	1001146378	Ref	Axle Installation - 3614RS (74KW)	H
1	1001198326	AR	Compound, Locking	
2	0712029	8	Bolt, M20X120	
3	1001197130	8	Washer, M20	
4	1001008462	AR	Lube, Grease	
5	1001135441	1	Axle, Front (See FRONT AXLE - 3614RS for Breakdown)	
6	1001135442	1	Axle, Rear (See REAR AXLE - 3614RS, 4017RS (NO FOAM FILL) for Breakdown)	
7	3300479	40	Nut, Wheel M22X1.5	
8	1001114802	40	Washer	

SECTION 5 - DRIVETRAIN

FIGURE 5-2. AXLE INSTALLATION, (NO FOAM FILL) - 4017RS (74KW)



MIT_13011463294

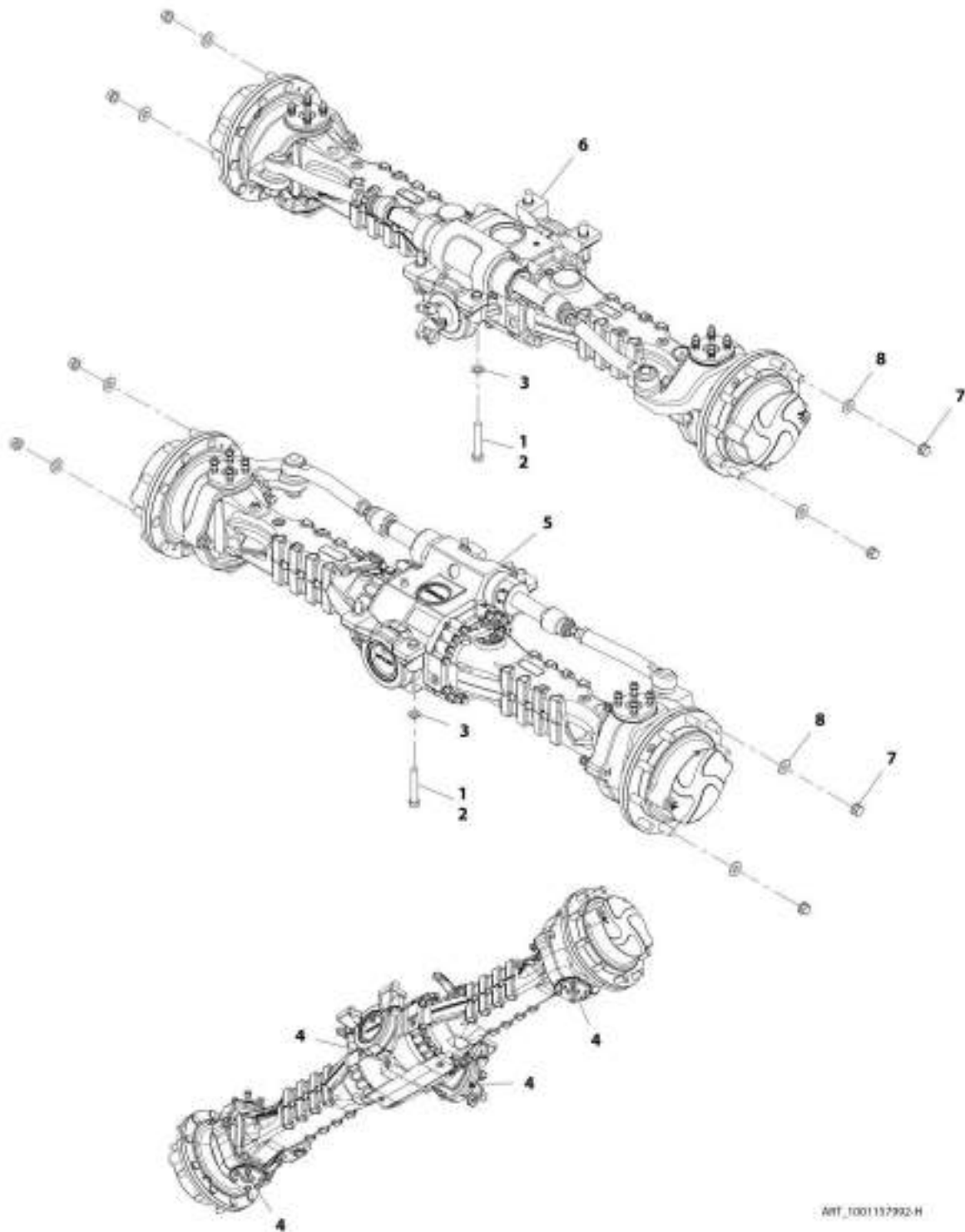
SECTION 5 - DRIVETRAIN

FIGURE 5-2. AXLE INSTALLATION, (NO FOAM FILL) - 4017RS (74KW)

ITEM	PART NUMBER	QTY	DESCRIPTION	REV
	1001146379	Ref	Axle Installation, (No Foam Fill) - 4017RS (74KW)	I
1	1001198326	AR	Compound, Locking	
2	0712029	8	Bolt, M20X120	
3	1001197130	8	Washer, M20	
4	1001008462	AR	Lube, Multipurpose Grease	
5	1001135442	1	Axle, Rear (See REAR AXLE - 3614RS, 4017RS (NO FOAM FILL) for Breakdown)	
6	1001144352	1	Axle, Front (See FRONT AXLE - 4017RS for Breakdown) (Prior to SN 1160007543, Excluding 1160007516 and 1160007537)	
6	1001182621	1	Axle, Front (See FRONT AXLE - 4017RS for Breakdown) (SN 1160007543 to Present, Including 1160007516 and 1160007537)	
7	3300479	40	Nut, Wheel M22X1.5	
8	1001114802	40	Washer	

SECTION 5 - DRIVETRAIN

FIGURE 5-3. AXLE INSTALLATION (FOAM FILL) - 4017RS (74KW)



Aff_1001117992-H

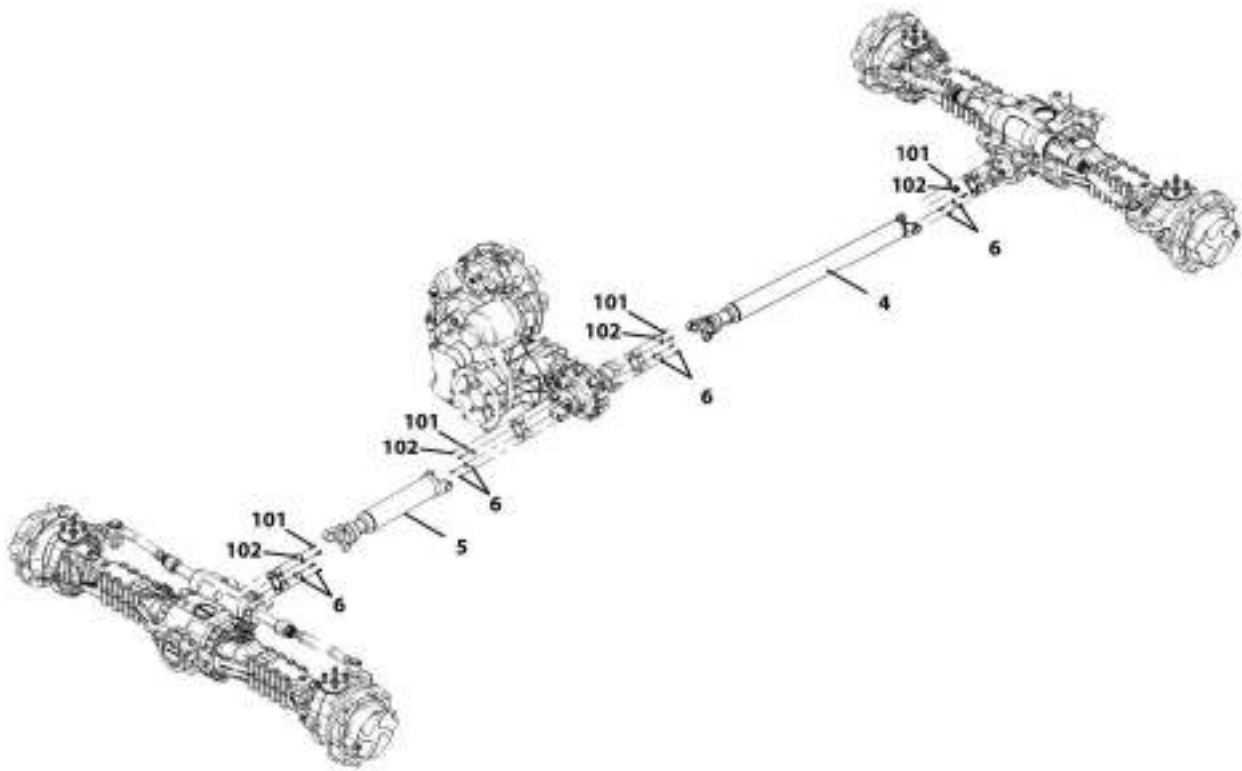
SECTION 5 - DRIVETRAIN

FIGURE 5-3. AXLE INSTALLATION (FOAM FILL) - 4017RS (74KW)

ITEM	PART NUMBER	QTY	DESCRIPTION	REV
	1001157992	1	Axle Installation (Foam Fill) - 4017RS (74KW)	H
1	1001198326	AR	Compound, Locking	
2	0712029	8	Bolt, M20X120	
3	1001197130	8	Washer, M20	
4	1001008462	AR	Lube, Multipurpose Grease	
5	1001144352	1	Axle, Front (See FRONT AXLE - 4017RS for Breakdown) (Prior to SN 1160007543, Excluding 1160007516 and 1160007537)	
5	1001182621	1	Axle, Front (See FRONT AXLE - 4017RS for Breakdown) (SN 1160007543 to Present, Including 1160007516 and 1160007537)	
6	1001151718	1	Axle, Rear (See REAR AXLE- 4017RS (FOAM FILL) for Breakdown) (Prior to SN 1160007543, Excluding 1160007516 and 1160007537)	
6	1001182622	1	Axle, Rear (See REAR AXLE- 4017RS (FOAM FILL) for Breakdown) (SN 1160007543 to Present, Including 1160007516 and 1160007537)	
7	3300479	40	Nut, Wheel M22X1.5	
8	1001114802	40	Washer	

SECTION 5 - DRIVETRAIN

FIGURE 5-4. DRIVE SHAFT INSTALLATION - 3614RS



ART_1001144458-C

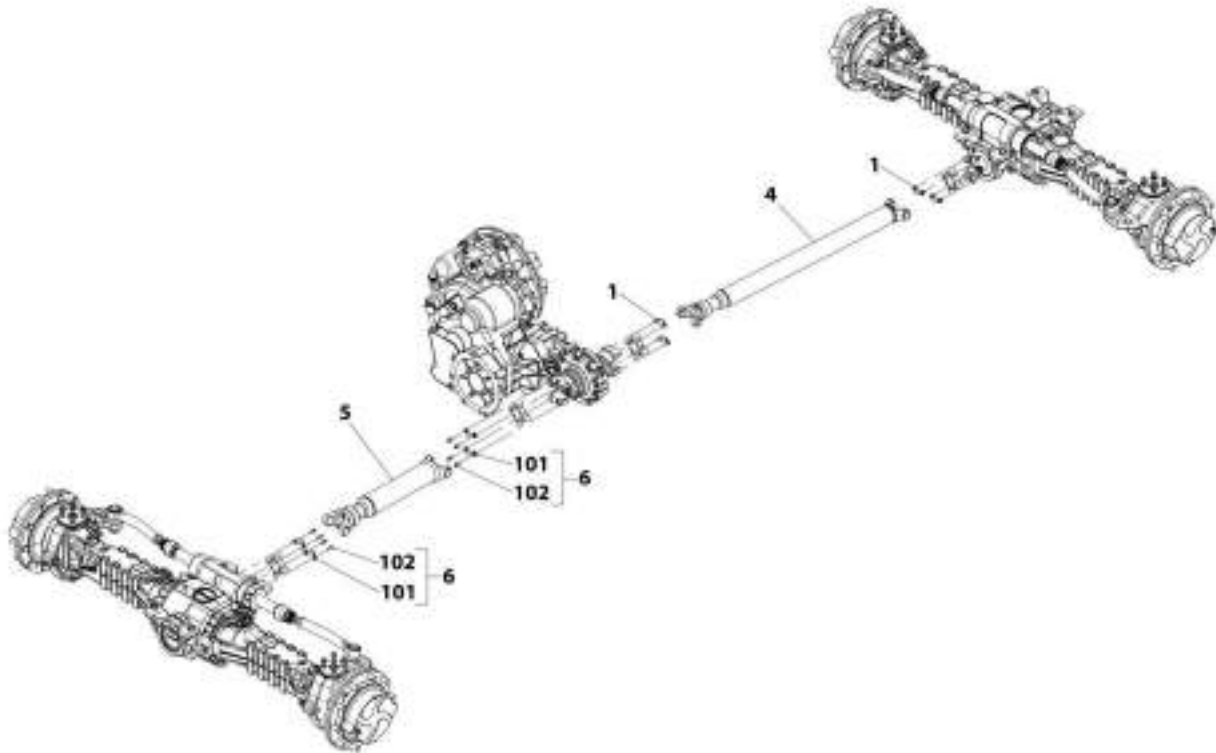
SECTION 5 - DRIVETRAIN

FIGURE 5-4. DRIVE SHAFT INSTALLATION - 3614RS

ITEM	PART NUMBER	QTY	DESCRIPTION	REV
	1001144458	1	Driveshaft Installation - 3614RS	C
1	8005079	4	Clampset	
4	1001145432	1	Shaft, Rear Drive	
5	1001145433	1	Shaft, Front Drive	
6	8880218-OM	2	Kit, Strap (includes items 101 & 102)	
101	8880216-OM	NLA	Strap, (no longer available, use 8880218-OM for replacement)	
102	8880217-OM	NLA	Bolt, Strap 0.375-24X0.75, (no longer available, use 8880218-OM for replacement)	

SECTION 5 - DRIVETRAIN

FIGURE 5-5. DRIVE SHAFT INSTALLATION - 4017RS



ARE_100144452-D

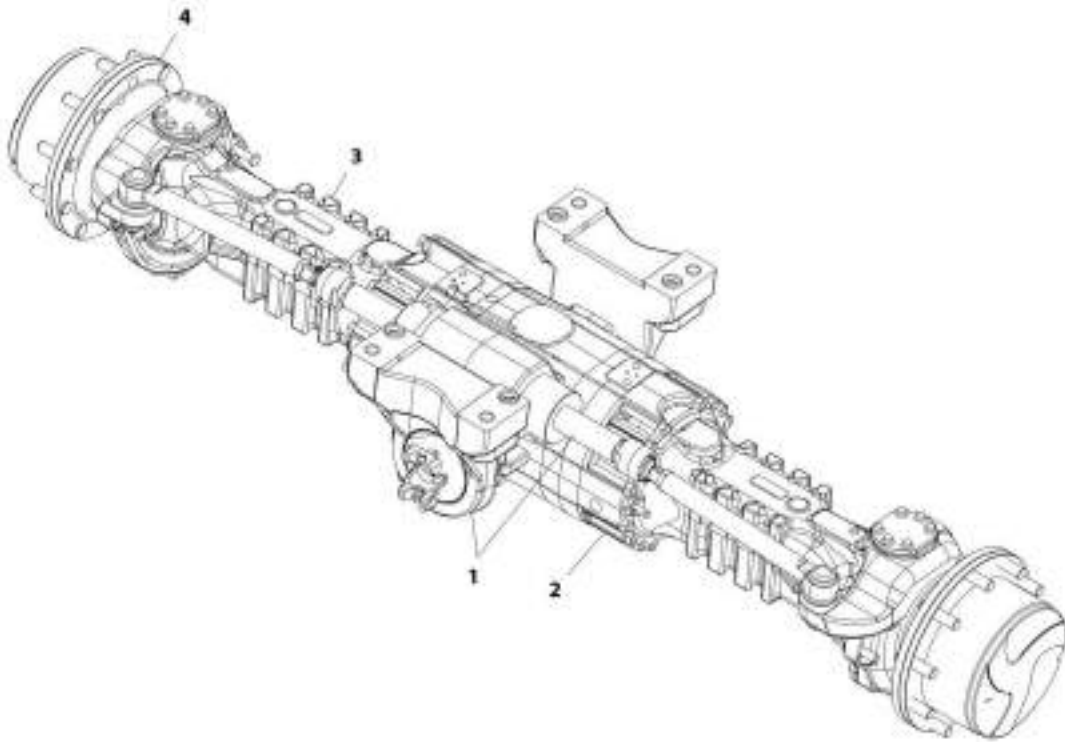
SECTION 5 - DRIVETRAIN

FIGURE 5-5. DRIVE SHAFT INSTALLATION - 4017RS

ITEM	PART NUMBER	QTY	DESCRIPTION	REV
	1001144459	Ref	Driveshaft Installation - 4017RS	D
1	8005079	4	Clampset	
4	1001137323	1	Shaft, Rear Drive	
5	1001146399	1	Shaft, Front Drive	
6	8880218-OM	2	Kit, Strap, (includes items 101 & 102)	
101	8880216-OM	NLA	Strap, (no longer available, use 8880218-OM for replacement)	
102	8880217-OM	NLA	Bolt, Strap 0.375-24x0.75, (no longer available, use 8880218-OM for replacement)	

SECTION 5 - DRIVETRAIN

FIGURE 5-6. FRONT AXLE - 3614RS



ART_1001135441-C

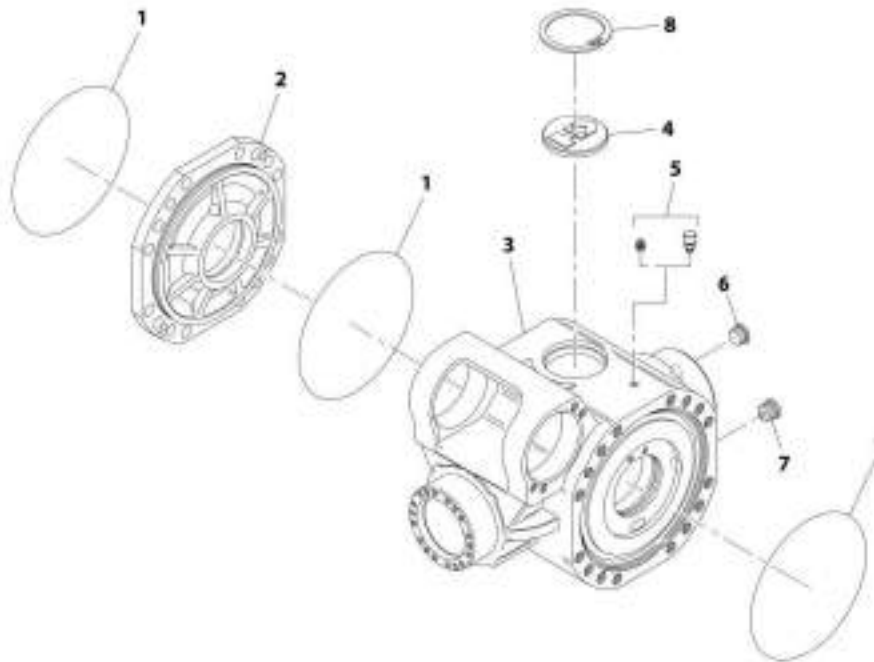
SECTION 5 - DRIVETRAIN

FIGURE 5-6. FRONT AXLE - 3614RS

ITEM	PART NUMBER	QTY	DESCRIPTION	REV
	1001135441	Ref	Front Axle - 3614RS	C
1		Ref	Front Axle, Central Housing (See FRONT AXLE, CENTRAL HOUSING - 3614RS for Breakdown)	
2		Ref	Front Axle, Differential - 3614RS (See FRONT AXLE, DIFFERENTIAL - 3614RS for Breakdown)	
3		Ref	Front Axle, Hub Reduction - 3614RS (See FRONT AXLE, HUB REDUCTION -3614RS for Breakdown)	
4		Ref	Front Axle, Brakes - 3614RS (See FRONT AXLE, BRAKES - 3614RS for Breakdown)	
5		Ref	Front Axle, Steering - 3614RS (See FRONT AXLE, STEERING - 3614RS for Breakdown)	
6		Ref	Front Axle, Trunion - 3614RS (See FRONT AXLE, TRUNION - 3614RS for Service)	

SECTION 5 - DRIVETRAIN

FIGURE 5-7. FRONT AXLE, CENTRAL HOUSING - 3614RS



ART_1001135441_1-C

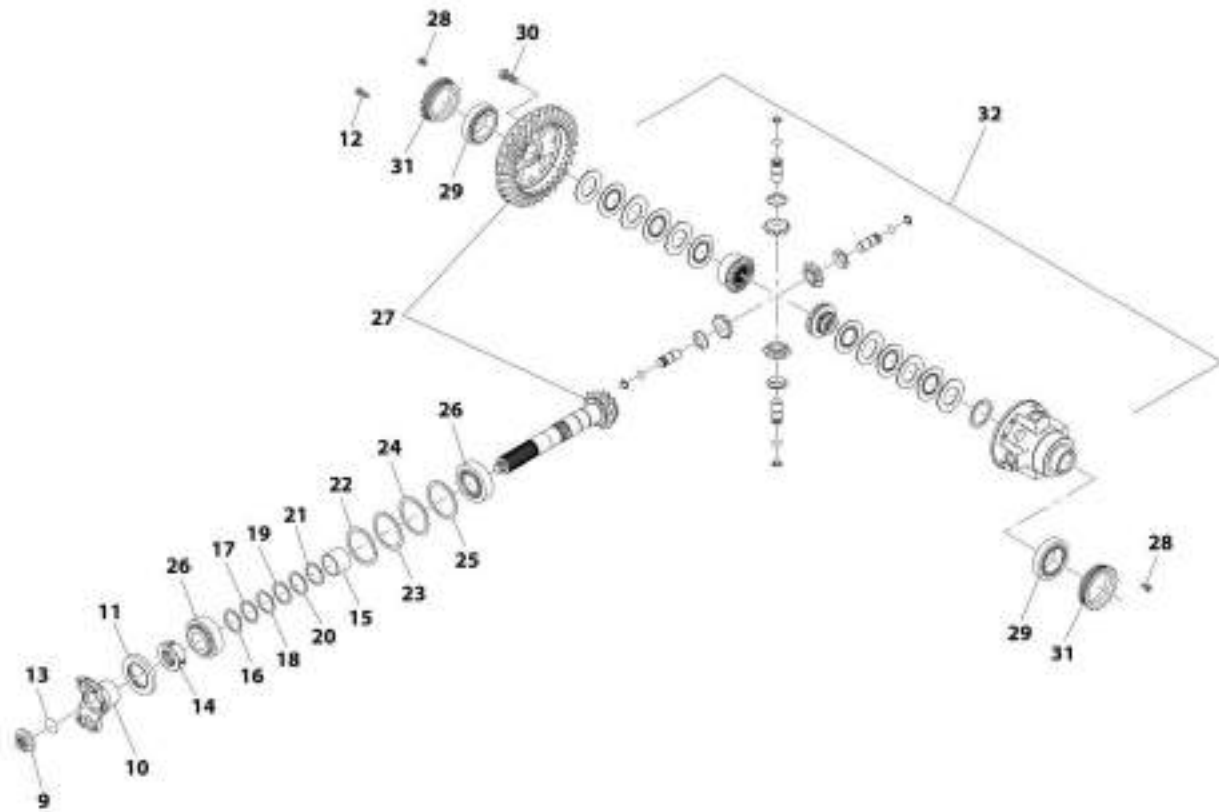
SECTION 5 - DRIVETRAIN

FIGURE 5-7. FRONT AXLE, CENTRAL HOUSING - 3614RS

ITEM	PART NUMBER	QTY	DESCRIPTION	REV
1	91474507	3	O-Ring	
2	70024519	1	Cover	
3	70026977	1	Housing	
4	91514098	1	Plug	
5	91474512	1	Vent	
6	91514188	1	Plug	
7	91474513	1	Plug, Magnet	
8	80204005	1	Circlip	

SECTION 5 - DRIVETRAIN

FIGURE 5-8. FRONT AXLE, DIFFERENTIAL - 3614RS



AMT_100113544T_3-C

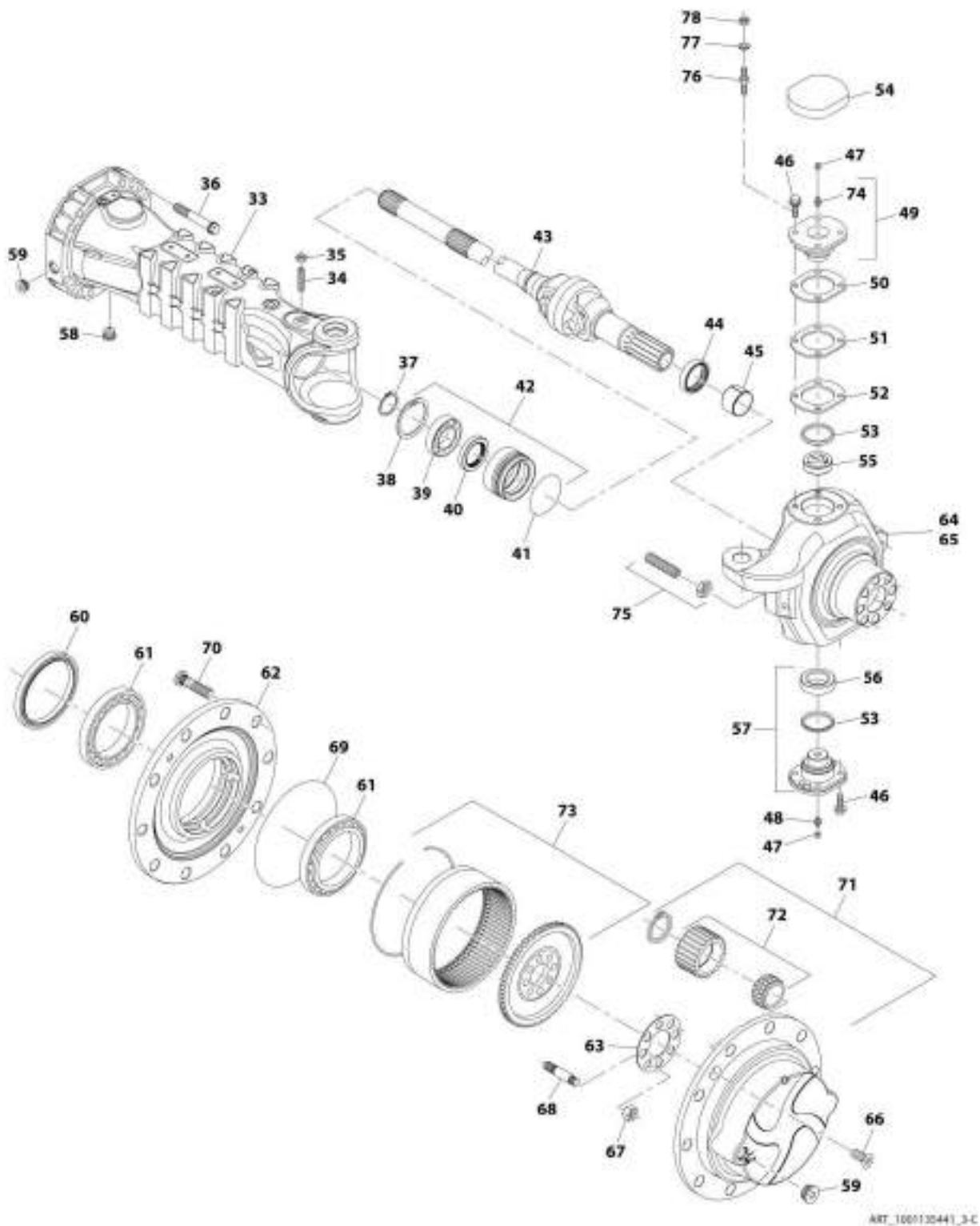
SECTION 5 - DRIVETRAIN

FIGURE 5-8. FRONT AXLE, DIFFERENTIAL - 3614RS

ITEM	PART NUMBER	QTY	DESCRIPTION	REV
9	70026631	1	Nut	
10	70022797	1	Flange	
11	91474532	1	Seal	
12	91474591	4	Bolt	
13	91474529	1	O-Ring	
14	91474533	1	Nut, Ring	
15	91474539	1	Spacer	
16	91474535	1	Shim	
17	91474536	1	Shim	
18	91474537	1	Shim	
19	91474538	1	Shim	
20	70024520	1	Shim	
21	70024521	1	Shim	
22	91474540	1	Shim	
23	91474541	1	Shim	
24	91474542	1	Shim	
25	91474543	1	Shim	
26	3968141	2	Bearing, Taper Roller	
27	70025547	1	Set, Bevel Gear	
28	91514134	2	Bolt	
29	70026031	2	Bearing, Taper Roller	
30	91514123	12	Bolt	
31	91474547	2	Nut, Ring	
32	7028710	1	Differential Kit, (See Separate Breakdown in this Section)	

SECTION 5 - DRIVETRAIN

FIGURE 5-9. FRONT AXLE, HUB REDUCTION - 3614RS



ART_100130441_3-C

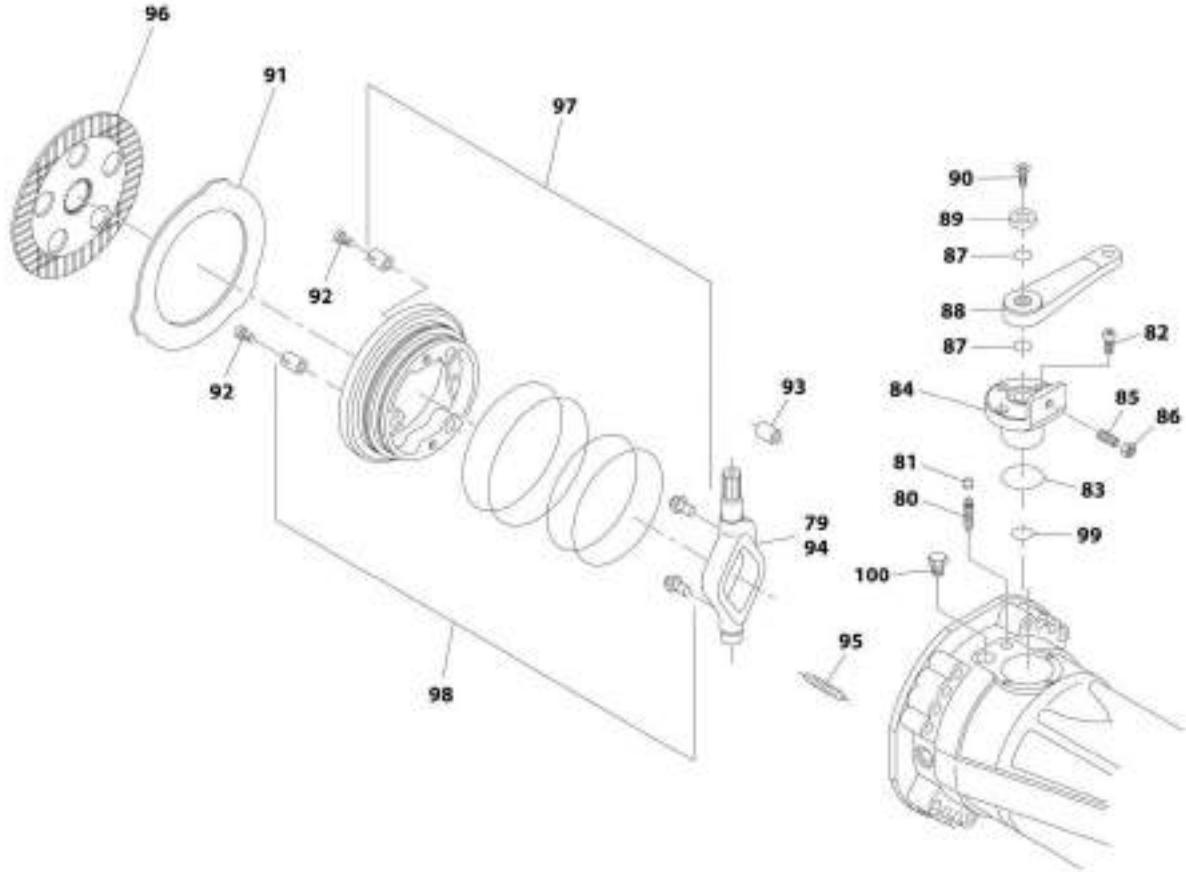
SECTION 5 - DRIVETRAIN

FIGURE 5-9. FRONT AXLE, HUB REDUCTION - 3614RS

ITEM	PART NUMBER	QTY	DESCRIPTION	REV
33	8007758	2	Case, Axle	
34	2400600	2	Bolt	
35	91514082	2	Nut	
36	7029428	32	Bolt	
37	80204071	2	Circlip	
38	80204005	2	Circlip	
39	91514146	2	Bearing, Ball	
40	91514147	2	Seal	
41	91514148	2	O-Ring	
42	91514149	2	Bushing, Reduction	
43	70025928	2	Joint, Double Universal	
44	8007771	2	Seal	
45	8004468	1	Bushing, Thrust	
46	70025562	12	Bolt	
47	80204117	4	Plug	
48	91514099	2	Fitting, Grease	
49	70025567	2	Pin, Pivot	
50	8007779	2	Shim	
51	8007780	2	Shim	
52	8007782	2	Shim	
53	2401043	4	Seal	
54	70025549	2	Cover	
55	70020173	2	Bushing	
56	2401258	2	Bearing	
57	8006605	2	Pin, Pivot	
58	91474513	2	Plug, Magnet	
59	91514188	4	Plug	
60	7029430	2	Seal	
61	3984301	4	Bearing	
62	8005801	2	Wheel Hub	
63	3983731	2	Locking Plate	
64	8007774	1	Steering Case Kit LH	
65	8007777	1	Steering Case Kit RH	
66	91514189	4	Bolt, Countersunk	
67	91474584	16	Nut	
68	70027315	16	Stud	
69	80204002	2	O-Ring	
70	8000877	20	Stud, Wheel	
71	7029431	2	Assembly, Planet Gear Carrier (includes items 35, 36 & 41)	
72	70023900	8	Assembly, Planet Gear and Bearing	
73	7029432	2	Assembly, Ring Gear Support (includes items 33, 34 & 44)	
74	7028115	2	Fitting, Grease	
75	7028733	4	Assembly, Steering Adjust Bolt (includes items 45 & 46)	
76	70025819	8	Stud	
77	91514119	8	Washer	
78	91514120	8	Nut	

SECTION 5 - DRIVETRAIN

FIGURE 5-10. FRONT AXLE, BRAKES - 3614RS



AIT_100113544I_4-C

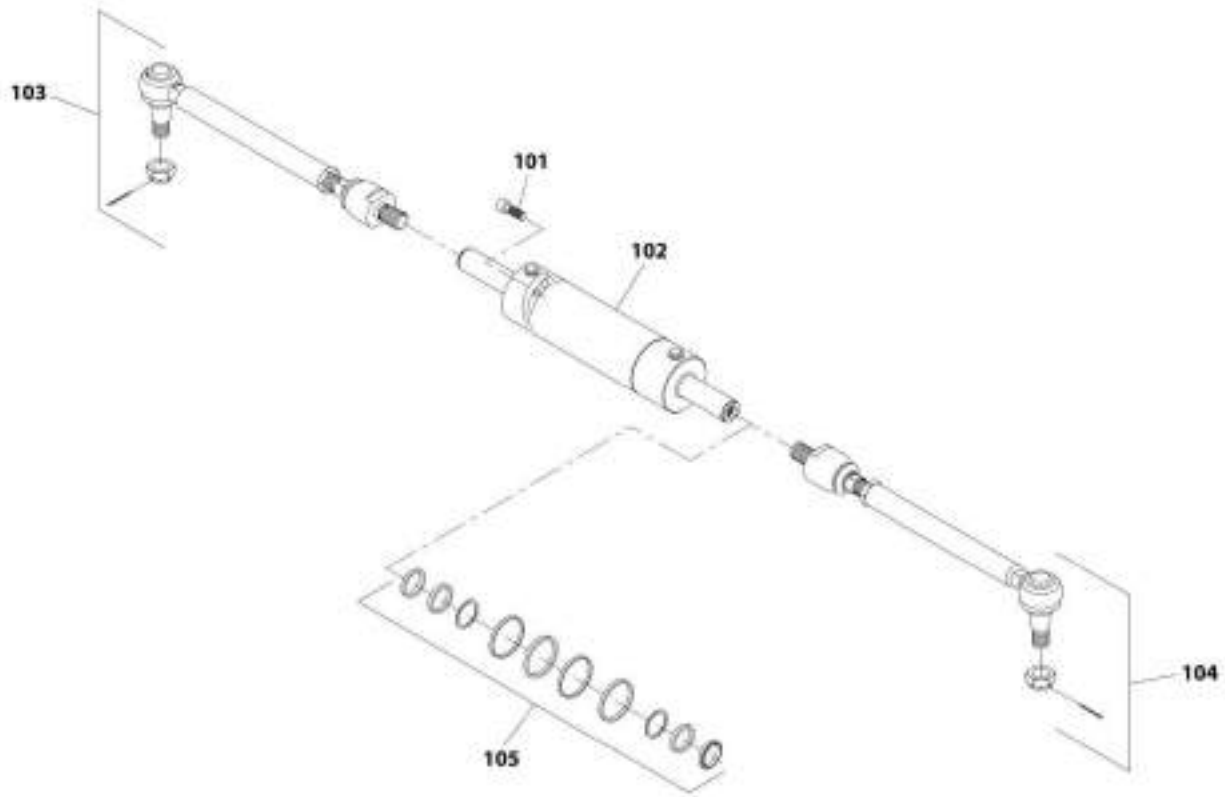
SECTION 5 - DRIVETRAIN

FIGURE 5-10. FRONT AXLE, BRAKES - 3614RS

ITEM	PART NUMBER	QTY	DESCRIPTION	REV
79	8007785	1	Lever, Right	
80	80204281	2	Bolt, Bleeding	
81	80204117	2	Plug	
82	2401736	6	Bolt, Cylinder	
83	3986405	2	O-Ring	
84	70027106	2	Reduction Bushing	
85	8002798	2	Grub Bolt	
86	8008168	2	Nut	
87	7028038	2	O-Ring	
88	70025568	2	Lever	
89	7028039	2	Washer	
90	8008169	2	Bolt, Countersunk	
91	70025823	10	Disc, Intermediate Brake	
92	7029785	6	Bolt, Adjusting	
93	7029433	2	Dowel	
94	8007786	1	Lever	
95	3984425	6	Spring	
96	91474568	8	Disc	
97	70026069	1	Kit Piston	
98	70026068	1	Kit Piston	
99	8007802	2	O-Ring	
100	91514154	2	Bolt	

SECTION 5 - DRIVETRAIN

FIGURE 5-11. FRONT AXLE, STEERING - 3614RS



ART_1001125411_5-C

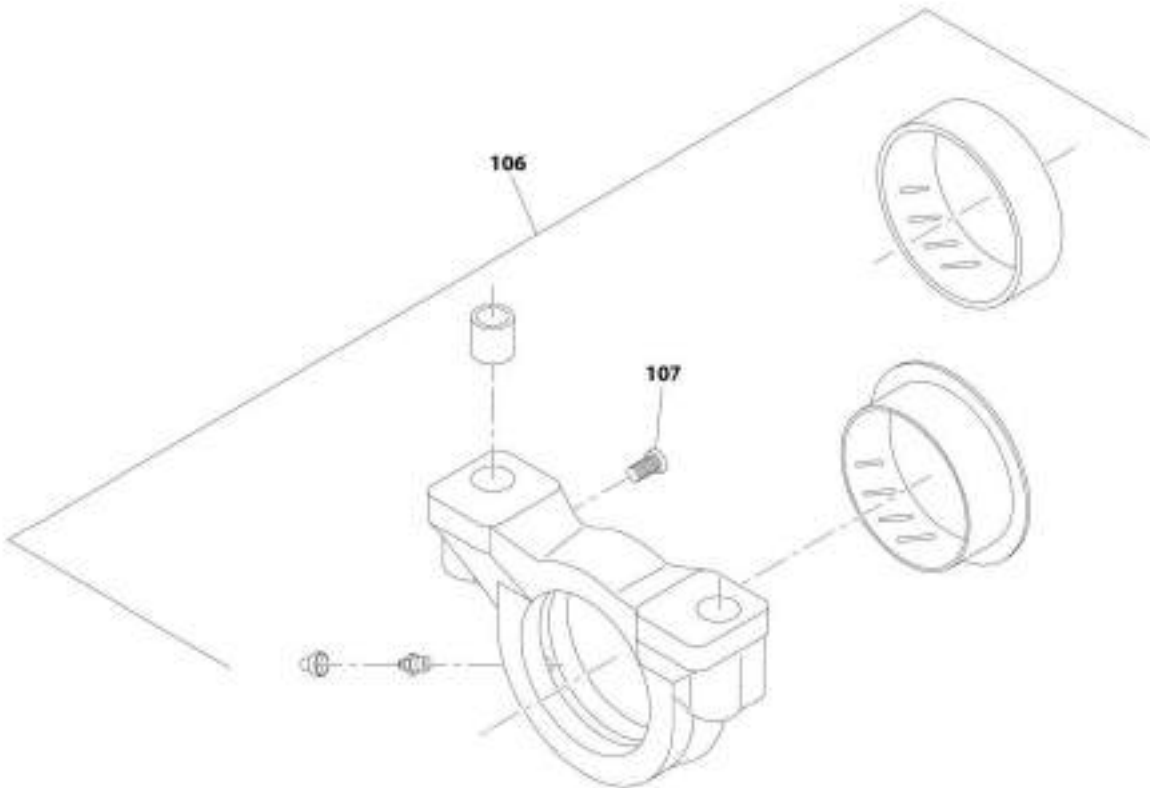
SECTION 5 - DRIVETRAIN

FIGURE 5-11. FRONT AXLE, STEERING - 3614RS

ITEM	PART NUMBER	QTY	DESCRIPTION	REV
101	91474522	4	Bolt	
102	70025566	1	Cylinder	
103	70026752	1	Bar	
103	70022773	1	Nut	
104	70026751	1	Bar	
104	70022773	1	Nut	
105	70025842	1	Seal Kit	

SECTION 5 - DRIVETRAIN

FIGURE 5-12. FRONT AXLE, TRUNION - 3614RS



ART_1001135441_6-C

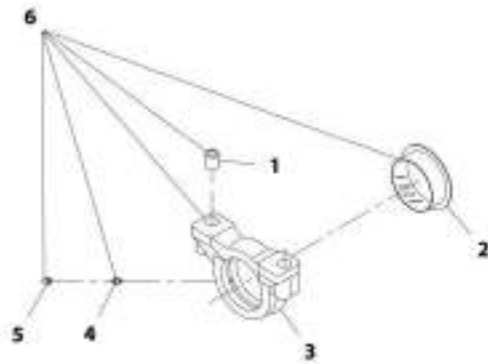
SECTION 5 - DRIVETRAIN

FIGURE 5-12. FRONT AXLE, TRUNION - 3614RS

ITEM	PART NUMBER	QTY	DESCRIPTION	REV
106	70026630	2	Trunion Kit	
107	70025884	2	Bolt	

SECTION 5 - DRIVETRAIN

FIGURE 5-13. FRONT AXLE, TRUNION KIT - 3614RS



ART_100135441_7-C

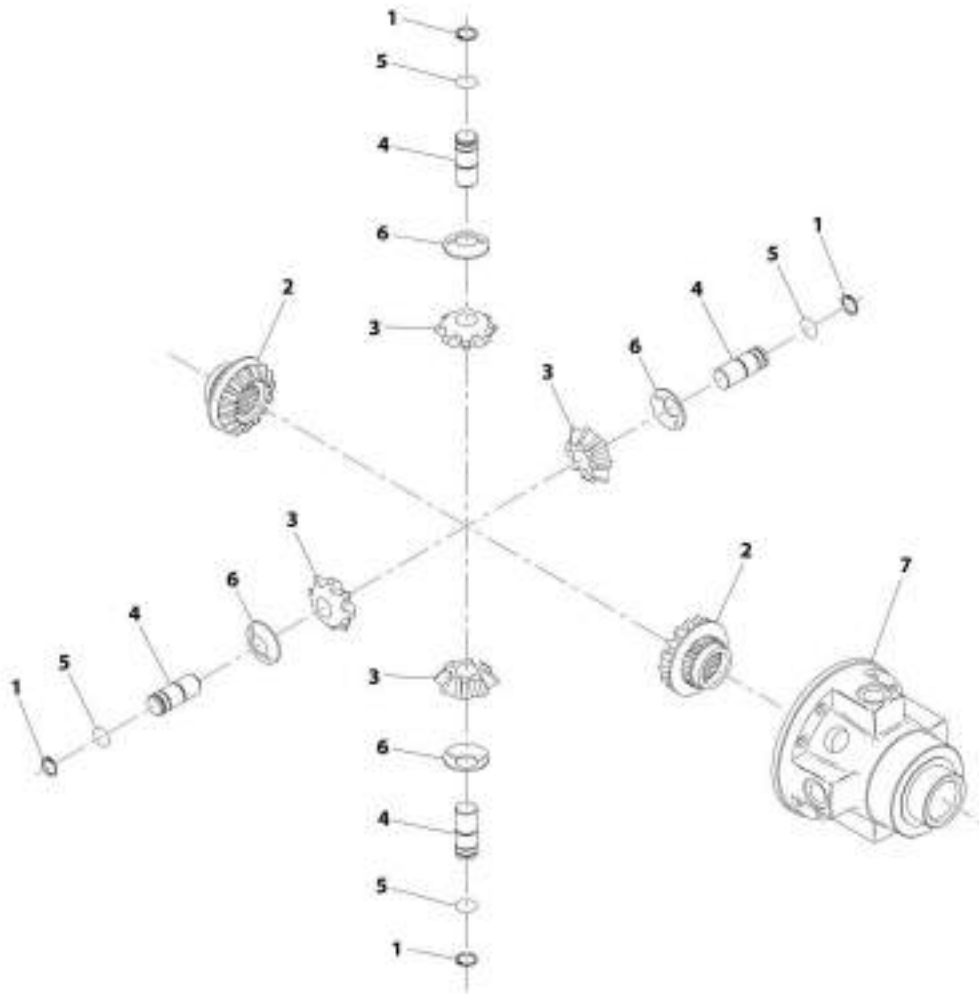
SECTION 5 - DRIVETRAIN

FIGURE 5-13. FRONT AXLE, TRUNION KIT - 3614RS

ITEM	PART NUMBER	QTY	DESCRIPTION	REV
1	91474516	1	Bushing, Reduction	
2	91474515	1	Bushing, Thrust	
3	7028083	1	Support	
4	91514099	1	Fitting, Grease	
5	80204117	1	Plug	
6	7028084	1	Support	

SECTION 5 - DRIVETRAIN

FIGURE 5-14. DIFFERENTIAL KIT



ART_7028710

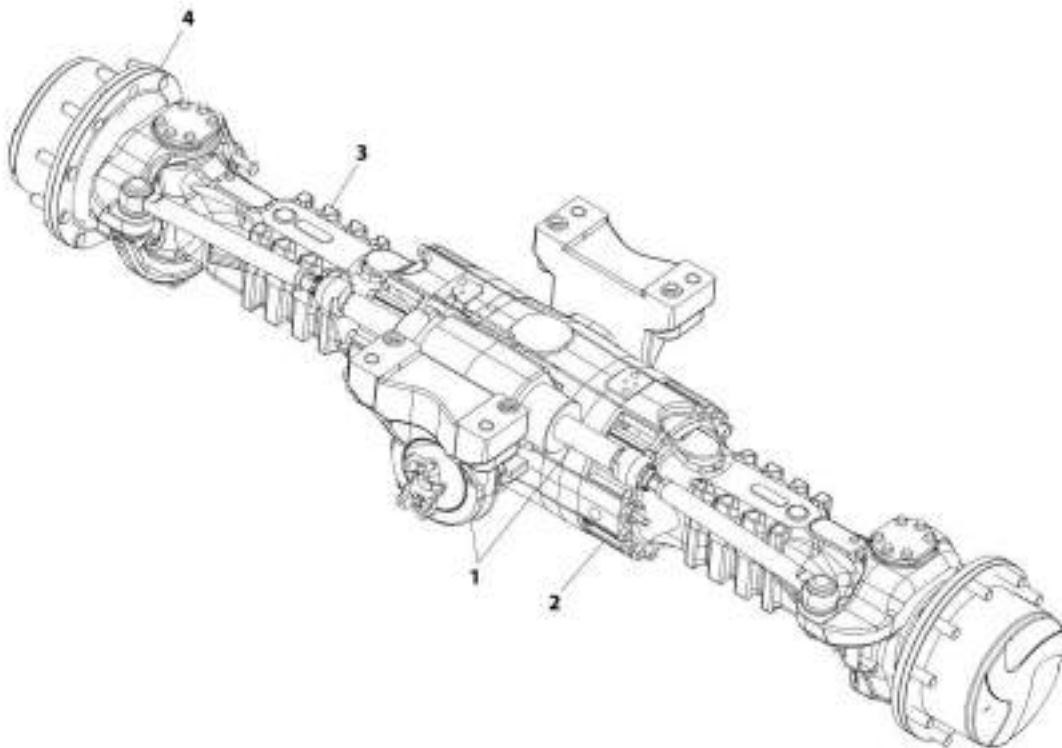
SECTION 5 - DRIVETRAIN

FIGURE 5-14. DIFFERENTIAL KIT

ITEM	PART NUMBER	QTY	DESCRIPTION	REV
	7028710	Ref	Differential Kit	
1	91474550	4	Circlip	
2	91474549	2	Gear, Differential Side	
3	7029129	4	Pinion, Differential	
4	7029131	4	Pin	
5	91474551	4	Circlip	
6	91474553	4	Washer, Friction	
7	8007751	1	Carrier, Differential	

SECTION 5 - DRIVETRAIN

FIGURE 5-15. FRONT AXLE - 4017RS (Prior to SN 1160007543, Excluding 1160007516 and 1160007537)



ART_1001144352-D

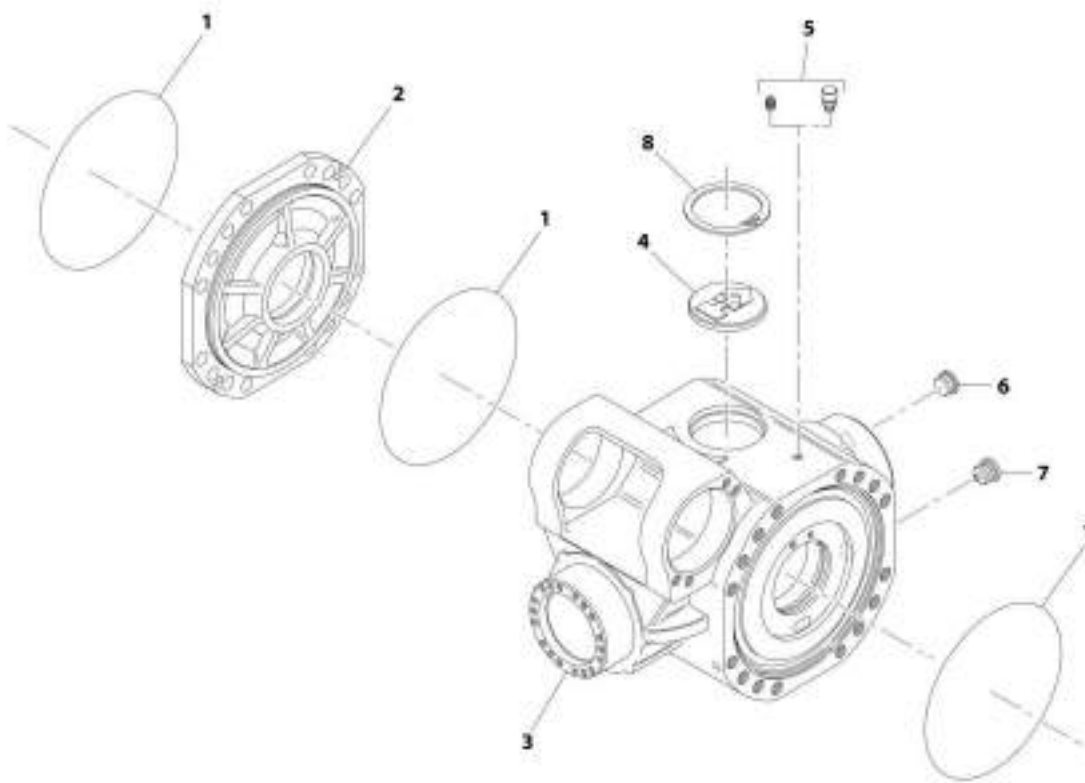
SECTION 5 - DRIVETRAIN

FIGURE 5-15. FRONT AXLE - 4017RS (Prior to SN 1160007543, Excluding 1160007516 and 1160007537)

ITEM	PART NUMBER	QTY	DESCRIPTION	REV
	1001144352	Ref	Front Axle - 4017RS	D
1		Ref	Front Axle, Central Housing - 4017RS (See FRONT AXLE, CENTRAL HOUSING - 4017RS for Breakdown)	
2		Ref	Front Axle, Differential - 4017RS (See FRONT AXLE, DIFFERENTIAL - 4017RS for Breakdown)	
3		Ref	Front Axle, Hub Reduction - 4017RS (See FRONT AXLE, HUB REDUCTION - 4017RS for Breakdown)	
4		Ref	Front Axle, Brakes - 4017RS (See FRONT AXLE, BRAKES - 4017RS for Breakdown)	
5		Ref	Front Axle, Steering - 4017RS (See FRONT AXLE, STEERING - 4017RS for Breakdown) (not shown)	
6		Ref	Front Axle, Trunion - 4017RS (See FRONT AXLE, TRUNION - 4017RS for Breakdown) (not shown)	

SECTION 5 - DRIVETRAIN

FIGURE 5-16. FRONT AXLE, CENTRAL HOUSING - 4017RS (Prior to SN 1160007543, Excluding 1160007516 and 1160007537)



ART. 1001144352_1-D

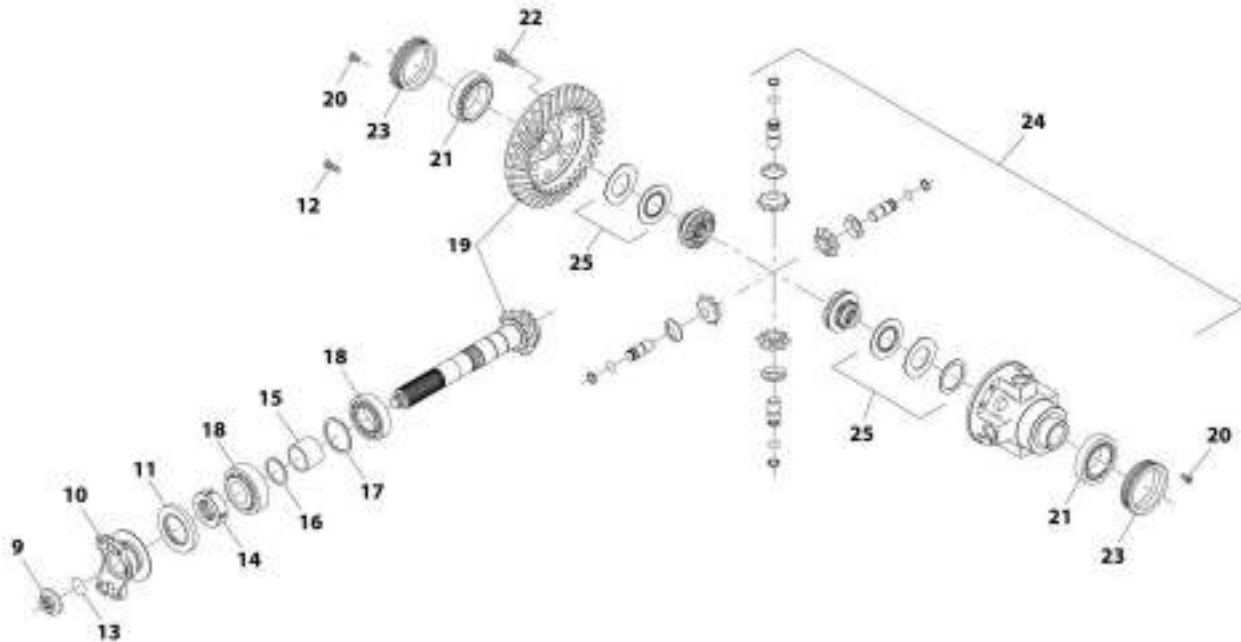
SECTION 5 - DRIVETRAIN

FIGURE 5-16. FRONT AXLE, CENTRAL HOUSING - 4017RS (Prior to SN 1160007543, Excluding 1160007516 and 1160007537)

ITEM	PART NUMBER	QTY	DESCRIPTION	REV
1	91474507	3	O-Ring	
2	70024872	1	Cover	
3	70026977	1	Housing	
4	91514098	1	Plug	
5	91474512	1	Vent	
6	91514188	1	Plug	
7	91474513	1	Plug, Magnet	
8	80204005	1	Circlip	

SECTION 5 - DRIVETRAIN

FIGURE 5-17. FRONT AXLE, DIFFERENTIAL - 4017RS (Prior to SN 1160007543, Excluding 1160007516 and 1160007537)



ART_1001144352_2 (3)

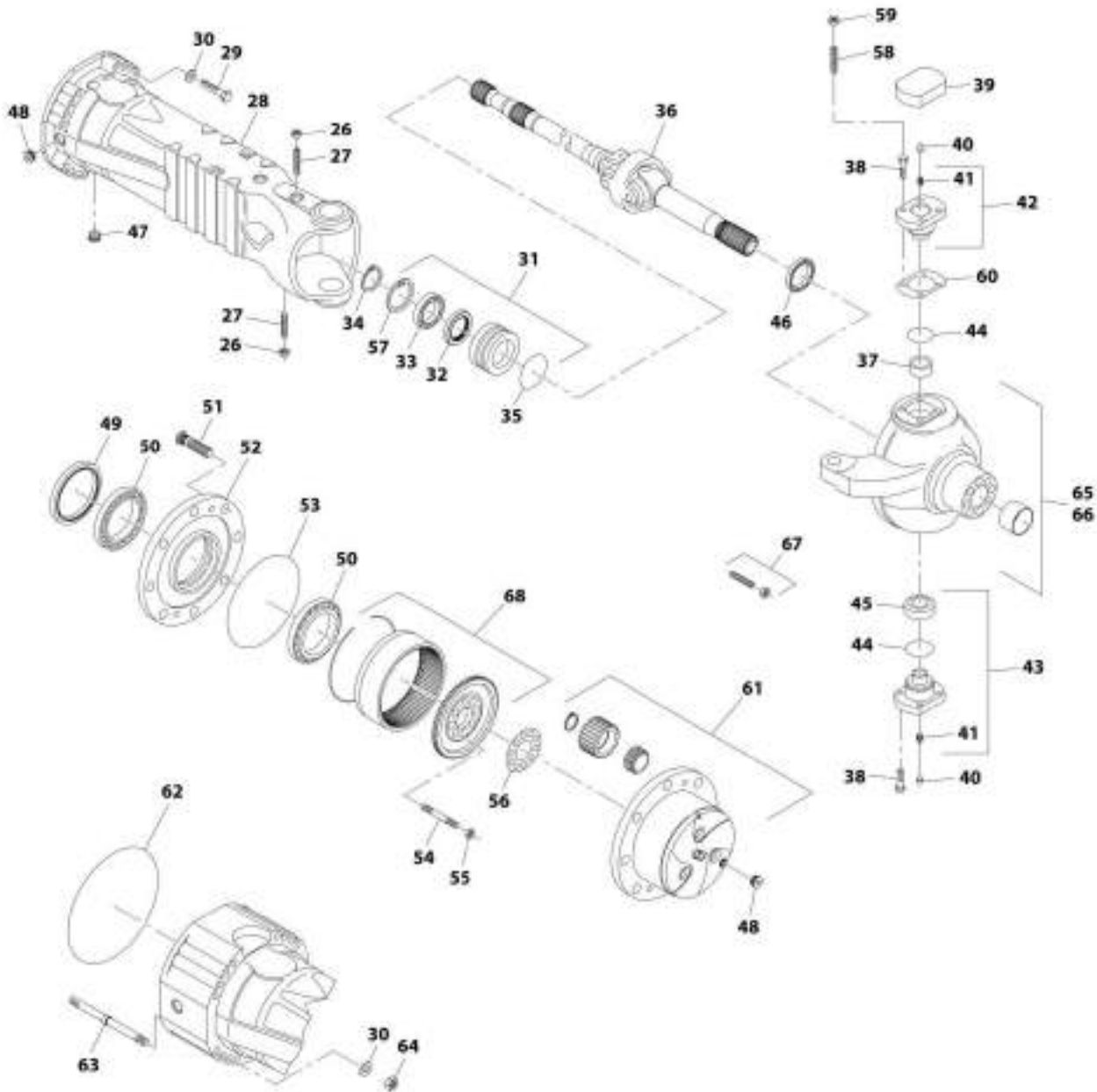
SECTION 5 - DRIVETRAIN

FIGURE 5-17. FRONT AXLE, DIFFERENTIAL - 4017RS (Prior to SN 1160007543, Excluding 1160007516 and 1160007537)

ITEM	PART NUMBER	QTY	DESCRIPTION	REV
9	91474528	1	Nut	
10	7029427	1	Flange	
11	91474532	1	Seal	
12	91474591	4	Bolt	
13	91474529	1	O-Ring	
14	91474533	1	Nut, Ring	
15	91474539	1	Spacer	
16	70025556	1	Shim	
17	70025555	1	Shim	
18	3968141	2	Bearing, Taper Roller	
19	70025547	1	Set, Bevel Gear	
20	91514134	2	Bolt	
21	70028471	2	Bearing, Taper Roller	
22	70025562	12	Bolt	
23	91474547	2	Nut, Ring	
24	7028710	1	Differential Kit, (See Separate Breakdown in this Section)	
25	8007755	2	Disc	

SECTION 5 - DRIVETRAIN

FIGURE 5-18. FRONT AXLE, HUB REDUCTION - 4017RS (Prior to SN 1160007543, Excluding 1160007516 and 1160007537)



ART_12000140352_3-D

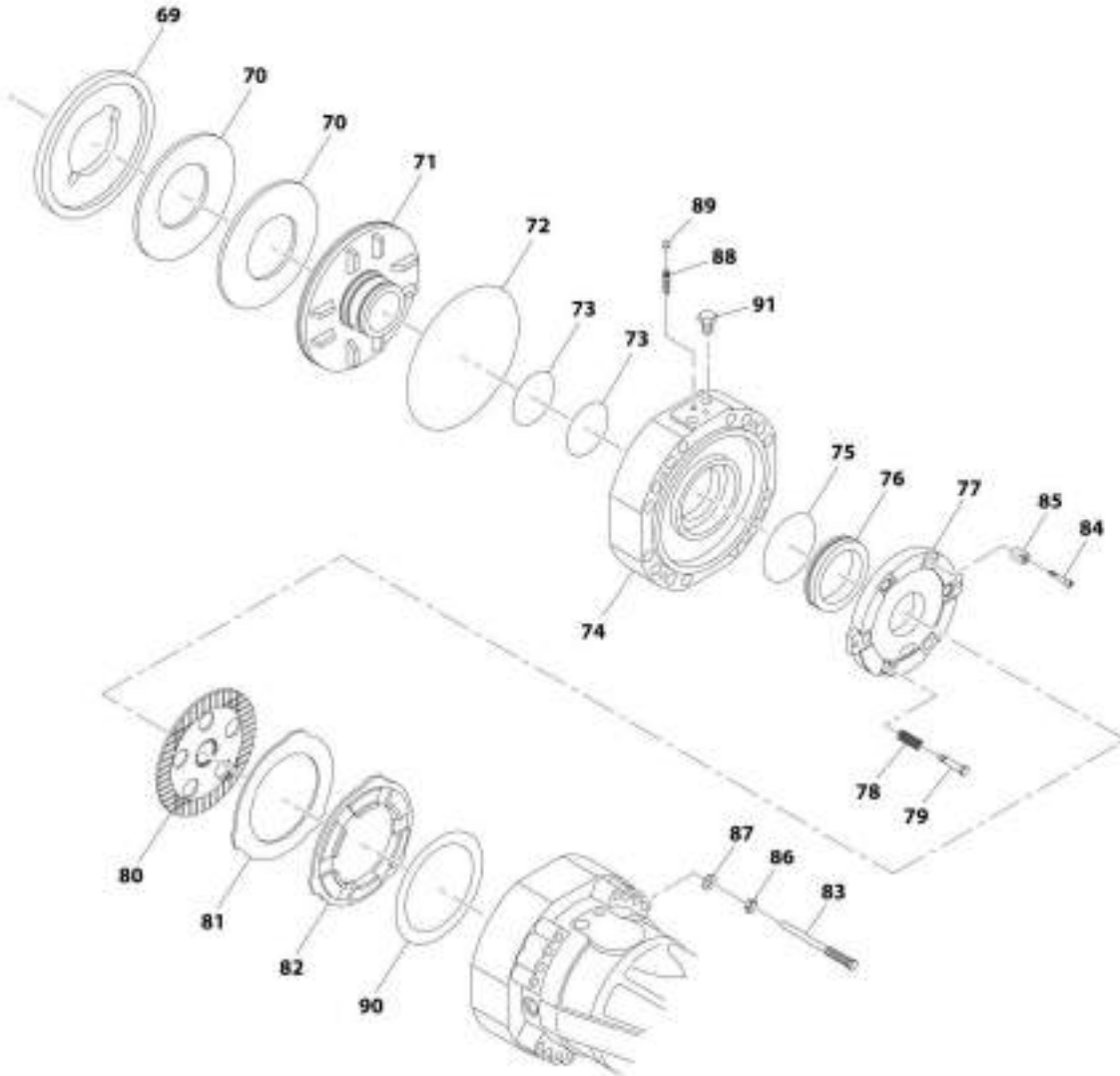
SECTION 5 - DRIVETRAIN

FIGURE 5-18. FRONT AXLE, HUB REDUCTION - 4017RS (Prior to SN 1160007543, Excluding 1160007516 and 1160007537)

ITEM	PART NUMBER	QTY	DESCRIPTION	REV
26	91514082	2	Nut	
27	91514081	2	Bolt	
28	7028711	2	Case, Axle	
29	70025012	24	Bolt	
30	91514084	8	Washer	
31	91514149	2	Bushing, Reduction	
32	91514147	2	Seal	
33	91514146	2	Bearing, Ball	
34	80204071	2	Circlip	
35	91514148	2	O-Ring	
36	70026071	2	Joint, Double Universal	
37	7028714	2	Bushing	
38	70025562	12	Bolt	
39	70028392	2	Cover	
40	80204117	2	Plug	
41	70024881	2	Fitting, Grease	
42	91514112	2	Pin, Pivot	
43	7028715	2	Pin, Pivot	
44	7028716	2	Seal, Dust	
45	91514095	2	Bearing	
46	70025857	2	Seal	
47	91474513	2	Plug, Magnet	
48	91514188	4	Plug	
49	7028721	2	Seal	
50	91474576	4	Bearing	
51	8000744	20	Stud, Wheel	
52	7028722	2	Hub, Wheel	
53	91514181	2	O-Ring	
54	70027315	20	Stud	
55	91474584	20	Nut	
56	91474582	2	Plate, Locking	
57	80204005	2	Circlip	
58	70025819	8	Stud	
59	70027320	8	Nut	
60	91514113	1	Shim	
61	70040710	2	Carrier, Planet Gear	
62	91474507	2	O-Ring	
63	70025014	8	Stud	
64	91514083	32	Nut	
65	7028729	1	Assembly, Steering Case LH	
66	7028730	1	Assembly, Steering Case RH	
67	7028733	4	Bolt, Steering Adjust	
68	70025551	2	Support, Ring Gear	

SECTION 5 - DRIVETRAIN

FIGURE 5-19. FRONT AXLE, BRAKES - 4017RS (Prior to SN 1160007543, Excluding 1160007516 and 1160007537)



ART_100144852_4-D

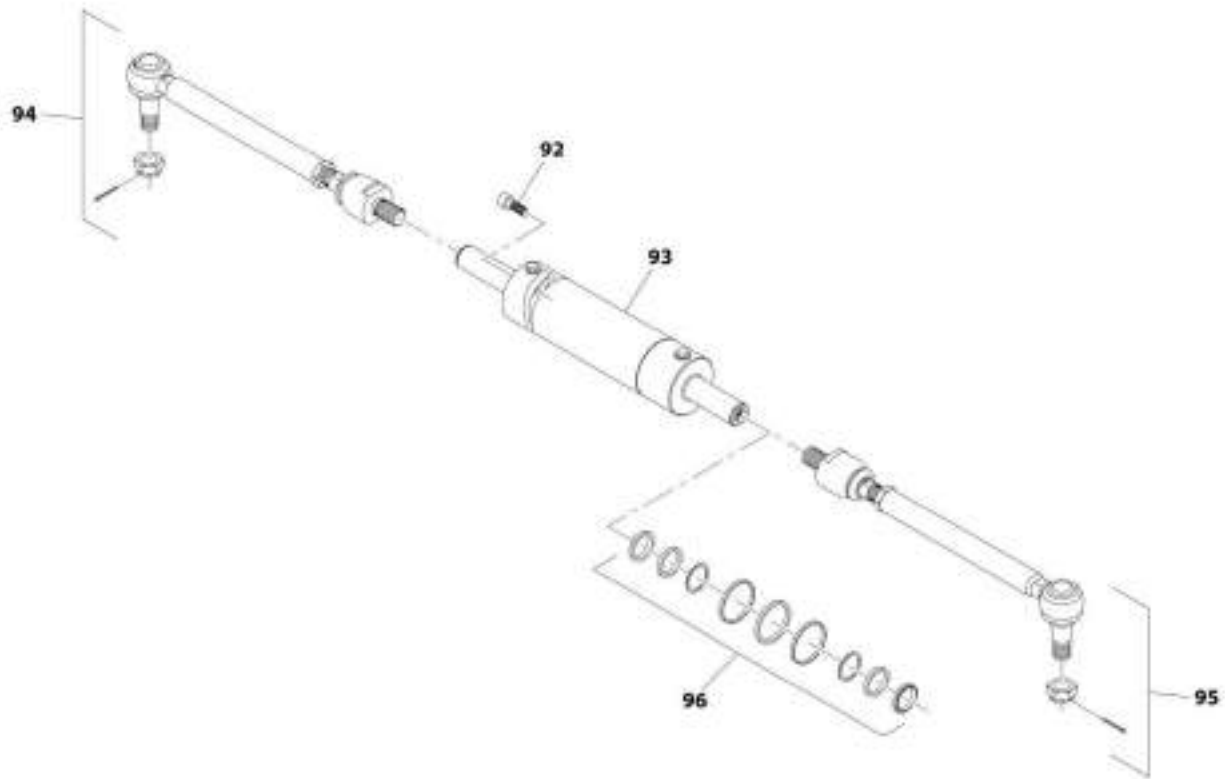
SECTION 5 - DRIVETRAIN

FIGURE 5-19. FRONT AXLE, BRAKES - 4017RS (Prior to SN 1160007543, Excluding 1160007516 and 1160007537)

ITEM	PART NUMBER	QTY	DESCRIPTION	REV
69	7028734	1	Spacer	
70	91474559	4	Spring	
71	91474560	2	Piston	
72	91474561	2	O-Ring	
73	70026262	4	O-Ring	
74	7028735	2	Cover	
75	70026623	2	O-Ring	
76	91474564	2	Piston	
77	91474565	2	Disc, Intermediate Brake	
78	91514159	6	Spring	
79	91514160	6	Adjusting Bolt	
80	91474568	8	Disc	
81	70025823	8	Disc, Intermediate Brake	
82	91474570	2	Spacer	
83	7028736	4	Bolt	
84	7029787	6	Bolt, Adjusting	
85	70027317	6	Spring	
86	80204060	4	Nut	
87	80204108	4	Washer, Lock	
88	80204281	4	Bolt, Bleeding	
89	80204117	4	Plug	
90	70025981	1	Shim	
91	91514154	4	Bolt	

SECTION 5 - DRIVETRAIN

FIGURE 5-20. FRONT AXLE, STEERING - 4017RS (Prior to SN 1160007543, Excluding 1160007516 and 1160007537)



ART_1001144352.S/D

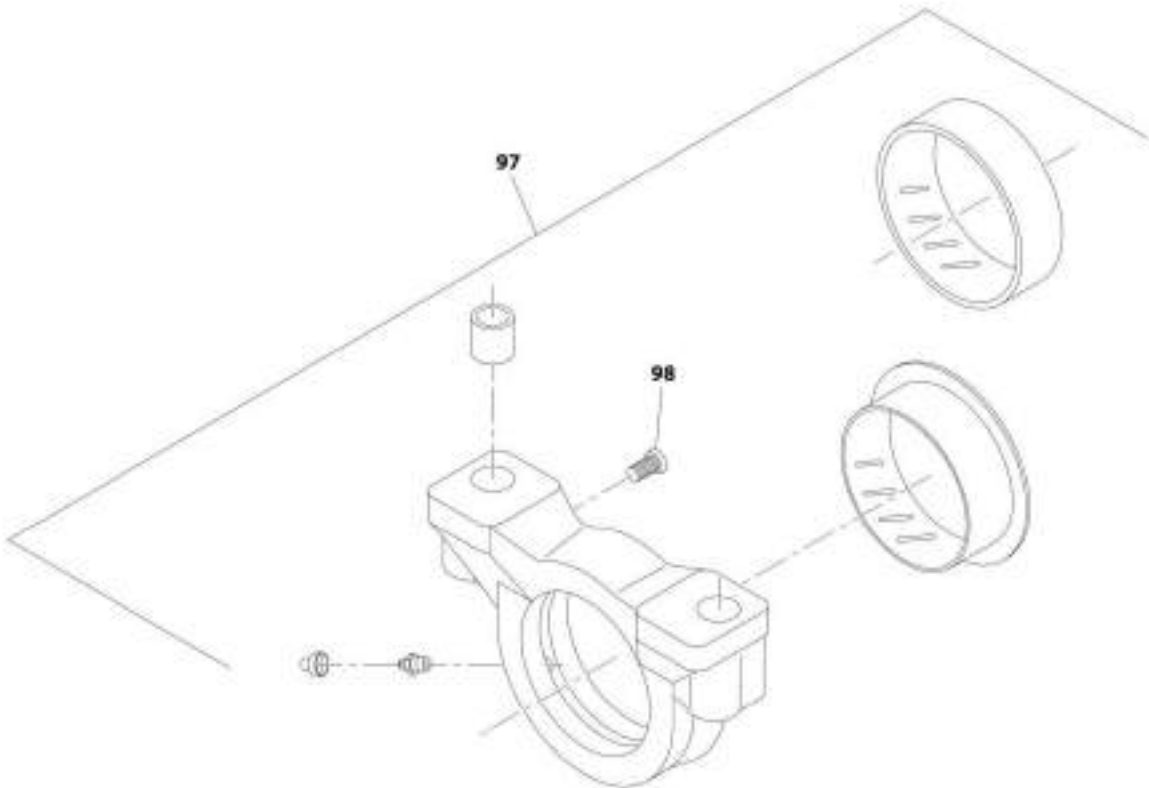
SECTION 5 - DRIVETRAIN

FIGURE 5-20. FRONT AXLE, STEERING - 4017RS (Prior to SN 1160007543, Excluding 1160007516 and 1160007537)

ITEM	PART NUMBER	QTY	DESCRIPTION	REV
92	91474522	4	Bolt	
93	70025566	1	Cylinder	
94	70026752	1	Bar	
94	70022773	1	Nut	
95	70026751	1	Bar	
95	70022773	1	Nut	
96	70025842	1	Seal	

SECTION 5 - DRIVETRAIN

FIGURE 5-21. FRONT AXLE, TRUNION - 4017RS (Prior to SN 1160007543, Excluding 1160007516 and 1160007537)



ART_10011443SL-6-D

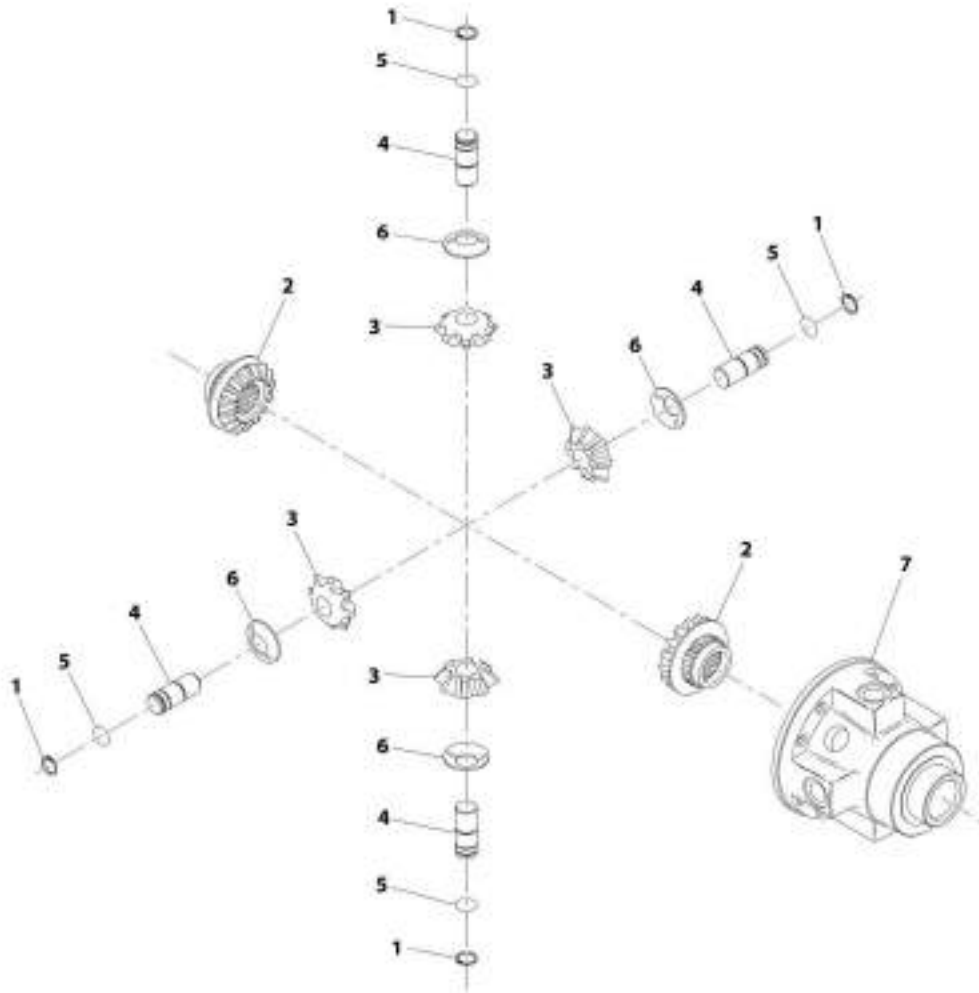
SECTION 5 - DRIVETRAIN

FIGURE 5-21. FRONT AXLE, TRUNION - 4017RS (Prior to SN 1160007543, Excluding 1160007516 and 1160007537)

ITEM	PART NUMBER	QTY	DESCRIPTION	REV
97	70026630	2	Trunion Kit	
98	70025884	2	Bolt	

SECTION 5 - DRIVETRAIN

FIGURE 5-22. DIFFERENTIAL KIT - 4017RS (Prior to SN 1160007543, Including , Excluding 1160007516 and 1160007537)



ART_7028710

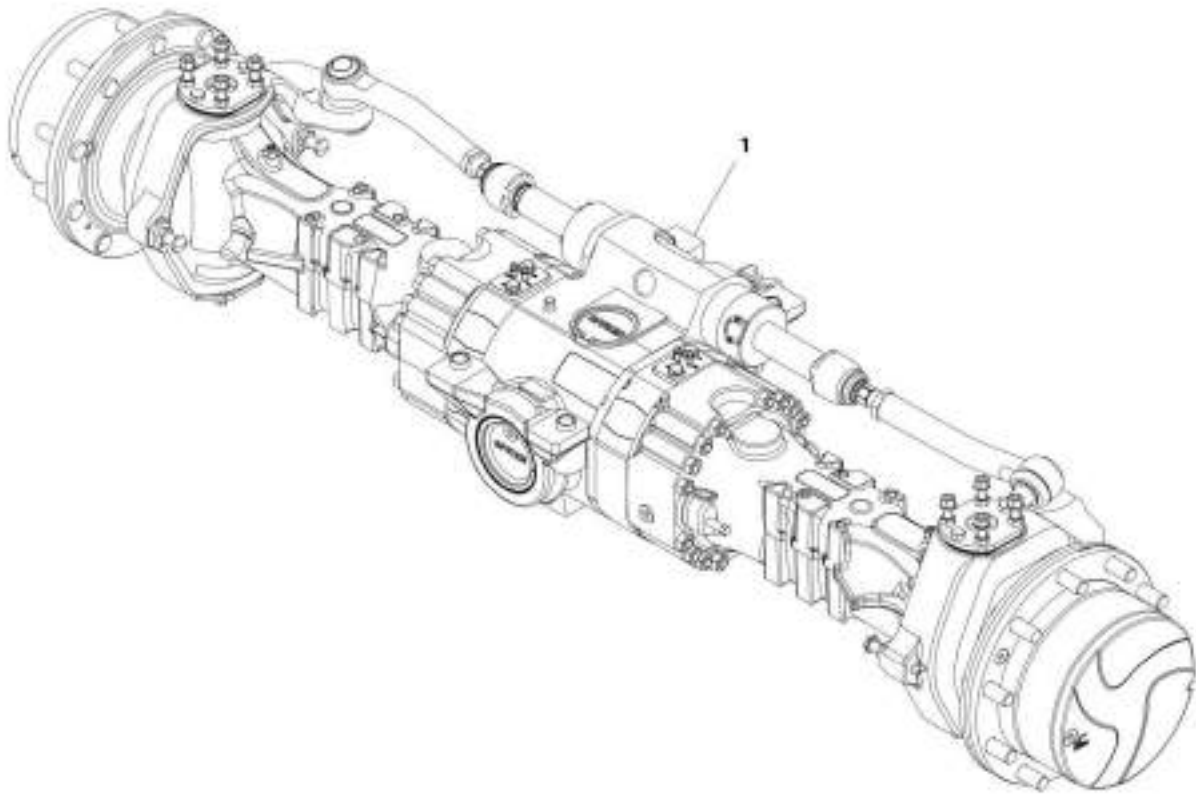
SECTION 5 - DRIVETRAIN

FIGURE 5-22. DIFFERENTIAL KIT - 4017RS (Prior to SN 1160007543, Including , Excluding 1160007516 and 1160007537)

ITEM	PART NUMBER	QTY	DESCRIPTION	REV
	7028710	Ref	Differential Kit	
1	91474550	4	Circlip	
2	91474549	2	Differential Side Gear	
3	7029129	4	Differential Pinion	
4	7029131	4	Pin	
5	91474551	4	Circlip	
6	91474553	4	Friction Washer	
7	8007751	1	Differential Carrier	

SECTION 5 - DRIVETRAIN

FIGURE 5-23. FRONT AXLE - 4017RS (SN 1160007543 to Present, Including 1160007516 and 1160007537)



ART_3001542621-A

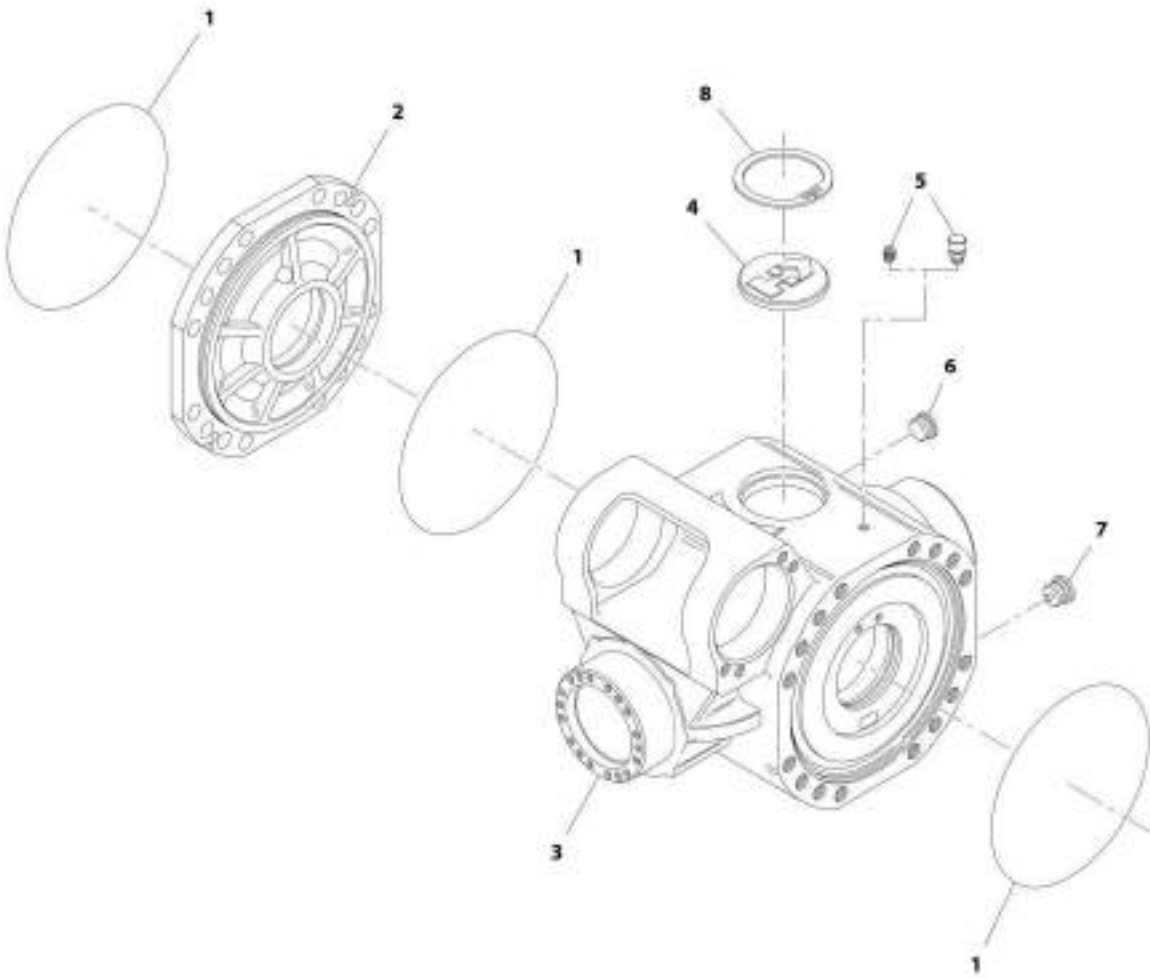
SECTION 5 - DRIVETRAIN

FIGURE 5-23. FRONT AXLE - 4017RS (SN 1160007543 to Present, Including 1160007516 and 1160007537)

ITEM	PART NUMBER	QTY	DESCRIPTION	REV
1	1001182621	Ref	Front Axle - 4017RS	A
		Ref	Front Axle, Central Housing - 4017RS (See Separate Breakdown in this Section)	
2		Ref	Front Axle, Differential - 4017RS (See Separate Breakdown in this Section)	
3		Ref	Front Axle, Hub Reduction - 4017RS (See Separate Breakdown in this Section)	
4		Ref	Front Axle, Brakes - 4017RS (See Separate Breakdown in this Section)	
5		Ref	Front Axle, Steering - 4017RS (See Separate Breakdown in this Section)	
6		Ref	Front Axle, Trunion - 4017RS (See Separate Breakdown in this Section)	

SECTION 5 - DRIVETRAIN

FIGURE 5-24. FRONT AXLE, CENTRAL HOUSING - 4017RS (SN 1160007543 to Present, Including 1160007516 and 1160007537)



ART_3001182521_1-A

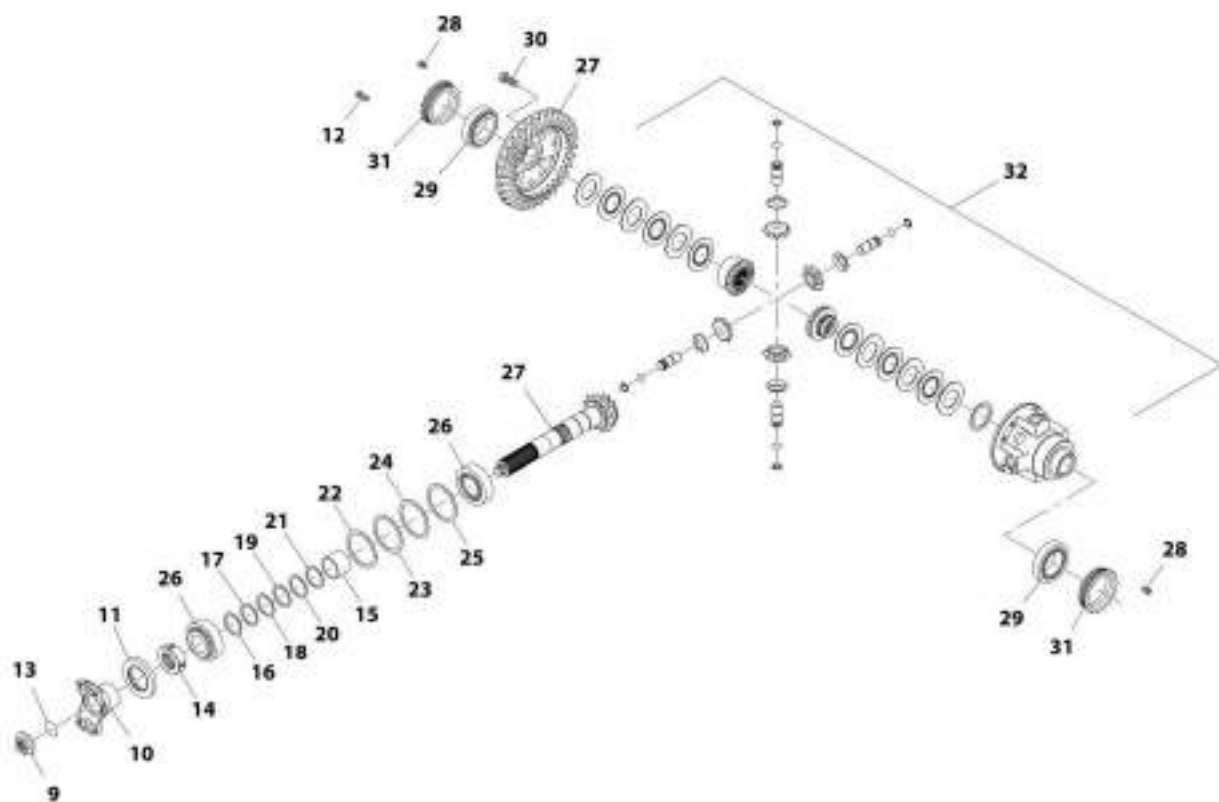
SECTION 5 - DRIVETRAIN

FIGURE 5-24. FRONT AXLE, CENTRAL HOUSING - 4017RS (SN 1160007543 to Present, Including 1160007516 and 1160007537)

ITEM	PART NUMBER	QTY	DESCRIPTION	REV
1	91474507	3	O-Ring	
2	70024872	1	Cover	
3	70026977	1	Housing	
4	91514098	1	Plug	
5	91474512	1	Vent	
6	91514188	1	Plug	
7	91474513	1	Magnetic Plug	
8	80204005	1	Circlip	

SECTION 5 - DRIVETRAIN

FIGURE 5-25. FRONT AXLE, DIFFERENTIAL - 4017RS (SN 1160007543 to Present, Including 1160007516 and 1160007537)



ART_100182021_2-A

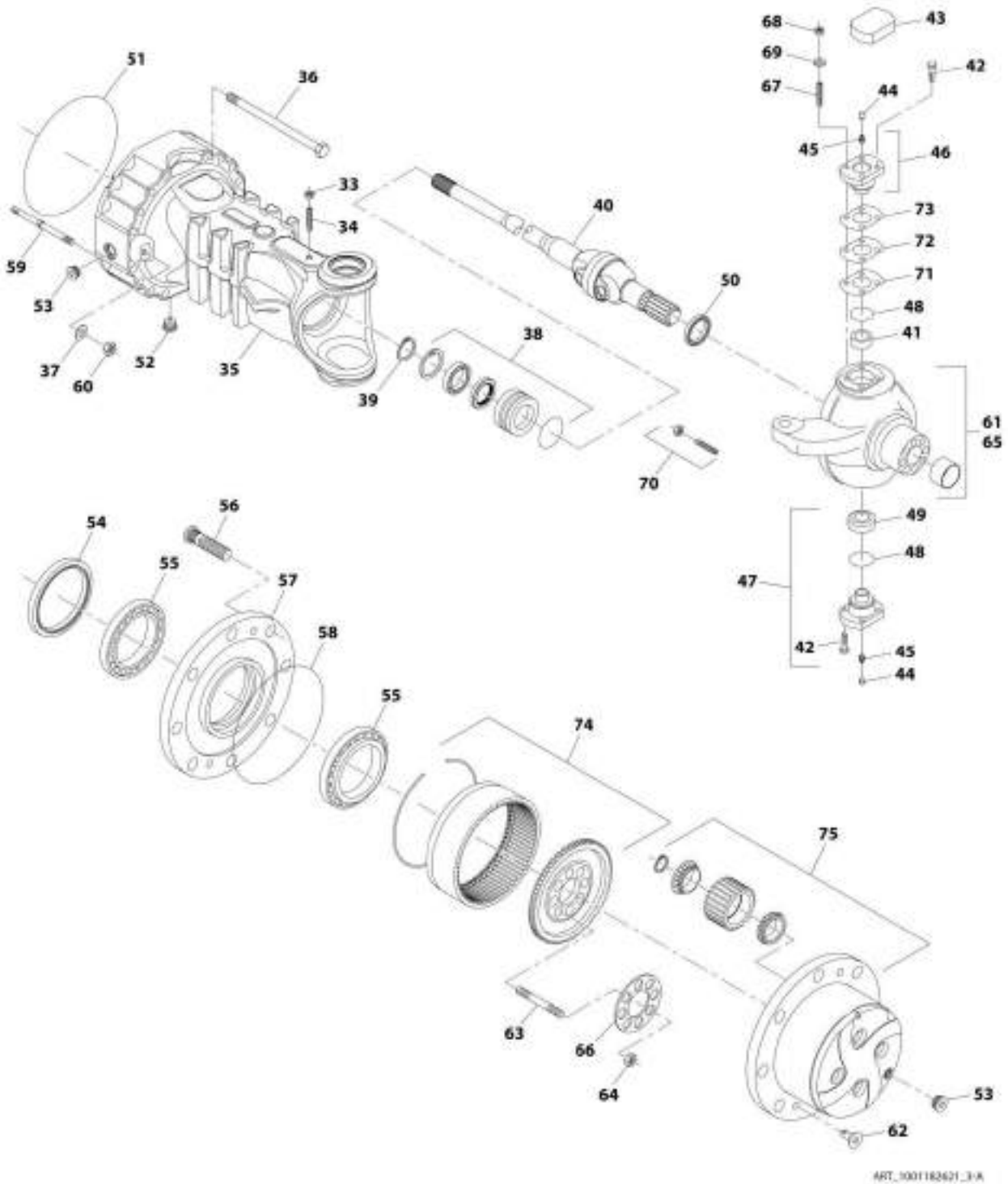
SECTION 5 - DRIVETRAIN

FIGURE 5-25. FRONT AXLE, DIFFERENTIAL - 4017RS (SN 1160007543 to Present, Including 1160007516 and 1160007537)

ITEM	PART NUMBER	QTY	DESCRIPTION	REV
9	70026631	1	Nut	
10	70022797	1	Flange	
11	91474532	1	Seal	
12	91474591	4	Cylinder Bolt	
13	91474529	1	O-Ring	
14	91474533	1	Ring Nut	
15	91474539	1	Spacer	
16	91474535	1	Shim	
17	91474536	1	Shim	
18	91474537	1	Shim	
19	91474538	1	Shim	
20	70024520	1	Shim	
21	70024521	1	Shim	
22	91474540	1	Shim	
23	91474541	1	Shim	
24	91474542	1	Shim	
25	91474543	1	Shim	
26	3968141	2	Taper Roller Bearing	
27	70025547	1	Bevel Gear Set	
28	91514134	2	Bolt	
29	70026031	2	Taper Roller Bearing	
30	91514123	12	Bolt	
31	91474547	2	Ring Nut	
32	7028710	1	Differential Kit (See Separate Breakdown in this Section)	

SECTION 5 - DRIVETRAIN

FIGURE 5-26. FRONT AXLE, HUB REDUCTION - 4017RS (SN 1160007543 to Present, Including 1160007516 and 1160007537)



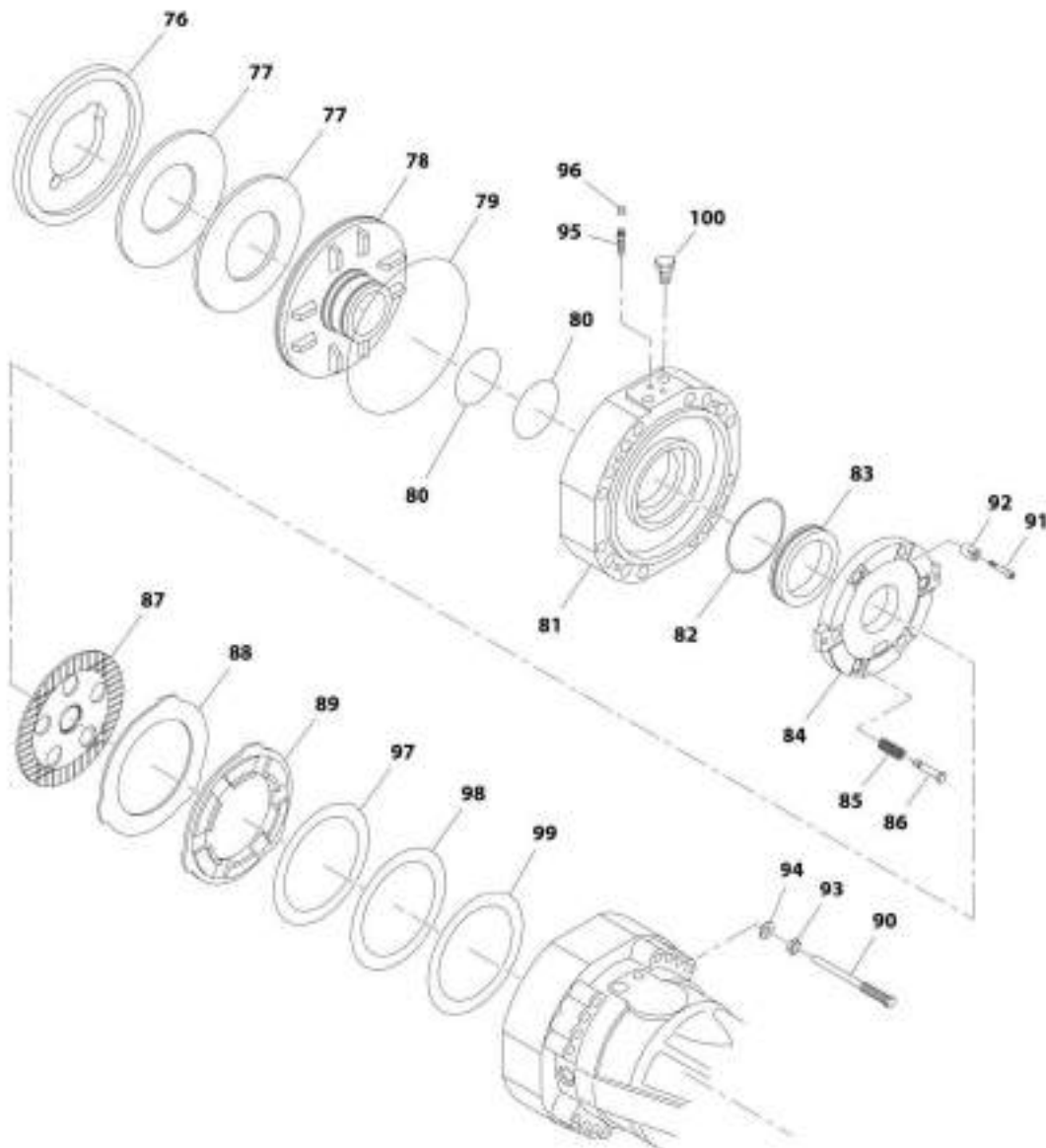
SECTION 5 - DRIVETRAIN

FIGURE 5-26. FRONT AXLE, HUB REDUCTION - 4017RS (SN 1160007543 to Present, Including 1160007516 and 1160007537)

ITEM	PART NUMBER	QTY	DESCRIPTION	REV
33	91514082	2	Nut	
34	91514081	2	Bolt	
35	7028711	2	Axle Case	
36	70025012	24	Bolt	
37	91514084	8	Washer	
38	91514149	2	Reduction Bushing (See Separate Breakdown in this Section)	
39	80204071	2	Circlip	
40	70027143	2	Double Universal Joint	
41	7028714	2	Bushing	
42	70025562	16	Bolt	
43	70025549	2	Cover	
44	80204117	2	Plug	
45	91514099	4	Grease Fitting	
46	91514112	2	Pivot Pin	
47	7028715	2	Pivot Pin	
48	7028716	4	Dust Excluder	
49	91514095	2	Bearing	
50	70026238	2	Seal	
51	91474507	2	O-Ring	
52	91474513	2	Magnetic Plug	
53	91514188	4	Plug	
54	7028721	2	Seal	
55	91474576	4	Bearing	
56	8000877	20	Wheel Stud	
57	7028722	2	Wheel Hub	
58	91514181	2	O-Ring	
59	70025014	8	Stud	
60	91514083	8	Nut	
61	70027144	1	Steering Case Kit LH (See Separate Breakdown in this Section)	
62	91514189	4	Countersunk Bolt	
63	91474583	20	Stud	
64	91474584	20	Nut	
65	70027145	1	Steering Case Kit RH (See Separate Breakdown in this Section)	
66	91474582	2	Locking Plate	
67	70025819	8	Stud	
68	91514120	8	Nut	
69	91514119	8	Washer	
70	7028733	4	Steering Adjust Bolt Kit (See Separate Breakdown in this Section)	
71	91514113	2	Shim	
72	91514114	2	Shim	
73	91514115	2	Shim	
74	70025551	2	Ring Gear Support Kit (See Separate Breakdown in this Section)	
75	70040710	2	Planet Gear Carrier Kit (See Separate Breakdown in this Section)	

SECTION 5 - DRIVETRAIN

FIGURE 5-27. FRONT AXLE, BRAKES - 4017RS (SN 1160007543 to Present, Including 1160007516 and 1160007537)



ART. 100180621_4-4

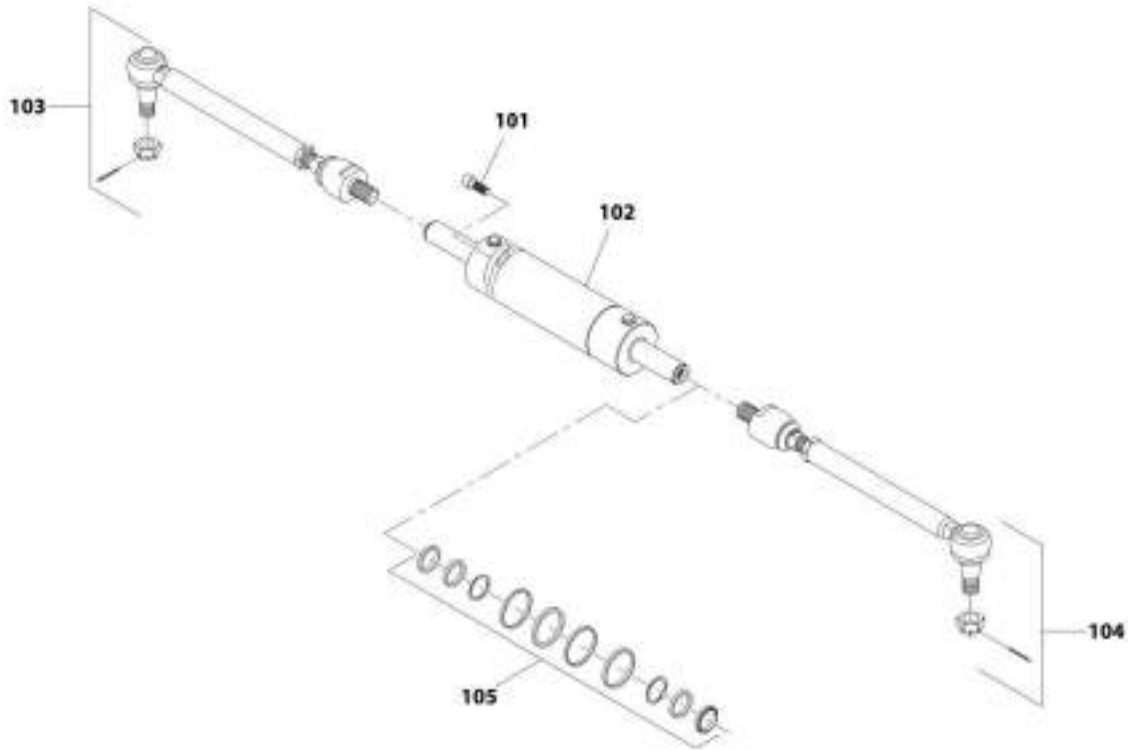
SECTION 5 - DRIVETRAIN

FIGURE 5-27. FRONT AXLE, BRAKES - 4017RS (SN 1160007543 to Present, Including 1160007516 and 1160007537)

ITEM	PART NUMBER	QTY	DESCRIPTION	REV
76	7028734	1	Spacer	
77	91474559	4	Spring	
78	91474560	2	Piston	
79	91474561	2	O-Ring	
80	70026262	4	Seal	
81	7028735	2	Cover	
82	70026623	2	Seal	
83	91474564	2	Piston	
84	91474565	2	Intermediate Brake Disc	
85	91514159	6	Spring	
86	70024210	6	Adjusting Bolt	
87	91474568	8	Disc	
88	70025823	8	Intermediate Brake Disc	
89	91474570	2	Spacer	
90	7028736	4	Bolt	
91	7029787	6	Adjusting Bolt	
92	91514165	6	Spring	
93	80204060	4	Nut	
94	80204108	4	Lock Washer	
95	80204281	4	Bleeding Bolt	
96	80204117	4	Plug	
97	91474571	2	Shim	
98	91474572	2	Shim	
99	91474573	2	Shim	
100	91514154	4	Plug	

SECTION 5 - DRIVETRAIN

FIGURE 5-28. FRONT AXLE, STEERING - 4017RS (SN 1160007543 to Present, Including 1160007516 and 1160007537)



ARF_1001182621_3-A

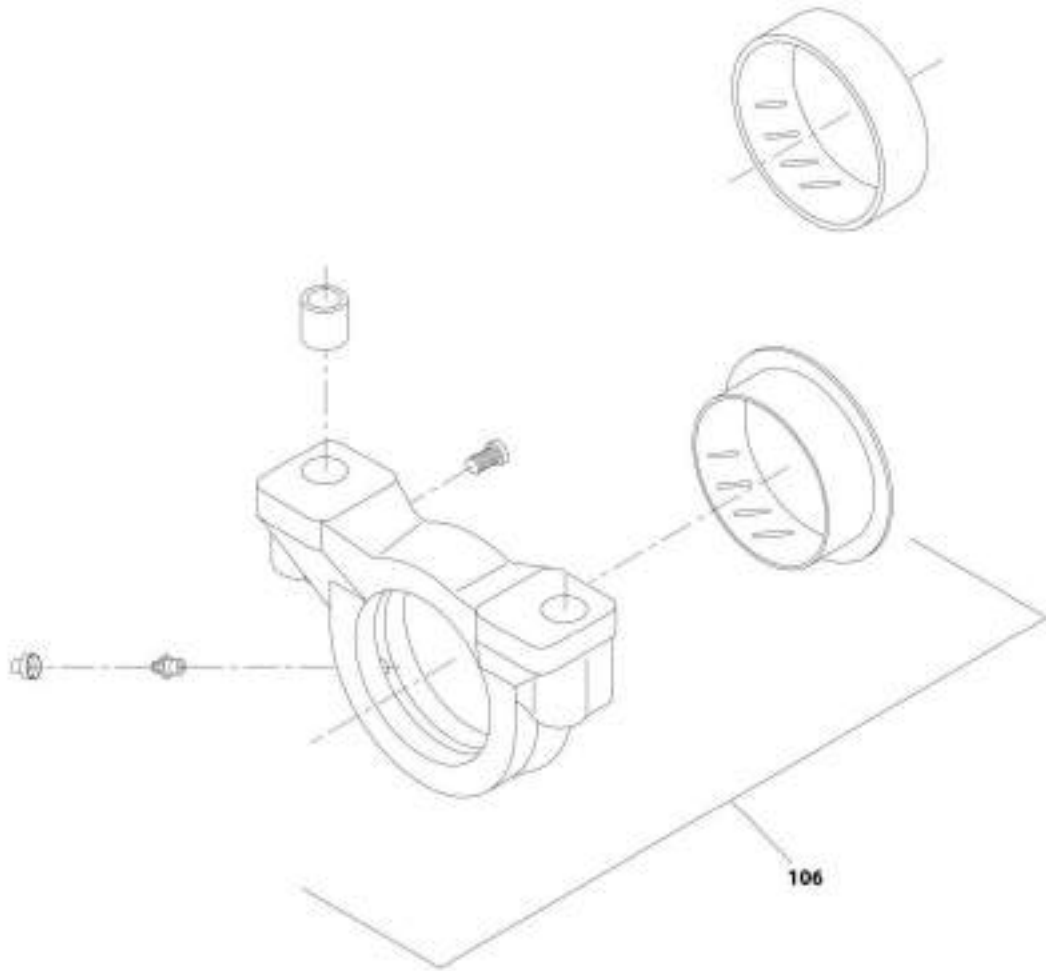
SECTION 5 - DRIVETRAIN

FIGURE 5-28. FRONT AXLE, STEERING - 4017RS (SN 1160007543 to Present, Including 1160007516 and 1160007537)

ITEM	PART NUMBER	QTY	DESCRIPTION	REV
101	91474522	4	Bolt	
102	70025566	1	Cylinder	
103	70026752	1	Bar	
103	70022773	1	Nut	
104	70026751	1	Bar	
104	70022773	1	Nut	
105	70025842	1	Seal Kit	

SECTION 5 - DRIVETRAIN

FIGURE 5-29. FRONT AXLE, TRUNION - 4017RS (SN 1160007543 to Present, Including 1160007516 and 1160007537)



ART_100152621_5-4

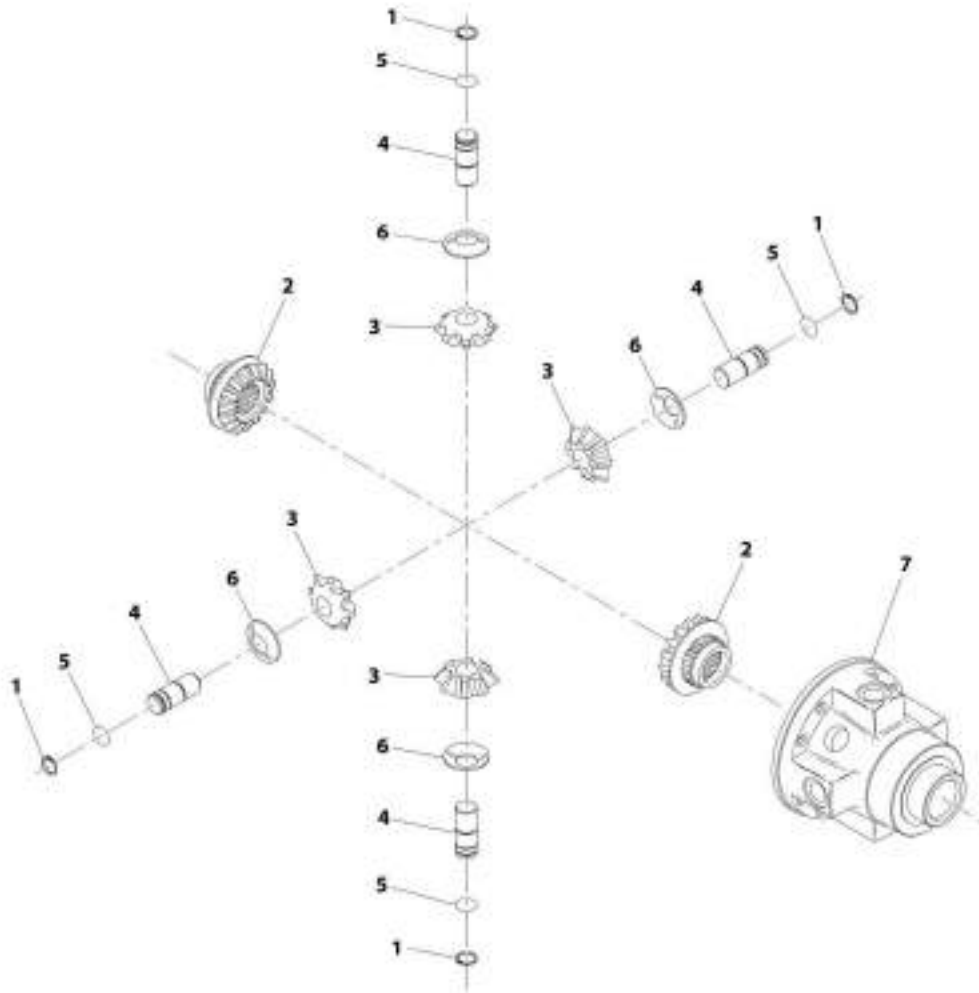
SECTION 5 - DRIVETRAIN

FIGURE 5-29. FRONT AXLE, TRUNION - 4017RS (SN 1160007543 to Present, Including 1160007516 and 1160007537)

ITEM	PART NUMBER	QTY	DESCRIPTION	REV
106	70026630	2	Trunion Kit (See Separate Breakdown in this Section)	

SECTION 5 - DRIVETRAIN

FIGURE 5-30. DIFFERENTIAL KIT (SN 1160007543 to Present, Including 1160007516 and 1160007537)



ART_7028710

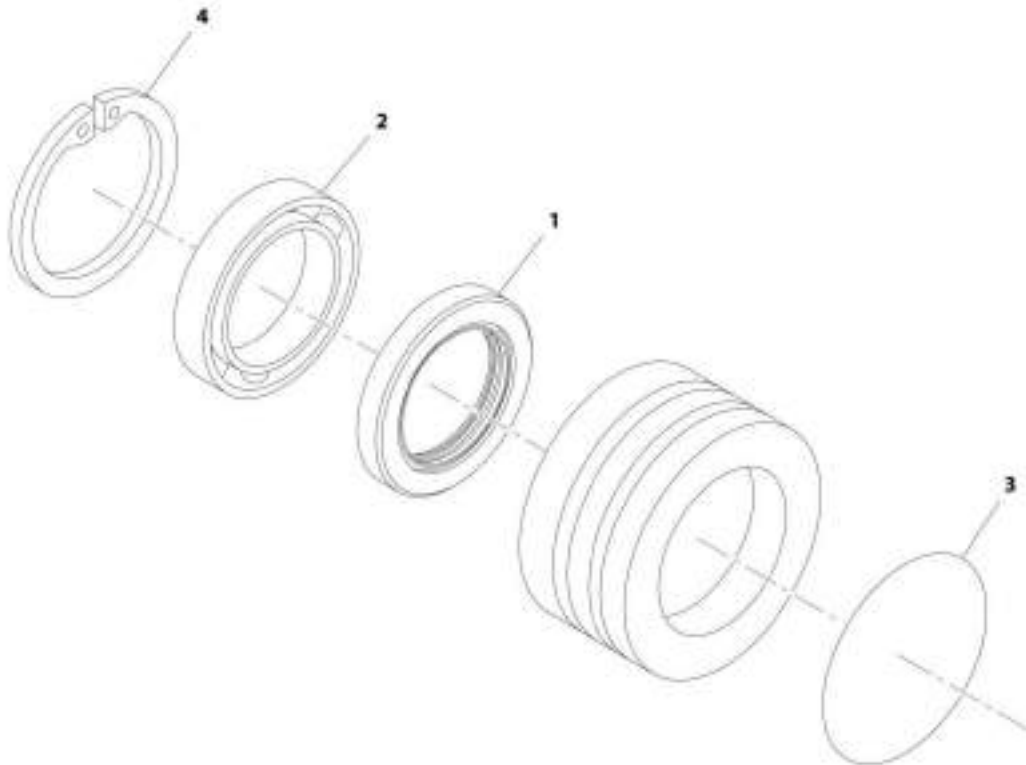
SECTION 5 - DRIVETRAIN

FIGURE 5-30. DIFFERENTIAL KIT (SN 1160007543 to Present, Including 1160007516 and 1160007537)

ITEM	PART NUMBER	QTY	DESCRIPTION	REV
	7028710	Ref	Differential Kit	
1	91474550	4	Circlip	
2	91474549	2	Differential Side Gear	
3	7029129	4	Differential Pinion	
4	7029131	4	Pin	
5	91474551	4	Circlip	
6	91474553	4	Friction Washer	
7	8007751	1	Differential Carrier	

SECTION 5 - DRIVETRAIN

FIGURE 5-31. REDUCTION BUSHING (SN 1160007543 to Present, Including 1160007516 and 1160007537)



APR_1001182021_8-A

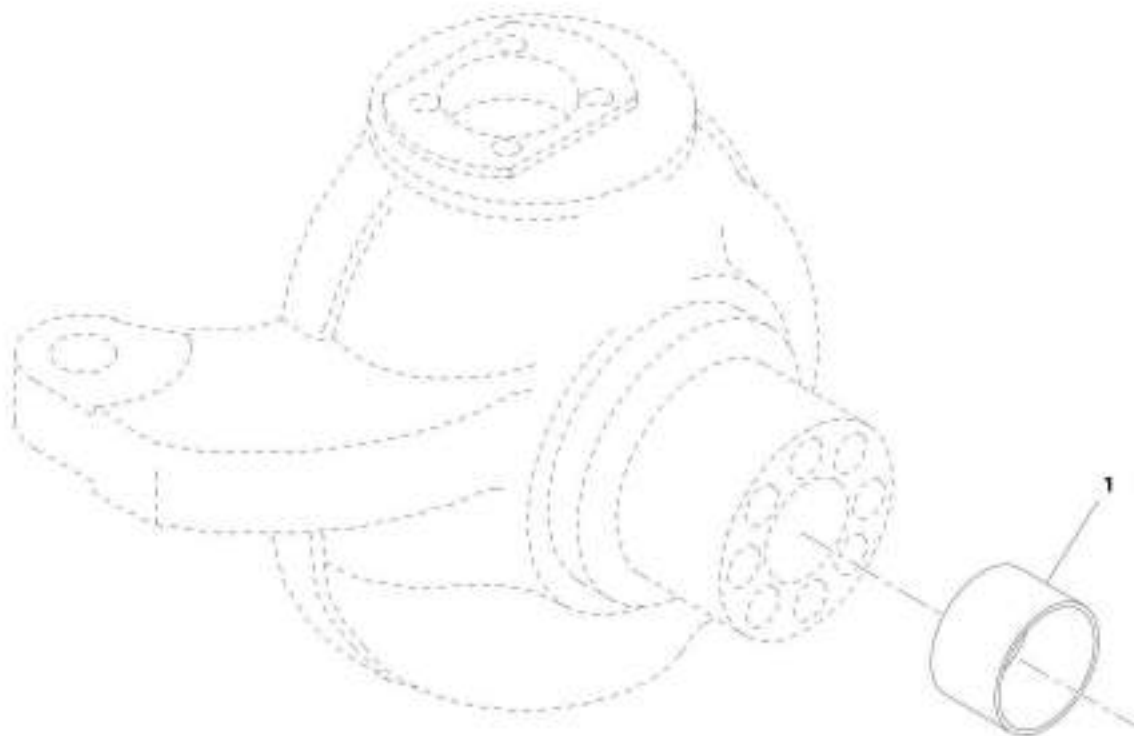
SECTION 5 - DRIVETRAIN

FIGURE 5-31. REDUCTION BUSHING (SN 1160007543 to Present, Including 1160007516 and 1160007537)

ITEM	PART NUMBER	QTY	DESCRIPTION	REV
	91514149	Ref	Reduction Bushing	
1	91514147	2	Seal	
2	91514146	2	Ball Bearing	
3	91514148	2	O-Ring	
4	80204005	2	Circlip	

SECTION 5 - DRIVETRAIN

FIGURE 5-32. STEERING CASE KIT LH (SN 1160007543 to Present, Including 1160007516 and 1160007537)



ART_1001163421_5-A

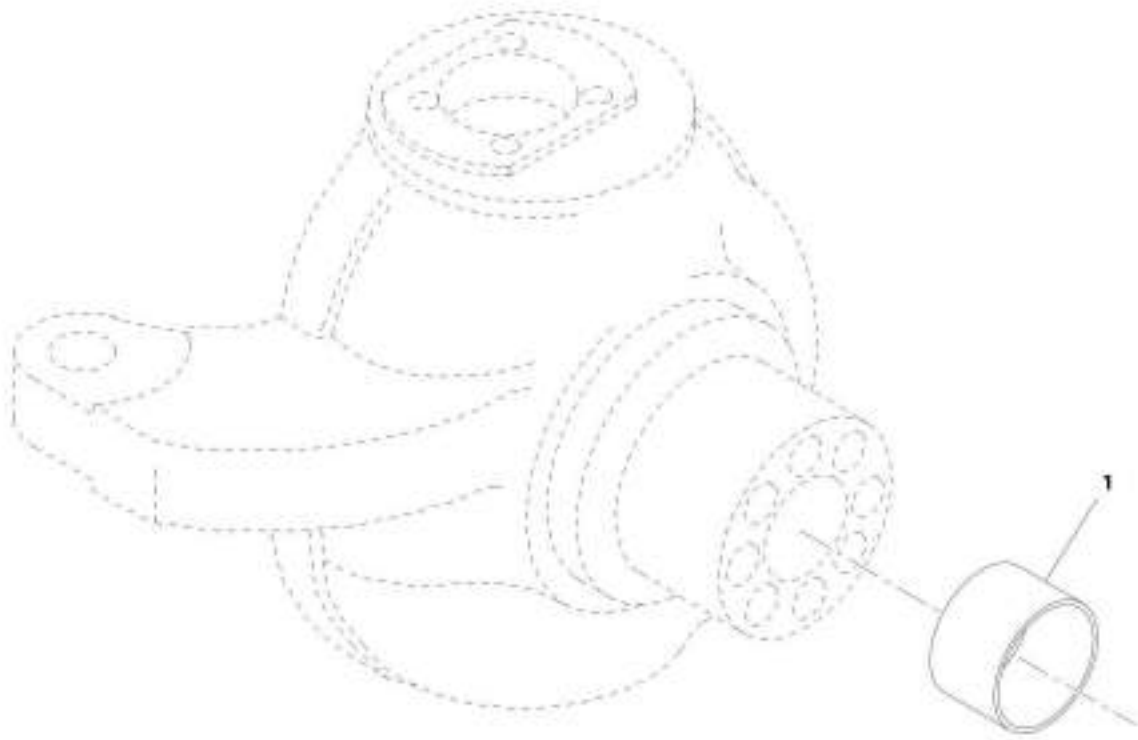
SECTION 5 - DRIVETRAIN

FIGURE 5-32. STEERING CASE KIT LH (SN 1160007543 to Present, Including 1160007516 and 1160007537)

ITEM	PART NUMBER	QTY	DESCRIPTION	REV
1	70027144 91514111	Ref 2	Steering Case Kit LH Thrust Bushing	

SECTION 5 - DRIVETRAIN

FIGURE 5-33. STEERING CASE KIT LH (SN 1160007543 to Present, Including 1160007516 and 1160007537)



ART_1001163421_10-A

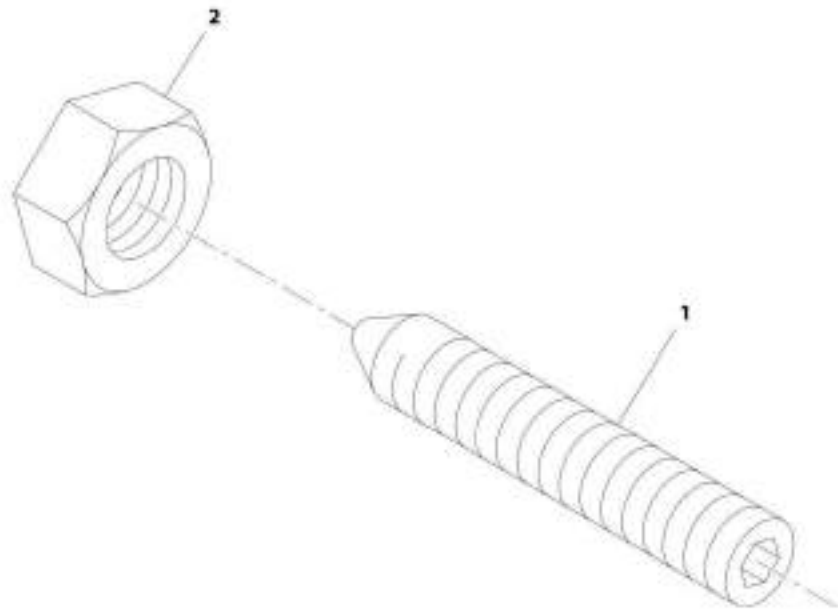
SECTION 5 - DRIVETRAIN

FIGURE 5-33. STEERING CASE KIT LH (SN 1160007543 to Present, Including 1160007516 and 1160007537)

ITEM	PART NUMBER	QTY	DESCRIPTION	REV
1	70027145 91514111	Ref 2	Steering Case Kit RH Thrust Bushing	

SECTION 5 - DRIVETRAIN

FIGURE 5-34. STEERING ADJUST BOLT KIT (SN 1160007543 to Present, Including 1160007516 and 1160007537)



ART_1001102621_11-A

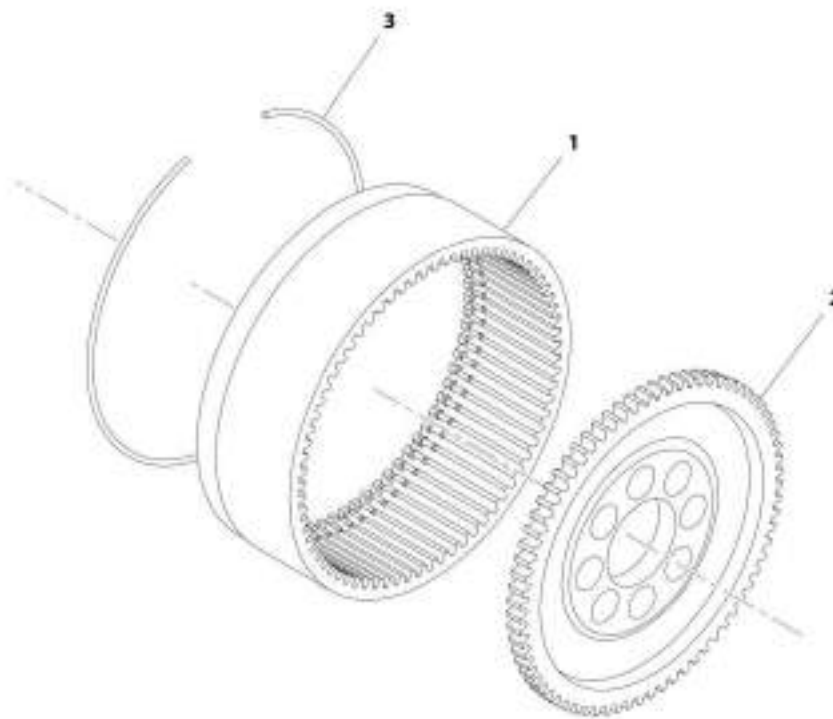
SECTION 5 - DRIVETRAIN

FIGURE 5-34. STEERING ADJUST BOLT KIT (SN 1160007543 to Present, Including 1160007516 and 1160007537)

ITEM	PART NUMBER	QTY	DESCRIPTION	REV
	7028733	Ref	Steering Adjust Bolt Kit	
1	91514117	4	Bolt	
2	80204065	4	Nut	

SECTION 5 - DRIVETRAIN

FIGURE 5-35. RING GEAR SUPPORT KIT (SN 1160007543 to Present, Including 1160007516 and 1160007537)



AMT_3001182621_12-A

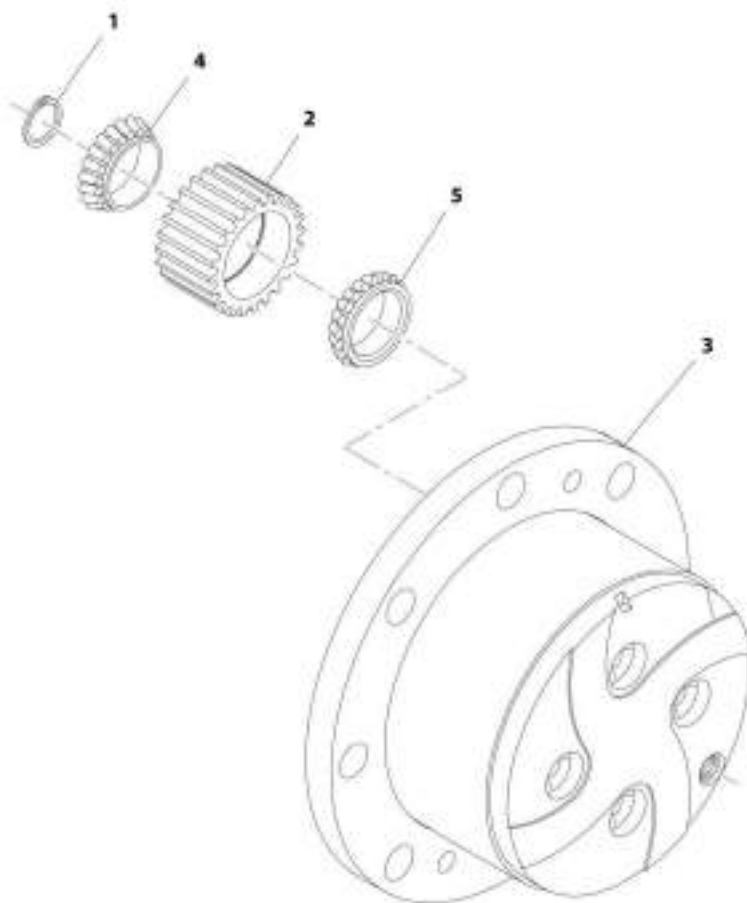
SECTION 5 - DRIVETRAIN

FIGURE 5-35. RING GEAR SUPPORT KIT (SN 1160007543 to Present, Including 1160007516 and 1160007537)

ITEM	PART NUMBER	QTY	DESCRIPTION	REV
	70025551	Ref	Ring Gear Support Kit	
1	70024147	2	Ring Gear	
2	7028723	2	Ring Gear Support	
3	91514175	2	Circlip	

SECTION 5 - DRIVETRAIN

FIGURE 5-36. PLANET GEAR CARRIER KIT (SN 1160007543 to Present, Including 1160007516 and 1160007537)



ART_100182623_13-A

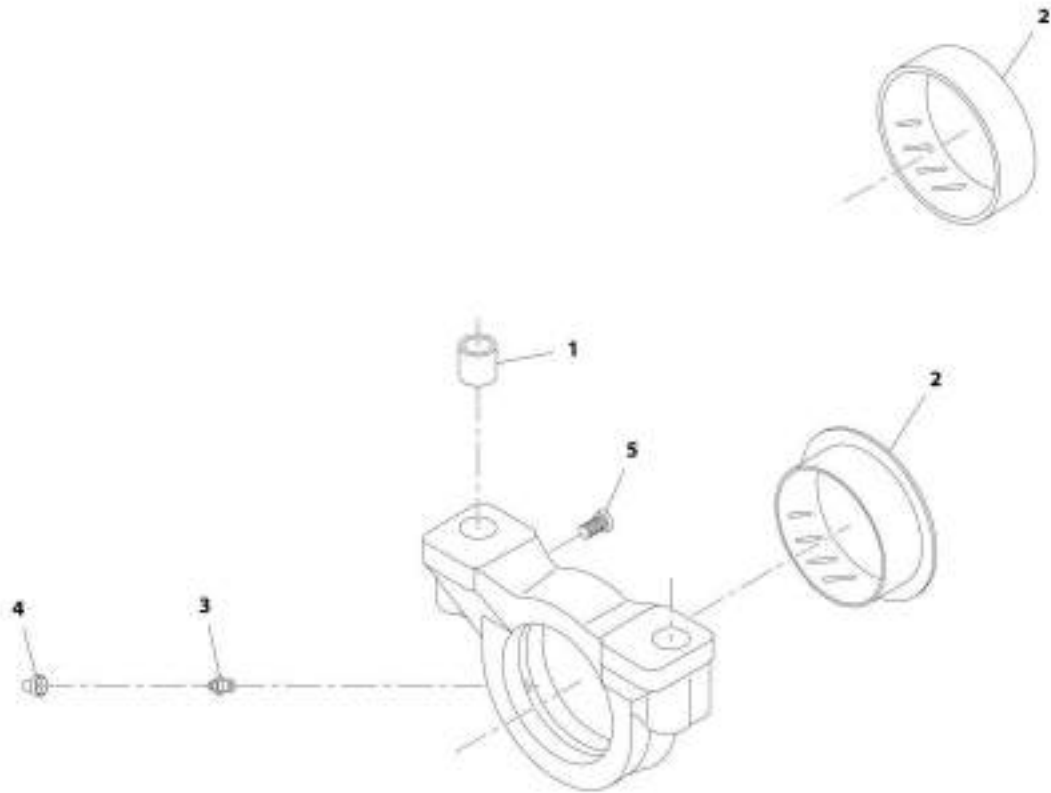
SECTION 5 - DRIVETRAIN

FIGURE 5-36. PLANET GEAR CARRIER KIT (SN 1160007543 to Present, Including 1160007516 and 1160007537)

ITEM	PART NUMBER	QTY	DESCRIPTION	REV
	70040710	Ref	Planet Gear Carrier Kit	
1	7028724	3	Circlip	
2	7028725	6	Differential Pinion	
3	7028726	1	Planet Gear Carrier	
4	7028731	6	Bearing	
5	7028732	6	Bearing	

SECTION 5 - DRIVETRAIN

FIGURE 5-37. TRUNION KIT (SN 1160007543 to Present, Including 1160007516 and 1160007537)



ART_100182021_14-A

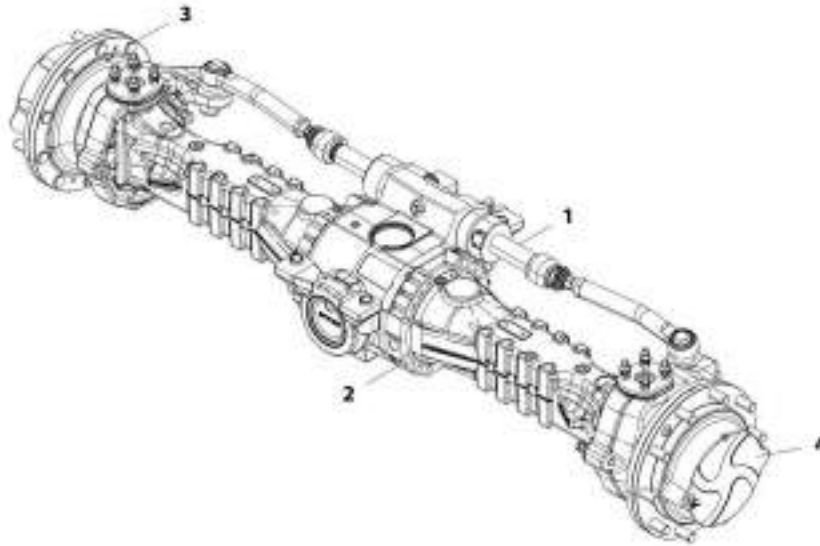
SECTION 5 - DRIVETRAIN

FIGURE 5-37. TRUNION KIT (SN 1160007543 to Present, Including 1160007516 and 1160007537)

ITEM	PART NUMBER	QTY	DESCRIPTION	REV
	70026630	Ref	Trunion Kit	
1	91474516	4	Reduction Bushing	
2	91474515	2	Thrust Bushing	
3	91514099	2	Grease Fitting	
4	80204117	2	Plug	
5	70025884	2	Bolt	

SECTION 5 - DRIVETRAIN

FIGURE 5-38. REAR AXLE - 3614RS, 4017RS (NO FOAM FILL)



ART_100115442-C

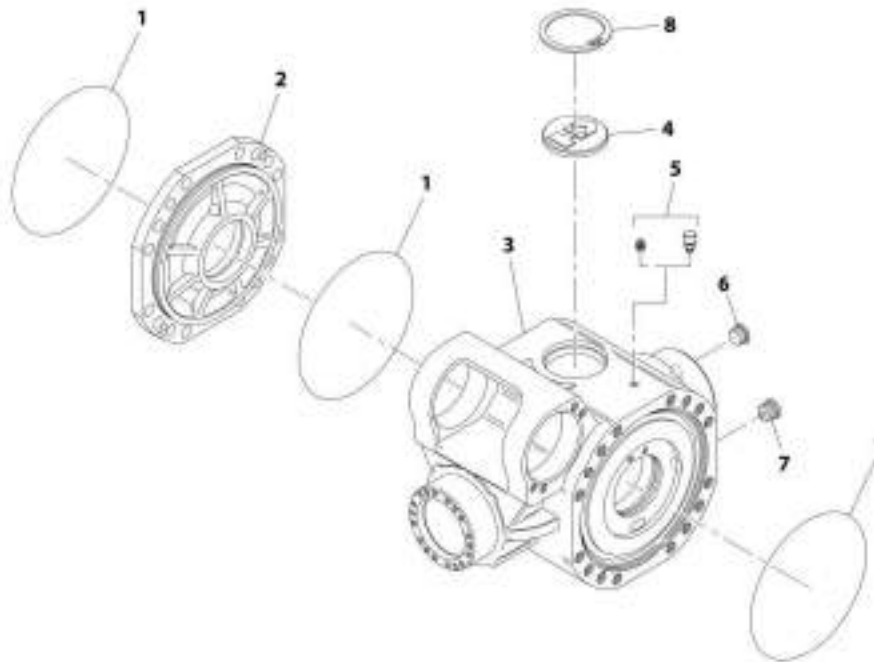
SECTION 5 - DRIVETRAIN

FIGURE 5-38. REAR AXLE - 3614RS, 4017RS (NO FOAM FILL)

ITEM	PART NUMBER	QTY	DESCRIPTION	REV
	1001135442	Ref	Rear Axle -3614RS, 4017RS (No Foam Fill)	C
1		Ref	Rear Axle, Central Housing - 3614RS, 4017RS (no Foam Fill) (See REAR AXLE, CENTRAL HOUSING - 3614RS, 4017RS (NO FOAM FILL) for Breakdown)	
2		Ref	Rear Axle, Differential - 3614RS, 4017RS (no Foam Fill) (See REAR AXLE, DIFFERENTIAL - 3614RS, 4017RS (NO FOAM FILL) for Breakdown)	
3		Ref	Rear Axle, Hub Reduction - 3614RS, 4017RS (no Foam Fill) (See REAR AXLE, HUB REDUCTION - 3614RS, 4017RS (NO FOAM FILL) for Breakdown)	
4		Ref	Rear Axle, Brakes - 3614RS, 4017RS (no Foam Fill) (See REAR AXLE, BRAKES - 3614RS, 4017RS (NO FOAM FILL) for Breakdown)	
5		Ref	Rear Axle, Steering - 3614RS, 4017RS (no Foam Fill) (See REAR AXLE, STEERING - 3614RS, 4017RS (NO FOAM FILL) for Breakdown)	
6		Ref	Rear Axle, Trunion - 3614RS, 4017RS (no Foam Fill) (See REAR AXLE, TRUNION - 3614RS, 4017RS (NO FOAM FILL) for Breakdown)	

SECTION 5 - DRIVETRAIN

FIGURE 5-39. REAR AXLE, CENTRAL HOUSING - 3614RS, 4017RS (NO FOAM FILL)



ART_1001135442_1-C

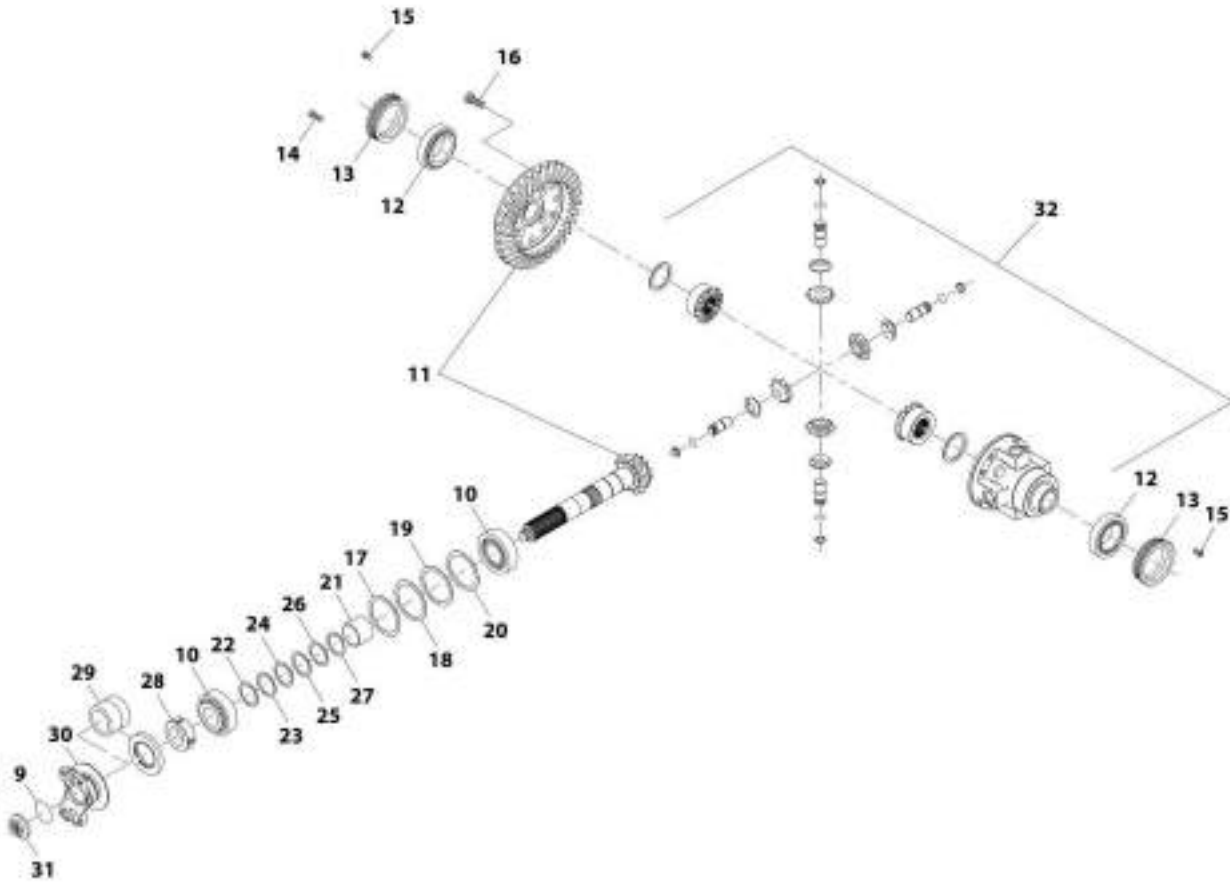
SECTION 5 - DRIVETRAIN

FIGURE 5-39. REAR AXLE, CENTRAL HOUSING - 3614RS, 4017RS (NO FOAM FILL)

ITEM	PART NUMBER	QTY	DESCRIPTION	REV
1	91474507	3	O-Ring	
2	70024519	1	Cover	
3	70026977	1	Housing	
4	91514098	1	Plug	
5	91474512	1	Vent	
6	91514188	1	Plug	
7	91474513	1	Plug, Magnet	
8	80204005	1	Circlip	

SECTION 5 - DRIVETRAIN

FIGURE 5-40. REAR AXLE, DIFFERENTIAL - 3614RS, 4017RS (NO FOAM FILL)



ART_100113542_2-C

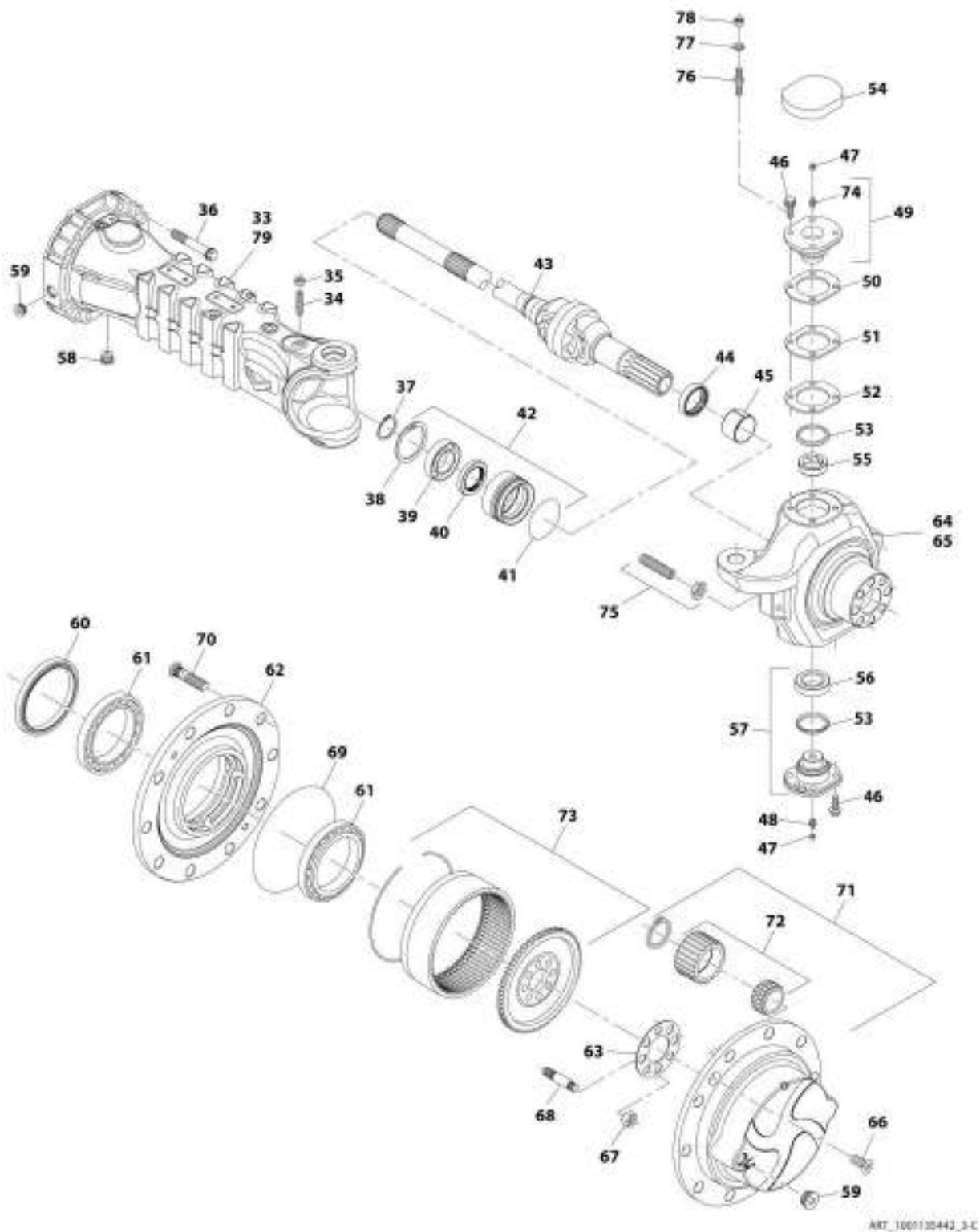
SECTION 5 - DRIVETRAIN

FIGURE 5-40. REAR AXLE, DIFFERENTIAL - 3614RS, 4017RS (NO FOAM FILL)

ITEM	PART NUMBER	QTY	DESCRIPTION	REV
9	91474529	1	O-Ring	
10	3968141	2	Bearing, Taper Roller	
11	70025554	1	Set, Bevel Gear	
12	70026031	2	Taper Roller Bearing	
13	91474547	2	Nut, Ring	
14	91474591	4	Cylinder Bolt	
15	91514134	2	Bolt	
16	91514123	12	Bolt	
17	91474540	1	Shim	
18	91474541	1	Shim	
19	91474542	1	Shim	
20	91474543	1	Shim	
21	91474539	1	Spacer	
22	91474535	1	Shim	
23	91474536	1	Shim	
24	91474537	1	Shim	
25	91474538	1	Shim	
26	70024520	1	Shim	
27	70024521	1	Shim	
28	91474533	1	Nut, Ring	
29	91474532	1	Seal	
30	7029427	1	Flange	
31	70026631	1	Nut	
32	70021140	1	Differential	

SECTION 5 - DRIVETRAIN

FIGURE 5-41. REAR AXLE, HUB REDUCTION - 3614RS, 4017RS (NO FOAM FILL)



ART_100130443_3-C

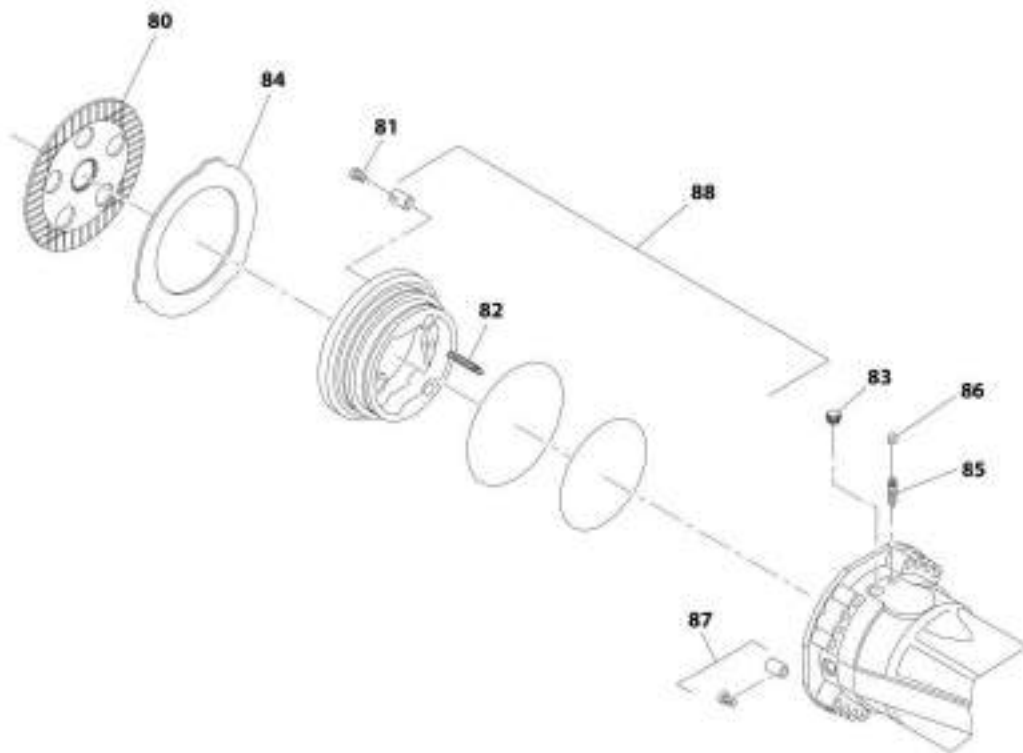
SECTION 5 - DRIVETRAIN

FIGURE 5-41. REAR AXLE, HUB REDUCTION - 3614RS, 4017RS (NO FOAM FILL)

ITEM	PART NUMBER	QTY	DESCRIPTION	REV
33	70025571	1	Case, Axle	
34	2400600	2	Bolt	
35	91514082	2	Nut	
36	7029428	32	Bolt	
37	80204071	2	Circlip	
38	80204005	2	Circlip	
39	91514146	2	Bearing, Ball	
40	91514147	2	Seal	
41	91514148	2	O-Ring	
42	91514149	2	Bushing, Reduction	
43	70025928	2	Joint, Double Universal	
44	8007771	2	Seal	
45	8004468	1	Bushing, Thrust	
46	70025562	12	Bolt	
47	80204117	4	Plug	
48	91514099	2	Fitting, Grease	
49	70025567	2	Pin, Pivot	
50	8007779	2	Shim	
51	8007780	2	Shim	
52	8007782	2	Shim	
53	2401043	4	Seal	
54	70025549	2	Cover	
55	70020173	2	Bushing	
56	2401258	2	Articulation	
57	8006605	2	Pin, Pivot	
58	91474513	2	Plug, Magnet	
59	91514188	4	Plug	
60	7029430	2	Seal	
61	3984301	4	Bearing	
62	8005801	2	Stud, Wheel	
63	3983731	2	Locking Plate	
64	8007774	1	Steering Case Kit LH	
65	8007777	1	Steering Case Kit RH	
66	91514189	4	Bolt, Countersunk	
67	91474584	16	Nut	
68	91474583	16	Stud	
69	80204002	2	O-Ring	
70	8000877	20	Wheel Stud	
71	7029431	2	Planet Gear Carrier Kit	
72	70023900	8	Planet Gear Kit	
73	7029432	2	Ring Gear Support Kit	
74	7028115	2	Fitting, Grease	
75	7028733	4	Steering Adjust Bolt Kit	
76	70025819	8	Stud	
77	91514119	8	Washer	
78	91514120	8	Nut	
79	7028048	1	AXLE CASE	

SECTION 5 - DRIVETRAIN

FIGURE 5-42. REAR AXLE, BRAKES - 3614RS, 4017RS (NO FOAM FILL)



ART_10011354E_4-C

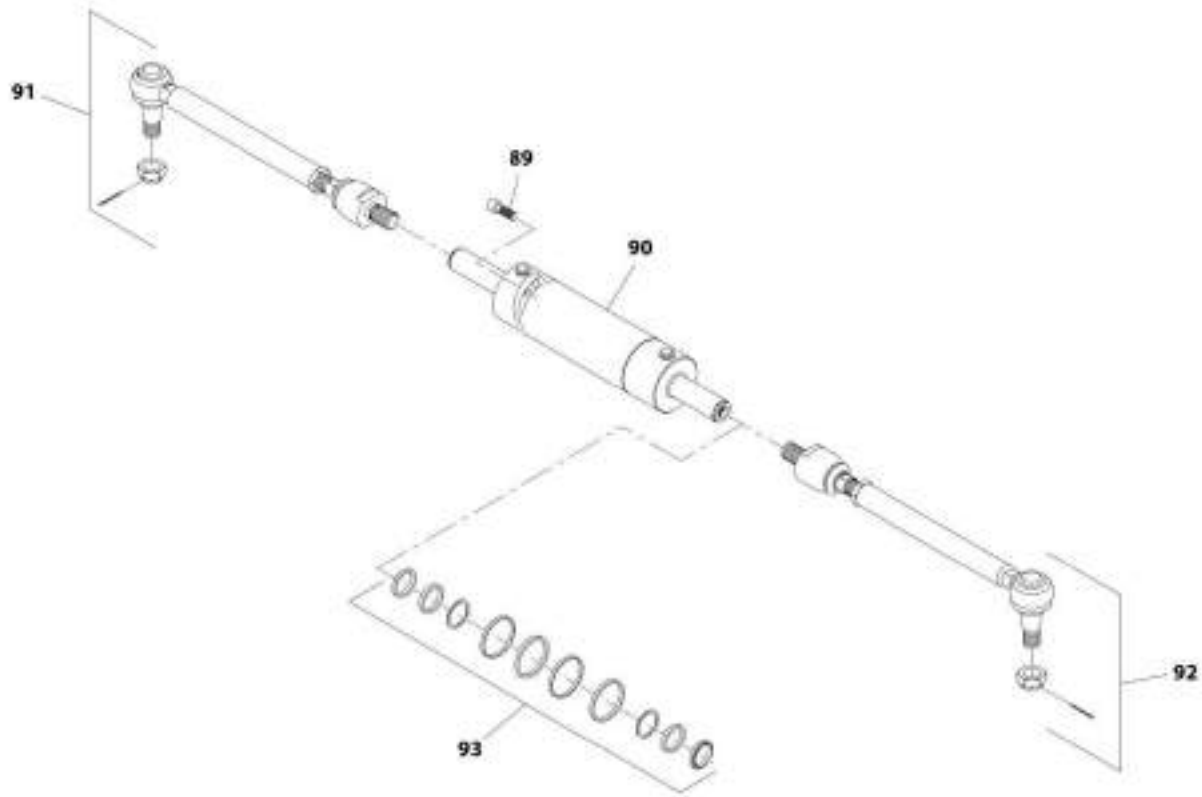
SECTION 5 - DRIVETRAIN

FIGURE 5-42. REAR AXLE, BRAKES - 3614RS, 4017RS (NO FOAM FILL)

ITEM	PART NUMBER	QTY	DESCRIPTION	REV
80	91474568	6	Disc	
81	7029786	6	Bolt, Adjusting	
82	3984425	6	Spring	
83	91514154	2	Bolt	
84	70025823	8	Disc, Intermediate Brake	
85	80204281	2	Bolt, Bleeding	
86	80204117	2	Plug	
87	7029433	2	Dowel	
88	70026823	2	Brakes Piston Kit	

SECTION 5 - DRIVETRAIN

FIGURE 5-43. REAR AXLE, STEERING - 3614RS, 4017RS (NO FOAM FILL)



ART_100110542_5-C

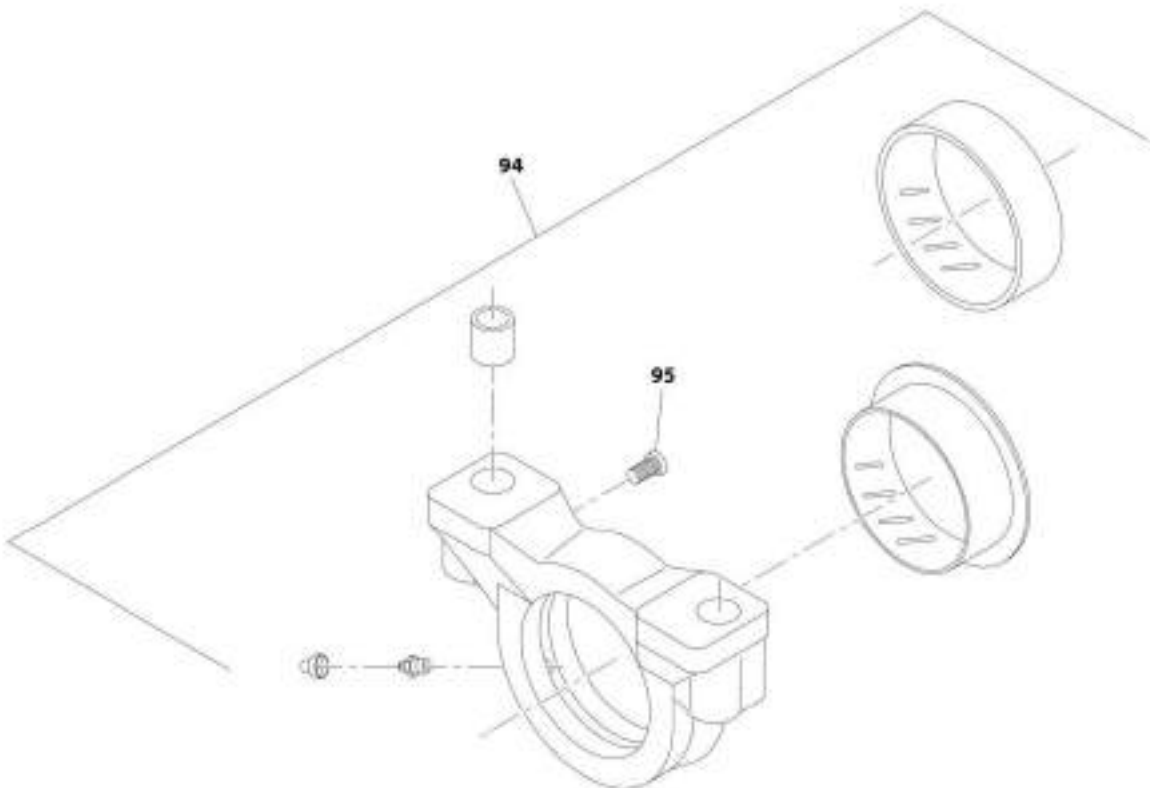
SECTION 5 - DRIVETRAIN

FIGURE 5-43. REAR AXLE, STEERING - 3614RS, 4017RS (NO FOAM FILL)

ITEM	PART NUMBER	QTY	DESCRIPTION	REV
89	91474522	4	Bolt	
90	70025566	1	Cylinder	
91	70026752	1	Bar	
91	70022773	1	Nut	
92	70026751	1	Bar	
92	70022773	1	Nut	
93	70025842	1	Kit, Seal	

SECTION 5 - DRIVETRAIN

FIGURE 5-44. REAR AXLE, TRUNION - 3614RS, 4017RS (NO FOAM FILL)



ART_100135442_B-C

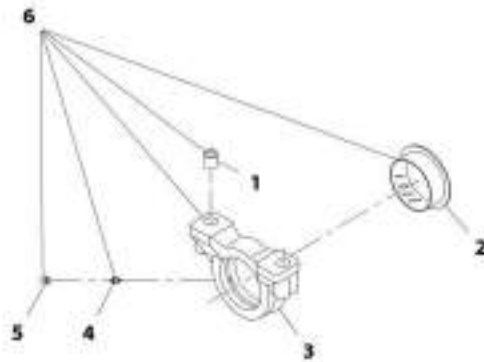
SECTION 5 - DRIVETRAIN

FIGURE 5-44. REAR AXLE, TRUNION - 3614RS, 4017RS (NO FOAM FILL)

ITEM	PART NUMBER	QTY	DESCRIPTION	REV
94	70026630	2	Trunion Kit	
95	70025884	2	Bolt	

SECTION 5 - DRIVETRAIN

FIGURE 5-45. REAR AXLE, TRUNION KIT - 3614RS, 4017RS (NO FOAM FILL)



ART_100110442_7-C

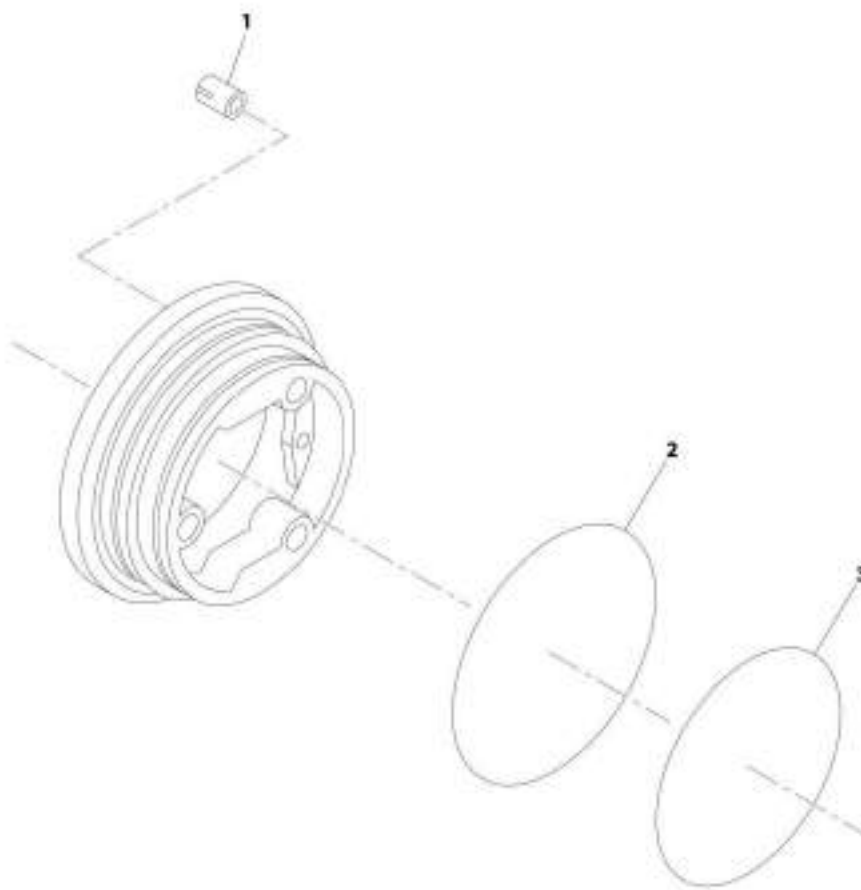
SECTION 5 - DRIVETRAIN

FIGURE 5-45. REAR AXLE, TRUNION KIT - 3614RS, 4017RS (NO FOAM FILL)

ITEM	PART NUMBER	QTY	DESCRIPTION	REV
1	91474516	4	Bushing, Reduction	
2	91474515	2	Bushing, Thrust	
3	7028083	2	Support	
4	91514099	2	Fitting, Grease	
5	80204117	2	Plug	
6	7028084	2	Support	

SECTION 5 - DRIVETRAIN

FIGURE 5-46. PISTON KIT



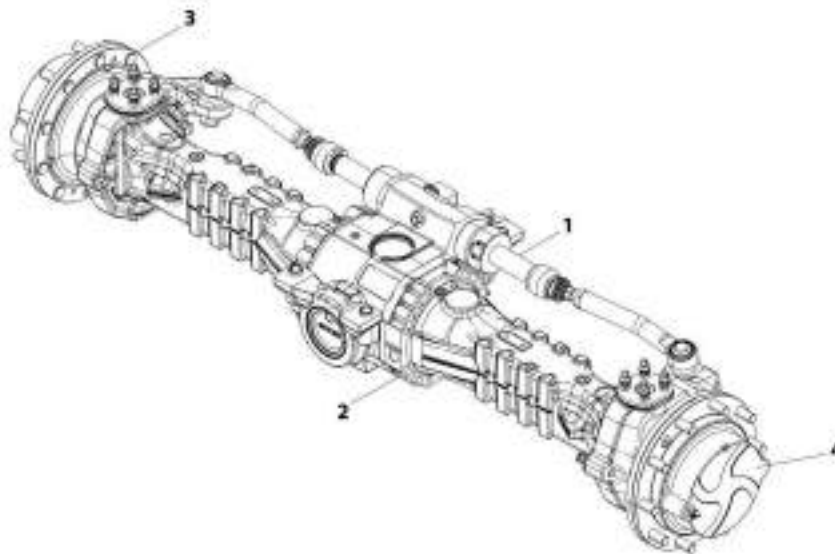
ART_70026023

FIGURE 5-46. PISTON KIT

ITEM	PART NUMBER	QTY	DESCRIPTION	REV
	70026823	Ref	Kit, Piston	
1	91514165	3	Spring	
2	70025821	1	O-Ring	
3	70025822	1	O-Ring	

SECTION 5 - DRIVETRAIN

FIGURE 5-47. REAR AXLE - 4017RS (FOAM FILL) (Prior to SN 1160007543, Excluding 1160007516 and 1160007537)



ART_10015170E

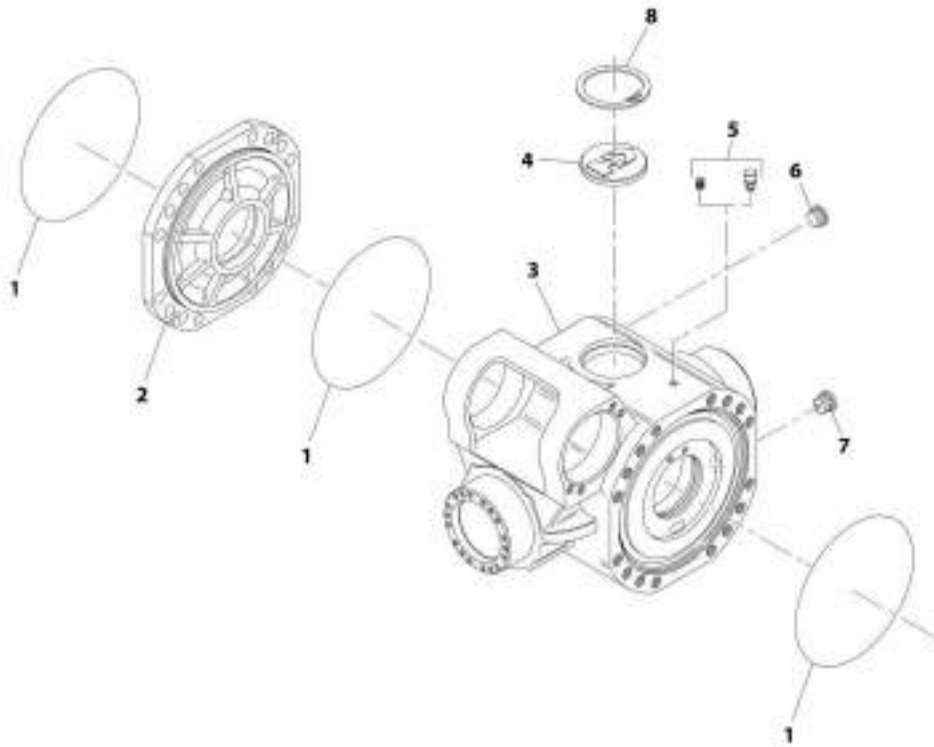
SECTION 5 - DRIVETRAIN

FIGURE 5-47. REAR AXLE - 4017RS (FOAM FILL) (Prior to SN 1160007543, Excluding 1160007516 and 1160007537)

ITEM	PART NUMBER	QTY	DESCRIPTION	REV
	1001151718	Ref	Rear Axle - 4017RS (Foam Fill)	E
1		Ref	Rear Axle, Central housing - 4017RS (Foam Fill) (See REAR AXLE, CENTRAL HOUSING - 4017RS (FOAM FILL) for Breakdown)	
2		Ref	Rear Axle, Differential - 4017RS (Foam Fill) (See REAR AXLE, DIFFERENTIAL - 4017RS (FOAM FILL) for Breakdown)	
3		Ref	Rear Axle, Hub Reduction - 4017RS (Foam Fill) (See REAR AXLE, HUB REDUCTION - 4017RS (FOAM FILL) for Breakdown)	
4		Ref	Rear Axle, Brakes - 4017RS (Foam Fill) (See REAR AXLE, BRAKES - 4017RS (FOAM FILL) for Breakdown)	
5		Ref	Rear Axle, Steering - 4017RS (Foam Fill) (See REAR AXLE, STEERING - 4017RS (FOAM FILL) for Breakdown)	
6		Ref	Rear Axle, Trunion - 4017RS (Foam Fill) (See REAR AXLE, TRUNION - 4017RS (FOAM FILL) for Breakdown)	

SECTION 5 - DRIVETRAIN

FIGURE 5-48. REAR AXLE, CENTRAL HOUSING - 4017RS (FOAM FILL) (Prior to SN 1160007543, Excluding 1160007516 and 1160007537)



MT_100115171R_1E

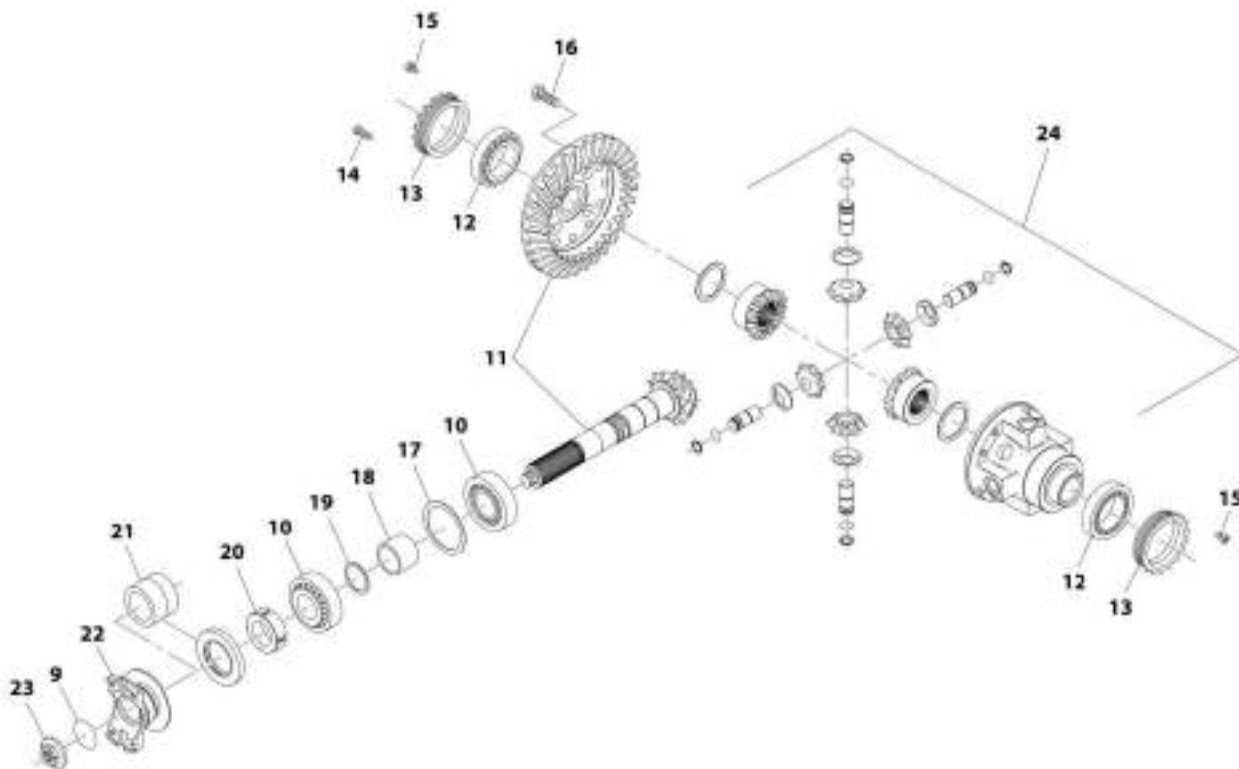
SECTION 5 - DRIVETRAIN

FIGURE 5-48. REAR AXLE, CENTRAL HOUSING - 4017RS (FOAM FILL) (Prior to SN 1160007543, Excluding 1160007516 and 1160007537)

ITEM	PART NUMBER	QTY	DESCRIPTION	REV
1	91474507	3	O-Ring	
2	70024519	1	Cover	
3	70026977	1	Housing	
4	91514098	1	Plug	
5	91474512	1	Vent	
6	91514188	1	Plug	
7	91474513	1	Plug, Magnet	
8	80204005	1	Circlip	

SECTION 5 - DRIVETRAIN

FIGURE 5-49. REAR AXLE, DIFFERENTIAL - 4017RS (FOAM FILL) (Prior to SN 1160007543, Excluding 1160007516 and 1160007537)



ART_1060151710_3-E

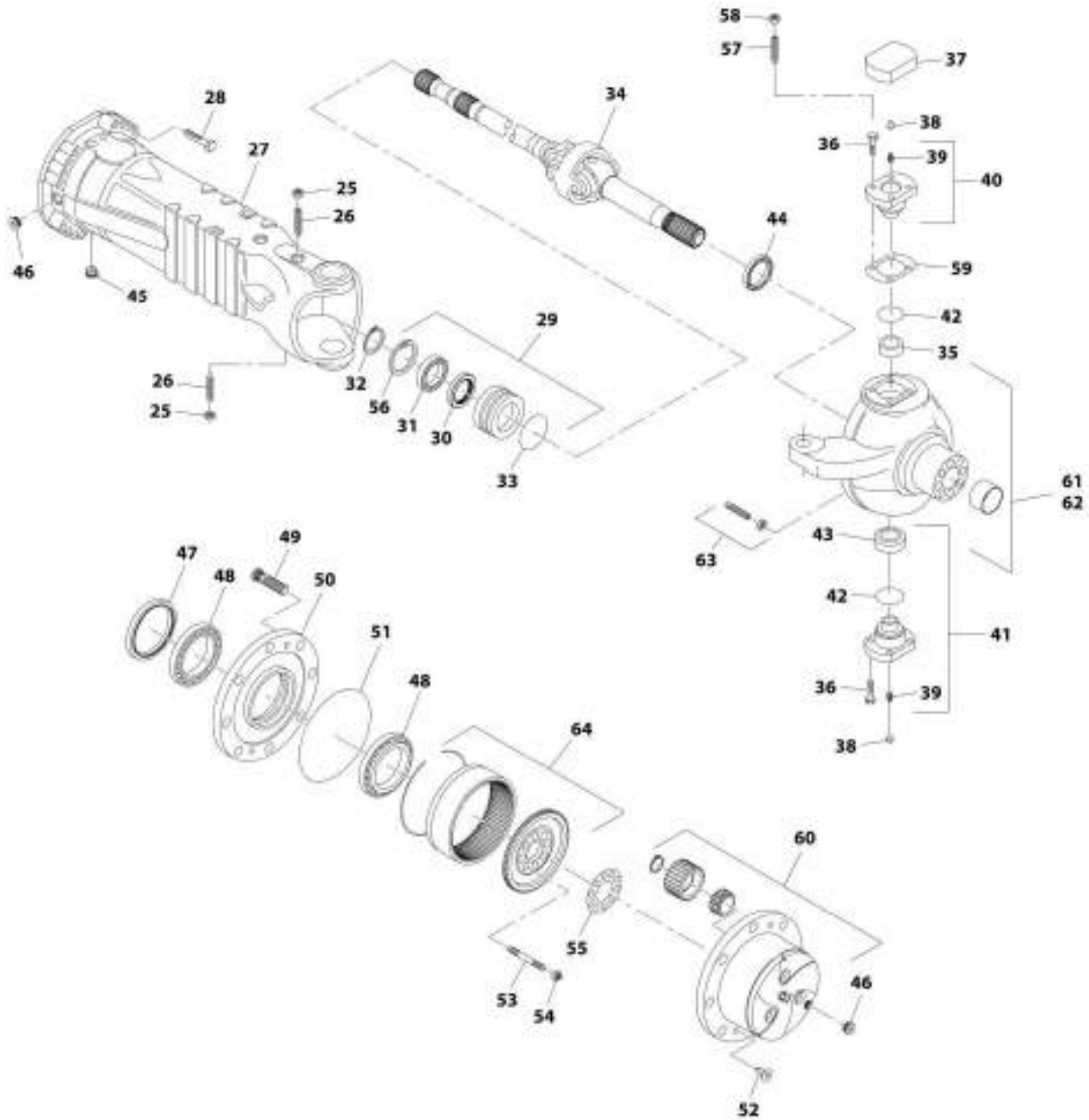
SECTION 5 - DRIVETRAIN

**FIGURE 5-49. REAR AXLE, DIFFERENTIAL - 4017RS (FOAM FILL) (Prior to SN 1160007543,
Excluding 1160007516 and 1160007537)**

ITEM	PART NUMBER	QTY	DESCRIPTION	REV
9	91474529	1	O-Ring	
10	3968141	2	Bearing, Taper Roller	
11	70025554	1	Set, Bevel Gear	
12	70028471	2	Bearing, Taper Roller	
13	91474547	2	Nut, Ring	
14	91474591	4	Bolt	
15	91514134	2	Bolt	
16	70025562	12	Bolt	
17	70025555	1	Kit, Shim	
18	91474539	1	Spacer	
19	70025556	1	Kit, Shim	
20	91474533	1	Nut, Ring	
21	70024522	1	Seal	
22	7029427	1	Flange Plate Kit	
23	70026631	1	Nut	
24	91474596	1	Differential Kit	

SECTION 5 - DRIVETRAIN

FIGURE 5-50. REAR AXLE, HUB REDUCTION - 4017RS (FOAM FILL) (Prior to SN 1160007543, Excluding 1160007516 and 1160007537)



ART_1001151718_3-E

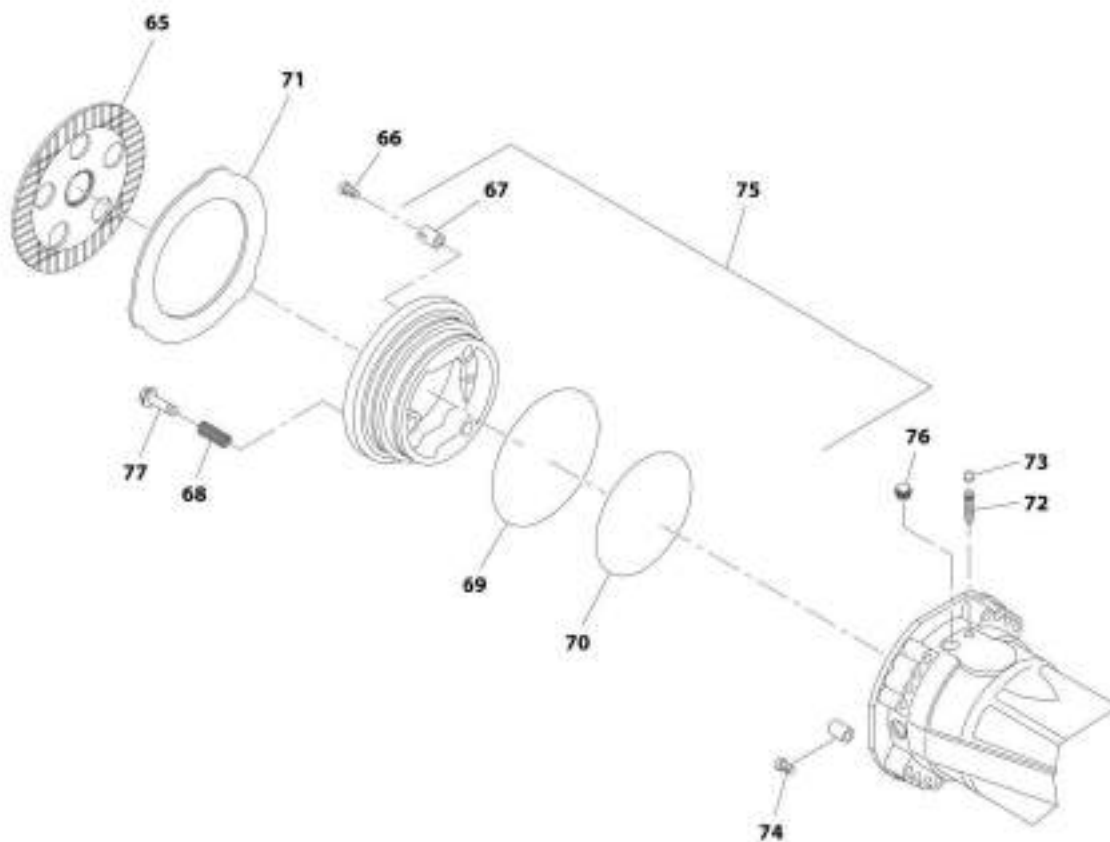
SECTION 5 - DRIVETRAIN

**FIGURE 5-50. REAR AXLE, HUB REDUCTION - 4017RS (FOAM FILL) (Prior to SN 1160007543,
Excluding 1160007516 and 1160007537)**

ITEM	PART NUMBER	QTY	DESCRIPTION	REV
25	91514082	2	Nut	
26	91514081	2	Bolt	
27	70025557	2	Case, Axle	
28	70022799	32	Bolt	
29	91514149	2	Bushing, Reduction	
30	91514147	2	Seal	
31	91514146	2	Bearing, Ball	
32	80204071	2	Circlip	
33	91514148	2	O-Ring	
34	70026071	2	Joint, Double Universal	
35	7028714	2	Bushing	
36	70025562	12	Bolt	
37	70028392	2	Cover	
38	80204117	2	Plug	
39	70024881	2	Fitting, Grease	
40	91514112	2	Pin, Pivot	
41	7028715	2	Pin, Pivot	
42	7028716	2	Seal, Dust	
43	91514095	2	Bearing	
44	70025857	2	Seal	
45	91474513	2	Plug, Magnet	
46	91514188	4	Plug	
47	7028721	2	Seal	
48	91474576	4	Bearing	
49	8000877	20	Stud, Wheel	
50	7028722	2	Hub, Wheel	
51	91514181	2	O-Ring	
52	91514189	4	Bolt, Countersunk	
53	70027315	20	Stud	
54	91474584	20	Nut	
55	91474582	2	Plate, Locking	
56	80204005	2	Circlip	
57	70025819	8	Stud	
58	91514120	8	Nut	
59	70025561	1	Kit, Shim	
60	70040710	1	Carrier, Planet Gear	
61	7028729	1	Case, Steering LH	
62	7028730	1	Case, Steering RH	
63	7028733	4	Bolt, Steering Adjusting	
64	70025551	2	Support, Ring Gear	

SECTION 5 - DRIVETRAIN

FIGURE 5-51. REAR AXLE, BRAKES - 4017RS (FOAM FILL) (Prior to SN 1160007543, Excluding 1160007516 and 1160007537)



ART 100151718_4-E

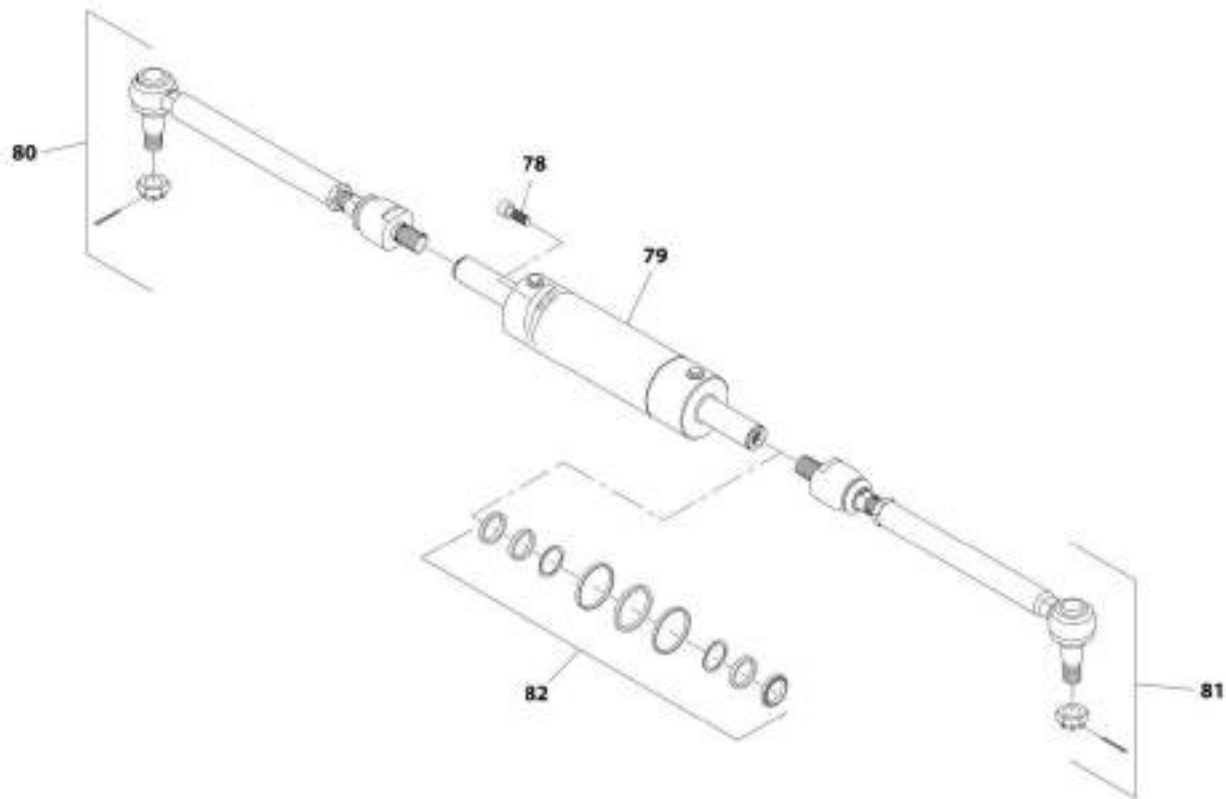
SECTION 5 - DRIVETRAIN

FIGURE 5-51. REAR AXLE, BRAKES - 4017RS (FOAM FILL) (Prior to SN 1160007543, Excluding 1160007516 and 1160007537)

ITEM	PART NUMBER	QTY	DESCRIPTION	REV
65	91474568	6	Disc	
66	7029786	6	Bolt, Adjusting	
67	70027317	6	Spring	
68	91514159	6	Spring	
69	70025821	2	O-Ring	
70	70025822	2	O-Ring	
71	70025823	8	Disc, Intermediate Brake	
72	80204281	2	Bolt, Bleeding	
73	80204117	2	Plug	
74	70021613	2	Pilot Bolt	
75	70027772	2	Piston	
76	91514154	2	Plug	
77	70024210	6	Bolt, Adjusting	

SECTION 5 - DRIVETRAIN

FIGURE 5-52. REAR AXLE, STEERING - 4017RS (FOAM FILL) (Prior to SN 1160007543, Excluding 1160007516 and 1160007537)



ART_100151110_5-E

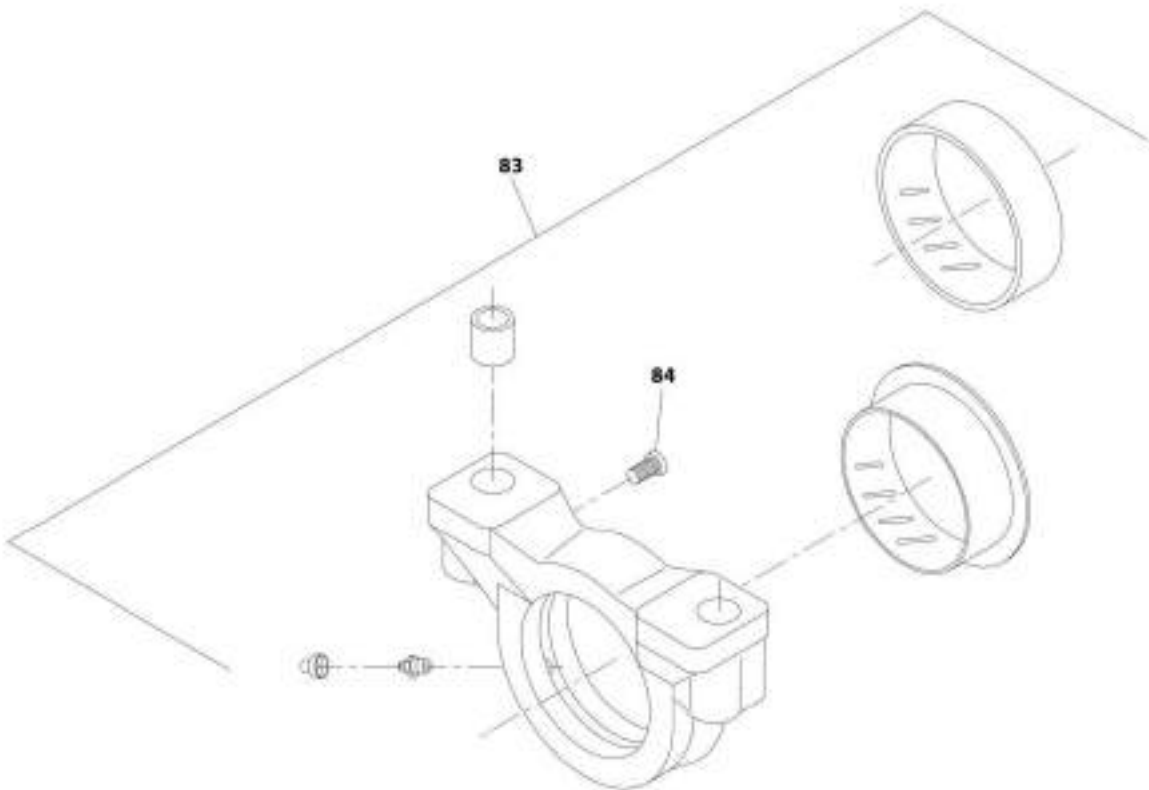
SECTION 5 - DRIVETRAIN

FIGURE 5-52. REAR AXLE, STEERING - 4017RS (FOAM FILL) (Prior to SN 1160007543, Excluding 1160007516 and 1160007537)

ITEM	PART NUMBER	QTY	DESCRIPTION	REV
78	91474522	4	Bolt	
79	70025553	1	Cylinder	
80	8007803	1	Bar	
80	70022773	1	Nut	
81	8007804	1	Bar	
81	70022773	1	Nut	
82	70025842	1	Seal, Kit	

SECTION 5 - DRIVETRAIN

FIGURE 5-53. REAR AXLE, TRUNION - 4017RS (FOAM FILL) (Prior to SN 1160007543, Excluding 1160007516 and 1160007537)



ART_1001151716_6/E

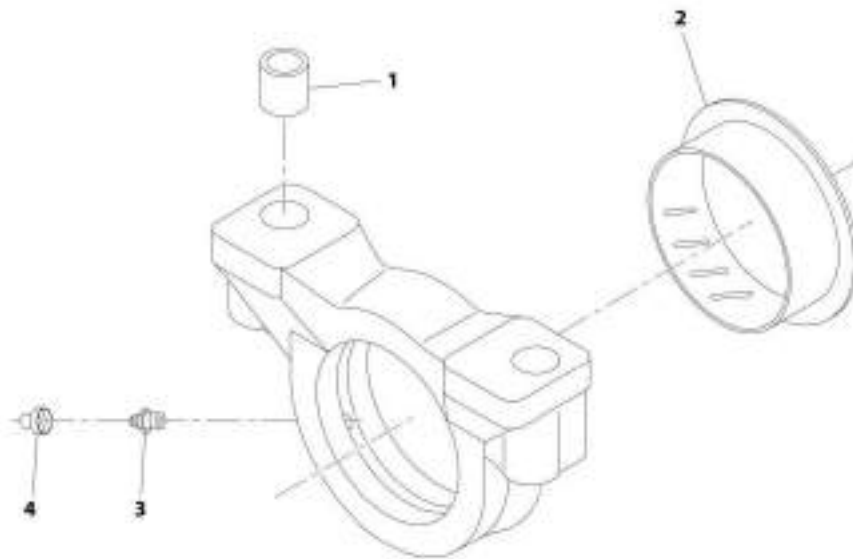
SECTION 5 - DRIVETRAIN

FIGURE 5-53. REAR AXLE, TRUNION - 4017RS (FOAM FILL) (Prior to SN 1160007543, Excluding 1160007516 and 1160007537)

ITEM	PART NUMBER	QTY	DESCRIPTION	REV
83	7028084	2	Support (See Separate Breakdown in this Section)	

SECTION 5 - DRIVETRAIN

FIGURE 5-54. SUPPORT - 4017RS (FOAM FILL) (Prior to SN 1160007543, Excluding 1160007516 and 1160007537)



ART_702604

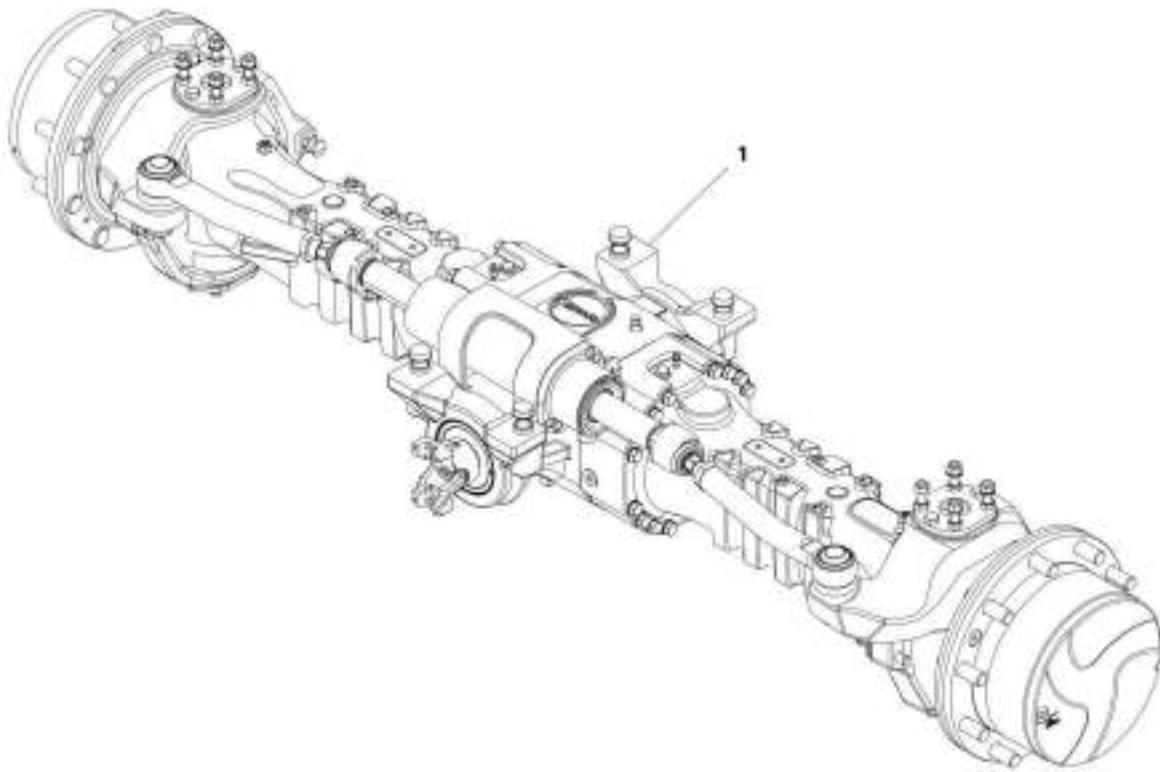
SECTION 5 - DRIVETRAIN

FIGURE 5-54. SUPPORT - 4017RS (FOAM FILL) (Prior to SN 1160007543, Excluding 1160007516 and 1160007537)

ITEM	PART NUMBER	QTY	DESCRIPTION	REV
	7028084	Ref	Support	
1	91474516	4	Bushing, Reduction	
2	91474515	2	Bushing, Thrust	
3	70024881	2	Fitting, Grease	
4	80204117	2	Plug	

SECTION 5 - DRIVETRAIN

FIGURE 5-55. REAR AXLE - 4017RS (FOAM FILL) (SN 1160007543 to Present, Including 1160007516 and 1160007537)



MT_1001182522-A

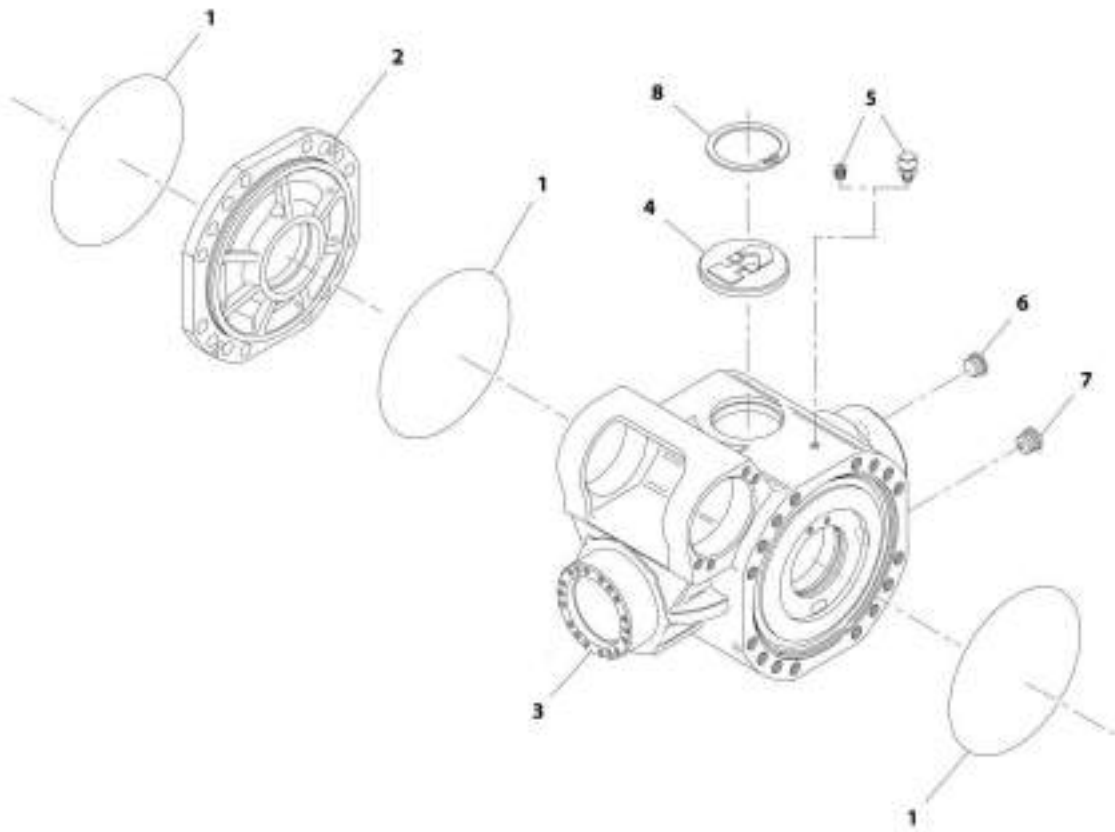
SECTION 5 - DRIVETRAIN

FIGURE 5-55. REAR AXLE - 4017RS (FOAM FILL) (SN 1160007543 to Present, Including 1160007516 and 1160007537)

ITEM	PART NUMBER	QTY	DESCRIPTION	REV
	1001182622	Ref	Rear Axle - 4017RS (Foam Fill)	A
1		Ref	Rear Axle, Central Housing - 4017RS (Foam Fill) (See Separate Breakdown in this Section)	
2		Ref	Rear Axle, Differential - 4017RS (Foam Fill) (See Separate Breakdown in this Section)	
3		Ref	Rear Axle, Hub Reduction - 4017RS (Foam Fill) (See Separate Breakdown in this Section)	
4		Ref	Rear Axle, Brakes - 4017RS (Foam Fill) (See Separate Breakdown in this Section)	
5		Ref	Rear Axle, Steering - 4017RS (Foam Fill) (See Separate Breakdown in this Section)	
6		Ref	Rear Axle, Trunion - 4017RS (Foam Fill) (See Separate Breakdown in this Section)	

SECTION 5 - DRIVETRAIN

FIGURE 5-56. REAR AXLE, CENTRAL HOUSING - 4017RS (FOAM FILL) (SN 1160007543 to Present, Including 1160007516 and 1160007537)



ART_1001302502_1-A

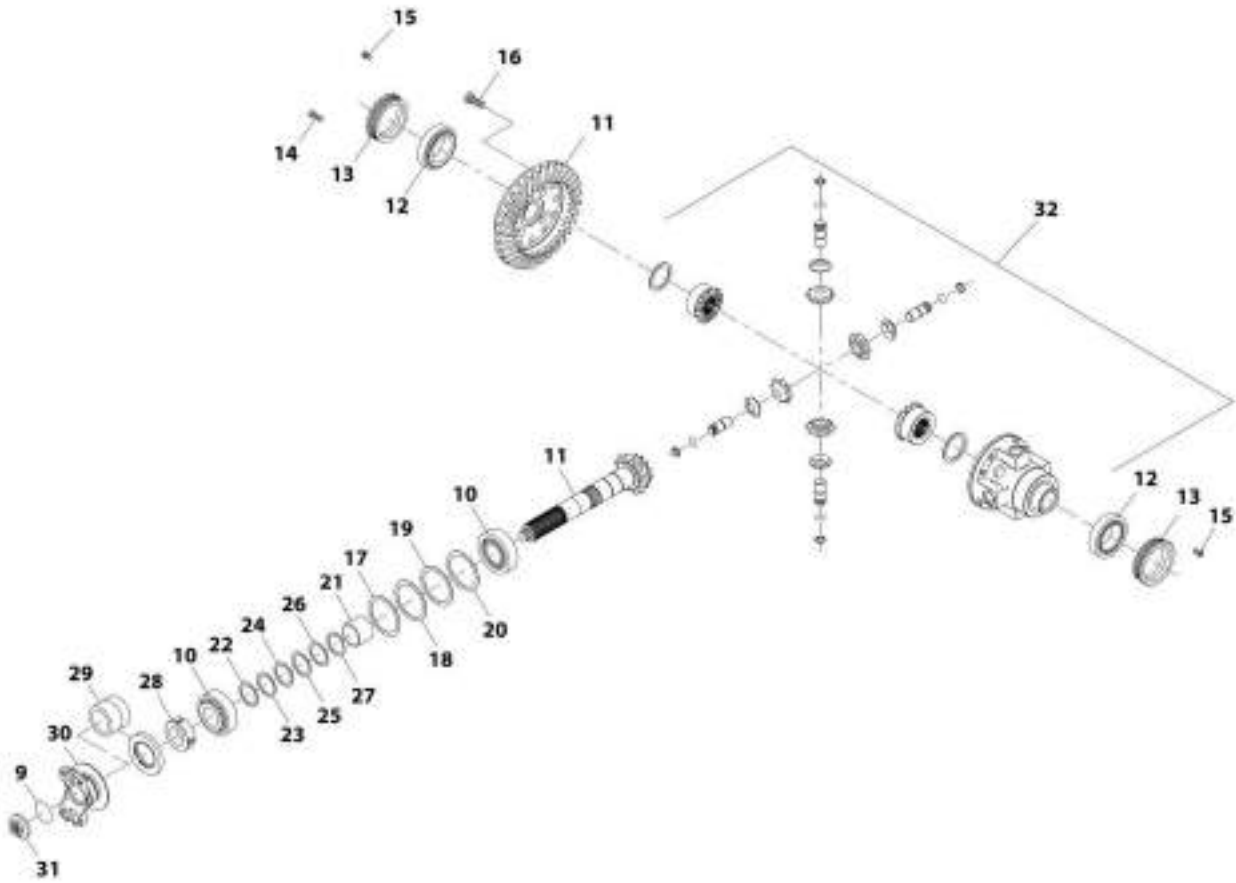
SECTION 5 - DRIVETRAIN

FIGURE 5-56. REAR AXLE, CENTRAL HOUSING - 4017RS (FOAM FILL) (SN 1160007543 to Present, Including 1160007516 and 1160007537)

ITEM	PART NUMBER	QTY	DESCRIPTION	REV
1	91474507	3	O-Ring	
2	70024519	1	Cover	
3	70026977	1	Housing	
4	91514098	1	Plug	
5	91474512	1	Vent	
6	91514188	1	Plug	
7	91474513	1	Magnetic Plug	
9	80204005	1	Circlip	

SECTION 5 - DRIVETRAIN

FIGURE 5-57. REAR AXLE, DIFFERENTIAL - 4017RS (SN 1160007543 to Present, Including 1160007516 and 1160007537)



MT_1801162522_1-A

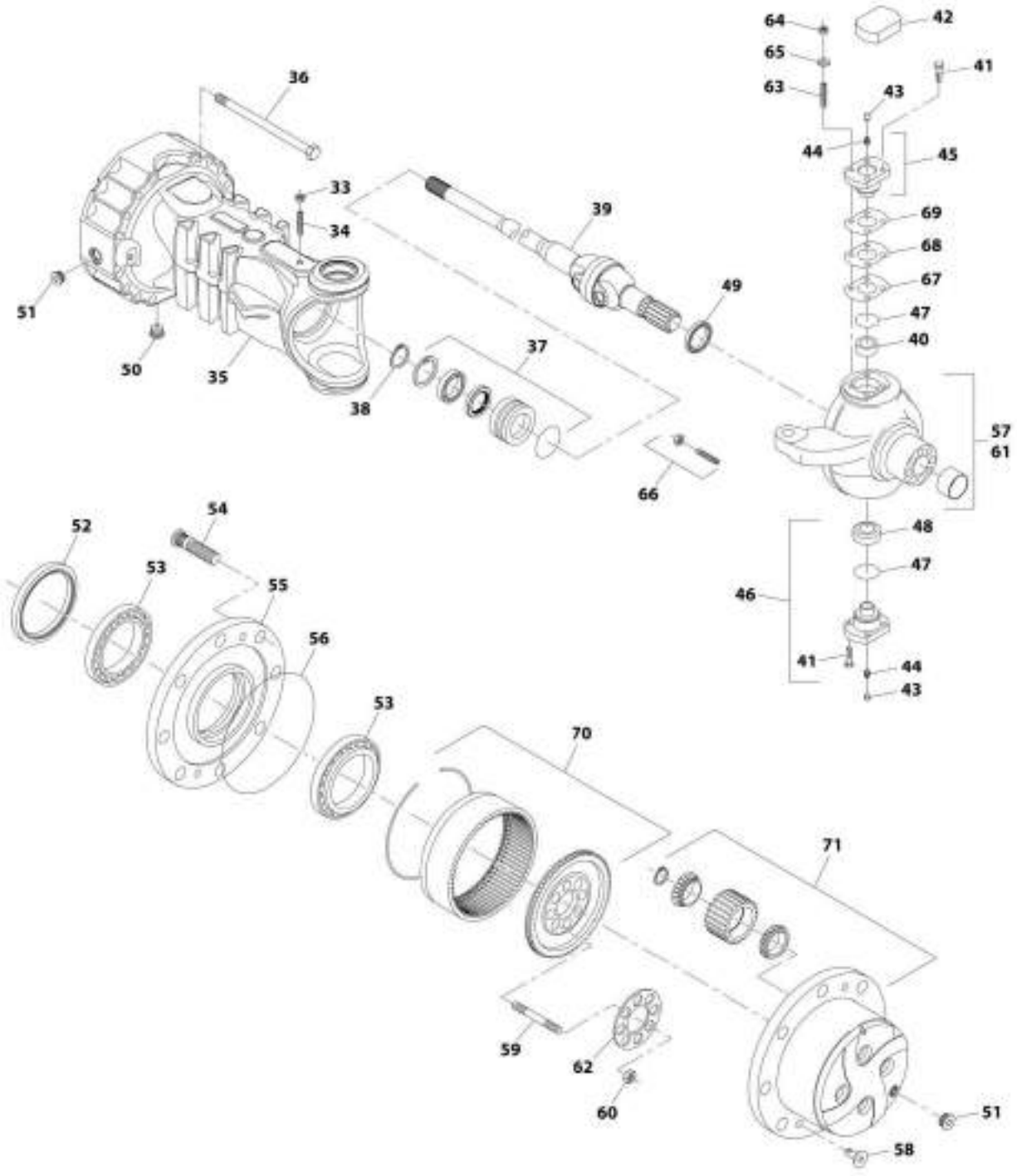
SECTION 5 - DRIVETRAIN

FIGURE 5-57. REAR AXLE, DIFFERENTIAL - 4017RS (SN 1160007543 to Present, Including 1160007516 and 1160007537)

ITEM	PART NUMBER	QTY	DESCRIPTION	REV
9	91474529	1	O-Ring	
10	3968141	2	Taper Roller Bearing	
11	70025554	1	Bevel Gear Set	
12	70026031	2	Taper Roller Bearing	
13	91474547	2	Ring Nut	
14	91474591	4	Cylinder Bolt	
15	91514134	2	Bolt	
16	91514123	12	Bolt	
17	91474540	1	Shim	
18	91474541	1	Shim	
19	91474542	1	Shim	
20	91474543	1	Shim	
21	91474539	1	Spacer	
22	91474535	1	Shim	
23	91474536	1	Shim	
24	91474537	1	Shim	
25	91474538	1	Shim	
26	70024520	1	Shim	
27	70024521	1	Shim	
28	91474533	1	Ring Nut	
29	70024522	1	Seal	
30	7029427	1	Flange	
31	70026631	1	Nut	
32	91474596	1	Differential Kit (See Separate Breakdown in this Section)	

SECTION 5 - DRIVETRAIN

FIGURE 5-58. REAR AXLE, HUB REDUCTION - 4017RS (SN 1160007543 to Present, Including 1160007516 and 1160007537)



ART_1001182602_3-4

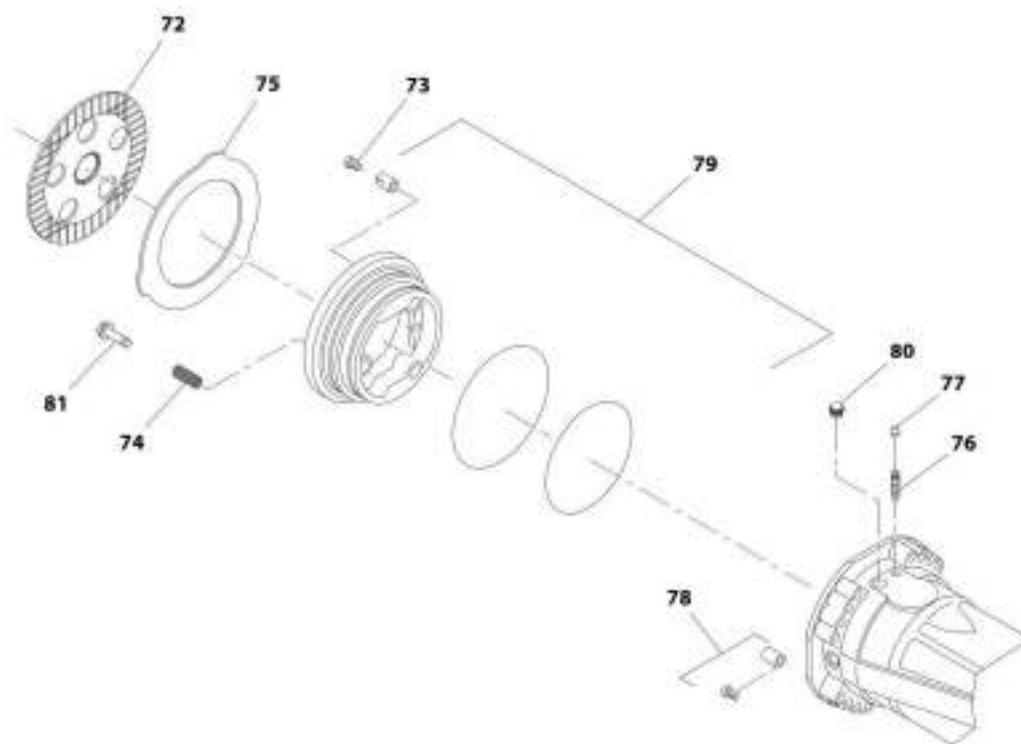
SECTION 5 - DRIVETRAIN

FIGURE 5-58. REAR AXLE, HUB REDUCTION - 4017RS (SN 1160007543 to Present, Including 1160007516 and 1160007537)

ITEM	PART NUMBER	QTY	DESCRIPTION	REV
33	91514082	2	Nut	
34	91514081	2	Bolt	
35	70025557	2	Axle Case	
36	70022799	32	Bolt	
37	91514149	2	Reduction Bushing	
38	80204071	2	Circlip	
39	70027143	2	Double Universal Joint	
40	7028714	2	Bushing	
41	70025562	16	Bolt	
42	70025549	2	Cover	
43	80204117	2	Plug	
44	91514099	4	Grease Fitting	
45	91514112	2	Pivot Pin	
46	7028715	2	Pivot Pin	
47	7028716	4	Dust Excluder	
48	91514095	2	Bearing	
49	70026238	2	Seal	
50	91474513	2	Magnetic Plug	
51	91514188	4	Plug	
52	7028721	2	Seal	
53	91474576	4	Bearing	
54	8000877	20	Wheel Stud	
55	7028722	2	Wheel Hub	
56	91514181	2	O-Ring	
57	70027144	1	Steering Case Kit LH (See Separate Breakdown in this Section)	
58	91514189	4	Countersunk Bolt	
59	91474583	20	Stud	
60	91474584	20	Nut	
61	70027145	1	Steering Case Kit RH (See Separate Breakdown in this Section)	
62	91474582	2	Locking Plate	
63	70025819	8	Stud	
64	91514120	8	Nut	
65	91514119	8	Washer	
66	7028733	4	Steering Adjust Bolt Kit (See Separate Breakdown in this Section)	
67	91514113	2	Shim	
68	91514114	2	Shim	
69	91514115	2	Shim	
70	70025551	2	Ring Gear Support Kit (See Separate Breakdown in this Section)	
71	70040710	2	Planet Gear Carrier Kit (See Separate Breakdown in this Section)	

SECTION 5 - DRIVETRAIN

FIGURE 5-59. REAR AXLE, BRAKES - 4017RS (SN 1160007543 to Present, Including 1160007516 and 1160007537)



ART_100192622_A-A

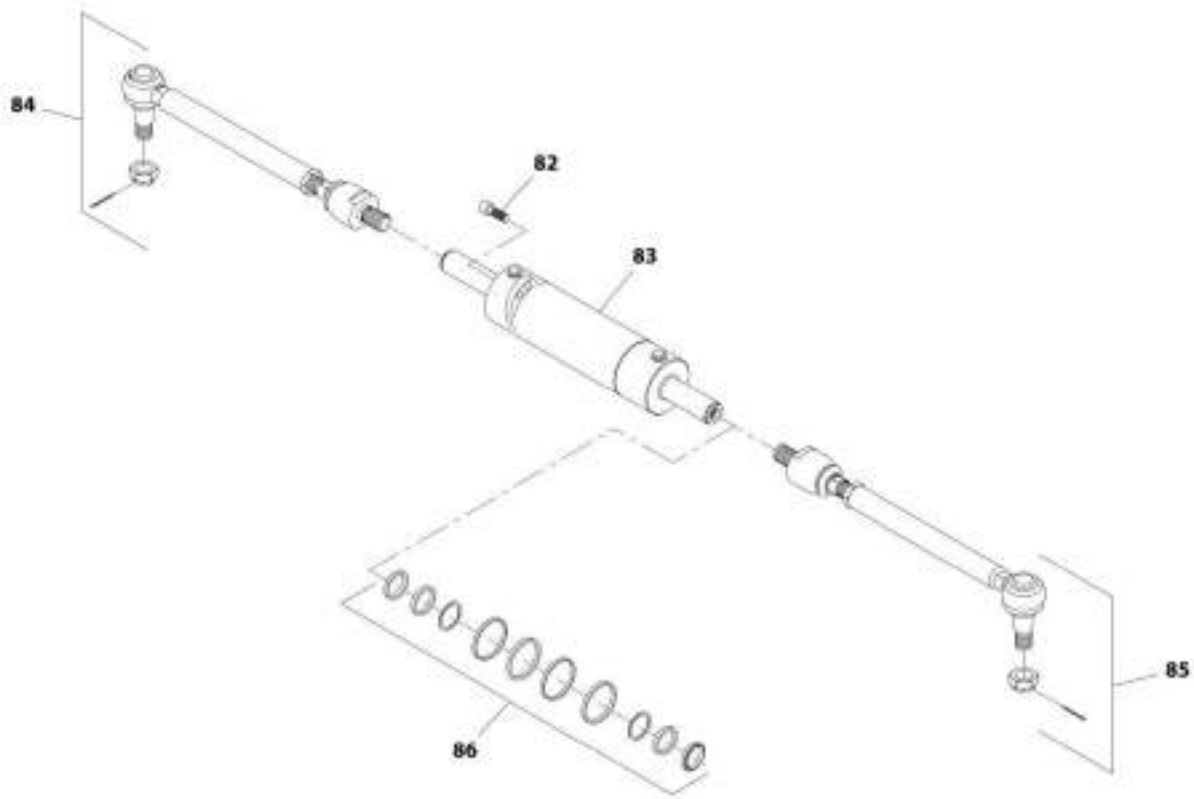
SECTION 5 - DRIVETRAIN

FIGURE 5-59. REAR AXLE, BRAKES - 4017RS (SN 1160007543 to Present, Including 1160007516 and 1160007537)

ITEM	PART NUMBER	QTY	DESCRIPTION	REV
72	91474568	6	Disc	
73	7029786	6	Adjusting Bolt	
74	91514159	6	Spring	
75	70025823	8	Intermediate Brake Disc	
76	2960243	2	Bleeding Bolt	
77	80204117	2	Plug	
78	70021613	2	Pilot Bolt	
79	70025841	2	Piston	
80	91514154	2	Plug	
81	70024210	6	Adjusting Bolt	

SECTION 5 - DRIVETRAIN

FIGURE 5-60. REAR AXLE, STEERING - 4017RS (SN 1160007543 to Present, Including 1160007516 and 1160007537)



ART_1001182622_5-A

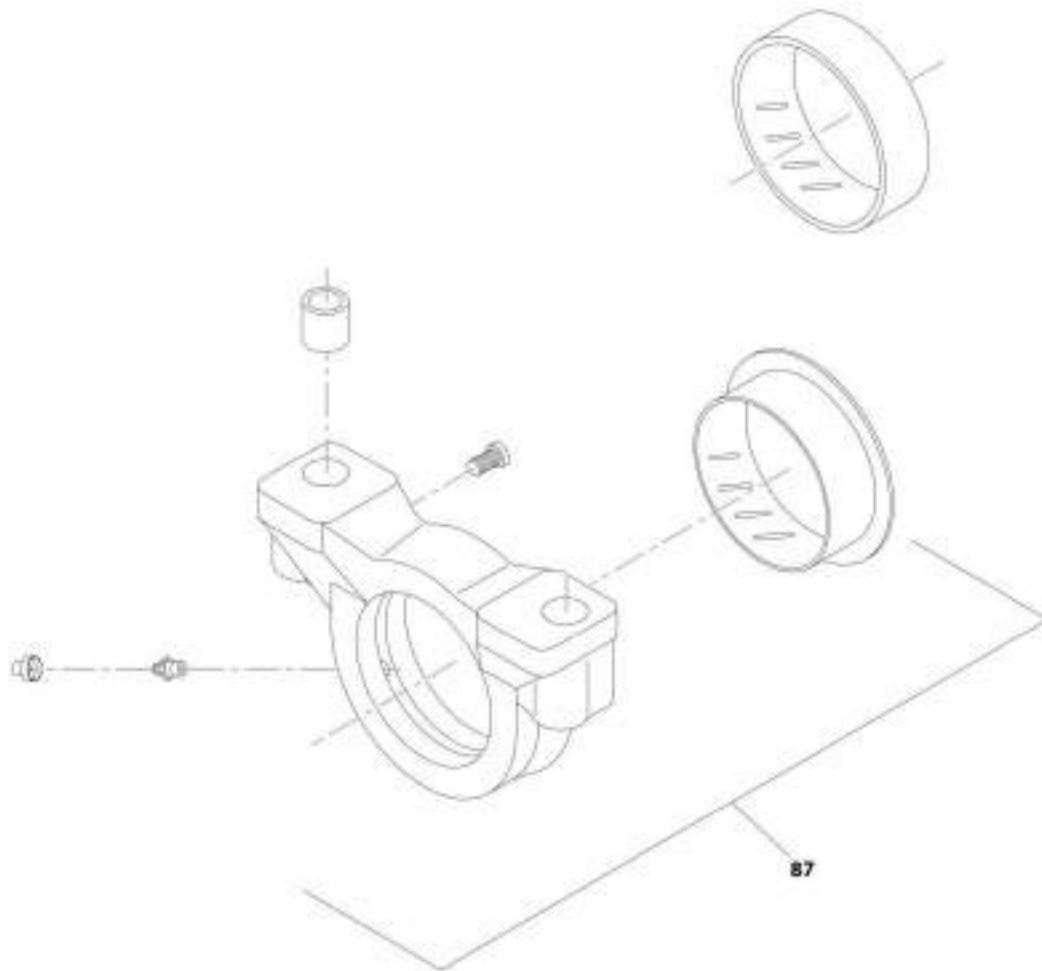
SECTION 5 - DRIVETRAIN

FIGURE 5-60. REAR AXLE, STEERING - 4017RS (SN 1160007543 to Present, Including 1160007516 and 1160007537)

ITEM	PART NUMBER	QTY	DESCRIPTION	REV
82	91474522	4	Bolt	
83	70025566	1	Cylinder	
84	70026752	1	Bar	
84	70022773	1	Nut	
85	70026751	1	Bar	
85	70022773	1	Nut	
86	70025842	1	Seal Kit	

SECTION 5 - DRIVETRAIN

FIGURE 5-61. REAR AXLE, TRUNION - 4017RS (SN 1160007543 to Present, Including 1160007516 and 1160007537)



ART_1801163622_8-A

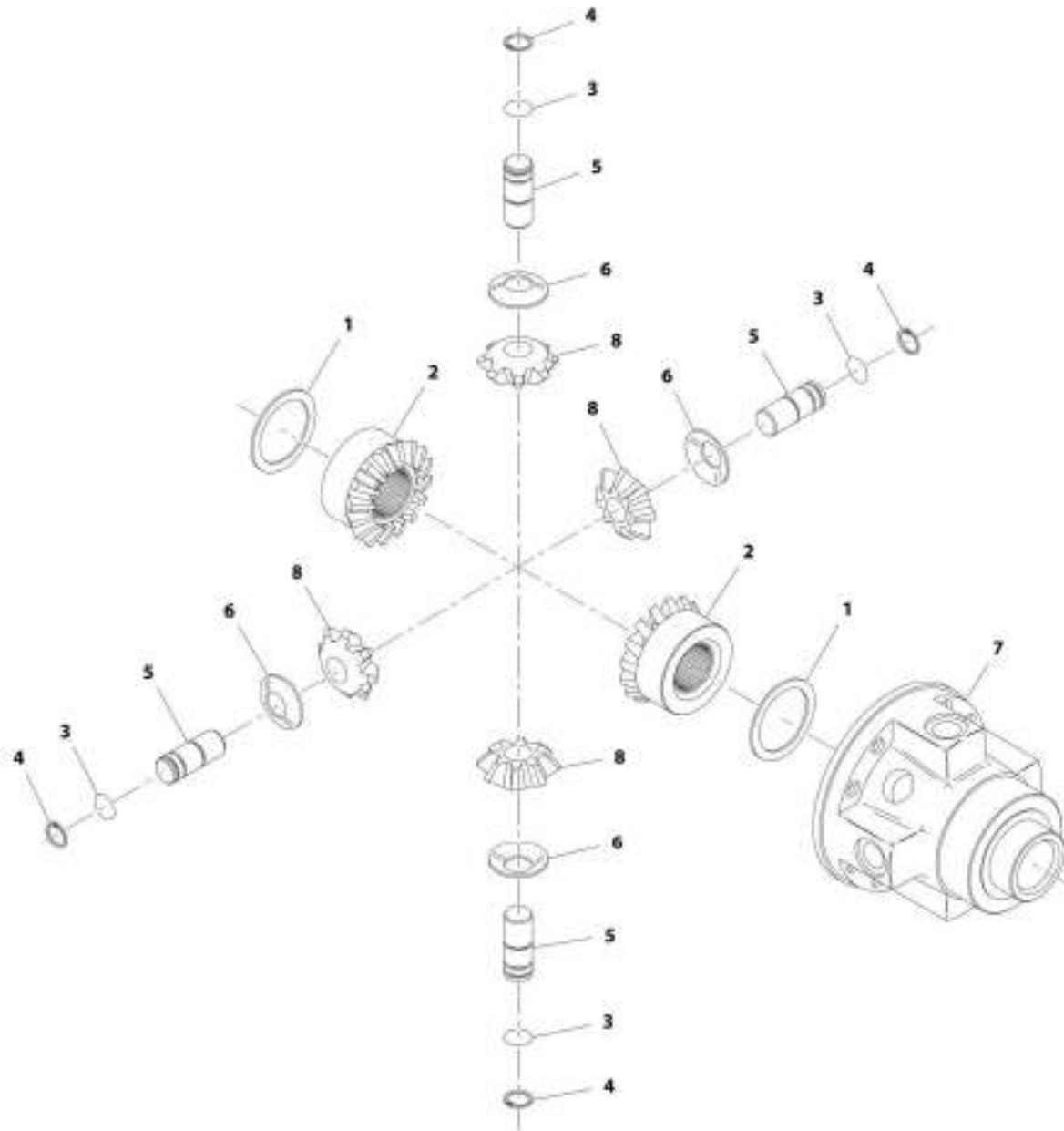
SECTION 5 - DRIVETRAIN

FIGURE 5-61. REAR AXLE, TRUNION - 4017RS (SN 1160007543 to Present, Including 1160007516 and 1160007537)

ITEM	PART NUMBER	QTY	DESCRIPTION	REV
87	70026630	2	Trunion Kit (See Separate Breakdown in this Section)	

SECTION 5 - DRIVETRAIN

FIGURE 5-62. DIFFERENTIAL KIT (SN 1160007543 to Present, Including 1160007516 and 1160007537)



ART. 1001102622_7-A

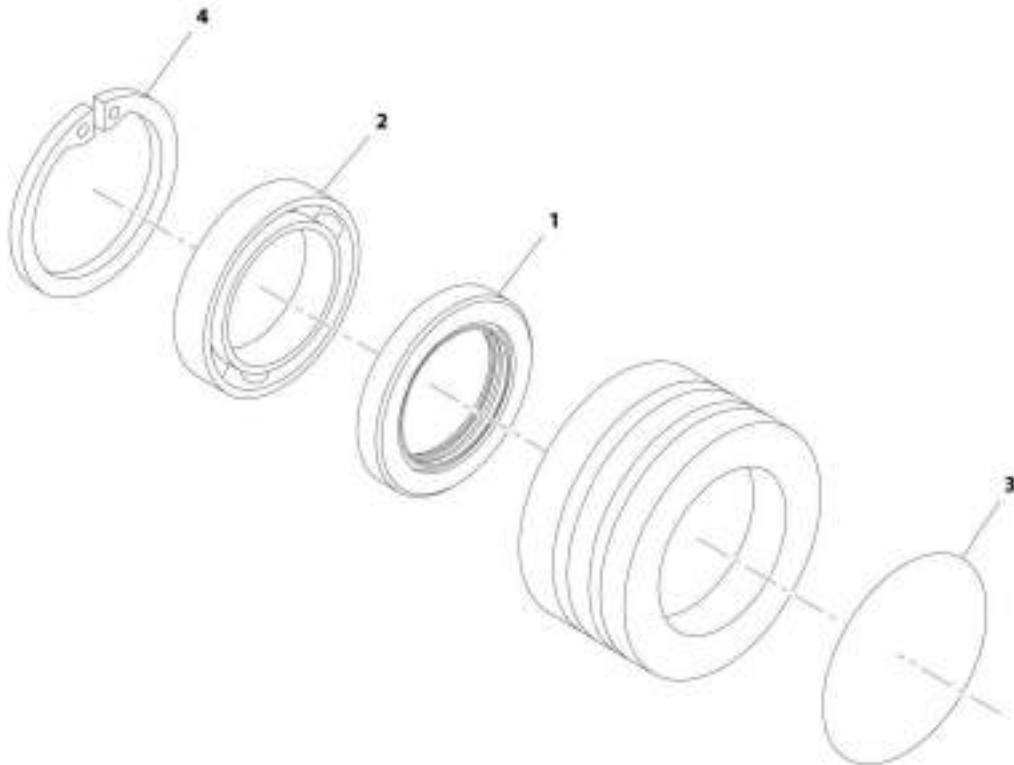
SECTION 5 - DRIVETRAIN

FIGURE 5-62. DIFFERENTIAL KIT (SN 1160007543 to Present, Including 1160007516 and 1160007537)

ITEM	PART NUMBER	QTY	DESCRIPTION	REV
	91474596	Ref	Differential Kit	
1	91474593	2	Friction Washer	
2	91474594	2	Differential Side Gear	
3	91474551	4	Circlip	
4	91474550	4	Circlip	
5	7029131	4	Pin	
6	91474553	4	Friction Washer	
7	91474595	1	Differential Carrier	
8	7029129	4	Differential Pinion	

SECTION 5 - DRIVETRAIN

FIGURE 5-63. REDUCTION BUSHING (SN 1160007543 to Present, Including 1160007516 and 1160007537)



APR_1001182622_8-A

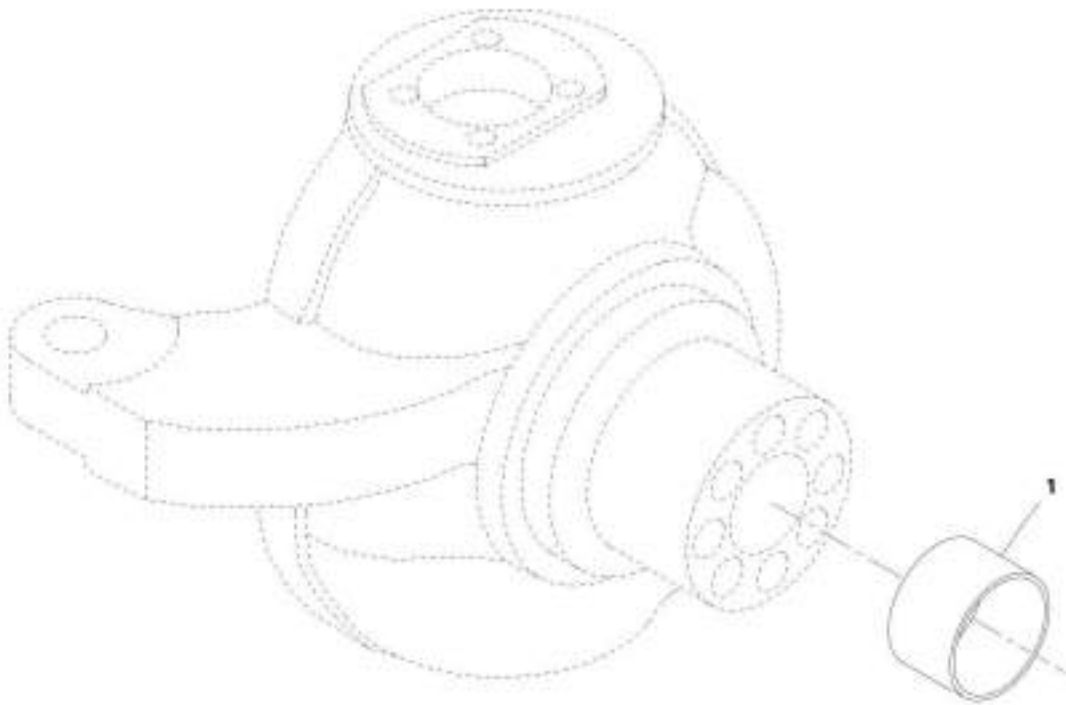
SECTION 5 - DRIVETRAIN

FIGURE 5-63. REDUCTION BUSHING (SN 1160007543 to Present, Including 1160007516 and 1160007537)

ITEM	PART NUMBER	QTY	DESCRIPTION	REV
	91514149	Ref	Reduction Bushing	
1	91514147	2	Seal	
2	91514146	2	Ball Bearing	
3	91514148	2	O-Ring	
4	80204005	2	Circlip	

SECTION 5 - DRIVETRAIN

FIGURE 5-64. STEERING CASE KIT LH (SN 1160007543 to Present, Including 1160007516 and 1160007537)



AWT_1001182622_5-4

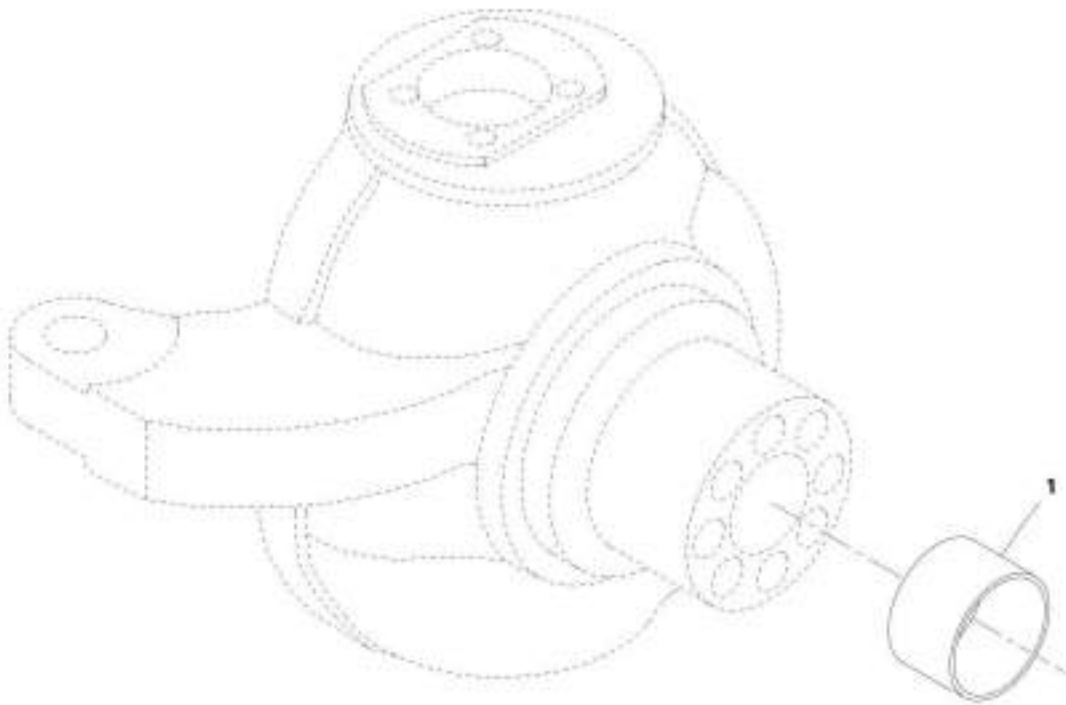
SECTION 5 - DRIVETRAIN

FIGURE 5-64. STEERING CASE KIT LH (SN 1160007543 to Present, Including 1160007516 and 1160007537)

ITEM	PART NUMBER	QTY	DESCRIPTION	REV
1	70027144 91514111	Ref 2	Steering Case Kit LH Thrust Bushing	

SECTION 5 - DRIVETRAIN

FIGURE 5-65. STEERING CASE KIT RH (SN 1160007543 to Present, Including 1160007516 and 1160007537)



AWT_1001182822_10-A

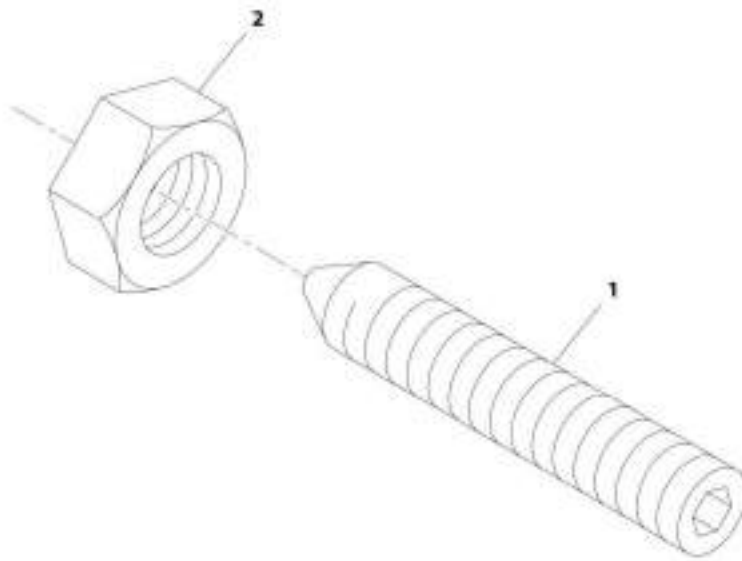
SECTION 5 - DRIVETRAIN

FIGURE 5-65. STEERING CASE KIT RH (SN 1160007543 to Present, Including 1160007516 and 1160007537)

ITEM	PART NUMBER	QTY	DESCRIPTION	REV
1	70027145 91514111	Ref 2	Steering Case Kit RH Thrust Bushing	

SECTION 5 - DRIVETRAIN

FIGURE 5-66. STEERING ADJUST BOLT KIT (SN 1160007543 to Present, Including 1160007516 and 1160007537)



487_1001183622_11-6

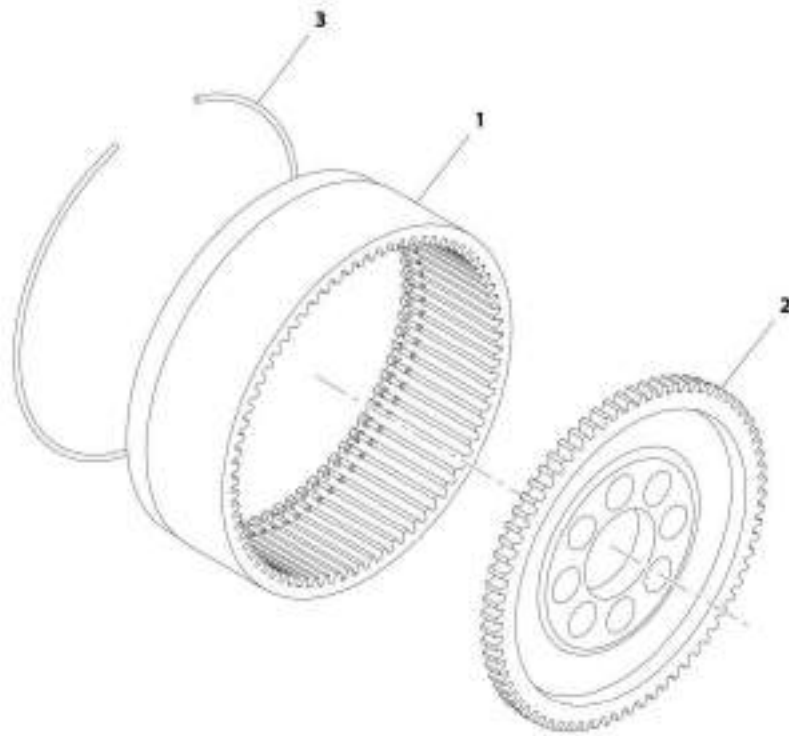
SECTION 5 - DRIVETRAIN

FIGURE 5-66. STEERING ADJUST BOLT KIT (SN 1160007543 to Present, Including 1160007516 and 1160007537)

ITEM	PART NUMBER	QTY	DESCRIPTION	REV
	7028733	Ref	Steering Adjust Bolt Kit	
1	91514117	4	Bolt	
2	80204065	4	Nut	

SECTION 5 - DRIVETRAIN

FIGURE 5-67. RING GEAR SUPPORT KIT (SN 1160007543 to Present, Including 1160007516 and 1160007537)



AWT_100182822_13-A

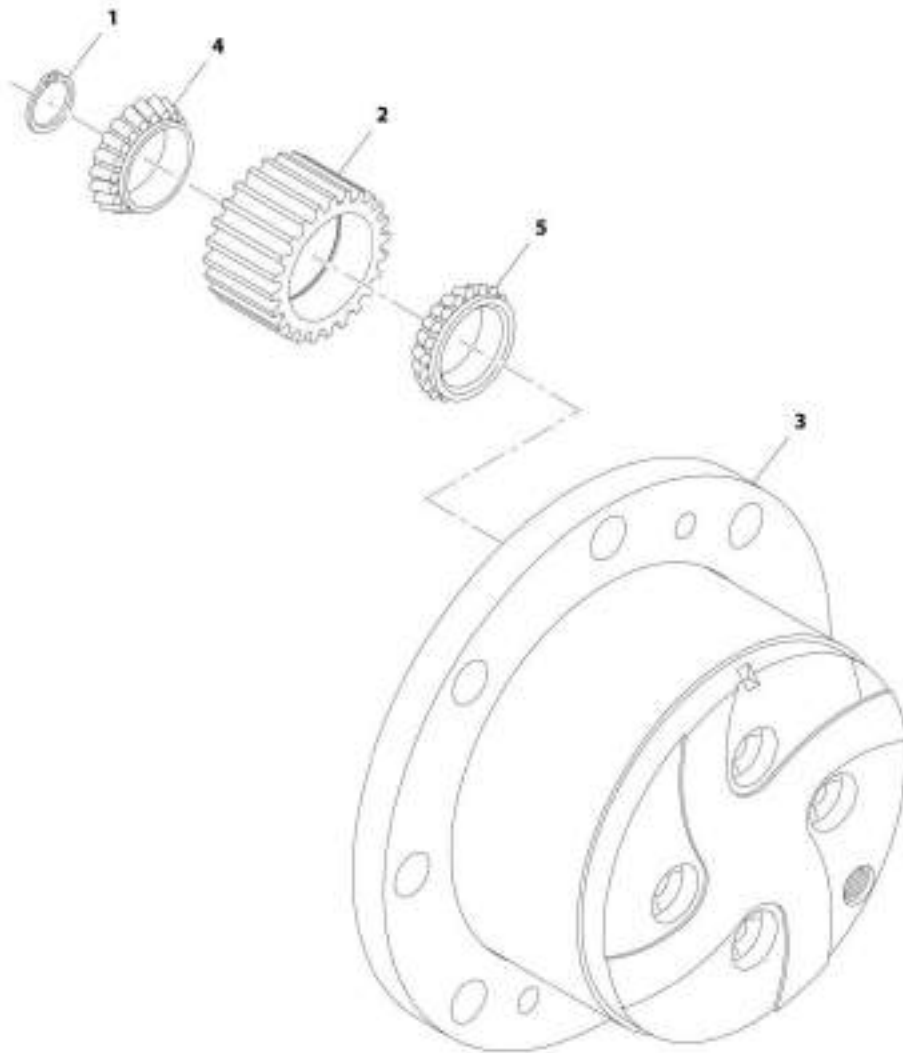
SECTION 5 - DRIVETRAIN

FIGURE 5-67. RING GEAR SUPPORT KIT (SN 1160007543 to Present, Including 1160007516 and 1160007537)

ITEM	PART NUMBER	QTY	DESCRIPTION	REV
	70025551	Ref	Ring Gear Support Kit	
1	70024147	2	Ring Gear	
2	7028723	2	Ring Gear Support	
3	91514175	2	Circlip	

SECTION 5 - DRIVETRAIN

FIGURE 5-68. PLANET GEAR CARRIER KIT (SN 1160007543 to Present, Including 1160007516 and 1160007537)



ART_1001382622_13-A

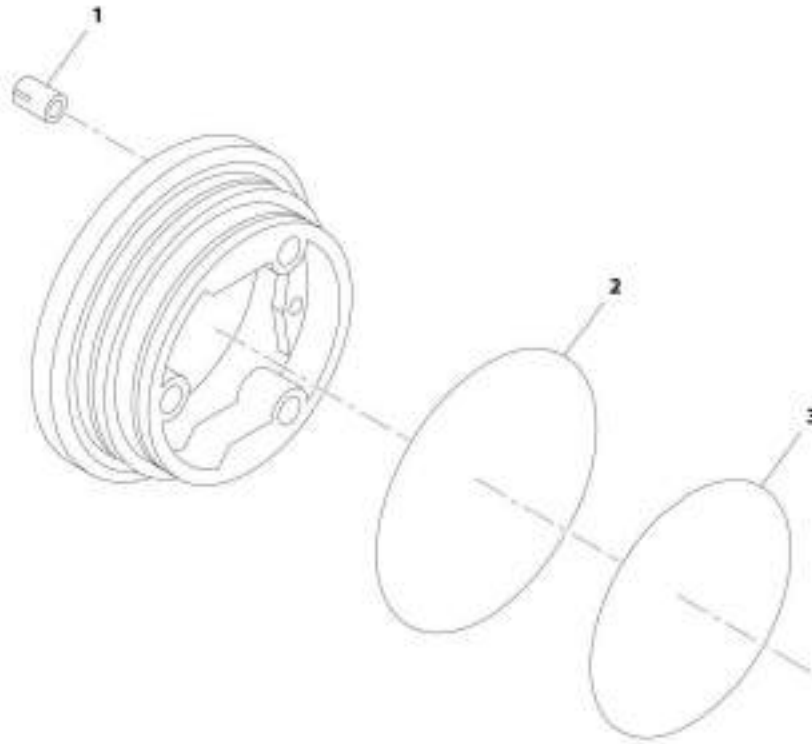
SECTION 5 - DRIVETRAIN

FIGURE 5-68. PLANET GEAR CARRIER KIT (SN 1160007543 to Present, Including 1160007516 and 1160007537)

ITEM	PART NUMBER	QTY	DESCRIPTION	REV
	70040710	Ref	Planet Gear Carrier Kit	
1	7028724	3	Circlip	
2	7028725	6	Differential Pinion	
3	7028726	1	Planet Gear Carrier	
4	7028731	6	Bearing	
5	7028732	6	Bearing	

SECTION 5 - DRIVETRAIN

FIGURE 5-69. PISTON (SN 1160007543 to Present, Including 1160007516 and 1160007537)



MIT_3001182622_14-A

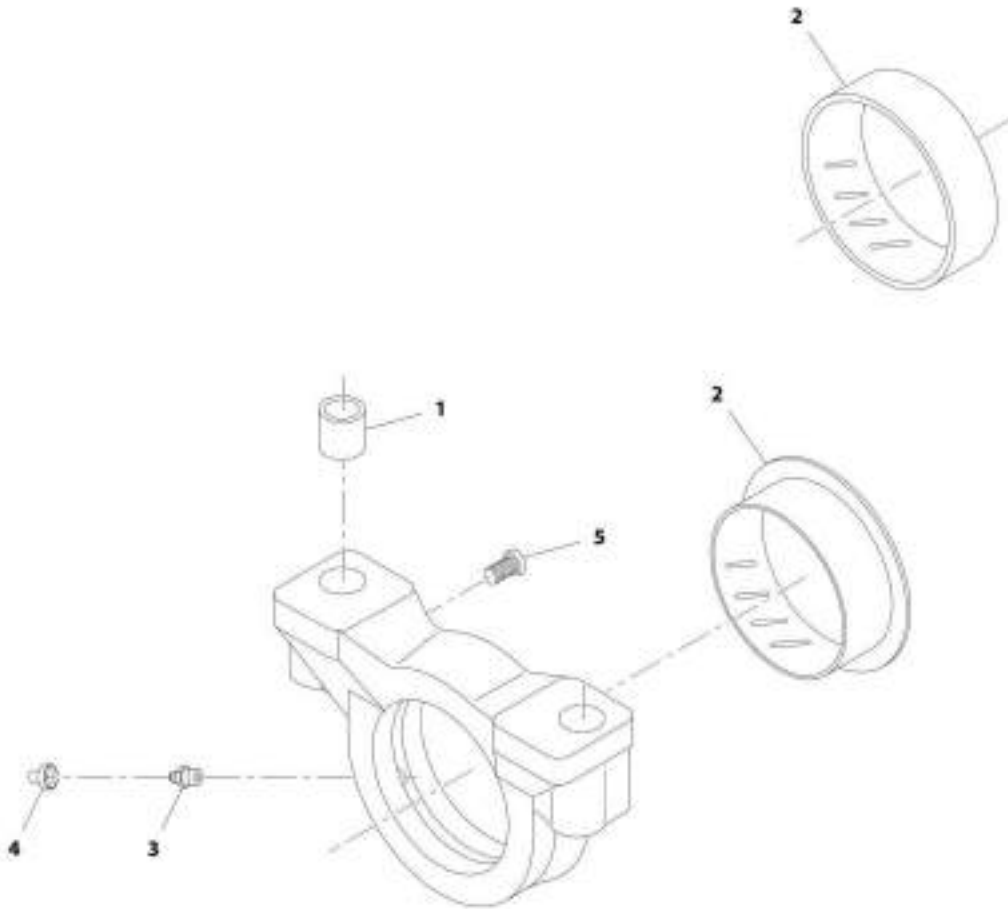
SECTION 5 - DRIVETRAIN

FIGURE 5-69. PISTON (SN 1160007543 to Present, Including 1160007516 and 1160007537)

ITEM	PART NUMBER	QTY	DESCRIPTION	REV
	70025841	Ref	Piston	
1	91514165	6	Spring	
2	70025821	2	O-Ring	
3	70025822	2	O-Ring	

SECTION 5 - DRIVETRAIN

FIGURE 5-70. TRUNION KIT (SN 1160007543 to Present, Including 1160007516 and 1160007537)



ART_1001102622_15-A

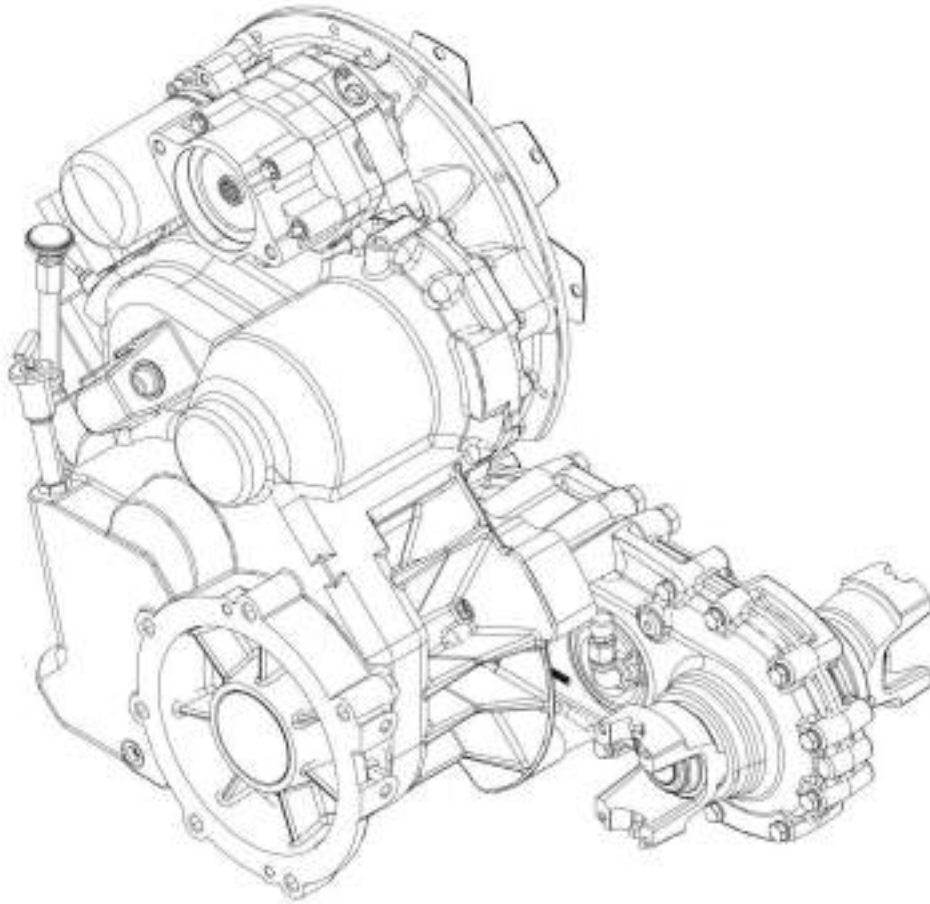
SECTION 5 - DRIVETRAIN

FIGURE 5-70. TRUNION KIT (SN 1160007543 to Present, Including 1160007516 and 1160007537)

ITEM	PART NUMBER	QTY	DESCRIPTION	REV
	70026630	Ref	Trunion Kit	
1	91474516	4	Reduction Bushing	
2	91474515	2	Thrust Bushing	
3	91514099	2	Grease Fitting	
4	80204117	2	Plug	
5	70025884	2	Bolt	

SECTION 5 - DRIVETRAIN

FIGURE 5-71. POWERSHIFT TRANSMISSION



ART_1001141036-0

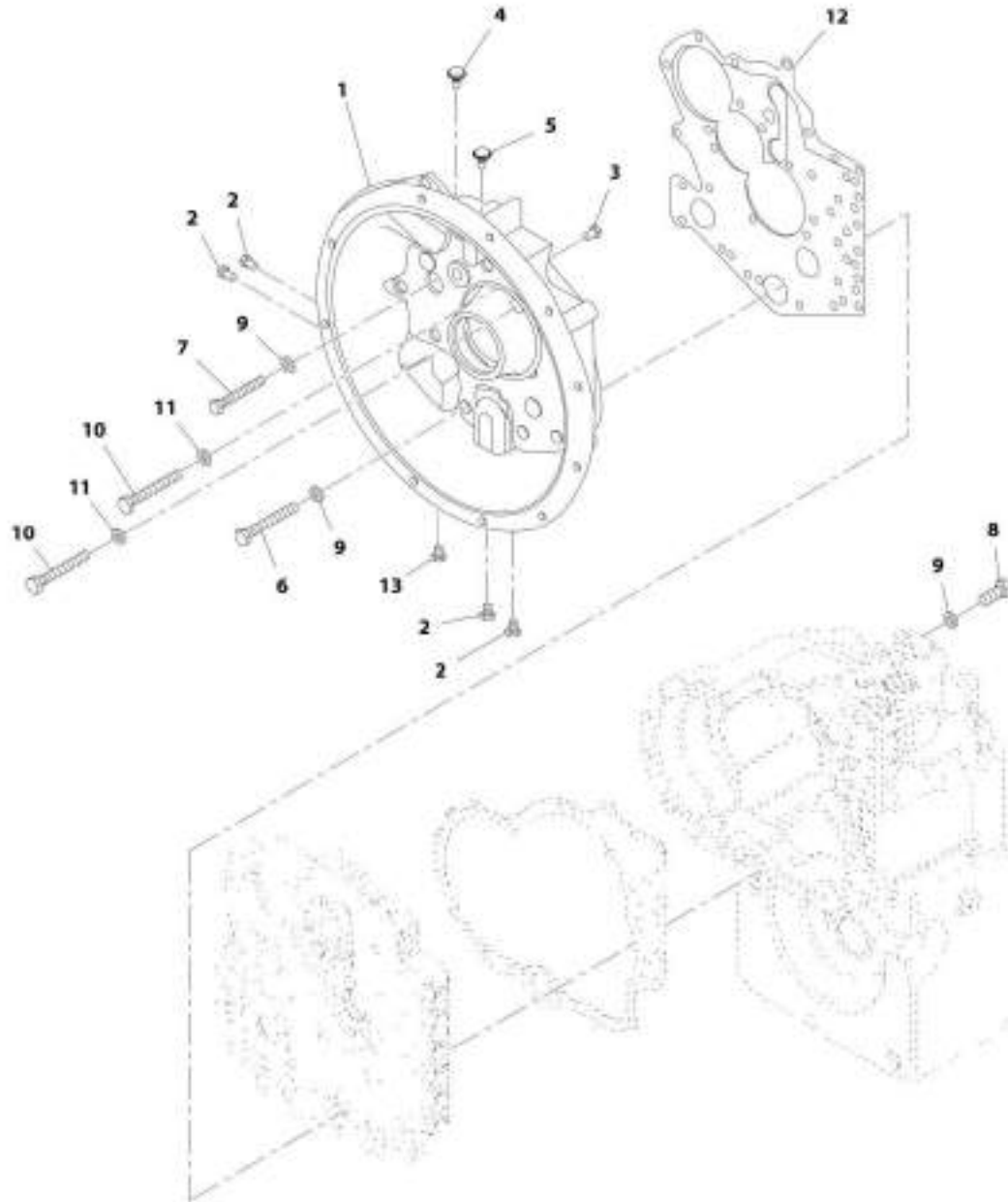
SECTION 5 - DRIVETRAIN

FIGURE 5-71. POWERSHIFT TRANSMISSION

ITEM	PART NUMBER	QTY	DESCRIPTION	REV
	1001141036	Ref	Transmission, Powershift	B
		Ref	Converter Housing (See POWERSHIFT TRANSMISSION, CONVERTER HOUSING for Breakdown)	
		Ref	Transmission Plate (See POWERSHIFT TRANSMISSION, TRANSMISSION PLATE for Breakdown)	
		Ref	Torque Converter (See POWERSHIFT TRANSMISSION, TORQUE CONVERTER for Breakdown)	
		Ref	Gear Group (See POWERSHIFT TRANSMISSION, GEAR GROUP for Breakdown)	
		Ref	Pump Drive (See POWERSHIFT TRANSMISSION, PUMP DRIVE for Breakdown)	
		Ref	Charge Pump (See POWERSHIFT TRANSMISSION, CHARGE PUMP for Breakdown)	
		Ref	Reverse Idler (See POWERSHIFT TRANSMISSION, REVERSE IDLER for Breakdown)	
		Ref	Forward and Reverse Shaft (See POWERSHIFT TRANSMISSION, FORWARD AND REVERSE SHAFT for Breakdown)	
		Ref	3rd Shaft (See POWERSHIFT TRANSMISSION, 3RD SHAFT for Breakdown)	
		Ref	1st & 2nd Shaft (See POWERSHIFT TRANSMISSION, 1ST & 2ND SHAFT for Breakdown)	
		Ref	Output Shaft (See POWERSHIFT TRANSMISSION, OUTPUT SHAFT for Breakdown)	
		Ref	Drop Box (See Powershift Transmission, Drop Box for Breakdown)	
		Ref	Control (See POWERSHIFT TRANSMISSION, CONTROL for Breakdown)	
		Ref	Modulation Valve (See POWERSHIFT TRANSMISSION, MODULATION VALVE for Breakdown)	
		Ref	Drive Plate (See POWERSHIFT TRANSMISSION, DRIVE PLATE for Breakdown)	

SECTION 5 - DRIVETRAIN

FIGURE 5-72. POWERSHIFT TRANSMISSION, CONVERTER HOUSING



AMT_1001341036_1-B

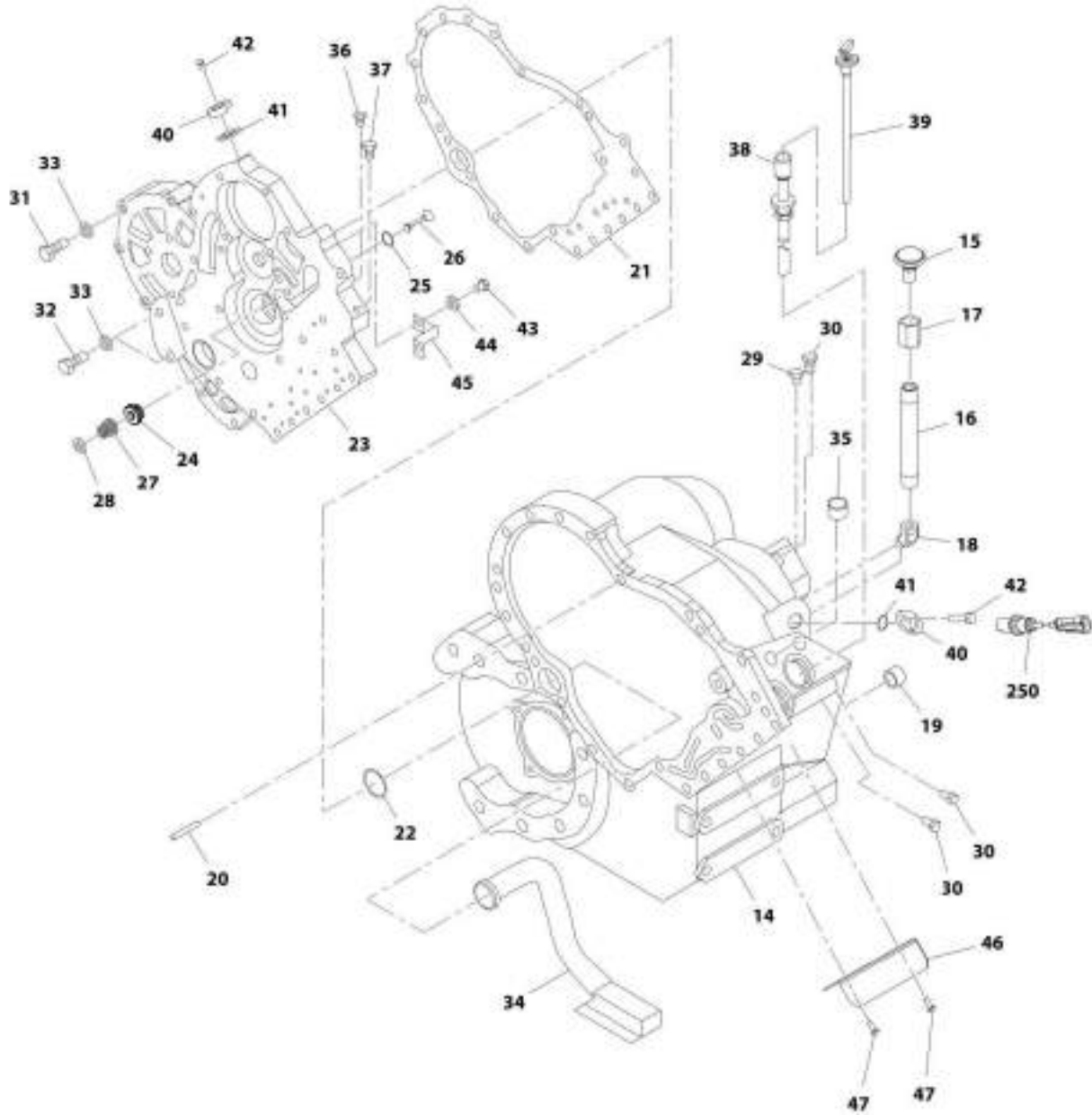
SECTION 5 - DRIVETRAIN

FIGURE 5-72. POWERSHIFT TRANSMISSION, CONVERTER HOUSING

ITEM	PART NUMBER	QTY	DESCRIPTION	REV
1	91474186	1	Housing, Converter	
2	8032526	4	Plug	
3	91474189	1	Plug	
4	8032526	1	Plug	
5	91474192	1	Plug, Check Valve Bore	
6	91474193	6	Screw	
7	91474194	3	Screw	
8	91474195	1	Screw	
9	91474265	10	Lockwasher	
10	91474194	13	Screw	
11	91474265	13	Lockwasher	
12	91474191	1	Gasket	
13	70025574	1	Switch, Temperature	

SECTION 5 - DRIVETRAIN

FIGURE 5-73. POWERSHIFT TRANSMISSION, TRANSMISSION PLATE



ART_100141004_2-B

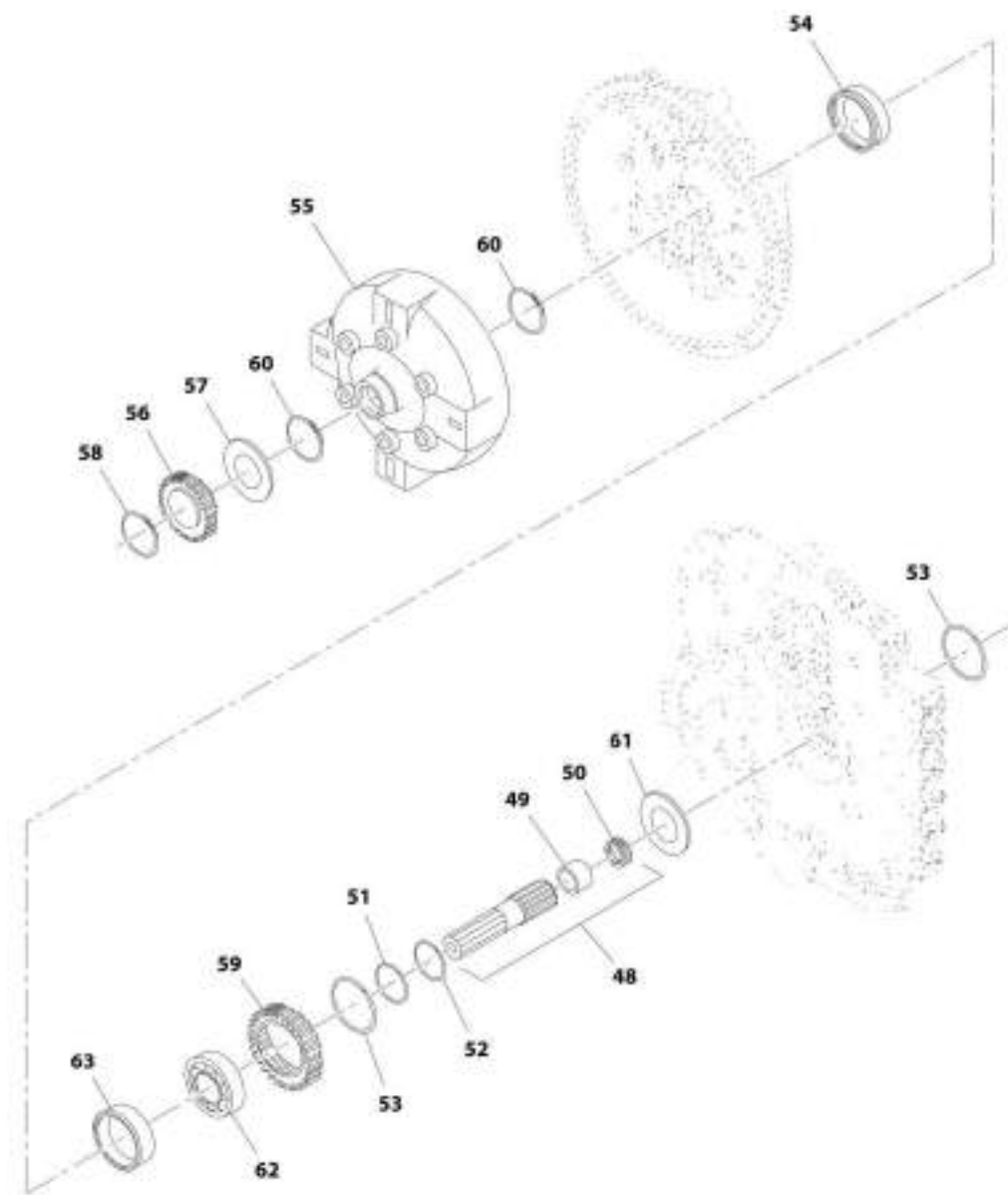
SECTION 5 - DRIVETRAIN

FIGURE 5-73. POWERSHIFT TRANSMISSION, TRANSMISSION PLATE

ITEM	PART NUMBER	QTY	DESCRIPTION	REV
14	70020402	1	Case, Transmission	
15	8032509	1	Breather	
16	7028058	1	Nipple, Pipe	
17	91474198	1	Coupling, Pipe	
18	91474199	1	Fitting, Elbow	
19	77104119	2	Plug, Magnetic Drain	
20	91474200	2	Pin	
21	10868213	1	Gasket	
22	10837074	1	Ring, Oil Supply Tube Seal	
23	7029822	1	Plate, Spacer	
24	8034963	1	Seal, Safety Valve	
25	91474205	1	Ring, Snap	
26	91474206	1	Poppet, Converter Safety Valve	
27	8034962	1	Spring, Converter Safety Valve	
28	8034961	1	Washer, Poppet Retaining	
29	91474189	1	Plug	
30	8032526	3	Plug	
31	91474208	7	Screw	
32	91474209	2	Screw	
33	91474265	9	Lockwasher	
34	91474210	1	Tube, Suction	
35	91474211	1	Filler Plug	
36	91474189	1	Plug	
37	91474192	1	Plug	
38	90204823	1	Tube, Dipstick	
39	70020403	1	Dipstick, Cold Level	
40	91474213	2	Plug	
41	91474214	2	O-Ring	
42	80344940	2	Screw	
43	91474617	2	Capscrew	
44	91474618	2	Washer	
45	70025575	1	Baffle, Safety Valve	
46	70020405	1	Plate, Solenoid Protection	
47	70020406	2	Bolt, M6	
250	70025573	1	Speed Sensor	

SECTION 5 - DRIVETRAIN

FIGURE 5-74. POWERSHIFT TRANSMISSION, TORQUE CONVERTER



ART_1001141036_3-8

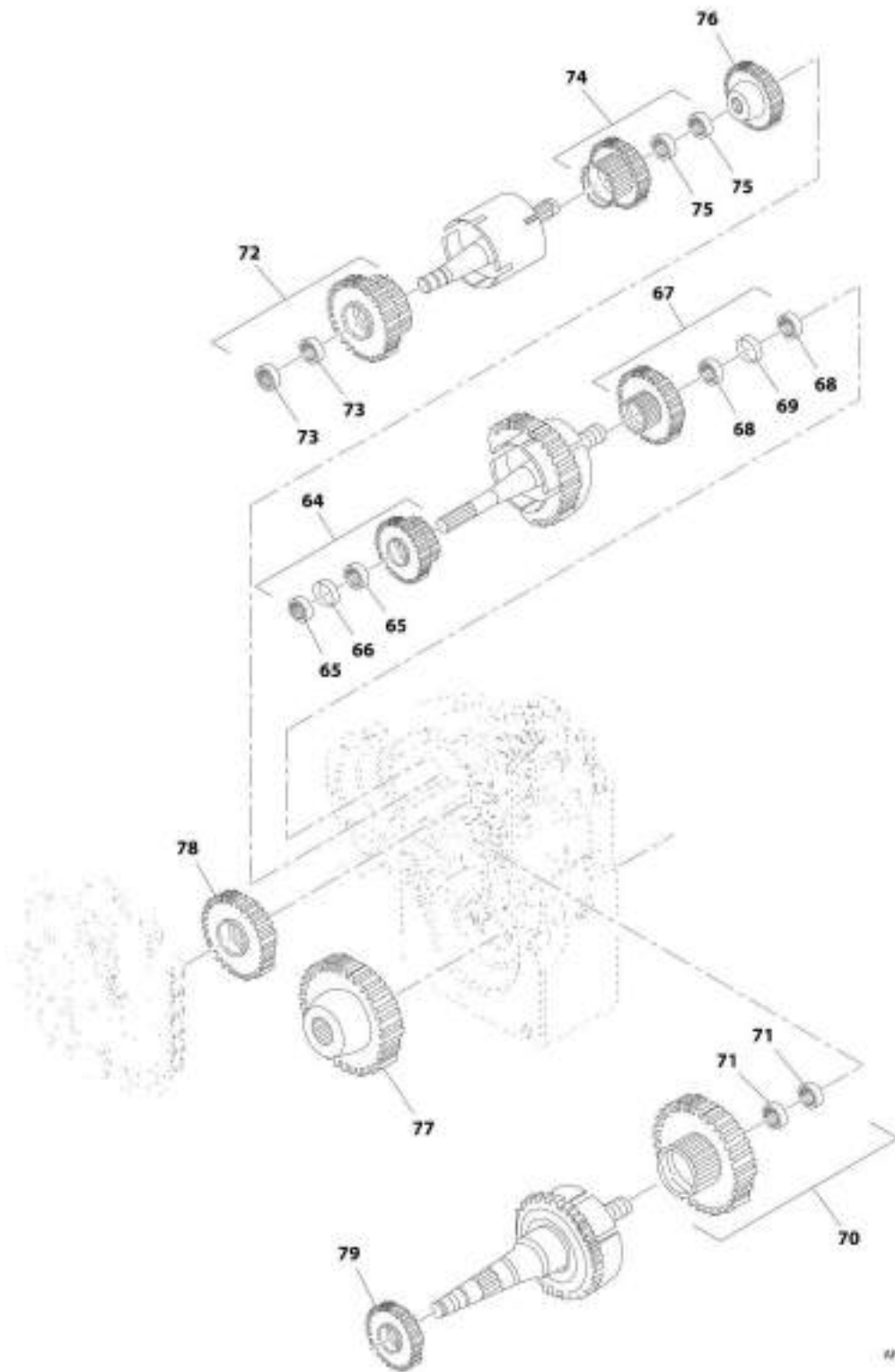
SECTION 5 - DRIVETRAIN

FIGURE 5-74. POWERSHIFT TRANSMISSION, TORQUE CONVERTER

ITEM	PART NUMBER	QTY	DESCRIPTION	REV
48	10868239	1	Support, Stator	
49	91474217	1	Bushing	
50	91474218	1	Bearing	
51	91474219	1	Ring, Stator Support Piston	
52	91474220	1	Expander, Stator Support Piston Ring	
53	91474221	2	Ring, Snap	
54	91474222	1	Seal	
55	91474385	1	Converter, Torque	
56	90204781	1	Plug	
57	77104039	1	O-Ring	
58	77104041	1	Ring, Snap	
59	91474224	1	Gear, Impeller Hub	
60	8034968	2	Ring, Snap	
61	91474226	1	Washer	
62	91474227	1	Bearing	
63	91474228	1	Ring, Oil Distributor	

SECTION 5 - DRIVETRAIN

FIGURE 5-75. POWERSHIFT TRANSMISSION, GEAR GROUP



AWT_1001341036_4-6

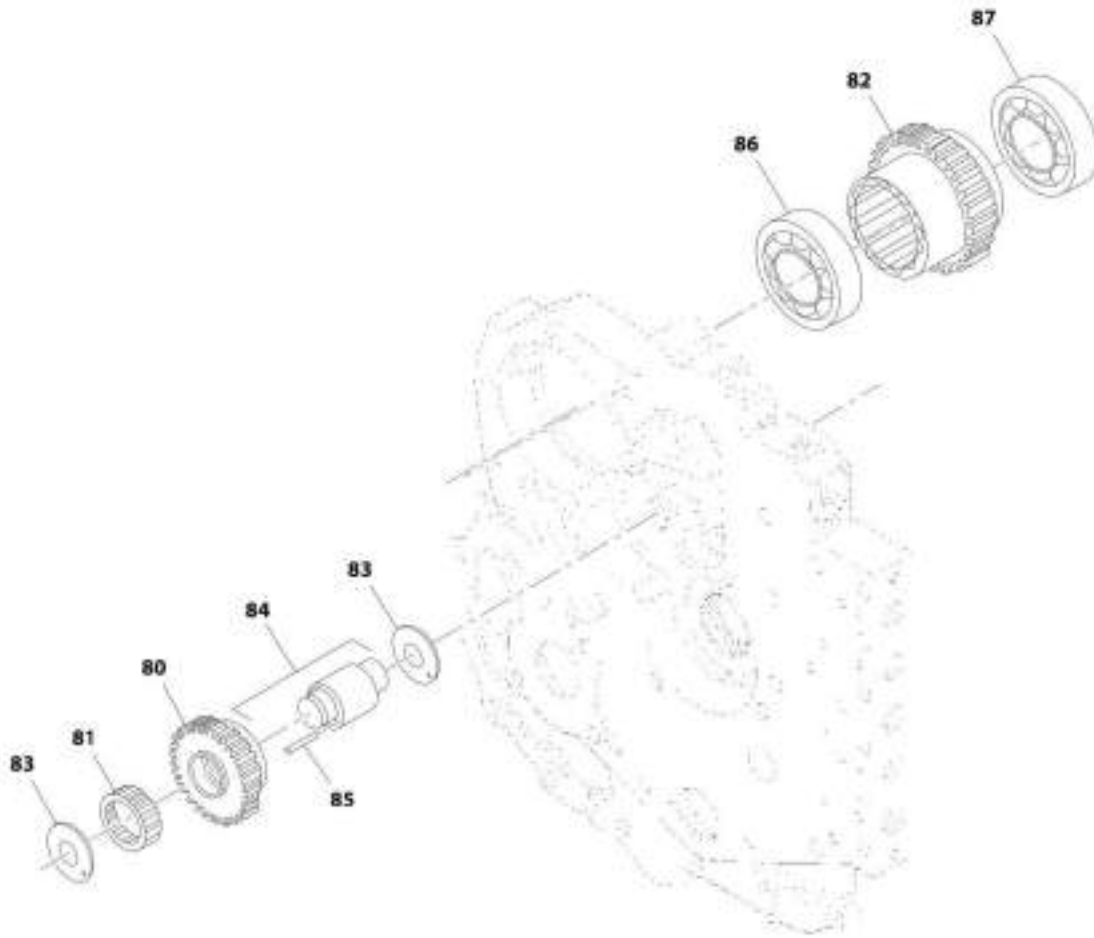
SECTION 5 - DRIVETRAIN

FIGURE 5-75. POWERSHIFT TRANSMISSION, GEAR GROUP

ITEM	PART NUMBER	QTY	DESCRIPTION	REV
64	7028060	1	Assembly, Reverse Gear and Bearing	
65	91474230	2	Needle, Bearing	
66	91474231	1	Spacer	
67	91474232	1	Assembly, Forward Gear and Bearing	
68	91474230	2	Needle, Bearing	
69	91474231	1	Spacer	
70	91474235	1	Gear and Bearing, 3rd Clutch	
71	91474236	2	Needle, Bearing	
72	91474390	1	Gear and Bearing, 1st Clutch	
73	91474230	2	Needle, Bearing	
74	91474392	1	Gear and Bearing, 2nd Clutch	
75	91474230	2	Needle, Bearing	
76	91474233	1	Gear, 3rd Driven	
77	91474234	1	Gear, Output Shaft	
78	91474395	1	Gear, Reverse Idler	
79	91474396	1	Gear, First Drive	

SECTION 5 - DRIVETRAIN

FIGURE 5-76. POWERSHIFT TRANSMISSION, PUMP DRIVE



ART_1001141036_5-B

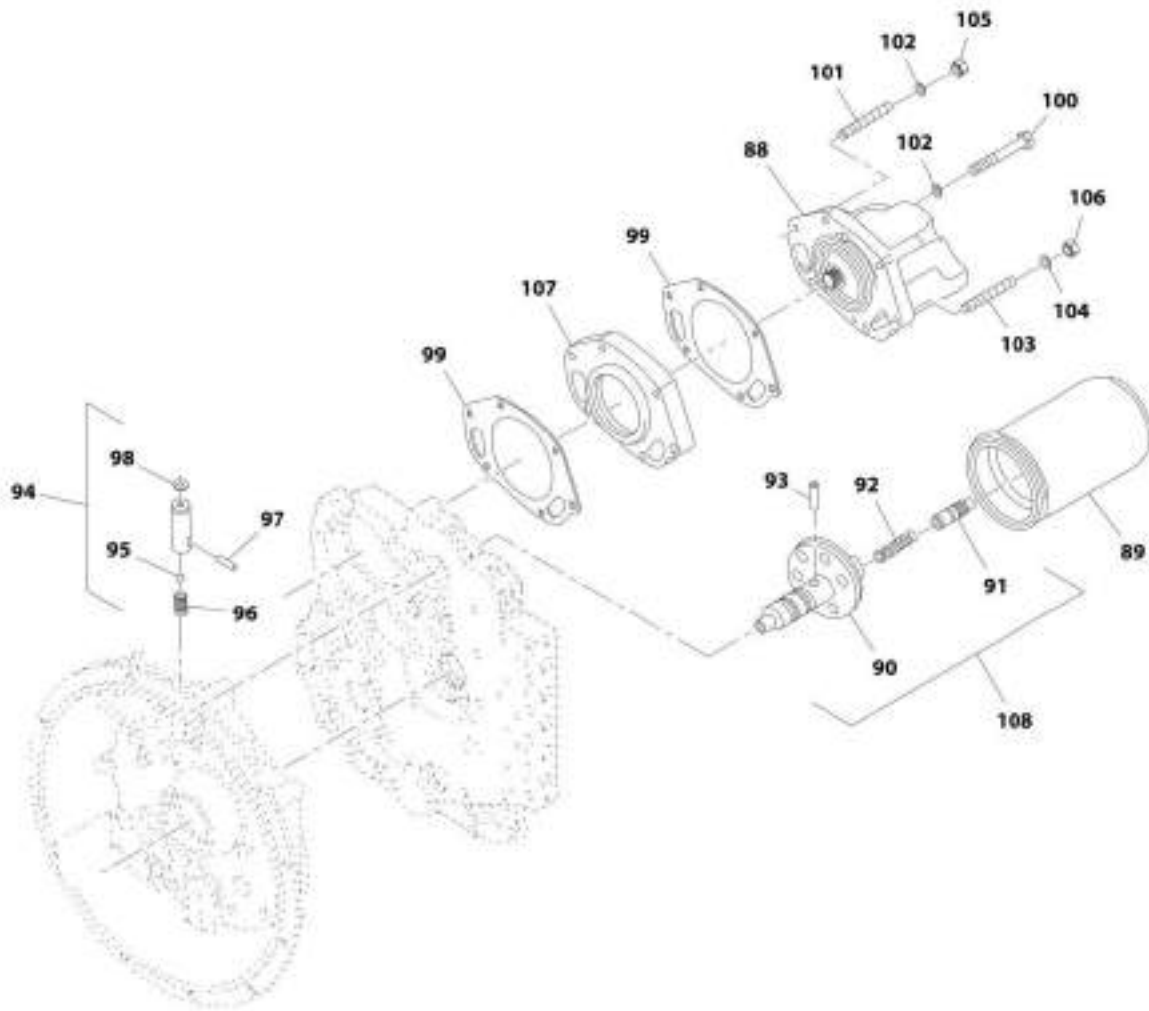
SECTION 5 - DRIVETRAIN

FIGURE 5-76. POWERSHIFT TRANSMISSION, PUMP DRIVE

ITEM	PART NUMBER	QTY	DESCRIPTION	REV
80	91474241	1	Gear, Pump Drive Idler	
81	91474242	1	Bearing, Idler Gear	
82	91474243	1	Gear, Pump Drive	
83	91474244	2	Washer	
84	91474245	1	Assembly, Pump Drive Shaft and Pin	
85	91474246	1	Pin	
86	91474247	1	Bearing	
87	91474248	1	Bearing	

SECTION 5 - DRIVETRAIN

FIGURE 5-77. POWERSHIFT TRANSMISSION, CHARGE PUMP



ART_1001141006_5-8

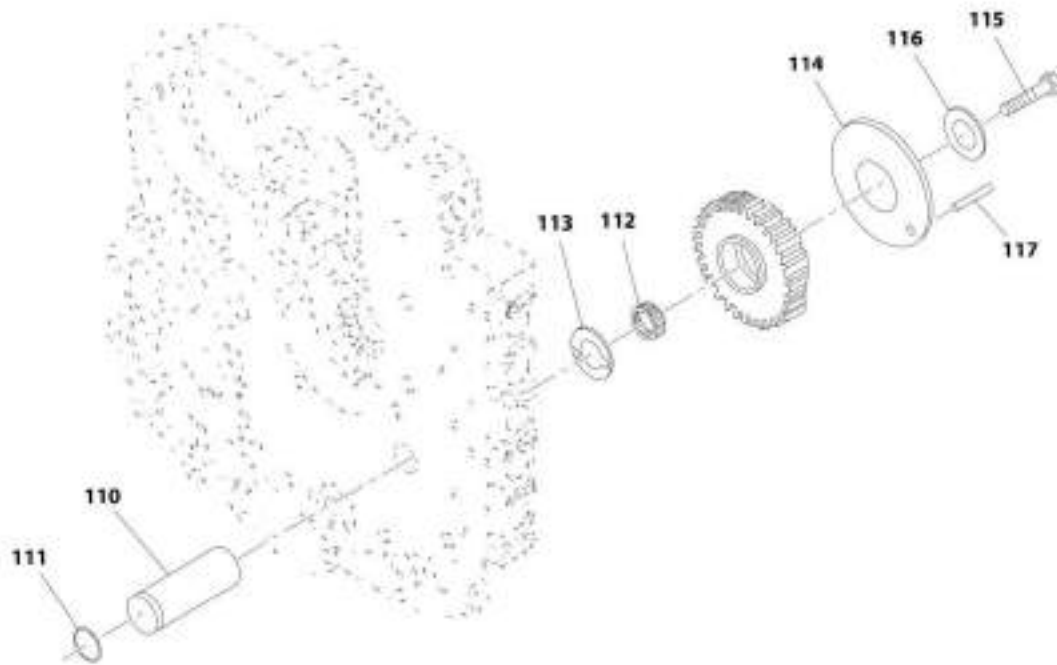
SECTION 5 - DRIVETRAIN

FIGURE 5-77. POWERSHIFT TRANSMISSION, CHARGE PUMP

ITEM	PART NUMBER	QTY	DESCRIPTION	REV
88	70020407	1	Pump, Charge	
89	8008101	1	Filter, Hydraulic Spin	
90	91474251	1	Sleeve, Regulator Valve	
91	91474252	1	Piston, Regulator Valve	
92	91474253	1	Spring, Regulator Valve	
93	91474254	1	Pin	
94	91474255	1	Assembly, Ball Check Valve	
95	91474256	1	Ball	
96	91474257	1	Spring, Check Valve	
97	91474258	1	Pin, Check Valve	
98	91474259	1	O-Ring	
99	10868254	2	Gasket	
100	7028063	4	Screw, Pump Mounting	
101	91474262	1	Stud, Pump Mounting	
102	91474263	5	Lockwasher, Pump Mounting	
103	91474264	1	Stud, Pump Mounting	
104	91474265	1	Lockwasher	
105	91474266	1	Nut	
106	91474274	1	Nut	
107	91474268	1	Adapter, Pump to Plate	
108	91474273	1	Valve, Regulator (includes items 90 thru 93)	
109	91474271	2	Capscrew, (not shown)	

SECTION 5 - DRIVETRAIN

FIGURE 5-78. POWERSHIFT TRANSMISSION, REVERSE IDLER



ART_100141016_7-B

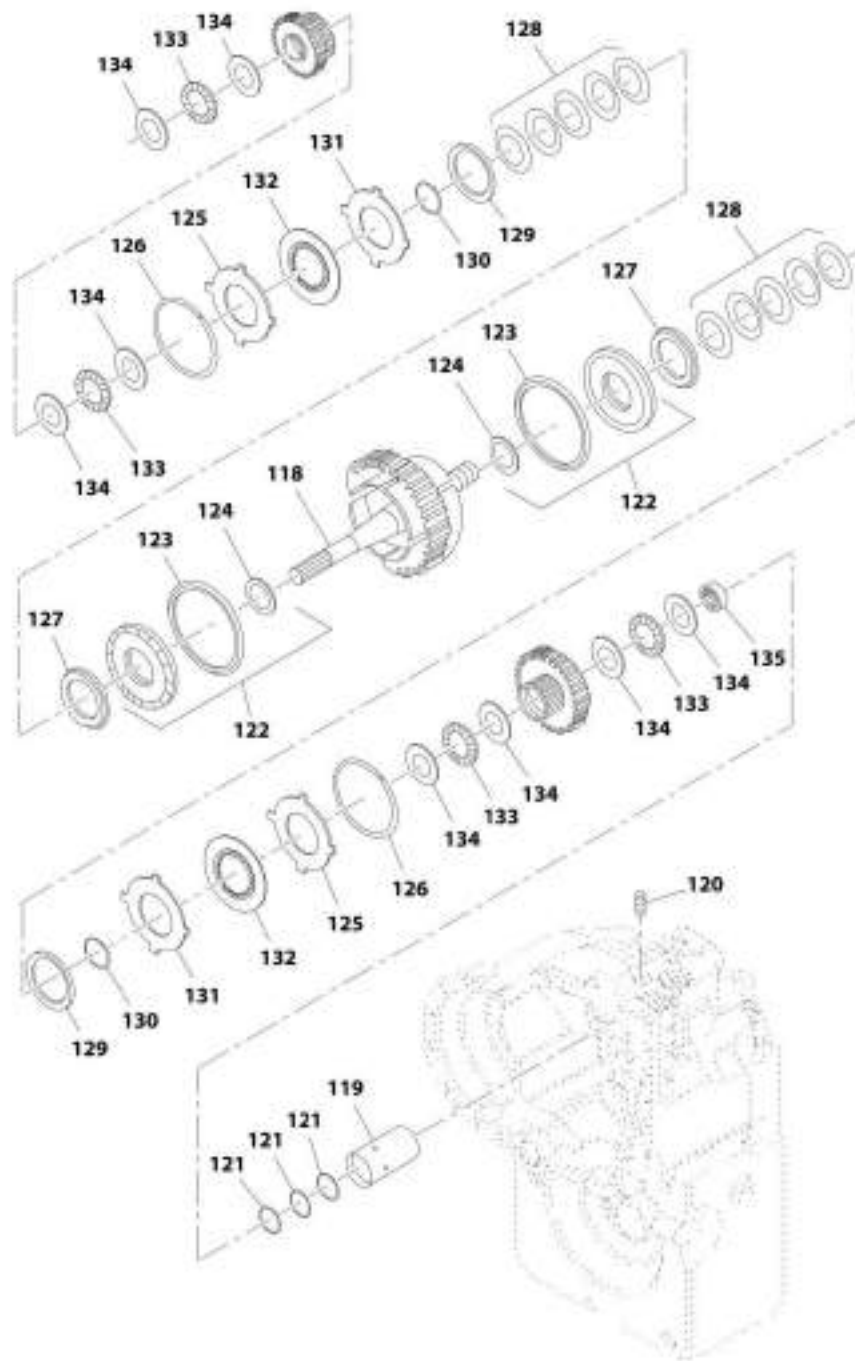
SECTION 5 - DRIVETRAIN

FIGURE 5-78. POWERSHIFT TRANSMISSION, REVERSE IDLER

ITEM	PART NUMBER	QTY	DESCRIPTION	REV
110	91474275	1	Shaft, Idler and Pilot	
111	91474276	1	Ring, Snap	
112	91474277	1	Bearing, Reverse Idler Gear	
113	91474278	1	Washer, Thrust	
114	91474279	1	Plate, End	
115	91474280	1	Capscrew	
116	91474281	1	Washer	
117	91474282	1	Pin, Roll	

SECTION 5 - DRIVETRAIN

FIGURE 5-79. POWERSHIFT TRANSMISSION, FORWARD AND REVERSE SHAFT



ART_1001141036_B-B

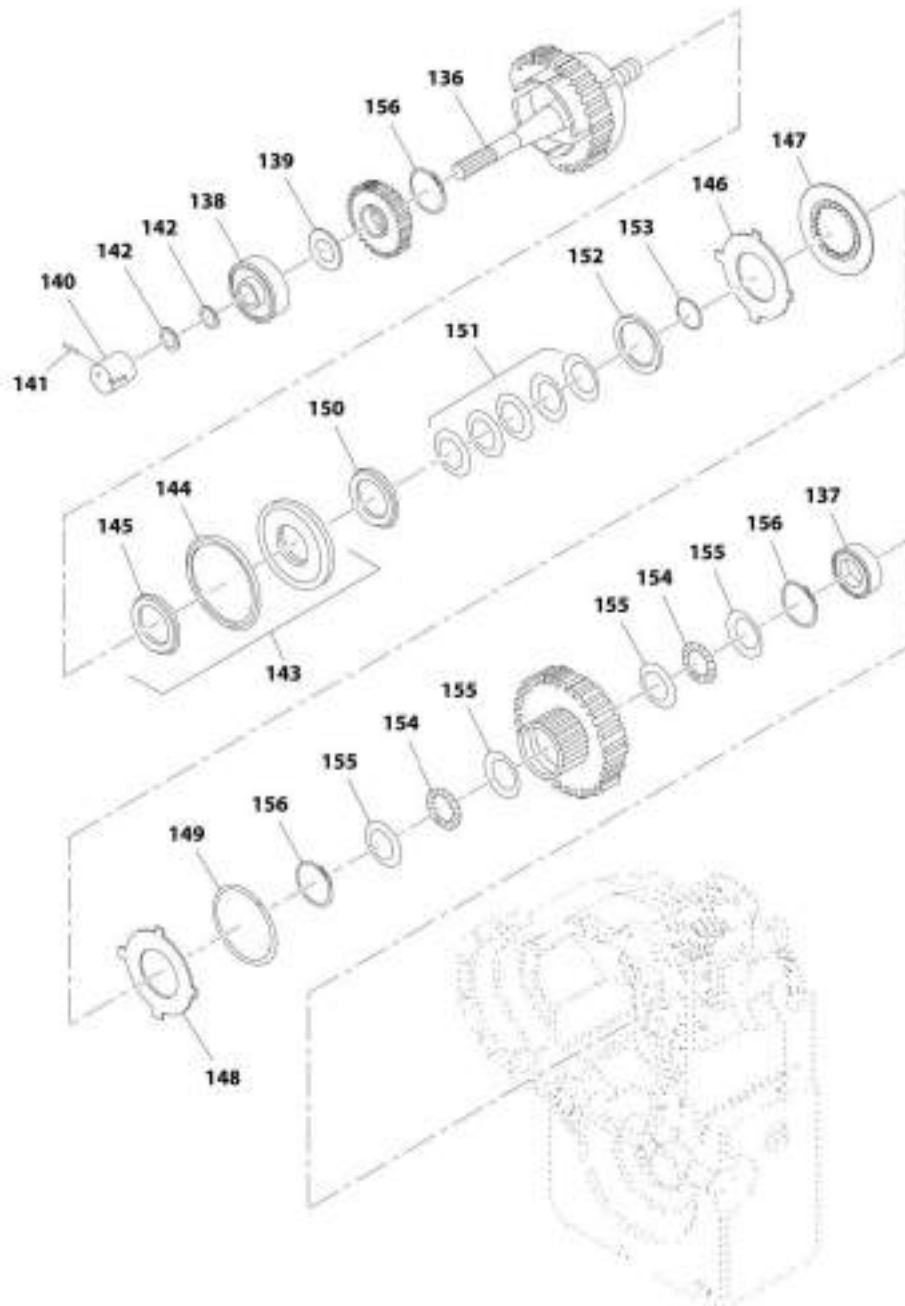
SECTION 5 - DRIVETRAIN

FIGURE 5-79. POWERSHIFT TRANSMISSION, FORWARD AND REVERSE SHAFT

ITEM	PART NUMBER	QTY	DESCRIPTION	REV
118	91474283	1	Assembly, Turbine Shaft, Drum and Plug	
119	91474284	1	Sleeve, Oil Distributor	
120	8035035	1	Screw	
121	10837060	3	Ring	
122	91474287	2	Assembly, Piston and Seal	
123	91474288	2	Seal, Clutch Piston (outer)	
124	91474289	2	Seal, Clutch Piston (inner)	
125	91474290	2	Plate, End	
126	91474309	2	Ring, Snap	
127	1086827	2	Clutch Piston Wear Plate	
128	91474310	2	Disc Spring Assembly (includes 5 washers)	
129	91474294	2	Snap Ring	
130	91474295	2	Snap Ring	
131	91474296	12	Disc, Outer (6 forward, 6 reverse)	
132	91474297	12	Disc, Inner (6 forward, 6 reverse)	
133	91474298	4	Clutch Gear Thrust Bearing	
134	91474299	8	Clutch Gear Thrust Washer	
135	91474300	1	Turbine Shaft Rear Bearing	

SECTION 5 - DRIVETRAIN

FIGURE 5-80. POWERSHIFT TRANSMISSION, 3RD SHAFT



ART_1301141036_5-8

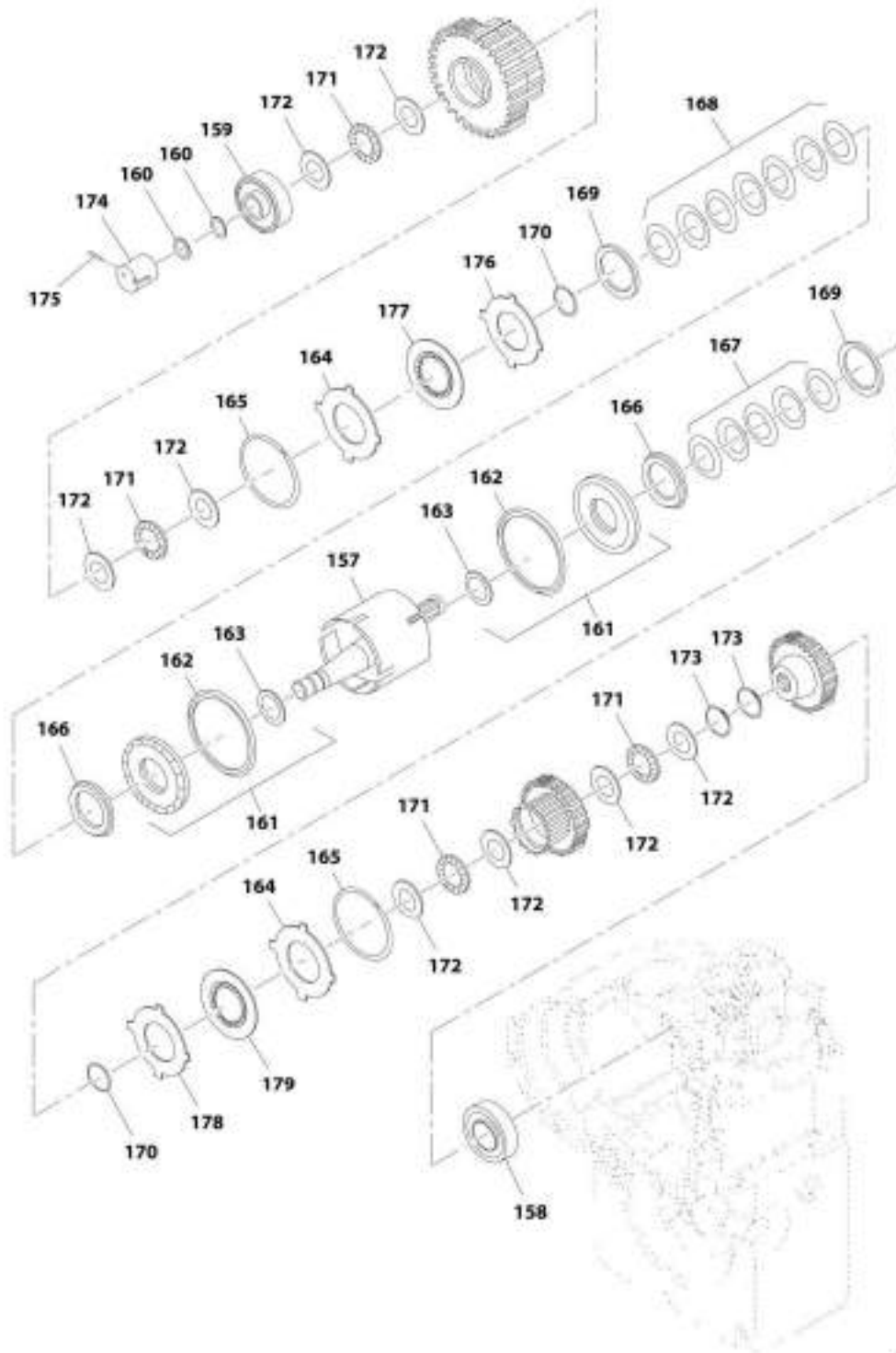
SECTION 5 - DRIVETRAIN

FIGURE 5-80. POWERSHIFT TRANSMISSION, 3RD SHAFT

ITEM	PART NUMBER	QTY	DESCRIPTION	REV
136	91474301	1	Assembly, 3RD Shaft	
137	91474302	1	Bearing, Roller	
138	91474303	1	Assembly, Bearing and Seal	
139	91474304	1	Washer, Bearing Support	
140	91474305	1	Sleeve, Oil Distributor	
141	91474306	1	Screw, Sleeve Retaining	
142	10837060	2	Ring, Piston	
143	91474307	1	Assembly, Piston and Seals	
144	91474288	1	Seal, Clutch Piston (outer)	
145	91474289	1	Seal, Clutch Piston (inner)	
146	91474296	5	Disc, Outer	
147	91474297	5	Disc, Inner	
148	91474290	1	Plate, End	
149	91474309	1	Ring, Snap	
150	10868277	1	Plate, Clutch Piston Wear	
151	91474310	1	Assembly, Disc Spring (includes 5 washers)	
152	91474294	1	Ring, Snap	
153	91474295	1	Ring, Snap	
154	91474311	2	Bearing, Thrust Needle Roller	
155	91474312	4	Washer, Thrust Gear Clutch	
156	91474313	3	Ring, Snap	

SECTION 5 - DRIVETRAIN

FIGURE 5-81. POWERSHIFT TRANSMISSION, 1ST & 2ND SHAFT



ART_10011R1006_10-B

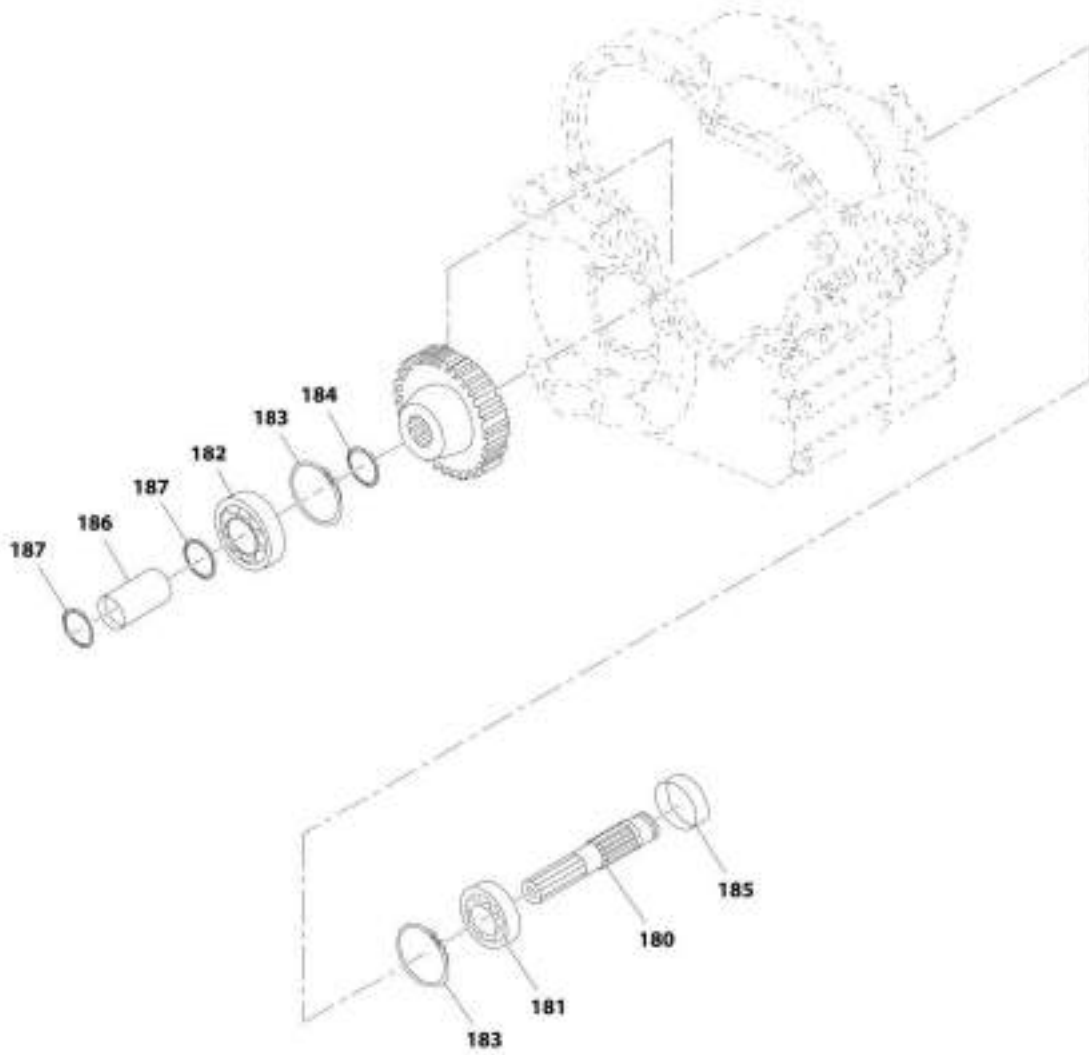
SECTION 5 - DRIVETRAIN

FIGURE 5-81. POWERSHIFT TRANSMISSION, 1ST & 2ND SHAFT

ITEM	PART NUMBER	QTY	DESCRIPTION	REV
157	91474314	1	Assembly, 1st & 2nd Shaft	
158	91474315	1	Bearing, Roller	
159	91474303	1	Assembly, Bearing and Seal	
160	10837060	2	Ring, Piston	
161	91474316	2	Assembly, Piston and Seal	
162	91474288	2	Seal, Clutch Piston (outer)	
163	91474289	2	Seal, Clutch Piston (inner)	
164	91474290	2	Plate, End	
165	91474309	2	Ring, Snap	
166	10868277	2	Plate, Clutch Piston Wear	
167	91474310	1	Assembly, Disc Spring 2nd (includes 5 washers)	
168	91474317	1	Assembly, Disc Spring 1st (includes 7 washers)	
169	91474294	2	Ring, Snap	
170	91474295	2	Ring, Snap	
171	91474298	4	Bearing, Clutch Gear Thrust	
172	91474299	8	Washer Clutch Gear Thrust	
173	91474318	2	Ring, 2nd Clutch Gear Hub Snap	
174	91474319	1	Sleeve, Oil Distributor	
175	91474306	1	Screw, Sleeve Retaining	
176	91474296	10	Disc, Outer (1st)	
177	91474297	10	Disc, Inner (1st)	
178	91474296	5	Disc, Outer (2nd)	
179	91474297	5	Disc, Inner (2nd)	

SECTION 5 - DRIVETRAIN

FIGURE 5-82. POWERSHIFT TRANSMISSION, OUTPUT SHAFT



ART_1001341006_11-8

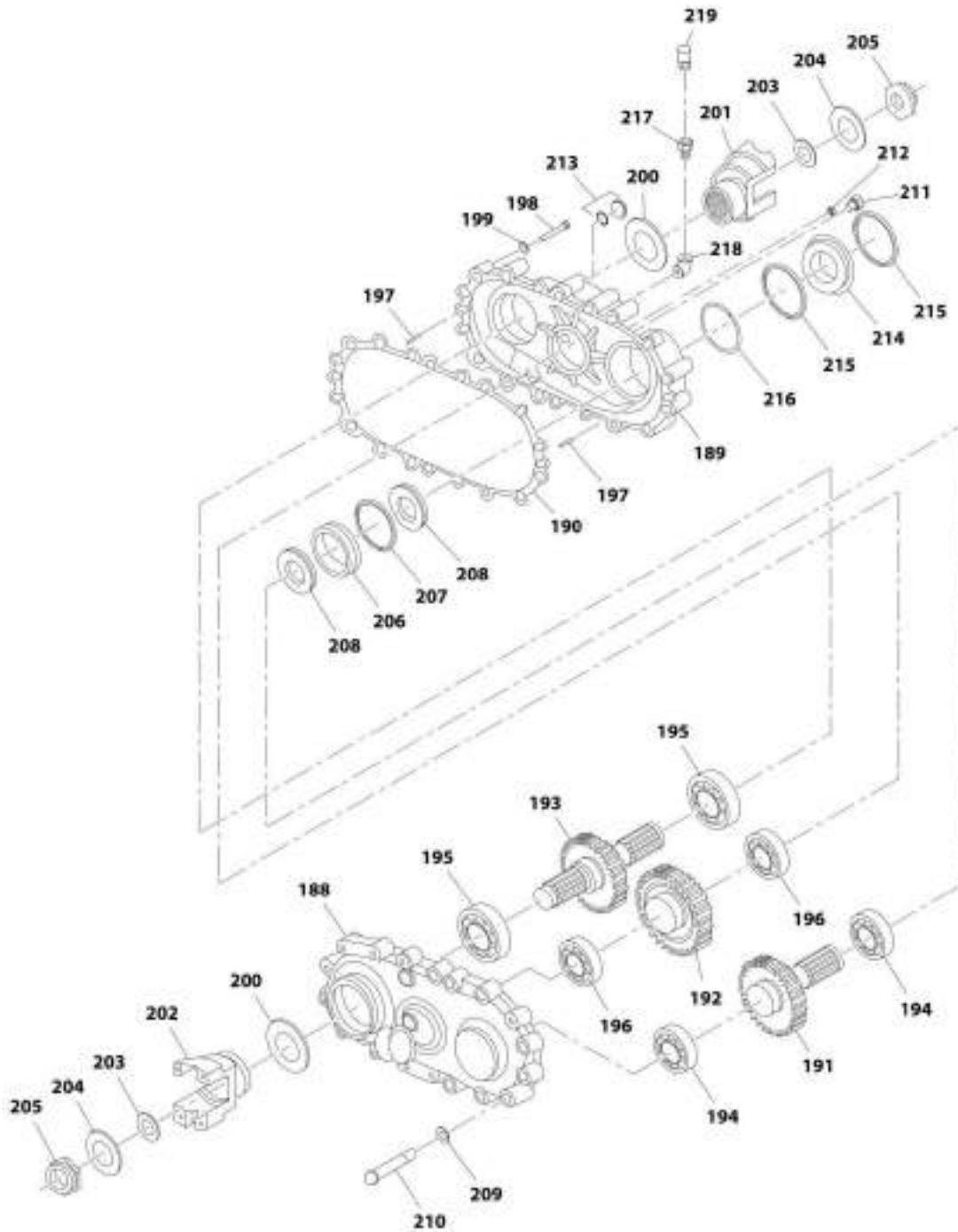
SECTION 5 - DRIVETRAIN

FIGURE 5-82. POWERSHIFT TRANSMISSION, OUTPUT SHAFT

ITEM	PART NUMBER	QTY	DESCRIPTION	REV
180	91474320	1	Shaft, Output	
181	77104140	1	Bearing, Ball	
182	77104081	1	Bearing	
183	91474321	2	Ring, Snap	
184	91474322	1	Ring, Snap	
185	91474323	1	Plug, End	
186	91474324	1	Coupling, Drive	
187	91474313	2	Ring, Snap	

SECTION 5 - DRIVETRAIN

FIGURE 5-83. POWERSHIFT TRANSMISSION, DROP BOX



ART_1001141030_13-0

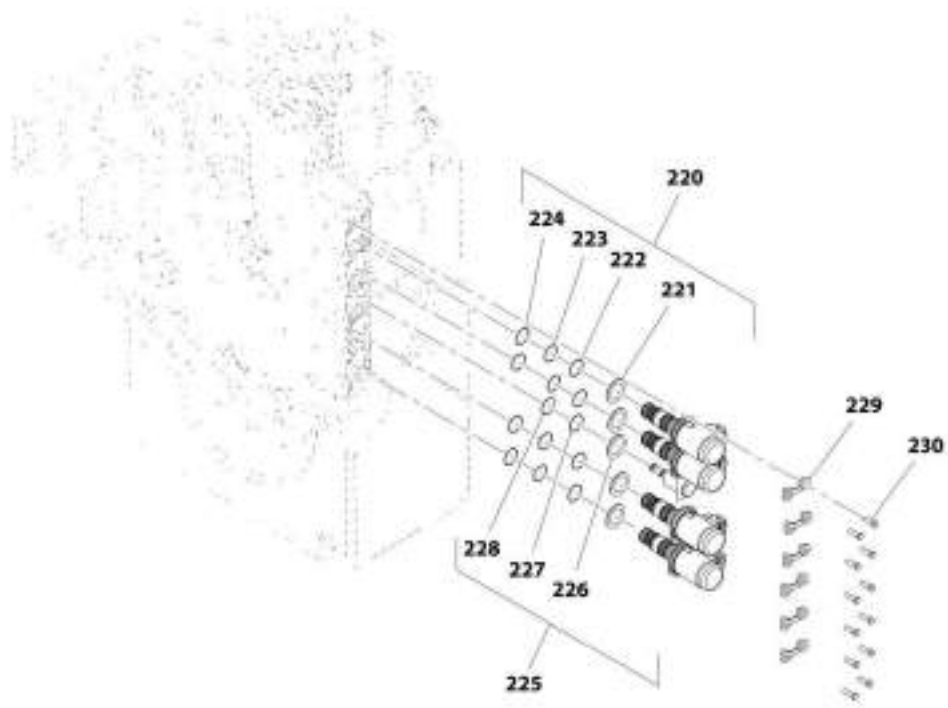
SECTION 5 - DRIVETRAIN

FIGURE 5-83. POWERSHIFT TRANSMISSION, DROP BOX

ITEM	PART NUMBER	QTY	DESCRIPTION	REV
188	91474358	1	Cover, Front Dropbox	
189	91474359	1	Cover, Rear Dropbox	
190	91474360	1	Gasket, Drop Box	
191	91474361	1	Shaft, Input Dropbox	
192	91474362	1	Gear, Idler	
193	91474363	1	Shaft, Input Dropbox	
194	91474364	2	Bearing	
195	91474365	2	Bearing, Rear	
196	91474366	2	Bearing, Roller	
197	91474200	2	Pin	
198	91474209	10	Screw	
199	91474265	10	Lockwasher	
200	91474367	2	Seal, Oil	
201	91474368	1	Flange, Rear	
202	7028086	1	Flange, Front	
203	91474369	2	O-Ring	
204	91474370	2	Washer	
205	91474371	1	Nut, Idler Shaft	
206	91474372	1	Sleeve, Oil Seal	
207	91474373	1	O-Ring	
208	91474374	2	Oil Seal	
209	91474375	1	Lockwasher	
210	91474376	1	Screw	
211	91474377	1	Glass, Oil Level	
212	91474378	1	Plug, Magnetic	
213	91474623	1	Plug	
214	91474381	1	Sleeve, Pilot	
215	91474382	2	O-Ring	
216	91474321	1	Ring, Snap	
217	91474600	1	Adapter	
218	91474383	1	Fitting	
219	91474601	1	Breather	

SECTION 5 - DRIVETRAIN

FIGURE 5-84. POWERSHIFT TRANSMISSION, CONTROL



ART_1001141026_13-B

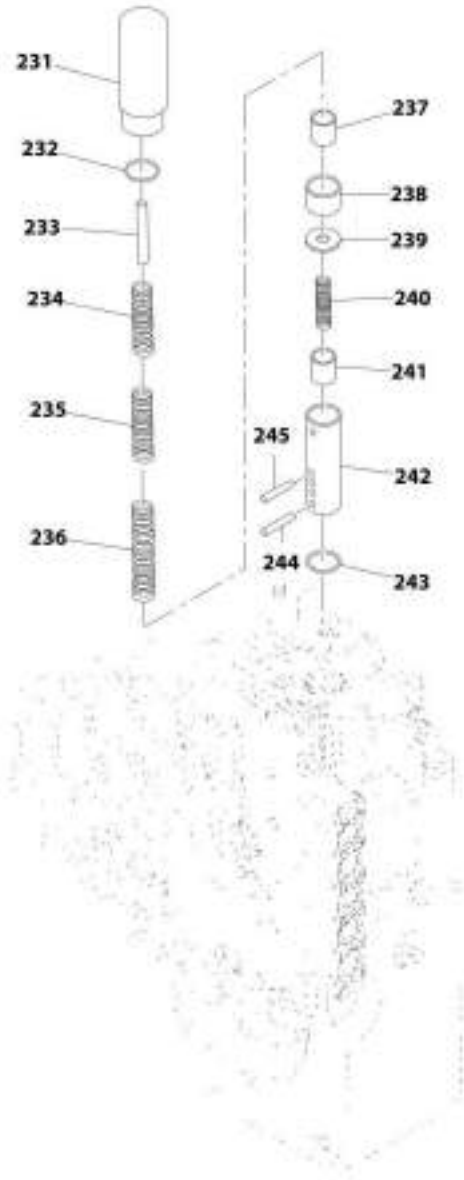
SECTION 5 - DRIVETRAIN

FIGURE 5-84. POWERSHIFT TRANSMISSION, CONTROL

ITEM	PART NUMBER	QTY	DESCRIPTION	REV
220	70025576	4	Solenoid	
221	91514288	4	O-Ring	
222	91514289	4	O-Ring	
223	91514290	4	O-Ring	
224	91514291	4	O-Ring	
225	70299459	1	Plug	
226	70020410	1	O-Ring	
227	91514289	1	O-Ring	
228	91514291	1	O-Ring	
229	91514292	6	Clamp	
230	70020411	12	Screw	

SECTION 5 - DRIVETRAIN

FIGURE 5-85. POWERSHIFT TRANSMISSION, MODULATION VALVE



ART_1001141036_14-B

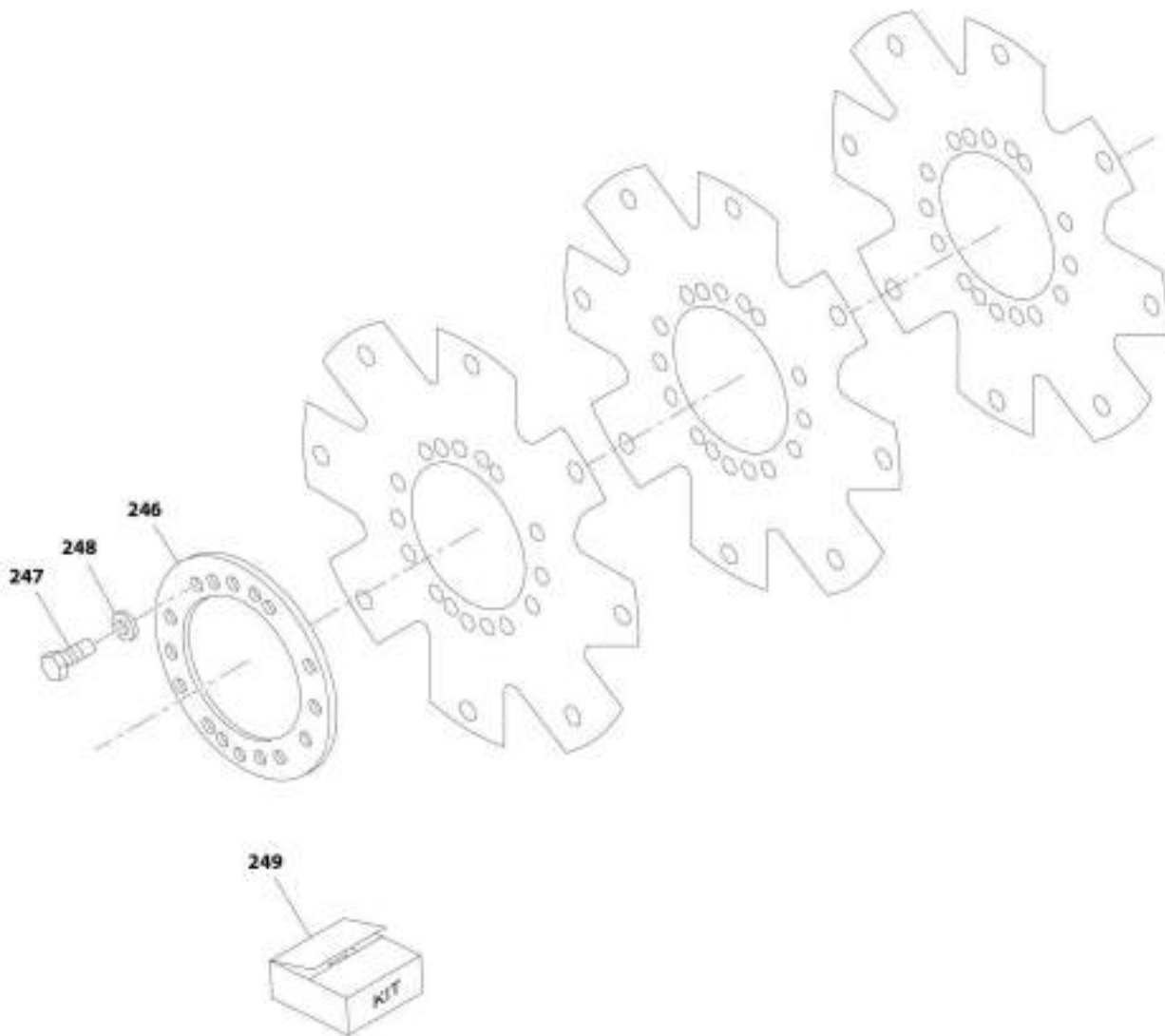
SECTION 5 - DRIVETRAIN

FIGURE 5-85. POWERSHIFT TRANSMISSION, MODULATION VALVE

ITEM	PART NUMBER	QTY	DESCRIPTION	REV
231	91474338	1	Housing, Modulation Valve	
232	91474339	1	O-Ring	
233	91474345	1	Pin	
234	91474340	1	Spring, Inner	
235	91474341	1	Spring, Middle	
236	91474342	1	Spring, Outer	
237	91474346	1	Spool, Accumulator	
238	91474349	1	Retainer, Spring	
239	91474350	1	Spacer	
240	91474348	1	Spring, Modulation Valve	
241	91474347	1	Spool, Regulator	
242	91474343	1	Sleeve, Modulator Valve	
243	91474344	1	O-Ring	
244	91474352	1	Pin, Lower	
245	91474351	1	Pin, Upper	

SECTION 5 - DRIVETRAIN

FIGURE 5-86. POWERSHIFT TRANSMISSION, DRIVE PLATE



ART_1001141036_15-B

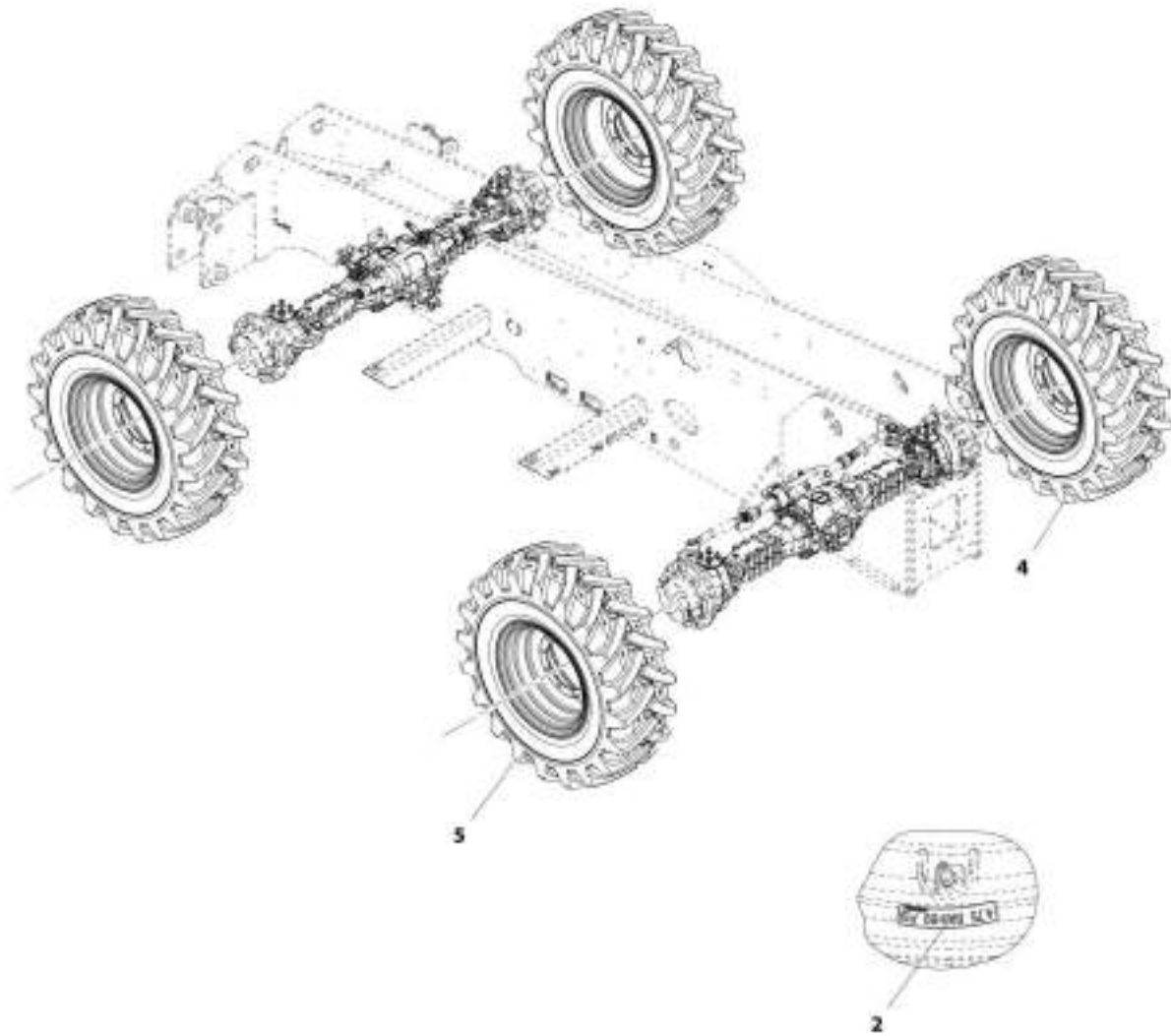
SECTION 5 - DRIVETRAIN

FIGURE 5-86. POWERSHIFT TRANSMISSION, DRIVE PLATE

ITEM	PART NUMBER	QTY	DESCRIPTION	REV
246	77104044	1	Ring, Backing	
247	91474356	6	Capscrew	
248	4761600	6	Washer, Lock	
249	70024222	1	Kit, Drive Plate (includes items 246 thru 248)	

SECTION 5 - DRIVETRAIN

FIGURE 5-87. TIRE WHEEL SET, MITAS 15.5/80-24 - 3614RS



ART_T00145606-F

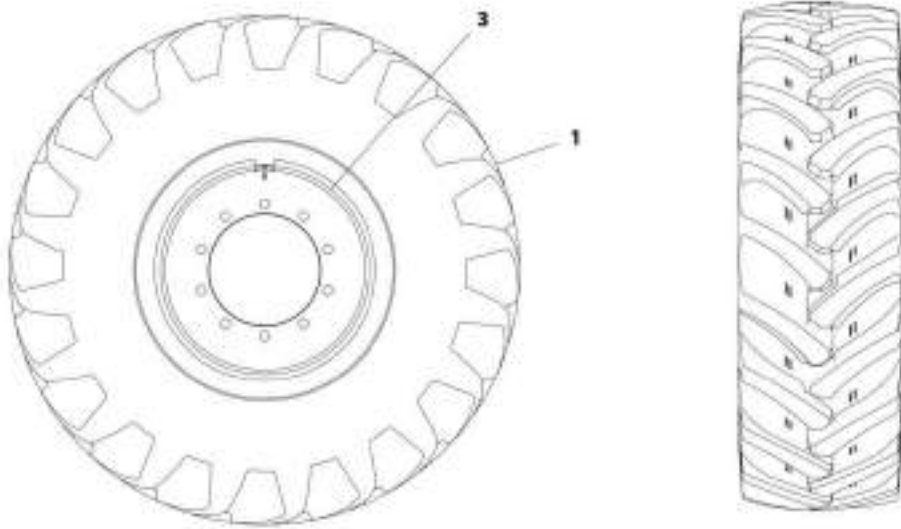
SECTION 5 - DRIVETRAIN

FIGURE 5-87. TIRE WHEEL SET, MITAS 15.5/80-24 - 3614RS

ITEM	PART NUMBER	QTY	DESCRIPTION	REV
	1001145606	Ref	Tire Wheel Set, Mitas 15.5/80-24 - 3614RS	F
2	1001154265	4	Label, 4.75 BAR	
4	1001145581	2	Wheel, RH (See RH MITAS WHEEL - 3614RS for Breakdown) (Prior to SN 1160008000)	
4	1001217139	2	Wheel, RH (See RH MITAS WHEEL - 3614RS for Breakdown) (SN 1160008000 to Present)	
5	1001145582	2	Wheel, LH (See LH MITAS WHEEL - 3614RS for Breakdown) (Prior to SN 1160008000)	
5	1001217141	2	Wheel, LH (See LH MITAS WHEEL - 3614RS for Breakdown) (SN 1160008000 to Present)	

SECTION 5 - DRIVETRAIN

FIGURE 5-88. RH MITAS WHEEL - 3614RS (Prior to SN 1160008000)



WIT_1001145381-D

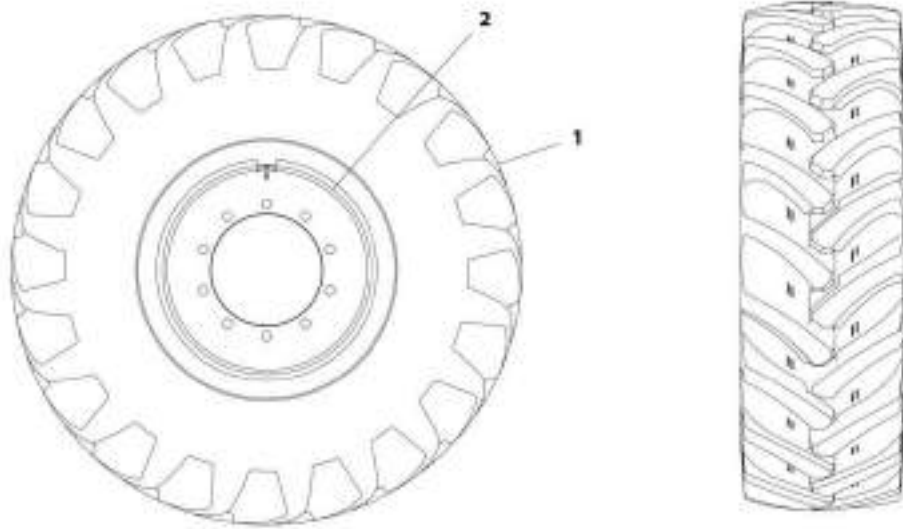
SECTION 5 - DRIVETRAIN

FIGURE 5-88. RH MITAS WHEEL - 3614RS (Prior to SN 1160008000)

ITEM	PART NUMBER	QTY	DESCRIPTION	REV
	1001145581	Ref	Wheel, RH	D
1	1001007846	1	Tire, Mitas 15.5/80-24 16 ply	
3	1001212636	1	RH Rim Assembly, (See Separate Breakdown in this Section)	

SECTION 5 - DRIVETRAIN

FIGURE 5-89. RH MITAS WHEEL - 3614RS (SN 1160008000 to Present)



WRT_1001217139-A

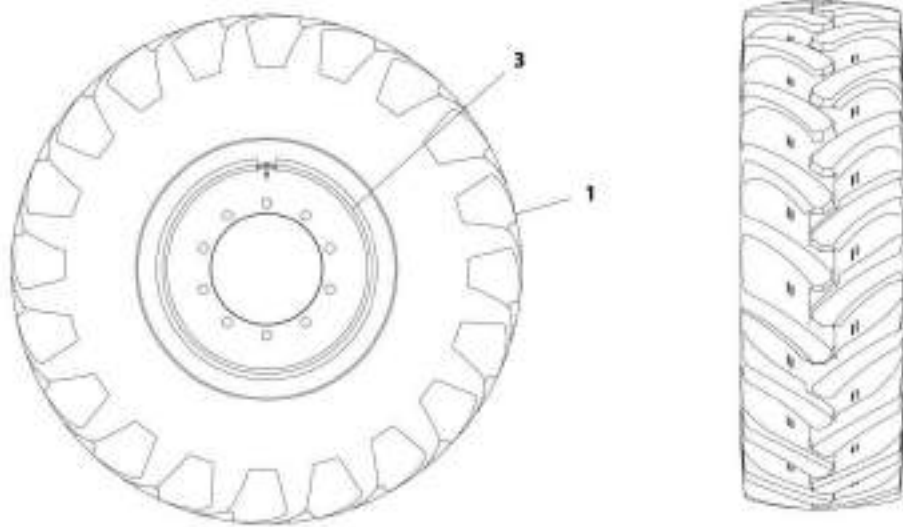
SECTION 5 - DRIVETRAIN

FIGURE 5-89. RH MITAS WHEEL - 3614RS (SN 1160008000 to Present)

ITEM	PART NUMBER	QTY	DESCRIPTION	REV
	1001217139	Ref	Wheel, RH	A
1	1001214479	1	Tire, Mitas 15.5/80-24 16 ply	
2	1001217143	1	RH Rim Assembly, (See Separate Breakdown in this Section)	

SECTION 5 - DRIVETRAIN

FIGURE 5-90. LH MITAS WHEEL - 3614RS (Prior to SN 1160008000)



ART. 100145582-D

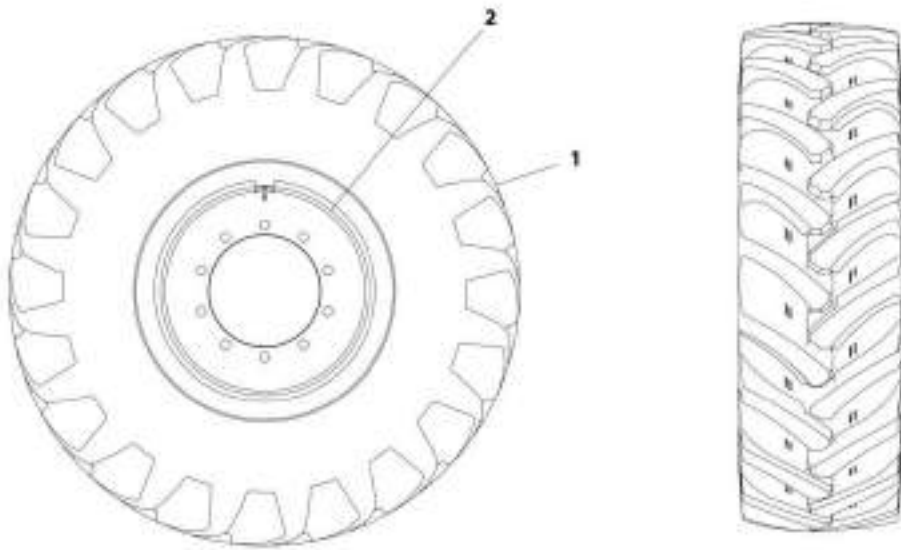
SECTION 5 - DRIVETRAIN

FIGURE 5-90. LH MITAS WHEEL - 3614RS (Prior to SN 1160008000)

ITEM	PART NUMBER	QTY	DESCRIPTION	REV
	1001145582	Ref	Wheel, LH	D
1	1001007846	1	Tire, Mitas 15.5/80-24 16 ply	
3	1001212637	1	LH Rim Assembly, (See Separate Breakdown in this Section)	

SECTION 5 - DRIVETRAIN

FIGURE 5-91. LH MITAS WHEEL - 3614RS (SN 1160008000 to Present)



MIT_1001217141-A

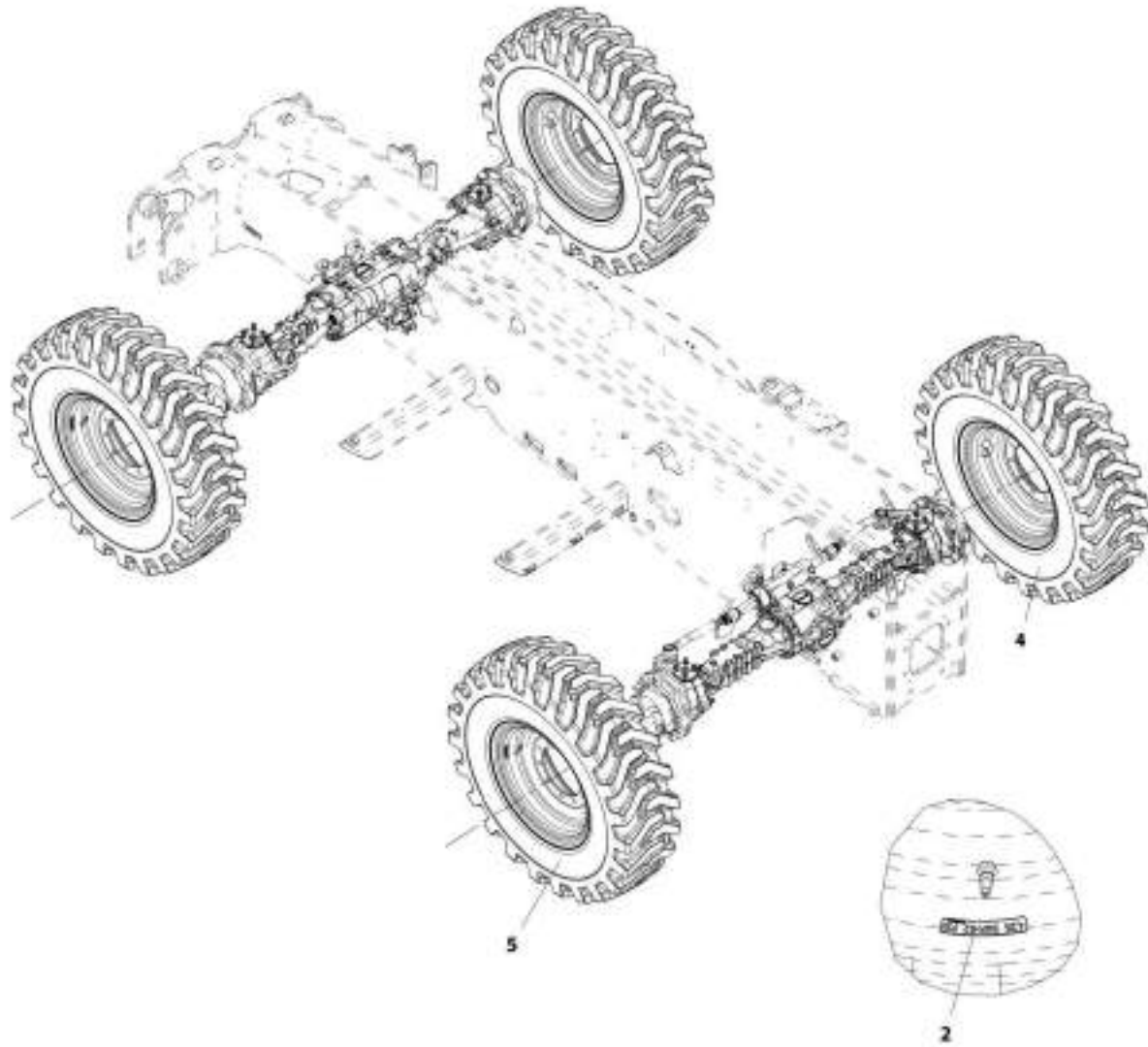
SECTION 5 - DRIVETRAIN

FIGURE 5-91. LH MITAS WHEEL - 3614RS (SN 1160008000 to Present)

ITEM	PART NUMBER	QTY	DESCRIPTION	REV
	1001217141	Ref	Wheel, LH	A
1	1001214479	1	Tire, Mitas 15.5/80-24 16 Ply	
2	1001217145	1	LH Rim Assembly, (See Separate Breakdown in this Section)	

SECTION 5 - DRIVETRAIN

FIGURE 5-92. TIRE WHEEL SET, MITAS 14.00-24 - 4017RS



ART_10014561D-D

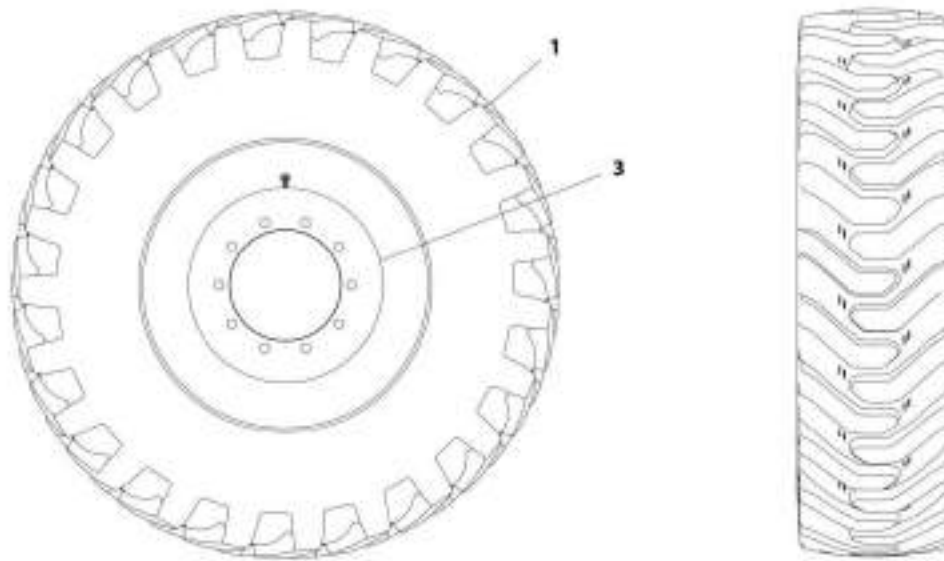
SECTION 5 - DRIVETRAIN

FIGURE 5-92. TIRE WHEEL SET, MITAS 14.00-24 - 4017RS

ITEM	PART NUMBER	QTY	DESCRIPTION	REV
	1001145610	Ref	Tire Wheel Set, Mitas 14.00-24 - 4017RS	D
2	1001112924	4	Label, 4.25 Bar	
4	1001145588	2	Wheel, RH (See RH MITAS WHEEL - 4017RS for Breakdown)	
5	1001145589	2	Wheel, LH (See LH MITAS WHEEL - 4017RS for Breakdown)	

SECTION 5 - DRIVETRAIN

FIGURE 5-93. RH MITAS WHEEL - 4017RS



ART_100110388-C

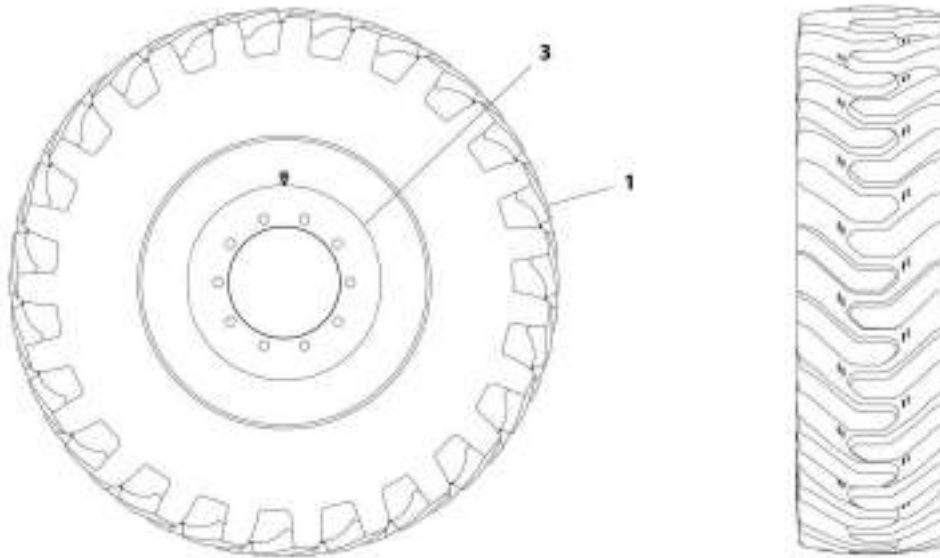
SECTION 5 - DRIVETRAIN

FIGURE 5-93. RH MITAS WHEEL - 4017RS

ITEM	PART NUMBER	QTY	DESCRIPTION	REV
	1001145588	Ref	Wheel, RH Mitas	C
1	1001006814	1	Tire, Mitas 14.00-24 16PLY	
3	1001212643	1	RH Rim Assembly, (See Separate Breakdown in this Section)	

SECTION 5 - DRIVETRAIN

FIGURE 5-94. LH MITAS WHEEL - 4017RS



ART_1001145588-C

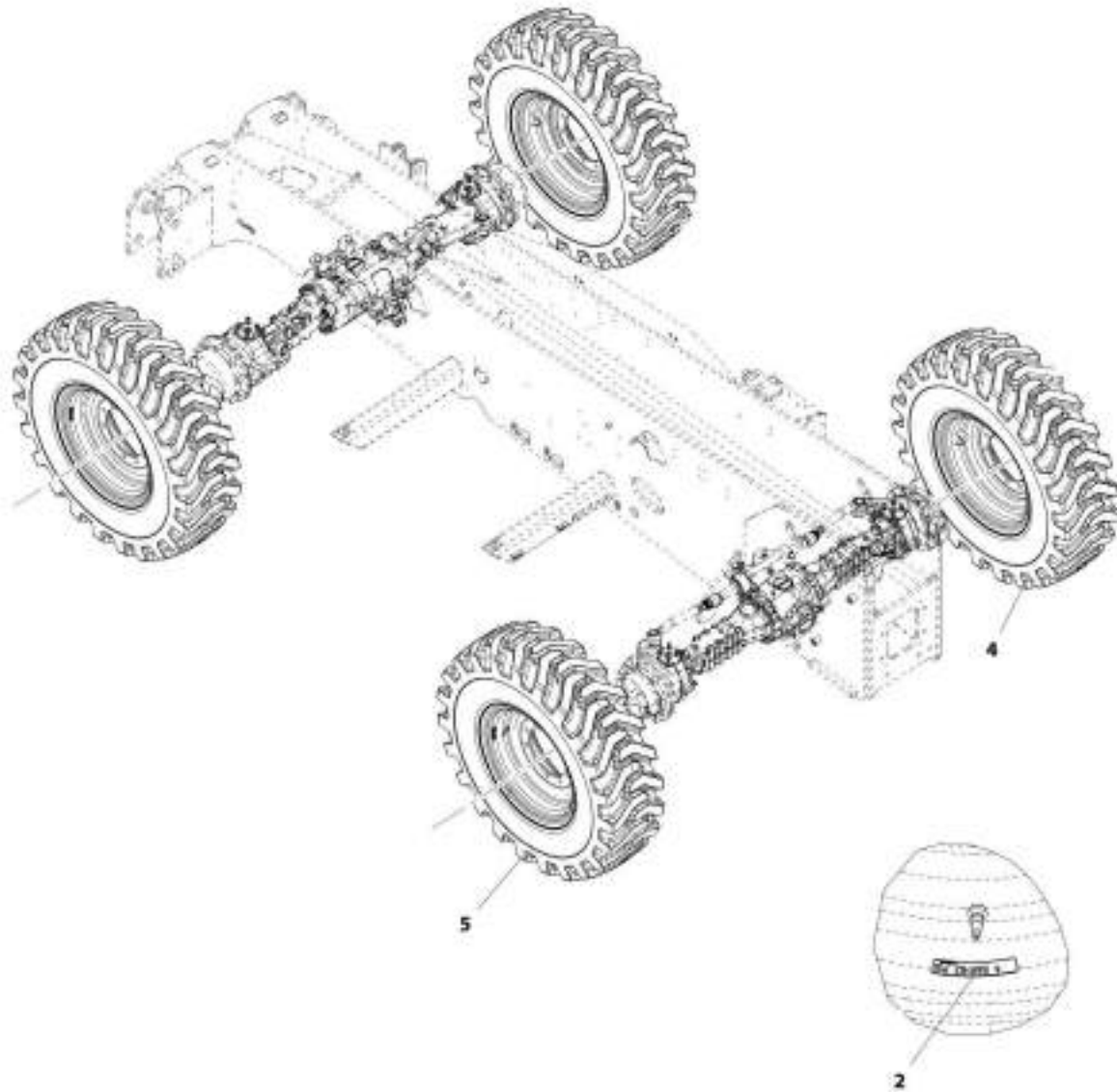
SECTION 5 - DRIVETRAIN

FIGURE 5-94. LH MITAS WHEEL - 4017RS

ITEM	PART NUMBER	QTY	DESCRIPTION	REV
	1001145589	Ref	Wheel, LH Mitas - 4017RS	C
1	1001006814	1	Tire, Mitas 14.00-24 16PLY	
3	1001212644	1	LH Rim Assembly, (See Separate Breakdown in this Section)	

SECTION 5 - DRIVETRAIN

FIGURE 5-95. TIRE WHEEL SET, GOODYEAR 15.5-25 SGL - 3614RS



ART_1901145/038-D

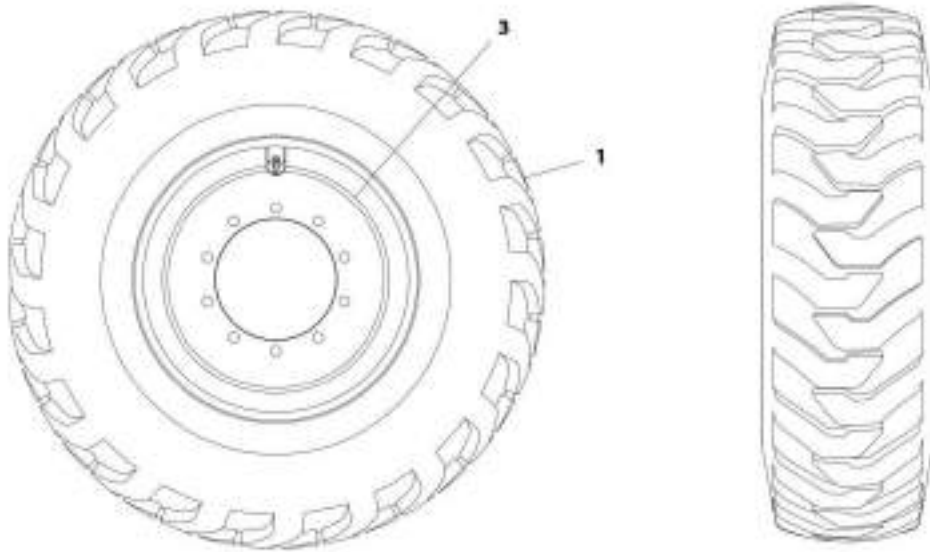
SECTION 5 - DRIVETRAIN

FIGURE 5-95. TIRE WHEEL SET, GOODYEAR 15.5-25 SGL - 3614RS

ITEM	PART NUMBER	QTY	DESCRIPTION	REV
	1001145608	Ref	Tire Wheel Set, Goodyear 15.5-25 SGL - 3614RS	D
2	1001112924	4	Label - 4.0 BAR	
4	1001145585	2	Wheel, RH Goodyear (See RH GOODYEAR WHEEL - 3614RS for Breakdown)	
5	1001145586	2	Wheel, LH Goodyear (See LH GOODYEAR WHEEL - 3614RS for Breakdown)	

SECTION 5 - DRIVETRAIN

FIGURE 5-96. RH GOODYEAR WHEEL - 3614RS



ART_10013/0385 C.

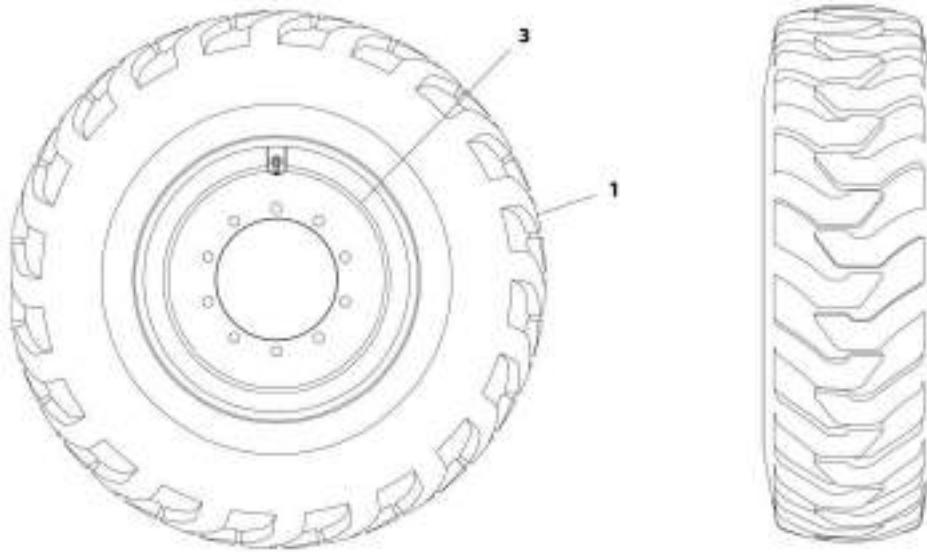
SECTION 5 - DRIVETRAIN

FIGURE 5-96. RH GOODYEAR WHEEL - 3614RS

ITEM	PART NUMBER	QTY	DESCRIPTION	REV
	1001145585	Ref	Goodyear Wheel, RH - 3614RS	C
1	1001003360	1	Tire, Goodyear 15.5x25 12 PLY BIAS L2	
3	1001212640	1	RH Rim Assembly, (See Separate Breakdown in this Section)	

SECTION 5 - DRIVETRAIN

FIGURE 5-97. LH GOODYEAR WHEEL - 3614RS



ART_1001145586-C

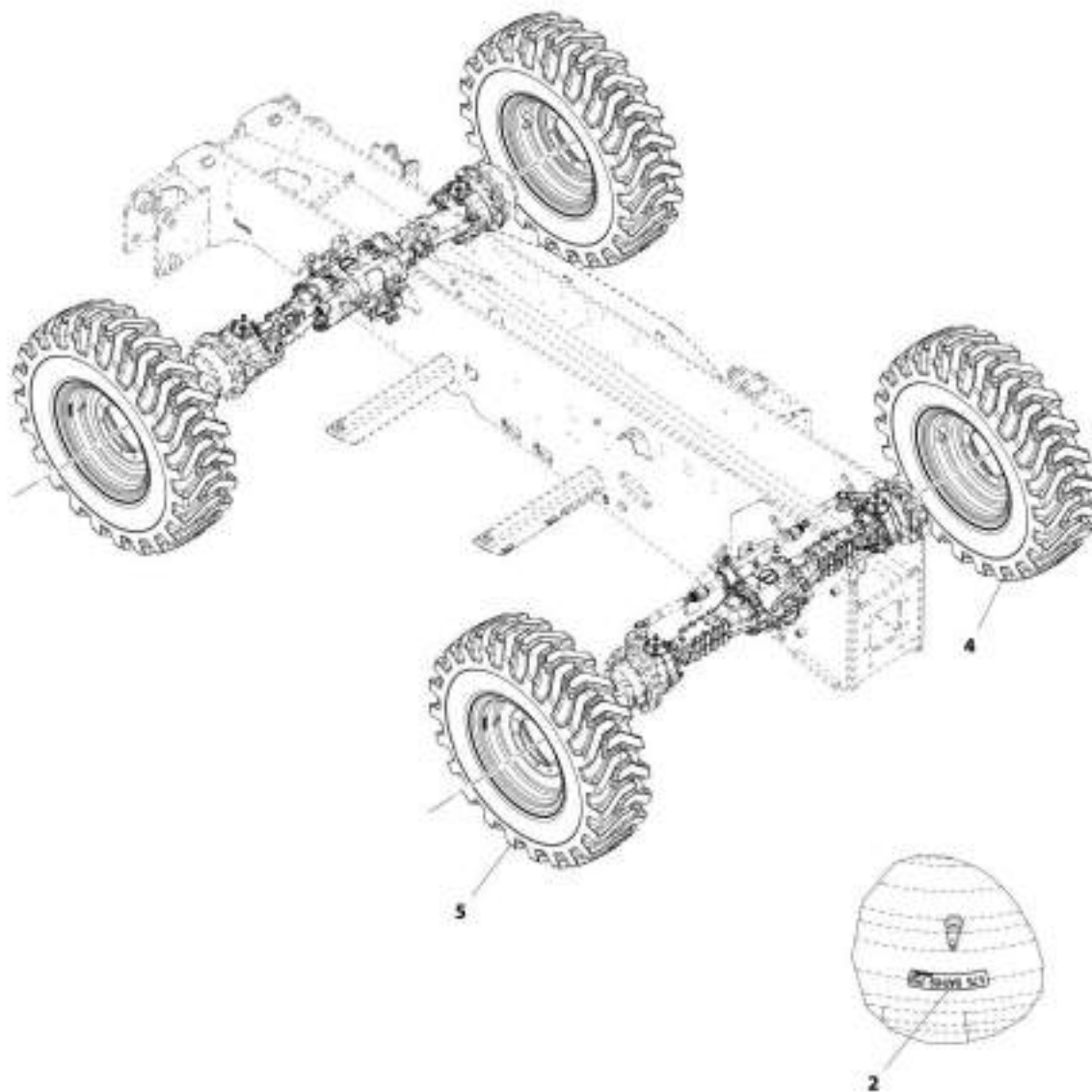
SECTION 5 - DRIVETRAIN

FIGURE 5-97. LH GOODYEAR WHEEL - 3614RS

ITEM	PART NUMBER	QTY	DESCRIPTION	REV
	1001145586	Ref	Goodyear Wheel, LH - 3614RS	C
1	1001003360	1	Tire, Goodyear 15.5x25 12 PLY BIAS L2	
3	1001212641	1	LH Rim Assembly, (See Separate Breakdown in this Section)	

SECTION 5 - DRIVETRAIN

FIGURE 5-98. TIRE WHEEL SET, GOODYEAR 14.00-24 - 4017RS



ART_1001196611-D

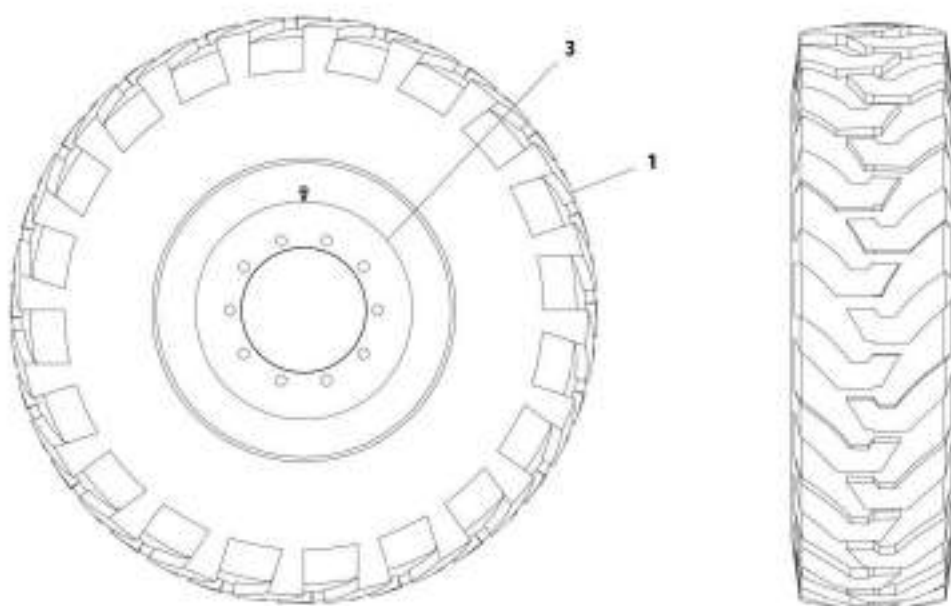
SECTION 5 - DRIVETRAIN

FIGURE 5-98. TIRE WHEEL SET, GOODYEAR 14.00-24 - 4017RS

ITEM	PART NUMBER	QTY	DESCRIPTION	REV
	1001145611	Ref	Tire Wheel Set, Goodyear - 4017RS	D
2	1001154265	1	Label, 4.75 BAR	
4	1001145590	2	Wheel, RH Goodyear - 4017RS (See RH GOODYEAR WHEEL - 4017RS for Breakdown)	
5	1001145591	2	Wheel, LH Goodyear - 4017RS (See LH GOODYEAR WHEEL - 4017RS for Breakdown)	

SECTION 5 - DRIVETRAIN

FIGURE 5-99. RH GOODYEAR WHEEL - 4017RS



ART_100146100-C

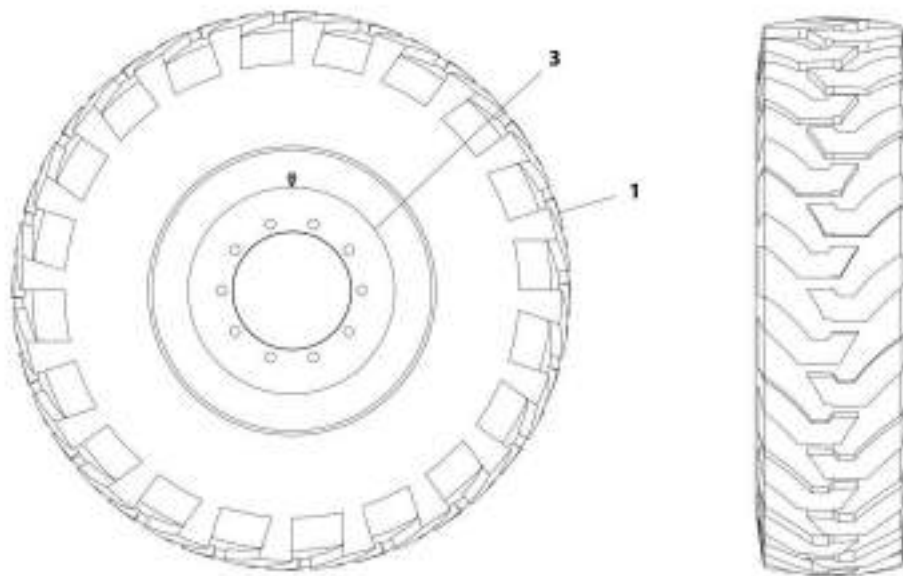
SECTION 5 - DRIVETRAIN

FIGURE 5-99. RH GOODYEAR WHEEL - 4017RS

ITEM	PART NUMBER	QTY	DESCRIPTION	REV
	1001145590	Ref	RH Goodyear Wheel - 4017RS	C
1	1001003334	1	Tire, Goodyear 14.00-24 16PR	
3	1001212645	1	RH Rim Assembly, (See Separate Breakdown in this Section)	

SECTION 5 - DRIVETRAIN

FIGURE 5-100. LH GOODYEAR WHEEL - 4017RS



ART_1001145591.C

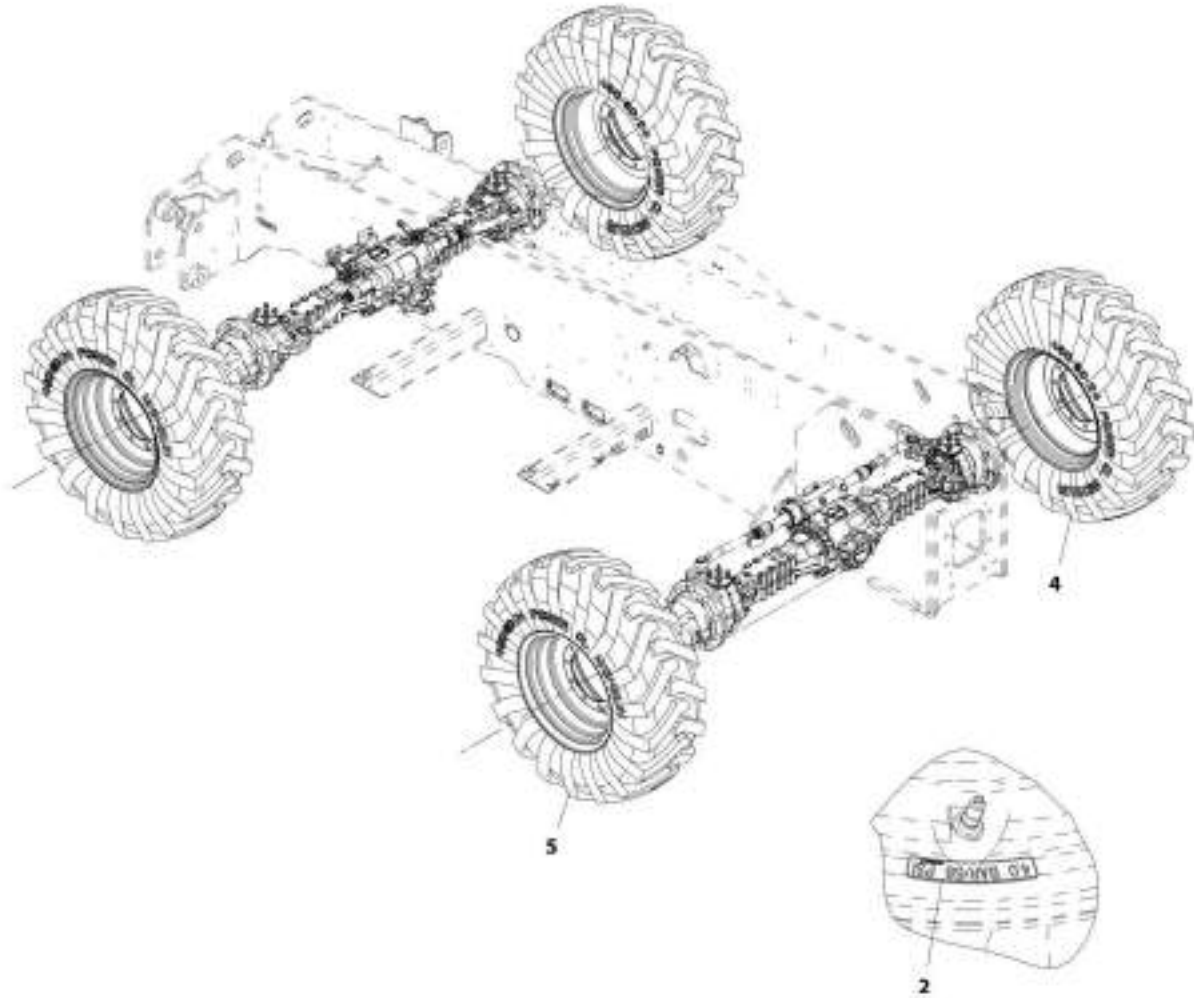
SECTION 5 - DRIVETRAIN

FIGURE 5-100. LH GOODYEAR WHEEL - 4017RS

ITEM	PART NUMBER	QTY	DESCRIPTION	REV
	1001145591	Ref	LH Goodyear Wheel - 4017RS	C
1	1001003334	1	Tire, Goodyear 14.00-24 16PR	
3	1001212646	1	LH Rim Assembly, (See Separate Breakdown in this Section)	

SECTION 5 - DRIVETRAIN

FIGURE 5-101. TIRE WHEEL SET, MICHELIN 400/80-24 POWER CL - 3614RS



ART_1001145607-D

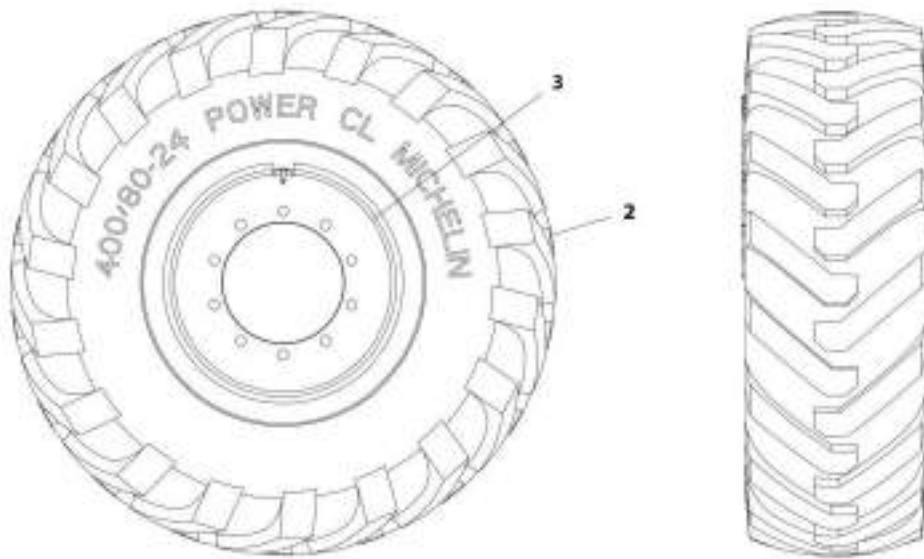
SECTION 5 - DRIVETRAIN

FIGURE 5-101. TIRE WHEEL SET, MICHELIN 400/80-24 POWER CL - 3614RS

ITEM	PART NUMBER	QTY	DESCRIPTION	REV
	1001145607	Ref	Tire Wheel Set, Michelin - 3614RS	D
2	8005827	1	Label, 4.0 BAR	
4	1001145583	2	Wheel, RH (See RH MICHELIN WHEEL - 3614RS for Breakdown)	
5	1001145584	2	Wheel, LH (See LH MICHELIN WHEEL - 3614RS for Breakdown)	

SECTION 5 - DRIVETRAIN

FIGURE 5-102. RH MICHELIN WHEEL - 3614RS



ART_1001145083-0

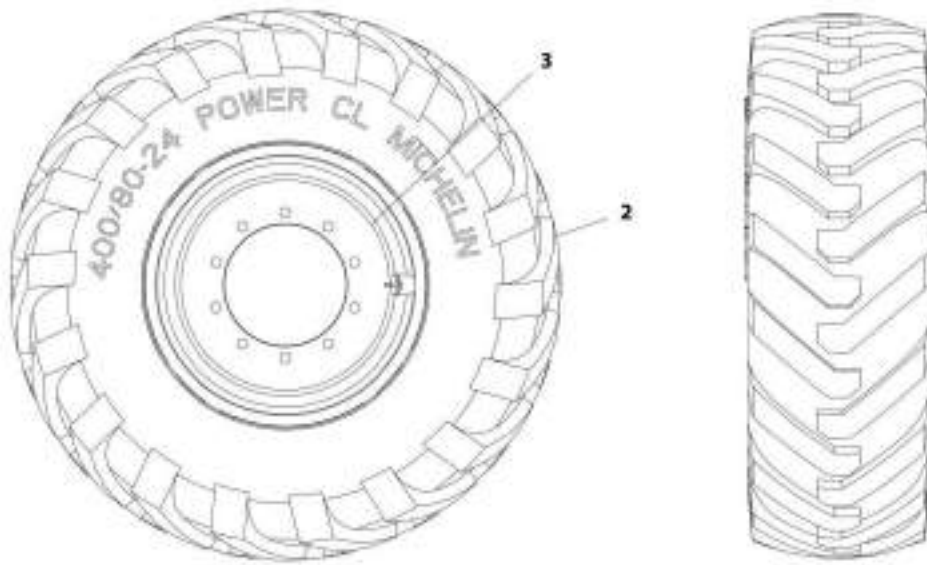
SECTION 5 - DRIVETRAIN

FIGURE 5-102. RH MICHELIN WHEEL - 3614RS

ITEM	PART NUMBER	QTY	DESCRIPTION	REV
	1001145583	Ref	Michelin Wheel, RH - 3614RS	D
2	1001099204	1	Tire, Michelin 400/80 - 24 POWER CL	
3	1001212638	1	RH Rim Assembly, (See Separate Breakdown in this Section)	

SECTION 5 - DRIVETRAIN

FIGURE 5-103. LH MICHELIN WHEEL - 3614RS



ART_100145584-D

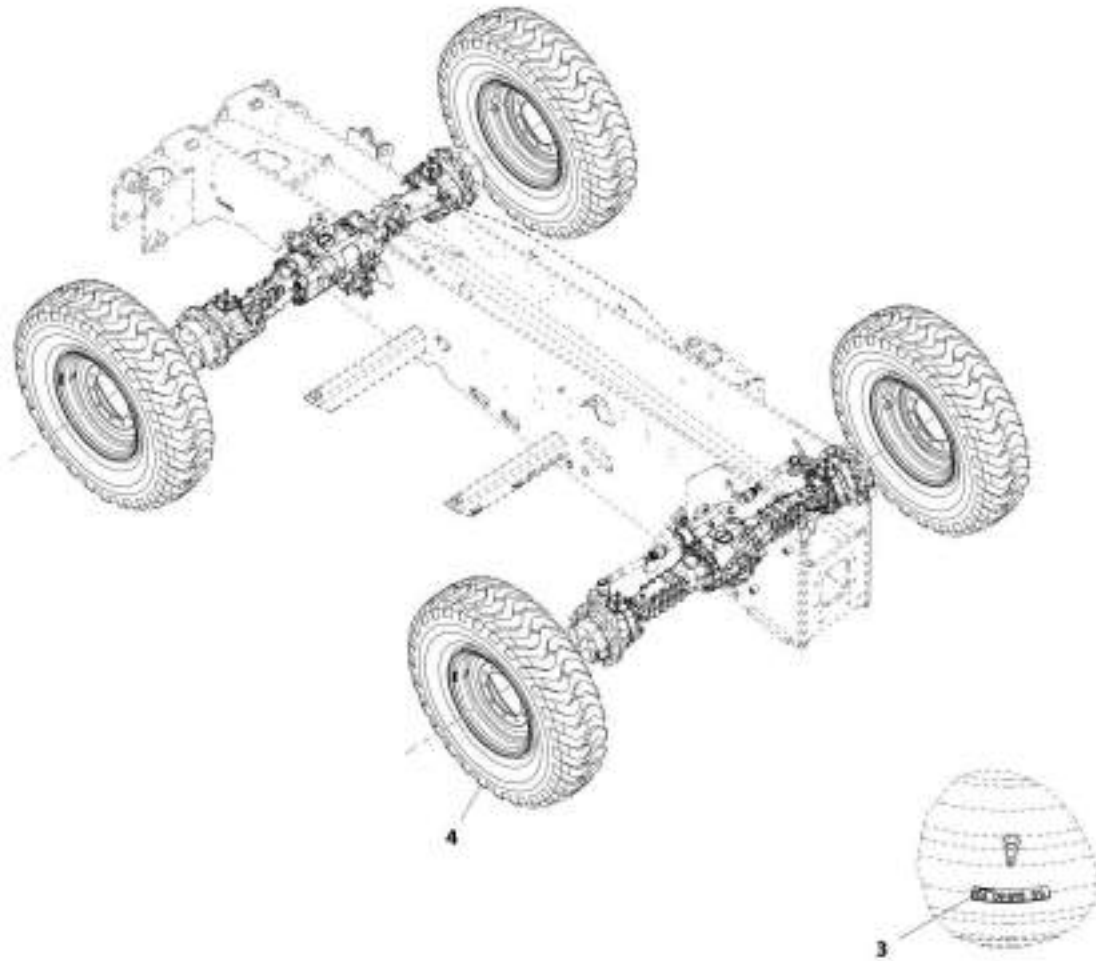
SECTION 5 - DRIVETRAIN

FIGURE 5-103. LH MICHELIN WHEEL - 3614RS

ITEM	PART NUMBER	QTY	DESCRIPTION	REV
	1001145584	Ref	Michelin Wheel, LH - 3614RS	D
2	1001099204	1	Tire, Michelin 400/80 - 24 POWER CL	
3	1001212639	1	LH Rim Assembly, (See Separate Breakdown in this Section)	

SECTION 5 - DRIVETRAIN

FIGURE 5-104. TIRE WHEEL SET, MICHELIN - 4017RS



AWT_1001149850-8

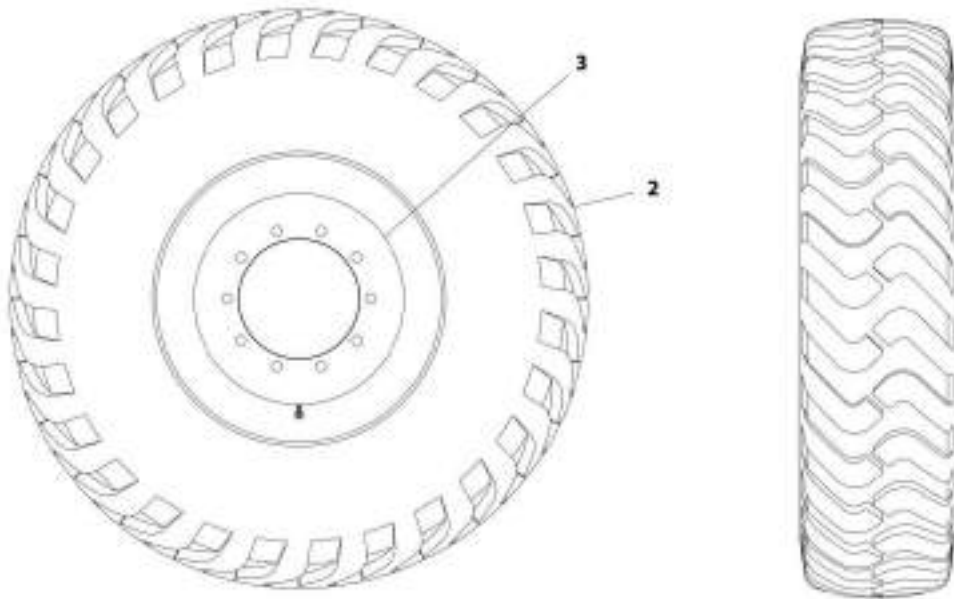
SECTION 5 - DRIVETRAIN

FIGURE 5-104. TIRE WHEEL SET, MICHELIN - 4017RS

ITEM	PART NUMBER	QTY	DESCRIPTION	REV
	1001169888	Ref	Tire Wheel Set, Michelin - 4017RS	B
3	1001128006	4	Label, 5.5 BAR	
4	1001168391	4	Wheel, Michelin (See MICHELIN WHEEL - 4017RS for Breakdown)	

SECTION 5 - DRIVETRAIN

FIGURE 5-105. MICHELIN WHEEL - 4017RS



ART_3001168991-B

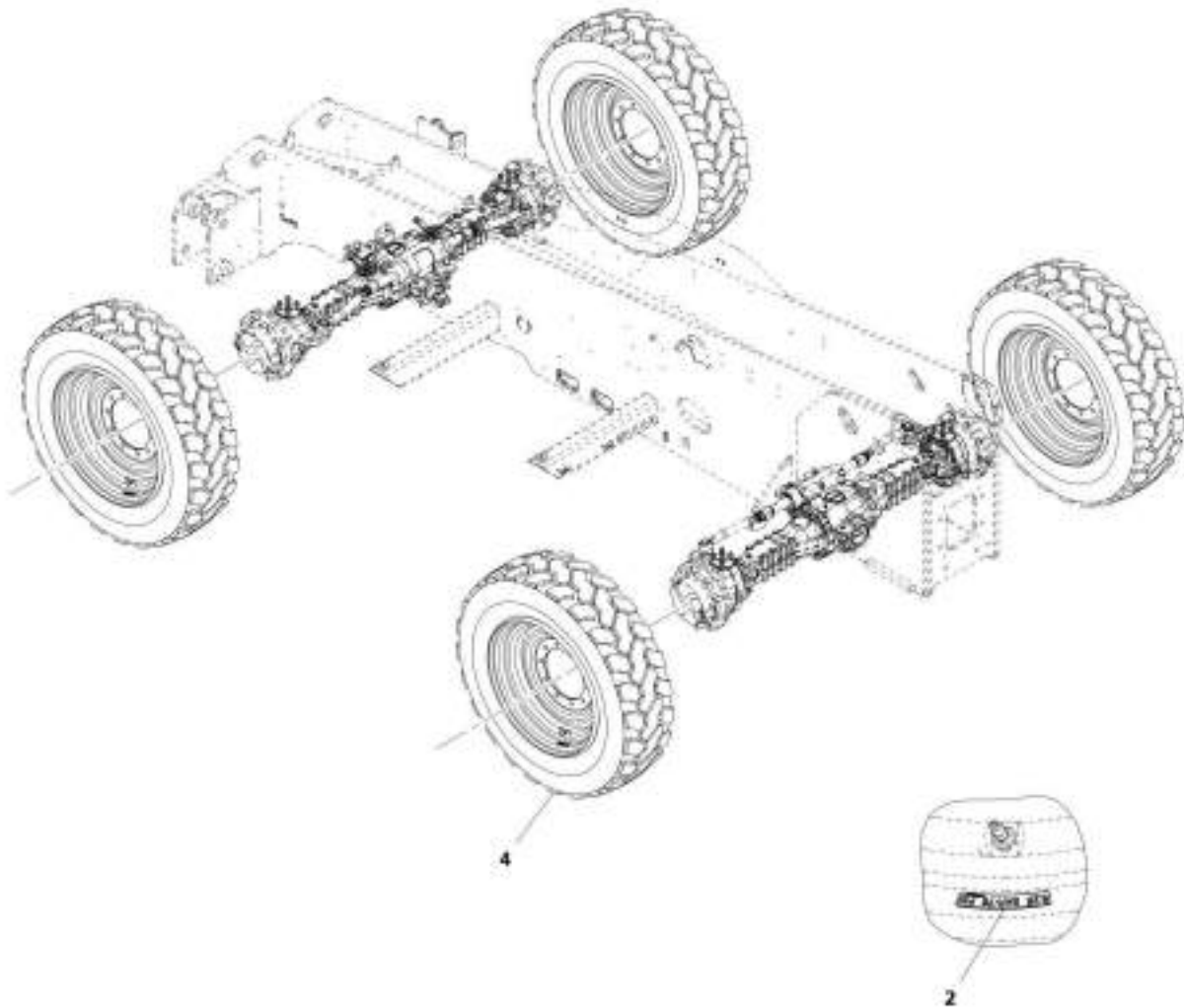
SECTION 5 - DRIVETRAIN

FIGURE 5-105. MICHELIN WHEEL - 4017RS

ITEM	PART NUMBER	QTY	DESCRIPTION	REV
	1001168391	Ref	Michelin Wheel - 4017RS	B
2	1001154316	1	Tire, Michelin 14.00X24XGL A2 L2 TG	
3	1001212652	1	Rim Assembly, (See Separate Breakdown in this Section)	

SECTION 5 - DRIVETRAIN

FIGURE 5-106. TIRE WHEEL SET, FIRESTONE 370/75-28 - 3614RS



ART_1001145609-D

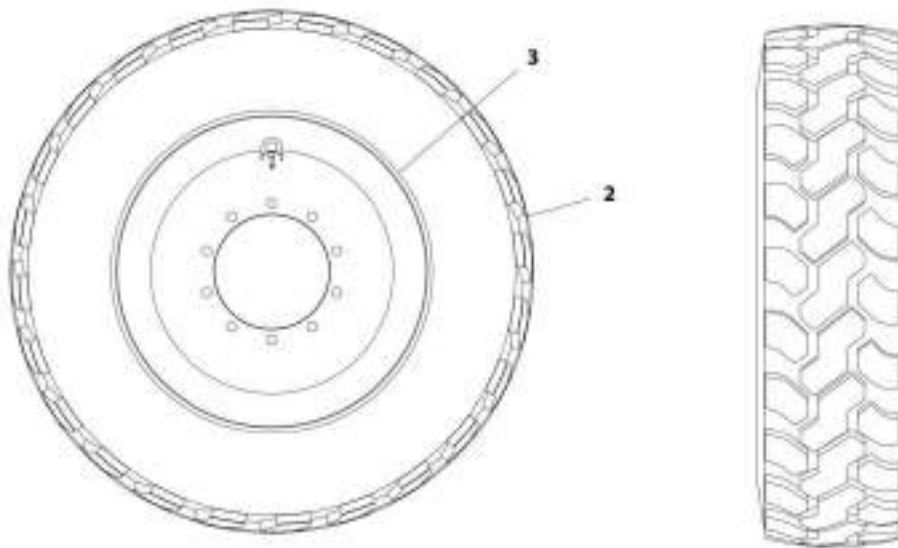
SECTION 5 - DRIVETRAIN

FIGURE 5-106. TIRE WHEEL SET, FIRESTONE 370/75-28 - 3614RS

ITEM	PART NUMBER	QTY	DESCRIPTION	REV
	1001145609	Ref	Tire Wheel Set, Firestone 370/75-28	D
2	1001112923	4	Label 5.25 Bar	
4	1001145587	4	Wheel (See FIRESTONE WHEEL, 3614RS for Breakdown)	

SECTION 5 - DRIVETRAIN

FIGURE 5-107. FIRESTONE WHEEL - 3614RS



ART_100149587-C

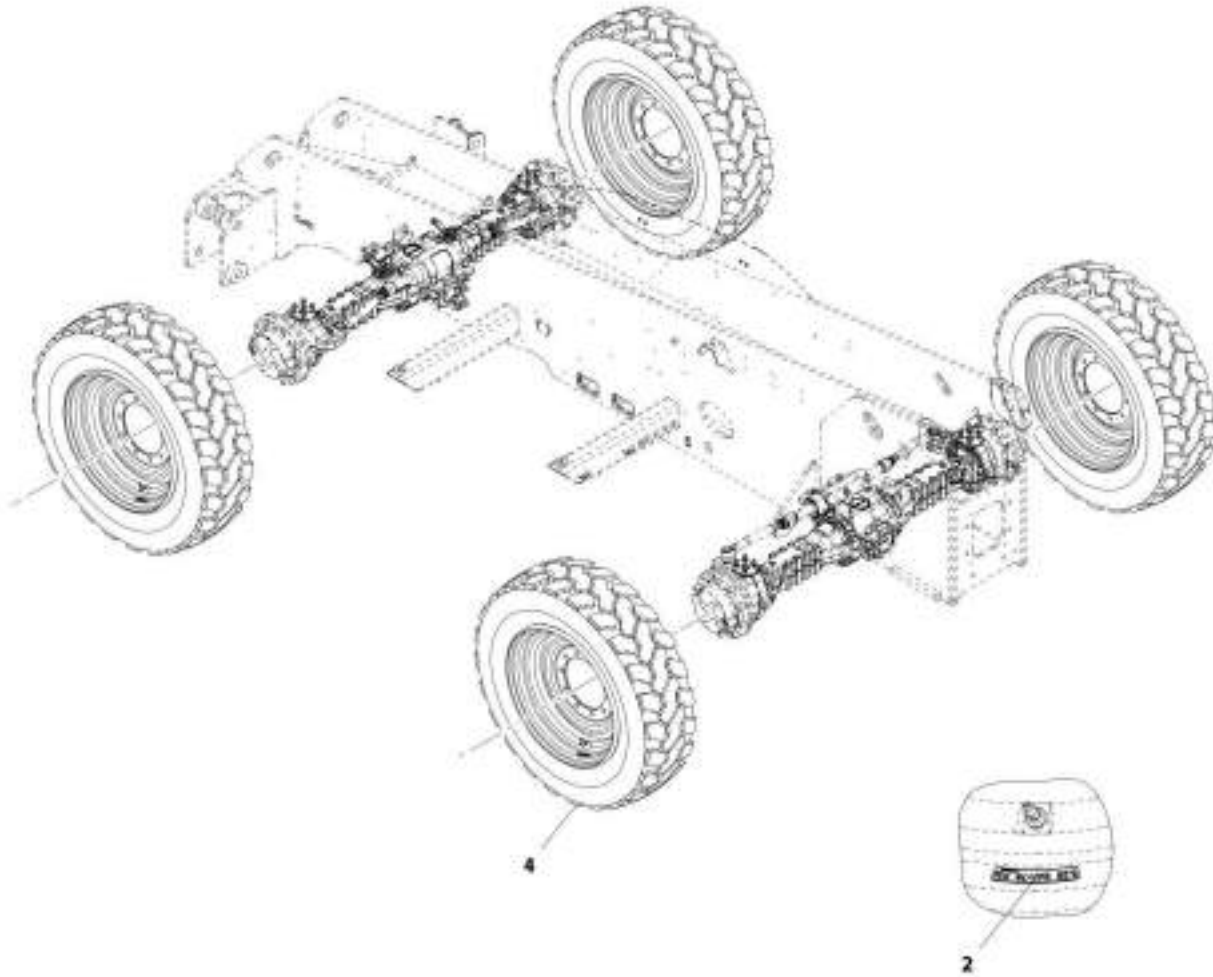
SECTION 5 - DRIVETRAIN

FIGURE 5-107. FIRESTONE WHEEL - 3614RS

ITEM	PART NUMBER	QTY	DESCRIPTION	REV
	1001145587	Ref	Wheel, Firestone - 3614RS	C
2	1001100284	1	Tire, Firestone 370/75-28	
3	1001212642	1	Rim Assembly, (See Separate Breakdown in this Section)	

SECTION 5 - DRIVETRAIN

FIGURE 5-108. TIRE WHEEL SET, FIRESTONE 400/75-28 16 PLY - 4017RS



ART_100145612-D

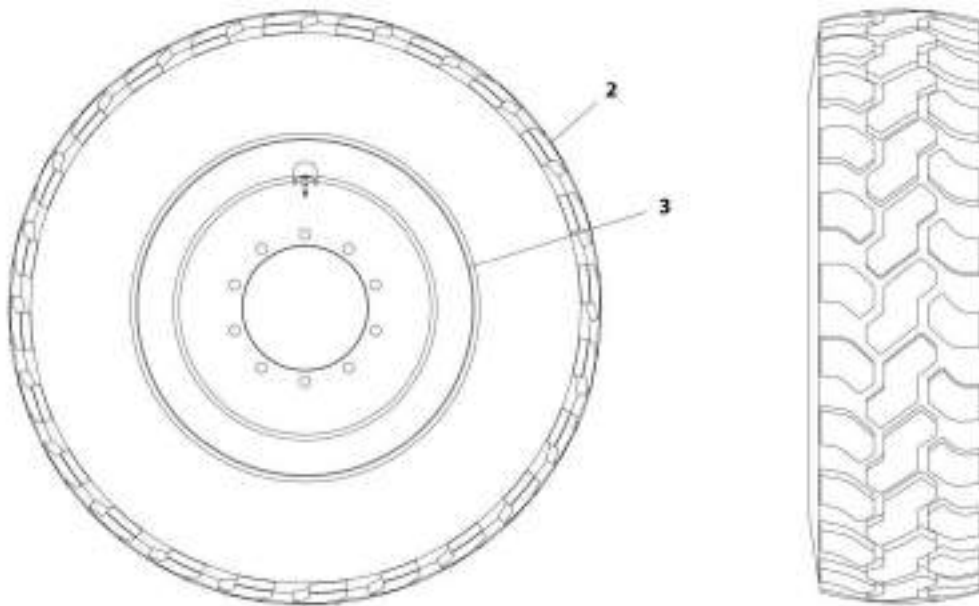
SECTION 5 - DRIVETRAIN

FIGURE 5-108. TIRE WHEEL SET, FIRESTONE 400/75-28 16 PLY - 4017RS

ITEM	PART NUMBER	QTY	DESCRIPTION	REV
	1001145612	Ref	Tire Wheel Set, Firestone 400/75-28 16 PLY - 4017RS	D
2	1001112923	4	Label, 5.25 Bar	
4	1001145592	4	Wheel, 4017RS (See FIRESTONE WHEEL- 4017RS for Breakdown)	

SECTION 5 - DRIVETRAIN

FIGURE 5-109. FIRESTONE WHEEL - 4017RS



ART_1981145592-C

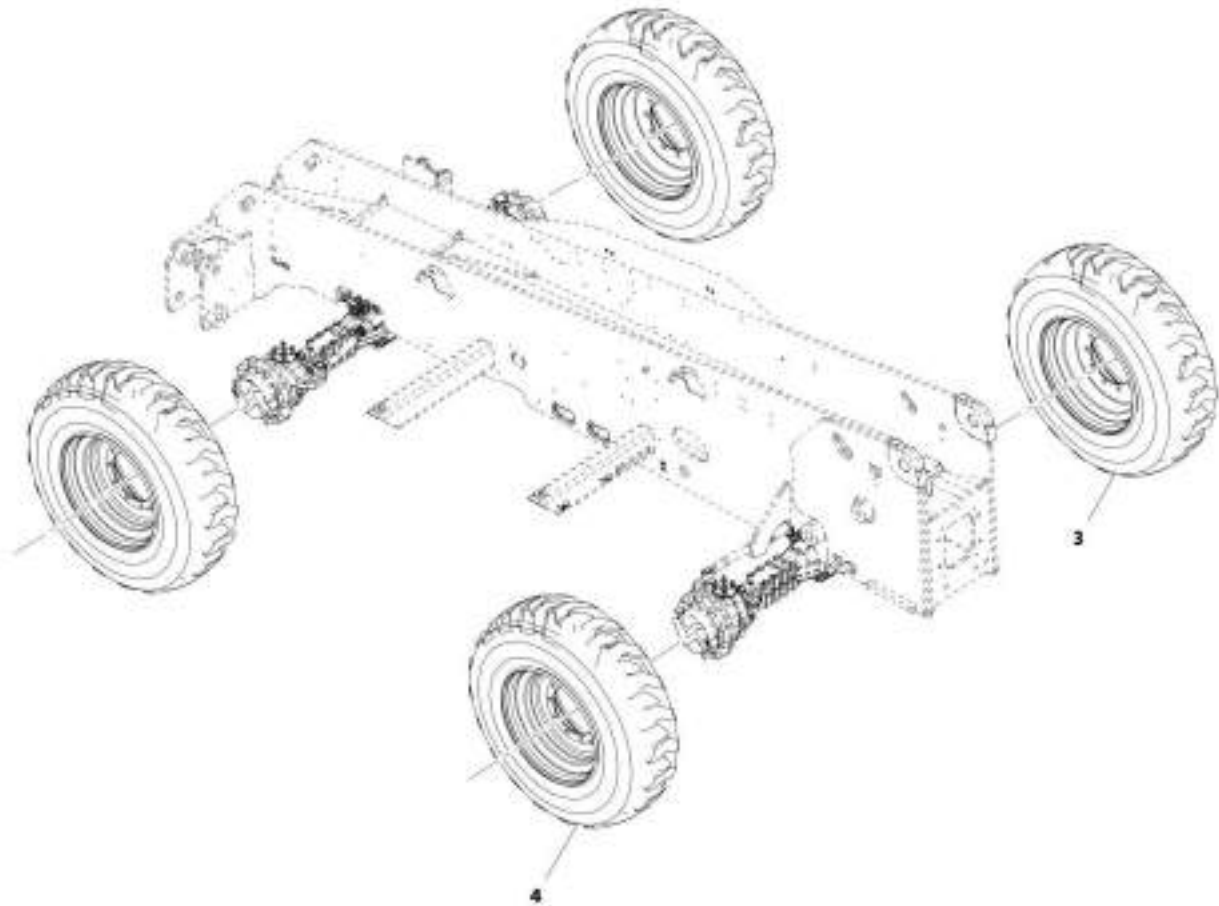
SECTION 5 - DRIVETRAIN

FIGURE 5-109. FIRESTONE WHEEL - 4017RS

ITEM	PART NUMBER	QTY	DESCRIPTION	REV
	1001145592	Ref	Wheel, Firestone - 4017RS	C
2	1001120179	1	Tire, Firestone 400/75D-28	
3	1001212647	1	Rim Assembly, (See Separate Breakdown in this Section)	

SECTION 5 - DRIVETRAIN

FIGURE 5-110. FOAM FILLED WHEEL SET - 3614RS



ART_1001151906-8

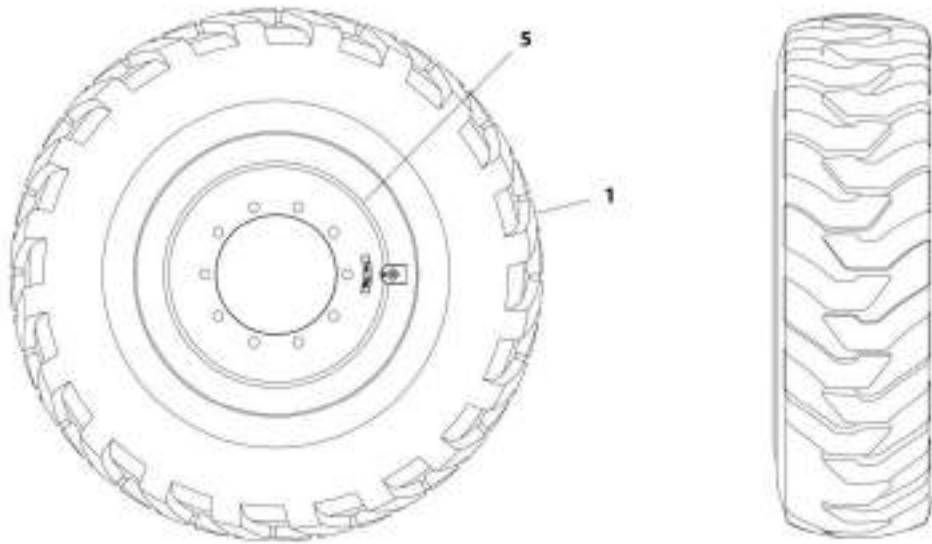
SECTION 5 - DRIVETRAIN

FIGURE 5-110. FOAM FILLED WHEEL SET - 3614RS

ITEM	PART NUMBER	QTY	DESCRIPTION	REV
3	1001151868	Ref	Foam Filled Wheel Set - 3614RS	B
	1001149356	2	Wheel, Foam RH (See RH FOAM WHEEL - 3614RS for Breakdown)	
4	1001149357	2	Wheel, Foam LH (See LH FOAM WHEEL - 3614RS for Breakdown)	

SECTION 5 - DRIVETRAIN

FIGURE 5-111. RH FOAM WHEEL - 3614RS



ART_1001142356-8

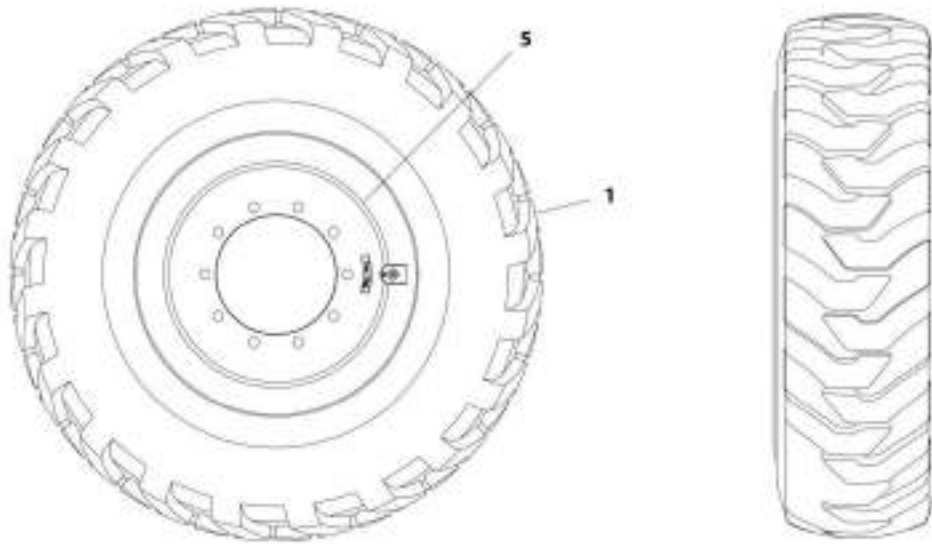
SECTION 5 - DRIVETRAIN

FIGURE 5-111. RH FOAM WHEEL - 3614RS

ITEM	PART NUMBER	QTY	DESCRIPTION	REV
	1001149356	Ref	Foam Wheel, RH	B
1	1001003360	1	Tire, 15.5X25 12 PLY BIAS L2	
5	1001212648	1	RH Rim Assembly, (See Separate Breakdown in this Section)	

SECTION 5 - DRIVETRAIN

FIGURE 5-112. LH FOAM WHEEL - 3614RS



ART_3001549257-B

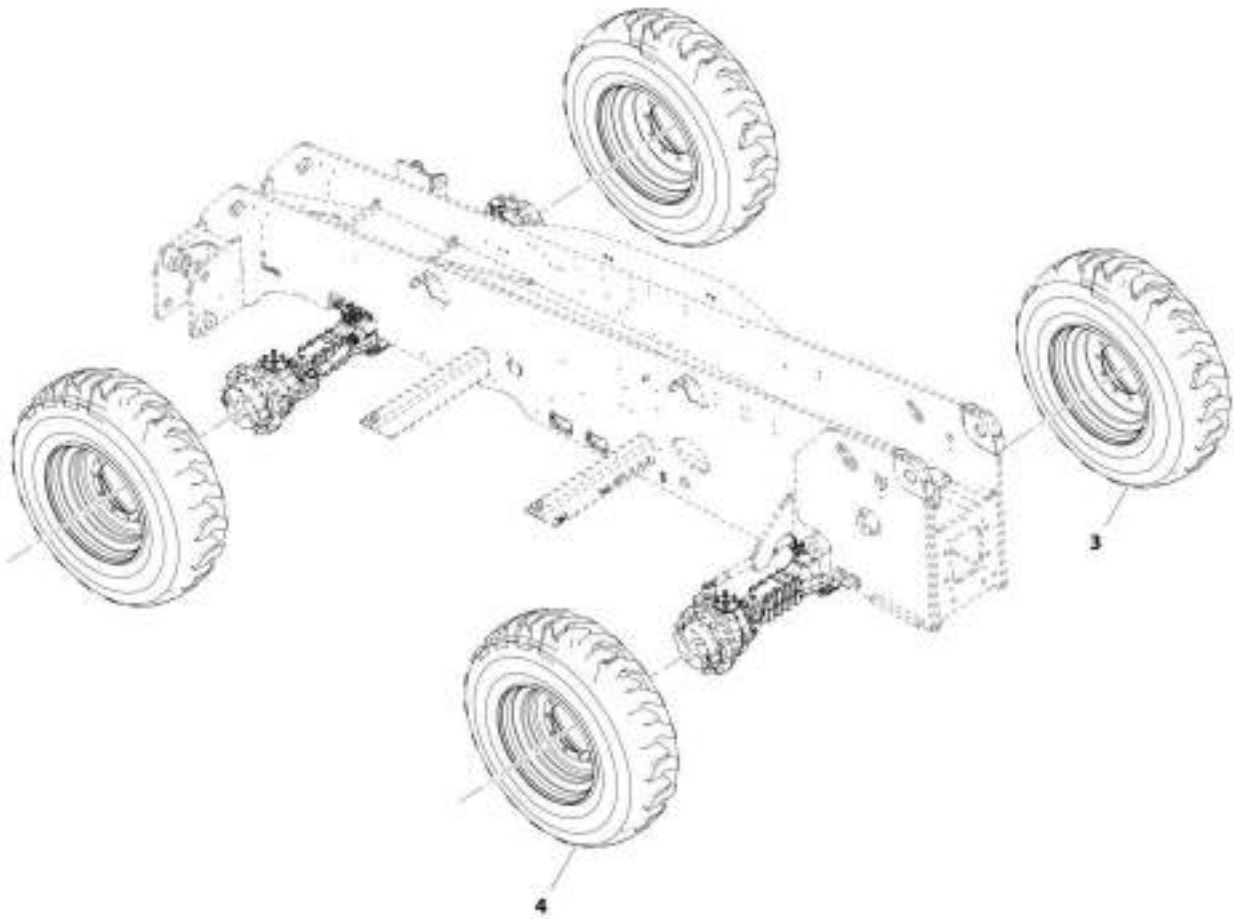
SECTION 5 - DRIVETRAIN

FIGURE 5-112. LH FOAM WHEEL - 3614RS

ITEM	PART NUMBER	QTY	DESCRIPTION	REV
	1001149357	Ref	Foam Wheel, LH	B
1	1001003360	1	Tire, 15.5X25 12 PLY BIAS L2	
5	1001212649	1	LH Rim Assembly, (See Separate Breakdown in this Section)	

SECTION 5 - DRIVETRAIN

FIGURE 5-113. FOAM FILLED WHEEL SET - 4017RS



ART. 1001152019-0

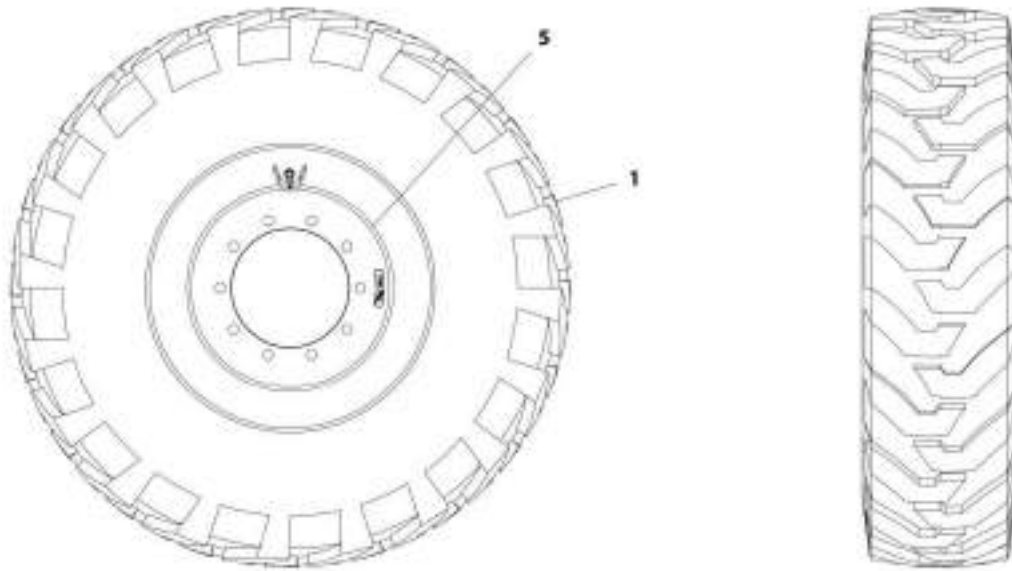
SECTION 5 - DRIVETRAIN

FIGURE 5-113. FOAM FILLED WHEEL SET - 4017RS

ITEM	PART NUMBER	QTY	DESCRIPTION	REV
	1001152829	Ref	Foam Filled Wheel Set - 4017RS	B
3	1001149361	2	Wheel, Foam RH (See RH FOAM WHEEL - 4017RS for Breakdown)	
4	1001149362	2	Wheel, Foam LH (See LH FOAM WHEEL - 4017RS for Breakdown)	

SECTION 5 - DRIVETRAIN

FIGURE 5-114. RH FOAM WHEEL - 4017RS



ART_180148361-8

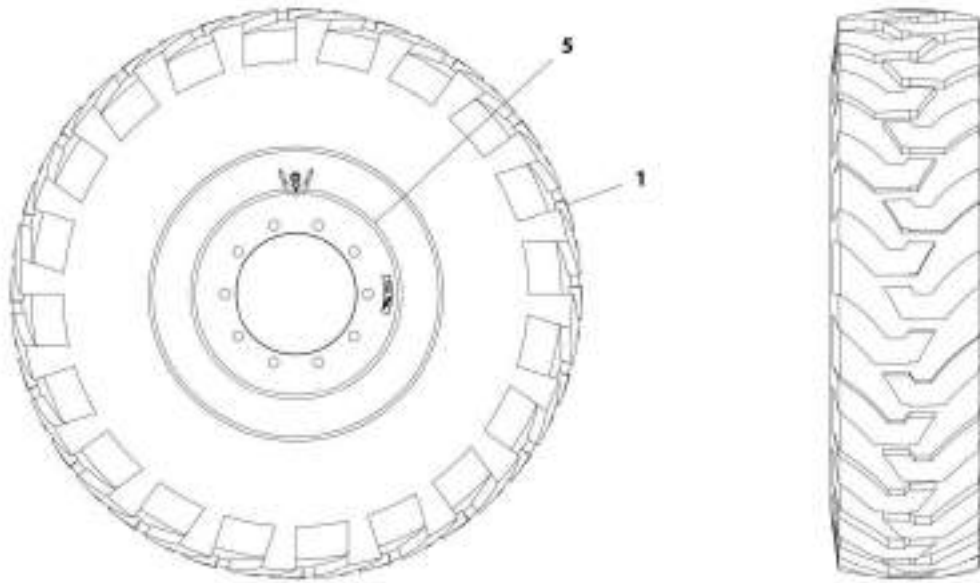
SECTION 5 - DRIVETRAIN

FIGURE 5-114. RH FOAM WHEEL - 4017RS

ITEM	PART NUMBER	QTY	DESCRIPTION	REV
	1001149361	Ref	Foam Wheel, RH	B
1	1001003334	1	Tire, RH 14.00-24 16PR	
5	1001212650	1	RH Rim Assembly, (See Separate Breakdown in this Section)	

SECTION 5 - DRIVETRAIN

FIGURE 5-115. LH FOAM WHEEL - 4017RS



ART_1001149362-B

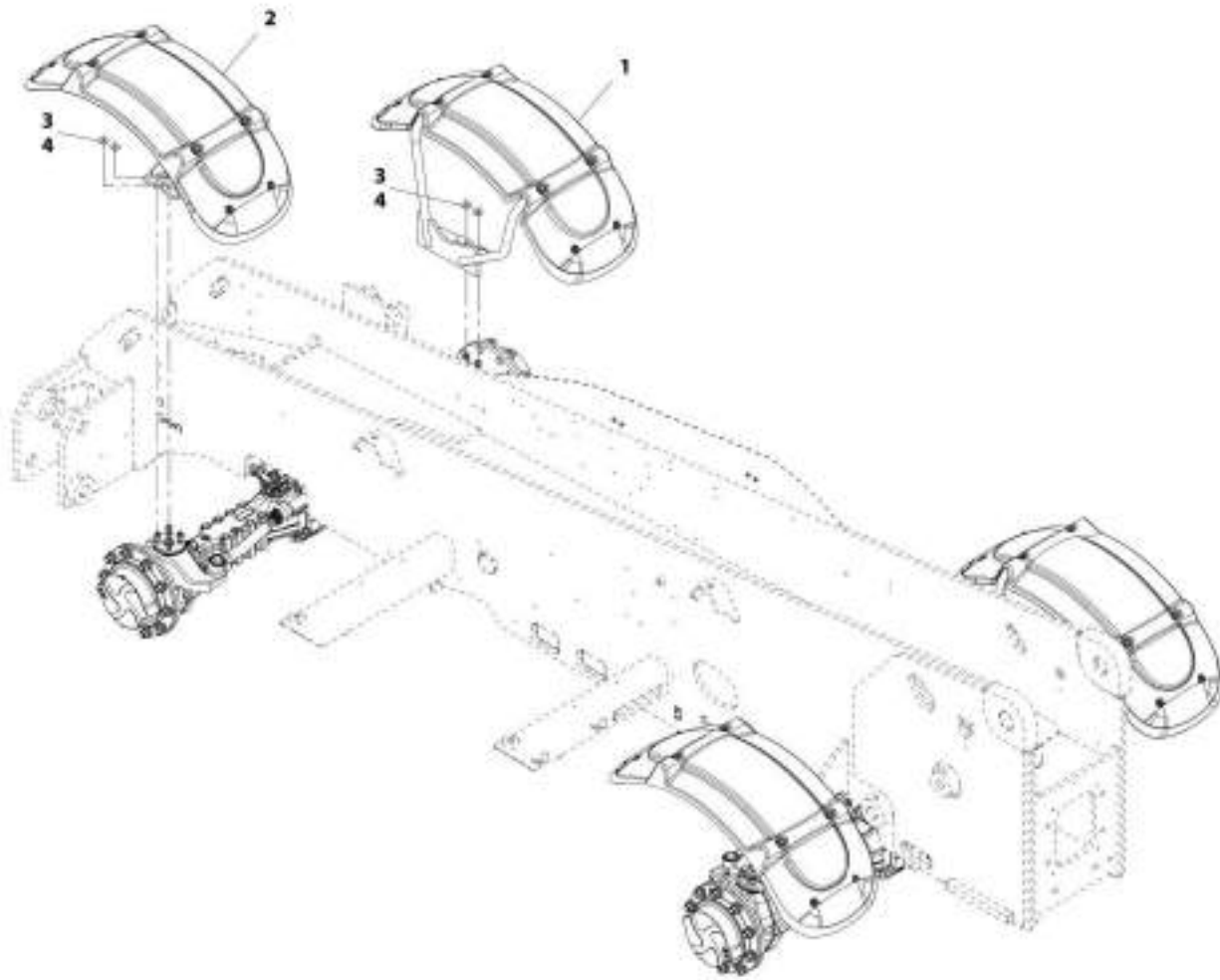
SECTION 5 - DRIVETRAIN

FIGURE 5-115. LH FOAM WHEEL - 4017RS

ITEM	PART NUMBER	QTY	DESCRIPTION	REV
	1001149362	Ref	Foam Wheel, LH	B
1	1001003334	1	Tire, 14.00-24 16PR	
5	1001212651	1	LH Rim Assembly, (See Separate Breakdown in this Section)	

SECTION 5 - DRIVETRAIN

FIGURE 5-116. FENDER INSTALLATION - 3614RS



ART. 1001144100 D

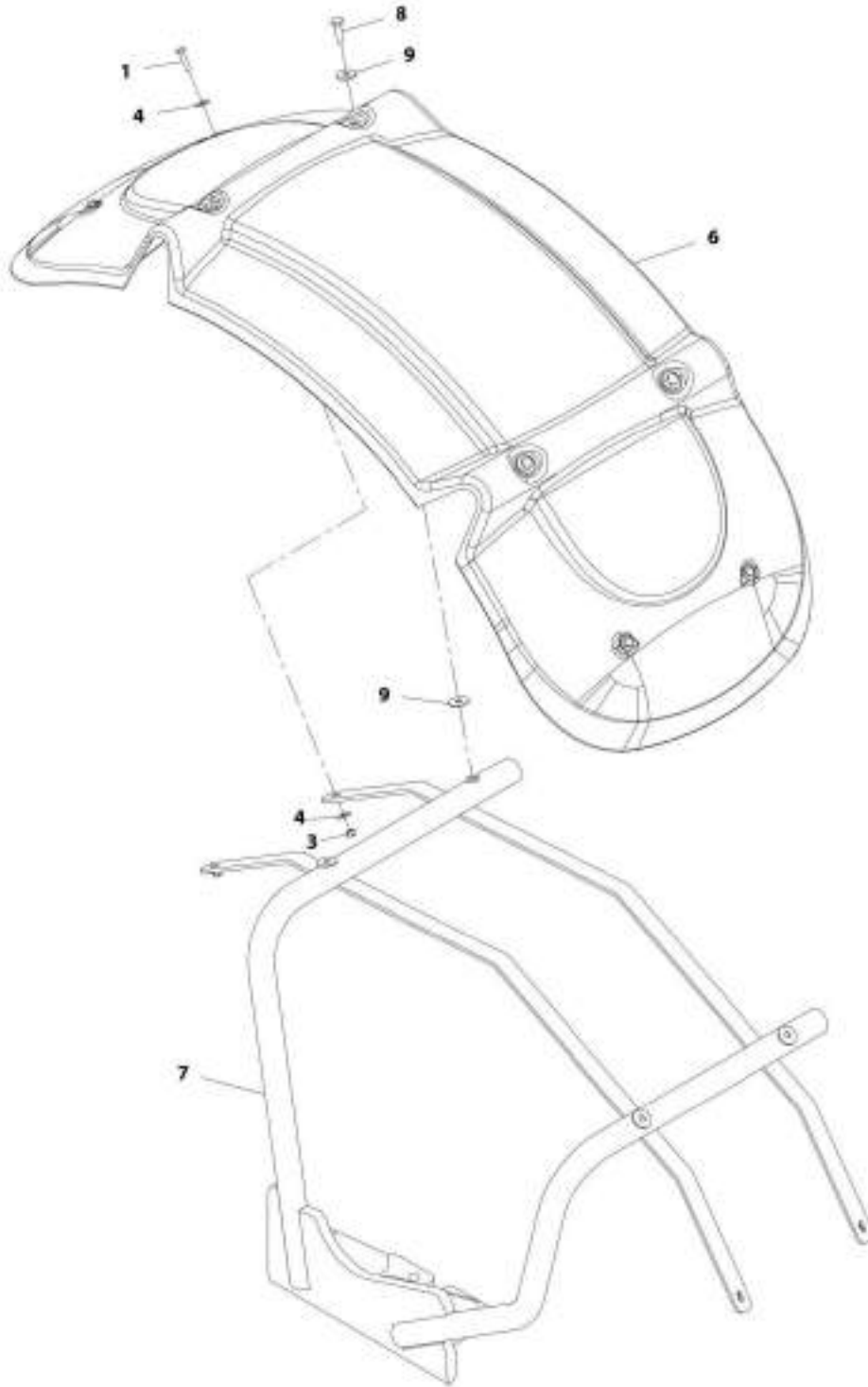
SECTION 5 - DRIVETRAIN

FIGURE 5-116. FENDER INSTALLATION - 3614RS

ITEM	PART NUMBER	QTY	DESCRIPTION	REV
	1001144109	Ref	Fender Installation - 3614RS	D
1	1001144404	2	Assembly, RH Fender (See RH FENDER ASSEMBLY - 3614RS for Breakdown)	
2	1001144405	2	Assembly, LH Fender (See LH FENDER ASSEMBLY - 3614RS for Breakdown)	
3	1001095650	AR	Compound, Locking	
4	4812102	16	Washer, M12	

SECTION 5 - DRIVETRAIN

FIGURE 5-117. RH FENDER ASSEMBLY - 3614RS



AVT_100114480-E

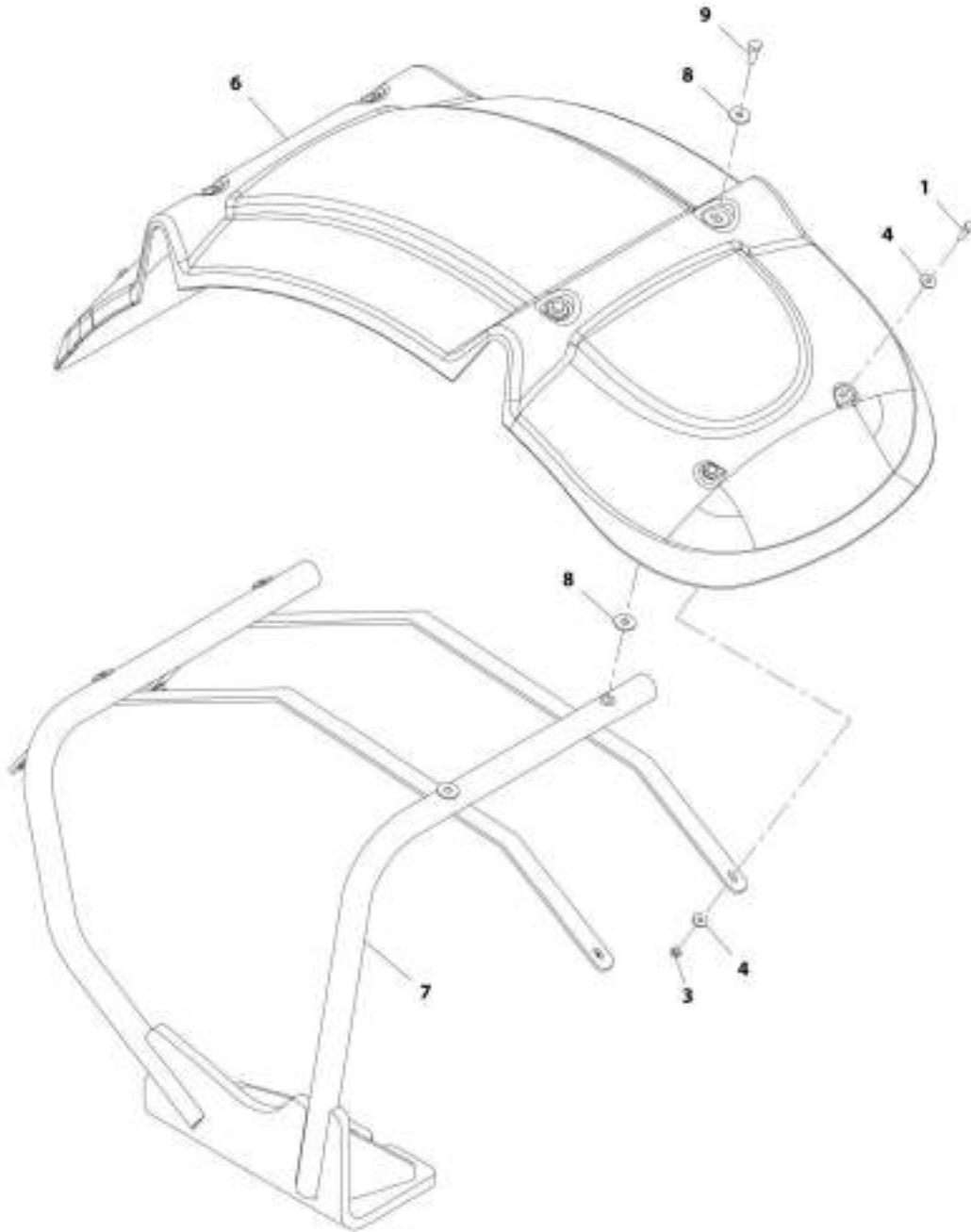
SECTION 5 - DRIVETRAIN

FIGURE 5-117. RH FENDER ASSEMBLY - 3614RS

ITEM	PART NUMBER	QTY	DESCRIPTION	REV
	1001144404	Ref	RH Fender Assembly - 3614RS	E
1	0760612	4	Bolt, M6X25	
3	3290605	4	Nut, M6X1	
4	4811702	8	Washer, M6	
6	1001100845	1	Fender	
7	1001165650	1	Bracket	
8	0760812	4	Bolt, M8X25	
9	4811902	8	Washer, M8	

SECTION 5 - DRIVETRAIN

FIGURE 5-118. LH FENDER ASSEMBLY - 3614RS



ART_1001144405 E

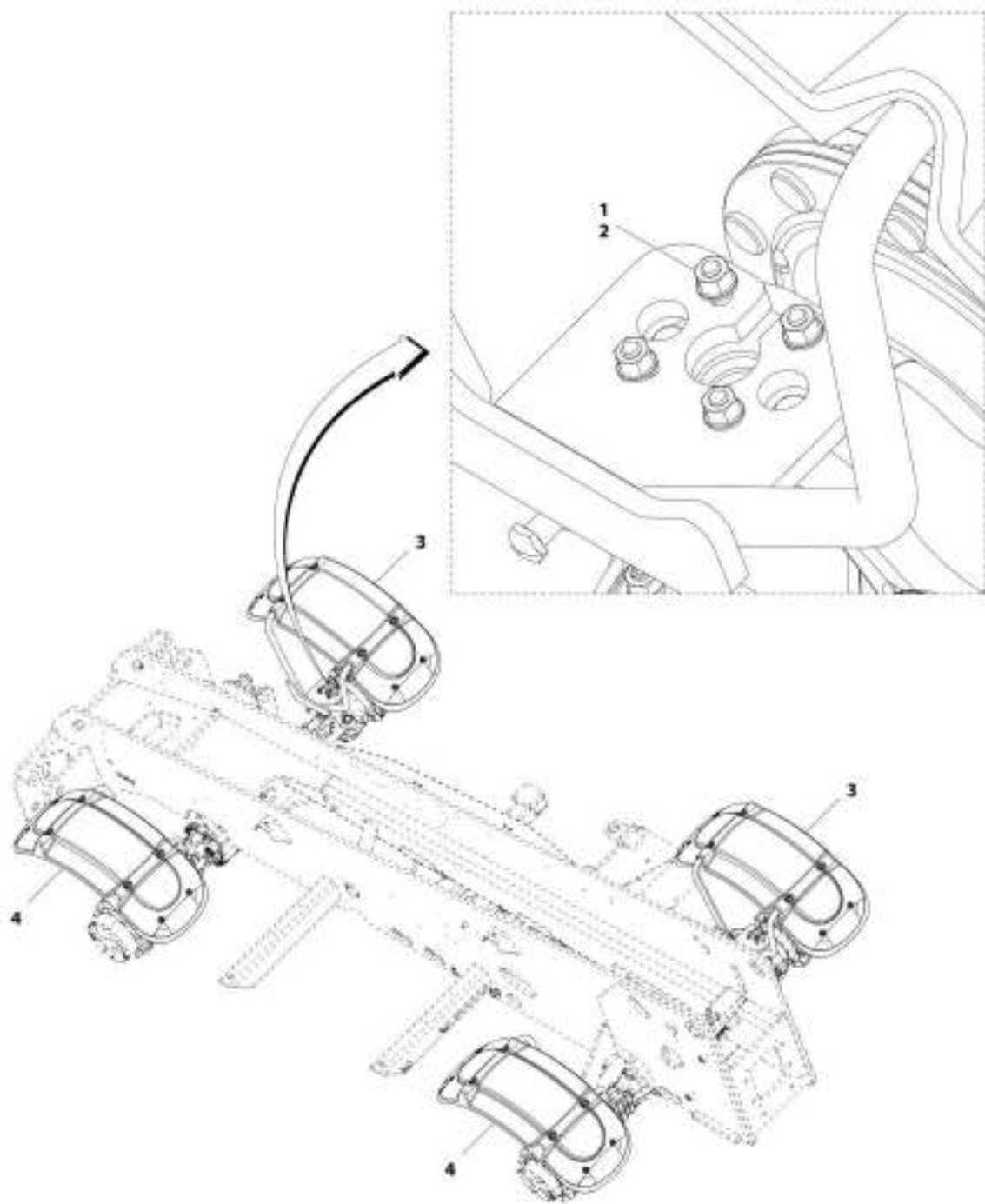
SECTION 5 - DRIVETRAIN

FIGURE 5-118. LH FENDER ASSEMBLY - 3614RS

ITEM	PART NUMBER	QTY	DESCRIPTION	REV
	1001144405	Ref	LH Fender Assembly - 3614RS	E
1	0760612	4	Bolt, M6X25	
3	3290605	4	Nut, M6X1	
4	4811702	8	Washer, M6	
6	1001100845	1	Fender	
7	1001164992	1	Bracket	
8	4811902	8	Washer, M8	
9	0760812	4	Bolt, M8X25	

SECTION 5 - DRIVETRAIN

FIGURE 5-119. FENDER INSTALLATION - 4017RS



ART_1001125414-A

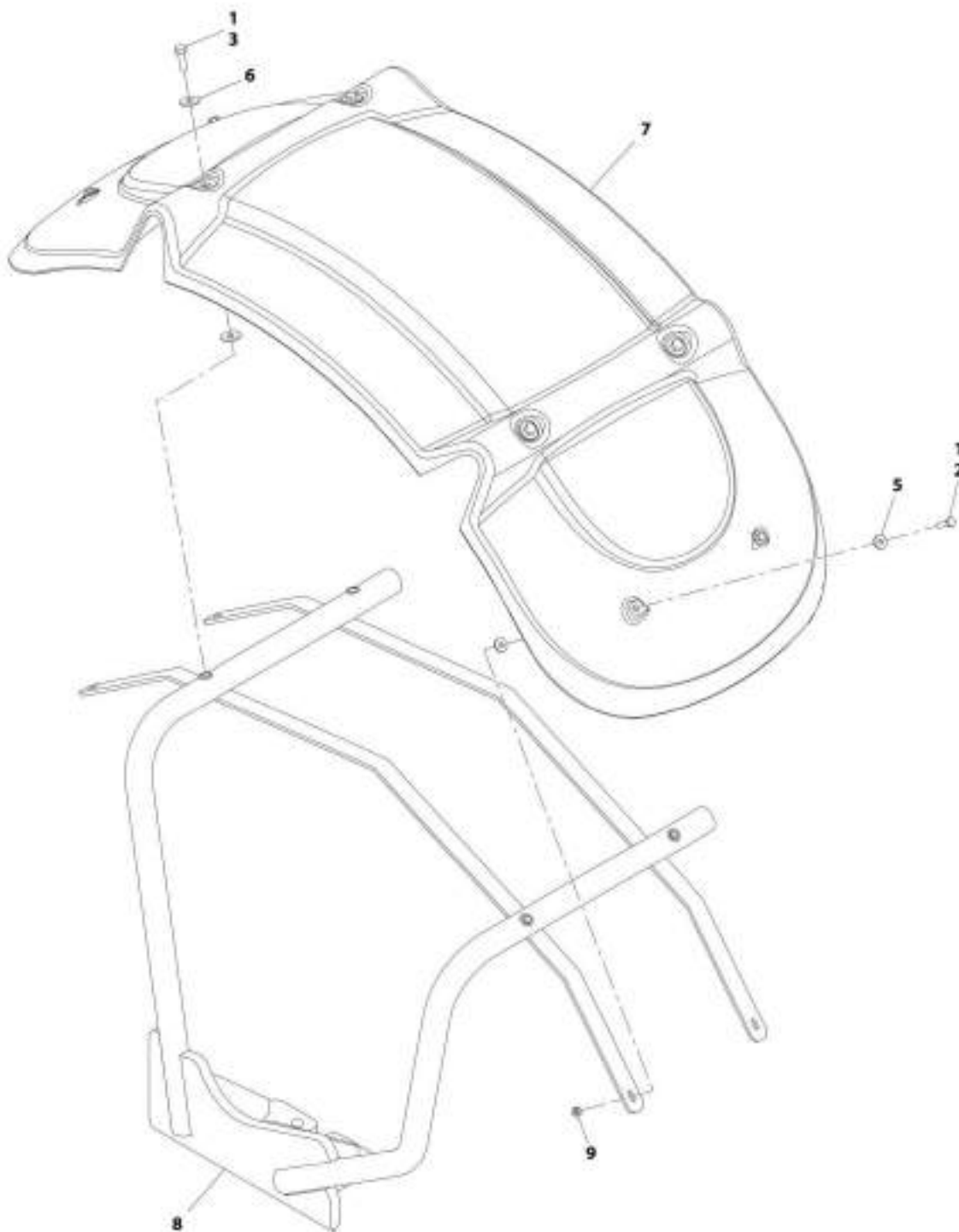
SECTION 5 - DRIVETRAIN

FIGURE 5-119. FENDER INSTALLATION - 4017RS

ITEM	PART NUMBER	QTY	DESCRIPTION	REV
	1001145414	Ref	Fender Installation - 4017RS	A
1	4812102	16	Washer, M12	
2	1001095650	AR	Compound, Locking	
3	1001151628	2	Assembly, RH Fender (See RH FENDER ASSEMBLY - 4017RS for Breakdown)	
4	1001153185	2	Assembly, LH Fender (See LH FENDER ASSEMBLY- 4017RS for Breakdown)	

SECTION 5 - DRIVETRAIN

FIGURE 5-120. RH FENDER ASSEMBLY - 4017RS



ARC_1001151628-E

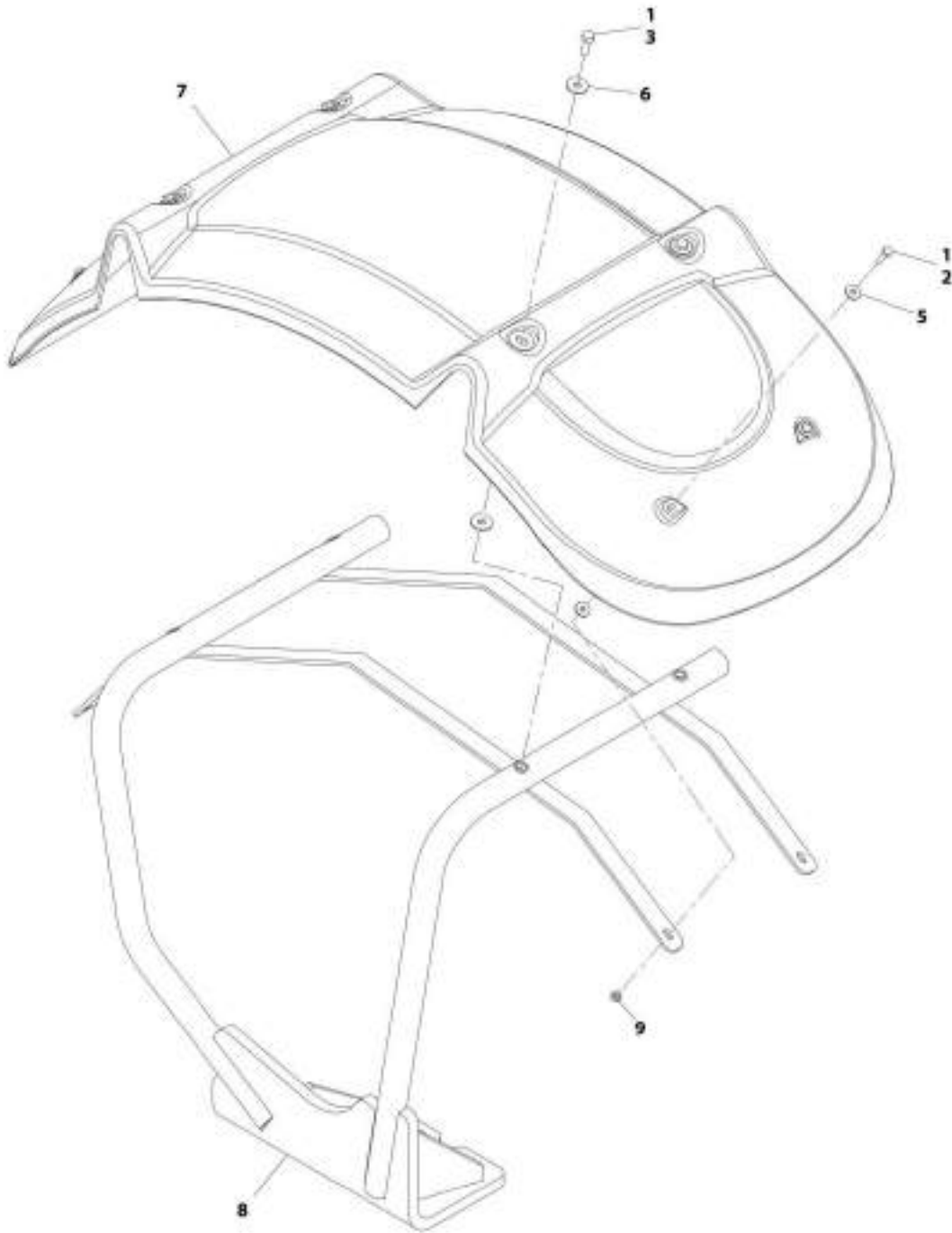
SECTION 5 - DRIVETRAIN

FIGURE 5-120. RH FENDER ASSEMBLY - 4017RS

ITEM	PART NUMBER	QTY	DESCRIPTION	REV
	1001151628	Ref	RH Fender Assembly - 4017RS	E
1	1001095650	AR	Compound, Locking	
2	0760612	4	Bolt, M6X25	
3	0760812	4	Bolt, M8X25	
5	4811702	8	Washer, M6	
6	4811902	8	Washer, M8	
7	1001100845	1	Fender	
8	1001164599	1	Bracket	
9	3290605	4	Nut, M6X1	

SECTION 5 - DRIVETRAIN

FIGURE 5-121. LH FENDER ASSEMBLY - 4017RS



ART. 3901153185-E

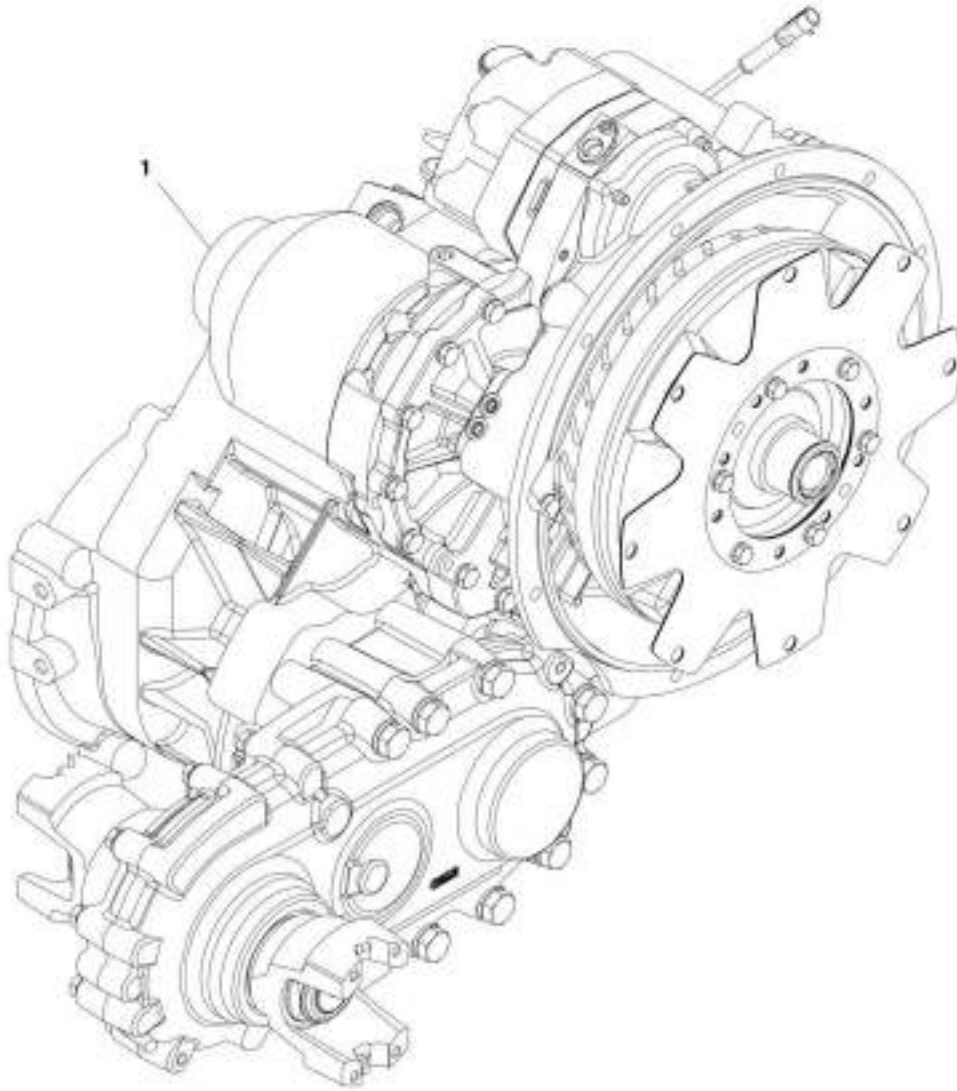
SECTION 5 - DRIVETRAIN

FIGURE 5-121. LH FENDER ASSEMBLY - 4017RS

ITEM	PART NUMBER	QTY	DESCRIPTION	REV
	1001153185	Ref	LH Fender Assembly - 4017RS	E
1	1001095650	AR	Compound, Locking	
2	0760612	4	Bolt, M6X25	
3	0760812	4	Bolt, M8X25	
5	4811702	8	Washer, M6	
6	4811902	8	Washer, M8	
7	1001100845	1	Fender	
8	1001167093	1	Bracket	
9	3290605	4	Nut, M6X1	

SECTION 5 - DRIVETRAIN

FIGURE 5-122. POWERSHIFT TRANSMISSION



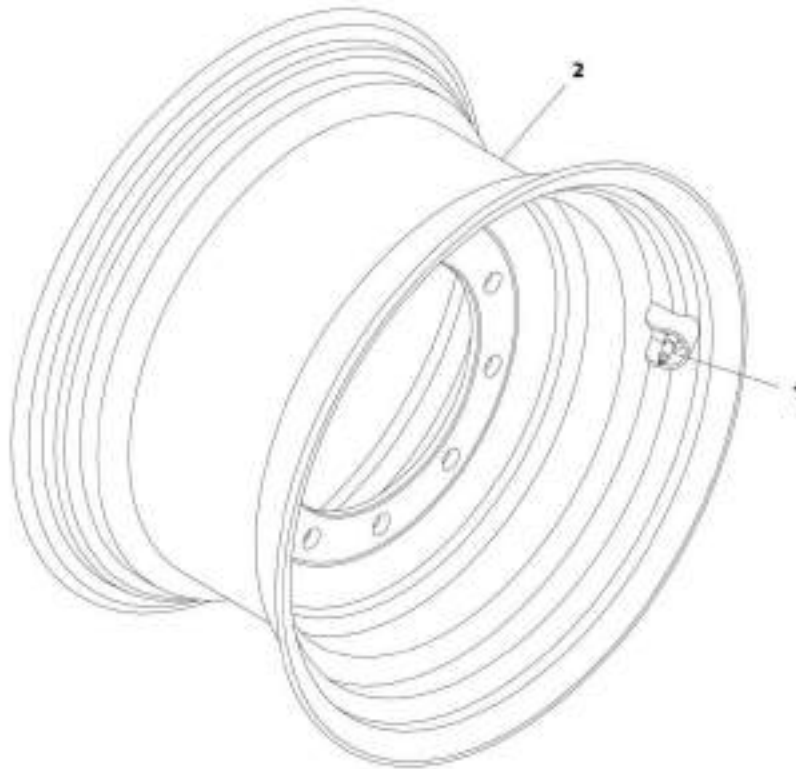
ART_100182001-A

FIGURE 5-122. POWERSHIFT TRANSMISSION

ITEM	PART NUMBER	QTY	DESCRIPTION	REV
	1001192001	Ref	Powershift Transmission	A

SECTION 5 - DRIVETRAIN

FIGURE 5-123. RH MITAS RIM ASSEMBLY - 3614RS



ART_1001212616-A

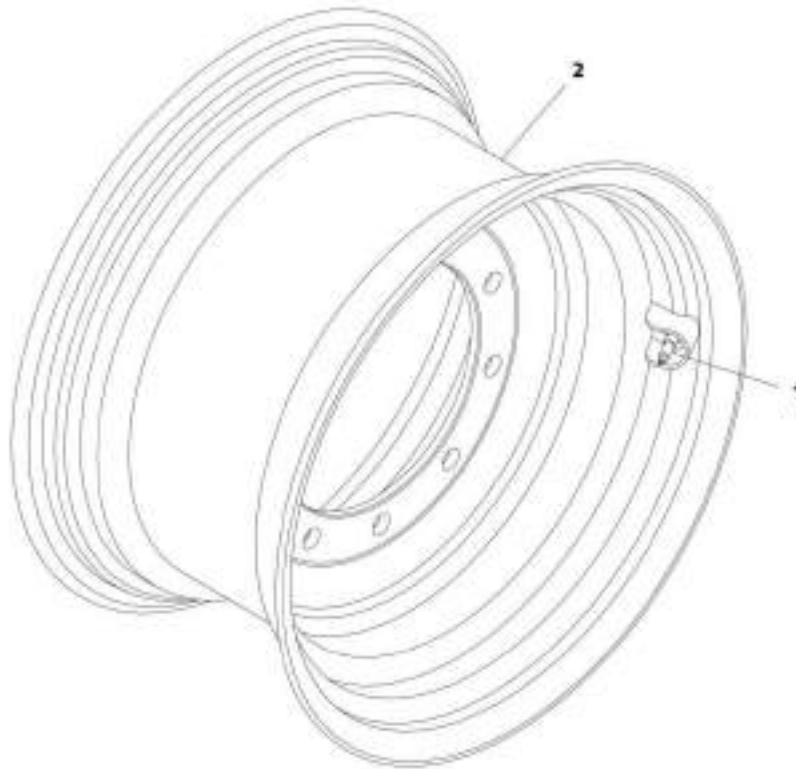
SECTION 5 - DRIVETRAIN

FIGURE 5-123. RH MITAS RIM ASSEMBLY - 3614RS

ITEM	PART NUMBER	QTY	DESCRIPTION	REV
	1001212636	Ref	RH Rim Assembly (Prior to SN 1160008000)	A
	1001217143	Ref	RH Rim Assembly (SN 1160008000 to Present)	B
1	1001008719	1	Valve	
2	1001142382J	1	Rim, (DW14LX24)	

SECTION 5 - DRIVETRAIN

FIGURE 5-124. LH MITAS RIM ASSEMBLY - 3614RS



ART_1001212657-A

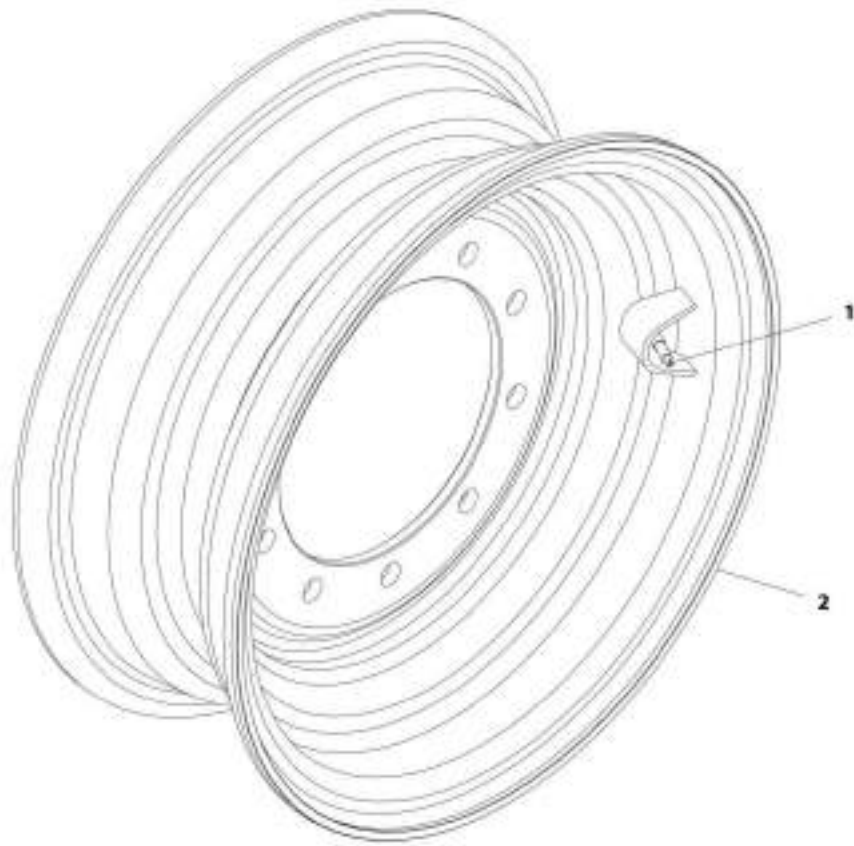
SECTION 5 - DRIVETRAIN

FIGURE 5-124. LH MITAS RIM ASSEMBLY - 3614RS

ITEM	PART NUMBER	QTY	DESCRIPTION	REV
	1001212637	Ref	LH Rim Assembly (Prior to SN 1160008000)	A
	1001217145	Ref	LH Rim Assembly (SN 1160008000 to Present)	B
1	1001008719	1	Valve	
2	1001142382J	1	Rim, (DW14LX24)	

SECTION 5 - DRIVETRAIN

FIGURE 5-125. RH MITAS RIM ASSEMBLY - 4017RS



MIT_1001212843-B

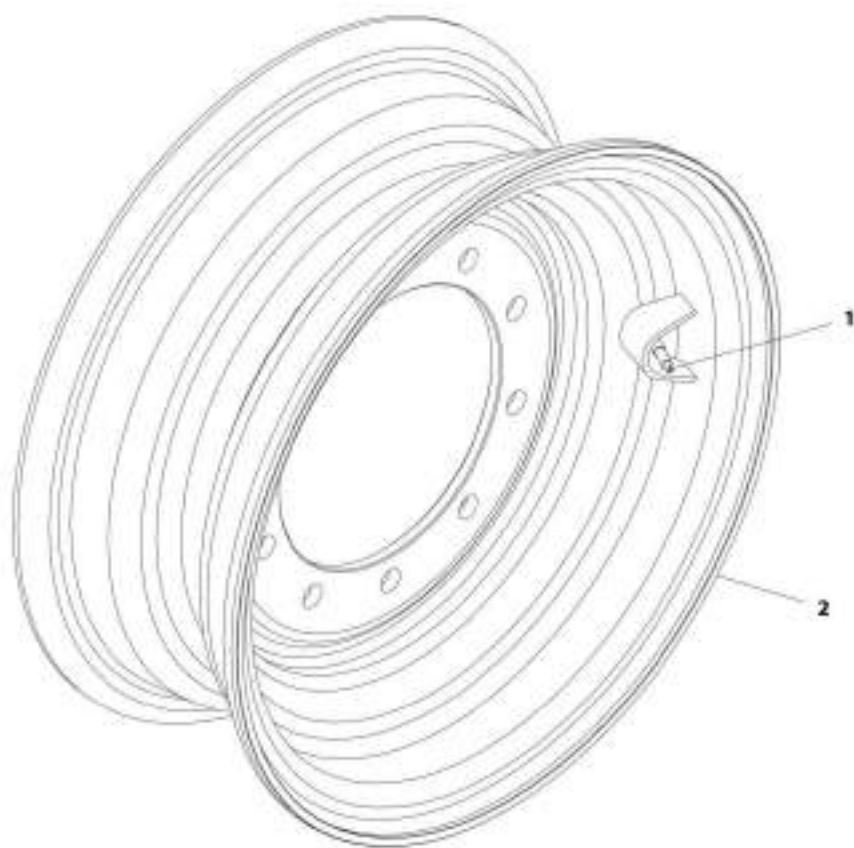
SECTION 5 - DRIVETRAIN

FIGURE 5-125. RH MITAS RIM ASSEMBLY - 4017RS

ITEM	PART NUMBER	QTY	DESCRIPTION	REV
	1001212643	Ref	RH Rim Assembly	B
1	1001008719	1	Valve	
2	1001142382J	1	Rim, (24X9)	

SECTION 5 - DRIVETRAIN

FIGURE 5-126. LH MITAS RIM ASSEMBLY - 4017RS



APP_1005212644-B

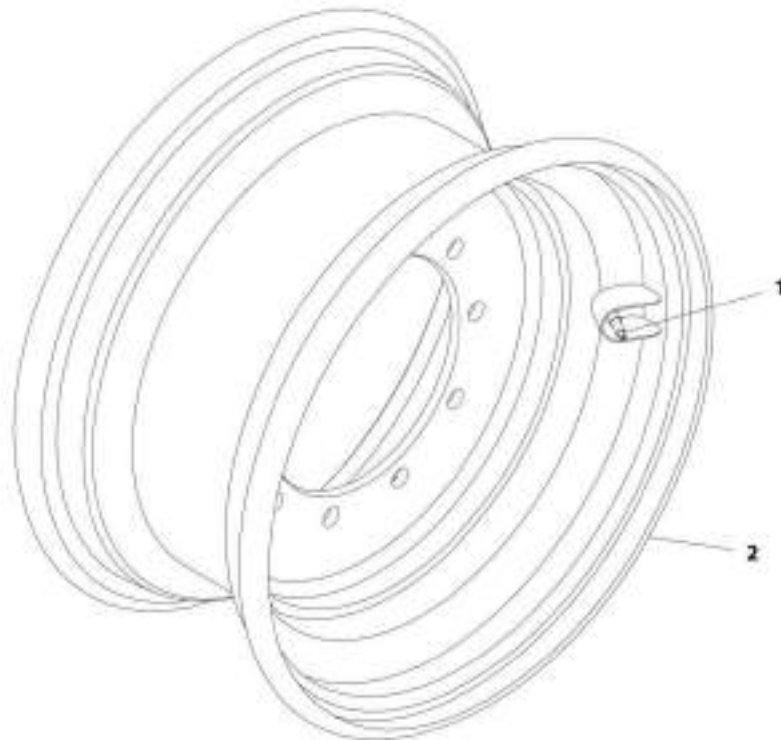
SECTION 5 - DRIVETRAIN

FIGURE 5-126. LH MITAS RIM ASSEMBLY - 4017RS

ITEM	PART NUMBER	QTY	DESCRIPTION	REV
	1001212644	Ref	LH Rim Assembly	B
1	1001008719	1	Valve	
2	1001142383J	1	Rim, (24X9)	

SECTION 5 - DRIVETRAIN

FIGURE 5-127. RH GOODYEAR RIM ASSEMBLY - 3614RS



ART_1001212640-B

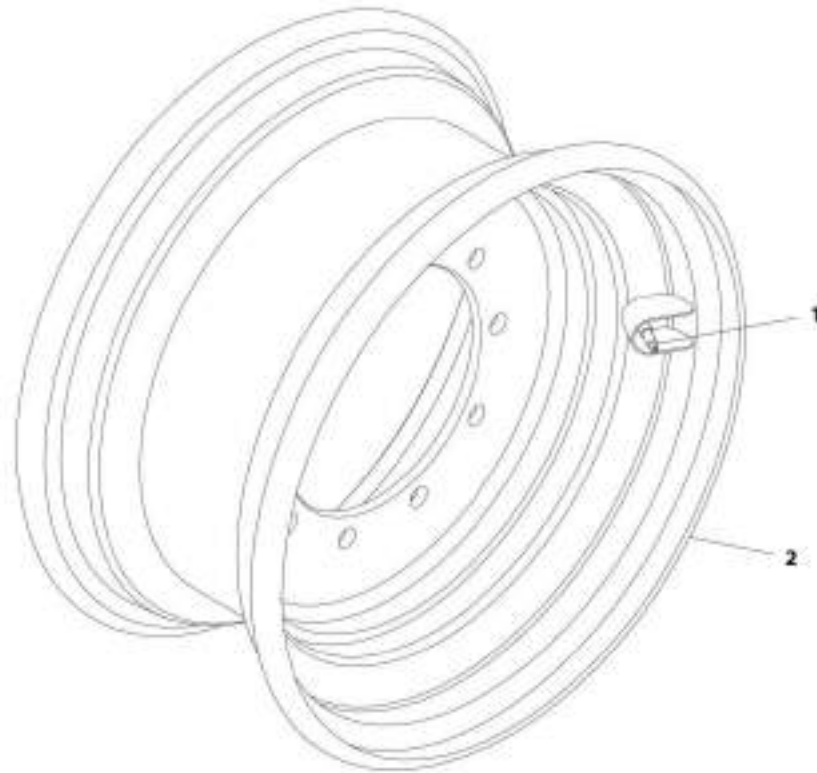
SECTION 5 - DRIVETRAIN

FIGURE 5-127. RH GOODYEAR RIM ASSEMBLY - 3614RS

ITEM	PART NUMBER	QTY	DESCRIPTION	REV
	1001212640	Ref	RH Rim Assembly	B
1	1001008719	1	Valve	
2	1001145380J	1	Rim, (12.00/1.3x25)	

SECTION 5 - DRIVETRAIN

FIGURE 5-128. LH GOODYEAR RIM ASSEMBLY - 3614RS



ART_1001212641-8

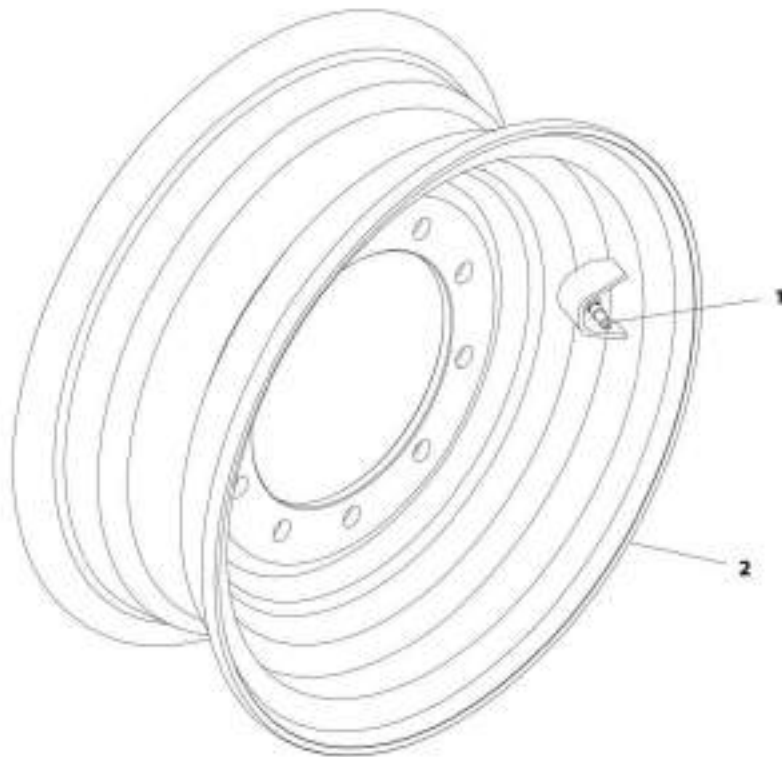
SECTION 5 - DRIVETRAIN

FIGURE 5-128. LH GOODYEAR RIM ASSEMBLY - 3614RS

ITEM	PART NUMBER	QTY	DESCRIPTION	REV
	1001212641	Ref	LH Rim Assembly	B
1	1001008719	1	Valve	
2	1001145380J	1	Rim, (12.00/1.3x25)	

SECTION 5 - DRIVETRAIN

FIGURE 5-129. RH GOODYEAR RIM ASSEMBLY - 4017RS



MIT_3901212645-B

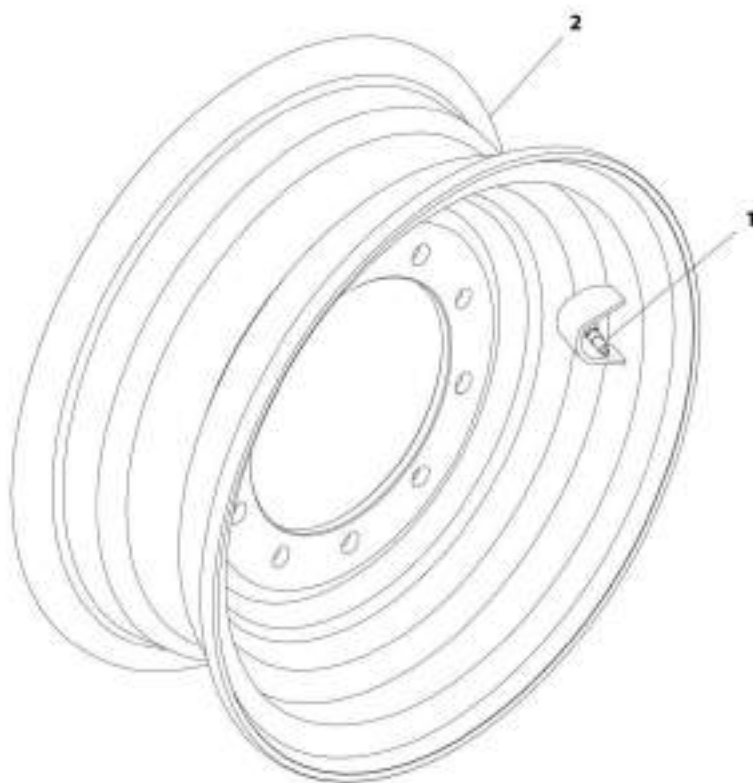
SECTION 5 - DRIVETRAIN

FIGURE 5-129. RH GOODYEAR RIM ASSEMBLY - 4017RS

ITEM	PART NUMBER	QTY	DESCRIPTION	REV
	1001212645	Ref	RH Rim Assembly	B
1	1001008719	1	Valve	
2	1001142383J	1	Rim, (24X9)	

SECTION 5 - DRIVETRAIN

FIGURE 5-130. LH GOODYEAR RIM ASSEMBLY - 4017RS



ART. 1301212640 B

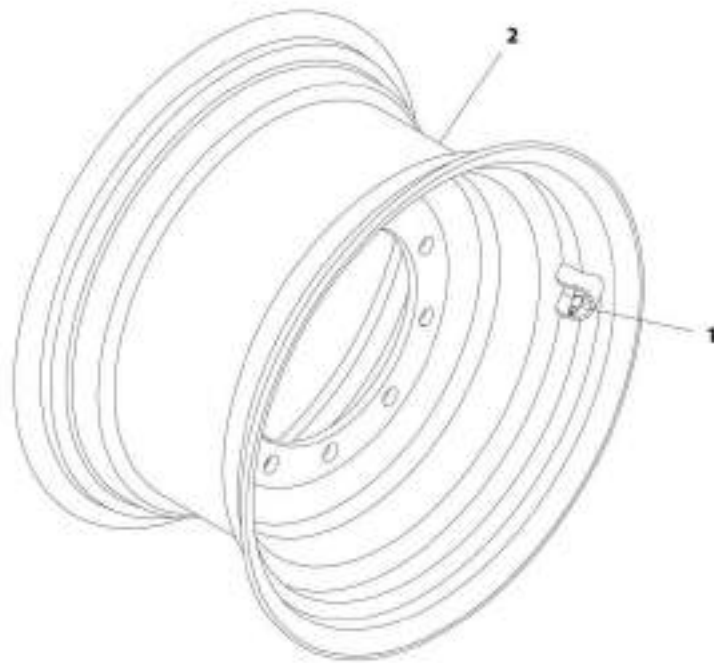
SECTION 5 - DRIVETRAIN

FIGURE 5-130. LH GOODYEAR RIM ASSEMBLY - 4017RS

ITEM	PART NUMBER	QTY	DESCRIPTION	REV
	1001212646	Ref	LH Rim Assembly	B
1	1001008719	1	Valve	
2	1001142383J	1	Rim, (24X9)	

SECTION 5 - DRIVETRAIN

FIGURE 5-131. RH MICHELIN RIM ASSEMBLY - 3614RS



ART. 1001212018-8

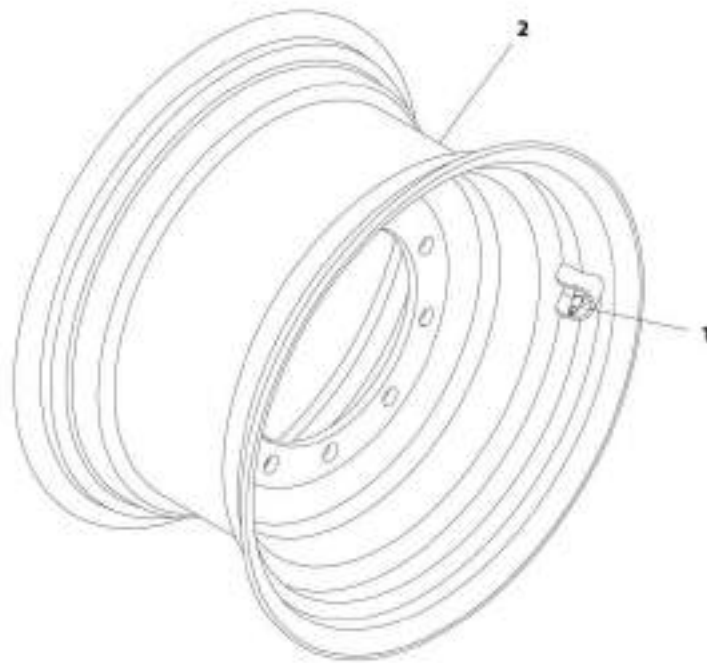
SECTION 5 - DRIVETRAIN

FIGURE 5-131. RH MICHELIN RIM ASSEMBLY - 3614RS

ITEM	PART NUMBER	QTY	DESCRIPTION	REV
	1001212638	Ref	RH Rim Assembly	B
1	1001008719	1	Valve	
2	1001142382J	1	Rim, (DW14L X 24)	

SECTION 5 - DRIVETRAIN

FIGURE 5-132. LH MICHELIN RIM ASSEMBLY - 3614RS



ART_3001213839-B

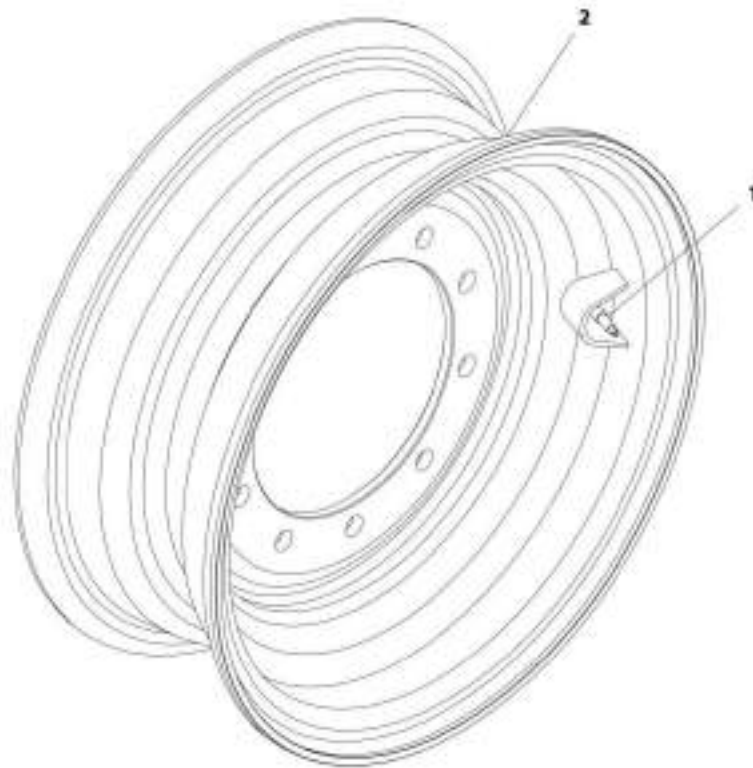
SECTION 5 - DRIVETRAIN

FIGURE 5-132. LH MICHELIN RIM ASSEMBLY - 3614RS

ITEM	PART NUMBER	QTY	DESCRIPTION	REV
	1001212639	Ref	LH Rim Assembly	B
1	1001008719	1	Valve	
2	1001142382J	1	Rim, (DW14LX24)	

SECTION 5 - DRIVETRAIN

FIGURE 5-133. RH/LH MICHELIN RIM ASSEMBLY - 4017RS



ART_3001212653-B

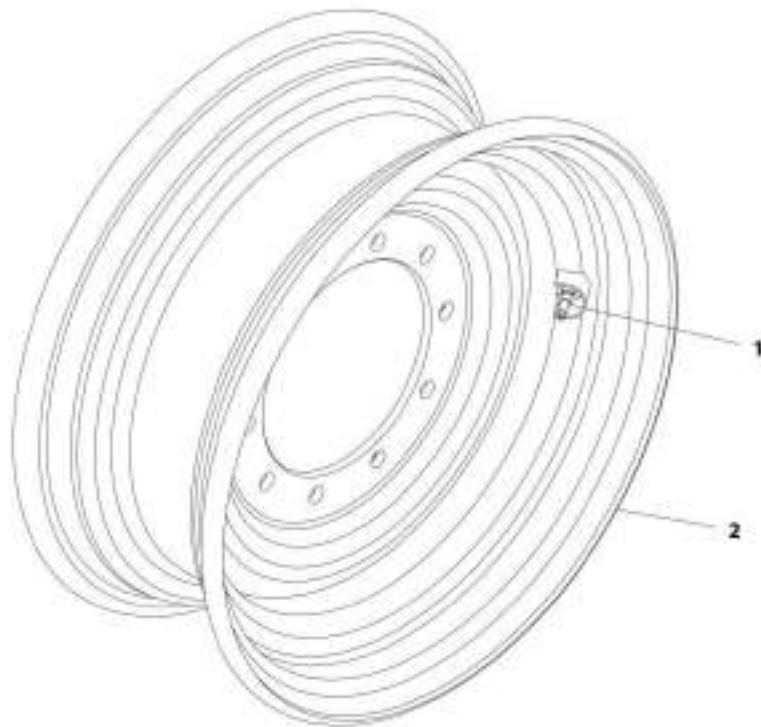
SECTION 5 - DRIVETRAIN

FIGURE 5-133. RH/LH MICHELIN RIM ASSEMBLY - 4017RS

ITEM	PART NUMBER	QTY	DESCRIPTION	REV
	1001212652	Ref	RH/LH Rim Assembly	B
1	1001008719	1	Valve	
2	1001142383J	1	Rim, (24X9)	

SECTION 5 - DRIVETRAIN

FIGURE 5-134. FIRESTONE RIM ASSEMBLY - 3614RS



REF_1001212642-A

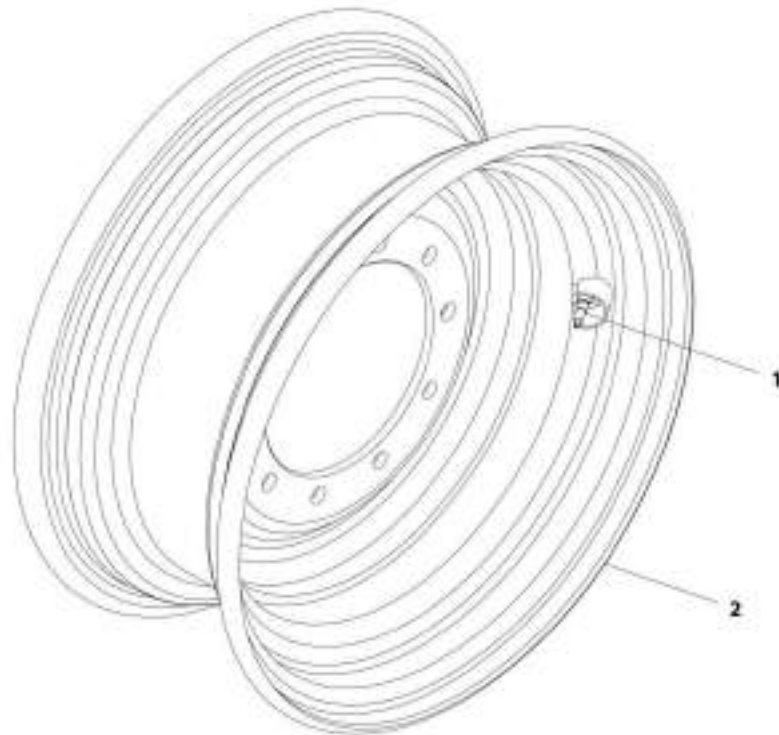
SECTION 5 - DRIVETRAIN

FIGURE 5-134. FIRESTONE RIM ASSEMBLY - 3614RS

ITEM	PART NUMBER	QTY	DESCRIPTION	REV
	1001212642	Ref	Rim Assembly	A
1	1001008719	1	Valve	
2	1001144744J	1	Rim, (28X11. 00 W/ .219OS)	

SECTION 5 - DRIVETRAIN

FIGURE 5-135. FIRESTONE RIM ASSEMBLY - 4017RS



ART_3001212647-A

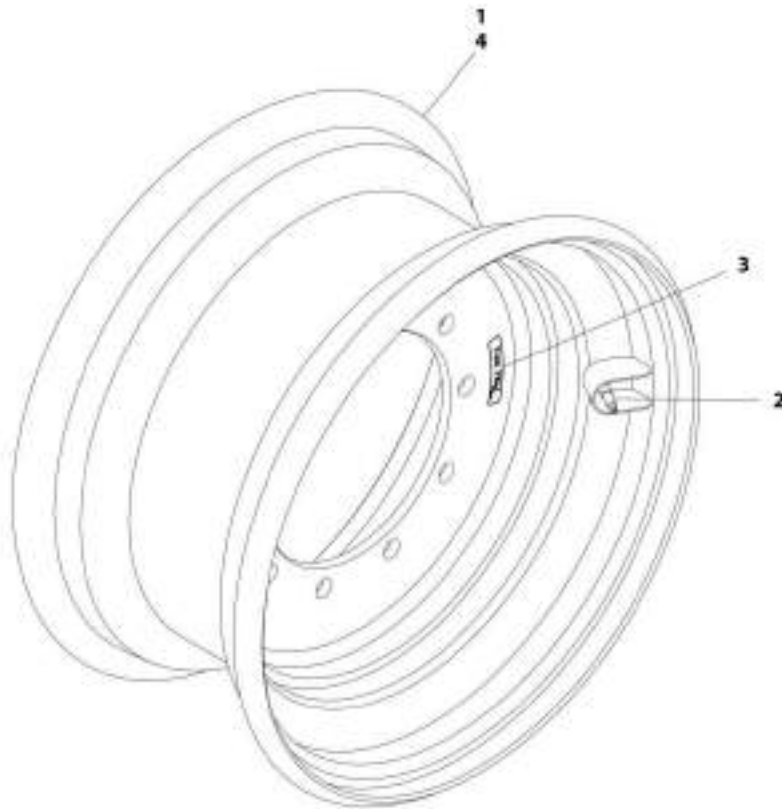
SECTION 5 - DRIVETRAIN

FIGURE 5-135. FIRESTONE RIM ASSEMBLY - 4017RS

ITEM	PART NUMBER	QTY	DESCRIPTION	REV
	1001212647	Ref	Rim Assembly	A
1	1001008719	1	Valve	
2	1001144745J	1	Rim, (28X12. 00 W/ 0.75 OS)	

SECTION 5 - DRIVETRAIN

FIGURE 5-136. RH FOAM RIM ASSEMBLY - 3614RS



AWT_1001212540 6

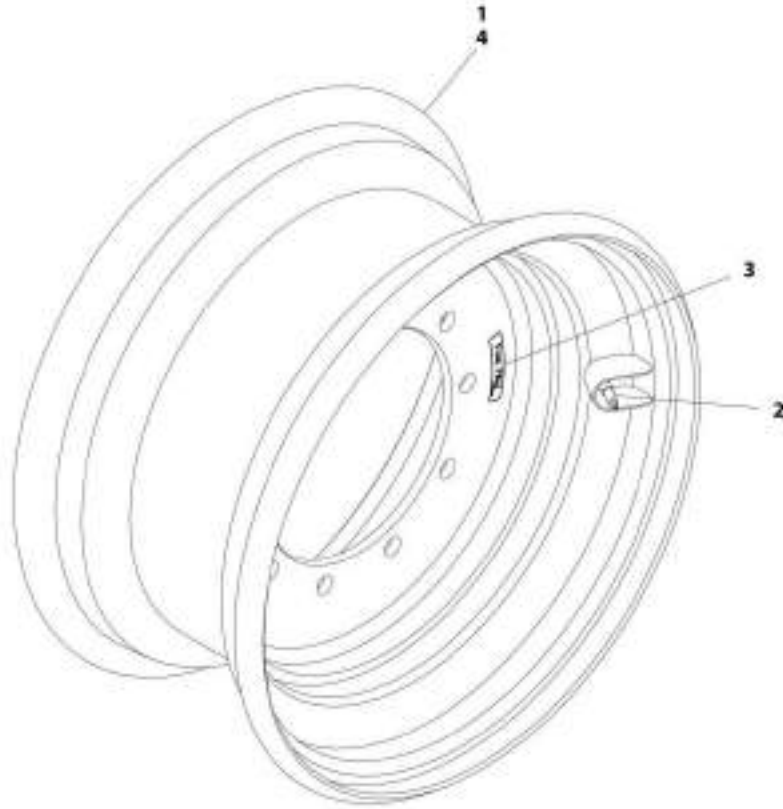
SECTION 5 - DRIVETRAIN

FIGURE 5-136. RH FOAM RIM ASSEMBLY - 3614RS

ITEM	PART NUMBER	QTY	DESCRIPTION	REV
	1001212648	Ref	RH Rim Assembly	B
1	1001004771	186 kg	Filler-Urethane	
2	1001008719	1	Valve	
3	1001152079	1	Label	
4	1001145380J	1	Rim, (12.00 /1.3X25)	

SECTION 5 - DRIVETRAIN

FIGURE 5-137. LH FOAM RIM ASSEMBLY - 3614RS



ART. 3001212649-8

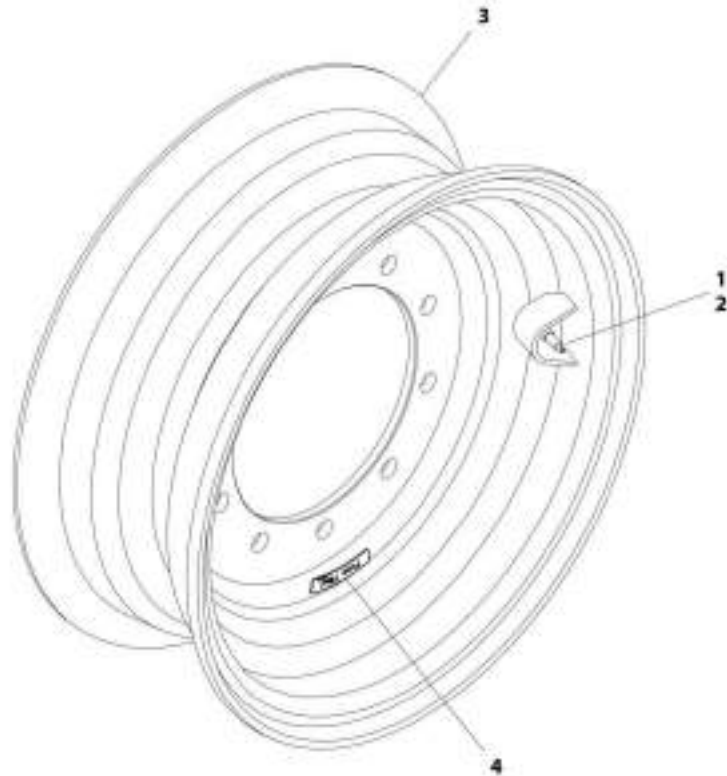
SECTION 5 - DRIVETRAIN

FIGURE 5-137. LH FOAM RIM ASSEMBLY - 3614RS

ITEM	PART NUMBER	QTY	DESCRIPTION	REV
	1001212649	Ref	LH Rim Assembly	B
1	1001004771	186 kg	Filler-Urethane	
2	1001008719	1	Valve	
3	1001152079	1	Label	
4	1001145380J	1	Rim, (12.00/1.3X25)	

SECTION 5 - DRIVETRAIN

FIGURE 5-138. RH FOAM RIM ASSEMBLY - 4017RS



ART_1801212650-B

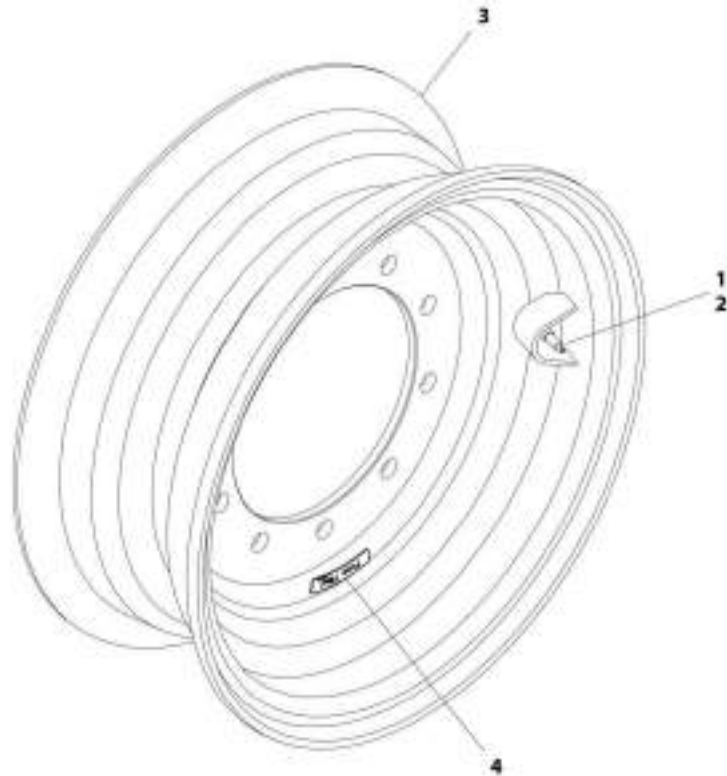
SECTION 5 - DRIVETRAIN

FIGURE 5-138. RH FOAM RIM ASSEMBLY - 4017RS

ITEM	PART NUMBER	QTY	DESCRIPTION	REV
	1001212650	Ref	RH Rim Assembly	B
1	1001004771	245 kg	Filler-Urethane	
2	1001008719	1	Valve	
3	1001142383J	1	Rim, (24X9)	
4	1001152079	1	Label	

SECTION 5 - DRIVETRAIN

FIGURE 5-139. LH FOAM RIM ASSEMBLY - 4017RS



ART.1901212651-B

SECTION 5 - DRIVETRAIN

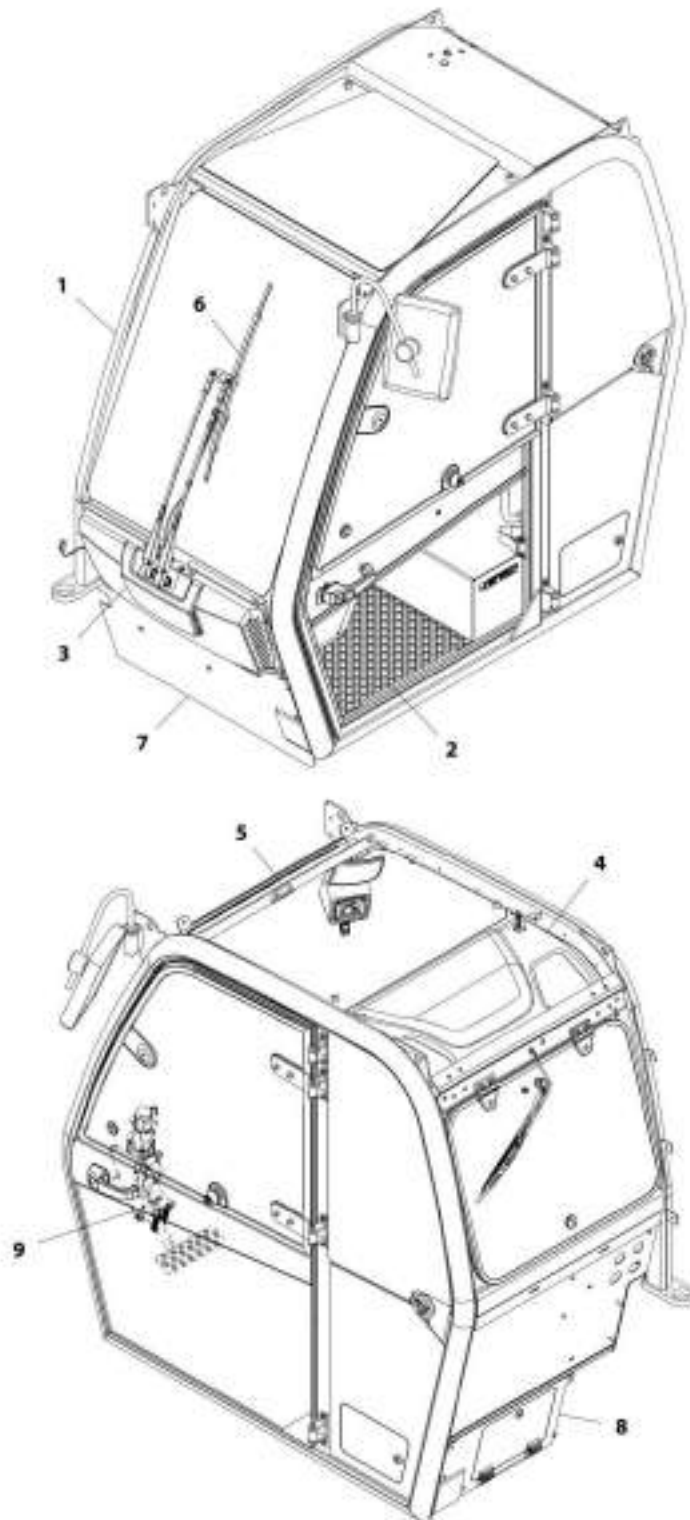
FIGURE 5-139. LH FOAM RIM ASSEMBLY - 4017RS

ITEM	PART NUMBER	QTY	DESCRIPTION	REV
	1001212651	Ref	LH Rim Assembly	B
1	1001004771	245 kg	Filler-Urethane	
2	1001008719	1	Valve	
3	1001142383J	1	Rim, (24X9)	
4	1001152079	1	Label	

SECTION 6 - CAB

SECTION 6 - CAB

FIGURE 6-1. CAB INSTALLATION (FNR LEVER) (Prior to SN E160000141, Excluding E160000120, E160000126, 1160008774, 1160008775 and 1160008777)



ART_100117630-C

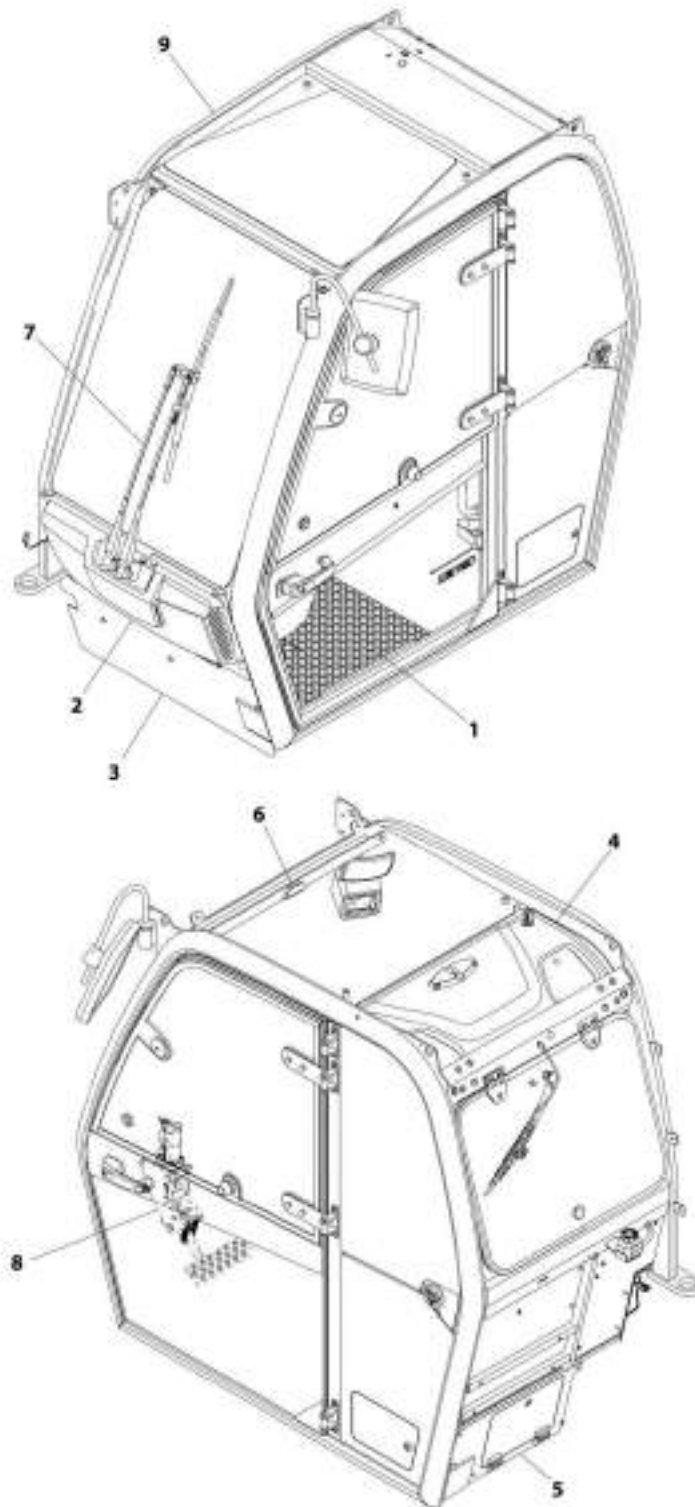
SECTION 6 - CAB

FIGURE 6-1. CAB INSTALLATION (FNR LEVER) (Prior to SN E160000141, Excluding E160000120, E160000126, 1160008774, 1160008775 and 1160008777)

ITEM	PART NUMBER	QTY	DESCRIPTION	REV
	1001137630	Ref	Cab Installation (FNR Lever)	C
1	1001137631	Ref	Cab (FNR Lever), (See CAB (FNR LEVER) for Breakdown)	
2	1001139746	1	Mat, Floor	
3	1001142194	Ref	Assembly, Front Cover (See FRONT COVER ASSEMBLY for Breakdown)	
4	1001146587	Ref	Installation, Headliner (See HEADLINER INSTALLATION for Breakdown)	
5	1001006269	1	Indicator, Level	
6	1001168812	Ref	Installation, Front Wiper (See FRONT WIPER INSTALLATION for Breakdown)	
7	1001142968	Ref	Installation, Front Panel (See FRONT PANEL INSTALLATION for Breakdown)	
8	1001148112	Ref	Installation, Cover Panel (See COVER PANEL INSTALLATION for Breakdown)	
9	1001139977	Ref	Installation, Brake Pedal (See CONTROLS SECTION for Breakdown)	

SECTION 6 - CAB

FIGURE 6-2. CAB INSTALLATION (FNR LEVER) (SN E160000141 to Present, Including E160000120, E160000126, 1160008774, 1160008775 and 1160008777)



AWT_3001241044-A

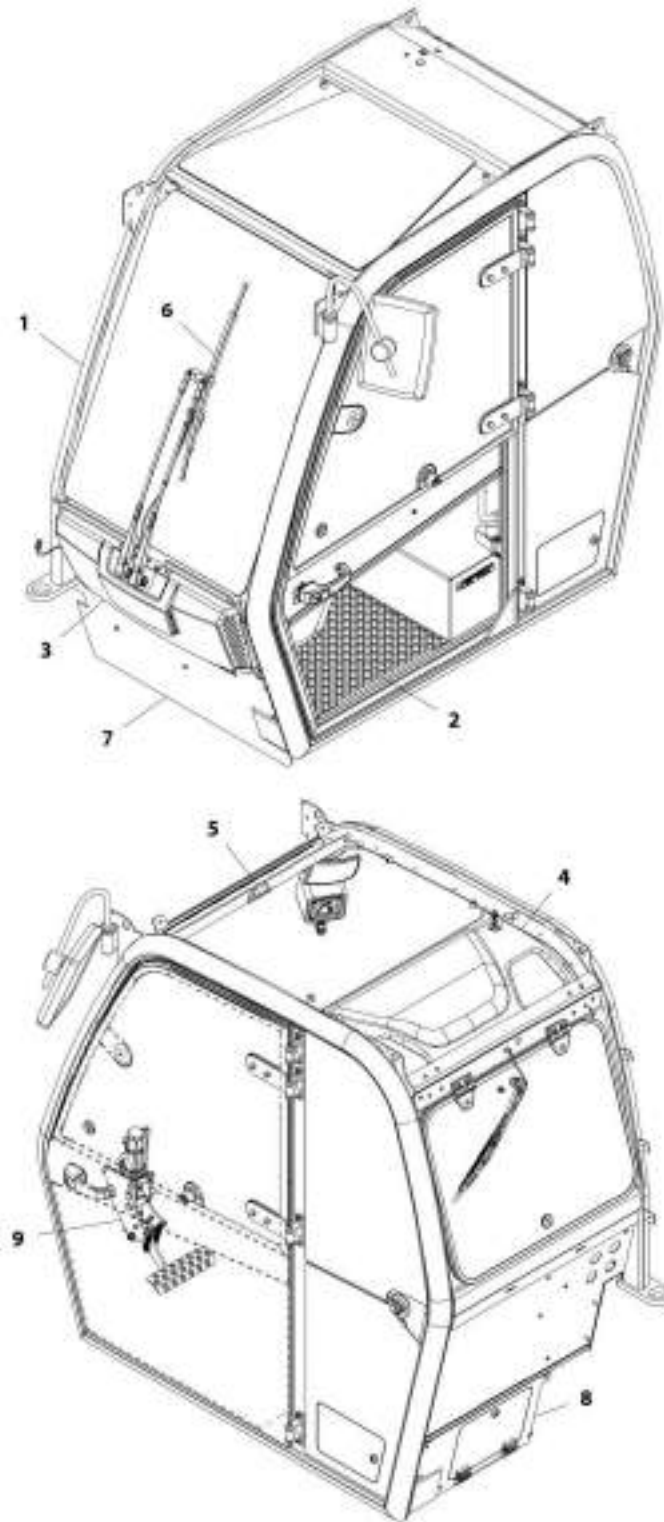
SECTION 6 - CAB

FIGURE 6-2. CAB INSTALLATION (FNR LEVER) (SN E160000141 to Present, Including E160000120, E160000126, 1160008774, 1160008775 and 1160008777)

ITEM	PART NUMBER	QTY	DESCRIPTION	REV
	1001241944	Ref	Cab Installation (FNR Lever)	A
1	1001139746	1	Floor Mat	
2	1001142194	Ref	Assembly, Front Cover (See Separate Breakdown in this Section)	
3	1001142968	Ref	Installation, Front Panel (See Separate Breakdown in this Section)	
4	1001237156	Ref	Installation, Headliner (See Separate Breakdown in this Section)	
5	1001148112	Ref	Installation, Cover Panel (See Separate Breakdown in this Section)	
6	8466306	1	Indicator, Level	
7	1001168812	Ref	Installation, Front Wiper (See Separate Breakdown in this Section)	
8	1001206068	Ref	Installation, Brake Pedal (See Separate Breakdown in Control Section)	
9	1001241942	Ref	Cab (FNR Lever) (See Separate Breakdown in this Section)	

SECTION 6 - CAB

FIGURE 6-3. CAB INSTALLATION (NO FNR LEVER) (Prior to SN E160000141, Excluding E160000120, E160000126, 1160008774, 1160008775 and 1160008777)



ART_100114264-C

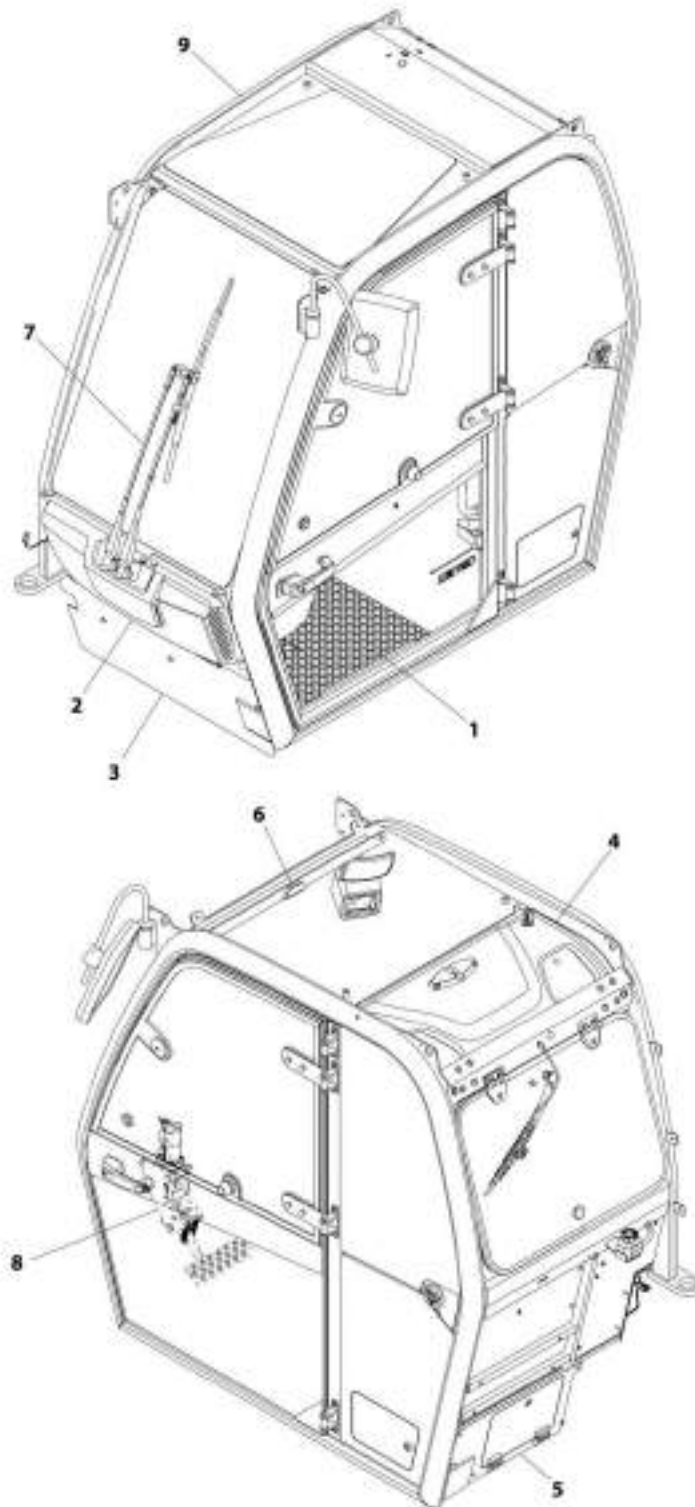
SECTION 6 - CAB

FIGURE 6-3. CAB INSTALLATION (NO FNR LEVER) (Prior to SN E160000141, Excluding E160000120, E160000126, 1160008774, 1160008775 and 1160008777)

ITEM	PART NUMBER	QTY	DESCRIPTION	REV
	1001144264	Ref	Cab Installation (no FNR Lever)	C
1	1001146748	Ref	Cab (no FNR Lever), (See CAB (NO FNR LEVER) for Breakdown)	
2	1001139746	1	Mat, Floor	
3	1001142194	Ref	Assembly, Front Cover (See FRONT COVER ASSEMBLY for Breakdown)	
4	1001146587	Ref	Installation, Headliner (See HEADLINER INSTALLATION for Breakdown)	
5	1001006269	1	Indicator, Level	
6	1001168812	Ref	Installation, Front Wiper (See FRONT WIPER INSTALLATION for Breakdown)	
7	1001142968	Ref	Installation, Front Panel (See FRONT PANEL INSTALLATION for Breakdown)	
8	1001148112	Ref	Installation, Cover Panel (See COVER PANEL INSTALLATION for Breakdown)	
9	1001139977	Ref	Installation, Brake Pedal (See CONTROLS SECTION for Breakdown)	

SECTION 6 - CAB

FIGURE 6-4. CAB INSTALLATION (NO FNR LEVER) (SN E160000141 to Present, Including E160000120, E160000126, 1160008774, 1160008775 and 1160008777)



AWT_3001241045-A

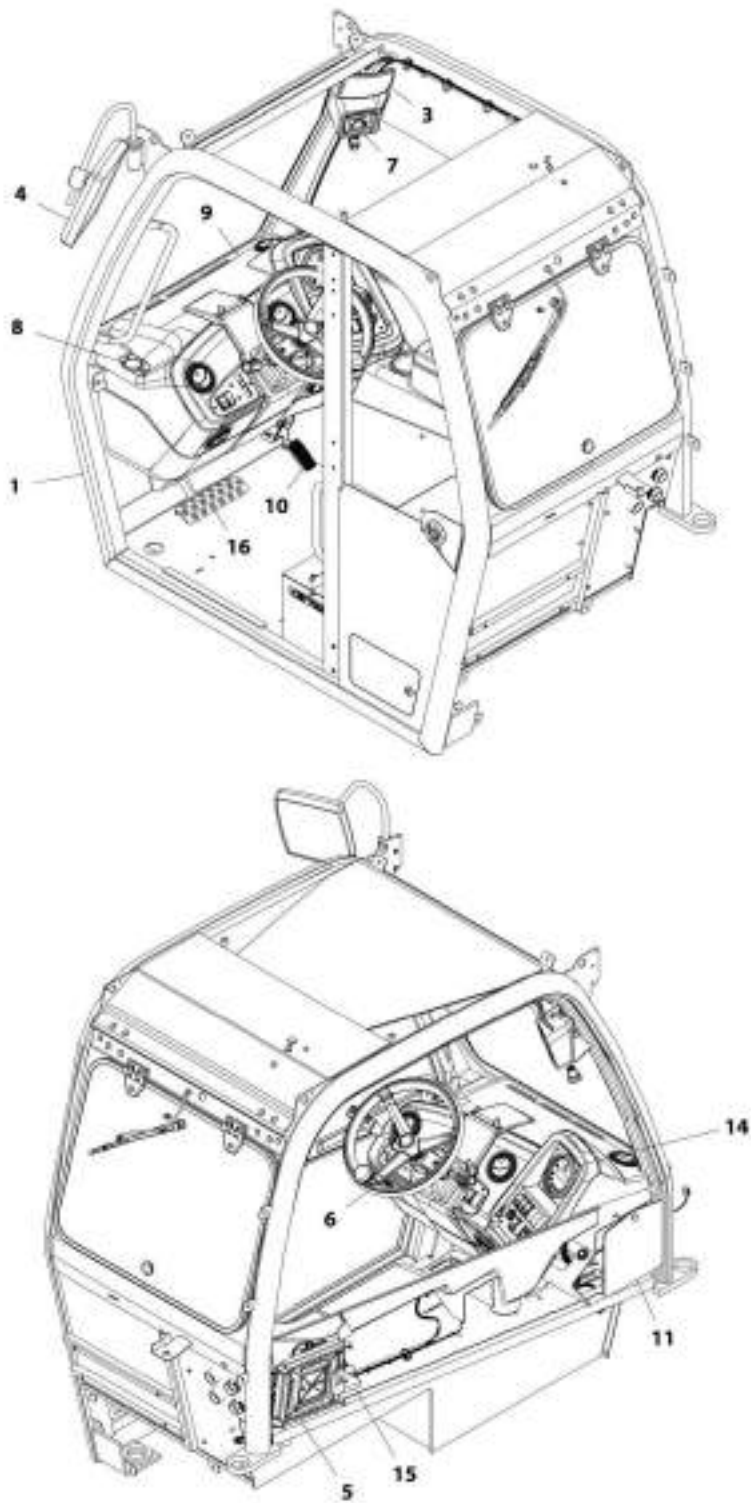
SECTION 6 - CAB

FIGURE 6-4. CAB INSTALLATION (NO FNR LEVER) (SN E160000141 to Present, Including E160000120, E160000126, 1160008774, 1160008775 and 1160008777)

ITEM	PART NUMBER	QTY	DESCRIPTION	REV
	1001241945	Ref	Cab Installation (No FNR Lever)	A
1	1001139746	1	Mat, Floor	
2	1001142194	Ref	Assembly, Front Cover (See FRONT COVER ASSEMBLY for Breakdown)	
3	1001142968	Ref	Installation, Front Panel (See FRONT PANEL INSTALLATION for Breakdown)	
4	1001237156	Ref	Installation, Headliner (See HEADLINER INSTALLATION for Breakdown)	
5	1001148112	Ref	Installation, Cover Panel (See COVER PANEL INSTALLATION for Breakdown)	
6	8466306	1	Indicator, Level	
7	1001168812	Ref	Installation, Front Wiper (See FRONT WIPER INSTALLATION for Breakdown)	
8	1001206068	Ref	Installation, Brake Pedal (See CONTROLS SECTION for Breakdown)	
9	1001241943	Ref	Cab (no FNR Lever), (See CAB (NO FNR LEVER) for Breakdown)	

SECTION 6 - CAB

FIGURE 6-5. CAB (FNR LEVER) (Prior to SN E160000141, Excluding E160000120, E160000126, 1160008774, 1160008775 and 1160008777)



AWT_3001137631-X

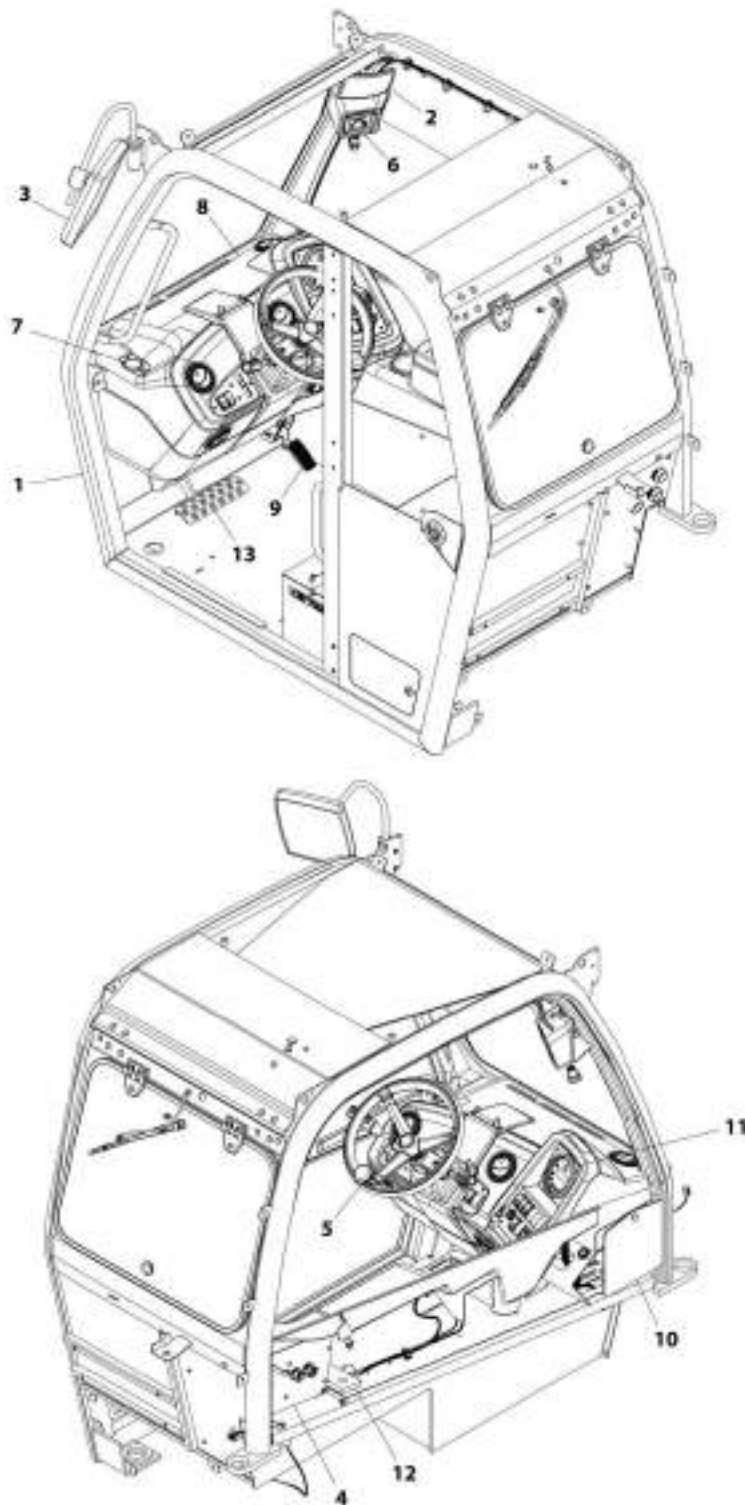
SECTION 6 - CAB

FIGURE 6-5. CAB (FNR LEVER) (Prior to SN E160000141, Excluding E160000120, E160000126, 1160008774, 1160008775 and 1160008777)

ITEM	PART NUMBER	QTY	DESCRIPTION	REV
	1001137631	1	Cab (FNR Lever)	X
1	1001137632	Ref	Assembly, Cab (See CAB ASSEMBLY for Breakdown) (Prior to SN E160000141, Excluding E160000120, E160000126, 1160008774, 1160008775 and 1160008777)	
1	1001242555	Ref	Assembly, Cab (See CAB ASSEMBLY for Breakdown) (SN E160000141 to Present, Including E160000120, E160000126, 1160008774, 1160008775 and 1160008777)	
3	1001139724	Ref	Mirror, Interior (See INTERIOR MIRROR for Breakdown)	
4	1001139220	Ref	Installation, Mirror (See MIRROR INSTALLATION for Breakdown)	
5	1001138199	Ref	Installation, Cab Wiring (See ELECTRICAL SECTION for Breakdown)	
6	1001139769	Ref	Installation, Steering Column (See CONTROLS SECTION for Breakdown)	
7	1001145867	Ref	Installation, LSI (See ELECTRICAL SECTION for Breakdown)	
8	1001141155	Ref	Installation, Front Wiper (See FRONT WIPER INSTALLATION for Breakdown)	
9	1001142093	Ref	Installation, Trim (See TRIM INSTALLATION for Breakdown)	
10	1001145317	Ref	Installation, Accelerator Pedal (See CONTROLS SECTION for Breakdown)	
11	1001148508	Ref	Installation, Cover Panel (See COVER PANEL INSTALLATION for Breakdown)	
14	1001148541	Ref	Installation, Dash Electrics (See ELECTRICAL SECTION for Breakdown)	
15	1001163111	Ref	Installation, Gasket (See GASKET INSTALLATION for Breakdown)	
16	1001185594	Ref	Installation, Brake Pedal Prep (See CONTROLS SECTION for Breakdown)	

SECTION 6 - CAB

FIGURE 6-6. CAB (FNR LEVER) (SN E160000141 to Present, Including E160000120, E160000126, 1160008774, 1160008775 and 1160008777)



AWT_3001241942-A

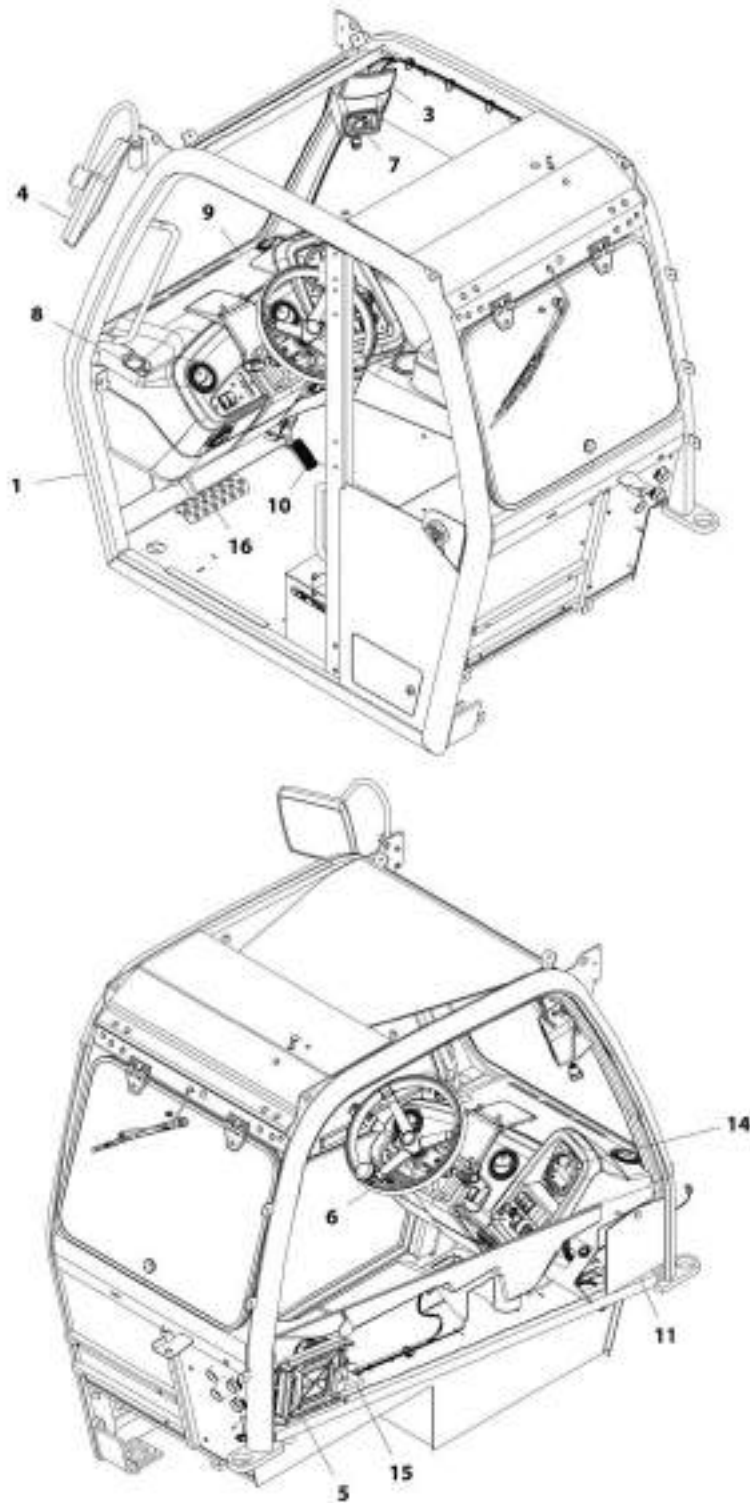
SECTION 6 - CAB

FIGURE 6-6. CAB (FNR LEVER) (SN E160000141 to Present, Including E160000120, E160000126, 1160008774, 1160008775 and 1160008777)

ITEM	PART NUMBER	QTY	DESCRIPTION	REV
	1001241942	Ref	Cab (FNR Lever)	A
1	1001242555	Ref	Assembly, Cab (See Separate Breakdown in this Section)	
2	1001139724	Ref	Mirror, Interior (See Separate Breakdown in this Section)	
3	1001139220	Ref	Installation, Mirror (See Separate Breakdown in this Section)	
4	1001237861	Ref	Installation, Cab Wiring (See Separate Breakdown in Electrical Section)	
5	1001212939	Ref	Installation, Steering Column (See Separate Breakdown in Controls Section)	
6	1001145867	Ref	Installation, LSI (See Separate Breakdown in Electrical Section)	
7	1001141155	Ref	Installation, Front Wiper (See Separate Breakdown in this Section)	
8	1001241676	Ref	Installation, Trim (See Separate Breakdown in this Section)	
9	1001145317	Ref	Installation, Accelerator Pedal (See Separate Breakdown in Controls Section)	
10	1001148508	Ref	Installation, Cover Panel (See Separate Breakdown in this Section)	
11	1001241832	Ref	Installation, Dash Electrical (See Separate Breakdown in Electrical Section)	
12	1001163111	Ref	Installation, Gasket (See Separate Breakdown in this Section)	
13	1001211860	Ref	Installation, Brake Pedal (See Separate Breakdown in Controls Section)	

SECTION 6 - CAB

FIGURE 6-7. CAB (NO FNR LEVER) (Prior to SN E160000141, Excluding E160000120, E160000126, 1160008774, 1160008775 and 1160008777)



ART_1001146746-X

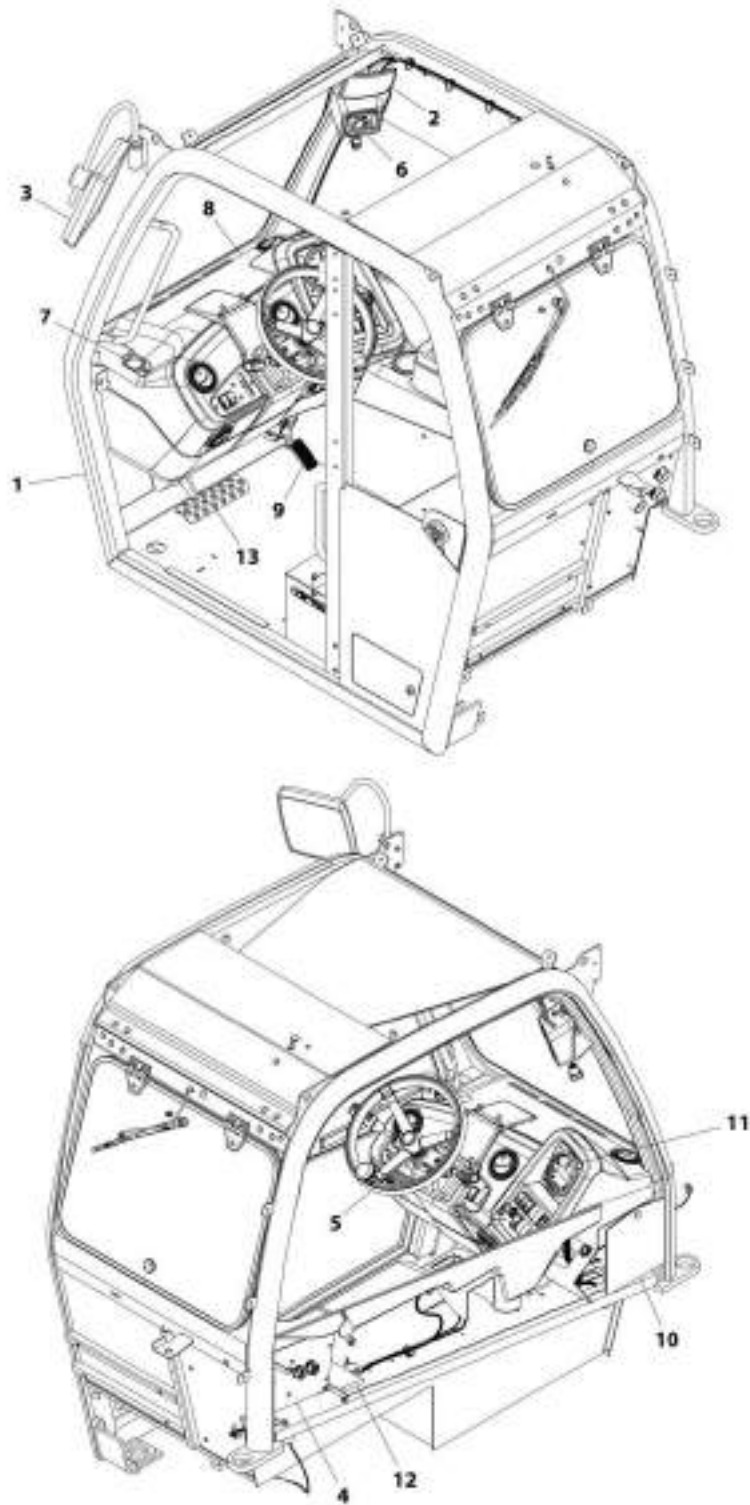
SECTION 6 - CAB

FIGURE 6-7. CAB (NO FNR LEVER) (Prior to SN E160000141, Excluding E160000120, E160000126, 1160008774, 1160008775 and 1160008777)

ITEM	PART NUMBER	QTY	DESCRIPTION	REV
	1001146748	1	Cab (No FNR Lever)	X
1	1001137632	Ref	Assembly, Cab (See CAB ASSEMBLY for Breakdown)	
3	1001139724	Ref	Mirror, Interior (See INTERIOR MIRROR for Breakdown)	
4	1001139220	Ref	Installation, Mirror (See MIRROR INSTALLATION for Breakdown)	
5	1001138199	Ref	Installation, Cab Wiring (See ELECTRICAL SECTION for Breakdown)	
6	1001146584	Ref	Installation, Steering Column (See CONTROLS SECTION for Breakdown)	
7	1001145867	Ref	Installation, LSI (See ELECTRICAL SECTION for Breakdown)	
8	1001141155	Ref	Installation, Front Wiper (See FRONT WIPER INSTALLATION for Breakdown)	
9	1001142093	Ref	Installation, Trim (See TRIM INSTALLATION for Breakdown)	
10	1001145317	Ref	Installation, Accelerator Pedal (See CONTROLS SECTION for Breakdown)	
11	1001148508	Ref	Installation, Cover Panel (See COVER PANEL INSTALLATION for Breakdown)	
14	1001148541	Ref	Installation, Dash Electrics (See ELECTRICAL SECTION for Breakdown)	
15	1001163111	Ref	Installation, Gasket (See GASKET INSTALLATION for Breakdown)	
16	1001185594	Ref	Installation, Brake Pedal Prep, (See CONTROLS SECTION for Breakdown)	

SECTION 6 - CAB

FIGURE 6-8. CAB (NO FNR LEVER) (SN E160000141 to Present, Including E160000120, E160000126, 1160008774, 1160008775 and 1160008777)



ARR_1001341943-A

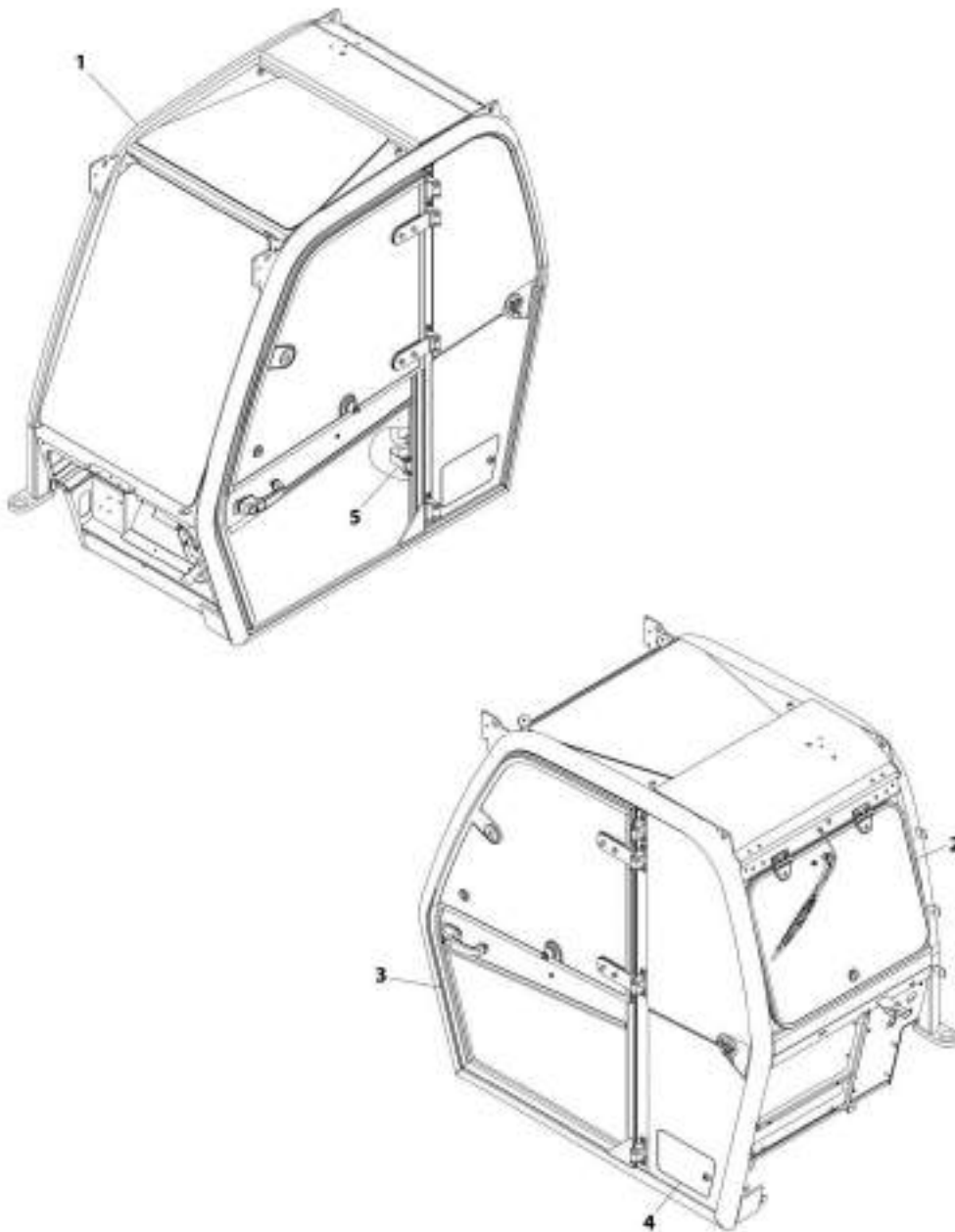
SECTION 6 - CAB

FIGURE 6-8. CAB (NO FNR LEVER) (SN E160000141 to Present, Including E160000120, E160000126, 1160008774, 1160008775 and 1160008777)

ITEM	PART NUMBER	QTY	DESCRIPTION	REV
	1001241943	Ref	Cab (No FNR Lever)	A
1	1001242555	Ref	Assembly, Cab (See Separate Breakdown in this Section)	
2	1001139724	Ref	Mirror, Interior (See Separate Breakdown in this Section)	
3	1001139220	Ref	Installation, Mirror (See Separate Breakdown in this Section)	
4	1001237861	Ref	Installation, Cab Wiring (See Separate Breakdown in Electrical Section)	
5	1001212940	Ref	Installation, Steering Column (See Separate Breakdown in Controls Section)	
6	1001145867	Ref	Installation, LSI (See Separate Breakdown in Electrical Section)	
7	1001141155	Ref	Installation, Front Wiper (See Separate Breakdown in this Section)	
8	1001241676	Ref	Installation, Trim (See Separate Breakdown in this Section)	
9	1001145317	Ref	Installation, Accelerator Pedal (See Separate Breakdown in Controls Section)	
10	1001148508	Ref	Installation, Cover Panel (See Separate Breakdown in this Section)	
11	1001241832	Ref	Installation, Dash Electrical (See Separate Breakdown in Electrical Section)	
12	1001163111	Ref	Installation, Gasket (See Separate Breakdown in this Section)	
13	1001211860	Ref	Installation, Brake Pedal (See Separate Breakdown in Controls Section)	

SECTION 6 - CAB

FIGURE 6-9. CAB ASSEMBLY (Prior to SN E160000141, Excluding E160000120, E160000126, 1160008774, 1160008775 and 1160008777)



ARE_1001137652-G

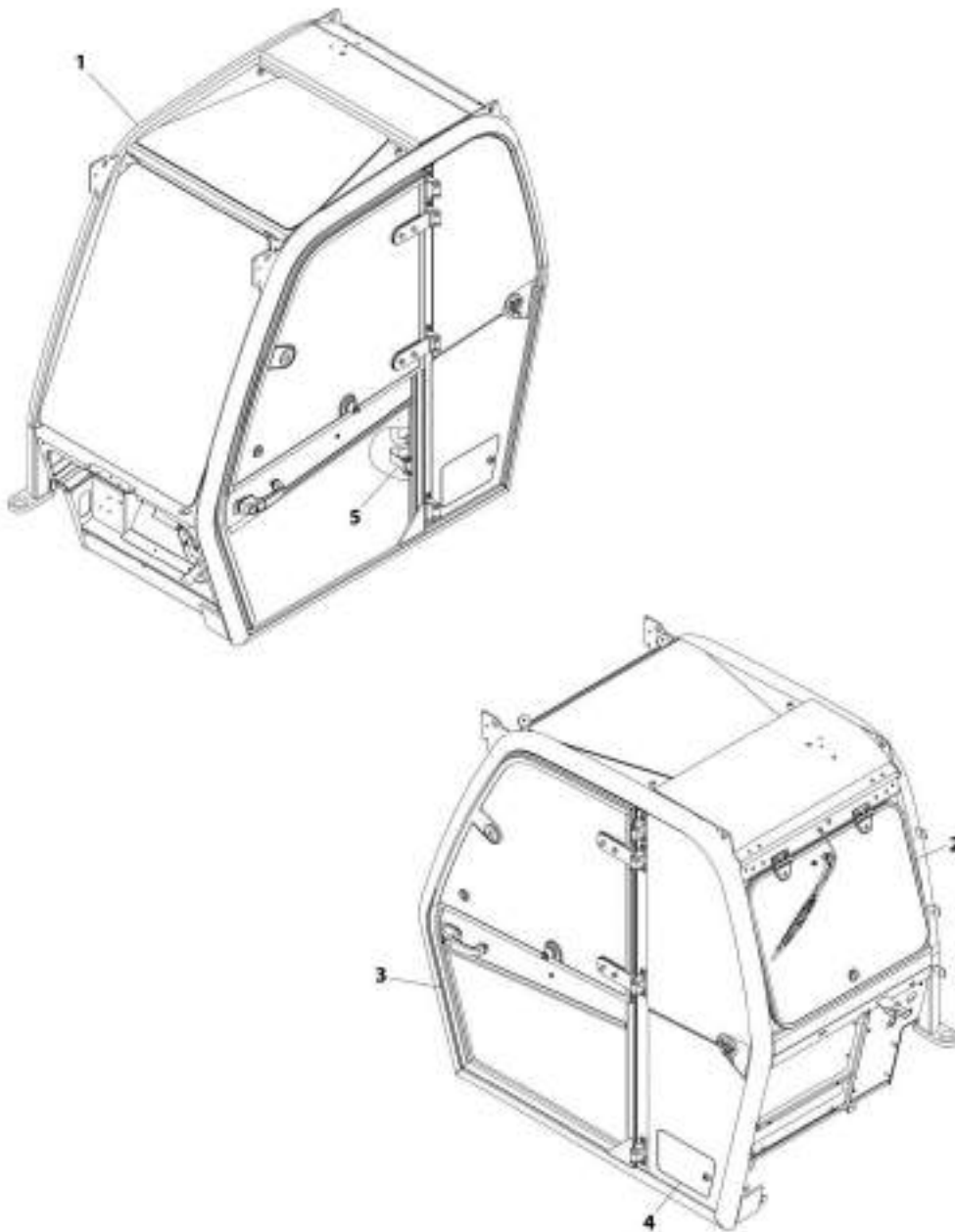
SECTION 6 - CAB

FIGURE 6-9. CAB ASSEMBLY (Prior to SN E160000141, Excluding E160000120, E160000126, 1160008774, 1160008775 and 1160008777)

ITEM	PART NUMBER	QTY	DESCRIPTION	REV
	1001137632	1	Cab Assembly	Q
1	1001137633	1	Cab (See CAB for Breakdown)	
2	1001139569	1	Installation, Rear Window (See REAR WINDOW INSTALLATION for Breakdown)	
3	1001142189	1	Installation, Cab Door (See CAB DOOR INSTALLATION for Breakdown)	
4	1001142190	1	Installation, Fuel Door (See FUEL DOOR INSTALLATION for Breakdown)	
5	1001142712	1	Installation, Door Strap (See DOOR STRAP INSTALLATION for Breakdown)	

SECTION 6 - CAB

FIGURE 6-10. CAB ASSEMBLY (SN E160000141 to Present, Including E160000120, E160000126, 1160008774, 1160008775 and 1160008777)



ARE_100124255-A

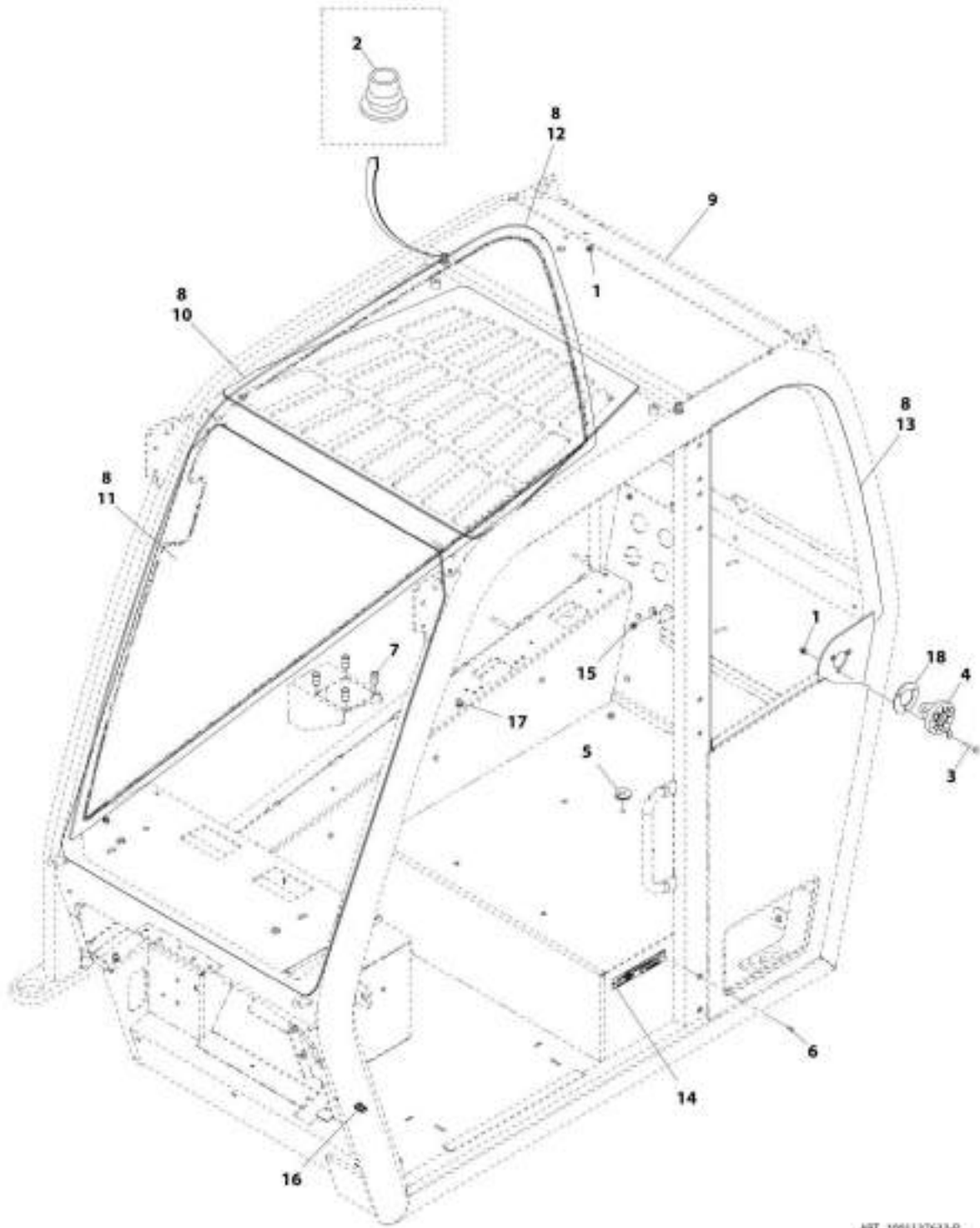
SECTION 6 - CAB

FIGURE 6-10. CAB ASSEMBLY (SN E160000141 to Present, Including E160000120, E160000126, 1160008774, 1160008775 and 1160008777)

ITEM	PART NUMBER	QTY	DESCRIPTION	REV
	1001242555	Ref	Cab Assembly	A
1	1001137633	1	Cab (See Separate Breakdown in this Section)	
2	1001139569	1	Installation, Rear Window (See Separate Breakdown in this Section)	
3	1001142189	1	Installation, Cab Door (See Separate Breakdown in this Section)	
4	1001142190	1	Installation, Fuel Door (See Separate Breakdown in this Section)	
5	1001142712	1	Installation, Door Strap (See Separate Breakdown in this Section)	

SECTION 6 - CAB

FIGURE 6-11. CAB



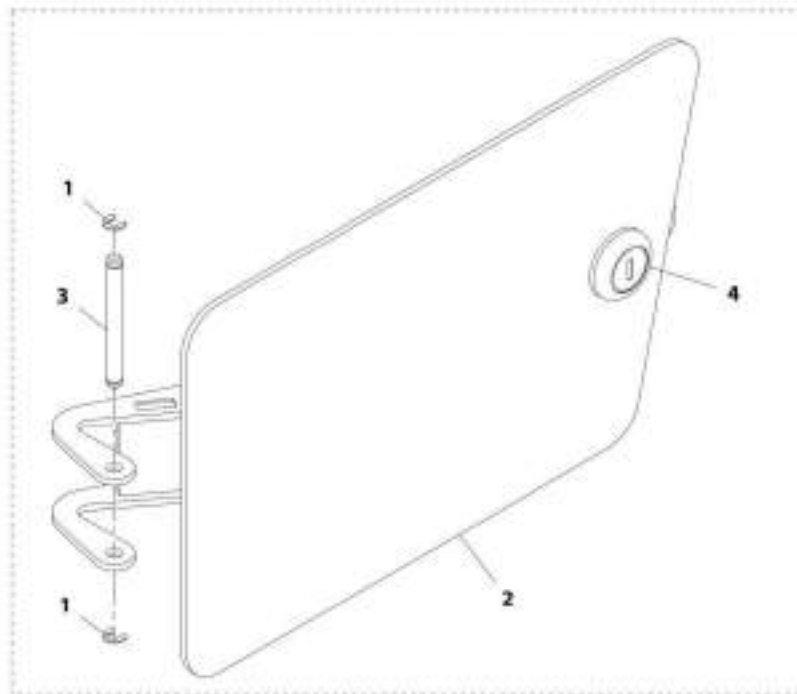
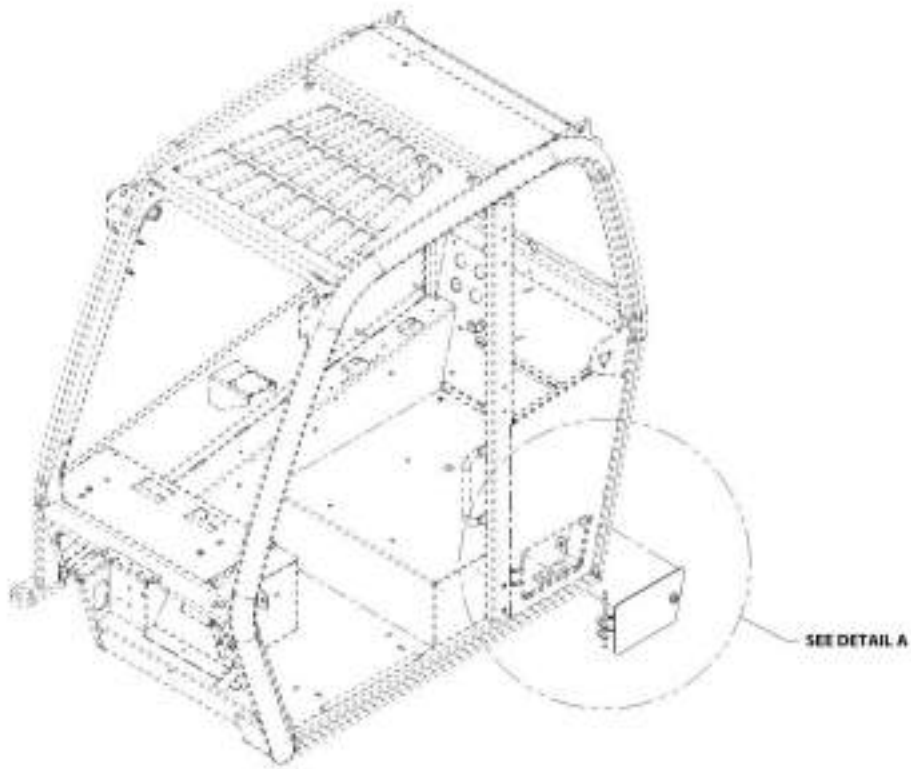
ART_1001137633-P

FIGURE 6-11. CAB

ITEM	PART NUMBER	QTY	DESCRIPTION	REV
	1001137633	1	Cab	P
1	2080087	9	Rivnut, M8X1.25	
2	2080088	2	Rivnut, M8X1.25	
3	4010615	3	Screw, M6X35	
4	1001002958	1	Retainer, Hold Open Door	
5	1001008469	1	Grommet	
6	1001099170	2	Rivet, 4MM	
7	1001100691	4	Nut	
8	1001111317	AR	Adhesive, Window Sealant	
9	N.S.S.	1	Weldment, Cab	
10	1001139465	1	Glass, Roof	
11	1001139466	1	Glass, Window	
12	1001139467	1	Glass, RH Screen	
13	1001139468	1	Glass, LH Screen	
14	N.S.S.	1	Plate, Serial Number	
15	2080086	4	Rivnut, M6X1	
16	8305919	3	Nut, M6	
17	1001167028	3	Rivnut, M6X1.00	
18	1001169810	1	Grommet	

SECTION 6 - CAB

FIGURE 6-12. FUEL DOOR INSTALLATION



DETAIL A

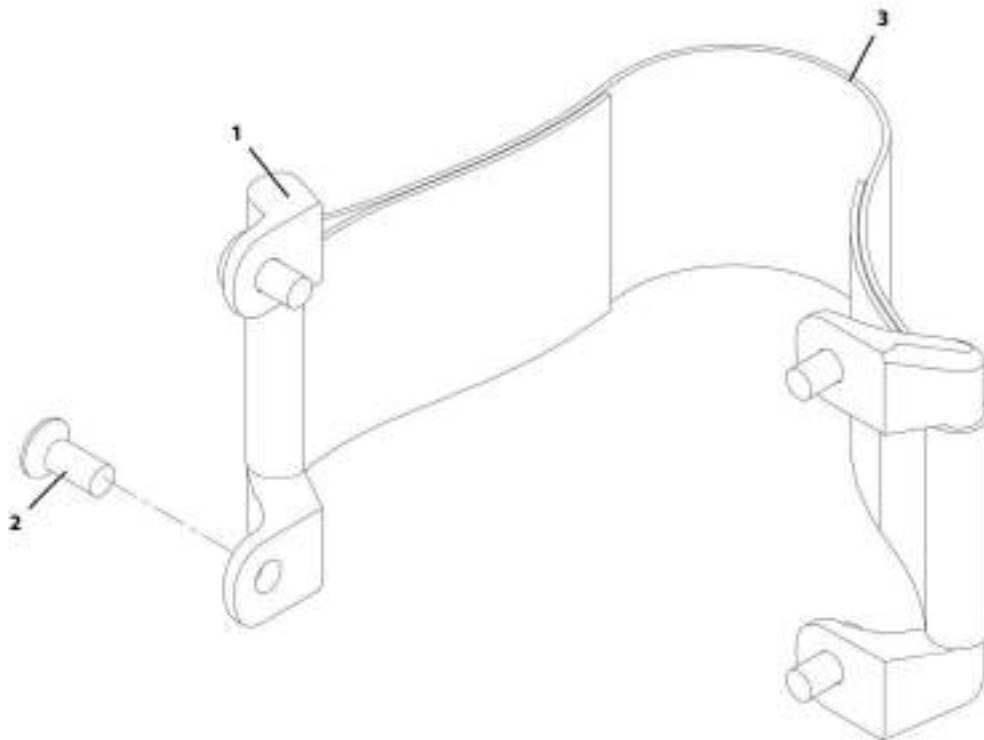
WIT_1001142190-F

FIGURE 6-12. FUEL DOOR INSTALLATION

ITEM	PART NUMBER	QTY	DESCRIPTION	REV
	1001142190	Ref	Fuel Door Installation	F
1	1001163909	2	Clip	
2	1001141853J	1	Plate	
3	1001163627	1	Pin	
4	1001142782	1	Lock	

SECTION 6 - CAB

FIGURE 6-13. DOOR STRAP INSTALLATION



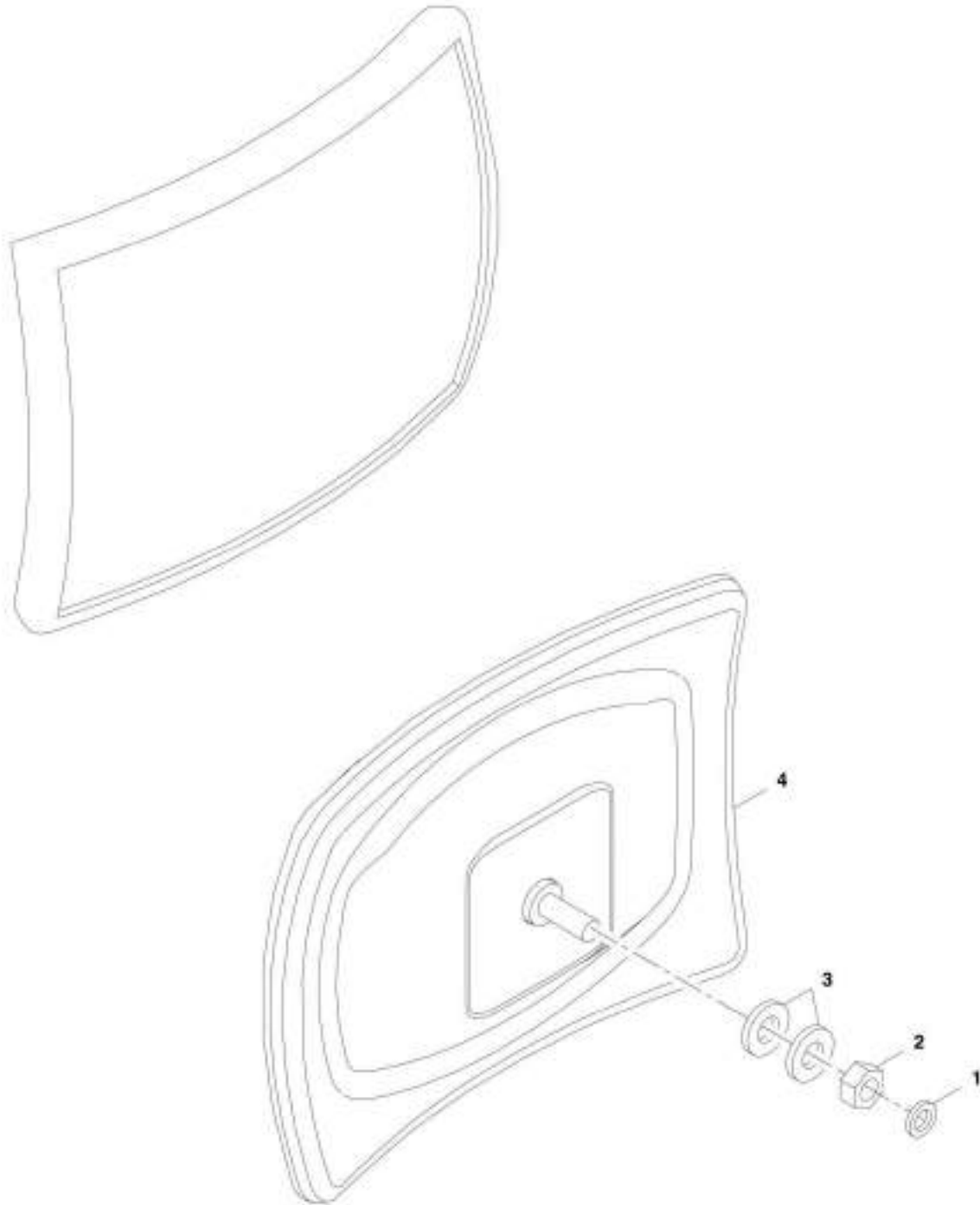
ART_1901142712-D

FIGURE 6-13. DOOR STRAP INSTALLATION

ITEM	PART NUMBER	QTY	DESCRIPTION	REV
	1001142712	Ref	Door Strap Installation	D
1	8001332	NLA	Bracket, Strap Holder (no longer available, use 1001230163 for replacement)	
1	1001230163	2	Bracket, Strap Holder	
2	1001133089	4	Screw, M5X12	
3	1001142675	1	Strap, Door Hold Open	

SECTION 6 - CAB

FIGURE 6-14. INTERIOR MIRROR



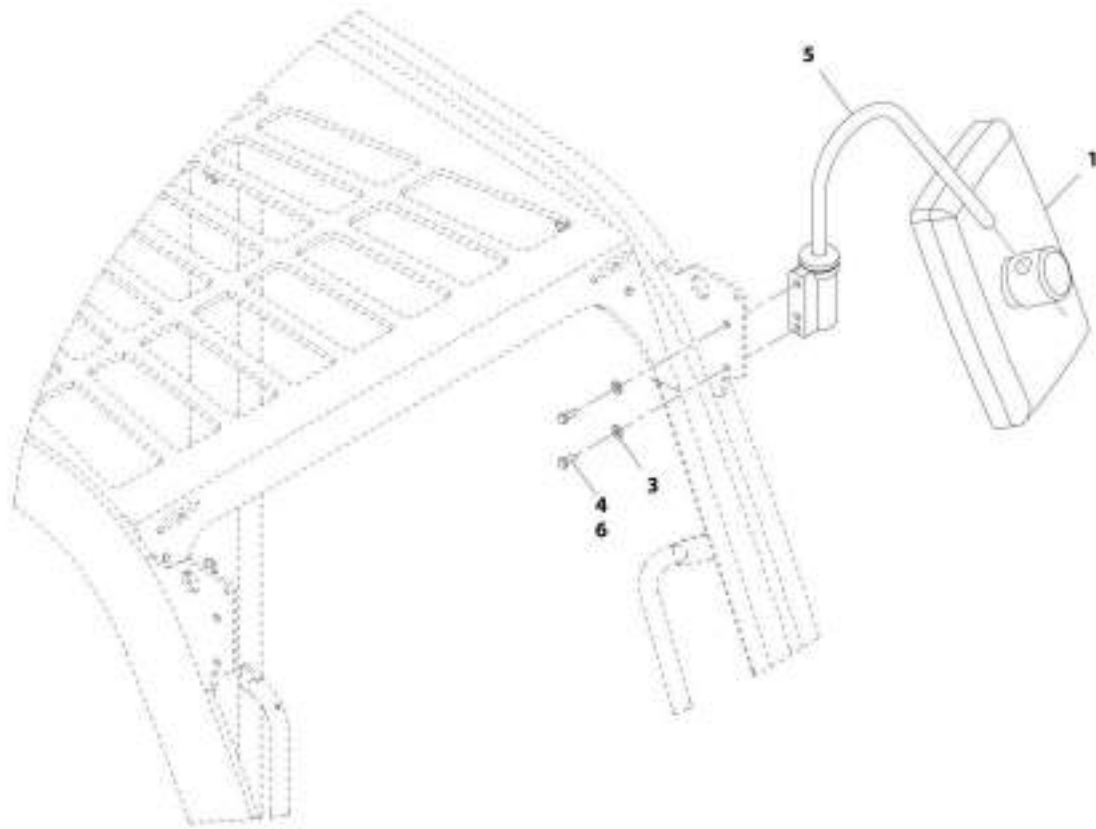
ART_106907641-0

FIGURE 6-14. INTERIOR MIRROR

ITEM	PART NUMBER	QTY	DESCRIPTION	REV
	1001007641	1	Mirror, Interior	B
1	1001008475	1	Washer, Lock 12	
2	1001008604	1	Nut	
3	1001009124	2	Washer	
4	1001010839	1	Mirror	

SECTION 6 - CAB

FIGURE 6-15. MIRROR INSTALLATION



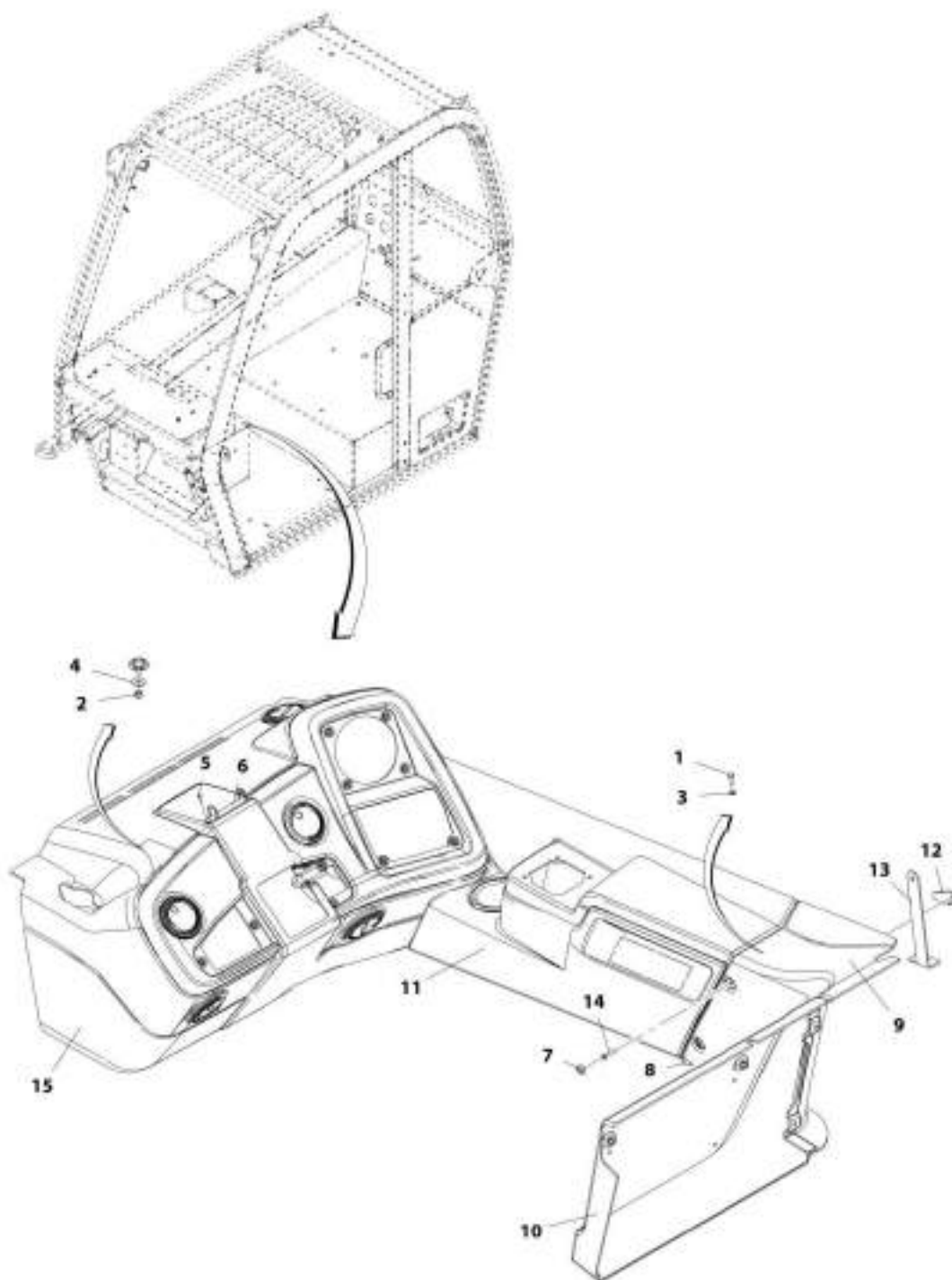
ART_1001139226-E

FIGURE 6-15. MIRROR INSTALLATION

ITEM	PART NUMBER	QTY	DESCRIPTION	REV
	1001139220	Ref	Mirror Installation	E
1	1001142726	1	Mirror, Convex	
3	1001009124	2	Washer	
4	1001095650	AR	Compound, Locking	
5	1001142727	1	Bracket, Cab Mirror	
6	1001008608	2	Bolt	

SECTION 6 - CAB

FIGURE 6-16. TRIM INSTALLATION (Prior to SN E160000141, Excluding E160000120, E160000126, 1160008774, 1160008775 and 1160008777)



AIR_1301143093-G

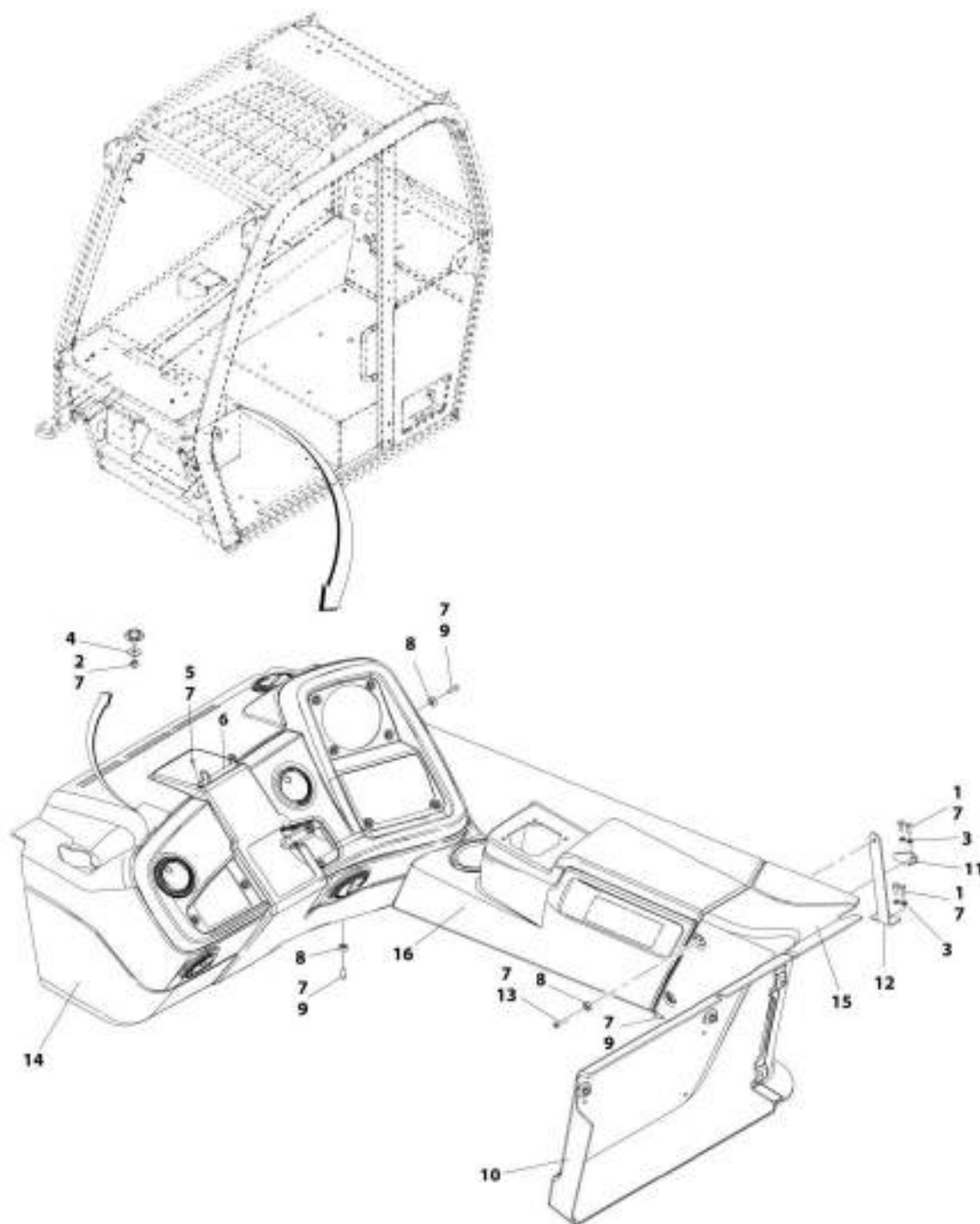
SECTION 6 - CAB

FIGURE 6-16. TRIM INSTALLATION (Prior to SN E160000141, Excluding E160000120, E160000126, 1160008774, 1160008775 and 1160008777)

ITEM	PART NUMBER	QTY	DESCRIPTION	REV
	1001142093	Ref	Trim Installation	G
1	0760608	4	Bolt, M6X16	
2	3290805	2	Nut, Lock M8X1.25	
3	4811700	4	Washer, M6	
4	4811902	2	Washer, M8	
5	7029486	2	Screw	
6	1001005960	1	Holder	
7	1001098150	9	Washer, Nylon M6	
8	1001132564	7	Screw, M6X20	
9	1001185731	1	Cover, Side-Rear	
10	1001147459	1	Cover, Rear	
11	1001185730	1	Cover, Side-Rear	
12	1001148598	1	Plate	
13	1001148836	1	Plate	
14	1001149125	2	Screw, M6X30	
15	1001149277	1	Cover, Dash	

SECTION 6 - CAB

FIGURE 6-17. TRIM INSTALLATION (SN E160000141 to Present, Including E160000120, E160000126, 1160008774, 1160008775 and 1160008777)



ART_1001281676-A

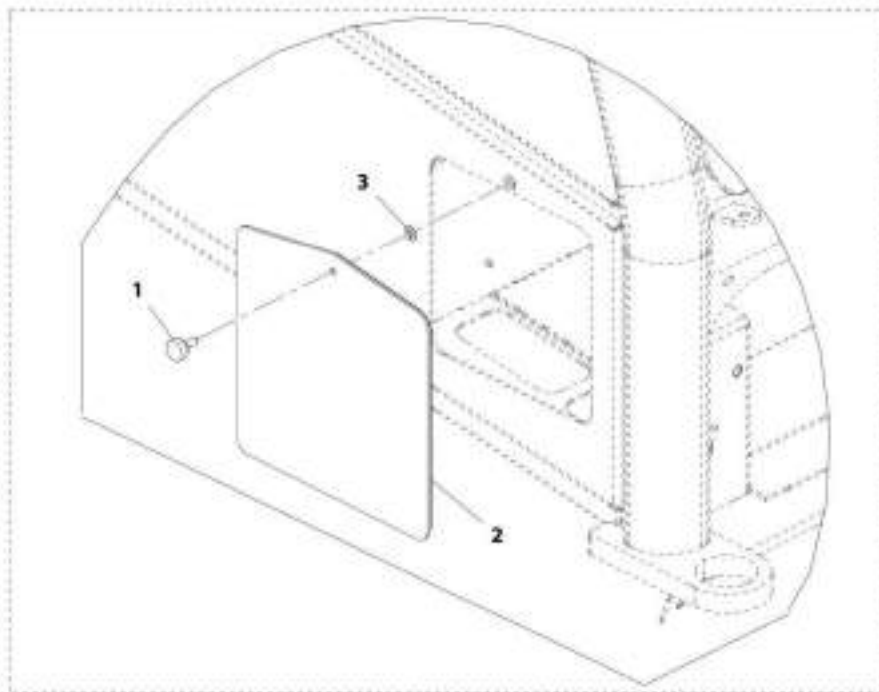
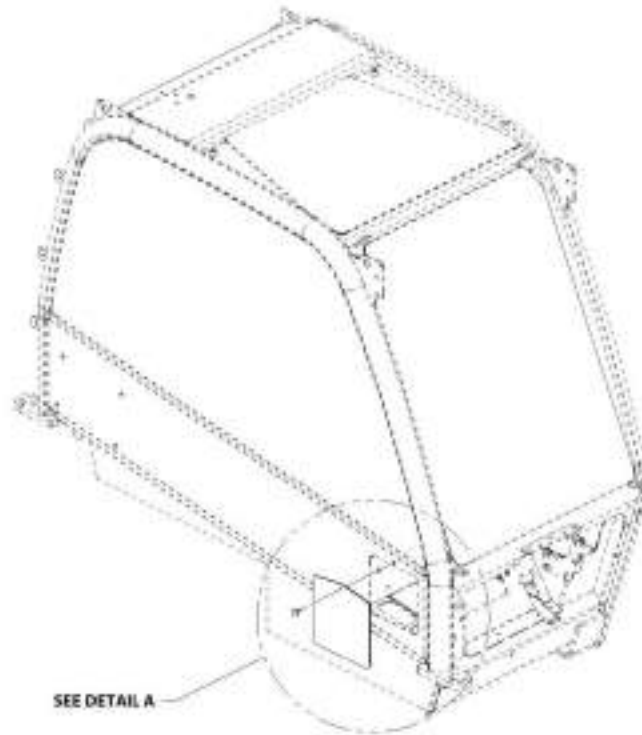
SECTION 6 - CAB

FIGURE 6-17. TRIM INSTALLATION (SN E160000141 to Present, Including E160000120, E160000126, 1160008774, 1160008775 and 1160008777)

ITEM	PART NUMBER	QTY	DESCRIPTION	REV
	1001241676	Ref	Trim Installation	A
1	0760608	4	Bolt, M6X16	
2	3290805	2	Nut, Lock M8X1.25	
3	4811700	4	Washer, M6	
4	4811902	2	Washer, M8	
5	7029486	2	Screw	
6	1001005960	1	Holder	
7	1001095650	AR	Compound, Locking	
8	1001098150	9	Washer, Nylon M6	
9	1001132564	7	Screw, M6X20	
10	1001147459	1	Cover, Rear	
11	1001148598	1	Plate	
12	1001148836	1	Plate	
13	1001149125	2	Screw, M6X30	
14	1001149277	1	Cover, Dash	
15	1001185731	1	Cover, Side-Rear	
16	1001241563	1	Cover, Side-Rear	

SECTION 6 - CAB

FIGURE 6-18. COVER PANEL INSTALLATION



DETAIL A

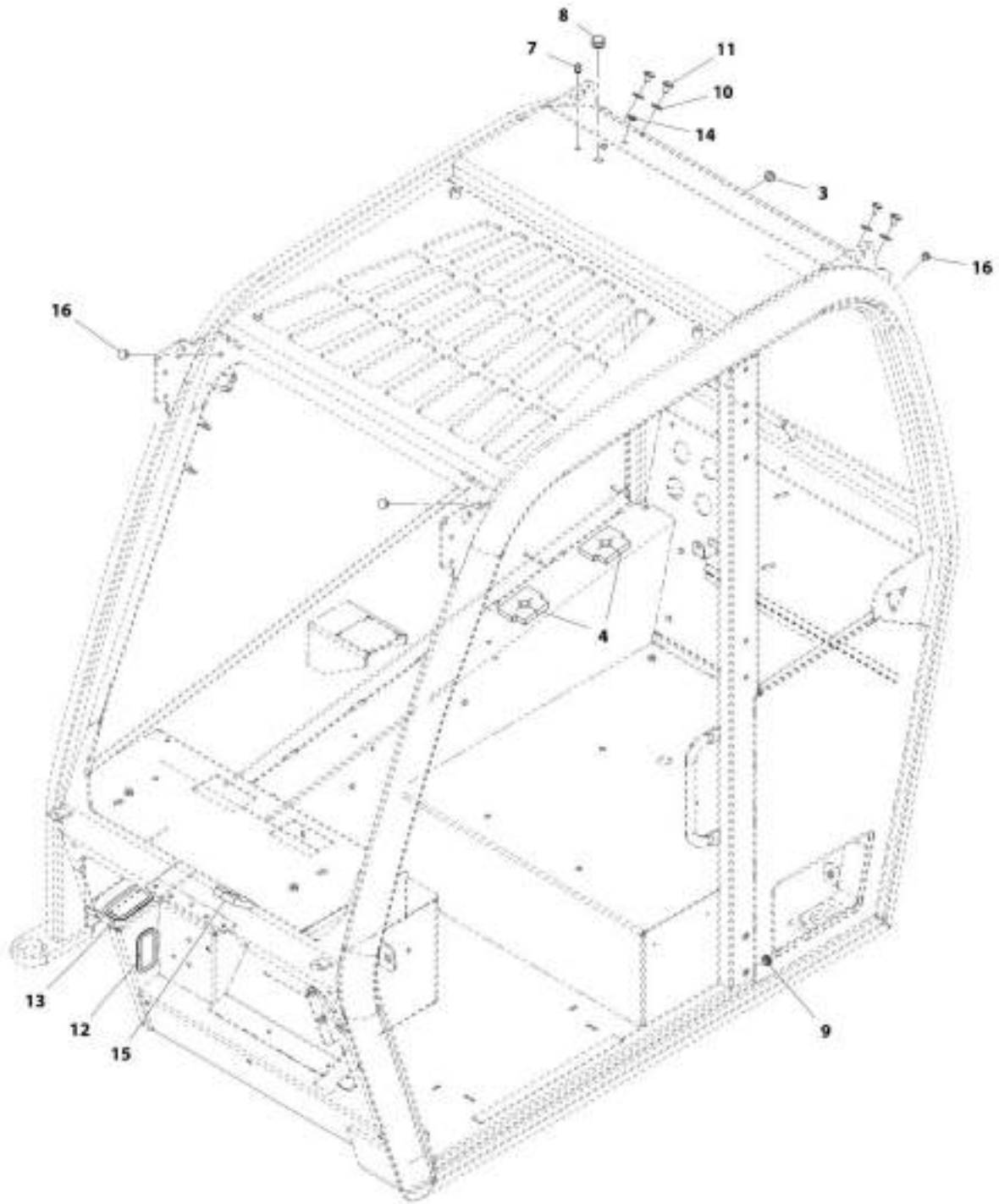
ART_1001182108-01

FIGURE 6-18. COVER PANEL INSTALLATION

ITEM	PART NUMBER	QTY	DESCRIPTION	REV
	1001148508	Ref	Cover Panel Installation	D
1	2080092	1	Screw, Thumb M6X16	
2	1001148510	1	Plate, Cover	
3	1001148557	1	Washer, Star	

SECTION 6 - CAB

FIGURE 6-19. GASKET INSTALLATION



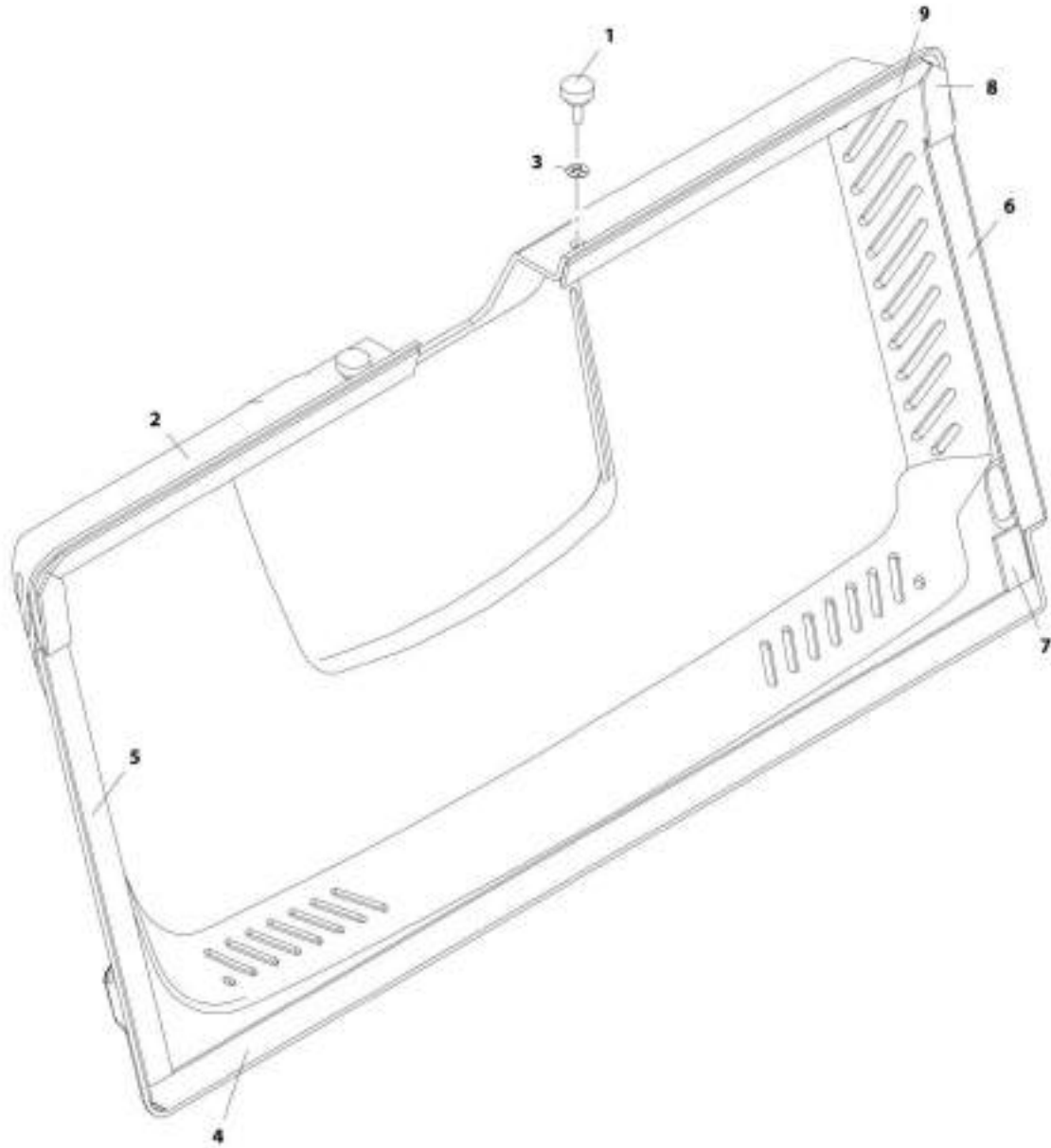
ARJ_1001/65111-C

FIGURE 6-19. GASKET INSTALLATION

ITEM	PART NUMBER	QTY	DESCRIPTION	REV
	1001163111	Ref	Gasket Installation	C
3	1001143200	1	Cap	
4	1001163076	2	Seal, Gasket	
7	1001176272	2	Cap	
8	1001176273	1	Cap	
9	1001176323	1	Cap	
10	1001176340	8	Washer	
11	1001176341	8	Screw	
12	1001176324	2	Seal	
13	1001176325	1	Seal	
14	1001176626	1	Cap	
15	1001176695	1	Seal, Gasket	
16	1001176854	4	Cap	

SECTION 6 - CAB

FIGURE 6-20. FRONT COVER ASSEMBLY



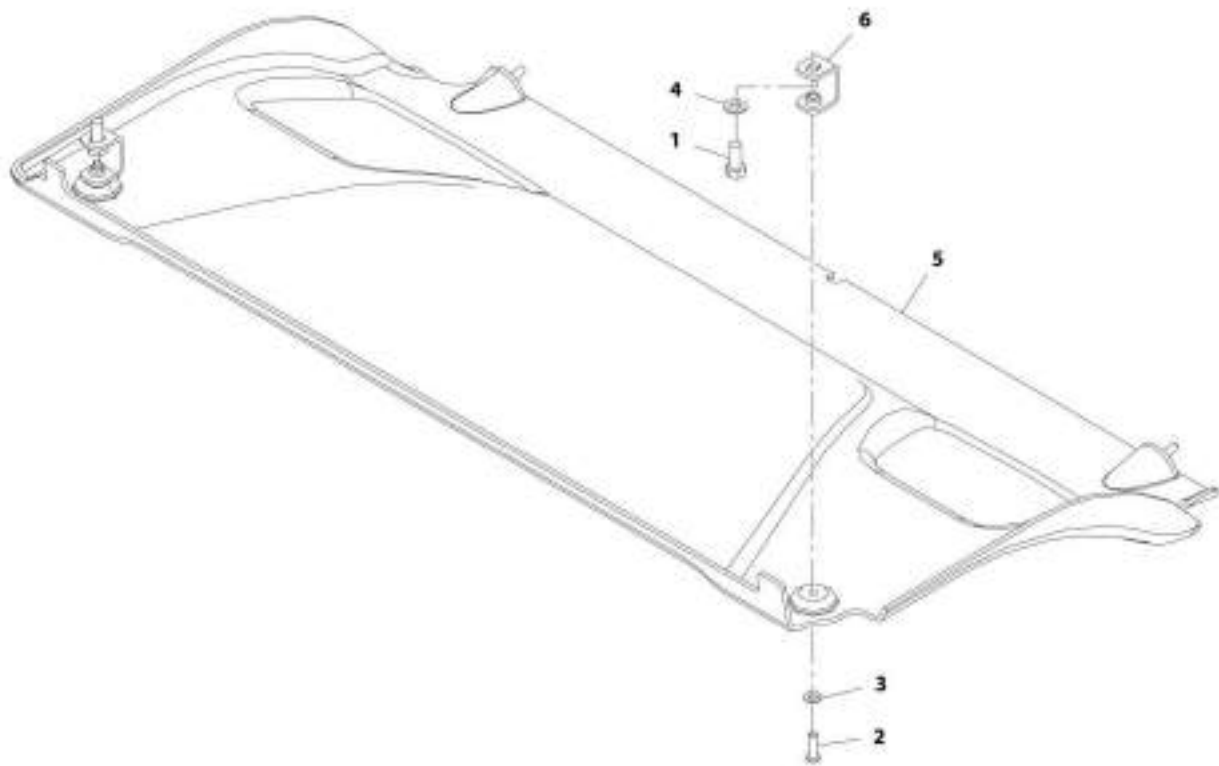
WTT_1901149136-A

FIGURE 6-20. FRONT COVER ASSEMBLY

ITEM	PART NUMBER	QTY	DESCRIPTION	REV
	1001149136	1	Front Cover	A
1	2080092	2	Screw, Thumb M5X20	
2	1001147465	1	Cover, Front Panel	
3	1001148557	2	Washer, Star	
4	1001149112	1	Seal	
5	1001149113	1	Seal	
6	1001149114	1	Seal	
7	1001149115	1	Seal	
8	1001149116	2	Seal	
9	1001149117	2	Seal	

SECTION 6 - CAB

FIGURE 6-21. HEADLINER INSTALLATION (Prior to SN E160000141, Excluding E160000120, E160000126, 1160008774, 1160008775 and 1160008777)



ART_1001146387-D

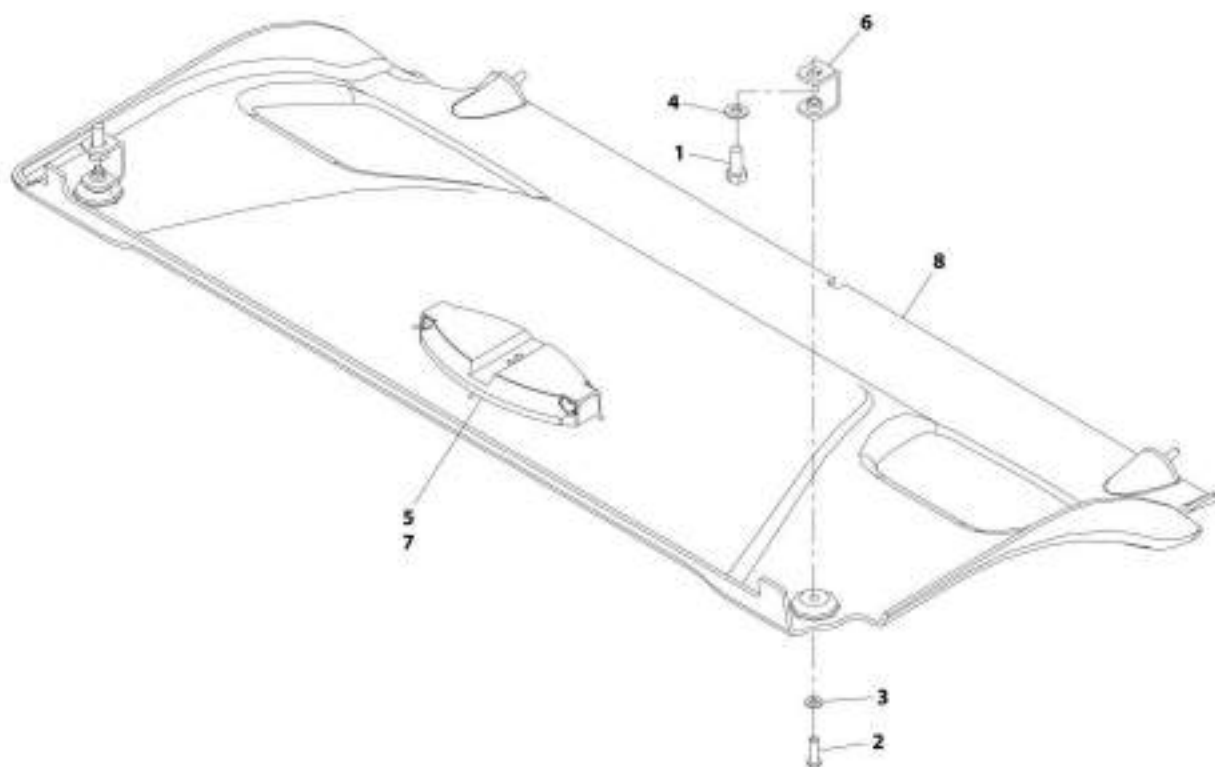
SECTION 6 - CAB

FIGURE 6-21. HEADLINER INSTALLATION (Prior to SN E160000141, Excluding E160000120, E160000126, 1160008774, 1160008775 and 1160008777)

ITEM	PART NUMBER	QTY	DESCRIPTION	REV
	1001146587	Ref	Headliner Installation	D
1	0760810	2	Bolt, M8X20	
2	3900364	4	Bolt, M6X20	
3	4811700	4	Washer, M6	
4	4811900	2	Washer, M8	
5	1001185729	1	Cover, Headliner	
6	1001148886	2	Bracket, Headliner Support	

SECTION 6 - CAB

FIGURE 6-22. HEADLINER INSTALLATION (SN E160000141 to Present, Including E160000120, E160000126, 1160008774, 1160008775 and 1160008777)



ART_1001257150-A

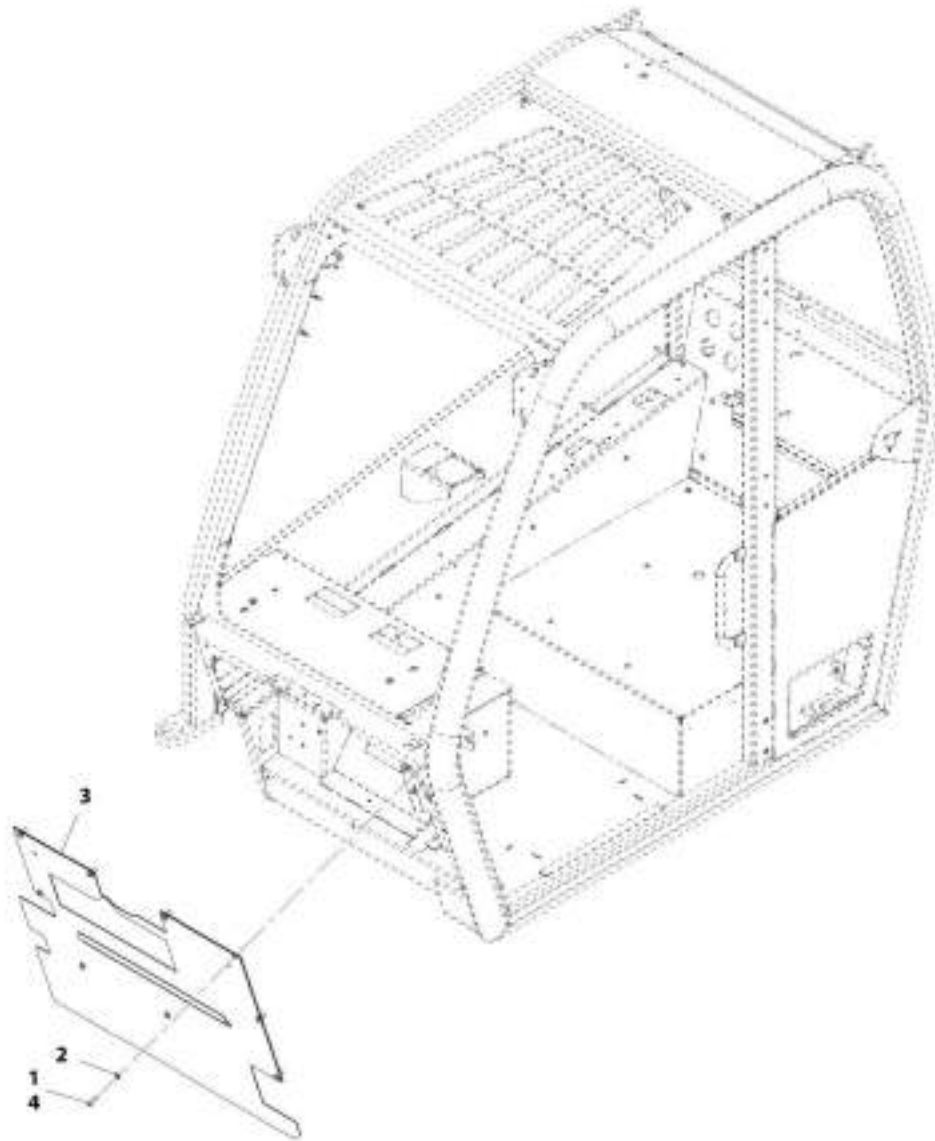
SECTION 6 - CAB

FIGURE 6-22. HEADLINER INSTALLATION (SN E160000141 to Present, Including E160000120, E160000126, 1160008774, 1160008775 and 1160008777)

ITEM	PART NUMBER	QTY	DESCRIPTION	REV
	1001237156	Ref	Headliner Installation	A
1	0760810	2	Bolt, M8X20	
2	3900364	4	Bolt, M6X20	
3	4811700	4	Washer, M6	
4	4811900	2	Washer, M8	
5	7029486	4	Bolt	
6	1001148886	2	Bracket, Headliner Support	
7	1001167015	1	Lamp	
8	1001237154	1	Cover, Headliner	

SECTION 6 - CAB

FIGURE 6-23. FRONT PANEL INSTALLATION



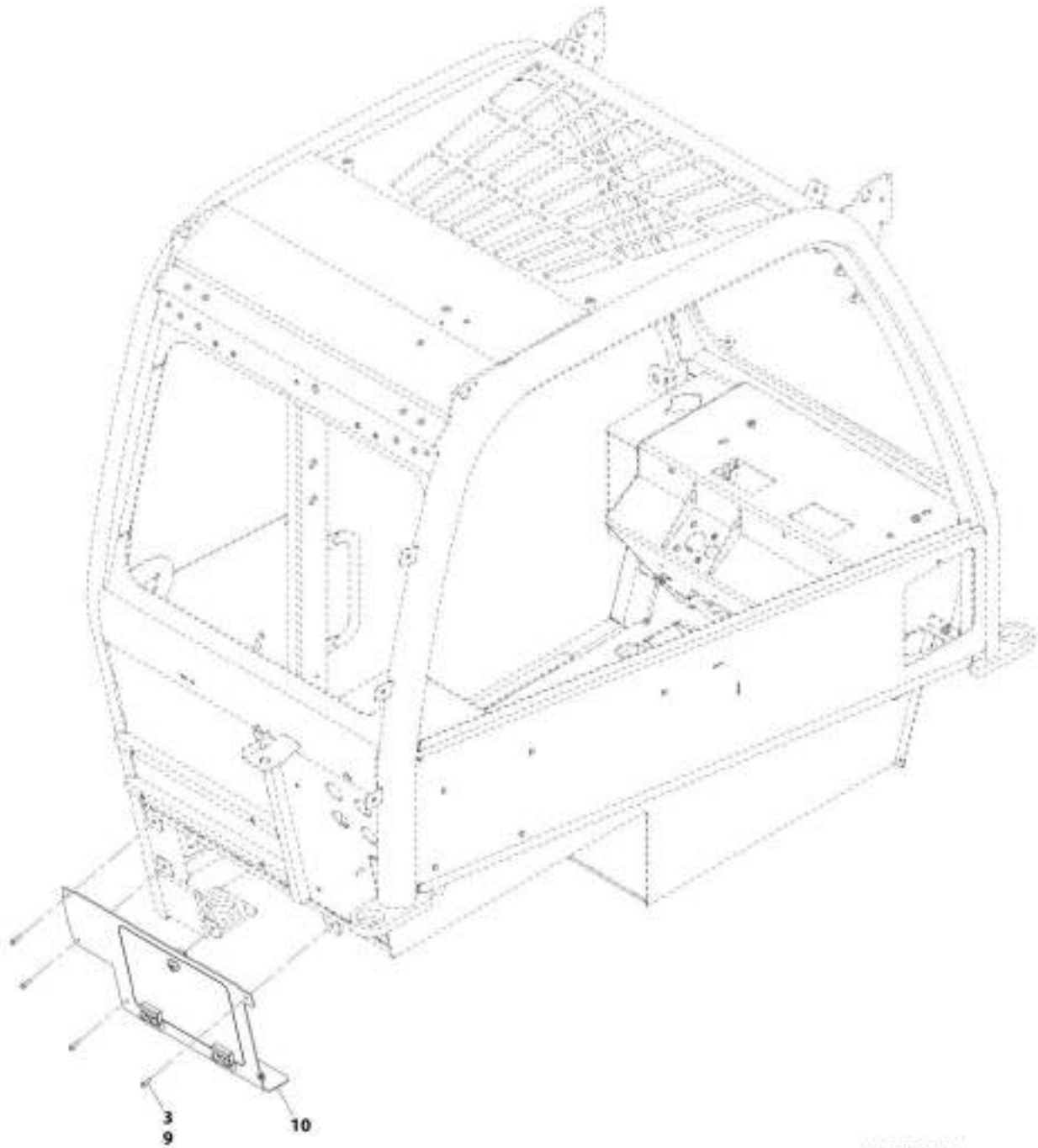
ART_1001142968-F

FIGURE 6-23. FRONT PANEL INSTALLATION

ITEM	PART NUMBER	QTY	DESCRIPTION	REV
	1001142968	Ref	Front Panel Installation	F
1	0630612	9	Bolt, M8X20	
2	4811900	9	Washer, M8	
3	1001149584	1	Plate	
4	1001095650	AR	Compound, Locking	

SECTION 6 - CAB

FIGURE 6-24. REAR COVER PANEL INSTALLATION



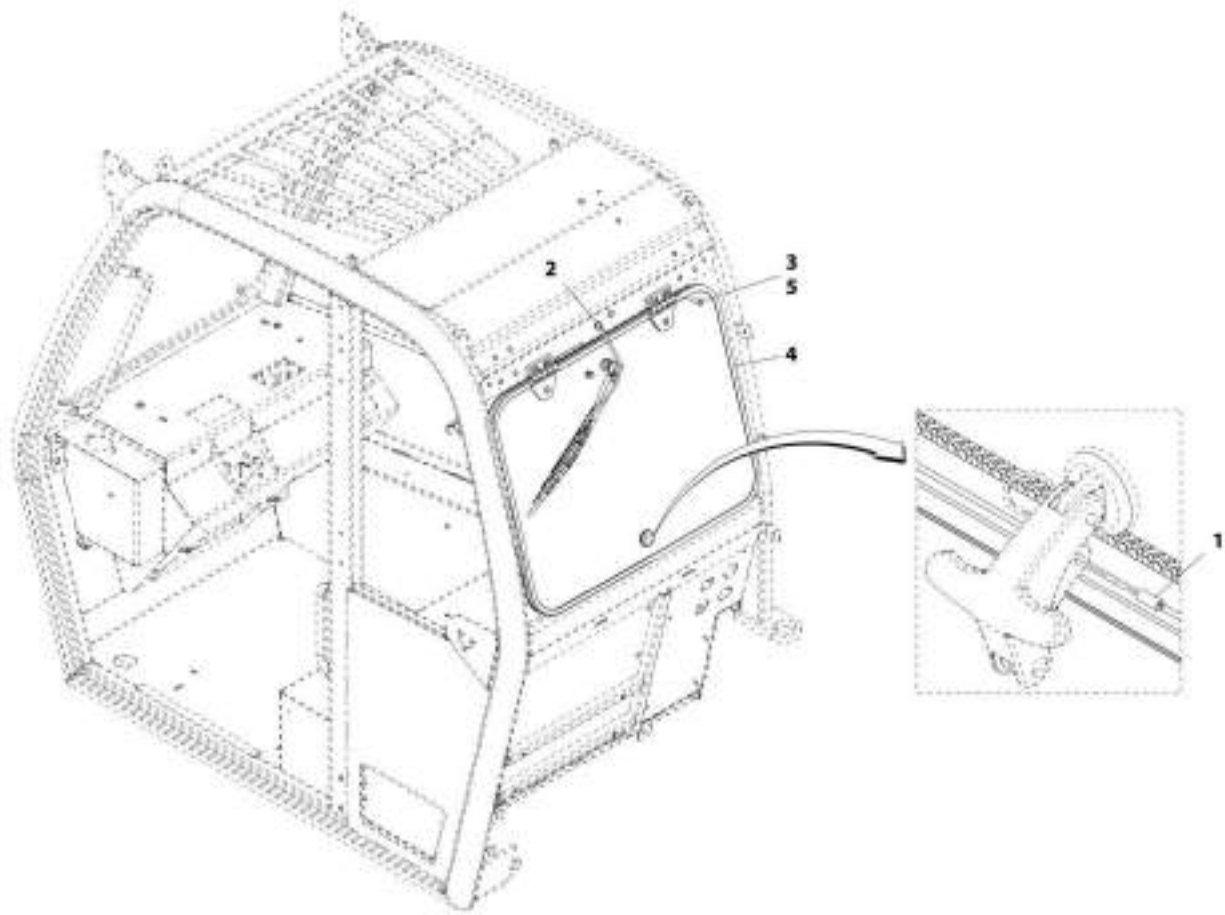
ART_100148312-F

FIGURE 6-24. REAR COVER PANEL INSTALLATION

ITEM	PART NUMBER	QTY	DESCRIPTION	REV
	1001148112	Ref	Rear Cover Panel Installation	F
3	3900364	4	Bolt, M6X20	
9	1001095650	AR	Compound, Locking	
10	1001177380	1	Panel, Rear Cover	

SECTION 6 - CAB

FIGURE 6-25. REAR WINDOW INSTALLATION



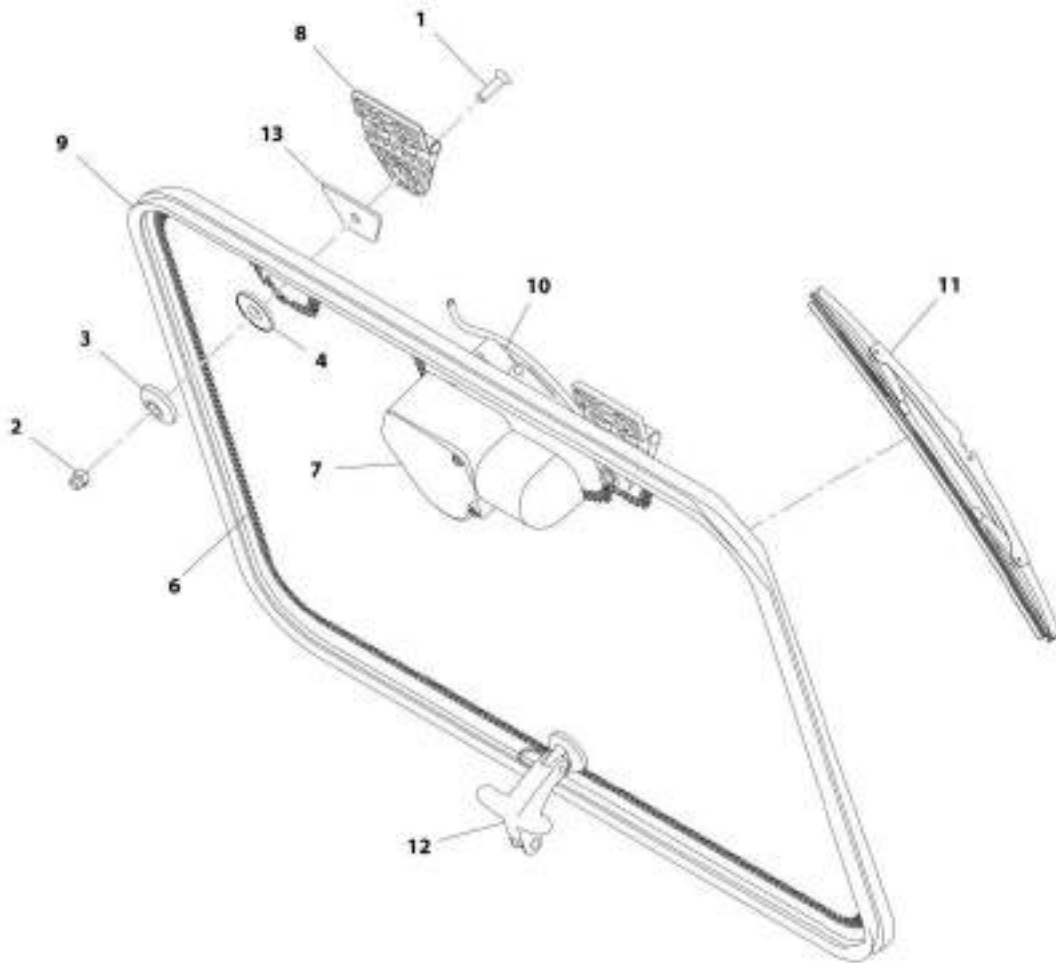
ART_3001138509-K

FIGURE 6-25. REAR WINDOW INSTALLATION

ITEM	PART NUMBER	QTY	DESCRIPTION	REV
	1001139569	Ref	Rear Window Installation	K
1	1001003043	1	Pin, Spring	
2	1001090343	1	Connector	
3	1001097586	4	Bolt, M8-1.25X25	
4	1001139570	1	Window, Rear (See REAR WINDOW for Breakdown)	
5	1001095650	AR	Compound, Locking	

SECTION 6 - CAB

FIGURE 6-26. REAR WINDOW



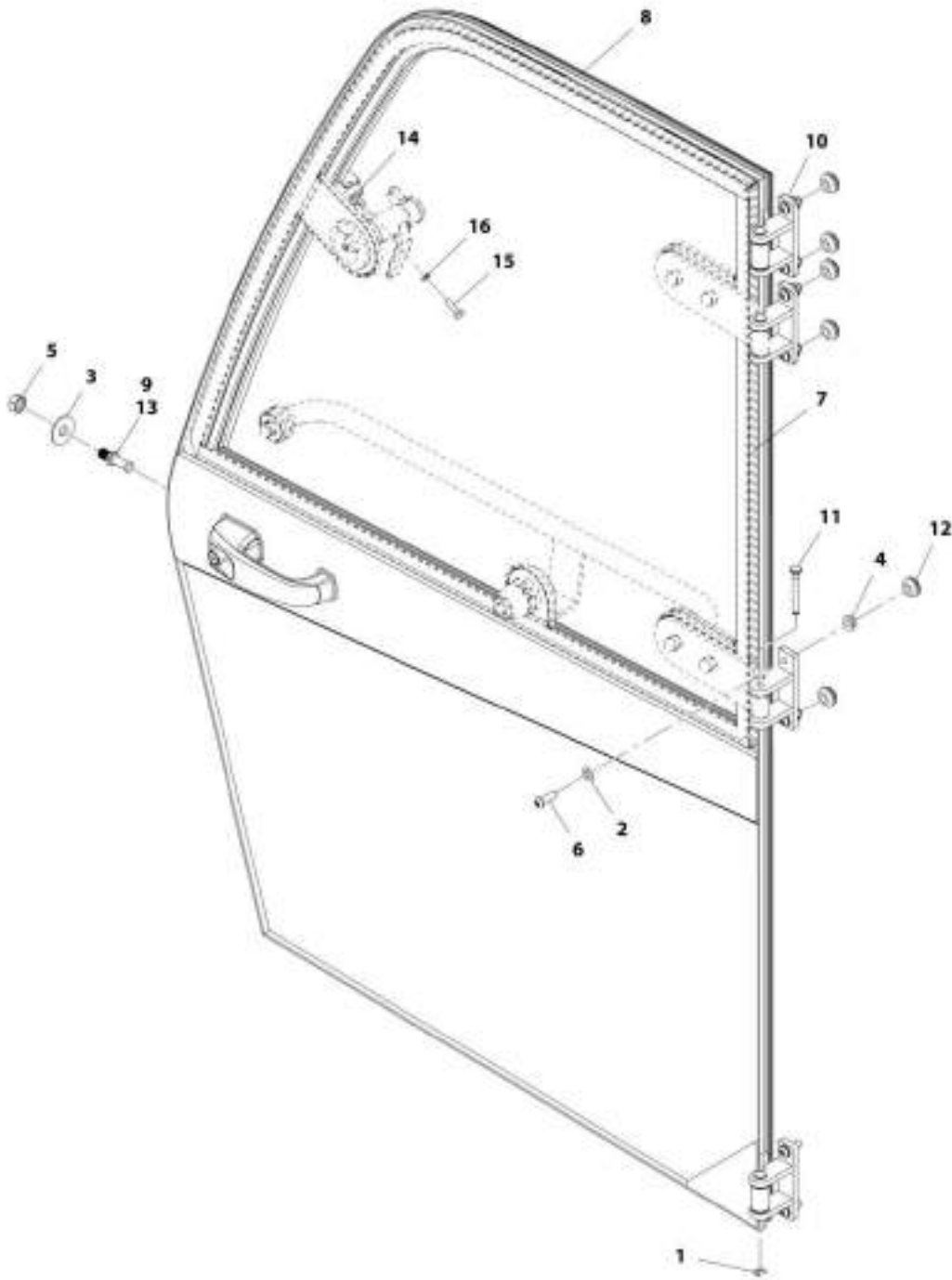
AMT_1001109570-1

FIGURE 6-26. REAR WINDOW

ITEM	PART NUMBER	QTY	DESCRIPTION	REV
	1001139570	Ref	Window, Rear	J
1	2080078	2	Fastener, M8X30	
2	3290806	2	Nut, M8X1.25	
3	8000759	2	Spacer	
4	8004398	2	Spacer	
6	1001139469	1	Glass, Rear Window	
7	1001139552	1	Motor, Rear Wiper	
8	1001139568	2	Hinge	
9	1001139576	1	Seal	
10	1001141312	1	Arm, Rear Window Wiper	
11	4807718	1	Blade, Wiper	
12	1001005368	1	Latch, Window	
13	1001181411	2	Gasket, Rear Window Hinge	

SECTION 6 - CAB

FIGURE 6-27. CAB DOOR INSTALLATION



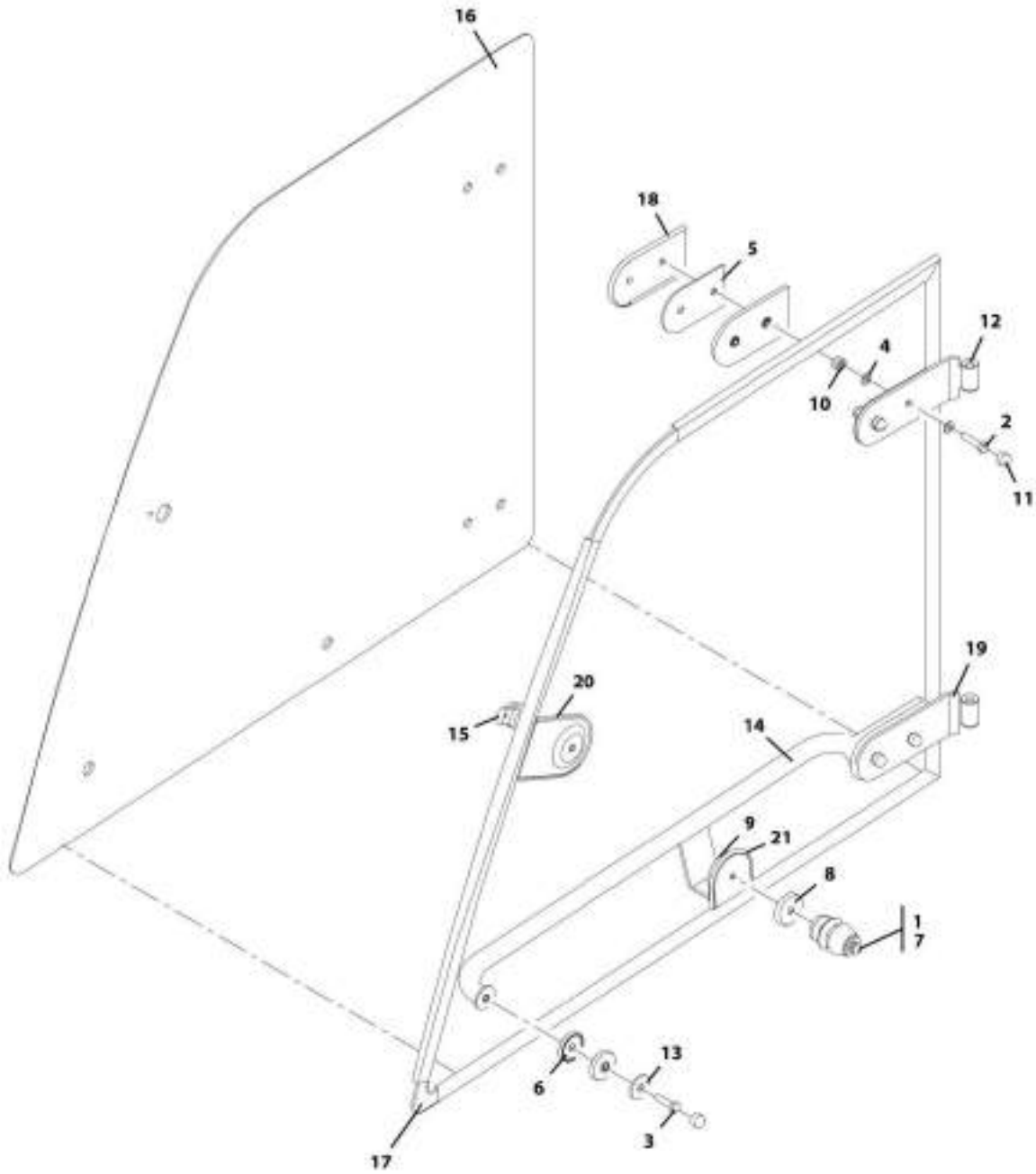
ART_10014Q186-N

FIGURE 6-27. CAB DOOR INSTALLATION

ITEM	PART NUMBER	QTY	DESCRIPTION	REV
	1001142189	Ref	Cab Door Installation	N
1	0498748	4	Washer, Lock	
2	4811900	8	Washer, M8	
3	4812102	1	Washer, M12	
4	5220800	6	Nut, Ripp M8	
5	3300497	1	Nut, Ripp M12	
6	8310643	8	Bolt, M8-1.25x25	
7	1001168824	1	Installation, Window (See WINDOW INSTALLATION for Breakdown) (Prior to SN 1160007423, Excluding 1160007354, 1160007357 and 1160007359)	
7	1001178671	1	Installation, Window (See WINDOW INSTALLATION for Breakdown) (SN 1160007423 to Present, Including 1160007354, 1160007357 and 1160007359)	
8	1001142252	1	Door Cab (See CAB DOOR for Breakdown)	
9	1001142667	1	Bolt, Door Striker	
10	1001142840J	4	Plate, Hinge	
11	1001143130	4	Pin, Hinge	
12	1001143200	6	Cap	
13	1001095650	AR	Compound, Locking	
14	1001165276	1	Latch, Striker Plate Window	
15	0760610	2	Bolt, M6X20	
16	4811700	2	Washer, M6	

SECTION 6 - CAB

FIGURE 6-28. WINDOW INSTALLATION



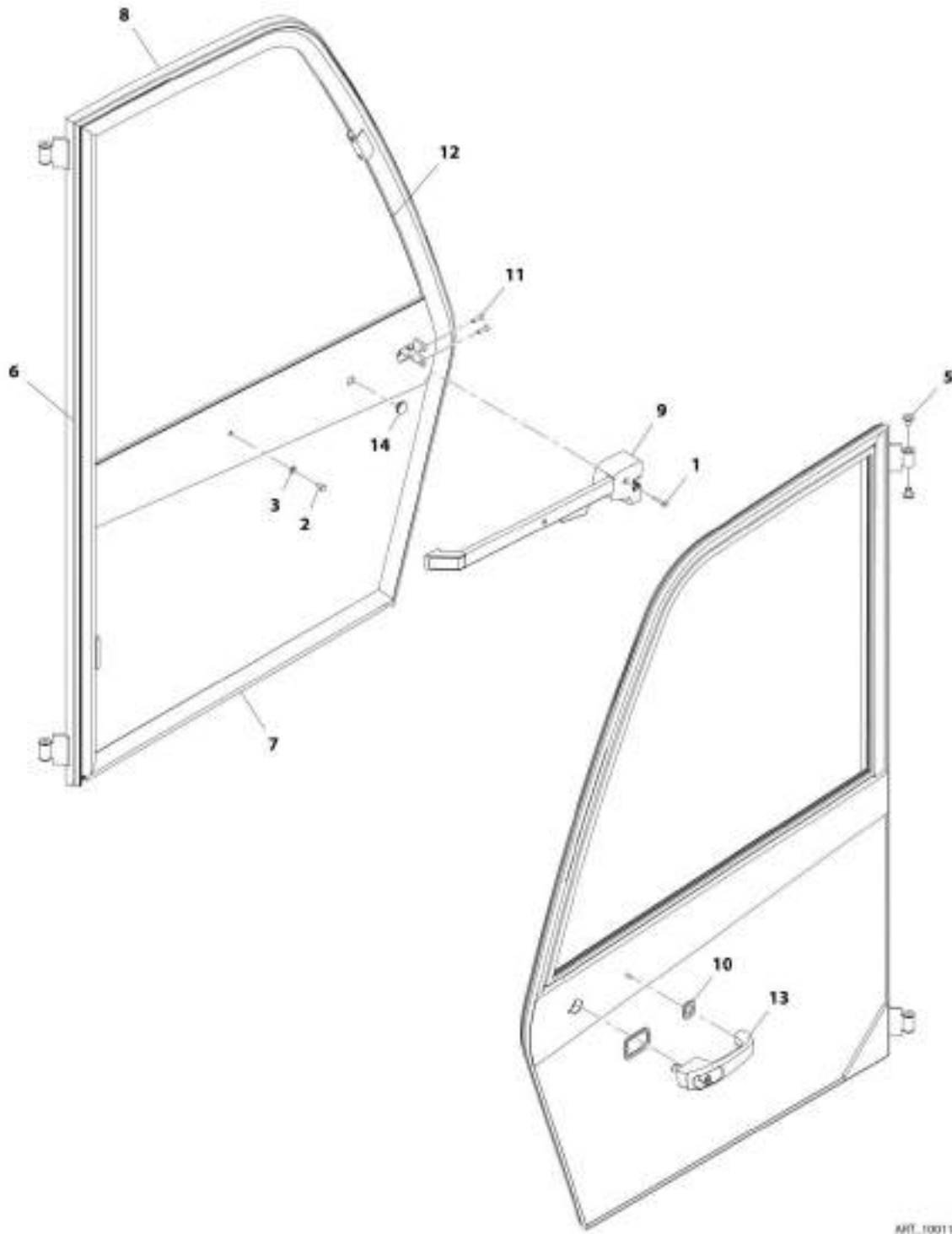
ART_1001168829-B

FIGURE 6-28. WINDOW INSTALLATION

ITEM	PART NUMBER	QTY	DESCRIPTION	REV
	1001168824	Ref	Window Installation (Includes item 1 thru 21), (Prior to SN 1160007423, Excluding 1160007354, 1160007357 and 1160007359)	B
	1001178671	Ref	Window Installation (Includes item 1 thru 22) (SN 1160007423 to Present, Including 1160007354, 1160007357 and 1160007359)	E
1	1001095650	AR	Compound, Locking	
2	0700815	4	Bolt, M8X35	
3	0760814	1	Bolt, M8X30	
4	4811900	7	Washer, M8	
5	1001002947	1	Mount, Hinge	
6	1001002953	2	Mount, Rubber	
7	1001002955	1	Latch, Striker	
8	1001002956	1	Washer	
9	1001002957	1	Mount, Latch	
10	1001008857	3	Nut, Lock	
11	1001096365	8	Cap, M8	
12	1001107192	4	Sleeve, Hinge	
13	1001141246	1	Mount, Handle	
14	1001142210	1	Handle	
15	1001165275	1	Latch, Window	
16	1001168453	1	Window	
17	1001168455	1	Frame, Cab Window (Prior to SN 1160007423, Excluding 1160007354, 1160007357 and 1160007359)	
17	1001178603	1	Frame, Cab Window, (SN 1160007423 to Present, Including 1160007354, 1160007357 and 1160007359)	
18	1001168705	4	Mount, Hinge (Prior to SN 1160007423, Excluding 1160007354, 1160007357 and 1160007359)	
18	1001168705	2	Mount, Hinge, (SN 1160007423 to Present, Including 1160007354, 1160007357 and 1160007359)	
18	1001002946	2	Mount, Hinge, (SN 1160007423 to Present, Including 1160007354, 1160007357 and 1160007359)	
19	1001168826	2	Hinge (Prior to SN 1160007423, Including , Excluding 1160007354, 1160007357 and 1160007359)	
19	1001178723	2	Hinge (SN 1160007423 to Present, Including 1160007354, 1160007357 and 1160007359)	
20	1001168829	1	Seal	
21	1001169787	1	Seal	
22	1001168447	1	Plate, (not shown) (SN 1160007423 to Present, Including 1160007354, 1160007357 and 1160007359)	

SECTION 6 - CAB

FIGURE 6-29. CAB DOOR



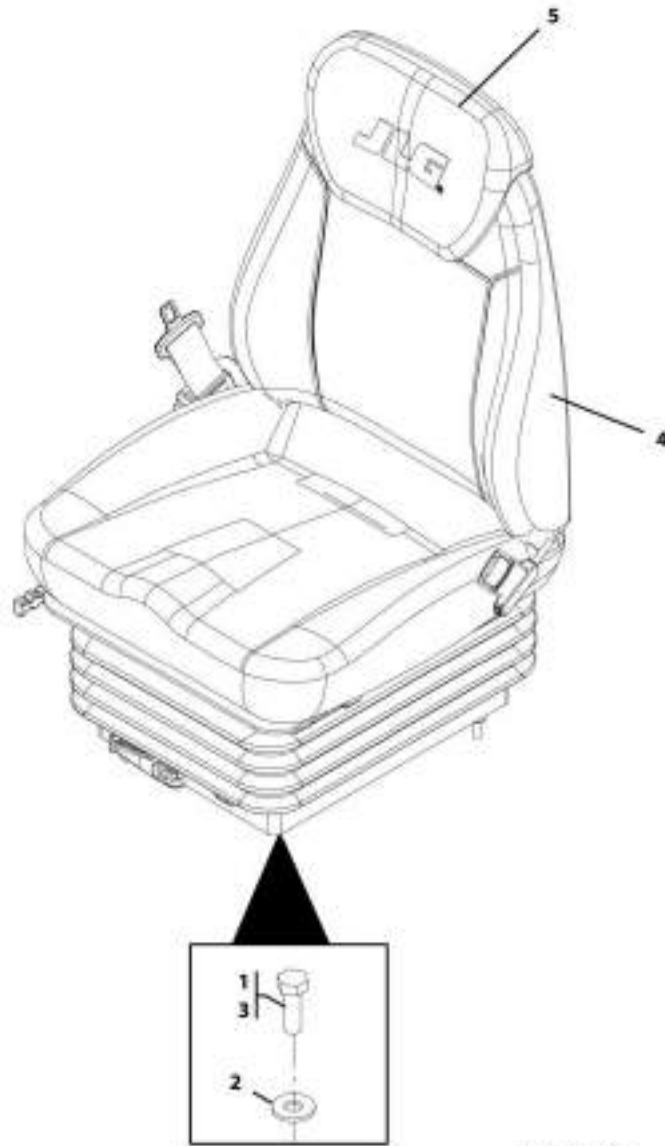
ART_100114252-H

FIGURE 6-29. CAB DOOR

ITEM	PART NUMBER	QTY	DESCRIPTION	REV
	1001142252	1	Door Assembly	H
1	1001174157	1	Screw, M5	
2	4010608	3	Screw, M6X16	
3	4811700	3	Washer, M6	
5	1001107192	4	Sleeve, Hinge	
6	1001002961	1	Seal	
7	1001002963	1	Seal	
8	1001142193J	1	Frame, Cab Door	
9	1001142496	1	Handrail, Interior	
10	1001142618	1	Seal	
11	3900379	2	Screw, M6-1.00x25	
12	1001142720	1	Seal	
13	1001142732	1	Handle, Push Button	
14	1001143200	1	Cap	

SECTION 6 - CAB

FIGURE 6-30. VINYL SEAT INSTALLATION



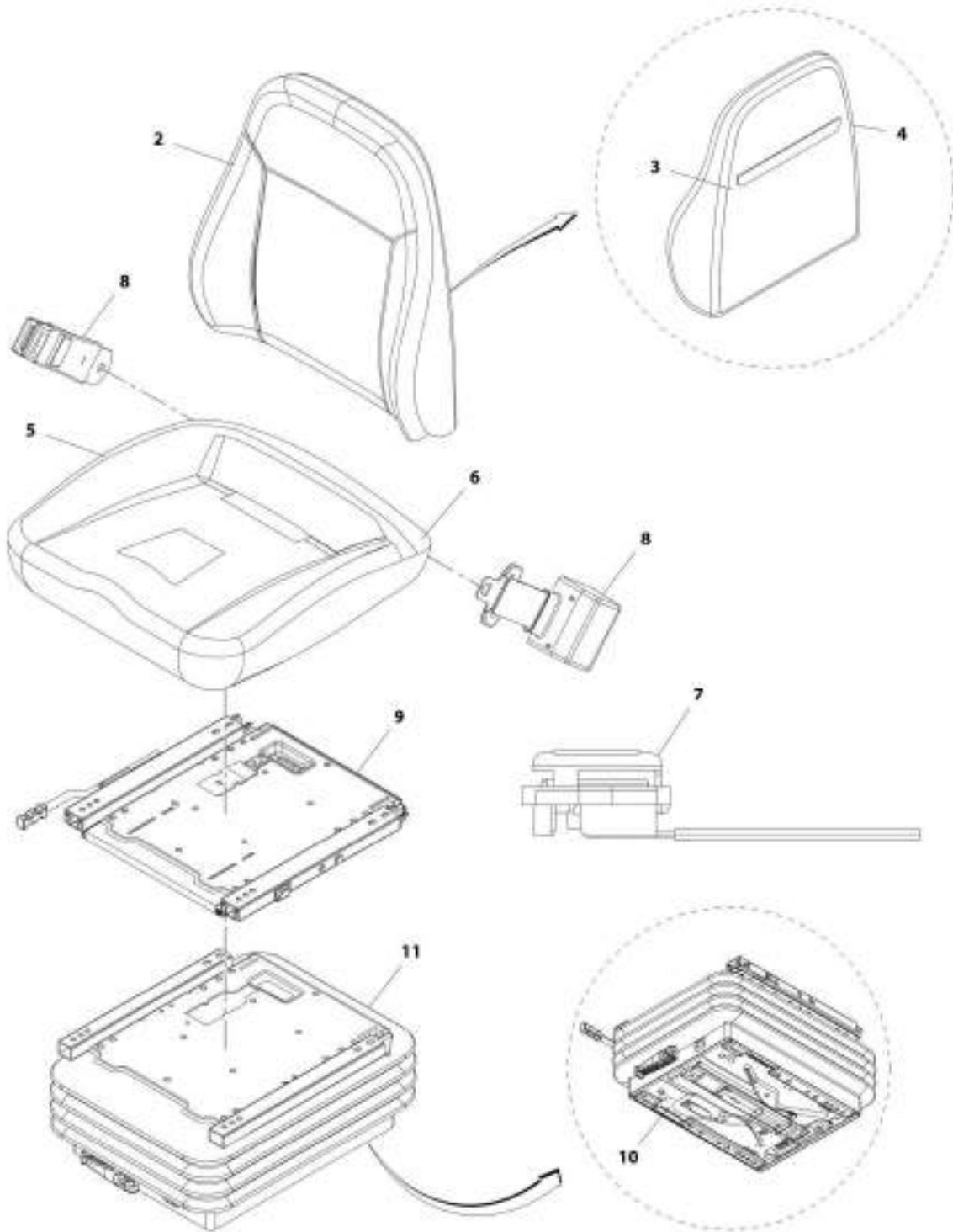
AFT_100144599-C

FIGURE 6-30. VINYL SEAT INSTALLATION

ITEM	PART NUMBER	QTY	DESCRIPTION	REV
	1001144399	Ref	Vinyl Seat Installation	C
1	1001095650	AR	Compound, Locking	
2	1001008666	4	Washer	
3	1001009136	4	Bolt	
4	1001150293	1	Vinyl Seat (See VINYL SEAT for Breakdown)	
5	1001150303	1	Headrest, Vinyl	

SECTION 6 - CAB

FIGURE 6-31. VINYL SEAT



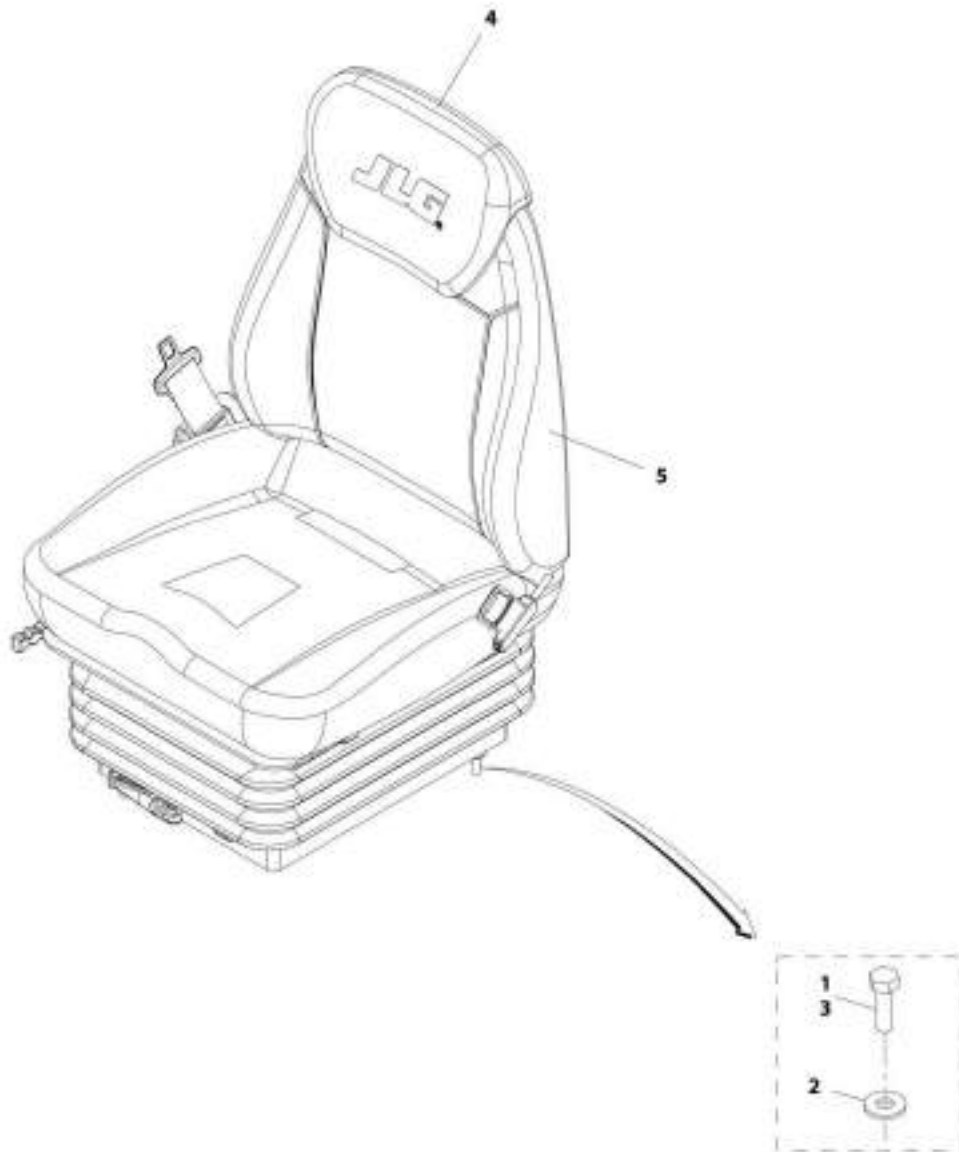
ART_1001190295-E

FIGURE 6-31. VINYL SEAT

ITEM	PART NUMBER	QTY	DESCRIPTION	REV
	1001150293	Ref	Vinyl Seat	E
2	70022517	1	Seat, Upper	
3	70025482	1	Cover, Back	
4	70025483	1	Foam, Back	
5	70025484	1	Cover, Seat	
6	70025485	1	Foam, Seat	
7	70025486	1	Switch, Contact	
8	7029767	1	Belt, Seat	
9	70021252	1	Rail, Slide	
10	70021251	1	Unit, Suspension	
11	70022034	1	Cover, Rubber	

SECTION 6 - CAB

FIGURE 6-32. CLOTH SEAT INSTALLATION



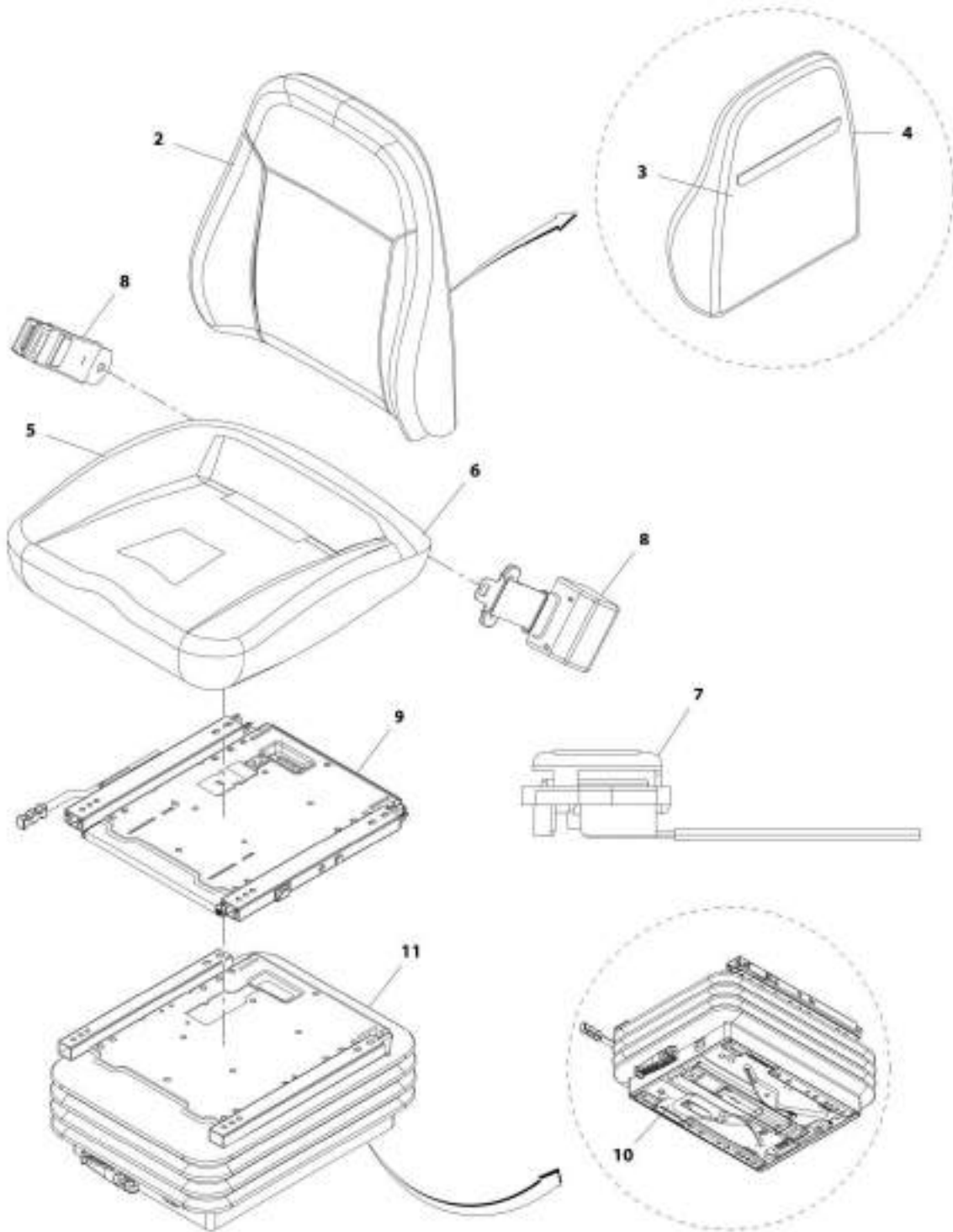
AKF_100110440-C

FIGURE 6-32. CLOTH SEAT INSTALLATION

ITEM	PART NUMBER	QTY	DESCRIPTION	REV
	1001144400	Ref	Cloth Seat Installation	C
1	1001095650	AR	Compound, Locking	
2	1001008666	4	Washer	
3	1001009136	4	Bolt	
4	1001119467	1	Headrest, Cloth	
5	1001150294	1	Seat, Cloth (See CLOTH SEAT for Breakdown)	

SECTION 6 - CAB

FIGURE 6-33. CLOTH SEAT



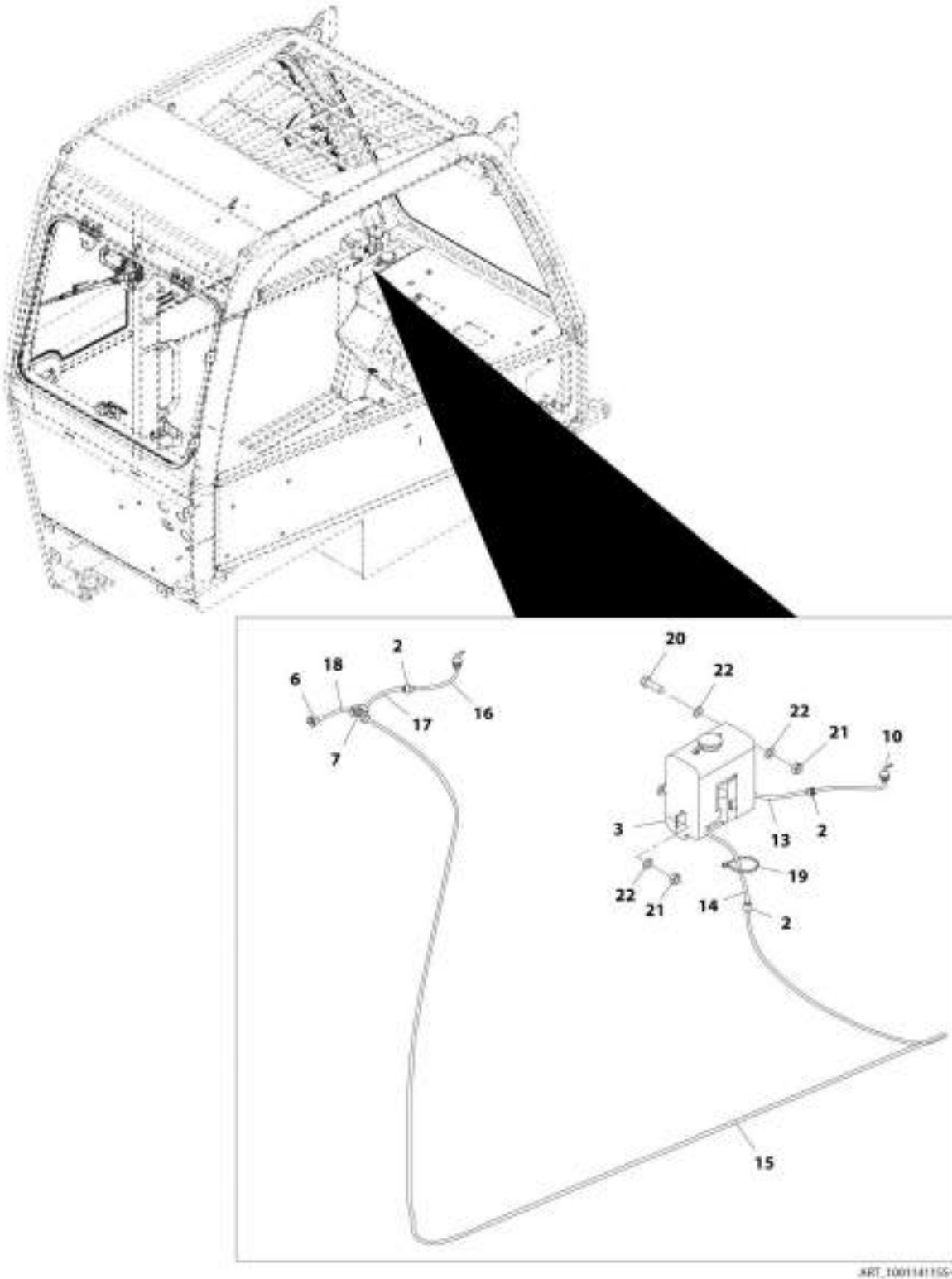
ART_1001190294-E

FIGURE 6-33. CLOTH SEAT

ITEM	PART NUMBER	QTY	DESCRIPTION	REV
	1001150294	1	Cloth Seat	E
2	70025489	1	Fabric, Upper Seat	
3	70025490	1	Cover, Back	
4	70025483	1	Foam, Back	
5	70025491	1	Cover, Seat	
6	70025485	1	Foam, Seat	
7	70025486	1	Switch, Contact	
8	7029767	1	Belt, Seat	
9	70021252	1	Rail, Slide	
10	70021251	1	Unit, Suspension	
11	70022034	1	Cover, Rubber	

SECTION 6 - CAB

FIGURE 6-34. FRONT WIPER INSTALLATION



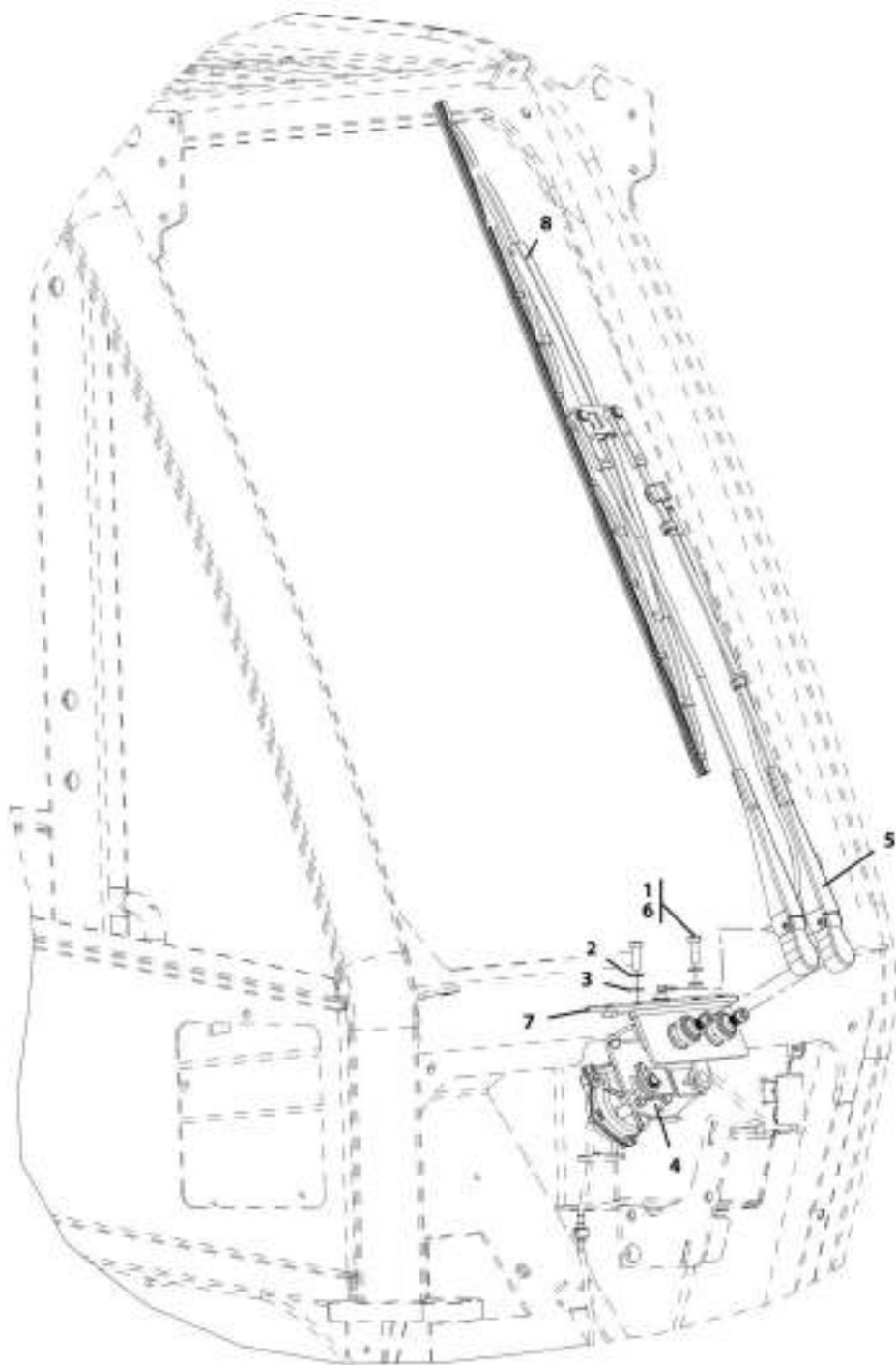
ART_1001181152-G

FIGURE 6-34. FRONT WIPER INSTALLATION

ITEM	PART NUMBER	QTY	DESCRIPTION	REV
	1001141155	Ref	Front Wiper Installation	G
2	1366865	3	Valve, Check	
3	4400493	1	Tank, Washer	
6	1001004141	4	Clamp, Hose	
7	1001008742	1	Coupling, Tee	
10	1001090343	2	Connector	
13	1001145143	2	Hose	
14	1001145144	1	Hose	
15	1001145145	1	Hose	
16	1001145146	1	Hose	
17	1001145614	1	Hose	
18	1001145615	1	Hose	
19	1001008559	1	Strap, Cable	
20	0760508	1	Bolt, M5X16	
21	3290501	2	Hex Nut, M8x0.8	
22	4811600	3	Washer, 5mm	

SECTION 6 - CAB

FIGURE 6-35. FRONT WIPER INSTALLATION



AWT_3001168812-A

FIGURE 6-35. FRONT WIPER INSTALLATION

ITEM	PART NUMBER	QTY	DESCRIPTION	REV
	1001168812	Ref	Front Wiper Installation	A
1	0760812	2	Bolt, M8x25	
2	4811900	2	Washer, M8	
3	4831900	2	Lockwasher, Spring M8	
4	1001090336	1	Motor, Front Wiper	
5	1001090340	1	Arm, Front Wiper	
6	1001095650	AR	Compound, Locking	
7	1001141242	1	Plate	
8	1001141281	1	Blade, Wiper	

SECTION 6 - CAB

FIGURE 6-36. ROOF WIPER INSTALLATION

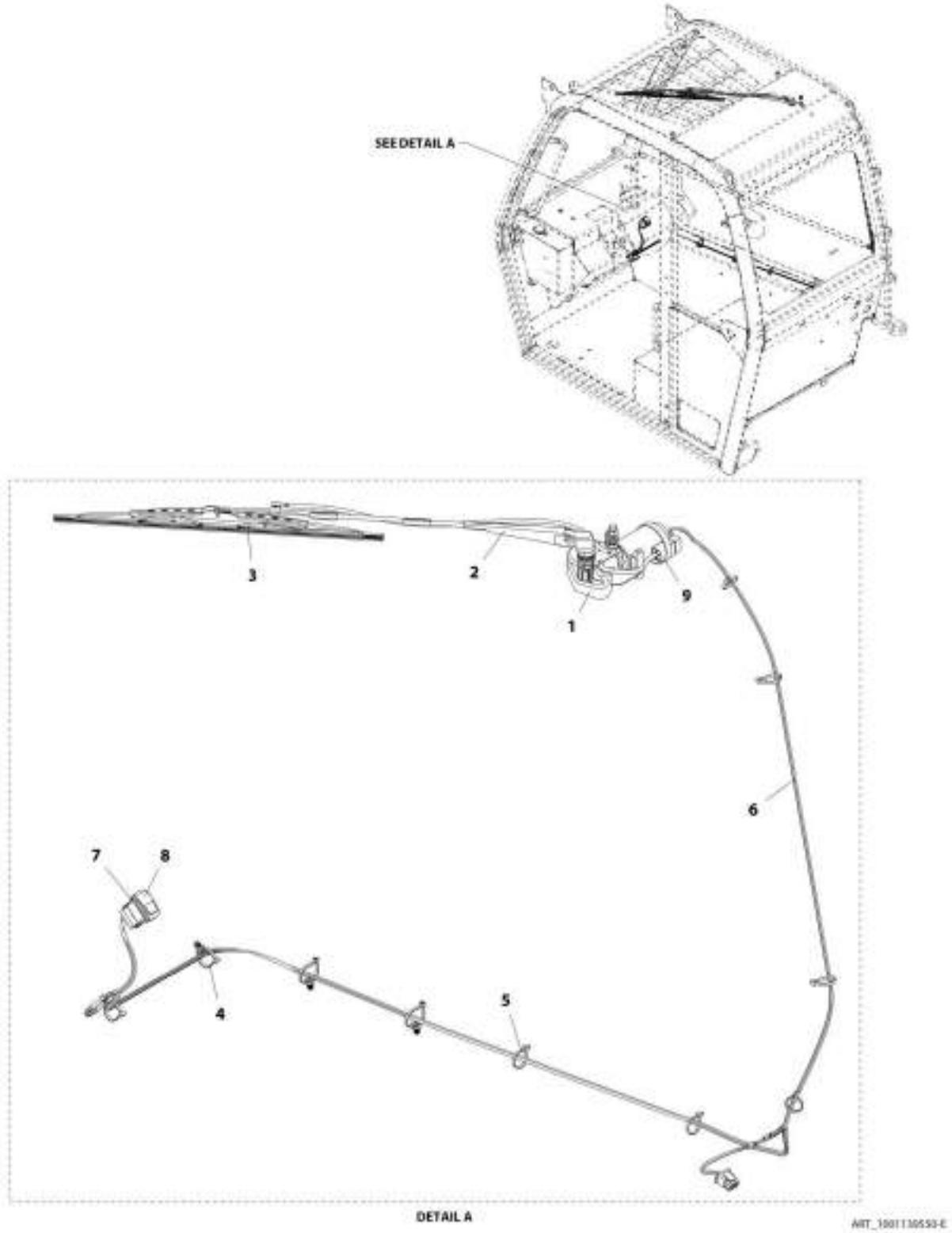


FIGURE 6-36. ROOF WIPER INSTALLATION

ITEM	PART NUMBER	QTY	DESCRIPTION	REV
	1001139550	Ref	Roof Wiper Installation	E
1	1001139551	1	Motor, Roof Wiper	
2	1001141311	1	Arm, Roof Wiper	
3	1001141313	1	Blade, Roof Wiper	
4	1001004720	4	Strap, Cable	
5	1001008559	6	Strap, Cable	
6	1001146677	1	Harness, Roof Wiper (See ELECTRICAL SECTION for Breakdown)	
7	1001146729	1	Switch, Wiper	
8	1001149967	1	Switch, Wiper	
9	1062255	1	Strap, Cable	

SECTION 6 - CAB

FIGURE 6-37. HEATER INSTALLATION

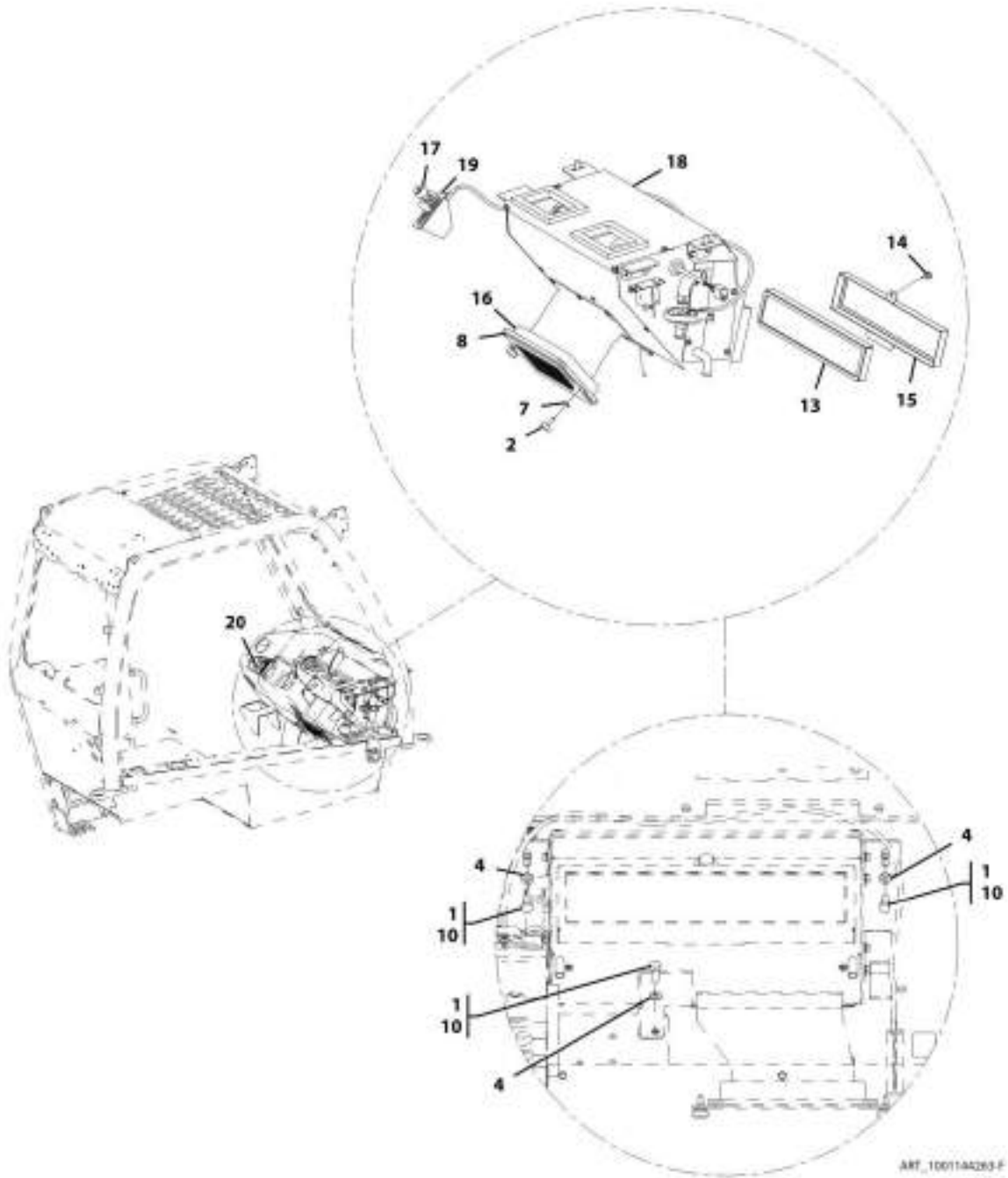


FIGURE 6-37. HEATER INSTALLATION

ITEM	PART NUMBER	QTY	DESCRIPTION	REV
	1001144263	Ref	Heater Installation	F
1	0760810	3	Bolt, M8X20	
2	2080092	2	Screw, Thumb	
3	1001148415	1	Plate, HAC Control, (not shown)	
4	4811900	3	Washer, M8	
7	1001148557	2	Washer, Star	
8	1001148619	1	Plate, Recirculation Grill	
10	1001095650	AR	Compound, Locking	
13	1001147752	1	Filter, Air	
14	1001147753	1	Latch, Filter Knob	
15	1001147754	1	Frame, Filter	
16	1001147755	1	Filter, Recirculation Air	
17	1001148556	1	Control, Fan Speed	
18	1001149216	1	Heater Unit Without A/C (See HEATER (No A/C) for Breakdown)	
19	1001150125	1	Control, Heater	
20	1001181502	1	Plug Cap	

SECTION 6 - CAB

FIGURE 6-38. AIR CONDITIONING INSTALLATION

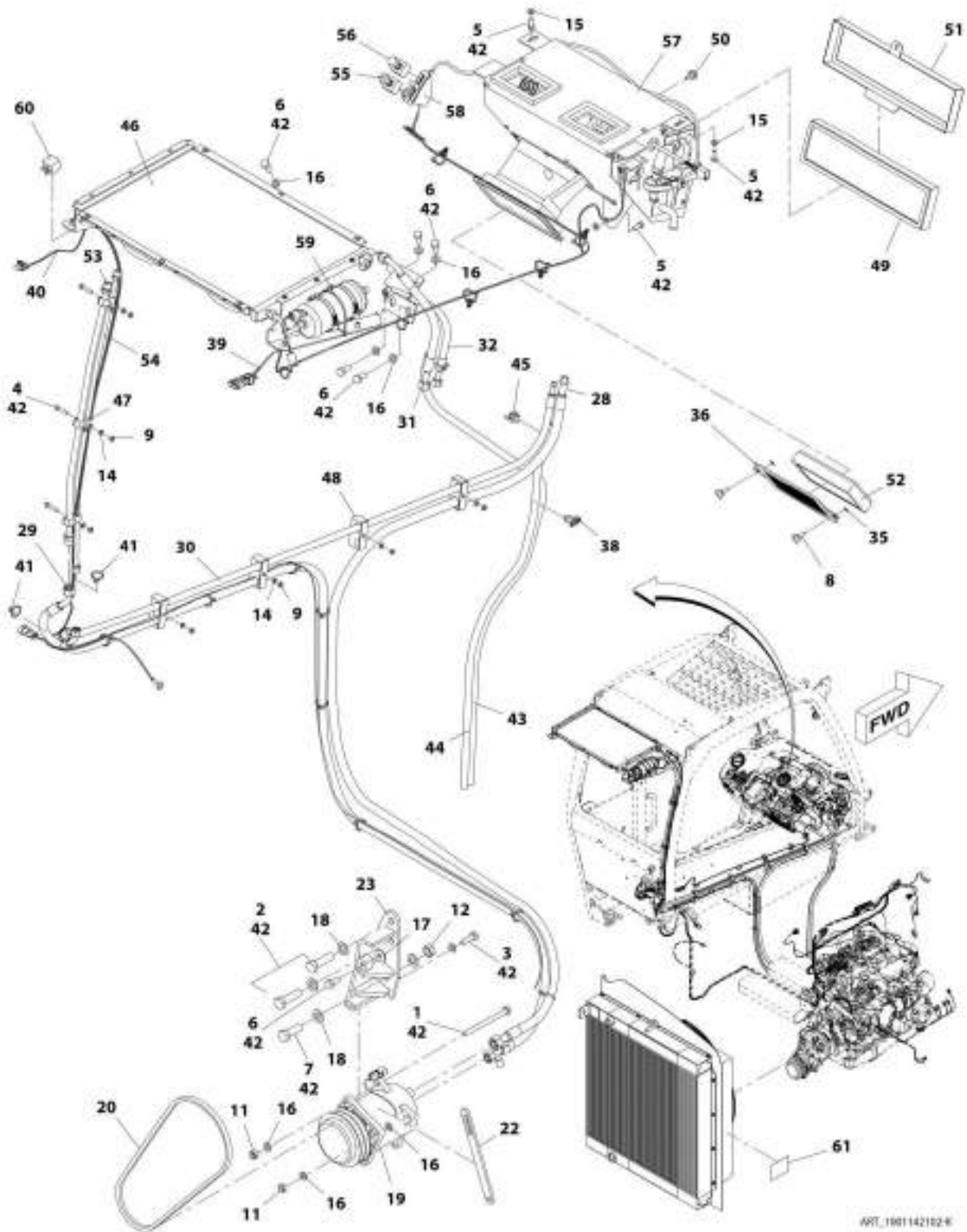


FIGURE 6-38. AIR CONDITIONING INSTALLATION

ITEM	PART NUMBER	QTY	DESCRIPTION	REV
	1001142102	Ref	Air Conditioning Installation	K
1	0711030	1	Bolt, M10x130 GR10.9	
2	0761619	2	Bolt, M16X55	
3	0711016	1	Bolt, M10X40	
4	0760614	3	Bolt, M6X30	
5	0760810	3	Bolt, M8X20	
6	0761012	9	Bolt, M10X25	
7	0761617	1	Bolt, M16X45	
8	2080092	2	Screw, Thumb	
9	3290601	7	Nut, M6X1	
11	3291005	2	Nut, Lock M10X1.5	
12	3291601	1	Nut, M16X2	
14	4811700	7	Washer, M6	
15	4811900	3	Washer, M8	
16	4812000	12	Washer, M10	
17	4812002	1	Washer, M10	
18	4812300	4	Washer, M16	
19	1001119220	1	Compressor	
20	1001134759	1	Belt, Compressor	
22	1001145491	1	Plate, Compressor Tension Arm	
23	1001145492	1	Bracket, Compressor	
28	1001148470	1	Hose	
29	1001148471	1	Hose	
30	1001148472	1	Hose	
31	1001148473	1	Hose	
32	1001148474	1	Hose	
35	1001148557	2	Washer, Star	
36	1001148619	1	Plate, Recirculation Grill	
38	1001004720	7	Strap, Cable	
39	1001168704	1	Harness, Air Conditioning Cab (See ELECTRICAL SECTION for Breakdown)	
40	1001151260	1	Harness, Air Conditioning Chassis (See ELECTRICAL SECTION for Breakdown)	
41	1001008559	17	Strap, Cable	
42	1001095650	AR	Locking Compound	
43	1001152353	1	Hose	
44	1001152354	1	Hose	
45	1001152729	2	Clamp, Springband	
46	1001142103	1	Condenser	
47	1001145539	3	Support, Pipe	
48	1001145540	4	Support, Pipe	
49	1001147752	1	Filter, Air	
50	1001147753	1	Knob, Filter Latch	
51	1001147754	1	Frame, Filter	
52	1001147755	1	Filter, Recirculation Air	
53	1001148475	1	Pipe	
54	1001148476	1	Pipe	
55	1001148555	1	Control, Heater/AC	
56	1001148556	1	Control, Fan Speed	
57	1001149215	1	Heater (A/C) (See HEATER (A/C) for Details)	

SECTION 6 - CAB

ITEM	PART NUMBER	QTY	DESCRIPTION	REV
58	1001150125	1	Control, Heater	
59	1062255	1	Wrap, Tie	
60	8225119	1	Relay, Sealed	
61	1001198720	NLA	Decal, A/C Installation (no longer available, use 1001227093 for replacement)	
61	1001227093	1	Decal, A/C Installation	

SECTION 6 - CAB

FIGURE 6-39. HEATER (NO A/C)

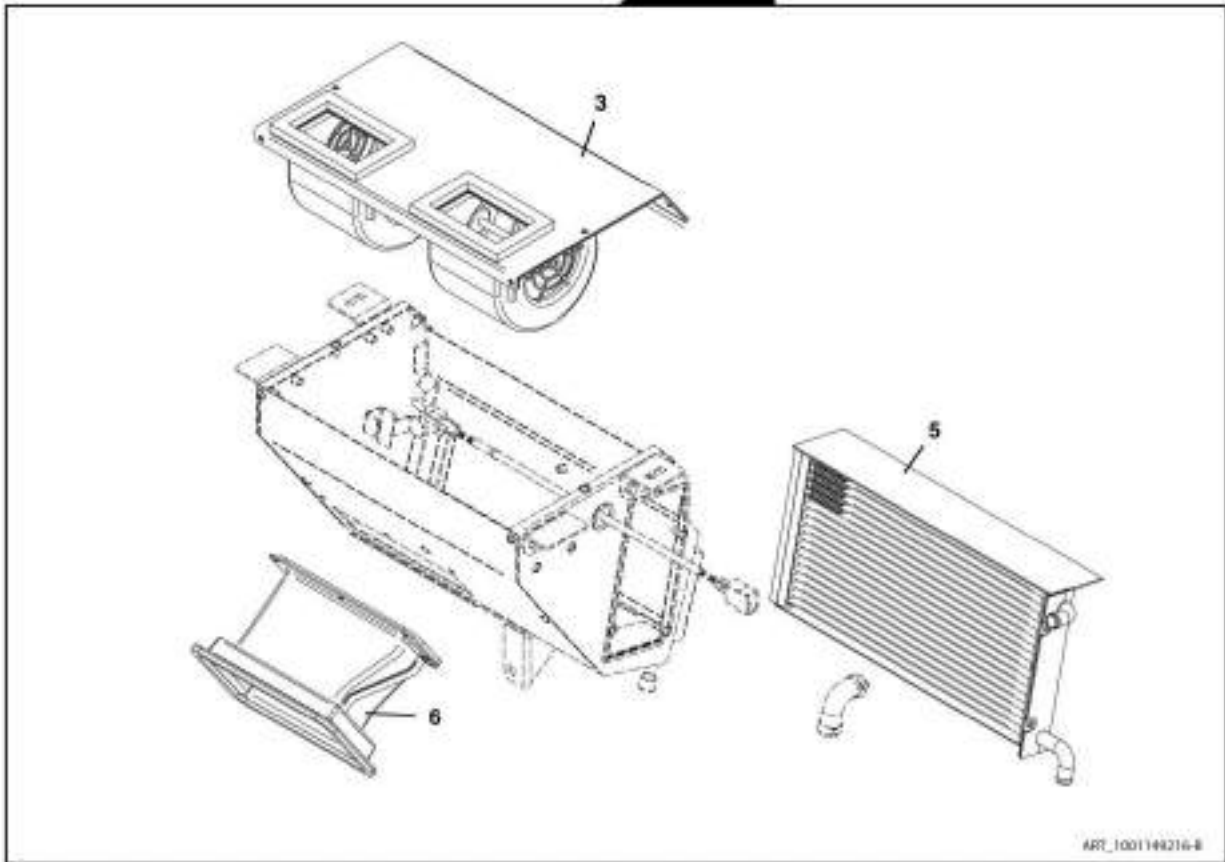
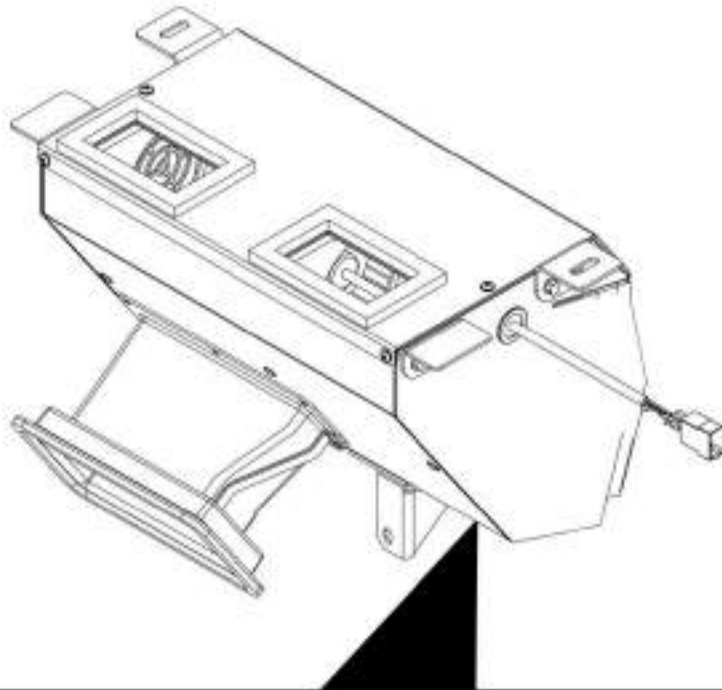
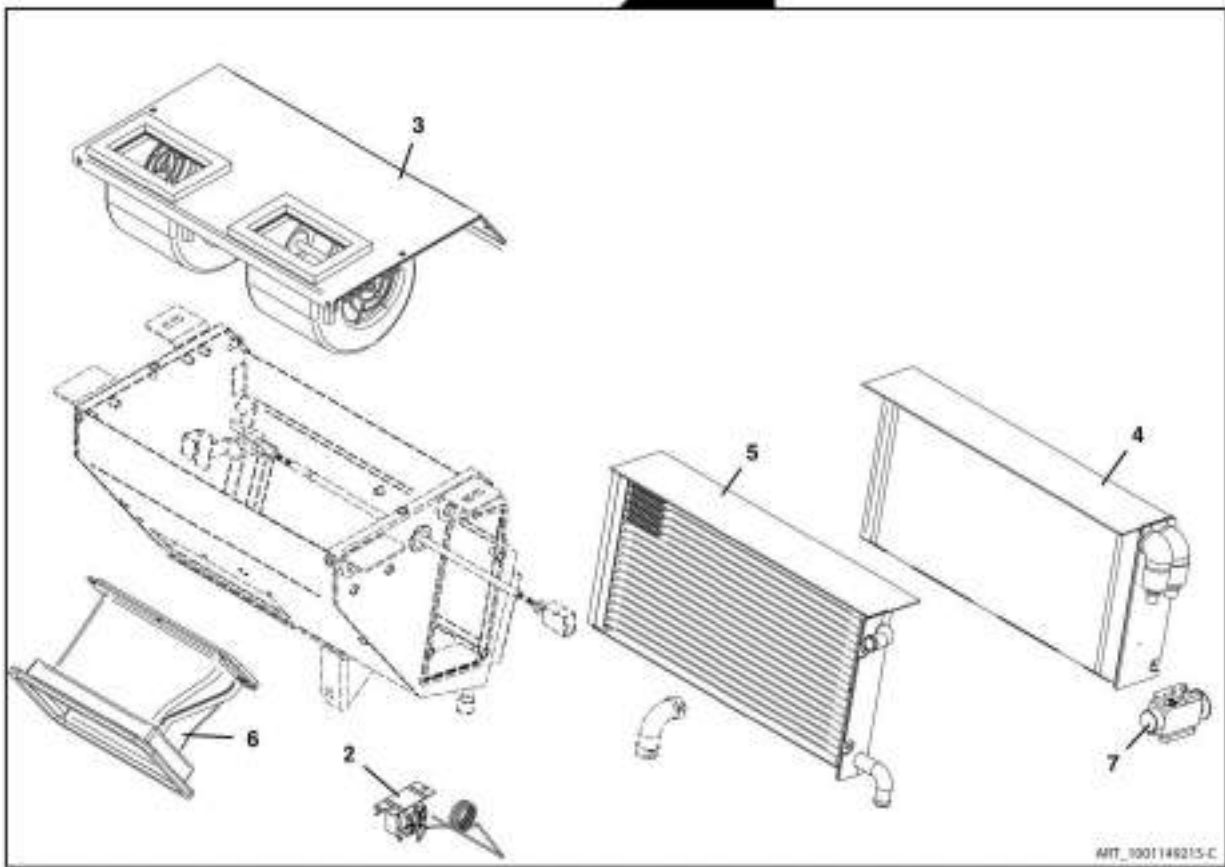
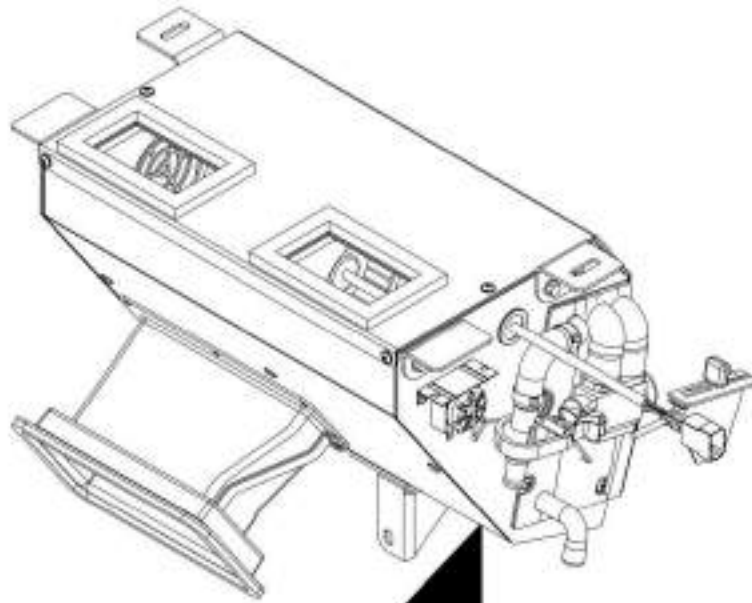


FIGURE 6-39. HEATER (NO A/C)

ITEM	PART NUMBER	QTY	DESCRIPTION	REV
	1001149216	1	Heater (No A/C)	B
3	70025808	1	Fan, Centrifugal Electric	
5	70025805	1	Heater	
6	70025806	1	Duct, Air	

SECTION 6 - CAB

FIGURE 6-40. HEATER (A/C)



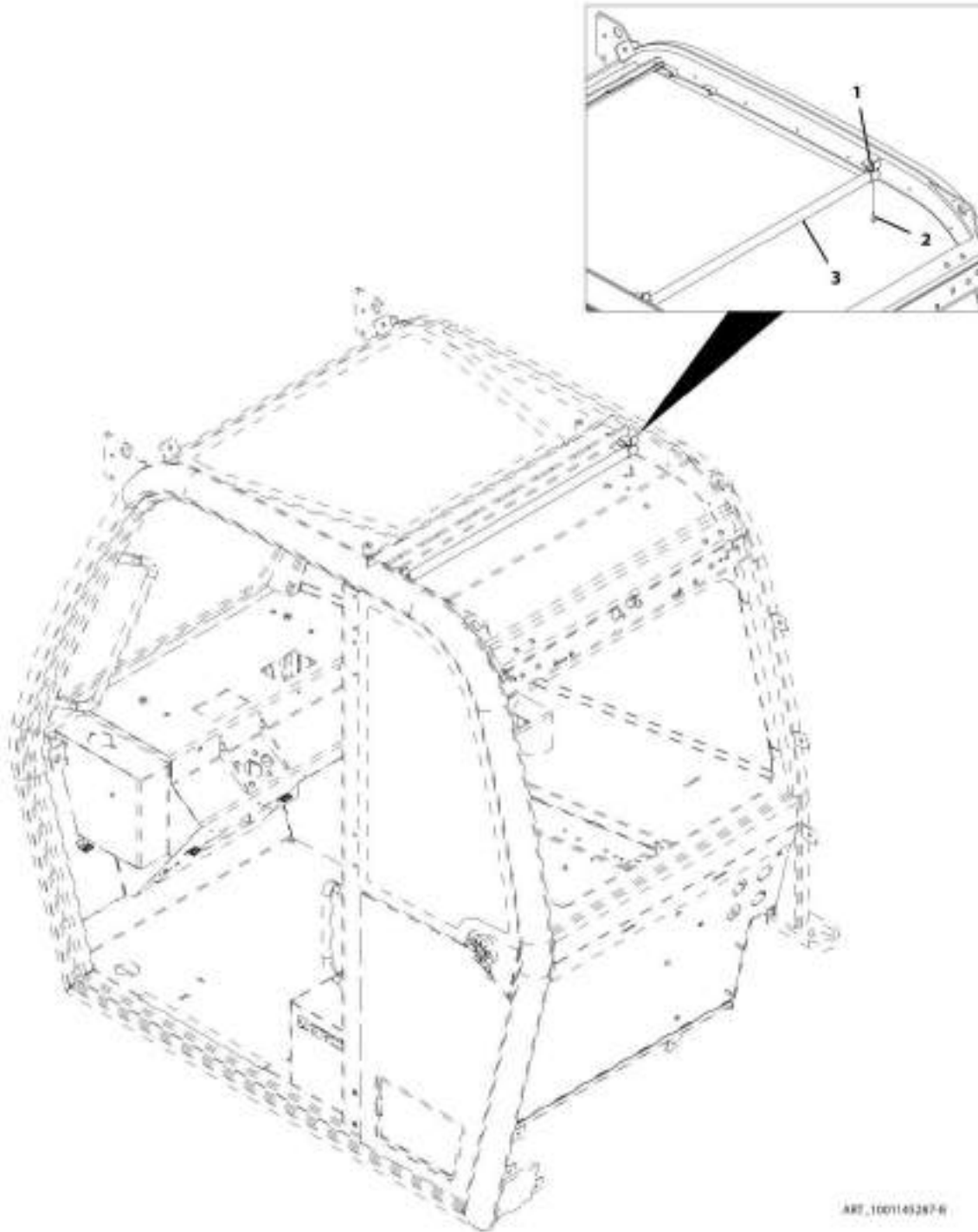
MIT_1001148215-C

FIGURE 6-40. HEATER (A/C)

ITEM	PART NUMBER	QTY	DESCRIPTION	REV
	1001149215	1	Heater (A/C)	C
2	70025803	1	Thermostat	
3	70025808	1	Fan, Centrifugal Electric	
4	70025804	1	Evaporator	
5	70025805	1	Heater	
6	70025806	1	Duct, Air	
7	70025807	1	Valve, Expansion	

SECTION 6 - CAB

FIGURE 6-41. CAB SCREEN (GP) SUN BLIND



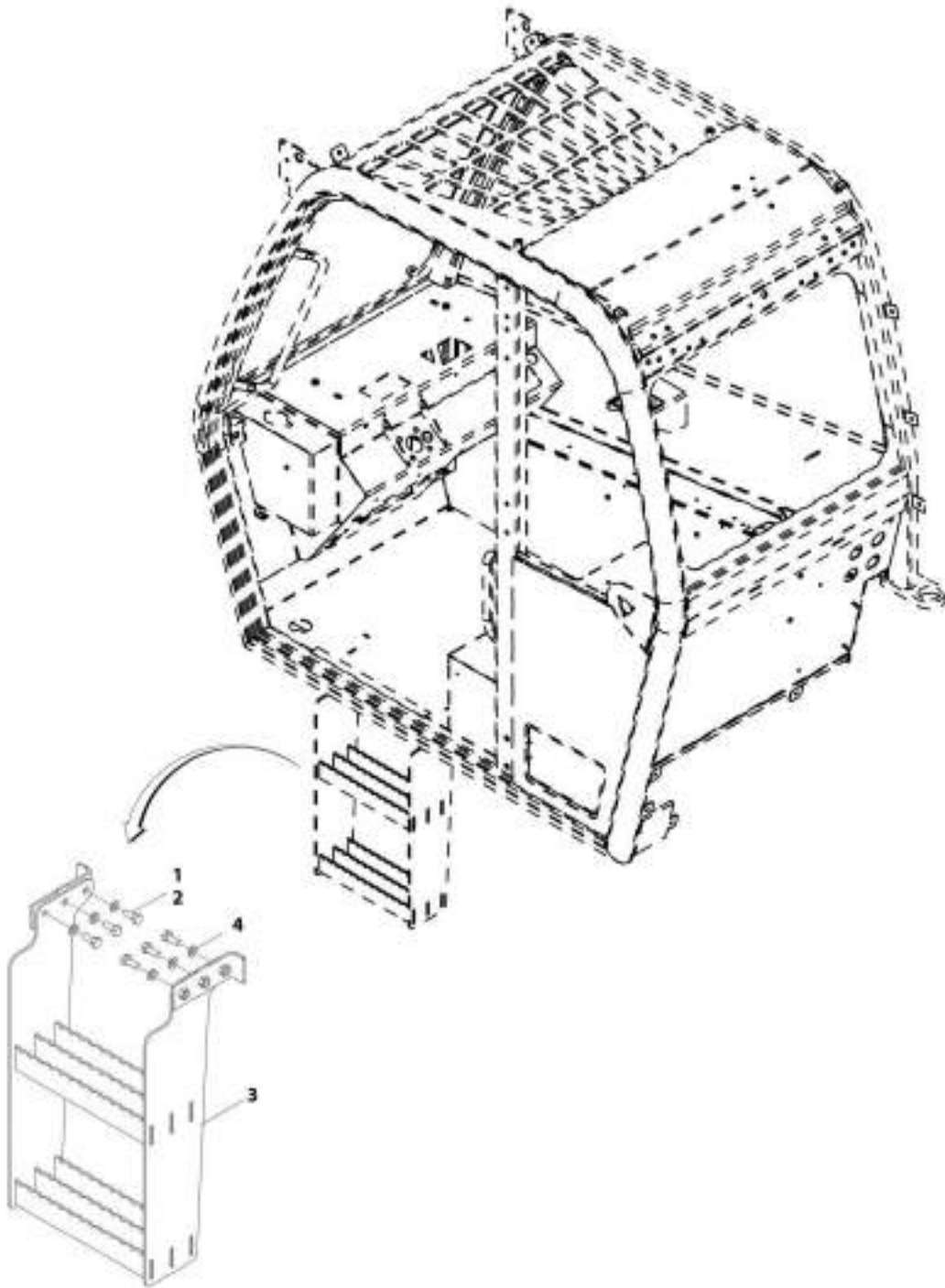
ART_1001143287-R

FIGURE 6-41. CAB SCREEN (GP) SUN BLIND

ITEM	PART NUMBER	QTY	DESCRIPTION	REV
	1001145287	Ref	Cab Screen (GP) Sun Blind	B
1	1001111076	2	Nut, Spire	
2	1001111147	2	Self Tapping Screw	
3	1001145288	1	Cab Screen Blind	

SECTION 6 - CAB

FIGURE 6-42. STEP INSTALLATION



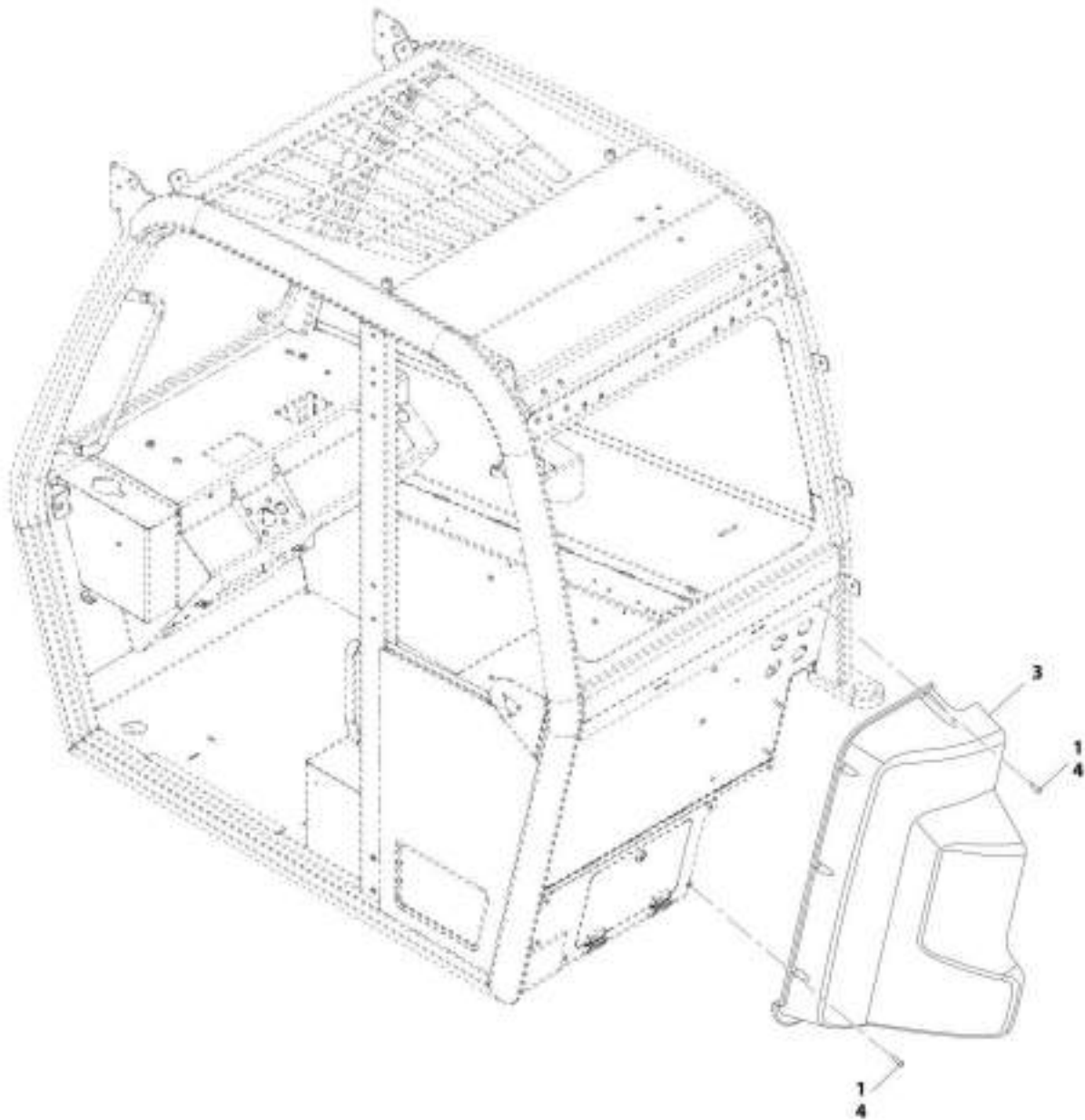
AME_1001344260-E

FIGURE 6-42. STEP INSTALLATION

ITEM	PART NUMBER	QTY	DESCRIPTION	REV
	1001144260	Ref	Step Installation	E
1	1001095650	AR	Compound, Locking	
2	0761012	6	Screw, M10 X 25LG	
3	1001144242	1	Bracket, Step	
4	4812000	6	Washer, 10mm	

SECTION 6 - CAB

FIGURE 6-43. HYDRAULIC COVER INSTALLATION



ART_1001144261-D

FIGURE 6-43. HYDRAULIC COVER INSTALLATION

ITEM	PART NUMBER	QTY	DESCRIPTION	REV
	1001144261	Ref	Hydraulic Cover Installation	D
1	3900364	4	Bolt, M6X20	
3	1001147463	1	Cover, Rear Hydraulic	
4	1001095650	AR	Compound, Locking	

SECTION 6 - CAB

FIGURE 6-44. A/C CONDENSER COVER INSTALLATION

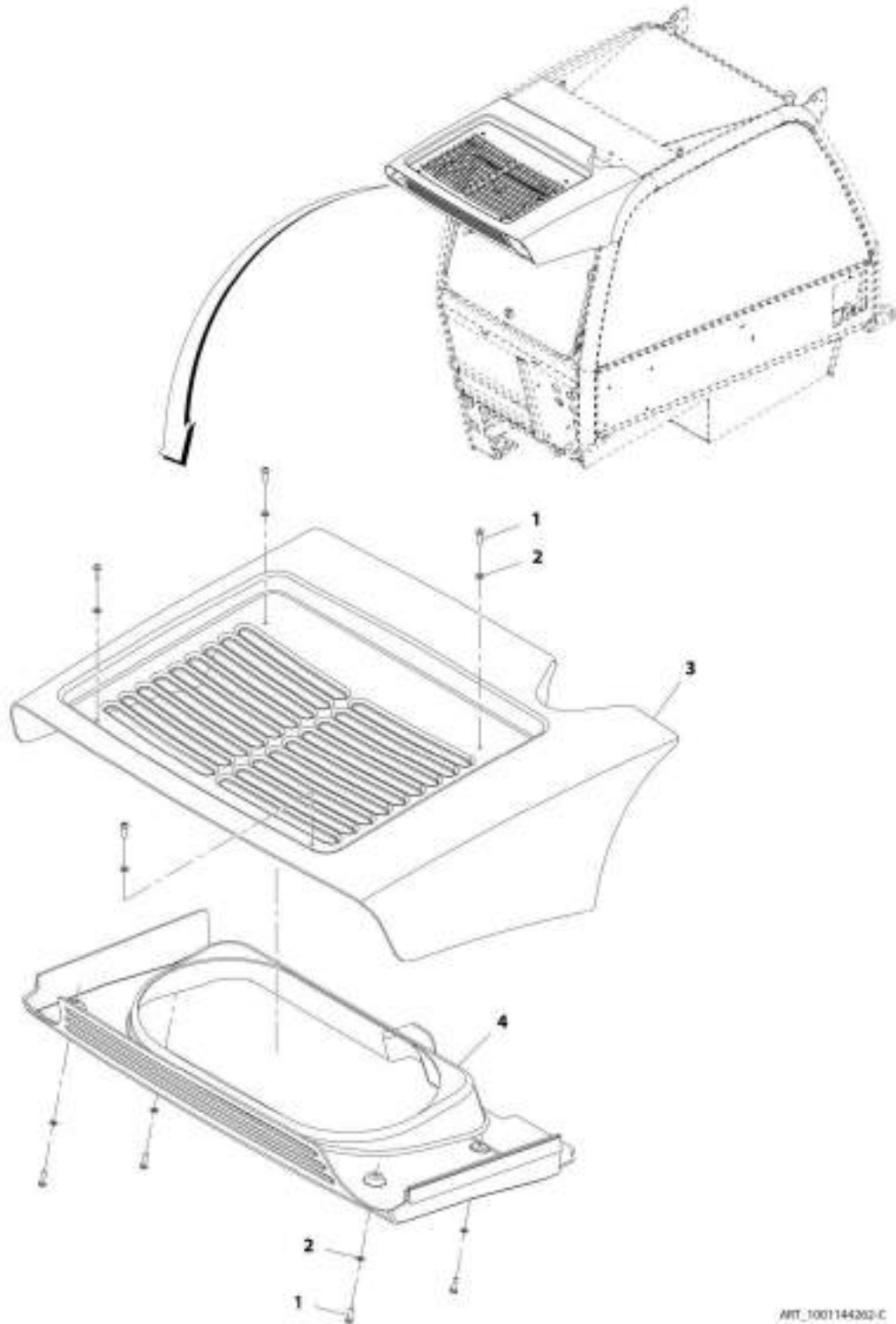
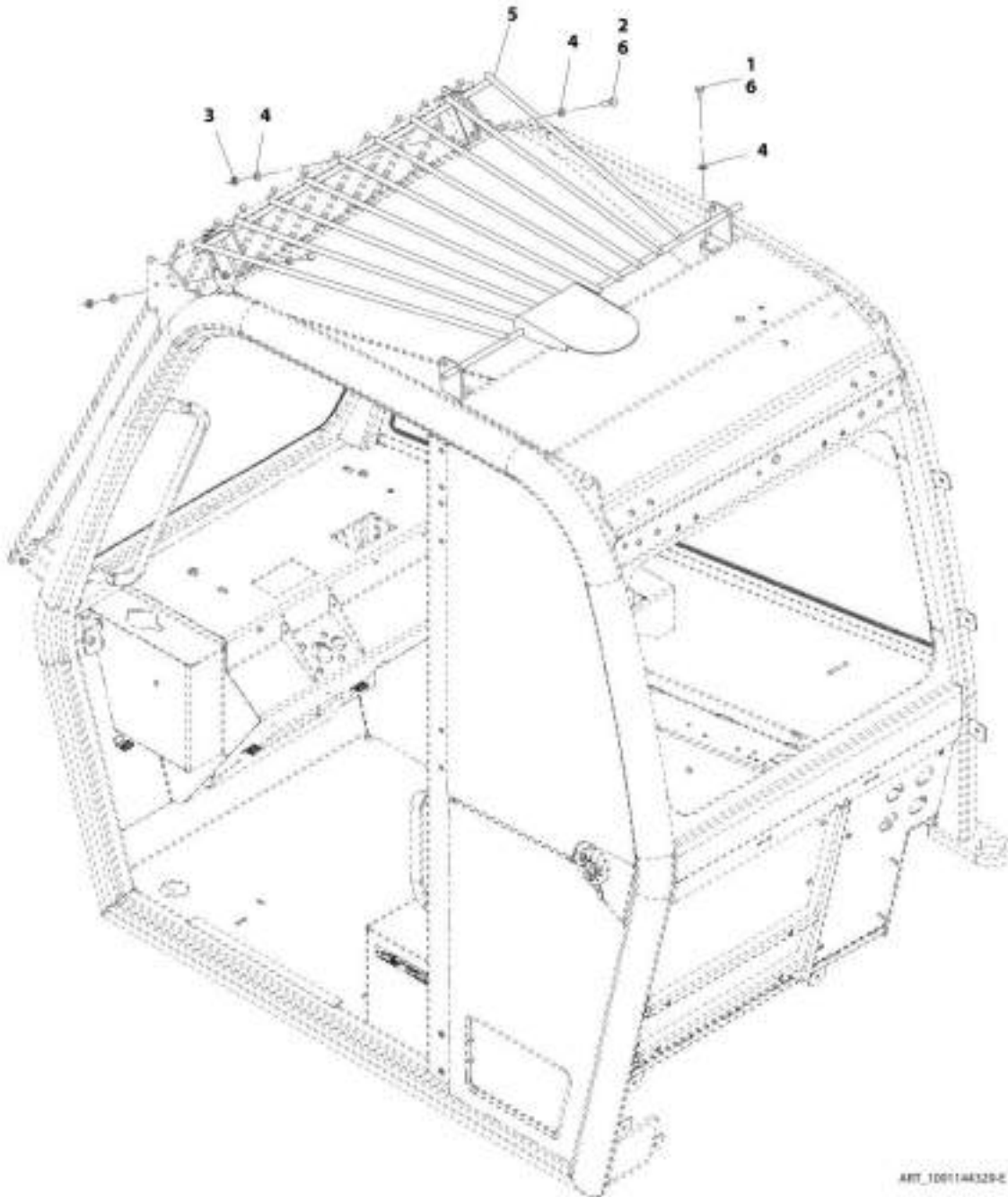


FIGURE 6-44. A/C CONDENSER COVER INSTALLATION

ITEM	PART NUMBER	QTY	DESCRIPTION	REV
	1001144262	1	A/C Condenser Cover Installation	C
1	4191708	8	Screw, M6 X 20LG	
2	4811700	8	Washer, M6	
3	1001147461	1	Cover, Condenser Upper	
4	1001147462	1	Cover, Condenser Lower	

SECTION 6 - CAB

FIGURE 6-45. TOP SCREEN GUARD INSTALLATION



ART. 1001144320-E

FIGURE 6-45. TOP SCREEN GUARD INSTALLATION

ITEM	PART NUMBER	QTY	DESCRIPTION	REV
	1001144329	Ref	Top Screen Guard Installation	E
1	0760808	2	Bolt, M8X16	
2	0760814	2	Bolt, M8X30	
3	3290801	2	Nut, M8X1.25	
4	4811900	6	Washer, M8	
5	1001187321	1	Top Screen Guard	
6	1001095650	AR	Compound Locking	

SECTION 6 - CAB

FIGURE 6-46. FRONT SCREEN GUARD INSTALLATION

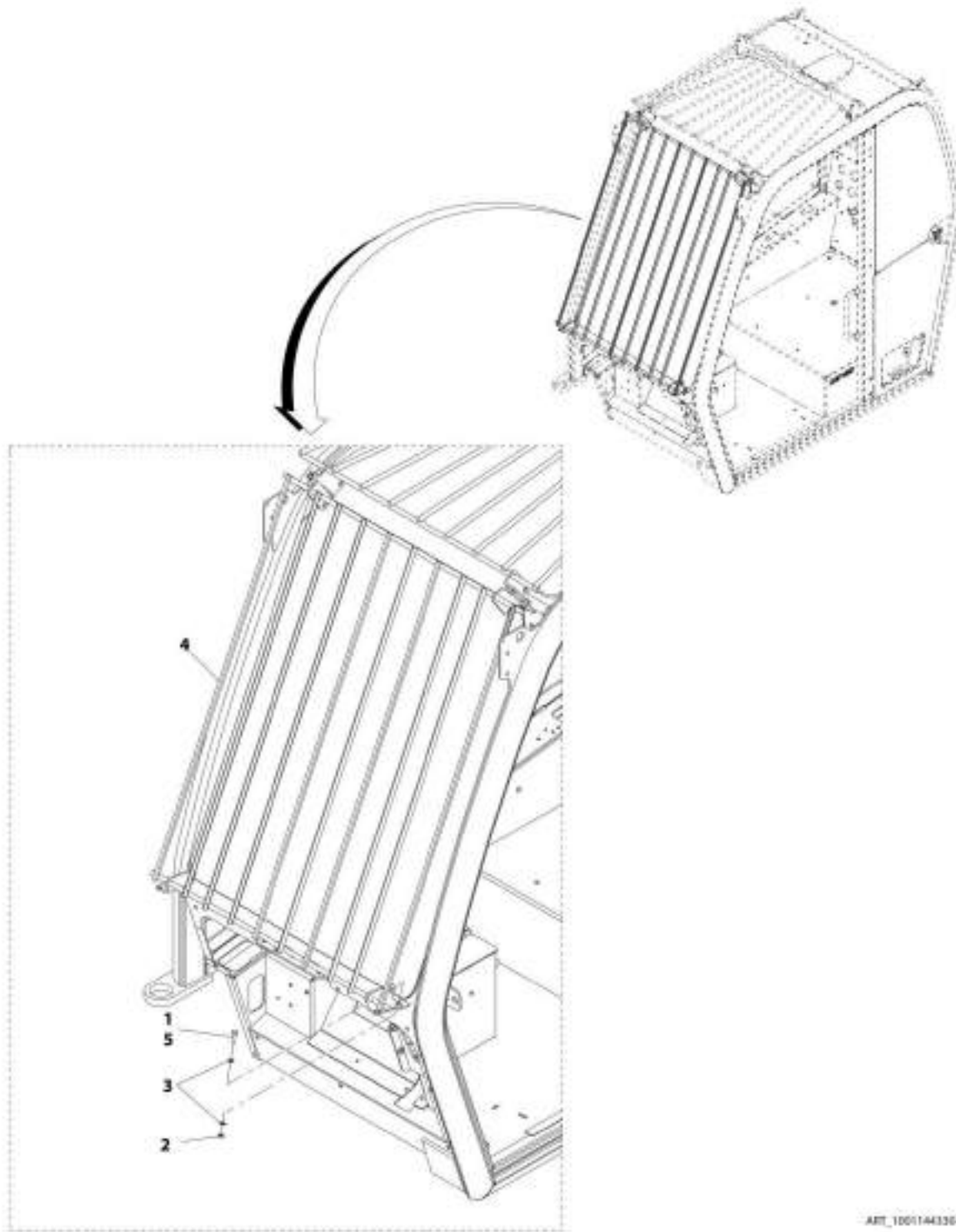


FIGURE 6-46. FRONT SCREEN GUARD INSTALLATION

ITEM	PART NUMBER	QTY	DESCRIPTION	REV
	1001144330	Ref	Front Screen Guard Installation	E
1	0760814	2	Bolt, M8X30	
2	3290801	2	Nut, M8X1.25	
3	4811900	4	Washer, M8	
4	1001144332	1	Front Screen Guard	
5	1001095650	AR	Compound Locking	

SECTION 6 - CAB

FIGURE 6-47. CLEARSKY INSTALLATION

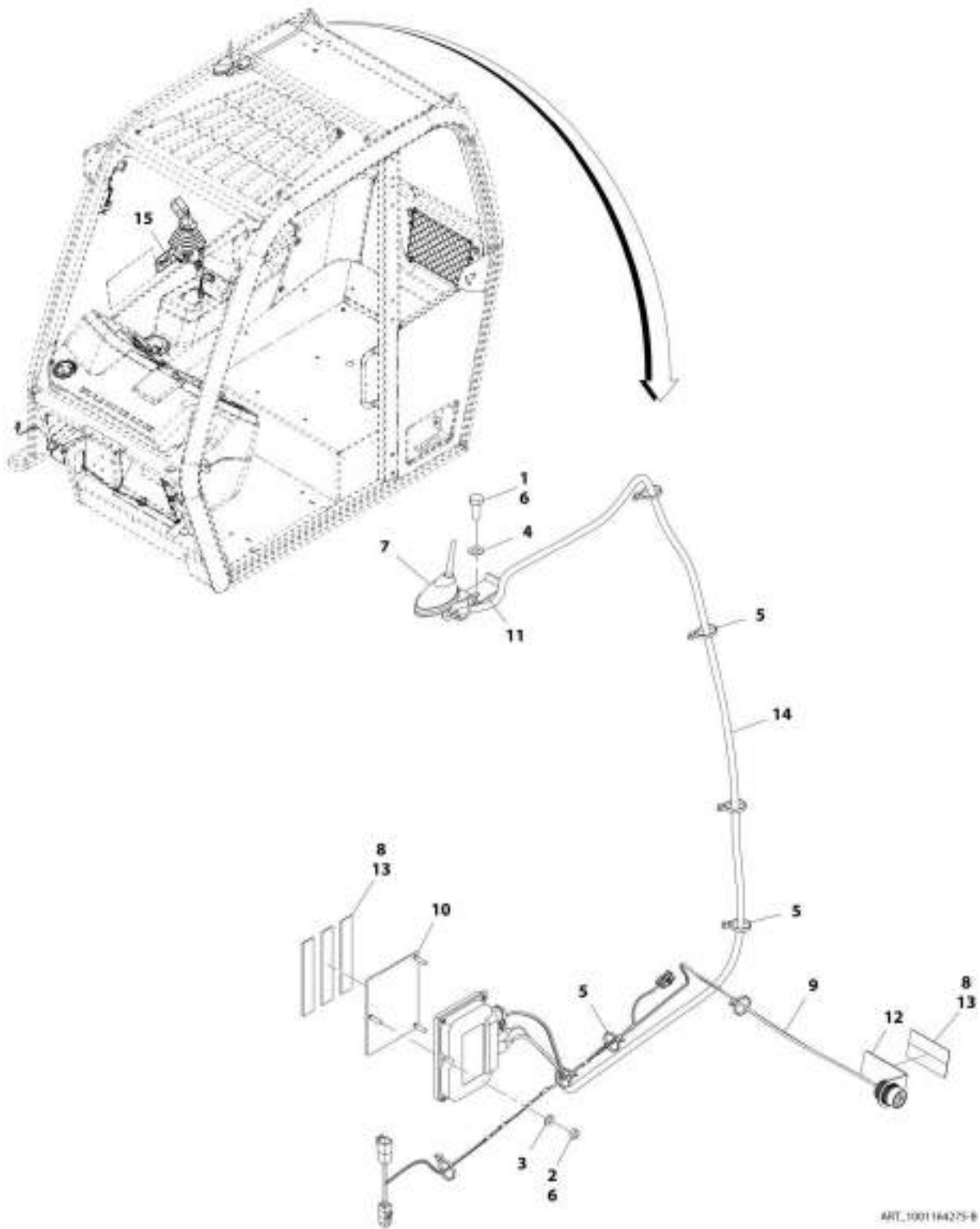
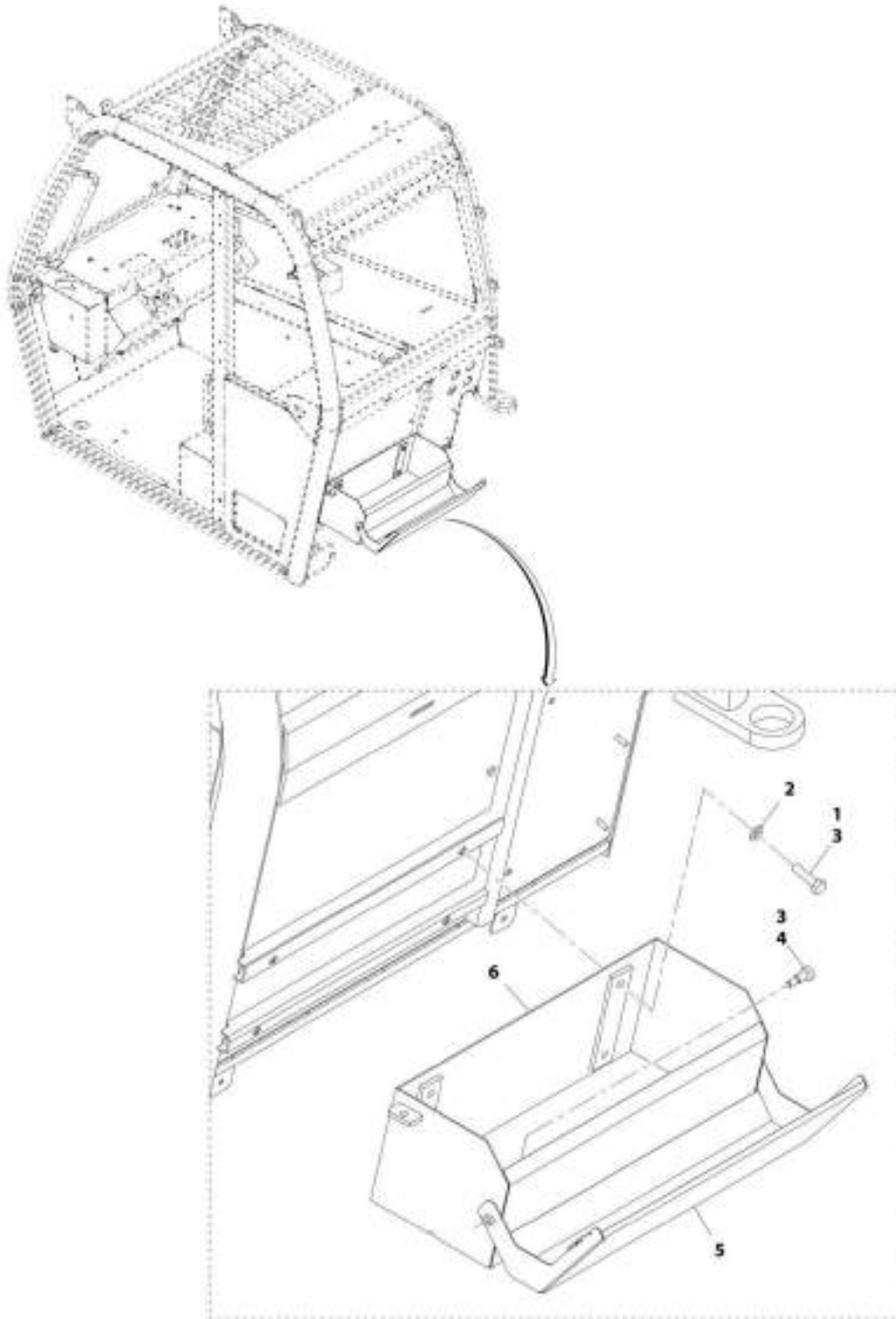


FIGURE 6-47. CLEARSKY INSTALLATION

ITEM	PART NUMBER	QTY	DESCRIPTION	REV
	1001164275	Ref	Installation, ClearSky	B
1	0760810	1	Bolt, M8X20	
2	3290601	3	Nut, M6X1	
3	4811700	3	Washer, M6	
4	4811900	1	Washer, M8	
5	1001008559	9	Strap, Cable	
6	1001095650	AR	Compound, Locking	
7	1001102831	1	Controller, Telematics CE	
8	1001125465	AR	Compound, Locking	
9	1001164274	1	Harness, Clearsky (See ELECTRICAL SECTION for Breakdown)	
10	1001164388	1	Bracket, Clearsky Module	
11	1001164390	1	Bracket, Clearsky ANT	
12	1001164391	1	Bracket, Clearsky DIAG CONN	
13	1001165978	0.63 m	Tape, 3M	
14	1001166282	1	Conduit	
15	1001120989	1	Decal, Radio Frequency	

SECTION 6 - CAB

FIGURE 6-48. TOOLBOX INSTALLATION



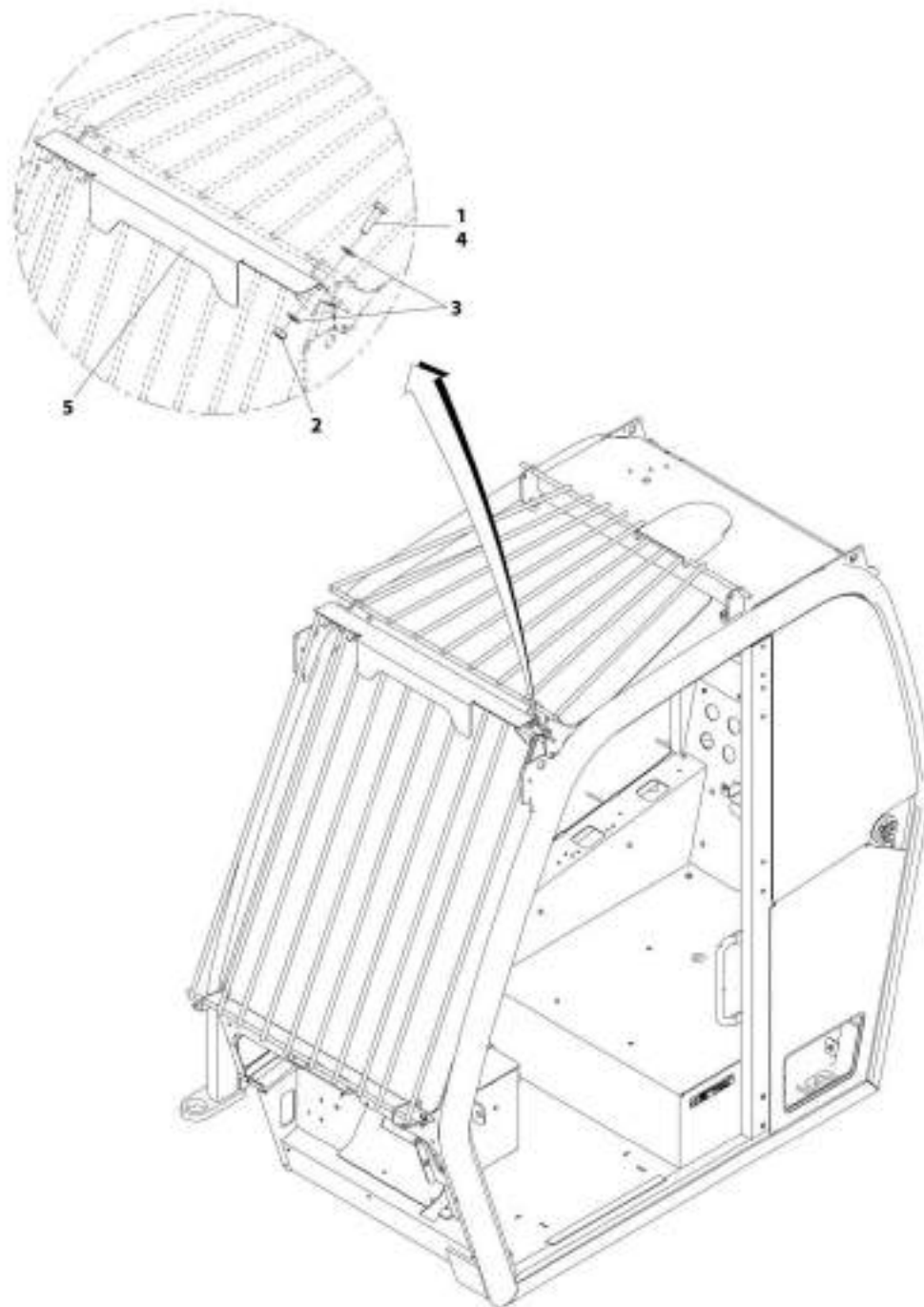
ART_1001177537-A

FIGURE 6-48. TOOLBOX INSTALLATION

ITEM	PART NUMBER	QTY	DESCRIPTION	REV
	1001177537	Ref	Toolbox Installation	A
1	0760814	4	Bolt, M8X30	
2	4811900	4	Washer, M8	
3	1001095650	AR	Compound Locking	
4	1001101999	2	Screw, M8X12	
5	1001177676J	1	Toolbox Lid	
6	1001177678J	1	Toolbox Body	

SECTION 6 - CAB

FIGURE 6-49. FRONT LICENSE PLATE INSTALLATION



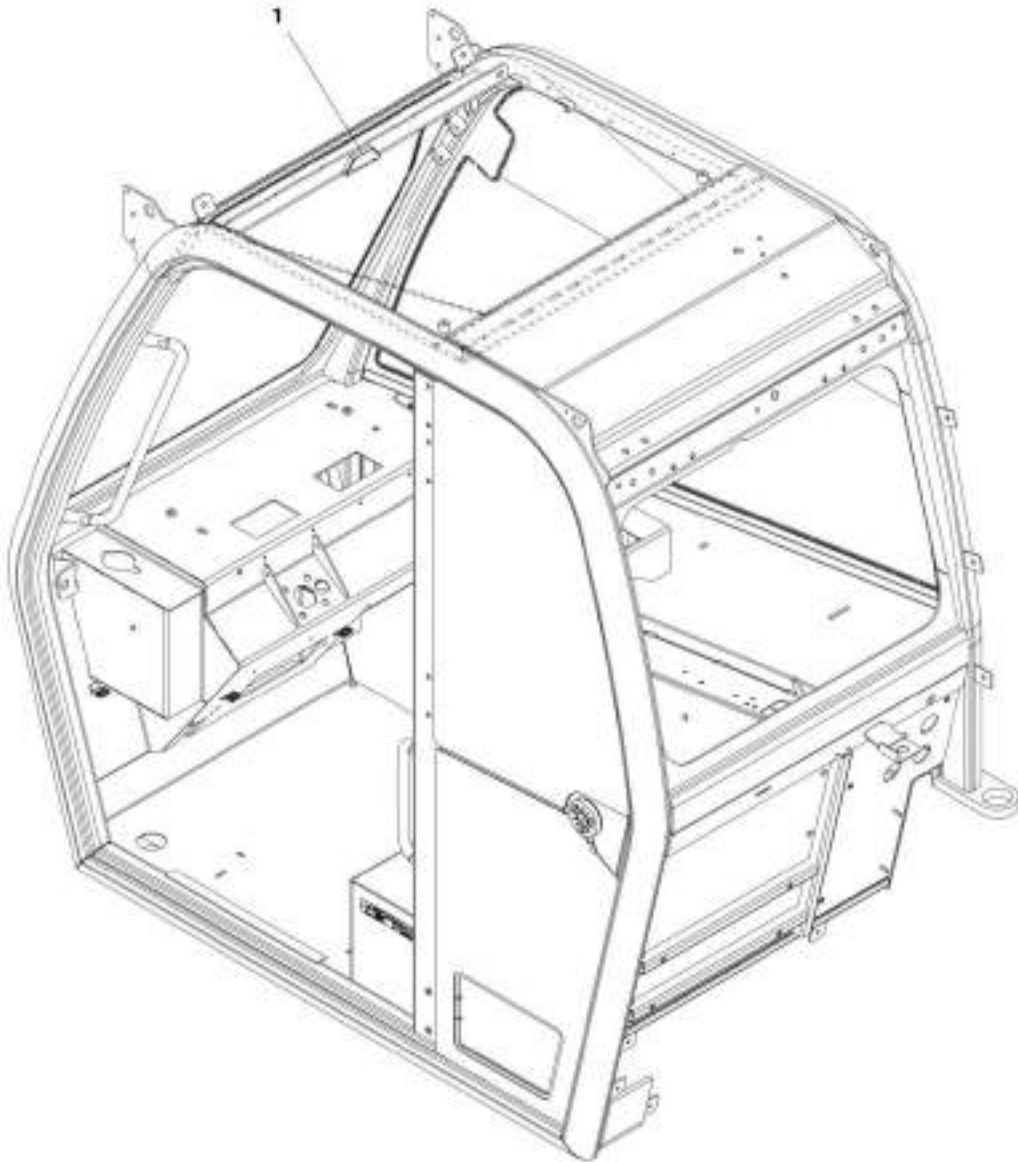
ART_300120230-A

FIGURE 6-49. FRONT LICENSE PLATE INSTALLATION

ITEM	PART NUMBER	QTY	DESCRIPTION	REV
	1001202230	Ref	Front License Plate Installation	A
1	0760812	2	Bolt, M8X25	
2	3290801	2	Nut, M8X1.25	
3	4811900	4	Washer, M8	
4	1001095650	AR	Compound, Locking	
5	1001202231	1	Bracket	

SECTION 6 - CAB

FIGURE 6-50. LEVEL INDICATOR INSTALLATION



ART. 1001168026-B

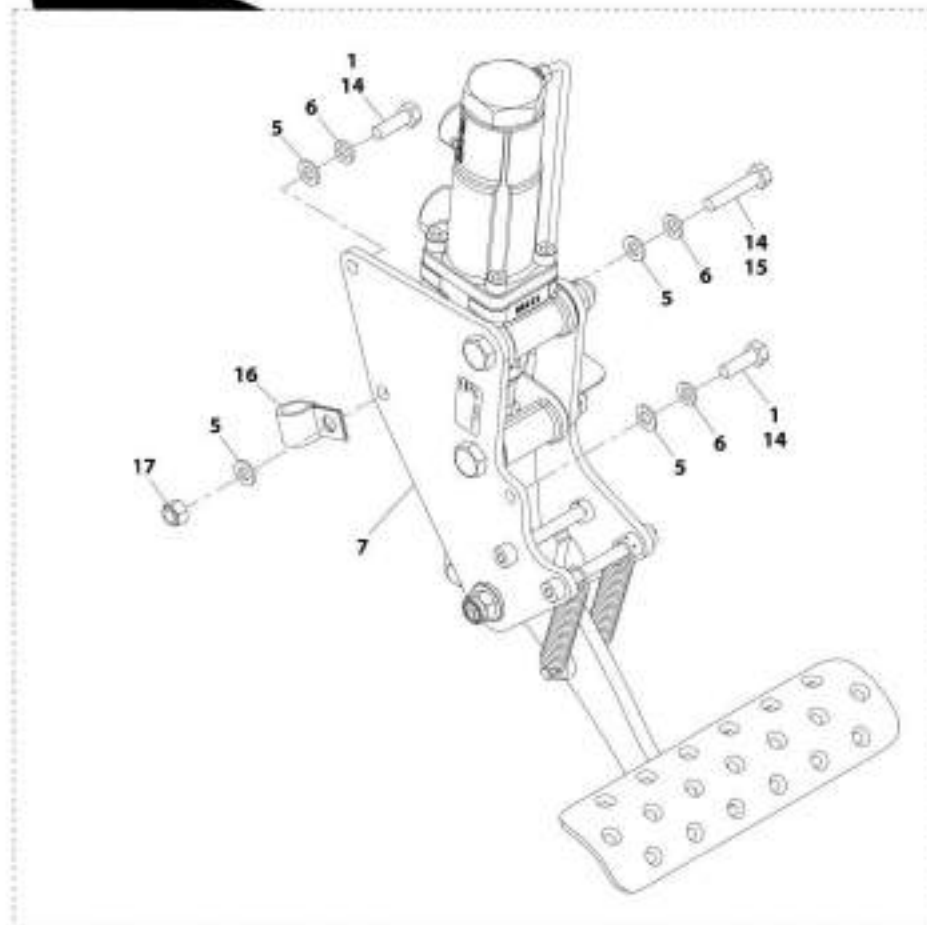
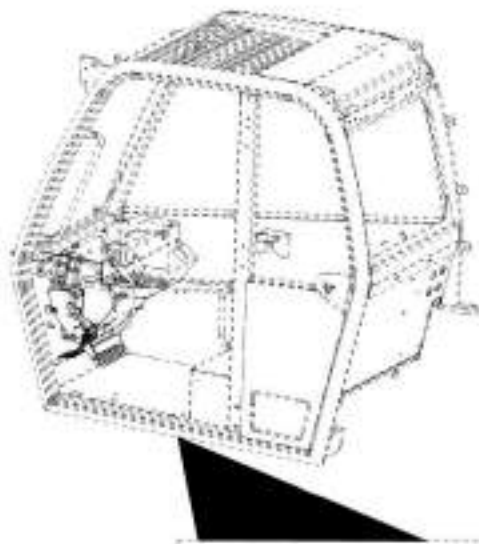
FIGURE 6-50. LEVEL INDICATOR INSTALLATION

ITEM	PART NUMBER	QTY	DESCRIPTION	REV
1	1001166926 8466306	Ref 1	Level Indicator Installation Gage, Tilt Angle	B

SECTION 7 - CONTROLS

SECTION 7 - CONTROLS

FIGURE 7-1. BRAKE PEDAL INSTALLATION (Prior to SN E160000141, Excluding E160000120, E160000126, 1160008774, 1160008775 and 1160008777)



ART. 3001139977-G

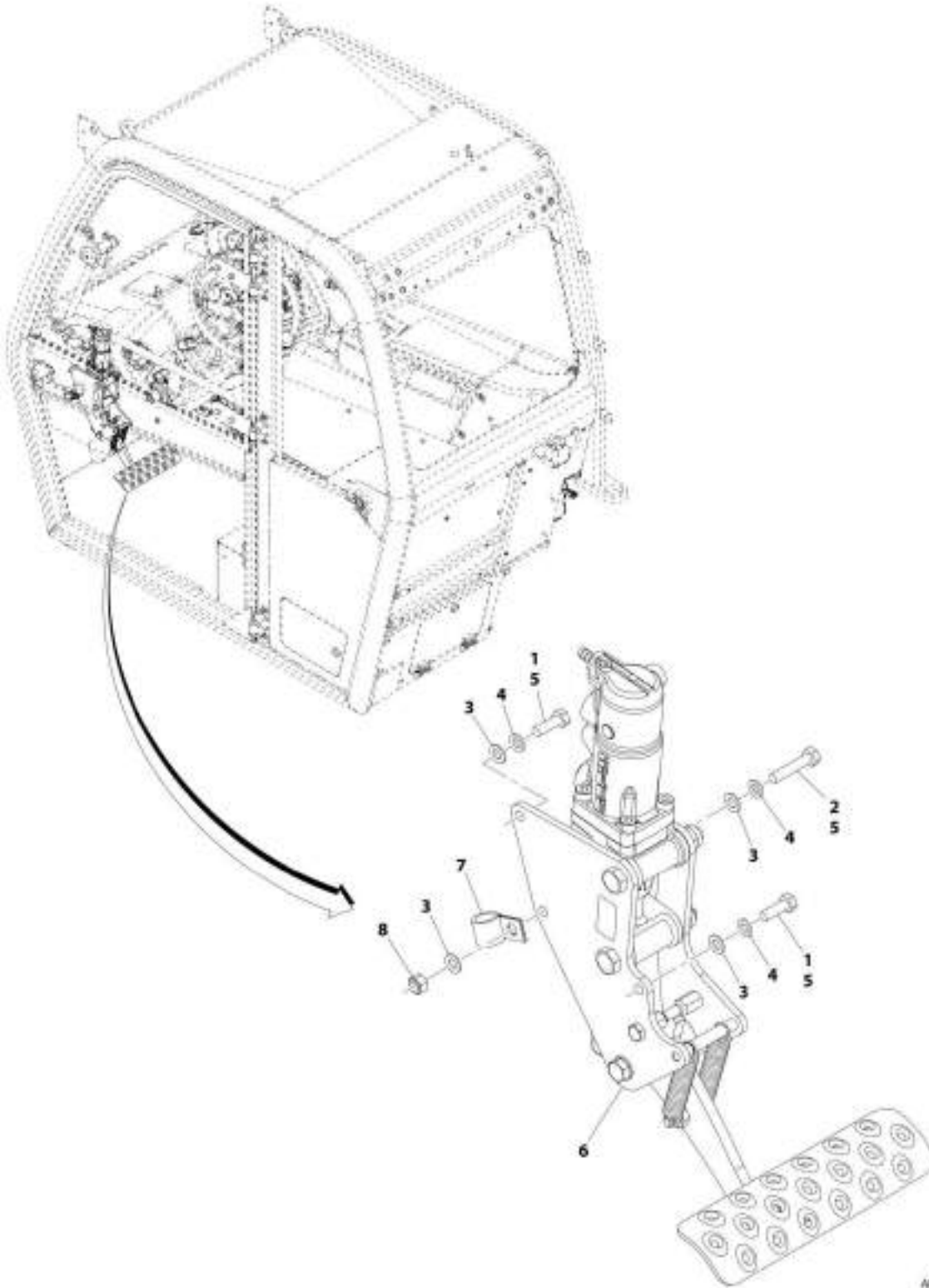
SECTION 7 - CONTROLS

FIGURE 7-1. BRAKE PEDAL INSTALLATION (Prior to SN E160000141, Excluding E160000120, E160000126, 1160008774, 1160008775 and 1160008777)

ITEM	PART NUMBER	QTY	DESCRIPTION	REV
	1001139977	Ref	Brake Pedal Installation	G
1	0760812	2	Bolt, M8X25	
5	4811900	4	Washer, M8	
6	4831900	3	Washer, Lock 8	
7	1001166869	1	Assembly, Brake Pedal (See BRAKE PEDAL ASSEMBLY for Breakdown) (Prior to SN 1160007473)	
7	1001181742	1	Assembly, Brake Pedal (See BRAKE PEDAL ASSEMBLY for Breakdown) (SN 1160007473 to Present)	
14	1001095650	AR	Compound, Locking	
15	0760816	1	Bolt, M8X40	
16	1001009207	1	Clip	
17	3290805	1	Nut, Lock M8X1.25	

SECTION 7 - CONTROLS

FIGURE 7-2. BRAKE PEDAL INSTALLATION (SN E160000141 to Present, Including E160000120, E160000126, 1160008774, 1160008775 and 1160008777)



AWT_1001206088-0

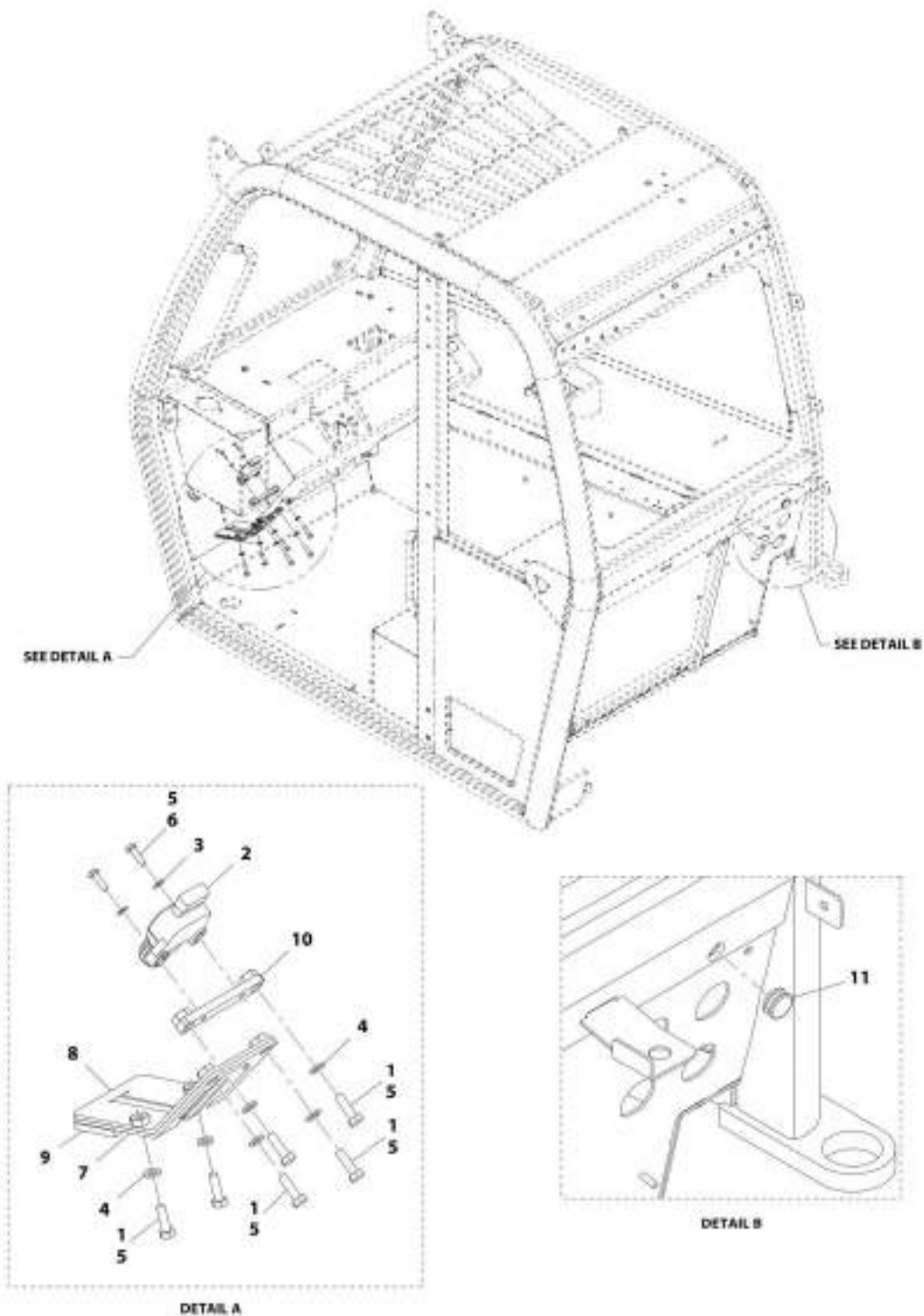
SECTION 7 - CONTROLS

FIGURE 7-2. BRAKE PEDAL INSTALLATION (SN E160000141 to Present, Including E160000120, E160000126, 1160008774, 1160008775 and 1160008777)

ITEM	PART NUMBER	QTY	DESCRIPTION	REV
	1001206068	Ref	Brake Pedal Installation	B
1	0760812	2	Bolt, M8X25	
2	0760816	1	Bolt, M8X40	
3	4811900	4	Washer, M8	
4	4831900	3	Washer, Lock M8	
5	1001095650	AR	Compound, Locking	
6	1001206067	1	Assembly, Brake Pedal (See Separate Breakdown in this Section)	
7	1001009207	1	Clip	
8	3290805	1	Nut, Lock M8X1.25	

SECTION 7 - CONTROLS

FIGURE 7-3. BRAKE PEDAL INSTALLATION (Prior to SN E160000141, Excluding E160000120, E160000126, 1160008774, 1160008775 and 1160008777)



MIT_3001185594-C

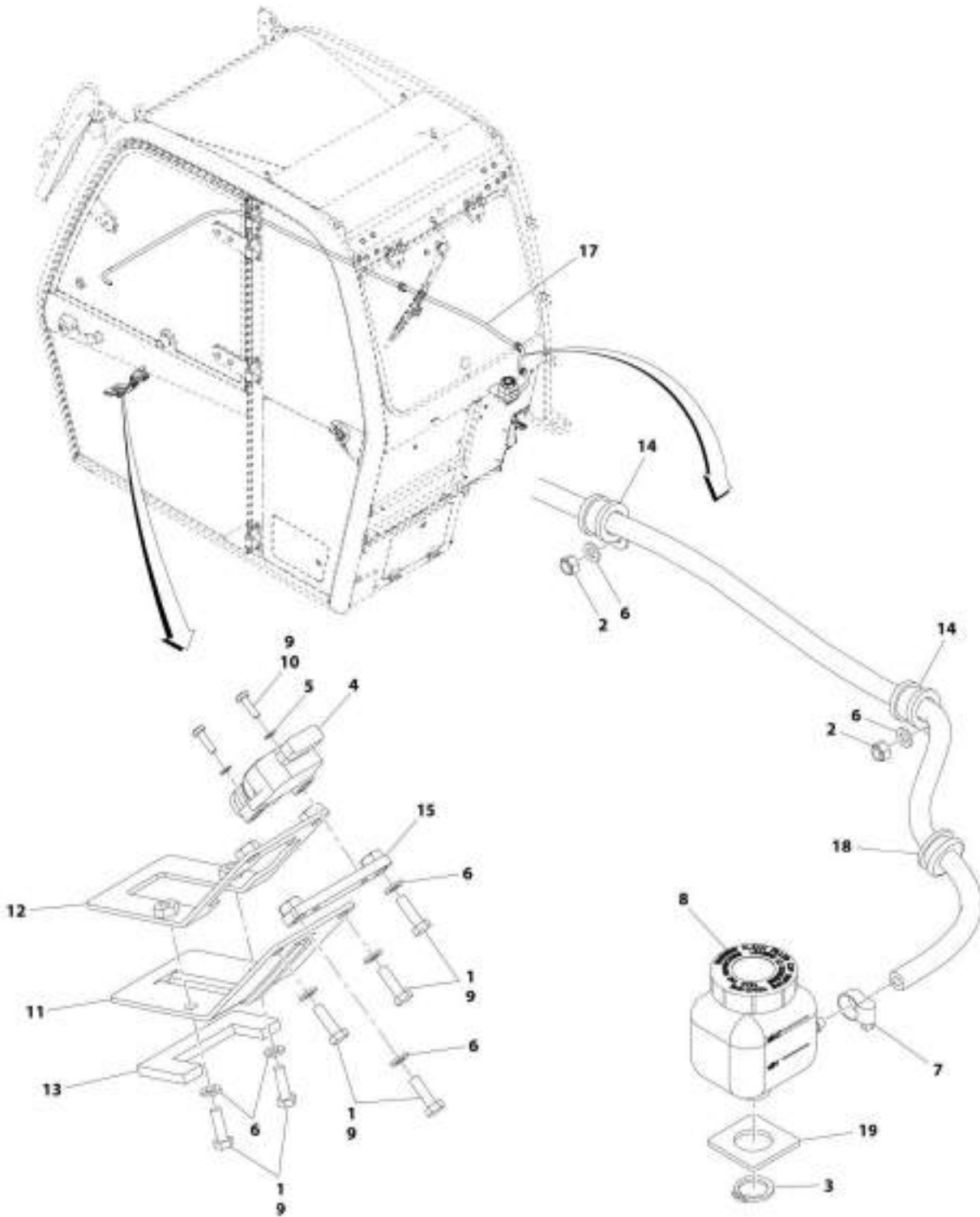
SECTION 7 - CONTROLS

FIGURE 7-3. BRAKE PEDAL INSTALLATION (Prior to SN E160000141, Excluding E160000120, E160000126, 1160008774, 1160008775 and 1160008777)

ITEM	PART NUMBER	QTY	DESCRIPTION	REV
	1001185594	Ref	Brake Pedal Installation Prep	C
1	0760610	6	Bolt, M6X20	
2	4360658	1	Switch, Brake Light	
3	4811400	2	Washer, M4	
4	4811700	6	Washer, M6	
5	1001095650	AR	Compound, Locking	
6	1001101540	2	Screw, M4X14	
7	1001149490	1	Seal, Brake Pedal Gasket	
8	1001149538	1	Plate Clamp	
9	1001149552	1	Seal	
10	1001175842	1	Plate	
11	1001213461	1	Plug	

SECTION 7 - CONTROLS

FIGURE 7-4. BRAKE PEDAL INSTALLATION (SN E160000141 to Present, Including E160000120, E160000126, 1160008774, 1160008775 and 1160008777)



AHT_3001211860-C

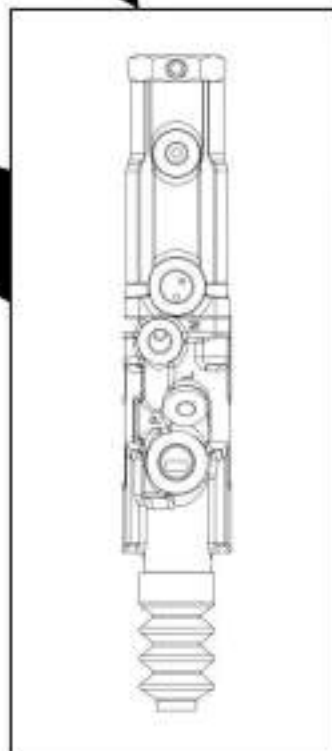
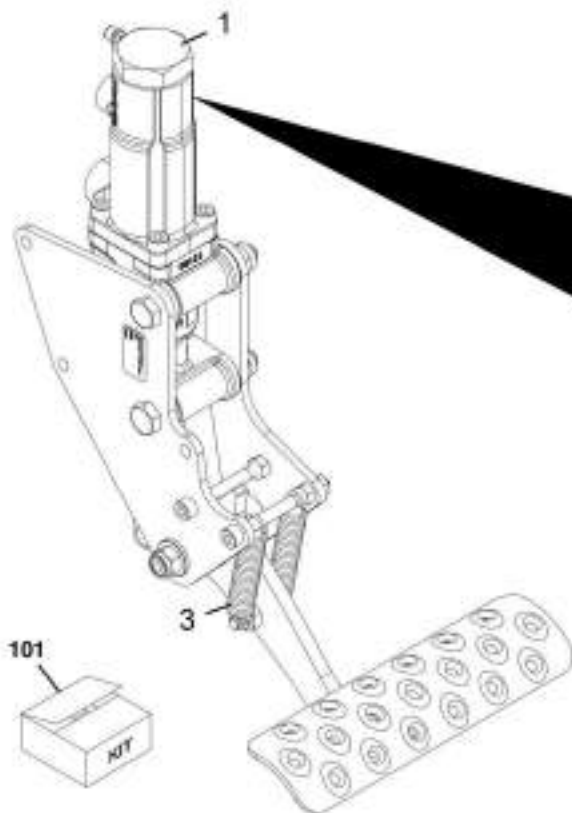
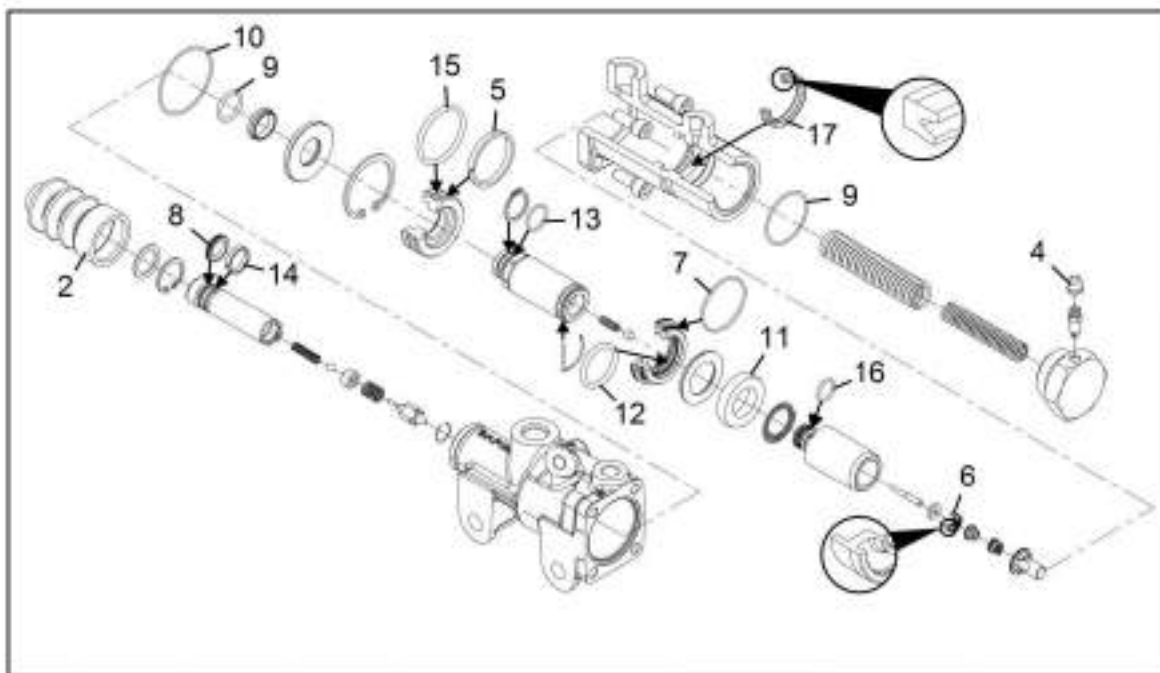
SECTION 7 - CONTROLS

FIGURE 7-4. BRAKE PEDAL INSTALLATION (SN E160000141 to Present, Including E160000120, E160000126, 1160008774, 1160008775 and 1160008777)

ITEM	PART NUMBER	QTY	DESCRIPTION	REV
	1001211860	Ref	Brake Pedal Installation	C
1	0760610	6	Bolt, M6X20	
2	3290605	2	Nut, M6X1	
3	3760348	1	Retaining Ring	
4	4360658	1	Switch, Brake Light	
5	4811400	2	Washer, M4	
6	4811700	8	Washer, M6	
7	8405009	1	Gear Clamp	
8	1001214220	1	Brake Reservoir	
9	1001095650	AR	Compound, Locking	
10	1001101540	2	Screw, M4X14	
11	1001149490	1	Seal, Brake Pedal Gasket	
12	1001149538	1	Plate Clamp	
13	1001149552	1	Seal	
14	1001170231	2	P-Clip M6X15	
15	1001175842	1	Plate	
17	1001211318	1	Hose	
18	1001213460	1	Plug	
19	1001213841	1	Seal	

SECTION 7 - CONTROLS

FIGURE 7-5. BRAKE PEDAL ASSEMBLY (Prior to SN E160000141, Excluding E160000120, E160000126, 1160008774, 1160008775 and 1160008777)



NTT_1001106888-8

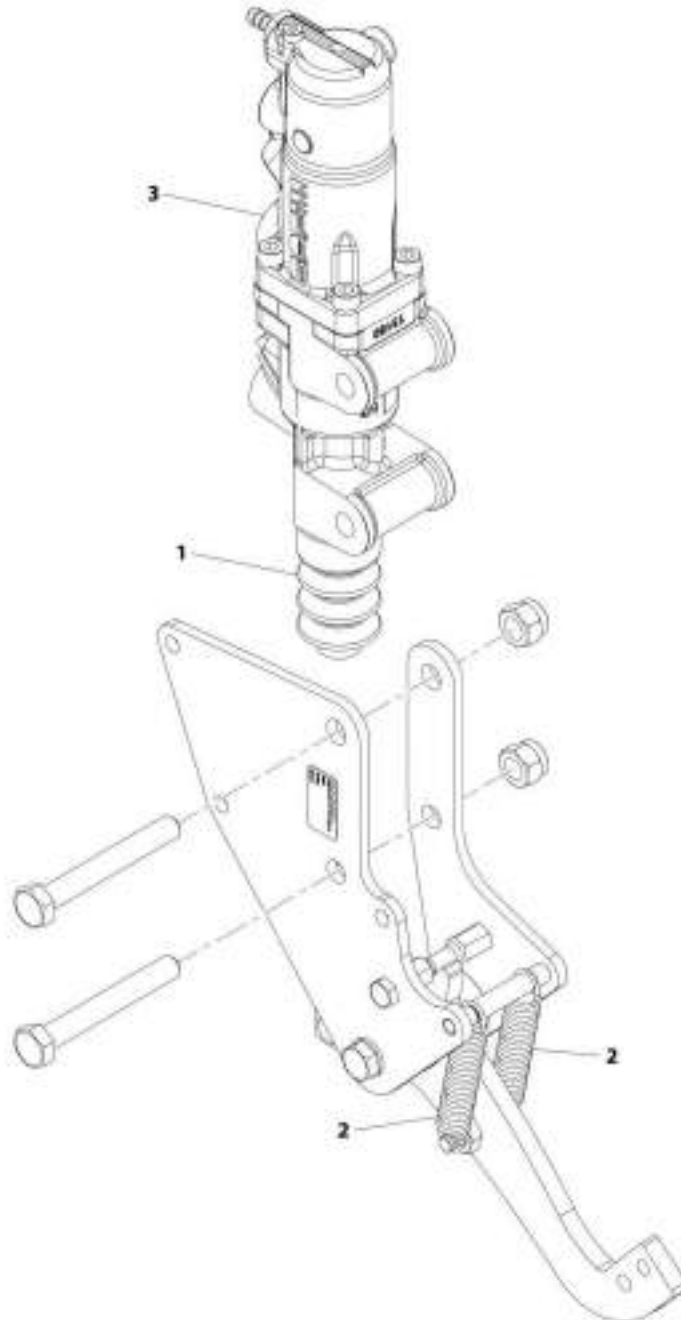
SECTION 7 - CONTROLS

FIGURE 7-5. BRAKE PEDAL ASSEMBLY (Prior to SN E160000141, Excluding E160000120, E160000126, 1160008774, 1160008775 and 1160008777)

ITEM	PART NUMBER	QTY	DESCRIPTION	REV
	1001166869	Ref	Brake Pedal Assembly (Prior to SN 1160007473)	B
	1001181742	1	Brake Pedal Assembly (SN 1160007473 to Present)	A
1	70025858	1	Cylinder, Master	
2	70025859	1	Cover, Dust	
3	70025860	1	Spring, Return	
4	70025861	1	Cover, Bleeding Screw Dust	
5	Kit	1	Ring, Retaining	
6	Kit	1	Lip Gasket	
7	Kit	1	O-ring	
8	Kit	1	Seal, Special	
9	Kit	1	O-ring	
10	Kit	1	O-ring	
11	Kit	1	Gasket, Rectangular Section	
12	Kit	1	O-ring	
13	Kit	1	O-ring	
14	Kit	1	Ring, Retaining	
15	Kit	1	O-ring	
16	Kit	1	O-ring	
17	Kit	1	Gasket, Lip	
101	70025862	1	Kit, Master Cylinder Seal (includes items 5 thru 17)	

SECTION 7 - CONTROLS

FIGURE 7-6. BRAKE PEDAL ASSEMBLY (SN E160000141 to Present, Including E160000120, E160000126, 1160008774, 1160008775 and 1160008777)



ART_3001206007-C

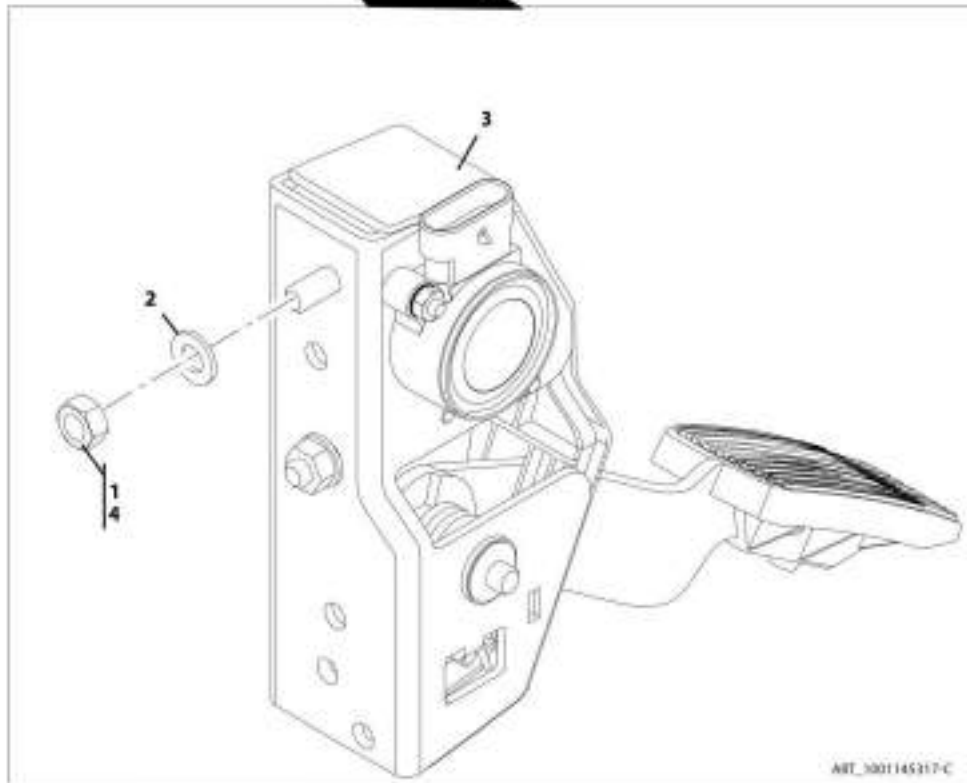
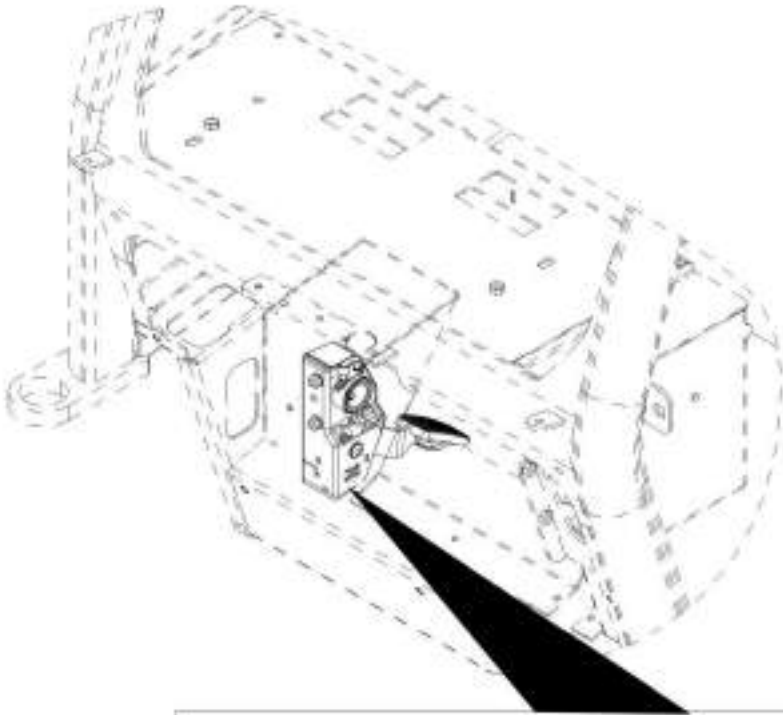
SECTION 7 - CONTROLS

FIGURE 7-6. BRAKE PEDAL ASSEMBLY (SN E160000141 to Present, Including E160000120, E160000126, 1160008774, 1160008775 and 1160008777)

ITEM	PART NUMBER	QTY	DESCRIPTION	REV
	1001206067	Ref	Brake Pedal Assembly	C
1	70025859	1	Dust Cover	
2	70025860	2	Return Spring	
3	N.S.S.	1	Master Cylinder	

SECTION 7 - CONTROLS

FIGURE 7-7. ACCELERATOR PEDAL INSTALLATION



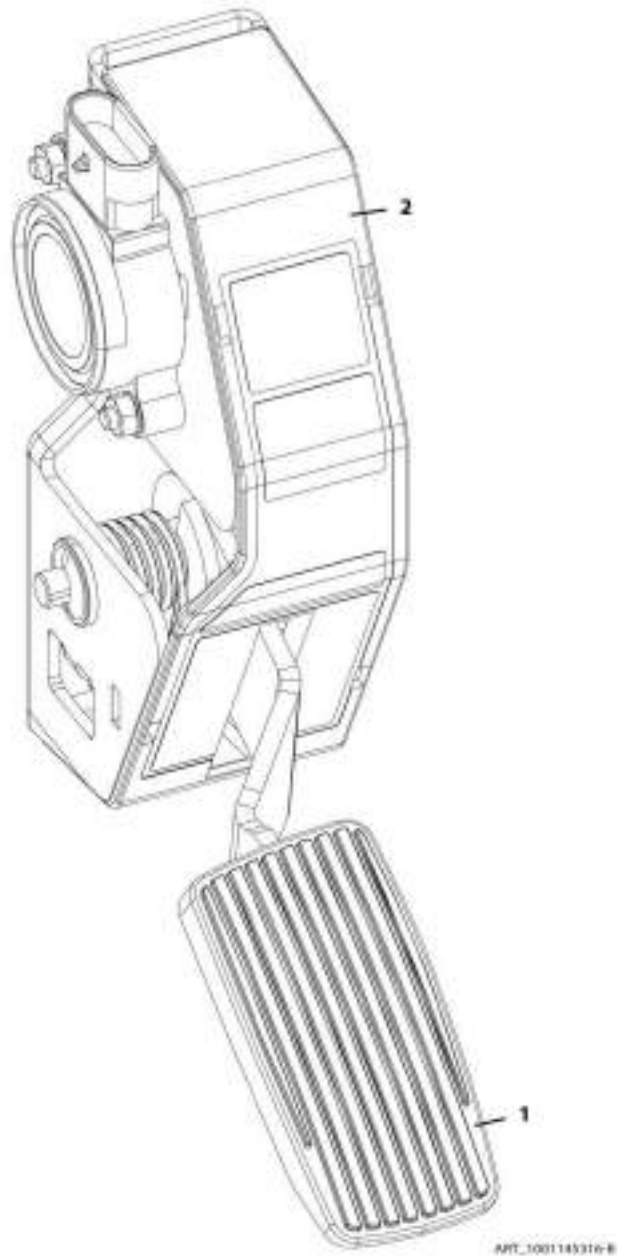
SECTION 7 - CONTROLS

FIGURE 7-7. ACCELERATOR PEDAL INSTALLATION

ITEM	PART NUMBER	QTY	DESCRIPTION	REV
	1001145317	Ref	Accelerator Pedal Installation	C
1	3290801	2	Nut, M8X1.25	
2	4811900	2	Washer, M8	
3	1001145316	1	Assembly, Accelerator Pedal (See ACCELERATOR PEDAL for Breakdown)	
4	1001095650	AR	Compound, Locking	

SECTION 7 - CONTROLS

FIGURE 7-8. ACCELERATOR PEDAL



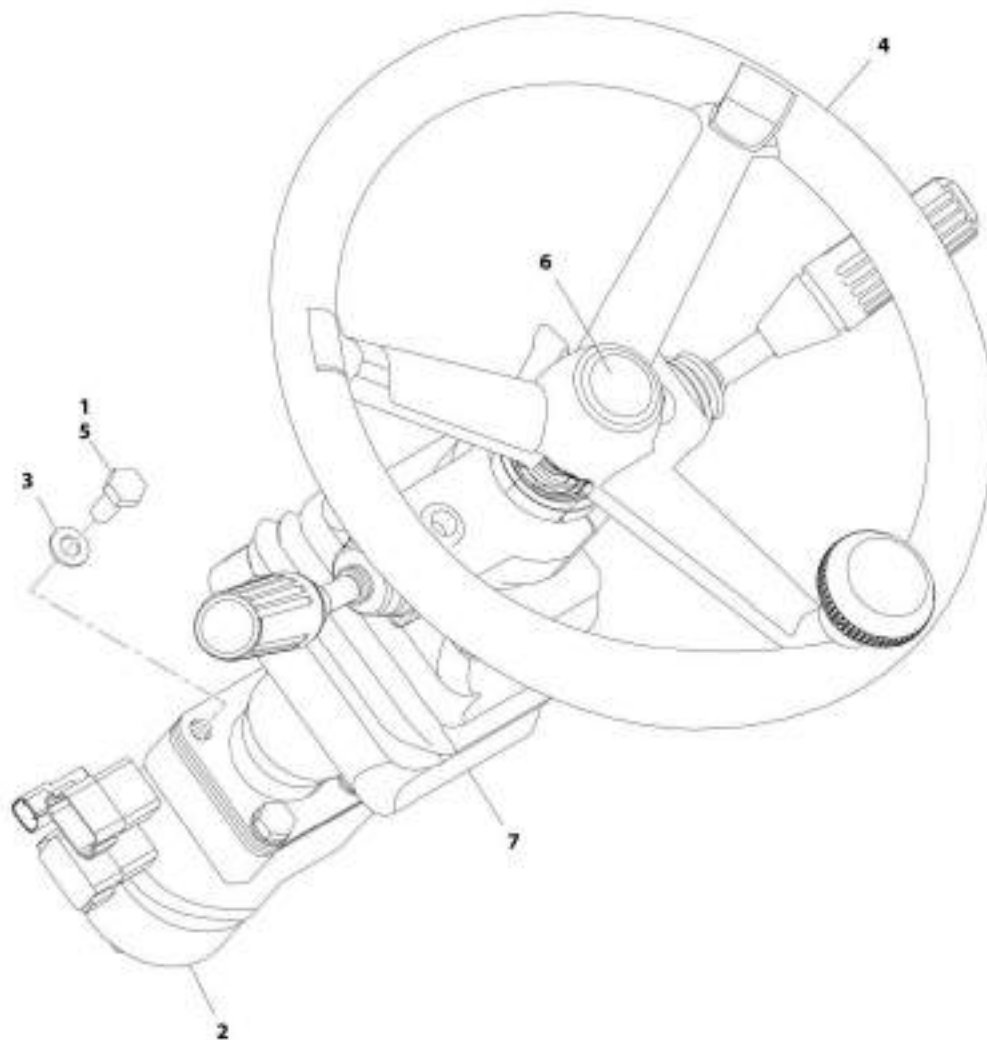
SECTION 7 - CONTROLS

FIGURE 7-8. ACCELERATOR PEDAL

ITEM	PART NUMBER	QTY	DESCRIPTION	REV
	1001145316	Ref	Accelerator Pedal	B
1	70025816	1	Pad, Rubber	
2	70025817	1	Cover, Rubber	

SECTION 7 - CONTROLS

FIGURE 7-9. STEER COLUMN INSTALLATION (FNR LEVER) (Prior to SN E160000141, Excluding E160000120, E160000126, 1160008774, 1160008775 and 1160008777)



ART_1001139769-8

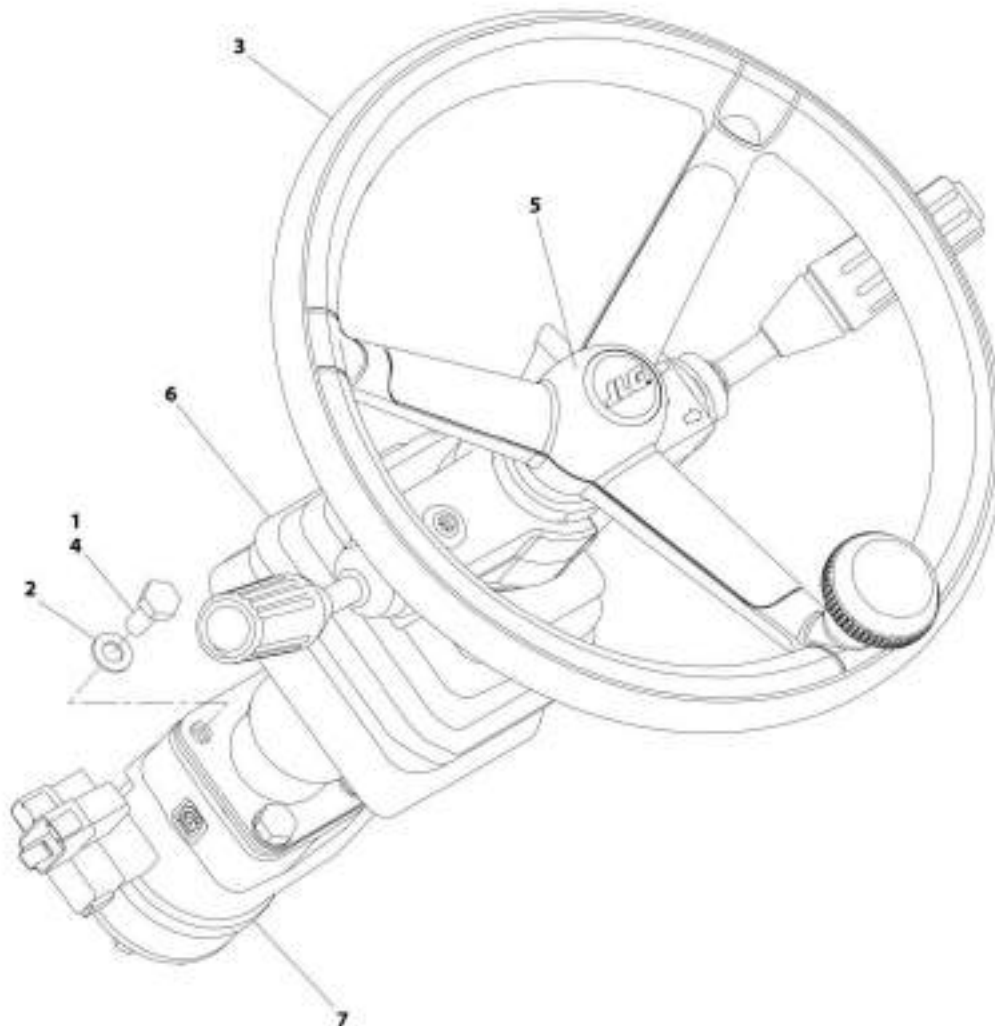
SECTION 7 - CONTROLS

FIGURE 7-9. STEER COLUMN INSTALLATION (FNR LEVER) (Prior to SN E160000141, Excluding E160000120, E160000126, 1160008774, 1160008775 and 1160008777)

ITEM	PART NUMBER	QTY	DESCRIPTION	REV
	1001139769	Ref	Steering Column Install (FNR Lever)	B
1	0761012	4	Bolt, M10X25	
2	4641521	1	Valve, Steering	
3	4812000	4	Washer, M10	
4	1001091033	1	Wheel, Steering (See STEERING WHEEL for Breakdown)	
5	1001095650	AR	Compound, Locking	
6	1001135838	1	Insert, Steering Wheel (JLG)	
7	1001143430	1	Column, Steering (See STEERING COLUMN (FNR LEVER) for Breakdown)	

SECTION 7 - CONTROLS

FIGURE 7-10. STEER COLUMN INSTALLATION (FNR LEVER) (SN E160000141 to Present, Including E160000120, E160000126, 1160008774, 1160008775 and 1160008777)



AWT_3001212800-01

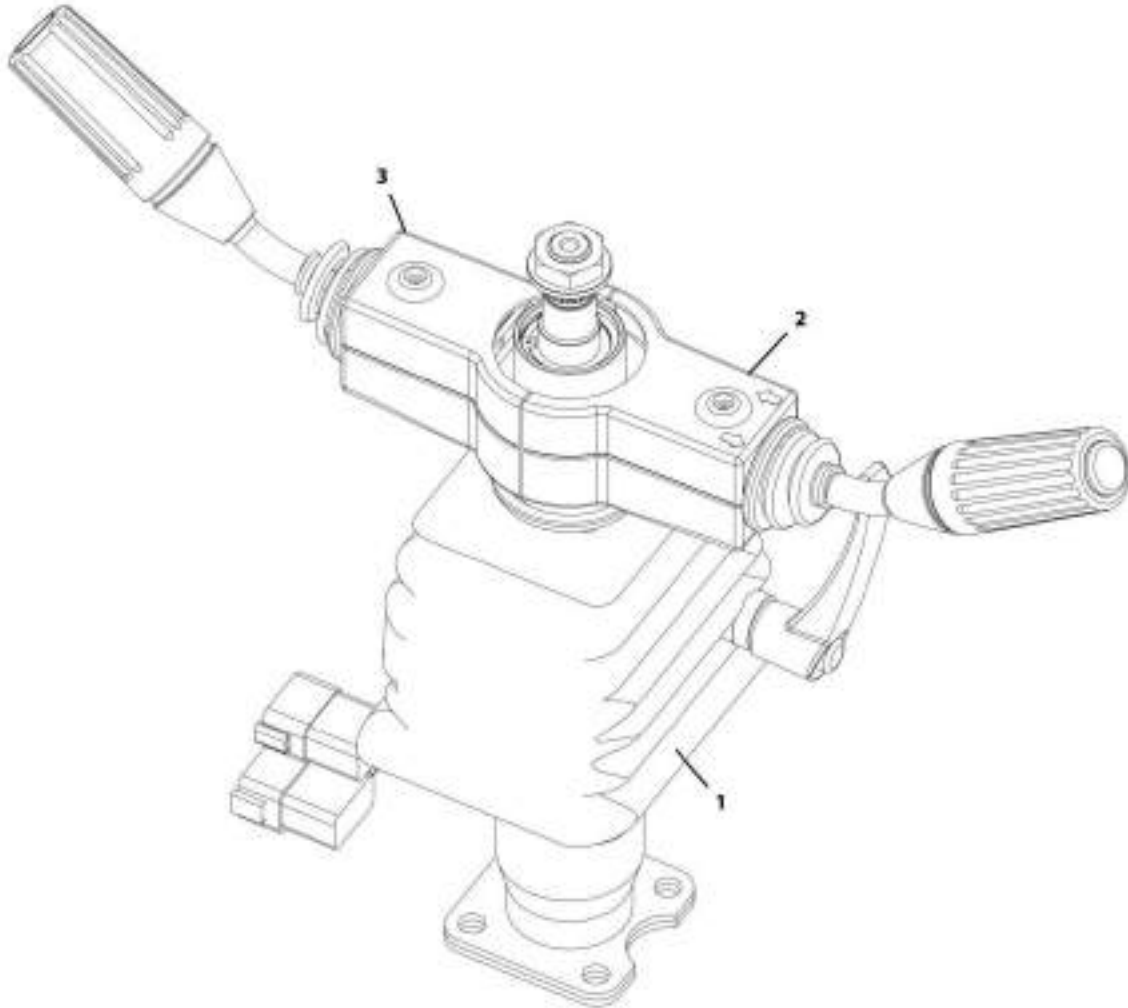
SECTION 7 - CONTROLS

FIGURE 7-10. STEER COLUMN INSTALLATION (FNR LEVER) (SN E160000141 to Present, Including E160000120, E160000126, 1160008774, 1160008775 and 1160008777)

ITEM	PART NUMBER	QTY	DESCRIPTION	REV
	1001212939	Ref	Steering Column Install (FNR Lever)	B
1	0761012	4	Bolt, M10X25	
2	4812000	4	Washer, M10	
3	1001091033	1	Wheel, Steering (See Separate Breakdown in this Section)	
4	1001095650	AR	Compound, Locking	
5	1001135838	1	Insert, Steering Wheel (JLG)	
6	1001143430	1	Column, Steering (See Separate Breakdown in this Section)	
7	1001219396	1	Valve, Steering	

SECTION 7 - CONTROLS

FIGURE 7-11. STEERING COLUMN (FNR LEVER)



ART_1001R3430-A

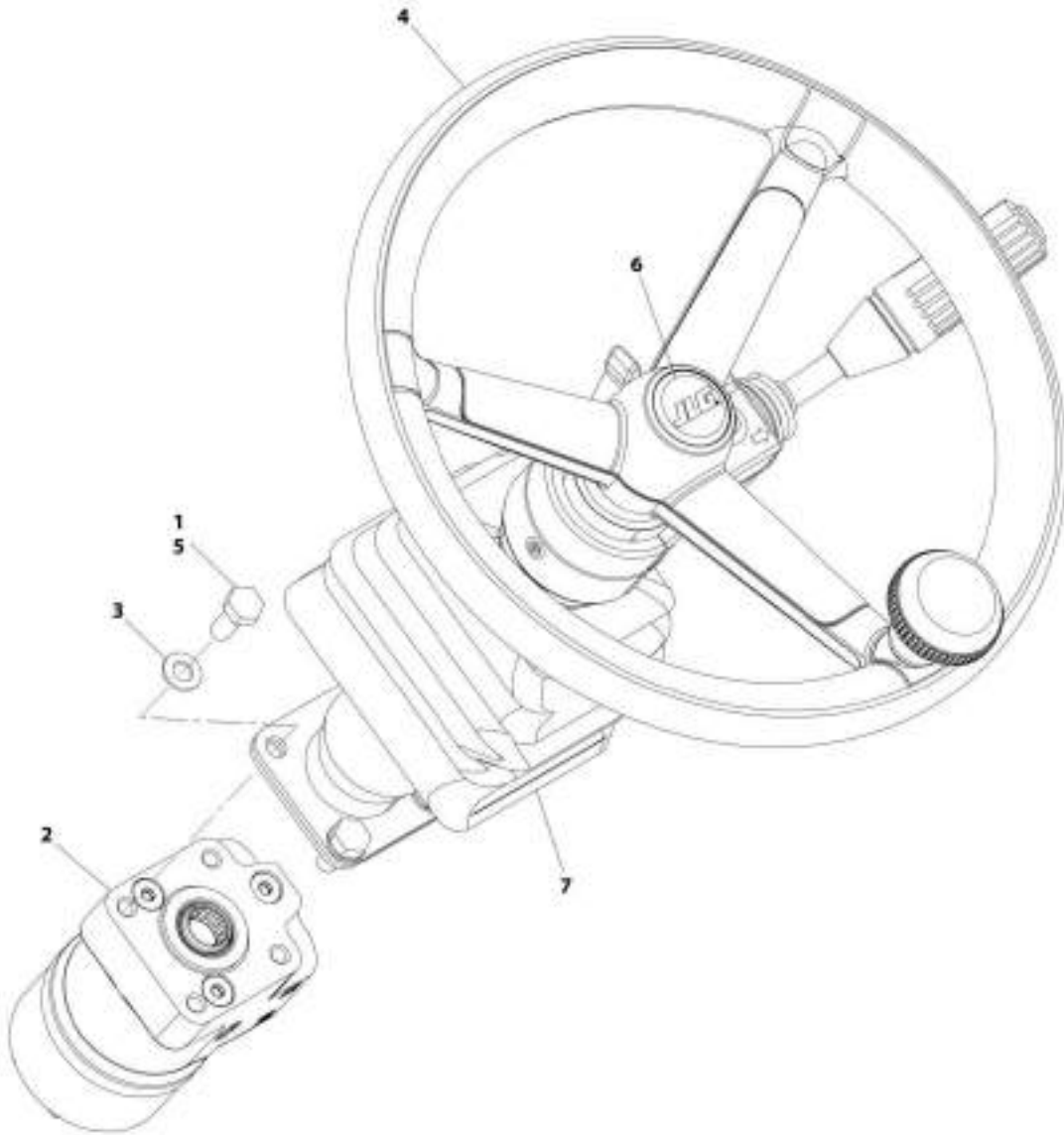
SECTION 7 - CONTROLS

FIGURE 7-11. STEERING COLUMN (FNR LEVER)

ITEM	PART NUMBER	QTY	DESCRIPTION	REV
	1001143430	1	Steering Column (FNR Lever)	A
1	1001143432	1	Column, Steering	
2	1001145021	1	Switch, Turn-Wiper	
3	1001145022	1	Switch, FNR	

SECTION 7 - CONTROLS

FIGURE 7-12. STEERING COLUMN INSTALLATION (NO FNR LEVER) (Prior to SN E160000141, Excluding E160000120, E160000126, 1160008774, 1160008775 and 1160008777)



ART_3001146584-C

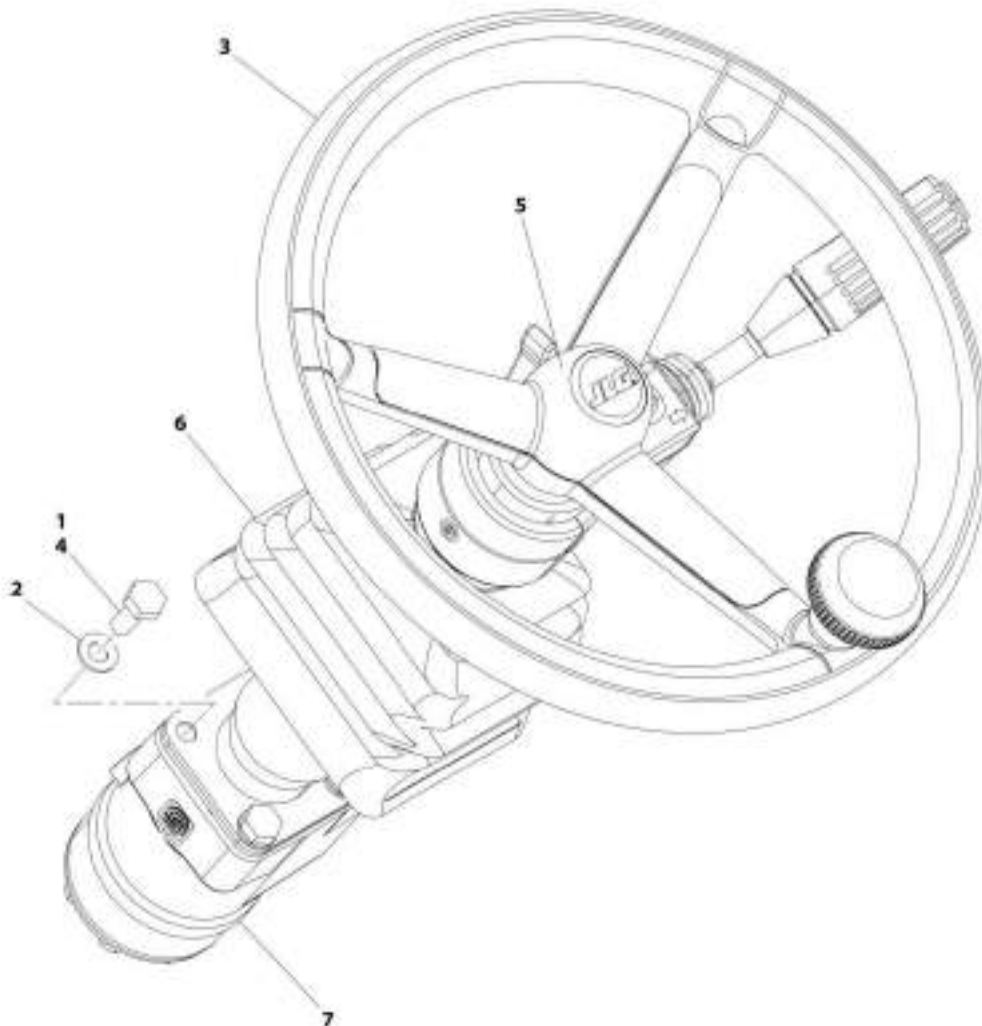
SECTION 7 - CONTROLS

FIGURE 7-12. STEERING COLUMN INSTALLATION (NO FNR LEVER) (Prior to SN E160000141, Excluding E160000120, E160000126, 1160008774, 1160008775 and 1160008777)

ITEM	PART NUMBER	QTY	DESCRIPTION	REV
	1001146584	Ref	Steering Column Installation (No FNR Lever)	C
1	0761012	4	Bolt, M10X25	
2	4641521	1	Valve, Steering	
3	4812000	4	Washer, M10	
4	1001091033	1	Wheel, Steering (See STEERING WHEEL for Breakdown)	
5	1001095650	1	Compound, Locking	
6	1001135838	1	Insert, Steering Wheel (JLG)	
7	1001146898	1	Column, Steering (See STEERING COLUMN (NO FNR LEVER) for Breakdown)	

SECTION 7 - CONTROLS

FIGURE 7-13. STEERING COLUMN INSTALLATION (NO FNR LEVER) (SN E160000141 to Present, Including E160000120, E160000126, 1160008774, 1160008775 and 1160008777)



AIT_3001212640-0

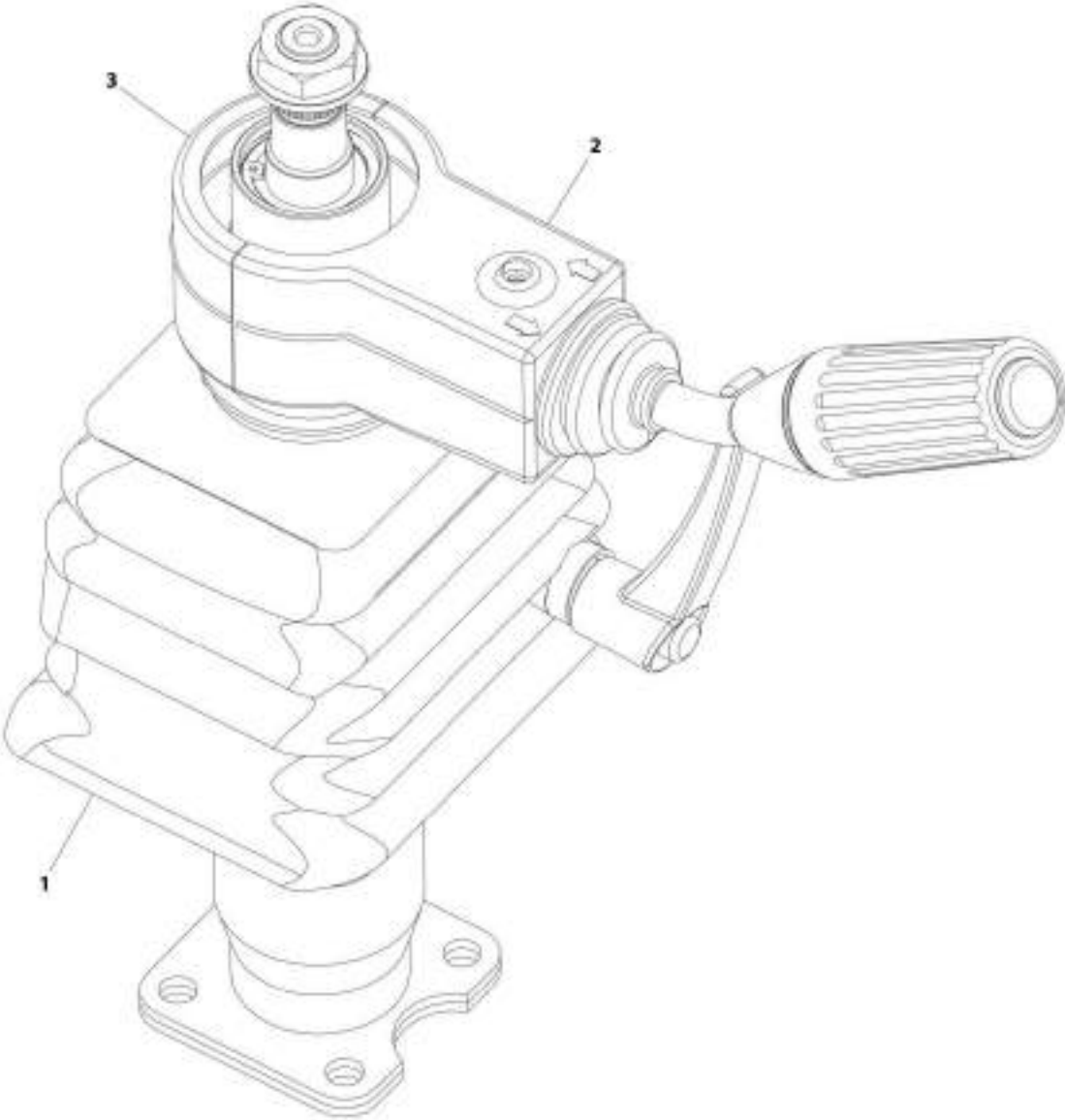
SECTION 7 - CONTROLS

FIGURE 7-13. STEERING COLUMN INSTALLATION (NO FNR LEVER) (SN E160000141 to Present, Including E160000120, E160000126, 1160008774, 1160008775 and 1160008777)

ITEM	PART NUMBER	QTY	DESCRIPTION	REV
	1001212940	Ref	Steering Column Installation (No FNR Lever)	B
1	0761012	4	Bolt, M10X25	
2	4812000	4	Washer, M10	
3	1001091033	1	Wheel, Steering (See Separate Breakdown in this Section)	
4	1001095650	1	Compound, Locking	
5	1001135838	1	Insert, Steering Wheel (JLG)	
6	1001146898	1	Column, Steering (See Separate Breakdown in this Section)	
7	1001219396	1	Valve, Steering	

SECTION 7 - CONTROLS

FIGURE 7-14. STEERING COLUMN (NO FNR LEVER)



ART_1001140890-8

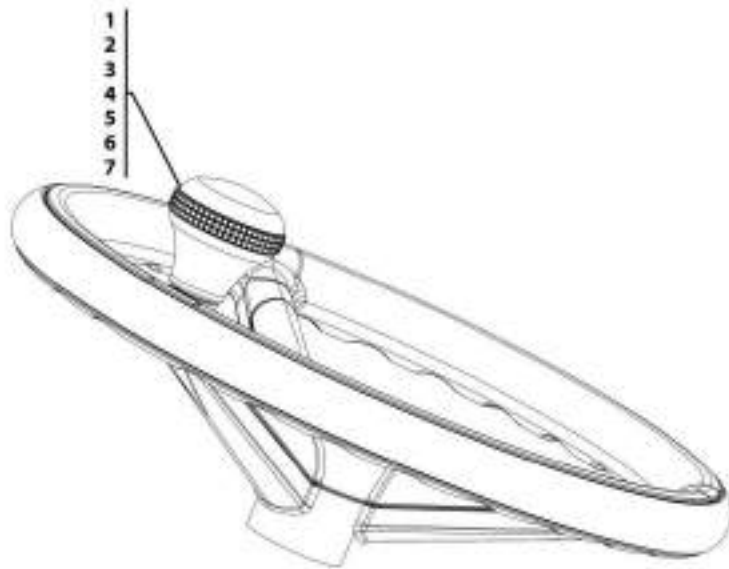
SECTION 7 - CONTROLS

FIGURE 7-14. STEERING COLUMN (NO FNR LEVER)

ITEM	PART NUMBER	QTY	DESCRIPTION	REV
	1001146898	Ref	Steering Column (No FNR Lever)	B
1	1001143432	1	Column, Steering	
2	1001145021	1	Switch, Turn Wiper	
3	1001146949	1	Clamp	

SECTION 7 - CONTROLS

FIGURE 7-15. STEERING WHEEL



ART 1051091033-A

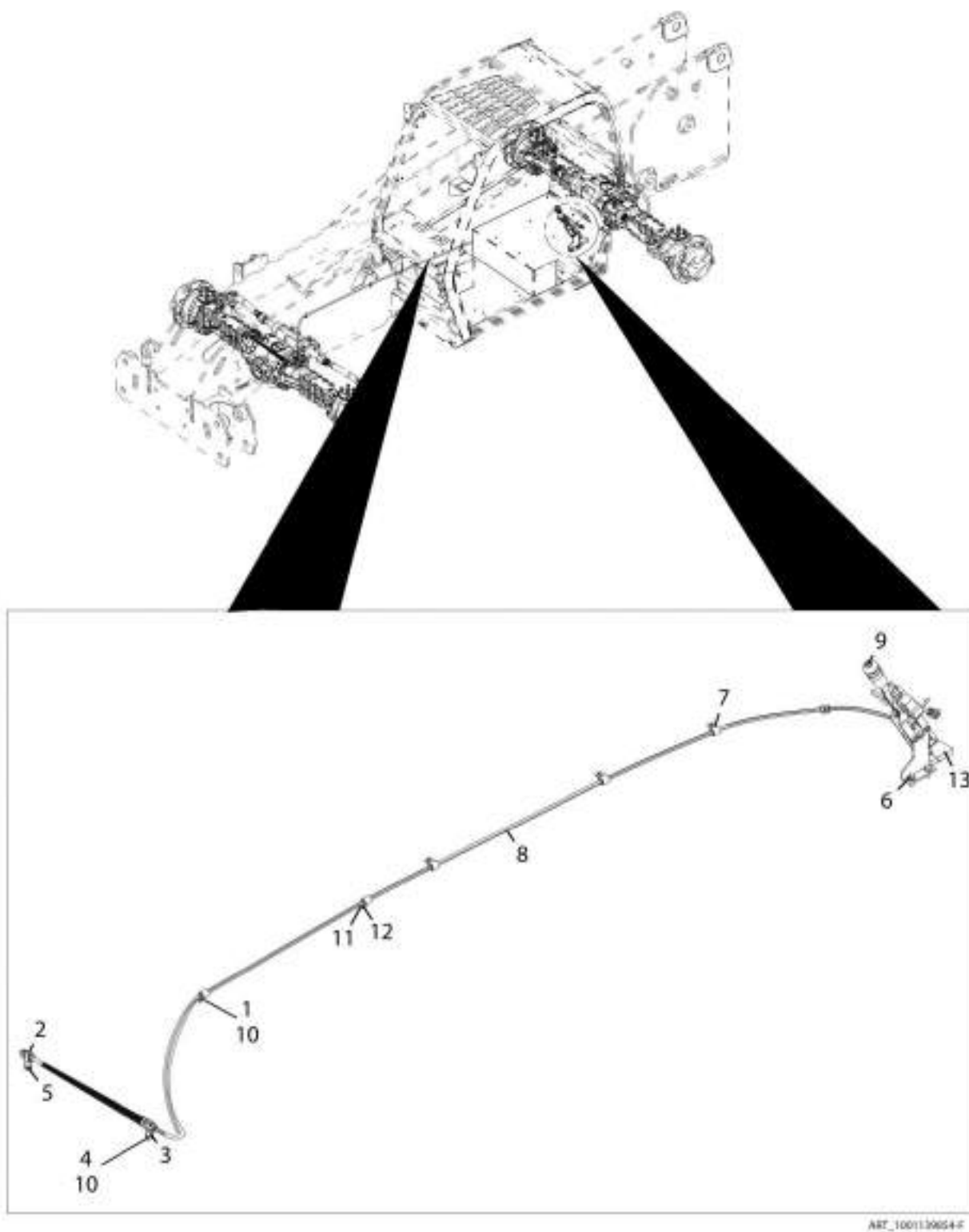
SECTION 7 - CONTROLS

FIGURE 7-15. STEERING WHEEL

ITEM	PART NUMBER	QTY	DESCRIPTION	REV
	1001091033	Ref	Steering Wheel	A
1	70020783	1	Cap	
2	70020793	1	Bellow	
3	70020785	1	Base	
4	70020786	1	Washer	
5	70020787	1	Bolt	
6	70020788	1	Washer	
7	70020789	1	Nut	

SECTION 7 - CONTROLS

FIGURE 7-16. MECHANICAL HANDBRAKE INSTALLATION - 3614RS



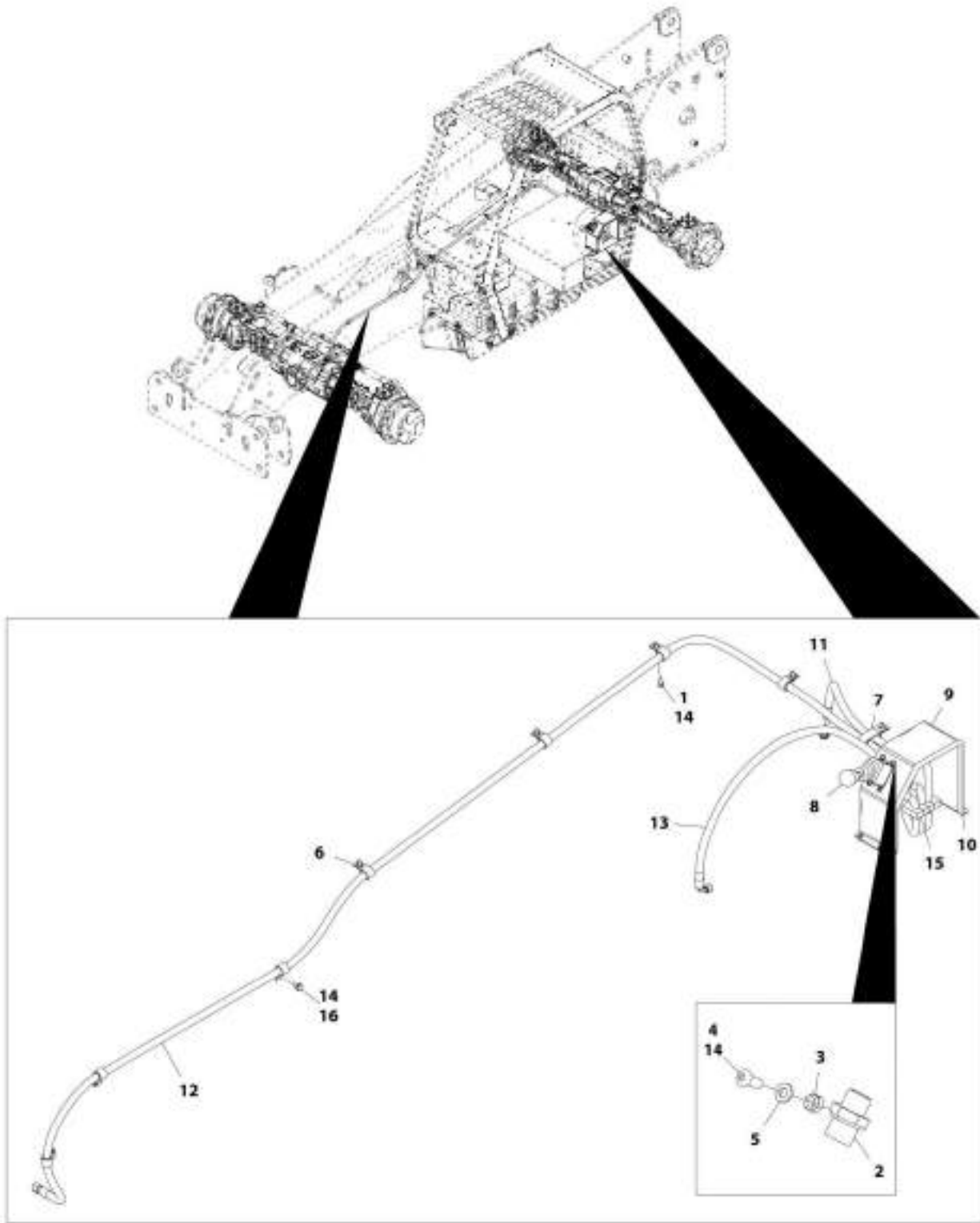
SECTION 7 - CONTROLS

FIGURE 7-16. MECHANICAL HANDBRAKE INSTALLATION - 3614RS

ITEM	PART NUMBER	QTY	DESCRIPTION	REV
	1001139854	Ref	Mechanical Park Brake Installation - 3614RS	F
1	0760606	2	Bolt, M6X12	
2	2454999	2	Bolt, M10X55	
3	2905871	2	Bushing	
4	3291007	2	Nut, Lock M10X1.5	
5	4812000	2	Washer, M10	
6	5201012	2	Bolt, Ripp M10X25	
7	1001003048	2	Clip	
8	1001179729	1	Cable, Parkbrake	
9	1001179730	1	Handbrake	
10	1001095650	AR	Locking Compound	
11	1001007321	2	Washer	
12	4811700	2	Washer, M6	
13	1001163078	1	Gasket	

SECTION 7 - CONTROLS

FIGURE 7-17. HYDRAULIC HANDBRAKE INSTALLATION - 4017RS



ART_3001130923-H

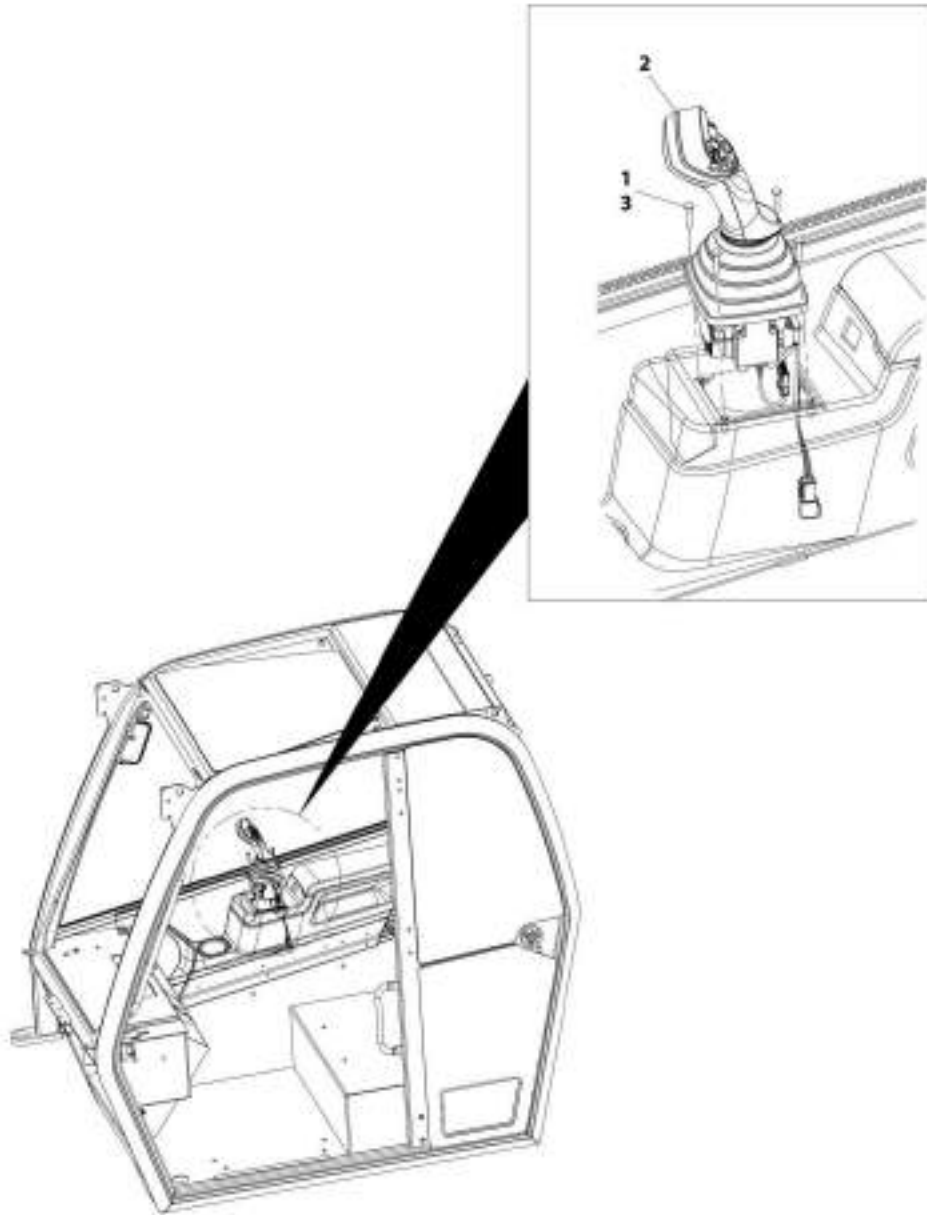
SECTION 7 - CONTROLS

FIGURE 7-17. HYDRAULIC HANDBRAKE INSTALLATION - 4017RS

ITEM	PART NUMBER	QTY	DESCRIPTION	REV
	1001139923	Ref	Hydraulic Handbrake Installation - 4017RS	H
1	5250608	5	Bolt, M6X16	
2	2142709	3	Fitting	
3	3290601	4	Nut, M6X1	
4	3900357	8	Capscrew, M6X16	
5	4831700	8	Washer, Lock 6	
6	1001004144	7	Clip	
7	1001008720	1	Clip	
8	1001098153	1	Handbrake, (See Separate Breakdown in HYDRAULIC COMPONENT Section)	
9	1001146148	1	Parkbrake Panel	
10	1001146156	1	Seal	
11	1001148636	1	Hose	
12	1001148637	1	Hose	
13	1001148638	1	Hose	
14	1001095650	AR	Locking Compound	
15	1001163077	1	Gasket	
16	5250808	3	Bolt, M8X16	

SECTION 7 - CONTROLS

FIGURE 7-18. JOYSTICK INSTALLATION (FNR LEVER)



ART_300114867-01

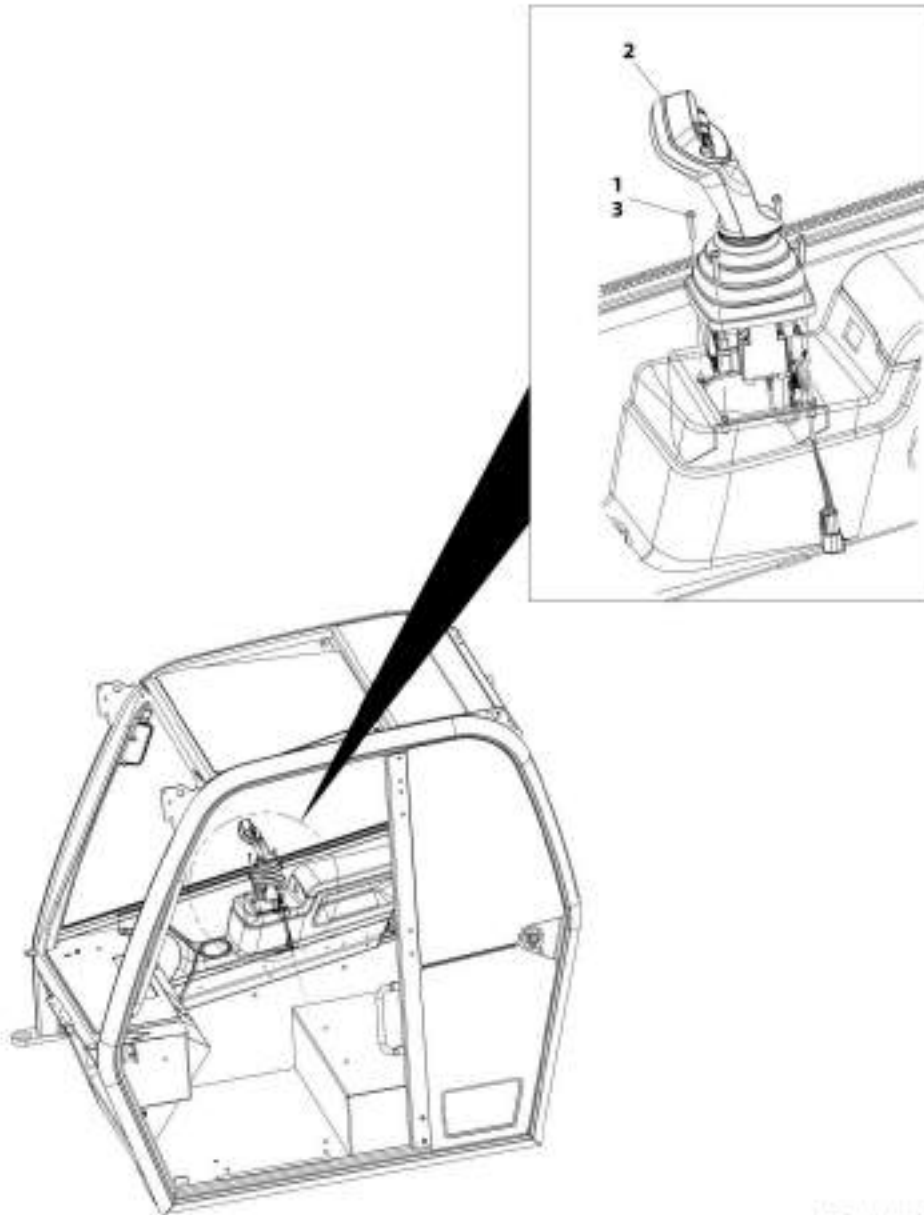
SECTION 7 - CONTROLS

FIGURE 7-18. JOYSTICK INSTALLATION (FNR LEVER)

ITEM	PART NUMBER	QTY	DESCRIPTION	REV
	1001146667	Ref	Joystick Installation (FNR Lever)	D
1	1001103984	4	Bolt, M5X25	
2		Ref	Joystick (FNR Lever) (See Separate Breakdown in this Section)	
3	1001095650	AR	Compound, Locking	

SECTION 7 - CONTROLS

FIGURE 7-19. JOYSTICK INSTALLATION (NO FNR LEVER)



WIT_100114666-0

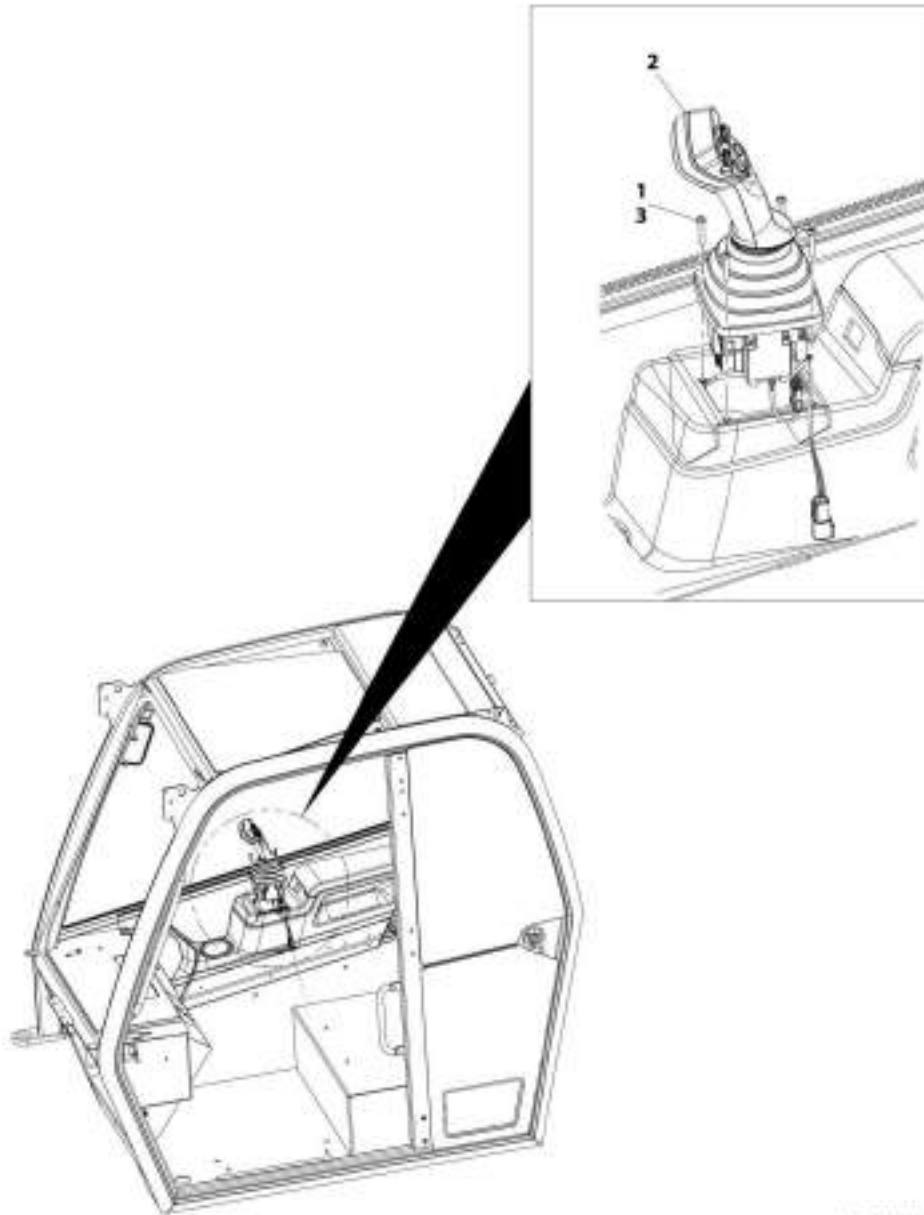
SECTION 7 - CONTROLS

FIGURE 7-19. JOYSTICK INSTALLATION (NO FNR LEVER)

ITEM	PART NUMBER	QTY	DESCRIPTION	REV
	1001146666	Ref	Joystick Installation (No FNR Lever)	D
1	1001103984	4	Bolt, M5X25	
2		Ref	Joystick (no FNR Lever) (See Separate Breakdown in this Section)	
3	1001095650	AR	Compound, Locking	

SECTION 7 - CONTROLS

FIGURE 7-20. JOYSTICK INSTALLATION (AUX, FNR LEVER)



ART_100119664-D

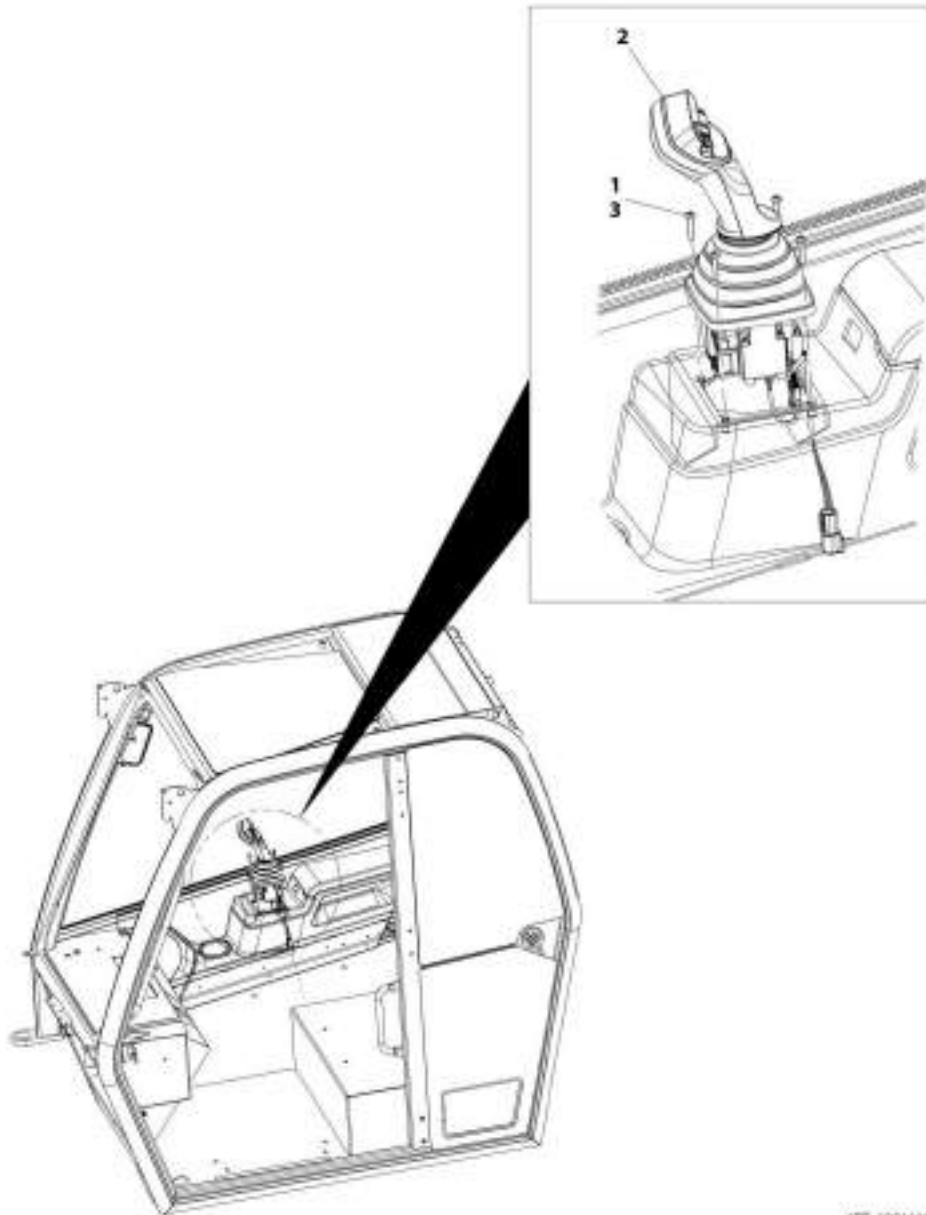
SECTION 7 - CONTROLS

FIGURE 7-20. JOYSTICK INSTALLATION (AUX, FNR LEVER)

ITEM	PART NUMBER	QTY	DESCRIPTION	REV
	1001146669	Ref	Joystick Installation (AUX, FNR Lever)	D
1	1001103984	4	Bolt, M5X25	
2		Ref	Joystick (AUX, FNR Lever) (See Separate Breakdown in this Section)	
3	1001095650	AR	Compound, Locking	

SECTION 7 - CONTROLS

FIGURE 7-21. JOYSTICK INSTALLATION (AUX, NO FNR LEVER)



ART_1001140066-D

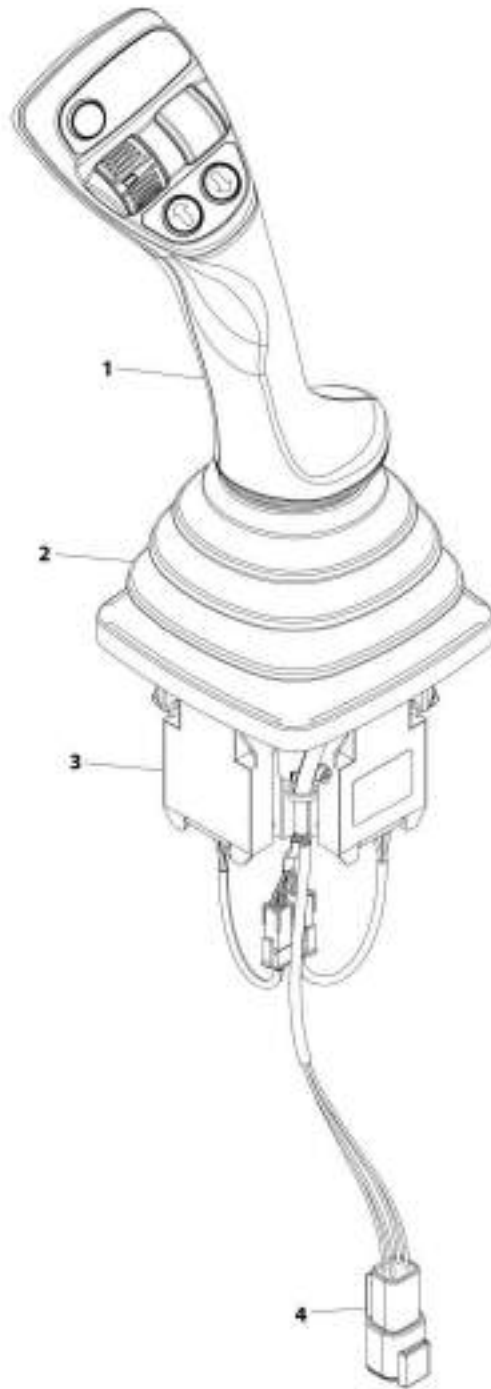
SECTION 7 - CONTROLS

FIGURE 7-21. JOYSTICK INSTALLATION (AUX, NO FNR LEVER)

ITEM	PART NUMBER	QTY	DESCRIPTION	REV
	1001146668	Ref	Joystick Installation (Aux, No FNR Lever)	D
1	1001103984	4	Bolt, M5X25	
2		Ref	Joystick (AUX, no FNR Lever) (See Separate Breakdown in this Section)	
3	1001095650	AR	Compound, Locking	

SECTION 7 - CONTROLS

FIGURE 7-22. JOYSTICK (FNR LEVER)



ART_1001140641-C

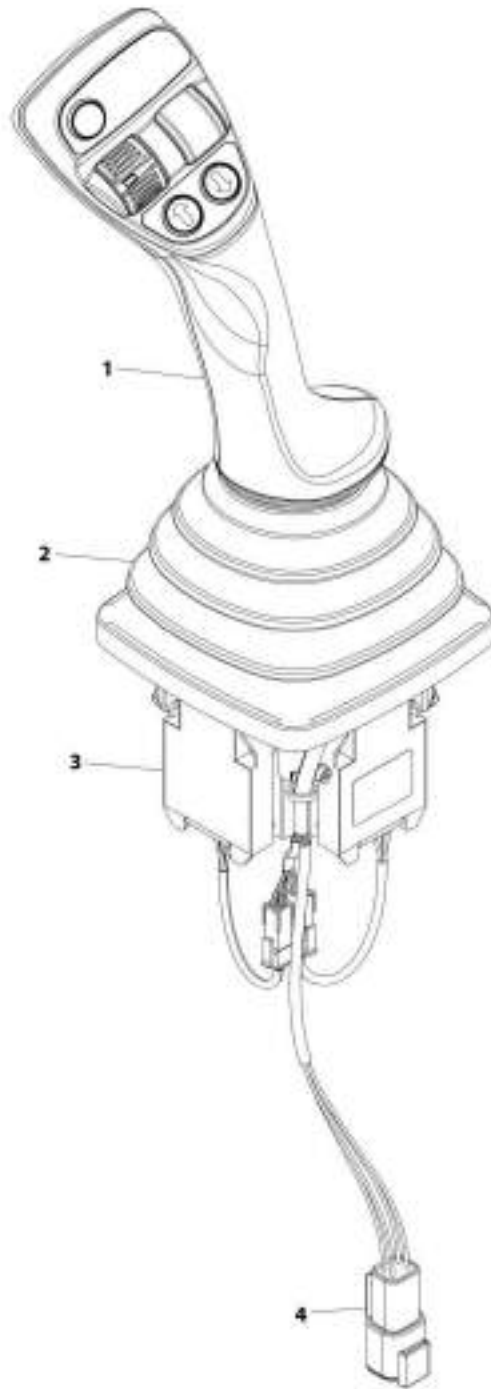
SECTION 7 - CONTROLS

FIGURE 7-22. JOYSTICK (FNR LEVER)

ITEM	PART NUMBER	QTY	DESCRIPTION	REV
	1001146641	NLA	Electric Joystick, (FNR Lever), (no longer available, use 1001222596 for replacement)	E
1	70025846	1	Lever, Multi-Function	
2	70025844	1	Gaiter	
3	70025845	1	Base, Joystick (includes connector)	
4	1001126007	1	Connector	

SECTION 7 - CONTROLS

FIGURE 7-23. JOYSTICK, (FNR LEVER)



AMT_1001222596-A

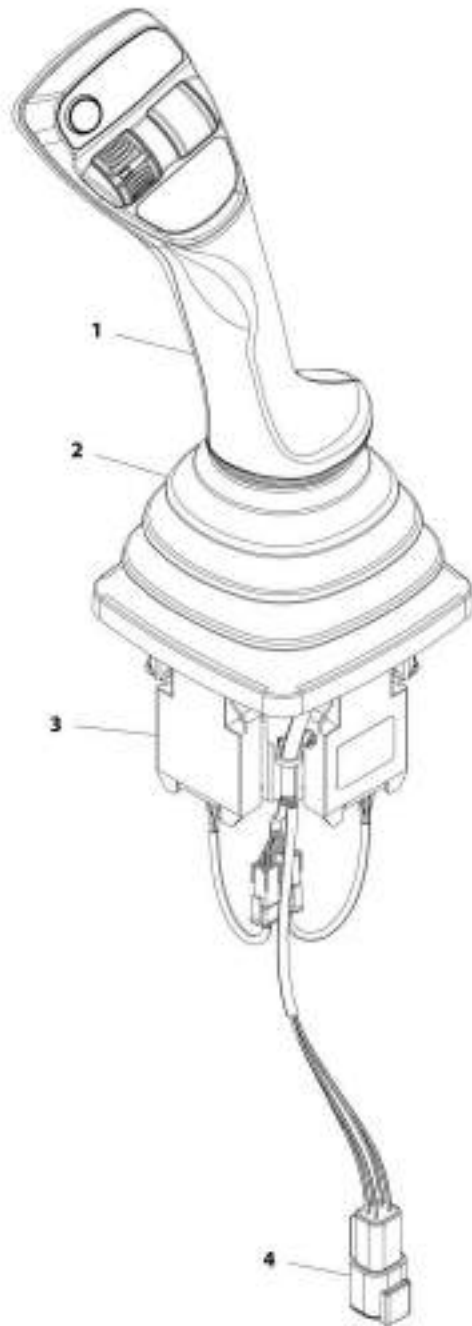
SECTION 7 - CONTROLS

FIGURE 7-23. JOYSTICK, (FNR LEVER)

ITEM	PART NUMBER	QTY	DESCRIPTION	REV
	1001222596	Ref	Electric Joystick, (FNR Lever)	A
1	70025846	1	Lever, Multi-Function	
2	70025844	1	Gaiter	
3	70025845	1	Base, Joystick (includes connector)	
4	1001126007	1	Connector	

SECTION 7 - CONTROLS

FIGURE 7-24. JOYSTICK (NO FNR LEVER)



ART_1001146640-E

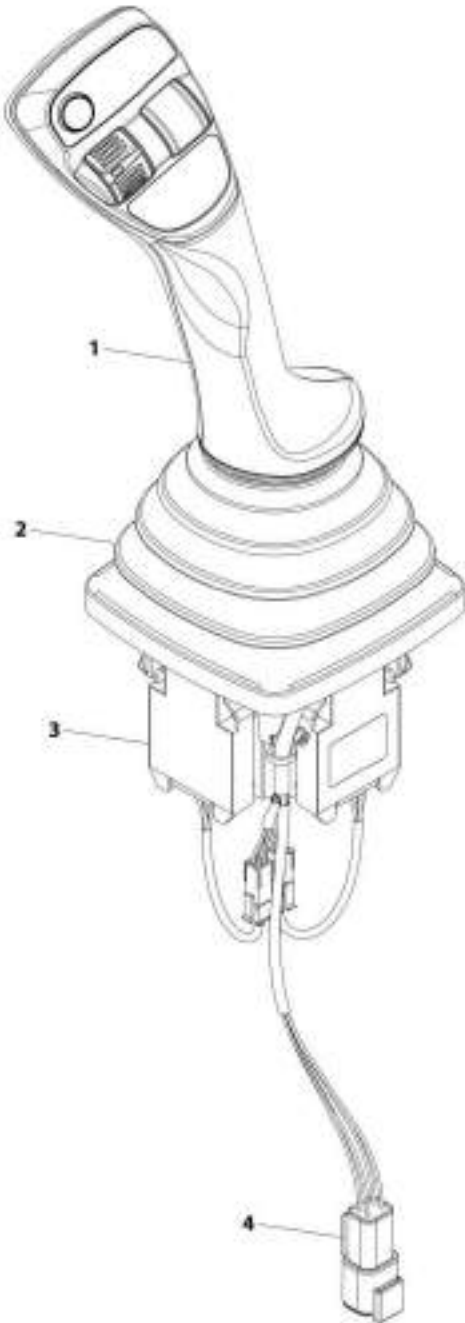
SECTION 7 - CONTROLS

FIGURE 7-24. JOYSTICK (NO FNR LEVER)

ITEM	PART NUMBER	QTY	DESCRIPTION	REV
	1001146640	NLA	Electric Joystick, (No FNR Lever), (no longer available, use 1001222595 for replacement)	E
1	70025843	1	Lever, Multi-Function	
2	70025844	1	Gaiter	
3	70025845	1	Base, Joystick (includes connector)	
4	1001126007	1	Connector	

SECTION 7 - CONTROLS

FIGURE 7-25. JOYSTICK, (NO FNR LEVER)



ART_1001222595-A

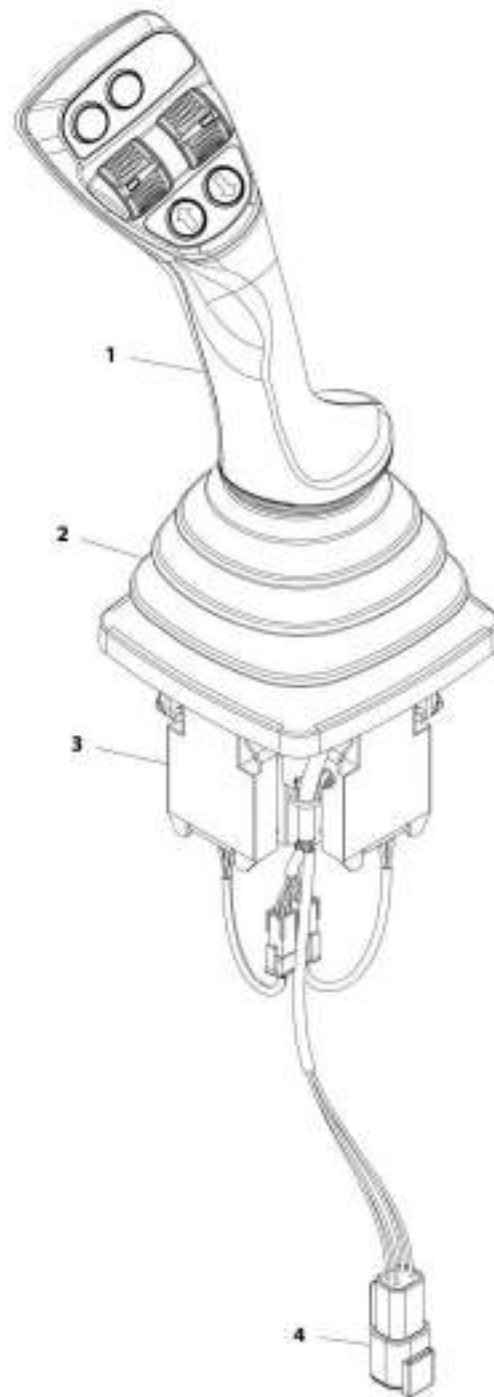
SECTION 7 - CONTROLS

FIGURE 7-25. JOYSTICK, (NO FNR LEVER)

ITEM	PART NUMBER	QTY	DESCRIPTION	REV
	1001222595	Ref	Electric Joystick, (No FNR Lever)	A
1	70025843	1	Lever, Multi-Function	
2	70025844	1	Gaiter	
3	70025845	1	Base, Joystick (includes connector)	
4	1001126007	1	Connector	

SECTION 7 - CONTROLS

FIGURE 7-26. JOYSTICK (AUX, FNR LEVER)



ABT_1001146643-E

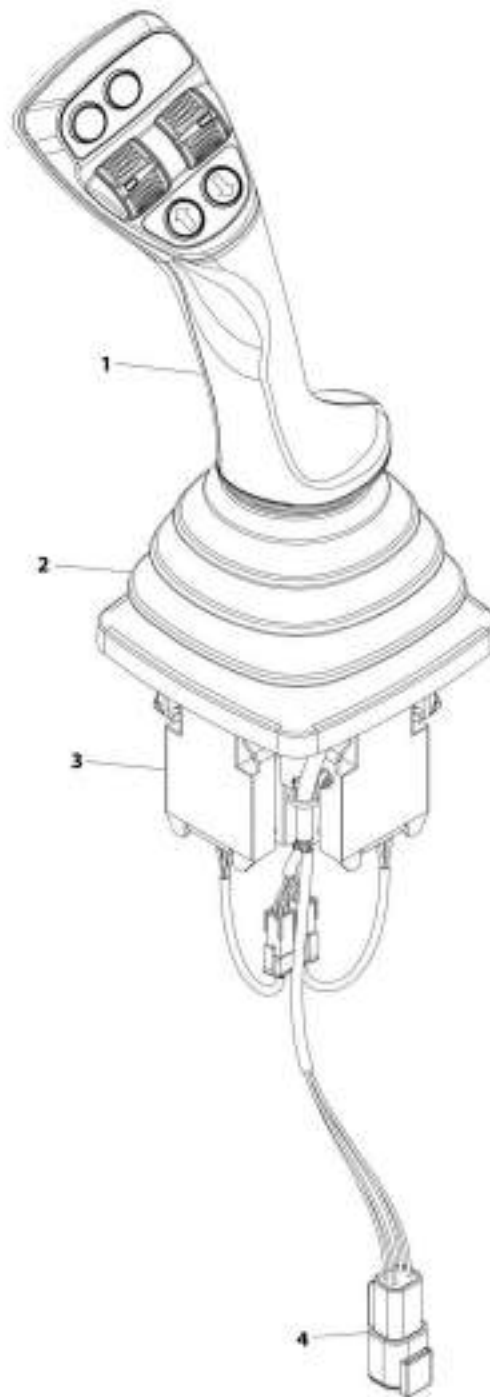
SECTION 7 - CONTROLS

FIGURE 7-26. JOYSTICK (AUX, FNR LEVER)

ITEM	PART NUMBER	QTY	DESCRIPTION	REV
	1001146643	NLA	Electric Joystick, (AUX, FNR Lever), (no longer available, use 1001222598 for replacement)	E
1	70025848	1	Lever, Multi-Function	
2	70025844	1	Gaiter	
3	70025845	1	Base, Joystick (includes connector)	
4	1001126007	1	Connector	

SECTION 7 - CONTROLS

FIGURE 7-27. JOYSTICK, (AUX, FNR LEVER)



ART_1001222588-A

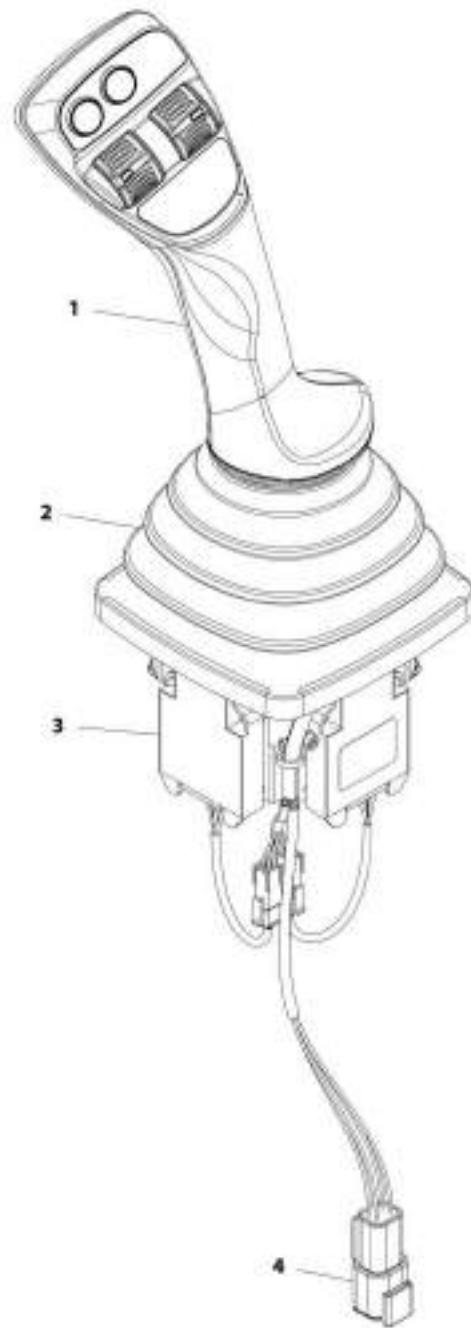
SECTION 7 - CONTROLS

FIGURE 7-27. JOYSTICK, (AUX, FNR LEVER)

ITEM	PART NUMBER	QTY	DESCRIPTION	REV
	1001222598	Ref	Electric Joystick, (AUX, FNR Lever)	A
1	70025848	1	Lever, Multi-Function	
2	70025844	1	Gaiter	
3	70025845	1	Base, Joystick (includes connector)	
4	1001126007	1	Connector	

SECTION 7 - CONTROLS

FIGURE 7-28. JOYSTICK (AUX, NO FNR LEVER)



MT_100148642-E

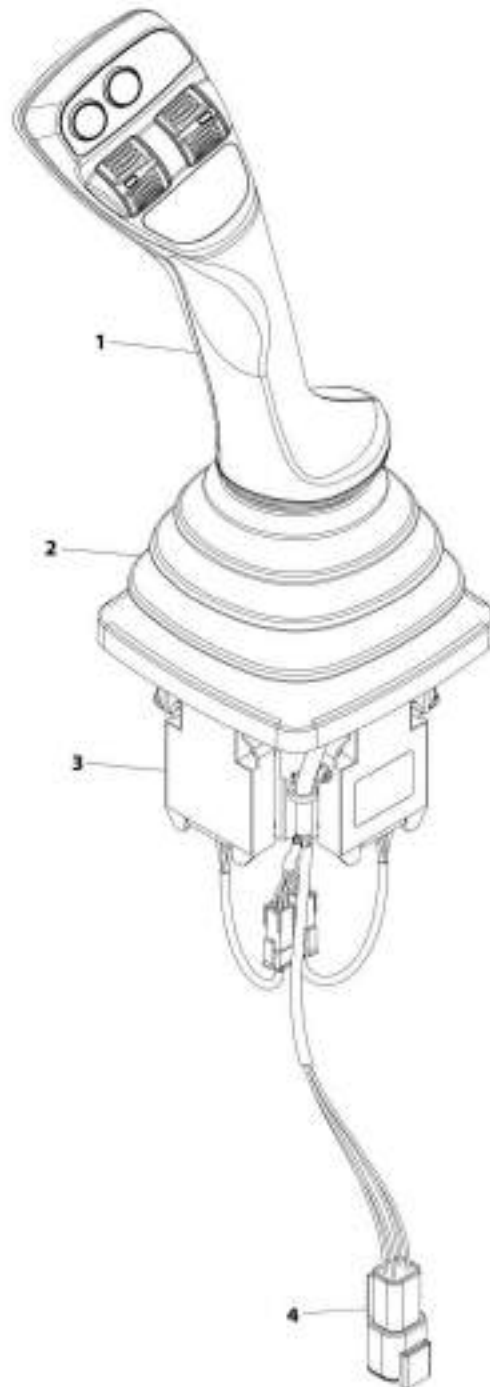
SECTION 7 - CONTROLS

FIGURE 7-28. JOYSTICK (AUX, NO FNR LEVER)

ITEM	PART NUMBER	QTY	DESCRIPTION	REV
	1001146642	NLA	Electric Joystick, (AUX, No FNR Lever), (no longer available, use 1001222597 for replacement)	E
1	70025847	1	Lever, Multi-Function	
2	70025844	1	Gaiter	
3	70025845	1	Base, Joystick (includes connector)	
4	1001126007	1	Connector	

SECTION 7 - CONTROLS

FIGURE 7-29. JOYSTICK, (AUX, NO FNR LEVER)



ART_100122597-A

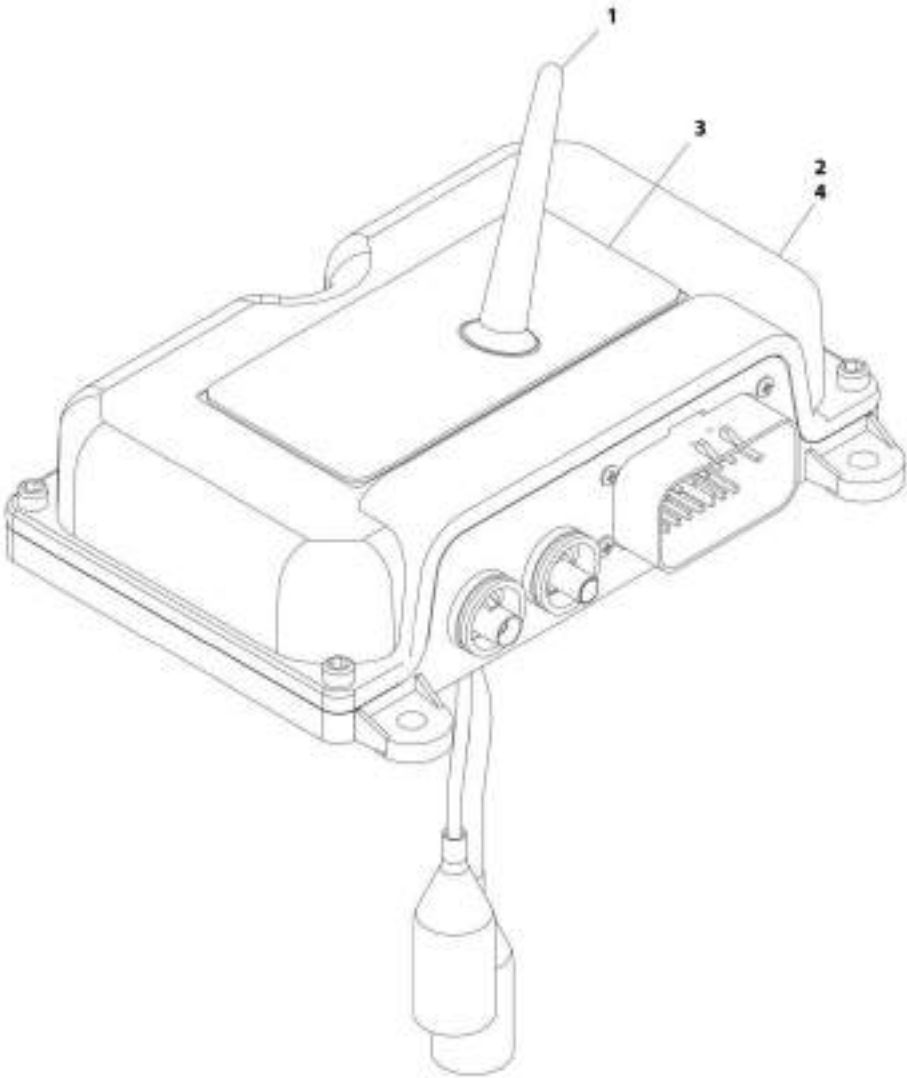
SECTION 7 - CONTROLS

FIGURE 7-29. JOYSTICK, (AUX, NO FNR LEVER)

ITEM	PART NUMBER	QTY	DESCRIPTION	REV
	1001222597	Ref	Electric Joystick, (AUX, No FNR Lever)	A
1	70025847	1	Lever, Multi-Function	
2	70025844	1	Gaiter	
3	70025845	1	Base, Joystick (includes connector)	
4	1001126007	1	Connector	

SECTION 7 - CONTROLS

FIGURE 7-30. CLEARSKY TELEMATICS CONTROLLER



ART_106102813-G

SECTION 7 - CONTROLS

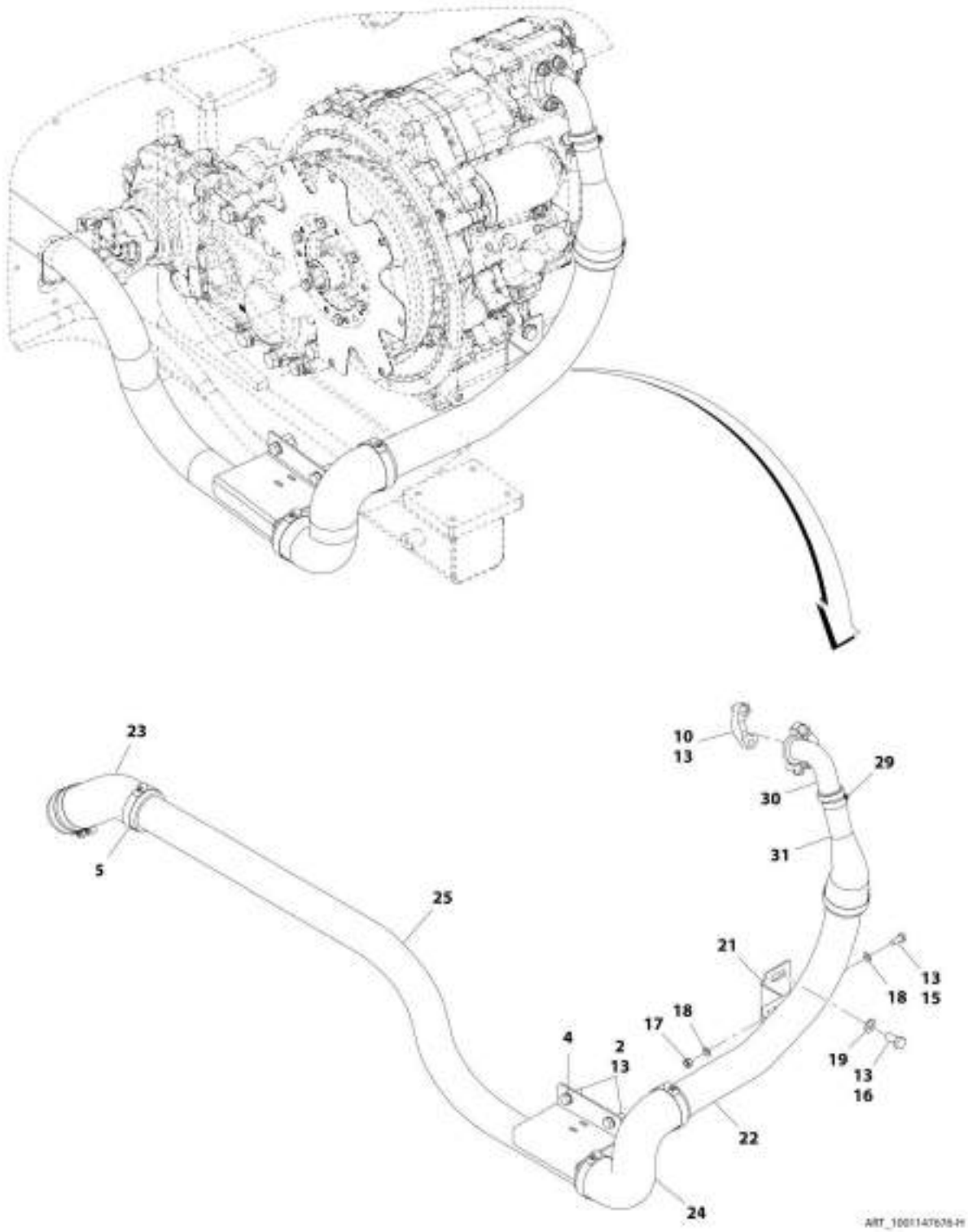
FIGURE 7-30. CLEARSKY TELEMATICS CONTROLLER

ITEM	PART NUMBER	QTY	DESCRIPTION	REV
	1001102831	Ref	Clearsky Telematics Controller	G
1	1001100443	1	Antenna	
2	1001140321	1	Software	
3	1001140322	1	Decal	
4	1001144406	1	Controller	

SECTION 8 - HYDRAULIC CIRCUITS

SECTION 8 - HYDRAULIC CIRCUITS

FIGURE 8-1. SUPPLY LINES INSTALLATION - 3614RS



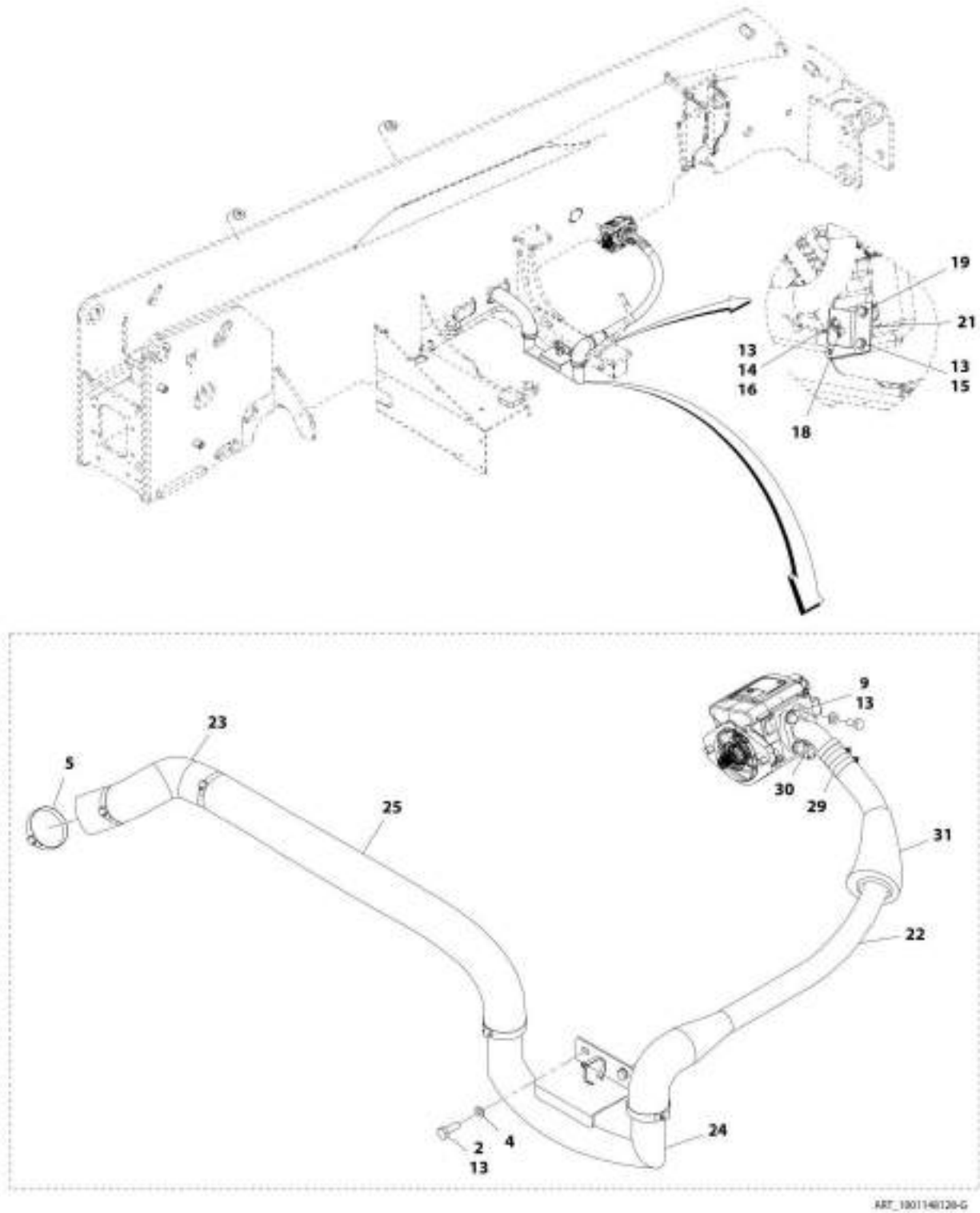
SECTION 8 - HYDRAULIC CIRCUITS

FIGURE 8-1. SUPPLY LINES INSTALLATION - 3614RS

ITEM	PART NUMBER	QTY	DESCRIPTION	REV
	1001147676	Ref	Supply Lines Installation - 3614RS	H
2	0761014	2	Bolt, M10X30	
4	4812000	2	Washer, M10	
5	1001008673	6	Clamp, Hose	
10	1001147801	1	Clamp, Split Flange Halve	
13	1001095650	AR	Compound, Locking	
15	0760810	2	Bolt, M8X20	
16	0761212	2	Bolt, M12X25	
17	3290805	2	Nut, Lock M8X1.25	
18	4811900	4	Washer, M8	
19	4812100	2	Washer, M12	
21	1001152673	1	Bracket, Suction Pipe	
22	1001159683	1	Pipe, Suction	
23	1001152684	1	Hose	
24	1001159685	1	Hose	
25	1001152689	1	Pipe, Suction	
29	8405103	1	Clamp, Hose	
30	1001176622	1	Flange, Adapter	
31	1001173259	1	Hose	

SECTION 8 - HYDRAULIC CIRCUITS

FIGURE 8-2. SUPPLY LINES INSTALLATION - 4017RS



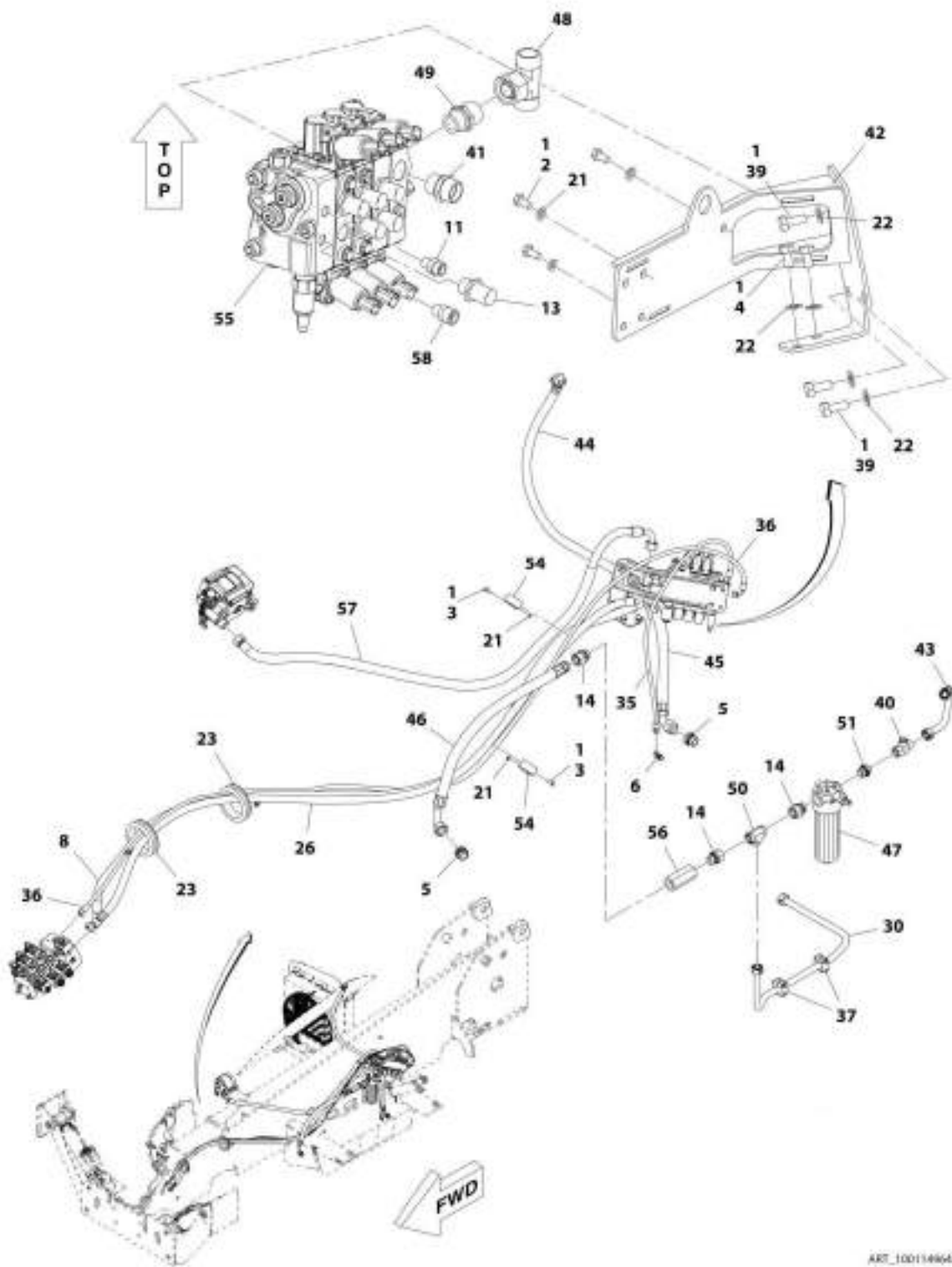
SECTION 8 - HYDRAULIC CIRCUITS

FIGURE 8-2. SUPPLY LINES INSTALLATION - 4017RS

ITEM	PART NUMBER	QTY	DESCRIPTION	REV
	1001148128	Ref	Supply Lines Installation - 4017RS	G
2	0761014	2	Bolt, M10X30	
4	4812000	2	Washer, M10	
5	1001008673	6	Clamp, Hose	
9	1001147801	1	Clamp, Split Flange Halve	
13	1001095650	AR	Compound, Locking	
14	0760810	2	Bolt, M8X20	
15	0761212	2	Bolt, M12X25	
16	3290805	2	Nut, Lock M8X1.25	
18	4811900	4	Washer, M8	
19	4812100	2	Washer, M12	
21	1001152673	1	Bracket, Suction Pipe	
22	1001159683	1	Pipe, Suction	
23	1001177716	1	Hose	
24	1001159685	1	Hose	
25	1001152689	1	Pipe, Suction	
29	8405103	1	Clamp, Hose	
30	1001176622	1	Flange, Adapter	
31	1001173259	1	Hose	

SECTION 8 - HYDRAULIC CIRCUITS

FIGURE 8-3. PUMP LINES INSTALLATION - 3614RS (NO AUXILIARY HYDRAULICS)



ART_1001146637/L

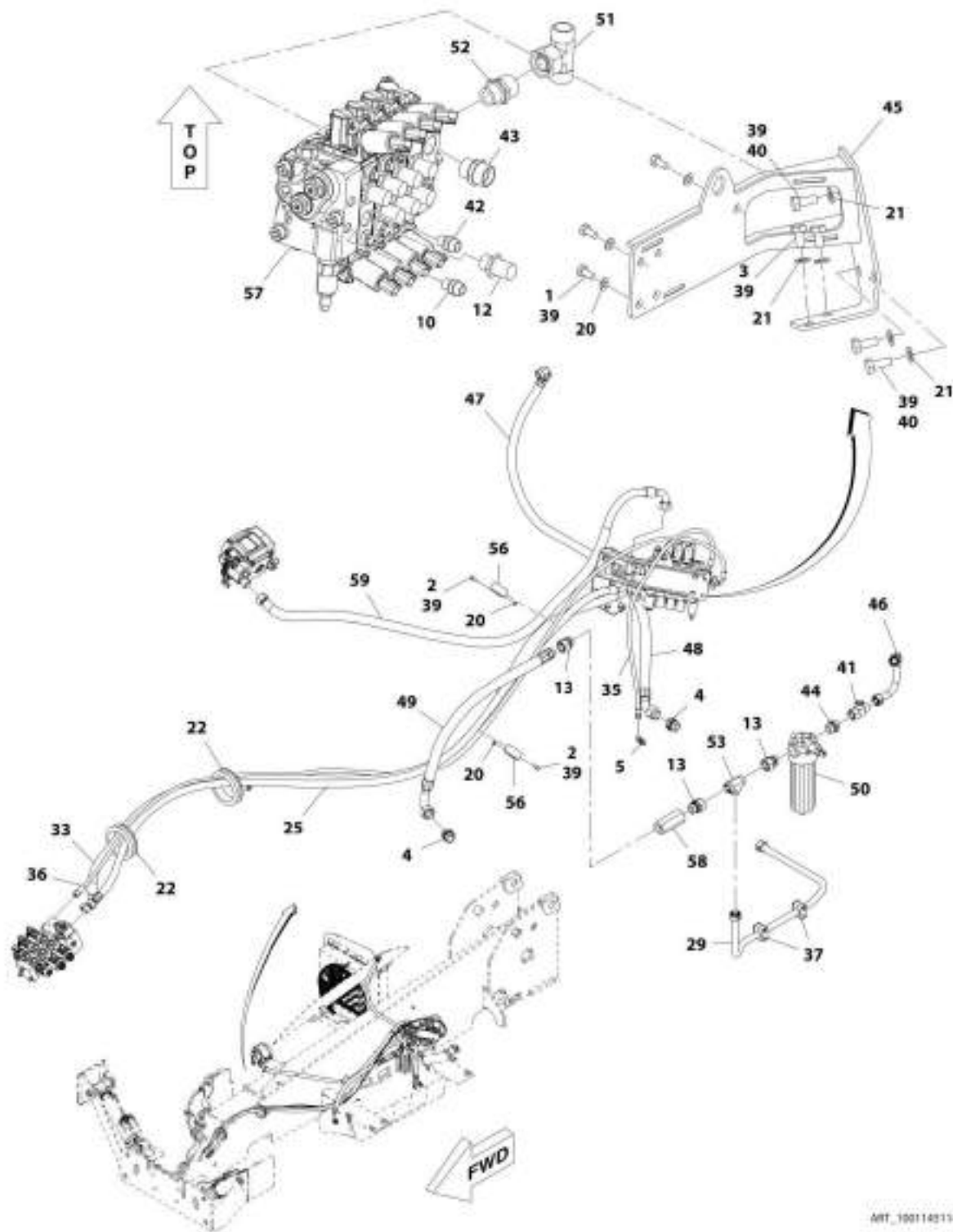
SECTION 8 - HYDRAULIC CIRCUITS

FIGURE 8-3. PUMP LINES INSTALLATION - 3614RS (NO AUXILIARY HYDRAULICS)

ITEM	PART NUMBER	QTY	DESCRIPTION	REV
	1001149647	Ref	Pump Lines Installation - 3614RS (no auxiliary hydraulics)	L
1	1001095650	AR	Compound, Locking	
2	0760808	3	Bolt, M8X16	
3	0760810	2	Bolt, M8X20	
4	0761010	2	Bolt, M10X20	
5	2140211	2	Adapter	
6	2140406	1	Fitting	
8	1001165561	1	Hose	
11	2142706	1	Connector	
13	2142733	6	Connector	
14	2142808	3	Adapter	
21	4811900	5	Washer, M8	
22	4812000	5	Washer, M10	
23	1001003439	2	Grommet	
26	1001148552	1	Hose	
30	1001146145	1	Tube, Oil Cooling	
35	1001147135	1	Hose	
36	1001148553	1	Hose	
37	1001148382	2	Clamp, Tube	
39	0701012	3	Bolt, M10X25	
40	2142207	1	Fitting, Swivel Run Tee	
41	2142718	1	Connector	
42	1001188875	1	Plate	
43	1001202335	1	Tube	
44	1001154645	1	Hose	
45	1001154646	1	Hose	
46	1001154647	1	Hose	
47	1001175757	1	Filter, Hydraulic Oil (See HYDRAULIC COMPONENTS SECTION for Breakdown)	
48	2142117	1	Fitting, Swivel Branch Tee	
49	2142735	1	Connector	
50	1001162929	1	Adapter	
51	2142748	1	Connector	
54	1001008667	2	Clip	
55	1001173148	1	Valve, Main Control (no auxiliary hydraulics) (See HYDRAULIC COMPONENTS SECTION for Breakdown)	
56	1001173742	1	Valve, Bypass	
57	1001174417	1	Hose	
58	2142708	1	Connector	

SECTION 8 - HYDRAULIC CIRCUITS

FIGURE 8-4. PUMP LINES INSTALLATION - 3614RS (AUXILIARY HYDRAULICS)



ART_1001142114.M

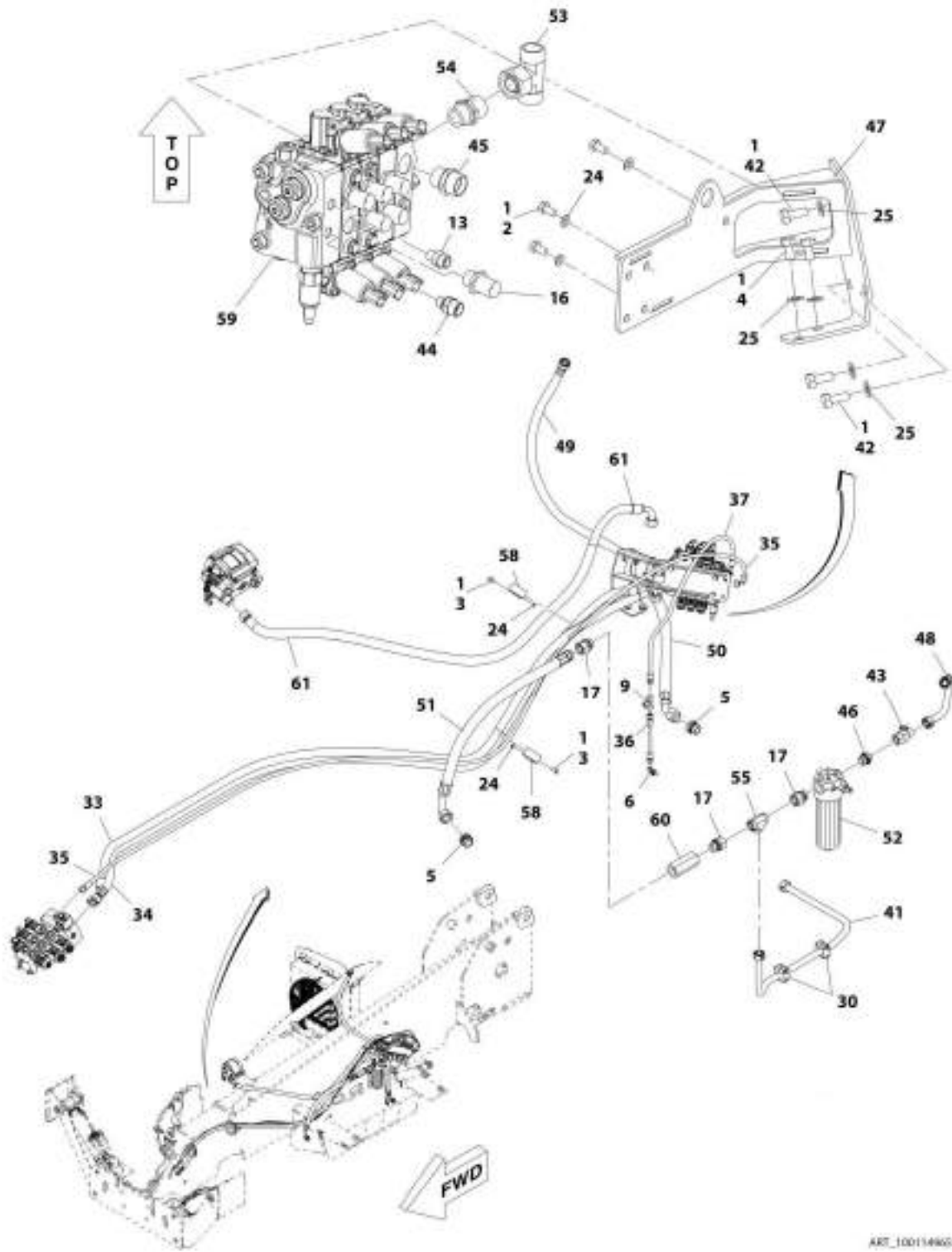
SECTION 8 - HYDRAULIC CIRCUITS

FIGURE 8-4. PUMP LINES INSTALLATION - 3614RS (AUXILIARY HYDRAULICS)

ITEM	PART NUMBER	QTY	DESCRIPTION	REV
	1001145114	Ref	Pump Lines Installation - 3614RS (auxiliary hydraulics)	M
1	0760808	3	Bolt, M8X16	
2	0760810	2	Bolt, M8X20	
3	0761010	2	Bolt, M10X20	
4	2140211	2	Adapter	
5	2140406	1	Fitting	
10	2142706	1	Connector	
12	2142733	8	Connector	
13	2142808	3	Adapter	
20	4811900	5	Washer, M8	
21	4812000	5	Washer, M10	
22	1001003439	2	Grommet	
25	1001148552	1	Hose	
29	1001146145	1	Tube, Oil Cooling	
33	1001165561	1	Hose	
35	1001147135	1	Hose	
36	1001148553	1	Hose	
37	1001148382	2	Clamp, Tube	
39	1001095650	AR	Compound, Locking	
40	0701012	3	Bolt, M10X25	
41	2142207	1	Fitting, Swivel Run Tee	
42	2142708	1	Connector	
43	2142718	1	Connector	
44	2142748	1	Connector	
45	1001188875	1	Plate	
46	1001202335	1	Tube	
47	1001154645	1	Hose	
48	1001154646	1	Hose	
49	1001154647	1	Hose	
50	1001175757	1	Filter, Hydraulic Oil (See HYDRAULIC COMPONENTS SECTION for Breakdown)	
51	2142117	1	Fitting, Swivel Branch Tee	
52	2142735	1	Connector	
53	1001162929	1	Adapter	
56	1001008667	2	Clip	
57	1001173147	1	Valve, Main Control (auxiliary hydraulics) (See HYDRAULIC COMPONENTS SECTION for Breakdown)	
58	1001173742	1	Valve, Bypass	
59	1001174417	1	Hose	

SECTION 8 - HYDRAULIC CIRCUITS

FIGURE 8-5. PUMP LINES INSTALLATION - 4017RS (NO AUXILIARY HYDRAULICS)



ART_100146021-6

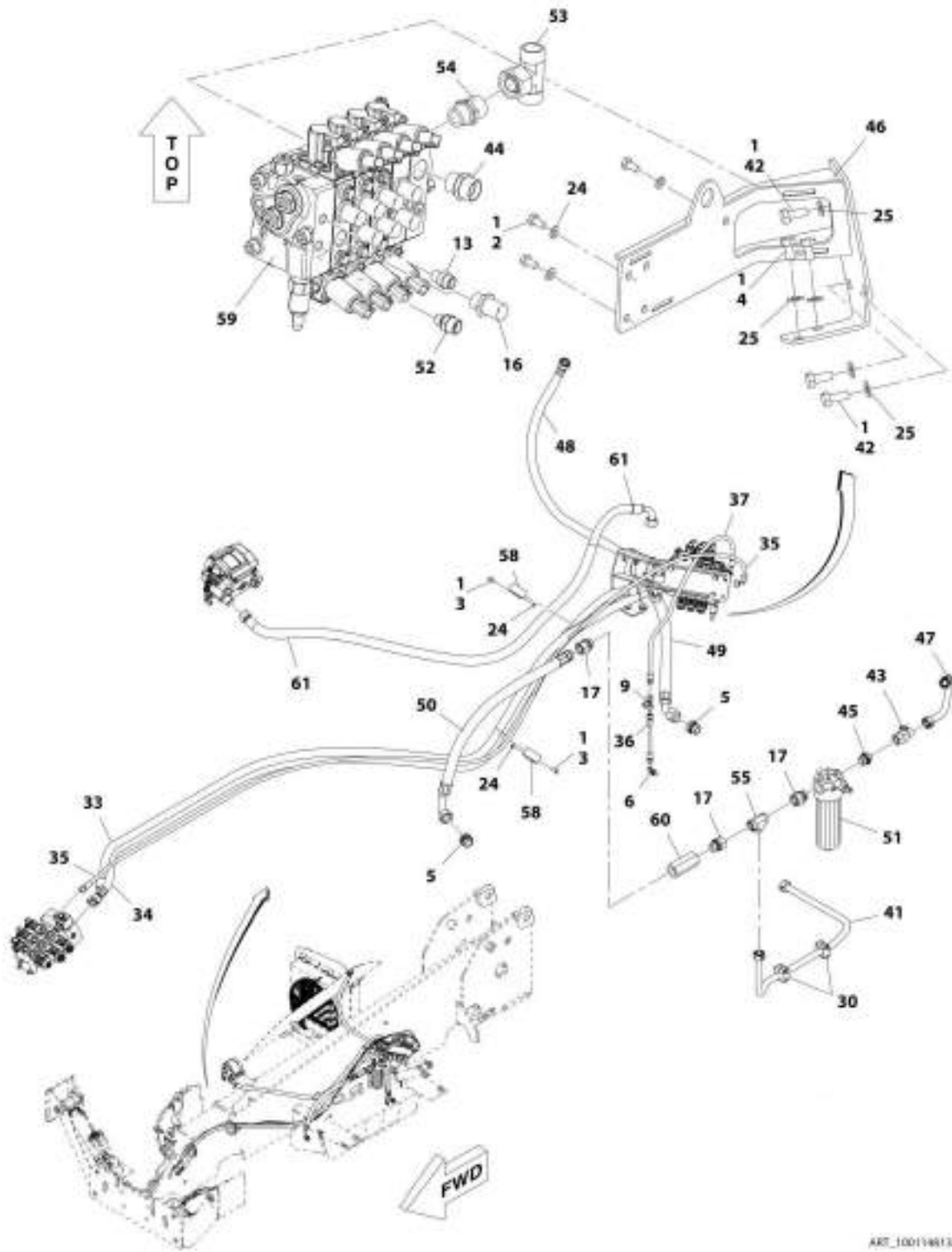
SECTION 8 - HYDRAULIC CIRCUITS

FIGURE 8-5. PUMP LINES INSTALLATION - 4017RS (NO AUXILIARY HYDRAULICS)

ITEM	PART NUMBER	QTY	DESCRIPTION	REV
	1001149651	Ref	Pump Lines Installation - 4017RS (no auxiliary hydraulics)	K
1	1001095650	AR	Compound, Locking	
2	0760808	3	Bolt, M8X16	
3	0760810	2	Bolt, M8X20	
4	0761010	2	Bolt, M10X20	
5	2140211	2	Adapter	
6	2140406	1	Fitting	
9	2141907	1	Fitting, Union Tee	
13	2142706	1	Connector	
16	2142733	6	Connector	
17	2142808	3	Adapter	
24	4811900	5	Washer, M8	
25	4812000	5	Washer, M10	
30	1001148382	2	Clamp, Tube	
33	1001165561	1	Hose	
34	1001148552	1	Hose	
35	1001148553	1	Hose	
36	1001148658	1	Hose	
37	1001148659	1	Hose	
41	1001189192	1	Pipe, Oil Cooling	
42	0701012	3	Bolt, M10X25	
43	2142207	1	Fitting, Swivel Run Tee	
44	2142711	1	Connector	
45	2142718	1	Connector	
46	2142748	1	Connector	
47	1001188875	1	Plate	
48	1001202335	1	Tube	
49	1001154645	1	Hose	
50	1001154646	1	Hose	
51	1001154647	1	Hose	
52	1001175757	1	Filter, Hydraulic Oil (See HYDRAULIC COMPONENTS SECTION for Breakdown)	
53	2142117	1	Fitting, Swivel Branch Tee	
54	2142735	1	Connector	
55	1001162929	1	Adapter	
58	1001008667	2	Clip	
59	1001173148	1	Valve, Main Control (no auxiliary hydraulics) (See HYDRAULIC COMPONENTS SECTION for Breakdown)	
60	1001173742	1	Valve, Bypass	
61	1001174417	1	Hose	

SECTION 8 - HYDRAULIC CIRCUITS

FIGURE 8-6. PUMP LINES INSTALLATION - 4017RS (AUXILIARY HYDRAULICS)



ART_100148132-6

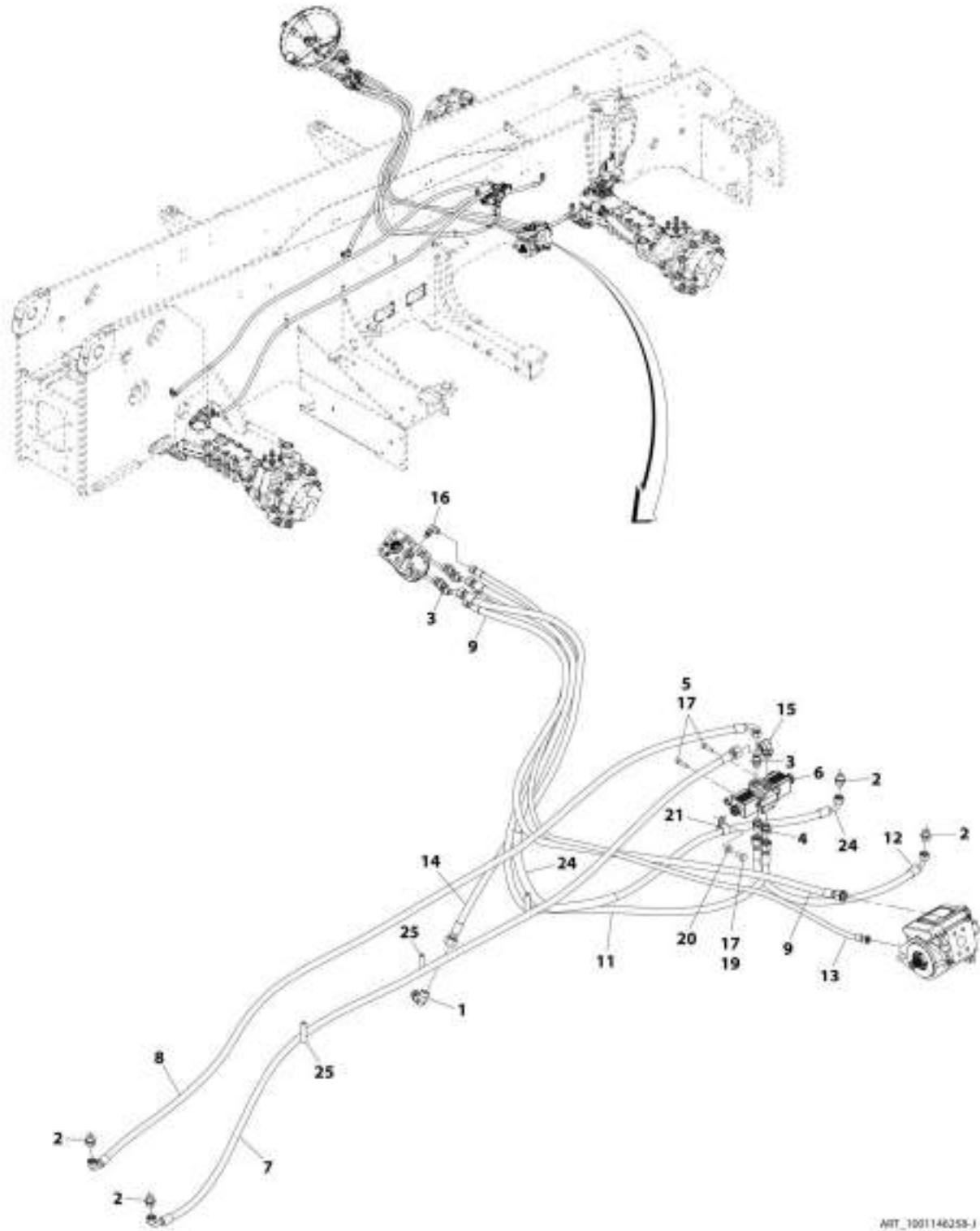
SECTION 8 - HYDRAULIC CIRCUITS

FIGURE 8-6. PUMP LINES INSTALLATION - 4017RS (AUXILIARY HYDRAULICS)

ITEM	PART NUMBER	QTY	DESCRIPTION	REV
	1001148132	Ref	Pump Lines Installation - 4017RS (auxiliary hydraulics)	K
1	1001095650	AR	Compound, Locking	
2	0760808	3	Bolt, M8X16	
3	0760810	2	Bolt, M8X20	
4	0761010	2	Bolt, M10X20	
5	2140211	2	Adapter	
6	2140406	1	Fitting	
9	2141907	1	Fitting, Union Tee	
13	2142706	1	Connector	
16	2142733	8	Connector	
17	2142808	3	Adapter	
24	4811900	5	Washer, M8	
25	4812000	5	Washer, M10	
30	1001148382	2	Clamp, Tube	
33	1001165561	1	Hose	
34	1001148552	1	Hose	
35	1001148553	1	Hose	
36	1001148658	1	Hose	
37	1001148659	1	Hose	
41	1001189192	1	Pipe, Oil Cooling	
42	0701012	3	Bolt, M10X25	
43	2142207	1	Fitting, Swivel Run Tee	
44	2142718	1	Connector	
45	2142748	1	Connector	
46	1001188875	1	Plate	
47	1001202335	1	Tube	
48	1001154645	1	Hose	
49	1001154646	1	Hose	
50	1001154647	1	Hose	
51	1001175757	1	Filter, Hydraulic Oil (See HYDRAULIC COMPONENTS SECTION for Breakdown)	
52	2142711	1	Connector	
53	2142117	1	Fitting, Swivel Branch Tee	
54	2142735	1	Connector	
55	1001162929	1	Adapter	
58	1001008667	2	Clip	
59	1001173147	1	Valve, main Control (no auxiliary hydraulics) (See HYDRAULIC COMPONENTS SECTION for Breakdown)	
60	1001173742	1	Valve, Bypass	
61	1001174417	1	Hose	

SECTION 8 - HYDRAULIC CIRCUITS

FIGURE 8-7. STEERING INSTALLATION - 3614RS



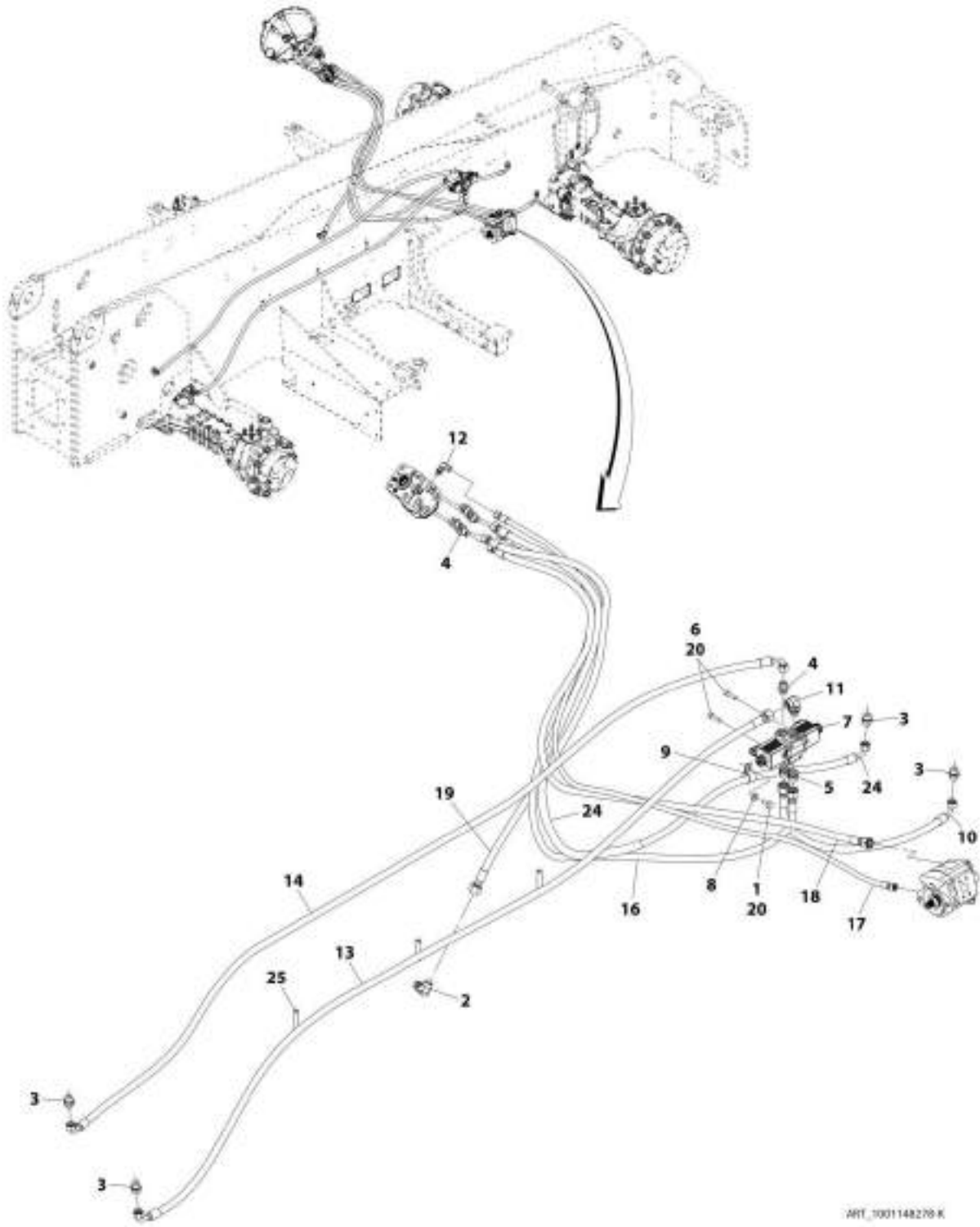
SECTION 8 - HYDRAULIC CIRCUITS

FIGURE 8-7. STEERING INSTALLATION - 3614RS

ITEM	PART NUMBER	QTY	DESCRIPTION	REV
	1001146258	Ref	Steering Installation - 3614RS	J
1	2140409	1	Fitting	
2	2140805	4	Connector	
3	2144804	5	Connector	
4	2144806	2	Connector	
5	4031910	2	Bolt, M8X30	
6	1001153748	1	Valve, Steering Select (See HYDRAULIC COMPONENTS SECTION for Breakdown)	
7	1001145672	1	Hose	
8	1001145680	1	Hose	
9	1001145738	1	Hose	
11	1001145857	1	Hose	
12	1001145866	1	Hose	
13	1001145873	1	Hose	
14	1001145998	1	Hose	
15	1001147517	1	Adapter	
16	1001147518	1	Adapter	
17	1001095650	AR	Compound, Locking	
19	0761010	1	Bolt, M10X20	
20	4812000	1	Washer, M10	
21	1001004144	1	Clip	
24	1001174471	1	Hose	
25	1001165274	3	Hose, Bulk	

SECTION 8 - HYDRAULIC CIRCUITS

FIGURE 8-8. STEERING INSTALLATION - 4017RS



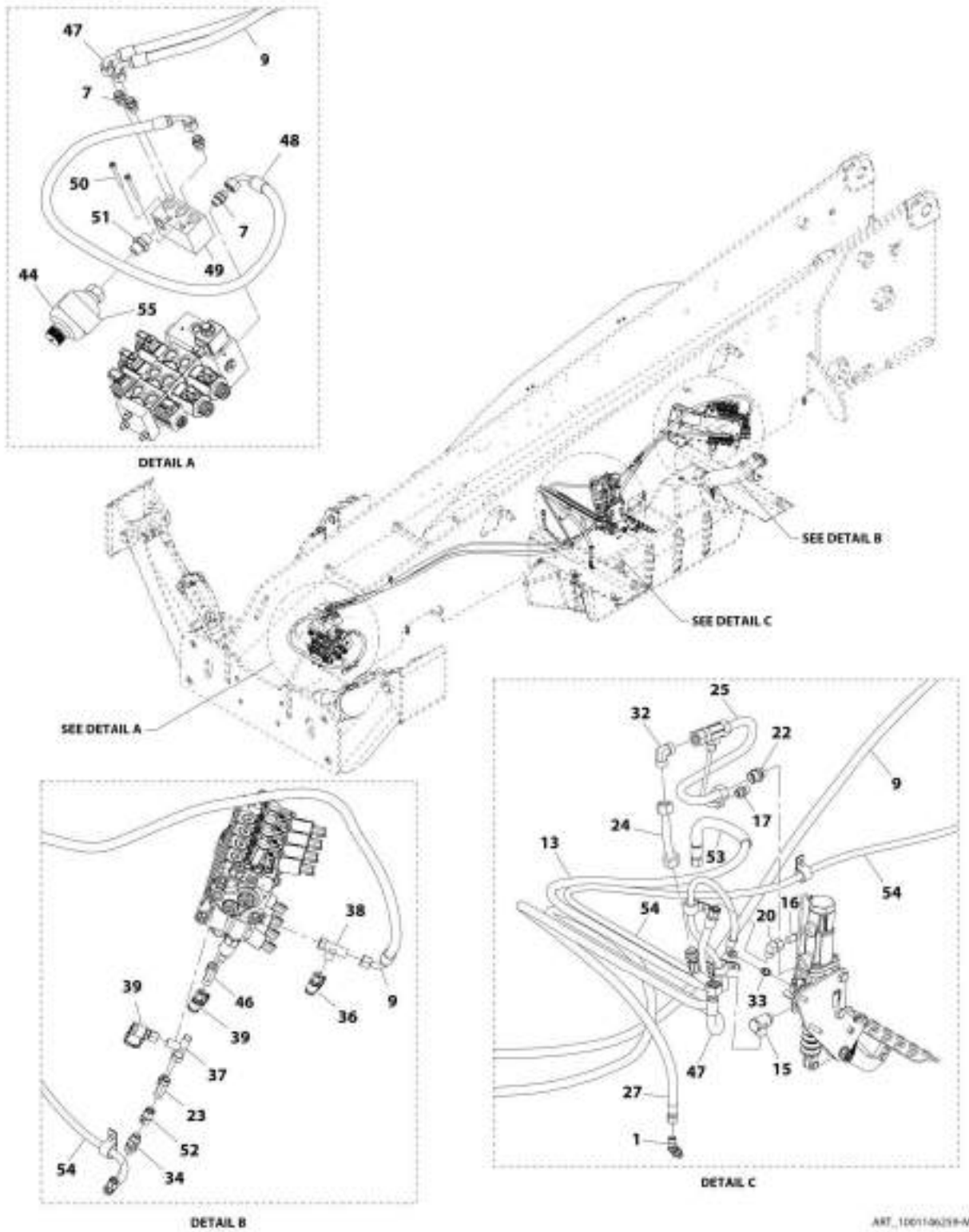
SECTION 8 - HYDRAULIC CIRCUITS

FIGURE 8-8. STEERING INSTALLATION - 4017RS

ITEM	PART NUMBER	QTY	DESCRIPTION	REV
	1001148278	Ref	Steering Installation - 4017RS	K
1	0761010	1	Bolt, M10X20	
2	2140409	1	Fitting	
3	2140805	4	Connector	
4	2144804	5	Connector	
5	2144806	2	Connector	
6	4031910	2	Bolt, M8X30	
7	1001153748	1	Valve, Steering Select (See HYDRAULIC COMPONENTS SECTION for Breakdown)	
8	4812000	1	Washer, M10	
9	1001004144	1	Clip	
10	1001145866	1	Hose	
11	1001147517	1	Adapter	
12	1001147518	1	Adapter	
13	1001148284	1	Hose	
14	1001165662	1	Hose	
16	1001145857	1	Hose	
17	1001145873	1	Hose	
18	1001145738	1	Hose	
19	1001145998	1	Hose	
20	1001095650	AR	Compound, Locking	
24	1001174472	1	Hose	
25	1001165274	3	Hose, Bulk	

SECTION 8 - HYDRAULIC CIRCUITS

FIGURE 8-9. UPPER BRAKE LINES INSTALLATION - 3614RS (Prior to SN 1160008232)



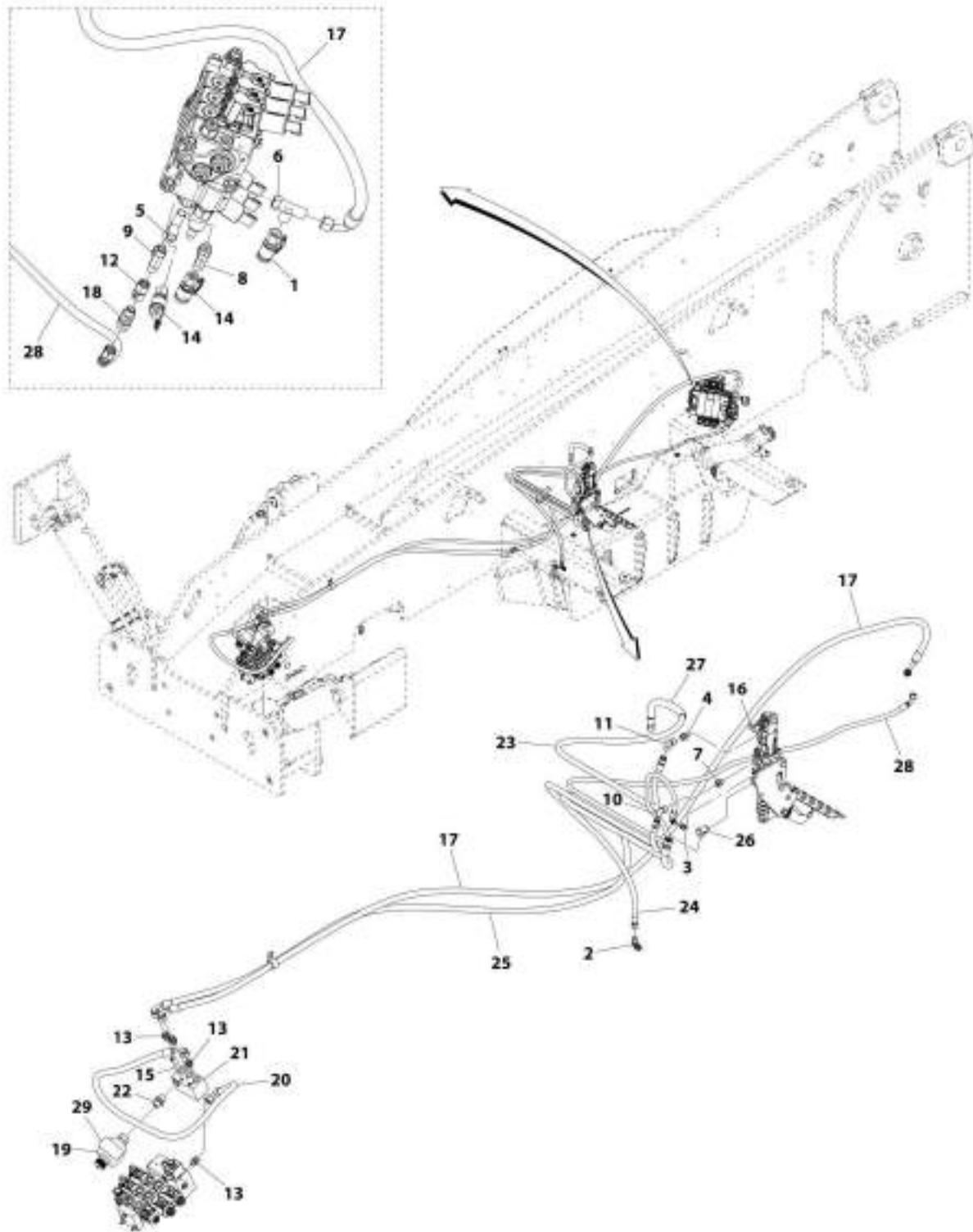
SECTION 8 - HYDRAULIC CIRCUITS

FIGURE 8-9. UPPER BRAKE LINES INSTALLATION - 3614RS (Prior to SN 1160008232)

ITEM	PART NUMBER	QTY	DESCRIPTION	REV
	1001146259	Ref	Upper Brake Lines Installation - 3614RS	M
1	2140406	1	Fitting	
7	2144803	4	Connector	
9	1001146129	1	Hose	
13	1001205594	1	Hose	
15	1001162578	1	Adapter	
16	2140825	1	Connector	
17	2142706	1	Connector	
20	2143403	1	Fitting	
22	2140807	1	Connector	
23	2143102	1	Fitting, Branch Tee	
24	1001161129	1	Tube	
25	1001161130	1	Tube	
27	1001161267	1	Hose	
32	1001161474	1	Fitting	
33	2140801	1	Connector	
34	1001169139	1	Adapter	
36	1616551	1	Fitting	
37	2142202	1	Fitting, Swivel Run Tee	
38	2142203	1	Fitting, Swivel Run Tee	
39	2988632	2	Fitting	
44	1001173418	1	Brake, Pressure Damper	
46	2143004	1	Fitting, 90 ORFS	
47	1001178161	1	Hose	
48	1001178162	1	Hose	
49	1001178407	1	Manifold, Brake Damper	
50	4031716	2	Bolt, M6X60	
51	1001179926	1	Adapter	
52	2143602	1	Fitting	
53	1001207170	1	Conduit	
54	1001211609	1	Hose	
55	1001237054	1	Decal, Stored Energy	

SECTION 8 - HYDRAULIC CIRCUITS

FIGURE 8-10. UPPER BRAKE LINES INSTALLATION - 3614RS (SN 1160008232 to Present)



ART_1001211447-D

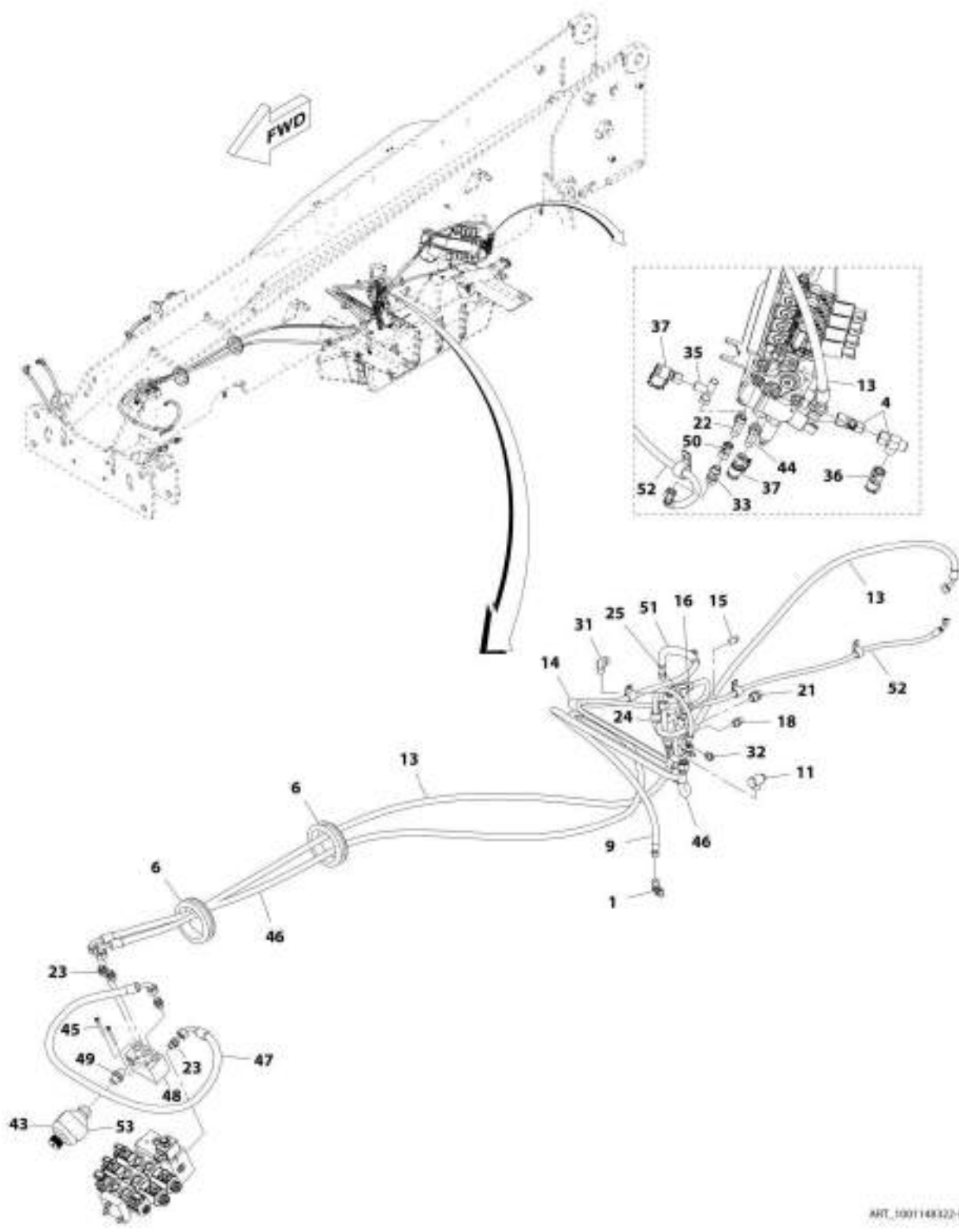
SECTION 8 - HYDRAULIC CIRCUITS

FIGURE 8-10. UPPER BRAKE LINES INSTALLATION - 3614RS (SN 1160008232 to Present)

ITEM	PART NUMBER	QTY	DESCRIPTION	REV
	1001211447	Ref	Upper Brake Lines Installation - 3614RS	D
1	1616551	1	Fitting	
2	2140406	1	Fitting	
3	2140801	1	Connector	
4	2140803	1	Connector	
5	2142202	1	Fitting, Swivel Run Tee	
6	2142203	1	Fitting, Swivel Run Tee	
7	2142706	1	Connector	
8	2143004	1	Fitting, 90 ORFS	
9	2143102	1	Fitting, Branch Tee	
10	2143402	1	Fitting	
11	2143403	1	Fitting	
12	2143602	1	Fitting	
13	2144803	4	Connector	
14	2988632	2	Fitting	
15	4031716	2	Bolt, M6X60	
16	8405009	1	Gear Clamp	
17	1001146129	1	Hose	
18	1001169139	1	Adapter	
19	1001173418	1	Brake, Pressure Damper	
20	1001178162	1	Hose	
21	1001178407	1	Manifold, Brake Damper	
22	1001179926	1	Adapter	
23	1001205594	1	Hose	
24	1001206583	1	Hose	
25	1001206584	1	Hose	
26	1001206592	1	Adapter	
27	1001207170	1	Conduit	
28	1001211609	1	Hose	
29	1001237054	1	Decal, Stored Energy	

SECTION 8 - HYDRAULIC CIRCUITS

FIGURE 8-11. UPPER BRAKE LINES INSTALLATION - 4017RS (Prior to SN 1160008232)



ART. 1001148322-L

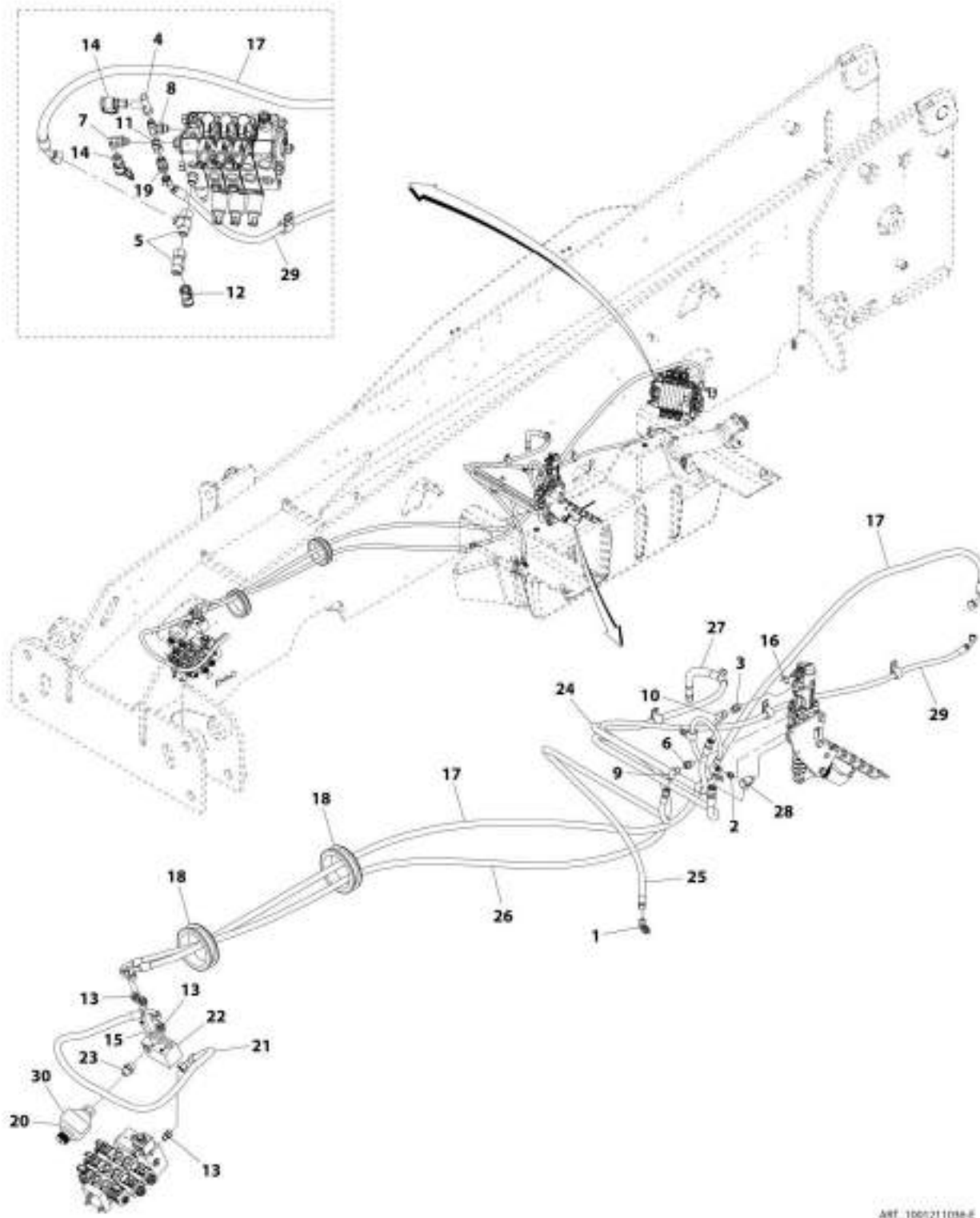
SECTION 8 - HYDRAULIC CIRCUITS

FIGURE 8-11. UPPER BRAKE LINES INSTALLATION - 4017RS (Prior to SN 1160008232)

ITEM	PART NUMBER	QTY	DESCRIPTION	REV
	1001148322	Ref	Upper Brake Lines Installation - 4017RS	L
1	2140406	1	Fitting	
4	2142204	2	Fitting, Swivel Run Tee	
6	1001003439	2	Grommet	
9	1001161267	1	Hose	
11	1001162578	1	Adapter	
13	1001148320	1	Hose	
14	1001205594	1	Hose	
15	2140825	1	Connector	
16	2143403	1	Fitting	
18	2142706	1	Connector	
21	2140807	1	Connector	
22	2143102	1	Fitting, Branch Tee	
23	2144803	4	Connector	
24	1001161129	1	Tube	
25	1001161130	1	Tube	
31	1001161474	1	Fitting	
32	2140801	1	Connector	
33	1001169139	1	Adapter	
35	2142202	1	Fitting, Swivel Run Tee	
36	2144104	1	Fitting	
37	2988632	2	Fitting	
43	1001173418	1	Brake, Pressure Damper	
44	2143004	1	Fitting, 90 ORFS	
45	4031716	2	Bolt, M6X60	
46	1001182912	1	Hose	
47	1001178162	1	Hose	
48	1001178407	1	Manifold, Brake Damper	
49	1001179926	1	Adapter	
50	2143602	1	Fitting	
51	1001207170	1	Conduit	
52	1001211609	1	Hose	
53	1001237054	1	Decal, Stored Energy	

SECTION 8 - HYDRAULIC CIRCUITS

FIGURE 8-12. UPPER BRAKE LINES INSTALLATION - 4017RS (SN 1160008232 to Present)



ARF_1001211038-E

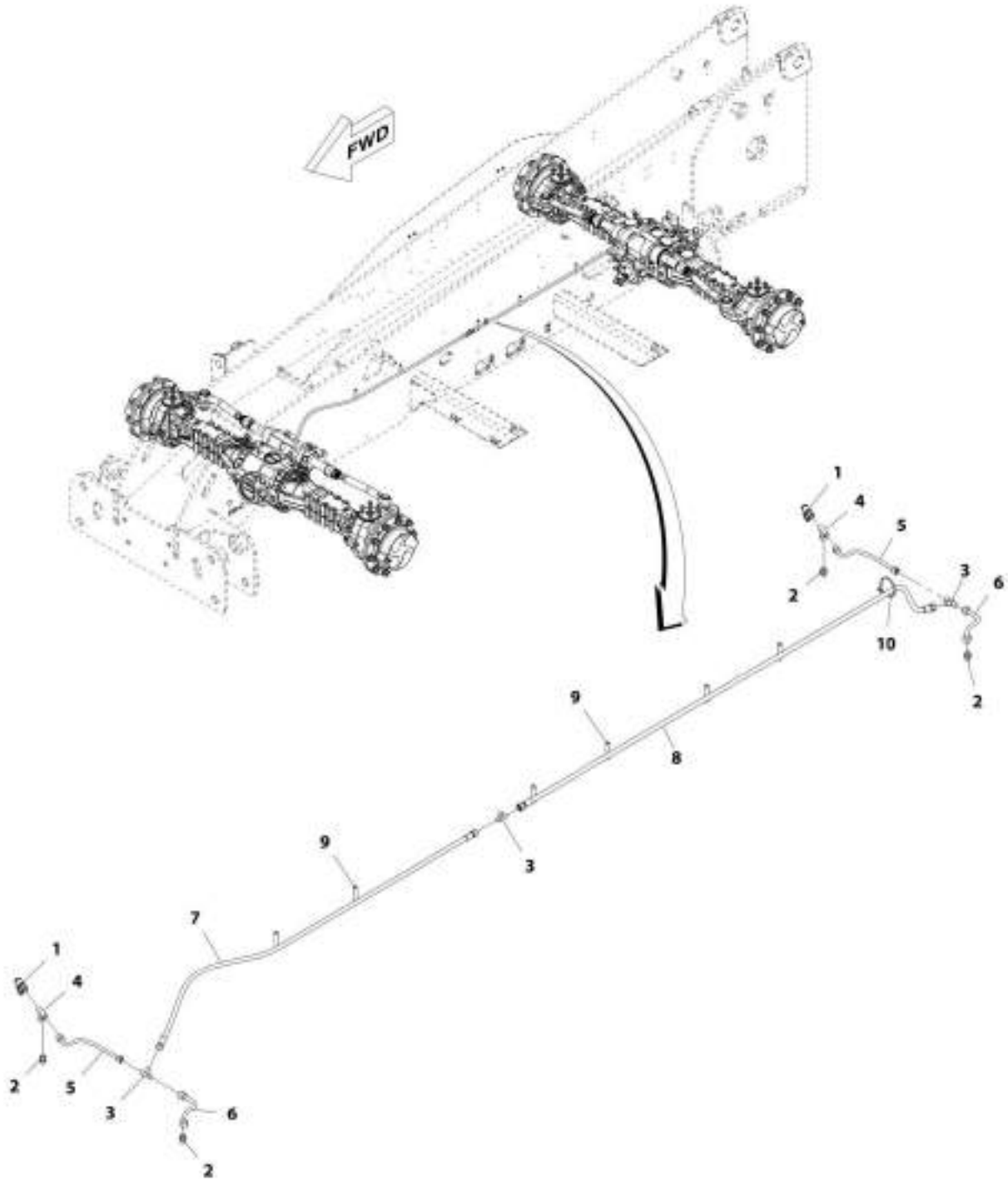
SECTION 8 - HYDRAULIC CIRCUITS

FIGURE 8-12. UPPER BRAKE LINES INSTALLATION - 4017RS (SN 1160008232 to Present)

ITEM	PART NUMBER	QTY	DESCRIPTION	REV
	1001211036	Ref	Upper Brake Lines Installation - 4017RS	E
1	2140406	1	Fitting	
2	2140801	1	Connector	
3	2140803	1	Connector	
4	2142202	1	Fitting, Swivel Run Tee	
5	2142204	2	Fitting, Swivel Run Tee	
6	2142706	1	Connector	
7	2143004	1	Fitting, 90 ORFS	
8	2143102	1	Fitting, Branch Tee	
9	2143402	1	Fitting	
10	2143403	1	Fitting	
11	2143602	1	Fitting	
12	2144104	1	Fitting	
13	2144803	4	Connector	
14	2988632	2	Fitting	
15	4031716	2	Bolt, M6X60	
16	8405009	1	Gear Clamp	
17	1001148320	1	Hose	
18	1001003439	2	Grommet	
19	1001169139	1	Adapter	
20	1001173418	1	Brake, Pressure Damper	
21	1001178162	1	Hose	
22	1001178407	1	Manifold, Brake Damper	
23	1001179926	1	Adapter	
24	1001205594	1	Hose	
25	1001206583	1	Hose	
26	1001206584	1	Hose	
27	1001207170	1	Conduit	
28	1001206592	1	Adapter	
29	1001211609	1	Hose	
30	1001237054	1	Decal, Stored Energy	

SECTION 8 - HYDRAULIC CIRCUITS

FIGURE 8-13. LOWER BRAKE LINES INSTALLATION - 3614RS



ART_100147032-G

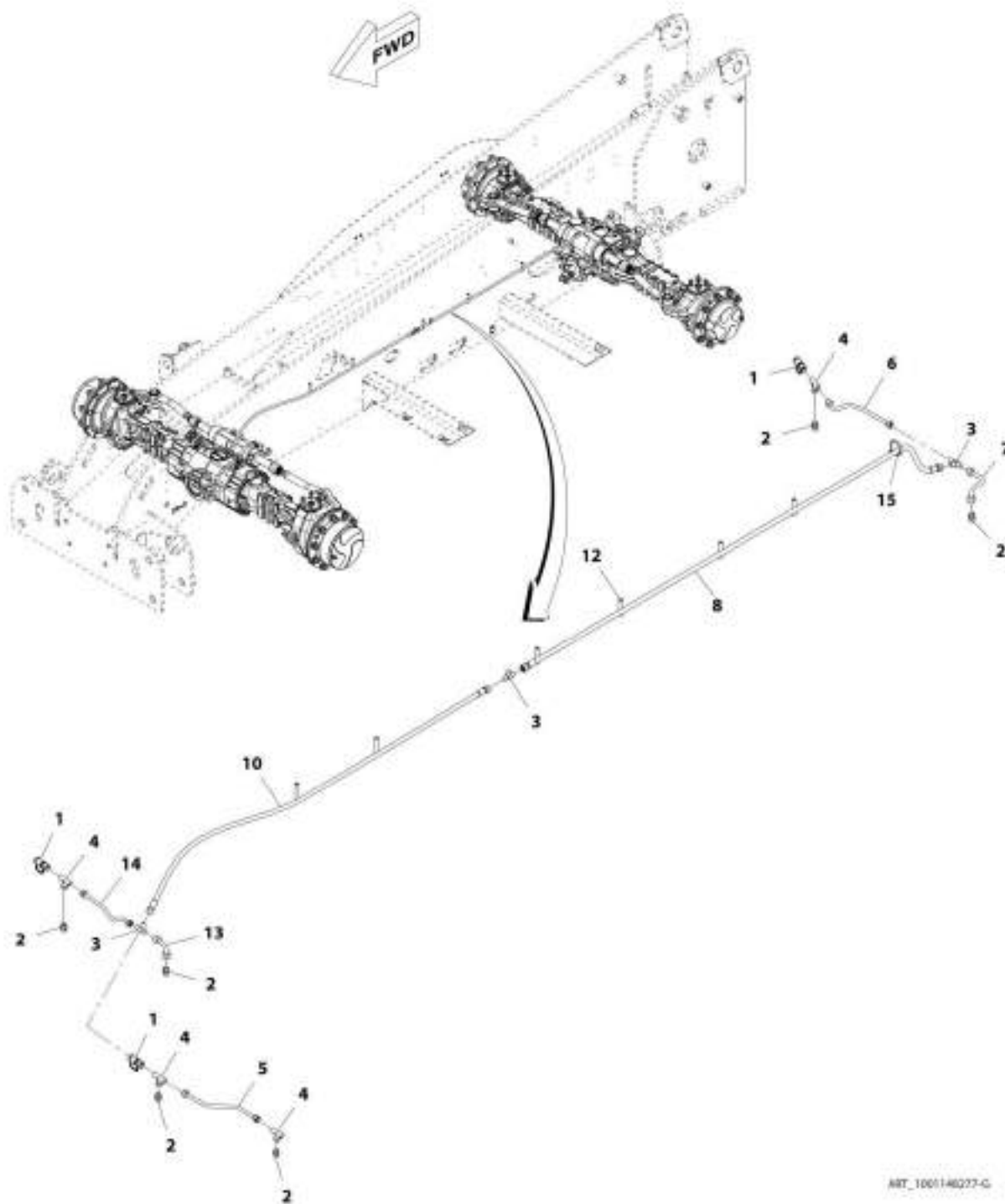
SECTION 8 - HYDRAULIC CIRCUITS

FIGURE 8-13. LOWER BRAKE LINES INSTALLATION - 3614RS

ITEM	PART NUMBER	QTY	DESCRIPTION	REV
	1001147022	Ref	Lower Brake Lines Installation - 3614RS	G
1	1616551	2	Fitting	
2	2140206	4	Connector	
3	2141908	3	Fitting, Union Tee	
4	2142103	2	Fitting, Swivel Branch Tee	
5	8002323	2	Pipe	
6	1001147021	2	Pipe	
7	1001211328	1	Hose	
8	1001205591	1	Hose	
9	1001165274	6	Hose	
10	1062255	1	Tie, Strap	

SECTION 8 - HYDRAULIC CIRCUITS

FIGURE 8-14. LOWER BRAKE LINES INSTALLATION - 4017RS



ART_100146227-G

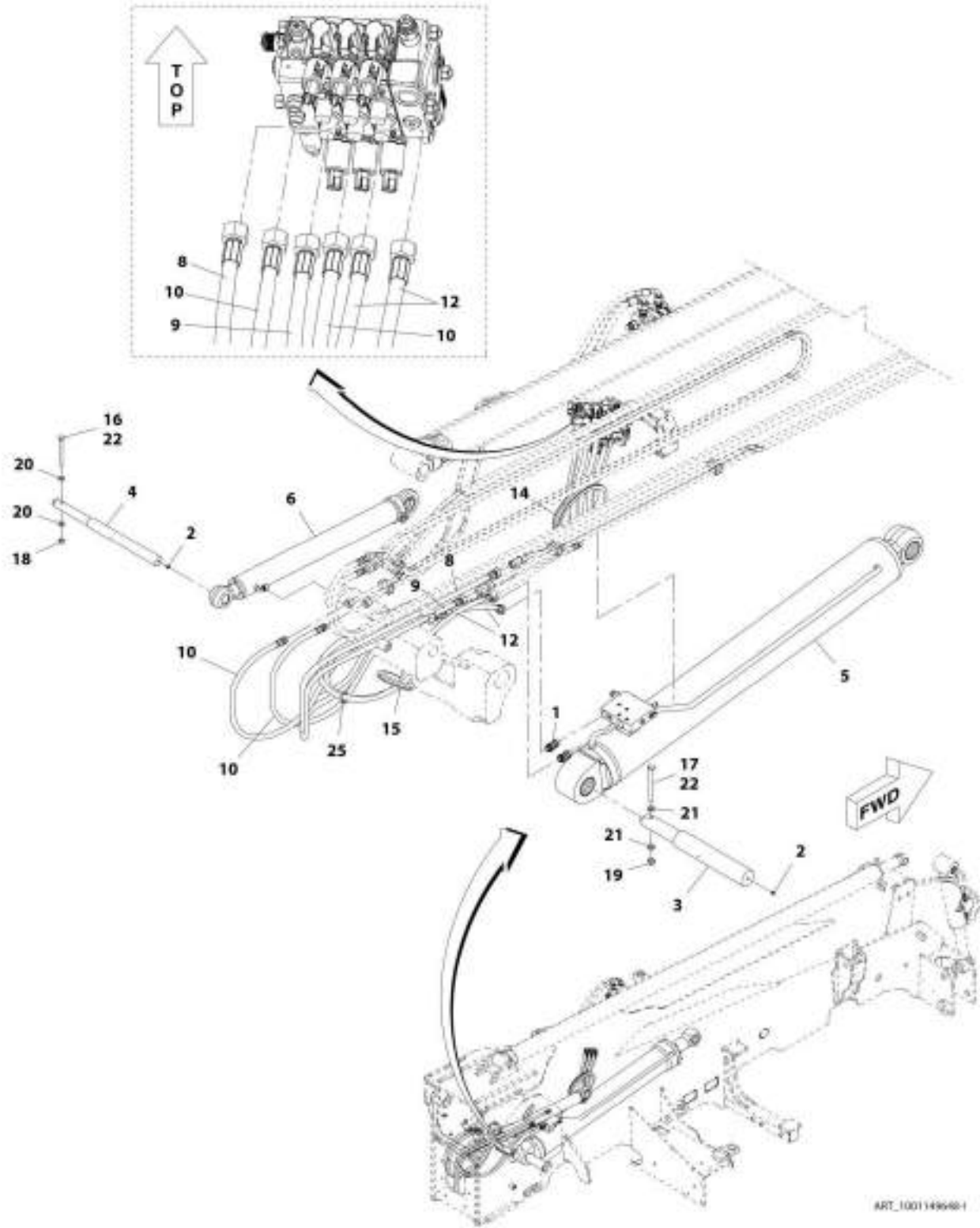
SECTION 8 - HYDRAULIC CIRCUITS

FIGURE 8-14. LOWER BRAKE LINES INSTALLATION - 4017RS

ITEM	PART NUMBER	QTY	DESCRIPTION	REV
	1001148277	Ref	Lower Brake Lines Installation - 4017RS	G
1	1616551	3	Fitting	
2	2140206	6	Connector	
3	2141908	3	Fitting, Union Tee	
4	2142103	4	Fitting, Swivel Branch Tee	
5	3460380	1	Pipe	
6	8002323	1	Pipe	
7	1001147021	1	Pipe	
8	1001205591	1	Hose	
10	1001205593	1	Hose	
12	1001165274	6	Hose	
13	1001171759	1	Pipe	
14	1001171760	1	Pipe	
15	1062255	1	Tie, Strap	

SECTION 8 - HYDRAULIC CIRCUITS

FIGURE 8-15. IMPLEMENT LINES INSTALLATION - 3614RS (NO AUX HYDRAULICS)



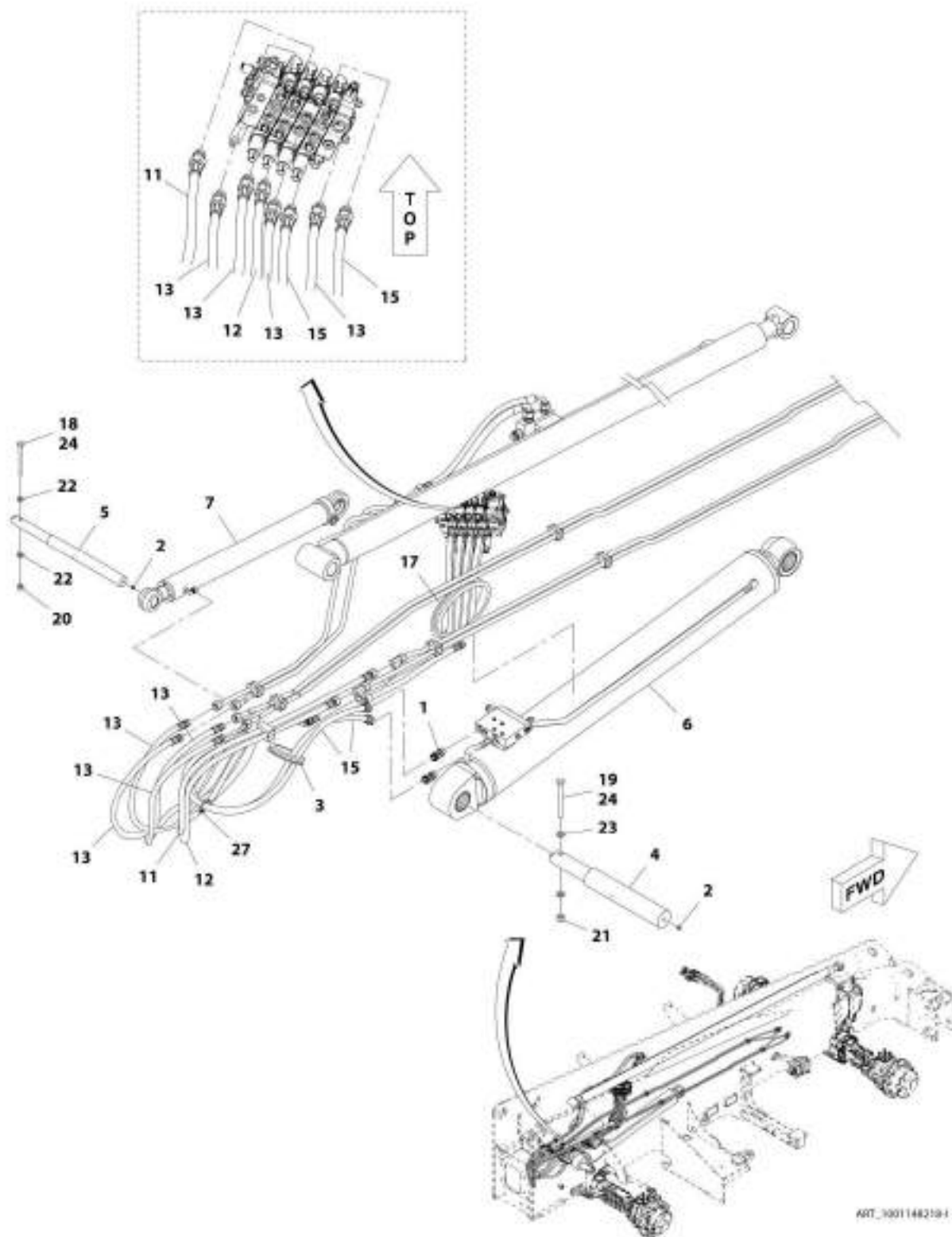
SECTION 8 - HYDRAULIC CIRCUITS

FIGURE 8-15. IMPLEMENT LINES INSTALLATION - 3614RS (NO AUX HYDRAULICS)

ITEM	PART NUMBER	QTY	DESCRIPTION	REV
	1001149648	Ref	Implement Lines Installation - 3614RS (no auxiliary hydraulics)	1
1	2142915	2	Adapter	
2	2160016	2	Fitting, Grease	
3	1001168803	1	Pin, Lift Cylinder	
4	1001168811	1	Pin, Compensation Cylinder	
5	1001144190	1	Cylinder, Lift (See HYDRAULIC COMPONENTS SECTION for Breakdown) (Prior to SN 1160007517)	
5	1001184284	1	Cylinder, Lift (See HYDRAULIC COMPONENTS SECTION for Breakdown) (SN 1160007517 to Present)	
6	1001144203	1	Cylinder, Compensation (See HYDRAULIC COMPONENTS SECTION for Breakdown)	
8	1001174300	1	Hose	
9	1001174308	1	Hose	
10	1001174305	2	Hose	
12	1001174302	2	Hose	
14	1001147871	1	Grommet	
15	1001178081	1	Channel, Trim	
16	0701230	1	Bolt, M12X130	
17	0701632	1	Bolt, M16X150	
18	3291205	1	Nut, Lock, M12X1.75	
19	3291605	1	Nut, Lock, M16X2	
20	4812100	2	Washer, M12	
21	4812300	2	Washer, M16	
22	1001095650	AR	Compound, Locking	
25	1062255	2	Tie, Strap	

SECTION 8 - HYDRAULIC CIRCUITS

FIGURE 8-16. IMPLEMENT LINES INSTALLATION - 3614RS (AUXILIARY HYDRAULICS)



ART_3001148219-1

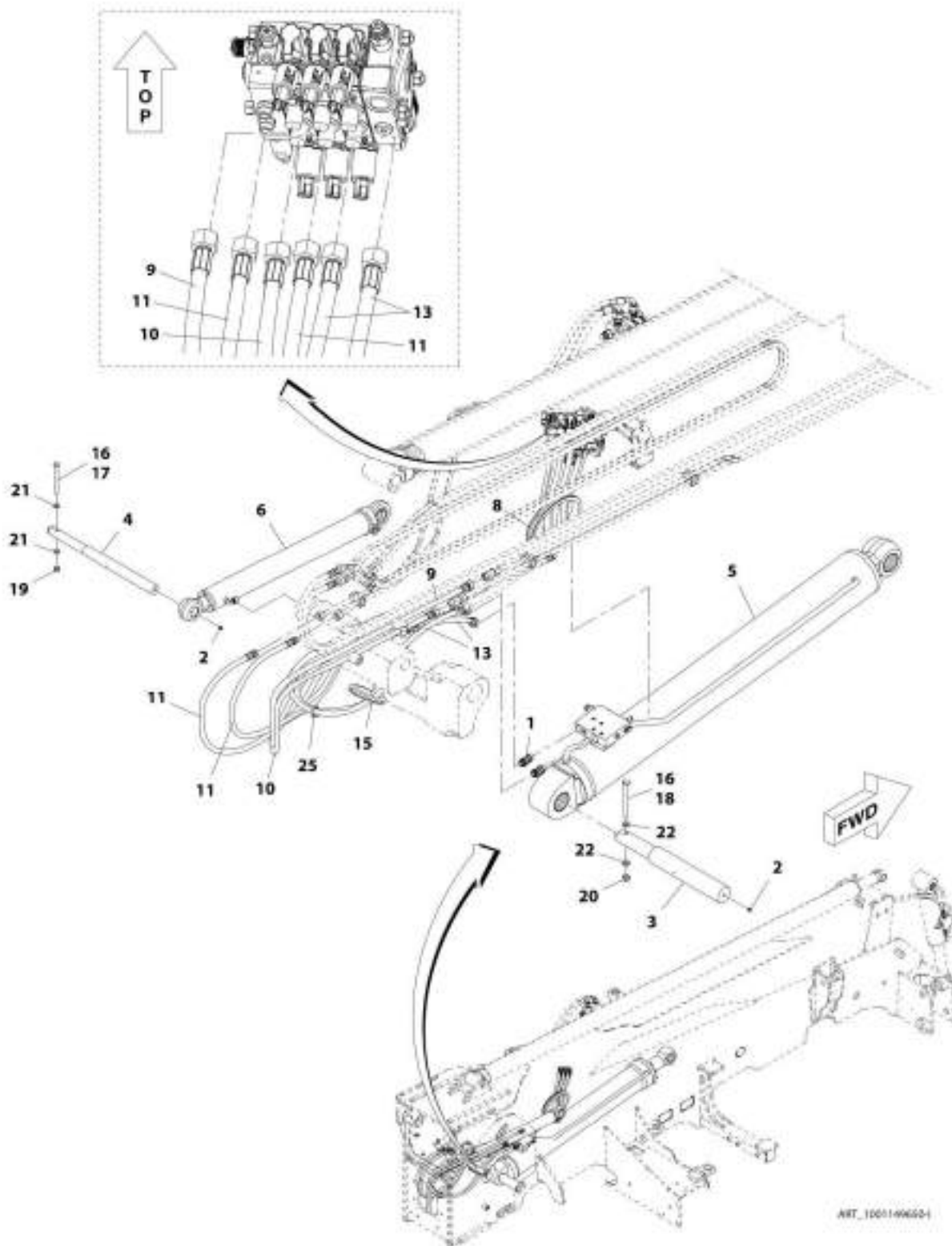
SECTION 8 - HYDRAULIC CIRCUITS

FIGURE 8-16. IMPLEMENT LINES INSTALLATION - 3614RS (AUXILIARY HYDRAULICS)

ITEM	PART NUMBER	QTY	DESCRIPTION	REV
	1001148218	Ref	Implement Lines Installation - 3614RS (auxiliary hydraulics)	1
1	2142915	2	Adapter	
2	2160016	2	Fitting, Grease	
3	1001178081	1	Channel, Trim	
4	1001168803	1	Pin, Lift Cylinder	
5	1001168811	1	Pin, Compensation Cylinder	
6	1001144190	1	Cylinder, Lift (See HYDRAULIC COMPONENTS SECTION for Breakdown) (Prior to SN 1160007517)	
6	1001184284	1	Cylinder, Lift (See HYDRAULIC COMPONENTS SECTION for Breakdown) (SN 1160007517 to Present)	
7	1001144203	1	Cylinder, Compensation (See HYDRAULIC COMPONENTS SECTION for Breakdown)	
11	1001174300	1	Hose	
12	1001174308	1	Hose	
13	1001174305	4	Hose	
15	1001174302	2	Hose	
17	1001147871	1	Grommet	
18	0701230	1	Bolt, M12X130	
19	0701632	1	Bolt, M16X150	
20	3291205	1	Nut, Lock, M12X1.75	
21	3291605	1	Nut, Lock, M16X2	
22	4812100	2	Washer, M12	
23	4812300	2	Washer, M16	
24	1001095650	AR	Compound, Locking	
27	1062255	2	Tie, Strap	

SECTION 8 - HYDRAULIC CIRCUITS

FIGURE 8-17. IMPLEMENT LINES INSTALLATION - 4017RS (NO AUX HYDRAULICS)



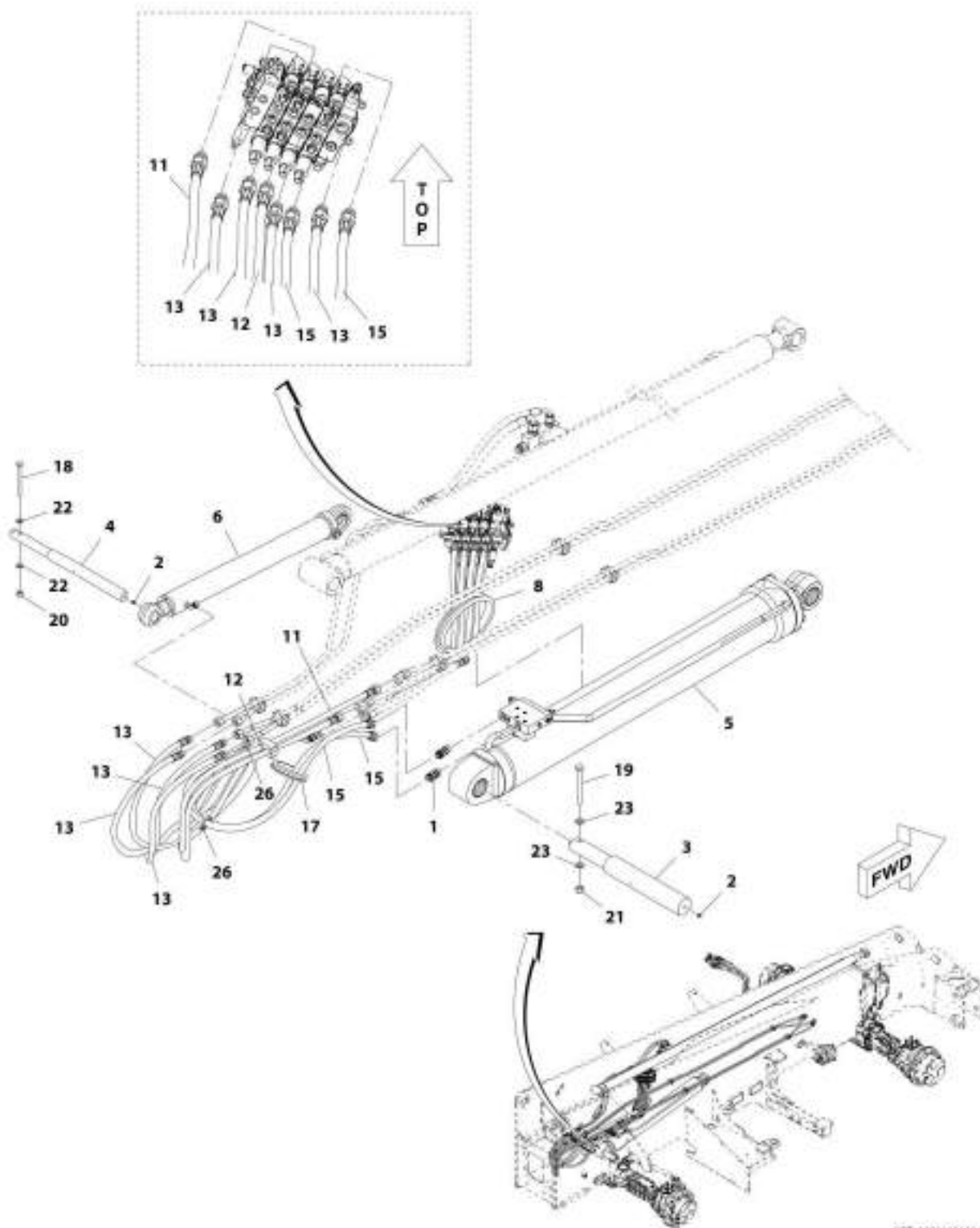
SECTION 8 - HYDRAULIC CIRCUITS

FIGURE 8-17. IMPLEMENT LINES INSTALLATION - 4017RS (NO AUX HYDRAULICS)

ITEM	PART NUMBER	QTY	DESCRIPTION	REV
	1001149650	Ref	Implement Lines Installation - 4017RS (no auxiliary hydraulics)	1
1	2142915	2	Adapter	
2	2160016	2	Fitting, Grease	
3	1001168803	1	Pin, Lift Cylinder	
4	1001168811	1	Pin, Compensation Cylinder	
5	1001144194	1	Cylinder, Lift (See HYDRAULIC COMPONENTS SECTION for Breakdown) (Prior to SN 1160007492)	
5	1001184285	1	Cylinder, Lift (See HYDRAULIC COMPONENTS SECTION for Breakdown) (SN 1160007492 to Present)	
6	1001144203	1	Cylinder, Compensation (See HYDRAULIC COMPONENTS SECTION for Breakdown)	
8	1001147871	1	Grommet	
9	1001174300	1	Hose	
10	1001174308	1	Hose	
11	1001174305	2	Hose	
13	1001174302	2	Hose	
15	1001178081	1	Channel, Trim	
16	1001095650	AR	Compound, Locking	
17	0701230	1	Bolt, M12X130	
18	0701632	1	Bolt, M16X150	
19	3291205	1	Nut, Lock, M12X1.75	
20	3291605	1	Nut, Lock, M16X2	
21	4812100	2	Washer, M12	
22	4812300	2	Washer, M16	
25	1062255	2	Tie, Strap	

SECTION 8 - HYDRAULIC CIRCUITS

FIGURE 8-18. IMPLEMENT LINES INSTALLATION - 4017RS (AUXILIARY HYDRAULICS)



ART_10011481334

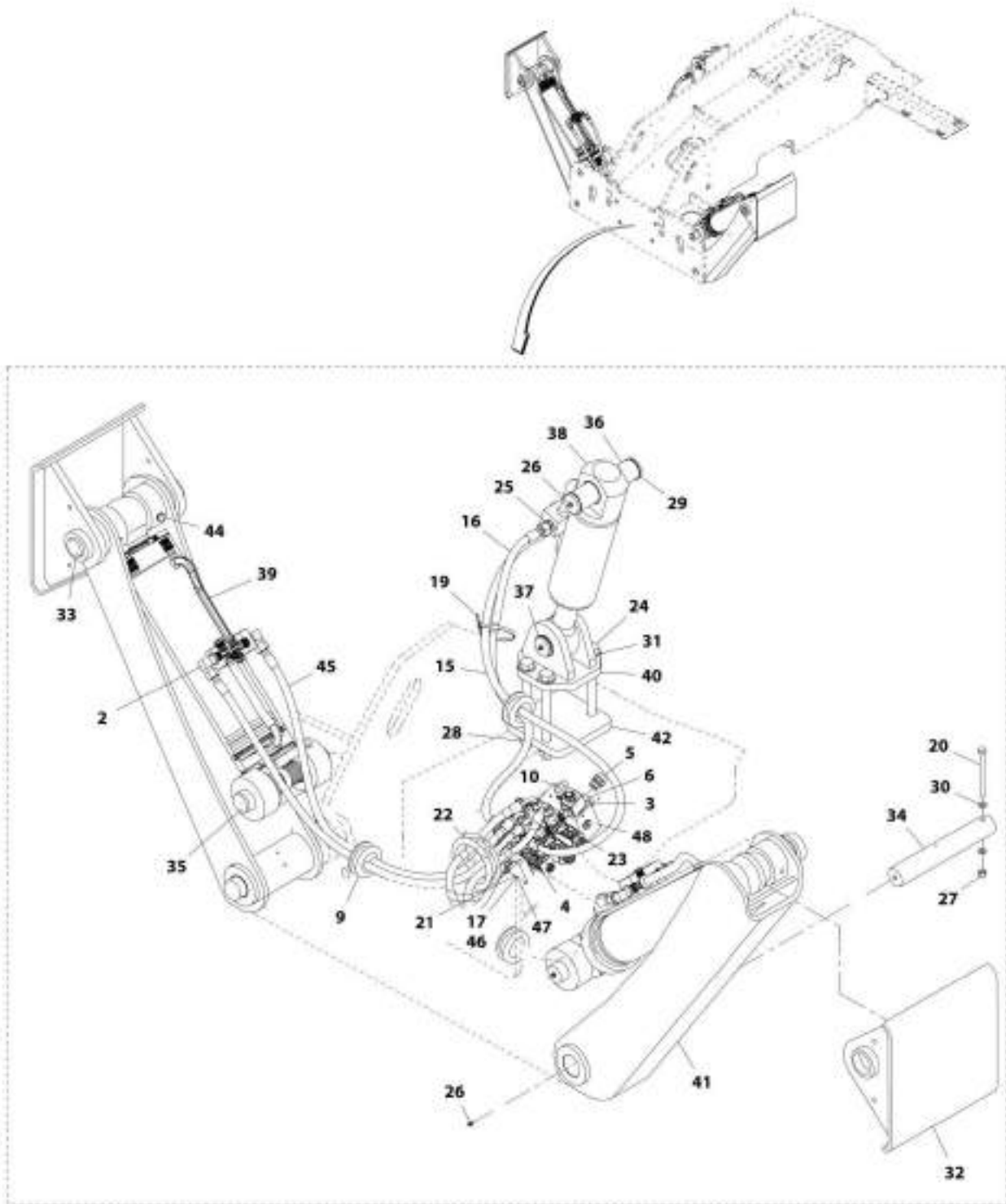
SECTION 8 - HYDRAULIC CIRCUITS

FIGURE 8-18. IMPLEMENT LINES INSTALLATION - 4017RS (AUXILIARY HYDRAULICS)

ITEM	PART NUMBER	QTY	DESCRIPTION	REV
	1001148133	Ref	Implement Lines Installation - 4017RS (auxiliary hydraulics)	1
1	2142915	2	Adapter	
2	2160016	2	Fitting, Grease	
3	1001168803	1	Pin, Lift Cylinder	
4	1001168811	1	Pin, Compensation Cylinder	
5	1001144194	1	Cylinder, Lift (See HYDRAULIC COMPONENTS SECTION for Breakdown) (Prior to SN 1160007492)	
5	1001184285	1	Cylinder, Lift (See HYDRAULIC COMPONENTS SECTION for Breakdown) (SN 1160007492 to Present)	
6	1001144203	1	Cylinder, Compensation (See HYDRAULIC COMPONENTS SECTION for Breakdown)	
8	1001147871	1	Grommet	
11	1001174300	1	Hose	
12	1001174308	1	Hose	
13	1001174305	4	Hose	
15	1001174302	2	Hose	
17	1001178081	1	Channel, Trim	
18	0701230	1	Bolt, M12X130	
19	0701632	1	Bolt, M16X150	
20	3291205	1	Nut, Lock, M12X1.75	
21	3291605	1	Nut, Lock, M16X2	
22	4812100	2	Washer, M12	
23	4812300	2	Washer, M16	
26	1062255	2	Tie, Strap	

SECTION 8 - HYDRAULIC CIRCUITS

FIGURE 8-19. LEVELING AND OUTRIGGERS INSTALLATION - 3614RS



ART. 1001140541-K

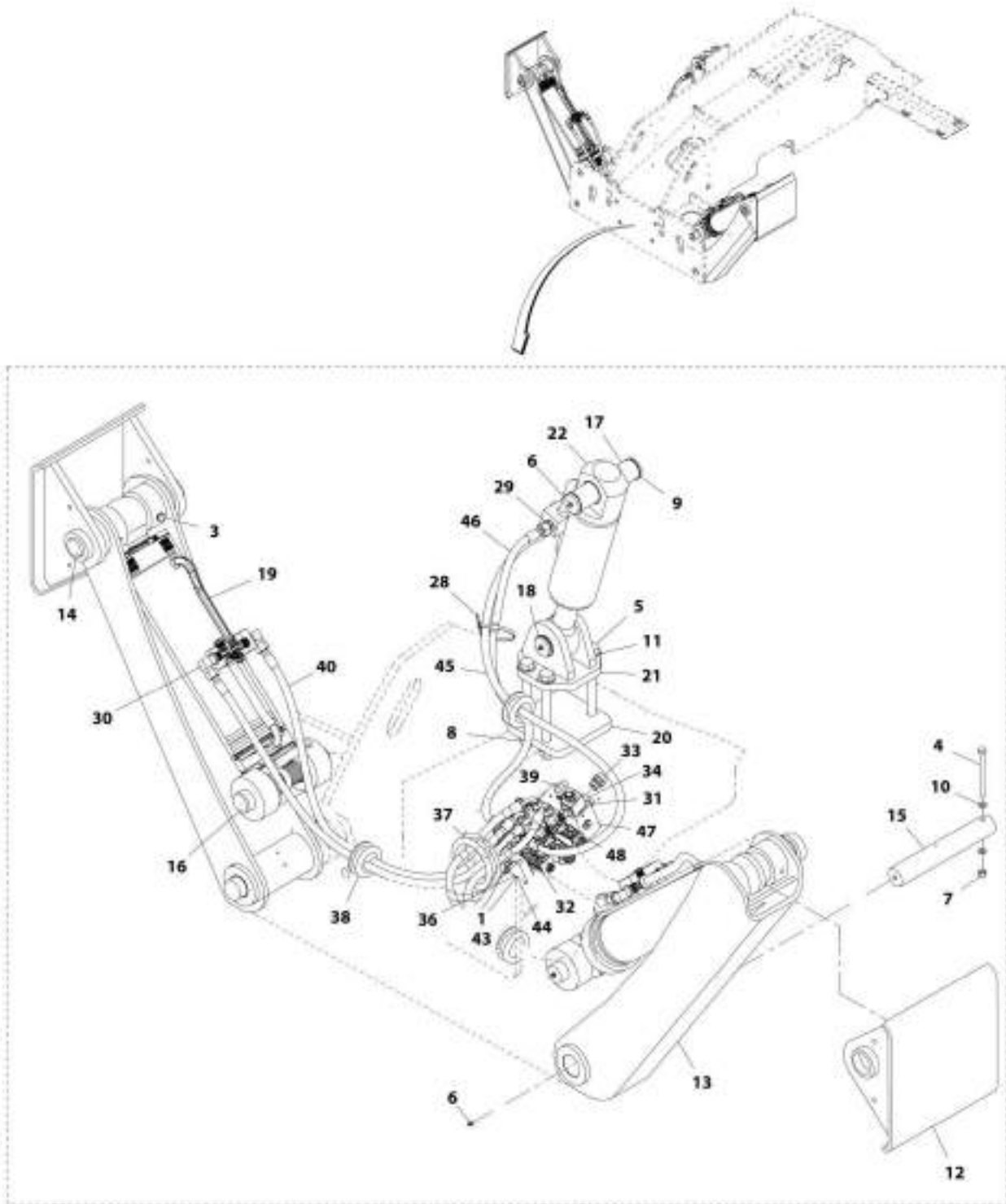
SECTION 8 - HYDRAULIC CIRCUITS

FIGURE 8-19. LEVELING AND OUTRIGGERS INSTALLATION - 3614RS

ITEM	PART NUMBER	QTY	DESCRIPTION	REV
	1001146341	Ref	Leveling and Outriggers Installation - 3614RS	K
2	2143007	5	Fitting	
3	2144803	1	Connector	
4	2144804	2	Connector	
5	2144809	1	Connector	
6	2144823	1	Connector	
9	1001028308	3	Grommet	
10	1001092584	1	Adapter	
15	1001146293	1	Hose	
16	1001146294	1	Hose	
17	1001095650	AR	Compound, Locking	
19	1062255	1	Tie, Strap	
20	0701030	4	Bolt, M10X130	
21	4811700	4	Washer, M6	
22	1001003439	1	Grommet	
23	1001155345	4	Fitting	
24	0712040	4	Bolt, M20X230, Grade 10.9	
25	2142715	1	Connector	
26	2160016	8	Fitting, Grease	
27	3291005	6	Nut, Lock, M10X1.5	
28	3332011	4	Nut, M20X2.5	
29	3760493	4	Ring, Retaining	
30	4812000	12	Washer, M10	
31	5242000	8	Washer, M20	
32	1001169243	2	Weldment, Outrigger Pad	
33	1001099913	2	Pin, Outrigger Cylinder	
34	1001204281	2	Pin, Outrigger Leg	
35	1001204282	2	Pin, Outrigger Cylinder	
36	1001165447	1	Pin, Frame Level	
37	1001143832	1	Pin, Frame Level Rod	
38	1001144202	1	Cylinder, Frame Level (See HYDRAULIC COMPONENTS SECTION for Breakdown) (Prior to SN 1160008262)	
38	1001146580	1	Cylinder, Frame Level (See HYDRAULIC COMPONENTS SECTION for Breakdown) (SN 1160008262 to Present)	
39	1001144215	2	Cylinder, Outrigger (See HYDRAULIC COMPONENTS SECTION for Breakdown)	
40	1001145151	1	Bracket	
41	1001145267	2	Assembly, Outrigger Leg (See OUTRIGGER LEG ASSEMBLY for Breakdown)	
42	1001148835	1	Plate	
44	0701029	2	Bolt, M10X120	
45	1001183066	4	Hose	
46	3290601	4	Nut, M6X1	
47	1001175962	4	Stud, M6X30	
48	1001173880	1	Valve, Outrigger (See HYDRAULIC COMPONENTS SECTION for Breakdown)	

SECTION 8 - HYDRAULIC CIRCUITS

FIGURE 8-20. LEVELING AND OUTRIGGERS INSTALLATION - 4017RS



ART. 1001548129-K

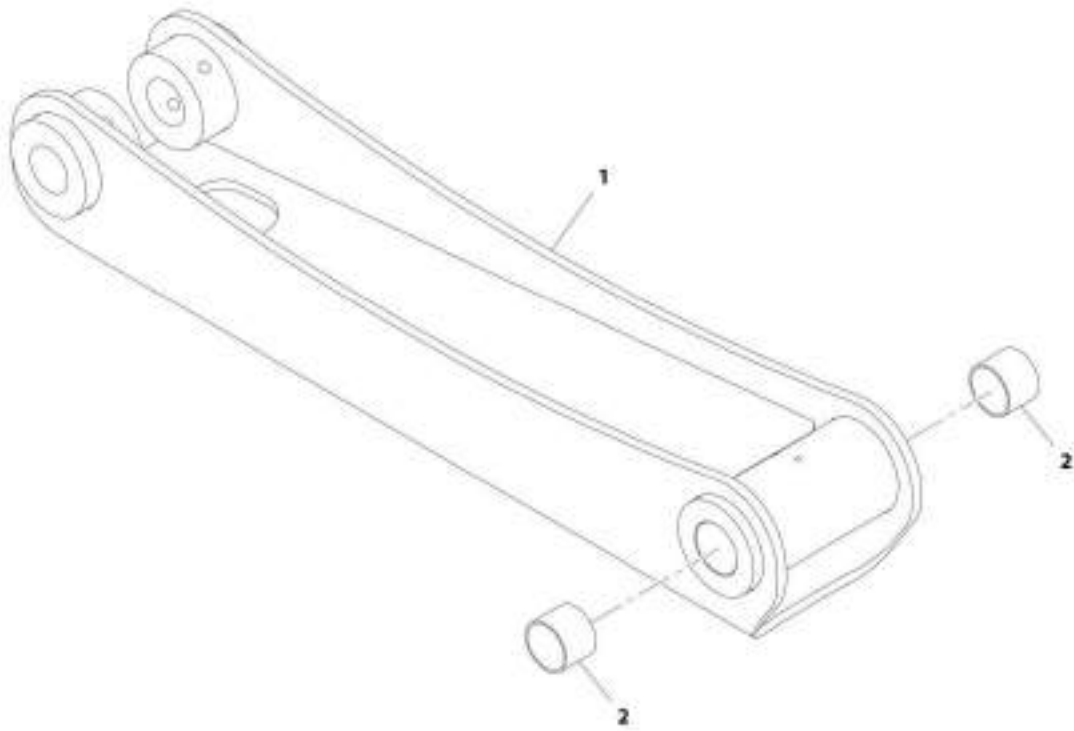
SECTION 8 - HYDRAULIC CIRCUITS

FIGURE 8-20. LEVELING AND OUTRIGGERS INSTALLATION - 4017RS

ITEM	PART NUMBER	QTY	DESCRIPTION	REV
	1001148129	Ref	Leveling and Outriggers Installation - 4017RS	K
1	1001095650	AR	Compound, Locking	
3	0701029	2	Bolt, M10X120	
4	0701030	4	Bolt, M10X130	
5	0712042	4	Bolt, M20X250, Grade 10.9	
6	2160016	8	Fitting, Grease	
7	3291005	6	Nut, Lock, M10X1.5	
8	3332011	4	Nut, M20X2.5	
9	3760493	4	Ring, Retaining	
10	4812000	12	Washer, M10	
11	5242000	8	Washer, M20	
12	1001169243	2	Weldment, Outrigger Pad	
13	1001145267	2	Assembly, Outrigger Leg (See OUTRIGGER LEG ASSEMBLY for Breakdown)	
14	1001099913	2	Pin, Outrigger Cylinder	
15	1001204281	2	Pin, Outrigger Leg	
16	1001204282	2	Pin, Outrigger Cylinder	
17	1001165447	1	Pin, Frame Level	
18	1001143832	1	Pin, Frame Level Rod	
19	1001144215	2	Cylinder, Outrigger (See HYDRAULIC COMPONENTS SECTION for Breakdown)	
20	1001148835	1	Plate	
21	1001145151	1	Bracket	
22	1001146580	1	Cylinder, Frame Level (See HYDRAULIC COMPONENTS SECTION for Breakdown)	
28	1062255	1	Tie, Strap	
29	2142715	1	Connector	
30	2143007	5	Fitting	
31	2144803	1	Connector	
32	2144804	2	Connector	
33	2144809	1	Connector	
34	2144823	1	Connector	
36	4811700	4	Washer, M6	
37	1001003439	1	Grommet	
38	1001028308	3	Grommet	
39	1001092584	1	Adapter	
40	1001183067	4	Hose	
43	3290601	4	Nut, M6X1	
44	1001175962	4	Stud, M6X40	
45	1001146293	1	Hose	
46	1001146294	1	Hose	
47	1001173880	1	Valve, Outrigger (See HYDRAULIC COMPONENTS SECTION for Breakdown)	
48	1001155345	4	Fitting	

SECTION 8 - HYDRAULIC CIRCUITS

FIGURE 8-21. OUTRIGGER LEG ASSEMBLY



ART_1001345267-0

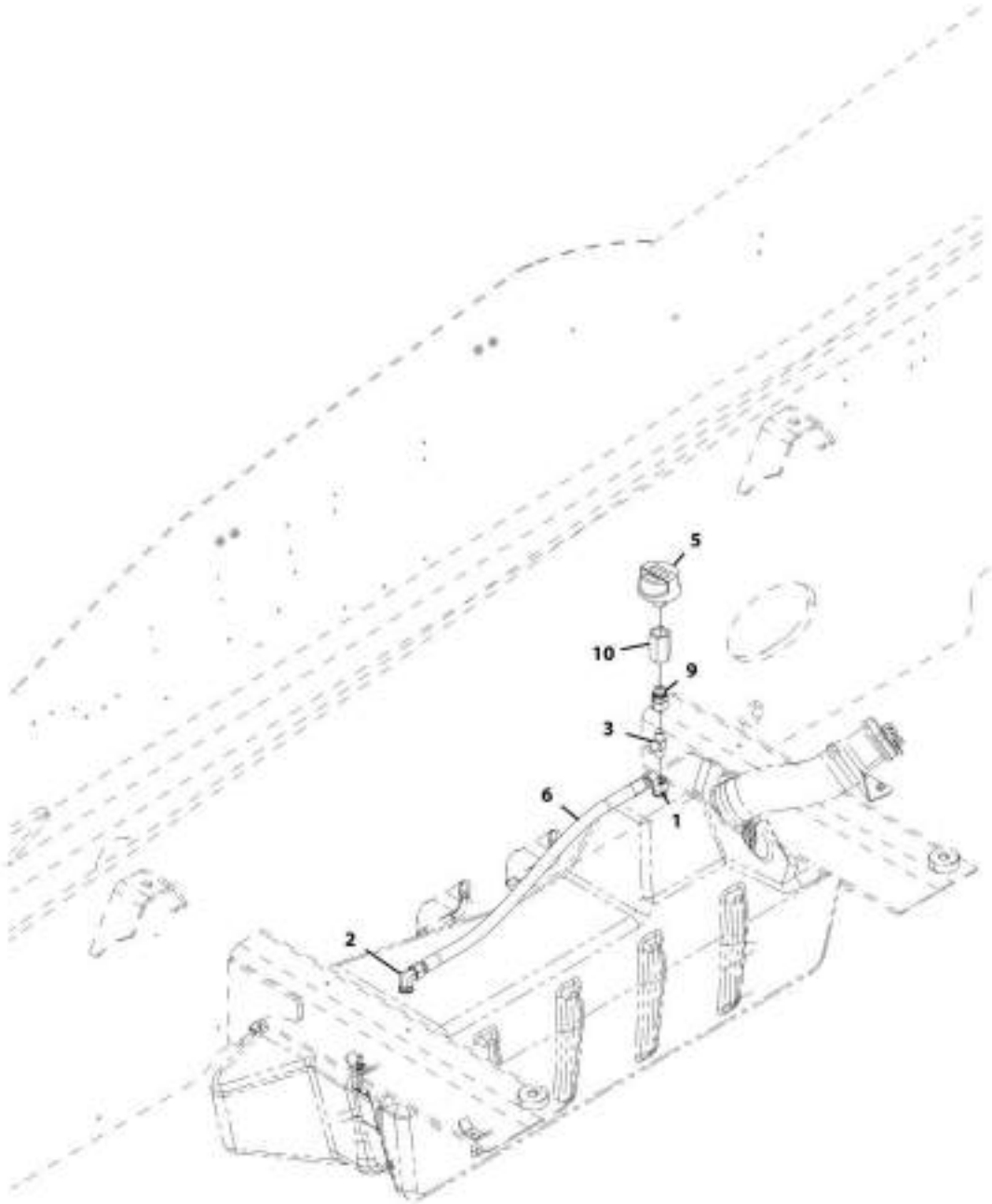
SECTION 8 - HYDRAULIC CIRCUITS

FIGURE 8-21. OUTRIGGER LEG ASSEMBLY

ITEM	PART NUMBER	QTY	DESCRIPTION	REV
	1001145267	Ref	Outrigger Leg Assembly	B
1	1001002579J	1	Outrigger Leg	
2	1001092542	2	Bearing	

SECTION 8 - HYDRAULIC CIRCUITS

FIGURE 8-22. BREATHER INSTALLATION



ART_1801152156-D

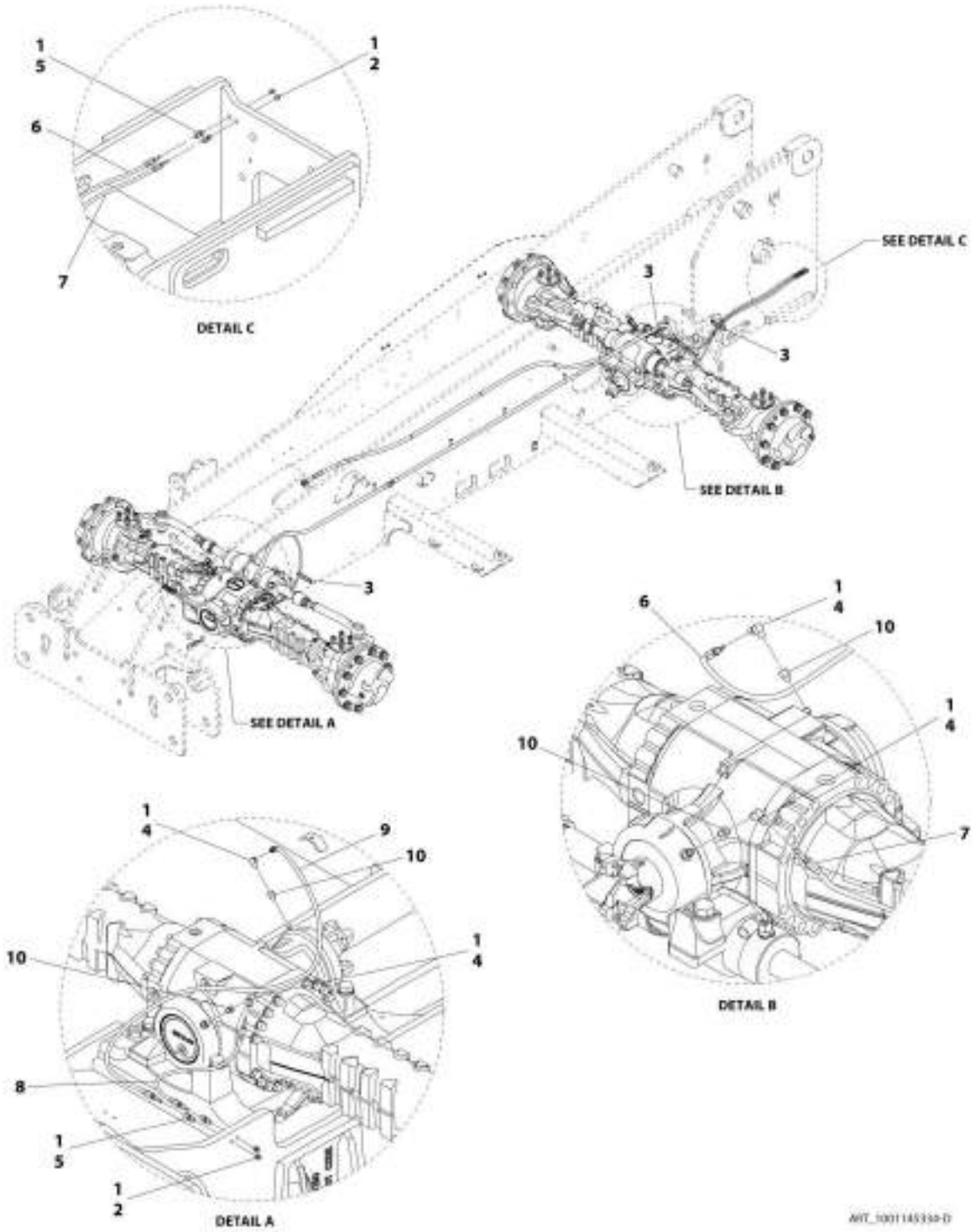
SECTION 8 - HYDRAULIC CIRCUITS

FIGURE 8-22. BREATHER INSTALLATION

ITEM	PART NUMBER	QTY	DESCRIPTION	REV
	1001152156	Ref	Breather Installation	D
1	1001166861	1	Adapter	
2	2140409	1	Fitting	
3	2141910	1	Fitting, Union Tee	
5	1001147134	1	Filter, Breather, Hydraulic	
6	1001166866	1	Hose	
9	1001166860	1	Adapter	
10	1001166863	1	Adapter	

SECTION 8 - HYDRAULIC CIRCUITS

FIGURE 8-23. REMOTE GREASE SYSTEM INSTALLATION



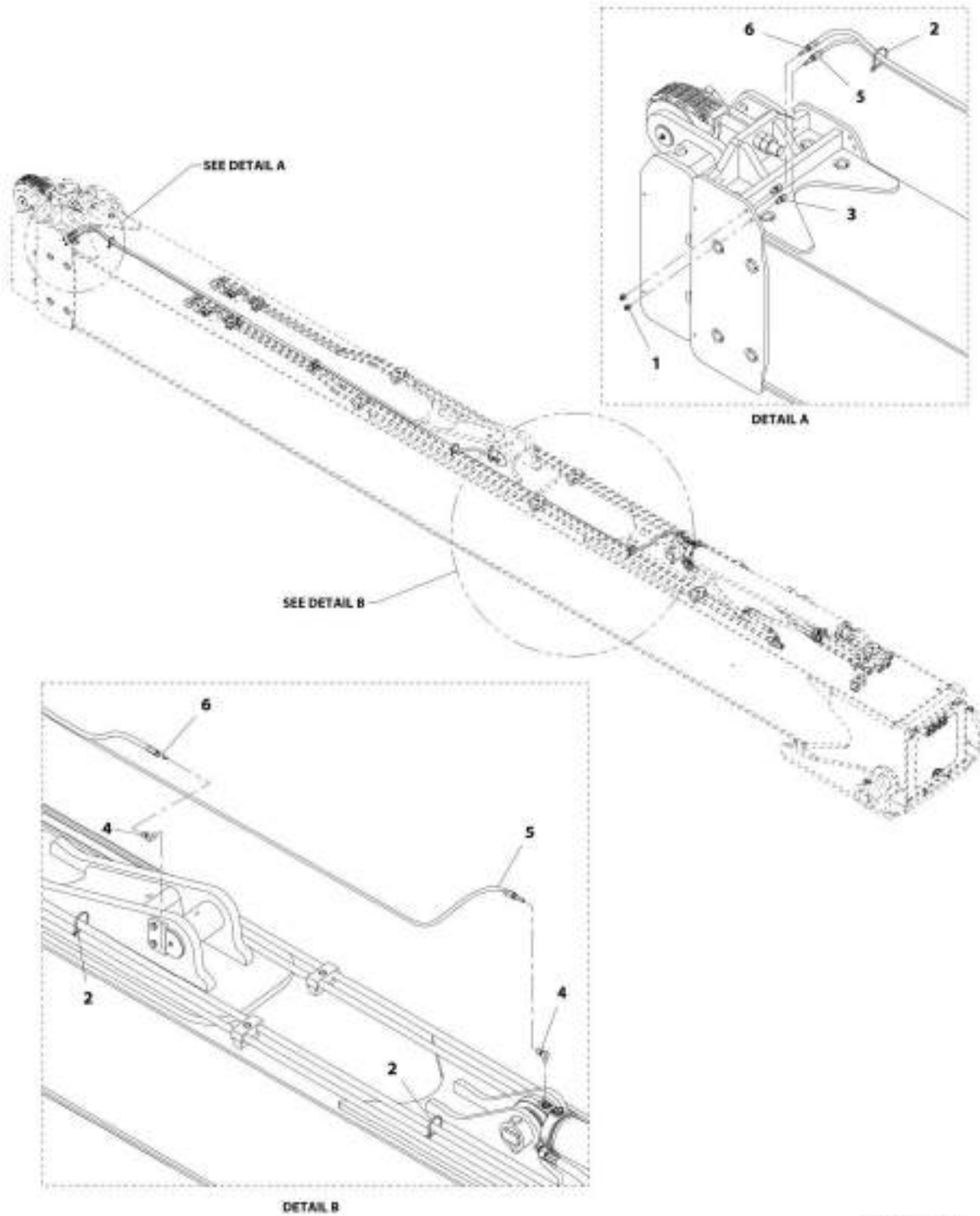
SECTION 8 - HYDRAULIC CIRCUITS

FIGURE 8-23. REMOTE GREASE SYSTEM INSTALLATION

ITEM	PART NUMBER	QTY	DESCRIPTION	REV
	1001145334	Ref	Remote Grease System Installation (If equipped)	D
1	1001095650	AR	Compound, Locking	
2	2160016	4	Fitting	
3	1001008559	3	Strap	
4	1001164053	4	Fitting	
5	1001101563	4	Fitting	
6	1001177126	1	Hose	
7	1001177127	1	Hose	
8	1001147330	1	Hose	
9	1001147331	1	Hose	
10	1001164054	4	Fitting	

SECTION 8 - HYDRAULIC CIRCUITS

FIGURE 8-24. BOOM REMOTE GREASE INSTALLATION - 3614RS



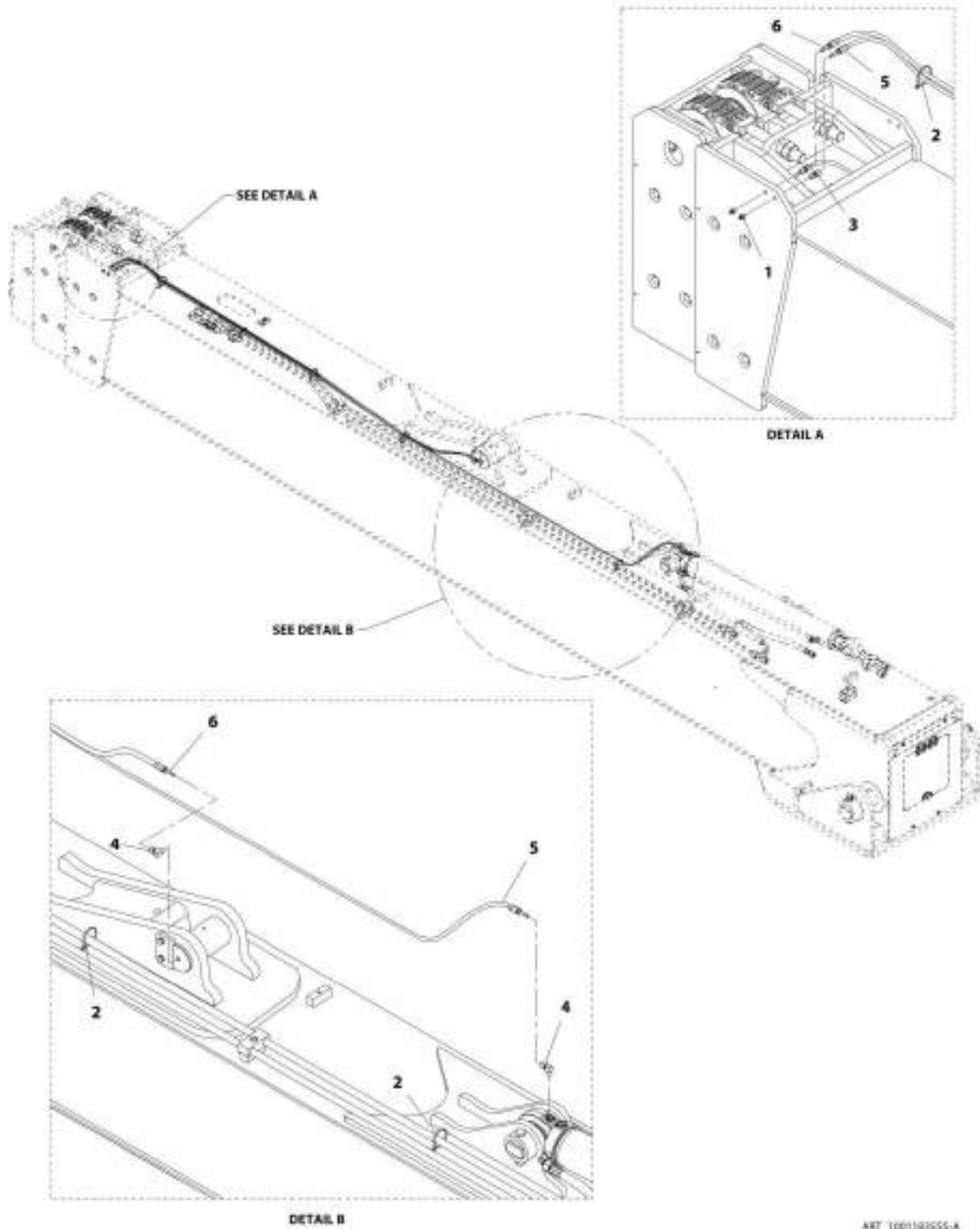
SECTION 8 - HYDRAULIC CIRCUITS

FIGURE 8-24. BOOM REMOTE GREASE INSTALLATION - 3614RS

ITEM	PART NUMBER	QTY	DESCRIPTION	REV
	1001183554	Ref	Boom Remote Grease Installation - 3614RS (If equipped)	A
1	2160016	2	Fitting, Grease	
2	1001008559	5	Strap, Cable	
3	1001101563	2	Adapter, Straight	
4	1001164053	2	Fitting, Elbow	
5	1001183558	1	Hose	
6	1001183559	1	Hose	

SECTION 8 - HYDRAULIC CIRCUITS

FIGURE 8-25. BOOM REMOTE GREASE INSTALLATION - 4017RS



ART_10011R0555-A

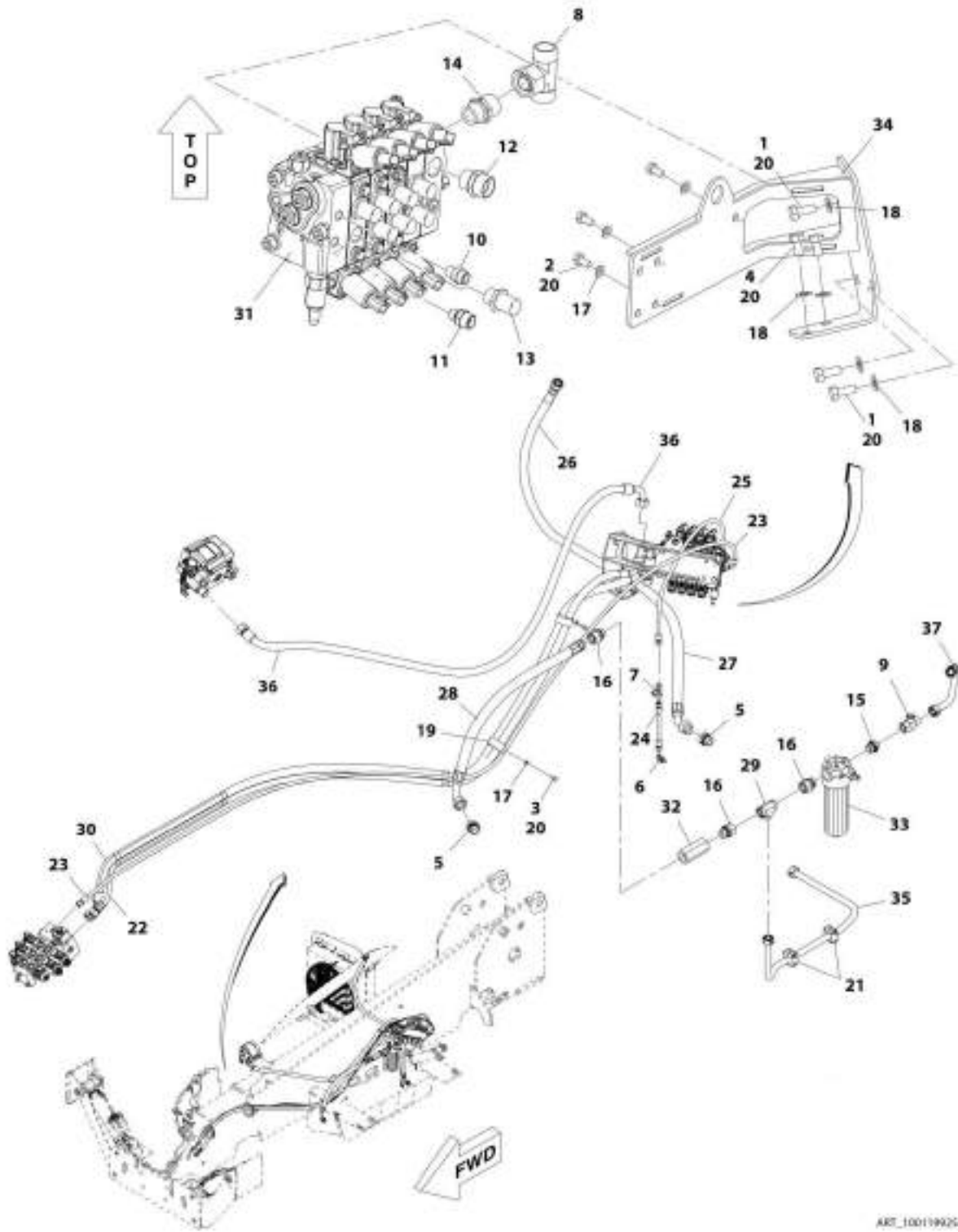
SECTION 8 - HYDRAULIC CIRCUITS

FIGURE 8-25. BOOM REMOTE GREASE INSTALLATION - 4017RS

ITEM	PART NUMBER	QTY	DESCRIPTION	REV
	1001183555	Ref	Boom Remote Grease Installation - 4017RS (If equipped)	A
1	2160016	2	Fitting, Grease	
2	1001008559	5	Strap, Cable	
3	1001101563	2	Adapter, Straight	
4	1001164053	2	Fitting, Elbow	
5	1001183556	1	Hose	
6	1001183557	1	Hose	

SECTION 8 - HYDRAULIC CIRCUITS

FIGURE 8-26. 17M PUMP LINES AUXILIARY INSTALLATION (HIGH VIS CAB)



ART_1001199256-A

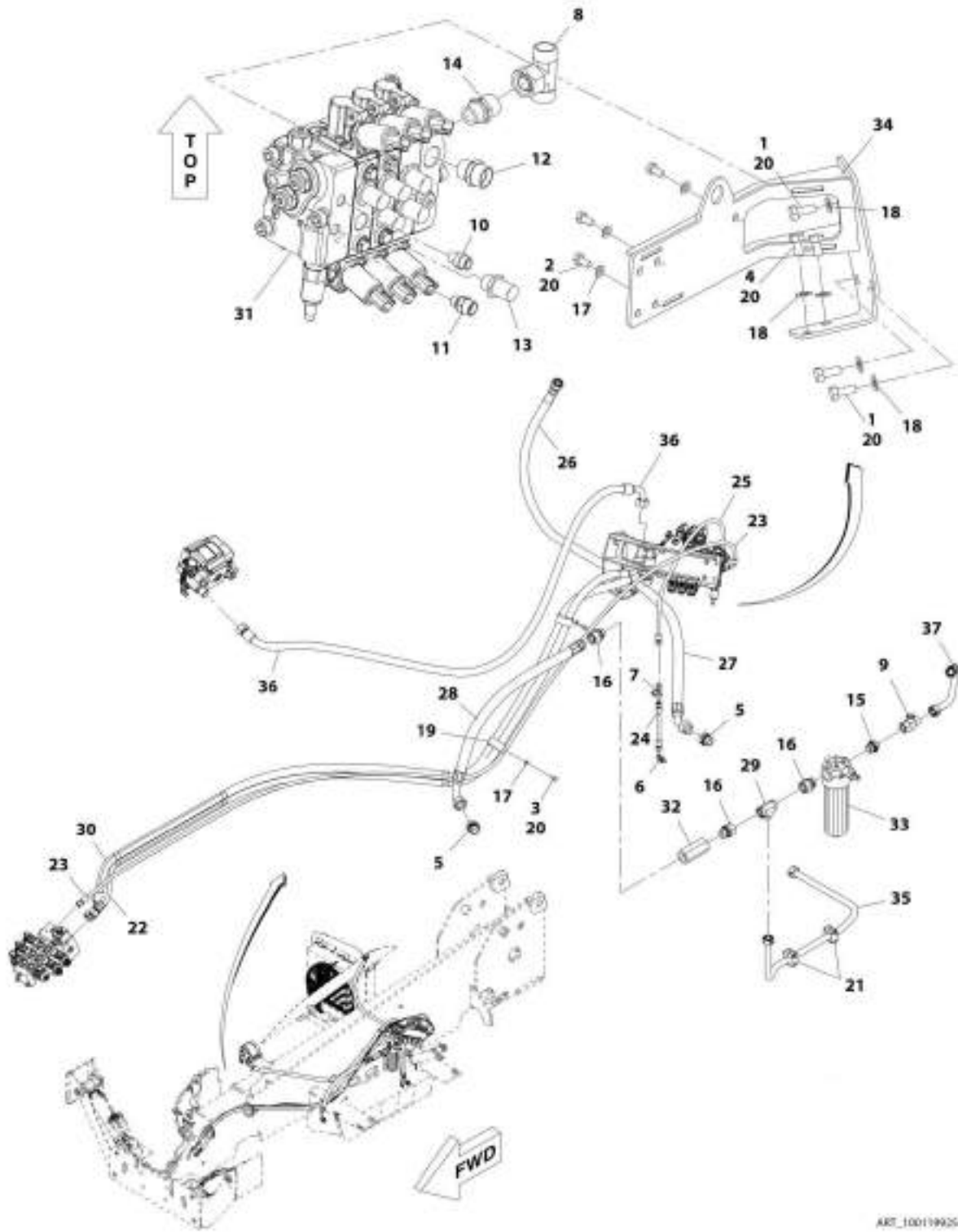
SECTION 8 - HYDRAULIC CIRCUITS

FIGURE 8-26. 17M PUMP LINES AUXILIARY INSTALLATION (HIGH VIS CAB)

ITEM	PART NUMBER	QTY	DESCRIPTION	REV
	1001199256	Ref	17M Pump Lines Aux Installation (High Vis Cab)	A
1	0701012	3	Bolt, M10X25	
2	0760808	3	Bolt, M8X16	
3	0760810	2	Bolt, M8X20	
4	0761010	2	Bolt, M10X20	
5	2140211	2	Adapter	
6	2140406	1	Fitting	
7	2141907	1	Fitting, Union Tee	
8	2142117	1	Fitting, Swivel Branch Tee	
9	2142207	1	Fitting, Swivel Run Tee	
10	2142706	1	Connector	
11	2142711	1	Connector	
12	2142718	1	Connector	
13	2142733	8	Connector	
14	2142735	1	Connector	
15	2142748	1	Connector	
16	2142808	3	Adapter	
17	4811900	5	Washer, M8	
18	4812000	5	Washer, M10	
19	1001008667	2	Clip	
20	1001095650	AR	Compound, Locking	
21	1001148382	2	Clamp, Tube	
22	1001148552	1	Hose	
23	1001148553	1	Hose	
24	1001148658	1	Hose	
25	1001148659	1	Hose	
26	1001154645	1	Hose	
27	1001154646	1	Hose	
28	1001154647	1	Hose	
29	1001162929	1	Adapter	
30	1001165561	1	Hose	
31	1001173147	1	Main Control Valve (See HYDRAULIC COMPONENTS SECTION for Breakdown)	
32	1001173742	1	Valve, Bypass	
33	1001175757	1	Filter, Hydraulic Oil (See HYDRAULIC COMPONENTS SECTION for Breakdown)	
34	1001188875	1	Plate	
35	1001199166	1	Pipe, Oil Cooling	
36	1001199402	1	Hose	
37	1001202335	1	Tube	

SECTION 8 - HYDRAULIC CIRCUITS

FIGURE 8-27. 17M PUMP LINES NO AUXILIARY INSTALLATION (HIGH VIS CAB)



ART_1001199254-A

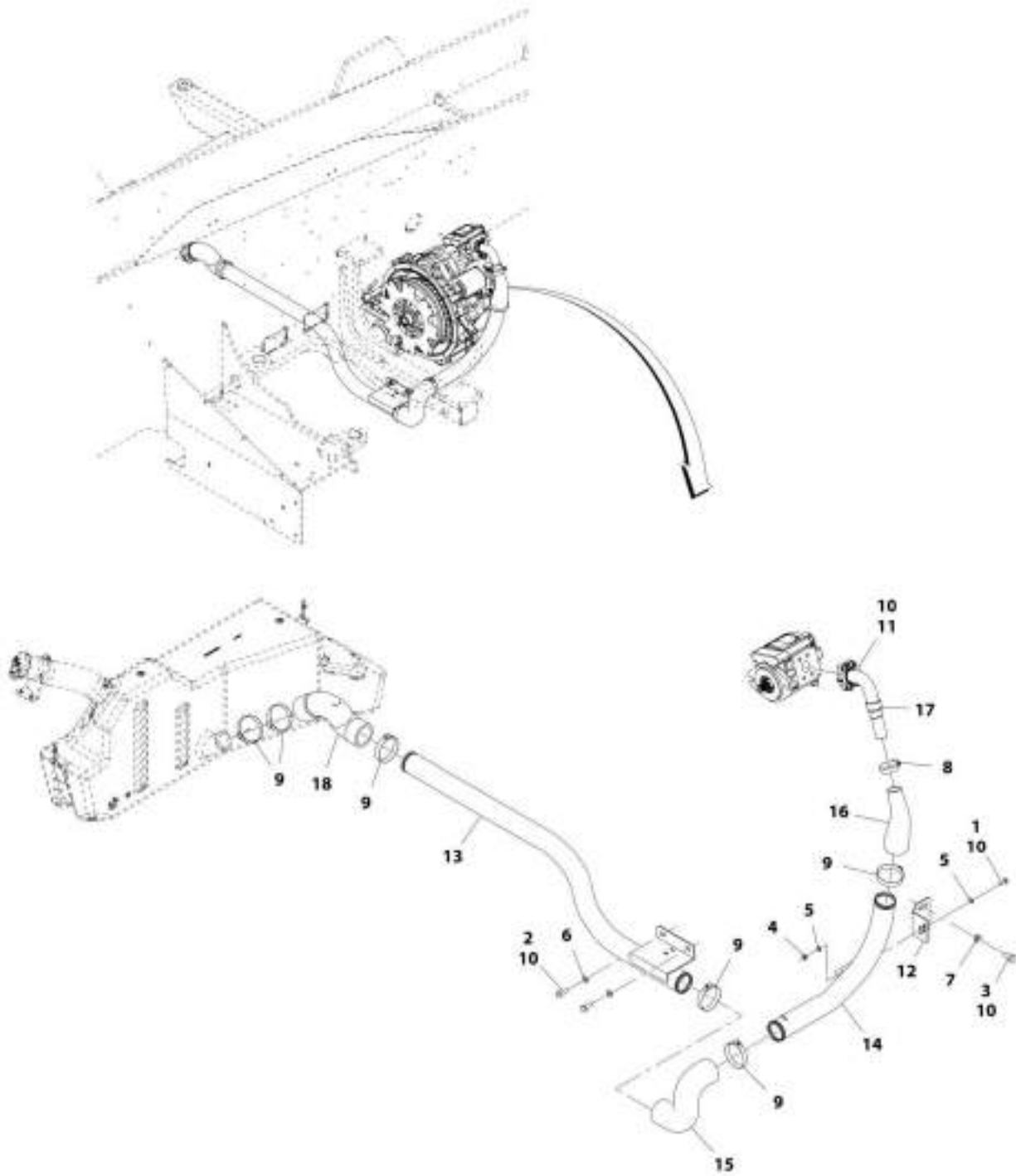
SECTION 8 - HYDRAULIC CIRCUITS

FIGURE 8-27. 17M PUMP LINES NO AUXILIARY INSTALLATION (HIGH VIS CAB)

ITEM	PART NUMBER	QTY	DESCRIPTION	REV
	1001199254	Ref	17M Pump Lines No Aux Installation (High Vis Cab)	A
1	0701012	3	Bolt, M10X25	
2	0760808	3	Bolt, M8X16	
3	0760810	2	Bolt, M8X20	
4	0761010	2	Bolt, M10X20	
5	2140211	2	Adapter	
6	2140406	1	Fitting	
7	2141907	1	Fitting, Union Tee	
8	2142117	1	Fitting, Swivel Branch Tee	
9	2142207	1	Fitting, Swivel Run Tee	
10	2142706	1	Connector	
11	2142711	1	Connector	
12	2142718	1	Connector	
13	2142733	6	Connector	
14	2142735	1	Connector	
15	2142748	1	Connector	
16	2142808	3	Adapter	
17	4811900	5	Washer, M8	
18	4812000	5	Washer, M10	
19	1001008667	2	Clip	
20	1001095650	AR	Compound, Locking	
21	1001148382	1	Clamp, Tube	
22	1001148552	1	Hose	
23	1001148553	1	Hose	
24	1001148658	1	Hose	
25	1001148659	1	Hose	
26	1001154645	1	Hose	
27	1001154646	1	Hose	
28	1001154647	1	Hose	
29	1001162929	1	Adapter	
30	1001165561	1	Hose	
31	1001173148	1	Main Control Valve (See HYDRAULIC COMPONENTS SECTION for Breakdown)	
32	1001173742	1	Valve, Bypass	
33	1001175757	1	Filter, Hydraulic Oil (See HYDRAULIC COMPONENT SECTION for Breakdown)	
34	1001188875	1	Plate	
35	1001199166	1	Pipe, Oil Cooling	
36	1001199402	1	Hose	
37	1001202335	1	Tube	

SECTION 8 - HYDRAULIC CIRCUITS

FIGURE 8-28. 17M SUCTION LINES INSTALLATION (HIGH VIS CAB)



ART_1001200110-A

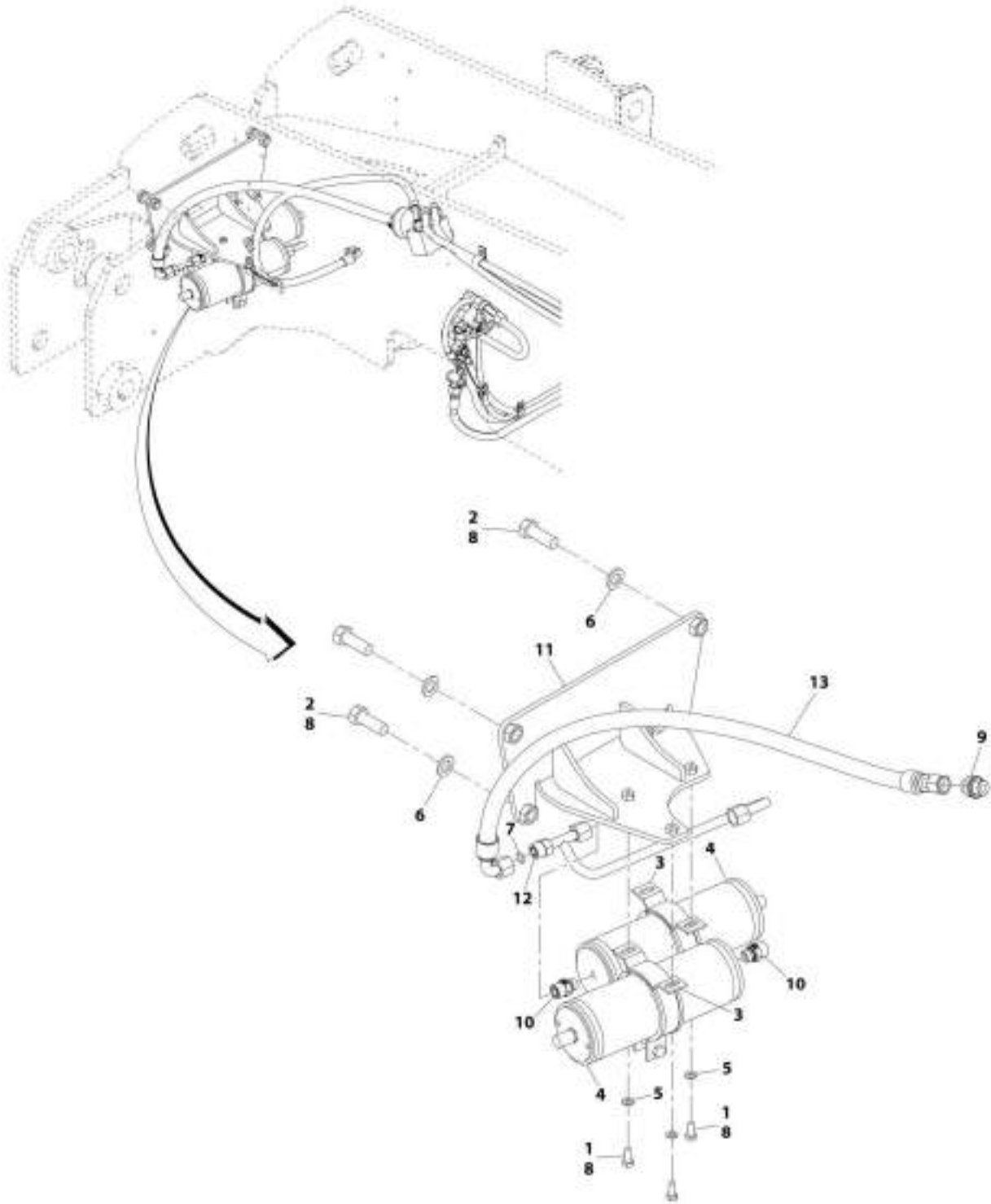
SECTION 8 - HYDRAULIC CIRCUITS

FIGURE 8-28. 17M SUCTION LINES INSTALLATION (HIGH VIS CAB)

ITEM	PART NUMBER	QTY	DESCRIPTION	REV
	1001200110	Ref	17M Suction Lines Installation (High Vis Cab)	A
1	0760810	2	Bolt, M8X20	
2	0761014	2	Bolt, M10X30	
3	0761212	2	Bolt, M12X25	
4	3290805	2	Nut, Lock M8X1.25	
5	4811900	4	Washer, M8	
6	4812000	2	Washer, M10	
7	4812100	2	Washer, M12	
8	8405103	1	Clamp, Hose	
9	1001008673	6	Clamp, Hose	
10	1001095650	AR	Compound, Locking	
11	1001147801	1	Clamp, Split Flange Halve	
12	1001152673	1	Bracket, Suction Pipe	
13	1001152689	1	Pipe, Suction	
14	1001159683	1	Pipe, Suction	
15	1001159685	1	Hose	
16	1001173259	1	Hose	
17	1001176622	1	Adapter	
18	1001199581	1	Hose	

SECTION 8 - HYDRAULIC CIRCUITS

FIGURE 8-29. BRAKE DAMPER INSTALLATION (ITALY)



AVT_1001206675-A

SECTION 8 - HYDRAULIC CIRCUITS

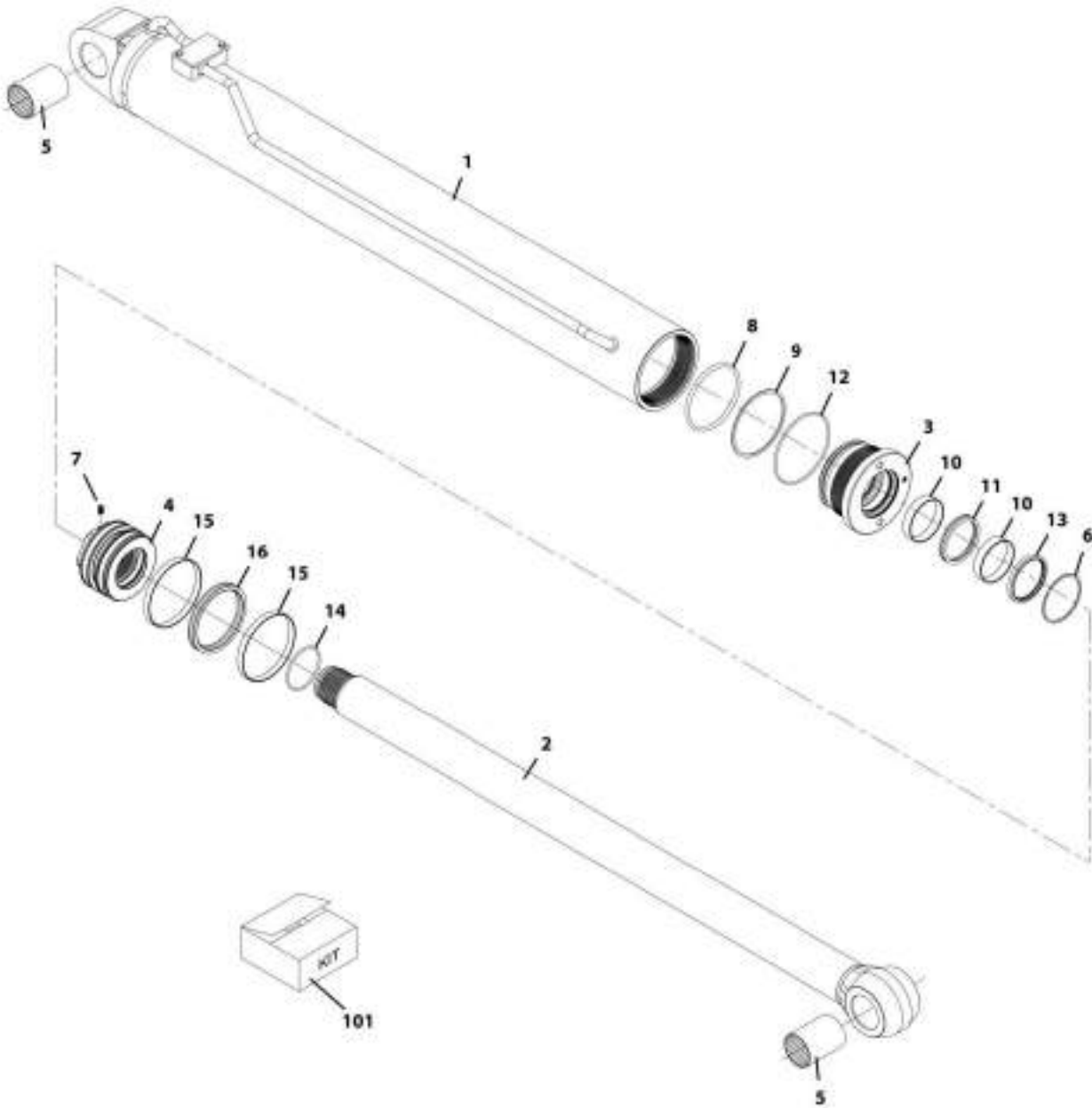
FIGURE 8-29. BRAKE DAMPER INSTALLATION (ITALY)

ITEM	PART NUMBER	QTY	DESCRIPTION	REV
	1001206675	Ref	Brake Damper Installation (Italy)	A
1	0760810	4	Bolt, M8X20	
2	0761617	4	Bolt, M16X45	
3	4341078	2	Accumulator Hanger	
4	4400474	2	Tank, Hydraulic Accumulator	
5	4811900	4	Washer, M8	
6	4812300	4	Washer, M16	
7	1001008805	1	Seal	
8	1001095650	AR	Compound, Locking	
9	1001121127	1	Adapter	
10	1001177730	2	Adapter	
11	1001210391	1	Bracket	
12	1001210412	1	Hose	
13	1001210514	1	Hose	

SECTION 9 - HYDRAULIC COMPONENTS

SECTION 9 - HYDRAULIC COMPONENTS

FIGURE 9-1. LIFT CYLINDER - 3614RS (Prior to SN 1160007517)



ART_1001144190-C

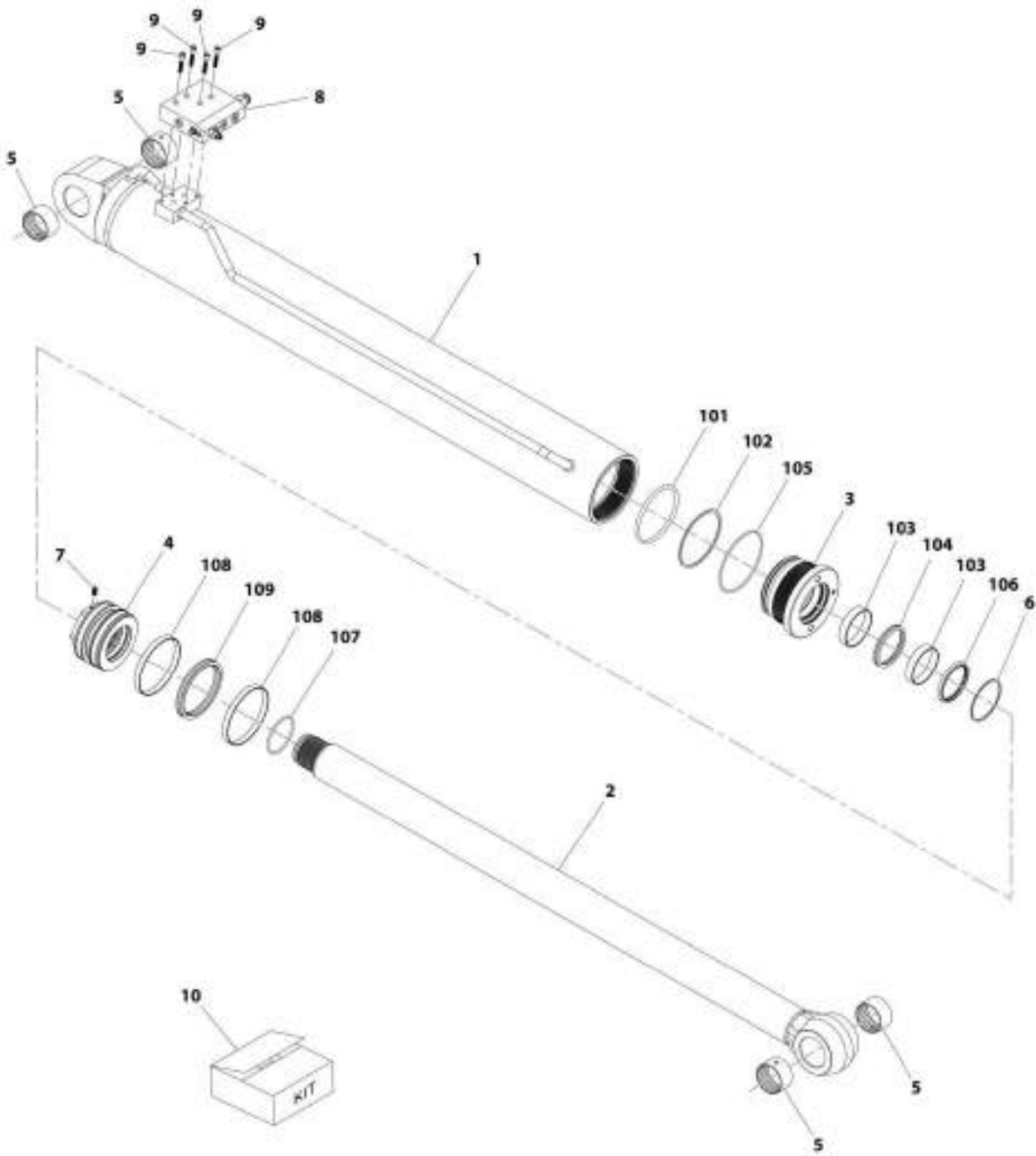
SECTION 9 - HYDRAULIC COMPONENTS

FIGURE 9-1. LIFT CYLINDER - 3614RS (Prior to SN 1160007517)

ITEM	PART NUMBER	QTY	DESCRIPTION	REV
	1001144190	Ref	Lift Cylinder - 3614RS (Prior to SN 1160007517)	C
1	70025577	1	Assembly, Barrel	
2	70025578	1	Assembly, Rod	
3	70025579	1	Gland	
4	70025580	1	Head, Piston	
5	70025581	2	Bushing	
6	70000699	1	Ring, Snap	
7	70025582	1	Screw, Locking	
8	Kit	1	O-Ring	
9	Kit	1	Ring, Back-Up	
10	Kit	2	Ring, Rod Bearing	
11	Kit	1	Seal, Rod	
12	Kit	1	O-Ring	
13	Kit	1	Seal, Wiper	
14	Kit	1	O-Ring	
15	Kit	2	Ring, Piston Bearing	
16	Kit	1	Seal, Piston	
101	70025583	1	Kit, Seal (includes items 8 thru 16)	

SECTION 9 - HYDRAULIC COMPONENTS

FIGURE 9-2. LIFT CYLINDER - 3614RS (SN 1160007517 to Present)



ART_1001104284-0

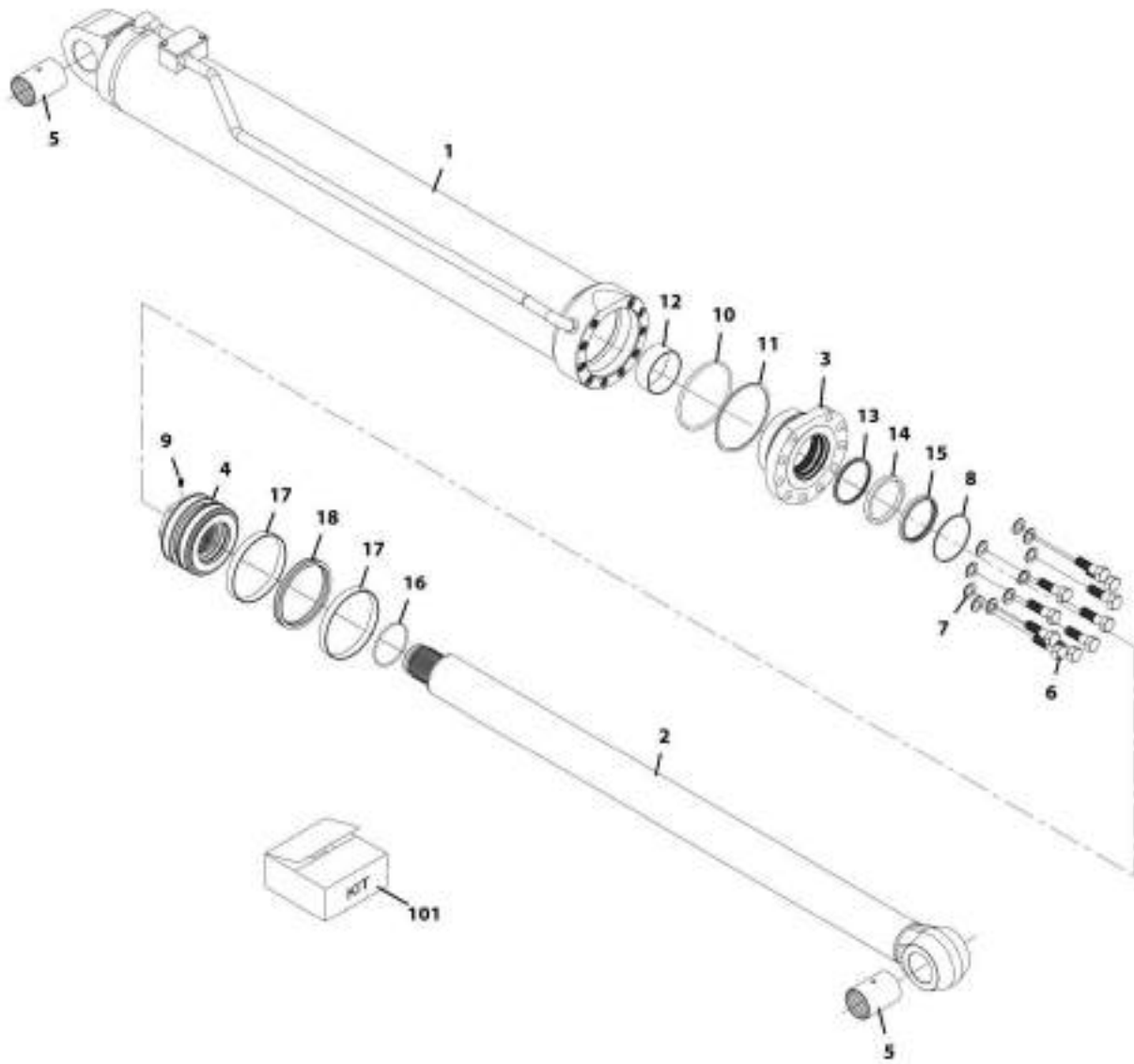
SECTION 9 - HYDRAULIC COMPONENTS

FIGURE 9-2. LIFT CYLINDER - 3614RS (SN 1160007517 to Present)

ITEM	PART NUMBER	QTY	DESCRIPTION	REV
	1001184284	Ref	Lift Cylinder - 3614RS (SN 1160007517 to Present)	B
1	70027047	1	Assembly, Barrel	
2	70027048	1	Assembly, Rod	
3	70025579	1	Gland	
4	70025580	1	Head, Piston	
5	70026960	4	Bushing	
6	70000699	1	Ring, Snap	
7	70025582	1	Screw, Locking	
8	70026961	1	Valve, Manifold	
9	70029966	4	Capscrew	
10	70025583	1	Kit, Seal (includes items 101 thru 109)	
101	Kit	1	O-Ring	
102	Kit	1	Ring, Back-Up	
103	Kit	1	Ring, Rod Bearing	
104	Kit	1	Seal, Rod	
105	Kit	1	O-Ring	
106	Kit	1	Seal, Wiper	
107	Kit	1	O-Ring	
108	Kit	2	Ring, Piston Bearing	
109	Kit	1	Seal, Piston	

SECTION 9 - HYDRAULIC COMPONENTS

FIGURE 9-3. LIFT CYLINDER - 4017RS (Prior to SN 1160007492)



ART_1001144194 C

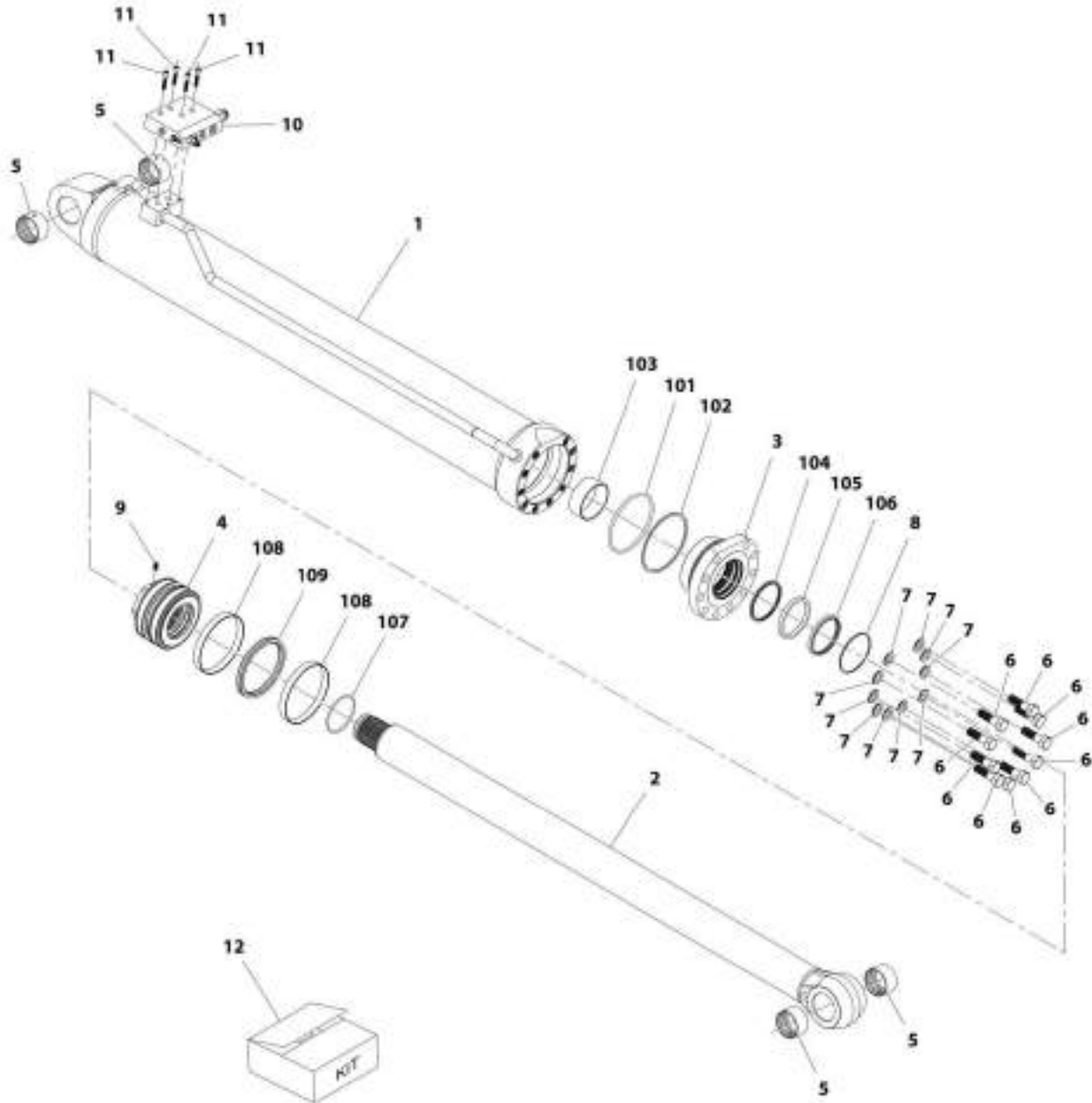
SECTION 9 - HYDRAULIC COMPONENTS

FIGURE 9-3. LIFT CYLINDER - 4017RS (Prior to SN 1160007492)

ITEM	PART NUMBER	QTY	DESCRIPTION	REV
	1001144194	Ref	Lift Cylinder - 4017RS (Prior to SN 1160007492)	E
1	70025584	1	Assembly, Barrel	
2	70025585	1	Assembly, Rod	
3	70025586	1	Gland	
4	70025587	1	Head, Piston	
5	70025581	2	Bushing	
6	70025588	10	Bolt	
7	70025589	10	Washer	
8	70025590	1	Ring, Snap	
9	70025582	1	Screw, Locking	
10	Kit	1	O-Ring	
11	Kit	1	Ring, Back-Up	
12	Kit	1	Ring, Rod Bearing	
13	Kit	1	Seal, Rod	
14	Kit	1	Seal, Rod	
15	Kit	1	Seal, Wiper	
16	Kit	1	O-Ring	
17	Kit	2	Ring, Piston Bearing	
18	Kit	1	Seal, Piston	
101	70025591	1	Kit, Seal (includes items 10 thru 18)	

SECTION 9 - HYDRAULIC COMPONENTS

FIGURE 9-4. LIFT CYLINDER - 4017RS (SN 1160007492 to Present)



APT_1001184205-B

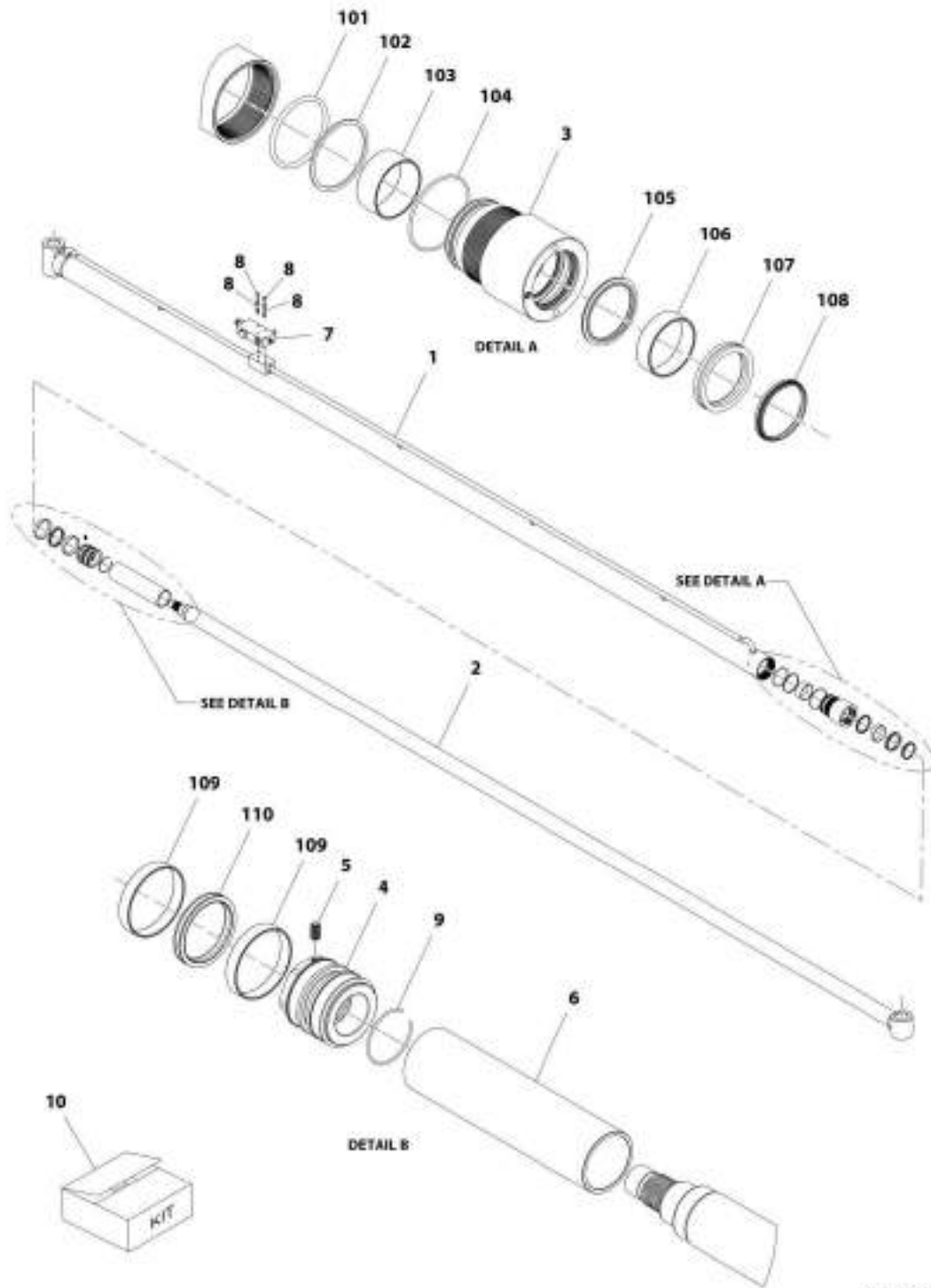
SECTION 9 - HYDRAULIC COMPONENTS

FIGURE 9-4. LIFT CYLINDER - 4017RS (SN 1160007492 to Present)

ITEM	PART NUMBER	QTY	DESCRIPTION	REV
	1001184285	Ref	Lift Cylinder - 4017RS (SN 1160007492 to Present)	B
1	70026958	1	Assembly, Barrel	
2	70026959	1	Assembly, Rod	
3	70025586	1	Gland	
4	70025587	1	Head, Piston	
5	70026960	4	Bushing	
6	70025588	10	Bolt	
7	70025589	10	Washer	
8	70025590	1	Ring, Snap	
9	70025582	1	Screw, Locking	
10	70026961	1	Valve, Manifold	
11	70029966	4	Capscrew	
12	70025591	1	Kit, Seal (includes items 101 thru 109)	
101	Kit	1	O-Ring	
102	Kit	1	Ring, Back-Up	
103	Kit	1	Ring, Rod Bearing	
104	Kit	1	Seal, Rod	
105	Kit	1	Seal, Rod	
106	Kit	1	Seal, Wiper	
107	Kit	1	O-Ring	
108	Kit	2	Ring, Piston Bearing	
109	Kit	1	Seal, Piston	

SECTION 9 - HYDRAULIC COMPONENTS

FIGURE 9-5. EXTEND/RETRACT CYLINDER - 3614RS



SECTION 9 - HYDRAULIC COMPONENTS

FIGURE 9-5. EXTEND/RETRACT CYLINDER - 3614RS

ITEM	PART NUMBER	QTY	DESCRIPTION	REV
	1001144195	Ref	Extend/Retract Cylinder - 3614RS	F
1	70025592	1	Assembly, Barrel	
2	70025593	1	Assembly, Rod	
3	70025594	1	Gland	
4	70027058	1	Head, Piston	
5	70025582	1	Screw, Locking	
6	70027059	1	Spacer	
7	1001168597	1	Valve Manifold	
8	70027051	4	Capscrew	
9	70027052	1	Wire Ring	
10	70025597	1	Kit, Seal (includes items 101 thru 110)	
101	Kit	1	O-Ring	
102	Kit	1	Ring, Back-Up	
103	Kit	1	Ring, Rod Bearing	
104	Kit	1	O-Ring	
105	Kit	1	Seal, Rod	
106	Kit	1	Ring, Rod Bearing	
107	Kit	1	Seal, Rod	
108	Kit	1	Seal, Wiper	
109	Kit	2	Ring, Piston Bearing	
110	Kit	1	Seal, Piston	

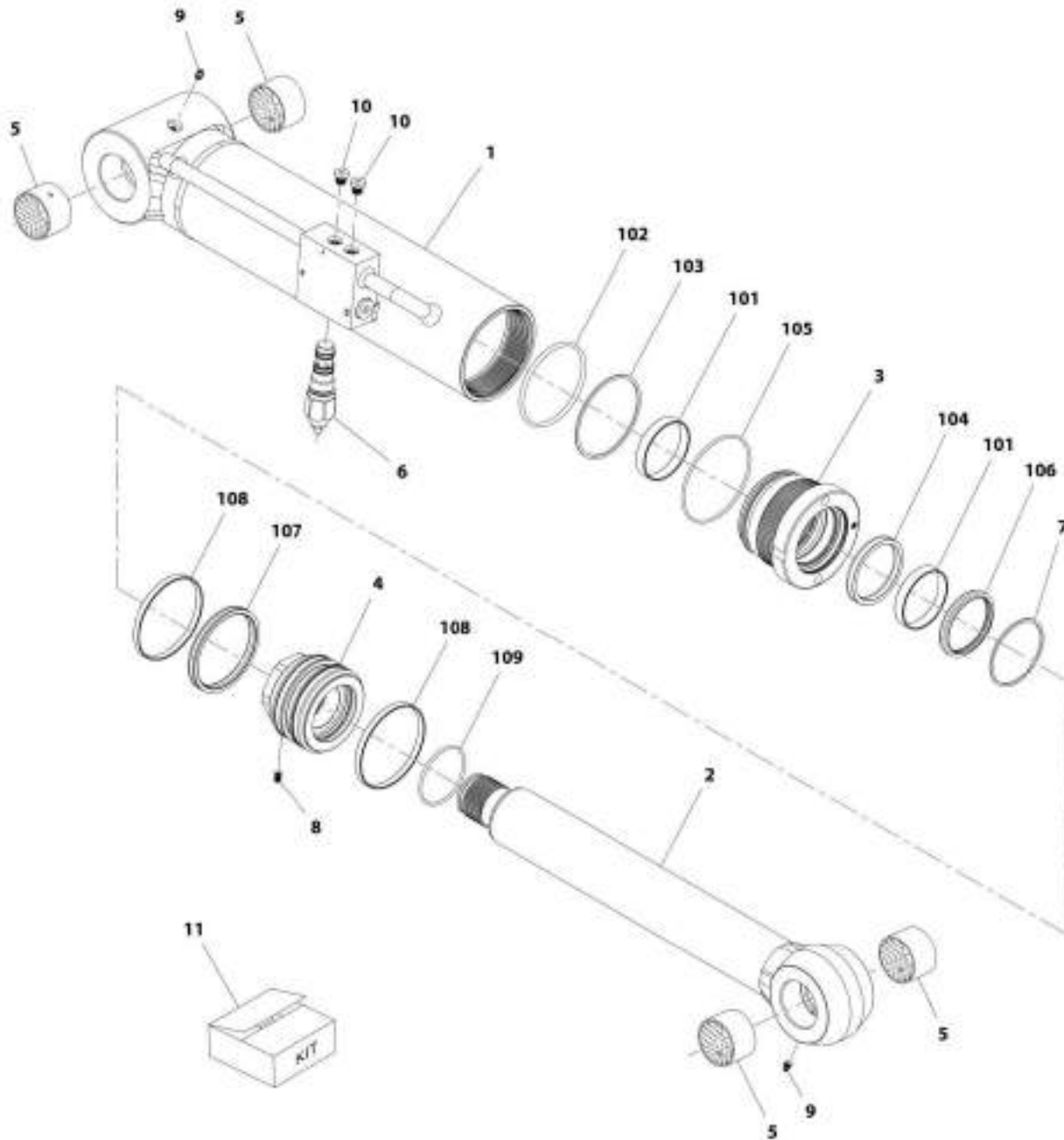
SECTION 9 - HYDRAULIC COMPONENTS

FIGURE 9-6. EXTEND/RETRACT CYLINDER - 4017RS

ITEM	PART NUMBER	QTY	DESCRIPTION	REV
	1001146579	Ref	Extend/Retract Cylinder - 4017RS	E
1	70025629	1	Assembly, Barrel	
2	70025630	1	Assembly, Rod	
3	70025631	1	Gland	
4	70025632	1	Head, Piston	
5	70025633	1	Screw, Locking	
6	70027060	1	Spacer	
7	1001168597	1	Valve Manifold	
8	70027051	4	Capscrew	
9	70027053	1	Wire, Ring	
10	70025635	1	Kit, Seal (includes items 101 thru 112)	
101	Kit	1	O-Ring	
102	Kit	1	Ring, Back-Up	
103	Kit	1	Ring, Rod Bearing	
104	Kit	1	O-Ring	
105	Kit	1	Seal, Rod	
106	Kit	1	Ring, Rod Bearing	
107	Kit	1	Seal, Rod	
108	Kit	1	Seal, Wiper	
109	Kit	1	Ring, Piston Bearing	
110	Kit	1	Ring, Piston Bearing	
111	Kit	1	Seal, Piston	
112	Kit	1	O-Ring	

SECTION 9 - HYDRAULIC COMPONENTS

FIGURE 9-7. TILT CYLINDER (Prior to SN 1160007470)



ART_1001344196-C

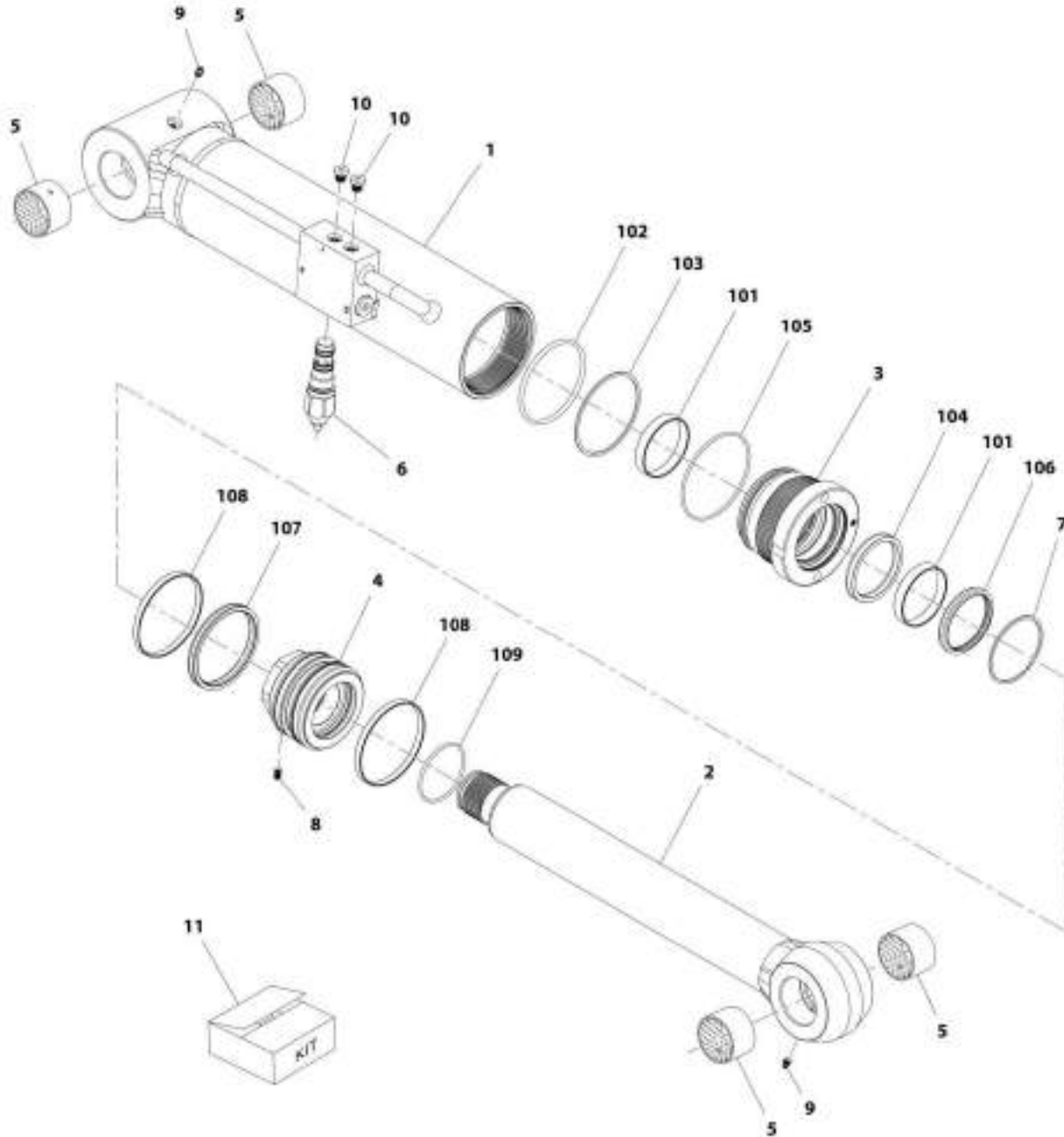
SECTION 9 - HYDRAULIC COMPONENTS

FIGURE 9-7. TILT CYLINDER (Prior to SN 1160007470)

ITEM	PART NUMBER	QTY	DESCRIPTION	REV
	1001144198	Ref	Tilt Cylinder (Prior to SN 1160007470)	C
1	70025598	1	Assembly, Barrel	
2	70025599	1	Assembly, Rod	
3	70025600	1	Gland	
4	70025601	1	Head, Piston	
5	70025602	4	Bushing	
6	70025603	1	Valve, Counterbalance	
7	70025604	1	Ring, Snap	
8	70025605	1	Screw, Locking	
9	70025606	2	Nipple, Grease	
10	70024262	2	Plug	
11	70025943	1	Kit, Seal (includes items 101 thru 109)	
101	Kit	2	Ring, Rod Bearing	
102	Kit	1	O-Ring	
103	Kit	1	Ring, Back-Up	
104	Kit	1	Seal, Rod	
105	Kit	1	O-Ring	
106	Kit	1	Seal, Wiper	
107	Kit	1	Seal, Piston	
108	Kit	2	Ring, Piston Bearing	
109	Kit	1	O-Ring	

SECTION 9 - HYDRAULIC COMPONENTS

FIGURE 9-8. TILT CYLINDER (SN 1160007470 to Present)



ART_1001174556-A

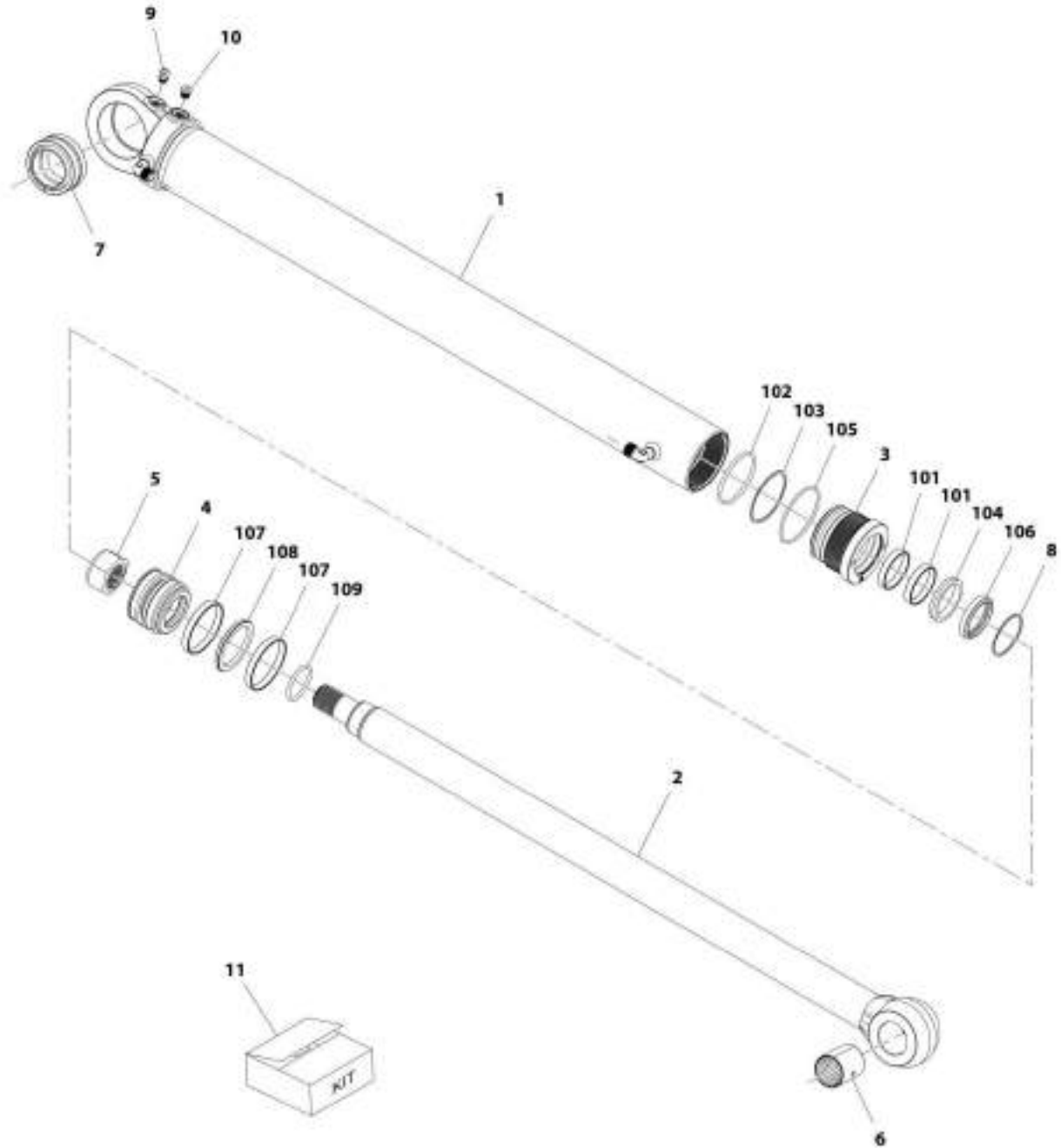
SECTION 9 - HYDRAULIC COMPONENTS

FIGURE 9-8. TILT CYLINDER (SN 1160007470 to Present)

ITEM	PART NUMBER	QTY	DESCRIPTION	REV
	1001174556	Ref	Tilt Cylinder	A
1	70027049	1	Assembly, Barrel	
2	70027050	1	Assembly, Rod	
3	70025600	1	Gland	
4	70025601	1	Head, Piston	
5	70025602	4	Bushing	
6	70027063	1	Counterbalance Valve	
7	70025604	1	Ring, Snap	
8	70025605	1	Screw, Locking	
9	70025606	2	Grease, Nipple	
10	70024262	2	Plug, Blanking	
11	70025943	1	Kit, Seal (includes items 101 thru 109)	
101	Kit	2	Ring, Rod Bearing	
102	Kit	1	O-Ring	
103	Kit	1	Ring, Back-Up	
104	Kit	1	Seal, Rod	
105	Kit	1	O-Ring	
106	Kit	1	Seal, Wiper	
107	Kit	1	Seal, Piston	
108	Kit	2	Ring, Piston Bearing	
109	Kit	1	O-Ring	

SECTION 9 - HYDRAULIC COMPONENTS

FIGURE 9-9. COMPENSATION CYLINDER



ART_1001144205 D

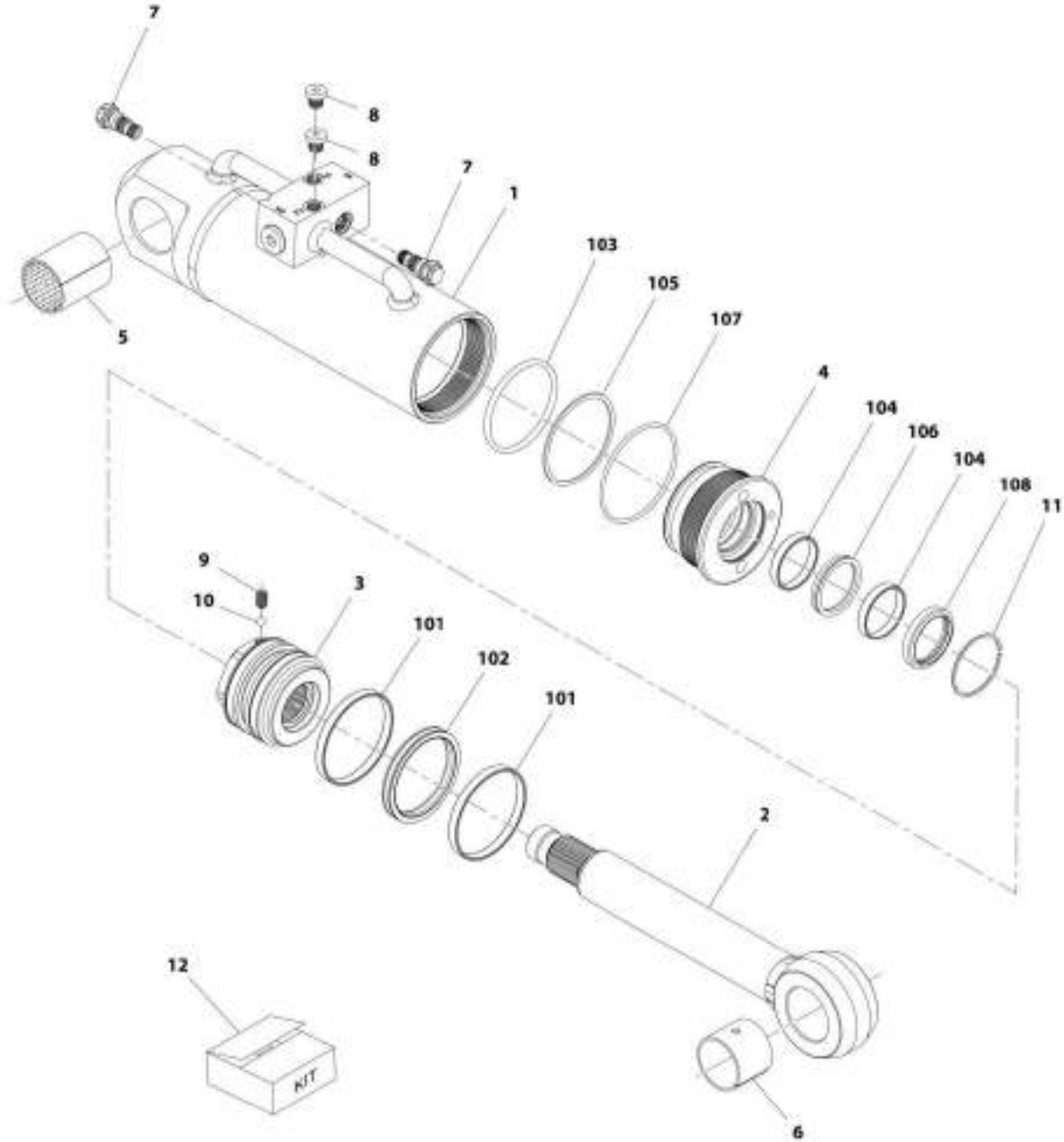
SECTION 9 - HYDRAULIC COMPONENTS

FIGURE 9-9. COMPENSATION CYLINDER

ITEM	PART NUMBER	QTY	DESCRIPTION	REV
	1001144203	Ref	Compensation Cylinder	D
1	70025616	1	Assembly, Barrel	
2	70025617	1	Assembly, Rod	
3	70004132	1	Gland	
4	70020606	1	Head, Piston	
5	70023100	1	Nut	
6	70021497	1	Bushing	
7	70021498	1	Bearing, Spherical	
8	70002219	1	Ring, Snap	
9	70025618	1	Nipple, Grease	
10	70025619	1	Plug	
11	70025620	1	Kit, Seal (includes items 101 thru 109)	
101	Kit	2	Ring, Rod Bearing	
102	Kit	1	O-Ring	
103	Kit	1	Ring, Back-Up	
104	Kit	1	Seal, Rod	
105	Kit	1	O-Ring	
106	Kit	1	Seal, Wiper	
107	Kit	2	Ring, Piston Bearing	
108	Kit	1	Seal, Piston	
109	Kit	1	O-Ring	

SECTION 9 - HYDRAULIC COMPONENTS

FIGURE 9-10. FRAME LEVEL CYLINDER



WIT_1001144202-E

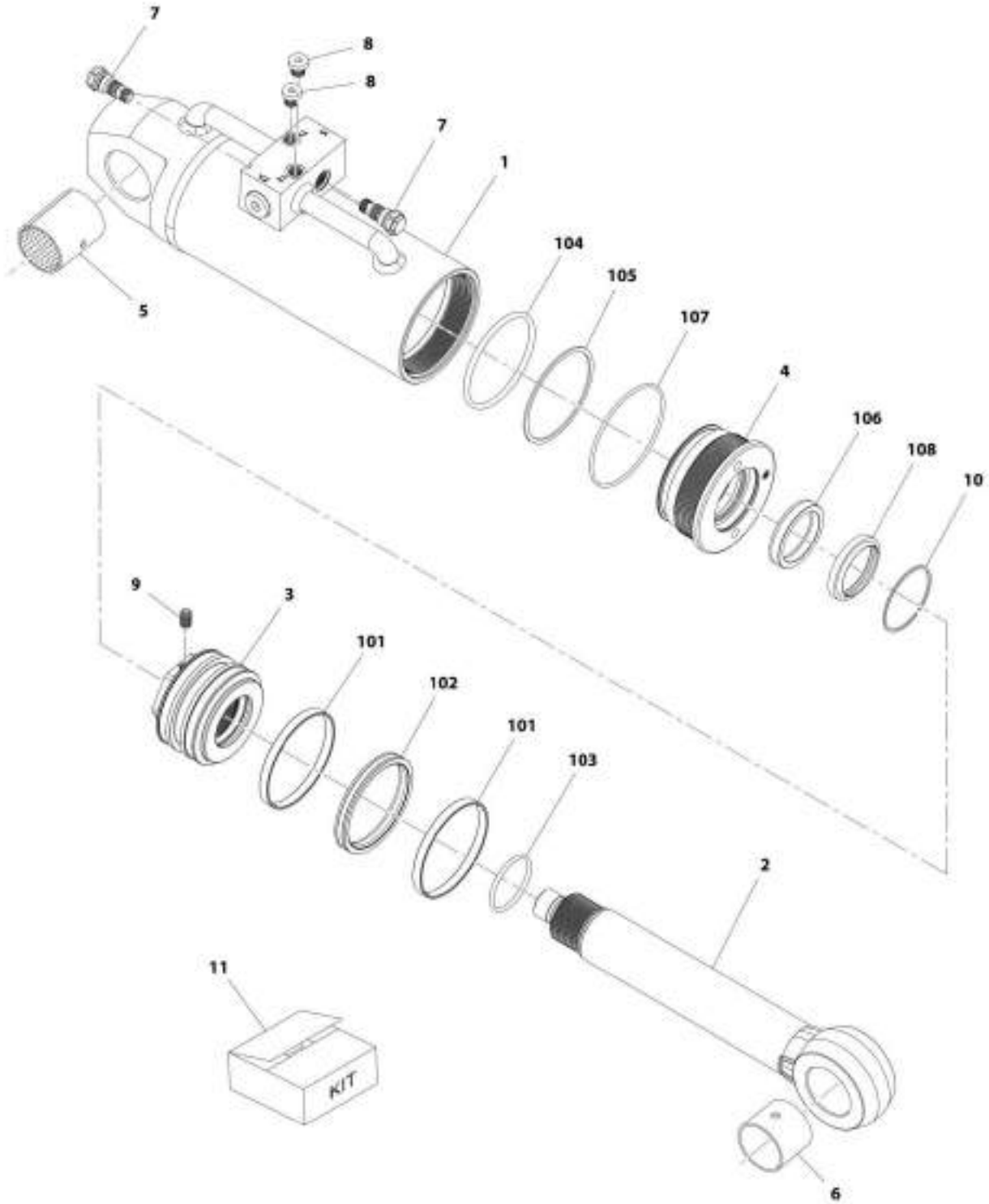
SECTION 9 - HYDRAULIC COMPONENTS

FIGURE 9-10. FRAME LEVEL CYLINDER

ITEM	PART NUMBER	QTY	DESCRIPTION	REV
	1001144202	Ref	Frame Level Cylinder - 3614RS (Prior to SN 1160008262)	E
1	70025607	1	Assembly, Barrel	
2	70025608	1	Assembly, Rod	
3	70025609	1	Head, Piston	
4	70022810	1	Gland	
5	70027056	1	Bushing	
6	70027057	1	Bushing	
7	70025612	2	Valve, Check	
8	70024262	2	Plug	
9	70025613	1	Screw, Locking	
10	70025614	1	Bearing	
11	70023101	1	Ring, Snap	
12	70025615	1	Kit, Seal (includes items 101 thru 108)	
101	Kit	2	Ring, Piston Bearing	
102	Kit	1	Seal, Piston	
103	Kit	1	O-Ring	
104	Kit	2	Ring, Rod Bearing	
105	Kit	1	Ring, Back-Up	
106	Kit	1	Seal, Rod	
107	Kit	1	O-Ring	
108	Kit	1	Seal, Wiper	

SECTION 9 - HYDRAULIC COMPONENTS

FIGURE 9-11. FRAME LEVEL CYLINDER



ART_1001146590-E

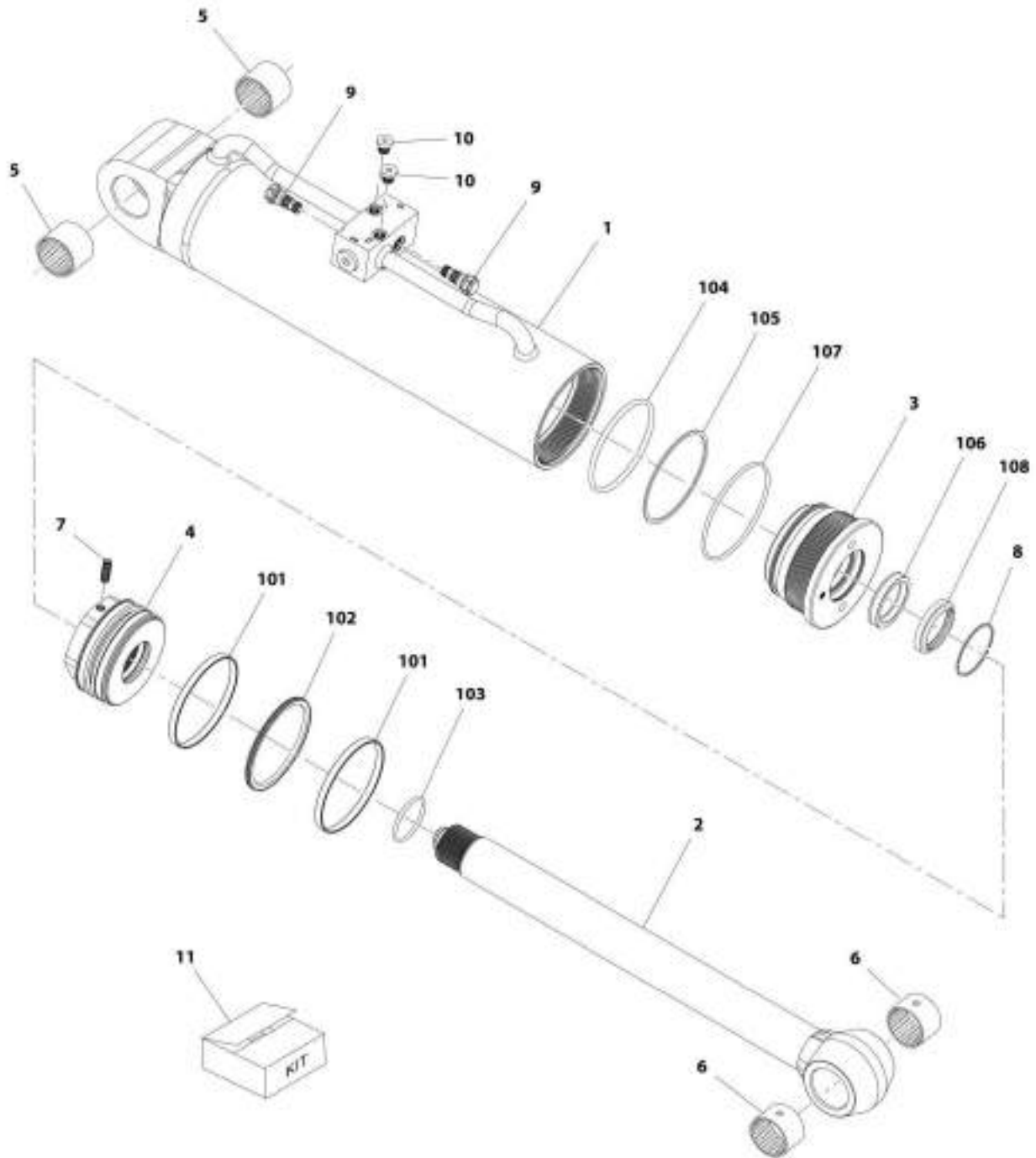
SECTION 9 - HYDRAULIC COMPONENTS

FIGURE 9-11. FRAME LEVEL CYLINDER

ITEM	PART NUMBER	QTY	DESCRIPTION	REV
	1001146580	Ref	Frame Level Cylinder - 4017RS	E
	1001146580	Ref	Frame Level Cylinder - 3614RS (SN 1160008262 to Present)	E
1	70025636	1	Assembly, Barrel	
2	70025637	1	Assembly, Rod	
3	70025638	1	Head, Piston	
4	70025639	1	Gland	
5	70027056	1	Bushing	
6	70027057	1	Bushing	
7	70025612	2	Valve, Check	
8	70024262	2	Plug	
9	70025582	1	Screw, Locking	
10	70025627	1	Ring, Snap	
11	70025640	1	Kit, Seal (includes items 101 thru 108)	
101	Kit	2	Ring, Piston Bearing	
102	Kit	1	Seal, Piston	
103	Kit	1	O-Ring	
104	Kit	1	O-Ring	
105	Kit	1	Ring, Back-Up	
106	Kit	1	Seal, Rod	
107	Kit	1	O-Ring	
108	Kit	1	Seal, Wiper	

SECTION 9 - HYDRAULIC COMPONENTS

FIGURE 9-12. OUTRIGGER CYLINDER



ART_1001144215 E

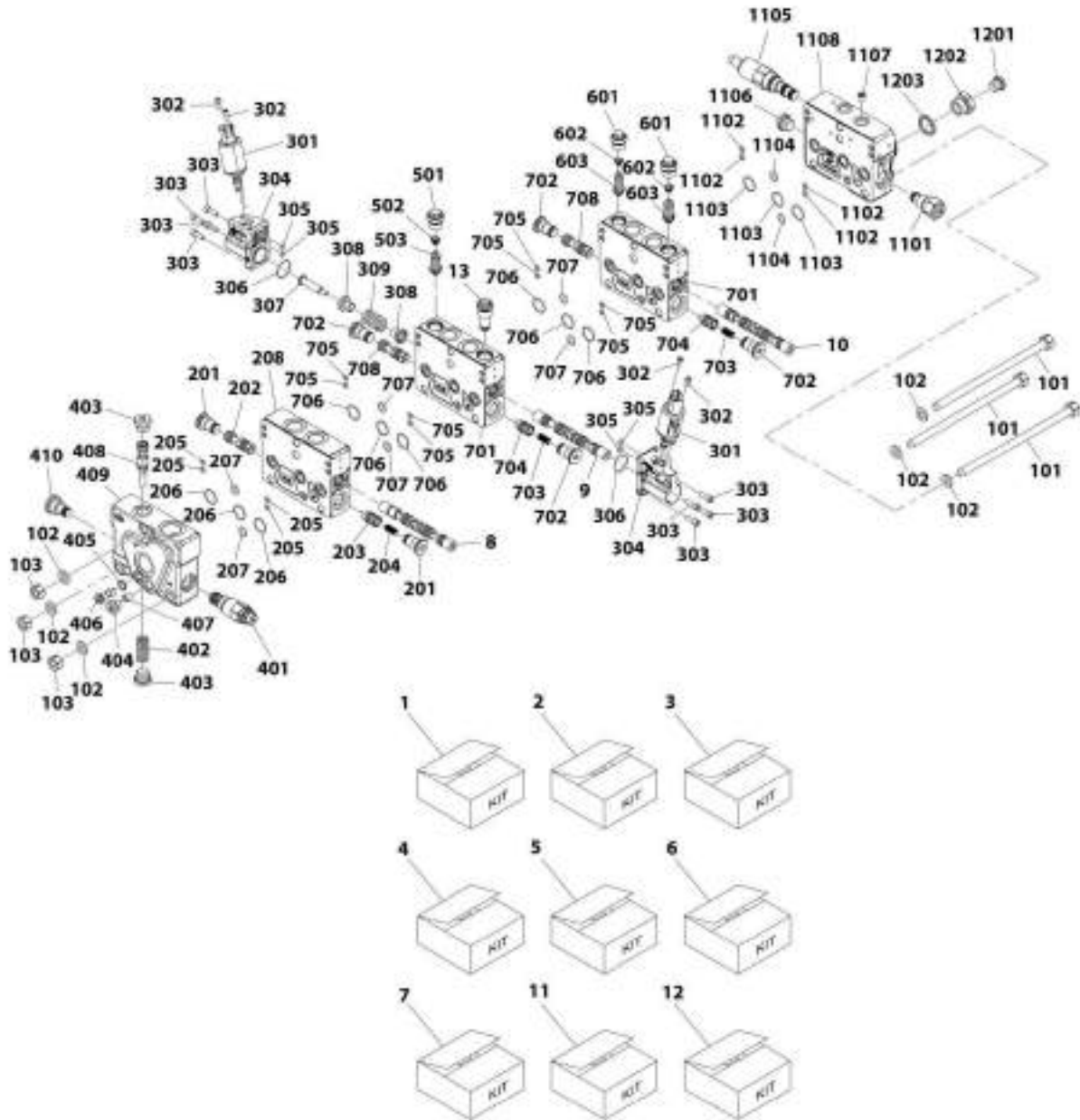
SECTION 9 - HYDRAULIC COMPONENTS

FIGURE 9-12. OUTRIGGER CYLINDER

ITEM	PART NUMBER	QTY	DESCRIPTION	REV
	1001144215	Ref	Outrigger Cylinder	E
1	70025621	1	Assembly, Barrel	
2	70025622	1	Assembly, Rod	
3	70025623	1	Gland	
4	70025624	1	Head, Piston	
5	70025625	2	Bushing	
6	70027055	2	Bushing	
7	70025626	1	Screw, Locking	
8	70025627	1	Ring, Snap	
9	70025612	2	Valve, Check	
10	70024262	2	Plug	
11	70025628	1	Kit, Seal (includes items 101 thru 108)	
101	Kit	2	Ring, Piston Bearing	
102	Kit	1	Seal, Piston	
103	Kit	1	O-Ring	
104	Kit	1	O-Ring	
105	Kit	1	Ring, Back-Up	
106	Kit	1	Seal, Rod	
107	Kit	1	O-Ring	
108	Kit	1	Seal, Wiper	

SECTION 9 - HYDRAULIC COMPONENTS

FIGURE 9-13. MAIN CONTROL VALVE (NO AUXILIARY HYDRAULICS)



AWT_3001173146-B

SECTION 9 - HYDRAULIC COMPONENTS

FIGURE 9-13. MAIN CONTROL VALVE (NO AUXILIARY HYDRAULICS)

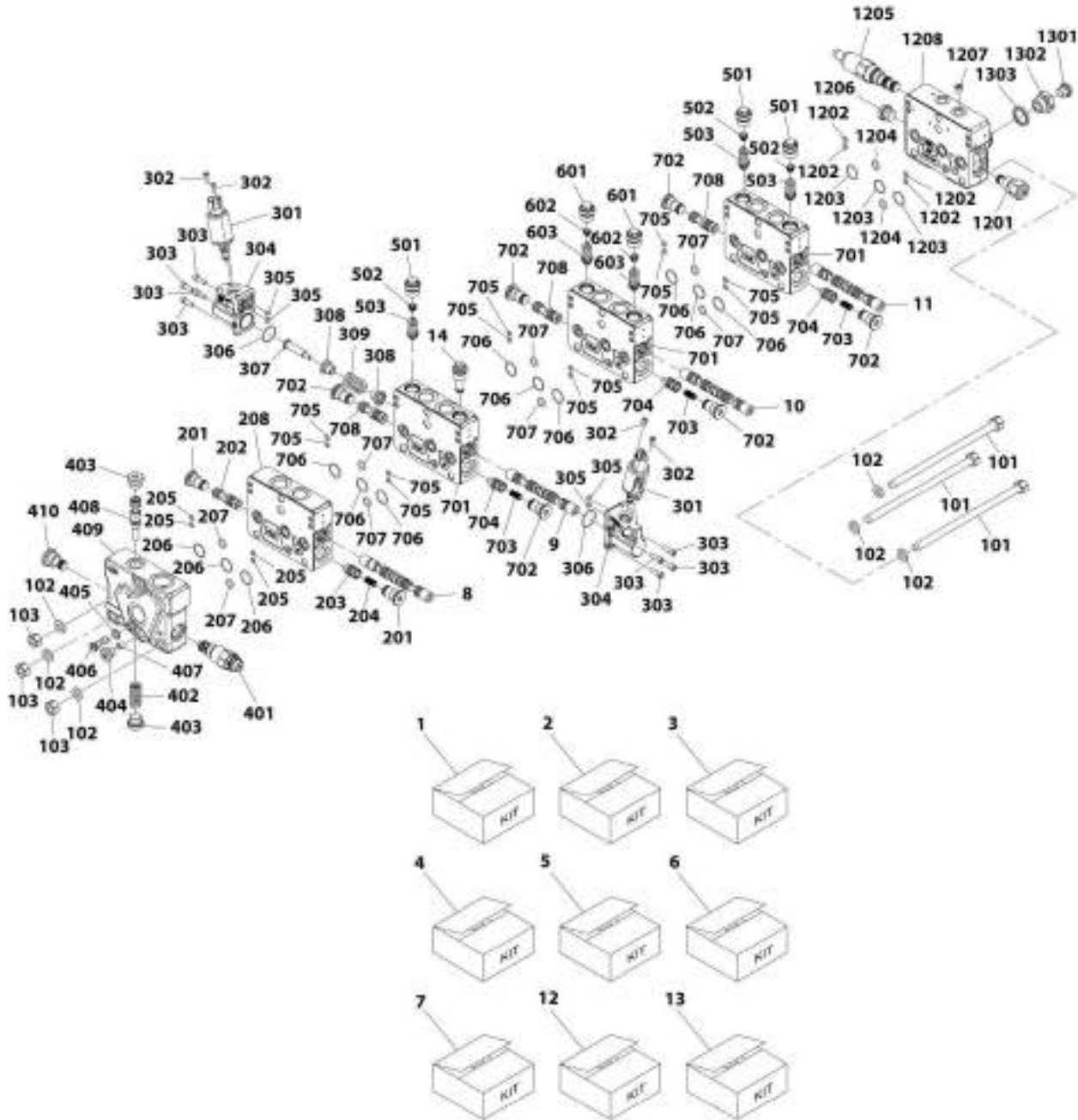
ITEM	PART NUMBER	QTY	DESCRIPTION	REV
	1001173148	Ref	Main Control Valve (no auxiliary hydraulics)	B
1	70025825	1	Tie Rod Kit (includes items 101 thru 103)	
2	70025826	1	Section Kit without Port Relief Cavity (includes items 201 thru 208)	
3	70025827	3	Electro-Hydraulic Kit (includes items 301 thru 309)	
4	70025829	1	Main Relief Valve Kit (includes items 401 thru 410)	
5	70025830	1	Port Relief Kit (includes items 501 thru 503)	
6	70025831	2	Port Relief Kit (includes items 601 thru 603)	
7	70025832	2	Section Kit with Port Relief Cavity (includes items 701 thru 708)	
8	70025833	1	Lift Spool	
9	70025834	1	Tele Spool	
10	70025835	1	Spool	
11	70025836	1	Bleed Valve Kit (includes items 1101 thru 1108)	
12	70025839	1	Pressure Gauge Connection Kit (includes items 1201 thru 1203)	
13	70025837	1	Plug	
101	Kit	3	Tie Rod	
102	Kit	6	Elastic Washer	
103	Kit	3	Nut	
201	Kit	2	Compensator Plug	
202	Kit	1	Compensator Spool	
203	Kit	1	Selector Spool	
204	Kit	1	Spring	
205	Kit	4	O-Ring	
206	Kit	3	O-Ring	
207	Kit	1	O-Ring	
208	Kit	1	Working Section	
301	70025828	2	Solenoid Valve (may be ordered separately)	
302	Kit	4	Screw	
303	Kit	8	Screw	
304	Kit	2	Cylinder	
305	Kit	4	O-Ring	
306	Kit	2	O-Ring	
307	Kit	1	Pin	
308	Kit	2	Bushing	
309	Kit	1	Spring	
401	Kit	1	Valve	
402	Kit	1	Spring	
403	Kit	2	Plug	
404	Kit	1	Plug	
405	Kit	1	Washer	
406	Kit	1	Plug	
407	Kit	1	Plug	
408	Kit	1	Compensator Spool	
409	Kit	1	Inlet Section	
410	Kit	1	Plug	
501	Kit	1	Plug	
502	Kit	1	Spring	
503	Kit	1	Valve	
601	Kit	1	Plug	
602	Kit	1	Spring	
603	Kit	1	Valve	

SECTION 9 - HYDRAULIC COMPONENTS

ITEM	PART NUMBER	QTY	DESCRIPTION	REV
701	Kit	1	Working Section	
702	Kit	2	Compensator Plug	
703	Kit	1	Spring	
704	Kit	1	Selector Spool	
705	Kit	4	O-Ring	
706	Kit	3	O-Ring	
707	Kit	1	O-Ring	
708	Kit	1	Compensator Spool	
1101	Kit	1	Flow Regulator	
1102	Kit	4	O-Ring	
1103	Kit	3	O-Ring	
1104	Kit	1	O-Ring	
1105	Kit	1	Valve	
1106	Kit	1	Plug	
1107	Kit	1	Plug	
1108	Kit	1	Outlet Cover	
1201	Kit	1	Plug	
1202	Kit	1	Joint	
1203	Kit	1	Washer	

SECTION 9 - HYDRAULIC COMPONENTS

FIGURE 9-14. MAIN CONTROL VALVE (AUXILIARY HYDRAULICS)



AWT_3001173147-B

SECTION 9 - HYDRAULIC COMPONENTS

FIGURE 9-14. MAIN CONTROL VALVE (AUXILIARY HYDRAULICS)

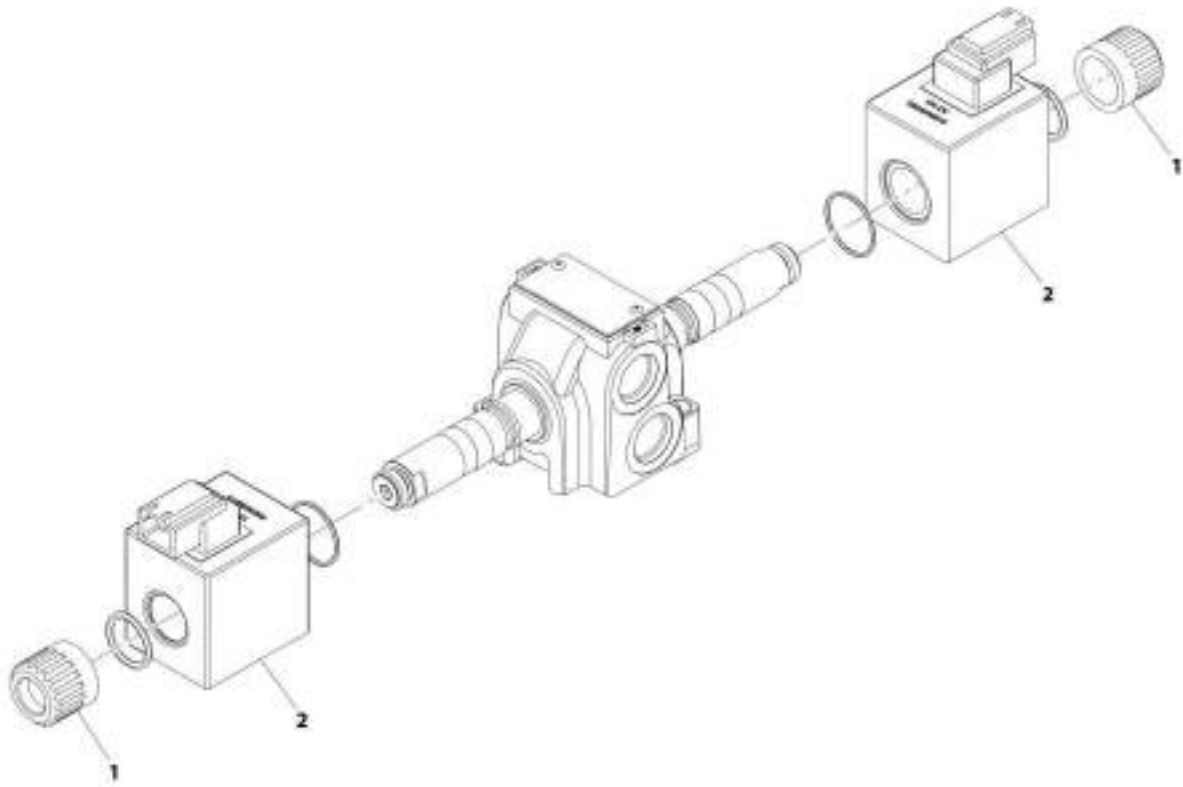
ITEM	PART NUMBER	QTY	DESCRIPTION	REV
	1001173147	Ref	Main Control Valve (auxiliary hydraulics)	B
1	70025840	1	Tie Rod Kit (includes items 101 thru 103)	
2	70025826	1	Kit, Section, without Port Relief Cavity (includes items 201 thru 208)	
3	70025827	4	Electro-Hydraulic Kit (includes items 301 thru 309)	
4	70025829	1	Main Relief Valve Kit (includes items 401 thru 410)	
5	70025830	3	Port Relief Kit (includes items 501 thru 503)	
6	70025831	2	Port Relief Kit (includes items 601 thru 603)	
7	70025832	3	Section Kit with Port Relief Cavity (includes items 701 thru 708)	
8	70025833	1	Lift Spool	
9	70025834	1	Tele Spool	
10	70025835	1	Spool	
11	70025838	1	Spool	
12	70025836	1	Bleed Valve Kit (includes items 1201 thru 1208)	
13	70025839	1	Pressure Gauge Connection Kit (includes items 1301 thru 1303)	
14	70025837	1	Plug	
101	Kit	3	Tie Rod	
102	Kit	6	Elastic Washer	
103	Kit	3	Nut	
201	Kit	2	Compensator Plug	
202	Kit	1	Compensator Spool	
203	Kit	1	Selector Spool	
204	Kit	1	Spring	
205	Kit	4	O-Ring	
206	Kit	3	O-Ring	
207	Kit	1	O-Ring	
208	Kit	1	Working Selection	
301	70025828	2	Solenoid Valve (may be ordered separately)	
302	Kit	4	Screw	
303	Kit	8	Screw	
304	Kit	2	Cylinder	
305	Kit	4	O-Ring	
306	Kit	2	O-Ring	
307	Kit	1	Pin	
308	Kit	2	Bushing	
309	Kit	1	Spring	
401	Kit	1	Valve	
402	Kit	1	Spring	
403	Kit	2	Plug	
404	Kit	1	Plug	
405	Kit	1	Washer	
406	Kit	1	Plug	
407	Kit	1	Plug	
408	Kit	1	Compensator Spool	
409	Kit	1	Inlet Section	
410	Kit	1	Plug	
501	Kit	1	Plug	
502	Kit	1	Spring	
503	Kit	1	Valve	
601	Kit	1	Plug	

SECTION 9 - HYDRAULIC COMPONENTS

ITEM	PART NUMBER	QTY	DESCRIPTION	REV
602	Kit	1	Spring	
603	Kit	1	Valve	
701	Kit	1	Working Section	
702	Kit	2	Compensator Plug	
703	Kit	1	Spring	
704	Kit	1	Selector Spool	
705	Kit	4	O-Ring	
706	Kit	3	O-Ring	
707	Kit	1	O-Ring	
708	Kit	1	Compensator Spool	
1201	Kit	1	Flow Regulator	
1202	Kit	4	O-Ring	
1203	Kit	3	O-Ring	
1204	Kit	1	O-Ring	
1205	Kit	1	Valve	
1206	Kit	1	Plug	
1207	Kit	1	plug	
1208	Kit	1	Outlet Cover	
1301	Kit	1	Plug	
1302	Kit	1	Joint	
1303	Kit	1	Washer	

SECTION 9 - HYDRAULIC COMPONENTS

FIGURE 9-15. STEERING SELECT VALVE



AM_1001155748-C

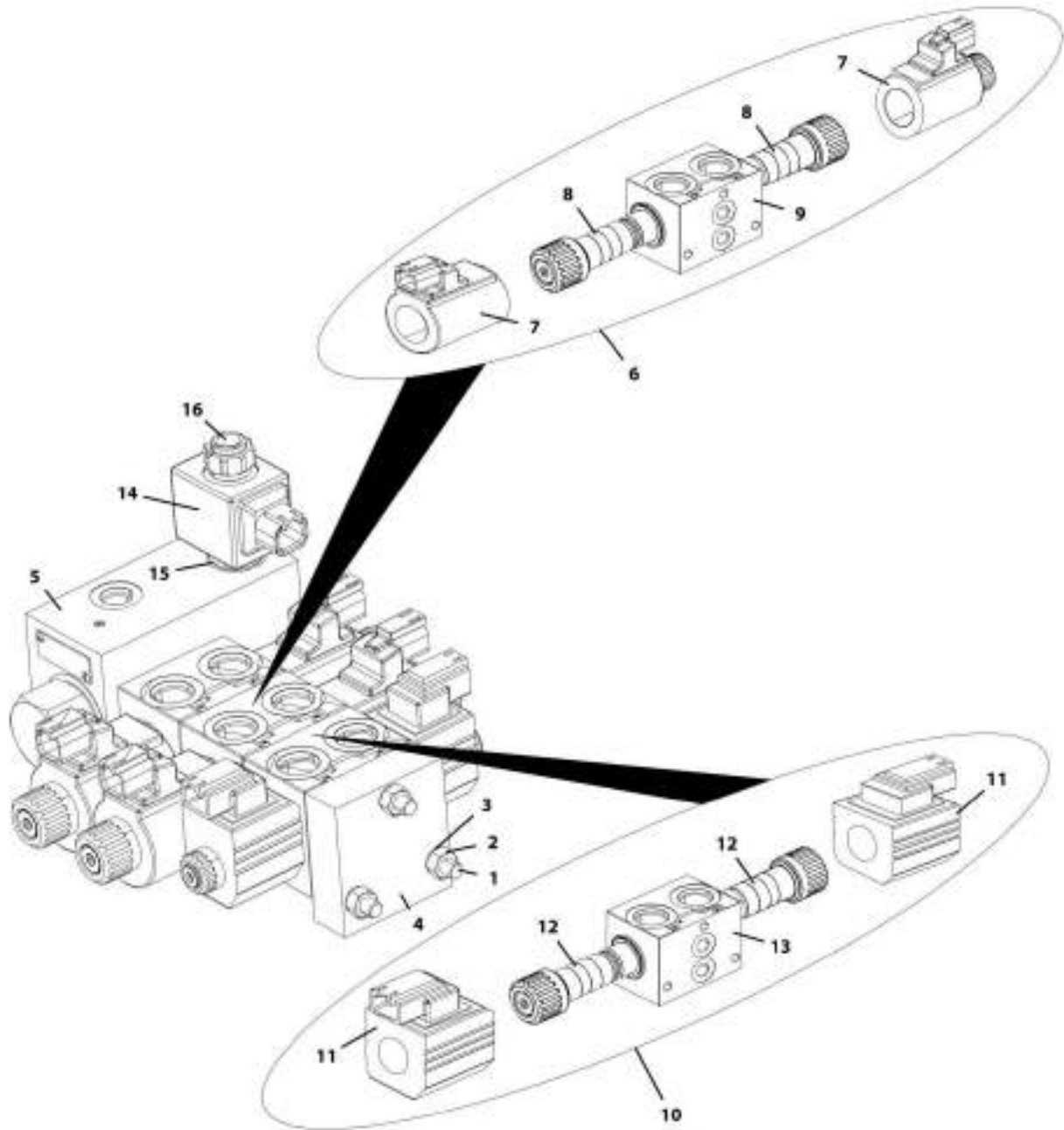
SECTION 9 - HYDRAULIC COMPONENTS

FIGURE 9-15. STEERING SELECT VALVE

ITEM	PART NUMBER	QTY	DESCRIPTION	REV
	1001153748	Ref	Steering Select Valve	C
1	70020867	2	Kit, Retainer, W/Seals	
2	70026582	2	Coil	

SECTION 9 - HYDRAULIC COMPONENTS

FIGURE 9-16. OUTRIGGER VALVE



ATT_4841515-B

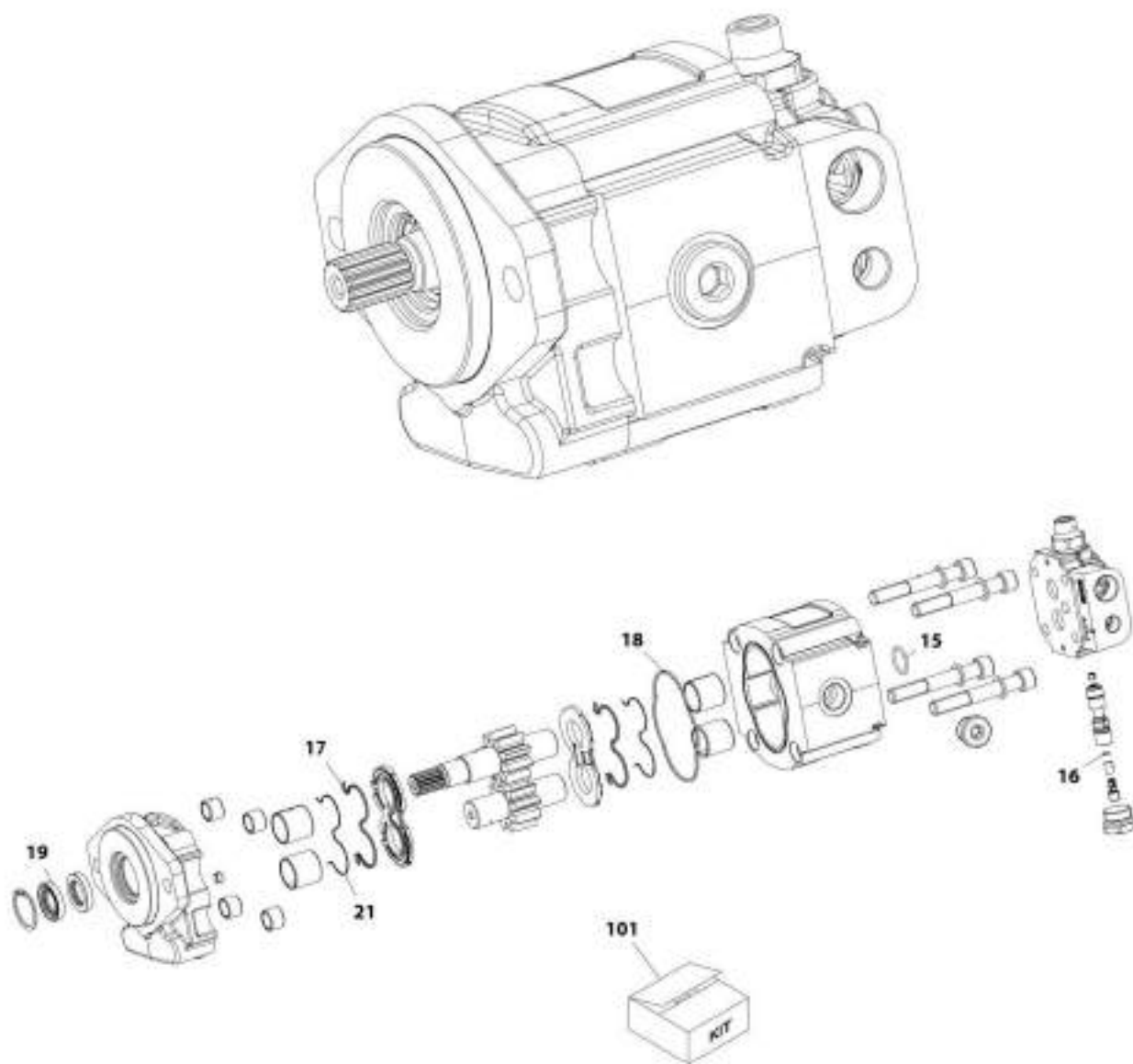
SECTION 9 - HYDRAULIC COMPONENTS

FIGURE 9-16. OUTRIGGER VALVE

ITEM	PART NUMBER	QTY	DESCRIPTION	REV
	4641516	Ref	Outrigger Valve	B
1	70021211	3	Bolt, M8X185	
2	70021212	3	Nut, M8	
3	70021201	3	Washer, M8	
4	70021205	1	Cover	
5	70021215	1	Body, Inlet	
6	70021214	2	Assembly, Outrigger Section	
7	70020868	2	Coil	
8	70020867	2	Kit, Retainer, w/Seals	
9	70021218	1	Section, Valve	
10	70021213	1	Assembly, Frame Level Section	
11	70021208	2	Coil	
12	70021209	2	Kit, Retainer, w/Seals	
13	70021219	1	Section, Valve	
14	70022147	1	Coil	
15	70023327	1	Solenoid	
16	70023326	1	Orifice, 1	

SECTION 9 - HYDRAULIC COMPONENTS

FIGURE 9-17. GEAR PUMP



AMT_1001142980-01

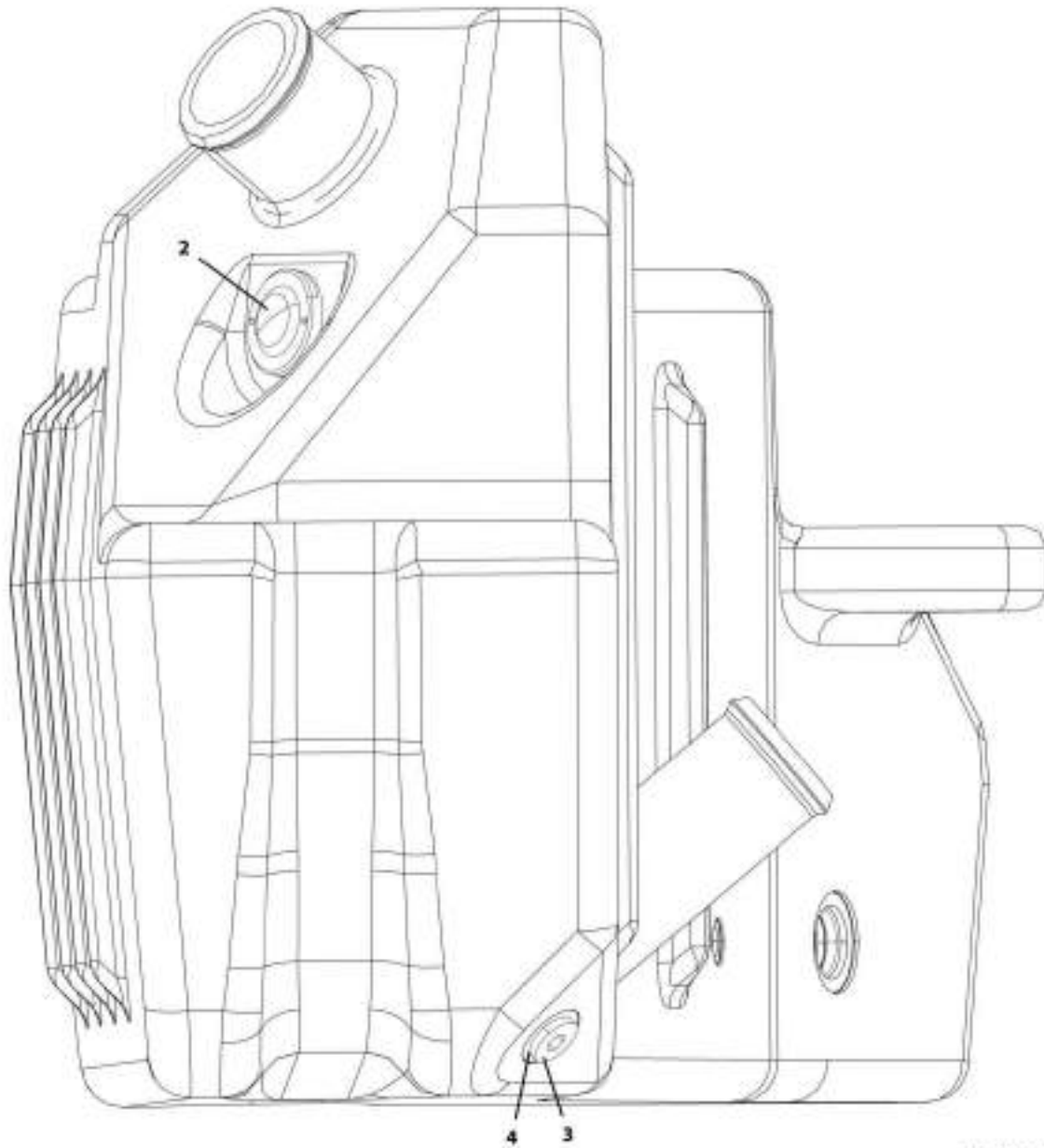
SECTION 9 - HYDRAULIC COMPONENTS

FIGURE 9-17. GEAR PUMP

ITEM	PART NUMBER	QTY	DESCRIPTION	REV
	1001142980	Ref	Gear Pump	D
15	Kit	3	O-Ring	
16	Kit	1	O-Ring	
17	Kit	2	Seal	
18	Kit	1	Seal	
19	Kit	2	Seal, Shaft	
21	Kit	2	Ring, Anti-Extrusion	
101	70024631	1	Kit, Seal (includes items 15 thru 21)	

SECTION 9 - HYDRAULIC COMPONENTS

FIGURE 9-18. HYDRAULIC TANK



ART_1001140380-E

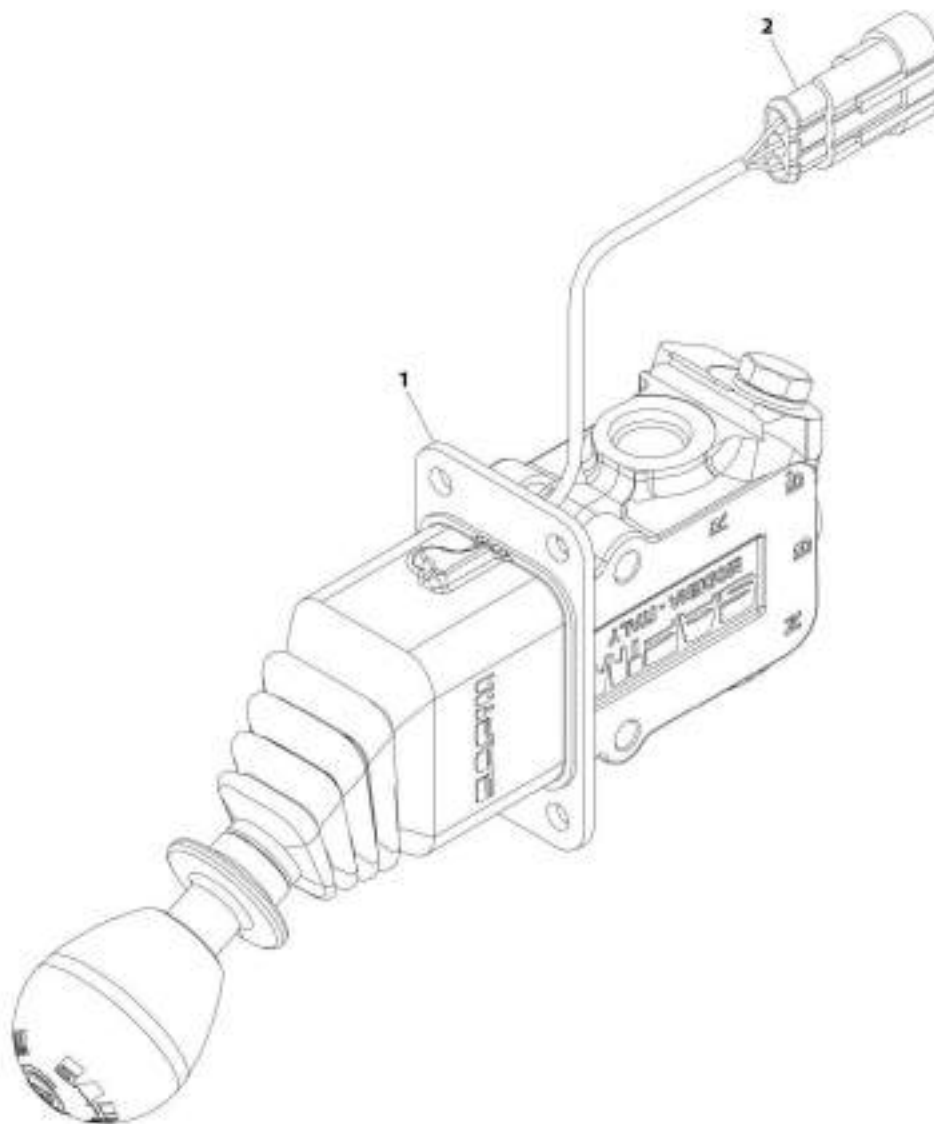
SECTION 9 - HYDRAULIC COMPONENTS

FIGURE 9-18. HYDRAULIC TANK

ITEM	PART NUMBER	QTY	DESCRIPTION	REV
	1001146380	Ref	Hydraulic Tank	E
2	70025812	1	Gauge, Sight	
3	70025813	1	Plug, Drain	
4	N.S.S.	1	O-Ring	

SECTION 9 - HYDRAULIC COMPONENTS

FIGURE 9-19. HYDRAULIC PARK BRAKE RELEASE VALVE - 4017RS



ART_1001068153-D

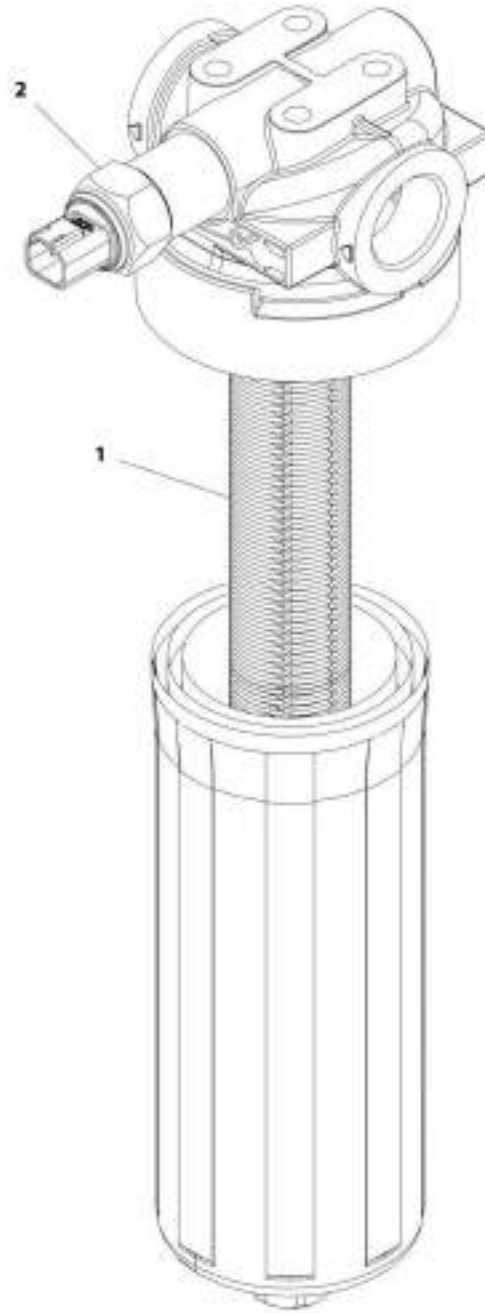
SECTION 9 - HYDRAULIC COMPONENTS

FIGURE 9-19. HYDRAULIC PARK BRAKE RELEASE VALVE - 4017RS

ITEM	PART NUMBER	QTY	DESCRIPTION	REV
	1001098153	Ref	Hydraulic Park Brake Release Valve - 4017RS	C
1	70020922	1	Kit, Seal	
2	70022847	1	Kit, Microswitch	

SECTION 9 - HYDRAULIC COMPONENTS

FIGURE 9-20. HYDRAULIC OIL FILTER



ART_1001125252-A

SECTION 9 - HYDRAULIC COMPONENTS

FIGURE 9-20. HYDRAULIC OIL FILTER

ITEM	PART NUMBER	QTY	DESCRIPTION	REV
	1001146076	NLA	Hydraulic Oil Filter, (no longer available, use 1001175757 for replacement or items 1 & 2 for service)	B
	1001175757	Ref	Hydraulic Oil Filter	A
1	70025811	1	Element, Filter	
2	70025863	1	Indicator, Clogging	

SECTION 9 - HYDRAULIC COMPONENTS

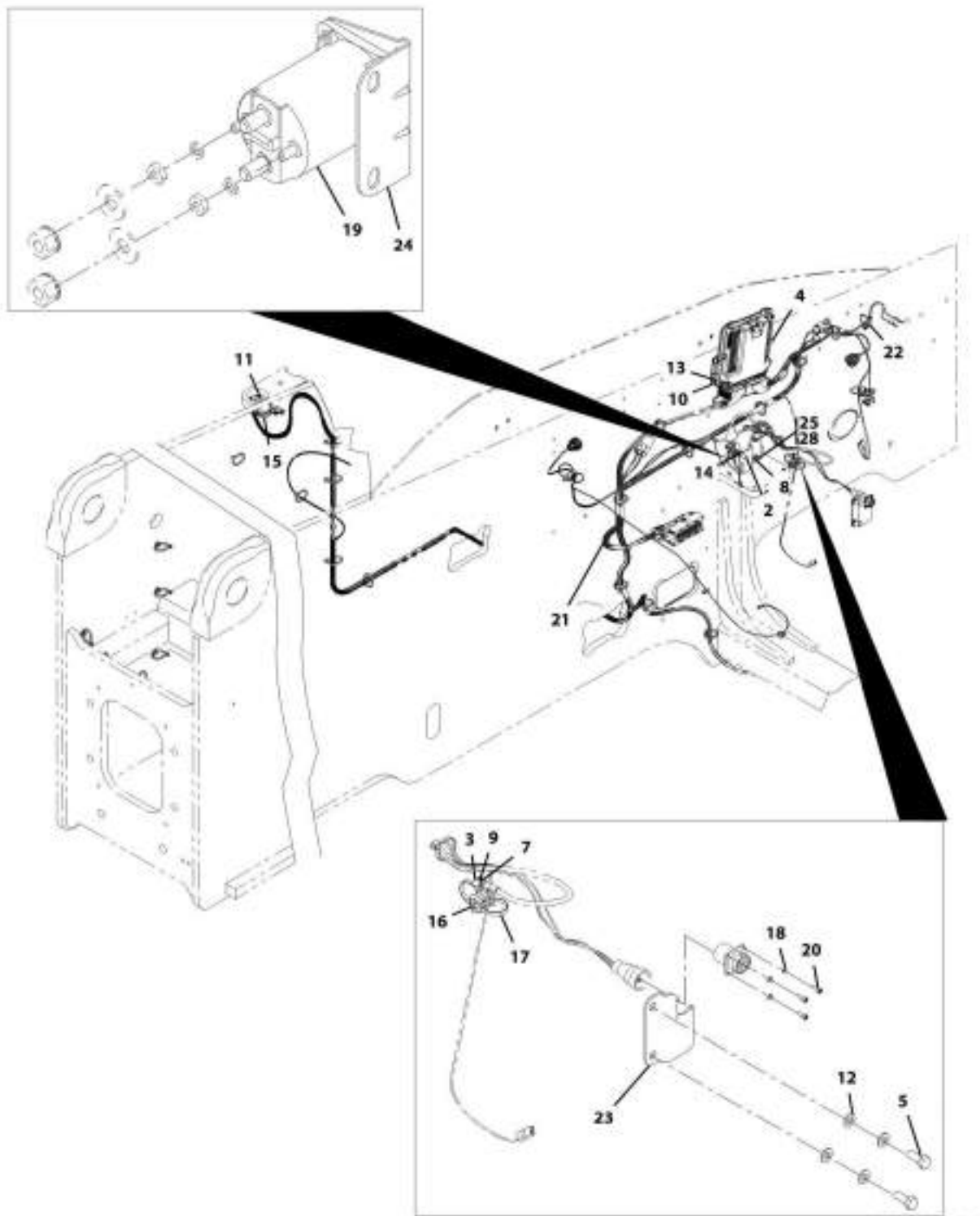
FIGURE 9-21. OUTRIGGER VALVE

ITEM	PART NUMBER	QTY	DESCRIPTION	REV
	1001173880	Ref	Outrigger Valve	B
1	70028242	1	Orifice	
2	70028243	1	Orifice	
3	70027284	1	Bolt and Seal Kit (includes items 301 thru 304)	
4	70021209	2	Retainer Kit W/Seals (includes items 401 thru 403)	
5	70020867	4	Retainer Kit W/Seals (includes items 501 thru 503)	
6	70027286	1	Seal Kit (includes items 601 thru 603)	
7	70027285	1	Coil Nut Kit (includes items 701 thru 703)	
8	70021208	2	Coil	
9	70020868	4	Coil	
10	70023327	1	Cartridge Valve	
11	70022147	2	Coil	
12	70004667	1	Cover Plate	
13	70021213	1	Section	
14	70026568	2	Section	
15	70021215	1	Inlet	
301	Kit	3	Toothed Lockwasher	
302	70026570	3	Hexagon Nut	
303	70026569	3	Tie Rod	
304	Kit	8	O-Ring	
401	Kit	2	O-Ring	
402	Kit	2	O-Ring	
403	Kit	2	Coil Nut M13X1	
501	Kit	4	O-Ring	
502	Kit	4	O-Ring	
503	Kit	4	Coil Nut M13X1	
601	Kit	1	O-Ring	
602	Kit	1	O-Ring	
603	Kit	1	O-Ring	
701	Kit	1	O-Ring	
702	70006246	1	O-Ring	
703	70004654	1	Coil Nut	

SECTION 10 - ELECTRICAL

SECTION 10 - ELECTRICAL

FIGURE 10-1. ENGINE ELECTRICAL INSTALLATION (Prior to SN E160000141, Excluding E160000120, E160000126, 1160008774, 1160008775 and 1160008777)



ART_1001148645-E

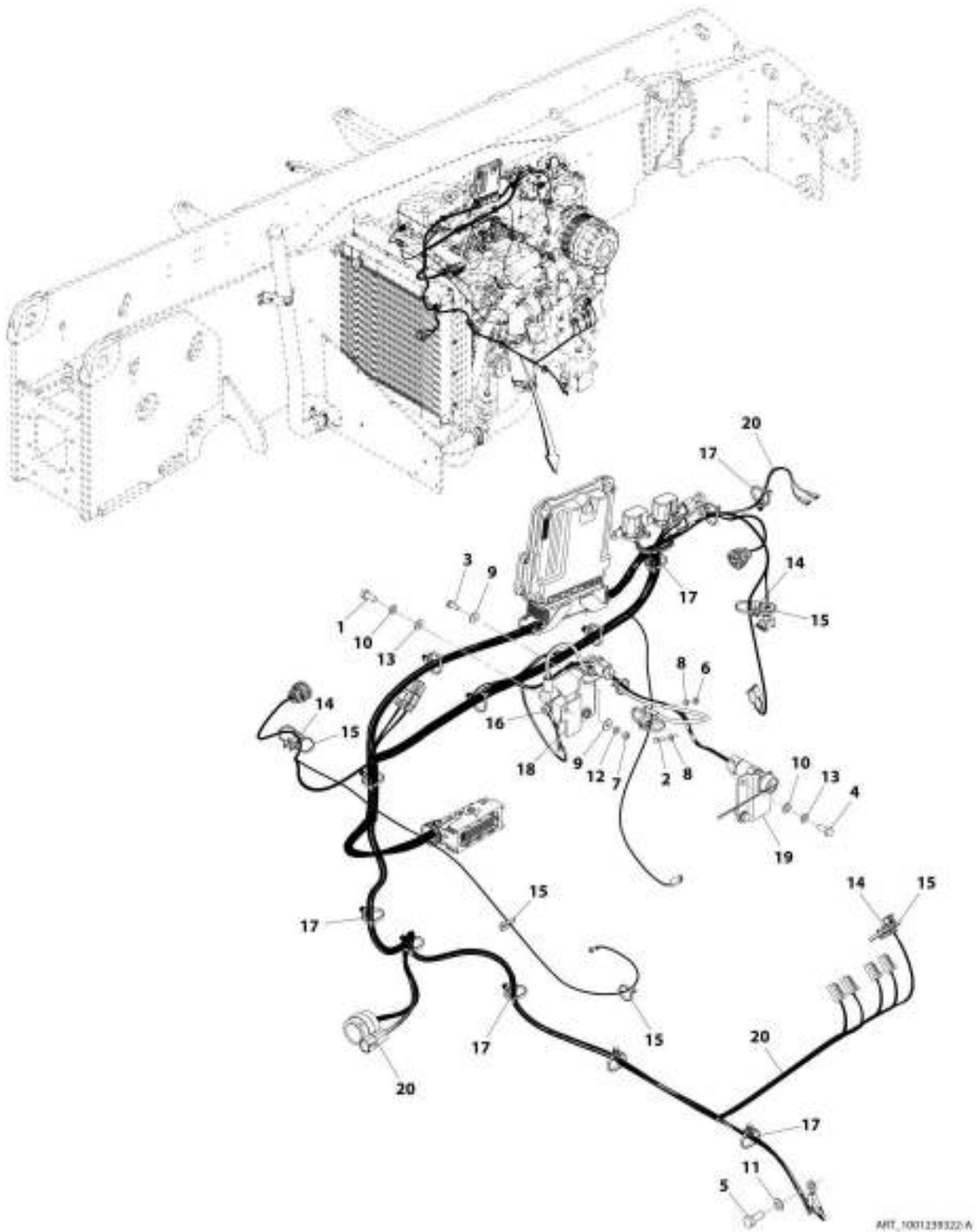
SECTION 10 - ELECTRICAL

FIGURE 10-1. ENGINE ELECTRICAL INSTALLATION (Prior to SN E160000141, Excluding E160000120, E160000126, 1160008774, 1160008775 and 1160008777)

ITEM	PART NUMBER	QTY	DESCRIPTION	REV
	1001146645	Ref	Engine Electrical Installation	E
2	0700810	1	Bolt, M8X20	
3	0760508	1	Bolt, M5X16	
4	0760614	4	Bolt, M6X30	
5	0760810	2	Bolt, M8X20	
7	3290505	1	Nut, Lock M5X0.8	
8	3290601	2	Nut, M6X1	
9	4811600	2	Washer, M5	
10	4811700	4	Washer, M6	
11	4811702	4	Washer, M6	
12	4811900	3	Washer, M8	
13	4831700	6	Washer, Lock 6	
14	4831900	3	Washer, Lock 8	
15	1001162863	2	Clip	
16	1001004723	4	Saddle	
17	1001008559	11	Strap, Cable	
18	1001110544	3	Washer, M3	
19	1001117308	1	Relay, 200 Amp (See 200 AMP RELAY for Breakdown)	
20	4031205	3	Bolt, M3X10	
21	1001145550	Ref	Harness, Engine (See ENGINE HARNESS for Breakdown)	
22	1001146588	14	Strap, Cable	
23	1001166850	1	Bracket, Diagnostic Connector	
24	1001147799	1	Bracket, Glow Plug Relay	
25	0760608	2	Bolt, M6X16	
28	1001095650	AR	Compound, Locking	

SECTION 10 - ELECTRICAL

FIGURE 10-2. ENGINE ELECTRICAL INSTALLATION (SN E160000141 to Present, Including E160000120, E160000126, 1160008774, 1160008775 and 1160008777)



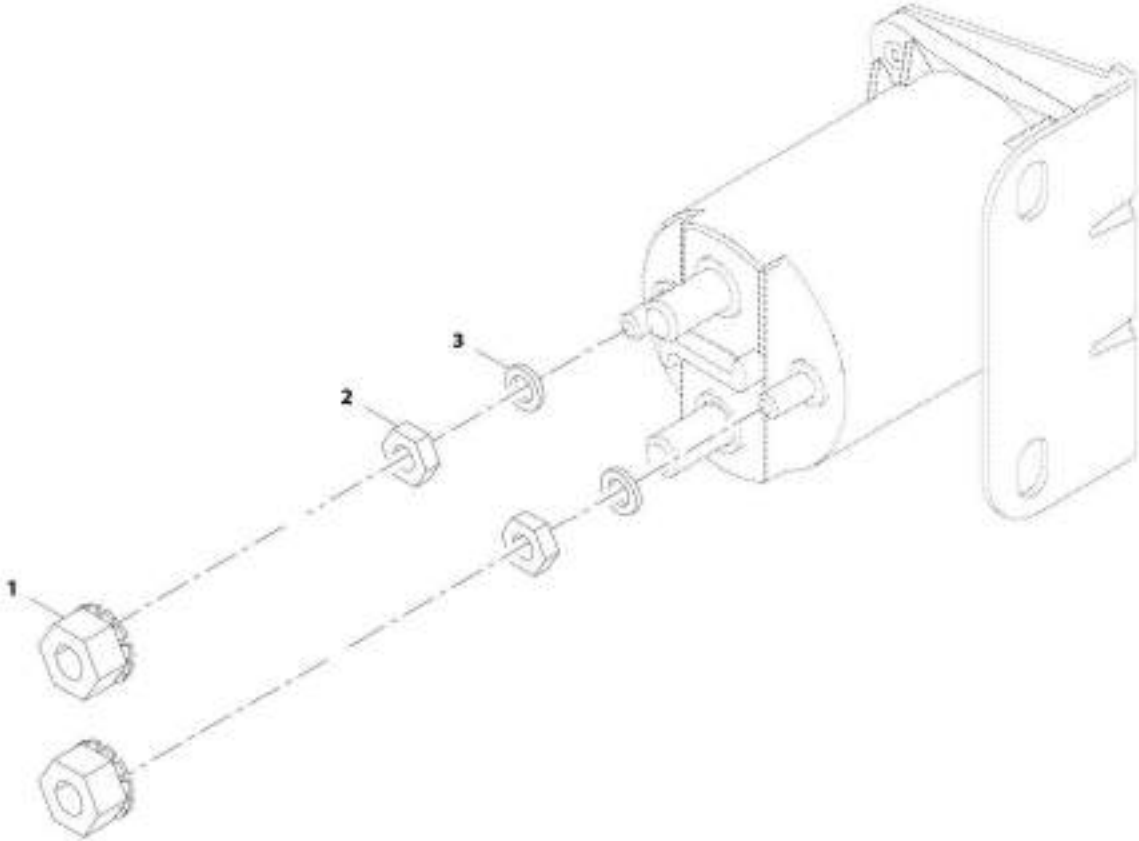
SECTION 10 - ELECTRICAL

FIGURE 10-2. ENGINE ELECTRICAL INSTALLATION (SN E160000141 to Present, Including E160000120, E160000126, 1160008774, 1160008775 and 1160008777)

ITEM	PART NUMBER	QTY	DESCRIPTION	REV
	1001239322	Ref	Engine Electrical Installation	A
1	0700810	1	Bolt, M8X20	
2	0760508	1	Bolt, M5X16	
3	0760608	2	Bolt, M6X16	
4	0760810	2	Bolt, M8X20	
5	0761012	1	Bolt, M10X25	
6	3290505	1	Nut, Lock M5X0.8	
7	3290601	2	Nut, M6X1	
8	4811600	2	Washer, M5	
9	4811702	4	Washer, M6	
10	4811900	3	Washer, M8	
11	4812000	1	Washer, M10	
12	4831700	2	Washer, Lock M6	
13	4831900	3	Washer, Lock M8	
14	1001004723	4	Saddle	
15	1001008559	11	Strap, Cable	
16	1001117308	1	Relay, 200 Amp (See Separate Breakdown in this Section)	
17	1001146588	15	Strap, Cable	
18	1001147799	1	Bracket, Glow Plug Relay	
19	1001166850	1	Bracket, Diagnostic Connector	
20	1001238822	1	Harness, Engine (See Separate Breakdown in this Section)	

SECTION 10 - ELECTRICAL

FIGURE 10-3. 200 AMP RELAY



ART_1001117306-B

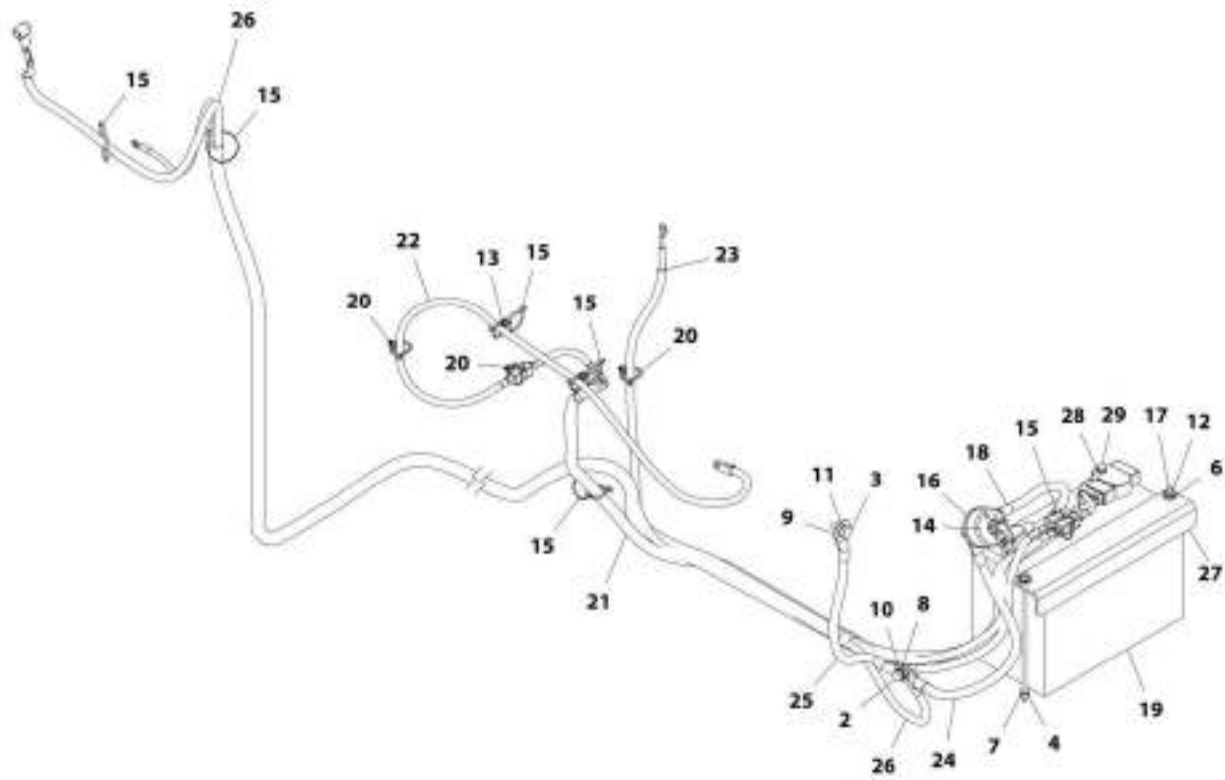
SECTION 10 - ELECTRICAL

FIGURE 10-3. 200 AMP RELAY

ITEM	PART NUMBER	QTY	DESCRIPTION	REV
	1001117308	Ref	200 Amp Relay	B
1	3300220	2	Nut, Washer	
2	3321001	2	Nut	
3	4761000	2	Washer, Lock	
4	1001111424	2	Washer	

SECTION 10 - ELECTRICAL

FIGURE 10-4. BATTERY INSTALLATION



ART_100145531-F

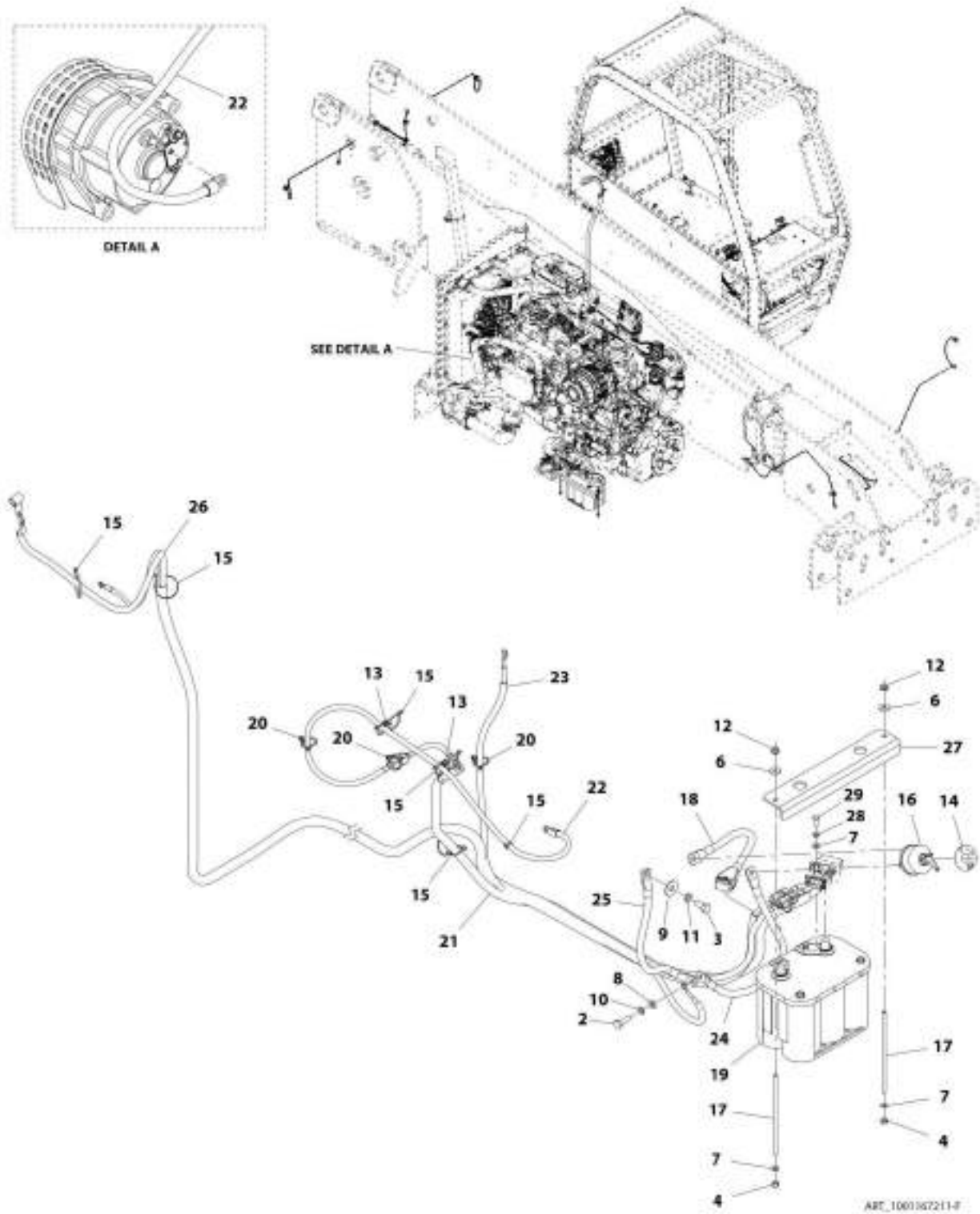
SECTION 10 - ELECTRICAL

FIGURE 10-4. BATTERY INSTALLATION

ITEM	PART NUMBER	QTY	DESCRIPTION	REV
	1001145531	Ref	Battery Installation	F
2	0761015	1	Bolt, M10X35	
3	0761212	1	Bolt, M12X25	
4	3290805	2	Nut, Lock M8X1.25	
6	5240800	2	Washer, M8	
7	4811900	3	Washer, M8	
8	4812000	1	Washer, M10	
9	4812102	1	Washer, M12	
10	4832000	1	Washer, Lock 10	
11	4832100	1	Washer, Lock 12	
12	5220800	2	Nut, Ripp 8	
13	1001004723	3	Saddle	
14	1001008540	1	Plate	
15	1001008559	11	Strap, Cable	
16	1001192142	1	Switch, Disconnect	
17	1001099701	2	Rod, M8X1.25	
18	1001121265	1	Cable, Battery, Negative to Isolator	
19	1001009339	1	Battery	
20	1001146588	3	Strap, Cable	
21	1001147793	1	Cable, Battery, Positive to Starter	
22	1001147794	1	Cable, Alternator to Starter	
23	1001147795	1	Cable, Glow Plug Power	
24	1001147796	1	Cable, Isolator to Frame	
25	1001147797	1	Cable, Frame to Engine	
26	1001147800	1	Harness, Cab Power (See CAB POWER HARNESS for Breakdown)	
27	1001166851	1	Bracket, Battery Clamp	
28	4831900	1	Washer, Lock 8	
29	0760810	1	Bolt, M8X20	

SECTION 10 - ELECTRICAL

FIGURE 10-5. BATTERY INSTALLATION - ARCTIC



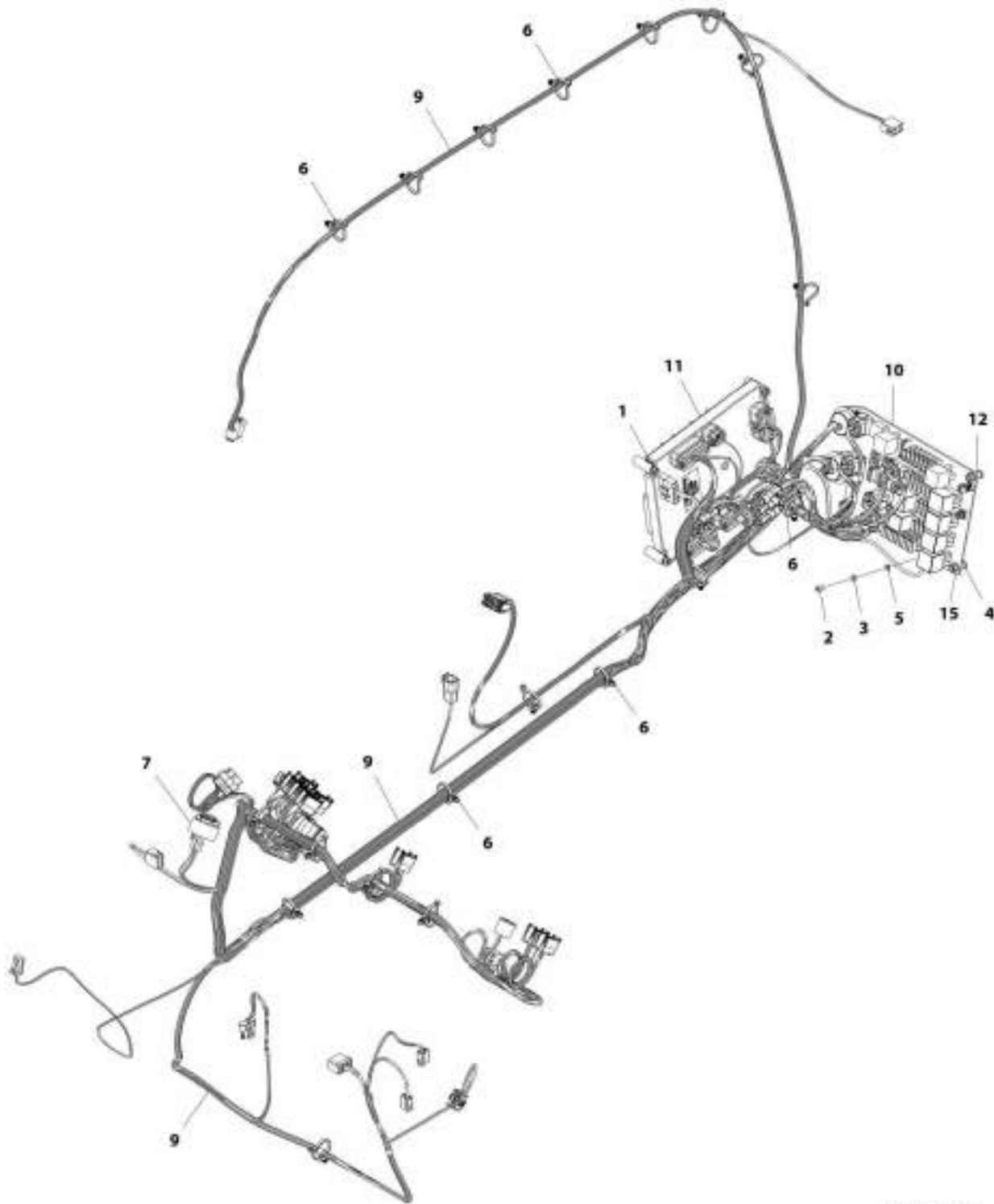
SECTION 10 - ELECTRICAL

FIGURE 10-5. BATTERY INSTALLATION - ARCTIC

ITEM	PART NUMBER	QTY	DESCRIPTION	REV
	1001167211	Ref	Battery Installation - ARCTIC	F
2	0761015	1	Bolt, M10X35	
3	0761212	1	Bolt, M12X25	
4	3290805	2	Nut, Lock M8X1.25	
6	5240800	2	Washer, M8	
7	4811900	3	Washer, M8	
8	4812000	1	Washer, M10	
9	4812102	1	Washer, M12	
10	4832000	1	Washer, Lock 10	
11	4832100	1	Washer, Lock 12	
12	5220800	2	Nut, Ripp 8	
13	1001004723	3	Saddle	
14	1001008540	1	Plate	
15	1001008559	11	Strap, Cable	
16	1001192142	1	Switch, Disconnect	
17	1001167261	2	Rod	
18	1001121265	1	Cable, Battery, Negative to Isolator	
19	1001167212	1	Battery	
20	1001146588	3	Strap, Cable	
21	1001147793	1	Cable, Battery, Positive to Starter	
22	1001147794	1	Cable, Alternator to Starter	
23	1001147795	1	Cable, Glow Plug Power	
24	1001147796	1	Cable, Isolator to Frame	
25	1001147797	1	Cable, Frame to Engine	
26	1001147800	1	Harness, Cab Power (See CAB POWER HARNESS for Breakdown)	
27	1001167257	1	Bracket, Battery Clamp	
28	4831900	1	Washer, Lock 8	
29	0760810	1	Bolt, M8X20	

SECTION 10 - ELECTRICAL

FIGURE 10-6. CAB ELECTRICAL INSTALLATION (Prior to SN E160000141, Excluding E160000120, E160000126, 1160008774, 1160008775 and 1160008777)



ART_1001130199-R

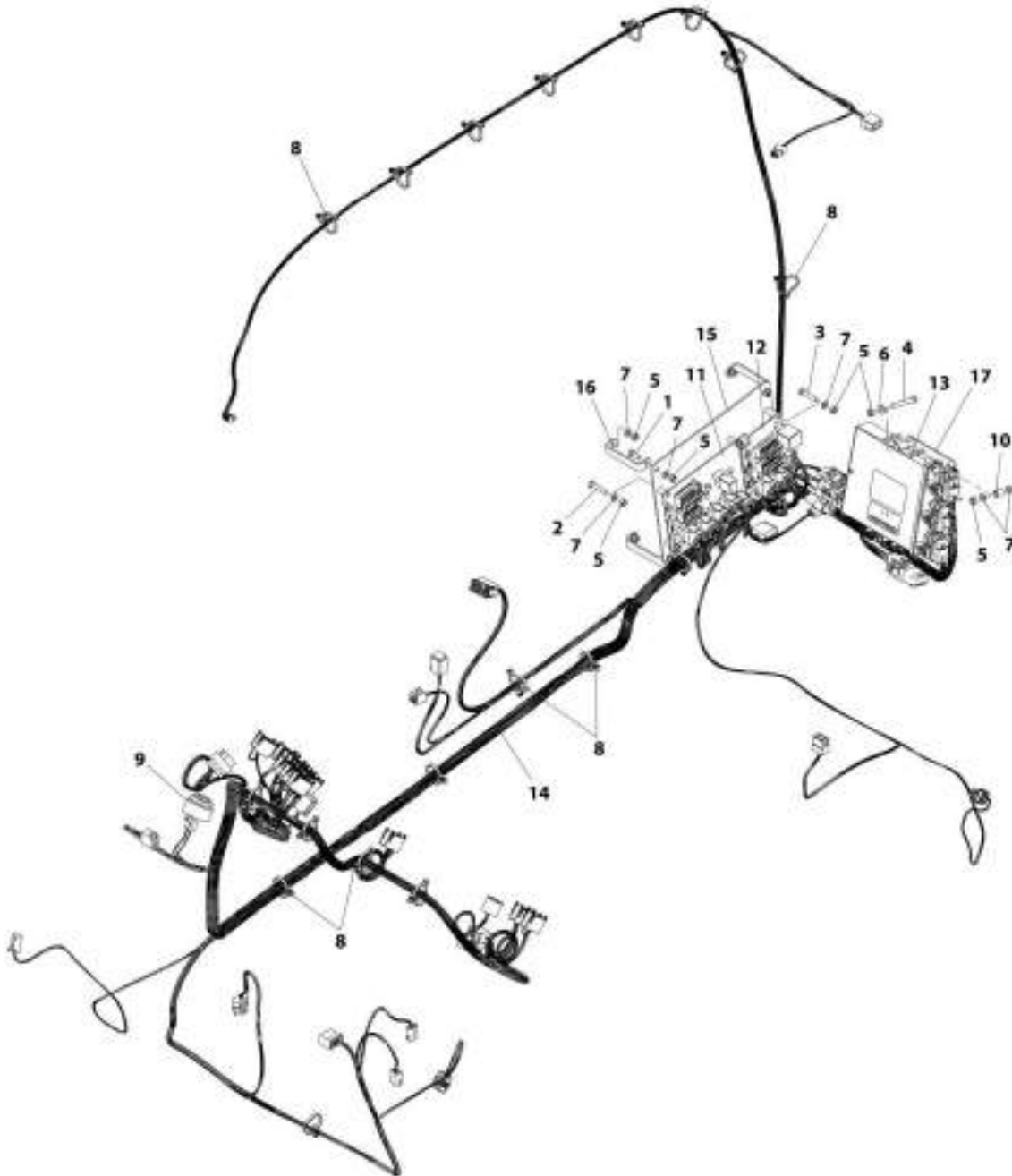
SECTION 10 - ELECTRICAL

FIGURE 10-6. CAB ELECTRICAL INSTALLATION (Prior to SN E160000141, Excluding E160000120, E160000126, 1160008774, 1160008775 and 1160008777)

ITEM	PART NUMBER	QTY	DESCRIPTION	REV
	1001138199	Ref	Cab Electrical Installation	R
1	3290605	6	Nut, Lock M6X1	
2	4031605	1	Bolt, M5X10	
3	4811600	1	Washer, M5	
4	4811700	6	Washer, M6	
5	4831600	1	Washer, Lock 5	
6	1001004720	19	Strap, Cable	
7	1001091751	1	Alarm, Buzzer	
9	1001143948	1	Harness, Cab (See CAB HARNESS for Breakdown) (Prior to SN 1160007232, Excluding 1160007172, 1160007176, 1160007198 and 1160007201)	
9	1001172542	1	Harness, Cab (See CAB HARNESS for Breakdown) (SN 1160007232 to Present, Including 1160007172, 1160007176, 1160007198 and 1160007201)	
10	1001146507	Ref	Assembly, PCB Electrical (See PCB ELECTRICAL ASSEMBLY for Breakdown)	
11	1001146681	1	Control, UGM (See UGM CONTROL for Breakdown)	
12	1001150278	2	Mount, Spacer M6X15	
15	4740563	2	Washer	

SECTION 10 - ELECTRICAL

FIGURE 10-7. CAB ELECTRICAL INSTALLATION (SN E160000141 to Present, Including E160000120, E160000126, 1160008774, 1160008775 and 1160008777)



ART_1001237801-6

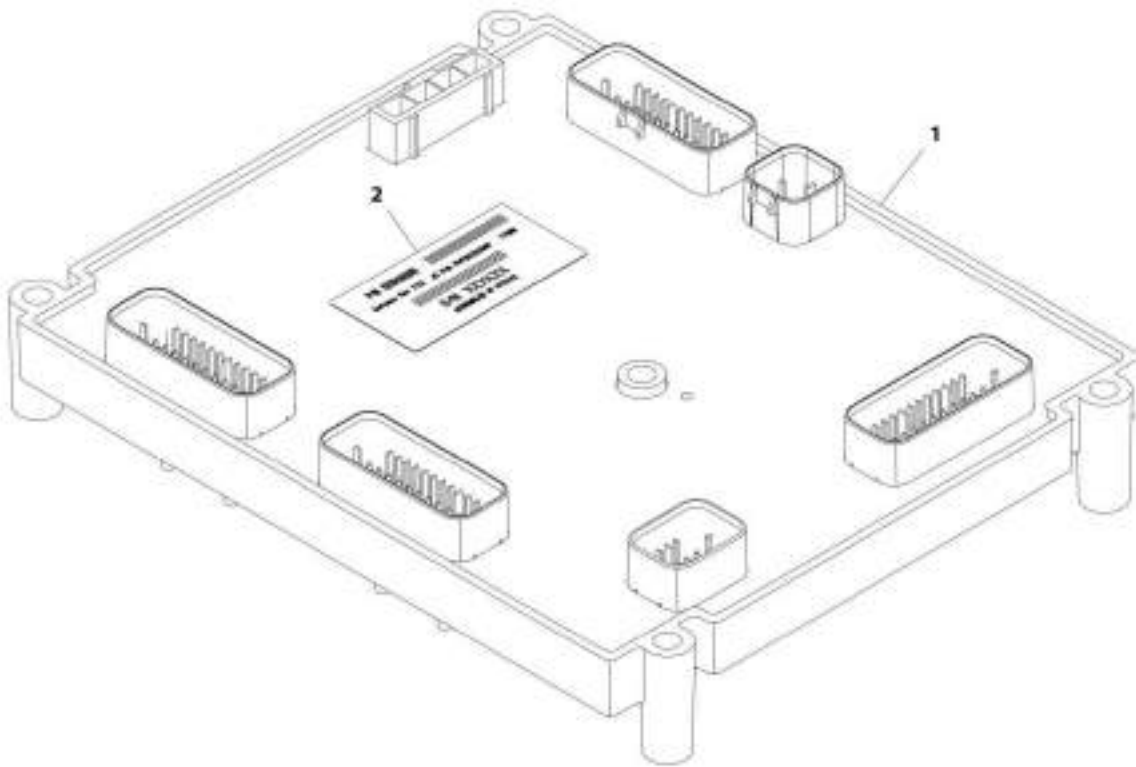
SECTION 10 - ELECTRICAL

FIGURE 10-7. CAB ELECTRICAL INSTALLATION (SN E160000141 to Present, Including E160000120, E160000126, 1160008774, 1160008775 and 1160008777)

ITEM	PART NUMBER	QTY	DESCRIPTION	REV
	1001237861	Ref	Cab Electrical Installation	A
1	0700608	4	Bolt, M6X16	
2	0700614	4	Bolt, M6X30	
3	0700616	2	Bolt, M6X40	
4	0760618	2	Bolt, M6X50	
5	3290605	18	Nut, Lock M6X1	
6	4740563	2	Washer	
7	4811700	18	Washer, M6	
8	1001004720	19	Strap, Cable	
9	1001091751	1	Alarm, Buzzer	
10	1001150278	1	Mount, Spacer M6X15	
11	1001161769	1	Assembly, Standard Board	
12	1001161770	1	Assembly, OPTI Board	
13	1001209578	1	Control, TMH Cab Module	
14	1001237509	1	Harness, Cab Roadrunner (See Separate Breakdown in this Section)	
15	1001237792	1	Plate	
16	1001237793	1	Plate	
17	1001237794	1	Plate	

SECTION 10 - ELECTRICAL

FIGURE 10-8. UGM CONTROL



ART_1001145501-M

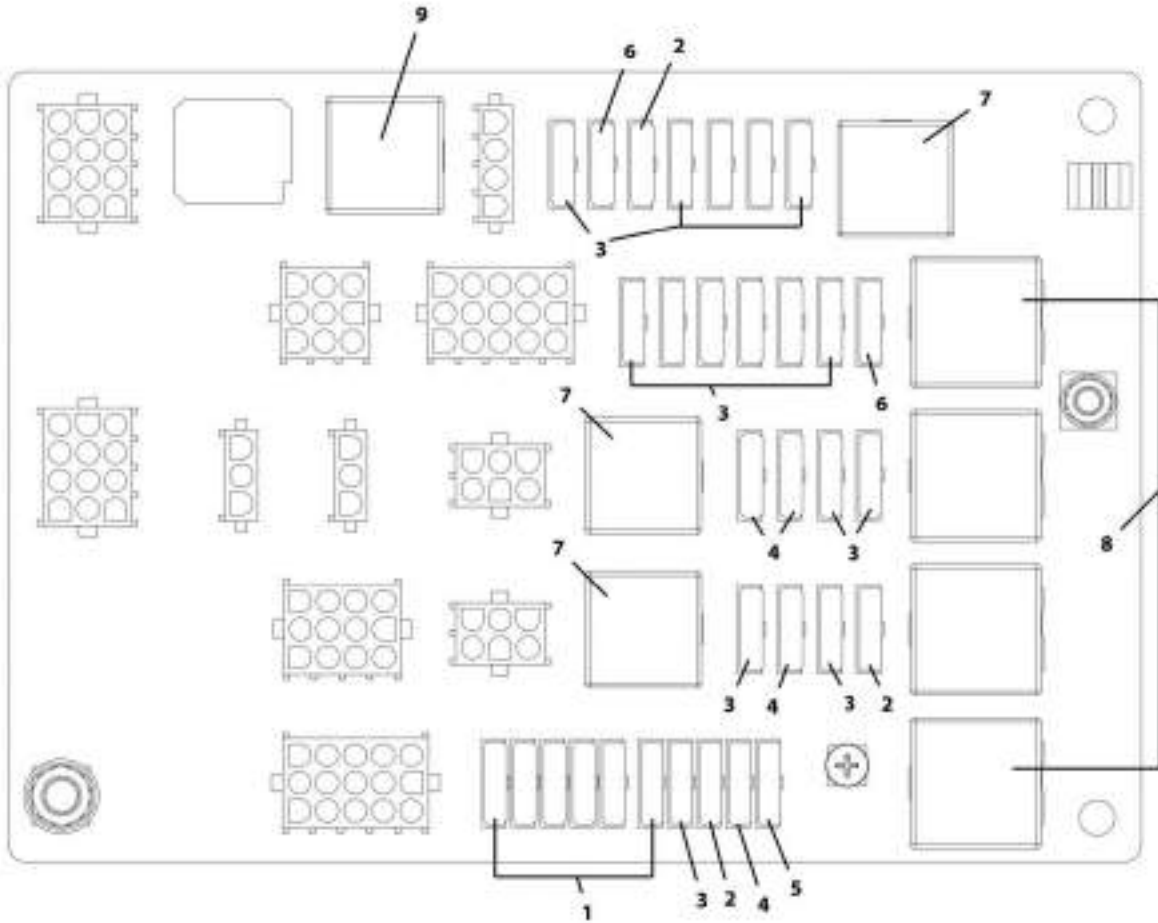
SECTION 10 - ELECTRICAL

FIGURE 10-8. UGM CONTROL

ITEM	PART NUMBER	QTY	DESCRIPTION	REV
	1001146681	Ref	UGM Control	M
1	1001146682	1	PC Board, UGM (See PC BOARD for Breakdown)	
2	1001147338	1	Decal, UGM	
3	1001147339	1	Software, UGM (not shown)	

SECTION 10 - ELECTRICAL

FIGURE 10-9. PCB ELECTRICAL ASSEMBLY



ART_1001146507-D

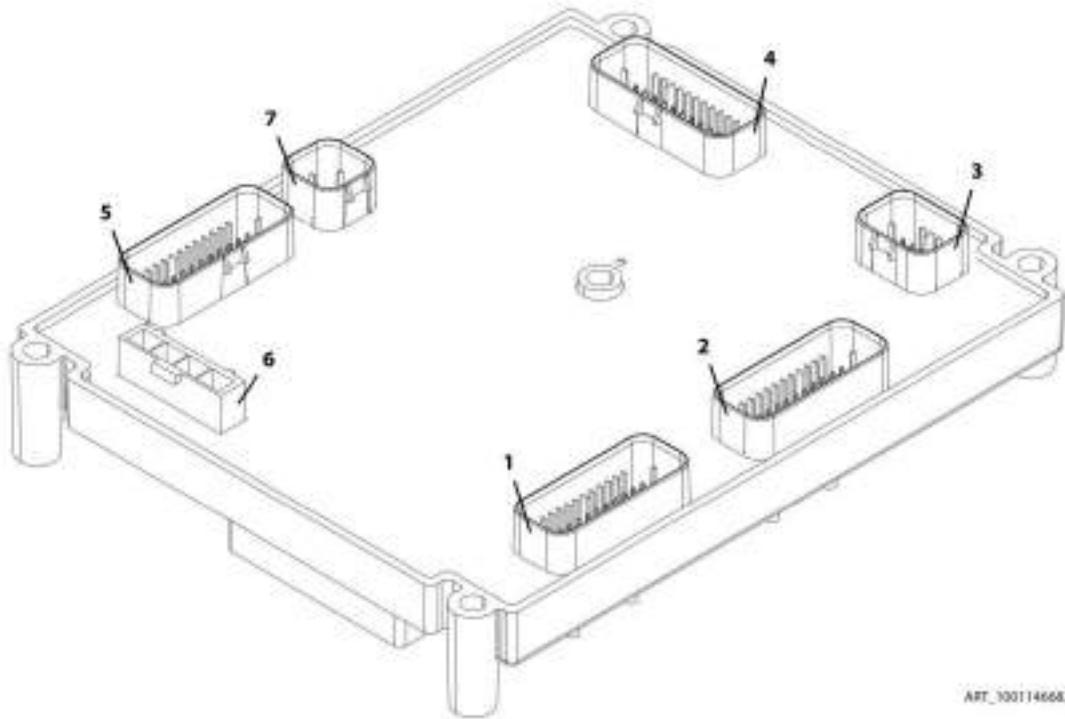
SECTION 10 - ELECTRICAL

FIGURE 10-9. PCB ELECTRICAL ASSEMBLY

ITEM	PART NUMBER	QTY	DESCRIPTION	REV
	1001146507	Ref	PCB Electrical Assembly	D
1	8229233	6	Fuse, ATO, 7.5 Amp	
2	8229234	3	Fuse, ATO, 10 Amp	
3	8229237	16	Fuse, ATO, 15 Amp	
4	8229235	4	Fuse, ATO, 20 Amp	
5	8229262	1	Fuse, ATO, 25 Amp	
6	8229236	2	Fuse, ATO, 30 Amp	
7	8225119	3	Relay, Mini	
8	1001175594	4	Relay, Maxi	
9	1001175595	1	Relay, Flasher	

SECTION 10 - ELECTRICAL

FIGURE 10-10. PC BOARD



ART_1001146682-C

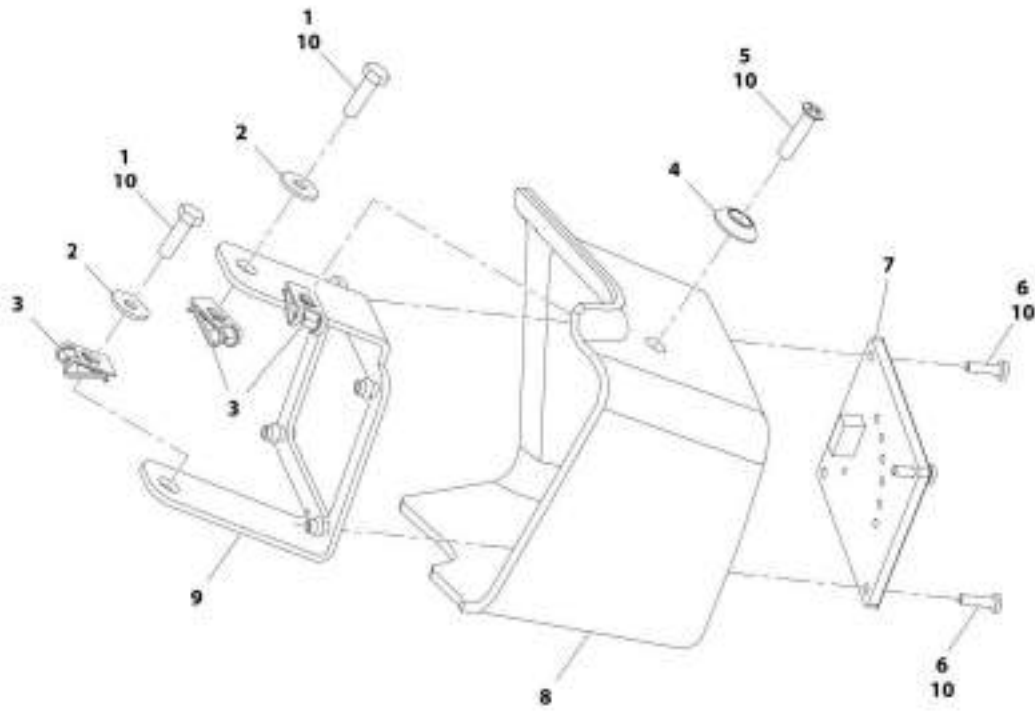
SECTION 10 - ELECTRICAL

FIGURE 10-10. PC BOARD

ITEM	PART NUMBER	QTY	DESCRIPTION	REV
	1001146682	Ref	PC Board	C
1	4460871	1	Contact	
	4460905	1	Plug	
2	4460871	1	Contact	
	4460905	1	Plug	
3	4460871	1	Contact	
	4460905	1	Plug	
4	4460871	1	Contact	
	4460905	1	Plug	
5	4460871	1	Contact	
	4460905	1	Plug	
6	4460887	1	Contact	
7	4460871	1	Contact	
	4460905	1	Plug	

SECTION 10 - ELECTRICAL

FIGURE 10-11. LSI INSTALLATION



APT_0001145807-1

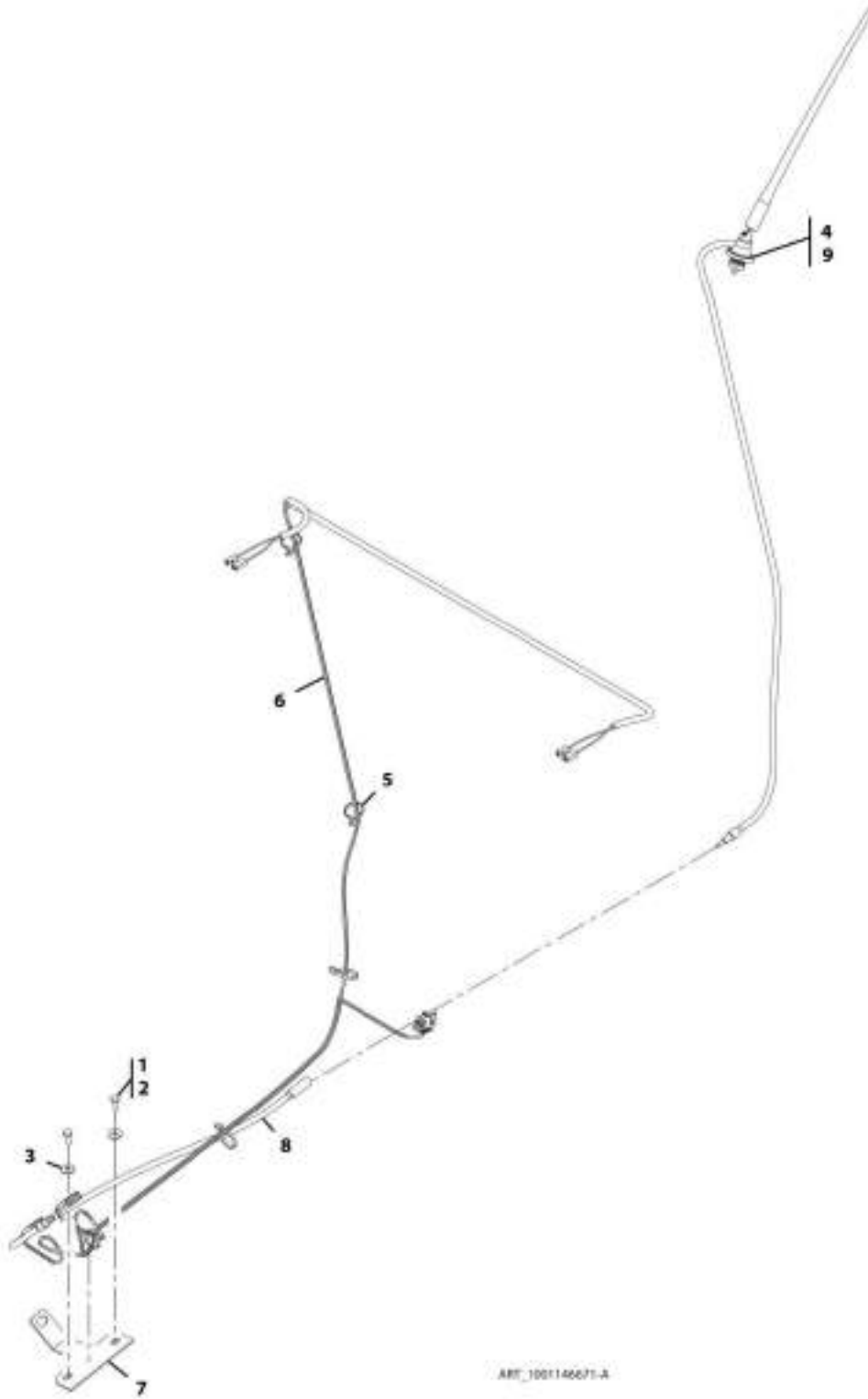
SECTION 10 - ELECTRICAL

FIGURE 10-11. LSI INSTALLATION

ITEM	PART NUMBER	QTY	DESCRIPTION	REV
	1001145867	Ref	LSI Installation	1
1	0760610	2	Bolt, M6X20	
2	4811702	2	Washer, M6	
3	8305919	3	Nut, Retainer M6X1	
4	1001098150	1	Washer, M6	
5	1001098151	1	Screw, M6X25	
6	1001126837	4	Screw, M4X16	
7	1001192979	1	LSI Display Electrical Assembly (Prior to SN E160000141, Excluding E160000120, E160000126, 1160008774, 1160008775 and 1160008777)	
	4460931	1	Connector	
	80604024	1	Lock, Wedge	
	4460464	1	Terminal	
7	1001243216	1	LSI Display Electrical Assembly (SN E160000141 to Present, Including E160000120, E160000126, 1160008774, 1160008775 and 1160008777)	
8	1001185733	1	Cover, LSI External	
9	1001145869	1	Bracket, LSI Display Support	
10	1001095650	AR	Compound, Locking	

SECTION 10 - ELECTRICAL

FIGURE 10-12. RADIO INSTALLATION



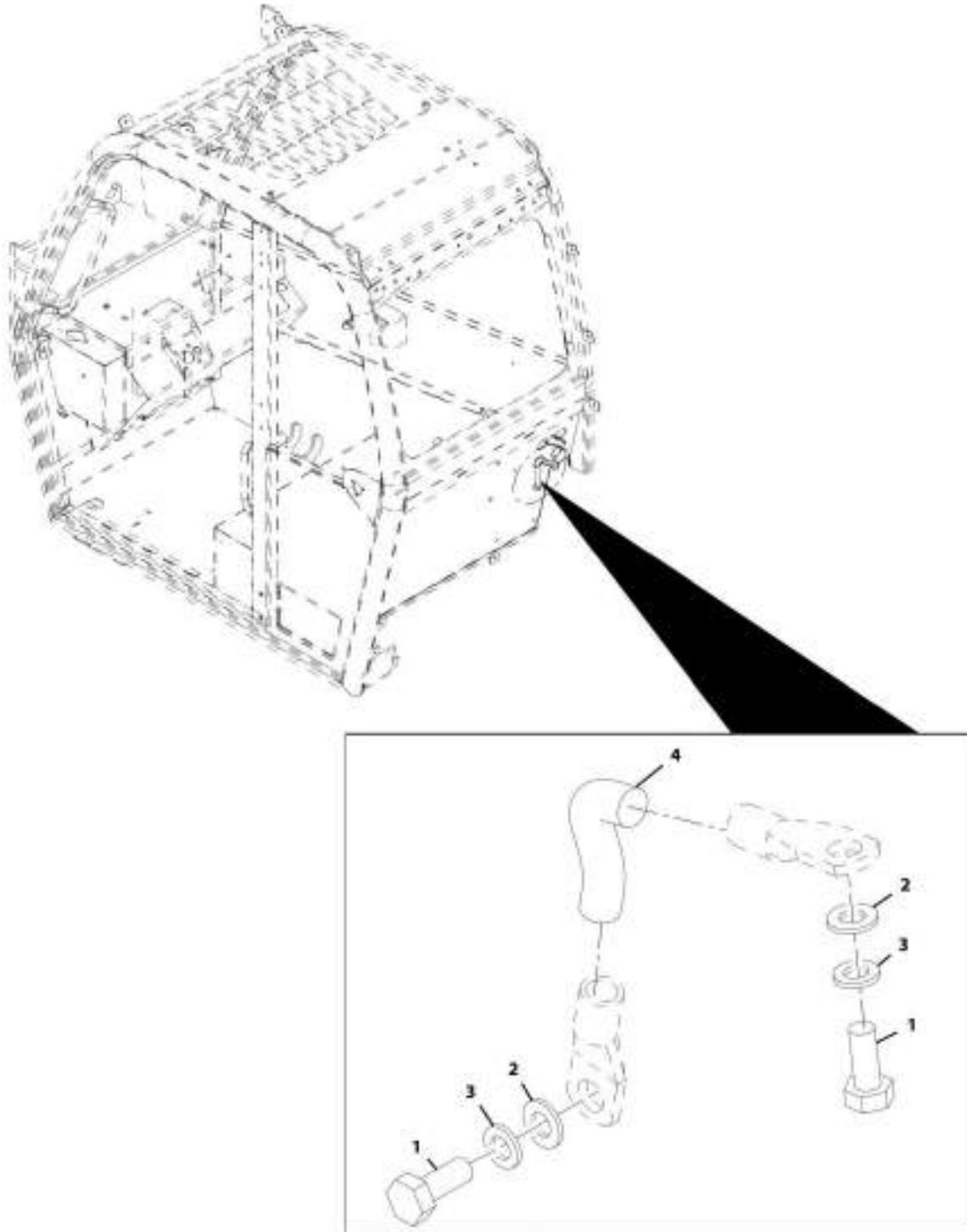
SECTION 10 - ELECTRICAL

FIGURE 10-12. RADIO INSTALLATION

ITEM	PART NUMBER	QTY	DESCRIPTION	REV
	1001146671	Ref	Radio Installation	A
1	1001095650	AR	Compound, Locking	
2	0760608	2	Bolt, M6X16	
3	4811702	2	Washer, M6	
4	8005901	1	Antenna	
5	1001008559	5	Strap, Cable	
6	1001146672	1	Harness, Radio (See RADIO HARNESS for Breakdown)	
7	1001148596	1	Plate, Support	
8	1001152010	1	Cable, Antenna	
9	1001116128	AR	Sealant, Polysiloxane	

SECTION 10 - ELECTRICAL

FIGURE 10-13. CAB EARTH INSTALLATION



XRT_1001100403-B

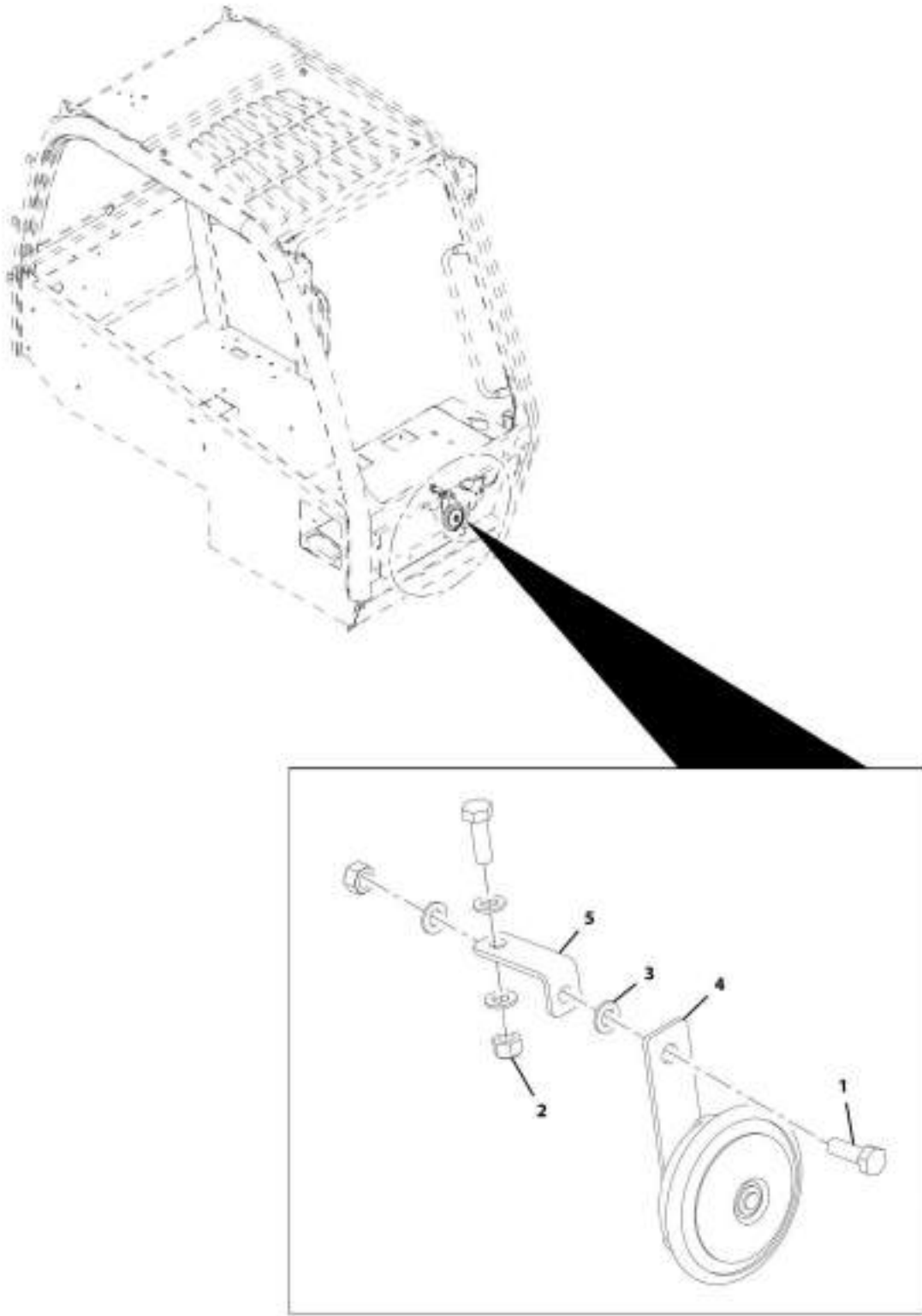
SECTION 10 - ELECTRICAL

FIGURE 10-13. CAB EARTH INSTALLATION

ITEM	PART NUMBER	QTY	DESCRIPTION	REV
	1001150453	Ref	Cab Earth Installation	B
1	0761012	2	Bolt, M10X25	
2	4812000	2	Washer, M10	
3	4832000	2	Washer, Lock 10	
4	1001009038	1	Cable, Cab Earth	

SECTION 10 - ELECTRICAL

FIGURE 10-14. HORN INSTALLATION



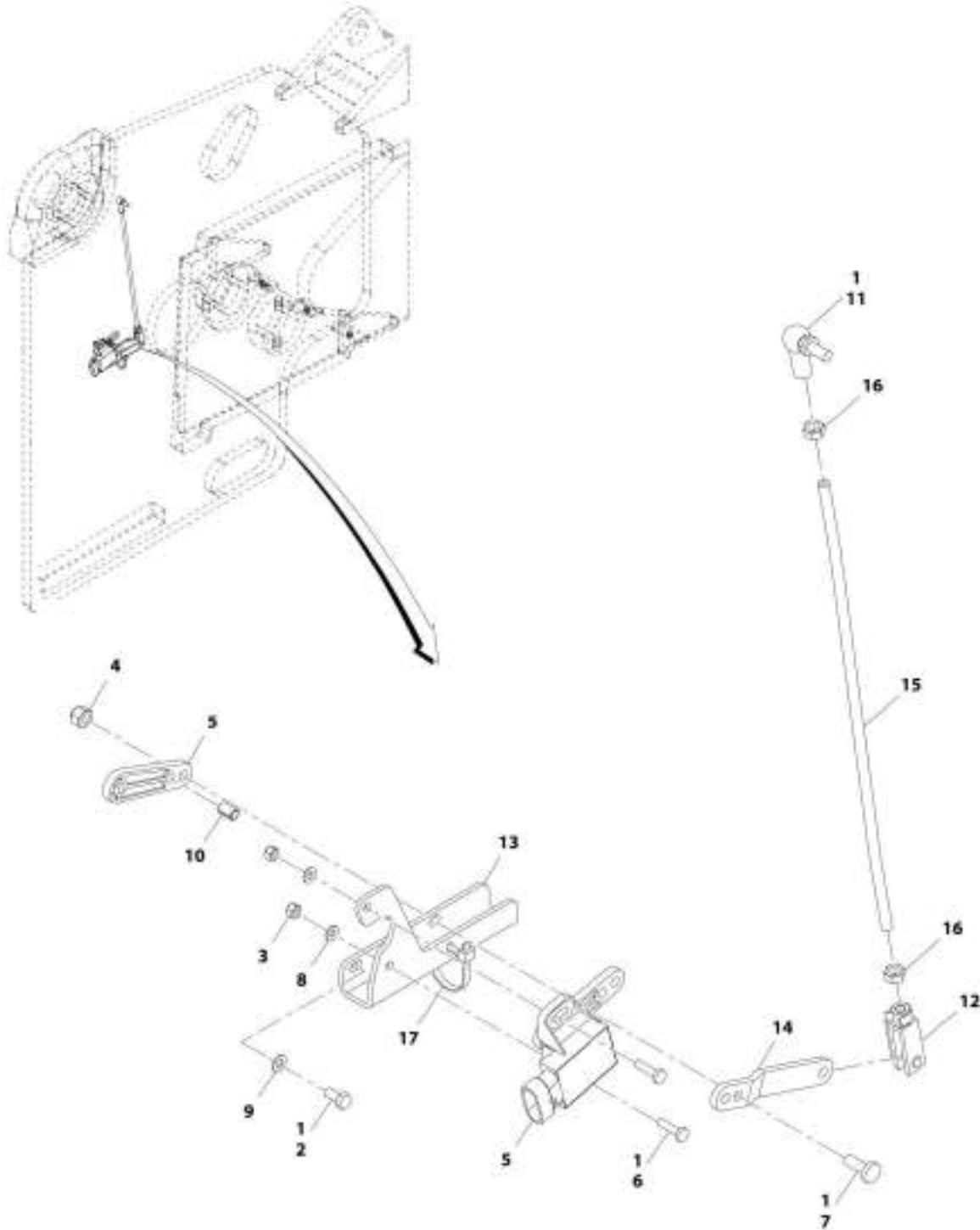
SECTION 10 - ELECTRICAL

FIGURE 10-14. HORN INSTALLATION

ITEM	PART NUMBER	QTY	DESCRIPTION	REV
	1001157519	Ref	Horn Installation	A
1	0760812	2	Bolt, M8X25	
2	3290805	2	Nut, Lock M8X1.25	
3	4811900	4	Washer, M8	
4	1001003596	1	Horn	
5	1001104437	1	Bracket, Horn Mount	

SECTION 10 - ELECTRICAL

FIGURE 10-15. BOOM ANGLE SENSOR INSTALLATION - 3614RS (Prior to SN 1160007423, Including 1160007354, 1160007357 and 1160007359)



ART_1001149700-F

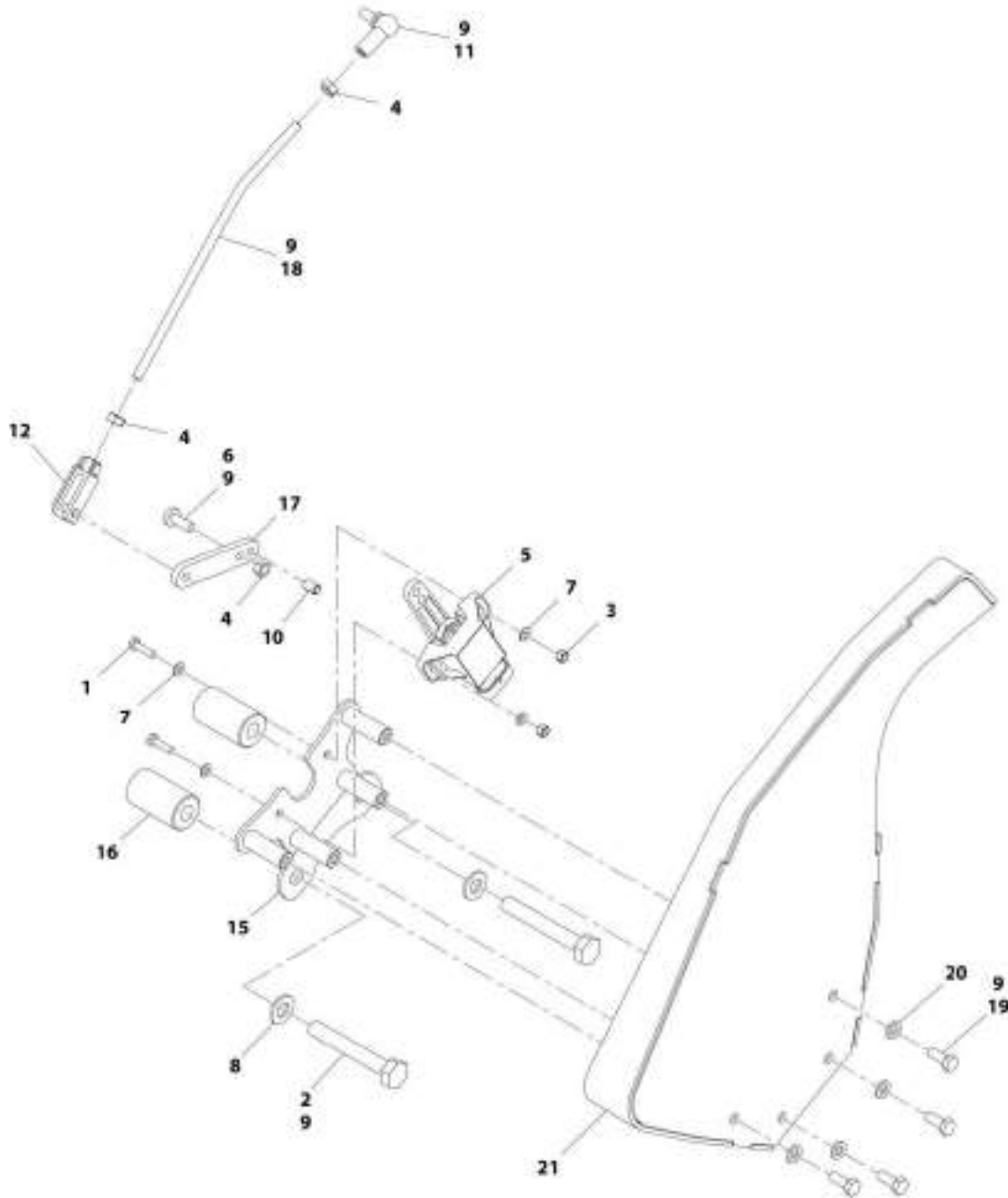
SECTION 10 - ELECTRICAL

FIGURE 10-15. BOOM ANGLE SENSOR INSTALLATION - 3614RS (Prior to SN 1160007423, Including 1160007354, 1160007357 and 1160007359)

ITEM	PART NUMBER	QTY	DESCRIPTION	REV
	1001149708	Ref	Boom Angle Sensor Installation - 3614RS (Prior to SN 1160007423, Including 1160007354, 1160007357 and 1160007359)	F
1	1001095650	AR	Compound, Locking	
2	0760505	2	Bolt, M5X10	
3	3290405	2	Nut, Lock M4X0.7	
4	3290605	1	Nut, Lock M6X1	
5	4000015	1	Sensor, Angle	
6	4010408	2	Screw, M4X16	
7	4010608	1	Screw, M6X16	
8	4811400	2	Washer, M4	
9	4811600	2	Washer, M5	
10	1001103156	1	Pin, Roll M6.4X10	
11	1001103300	1	Ball Joint, M6X25	
12	1001134274	1	Clevis	
13	1001172019	1	Bracket, Angle Sensor	
14	1001172482	1	Bracket, Angle Sensor Arm	
15	1001172483	1	Rod, Angle Sensor Actuator	
16	3290601	2	Nut, M6X1	
17	1001008559	1	Strap, Cable	

SECTION 10 - ELECTRICAL

FIGURE 10-16. BOOM ANGLE SENSOR INSTALLATION - 3614RS (SN 1160007423 to Present, Excluding 1160007354, 1160007357 and 1160007459)



AWT_1001170285-B

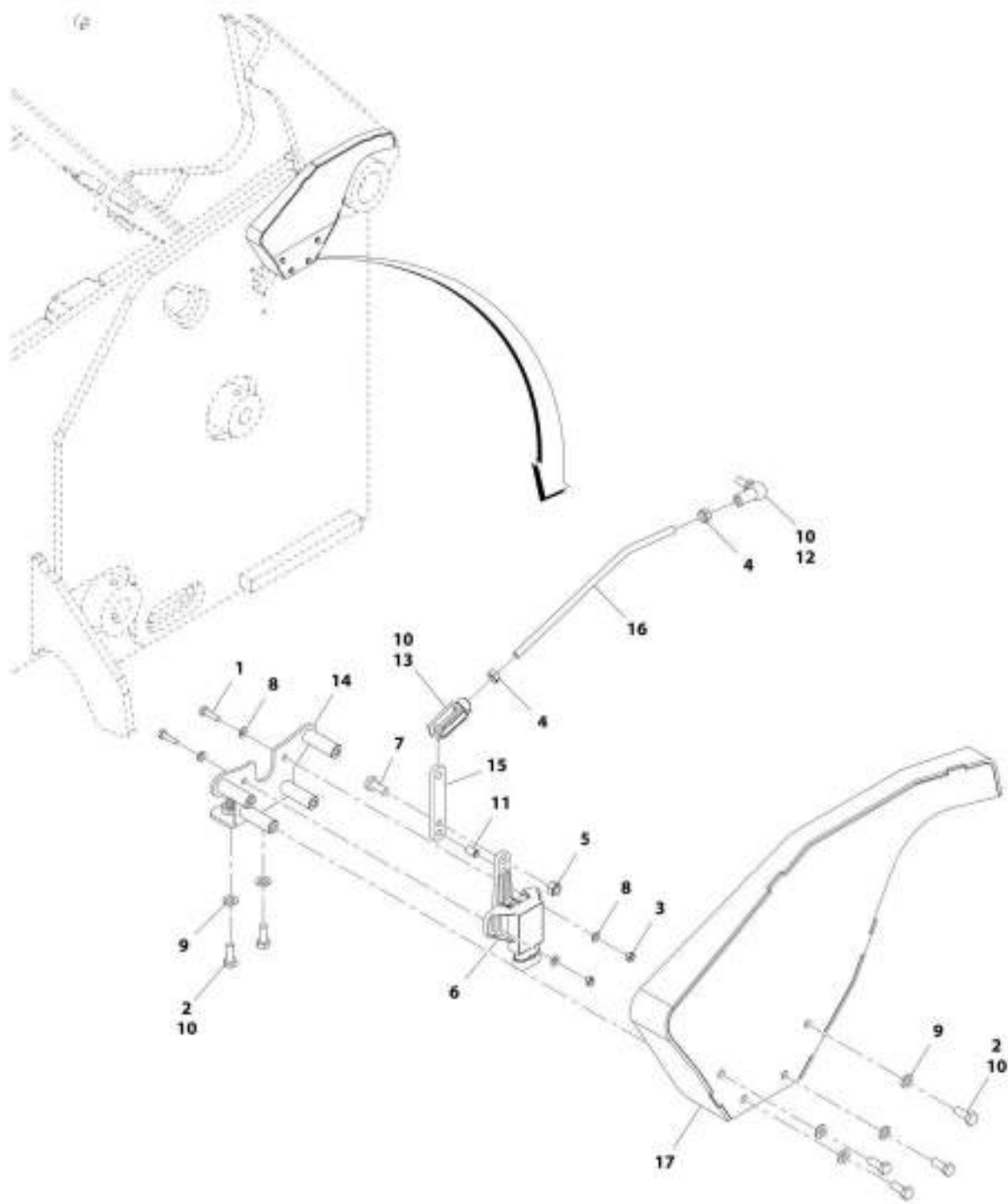
SECTION 10 - ELECTRICAL

**FIGURE 10-16. BOOM ANGLE SENSOR INSTALLATION - 3614RS (SN 1160007423 to Present,
Excluding 1160007354, 1160007357 and 1160007459)**

ITEM	PART NUMBER	QTY	DESCRIPTION	REV
	1001178265	Ref	Boom Angle Sensor Installation - 3614RS (SN 1160007423 to Present, Excluding 1160007354, 1160007357 and 1160007459)	B
1	0700408	2	Bolt, M4X16	
2	0701022	2	Bolt, M10X70	
3	3290405	2	Nut, Lock M4X0.7	
4	3290601	3	Nut, M6X1	
5	4000015	1	Sensor, Angle	
6	4010608	1	Screw, M6X16	
7	4811400	4	Washer, M4	
8	4812000	2	Washer, M10	
9	1001095650	AR	Compound, Locking	
10	1001103156	1	Pin, Roll M6.4X10	
11	1001103300	1	Ball Joint, M6X25	
12	1001134274	1	Clevis	
15	1001182321	1	Bracket, Angle Sensor	
16	1001166513	2	Shim, Boom Angle Sensor	
17	1001172744	1	Plate, Angle Sensor	
18	1001178522	1	Rod, Boom Angle Sensor	
19	0760608	4	Bolt, M6X16	
20	4811700	4	Washer, M6	
21	1001182185	1	Shield, Angle sensor	

SECTION 10 - ELECTRICAL

FIGURE 10-17. BOOM ANGLE SENSOR INSTALLATION, (WITH FOLDING LIGHTS) - 3614RS



ART_3001178716-B

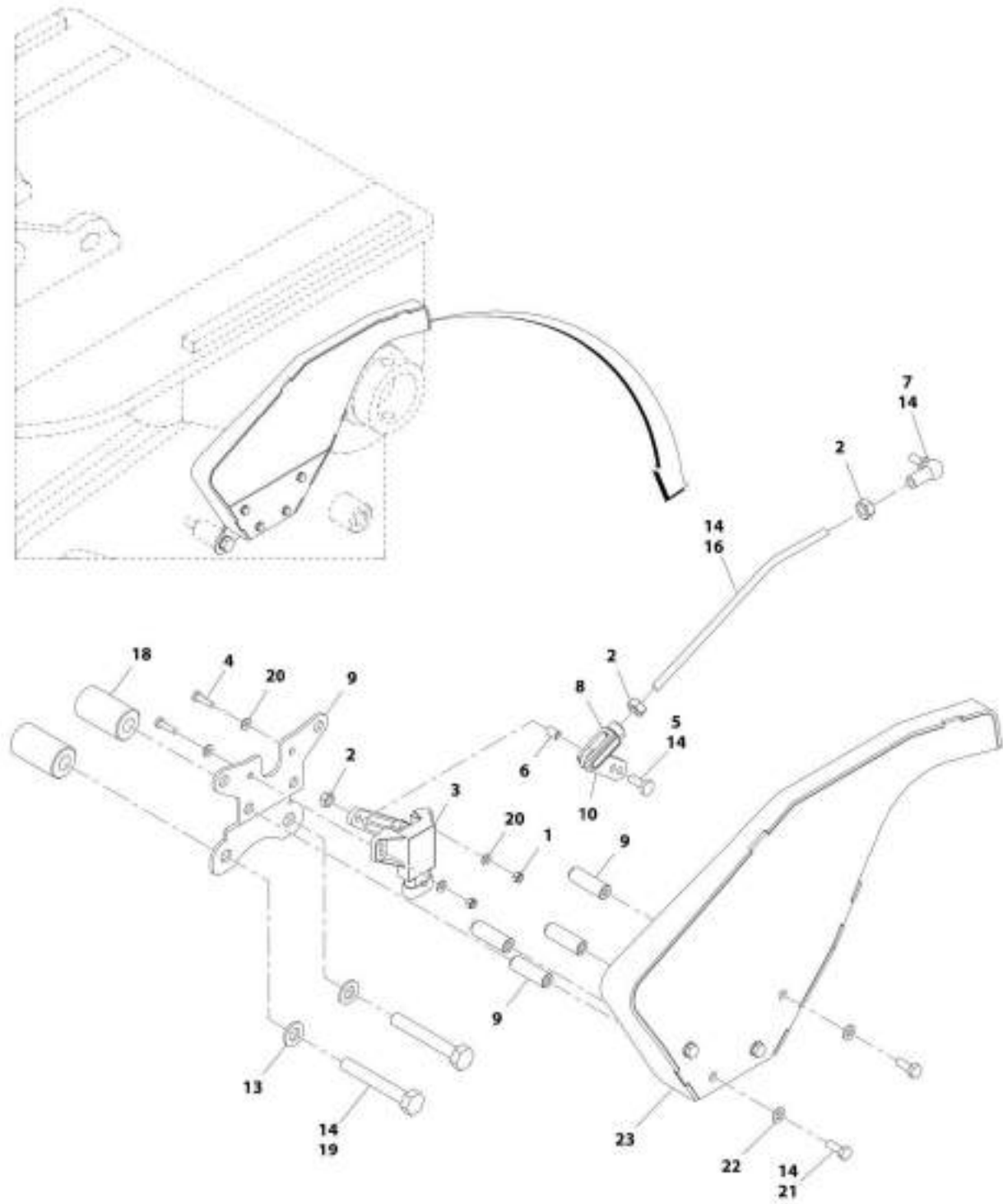
SECTION 10 - ELECTRICAL

FIGURE 10-17. BOOM ANGLE SENSOR INSTALLATION, (WITH FOLDING LIGHTS) - 3614RS

ITEM	PART NUMBER	QTY	DESCRIPTION	REV
	1001178716	Ref	Boom Angle Sensor Installation, (with Folding Lights) - 3614RS (if equipped)	B
1	0700408	2	Bolt, M4X16	
2	0760608	6	Bolt, M6X16	
3	3290405	2	Nut, Lock M4X0.7	
4	3290601	2	Nut, M6X1	
5	3290605	1	Nut, Lock M6X1	
6	4000015	1	Sensor, Angle	
7	4010608	1	Screw, M6X16	
8	4811400	4	Washer, M4	
9	4811700	6	Washer, M6	
10	1001095650	AR	Compound, Locking	
11	1001103156	1	Pin, Roll M6.4X10	
12	1001103300	1	Ball Joint, M6X25	
13	1001134274	1	Clevis	
14	1001182466	1	Bracket, Angle Sensor	
15	1001172744	1	Plate, Extension, Angle Sensor	
16	1001178522	1	Rod, Boom Angle Sensor	
17	1001182185	1	Shield, Angle Sensor	

SECTION 10 - ELECTRICAL

FIGURE 10-18. BOOM ANGLE SENSOR INSTALLATION - 4017RS



ARL1001348599-H

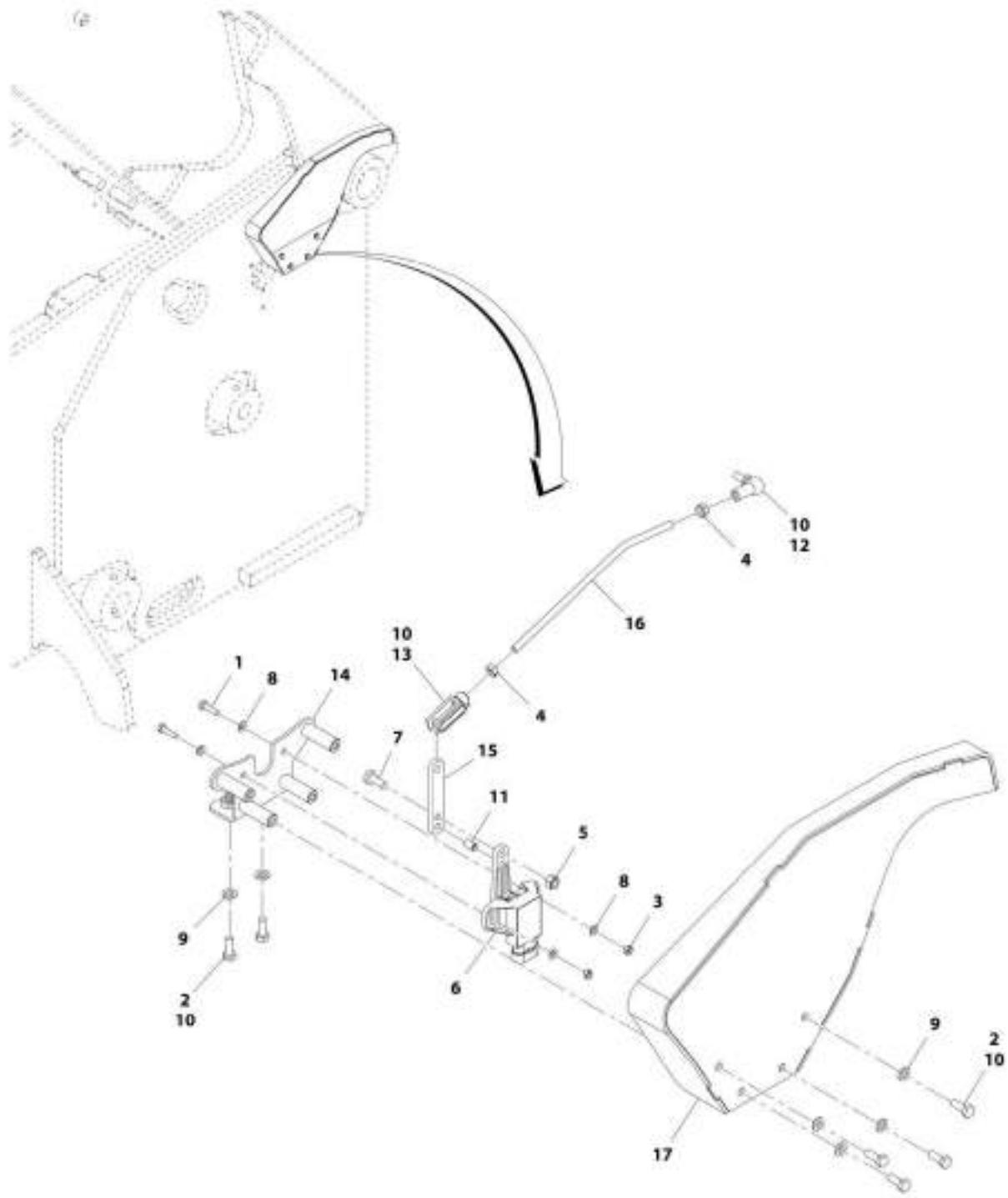
SECTION 10 - ELECTRICAL

FIGURE 10-18. BOOM ANGLE SENSOR INSTALLATION - 4017RS

ITEM	PART NUMBER	QTY	DESCRIPTION	REV
	1001148599	Ref	Boom Angle Sensor Installation - 4017RS (if equipped)	H
1	3290405	2	Nut, Lock M4X0.7	
2	3290601	3	Nut, M6X1	
3	4000015	1	Sensor, Angle	
4	0700408	2	Screw, M4X16	
5	4010608	1	Screw, M6X16	
6	1001103156	1	Pin, Roll M6.4X10	
7	1001103300	1	Ball Joint, M6X25	
8	1001134274	1	Clevis	
9	1001182321	1	Bracket, Boom Angle Sensor	
10	1001172744	1	Link, Boom Angle Sensor	
13	4812000	2	Washer, M10	
14	1001095650	AR	Compound, Locking	
16	1001178522	1	Rod, Boom Angle Sensor	
18	1001166513	2	Shim, Boom Angle Sensor	
19	0701022	2	Bolt, M10X70	
20	4811400	4	Washer, M4	
21	0760608	4	Bolt, M6X16	
22	4811700	4	Washer, M6	
23	1001182336	1	Shield, Angle Sensor	

SECTION 10 - ELECTRICAL

FIGURE 10-19. BOOM ANGLE SENSOR INSTALLATION, (WITH FOLDING LIGHTS) - 4017RS



ART_100117017-0

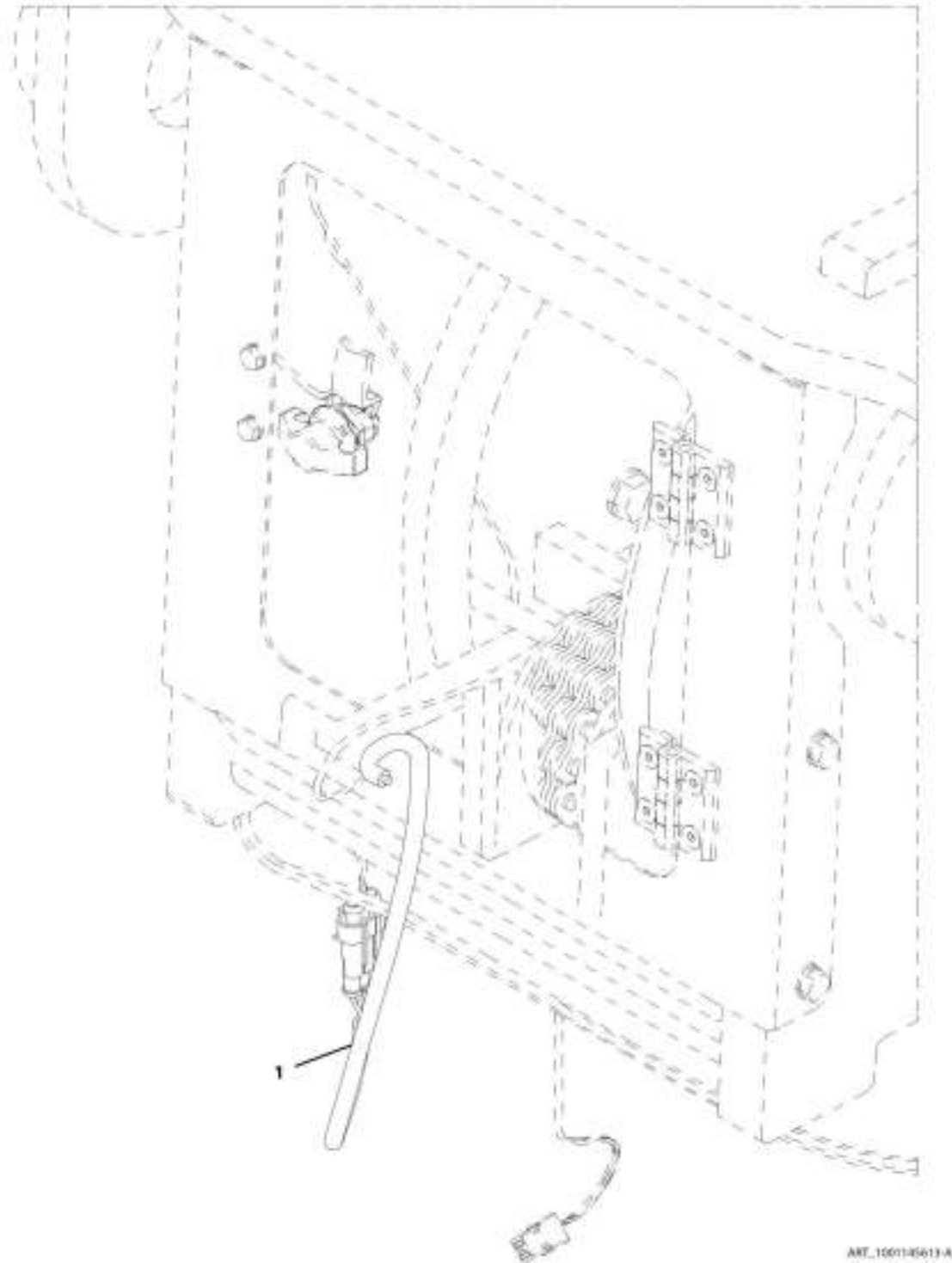
SECTION 10 - ELECTRICAL

FIGURE 10-19. BOOM ANGLE SENSOR INSTALLATION, (WITH FOLDING LIGHTS) - 4017RS

ITEM	PART NUMBER	QTY	DESCRIPTION	REV
	1001178717	Ref	Boom Angle Sensor Installation, (with Folding Lights) - 4017RS (if equipped)	B
1	0700408	2	Bolt, M4X16	
2	0760608	6	Bolt, M6X16	
3	3290405	2	Nut, Lock M4X0.7	
4	3290601	2	Nut, M6X1	
5	3290605	1	Nut, Lock M6X1	
6	4000015	1	Sensor, Angle	
7	4010608	1	Screw, M6X16	
8	4811400	4	Washer, M4	
9	4811700	6	Washer, M6	
10	1001095650	AR	Compound, Locking	
11	1001103156	1	Pin, Roll M6.4X10	
12	1001103300	1	Ball Joint, M6X25	
13	1001134274	1	Clevis	
14	1001182466	1	Bracket, Angle Sensor	
15	1001172744	1	Plate, Extension, Angle Sensor	
16	1001178522	1	Rod, Boom Angle Sensor	
17	1001182336	1	Shield, Angle Sensor	

SECTION 10 - ELECTRICAL

FIGURE 10-20. BOOM RETRACT SENSOR INSTALLATION - 3614RS



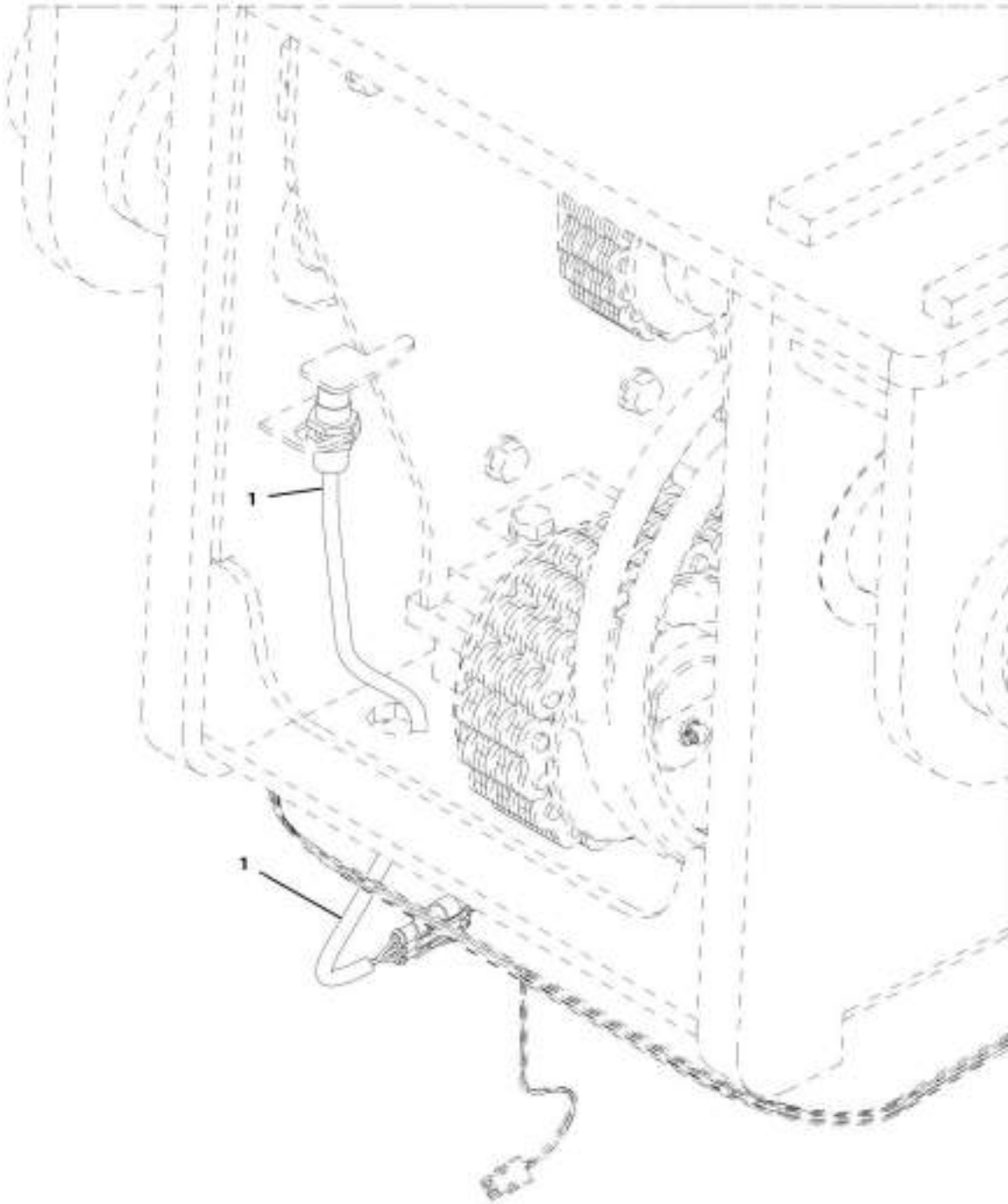
SECTION 10 - ELECTRICAL

FIGURE 10-20. BOOM RETRACT SENSOR INSTALLATION - 3614RS

ITEM	PART NUMBER	QTY	DESCRIPTION	REV
1	1001145613 4000017	Ref 1	Boom Retract Sensor Installation - 3614RS Switch, Proximity	A

SECTION 10 - ELECTRICAL

FIGURE 10-21. BOOM RETRACT SENSOR INSTALLATION - 4017RS



ART_100114800-A

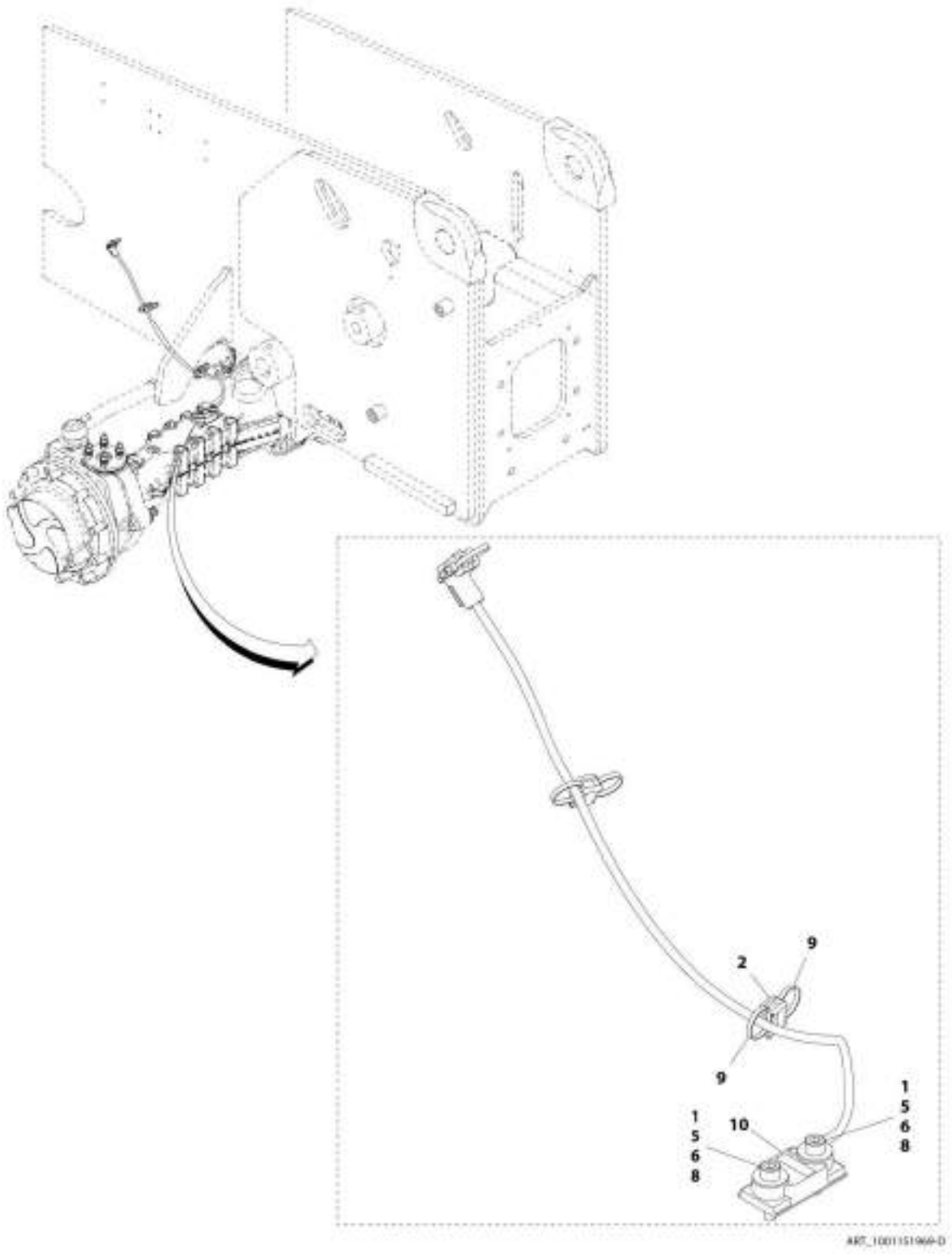
SECTION 10 - ELECTRICAL

FIGURE 10-21. BOOM RETRACT SENSOR INSTALLATION - 4017RS

ITEM	PART NUMBER	QTY	DESCRIPTION	REV
1	1001148600 4000017	Ref 1	Boom Retract Sensor Installation - 4017RS Switch, Proximity	A

SECTION 10 - ELECTRICAL

FIGURE 10-22. LSI SENSOR INSTALLATION



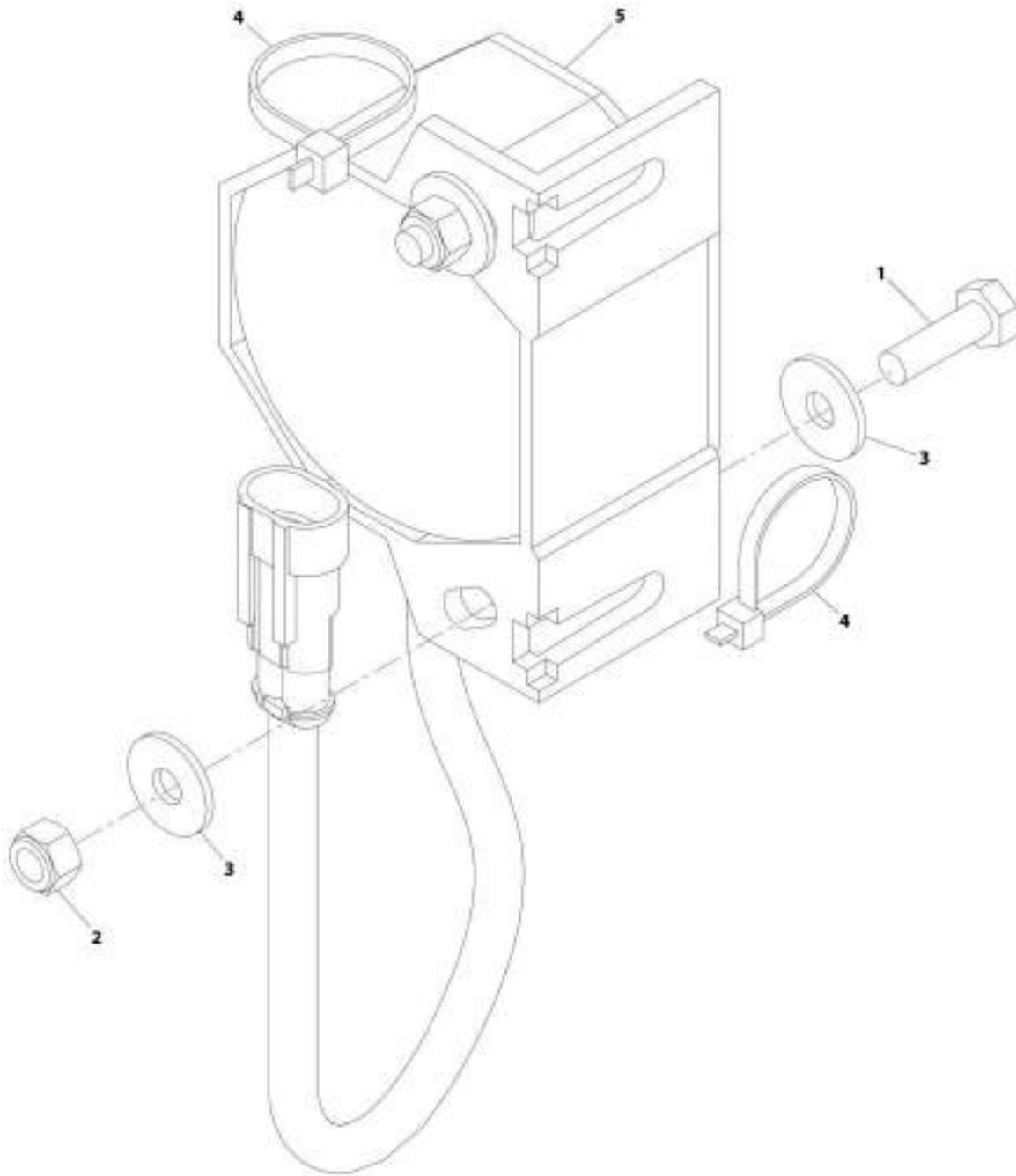
SECTION 10 - ELECTRICAL

FIGURE 10-22. LSI SENSOR INSTALLATION

ITEM	PART NUMBER	QTY	DESCRIPTION	REV
	1001151969	Ref	LSI Sensor Installation	D
1	5272012	2	Bolt, M10X40	
2	1001004723	3	Saddle	
5	1001116128	AR	Sealant, Polysiloxane	
6	1001125465	AR	Compound, Locking	
8	1001129425	AR	Compound, Locking	
9	1001008559	6	Strap, Cable	
10	1001160730	1	Sensor, Rear Axle LSI	

SECTION 10 - ELECTRICAL

FIGURE 10-23. BACK-UP ALARM INSTALLATION (Prior to SN 01160007442)



ART_100155813-D

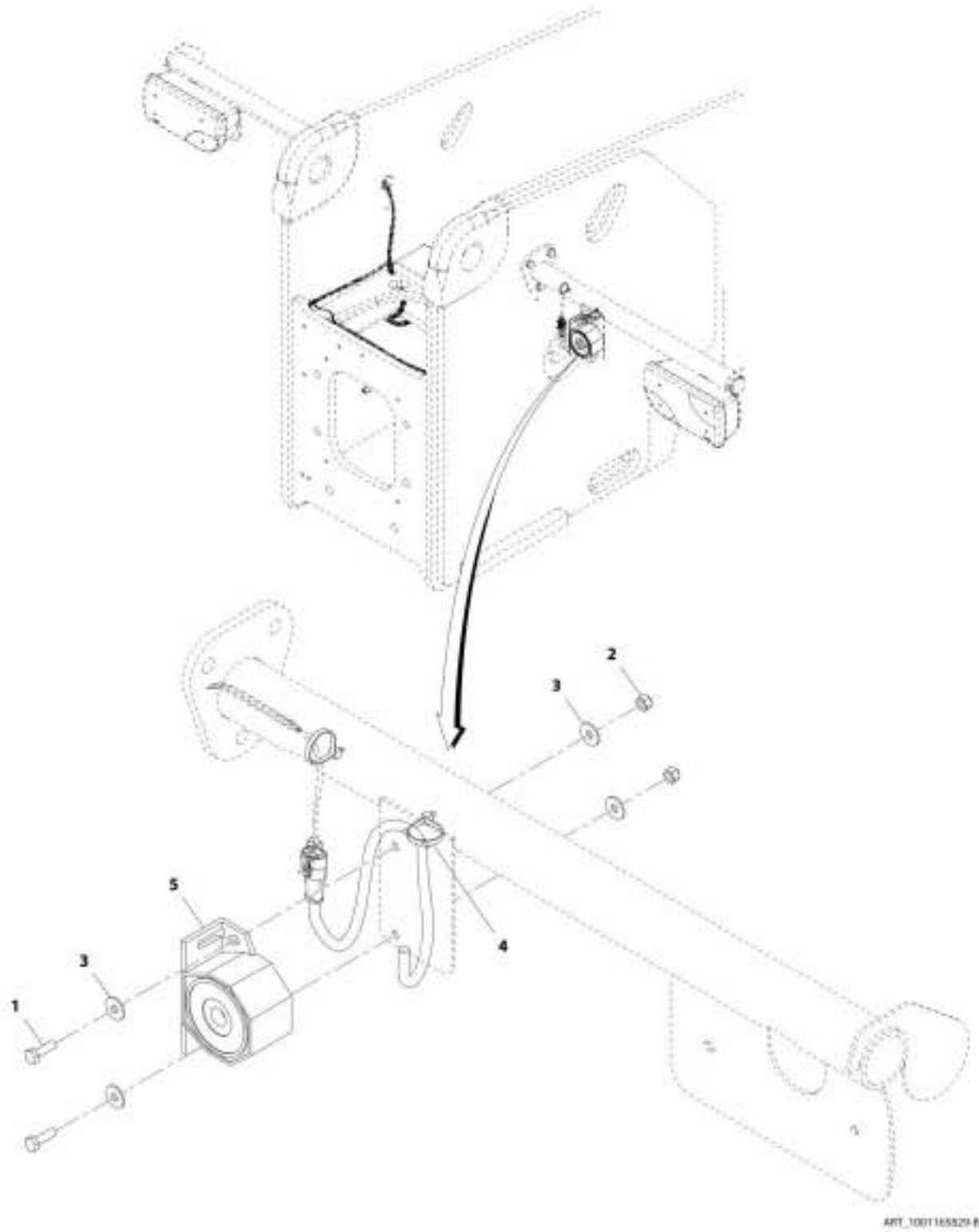
SECTION 10 - ELECTRICAL

FIGURE 10-23. BACK-UP ALARM INSTALLATION (Prior to SN 01160007442)

ITEM	PART NUMBER	QTY	DESCRIPTION	REV
	1001155812	1	Back-Up Alarm Installation (Prior to SN 01160007442)	D
1	0760610	2	Bolt, M6X20	
2	3290605	2	Nut, Lock M6X1	
3	4811702	4	Washer, M6	
4	1001008559	2	Strap, Cable	
5	1001101808	1	Alarm, Back-Up	

SECTION 10 - ELECTRICAL

FIGURE 10-24. BACK-UP ALARM INSTALLATION (WHITE NOISE)



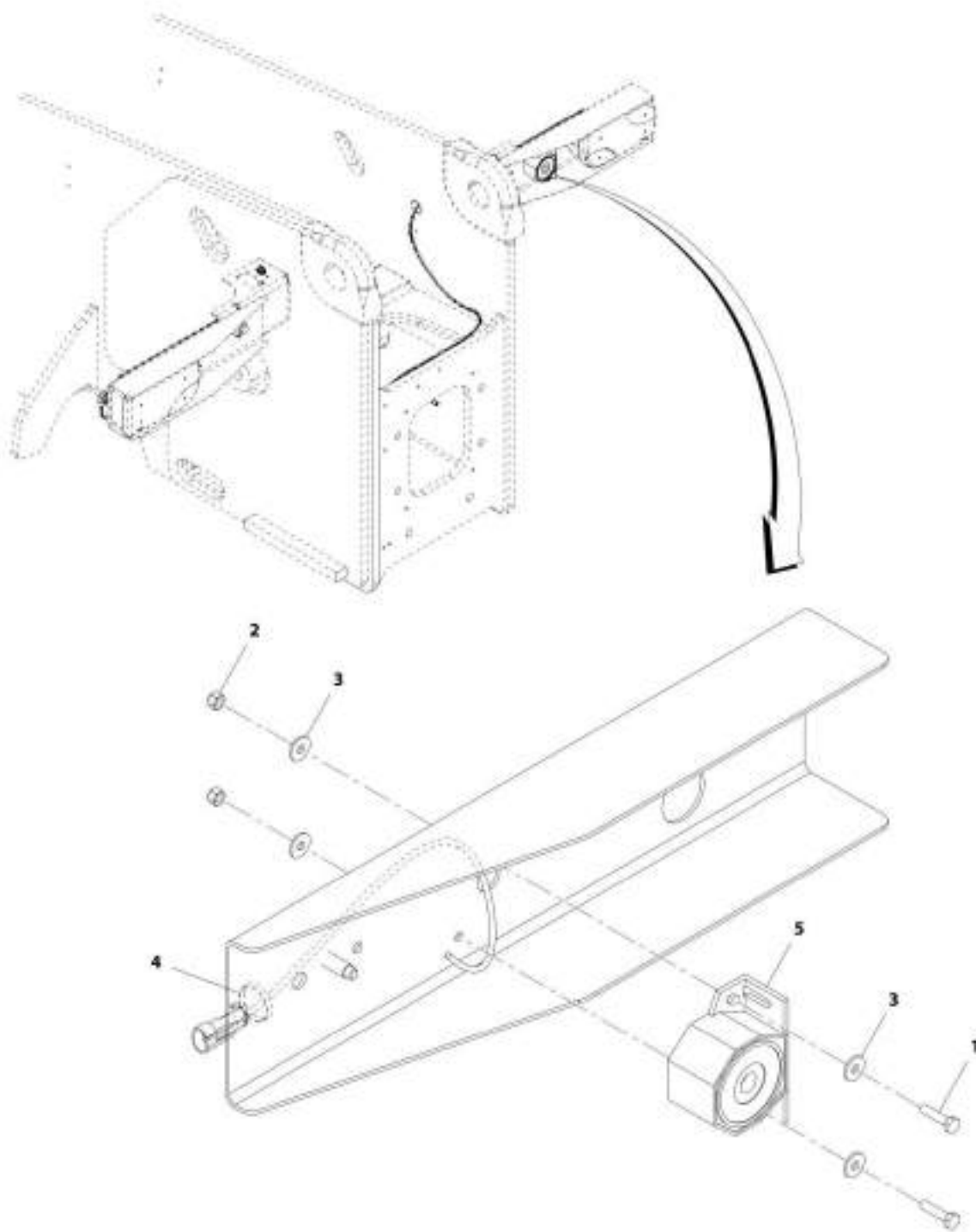
SECTION 10 - ELECTRICAL

FIGURE 10-24. BACK-UP ALARM INSTALLATION (WHITE NOISE)

ITEM	PART NUMBER	QTY	DESCRIPTION	REV
	1001165829	Ref	Back-up Alarm Installation (White Noise) (If equipped)	B
1	0760610	2	Bolt, M6X20	
2	3290605	2	Nut, Lock M6X1	
3	4811702	4	Washer, M6	
4	1001008559	2	Strap, Cable	
5	1001165827	1	Alarm, Reverse White Nose	

SECTION 10 - ELECTRICAL

FIGURE 10-25. BACK-UP ALARM INSTALLATION (FOLDING LIGHTS)



AWT_1001138739-6

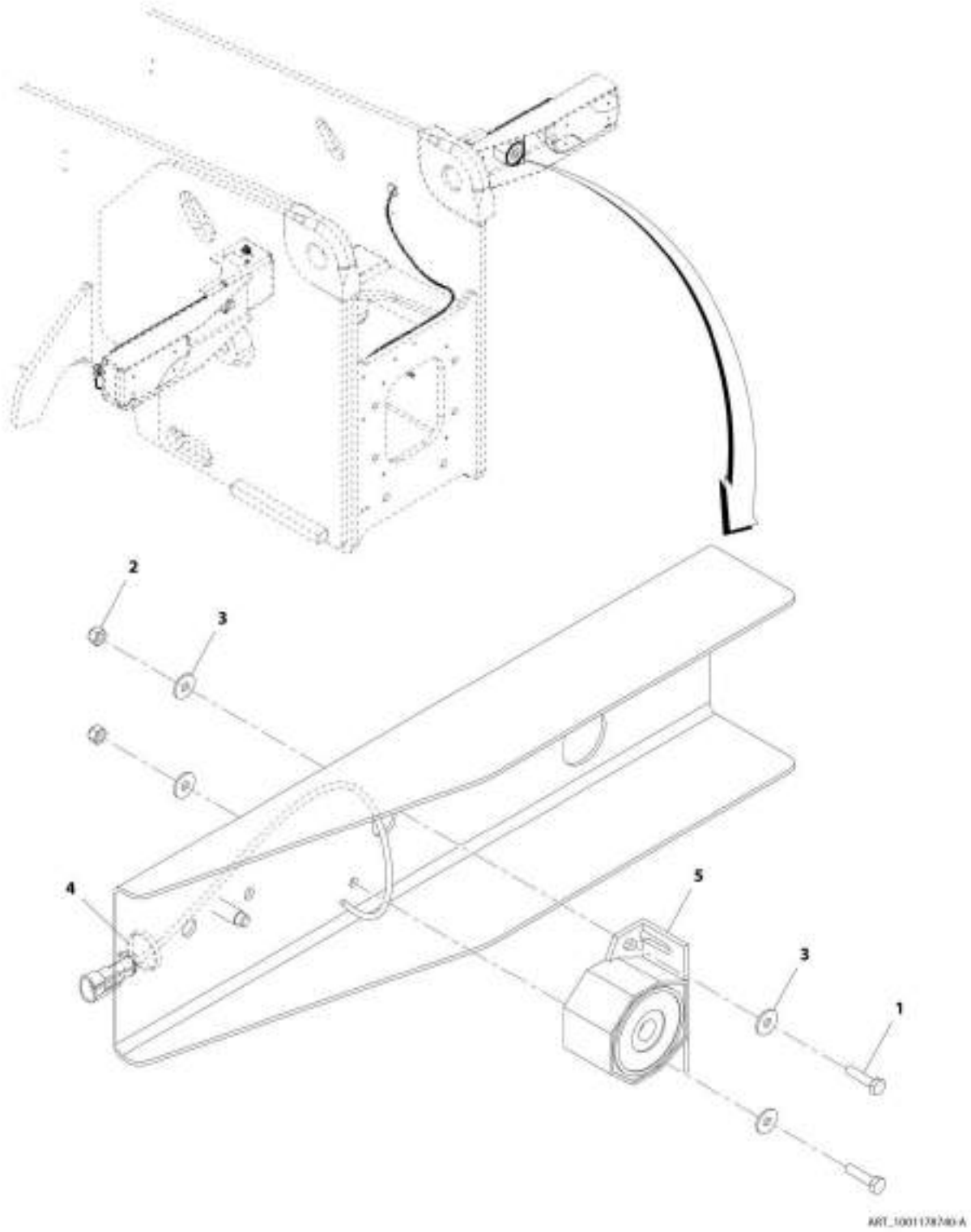
SECTION 10 - ELECTRICAL

FIGURE 10-25. BACK-UP ALARM INSTALLATION (FOLDING LIGHTS)

ITEM	PART NUMBER	QTY	DESCRIPTION	REV
	1001178739	Ref	Back-Up Alarm Installation (Folding Lights) (If equipped)	B
1	0760612	2	Bolt, M6X25	
2	3290605	2	Nut, Lock M6X1	
3	4811702	4	Washer, M6	
4	1001008559	1	Strap, Cable	
5	1001101808	1	Alarm, Reverse	

SECTION 10 - ELECTRICAL

FIGURE 10-26. BACK-UP ALARM INSTALLATION (FOLDING LIGHTS AND WHITE NOISE)



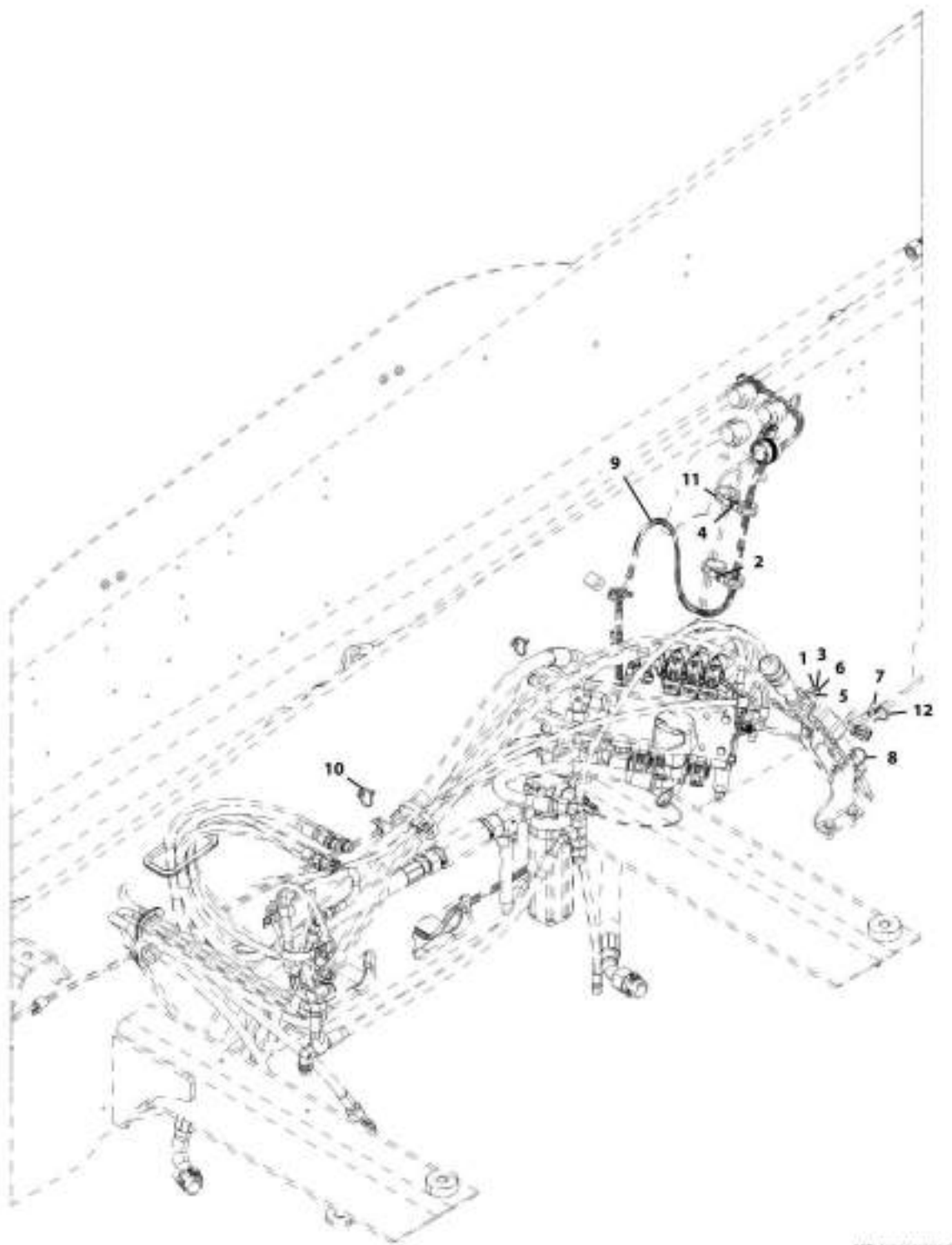
SECTION 10 - ELECTRICAL

FIGURE 10-26. BACK-UP ALARM INSTALLATION (FOLDING LIGHTS AND WHITE NOISE)

ITEM	PART NUMBER	QTY	DESCRIPTION	REV
	1001178740	Ref	Back-Up Alarm Installation, (Folding Lights and White Noise) (If equipped)	A
1	0760612	2	Bolt, M6X25	
2	3290605	2	Nut, Lock M6X1	
3	4811702	4	Washer, M6	
4	1001008559	1	Strap, Cable	
5	1001165827	1	Alarm, Reverse, White Noise	

SECTION 10 - ELECTRICAL

FIGURE 10-27. CHASSIS HARNESS INSTALLATION - 3614RS (Prior to SN E160000141, Excluding E160000120, E160000126, 1160008774, 1160008775 and 1160008777)



ART. 1001140306-C

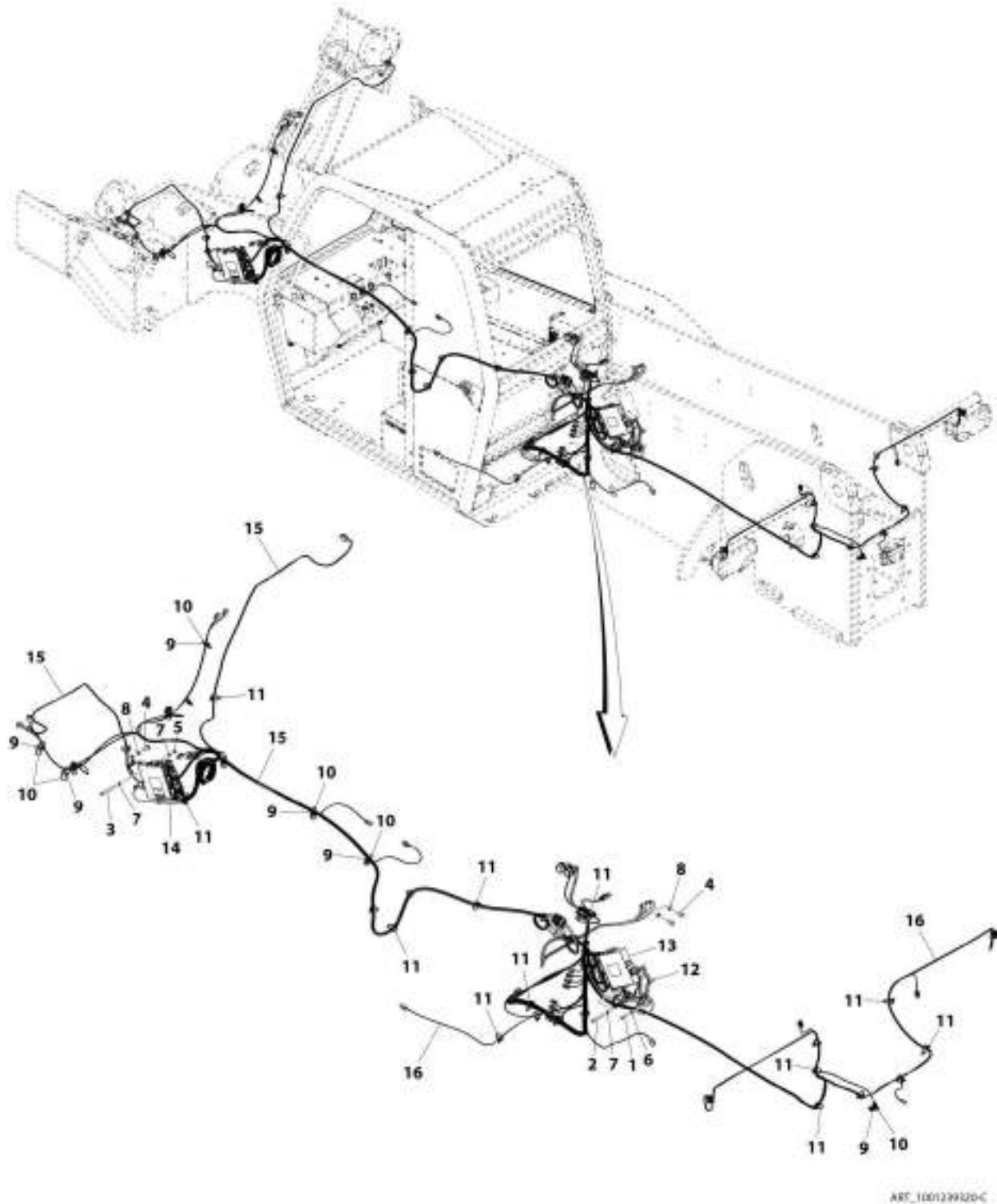
SECTION 10 - ELECTRICAL

FIGURE 10-27. CHASSIS HARNESS INSTALLATION - 3614RS (Prior to SN E160000141, Excluding E160000120, E160000126, 1160008774, 1160008775 and 1160008777)

ITEM	PART NUMBER	QTY	DESCRIPTION	REV
	1001146586	Ref	Chassis Harness Installation - 3614RS	C
1	0760608	2	Bolt, M6X16	
2	3290605	2	Nut, Lock M6X1	
3	4811700	2	Washer, M6	
4	4811702	2	Washer, M6	
5	4831700	2	Washer, Lock 6	
6	1001003044	2	Clip	
7	1001004723	3	Saddle	
8	1001008559	6	Strap, Cable	
9	1001146585	1	Harness, Chassis (See CHASSIS HARNESS for Breakdown)	
10	1001146588	19	Strap, Cable	
11	1001162849	2	Clip	
12	1001008559	1	Strap, Cable	

SECTION 10 - ELECTRICAL

FIGURE 10-28. CHASSIS HARNESS INSTALLATION - 3614RS (SN E160000141 to Present, Including E160000120, E160000126, 1160008774, 1160008775 and 1160008777)



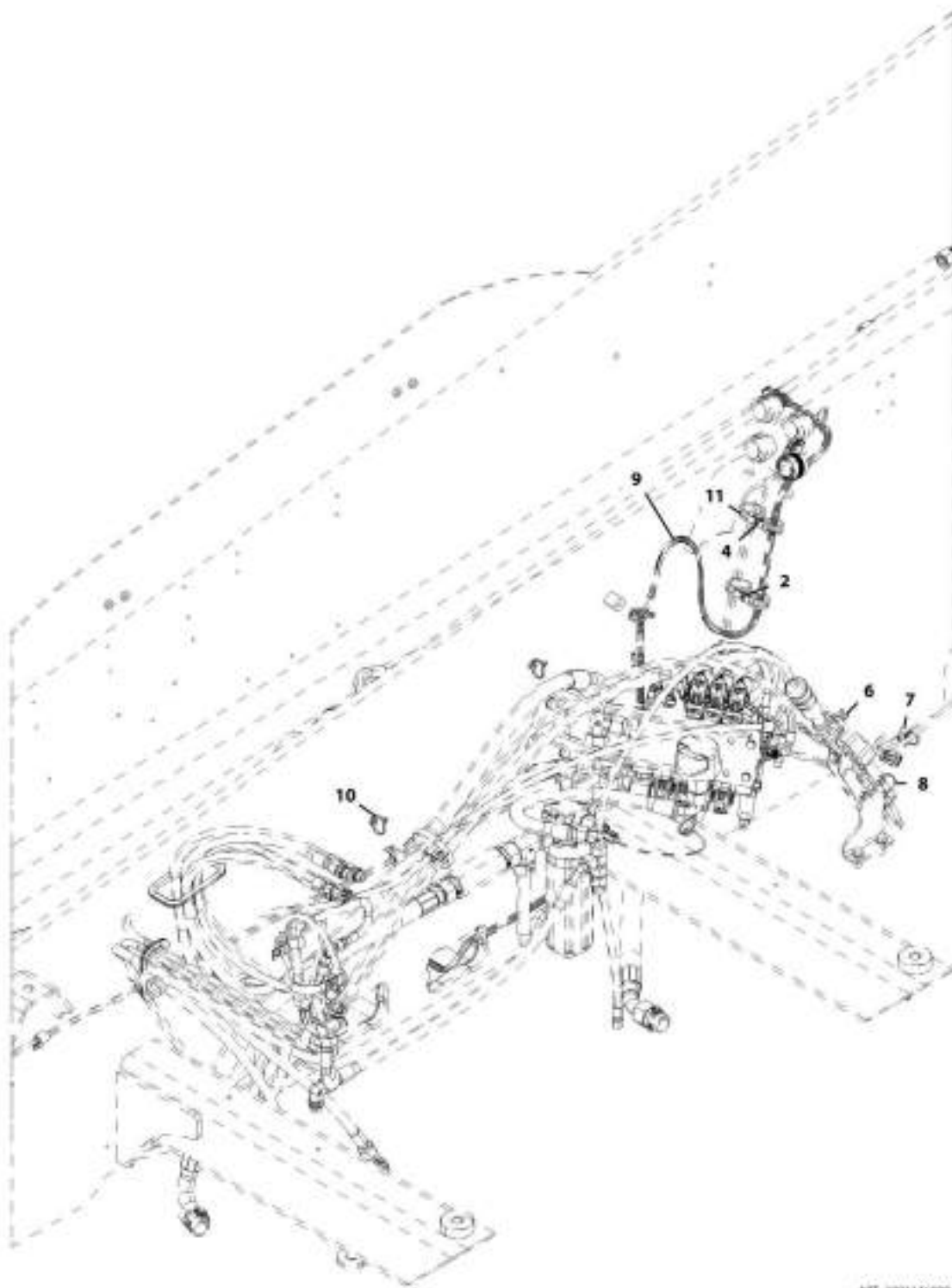
SECTION 10 - ELECTRICAL

FIGURE 10-28. CHASSIS HARNESS INSTALLATION - 3614RS (SN E160000141 to Present, Including E160000120, E160000126, 1160008774, 1160008775 and 1160008777)

ITEM	PART NUMBER	QTY	DESCRIPTION	REV
	1001239320	Ref	Chassis Harness Installation - 3614RS	C
1	0700614	4	Bolt, M6X30	
2	0700819	2	Bolt, M8X55	
3	0700822	2	Bolt, M8X70	
4	0761012	3	Bolt, M10X25	
5	3290801	2	Bolt, M8X1.25	
6	4811702	4	Washer, M6	
7	4811900	6	Washer, M8	
8	4812000	3	Washer, M10	
9	1001004723	3	Saddle	
10	1001008559	6	Strap, Cable	
11	1001146588	19	Strap, Cable	
12	1001164402	1	Power Dist Box	
13	1001209576	1	Rear Frame Module (See Separate Breakdown in this Section)	
14	1001209577	1	Front Frame Module (See Separate Breakdown in this Section)	
15	1001237510	1	Harness, Front Frame RR (See Separate Breakdown in this Section)	
16	1001238729	1	Harness, Rear Frame RR (See Separate Breakdown in this Section)	

SECTION 10 - ELECTRICAL

FIGURE 10-29. CHASSIS HARNESS INSTALLATION - 4017RS (Prior to SN SN E160000141, Excluding E160000120, E160000126, 1160008774, 1160008775 and 1160008777)



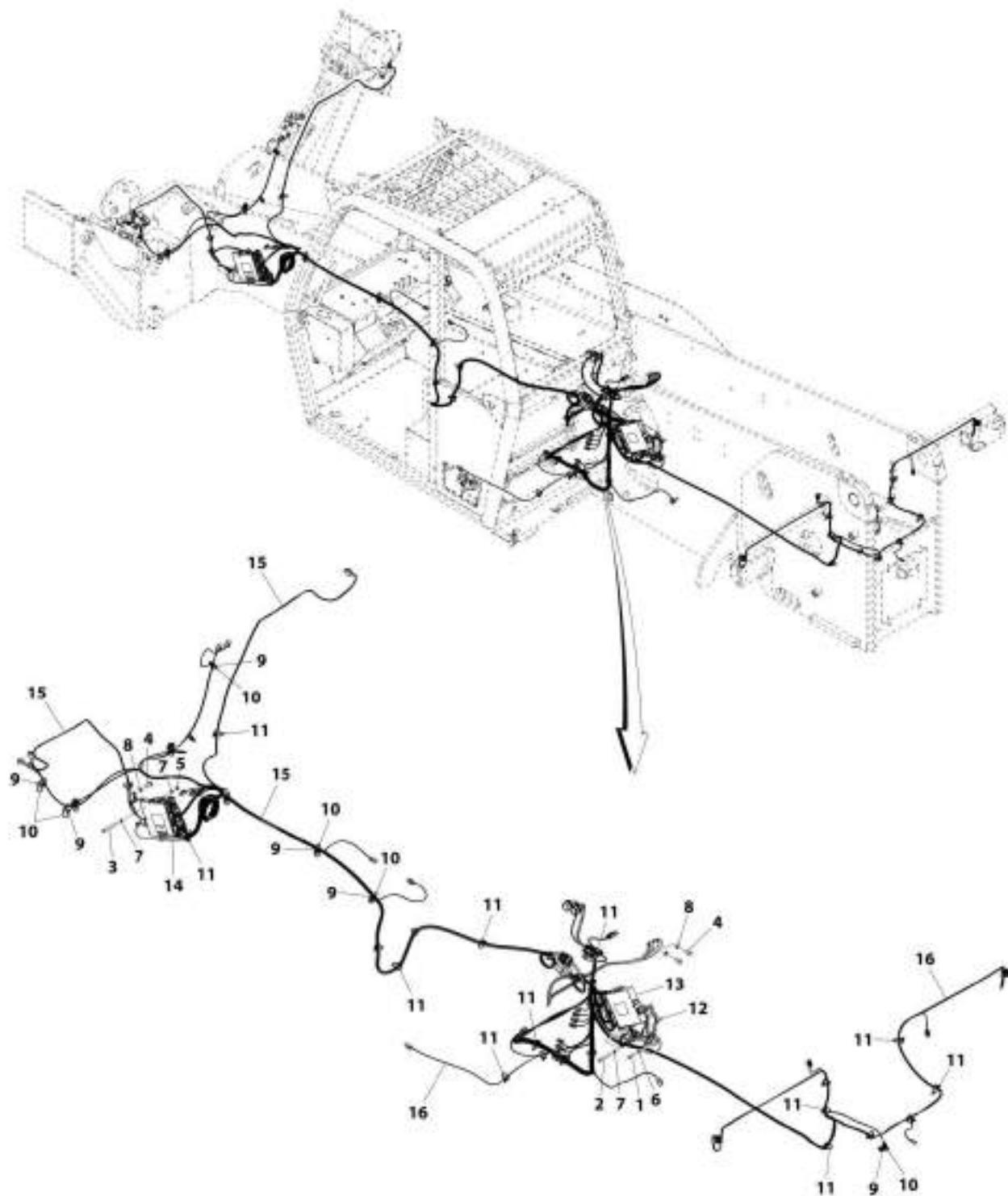
SECTION 10 - ELECTRICAL

FIGURE 10-29. CHASSIS HARNESS INSTALLATION - 4017RS (Prior to SN SN E160000141, Excluding E160000120, E160000126, 1160008774, 1160008775 and 1160008777)

ITEM	PART NUMBER	QTY	DESCRIPTION	REV
	1001146900	Ref	Chassis Harness Installation - 4017RS	C
2	3290605	2	Nut, Lock M6X1	
4	4811702	2	Washer, M6	
6	1001003044	2	Clip	
7	1001004723	3	Saddle	
8	1001008559	6	Strap, Cable	
9	1001146585	1	Harness, Chassis (See CHASSIS HARNESS for Breakdown)	
10	1001146588	20	Strap, Cable	
11	1001162849	2	Clip	

SECTION 10 - ELECTRICAL

FIGURE 10-30. CHASSIS HARNESS INSTALLATION - 4017RS (SN E160000141 to Present, Including E160000120, E160000126, 1160008774, 1160008775 and 1160008777)



ART_100129821-C

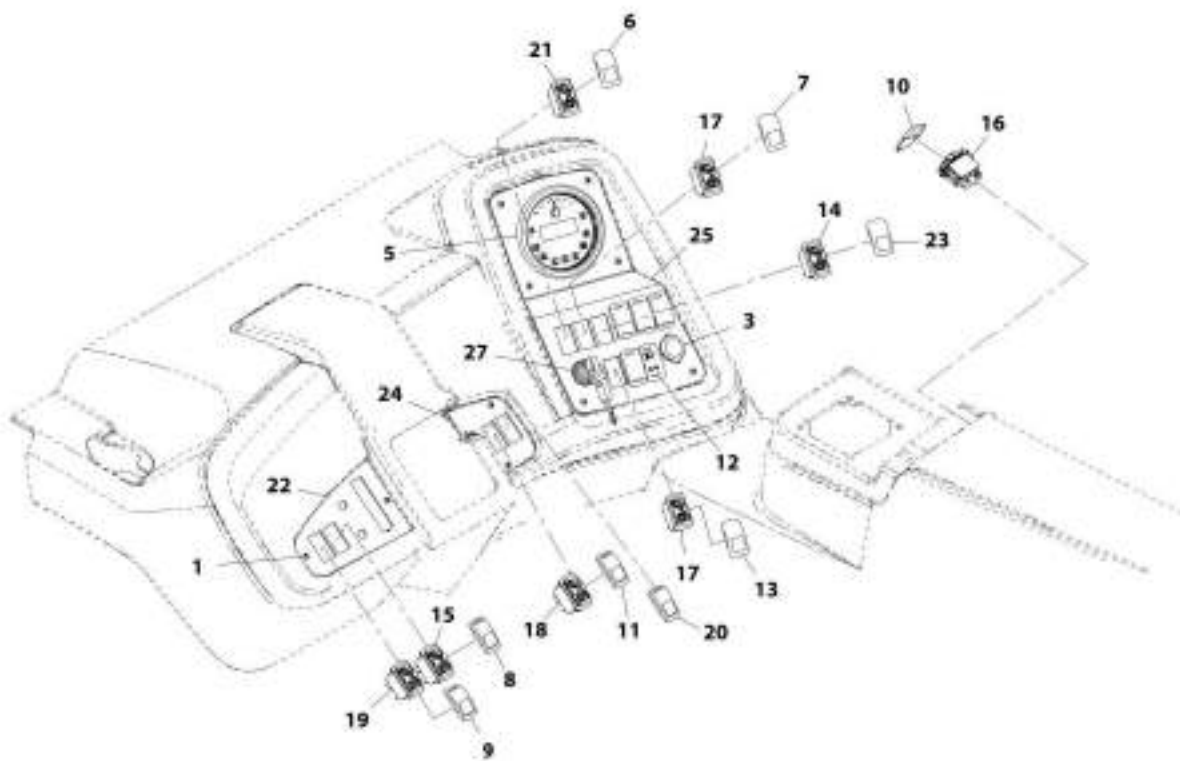
SECTION 10 - ELECTRICAL

FIGURE 10-30. CHASSIS HARNESS INSTALLATION - 4017RS (SN E160000141 to Present, Including E160000120, E160000126, 1160008774, 1160008775 and 1160008777)

ITEM	PART NUMBER	QTY	DESCRIPTION	REV
	1001239321	Ref	Chassis Harness Installation - 4017RS	C
1	0700614	4	Bolt, M6X30	
2	0700819	2	Bolt, M8X55	
3	0700822	2	Bolt, M8X70	
4	0761012	3	Bolt, M10X25	
5	3290801	2	Bolt, M8X1.25	
6	4811702	4	Washer, M6	
7	4811900	6	Washer, M8	
8	4812000	3	Washer, M10	
9	1001004723	10	Saddle	
10	1001008559	20	Strap, Cable	
11	1001146588	30	Strap, Cable	
12	1001164402	1	Power Dist Box	
13	1001209576	1	Rear Frame Module (See Separate Breakdown in this Section)	
14	1001209577	1	Front Frame Module (See Separate Breakdown in this Section)	
15	1001237510	1	Harness, Front Frame (See Separate Breakdown in this Section)	
16	1001238729	1	Harness, Rear Frame (See Separate Breakdown in this Section)	

SECTION 10 - ELECTRICAL

FIGURE 10-31. DASH ELECTRICAL INSTALLATION (Prior to SN SN E160000141, Excluding E160000120, E160000126, 1160008774, 1160008775 and 1160008777)



ART.5001188541-I

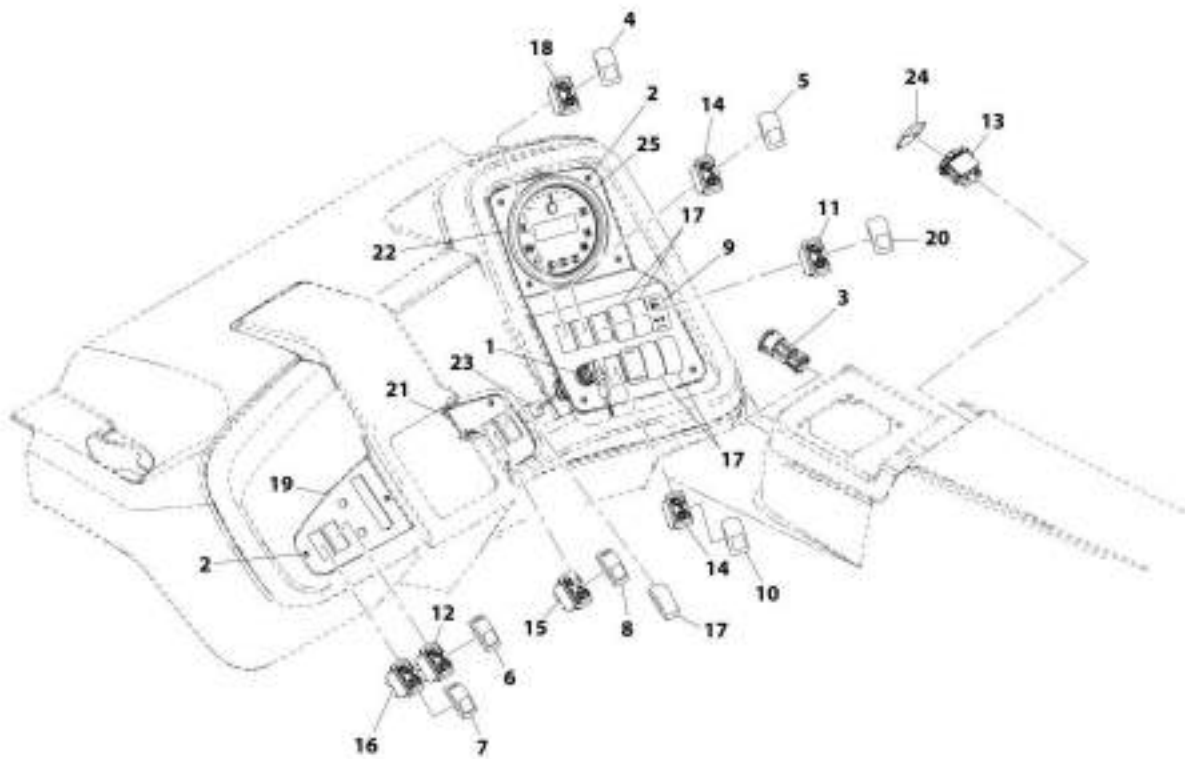
SECTION 10 - ELECTRICAL

FIGURE 10-31. DASH ELECTRICAL INSTALLATION (Prior to SN SN E160000141, Excluding E160000120, E160000126, 1160008774, 1160008775 and 1160008777)

ITEM	PART NUMBER	QTY	DESCRIPTION	REV
	1001148541	Ref	Dash Electrical Installation	J
1	1001047064	10	Screw, M4X15	
3	1001095804	1	Connector, 12V Power Socket	
5	1001150292	1	Gauge, Canbus	
6	1001145252	1	Switch, Rocker, Hazards	
7	1001145253	1	Switch, Rocker, Driving Lights	
8	1001145257	1	Switch, Rocker, LSI Override	
9	1001145258	1	Switch, Rocker, Joystick Override	
10	1001145259	1	Switch, Rocker, Frame Level	
11	1001145260	1	Switch, Rocker, Rear Wiper	
12	1001145265	1	Lamp, High Beam and Indicators	
13	1001145266	1	Switch, Rocker, Steer Select	
14	1001146725	1	Switch, SPST	
15	1001146726	1	Switch, SPST(M)	
16	1001146727	1	Switch, SPDT(M)	
17	1001146728	2	Switch, DP3T	
18	1001146729	1	Switch, DP3T(M)	
19	1001146730	1	Switch, DPDT	
20	1001147344	5	Switch, Blank	
21	1001147451	1	Switch, DPDT	
22	1001148415	1	Plate, HAC Control	
23	1001148916	1	Switch, Rocker, Fog Lights	
24	1001149141	1	Plate, Switch	
25	1001149142	1	Plate, Switch	
27	4360657	1	Switch, Ignition	
	70021220	1	Key	

SECTION 10 - ELECTRICAL

FIGURE 10-32. DASH ELECTRICAL INSTALLATION (SN E160000141 to Present, Including E160000120, E160000126, 1160008774, 1160008775 and 1160008777)



ART.5001241852-A

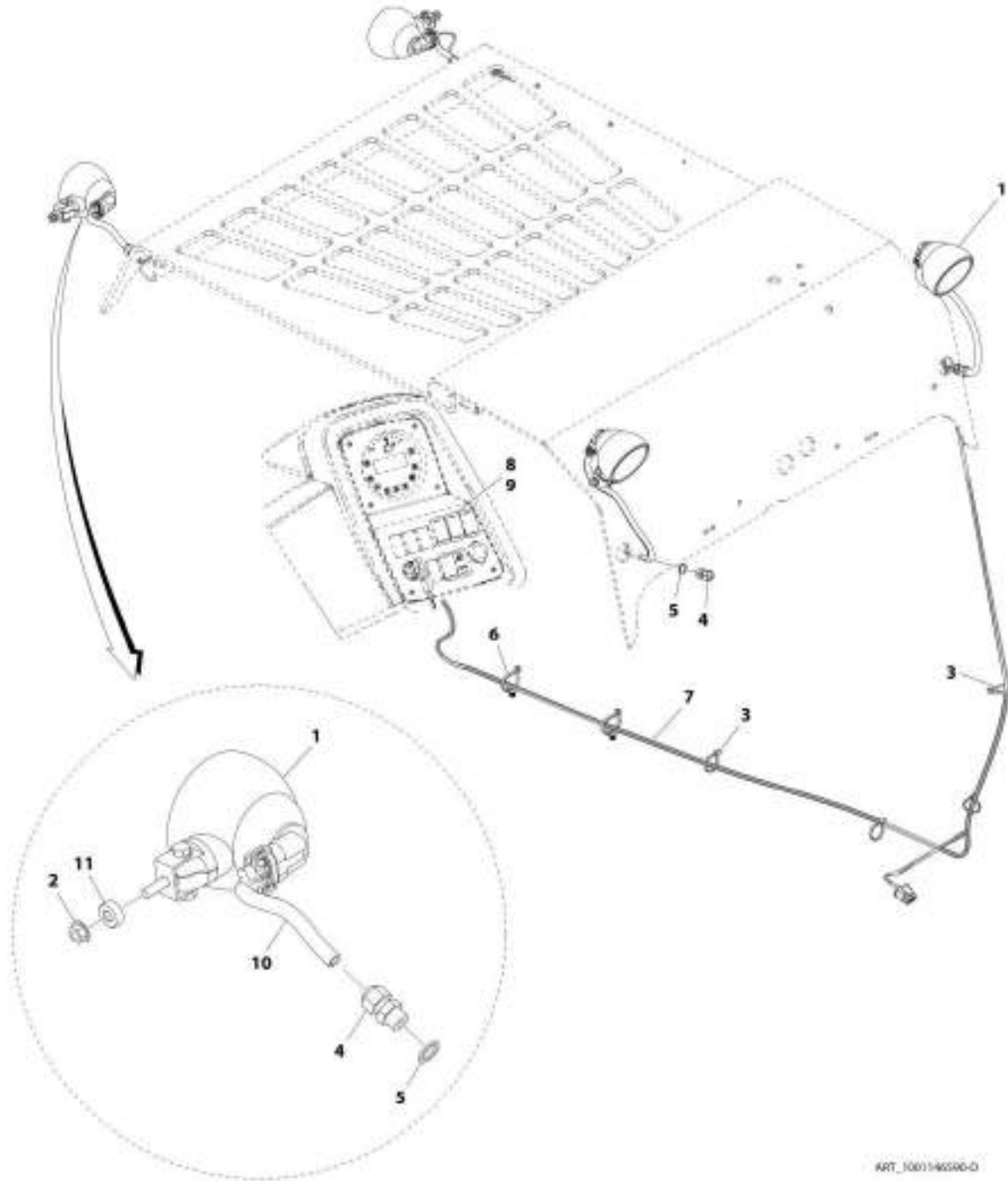
SECTION 10 - ELECTRICAL

FIGURE 10-32. DASH ELECTRICAL INSTALLATION (SN E160000141 to Present, Including E160000120, E160000126, 1160008774, 1160008775 and 1160008777)

ITEM	PART NUMBER	QTY	DESCRIPTION	REV
	1001241832	Ref	Dash Electrical Installation	A
1	4360657	1	Switch, Ignition	
2	1001047064	10	Screw, M4X15	
3	1001095804	1	Connector, 12V Power Socket	
4	1001145252	1	Switch, Rocker, Hazards	
5	1001145253	1	Switch, Rocker, Driving Lights	
6	1001145257	1	Switch, Rocker, LSI Override	
7	1001145258	1	Switch, Rocker, Joystick Override	
8	1001145260	1	Switch, Rocker, Rear Wiper	
9	1001145265	1	Lamp, High Beam and Indicators	
10	1001145266	1	Switch, Rocker, Steer Select	
11	1001146725	1	Switch, SPST	
12	1001146726	1	Switch, SPST(M)	
13	1001146727	1	Switch, SPDT(M)	
14	1001146728	2	Switch, DP3T	
15	1001146729	1	Switch, DP3T(M)	
16	1001146730	1	Switch, DPDT	
17	1001147344	5	Switch, Blank	
18	1001147451	1	Switch, DPDT	
19	1001148415	1	Plate, HAC Control	
20	1001148916	1	Switch, Rocker, Fog Lights	
21	1001149141	1	Plate, Switch	
22	1001150292	1	Gauge, Canbus	
23	1001223968	1	Key Harness	
24	1001239912	1	Switch, Rocker	
25	1001239949	1	Plate, Switch	

SECTION 10 - ELECTRICAL

FIGURE 10-33. CAB WORKLIGHTS INSTALLATION (NO HAC)



ART_1001140300-D

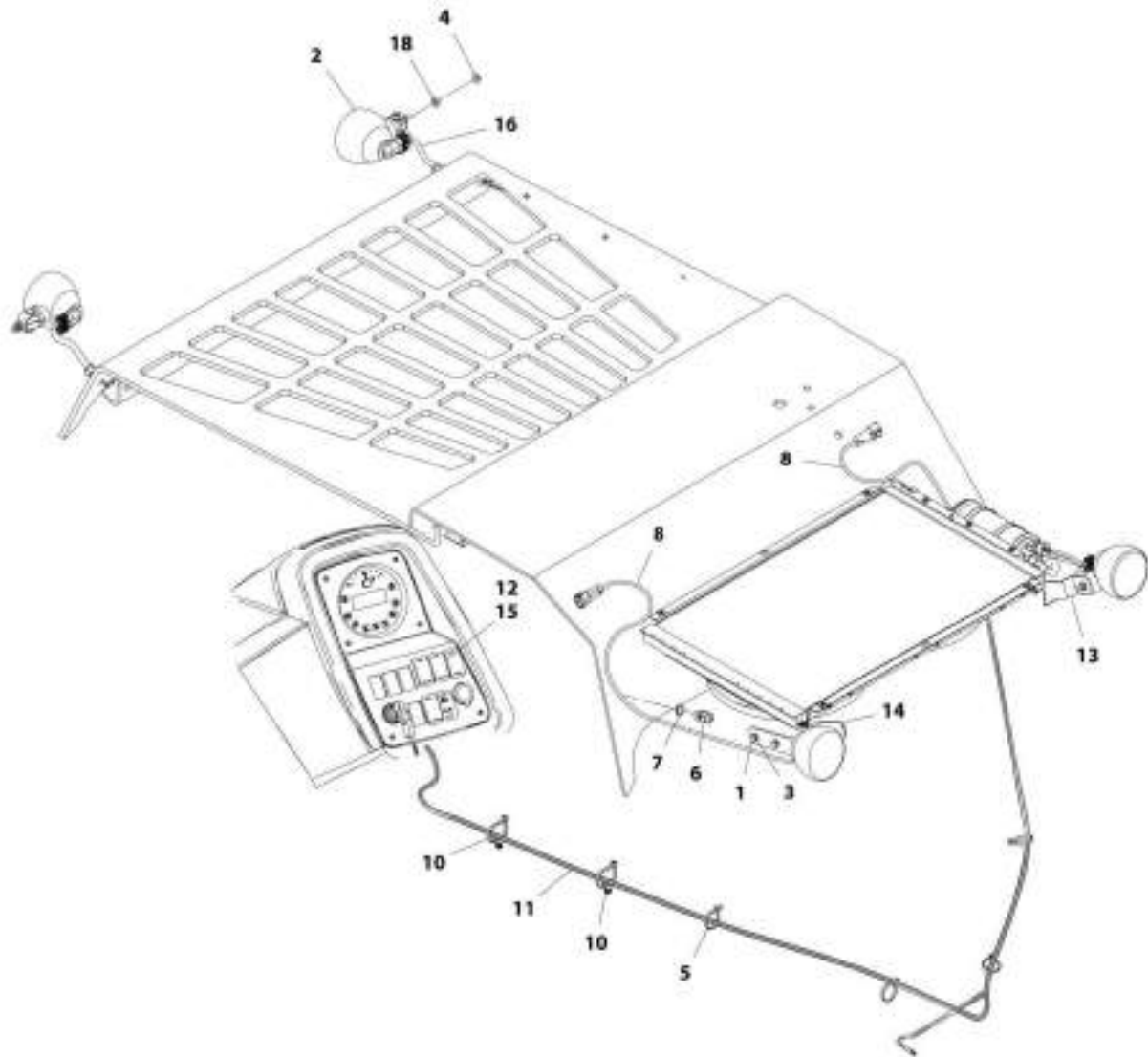
SECTION 10 - ELECTRICAL

FIGURE 10-33. CAB WORKLIGHTS INSTALLATION (NO HAC)

ITEM	PART NUMBER	QTY	DESCRIPTION	REV
	1001146590	Ref	Cab Worklights Installation (no HAC)	D
1	2920206	4	Worklight	
	70020796	1	Bulb, 12V-50W	
2	5220600	4	Nut, Ripp 6	
3	1001008559	13	Strap, Cable	
4	1001121675	4	Grommet, Cable Gland	
5	1001121707	4	Seal, Cable Gland	
6	1001146588	2	Strap, Cable	
7	1001146673	1	Harness, Worklights (See WORKLIGHTS HARNESS for Breakdown)	
8	1001146728	1	Switch, DP3T	
9	1001149968	1	Switch, Rocker, Worklights	
10	1001189744	820 mm	Conduit	
11	1001194187	2	Sleeve, Spacer	

SECTION 10 - ELECTRICAL

FIGURE 10-34. CAB WORKLIGHTS INSTALLATION (HAC)



ART_1001140592-D

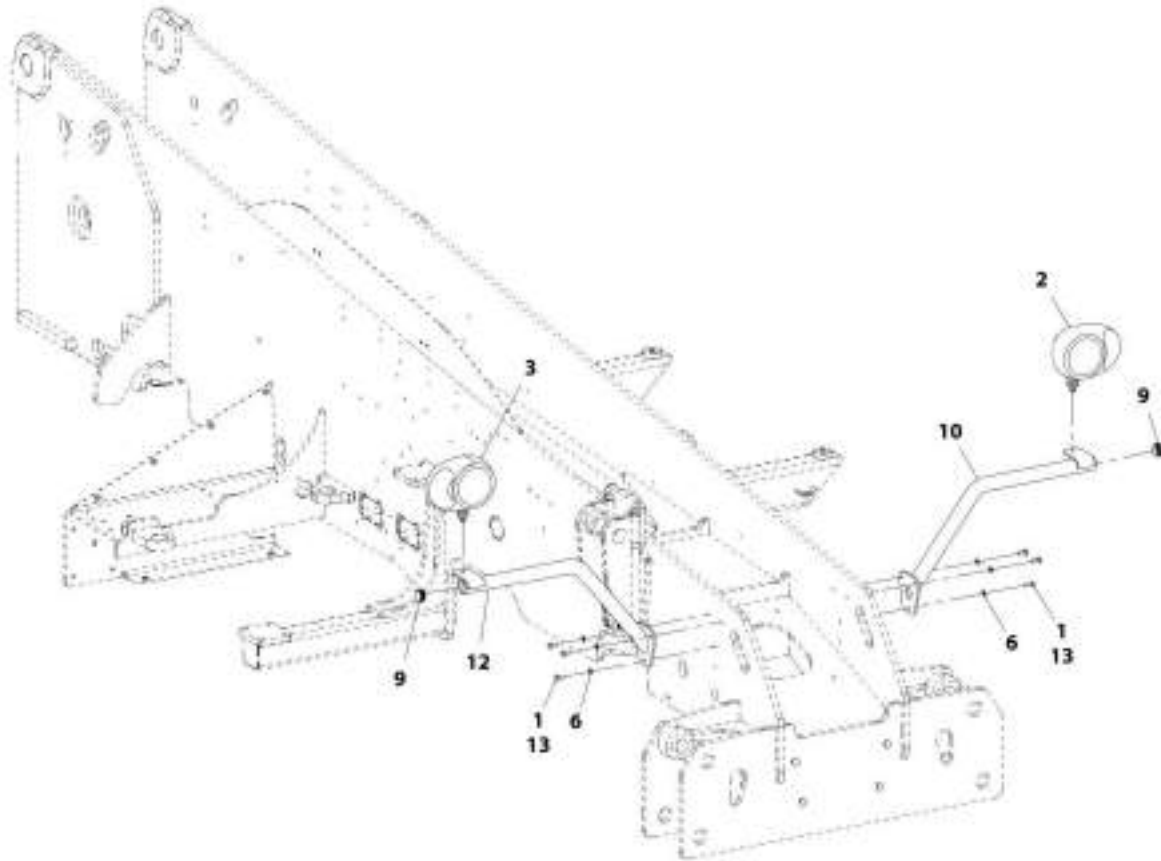
SECTION 10 - ELECTRICAL

FIGURE 10-34. CAB WORKLIGHTS INSTALLATION (HAC)

ITEM	PART NUMBER	QTY	DESCRIPTION	REV
	1001146592	Ref	Cab Worklights Installation (HAC)	D
1	0700608	4	Bolt, M6X16	
2	2920206	4	Worklight	
	70020796	1	Bulb, 12V-50W	
3	4811700	4	Washer, M6	
4	5220600	4	Nut, Ripp 6	
5	1001008559	11	Strap, Cable	
6	1001121675	4	Grommet, Cable Gland	
7	1001121707	4	Seal, Cable Gland	
8	1001133224	2	Harness, Light Extension (See LIGHT EXTENSION HARNESS for Breakdown)	
10	1001146588	2	Strap, Cable	
11	1001146673	1	Harness, Worklights (See WORKLIGHTS HARNESS for Breakdown)	
12	1001146728	1	Switch, DP3T	
13	1001148521	1	Plate, Support	
14	1001148522	1	Plate, Support	
15	1001149968	1	Switch, Rocker, Worklights	
16	1001189744	260 mm	Conduit, Split Poly	
18	1001194187	2	Sleeve, Spacer	

SECTION 10 - ELECTRICAL

FIGURE 10-35. DRIVING LIGHTS INSTALLATION (GERMANY AND CE)



ART_1001146401.E

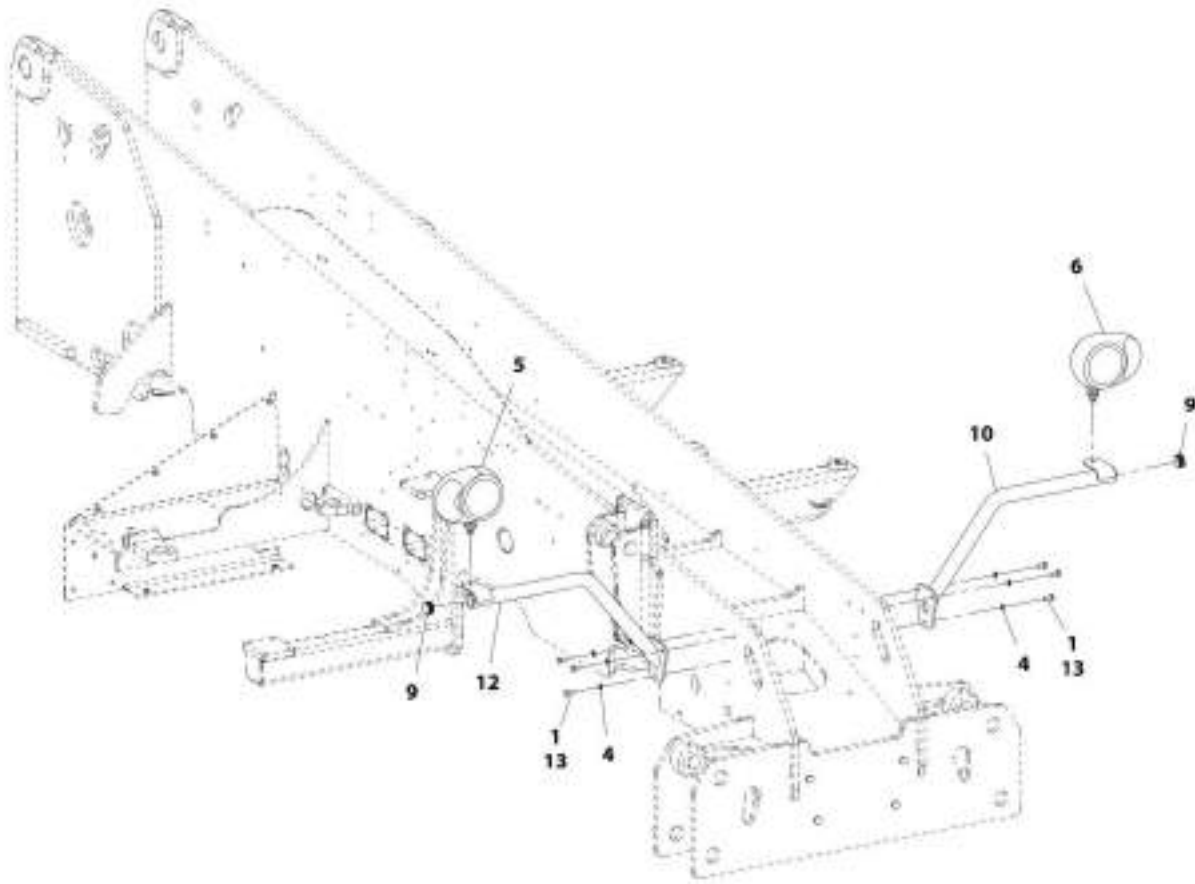
SECTION 10 - ELECTRICAL

FIGURE 10-35. DRIVING LIGHTS INSTALLATION (GERMANY AND CE)

ITEM	PART NUMBER	QTY	DESCRIPTION	REV
	1001146491	Ref	Driving Lights Installation (Germany and CE)	E
1	0761012	6	Bolt, M10X25	
2	2920207	1	Driving Light, LH	
	7029969	1	Bulb, 4W	
	7029970	1	Bulb, 55W	
	7029971	1	Bulb, 21W	
3	2920208	1	Driving Light, RH	
	7029969	1	Bulb, 4W	
	7029970	1	Bulb, 55W	
	7029971	1	Bulb, 21W	
6	4812000	6	Washer, M10	
9	1001096913	2	Cap, Lamp Bracket	
10	1001144434	1	Bracket, Light	
12	1001145235	1	Bracket, Light	
13	1001095650	AR	Compound, Locking	

SECTION 10 - ELECTRICAL

FIGURE 10-36. DRIVING LIGHTS INSTALLATION (UK/IRELAND)



ART_ID61144119E

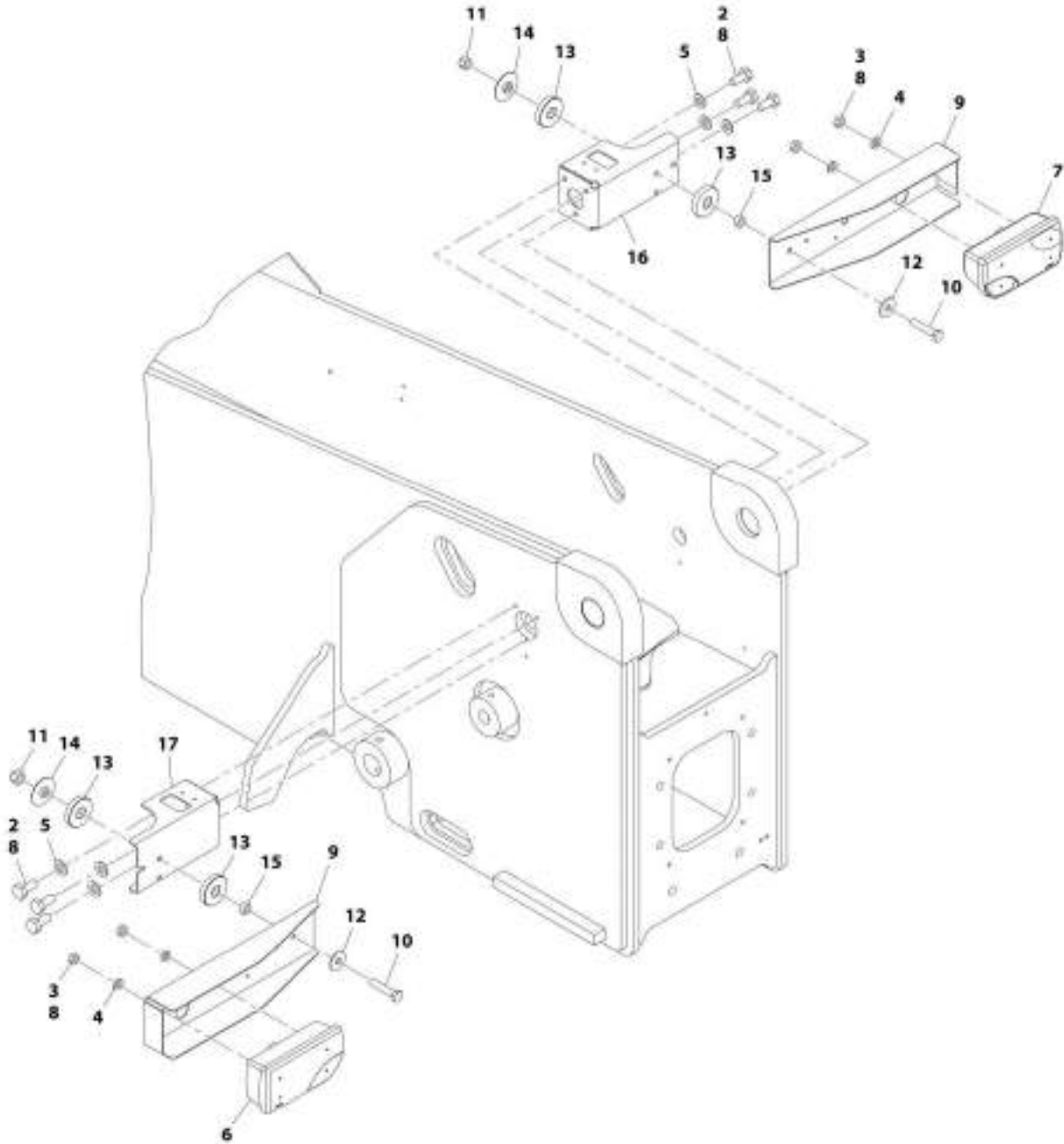
SECTION 10 - ELECTRICAL

FIGURE 10-36. DRIVING LIGHTS INSTALLATION (UK/IRELAND)

ITEM	PART NUMBER	QTY	DESCRIPTION	REV
	1001144110	Ref	Driving Lights Installation (UK/Ireland)	E
1	0761012	6	Bolt, M10X25	
4	4812000	6	Washer, M10	
5	1001002778	1	Driving Light, RH	
	7029969	1	Bulb, 4W	
	7029970	1	Bulb, 55W	
	7029971	1	Bulb, 21W	
6	1001002779	1	Driving Light, LH	
	7029969	1	Bulb, 4W	
	7029970	1	Bulb, 55W	
	7029971	1	Bulb, 21W	
9	1001096913	2	Cap, Lamp Bracket	
10	1001144434	1	Bracket, Light	
12	1001145235	1	Bracket, Light	
13	1001095650	AR	Compound, Locking	

SECTION 10 - ELECTRICAL

FIGURE 10-37. REAR LIGHTS INSTALLATION



ART_3001171225-0

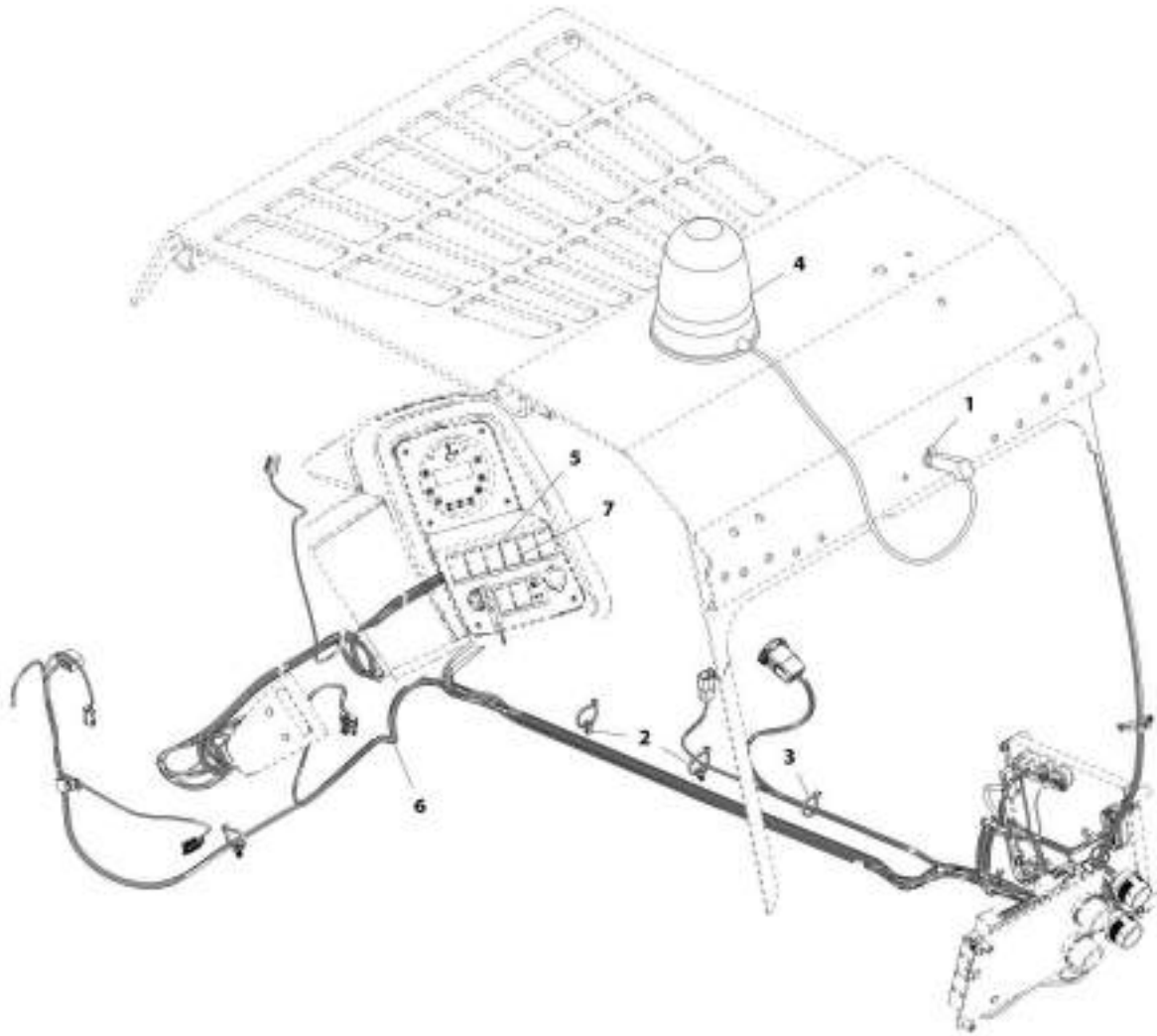
SECTION 10 - ELECTRICAL

FIGURE 10-37. REAR LIGHTS INSTALLATION

ITEM	PART NUMBER	QTY	DESCRIPTION	REV
	1001171225	Ref	Rear Lights Installation	D
2	0761011	6	Bolt, M10X32	
3	3290601	4	Nut, M6X1	
4	4811700	4	Washer, M6	
5	4812000	6	Washer, M10	
6	1001091715	1	Lamp, Rear, LH	
7	1001091716	1	Lamp, Rear, RH	
8	1001095650	AR	Compound, Locking	
9	1001186687	2	Bracket	
10	0701220	2	Bolt, M12X60	
11	3291205	2	Nut, Lock, M12X1.75	
12	4812102	2	Washer, M12	
13	8000565	4	Washer	
14	1001182490	2	Washer	
15	1001182495	2	Washer	
16	1001182999	1	Bracket	
17	1001183089	1	Bracket	

SECTION 10 - ELECTRICAL

FIGURE 10-38. BEACON INSTALLATION



ART_100146674 B

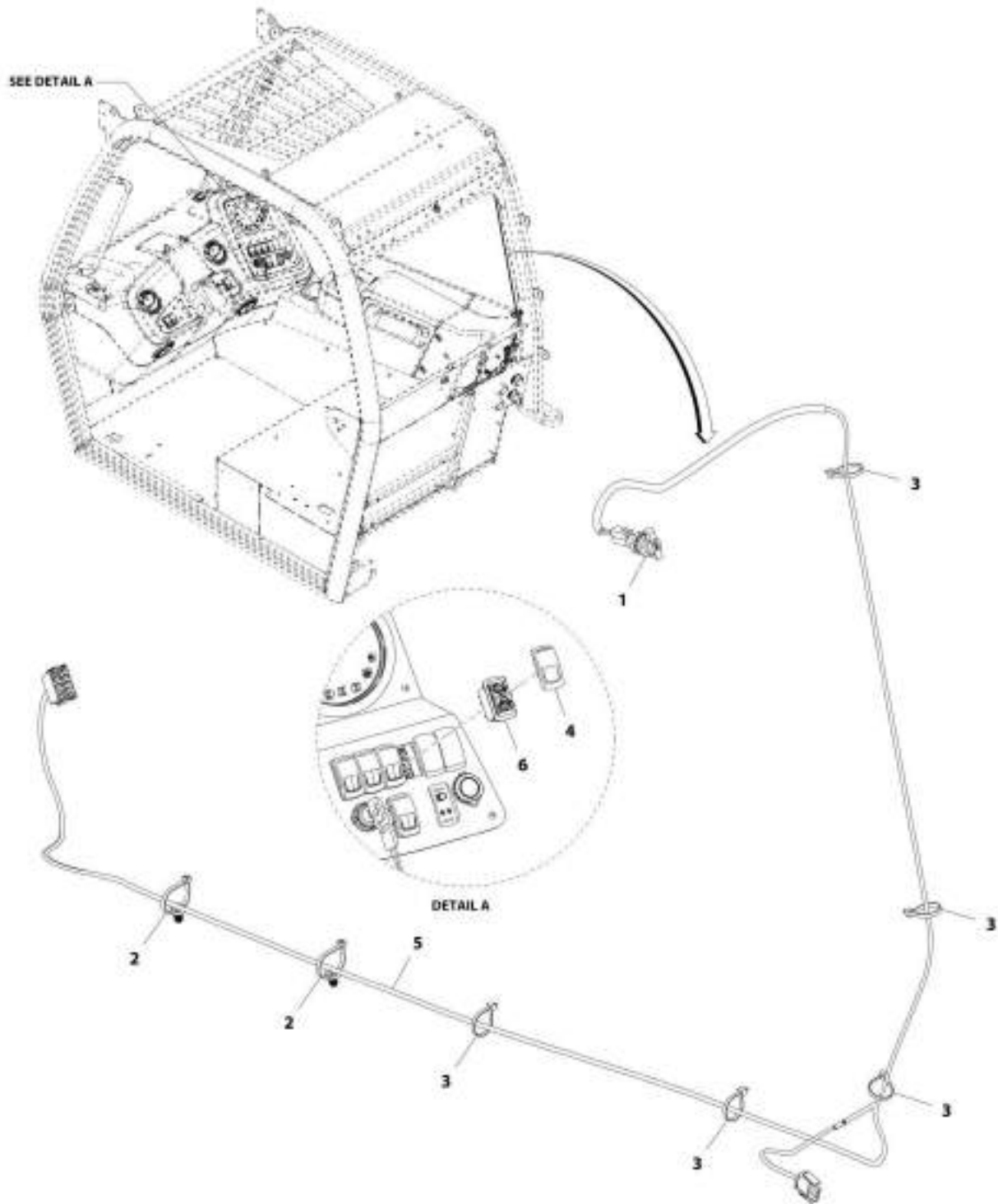
SECTION 10 - ELECTRICAL

FIGURE 10-38. BEACON INSTALLATION

ITEM	PART NUMBER	QTY	DESCRIPTION	REV
	1001146674	Ref	Beacon Installation	B
1	4461174	1	Terminal, 12V Power Supply	
2	1001004720	2	Strap, Cable	
3	1001008559	5	Strap, Cable	
4	1001091573	1	Beacon	
	70020186	1	Bulb	
5	1001145263	1	Switch, Rocker, Beacon	
6	1001146676	1	Harness, Beacon (See BEACON HARNESS for Breakdown)	
7	1001146725	1	Switch, SPST	

SECTION 10 - ELECTRICAL

FIGURE 10-39. BEACON READY INSTALLATION



ART_100190133-A

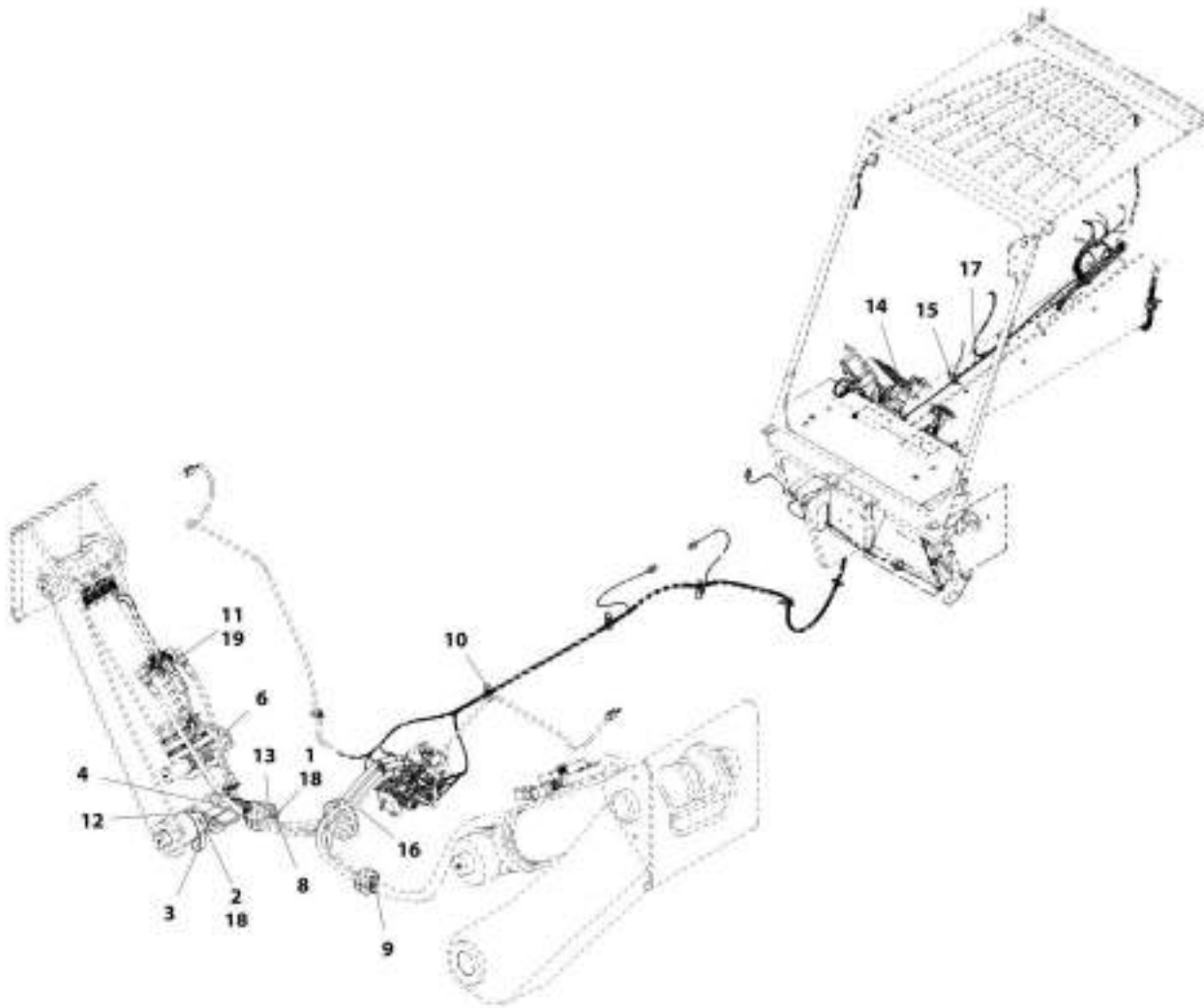
SECTION 10 - ELECTRICAL

FIGURE 10-39. BEACON READY INSTALLATION

ITEM	PART NUMBER	QTY	DESCRIPTION	REV
	1001190133	Ref	Beacon Ready Installation	A
1	4461174	1	Terminal, 12V Power Supply	
2	1001004720	2	Strap, Cable	
3	1001008559	5	Strap, Cable	
4	1001145263	1	Switch, Rocker, Beacon	
5	1001146676	1	Harness, Beacon (See BEACON HARNESS for Breakdown)	
6	1001146725	1	Switch, SPST	

SECTION 10 - ELECTRICAL

FIGURE 10-40. OUTRIGGERS DEPLOYED INSTALLATION - 4017RS



ART_1001151812.F

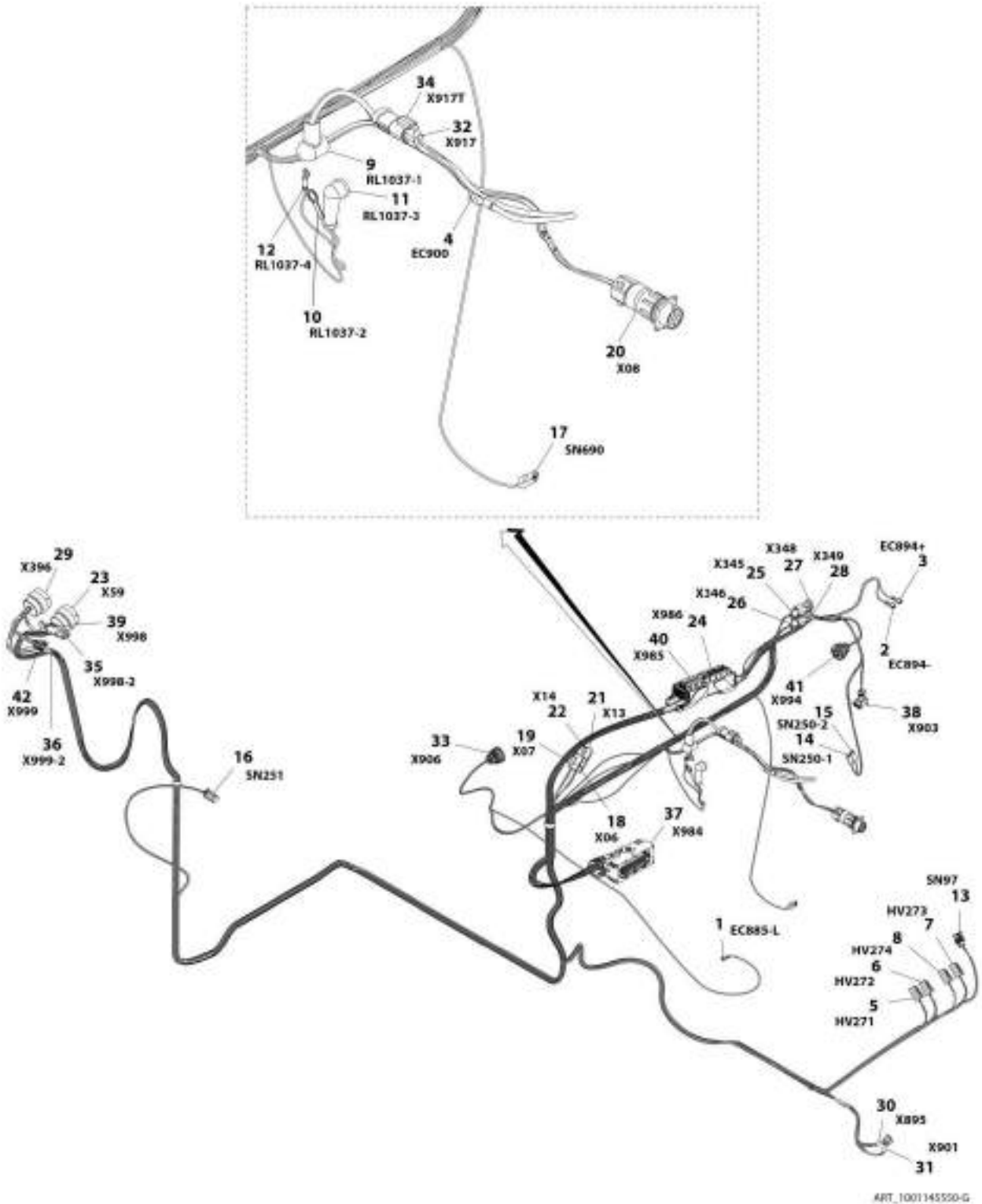
SECTION 10 - ELECTRICAL

FIGURE 10-40. OUTRIGGERS DEPLOYED INSTALLATION - 4017RS

ITEM	PART NUMBER	QTY	DESCRIPTION	REV
	1001151812	Ref	Outriggers Deployed Installation - 4017RS	F
1	0760812	4	Bolt, M8X25	
2	0760606	4	Bolt, M6X12	
3	0903342	2	Bracket	
4	4000017	2	Switch, Proximity	
6	4360661	2	Switch, Pressure	
8	4811900	4	Washer, M8	
9	1001004723	7	Saddle	
10	1001008559	28	Strap, Cable	
11	1001159078	2	Adapter	
12	1001106884	2	Plate, Switch Cover	
13	1001107004	2	Bracket, Proximity Support	
14	1001145264	1	Lamp, Outriggers Deployed	
15	1001146588	2	Strap, Cable	
16	1001151810	1	Harness, Chassis, Outriggers Deployed (See OUTRIGGERS DEPLOYED CHASSIS HARNESS - 4017RS for Breakdown) (Prior to SN 1160007172)	
16	1001172310	1	Harness, Chassis, Outriggers Deployed (See OUTRIGGERS DEPLOYED CHASSIS HARNESS - 4017RS for Breakdown) (SN 1160007172 to Present)	
17	1001151811	1	Harness, Cab, Outriggers Deployed (See OUTRIGGERS DEPLOYED CAB HARNESS - 4017RS for Breakdown)	
18	1001095650	AR	Compound, Locking	
19	1001166431	AR	Compound, Locking	

SECTION 10 - ELECTRICAL

FIGURE 10-41. ENGINE HARNESS (Prior to SN E160000141, Excluding E160000120, E160000126, 1160008774, 1160008775 and 1160008777)



SECTION 10 - ELECTRICAL

FIGURE 10-41. ENGINE HARNESS (Prior to SN E160000141, Excluding E160000120, E160000126, 1160008774, 1160008775 and 1160008777)

ITEM	PART NUMBER	QTY	DESCRIPTION	REV
	1001145550	Ref	Engine Harness	G
1	4460247	1	Terminal, Ring	
2	8220051	1	Terminal, Ring	
3	8220051	1	Terminal, Ring	
4	1001138592	1	Terminal, Ring	
5	4460891	1	Connector	
	80604018	1	Lock, Wedge	
	1001116692	2	Terminal, Socket	
6	4460891	1	Connector	
	80604018	1	Lock, Wedge	
	1001116692	2	Terminal, Socket	
7	4460891	1	Connector	
	80604018	1	Lock, Wedge	
	1001116692	2	Terminal, Socket	
8	4460891	1	Connector	
	80604018	1	Lock, Wedge	
	1001116692	2	Terminal, Socket	
9	8220115	1	Terminal, Ring	
	1001139217	1	Boot	
10	4460256	1	Terminal, Ring	
11	4460042	1	Terminal, Ring	
	1001139219	1	Boot	
12	4460247	1	Terminal, Ring	
13	4461118	1	Connector	
	1001116697	2	Terminal	
	1001104498	2	Seal	
14	1001116995	1	Connector	
	1001236622	1	Terminal	
15	1001116995	1	Connector	
	1001118379	2	Terminal	
16	4460891	1	Connector	
	80604018	1	Lock, Wedge	
	1001116692	2	Terminal, Socket	
17	1001116995	1	Connector	
	1001118379	1	Terminal	
18	4460891	1	Connector	
	80604018	1	Lock, Wedge	
	4460944	2	Terminal, Socket	
19	4460891	1	Connector	
	80604018	1	Lock, Wedge	
	4460944	2	Terminal, Socket	
20	1001138155	1	Connector	
	1001134351	1	Cap	
	1001134581	1	Shroud	
	4461071	6	Terminal, Socket	
21	4460897	1	Connector	
	80604017	1	Lock, Wedge	
22	4460897	1	Connector	
	80604017	1	Lock, Wedge	

SECTION 10 - ELECTRICAL

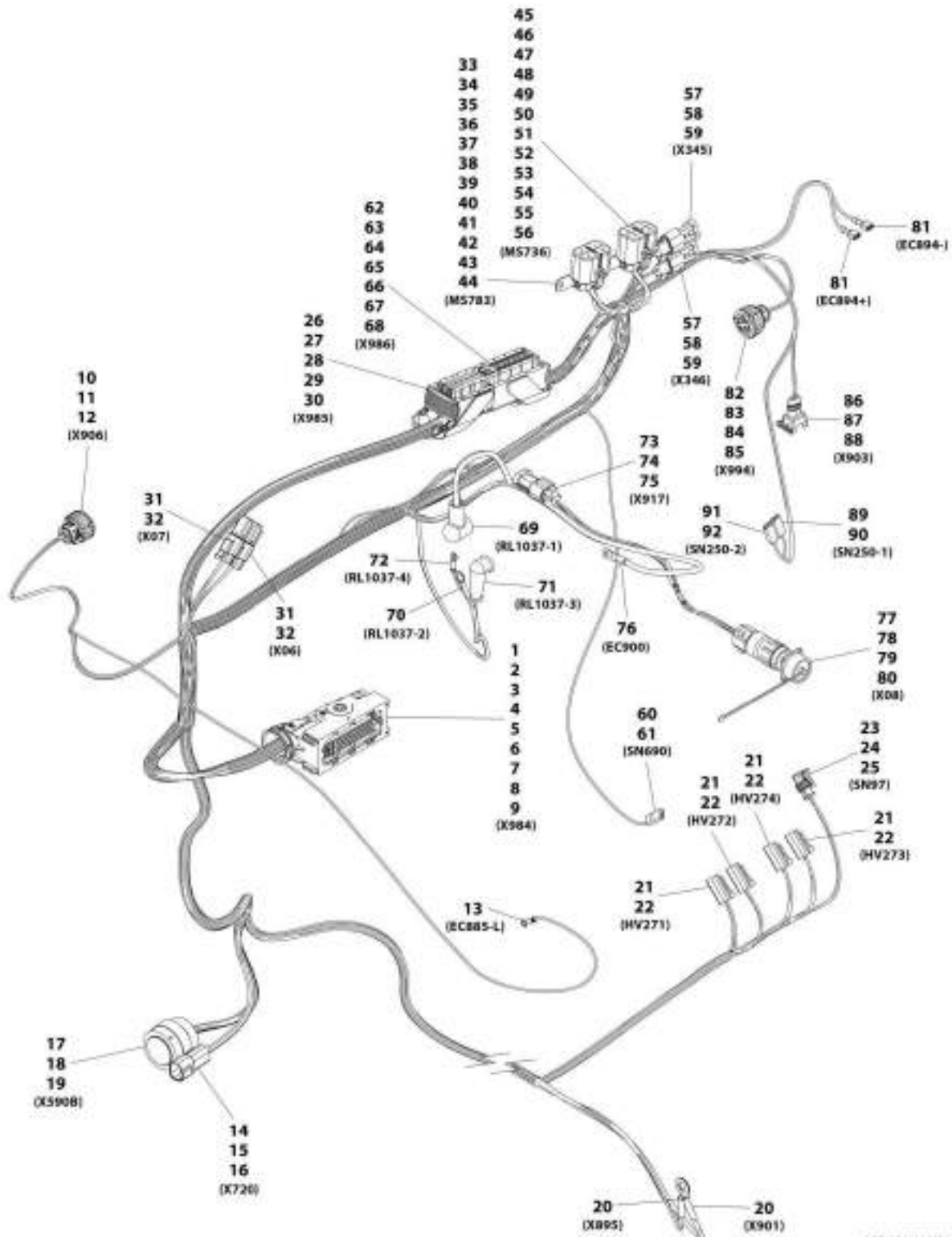
ITEM	PART NUMBER	QTY	DESCRIPTION	REV
23	1001147923	1	Connector	
	4460465	19	Terminal, Socket	
	4460466	4	Terminal, Plug	
24	1001126349	1	Connector	
	1001126352	6	Terminal	
	1001126353	6	Terminal, Seal	
	1001126357	2	Terminal, Cavity Plug	
	1001126356	59	Terminal, Cavity Plug	
	1001126384	25	Terminal	
	1001126351	2	Terminal	
25	4461095	1	Connector, Plug	
	70021825	1	Lock, Wedge	
	4460944	2	Terminal, Socket	
	4460466	1	Terminal, Plug	
26	4461095	1	Connector, Plug	
	70021825	1	Lock, Wedge	
	4460944	2	Terminal, Socket	
	4460466	1	Terminal, Plug	
27	4461070	1	Connector	
28	4461070	1	Connector	
29	1001146685	1	Connector	
	1001116686	1	Terminal, Plug	
	4460465	12	Terminal, Socket	
	4460509	1	Terminal	
30	1001117110	1	Terminal, Ring	
31	1001117108	1	Terminal, Ring	
32	4461095	1	Connector, Plug	
	4460465	2	Terminal, Socket	
	4460466	1	Terminal, Plug	
33	1001133714	1	Connector, Plug	
	1001133715	3	Terminal	
	1001135650	3	Seal, Wire	
	1001135651	1	Terminal, Cavity Plug	
34	4461070	1	Connector	
35	4461119	1	Connector	
	1001116698	3	Terminal, Cavity Plug	
36	1001103013	1	Connector	
	1001116698	4	Terminal, Cavity Plug	
37	1001126362	1	Connector	
	1001126363	24	Terminal	
	1001126364	24	Terminal, Seal Plug	
	1001126391	22	Terminal, Cavity Plug	
	1001126392	10	Terminal	
	1001126393	10	Terminal, Cavity Plug	
	4461008	4	Terminal, Cavity Plug	
	1001126365	2	Terminal	
	4461054	2	Seal, Wire	
	38	1001116983	1	Connector
1001166707		2	Terminal	
1001137578		2	Seal, Wire	
39	4461262	1	Connector	

SECTION 10 - ELECTRICAL

ITEM	PART NUMBER	QTY	DESCRIPTION	REV
40	1001116697	3	Terminal	
	1001116763	3	Terminal, Seal	
	1001126360	1	Connector	
	1001126357	11	Terminal, Cavity Plug	
	1001126351	13	Terminal	
	1001126356	19	Terminal, Cavity Plug	
41	1001126384	17	Terminal	
	1001133714	1	Connector	
	1001133715	3	Terminal	
42	1001135651	1	Terminal, Cavity Plug	
	1001135650	3	Seal, Wire	
	1001103012	1	Connector	
	1001116697	4	Terminal	
	1001116763	4	Terminal, Seal	

SECTION 10 - ELECTRICAL

FIGURE 10-42. ENGINE HARNESS (SN E160000141 to Present, Including E160000120, E160000126, 1160008774, 1160008775 and 1160008777)



ART_100128822-D

SECTION 10 - ELECTRICAL

FIGURE 10-42. ENGINE HARNESS (SN E160000141 to Present, Including E160000120, E160000126, 1160008774, 1160008775 and 1160008777)

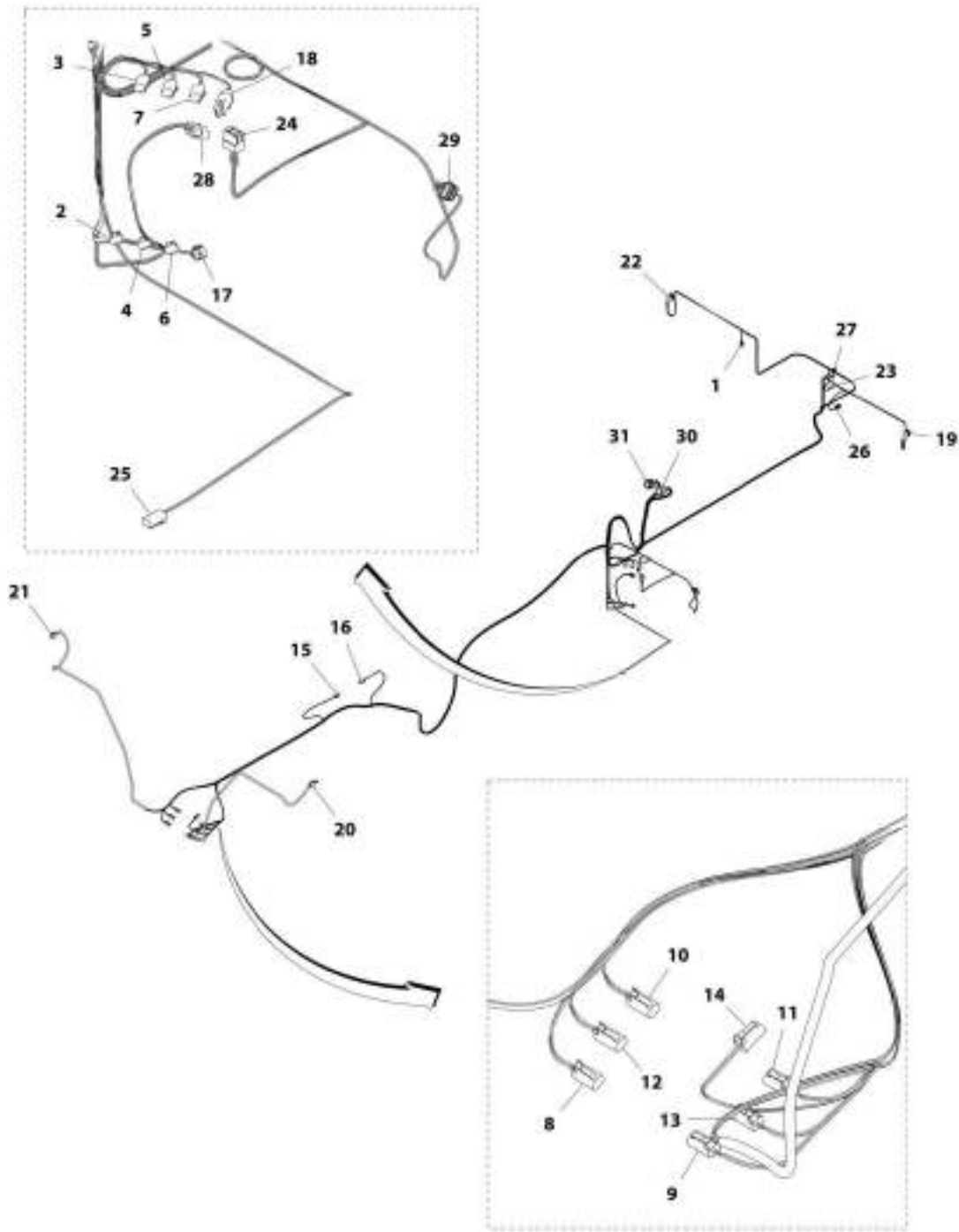
ITEM	PART NUMBER	QTY	DESCRIPTION	REV
	1001238822	Ref	Engine Harness	D
1	1001126362	1	Connector	
2	1001126363	24	Terminal	
3	1001126364	24	Terminal	
4	1001126391	22	Terminal	
5	1001126392	10	Terminal	
6	1001126393	10	Terminal	
7	4461008	4	Terminal	
8	1001126365	2	Terminal	
9	4461054	2	Terminal	
10	1001133714	1	Connector	
11	1001133715	3	Terminal	
12	1001135651	1	Terminal	
13	4460247	1	Connector	
14	1001116811	1	Connector	
15	4460508	3	Terminal	
16	4460466	1	Terminal	
17	1001147923	1	Connector	
18	4460465	15	Terminal	
19	4460466	8	Terminal	
20	1001117110	1	Connector	
21	4460891	1	Connector	
22	1001116692	2	Terminal	
23	4461118	1	Connector	
24	1001116697	2	Terminal	
25	1001104498	2	Terminal	
26	1001126360	1	Connector	
27	1001126357	10	Terminal	
28	1001126351	13	Terminal	
29	1001126356	20	Terminal	
30	1001126384	17	Terminal	
31	4460891	1	Connector	
32	4460944	2	Terminal	
33	80484081	1	Connector	
34	1001129286	1	Terminal	
35	1001184548	1	Terminal	
36	8229247	1	Terminal	
37	1001242866	1	Terminal	
38	4460748	2	Terminal	
39	8220125	4	Terminal	
40	4460789	4	Terminal	
41	1001116747	1	Terminal	
42	4460458	1	Terminal	
43	1001116728	1	Terminal	
44	1001175265	1	Terminal	
45	80484081	1	Connector	
46	1001129286	1	Terminal	
47	1001184548	1	Terminal	
48	1001129285	1	Terminal	

SECTION 10 - ELECTRICAL

ITEM	PART NUMBER	QTY	DESCRIPTION	REV
49	8229242	1	Terminal	
50	8229244	1	Terminal	
51	1001116728	3	Terminal	
52	1001116747	3	Terminal	
53	8220125	2	Terminal	
54	1001175265	3	Terminal	
55	4460458	3	Terminal	
56	4460789	2	Terminal	
57	4461095	1	Connector	
58	4460944	2	Terminal	
59	4460466	1	Terminal	
60	1001116995	1	Connector	
61	1001118379	1	Terminal	
62	1001126349	1	Connector	
63	1001126352	6	Terminal	
64	1001126353	6	Terminal	
65	1001126357	2	Terminal	
66	1001126356	60	Terminal	
67	1001126384	24	Terminal	
68	1001126351	2	Terminal	
69	8220115	1	Connector	
70	4460256	1	Connector	
71	4460042	1	Connector	
72	4460247	1	Connector	
73	4461095	1	Connector	
74	4460465	2	Terminal	
75	4460466	1	Terminal	
76	1001138592	1	Connector	
77	1001138155	1	Connector	
78	1001134581	1	Terminal	
79	1001134351	1	Terminal	
80	4461071	7	Terminal	
81	8220051	1	Connector	
82	1001133714	1	Connector	
83	1001133715	3	Terminal	
84	1001135650	3	Terminal	
85	1001135651	1	Terminal	
86	1001116983	1	Connector	
87	1001166707	2	Terminal	
88	1001137578	2	Terminal	
89	1001116995	1	Connector	
90	1001236622	1	Terminal	
91	1001116995	1	Connector	
92	1001118379	1	Terminal	

SECTION 10 - ELECTRICAL

FIGURE 10-43. CHASSIS HARNESS (Prior to SN E160000141, Excluding E160000120, E160000126, 1160008774, 1160008775 and 1160008777)



AWT_1001146585-E

SECTION 10 - ELECTRICAL

FIGURE 10-43. CHASSIS HARNESS (Prior to SN E160000141, Excluding E160000120, E160000126, 1160008774, 1160008775 and 1160008777)

ITEM	PART NUMBER	QTY	DESCRIPTION	REV
	1001146585	Ref	Chassis Harness	E
1	4461118	1	Connector	
	1001116697	2	Terminal	
	1001104498	2	Seal	
2	4460891	1	Connector	
	80604018	1	Lock, Wedge	
	4460465	2	Terminal, Socket	
3	4460891	1	Connector	
	80604018	1	Lock, Wedge	
	4460465	2	Terminal, Socket	
4	4460891	1	Connector	
	80604018	1	Lock, Wedge	
	4460465	2	Terminal, Socket	
5	4460891	1	Connector	
	80604018	1	Lock, Wedge	
	4460465	2	Terminal, Socket	
6	4460891	1	Connector	
	80604018	1	Lock, Wedge	
	4460465	2	Terminal, Socket	
7	4460891	1	Connector	
	80604018	1	Lock, Wedge	
	4460465	2	Terminal, Socket	
8	4460891	1	Connector	
	80604018	1	Lock, Wedge	
	4460465	2	Terminal, Socket	
9	4460891	1	Connector	
	80604018	1	Lock, Wedge	
	4460465	2	Terminal, Socket	
10	4460891	1	Connector	
	80604018	1	Lock, Wedge	
	4460465	2	Terminal, Socket	
11	4460891	1	Connector	
	80604018	1	Lock, Wedge	
	4460465	2	Terminal, Socket	
12	4460891	1	Connector	
	80604018	1	Lock, Wedge	
	4460465	2	Terminal, Socket	
13	4460891	1	Connector	
	80604018	1	Lock, Wedge	
	4460465	2	Terminal, Socket	
14	4460891	1	Connector	
	80604018	1	Lock, Wedge	
	4460465	2	Terminal, Socket	
15	4460891	1	Connector	
	80604018	1	Lock, Wedge	
	4460465	2	Terminal, Socket	
16	4460891	1	Connector	
	80604018	1	Lock, Wedge	
	4460465	2	Terminal, Socket	

SECTION 10 - ELECTRICAL

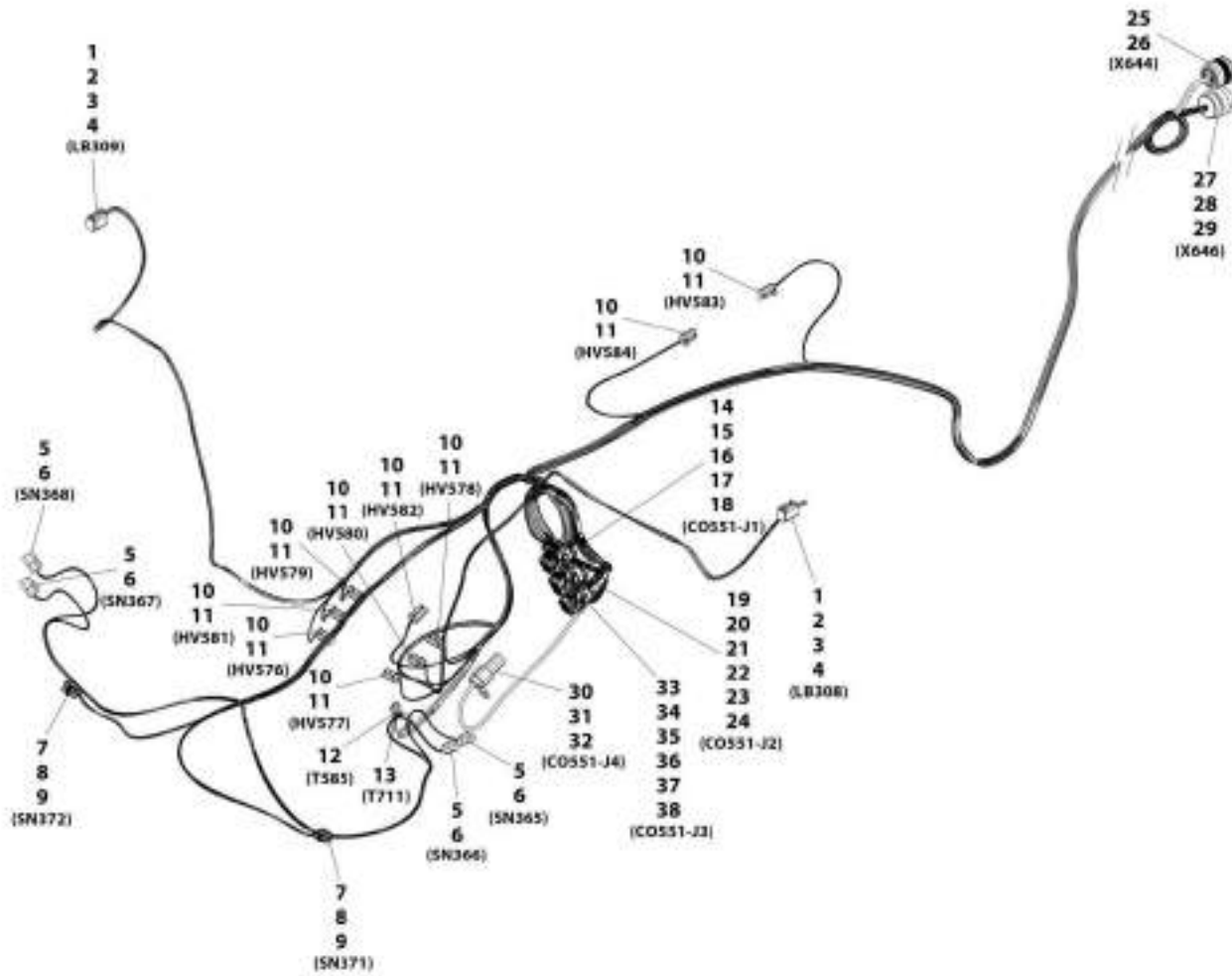
ITEM	PART NUMBER	QTY	DESCRIPTION	REV
17	4460891	1	Connector	
	80604018	1	Lock, Wedge	
	4460897	1	Connector	
	80604017	1	Lock, Wedge	
	4460466	2	Terminal, Plug	
	4460465	2	Terminal, Socket	
18	4460891	1	Connector	
	80604018	1	Lock, Wedge	
	4460897	1	Connector	
	80604017	1	Lock, Wedge	
	4460466	2	Terminal, Plug	
	4460465	2	Terminal, Socket	
19	1001116996	1	Connector	
	1001118392	1	Terminal	
	4461054	1	Seal, Wire	
	1001118393	5	Terminal	
	1001137578	5	Seal, Wire	
	4461008	1	Terminal, Cavity Plug	
20	4460894	1	Connector, Plug	
	80604023	1	Lock, Wedge	
	70020801	1	Boot	
	4460465	5	Terminal, Socket	
	4460466	1	Terminal, Plug	
	21	4460894	1	Connector, Plug
80604023		1	Lock, Wedge	
70020801		1	Boot	
4460465		5	Terminal, Socket	
4460466		1	Terminal, Plug	
22		1001116996	1	Connector
	1001118392	1	Terminal	
	4461054	1	Seal, Wire	
	1001118393	5	Terminal	
	1001137578	5	Seal, Wire	
	4461008	1	Terminal, Cavity Plug	
23	1001117133	1	Connector	
	1001104519	2	Terminal	
24	1001116986	1	Connector	
	1001104519	6	Terminal	
25	4460891	1	Connector	
	80604018	1	Lock, Wedge	
	4460465	2	Terminal, Socket	
26	4461262	1	Connector	
	1001116697	3	Terminal	
	1001104498	3	Seal	
27	4461262	1	Connector	
	1001116697	3	Terminal	
	1001104498	3	Seal	
28	4460539	1	Connector, Plug	
	77363244	1	Lock, Wedge	
	4460465	3	Terminal, Socket	
29	4461262	1	Connector	

SECTION 10 - ELECTRICAL

ITEM	PART NUMBER	QTY	DESCRIPTION	REV
30	1001116697	2	Terminal	
	1001104498	2	Seal	
	1001116698	1	Terminal, Cavity Plug	
	1001116921	1	Connector	
	4460465	27	Terminal, Socket	
31	4460466	4	Terminal, Plug	
	1001121960	1	Connector, Plug	
	4460464	30	Terminal	
	4460466	1	Terminal, Plug	

SECTION 10 - ELECTRICAL

FIGURE 10-44. FRONT FRAME HARNESS (SN E160000141 to Present, Including E160000120, E160000126, 1160008774, 1160008775 and 1160008777)



ART_1001237510-D

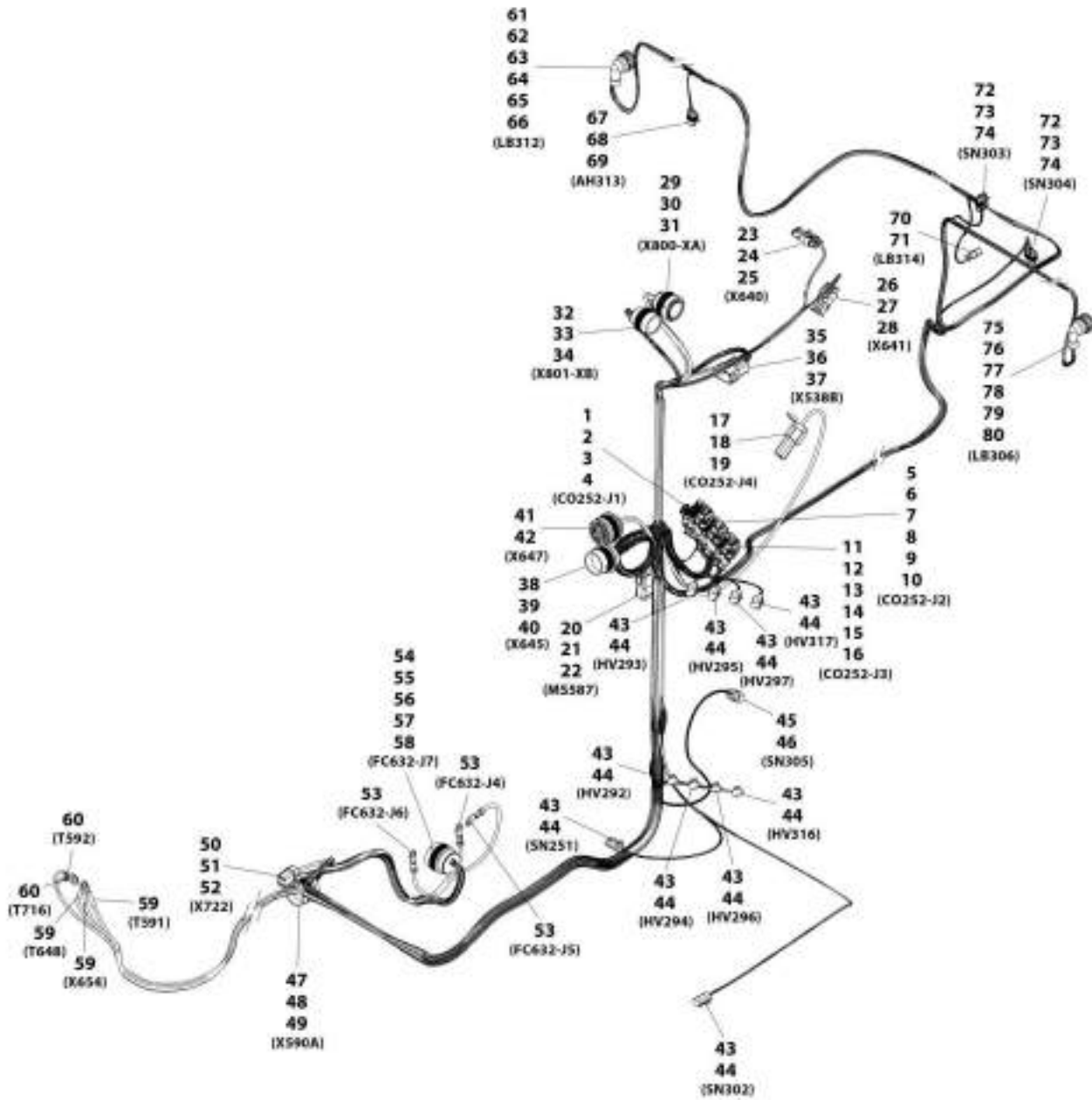
SECTION 10 - ELECTRICAL

FIGURE 10-44. FRONT FRAME HARNESS (SN E160000141 to Present, Including E160000120, E160000126, 1160008774, 1160008775 and 1160008777)

ITEM	PART NUMBER	QTY	DESCRIPTION	REV
	1001237510	Ref	Front Frame Harness	D
1	4460894	1	Connector	
2	4460942	1	Terminal	
3	4460465	4	Terminal	
4	4460466	1	Terminal	
5	4460539	1	Connector	
6	4460465	3	Terminal	
7	4461262	1	Connector	
8	1001116697	3	Terminal	
9	1001104498	3	Terminal	
10	4460891	1	Connector	
11	4460465	2	Terminal	
12	1001187079	1	Connector	
13	1001187080	1	Connector	
14	1001161957	1	Connector	
15	1001161095	14	Terminal	
16	1001161100	11	Terminal	
17	1001161101	5	Terminal	
18	1001161099	2	Terminal	
19	1001161963	1	Connector	
20	1001161095	18	Terminal	
21	1001161100	22	Terminal	
22	1001161099	3	Terminal	
23	1001161101	3	Terminal	
24	1001161098	2	Terminal	
25	1001165310	1	Connector	
26	91013192	2	Terminal	
27	1001147923	1	Connector	
28	4460465	21	Terminal	
29	4460466	2	Terminal	
30	1001160509	1	Connector	
31	1001160510	1	Terminal	
32	1001175266	1	Terminal	
33	1001160509	1	Connector	
34	1001161095	13	Terminal	
35	1001161100	11	Terminal	
36	1001161099	4	Terminal	
37	1001161098	3	Terminal	
38	1001161101	1	Terminal	

SECTION 10 - ELECTRICAL

FIGURE 10-45. REAR FRAME HARNESS (SN E160000141 to Present, Including E160000120, E160000126, 1160008774, 1160008775 and 1160008777)



ART 1061230734-D

SECTION 10 - ELECTRICAL

FIGURE 10-45. REAR FRAME HARNESS (SN E160000141 to Present, Including E160000120, E160000126, 1160008774, 1160008775 and 1160008777)

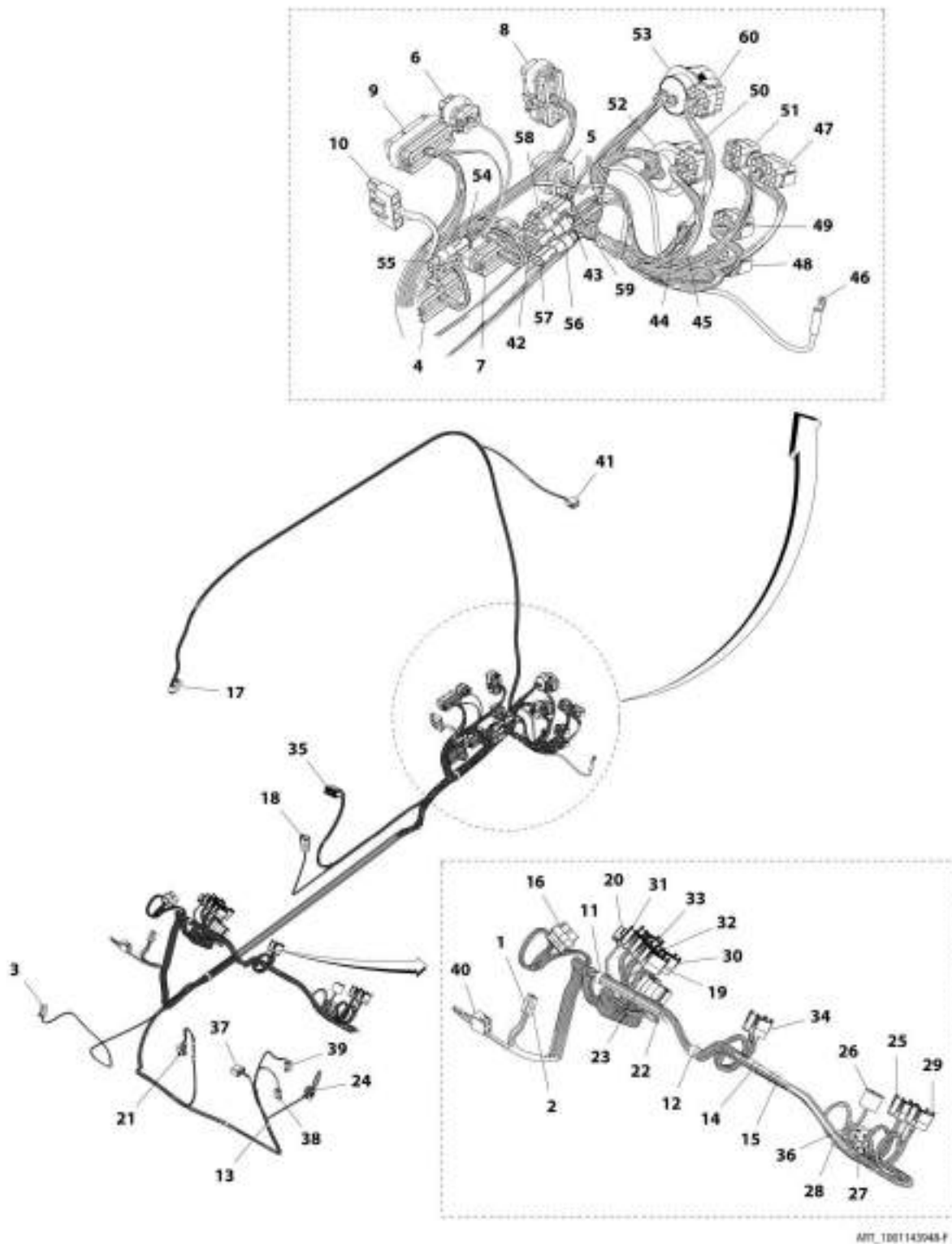
ITEM	PART NUMBER	QTY	DESCRIPTION	REV
	1001238729	Ref	Rear Frame Harness	D
1	1001161957	1	Connector	
2	1001161095	1	Terminal	
3	1001161100	23	Terminal	
4	1001161101	8	Terminal	
5	1001161963	1	Connector	
6	1001161095	22	Terminal	
7	1001161100	18	Terminal	
8	1001161099	4	Terminal	
9	1001161101	2	Terminal	
10	1001161098	2	Terminal	
11	1001160500	1	Connector	
12	1001161100	20	Terminal	
13	1001161095	4	Terminal	
14	1001161098	6	Terminal	
15	1001161099	1	Terminal	
16	1001161101	1	Terminal	
17	1001160509	1	Connector	
18	1001160510	1	Terminal	
19	1001175266	1	Terminal	
20	4460933	1	Connector	
21	4460466	6	Terminal	
22	4460465	6	Terminal	
23	4461262	1	Connector	
24	1001116697	3	Terminal	
25	1001104498	3	Terminal	
26	1001103012	1	Connector	
27	1001116697	4	Terminal	
28	1001104498	4	Terminal	
29	1001118323	1	Connector	
30	4460942	4	Terminal	
31	91013192	2	Terminal	
32	4461015	1	Connector	
33	4460465	7	Terminal	
34	4460466	7	Terminal	
35	4460970	1	Connector	
36	4460464	11	Terminal	
37	4460466	1	Terminal	
38	1001148106	1	Connector	
39	4460464	21	Terminal	
40	4460466	2	Terminal	
41	1001165311	1	Connector	
42	91013191	2	Terminal	
43	4460891	1	Connector	
44	4460465	2	Terminal	
45	4460539	1	Connector	
46	4460465	3	Terminal	
47	1001148106	1	Connector	
48	4460464	15	Terminal	

SECTION 10 - ELECTRICAL

ITEM	PART NUMBER	QTY	DESCRIPTION	REV
49	4460466	8	Terminal	
50	1001116810	1	Connector	
51	4460509	3	Terminal	
52	4460466	1	Terminal	
53	1001187075	1	Connector	
54	1001165309	1	Connector	
55	4460466	5	Terminal	
56	4460465	7	Terminal	
57	4460942	3	Terminal	
58	4460509	4	Terminal	
59	1001117108	1	Connector	
60	1001187079	1	Connector	
61	1001116996	1	Connector	
62	1001118392	1	Terminal	
63	4461054	1	Terminal	
64	1001118393	5	Terminal	
65	1001137578	5	Terminal	
66	4461008	1	Terminal	
67	4461118	1	Connector	
68	1001116697	2	Terminal	
69	1001104498	2	Terminal	
70	1001117133	1	Connector	
71	1001104519	2	Terminal	
72	4461262	1	Connector	
73	1001116697	3	Terminal	
74	1001104498	3	Terminal	
75	1001116996	1	Connector	
76	1001118392	1	Terminal	
77	4461054	1	Terminal	
78	1001118393	5	Terminal	
79	1001137578	5	Terminal	
80	4461008	1	Terminal	

SECTION 10 - ELECTRICAL

FIGURE 10-46. CAB HARNESS (Prior to SN 1160007172, Excluding 1160007172, 1160007176, 1160007198 and 1160007201)



SECTION 10 - ELECTRICAL

FIGURE 10-46. CAB HARNESS (Prior to SN 1160007172, Excluding 1160007172, 1160007176, 1160007198 and 1160007201)

ITEM	PART NUMBER	QTY	DESCRIPTION	REV
	1001143948	Ref	Cab Harness	F
1	1001116995	1	Connector	
	1001118379	2	Terminal	
2	1001116995	1	Connector	
	1001118379	1	Terminal	
3	4460891	1	Connector	
	80604018	1	Lock, Wedge	
	1001116692	2	Terminal, Socket	
4	4460874	1	Connector	
	4460871	10	Terminal, Socket	
	4460905	25	Terminal, Cavity Plug	
5	4460872	1	Connector	
	4460905	9	Terminal, Cavity Plug	
	4460871	5	Terminal, Socket	
6	1001113961	1	Connector	
	4460871	1	Terminal, Socket	
	4460905	7	Terminal, Cavity Plug	
7	4460875	1	Connector	
	4460905	14	Terminal, Cavity Plug	
	4460871	21	Terminal, Socket	
8	4460876	1	Connector	
	4460905	22	Terminal, Cavity Plug	
	4460871	13	Terminal, Socket	
9	4460873	1	Connector	
	4460905	23	Terminal, Cavity Plug	
	4460871	12	Terminal, Socket	
10	4460878	1	Connector	
	4460887	2	Terminal	
11	3990010	1	Diode	
12	3990010	1	Diode	
13	3990010	1	Diode	
14	3990010	1	Diode	
15	3990010	1	Diode	
16	4460872	1	Connector	
	4460871	9	Terminal, Socket	
	4460905	5	Terminal, Cavity Plug	
17	4460930	1	Connector, Plug	
	80604025	1	Lock, Wedge	
	1001098570	1	Magnet	
	1001116692	8	Terminal, Socket	
18	4461217	1	Connector	
	70020823	1	Lock, Wedge	
	1001126010	4	Terminal, Pin	
	4460518	2	Terminal, Plug	
19	1001145234	1	Connector	
	1001104519	6	Terminal	
20	1001118684	1	Connector	
	1001116754	1	Terminal	
21	1001117064	1	Connector	

SECTION 10 - ELECTRICAL

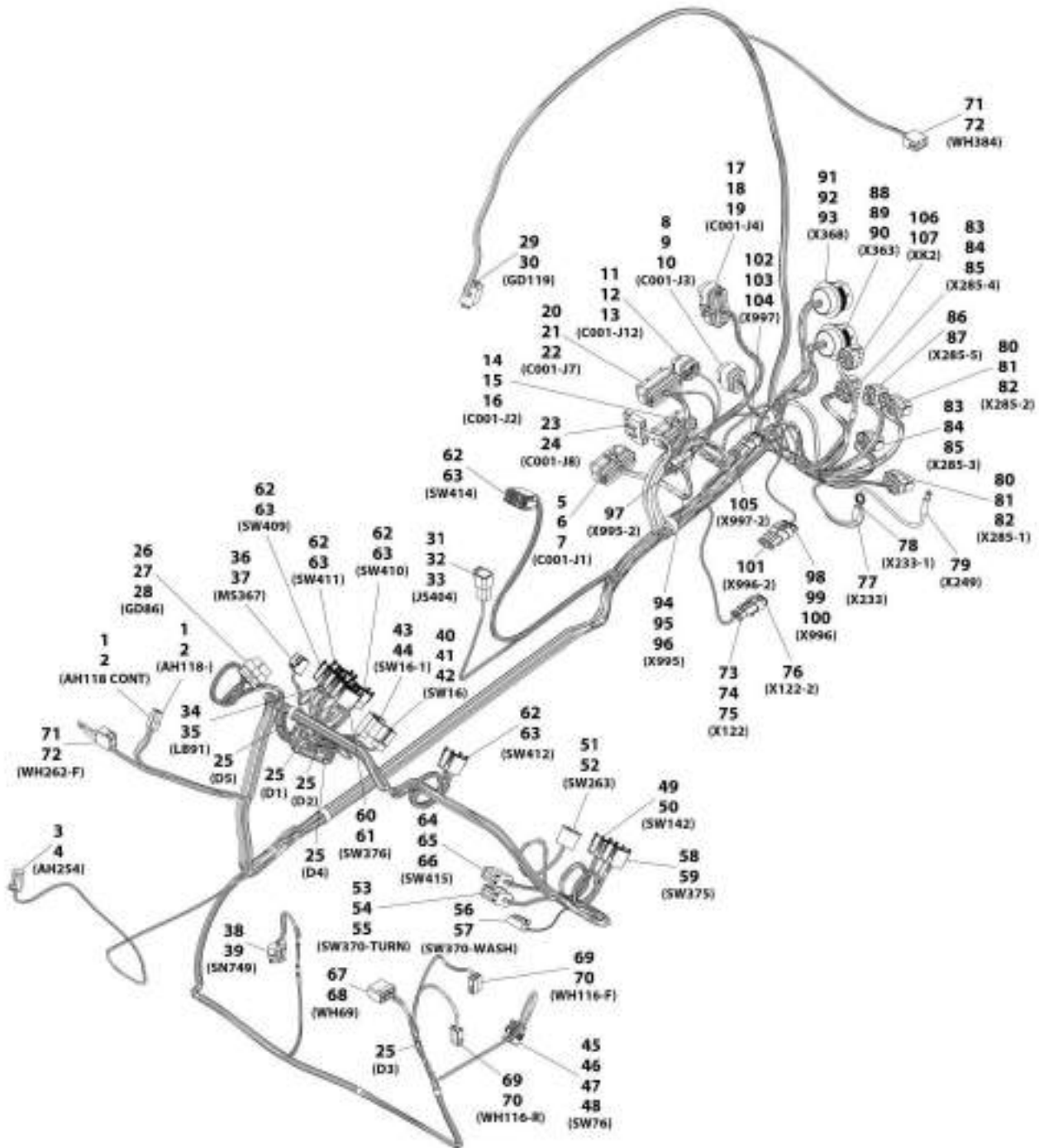
ITEM	PART NUMBER	QTY	DESCRIPTION	REV
	91554014	6	Terminal	
22	1001118685	1	Connector	
	1001104519	1	Terminal	
	1001118383	1	Terminal	
23	1001117121	1	Connector	
	1001104519	2	Terminal	
24	1001103012	1	Connector	
	1001116698	2	Terminal, Cavity Plug	
	1001116697	2	Terminal	
	1001104498	2	Seal	
25	1001145234	1	Connector	
	1001104519	8	Terminal	
26	1001153337	1	Connector	
	1001104519	4	Terminal	
27	4460933	1	Connector, Plug	
	80604016	1	Lock, Wedge	
	1001116692	10	Terminal, Socket	
	4460466	2	Terminal, Plug	
28	4460891	1	Connector	
	80604018	1	Lock, Wedge	
	1001116692	2	Terminal, Socket	
29	1001145234	1	Connector	
	1001104519	7	Terminal	
30	1001145234	1	Connector	
	1001104519	13	Terminal	
31	1001145234	1	Connector	
	1001104519	6	Terminal	
32	1001145234	1	Connector	
	1001104519	12	Terminal	
33	1001145234	1	Connector	
	1001104519	8	Terminal	
34	1001145234	1	Connector	
	1001104519	11	Terminal	
35	1001145234	1	Connector	
	1001104519	8	Terminal	
36	4460930	1	Connector, Plug	
	80604025	1	Lock, Wedge	
	1001116692	7	Terminal, Socket	
	4460466	1	Terminal, Plug	
37	1001116997	1	Connector	
	1001104519	5	Terminal	
38	4460994	1	Connector	
	1001104519	3	Terminal	
39	4460994	1	Connector	
	1001104519	3	Terminal	
40	1001116986	1	Connector	
	1001104519	4	Terminal	
41	1001116986	1	Connector	
	1001104519	4	Terminal	
42	4461119	1	Connector	
	1001104497	3	Terminal, Pin	

SECTION 10 - ELECTRICAL

ITEM	PART NUMBER	QTY	DESCRIPTION	REV
	1001104498	3	Seal	
43	4461262	1	Connector	
	1001116698	3	Terminal, Cavity Plug	
44	8220164	1	Terminal, Ring	
45	4460703	1	Terminal, Ring	
46	8220022	1	Terminal, Ring	
47	4460434	1	Connector	
	4460268	13	Terminal, Socket	
48	4460434	1	Connector	
	1001118378	11	Terminal	
49	4460343	1	Connector	
	4460268	12	Terminal, Socket	
50	4460343	1	Connector	
	1001118378	11	Terminal	
51	4460265	1	Connector, Plug	
	4460268	7	Terminal, Socket	
52	1001121961	1	Connector, Plug	
	4460265	30	Connector, Plug	
	4460266	1	Connector	
53	1001148106	1	Connector	
	4460464	19	Terminal	
	4460466	4	Terminal, Plug	
54	4461227	1	Connector	
	1001104497	2	Terminal, Pin	
	1001104498	2	Seal	
55	4461118	1	Connector	
	1001116698	2	Terminal, Cavity Plug	
56	1001103012	1	Connector	
	1001116697	4	Terminal	
	1001104498	4	Seal	
57	1001103013	1	Connector	
	1001116698	4	Terminal, Cavity Plug	
58	4461262	1	Connector	
	1001116697	3	Terminal	
	1001104498	3	Seal	
59	4461119	1	Connector	
	1001116698	3	Terminal, Cavity Plug	
60	4460343	1	Connector	
	4460268	7	Terminal, Socket	

SECTION 10 - ELECTRICAL

FIGURE 10-47. CAB HARNESS (Prior to SN E160000141, Excluding E160000120, E160000126, 1160008774, 1160008775 and 1160008777)



AHF_1001172342 0

SECTION 10 - ELECTRICAL

FIGURE 10-47. CAB HARNESS (Prior to SN E160000141, Excluding E160000120, E160000126, 1160008774, 1160008775 and 1160008777)

ITEM	PART NUMBER	QTY	DESCRIPTION	REV
	1001172542	Ref	Cab Harness	D
1	1001116995	1	Connector	
2	1001118379	3	Terminal	
3	4460891	1	Connector	
4	1001116692	2	Terminal	
5	4460874	1	Connector	
6	4460871	10	Terminal	
7	4460905	25	Terminal	
8	4460872	1	Connector	
9	4460905	9	Plug	
10	4460871	5	Terminal	
11	1001113961	1	Connector	
12	4460871	1	Terminal	
13	4460905	7	Plug	
14	4460875	1	Connector	
15	4460905	14	Plug	
16	4460871	21	Terminal	
17	4460876	1	Connector	
18	4460905	22	Plug	
19	4460871	13	Terminal	
20	4460873	1	Connector	
21	4460905	23	Plug	
22	4460871	12	Terminal	
23	4460878	1	Connector	
24	1001237383	2	Terminal	
25	3990010	5	Connector	
26	4460872	1	Connector	
27	4460871	9	Terminal	
28	4460905	5	Plug	
29	4460930	1	Connector	
30	1001116692	8	Terminal	
31	4461217	1	Connector	
32	1001126010	4	Terminal	
33	4460518	2	Plug	
34	1001145234	1	Connector	
35	1001104519	5	Terminal	
36	1001118684	1	Connector	
37	1001116754	2	Terminal	
38	1001230931	1	Connector	
39	1001116748	6	Terminal	
40	1001118685	1	Connector	
41	1001104519	1	Terminal	
42	1001118383	1	Terminal	
43	1001117121	1	Connector	
44	1001104519	2	Terminal	
45	1001103012	1	Connector	
46	1001116698	2	Plug	
47	1001116697	2	Terminal	
48	1001104498	2	Seal	

SECTION 10 - ELECTRICAL

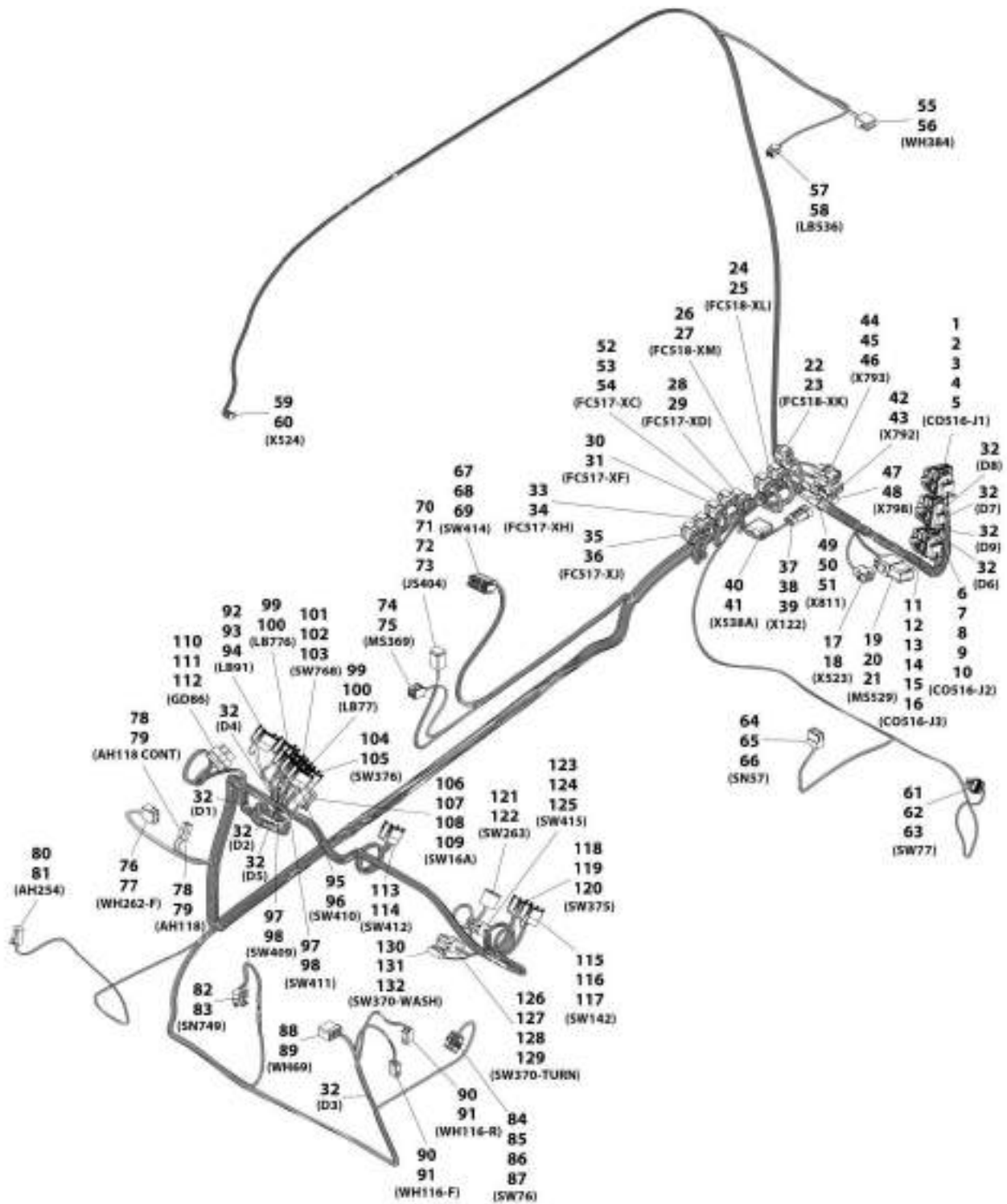
ITEM	PART NUMBER	QTY	DESCRIPTION	REV
49	1001145234	1	Connector	
50	1001104519	8	Terminal	
51	1001153337	1	Connector	
52	1001104519	4	Terminal	
53	4460933	1	Connector	
54	1001116692	10	Terminal	
55	4460466	2	Terminal	
56	4460891	1	Connector	
57	1001116692	2	Terminal	
58	1001145234	1	Connector	
59	1001104519	7	Terminal	
60	1001145234	1	Connector	
61	1001104519	13	Terminal	
62	1001145234	1	Connector	
63	1001104519	47	Terminal	
64	4460930	1	Connector	
65	1001116692	7	Terminal	
66	4460466	1	Terminal	
67	1001116997	1	Connector	
68	1001104519	5	Terminal	
69	4460994	1	Connector	
70	1001104519	6	Terminal	
71	1001116986	1	Connector	
72	1001104519	8	Terminal	
73	4461119	1	Connector	
74	1001104497	3	Terminal	
75	1001104498	3	Seal	
76	4461262	1	Connector	
77	8220164	1	Connector	
78	4460703	1	Connector	
79	8220022	1	Connector	
80	4460434	1	Connector	
81	4460268	13	Terminal	
82	1001118378	11	Terminal	
83	4460343	1	Connector	
84	4460268	12	Terminal	
85	1001118378	12	Terminal	
86	4460265	1	Connector	
87	4460268	7	Terminal	
88	1001121961	1	Connector	
89	4460465	30	Terminal	
90	4460466	1	Terminal	
91	1001148106	1	Connector	
92	4460464	19	Terminal	
93	4460466	4	Terminal	
94	4461227	1	Connector	
95	1001104497	2	Terminal	
96	1001104498	2	Seal	
97	4461118	1	Connector	
98	1001103012	1	Connector	
99	1001116697	4	Terminal	

SECTION 10 - ELECTRICAL

ITEM	PART NUMBER	QTY	DESCRIPTION	REV
100	1001104498	4	Seal	
101	1001103013	1	Connector	
102	4461262	1	Connector	
103	1001116697	3	Terminal	
104	1001104498	3	Seal	
105	4461119	1	Connector	
106	4460343	1	Connector	
107	4460268	7	Terminal	

SECTION 10 - ELECTRICAL

FIGURE 10-48. CAB HARNESS (SN E160000141 to Present, Including E160000120, E160000126, 1160008774, 1160008775 and 1160008777)



ART. 1001237509-D

SECTION 10 - ELECTRICAL

FIGURE 10-48. CAB HARNESS (SN E160000141 to Present, Including E160000120, E160000126, 1160008774, 1160008775 and 1160008777)

ITEM	PART NUMBER	QTY	DESCRIPTION	REV
	1001237509	Ref	Cab Harness	A
1	1001160497	1	Connector	
2	1001161100	11	Terminal	
3	1001161095	14	Terminal	
4	1001161098	7	Terminal	
5	1001161101	1	Terminal	
6	1001160501	1	Connector	
7	1001161095	15	Terminal	
8	1001161100	25	Terminal	
9	1001161098	7	Terminal	
10	1001161101	1	Terminal	
11	1001161960	1	Connector	
12	1001161100	11	Terminal	
13	1001161097	6	Terminal	
14	1001161095	7	Terminal	
15	1001161098	1	Terminal	
16	1001161101	7	Terminal	
17	4460224	1	Connector	
18	4460267	4	Terminal	
19	4460933	1	Connector	
20	4460465	8	Terminal	
21	4460466	4	Terminal	
22	4460225	1	Connector	
23	4460267	4	Terminal	
24	4460343	1	Connector	
25	4460268	6	Terminal	
26	4460343	1	Connector	
27	4460267	7	Terminal	
28	4460265	1	Connector	
29	4460268	6	Terminal	
30	4460434	1	Connector	
31	4460268	12	Terminal	
32	3990010	1	Connector	
33	4460343	1	Connector	
34	4460268	9	Terminal	
35	4460343	1	Connector	
36	4460267	12	Terminal	
37	4461119	1	Connector	
38	1001104497	3	Terminal	
39	1001104498	3	Terminal	
40	4460933	1	Connector	
41	4460465	12	Terminal	
42	4460224	1	Connector	
43	4460268	5	Terminal	
44	4460445	1	Connector	
45	4460326	1	Terminal	
46	4460268	3	Terminal	
47	4460897	1	Connector	
48	4460941	2	Terminal	

SECTION 10 - ELECTRICAL

ITEM	PART NUMBER	QTY	DESCRIPTION	REV
49	4460536	1	Connector	
50	4460464	2	Terminal	
50	4460466	1	Terminal	
52	4460536	1	Connector	
53	1001116698	4	Terminal	
54	4460267	2	Terminal	
55	1001116986	1	Connector	
56	1001104519	4	Terminal	
57	1001116991	1	Connector	
58	1001118384	2	Terminal	
59	1001150735	1	Connector	
60	1001150737	8	Terminal	
61	4461262	1	Connector	
62	1001107854	2	Terminal	
63	1001116698	1	Terminal	
64	1001116986	1	Connector	
65	1001104519	3	Terminal	
66	1001223455	1	Terminal	
67	1001145234	1	Connector	
68	1001223455	2	Terminal	
69	1001104519	3	Terminal	
70	4460894	1	Connector	
71	4460465	3	Terminal	
72	4460466	1	Terminal	
73	4460944	2	Terminal	
74	1001118684	1	Connector	
75	1001116754	2	Terminal	
76	1001116986	1	Connector	
77	1001104519	4	Terminal	
78	1001116995	1	Connector	
79	1001118379	1	Terminal	
80	4460891	1	Connector	
81	4460465	2	Terminal	
82	1001230931	1	Connector	
83	1001116748	6	Terminal	
84	1001103012	1	Connector	
85	1001116698	2	Terminal	
86	1001116697	2	Terminal	
87	1001104498	2	Terminal	
88	1001116997	1	Connector	
89	1001104519	5	Terminal	
90	4460994	1	Connector	
91	1001104519	2	Terminal	
92	1001145234	1	Connector	
93	1001223455	1	Terminal	
94	1001104519	3	Terminal	
95	1001145234	1	Connector	
96	1001104519	9	Terminal	
97	1001145234	1	Connector	
98	1001104519	6	Terminal	
99	1001145234	1	Connector	

SECTION 10 - ELECTRICAL

ITEM	PART NUMBER	QTY	DESCRIPTION	REV
100	1001104519	4	Terminal	
101	1001145234	1	Connector	
102	1001223455	2	Terminal	
103	1001104519	3	Terminal	
104	1001145234	1	Connector	
105	1001104519	8	Terminal	
106	4460894	1	Connector	
107	4460942	2	Terminal	
108	4460465	1	Terminal	
109	4460466	3	Terminal	
110	4460872	1	Connector	
111	4460871	7	Terminal	
112	4460905	7	Terminal	
113	1001145234	1	Connector	
114	1001104519	7	Terminal	
115	1001145234	1	Connector	
116	1001104519	6	Terminal	
117	1001223455	1	Terminal	
118	1001145234	1	Connector	
119	1001223455	1	Terminal	
120	1001104519	3	Terminal	
121	1001153337	1	Connector	
122	1001104519	4	Terminal	
123	4460930	1	Connector	
124	4460465	7	Terminal	
125	4460466	1	Terminal	
126	4460933	1	Connector	
127	4460942	5	Terminal	
128	4460465	5	Terminal	
129	4460466	1	Terminal	
130	4460891	1	Connector	
131	4460942	1	Terminal	
132	4460462	1	Terminal	

SECTION 10 - ELECTRICAL

FIGURE 10-49. CAB POWER HARNESS

X03				
CONN POS	WIRE COLOR	WIRE LABEL	GAUGE	JACKET
1	RED	101 CAB PWR	4 AWG	EPDM

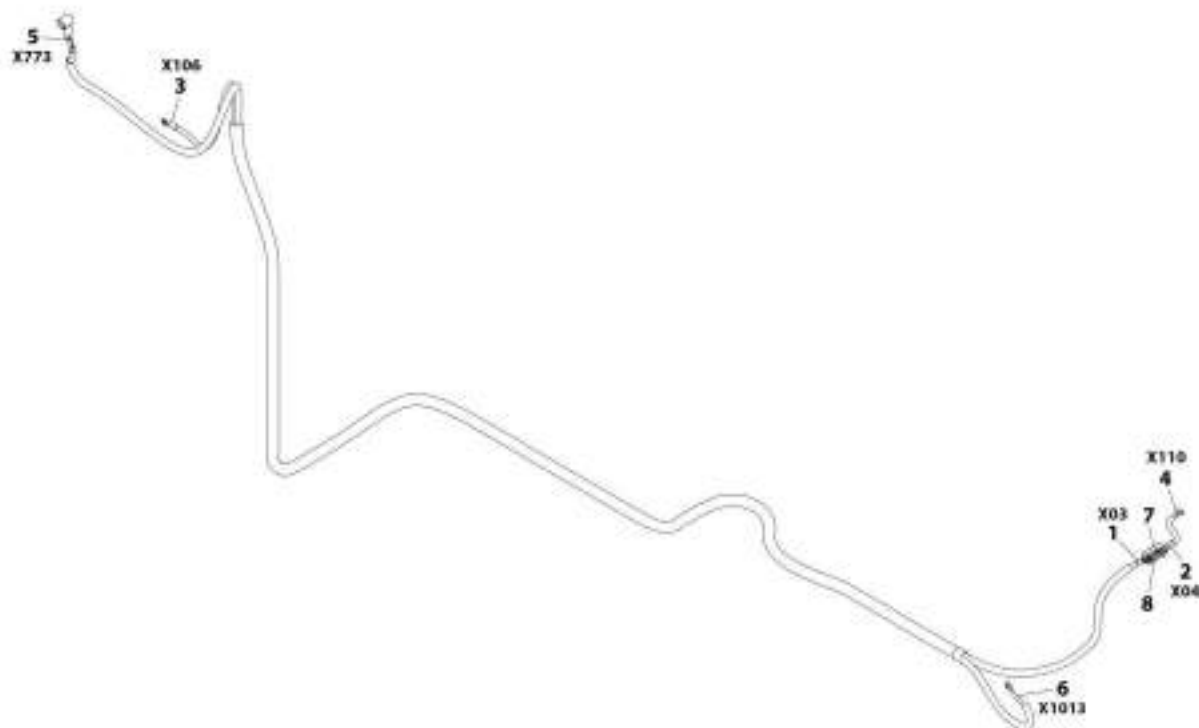
X04				
CONN POS	WIRE COLOR	WIRE LABEL	GAUGE	JACKET
1	RED	101 CAB PWR	4 AWG	EPDM

X106				
CONN POS	WIRE COLOR	WIRE LABEL	GAUGE	JACKET
1	BLK	003 GRD	4 AWG	EPDM

X110				
CONN POS	WIRE COLOR	WIRE LABEL	GAUGE	JACKET
1	RED	101 CAB PWR	4 AWG	EPDM

X773				
CONN POS	WIRE COLOR	WIRE LABEL	GAUGE	JACKET
1	RED	101 CAB PWR	4 AWG	EPDM

X1013				
CONN POS	WIRE COLOR	WIRE LABEL	GAUGE	JACKET
1	BLK	003 GRD	4 AWG	EPDM



AWT_100143800-C

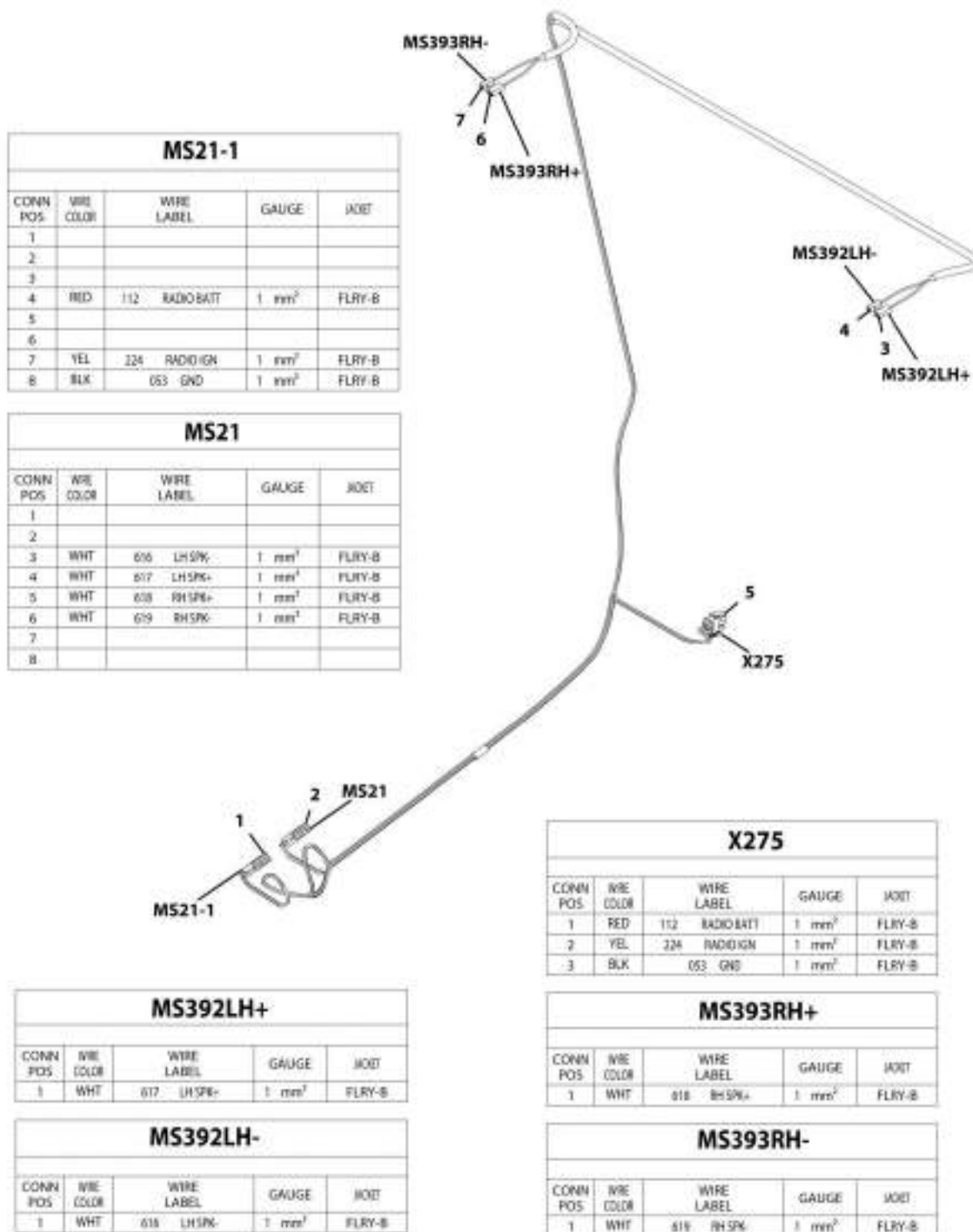
SECTION 10 - ELECTRICAL

FIGURE 10-49. CAB POWER HARNESS

ITEM	PART NUMBER	QTY	DESCRIPTION	REV
	1001147800	Ref	Cab Power Harness	C
1	1001148375	1	Terminal, Ring	
2	1001148375	1	Terminal, Ring	
3	8220115	1	Terminal, Ring	
4	1001117112	1	Terminal, Ring	
5	1001125479	1	Terminal, Ring	
6	1001117109	1	Terminal, Ring	
7	1001125389	1	Fuse Holder	
8	1001125388	1	Fuse, 150 Amp	

SECTION 10 - ELECTRICAL

FIGURE 10-50. RADIO HARNESS



ART_3001146672-B

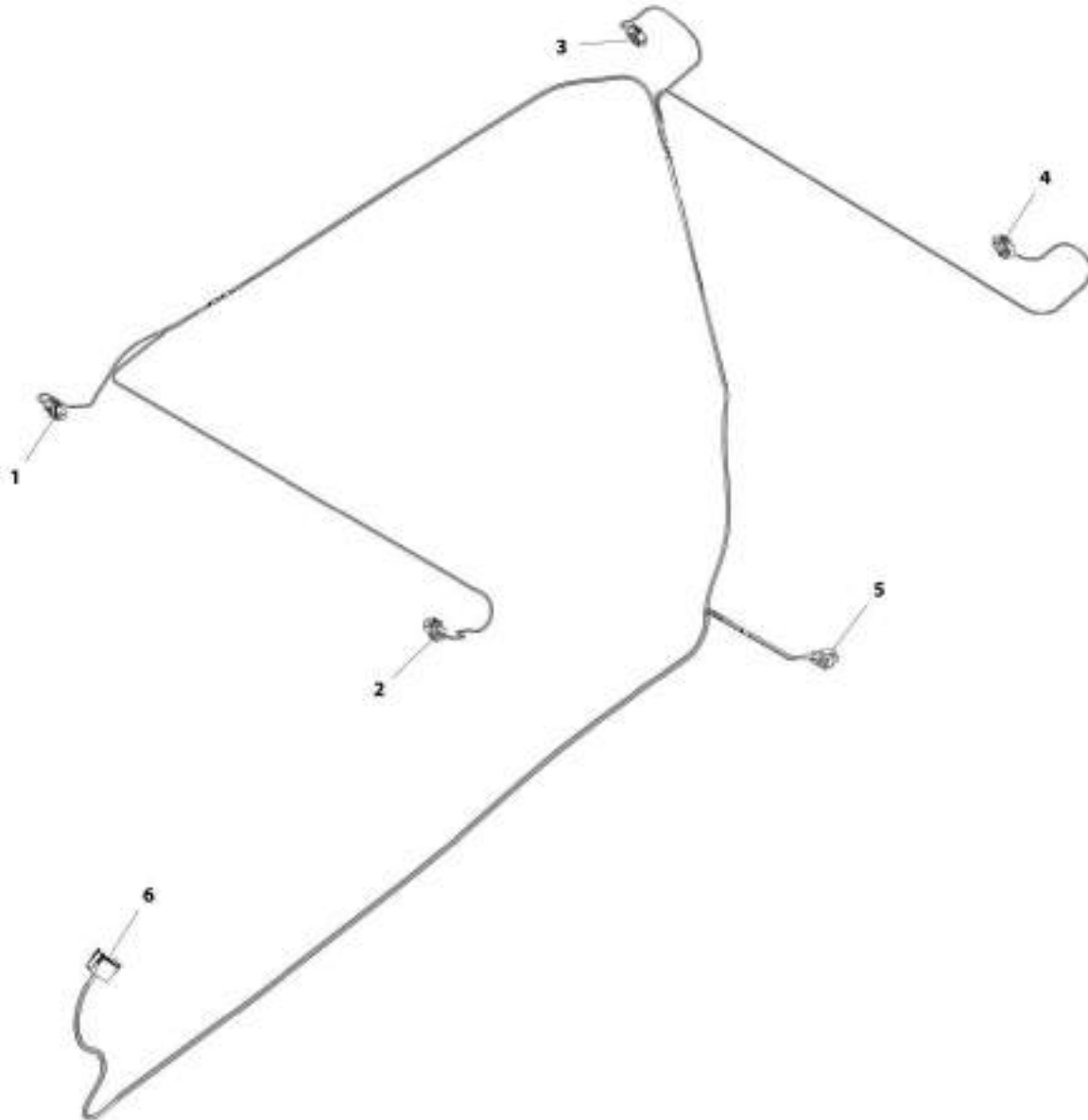
SECTION 10 - ELECTRICAL

FIGURE 10-50. RADIO HARNESS

ITEM	PART NUMBER	QTY	DESCRIPTION	REV
	1001146672	Ref	Radio Harness	B
1	1001116985	1	Connector	
	1001118386	3	Terminal	
2	1001116984	1	Connector	
	1001118386	4	Terminal	
3	1001117002	1	Connector	
	1001116705	1	Terminal	
4	1001116998	1	Connector	
	1001116715	1	Terminal	
5	4460326	1	Connector	
6	1001117002	1	Connector	
	1001116705	1	Terminal	
7	1001116998	1	Connector	
	1001116715	1	Terminal	

SECTION 10 - ELECTRICAL

FIGURE 10-51. WORKLIGHTS HARNESS



WPT_100148675-C

SECTION 10 - ELECTRICAL

FIGURE 10-51. WORKLIGHTS HARNESS

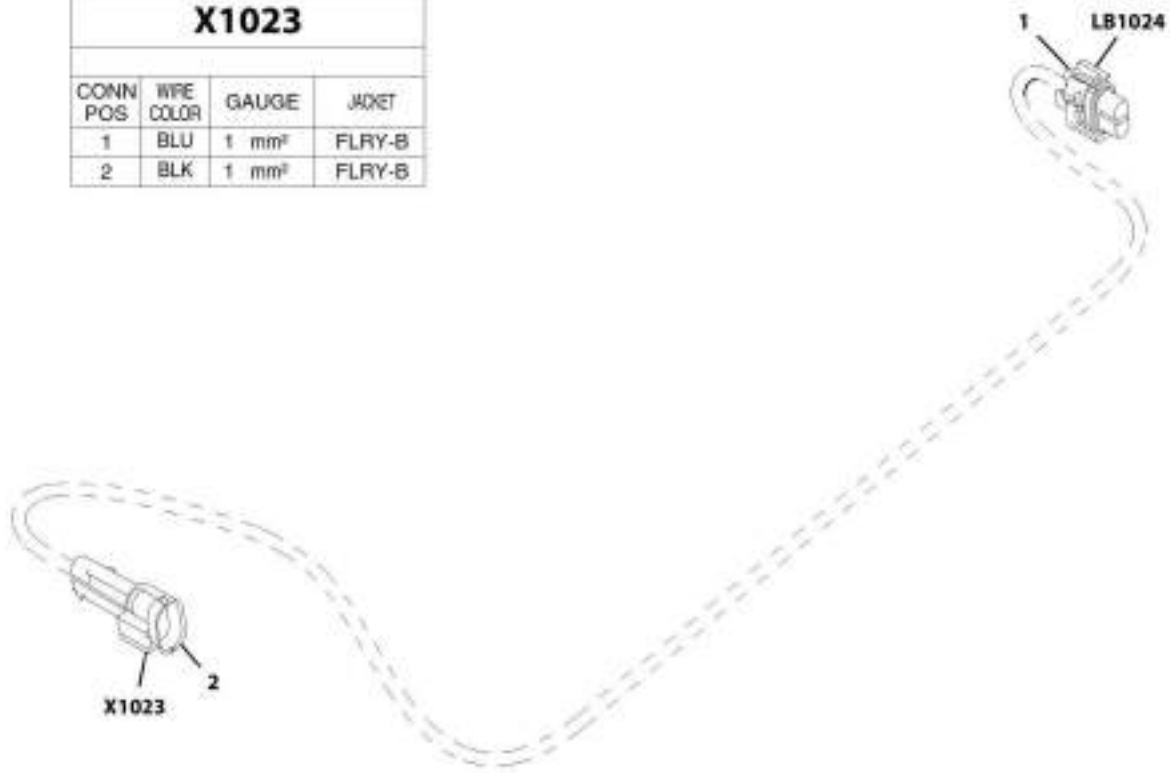
ITEM	PART NUMBER	QTY	DESCRIPTION	REV
	1001146673	Ref	Worklights Harness	C
1	4461115	1	Connector	
	4460746	2	Terminal	
	4460458	2	Seal	
2	4461115	1	Connector	
	4460746	2	Terminal	
	4460458	2	Seal	
3	4461115	1	Connector	
	4460746	2	Terminal	
	4460458	2	Seal	
4	4461115	1	Connector	
	4460746	2	Terminal	
	4460458	2	Seal	
5	4460225	1	Connector	
	1001118378	5	Terminal	
6	1001145234	1	Connector	
	1001104519	6	Terminal	

SECTION 10 - ELECTRICAL

FIGURE 10-52. LIGHT EXTENSION HARNESS

LB1024			
CONN POS	WIRE COLOR	GAUGE	JACKET
1	BLU	1 mm ²	FLRY-B
2	BLK	1 mm ²	FLRY-B

X1023			
CONN POS	WIRE COLOR	GAUGE	JACKET
1	BLU	1 mm ²	FLRY-B
2	BLK	1 mm ²	FLRY-B



ART_100113324-A

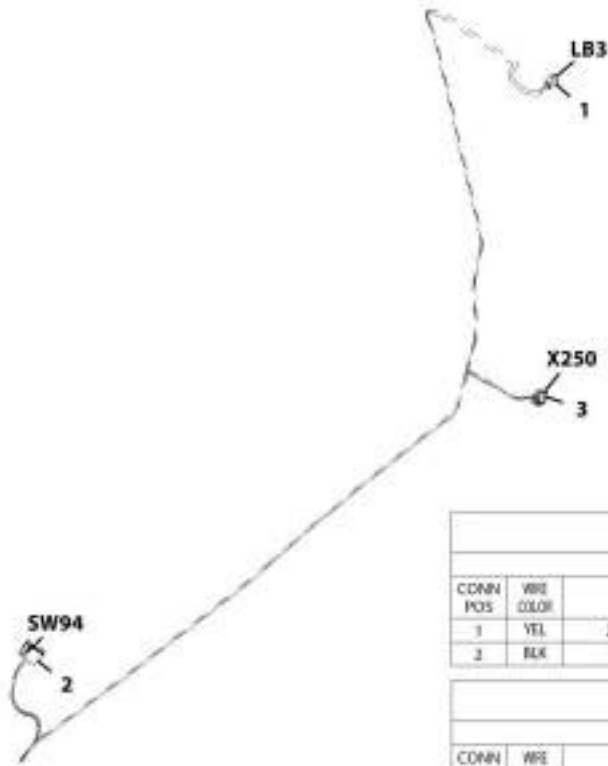
SECTION 10 - ELECTRICAL

FIGURE 10-52. LIGHT EXTENSION HARNESS

ITEM	PART NUMBER	QTY	DESCRIPTION	REV
1	1001133224	Ref	Light Extension Harness	A
	4461115	1	Connector	
	1001116728	2	Terminal	
2	4460458	2	Seal	
	1001133213	1	Connector	
	1001116745	2	Terminal	
	4460458	2	Seal	

SECTION 10 - ELECTRICAL

FIGURE 10-53. BEACON HARNESS



LB84					
CONN POS	WIRE COLOR	WIRE LABEL	GUAGE	ACBT	ID
1	YEL	320 KEY 1	1.5 mm ²	FLRY-B	SW94 (1)
2	BLK	053-1 GND	1.5 mm ²	FLRY-B	S99 (2)

SW94					
CONN POS	WIRE COLOR	WIRE LABEL	GUAGE	ACBT	ID
1	YEL	320 KEY 1	1.5 mm ²	FLRY-B	LB84 (1)
2	YEL	219 OPT PAR 1	1.5 mm ²	FLRY-B	X250 (1)
3					
4					
5					
6					
7	BLK	053-2 GND	1 mm ²	FLRY-B	S99 (2)
8	WHT	427 SW LT	1 mm ²	FLRY-B	X250 (3)
9					
10					

X250					
CONN POS	WIRE COLOR	WIRE LABEL	GUAGE	ACBT	ID
1	YEL	219 OPT PAR 1	1.5 mm ²	FLRY-B	SW94 (2)
2	BLK	053 GND	1.5 mm ²	FLRY-B	S99 (1)
3	WHT	427 SW LT	1 mm ²	FLRY-B	SW94 (3)

ART_1001148870-C

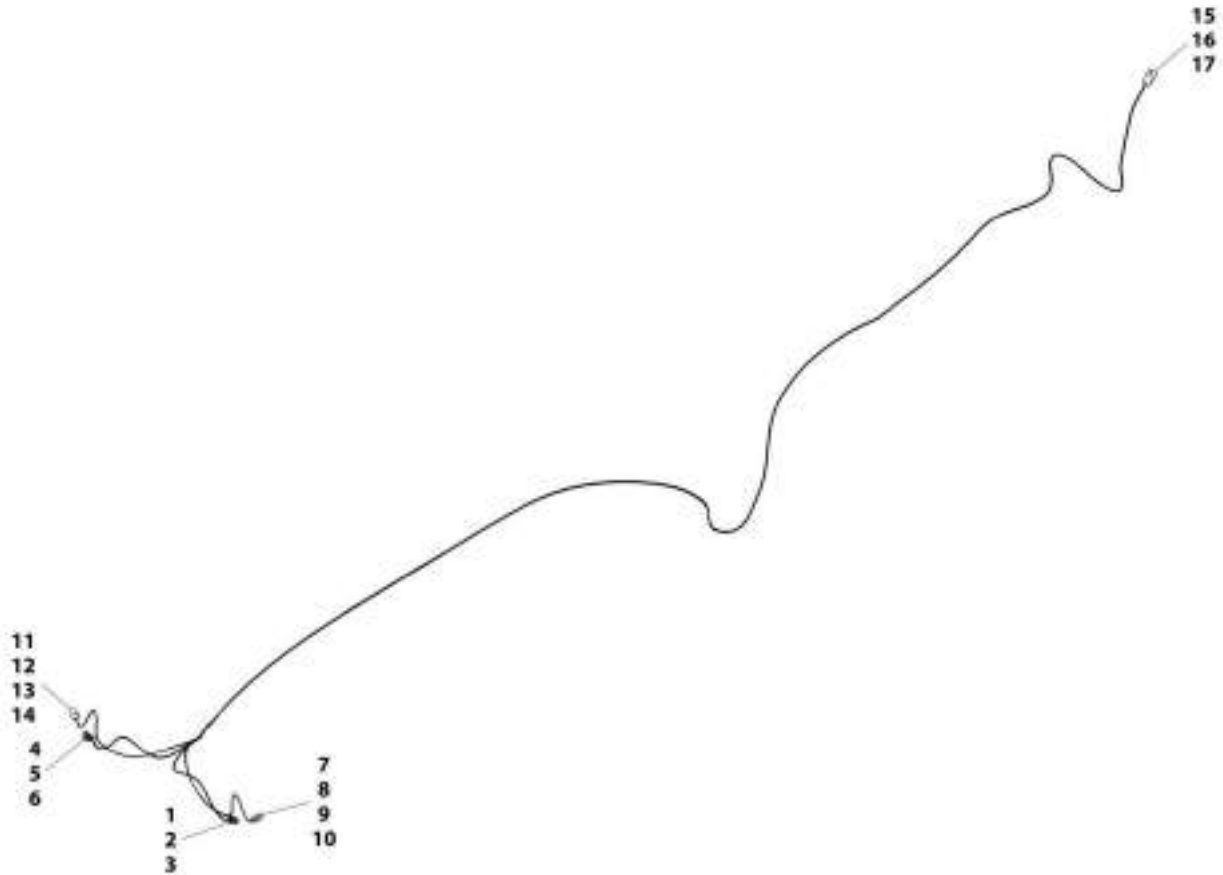
SECTION 10 - ELECTRICAL

FIGURE 10-53. BEACON HARNESS

ITEM	PART NUMBER	QTY	DESCRIPTION	REV
	1001146676	Ref	Beacon Harness	C
1	4460994	1	Connector	
1	1001116720	2	Terminal	
2	1001145234	1	Connector	
2	1001104519	4	Terminal	
3	4460326	1	Connector	
3	1001118378	3	Terminal	

SECTION 10 - ELECTRICAL

FIGURE 10-54. OUTRIGGERS DEPLOYED CHASSIS HARNESS - 4017RS (Prior to SN 1160007172)



ART_1081151810-D

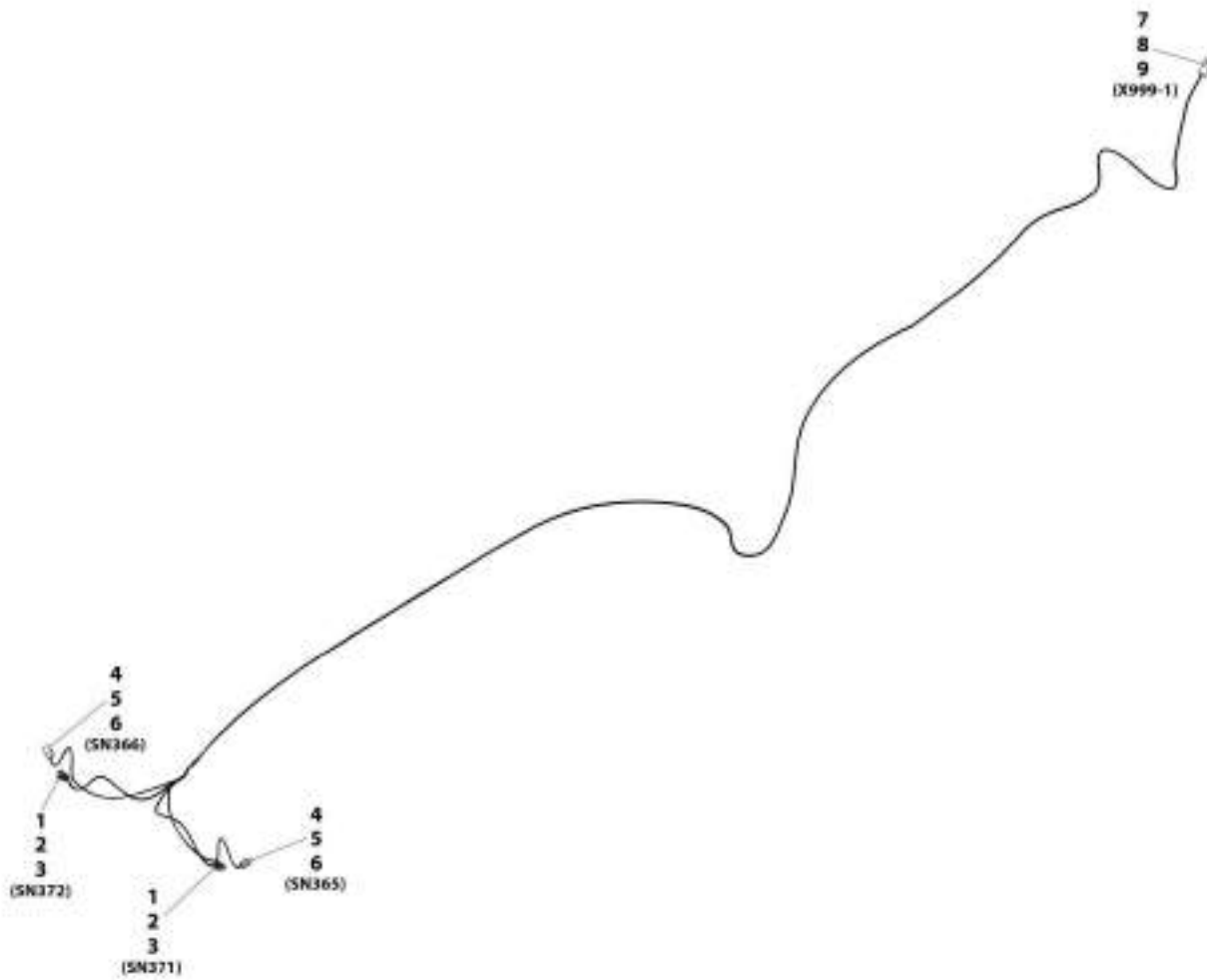
SECTION 10 - ELECTRICAL

FIGURE 10-54. OUTRIGGERS DEPLOYED CHASSIS HARNESS - 4017RS (Prior to SN 1160007172)

ITEM	PART NUMBER	QTY	DESCRIPTION	REV
	1001151810	Ref	Outriggers Deployed Chassis Harness - 4017RS (Prior to SN 1160007172)	D
1	4461262	1	Connector	
2	1001116697	3	Terminal	
3	1001104498	3	Seal	
4	4461262	1	Connector	
5	1001116697	3	Terminal	
6	1001104498	3	Seal	
7	4460539	1	Connector	
8	77363244	1	Lock, Wedge	
9	4460465	2	Terminal	
10	4460466	1	Plug	
11	4460539	1	Connector	
12	77363244	1	Lock, Wedge	
13	4460465	2	Terminal	
14	4460466	1	Plug	
15	1001103013	1	Connector	
16	1001104497	4	Terminal	
17	1001104498	4	Seal	

SECTION 10 - ELECTRICAL

FIGURE 10-55. OUTRIGGERS DEPLOYED INSTALLATION - 4017RS (SN 1160007172 to Present)



ART_1001172310-A

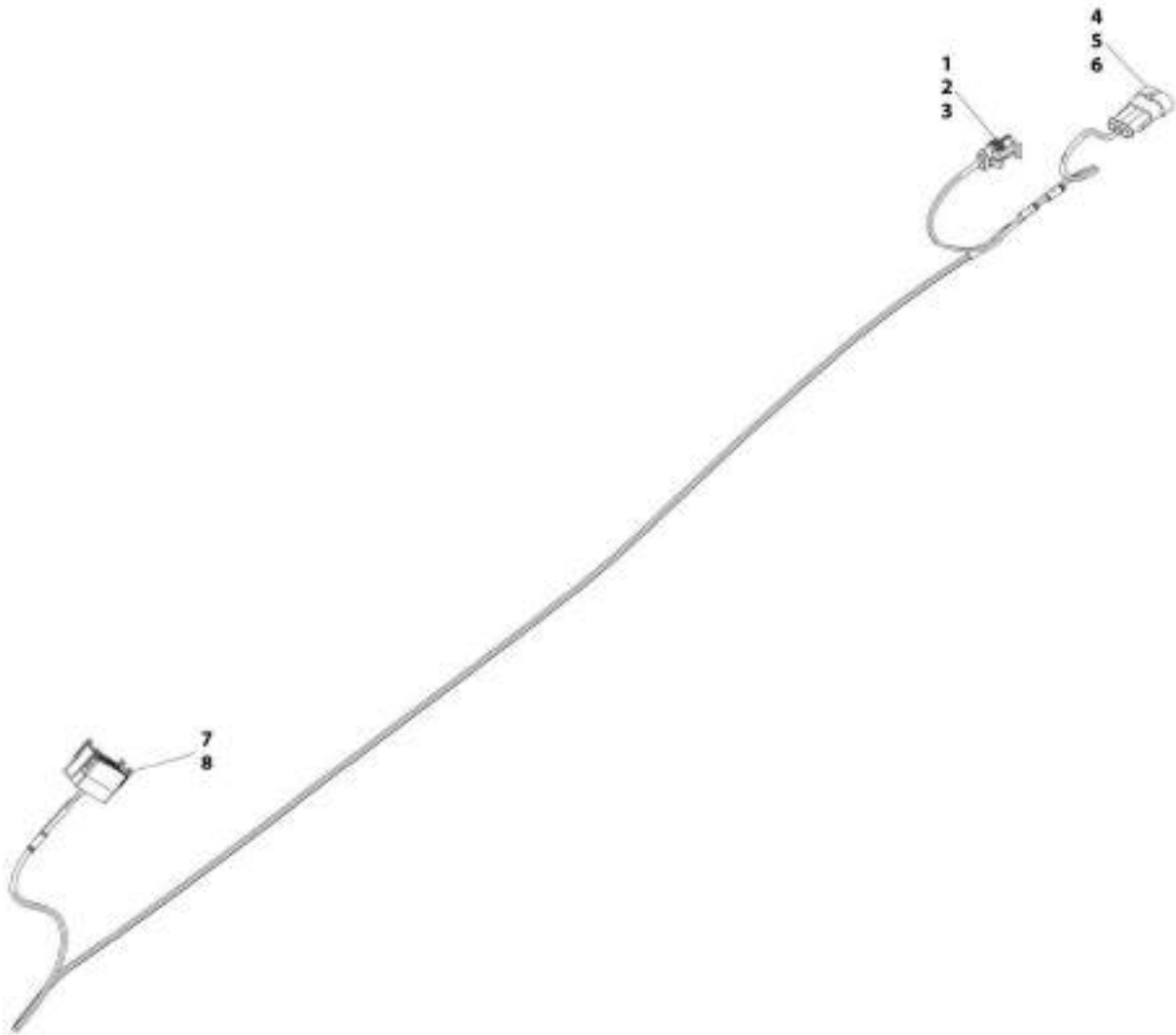
SECTION 10 - ELECTRICAL

FIGURE 10-55. OUTRIGGERS DEPLOYED INSTALLATION - 4017RS (SN 1160007172 to Present)

ITEM	PART NUMBER	QTY	DESCRIPTION	REV
	1001172310	Ref	Outriggers Deployed Chassis Harness - 4017RS (SN 1160007172 to Present)	A
1	4461262	1	Connector	
2	1001116697	3	Terminal	
3	1001104498	3	Seal	
4	4461262	1	Connector	
5	1001116697	3	Terminal	
6	1001104498	3	Seal	
7	4460539	1	Connector	
8	77363244	1	Lock, Wedge	
9	4460465	2	Terminal	
10	4460466	1	Plug	
11	4460539	1	Connector	
12	77363244	1	Lock, Wedge	
13	4460465	2	Terminal	
14	4460466	1	Plug	
15	1001103013	1	Connector	
16	1001104497	4	Terminal	
17	1001104498	4	Seal	

SECTION 10 - ELECTRICAL

FIGURE 10-56. OUTRIGGERS DEPLOYED CAB HARNESS - 4017RS



ART_100131011-C

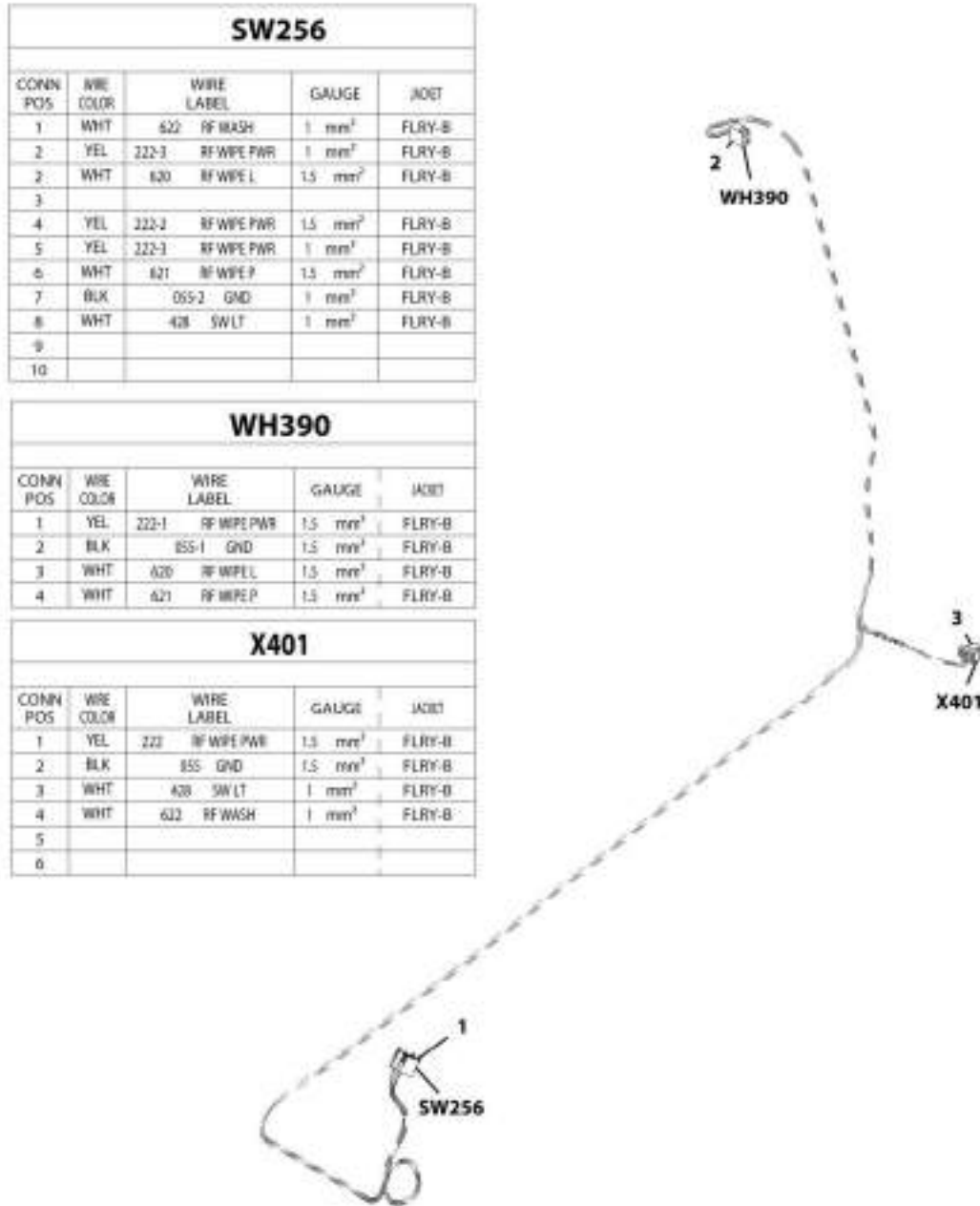
SECTION 10 - ELECTRICAL

FIGURE 10-56. OUTRIGGERS DEPLOYED CAB HARNESS - 4017RS

ITEM	PART NUMBER	QTY	DESCRIPTION	REV
	1001151811	Ref	Outriggers Deployed Cab Harness - 4017RS	C
1	4461118	1	Connector	
2	1001116697	2	Terminal	
3	1001104498	2	Seal	
4	4461119	1	Connector	
5	1001104497	3	Terminal	
6	1001104498	3	Seal	
7	1001145234	1	Connector	
8	1001104519	4	Terminal	

SECTION 10 - ELECTRICAL

FIGURE 10-57. ROOF WIPER HARNESS



ART_100149077-B

SECTION 10 - ELECTRICAL

FIGURE 10-57. ROOF WIPER HARNESS

ITEM	PART NUMBER	QTY	DESCRIPTION	REV
1	1001146677	Ref	Roof Wiper Harness	B
	1001145234	1	Connector	
	1001104519	8	Terminal	
2	1001116986	1	Connector	
	1001104519	4	Terminal	
3	4460225	1	Connector	
	4460268	4	Terminal	

SECTION 10 - ELECTRICAL

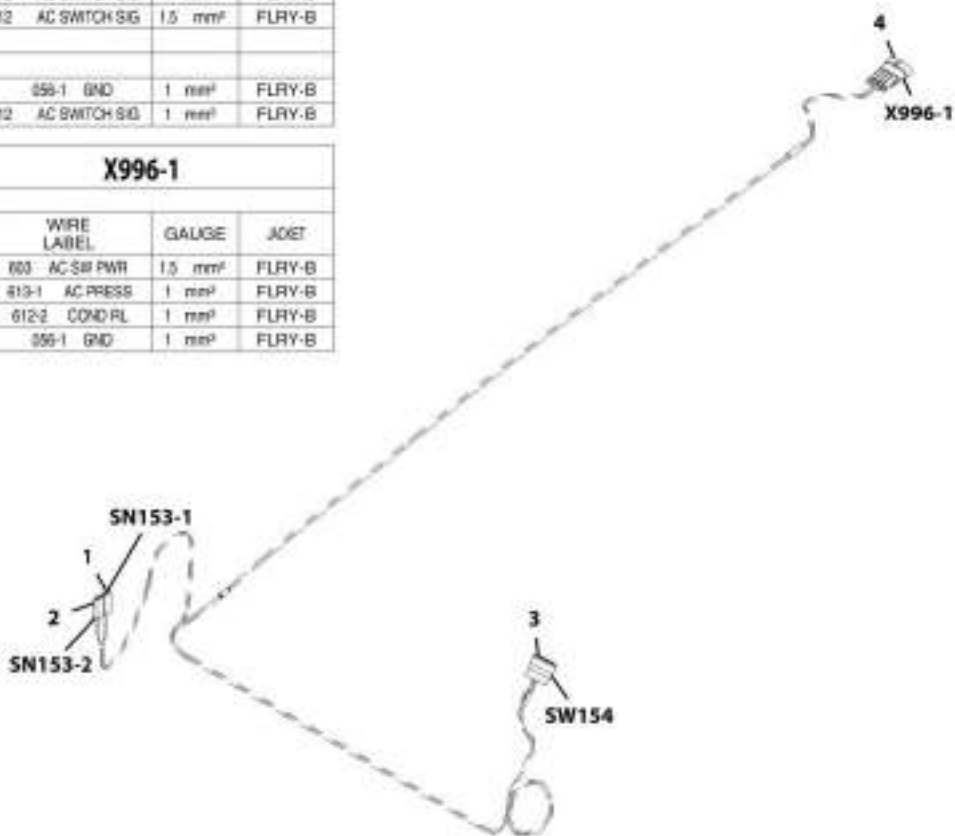
FIGURE 10-58. HAC CAB HARNESS

SN153-1				
CONN POS	WIRE COLOR	WIRE LABEL	GUAGE	AKET
1	WHT	612-1 AC TEMP	1 mm ²	FLRY-B

SN153-2				
CONN POS	WIRE COLOR	WIRE LABEL	GUAGE	AKET
1	WHT	613-1 AC PRESS	1 mm ²	FLRY-B

SW154				
CONN POS	WIRE COLOR	WIRE LABEL	GUAGE	AKET
A	WHT	603 AC SW PWR	1.5 mm ²	FLRY-B
B	WHT	612 AC SWITCH SIG	1 mm ²	FLRY-B
B	WHT	612 AC SWITCH SIG	1.5 mm ²	FLRY-B
C				
D				
E	BLK	656-1 GND	1 mm ²	FLRY-B
F	WHT	612 AC SWITCH SIG	1 mm ²	FLRY-B

X996-1				
CONN POS	WIRE COLOR	WIRE LABEL	GUAGE	AKET
1	WHT	603 AC SW PWR	1.5 mm ²	FLRY-B
2	WHT	613-1 AC PRESS	1 mm ²	FLRY-B
3	WHT	612-2 COND RL	1 mm ²	FLRY-B
4	BLK	656-1 GND	1 mm ²	FLRY-B



ART_1301168704-A

SECTION 10 - ELECTRICAL

FIGURE 10-58. HAC CAB HARNESS

ITEM	PART NUMBER	QTY	DESCRIPTION	REV
	1001168704	Ref	HAC Cab Harness	A
1	1001116995	1	Connector	
	1001118379	1	Terminal	
2	1001116995	1	Connector	
	1001118379	1	Terminal	
3	1001153338	1	Connector	
	1001104519	5	Terminal	
4	1001103013	1	Connector	
	1001104497	4	Terminal	

SECTION 10 - ELECTRICAL

FIGURE 10-59. HAC CHASSIS HARNESS

SN252				
CONN POS	WIRE COLOR	WIRE LABEL	GAUGE	NOTE
1	WHT	813-1 AC PRESS	1 mm ²	FLRY-B
2	WHT	614 AC COMP	1 mm ²	FLRY-B

WH753-1				
CONN POS	WIRE COLOR	WIRE LABEL	GAUGE	NOTE
A	BLK	058 GND	1.5 mm ²	FLRY-B
B	WHT	815-3 COND FAN	1.5 mm ²	FLRY-B

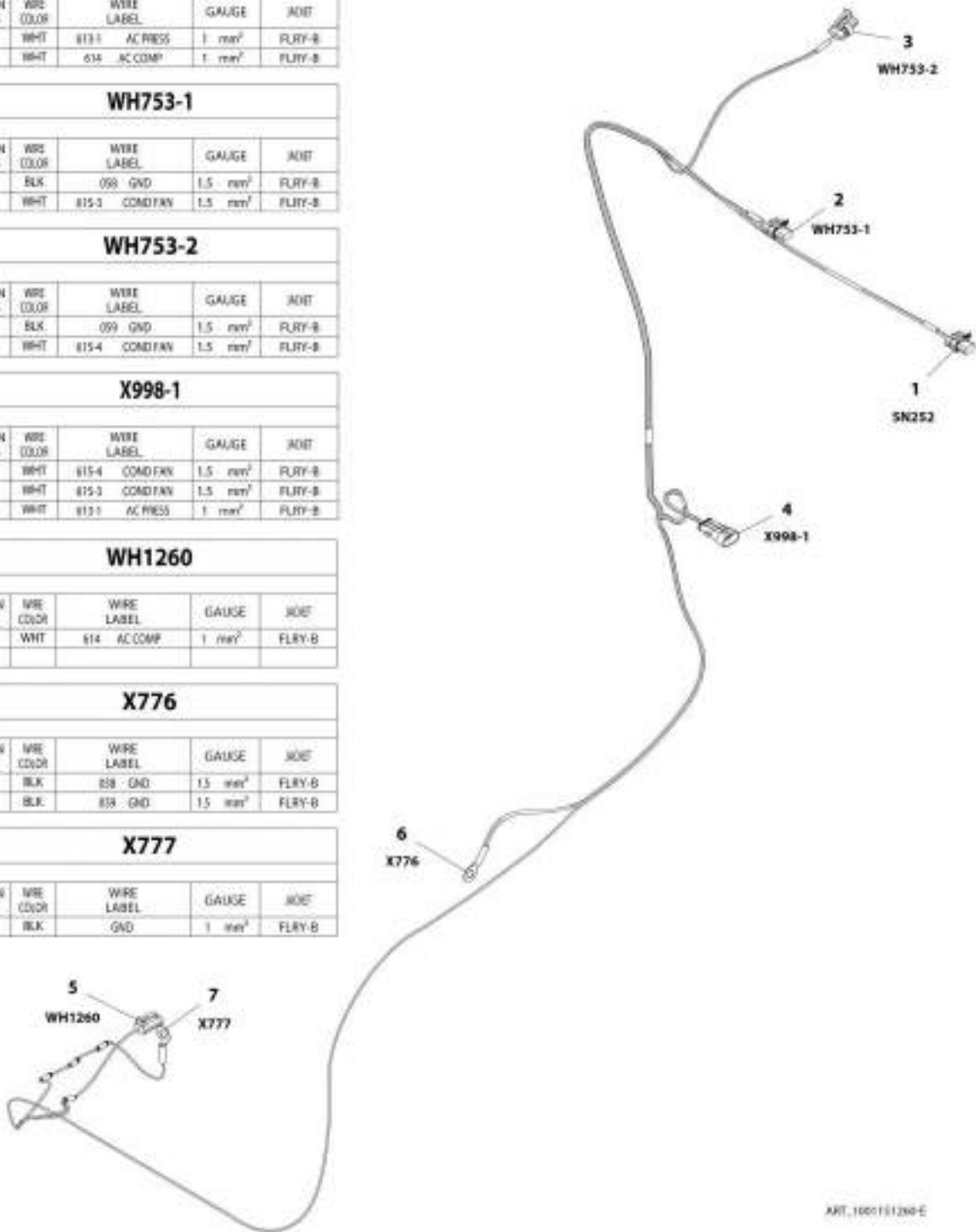
WH753-2				
CONN POS	WIRE COLOR	WIRE LABEL	GAUGE	NOTE
A	BLK	059 GND	1.5 mm ²	FLRY-B
B	WHT	815-4 COND FAN	1.5 mm ²	FLRY-B

X998-1				
CONN POS	WIRE COLOR	WIRE LABEL	GAUGE	NOTE
1	WHT	815-4 COND FAN	1.5 mm ²	FLRY-B
2	WHT	815-3 COND FAN	1.5 mm ²	FLRY-B
3	WHT	813-1 AC PRESS	1 mm ²	FLRY-B

WH1260				
CONN POS	WIRE COLOR	WIRE LABEL	GAUGE	NOTE
1	WHT	614 AC COMP	1 mm ²	FLRY-B
2				

X776				
CONN POS	WIRE COLOR	WIRE LABEL	GAUGE	NOTE
1	BLK	858 GND	1.5 mm ²	FLRY-B
1	BLK	858 GND	1.5 mm ²	FLRY-B

X777				
CONN POS	WIRE COLOR	WIRE LABEL	GAUGE	NOTE
1	BLK	GND	1 mm ²	FLRY-B



ART. 1001101260-E

SECTION 10 - ELECTRICAL

FIGURE 10-59. HAC CHASSIS HARNESS

ITEM	PART NUMBER	QTY	DESCRIPTION	REV
	1001151260	Ref	HAC Chassis Harness	E
1	1001117021	1	Connector	
	1001116728	2	Terminal	
	4460458	2	Seal	
2	1001117021	1	Connector	
	1001234800	2	Terminal	
	4460458	2	Seal	
3	1001117021	1	Connector	
	1001234800	2	Terminal	
	4460458	2	Seal	
4	4461119	1	Connector	
	1001104497	3	Terminal	
	1001104498	3	Seal	
5	4460891	1	Connector	
	80604018	1	Lock, Wedge	
	4460465	1	Terminal	
	4460466	1	Plug	
6	1001117110	1	Terminal, Ring	
7	4460722	1	Terminal, Ring	

SECTION 10 - ELECTRICAL

FIGURE 10-60. CLEARSKY HARNESS



ART_1001164274-A

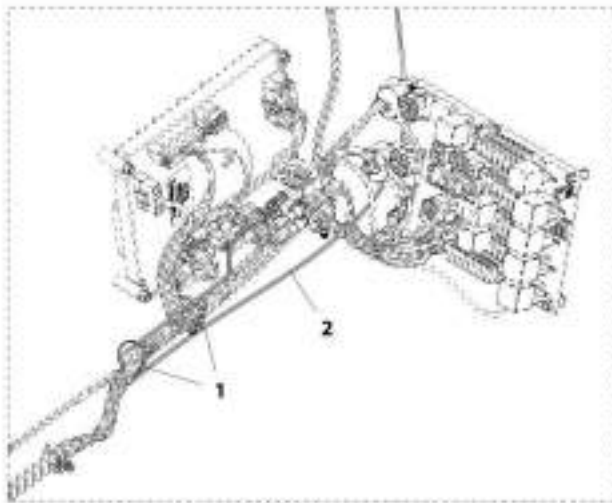
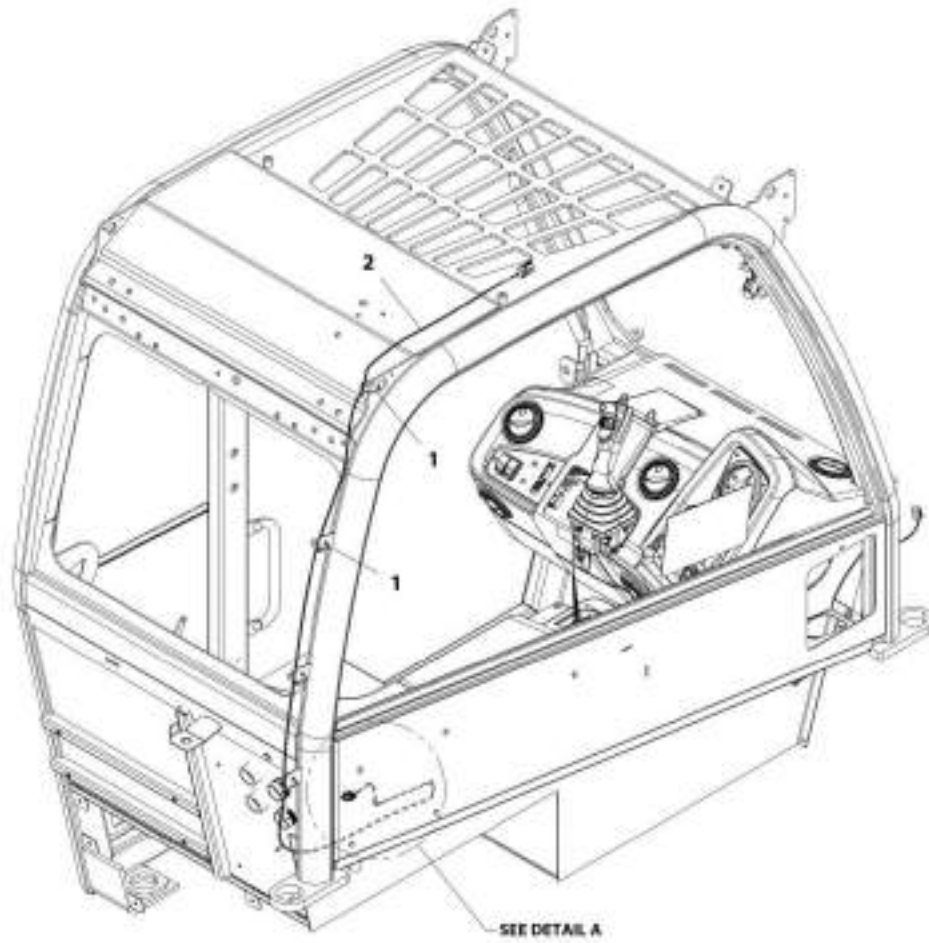
SECTION 10 - ELECTRICAL

FIGURE 10-60. CLEARSKY HARNESS

ITEM	PART NUMBER	QTY	DESCRIPTION	REV
	1001164274	Ref	Clearsky Harness	A
1	4461217	1	Connector	
2	1001119620	4	Terminal	
3	4460518	2	Plug	
4	1001126007	1	Connector	
5	7346000239	1	Lock, Connector	
6	1001119619	4	Terminal	
7	4460518	2	Plug	
8	4461262	1	Connector	
9	1001116697	3	Terminal	
10	1001104498	3	Plug	
11	1001116994	1	Connector	
12	4460871	5	Terminal	
13	4460905	18	Plug	
14	1001112612	1	Connector	
15	4460464	5	Terminal	
16	4460466	4	Plug	
17	1001125785	1	Nut, Lock	
18	1001125784	1	Washer, Lock	

SECTION 10 - ELECTRICAL

FIGURE 10-61. UNIVERSAL TELEMATICS INSTALLATION



ART_1001395007-A

SECTION 10 - ELECTRICAL

FIGURE 10-61. UNIVERSAL TELEMATICS INSTALLATION

ITEM	PART NUMBER	QTY	DESCRIPTION	REV
1	1001205597	Ref	Universal Telematics Installation (if equipped)	A
	1001008559	6	Strap, Cable	
2	1001205596	1	Harness, Universal Telematics (See UNIVERSAL TELEMATICS HARNESS for Breakdown)	

SECTION 10 - ELECTRICAL

FIGURE 10-62. UNIVERSAL TELEMATICS HARNESS



ART. 3001205990-A

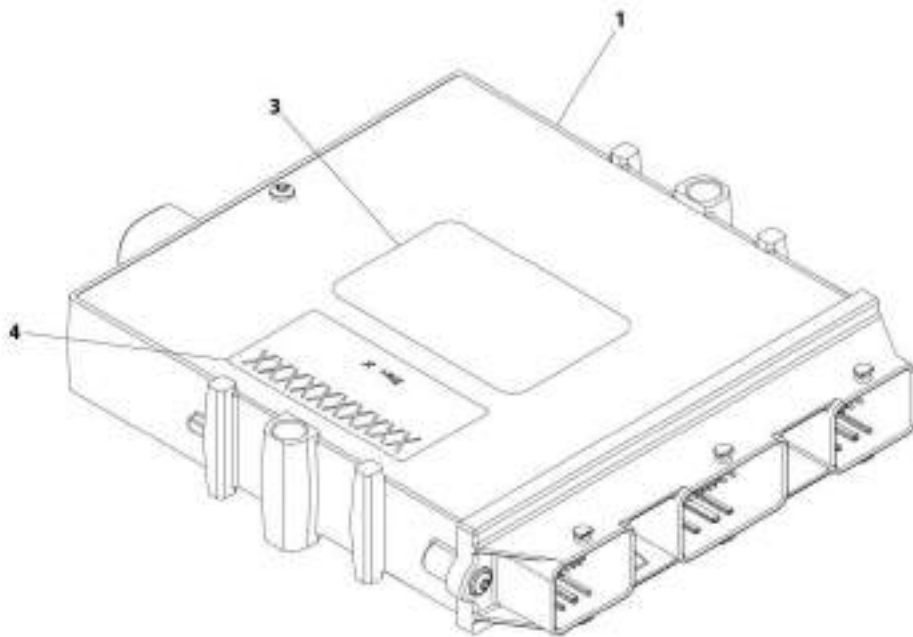
SECTION 10 - ELECTRICAL

FIGURE 10-62. UNIVERSAL TELEMATICS HARNESS

ITEM	PART NUMBER	QTY	DESCRIPTION	REV
	1001205596	Ref	Universal Telematics Harness	A
1	4460884	1	Connector	
2	4460465	3	Terminal	
3	4460466	1	Plug	
4	80604021	1	Lock, Wedge	
5	1001192401	1	Cap Dust	
6	4461262	1	Connector	
7	1001116697	3	Terminal	
8	1001104498	3	Plug	

SECTION 10 - ELECTRICAL

FIGURE 10-63. REAR FRAME MODULE



ART_1001299576-M

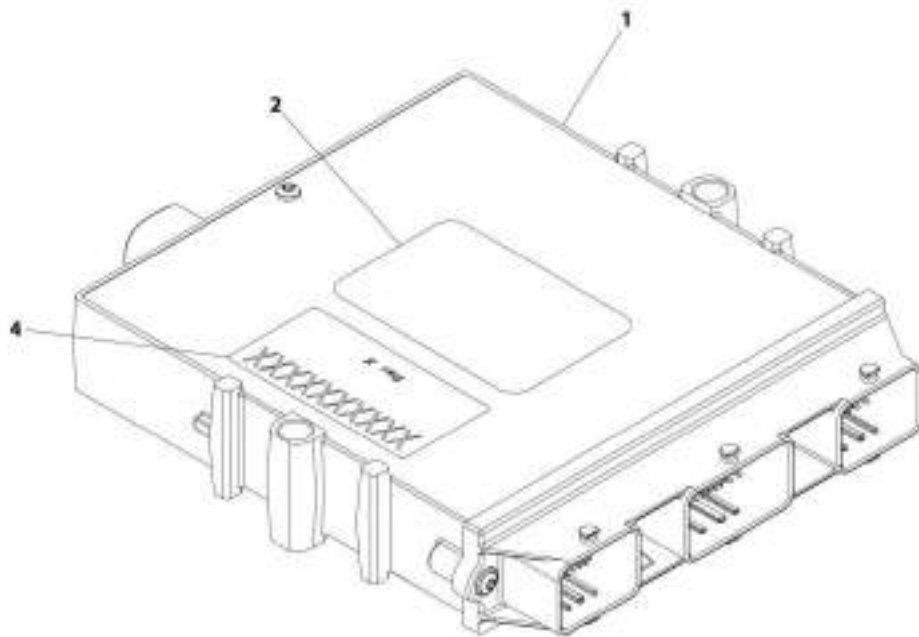
SECTION 10 - ELECTRICAL

FIGURE 10-63. REAR FRAME MODULE

ITEM	PART NUMBER	QTY	DESCRIPTION	REV
	1001209576	Ref	Rear Frame Module	M
1	1001162250	1	PC Board	
2	1001209580	1	Software, Rear Frame Module	
3	1001162248	1	Label, Generic Control Module	
4	1001202061	1	Decal, Control Module	

SECTION 10 - ELECTRICAL

FIGURE 10-64. FRONT FRAME MODULE



ART_1001209577-M

SECTION 10 - ELECTRICAL

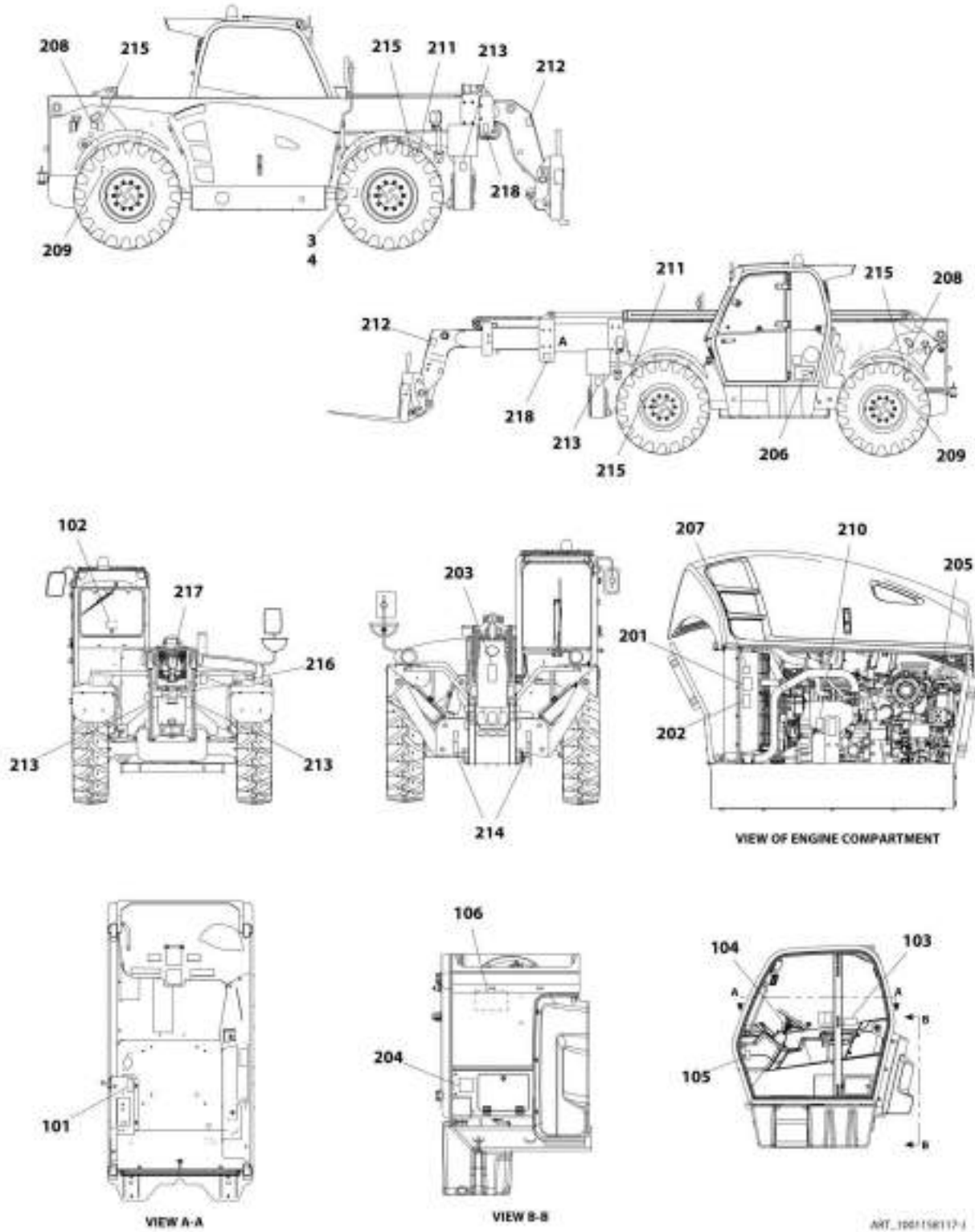
FIGURE 10-64. FRONT FRAME MODULE

ITEM	PART NUMBER	QTY	DESCRIPTION	REV
	1001209577	Ref	Front Frame Module	M
1	1001162250	1	PC Board	
2	1001162248	1	Label, Generic Control Module	
3	1001209579	1	Software, Rear Frame Module	
4	1001202061	1	Decal, Control Module	

SECTION 11 - DECALS

SECTION 11 - DECALS

FIGURE 11-1. DECAL LOCATION INSTALLATION (ULS)



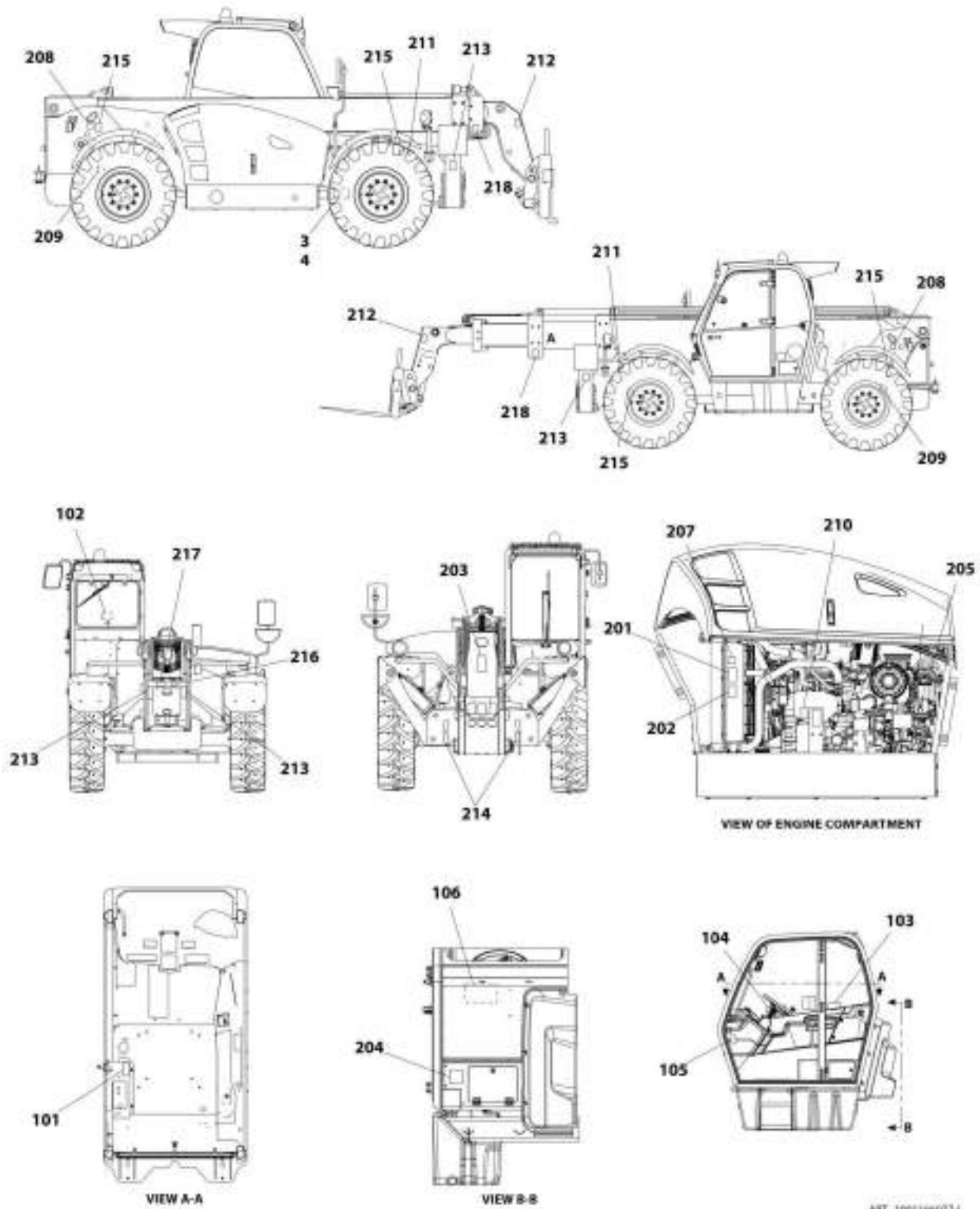
SECTION 11 - DECALS

FIGURE 11-1. DECAL LOCATION INSTALLATION (ULS)

ITEM	PART NUMBER	QTY	DESCRIPTION	REV
	1001158117	Ref	Decal Location Installation (ULS)	J
3	1001009178	4	Tack, Metal	
4	N.S.S.	1	Nameplate, Serial Number	
101	1706209	1	Decal, Park Brake	
102	8005870	1	Decal, Emergency Exit	
103	1001092878	1	Decal, No Riders (ISO)	
104	1001101895	1	Decal, Cab Warning	
105	8005670	1	Decal, Read Operators Manual Instructions	
106	1001158300	1	Decal, Fuse	
201	1706098	1	Decal, Warning Ether Start	
202	1706285	1	Decal, Moving Parts (ISO)	
203	8006038	1	Decal, No Riders Warning	
204	1001094708	1	Decal, Hydraulic Oil	
205	1001139164	1	Decal, Battery Warning	
206	1001139654	1	Decal, Ultra Low Sulphur Fuel	
207	AU2105	1	Decal, No Karcher	
208	8005616	2	Decal, Lifting Point	
209	8005617	2	Decal, Tie Down Point	
210	8005670	1	Decal, Read Operators Manual Instructions	
211	8005671	2	Decal, Cylinder Lock Warning	
212	8005675	2	Decal, Watch for Raised Boom Warning	
213	8006612	4	Decal, Stay Clear of Swing Area	
214	1001100957	2	Decal, Lift/Tie Down Point	
215	8008657	4	Decal, Set Brake Lever Warning	
216	1001104319	1	Decal, Chain Roller Greasing Point	
217	1001158844	1	Decal, Hand Crushing Hazard	
218	1001168718	2	Decal, Chain Drive Entanglement Hazard	

SECTION 11 - DECALS

FIGURE 11-2. DECAL LOCATION INSTALLATION (LS)



ART_100116603-1

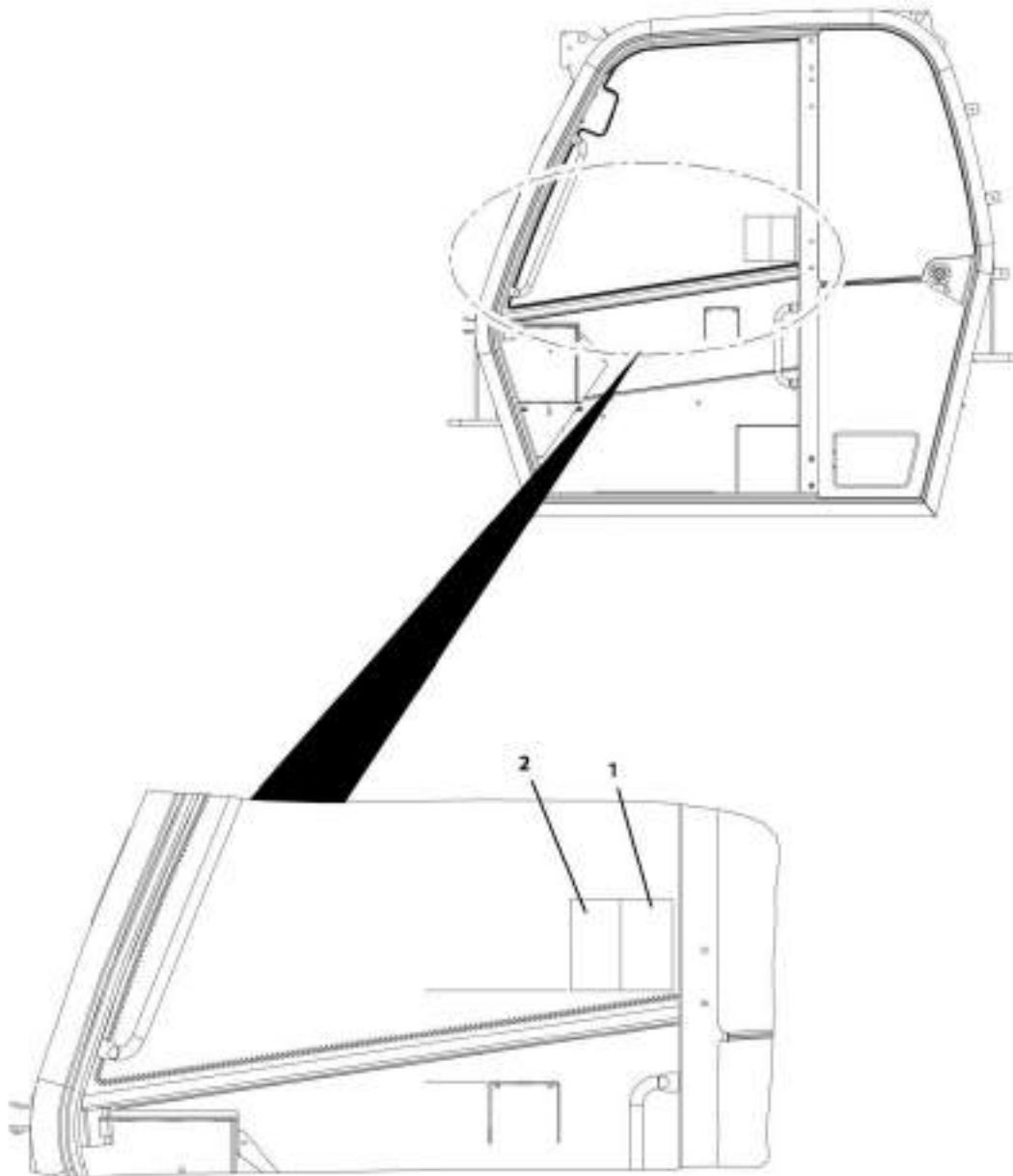
SECTION 11 - DECALS

FIGURE 11-2. DECAL LOCATION INSTALLATION (LS)

ITEM	PART NUMBER	QTY	DESCRIPTION	REV
	1001166077	Ref	Decal Location Installation (LS)	1
3	1001009178	4	Tack, Metal	
4	N.S.S.	1	Nameplate, Serial Number	
101	1706209	1	Decal, Park Brake	
102	8005870	1	Decal, Emergency Exit	
103	1001092878	1	Decal, No Riders (ISO)	
104	1001101895	1	Decal, Cab Warning	
105	8005670	1	Decal, Read Operators Manual Instruction	
106	1001158300	1	Decal, Fuse	
201	1706098	1	Decal, Warning Ether Start	
202	1706285	1	Decal, Moving Parts (ISO)	
203	8006038	1	Decal, No Riders Warning	
204	1001094708	1	Decal, Hydraulic Oil	
205	1001139164	1	Decal, Battery Warning	
207	AU2105	1	Decal, No Karcher	
208	8005616	2	Decal, Lifting Point	
209	8005617	2	Decal, Tie Down Point	
210	8005670	1	Decal, Read Operators Manual Instruction	
211	8005671	2	Decal, Cylinder Lock Warning	
212	8005675	2	Decal, Watch for Raised Boom Warning	
213	8006612	4	Decal, Stay Clear of Swing Area Warning	
214	1001100957	2	Decal, Lift/Tie Down Point	
215	8008657	4	Decal, Set Brake Lever	
216	1001104319	1	Decal, Chain Roller Greasing Point	
217	1001158844	1	Decal, Hand Crushing Hazard	
218	1001168718	2	Decal, Chain Drive Entanglement Hazard	

SECTION 11 - DECALS

FIGURE 11-3. JOYSTICK DECAL INSTALLATION, BUCKET (Prior to SN 1160008269, Excluding 1160008192 and 1160008201)



ART_1001145654-A

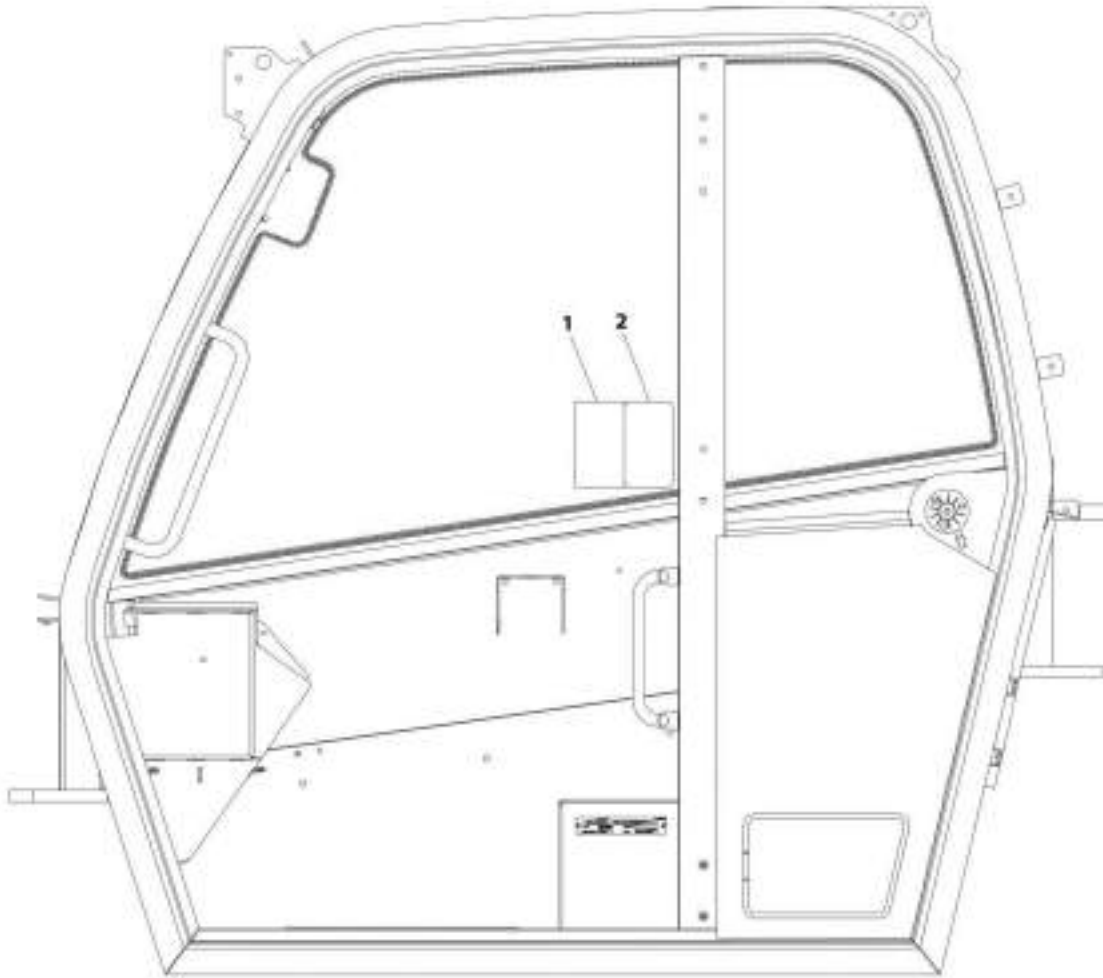
SECTION 11 - DECALS

FIGURE 11-3. JOYSTICK DECAL INSTALLATION, BUCKET (Prior to SN 1160008269, Excluding 1160008192 and 1160008201)

ITEM	PART NUMBER	QTY	DESCRIPTION	REV
	1001145654	Ref	Joystick Decal Installation, Bucket	A
1	1001158303	1	Decal, Loader Joystick	
2	1001158309	1	Decal, Joystick Stabilizers	

SECTION 11 - DECALS

FIGURE 11-4. JOYSTICK DECAL INSTALLATION, BUCKET (SN 1160008269 to Present, Including 1160008192 and 1160008201)



ART_1001218296-B

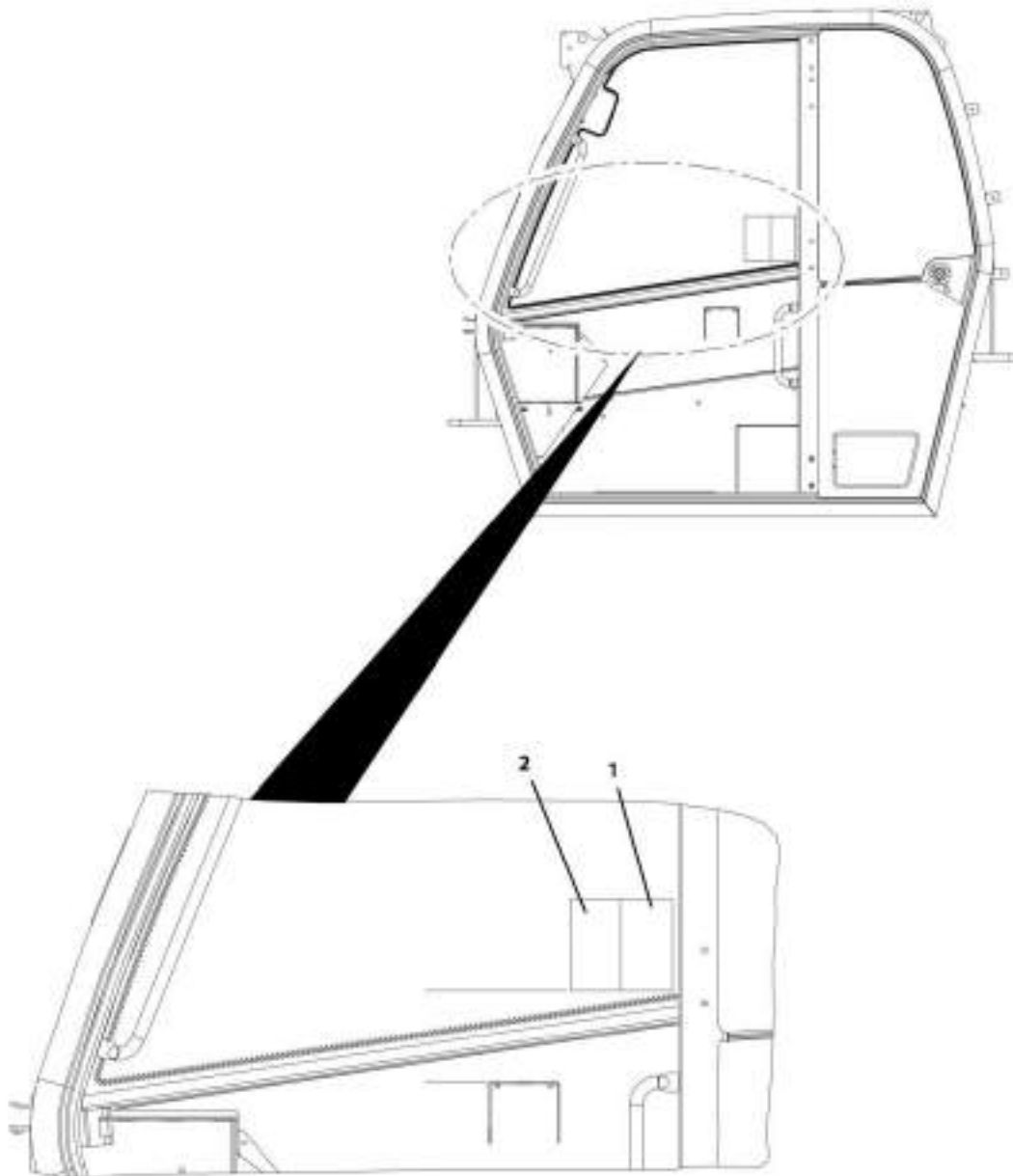
SECTION 11 - DECALS

FIGURE 11-4. JOYSTICK DECAL INSTALLATION, BUCKET (SN 1160008269 to Present, Including 1160008192 and 1160008201)

ITEM	PART NUMBER	QTY	DESCRIPTION	REV
	1001218296	Ref	Joystick Decal Installation, Bucket	B
1	1001158309	1	Decal, Joystick Stabilizers	
2	1001241951	1	Decal, Loader Joystick	

SECTION 11 - DECALS

FIGURE 11-5. JOYSTICK DECAL INSTALLATION, FORK (Prior to SN 1160008269, Excluding 1160008192 and 1160008201)



ART_1001145655-B

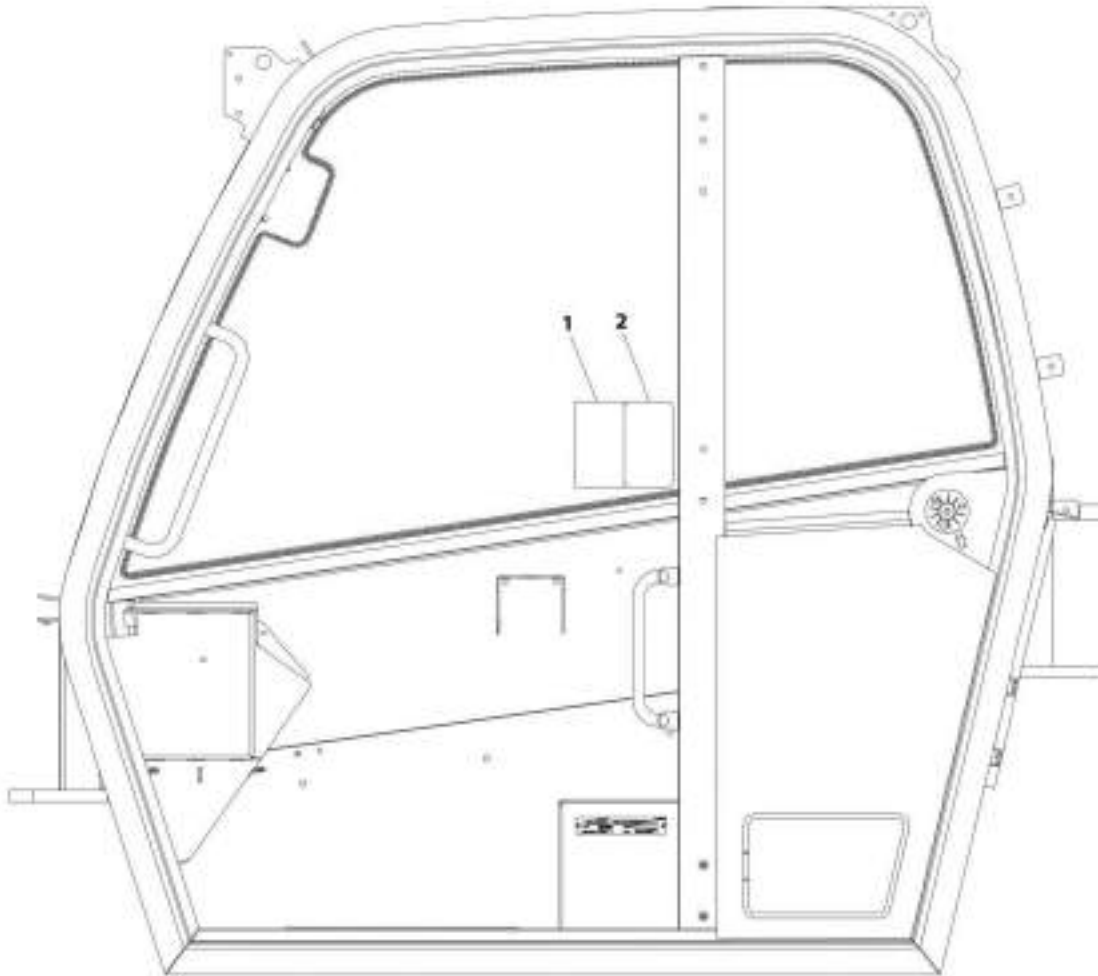
SECTION 11 - DECALS

FIGURE 11-5. JOYSTICK DECAL INSTALLATION, FORK (Prior to SN 1160008269, Excluding 1160008192 and 1160008201)

ITEM	PART NUMBER	QTY	DESCRIPTION	REV
	1001145655	Ref	Joystick Decal Installation, Fork	B
1	1001158309	1	Decal, Joystick Stabilizers	
2	1001172172	1	Decal, Joystick	

SECTION 11 - DECALS

FIGURE 11-6. JOYSTICK DECAL INSTALLATION, FORK (SN 1160008269 to Present, Including 1160008192 and 1160008201)



ART_1001218295-B

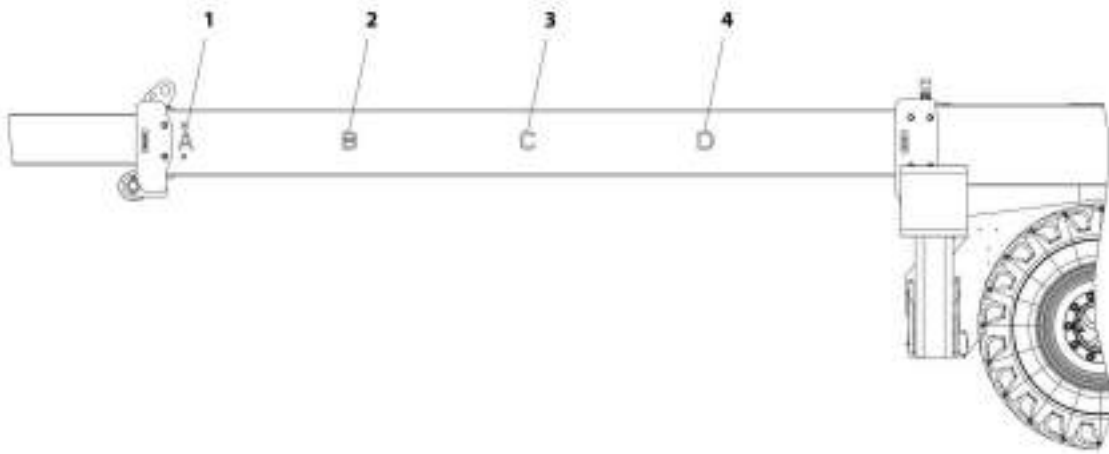
SECTION 11 - DECALS

FIGURE 11-6. JOYSTICK DECAL INSTALLATION, FORK (SN 1160008269 to Present, Including 1160008192 and 1160008201)

ITEM	PART NUMBER	QTY	DESCRIPTION	REV
	1001218295	Ref	Joystick Decal Installation, Fork	B
1	1001158309	1	Decal, Joystick Stabilizers	
2	1001241952	1	Decal, Joystick	

SECTION 11 - DECALS

FIGURE 11-7. BOOM DECAL INSTALLATION



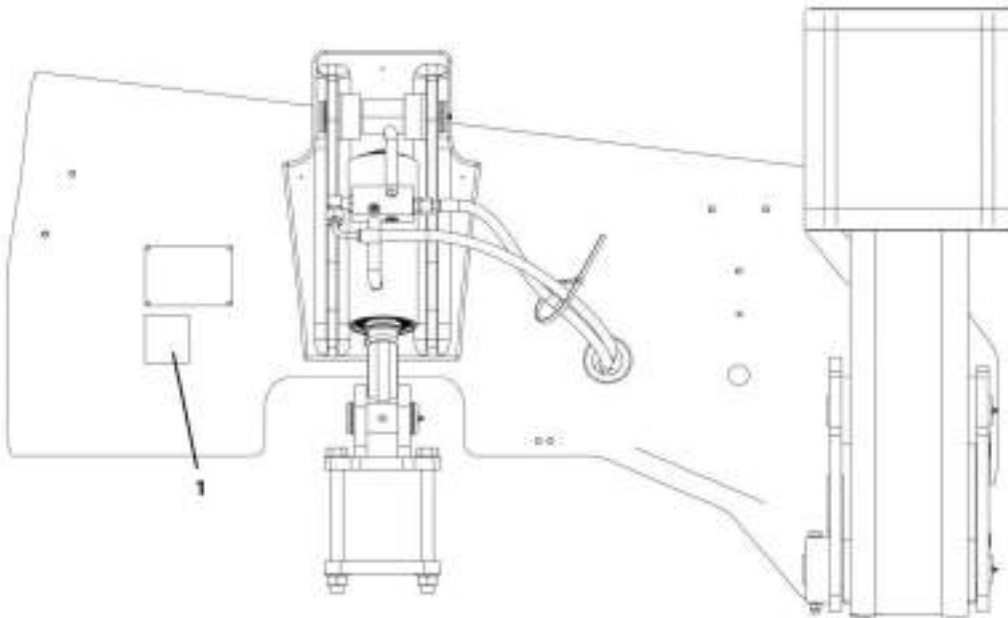
APT_1001171758-A

FIGURE 11-7. BOOM DECAL INSTALLATION

ITEM	PART NUMBER	QTY	DESCRIPTION	REV
	1001171798	Ref	Boom Decal Installation	A
1	1706753	1	Decal, A	
2	1706754	1	Decal, B	
3	1706755	1	Decal, C	
4	1706756	1	Decal, D	

SECTION 11 - DECALS

FIGURE 11-8. DECAL INSTALLATION, RUSSIA



ART_1001145656-A

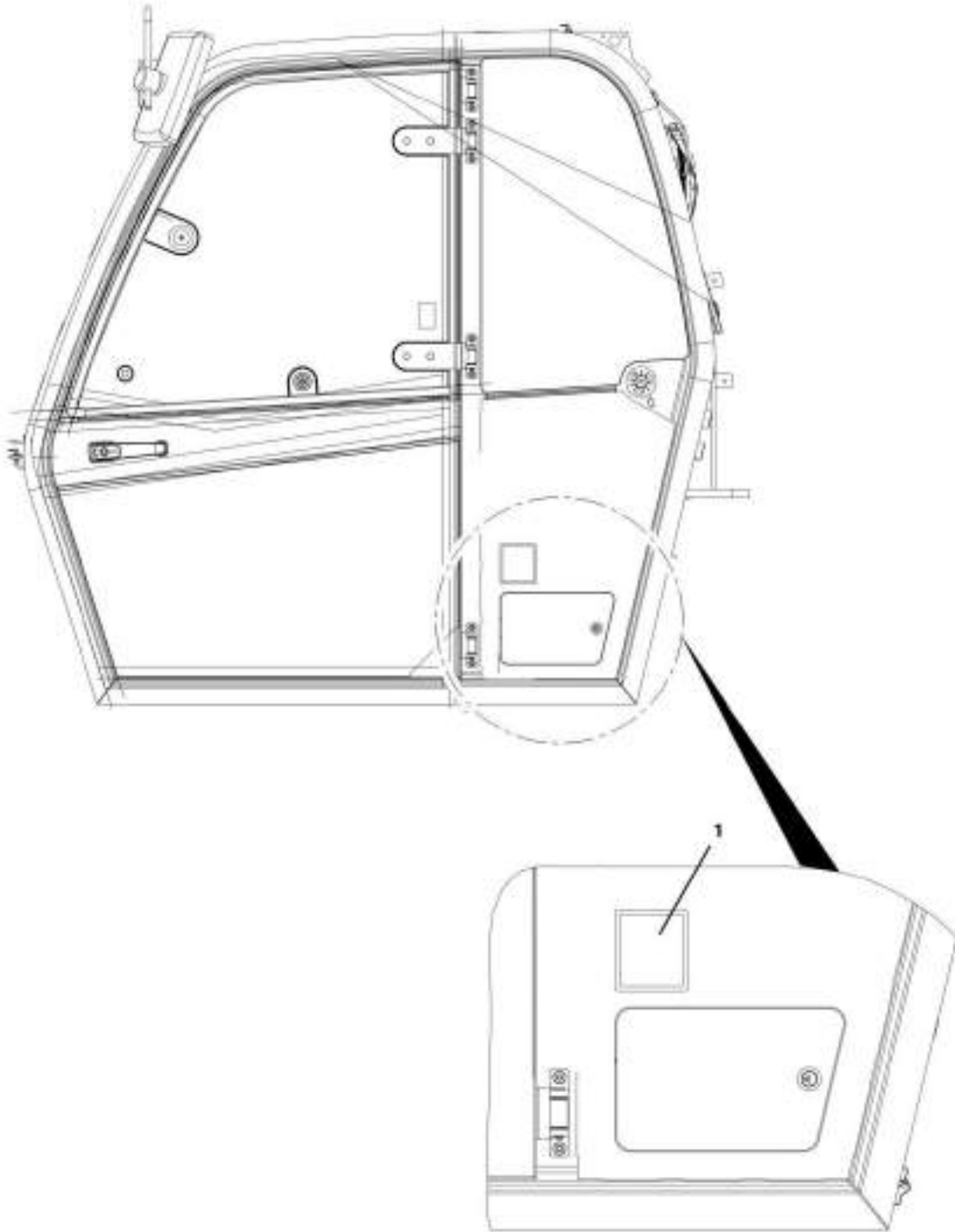
SECTION 11 - DECALS

FIGURE 11-8. DECAL INSTALLATION, RUSSIA

ITEM	PART NUMBER	QTY	DESCRIPTION	REV
1	1001145656	Ref	Decal installation, Russia	A
	1001121555	1	Decal, PCT Russia	

SECTION 11 - DECALS

FIGURE 11-9. SOUND PLATE INSTALLATION, 74KW (106DB)



ART_1001145659-A

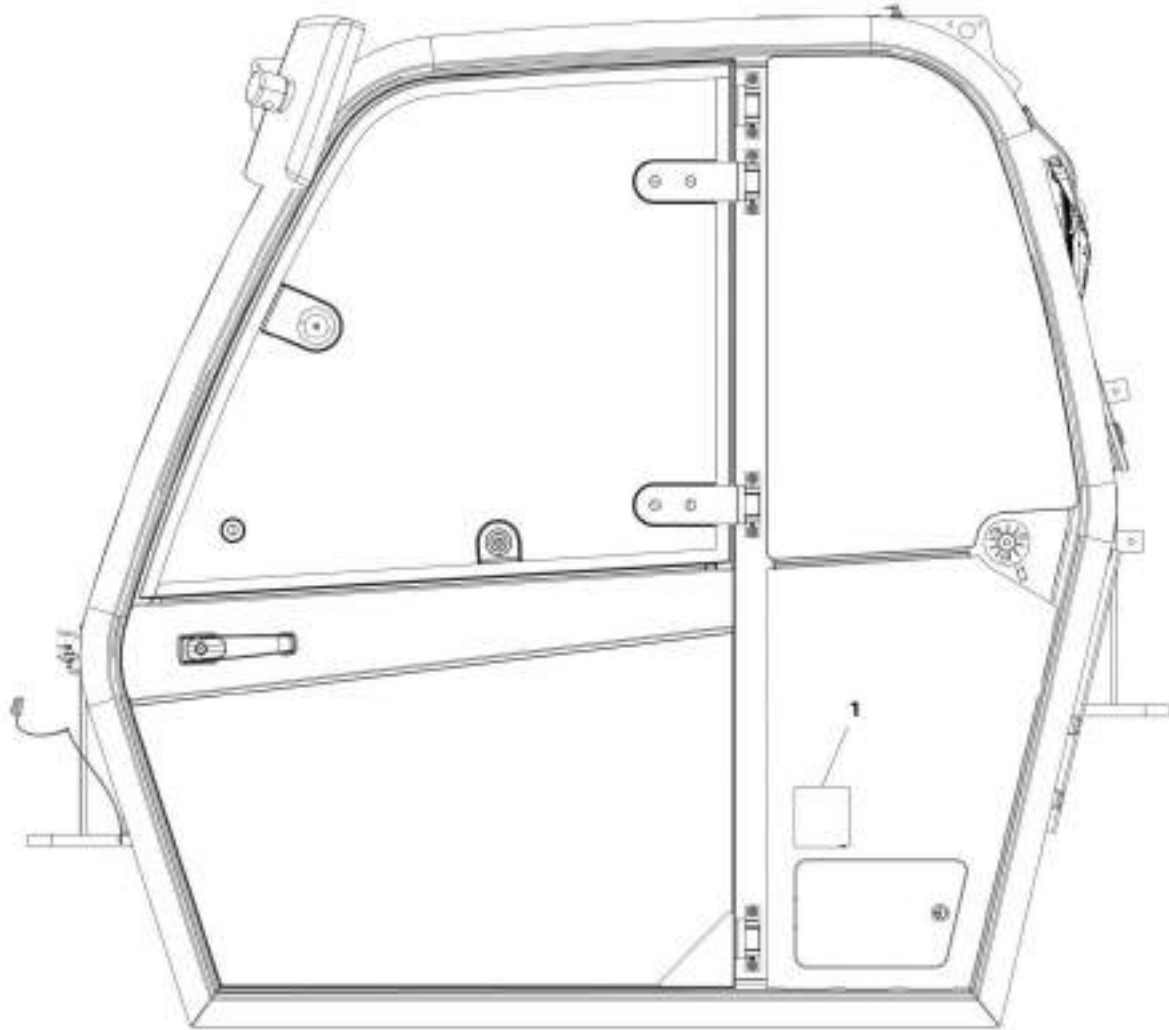
SECTION 11 - DECALS

FIGURE 11-9. SOUND PLATE INSTALLATION, 74KW (106DB)

ITEM	PART NUMBER	QTY	DESCRIPTION	REV
1	1001145659 1705980	Ref 1	Sound Plate Installation, 74KW (106dB) Decal, Acoustic Power 106db	A

SECTION 11 - DECALS

FIGURE 11-10. SOUND PLATE INSTALLATION, 55KW (104DB)



AWT_1001191880-A

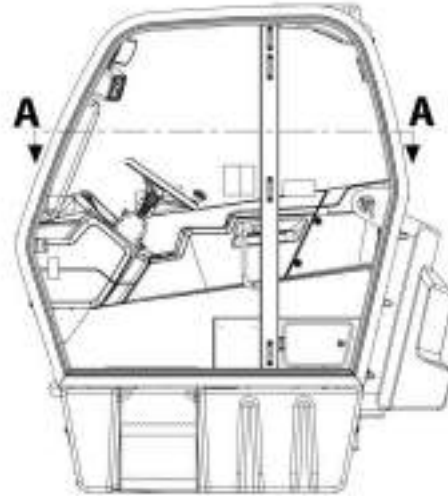
SECTION 11 - DECALS

FIGURE 11-10. SOUND PLATE INSTALLATION, 55KW (104DB)

ITEM	PART NUMBER	QTY	DESCRIPTION	REV
1	1001191880 8007508	Ref 1	Sound Plate Installation, 55KW (104dB) Decal, Acoustic Power 104dB	A

SECTION 11 - DECALS

FIGURE 11-11. LOAD CHART, 3614RS



VIEW A-A

ART_1001160227-B

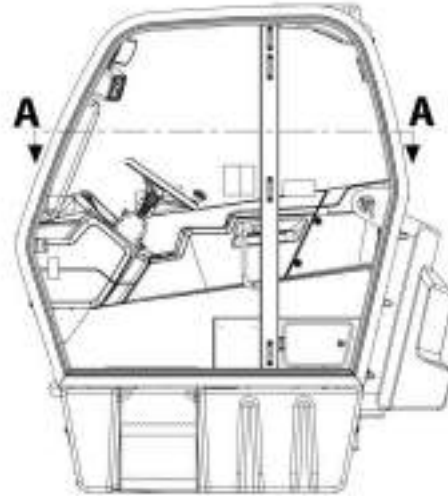
SECTION 11 - DECALS

FIGURE 11-11. LOAD CHART, 3614RS

ITEM	PART NUMBER	QTY	DESCRIPTION	REV
1	1001160227	1	Load Chart, 3614RS	B
101	1001183289	1	Chart, Load Standard Carriage with Lift Lug - 3614RS (not shown)	
102	1001183290	1	Chart, Load Standard Carriage with Lift Lug (Outriggers) - 3614RS (not shown)	
103	1001185116	1	Chart, 4T Fork and Hook Standard Carriage with Lift Lug (Traveling) - 3614RS (not shown)	
202	1001179679	1	Chart, Load Manitou Carriage - 3614RS (not shown)	
203	1001179680	1	Chart, Load Manitou Carriage (Outriggers) - 3614RS (not shown)	
301	1001180963	1	Chart, Load Metric Fork Hook - 3614RS (not shown)	
302	1001180964	1	Chart, Load Metric Fork Hook (Outriggers) - 3614RS (not shown)	
403	1001179683	1	Chart, Load Metric JCB Coupler - 3614RS (not shown)	
404	1001179684	1	Chart, Load Metric JCB Coupler (Outriggers) - 3614RS (not shown)	
503	1001201187	1	Chart, Load Metric Side Shift - 3614RS (not shown)	
504	1001201188	1	Chart, Load Metric Side Shift Stab (Outriggers) - 3614RS (not shown)	
602	1001175218	1	Chart, Load Metric Fork Positioning - 3614RS (not shown)	
603	1001175219	1	Chart, Load Metric Fork Positioning Stab - 3614RS (not shown)	

SECTION 11 - DECALS

FIGURE 11-12. LOAD CHART, 4017RS



VIEW A-A

ART_1001503800-B

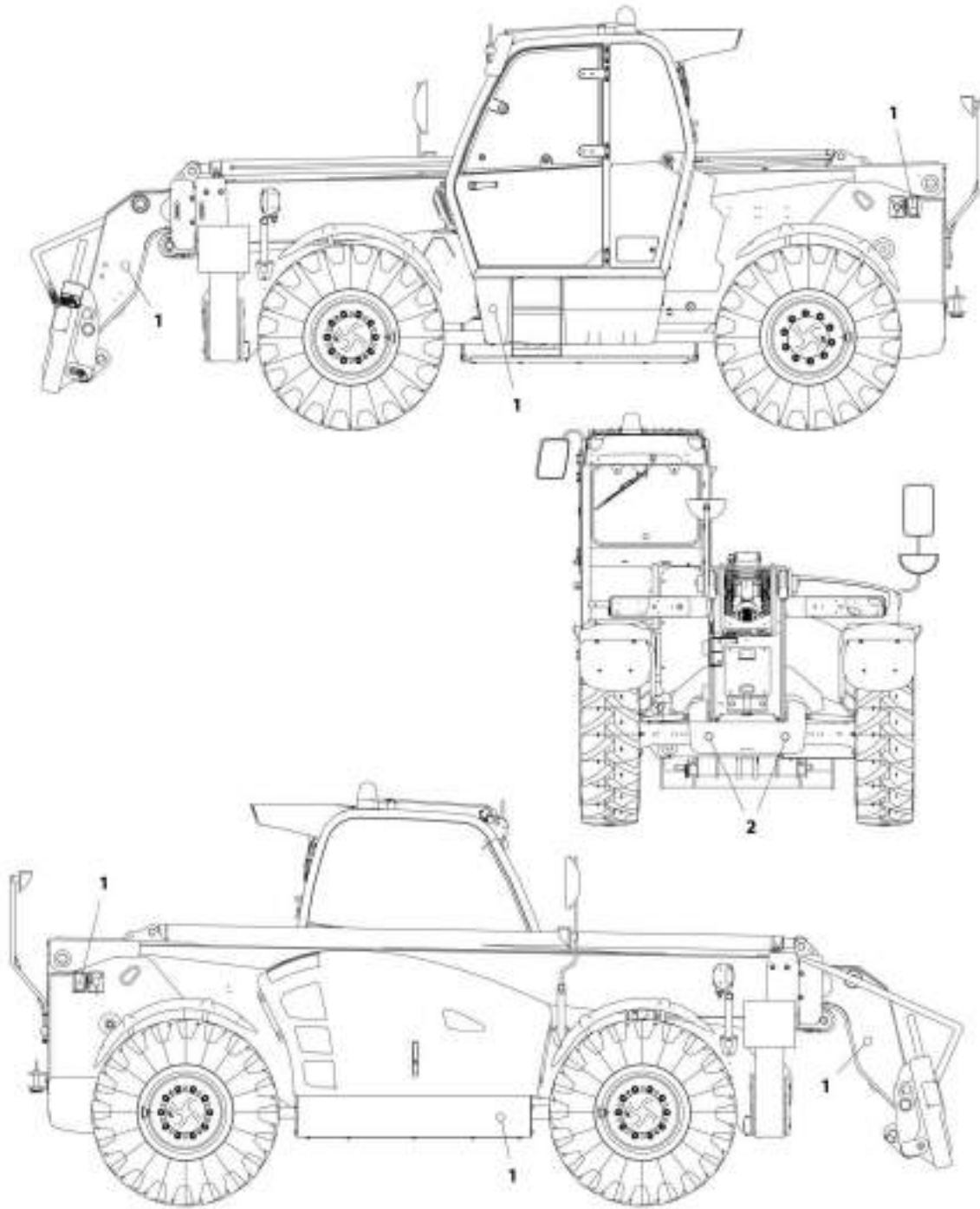
SECTION 11 - DECALS

FIGURE 11-12. LOAD CHART, 4017RS

ITEM	PART NUMBER	QTY	DESCRIPTION	REV
1	1001163802	1	Load Chart, 4017RS	B
101	1001183291	1	Chart, Load Standard Carriage with Lift Lug - 4017RS (not shown)	
102	1001183292	1	Chart, Load Standard Carriage with Lift Lug - 3614RS (not shown)	
103	1001185116	1	Chart, 4T Fork and Hook Standard Carriage with Lift Lug (Traveling) - 4017RS (not shown)	
202	1001179681	1	Chart, Load Manitou Carriage - 4017RS (not shown)	
203	1001179682	1	Chart, Load Manitou Carriage (Outriggers) - 4017RS (not shown)	
301	1001180965	1	Chart, Load Metric Fork Hook - 4017RS (not shown)	
302	1001180966	1	Chart, Load Metric Fork Hook (Outriggers) - 4017RS (not shown)	
403	1001179685	1	Chart, Load Metric JCB Coupler 4017RS (not shown)	
404	1001179686	1	Chart, Load Metric JCB Coupler (Outriggers) - 4017RS (not shown)	
503	1001201190	1	Chart, Load Metric Side Shift - 4017RS (not shown)	
504	1001201191	1	Chart, Load Metric Side Shift Stab (Outriggers) - 4017RS (not shown)	
602	1001175220	1	Chart, Load Metric Fork Positioning - 4017RS (not shown)	
603	1001175221	1	Chart, Load Metric Fork Positioning Stab - 4017RS (not shown)	

SECTION 11 - DECALS

FIGURE 11-13. REFLECTOR INSTALLATION



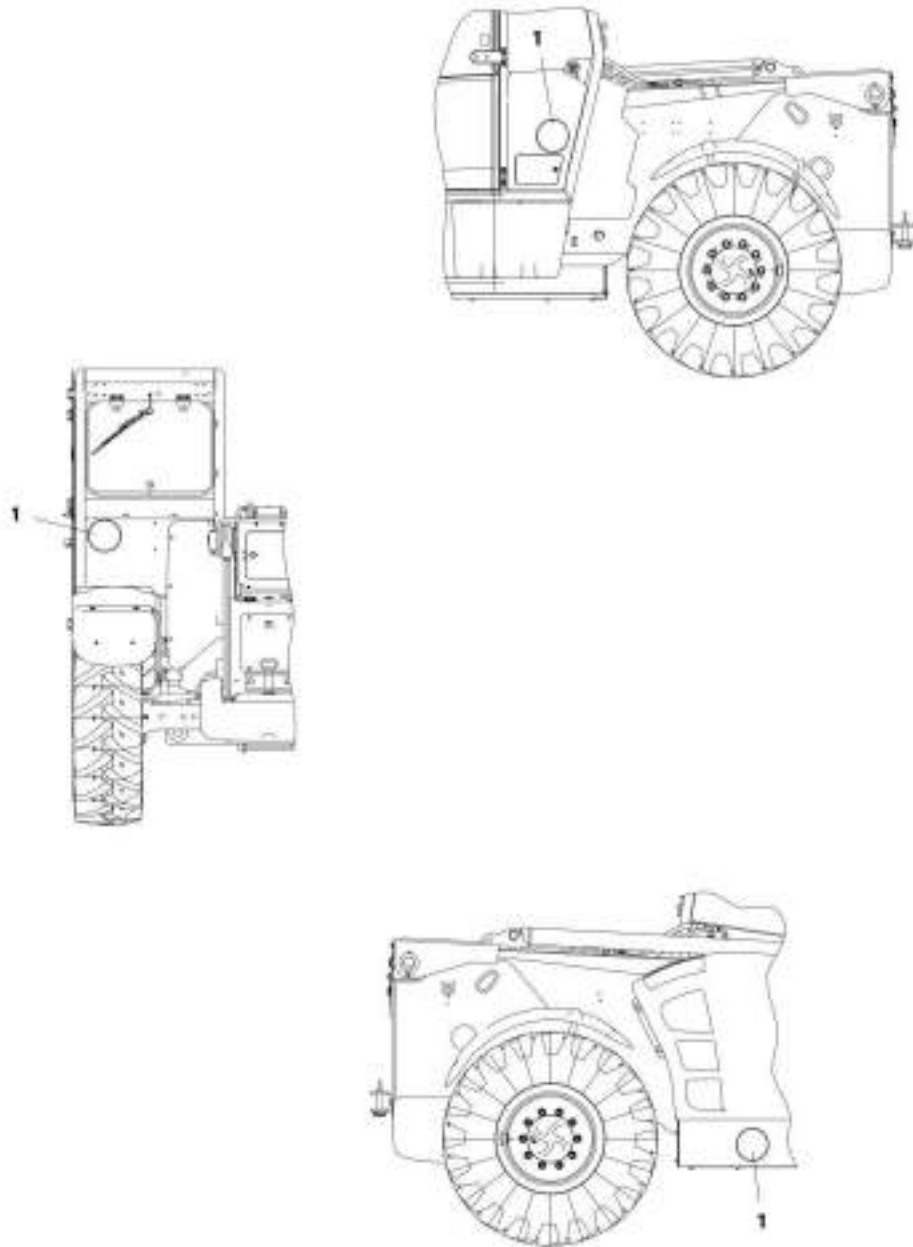
ART_10011-0566-F

FIGURE 11-13. REFLECTOR INSTALLATION

ITEM	PART NUMBER	QTY	DESCRIPTION	REV
	1001145660	Ref	Reflector Installation	F
1	3700016	6	Reflector, Rear	
2	3700015	2	Reflector, Rear	

SECTION 11 - DECALS

FIGURE 11-14. 25KPH SPEED DECAL INSTALLATION



ART_300117130-C

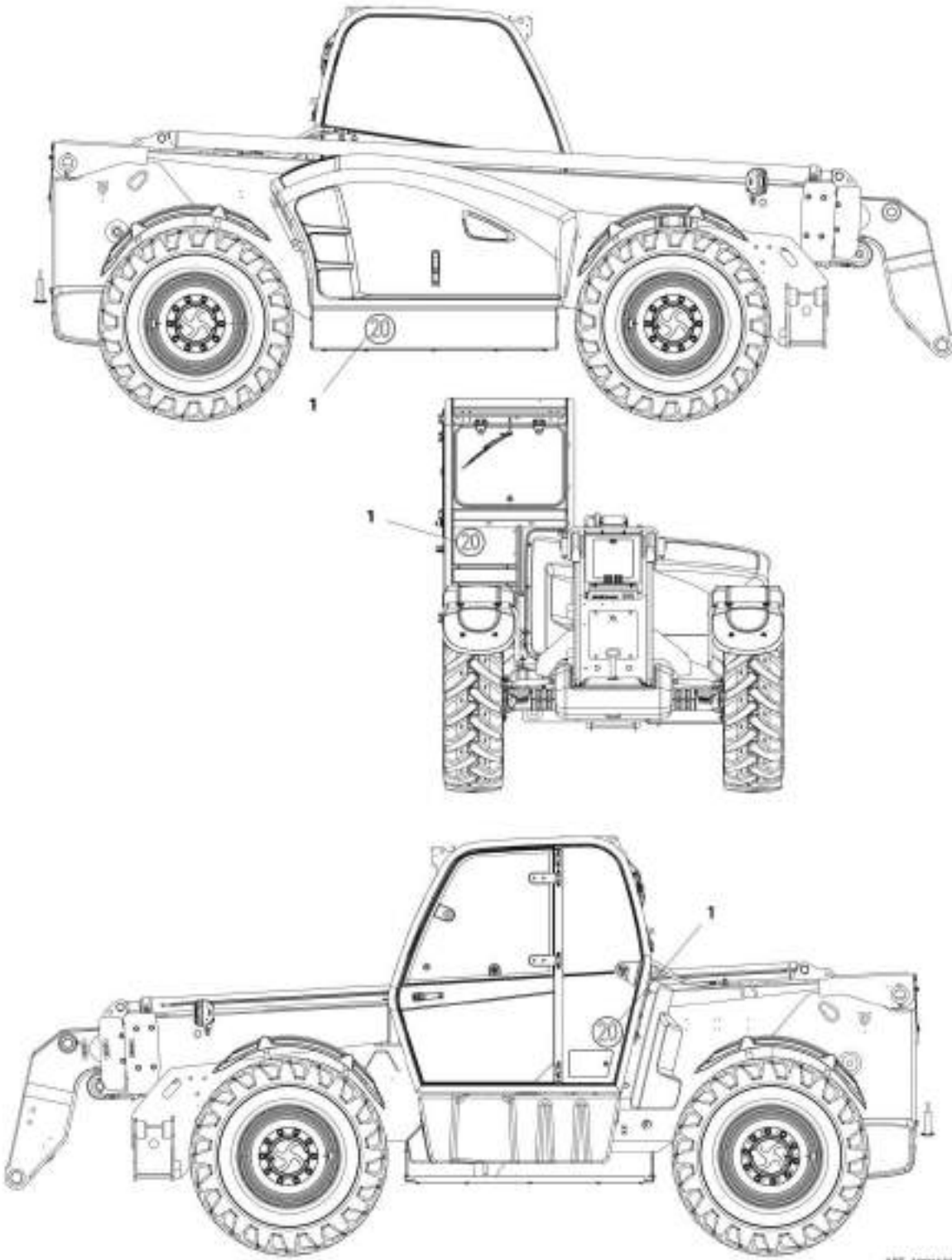
SECTION 11 - DECALS

FIGURE 11-14. 25KPH SPEED DECAL INSTALLATION

ITEM	PART NUMBER	QTY	DESCRIPTION	REV
1	1001171700 1001153442	Ref 3	25KPH Decals Installation (France) Decal, 25KPH	C

SECTION 11 - DECALS

FIGURE 11-15. 20KPH SPEED DECAL INSTALLATION - 3614RS (GERMANY)



ART. 100150111-A

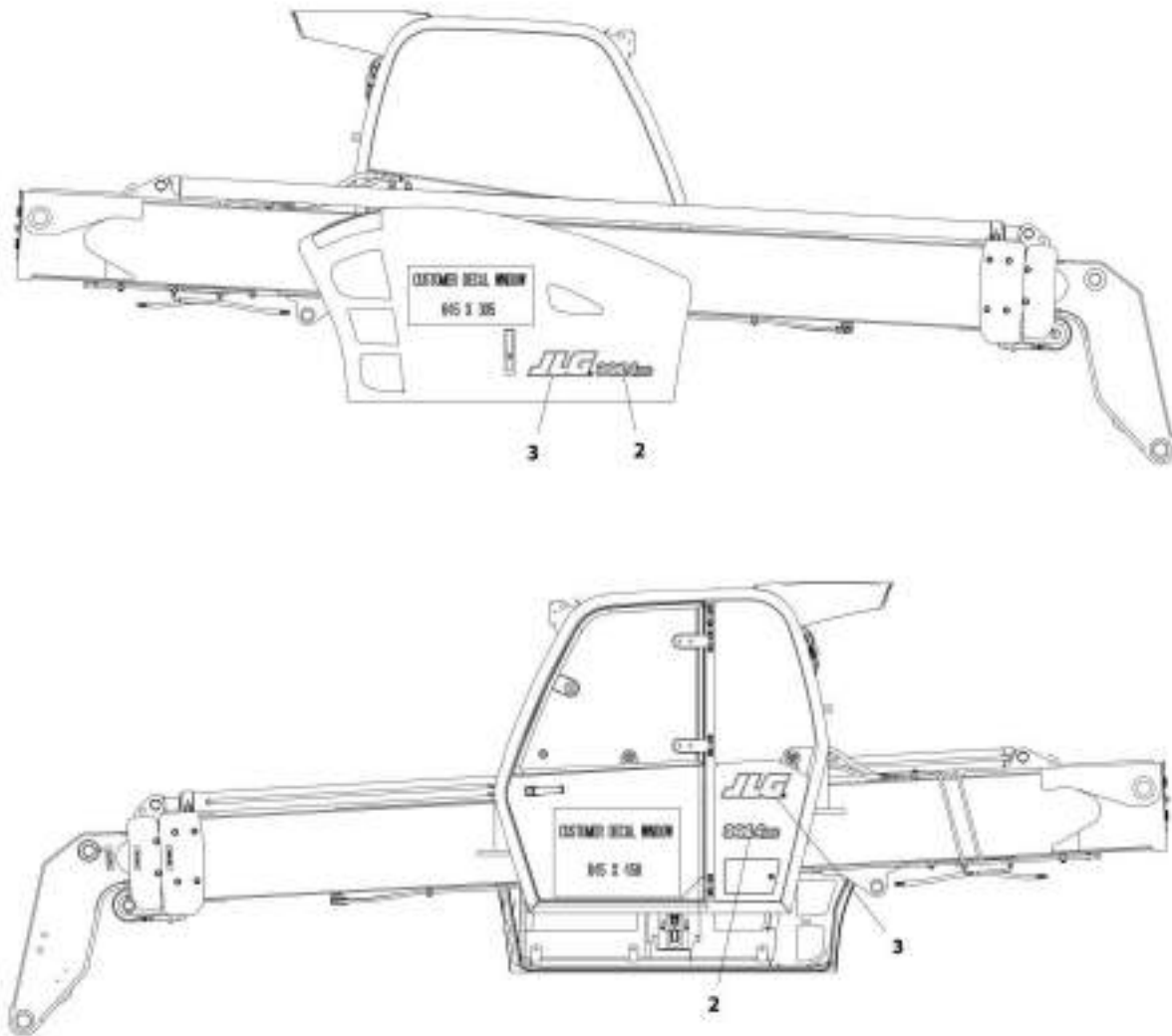
SECTION 11 - DECALS

FIGURE 11-15. 20KPH SPEED DECAL INSTALLATION - 3614RS (GERMANY)

ITEM	PART NUMBER	QTY	DESCRIPTION	REV
1	1001158111 2603207	Ref 1	20KPH Decals Installation - 3614RS (Germany, if equipped) Decal, 20KPH	A

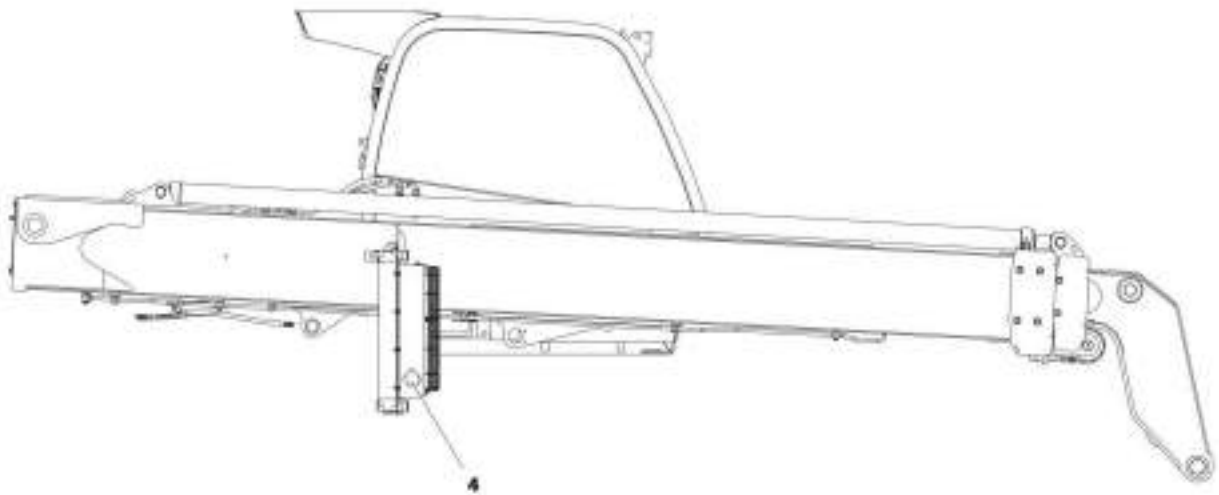
SECTION 11 - DECALS

FIGURE 11-16. JLG DECAL INSTALLATION - 3614RS



ART_1001160051_1-C

SECTION 11 - DECALS



ART_100180051_2-C

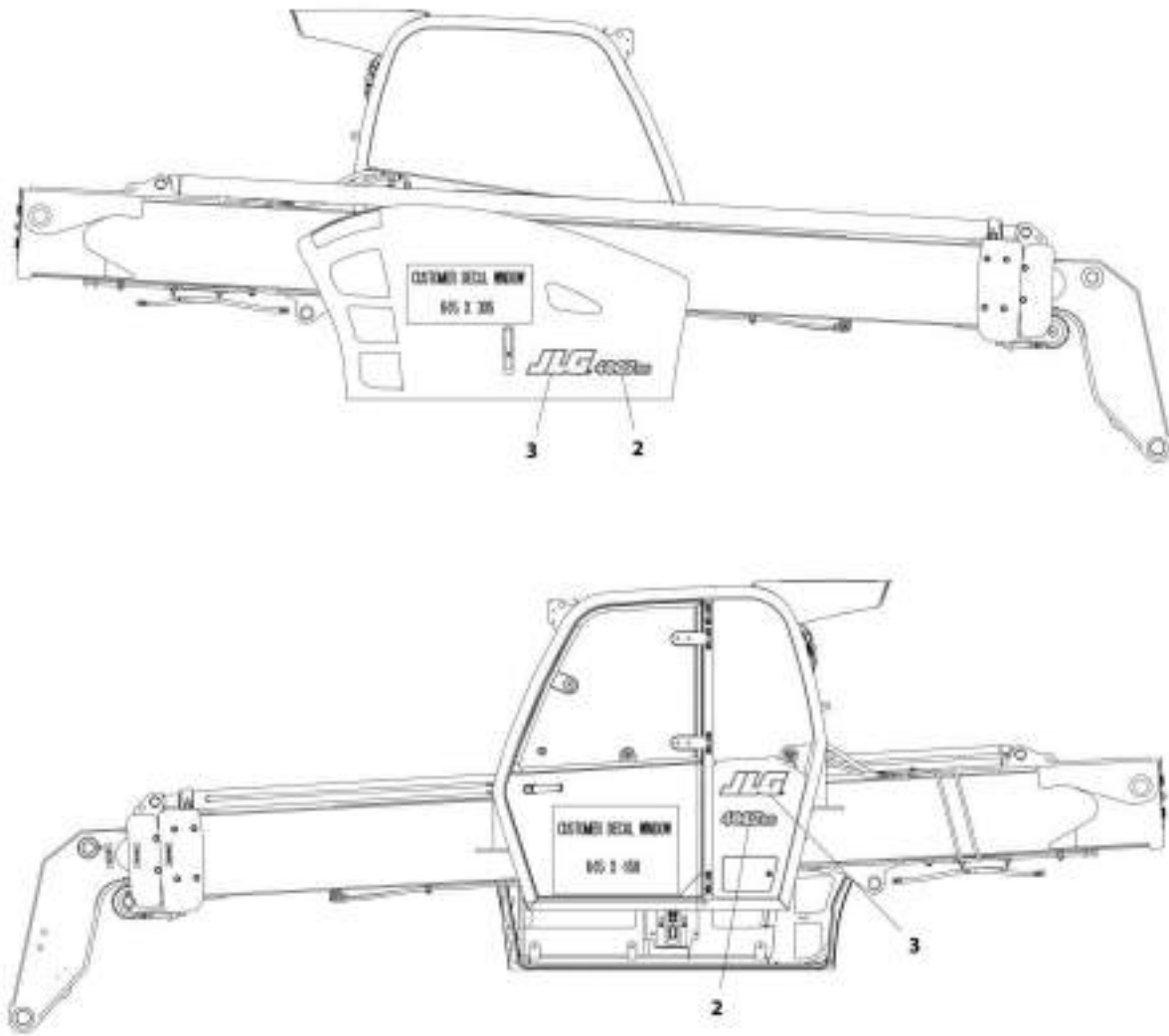
SECTION 11 - DECALS

FIGURE 11-16. JLG DECAL INSTALLATION - 3614RS

ITEM	PART NUMBER	QTY	DESCRIPTION	REV
	1001160051	Ref	JLG Decal Installation - 3614RS	C
2	1001159729	2	Decal, JLG 3614RS	
3	1001160775	2	Decal, JLG	
4	1001165280	2	Decal, Ground Support	

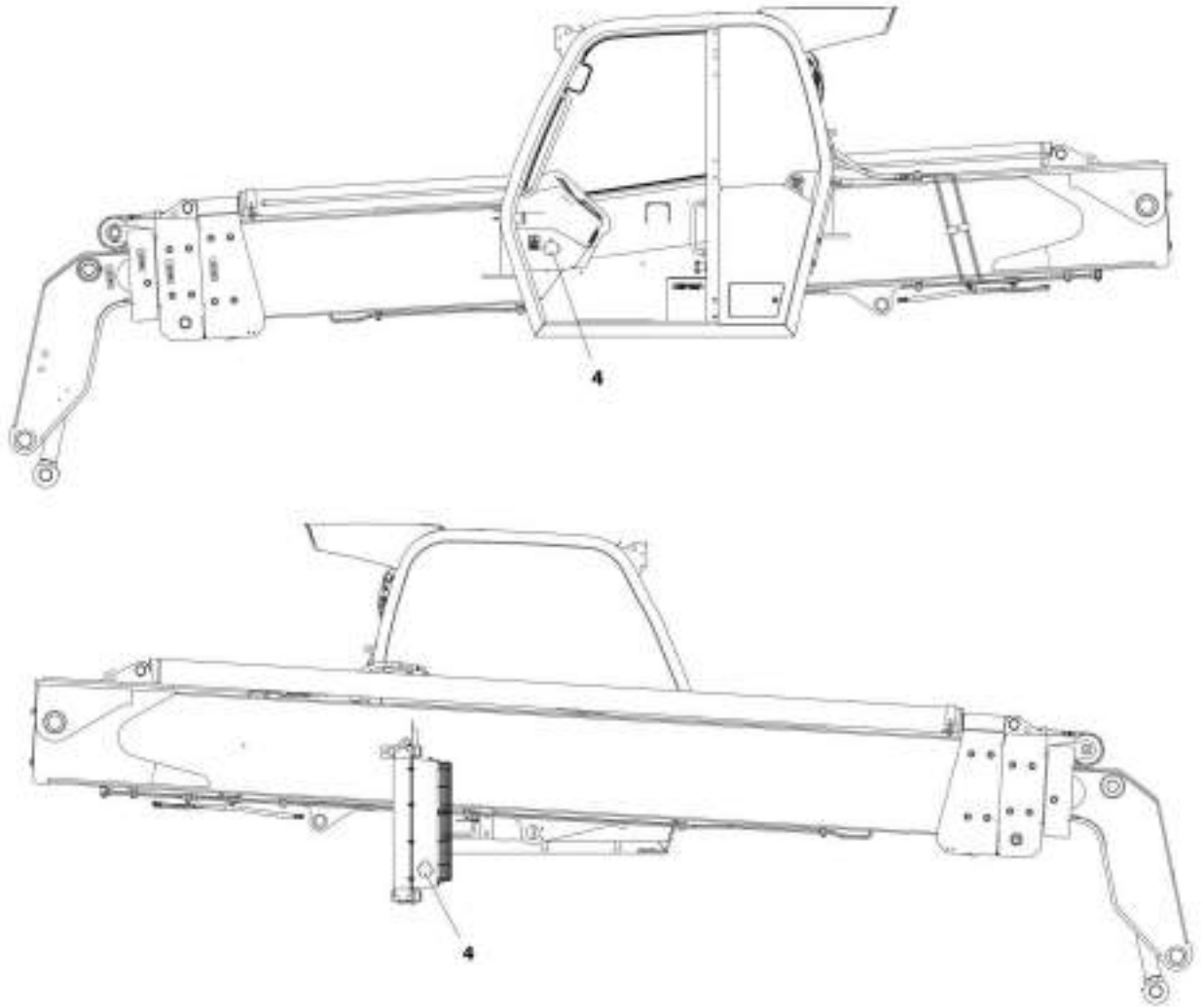
SECTION 11 - DECALS

FIGURE 11-17. JLG DECAL INSTALLATION - 4017RS



ART_1001190052_1-C

SECTION 11 - DECALS



ART. 101160052.2-C

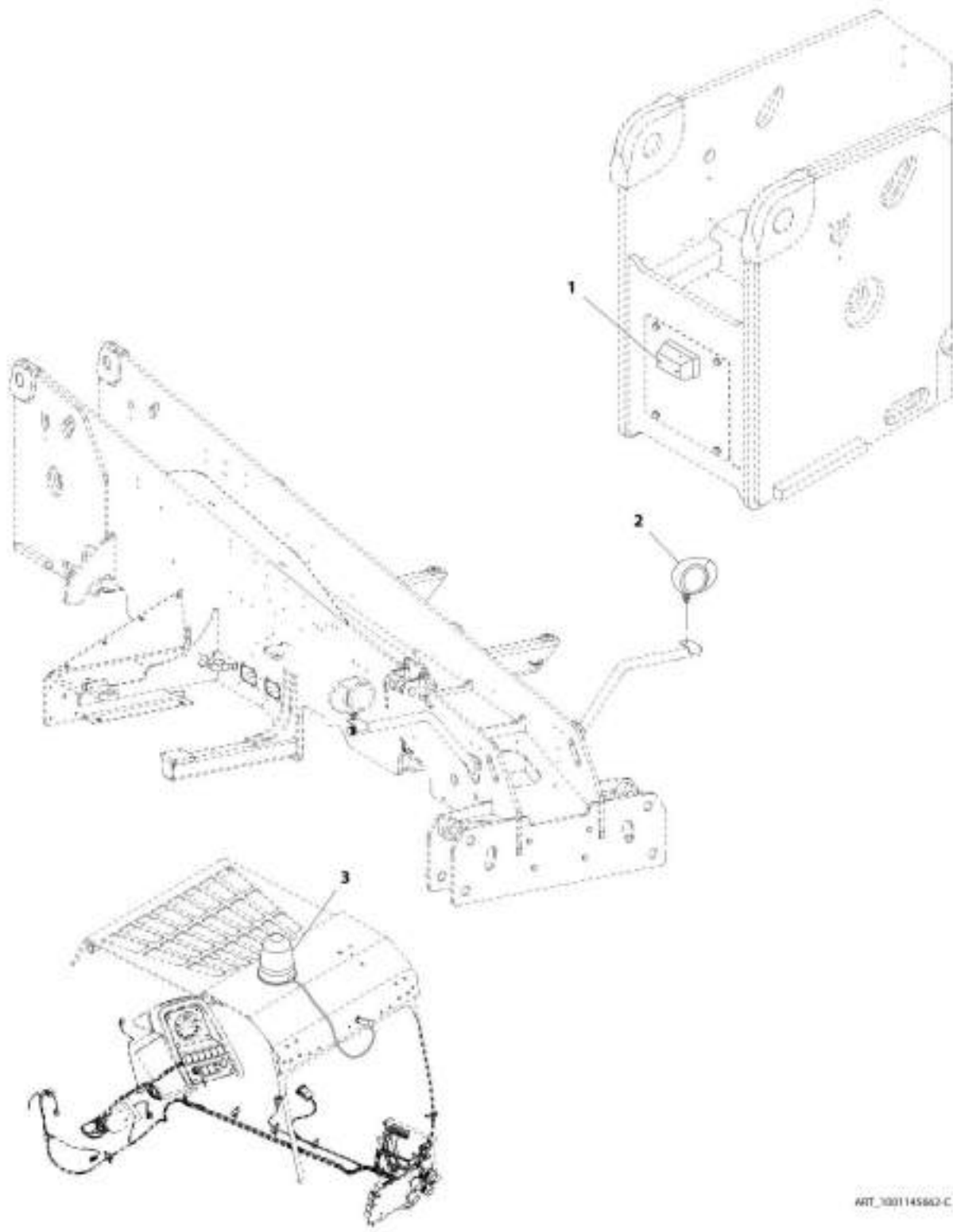
SECTION 11 - DECALS

FIGURE 11-17. JLG DECAL INSTALLATION - 4017RS

ITEM	PART NUMBER	QTY	DESCRIPTION	REV
	1001160052	Ref	JLG Decal Installation - 4017RS	C
2	1001160049	2	Decal, JLG 4017RS	
3	1001160775	2	Decal, JLG	
4	1001165280	2	Decal, Ground Support	

SECTION 11 - DECALS

FIGURE 11-18. CONSTRUCTION INSTALLATION (UK/IRELAND)



ART_300114560-C

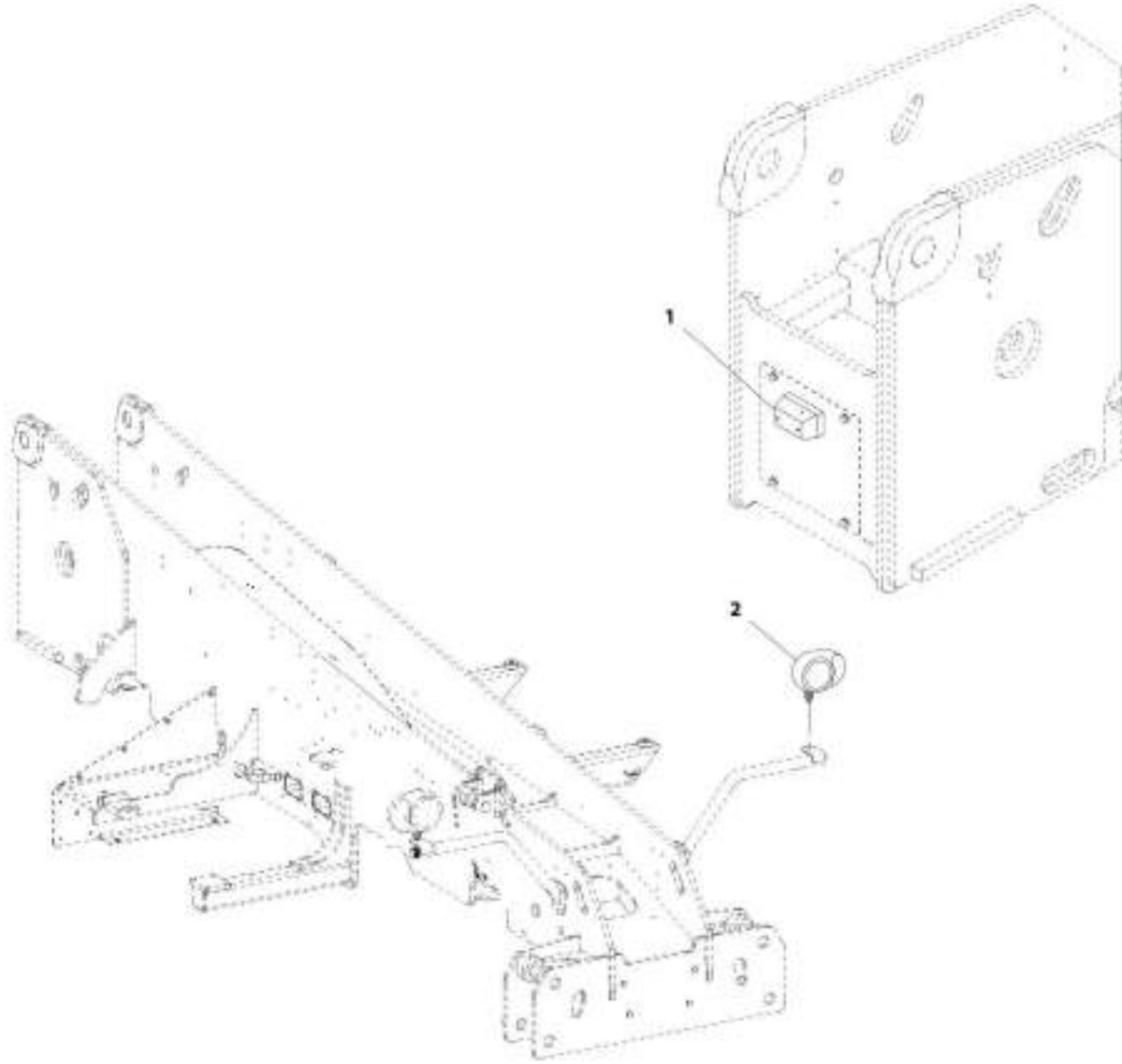
SECTION 11 - DECALS

FIGURE 11-18. CONSTRUCTION INSTALLATION (UK/IRELAND)

ITEM	PART NUMBER	QTY	DESCRIPTION	REV
1	1001145662	Ref	Construction Installation (UK/Ireland)	C
	1001143959	Ref	License Plate Installation (See FRAME AND ATTACHING PARTS SECTION for Breakdown)	C
2	1001144110	Ref	Driving Lights Installation (See ELECTRICAL SECTION for Breakdown)	E
3	1001146674	Ref	Beacon Installation (See ELECTRICAL SECTION for Breakdown)	B

SECTION 11 - DECALS

FIGURE 11-19. CONSTRUCTION INSTALLATION (CE)



AMT_1001140663-C

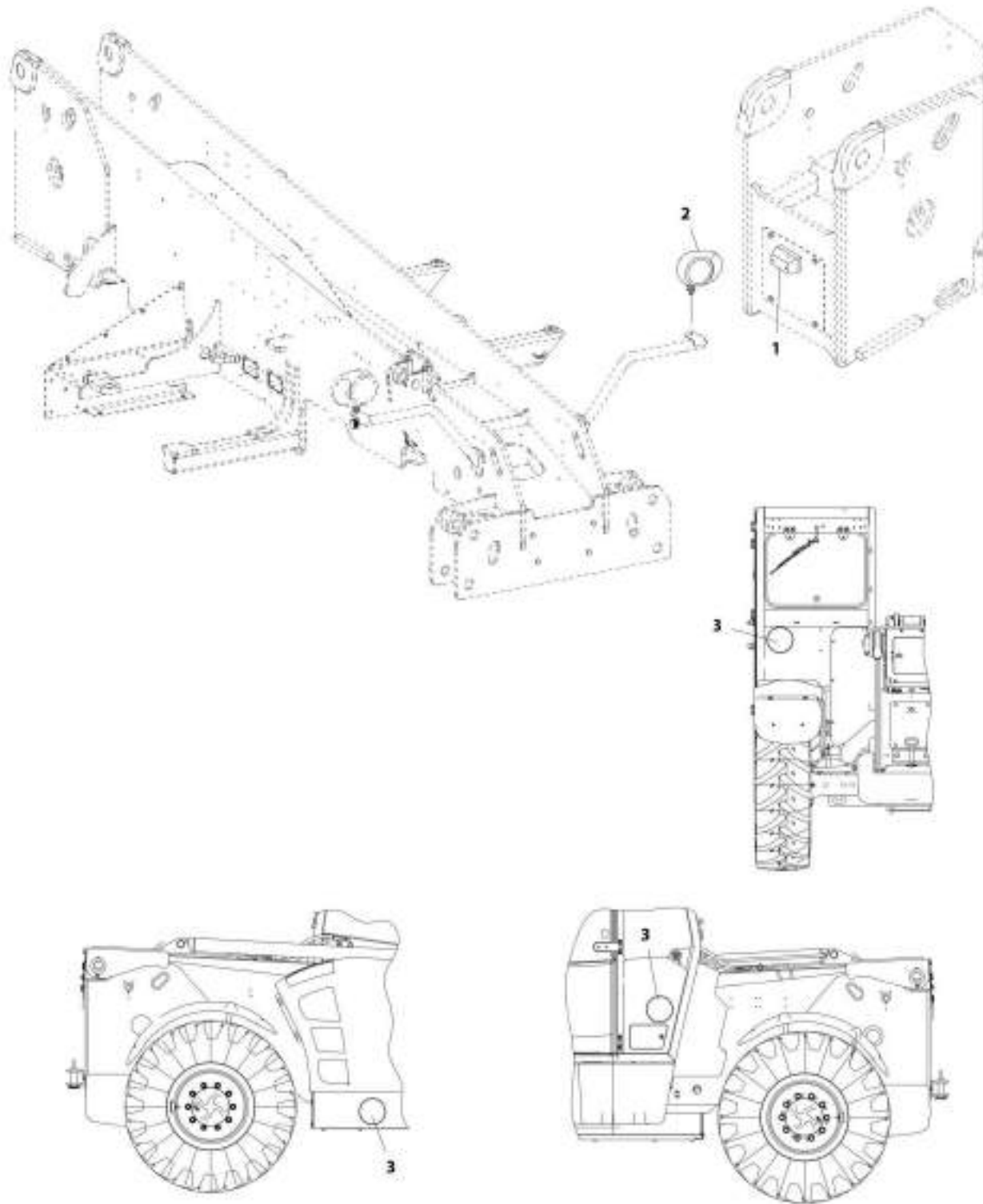
SECTION 11 - DECALS

FIGURE 11-19. CONSTRUCTION INSTALLATION (CE)

ITEM	PART NUMBER	QTY	DESCRIPTION	REV
1	1001145663	Ref	Construction Installation (CE)	C
	1001143959	Ref	License Plate Installation (See FRAME AND ATTACHING PARTS SECTION for Breakdown)	C
2	1001146491	Ref	Driving Lights Installation (See ELECTRICAL SECTION for Breakdown)	E

SECTION 11 - DECALS

FIGURE 11-20. CONSTRUCTION INSTALLATION (FRANCE)



AWT_1001171699-C

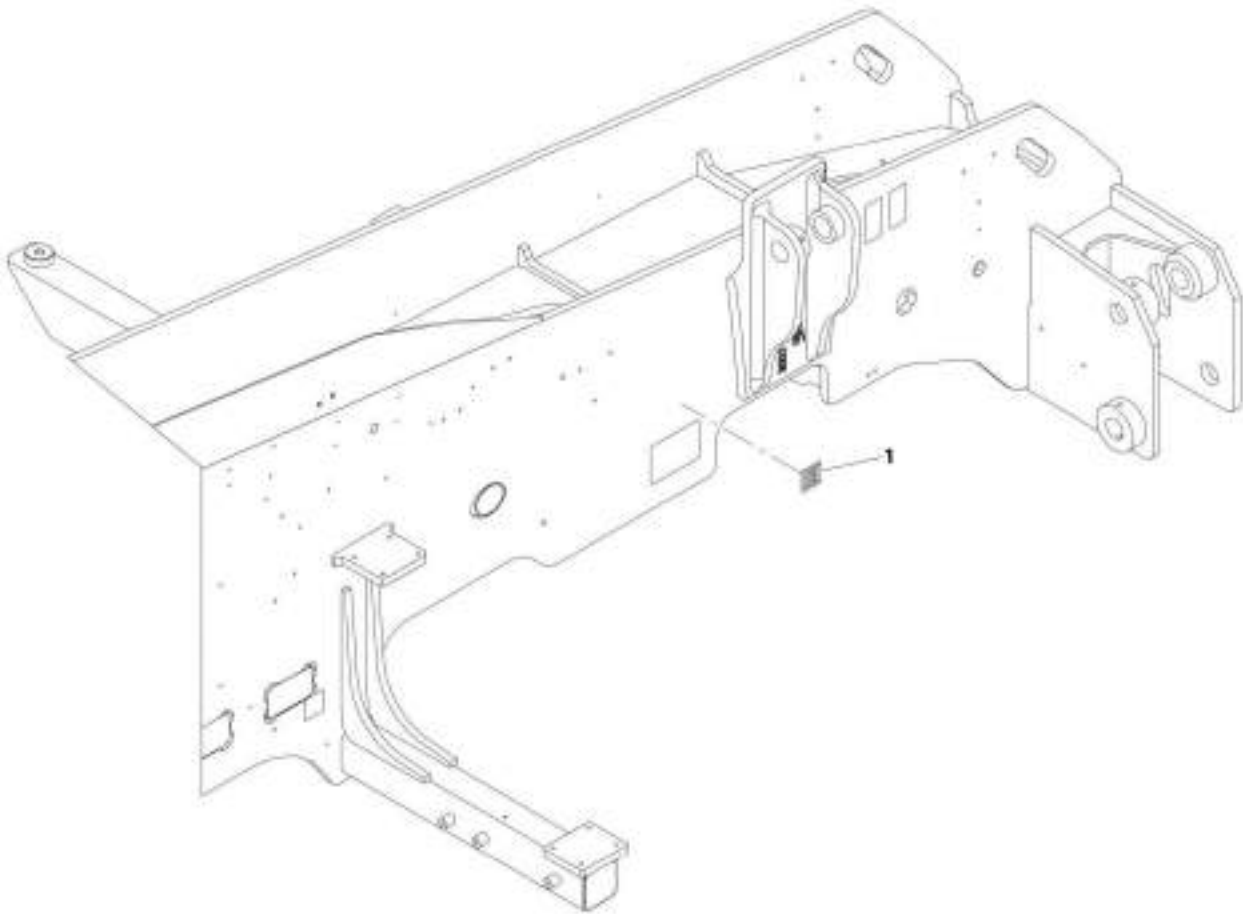
SECTION 11 - DECALS

FIGURE 11-20. CONSTRUCTION INSTALLATION (FRANCE)

ITEM	PART NUMBER	QTY	DESCRIPTION	REV
1	1001171699	Ref	Construction Installation (France)	C
	1001146491	Ref	Driving Lights Installation (See ELECTRICAL SECTION for Breakdown)	E
2	1001143959	Ref	License Plate Installation (See FRAME AND ATTACHING PARTS SECTION for Breakdown)	C
3	1001171700	Ref	25KPH Speed Decal Installation (See 25KPH SPEED DECAL INSTALLATION for Breakdown)	C

SECTION 11 - DECALS

FIGURE 11-21. EAC DECAL INSTALLATION



ART_108173036-A

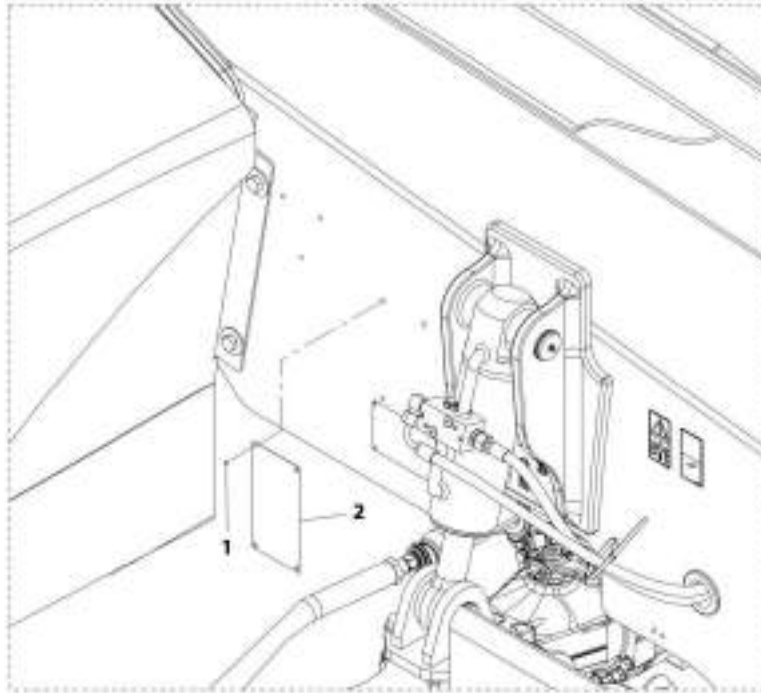
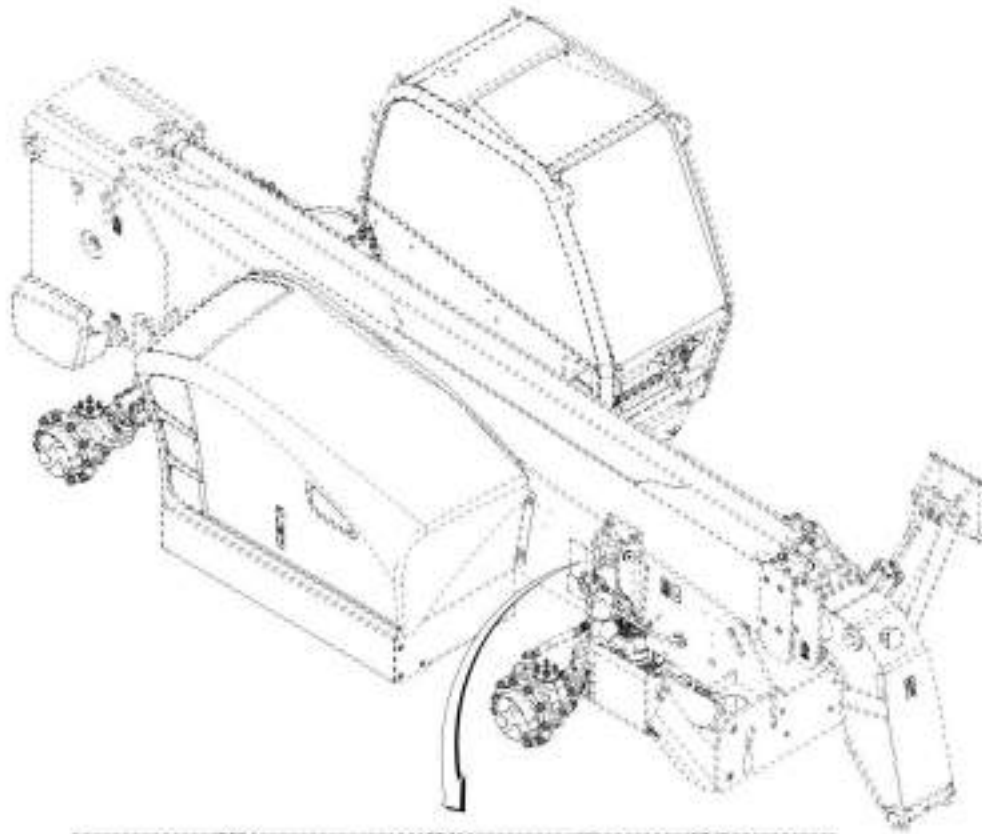
SECTION 11 - DECALS

FIGURE 11-21. EAC DECAL INSTALLATION

ITEM	PART NUMBER	QTY	DESCRIPTION	REV
1	1001173936 1001173703	Ref 1	EAC Decal Installation Decal, EAC	A

SECTION 11 - DECALS

FIGURE 11-22. HOMOLOGATION PLATE INSTALLATION - 3614RS (GERMANY)



ART_1001158112-8

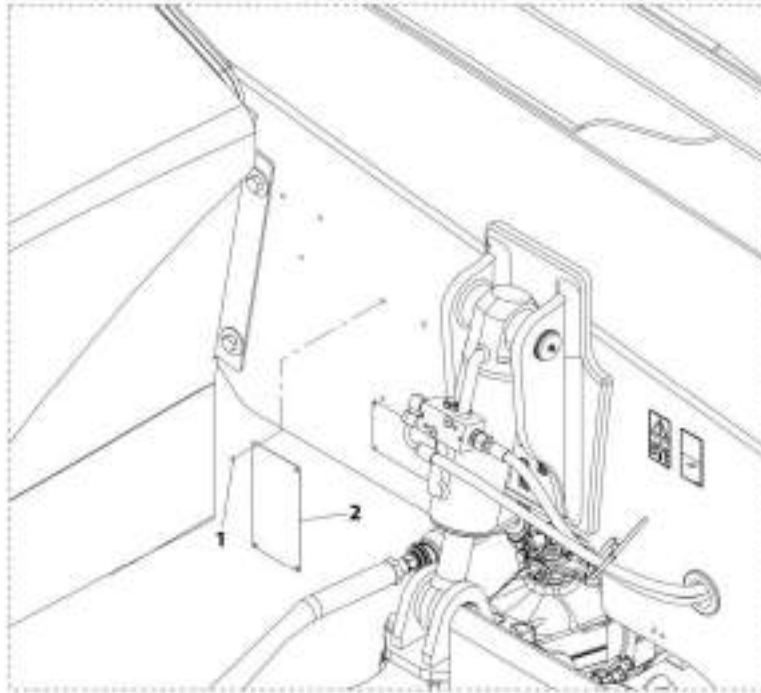
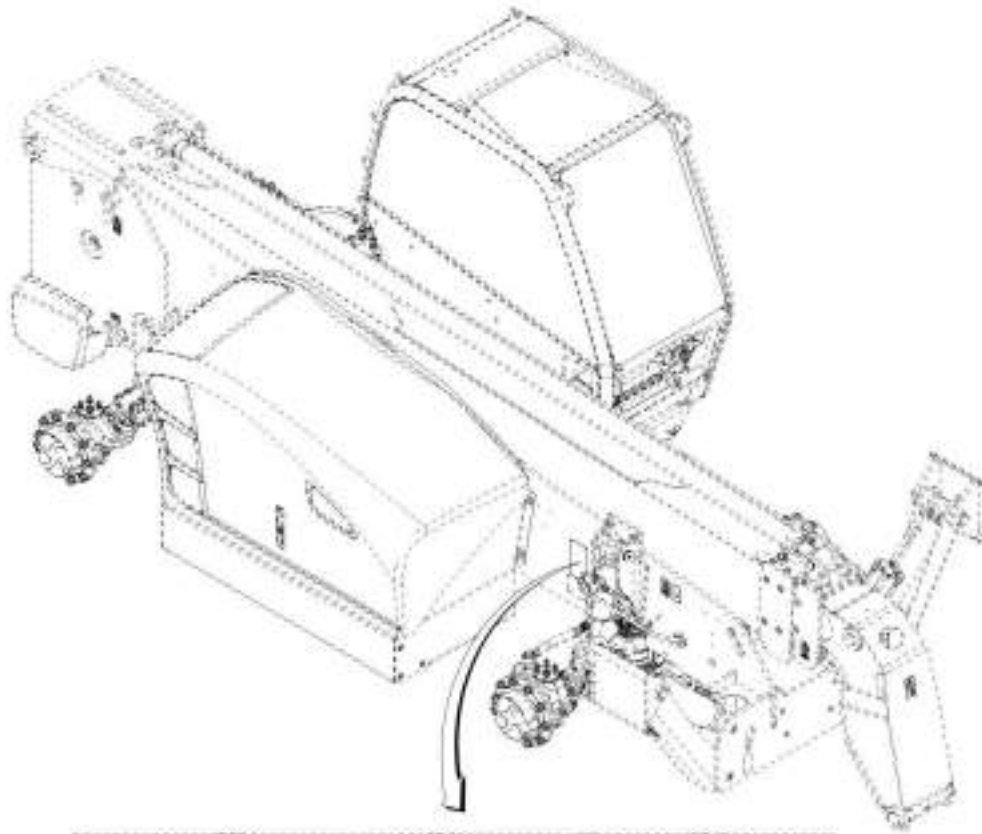
SECTION 11 - DECALS

FIGURE 11-22. HOMOLOGATION PLATE INSTALLATION - 3614RS (GERMANY)

ITEM	PART NUMBER	QTY	DESCRIPTION	REV
	1001158112	Ref	Homologation Plate Installation - 3614RS (Germany, if equipped)	B
1	1001009178	4	Tack, Metal	
2	1001138051	1	Plate, Homologation (Prior to SN 1160007561)	
2	1001232659	1	Plate, Homologation (SN 1160007561 to Present)	

SECTION 11 - DECALS

FIGURE 11-23. HOMOLOGATION PLATE INSTALLATION (SPAIN)



ART 100121456-8

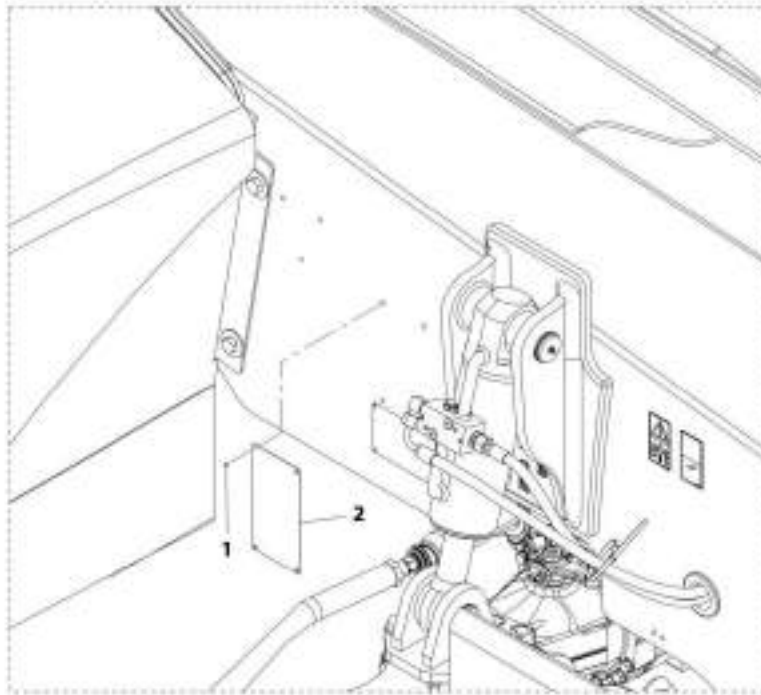
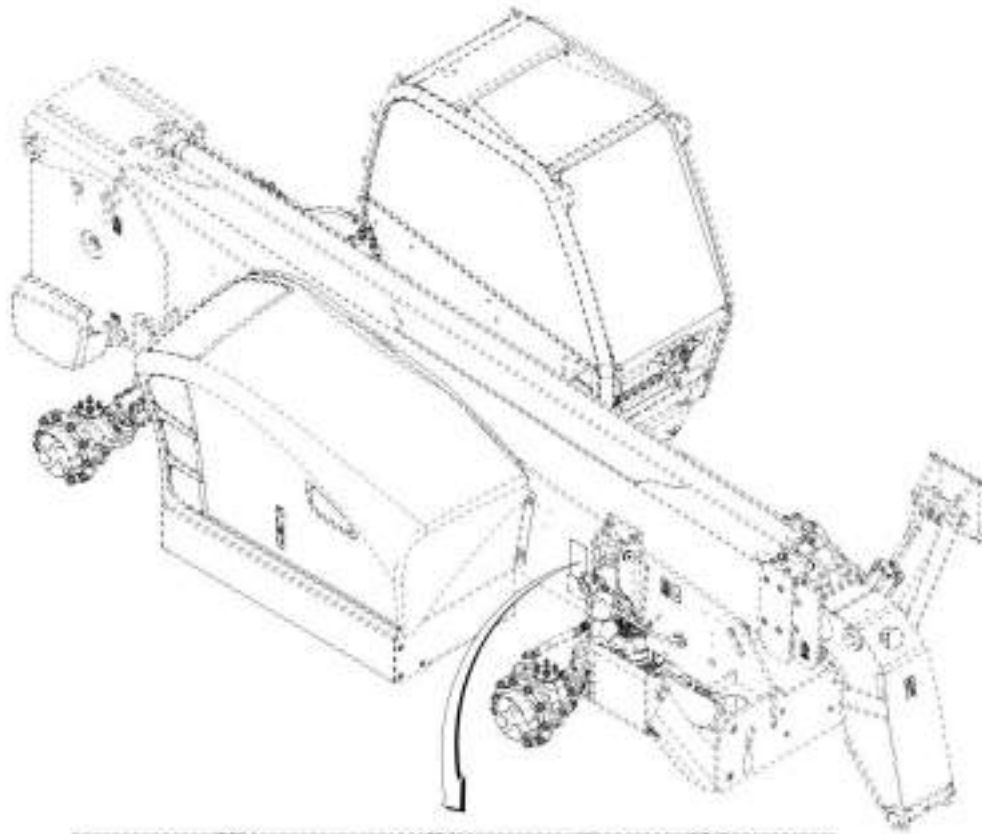
SECTION 11 - DECALS

FIGURE 11-23. HOMOLOGATION PLATE INSTALLATION (SPAIN)

ITEM	PART NUMBER	QTY	DESCRIPTION	REV
1	1001214568	Ref	Homologation Plate Installation (Spain, if equipped)	B
	1001009178	4	Tack, Metal	
	1001138051	1	Plate, Homologation	

SECTION 11 - DECALS

FIGURE 11-24. HOMOLOGATION PLATE INSTALLATION (BELGIUM)



ART.1001215415-A

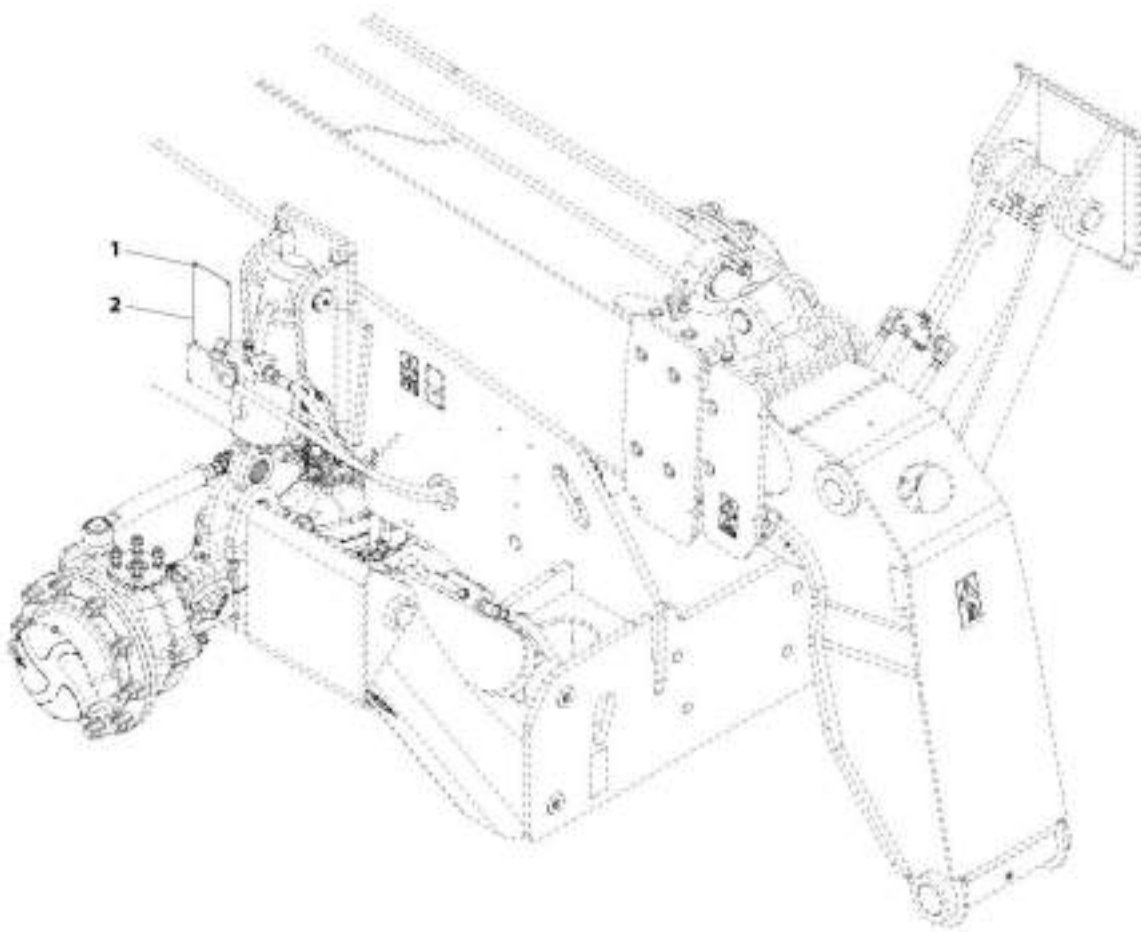
SECTION 11 - DECALS

FIGURE 11-24. HOMOLOGATION PLATE INSTALLATION (BELGIUM)

ITEM	PART NUMBER	QTY	DESCRIPTION	REV
1	1001215415	Ref	Homologation Plate Installation - (Belgium, if equipped)	A
	1001009178	4	Tack, Metal	
	1001138051	1	Plate, Homologation	

SECTION 11 - DECALS

FIGURE 11-25. HOMOLOGATION PLATE INSTALLATION (ITALY)



ARS_1001210291-A

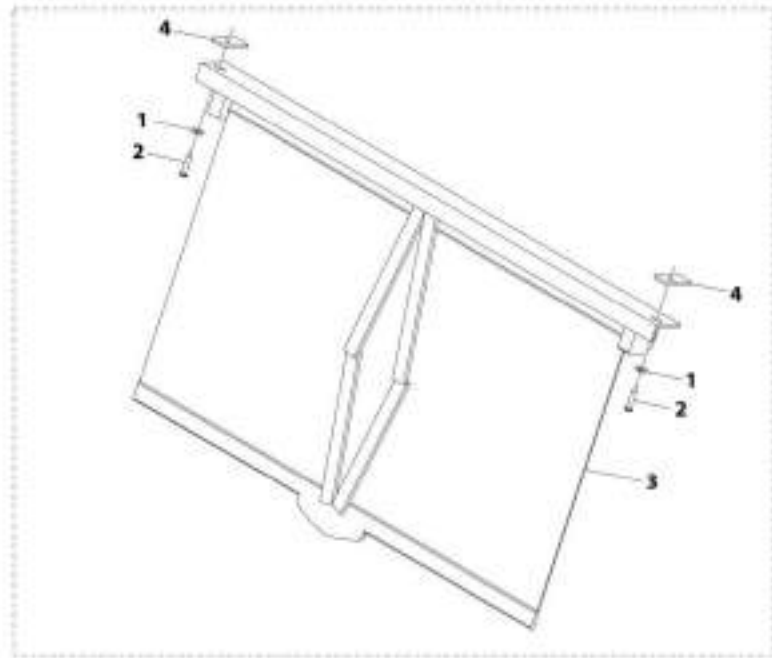
SECTION 11 - DECALS

FIGURE 11-25. HOMOLOGATION PLATE INSTALLATION (ITALY)

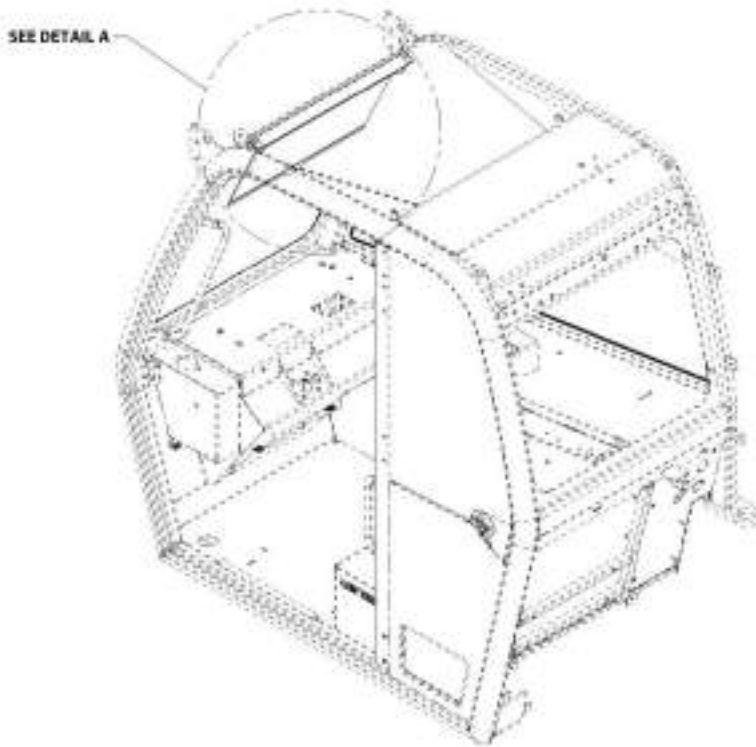
ITEM	PART NUMBER	QTY	DESCRIPTION	REV
	1001210231	Ref	Homologation Plate Installation (Italy)	A
1	N.S.S.	4	Tack, Metal	
2	1001138051	1	Plate, Homologation	

SECTION 11 - DECALS

FIGURE 11-26. SUNVISOR INSTALLATION - 3614RS (GERMANY)



DETAIL A



AWT_1001214963-A

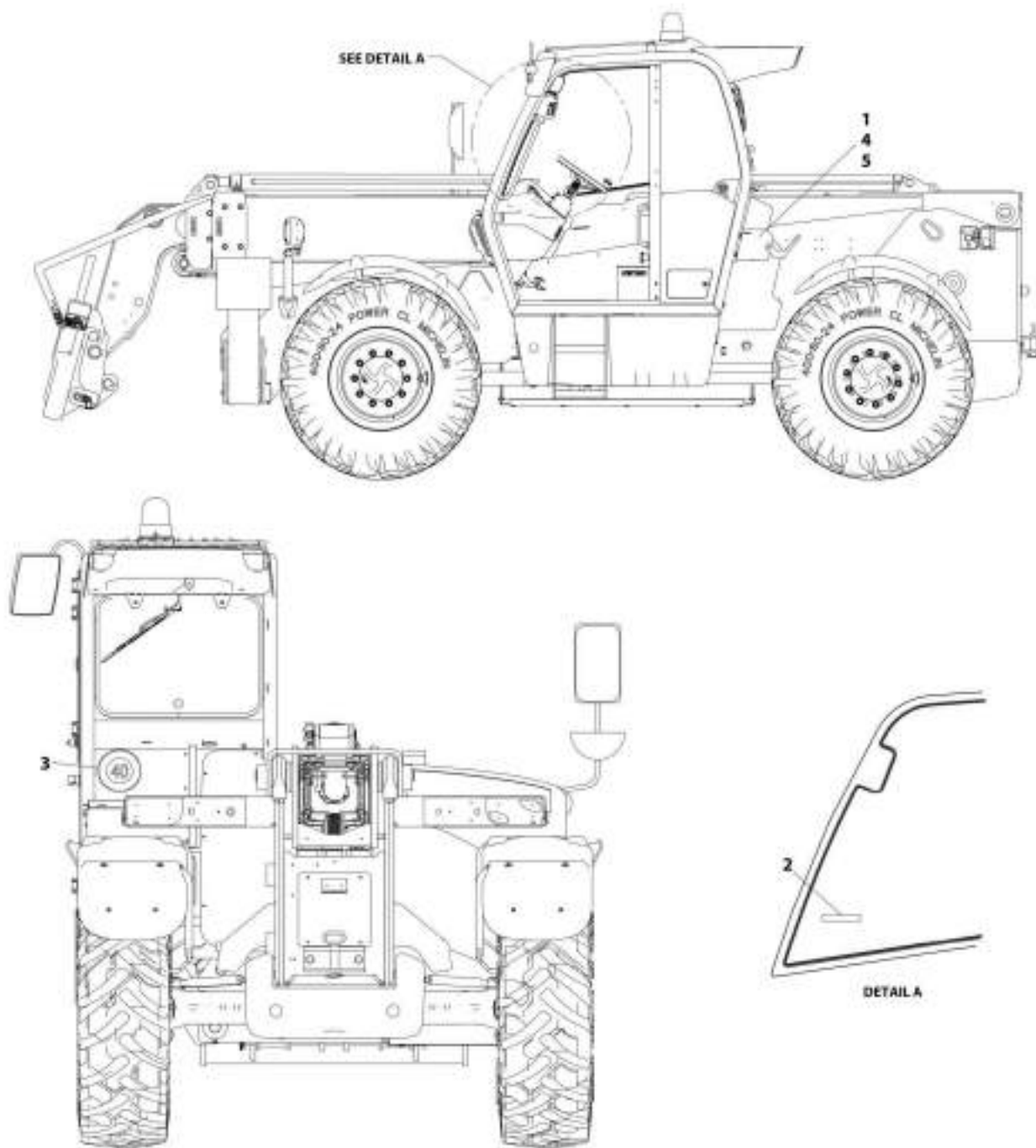
SECTION 11 - DECALS

FIGURE 11-26. SUNVISOR INSTALLATION - 3614RS (GERMANY)

ITEM	PART NUMBER	QTY	DESCRIPTION	REV
	1001214963	Ref	Sunvisor Installation - 3614RS (Germany)	A
1	4811700	2	Washer, M6	
2	1001111147	2	Self Tapping Screw	
3	1001214964	1	Sunvisor	
4	1001215506	2	Support, Plate	

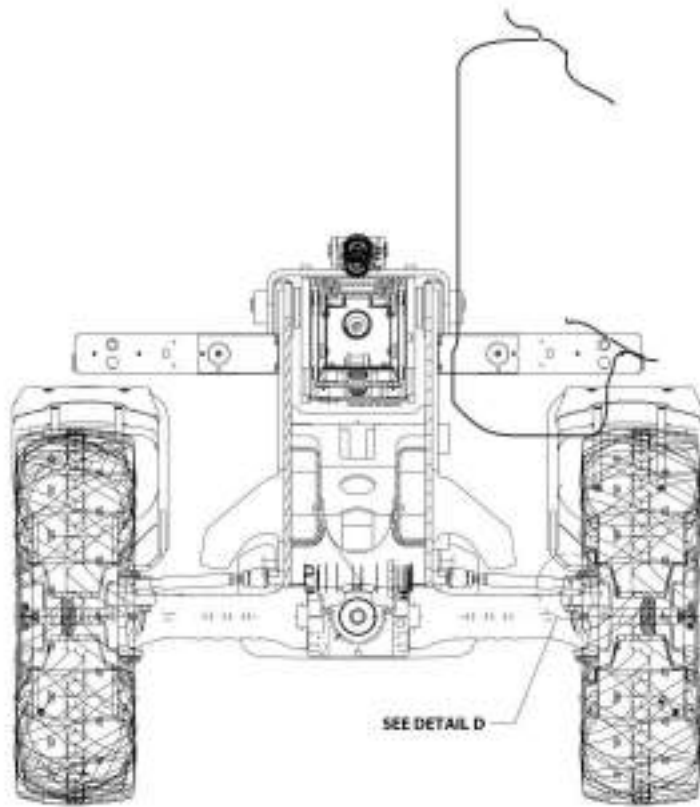
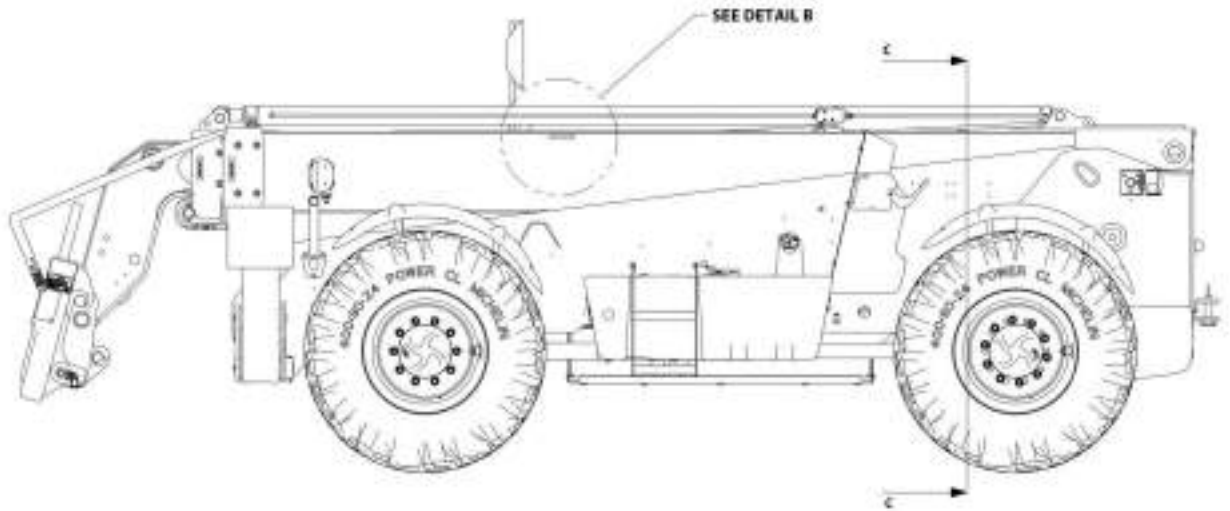
SECTION 11 - DECALS

FIGURE 11-27. DECAL HOMOLOGATION INSTALLATION (ITALY)

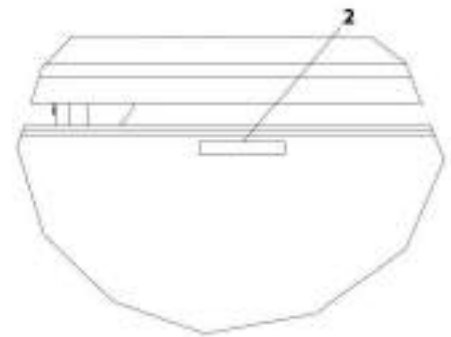


ART_1001210296_1-A

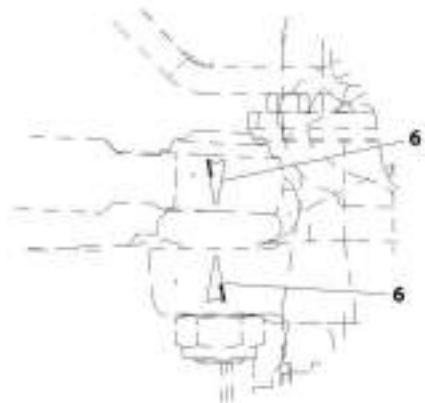
SECTION 11 - DECALS



SECTION C-C



DETAIL B



DETAIL D

ART. 19121036_2-A

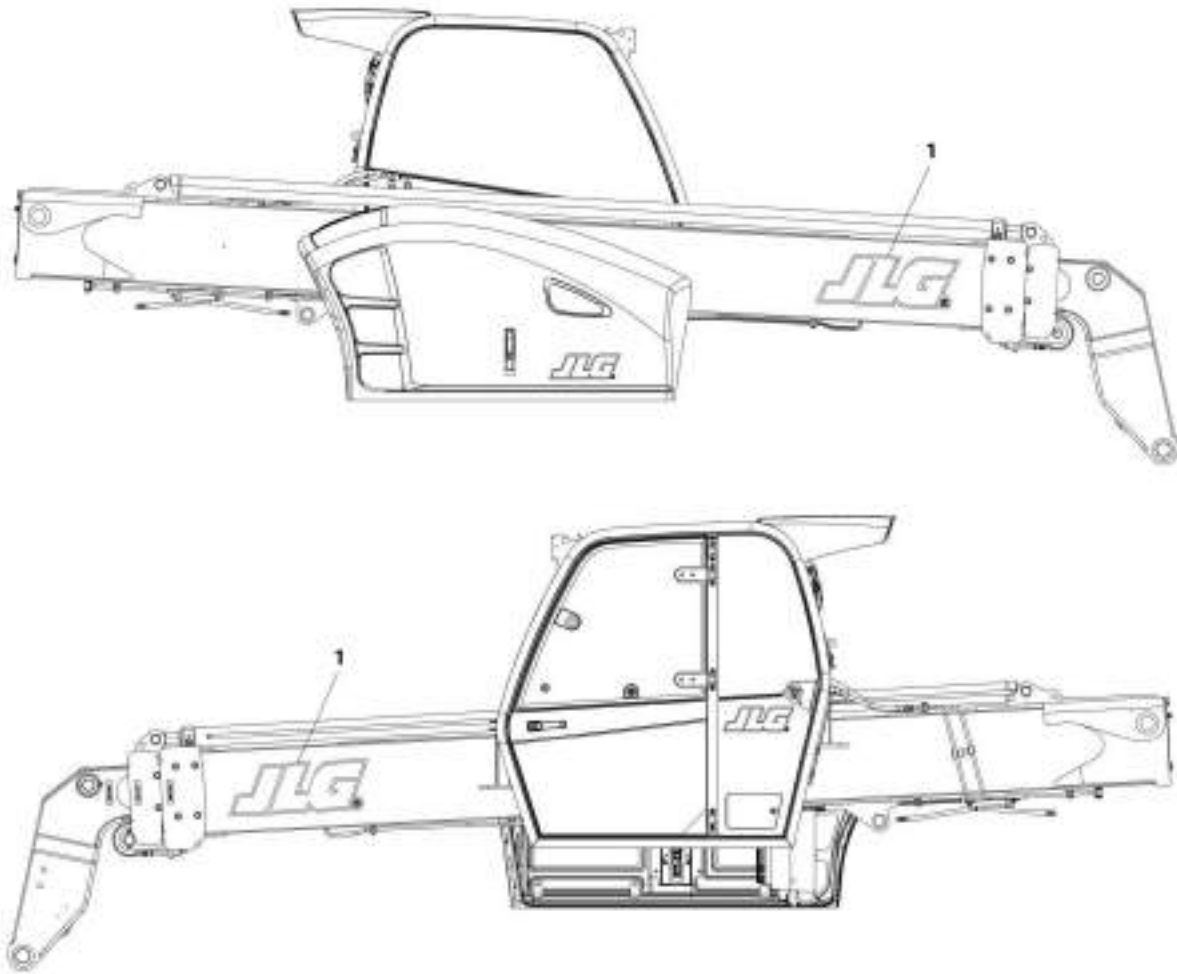
SECTION 11 - DECALS

FIGURE 11-27. DECAL HOMOLOGATION INSTALLATION (ITALY)

ITEM	PART NUMBER	QTY	DESCRIPTION	REV
	1001210286	Ref	Decal Homologation Installation (Italy)	A
1	1001008559	1	Tie Strap	
2	1001129842	2	Decal, Attachment Height	
3	1001189317	1	Decal, Speed 40KPH	
4	1001207541	1	Tool, Spanner Combination M14 AF	
5	1001207542	1	Tool, Spanner Combination M19	
6	1001211622	2	Decal, Alignment	

SECTION 11 - DECALS

FIGURE 11-28. DECAL BOOM INSTALLATION



ART_1001219806-A

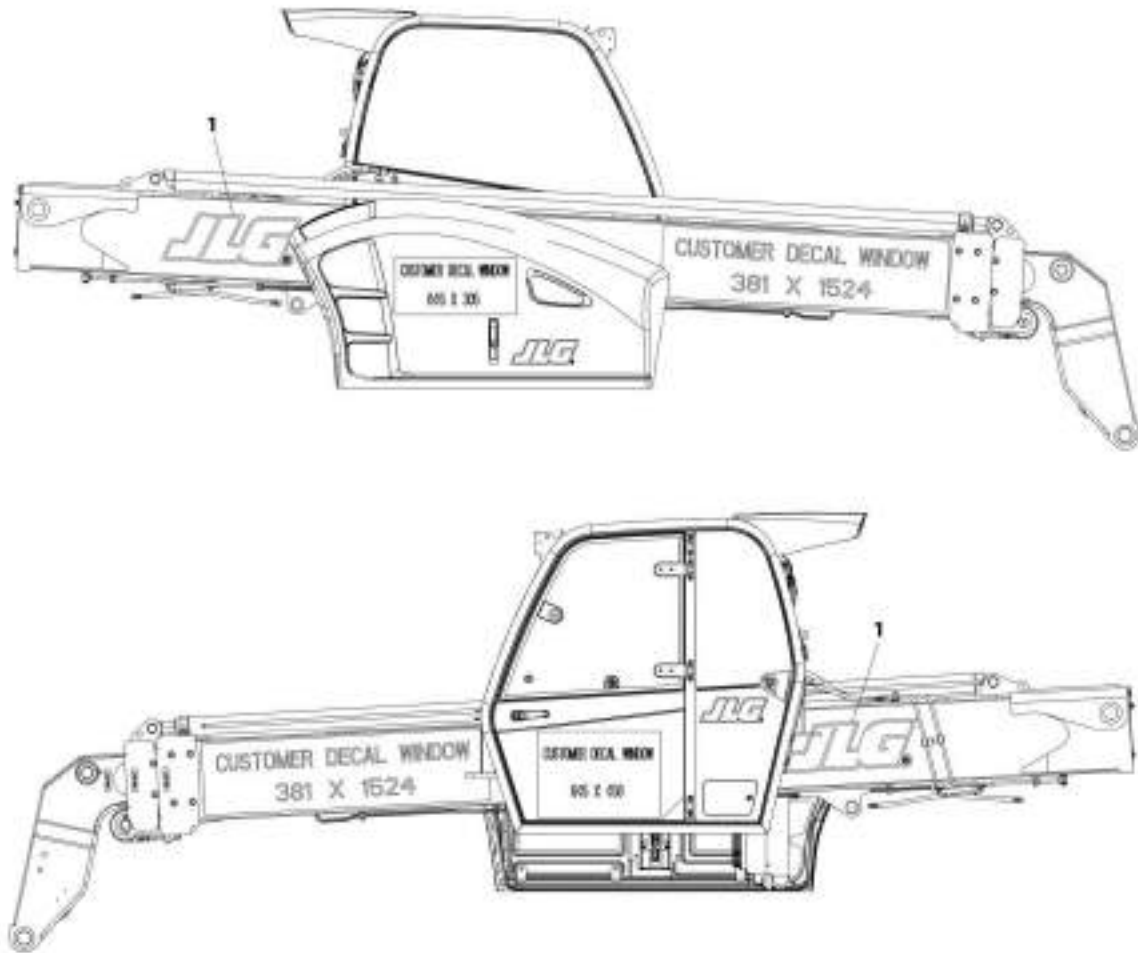
SECTION 11 - DECALS

FIGURE 11-28. DECAL BOOM INSTALLATION

ITEM	PART NUMBER	QTY	DESCRIPTION	REV
1	1001219806	Ref	Decal Boom Installation	A
	1001159728	2	Decal, JLG Logo	

SECTION 11 - DECALS

FIGURE 11-29. DECAL BOOM INSTALLATION WITH CUSTOMER WINDOW



APP_1001215805-A

SECTION 11 - DECALS

FIGURE 11-29. DECAL BOOM INSTALLATION WITH CUSTOMER WINDOW

ITEM	PART NUMBER	QTY	DESCRIPTION	REV
1	1001219805	Ref	Decal Boom Installation with Customer Window	A
	1001159728	2	Decal, JLG Logo	

SECTION 12 - RECOMMENDED SPARE PARTS

SECTION 12 - RECOMMENDED SPARE PARTS

SECTION 12 - RECOMMENDED SPARE PARTS

FIGURE 12-1. RECOMMENDED SPARE PARTS

ITEM	PART NUMBER	QTY	DESCRIPTION	REV
		Ref	Boom	
	1001152477	1	Hose - 3614RS (Prior to SN 1160007979, Excluding 1160007924, 1160007926, 1160007937, 1160007941 and 1160007946)	
	1001180501	1	Hose - 3614RS (SN 1160007979 to Present, Including 1160007924, 1160007926, 1160007937, 1160007941 and 1160007946)	
	1001154616	1	Hose - 3614RS (auxiliary hydraulics) (Prior to SN 1160007979, Excluding 1160007924, 1160007926, 1160007937, 1160007941 and 1160007946)	
	1001180502	1	Hose - 3614RS (auxiliary hydraulics) (SN 1160007979 to Present, Including 1160007924, 1160007926, 1160007937, 1160007941 and 1160007946)	
	1001166932	1	Hose	
	1001166931	1	Hose	
	1001168924	1	Hose - 3614RS	
	1001168925	1	Hose - 3614RS	
	1001168957	1	Hose - 4017RS	
	1001168958	1	Hose - 4017RS	
	1001180512	1	Hose - 4017RS	
	1001191367	1	Hose - 4017RS	
	1001191363	1	Hose - 4017RS (auxiliary hydraulics)	
	1001147657	24	Pad	
	1001147668	4	Pad	
	1001147670	2	Pad - 3614RS	
	1001147730	4	Pad	
	1001148103	4	Pad	
	1001148101	4	Pad - 4017RS	
	1001148100	6	Pad - 4017RS	
	1001148105	2	Pad - 4017RS	
	1001147914	2	Pad, Hose Support - 4017RS	
	1001166995	2	Pad, Hose Tray - 4017RS	
	1001149327	2	Pad, Spacer - 4017RS	
	1001169049	2	Shim, 0.5	
	1001169048	2	Shim, 1	
	1001155958	AR	Shim, 3	
	1001155959	AR	Shim, 2	
	1001155960	AR	Shim, 1	
	1001147731	AR	Shim, 1X45X185	
	1001154174	AR	Shim, 0.5X45X185	
	1001147802	AR	Shim, 1X45X185	
	1001148147	AR	Shim, 1X67.5X185	
	1001154176	AR	Shim, 0.5X67.5X185	
	1001098146	AR	Shim, 72X110X0.5	
	1001098147	AR	Shim, 72X110X1.0	
	1001147843	1	Pin, Coupler	
	1001147844	1	Pin, Coupler	
		Ref	Engine	
	1101312	1	Element, Primary	

SECTION 12 - RECOMMENDED SPARE PARTS

ITEM	PART NUMBER	QTY	DESCRIPTION	REV
	1101313	1	Element, Safety	
	1001142658	1	Cap, Fuel	
	1001150752	1	Fan	
	1001134759	1	Belt, Compressor	
		Ref	Drivetrain	
	91474250	1	Filter, Hydraulic Spin	
	8005079	4	Clampset	
	3300479	40	Nut, Wheel M22X1.5	
	1001146640	1	Joystick, Electric (no FNR Lever)	
	1001146641	1	Joystick, Electric (FNR Lever)	
	1001146642	1	Joystick, Electric (AUX, no FNR Lever)	
	1001146643	1	Joystick, Electric (AUX, FNR Lever)	
		Ref	Hydraulic System	
	70025583	1	Kit, Seal, Lift Cylinder - 3614RS	
	70025591	1	Kit, Seal, Lift Cylinder - 4017RS	
	70025597	1	Kit, Seal, Extend/Retract Cylinder - 3614RS	
	70025635	1	Kit, Seal, Extend/Retract Cylinder - 4017RS	
	70025583	1	Kit, Seal, Tilt Cylinder	
	70025620	1	Kit, Seal, Compensation Cylinder	
	70025615	1	Kit, Seal, Frame Level Cylinder - 3614RS	
	70025640	1	Kit, Seal, Frame Level Cylinder - 4017RS	
	70025628	1	Kit, Seal, Outrigger Cylinder	
	1001153748	1	Steering Select Valve	
	70024631	1	Kit, Seal, Gear Pump	
	1001142659	1	Cap, Hydraulic	
	70025812	1	Gauge, Sight	
	70020922	1	Kit, Seal, Hydraulic Park Brake Release Valve	
		Ref	Electrical	
	1001139779	1	Battery	
	1001003596	1	Horn	
	1001101808	1	Alarm, Back-Up	
	70020796	4	Bulb, Cab Worklights	
	7029969	2	Bulb, Driving Lights	
	7029970	1	Bulb, Driving Lights	
	7029971	4	Bulb, Driving Lights	
	70021341	2	Bulb, Driving Lights	
	70021340	2	Bulb, Driving Lights	
	70020186	1	Bulb, Beacon Light	
	70021341	1	Bulb, License Plate Light	
		Ref	Miscellaneous	
	4807718	1	Blade, Wiper, Rear Window	
	1001141281	1	Blade, Front Wiper	
	1001141313	1	Blade, Roof Wiper	
	70021220	1	Key	
	1001145650	1	Container, Manual Storage Bag JLG	
	1001152477	1	Hose - 3614RS (Prior to SN 1160007979, Excluding 1160007924, 1160007926, 1160007937, 1160007941 and 1160007946)	

SECTION 12 - RECOMMENDED SPARE PARTS

ITEM	PART NUMBER	QTY	DESCRIPTION	REV
	1001180501	1	Hose - 3614RS, (SN 1160007979 to Present, Including 1160007924, 1160007926, 1160007937, 1160007941 and 1160007946)	
	1001154616	1	Hose - 3614RS (auxiliary hydraulics), (Prior to SN 1160007979, Excluding 1160007924, 1160007926, 1160007937, 1160007941 and 1160007946)	
	1001180502	1	Hose - 3614RS (auxiliary hydraulics) (SN 1160007979 to Present, Including 1160007924, 1160007926, 1160007937, 1160007941 and 1160007946)	

PART NUMBER INDEX

PART NUMBER INDEX

0100019.....247	0760507 257	0771212 ... 105, 107, 109, 111, 113, 115, 117	1001008559.....649, 653, 657, 677, 793, 795, 797, 857, 859, 863, 865, 879, 885, 899, 901, 903, 905, 907, 909, 911, 913, 915, 921, 923, 931, 933, 935, 991, 1058
0240063.....177	0760508 649, 857, 859	0771217 107	1001008572.....273, 275
0498748.....635	0760606 ... 259, 261, 717, 935	0780608 111	1001008604.....609
0630612.....627	0760608 31, 613, 615, 857, 859, 879, 887, 889, 891, 893, 909	0903342 935	1001008605.....229
0681812.....247	0760610. 61, 81, 85, 119, 227, 635, 691, 693, 877, 901, 903	0930003 173, 175	1001008608.....611
0700408....887, 889, 891, 893	0760612 ... 259, 261, 535, 537, 541, 543, 905, 907	0930015 171	1001008609.....277, 279, 297
0700507....121, 251, 253	0760614 657, 857	0930016 169	1001008666.....229, 641, 645
0700510.....135, 137	0760618 869	1001002579J.....789	1001008667.....753, 755, 757, 759, 799, 801
0700608.....869, 923	0760807 293	1001002778 927	1001008673.....749, 751, 803
0700610.....113	0760808 ... 117, 279, 283, 285, 673, 753, 755, 757, 759, 799, 801	1001002779 927	1001008719.....547, 549, 551, 553, 555, 557, 559, 561, 563, 565, 567, 569, 571, 573, 575, 577, 579
0700614....869, 911, 915	0760810 ... 113, 121, 197, 205, 229, 249, 259, 261, 291, 295, 623, 625, 655, 657, 677, 749, 751, 753, 755, 757, 759, 799, 801, 803, 805, 857, 859, 863, 865	1001002852 253	1001008720.....277, 279, 719
0700616.....869	0760812 ... 31, 43, 53, 55, 221, 233, 235, 237, 239, 241, 243, 535, 537, 541, 543, 651, 681, 687, 689, 883, 935	1001002946 637	1001008721.....259, 261
0700810....123, 125, 127, 129, 131, 857, 859	0760814 867, 689	1001002947 637	1001008742.....649
0700814....69, 71, 73, 75	076101053, 55, 233, 235, 237, 239, 241, 243, 245, 251, 253, 277, 279, 753, 755, 757, 759, 761, 763, 799, 801	1001002953 637	1001008805.....805
0700815.....637	0761011 ... 259, 261, 273, 275, 283, 285, 291, 293, 295, 929	1001002955 637	1001008857.....637
0700819.....911, 915	0761012. 31, 33, 35, 251, 253, 283, 285, 657, 667, 703, 705, 709, 711, 859, 881, 911, 915, 925, 927	1001002956 637	1001009038.....881
0700822.....911, 915	0761014 31, 251, 253, 295, 749, 751, 803	1001002957 637	1001009062.....39
0700827.....199	0761015 863, 865	1001002958 603	1001009094.....59
0701010.....37	0761016 687, 689	1001002961 639	1001009095.....59
0701012....753, 755, 757, 759, 799, 801	0761017 657, 805	1001002963 639	1001009124.....609, 611
0701013.....81, 85	0761019 ... 233, 235, 237, 239, 241, 243, 657	1001003043 631	1001009136.....641, 645
0701022.....887, 891	0761210 273, 275	1001003044 909, 913	1001009146.....45, 47
0701026.....275	0761212 ... 749, 751, 803, 863, 865	1001003048 259, 261, 717	1001009154.....283, 285
0701029....215, 217, 785, 787	0761214 41, 225	1001003064 229	1001009178..1001, 1003, 1047, 1049, 1051
0701030.....785, 787	0761612 165, 167	1001003334 499, 501, 529, 531	1001009207.....251, 253, 687, 689
0701215....233, 235, 237, 239, 241, 243	0761614 31	1001003360 493, 495, 523, 525	1001009339.....863
0701217219, 221	0761616 ... 233, 235, 237, 239, 241, 243	1001003439 753, 755, 769, 771, 785, 787	1001009384.....277, 279
0701220.....929	0761617 657, 805	1001003596 883, 1067	1001010838.....39
0701226.....109	0761619 ... 233, 235, 237, 239, 241, 243, 657	1001004141 649	1001010839.....609
0701230....777, 779, 781, 783	0770815 ... 233, 235, 237, 239, 241, 243	1001004144 251, 253, 719, 761, 763	1001025751.....273, 275
0701629....233, 235, 237, 239, 241, 243	0771210 ... 105, 107, 109, 111, 113, 115, 117	1001004720 653, 657, 867, 869, 931, 933	1001025902.....283, 285
0701631.....69	0771211 105, 113, 115, 117	1001004723 273, 275, 857, 859, 863, 865, 899, 909, 911, 913, 915, 935	1001028308.....785, 787
0701632....777, 779, 781, 783	0771211 105, 113	1001004771 573, 575, 577, 579	1001047064.....917, 919
0711014....233, 235, 237, 239, 241, 243		1001005134 59	1001090150...81, 85, 113
0711016.....657		1001005267 65	1001090336.....651
0711030.....657		1001005368 633	1001090340.....651
0711214....109, 111, 113, 115, 117		1001005438 283, 285	1001090343.....631, 649
0711215.....109, 115		1001005960 613, 615	1001091033.....703, 705, 709, 711, 715
0711216.....111, 115		1001006072 283, 285	1001091126...19, 21, 23, 25, 27, 29
0711217105		1001006259 61, 255	1001091313.....179
0711224.....111		1001006269 583, 587	1001091573.....931
0711225....69, 71, 73, 75, 111, 115		1001006814 487, 489	1001091685.....259, 261
0711226.....111		1001007321 717	1001091715.....929
0711229....77, 79, 81, 85, 121, 197, 205		1001007641 609	1001091716.....929
0711631.....71, 73, 75		1001007846 477, 481	1001091751.....867, 869
0712024.....47		1001008436 ... 33, 35, 37, 39	1001092256.....31
0712029....303, 305, 307		1001008462 303, 305, 307	
0712040.....45, 47, 785		1001008469 603	
0712042.....787		1001008475 39, 609	
0760505....139, 141, 147, 149, 155, 157, 885		1001008506 233, 235, 237, 239, 241, 243	
0760506....135, 137, 139, 141, 143, 145, 151, 153, 159		1001008540 863, 865	

PART NUMBER INDEX

1001092542 789	1001100262.....221	1001111758.....201, 203, 209	1001118383 956, 959
1001092584 785, 787	1001100284.....515	1001112130J.....53, 55	1001118384 964
1001092878 .. 1001, 1003	1001100443.....745	1001112612.....989	1001118386 969
1001093826 179	1001100691.....603	1001112923.....513, 517	1001118392 946, 952
1001093827 179	1001100845..... 535, 537, 541, 543	1001112924.....485, 491	1001118393 946, 952
1001094555 173, 175, 179	1001100957... 1001, 1003	1001113669.....259, 261	1001118684 955, 959, 964
1001094556 173, 175, 179	1001101041.....133	1001113961.....955, 959	1001118685 956, 959
1001094708 .. 1001, 1003	1001101042.....133	1001114802.....303, 305, 307	1001119220 657
1001095301 251, 253	1001101458.....41, 223	1001116128.....879, 899	1001119467 645
1001095650 ... 31, 33, 35, 37, 41, 45, 47, 57, 61, 69, 71, 73, 75, 77, 79, 81, 85, 101, 103, 105, 107, 109, 111, 113, 115, 117, 121, 129, 131, 139, 141, 143, 145, 147, 149, 151, 153, 155, 157, 159, 197, 205, 221, 233, 235, 237, 239, 241, 243, 245, 249, 251, 253, 259, 261, 273, 275, 277, 279, 283, 285, 291, 293, 295, 533, 539, 541, 543, 611, 615, 627, 629, 631, 635, 637, 641, 645, 651, 655, 657, 667, 669, 673, 675, 677, 679, 681, 687, 689, 691, 693, 699, 703, 705, 709, 711, 717, 719, 721, 723, 725, 727, 749, 751, 753, 755, 757, 759, 761, 763, 777, 779, 781, 785, 787, 793, 799, 801, 803, 805, 857, 877, 879, 885, 887, 889, 891, 893, 925, 927, 929, 935	1001101540..... 691, 693	1001116686.....938	1001119619 989
	1001101563..... 793, 795, 797	1001116692.....937, 941, 955, 956, 959, 960	1001119620 989
	1001101628.....41	1001116697.....937, 939, 941, 945, 946, 947, 949, 951, 952, 956, 957, 959, 960, 961, 964, 977, 979, 981, 989, 993	1001119801 275
	1001101808..... 901, 905, 1067	1001116698.....938, 947, 956, 957, 959, 964	1001120179 519
	1001101895... 1001, 1003	1001116705.....969	1001120523 245
	1001101999.....679	1001116715.....969	1001120904 283, 285
	1001102157.....63	1001116720.....975	1001120989 677
	1001102553.....199	1001116728.....941, 942, 973, 987	1001121127 805
	1001102831..... 677, 745	1001116745.....973	1001121265 863, 865
	1001103012..... 939, 951, 956, 957, 959, 960, 964	1001116747.....941, 942	1001121555 1015
	1001103013..... 938, 957, 961, 977, 979, 985	1001116748.....959, 964	1001121675 921, 923
	1001103156..... 885, 887, 889, 891, 893	1001116754.....955, 959, 964	1001121707 921, 923
	1001103300..... 885, 887, 889, 891, 893	1001116763.....939	1001121960 947
	1001103530.....179	1001116810.....952	1001121961 957, 960
	1001103533.....179	1001116811.....941	1001125117 105, 107, 109, 111, 113, 115, 117
	1001103984..... 721, 723, 725, 727	1001116921.....947	1001125286 291, 293, 295
	1001104319... 1001, 1003	1001116983.....938, 942	1001125388 967
	1001104350.....197	1001116984.....969	1001125389 967
	1001104437.....883	1001116985.....969	1001125465 677, 899
	1001104497..... 956, 957, 960, 963, 977, 979, 981, 985, 987	1001116986.....946, 956, 960, 964, 983	1001125479 967
	1001104498..... 937, 941, 945, 946, 947, 949, 951, 952, 956, 957, 959, 960, 961, 963, 964, 977, 979, 981, 987, 989, 993	1001116991.....964	1001125784 989
	1001104519..... 946, 952, 955, 956, 959, 960, 964, 965, 971, 975, 981, 983, 985	1001116994.....989	1001125785 989
	1001105474.....229	1001116995.....937, 942, 955, 959, 964, 985	1001126007 729, 731, 733, 735, 737, 739, 741, 743, 989
	1001105475.....229	1001116996.....946, 952	1001126010 955, 959
	1001105476.....229	1001116997.....956, 960, 964	1001126349 938, 942
	1001106884.....935	1001116998.....969	1001126351 938, 939, 941, 942
	1001107004.....935	1001117002.....969	1001126352 938, 942
	1001107192..... 637, 639	1001117021.....987	1001126353 938, 942
	1001107333.....163	1001117064.....955	1001126356 938, 939, 941, 942
	1001107336..... 163, 191	1001117108.....938, 952	1001126357 938, 939, 941, 942
	1001107338..... 163, 191	1001117109.....967	1001126360 939, 941
	1001107854.....964	1001117110.....938, 941, 987	1001126362 938, 941
	1001108133.....209	1001117112.....967	1001126363 938, 941
	1001109387..... 219, 221	1001117121.....956, 959	1001126364 938, 941
	1001110544.....857	1001117133.....946, 952	1001126365 938, 941
	1001111076.....665	1001117308.....857, 859, 861	1001126384 938, 939, 941, 942
	1001111147..... 665, 1055	1001117945.....167	1001126391 938, 941
	1001111317.....603	1001118323.....951	1001126392 938, 941
	1001111424.....861	1001118378.....957, 960, 971, 975	1001126393 938, 941
	1001111757.....209	1001118379.....937, 942, 955, 959, 964, 985	1001126737 283, 285
			1001126837 877
			1001128006 509
			1001129285 941
			1001129286 941
			1001129425 899
			1001129842 1058
			1001131642 283, 285
			1001132564 613, 615
			1001132873 49

PART NUMBER INDEX

1001133089.....607	1001139977 583, 587, 687	1001142712 599, 601, 607	1001144400.....645
1001133213.....973	1001140296 259, 261	1001142720 639	1001144404.....533, 535
1001133224.....923, 973	1001140321 745	1001142724 35	1001144405.....533, 537
1001133714.....938, 939, 941, 942	1001140322 745	1001142726 611	1001144406.....745
1001133715.....938, 939, 941, 942	1001141035 233	1001142727 611	1001144430.....33, 35
1001133793.....251	1001141036 233, 235, 237, 239, 241, 443	1001142732 639	1001144434.....925, 927
1001134127.....245	1001141038 233	1001142782 605	1001144458.....309
1001134274.....885, 887, 889, 891, 893	1001141093 233, 235, 237, 239, 241, 243	1001142833 259, 261	1001144459.....311
1001134351.....937, 942	1001141097 233, 235, 237, 239, 241, 243	1001142840J.....635	1001144669.....297
1001134581.....937, 942	1001141100 233, 235, 237, 239, 241, 243	1001142968 583, 585, 587, 589, 627	1001144686.....73, 81
1001134759.....657, 1067	1001141152 245	1001142980 247, 845	1001144702.....251
1001135441.....303, 313	1001141155 591, 593, 595, 597, 649	1001143130 635	1001144713.....81, 85, 91
1001135442.....303, 305, 377	1001141199 283	1001143146 .. 77, 79, 105	1001144744J.....569
1001135650.....938, 939, 942	1001141202 283	1001143200 619, 635, 639	1001144745J.....571
1001135651.....938, 939, 941, 942	1001141205 283, 285, 287	1001143352 .. 77, 79, 109	1001144747.....71, 79
1001135838.....703, 705, 709, 711	1001141242 651	1001143354 109	1001144758.....81, 85, 97
1001137323.....311	1001141246 637	1001143400 .. 77, 79, 113	1001144771.....81, 85, 99
1001137578.....938, 942, 946, 952	1001141281 651, 1067	1001143401 113	1001144780.....81, 85, 93
1001137630.....583	1001141311 653	1001143430 703, 705, 707	1001144787.....269, 273
1001137631.....583, 591	1001141312 633	1001143432 707, 713	1001145021.....707, 713
1001137632.....591, 595, 599	1001141313 653, 1067	1001143462 283, 285	1001145022.....707
1001137633.....599, 601, 603	1001141387 291	1001143463 283, 285	1001145060.....61
1001138051..1047, 1049, 1051, 1053	1001141390 291, 293	1001143500 287, 289	1001145061.....255
1001138155.....937, 942	1001141391 291, 293, 295	1001143745 287	1001145062.....283, 285
1001138199.....591, 595, 867	1001141611 259, 265	1001143832 785, 787	1001145071.....277
1001138592.....937, 942	1001141612 259	1001143948 867, 955	1001145072.....277, 279
1001139164...1001, 1003	1001141615 259, 261	1001143959 57, 1039, 1041, 1043	1001145073.....269, 277
1001139217.....937	1001141616 259, 261	1001144016 283, 285	1001145114.....755
1001139219.....937	1001141617 259, 261	1001144109 533	1001145143.....649
1001139220.....591, 593, 595, 597, 611	1001141853J 605	1001144110 927, 1039	1001145144.....649
1001139272J.....53, 55	1001141952 283, 285	1001144111 33	1001145145.....649
1001139465.....603	1001142083 281	1001144158 .. 81, 85, 107	1001145146.....649
1001139466.....603	1001142084 259, 261	1001144181 .. 81, 85, 111	1001145151.....785, 787
1001139467.....603	1001142085 259, 261	1001144182 111	1001145166.....251, 253
1001139468.....603	1001142093 591, 595, 613	1001144190 777, 779, 809	1001145167.....251
1001139469.....633	1001142102 657	1001144194 781, 783, 813	1001145168.....251
1001139550.....653	1001142103 657	1001144195 123, 125, 817	1001145169.....251, 253
1001139551.....653	1001142183 259, 261	1001144198 .. 77, 79, 127, 821	1001145170.....251
1001139552.....633	1001142185 259, 261	1001144202 785, 827	1001145221.....283, 285
1001139568.....633	1001142189 599, 601, 635	1001144203 777, 779, 781, 783, 825	1001145229.....127
1001139569.....599, 601, 631	1001142190 599, 601, 605	1001144215 785, 787, 831	1001145234.....955, 956, 959, 960, 964, 965, 971, 975, 981, 983
1001139570.....631, 633	1001142193J 639	1001144218 .. 81, 85, 115	1001145235.....925, 927
1001139576.....633	1001142194 583, 585, 587, 589	1001144242 667	1001145252.....917, 919
1001139654.....1001	1001142210 637	1001144244 .. 81, 85, 117	1001145257.....917, 919
1001139724.....591, 593, 595, 597	1001142252 635, 639	1001144245 117	1001145258.....917, 919
1001139746.....583, 585, 587, 589	1001142382J... 547, 549, 551, 563, 565	1001144260 667	1001145259.....917
1001139769.....591, 703	1001142383J... 553, 559, 561, 567, 577, 579	1001144261 669	1001145260.....917, 919
1001139779.....1067	1001142496 639	1001144262 671	1001145263.....931, 933
1001139854.....717	1001142618 639	1001144263 655	1001145264.....935
1001139884.....227	1001142658 257, 1067	1001144264 587	1001145265.....917, 919
1001139923.....719	1001142659 61, 1067	1001144329 673	1001145266.....917, 919
	1001142667 635	1001144330 675	1001145267.....785, 787, 789
	1001142675 607	1001144332 675	1001145287.....665
		1001144352 305, 307, 331	1001145288.....665
		1001144399 641	1001145307.....31
			1001145313.....31
			1001145316.....699, 701
			1001145317.....591, 593, 595, 597, 699
			1001145332.....59
			1001145333.....53
			1001145334.....793

PART NUMBER INDEX

1001145380J ... 555, 557, 573, 575	1001146159..... 191	1001147135..... 753, 755	1001147844 121, 197, 205, 1066
1001145381 31	1001146160..... 191	1001147330..... 793	1001147871 777, 779, 781, 783
1001145414 539	1001146256..... 259, 261	1001147331..... 793	1001147894 85
1001145432 309	1001146258..... 761	1001147338..... 871	1001147899 81, 85
1001145433 309	1001146259..... 765	1001147339..... 871	1001147902 117
1001145437 127	1001146293..... 785, 787	1001147344..... 917, 919	1001147914 117, 1066
1001145491 657	1001146294..... 785, 787	1001147451..... 917, 919	1001147923 938, 941, 949
1001145492 657	1001146341..... 785	1001147459..... 613, 615	1001148100 115, 117, 1066
1001145529 251, 253	1001146378..... 303	1001147461..... 671	1001148101 111, 1066
1001145531 269, 863	1001146379..... 305	1001147462..... 671	1001148103 109, 111, 113, 117, 1066
1001145539 657	1001146380..... 61, 847	1001147463..... 669	1001148105 115, 1066
1001145540 657	1001146399..... 311	1001147465..... 621	1001148106 951, 957, 960
1001145545 45	1001146491.... 925, 1041, 1043	1001147497..... 259, 261	1001148112 583, 585, 587, 589, 629
1001145546 47	1001146507..... 867, 873	1001147517..... 761, 763	1001148123J 45, 47
1001145549 255, 257	1001146579..... 127, 819	1001147518..... 761, 763	1001148124J 47
1001145550 857, 937	1001146580..... 785, 787, 829	1001147527 77, 79, 81, 85	1001148125J 47
1001145551 257	1001146584..... 595, 709	1001147562..... 109, 115	1001148128 751
1001145552 121	1001146585..... 909, 913, 945	1001147595..... 109, 115	1001148129 787
1001145581 475, 477	1001146586..... 909	1001147596.... 77, 79, 81, 85	1001148132 759
1001145582 475, 481	1001146587..... 583, 587, 623	1001147597 77, 79, 81, 85	1001148133 783
1001145583 503, 505	1001146588..... 857, 859, 863, 865, 909, 911, 913, 915, 921, 923, 935	1001147601 111	1001148147 109, 111, 113, 115, 117, 1066
1001145584 503, 507	1001146590..... 921	1001147602..... 111	1001148218 779
1001145585 491, 493	1001146592..... 923	1001147622..... 79, 125	1001148277 775
1001145586 491, 495	1001146640.... 733, 1067	1001147623..... 97	1001148278 763
1001145587 513, 515	1001146641.... 729, 1067	1001147640..... 81, 85	1001148284 763
1001145588 485, 487	1001146642.... 741, 1067	1001147641 95, 99	1001148298 283, 285
1001145589 485, 489	1001146643.... 737, 1067	1001147657 105, 107, 109, 111, 113, 115, 117, 1066	1001148304 127
1001145590 497, 499	1001146645..... 857	1001147668..... 105, 107, 113, 1066	1001148305 127
1001145591 497, 501	1001146666..... 723	1001147670..... 109, 1066	1001148317 ... 89, 91, 93, 97
1001145592 517, 519	1001146667..... 721	1001147676..... 749	1001148320 769, 771
1001145606 475	1001146668..... 727	1001147693..... 247	1001148322 769
1001145607 503	1001146669..... 725	1001147695..... 89, 91, 93	1001148371 123, 125, 127
1001145608 491	1001146671..... 879	1001147729..... 61, 255	1001148372 123, 125, 127, 131
1001145609 513	1001146672..... 879, 969	1001147730..... 109, 111, 115, 1066	1001148375 967
1001145610 485	1001146673..... 921, 923, 971	1001147731 105, 107, 109, 111, 113, 115, 117, 1066	1001148382 753, 755, 757, 759, 799, 801
1001145611 497	1001146674.... 931, 1039	1001147737 257	1001148415 655, 917, 919
1001145612 517	1001146676..... 931, 933, 975	1001147739..... 95, 99	1001148470 657
1001145613 895	1001146677..... 653, 983	1001147752..... 655, 657	1001148471 657
1001145614 649	1001146681..... 867, 871	1001147753..... 655, 657	1001148472 657
1001145615 649	1001146682..... 871, 875	1001147754..... 655, 657	1001148473 657
1001145650 1067	1001146685..... 938	1001147755..... 655, 657	1001148474 657
1001145654 1005	1001146709..... 291	1001147775..... 863, 865	1001148475 657
1001145655 1009	1001146725..... 917, 919, 931, 933	1001147793..... 863, 865	1001148476 657
1001145656 1015	1001146726..... 917, 919	1001147794..... 863, 865	1001148508 591, 593, 595, 597, 617
1001145659 1017	1001146727..... 917, 919	1001147795..... 863, 865	1001148510 617
1001145660 1025	1001146728..... 917, 919	1001147796..... 863, 865	1001148521 923
1001145662 1039	1001146728..... 917, 919, 921, 923	1001147797..... 863, 865	1001148522 923
1001145663 1041	1001146729..... 653, 917, 919	1001147799..... 857, 859	1001148523 69, 77
1001145672 761	1001146730..... 917, 919	1001147800..... 863, 865, 967	1001148541 591, 595, 917
1001145680 761	1001146748..... 587, 595	1001147801 749, 751, 803	1001148552 753, 755, 757, 759, 799, 801
1001145681 251	1001146898..... 709, 711, 713	1001147802..... 109, 111, 1066	
1001145738 761, 763	1001146900..... 913	1001147808..... 89, 113	
1001145857 761, 763	1001146949..... 713	1001147839..... 77, 79, 95	
1001145866 761, 763	1001147021..... 773, 775	1001147843..... 121, 197, 205, 1066	
1001145867 591, 593, 595, 597, 877	1001147022..... 773		
1001145869 877	1001147134..... 791		
1001145873 761, 763			
1001145998 761, 763			
1001146014 19			
1001146017 23			
1001146076 851			
1001146129 765, 767			
1001146145 753, 755			
1001146148 719			
1001146156 719			

PART NUMBER INDEX

1001148553.....753, 755, 757, 759, 799, 801	1001149652..... 77, 123	1001153960 109, 111, 115	1001159728...1061, 1063
1001148555.....657	1001149653.. 81, 85, 127	1001154017 73	1001159729.....1032
1001148556.....655, 657	1001149699 95, 99	1001154018 75	1001160049.....1036
1001148557.....617, 621, 655, 657	1001149708 885	1001154043 259, 261	1001160051.....1032
1001148596.....879	1001149923 121	1001154174 105, 107, 109, 111, 113, 115, 117, 1066	1001160052.....1036
1001148598.....613, 615	1001149967 653	1001154176 109, 111, 113, 115, 117, 1066	1001160227.....1021
1001148599.....891	1001149968 921, 923	1001154262 277, 279	1001160497.....963
1001148600.....897	1001150125 655, 658	1001154263 277, 279	1001160500.....951
1001148619.....655, 657	1001150144 31, 49	1001154265 475, 497	1001160501.....963
1001148636.....719	1001150208 249	1001154316 511	1001160509.....949, 951
1001148637.....719	1001150278 867, 869	1001154616 79, 1066, 1068	1001160510.....949, 951
1001148638.....719	1001150292 917, 919	1001154645 753, 755, 757, 759, 799, 801	1001160730.....899
1001148658.....757, 759, 799, 801	1001150293 641, 643	1001154646 753, 755, 757, 759, 799, 801	1001160775...1032, 1036
1001148659.....757, 759, 799, 801	1001150294 645, 647	1001154647 753, 755, 757, 759, 799, 801	1001160980.....271
1001148835.....785, 787	1001150303 641	1001154682 283, 285	1001161015.....107
1001148836.....613, 615	1001150306 33, 35	1001154688 31	1001161095.....949, 951, 963
1001148886.....623, 625	1001150350 55	1001155013 277, 279	1001161097.....963
1001148916.....917, 919	1001150453 881	1001155051 273	1001161098.....949, 951, 963
1001149046.....31	1001150572 243	1001155345 785, 787	1001161099.....949, 951
1001149112.....621	1001150624 31	1001155483 61	1001161100.....949, 951, 963
1001149113.....621	1001150630 233, 235, 237, 239, 241, 243	1001155805 81, 85	1001161101.....949, 951, 963
1001149114.....621	1001150735 964	1001155812 901	1001161129.....765, 769
1001149115.....621	1001150737 964	1001155958 ... 69, 71, 73, 75, 1066	1001161130.....765, 769
1001149116.....621	1001150752 233, 235, 237, 239, 241, 1067	1001155959 ... 69, 71, 73, 75, 1066	1001161267.....765, 769
1001149117.....621	1001151044 59	1001155960 ... 69, 71, 73, 75, 1066	1001161471.....273
1001149125 613, 615	1001151260 657, 987	1001156947 .. 81, 85, 113	1001161474.....765, 769
1001149130.....129	1001151591 61	1001157018 295	1001161769.....869
1001149132.....129	1001151628 539, 541	1001157020 295	1001161770.....869
1001149133.....85, 131	1001151718 307, 395	1001157409 295	1001161951...77, 79, 101
1001149136.....621	1001151810 935, 977	1001157434 295	1001161957.....949, 951
1001149141.....917, 919	1001151811 935, 981	1001157438 295	1001161960.....963
1001149142.....917	1001151812 935	1001157519 883	1001161963.....949, 951
1001149156.....95, 99	1001151868 521	1001157868 43	1001162246.....101, 103
1001149163.....89, 91, 93, 97	1001151879 .. 81, 85, 119	1001157992 307	1001162248.....995, 997
1001149164.....89, 91, 93, 97	1001151969 899	1001158033 237	1001162250.....995, 997
1001149215.....657, 663	1001152010 879	1001158034 237	1001162364J.....101
1001149216.....655, 661	1001152079 573, 575, 577, 579	1001158110 221	1001162375.....101, 103
1001149277 613, 615	1001152156 791	1001158111 1029	1001162578.....765, 769
1001149308.....263	1001152188 113	1001158112 1047	1001162636.....121
1001149327.....115, 1066	1001152259 221	1001158117 1001	1001162657.....101
1001149356.....521, 523	1001152330 113	1001158300 .. 1001, 1003	1001162771.....225, 227
1001149357 521, 525	1001152353 657	1001158303 1005	1001162775.....51
1001149361 527, 529	1001152354 657	1001158309 .. 1005, 1007, 1009, 1011	1001162776.....51
1001149362 527, 531	1001152378 233, 235, 237, 239, 241, 243	1001158844 .. 1001, 1003	1001162778.....51
1001149375.....259, 261, 263	1001152477 77, 79, 1066, 1067	1001159078 935	1001162779.....51
1001149376.....263	1001152589 249	1001159326 271, 275	1001162780.....51
1001149490.....691, 693	1001152673 749, 751, 803	1001159327 275	1001162849.....909, 913
1001149536.....127, 129	1001152684 749	1001159328 275	1001162852.....123, 125, 127
1001149538.....691, 693	1001152689 749, 751, 803	1001159329 275	1001162863.....857
1001149547 75, 85	1001152729 251, 657	1001159330 275	1001162872.....51
1001149552.....691, 693	1001152829 527	1001159331 275	1001162929.....753, 755, 757, 759, 799, 801
1001149555.....77, 79, 81, 85	1001153185 539, 543	1001159683 749, 751, 803	1001163076.....619
1001149581.....77, 79, 81, 85	1001153337 956, 960, 965	1001159685 749, 751, 803	1001163077.....719
1001149584.....627	1001153338 985		1001163078.....717
1001149647.....753	1001153442 1027		1001163111.....591, 593, 595, 597, 619
1001149648.....777	1001153613 69		1001163539.....119
1001149650.....781	1001153614 71		1001163625.....227
1001149651.....757	1001153748 761, 763, 841, 1067		1001163627.....605

PART NUMBER INDEX

1001163938 223, 225	1001168447.....637	1001172172.....1009	1001176622 749, 751, 803
1001164018 41	1001168453.....637	1001172192.....259, 261	1001176626 619
1001164053 793, 795, 797	1001168455.....637	1001172206.....105	1001176695 619
1001164054 793	1001168549.....69, 71	1001172263J.....101	1001176714 139
1001164211 41	1001168593.....73, 75	1001172289.....101	1001176763..... 139, 141
1001164237 223, 225	1001168597.....127, 817, 819	1001172310.....935, 979	1001176768 139
1001164273 225	1001168704.....657, 985	1001172482.....885	1001176773 139, 141, 143
1001164274 677, 989	1001168705.....637	1001172483.....885	1001176776 135, 137, 139
1001164275 677	1001168718...1001, 1003	1001172542.....867, 959	1001176791 141
1001164388 677	1001168803.....777, 779, 781, 783	1001172744.....887, 889, 891, 893	1001176798 141
1001164390 677	1001168811.....777, 779, 781, 783	1001173147755, 759, 799, 837	1001176803 135, 137, 141
1001164391 677	1001168812.....583, 585, 587, 589, 651	1001173148.....753, 757, 801, 833	1001176854 619
1001164402 911, 915	1001168824.....635, 637	1001173259.....749, 751, 803	1001176903 135, 137, 143
1001164599 541	1001168826.....637	1001173418.....765, 767, 769, 771	1001176904 143
1001164726 101, 103	1001168829.....637	1001173703.....1045	1001176944 135, 145
1001164992 537	1001168924.....123, 125, 127, 1066	1001173742.....753, 755, 757, 759, 799, 801	1001177122 119
1001165069 279	1001168925.....1066	1001173880.....785, 787, 853	1001177126 793
1001165274 761, 763, 773, 775	1001168958.....1066	1001173936.....1045	1001177127 793
1001165275 637	1001169040....69, 71, 73, 75	1001174034.....81, 85	1001177265 145
1001165276 635	1001169048....69, 71, 73, 75, 1066	1001174036.....81, 86	1001177266 145
1001165280 .. 1032, 1036	1001169049....69, 71, 73, 75, 1066	1001174042.....81, 86	1001177274 135, 147
1001165309 952	1001169068....69, 71, 73, 75	1001174157.....639	1001177275 147
1001165310 949	1001169139.....765, 767, 769, 771	1001174300.....777, 779, 781, 783	1001177276 147
1001165311 951	1001169243.....785, 787	1001174302.....777, 779, 781, 783	1001177319 149
1001165447 785, 787	1001169243.....785, 787	1001174305.....777, 779, 781, 783	1001177320 135, 137, 149
1001165561 753, 755, 757, 759, 799, 801	1001169787.....637	1001174308.....777, 779, 781, 783	1001177321 149
1001165650 535	1001169810.....603	1001174308.....777, 779, 781, 783	1001177342 137, 151
1001165662 763	1001169871.....297	1001174417753, 755, 757, 759	1001177343 151
1001165827 903, 907	1001169888.....509	1001174471761	1001177344 151
1001165829 903	1001170231.....693	1001174472763	1001177380 629
1001165887 .. 81, 85, 103	1001170311.....233, 235, 237, 239, 241, 243	1001174556.....127, 823	1001177385 153
1001165978 677	1001170437.....279	1001174625.....119	1001177395 153
1001166077 1003	1001170489.....279	1001174627.....119	1001177411 137, 155
1001166282 677	1001170490.....279	1001175165J.....101, 103	1001177413 155
1001166431 935	1001170491.....279	1001175218.....1021	1001177414 155
1001166513 887, 891	1001170492.....279	1001175219.....1021	1001177438 157
1001166707 938, 942	1001170802.....129	1001175220.....1023	1001177439 137, 157
1001166850 857, 859	1001171098.....35	1001175221.....1023	1001177440 157
1001166851 863	1001171109.....253	1001175234J.....103	1001177445 137, 159
1001166860 791	1001171110.....253	1001175265.....941, 942	1001177446 159
1001166861 791	1001171220.....235	1001175266.....949, 951	1001177447 159
1001166863 791	1001171221.....239	1001175475.....86	1001177531 137
1001166866 791	1001171222.....235	1001175594.....873	1001177532 135
1001166869 687, 695	1001171222L.....299	1001175595.....873	1001177537 679
1001166897 61, 255	1001171223.....239	1001175757753, 755, 757, 759, 799, 801, 851	1001177676J 679
1001166926 683	1001171225.....929	1001175842.....691, 693	1001177678J 679
1001166931 123, 125, 127, 1066	1001171302.....253	1001175962.....785, 787	1001177716 751
1001166932 123, 125, 127, 1066	1001171699.....1043	1001176272.....619	1001177730 805
1001166995 119, 1066	1001171700...1027, 1043	1001176273.....619	1001177862 253
1001167015 625	1001171759.....775	1001176323.....619	1001177868 193, 195, 197
1001167028 603	1001171760.....775	1001176324.....619	1001177869 201, 203, 205
1001167093 543	1001171794.....197	1001176325.....619	1001178081 777, 779, 781, 783
1001167211 271, 865	1001171798.....109, 111, 1013	1001176340.....619	1001178098 123, 125, 127
1001167212 865	1001172019.....885	1001176341.....619	1001178161 765
1001167257 865	1001172106.....133		1001178162 765, 767, 769, 771
1001167261 865			
1001167288 31			
1001167591 271, 279			
1001167773 279			
1001167976 279			
1001167977 279			
1001168391 509, 511			

PART NUMBER INDEX

1001178265.....887	1001182490..... 929	1001192350 121, 197, 205	1001209007.....293
1001178407.....765, 767, 769, 771	1001182495..... 929	1001192401 993	1001209008.....293
1001178522.....887, 889, 891, 893	1001182621 305, 307, 347	1001192534 115	1001209460.....285
1001178603.....637	1001182622 307, 411	1001192566J..... 107	1001209461.....285
1001178604.....259, 261	1001182912 769	1001192959J..... 105	1001209576.....911, 915, 995
1001178605.....269, 281	1001182999 929	1001192979 877	1001209577.....911, 915, 997
1001178671.....635, 637	1001183066 785	1001194187 921, 923	1001209578..... 869
1001178702.....269	1001183067 787	1001195443 253	1001209579.....997
1001178716.....889	1001183089 929	1001195493 225	1001209580.....995
1001178717893	1001183289 187, 1021	1001197130 303, 305, 307	1001210231..... 1053
1001178723637	1001183290 187, 1021	1001197671 223	1001210286..... 1058
1001178739905	1001183291 189, 1023	1001197817 223	1001210391..... 805
1001178740907	1001183292 189, 1023	1001198326 303, 305, 307	1001210412..... 805
1001179679.....193, 1021	1001183554 795	1001198720 658	1001210514..... 805
1001179680.....193, 1021	1001183555 797	1001199166 799, 801	1001211036.....771
1001179681.....195, 1023	1001183556 797	1001199254 801	1001211318.....693
1001179682.....195, 1023	1001183557 797	1001199256 799	1001211328.....773
1001179683.....201, 1021	1001183558 795	1001199259 207	1001211353..... 123, 125, 127, 131
1001179684.....201, 1021	1001183559 795	1001199290 205, 207	1001211447.....767
1001179685.....203, 1023	1001184284 777, 779, 811	1001199402 799, 801	1001211609.....765, 767, 769, 771
1001179686.....203, 1023	1001184285 781, 783, 815	1001199581 803	1001211622..... 1058
1001179687193	1001184289 187	1001199699 27	1001211860.....593, 597, 693
1001179688195	1001184290 189	1001199861 223	1001212636.....477, 547
1001179689201	1001184548 941	1001200110 803	1001212637.....481, 549
1001179690203	1001184996 ... 69, 71, 73, 75	1001200709 259, 261	1001212638.....505, 563
1001179729717	1001185116 187, 189, 1021, 1023	1001201043 133	1001212639.....507, 565
1001179730717	1001185346 219	1001201185 211	1001212640.....493, 555
1001179926765, 767, 769, 771	1001185594 591, 595, 691	1001201187 ... 211, 1021	1001212641.....495, 557
100117994431	1001185729 623	1001201188 ... 211, 1021	1001212642.....515, 569
100117999337	1001185730 613	1001201189 213	1001212643.....487, 551
100117999437	1001185731 613, 615	1001201190 ... 213, 1023	1001212644.....489, 553
1001180495..... 123, 125	1001185733 877	1001201191 ... 213, 1023	1001212645.....499, 559
1001180496..... 123, 125	1001186405 127	1001201195 223	1001212646.....501, 561
1001180499..... 125, 131	1001186406 127	1001201236 223	1001212647.....519, 571
1001180500..... 125, 131	1001186406 127	1001202061 995, 997	1001212648.....523, 573
1001180501 77, 79, 1066, 1068	1001186687 929	1001202230 681	1001212649.....525, 575
1001180502.....79, 1066, 1068	1001186705 952	1001202231 681	1001212650.....529, 577
1001180503..... 123, 125	1001187075 952	1001202335 753, 755, 757, 759, 799, 801	1001212651.....531, 579
1001180504..... 123, 125	1001187079 949, 952	1001203935 299	1001212652.....511, 567
1001180506..... 123, 125, 127	1001187080 949	1001203952 299	1001212653.....593, 705
1001180507 127	1001187260 297	1001204279 241	1001212939.....597, 711
1001180508 127	1001187321 673	1001204281 785, 787	1001213084.....257
1001180512.....129, 131, 1066	1001188875 753, 755, 757, 759, 799, 801	1001204282 785, 787	1001213460.....693
1001180582J.....31	1001188997 227	1001204872 243	1001213461.....691
1001180728.....49	1001189192 757, 759	1001205591 773, 775	1001213841.....693
1001180963.....181, 1021	1001189317 1058	1001205593 775	1001214220.....693
1001180964.....181, 1021	1001189705 227	1001205594 765, 767, 769, 771	1001214454.....225
1001180965.....183, 1023	1001189706 227	1001205596 991, 993	1001214479.....479, 483
1001180966.....183, 1023	1001189707 225	1001205597 991	1001214568..... 1049
1001180971181	1001189709 225	1001205848 261	1001214963..... 1055
1001180972183	1001189744 921, 923	1001205849 261, 267	1001214964..... 1055
1001181380.....187, 189, 191	1001189881 129	1001206067 689, 697	1001215415..... 1051
1001181411633	1001189953 131	1001206068 585, 589, 689	1001215506..... 1055
1001181502.....655	1001189957J..... 101	1001206583 767, 771	1001217139.....475, 479
1001181742.....687, 695	1001190133 933	1001206584 767, 771	1001217141.....475, 483
1001182185.....887, 889	1001191363 ... 131, 1066	1001206592 767, 771	1001217143.....479, 547
1001182321.....887, 891	1001191367 ... 129, 1066	1001206675 805	1001217145.....483, 549
1001182336.....891, 893	1001191880 1019	1001207170 765, 767, 769, 771	1001218295..... 1011
1001182466.....889, 893	1001191999 243	1001207541 1058	1001218296..... 1007
	1001192001 243, 545	1001207542 1058	1001218452.....219
	1001192003 243		1001218462.....219
	1001192142 863, 865		1001219396..... 705, 711

PART NUMBER INDEX

1001219805	1063	10837060	459, 461, 463	2142718.....	259, 261, 753, 755, 757, 759, 799, 801	3020040	77, 79, 81, 85
1001219806	1061	10837074	447	2142733.....	753, 755, 757, 759, 799, 801	3290405 ...	885, 887, 889, 891, 893
1001222595	735	10868213	447	2142735.....	247, 753, 755, 757, 759, 799, 801	3290501	57, 649
1001222596	731	10868239	449	2142748.....	753, 755, 757, 759, 799, 801	3290505 ...	139, 141, 143, 145, 151, 153, 159, 857, 859
1001222597	743	10868254	455	2142808.....	753, 755, 757, 759, 799, 801	3290601 ...	229, 657, 677, 719, 785, 787, 857, 859, 885, 887, 889, 891, 893, 929
1001222598	739	10868277	461, 463	2142816.....	77, 79, 127	3290605 ...	119, 535, 537, 541, 543, 693, 867, 869, 885, 889, 893, 901, 903, 905, 907, 909, 913
1001223455	964, 965	1101312	289, 1066	2142915.....	777, 779, 781, 783	3290801	31, 225, 249, 259, 261, 283, 285, 673, 675, 681, 699, 911, 915
1001223968	919	1101313	289, 1067	2143004.....	247, 765, 767, 769, 771	3290805	61, 199, 255, 613, 615, 687, 689, 749, 751, 803, 863, 865, 883
1001227093	658	1120592	37	2143007.....	785, 787	3290806	633
1001230163	607	1170002 ...	211, 213, 215, 217	2143009.....	259, 261	3291001	31, 233, 235, 237, 239, 241, 243, 259, 261, 283, 285
1001230931	959, 964	1366865	649	2143010.....	259, 261	3291005 ...	215, 217, 657, 785, 787
1001232659	1047	1616551 ...	765, 767, 773, 775	2143102.....	765, 767, 769, 771	3291007	259, 261, 717
1001234800	987	1705980	1017	2143316.....	79, 131	3291201	41, 107, 219, 221, 225
1001236622	937, 942	1706098	1001, 1003	2143402.....	767, 771	3291205 ...	69, 71, 73, 75, 77, 79, 81, 85, 105, 109, 115, 121, 197, 205, 777, 779, 781, 783, 929
1001237046	31	1706209	1001, 1003	2143403.....	765, 767, 769, 771	3291601 ...	233, 235, 237, 239, 241, 243, 657
1001237054	765, 767, 769, 771	1706285	1001, 1003	2143602.....	765, 767, 769, 771	3291605 ...	69, 71, 73, 75, 777, 779, 781, 783
1001237154	625	1706753	1013	2143616.....	131, 133	3300220	861
1001237156	585, 589, 625	1706754	1013	2144104.....	769, 771	3300479 ...	303, 305, 307, 1067
1001237383	959	1706755	1013	2144606.....	251, 253	3300497	635
1001237489	59	1706756	1013	2144610.....	251	3321001	861
1001237509	869, 963	2080078	633	2144803.....	765, 767, 769, 771, 785, 787	3332011 ...	45, 47, 77, 79, 81, 85, 785, 787
1001237510	911, 915, 949	2080086	603	2144804.....	761, 763, 785, 787	3332411	77, 79, 81, 85
1001237792	869	2080087	603	2144806.....	761, 763	3460380	775
1001237793	869	2080088	603	2144809.....	785, 787	3700015	1025
1001237794	869	2080092 ...	617, 621, 655, 657	2144810.....	233, 235, 237, 239, 241, 243	3700016	1025
1001237861	593, 597, 869	2140206	773, 775	2144811.....	233, 235, 237, 239, 241, 243	3760348	693
1001238729	911, 915, 951	2140211 ...	753, 755, 757, 759, 799, 801	2144812.....	275	3760493 ...	77, 79, 81, 85, 785, 787
1001238822	859, 941	2140406 ...	753, 755, 757, 759, 765, 767, 769, 771, 799, 801	2144823.....	123, 125, 127, 785, 787	3760508	199
1001238877	59, 65	2140409	761, 763, 791	2144826.....	123, 125, 127	3900357	719
1001238915	65	2140801 ...	765, 767, 769, 771	2160016.....	69, 71, 73, 75, 109, 111, 113, 115, 117, 777, 779, 781, 783, 785, 787, 793, 795, 797	3900362	109, 115
1001238919	65	2140803	767, 771	2160018.....	109, 111, 115	3900364 ...	623, 625, 629, 669
1001239320	911	2140805	761, 763	2340030.....	165, 211, 213	3900379	639
1001239321	915	2140807	765, 769	2340041.....	165	3968141 ...	317, 335, 351, 381, 399, 415
1001239322	859	2140825	765, 769	2400600.....	319, 383	3983731	319, 383
1001239912	919	2141907 ...	757, 759, 799, 801	2401043.....	319, 383	3984301	319, 383
1001239949	919	2141908	773, 775	2401258.....	319, 383	3984425	321, 385
1001241563	615	2141910	791	2401736.....	321		
1001241674	59	2141912	275	2454999.....	717		
1001241676	593, 597, 615	2142103	773, 775	2603207.....	1029		
1001241832	593, 597, 919	2142117 ...	753, 755, 757, 759, 799, 801	2700118.....	181, 183, 185		
1001241916	21	2142202 ...	765, 767, 769, 771	2905871.....	717		
1001241918	25	2142203	765, 767	2920204.....	57		
1001241920	29	2142204	769, 771	2920206.....	921, 923		
1001241942	585, 593	2142207 ...	753, 755, 757, 759, 799, 801	2920207.....	925		
1001241943	589, 597	2142516	79, 131	2920208.....	925		
1001241944	585	2142706 ...	753, 755, 757, 759, 765, 767, 769, 771, 799, 801	2960243.....	419		
1001241945	589	2142708	753, 755	2988632.....	765, 767, 769, 771		
1001241951	1007	2142709	719				
1001241952	1011	2142711 ...	757, 759, 799, 801				
1001242118	235, 239, 241, 243	2142714	247				
1001242555	591, 593, 597, 601	2142715	785, 787				
1001242866	941						
1001243216	877						
1062255 ...	273, 275, 277, 279, 653, 658, 773, 775, 777, 779, 781, 783, 785, 787						
10701275	229						

PART NUMBER INDEX

3986405.....321	4460789 941, 942	253, 649, 857, 859,	4831900.... 123, 125, 127,
3990010.....955, 959, 963	4460871 ... 875, 955, 959,	867, 885	651, 687, 689, 857,
4000015....885, 887, 889,	965, 989	4811700 ... 31, 61, 81, 85,	859, 863, 865
891, 893	4460872 955, 959, 965	101, 119, 259, 261,	4832000 81, 85, 863, 865,
4000017 895, 897, 935	4460873 955, 959	613, 615, 623, 625,	881
4010408 885	4460874 955, 959	635, 639, 657, 671,	4832100..... 863, 865
4010608....639, 885, 887,	4460875 955, 959	677, 691, 693, 717,	5201012..... 717
889, 891, 893	4460876 955, 959	785, 787, 857, 867,	5220600..... 921, 923
4010615.....603	4460878 955, 959	869, 887, 889, 891,	5220800.... 635, 863, 865
4031205.....857	4460884 993	893, 909, 923, 929,	5240800..... 863, 865
4031605.....867	4460887 875, 955	1055	5241200..... 219, 221
4031707 117	4460891 ... 937, 941, 945,	4811702 ... 113, 119, 259,	5242000..... 785, 787
4031708 119	946, 949, 951, 955,	261, 535, 537, 541,	5250608..... 719
4031716 81, 85, 765, 767,	956, 959, 960, 964,	543, 857, 859, 877,	5250808..... 719
769, 771	965, 987	879, 901, 903, 905,	5272012..... 899
4031910.....761, 763	4460894 ... 946, 949, 964,	907, 909, 911, 913, 915	70000699..... 809, 811
4031914.....127	965	4811900 ... 43, 61, 69, 71,	70002219..... 825
4032109.....163, 191	4460897 937, 946, 963	73, 75, 101, 103, 121,	70004132..... 825
4040283.....199	4460905 ... 875, 955, 959,	129, 131, 197, 205,	70004654..... 853
4191708.....671	965, 989	221, 233, 235, 237,	70004667..... 853
429063.....259, 261	4460930 ... 955, 956, 959,	239, 241, 243, 249,	70006246..... 853
4341078.....805	960, 965	255, 259, 261, 279,	70020173..... 319, 383
4360657.....917, 919	4460931 877	283, 285, 295, 623,	70020186..... 931, 1067
4360658.....691, 693	4460933 ... 951, 956, 960,	625, 627, 635, 637,	70020201..... 185
4360661.....935	963, 965	651, 655, 657, 673,	70020202..... 185
4400474.....805	4460941 963	675, 677, 679, 681,	70020203..... 185
4400493.....649	4460942 ... 949, 951, 952,	687, 689, 699, 749,	70020204..... 185
4460042.....937, 942	965	751, 753, 755, 757,	70020205..... 185
4460224.....963	4460944 ... 937, 938, 941,	759, 799, 801, 803,	70020206..... 185
4460225....963, 971, 983	942, 964	805, 857, 859, 863,	70020402..... 447
4460247937, 941, 942	4460970 951	865, 883, 911, 915, 935	70020403..... 447
4460256.....937, 942	4460994 ... 956, 960, 964,	4811902 .31, 53, 55, 113,	70020405..... 447
4460265....957, 960, 963	975	117, 223, 225, 259,	70020406..... 447
4460266.....957	4461008 ... 938, 941, 946,	261, 283, 285, 291,	70020407..... 455
4460267963, 964	952	293, 535, 537, 541,	70020410..... 469
4460268....957, 960, 961,	4461015 951	543, 613, 615	70020411..... 469
963, 983	4461054 ... 938, 941, 946,	4812000 ... 33, 35, 37, 53,	70020421..... 177
4460326....963, 969, 975	952	55, 81, 85, 233, 235,	70020422..... 177
4460343....957, 960, 961,	4461070 938	237, 239, 241, 243,	70020606..... 825
963	4461071 937, 942	245, 251, 253, 259,	70020730..... 179
4460434....957, 960, 963	4461095 938, 942	261, 273, 275, 277,	70020731..... 179
4460445963	4461115 971, 973	279, 283, 285, 291,	70020783..... 715
4460458....941, 942, 971,	4461118 ... 937, 941, 945,	293, 295, 657, 667,	70020785..... 715
973, 987	952, 957, 960, 981	703, 705, 709, 711,	70020786..... 715
4460462.....965	4461119 ... 938, 956, 957,	717, 749, 751, 753,	70020787..... 715
4460464....877, 947, 951,	960, 961, 963, 981, 987	755, 757, 759, 761,	70020788..... 715
957, 960, 964, 989	4461174 931, 933	763, 785, 787, 799,	70020789..... 715
4460465....938, 941, 942,	4461217 ... 955, 959, 989	801, 803, 859, 863,	70020793..... 715
945, 946, 947, 949,	4461227 957, 960	865, 881, 887, 891,	70020796.921, 923, 1067
951, 952, 960, 963,	4461262 ... 938, 946, 949,	911, 915, 925, 927, 929	70020801..... 946
964, 965, 977, 979,	951, 952, 957, 960,	4812002 31, 295, 657	70020823..... 955
987, 993	961, 964, 977, 979,	4812100 ... 105, 111, 225,	70020867... 841, 843, 853
4460466....938, 941, 942,	989, 993	233, 235, 237, 239,	70020868..... 843, 853
946, 947, 949, 951,	4641516 843	241, 243, 273, 275,	70020922..... 849, 1067
952, 956, 957, 960,	4641521 703, 709	749, 751, 777, 779,	70021140..... 381
963, 964, 965, 977,	4740532 247	781, 783, 803	70021201..... 843
979, 987, 989, 993	4740563 867, 869	4812102 ... 533, 539, 635,	70021205..... 843
4460508.....941	4761000 861	863, 865, 929	70021208..... 843, 853
4460509.....938, 952	4761600 473	4812300 ... 233, 235, 237,	70021209..... 843, 853
4460518.....955, 959, 989	4806433 31	239, 241, 243, 657,	70021211..... 843
4460536.....964	4807718 633, 1067	777, 779, 781, 783, 805	70021212..... 843
4460539....946, 949, 951,	4811400 ... 691, 693, 885,	4812500 77, 79, 81, 86	70021213..... 843, 853
977, 979	887, 889, 891, 893	4812700 ... 77, 79, 82, 86,	70021214..... 843
4460703.....957, 960	4811600..... 57, 135, 137,	131	70021215..... 843, 853
4460722.....987	139, 141, 143, 145,	4831600 867	70021218..... 843
4460746.....971	147, 149, 151, 153,	4831700 81, 85, 119, 719,	70021219..... 843
4460748.....941	155, 157, 159, 251,	857, 859, 909	70021220..... 917, 1067

PART NUMBER INDEX

70021241	179	70025012	337, 353	70025615.....	827, 1067	70025836.....	833, 837
70021251	643, 647	70025014	337, 353	70025616.....	825	70025837.....	833, 837
70021252	643, 647	70025482	643	70025617.....	825	70025838.....	837
70021340	1067	70025483	643, 647	70025618.....	825	70025839.....	833, 837
70021341	57, 1067	70025484	643	70025619.....	825	70025840.....	837
70021497	825	70025485	643, 647	70025620.....	825, 1067	70025841.....	419, 439
70021498	825	70025486	643, 647	70025621.....	831	70025842.....	323, 341, 357, 387, 405, 421
70021558	215, 217	70025489	647	70025622.....	831	70025843.....	733, 735
70021559	215, 217	70025490	647	70025623.....	831	70025844.....	729, 731, 733, 735, 737, 739, 741, 743
70021560	215, 217	70025491	647	70025624.....	831	70025845.....	729, 731, 733, 735, 737, 739, 741, 743
70021561	215, 217	70025547	317, 335, 351	70025625.....	831	70025846.....	729, 731
70021562	215, 217	70025549	319, 353, 383, 417	70025626.....	831	70025847.....	741, 743
70021563	215, 217	70025551	337, 353, 371, 401, 417, 435	70025627.....	829, 831	70025848.....	737, 739
70021613	403, 419	70025553	405	70025628.....	831, 1067	70025857.....	337, 401
70021825	938	70025554	381, 399, 415	70025629.....	819	70025858.....	695
70021835	179	70025555	335, 399	70025630.....	819	70025859.....	695, 697
70021836	179	70025556	335, 399	70025631.....	819, 1067	70025860.....	695, 697
70021838	179	70025557	401, 417	70025632.....	829	70025861.....	695
70021839	179	70025561	401	70025633.....	829	70025862.....	695
70021840	179	70025562	319, 335, 337, 353, 383, 399, 401, 417	70025635.....	829	70025863.....	851
70021841	179	70025566	323, 341, 357, 387, 421	70025636.....	829	70025884.....	325, 343, 375, 389, 441
70021842	179	70025567	319, 383	70025637.....	265, 267	70025928.....	319, 383
70021843	179	70025568	321	70025642.....	265	70025943.....	821, 823
70022034	643, 647	70025571	383	70025643.....	265, 267	70025981.....	339
70022147	843, 853	70025573	447	70025644.....	265, 267	70026018.....	179
70022396	265	70025574	445	70025645.....	265, 267	70026031.....	317, 351, 381, 415
70022517	643	70025575	447	70025646.....	265, 267	70026068.....	321
70022773.....	323, 341, 357, 387, 405, 421	70025576	469	70025647.....	265, 267	70026069.....	321
70022797.....	317, 351	70025577	809	70025649.....	49	70026071.....	337, 401
70022799.....	401, 417	70025578	809	70025653.....	265	70026238.....	353, 417
70022810.....	827	70025579	809, 811	70025654.....	265	70026262.....	339, 355
70022847.....	849	70025580	809, 811	70025655.....	265	70026568.....	853
70022906.....	179	70025581	809, 813	70025656.....	265	70026569.....	853
70022907.....	179	70025582	809, 811, 813, 815, 817, 829	70025657.....	265	70026570.....	853
70022912.....	179	70025583.....	809, 811, 1067	70025658.....	265	70026582.....	841
70022922.....	179	70025584.....	813	70025659.....	265	70026623.....	339, 355
70022923.....	179	70025585.....	813	70025803.....	663	70026630.....	325, 343, 359, 375, 389, 423, 441
70022924.....	179	70025586.....	813, 815	70025804.....	663	70026631.....	317, 351, 381, 399, 415
70022925.....	179	70025587.....	813, 815	70025805.....	661, 663	70026744.....	49
70022927.....	179	70025588.....	813, 815	70025806.....	661, 663	70026751.....	323, 341, 357, 387, 421
70022928.....	179	70025589.....	813, 815	70025807.....	663	70026752.....	323, 341, 357, 387, 421
70022929.....	179	70025590.....	813, 815	70025808.....	661, 663	70026823.....	385, 393
70022930.....	179	70025591.....	813, 815, 1067	70025811.....	851	70026958.....	815
70023100.....	825	70025592.....	817	70025812.....	847, 1067	70026959.....	815
70023101.....	827	70025593.....	817	70025813.....	847	70026960.....	811, 815
70023276.....	179	70025594.....	817, 1067	70025816.....	701	70026961.....	811, 815
70023277.....	179	70025598.....	821	70025817.....	701	70026977.....	315, 333, 349, 379, 397, 413
70023278.....	179	70025599.....	821	70025819.....	319, 337, 353, 383, 401, 417	70026997.....	263
70023326.....	843	70025600.....	821, 823	70025821.....	393, 403, 439	70027047.....	811
70023327.....	843, 853	70025601.....	821, 823	70025822.....	393, 403, 439	70027048.....	811
70023900.....	319, 383	70025602.....	821, 823	70025823.....	321, 339, 355, 385, 403, 419	70027049.....	823
70024147.....	371, 435	70025603.....	821	70025825.....	833	70027050.....	823
70024210.....	355, 403, 419	70025604.....	821, 823	70025826.....	833, 837	70027051.....	817, 819
70024222.....	473	70025605.....	821, 823	70025827.....	833, 837	70027052.....	817
70024262.....	821, 823, 827, 829, 831	70025606.....	821, 823	70025828.....	833, 837	70027053.....	819
70024519.....	315, 379, 397, 413	70025607.....	827	70025829.....	833, 837	70027055.....	831
70024520.....	317, 351, 381, 415	70025608.....	827	70025830.....	833, 837	70027056.....	827, 829
70024521.....	317, 351, 381, 415	70025609.....	827	70025831.....	833, 837		
70024522.....	399, 415	70025612.....	827, 829, 831	70025832.....	833, 837		
70024631.....	845, 1067	70025613.....	827	70025833.....	833, 837		
70024872.....	333, 349	70025614.....	827	70025834.....	833, 837		
70024881.....	337, 401, 409			70025835.....	833, 837		

PART NUMBER INDEX

70027057.....827, 829	7028730..... 337, 401	8004398..... 633	80604023.....946
70027058.....817	7028731..... 373, 437	8004468..... 319, 383	80604024.....877
70027059.....817	7028732..... 373, 437	8005079 .. 309, 311, 1067	80604025.....955, 956
70027060.....819	7028733 ... 319, 337, 353,	8005616..... 1001, 1003	806253..... 43, 221
70027063.....823	369, 383, 401, 417, 433	8005617..... 1001, 1003	806264.....43, 221
70027106.....321	7028734..... 339, 355	8005670..... 1001, 1003	8220022.....957, 960
70027143.....353, 417	7028735..... 339, 355	8005671..... 1001, 1003	8220051.....937, 942
70027144..353, 365, 417,	7028736..... 339, 355	8005675..... 1001, 1003	8220115.....937, 942, 967
429	7028910..... 173, 175	8005743..... 259, 261	8220125.....941, 942
70027145..353, 367, 417,	7028911..... 173, 175	8005801..... 319, 383	8220164.....957, 960
431	7028912..... 173, 175	8005827..... 503	8225119.....658, 873
70027284.....853	7028913..... 173, 175	8005870..... 1001, 1003	8229233.....873
70027285.....853	7028914..... 173	8005901..... 879	8229234.....873
70027286.....853	7028915..... 173, 175	8006038..... 1001, 1003	8229235.....873
70027291.....175, 217	7028916..... 173, 175	8006105..... 101, 103	8229236.....873
70027315...319, 337, 401	7028917..... 173, 175	8006605..... 319, 383	8229237.....873
70027317.....339, 403	7028918..... 173, 175	8006612..... 1001, 1003	8229242.....942
70027320.....337	7028919..... 173, 175	8007508..... 1019	8229244.....942
70027772.....403	7028920..... 173, 175	8007751 ... 329, 345, 361	8229247.....941
70028028.....179	7028923..... 173, 175	8007755..... 335	8229262.....873
70028031.....179	7028982..... 173, 175	8007758..... 319	8275212.....295
70028242.....853	7028983..... 173, 175	8007774..... 319, 383	8275247.... 291, 293, 295
70028243.....853	7028984..... 173, 175	8007774..... 319, 383	8303545.....229
70028392.....337, 401	7028985..... 173	8007777..... 319, 383	8305919.....603, 877
70028471.....335, 399	7028990..... 173, 175	8007779..... 319, 383	8310643.....635
70028978.....179	7028991..... 173, 175	8007780..... 319, 383	8342813.....63
70028979.....179	7028995..... 175	8007782..... 319, 383	8405006.....251, 253
70028980.....179	7029129 ... 329, 345, 361,	8007785..... 321	8405007.... 259, 261, 279
70029011.....175, 217	425	8007786..... 321	8405009.... 693, 767, 771
70029012.....217	7029131 ... 329, 345, 361,	8007802..... 321	8405103.... 749, 751, 803
70029013.....217	425	8007803..... 405	8405104.... 259, 261, 279,
70029966.....811, 815	7029427 ... 335, 381, 399,	8007804..... 405	281
70040710..337, 353, 373,	415	8008101..... 455	8405201.... 259, 261, 279,
401, 417, 437	7029428..... 319, 383	8008168..... 321	281
7028038.....321	7029430..... 319, 383	8008169..... 321	8405204.....283, 285
7028039.....321	7029431..... 319, 383	8008657..... 1001, 1003	8406302.....259, 261
7028048.....383	7029432..... 319, 383	80204002..... 319, 383	8410011.....61, 283, 285
7028058.....447	7029433..... 321, 385	80204005 .315, 319, 333,	8410013.....259, 261
7028060.....451	7029486.... 613, 615, 625	337, 349, 363, 379,	8466306.... 585, 589, 683
7028063.....455	7029767..... 643, 647	383, 397, 401, 413, 427	8526056.....247
7028083.....327, 391	7029785..... 321	80204060..... 339, 355	8880216-OM.....309, 311
7028084.... 327, 391, 407,	7029786 ... 385, 403, 419	80204065..... 369, 433	8880217-OM.....309, 311
409	7029787..... 339, 355	80204071 . 319, 337, 353,	8880218-OM.....309, 311
7028086.....467	7029822..... 447	383, 401, 417	90204781.....449
7028115.....319, 383	70299459.....469	80204108..... 339, 355	90204823.....447
7028131.....173, 175	7029969.. 925, 927, 1067	80204117 . 319, 321, 327,	91013191.....951
7028136.....215, 217	7029970.. 925, 927, 1067	337, 339, 353, 355,	91013192.....949, 951
7028137.....215, 217	7029971.. 925, 927, 1067	375, 383, 385, 391,	91364023.....289
7028628.....165	7114032 ... 109, 111, 115	401, 403, 409, 417,	91474186.....445
7028710....317, 329, 335,	7117502 ... 109, 111, 115	419, 441	91474189.....445, 447
345, 351, 361	7138986..... 109, 115	80204281 . 321, 339, 355,	91474191.....445
7028711.....337, 353	7346000239..... 989	385, 403	91474192.....445, 447
7028714....337, 353, 401,	77104039.....449	8032509..... 447	91474193.....445
417	77104041.....449	8032526..... 445, 447	91474194.....445
7028715....337, 353, 401,	77104044.....473	80344940.....447	91474195.....445
417	77104081.....465	8034961.....447	91474198.....447
7028716....337, 353, 401,	77104119.....447	8034962.....447	91474199.....447
417	77104140.....465	8034963.....447	91474200.....447, 467
7028721....337, 353, 401,	77363244 .. 946, 977, 979	8034968.....449	91474205.....447
417	8000565.....929	8035035.....459	91474206.....447
7028722....337, 353, 401,	8000744.....337	80373094.....289	91474208.....447
417	8000759.....633	80484081.....941	91474209.....447, 467
7028723.....371, 435	8000877 ... 319, 353, 383,	80604016.....956	91474210.....447
7028724.....373, 437	401, 417	80604017.....937, 946	91474211.....447
7028725.....373, 437	8001332.....607	80604018 . 937, 945, 946,	91474213.....447
7028726.....373, 437	8002323.....773, 775	955, 956, 987	91474214.....447
7028729.....337, 401	8002798.....321	80604021.....993	91474217.....449

PART NUMBER INDEX

91474218	449	91474303	461, 463	91474507..	315, 333, 337, 349, 353, 379, 397, 413	91474593	425
91474219	449	91474304	461	91474512..	315, 333, 349, 379, 397, 413	91474594	425
91474220	449	91474305	461	91474513..	315, 319, 333, 337, 349, 353, 379, 383, 397, 401, 413, 417	91474595	425
91474221	449	91474306	461, 463	91474515..	327, 375, 391, 409, 441	91474596..	399, 415, 425
91474222	449	91474307	461	91474516..	327, 375, 391, 409, 441	91474600	467
91474224	449	91474309 ..	459, 461, 463	91474522..	323, 341, 357, 387, 405, 421	91474601	467
91474226	449	91474310 ..	459, 461, 463	91474528.....	335	91474617	447
91474227	449	91474311	461	91474529..	317, 335, 351, 381, 399, 415	91474618	447
91474228	449	91474312	461	91474532...317, 335, 351, 381		91474623	467
91474230	451	91474313	461, 465	91474533..317, 335, 351, 381, 399, 415		91513234..	233, 235, 237, 239, 241, 243
91474231	451	91474314	463	91474535..317, 351, 381, 415		91514081..	337, 353, 401, 417
91474232	451	91474315	463	91474536..317, 351, 381, 415		91514082..	319, 337, 353, 383, 401, 417
91474233	451	91474316	463	91474537...317, 335, 351, 381		91514083.....	337, 353
91474234	451	91474317	463	91474538..317, 351, 381, 415		91514084.....	337, 353
91474235	451	91474318	463	91474539..317, 351, 381, 415		91514095..	337, 353, 401, 417
91474236	451	91474319	463	91474540..317, 351, 381, 415		91514098..	315, 333, 349, 379, 397, 413
91474241	453	91474320	465	91474541..317, 351, 381, 415		91514099..	319, 327, 353, 375, 383, 391, 417, 441
91474242	453	91474321	465, 467	91474542...317, 351, 381, 415		91514111..	365, 367, 429, 431
91474243	453	91474322	465	91474543..317, 351, 381, 415		91514112..	337, 353, 401, 417
91474244	453	91474323	465	91474544...317, 335, 351, 381, 399, 415		91514113..	337, 353, 417
91474245	453	91474324	465	91474545...329, 345, 361		91514114.....	353, 417
91474246	453	91474328	471	91474550..329, 345, 361, 425		91514115.....	353, 417
91474247	453	91474339	471	91474551..329, 345, 361, 425		91514117.....	369, 433
91474248	453	91474340	471	91474553..329, 345, 361, 425		91514119..	319, 353, 383, 417
91474250	1067	91474341	471	91474559.....	339, 355	91514120..	319, 353, 383, 401, 417
91474251	455	91474342	471	91474560.....	339, 355	91514123..	317, 351, 381, 415
91474252	455	91474343	471	91474561.....	339, 355	91514134..	317, 335, 351, 381, 399, 415
91474253	455	91474344	471	91474564.....	339, 355	91514146..	319, 337, 363, 383, 401, 427
91474254	455	91474345	471	91474565.....	339, 355	91514147..	319, 337, 363, 383, 401, 427
91474255	455	91474346	471	91474568..	321, 339, 355, 385, 403, 419	91514148..	319, 337, 363, 383, 401, 427
91474256	455	91474347	471	91474570.....	339, 355	91514149..	319, 337, 353, 363, 383, 401, 417, 427
91474257	455	91474348	471	91474571.....	355	91514154..	321, 339, 355, 385, 403, 419
91474258	455	91474349	471	91474572.....	355	91514159..	339, 355, 403, 419
91474259	455	91474350	471	91474573.....	355	91514160.....	339
91474262	455	91474351	471	91474576..	337, 353, 401, 417	91514165..	355, 393, 439
91474263	455	91474352	471	91474582..	337, 353, 401, 417	91514175.....	371, 435
91474264	455	91474356	473	91474583...353, 383, 417		91514181..	337, 353, 401, 417
91474265 ..	445, 447, 455, 467	91474358	467	91474584..319, 337, 353, 383, 401, 417		91514188..	315, 319, 333, 337, 349, 353, 379, 383, 397, 401, 413, 417
91474266	455	91474359	467	91474591..317, 335, 351, 381, 399, 415		91514189..	319, 353, 383, 401, 417
91474268	455	91474360	467			91514288.....	469
91474271	455	91474361	467			91514289.....	469
91474273	455	91474362	467			91514290.....	469
91474274	455	91474363	467			91514291.....	469
91474275	457	91474364	467			91514292.....	469
91474276	457	91474365	467			91554014.....	956
91474277	457	91474366	467				
91474278	457	91474367	467				
91474279	457	91474368	467				
91474280	457	91474369	467				
91474281	457	91474370	467				
91474282	457	91474371	467				
91474283	459	91474372	467				
91474284	459	91474373	467				
91474287	459	91474374	467				
91474288 ..	459, 461, 463	91474375	467				
91474289 ..	459, 461, 463	91474376	467				
91474290 ..	459, 461, 463	91474377	467				
91474294 ..	459, 461, 463	91474378	467				
91474295 ..	459, 461, 463	91474381	467				
91474296 ..	459, 461, 463	91474382	467				
91474297 ..	459, 461, 463	91474383	467				
91474298	459, 463	91474385	449				
91474299	459, 463	91474386	467				
91474300	459	91474390	451				
91474301	461	91474392	451				
91474302	461	91474395	451				
		91474396	451				

PART NUMBER INDEX

AU2105.....1001, 1003



31200939



An Oshkosh Corporation Company

Corporate Office
JLG Industries, Inc.
1 JLG Drive
McConnellsburg, PA 17233-9533 USA
☎ **(717) 485-5161 (Corporate)**
☎ **(877) 554-5438 (Customer Support)**
☎ **(717) 485-6417**

Visit our website for JLG Worldwide Locations.
www.jlg.com