



Illustrated Parts Manual

Models **800A** **800AJ**

Prior to
SN 0300069000

P/N
3120741

August 31, 2018 - Rev AO

ANSI



An Oshkosh Corporation Company

REVISION LOG

Note: See Note Below to Identify whether Machine is Equipped with ADE System.

ADE SYSTEM

All 800A and 800AJ machines from SN 0300064432 to present incorporate the ADE System, but no clean SN break exists. The following machine serial numbers prior to SN 0300064432 also utilize ADE: 0300062045, 0300062797, 0300063013, 0300063665, 0300063975, 0300064000-0300064017, 0300064390, 0300064392 & 0300064411. A machine that incorporates ADE System can be outwardly identified by the analyzer connection at the base of the platform console box.



October 1998 - A - Original Issue Of Manual

December 1998 - B - Revised

May 31, 1999 - C - Revised

September 1, 1999 - D - Revised (Edited to B/M 0010551 Revision 5)

November 9, 1999 - E - Updated Page 6-12

March 24, 2000 - F - (Edited to B/M 0010551 Revision 7)

May 4, 2001 - G - Revised (Manual edited to 0010551 Revision 16)

(Manual edited to 0010580 Revision 2 With ADE System)

October 20, 2001 - H - Revised (Manual edited to 0010580 Revision 5 With ADE System)

January 24, 2002 - I - Revised

July 16, 2002 - J - Revised (Manual edited to B/M 0010580 Revision 21 With ADE System)

September 30, 2002 - K - Added "Prior to SN 0300069000" to Front Cover. Refer to Parts Manual 3121176 for Machines Built SN 0300069000 to Present.

February 1, 2003 - L - Updated Section 3

June 30, 2003 - M - Revised

October 8, 2004 - N - Revised

March 1, 2005 - O - Revised

June 1, 2006 - P - Revised

September 25, 2006 - Q - Revised

April 18, 2007 - R - Revised

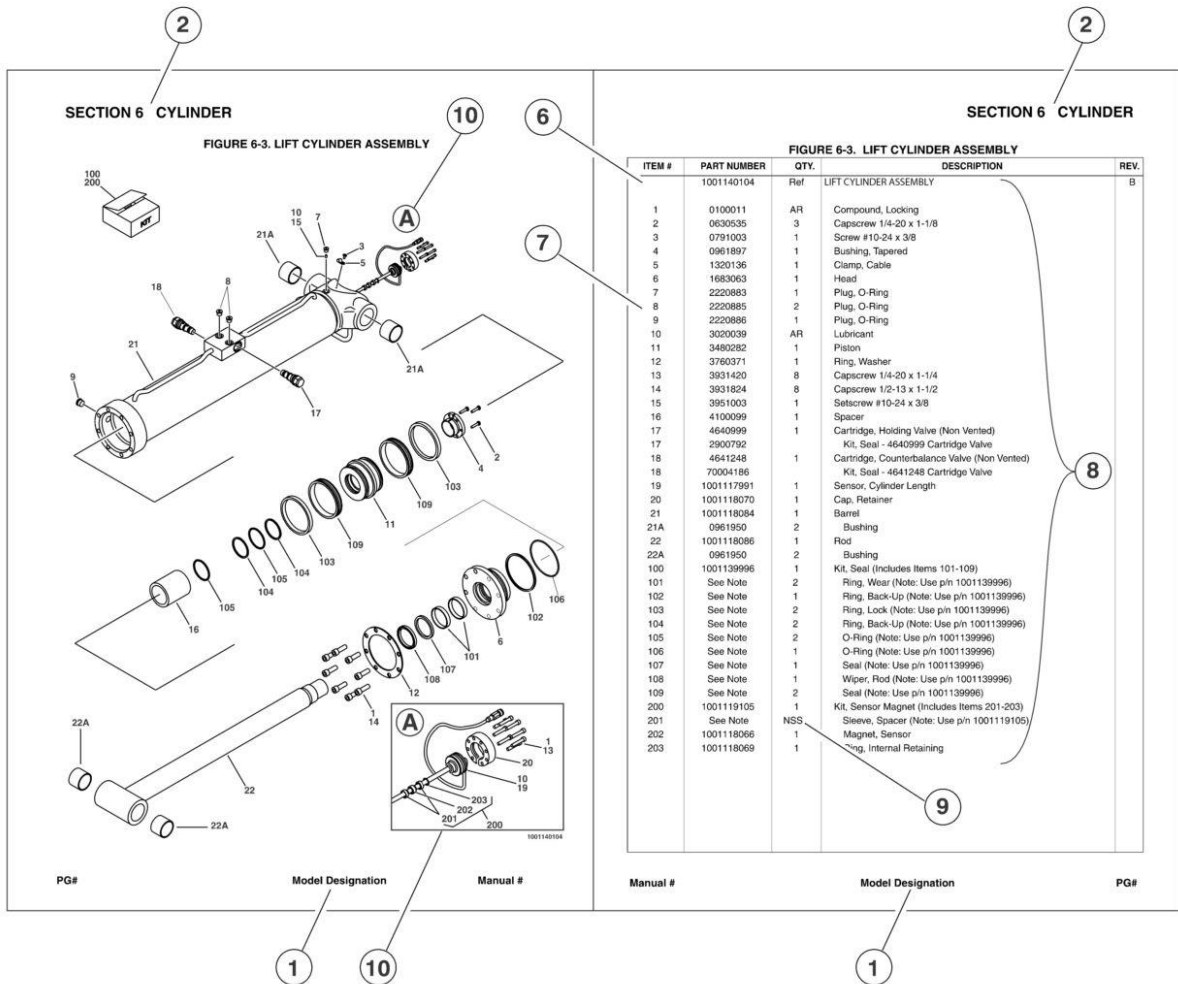
July 31, 2007 - S - Revised

December 10, 2007 - T - Revised

REVISION LOG

March 15, 2008 - U - Revised
November 28, 2008 - V - Revised
May 15, 2009 - W - Revised
October 15, 2009 - X - Revised
April 15, 2010 - Y - Revised
December 30, 2010 - Z - Revised
April 27, 2011 - AA - Revised
July 29, 2011 - AB - Revised
October 21, 2011 - AC - Revised
January 10, 2012 - AD - Revised
May 31, 2012 - AE - Revised
July 31, 2012 - AF - Revised
December 14, 2012 - AG - Revised
March 26, 2013 - AH - Revised
June 20, 2013 - AI - Revised
September 16, 2013 - AJ - Revised
December 30, 2013 - AK - Revised
April 30, 2014 - AL - Revised
July 15, 2015 - AM - Revised
December 14, 2015 - AN - Revised Manual (Revision 1)
August 31, 2018 - AO - Revised Manual

GENERAL INFORMATION



1) MACHINE IDENTIFICATION

Machines are identified by model and in some cases a combination of models, serial number (SN) or regional standard (i.e ANSI, CE, CSA). Components may also be identified by SN or manufacturer. Common components that may be identified by these characteristics are engines and hydraulic components.

2) PARTS MANUAL ORGANIZATION

Product information in this manual is organized under section titles. Frame, Cylinder, Hydraulic and Electrical are a few examples. Each section is organized by figure and page number. The information within the Figure is then organized by item number, part number, description and corresponding illustration (s).

3) TABLE OF CONTENTS

A table of contents is found toward the beginning of the manual. Figure number, description and page number are provided for quick reference to the page containing the related information.

4) RECOMMENDED SPARE PARTS

The Recommended Spare Parts, located near the end of the manual, reference most frequently used maintenance parts.

5) PART NUMBER INDEX

A numerical index listing all part numbers and the corresponding page number(s) appears at the back of the manual.

GENERAL INFORMATION

6) NON-SERVICED PARTS

In some instances, it is necessary to display non-serviced parts, assemblies or installations. In the case of assemblies and installations there will be a Ref in the Qty column. In case of parts that are not available for service within assemblies or components, there will be a NSS (Not Sold Separately) or NLA (No Longer Available) listed in the Qty. column of the manual.

7) PARTS LIST ITEM NUMBERS

Numbers shown in the item# column correspond to numbers used in the associated illustration (s). Item numbers which are missing from the sequence in the parts list are not used on that page

8) INDENTED PARTS DESCRIPTION

An indented part description is included in the item under which it is indented.

9) ABB REVIATION AND SYMBOLS

| | | | |
|----------------|---|---------------|-------------------------------------|
| AC..... | .. Alternating Current | LCD | .. Liquid Crystal Display |
| ADE. | ..Advanced Design Electronics | LED | .. Light Emitting Diodes |
| ANSI | ..American National Standards Institute | LH... | .. Left Hand |
| AR. | ..As Required | LSS | ..Load Sensing System |
| ASSY | .. Assembly | M(m)... | .. Metric/Meter |
| AUX... | ..A uxiliary | MM (mm) | ..Milimeter |
| AWG..... | ..American Wire Gauge | mA..... | .. Milliamps |
| B/M..... | .. Bill of Material | NLA..... | ..No Longer Available |
| CE..... | ..European Conformity | NPT | .. National Pipe Threads |
| CCW | ..Counter Clockwise | NSS | ..Not Sold Separately |
| cm..... | .. Centimeter | OD..... | ..Outside Diameter |
| CW..... | ..Clockwise | ORB..... | .. O-Ring Bos s |
| CSA. | ..Canadian Standards Association | ORFS..... | .. O-Ring Face Seal |
| CYL..... | ..Cylinder | OZ (oz). | ..Ounces |
| DIA. | ..Diameter | PG | ..Page |
| DC..... | ..Direct Current | P/N..... | ..Part Number |
| EMS | .. Emergency Stop | qt..... | ..Quarts |
| ENG | ..Engine | QTY..... | ..Quantity |
| FT (ft)..... | .. Feet | REF | ..Reference |
| GA(Ga).. | .. Gauge | REV | ..Revision Level |
| HYD | ..Hydraulic | RH... | .. Right Hand |
| Hz..... | ..Her tz | SAE..... | .. Society of Automotive E ngineers |
| ID..... | ..Inside Diameter | SN..... | ..Serial Number |
| in..... | .. inches | SPEC(S)..... | ..Specifications |
| ISO..... | ..I nternational Organ ization for Stand ards | T/T..... | ..T urntable |
| JIC..... | ..Joint Indust ry Council | UGM | ..Univ ersal G round Module |
| KG | ..Kilogram | V..... | .. Volts |
| L..... | ..Liter | W..... | .. Watts |
| LB..... | ..P ounds | #..... | .. Number |

10) ILLUSTRATION REFERENCE LETTERS

When necessary, illustrations may contain reference letters that are intended to track information (i. e. hoses, harnesses) from one point to another or to track visual enlargement of components to show details that may be located in another area on the illustration.

Note: Due to continuous product improvements, JLG Industries, Inc. reserves the right to make specification changes without prior notification. Contact JLG Industries, Inc. for updated information.

TABLE OF CONTENTS

| | |
|--|-----|
| SECTION 1 - FRAME..... | 9 |
| FIGURE 1-1. AXLE AND STEERING INSTALLATION..... | 10 |
| FIGURE 1-2. TIRE AND WHEEL DRIVE INSTALLATIONS..... | 14 |
| FIGURE 1-3. DRIVE BRAKE ASSEMBLY..... | 18 |
| FIGURE 1-4. DRIVE HUB ASSEMBLIES..... | 20 |
| FIGURE 1-5. DRIVE MOTOR ASSEMBLY..... | 24 |
| FIGURE 1-6. DRIVE VALVES INSTALLATIONS..... | 26 |
| SECTION 2 - TURNTABLE..... | 29 |
| FIGURE 2-1. CONTROL VALVES INSTALLATIONS..... | 30 |
| FIGURE 2-2. MAIN CONTROL VALVE ASSEMBLY..... | 34 |
| FIGURE 2-3. ACCESSORY VALVE ASSEMBLY..... | 38 |
| FIGURE 2-4. TURNTABLE AND SWING DRIVE INSTALLATIONS (Prior to SN 0300068040)..... | 40 |
| FIGURE 2-5. TURNTABLE AND SWING DRIVE INSTALLATIONS (SN 0300068040 through 0300069000)..... | 44 |
| FIGURE 2-6. SWING HUB ASSEMBLY (Prior to SN 0300068040)..... | 46 |
| FIGURE 2-7. SWING BRAKE ASSEMBLY (Prior to SN 0300068040)..... | 48 |
| FIGURE 2-8. SWING MOTOR ASSEMBLY (Prior to SN 0300068040)..... | 50 |
| FIGURE 2-9. SWING MOTOR/HUB ASSEMBLY (SN 0300068040 through 0300069000)..... | 52 |
| FIGURE 2-10. DEUTZ ENGINE INSTALLATION..... | 58 |
| FIGURE 2-11. GENERATOR INSTALLATION - DEUTZ MACHINES (OPTIONAL)..... | 66 |
| FIGURE 2-12. FORD ENGINE WITH CARBURETOR INSTALLATIONS (Prior to SN 0300048538)..... | 70 |
| FIGURE 2-13. FORD ENGINE WITH EFI INSTALLATIONS (SN 0300048538 through 0300069000)..... | 76 |
| FIGURE 2-14. DUAL FUEL INSTALLATIONS (FORD MACHINE OPTION) (Prior to SN 0300048538)..... | 82 |
| FIGURE 2-15. DUAL FUEL INSTALLATIONS (FORD MACHINE OPTION) (SN 0300048538 through 0300069000)..... | 86 |
| FIGURE 2-16. GENERATOR INSTALLATION - FORD MACHINES (OPTIONAL)..... | 90 |
| FIGURE 2-17. ISUZU ENGINE INSTALLATIONS - 4JB1 (SN 0300060285 through 0300069000)..... | 94 |
| FIGURE 2-18. PISTON PUMP ASSEMBLY..... | 98 |
| FIGURE 2-19. TANK INSTALLATIONS..... | 102 |
| FIGURE 2-20. ROTARY COUPLING INSTALLATION..... | 104 |
| FIGURE 2-21. GROUND CONTROL BOX ASSEMBLY (Prior to SN 0300064432)..... | 106 |
| FIGURE 2-22. GROUND CONTROL BOX ASSEMBLY (ADE SYSTEM) (SN 0300064432 through 0300069000)..... | 110 |
| FIGURE 2-23. ELECTRICAL OPTIONS INSTALLATION (TURNTABLE MOUNTED)..... | 114 |
| FIGURE 2-24. HOODS INSTALLATION..... | 118 |
| FIGURE 2-25. ENGINE TRAY JACK INSTALLATION (OPTIONAL)..... | 122 |
| SECTION 3 - BOOM..... | 125 |
| FIGURE 3-1. BOOM AND CYLINDER INSTALLATION - 800A..... | 126 |
| FIGURE 3-2. BOOM AND CYLINDER INSTALLATION - 800AJ..... | 130 |
| FIGURE 3-3. TOWER BOOM ASSEMBLY..... | 134 |
| FIGURE 3-4. MAIN BOOM ASSEMBLIES..... | 138 |
| FIGURE 3-5. ROTATOR ASSEMBLIES (FRONT ENTRY PLATFORM)..... | 142 |
| FIGURE 3-6. ROTATOR ASSEMBLIES (SIDE ENTRY PLATFORM)..... | 146 |
| FIGURE 3-7. VALVE AND LIMIT SWITCH INSTALLATIONS (BOOM MOUNTED)..... | 148 |
| SECTION 4 - PLATFORM..... | 151 |
| FIGURE 4-1. PLATFORM COMPONENTS INSTALLATION (FRONT ENTRY)..... | 152 |
| FIGURE 4-2. PLATFORM COMPONENTS INSTALLATION (SIDE ENTRY)..... | 156 |
| FIGURE 4-3. PLATFORM CONSOLE ASSEMBLY (Prior to SN 0300064432)..... | 160 |
| FIGURE 4-4. PLATFORM CONSOLE ASSEMBLY (WITH ADE SYSTEM) (Including SN 0300064009)..... | 164 |
| FIGURE 4-5. PLATFORM CONSOLE ASSEMBLY (WITH ADE SYSTEM) (SN 0300064432 through 0300069000)..... | 168 |
| FIGURE 4-6. CONTROLLER ASSEMBLY (SWING AND LIFT) (Prior to SN 0300064432)..... | 172 |
| FIGURE 4-7. CONTROLLER ASSEMBLY (SWING AND LIFT) (WITH ADE SYSTEM) (ORIGINAL EQUIPMENT) (SN 0300064432 through 0300069000)..... | 174 |
| FIGURE 4-8. CONTROLLER ASSEMBLY (SWING AND LIFT) (WITH ADE SYSTEM) (SERVICE REPLACEMENT) (SN 0300064432 through 0300069000)..... | 176 |
| FIGURE 4-9. CONTROLLER ASSEMBLY (SWING AND LIFT) (WITH ADE SYSTEM) (SERVICE REPLACEMENT) (SN 0300064432 through 0300069000)..... | 178 |
| FIGURE 4-10. CONTROLLER ASSEMBLY (DRIVE AND STEER) (Prior to SN 0300064432)..... | 182 |
| FIGURE 4-11. CONTROLLER ASSEMBLY (DRIVE AND STEER) (WITH ADE SYSTEM) (ORIGINAL EQUIPMENT) (SN 0300064432 through 0300069000)..... | 184 |
| FIGURE 4-12. CONTROLLER ASSEMBLY (DRIVE AND STEER) (WITH ADE SYSTEM) (SERVICE REPLACEMENT) (SN 0300064432 through 0300069000)..... | 186 |

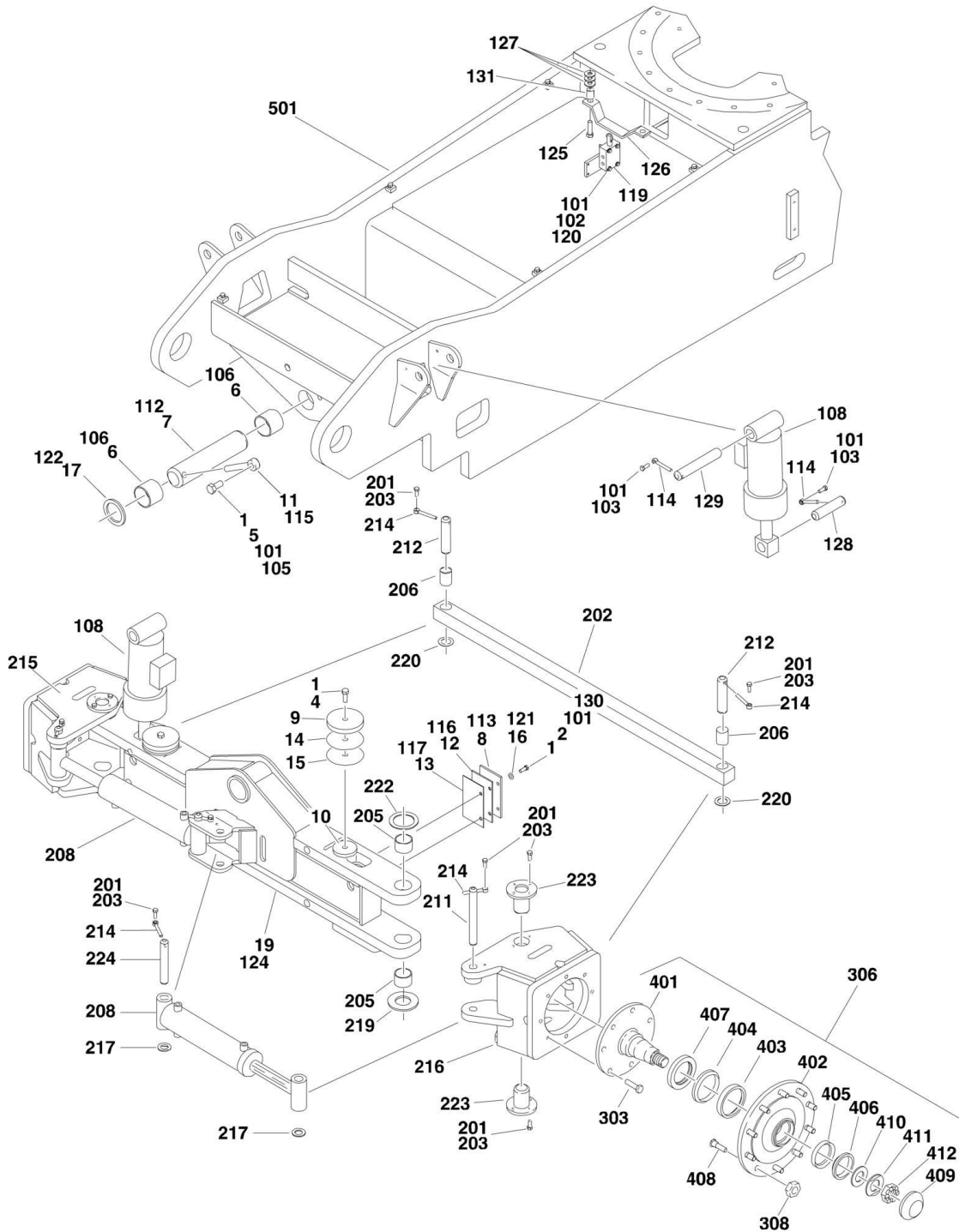
TABLE OF CONTENTS

| | |
|---|-----|
| FIGURE 4-13. CONTROLLER ASSEMBLY (DRIVE AND STEER) (WITH ADE SYSTEM) (SERVICE REPLACEMENT) (SN 0300064432 through 0300069000) | 188 |
| FIGURE 4-14. SOFT TOUCH SYSTEM INSTALLATION (OPTIONAL) | 190 |
| SECTION 5 - CYLINDER | 193 |
| FIGURE 5-1. AXLE LOCKOUT CYLINDER ASSEMBLY | 194 |
| FIGURE 5-2. LEVEL CYLINDER ASSEMBLY - PLATFORM SLAVE | 196 |
| FIGURE 5-3. LEVEL CYLINDER ASSEMBLY - PLATFORM SLAVE (800A ONLY) (SERVICE REPLACEMENT) | 200 |
| FIGURE 5-4. LEVEL CYLINDER ASSEMBLY - PLATFORM SLAVE (800AJ ONLY) (SERVICE REPLACEMENT) | 202 |
| FIGURE 5-5. LEVEL CYLINDER ASSEMBLY - UPRIGHT | 204 |
| FIGURE 5-6. LEVEL CYLINDER ASSEMBLY - UPRIGHT (SERVICE REPLACEMENT) | 206 |
| FIGURE 5-7. LIFT CYLINDER ASSEMBLY - JIB (800AJ ONLY) (ORIGINAL EQUIPMENT) | 208 |
| FIGURE 5-8. LIFT CYLINDER ASSEMBLY - JIB (800AJ ONLY) (USAGE MAY VARY) (SERVICE REPLACEMENT) | 210 |
| FIGURE 5-9. LIFT CYLINDER ASSEMBLY - JIB (800AJ ONLY) (USAGE MAY VARY) (SERVICE REPLACEMENT) | 212 |
| FIGURE 5-10. LIFT CYLINDER ASSEMBLY - MAIN BOOM (ORIGINAL EQUIPMENT) | 214 |
| FIGURE 5-11. LIFT CYLINDER ASSEMBLY - MAIN BOOM (SERVICE REPLACEMENT) | 216 |
| FIGURE 5-12. LIFT CYLINDER ASSEMBLY - TOWER BOOM (ORIGINAL EQUIPMENT) | 218 |
| FIGURE 5-13. LIFT CYLINDER ASSEMBLY - TOWER BOOM (SERVICE REPLACEMENT) | 220 |
| FIGURE 5-14. MASTER CYLINDER ASSEMBLY - 800A (ORIGINAL EQUIPMENT) | 222 |
| FIGURE 5-15. MASTER CYLINDER ASSEMBLY (800A) (SERVICE REPLACEMENT) | 224 |
| FIGURE 5-16. MASTER CYLINDER ASSEMBLY - 800AJ (ORIGINAL EQUIPMENT) | 226 |
| FIGURE 5-17. MASTER CYLINDER ASSEMBLY (800AJ) (SERVICE REPLACEMENT) | 228 |
| FIGURE 5-18. STEER CYLINDER ASSEMBLY | 230 |
| FIGURE 5-19. TELESCOPE CYLINDER ASSEMBLY - MAIN BOOM | 232 |
| FIGURE 5-20. TELESCOPE CYLINDER ASSEMBLY - MAIN BOOM (800A) (SERVICE REPLACEMENT) | 234 |
| FIGURE 5-21. TELESCOPE CYLINDER ASSEMBLY - MAIN BOOM (800AJ) (SERVICE REPLACEMENT) | 236 |
| FIGURE 5-22. TELESCOPE CYLINDER ASSEMBLY - TOWER BOOM | 238 |
| FIGURE 5-23. TELESCOPE CYLINDER ASSEMBLY - TOWER BOOM (SERVICE REPLACEMENT) | 242 |
| SECTION 6 - HYDRAULIC | 245 |
| FIGURE 6-1. AXLE LOCKOUT HYDRAULIC DIAGRAM | 246 |
| FIGURE 6-2. DRIVE HYDRAULIC DIAGRAM - 2WD | 248 |
| FIGURE 6-3. DRIVE HYDRAULIC DIAGRAM - 4WD | 252 |
| FIGURE 6-4. STANDARD HYDRAULIC DIAGRAM (WITH FENNER AND HALDEX BRAND AUXILIARY PUMP) | 256 |
| FIGURE 6-5. STANDARD HYDRAULIC DIAGRAM (WITH BUCHER BRAND AUXILIARY PUMP) | 260 |
| FIGURE 6-6. HYDRAULIC DIAGRAM LIST | 264 |
| SECTION 7 - ELECTRICAL | 265 |
| FIGURE 7-1. ELECTRICAL DIAGRAM LIST | 266 |
| FIGURE 7-2. HARNESS COMPONENTS INSTALLATION (Prior to SN 0300064432) | 268 |
| FIGURE 7-3. HARNESS COMPONENTS INSTALLATION (WITH ADE SYSTEM) (SN 0300064009 ONLY) | 278 |
| FIGURE 7-4. HARNESS COMPONENTS INSTALLATION (WITH ADE SYSTEM) (SN 0300064432 through 0300069000) | 286 |
| SECTION 8 - DECALS | 295 |
| FIGURE 8-1. DECALS INSTALLATION - STANDARD | 296 |
| FIGURE 8-2. DECALS INSTALLATION - COUNTRY SPEC | 300 |
| SECTION 9 - RECOMMENDED SERVICE PARTS STOCK | 307 |
| FIGURE 9-1. MODELS 800A/800AJ STANDARD PARTS | 308 |
| FIGURE 9-2. MODELS 800A/800AJ VARIABLE PARTS | 310 |
| SECTION 10 - SPECIAL OPTIONS | 311 |
| FIGURE 10-1. SPECIAL OPTIONS | 312 |
| PART NUMBER INDEX | 317 |

SECTION 1 - FRAME

SECTION 1 - FRAME

FIGURE 1-1. AXLE AND STEERING INSTALLATION



SECTION 1 - FRAME

FIGURE 1-1. AXLE AND STEERING INSTALLATION

| ITEM | PART NUMBER | QTY | DESCRIPTION | REV |
|------|-------------|-----|--|-----|
| | 0258286 | Ref | FIXED AXLE INSTALLATION | C |
| 1 | 0100011 | AR | Compound, Locking | |
| 2 | 0681608 | 4 | Bolt 3/8in-16NC x 1in (Grade 8) | |
| 4 | 0641820 | 2 | Bolt 1/2in-13NC x 2-1/2in | |
| 5 | 0642212 | 1 | Bolt 3/4in-10NC x 1-1/2in | |
| 6 | 0962102 | 2 | Bushing | |
| 7 | 3422703 | 1 | Pin, Axle Pivot | |
| 8 | 3538047 | 2 | Shim, Wear | |
| 9 | 3539877 | 2 | Plate, Stop | |
| 10 | 3539878 | 2 | Plate, Stop | |
| 11 | 3841287 | 1 | Keeper, Pin | |
| 12 | 4070878 | AR | Shim 1/16in | |
| 13 | 4070879 | AR | Shim 1/8in | |
| 14 | 4070944 | AR | Shim 1/16in | |
| 15 | 4070945 | AR | Shim 1/4in | |
| 16 | 4711600 | 4 | Flatwasher 3/8in Narrow | |
| 17 | 4740472 | 1 | Washer, Special | |
| 19 | 4845658 | 1 | Axle Weldment | |
| | | Ref | OSCILLATING AXLE INSTALLATIONS | |
| | 0258285 | Ref | Oscillating Axle Installations (Prior to SN 0300068040) | E |
| | 0272269 | Ref | Oscillating Axle Installations (SN 0300068040 through 0300069000) | A |
| 101 | 0100011 | AR | Compound, Locking | |
| 102 | 0641414 | 4 | Bolt 1/4in-20NC x 1-3/4in | |
| 103 | 0641608 | 4 | Bolt 3/8in-16NC x1in | |
| 105 | 0642212 | 1 | Bolt 3/4in-10NC x 1-1/2in | |
| 106 | 0962102 | 2 | Bushing | |
| 108 | 1683078 | 2 | Lockout Cylinder Assembly (See CYLINDER SECTION for Breakdown) | |
| 112 | 3422703 | 1 | Pin, Main Pivot | |
| 113 | 3538047 | 2 | Shim, Axle Wear | |
| 114 | 3841143 | 4 | Shaft, Keeper 3/8in Dia x 3in | |
| 115 | 3841287 | 1 | Shaft, Keeper 3/8in Dia x 6in | |
| 116 | 4070878 | 2 | Shim, Axle Wear | |
| 117 | 4070879 | 2 | Shim, Axle Wear | |
| 119 | 4640871 | 1 | Valve, Lockout | |
| 119 | 7012693 | 1 | Seal Kit - 4640871 Valve | |
| 119 | 7002840 | 1 | Pin Removal Tool | |
| 120 | 4711400 | 4 | Flatwasher 1/4in Narrow | |
| 121 | 4711600 | 4 | Flatwasher 3/8in Narrow | |
| 122 | 4740472 | 1 | Washer, Special | |
| 124 | 4845658 | 1 | Axle Weldment | |
| 125 | | Ref | Bolt Options: | |
| 125 | 0641814 | 2 | Bolt 1/2in-13NC x 1-3/4in (Prior to SN 0300068040) | |
| 125 | 0641816 | 2 | Bolt 1/2in-13NC x 2in (SN 0300068040 through 0300069000) | |
| 126 | 1100086 | 1 | Plate, Cam Lockout | |
| 127 | 4751800 | 4 | Flatwasher 1/2in | |
| 128 | 3422702 | 2 | Pin | |
| 129 | 3422755 | 2 | Pin | |
| 130 | 0681608 | 4 | Bolt 3/8in-16NC x1in (Grade 8) | |

SECTION 1 - FRAME

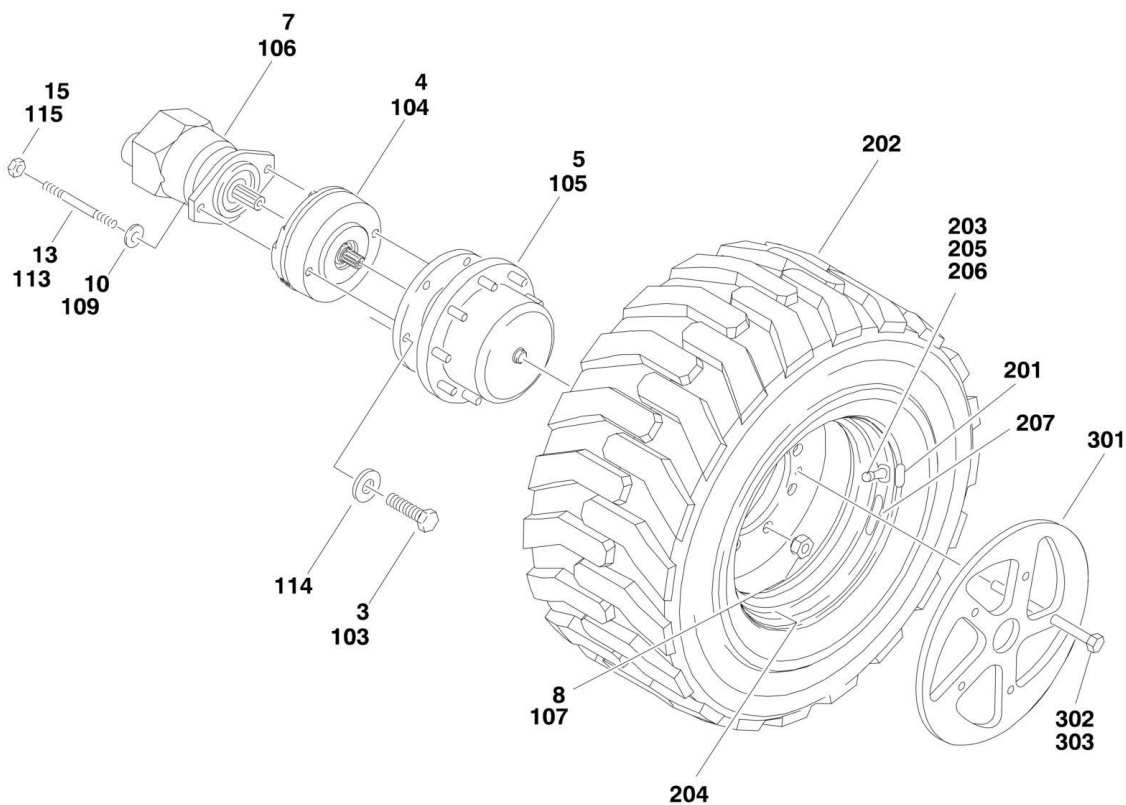
| ITEM | PART NUMBER | QTY | DESCRIPTION | REV |
|------|-------------|-----|---|-----|
| 131 | 4568514 | 2 | Spacer, Tube (SN 0300068040 through 0300069000) | |
| | | Ref | STEERING INSTALLATIONS | |
| | 0258287 | Ref | Steering Installation 2WS | F |
| | 0258909 | Ref | Steering Installation 4WS (Rear Steering Typical / Double Qty Listed for 4WS) | A |
| | 1001137261 | Ref | King Pin Kit | A |
| | | Ref | Note: Before ordering king pin kit, verify that machines is equipped with the original components (king pin with 4 bolt holes) or service kit components (king pin with 8 bolt holes). If the king pin hole in the axle measurement exceeds 2.252in OD or is elongated, use King Pin Kit p/n 1001137261. | |
| 201 | 0100011 | AR | Compound, Locking | |
| 202 | 0362726 | 1 | Tie-Rod | |
| 203 | 0641608 | 14 | Bolt 3/8in-16NC x 1in | |
| 205 | 0962224 | 4 | Bearing | |
| 206 | 0962152 | 2 | Bearing | |
| 208 | | Ref | Steer Cylinder Assembly (See CYLINDER SECTION for Breakdown) | |
| 208 | 1683605 | NLA | Steer Cylinder Assembly 2WS - Original Equipment (Use p/n 1683740) | |
| 208 | 1683740 | 2 | Steer Cylinder Assembly 2WS - Service Replacement | |
| 208 | 1683740 | 2 | Steer Cylinder Assembly 4WS | |
| 211 | 3422701 | 2 | Pin, Steer, Spindle Attach | |
| 212 | 3422702 | 2 | Pin, Tie-Rod | |
| 214 | 3841143 | 6 | Shaft, Keeper 3/8in x 3in | |
| 215 | 4130357 | 1 | Spindle Weldment (Right Side) | |
| 216 | 4130358 | 1 | Spindle Weldment (Left Side) | |
| 217 | 4740111 | 4 | Washer, Special | |
| 219 | 4740463 | 2 | Washer, Thrust | |
| 220 | 4740473 | 2 | Washer, Special | |
| 222 | 4740256 | 2 | Washer, Thrust | |
| 223 | 3422753 | 4 | Kingpin | |
| 224 | 3422754 | 2 | Pin, Attach | |
| | | Ref | HUB INSTALLATION (2WD ONLY) OPTIONS: | |
| | 0258288 | Ref | Hub Installation (2WD Only) (Prior to SN 0300056875) | C |
| | 0270209 | Ref | Hub Installation (2WD Only) (SN 0300056875 through 0300069000) | B |
| 303 | 0682016 | 16 | Bolt 5/8in-16NC x 2in (Grade 8) | |
| 306 | 2780229 | 2 | Hub Assembly (See Items 401-412 for Breakdown) | |
| 308 | 3300007 | 20 | Lugnut | |
| | 2780229 | Ref | HUB ASSEMBLY (2WD ONLY) | A |
| 401 | 7017052 | 2 | Spindle (1 per Assembly) | |
| 402 | 7017053 | 2 | Housing (1 per Assembly) | |
| 403 | 7010404 | 2 | Cup, Bearing - Inner (1 per Assembly) | |
| 404 | 7010405 | 2 | Cone, Bearing - Inner (1 per Assembly) | |
| 405 | 7017056 | 2 | Cup, Bearing - Outer (1 per Assembly) | |
| 406 | 7017055 | 2 | Cone, Bearing - Outer (1 per Assembly) | |
| 407 | 7010406 | 2 | Seal, Lip (1 per Assembly) | |
| 408 | 7000265 | 20 | Stud (10 per Assembly) | |
| 409 | 7017054 | 2 | Dust Cap (1 per Assembly) | |
| 410 | 7017051 | 2 | Washer, Special (1 per Assembly) | |
| 411 | 7017057 | 2 | Washer, Tanged (1 per Assembly) | |
| 412 | 7017058 | 2 | Nut, Bearing (1 per Assembly) | |

SECTION 1 - FRAME

| ITEM | PART NUMBER | QTY | DESCRIPTION | REV |
|------|-------------|-----|---|-----|
| 501 | | Ref | FRAME WELDMENT OPTIONS: | |
| 501 | | Ref | Frame Weldment - 2WD/2WS with Pneumatic Tires Options: | |
| 501 | 2360461 | 1 | Frame Weldment - 2WD/2WS with Pneumatic Tires (Prior to SN 0300068040) | |
| 501 | 2360587 | 1 | Frame Weldment - 2WD/2WS with Pneumatic Tires (SN 0300068040 through 0300068373) | |
| 501 | 2360600 | 1 | Frame Weldment - 2WD/2WS with Pneumatic Tires (SN 0300068374 through 0300069000) | |
| 501 | | Ref | Frame Weldment - 2WD/2WS with Foam-Filled Tires Options: | |
| 501 | 2360488 | 1 | Frame Weldment - 2WD/2WS with Foam-Filled Tires (Prior to SN 0300068040) | |
| 501 | 2360588 | 1 | Frame Weldment - 2WD/2WS with Foam-Filled Tires (SN 0300068040 through 0300068373) | |
| 501 | 2360601 | 1 | Frame Weldment - 2WD/2WS with Foam-Filled Tires (SN 0300068374 through 0300069000) | |
| 501 | | Ref | Frame Weldment - 4WD/2WS with Pneumatic Tires Options: | |
| 501 | 2360489 | 1 | Frame Weldment - 4WD/2WS with Pneumatic Tires (Prior to SN 0300068040) | |
| 501 | 2360589 | 1 | Frame Weldment - 4WD/2WS with Pneumatic Tires (SN 0300068040 through 0300068373) | |
| 501 | 2360602 | 1 | Frame Weldment - 4WD/2WS with Pneumatic Tires (SN 0300068374 through 0300069000) | |
| 501 | | Ref | Frame Weldment - 4WD/2WS with Foam-Filled Tires Options: | |
| 501 | 2360490 | 1 | Frame Weldment - 4WD/2WS with Foam-Filled Tires (Prior to SN 0300068040) | |
| 501 | 2360590 | 1 | Frame Weldment - 4WD/2WS with Foam-Filled Tires (SN 0300068040 through 0300068373) | |
| 501 | 2360603 | 1 | Frame Weldment - 4WD/2WS with Foam-Filled Tires (SN 0300068374 through 0300069000) | |
| 501 | | Ref | Frame Weldment - 4WD/4WS with Pneumatic Tires Options: | |
| 501 | 2360502 | 1 | Frame Weldment - 4WD/4WS with Pneumatic Tires (Prior to SN 0300068040) | |
| 501 | 2360592 | 1 | Frame Weldment - 4WD/4WS with Pneumatic Tires (SN 0300068040 through 0300069000) | |
| 501 | | Ref | Frame Weldment - 4WD/4WS with Foam-Filled Tires Options: | |
| 501 | 2360494 | 1 | Frame Weldment - 4WD/4WS with Foam-Filled Tires (Prior to SN 0300068040) | |
| 501 | 2360591 | 1 | Frame Weldment - 4WD/4WS with Foam-Filled Tires (SN 0300068040 through 0300069000) | |

SECTION 1 - FRAME

FIGURE 1-2. TIRE AND WHEEL DRIVE INSTALLATIONS



SECTION 1 - FRAME

FIGURE 1-2. TIRE AND WHEEL DRIVE INSTALLATIONS

| ITEM | PART NUMBER | QTY | DESCRIPTION | REV |
|------|-------------|-----|--|-----|
| | | Ref | WHEEL DRIVE INSTALLATION OPTIONS: (2WD/2WS) | |
| | 0258288 | Ref | Wheel Drive Installation (2WD/2WS) (Prior to SN 0300056875) | C |
| | 0270209 | Ref | Wheel Drive Installation (2WD/2WS) (SN 0300056875 through 0300069000) | B |
| 3 | 0682016 | 16 | Bolt 5/8in-11NC x 2in (Grade 8) | |
| 4 | | Ref | Drive Brake Assembly Options: (See DRIVE BRAKE ASSEMBLY for Breakdown) | |
| 4 | 0920112 | 2 | Drive Brake Assembly (Prior to SN 0300056875) | |
| 4 | 0920117 | NLA | Drive Brake Assembly (Use p/n 0920119) (SN 0300056875 through 0300069000) | |
| 5 | 2780227 | 2 | Drive Hub Assembly (See DRIVE HUB ASSEMBLIES for Breakdown) | |
| 7 | 3160204 | 2 | Drive Motor Assembly (See DRIVE MOTOR ASSEMBLY for Breakdown) | |
| 8 | 3300007 | 20 | Nut, Wheel | |
| 10 | | Ref | Stud Options: | |
| 10 | 4300130 | 4 | Stud (Prior to SN 0300056875) | |
| 10 | 4300097 | 4 | Stud (SN 0300056875 through 0300069000) | |
| 13 | 4891800 | 4 | Flatwasher 1/2in | |
| 15 | | Ref | Nut Options: | |
| 15 | 3311805 | 4 | Locknut 1/2in-13 NC (Prior to SN 0300056875) | |
| 15 | 3311801 | 4 | Nut 1/2in-13 NC (SN 0300056875 through 0300069000) | |
| | | Ref | WHEEL DRIVE INSTALLATION OPTIONS: | |
| | 0258289 | Ref | Wheel Drive Installation (4WD/2WS) (Prior to SN 0300056875) | D |
| | 0270210 | Ref | Wheel Drive Installation (4WD/2WS) (SN 0300056875 through 0300069000) | B |
| | 0258910 | Ref | Wheel Drive Installation (4WD/4WS) (Prior to SN 0300056875) | A |
| | 0270211 | Ref | Wheel Drive Installation (4WD/4WS) (SN 0300056875 through 0300069000) | B |
| 103 | 0682016 | 32 | Bolt 5/8in-11NC x 2in (Grade 8) | |
| 104 | | Ref | Drive Brake Assembly Options: (See DRIVE BRAKE ASSEMBLY for Breakdown) | |
| 104 | 0920112 | 4 | Drive Brake Assembly (Prior to SN 0300056875) | |
| 104 | 0920117 | NLA | Drive Brake Assembly (Use p/n 0920119) (SN 0300056875 through 0300069000) | |
| 105 | 2780228 | 4 | Drive Hub Assembly (See DRIVE HUB ASSEMBLIES for Breakdown) | |
| 106 | 3160204 | 4 | Drive Motor Assembly (See DRIVE MOTOR ASSEMBLY for Breakdown) | |
| 107 | 3300007 | 40 | Nut, Wheel | |
| 109 | | Ref | Stud Options: | |
| 109 | 4300130 | 8 | Stud (Prior to SN 0300056875) | |
| 109 | 4300097 | 8 | Stud (SN 0300056875 through 0300069000) | |
| 113 | 4891800 | 8 | Flatwasher, 1/2in | |
| 114 | 4892000 | 32 | Flatwasher, 5/8in | |
| 115 | | Ref | Nut Options: | |
| 115 | 3311805 | 8 | Locknut 1/2in - 13NC (Prior to SN 0300056875) | |
| 115 | 3311801 | 8 | Nut 1/2in - 13NC (SN 0300056875 through 0300069000) | |
| | | Ref | TIRE AND WHEEL INSTALLATIONS | |
| | 0258396 | Ref | IN385/65D19.5 (15 x 19.5) Pneumatic (Prior to SN 0300068040) | B |
| | 0270885 | Ref | 15-625 Pneumatic (SN 0300068040 through 0300069000) | A |
| | 0272322 | Ref | 15-625 Pneumatic with Sealant (SN 0300066290 through | 1 |

SECTION 1 - FRAME

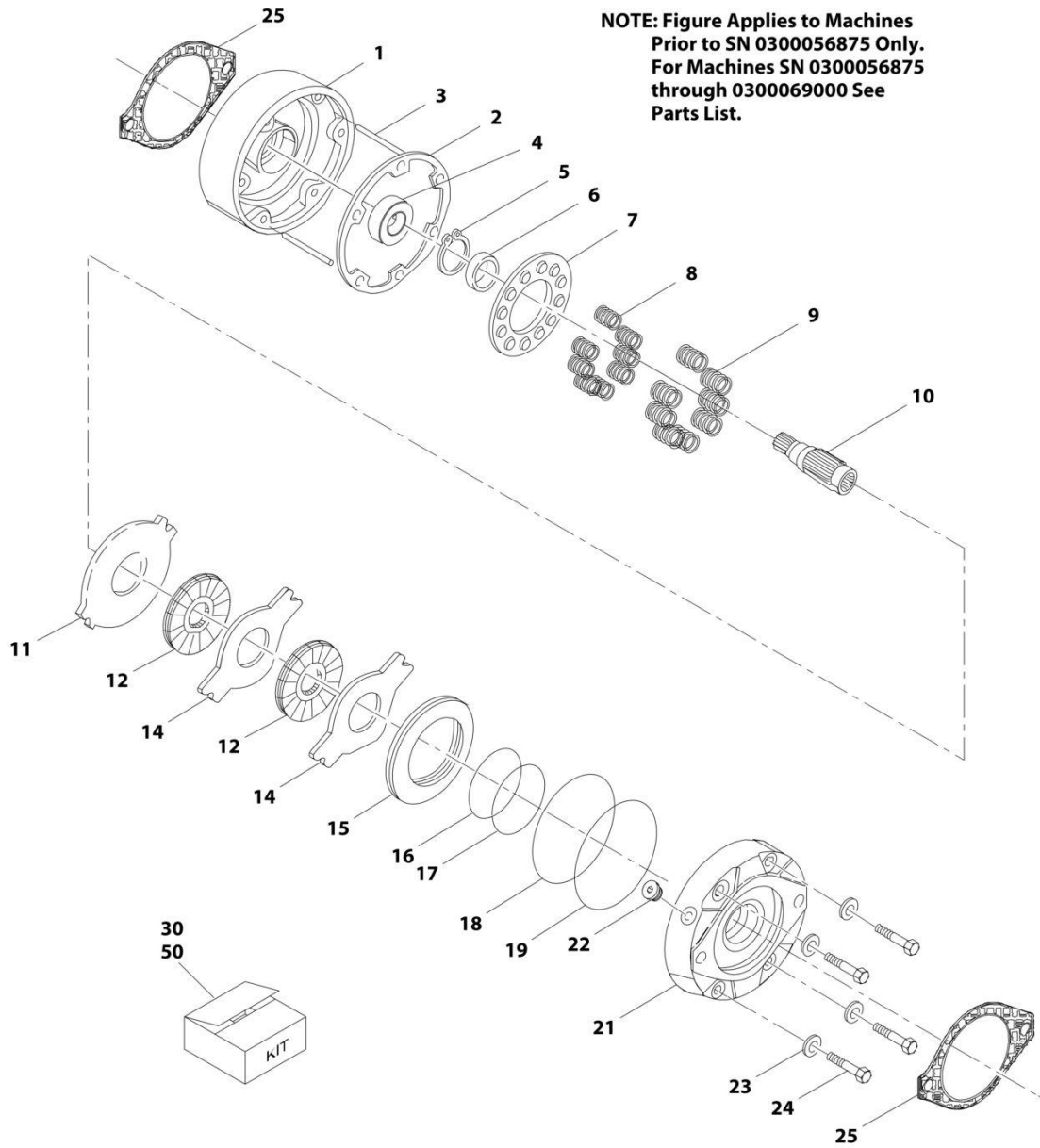
| ITEM | PART NUMBER | QTY | DESCRIPTION | REV |
|------|-------------|-----|---|-----|
| | 0258397 | Ref | 0300069000) IN385/65D19.5 (15 x 19.5) Foam-Filled (Prior to SN 0300068040) | B |
| | 0270886 | Ref | 15-625 Foam-Filled (SN 0300068040 through 0300069000) | A |
| | 0258398 | Ref | IN445/55D19.5 (18 x 19.5) Pneumatic | A |
| | 0258399 | Ref | IN445/55D19.5 (18 x 19.5) Foam-Filled (Prior to SN 0300068040) | B |
| | 0270888 | Ref | 18-625 Foam-Filled (SN 0300068040 through 0300069000) | A |
| | 0258323 | 2 | IN385/65D19.5 (15 x 19.5) Pneumatic Left Side (Prior to SN 0300068040) | |
| | 0271083 | 2 | 15-625 Pneumatic Left Side (SN 0300068040 through 0300069000) | |
| | 0272334 | 2 | 15-625 Pneumatic/TS Left Side (SN 0300066290 through 0300069000) | |
| | 0258324 | 2 | IN385/65D19.5 (15 x 19.5) Pneumatic Right Side (Prior to SN 0300068040) | |
| | 0271084 | 2 | 15-625 Pneumatic Right Side (SN 0300068040 through 0300069000) | |
| | 0272333 | 2 | 15-625 Pneumatic/TS Right Side (SN 0300066290 through 0300069000) | |
| | 0258327 | 2 | IN385/65D19.5 (15 x 19.5) Foam-Filled Left Side (Prior to SN 0300068040) | |
| | 0271085 | 2 | 15-625 Foam-Filled Left Side (SN 0300068040 through 0300069000) | |
| | 0258328 | 2 | IN385/65D19.5 (15 x 19.5) Foam-Filled Right Side (Prior to SN 0300068040) | |
| | 0271086 | 2 | 15-625 Foam-Filled Right Side (SN 0300068040 through 0300069000) | |
| | 0258330 | 2 | IN445/55D19.5 (18 x 19.5) Pneumatic Left Side | |
| | 0258331 | 2 | IN445/55D19.5 (18 x 19.5) Pneumatic Right Side | |
| | 0258333 | 2 | IN445/55D19.5 (18 x 19.5) Foam-Filled Left Side (Prior to SN 0300068040) | |
| | 0271090 | 2 | 18-625 Foam-Filled Left Side (SN 0300068040 through 0300069000) | |
| | 0258334 | 2 | IN445/55D19.5 (18 x 19.5) Foam-Filled Right Side (Prior to SN 0300068040) | |
| | 0271091 | 2 | 18-625 Foam-Filled Right Side (SN 0300068040 through 0300069000) | |
| | | Ref | Note: Assemblies may require ballast/foam filling to manufacturer's specifications prior to installing on a machine. Refer to Operation and Safety or Service and Maintenance Manuals. Purchase individual tire and/or rim only if able to foam fill tire and wheel assembly, otherwise, purchase complete assembly, | |
| 201 | | Ref | Decal Options: | |
| 201 | 1702701 | 1 | 95PSI IN385/65D19.5 (15 x 19.5 Tires) | |
| 201 | 1702739 | 1 | 85PSI IN445/55D19.5 (18 x 19.5 Tires) | |
| 202 | | Ref | Tire Options: | |
| 202 | 4520204 | 1 | IN385/65D19.5 (15 x 19.5) | |
| 202 | 4520252 | 1 | 15-625 | |
| 202 | 4520205 | 1 | IN445/55D19.5 (18 x 19.5) | |
| 202 | 4520253 | 1 | 18.625 | |
| 203 | 4640113 | 1 | Valve, Air | |
| 204 | | Ref | Rim, Wheel Options: | |
| 204 | 4860148 | 1 | 11.75 x 19.5 | |
| 204 | 4860224 | 1 | 13 x 24.5 | |

SECTION 1 - FRAME

| ITEM | PART NUMBER | QTY | DESCRIPTION | REV |
|------|-------------|-----|--|-----|
| 204 | 4860188 | 1 | 14 x 19.5 | 2-A |
| 204 | 4860225 | 1 | 15 x 24.5 | |
| 205 | 1120552 | 1 | Cap Valve Stem (Green) (with Sealant Only) | |
| 206 | 1300019 | AR | Chemical, Tire Sealant (Green) (with Sealant Only) | |
| 207 | 1705364 | 1 | Decal - Tire Sealant (with Sealant Only) | |
| | 0256196 | Ref | WHEEL COVER INSTALLATION (OPTIONAL) | |
| 301 | 1670776 | 4 | Cover, Wheel | |
| 302 | 0641550 | 20 | Bolt 5/16in - 18NC x 6-1/4in | |
| 303 | 0100011 | AR | Compound, Locking | |

SECTION 1 - FRAME

FIGURE 1-3. DRIVE BRAKE ASSEMBLY



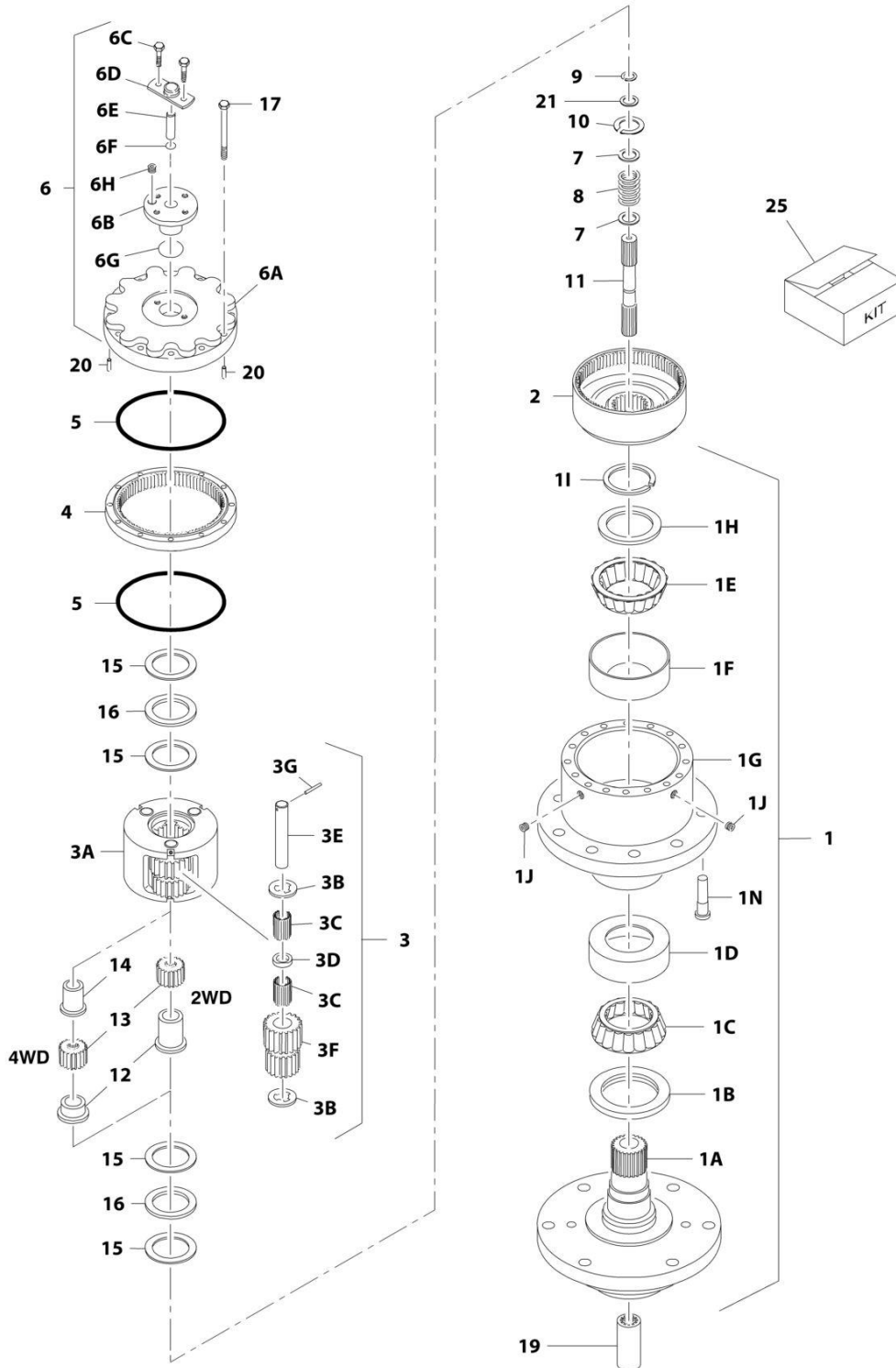
SECTION 1 - FRAME

FIGURE 1-3. DRIVE BRAKE ASSEMBLY

| ITEM | PART NUMBER | QTY | DESCRIPTION | REV |
|------|-------------|-----|---|-----|
| | 0920112 | Ref | DRIVE BRAKE ASSEMBLY (Prior to SN 0300056875) | B |
| 1 | 7003451 | 1 | Housing | |
| 2 | 7003452 | 1 | Gasket | |
| 3 | 7003094 | 2 | Pin, Torque | |
| 4 | 7003049 | 1 | Bearing, Ball | |
| 5 | 7003453 | 1 | Ring, Retaining | |
| 6 | 7003050 | 1 | Seal | |
| 7 | 7003454 | 1 | Retainer, Spring | |
| 8 | 7000798 | 10 | Spring, Compression (Small) | |
| 9 | 7000782 | 10 | Spring, Compression (Large) | |
| 10 | 7003455 | 1 | Shaft | |
| 11 | 7003456 | 1 | Disc, Primary | |
| 12 | 7003457 | 2 | Disc, Rotating | |
| 14 | 7003459 | 2 | Disc, Stationary | |
| 15 | 7003460 | 1 | Piston | |
| 16 | 7000722 | 1 | Ring, Back-up | |
| 17 | 7000723 | 1 | O-Ring | |
| 18 | 7000724 | 1 | Ring, Back-up | |
| 19 | 7000725 | 1 | O-Ring | |
| 20 | 7000796 | 1 | Screw, Bleeder | |
| 21 | 7003461 | 1 | Plate, Power | |
| 22 | 7000728 | 1 | Plug, Protective | |
| 23 | 7003462 | 4 | Flatwasher 1/2in | |
| 24 | 7003463 | 4 | Bolt 1/2in-13NC | |
| 25 | 7000731 | 2 | Gasket | |
| 30 | See Note | 1 | Seal Kit - 0920112 Brake (Note: Not Available for Purchase) | |
| | 0920117 | NLA | DRIVE BRAKE ASSEMBLY (USE P/N 0920119 - NOT SHOWN) (SN 0300056875 through 0300069000) | B |
| 50 | 7018612 | 1 | Repair Kit (Includes Case Seal, Piston Inner and Outer O-Rings and Back-up Rings, Stator Disc, Rotor Disc, Return Plate, Springs, Oil Seal, Bearing, 2 Retaining Rings and 2 Mounting Face Gaskets) | |
| | 7000731 | 2 | Gasket, Mounting Face | |
| | 7007990 | 1 | O-Ring, Mounting (1 Per Assembly) (0920119 Brake) | |
| | | Ref | Note: No Other Parts Available. | |

SECTION 1 - FRAME

FIGURE 1-4. DRIVE HUB ASSEMBLIES



SECTION 1 - FRAME

FIGURE 1-4. DRIVE HUB ASSEMBLIES

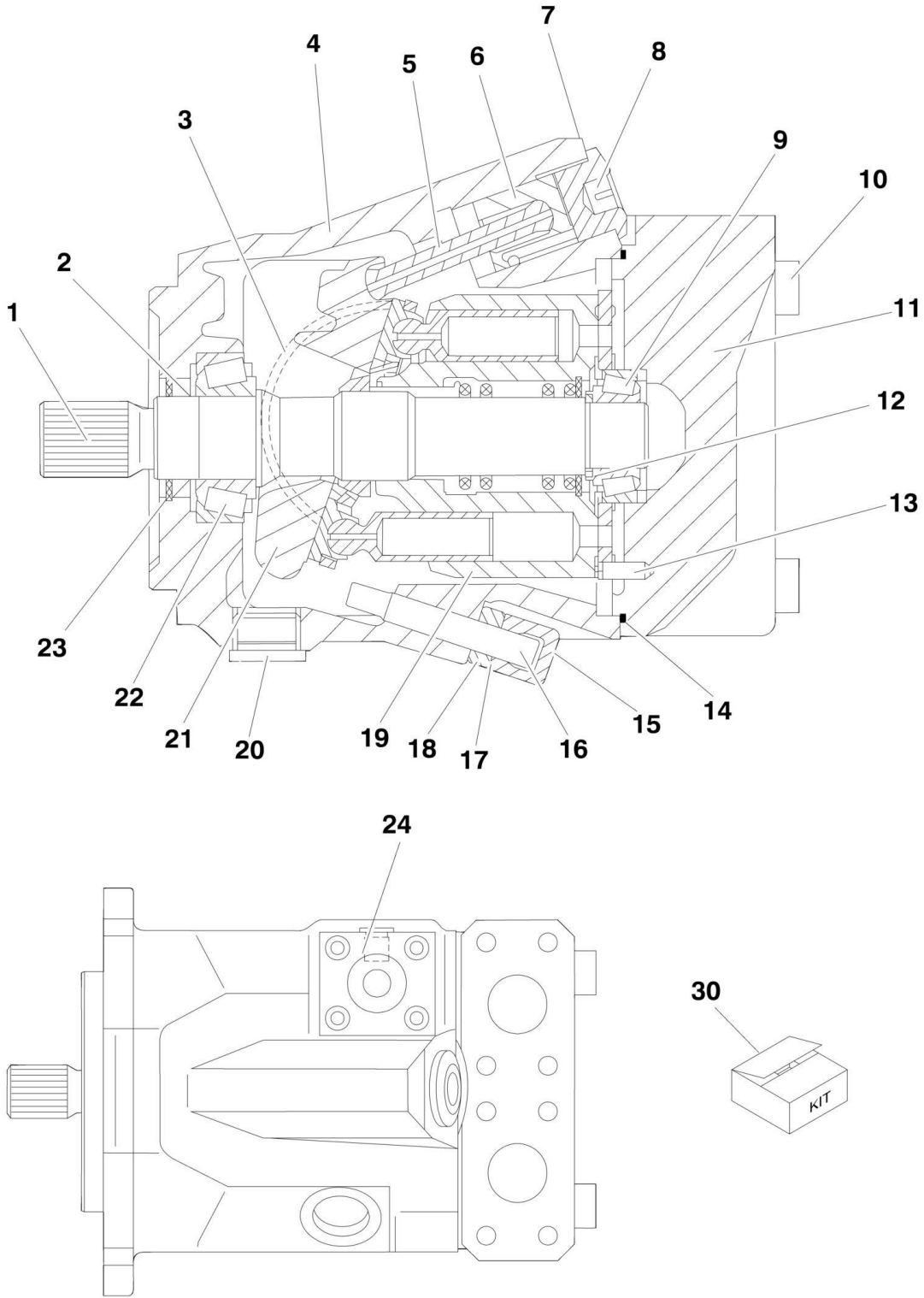
| ITEM | PART NUMBER | QTY | DESCRIPTION | REV |
|------|-------------|-----|---|-----|
| | 2780227 | Ref | DRIVE HUB ASSEMBLY (2WD) | A |
| | 2780228 | Ref | DRIVE HUB ASSEMBLY (4WD) | A |
| 1 | See Note | NSS | Spindle/Housing Assembly (Note: Not Available - Purchase Individual Components) | |
| 1A | 7017031 | 1 | Spindle | |
| 1B | 7000236 | 1 | Seal | |
| 1C | 7000273 | 1 | Cone, Bearing | |
| 1D | 7000272 | 1 | Cup, Bearing | |
| 1E | 7000275 | 1 | Cone, Bearing | |
| 1F | 7000274 | 1 | Cup, Bearing | |
| 1G | 7017033 | 1 | Housing | |
| 1H | 7000239 | 1 | Washer, Thrust | |
| 1I | 7000240 | 1 | Ring, Retaining | |
| 1J | 7001928 | 1 | Plug, Pipe | |
| 1N | 7000265 | 10 | Stud, Wheel | |
| 2 | 7017034 | 1 | Gear, Ring | |
| 3 | See Note | NSS | Carrier Assembly (Note: Not Available - Purchase Individual Components) | |
| 3A | 7017036 | 1 | Carrier | |
| 3B | 7001901 | 6 | Thrustwasher, Tanged | |
| 3C | 7001902 | 96 | Bearing, Needle | |
| 3D | 7001903 | 3 | Spacer, Thrust | |
| 3E | 7017040 | 3 | Shaft, Planet | |
| 3F | 7017037 | 3 | Gear, Cluster | |
| 3G | 7001906 | 3 | Roll Pin | |
| 4 | 7017035 | 1 | Gear, Internal | |
| 5 | 7000224 | 1 | O-Ring | |
| 6 | See Note | NSS | Cover Assembly (Note: Not Available - Purchase Individual Components) | |
| 6A | 7024155 | 1 | Cover | |
| 6B | 7017042 | 1 | Cap | |
| 6C | 7000220 | 4 | Bolt 1/4in-20NC x 3/4in | |
| 6D | 7000231 | 1 | Cap, Disengage | |
| 6E | 7000235 | 1 | Rod, Disengage | |
| 6F | 7000213 | 1 | O-Ring | |
| 6G | 7000238 | 1 | O-Ring | |
| 6H | 7017048 | 1 | Plug, Pipe | |
| 7 | 7000282 | 2 | Thrustwasher | |
| 8 | 7000283 | 1 | O-Ring | |
| 9 | 7000284 | 1 | Ring, Retaining | |
| 10 | 7017027 | 1 | Ring, Retaining | |
| 11 | | Ref | Shaft, Input Options: | |
| 11 | 7017039 | 1 | Shaft, Input 2WD | |
| 11 | 7017044 | 1 | Shaft, Input 4WD | |
| 12 | | Ref | Spacer, Input Options: | |
| 12 | 7017041 | 1 | Spacer, Input 2WD | |
| 12 | 7017045 | 1 | Spacer, Input 4WD | |
| 13 | | Ref | Gear, Sun Options: | |
| 13 | 7017038 | 1 | Gear, Sun 2WD | |
| 13 | 7017043 | 1 | Gear, Sun 4WD | |

SECTION 1 - FRAME

| ITEM | PART NUMBER | QTY | DESCRIPTION | REV |
|------|--------------|-----|--|-----|
| 14 | | Ref | Spacer, Input Options: | |
| 14 | Not Required | 0 | Spacer, Input 2WD | |
| 14 | 7017046 | 1 | Spacer, Input 4WD | |
| 15 | 7000287 | 4 | Thrustwasher | |
| 16 | 7000288 | 2 | Thrustwasher | |
| 17 | 7000289 | 12 | Bolt 3/8in-16NC x 2-1/2in (Grade 8) | |
| 19 | 7000290 | 1 | Coupling | |
| 20 | 7017047 | 2 | Pin, Dowel | |
| 21 | | Ref | Thrustwasher Options: | |
| 21 | 7017050 | 1 | Thrustwasher 2WD | |
| 21 | Not Required | 0 | Thrustwasher 4WD | |
| 25 | 7017068 | 1 | Seal Kit (Includes Items 1B, 1I, 5, 6F, 6G, 15 & 16) | |

SECTION 1 - FRAME

FIGURE 1-5. DRIVE MOTOR ASSEMBLY



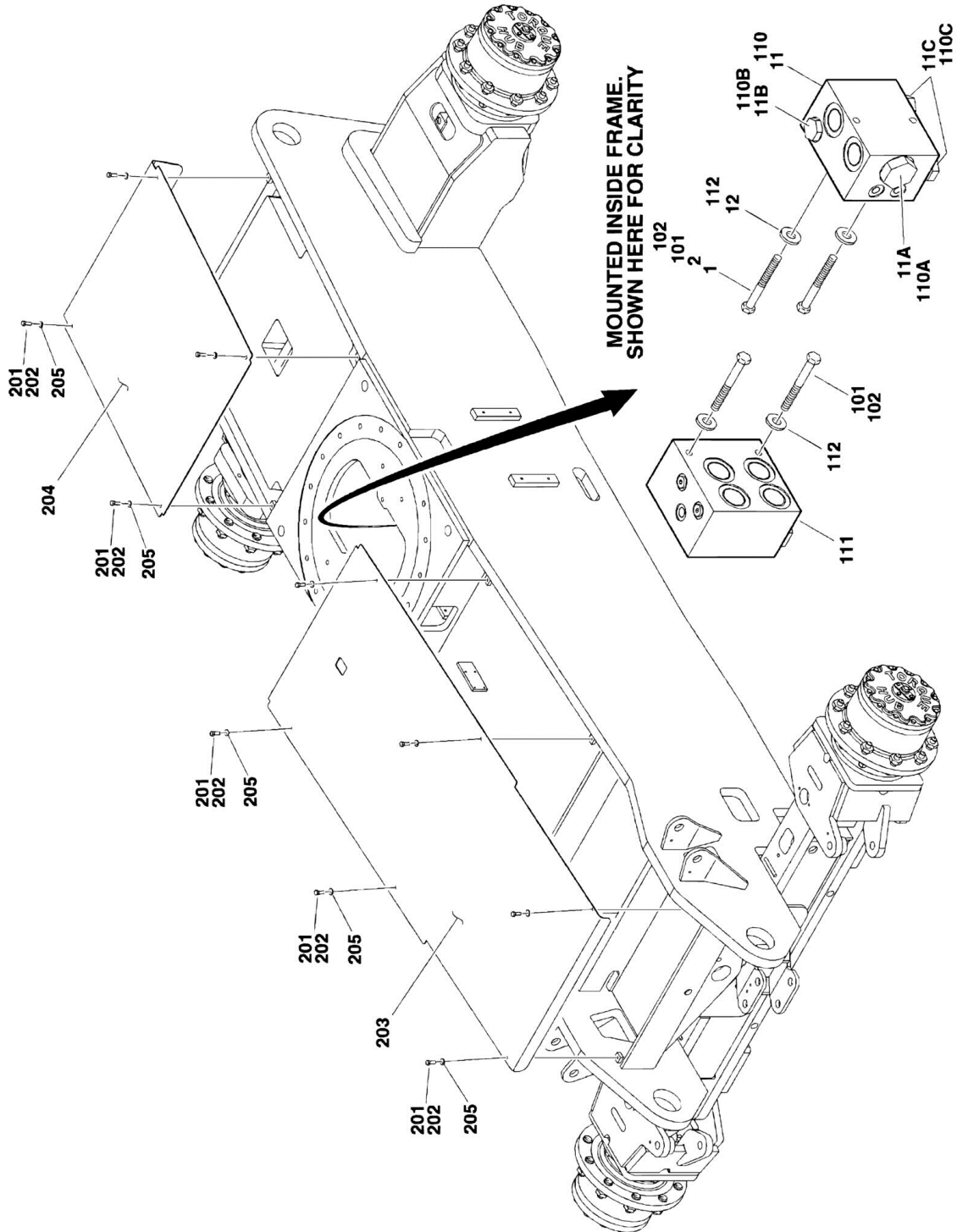
SECTION 1 - FRAME

FIGURE 1-5. DRIVE MOTOR ASSEMBLY

| ITEM | PART NUMBER | QTY | DESCRIPTION | REV |
|------|-------------|-----|--|-----|
| | 3160204 | Ref | DRIVE MOTOR ASSEMBLY | A |
| 1 | 7012701 | 1 | Shaft - 13 Teeth | |
| 2 | See Note | NSS | Seal, Shaft (Note: Use Item 30) | |
| 3 | 7012702 | 2 | Bearing, Cradle | |
| 4 | See Note | 1 | Housing (Note: Not Available - Purchase Complete Assembly) | |
| 5 | 7012703 | 1 | Rod, Piston | |
| 6 | 7012704 | 1 | Piston, Stroking | |
| 7 | See Note | NSS | O-Ring (Note: Use Item 30) | |
| 8 | 7012705 | 1 | Nut, Adapter | |
| 9 | 7012706 | 1 | Bearing, Roller | |
| 10 | 7012707 | 4 | Bolt, Metric Socket Head M12 x 65 | |
| 11 | 7012708 | 1 | Block, Port | |
| 12 | 7012709 | 1 | Shim | |
| 13 | 7012710 | 1 | Pin, Dowel M6 x 18 | |
| 14 | See Note | NSS | O-Ring (Note: Use Item 30) | |
| 15 | 7012711 | 1 | Nut, Cap M10 x 1 | |
| 16 | 7012712 | 1 | Screw, Adjusting | |
| 17 | See Note | NSS | O-Ring (Note: Use Item 30) | |
| 18 | 7012713 | 1 | Nut, Jam M10 x 1 | |
| 19 | 7012716 | 1 | Rotary Group Kit | |
| 20 | See Note | NSS | Plug (Note: Not Available - Purchase Locally) | |
| 21 | 7024036 | 1 | Plate, Swash | |
| 22 | 7012714 | 1 | Bearing, Roller | |
| 23 | 7012715 | 1 | V-Ring | |
| 24 | 7012700 | 1 | Control Plate Assembly | |
| 30 | 2900788 | 1 | Seal Kit (Includes Items 2, 7, 14, 17 and O-Rings under Item 24) | |

SECTION 1 - FRAME

FIGURE 1-6. DRIVE VALVES INSTALLATIONS



SECTION 1 - FRAME

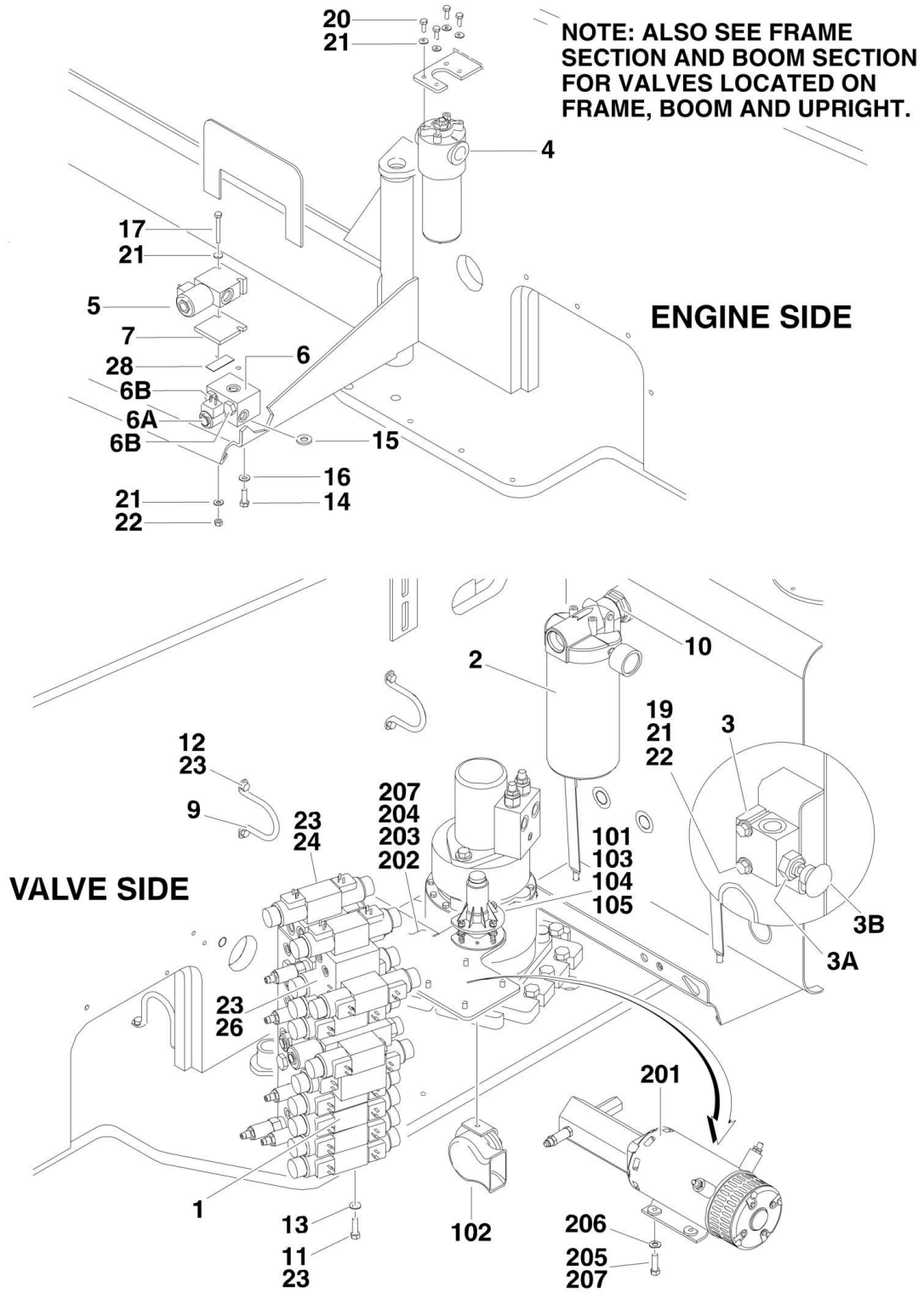
FIGURE 1-6. DRIVE VALVES INSTALLATIONS

| ITEM | PART NUMBER | QTY | DESCRIPTION | REV |
|------|-------------|-----|---|-----|
| | | Ref | DRIVE VALVES INSTALLATION - 2WD/2WS OPTIONS: | |
| | 0258288 | Ref | Drive Valves Installation - 2WD/2WS (Prior to SN 0300056875) | C |
| | 0270209 | Ref | Drive Valves Installation - 2WD/2WS (SN 0300056875 through 0300069000) | B |
| 1 | 0100011 | AR | Compound, Locking, | |
| 2 | 0641628 | 2 | Bolt 3/8in-16NC x 3-1/2in | |
| 11 | 4641041 | 1 | Flow Divider Valve Assembly | |
| 11A | 7022396 | 1 | Cartridge, Flow Divider | |
| 11A | 7021625 | 1 | Seal Kit - 7022396 Cartridge | |
| 11B | 7022398 | 1 | Cartridge, Load Shuttle | |
| 11B | 7023900 | 1 | Seal Kit - 7022398 Cartridge | |
| 11C | 7022397 | 2 | Cartridge, Check Valves | |
| 11C | 7022399 | 2 | Seal Kit - 7022397 Cartridge | |
| 12 | 4751600 | 2 | Flatwasher, 3/8in | |
| | | Ref | WHEEL DRIVE INSTALLATION OPTIONS: | |
| | 0258289 | Ref | Wheel Drive Installation (4WD/2WS) (Prior to SN 0300056875) | D |
| | 0270210 | Ref | Wheel Drive Installation (4WD/2WS) (SN 0300056875 through 0300069000) | B |
| | 0258910 | Ref | Wheel Drive Installation (4WD/4WS) (Prior to SN 0300056875) | A |
| | 0270211 | Ref | Wheel Drive Installation (4WD/4WS) (SN 0300056875 through 0300069000) | B |
| 101 | 0100011 | AR | Compound, Locking | |
| 102 | 0641628 | 4 | Bolt 5/8in-11NC x 3-1/2in | |
| 110 | 4641041 | 1 | Flow Divider Valve Assembly | |
| 110A | 7022396 | 1 | Cartridge, Flow Divider | |
| 110A | 7021625 | 1 | Seal Kit - 7022396 Cartridge | |
| 110B | 7022398 | 1 | Cartridge, Load Shuttle | |
| 110B | 7023900 | 1 | Seal Kit - 7022398 Cartridge | |
| 110C | 7022397 | 2 | Cartridge, Check Valves | |
| 110C | 7022399 | 2 | Seal Kit - 7022397 Cartridge | |
| 111 | 4641042 | 1 | Flow Divider Valve Assembly | |
| 111 | 7021656 | 2 | Cartridge, Flow Divider | |
| 111 | 7021625 | 2 | Seal Kit - 7021656 Cartridge | |
| 112 | 4751600 | 4 | Flatwasher, 3/8in | |
| | 0258343 | Ref | FRAME COVERS INSTALLATION | C |
| 201 | 0100011 | AR | Compound, Locking | |
| 202 | 0641608 | 10 | Bolt, 3/8in- 16NC x 1in | |
| 203 | 3570686 | 1 | Plate, Cover Front | |
| 204 | 3570690 | 1 | Plate, Cover Rear | |
| 205 | 4751600 | 10 | Flatwasher, 3/8in | |

SECTION 2 - TURNTABLE

SECTION 2 - TURNTABLE

FIGURE 2-1. CONTROL VALVES INSTALLATIONS



SECTION 2 - TURNTABLE

FIGURE 2-1. CONTROL VALVES INSTALLATIONS

| ITEM | PART NUMBER | QTY | DESCRIPTION | REV |
|------|-------------|-----|---|-----|
| | | Ref | VALVES INSTALLATIONS | |
| | 0258454 | Ref | Valves Installations 800A (2WS) | C |
| | 0258455 | Ref | Valves Installations 800A (4WS) | C |
| | 0258456 | Ref | Valves Installations 800AJ (2WS) | C |
| | 0258457 | Ref | Valves Installations 800AJ (4WS) | C |
| 1 | | Ref | Main Control Valve Assembly Options (See MAIN CONTROL VALVE ASSEMBLY for Breakdown): | |
| 1 | 4641034 | NLA | Main Control Valve Assembly (Use p/n 4641099) (Prior to SN 0300040142) | |
| 1 | 4641093 | NLA | Main Control Valve Assembly (Use p/n 4641099) (SN 0300040142 through 0300041274) | |
| 1 | 4641099 | | Main Control Valve Assembly (SN 0300041275 through 0300069000) | |
| 2 | 2120167 | 1 | Return Filter Assembly | |
| 2 | 2120168 | 1 | Element, Filter | |
| 2 | 7020021 | 1 | Indicator, Clogged | |
| 3 | 4640866 | 1 | Valve Assembly (Level) | |
| 3A | 7017466 | 1 | Cartridge | |
| 3A | 2900708 | 1 | Seal Kit - Cartridge | |
| 3B | 7012959 | 1 | Knob | |
| 4 | 2120163 | 1 | Pressure Filter Assembly | |
| 4 | 2120150 | 1 | Element, Filter | |
| 4 | 7023206 | 1 | O-Ring, Filter Bowl | |
| 4 | 7023207 | 1 | Ring, Filter Bowl Backup | |
| 4 | 7020020 | 1 | Indicator | |
| 5 | 4641061 | 1 | Solenoid Valve Assembly (Brake) | |
| 5 | 7012943 | 1 | Coil | |
| 5 | 7017479 | 1 | Cartridge without Coil | |
| 5 | 7012518 | 1 | Seal Kit - 7017479 Cartridge | |
| 6 | 4640906 | 1 | Solenoid Valve Assembly (2 Speed) | |
| 6A | 7012944 | 1 | Coil | |
| 6A | 7023981 | 1 | Cartridge without Coil | |
| 6A | 7012905 | 1 | Seal Kit - 7023981 Cartridge | |
| 6B | 7017481 | 2 | Cartridge, Check | |
| 6B | 7012972 | 2 | Seal Kit - 7017481 Cartridge | |
| 7 | 3570979 | 1 | Plate, Spacer | |
| 9 | 3841340 | 4 | Loop, Hose | |
| 10 | 2220893 | 1 | Fitting, Adapter | |
| 11 | 0641614 | 3 | Bolt 3/8in-16NC x 1-3/4in | |
| 12 | 0641606 | 8 | Bolt 3/8in-16NC x 3/4in | |
| 13 | 4711600 | 6 | Flatwasher 3/8in Narrow | |
| 14 | 0641508 | 2 | Bolt 5/16in-18NC x 1in | |
| 15 | 4891500 | 2 | Flatwasher 5/16in | |
| 16 | 4711500 | 2 | Flatwasher 5/16in Narrow | |
| 17 | 0641418 | 2 | Bolt 1/4in-20NC x 2-1/4in | |
| 19 | 0641414 | 2 | Bolt 1/4in-20NC x 1-3/4in | |
| 20 | 0651406 | 4 | Bolt 1/4in-28NF x 3/4in | |
| 21 | 4711400 | 16 | Flatwasher 1/4in Narrow | |
| 22 | 3311405 | 6 | Locknut 1/4in-20NC | |
| 23 | 0100011 | AR | Compound, Locking | |

SECTION 2 - TURNTABLE

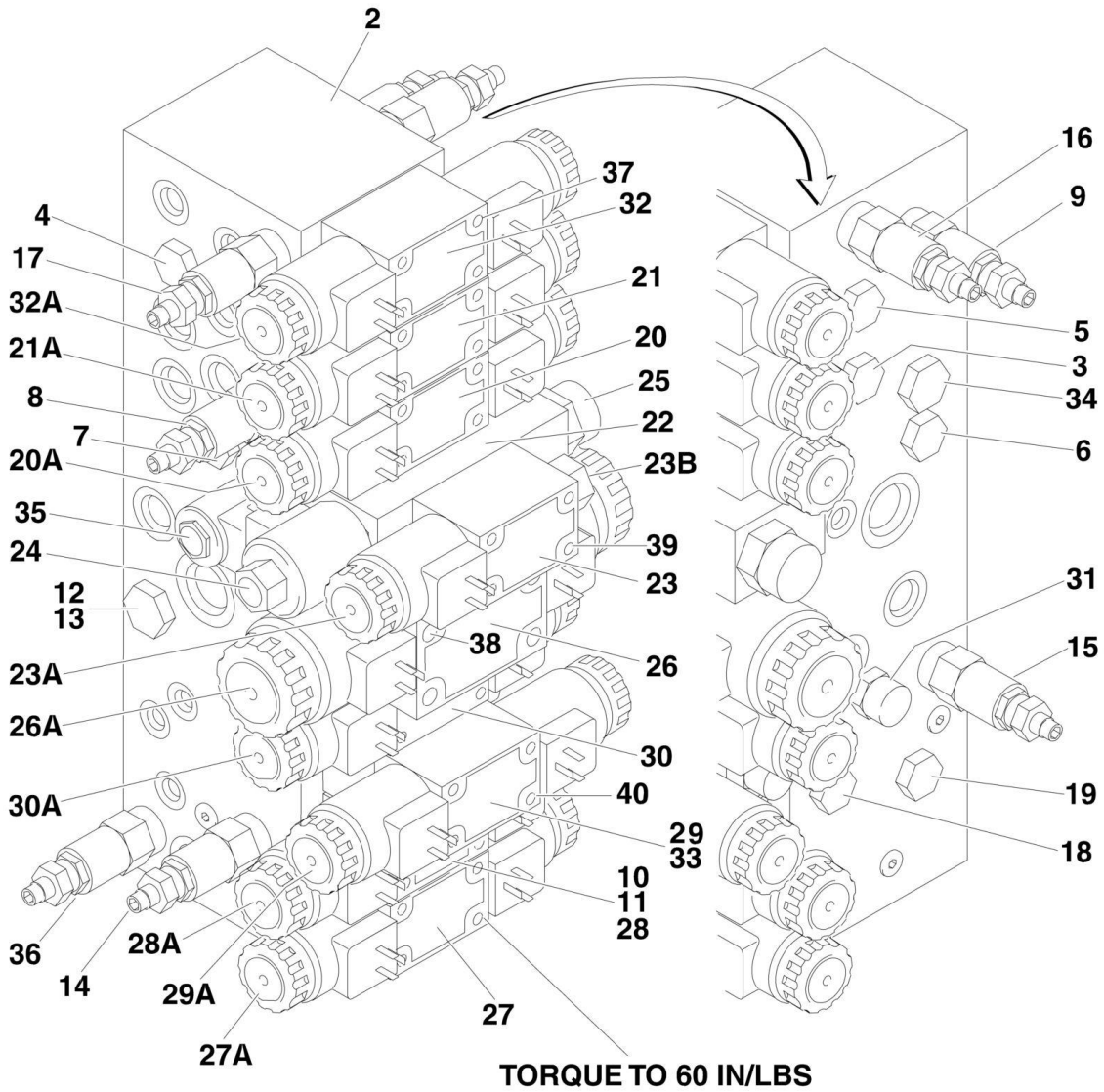
| ITEM | PART NUMBER | QTY | DESCRIPTION | REV |
|------|--------------|----------|--|-----|
| 24 | | Ref | Valve Assembly (Jib Control) Options: (See ACCESSORY VALVE ASSEMBLY for Breakdown) | |
| 24 | Not Required | 0 | Valve Assembly (Jib Control) 800A | |
| 24 | 4640921 | 1 | Valve Assembly (Jib Control) 800AJ | |
| 25 | | Ref | Harness Assembly (Jib Control) Options (Not Shown - See ELECTRICAL SECTION for Breakdown): | |
| 25 | Not Required | 0 | Harness Assembly (Jib Control) 800A | |
| 25 | 4921927 | 1 | Harness Assembly (Jib Control) 800AJ | |
| 26 | | Ref | Valve Assembly (4WS Control) Options: | |
| 26 | Not Required | 0 | Valve Assembly 2WS | |
| 26 | 4640922 | 1 | Valve Assembly 4WS (See ACCESSORY VALVE ASSEMBLY for Breakdown) | |
| 27 | | Ref | Harness Assembly (4WS Control) Options (Not Shown - See ELECTRICAL SECTION for Breakdown): | |
| 27 | Not Required | 0 | Harness Assembly 2WS | |
| 27 | 4921928 | 1 | Harness Assembly 4WS | |
| 28 | 4420060 | 2 in/5cm | Tape, Double Sided | |
| | 0258410 | Ref | TILT INDICATOR INSTALLATION (MACHINES WITHOUT ADE SYSTEM ONLY) | B |
| 101 | 4360417 | 1 | Indicator, Tilt | |
| 102 | 0140001 | 1 | Horn | |
| 103 | 0641406 | 3 | Bolt 1/4in-20NC x 3/4in | |
| 104 | 4711400 | 5 | Flatwasher 1/4in Narrow | |
| 105 | 3311405 | 3 | Locknut 1/4in-20NC | |
| | 0258670 | Ref | AUXILIARY PUMP INSTALLATION | B |
| | | Ref | Note: Original Equipment pump may have been replaced with various Service Replacement pump. Identify component before ordering parts. | |
| 201 | | Ref | Auxiliary Pump Assembly Options: | |
| 201 | 3600287 | NLA | Auxiliary Pump Service Kit (Original Equipment) (Use p/n 1001143191) | |
| 201 | 1001091424 | NLA | Auxiliary Pump Service Kit (Original Equipment) (Use p/n 1001143191) | |
| 201 | | Ref | Service Parts for Fenner Brand (p/n 3600287 pump) | |
| 201 | 7016779 | 1 | Replacement Motor Assembly (p/n 3600287 pump) | |
| 201 | 7016781 | 1 | Brush Kit - 7016779 Motor | |
| 201 | 7016780 | 1 | Replacement Pump Assembly (p/n 3600287 pump) | |
| 201 | 7016785 | 1 | Seal Kit - 7016780 Pump | |
| 201 | 7016782 | 1 | Coupling, Pump/Motor (p/n 3600287 pump) | |
| 201 | 7016783 | 1 | Pump Mounting Kit (p/n 3600287 pump) | |
| 201 | 7016784 | 1 | Relief Valve Assembly (p/n 3600287 pump) | |
| 201 | 3600458 | NLA | Auxiliary Pump Assembly (Service Replacement) (Use p/n 1001137460) | |
| 201 | | Ref | Service Parts for Haldex Brand (p/n 3600458 pump) (Service Replacement) | |
| 201 | 70001059 | 1 | Replacement Motor Assembly (p/n 3600458 pump) | |
| 201 | See Note | 1 | Pump (p/n 1001137460 pump) (Note: Not Available for Purchase) | |
| 201 | 70001069 | 1 | Seal Kit, Pump (p/n 3600458 pump) | |
| 201 | 70001068 | 1 | Motor/Coupling Kit (p/n 3600458 pump) | |
| 201 | 70001067 | 1 | Valve, Logic (p/n 3600458 pump) | |
| 201 | 1001137460 | 1 | Auxiliary Pump Assembly (Service Replacement) | |
| 201 | | Ref | Service Parts for Bucher Brand (p/n 1001137460 pump) (Service Replacement) | |

SECTION 2 - TURNTABLE

| ITEM | PART NUMBER | QTY | DESCRIPTION | REV |
|------|-------------|-----|---|-----|
| 201 | 70003992 | 1 | Replacement Motor Assembly (p/n 1001137460 pump) | |
| 201 | See Note | 1 | Pump (p/n 1001137460 pump) (Note: Not Available for Purchase) | |
| 201 | 70003983 | 1 | Base Assembly (p/n 1001137460 pump) | |
| 201 | 70003993 | 1 | Seal Shaft - 70003983 Base Assembly | |
| 201 | 70003989 | 1 | Valve, Logic (p/n 1001137460 pump) | |
| 201 | 70003990 | 1 | Relief Valve (p/n 1001137460 pump) | |
| 202 | 0902415 | 1 | Bracket, Pump Mounting | |
| 203 | 0641610 | 3 | Bolt 3/8in-16NC x 1-1/4in | |
| 204 | 4751600 | 3 | Flatwasher 3/8in | |
| 205 | 0641506 | 4 | Bolt 5/16in-18NC x 3/4in | |
| 206 | 4711500 | 4 | Flatwasher 5/16in Narrow | |
| 207 | 0100011 | AR | Compound, Locking | |

SECTION 2 - TURNTABLE

FIGURE 2-2. MAIN CONTROL VALVE ASSEMBLY



SECTION 2 - TURNTABLE

FIGURE 2-2. MAIN CONTROL VALVE ASSEMBLY

| ITEM | PART NUMBER | QTY | DESCRIPTION | REV |
|------|-------------|-----|--|-----|
| | | Ref | MAIN CONTROL VALVE ASSEMBLY | |
| | 4641034 | Ref | Main Control Valve Assembly (Prior to SN 0300040142) | A |
| | 4641093 | Ref | Main Control Valve Assembly (SN 0300040142 through 0300041274) | B |
| | 4641099 | Ref | Main Control Valve Assembly (SN 0300041275 through 0300069000) | B |
| | | Ref | Note: Original Equipment valve may have been replaced with Service Replacement valve. Visually identify the p/n stamped on valve before ordering parts. | |
| 2 | See Note | 1 | Block (Note: Not Available - Purchase Complete Assembly) | |
| 3 | 7010542 | 1 | Cartridge, Load Sensing (Main Lift) | |
| 3 | 7010543 | 1 | Seal Kit - 7010542 Cartridge | |
| 4 | 7010542 | 1 | Cartridge, Load Sensing | |
| 4 | 7010543 | 1 | Seal Kit - 7010542 Cartridge | |
| 5 | 7010542 | 1 | Cartridge, Load Sensing (Swing) | |
| 5 | 7010543 | 1 | Seal Kit - 7010542 Cartridge | |
| 6 | 7010542 | 1 | Cartridge, Load Sensing | |
| 6 | 7010543 | 1 | Seal Kit - 7010542 Cartridge | |
| 7 | 7010542 | 1 | Cartridge, Load Sensing (Main) | |
| 7 | 7010543 | 1 | Seal Kit - 7010542 Cartridge | |
| 8 | 7017420 | 1 | Cartridge, Relief Valve (Main Lift) | |
| 8 | 7012998 | 1 | Seal Kit - 7017420 Cartridge | |
| 9 | 7017423 | 1 | Cartridge, Relief Valve (Swing) | |
| 9 | 7012998 | 1 | Seal Kit - 7017420 Cartridge | |
| 10 | 7018941 | 1 | Orifice | |
| 11 | 7018941 | 1 | Orifice | |
| 12 | 7017474 | 1 | Cartridge, Check Valve (Tower Lift) | |
| 12 | 2900708 | 1 | Seal Kit - 7017448 Cartridge | |
| 13 | 7021602 | 1 | Piston, Pilot (4641093 & 4641099 Valves Only) | |
| 14 | 7017428 | 1 | Cartridge, Relief Valve (Platform Level Down) | |
| 14 | 7012998 | 1 | Seal Kit - 7017428 Cartridge | |
| 15 | 7017427 | 1 | Cartridge, Relief Valve (Platform Level Up) | |
| 15 | 7012998 | 1 | Seal Kit - 7017427 Cartridge | |
| 16 | 7017428 | 1 | Cartridge, Relief Valve (Front Steer) | |
| 16 | 7012998 | 1 | Seal Kit - 7017428 Cartridge | |
| 17 | 7017428 | 1 | Cartridge, Relief Valve (Front Steer) | |
| 17 | 7012998 | 1 | Seal Kit - 7017428 Cartridge | |
| 18 | 7012914 | 1 | Cartridge, Pilot Check (Platform Level) | |
| 18 | 7012918 | 1 | Seal Kit - 7012914 Cartridge | |
| 19 | 7012914 | 1 | Cartridge, Pilot Check (Platform Level) | |
| 19 | 7012918 | 1 | Seal Kit - 7012914 Cartridge | |
| 20 | 7018992 | 1 | Control Valve Assembly (Main Lift) | |
| 20 | 7012773 | 1 | Seal Kit - 7018992 Valve | |
| 20A | 7018991 | 2 | Coil | |
| 20A | 7018912 | 2 | Nut | |
| 21 | 7012775 | 1 | Control Valve Assembly (Swing) | |
| 21 | 7012773 | 1 | Seal Kit - 7012775 Valve | |
| 21A | 7012772 | 2 | Coil | |
| 21A | 7018912 | 2 | Nut | |
| 22 | See Note | 1 | Manifold, Valve (Main) (Note: Not Available for Purchase) | |

SECTION 2 - TURNTABLE

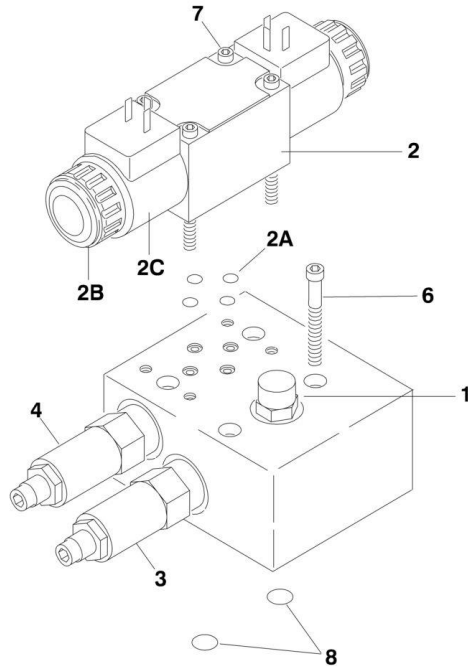
| ITEM | PART NUMBER | QTY | DESCRIPTION | REV |
|------|-------------|-----|---|-----|
| 23 | 7018994 | 1 | Control Valve Assembly (Main) | |
| 23 | 7012773 | 1 | Seal Kit - 7018994 Valve | |
| 23A | 7012772 | 1 | Coil | |
| 23A | 7018912 | 1 | Nut | |
| 23B | 7018993 | 1 | Plug | |
| 24 | | Ref | Cartridge without Coil Options: | |
| 24 | 7017414 | 1 | 4641034 & 4641093 Valves (was p/n 7017475) (Prior to SN 0300041275) | |
| 24 | 7017414 | 1 | 4641099 Valve (SN 0300041275 through 0300069000) | |
| 24 | 2900708 | 1 | Seal Kit - 7017414 Cartridge | |
| 24 | 7012901 | 1 | Seal Kit - 7017475 Cartridge | |
| 24 | 7000645 | 1 | Coil - 7017414 Valve Only | |
| 24 | 7012943 | 1 | Coil - 7017475 Valve Only | |
| 25 | | Ref | Cartridge, Flow Regulator (Main) Options: | |
| 25 | 7021601 | 1 | 4641034 Valve (was p/n 7017476) (Prior to SN 0300040142) | |
| 25 | 7021601 | 1 | 4641093 & 4641099 Valves (SN 0300040142 through 0300069000) | |
| 25 | 7017477 | 1 | Seal Kit - 7021601 Cartridge | |
| 26 | 70000579 | 1 | Control Valve Assembly (Main Tele) (was p/n 7012766) | |
| | | Ref | Note: Refer to Vendor P/N on Valve Nameplate before ordering Parts. P/N 7012766 is RR00567495 or R900567495. P/N 70000579 is R900930080. | |
| 26 | | Ref | Seal Kit Options: | |
| 26 | 7012769 | 1 | 7012766 Valve | |
| 26 | 70000583 | 1 | 70000579 Valve | |
| 26A | | Ref | Coil Options: | |
| 26A | 7012772 | 1 | 7012766 Valve (Was p/n 7012768) | |
| 26A | 70000582 | 1 | 70000579 Valve | |
| 26A | | Ref | Nut, Coil Options: | |
| 26A | 7018912 | 1 | 7012766 Valve | |
| 26A | 70000580 | 1 | 70000579 Valve | |
| 27 | 70001976 | 1 | Control Valve Assembly (Tower Tele) (was p/n 7012770) | |
| 27 | 7012773 | 1 | Seal Kit - 7012770 Valve | |
| 27A | 7012772 | 2 | Coil | |
| 27A | 7018912 | 2 | Nut | |
| 28 | 70001976 | 1 | Control Valve Assembly (Platform Level) (was p/n 7012770) | |
| 28 | 7012773 | 1 | Seal Kit - 7012770 Valve | |
| 28A | 7012772 | 2 | Coil | |
| 28A | 7018912 | 2 | Nut | |
| 29 | 70001976 | 1 | Control Valve Assembly (Platform Rotate) (was p/n 7012770) | |
| 29 | 7012773 | 1 | Seal Kit - 7012770 Valve | |
| 29A | 7012772 | 2 | Coil | |
| 29A | 7018912 | 2 | Nut | |
| 30 | 70001976 | 1 | Control Valve Assembly (Tower Lift) (was p/n 7012770) | |
| 30 | 7012773 | 1 | Seal Kit - 7012770 Valve | |
| 30A | 7012772 | 2 | Coil | |
| 30A | 7018912 | 2 | Nut | |
| 31 | 7012989 | 1 | Cartridge, Flow Regulator (Platform Rotate) | |
| 31 | 7012953 | 1 | Seal Kit - 7012989 Cartridge | |
| 32 | 7012774 | 1 | Control Valve Assembly (Front Steer) | |
| 32 | 7012773 | 1 | Seal Kit - 7012774 Valve | |
| 32A | 7012772 | 2 | Coil | |

SECTION 2 - TURNTABLE

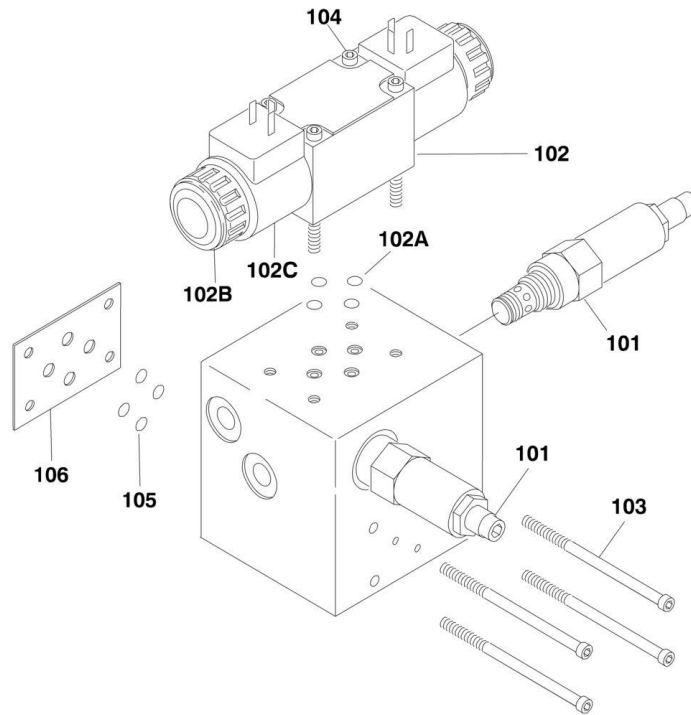
| ITEM | PART NUMBER | QTY | DESCRIPTION | REV |
|------|--------------|-----|--|-----|
| 32A | 7018912 | 2 | Nut | |
| 33 | | Ref | Valve, Sandwich (Platform Rotate) Options: | |
| 33 | Not Required | 0 | 4641034 & 4641093 Valves (Prior to SN 0300041275) | |
| 33 | 7021310 | 1 | 4641099 Valve (SN 0300041275 through 0300069000) | |
| 33 | 7018945 | 2 | O-Rings, Replacement - 7021310 Valve | |
| 34 | 7017478 | 1 | Cartridge, Check Valve (Main Pressure) | |
| 34 | 7017477 | 1 | Seal Kit - 7017478 Cartridge | |
| 35 | 7012941 | 1 | Cartridge without Coil (Main Dump) | |
| 35 | 7010543 | 1 | Seal Kit - 7017452 Cartridge | |
| 35 | 7012944 | 1 | Coil | |
| 36 | 7017428 | 1 | Cartridge, Relief Valve (Tower Tele) | |
| 36 | 7012998 | 1 | Seal Kit - 7017428 Cartridge | |
| 37 | 7018942 | 28 | Capscrew #10-24NC x 2in | |
| 38 | 7018951 | 4 | Capscrew 1/4in-20NC x 1-1/2in | |
| 39 | 7021311 | 4 | Capscrew #10-24NC x 4-1/2in | |
| 40 | See Note | 1 | Valve, Check (Platform Rotate) (4641034 Valve Only) (Note: Not Available for Purchase) | |
| 40 | 7018945 | 2 | O-Ring (Platform Rotate) (4641034 Valve Only) | |

SECTION 2 - TURNTABLE

FIGURE 2-3. ACCESSORY VALVE ASSEMBLY



**NOTE: TORQUE ITEMS 6, 7, 103 & 104
TO 60 IN/LBS.**



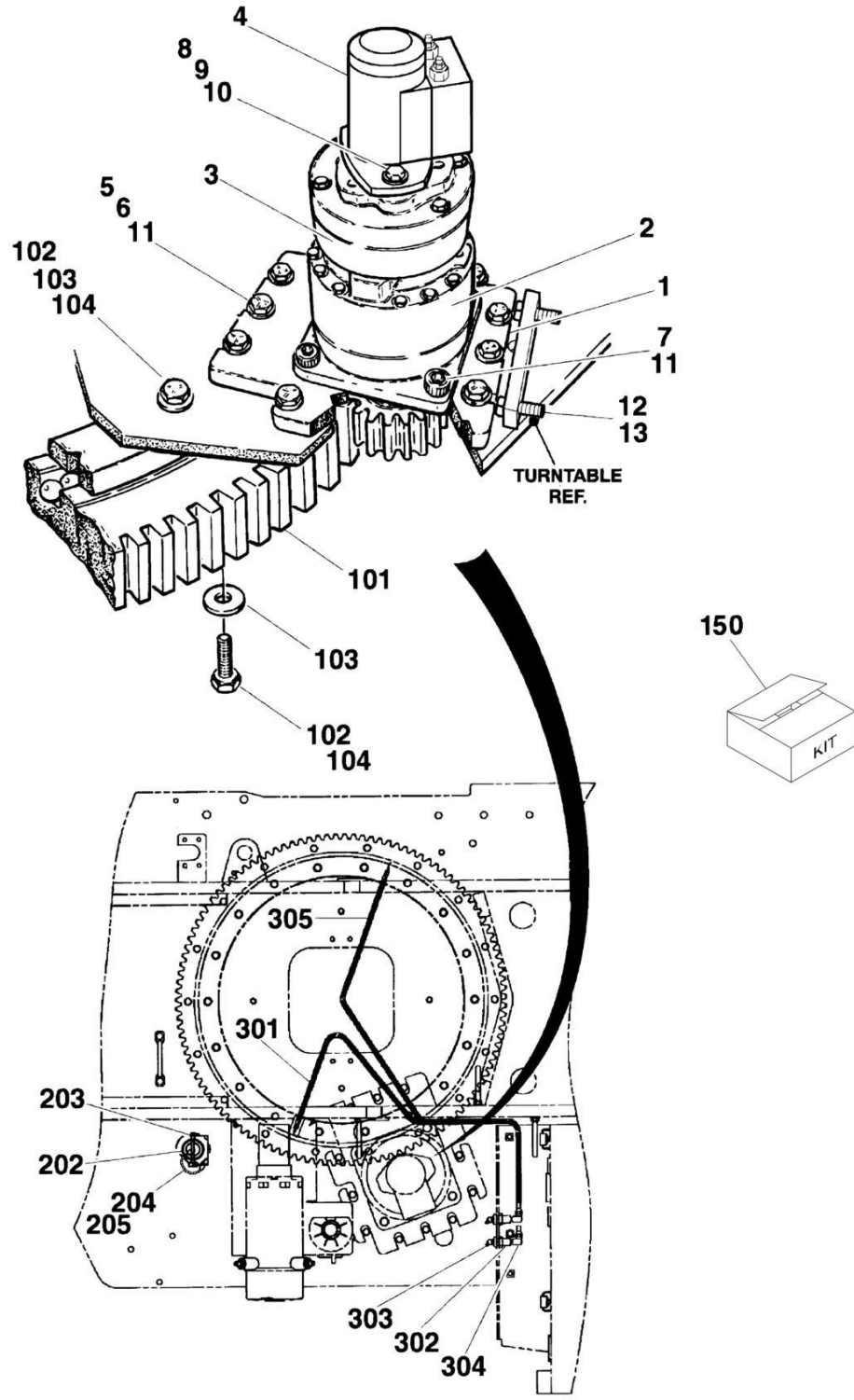
SECTION 2 - TURNTABLE

FIGURE 2-3. ACCESSORY VALVE ASSEMBLY

| ITEM | PART NUMBER | QTY | DESCRIPTION | REV |
|------|-------------|-----|--|-----|
| | | Ref | ACCESSORY VALVE ASSEMBLIES | |
| | 4640921 | Ref | ARTICULATING JIB VALVE ASSEMBLY | D |
| 1 | 7012965 | 1 | Cartridge, Flow Control | |
| 1 | 7012953 | 1 | Seal Kit - 7012965 Cartridge | |
| 2 | 70001976 | 1 | Directional Control Valve Assembly (was p/n 7012770) | |
| 2 | 7012773 | 1 | Seal Kit | |
| 2A | 7018945 | 4 | O-Ring | |
| 2B | 7018912 | 2 | Nut | |
| 2C | 7012772 | 2 | Coil | |
| 3 | 7017421 | 1 | Cartridge, Relief | |
| 3 | 7012998 | 1 | Seal Kit - 7017421 Cartridge | |
| 4 | 7017422 | 1 | Cartridge, Relief | |
| 4 | 7012998 | 1 | Seal Kit - 7017422 Cartridge | |
| 5 | 4460499 | 2 | Connector, DIN with Diode (Not Shown - Part of Valve Harness) | |
| 6 | 7012777 | 4 | Capscrew, Socket Head 5/16in-18NC x 2-1/4in (Used to Mount Valve Assembly) | |
| 7 | 7018942 | 4 | Capscrew, Socket Head #10-24NC x 2in | |
| 8 | 7012776 | 2 | O-Ring (Used to Mount Main Valve) | |
| | 4640922 | Ref | 4WS VALVE ASSEMBLY | B |
| 101 | 7017420 | 1 | Cartridge, Relief | |
| 101 | 7012998 | 1 | Seal Kit - 7017420 Cartridge | |
| 102 | 7012774 | 1 | Directional Control Valve Assembly | |
| 102 | 7012773 | 1 | Seal Kit | |
| 102A | 7018945 | 4 | O-Ring | |
| 102B | 7018912 | 2 | Nut | |
| 102C | 7012772 | 2 | Coil | |
| 103 | 7018946 | 4 | Capscrew, Socket Head #10-24NC x 5in (Used to Mount Main Valve) | |
| 104 | 7018942 | 4 | Capscrew, Socket Head #10-24NC x 2in | |
| 105 | 7018948 | 4 | O-Ring (Used to Mount Main Valve) | |
| 106 | 7018947 | 1 | Plate, O-Ring | |

SECTION 2 - TURNTABLE

FIGURE 2-4. TURNTABLE AND SWING DRIVE INSTALLATIONS (Prior to SN 0300068040)



SECTION 2 - TURNTABLE

FIGURE 2-4. TURNTABLE AND SWING DRIVE INSTALLATIONS (Prior to SN 0300068040)

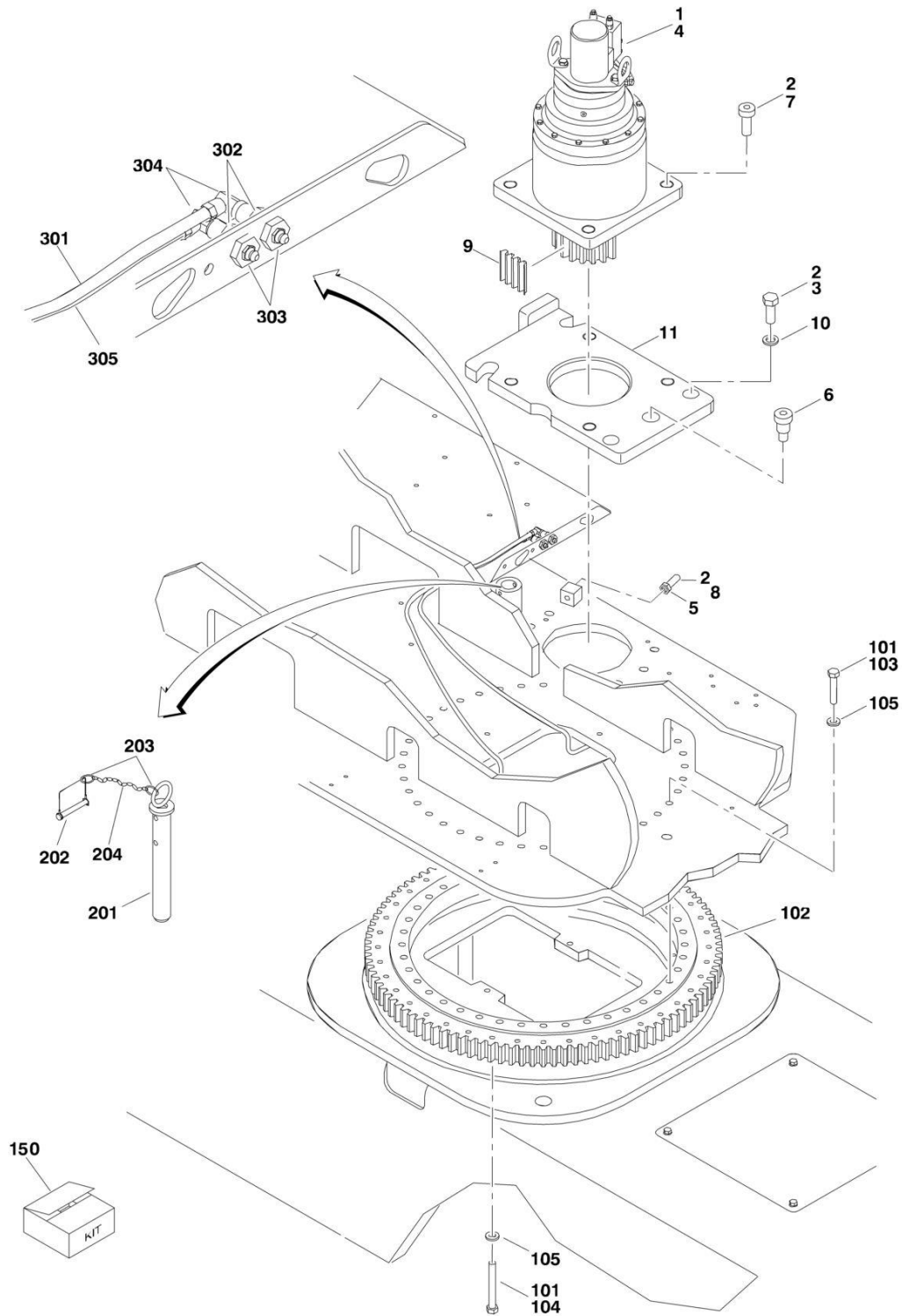
| ITEM | PART NUMBER | QTY | DESCRIPTION | REV |
|------|-------------|-----|---|-----|
| | | Ref | TURNTABLE WELDMENT | |
| | 4620119 | Ref | Standard Machines | |
| | | Ref | SWING DRIVE INSTALLATION OPTIONS: | |
| | 0258407 | Ref | Swing Drive Installation (Prior to SN 0300064566) | D |
| | 0270331 | Ref | Swing Drive Installation (SN 0300064566 through 0300068040) | B |
| 1 | 3570488 | 1 | Plate, Swing Drive | |
| 2 | 2780205 | 1 | Hub, Swing Assembly (See SWING HUB ASSEMBLY for Breakdown) | |
| 3 | | Ref | Brake, Swing Assembly Options: (See SWING BRAKE ASSEMBLY for Breakdown) | |
| 3 | 0920111 | 1 | Brake, Swing Assembly (Prior to SN 0300064566) | |
| 3 | 0920119 | 1 | Brake, Swing Assembly (SN 0300064566 through 0300068040) | |
| 4 | | Ref | Motor, Swing Assembly Options: (See SWING MOTOR ASSEMBLY for Breakdown) | |
| 4 | 3160223 | 1 | Motor, Swing Assembly (Prior to SN 0300064566) | |
| 4 | 3160279 | 1 | Motor, Swing Assembly (SN 0300064566 through 0300068040) | |
| 5 | 0642018 | 12 | Bolt 5/8in - 11NC x 2-1/4in | |
| 6 | | Ref | Washer Options: | |
| 6 | 4892000 | 12 | Flatwasher 5/8in (Prior to SN 0300064566) | |
| 6 | 4740004 | 12 | Hardened, Washer 5/8in (SN 0300064566 through 0300068040) | |
| 7 | 3932224 | 4 | Bolt 1/2in - 13NC x 1-1/2in | |
| 8 | 0681836 | 2 | Bolt 1/2in - 13NC x 4-1/2in (Grade 8) | |
| 9 | 4891800 | 2 | Flatwasher 1/2in | |
| 10 | 0100011 | AR | Compound, Locking | |
| 11 | 0100019 | AR | Compound, Locking | |
| 12 | 3311802 | 2 | Nut Jam 1/2in - 13NC (SN 0300052924 through 0300068040) | |
| 13 | 3971820 | 2 | Setscrew 1/2in - 13NC x 2-1/2in (SN 0300052924 through 0300068040) | |
| | | Ref | TURNTABLE BEARING INSTALLATIONS | |
| | 0254798 | Ref | Turntable Bearing Installations (Prior to SN 0300041029) | A |
| | 0259055 | Ref | Turntable Bearing Installations (SN 0300041029 through 0300068040) | A |
| 101 | | Ref | Bearing, Turntable Options: | |
| 101 | 0440207 | 1 | Bearing, Turntable (Prior to SN 0300041029) | |
| 101 | 0440233 | NLA | Bearing, Turntable - Bearing Kit (Use p/n 2915096) (Kit Includes Bearing and Mounting Hardware) (SN 0300041029 through 0300068040) | |
| 102 | | Ref | Bolt 5/8in - 11NC (Grade 8) | |
| 102 | 0682016 | 36 | 2in Length (Prior to SN 0300041029) | |
| 102 | 0682023 | 36 | 2-7/8in Length (SN 0300041029 through 0300068040) | |
| 103 | 4892000 | 36 | Flatwasher, Hardened | |
| 104 | 0100019 | AR | Compound, Locking | |
| 150 | 2915087 | 1 | TURNTABLE BEARING KIT (Prior to SN 0300041029) | |
| 150 | 2915096 | 1 | TURNTABLE BEARING KIT (SN 0300041029 through 0300068039) | |
| | 0239585 | Ref | TURNTABLE LOCK INSTALLATION | B |
| 202 | 3421627 | 1 | Pin | |
| 203 | 3421565 | 1 | Pin, Snap | |
| 204 | 3760170 | 2 | Ring, Quick Release | |

SECTION 2 - TURNTABLE

| ITEM | PART NUMBER | QTY | DESCRIPTION | REV |
|------|-------------|-----------|---|-----|
| 205 | 1260017 | 9 in/23cm | Chain | 2 |
| | 0255316 | Ref | REMOTE BEARING LUBE INSTALLATION | |
| 301 | 2751095 | 1 | Hose, Grease | |
| 302 | 2180344 | 2 | Fitting, Bulkhead | |
| 303 | 2160003 | 2 | Fitting, Grease Elbow | |
| 304 | 2220063 | 2 | Fitting, Elbow | |
| 305 | 2751032 | 1 | Hose, Grease | |

SECTION 2 - TURNTABLE

FIGURE 2-5. TURNTABLE AND SWING DRIVE INSTALLATIONS (SN 0300068040 through 0300069000)



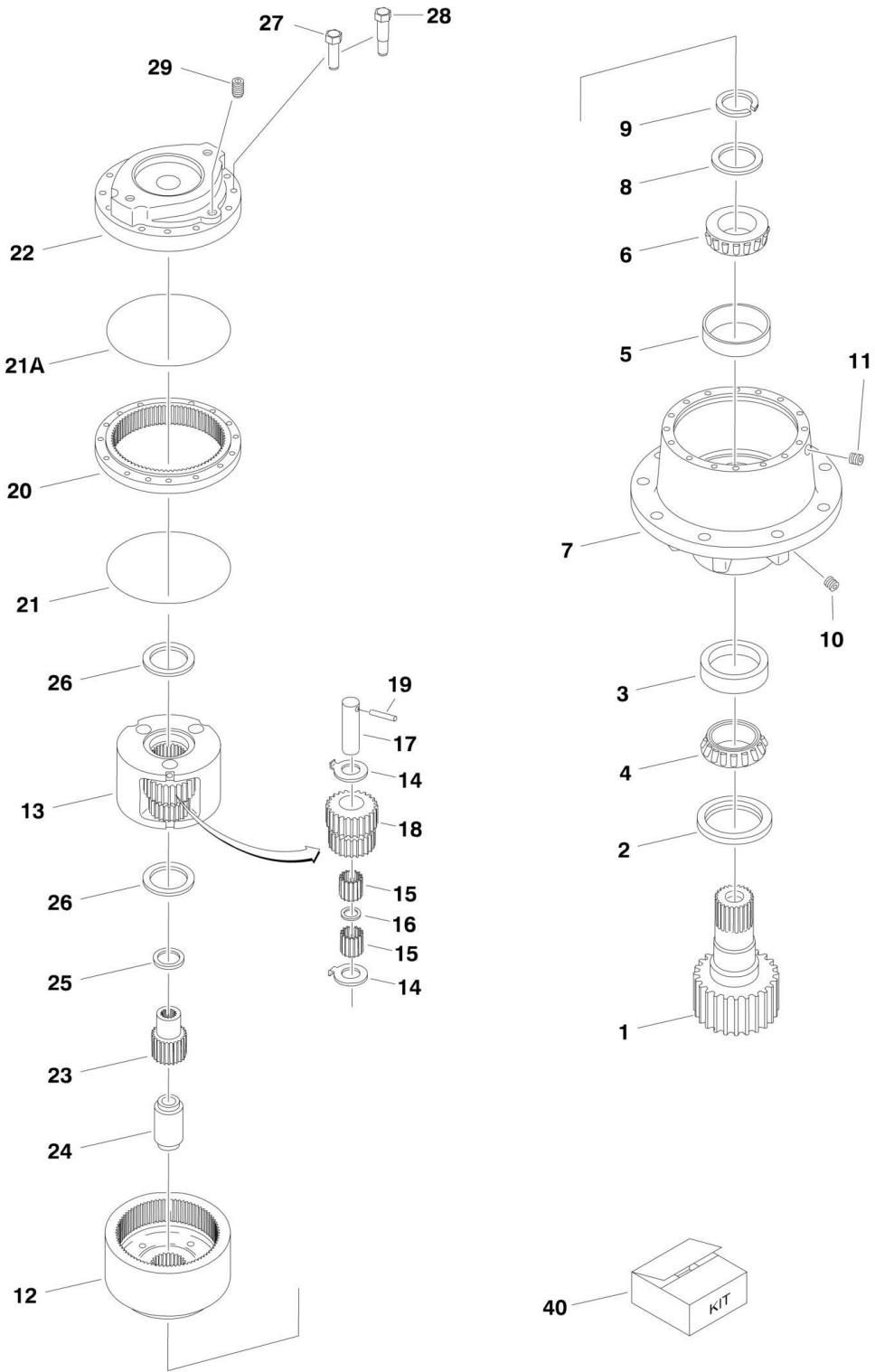
SECTION 2 - TURNTABLE

FIGURE 2-5. TURNTABLE AND SWING DRIVE INSTALLATIONS (SN 0300068040 through 0300069000)

| ITEM | PART NUMBER | QTY | DESCRIPTION | REV |
|------|-------------|-----------|--|-----|
| | | Ref | TURNTABLE WELDMENT | |
| | 4620119 | Ref | Standard Machines | |
| | 0272189 | Ref | SWING DRIVE INSTALLATION | A |
| 1 | 0100011 | AR | Compound, Locking | |
| 2 | 0100019 | AR | Compound, Locking | |
| 3 | 0682214 | 4 | Bolt 3/4in - 10NC x 1-3/4in (Grade 8) | |
| 4 | 3160286 | 1 | Motor, Swing Assembly (See SWING MOTOR/HUB ASSEMBLY for Breakdown) | |
| 5 | 3312002 | 1 | Nut Jam 5/8in - 11NC | |
| 6 | 3900293 | 1 | Screw, Shoulder | |
| 7 | 3932224 | 4 | Screw 3/4in- 10NC x 1-1/2in | |
| 8 | 3952020 | 1 | Setscrew 5/8in x 2in | |
| 9 | 4071009 | 1 | Shim | |
| 10 | 4740057 | 4 | Hardened, Washer | |
| 11 | 4846430 | 1 | Plate, Swing Drive | |
| | 0271002 | Ref | TURNTABLE BEARING INSTALLATION | E |
| 101 | 0100019 | AR | Compound, Locking | |
| 102 | 0440244 | 1 | Bearing, Turntable | |
| 103 | 0682023 | 24 | Bolt 5/8in - 11NC X 2-7/8in (Grade 8) | |
| 104 | 0682032 | 24 | Bolt 5/8in - 11NC x 4in (Grade 8) | |
| 105 | 4892000 | 48 | Flatwasher, Hardened | |
| 150 | 2915094 | 1 | TURNTABLE BEARING KIT | |
| | 0259147 | Ref | TURNTABLE LOCK INSTALLATION | A |
| 201 | 4844958 | 1 | Pin, Locking | |
| 202 | 3421565 | 1 | Pin, Snap | |
| 203 | 3760170 | 2 | Ring, Quick Release | |
| 204 | 1260017 | 9 in/23cm | Chain | |
| | 0255316 | Ref | REMOTE BEARING LUBE INSTALLATION | 2 |
| 301 | 2751095 | 1 | Hose, Grease | |
| 302 | 2180344 | 2 | Fitting, Bulkhead | |
| 303 | 2160003 | 2 | Fitting, Grease Elbow | |
| 304 | 2220063 | 2 | Fitting, Elbow | |
| 305 | 2751032 | 1 | Hose, Grease | |

SECTION 2 - TURNTABLE

FIGURE 2-6. SWING HUB ASSEMBLY (Prior to SN 0300068040)



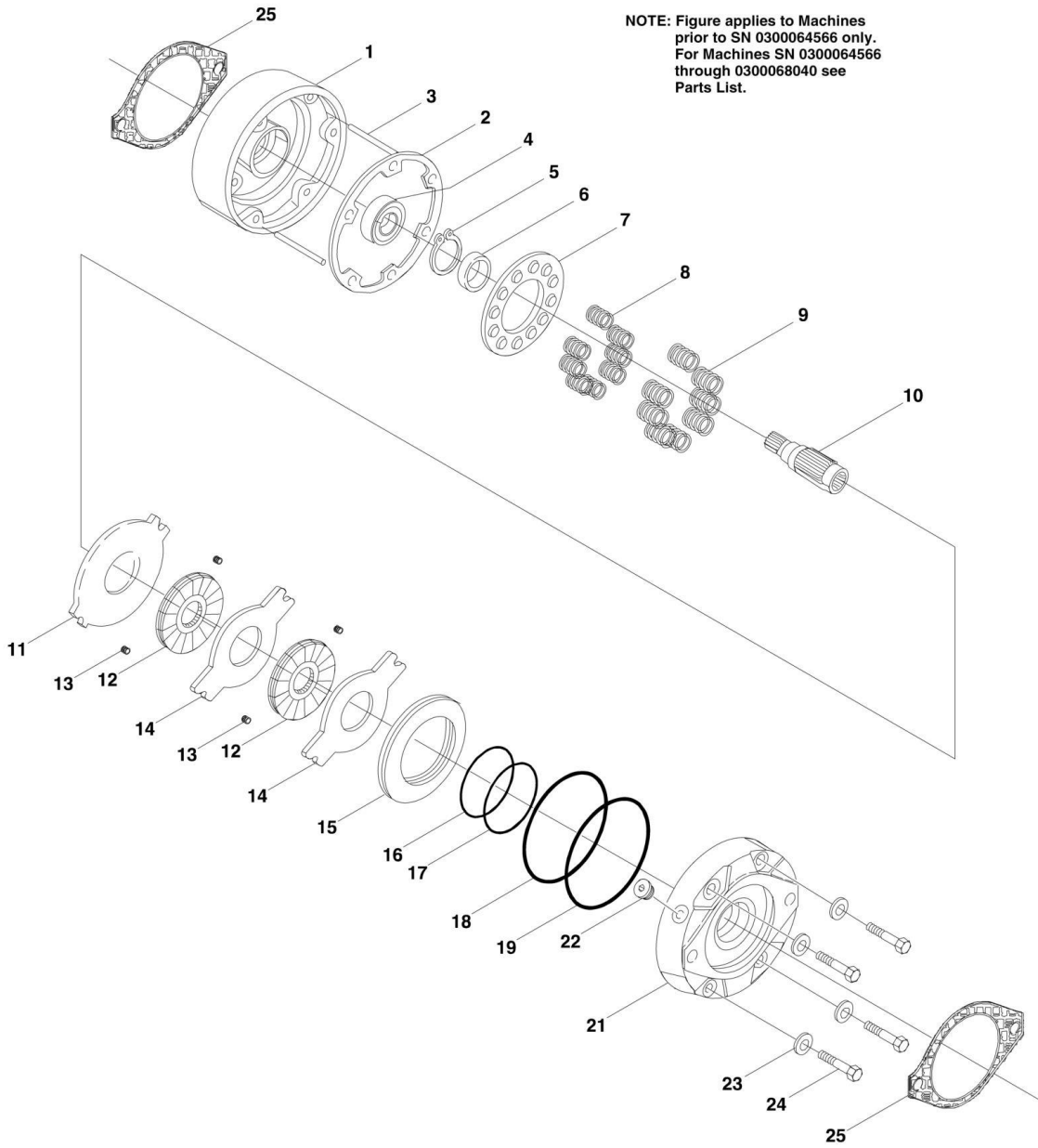
SECTION 2 - TURNTABLE

FIGURE 2-6. SWING HUB ASSEMBLY (Prior to SN 0300068040)

| ITEM | PART NUMBER | QTY | DESCRIPTION | REV |
|------|-------------|-----|---|-----|
| | 2780205 | Ref | SWING HUB ASSEMBLY | - |
| | | Ref | HOUSING ASSEMBLY | |
| 1 | 7010492 | 1 | Shaft, Output | |
| 2 | 7000228 | 1 | Seal, Lip | |
| 3 | 7000255 | 1 | Cup, Bearing | |
| 4 | 7000256 | 1 | Cone, Bearing | |
| 5 | 7000257 | 1 | Cup, Bearing | |
| 6 | 7000258 | 1 | Cone, Bearing | |
| 7 | 7017089 | 1 | Housing | |
| 8 | 7007633 | 1 | Thrustwasher | |
| 9 | 7000229 | 1 | Ring, Retaining | |
| 10 | 7010494 | 2 | Pipe, Plug | |
| 11 | 7001928 | 2 | Pipe, Plug | |
| 12 | 7000246 | 2 | Gear, In O-Ring | |
| | | Ref | CARRIER ASSEMBLY | |
| 13 | 7001931 | 1 | Carrier | |
| 14 | 7001985 | 6 | Thrustwasher, Tanged | |
| 15 | 7001909 | 96 | Bearing, Needle | |
| 16 | 7000263 | 3 | Spacer, Thrust | |
| 17 | 7001911 | 3 | Shaft, Planet | |
| 18 | 7001987 | 3 | Gear, Cluster | |
| 19 | 7010474 | 3 | Roll Pin | |
| 20 | 7001988 | 1 | Ring Gear | |
| 21 | 7000230 | 1 | O-Ring | |
| 21A | 7017070 | 1 | O-Ring | |
| 22 | 7000209 | 1 | Cover, Input | |
| 23 | 7010488 | 1 | Gear, Sun | |
| 24 | 7000269 | 1 | Spacer, Input | |
| 25 | 7000270 | 1 | Thrustwasher | |
| 26 | 7000253 | 2 | Thrustwasher | |
| 27 | 7000217 | 8 | Bolt | |
| 28 | 7000214 | 4 | Bolt, Shoulder | |
| 29 | 2200222 | 1 | Pipe, Plug | |
| 40 | 7024100 | 1 | Kit, Seal (Includes Items 2, 9, 21, 21A & 26) | |

SECTION 2 - TURNTABLE

FIGURE 2-7. SWING BRAKE ASSEMBLY (Prior to SN 0300068040)



NOTE: Figure applies to Machines prior to SN 0300064566 only. For Machines SN 0300064566 through 0300068040 see Parts List.

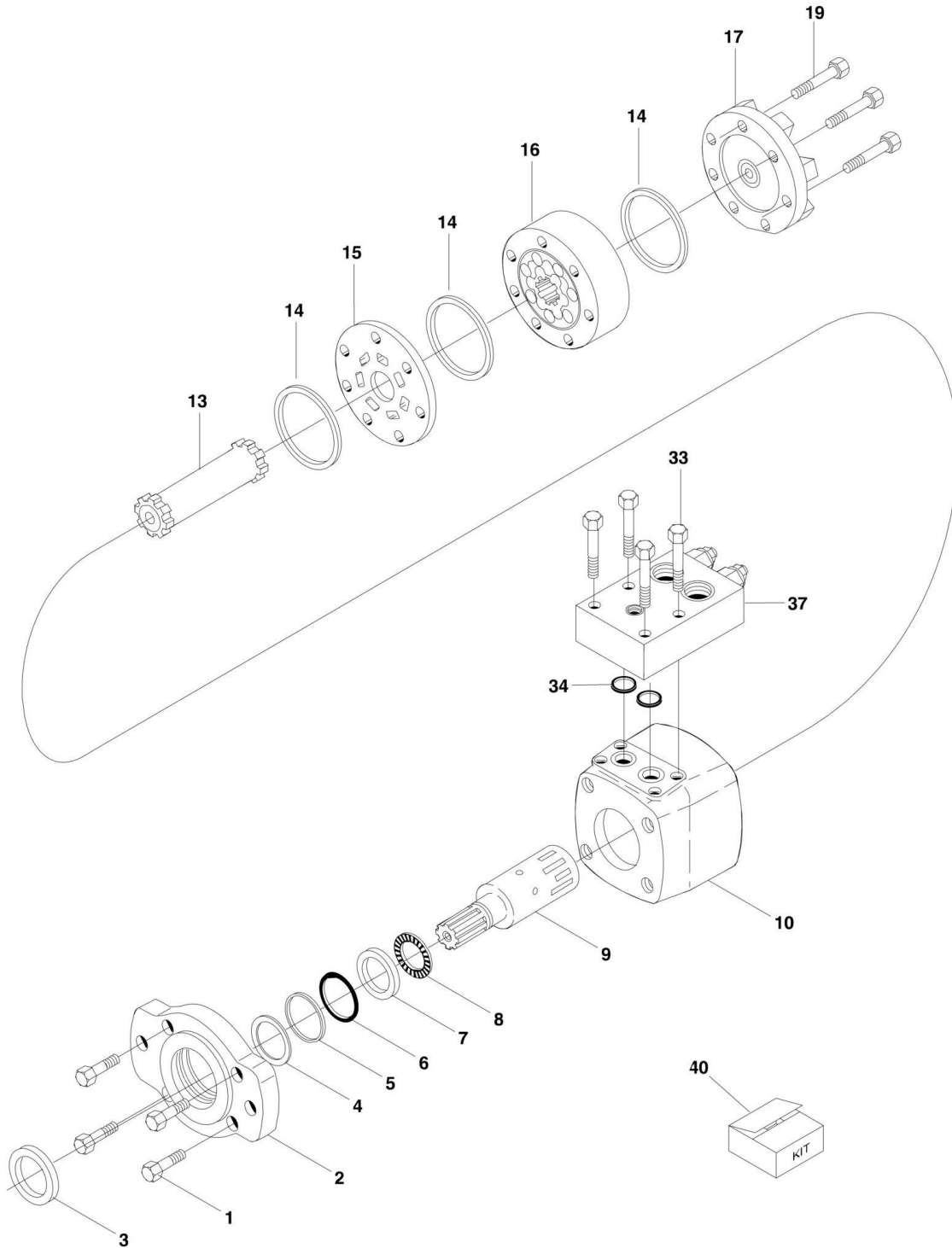
SECTION 2 - TURNTABLE

FIGURE 2-7. SWING BRAKE ASSEMBLY (Prior to SN 0300068040)

| ITEM | PART NUMBER | QTY | DESCRIPTION | REV |
|------|-------------|-----|--|-----|
| | 0920111 | Ref | SWING BRAKE ASSEMBLY (Prior to SN 0300064566) | B |
| 1 | 7003451 | 1 | Housing | |
| 2 | 7003452 | 1 | Gasket | |
| 3 | 7003094 | 2 | Torque Pin | |
| 4 | 7003049 | 1 | Bearing, Ball | |
| 5 | 7003453 | 1 | Ring, Retaining | |
| 6 | 7003050 | 1 | Seal | |
| 7 | 7003454 | 1 | Retainer, Spring | |
| 8 | 7000798 | 10 | Spring, Compression (Small) | |
| 9 | 7000782 | 10 | Spring, Compression (Large) | |
| 10 | 7003455 | 1 | Shaft | |
| 11 | 7003456 | 1 | Disc, Primary | |
| 12 | 7003457 | 2 | Disc, Rotating | |
| 13 | 7003458 | 4 | Spring, Wave | |
| 14 | 7003459 | 2 | Disc, Stationary | |
| 15 | 7003460 | 1 | Piston | |
| 16 | 7000722 | 1 | Ring, Back-up | |
| 17 | 7000723 | 1 | O-Ring | |
| 18 | 7000724 | 1 | Ring, Back-up | |
| 19 | 7000725 | 1 | O-Ring | |
| 20 | 7000796 | 1 | Screw, Bleeder | |
| 21 | 7003461 | 1 | Plate, Power | |
| 22 | 7000728 | 1 | Plug, Protective | |
| 23 | 7003462 | 4 | Washer | |
| 24 | 7003463 | 4 | Bolt 1/2in-13NC | |
| 25 | 7000731 | 2 | Gasket | |
| | 0920119 | Ref | SWING BRAKE ASSEMBLY (NOT SHOWN) (SN 0300064566 through 0300068040) | B |
| | 7018612 | 1 | Kit, Repair | |
| | | Ref | Note: Repair Kit Only | |

SECTION 2 - TURNTABLE

FIGURE 2-8. SWING MOTOR ASSEMBLY (Prior to SN 0300068040)



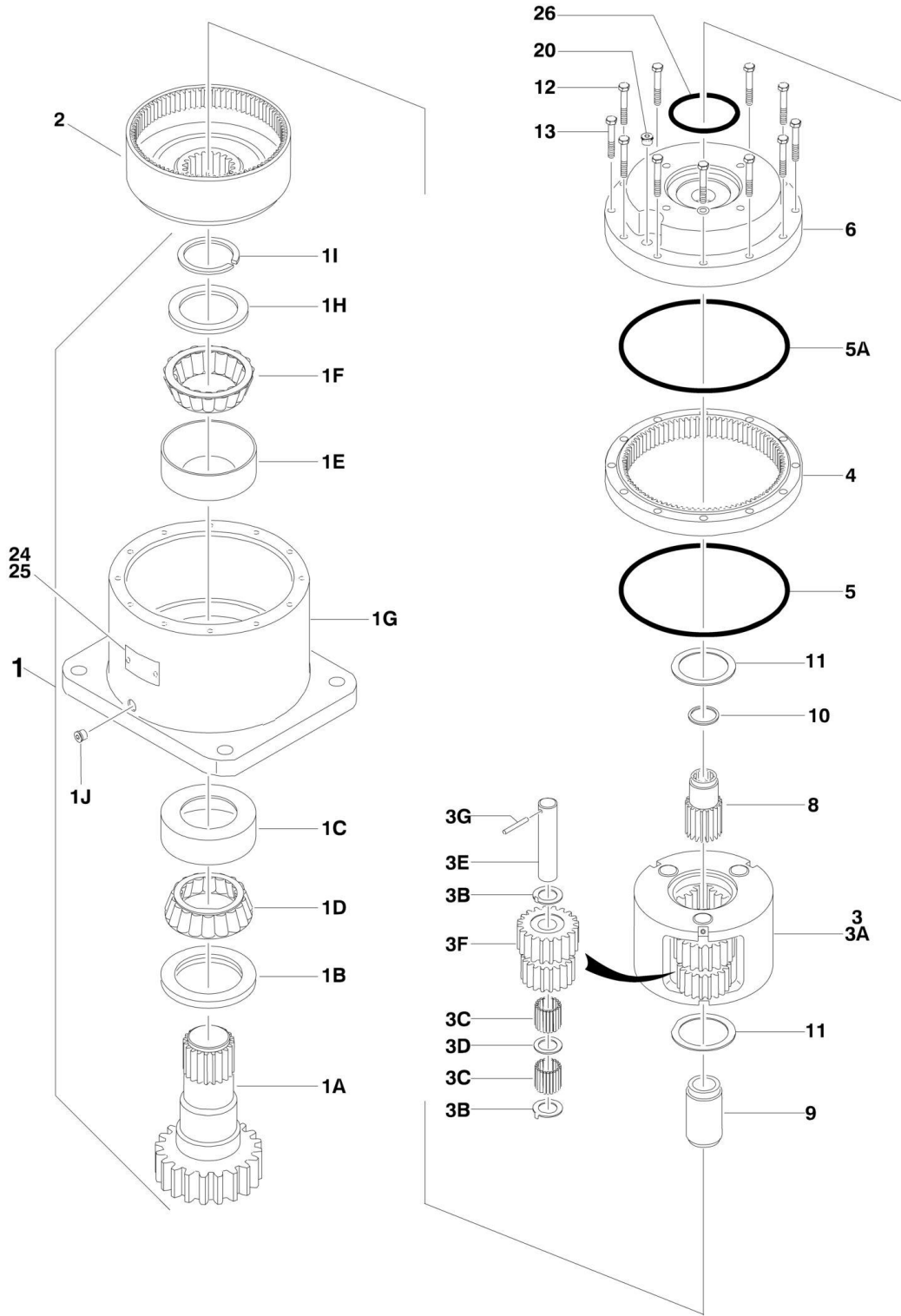
SECTION 2 - TURNTABLE

FIGURE 2-8. SWING MOTOR ASSEMBLY (Prior to SN 0300068040)

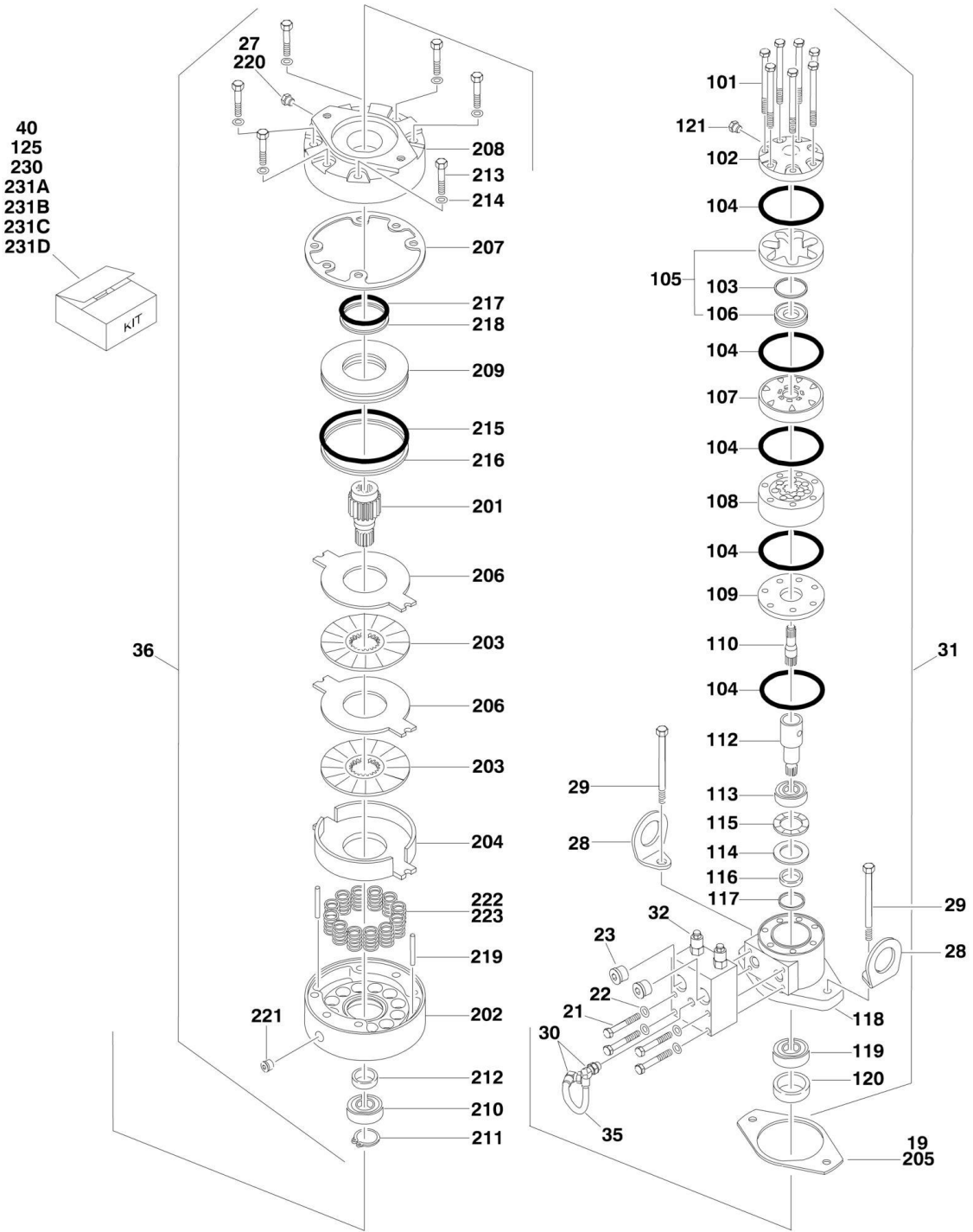
| ITEM | PART NUMBER | QTY | DESCRIPTION | REV |
|------|-------------|-----|---|-----|
| | | Ref | SWING MOTOR ASSEMBLY | |
| | 3160223 | Ref | Swing Motor Assembly (Prior to SN 0300064061) | B |
| | 3160279 | Ref | Swing Motor Assembly (SN 0300064061 through 0300068040) | A |
| 1 | | Ref | Bolt Options: | |
| 1 | 7002123 | 4 | Bolt (Prior to SN 0300064566) | |
| 1 | 7020357 | 4 | Bolt (SN 0300064566 through 0300068040) | |
| 2 | 7009996 | 1 | Flange, Mounting | |
| 3 | See Note | NSS | Seal, Exclusion (Note: Use Item 40) | |
| 4 | See Note | NSS | Washer, Back-up (Note: Use Item 40) | |
| 5 | See Note | NSS | Seal, Pressure (Note: Use Item 40) | |
| 6 | See Note | NSS | Seal (Note: Use Item 40) | |
| 7 | 7002117 | 1 | Race, Bearing | |
| 8 | 7002111 | 1 | Washer, Thrust | |
| 9 | 7009998 | 1 | Shaft | |
| 10 | | Ref | Housing Options: | |
| 10 | 7020335 | 1 | Housing (Prior to SN 0300064061) | |
| 10 | 7020358 | 1 | Housing (SN 0300064061 through 0300068040) | |
| 13 | 7020336 | 1 | Drive | |
| 14 | See Note | NSS | Seal, Body (Note: Use Item 40) | |
| 15 | 7020338 | 1 | Plate, Spacer | |
| 16 | 7020339 | 1 | Rotor Set Assembly | |
| 17 | 7020346 | 1 | Cap, End | |
| 19 | 7020340 | 7 | Bolt | |
| 33 | | Ref | Bolt Options: | |
| 33 | 7020341 | 4 | Bolt (Prior to SN 0300064061) | |
| 33 | 7020353 | 4 | Bolt (SN 0300064061 through 0300068040) | |
| 34 | See Note | NSS | O-Ring (Note: Use Item 40) | |
| 37 | | Ref | Valve, Counterbalance Options: | |
| 37 | 7020343 | 1 | Valve, Counterbalance (Prior to SN 0300064061) | |
| 37 | 7020359 | 1 | Valve, Counterbalance (SN 0300064061 through 0300068040) | |
| 37 | | Ref | Cartridge, Valve Options: | |
| 37 | See Note | 2 | Cartridge, Valve (Note: Not Available for Purchase) (Prior to SN 0300064061) | |
| 37 | 7020362 | 2 | Cartridge, Valve (SN 0300064061 through 0300068040) | |
| 37 | | Ref | O-Ring Options: | |
| 37 | See Note | 2 | O-Ring (Note: Not Available for Purchase) (Prior to SN 0300064061) | |
| 37 | 7020363 | 2 | O-Ring (SN 0300064061 through 0300068040) | |
| 40 | 7020360 | 1 | Seal Kit - (Includes Items 3-6, 14 & 34) | |

SECTION 2 - TURNTABLE

FIGURE 2-9. SWING MOTOR/HUB ASSEMBLY (SN 0300068040 through 0300069000)



SECTION 2 - TURNTABLE



SECTION 2 - TURNTABLE

FIGURE 2-9. SWING MOTOR/HUB ASSEMBLY (SN 0300068040 through 0300069000)

| ITEM | PART NUMBER | QTY | DESCRIPTION | REV |
|------|-------------|-----|---|-----|
| | 3160286 | Ref | SWING MOTOR/HUB ASSEMBLY | A |
| 1 | See Note | 1 | Housing/Shaft Assembly (Note: Not Available - Purchase Individual Components) | |
| 1A | 7010492 | 1 | Shaft, Out put | |
| 1B | 7000228 | 1 | Seal, Lip | |
| 1C | 7000255 | 1 | Cup, Bearing | |
| 1D | 7000256 | 1 | Cone, Bearing | |
| 1E | 7000257 | 1 | Cup, Bearing | |
| 1F | 7000258 | 1 | Cone, Bearing | |
| 1G | 7017089 | 1 | Housing | |
| 1H | 7007633 | 1 | Washer, Thrust | |
| 1I | 7000229 | 1 | Ring, Retaining | |
| 1J | 7001928 | 1 | Plug, Pipe | |
| 2 | 7000246 | 1 | Gear, Internal | |
| 3 | See Note | 1 | Carrier Assembly (Note: Not Available - Purchase Individual Components) | |
| 3A | 7001931 | 1 | Carrier | |
| 3B | 7001985 | 6 | Washer, Tanged | |
| 3C | 7001909 | 96 | Bearing, Needle | |
| 3D | 7000263 | 3 | Washer, Thrust | |
| 3E | 7001911 | 3 | Shaft, Planet | |
| 3F | 7001912 | 3 | Gear, Cluster | |
| 3G | 7010474 | 3 | Roll Pin | |
| 4 | 7000248 | 1 | Gear, Ring | |
| 5 | 7000230 | 1 | O-Ring | |
| 5A | 7017070 | 1 | O-Ring | |
| 6 | 7000209 | 1 | Cover, Input | |
| 8 | 7010461 | 1 | Gear, Sun | |
| 9 | 7000269 | 1 | Spacer, Input | |
| 10 | 7000270 | 1 | Washer, Thrust | |
| 11 | 7000253 | 2 | Washer, Thrust | |
| 12 | 7000217 | 8 | Bolt 5/16in-18NC x 2-1/4in (Grade 8) | |
| 13 | 7000214 | 4 | Bolt, Shoulder 5/16in-18NC x 1-7/8in (Grade 8) | |
| 19 | 7024703 | 1 | Gasket | |
| 20 | 2200222 | 1 | Plug, Pipe | |
| 21 | 7024704 | 4 | Bolt 5/16in-18NC x 2in (Grade 8) | |
| 22 | See Note | 4 | Lockwasher (Note: Not Available for Purchase) | |
| 23 | 7017023 | 2 | Plug, Pipe | |
| 24 | See Note | 1 | Plate, ID (Note: Not Available for Purchase) | |
| 25 | 7000281 | 2 | Screw, Drive | |
| 26 | 7024705 | 1 | O-Ring | |
| 27 | 7017082 | 1 | Plug, Pipe | |
| 28 | See Note | 2 | Lug, Lifting (Note: Not Available for Purchase) | |
| 29 | 7024185 | 2 | Bolt 1/2in-13NC x 5in (Grade 8) | |
| 30 | 7017085 | 2 | Elbow | |
| 31 | 7024707 | 1 | Motor Assembly (See Items 101-121 for Breakdown) | |
| 32 | 7024784 | 1 | Valve (No Serviceable Parts) | |
| 35 | 7024706 | 1 | Tube | |
| 36 | 7024702 | 1 | Brake Assembly (See Items 201-223 for Breakdown) | |
| 40 | 7024100 | 1 | Seal Kit, Swing Hub (Includes Items 1B, 1I, 5, 5A & 11) | |

SECTION 2 - TURNTABLE

| ITEM | PART NUMBER | QTY | DESCRIPTION | REV |
|------|-------------|-----|--|-----|
| | 7024707 | Ref | MOTOR ASSEMBLY | |
| 101 | 7024454 | 5 | Bolt | |
| 102 | 7024459 | 1 | Cover, End | |
| 103 | See Note | NSS | Seal, Commutator (Note: Use Item 125) | |
| 104 | See Note | NSS | Seal, Ring (Note: Use Item 125) | |
| 105 | 7024453 | 1 | Commutator and Ring Assembly | |
| 106 | 7024453 | 1 | Ring | |
| 107 | 7024379 | 1 | Manifold | |
| 108 | 7024455 | 1 | Rotor Set | |
| 109 | 7024380 | 1 | Plate, Wear | |
| 110 | 7024456 | 1 | Link, Drive | |
| 112 | 7024458 | 1 | Shaft, Coupling | |
| 113 | 7004042 | 1 | Bushing, Bronze | |
| 114 | 7004043 | 1 | Washer, Thrust | |
| 115 | 7004044 | 1 | Bearing, Thrust | |
| 116 | See Note | NSS | Seal, Inner (Note: Use Item 125) | |
| 117 | See Note | NSS | Washer, Back-up (Note: Use Item 125) | |
| 118 | 7024457 | 1 | Housing | |
| 119 | 7004046 | 1 | Bearing | |
| 120 | See Note | NSS | Seal (Note: Use Item 125) | |
| 121 | 7010795 | 1 | Plug, O-Ring | |
| 125 | 7024396 | 1 | Seal Kit, Motor (Includes Items 103, 104, 116,117 & 120) | |
| | 7024702 | Ref | BRAKE ASSEMBLY | |
| 201 | 7024189 | 1 | Shaft | |
| 202 | 7024702 | 1 | Housing (Note: Not Available for Purchase) | |
| 203 | See Note | NSS | Plate, Friction (Note: Use Item 231C) | |
| 204 | See Note | NSS | Plate, Pressure (Note: Use Item 231C) | |
| 205 | 7000731 | 1 | Gasket | |
| 206 | See Note | NSS | Plate, Outer (Note: Use Item 231C) | |
| 207 | See Note | 1 | Gasket (Note: Use Item 230, 231C or 231D) | |
| 208 | 7024191 | 1 | Cylinder | |
| 209 | 7024192 | 1 | Piston | |
| 210 | See Note | NSS | Bearing, Ball (Note: Use Item 231D) | |
| 211 | See Note | NSS | Ring, Retaining (Note: Use Item 231D) | |
| 212 | See Note | NSS | Seal, Shaft (Note: Use Item 231D) | |
| 213 | See Note | 6 | Capscrew (Note: Not Available for Purchase) | |
| 214 | See Note | 6 | Lockwasher (Note: Not Available for Purchase) | |
| 215 | See Note | NSS | O-Ring (Note: Use Item 230) | |
| 216 | See Note | NSS | Ring, Back-up (Note: Use Item 230) | |
| 217 | See Note | NSS | O-Ring (Note: Use Item 230) | |
| 218 | See Note | NSS | Ring, Back-up (Note: Use Item 230) | |
| 219 | 7024190 | 2 | Pin, Dowel | |
| 220 | See Note | 1 | Plug (Note: Not Available - Purchase Locally) | |
| 221 | See Note | 1 | Plug (Note: Not Available - Purchase Locally) | |
| 222 | See Note | NSS | Spring (Natural) (Note: Use Item 231B) | |
| 223 | See Note | NSS | Spring (Blue) (Note: Use Item 231B) | |
| 230 | 7024194 | 1 | Seal Kit, Brake (Includes Items 205, 207 & 215-218) | |
| 231 | | Ref | Repair Kit, Brake Options: | |
| 231A | 7024195 | NLA | Spring Kit (Includes 12 Natural Colored Springs) (Use Item 231B) | |
| 231B | 7024196 | 1 | Spring Kit (Includes 12 Blue and 12 Natural Colored Springs) | |
| 231C | 7024193 | 1 | Friction Disc Kit (Includes Items 203, 204, 206 & 207) | |

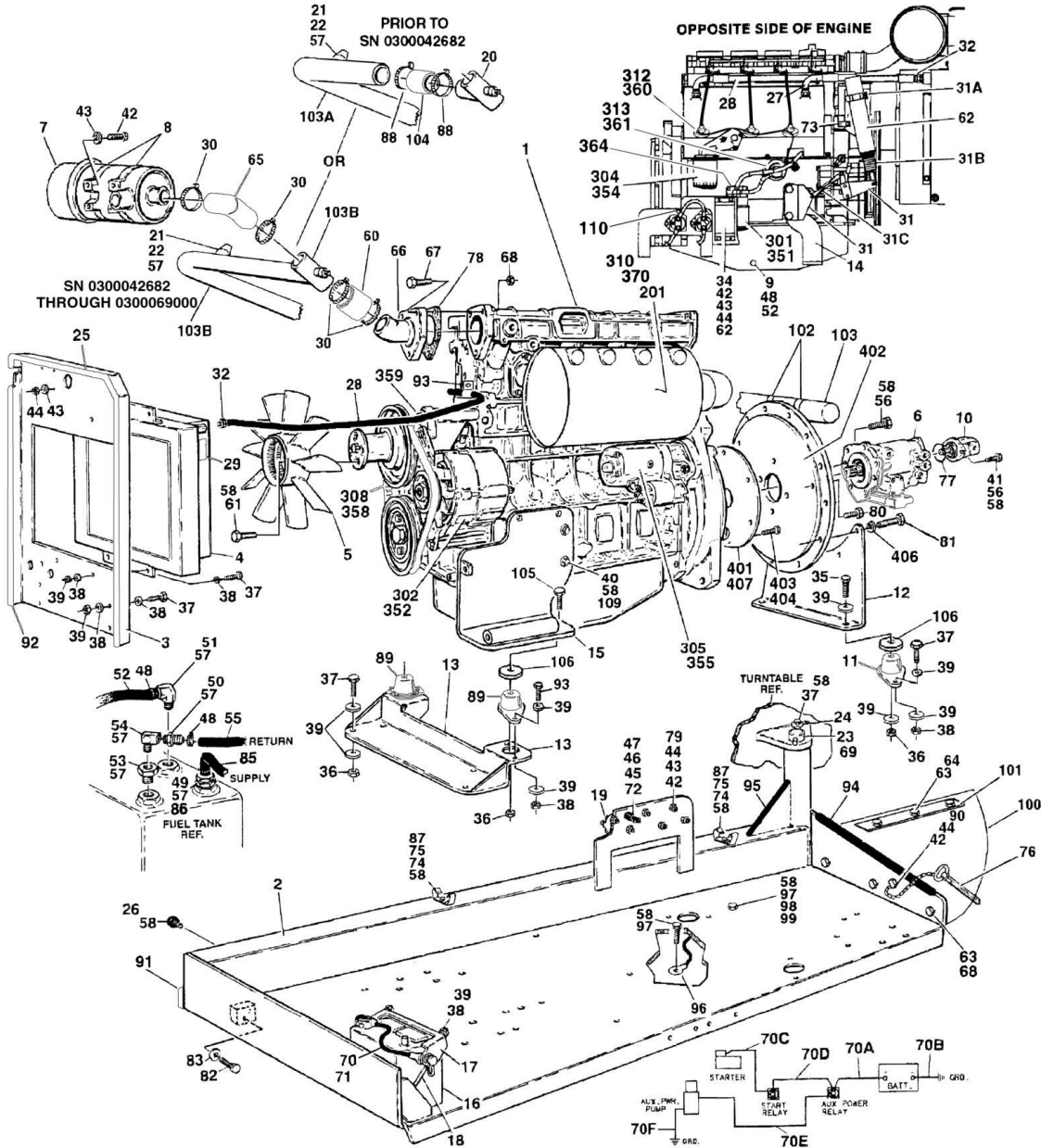
SECTION 2 - TURNTABLE

| ITEM | PART NUMBER | QTY | DESCRIPTION | REV |
|------|-------------|-----|--|-----|
| 231D | 7024197 | 1 | Bearing Kit (Includes Items 207 & 210-212) | |

SECTION 2 - TURNTABLE

FIGURE 2-10. DEUTZ ENGINE INSTALLATION

NOTE: These Machine SN's Also Equipped With ADE System: 0300062045, 0300062797, 0300063013, 0300063665, 0300063975, 0300064000-0300064017, 0300064390, 0300064392 & 0300064411.



SECTION 2 - TURNTABLE

FIGURE 2-10. DEUTZ ENGINE INSTALLATION

| ITEM | PART NUMBER | QTY | DESCRIPTION | REV |
|------|-------------|-----------|--|-----|
| | | Ref | NOTE: THESE MACHINE SN'S ALSO EQUIPPED WITH ADE SYSTEM: 0300062045, 0300062797, 0300063013, 0300063665, 0300063975, 0300064000-0300064017, 0300064390, 0300064392 & 0300064411. | |
| | | Ref | DEUTZ ENGINE INSTALLATIONS | |
| | 0258415 | Ref | Standard Machines (Prior to SN 0300064432) | 6-F |
| | 0271371 | Ref | ADE System Machines (SN 0300064432 through 0300069000) | 9-F |
| 1 | | Ref | Engine - Deutz F4M1011F Diesel Options: | |
| 1 | 2000146 | 1 | Engine - Deutz F4M1011F Diesel (Prior to SN 0300064432) | |
| 1 | 2000173 | 1 | Engine - Deutz F4M1011F Diesel (SN 0300064432 through 0300065694) | |
| 1 | 2000189 | 1 | Engine - Deutz F4M1011F Diesel (SN 0300065695 through 0300069000) | |
| 2 | 4845404 | 1 | Tray Engine | |
| 3 | 3539872 | 1 | Plate, Radiator Mounting | |
| 4 | 3620033 | 1 | Cooler, Oil | |
| 5 | 2060025 | 1 | Fan | |
| 6 | | Ref | Piston Pump Assembly Options (See PISTON PUMP ASSEMBLY for Breakdown): | |
| 6 | 3600277 | NLA | Piston Pump Assembly (Use p/n 3600295) (Prior to SN 0300042829) | |
| 6 | 3600295 | 1 | Piston Pump Assembly (SN 0300042829 through 0300069000) | |
| 7 | 1340060 | 1 | Air Cleaner Assembly | |
| 7A | 7012664 | 1 | Element, Air Cleaner (Not Shown) | |
| 8 | 0340041 | 2 | Band, Mounting | |
| 9 | 4640751 | 1 | Valve, Oil Drain | |
| 10 | 3600278 | 1 | Piston Pump Assembly | |
| 10 | 7018995 | 1 | Seal Kit - 3600278 Pump | |
| 10 | 7024918 | | Seal, Shaft | |
| 10 | 7024930 | 1 | Valve Assembly - 3600278 Motor | |
| 11 | 3200406 | 2 | Mount, Rubber Engine (Rear) | |
| 12 | 3537420 | 1 | Bracket, Engine Mounting - Rear | |
| 13 | 3539971 | 1 | Bracket, Engine Mounting - Front | |
| 14 | 3537416 | 1 | Support, Engine - Right | |
| 15 | | Ref | Support, Engine - Left Options: | |
| 15 | 3537417 | 1 | Support, Engine - Left (Prior to SN 0300041506) | |
| 15 | 4846479 | 1 | Support, Engine - Left (SN 0300041506 through 0300068268) | |
| 15 | 4846566 | 1 | Support, Engine - Left (SN 0300068269 through 0300069000) | |
| 16 | 0400075 | 1 | Battery | |
| 17 | 0181727 | 1 | Hold-Down, Battery | |
| 18 | 0630498 | 2 | Rod, Hold-Down | |
| 19 | 3740067 | 2 | Relay | |
| 20 | 4567112 | 1 | Tee, Air Intake Tube Only (Prior to SN 0300042682) | |
| 21 | 4360392 | 1 | Switch, Restriction Indicator | |
| 22 | 2180798 | 1 | Fitting | |
| 23 | 3422446 | 1 | Pin, Pivot | |
| 24 | 3841143 | 1 | Keeper, Pin | |
| 25 | 3960389 | 5 ft/1.5m | Seal | |
| 26 | 0940070 | 1 | Bumper, Rubber | |
| 27 | 3841340 | AR | Loop, Hose | |

SECTION 2 - TURNTABLE

| ITEM | PART NUMBER | QTY | DESCRIPTION | REV |
|------|-------------|------------|--|-----|
| 28 | 2720398 | 2 | Hose, Oil Cooler | |
| 29 | 1703162 | 2 | Nameplate - Fan Caution | |
| 30 | 1320016 | 4 | Clamp, Hose | |
| 31 | 2901392 | 1 | Throttle Mounting Kit (Prior to SN 0300064432) | |
| 31A | 7008833 | 1 | Bracket, Throttle | |
| 31B | 7008835 | 1 | Coupling, Ball Joint | |
| 31C | 7008836 | 1 | Spring | |
| 31D | 7023340 | AR | Screw, Shoulder 3/8in x 3/8in (Not Shown) | |
| 32 | 2220451 | 2 | Fitting, Straight | |
| 34 | | Ref | Bracket, Control Module Mounting Options: | |
| 34 | 0902243 | 1 | Bracket, Control Module Mounting (Prior to SN 0300040385) | |
| 34 | 0902511 | 1 | Bracket, Control Module Mounting (SN 0300040385 through 0300064432) | |
| 35 | 0641818 | AR | Bolt 1/2in-13NC x 2-1/4in | |
| 36 | 3311805 | 4 | Locknut 1/2in-13NC | |
| 37 | 0641610 | AR | Bolt 3/8-16NC x 1-1/4in | |
| 38 | 3311605 | 22 | Locknut 3/8in-16NC x 1-1/4in | |
| 39 | 4751600 | 44 | Flatwasher 3/8in | |
| 40 | 0701414 | 6 | Bolt 1/4in-20NC x 3/4in | |
| 41 | 4891800 | 2 | Washer, Hardened 1/2in | |
| 42 | 0641407 | AR | Bolt 1/4in-20NC x 7/8in | |
| 43 | 4751400 | AR | Flatwasher 1/4in | |
| 44 | 3311405 | AR | Locknut 1/4in-20NC | |
| 45 | 0721005 | 2 | Bolt #10-24NC x 5/8in (Prior to SN 0300064432) | |
| 46 | 3321005 | 2 | Locknut #10-24NC (Prior to SN 0300064432) | |
| 47 | 4751000 | 2 | Flatwasher #10 (Prior to SN 0300064432) | |
| 48 | 1320022 | 6 | Clamp, Hose | |
| 49 | 2220273 | 2 | Fitting, Reducer | |
| 50 | 2180536 | 1 | Fitting, Straight | |
| 51 | 2220313 | 1 | Fitting, Elbow | |
| 52 | 2750532 | 6 ft/1.83m | Hose 3/8in | |
| 53 | 2220250 | 1 | Fitting, Reducer | |
| 54 | 2220459 | 1 | Fitting, Elbow | |
| 55 | 2720271 | 15 ft/4.6m | Hose 3/16in | |
| 56 | 0641812 | 4 | Bolt 1/2in-13NC x 1-1/2in | |
| 57 | 0100020 | AR | Sealant, Thread | |
| 58 | 0100011 | AR | Compound, Locking | |
| 60 | | Ref | Coupling, Rubber Intake Options: | |
| 60 | 2720351 | 6 in/15cm | Coupling, Rubber Intake (Prior to SN 0300067970) | |
| 60 | 2720449 | 1 | Coupling, Rubber Intake (SN 0300067970 through 0300069000) | |
| 61 | 0700808 | 4 | Bolt, Metric M8 x 16mm | |
| 62 | 0060033 | NLA | Actuator Assembly (Use p/n 2910000) (See ELECTRICAL SECTION for Breakdown) (Prior to SN 0300064432) | |
| 63 | 0641508 | 3 | Bolt 5/16in-18NC x 1-1/4in | |
| 64 | 3900272 | 3 | Capscrew, Button Head 5/16in-18NC x 1-3/4in | |
| 65 | 2720434 | 1 | Elbow, Rubber | |
| 66 | 4845395 | 1 | Air Intake Adapter Weldment | |
| 67 | 0641510 | 3 | Bolt 5/16in-18NC x 1-1/4in | |
| 68 | 3311505 | AR | Locknut 5/16in-18NC | |
| 69 | 0961986 | 2 | Bushing, Flanged | |
| 70 | 2901609 | 1 | Battery Cable Kit | |

SECTION 2 - TURNTABLE

| ITEM | PART NUMBER | QTY | DESCRIPTION | REV |
|------|-------------|-------------|--|-----|
| 70A | 7016800 | 1 | Cable, Battery (Red) | |
| 70B | 7016809 | 1 | Cable, Battery (Black) | |
| 70C | 7016802 | 1 | Cable (Red) | |
| 70D | 7016803 | 1 | Cable (Red) | |
| 70E | 7016824 | 1 | Cable (Red) | |
| 70F | 7016825 | 1 | Cable (Black) | |
| 71 | 4460611 | 1 | Terminal, Battery Jumper Post | |
| 72 | 4360294 | 1 | Breaker, Circuit - 30 Amp (Prior to SN 0300064432) | |
| 73 | 1320222 | 1 | J-Clip 3/8in | |
| 74 | 1320223 | 3 | J-Clip 1/2in | |
| 75 | 0641606 | 3 | Bolt 3/8in-16NC x 3/4in | |
| 76 | 3422532 | 1 | Pin, Hitch | |
| 77 | 3790044 | 1 | O-Ring | |
| 78 | 3960407 | 1 | Gasket | |
| 79 | 4791400 | 4 | Starwasher 1/4in | |
| 80 | 0701012 | 4 | Bolt, Metric M10 x 25mm | |
| 81 | 0701015 | 4 | Bolt, Metric M10 x 35mm | |
| 82 | 0642010 | 1 | Bolt 5/8in-11NC x 1-1/4in | |
| 83 | 4752000 | 1 | Flatwasher 5/8in | |
| 84 | 1701505 | 1 | Decal - Diesel (Not Shown - Located on Hood) | |
| 85 | 2720058 | 16 ft/4.9m | Hose | |
| 86 | 2220794 | 1 | Fitting, Barbed | |
| 87 | 4711600 | 3 | Flatwasher 3/8in Narrow | |
| 88 | 1320031 | 2 | Clamp (Prior to SN 0300042682 Only) | |
| 89 | 3200362 | 2 | Mount, Rubber Engine (Front) | |
| 90 | 4711400 | 1 | Flatwasher 1/4in Narrow | |
| 91 | 3960468 | 1 | Seal, Foam Gasket | |
| 92 | 3960469 | 1 | Seal, Foam Gasket | |
| 93 | 0641608 | 14 | Bolt 3/8in-16NC x 1in | |
| 94 | 4060805 | 7 in/18cm | Flex-Trim 1/4in | |
| 95 | 4060804 | 16 in /40cm | Flex-Trim 3/16in | |
| 96 | 1060637 | 1 | Lanyard | |
| 97 | 0641808 | 2 | Bolt 1/2in-13NC x 1in | |
| 98 | 3311801 | 1 | Nut 1/2in-13NC | |
| 99 | 4751800 | 1 | Flatwasher 1/2in | |
| 100 | 3380429 | 1 | Panel, Rubber | |
| 101 | 3539957 | 2 | Plate, Hold Down | |
| 102 | 1320131 | 2 | Clamp (Prior to SN 0300042682 Only) | |
| 103 | | Ref | Tuning Tube Weldment Options: | |
| 103A | 4845394 | 1 | Tuning Tube Weldment (Prior to SN 0300042682) | |
| 103B | 4567815 | 1 | Tuning Tube Weldment (SN 0300042682 through 0300069000) | |
| 104 | 2720423 | 1 | Hose (Prior to SN 0300042682 Only) | |
| 105 | 0641826 | 2 | Bolt 1/2in-13NC x 3-1/4in | |
| 106 | 4740274 | 4 | Washer, Snubbing | |
| 107 | 1320258 | 1 | Clamp (Not Shown - Located in Center of Turntable) (SN 0300042829 through 0300052924) | |
| 108 | 0641810 | 1 | Bolt 1/2in-13NC x 1-1/4in (Not Shown - Used with Item 107) (Prior to SN 0300052924) | |
| 109 | 4711900 | 6 | Flatwasher 9/16in | |
| 110 | 4922737 | 1 | Harness, Engine Grounding (SN 0300068561 through | |

SECTION 2 - TURNTABLE

| ITEM | PART NUMBER | QTY | DESCRIPTION | REV |
|------|-------------|-----|---|-----|
| | | | 0300069000) | |
| | | Ref | MUFFLER INSTALLATIONS | |
| | 0256689 | Ref | Standard Equipment (Spark Arresting) | - |
| | 0256690 | Ref | Optional Equipment (Catalytic) | - |
| 201 | | Ref | Muffler Options: | |
| 201 | 3220103 | 1 | Spark Arresting | |
| 201 | 3220104 | 1 | Catalytic | |
| 201 | | Ref | Muffler Components: | |
| 201 | | Ref | Clamp Options: | |
| 201 | 1320176 | 1 | Saddle Clamp Used on Spark Arresting | |
| 201 | 70001017 | 1 | Band Clamp Used on Catalytic | |
| 201 | 7024398 | 1 | Tube, Exhaust | |
| 201 | 7024560 | 1 | Plug, Brass | |
| | 2000146 | Ref | ENGINE COMPONENTS (Prior to SN 0300064432) | D |
| 301 | 7016328 | 1 | Filter, Fuel (was p/n 7016639) | |
| 302 | 7000663 | 1 | Alternator (was p/ns 7016329, 7020436 & 7020410) | |
| 303 | 7016330 | 1 | Switch, Oil Pressure (Not Shown) | |
| 304 | 7016331 | 1 | Filter, Oil (was p/n 7016641) | |
| 304 | 70002813 | 1 | Seal (Between Filter Head and Block) | |
| 305 | 7016332 | 1 | Starter | |
| 306 | 7026631 | 1 | Dipstick, Engine Oil (was p/ns 7019664 & 7016640) (Not Shown) | |
| 306 | 70001002 | 1 | Tube, Oil Dipstick (was p/n 7019664) (Not Shown) | |
| 307 | 7020025 | 1 | Switch, Engine Oil Temperature (Not Shown) | |
| 308 | 7020414 | 1 | V-Belt | |
| 309 | | Ref | Gasket, Cylinder Head Options (Not Shown): | |
| 309 | 70001681 | 1 | 1 Notch | |
| 309 | 70002411 | 1 | 2 Notches | |
| 309 | 70002530 | 1 | 3 Notches | |
| 309 | 7020431 | 1 | Gasket, Valve Cover (Not Shown): | |
| 310 | 7000699 | 1 | Seal (Doughnut) | |
| 310 | 7020471 | 4 | Gasket (Muffler to Head) | |
| 310 | 70003476 | 8 | Nut, Muffler Attaching | |
| 311 | 7019607 | 1 | Shutdown, Throttle (was p/n 7016359) (Not Shown) | |
| 312 | 7012599 | 4 | Pump, Fuel Injection | |
| 312 | 7020427 | 4 | Injector, Fuel (Not Shown) | |
| 312 | 7020425 | 4 | Nozzle (Not Shown) | |
| 313 | 7020463 | 1 | Pump, Fuel Supply | |
| 313 | 7020419 | 1 | Hose, Fuel Return | |
| 314 | 7020027 | 1 | Flywheel/Ring Gear Assembly (Not Shown) | |
| 314 | 7020477 | 1 | Ring Gear Only (Not Shown) | |
| 315 | 7020404 | 1 | Washer, Oil Drain Plug (Not Shown) | |
| 316 | 7027250 | 1 | Spring, Actuator (Not Shown) | |
| 317 | 7020465 | 1 | Filler Cap, Oil (Not Shown) | |
| | | Ref | ENGINE COMPONENTS | |
| | 2000173 | Ref | Engine Components (SN 0300064432 through 0300065694) | B |
| | 2000189 | Ref | Engine Components (SN 0300065695 through 0300069000) | A |
| 351 | 8320270 | 1 | Filter, Fuel (was p/n 7016328) | |
| 352 | 7000663 | 1 | Alternator (was p/n 7020410) | |
| 352 | 7020464 | 1 | Regulator | |
| 352 | 70002234 | 1 | Bracket, Adjustable | |
| 352 | 70003556 | 1 | Pulley | |

SECTION 2 - TURNTABLE

| ITEM | PART NUMBER | QTY | DESCRIPTION | REV |
|------|-------------|-----|--|-----|
| 353 | 7020461 | 1 | Switch, Oil Pressure (Not Shown) | |
| 354 | 7016331 | 1 | Filter, Oil | |
| 355 | | Ref | Starter Options: | |
| 355 | 7016332 | 1 | Starter for 2000173 Engine | |
| 355 | 7020479 | 1 | Starter for 2000189 Engine | |
| 355 | See Note | 1 | Relay (Note: Not Available for Purchase) | |
| 355 | 7026608 | 2 | Bolt, Starter Mounting | |
| 355 | 70001498 | 1 | Shield, Starter Heat (Not Shown) | |
| 356 | | Ref | Dipstick, Oil Level Options (Not Shown): | |
| 356 | 7020418 | 1 | Dipstick for 2000173 Engine | |
| 356 | 7026631 | 1 | Dipstick for 2000189 Engine | |
| 356 | 7020487 | 1 | Seal, Dipstick (Not Shown) | |
| 356 | | Ref | Tube, Dipstick Options (Not Shown): | |
| 356 | See Note | 1 | Tube for 2000173 Engine (Note: Not Available for Purchase) | |
| 356 | 70001002 | 1 | Tube for 2000189 Engine | |
| 357 | 7020168 | 1 | Switch, Engine Temperature (Not Shown) | |
| 357 | 7020480 | 1 | Seal, Temperature Switch (Not Shown) | |
| 358 | 7020408 | 1 | V-Belt | |
| 359 | 7020458 | 1 | Actuator | |
| 359 | 7026607 | 1 | Spring, Actuator (was p/n 7027276) | |
| 360 | 7020462 | 4 | Pump, Fuel Injection (was p/n 7024318) | |
| 360 | | Ref | Injector, Fuel (Includes Nozzle Element) (Not Shown): | |
| 360 | See Note | 4 | Injector for 2000173 Engine (Note: Not Available for Purchase) | |
| 360 | 7026522 | 4 | Injector for 2000189 Engine | |
| 361 | | Ref | Pump, Fuel Supply Options: | |
| 361 | 7020463 | 1 | Pump for 2000173 Engine | |
| 361 | 7024413 | 1 | Pump for 2000189 Engine | |
| 361 | 7020411 | 1 | Seal, Pump (Not Shown) | |
| 362 | | Ref | Flywheel Options (Not Shown): | |
| 362 | 7020027 | 1 | Flywheel for 2000173 Engine (Includes Ring Gear) | |
| 362 | See Note | 1 | Flywheel for 2000189 Engine (Note: Not Available for Purchase) | |
| 362 | 7024579 | 1 | Ring Gear for 2000189 Engine | |
| 363 | 7024565 | 1 | Sensor, Tach (Not Shown - Located on Flywheel Housing) (was p/n 7020481) | |
| 364 | 70001423 | 1 | Fuel Filter Head | |
| 365 | 7020431 | 1 | Gasket, Valve Cover (Not Shown) | |
| 365 | | Ref | Gasket, Cylinder Head Options: (Not Shown) | |
| 365 | 70001681 | 1 | 1 Notch | |
| 365 | 70002411 | 1 | 2 Notches | |
| 365 | 70002530 | 1 | 3 Notches | |
| 366 | 7020459 | 1 | Thermostat (Includes Spring) (Not Shown) | |
| 366 | 7020460 | 1 | Spring, Thermostat (Not Shown) | |
| 367 | 7020465 | 1 | Cap, Oil Fill (Not Shown) | |
| 368 | 7020474 | 1 | Pump Oil Lubrication (Not Shown) | |
| 368 | 7020468 | 1 | Ring, Pump Sealing (Not Shown) | |
| 369 | 7020449 | 4 | Gasket , Intake Manifold to Head (Not Shown) | |
| 370 | 7020471 | 4 | Gasket , Exhaust Manifold to Head | |
| | 0256847 | Ref | PUMP COUPLING INSTALLATION | - |
| 401 | 1660234 | 1 | Coupling, Hayes | |
| 402 | 0080163 | 1 | Plate, Pump Adapter | |
| 403 | 0700810 | 63 | Bolt Metric M8 x 20mm | |

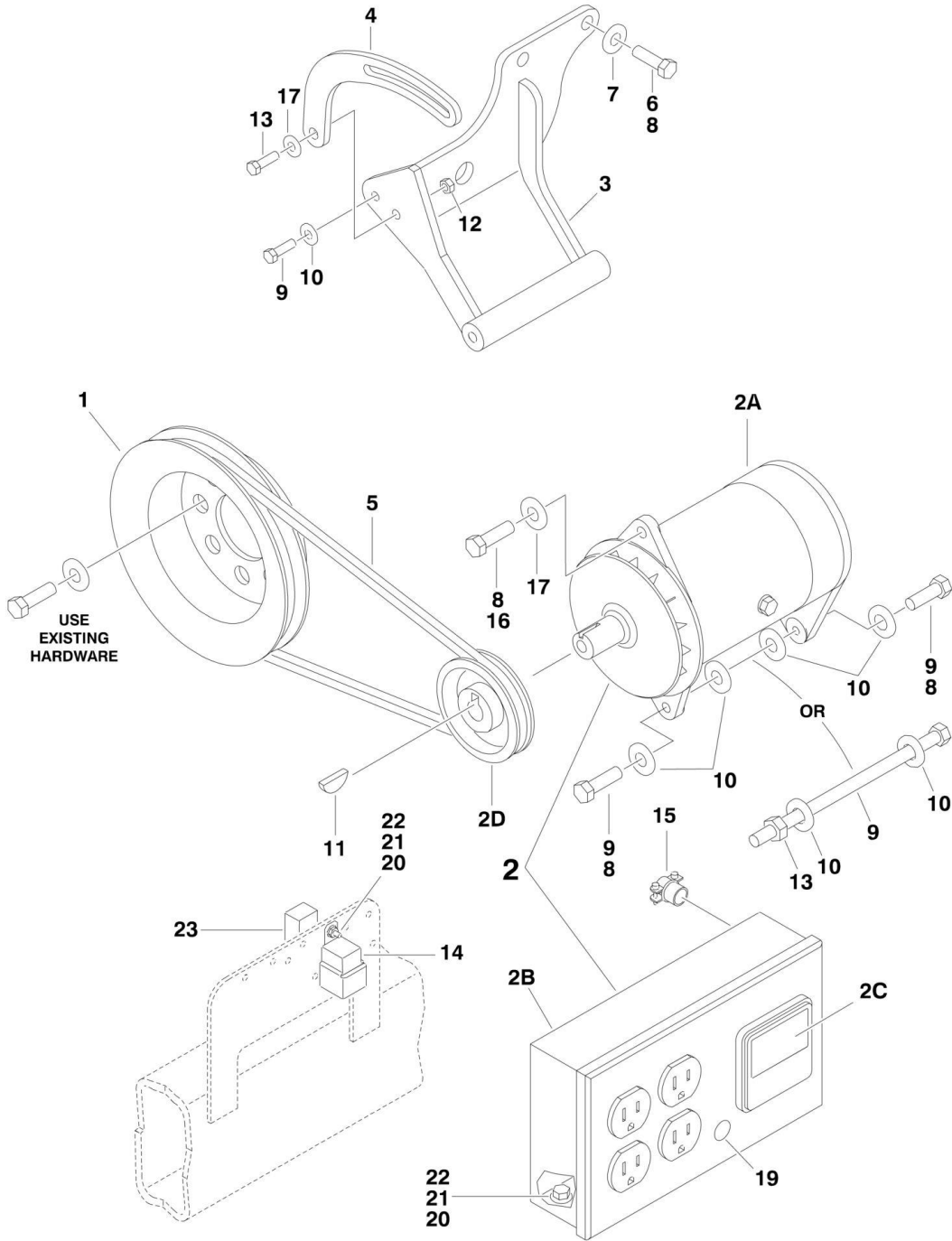
SECTION 2 - TURNTABLE

| ITEM | PART NUMBER | QTY | DESCRIPTION | REV |
|------|-------------|-----|------------------|-----|
| 404 | 4831900 | 6 | Lockwasher M8 | |
| 406 | 4832000 | 8 | Lockwasher M10 | |
| 407 | 3020021 | AR | Grease, Coupling | |

SECTION 2 - TURNTABLE

FIGURE 2-11. GENERATOR INSTALLATION - DEUTZ MACHINES (OPTIONAL)

NOTE: These Machine SN's Also Equipped With ADE System: 0300062045, 0300062797, 0300063013, 0300063665, 0300063975, 0300064000-0300064017, 0300064390, 0300064392 & 0300064411.



SECTION 2 - TURNTABLE

FIGURE 2-11. GENERATOR INSTALLATION - DEUTZ MACHINES (OPTIONAL)

| ITEM | PART NUMBER | QTY | DESCRIPTION | REV |
|------|-------------|-----|--|-----|
| | | Ref | NOTE: THESE MACHINE SN'S ALSO EQUIPPED WITH ADE SYSTEM: 0300062045, 0300062797, 0300063013, 0300063665, 0300063975, 0300064000-0300064017, 0300064390, 0300064392 & 0300064411. | |
| | | Ref | GENERATOR INSTALLATIONS | |
| | | Ref | 110V Generator Options: | |
| | 0257853 | Ref | 110V Generator (Prior to SN 0300064432) | 3 |
| | 0271544 | Ref | 110V Generator - ADE System (SN 0300064432 through 0300068268) | 3 |
| | 0272480 | Ref | 110V Generator - ADE System (SN 0300068269 through 0300069000) | 2 |
| | | Ref | 220V Generator Options: | |
| | 0257857 | Ref | 220V Generator (Prior to SN 0300064432) | 4 |
| | 0271547 | Ref | 220V Generator - ADE System (SN 0300064432 through 0300068268) | 5 |
| | 0272481 | Ref | 220V Generator - ADE System (SN 0300068269 through 0300069000) | 2 |
| | | Ref | Note: Refer to SkyPower Accessories Manual p/n 3124242 for the Miller 7500W Generator. | |
| 1 | 3580158 | 1 | Pulley | |
| 2 | | Ref | Generator and Control Box Assembly Options: | |
| 2 | 2460011 | 1 | 110Volt Assembly (Prior to SN 0300066053) | I |
| 2 | 2460032 | 1 | 110Volt Assembly (SN 0300066053 through 0300069000) | C |
| 2 | 2460013 | 1 | 220Volt Assembly | B |
| 2A | | Ref | Generator Options: | |
| 2A | 7012558 | 1 | 110V Replacement Generator | |
| | | Ref | Note: Replacement Generator p/n 7012558 come standard with p/n 3580134 pulley. This pulley may not be correct for all applications. Refer to pulley options below. | |
| 2A | 1001100321 | 1 | 220V Replacement Generator | |
| 2A | 7012513 | 4 | Cap, Brush Holder | |
| 2A | 7020108 | 4 | Brush | |
| 2A | 7020109 | 4 | Holder, Brush | |
| 2A | 7026199 | 1 | 110V/60Hz Armature with Slip Rings | |
| 2A | 70000123 | 1 | 220V/50Hz Armature with Slip Rings | |
| 2A | 7012514 | 1 | Fan | |
| 2A | 7020190 | 2 | Bearing | |
| 2A | 7020110 | 1 | End Bell, Front | |
| 2A | 7020111 | 1 | End Bell, Rear | |
| 2A | 7020193 | 1 | Harness, Generator | |
| 2B | | Ref | Box, Control Options: | |
| 2B | 7003657 | 1 | 110V/60Hz Replacement Box | |
| | | Ref | Note: Replacement 110V Control Box comes with (2) standard receptacles p/n 4460190. Optional industrial twist lock receptacle p/n 4460027 must be ordered separately. | |
| 2B | 70002235 | 1 | 220V/50Hz Replacement Box | |
| 2B | | Ref | Breaker, Circuit Options: | |
| 2B | 4360542 | 1 | 110V Breaker, Circuit | |
| 2B | 70000126 | 1 | 220V Breaker, Circuit | |
| 2B | 7020191 | 1 | Switch, Toggle | |
| 2B | 2920162 | 1 | Lamp | |

SECTION 2 - TURNTABLE

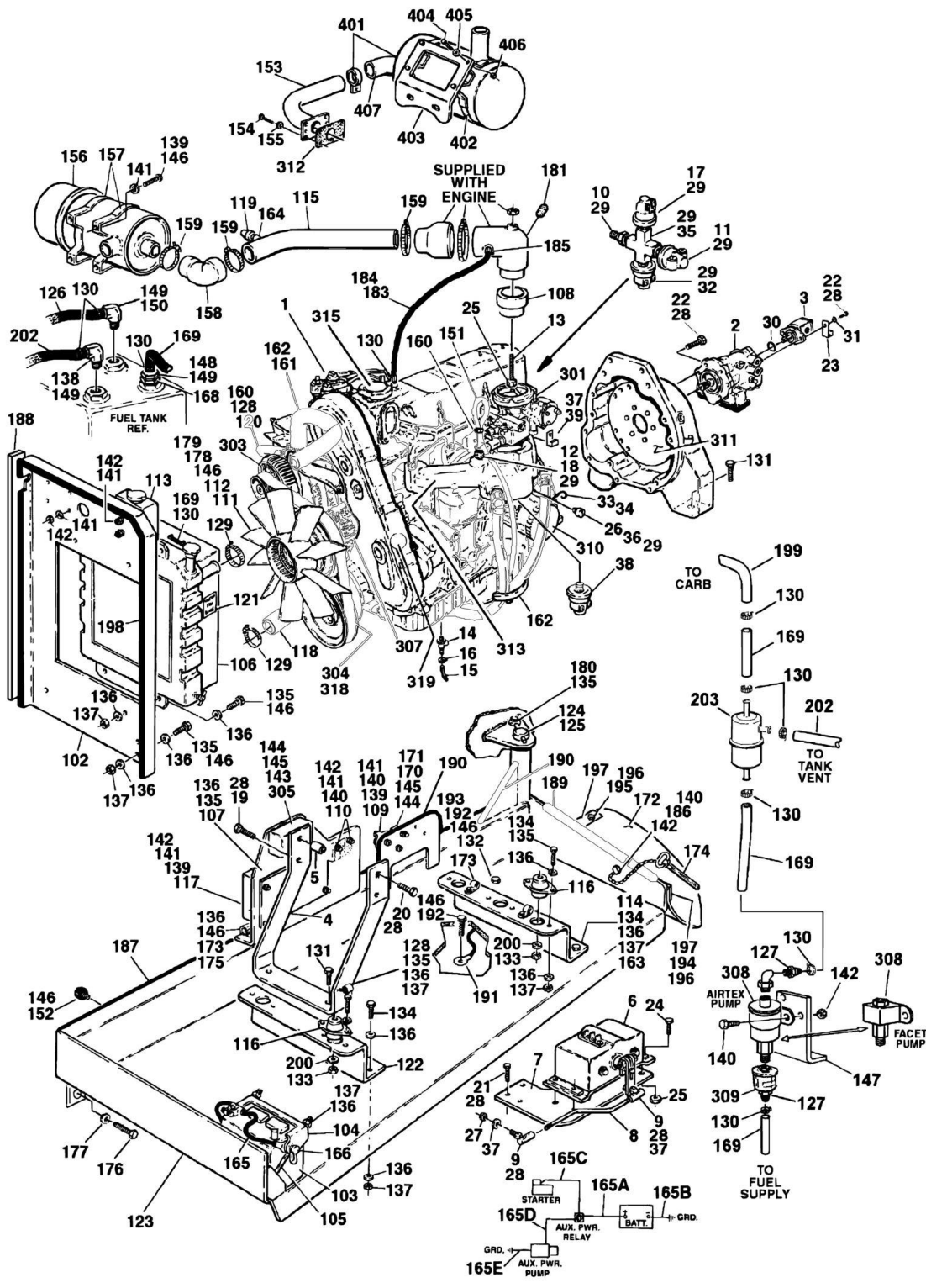
| ITEM | PART NUMBER | QTY | DESCRIPTION | REV |
|------|--------------|-----|---|-----|
| 2B | 4460190 | 2 | Receptacle, Double (110V Box) | |
| 2B | 70000124 | 1 | Receptacle, Double (220V Box) | |
| 2B | 70000125 | 1 | Receptacle, Single (220V Box) | |
| 2C | | Ref | Voltmeter Options: | |
| 2C | 2420203 | 1 | 110Volt 60Hz Voltmeter | |
| 2C | 7020192 | 1 | 220Volt 50Hz Voltmeter | |
| 2D | | Ref | Pulley Options: | |
| 2D | 3580134 | 1 | Generator p/n's 2460011 & 2460013 | |
| 2D | 3580276 | 1 | Generator p/n 2460032 | |
| 2D | 7027887 | 1 | Key, Woodruff | |
| 3 | | Ref | Bracket, Generator Mounting | |
| 3 | 4845531 | 1 | Bracket, Generator Mounting 800A/AJ Models (Prior to SN 0300064432) | |
| 3 | Not Required | 0 | Bracket, Generator Mounting 800A/AJ Models (Note: Generator Mount and Engine Mount are one Component) (SN 0300064432 through 0300069000) | |
| 4 | | Ref | Arm, Adjusting Options: | |
| 4 | 0200530 | 1 | Arm, Adjusting 800A/AJ Models (Prior to SN 0300064432) | |
| 4 | 0200741 | 1 | Arm, Adjusting 800A/AJ Models (SN 0300064432 through 0300068268) | |
| 4 | 0200742 | 1 | Arm, Adjusting 800A/AJ Models (SN 0300068269 through 0300069000) | |
| 5 | | Ref | V-Belt Options: | |
| 5 | | Ref | 110Volt Generator: | |
| 5 | 0480050 | 1 | 110Volt Generator 800A/AJ Models (Prior to SN 0300064432) | |
| 5 | 0480119 | 1 | 110Volt Generator 800A/AJ Models (SN 0300064432 through 0300066052) | |
| 5 | 0480111 | 1 | 110Volt Generator 800A/AJ Models (SN 0300066053 through 0300068268) | |
| 5 | 0480121 | 1 | 110Volt Generator 800A/AJ Models (SN 0300068269 through 0300069000) | |
| 5 | | Ref | 220Volt Generator: | |
| 5 | 0480050 | 1 | 220Volt Generator 800A/AJ Models (Prior to SN 0300064432) | |
| 5 | 0480119 | 1 | 220Volt Generator 800A/AJ Models (SN 0300064432 through 0300066052) | |
| 5 | 0480050 | 1 | 220Volt Generator 800A/AJ Models (SN 0300066053 through 0300066741) | |
| 5 | 0480118 | 1 | 220Volt Generator 800A/AJ Models (SN 0300066742 through 0300068269) | |
| 5 | 0480121 | 1 | 220Volt Generator 800A/AJ Models (SN 0300068270 through 0300069000) | |
| 6 | 0711414 | 2 | Bolt M14 x 30mm (Prior to SN 0300068269) | |
| 7 | | Ref | Hardware Options: | |
| 7 | 4751900 | 2 | Flatwasher 9/16in (Prior to SN 0300068269) | |
| 7 | 0641610 | 1 | Bolt 3/8in-16NC x 1-1/4in (SN 0300068269 through 0300069000) | |
| 8 | 0100011 | AR | Compound, Locking | |
| 9 | | Ref | Bolt Options: | |
| 9 | 0681612 | 3 | Bolt 3/8in-16NC x 1-1/2in (Grade 8) (Prior to SN 0300068269) | |
| 9 | 0641772 | 1 | Bolt 7/16in-14NC x 9in (SN 0300068269 through 0300069000) | |
| 10 | 4751600 | 6 | Flatwasher 3/8in | |
| 11 | 2860012 | 1 | Key, Woodruff | |
| 12 | 3311605 | 1 | Locknut 3/8in-16NC | |

SECTION 2 - TURNTABLE

| ITEM | PART NUMBER | QTY | DESCRIPTION | REV |
|------|-------------|-----------|---|-----|
| 13 | | Ref | Hardware Options: | |
| 13 | 0700819 | 1 | Bolt M8 x 55mm (Prior to SN 0300068269) | |
| 13 | 3311705 | 1 | Locknut 7/16-14NC (SN 0300068269 through 0300069000) | |
| 14 | 3740080 | 1 | Relay | |
| 15 | 4460023 | 1 | Connector, Strain Relief | |
| 16 | 0641508 | 1 | Bolt 5/16in-18NC x 1in | |
| 17 | 4751500 | 2 | Flatwasher 5/16in | |
| 19 | 3520028 | 1 | Plug, Hole | |
| 20 | 0721006 | 4 | Bolt #10-24NC x 3/4in | |
| 21 | 3311005 | 4 | Locknut #10-24NC | |
| 22 | 4751000 | 9 | Flatwasher #10 | |
| 23 | 4360294 | 1 | Breaker, Circuit - 30 Amp | |
| 25 | 4360336 | 1 | Switch, Toggle (Not Shown - Located at Platform) | |
| 26 | 4740397 | 1 | Bushing (Not Shown - Located at Platform) | |
| 27 | 4060802 | 1 | Guard, Switch (Not Shown - Located at Platform) | |
| 29 | 2820031 | 4 in/10cm | Heat Shrink (Not Shown - Located at Platform) | |
| 30 | 3251102 | 1 | Decal (Not Shown - Located at Platform) | |

SECTION 2 - TURNTABLE

FIGURE 2-12. FORD ENGINE WITH CARBURETOR INSTALLATIONS (Prior to SN 0300048538)



SECTION 2 - TURNTABLE

FIGURE 2-12. FORD ENGINE WITH CARBURETOR INSTALLATIONS (Prior to SN 0300048538)

| ITEM | PART NUMBER | QTY | DESCRIPTION | REV |
|------|-------------|-----------|--|-----|
| | | Ref | ENGINE ASSEMBLIES | |
| | 0258402 | Ref | Standard Gas Machines Built (Prior to SN 0300039829) | 1-A |
| | 0258931 | Ref | Standard Gas Machines Built (SN 0300039829 through 0300048538) | 2-A |
| 1 | | Ref | Engine - Ford LRG-425 Options: | |
| 1 | 2000156 | 1 | Engine - Ford LRG-425 (Prior to SN 0300039829) | |
| 1 | 2000160 | 1 | Engine - Ford LRG-425 (SN 0300039829 through 0300048538) | |
| 2 | | Ref | Piston Pump Assembly Options (See PISTON PUMP ASSEMBLY or Breakdown): | |
| 2 | 3600277 | NLA | Piston Pump Assembly (Use p/n 3600295) (Prior to SN 0300042829) | |
| 2 | 3600295 | 1 | Piston Pump Assembly (SN 0300042829 through 0300048538) | |
| 3 | 3600278 | 1 | Piston Pump Assembly | |
| 3 | 7018995 | 1 | Seal Kit - 3600278 Motor | |
| 3 | 7024918 | 1 | Seal, Shaft | |
| 3 | 7024930 | 1 | Valve Assembly - 3600278 Motor | |
| 4 | 3539972 | 1 | Plate, Engine Mounting - Front | |
| 5 | 4566605 | 1 | Tube, Spacer | |
| 6 | 2500005 | 1 | Actuator, Precision Governor | |
| 7 | 0902088 | 1 | Bracket, Precision Governor | |
| 8 | 3841255 | 1 | Rod, Throttle | |
| 9 | 1660157 | 2 | Coupling, Ball joint | |
| 10 | 2220437 | 1 | Fitting, Reducer | |
| 11 | 4360037 | 1 | Switch, Oil Pressure | |
| 12 | 2220273 | 1 | Fitting, Reducer | |
| 13 | 4300056 | 1 | Stud, Carburetor | |
| 14 | 4640989 | 1 | Valve, Oil Drain | |
| 15 | 2750532 | 6 in/21cm | Hose | |
| 16 | 1320022 | 2 | Clamp | |
| 17 | 4360405 | 1 | Switch, Oil Pressure | |
| 18 | 2180536 | 1 | Fitting, Barbed | |
| 19 | 0701022 | 2 | Bolt M10 x 70mm | |
| 20 | 0701014 | 2 | Bolt M10 x 30mm | |
| 21 | 0700810 | 3 | Bolt M8 x 20mm | |
| 22 | 0641812 | 4 | Bolt 1/2in-13NC x 1-1/2in | |
| 23 | 1320222 | 1 | J-Clip | |
| 24 | 0641408 | 4 | Bolt 1/4in-20NC x 1in | |
| 25 | 3311405 | 5 | Locknut 1/4in-20NC | |
| 26 | 2220250 | 1 | Fitting, Reducer | |
| 27 | 3321401 | 2 | Nut 1/4in-28NF | |
| 28 | 0100011 | AR | Compound, Locking | |
| 29 | 0100020 | AR | Sealant, Pipe | |
| 30 | 3790152 | 1 | O-Ring | |
| 31 | 4891800 | 2 | Washer, Hardened 1/2in | |
| 32 | 4360065 | 1 | Switch, Oil Pressure | |
| 33 | 4564281 | 1 | Tube, Dipstick | |
| 34 | 2420187 | 1 | Dipstick | |
| 35 | 2220994 | 1 | Fitting, Cross | |
| 36 | 4360157 | 1 | Switch, Water Temperature | |

SECTION 2 - TURNTABLE

| ITEM | PART NUMBER | QTY | DESCRIPTION | REV |
|------|-------------|----------------|---|-----|
| 37 | 4751000 | 2 | Flatwasher #10 | |
| 38 | 4360455 | 1 | Switch, Temperature | |
| 39 | 1320223 | 2 | Clamp, J-Clip | |
| | | Ref | ENGINE INSTALLATIONS | |
| | 0258403 | Ref | Standard Gas Machines Built (Prior to SN 0300039829) | 1-A |
| | 0258930 | Ref | Standard Gas Machines Built (SN 0300039829 through 0300048538) | 1-A |
| 102 | 3539872 | 1 | Mount, Radiator | |
| 103 | 0400075 | 1 | Battery | |
| 104 | 0181727 | 1 | Tie-Down | |
| 105 | 0630498 | 2 | Bolt, Tie-Down | |
| 106 | 3620040 | 1 | Radiator | |
| 106 | 8180311 | 1 | Cap, Radiator (was p/n 7019656) | |
| 107 | 3538873 | 1 | Bracket, Controller | |
| 108 | 0080091 | 1 | Choke Adapter | |
| 109 | 3740067 | 1 | Relay, Auxiliary Power Relay | |
| 110 | 3740080 | 2 | Relay, Bosch Relay | |
| 111 | 0080214 | 1 | Adapter, Fan Spacer | |
| 112 | 2060025 | 1 | Fan, Suction | |
| 113 | 1580011 | 1 | Container, Coolant Overflow Container | |
| 114 | 3570133 | 1 | Plate, Engine Mount-Ford (Rear) | |
| 115 | 4845035 | 1 | Tube, Air Cleaner | |
| 116 | 3200362 | 4 | Mount, Rubber | |
| 117 | 1600211 | 1 | Controller, Governor | |
| 118 | 2720435 | 1 | Hose, Lower Radiator (Lower) | |
| 119 | 4360392 | 1 | Switch, Restriction Indicator Switch | |
| 120 | 4100025 | 18 in /46cm | Sleeve, Fiberglass 2in | |
| 121 | 1703162 | 2 | Decal - Fan Blade | |
| 122 | 3570103 | 1 | Plate, Engine Mount (Front) | |
| 123 | 4845404 | 1 | Tray, Engine | |
| 124 | 3422446 | 1 | Pin, Pivot | |
| 125 | 3841143 | 1 | Pin, Keeper | |
| 126 | 2750532 | 5 ft/1.5m | Hose | |
| 127 | 2220315 | 2 | Fitting, Barbed | |
| 128 | 1320060 | 2 | Clamp, Hose - 0.625 | |
| 129 | 1320012 | 4 | Clamp, Hose, Radiator | |
| 130 | 1320022 | 14 | Clamp, Hose | |
| 131 | 0641828 | 4 | Bolt 1/2in-13NC x 3-1/2in | |
| 132 | 4751800 | 1 | Flatwasher 1/2in | |
| 133 | 3311805 | 4 | Hex Nut 1/2in - 13UNC | |
| 134 | 0641610 | 10 | Bolt 3/8in-16NC x 1-1/4in | |
| 135 | 0641608 | 24 | Bolt 3/8in-16NC x 1in | |
| 136 | 4751600 | 55 | Flatwasher 3/8in | |
| 137 | 3311605 | 31 | Locknut 3/8in-16UNC | |
| 138 | | Ref | Fitting Options: | |
| 138 | 2200233 | 1 | Plug, Pipe 3/8in (Not Shown) (Prior to SN 0300039829) | |
| 138 | 2200317 | 1 | Fitting, Barbed (SN 0300039829 through 0300048538) | |
| 139 | 0641408 | 10 | Bolt 1/4in-20NC x 1in | |
| 140 | 0641406 | 9 | Bolt 1/4in-20NC x 3/4in | |
| 141 | 4751400 | 20 | Flatwasher 1/4in | |
| 142 | 3311405 | 19 | Locknut 1/4in x 20UNC | |

SECTION 2 - TURNTABLE

| ITEM | PART NUMBER | QTY | DESCRIPTION | REV |
|------|-------------|-----------------|--|-----|
| 143 | 0721006 | 4 | Bolt #10-24NC x 3/4in | |
| 144 | 4751000 | 4 | Flatwasher #10 | |
| 145 | 3311005 | 4 | Hex Nut #10-24NC | |
| 146 | 0100011 | AR | Compound, Locking | |
| 147 | 3570104 | 1 | Plate, Fuel Pump | |
| 148 | 2220270 | 1 | Fitting, Barbed | |
| 149 | 0100020 | AR | Sealant, Pipe | |
| 150 | 2180467 | 1 | Fitting, Elbow Barbed | |
| 151 | 2720271 | 4.5 ft /1.4m | Vacuum Hose 3/16in | |
| 152 | 0940070 | 1 | Bumper, Rubber | |
| 153 | 4567071 | 1 | Tube, Exhaust | |
| 154 | 0701012 | 4 | Bolt M10 x 25mm | |
| 155 | 4832000 | 4 | Lockwasher | |
| 156 | 1340060 | 1 | Air Cleaner Assembly | |
| 156 | 7012664 | 1 | Filter, Air Cleaner | |
| 157 | 0340041 | 2 | Band, Muffler/Air Cleaner | |
| 158 | 0080201 | 1 | Fitting, Elbow Reducing | |
| 159 | 1320016 | 3 | Clamp, Worm Gear | |
| 160 | 4240033 | 5 | Strap, Tie | |
| 161 | 2720436 | 1 | Hose, Radiator (Upper) | |
| 162 | 4240099 | 3 | Strap, Tie | |
| 163 | 4791600 | 4 | Starlock 3/8in | |
| 164 | 2180798 | 4 | Fitting, Restriction Indicator | |
| 165 | 2901608 | 1 | Battery Cable Kit | |
| 165A | 7016800 | 1 | Cable, Battery (Red) | |
| 165B | 7016807 | 1 | Cable, Battery (Black) | |
| 165C | 7016808 | 1 | Cable (Red) | |
| 165D | 7016824 | 1 | Cable (Red) | |
| 165E | 7016825 | 1 | Cable (Black) | |
| 166 | 4460611 | 1 | Terminal, Battery Jumper Post | |
| 167 | 2220250 | 1 | Fitting, Reducer | |
| 168 | 2220273 | 1 | Fitting, Reducer | |
| 169 | 2720058 | 12.8 ft/4m | Hose 5/16in | |
| 170 | 0721004 | 2 | Bolt #10-24NC x 1/2in | |
| 171 | 4360294 | 1 | Breaker, Circuit-30 AMP | |
| 172 | 3380429 | 1 | Panel, Rubber | |
| 173 | 1320223 | 4 | Clamp, "J" Clip 1/2in | |
| 174 | 3422532 | 1 | Pin, Hitch | |
| 175 | 0641606 | 3 | Bolt 3/8in-16NC x 3/4in | |
| 176 | 0642010 | 1 | Bolt 5/8in-11NC x 1-1/4in | |
| 177 | 4752000 | 1 | Flatwasher 5/8in | |
| 178 | 0700819 | 4 | Bolt M8 x 1.25 x 55mm | |
| 179 | 4831900 | 4 | Lockwasher M8 | |
| 180 | 0961986 | 2 | Bearing, Flange | |
| 181 | 2200221 | 1 | Plug, Pipe | |
| 182 | 1701542 | 1 | Decal - Gasoline (Not Shown - Located Near Tank) | |
| 183 | 2720160 | 18 in /46cm | Hose | |
| 184 | 4562516 | 1 in/3cm | Tube | |
| 185 | 1320032 | 1 | Clamp, Hose | |
| 186 | 4711400 | 1 | Flatwasher, 1/4in | |

SECTION 2 - TURNTABLE

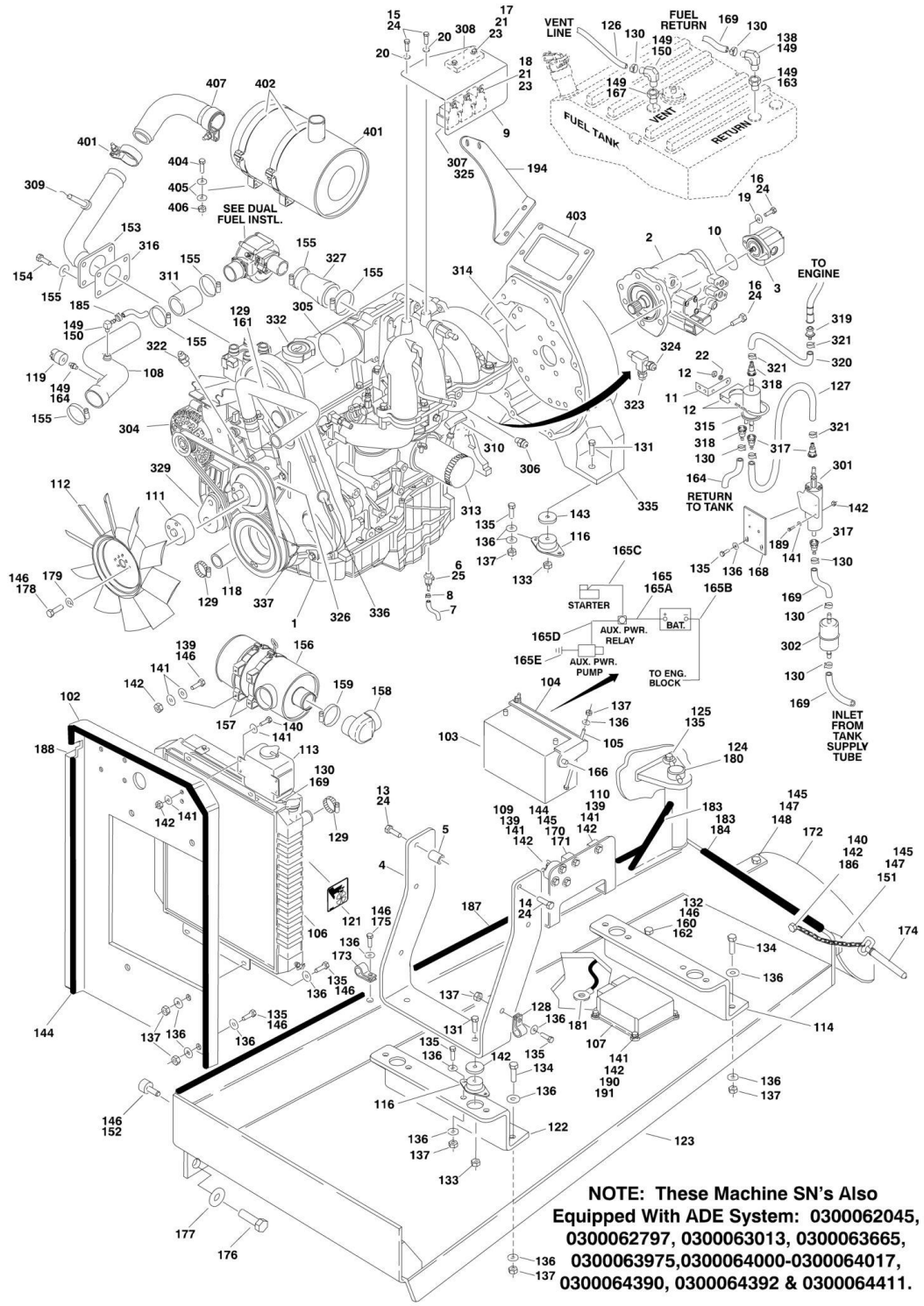
| ITEM | PART NUMBER | QTY | DESCRIPTION | REV |
|------|-------------|-----------------|---|-----|
| 187 | 3960468 | 1 | Seal, Foam | |
| 188 | 3960469 | 1 | Seal, Foam | |
| 189 | 4060806 | 16 in /41cm | Flex-Trim | |
| 190 | 4060804 | 19 in /49cm | Flex-Trim | |
| 191 | 1060637 | 1 | Cable, Lanyard | |
| 192 | 1641808 | 2 | Bolt 1/2in-13NC x 1in | |
| 193 | 3311801 | 1 | Hex Nut 1/2in-13 UNC | |
| 194 | 0641508 | 3 | Bolt 5/16in-18NC x 1in | |
| 195 | 0641514 | 3 | Bolt 5/16in-18NC x 1-3/4in | |
| 196 | 3311505 | 6 | Locknut 5/16in-18UNC | |
| 197 | 3539957 | 2 | Plate, Hold Down | |
| 198 | 3960389 | 5 ft/1.5m | Seal | |
| 199 | | Ref | Tube, Fuel Line Options: | |
| 199 | 4567169 | 1 | Tube, Fuel Line (Prior to SN 0300039829) | |
| 199 | 4567730 | 1 | Tube, Fuel Line (SN 0300039829 through 0300048538) | |
| 200 | 4740274 | 4 | Washer, Snubbing | |
| 201 | 3841340 | 3 | Loop, Hose (Not Shown - Located at Center of T/T) | |
| 202 | 2720015 | 12 ft /3.66m | Hose | |
| 203 | 2120169 | 1 | Filter, By-Pass | |
| | | Ref | ENGINE COMPONENTS | |
| | 2000156 | Ref | Engine Components (Prior to SN 0300039829) | |
| | 2000160 | Ref | Engine Components (SN 0300039829 through 0300048538) | |
| 301 | 7019988 | 1 | Carburetor (was p/n 7019974) (Prior to SN 0300039829) | |
| 301 | 7019933 | 1 | Carburetor Kit | |
| 301 | 7027292 | 1 | Float Assembly | |
| 301 | 70000163 | 1 | Needle, Spring Loaded (Fuel Valve) | |
| 301 | 7025122 | 1 | Base, Carburetor | |
| 301 | 7016605 | 1 | Choke, Automatic | |
| 301 | 70000646 | 1 | Gasket, Carburetor (Bottom) (was p/n 7019975) | |
| 301 | 7024321 | 1 | Gasket, Carburetor (Top) | |
| 302 | 7012679 | 1 | Starter (was p/n 7019986) (Not Shown) (Prior to SN 0300039829) | |
| 303 | 7019977 | 1 | Alternator with Pulley and Regulator | |
| 303 | 7000897 | 1 | Alternator without Pulley and Regulator | |
| 303 | 7019997 | 1 | Regulator | |
| 304 | 7027402 | 1 | Belt, Drive (was p/n 7019979) | |
| 305 | 7023687 | 1 | Module, Ignition (was p/n 7019961) | |
| 306 | 7019980 | 1 | Harness, Engine Wiring (Not Shown) | |
| 307 | 7022153 | 1 | Water Pump Assembly | |
| 307 | 7019985 | 1 | Pulley, Water Pump | |
| 307 | 7019982 | 1 | Tube, Water Pump Inlet | |
| 307 | 7022156 | 1 | Thermostat | |
| 308 | | Ref | Fuel Pump Assembly Options: | |
| 308 | 7016600 | 1 | Fuel Pump Assembly (Facet) (Prior to SN 0300039829) | |
| 308 | 7019983 | 1 | Fuel Pump Assembly (Airtex) (SN 0300039829 through 0300048538) | |
| 309 | 7016601 | 1 | Strainer, Fuel | |
| 310 | 7011868 | 1 | Filter, Oil (was p/ns 7011869 & 7014501) | |
| 311 | 7019976 | 1 | Flywheel | |

SECTION 2 - TURNTABLE

| ITEM | PART NUMBER | QTY | DESCRIPTION | REV |
|------|-------------|-----|---|-----|
| 311 | 7022180 | 1 | Ring Gear | |
| 311 | 1660250 | 1 | Coupling, Pump (15 Tooth) (was p/n 7016662) | |
| 311 | 7020120 | 1 | Bell Housing | |
| 312 | 70002307 | 1 | Gasket, Exhaust (Manifold to Pipe) | |
| 312 | 7022143 | 1 | Gasket, Exhaust (Manifold to Cylinder Head - Not Shown) | |
| 312 | 7019924 | 1 | Manifold, Exhaust (Not Shown) | |
| 313 | 7025126 | 1 | Manifold, Intake (Was p/n 7019923) | |
| 313 | 7025125 | 1 | Gasket, Intake (Manifold to Cylinder Head) | |
| 314 | 7000884 | 1 | Solenoid, Fuel (Not Shown) | |
| 315 | 7022151 | 1 | Cap, Oil Fill | |
| 316 | | Ref | Spark Plug Options (Not Shown): | |
| 316 | See Note | 4 | Spark Plug (2000156 Engine Only) (Note: Not Available - Purchase Locally) (Prior to SN 0300039829) | |
| 316 | 7019932 | 4 | Spark Plug (2000160 Engine Only) (SN 0300039829 through 0300048538) | |
| 316 | | Ref | Wire Set, Spark Plug (Not Shown) Options: | |
| 316 | 7022157 | 1 | Wire Set, Spark Plug (Not Shown) (2000156 Engine Only) (Prior to SN 0300039829) | |
| 316 | 7019931 | 1 | Wire Set, Spark Plug (Not Shown) (2000160 Engine Only) (SN 0300039829 through 0300048538) | |
| 316 | 7019930 | 1 | Coil, Ignition | |
| 317 | 7022178 | 1 | Sensor, Crank (Not Shown) | |
| 318 | 7019978 | 1 | Tensioner, Belt (2000156 Engine) (Prior to SN 0300039829) | |
| 318 | 70002567 | 1 | Tensioner, Belt (2000160 Engine) (SN 0300039829 through 0300048538) | |
| 319 | 7022150 | 1 | Belt, Timing (2000160 Engine Only) | |
| | | Ref | MUFFLER INSTALLATIONS | |
| | 0258390 | Ref | Standard Spark Arresting | 1 |
| | 0258391 | Ref | Optional Catalytic | 1 |
| 401 | | Ref | Muffler Options: | |
| 401 | 3220113 | 1 | Standard Spark Arresting | |
| 401 | 3220114 | 1 | Optional Catalytic | |
| 402 | 0340046 | 2 | Band | |
| 403 | 0902309 | 1 | Bracket, Muffler | |
| 404 | 0641507 | 4 | Bolt 5/16in-18NC x 7/8in | |
| 405 | 4711500 | 8 | Flatwasher 5/16in Narrow | |
| 406 | 3311505 | 4 | Locknut 5/16in-18NC | |
| 407 | 4567073 | 1 | Tube, Exhaust | |

SECTION 2 - TURNTABLE

FIGURE 2-13. FORD ENGINE WITH EFI INSTALLATIONS (SN 0300048538 through 0300069000)



SECTION 2 - TURNTABLE

FIGURE 2-13. FORD ENGINE WITH EFI INSTALLATIONS (SN 0300048538 through 0300069000)

| ITEM | PART NUMBER | QTY | DESCRIPTION | REV |
|------|-------------|-----------|--|-----|
| | | Ref | NOTE: THESE MACHINE SN'S ALSO EQUIPPED WITH ADE SYSTEM: 0300062045, 0300062797, 0300063013, 0300063665, 0300063975, 0300064000-0300064017, 0300064390, 0300064392 & 0300064411. | |
| | | Ref | ENGINE ASSEMBLIES | |
| | 0259476 | Ref | Standard (SN 0300048538 through 0300064431) | 1-A |
| | 0271368 | Ref | Standard (With ADE System) (SN 0300064432 through 0300069000) | 2-A |
| | 0259478 | Ref | Dual Fuel (SN 0300048538 through 0300064431) | 1-A |
| | 0271364 | Ref | Dual Fuel (With ADE System) (SN 0300064432 through 0300069000) | 2-A |
| 1 | | Ref | Engine - Ford LRG-425 EFI Options: | |
| 1 | 2000164 | 1 | Standard | |
| 1 | 2000172 | 1 | Standard (With ADE System) | |
| 1 | 2000166 | 1 | Dual Fuel | |
| 1 | 2000174 | 1 | Dual Fuel (With ADE System) | |
| 2 | 3600295 | 1 | Piston Pump Assembly (See PISTON PUMP ASSEMBLY for Breakdown) | |
| 3 | 3600278 | 1 | Gear Pump Assembly | |
| 3 | 7018995 | 1 | Seal Kit - 3600278 Motor | |
| 3 | 7024918 | 1 | Seal, Shaft | |
| 3 | 7024930 | 1 | Valve Assembly - 3600278 Motor | |
| 4 | 3539972 | 1 | Plate, Engine Mounting - Front | |
| 5 | 4566605 | 1 | Tube, Spacer | |
| 6 | 4640989 | 1 | Valve, Oil Drain | |
| 7 | 2750532 | 6 in/21cm | Hose | |
| 8 | 1320022 | 1 | Clamp | |
| 9 | 3571498 | 1 | Plate, Module Mounting | |
| 10 | | Ref | O-Ring Options: | |
| 10 | 3790152 | 1 | O-Ring (SN 0300048538 through 0300067811) | |
| 10 | 3790044 | 1 | O-Ring (SN 0300067812 through 0300069000) | |
| 11 | 0902539 | 1 | Bracket | |
| 12 | 1320019 | 1 | Clamp | |
| 13 | 0701022 | 2 | Bolt M10 x 70mm | |
| 14 | 0701014 | 2 | Bolt M10 x 30mm | |
| 15 | 0700810 | 3 | Bolt M8 x 20mm | |
| 16 | 0641812 | 4 | Bolt 1/2in-13NC x 1-1/2in | |
| 17 | 0721014 | 2 | Screw #10-24NC x 1-3/4in | |
| 18 | 0721006 | 3 | Screw #10-24NC x 3/4in | |
| 19 | 4891800 | 2 | Washer, Hardened 1/2in | |
| 20 | 4751500 | 2 | Flatwasher 5/16in | |
| 21 | 4751000 | 8 | Flatwasher #10 | |
| 22 | 4761500 | 2 | Lockwasher 5/16in | |
| 23 | 3311005 | 5 | Locknut #10-24NC | |
| 24 | 0100011 | AR | Compound, Locking | |
| 25 | 0100020 | AR | Sealant, Pipe | |
| | | Ref | ENGINE INSTALLATIONS | |
| | 0259477 | Ref | Standard | 5-E |
| | 0271367 | Ref | Standard (With ADE System) | 3-C |
| | 0259479 | Ref | Dual Fuel | 6-F |
| | 0271366 | Ref | Dual Fuel (With ADE System) | 1-A |

SECTION 2 - TURNTABLE

| ITEM | PART NUMBER | QTY | DESCRIPTION | REV |
|------|--------------|------------|--|-----|
| 102 | 3539872 | 1 | Mount, Radiator | |
| 103 | 0400075 | 1 | Battery | |
| 104 | 0181727 | 1 | Tie-Down | |
| 105 | 0630498 | 2 | Bolt, Tie-Down | |
| 106 | 3620040 | 1 | Radiator | |
| 106 | 8180311 | 1 | Cap, Radiator (was p/n 7019656) | |
| 107 | | Ref | ECM 800A, Controller Options: | |
| 107 | 1600298 | 1 | Standard | |
| 107 | 1600314 | 1 | With ADE System | |
| 108 | 4846011 | 1 | Weldment, Air Intake Tube | |
| 109 | 3740067 | 1 | Relay, Auxiliary Power Relay | |
| 110 | | Ref | Relay, Bosch Relay Options: | |
| 110 | 3740080 | 2 | Standard | |
| 110 | Not Required | 0 | With ADE System | |
| 111 | 0080214 | 1 | Adapter, Fan Spacer | |
| 112 | 2060025 | 1 | Fan, Suction | |
| 113 | 1580011 | 1 | Container, Coolant Overflow Container | |
| 114 | 3570133 | 1 | Plate, Engine Mount-Ford (Rear) | |
| 116 | 3200362 | 4 | Mount, Rubber | |
| 118 | 2720435 | 1 | Hose, Lower Radiator (Lower) | |
| 119 | 4360392 | 1 | Switch, Restriction Indicator Switch | |
| 120 | 3841340 | 2 | Hose Loop (Not Shown Located inside turntable) | |
| 121 | 1703162 | 2 | Decal - Fan Blade | |
| 122 | 3570103 | 1 | Plate, Engine Mount (Front) | |
| 123 | 4845404 | 1 | Tray, Engine | |
| 124 | 3422446 | 1 | Pin, Pivot | |
| 125 | 3841143 | 1 | Pin, Keeper | |
| 126 | 2750532 | 5 ft/1.5m | Hose | |
| 127 | 2720472 | 1 | Hose | |
| 128 | 1320060 | 1 | Clamp, Hose - 0.625 | |
| 129 | 1320012 | 4 | Clamp, Hose, Radiator | |
| 130 | 1320022 | 9 | Clamp, Hose | |
| 131 | 0641828 | 4 | Bolt 1/2in-13NC x 3-1/2in | |
| 132 | 4751800 | 1 | Flatwasher 1/2in | |
| 133 | 3311805 | 4 | Hex Nut 1/2in - 13UNC | |
| 134 | 0641610 | 8 | Bolt 3/8in-16NC x 1-1/4in | |
| 135 | 0641608 | 22 | Bolt 3/8in-16NC x 1in | |
| 136 | 4751600 | 55 | Flatwasher 3/8in | |
| 137 | 3311605 | 31 | Locknut 3/8in-16UNC | |
| 138 | 2220805 | 1 | Fitting | |
| 139 | 0641408 | 4 | Bolt 1/4in-20NC x 1in | |
| 140 | 0641406 | 5 | Bolt 1/4in-20NC x 3/4in | |
| 141 | 4751400 | 16 | Flatwasher 1/4in | |
| 142 | 3311405 | 13 | Locknut 1/4in x 20UNC | |
| 143 | 4740274 | 4 | Washer, Snubbing | |
| 144 | 3960389 | 5 ft/1.52m | Seal | |
| 145 | 3539957 | 2 | Plate, Hold Down | |
| 146 | 0100011 | AR | Compound, Locking | |
| 147 | 3311505 | 6 | Hex Nut 5/16in-18NC | |
| 148 | 3900272 | 3 | Bolt 5/16in-18NC x 1-3/4in | |
| 149 | 0100020 | AR | Sealant, Pipe | |

SECTION 2 - TURNTABLE

| ITEM | PART NUMBER | QTY | DESCRIPTION | REV |
|------|--------------|------------------|--|-----|
| 150 | 2180467 | 2 | Fitting, Elbow Barbed | |
| 151 | 0641508 | 3 | Bolt 5/16in-18NC x 1in | |
| 152 | 0940070 | 1 | Bumper, Rubber | |
| 153 | 4567879 | 1 | Tube, Exhaust | |
| 154 | 0701012 | 4 | Bolt M10 x 25mm | |
| 155 | 4832000 | 4 | Lockwasher | |
| 156 | 1340060 | 1 | Air Cleaner Assembly | |
| 156 | 7012664 | 1 | Filter, Air Cleaner | |
| 157 | 0340041 | 2 | Band, Muffler/Air Cleaner | |
| 158 | 0080201 | 1 | Fitting, Elbow Reducing | |
| 159 | 1320016 | 2 | Clamp, Worm Gear | |
| 160 | 3311801 | 1 | Hex Nut 1/2in-13 UNC | |
| 161 | 2720436 | 1 | Hose, Radiator (Upper) | |
| 162 | 1641808 | 2 | Bolt 1/2in-13NC x 1in | |
| 163 | | Ref | Fitting, Reducer Options: | |
| 163 | 2220273 | 1 | Standard | |
| 163 | 2220430 | 1 | With ADE System | |
| 164 | 2180798 | 4 | Fitting, Restriction Indicator | |
| 165 | 2901608 | 1 | Battery Cable Kit | |
| 165A | 7016800 | 1 | Cable, Battery (Red) | |
| 165B | 7016807 | 1 | Cable, Battery (Black) | |
| 165C | 7016808 | 1 | Cable (Red) | |
| 165D | 7016824 | 1 | Cable (Red) | |
| 165E | 7016825 | 1 | Cable (Black) | |
| 166 | 4460611 | 1 | Terminal, Battery Jumper Post | |
| 167 | 2220250 | 1 | Fitting, Reducer | |
| 168 | 3572414 | 1 | Plate, Pump Mounting | |
| 169 | 2720058 | 12 ft/3.7m | Hose 5/16in | |
| 170 | | Ref | Bolt #10-24NC x 1/2in Options: | |
| 170 | 0721004 | 2 | Standard | |
| 170 | Not Required | 0 | With ADE System | |
| 171 | | Ref | Breaker, Circuit-30 Amp Options: | |
| 171 | 4360294 | 1 | Standard | |
| 171 | Not Required | 0 | With ADE System | |
| 172 | 3380429 | 1 | Panel, Rubber | |
| 173 | 1320223 | 4 | Clamp, "J" Clip 1/2in | |
| 174 | 3422532 | 1 | Pin, Hitch | |
| 175 | 0641606 | 3 | Bolt 3/8in-16NC x 3/4in | |
| 176 | 0642010 | 1 | Bolt 5/8in-11NC x 1-1/4in | |
| 177 | 4752000 | 1 | Flatwasher 5/8in | |
| 178 | 0700819 | 4 | Bolt M8 x 55mm | |
| 179 | 4831900 | 4 | Lockwasher M8 | |
| 180 | 0961986 | 2 | Bearing, Flange | |
| 181 | 1060637 | 1 | Cable, Lanyard | |
| 182 | 1701542 | 1 | Decal - Gasoline (Not Shown - Located Near Tank) | |
| 183 | 4060804 | 2.9 ft /0.88m | Flex-Trim | |
| 184 | 4060806 | 16 in /41cm | Flex-Trim (SN 0300048538 through 0300067812) | |
| 185 | 1320032 | 2 | Clamp, Hose | |
| 186 | 4711400 | 1 | Flatwasher, 1/4in | |
| 187 | 3960468 | 1 | Seal, Foam | |

SECTION 2 - TURNTABLE

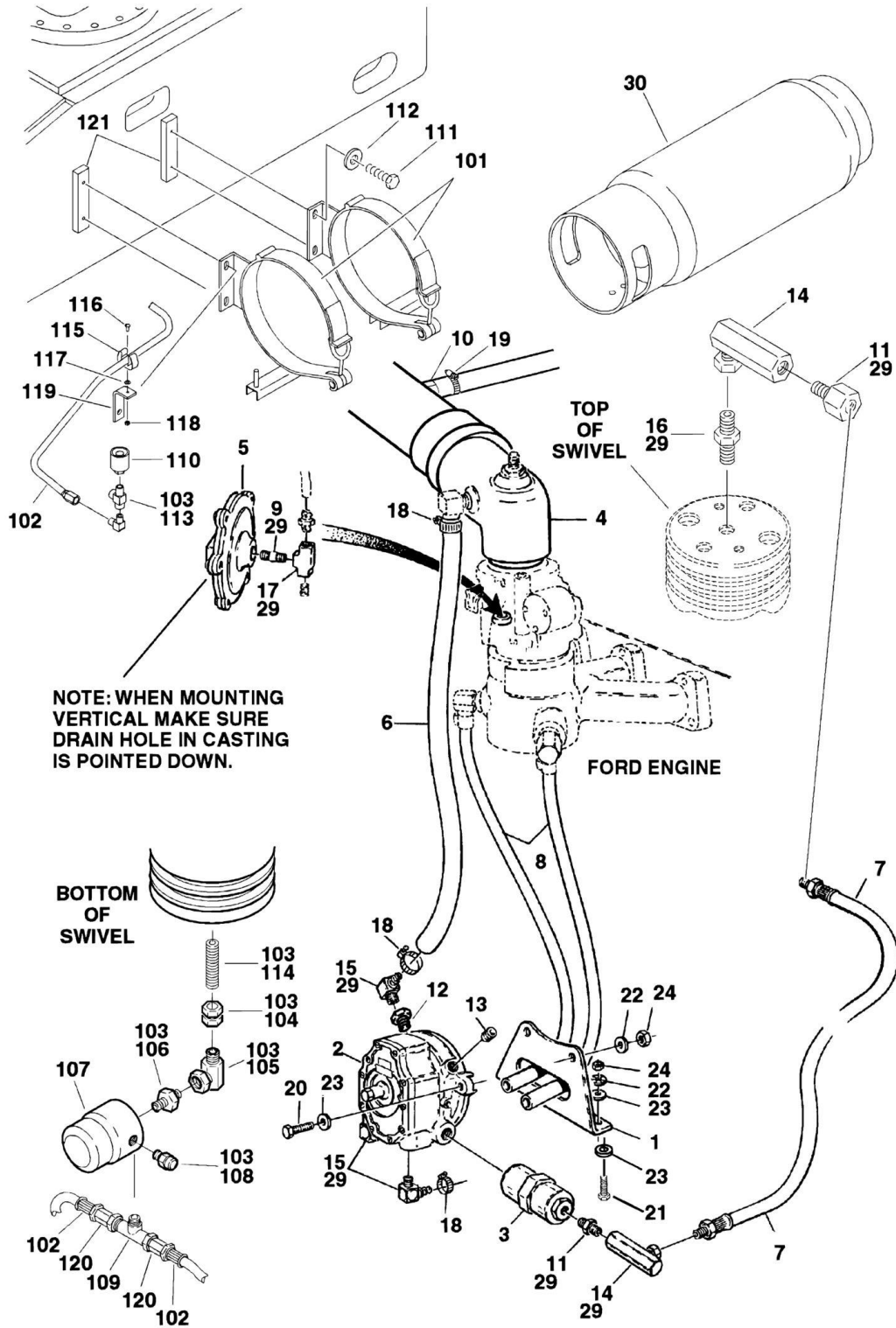
| ITEM | PART NUMBER | QTY | DESCRIPTION | REV |
|------|-------------|-----|---|-----|
| 188 | 3960469 | 1 | Seal, Foam | |
| 189 | 0641410 | 3 | Bolt 1/4in-20NC x 1-1/4in | |
| 190 | 4568158 | 4 | Standoff 1/4in x 2in | |
| 191 | 0641424 | 4 | Bolt 1/4in-20NC x 3in | |
| 194 | 0902572 | 1 | Bracket, LP Mounting (Dual Fuel Machines Only) | |
| | | Ref | ENGINE COMPONENTS | |
| | 2000164 | Ref | Engine Components (SN 0300048538 through 0300064431) | |
| | 2000166 | Ref | Engine Components (SN 0300048538 through 0300064431) | |
| | 2000172 | Ref | Engine Components (SN 0300064432 through 0300069000) | |
| | 2000174 | Ref | Engine Components (SN 0300064432 through 0300069000) | |
| 301 | 3600377 | 1 | Fuel Pump and Isolator Assembly (was p/n 7022133) | |
| 301 | 7022134 | 1 | Harness, Fuel Pump Wiring | |
| 302 | 91083218 | 1 | Filter, Fuel (was p/n 7022135) | |
| 303 | 7019986 | 1 | Starter (Not Shown) | |
| 304 | 7019977 | 1 | Alternator with Pulley and Regulator | |
| 304 | 7000897 | 1 | Alternator without Pulley and Regulator | |
| 305 | | Ref | Actuator, Throttle Options: | |
| 305 | 7022136 | 1 | Actuator, Throttle (SN 0300048538 through 0300064431) | |
| 305 | 7023655 | 1 | Actuator, Throttle (SN 0300064432 through 0300069000) | |
| 305 | 7023652 | 1 | Plate, Actuator Adapter | |
| 305 | 7023654 | 1 | Gasket, Actuator to Adapter Plate | |
| 305 | 7023653 | 2 | Bolt (Adapter Plate to Intake Manifold) | |
| 305 | 7023656 | 4 | Bolt (Actuator to Adapter Plate) | |
| 306 | 7019996 | 1 | Sensor, Air Temperature (was p/n 7023661) | |
| 306 | 7023662 | 1 | Bracket, Air Temperature Sensor | |
| 307 | 7023663 | 1 | Harness, ECM (was p/n 7022137) | |
| 308 | 7022139 | 1 | Sensor, MAP | |
| 309 | 7019994 | 1 | Sensor, EGR | |
| 310 | 2420187 | 1 | Dipstick | |
| 310 | 4564281 | 1 | Tube, Dipstick | |
| 311 | | Ref | Horn, Rubber Air Options: | |
| 311 | 2720341 | 1 | Horn, Rubber Air (SN 0300048538 through 0300064431) | |
| 311 | 7023658 | 1 | Horn, Rubber Air (SN 0300064432 through 0300069000) | |
| 312 | 7023637 | 1 | Switch, Oil Pressure | |
| 313 | 7021868 | 1 | Filter, Oil (was p/n 7022147, 7021869 & 7014501) | |
| 314 | 1660250 | 1 | Coupling, Pump (was p/n 7016662) | |
| 314 | 7019976 | 1 | Flywheel | |
| 314 | 7022180 | 1 | Ring Gear | |
| 315 | 7019993 | 1 | Pressure Regulator and Filter Assembly | |
| 316 | 70002307 | 1 | Gasket, Exhaust (Manifold to Pipe) | |
| 316 | 7022143 | 1 | Gasket, Exhaust (Manifold to Cylinder Head) (Not Shown) | |
| 317 | 7022158 | 3 | Connector | |
| 318 | 7022159 | 2 | Connector | |
| 319 | 7022160 | 1 | Connector | |
| 320 | 7022161 | 2 | Tube, Supply | |
| 321 | 7022162 | 2 | Clamp | |
| 322 | 7022178 | 1 | Sensor, Crank | |
| 323 | 7022142 | 1 | Switch, Pressure (Black) (SN 0300048538 through 0300064432 Only) | |
| 324 | 7023637 | 1 | Switch, Shutdown (White) (SN 0300048538 through 0300064432 Only) | |
| 325 | 7023613 | 3 | Relay | |

SECTION 2 - TURNTABLE

| ITEM | PART NUMBER | QTY | DESCRIPTION | REV |
|------|-------------|-----|--|-----|
| 326 | 7022153 | 1 | Pump, Water | |
| 326 | 7022154 | 1 | Gasket, Water Pump | |
| 326 | 7022155 | 1 | Sensor, Water Temperature (Not Shown) | |
| 326 | 7027411 | 1 | Sender, Water (2000174 Engine Only) (Not Shown) | |
| 326 | 7022164 | 1 | Sensor, High Coolant Temperature (2000166 Engine Only) (Not Shown) | |
| 326 | 7022156 | 1 | Thermostat (Not Shown) | |
| 326 | 7023644 | 1 | Hose, Water Pump (By-Pass) (Not Shown) | |
| 327 | 2720341 | 1 | Horn, Rubber Air | |
| 329 | 70002567 | 1 | Tensioner, Belt | |
| 330 | 7019925 | 1 | PCV Valve (Not Shown) | |
| 331 | 7019930 | 1 | Coil, Ignition (Not Shown) | |
| 331 | 7022157 | 1 | Wire Set, Spark Plug (Not Shown) | |
| 331 | 7019932 | 4 | Spark Plug (was p/n 7012595) | |
| 332 | 7022151 | 1 | Cap, Oil Fill | |
| 333 | 7022149 | 1 | Gasket Kit, Lower Manifold (Not Shown) | |
| 333 | 7025124 | 1 | Gasket Kit, Upper Manifold (was p/n 7022148) (Not Shown) | |
| 333 | 7022144 | 1 | Gasket, Upper Manifold Throttle (Not Shown) | |
| 334 | 7023657 | 1 | Harness, TPS Harness (Not Shown) | |
| 335 | 7020120 | 1 | Housing, Bell (2000166 Engine Only) | |
| 336 | 7022150 | 1 | Belt, Timing | |
| 337 | 7027402 | 1 | Belt, Drive (was p/n 7019979) | |
| 338 | 7022152 | 4 | Injector, Fuel (Not Shown) | |
| | 3124114 | 1 | Service Manual, Ford EFI System Diagnostic | |
| | | Ref | MUFFLER INSTALLATIONS | |
| | 0258390 | Ref | Standard Spark Arresting | 1 |
| | 0258391 | Ref | Optional Catalytic | 1 |
| 401 | | Ref | Muffler Options: | |
| 401 | 3220113 | 1 | Standard Spark Arresting | |
| 401 | 3220114 | 1 | Optional Catalytic | |
| 402 | 0340046 | 2 | Band | |
| 403 | 0902309 | 1 | Bracket, Muffler | |
| 404 | 0641507 | 4 | Bolt 5/16in-18NC x 7/8in | |
| 405 | 4711500 | 8 | Flatwasher 5/16in Narrow | |
| 406 | 3311505 | 4 | Locknut 5/16in-18NC | |
| 407 | 4567073 | 1 | Tube, Exhaust | |

SECTION 2 - TURNTABLE

FIGURE 2-14. DUAL FUEL INSTALLATIONS (FORD MACHINE OPTION) (Prior to SN 0300048538)



SECTION 2 - TURNTABLE

FIGURE 2-14. DUAL FUEL INSTALLATIONS (FORD MACHINE OPTION) (Prior to SN 0300048538)

| ITEM | PART NUMBER | QTY | DESCRIPTION | REV |
|------|-------------|----------------|--|-----|
| | 0258426 | Ref | DUAL FUEL INSTALLATION | 1 |
| 1 | 0902132 | 1 | Bracket, Vaporizer | |
| 2 | 4700005 | 1 | Vaporizer/Regulator | |
| 2 | 7017515 | 1 | Repair Kit - 4700005 | |
| 3 | 2120077 | 1 | Filter Lock | |
| 4 | 0080124 | 1 | Adapter, Carb | |
| 5 | 4360188 | 1 | Switch, Vacuum | |
| 6 | 2720112 | 3 ft/.9m | Hose, Vapor | |
| 7 | 2720144 | 1 | Hose | |
| 8 | 2720042 | 30 in /76cm | Hose | |
| 9 | 2180104 | 1 | Fitting, Nipple | |
| 10 | 2220720 | 1 | Fitting | |
| 11 | 2180418 | 2 | Fitting, LP | |
| 12 | 2220251 | 1 | Fitting, Reducer | |
| 13 | 2200204 | 1 | Plug, Pipe | |
| 14 | 2220064 | 2 | Fitting, Elbow | |
| 15 | 2220675 | 3 | Fitting, Elbow Barbed | |
| 16 | 2220005 | 1 | Fitting, Reducer | |
| 17 | 2180360 | 1 | Fitting | |
| 18 | 1320017 | 4 | Clamp | |
| 19 | 1320022 | 1 | Clamp | |
| 20 | 0641408 | 2 | Bolt 1/4in-20NC x 1in | |
| 21 | 0641416 | 2 | Bolt 1/4in-20NC x 2in | |
| 22 | 4791400 | 6 | Starwasher 1/4in | |
| 23 | 4751400 | 8 | Flatwasher 1/4in | |
| 24 | 3311405 | 2 | Locknut 1/4in-20UNC | |
| 25 | 4360336 | 1 | Toggle, SPDT (Not Shown - Located on Console Box) | |
| 26 | 3790012 | 1 | O-Ring (Not Shown - Located on Console Box) | |
| 27 | 1701543 | 2 | Decal-LPG (Not Shown - See Decal Installation) | |
| 28 | 1700818 | 2 | Decal- Liquid Withdrawal System (Not Shown - See Decal Installation) | |
| 29 | 0100020 | AR | Sealant, Pipe | |
| 30 | | Ref | Tank, LP Options: | |
| 30 | 4400275 | 1 | Aluminum | |
| 30 | 4400420 | 1 | Steel | |
| | 0255524 | Ref | LP TANK AND BRACKETS INSTALLATION | 6-E |
| 101 | 1320220 | 2 | Clamp Kit - LP | |
| 102 | 2720144 | 2 | Hose | |
| 103 | 0100020 | AR | Sealant, Pipe | |
| 104 | 2221019 | 1 | Fitting, Red | |
| 105 | 2180125 | 1 | Fitting - Elbow | |
| 106 | 2220261 | 1 | Fitting, Nipple | |
| 107 | 2180388 | 1 | Filter, Bulkhead | |
| 108 | 2180389 | 1 | Valve, Relief | |
| 109 | 2180418 | 1 | Fitting, Tee | |
| 110 | 2180387 | 2 | Fitting, LP Tank | |
| 111 | 0641606 | 8 | Bolt 3/8in-16NC x 3/4in | |
| 112 | 4751600 | 8 | Flatwasher 3/8in | |
| 113 | 2180418 | 2 | Fitting, Straight | |

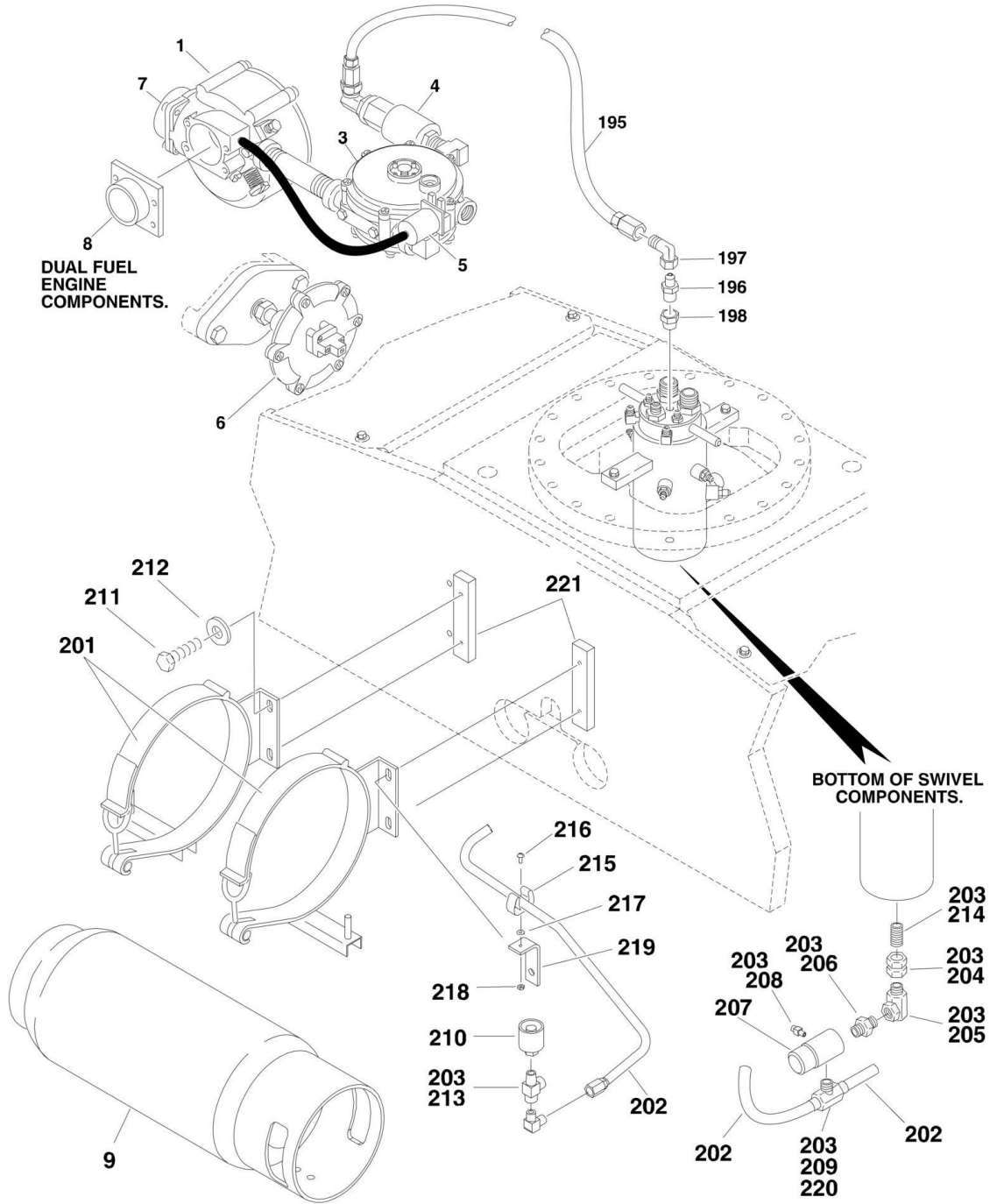
SECTION 2 - TURNTABLE

| ITEM | PART NUMBER | QTY | DESCRIPTION | REV |
|------|-------------|-----|--------------------------------|-----|
| 114 | 2221018 | 1 | Fitting, Nipple | |
| 115 | 1320218 | 2 | Clamp, Spring | |
| 116 | 3910808 | 2 | Screw, Machine #8-32NC x 1/2in | |
| 117 | 4750800 | 4 | Flatwasher #8 | |
| 118 | 3310805 | 2 | Locknut #8-32NC | |
| 119 | 0181949 | 2 | Support, Angle | |
| 120 | 2221024 | 2 | Fitting, Ball Check | |
| 121 | 0362519 | 4 | Bar, Clamp | |

SECTION 2 - TURNTABLE

FIGURE 2-15. DUAL FUEL INSTALLATIONS (FORD MACHINE OPTION) (SN 0300048538 through 0300069000)

NOTE: These Machine SN's Also Equipped With ADE System: 0300062045, 0300062797, 0300063013, 0300063665, 0300063975, 0300064000-0300064017, 0300064390, 0300064392 & 0300064411.



SECTION 2 - TURNTABLE

FIGURE 2-15. DUAL FUEL INSTALLATIONS (FORD MACHINE OPTION) (SN 0300048538 through 0300069000)

| ITEM | PART NUMBER | QTY | DESCRIPTION | REV |
|------|-------------|-----|--|-----|
| | | Ref | NOTE: THESE MACHINE SN'S ALSO EQUIPPED WITH ADE SYSTEM: 0300062045, 0300062797, 0300063013, 0300063665, 0300063975, 0300064000-0300064017, 0300064390, 0300064392 & 0300064411. | |
| | | Ref | DUAL FUEL ENGINE COMPONENTS | |
| | 2000166 | Ref | Without ADE System (Prior to SN 0300064432) | C |
| | 2000174 | Ref | With ADE System (SN 0300064432 through 0300069000) | B |
| | 7023665 | 1 | Dual Fuel Conversion Kit (Note: Includes hose, fittings, clamps and items indented below. For replacement hose, fittings and clamps supply locally) | |
| 1 | 7022165 | 1 | Mixer | |
| 1 | 7022171 | 1 | Repair Kit - 7022165 Mixer | |
| 1 | 7023645 | 1 | Gasket, Mixer | |
| 3 | 7022167 | 1 | Convertor | |
| 3 | 7022170 | 1 | Repair Kit - 7022167 Convertor | |
| 4 | 7023680 | 1 | Filter, LP Shut-Off (Was p/n 7022169) | |
| 4 | 7023680 | NLA | Electrical Connector Kit (No Longer Available - was p/n 7023679) | |
| 5 | 7022168 | 1 | Valve, Solenoid | |
| 6 | 4360188 | 1 | Switch, Vacuum | |
| 7 | 7023603 | 1 | Adapter | |
| 7 | 7023659 | 1 | Gasket, Adapter | |
| 7 | 7023660 | 4 | Screw M6 x 14mm | |
| 8 | 7022166 | 1 | Adapter | |
| 9 | | Ref | Tank, LP Options: | |
| 9 | 4400275 | 1 | Aluminum | |
| 9 | 4400420 | 1 | Steel | |
| | | Ref | Dual Fuel Machines | |
| | 0259479 | Ref | Without ADE System (Prior to SN 0300064432) | 2-B |
| | 0271366 | Ref | With ADE System (SN 0300064432 through 0300069000) | 1-A |
| 190 | 4360336 | 1 | Toggle, SPDT (Not Shown - Located on Console Box) | |
| 191 | 3790012 | 1 | O-Ring (Not Shown - Located on Console Box) | |
| 192 | 1701543 | 2 | Decal-LPG (Not Shown - See Decal Installation) | |
| 193 | 1700818 | 2 | Decal- Liquid Withdrawal System (Not Shown - See Decal Installation) | |
| 195 | 2720392 | 1 | Hose | |
| 196 | 2180418 | 1 | Fitting, Straight | |
| 197 | 2220064 | 1 | Fitting, Elbow | |
| 198 | | Ref | Fitting, Reducer Options: | |
| 198 | 2221019 | 1 | Fitting, Reducer (Prior to SN 0300064432) | |
| 198 | 2220005 | 1 | Fitting, Reducer (SN 0300064432 through 0300069000) | |
| | 0255524 | Ref | LP TANK AND BRACKETS INSTALLATION | 7-E |
| 201 | 1320220 | 2 | Clamp Kit - LP | |
| 201 | 1320127 | 2 | Clamp, Toggle (1 Per Clamp) | |
| 202 | 2720144 | 2 | Hose | |
| 203 | 0100020 | AR | Sealant, Pipe | |
| 204 | 2221019 | 1 | Fitting, Red | |
| 205 | 2180125 | 1 | Fitting - Elbow | |
| 206 | 2220261 | 1 | Fitting, Nipple | |
| 207 | 2180388 | 1 | Filter, Bulkhead | |

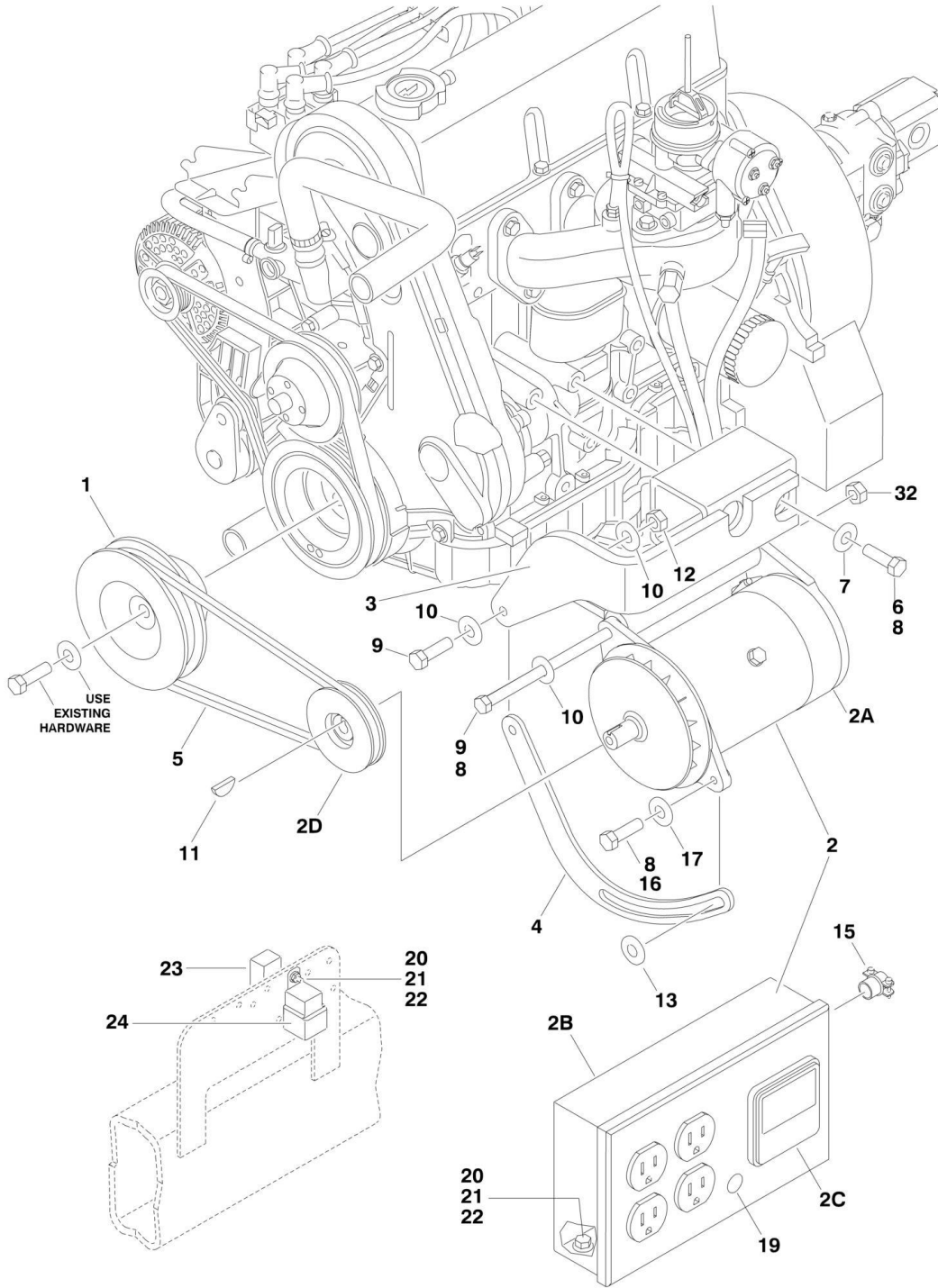
SECTION 2 - TURNTABLE

| ITEM | PART NUMBER | QTY | DESCRIPTION | REV |
|------|-------------|-----|--------------------------------|-----|
| 208 | 2180389 | 1 | Valve, Relief | |
| 209 | 2180418 | 1 | Fitting, Tee | |
| 210 | 2180387 | 2 | Fitting, LP Tank | |
| 211 | 0641606 | 8 | Bolt 3/8in-16NC x 3/4in | |
| 212 | 4751600 | 8 | Flatwasher 3/8in | |
| 213 | 2220418 | 2 | Fitting, Straight | |
| 214 | 2221018 | 1 | Fitting, Nipple | |
| 215 | 1320218 | 2 | Clamp, Spring | |
| 216 | 3910808 | 2 | Screw, Machine #8-32NC x 1/2in | |
| 217 | 4750800 | 4 | Flatwasher #8 | |
| 218 | 3310805 | 2 | Locknut #8-32NC | |
| 219 | 0181949 | 2 | Support, Angle | |
| 220 | 2221024 | 2 | Fitting, Ball Check | |
| 221 | 0362519 | 4 | Bar, Clamp | |

SECTION 2 - TURNTABLE

FIGURE 2-16. GENERATOR INSTALLATION - FORD MACHINES (OPTIONAL)

NOTE: These Machine SN's Also Equipped With ADE System: 0300062045, 0300062797, 0300063013, 0300063665, 0300063975, 0300064000-0300064017, 0300064390, 0300064392 & 0300064411.



SECTION 2 - TURNTABLE

FIGURE 2-16. GENERATOR INSTALLATION - FORD MACHINES (OPTIONAL)

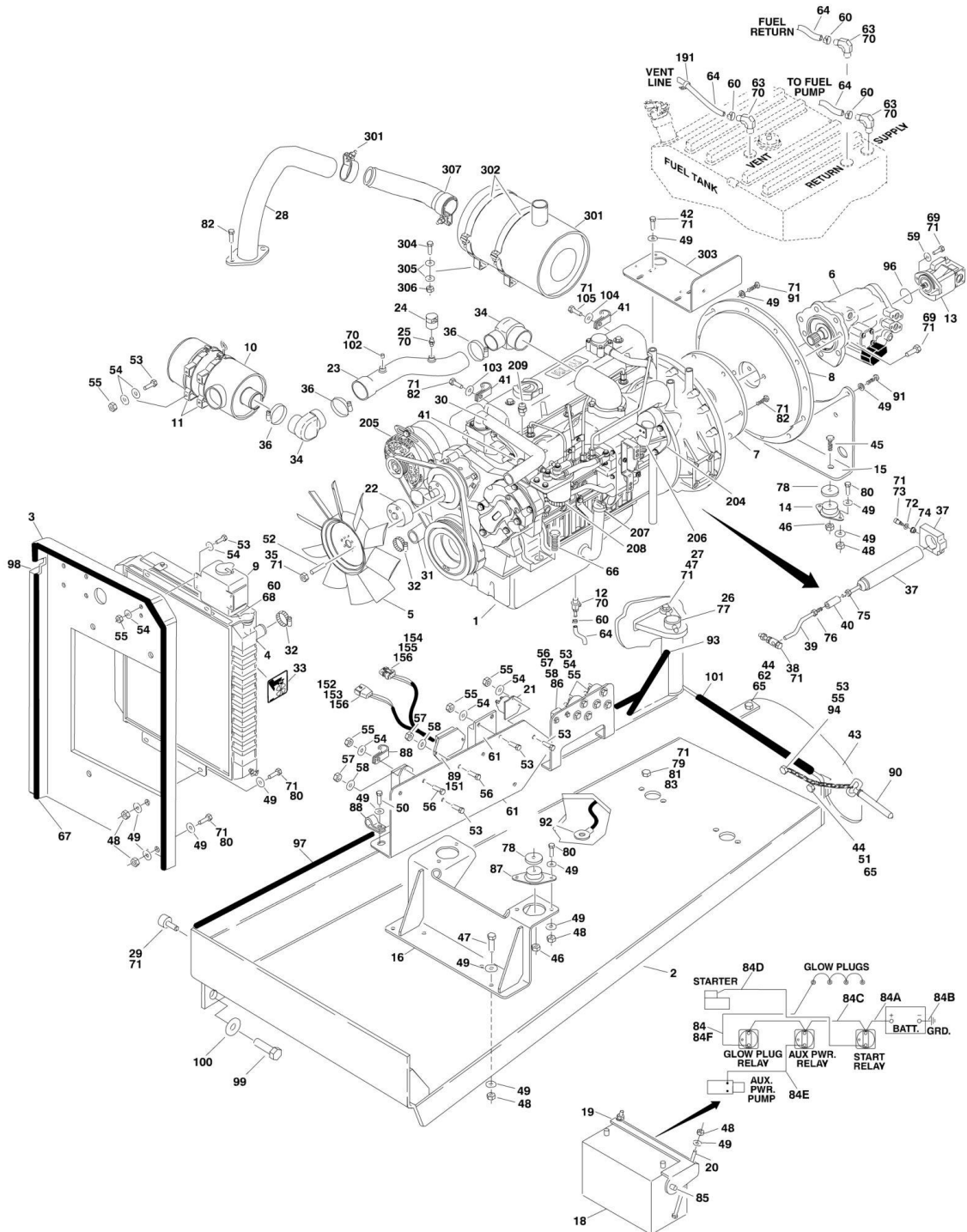
| ITEM | PART NUMBER | QTY | DESCRIPTION | REV |
|------|-------------|-----|--|-----|
| | | Ref | NOTE: THESE MACHINE SN'S ALSO EQUIPPED WITH ADE SYSTEM: 0300062045, 0300062797, 0300063013, 0300063665, 0300063975, 0300064000-0300064017, 0300064390, 0300064392 & 0300064411. | |
| | | Ref | GENERATOR INSTALLATION OPTIONS: | |
| | | Ref | 110V Generators | |
| | 0257851 | Ref | 110V Generator (Prior to SN 0300064432) | 2 |
| | 0271545 | Ref | 110V Generator - ADE System (SN 0300064432 through 0300069000) | 3 |
| | | Ref | 220V Generators | |
| | 0257856 | Ref | 220V Generator (Prior to SN 0300064432) | 3 |
| | 0271546 | Ref | 220V Generator - ADE System (SN 0300064432 through 0300069000) | 4 |
| | | Ref | Note: Refer to SkyPower Accessories Manual p/n 3124242 for the Miller 7500W Generator. | |
| 1 | 3580250 | 1 | Pulley | |
| 2 | | Ref | Generator and Control Box Assembly Options: | |
| 2 | 2460011 | 1 | 110Volt Assembly (Prior to SN 0300066053) | J |
| 2 | 2460032 | 1 | 110Volt Assembly (SN 0300066053 through 0300069000) | C |
| 2 | 2460013 | 1 | 220Volt Assembly (Prior to SN 0300066053) | C |
| 2 | 2460034 | 1 | 220Volt Assembly (SN 0300066053 through 0300066741) | B |
| 2 | 2460013 | 1 | 220Volt Assembly (SN 0300066742 through 0300069000) | B |
| 2A | | Ref | Generator Options: | |
| 2A | 7012558 | 1 | 110V Replacement Generator | |
| | | Ref | Note: Replacement Generator p/n 7012558 come standard with p/n 3580134 pulley. This pulley may not be correct for all applications. Refer to pulley options below. | |
| 2A | 1001100321 | 1 | 220V Replacement Generator | |
| | | Ref | Note: Replacement Generator p/n 1001100321 come standard with p/n 3580134 pulley. This pulley may not be correct for all applications. Refer to pulley options below. | |
| 2A | 7012513 | 4 | Cap, Brush Holder | |
| 2A | 7020108 | 4 | Brush | |
| 2A | 7020109 | 4 | Holder, Brush | |
| 2A | 7026199 | 1 | 110V/60Hz Armature with Slip Rings | |
| 2A | 70000123 | 1 | 220V/50Hz Armature with Slip Rings | |
| 2A | 7012514 | 1 | Fan | |
| 2A | 7020190 | 2 | Bearing | |
| 2A | 7020110 | 1 | End Bell, Front | |
| 2A | 7020111 | 1 | End Bell, Rear | |
| 2A | 7020193 | 1 | Harness, Generator | |
| 2B | | Ref | Box, Control Options: | |
| 2B | 7003657 | 1 | 110V/60Hz Replacement Box | |
| | | Ref | Note: Replacement 110V Control Box comes with (2) standard receptacles p/n 4460190. Optional industrial twist lock receptacle p/n 4460027 must be ordered separately. | |
| 2B | 70002235 | 1 | 220V/50Hz Replacement Box | |
| 2B | | Ref | Breaker, Circuit Options: | |
| 2B | 4360542 | 1 | 110V Breaker, Circuit | |
| 2B | 70000126 | 1 | 220V Breaker, Circuit | |

SECTION 2 - TURNTABLE

| ITEM | PART NUMBER | QTY | DESCRIPTION | REV |
|------|-------------|-----------|---|-----|
| 2B | 7020191 | 1 | Switch, Toggle | |
| 2B | 2920162 | 1 | Lamp | |
| 2B | 4460190 | 2 | Receptacle, Double (110V Box) | |
| 2B | 70000124 | 1 | Receptacle, Double (220V Box) | |
| 2B | 70000125 | 1 | Receptacle, Single (220V Box) | |
| 2C | | Ref | Voltmeter Options: | |
| 2C | 2420203 | 1 | 110Volt 60Hz Voltmeter | |
| 2C | 7020192 | 1 | 220Volt 50Hz Voltmeter | |
| 2D | | Ref | Pulley Options: | |
| 2D | 3580134 | 1 | Generator p/n's 2460011 & 2460013 | |
| 2D | 3580276 | 1 | Generator p/n's 2460032 & 2460034 | |
| 2D | 7027887 | 1 | Key, Woodruff | |
| 3 | | Ref | Bracket, Generator Mounting Options: | |
| 3 | 0902210 | 1 | Bracket, Generator Mounting (Prior to SN 0300064432) | |
| 3 | 0902756 | 1 | Bracket, Generator Mounting (SN 0300064432 through 0300069000) | |
| 4 | 0200547 | 1 | Arm, Adjusting | |
| 5 | | Ref | V-Belt Options: | |
| 5 | 0480050 | 1 | Generator -p/n 2460011/2460013/2460056 | |
| 5 | 0480111 | 1 | Generator -p/n 2460032/2460034 | |
| 6 | 0701015 | 2 | Bolt M10 x 35mm | |
| 7 | 4812000 | 2 | Flatwasher M10 | |
| 8 | 0100011 | AR | Compound, Locking | |
| 9 | | Ref | Bolt Options: | |
| 9 | 0681612 | AR | Bolt 3/8in-16NC x 1-1/2in (Grade 8) (Prior to SN 0300064432) | |
| 9 | 0641772 | AR | Bolt 7/16in-14NC x 9in (SN 0300064432 through 0300069000) | |
| 10 | 4751600 | 6 | Flatwasher 3/8in | |
| 11 | 2860012 | 1 | Key, Woodruff | |
| 12 | 3311605 | 1 | Locknut 3/8in-16NC | |
| 13 | 4564417 | 1 | Spacer, Tube | |
| 15 | 4460023 | 1 | Connector, Strain Relief | |
| 16 | 0641508 | 1 | Bolt 5/16in-18NC x 1in | |
| 17 | 4751500 | 2 | Flatwasher 5/16in | |
| 19 | 3520028 | 1 | Plug, Hole | |
| 20 | 0721006 | 4 | Bolt #10-24NC x 3/4in | |
| 21 | 3311005 | 4 | Locknut #10-24NC | |
| 22 | 4751000 | 9 | Flatwasher #10 | |
| 23 | 4360294 | 1 | Breaker, Circuit - 30 Amp | |
| 24 | 3740080 | 1 | Relay, Bosch | |
| 25 | 4360336 | 1 | Switch, Toggle (Not Shown - Located at Platform) | |
| 26 | 4740397 | 1 | Bushing (Not Shown - Located at Platform) | |
| 27 | 4060802 | 1 | Guard, Switch (Not Shown - Located at Platform) | |
| 29 | 2820031 | 4 in/10cm | Heat Shrink (Not Shown - Located at Platform) | |
| 30 | 3251102 | 1 | Decal (Not Shown - Located at Platform) | |
| 32 | 3311705 | 1 | Locknut 7/16in-14NC Only (SN 0300064432 through 0300069000) | |

SECTION 2 - TURNTABLE

FIGURE 2-17. ISUZU ENGINE INSTALLATIONS - 4JB1 (SN 0300060285 through 0300069000)



SECTION 2 - TURNTABLE

FIGURE 2-17. ISUZU ENGINE INSTALLATIONS - 4JB1 (SN 0300060285 through 0300069000)

| ITEM | PART NUMBER | QTY | DESCRIPTION | REV |
|------|-------------|-----|---|-----|
| | 0258929 | Ref | ENGINE INSTALLATIONS | 3-B |
| 1 | 2000151 | 1 | Engine - Isuzu 4JB1 | |
| 2 | 4845404 | 1 | Tray Weldment | |
| 3 | 3539872 | 1 | Mount, Radiator | |
| 4 | 3620040 | 1 | Radiator | |
| 4 | 8180311 | 1 | Cap, Radiator (was p/n 7019656) | |
| 5 | 2060025 | 1 | Fan | |
| 6 | 3600295 | 1 | Piston Pump Assembly (See PISTON PUMP ASSEMBLY for Breakdown) | |
| 7 | 1660239 | 1 | Coupling | |
| 8 | 0080181 | 1 | Plate, Pump Adapter | |
| 9 | 1580011 | 1 | Tank, Coolant Recovery | |
| 10 | 1340060 | 1 | Air Cleaner Assembly | |
| 10 | 7012664 | 1 | Element, Air Cleaner | |
| 11 | 0340041 | 2 | Band, Air Cleaner | |
| 12 | 4641019 | 1 | Valve, Oil Drain | |
| 13 | 3600278 | 1 | Gear Pump Assembly | |
| 13 | 7018995 | 1 | Seal Kit - 3600278 Motor | |
| 13 | 7024918 | 1 | Seal, Shaft | |
| 13 | 7024930 | 1 | Valve Assembly - 3600278 Motor | |
| 14 | 3200401 | 2 | Plate, Engine Mount (Rear) | |
| 15 | 3570283 | 1 | Plate, Engine Mounting - Rear | |
| 16 | 4845532 | 1 | Plate Weldment, Engine Mounting - Front | |
| 17 | 3841340 | 3 | Loop, Hose (Not Shown - Located in Turntable) | |
| 18 | | Ref | Battery Options: | |
| 18 | 0400075 | 1 | Battery (Wet) | |
| 18 | 7016180 | 1 | Battery (Dry) | |
| 19 | 0181727 | 1 | Battery Hold-Down | |
| 20 | 0630498 | 2 | Bolt, Tie-Down | |
| 21 | 3740067 | 3 | Relay (Auxiliary Power) | |
| 22 | 0080230 | 1 | Spacer, Fan | |
| 23 | 4845035 | 1 | Tube, Air Intake | |
| 24 | 4360392 | 1 | Indicator, Clogged Filter | |
| 25 | 2180798 | 1 | Fitting, Restrictor Indicator | |
| 26 | 3422446 | 1 | Pin, Pivot | |
| 27 | 3841143 | 1 | Pin, Keeper | |
| 28 | 4845534 | 1 | Weldment Tube, Exhaust | |
| 29 | 0940070 | 1 | Bumper, Rubber | |
| 30 | 2720441 | 1 | Hose, Radiator - Top | |
| 31 | 2720442 | 1 | Hose, Radiator - Bottom | |
| 32 | 1320012 | 4 | Clamp | |
| 33 | 1703162 | 2 | Decal - Fan Blade | |
| 34 | 0080201 | 2 | Elbow, Rubber | |
| 35 | 3311401 | 4 | Nut 1/4in-20NC | |
| 36 | 1320016 | 4 | Clamp | |
| 37 | 0060033 | 1 | Kit - Throttle Actuator | |
| 38 | 1660220 | 1 | Throttle Swivel | |
| 39 | 3841351 | 1 | Throttle Rod | |
| 40 | 1660222 | 1 | Throttle, Coupling | |
| 41 | 1320222 | 3 | Clamp | |

SECTION 2 - TURNTABLE

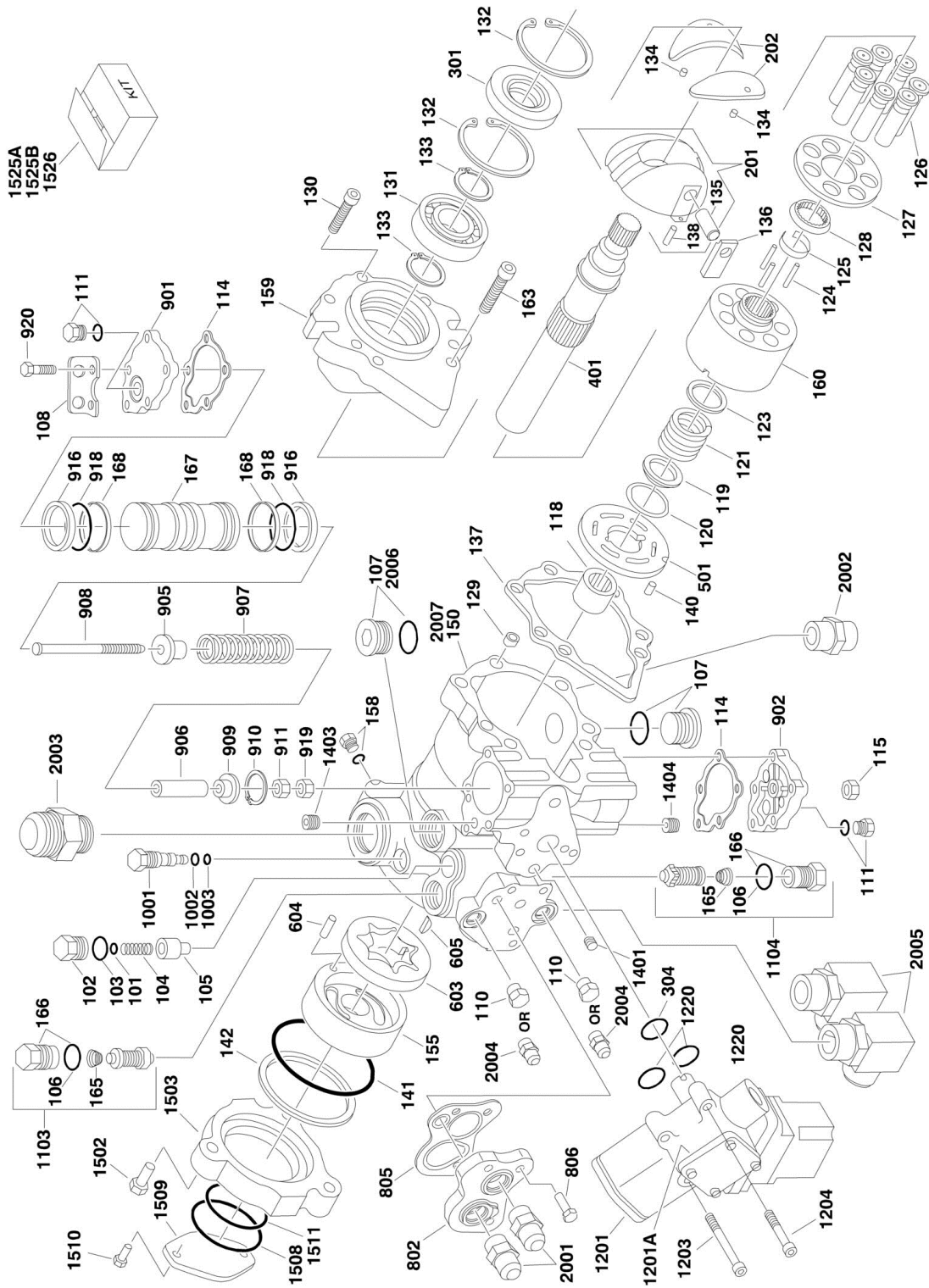
| ITEM | PART NUMBER | QTY | DESCRIPTION | REV |
|------|-------------|------------|----------------------------------|-----|
| 42 | 0701012 | 4 | Bolt M10 x 25mm | |
| 43 | 3380429 | 1 | Panel, Rubber | |
| 44 | 3539957 | 2 | Plate, Hold-Down | |
| 45 | 0641818 | 2 | Bolt 1/2in-13NC x 2-1/4in | |
| 46 | 3311805 | 4 | Locknut 1/2in-13NC | |
| 47 | 0641610 | 5 | Bolt 3/8in-16NC x 1-1/4in | |
| 48 | 3311605 | 22 | Locknut 3/8in-16NC | |
| 49 | 4751600 | 63 | Flatwasher 3/8in | |
| 50 | 0641606 | 3 | Bolt 3/8in-16NC x 3/4in | |
| 51 | 0641508 | 3 | Bolt 5/16in-18NC x 1in | |
| 52 | 4300148 | 4 | Stud, Fan Mounting | |
| 53 | 0641406 | 18 | Bolt 1/4in-20NC x 3/4in | |
| 54 | 4751400 | 31 | Flatwasher 1/4in | |
| 55 | 3311405 | 19 | Locknut 1/4in-20NC | |
| 56 | 0721006 | 5 | Bolt #10-24NC x 3/4in | |
| 57 | 3311001 | 5 | Nut #10-24NC | |
| 58 | 4751000 | 5 | Flatwasher #10 | |
| 59 | 4891600 | 2 | Washer, Hardened 3/8in | |
| 60 | 1320022 | 8 | Clamp | |
| 61 | 0902527 | 1 | Bracket, Control Module Mounting | |
| 62 | 3900272 | 3 | Bolt 5/16in-18NC x 1-3/4in | |
| 63 | 2220313 | 3 | Fitting, Barbed Elbow | |
| 64 | 2750532 | 31 ft/9.4m | Hose | |
| 65 | 3311505 | 6 | Locknut 5/16in-18NC | |
| 66 | 0641828 | 2 | Bolt 1/2in-13NC x 3-1/2in | |
| 67 | 3960389 | 5 ft/1.52m | Seal | |
| 68 | 2720058 | 12 ft/3.7m | Hose, Fuel Line | |
| 69 | 0641812 | 4 | Bolt 1/2in-13NC x 1-1/2in | |
| 70 | 0100020 | AR | Sealant | |
| 71 | 0100011 | AR | Compound, Locking | |
| 72 | 4740442 | 1 | Washer, Belleville | |
| 73 | 3900217 | 1 | Screw, Shoulder | |
| 74 | 0962031 | 1 | Bushing, Flange | |
| 75 | 3321402 | 1 | Nut, Jam 1/4in-20NC | |
| 76 | 3321602 | 1 | Nut, Jam 3/8in-24NC | |
| 77 | 0961986 | 2 | Bushing, Flange | |
| 78 | 4740274 | 4 | Washer, Snubbing | |
| 79 | 4751800 | 3 | Flatwasher 1/2in | |
| 80 | 0641608 | 22 | Bolt 3/8in-16NC x 1in | |
| 81 | 3311801 | 1 | Nut 1/2in-13NC | |
| 82 | 0701011 | 11 | Bolt M10 x 22mm | |
| 83 | 0641808 | 2 | Bolt 1/2in-13NC x 1in | |
| 84 | 2901809 | 1 | Battery Cable Kit | A |
| 84A | 7016800 | 1 | Cable, Battery (Red) | |
| 84B | 7016831 | 1 | Cable, Battery (Black) | |
| 84C | 7016811 | 1 | Cable (Red) | |
| 84D | 7016802 | 1 | Cable (Red) | |
| 84E | 7016824 | 1 | Cable (Red) | |
| 84F | 7016825 | 1 | Cable (Black) | |
| 85 | 4460611 | 1 | Terminal, Battery Jumper Post | |
| 86 | 4360294 | 1 | Breaker, Circuit | |

SECTION 2 - TURNTABLE

| ITEM | PART NUMBER | QTY | DESCRIPTION | REV |
|------|-------------|------------------|---|-----|
| 87 | 3200362 | 2 | Engine Mount (Front) | |
| 88 | 1320223 | 12 | Clamp | |
| 90 | 3422532 | 1 | Pin, Hitch | |
| 91 | 0701015 | 12 | Bolt M10 x 35mm | |
| 92 | 1060637 | 1 | Lanyard | |
| 93 | 4060804 | 1 ft/0.3m | Flexible Trim 3/16in (Prior to SN 0300067812) | |
| 94 | 4711400 | 1 | Flatwasher 1/4in | |
| 95 | 1701505 | 1 | Decal - Diesel | |
| 96 | 3790152 | 1 | O-Ring | |
| 97 | 3960468 | 1 | Seal, Foam 1-1/4in x 1-1/4in x 47-1/4in | |
| 98 | 3960469 | 1 | Seal, Foam 1-1/4in x 1-1/4in x 32in | |
| 99 | 0642010 | 1 | Bolt 5/8in-11NC x 1-1/4in | |
| 100 | 4752000 | 1 | Flatwasher 5/8in | |
| 101 | 4060805 | 2.9 ft /0.88m | Flexible Trim 1/4in | |
| 102 | 2200221 | 1 | Plug | |
| 103 | 4711600 | 1 | Flatwasher 3/8in | |
| 104 | 4711500 | 1 | Flatwasher 5/16in | |
| 105 | 0700808 | 1 | Bolt M8 x 16mm | |
| | 0259198 | Ref | TIMER MODULE PLUGS ASSEMBLY | 2-B |
| 151 | 3740126 | 1 | Relay, Timer Module | |
| 152 | 4460476 | 1 | Housing - Receptacle | |
| 153 | 4460475 | 3 | Pin - Male | |
| 154 | 4460459 | 1 | Housing - Plug | |
| 155 | 4460457 | 3 | Socket - Female | |
| 156 | 4460458 | 6 | Seal | |
| | 2000151 | Ref | ENGINE COMPONENTS | |
| 201 | 7022127 | 1 | Switch, Oil Pressure (Not Shown) | |
| 202 | 7022177 | 1 | Solenoid, Engine Stop (Not Shown) | |
| 203 | 7023634 | 1 | Filter, Oil (Not Shown) | |
| 204 | 7023635 | 1 | Starter | |
| 205 | 7023638 | 1 | Alternator | |
| 206 | 7023639 | 1 | Solenoid, Shutdown 12Volt | |
| 207 | 7023640 | 1 | Gauge, Oil Level | |
| 208 | 7023641 | 1 | Filter, Fuel | |
| 209 | 7023642 | 1 | Switch, Water Pressure | |
| | 0258932 | Ref | MUFFLER INSTALLATION | 1 |
| 301 | 3220113 | 1 | Muffler - Spark Arresting | |
| 302 | 0340046 | 2 | Band | |
| 303 | 3570288 | 1 | Plate, Muffler Mount | |
| 304 | 0641507 | 4 | Bolt 5/16in-18NC x 1in | |
| 305 | 4711500 | 8 | Flatwasher 5/16in Narrow | |
| 306 | 3311505 | 4 | Locknut 5/16in-18NC | |
| 307 | 4567073 | 1 | Tube, Exhaust | |

SECTION 2 - TURNTABLE

FIGURE 2-18. PISTON PUMP ASSEMBLY



SECTION 2 - TURNTABLE

FIGURE 2-18. PISTON PUMP ASSEMBLY

| ITEM | PART NUMBER | QTY | DESCRIPTION | REV |
|------|-------------|-----|---|-----|
| | | Ref | PISTON PUMP ASSEMBLIES | |
| | 3600277 | Ref | Piston Pump Assemblies (Prior to SN 0300042829) | A |
| | 3600295 | Ref | Piston Pump Assemblies (SN 0300042829 through 0300069000) | A |
| | | Ref | Note: Original Equipment pump may have been replaced with Service Replacement pump. Visually identify the p/n tag on pump before ordering parts. | |
| 101 | 7007413 | 1 | Shim Kit | |
| 102 | 7007414 | 1 | Plug | |
| 103 | See Note | NSS | O-Ring (Note: Use Item 1525A) | |
| 104 | 7021200 | 1 | Spring, Relief Valve | |
| 105 | 7007417 | 1 | Valve, Relief | |
| 106 | See Note | NSS | O-Ring (Note: Use Item 1525A) | |
| 107 | 7007419 | 2 | Plug | |
| 108 | 7021201 | 1 | Bracket, Lifting | |
| 110 | 7007470 | 2 | Plug | |
| 111 | 7007470 | 2 | Plug | |
| 114 | See Note | NSS | Gasket, Servo Cover (Note: Use Item 1525A) | |
| 115 | 7007423 | 1 | Nut, Special | |
| 118 | 7007425 | 1 | Bearing, Needle | |
| 119 | See Note | NSS | Ring, Retaining (Note: Use Item 1526) | |
| 120 | See Note | NSS | Washer (Note: Use Item 1526) | |
| 121 | See Note | NSS | Spring (Note: Use Item 1526) | |
| 123 | See Note | NSS | Washer (Note: Use Item 1526) | |
| 124 | See Note | NSS | Retainer (Note: Use Item 1526) | |
| 125 | See Note | NSS | Pin, Slipper Holddown (Note: Use Item 1526) | |
| 126 | See Note | NSS | Piston Assembly (Note: Use Item 1526) | |
| 127 | See Note | NSS | Retainer, Slipper (Note: Use Item 1526) | |
| 128 | See Note | NSS | Guide, Retainer (Note: Use Item 1526) | |
| 129 | 7007435 | 1 | Pin, Spring | |
| 130 | 7021202 | 1 | Screw, 12 Point Head | |
| 131 | 7007437 | 1 | Bearing, Ball | |
| 132 | 7007438 | 2 | Ring, Retainer | |
| 133 | 7007439 | 2 | Ring | |
| 134 | 7021203 | 2 | Pin, Spring | |
| 135 | 7007441 | 1 | Handle, Pin | |
| 136 | 7007442 | 1 | Sleeve, Bearing | |
| 137 | See Note | NSS | Gasket, Front Cover (Note: Use Item 1525A) | |
| 138 | 7021205 | 1 | Pin | |
| 140 | 7007446 | 1 | Pin | |
| 141 | See Note | NSS | O-Ring (Note: Use Item 1525A) | |
| 142 | See Note | NSS | Ring, Load Temper (Note: Use Item 1525A) | |
| 150 | 7023977 | 1 | Housing, Pump | |
| 155 | 7007452 | 1 | Cover, Gerotor | |
| 158 | 7007208 | 1 | Plug | |
| 159 | 7007454 | 1 | Cover, Front | |
| 163 | 7021207 | 6 | Screw | |
| 165 | 7021208 | 2 | Spring | |
| 166 | 7021209 | 2 | Plug, SCR | |
| 167 | 7007494 | 1 | Piston, Servo | |

SECTION 2 - TURNTABLE

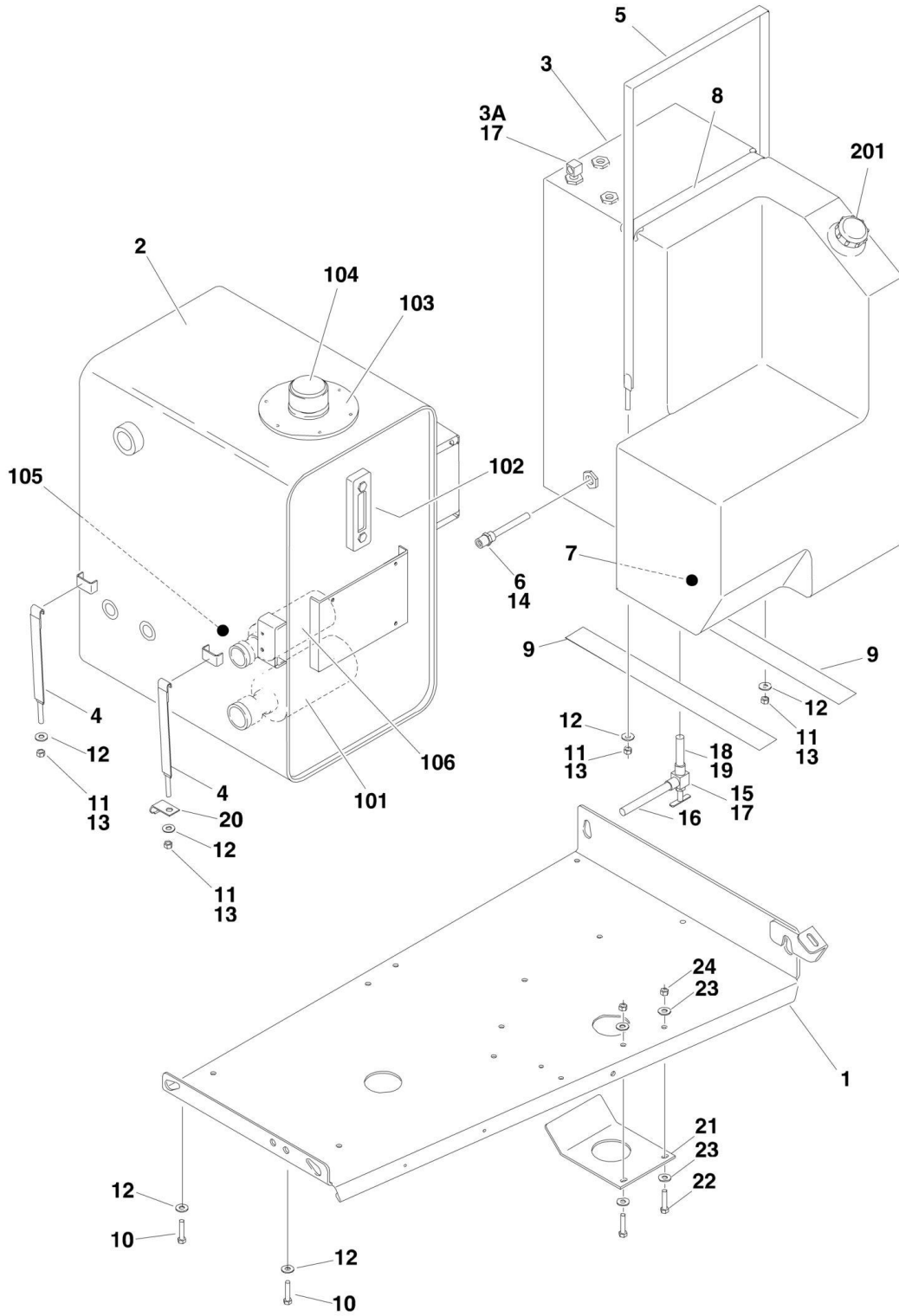
| ITEM | PART NUMBER | QTY | DESCRIPTION | REV |
|-------|-------------|-----|--|-----|
| 168 | See Note | NSS | Bearing (Note: Use Item 1525A) | |
| 201 | 7007457 | 1 | Swash Plate Assembly (Includes Items 135 & 138) | |
| 202 | 7021212 | 2 | Journal, Bearing | |
| 301 | See Note | NSS | Seal, Lip (Note: Use Item 1525A) | |
| 304 | See Note | NSS | O-Ring (Note: Use Item 1525A) | |
| 401 | 7021213 | 1 | Shaft, Main Pump | |
| 501 | 7021214 | 1 | Plate, Valve | |
| 603 | 7007463 | 1 | Gerotor Assembly | |
| 604 | 7007464 | 1 | Pin | |
| 605 | 7007465 | 1 | Key, Woodruff | |
| 802 | 7007466 | 1 | Adaptor, Remote Filtration | |
| 805 | See Note | NSS | Seal, Filter Adapter (Note: Use Item 1525A) | |
| 806 | 7021218 | 3 | Screw | |
| 901 | 7021219 | 1 | Cover, Servo | |
| 902 | 7021220 | 1 | Cover, Servo | |
| 905 | 7007483 | 1 | Guide, Spring | |
| 906 | 7007484 | 1 | Stop, Servo | |
| 907 | 7007485 | 1 | Spring | |
| 908 | 7021221 | 1 | Screw | |
| 909 | 7007487 | 1 | Guide, Spring | |
| 910 | 7007488 | 1 | Ring, Retaining | |
| 911 | 7021222 | 1 | Nut | |
| 916 | See Note | NSS | Ring, Piston (Note: Use Item 1525A or 1525B) | |
| 918 | See Note | NSS | O-Ring (Note: Use Item 1525A or 1525B) | |
| 919 | 7021206 | 1 | Nut | |
| 920 | 7021223 | 10 | Screw | |
| 1001 | 7007472 | 1 | Valve, Bypass | |
| 1002 | See Note | NSS | Ring, Back-up (Note: Use Item 1525A) | |
| 1003 | See Note | NSS | O-Ring (Note: Use Item 1525A) | |
| 1103 | 7010122 | 1 | SCR Kit (Includes items 166, 106 & 165) | |
| 1104 | 7010122 | 1 | SCR Kit (Includes items 166, 106 & 165) | |
| 1201 | 7007474 | 1 | Control, Dual Oil-Filled | |
| 1201 | 7007496 | 1 | Coil Assembly (Pilot) | |
| 1201 | 7007497 | 1 | Plug (Pump) | |
| 1201 | 7007498 | 1 | Plug (Valve Harness) | |
| 1201A | 7024828 | 1 | Gasket, Cover | |
| 1203 | 7007478 | 2 | Screw | |
| 1204 | 7001498 | 2 | Screw | |
| 1220 | See Note | NSS | O-Ring (Note: Use Item 1525A) | |
| 1401 | 7007475 | 1 | Plug, Orifice/Screen (.156) | |
| 1403 | | Ref | Plug, Orifice Options: | |
| 1403 | 7007477 | 1 | Plug, Orifice (3600277 Pump) (Prior to SN 0300042829) | |
| 1403 | 7021226 | 1 | Plug, Orifice (3600295 Pump) (SN 0300042829 through 0300069000) | |
| 1404 | | Ref | Plug, Orifice Options: | |
| 1404 | 7007477 | 1 | Plug, Orifice (3600277 Pump) (Prior to SN 0300042829) | |
| 1404 | 7021226 | 1 | Plug, Orifice (3600295 Pump) (SN 0300042829 through 0300069000) | |
| 1502 | 7007453 | 3 | Screw | |
| 1503 | 7021227 | 1 | Adapter, Flange | |
| 1508 | 7021228 | 1 | O-Ring | |
| 1509 | 7021229 | 1 | Plate, Cover | |

SECTION 2 - TURNTABLE

| ITEM | PART NUMBER | QTY | DESCRIPTION | REV |
|-------|-------------|-----|---|-----|
| 1510 | 7021230 | 2 | Screw | |
| 1511 | 7021231 | 1 | O-Ring | |
| 1525 | | Ref | Seal Kit Options: | |
| 1525A | 7021232 | 1 | Seal Kit, Complete (Includes Items 103, 106, 114, 137, 141, 142, 168, 301, 304, 805, 916, 918, 1002, 1003 & 1220) | |
| 1525B | 7007412 | 1 | Seal Kit, Servo Piston (Includes Items 916 & 918) | |
| 1526 | 7010116 | 1 | Cylinder Block Kit (Includes Items 119-128) | |

SECTION 2 - TURNTABLE

FIGURE 2-19. TANK INSTALLATIONS



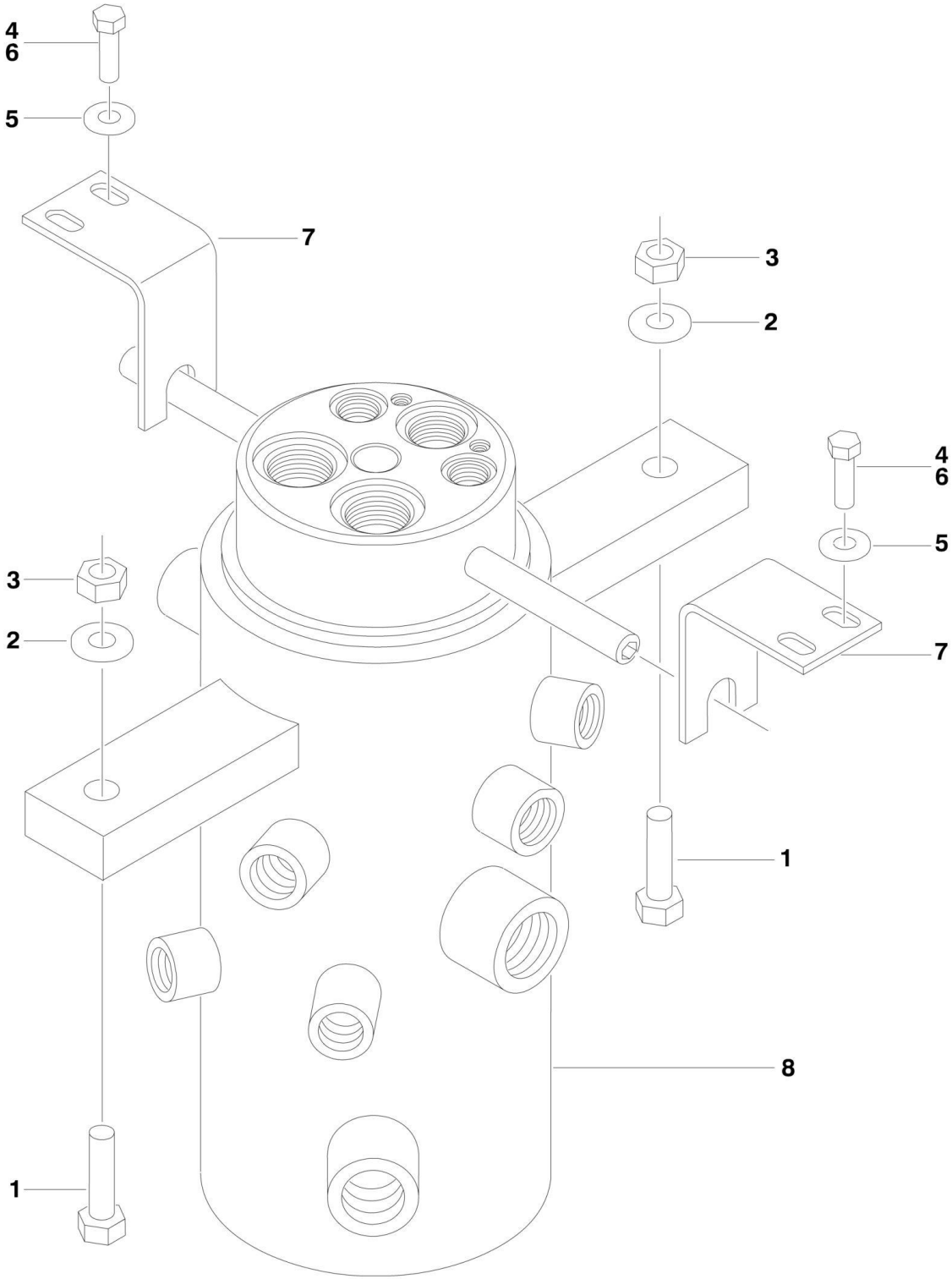
SECTION 2 - TURNTABLE

FIGURE 2-19. TANK INSTALLATIONS

| ITEM | PART NUMBER | QTY | DESCRIPTION | REV |
|------|-------------|-----------------|---|-----|
| | | Ref | TANKS INSTALLATION OPTIONS: | |
| | 0258382 | Ref | Diesel | C |
| | 0270396 | Ref | Gas | B |
| 1 | | Ref | Tray Weldment Options: | |
| 1 | 4845617 | 1 | Tray Weldment (Prior to SN 0300040678) | |
| 1 | 4845928 | 1 | Tray Weldment (SN 0300040678 through 0300069000) | |
| 2 | 4400410 | 1 | Hydraulic Tank Assembly (See Items 101-106 for Breakdown) | |
| 3 | 4400400 | 1 | Tank, Fuel (Includes Non-Locking Cap) | |
| 3A | 7019658 | 1 | Fitting and Pick-up Tube | |
| 4 | 4240112 | 4 | Strap, Tank | |
| 5 | 4240113 | 1 | Strap, Tank | |
| 6 | 4360436 | 1 | Switch, Fuel Level | |
| 7 | 2200222 | 1 | Fitting | |
| 8 | 4280295 | 25 in /44cm | Strip, Protective | |
| 9 | 4420038 | 70 in /1.78m | Tape, Rubber | |
| 10 | 0641614 | 6 | Bolt 3/8in-16NC x 1 3/4in | |
| 11 | 3311601 | AR | Nut 3/8in-16NC | |
| 12 | 4751600 | AR | Flatwasher 3/8in | |
| 13 | 0100011 | AR | Compound, Locking | |
| 14 | 0100079 | AR | Permatex | |
| | | Ref | Note: Items 15-24 Used on Gas Machines Only (SN 0300048538 through 0300069000) | |
| 15 | 4641022 | 1 | Valve, Needle (SN 0300048538 through 0300069000) | |
| 16 | 4568118 | 1 | Tube, Fuel (SN 0300048538 through 0300069000) | |
| 17 | 0100020 | AR | Sealant (SN 0300048538 through 0300069000) | |
| 18 | 0100062 | AR | Retaining Compound #680 (SN 0300048538 through 0300069000) | |
| 19 | 4568119 | 1 | Tube, Fuel (SN 0300048538 through 0300069000) | |
| 20 | 1320223 | 1 | Clamp (SN 0300048538 through 0300069000) | |
| 21 | 3572423 | 1 | Plate, Valve, Needle (SN 0300048538 through 0300069000) | |
| 22 | 0641508 | 2 | Bolt 5/16in-18NC x 1in (SN 0300048538 through 0300069000) | |
| 23 | 4711500 | 4 | Flatwasher 5/16in (SN 0300048538 through 0300069000) | |
| 24 | 3311505 | 2 | Locknut 5/16in-18NC (SN 0300048538 through 0300069000) | |
| | 4400410 | Ref | HYDRAULIC TANK ASSEMBLY | G |
| 101 | 7014818 | 1 | Strainer 1-1/2inNPT | |
| 102 | 7014802 | 1 | Gauge, Sight | |
| 103 | 7014810 | 1 | Neck, Fill | |
| 103 | 7014816 | 1 | Screen | |
| 104 | 7014817 | 1 | Breather/Fill Cap | |
| 105 | 7014813 | 1 | Plug, Magnetic | |
| 106 | 7014801 | 1 | Strainer 1-1/4inNPT | |
| | | Ref | FUEL TANK CAP INSTALLATION | |
| 201 | | Ref | Cap Options: | |
| 201 | 7016314 | 1 | Standard Non-Locking (Part of Item 3) | |
| 201 | 1120484 | 1 | Optional Lockable (Gas Machines) | |
| 201 | 1120487 | 1 | Optional Lockable (Diesel Machines) | |

SECTION 2 - TURNTABLE

FIGURE 2-20. ROTARY COUPLING INSTALLATION



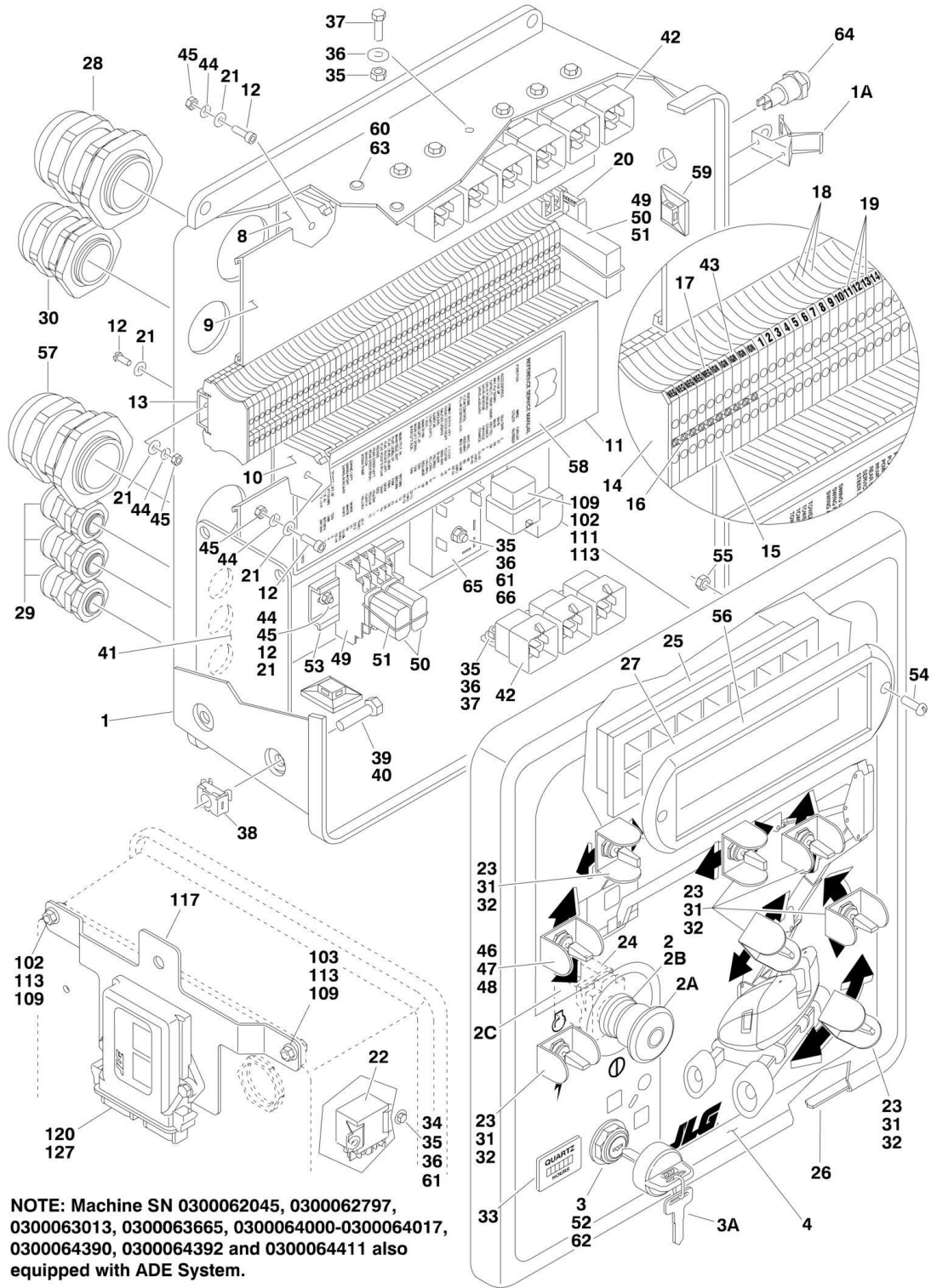
SECTION 2 - TURNTABLE

FIGURE 2-20. ROTARY COUPLING INSTALLATION

| ITEM | PART NUMBER | QTY | DESCRIPTION | REV |
|------|-------------|-----|--|-----|
| | | Ref | ROTARY COUPLING INSTALLATIONS | |
| | 0255262 | Ref | Rotary Coupling Installation 2WS (Prior to SN 0300066290) | 5 |
| | 0272354 | Ref | Rotary Coupling Installation 2WS (SN 0300066290 through 0300069000) | A |
| | 0255294 | Ref | Rotary Coupling Installation 4WS (Prior to SN 0300066290) | 2 |
| | 0272355 | Ref | Rotary Coupling Installation 4WS (SN 0300066290 through 0300069000) | A |
| 1 | 0641820 | 2 | Bolt 1/2in-13NC x 2-1/2in | |
| 2 | 4751800 | 4 | Flatwasher 1/2in | |
| 3 | 3311805 | 2 | Locknut 1/2in-13NC | |
| 4 | 0641611 | 4 | Bolt 3/8in-16NC x 1-3/8in | |
| 5 | 4751600 | 4 | Flatwasher 3/8in | |
| 6 | 0100011 | AR | Compound, Locking | |
| 7 | | Ref | Bracket | |
| 7 | 0902109 | NLA | Bracket (Use p/n 0902520) (Prior to SN 0300041300) | |
| 7 | 0902520 | 2 | Bracket (SN 0300041300 through 0300066289) | |
| 7 | 0902846 | 2 | Bracket (SN 0300066290 through 0300069000) | |
| 8 | | Ref | Coupling, Rotary Options: | |
| 8 | 1660219 | AR | 2WS Coupling Options: | |
| 8 | 1660219 | 1 | New OEM Replacement (2WS) | |
| 8 | 7013187 | 1 | Seal Kit - 1660219 Coupling (2WS) | |
| 8 | 1660219RR | 1 | Rebuilt Replacement (2WS) (Note: Contact JLG Parts Dept for information) | |
| 8 | | Ref | 4WS Coupling Options: | |
| 8 | 1660223 | 1 | New OEM Replacement (4WS) | |
| 8 | 7016342 | 1 | Seal Kit - 1660223 Coupling (4WS) | |
| 8 | 1660223RR | 1 | Rebuilt Replacement (4WS) (Note: Contact JLG Parts Dept for information) | |

SECTION 2 - TURNTABLE

FIGURE 2-21. GROUND CONTROL BOX ASSEMBLY (Prior to SN 0300064432)



SECTION 2 - TURNTABLE

FIGURE 2-21. GROUND CONTROL BOX ASSEMBLY (Prior to SN 0300064432)

| ITEM | PART NUMBER | QTY | DESCRIPTION | REV |
|------|-------------|-----|--|-----|
| | | Ref | NOTE: THESE MACHINE SN'S ALSO EQUIPPED WITH ADE SYSTEM: 0300062045, 0300062797, 0300063013, 0300063665, 0300063975, 0300064000-0300064017, 0300064390, 0300064392 & 0300064411. | |
| | | Ref | GROUND CONTROL BOX ASSEMBLIES | |
| | 0861196 | Ref | Ground Control Box Assemblies 800A with Deutz Engine (Prior to SN 0300064432) | 5 |
| | 0861197 | Ref | Ground Control Box Assemblies 800AJ with Deutz Engine (Prior to SN 0300064432) | 5 |
| | 0861258 | Ref | Ground Control Box Assemblies 800A with Isuzu Engine (SN 0300060285 through 0300064432) | 4 |
| | 0861259 | Ref | Ground Control Box Assemblies 800AJ with Isuzu Engine (SN 0300060285 through 0300064432) | 3 |
| | 0861228 | Ref | Ground Control Box Assemblies 800A with Ford Engine (Prior to SN 0300048538) | 2 |
| | 0861154 | Ref | Ground Control Box Assemblies 800A with Ford Engine with EFI (SN 0300048538 through 0300064432) | 3 |
| | 0861229 | Ref | Ground Control Box Assemblies 800AJ with Ford Engine (Prior to SN 0300048538) | 2 |
| | 0861155 | Ref | Ground Control Box Assemblies 800AJ with Ford Engine with EFI (SN 0300048538 through 0300064432) | 3 |
| 1 | | Ref | Box, Fiberglass Options: | |
| 1 | 0861131 | 1 | Box, Fiberglass (Prior to SN 0300044657) | |
| 1 | 0861302 | 1 | Box, Fiberglass (SN 0300044657 through 0300064432) | |
| 1 | 0861313 | 1 | Ford Engines with EFI (SN 0300048538 through 0300064432) | |
| 1A | 7020246 | 2 | Latch | |
| 2 | | Ref | Switch, Emergency Stop Options: | |
| 2 | 4360289 | 1 | Switch, Emergency Stop (Prior to SN 0300044657) | |
| 2 | 4360475 | 1 | Switch, Emergency Stop (SN 0300044657 through 0300064432) | |
| 2A | 7012611 | 1 | Cap, Mushroom Head (Prior to SN 0300044657) | |
| 2A | 7020175 | 1 | Cap, Mushroom Head (SN 0300044657 through 0300064432) | |
| 2B | 7012612 | 1 | Boot (Prior to SN 0300044657) | |
| 2C | 7020176 | 1 | Block, Contact (SN 0300044657 through 0300064432) | |
| 3 | | Ref | Switch, Key Options: | |
| 3 | 4360315 | 1 | Switch, Key (Prior to SN 0300044657) | |
| 3 | 4360469 | 1 | Switch, Key (Common Key Style) (SN 0300044657 through 0300064432) | |
| 3A | | Ref | Key Options: | |
| 3A | 7012560 | 1 | Key (Prior to SN 0300044657) | |
| 3A | 2860030 | 1 | Key (Common Key Style) (SN 0300044657 through 0300064432) | |
| 4 | | Ref | Decal - Faceplate | |
| 4 | 1703467 | 1 | Decal - Faceplate 800A | |
| 4 | 1703468 | 1 | Decal - Faceplate 800AJ | |
| 5 | | Ref | Engine Harness Assembly (See ELECTRICAL SECTION for Breakdown) | |
| 5 | 4922077 | 1 | Deutz Engine Machines (Prior to SN 0300064432) | |
| 5 | 4922138 | 1 | Ford Engine Machines (Prior to SN 0300048538) | |
| 5 | 4922272 | 1 | Ford Engine Machines with EFI (SN 0300048538 through 0300064432) | |
| 6 | 4922046 | 1 | Valve Harness Assembly (See ELECTRICAL SECTION for | |

SECTION 2 - TURNTABLE

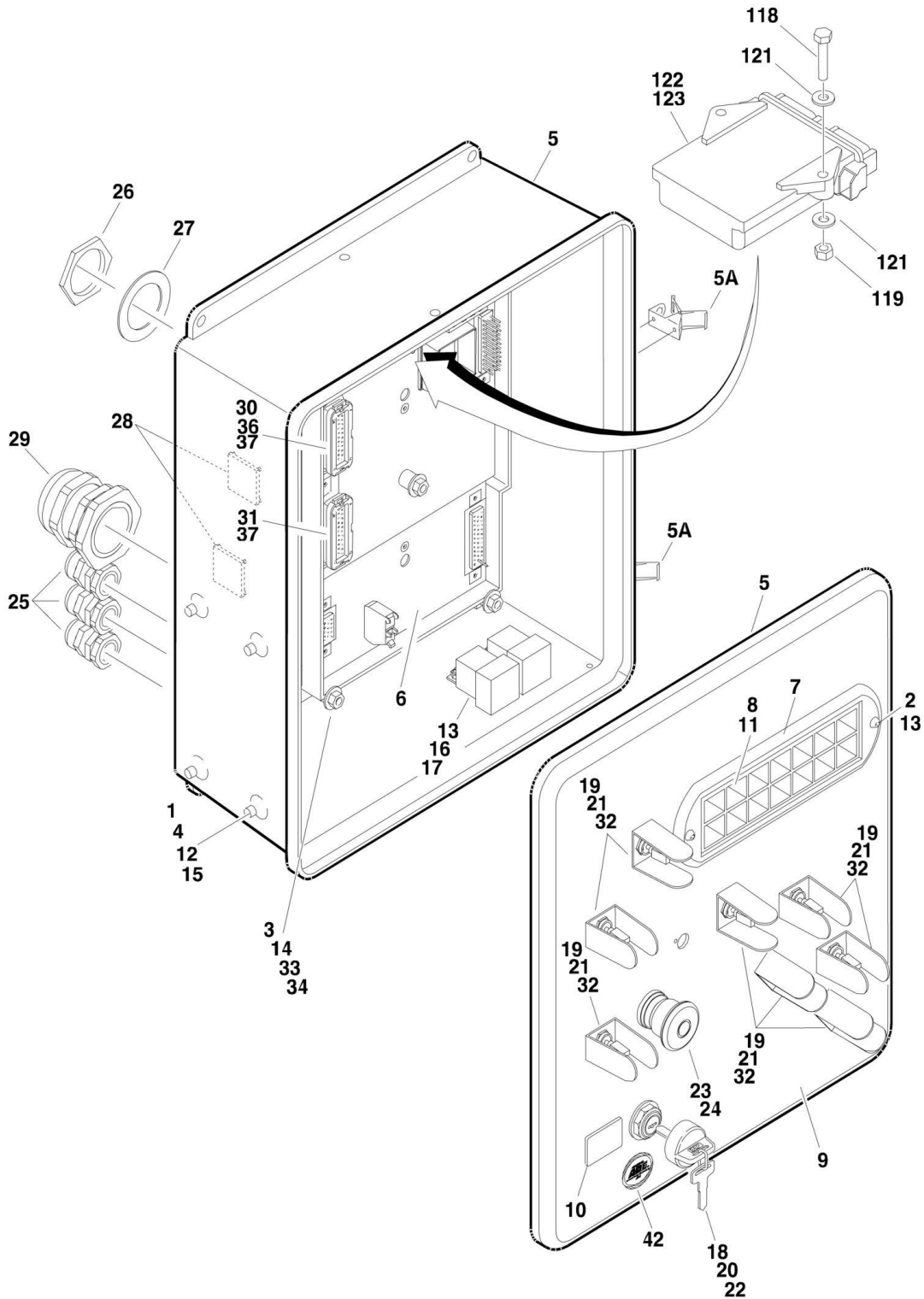
| ITEM | PART NUMBER | QTY | DESCRIPTION | REV |
|------|-------------|-----------|--|-----|
| | | | Breakdown) | |
| 8 | 1840012 | 1 | Duct, Wiring - 2in/5cm | |
| 9 | 1840013 | 1 | Duct, Cover - 2in/5cm | |
| 10 | 1840014 | 1 | Duct, Wiring - 3in/7.6cm | |
| 11 | 1840015 | 1 | Duct, Cover - 3in/7.6cm | |
| 12 | 3910608 | 8 | Screw #6-32NC x 1/2in | |
| 13 | 3640970 | 1 | Rail | |
| 14 | 4460602 | 1 | Barrier, Terminal | |
| 15 | 4460601 | 10 | Block, Terminal | |
| 16 | 4460603 | 1 | Bussbar - 10 Position (Requires being cut into (2) 5 position bussbars) | |
| 17 | 4460631 | 1 | Marker, Terminal (Negative) | |
| 18 | 4460600 | 46 | Block, Terminal | |
| 19 | 4460628 | 2 | Marker, Terminal (1-50) | |
| 20 | 4460607 | 1 | Stop, Terminal | |
| 21 | 4750600 | 14 | Flatwasher #6 | |
| 22 | 3740112 | 1 | Relay, Bosch | |
| 23 | 4360314 | AR | Switch, Toggle | |
| 24 | | Ref | Switch, Contact Block Options: | |
| 24 | 4360282 | 1 | Switch, Contact Block (Prior to SN 0300044657) | |
| 24 | 4360476 | 1 | Switch, Contact Block (SN 0300044657 through 0300064432) | |
| 25 | 2760105 | 1 | Housing, Display Light | |
| 26 | 4420038 | 4 in/10cm | Insulation, Adhesive Foam | |
| 27 | | Ref | Decal - Ground Control Display Options: | |
| 27 | 1702610 | 1 | Decal - Ground Control Display (Prior to SN 0300056474) | |
| 27 | 1704833 | 1 | Decal - Ground Control Display (SN 0300056474 through 0300064432) | |
| 28 | 4460526 | 1 | Connector, Strain Relief | |
| 29 | 4460428 | 3 | Connector, Strain Relief | |
| 30 | 4460426 | 1 | Connector, Strain Relief | |
| 31 | 4740444 | AR | Washer, Special | |
| 32 | 4060906 | AR | Shield, Toggle Switch | |
| 33 | 2420172 | 1 | Gauge, Hourmeter | |
| 34 | 0721005 | 2 | Screw #10-24NC x 5/8in | |
| 35 | 3311001 | AR | Nut #10-24NC | |
| 36 | 4751000 | AR | Flatwasher #10 | |
| 37 | 3900268 | 9 | Screw #10-24NC x 1/2in | |
| 38 | 3300205 | 4 | Nut, Retainer | |
| 39 | 0641506 | 4 | Bolt 5/16in-18NC x 3/4in | |
| 40 | 0100011 | AR | Compound, Locking | |
| 41 | 3539219 | 1 | Plate, Reinforcement | |
| 42 | 3740049 | AR | Relay - SPDT | |
| 43 | 4460630 | 1 | Marker, Terminal (Ignition) | |
| 44 | 4760600 | 8 | Lockwasher #6 | |
| 45 | 3310601 | 8 | Nut #6-32NC | |
| 46 | 4360314 | 1 | Switch, Toggle | |
| 47 | 4740444 | 1 | Washer, Nylon | |
| 48 | 4060906 | 1 | Shield, Toggle Switch | |
| 49 | | Ref | Socket, Relay Options: | |
| 49 | 4120012 | 2 | Deutz Engine Machines (SN 0300056474 through 0300064432) | |
| 49 | 4120012 | 1 | Ford Engine Machines (Prior to SN 0300064432) | |

SECTION 2 - TURNTABLE

| ITEM | PART NUMBER | QTY | DESCRIPTION | REV |
|------|-------------|-----|--|-----|
| 50 | | Ref | Relay Options: | |
| 50 | 3740057 | 2 | Deutz Engine Machines (SN 0300056474 through 0300064432) | |
| 50 | 3740057 | 1 | Ford Engine Machines (Prior to SN 0300064432) | |
| 51 | | Ref | Spring, Relay Options: | |
| 51 | 3740066 | 2 | Deutz Engine Machines (SN 0300056474 through 0300064432) | |
| 51 | 3740066 | 1 | Ford Engine Machines (Prior to SN 0300064432) | |
| 52 | | Ref | Hardware Options: | |
| 52 | 3300390 | 1 | Nut with Weather Resistant Boot (Prior to SN 0300044657) | |
| 52 | 4070987 | AR | Shim, Switch (Common Key) (SN 0300044657 through 0300064432) | |
| 53 | 3640986 | 1 | Rail, Relay Mount (SN 0300056474 through 0300064432) | |
| 54 | 0630518 | 2 | Capscrew, Button Head | |
| 55 | 3300408 | AR | Locknut, Plastic Insert | |
| 56 | 1670829 | 1 | Bezel | |
| 57 | 4460711 | 1 | Connector, Strain Relief | |
| 58 | 1703622 | 1 | Decal - Service Manual Reference | |
| 59 | 4460234 | 6 | Base, Tie-Strap (Not Shown) | |
| 60 | 0100009 | AR | Silicone | |
| 61 | 4761000 | 4 | Lockwasher #10 | |
| 62 | 3910804 | 6 | Screw #8-32NC x 1/4in | |
| 63 | 3520174 | AR | Plug, Hole | |
| 64 | 4360387 | 1 | Switch, Pushbutton (Ford Engines with EFI Only) (SN 0300048538 through 0300064432) | |
| 65 | 3740113 | 1 | Relay, Timer (Ford Engines with EFI Only) (SN 0300048538 through 0300064432) | |
| 66 | 3911024 | 1 | Screw #10-24NC x 1-1/2in (Ford Engines with EFI Only) (SN 0300048538 through 0300064432) | |
| | 1001091538 | Ref | TILT SENSOR INSTALLATION (PRE ADE SYSTEM) | E |
| 102 | 0641406 | 3 | Bolt 1/4in-20NC x 3/4in | |
| 103 | 0641410 | 2 | Bolt 1/4in-20NC x 1-1/4in | |
| 109 | 3311405 | 5 | Locknut 1/4in-20NC | |
| 111 | 3740049 | 1 | Relay | |
| 113 | 4711400 | 5 | Flatwasher 1/4in (Narrow) | |
| 115 | 1001091778 | 1 | Harness, Tilt Switch Boom (Not Shown) (See ELECTRICAL SECTION for Breakdown) | |
| 116 | 1001091941 | 1 | Harness, Console Tilt (Not Shown) (See ELECTRICAL SECTION for Breakdown) | |
| 117 | 1001092527 | 1 | Plate, Module Mounting | |
| 120 | 1001094484 | 1 | Controller, UMS Module | |
| 123 | 1001094791 | 1 | Harness, Tilt Sensor Turntable (Not Shown) (See ELECTRICAL SECTION for Breakdown) | |
| 127 | 0100048 | AR | Grease, Dielectric | |

SECTION 2 - TURNTABLE

FIGURE 2-22. GROUND CONTROL BOX ASSEMBLY (ADE SYSTEM) (SN 0300064432 through 0300069000)



SECTION 2 - TURNTABLE

FIGURE 2-22. GROUND CONTROL BOX ASSEMBLY (ADE SYSTEM) (SN 0300064432 through 0300069000)

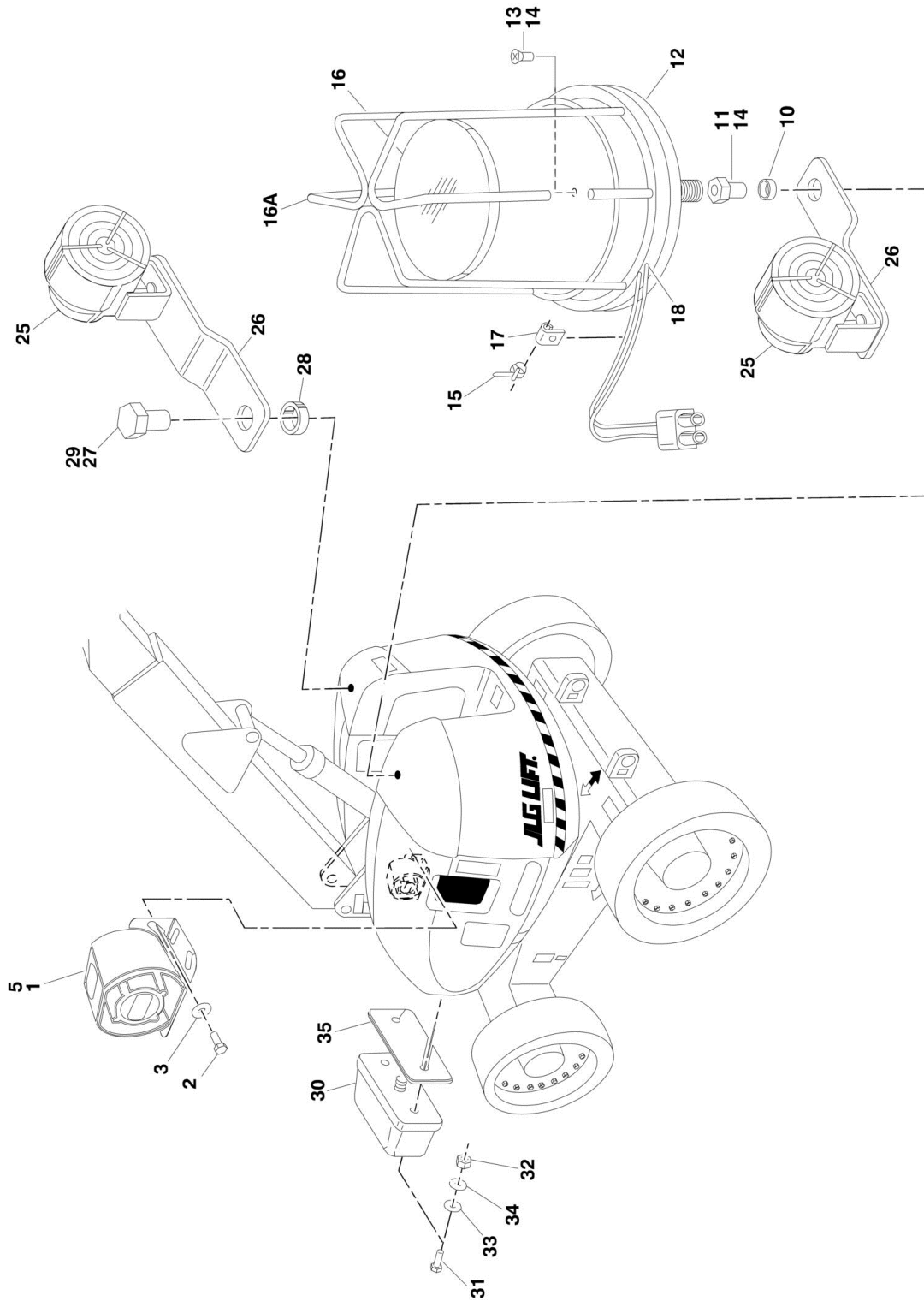
| ITEM | PART NUMBER | QTY | DESCRIPTION | REV |
|------|-------------|-----|--|-----|
| | | Ref | GROUND CONTROL BOX ASSEMBLIES | |
| | 0861445 | Ref | Ground Control Box Assemblies 800A with Deutz Engine (SN 0300064009 Only) | E |
| | 0861502 | Ref | Ground Control Box Assemblies 800A with Deutz Engine (SN 0300064432 through 0300069000) | H |
| | 0861503 | Ref | Ground Control Box Assemblies 800AJ with Deutz Engine | H |
| | 0861500 | Ref | Ground Control Box Assemblies 800A with Ford Engine with EFI | G |
| | 0861501 | Ref | Ground Control Box Assemblies 800AJ with Ford Engine with EFI | G |
| 1 | 0100011 | AR | Compound, Locking | |
| 2 | 0630518 | 2 | Capscrew, Button Head | |
| 3 | 0630548 | 5 | Tap, 2-1/2in Bolt | |
| 4 | 0641506 | 4 | Bolt 5/16in-18NC x 3/4in | |
| 5 | 0861407 | 1 | Box, Fiberglass | |
| 5A | 7020246 | 2 | Latch | |
| 6 | | Ref | Module, Ground Control Options: | |
| | | Ref | Note: Recalibration Required When Replaced. | |
| 6 | 1600312 | NLA | Module, Ground Control (SN 0300064009 Only) (Note: Use p/n 2915014. Contact JLG Service Dept. prior to installation) | |
| 6 | 1600327 | NLA | Module, Ground Control (Use p/n 2915014) (SN 0300064432 through 0300069000) | |
| 7 | 1670829 | 1 | Bezel | |
| 8 | 1702610 | NLA | Decal - Ground Control Display (Use p/n 1704833) | |
| 9 | | Ref | Decal - Faceplate Options: | |
| 9 | 1703467 | 1 | Decal - Faceplate 800A | |
| 9 | 1703468 | 1 | Decal - Faceplate 800AJ | |
| 10 | 2420172 | 1 | Gauge, Hourmeter | |
| 11 | 2760105 | 1 | Housing, Display Light | |
| 12 | 3300205 | 4 | Nut, Retainer | |
| 13 | 3300408 | AR | Locknut, Plastic Insert | |
| 14 | 3311401 | 10 | Nut 1/4in-20NC | |
| 15 | 3539219 | 1 | Plate, Reinforcement | |
| 16 | 3740049 | 2 | Relay | |
| 17 | 3900268 | 2 | Screw, Flange #10 x 1/2in | |
| 18 | 3910804 | 6 | Screw #8-32NC x 1/4in | |
| 19 | 4060906 | 8 | Shield, Toggle Switch | |
| 20 | 4070987 | 1 | Shim (.015in) | |
| 21 | 4360328 | 8 | Switch, Toggle | |
| 22 | 4360469 | 1 | Switch, Key | |
| 22 | 2860030 | 1 | Key Replacement | |
| 23 | 4360475 | 1 | Switch, Emergency Stop | |
| 23 | 7020175 | 1 | Cap, Mushroom | |
| 23 | 7020176 | 1 | Block, Contact | |
| 24 | 4360476 | 1 | Switch, Contact Block | |
| 25 | | Ref | Connector, Strain Relief Options: | |
| 25 | 4460428 | 3 | Connector, Strain Relief (SN 0300064009 Only) | |
| 25 | 4460426 | 2 | Connector, Strain Relief (SN 0300064432 through 0300069000) | |
| 26 | 4460470 | 1 | Nut, Terminal | |

SECTION 2 - TURNTABLE

| ITEM | PART NUMBER | QTY | DESCRIPTION | REV |
|------|-------------|-----|---|-----|
| 27 | 4460471 | 1 | Lockwasher, Terminal | |
| 28 | 4460488 | 7 | Mounting Base, Terminal | |
| 29 | 4460526 | 1 | Connector, Strain Relief | |
| 30 | 4460874 | 1 | Connector, Natural | |
| 31 | 4460875 | 1 | Connector, Gray | |
| 32 | 4740444 | 8 | Washer, Special | |
| 33 | 4751400 | 20 | Flatwasher 1/4in | |
| 34 | 4761400 | 10 | Lockwasher 1/4in | |
| 35 | | Ref | Harness, Analyzer Cable Options (Not Shown): | |
| 35 | 4922485 | 1 | Harness, Analyzer Cable (SN 0300064009 Only) | |
| 35 | 4922666 | 1 | Harness, Analyzer Cable (SN 0300064432 through 0300069000) | |
| 36 | 4460905 | 4 | Connector, Amp Seal | |
| 37 | 0100048 | AR | Grease, Dielectric | |
| 42 | 1705132 | 1 | Decal - Control ADE (SN 0300066867 through 0300069000) | |
| 43 | 3520035 | 1 | Plug, Cap (Not Shown) (SN 0300068040 through 0300069000) | |
| | 1001093187 | Ref | TILT SENSOR INSTALLATION (ADE SYSTEM) | C |
| 112 | 1001093256 | 1 | Harness, Console (Not Shown) (See ELECTRICAL SECTION for Breakdown) | |
| 115 | 1001094470 | 1 | Harness, Boom Cable Jumper (Not Shown) (See ELECTRICAL SECTION for Breakdown) | |
| 118 | 0641410 | 2 | Bolt 1/4in-20NC x 1-1/4in | |
| 119 | 3311405 | 2 | Locknut 1/4in-20NC | |
| 121 | 4711400 | 4 | Flatwasher 1/4in | |
| 122 | 1001094484 | 1 | Controller, UMS Module | |
| 123 | 0100048 | AR | Grease, Dielectric | |

SECTION 2 - TURNTABLE

FIGURE 2-23. ELECTRICAL OPTIONS INSTALLATION (TURNTABLE MOUNTED)



SECTION 2 - TURNTABLE

FIGURE 2-23. ELECTRICAL OPTIONS INSTALLATION (TURNTABLE MOUNTED)

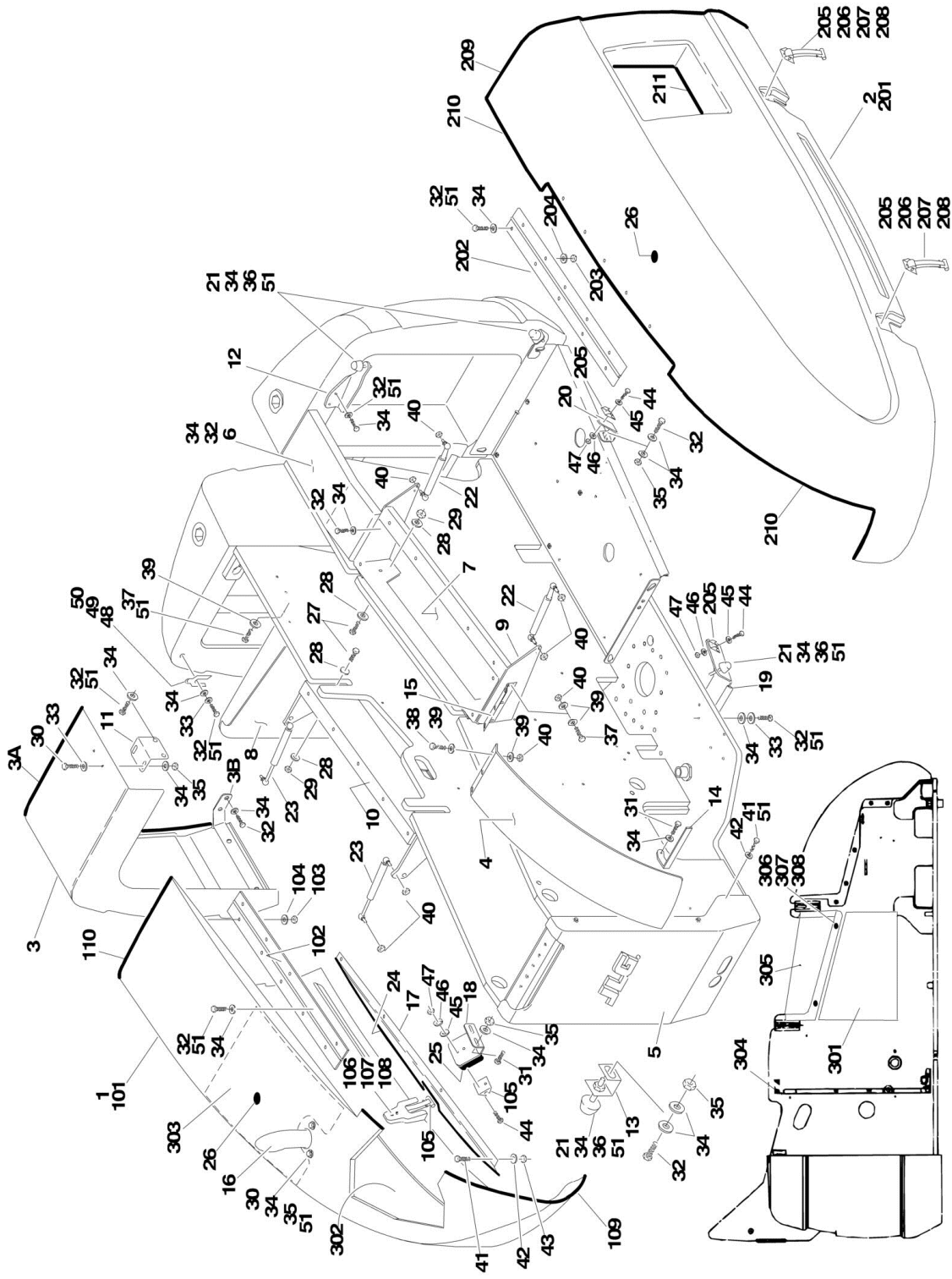
| ITEM | PART NUMBER | QTY | DESCRIPTION | REV |
|------|-------------|-----------|---|-----|
| | | Ref | ELECTRICAL OPTIONS INSTALLATIONS (TURNTABLE MOUNTED) | |
| | 0258674 | Ref | ALARMS INSTALLATIONS | 1 |
| 1 | 0257887 | 1 | Alarm/Harness Assembly | |
| 1 | 0140032 | 1 | Alarm | |
| 1 | 2820035 | 6 in/15cm | Loom | |
| 1 | 4460424 | 1 | Plug | |
| 1 | 4460268 | 2 | Socket | |
| 2 | 0641508 | 2 | Bolt 5/16in-18NC x 1in | |
| 3 | 4711500 | 2 | Flatwasher 5/16in Narrow | |
| 5 | 0100048 | AR | Sealant, Silicone | |
| | | Ref | STROBE LIGHT INSTALLATIONS (AMBER) (OPTIONAL) | |
| | 0257885 | Ref | Strobe Light Installations (Amber) (Prior to SN 0300064432) | 2 |
| | 0271422 | Ref | Strobe Light Installations (Amber) (SN 0300064432 through 0300069000) | 1 |
| | | Ref | Note: If machine is equipped with BLUE Strobe Light, See SPECIAL OPTIONS SECTION SkyGuard Kit. | |
| 10 | 4220162 | 1 | Spacer, Stop (Used with ECCO Model 6640 Only) | |
| 11 | | Ref | Adapter Options: | |
| 11 | 0630491 | 1 | Adapter - Used with ECCO Model 6640 | |
| 11 | 0080241 | 1 | Adapter - Used with ECCO Model 6650 | |
| 12 | 3539281 | 1 | Plate, Mounting (Used with ECCO Model 6640 Only) | |
| 13 | 0741606 | 1 | Screw, Flathead Countersunk 3/8in-16NC x 3/4in (Used with ECCO Model 6640 Only) | |
| 14 | 0100011 | AR | Compound, Locking | |
| 15 | 4240032 | 1 | Wire-Tile | |
| 16 | 0255917 | NLA | Strobe Light/Guard/Harness Assembly (Use p/n 0272507) | |
| 16 | | Ref | Bulb, Replacement Options: | |
| 16 | 7016380 | 1 | Bulb for ECCO Model 6640 | |
| 16 | 70001941 | 1 | Bulb for with ECCO Model 6650 | |
| 16A | | Ref | Guard Options: | |
| 16A | 4060907 | 1 | Guard - Used with ECCO Model 6640 | |
| 16A | 2920215 | 1 | Guard - Used with ECCO Model 6650 | |
| 17 | 4460234 | 1 | Clamp | |
| 18 | 0100048 | AR | Sealant, Silicone | |
| | | Ref | LIGHTS INSTALLATIONS (OPTIONAL) | |
| | 0257884 | Ref | Lights Installations (Prior to SN 0300064432) | 1 |
| | 0271768 | Ref | Lights Installations (SN 0300064432 through 0300069000) | 2 |
| 25 | 2920110 | 2 | Headlight | |
| 26 | 0902206 | 2 | Bracket, Mounting | |
| 27 | 0642612 | 1 | Bolt 1in-8NC x 1-1/2in | |
| 28 | 4220162 | 2 | Spacer | |
| 29 | 0100011 | AR | Compound, Locking | |
| 30 | 2920113 | 2 | Taillight | |
| 31 | 3911040 | 4 | Screw, Machine #10-24NC x 2-1/2in | |
| 32 | 3311005 | 4 | Nut #10-24NC | |
| 33 | 4751000 | 4 | Flatwasher #10 | |
| 34 | 4740362 | 4 | Washer, Fender | |
| 35 | 3960461 | 2 | Gasket | |
| 37 | 4240032 | 12 | Tie-Strap (Not Shown) | |

SECTION 2 - TURNTABLE

| ITEM | PART NUMBER | QTY | DESCRIPTION | REV |
|------|-------------|-----|---|-----|
| 38 | 4460234 | 12 | Mount, Tie-Strap (Not Shown) | |
| 39 | 4360336 | 1 | Switch, Toggle (Not Shown - Located on Console) | |
| 40 | 3790012 | 1 | O-Ring (Not Shown - Located on Console) | |

SECTION 2 - TURNTABLE

FIGURE 2-24. HOODS INSTALLATION



SECTION 2 - TURNTABLE

FIGURE 2-24. HOODS INSTALLATION

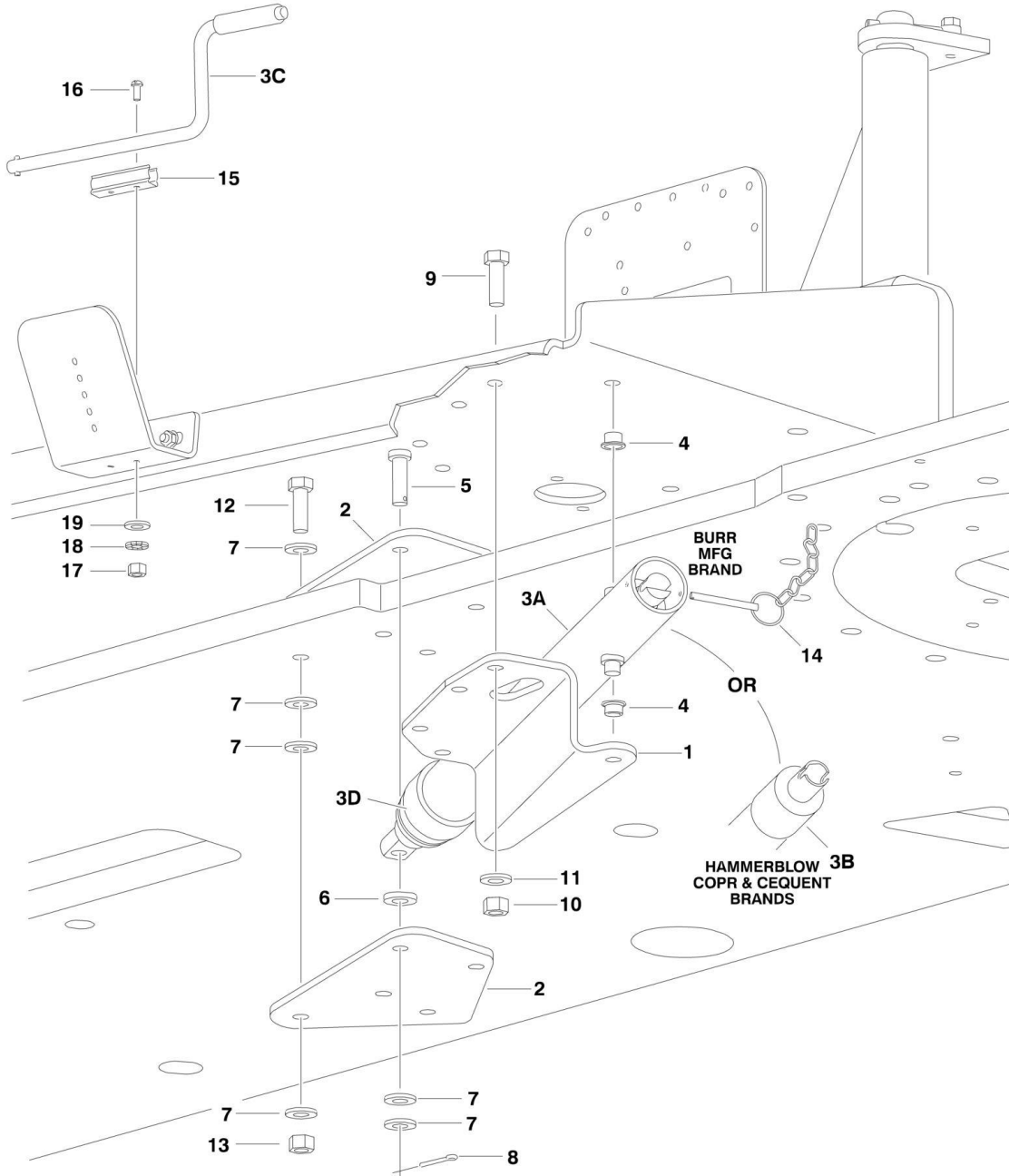
| ITEM | PART NUMBER | QTY | DESCRIPTION | REV |
|------|-------------|-----------------|---|-----|
| | 0258609 | Ref | HOODS INSTALLATION (DEUTZ/FORD) | 3-C |
| | 0270264 | Ref | HOODS INSTALLATION (ISUZU) | 1-A |
| 1 | 2680451 | 1 | Hood Assembly - Engine Side (See Items 101-110 for Breakdown) | |
| | | Ref | Note: Replacement Decals Must be Ordered Separately - See DECAL SECTION. | |
| 2 | 2680448 | 1 | Hood Assembly - Tank Side (See Items 201-211 for Breakdown) | |
| | | Ref | Note: Replacement Decals Must be Ordered Separately - See DECAL SECTION. | |
| 3 | 2680450 | 1 | Hood Assembly- Engine Spacer | |
| 3A | 3960453 | 68 in /1.73m | Seal | |
| 3B | 7023366 | 1 | Bracket | |
| 4 | 3380444 | 1 | Panel, Adapter | |
| 5 | 1670842 | 1 | Cover, Turntable End | |
| 6 | 3380442 | 1 | Cover, Top (Tank Side) | |
| 7 | 3380443 | 1 | Cover/Bracket Weldment (Tank Side) | |
| 8 | 3539979 | 1 | Plate, Baffle | |
| 9 | 0902412 | 1 | Bracket, Hood Mounting (Tank Side) | |
| 10 | 0902351 | 1 | Bracket, Hood Mounting (Engine Side) | |
| 11 | 0902161 | 1 | Bracket, Hood Spacer Mounting (Engine Side) | |
| 12 | 0902426 | 1 | Bracket, Bumper - Counterweight Mounted | |
| 13 | 0902219 | 2 | Bracket, Bumper | |
| 14 | 0362770 | 1 | Bar, Panel Mounting | |
| 15 | 2600244 | 1 | Adapter, Panel Hinge | |
| 16 | | Ref | Exhaust Tube Weldment Options: | |
| 16 | 4845411 | 1 | Deutz/Ford | |
| 16 | 4846257 | 1 | Isuzu | |
| 17 | 3539934 | 1 | Plate, Seal | |
| 18 | 0902491 | 1 | Bracket, Latch (Engine Side) | |
| 19 | 0902223 | 1 | Bracket, Latch (Tank Side) | |
| 20 | 0902143 | 1 | Bracket, Latch Tank Side | |
| 21 | 0940071 | 6 | Bumper | |
| 22 | 4160139 | 1 | Spring, Gas (Tank Side) | |
| 23 | 4160143 | 1 | Spring, Gas (Engine Side) | |
| 24 | 3960389 | 3.5 ft/1m | Seal | |
| 25 | 3960470 | 1 | Seal, Latch | |
| 26 | 3520033 | 2 | Plug, Hole | |
| 27 | 0630507 | 6 | Bolt, Carriage 1/2in-13NC x 1-1/4in | |
| 28 | 4740171 | 6 | Washer, Hardened | |
| 29 | 3311805 | 6 | Locknut 1/2in-13NC | |
| 30 | 3900232 | 5 | Screw, Button Head 3/8in-16NC x 1-1/4in | |
| 31 | 0641609 | 5 | Bolt 3/8in-16NC x 1-1/8in | |
| 32 | 0641608 | 26 | Bolt 3/8in-16NC x 1in | |
| 33 | 4740076 | 5 | Washer, Fender | |
| 34 | 4751600 | 56 | Flatwasher 3/8in | |
| 35 | 3311605 | 10 | Locknut 3/8in-16NC | |
| 36 | 3311601 | 12 | Nut 3/8in-16NC | |
| 37 | 0641508 | 17 | Bolt 5/16in-18NC x 1in | |
| 38 | 3900210 | 3 | Screw, Button Head 5/16in-18NC x 3/4in | |
| 39 | 4751500 | 26 | Flatwasher 5/16in | |

SECTION 2 - TURNTABLE

| ITEM | PART NUMBER | QTY | DESCRIPTION | REV |
|------|-------------|-----------------|---|-----|
| 40 | 3311505 | 10 | Locknut 5/16in-18NC | |
| 41 | 0641406 | 4 | Bolt 1/4in-20NC x 3/4in | |
| 42 | 4751400 | 4 | Flatwasher 1/4in | |
| 43 | 3311405 | 4 | Locknut 1/4in-20NC | |
| 44 | 0721006 | 6 | Screw #10-24NC x 3/4in | |
| 45 | 4751000 | 6 | Flatwasher #10 | |
| 46 | 4761000 | 6 | Lockwasher #10 | |
| 47 | 3311001 | 6 | Nut #10-24NC | |
| 48 | 4070410 | AR | Shim 1/16in | |
| 49 | 4070411 | AR | Shim 1/8in | |
| 50 | 4070412 | AR | Shim 3/16in | |
| 51 | 0100011 | AR | Compound, Locking | |
| | 2680451 | Ref | HOOD ASSEMBLY (ENGINE SIDE) | A |
| 101 | 2680436 | 1 | Hood | |
| 102 | 2600209 | 1 | Hinge | |
| 103 | 3311605 | 4 | Locknut 3/8in-16NC | |
| 104 | 4751600 | 4 | Flatwasher 3/8in | |
| 105 | 2940088 | 1 | Latch | |
| 106 | 0721008 | 2 | Screw, Machine #10-24NC x 1in | |
| 107 | 4751000 | 2 | Flatwasher #10 | |
| 108 | 3311005 | 2 | Locknut #10-24NC | |
| 109 | 3960464 | 65 in /1.67m | Seal | |
| 110 | 3960462 | 61 in /1.55m | Seal | |
| | 2680448 | Ref | HOOD ASSEMBLY (TANK SIDE) | A |
| 201 | 2680437 | 1 | Hood | |
| 202 | 2600233 | 1 | Hinge | |
| 203 | 3311605 | 5 | Locknut 3/8in-16NC | |
| 204 | 4711600 | 5 | Flatwasher 3/8in Narrow | |
| 205 | 2940088 | 2 | Latch | |
| 206 | 0721008 | 4 | Screw, Machine #10-24NC x 1in | |
| 207 | 4751000 | 4 | Flatwasher #10 | |
| 208 | 3311005 | 4 | Locknut #10-24NC | |
| 209 | 3960462 | 53 in /1.35m | Seal | |
| 210 | 3960464 | 83 in /2.11m | Seal | |
| 211 | 3960438 | 55 in/1.4m | Seal | |
| | 0256823 | Ref | NOISE REDUCTION INSTALLATION (DEUTZ ENGINE MACHINES) | - |
| 301 | 2820078 | 1 | Foam, Acoustical (Turntable Side) | |
| 302 | 2820079 | 1 | Foam, Acoustical (Hood Side) | |
| 303 | 2820080 | 1 | Foam, Acoustical (Hood Top) | |
| 304 | 2820081 | 1 | Foam, Acoustical (Located on #8) | |
| 305 | 3539955 | 1 | Plate, Baffle | |
| 306 | 0641506 | 2 | Bolt 5/16in-18NC x 3/4in | |
| 307 | 4751500 | 2 | Flatwasher 5/16in | |
| 308 | 0100011 | AR | Compound, Locking | |

SECTION 2 - TURNTABLE

FIGURE 2-25. ENGINE TRAY JACK INSTALLATION (OPTIONAL)



SECTION 2 - TURNTABLE

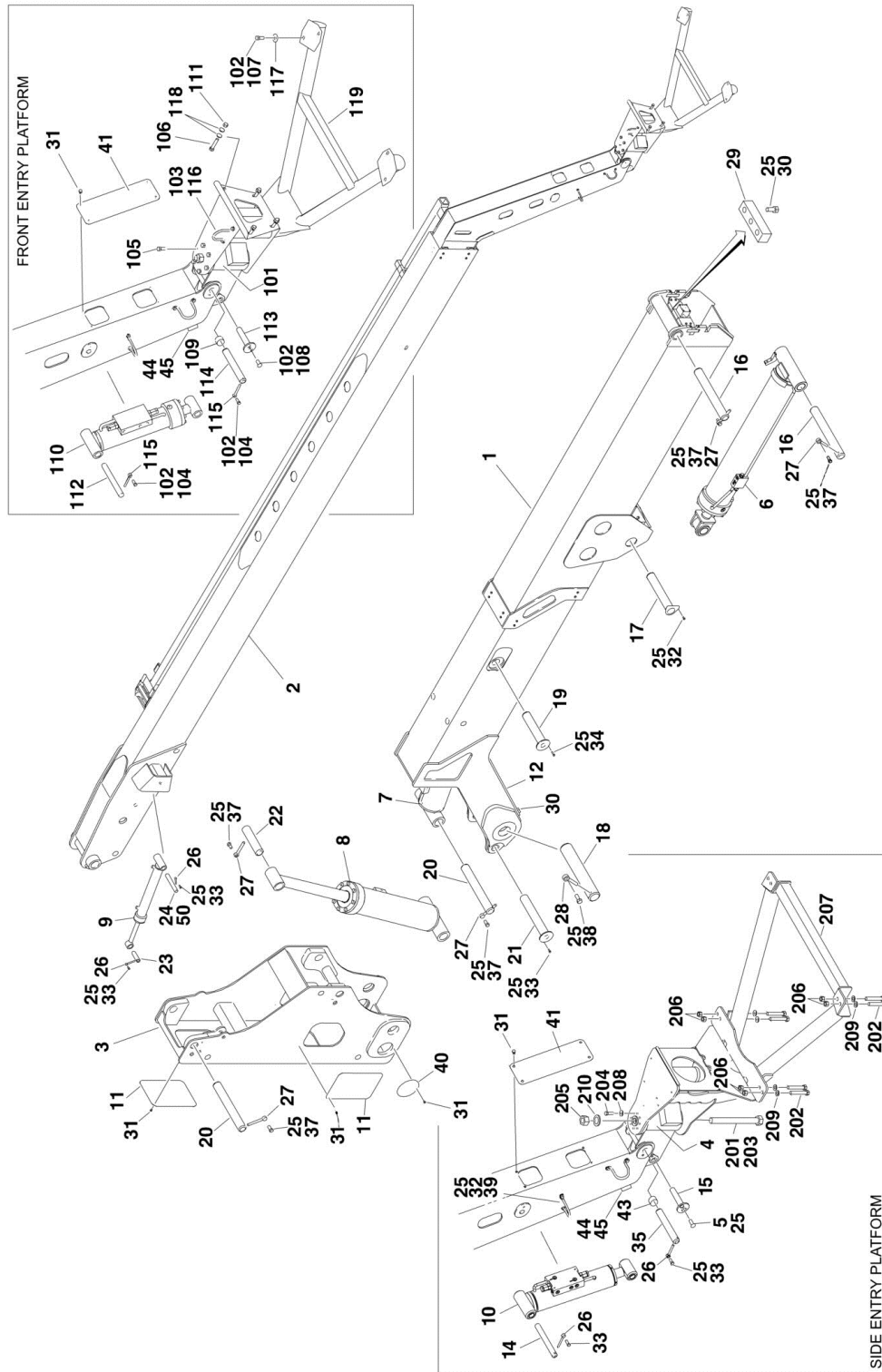
FIGURE 2-25. ENGINE TRAY JACK INSTALLATION (OPTIONAL)

| ITEM | PART NUMBER | QTY | DESCRIPTION | REV |
|------|-------------|-----|---------------------------------------|-----|
| | 0258728 | Ref | ENGINE TRAY JACK INSTALLATION | 1-B |
| 1 | 3537445 | 1 | Bracket | |
| 2 | 3537446 | 2 | Bracket | |
| 3 | 2840016 | Ref | Jack and Handle Assembly Options: | D |
| 3A | 2840016 | 1 | Burr Manufacturing Brand | |
| 3B | 2840016 | 1 | Hammerblow Corp Brand | |
| 3C | | Ref | Handle Options: | |
| 3C | 7016374 | 1 | Burr Manufacturing Brand | |
| 3C | 7024598 | 1 | Hammerblow Corp Brand | |
| 3D | 7016322 | 1 | Wiper (Burr Manufacturing Brand Only) | |
| 4 | 0962051 | 2 | Bearing, Flange | |
| 5 | 3430816 | 1 | Pin, Clevis | |
| 6 | 4891800 | 1 | Washer, Hardened | |
| 7 | 4711800 | 6 | Flatwasher 1/2in Narrow | |
| 8 | 3450404 | 1 | Pin, Cotter 1/8in x 1in | |
| 9 | 0641609 | 4 | Bolt 3/8in-16NC x 1 1/8in | |
| 10 | 3311605 | 4 | Locknut 3/8in-16NC | |
| 11 | 4891600 | 4 | Washer, Hardened | |
| 12 | 0641818 | 4 | Bolt 1/2in-13NC x 2 1/4in | |
| 13 | 3311805 | 4 | Locknut 1/2in-13NC | |
| 14 | 3422530 | 1 | Pin, Hitch | |
| 15 | 1380147 | 1 | Clip, Spring | |
| 16 | 3910608 | 2 | Screw, Round Head #6-32NC x 1in | |
| 17 | 3310601 | 2 | Nut #6-32NC | |
| 18 | 4770600 | 2 | Starwasher #6 | |
| 19 | 4740119 | 2 | Washer, Aluminum | |

SECTION 3 - BOOM

SECTION 3 - BOOM

FIGURE 3-1. BOOM AND CYLINDER INSTALLATION - 800A



SECTION 3 - BOOM

FIGURE 3-1. BOOM AND CYLINDER INSTALLATION - 800A

| ITEM | PART NUMBER | QTY | DESCRIPTION | REV |
|------|-------------|-----|--|-----|
| | | Ref | BOOMS AND CYLINDERS INSTALLATIONS - 800A | |
| | 0257760 | Ref | FRONT ENTRY PLATFORM | E |
| | 0272381 | Ref | SIDE ENTRY PLATFORM | A |
| 1 | 0801132 | 1 | Boom Assembly - Tower (See TOWER BOOM ASSEMBLY for Breakdown) | |
| 2 | 0801135 | 1 | Boom Assembly - Main (See MAIN BOOM ASSEMBLIES for Breakdown) | |
| 3 | 4845593 | 1 | Upright Weldment | |
| 4 | | Ref | Rotator Actuator Assembly Options: | |
| 4 | See Note | 1 | Front Entry Platform (Note: See Item 101) | |
| 4 | 0060069 | 1 | Side Entry Platform (See ROTATOR ASSEMBLIES for Breakdown) | |
| 5 | 0741607 | 1 | Screw, Countersunk 3/8in-16NC x 7/8in | |
| 6 | 1683537 | NLA | Lift Cylinder Assembly - Tower Boom (Use p/n 1001228009) (See CYLINDER SECTION for Breakdown) (Original Equipment) | |
| 6 | 1001228009 | 1 | Lift Cylinder Assembly - Tower Boom (See CYLINDER SECTION for Breakdown) (Service Replacement) | |
| 7 | 1683546 | NLA | Level Cylinder Assembly - Upright (Use p/n 1001228041) (See CYLINDER SECTION for Breakdown) (Original Equipment) | |
| 7 | 1684497 | NLA | Level Cylinder Assembly - Upright (Use p/n 1001228041) (See CYLINDER SECTION for Breakdown) (Service Replacement) | |
| 7 | 1001228041 | 1 | Level Cylinder Assembly - Upright (See CYLINDER SECTION for Breakdown) (Service Replacement) | |
| 8 | 1683547 | NLA | Lift Cylinder Assembly - Main Boom (Use p/n 1001228010) (See CYLINDER SECTION for Breakdown) (Original Equipment) | |
| 8 | 1001228010 | 1 | Lift Cylinder Assembly - Main Boom (See CYLINDER SECTION for Breakdown) (Service Replacement) | |
| 9 | 1683608 | NLA | Master Cylinder Assembly (Use p/n 1001228011) (See CYLINDER SECTION for Breakdown) (Original Equipment) | |
| 9 | 1001228011 | 1 | Master Cylinder Assembly (See CYLINDER SECTION for Breakdown) (Service Replacement) | |
| 10 | 1683610 | NLA | Slave Cylinder Assembly (Use p/n 1001228033) (See CYLINDER SECTION for Breakdown) (Original Equipment) | |
| 10 | 1684408 | NLA | Slave Cylinder Assembly (Use p/n 1001228033) (See CYLINDER SECTION for Breakdown) (Service Replacement) | |
| 10 | 1001228033 | 1 | Slave Cylinder Assembly (See CYLINDER SECTION for Breakdown) (Service Replacement) | |
| 11 | 1670844 | 4 | Cover, Upright | |
| 12 | 1670850 | 1 | Cover, Tower Fly | |
| 14 | 3422578 | 1 | Pin | |
| 15 | 3422580 | 1 | Pin | |
| 16 | 3422681 | 2 | Pin | |
| 17 | 3422729 | 1 | Pin | |
| 18 | 3422683 | 1 | Pin | |
| 19 | 3422684 | 1 | Pin | |
| 20 | 3422685 | 2 | Pin | |
| 21 | 3422686 | 1 | Pin | |
| 22 | 3422687 | 1 | Pin | |
| 23 | 3422688 | 1 | Pin | |
| 24 | 3422689 | 1 | Pin | |
| 25 | 0100011 | AR | Compound, Locking | |
| 26 | 3841143 | 2 | Keeper, Pin | |
| 27 | 3841287 | 5 | Keeper, Pin | |

SECTION 3 - BOOM

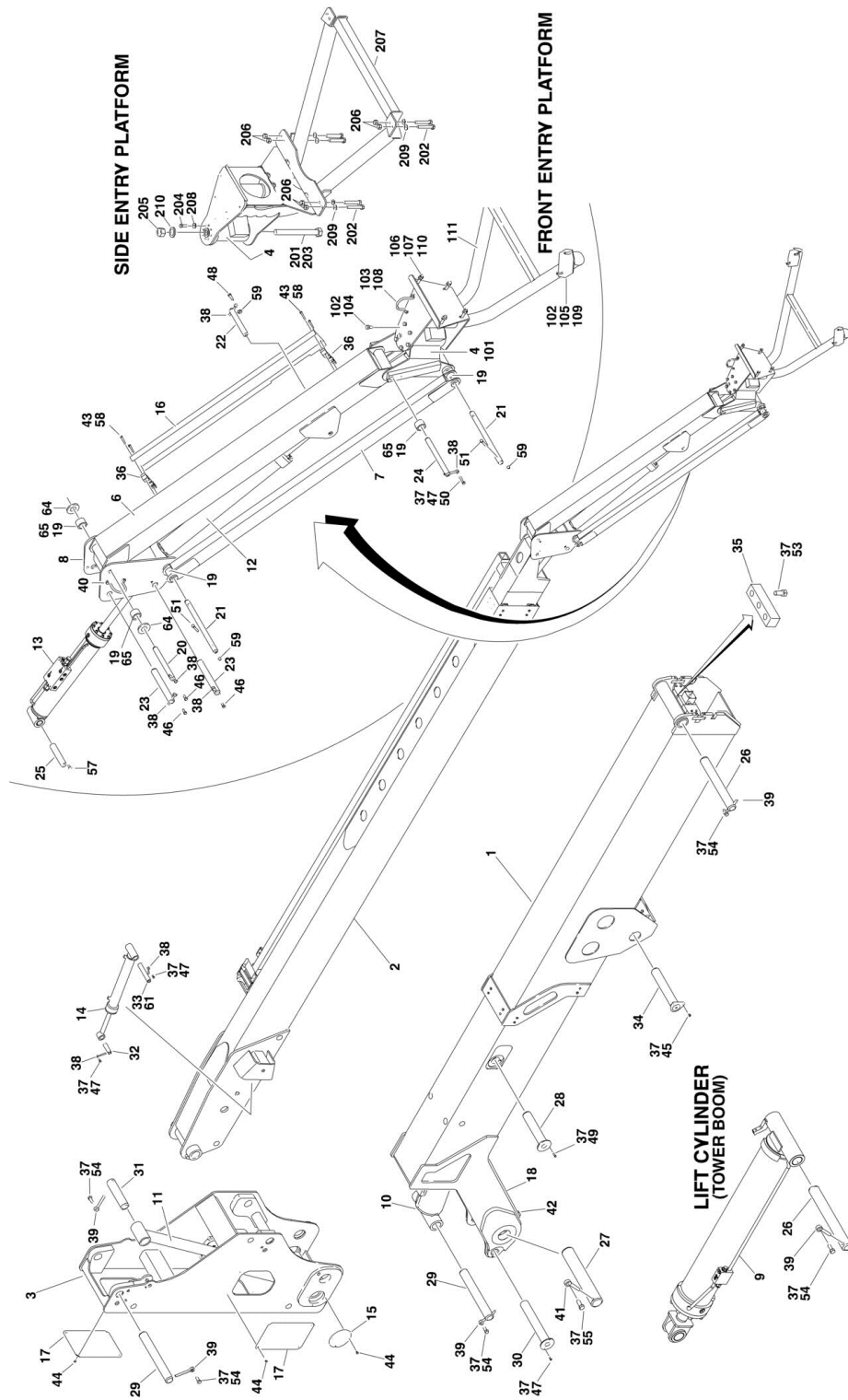
| ITEM | PART NUMBER | QTY | DESCRIPTION | REV |
|------|-------------|-----|--|-----|
| 28 | 3841356 | 1 | Keeper, Pin | |
| 29 | 3340835 | 1 | Pad, Rest | |
| 30 | 0641404 | 4 | Bolt 1/4in-20NC x 1/2in | |
| 31 | 0641604 | 28 | Bolt 3/8in-16NC x 1/2in | |
| 32 | 0641606 | 6 | Bolt 3/8in-16NC x 3/4in | |
| 33 | 0641608 | 6 | Bolt 3/8in-16NC x 1in | |
| 34 | 0641611 | 2 | Bolt 3/8in-16NC x 1-3/8in | |
| 35 | 3422582 | 1 | Pin | |
| 36 | 0641820 | 3 | Bolt 1/2in-13NC x 2-1/2in | |
| 37 | 0642214 | 5 | Bolt 3/4in-10NC x 1-3/4in | |
| 38 | 0642620 | 1 | Bolt 1in-8NC x 2-1/2in | |
| 39 | 3841340 | 1 | Rod, Hose Loop | |
| 40 | 1120510 | 1 | Cover, Upright | |
| 41 | 1670864 | 1 | Cover, Fly Hose | |
| 43 | 0961951 | 2 | Bearing | |
| 44 | 0641514 | 1 | Bolt 5/16in-18NC x 1-3/4in | |
| 45 | 1320159 | 1 | Clamp | |
| 50 | 3900239 | 1 | Setscrew 3/8in-16NC x 1/2in | |
| | 0258765 | Ref | ROTATOR AND SUPPORT INSTALLATION (FRONT ENTRY PLATFORM) | C |
| 101 | 0060041 | NLA | Rotator Actuator Assembly (Use p/n 0060077) (See ROTATOR ASSEMBLIES for Breakdown) | |
| 102 | 0100011 | AR | Compound, Locking | |
| 103 | 0641606 | 2 | Bolt 3/8in-16NC x 3/4in | |
| 104 | 0641608 | 2 | Bolt 3/8in-16NC x 1in | |
| 105 | 0641810 | 6 | Bolt 1/2in-13NC x 1-1/4in | |
| 106 | 0641820 | 4 | Bolt 1/2in-13NC x 2-1/2in | |
| 107 | 0681610 | 4 | Bolt 3/8in-16NC x 1-1/4in (Grade 8) | |
| 108 | 0741607 | 1 | Screw, Countersunk 3/8in-16NC x 7/8in | |
| 109 | 0961951 | 2 | Bearing | |
| 110 | 1683610 | NLA | Slave Cylinder Assembly (See CYLINDER SECTION for Breakdown) (Use p/n 1684408) | |
| 111 | 3311805 | 4 | Locknut 1/2in-13NC | |
| 112 | 3422578 | 1 | Pin | |
| 113 | 3422580 | 1 | Pin | |
| 114 | 3422582 | 1 | Pin | |
| 115 | 3841143 | 2 | Keeper, Pin | |
| 116 | 3841340 | 1 | Rod, Hose Loop | |
| 117 | 4711600 | 4 | Flatwasher 3/8in Narrow | |
| 118 | 4711800 | 8 | Flatwasher 1/2in Narrow | |
| 119 | 4845703 | 1 | Support Weldment | |
| | 0272070 | Ref | PLATFORM SUPPORT INSTALLATION (SIDE ENTRY PLATFORM) | B |
| 201 | 0100011 | AR | Compound, Locking | |
| 202 | 0641812 | 8 | Bolt 1/2in-13NC x 1-1/2in | |
| 203 | 0642682 | 1 | Bolt 1in-8NC x 10-1/4in | |
| 204 | 0681608 | 8 | Bolt 3/8in-16NC x 1in | |
| 205 | 3272605 | 1 | Locknut 1in-8NC | |
| 206 | 3311805 | 8 | Locknut 1/2in-13NC | |
| 207 | 4846573 | 1 | Support Weldment | |
| 208 | 4891600 | 8 | Flatwasher 3/8in (Hardened) | |
| 209 | 4891800 | 8 | Flatwasher 1/2in (Hardened) | |

SECTION 3 - BOOM

| ITEM | PART NUMBER | QTY | DESCRIPTION | REV |
|------|-------------|-----|---------------------------|-----|
| 210 | 4892600 | 1 | Flatwasher 1in (Hardened) | |

SECTION 3 - BOOM

FIGURE 3-2. BOOM AND CYLINDER INSTALLATION - 800AJ



SECTION 3 - BOOM

FIGURE 3-2. BOOM AND CYLINDER INSTALLATION - 800AJ

| ITEM | PART NUMBER | QTY | DESCRIPTION | REV |
|------|-------------|-----|--|-----|
| | | Ref | BOOMS AND CYLINDERS INSTALLATION - 800AJ | |
| | 0257761 | Ref | FRONT ENTRY PLATFORM | C |
| | 0272131 | Ref | SIDE ENTRY PLATFORM | B |
| 1 | 0801132 | 1 | Boom Assembly - Tower (See TOWER BOOM ASSEMBLY for Breakdown) | |
| 2 | 0801136 | 1 | Boom Assembly - Main (See MAIN BOOM ASSEMBLIES for Breakdown) | |
| 3 | 4845593 | 1 | Upright Weldment | |
| 4 | | Ref | Rotator Actuator Assembly Options: | |
| 4 | 0060031 | NLA | Front Entry Platform (Use p/n 1001103095) (See ROTATOR ASSEMBLIES for Breakdown) | |
| 4 | 0060066 | 1 | Side Entry Platform (See ROTATOR ASSEMBLIES for Breakdown) | |
| 6 | 4844816 | 1 | Tube Weldment - Jib Top | |
| 7 | 4844817 | 2 | Tube Weldment - Jib Bottom | |
| 8 | 4845716 | 1 | Pivot Weldment | |
| 9 | 1683537 | NLA | Lift Cylinder Assembly - Tower Boom (Use p/n 1001228009) (See CYLINDER SECTION for Breakdown) (Original Equipment) | |
| 9 | 1001228009 | 1 | Lift Cylinder Assembly - Tower Boom (See CYLINDER SECTION for Breakdown) (Service Replacement) | |
| 10 | 1683546 | NLA | Level Cylinder Assembly - Upright (Use p/n 1001228041) (See CYLINDER SECTION for Breakdown) (Original Equipment) | |
| 10 | 1684497 | NLA | Level Cylinder Assembly - Upright (Use p/n 1001228041) (See CYLINDER SECTION for Breakdown) (Service Replacement) | |
| 10 | 1001228041 | 1 | Level Cylinder Assembly - Upright (See CYLINDER SECTION for Breakdown) (Service Replacement) | |
| 11 | 1683547 | NLA | Lift Cylinder Assembly - Main Boom (Use p/n 1001228010) (See CYLINDER SECTION for Breakdown) (Original Equipment) | |
| 11 | 1001228010 | 1 | Lift Cylinder Assembly - Main Boom (See CYLINDER SECTION for Breakdown) (Service Replacement) | |
| 12 | 1683609 | NLA | Lift Cylinder Assembly - Jib (Use p/n 1001248012) (See CYLINDER SECTION for Breakdown) (Original Equipment) | |
| 12 | 1001228012 | NLA | Lift Cylinder Assembly - Jib (Use p/n 1001248012) (See CYLINDER SECTION for Breakdown) (Service Replacement) | |
| 12 | 1001248012 | 1 | Lift Cylinder Assembly - Jib (See CYLINDER SECTION for Breakdown) (Service Replacement) | |
| 13 | 1683677 | NLA | Slave Cylinder Assembly (Use p/n 1001228030) (See CYLINDER SECTION for Breakdown) (Original Equipment) | |
| 13 | 1684228 | NLA | Slave Cylinder Assembly (Use p/n 1001228030) (See CYLINDER SECTION for Breakdown) (Service Replacement) | |
| 13 | 1001228030 | 1 | Slave Cylinder Assembly (See CYLINDER SECTION for Breakdown) (Service Replacement) | |
| 14 | 1683682 | NLA | Master Cylinder Assembly (Use p/n 1001228050) (See CYLINDER SECTION for Breakdown) (Original Equipment) | |
| 14 | 1001228050 | 1 | Master Cylinder Assembly (See CYLINDER SECTION for Breakdown) (Service Replacement) | |
| 15 | 1120510 | 4 | Cover, Upright | |
| 16 | 1670769 | 1 | Cover, Cable | |
| 17 | 1670844 | 4 | Cover, Upright | |
| 18 | 1670850 | 1 | Cover, Tower Fly | |
| 19 | 0961947 | AR | Bearing | |
| 20 | | Ref | Pin Options: | |
| 20 | 3422558 | 1 | Pin (Prior to SN 0300054012) | |
| 20 | 3422860 | 1 | Pin (SN 0300054012 through 0300069000) | |

SECTION 3 - BOOM

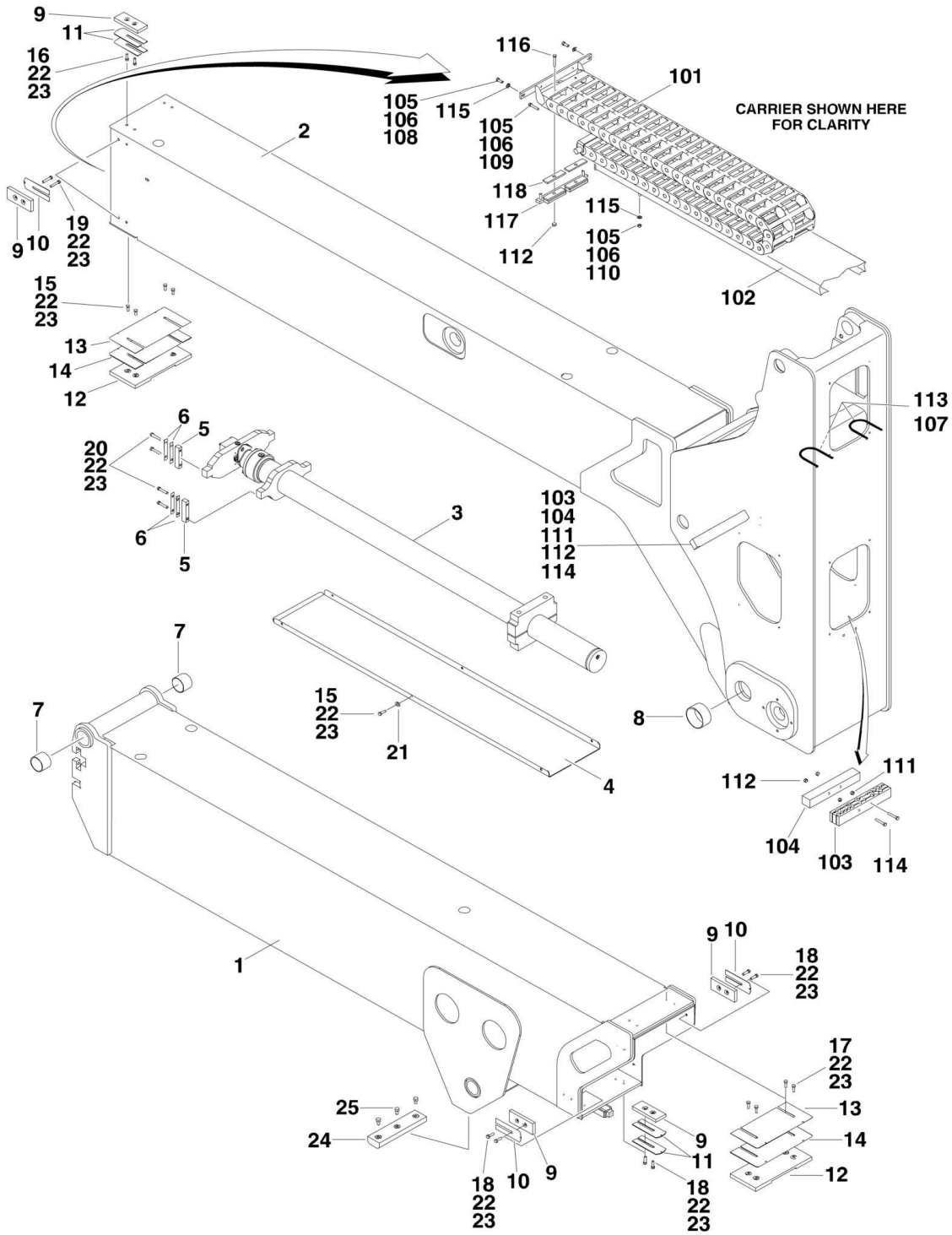
| ITEM | PART NUMBER | QTY | DESCRIPTION | REV |
|------|-------------|-----|--|-----|
| 21 | | Ref | Pin Options: | |
| 21 | 3422559 | 2 | Pin (Prior to SN 0300054012) | |
| 21 | 3422861 | 2 | Pin (SN 0300054012 through 0300069000) | |
| 22 | | Ref | Pin Options: | |
| 22 | 3422560 | 1 | Pin (Prior to SN 0300054012) | |
| 22 | 3422867 | 1 | Pin (SN 0300054012 through 0300069000) | |
| 23 | 3422561 | 2 | Pin | |
| 24 | | Ref | Pin Options: | |
| 24 | | Ref | Front Entry | |
| 24 | 3422563 | 1 | Production (10-3/4in Length) | |
| 24 | 3422860 | 1 | For Service Replacement Rotator (9-7/16in Length) | |
| 24 | 3422860 | 1 | Side Entry Platform | |
| 25 | 3422583 | 1 | Pin | |
| 26 | 3422681 | 2 | Pin | |
| 27 | 3422683 | 1 | Pin | |
| 28 | 3422684 | 1 | Pin | |
| 29 | 3422685 | 2 | Pin | |
| 30 | 3422686 | 1 | Pin | |
| 31 | 3422687 | 1 | Pin | |
| 32 | 3422688 | 1 | Pin | |
| 33 | 3422689 | 1 | Pin | |
| 34 | 3422729 | 1 | Pin | |
| 35 | 3340835 | 1 | Pad, Rest | |
| 36 | 0561237 | 2 | Clamp, Block | |
| 37 | 0100011 | AR | Compound, Locking | |
| 38 | 3841143 | 7 | Keeper, Pin | |
| 39 | 3841287 | 5 | Keeper, Pin | |
| 40 | 3841340 | 1 | Rod, Hose Loop | |
| 41 | 3841356 | 1 | Keeper, Pin | |
| 42 | 0641404 | 4 | Bolt 1/4in-20NC x 1/2in | |
| 43 | 0641416 | 4 | Bolt 1/4in-20NC x 2in | |
| 44 | 0641604 | 24 | Bolt 3/8in-16NC x 1/2in | |
| 45 | 0641606 | 4 | Bolt 3/8in-16NC x 3/4in | |
| 46 | 0641607 | 3 | Bolt 3/8in-16NC x 7/8in | |
| 47 | 0641608 | AR | Bolt 3/8in-16NC x 1in | |
| 48 | 0641611 | 1 | Bolt 3/8in-16NC x 1-3/8in | |
| 49 | 0641612 | 2 | Bolt 3/8in-16NC x 1-1/2in | |
| 50 | 0641614 | 1 | Bolt 3/8in-16NC x 1-3/4in | |
| 51 | 0641618 | 4 | Bolt 3/8in-16NC x 2-1/4in | |
| 53 | 0641820 | 3 | Bolt 1/2in-13NC x 2-1/2in | |
| 54 | 0642214 | 5 | Bolt 3/4in-10NC x 1-3/4in | |
| 55 | 0642620 | 1 | Bolt 1in-8NC x 2-1/2in | |
| 57 | 0741607 | 1 | Screw, Countersunk 3/8in-16NC x 7/8in | |
| 58 | 2080044 | 4 | Rivnut 1/4in-20NC | |
| 59 | 3311605 | 5 | Locknut 3/8in-16NC | |
| 61 | 3900239 | 1 | Setscrew 3/8in-16NC x 1/2in | |
| 64 | 4740439 | 2 | Washer, Thrust | |
| 65 | 0962335 | 4 | Bearing (SN 0300054012 through 0300069000) | |
| | 0258766 | Ref | ROTATOR AND SUPPORT INSTALLATION (FRONT ENTRY PLATFORM) | C |
| 101 | See Item 4 | 1 | Rotator Actuator Assembly (See ROTATOR ASSEMBLIES for Breakdown) | |

SECTION 3 - BOOM

| ITEM | PART NUMBER | QTY | DESCRIPTION | REV |
|------|-------------|-----|--|-----|
| 102 | 0100011 | AR | Compound, Locking | |
| 103 | 0641606 | 2 | Bolt 3/8in-16NC x 3/4in | |
| 104 | 0641810 | 6 | Bolt 1/2in-13NC x 1-1/4in | |
| 105 | 0681610 | 4 | Bolt 3/8in-16NC x 1-1/4in (Grade 8) | |
| 106 | 0641820 | 4 | Bolt 1/2in-13NC x 2-1/2in | |
| 107 | 3311805 | 4 | Locknut 1/2in-13NC | |
| 108 | 3841340 | 1 | Rod, Hose Loop | |
| 109 | 4711600 | 4 | Flatwasher 3/8in Narrow | |
| 110 | 4711800 | 8 | Flatwasher 1/2in Narrow | |
| 111 | 4844790 | 1 | Support Weldment | |
| | 0272070 | Ref | PLATFORM SUPPORT INSTALLATION (SIDE ENTRY PLATFORM) | B |
| 201 | 0100011 | AR | Compound, Locking | |
| 202 | 0641812 | 8 | Bolt 1/2in-13NC x 1-1/2in | |
| 203 | 0642682 | 1 | Bolt 1in-8NC x 10-1/4in | |
| 204 | 0681608 | 8 | Bolt 3/8in-16NC x 1in | |
| 205 | 3272605 | 1 | Locknut 1in-8NC | |
| 206 | 3311805 | 8 | Locknut 1/2in-13NC | |
| 207 | 4846573 | 1 | Support Weldment | |
| 208 | 4891600 | 8 | Flatwasher 3/8in (Hardened) | |
| 209 | 4891800 | 8 | Flatwasher 1/2in (Hardened) | |
| 210 | 4892600 | 1 | Flatwasher 1in (Hardened) | |

SECTION 3 - BOOM

FIGURE 3-3. TOWER BOOM ASSEMBLY



SECTION 3 - BOOM

FIGURE 3-3. TOWER BOOM ASSEMBLY

| ITEM | PART NUMBER | QTY | DESCRIPTION | REV |
|------|-------------|-----|---|-----|
| | 0801132 | Ref | TOWER BOOM ASSEMBLY | C |
| 1 | 0801133 | 1 | Base Weldment | |
| 2 | 0801134 | 1 | Fly Weldment | |
| 3 | 1683606 | NLA | Cylinder Assembly - Tower Telescope (Use p/n 1001228086) (See CYLINDER SECTION for Breakdown) (Original Equipment) | |
| 3 | 1001188840 | NLA | Cylinder Assembly - Tower Telescope (Use p/n 1001228086) (See CYLINDER SECTION for Breakdown) (Service Replacement) | |
| 3 | 1001228086 | 1 | Cylinder Assembly - Tower Telescope (See CYLINDER SECTION for Breakdown) (Service Replacement) | |
| 4 | 4340706 | 1 | Support | |
| 5 | 0561185 | 4 | Block, Attach | |
| 6 | 4070929 | 8 | Shim 1/16in | |
| 7 | 0962102 | 2 | Bushing | |
| 8 | 0962122 | 2 | Bushing | |
| 9 | | Ref | Pad, Wear Options: | |
| 9 | 3340756 | 12 | Pad, Wear (Prior to SN 0300064695) | |
| 9 | 3340881 | 12 | Pad, Wear (SN 0300064695 through 0300069000) | |
| 10 | 4070897 | 8 | Shim .05 | |
| 11 | 4070898 | 8 | Shim .12 | |
| 12 | 3340828 | 2 | Pad, Wear | |
| 13 | 4070967 | 2 | Shim .05 | |
| 14 | 4070968 | 2 | Shim .12 | |
| 15 | 0641607 | 10 | Bolt 3/8in-16NC x 7/8in | |
| 16 | 0641608 | 4 | Bolt 3/8in-16NC x 1in | |
| 17 | 0641609 | 4 | Bolt 3/8in-16NC x 1-1/8in | |
| 18 | 0641610 | 12 | Bolt 3/8in-16NC x 1-1/4in | |
| 19 | 0641615 | 8 | Bolt 3/8in-16NC x 1-7/8in | |
| 20 | 0641616 | 8 | Bolt 3/8in-16NC x 2in | |
| 21 | 4711600 | 6 | Flatwasher 3/8in Narrow | |
| 22 | 0100011 | AR | Compound, Locking | |
| 23 | 0100038 | AR | Primer, Locking | |
| 24 | 3340835 | 1 | Pad, Boom Rest | |
| 25 | 0641806 | 3 | Bolt 1/2in-13NC x 3/4in | |
| | 0257764 | Ref | POWER TRACK INSTALLATION | F |
| 101 | 1180346 | 1 | Carrier | |
| 101 | 7020064 | 1 | Bracket, End (Moving) | |
| 101 | 7020065 | 1 | Bracket, End (Fixed) | |
| 101 | 7020066 | 1 | Section, Repair | |
| 101 | 7020067 | 1 | Link, Repair | |
| 102 | 4845680 | 1 | Hose Tube Weldment | |
| 103 | 1320251 | 2 | Clamp, Block | |
| 104 | 1320250 | 2 | Bar, Clamp | |
| 105 | 0100011 | AR | Compound, Locking | |
| 106 | 0100038 | AR | Primer, Locking | |
| 107 | 0641605 | 4 | Bolt 3/8in-16NC x 5/8in | |
| 108 | 0641606 | 2 | Bolt 3/8in-16NC x 3/4in | |
| 109 | 0641622 | 2 | Bolt 3/8in-16NC x 2-3/4in | |
| 110 | 3311601 | 4 | Nut 3/8in-16NC | |
| 111 | 3311602 | 2 | Nut, Jam 3/8in-16NC | |
| 112 | 3311605 | 4 | Locknut 3/8in-16NC | |

SECTION 3 - BOOM

| ITEM | PART NUMBER | QTY | DESCRIPTION | REV |
|------|-------------|-----|--|-----|
| 113 | 3841340 | 2 | Rod, Hose Loop | |
| 114 | 3900262 | 4 | Bolt 3/8in16NC x 4-3/4in | |
| 115 | 4711600 | 6 | Flatwasher 3/8in Narrow | |
| 116 | 0630539 | 2 | Bolt 3/8in-16NC x 3-1/2in | |
| 117 | | Ref | Clamp Assembly Options: | |
| 117 | 1320252 | NLA | Clamp Assembly (Use p/n 0259420) (Prior to SN 0300043680) | |
| 117 | 0259420 | 1 | Clamp Assembly (SN 0300043680 through 0300069000) | |
| 117 | 3340859 | 2 | Pad, Rubber | |
| 118 | 3340859 | 2 | Pad, Rubber | |

SECTION 3 - BOOM

FIGURE 3-4. MAIN BOOM ASSEMBLIES

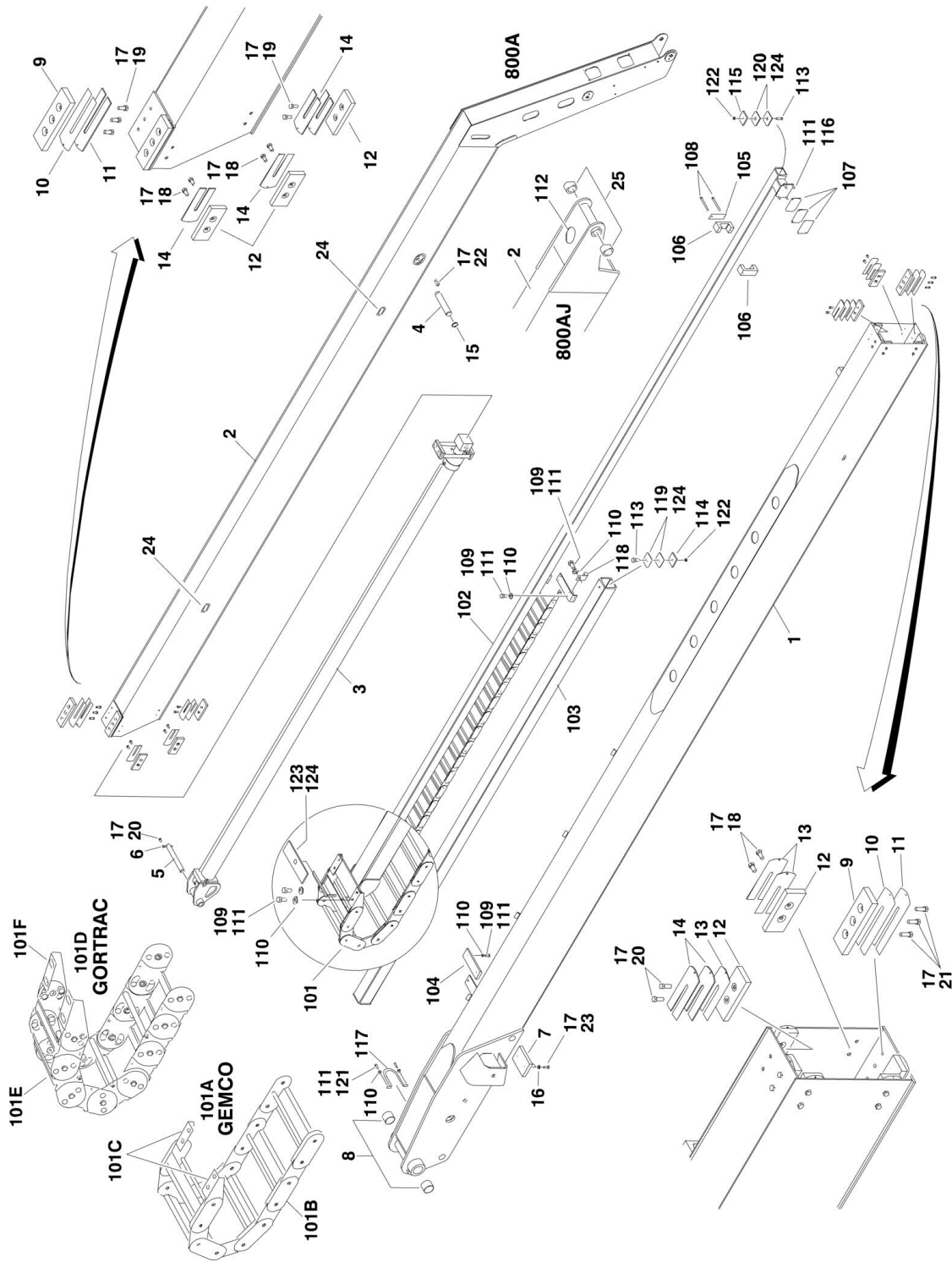


FIGURE 3-4. MAIN BOOM ASSEMBLIES

| ITEM | PART NUMBER | QTY | DESCRIPTION | REV |
|------|-------------|-----|--|-----|
| | | Ref | MAIN BOOM ASSEMBLY OPTIONS: | |
| | 0801135 | Ref | Main Boom Assembly 800A | E |
| | 0801136 | Ref | Main Boom Assembly 800AJ | E |
| 1 | | Ref | Base Weldment Options: | |
| 1 | 0801137 | NLA | Base Weldment (Use p/n 0801185) (800A Prior to SN 0300042446) | |
| 1 | 0801185 | 1 | Base Weldment (800A SN 0300042446 through 0300069000) | |
| 1 | 0801139 | NLA | Base Weldment (Use p/n 0801191) (800AJ Prior to SN 0300042446) | |
| 1 | 0801191 | 1 | Base Weldment (800AJ SN 0300042446 through 0300069000) | |
| 2 | | Ref | Fly Weldment Options: | |
| 2 | 0801138 | 1 | Fly Weldment 800A | |
| 2 | 0801140 | 1 | Fly Weldment 800AJ | |
| 3 | | Ref | Telescope Cylinder Assembly Options: | |
| 3 | 1683607 | NLA | Telescope Cylinder Assembly (Use p/n 1001228088) (800A) (Original Equipment) | |
| 3 | 1001188968 | NLA | Telescope Cylinder Assembly (Use p/n 1001228088) (800A) (Service Replacement) | |
| 3 | 1001228088 | 1 | Telescope Cylinder Assembly (800A) (Service Replacement) | |
| 3 | 1683672 | NLA | Telescope Cylinder Assembly (Use p/n 1001228087) (800AJ) (Original Equipment) | |
| 3 | 1001188841 | NLA | Telescope Cylinder Assembly (Use p/n 1001228087) (800AJ) (Service Replacement) | |
| 3 | 1001228087 | 1 | Telescope Cylinder Assembly (800AJ) (Service Replacement) | |
| 4 | 3422457 | 1 | Pin | |
| 5 | 3422690 | 1 | Pin | |
| 6 | 3841143 | 1 | Keeper, Pin | |
| 7 | 0561295 | 1 | Block, Boom Rest | |
| 8 | 0962102 | 2 | Bushing | |
| 9 | | Ref | Pad, Wear Options: | |
| 9 | 3340705 | 4 | Pad, Wear (Prior to SN 0300064695) | |
| 9 | 3340871 | 4 | Pad, Wear (SN 0300064695 through 0300069000) | |
| 10 | 4070863 | 4 | Shim 1/8in | |
| 11 | 4070864 | 4 | Shim .05 | |
| 12 | | Ref | Pad, Wear Options: | |
| 12 | 3340756 | 12 | Pad, Wear (Prior to SN 0300064695) | |
| 12 | 3340881 | 12 | Pad, Wear (SN 0300064695 through 0300069000) | |
| 13 | 4070897 | 10 | Shim .05 | |
| 14 | 4070898 | 12 | Shim 1/8in | |
| 15 | 3760133 | 2 | Ring, Retaining | |
| 16 | 4711600 | 2 | Flatwasher 3/8in Narrow | |
| 17 | 0100011 | AR | Compound, Locking | |
| 18 | 0641606 | 16 | Bolt 3/8in-16NC x 3/4in | |
| 19 | 0641607 | 10 | Bolt 3/8in-16NC x 7/8in | |
| 20 | 0641608 | 5 | Bolt 3/8in-16NC x 1in | |
| 21 | 0641609 | 6 | Bolt 3/8in-16NC x 1-1/8in | |
| 22 | 3900259 | 4 | Bolt, Shoulder | |
| 23 | 0641612 | 2 | Bolt 3/8in-16NC x 1-1/2in | |
| 24 | 1670836 | 6 | Cover, Boom | |
| 25 | | Ref | Bushing | |

SECTION 3 - BOOM

| ITEM | PART NUMBER | QTY | DESCRIPTION | REV |
|------|--------------|-----------|---|-----|
| 25 | Not Required | 0 | Bushing 800A | |
| 25 | 0961951 | 2 | Bushing 800AJ | |
| | | Ref | POWER TRACK INSTALLATION OPTIONS: | |
| | 0258076 | Ref | Power Track Installation 800A | G |
| | 0258077 | Ref | Power Track Installation 800AJ | F |
| 101 | | Ref | Carrier Options: | |
| 101A | | Ref | Gemco Brand Power Track (Original Equipment) | |
| 101A | 1180347 | NLA | Gemco Brand Power Track (Original Equipment) 800A (Use p/n 1001099840) | |
| 101A | 1180349 | NLA | Gemco Brand Power Track (Original Equipment) 800AJ (Use p/n 1001099837) | |
| 101B | 7016522 | AR | Carrier Repair Section (Includes 1 Pin for each end) | |
| 101B | 7016523 | AR | Rod Assembly (Includes 1 rod and hardware) | |
| 101B | 7016529 | AR | Roller, Plastic Rod | |
| 101B | 7006137 | AR | Link Pin Assembly | |
| 101C | 7016524 | 2 | Foot, Mounting (1 Pair) | |
| 101D | | Ref | Gortrac Brand Power Track (Service Replacement) | |
| 101D | 1001099840 | 1 | Gortrac Brand Power Track (Service Replacement) 800A | |
| 101D | 1001099837 | 1 | Gortrac Brand Power Track (Service Replacement) 800AJ | |
| 101E | 70002013 | AR | Carrier Repair Section (Includes 1 Pin Assembly for each end) | |
| 101F | 70002014 | AR | Mounting Foot Kit (Includes Both Pair of Feet) | |
| 102 | | Ref | Push Tube Weldment | |
| 102 | 4845701 | 1 | Push Tube 800A | |
| 102 | 4845729 | 1 | Push Tube 800AJ | |
| 103 | | Ref | Support | |
| 103 | 4845702 | 1 | Support 800A | |
| 103 | 4845730 | 1 | Support 800AJ | |
| 104 | 3340840 | 1 | Pad | |
| 105 | 3538758 | 1 | Plate, Backing | |
| 106 | 3340764 | 2 | Pad | |
| 107 | 4070969 | 3 | Shim | |
| 108 | 0641640 | 2 | Bolt 3/8in-16NC x 5in | |
| 109 | 0641606 | 18 | Bolt 3/8in-16NC x 3/4in | |
| 110 | 4711600 | 22 | Flatwasher 3/8in Narrow | |
| 111 | 0100011 | AR | Compound, Locking | |
| 112 | | Ref | Flex-Trim | |
| 112 | Not Required | 0 | Flex-Trim 800A | |
| 112 | 4060805 | 8 in/20cm | Flex-Trim 800AJ | |
| 113 | 0641622 | 2 | Bolt 3/8in-16NC x 2-3/4in | |
| 114 | 1320248 | 1 | Clamp, Hose | |
| 115 | 1320249 | 1 | Clamp, Hose | |
| 116 | | Ref | Bolt Options: | |
| 116 | 0641607 | 4 | Bolt 800A (Bolt 3/8in-16NC x 7/8in) | |
| 116 | 0641612 | 4 | Bolt 800AJ (Bolt 3/8in-16NC x 1-1/2in) | |
| 117 | 3841406 | 1 | Loop, Hose | |
| 118 | 1320263 | 1 | Clamp, Loop | |
| 119 | 3340860 | 2 | Pad, Rubber | |
| 120 | 3340861 | 2 | Pad, Rubber | |
| 121 | 3900232 | 2 | Screw, Button Head 3/8in-16NC x 1-1/4in | |
| 122 | 3311605 | 2 | Locknut 3/8in-16NC (SN 0300066130 through 0300069000) | |
| 123 | 4071052 | 2 | Shim (SN 0300066130 through 0300069000) | |

SECTION 3 - BOOM

| ITEM | PART NUMBER | QTY | DESCRIPTION | REV |
|------|-------------|-----|-------------|-----|
| 124 | 0100081 | AR | Adhesive | |

SECTION 3 - BOOM

FIGURE 3-5. ROTATOR ASSEMBLIES (FRONT ENTRY PLATFORM)

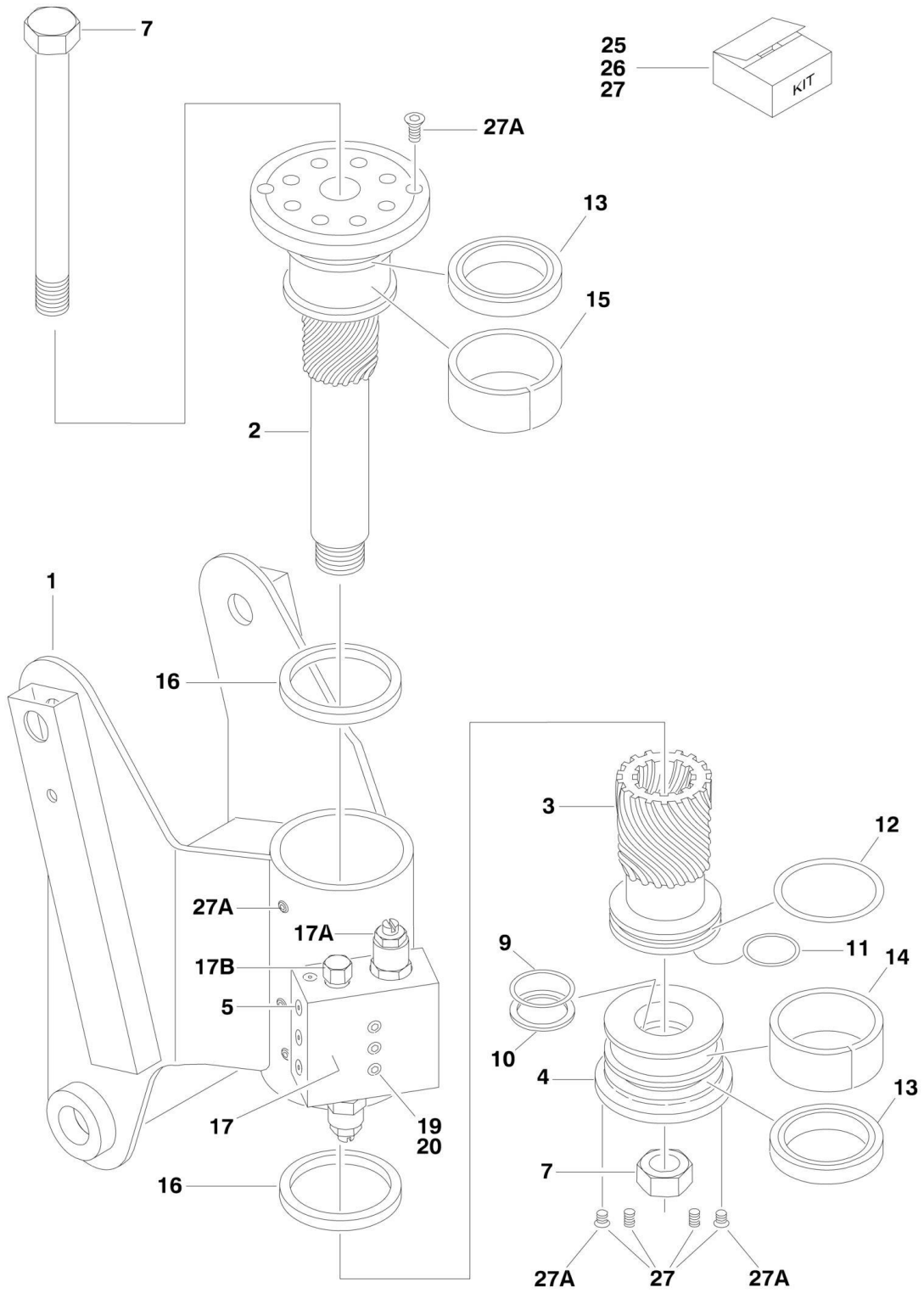


FIGURE 3-5. ROTATOR ASSEMBLIES (FRONT ENTRY PLATFORM)

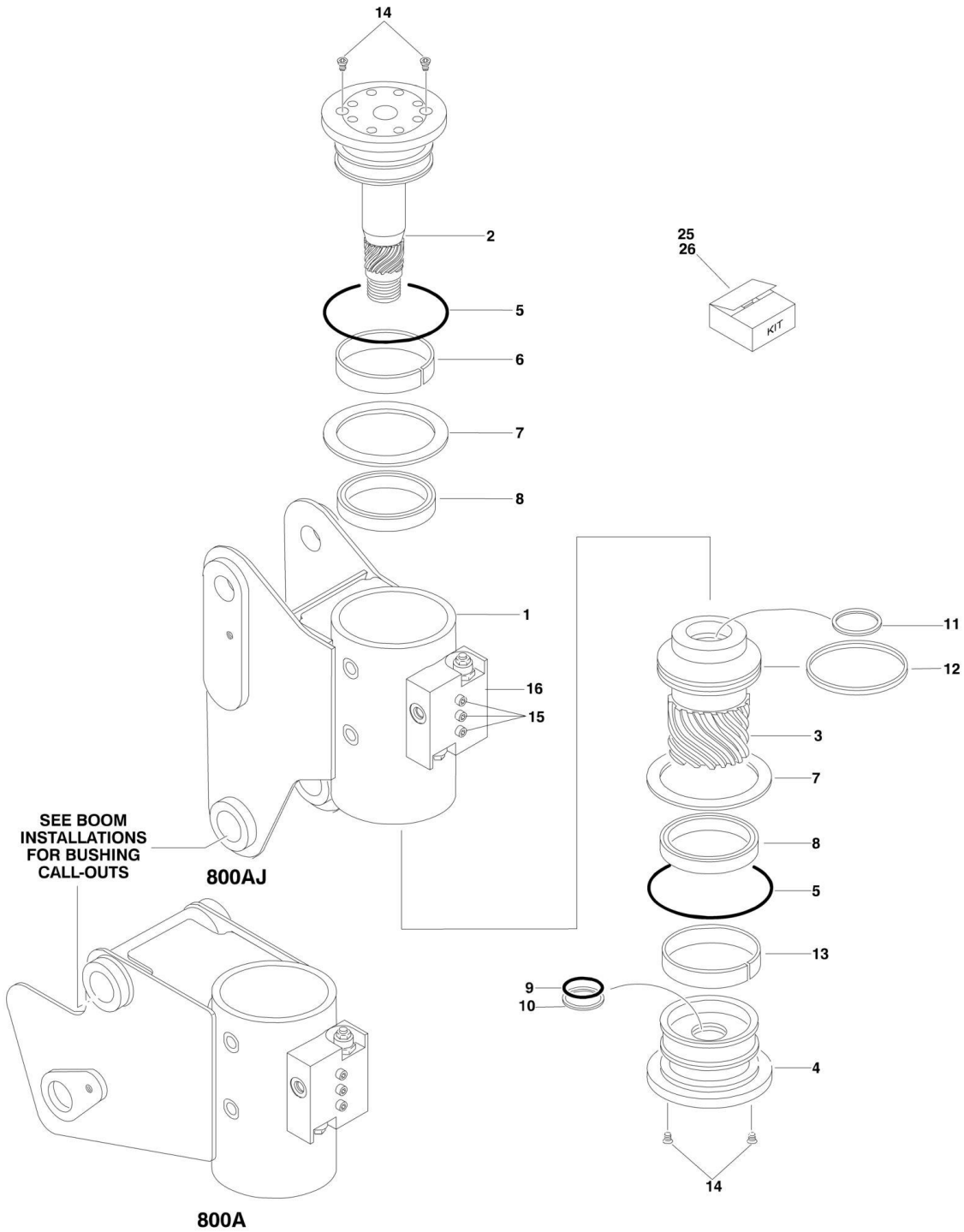
| ITEM | PART NUMBER | QTY | DESCRIPTION | REV |
|------|-------------|-----|---|-----|
| | | Ref | ROTATOR ASSEMBLIES | |
| | | Ref | Rotator Assemblies 800A | |
| | 0060041 | Ref | Actual Production | G |
| | 0060077 | Ref | Recommended Replacement | B |
| | | Ref | Rotator Assemblies 800AJ | |
| | 0060031 | Ref | Actual Production | I |
| | 1001103095 | Ref | Recommended Replacement Kit (contains 0060074 rotator, upper pin, keeper shaft, keeper shaft bolt and instruction sheet) | 1 |
| | | Ref | Note: Before ordering parts, identify whether original equipment rotator has been replaced with service replacement. Service replacement rotator uses spacer plate bolted on the top with 8 capscrews (Not shown - located at item 2). Original equipment rotator does not use spacer plate. | |
| 1 | See Note | 1 | Housing/Ring Gear Assembly (Note: Not Available - Purchase Complete Assembly) | |
| 2 | | Ref | Shaft Weldment Options: | |
| 2 | 7017177 | 1 | 0060041 & 0060031 Rotators (was p/n 7017117) | |
| 2 | 7017162 | 1 | 0060077 & 0060074 Rotators | |
| 2 | See Note | 1 | Plate, Spacer (Not Shown) (0060077 & 0060074 Rotators Only) (Note: Not Available for Purchase) | |
| 3 | | Ref | Piston/Sleeve Options: | |
| 3 | 7017115 | 1 | 0060041 & 0060031 Rotators | |
| 3 | 7017163 | 1 | 0060077 & 0060074 Rotators | |
| 4 | | Ref | Cap, End Options: | |
| 4 | 7017174 | 1 | 0060041 & 0060031 Rotators (was p/n 7017116) | |
| 4 | 7017164 | 1 | 0060077 & 0060074 Rotators | |
| 5 | See Note | NSS | Plug, Port (Note: Not Available for Purchase) | |
| 6 | 7017142 | 2 | Plug | |
| 7 | 7017102 | 1 | Tie-Rod/Locknut Assembly | |
| 7 | 7017119 | 1 | Bolt 1in-8NC x 11in | |
| 8 | 3272605 | AR | Locknut 1in-8NC | |
| 9 | See Note | NSS | Seal, Cap (Note: Use Item 25) | |
| 10 | See Note | NSS | Ring, Back-up (Cap) (Note: Use Item 25) | |
| 11 | See Note | NSS | Seal, Rod (Note: Use Item 25) | |
| 12 | See Note | NSS | Seal, Piston (Note: Use Item 25) | |
| 13 | See Note | NSS | Packing, Bearing (Note: Use Item 25) | |
| 14 | See Note | NSS | Bearing, Cap (Note: Use Item 26) | |
| 15 | See Note | NSS | Bearing, Shaft (Note: Use Item 26) | |
| 16 | See Note | NSS | Washer, Thrust (Note: Use Item 26) | |
| 17 | | Ref | Valve Assembly Options: | |
| 17 | 7017183 | 1 | 0060041 & 0060031 Rotators (was p/n 7017101) | |
| 17 | 7017183 | 1 | 0060077 & 0060074 Rotators | |
| 17A | | Ref | Cartridge, Valve Options: | |
| 17A | 7011331 | 2 | 0060041 & 0060031 Rotators | |
| 17A | 7017193 | 2 | 0060077 & 0060074 Rotators | |
| 17A | 2900770 | 2 | Seal Kit - 7011331 Valve | |
| 17A | See Note | 2 | Seal Kit - 7017193 Valve (Note: Not Available for Purchase) | |
| 17B | | Ref | Cartridge, Valve Options: | |
| 17B | 7011332 | 2 | 0060041 & 0060031 Rotators | |
| 17B | See Note | 1 | 0060077 & 0060074 Rotators (Not Shown - Located on Side | |

SECTION 3 - BOOM

| ITEM | PART NUMBER | QTY | DESCRIPTION | REV |
|------|-------------|-----|--|-----|
| 17B | 7011346 | 2 | of Valve Block) (Note: Not Available for Purchase) Seal Kit - 7011332 Valve | |
| 17B | See Note | 1 | Seal Kit - Valve Located on Side of Block (Note: Not Available for Purchase) | |
| 18 | 7017118 | 2 | Setscrew (0060041 & 0060031 Rotators Only) | |
| 19 | See Note | 3 | Bolts 1/4 x 1-1/2 (Grade 8) (Note: Not Available for Purchase) | |
| 20 | 3790110 | 3 | O-Ring (Not Shown - Located between Valve and Actuator Housing) | |
| 25 | | Ref | Seal Kit Options (Includes Items 9-13): | |
| 25 | 7017157 | 1 | 0060041 & 0060031 Rotators | |
| 25 | | Ref | 0060077 & 0060074 Rotators Options: | |
| 25 | 7017158 | 1 | Standard | |
| 25 | 70000342 | 1 | Low Temperature | |
| 26 | | Ref | Bearing Kit Options (Includes Items 14-16): | |
| 26 | 7017156 | 1 | 0060041 & 0060031 Rotators | |
| 26 | 7017159 | 1 | 0060077 & 0060074 Rotators | |
| 27 | 7017142 | 1 | Hardware Kit (Includes End Cap screws and Dowel Pins - 0060031 & 0060077 Rotators) | |
| 27A | 70001697 | 6 | Screw, Countersunk 1/4in-20NC x 3/8in Grade 8 | |

SECTION 3 - BOOM

FIGURE 3-6. ROTATOR ASSEMBLIES (SIDE ENTRY PLATFORM)



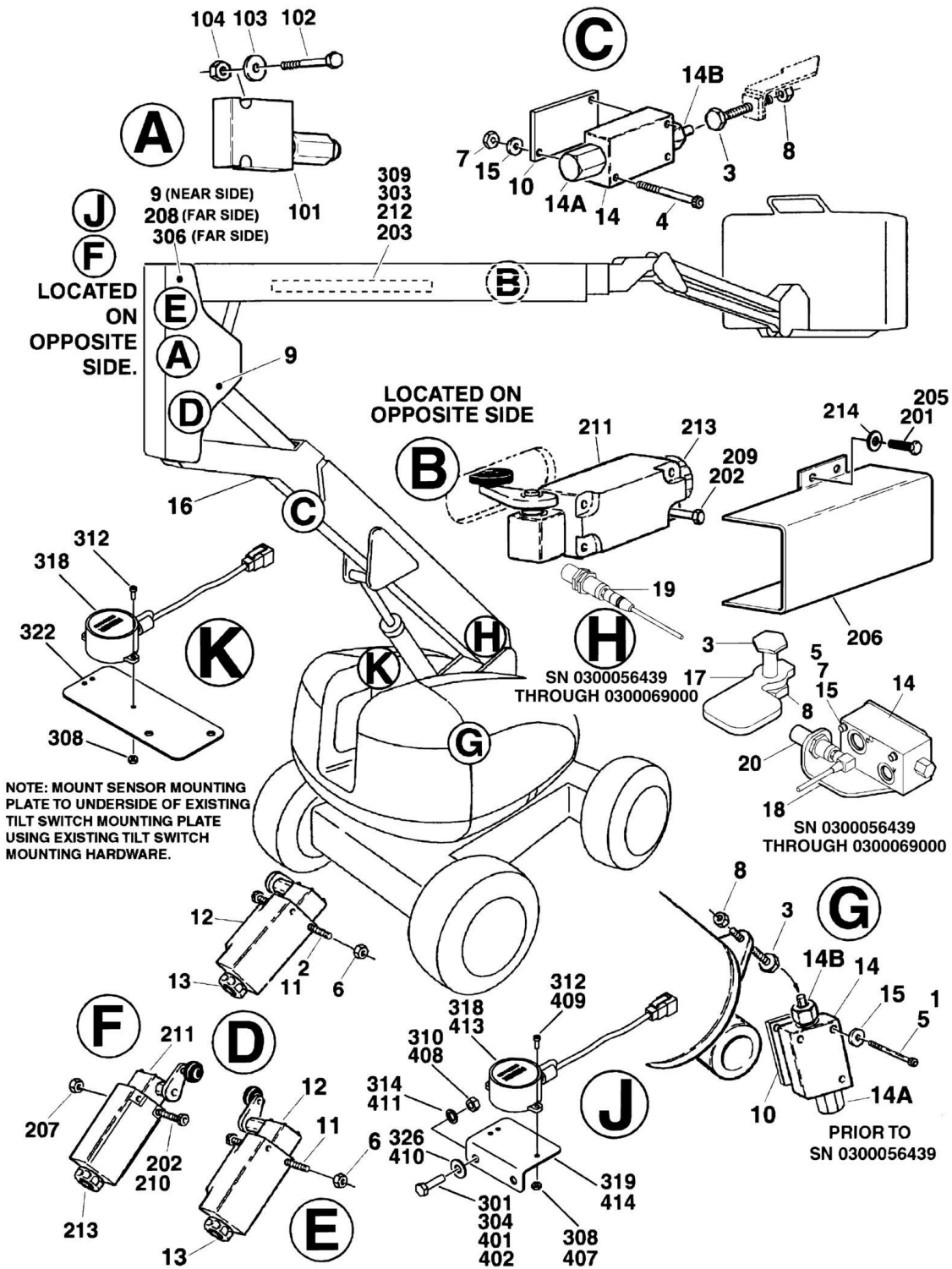
SECTION 3 - BOOM

FIGURE 3-6. ROTATOR ASSEMBLIES (SIDE ENTRY PLATFORM)

| ITEM | PART NUMBER | QTY | DESCRIPTION | REV |
|------|-------------|-----|--|-----|
| | | Ref | ROTATOR ASSEMBLIES | |
| | 0060069 | Ref | Rotator Assemblies 800A | A |
| | 0060066 | Ref | Rotator Assemblies 800AJ | A |
| 1 | See Note | 1 | Housing/Ring Gear Assembly (Note: Not Available - Purchase Complete Assembly) | |
| 2 | 7017162 | 1 | Shaft | |
| 3 | 7017163 | 1 | Piston/Sleeve Assembly | |
| 4 | 7017164 | 1 | Cap, End | |
| 5 | See Note | NSS | O-Ring (Note: Use Item 25) | |
| 6 | See Note | NSS | Bearing, Shaft (Note: Use Item 26) | |
| 7 | See Note | NSS | Washer, Thrust (Note: Use Item 26) | |
| 8 | See Note | NSS | Packing, Bearing (Note: Use Item 25) | |
| 9 | See Note | NSS | Seal, Cap (Note: Use Item 25) | |
| 10 | See Note | NSS | Ring, Back-up Cap (Note: Use Item 25) | |
| 11 | See Note | NSS | Seal, Rod (Note: Use Item 25) | |
| 12 | See Note | NSS | Seal, Piston (Note: Use Item 25) | |
| 13 | See Note | NSS | Bearing, Cap (Note: Use Item 26) | |
| 14 | 70001697 | 6 | Capscrew 1/4in-20NC x 3/8in (Grade 8) | |
| 15 | See Note | 3 | Bolt 1/4 x 1-1/2 (Grade 8) (Note: Not Available for Purchase) | |
| 16 | 7017183 | 1 | Valve Assembly | |
| 16 | 7017193 | 2 | Cartridge, Valve | |
| 16 | See Note | 2 | Seal Kit - 7017193 Valve (Note: Not Available - Purchase Complete Assembly) | |
| 16 | See Note | 1 | Cartridge, Valve (Not Shown - Located on Side of Block) (Note: Not Available - Purchase Complete Assembly) | |
| 16 | See Note | 1 | Seal Kit - Valve Located on Side of Block (Note: Not Available - Purchase Complete Assembly) | |
| 25 | | Ref | Seal Kit Options (Includes Items 5, 8-12 & Hardware Kit): | |
| 25 | 7017158 | 1 | Standard | |
| 25 | 70000342 | 1 | Low Temperature | |
| 26 | 7017159 | 1 | Bearing Kit (Includes Items 6, 7 & 13) | |

SECTION 3 - BOOM

FIGURE 3-7. VALVE AND LIMIT SWITCH INSTALLATIONS (BOOM MOUNTED)



SECTION 3 - BOOM

FIGURE 3-7. VALVE AND LIMIT SWITCH INSTALLATIONS (BOOM MOUNTED)

| ITEM | PART NUMBER | QTY | DESCRIPTION | REV |
|------|-------------|-----------|--|-----|
| | 0258217 | Ref | BOOM VALVES AND LIMIT SWITCHES INSTALLATION | H |
| 1 | 0100011 | AR | Compound, Locking | |
| 2 | 0100035 | AR | Compound, Locking | |
| 3 | 0630427 | 2 | Bolt, Special | |
| 4 | | Ref | Bolt Options: | |
| 4 | 0641422 | 3 | Bolt 1/4in-20NC x 2-3/4in (Prior to SN 0300048726) | |
| 4 | 3931436 | 3 | Bolt 1/4in-20NC x 2-1/4in (SN 0300048726 through 0300069000) | |
| 5 | | Ref | Bolt Options: | |
| 5 | 0641436 | 3 | Bolt 1/4in-20NC x 4-1/2in (Prior to SN 0300048726) | |
| 5 | 3931464 | 3 | Bolt 1/4in-20NC x 4in (SN 0300048726 through 0300069000) | |
| 6 | 3310805 | 4 | Locknut #8-32NC | |
| 7 | 3311405 | 6 | Locknut 1/4in-20NC | |
| 8 | 3311801 | 2 | Nut 1/2in-13NC | |
| 9 | 3520035 | 2 | Plug, Cap | |
| 10 | 3570928 | 2 | Plate, Spacer | |
| 11 | 3930824 | 4 | Capscrew, Socket Head #8-32NC x 1-1/2in | |
| 12 | 4360322 | NLA | Switch, Limit (Use p/n 4360578) (Note: P/N 4360549 & P/N 4360578 do not include #13 Connector - Purchase Separately) | |
| 12 | 4360549 | NLA | Switch, Limit (Use p/n 4360578) (Note: P/N 4360549 & P/N 4360578 do not include #13 Connector - Purchase Separately) | |
| 13 | | Ref | Connector, Strain Relief Options: | |
| 13 | 4460428 | 2 | Use with p/n 4360322 Switch | |
| 13 | 4460968 | 2 | Use with p/n 4360549 & 4360578 Switches | |
| 14 | | Ref | Valve, Switch Options: | |
| 14 | 4641045 | NLA | Valve, Switch (Use p/n 4641136) (Prior to SN 0300042387) | |
| 14 | 4641105 | NLA | Valve, Switch (Use p/n 4641136) (SN 0300042387 through 0300049401) | |
| 14 | 4641136 | 2 | Valve, Switch (SN 0300049402 through 0300069000) | |
| 14 | | Ref | 4641136 Replacement Parts: | |
| 14A | 7011342 | 2 | Valve, Check (1 per Assembly) | |
| 14A | 7011333 | 2 | Seal Kit - Check Valve (1 per Assembly) | |
| 14B | 7020172 | 2 | Valve, Plunger (1 per Assembly) | |
| 14B | 7020173 | 2 | Seal Kit - 7020172 Valve (1 per Assembly) | |
| 14 | | Ref | 4641105 Replacement Parts: | |
| 14A | See Note | 2 | Valve, Check (1 per Assembly) (Note: Not Available for Purchase) | |
| 14A | 7020171 | 2 | Seal Kit - Check Valve (1 per Assembly) | |
| 14B | 7020172 | 2 | Valve, Plunger (1 per Assembly) | |
| 14B | 7020173 | 2 | Seal Kit - 7020172 Valve (1 per Assembly) | |
| 14 | | Ref | 4641045 Replacement Parts: | |
| 14A | 7020068 | 2 | Valve, Check (1 per Assembly) | |
| 14A | 7020069 | 2 | Seal Kit - 7020068 Valve (1 per Assembly) | |
| 14B | 7020070 | 2 | Valve, Plunger (1 per Assembly) | |
| 14B | 7020071 | 2 | Seal Kit - 7020070 Valve (1 per Assembly) | |
| 15 | 4751400 | 6 | Flatwasher 1/4in | |
| 16 | 4060805 | 7 in/25cm | Trim, Edge (SN 0300039755 through 0300069000 Only) | |
| 17 | 3572606 | 1 | Plate, Lower Boom Proximity Switch Target (SN 0300056439 through 0300069000) | |
| 18 | 3572607 | 1 | Plate, Lower Boom Proximity Switch Mount (SN 0300056439 through 0300069000) | |

SECTION 3 - BOOM

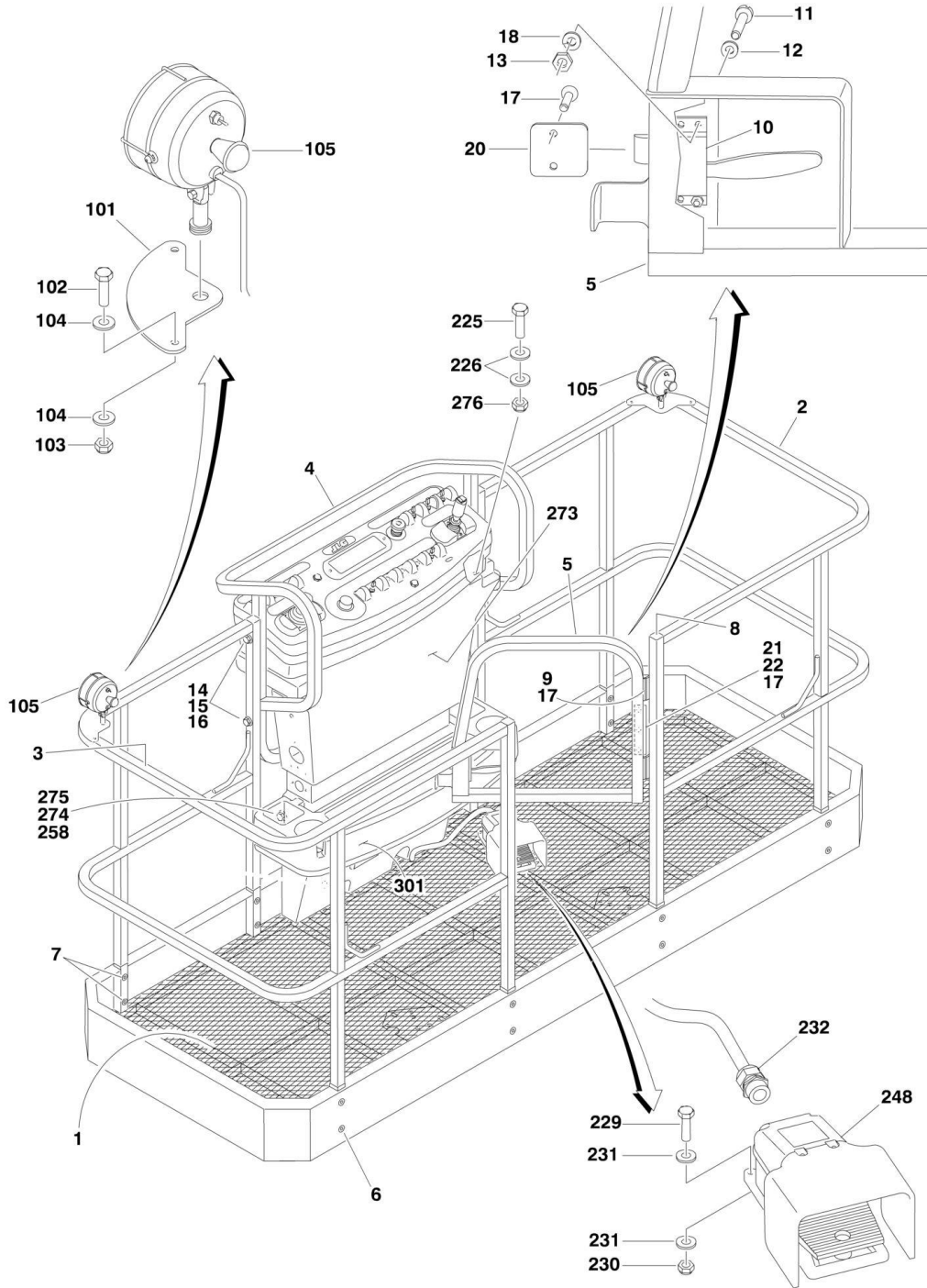
| ITEM | PART NUMBER | QTY | DESCRIPTION | REV |
|------|-------------|-----|---|-----|
| 19 | 4360498 | 1 | Switch Proximity (Note: Machines Prior to SN 0300056439 may have been retrofitted with this switch) (SN 0300056439 through 0300069000) | |
| 20 | 4360499 | 1 | Switch Proximity (Note: Machines Prior to SN 0300056439 may have been retrofitted with this switch) (SN 0300056439 through 0300069000) | |
| | | Ref | VALVES INSTALLATION | A |
| 101 | 4640929 | 1 | Valve Assembly (Relief) | |
| 101 | 7012970 | 1 | Cartridge | |
| 101 | 7012953 | 1 | Seal Kit - 7012970 Cartridge | |
| 102 | 0641416 | 2 | Bolt 1/4in-20NC x 2in | |
| 103 | 4711400 | 4 | Flatwasher 1/4in Narrow | |
| 104 | 3311405 | 2 | Locknut 1/4in-20NC | |
| | 0258338 | Ref | LIMIT SWITCHES INSTALLATION - 800A DUAL CAPACITY | D |
| 201 | 0100011 | AR | Compound, Locking | |
| 202 | 0100035 | AR | Compound, Locking | |
| 203 | 0362610 | NLA | Bar, Fiberglass (Use p/n 1001106482) | |
| 205 | 0641403 | 4 | Bolt 1/4in-20NC x 3/8in | |
| 206 | 1670824 | 1 | Cover | |
| 207 | 3310801 | 2 | Locknut #8-32NC | |
| 208 | 3520035 | 1 | Plug, Cap | |
| 209 | 3930816 | 2 | Capscrew, Socket Head #8-32NC x 1in | |
| 210 | 3930824 | 2 | Capscrew, Socket Head #8-32NC x 1-1/2in | |
| 211 | 4360322 | NLA | Switch, Limit (Use p/n 4360578) (Note: p/n 4360549 & p/n 4360578 do not include #13 Connector - Purchase Separately) | |
| 211 | 4360549 | NLA | Switch, Limit (Use p/n 4360578) (Note: p/n 4360549 & p/n 4360578 do not include #13 Connector - Purchase Separately) | |
| 212 | 4420060 | 2 | Tape, Double Sided | |
| 213 | | Ref | Connector, Strain Relief Options: | |
| 213 | 4460428 | 2 | Use with p/n 4360322 Switch | |
| 213 | 4460968 | 2 | Use with p/n 4360549 & 4360578 Switches | |
| 214 | 4751400 | 4 | Flatwasher 1/4in | |
| | 1001091538 | Ref | TILT SENSOR INSTALLATION (PRE ADE SYSTEM) | E |
| 301 | 0100011 | AR | Compound, Locking | |
| 304 | 0641610 | 2 | Bolt 3/8in-16NC x 1-1/4in | |
| 308 | 3310605 | 6 | Locknut #6-32 NC | |
| 310 | 3311601 | 2 | Locknut 3/8in-16NC | |
| 312 | 3930606 | 6 | Screw #6-32 NC | |
| 314 | 4761600 | 2 | Lockwasher 3/8in | |
| 318 | 1001094400 | 2 | Sensor, Dual Axis | |
| 319 | 1001094401 | 1 | Bracket, Tilt Sensor | |
| 322 | 1001094639 | 1 | Bracket, Tilt Sensor | |
| 326 | 4751600 | 2 | Flatwasher 3/8in | |
| | 1001093187 | Ref | TILT SENSOR INSTALLATION (WITH ADE SYSTEM) | C |
| 401 | 0100011 | AR | Compound, Locking | |
| 402 | 0641610 | 2 | Bolt 3/8in-16NC x 1-1/4in | |
| 407 | 3310605 | 3 | Locknut #6-32 NC | |
| 408 | 3311601 | 2 | Locknut 3/8in-16NC | |
| 409 | 3930606 | 3 | Screw #6-32 NC | |
| 410 | 4751600 | 2 | Flatwasher 3/8in | |
| 411 | 4761600 | 2 | Lockwasher 3/8in | |
| 413 | 1001094400 | 1 | Sensor, Dual Axis | |
| 414 | 1001094401 | 1 | Bracket, Tilt Sensor | |

SECTION 4 - PLATFORM

SECTION 4 - PLATFORM

FIGURE 4-1. PLATFORM COMPONENTS INSTALLATION (FRONT ENTRY)

NOTE: These Machine SN's Also Equipped With ADE System: 0300062045, 0300062797, 0300063013, 0300063665, 0300063975, 0300064000-0300064017, 0300064390, 0300064392 & 0300064411.



SECTION 4 - PLATFORM

FIGURE 4-1. PLATFORM COMPONENTS INSTALLATION (FRONT ENTRY)

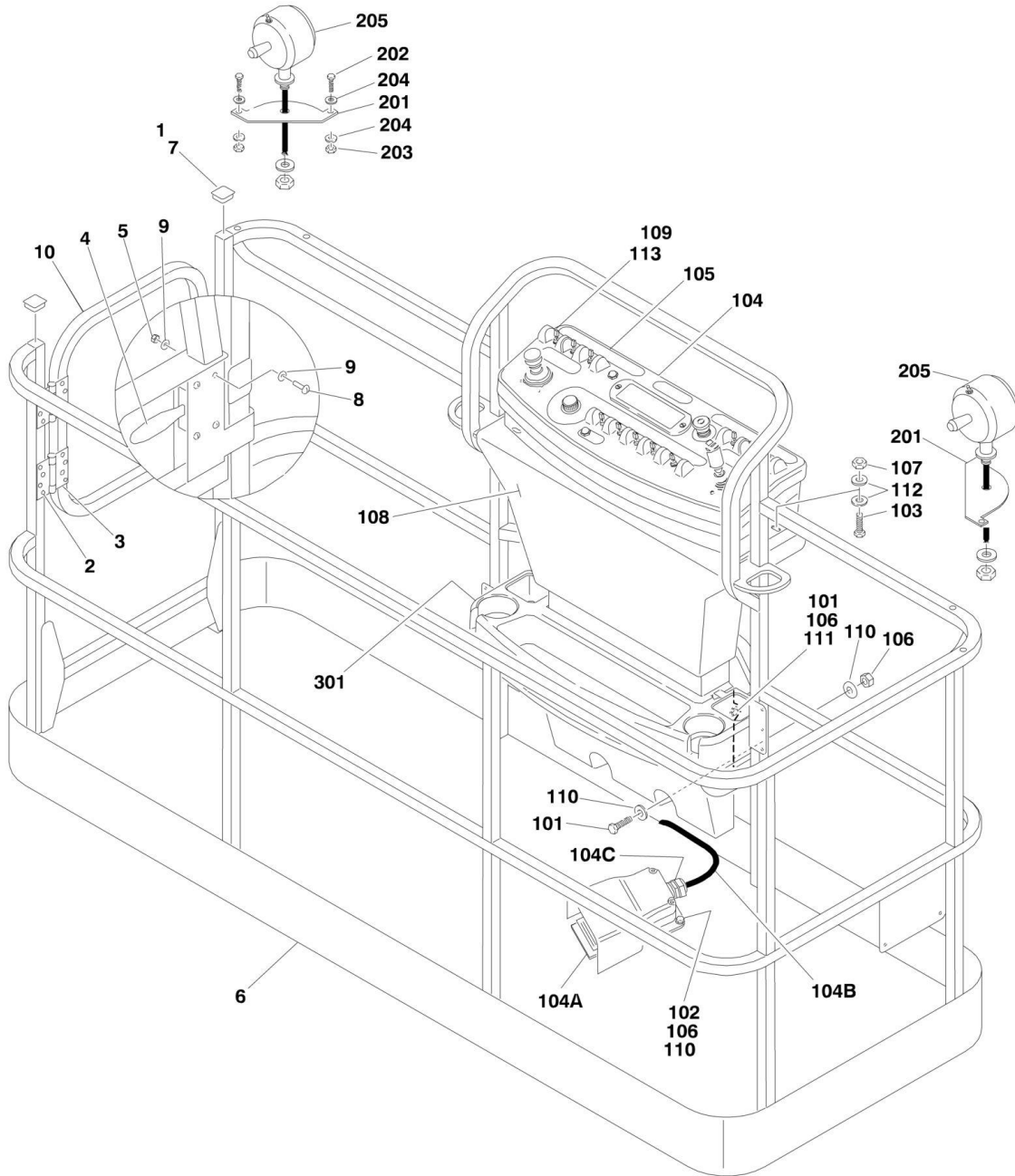
| ITEM | PART NUMBER | QTY | DESCRIPTION | REV |
|------|-------------|-----|--|-----|
| | | Ref | NOTE: THESE MACHINE SN'S ALSO EQUIPPED WITH ADE SYSTEM: 0300062045, 0300062797, 0300063013, 0300063665, 0300063975, 0300064000-0300064017, 0300064390, 0300064392 & 0300064411. | |
| | | Ref | PLATFORM ASSEMBLIES: | |
| | 3510760 | Ref | 4ft (1.22m) with Self-Closing Gate | 3 |
| | 3510728 | Ref | 5ft (1.52m) with Self-Closing Gate | 3 |
| | 3510497 | Ref | 6ft (1.83m) with Standard Gate | 8 |
| | 3510542 | Ref | 6ft (1.83m) with Self-Closing Gate | 3 |
| | 3510545 | Ref | 6ft (1.83m) with Mesh to Top Rail and Standard Gate | B |
| | 3510565 | Ref | 6ft (1.83m) with Mesh to Top Rail and Self-Closing Gate | 3 |
| | 3510488 | Ref | 8ft (2.44m) with Standard Gate | 8 |
| | 3510543 | Ref | 8ft (2.44m) with Self-Closing Gate | 3 |
| | 3510546 | Ref | 8ft (2.44m) with Mesh to Top Rail and Standard Gate | B |
| | 3510566 | Ref | 8ft (2.44m) with Mesh to Top Rail and Self-Closing Gate | 4 |
| | | Ref | Note: Replacement Decals Must be Ordered Separately - See DECALS SECTION. | |
| 1 | | Ref | Floor Options: | |
| 1 | 4846253 | 1 | 4ft Platform | |
| 1 | 4846101 | 1 | 5ft Platform | |
| 1 | 4844954 | 1 | 6ft Platform | |
| 1 | 4844928 | 1 | 8ft Platform | |
| 2 | | Ref | Rail - Right Side Options: | |
| 2 | 4846254 | 1 | 4ft Platform without Mesh | |
| 2 | 4846102 | 1 | 5ft Platform without Mesh | |
| 2 | 4844955 | 1 | 6ft Platform without Mesh | |
| 2 | 4845408 | 1 | 6ft Platform with Mesh Top Rail | |
| 2 | 4844924 | 1 | 8ft Platform without Mesh | |
| 2 | 4845412 | 1 | 8ft Platform with Mesh Top Rail | |
| 3 | | Ref | Rail - Left Side Options: | |
| 3 | 4846255 | 1 | 4ft Platform without Mesh | |
| 3 | 4846103 | 1 | 5ft Platform without Mesh | |
| 3 | 4844956 | 1 | 6ft Platform without Mesh | |
| 3 | 4845409 | 1 | 6ft Platform with Mesh Top Rail | |
| 3 | 4844925 | 1 | 8ft Platform without Mesh | |
| 3 | 4845413 | 1 | 8ft Platform with Mesh Top Rail | |
| 4 | 4845328 | 1 | Rail - Back Options: | |
| 5 | | Ref | Gate Options: | |
| 5 | 4845327 | 1 | Standard Gate | |
| 5 | 4845410 | 1 | Standard Gate with Mesh Top Rail | |
| 5 | 4845426 | 1 | Self-Closing Gate | |
| 5 | 4845469 | 1 | Self-Closing Gate with Mesh Top Rail | |
| 6 | 3900207 | AR | Fastener | |
| | | Ref | (Note: P/N 3900207 Fastener may be replaced with p/n 0641416 Bolt, p/n 4751400 Flatwasher, p/n 3311405 Locknut and p/n 3300151 Acorn Type Nut. Acorn type nut is required to meet industry safety requirements. | |
| 7 | 3300393 | AR | Collar | |
| 8 | 3520072 | AR | Plug, Cap | |
| 9 | | Ref | Hinge Options: | |
| 9 | 2600216 | 2 | Standard Gate | |

SECTION 4 - PLATFORM

| ITEM | PART NUMBER | QTY | DESCRIPTION | REV |
|------|-------------|-----------|---|-----|
| 9 | 2600219 | 2 | Self-Closing Gate (Prior to SN 0300068576) | |
| 9 | 2600287 | 2 | Self-Closing Gate (SN 0300068576 through 0300069000) | |
| 10 | 2940074 | 1 | Latch | |
| 11 | 3911008 | 4 | Screw #10-24NC x 1in | |
| 12 | 4751000 | 4 | Flatwasher #10 | |
| 13 | 3311005 | 4 | Locknut #10-24NC | |
| 14 | 0641524 | 4 | Bolt 5/16in-18NC x 3in | |
| 15 | 3311505 | 4 | Locknut 5/16in-18NC | |
| 16 | 4751500 | 4 | Flatwasher 5/16in | |
| 17 | 2080040 | 13 | Fastener | |
| 18 | 4761000 | 4 | Lockwasher 3/8in (Prior to SN 0300068576) | |
| 20 | 3539685 | 1 | Plate, Latch | |
| 21 | 4220165 | 1 | Stop, Gate | |
| 22 | 4060803 | 6 ft/1.8m | Trim | |
| | | Ref | WORKLIGHTS INSTALLATION (optional) | |
| | 0258048 | Ref | Worklights Installation (Prior to SN 0300061927) | 2-E |
| | 0270814 | Ref | Worklights Installation (ADE System) (SN 0300061927 through 0300069000) | 3-D |
| 101 | 3536089 | 2 | Plate, Mounting | |
| 102 | 0641414 | 4 | Bolt 1/4in-20NC x 1-3/4in | |
| 103 | 3311405 | 4 | Locknut 1/4in-20NC | |
| 104 | 4711400 | 8 | Flatwasher 1/4in Narrow | |
| 105 | 2920140 | 2 | Worklight | |
| 105 | 7016399 | 2 | Bulb, Replacement (1 Per Worklight) | |
| 106 | 4240099 | 10 | Tie-Strap (Not Shown) | |
| 107 | 2820035 | 9 | Loom, Vinyl (Not Shown) | |
| 109 | 4460598 | 1 | Connector, Strain Relief (Not Shown - Located at Console Box) | |
| 110 | | Ref | Wire Options: (Not Shown) | |
| 110 | 4920018 | AR | Wire, Black 16 Ga (Prior to SN 0300061927) | |
| 110 | 4920044 | AR | Wire, Black 12 Ga (SN 0300061927 through 0300069000) | |
| | | Ref | FOOTSWITCH AND COVERS INSTALLATION OPTIONS: | |
| | 0861237 | Ref | Footswitch and Covers Installation (Prior to SN 0300064432) | 5-D |
| | 0861415 | Ref | Footswitch and Covers Installation SN 0300064009 Only (ADE System) | C |
| | 0861474 | Ref | Footswitch and Covers Installation (ADE System) (SN 0300064432 through 0300069000) | B |
| 225 | 0641610 | 4 | Bolt 3/8in-16NC x 3/4in | |
| 226 | 4751600 | 4 | Flatwasher 3/8in | |
| 229 | 0641408 | 3 | Bolt 1/4in-20NC x 1in | |
| 230 | 3311405 | 3 | Locknut 1/4in-20NC | |
| 231 | 4740362 | 3 | Washer, Fender | |
| 232 | 4460071 | 1 | Terminal, Strain Relief | |
| 248 | See Note | 1 | Footswitch (Note: See PLATFORM COMPONENTS INSTALLATION for Service Parts) | |
| 258 | 4751400 | 4 | Flatwasher 1/4in | |
| 273 | 3380434 | 1 | Panel, Poly | |
| 274 | 0641414 | 2 | Bolt 1/4in-20NC x 1-3/4in | |
| 275 | 3311405 | 2 | Locknut 1/4in-20NC | |
| 276 | 3311605 | 4 | Locknut 3/8in-16NC | |
| | | Ref | TRAY INSTALLATIONS (OPTIONAL) | |
| 301 | 1580012 | 1 | Tray, Storage (Center) | |
| 302 | 1580013 | 1 | Tray, Storage (Rail Mounted - Not Shown) | |

SECTION 4 - PLATFORM

FIGURE 4-2. PLATFORM COMPONENTS INSTALLATION (SIDE ENTRY)



SECTION 4 - PLATFORM

FIGURE 4-2. PLATFORM COMPONENTS INSTALLATION (SIDE ENTRY)

| ITEM | PART NUMBER | QTY | DESCRIPTION | REV |
|------|-------------|------------|--|-----|
| | | Ref | PLATFORM ASSEMBLIES: | |
| | 3510822 | Ref | 8ft (2.44m) with No Mesh | B-A |
| | 3510833 | Ref | 6ft (1.83m) with No Mesh | B-A |
| | | Ref | Note: Original Equipment platform may have been replaced with Service Replacement platform. Identify platform before ordering parts. | |
| | | Ref | Note: Replacement Decals Must be Ordered Separately - See DECALS SECTION. | |
| 1 | 0100040 | AR | Sealant, Adhesive | |
| 2 | 2080040 | 16 | Fastener, Huck | |
| 3 | 2600281 | 2 | Hinge, Self-Closing | |
| 4 | 2940074 | 1 | Latch | |
| 5 | 3311001 | 4 | Nut #10-24NC | |
| 6 | See Note | 1 | Platform (Note: Not Available - Purchase Complete Platform Assembly) | |
| 7 | 3520072 | 2 | Cap-Plug | |
| 8 | 3911008 | 4 | Screw #10-24NC x 1in | |
| 9 | 4751000 | 8 | Flatwasher #10 | |
| 10 | | Ref | Gate Options: | |
| 10 | 4846452 | 1 | Gate for Platform p/ns 3510822 & 3510833 | |
| 10 | 1001144629 | 1 | Gate for Platform p/ns 1001144023 & 1001144024 | |
| | 0271941 | Ref | CONSOLE BOX INSTALLATION - 4WD | A |
| 101 | 0641406 | 4 | Bolt 1/4in-20NC x 3/4in | |
| 102 | 0641408 | 3 | Bolt 1/4in-20NC x 1in | |
| 103 | 0641610 | 4 | Bolt 3/8in-16NC x 1-1/4in | |
| 104 | 0861517 | 1 | Platform Console Box Assembly (See PLATFORM CONSOLE ASSEMBLY for Breakdown) | |
| 104A | 4360031 | NLA | Footswitch Assembly (Includes Footswitch and Items 104B & 104C) (Use p/n 0272970) | |
| | | Ref | Note: Assembly p/n 0272970 may use either p/n 4360031 or p/n 1001117320. If Original Equipment was replaced as an "assembly," p/n 1001117320 may have been used as part of the Service Replacement. Identify component before ordering parts. | |
| 104A | | Ref | Footswitch Less Cable Options: | |
| 104A | 4360031 | 1 | Original Equipment | |
| 104A | 1001117320 | 1 | Service Replacement | |
| 104A | | Ref | Block, Contact Options (See Note Above): | |
| 104A | 7000625 | 2 | Contact Block for 4360031 Footswitch | |
| 104A | 70003483 | 1 | Contact Block for 1001117320 Footswitch | |
| 104B | 1060918 | 7 ft/2.14m | Cable, Electrical - 18/3 | |
| 104C | 4460071 | 1 | Connector, Strain Relief | |
| 105 | 1702676 | 1 | Decal - Horn | |
| 106 | 3311405 | 7 | Locknut 1/4in-20NC | |
| 107 | 3311605 | 4 | Locknut 3/8in-16NC | |
| 108 | 3380434 | 1 | Panel, Decal Mount | |
| 109 | 4360331 | 1 | Switch, Toggle (4WD) | |
| 110 | 4740362 | 7 | Washer, Fender 1/4in | |
| 111 | 4751400 | 4 | Flatwasher 1/4in (Wide) | |
| 112 | 4751600 | 8 | Flatwasher 3/8in (Wide) | |
| 113 | 3790012 | 1 | O-Ring | |
| | 0270814 | Ref | WORKLIGHTS INSTALLATIONS (OPTIONAL) | 3-D |

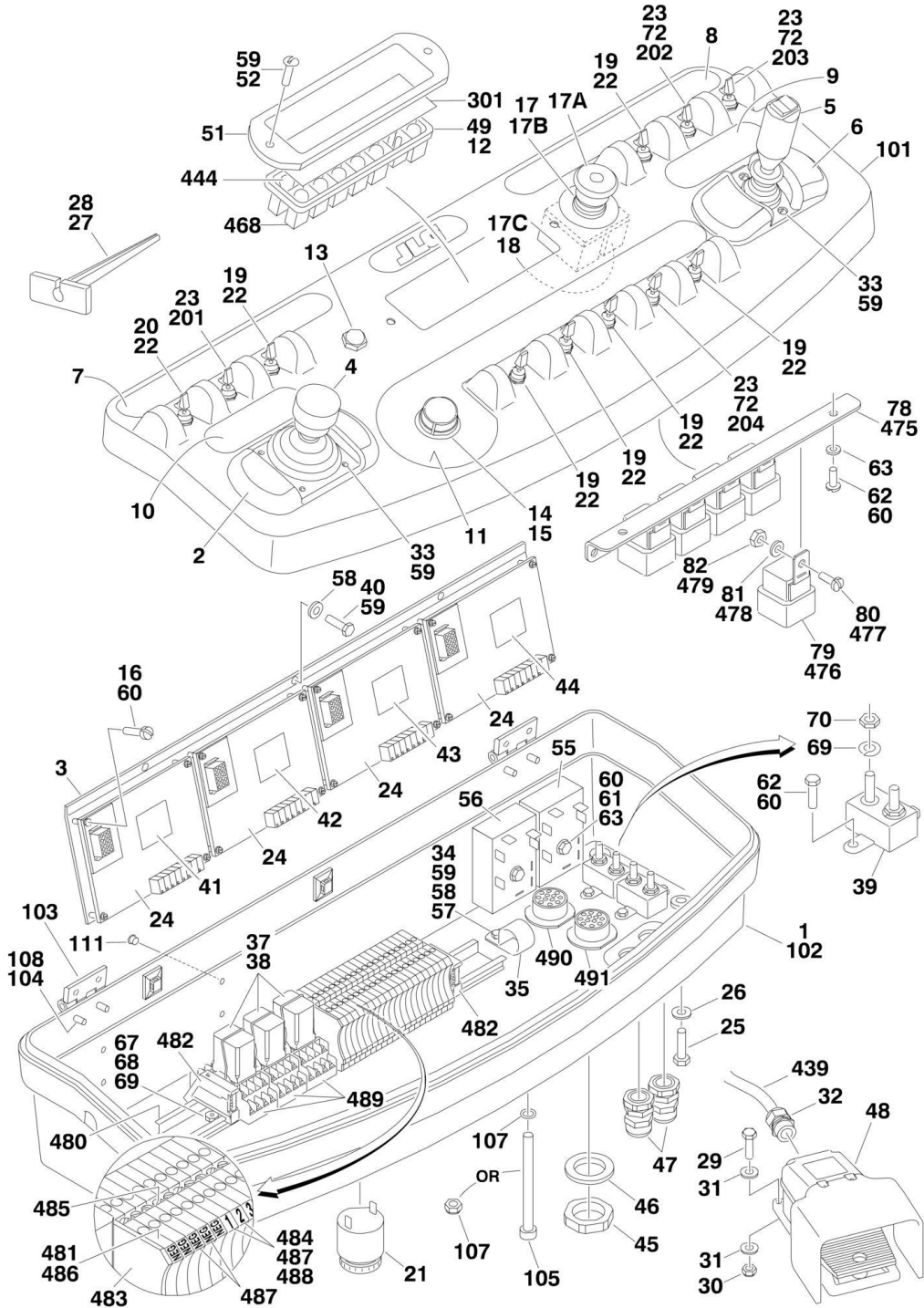
SECTION 4 - PLATFORM

| ITEM | PART NUMBER | QTY | DESCRIPTION | REV |
|------|-------------|-----|---|-----|
| 201 | 3536089 | 2 | Plate, Mounting | |
| 202 | 0641414 | 4 | Bolt 1/4in-20NC x 1-3/4in | |
| 203 | 3311405 | 4 | Locknut 1/4in-20NC | |
| 204 | 4711400 | 8 | Flatwasher 1/4in Narrow | |
| 205 | 2920140 | 2 | Worklight | |
| 205 | 7016399 | 2 | Bulb, Replacement (1 Per Worklight) | |
| 206 | 4240099 | 10 | Tie-Strap (Not Shown) | |
| 207 | 2820035 | 9 | Loom, Vinyl (Not Shown) | |
| 209 | 4460598 | 1 | Connector, Strain Relief (Not Shown - Located at Console Box) | |
| | | Ref | TRAY INSTALLATIONS (OPTIONAL) | |
| 301 | 1580012 | 1 | Tray, Storage (Center) | |
| 302 | 1580013 | 1 | Tray, Storage (Rail Mounted - Not Shown) | |

SECTION 4 - PLATFORM

FIGURE 4-3. PLATFORM CONSOLE ASSEMBLY (Prior to SN 0300064432)

NOTE: These Machine SN's Also Equipped With ADE System:
 0300062045, 0300062797, 0300063013, 0300063665, 0300063975,
 0300064000-0300064017, 0300064390, 0300064392 & 0300064411.



SECTION 4 - PLATFORM

FIGURE 4-3. PLATFORM CONSOLE ASSEMBLY (Prior to SN 0300064432)

| ITEM | PART NUMBER | QTY | DESCRIPTION | REV |
|------|-------------|-----|--|-----|
| | | Ref | NOTE: THESE MACHINE SN'S ALSO EQUIPPED WITH ADE SYSTEM: 0300062045, 0300062797, 0300063013, 0300063665, 0300063975, 0300064000-0300064017, 0300064390, 0300064392 & 0300064411. | |
| | 0861237 | Ref | CONSOLE BOX ASSEMBLY | 5-D |
| 1 | 0860984 | 1 | Box, Console | |
| 2 | 4340678 | 1 | Support, Hand | |
| 3 | 3538819 | 1 | Plate, Mounting | |
| 4 | 1600284 | 1 | Controller Assembly (Swing and Lift) (See CONTROLLER ASSEMBLY (SWING AND LIFT) for Breakdown) | |
| 5 | 1600283 | 1 | Controller Assembly (Drive and Steer) (See CONTROLLER ASSEMBLY (DRIVE AND STEER) for Breakdown) | |
| 6 | 4340684 | 1 | Support, Hand | |
| 7 | 1702676 | 1 | Decal (Horn/Drive Speed/Level) | |
| 8 | 1702564 | 1 | Decal (Stop) | |
| 9 | 1702565 | 1 | Decal (Drive and Steer) | |
| 10 | 1702566 | 1 | Decal (Lift and Swing) | |
| 11 | 1702567 | 1 | Decal (Speed/Lower Lift/Tele/Rotate/Jib) | |
| 12 | 2760105 | 1 | Housing, Display Light | |
| 13 | 4360387 | 1 | Switch, Pushbutton | |
| 14 | 2560136 | 1 | Knob, Speed Control | |
| 15 | 4360407 | 1 | Controller, Speed | |
| 16 | 3910610 | 16 | Screw #6-32NC x 5/8in | |
| 17 | | Ref | Switch, Emergency Stop Options: | |
| 17 | 4360289 | 1 | Switch, Emergency Stop (Prior to SN 0300044657) | |
| 17 | 4360475 | 1 | Switch, Emergency Stop (SN 0300044657 through 0300064432) | |
| 17A | 7012611 | 1 | Cap, Mushroom Head (Prior to SN 0300044657) | |
| 17A | 7020175 | 1 | Cap, Mushroom Head (SN 0300044657 through 0300064432) | |
| 17B | 7012612 | 1 | Boot (Prior to SN 0300044657) | |
| 17C | 7020176 | 1 | Block, Contact (SN 0300044657 through 0300064432) | |
| 18 | | Ref | Switch, Contact Block Options: | |
| 18 | 4360282 | 1 | Switch, Contact Block (Prior to SN 0300044657) | |
| 18 | 4360476 | 1 | Switch, Contact Block (SN 0300044657 through 0300064432) | |
| 19 | 4360314 | 6 | Switch, Toggle | |
| 20 | 4360331 | 1 | Switch, Toggle | |
| 21 | 0140026 | 1 | Alarm | |
| 22 | 3790012 | 7 | O-Ring | |
| 23 | 3520028 | 4 | Plug, Hole (For switch call-outs at these locations, refer to options installation below) | |
| 24 | 1600218 | 4 | Card, Control | |
| 25 | 0641610 | 4 | Bolt 3/8in-16NC x 3/4in | |
| 26 | 4751600 | 4 | Flatwasher 3/8in | |
| 27 | 4460467 | 1 | Tool, Pin Extraction (Blue 16-18 Gauge) (Not Shown) | |
| 28 | 4460510 | 1 | Tool, Pin Extraction (Yellow 12-14 Gauge) (Not Shown) | |
| 29 | 0641408 | 3 | Bolt 1/4in-20NC x 1in | |
| 30 | 3311405 | 3 | Locknut 1/4in-20NC | |
| 31 | 4740362 | 3 | Washer 1/4in (Fender) | |
| 32 | 4460071 | 1 | Connector, Strain Relief | |
| 33 | 0641404 | 8 | Bolt 1/4in-20NC x 1/2in | |
| 34 | 3311401 | 1 | Nut 1/4in-20NC | |
| 35 | 1320060 | 1 | Clamp | |

SECTION 4 - PLATFORM

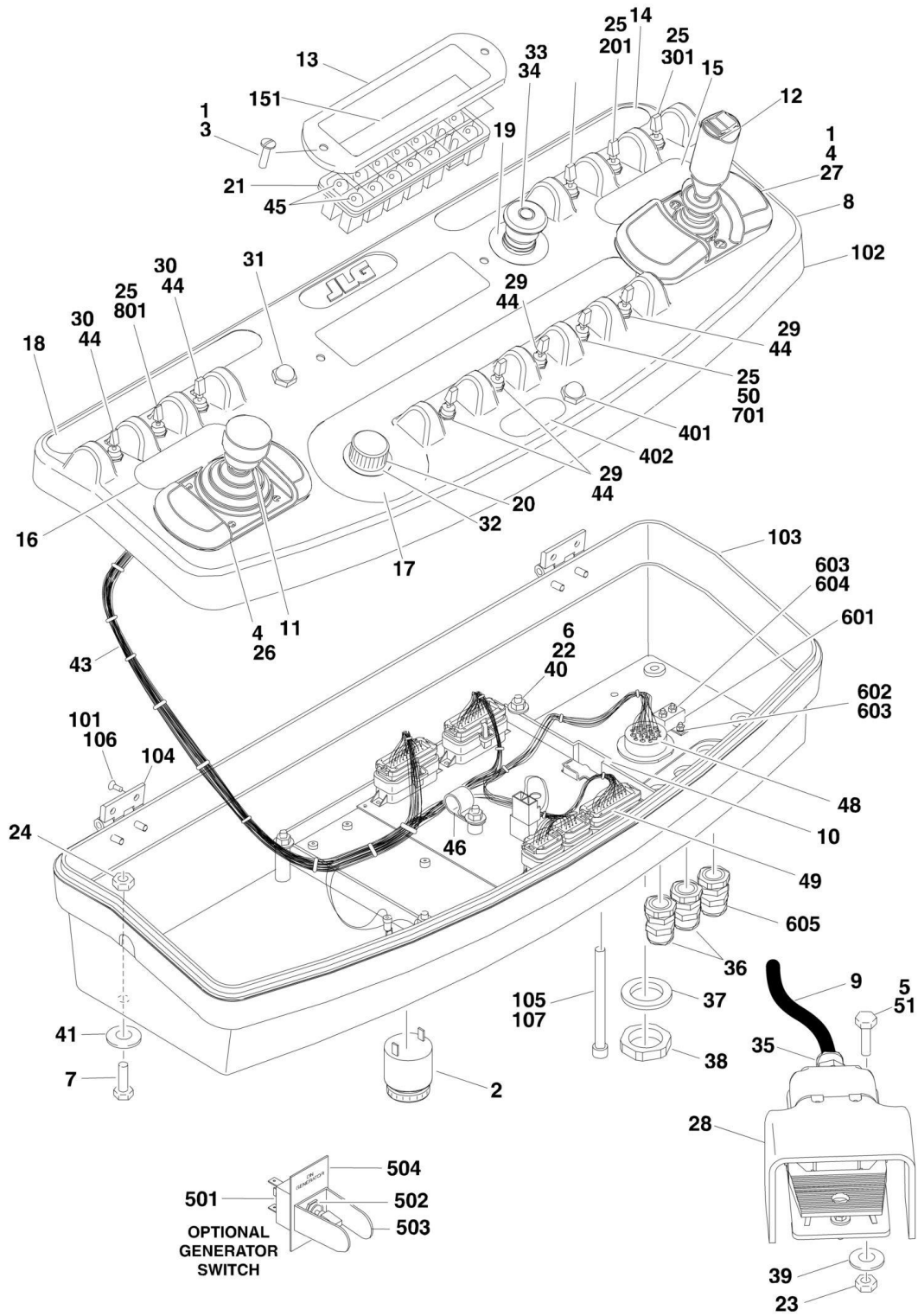
| ITEM | PART NUMBER | QTY | DESCRIPTION | REV |
|------|--------------|-----|---|-----|
| 36 | 1320095 | 1 | Clamp | |
| 37 | 3740058 | 3 | Relay - 4PDT | |
| 38 | 3740063 | 3 | Spring, Relay | |
| 39 | 4360232 | 2 | Breaker, Circuit - 15 Amp | |
| 40 | 0641406 | 3 | Bolt 1/4in-20NC x 3/4in | |
| 41 | 1703090 | 1 | Decal - Control Card (Lift) | |
| 42 | 1703091 | 1 | Decal - Control Card (Swing) | |
| 43 | 1703092 | 1 | Decal - Control Card (Flow Control) | |
| 44 | 1703093 | 1 | Decal - Control Card (Drive) | |
| 45 | 4460470 | 2 | Nut, Conduit | |
| 46 | 4460471 | 2 | Washer | |
| 47 | 4460428 | 2 | Connector, Strain Relief | |
| 48 | See Note | 1 | Footswitch (Note: See PLATFORM COMPONENTS INSTALLATION for Service Parts) | |
| 50 | 4922155 | 1 | Harness Assembly (Not Shown - See ELECTRICAL SECTION for Breakdown and Items 401-491 Below) | |
| 51 | 1670829 | 1 | Bezel | |
| 52 | 0630464 | 2 | Screw, Button Head #10-24NC x 1/2in | |
| 55 | 3740113 | 1 | Relay, Time Delay | |
| 56 | 3740115 | 1 | Relay, Time Delay | |
| 57 | 0641406 | 1 | Bolt 1/4in-20NC x 3/4in | |
| 59 | 0100011 | AR | Compound, Locking | |
| 60 | 0100035 | AR | Compound, Locking | |
| 61 | 0721010 | 2 | Screw, Machine #10-24NC x 1-1/4in | |
| 62 | 0721003 | 4 | Screw, Machine #10-24NC x 3/8in | |
| 63 | 4751000 | 2 | Flatwasher #10 | |
| 67 | 0721004 | 2 | Screw, Machine #10-32NC x 1/2in | |
| 68 | 4711000 | 2 | Flatwasher #10 Narrow | |
| 69 | 4761000 | 6 | Lockwasher #10 | |
| 70 | 3311001 | 4 | Nut #10-24NC | |
| 71 | 4460488 | 10 | Base, Wire Tie (Not Shown) | |
| 72 | 0100009 | AR | Silicone | |
| 76 | 3311605 | 4 | Locknut 3/8in-16NC | |
| 77 | | Ref | Decal - EMS Options: | |
| 77 | Not Required | 0 | Decal - EMS (Prior to SN 0300044657) | |
| 77 | 1704260 | 1 | Decal - EMS (SN 0300044657 through 0300064432) | |
| 78 | 3539275 | 1 | Plate, Relay Mounting (SN 0300049954 through 0300064432) | |
| 79 | 3740049 | 5 | Relay, Bosch (SN 0300049954 through 0300064432) | |
| 80 | 0721003 | 5 | Screw #10-24NC x 3/8in (SN 0300049954 through 0300064432) | |
| 81 | 4751000 | 5 | Flatwasher #10 (SN 0300049954 through 0300064432) | |
| 82 | 3311005 | 5 | Locknut #10-24NC (SN 0300049954 through 0300064432) | |
| 83 | 2920129 | 12 | Bulb, Light (SN 0300049954 through 0300064432) | |
| | 0860984 | Ref | CONSOLE BOX ASSEMBLY | 6-E |
| 101 | 0860984 | 1 | Console Top (Note: Not Available for Purchase) | |
| 102 | 0860984 | 1 | Console Bottom (Note: Not Available for Purchase) | |
| 103 | 2600211 | 2 | Hinge | |
| 104 | 3900224 | 8 | Capscrew, Socket Head Countersunk M6 x 16mm | |
| 105 | 3931672 | 1 | Capscrew, Socket Head 3/8in-16NC x 4-1/2in | |
| 107 | 3311601 | 1 | Nut 3/8in-16NC | |
| 108 | 0100011 | AR | Compound, Locking | |
| 111 | 3520173 | 4 | Plug (Located on back of console box) | |
| | | Ref | CONSOLE BOX OPTIONS | |

SECTION 4 - PLATFORM

| ITEM | PART NUMBER | QTY | DESCRIPTION | REV |
|------|-------------|-----------|--|-----|
| 201 | 0258945 | AR | 4WS Switch Option Components | A |
| 201 | 4360331 | 1 | Switch, Toggle | |
| 201 | 3790012 | 1 | O-Ring | |
| 202 | | Ref | Dual Switch Option Components | |
| 202 | 4360336 | 1 | Switch, Toggle | |
| 202 | 3790012 | 1 | O-Ring | |
| 203 | | Ref | Lights Switch Option Components | |
| 203 | 4360336 | 1 | Switch, Toggle | |
| 203 | 3790012 | 1 | O-Ring | |
| 204 | 0258608 | AR | Jib Switch Option Components | A |
| 204 | 4360314 | 1 | Switch, Toggle | |
| 204 | 3790012 | 1 | O-Ring | |
| | 0275804 | Ref | LIGHT PANEL DECAL INSTALLATION | A |
| 301 | 1707111 | 1 | Decal - Light Panel Display | |
| | | Ref | Note: Machines should of been updated to this light panel installation. | |
| | 4922155 | Ref | RELAY AND TERMINAL BLOCK INSTALLATIONS | 5 |
| 439 | 1060012 | 7 ft/2.1m | Cable, Electrical - 12/4 | |
| 444 | 2920129 | 9 | Bulb, Light | |
| 468 | 4120035 | 8 | Base, Light | |
| 475 | 3539275 | 1 | Plate, Relay Mounting | |
| 476 | 3740049 | 5 | Relay, Bosch | |
| 477 | 0721003 | 5 | Screw #10-24NC x 3/8in | |
| 478 | 4751000 | 5 | Flatwasher #10 | |
| 479 | 3311005 | 5 | Locknut #10-24NC | |
| 480 | 3641182 | 1 | Track | |
| 481 | 4460601 | 10 | Block, Terminal | |
| 482 | 4460607 | 2 | Stop, End | |
| 483 | 4460602 | 1 | Barrier, Terminal | |
| 484 | 4460629 | 2 | Marker, Terminal (6-15) | |
| 485 | 4460603 | 1 | Bar, Buss - 10 Position (Cut into [2] 5 Position Bars) | |
| 486 | 4460600 | 10 | Block, Terminal | |
| 487 | 4460631 | 1 | Marker, Terminal (Negative) | |
| 488 | 4460632 | 1 | Marker, Terminal (1-5) | |
| 489 | 4120013 | 3 | Socket, Relay | |
| 490 | 4460613 | 1 | Connector - 21 Position | |
| 491 | 4460503 | 1 | Connector - 31 Position | |

SECTION 4 - PLATFORM

FIGURE 4-4. PLATFORM CONSOLE ASSEMBLY (WITH ADE SYSTEM) (Including SN 0300064009)



SECTION 4 - PLATFORM

FIGURE 4-4. PLATFORM CONSOLE ASSEMBLY (WITH ADE SYSTEM) (Including SN 0300064009)

| ITEM | PART NUMBER | QTY | DESCRIPTION | REV |
|------|-------------|-----------|--|-----|
| | 0861415 | Ref | CONSOLE BOX AND FOOTSWITCH ASSEMBLY | C |
| 1 | 0100035 | AR | Compound, Locking | |
| 2 | 0140011 | 1 | Alarm | |
| 3 | 0630464 | AR | Screw, Button Head #10-24NC x 1/2in | |
| 4 | 0641404 | 8 | Bolt 1/4in-20NC x 1/2in | |
| 5 | 0641408 | 3 | Bolt 1/4in-20NC x 1in | |
| 6 | 0641418 | 5 | Bolt 1/4in-20NC x 2-1/4in | |
| 7 | 0641610 | 4 | Bolt 3/8in-16NC x 1-1/4in | |
| 8 | 0861414 | 1 | Box, Console (See Items 101-107 for Breakdown) | |
| 9 | 1060330 | 7 ft/2.1m | Cable, 16/3 | |
| 10 | 1600313 | 1 | Controller, Module | |
| 11 | 1600317 | NLA | Controller Assembly (Swing and Lift) (Use p/n 1001129555) (See CONTROLLER ASSEMBLY (SWING AND LIFT) for Breakdown) | |
| 12 | 1600318 | NLA | Controller Assembly (Drive and Steer) (Use p/n 1001212415) (See CONTROLLER ASSEMBLY (DRIVE AND STEER) for Breakdown) | |
| 13 | 1670829 | 1 | Bezel | |
| 14 | 1702564 | 1 | Decal (Stop) | |
| 15 | 1702565 | 1 | Decal (Drive and Steer) | |
| 16 | 1702566 | 1 | Decal (Lift and Swing) | |
| 17 | 1702567 | 1 | Decal (Function Speed) | |
| 18 | 1702676 | 1 | Decal (Horn) | |
| 19 | 1704260 | 1 | Decal - EMS | |
| 20 | 2560136 | 1 | Handle, Knob | |
| 21 | 2760105 | 1 | Housing, Display Light | |
| 22 | 3311401 | 6 | Nut 1/4in-20NC | |
| 23 | 3311405 | 3 | Locknut 1/4in-20NC | |
| 24 | 3311605 | 4 | Locknut 3/8in-16NC | |
| 25 | 3520028 | 4 | Plug, Hole 1/2in | |
| 26 | 4340678 | 1 | Support, Hand | |
| 27 | 4340684 | 1 | Support, Hand | |
| 28 | See Note | 1 | Footswitch (Note: See PLATFORM COMPONENTS INSTALLATION for Service Parts) | |
| 29 | 4360328 | 6 | Switch, Toggle | |
| 30 | 4360331 | 1 | Switch, Toggle | |
| 31 | 4360387 | 1 | Switch, Pushbutton | |
| 32 | 4360407 | 1 | Controller, Speed | |
| 33 | 4360475 | 1 | Switch, Emergency Stop | |
| 33 | 7020175 | 1 | Cap, Red | |
| 33 | 7020176 | 1 | Contact Block | |
| 34 | 4360476 | 1 | Block, Contact | |
| 35 | 4460071 | 1 | Connector, Strain Relief | |
| 36 | 4460428 | 2 | Connector, Strain Relief | |
| 37 | 4460471 | 1 | Lockwasher, Terminal | |
| 38 | 4460470 | 1 | Nut, Terminal | |
| 39 | 4740362 | 3 | Washer 1/4in (Fender) | |
| 40 | 4751400 | 7 | Flatwasher 1/4in | |
| 41 | 4751600 | 4 | Flatwasher 3/8in | |
| 42 | 4922485 | 1 | Harness, Analyzer Cable (Not Shown) | |
| 42 | 4460871 | 4 | Terminal, Socket | |

SECTION 4 - PLATFORM

| ITEM | PART NUMBER | QTY | DESCRIPTION | REV |
|------|-------------|-----|--|-----|
| 42 | 4460761 | 1 | Housing - 4 Position | |
| 42 | 4460227 | 4 | Pin | |
| 43 | 4922509 | 1 | Harness, Platform Box | |
| 44 | 3790012 | 7 | O-Ring | |
| 45 | 2920129 | 12 | Bulb, Light | |
| 46 | 1320060 | 1 | Clamp | |
| 48 | 4460464 | 1 | Terminal, Deutsch | |
| 49 | 4460871 | 2 | Terminal, Socket | |
| 50 | 0100009 | AR | Sealant | |
| 51 | 0100020 | AR | Sealant | |
| | 0861414 | Ref | CONSOLE BOX ASSEMBLY | B |
| 101 | 0100011 | AR | Compound, Locking | |
| 102 | 0861414 | 1 | Console Top (Note: Not Available for Purchase) | |
| 103 | 0861414 | 1 | Console Bottom (Note: Not Available for Purchase) | |
| 104 | 2600211 | 2 | Hinge | |
| 105 | 3311601 | 1 | Nut 3/8in-16NC | |
| 106 | 3900224 | 8 | Screw Countersunk | |
| 107 | 3931672 | 1 | Screw 3/8in-16NC x 4-1/2in | |
| | 0275804 | Ref | LIGHT PANEL DECAL INSTALLATION | A |
| 151 | 1707111 | 1 | Decal - Light Panel Display | |
| | | Ref | Note: Machines should of been updated to this light panel installation. | |
| | 0271366 | Ref | DUAL FUEL SWITCH INSTALLATION | 1 |
| 201 | 4360336 | 1 | Switch, Toggle | |
| 201 | 3790012 | 1 | O-Ring | |
| | 0271418 | Ref | HEAD AND TAIL LIGHTS INSTALLATION (OPTIONAL) | 1 |
| 301 | 4360336 | 1 | Switch, Toggle | |
| 301 | 3790012 | 1 | O-Ring | |
| | | Ref | SOFT TOUCH SYSTEM INSTALLATION (OPTIONAL) | |
| | 0270795 | Ref | 6ft PLATFORM | 1 |
| | 0270796 | Ref | 8ft PLATFORM | 1 |
| 401 | 4360387 | 1 | Switch, Pushbutton | |
| 402 | 1702938 | 1 | Decal - Soft Touch Override | |
| | | Ref | GENERATOR INSTALLATION (OPTIONAL) | |
| | 0270801 | Ref | 110V DEUTZ | 1 |
| | 0270810 | Ref | 220V DEUTZ | 1 |
| | 0270808 | Ref | 110V FORD | 1 |
| | 0270809 | Ref | 220V FORD | 1 |
| 501 | 4360336 | 1 | Switch, Toggle | |
| 502 | 4740397 | 1 | Bushing | |
| 503 | 4060802 | 1 | Guard, Switch | |
| 504 | 3251102 | 1 | Decal - Generator ON/OFF | |
| | 0270814 | Ref | PLATFORM WORKLIGHT INSTALLATION (OPTIONAL) | 3 |
| 601 | 4360232 | 1 | Breaker, Circuit - 15Amp | |
| 602 | 0721003 | 2 | Bolt #10-24NC x 3/8in | |
| 603 | 4761000 | 4 | Lockwasher #10 | |
| 604 | 3311001 | 2 | Nut #10-24NC | |
| 605 | 4460598 | 1 | Connector, Strain Relief | |
| | 0271340 | Ref | JIB SWITCH INSTALLATION (OPTIONAL) | 1 |
| 701 | 4360328 | 1 | Switch, Toggle | |
| 701 | 3790012 | 1 | O-Ring | |
| | 0258945 | Ref | STEER SWITCH (4WS) INSTALLATION (OPTIONAL) | 1 |

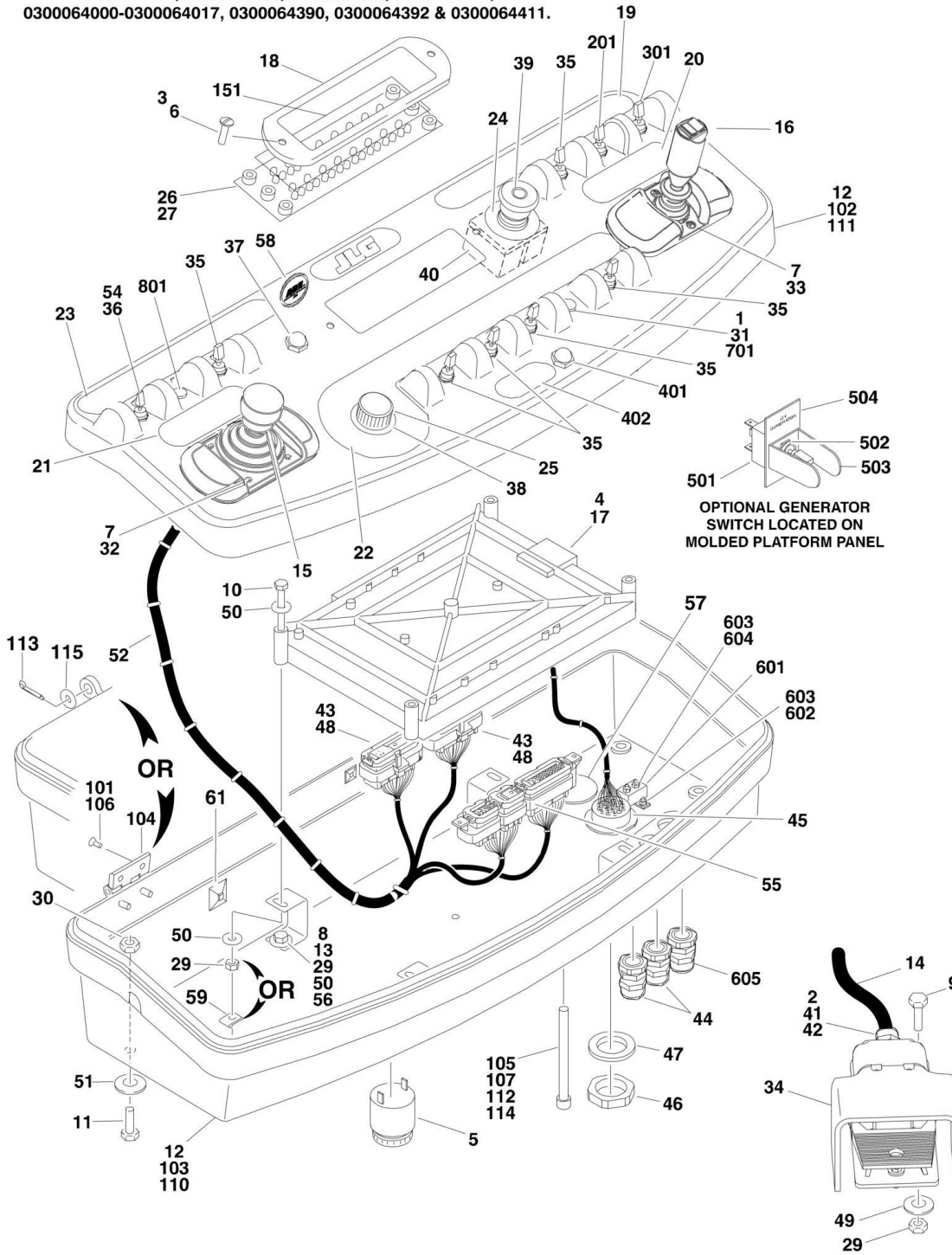
SECTION 4 - PLATFORM

| ITEM | PART NUMBER | QTY | DESCRIPTION | REV |
|------|-------------|-----|----------------|-----|
| 801 | 4360331 | 1 | Switch, Toggle | |
| 801 | 3790012 | 1 | O-Ring | |

SECTION 4 - PLATFORM

FIGURE 4-5. PLATFORM CONSOLE ASSEMBLY (WITH ADE SYSTEM) (SN 0300064432 through 0300069000)

NOTE: These Machine SN's Also Equipped With ADE System: 0300062045, 0300062797, 0300063013, 0300063665, 0300063975, 0300064000-0300064017, 0300064390, 0300064392 & 0300064411.



SECTION 4 - PLATFORM

FIGURE 4-5. PLATFORM CONSOLE ASSEMBLY (WITH ADE SYSTEM) (SN 0300064432 through 0300069000)

| ITEM | PART NUMBER | QTY | DESCRIPTION | REV |
|------|-------------|-----------|--|-----|
| | | Ref | NOTE: THESE MACHINE SN'S ALSO EQUIPPED WITH ADE SYSTEM: 0300062045, 0300062797, 0300063013, 0300063665, 0300063975, 0300064000-0300064017, 0300064390, 0300064392 & 0300064411. | |
| | | Ref | CONSOLE BOX AND FOOTSWITCH ASSEMBLIES | |
| | 0861474 | Ref | Console Box and Footswitch Assemblies (SN 0300064432 through 0300068917) | B |
| | 0861517 | Ref | Console Box and Footswitch Assemblies (SN 0300068918 through 0300069000) | A |
| 1 | 0100009 | AR | Sealant | |
| 2 | 0100020 | AR | Sealant | |
| 3 | 0100035 | AR | Compound, Locking | |
| 4 | 0100048 | AR | Grease, Dielectric | |
| 5 | 0140011 | 1 | Alarm | |
| 6 | 0630464 | 2 | Screw, Button Head #10-24NC x 1/2in | |
| 7 | 0641404 | 8 | Bolt 1/4in-20NC x 1/2in | |
| 8 | 0641406 | 4 | Bolt 1/4in-20NC x 3/4in | |
| 9 | 0641408 | 3 | Bolt 1/4in-20NC x 1in | |
| 10 | 0641416 | 4 | Bolt 1/4in-20NC x 2in | |
| 11 | 0641610 | 4 | Bolt 3/8in-16NC x 1-1/4in | |
| 12 | | Ref | Box, Console Options: | |
| 12 | 0861414 | 1 | Box, Console (See Items 101-108 for Breakdown) (Prior to SN 0300068918) | |
| 12 | 0861537 | 1 | Box, Console (See Items 110-115 for Breakdown) (SN 0300068918 through 0300069000) | |
| 13 | 0902751 | 4 | Bracket, Card Support | |
| 14 | 1060918 | 8 ft/2.4m | Cable, 18/3 | |
| 15 | 1600317 | NLA | Controller Assembly (Swing and Lift) (Use p/n 1001129555) (See CONTROLLER ASSEMBLY (SWING AND LIFT) for Breakdown) | |
| 16 | 1600318 | NLA | Controller Assembly (Drive and Steer) (Use p/n 1001212415) (See CONTROLLER ASSEMBLY (DRIVE AND STEER) for Breakdown) | |
| 17 | 1600313 | 1 | Controller, Module | |
| 18 | 1670829 | 1 | Bezel | |
| 19 | 1702564 | 1 | Decal (Stop) | |
| 20 | 1702565 | 1 | Decal (Drive and Steer) | |
| 21 | 1702566 | 1 | Decal (Lift and Swing) | |
| 22 | 1702567 | 1 | Decal (Function Speed) | |
| 23 | 1702676 | 1 | Decal (Horn) | |
| 24 | 1704260 | 1 | Decal - EMS | |
| 25 | 2560136 | 1 | Handle, Knob | |
| 26 | 2760105 | 1 | Housing, Display Light | |
| 27 | 2920129 | 12 | Bulb, Light | |
| 29 | 3311405 | 11 | Locknut 1/4in-20NC | |
| 30 | 3311605 | 4 | Locknut 3/8in-16NC | |
| 31 | 3520028 | 4 | Plug, Hole 1/2in | |
| 32 | 4340678 | 1 | Support, Hand | |
| 33 | 4340684 | 1 | Support, Hand | |
| 34 | See Note | 1 | Footswitch (Note: See PLATFORM COMPONENTS INSTALLATION for Service Parts) | |
| 35 | 4360328 | 6 | Switch, Toggle | |

SECTION 4 - PLATFORM

| ITEM | PART NUMBER | QTY | DESCRIPTION | REV |
|------|-------------|-----|--|-----|
| 36 | 4360331 | 1 | Switch, Toggle | |
| 37 | 4360387 | 1 | Switch, Pushbutton | |
| 38 | 4360407 | 1 | Controller, Speed | |
| 39 | 4360475 | 1 | Switch, Emergency Stop | |
| 39 | 7020175 | 1 | Cap, Red | |
| 39 | 7020176 | 1 | Contact Block | |
| 40 | 4360476 | 1 | Block, Contact | |
| 41 | 4460042 | 3 | Ring, Terminal | |
| 42 | 4460071 | 1 | Connector, Strain Relief | |
| 43 | 4460226 | 2 | Contact, Socket | |
| 44 | 4460428 | 2 | Connector, Strain Relief | |
| 45 | 4460464 | 1 | Terminal, Deutsch | |
| 46 | 4460470 | 1 | Nut, Terminal | |
| 47 | 4460471 | 1 | Lockwasher, Terminal | |
| 48 | 4460905 | 5 | Connector, Amp Seal Plug | |
| 49 | 4740362 | 3 | Washer 1/4in (Fender) | |
| 50 | 4751400 | 16 | Flatwasher 1/4in | |
| 51 | 4751600 | 4 | Flatwasher 3/8in | |
| 52 | 4922639 | 1 | Harness, Platform Box | |
| 53 | 4922666 | 1 | Harness, Analyzer Cable (Not Shown) | |
| 53 | 4460871 | 4 | Terminal, Socket | |
| 53 | 4460761 | 1 | Housing - 4 Position | |
| 53 | 4460227 | 4 | Pin | |
| 54 | 3790012 | 7 | O-Ring | |
| 55 | 4460708 | 2 | Terminal, 15 Pin | |
| 56 | 0100081 | AR | Adhesive | |
| 57 | 1671037 | 1 | Cover (SN 0300068918 through 0300069000) | |
| 58 | 1705132 | 1 | Decal - ADE (SN 0300068918 through 0300069000) | |
| 59 | 3300353 | 4 | Nut, Tinnerman (SN 0300068918 through 0300069000) | |
| 60 | 4460226 | 3 | Wire, Tie (Not Shown) (SN 0300068918 through 0300069000) | |
| 61 | 4460488 | 1 | Base, Mounting (SN 0300068918 through 0300069000) | |
| | 0861414 | Ref | CONSOLE BOX ASSEMBLY (SN 0300064432 through 0300068917) | C |
| 101 | 0100011 | AR | Compound, Locking | |
| 102 | 0861414 | 1 | Console Top (Note: Not Available for Purchase) | |
| 103 | 0861414 | 1 | Console Bottom (Note: Not Available for Purchase) | |
| 104 | 2600211 | 2 | Hinge | |
| 105 | 3311601 | 1 | Nut 3/8in-16NC | |
| 106 | 3900224 | 8 | Screw Countersunk | |
| 107 | 3931672 | 1 | Screw 3/8in-16NC x 4-1/2in | |
| 108 | 3520174 | 3 | Plug, 3/16in | |
| | 0861537 | Ref | CONSOLE BOX ASSEMBLY (SN 0300068918 through 0300069000) | A |
| 110 | 0861537 | 1 | Console Bottom (Note: Not Available for Purchase) | |
| 111 | 0861537 | 1 | Console Top (Note: Not Available for Purchase) | |
| 112 | 3311601 | 1 | Nut 3/8in-16NC | |
| 113 | 3450304 | 2 | Pin, Cotter | |
| 114 | 3931672 | 1 | Screw 3/8in-16NC x 4-1/2in | |
| 115 | 4711500 | 2 | Flatwasher 5/16in | |
| | 0275804 | Ref | LIGHT PANEL DECAL INSTALLATION | A |
| 151 | 1707111 | 1 | Decal - Light Panel Display | |
| | | Ref | Note: Machines should of been updated to this light panel | |

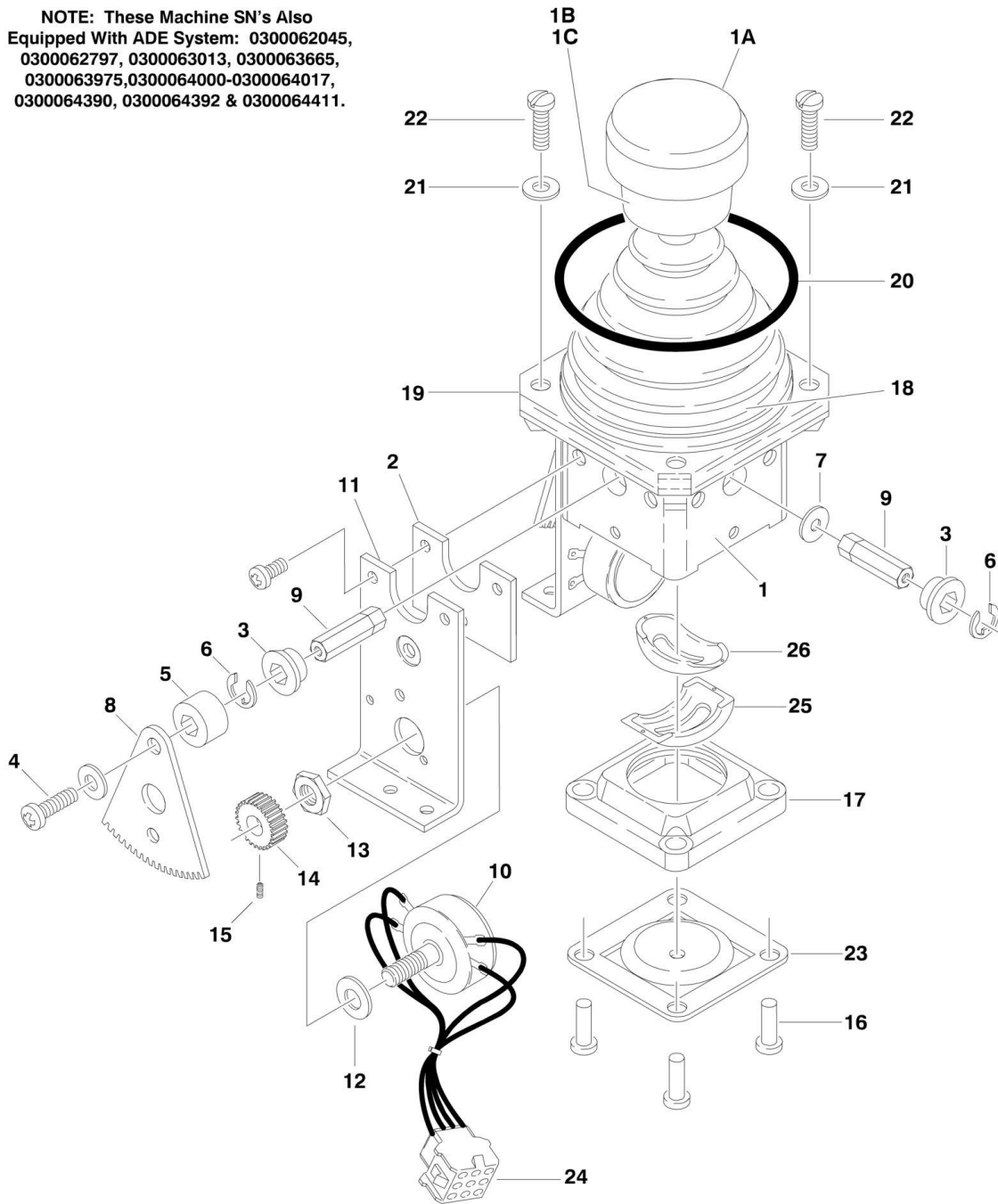
SECTION 4 - PLATFORM

| ITEM | PART NUMBER | QTY | DESCRIPTION | REV |
|------|-------------|-----|---|-----|
| | | | installation. | |
| | 0271366 | Ref | DUAL FUEL SWITCH INSTALLATION | 1 |
| 201 | 4360336 | 1 | Switch, Toggle | |
| 201 | 3790012 | 1 | O-Ring | |
| | 0271768 | Ref | HEAD AND TAIL LIGHTS INSTALLATION (OPTIONAL) | 2 |
| 301 | 4360336 | 1 | Switch, Toggle | |
| 301 | 3790012 | 1 | O-Ring | |
| | | Ref | SOFT TOUCH SYSTEM INSTALLATION (OPTIONAL) (SN 0300064432 through 0300069000) | |
| | 0271550 | Ref | 6ft PLATFORM (SN 0300064432 through 0300066290) | 1 |
| | 0271551 | Ref | 8ft PLATFORM (SN 0300064432 through 0300066290) | 1 |
| 401 | 4360387 | 1 | Switch, Pushbutton | |
| 402 | 1702938 | 1 | Decal - Soft Touch Override | |
| | | Ref | GENERATOR INSTALLATION (OPTIONAL) (SN 0300064432 through 0300069000) | |
| | 0271544 | Ref | 110V DEUTZ (SN 0300064432 through 0300068268) | 2 |
| | 0272480 | Ref | 110V DEUTZ (SN 0300068269 through 0300069000) | 2 |
| | 0271547 | Ref | 220V DEUTZ (SN 0300064432 through 0300068268) | 2 |
| | 0272481 | Ref | 220V DEUTZ (SN 0300068269 through 0300069000) | 2 |
| | 0271545 | Ref | 110V FORD | 4 |
| | 0271546 | Ref | 220V FORD | 4 |
| 501 | 4360336 | 1 | Switch, Toggle | |
| 502 | 4740397 | 1 | Bushing | |
| 503 | 4060802 | 1 | Guard, Switch | |
| 504 | 3251102 | 1 | Decal - Generator ON/OFF | |
| | 0270814 | Ref | PLATFORM WORKLIGHT INSTALLATION (OPTIONAL) | 3 |
| 601 | 4360232 | 1 | Breaker, Circuit - 15Amp | |
| 602 | 0721003 | 2 | Bolt #10-24NC x 3/8in | |
| 603 | 4761000 | 4 | Lockwasher #10 | |
| 604 | 3311001 | 2 | Nut #10-24NC | |
| 605 | 4460598 | 1 | Connector, Strain Relief | |
| | 0271340 | Ref | JIB SWITCH INSTALLATION (OPTIONAL) | 1 |
| 701 | 4360328 | 1 | Switch, Toggle | |
| 701 | 3790012 | 1 | O-Ring | |
| | 0258945 | Ref | STEER SWITCH (4WS) INSTALLATION (OPTIONAL) | 1 |
| 801 | 4360331 | 1 | Switch, Toggle | |
| 801 | 3790012 | 1 | O-Ring | |

SECTION 4 - PLATFORM

FIGURE 4-6. CONTROLLER ASSEMBLY (SWING AND LIFT) (Prior to SN 0300064432)

NOTE: These Machine SN's Also Equipped With ADE System: 0300062045, 0300062797, 0300063013, 0300063665, 0300063975, 0300064000-0300064017, 0300064390, 0300064392 & 0300064411.



SECTION 4 - PLATFORM

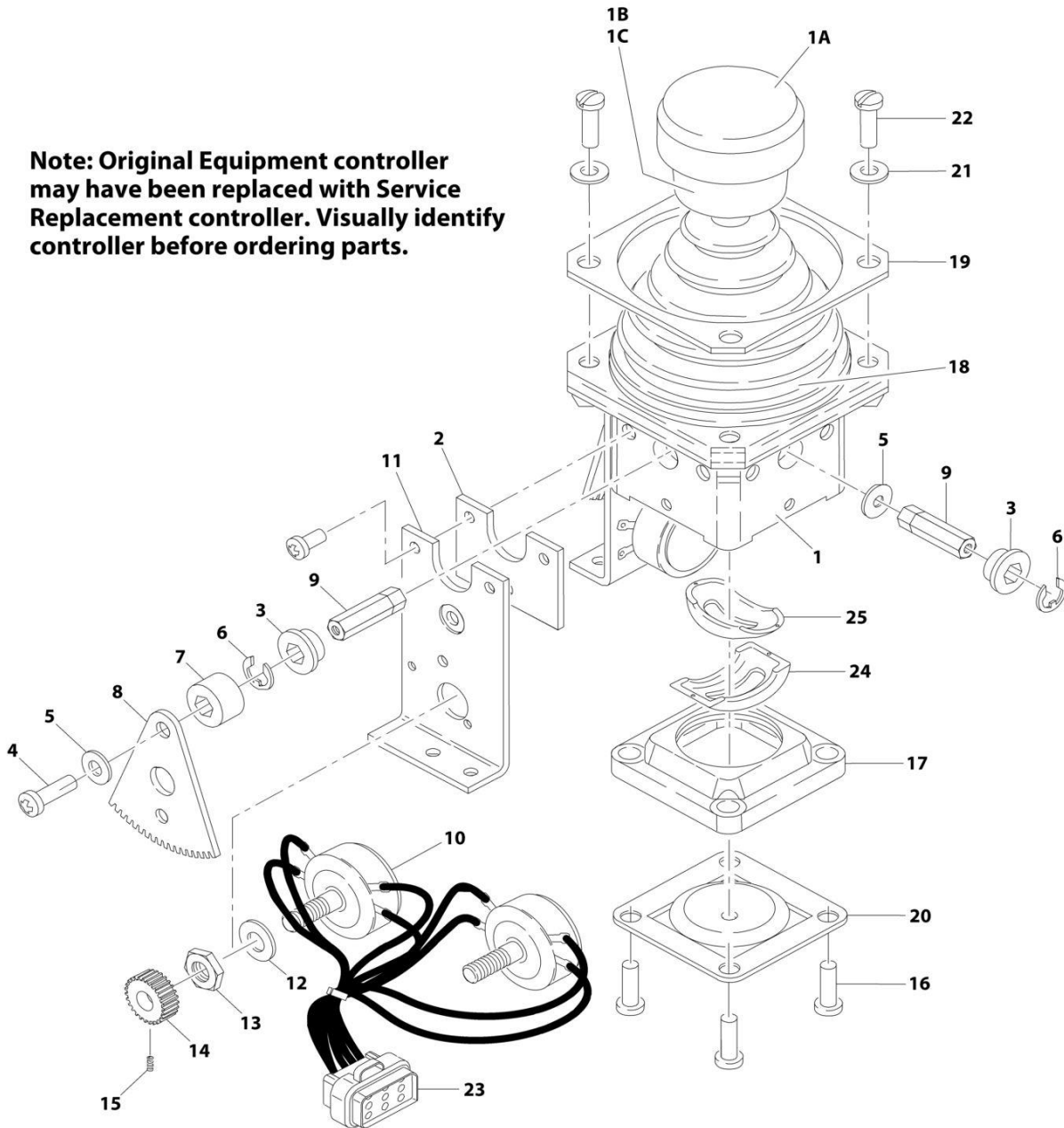
FIGURE 4-6. CONTROLLER ASSEMBLY (SWING AND LIFT) (Prior to SN 0300064432)

| ITEM | PART NUMBER | QTY | DESCRIPTION | REV |
|------|-------------|-----|--|-----|
| | | Ref | NOTE: THESE MACHINE SN'S ALSO EQUIPPED WITH ADE SYSTEM: 0300062045, 0300062797, 0300063013, 0300063665, 0300063975, 0300064000-0300064017, 0300064390, 0300064392 & 0300064411. | |
| | 1600284 | Ref | CONTROLLER ASSEMBLY | A |
| 1 | 7019141 | 1 | Mechanical Assembly (Includes Base, Handle Stem and Items 1A, 1B, 1C & 18) | |
| 1A | 7019197 | 1 | Handle Cap and Rod | |
| 1B | 7003928 | 1 | Spring | |
| 1C | 7022808 | 1 | Cap, Lift | |
| 2 | 7019142 | 2 | Plate | |
| 3 | 7019111 | 4 | Bearing, Gear | |
| 4 | 7019143 | 2 | Screw | |
| 5 | 7019144 | 2 | Spacer, Cam | |
| 6 | 7019145 | 4 | E-Clip | |
| 7 | 7019146 | 2 | Spacer | |
| 8 | 7003977 | 2 | Gear, Drive | |
| 9 | 7019147 | 4 | Shaft | |
| 10 | 7003974 | 2 | Potentiometer | |
| 11 | 7019142 | 2 | Plate | |
| 12 | 7003992 | 2 | Washer | |
| 13 | 7003993 | 2 | Nut | |
| 14 | 7003976 | 2 | Gear, Slave | |
| 15 | 7019149 | 2 | Setscrew | |
| 16 | 7003952 | 4 | Screw | |
| 17 | 7019150 | 1 | Gate | |
| 18 | 7022813 | 1 | Boot (was p/n 7003955) | |
| 19 | 7022813 | 1 | Plate, Plastic (was p/n 7003954) | |
| 20 | 7003956 | 1 | O-Ring | |
| 21 | 7003953 | 4 | Washer | |
| 22 | 7019137 | 4 | Screw | |
| 23 | See Note | 1 | Center, Detent (Note: Not Available for Purchase) | |
| 24 | 4460266 | 1 | Connector - 9 Pin | |
| 24 | 4460268 | 8 | Socket, Female | |
| 24 | 4460265 | 1 | Plug - 9 Pin (Part of Platform Wiring) (Not Shown) | |
| 24 | 4460267 | 8 | Pin, Male (Part of Platform Wiring) (Not Shown) | |
| 25 | 7019122 | 1 | Gimble, Outer | |
| 26 | 7019123 | 1 | Gimble, Inner | |

SECTION 4 - PLATFORM

FIGURE 4-7. CONTROLLER ASSEMBLY (SWING AND LIFT) (WITH ADE SYSTEM) (ORIGINAL EQUIPMENT) (SN 0300064432 through 0300069000)

Note: Original Equipment controller may have been replaced with Service Replacement controller. Visually identify controller before ordering parts.



ART_1600317

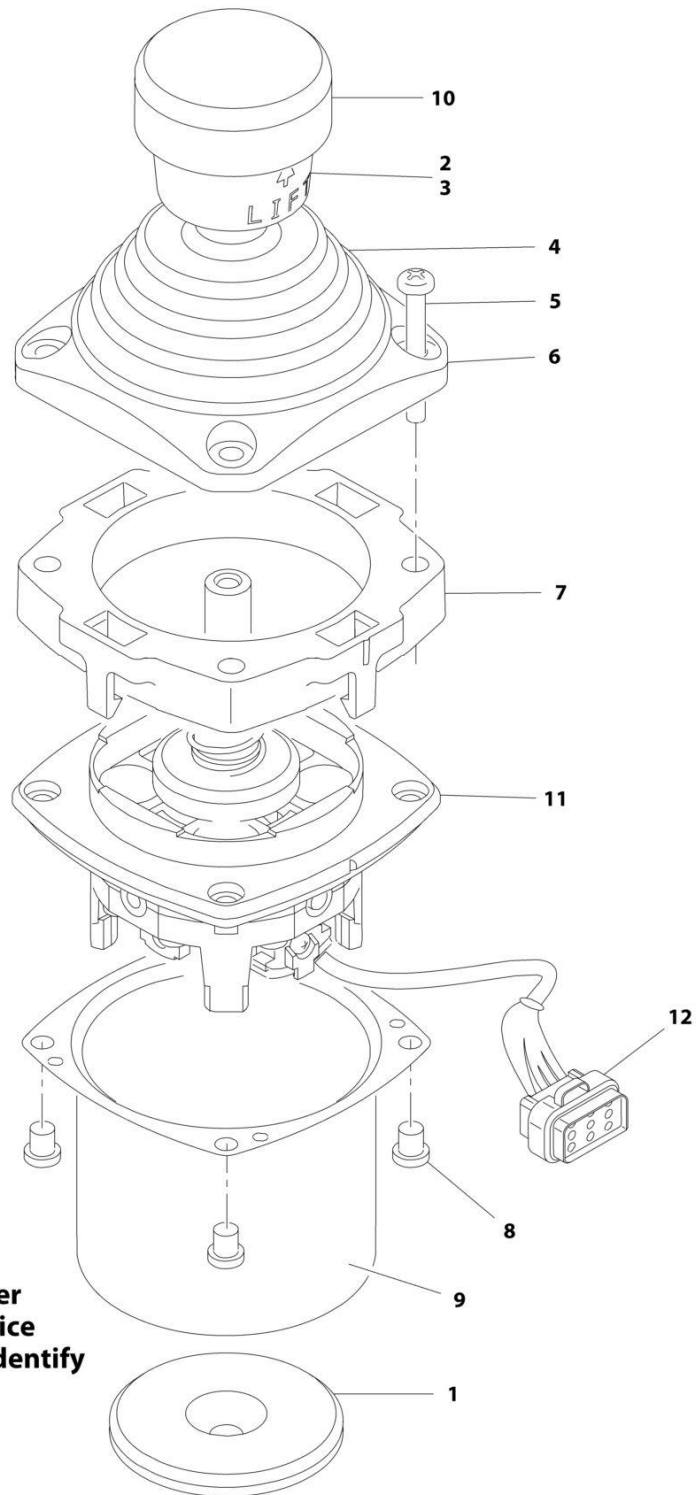
SECTION 4 - PLATFORM

FIGURE 4-7. CONTROLLER ASSEMBLY (SWING AND LIFT) (WITH ADE SYSTEM) (ORIGINAL EQUIPMENT) (SN 0300064432 through 0300069000)

| ITEM | PART NUMBER | QTY | DESCRIPTION | REV |
|------|-------------|-----|--|-----|
| | | Ref | Note: Original Equipment controller may have been replaced with Service Replacement controller. Visually identify controller before ordering parts. | |
| | 1600317 | Ref | CONTROLLER ASSEMBLY | C |
| | | Ref | Note: Use p/n 1001129555 Kit as Replacement. | |
| 1 | 7019141 | 1 | Mechanical Assembly (Includes Base, Handle Stem and Items 1A, 1B, 1C & 18) | |
| 1A | 7019197 | 1 | Handle Cap and Rod | |
| 1B | 7003928 | 1 | Spring | |
| 1C | 7022808 | 1 | Cap, Lift | |
| 2 | 7019171 | 2 | Plate | |
| 3 | 7019111 | 4 | Bearing, Gear | |
| 4 | 7019143 | 2 | Screw | |
| 5 | 7019144 | 2 | Spacer, Cam | |
| 6 | 7019145 | 4 | E-Clip | |
| 7 | 7019174 | 2 | Spacer | |
| 8 | 7003977 | 2 | Gear, Drive | |
| 9 | | Ref | Shaft Options: | |
| 9 | 7019147 | 2 | Shaft, Short | |
| 9 | 7019177 | 2 | Shaft, Long | |
| 10 | 7022818 | 2 | Potentiometer | |
| 11 | 7019142 | 2 | Plate | |
| 12 | 7003992 | 2 | Washer | |
| 13 | 7003993 | 2 | Nut | |
| 14 | 7003976 | 2 | Gear, Slave | |
| 15 | 7019149 | 2 | Setscrew | |
| 16 | 7022816 | 4 | Screw | |
| 17 | 7019150 | 1 | Gate | |
| 18 | 7022814 | 1 | Boot | |
| 19 | 7022815 | 1 | Bezel | |
| 20 | See Note | NSS | Center, Detent (Note: Use p/n 1001129555) | |
| 21 | 7003953 | 4 | Washer | |
| 22 | 7022817 | 4 | Screw | |
| 23 | 7022819 | 1 | Plug, Male - 8 Position (Natural) | |
| 23 | 4460871 | 8 | Socket, Female | |
| 24 | 7019122 | 1 | Gimble, Outer | |
| 25 | 7019123 | 1 | Gimble, Inner | |

SECTION 4 - PLATFORM

FIGURE 4-8. CONTROLLER ASSEMBLY (SWING AND LIFT) (WITH ADE SYSTEM) (SERVICE REPLACEMENT) (SN 0300064432 through 0300069000)



Note: Original Equipment controller may have been replaced with Service Replacement controller. Visually identify controller before ordering parts.

ART_100118417

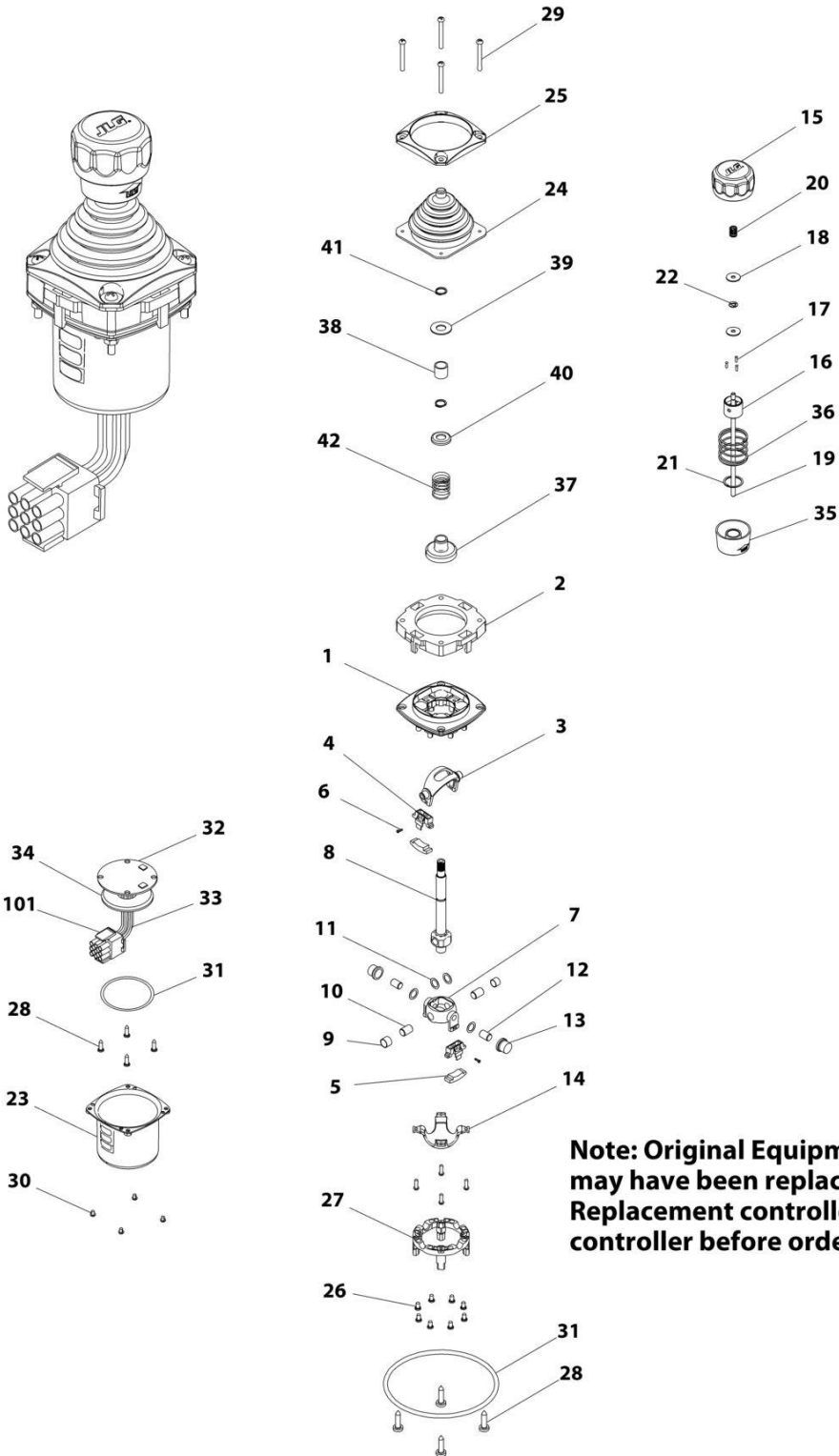
SECTION 4 - PLATFORM

FIGURE 4-8. CONTROLLER ASSEMBLY (SWING AND LIFT) (WITH ADE SYSTEM) (SERVICE REPLACEMENT) (SN 0300064432 through 0300069000)

| ITEM | PART NUMBER | QTY | DESCRIPTION | REV |
|------|-------------|-----|--|-----|
| | | Ref | Note: Original Equipment controller may have been replaced with Service Replacement controller. Visually identify controller before ordering parts. | |
| | 1001118417 | Ref | CONTROLLER ASSEMBLY | E |
| | | Ref | Note: Use p/n 1001129555 as Replacement. | |
| 1 | 70002730 | 1 | Gasket | |
| 2 | 7003928 | 1 | Spring | |
| 3 | 7022808 | 1 | Cap, Lift | |
| 4 | 70002731 | 1 | Boot | |
| 5 | 70002732 | 4 | Screw | |
| 6 | 7022815 | 1 | Bezel | |
| 7 | 70002733 | 1 | Adapter | |
| 8 | 70002734 | 4 | Screw | |
| 9 | 70002735 | 1 | Can, Enclosure | |
| 10 | 70002906 | 1 | Cap | |
| 11 | See Note | NSS | Mechanical Assembly (Note: Use p/n 1001129555) | |
| 12 | 7022819 | 1 | Connector - 8 Position | |
| 12 | 4460871 | 6 | Socket, Female | |

SECTION 4 - PLATFORM

FIGURE 4-9. CONTROLLER ASSEMBLY (SWING AND LIFT) (WITH ADE SYSTEM) (SERVICE REPLACEMENT) (SN 0300064432 through 0300069000)



Note: Original Equipment controller may have been replaced with Service Replacement controller. Visually identify controller before ordering parts.

ART_1001166539

SECTION 4 - PLATFORM

FIGURE 4-9. CONTROLLER ASSEMBLY (SWING AND LIFT) (WITH ADE SYSTEM) (SERVICE REPLACEMENT) (SN 0300064432 through 0300069000)

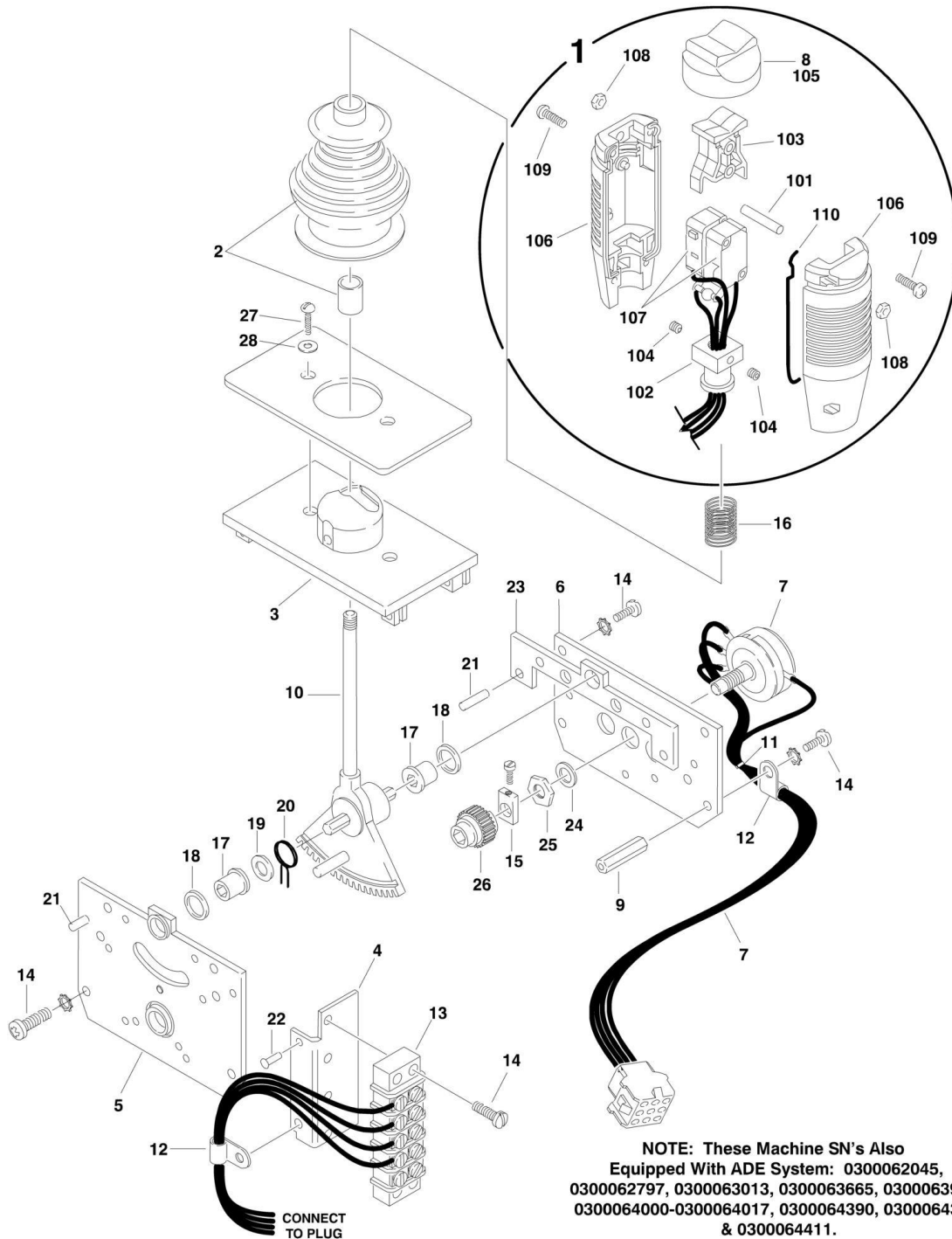
| ITEM | PART NUMBER | QTY | DESCRIPTION | REV |
|------|-------------|-----|--|-----|
| | | Ref | Note: Original Equipment controller may have been replaced with Service Replacement controller. Visually identify controller before ordering parts. | |
| | 1001166539 | Ref | CONTROLLER ASSEMBLY (SWING AND LIFT) | D |
| | | Ref | Note: Use p/n 1001129555 as Replacement. | |
| 1 | See Note | NSS | Main Cast Body (Note: Not Available - Purchase Complete Assembly) | |
| 2 | 70004752 | 1 | Adapter | |
| 3 | See Note | NSS | Pivot Arm, Plastic (Note: Not Available - Purchase Complete Assembly) | |
| 4 | See Note | NSS | Holder, Magnet (Note: Not Available - Purchase Complete Assembly) | |
| 5 | See Note | NSS | Arc, Magnet (Note: Not Available - Purchase Complete Assembly) | |
| 6 | See Note | NSS | Screw (Note: Not Available for Purchase) | |
| 7 | See Note | NSS | Pivot Arm, Cast (Note: Not Available - Purchase Complete Assembly) | |
| 8 | See Note | NSS | Shaft, Main (Note: Not Available - Purchase Complete Assembly) | |
| 9 | See Note | NSS | Bearing (Note: Not Available - Purchase Complete Assembly) | |
| 10 | See Note | NSS | Pin (Note: Not Available - Purchase Complete Assembly) | |
| 11 | See Note | NSS | Shim (Note: Not Available - Purchase Complete Assembly) | |
| 12 | See Note | NSS | Pin (Note: Not Available - Purchase Complete Assembly) | |
| 13 | See Note | NSS | Bearing (Note: Not Available - Purchase Complete Assembly) | |
| 14 | See Note | NSS | Dome, Centering (Note: Not Available - Purchase Complete Assembly) | |
| 15 | 70004753 | 1 | Cap | |
| 16 | 70004754 | 1 | Insert, Cap | |
| 17 | 70004755 | 3 | Pin | |
| 18 | 70004756 | 2 | Washer | |
| 19 | 70004757 | 1 | Pin, Centering | |
| 20 | 70004758 | 1 | Spring | |
| 21 | 70004759 | 1 | Ring, Retaining | |
| 22 | 70004760 | 1 | E-Ring | |
| 23 | 70004761 | 1 | Can, Enclosure | |
| 24 | 70004762 | 1 | Boot | |
| 25 | 70004763 | 1 | Bezel | |
| 26 | See Note | NSS | Screw (Note: Not Available for Purchase) | |
| 27 | See Note | NSS | Base, Mounting (Note: Not Available - Purchase Complete Assembly) | |
| 28 | See Note | NSS | Screw (Note: Not Available for Purchase) | |
| 29 | 70004764 | 4 | Screw | |
| 30 | 70004765 | 4 | Screw | |
| 31 | 70004766 | 1 | O-Ring | |
| 32 | See Note | NSS | Plate (Note: Not Available - Purchase Complete Assembly) | |
| 33 | See Note | NSS | Harness (Note: Not Available - Purchase Complete Assembly) | |
| 34 | 70004767 | 1 | Grommet, Rubber | |
| 35 | 70004768 | 1 | Housing | |
| 36 | 70004769 | 1 | Spring | |
| 37 | 70004770 | 1 | Stopper | |
| 38 | 70004771 | 1 | Spacer | |
| 39 | 70004772 | 1 | Washer | |

SECTION 4 - PLATFORM

| ITEM | PART NUMBER | QTY | DESCRIPTION | REV |
|------|-------------|-----|------------------------|-----|
| 40 | 70004773 | 1 | Disc | |
| 41 | 70004774 | 2 | Ring, Retaining | |
| 42 | 70004775 | 1 | Spring | |
| 101 | 4460265 | 1 | Connector - 9 Position | |
| 101 | 4460226 | 6 | Socket, Female | |

SECTION 4 - PLATFORM

FIGURE 4-10. CONTROLLER ASSEMBLY (DRIVE AND STEER) (Prior to SN 0300064432)



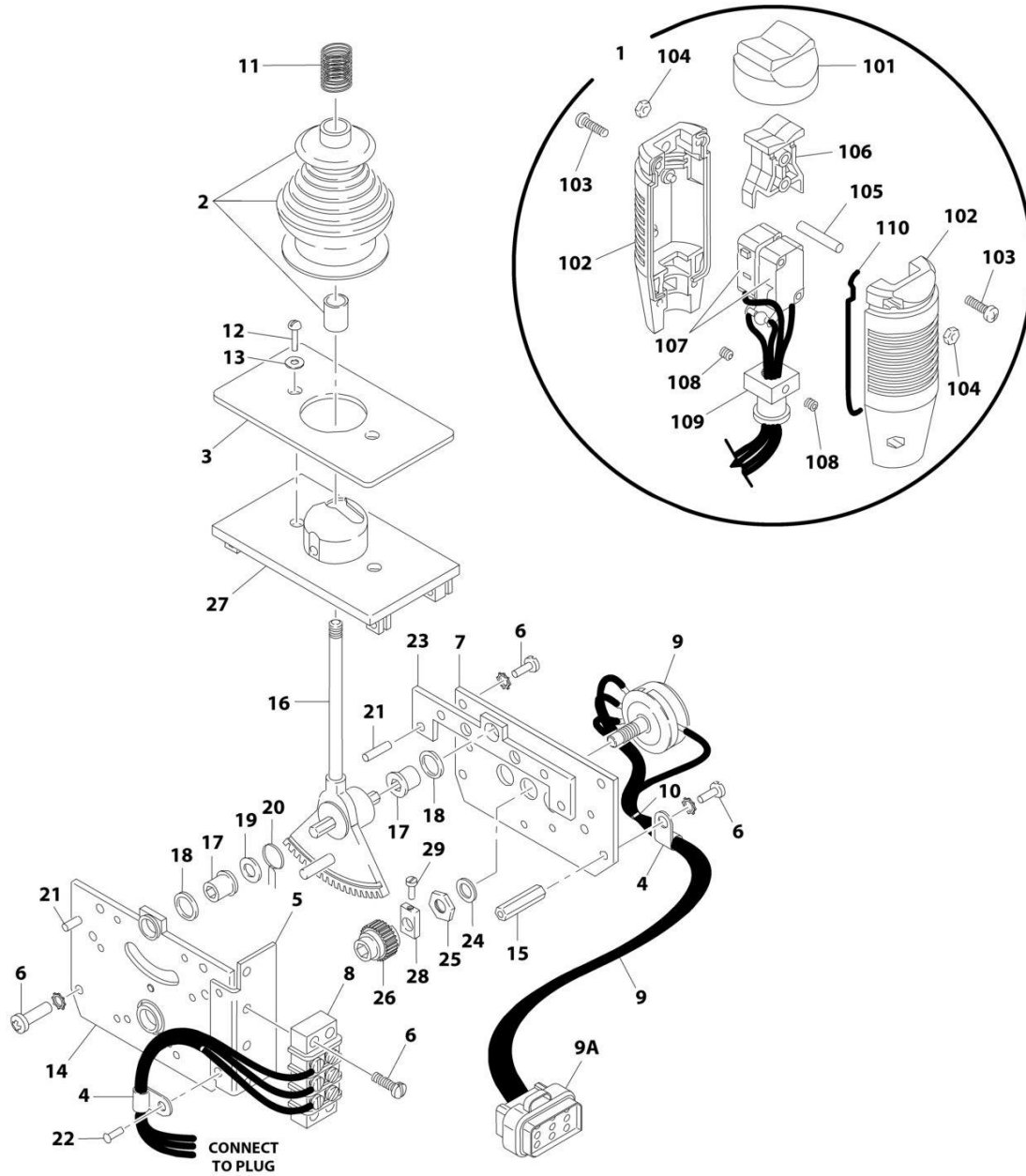
SECTION 4 - PLATFORM

FIGURE 4-10. CONTROLLER ASSEMBLY (DRIVE AND STEER) (Prior to SN 0300064432)

| ITEM | PART NUMBER | QTY | DESCRIPTION | REV |
|------|-------------|-----|--|-----|
| | | Ref | NOTE: THESE MACHINE SN'S ALSO EQUIPPED WITH ADE SYSTEM: 0300062045, 0300062797, 0300063013, 0300063665, 0300063975, 0300064000-0300064017, 0300064390, 0300064392 & 0300064411. | |
| | 1600283 | Ref | CONTROLLER ASSEMBLY | A |
| 1 | 7022810 | 1 | Handle Assembly (See items 101-110 for Breakdown) | |
| 2 | 7019161 | 1 | Boot and Sleeve | |
| 3 | 7019160 | 1 | Cast Housing Assembly | |
| 4 | 7019159 | 1 | Bracket, Mounting | |
| 5 | 7019158 | 1 | Plate, Mounting (Left Side) | |
| 6 | 7019157 | 1 | Plate, Pot Mounting | |
| 7 | 7019156 | 1 | Electric Assembly | |
| 8 | 7003972 | 1 | Boot, Rocker | |
| 9 | 7019115 | 2 | Stand-off | |
| 10 | 7019155 | 1 | Shaft 8mm | |
| 11 | 7019151 | AR | Tie-Strap | |
| 12 | 7019154 | 2 | Clamp, Wire | |
| 13 | 7019153 | 1 | Strip, Terminal - 5 Position | |
| 14 | 7019117 | 8 | Screw | |
| 15 | 7019163 | 1 | Potentiometer Coupling Assembly | |
| 16 | 7019162 | 1 | Spring | |
| 17 | 7019111 | 2 | Bearing | |
| 18 | 7019110 | 2 | Spacer, Head Gear | |
| 19 | 7019112 | 1 | Washer | |
| 20 | 7003946 | 1 | Spring, Return | |
| 21 | 7019103 | 4 | Pin | |
| 22 | See Note | 1 | Rivet (Note: Not Available - Purchase Locally) | |
| 23 | 7019168 | 1 | Plate, Mounting (Right Side) | |
| 24 | 7003992 | 1 | Washer | |
| 25 | 7003993 | 1 | Nut | |
| 26 | 7003935 | 1 | Gear, Slave | |
| 27 | 7003969 | 2 | Screw | |
| 28 | 7003941 | 2 | Washer | |
| | 7022810 | Ref | HANDLE ASSEMBLY | |
| 101 | 7019164 | 1 | Axle | |
| 102 | 7019194 | 1 | Coupling | |
| 103 | 7019165 | 1 | Rocker | |
| 104 | 7003983 | 2 | Setscrew | |
| 105 | 7003972 | 1 | Boot, Switch | |
| 106 | 7003973 | 2 | Half, Handle | |
| 107 | 7019166 | 2 | Switch, Micro | |
| 108 | 7019167 | 4 | Nut | |
| 109 | 7003980 | 4 | Screw | |
| 110 | 7003989 | 2 | Gasket | |

SECTION 4 - PLATFORM

FIGURE 4-11. CONTROLLER ASSEMBLY (DRIVE AND STEER) (WITH ADE SYSTEM) (ORIGINAL EQUIPMENT) (SN 0300064432 through 0300069000)



Note: Original Equipment controller may have been replaced with Service Replacement controller. Visually identify controller before ordering parts.

ART_1600318

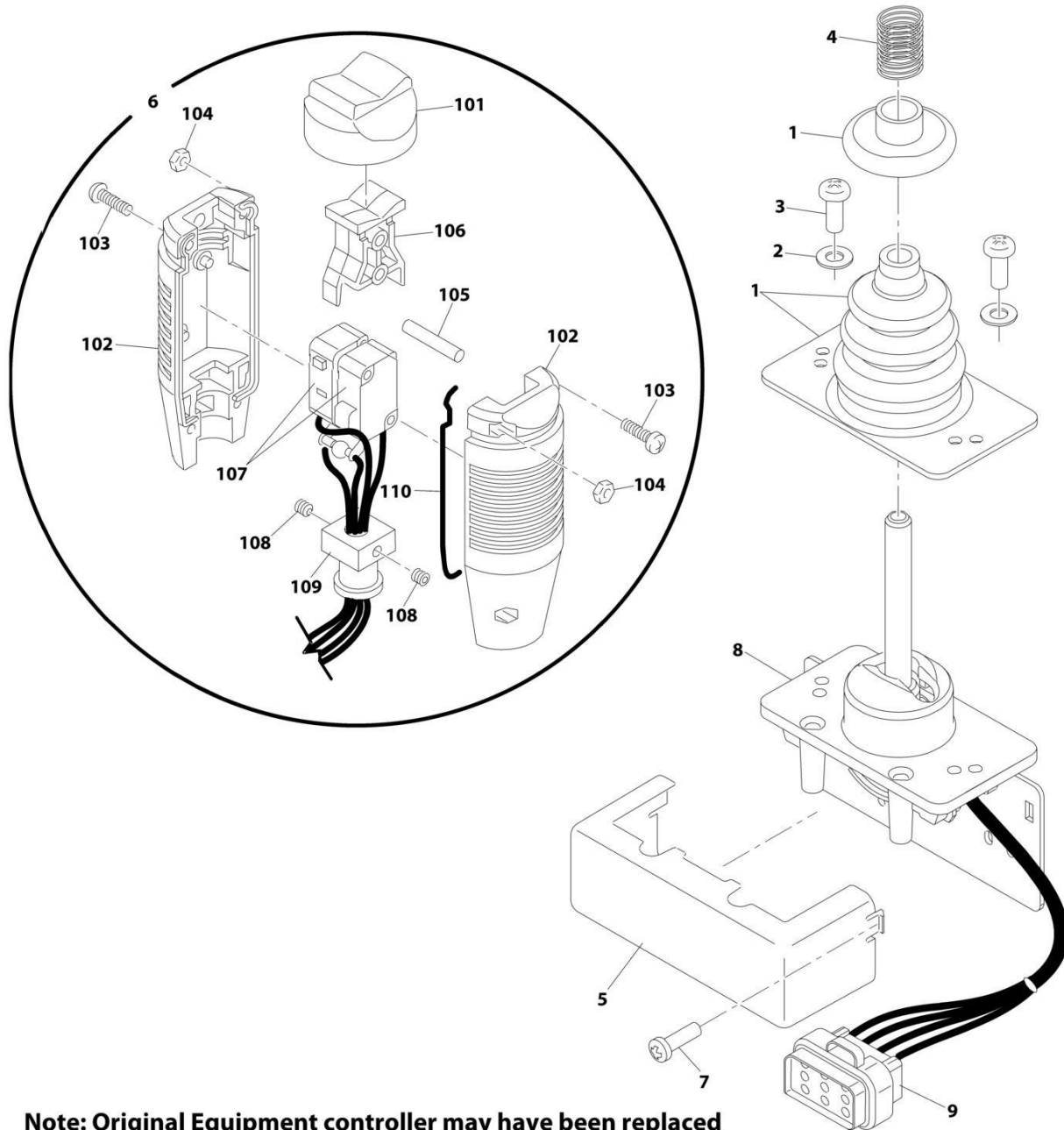
SECTION 4 - PLATFORM

FIGURE 4-11. CONTROLLER ASSEMBLY (DRIVE AND STEER) (WITH ADE SYSTEM) (ORIGINAL EQUIPMENT) (SN 0300064432 through 0300069000)

| ITEM | PART NUMBER | QTY | DESCRIPTION | REV |
|------|-------------|-----|--|-----|
| | | Ref | Note: Original Equipment controller may have been replaced with Service Replacement controller. Visually identify controller before ordering parts. | |
| | 1600318 | Ref | CONTROLLER ASSEMBLY | C |
| | | Ref | Note: Use p/n 1001212415 as Replacement. | |
| 1 | 7022812 | 1 | Handle Assembly (See Items 101-110 for Breakdown) | |
| 2 | 7019161 | 1 | Boot and Sleeve | |
| 3 | 7003933 | 1 | Gasket | |
| 4 | 7019154 | 2 | Clamp, Wire | |
| 5 | 7022823 | 1 | Bracket, Mounting | |
| 6 | 7003994 | 1 | Screw | |
| 7 | 7022822 | 1 | Plate, Pot Mounting | |
| 8 | 7003986 | 1 | Strip, Terminal - 3 Position | |
| 9 | 7022824 | 1 | Electric Assembly | |
| 9A | 1001113961 | 1 | Plug, Male - 8 Position (Black) (was p/n 7022825) | |
| 9A | 4460871 | 7 | Socket, Female | |
| 10 | 7019151 | AR | Tie-Strap | |
| 11 | 7019162 | 1 | Spring | |
| 12 | 7003969 | 2 | Screw | |
| 13 | 7003941 | 2 | Washer | |
| 14 | See Note | NSS | Plate, Mounting (Left Side) (Note: Use p/n 1001166538) | |
| 15 | 7019115 | 2 | Stand-off | |
| 16 | 7019155 | 1 | Shaft 8mm | |
| 17 | 7019111 | 2 | Bearing | |
| 18 | 7019110 | 2 | Spacer, Head Gear | |
| 19 | 7019112 | 1 | Washer | |
| 20 | 7003946 | 1 | Spring, Return | |
| 21 | 7019103 | 4 | Pin | |
| 22 | See Note | NSS | Rivet (Note: Not Available - Purchase Locally) | |
| 23 | 7019168 | 1 | Plate, Mounting (Right Side) | |
| 24 | 7003992 | 1 | Washer | |
| 25 | 7003993 | 1 | Nut | |
| 26 | 7003935 | 1 | Gear, Slave | |
| 27 | 7019160 | 1 | Plate, Base | |
| 28 | 7019114 | 1 | Coupling, Potentiometer | |
| 29 | See Note | NSS | Cup Point Screw (Note: Not Available for Purchase) | |
| | 7022812 | Ref | HANDLE ASSEMBLY | |
| 101 | 7003972 | 1 | Boot, Switch | |
| 102 | 7003973 | 2 | Half, Handle | |
| 103 | 7003980 | 4 | Screw | |
| 104 | 7019167 | 4 | Nut | |
| 105 | 7019164 | 1 | Axle | |
| 106 | 7019165 | 1 | Rocker | |
| 107 | See Note | NSS | Wiring for Controller Assembly p/n 1600318 (Note: Use p/n 1001166538) | |
| 107 | 7019166 | 2 | Switch, Micro | |
| 108 | 7003983 | 2 | Setscrew | |
| 109 | 7019194 | 1 | Coupling | |
| 110 | 7003989 | 2 | Gasket | |

SECTION 4 - PLATFORM

FIGURE 4-12. CONTROLLER ASSEMBLY (DRIVE AND STEER) (WITH ADE SYSTEM) (SERVICE REPLACEMENT) (SN 0300064432 through 0300069000)



Note: Original Equipment controller may have been replaced with Service Replacement controller. Visually identify controller before ordering parts.

ART_1001118416

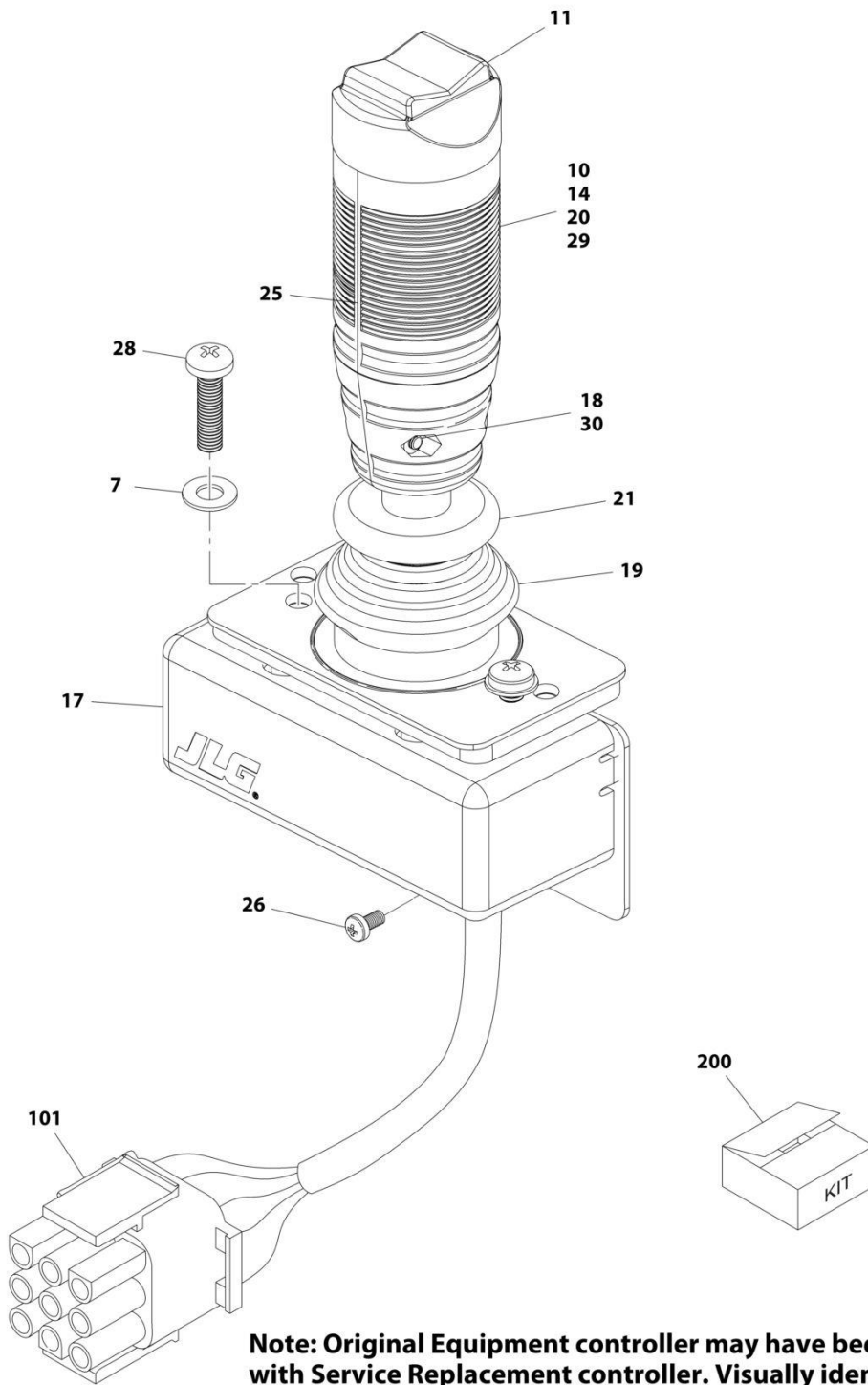
SECTION 4 - PLATFORM

FIGURE 4-12. CONTROLLER ASSEMBLY (DRIVE AND STEER) (WITH ADE SYSTEM) (SERVICE REPLACEMENT) (SN 0300064432 through 0300069000)

| ITEM | PART NUMBER | QTY | DESCRIPTION | REV |
|------|-------------|-----|--|-----|
| | | Ref | Note: Original Equipment controller may have been replaced with Service Replacement controller. Visually identify controller before ordering parts. | |
| | 1001118416 | Ref | CONTROLLER ASSEMBLY | D |
| | | Ref | Note: Use p/n 1001212415 as Replacement. | |
| 1 | 70002724 | 1 | Boot and Control Lock Assembly | |
| 2 | 7003941 | 2 | Washer | |
| 3 | 70002725 | 2 | Screw | |
| 4 | 7019162 | 1 | Spring | |
| 5 | 70002726 | 1 | Enclosure | |
| 6 | 70002727 | 1 | Handle Assembly (See Items 101-110 for Breakdown) | |
| 7 | 70002728 | 1 | Screw | |
| 8 | See Note | NSS | Mechanical Assembly (Note: Use p/n 1001166538) | |
| 9 | 1001113961 | 1 | Plug, Male - 8 Position (Black) (was p/n 7022825) | |
| 9 | 4460871 | 7 | Socket, Female | |
| | 70002727 | Ref | HANDLE ASSEMBLY | |
| 101 | 7003972 | 1 | Boot, Switch | |
| 102 | 7003973 | 2 | Half, Handle | |
| 103 | 7003980 | 4 | Screw | |
| 104 | 7019167 | 4 | Nut | |
| 105 | 7019164 | 1 | Axle | |
| 106 | 7019165 | 1 | Rocker | |
| 107 | 70002729 | 1 | Wiring Assembly | |
| 107 | 7003982 | 2 | Switch, Micro | |
| 108 | 7003983 | 2 | Set Screw | |
| 109 | 7019194 | 1 | Coupling | |
| 110 | 7003989 | 2 | Gasket | |

SECTION 4 - PLATFORM

FIGURE 4-13. CONTROLLER ASSEMBLY (DRIVE AND STEER) (WITH ADE SYSTEM) (SERVICE REPLACEMENT) (SN 0300064432 through 0300069000)



ART_1001166538

SECTION 4 - PLATFORM

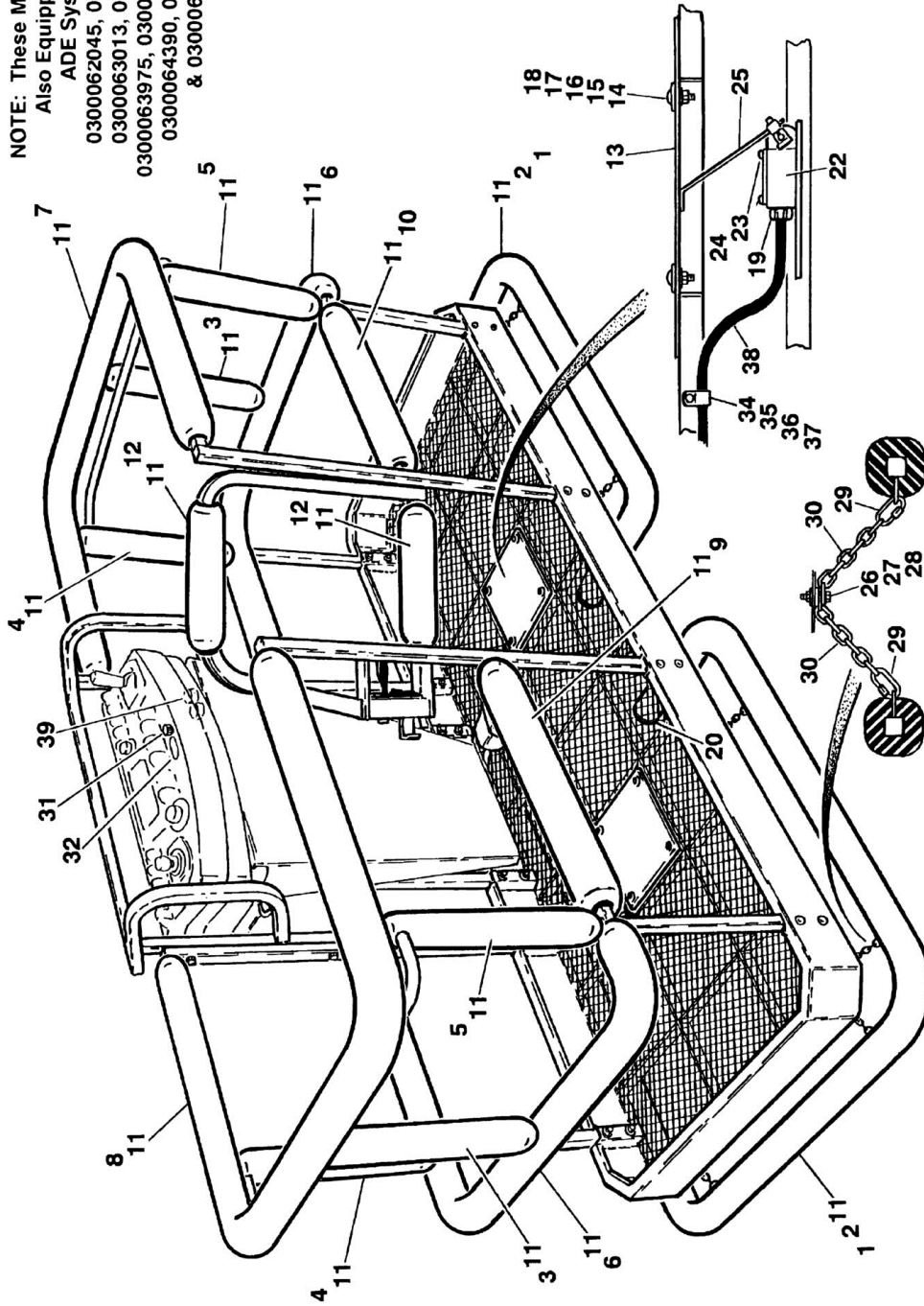
FIGURE 4-13. CONTROLLER ASSEMBLY (DRIVE AND STEER) (WITH ADE SYSTEM) (SERVICE REPLACEMENT) (SN 0300064432 through 0300069000)

| ITEM | PART NUMBER | QTY | DESCRIPTION | REV |
|------|-------------|-----|--|-----|
| | | Ref | Note: Original Equipment controller may have been replaced with Service Replacement controller. Visually identify controller before ordering parts. | |
| | 1001166538 | Ref | CONTROLLER ASSEMBLY | E |
| | | Ref | Note: Use p/n 1001212415 as Replacement. | |
| 7 | 70004738 | 2 | Washer | |
| 10 | 70004739 | 1 | Roller | |
| 11 | 70004740 | 1 | Boot, Switch | |
| 14 | 70004741 | 2 | Half, Handle | |
| 17 | 70004742 | 1 | Enclosure | |
| 18 | 70004743 | 4 | Nut | |
| 19 | 70004744 | NLA | Boot, Controller (Note: Use Item 200) | |
| 20 | 70004745 | NLA | Tube, Locking (Note: Use Item 200) | |
| 21 | 70004746 | NLA | Disc, Locking (Note: Use Item 200) | |
| 25 | 70004747 | 2 | Seal, Rope | |
| 26 | 70004748 | 1 | Screw, M3 x 6 | |
| 28 | 70004749 | 2 | Screw, M5 x 20 | |
| 29 | 70004750 | 1 | Pin, Dowel | |
| 30 | 70004751 | 4 | Screw, M3 x 16 | |
| 101 | 4460265 | 1 | Connector - 9 Position | |
| 101 | 4460226 | 7 | Socket, Female | |
| 200 | 70005230 | 1 | Boot Kit (Includes Items 19-21) | |

SECTION 4 - PLATFORM

FIGURE 4-14. SOFT TOUCH SYSTEM INSTALLATION (OPTIONAL)

NOTE: These Machine SN's
Also Equipped With
ADE System:
0300062045, 0300062797,
0300063013, 0300063665,
0300063975, 0300064000-64017,
0300064390, 0300064392
& 0300064411.



SECTION 4 - PLATFORM

FIGURE 4-14. SOFT TOUCH SYSTEM INSTALLATION (OPTIONAL)

| ITEM | PART NUMBER | QTY | DESCRIPTION | REV |
|------|-------------|-----------------|--|-----|
| | | Ref | NOTE: THESE MACHINE SN'S ALSO EQUIPPED WITH ADE SYSTEM: 0300062045, 0300062797, 0300063013, 0300063665, 0300063975, 0300064000-0300064017, 0300064390, 0300064392 & 0300064411. | |
| | | Ref | SOFT TOUCH SYSTEM INSTALLATIONS OPTIONS: | |
| | 0257849 | Ref | 6ft/1.8m Platforms (Prior to SN 0300064432) | 1 |
| | 0271550 | Ref | 6ft/1.8m Platforms - ADE System (SN 0300064432 through 0300069000) | 1 |
| | 0257850 | Ref | 8ft/2.4m Platforms (Prior to SN 0300064432) | 1 |
| | 0271551 | Ref | 8ft/2.4m Platforms - ADE System (SN 0300064432 through 0300069000) | 1 |
| 1 | | Ref | Rail Weldment Options: | |
| 1 | 4845308 | 2 | 6ft/1.8m Platforms | |
| 1 | 4845309 | 2 | 8ft/2.4m Platforms | |
| 2 | | Ref | Cover, Rail Options: | |
| 2 | 1670804 | 2 | 6ft/1.8m Platforms | |
| 2 | 1670803 | 2 | 8ft/2.4m Platforms | |
| 3 | 1670787 | 2 | Cover, End Post | |
| 4 | 1670785 | 2 | Cover, Front Right Post | |
| 5 | 1670786 | 2 | Cover, Front Left Post | |
| 6 | 1670793 | 2 | Cover, End Mid Rail | |
| 7 | | Ref | Cover, Right End Top Options: | |
| 7 | 1670798 | 1 | 6ft/1.8m Platforms | |
| 7 | 1670796 | 1 | 8ft/2.4m Platforms | |
| 8 | | Ref | Cover, Left End Top Options: | |
| 8 | 1670797 | 1 | 6ft/1.8m Platforms | |
| 8 | 1670795 | 1 | 8ft/2.4m Platforms | |
| 9 | | Ref | Cover, Left End Mid Options: | |
| 9 | 1670799 | 1 | 6ft/1.8m Platforms | |
| 9 | 1670789 | 1 | 8ft/2.4m Platforms | |
| 10 | | Ref | Cover, Right End Mid Options: | |
| 10 | 1670801 | 1 | 6ft/1.8m Platforms | |
| 10 | 1670791 | 1 | 8ft/2.4m Platforms | |
| 11 | 0940038 | 70 ft /21.4m | Padding, Bumper | |
| 12 | 1670788 | 2 | Cover, Gate | |
| 13 | 3539719 | 2 | Plate, Switch Strike | |
| 14 | 0630462 | 8 | Bolt, Carriage | |
| 15 | 4761500 | 8 | Lockwasher 5/16in | |
| 16 | 4751800 | 8 | Flatwasher 1/2in | |
| 17 | 3311501 | 8 | Nut 5/16in-18NC | |
| 18 | 4751500 | 8 | Flatwasher 5/16in | |
| 19 | 4460049 | 2 | Connector, Strain Relief | |
| 20 | 3530072 | 4 | Plug, Cap | |
| 22 | 4360057 | 2 | Switch, Limit | |
| 23 | 0731005 | 4 | Bolt #10-32NC x 5/8in | |
| 24 | 4751000 | 4 | Lockwasher #10 | |
| 25 | 0200550 | 2 | Arm, Switch | |
| 26 | 0641612 | 8 | Bolt 3/8in-16NC x 1-1/2in | |
| 27 | 4751600 | 40 | Flatwasher 3/8in | |
| 28 | 3311605 | 8 | Locknut 3/8in-16NC | |

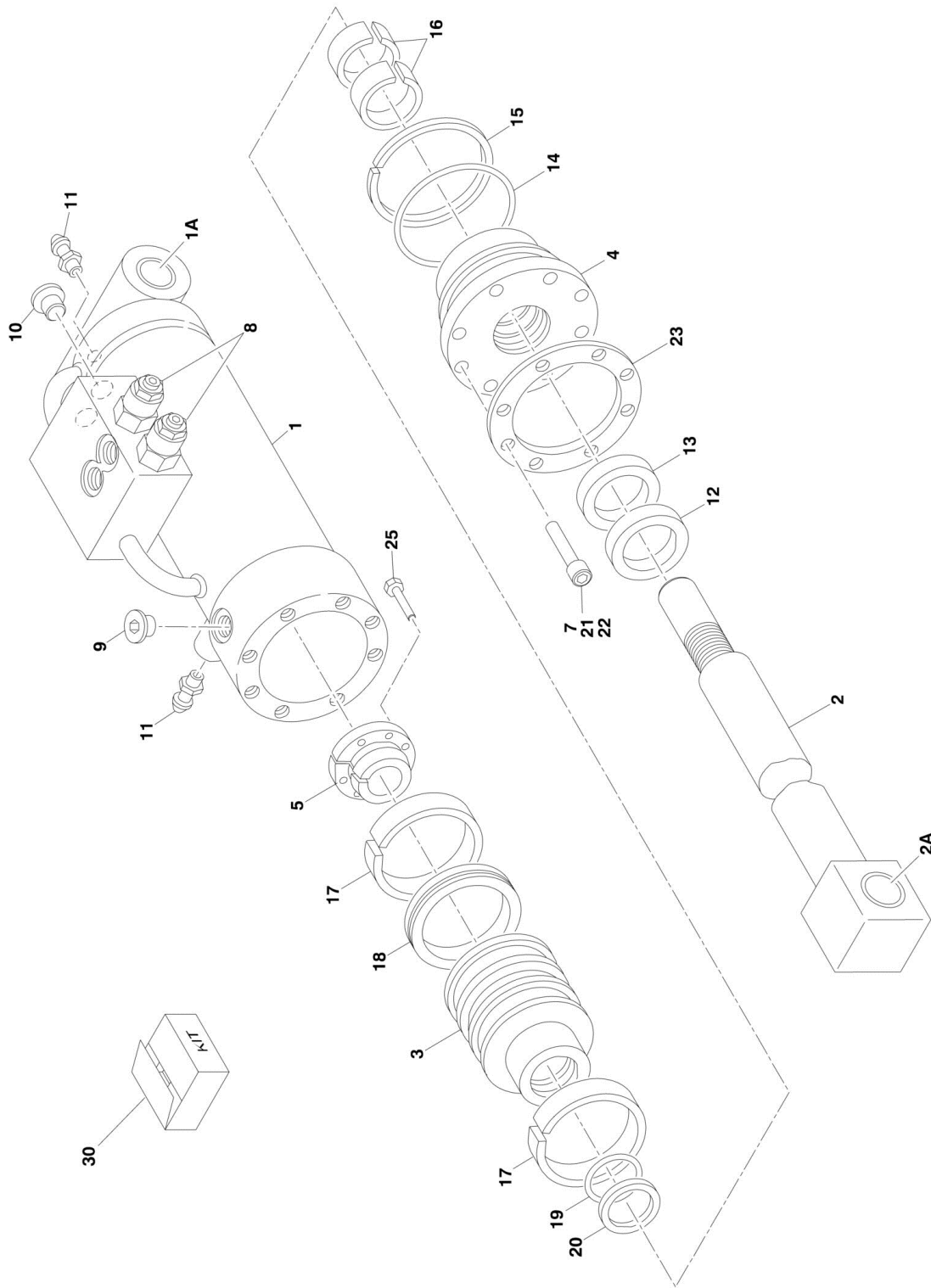
SECTION 4 - PLATFORM

| ITEM | PART NUMBER | QTY | DESCRIPTION | REV |
|------|-------------|------------|---|-----|
| 29 | 3010088 | 16 | Link, Quick | |
| 30 | 1260136 | 10 ft/3m | Chain | |
| 31 | 4360387 | 1 | Switch, Push Button | |
| 32 | 1702938 | 1 | Decal - Soft Touch Override | |
| 34 | 1320040 | 4 | Clamp | |
| 35 | 0641406 | 4 | Bolt 1/4in-20NC x 3/4in | |
| 36 | 4711400 | 8 | Flatwasher 1/4in | |
| 37 | 3311405 | 4 | Locknut 1/4in-20NC | |
| 38 | | Ref | Cable, Electrical Options: | |
| 38 | 1060330 | 16 ft/4.9m | Cable, Electrical (16/3) (Prior to SN 0300064432) | |
| 38 | 1060341 | 16 ft/4.9m | Cable, Electrical (16/2) (SN 0300064432 through 0300069000) | |
| 39 | 4460425 | 1 | Connector, Strain Relief | |
| | 0258763 | Ref | SOFT TOUCH COUNTERWEIGHT INSTALLATION (NOT SHOWN) (Prior to SN 0300068374) | A |
| | 4845872 | 1 | Counterweight (Located in Frame) | |
| | 0272444 | Ref | SOFT TOUCH COUNTERWEIGHT INSTALLATION (NOT SHOWN) (SN 0300068374 through 0300069000) | B |
| | 4821397 | 1 | Counterweight (Located in Frame) | |

SECTION 5 - CYLINDER

SECTION 5 - CYLINDER

FIGURE 5-1. AXLE LOCKOUT CYLINDER ASSEMBLY



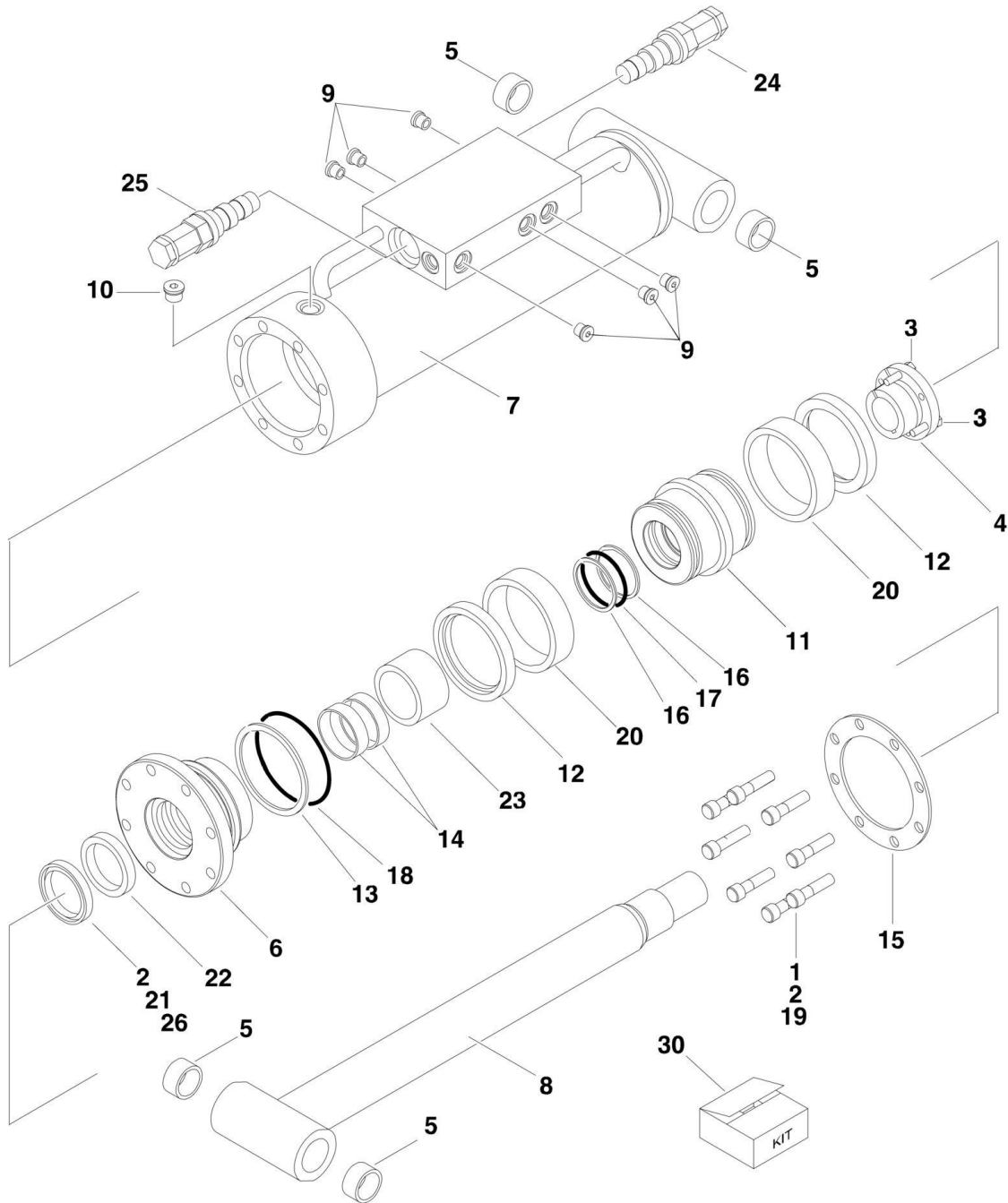
SECTION 5 - CYLINDER

FIGURE 5-1. AXLE LOCKOUT CYLINDER ASSEMBLY

| ITEM | PART NUMBER | QTY | DESCRIPTION | REV |
|------|-------------|-----|--|-----|
| | 1683078 | Ref | AXLE LOCKOUT CYLINDER ASSEMBLY | G |
| 1 | | Ref | Barrel Weldment Options: (Note: Includes Item 1A) | |
| 1 | 1683079 | 1 | Barrel Weldment (Prior to SN 0300056912) | |
| 1 | 1683987 | 1 | Barrel Weldment (SN 0300056912 through 0300065394) | |
| 1 | 1684191 | 1 | Barrel Weldment (SN 0300065395 through 0300069000) | |
| 1A | 0961816 | 2 | Bushing | |
| 2 | | Ref | Rod Weldment Options: (Note: Includes Item 2A) | |
| 2 | 1683081 | 1 | Rod Weldment (Prior to SN 0300056912) | |
| 2 | 1683986 | 1 | Rod Weldment (SN 0300056912 through 0300069000) | |
| 2A | 0961816 | 2 | Bushing | |
| 3 | 3480176 | 1 | Piston | |
| 4 | 1683059 | 1 | Head | |
| 5 | 0961895 | 1 | Bushing | |
| 7 | 3931720 | 8 | Bolt, Socket Head 7/16in-14NC x 1-1/4in | |
| 8 | | Ref | Cartridge, Valve Options (Counterbalance): | |
| 8 | 4640525 | 2 | Cartridge, Valve (Prior to SN 0300056912) | |
| 8 | 2900770 | 2 | Seal Kit - 4640525 Valve (1 Per Assembly) | |
| 8 | 4641162 | 2 | Cartridge, Valve (SN 0300056912 through 0300069000) | |
| 8 | 2900770 | 2 | Seal Kit - 4641162 Valve (1 Per Assembly) | |
| 9 | 2220886 | 1 | Plug, O-Ring | |
| 10 | 2220885 | 2 | Plug, O-Ring | |
| 11 | 4640858 | 3 | Valve, Bleeder | |
| 12 | See Note | NSS | Wiper (Note: Use Item 30) | |
| 13 | See Note | NSS | Seal, Rod (Note: Use Item 30) | |
| 14 | See Note | NSS | O-Ring (Note: Use Item 30) | |
| 15 | See Note | NSS | Ring, Back-up (Note: Use Item 30) | |
| 16 | See Note | NSS | Ring, Wear (Note: Use Item 30) | |
| 17 | See Note | NSS | Ring, Wear (Note: Use Item 30) | |
| 18 | See Note | NSS | T-Seal (Note: Use Item 30) | |
| 19 | See Note | NSS | O-Ring (Note: Use Item 30) | |
| 20 | See Note | NSS | Ring, Back-up (Note: Use Item 30) | |
| 21 | 0100011 | AR | Compound, Locking | |
| 22 | 0100038 | AR | Primer, Locking | |
| 23 | 3760370 | 1 | Ring, Washer | |
| 25 | 0630535 | 3 | Bolt 1/4in-20NC x 1-1/8in | |
| 30 | 2901271 | 1 | Seal Kit (Includes Items 12-20) | |

SECTION 5 - CYLINDER

FIGURE 5-2. LEVEL CYLINDER ASSEMBLY - PLATFORM SLAVE



SECTION 5 - CYLINDER

FIGURE 5-2. LEVEL CYLINDER ASSEMBLY - PLATFORM SLAVE

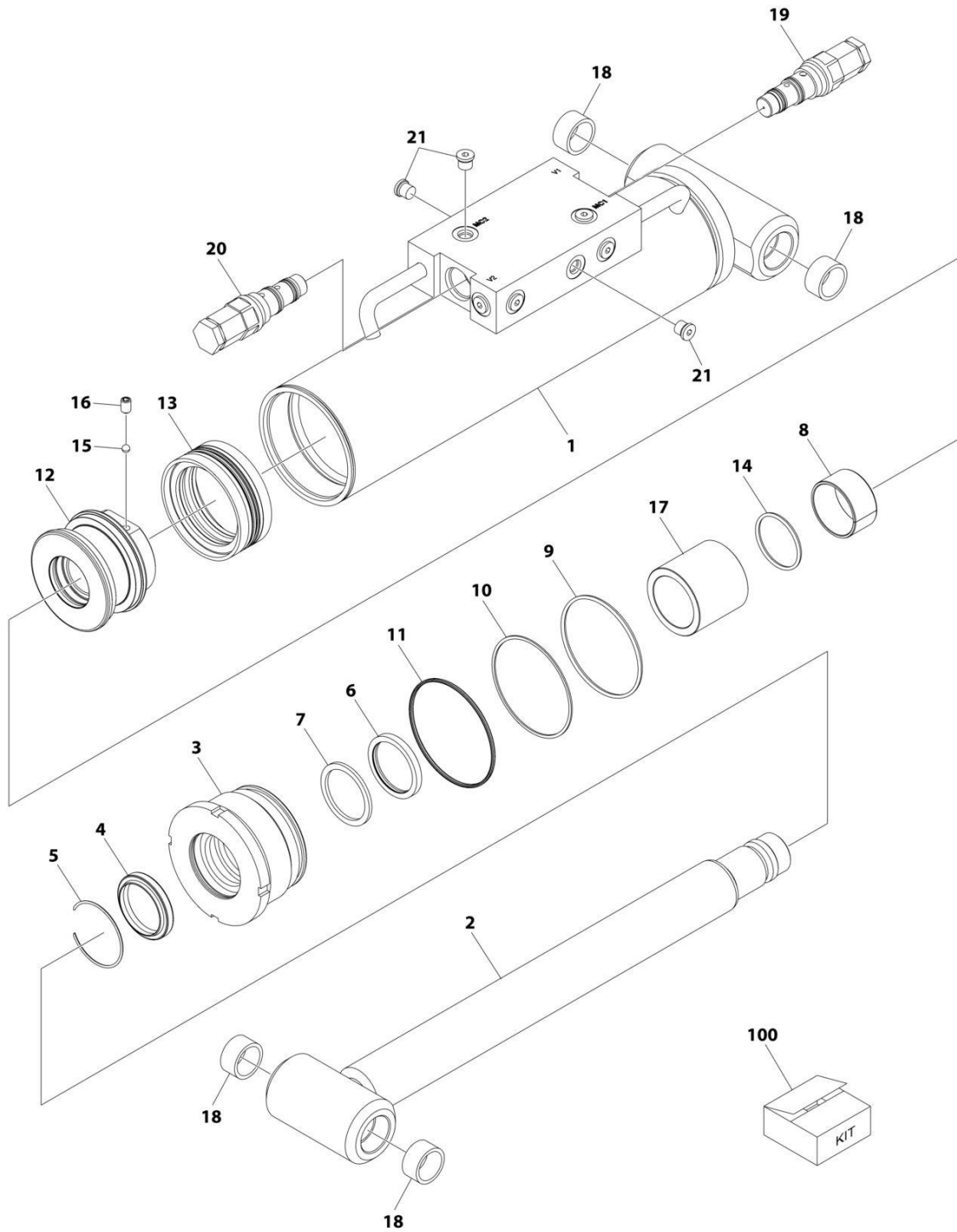
| ITEM | PART NUMBER | QTY | DESCRIPTION | REV |
|------|-------------|-----|--|-----|
| | | Ref | Note: Original Equipment Cylinder may have been replaced with Service Replacement Cylinder. Identify p/n stamped on cylinder before ordering parts. | |
| | | Ref | LEVEL CYLINDER ASSEMBLY - PLATFORM SLAVE | |
| | | Ref | Slave Cylinder Assembly 800A | |
| | 1683610 | Ref | Original Equipment | E |
| | 1684408 | Ref | Service Replacement | C |
| | | Ref | Slave Cylinder Assembly 800AJ | |
| | 1683677 | Ref | Original Equipment | B |
| | 1684228 | Ref | Service Replacement | C |
| 1 | 0100011 | AR | Compound, Locking | |
| 2 | 0100038 | AR | Primer, Locking | |
| 3 | 0630535 | 3 | Capscrew, Socket Head 1/4in-20NC x 1in | |
| 4 | | Ref | Bushing, Tapered Options: | |
| 4 | 0961902 | 1 | Bushing, Tapered 800A | |
| 4 | 0961894 | 1 | Bushing, Tapered 800AJ | |
| 5 | | Ref | Bushing Options: | |
| 5 | 0961947 | 4 | Bushing 800A | |
| 5 | 0961951 | 4 | Bushing 800AJ | |
| 6 | | Ref | Head Options: | |
| 6 | 1683074 | 1 | Head 800A | |
| 6 | 1683055 | 1 | Head 800AJ | |
| 7 | | Ref | Barrel Options: | |
| 7 | 1683642 | 1 | Used with p/n 1683610 | |
| 7 | 0370022 | 1 | Used with p/n 1684408 | |
| 7 | 1683678 | 1 | Used with p/n 1683677 | |
| 7 | 1684230 | 1 | Used with p/n 1684228 | |
| 8 | | Ref | Rod Options: | |
| 8 | 1683643 | 1 | Used with p/n 1683610 | |
| 8 | 3850018 | 1 | Used with p/n 1684408 | |
| 8 | 1683680 | 1 | Used with p/n 1683677 | |
| 8 | 1684232 | 1 | Used with p/n 1684228 | |
| 8 | | Ref | Rod 800A | |
| 8 | | Ref | Rod 800AJ | |
| 9 | 2220883 | 6 | Plug | |
| 10 | 2220885 | 1 | Plug | |
| 11 | | Ref | Piston Options: | |
| 11 | 3480233 | 1 | Piston 800A | |
| 11 | 3480188 | 1 | Piston 800AJ | |
| 12 | See Note | NSS | Ring, Lock (Note: Use Item 30) | |
| 13 | See Note | NSS | Ring, Back-up (Note: Use Item 30) | |
| 14 | See Note | NSS | Ring, Wear (Note: Use Item 30) | |
| 15 | 3760369 | 1 | Ring, Washer | |
| 16 | See Note | NSS | Ring, Back-up (Note: Use Item 30) | |
| 17 | See Note | NSS | O-Ring (Note: Use Item 30) | |
| 18 | See Note | NSS | O-Ring (Note: Use Item 30) | |
| 19 | 3931620 | 8 | Capscrew 3/8in-16NC x 1-1/4in | |
| 20 | See Note | NSS | Seal (Note: Use Item 30) | |
| 21 | See Note | NSS | Wiper (Note: Use Item 30) | |
| 22 | See Note | NSS | Seal (Note: Use Item 30) | |

SECTION 5 - CYLINDER

| ITEM | PART NUMBER | QTY | DESCRIPTION | REV |
|------|-------------|-----|--|-----|
| 23 | | Ref | Spacer, Tube Options: | |
| 23 | 4567434 | 1 | Spacer, Tube 800A | |
| 23 | 4566468 | 1 | Spacer, Tube 800AJ | |
| 24 | 4640605 | 1 | Valve, Cartridge | |
| 24 | 2900792 | 1 | Seal Kit - 4640605 Valve | |
| 25 | 4640932 | 1 | Valve, Cartridge | |
| 25 | 7011112 | 1 | Seal Kit - 4640932 Valve | |
| 26 | 0100063 | AR | Loctite #RC609 | |
| 30 | | Ref | Seal Kit Options (Includes Items 12-14, 16-18 & 20-22) | |
| 30 | 2901556 | 1 | Seal Kit 800A | |
| 30 | 2901301 | 1 | Seal Kit 800AJ | |

SECTION 5 - CYLINDER

FIGURE 5-3. LEVEL CYLINDER ASSEMBLY - PLATFORM SLAVE (800A ONLY) (SERVICE REPLACEMENT)



ART_1001228033

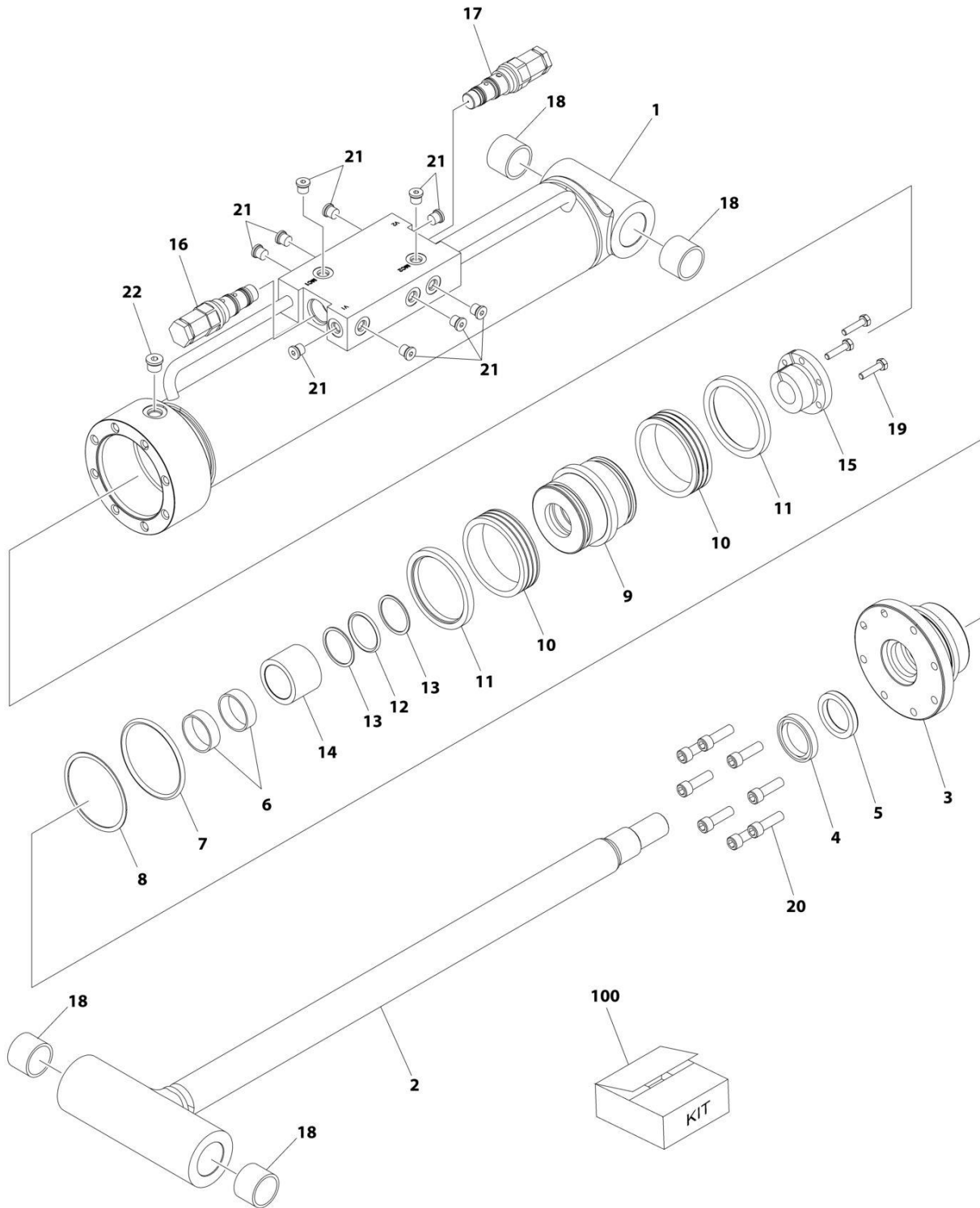
SECTION 5 - CYLINDER

FIGURE 5-3. LEVEL CYLINDER ASSEMBLY - PLATFORM SLAVE (800A ONLY) (SERVICE REPLACEMENT)

| ITEM | PART NUMBER | QTY | DESCRIPTION | REV |
|------|-------------|-----|---|-----|
| | 1001228033 | Ref | LEVEL (SLAVE) CYLINDER ASSEMBLY - PLATFORM | A |
| | | Ref | Note: Original Cylinder may have been replaced with Service Replacement. Identify PN Stamped on Cylinder Before Ordering Parts. | |
| 1 | See Note | NSS | Barrel (Note: Not Available for Purchase) | |
| 2 | 70006782 | 1 | Rod | |
| 3 | 70006783 | 1 | Head | |
| 4 | See Note | NSS | Wiper (Note: Use Item 100) | |
| 5 | 70002410 | 1 | Ring, Retaining | |
| 6 | See Note | NSS | Seal, Rod (Note: Use Item 100) | |
| 7 | See Note | NSS | Ring, Back-up (Note: Use Item 100) | |
| 8 | 70005793 | 1 | Spacer | |
| 9 | See Note | NSS | O-Ring (Note: Use Item 100) | |
| 10 | See Note | NSS | Ring, Back-up (Note: Use Item 100) | |
| 11 | See Note | NSS | O-Ring (Note: Use Item 100) | |
| 12 | 70006590 | 1 | Piston | |
| 13 | See Note | NSS | Seal (Note: Use Item 100) | |
| 14 | See Note | NSS | O-Ring (Note: Use Item 100) | |
| 15 | 70022564 | 1 | Ball (Steel) | |
| 16 | 70006601 | 1 | Setscrew | |
| 17 | 70006784 | 1 | Spacer, Tube | |
| 18 | 0961947 | 4 | Bushing | |
| 19 | 4640605 | 1 | Valve, Cartridge | |
| 19 | 2900792 | 1 | Seal Kit - 4640605 Valve | |
| 20 | 4640932 | 1 | Valve, Cartridge | |
| 20 | 7011112 | 1 | Seal Kit - 4640932 Valve | |
| 21 | 2220883 | 10 | Plug | |
| 100 | 2901526 | 1 | Seal Kit (Includes Items 4, 6, 7, 9-11, 13 & 14) | |

SECTION 5 - CYLINDER

FIGURE 5-4. LEVEL CYLINDER ASSEMBLY - PLATFORM SLAVE (800AJ ONLY) (SERVICE REPLACEMENT)



ART_1001228030

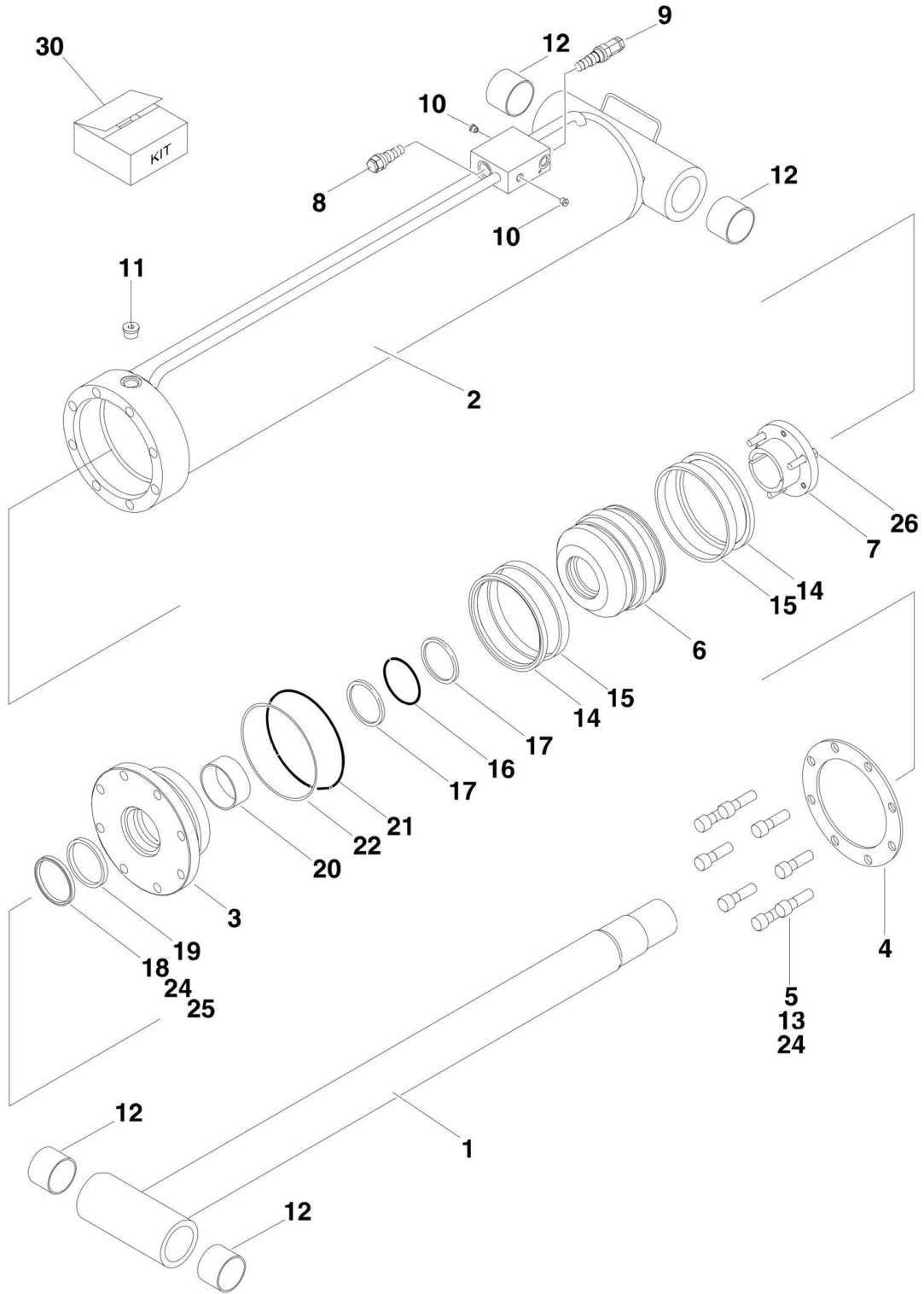
SECTION 5 - CYLINDER

FIGURE 5-4. LEVEL CYLINDER ASSEMBLY - PLATFORM SLAVE (800AJ ONLY) (SERVICE REPLACEMENT)

| ITEM | PART NUMBER | QTY | DESCRIPTION | REV |
|------|-------------|-----|---|-----|
| | 1001228030 | Ref | LEVEL (SLAVE) CYLINDER ASSEMBLY | B |
| | | Ref | Note: Original Cylinder may have been replaced with Service Replacement. Identify PN Stamped on Cylinder Before Ordering Parts. | |
| 1 | See Note | NSS | Barrel (Note: Not Available for Purchase) | |
| 2 | 70006642 | 1 | Rod | |
| 3 | 70006643 | 1 | Head | |
| 4 | See Note | NSS | Wiper (Note: Use Item 100) | |
| 5 | See Note | NSS | Seal (Note: Use Item 100) | |
| 6 | See Note | NSS | Ring, Wear (Note: Use Item 100) | |
| 7 | See Note | NSS | O-Ring (Note: Use Item 100) | |
| 8 | See Note | NSS | Ring, Back-up (Note: Use Item 100) | |
| 9 | 70006644 | 1 | Piston | |
| 10 | See Note | NSS | Seal (Note: Use Item 100) | |
| 11 | See Note | NSS | Ring, Lock (Note: Use Item 100) | |
| 12 | See Note | NSS | O-Ring (Note: Use Item 100) | |
| 13 | See Note | NSS | Ring, Back-up (Note: Use Item 100) | |
| 14 | 70006645 | 1 | Spacer, Tube | |
| 15 | 0961894 | 1 | Bushing, Tapered | |
| 16 | 4640932 | 1 | Valve, Cartridge | |
| 16 | 7011112 | 1 | Seal Kit - 4640932 Valve | |
| 17 | 4640605 | 1 | Valve, Cartridge | |
| 17 | 2900792 | 1 | Seal Kit - 4640605 Valve | |
| 18 | 0961951 | 4 | Bushing | |
| 19 | 0630535 | 3 | Bolt | |
| 20 | 3931620 | 8 | Capscrew 3/8-16 x 1-1/4 | |
| 21 | 2220883 | 10 | Plug, O-Ring | |
| 22 | 2220885 | 1 | Plug, O-Ring | |
| 100 | 1001138796 | 1 | Seal Kit (Includes Items 4-8 & 10-13) | |

SECTION 5 - CYLINDER

FIGURE 5-5. LEVEL CYLINDER ASSEMBLY - UPRIGHT



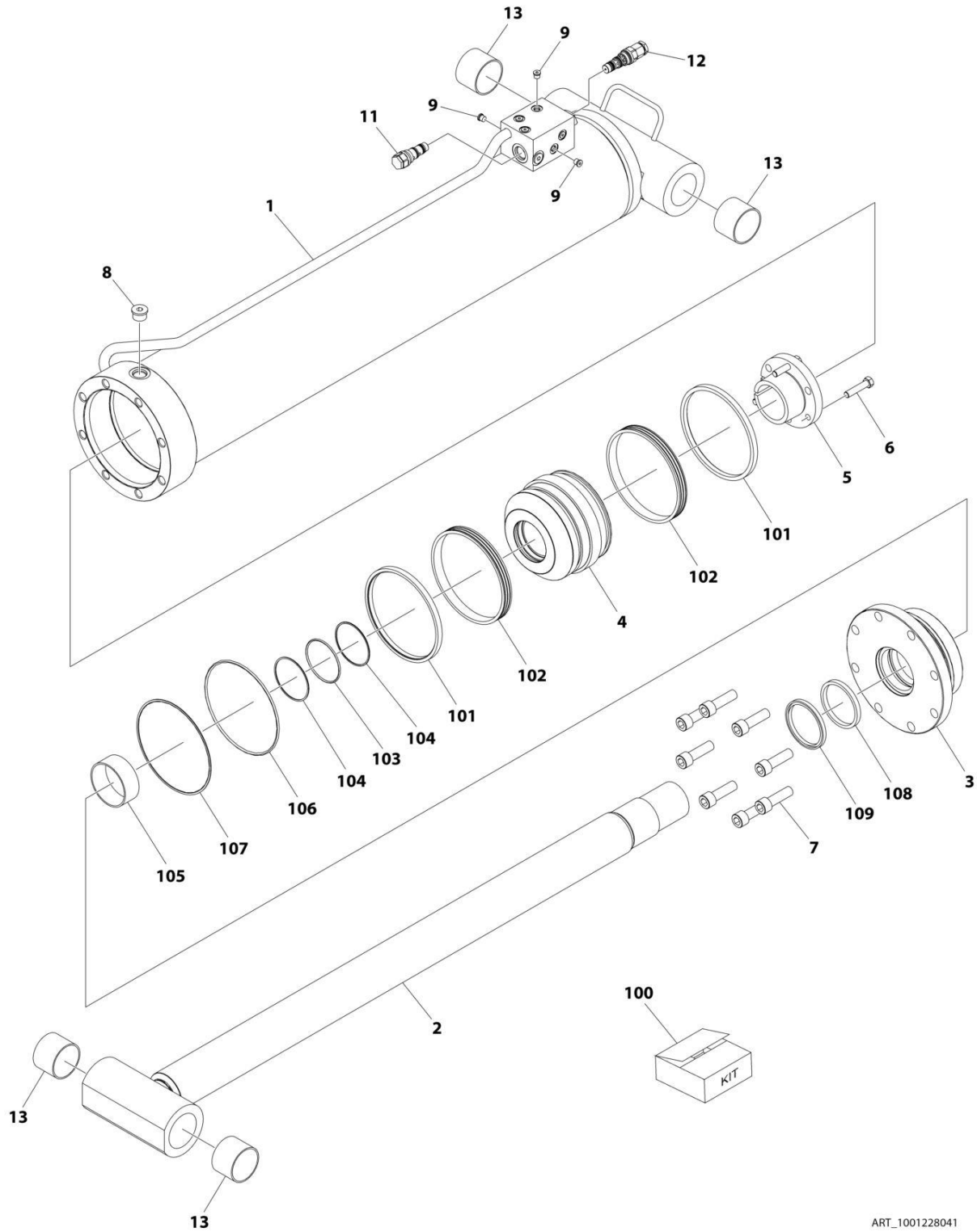
SECTION 5 - CYLINDER

FIGURE 5-5. LEVEL CYLINDER ASSEMBLY - UPRIGHT

| ITEM | PART NUMBER | QTY | DESCRIPTION | REV |
|------|-------------|-----|--|-----|
| | | Ref | Note: Original Equipment Cylinder may have been replaced with Service Replacement Cylinder. Identify p/n stamped on cylinder before ordering parts. | |
| | | Ref | LEVEL CYLINDER ASSEMBLY - UPRIGHT | |
| | 1683546 | Ref | Original Equipment | G |
| | 1684497 | Ref | Service Replacement | C |
| 1 | 1683544 | 1 | Rod Weldment | |
| 2 | 1683545 | NLA | Barrel Weldment (Use p/n 0370034) | |
| 2 | 1683819 | NLA | Barrel Weldment (Use p/n 0370034) | |
| 3 | 1683071 | 1 | Head | |
| 4 | 3760374 | 1 | Ring, Washer | |
| 5 | 3932240 | 8 | Bolt, Socket Head 3/4in x 2-1/2in | |
| 6 | 3480237 | 1 | Piston | |
| 7 | 0961901 | 1 | Bushing, Tapered | |
| 8 | 4640509 | 1 | Cartridge, Valve | |
| 8 | 2900792 | 1 | Seal Kit - 4640509 Valve | |
| 9 | 4640605 | 1 | Cartridge, Valve | |
| 9 | 2900792 | 1 | Seal Kit - 4640605 Valve | |
| 10 | 2220883 | 2 | Plug, O-Ring | |
| 11 | 2220888 | 1 | Plug, O-Ring | |
| 12 | 0962102 | 4 | Bushing | |
| 14 | See Note | NSS | Ring, Lock (Note: Use Item 30) | |
| 15 | See Note | NSS | Seal (Note: Use Item 30) | |
| 16 | See Note | NSS | Ring, Washer (Note: Use Item 30) | |
| 17 | See Note | NSS | Ring, Back-up (Note: Use Item 30) | |
| 18 | See Note | NSS | Wiper (Note: Use Item 30) | |
| 19 | See Note | NSS | Seal, Rod (Note: Use Item 30) | |
| 20 | See Note | NSS | Ring, Wear (Note: Use Item 30) | |
| 21 | See Note | NSS | O-Ring (Note: Use Item 30) | |
| 22 | See Note | NSS | Ring, Back-up (Note: Use Item 30) | |
| 23 | 0100011 | AR | Compound, Locking | |
| 24 | 0100038 | AR | Primer, Locking | |
| 25 | 0100063 | AR | Loctite #RC609 | |
| 26 | | Ref | Hardware Options: | |
| 26 | 0641818 | 3 | Bolt 1/2in-13NC x 2-1/2in (Prior to SN 0300045154) | |
| 26 | 0630537 | 3 | Bolt (SN 0300045154 through 0300069000) | |
| 30 | 2901526 | 1 | Seal Kit (Includes Items 14-22) | |

SECTION 5 - CYLINDER

FIGURE 5-6. LEVEL CYLINDER ASSEMBLY - UPRIGHT (SERVICE REPLACEMENT)



ART_1001228041

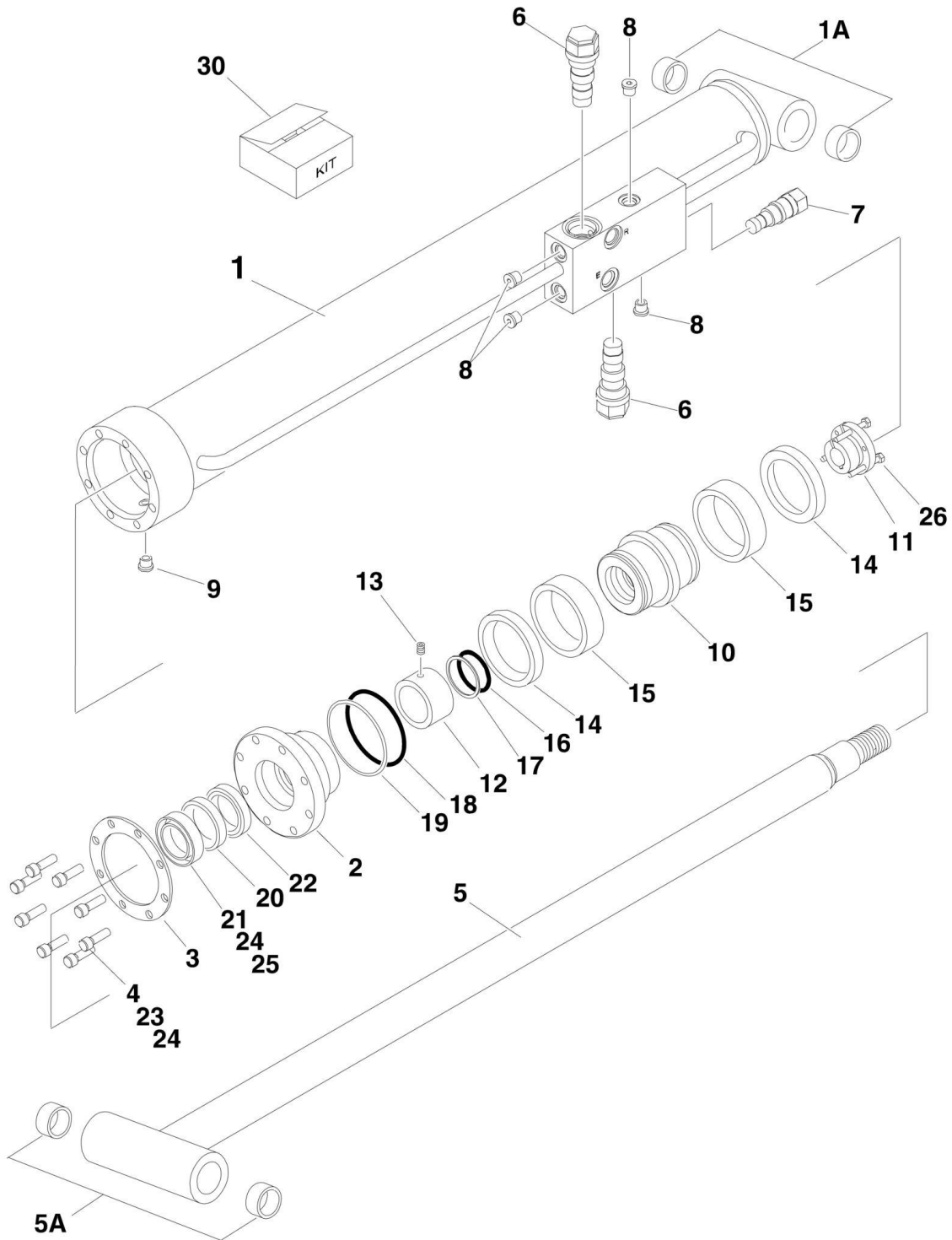
SECTION 5 - CYLINDER

FIGURE 5-6. LEVEL CYLINDER ASSEMBLY - UPRIGHT (SERVICE REPLACEMENT)

| ITEM | PART NUMBER | QTY | DESCRIPTION | REV |
|------|-------------|-----|---|-----|
| | 1001228041 | Ref | LEVEL CYLINDER ASSEMBLY | B |
| | | Ref | Note: Original Cylinder may have been replaced with Service Replacement. Identify PN Stamped on Cylinder Before Ordering Parts. | |
| 1 | See Note | NSS | Barrel (Note: Not Available for Purchase) | |
| 2 | 70006391 | 1 | Rod | |
| 3 | 70006390 | 1 | Head | |
| 4 | 70006389 | 1 | Piston | |
| 5 | 70006385 | 1 | Bushing, Tapered | |
| 6 | 0630537 | 3 | Bolt | |
| 7 | 3932240 | 8 | Capscrew 3/4 x 2-1/2 | |
| 8 | 2220888 | 1 | Plug, O-Ring | |
| 9 | 2220883 | 6 | Plug, O-Ring | |
| 11 | 4640509 | 1 | Cartridge, Valve | |
| 11 | 2900792 | 1 | Seal Kit - 4640509 Valve | |
| 12 | 4640605 | 1 | Cartridge, Valve | |
| 12 | 2900792 | 1 | Seal Kit - 4640605 Valve | |
| 13 | 0962102 | 4 | Bushing | |
| 100 | 2901526 | 1 | Seal Kit (Includes Items 101-109) | |
| 101 | See Note | NSS | Ring, Lock (Note: Use Item 100) | |
| 102 | See Note | NSS | Seal (Note: Use Item 100) | |
| 103 | See Note | NSS | Ring, Washer (Note: Use Item 100) | |
| 104 | See Note | NSS | Ring, Back-up (Note: Use Item 100) | |
| 105 | See Note | NSS | Ring, Wear (Note: Use Item 100) | |
| 106 | See Note | NSS | O-Ring (Note: Use Item 100) | |
| 107 | See Note | NSS | Ring, Back-up (Note: Use Item 100) | |
| 108 | See Note | NSS | Seal, Rod (Note: Use Item 100) | |
| 109 | See Note | NSS | Wiper (Note: Use Item 100) | |

SECTION 5 - CYLINDER

FIGURE 5-7. LIFT CYLINDER ASSEMBLY - JIB (800AJ ONLY) (ORIGINAL EQUIPMENT)



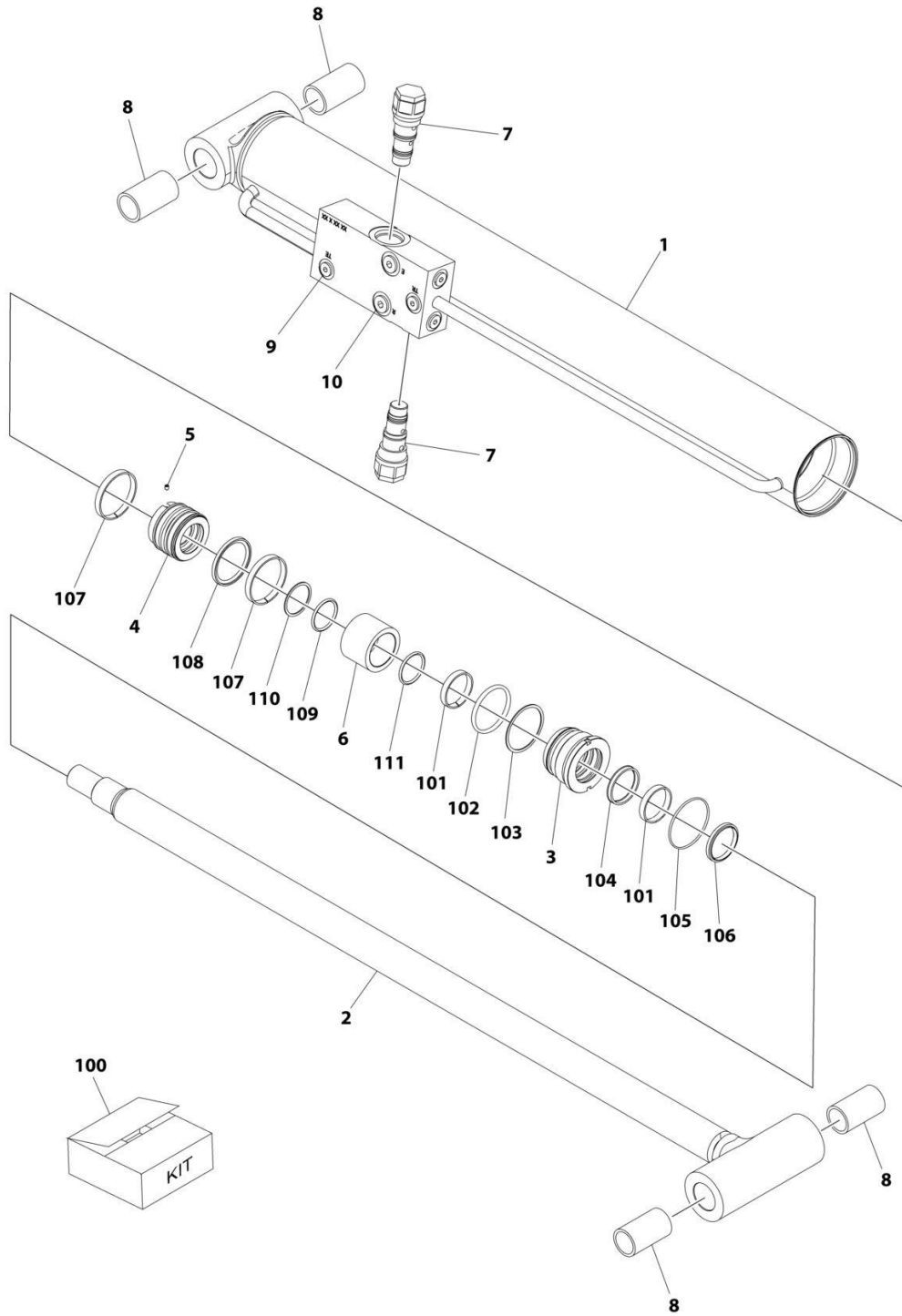
SECTION 5 - CYLINDER

FIGURE 5-7. LIFT CYLINDER ASSEMBLY - JIB (800AJ ONLY) (ORIGINAL EQUIPMENT)

| ITEM | PART NUMBER | QTY | DESCRIPTION | REV |
|------|-------------|-----|---|-----|
| | 1683609 | Ref | LIFT CYLINDER ASSEMBLY - JIB (800AJ ONLY) | D |
| | | Ref | Note: Original Cylinder may have been replaced with Service Replacement. Identify PN Stamped on Cylinder Before Ordering Parts. | |
| 1 | | Ref | Barrel Weldment Options: (Note: Includes Item 1A) | |
| 1 | 1683687 | 1 | Barrel Weldment (Prior to SN 0300062045) | |
| 1 | 1684089 | 1 | Barrel Weldment (SN 0300062045 through 0300069000) | |
| 1A | | Ref | Bushing Options: | |
| 1A | 0961947 | 2 | Bushing (Prior to SN 0300054012) | |
| 1A | 0962336 | 2 | Bushing (SN 0300054012 through 0300069000) | |
| 2 | 1683053 | 1 | Head | |
| 3 | 3760368 | 1 | Washer, Ring | |
| 4 | 3931516 | 8 | Bolt, Socket Head 5/16in-18NC x 2in | |
| 5 | | Ref | Rod Weldment Options (Note: Includes Item 5A) | |
| 5 | 1683261 | 1 | Rod Weldment (Prior to SN 0300062045) | |
| 5 | 1684090 | 1 | Rod Weldment (SN 0300062045 through 0300069000) | |
| 5A | | Ref | Bushing Options: | |
| 5A | 0961947 | 2 | Bushing (Prior to SN 0300054012) | |
| 5A | 0962336 | 2 | Bushing (SN 0300054012 through 0300069000) | |
| 6 | 4640509 | 2 | Cartridge, Valve (Counterbalance Non-Vented) | |
| 6 | 2900792 | 2 | Seal Kit - 4640509 Valve | |
| 7 | 4641062 | 1 | Plug, P.O. Check | |
| 8 | 2220883 | 4 | Plug, O-Ring | |
| 9 | 2220885 | 1 | Plug, O-Ring | |
| 10 | 3480210 | 1 | Piston | |
| 11 | 0961893 | 1 | Bushing, Tapered | |
| 12 | 4566471 | 1 | Spacer, Tube | |
| 13 | 3900141 | 1 | Setscrew 1/4in-20NC x 1/4in | |
| 14 | See Note | NSS | Ring, Lock (Note: Use Item 30) | |
| 15 | See Note | NSS | Seal, Piston (Note: Use Item 30) | |
| 16 | See Note | NSS | O-Ring (Note: Use Item 30) | |
| 17 | See Note | NSS | Ring, Back-up (Note: Use Item 30) | |
| 18 | See Note | NSS | O-Ring (Note: Use Item 30) | |
| 19 | See Note | NSS | Ring, Back-up (Note: Use Item 30) | |
| 20 | See Note | NSS | Seal (Note: Use Item 30) | |
| 21 | See Note | NSS | Wiper (Note: Use Item 30) | |
| 22 | See Note | NSS | Ring, Wear (Note: Use Item 30) | |
| 23 | 0100011 | AR | Compound, Locking | |
| 24 | 0100038 | AR | Primer, Locking | |
| 25 | 0100063 | AR | Loctite #RC609 | |
| 26 | 0630534 | 3 | Capscrew, Socket Head #10-24NC x 1in | |
| 30 | 2901303 | 1 | Seal Kit (Includes Items 14-22) | |

SECTION 5 - CYLINDER

FIGURE 5-8. LIFT CYLINDER ASSEMBLY - JIB (800AJ ONLY) (USAGE MAY VARY) (SERVICE REPLACEMENT)



ART_1001228012

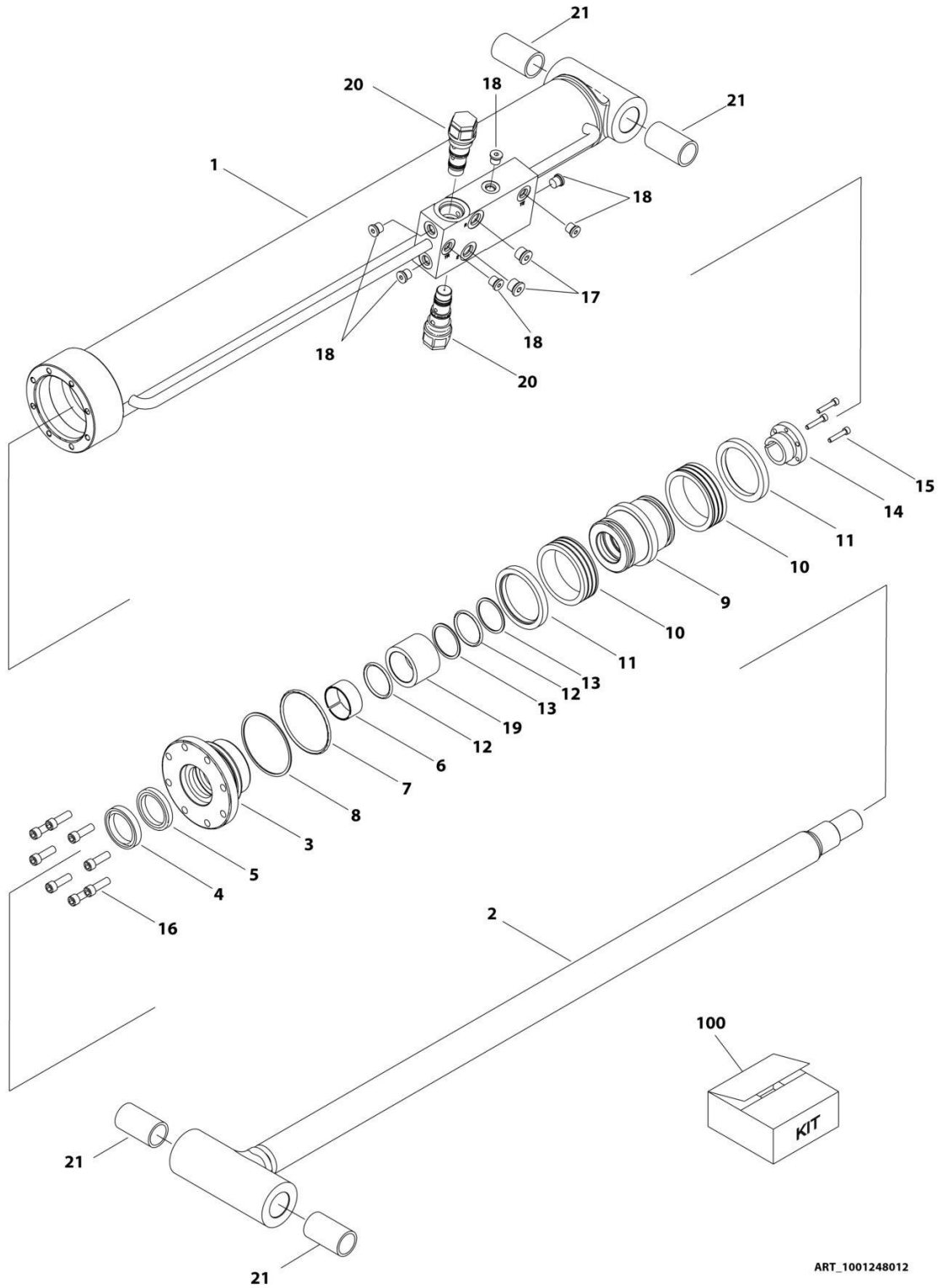
SECTION 5 - CYLINDER

FIGURE 5-8. LIFT CYLINDER ASSEMBLY - JIB (800AJ ONLY) (USAGE MAY VARY) (SERVICE REPLACEMENT)

| ITEM | PART NUMBER | QTY | DESCRIPTION | REV |
|------|-------------|-----|---|-----|
| | 1001228012 | Ref | LIFT CYLINDER ASSEMBLY - JIB | C |
| | | Ref | Note: Original Cylinder May Have Been Replaced with Service Replacement. Identify PN Stamped on Cylinder Before Ordering Parts. | |
| 1 | See Note | NSS | Barrel (Note: Not Available for Purchase) | |
| 2 | 70006572 | 1 | Rod | |
| 3 | 70006571 | 1 | Head | |
| 4 | 70006570 | 1 | Piston | |
| 5 | 70023915 | 1 | Screw | |
| 6 | 70006569 | 1 | Spacer | |
| 7 | 4640509 | 2 | Cartridge, Valve | |
| 7 | 2900792 | 2 | Seal Kit - 4640509 Valve | |
| 8 | 0962336 | 4 | Bushing | |
| 9 | 2220883 | 6 | Plug, O-Ring | |
| 10 | 2220885 | 2 | Plug, O-Ring | |
| 100 | 70006568 | 1 | Seal Kit (Includes Items 101-111) | |
| 101 | See Note | NSS | Ring, Wear (Note: Use Item 100) | |
| 102 | See Note | NSS | O-Ring (Note: Use Item 100) | |
| 103 | See Note | NSS | Ring, Back-up (Note: Use Item 100) | |
| 104 | See Note | NSS | Seal, Rod (Note: Use Item 100) | |
| 105 | See Note | NSS | O-Ring (Note: Use Item 100) | |
| 106 | See Note | NSS | Wiper (Note: Use Item 100) | |
| 107 | See Note | NSS | Ring, Wear (Note: Use Item 100) | |
| 108 | See Note | NSS | Seal (Note: Use Item 100) | |
| 109 | See Note | NSS | O-Ring (Note: Use Item 100) | |
| 110 | See Note | NSS | Ring, Back-up (Note: Use Item 100) | |
| 111 | See Note | NSS | O-Ring (Note: Use Item 100) | |

SECTION 5 - CYLINDER

FIGURE 5-9. LIFT CYLINDER ASSEMBLY - JIB (800AJ ONLY) (USAGE MAY VARY) (SERVICE REPLACEMENT)



ART_1001248012

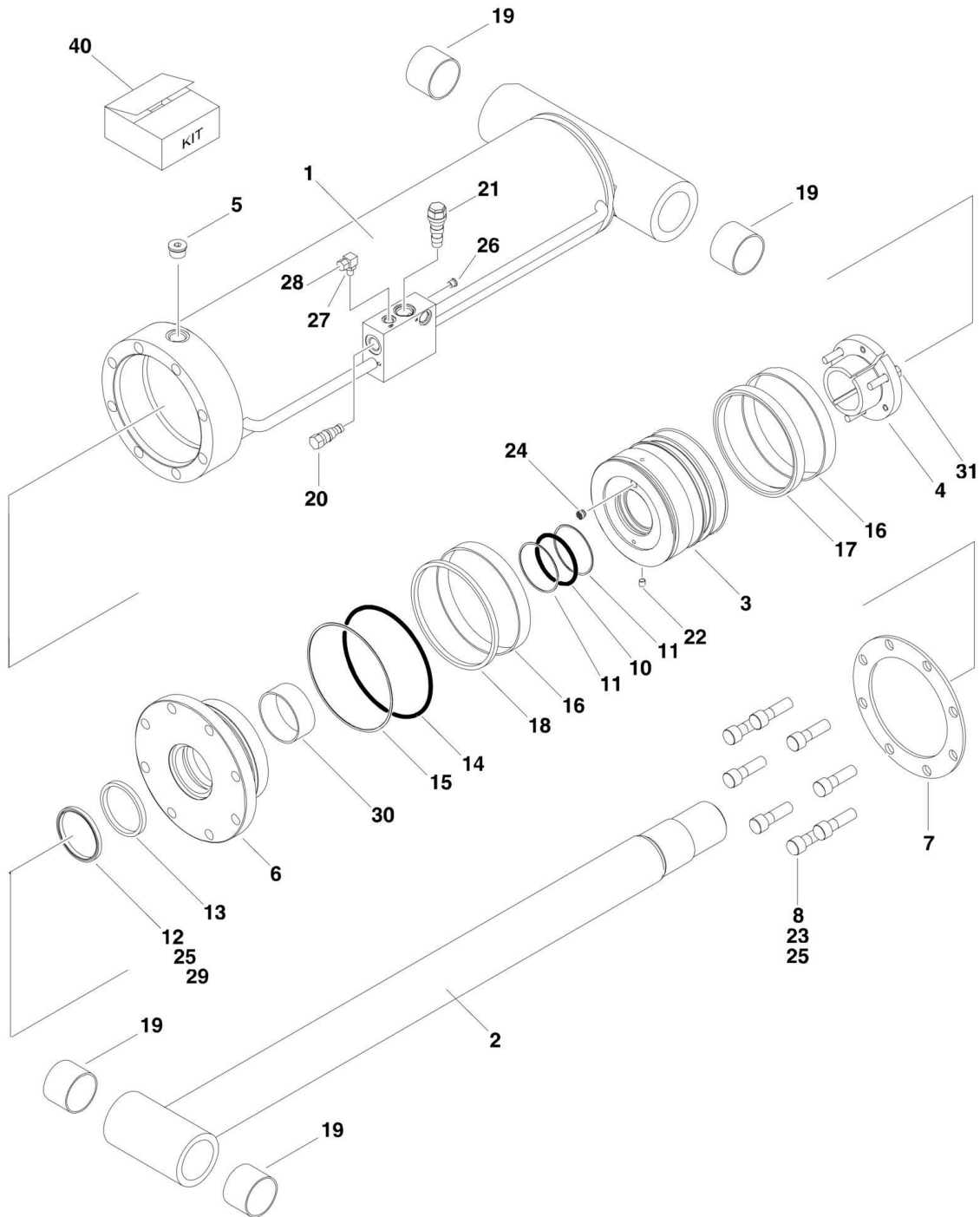
SECTION 5 - CYLINDER

FIGURE 5-9. LIFT CYLINDER ASSEMBLY - JIB (800AJ ONLY) (USAGE MAY VARY) (SERVICE REPLACEMENT)

| ITEM | PART NUMBER | QTY | DESCRIPTION | REV |
|------|-------------|-----|---|-----|
| | 1001248012 | Ref | LIFT CYLINDER ASSEMBLY - JIB | A |
| | | Ref | Note: Original Cylinder May Have Been Replaced with Service Replacement. Identify PN Stamped on Cylinder Before Ordering Parts. | |
| 1 | See Note | NSS | Barrel (Note: Not Available for Purchase) | |
| 2 | 70006734 | 1 | Rod | |
| 3 | 70006649 | 1 | Head | |
| 4 | See Note | NSS | Wiper (Note: Use Item 100) | |
| 5 | See Note | NSS | Seal, Rod (Note: Use Item 100) | |
| 6 | See Note | NSS | Ring, Wear (Note: Use Item 100) | |
| 7 | See Note | NSS | O-Ring (Note: Use Item 100) | |
| 8 | See Note | NSS | Ring, Back-up (Note: Use Item 100) | |
| 9 | 70006650 | 1 | Piston | |
| 10 | See Note | NSS | Seal (Note: Use Item 100) | |
| 11 | See Note | NSS | Ring, Lock (Note: Use Item 100) | |
| 12 | See Note | NSS | O-Ring (Note: Use Item 100) | |
| 13 | See Note | NSS | Ring, Back-up (Note: Use Item 100) | |
| 14 | 0961893 | 1 | Bushing, Tapered | |
| 15 | 0630534 | 3 | Capscrew, Socket Head #10 x 1 | |
| 16 | 70006735 | 8 | Capscrew 5/16 | |
| 17 | 2220885 | 2 | Plug, O-Ring | |
| 18 | 2220883 | 6 | Plug, O-Ring | |
| 19 | 70006736 | 1 | Spacer | |
| 20 | 4640509 | 2 | Cartridge, Valve | |
| 20 | 2900792 | 2 | Seal Kit - 4640509 Valve | |
| 21 | 0962336 | 4 | Bushing | |
| 100 | 1001138795 | 1 | Seal Kit (Includes Items 4-8 & 10-13) | |

SECTION 5 - CYLINDER

FIGURE 5-10. LIFT CYLINDER ASSEMBLY - MAIN BOOM (ORIGINAL EQUIPMENT)



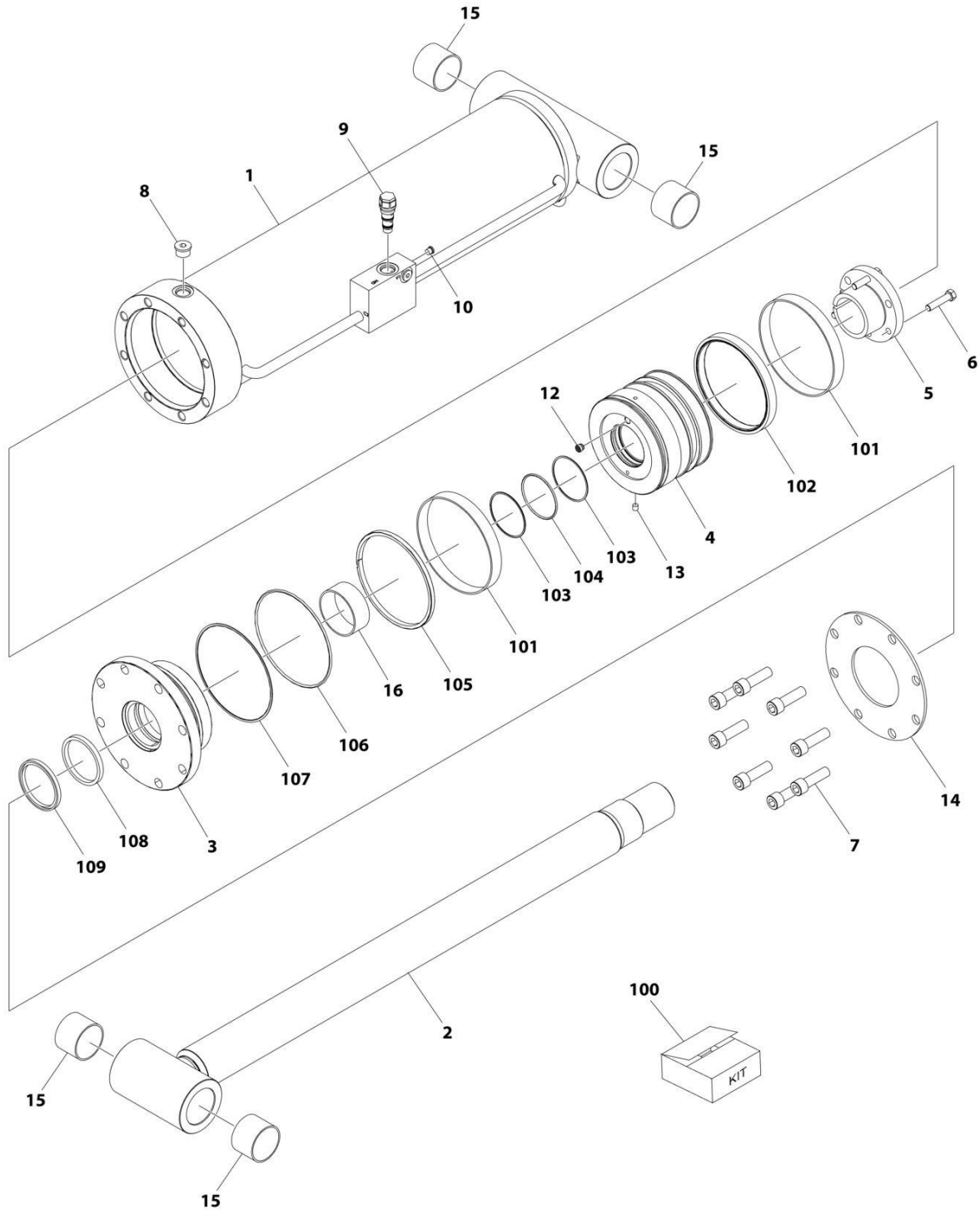
SECTION 5 - CYLINDER

FIGURE 5-10. LIFT CYLINDER ASSEMBLY - MAIN BOOM (ORIGINAL EQUIPMENT)

| ITEM | PART NUMBER | QTY | DESCRIPTION | REV |
|------|-------------|-----|---|-----|
| | 1683547 | Ref | LIFT CYLINDER ASSEMBLY - MAIN BOOM | I |
| | | Ref | Note: Original Cylinder may have been replaced with Service Replacement. Identify PN Stamped on Cylinder Before Ordering Parts. | |
| 1 | | Ref | Barrel Weldment Options: | |
| 1 | 1683548 | NLA | Barrel Weldment (Use p/n 1683821) (Prior to SN 0300045154) | |
| 1 | 1683821 | 1 | Barrel Weldment (SN 0300045154 through 0300069000) | |
| 2 | 1683549 | 1 | Rod Weldment | |
| 3 | 3480238 | 1 | Piston | |
| 4 | 0961901 | 1 | Bushing, Tapered | |
| 5 | 2220888 | 1 | Plug, O-Ring | |
| 6 | 1683071 | 1 | Head | |
| 7 | 3760374 | 1 | Washer, Ring | |
| 8 | 3932240 | 8 | Bolt, Socket Head 3/4in x 2-1/2in | |
| 10 | See Note | NSS | O-Ring (Note: Use Item 40) | |
| 11 | See Note | NSS | Ring, Back-up (Note: Use Item 40) | |
| 12 | See Note | NSS | Wiper (Note: Use Item 40) | |
| 13 | See Note | NSS | Seal, Rod (Note: Use Item 40) | |
| 14 | See Note | NSS | O-Ring (Note: Use Item 40) | |
| 15 | See Note | NSS | Ring, Back-up (Note: Use Item 40) | |
| 16 | See Note | NSS | Ring, Wear (Note: Use Item 40) | |
| 17 | See Note | NSS | T-Seal (Note: Use Item 40) | |
| 18 | See Note | NSS | Seal (Note: Use Item 40) | |
| 19 | 0962102 | 4 | Bushing | |
| 20 | 4641062 | 1 | Cartridge, Cavity Plug | |
| 21 | 4640509 | 1 | Cartridge, Valve | |
| 21 | 2900792 | 1 | Seal Kit - 4640509 Valve | |
| 22 | 2180615 | 1 | Orifice | |
| 23 | 0100011 | AR | Compound, Locking | |
| 24 | 4641027 | 1 | Plug, Check Valve | |
| 25 | 0100038 | AR | Primer, Locking | |
| 26 | 2220883 | 1 | Plug | |
| 27 | 2220775 | 1 | Fitting | |
| 28 | 2220516 | 1 | Fitting | |
| 29 | 0100063 | AR | Loctite #RC609 | |
| 30 | See Note | NSS | Ring, Wear (Note: Use Item 40) | |
| 31 | | Ref | Hardware Options: | |
| 31 | 0641818 | 3 | Bolt 1/2in-13NC x 2-1/2in (Prior to SN 0300045154) | |
| 31 | 0630537 | 3 | Bolt (SN 0300045154 through 0300069000) | |
| 40 | 2901514 | 1 | Seal Kit (Includes Items 10-18 & 30) | |

SECTION 5 - CYLINDER

FIGURE 5-11. LIFT CYLINDER ASSEMBLY - MAIN BOOM (SERVICE REPLACEMENT)



ART_1001228010

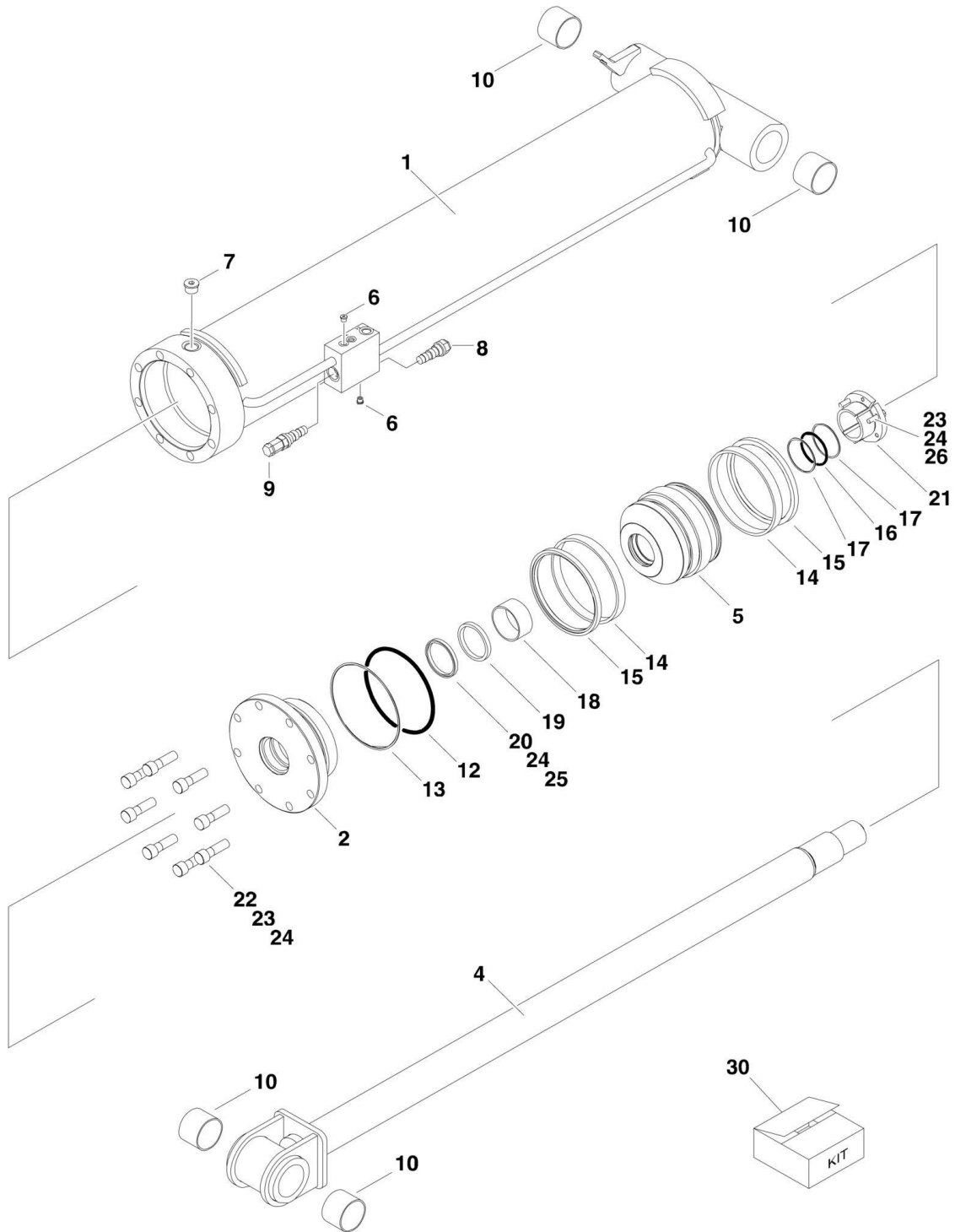
SECTION 5 - CYLINDER

FIGURE 5-11. LIFT CYLINDER ASSEMBLY - MAIN BOOM (SERVICE REPLACEMENT)

| ITEM | PART NUMBER | QTY | DESCRIPTION | REV |
|------|-------------|-----|---|-----|
| | 1001228010 | Ref | LIFT CYLINDER ASSEMBLY | B |
| | | Ref | Note: Original Cylinder may have been replaced with Service Replacement. Identify PN Stamped on Cylinder Before Ordering Parts. | |
| 1 | See Note | NSS | Barrel (Note: Not Available for Purchase) | |
| 2 | 70006388 | 1 | Rod | |
| 3 | 70006387 | 1 | Head | |
| 4 | 70006386 | 1 | Piston | |
| 5 | 70006385 | 1 | Bushing, Tapered | |
| 6 | 0630537 | 3 | Bolt | |
| 7 | 3932240 | 8 | Capscrew 3/4 x 2-1/2 | |
| 7 | See Note | AR | Compound, Locking (Note: Use Loctite 263) | |
| 8 | 2220888 | 1 | Plug | |
| 9 | 4640509 | 1 | Cartridge, Valve | |
| 9 | 2900792 | 1 | Seal Kit - 4640509 Valve | |
| 10 | 2220883 | 1 | Plug | |
| 12 | 4641027 | 1 | Plug, Check Valve | |
| 13 | 2180615 | 1 | Orifice | |
| 14 | 70006384 | 1 | Washer, Ring | |
| 15 | 0962102 | 4 | Bushing | |
| 16 | See Note | NSS | Ring, Wear (Note: Use Item 100) | |
| 100 | 2901514 | 1 | Seal Kit (Includes Items 16 and 101-109) | |
| 101 | See Note | NSS | Ring, Wear (Note: Use Item 100) | |
| 102 | See Note | NSS | T-Seal (Note: Use Item 100) | |
| 103 | See Note | NSS | Ring, Back-up (Note: Use Item 100) | |
| 104 | See Note | NSS | O-Ring (Note: Use Item 100) | |
| 105 | See Note | NSS | Seal (Note: Use Item 100) | |
| 106 | See Note | NSS | O-Ring (Note: Use Item 100) | |
| 107 | See Note | NSS | Ring Back-up (Note: Use Item 100) | |
| 108 | See Note | NSS | Seal, Rod (Note: Use Item 100) | |
| 109 | See Note | NSS | Wiper (Note: Use Item 100) | |

SECTION 5 - CYLINDER

FIGURE 5-12. LIFT CYLINDER ASSEMBLY - TOWER BOOM (ORIGINAL EQUIPMENT)



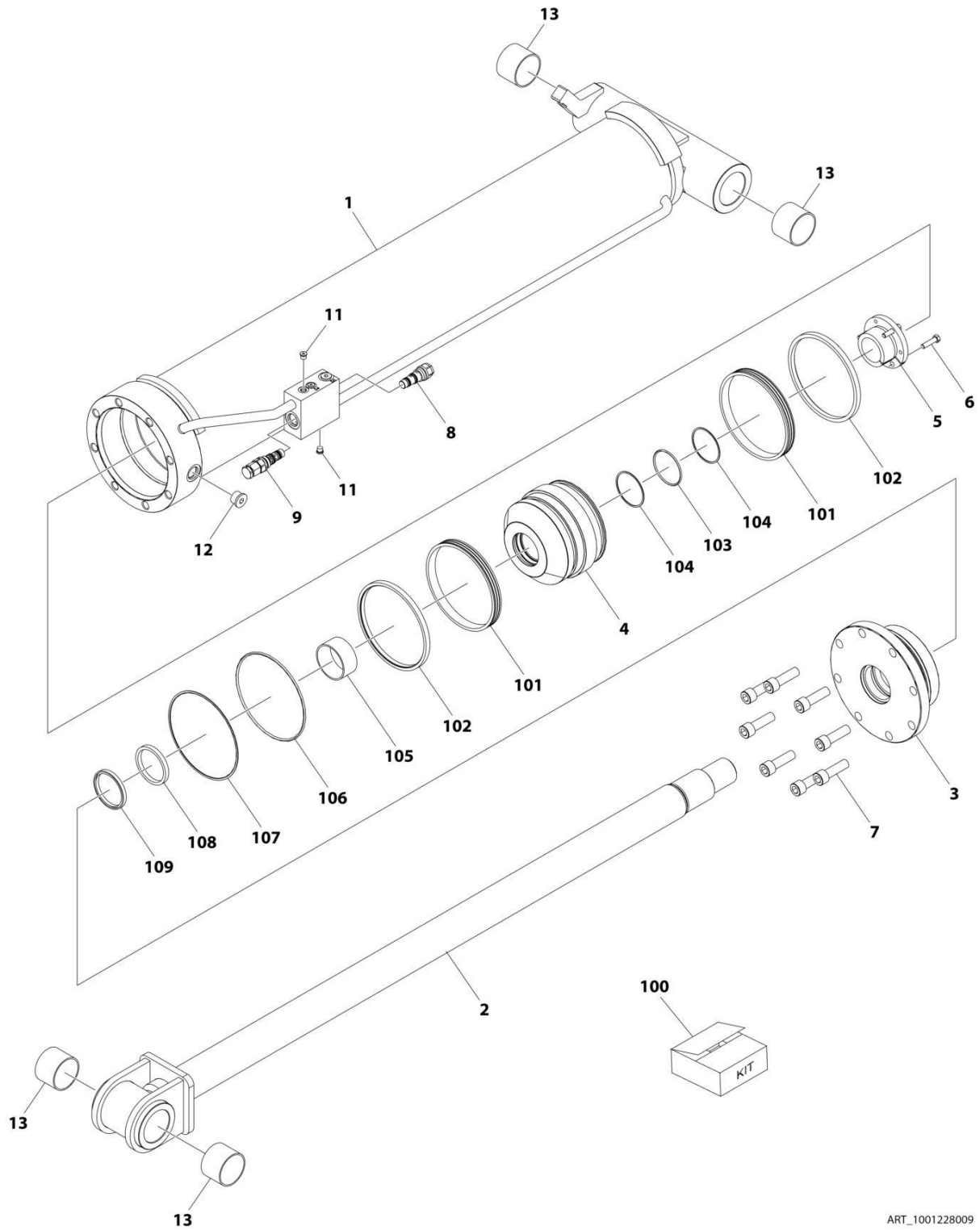
SECTION 5 - CYLINDER

FIGURE 5-12. LIFT CYLINDER ASSEMBLY - TOWER BOOM (ORIGINAL EQUIPMENT)

| ITEM | PART NUMBER | QTY | DESCRIPTION | REV |
|------|-------------|-----|---|-----|
| | 1683537 | Ref | LIFT CYLINDER ASSEMBLY - TOWER BOOM | G |
| | | Ref | Note: Original Cylinder may have been replaced with Service Replacement. Identify PN Stamped on Cylinder Before Ordering Parts. | |
| 1 | | Ref | Barrel Weldment Options: | |
| 1 | 1683538 | NLA | Barrel Weldment (Use p/n 1683823) (Prior to SN 0300045154) | |
| 1 | 1683823 | 1 | Barrel Weldment (SN 0300045154 through 0300069000) | |
| 2 | | Ref | Head Options: | |
| 2 | 1683073 | NLA | Head (Use p/n 1683818) (Prior to SN 0300045154) | |
| 2 | 1683818 | 1 | Head (SN 0300045154 through 0300069000) | |
| 3 | 3760374 | 1 | Ring, Washer (Prior to SN 0300045154) | |
| 4 | 1683539 | 1 | Rod Weldment | |
| 5 | 3480236 | 1 | Piston | |
| 6 | 2220883 | 2 | Plug, O-Ring | |
| 7 | 2220888 | 1 | Plug, O-Ring | |
| 8 | 4640509 | 1 | Cartridge, Valve | |
| 8 | 2900792 | 1 | Seal Kit - 4640999 Valve | |
| 9 | 4640605 | 1 | Cartridge, Valve | |
| 9 | 2900792 | 1 | Seal Kit - 4640605 Valve | |
| 10 | 0962102 | 4 | Bushing | |
| 12 | See Note | NSS | O-Ring (Note: Use Item 30) | |
| 13 | See Note | NSS | Ring, Lock (Note: Use Item 30) | |
| 14 | See Note | NSS | Seal (Note: Use Item 30) | |
| 15 | See Note | NSS | Ring, Lock (Note: Use Item 30) | |
| 16 | See Note | NSS | O-Ring (Note: Use Item 30) | |
| 17 | See Note | NSS | Ring, Back-up (Note: Use Item 30) | |
| 18 | See Note | NSS | Ring, Wear (Note: Use Item 30) | |
| 19 | See Note | NSS | Seal (Note: Use Item 30) | |
| 20 | See Note | NSS | Wiper (Note: Use Item 30) | |
| 21 | 0961903 | 1 | Bushing, Tapered | |
| 22 | 3932240 | 8 | Capscrew, Socket Head 3/4in x 2-1/2in | |
| 23 | 0100011 | AR | Compound, Locking | |
| 24 | 0100038 | AR | Primer, Locking | |
| 25 | 0100063 | AR | Loctite #RC609 | |
| 26 | | Ref | Hardware Options: | |
| 26 | 0641612 | 3 | Bolt 3/8in-16NC x 1-1/2in (Prior to SN 0300045154) | |
| 26 | 0630536 | 3 | Bolt (SN 0300045154 through 0300069000) | |
| 30 | 2901537 | 1 | Seal Kit (Includes Items 12-20) | |

SECTION 5 - CYLINDER

FIGURE 5-13. LIFT CYLINDER ASSEMBLY - TOWER BOOM (SERVICE REPLACEMENT)



ART_1001228009

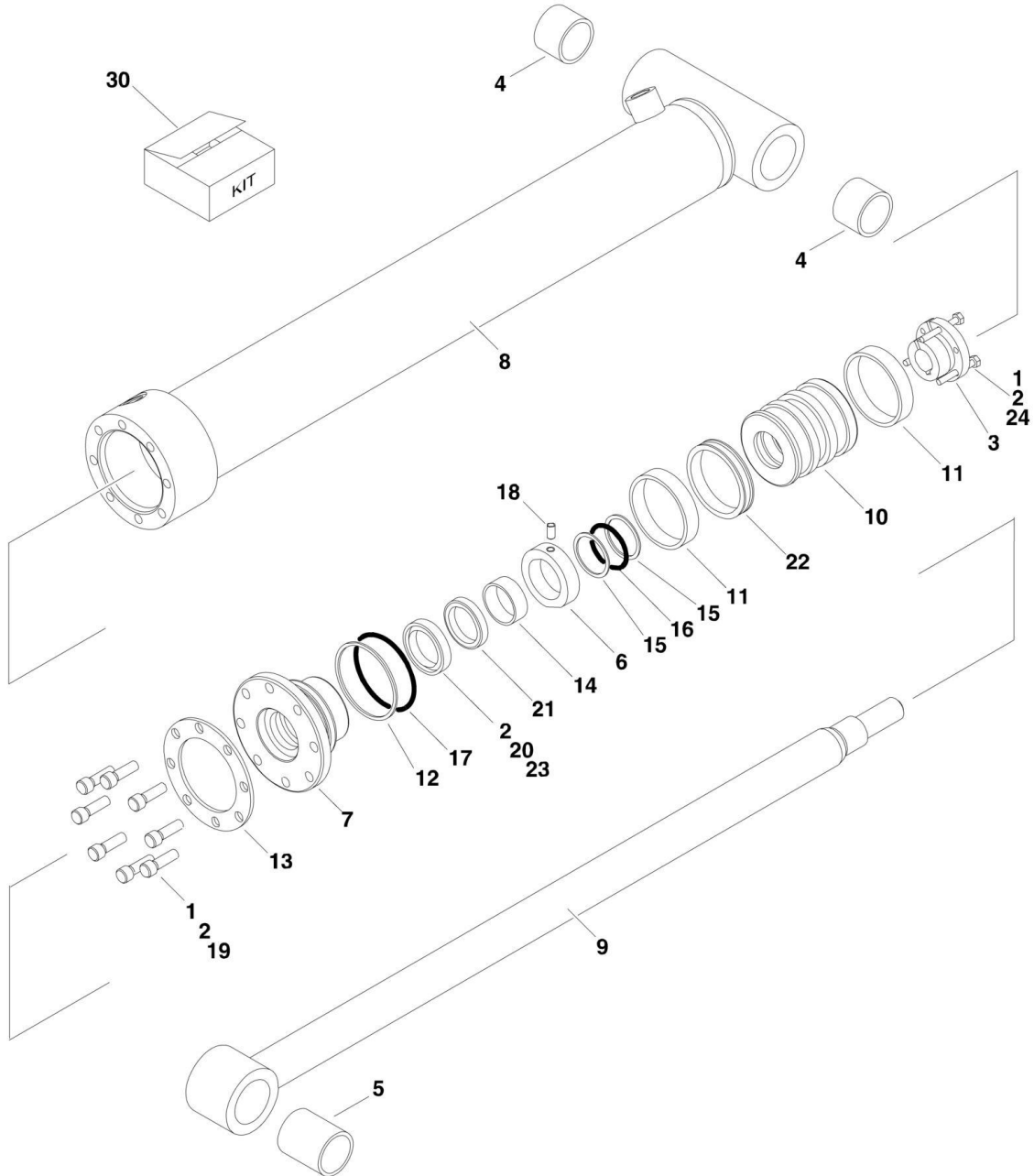
SECTION 5 - CYLINDER

FIGURE 5-13. LIFT CYLINDER ASSEMBLY - TOWER BOOM (SERVICE REPLACEMENT)

| ITEM | PART NUMBER | QTY | DESCRIPTION | REV |
|------|-------------|-----|---|-----|
| | 1001228009 | Ref | LIFT CYLINDER ASSEMBLY | B |
| | | Ref | Note: Original Cylinder may have been replaced with Service Replacement. Identify PN Stamped on Cylinder Before Ordering Parts. | |
| 1 | See Note | NSS | Barrel (Note: Not Available for Purchase) | |
| 2 | 70006378 | 1 | Rod | |
| 3 | 70006377 | 1 | Head | |
| 4 | 70006376 | 1 | Piston | |
| 5 | 70006375 | 1 | Bushing, Tapered | |
| 6 | 0630536 | 3 | Bolt | |
| 7 | 3932240 | 8 | Capscrew 3/4 x 2-1/2 | |
| 8 | 4640509 | 1 | Cartridge, Valve | |
| 8 | 2900792 | 1 | Seal Kit - 4640999 Valve | |
| 9 | 4640605 | 1 | Cartridge, Valve | |
| 9 | 2900792 | 1 | Seal Kit - 4640605 Valve | |
| 11 | 2220883 | 4 | Plug, O-Ring | |
| 12 | 2220888 | 1 | Plug, O-Ring | |
| 13 | 0962102 | 4 | Bushing | |
| 100 | 2901537 | 1 | Seal Kit (Includes Items 101-109) | |
| 101 | See Note | NSS | Seal (Note: Use Item 100) | |
| 102 | See Note | NSS | Ring, Lock (Note: Use Item 100) | |
| 103 | See Note | NSS | O-Ring (Note: Use Item 100) | |
| 104 | See Note | NSS | Ring, Back-up (Note: Use Item 100) | |
| 105 | See Note | NSS | Ring, Wear (Note: Use Item 100) | |
| 106 | See Note | NSS | O-Ring (Note: Use Item 100) | |
| 107 | See Note | NSS | Ring, Back-up (Note: Use Item 100) | |
| 108 | See Note | NSS | Seal (Note: Use Item 100) | |
| 109 | See Note | NSS | Wiper (Note: Use Item 100) | |

SECTION 5 - CYLINDER

FIGURE 5-14. MASTER CYLINDER ASSEMBLY - 800A (ORIGINAL EQUIPMENT)



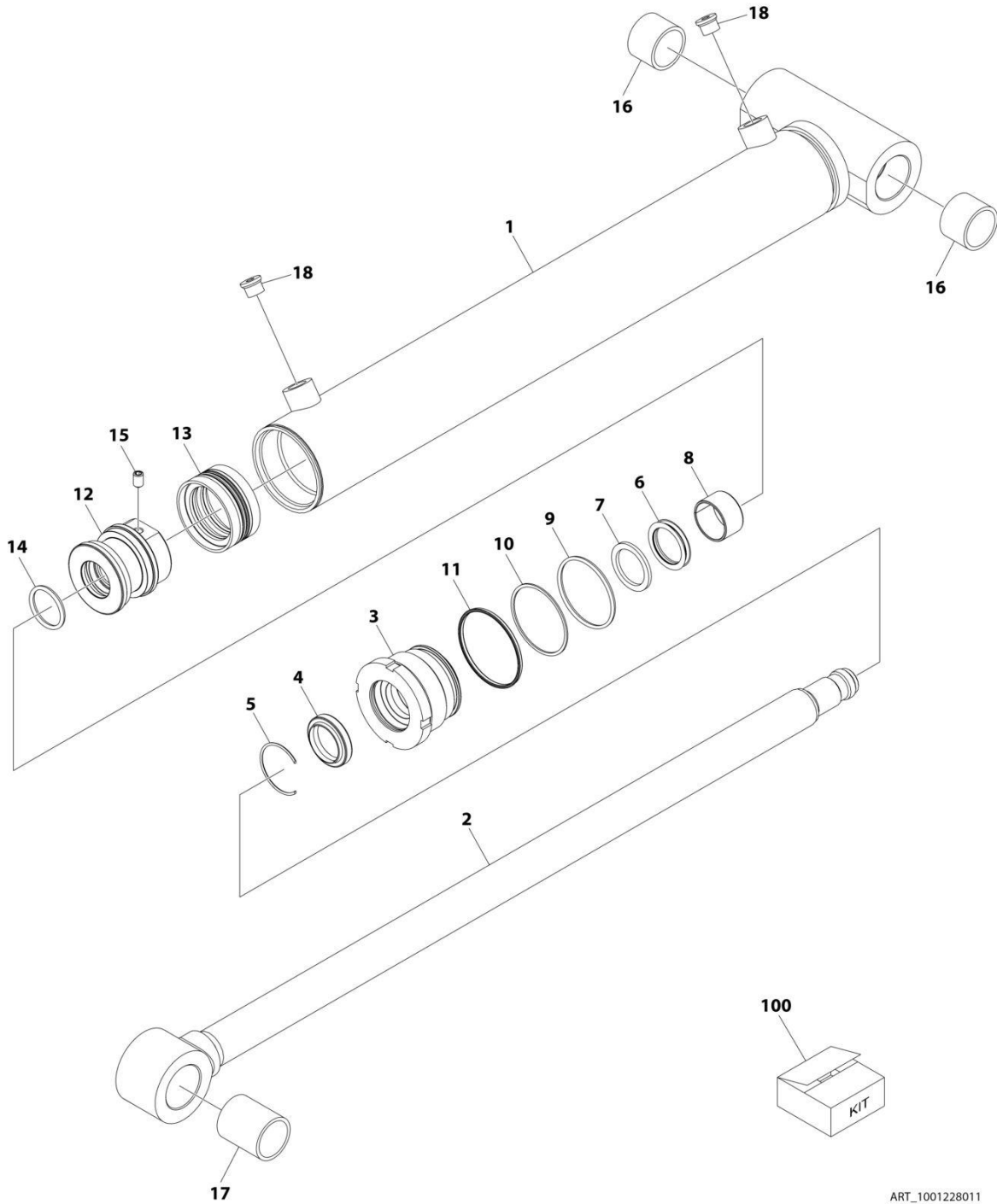
SECTION 5 - CYLINDER

FIGURE 5-14. MASTER CYLINDER ASSEMBLY - 800A (ORIGINAL EQUIPMENT)

| ITEM | PART NUMBER | QTY | DESCRIPTION | REV |
|------|-------------|-----|--|-----|
| | 1683608 | Ref | MASTER CYLINDER ASSEMBLY - 800A | F |
| | | Ref | | |
| 1 | 0100011 | AR | Compound, Locking | |
| 2 | 0100038 | AR | Primer, Locking | |
| 3 | | Ref | Bushing, Tapered Options: | |
| 3 | 0961900 | 1 | Bushing, Tapered (Prior to SN 0300054182) | |
| 3 | 0962185 | 1 | Bushing, Tapered (SN 0300054182 through 0300069000) | |
| 4 | 0961951 | 2 | Bushing | |
| 5 | 0962155 | 1 | Bushing | |
| 6 | 0962156 | 1 | Spacer, Tube | |
| 7 | 1683050 | 1 | Head | |
| 8 | | Ref | Barrel Options: | |
| 8 | 1683633 | 1 | Barrel (Prior to SN 0300064390) | |
| 8 | 1684114 | 1 | Barrel (SN 0300064390 through 0300069000) | |
| 9 | | Ref | Rod Options: | |
| 9 | 1683635 | 1 | Rod (Prior to SN 0300064390) | |
| 9 | 1684115 | 1 | Rod (SN 0300064390 through 0300069000) | |
| 10 | 3480232 | 1 | Piston | |
| 11 | See Note | NSS | Ring, Wear (Note: Use Item 30) | |
| 12 | See Note | NSS | Ring, Back-up (Note: Use Item 30) | |
| 13 | 3760367 | 1 | Ring, Washer | |
| 14 | See Note | NSS | Ring, Wear (Note: Use Item 30) | |
| 15 | See Note | NSS | Ring, Back-up (Note: Use Item 30) | |
| 16 | See Note | NSS | O-Ring (Note: Use Item 30) | |
| 17 | See Note | NSS | O-Ring (Note: Use Item 30) | |
| 18 | 3900139 | 1 | Setscrew 1/4in-20NC x 1/2in | |
| 19 | 3931516 | 8 | Capscrew 5/16in-18NC x 1in | |
| 20 | See Note | NSS | Wiper (Note: Use Item 30) | |
| 21 | See Note | NSS | Seal (Note: Use Item 30) | |
| 22 | See Note | NSS | T-Seal (Note: Use Item 30) | |
| 23 | 0100063 | AR | Loctite #RC 609 | |
| 24 | 0630534 | 3 | Capscrew, Socket Head #10-24NC x 1in | |
| 30 | 2901549 | 1 | Seal Kit (Includes Items 11, 12, 14-17 & 20-22) | |

SECTION 5 - CYLINDER

FIGURE 5-15. MASTER CYLINDER ASSEMBLY (800A) (SERVICE REPLACEMENT)



ART_1001228011

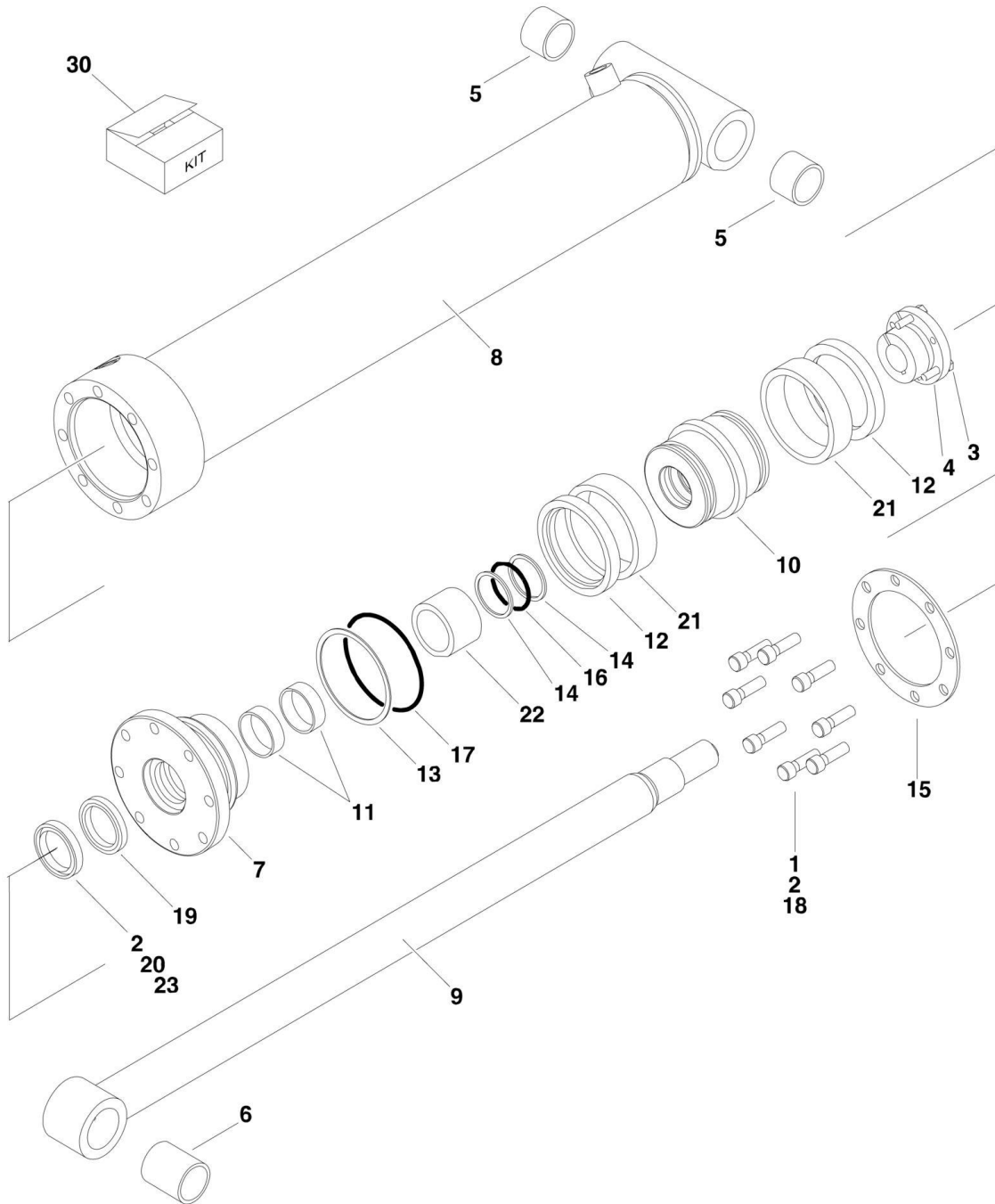
SECTION 5 - CYLINDER

FIGURE 5-15. MASTER CYLINDER ASSEMBLY (800A) (SERVICE REPLACEMENT)

| ITEM | PART NUMBER | QTY | DESCRIPTION | REV |
|------|-------------|-----|---|-----|
| | 1001228011 | Ref | MASTER CYLINDER ASSEMBLY (800A) | B |
| | | Ref | Note: Original Cylinder may have been replaced with Service Replacement. Identify PN Stamped on Cylinder Before Ordering Parts. | |
| 1 | See Note | NSS | Barrel (Note: Not Available for Purchase) | |
| 2 | 70006777 | 1 | Rod | |
| 3 | 70006778 | 1 | Head | |
| 4 | See Note | NSS | Wiper (Note: Use Item 100) | |
| 5 | 70002366 | 1 | Ring, Retaining | |
| 6 | See Note | NSS | Seal, Rod (Note: Use Item 100) | |
| 7 | See Note | NSS | Ring, Back-up (Note: Use Item 100) | |
| 8 | 70006779 | 1 | Ring, Wear | |
| 9 | See Note | NSS | O-Ring (Note: Use Item 100) | |
| 10 | See Note | NSS | Ring, Back-up (Note: Use Item 100) | |
| 11 | 70050801 | NSS | O-Ring (Note: Use Item 100) | |
| 12 | 70006780 | 1 | Piston | |
| 13 | See Note | NSS | Seal (Note: Use Item 100) | |
| 14 | See Note | NSS | O-Ring (Note: Use Item 100) | |
| 15 | 70006596 | 1 | Setscrew | |
| 16 | 0961951 | 2 | Bushing | |
| 17 | 0962155 | 1 | Bushing | |
| 18 | 2220885 | 2 | Plug | |
| 100 | 70006781 | 1 | Seal Kit (Includes Items 4, 6, 7, 9-11, 13 & 14) | |

SECTION 5 - CYLINDER

FIGURE 5-16. MASTER CYLINDER ASSEMBLY- 800AJ (ORIGINAL EQUIPMENT)



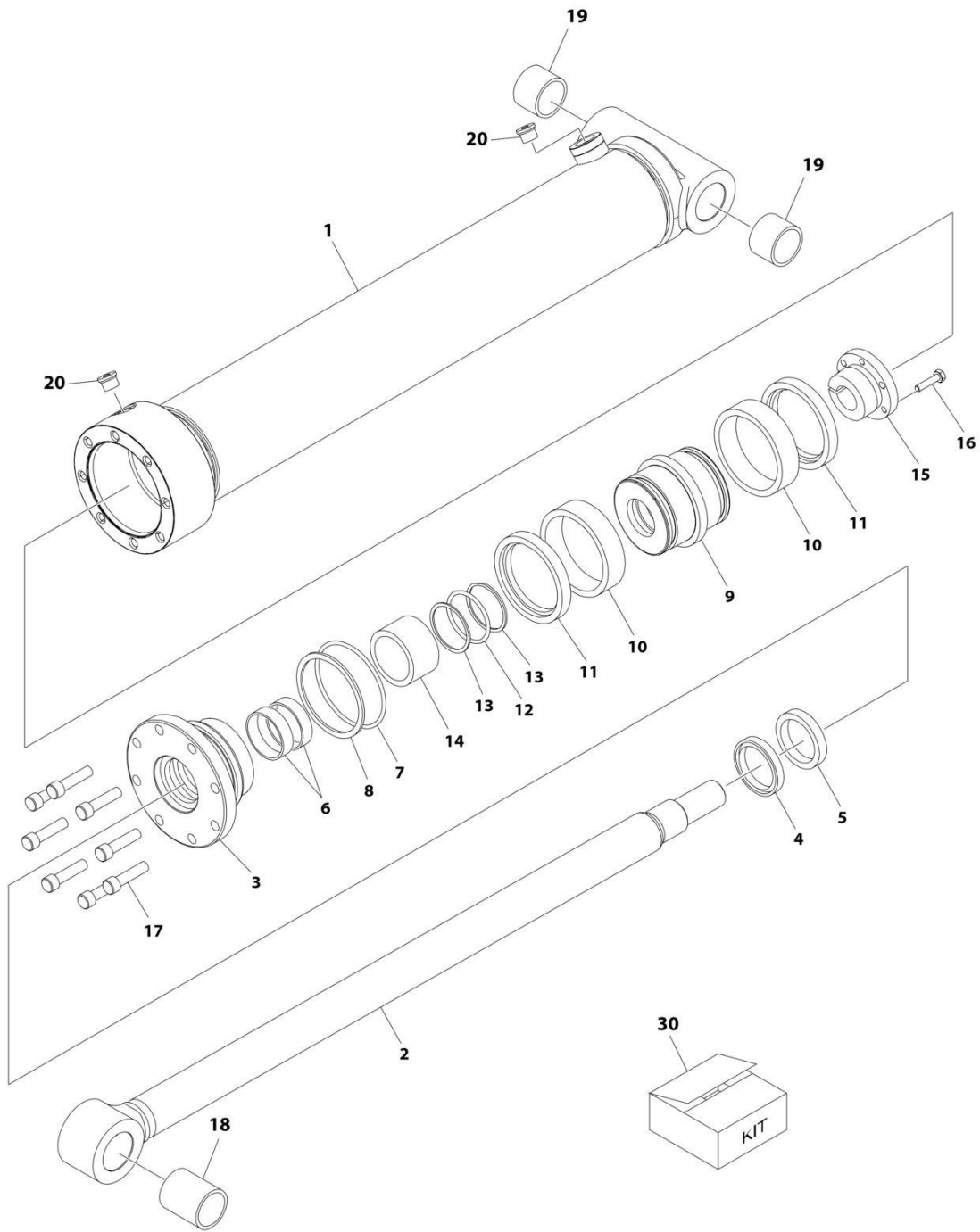
SECTION 5 - CYLINDER

FIGURE 5-16. MASTER CYLINDER ASSEMBLY- 800AJ (ORIGINAL EQUIPMENT)

| ITEM | PART NUMBER | QTY | DESCRIPTION | REV |
|------|-------------|-----|--|-----|
| | 1683682 | Ref | MASTER CYLINDER ASSEMBLY - 800AJ | C |
| | | Ref | | |
| 1 | 0100011 | AR | Compound, Locking | |
| 2 | 0100038 | AR | Primer, Locking | |
| 3 | 0630535 | 3 | Capscrew, Socket Head 1/4in-20NC x 1in | |
| 4 | 0961894 | 1 | Bushing, Tapered | |
| 5 | 0961951 | 2 | Bushing | |
| 6 | 0962155 | 1 | Bushing | |
| 7 | 1683055 | 1 | Head | |
| 8 | | Ref | Barrel Options: | |
| 8 | 1683683 | 1 | Barrel (Prior to SN 0300064390) | |
| 8 | 1684125 | 1 | Barrel (SN 0300064390 through 0300069000) | |
| 9 | | Ref | Rod Options: | |
| 9 | 1683685 | 1 | Rod (Prior to SN 0300064390) | |
| 9 | 1684126 | 1 | Rod (SN 0300064390 through 0300069000) | |
| 10 | 3480188 | 1 | Piston | |
| 11 | See Note | NSS | Ring, Wear (Note: Use Item 30) | |
| 12 | See Note | NSS | Ring, Lock (Note: Use Item 30) | |
| 13 | See Note | NSS | Ring, Back-up (Note: Use Item 30) | |
| 14 | See Note | NSS | Ring, Back-up (Note: Use Item 30) | |
| 15 | 3760369 | 1 | Ring, Washer | |
| 16 | See Note | NSS | O-Ring (Note: Use Item 30) | |
| 17 | See Note | NSS | O-Ring (Note: Use Item 30) | |
| 18 | 3931620 | 8 | Capscrew 3/8in-16NC x 1-1/4in | |
| 19 | See Note | NSS | Seal, Rod (Note: Use Item 30) | |
| 20 | See Note | NSS | Wiper (Note: Use Item 30) | |
| 21 | See Note | NSS | Seal (Note: Use Item 30) | |
| 22 | 4566468 | 1 | Spacer, Tube | |
| 23 | 0100063 | AR | Loctite #RC609 | |
| 30 | 2901301 | 1 | Seal Kit (Includes Items 11-14, 16, 17 & 19-21) | |

SECTION 5 - CYLINDER

FIGURE 5-17. MASTER CYLINDER ASSEMBLY (800AJ) (SERVICE REPLACEMENT)



ART_1001228050

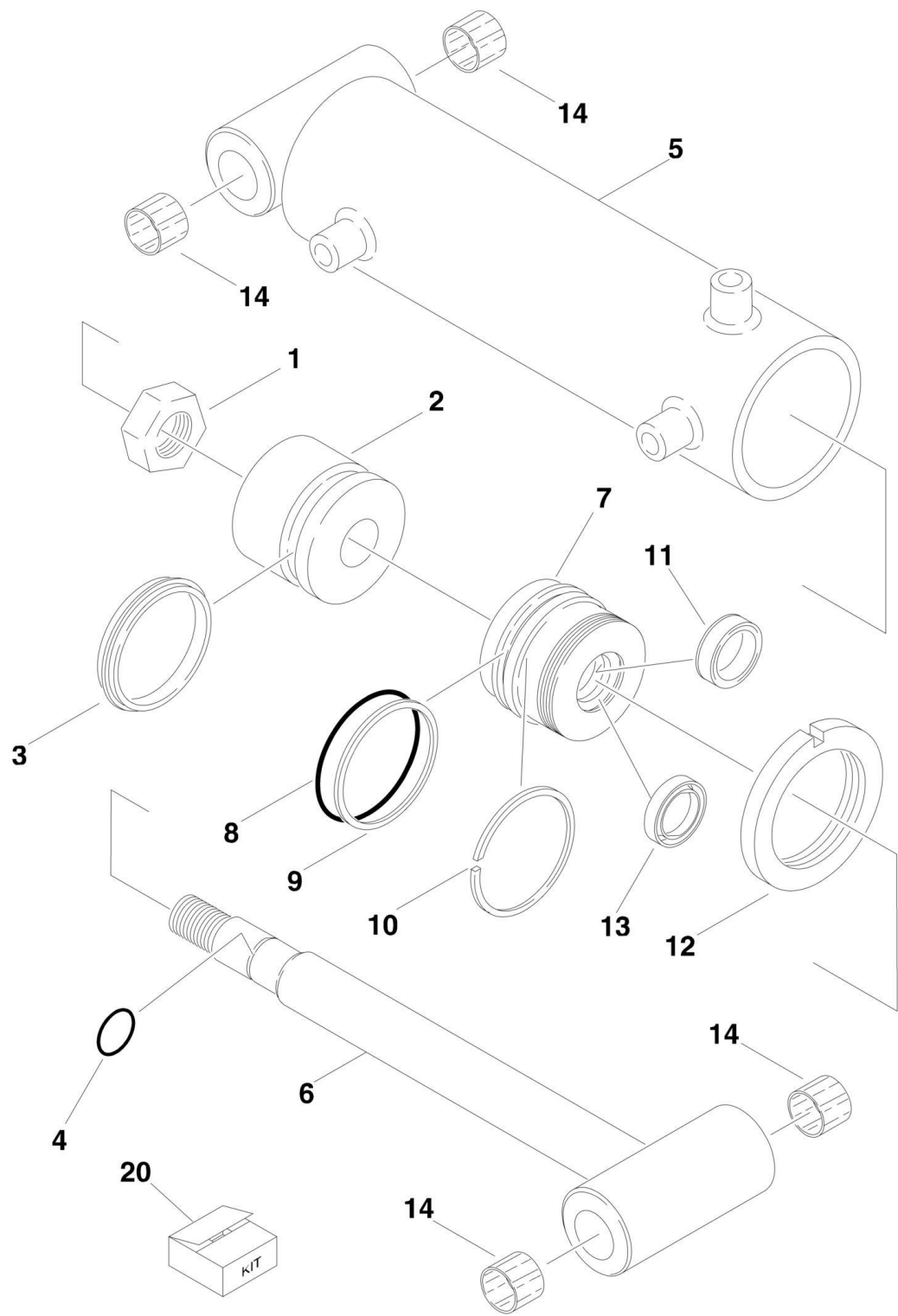
SECTION 5 - CYLINDER

FIGURE 5-17. MASTER CYLINDER ASSEMBLY (800AJ) (SERVICE REPLACEMENT)

| ITEM | PART NUMBER | QTY | DESCRIPTION | REV |
|------|-------------|-----|---|-----|
| | 1001228050 | Ref | MASTER CYLINDER ASSEMBLY | A |
| | | Ref | Note: Original Cylinder may have been replaced with Service Replacement. Identify PN Stamped on Cylinder Before Ordering Parts. | |
| 1 | See Note | NSS | Barrel (Note: Not Available for Purchase) | |
| 2 | 70006668 | 1 | Rod | |
| 3 | 70006643 | 1 | Head | |
| 4 | See Note | NSS | Wiper (Note: Use Item 30) | |
| 5 | See Note | NSS | Seal, Rod (Note: Use Item 30) | |
| 6 | See Note | NSS | Ring, Wear (Note: Use Item 30) | |
| 7 | See Note | NSS | O-Ring (Note: Use Item 30) | |
| 8 | See Note | NSS | Ring, Back-up (Note: Use Item 30) | |
| 9 | 70006644 | 1 | Piston | |
| 10 | See Note | NSS | Ring, Wear (Note: Use Item 30) | |
| 11 | See Note | NSS | Ring, Lock (Note: Use Item 30) | |
| 12 | See Note | NSS | O-Ring (Note: Use Item 30) | |
| 13 | See Note | NSS | Ring, Back-up (Note: Use Item 30) | |
| 14 | 70006651 | 1 | Spacer, Tube | |
| 15 | 0961894 | 1 | Bushing, Tapered | |
| 16 | 0630535 | 3 | Capscrew 1/4 x 1-1/8 | |
| 17 | 3931620 | 8 | Capscrew 3/8 x 1-1/4 | |
| 18 | 0962155 | 1 | Bushing | |
| 19 | 0961951 | 2 | Bushing | |
| 20 | 2220885 | 2 | Plug, O-Ring | |
| 30 | 1001138796 | 1 | Seal Kit (Machines with Arctic Package) (Includes Items 4-8 & 10-13) | |

SECTION 5 - CYLINDER

FIGURE 5-18. STEER CYLINDER ASSEMBLY



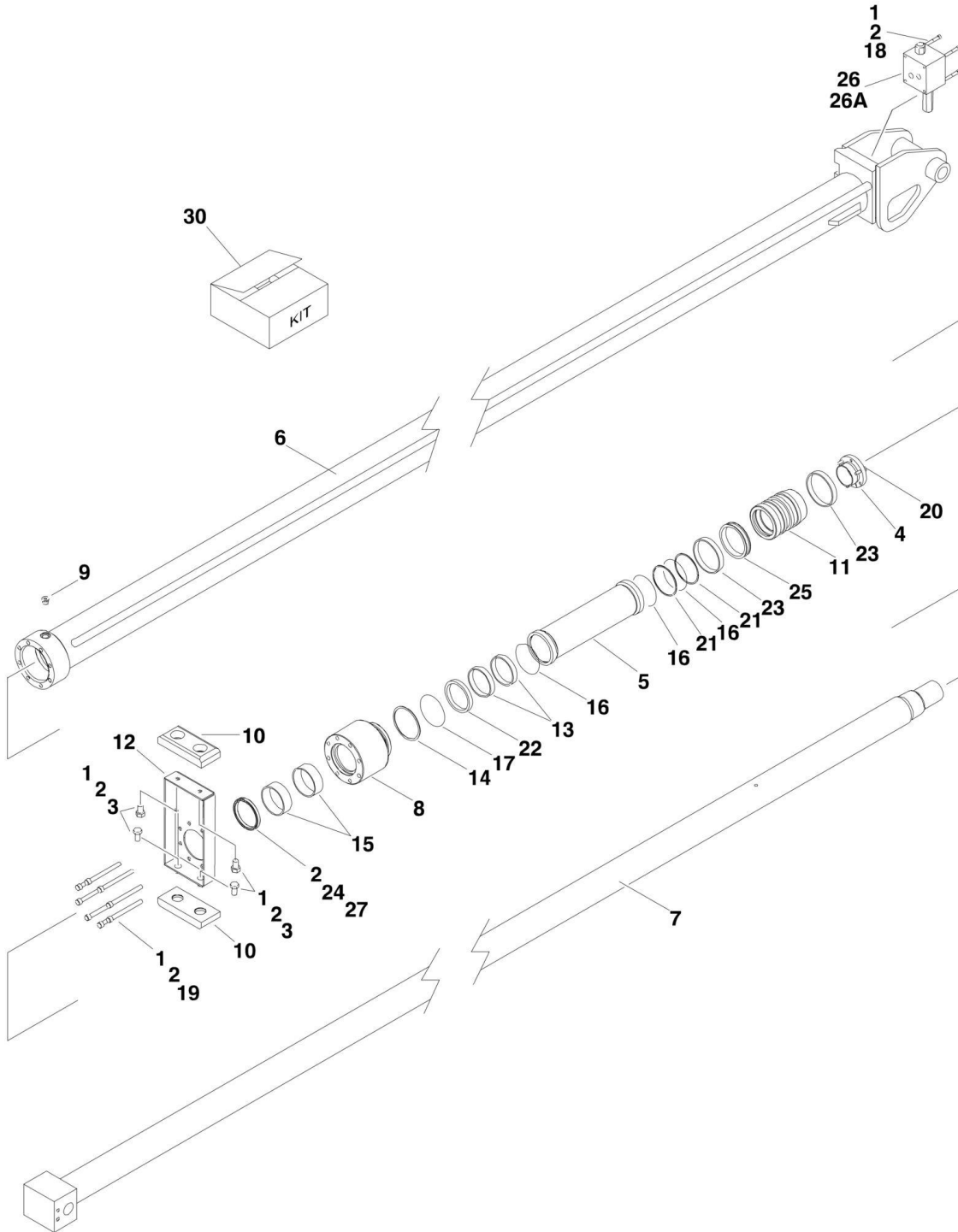
SECTION 5 - CYLINDER

FIGURE 5-18. STEER CYLINDER ASSEMBLY

| ITEM | PART NUMBER | QTY | DESCRIPTION | REV |
|------|-------------|-----|--|-----|
| | | Ref | Note: Original Equipment Cylinder may have been replaced with Service Replacement Cylinder. Identify p/n stamped on cylinder before ordering parts. | |
| | | Ref | STEER CYLINDER ASSEMBLY | |
| | 1683605 | Ref | Steer Cylinder Assembly 2WS - Original Equipment | A |
| | 1683740 | Ref | Steer Cylinder Assembly 2WS - Service Replacement | B |
| | 1683740 | Ref | Steer Cylinder Assembly 4WS | B |
| 1 | 7017210 | 1 | Locknut | |
| 2 | 7017211 | 1 | Piston | |
| 3 | See Note | NSS | Seal (Note: Use Item 20) | |
| 4 | See Note | NSS | O-Ring (Note: Use Item 20) | |
| 5 | | Ref | Barrel Weldment Options: | |
| 5 | 7017234 | 1 | Barrel Weldment 2WS (Prior to SN 0300042477) | |
| 5 | 7023023 | 1 | Barrel Weldment 2WS (SN 0300042477 through 0300069000) | |
| 5 | 7023023 | 1 | Barrel Weldment 4WS | |
| 6 | 7017236 | 1 | Rod Weldment | |
| 7 | 7017213 | 1 | Head | |
| 8 | See Note | NSS | O-Ring (Note: Use Item 20) | |
| 9 | See Note | NSS | Ring, Back-up (Note: Use Item 20) | |
| 10 | See Note | NSS | Ring, Retainer (Note: Use Item 20) | |
| 11 | See Note | NSS | Seal (Note: Use Item 20) | |
| 12 | 7017214 | 1 | Nut, Spanner | |
| 13 | See Note | NSS | Wiper (Note: Use Item 20) | |
| 14 | 0961977 | 4 | Bushings | |
| 20 | 7017215 | 1 | Seal Kit (Includes Items 3, 4, 8-11 & 13) | |

SECTION 5 - CYLINDER

FIGURE 5-19. TELESCOPE CYLINDER ASSEMBLY - MAIN BOOM



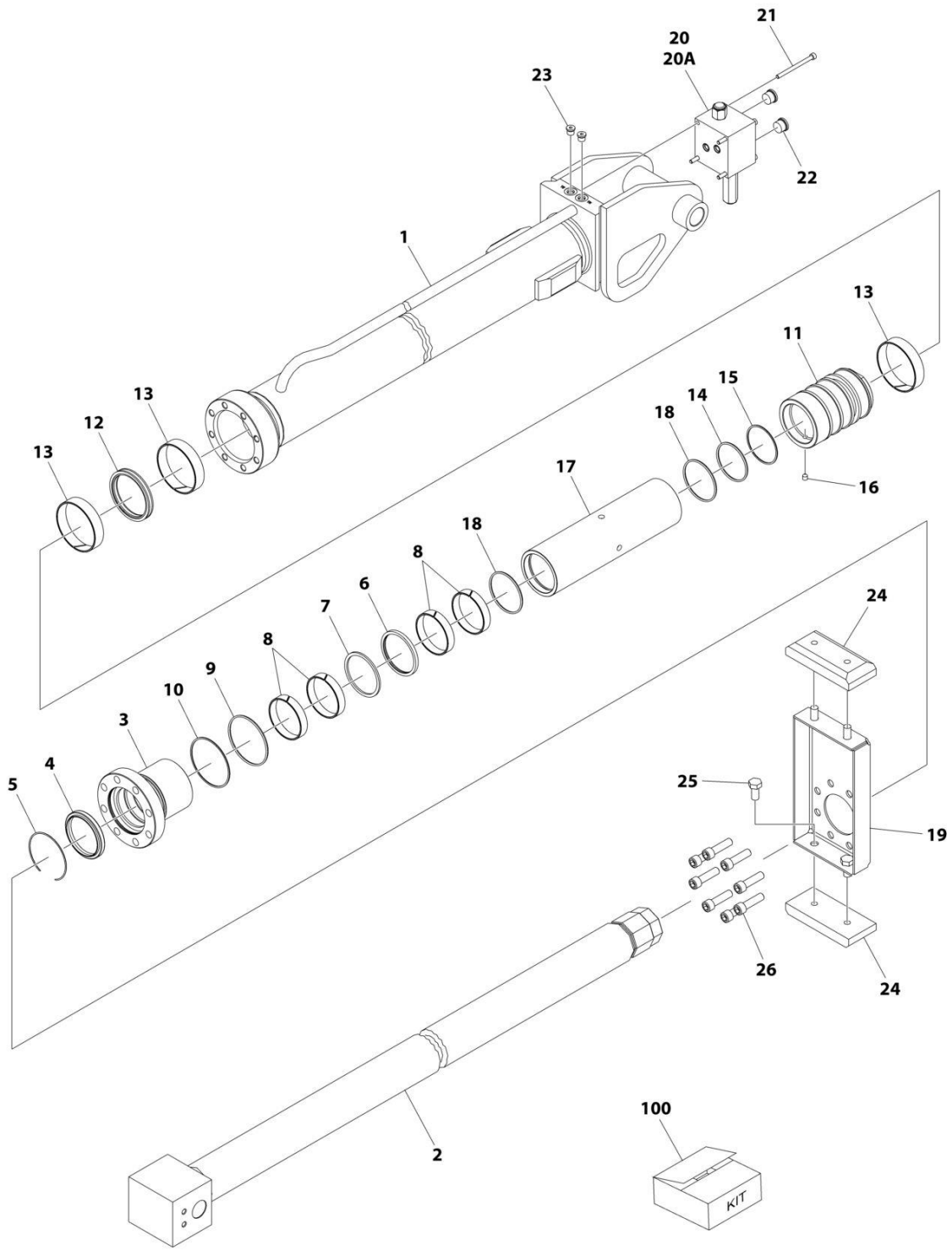
SECTION 5 - CYLINDER

FIGURE 5-19. TELESCOPE CYLINDER ASSEMBLY - MAIN BOOM

| ITEM | PART NUMBER | QTY | DESCRIPTION | REV |
|------|-------------|-----|---|-----|
| | | Ref | TELESCOPE CYLINDER ASSEMBLY - MAIN BOOM | |
| | 1683607 | Ref | Telescope Cylinder Assembly 800A (Original Equipment) | F |
| | 1001188968 | Ref | Telescope Cylinder Assembly 800A (Service Replacement) | B |
| | 1683672 | Ref | Telescope Cylinder Assembly 800AJ (Original Equipment) | F |
| | 1001188841 | Ref | Telescope Cylinder Assembly 800AJ (Service Replacement) | B |
| | | Ref | Note: Original Cylinder may have been replaced with Service Replacement. Identify PN Stamped on Cylinder Before Ordering Parts. | |
| 1 | 0100011 | AR | Compound, Locking | |
| 2 | 0100038 | AR | Primer, Locking | |
| 3 | 0641806 | 4 | Bolt 1/2in-13NC x 3/4in | |
| 4 | 0961897 | 1 | Bushing, Tapered | |
| 5 | 0962219 | 1 | Spacer, Tube | |
| 6 | | Ref | Barrel Options: | |
| 6 | 1683647 | 1 | Barrel 800A | |
| 6 | 1683673 | 1 | Barrel 800AJ | |
| 7 | | Ref | Rod Options: | |
| 7 | 1683648 | 1 | Rod 800A | |
| 7 | 1683675 | 1 | Rod 800AJ | |
| 8 | 1683663 | 1 | Head | |
| 9 | 2220885 | 1 | Plug, O-Ring | |
| 10 | 3340838 | 2 | Pad, Wear | |
| 11 | 3480234 | 1 | Piston | |
| 12 | 3570775 | 1 | Plate | |
| 13 | See Note | NSS | Ring, Wear (Note: Use Item 30) | |
| 14 | See Note | NSS | Ring, Back-up (Note: Use Item 30) | |
| 15 | See Note | NSS | Ring, Wear (Note: Use Item 30) | |
| 16 | See Note | NSS | O-Ring (Note: Use Item 30) | |
| 17 | See Note | NSS | O-Ring (Note: Use Item 30) | |
| 18 | 3931448 | 4 | Capscrew 1/4in-20NC x 3in | |
| 19 | 3931664 | 8 | Capscrew 3/8in-16NC x 4in | |
| 20 | 0630535 | 3 | Bolt 1/4in-20NC x 1-1/8in | |
| 21 | See Note | NSS | Ring, Back-up (Note: Use Item 30) | |
| 22 | See Note | NSS | Seal, Rod (Note: Use Item 30) | |
| 23 | See Note | NSS | Ring, Wear (Note: Use Item 30) | |
| 24 | See Note | NSS | Wiper (Note: Use Item 30) | |
| 25 | See Note | NSS | T-Seal (Note: Use Item 30) | |
| 26 | 4641033 | 1 | Valve Assembly (No serviceable parts - sold as assembly only) | |
| 26A | 7024508 | 2 | O-Ring (Between Valve and Cylinder Barrel) | |
| 27 | 0100063 | AR | Loctite #RC609 | |
| 30 | 2901712 | NLA | Seal Kit (Includes Items 13-17 & 21-25) (Use p/n 1001188843) (Use on p/n 1683607 & 1683672) | |
| 30 | 1001188843 | 1 | Seal Kit (Includes Items 13-17 & 21-25) (Use p/n 1001188843) (Use on p/n 1001188968 & 1001188841) | |

SECTION 5 - CYLINDER

FIGURE 5-20. TELESCOPE CYLINDER ASSEMBLY - MAIN BOOM (800A) (SERVICE REPLACEMENT)



ART_1001228088

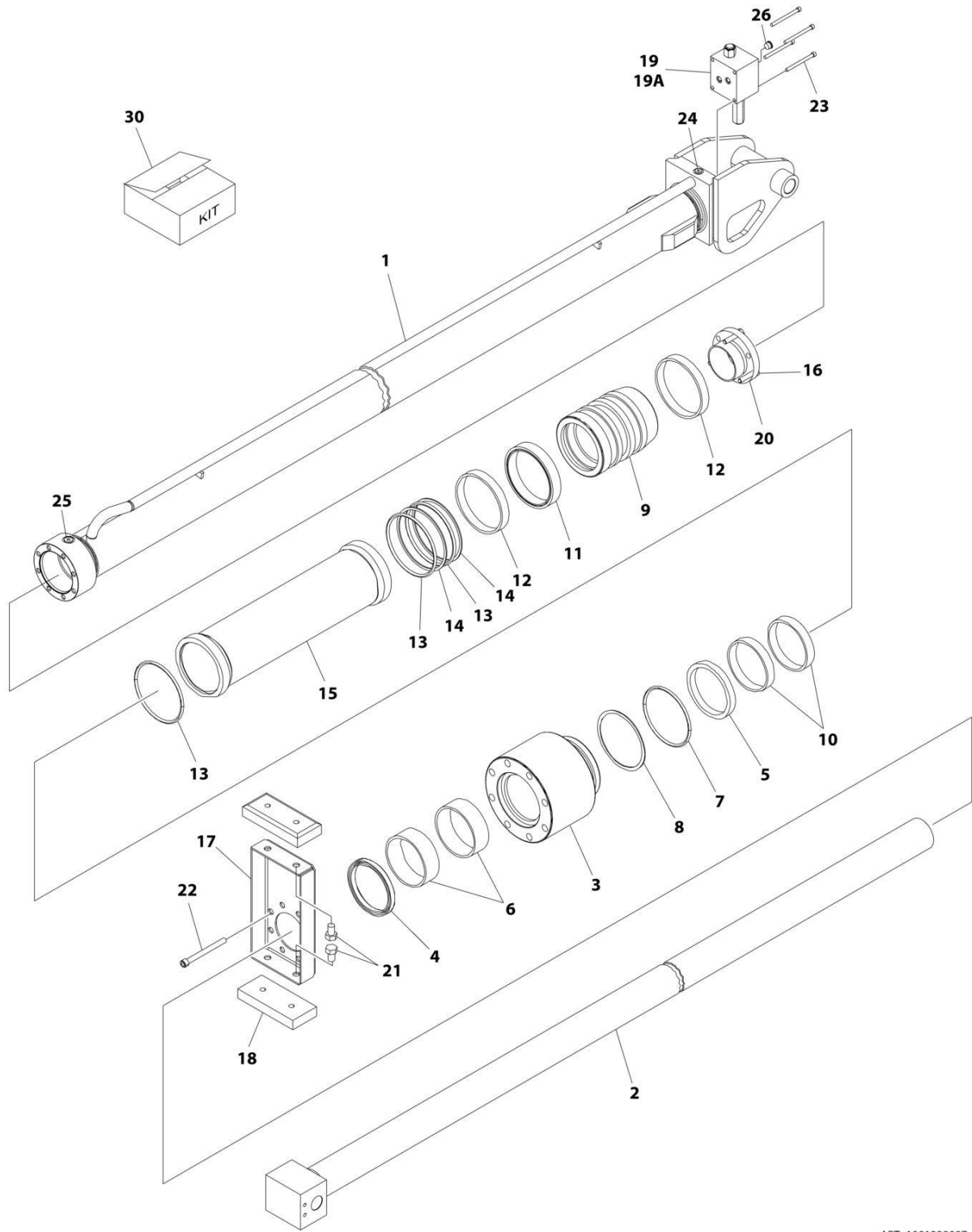
SECTION 5 - CYLINDER

FIGURE 5-20. TELESCOPE CYLINDER ASSEMBLY - MAIN BOOM (800A) (SERVICE REPLACEMENT)

| ITEM | PART NUMBER | QTY | DESCRIPTION | REV |
|------|-------------|-----|---|-----|
| | 1001228088 | Ref | TELESCOPE CYLINDER ASSEMBLY - MAIN BOOM | B |
| | | Ref | Note: Original Cylinder may have been replaced with Service Replacement. Identify PN Stamped on Cylinder Before Ordering Parts. | |
| 1 | See Note | NSS | Barrel (Note: Not Available for Purchase) | |
| 2 | 70006796 | 1 | Rod | |
| 3 | 70006797 | 1 | Head | |
| 4 | See Note | NSS | Wiper (Note: Use Item 100) | |
| 5 | 70027259 | 1 | Ring, Retaining | |
| 6 | See Note | NSS | Seal, Rod (Note: Use Item 100) | |
| 7 | See Note | NSS | Ring, Back-up (Note: Use Item 100) | |
| 8 | See Note | NSS | Ring, Wear (Note: Use Item 100) | |
| 9 | See Note | NSS | O-Ring (Note: Use Item 100) | |
| 10 | See Note | NSS | Ring, Back-up (Note: Use Item 100) | |
| 11 | 70006798 | 1 | Piston | |
| 12 | See Note | NSS | Seal (Note: Use Item 100) | |
| 13 | See Note | NSS | Ring, Wear (Note: Use Item 100) | |
| 14 | See Note | NSS | O-Ring (Note: Use Item 100) | |
| 15 | See Note | NSS | Ring, Back-up (Note: Use Item 100) | |
| 16 | 70006799 | 1 | Setscrew | |
| 17 | 70006800 | 1 | Spacer, Tube | |
| 18 | See Note | NSS | O-Ring (Note: Use Item 100) | |
| 19 | 70006801 | 1 | Plate | |
| 20 | 4641033 | 1 | Valve Assembly (No serviceable parts - sold as assembly only) | |
| 20A | 7024508 | 2 | O-Ring (Between Valve and Cylinder Barrel) | |
| 21 | 70006802 | 4 | Capscrew M6 | |
| 22 | 2220886 | 2 | Plug, O-Ring | |
| 23 | 2220883 | 2 | Plug, O-Ring | |
| 24 | 3340838 | 2 | Pad, Wear | |
| 25 | 0641806 | 4 | Bolt 1/2 x 3/4 | |
| 26 | 70006803 | 8 | Capscrew M12 | |
| 100 | 70006804 | 1 | Seal Kit - 1001228088 Cylinder (Includes Items 4, 6-10, 12-15 & 18) | |

SECTION 5 - CYLINDER

FIGURE 5-21. TELESCOPE CYLINDER ASSEMBLY - MAIN BOOM (800AJ) (SERVICE REPLACEMENT)



ART_1001228087

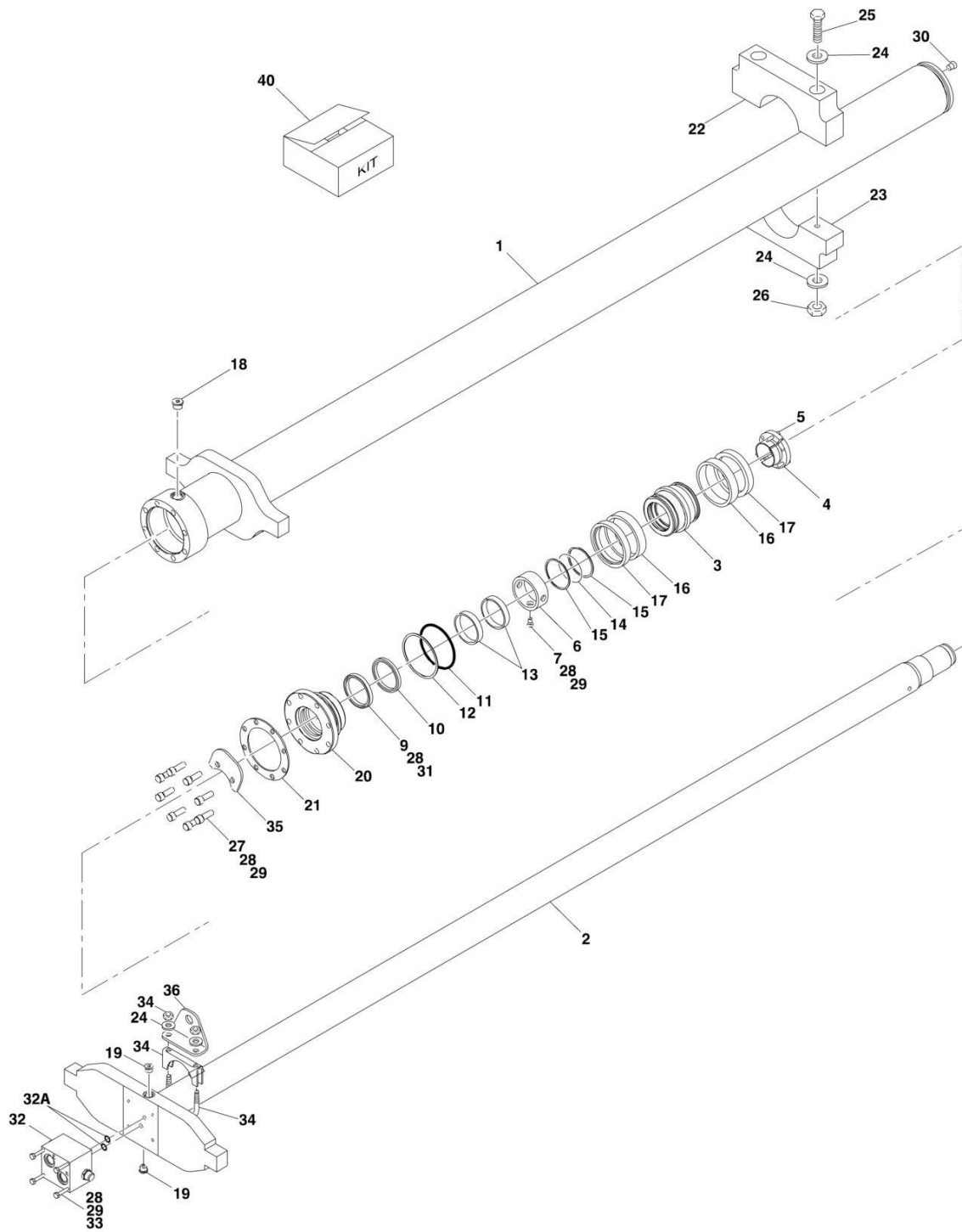
SECTION 5 - CYLINDER

FIGURE 5-21. TELESCOPE CYLINDER ASSEMBLY - MAIN BOOM (800AJ) (SERVICE REPLACEMENT)

| ITEM | PART NUMBER | QTY | DESCRIPTION | REV |
|------|-------------|-----|---|-----|
| | 1001228087 | Ref | TELESCOPE CYLINDER ASSEMBLY | A |
| | | Ref | Note: Original Cylinder may have been replaced with Service Replacement. Identify PN Stamped on Cylinder Before Ordering Parts. | |
| 1 | See Note | NSS | Barrel (Note: Not Available for Purchase) | |
| 2 | 70006669 | 1 | Rod | |
| 3 | 70006670 | 1 | Head | |
| 4 | See Note | NSS | Wiper (Note: Use Item 30) | |
| 5 | See Note | NSS | Seal, Rod (Note: Use Item 30) | |
| 6 | See Note | NSS | Ring, Wear (Note: Use Item 30) | |
| 7 | See Note | NSS | O-Ring (Note: Use Item 30) | |
| 8 | See Note | NSS | Ring, Back-up (Note: Use Item 30) | |
| 9 | 70006671 | 1 | Piston | |
| 10 | See Note | NSS | Ring, Wear (Note: Use Item 30) | |
| 11 | See Note | NSS | Seal, Piston (Note: Use Item 30) | |
| 12 | See Note | NSS | Ring, Wear (Note: Use Item 30) | |
| 13 | See Note | NSS | O-Ring (Note: Use Item 30) | |
| 14 | See Note | NSS | Ring, Back-up (Note: Use Item 30) | |
| 15 | 70006672 | 1 | Spacer | |
| 16 | 0961897 | 1 | Bushing, Tapered | |
| 17 | 3570775 | 1 | Plate | |
| 18 | 3340838 | 2 | Pad, Wear | |
| 19 | 4641033 | 1 | Valve Assembly (No serviceable parts - sold as assembly only) | |
| 19A | 7024508 | 2 | O-Ring (Between Valve and Cylinder Barrel) | |
| 20 | 0630535 | 3 | Bolt 1/4 x 1-1/8 | |
| 21 | 0641806 | 4 | Bolt 1/2 x 3/4 | |
| 22 | 3931664 | 8 | Capscrew 3/8 x 4 | |
| 23 | 3931448 | 4 | Capscrew 1/4 x 3 | |
| 24 | 2220883 | 1 | Plug, O-Ring | |
| 25 | 2220885 | 1 | Plug, O-Ring | |
| 26 | 2220886 | 1 | Plug, O-Ring | |
| 30 | 1001149391 | 1 | Seal Kit (Includes Items 4-8 & 10-14) | |

SECTION 5 - CYLINDER

FIGURE 5-22. TELESCOPE CYLINDER ASSEMBLY - TOWER BOOM



SECTION 5 - CYLINDER

FIGURE 5-22. TELESCOPE CYLINDER ASSEMBLY - TOWER BOOM

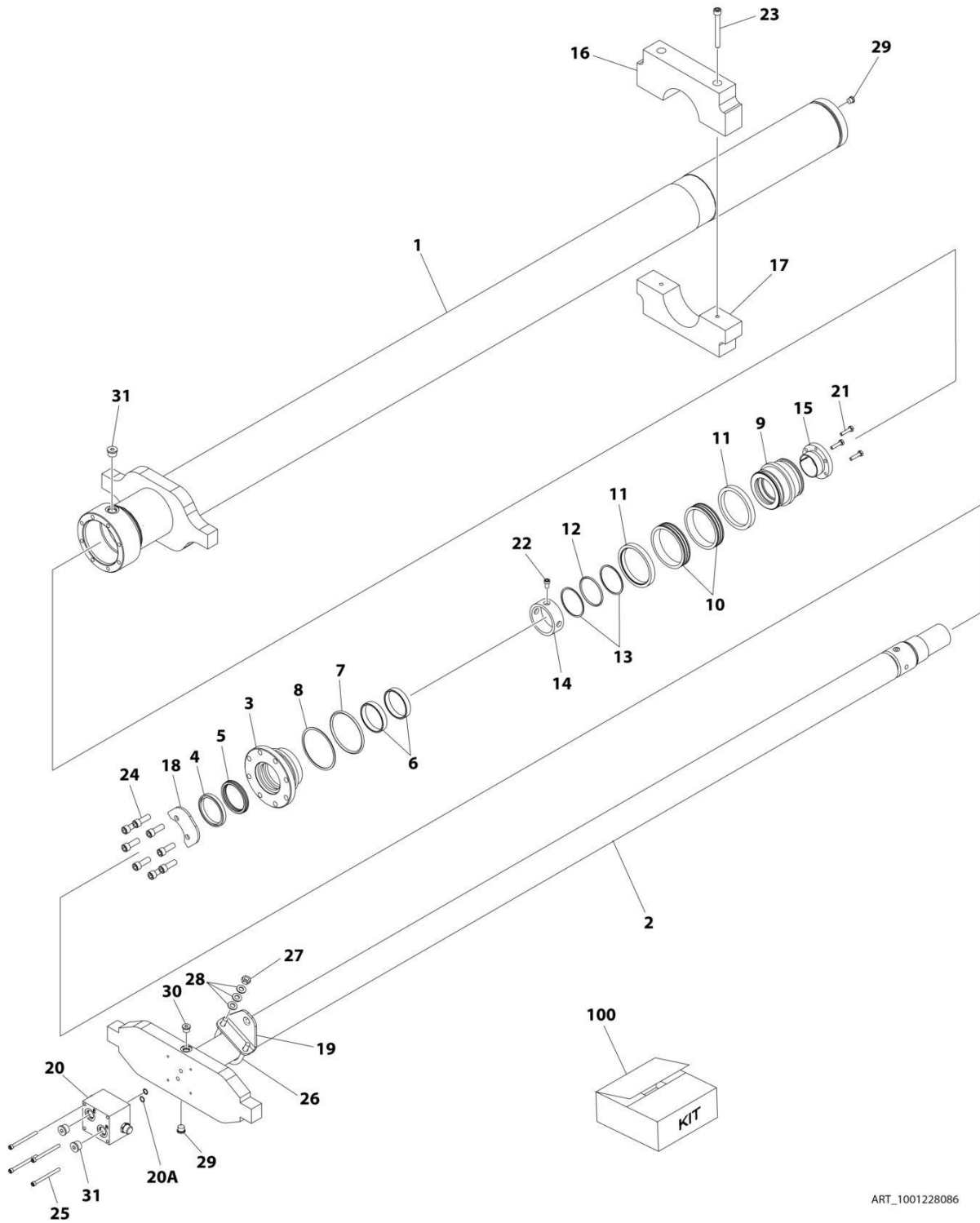
| ITEM | PART NUMBER | QTY | DESCRIPTION | REV |
|------|-------------|-----|---|-----|
| | | Ref | TELESCOPE CYLINDER ASSEMBLY - TOWER BOOM | |
| | 1683606 | Ref | Telescope Cylinder Assembly - TOWER BOOM (Original Equipment) | J |
| | 1001188840 | Ref | Telescope Cylinder Assembly - TOWER BOOM (Service Replacement) | C |
| | | Ref | Note: Original Cylinder may have been replaced with Service Replacement. Identify PN Stamped on Cylinder Before Ordering Parts. | |
| 1 | 1683632 | 1 | Barrel Weldment | |
| 2 | 1683629 | 1 | Rod Weldment | |
| 3 | 3480211 | 1 | Piston | |
| 4 | 0961897 | 1 | Bushing, Tapered | |
| 5 | 0630535 | 3 | Bolt 1/4in-20NC x 1-1/8in | |
| 6 | 4567413 | 1 | Spacer, Tube | |
| 7 | 3931508 | 1 | Bolt, Socket Head 5/16in-18NC x 1/2in | |
| 9 | See Note | NSS | Wiper (Note: Use Item 40) | |
| 10 | See Note | NSS | Seal (Note: Use Item 40) | |
| 11 | See Note | NSS | O-Ring (Note: Use Item 40) | |
| 12 | See Note | NSS | Ring, Back-up (Note: Use Item 40) | |
| 13 | See Note | NSS | Ring, Wear (Note: Use Item 40) | |
| 14 | See Note | NSS | O-Ring (Note: Use Item 40) | |
| 15 | See Note | NSS | Ring, Back-up (Note: Use Item 40) | |
| 16 | See Note | NSS | Seal (Note: Use Item 40) | |
| 17 | See Note | NSS | Ring, Lock (Note: Use Item 40) | |
| 18 | 2220886 | 1 | Plug, O-Ring | |
| 19 | 2220885 | 2 | Plug, O-Ring | |
| 20 | 1683061 | 1 | Head | |
| 21 | 3760370 | 1 | Ring, Washer | |
| 22 | 3340834 | 1 | Pad, Support | |
| 23 | 3340833 | 1 | Pad, Support | |
| 24 | 4711600 | 10 | Flatwasher 3/8in Narrow | |
| 25 | 0641652 | 2 | Bolt 3/8in-16NC x 6-1/2in | |
| 26 | 3271605 | 2 | Locknut 3/8in-16NC | |
| 27 | 3931720 | 2 | Capscrew 7/16in-14NC x 1-1/4in | |
| 28 | 0100038 | AR | Primer, Locking | |
| 29 | 0100011 | AR | Compound, Locking | |
| 30 | 2220883 | 1 | Plug, O-Ring | |
| 31 | 0100063 | AR | Loctite #RC609 | |
| 32 | 4641032 | 1 | Valve Assembly (No serviceable parts - sold as assembly only) | |
| 32A | 7024397 | 2 | O-Ring | |
| 33 | | Ref | Hardware Options: | |
| 33 | 0641420 | 4 | Bolt 1/4in-20NC x 2-1/2in (Prior to SN 0300056439) | |
| 33 | 3931448 | 4 | Bolt (SN 0300056439 through 0300069000) | |
| 34 | 1320011 | 1 | Clamp (Use on p/n 1683606) (SN 0300056439 through 0300069000) | |
| 34 | 1001228506 | 1 | Bolt, U-Bolt (Use on p/n 1001188840) | |
| 35 | 3572604 | 1 | Plate, Proximity Switch Target (SN 0300056439 through 0300069000) | |
| 36 | 3572605 | 1 | Plate, Proximity Switch Mount (SN 0300056439 through 0300069000) | |
| 40 | 2901273 | 1 | Seal Kit (Includes Items 9-17) (Use on p/n 1683606) | |

SECTION 5 - CYLINDER

| ITEM | PART NUMBER | QTY | DESCRIPTION | REV |
|------|-------------|-----|--|-----|
| 40 | 1001188842 | 1 | Seal Kit (Includes Items 9-17) (Use on p/n 1001188840) | |

SECTION 5 - CYLINDER

FIGURE 5-23. TELESCOPE CYLINDER ASSEMBLY - TOWER BOOM (SERVICE REPLACEMENT)



ART_1001228086

SECTION 5 - CYLINDER

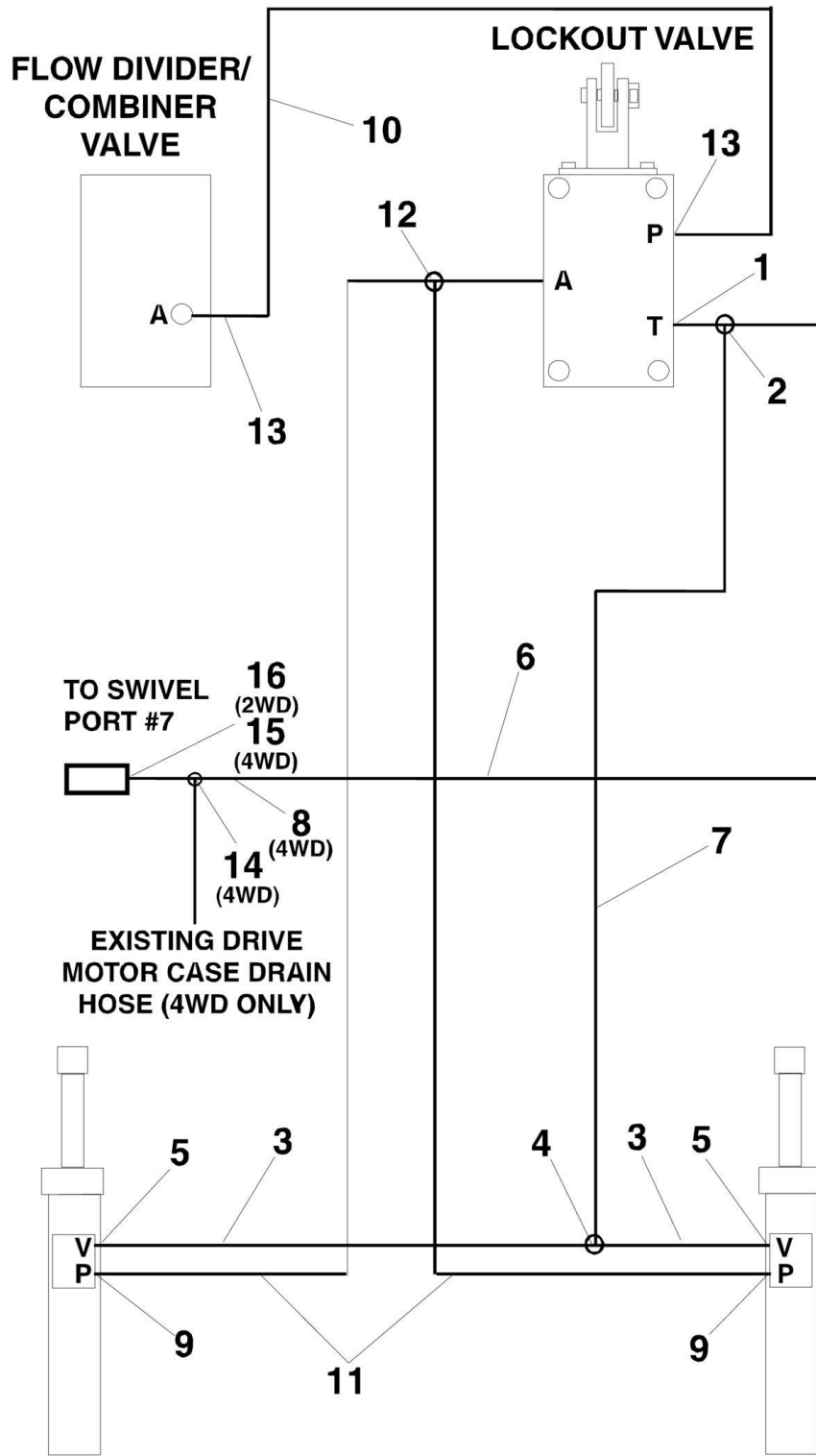
FIGURE 5-23. TELESCOPE CYLINDER ASSEMBLY - TOWER BOOM (SERVICE REPLACEMENT)

| ITEM | PART NUMBER | QTY | DESCRIPTION | REV |
|------|-------------|-----|---|-----|
| | 1001228086 | Ref | TELESCOPE CYLINDER ASSEMBLY | B |
| | | Ref | Note: Original Cylinder may have been replaced with Service Replacement. Identify PN Stamped on Cylinder Before Ordering Parts. | |
| 1 | See Note | NSS | Barrel (Note: Not Available for Purchase) | |
| 2 | 70006921 | 1 | Rod | |
| 3 | 70006480 | 1 | Head | |
| 4 | See Note | NSS | Wiper (Note: Use Item 100) | |
| 5 | See Note | NSS | Seal, Rod (Note: Use Item 100) | |
| 6 | See Note | NSS | Ring, Wear (Note: Use Item 100) | |
| 7 | See Note | NSS | O-Ring (Note: Use Item 100) | |
| 8 | See Note | NSS | Ring, Back-up (Note: Use Item 100) | |
| 9 | 70006479 | 1 | Piston | |
| 10 | See Note | NSS | Seal, Piston (Note: Use Item 100) | |
| 11 | See Note | NSS | Ring, Lock (Note: use Item 100) | |
| 12 | See Note | NSS | O-Ring (Note: Use Item 100) | |
| 13 | See Note | NSS | Ring, Back-up (Note: Use Item 100) | |
| 14 | 70006922 | 1 | Spacer | |
| 15 | 0961897 | 1 | Bushing, Tapered | |
| 16 | 70006923 | 1 | Pad, Wear | |
| 17 | 70006924 | 1 | Pad, Wear | |
| 18 | 70006925 | 1 | Plate | |
| 19 | 70006926 | 1 | Plate | |
| 20 | 4641032 | 1 | Valve Assembly (No serviceable parts - sold as assembly only) | |
| 20A | 7024397 | 2 | O-Ring (Between Valve and Cylinder Barrel) | |
| 21 | 0630535 | 3 | Bolt 1/4 x 1-1/8 | |
| 22 | 70006731 | 1 | Bolt | |
| 23 | 70006927 | 2 | Bolt M10 | |
| 24 | 70006728 | 8 | Bolt 7/16 | |
| 25 | 70006733 | 4 | Bolt M8 | |
| 26 | 70006928 | 1 | U-Bolt M10 | |
| 27 | 70005594 | 2 | Nut M10 | |
| 28 | 70006344 | 6 | Washer M10 | |
| 29 | 2220883 | 2 | Plug, O-Ring | |
| 30 | 2220885 | 1 | Plug, O-Ring | |
| 31 | 2220886 | 3 | Plug, O-Ring | |
| 100 | 1001188842 | 1 | Seal Kit - 1001228086 Cylinder (Includes Items 4-8 & 10-13) | |

SECTION 6 - HYDRAULIC

SECTION 6 - HYDRAULIC

FIGURE 6-1. AXLE LOCKOUT HYDRAULIC DIAGRAM



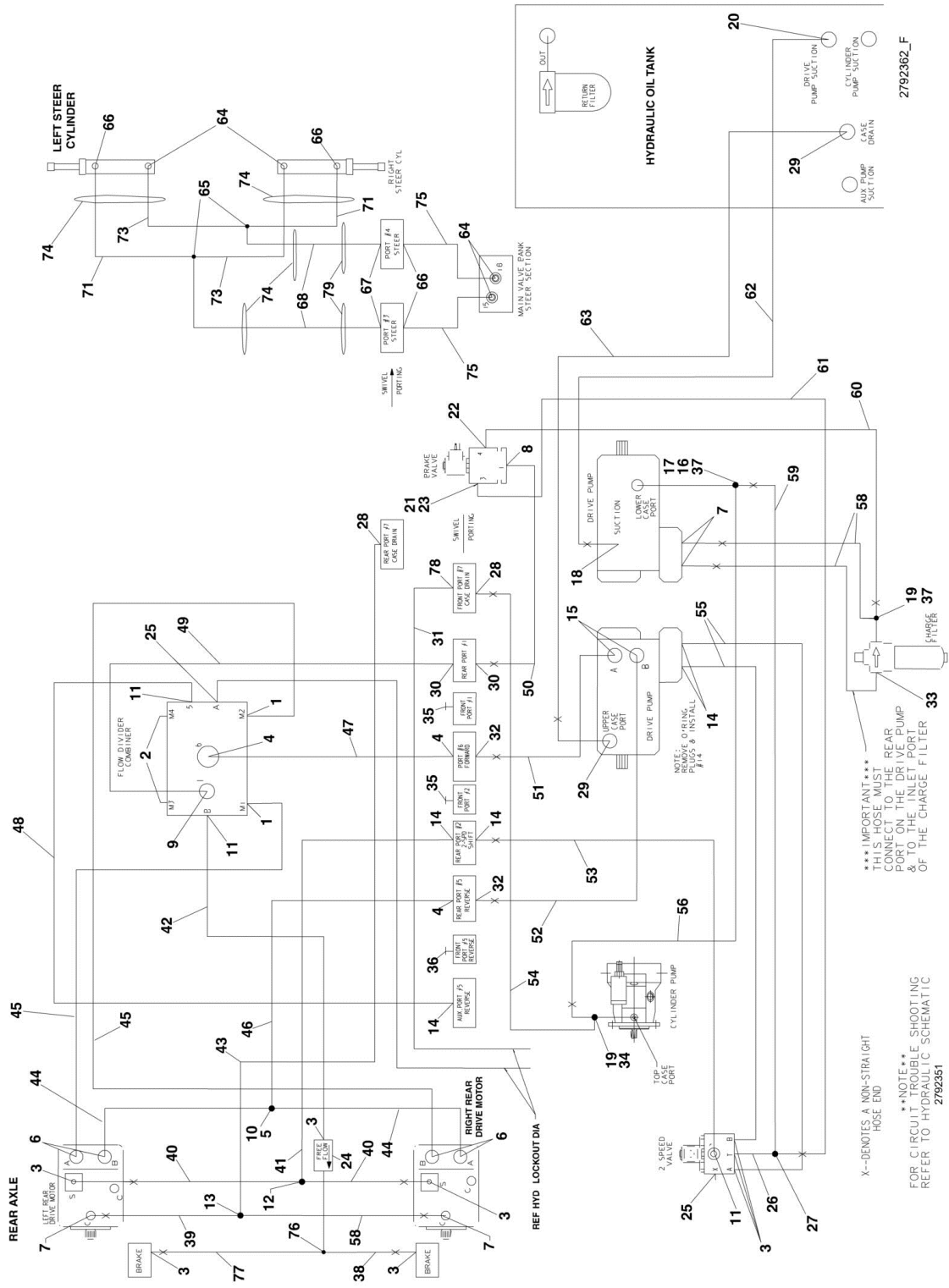
SECTION 6 - HYDRAULIC

FIGURE 6-1. AXLE LOCKOUT HYDRAULIC DIAGRAM

| ITEM | PART NUMBER | QTY | DESCRIPTION | REV |
|------|-------------|-----|--|-----|
| | 2792367 | Ref | AXLE LOCKOUT HYDRAULIC DIAGRAMS | 2-B |
| 1 | 2220603 | 1 | Fitting, Straight | |
| 2 | 2220635 | 1 | Fitting, Tee | |
| 3 | 2750920 | 2 | Hose | |
| 4 | 2220490 | 1 | Fitting, Tee | |
| 5 | 2220371 | 2 | Fitting, Straight | |
| 6 | 2752648 | 1 | Hose | |
| 7 | 2752611 | 1 | Hose | |
| 8 | 2220619 | 1 | Fitting, Reducer | |
| 9 | 2220582 | 2 | Fitting, Straight | |
| 10 | 2750760 | 1 | Hose | |
| 11 | 2751906 | 2 | Hose | |
| 12 | 2220711 | 1 | Fitting, Tee | |
| 13 | 2220415 | 2 | Fitting, Straight | |
| 14 | 2220602 | 1 | Fitting, Tee (Not Shown) | |
| 15 | 2220811 | 1 | Fitting, Reducer (Not Shown) | |
| 16 | 2220577 | 1 | Fitting, Straight (Not Shown) | |

SECTION 6 - HYDRAULIC

FIGURE 6-2. DRIVE HYDRAULIC DIAGRAM - 2WD



2792362_F

IMPORTANT
THIS HOSE MUST
CONNECT TO THE REAR
PORT ON THE DRIVE PUMP
& TO THE INLET PORT
OF THE CHARGE FILTER

X-DENOTES A NON-STRAIGHT
HOSE END

NOTE
FOR CIRCUIT TROUBLE SHOOTING
REFER TO HYDRAULIC SCHEMATIC
2792351

SECTION 6 - HYDRAULIC

FIGURE 6-2. DRIVE HYDRAULIC DIAGRAM - 2WD

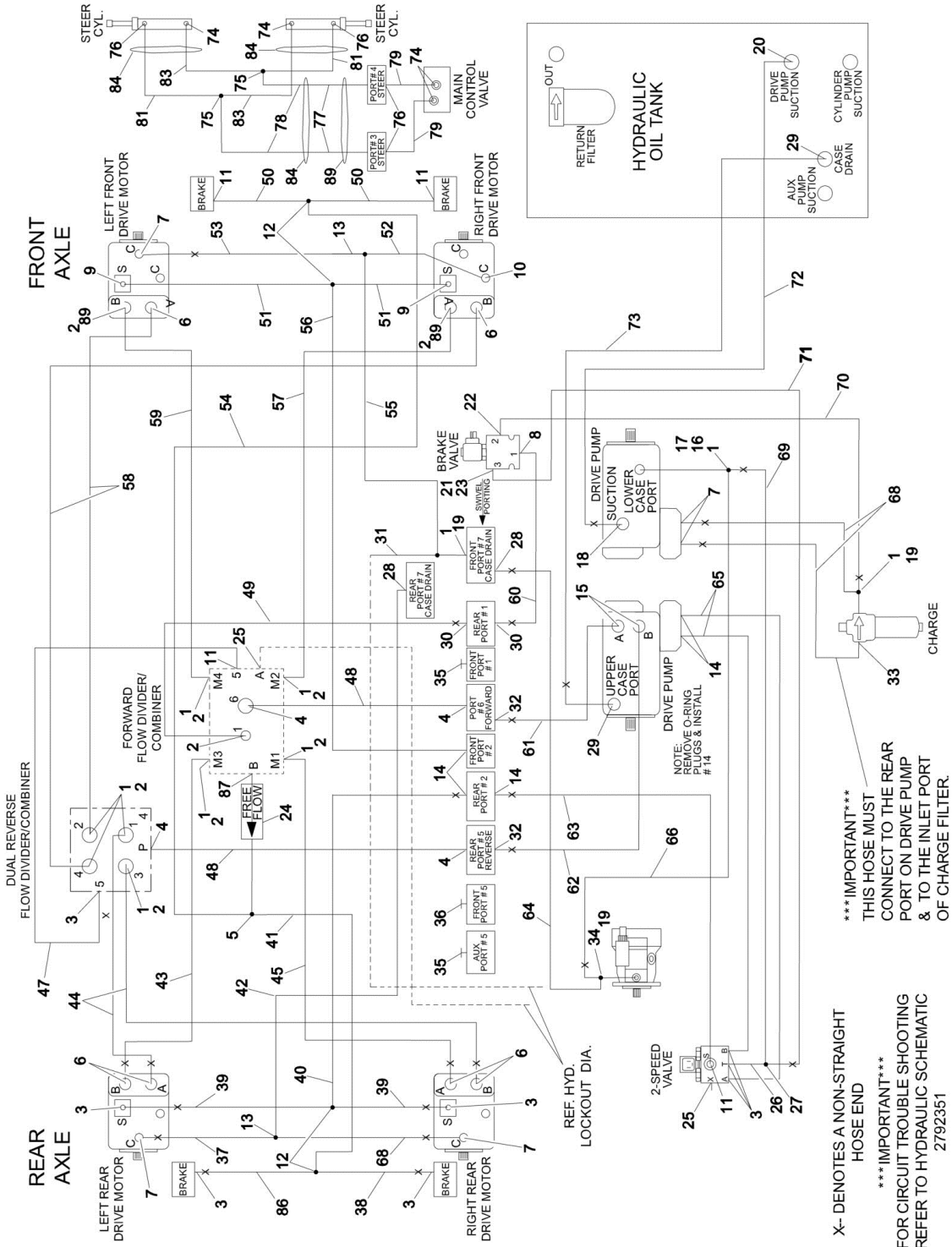
| ITEM | PART NUMBER | QTY | DESCRIPTION | REV |
|------|-------------|-----|--------------------------------------|-----|
| | 2792362 | Ref | DRIVE HYDRAULIC DIAGRAM - 2WD | 6-F |
| 1 | 2220498 | 2 | Fitting, Elbow | |
| 2 | 2220240 | 2 | Fitting, Plug | |
| 3 | 2220415 | 8 | Fitting, Straight | |
| 4 | 2220365 | 3 | Fitting, Elbow | |
| 5 | 2220710 | 2 | Fitting, Reducer | |
| 6 | 2220465 | 4 | Fitting, Elbow | |
| 7 | 2220374 | 4 | Fitting, Straight | |
| 8 | 2220373 | 1 | Fitting, Straight | |
| 9 | 2220500 | 1 | Fitting, Elbow | |
| 10 | 2220363 | 1 | Fitting, Tee | |
| 11 | 2220466 | 3 | Fitting, Elbow | |
| 12 | 2220504 | 1 | Fitting, Tee | |
| 13 | 2220362 | 1 | Fitting, Tee | |
| 14 | 2220582 | 5 | Fitting, Straight | |
| 15 | 2220646 | 2 | Fitting, Elbow | |
| 16 | 2220999 | 1 | Fitting, Tee | |
| 17 | 2220618 | 1 | Fitting, Reducer | |
| 18 | 2220479 | 1 | Fitting, Straight | |
| 19 | 2220602 | 2 | Fitting, Tee | |
| 20 | 2220380 | 1 | Fitting, Straight | |
| 21 | 2220609 | 1 | Fitting, Reducer | |
| 22 | 2220596 | 1 | Fitting, Elbow | |
| 23 | 2220628 | 1 | Fitting, Elbow | |
| 24 | 4641076 | 1 | Valve, Restrictor (.021) | |
| 25 | 2220235 | 2 | Fitting, Plug | |
| 26 | 2221029 | 1 | Fitting, Orifice (.031) | |
| 27 | 2220605 | 1 | Fitting, Tee | |
| 28 | 2220375 | 2 | Fitting, Straight | |
| 29 | 2220451 | 2 | Fitting, Straight | |
| 30 | 2220600 | 2 | Fitting, Straight | |
| 31 | 2220516 | 1 | Fitting, Cap | |
| 32 | 2220377 | 2 | Fitting, Straight | |
| 33 | 2220366 | 1 | Fitting, Elbow | |
| 34 | 2220810 | 1 | Fitting, Straight | |
| 35 | 2220237 | 2 | Fitting, Plug | |
| 36 | 2220242 | 1 | Fitting, Plug | |
| 37 | 2220811 | 2 | Fitting, Straight | |
| 38 | 2752575 | 1 | Hose | |
| 39 | 2752514 | 1 | Hose | |
| 40 | 2753036 | 2 | Hose | |
| 41 | 2751011 | 1 | Hose | |
| 42 | 2752977 | 1 | Hose | |
| 43 | 2752518 | 1 | Hose | |
| 44 | 2752265 | 2 | Hose | |
| 45 | 2752266 | 2 | Hose | |
| 46 | 2752345 | 1 | Hose | |
| 47 | 2752363 | 1 | Hose | |
| 48 | 2751017 | 1 | Hose | |
| 49 | 2752498 | 1 | Hose | |

SECTION 6 - HYDRAULIC

| ITEM | PART NUMBER | QTY | DESCRIPTION | REV |
|------|-------------|-----|------------------------------------|-----|
| 50 | 2752928 | 1 | Hose | |
| 51 | 2752365 | 1 | Hose | |
| 52 | 2752366 | 1 | Hose | |
| 53 | 2751391 | 1 | Hose | |
| 54 | 2752513 | 1 | Hose | |
| 55 | 2751397 | 2 | Hose | |
| 56 | 2752942 | 1 | Hose | |
| 58 | 2752494 | 3 | Hose | |
| 59 | 2752453 | 1 | Hose | |
| 60 | 2752514 | 1 | Hose | |
| 61 | 2752573 | 1 | Hose | |
| 62 | 2752754 | 1 | Hose | |
| 63 | 2752673 | 1 | Hose | |
| 64 | 2220501 | 4 | Fitting, Elbow | |
| 65 | 2220490 | 2 | Fitting, Tee | |
| 66 | 2220473 | 2 | Fitting, Elbow | |
| 67 | 2220371 | 2 | Fitting, Straight | |
| 68 | 2753117 | 2 | Hose | |
| 71 | 2753087 | 2 | Hose | |
| 73 | 2752648 | 2 | Hose | |
| 74 | 4100058 | 4 | Sleeve, Nylon (12in/30.5cm Pieces) | |
| 75 | 2752489 | 2 | Hose | |
| 76 | 2220711 | 1 | Fitting, Tee | |
| 77 | 2752581 | 1 | Hose | |
| 78 | 2220577 | 1 | Fitting, Straight | |
| 79 | 4100059 | 2 | Sleeve, Nylon (8in/20cm Pieces) | |

SECTION 6 - HYDRAULIC

FIGURE 6-3. DRIVE HYDRAULIC DIAGRAM - 4WD



SECTION 6 - HYDRAULIC

FIGURE 6-3. DRIVE HYDRAULIC DIAGRAM - 4WD

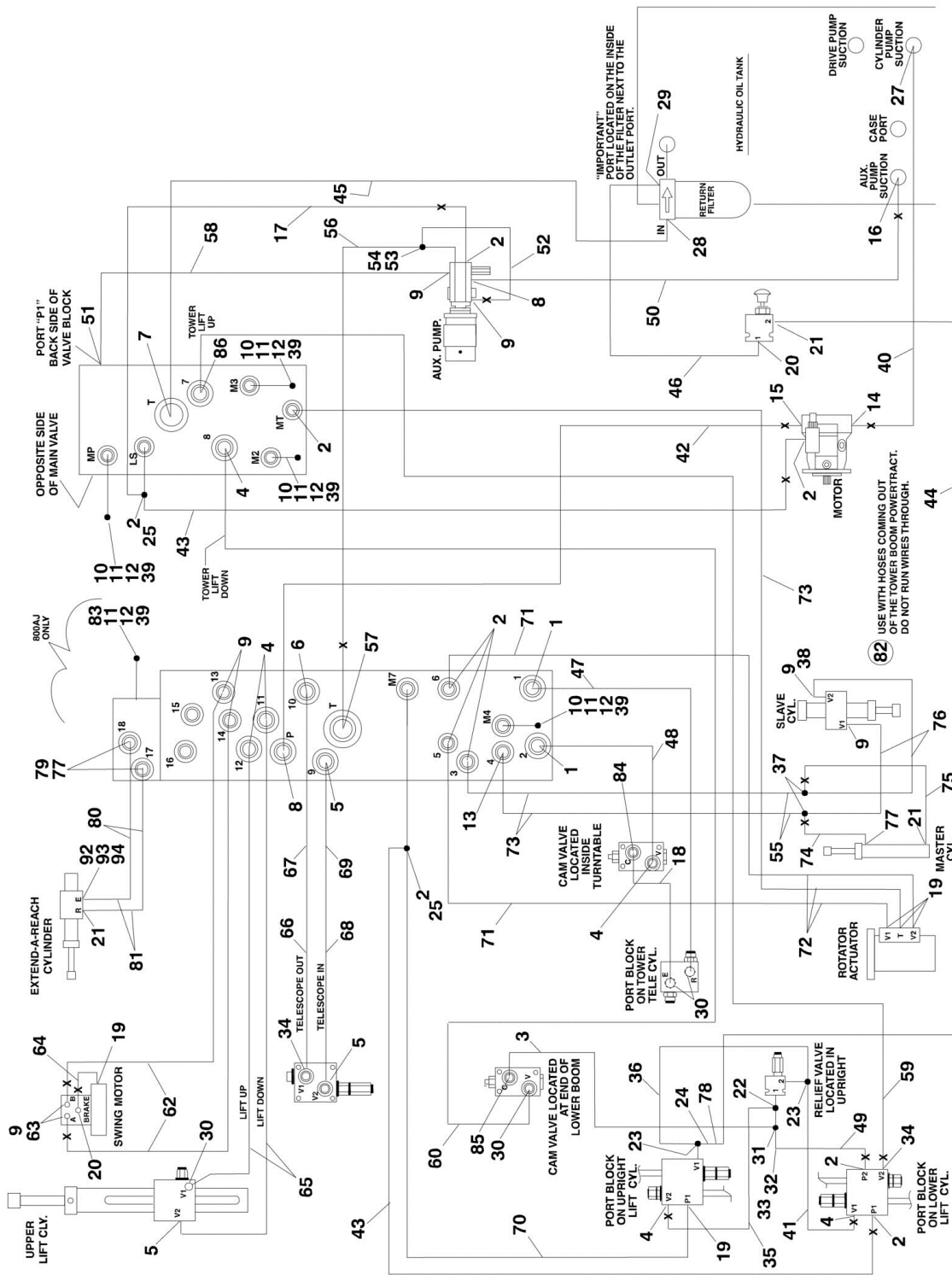
| ITEM | PART NUMBER | QTY | DESCRIPTION | REV |
|------|-------------|-----|--------------------------------------|-----|
| | 2792363 | Ref | DRIVE HYDRAULIC DIAGRAM - 4WD | 9-H |
| 1 | 2220811 | 9 | Fitting, Reducer | |
| 2 | 2220500 | 11 | Fitting, Elbow | |
| 3 | 2220415 | 8 | Fitting, Straight | |
| 4 | 2220365 | 4 | Fitting, Elbow | |
| 5 | 2220711 | 1 | Fitting, Tee | |
| 6 | 2220800 | 6 | Fitting, Straight | |
| 7 | 2220374 | 5 | Fitting, Straight | |
| 8 | 2220373 | 1 | Fitting, Straight | |
| 9 | 2220502 | 2 | Fitting, Elbow | |
| 10 | 2220499 | 1 | Fitting, Elbow | |
| 11 | 2220466 | 4 | Fitting, Elbow | |
| 12 | 2220504 | 4 | Fitting, Tee | |
| 13 | 2220362 | 2 | Fitting, Tee | |
| 14 | 2220582 | 5 | Fitting, Straight | |
| 15 | 2220646 | 2 | Fitting, 9Elbow | |
| 16 | 2220999 | 1 | Fitting, Tee | |
| 17 | 2220618 | 1 | Fitting, Reducer | |
| 18 | 2220479 | 1 | Fitting, Straight | |
| 19 | 2220602 | 3 | Fitting, Tee | |
| 20 | 2220380 | 1 | Fitting, Straight | |
| 21 | 2220609 | 1 | Fitting, Reducer | |
| 22 | 2220596 | 1 | Fitting, Elbow | |
| 23 | 2220628 | 1 | Fitting, Elbow | |
| 24 | 4640778 | 1 | Valve, Restrictor (.030) | |
| 25 | 2220235 | 2 | Fitting, Plug | |
| 26 | 2221029 | 1 | Fitting, Orifice (.031) | |
| 27 | 2220605 | 1 | Fitting, Tee | |
| 28 | 2220375 | 2 | Fitting, Straight | |
| 29 | 2220451 | 2 | Fitting, Straight | |
| 30 | 2220600 | 2 | Fitting, Straight | |
| 31 | 2220517 | 1 | Fitting, Cap | |
| 32 | 2220377 | 2 | Fitting, Straight | |
| 33 | 2220366 | 1 | Fitting, Elbow | |
| 34 | 2220810 | 1 | Fitting, Reducer | |
| 35 | 2220237 | 2 | Fitting, Plug | |
| 36 | 2220242 | 1 | Fitting, Plug | |
| 37 | 2752514 | 1 | Hose | |
| 38 | 2752575 | 1 | Hose | |
| 39 | 2753036 | 2 | Hose | |
| 40 | 2751011 | 1 | Hose | |
| 41 | 2752977 | 1 | Hose | |
| 42 | 2752518 | 1 | Hose | |
| 43 | 2753155 | 1 | Hose | |
| 44 | 2753161 | 2 | Hose | |
| 45 | 2753162 | 1 | Hose | |
| 46 | 4100059 | 2 | Sleeve, Nylon (8in/20cm Pieces) | |
| 47 | 2751017 | 1 | Hose | |
| 48 | 2752363 | 2 | Hose | |
| 49 | 2752498 | 1 | Hose | |

SECTION 6 - HYDRAULIC

| ITEM | PART NUMBER | QTY | DESCRIPTION | REV |
|------|-------------|-----|--------------------------------------|-----|
| 50 | 2752592 | 2 | Hose | |
| 51 | 2753035 | 2 | Hose | |
| 52 | 2752516 | 1 | Hose | |
| 53 | 2752514 | 1 | Hose | |
| 54 | 2752591 | 1 | Hose | |
| 55 | 2752949 | 1 | Hose | |
| 56 | 2751906 | 1 | Hose | |
| 57 | 2753157 | 1 | Hose | |
| 58 | 2753158 | 2 | Hose | |
| 59 | 2753159 | 1 | Hose | |
| 60 | 2753187 | 1 | Hose | |
| 61 | 2752365 | 1 | Hose | |
| 62 | 2752366 | 1 | Hose | |
| 63 | 2751391 | 1 | Hose | |
| 64 | 2752513 | 1 | Hose | |
| 65 | 2751397 | 2 | Hose | |
| 66 | 2752942 | 1 | Hose | |
| 68 | 2752494 | 3 | Hose | |
| 69 | 2752453 | 1 | Hose | |
| 70 | 2752514 | 1 | Hose | |
| 71 | 2752573 | 1 | Hose | |
| 72 | 2752754 | 1 | Hose | |
| 73 | 2752673 | 1 | Hose | |
| 74 | 2220501 | 4 | Fitting, Elbow | |
| 75 | 2220490 | 2 | Fitting, Tee | |
| 76 | 2220473 | 4 | Fitting, Elbow | |
| 77 | 2220371 | 2 | Fitting, Straight | |
| 78 | 2753117 | 2 | Hose | |
| 79 | 2752489 | 2 | Hose | |
| 81 | 2753087 | 2 | Hose | |
| 83 | 2752648 | 2 | Hose | |
| 84 | 4100058 | 4 | Sleeve, Nylon (12in/30.5cm Pieces) | |
| 85 | 2752642 | 1 | Hose (Prior to SN 0300053332) | |
| 86 | 2752581 | 1 | Hose | |
| 87 | 2221030 | 1 | Fitting, Nipple | |
| 89 | 2220833 | 2 | Fitting, Reducer | |
| 90 | 4100051 | 1 | Sleeve, Nylon | |

SECTION 6 - HYDRAULIC

FIGURE 6-4. STANDARD HYDRAULIC DIAGRAM (WITH FENNER AND HALDEX BRAND AUXILIARY PUMP)



SECTION 6 - HYDRAULIC

FIGURE 6-4. STANDARD HYDRAULIC DIAGRAM (WITH FENNER AND HALDEX BRAND AUXILIARY PUMP)

| ITEM | PART NUMBER | QTY | DESCRIPTION | REV |
|------|-------------|-----|--|------|
| | | Ref | STANDARD HYDRAULIC DIAGRAM | |
| | 2792365 | Ref | Standard Hydraulic Diagram 800A | 9-H |
| | 2792366 | Ref | Standard Hydraulic Diagram 800AJ | 11-K |
| 1 | 2220381 | 2 | Fitting, Straight | |
| 2 | 2220415 | AR | Fitting, Straight | |
| 3 | 2753199 | 1 | Hose | |
| 4 | 2220373 | 6 | Fitting, Straight | |
| 5 | 2220500 | 3 | Fitting, Elbow | |
| 6 | 2220947 | 1 | Fitting, Straight | |
| 7 | 2220376 | 1 | Fitting, Straight | |
| 8 | 2220593 | 2 | Fitting, Straight | |
| 9 | 2220371 | AR | Fitting, Straight | |
| 10 | 2220873 | 4 | Fitting, Straight | |
| 11 | 2220428 | AR | Fitting, Quick Disconnect | |
| 12 | 2220429 | AR | Fitting, Dust Cap | |
| 13 | 2220502 | 1 | Fitting, Elbow | |
| 14 | 2220737 | 1 | Split Flange Kit #24 | |
| 15 | 2220478 | 1 | Split Flange Kit #16 | |
| 16 | 2220451 | 1 | Fitting, Straight | |
| 17 | 2752453 | 1 | Hose | |
| 18 | 2753200 | 1 | Hose | |
| 19 | 2220466 | AR | Fitting, Elbow | |
| 20 | 2220582 | AR | Fitting, Straight | |
| 21 | 2220473 | AR | Fitting, Elbow | |
| 22 | 2220602 | 1 | Fitting, Tee | |
| 23 | 2220999 | 2 | Fitting, Tee | |
| 24 | 2220619 | 1 | Fitting, Reducer | |
| 25 | 2220605 | 2 | Fitting, Tee | |
| 27 | 2220765 | 1 | Fitting, Straight | |
| 28 | 2220379 | 1 | Fitting, Straight | |
| 29 | 2220574 | 1 | Fitting, Straight | |
| 30 | 2220596 | AR | Fitting, Elbow | |
| 31 | 2220385 | 1 | Fitting, Tee | |
| 32 | 2220618 | 1 | Fitting, Reducer | |
| 33 | 2220654 | 1 | Fitting, Elbow (Prior to SN 0300048538) | |
| 34 | 2220852 | 2 | Fitting, Straight | |
| 35 | 2753197 | 1 | Hose | |
| 36 | 2753196 | 1 | Hose | |
| 37 | 2220490 | 2 | Fitting, Tee | |
| 38 | 4567139 | 1 | Tube | |
| 39 | 0100020 | AR | Sealant, Pipe | |
| 40 | 2753216 | 1 | Hose | |
| 41 | 2753195 | 1 | Hose | |
| 42 | 2753231 | 1 | Hose | |
| 43 | 2753010 | 2 | Hose | |
| 44 | 2752468 | 1 | Hose | |
| 45 | 2752721 | 1 | Hose | |
| 46 | 2752438 | 1 | Hose | |
| 47 | 2753192 | 1 | Hose | |

SECTION 6 - HYDRAULIC

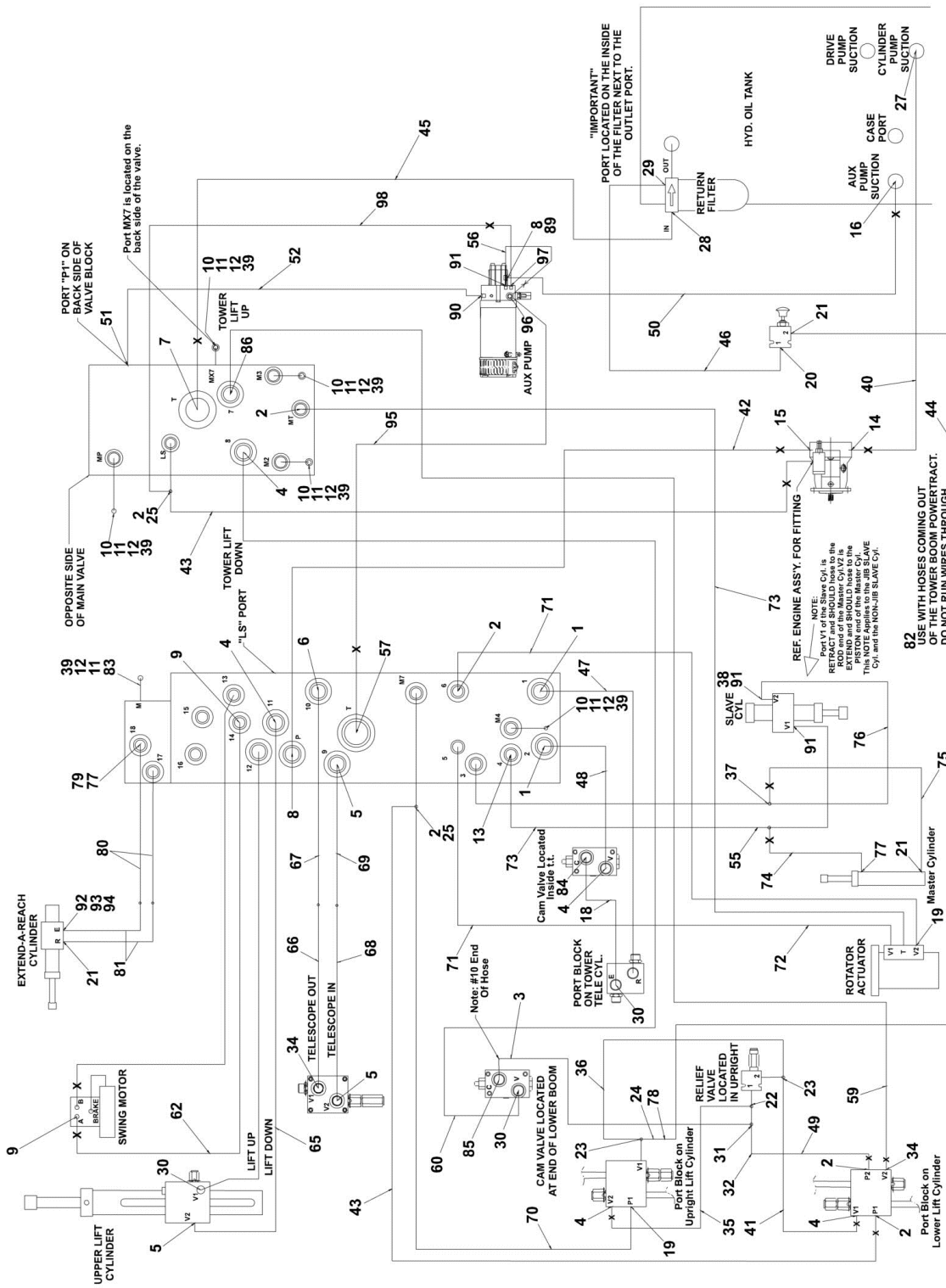
| ITEM | PART NUMBER | QTY | DESCRIPTION | REV |
|------|--------------|-----|---|-----|
| 48 | 2752494 | 1 | Hose | |
| 49 | 2753008 | 1 | Hose | |
| 50 | 2752674 | 1 | Hose | |
| 51 | 4640780 | 1 | Fitting, Check Valve | |
| 52 | 2753118 | 1 | Hose | |
| 53 | 2220775 | 1 | Fitting, Elbow | |
| 54 | 2220635 | 1 | Fitting, Tee | |
| 55 | 2220609 | 2 | Fitting, Reducer | |
| 56 | 2752463 | 1 | Hose | |
| 57 | 2220577 | 1 | Fitting, Straight | |
| 58 | 2753122 | 1 | Hose | |
| 59 | 2752768 | 1 | Hose | |
| 60 | 2752930 | 1 | Hose | |
| 62 | 2752462 | 2 | Hose | |
| 63 | 2220497 | 2 | Fitting, Straight (Prior to SN 0300068040) | |
| 64 | 2752573 | AR | Hose (Prior to SN 0300068040) | |
| 65 | 2753189 | 2 | Hose | |
| 66 | 2752767 | 1 | Hose | |
| 67 | 2752766 | 1 | Hose | |
| 68 | 2753190 | 1 | Hose | |
| 69 | 2753191 | 1 | Hose | |
| 70 | 2752978 | 1 | Hose | |
| 71 | 2752585 | 2 | Hose | |
| 72 | | Ref | Hose Options: | |
| 72 | 2753009 | 3 | Hose 800A | |
| 72 | 2753006 | 3 | Hose 800AJ | |
| 73 | 2753007 | 3 | Hose | |
| 74 | 2753124 | 1 | Hose | |
| 75 | 2753125 | 1 | Hose | |
| 76 | | Ref | Hose Options: | |
| 76 | 2753129 | 2 | Hose 800A | |
| 76 | 2753126 | 2 | Hose 800AJ | |
| 77 | 2220501 | AR | Fitting, Elbow | |
| 78 | 4567757 | 1 | Tube | |
| 79 | | Ref | Fitting, Reducer Options: | |
| 79 | Not Required | 0 | Fitting, Reducer 800A | |
| 79 | 2220591 | 2 | Fitting, Reducer 800AJ | |
| 80 | | Ref | Hose Options: | |
| 80 | Not Required | 0 | Hose 800A | |
| 80 | 2753123 | 2 | Hose 800AJ | |
| 81 | | Ref | Hose Options: | |
| 81 | Not Required | 0 | Hose 800A | |
| 81 | 2753128 | 2 | Hose 800AJ | |
| 82 | 4100062 | 2 | Protection, Nylon Hose (24in/61cm) | |
| 83 | | Ref | Fitting Options: (800AJ Only) | |
| 83 | 2220414 | 1 | Fitting (Prior to SN 0300053556) | |
| 83 | 2220873 | 1 | Fitting (SN 0300053556 through 0300069000) | |
| 84 | 2220947 | 1 | Fitting, Straight | |
| 85 | 2221036 | 1 | Fitting, Elbow | |
| 86 | 2220950 | 1 | Fitting, Elbow (SN 0300067447 through 0300069000) | |
| 92 | 2180724 | 1 | Fitting, Modified | |

SECTION 6 - HYDRAULIC

| ITEM | PART NUMBER | QTY | DESCRIPTION | REV |
|------|-------------|-----|-------------------|-----|
| 93 | 2180380 | 1 | Fitting, Orifice | |
| 94 | 0100019 | AR | Compound, Locking | |

SECTION 6 - HYDRAULIC

FIGURE 6-5. STANDARD HYDRAULIC DIAGRAM (WITH BUCHER BRAND AUXILIARY PUMP)



SECTION 6 - HYDRAULIC

FIGURE 6-5. STANDARD HYDRAULIC DIAGRAM (WITH BUCHER BRAND AUXILIARY PUMP)

| ITEM | PART NUMBER | QTY | DESCRIPTION | REV |
|------|-------------|-----|---|-----|
| | | Ref | STANDARD HYDRAULIC DIAGRAM | |
| | 1001143187 | Ref | Standard Hydraulic Diagram 800A | A |
| | 1001143188 | Ref | Standard Hydraulic Diagram 800AJ | A |
| 1 | 2220381 | 2 | Fitting, Straight | |
| 2 | 2220415 | 8 | Fitting, Straight | |
| 3 | 2753199 | 1 | Hose | |
| 4 | 2220373 | 6 | Fitting, Straight | |
| 5 | 2220500 | 3 | Fitting, Elbow | |
| 6 | 2220947 | 1 | Fitting, Straight | |
| 7 | 2220376 | 1 | Fitting, Straight | |
| 8 | 2220593 | 2 | Fitting, Straight | |
| 9 | 2220371 | 4 | Fitting, Straight | |
| 10 | 2220873 | 5 | Fitting, Straight | |
| 11 | 2220428 | AR | Fitting, Quick Disconnect | |
| 12 | 2220429 | AR | Fitting, Dust Cap | |
| 13 | 2220502 | 1 | Fitting, Elbow | |
| 14 | 2220737 | 1 | Split Flange Kit #24 | |
| 15 | 2220478 | 1 | Split Flange Kit #16 | |
| 16 | 2220451 | 1 | Fitting, Straight | |
| 18 | 2753200 | 1 | Hose | |
| 19 | 2220466 | 4 | Fitting, Elbow | |
| 20 | 2220582 | 1 | Fitting, Straight | |
| 21 | 2220473 | AR | Fitting, Elbow | |
| 22 | 2220602 | 1 | Fitting, Tee | |
| 23 | 2220999 | 2 | Fitting, Tee | |
| 24 | 2220619 | 1 | Fitting, Reducer | |
| 25 | 2220605 | 2 | Fitting, Tee | |
| 27 | 2220765 | 1 | Fitting, Straight | |
| 28 | 2220379 | 1 | Fitting, Straight | |
| 29 | 2220574 | 1 | Fitting, Straight | |
| 30 | 2220596 | 4 | Fitting, Elbow | |
| 31 | 2220385 | 1 | Fitting, Tee | |
| 32 | 2220618 | 1 | Fitting, Reducer | |
| 34 | 2220852 | 2 | Fitting, Straight | |
| 35 | 2753197 | 1 | Hose | |
| 36 | 2753196 | 1 | Hose | |
| 37 | 2220490 | 2 | Fitting, Tee | |
| 38 | 4567139 | 1 | Tube | |
| 39 | 0100020 | AR | Sealant, Pipe | |
| 40 | 2753216 | 1 | Hose | |
| 41 | 2753195 | 1 | Hose | |
| 42 | 2753231 | 1 | Hose | |
| 43 | 2753010 | 2 | Hose | |
| 44 | 2752468 | 1 | Hose | |
| 45 | 2752721 | 1 | Hose | |
| 46 | 2752438 | 1 | Hose | |
| 47 | 2753192 | 1 | Hose | |
| 48 | 2752494 | 1 | Hose | |
| 49 | 2753008 | 1 | Hose | |
| 50 | 2752671 | 1 | Hose | |

SECTION 6 - HYDRAULIC

| ITEM | PART NUMBER | QTY | DESCRIPTION | REV |
|------|--------------|-----|--|-----|
| 51 | 4640780 | 1 | Fitting, Check Valve | |
| 52 | 2753118 | 1 | Hose | |
| 55 | 2220609 | 2 | Fitting, Reducer | |
| 56 | 2752463 | 1 | Hose | |
| 57 | 2220577 | 1 | Fitting, Straight | |
| 59 | 2752768 | 1 | Hose | |
| 60 | 2752930 | 1 | Hose | |
| 62 | 2752462 | 2 | Hose | |
| 65 | 2753189 | 2 | Hose | |
| 66 | 2752767 | 1 | Hose | |
| 67 | 2752766 | 1 | Hose | |
| 68 | 2753190 | 1 | Hose | |
| 69 | 2753191 | 1 | Hose | |
| 70 | 2752978 | 1 | Hose | |
| 71 | 2752585 | 2 | Hose | |
| 72 | | Ref | Hose Options: | |
| 72 | 2753009 | 3 | Hose 800A | |
| 72 | 2753006 | 3 | Hose 800AJ | |
| 73 | 2753007 | 3 | Hose | |
| 74 | 2753124 | 1 | Hose | |
| 75 | 2753125 | 1 | Hose | |
| 76 | | Ref | Hose Options: | |
| 76 | 2753129 | 2 | Hose 800A | |
| 76 | 2753126 | 2 | Hose 800AJ | |
| 77 | 2220501 | 1 | Fitting, Elbow | |
| 78 | 4567757 | 1 | Tube | |
| 79 | | Ref | Fitting, Reducer Options: | |
| 79 | Not Required | 0 | Fitting, Reducer 800A | |
| 79 | 2220591 | 2 | Fitting, Reducer 800AJ | |
| 80 | | Ref | Hose Options: | |
| 80 | Not Required | 0 | Hose 800A | |
| 80 | 2753123 | 2 | Hose 800AJ | |
| 81 | | Ref | Hose Options: | |
| 81 | Not Required | 0 | Hose 800A | |
| 81 | 2753128 | 2 | Hose 800AJ | |
| 82 | 4100062 | 4 | Protection, Nylon Hose (24in/61cm per piece) | |
| 83 | 2220873 | 1 | Fitting (800AJ Only) | |
| 84 | 2220947 | 1 | Fitting, Straight | |
| 85 | 2221036 | 1 | Fitting, Elbow | |
| 86 | 2220950 | 1 | Fitting, Elbow | |
| 89 | 2220655 | 1 | Fitting, Elbow | |
| 90 | 2220501 | 1 | Fitting | |
| 91 | 2220603 | 3 | Fitting, Straight | |
| 92 | | Ref | Fitting, Modified Options: | |
| 92 | Not Required | 0 | Fitting, Modified 800A | |
| 92 | 2180724 | 1 | Fitting, Modified 800AJ | |
| 93 | | Ref | Fitting, Orifice Options: | |
| 93 | Not Required | 0 | Fitting, Orifice 800A | |
| 93 | 2180380 | 1 | Fitting, Orifice 800AJ | |
| 94 | 0100019 | AR | Compound, Locking | |
| 95 | 1001109690 | 1 | Hose | |

SECTION 6 - HYDRAULIC

| ITEM | PART NUMBER | QTY | DESCRIPTION | REV |
|------|-------------|-----|--|-----|
| 96 | 2220606 | 1 | Fitting, Tee | |
| 97 | 2220923 | 1 | Fitting, Straight | |
| 98 | 1001143192 | 1 | Hose | |
| | | Ref | Hose Kit Options: | |
| | | Ref | Hose Kit 800A | |
| | 2902456 | 1 | Hose Kit (Includes Items 72 & 76) | |
| | 2902457 | 1 | Hose Kit (Includes Items 3, 35, 36, 41, 44, 49, 60, 65, 67, 69, 70, 71 & 73) | |
| | | Ref | Hose Kit 800AJ | |
| | 2902459 | 1 | Hose Kit (Includes Items 72, 76 & 81) | |
| | 2902457 | 1 | Hose Kit (Includes Items 3, 35, 36, 41, 44, 49, 60, 65, 67, 69, 70, 71 & 73) | |

SECTION 6 - HYDRAULIC

FIGURE 6-6. HYDRAULIC DIAGRAM LIST

| ITEM | PART NUMBER | QTY | DESCRIPTION | REV |
|------|-------------|-----|--|-----|
| | | Ref | Note: Diagrams not shown is available from JLG Service/Parts Departments. | |
| | 2792367 | Ref | Axle Lockout Hydraulic Diagram | |
| | | Ref | Drive Hydraulic Diagrams: | |
| | 2792362 | Ref | Drive Hydraulic Diagram 2WD/2WS Machines | |
| | 2792363 | Ref | Drive Hydraulic Diagram 4WD/2WS Machines | |
| | 2792364 | Ref | Drive Hydraulic Diagram 4WD/4WS Machines | |
| | | Ref | Standard Hydraulic Diagrams: | |
| | 2792365 | Ref | Standard Hydraulic Diagrams 800A (Haldex Brand Auxiliary Pump) | |
| | 1001143187 | Ref | Standard Hydraulic Diagrams 800A (Bucher Brand Auxiliary Pump) | |
| | 2792366 | Ref | Standard Hydraulic Diagrams 800AJ (Haldex Brand Auxiliary Pump) | |
| | 1001143188 | Ref | Standard Hydraulic Diagrams 800AJ (Bucher Brand Auxiliary Pump) | |
| | 2792351 | Ref | Standard Hydraulic Schematic | |
| | | Ref | Tilt Sensor Installation Options: | |
| | 1001091538 | Ref | Pre ADE System | |
| | 1001093187 | Ref | ADE System | |
| | 1001094557 | 1 | Adapter, Pressure Tap | |

SECTION 7 - ELECTRICAL

SECTION 7 - ELECTRICAL

FIGURE 7-1. ELECTRICAL DIAGRAM LIST

| ITEM | PART NUMBER | QTY | DESCRIPTION | REV |
|------|-------------|-----|---|-----|
| | | Ref | Note: Diagrams not shown are available from the JLG Service Department. Schematics shown in the Service and Maintenance Manual. | |
| | | Ref | NOTE: THESE MACHINE SN'S AL03000SO EQUIPPED WITH ADE SYSTEM: 0300062045, 0300062797, 0300063013, 0300063665, 0300063975, 0300064000-0300064017, 0300064390, 0300064392 & 0300064411. | |
| | | Ref | ALARM ELECTRICAL DIAGRAMS | |
| | 4933025 | Ref | Motion Alarm (Prior to SN 0300065634) | 1 |
| | 1282937 | Ref | Motion Alarm (Prior to SN 0300065634) | A |
| | 4933026 | Ref | Travel Alarm (Prior to SN 0300065634) | 1 |
| | 1282937 | Ref | Travel Alarm (Prior to SN 0300065634) | A |
| | See Note | Ref | Alarm (All) (Use Schematic 1870132) (SN 0300065634 through 0300069000) | |
| | 1282571 | Ref | COLD WEATHER START ELECTRICAL DIAGRAM | F |
| | 4933307 | Ref | DRIVE/STEER CUT-OUT ELECTRICAL DIAGRAMS | A |
| | 4932986 | Ref | ENGINE SHUTDOWN ELECTRICAL DIAGRAM (DEUTZ ENGINE MACHINES OPTION) | B |
| | | Ref | GENERATOR ELECTRICAL DIAGRAMS | |
| | 4932915 | Ref | 110Volt (Prior to SN 0300056098) | 1-A |
| | 4933150 | Ref | 110Volt (SN 0300056098 through 0300064431) | 2-B |
| | 4933215 | Ref | 110Volt (ADE SYSTEM) (SN 0300064432 through 0300069000) | 1-A |
| | 4932989 | Ref | 220 Volt (Prior to SN 0300056098) | 1-B |
| | 4933149 | Ref | 220 Volt (SN 0300056098 through 0300064431) | 2-B |
| | 4933216 | Ref | 220 Volt (ADE SYSTEM) (SN 0300064432 through 0300069000) | 1-A |
| | | Ref | GLOW PLUG DIAGRAM OPTIONS: | |
| | 4933175 | Ref | Glow Plug Diagram (Prior to SN 0300064432) | A |
| | 4933189 | Ref | Glow Plug Diagram (SN 0300064432 through 0300069000) | A |
| | | Ref | Harness Options: | |
| | 4922542 | 1 | Harness (Prior to SN 0300064432) | |
| | 4922565 | 1 | Harness (SN 0300064432 through 0300069000) | |
| | | Ref | LIGHTS ELECTRICAL DIAGRAMS | |
| | 4932917 | Ref | Headlight/Taillight (Prior to SN 0300064432) | 3-D |
| | 4922095 | 1 | Harness (Located in Platform Console Box) | |
| | 3740049 | 1 | Relay | |
| | 4933199 | Ref | Headlight/Taillight (ADE System) (Including SN 0300064009) | A |
| | 4922484 | 1 | Harness (Located in Ground Console Box) | |
| | 3740049 | 1 | Relay | |
| | 4933231 | Ref | Headlight/Taillight (ADE System) (SN 0300064432 through 0300069000) | 1-B |
| | 4922643 | 1 | Harness (Located in Ground Console Box) | |
| | 3740049 | 1 | Relay | |
| | | Ref | STROBE LIGHT OPTIONS: | |
| | 4933027 | Ref | Strobe Light (Prior to SN 0300064432) | 1 |
| | 1282937 | Ref | Strobe Light (Prior to SN 0300064432) | A |
| | See Note | Ref | Strobe Light (Use Schematic 1870132) (SN 0300065634 through 0300069000) | B |
| | | Ref | OIL COOLER ELECTRICAL DIAGRAMS: | |
| | 0256762 | Ref | Deutz Engine | 3 |
| | 1282665 | Ref | Deutz Engine | C |

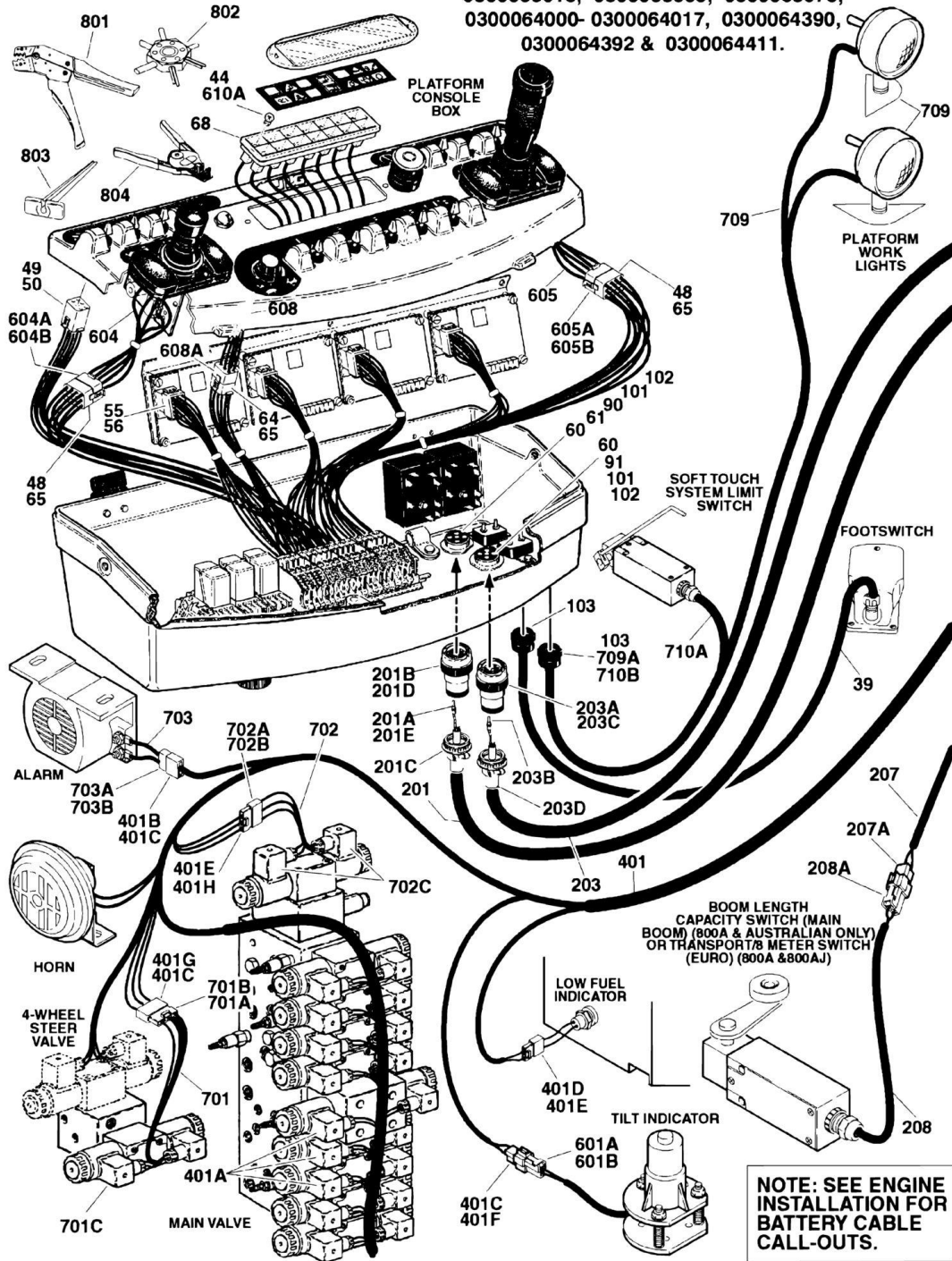
SECTION 7 - ELECTRICAL

| ITEM | PART NUMBER | QTY | DESCRIPTION | REV |
|------|-------------|-----|---|-----|
| | 0256777 | Ref | Ford Engine | 3 |
| | 1282663 | Ref | Ford Engine | B |
| | | Ref | PLATFORM ELECTRICAL DIAGRAMS: | |
| | 4922155 | Ref | Platform Worklights Electrical (Prior to SN 0300064432) | 5-D |
| | 4922509 | Ref | With ADE System (Including SN 0300064009) | C |
| | 4922639 | Ref | With ADE System (SN 0300064432 through 0300069000) | 3-C |
| | 4932980 | Ref | PLATFORM SOFT TOUCH SYSTEM ELECTRICAL DIAGRAM (Prior to SN 0300064432) | 2-C |
| | 3740057 | 1 | Relay (Located in Platform Console Box) | |
| | 4120012 | 1 | Socket, Relay (Located in Platform Console Box) | |
| | 3740066 | 1 | Spring, Relay (Located in Platform Console Box) | |
| | 3740049 | 1 | Relay (Located in Platform Console Box) | |
| | 4460600 | 1 | Block, Terminal (Located in Platform Console Box) | |
| | 4933218 | Ref | PLATFORM SOFT TOUCH SYSTEM ELECTRICAL DIAGRAM (WITH ADE SYSTEM) (SN 0300064432 through 0300069000) | 1-B |
| | | Ref | PLATFORM WORKLIGHTS ELECTRICAL DIAGRAMS: | |
| | 0258048 | Ref | Platform Worklights Electrical Diagrams (Prior to SN 0300064432) | 2-E |
| | 0270814 | Ref | With ADE System (SN 0300064432 through 0300069000) | 2-D |
| | | Ref | STANDARD ELECTRICAL DIAGRAMS: | |
| | 4932982 | Ref | Deutz Machines (Prior to SN 0300064432) | 5-F |
| | 4933195 | Ref | Deutz Engine (With ADE System) (Including SN 0300064009) | 3-C |
| | 4933232 | Ref | Deutz Engine (With ADE System) (SN 0300064432 through 0300069000) | 3-C |
| | 4933058 | Ref | Ford Machines (Prior to SN 0300048538) | 2-D |
| | 4932981 | Ref | Ford Machines (SN 0300048538 through 0300064431) | 4-C |
| | 4933233 | Ref | Ford EFI Engine (With ADE System) (SN 0300064432 through 0300069000) | 3-C |
| | 4932983 | Ref | Isuzu Machines (SN 0300058865 through 0300069000) | 2-C |
| | | Ref | STANDARD ELECTRICAL SCHEMATIC OPTIONS: | |
| | 1870063 | Ref | Deutz Machines (Prior to SN 0300065634) | I |
| | 1870062 | Ref | Ford Machines (Prior to SN 0300048538) | B |
| | 1870100 | Ref | Ford Machines with EFI (SN 0300048538 through 0300065634) | G |
| | 1870120 | Ref | Isuzu Machines (SN 0300058865 through 0300069000) | G |
| | 1870132 | Ref | Deutz/Ford EFI (With ADE System) (SN 0300065634 through 0300069000) | M |
| | | Ref | NOTE: FOR SCHEMATIC P/N 1870132 SEE FIELD BULLETIN FSB107C2 FOR PLATFORM AND MTB WIRING. | |

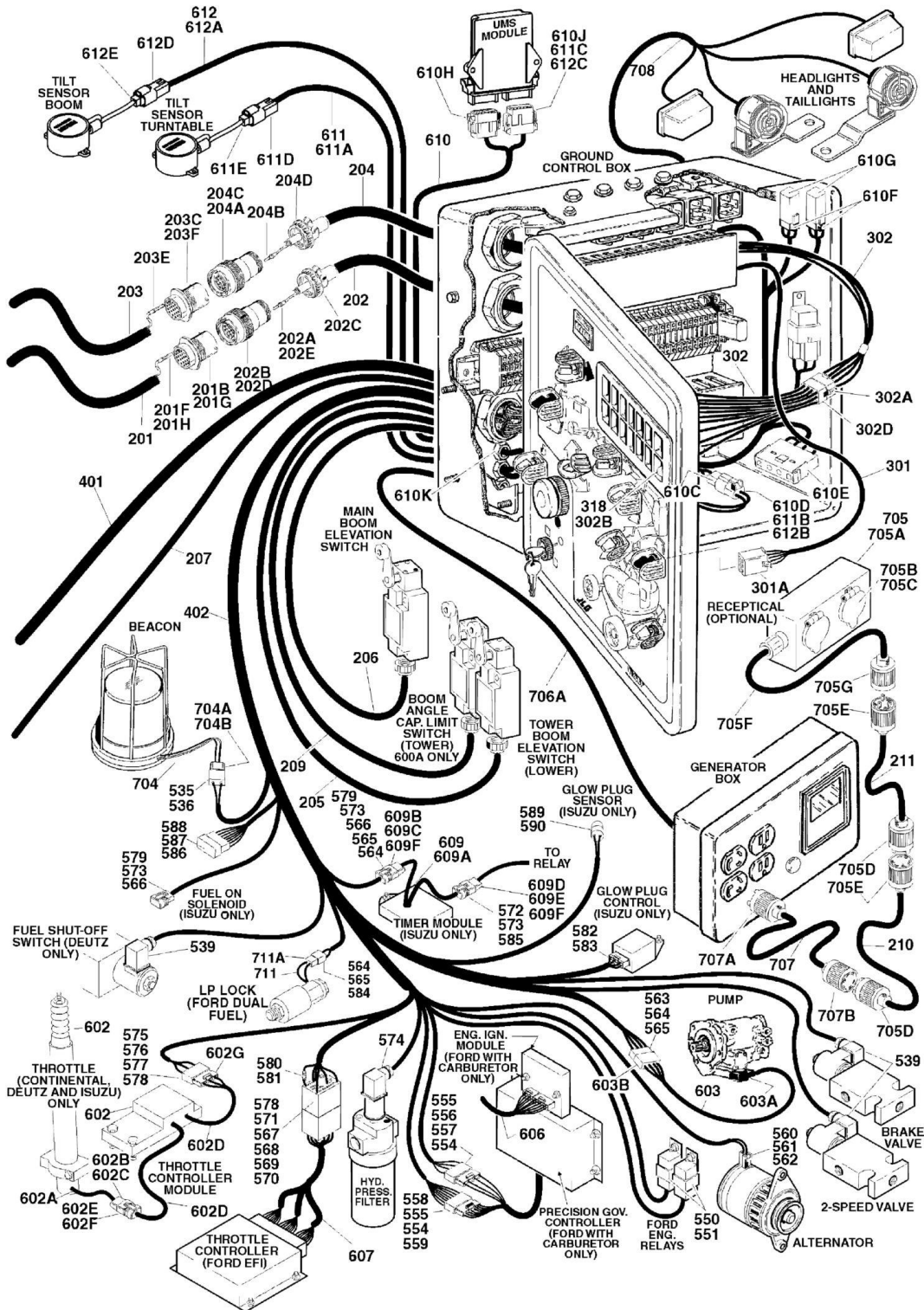
SECTION 7 - ELECTRICAL

FIGURE 7-2. HARNESS COMPONENTS INSTALLATION (Prior to SN 0300064432)

**NOTE: These Machine SN's
Also Equipped With ADE
System: 0300062045, 0300062797,
0300063013, 0300063665, 0300063975,
0300064000- 0300064017, 0300064390,
0300064392 & 0300064411.**



SECTION 7 - ELECTRICAL



SECTION 7 - ELECTRICAL

FIGURE 7-2. HARNESS COMPONENTS INSTALLATION (Prior to SN 0300064432)

| ITEM | PART NUMBER | QTY | DESCRIPTION | REV |
|------|-------------|--------------|--|-----|
| | | Ref | NOTE: THESE MACHINE SN'S ALSO EQUIPPED WITH ADE SYSTEM: 0300062045, 0300062797, 0300063013, 0300063665, 0300063975, 0300064000-0300064017, 0300064390, 0300064392 & 0300064411. | |
| | | Ref | HARNESS COMPONENTS INSTALLATION | |
| | 4922155 | Ref | PLATFORM BOX HARNESS ASSEMBLY | 2-B |
| | | Ref | (Note: Also includes terminal block/rail assembly and Bosch relays - See PLATFORM SECTION for Breakdown) | |
| 39 | 1060012 | 7 ft/2.13m | Cable, Electrical - 12/4 | |
| 44 | 2920129 | 9 | Bulb, Light | |
| 48 | 4460265 | 2 | Plug, Male - 9 Position | |
| 49 | 4460418 | 9 | Connector - 6 Position | |
| 50 | 4460419 | 45 | Terminal, Female | |
| 55 | 4460720 | 4 | Connector - 15 Position | |
| 56 | 4460721 | 38 | Socket, Female | |
| 60 | 4460464 | 10 | Pin, Male (16 Gauge) | |
| 61 | 4460508 | 4 | Pin, Male (12 Gauge) | |
| 62 | 3990001 | 14 | Diode - 3 Amp (Not Shown) | |
| 64 | 4460225 | 1 | Connector, Plug - 3 Position | |
| 65 | 4460267 | 22 | Pin, Male | |
| 66 | 3990010 | 9 | Diode - 6 Amp (Not Shown) | |
| 68 | 4120035 | 9 | Base, Light | |
| 90 | 4460613 | 1 | Connector - 21 Position | |
| 91 | 4460503 | 1 | Connector - 31 Position | |
| | | Ref | PLATFORM BOX ASSEMBLY COMPONENTS | |
| 101 | 4460470 | 2 | Nut, Conduit | |
| 102 | 4460471 | 2 | Washer | |
| 103 | 4460428 | 2 | Connector, Strain Relief | |
| | | Ref | BOOM CABLES INSTALLATION | |
| | 0258655 | Ref | Boom Cables Installation 800A (All Specs except Latin American Spec) | C |
| | 0258657 | Ref | Boom Cables Installation 800AJ (All Specs except Latin American Spec) | 3 |
| 201 | | Ref | Harness Assembly - Main Boom (10/4-18/16) Options: | |
| 201 | 4922130 | 1 | Harness Assembly - Main Boom 800A | |
| 201 | 4922180 | 1 | Harness Assembly - Main Boom 800AJ | |
| 201 | 1060676 | AR | Cable, Electrical - 10/4-18/16 | |
| 201A | 4460465 | 16 | Socket, Female | |
| 201B | 4460466 | 2 | Seal, Plug | |
| 201C | 4460473 | 1 | Clamp, Cable | |
| 201D | 4460614 | 1 | Connector - 21 Socket | |
| 201E | 4460509 | 4 | Socket, Female | |
| 201F | 4460464 | 16 | Pin, Male (16 Gauge) | |
| 201G | 4460613 | 1 | Connector - 21 Position | |
| 201H | 4460508 | 4 | Pin, Male (12 Gauge) | |
| 202 | 4922131 | 1 | Harness Assembly - Tower Boom (10/4-18/16) | |
| 202 | 1060676 | 47 ft /14.3m | Cable, Electrical - 10/4-18/16 | |
| 202A | 4460465 | 16 | Socket, Female | |
| 202B | 4460466 | 1 | Seal, Plug | |
| 202C | 4460473 | 1 | Clamp, Cable | |

SECTION 7 - ELECTRICAL

| ITEM | PART NUMBER | QTY | DESCRIPTION | REV |
|------|-------------|-----------------|--|-----|
| 202D | 4460614 | 1 | Connector - 21 Socket | |
| 202E | 4460509 | 4 | Socket, Female | |
| 203 | | Ref | Harness Assembly - Main Boom (16/30) Options: | |
| 203 | 4922169 | 1 | Harness Assembly - Main Boom 800A | |
| 203 | 1060516 | 67 ft /20.4m | Cable, Electrical - 16/30 | |
| 203 | 4922181 | 1 | Harness Assembly - Main Boom 800AJ | |
| 203 | 1060516 | 64 ft /19.5m | Cable, Electrical - 16/30 | |
| 203A | 4460502 | 1 | Connector - 31 Position | |
| 203B | 4460465 | 30 | Socket, Female | |
| 203C | 4460466 | 2 | Seal, Plug | |
| 203D | 4460473 | 1 | Clamp, Cable | |
| 203E | 4460464 | 30 | Pin, Male (16 Gauge) | |
| 203F | 4460503 | 1 | Connector - 31 Socket | |
| 204 | 4922170 | 1 | Harness Assembly - Tower Boom (16/30) | |
| 204 | 1060516 | 47 ft /14.3m | Cable, Electrical - 16/30 | |
| 204A | 4460502 | 1 | Connector - 31 Position | |
| 204B | 4460465 | 30 | Socket, Female | |
| 204C | 4460466 | 1 | Seal, Plug | |
| 204D | 4460473 | 1 | Clamp, Cable | |
| 205 | 4922171 | 1 | Harness Assembly - Tower Boom (16/3) | |
| 206 | 4922172 | 1 | Harness Assembly - Main Boom (16/3) | |
| 207 | 4922173 | 1 | Harness Assembly - Tower Boom (16/3) (800A Only) | |
| 207A | 4460465 | 3 | Socket, Female | |
| 207A | 4460539 | 1 | Connector, Terminal - 3 Position | |
| 208 | 4922174 | 1 | Harness Assembly - Main Boom (16/3) (800A Only) | |
| 208A | 4460464 | 3 | Pin, Male | |
| 208A | 4460536 | 1 | Plug, Terminal - 3 Position | |
| 209 | 4922175 | 1 | Harness Assembly (16/3) (800A Only) | |
| 210 | 4922217 | 1 | Harness Assembly - Tower Boom (10/3) Options: | |
| 211 | | Ref | Harness Assembly - Main Boom (10/3) Options: | |
| 211 | 4922215 | 1 | Harness Assembly - Main Boom 800A | |
| 211 | 4922216 | 1 | Harness Assembly - Main Boom 800AJ | |
| 212 | 1320256 | 1 | Clamp, Block (Not Shown-Located on back of T/T) | |
| | | Ref | GROUND CONTROL BOX DIAGRAMS | |
| | 4932982 | Ref | DEUTZ ENGINE MACHINES | 5-E |
| | 4933058 | Ref | FORD ENGINE MACHINES (Prior to SN 0300048538) | 3-D |
| | 4932981 | Ref | FORD EFI ENGINE MACHINES (SN 0300048538 through 0300064432) | 2-A |
| | 4932983 | Ref | ISUZU ENGINE MACHINES (SN 0300060285 through 0300064432) | 2-A |
| 301 | | Ref | Harness Assembly - Ground Control Box Options: | |
| 301 | 4922146 | 1 | Deutz/Ford/Isuzu | 3-B |
| 301 | 4922318 | 1 | Ford EFI (SN 0300048538 through 0300064432) | C |
| 301 | 3990010 | 13 | Diode - 6 Amp (Not Shown) | |
| 301 | 3730099 | 2 | Resistor Adjustable (Not Shown) | |
| 301A | 4460418 | 9 | Connector - 6 Position | |
| 301A | 4460419 | AR | Terminal, Female | |
| 302 | | Ref | Harness Assembly - Light Panel | |
| 302 | 4922145 | 1 | Harness Assembly - Light Panel (Prior to SN 0300048538) | 2-B |

SECTION 7 - ELECTRICAL

| ITEM | PART NUMBER | QTY | DESCRIPTION | REV |
|------|-------------|-----|---|-----|
| 302 | 4922311 | 1 | Harness Assembly - Light Panel (SN 0300048538 through 0300064432) | 3-C |
| 302 | 3730023 | 1 | Resistor 510 Ohm 1/2 Watt (Not Shown) | |
| 302 | 3990001 | 4 | Diode 3 Amp (Not Shown) | |
| 302A | 4460266 | 1 | Connector, Female - 9 Position | |
| 302A | 4460268 | 9 | Socket, Female | |
| 302B | 4120035 | AR | Base, Light | |
| 302B | 4460634 | 6 | Terminal (Single Wire) | |
| 302B | 4460635 | 4 | Terminal (Double Wire) | |
| 302C | 4460267 | 7 | Pin, Male | |
| 302C | 4460265 | 1 | Plug, Male - 9 Position | |
| 303 | | Ref | Sub-Harness - Start Options (Not Shown): | |
| 303 | 4922008 | 1 | Deutz Engine Machines (Prior to SN 0300056439) | |
| 303 | 4922473 | 1 | Deutz Engine Machines (SN 0300056439 through 0300064432) | |
| 303 | 4922006 | 1 | Ford Engine Machines (Prior to SN 0300056439) | |
| 303 | 4922472 | 1 | Ford EFI Engine Machines (SN 0300056439 through 0300064432) | |
| 303 | 4922463 | 1 | Isuzu Engine Machines | |
| 312 | 3990010 | 9 | Diode 6 Amp (Not Shown) | |
| 317 | 3730099 | 2 | Resistor 750 Ohm (Not Shown) | |
| 318 | 2920129 | AR | Bulb, Light | |
| | | Ref | GROUND CONTROL BOX ASSEMBLY COMPONENTS | |
| 401 | 4922046 | 1 | Valve Harness Assembly | 2-D |
| 401A | 4460499 | 19 | DIN Connector with Diode | |
| 401B | 4460320 | 1 | Plug, Male - 2 Position | |
| 401C | 4460267 | 11 | Pin, Male | |
| 401D | 4460424 | 1 | Receptacle, Female - 2 Position | |
| 401E | 4460268 | 5 | Socket, Female | |
| 401F | 4460225 | 1 | Housing, Terminal - 6 Position | |
| 401G | 4460445 | 1 | Receptacle, Female - 3 Position | |
| 401H | 4460449 | 1 | DIN Connector without Diode | |
| 402 | | Ref | Engine Harness Assembly Options (See Items 501-575 for Breakdown) | |
| 402 | 4922077 | 1 | Deutz Engine Machines | |
| 402 | 4922138 | 1 | Ford Engine Machines (Prior to SN 0300048538) | |
| 402 | 4922272 | 1 | Ford Engine Machines (SN 0300048538 through 0300064432) | |
| 402 | 4922235 | 1 | Isuzu Engine Machines (SN 0300060285 through 0300064432) | |
| | | Ref | ENGINE HARNESS ASSEMBLY | |
| | 4922077 | Ref | DEUTZ ENGINE MACHINES | 5-F |
| | 4922138 | Ref | FORD ENGINE MACHINES (Prior to SN 0300048538) | 3-C |
| | 4922272 | Ref | FORD ENGINE WITH EFI MACHINES (SN 0300048538 through 0300064432) | 6-G |
| | 4922235 | Ref | ISUZU ENGINE MACHINES (SN 0300060285 through 0300064432) | 3-B |
| 528 | 4460268 | 11 | Socket, Female (Deutz Engine Only) | |
| 529 | 4460267 | 12 | Pin, Male (Deutz Engine Only) | |
| 535 | 4460424 | 1 | Receptacle, Female - 2 Position | |
| 536 | 4460268 | 2 | Socket, Female | |
| 539 | 4460499 | AR | DIN Connector with Diode | |
| 545 | 4460445 | 1 | Housing, Terminal - 3 Position (Deutz Engine Only) | |
| 547 | 4460265 | 1 | Plug, Male - 9 Position (Deutz Engine Only) | |

SECTION 7 - ELECTRICAL

| ITEM | PART NUMBER | QTY | DESCRIPTION | REV |
|------|-------------|-----|---|-----|
| 548 | 4460266 | 1 | Connector, Female - 9 Position (Deutz Engine Only) | |
| 550 | 4460374 | 1 | Plug, Sealed (Ford/Ford EFI Engine Only) | |
| 551 | 4460375 | 5 | Terminal (Ford/Ford EFI Engine Only) | |
| 554 | 4460608 | 12 | Seal, Terminal (Ford Engine Only) | |
| 555 | 4460589 | 12 | Terminal (Ford Engine Only) | |
| 556 | 4460590 | 1 | Housing - 4 Position (Ford Engine Only) | |
| 557 | 4460591 | 1 | Lock, Terminal (Ford Engine Only) | |
| 558 | 4460587 | 1 | Housing - 8 Position (Ford Engine Only) | |
| 559 | 4460588 | 1 | Lock, Terminal (Ford Engine Only) | |
| 560 | 4460582 | 3 | Terminal (Ford/Ford EFI Engine Only) | |
| 561 | 4460580 | 1 | Lock, Terminal (Ford/Ford EFI Engine Only) | |
| 562 | 4460579 | 1 | Housing - 3 Position (Ford/Ford EFI Engine Only) | |
| 563 | 4460460 | 1 | Connector, Male - 4 Position | |
| 564 | 4460457 | AR | Terminal, Female | |
| 565 | 4460458 | AR | Seal, Terminal | |
| 566 | 4460459 | 2 | Plug, Male - 3 Position (Isuzu Engines Only) | |
| 567 | 4460713 | 1 | Housing - 42 Position (Ford EFI Engine Only) | |
| 568 | 4460725 | 1 | Lock, Wedge - Center (Ford EFI Engine Only) | |
| 569 | 4460726 | 2 | Lock, Wedge - Side (Ford EFI Engine Only) | |
| 570 | 4460800 | 29 | Plug, Hole (Ford EFI Engine Only) | |
| 571 | 4460799 | 9 | Pin, Male (Ford EFI Engine Only) | |
| 572 | 4460476 | 1 | Housing (Isuzu Engines Only) | |
| 573 | 4460789 | 2 | Seal, Terminal (Isuzu Engines Only) | |
| 574 | 4460449 | 1 | DIN Connector without Diode | |
| 575 | 4460777 | 1 | Plug, Male - 4 Position (Deutz/Isuzu Engines Only) | |
| 576 | 4460591 | 1 | Lock, Terminal (Deutz/Isuzu Engines Only) | |
| 577 | 4460589 | AR | Socket, Female (Deutz/Isuzu Engines Only) | |
| 578 | | Ref | Options: | |
| 578 | 4460608 | AR | Seal, Terminal (Deutz/Isuzu Engines Only) | |
| 578 | 4460728 | 4 | Pin, Male (Ford EFI Engine Only) | |
| 579 | 4460790 | 2 | Socket, Female (Isuzu Engines Only) | |
| 580 | 2400061 | 2 | Fuse (Ford EFI Engine Only) | |
| 581 | 2400060 | 2 | Fuseholder/Cover (Ford EFI Engine Only) | |
| 582 | 4460784 | 1 | Housing - 6 Position (Isuzu Engines Only) | |
| 583 | 4460783 | 7 | Terminal, Spade (Isuzu Engines Only) | |
| 584 | 4460742 | 2 | Plug - 2 Position (Ford EFI Engine Only) | |
| 585 | 4460850 | 3 | Pin, Male (Isuzu Engines Only) | |
| 586 | 4460465 | 8 | Terminal (Isuzu Engines Only) | |
| 587 | 4460836 | 1 | Connector - 12 Position (Isuzu Engines Only) | |
| 588 | 4460837 | 1 | Housing (Isuzu Engines Only) | |
| 589 | 4460856 | 1 | Connector (Isuzu Engines Only) | |
| 590 | 4460857 | 2 | Terminal (Isuzu Engines Only) | |
| | | Ref | STANDARD HARNESS COMPONENTS | |
| 601 | See Note | 1 | Tilt Indicator Harness (Note: Not Available for Purchase) | |
| 601A | 4460268 | 6 | Socket, Female | |
| 601B | 4460224 | 1 | Connector, Female - 6 Position | |
| 602 | See Note | 1 | Throttle Actuator/Controller Harness (Deutz and Isuzu) (Note: Not Available for Purchase) | |
| 602 | 0060033 | NLA | Throttle Actuator and Controller Assembly (Use p/n 2910000) | |
| 602 | 7008833 | 1 | Mounting Clamp Kit (Not Shown) | |
| 602 | 7008836 | 1 | Spring, Retract (Not Shown) | |
| 602A | 2910000 | 1 | Throttle Actuator and Harness (Note: Not Available for | |

SECTION 7 - ELECTRICAL

| ITEM | PART NUMBER | QTY | DESCRIPTION | REV |
|------|-------------|-----|--|-----|
| | | | Purchase) | |
| 602A | 7016336 | 1 | Boot Kit | |
| 602B | See Note | 9 | Pin, Male (Note: Not Available for Purchase) | |
| 602C | See Note | 1 | Connector, Male (Note: Not Available for Purchase) | |
| 602D | 2910001 | NLA | Controller and Harnesses (Use p/n 2910000) | |
| 602E | See Note | 9 | Socket, Female (Note: Not Available for Purchase) | |
| 602F | See Note | 1 | Connector, Female (Note: Not Available for Purchase) | |
| 602G | See Note | 1 | Plug, Male - 4 Position (Note: Not Available for Purchase) | |
| 602G | 4460693 | 4 | Pin, Male | |
| 602G | 4460591 | 1 | Clip | |
| 602G | 4460608 | 4 | Seal, Terminal | |
| 603 | See Note | 1 | Pump Harness (Note: Not Available for Purchase) | |
| 603A | See Note | 1 | Plug (Pump End) (Note: Not Available for Purchase) | |
| 603B | See Note | 1 | Plug (Engine Harness End) (Note: Not Available for Purchase) | |
| 604 | See Note | 1 | Controller Harness Assembly (Lift and Swing) (Note: Not Available for Purchase) | |
| 604A | 4460266 | 1 | Connector, Female - 9 Position | |
| 604B | 4460268 | 9 | Socket, Female | |
| 605 | See Note | 1 | Controller Harness/Circuit Board Assembly (Drive and Steer) (Note: Not Available for Purchase) | |
| 605A | 4460266 | 1 | Connector, Female - 9 Position | |
| 605B | 4460268 | 9 | Socket, Female | |
| 606 | 7019980 | 1 | Ford Engine Harness (For replacement parts refer to Ford engine dealer (Ford Engine Machines) | |
| 607 | See Note | 1 | Ford Engine Harness (For replacement parts refer to Ford Engine dealer (Ford EFI Engine Machines) (Note: Not Available for Purchase) | |
| 607 | 7022134 | 1 | Ford Engine Fuel Pump Harness (Not Shown) (Ford EFI Engine Machines) | |
| 607 | 7023657 | 1 | Ford Engine TPS Harness (Not Shown) (Ford EFI Engine Machines) | |
| 608 | See Note | 1 | Speed Controller Harness Assembly (Note: Not Available for Purchase) | |
| 608A | 4460224 | 1 | Connector, Female - 6 Position | |
| 608A | 4460268 | 6 | Socket, Female | |
| 609 | 0259198 | 1 | Timer Module Assembly (Isuzu Engine Only) | 2-B |
| 609A | 3740126 | 1 | Relay, Timer Module | |
| 609B | 4460476 | 1 | Housing, Receptacle | |
| 609C | 4460475 | 3 | Pin, Male | |
| 609D | 4460459 | 1 | Housing, Terminal | |
| 609E | 4460457 | 3 | Socket, Female | |
| 609F | 4460458 | 6 | Seal, Terminal | |
| 610 | 1001091941 | 1 | Tilt Harness (MTB Control Box) | D |
| 610A | 2920129 | 1 | Bulb | |
| 610B | 3990001 | 2 | Diode, 3 Amp (Not Shown) | |
| 610C | 4460897 | 1 | Plug, Terminal - 2 Position | |
| 610C | 4460464 | 2 | Pin, Male (16 Gauge) | |
| 610D | 4460891 | 1 | Connector, Terminal - 2 Position | |
| 610E | 4460761 | 1 | Connector, Female - 4 Position | |
| 610E | 4460227 | 4 | Pin, Male | |
| 610F | 4460894 | 2 | Plug, Terminal - 6 Position | |
| 610F | 4460465 | 8 | Socket, Female | |
| 610G | 4460892 | 2 | Terminal, Buss Connector - 6 Position | |

SECTION 7 - ELECTRICAL

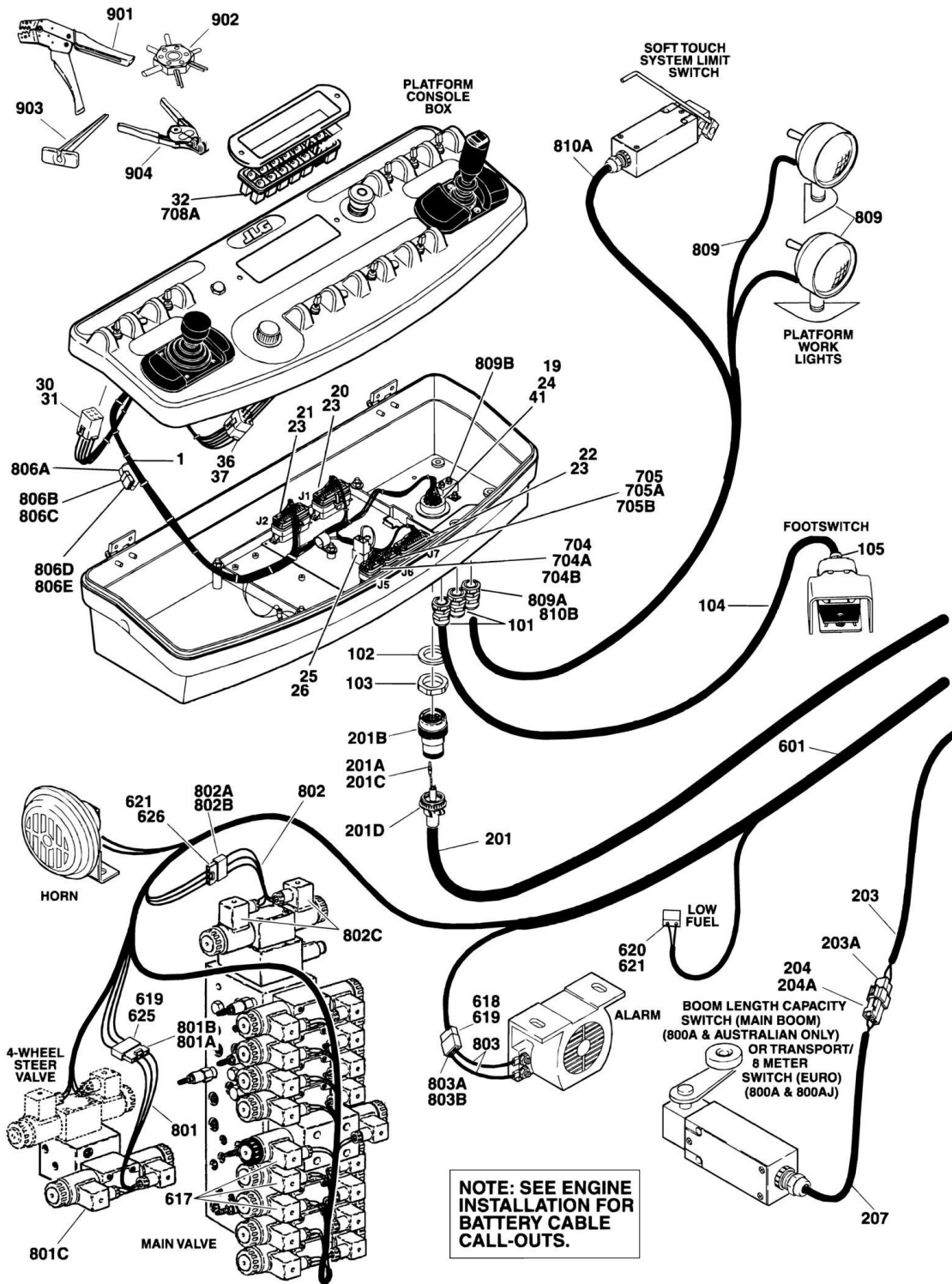
| ITEM | PART NUMBER | QTY | DESCRIPTION | REV |
|------|-------------|-----------|---|-----|
| 610H | 4460909 | 1 | Connector - 12 Position (Black) | |
| 610H | 4460915 | 1 | Wedge Lock - 12 Position | |
| 610H | 4460928 | 9 | Socket, Female | |
| 610H | 4460466 | 3 | Terminal, Sealing Plug | |
| 610J | 4460908 | 1 | Connector - 12 Position (Gray) | |
| 610J | 4460915 | 1 | Wedge Lock - 12 Position | |
| 610J | 4460928 | 2 | Socket, Female | |
| 610J | 4460466 | 10 | Terminal, Sealing Plug | |
| 610K | 4460526 | 1 | Connector, Strain Relief | |
| 611 | 1001094791 | 1 | Tilt Sensor Harness (Turntable) | C |
| 611A | 1001097957 | 8 ft/2.4m | Cable, Electrical 16/4 | |
| 611B | 4460465 | 2 | Socket, Female | |
| 611C | 4460928 | 1 | Socket, Female | |
| 611D | 4461076 | 1 | Connector - 4 Position (With Wedge Lock and Seal) | |
| 611D | 4460917 | 4 | Pin, Male (Gold) | |
| 611E | 4461077 | 1 | Terminal, Plug - 4 Position | |
| 611E | 4460918 | 4 | Socket, Female (Gold) | |
| 612 | 1001091778 | 1 | Tilt Sensor Harness (Boom) | E |
| 612A | 1001097957 | 46 ft/14m | Cable, Electrical 16/4 | |
| 612B | 4460465 | 2 | Socket, Female | |
| 612C | 4460928 | 1 | Socket, Female | |
| 612D | 4461076 | 1 | Connector - 4 Position (With Wedge Lock and Seal) | |
| 612D | 70002546 | 4 | Pin, Male (Gold) | |
| 612E | 1001094400 | 1 | Tilt Sensor Harness (Boom) (Includes Sensor) | C |
| 612E | 4461077 | 1 | Terminal, Plug - 4 Position | |
| 612E | 4460918 | 4 | Socket, Female (Gold) | |
| | | Ref | OPTIONAL HARNESS COMPONENTS | |
| 701 | 4921928 | 1 | 4WS Valve Harness | 3-D |
| 701A | 4460268 | 3 | Socket, Female | |
| 701B | 4460445 | 1 | Connector, Female - 3 Position | |
| 701C | 4460499 | 2 | Connector, DIN with Diode | |
| 702 | 4921927 | 1 | Jib Valve Harness (800AJ Only) | |
| 702A | 4460326 | 1 | Plug, Male - 3 Position | |
| 702B | 4460267 | 3 | Pin, Male | |
| 702C | 4460499 | 2 | Connector, DIN with Diode | |
| 703 | See Note | 1 | Alarm Harness (Note: Not Available for Purchase) | |
| 703A | 4460424 | 1 | Plug, Male - 2 Position | |
| 703B | 4460268 | 2 | Socket, Female | |
| 704 | See Note | 1 | Strobe Light Harness (Note: Not Available for Purchase) | |
| 704A | 4460320 | 1 | Connector, Female - 2 Position | |
| 704B | 4460267 | 2 | Pin, Male | |
| 705 | | Ref | AC to Platform Receptacle Components Options: | |
| 705 | 0255382 | Ref | 110V GFI Receptacle | 4 |
| 705 | 0257176 | Ref | 220V GFI Receptacle | 4 |
| 705A | 0860038 | 1 | Box, Switch | |
| 705B | | Ref | Receptacle Options: | |
| 705B | 4460346 | 1 | 110V GFI | |
| 705B | 4460125 | 1 | 220V GFI | |
| 705C | | Ref | Shield, Cover Options: | |
| 705C | 4060700 | 1 | 110V GFI | |
| 705C | 4060092 | 1 | 220V GFI | |

SECTION 7 - ELECTRICAL

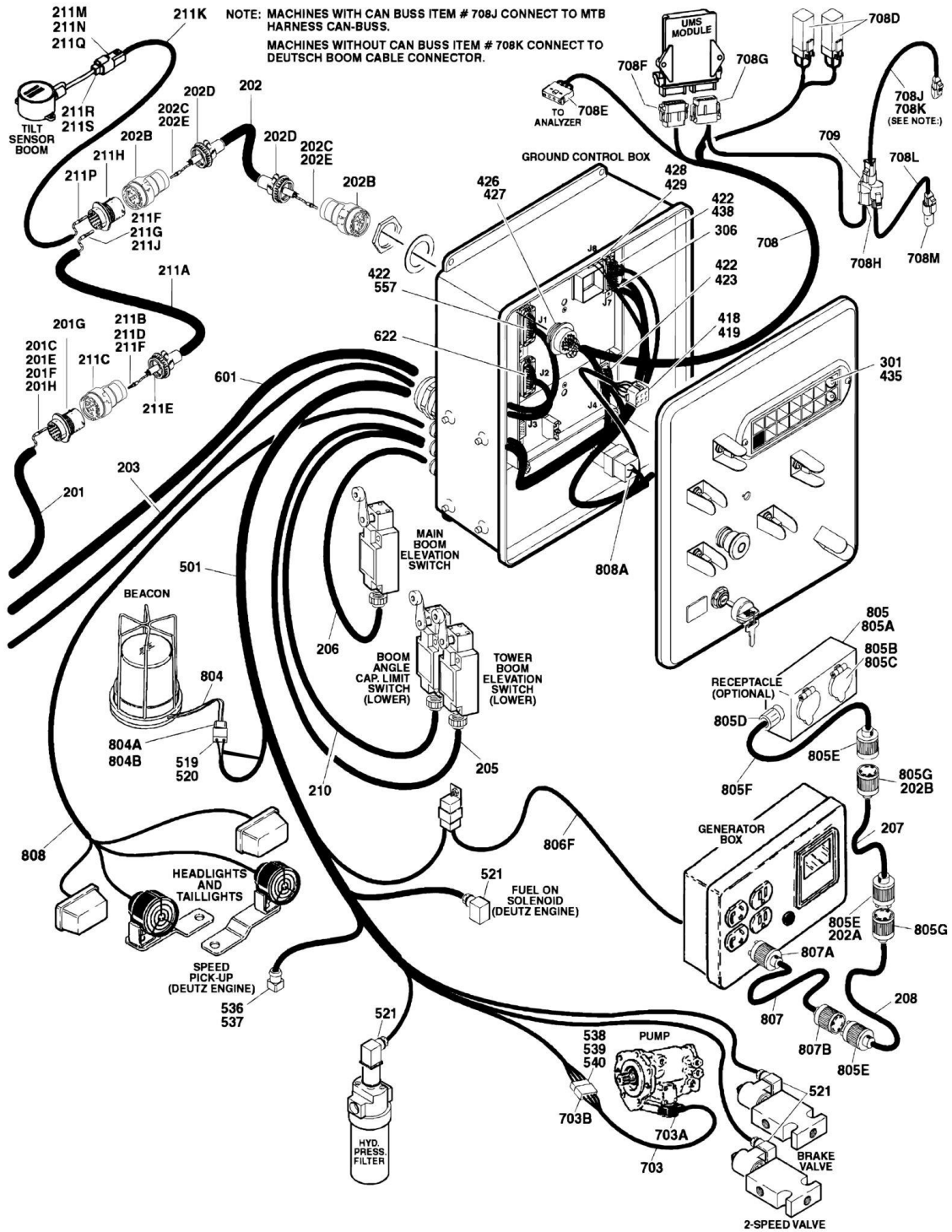
| ITEM | PART NUMBER | QTY | DESCRIPTION | REV |
|------|-------------|-----------------|---|-----|
| 705D | | Ref | Plug, Male Options: | |
| 705D | 4460205 | 2 | 110V GFI | |
| 705D | 4460233 | 2 | 220V GFI | |
| 705E | | Ref | Connector, Female Options: | |
| 705E | 4460134 | 1 | 110V GFI | |
| 705E | 4460701 | 1 | 220V GFI | |
| 705F | | Ref | Harness-Receptacle Box to Boom Options: | |
| 705F | 4921801 | 1 | 110V | |
| 705F | See Note | 1 | 220V (Note: Not Available for Purchase) | |
| 705F | 1060494 | 18 in /47cm | Cable, Electrical - 12/3 | |
| 705G | 4460205 | 1 | Plug, Male (110V) | |
| 705G | 4460233 | 1 | Plug, Male (220V) | |
| 706 | | Ref | Generator Electrical Components | |
| 706 | 4932915 | Ref | 110V (Prior to SN 0300056098) | 1-A |
| 706 | 4933150 | Ref | 110V (SN 0300056098 through 0300064432) | 2-B |
| 706 | 4932989 | Ref | 220V (Prior to SN 0300056098) | 1-A |
| 706 | 4933149 | Ref | 220V (SN 0300056098 through 0300064432) | 2-B |
| 706 | 3990010 | 1 | Diode - 6 Amp (Not Shown) | |
| 706A | 4921938 | 1 | Harness - On/Off Switch (Powermite Control Box to Ground Control Box) | |
| 707 | 4921829 | 1 | Generator to Rear of Boom Harness (110V) | |
| 707 | 4921955 | 1 | Generator to Rear of Boom Harness (220V) | |
| | | Ref | Note: Harness used to connect AC at platform harness to generator receptacle to power platform receptacle. | |
| 707 | 1060494 | 26 ft/8m | Cable, Electrical - 12/3 | |
| 707A | 4460205 | 1 | Plug, Male (110V) | |
| 707A | 4460233 | 1 | Plug, Male (220V) | |
| 707B | 4460134 | 1 | Receptacle, Female (110V) | |
| 707B | 4460701 | 1 | Receptacle, Female (220V) | |
| 708 | See Note | 1 | Lights Harness (Note: Not Available for Purchase) | |
| 708 | 1060341 | 37 ft /11.3m | Cable, Electrical - 16/2 | |
| 709 | 2920140 | 2 | Platform Worklights Harness (Includes Light and Wire Only) | |
| 709 | 2820035 | 9 ft/2.8m | Loom, Vinyl | |
| 709A | 4460598 | 1 | Connector, Strain Relief | |
| 709A | 4460442 | 2 | Terminal (Not Shown-Located in Platform Console) | |
| 710 | See Note | 1 | SoftTouch System Harness (Note: Not Available for Purchase) | |
| 710A | 1060341 | 16 ft/4.9m | Cable, Electrical - 16/3 | |
| 710B | 4460425 | 1 | Connector, Strain Relief | |
| 711 | See Note | 1 | Dual Fuel Shut-Off Filter Harness (Note: Not Available for Purchase) | |
| 711A | 7023679 | 1 | Electrical Connector Kit (Includes [1] 2 Position Connector, 2 Pins and 2 Seals) | |
| | | Ref | TOOLS | |
| 801 | 7002821 | 1 | Crimper (For Wire to Pin/Socket Connections) | |
| 802 | 7002823 | 1 | Extractor (For Removal of Pin/Socket from Connectors) | |
| 803 | 4460467 | 1 | Extractor, Pin (Blue 16-18 Gauge) (For Removal of Pin/Socket from Connectors) | |
| 803 | 4460510 | 1 | Extractor, Pin (Yellow 12-14 Gauge) (For Removal of Pin/Socket from Connectors) | |
| 804 | 7002828 | 1 | Stripper, Wire | |

SECTION 7 - ELECTRICAL

FIGURE 7-3. HARNESS COMPONENTS INSTALLATION (WITH ADE SYSTEM) (SN 0300064009 ONLY)



SECTION 7 - ELECTRICAL



SECTION 7 - ELECTRICAL

FIGURE 7-3. HARNESS COMPONENTS INSTALLATION (WITH ADE SYSTEM) (SN 0300064009 ONLY)

| ITEM | PART NUMBER | QTY | DESCRIPTION | REV |
|------|-------------|-----------------|--|-----|
| | 4922509 | Ref | PLATFORM BOX HARNESS ASSEMBLY | 2-C |
| 1 | 4922509 | 1 | Harness, Console Box | |
| 19 | 4460866 | 1 | Connector - 19 Pin Receptacle | |
| 20 | 4460874 | 1 | Connector - 35 Position (Natural) | |
| 21 | 4460875 | 1 | Connector - 35 Position (Gray) | |
| 22 | 4460873 | 1 | Connector - 35 Position (Black) | |
| 23 | 4460871 | 48 | Socket, Female | |
| 24 | 4460464 | 7 | Pin, Male (16 Gauge) | |
| 25 | 4460879 | 1 | Terminal, Housing 2 Position | |
| 26 | 4460887 | 2 | Terminal, (12 Gauge) | |
| 30 | 4460418 | 4 | Connector - 6 Position | |
| 31 | 4460419 | 12 | Terminal, Female | |
| 32 | 4120035 | 7 | Base, Light | |
| 36 | 4460225 | 1 | Connector - 6 Position | |
| 37 | 4460227 | 6 | Pin | |
| 41 | 4460508 | 3 | Pin, Male (12 Gauge) | |
| | | Ref | PLATFORM BOX ASSEMBLY COMPONENTS | |
| 101 | 4460428 | 2 | Connector, Strain Relief | |
| 102 | 4460470 | 1 | Nut, Conduit | |
| 103 | 4460471 | 1 | Washer | |
| 104 | 1060330 | 1 | Cable, Electrical - 16/3 | |
| 105 | 4460071 | 1 | Connector, Strain Relief | |
| | 0271374 | Ref | BOOM CABLES INSTALLATION (800A) | B |
| 201 | 4922575 | 1 | Harness Assembly - Main Boom (12/4 - 18/8) | |
| 201 | 1060896 | AR | Cable, Electrical - 4 #12 AWG, 8 #18 AWG and 1 STP #18 AWG | |
| 201A | 4460465 | 11 | Socket, Female | |
| 201B | 4460865 | 1 | Connector - 19 Position | |
| 201C | 4460509 | 4 | Socket, Female | |
| 201D | 4460473 | 1 | Clamp, Cable | |
| 201E | 4460466 | 8 | Seal, Plug | |
| 201F | 4460464 | 11 | Pin, Male (16 Gauge) | |
| 201G | 4460866 | 1 | Connector - 19 Position | |
| 201H | 4460508 | 4 | Pin, Male (12 Gauge) | |
| 202 | 4922576 | 1 | Harness Assembly - Tower Boom (12/4 - 18/8) | |
| 202 | 1060896 | 44 ft /13.4m | Cable, Electrical - 4 #12 AWG, 8 #18 AWG and 1 STP #18 AWG | |
| 202A | 4460465 | 22 | Socket, Female | |
| 202B | 4460865 | 2 | Connector - 19 Position | |
| 202C | 4460509 | 8 | Socket, Female | |
| 202D | 4460473 | 2 | Clamp, Cable | |
| 202E | 4460466 | 8 | Seal, Plug | |
| 203 | 4922579 | 1 | Harness Assembly - Tower Boom (18/2) | |
| 203 | 1060902 | 47 ft /14.3m | Cable, Electrical - 18/2 | |
| 203A | 4460465 | 2 | Socket, Female | |
| 203A | 4460891 | 1 | Connector, Terminal - 2 Position | |
| 204 | 4922580 | 1 | Harness Assembly - Main Boom (18/2) | |
| 204 | 1060902 | 27 ft/8.2m | Cable, Electrical - 18/2 | |
| 204A | 4460464 | 2 | Pin, Male | |
| 204A | 4460897 | 1 | Plug, Terminal - 2 Position | |

SECTION 7 - ELECTRICAL

| ITEM | PART NUMBER | QTY | DESCRIPTION | REV |
|------|-------------|-----------|--|-----|
| 205 | 4922577 | 1 | Harness Assembly - Tower Boom (18/2) | |
| 206 | 4922578 | 1 | Harness Assembly - Main Boom (18/2) | |
| 207 | 4922215 | 1 | Harness Assembly - Main Boom (10/3) | |
| 208 | 4922217 | 1 | Harness Assembly - Tower Boom (10/3) | |
| 209 | 1320256 | 1 | Clamp, Block (Not Shown-Located on back of T/T) | |
| 210 | 4922581 | 1 | Harness Assembly (18/2) | |
| 211 | 1001094470 | 1 | Harness, Boom Cable Jumper | |
| 211A | 1060896 | 1 ft/0.3m | Cable, Electrical - 4 #12 AWG, 8 #18 AWG and 1 STP #18 AWG | |
| 211B | 4460465 | 11 | Socket, Female | |
| 211C | 4460865 | 1 | Connector - 19 Position | |
| 211D | 4460509 | 4 | Socket, Female | |
| 211E | 4460473 | 1 | Clamp, Cable | |
| 211F | 4460466 | 8 | Seal, Plug | |
| 211G | 4460464 | 8 | Pin, Male (16 Gauge) | |
| 211H | 4460866 | 1 | Connector - 19 Position | |
| 211J | 4460508 | 4 | Pin, Male (12 Gauge) | |
| 211K | 4923613 | 1 | Harness, Tilt Switch | |
| 211L | 1060978 | 2 ft/0.6m | Cable, Electrical - 18/3 | |
| 211M | 1001097051 | 1 | Connector - 4 Position | |
| 211N | 1001097082 | 3 | Pin, Male (Gold) | |
| 211P | 4460464 | 3 | Pin, Male (16 Gauge) | |
| 211Q | 4460466 | 1 | Seal, Plug | |
| 211R | 1001094400 | 1 | Tilt Sensor Harness (Boom) (Includes Sensor) | C |
| 211S | 4461077 | 1 | Terminal, Plug - 4 Position | |
| 211S | See Note | 3 | Socket, Female (Note: Not Available for Purchase) | |
| | 4933195 | Ref | GROUND CONTROL BOX DIAGRAM (DEUTZ ENGINE) | 3-C |
| 301 | 2920129 | 6 | Bulb, Light | |
| 306 | 4460871 | 6 | Socket, Female | |
| 307 | 2400065 | 1 | Fuse, 30Amp (Not Shown) | |
| 308 | 2400066 | 1 | Fuse, Holder with Cover (Not Shown) | |
| 418 | 4460419 | 27 | Terminal, Female | |
| 419 | 4460418 | 9 | Connector - 6 Position | |
| 422 | 4460871 | 39 | Socket, Female | |
| 423 | 4460876 | 1 | Connector - 35 Position (Blue) | |
| 426 | 4460464 | 10 | Pin, Male (16 Gauge) | |
| 427 | 4460866 | 1 | Connector - 19 Position | |
| 428 | 4460878 | 1 | Housing, Terminal - 4 Position | |
| 429 | 4460887 | 3 | Terminal | |
| 435 | 4120035 | 6 | Base, Light | |
| 438 | 4460873 | 1 | Connector - 35 Position (Black) | |
| | 4922549 | Ref | ENGINE HARNESS ASSEMBLY (DEUTZ ENGINE) | 3-D |
| 501 | 4922549 | 1 | Harness, Assembly | |
| 519 | 4460424 | 1 | Receptacle, Female - 2 Position | |
| 520 | 4460226 | 2 | Socket, Female | |
| 521 | 4460880 | AR | DIN Connector without Diode | |
| 536 | 4460890 | 1 | Housing - 2 Position | |
| 537 | 4460889 | 2 | Terminal | |
| 538 | 4460460 | 1 | Connector, Male - 4 Position | |
| 539 | 4460457 | AR | Terminal, Female | |
| 540 | 4460458 | AR | Seal, Terminal | |
| 557 | 4460871 | AR | Socket, Female | |

SECTION 7 - ELECTRICAL

| ITEM | PART NUMBER | QTY | DESCRIPTION | REV |
|------|-------------|-----|--|-----|
| | 4922557 | Ref | VALVE HARNESS ASSEMBLY | 1-A |
| 601 | 4922557 | 1 | Harness, Assembly | |
| 617 | 4460880 | 19 | DIN Connector | |
| 618 | 4460320 | 2 | Connector, Female - 2 Position | |
| 619 | 4460267 | 7 | Pin, Male | |
| 620 | 4460424 | 1 | Connector, Male - 2 Position | |
| 621 | 4460268 | 5 | Pin, Female | |
| 622 | 4460871 | 31 | Socket, Female | |
| 625 | 4460326 | 1 | Connector, Male - 3 Position | |
| 626 | 4460445 | 1 | Connector, Female - 3 Position | |
| | | Ref | STANDARD HARNESS COMPONENTS | |
| 703 | See Note | 1 | Pump Harness (Note: Not Available for Purchase) | |
| 703A | 7007497 | 1 | Plug (Pump End) | |
| 703B | 7007498 | 1 | Plug (Engine Harness End) | |
| 704 | See Note | 1 | Controller Harness Assembly (Lift and Swing) (Note: Not Available for Purchase) | |
| 704A | 7022819 | 1 | Plug, Male - 8 Position (Natural) | |
| 704B | 4460871 | 8 | Socket, Female | |
| 705 | See Note | 1 | Controller Harness/Circuit Board Assembly (Drive and Steer) (Note: Not Available for Purchase) | |
| 705A | 7022825 | 1 | Plug, Male - 8 Position (Black) | |
| 705B | 4460871 | 7 | Socket, Female | |
| 708 | 1001093256 | Ref | Harness, Tilt | F |
| 708A | 2920129 | 1 | Bulb | |
| 708A | 4120035 | 1 | Socket, Light | |
| 708B | 4460464 | 4 | Pin, Male Deutsch (16 Gauge) | |
| 708C | 4460871 | 4 | Socket, Female | |
| 708D | 4460894 | 2 | Plug, Male - 6 Position | |
| 708D | 4460465 | 8 | Socket, Female | |
| 708D | 4460892 | 2 | Terminal, Buss Connector - 6 Position | |
| 708E | 4460761 | 1 | Connector, Female - 4 Position | |
| 708E | 4460227 | 4 | Pin, Male | |
| 708F | 4460909 | 1 | Connector - 12 Position (Black) | |
| 708F | 4460915 | 1 | Wedge Lock - 12 Position | |
| 708F | 4460928 | 6 | Socket, Female | |
| 708G | 4460908 | 1 | Connector - 12 Position (Gray) | |
| 708G | 4460915 | 1 | Wedge Lock - 12 Position | |
| 708G | 4460928 | 5 | Socket, Female | |
| 708H | 4460965 | 1 | Connector, Male - 3 Position | |
| 708H | 4460944 | 3 | Socket, Female (Gold) | |
| 708J | 4922099 | AR | Cable, Can-Buss (Machines with Can Buss Engine Controllers and Caterpillar Engine without Can Buss Engine Controllers) | |
| 708J | 4460965 | 1 | Connector, Male - 3 Position | |
| 708J | 4460944 | 6 | Socket, Female (Gold) | |
| 708J | 4460539 | 1 | Terminal, Plug - 3 Position | |
| 708K | 4922099 | AR | Cable, Can-Buss (Machines without Can Buss Engine Controllers) | |
| 708K | 4460965 | 1 | Connector, Male - 3 Position | |
| 708K | 4460944 | 6 | Socket, Female (Gold) | |
| 708K | 4460464 | 3 | Pin, Male Deutsch (16 Gauge) | |
| 708L | 4922099 | AR | Cable, Can-Buss (Machines without Can Buss Engine Controllers) | |

SECTION 7 - ELECTRICAL

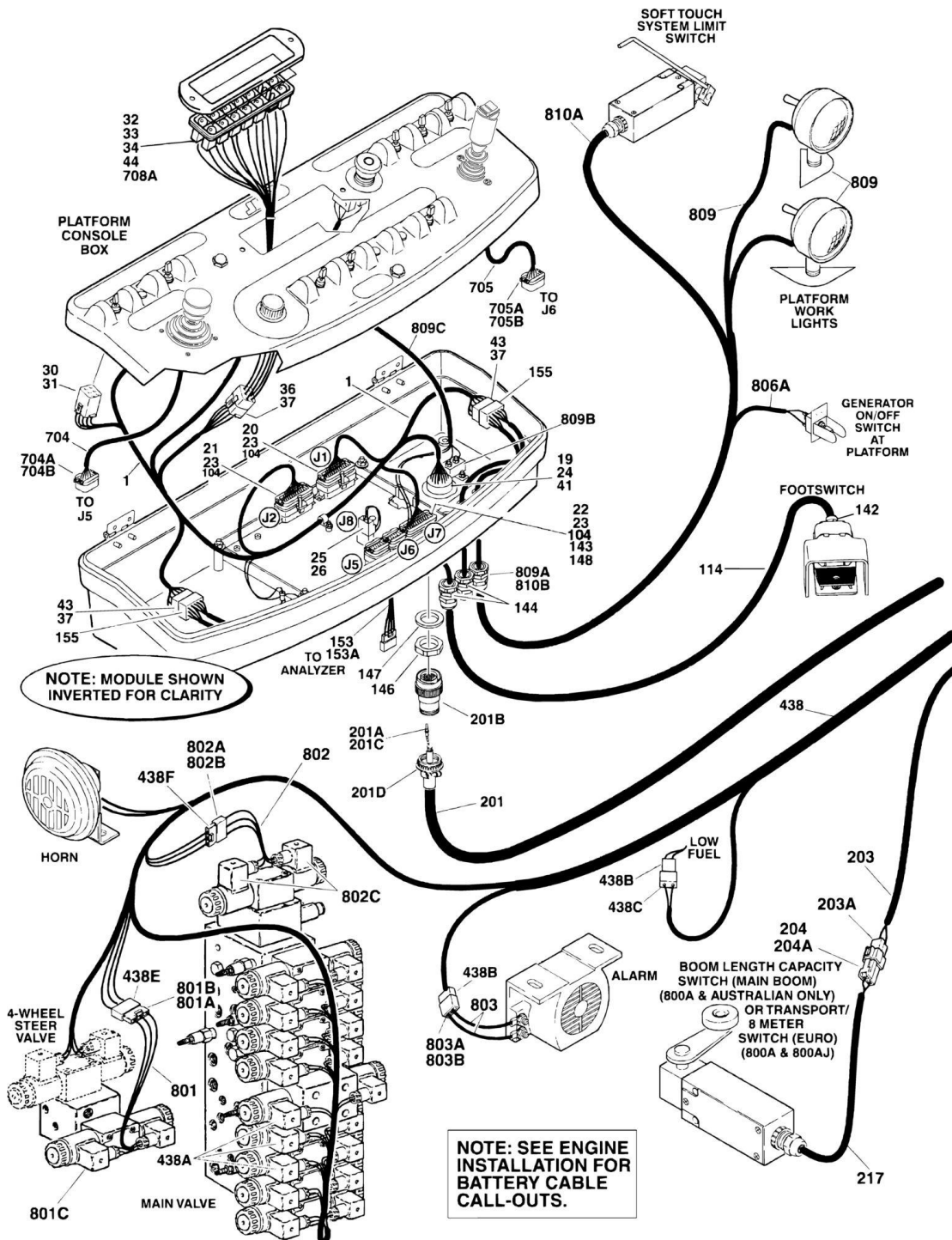
| ITEM | PART NUMBER | QTY | DESCRIPTION | REV |
|------|-------------|----------------|---|-----|
| 708L | 4460539 | 2 | Terminal, Plug - 3 Position | |
| 708L | 4460944 | 6 | Socket, Female (Gold) | |
| 708M | 4460536 | 1 | Terminal, Receptacle - 3 Position (Machines without Can Buss Engine Controllers) | |
| 709 | 1001093187 | Ref | Tilt Sensor Installation | C |
| 709 | 4460945 | 1 | Receptacle - 3 Position (3-Way Tee) | |
| | | Ref | OPTIONAL HARNESS COMPONENTS | |
| 801 | 4921928 | 1 | 4WS Valve Harness | |
| 801A | 4460268 | 3 | Socket, Female | |
| 801B | 4460445 | 1 | Connector, Female - 3 Position | |
| 801C | 4460499 | 2 | Connector, DIN with Diode | |
| 803 | 0257887 | 1 | Alarm Harness (Includes Alarm) | |
| 803A | 4460424 | 1 | Plug, Male - 2 Position | |
| 803B | 4460268 | 2 | Socket, Female | |
| 804 | 0255917 | 1 | Strobe Light Harness (Includes Strobe Light) | |
| 804A | 4460320 | 1 | Connector, Female - 2 Position | |
| 804B | 4460267 | 2 | Pin, Male | |
| 805 | | Ref | AC to Platform Receptacle Components Options: | |
| 805 | 0255382 | Ref | 110V GFI Receptacle | 4 |
| 805 | 0257176 | Ref | 220V GFI Receptacle | 4 |
| 805A | 0860038 | 1 | Box, Switch | |
| 805B | | Ref | Receptacle Options: | |
| 805B | 4460346 | 1 | 110V GFI | |
| 805B | 4460125 | 1 | 220V GFI | |
| 805C | | Ref | Shield, Cover Options: | |
| 805C | 4060700 | 1 | 110V GFI | |
| 805C | 4060092 | 1 | 220V GFI | |
| 805D | 4460071 | 1 | Connector | |
| 805E | | Ref | Connector, Female Options: | |
| 805E | 4460134 | 1 | 110V GFI | |
| 805E | 4460701 | 1 | 220V GFI | |
| 805F | | Ref | Harness-Receptacle Box to Boom Options: | |
| 805F | 4921801 | 1 | 110V | |
| 805F | See Note | 1 | 220V (Note: Not Available for Purchase) | |
| 805F | 1060494 | 18 in /47cm | Cable, Electrical - 12/3 | |
| 805G | 4460205 | 2 | Plug, Male (110V) | |
| 805G | 4460233 | 2 | Plug, Male (220V) | |
| 806 | | Ref | Generator Electrical Components | |
| 806 | 4933158 | Ref | 110V | 1/A |
| 806 | 4933162 | Ref | 220V | 1/A |
| 806 | 3990010 | 1 | Diode - 6 Amp (Not Shown) | |
| 806A | 4922483 | 1 | Harness - On/Off Switch | |
| 806B | 4460320 | 1 | Connector, Female - 2 Position | |
| 806C | 4460267 | 2 | Pin, Male | |
| 806D | 4460424 | 1 | Plug, Male - 2 Position | |
| 806E | 4460268 | 2 | Socket, Female | |
| 806F | 4922482 | 1 | Harness, Powermite Control Box to Relay | |
| 807 | 4921829 | 1 | Generator to Rear of Boom Harness (110V) | |
| 807 | 4921955 | 1 | Generator to Rear of Boom Harness (220V) | |
| | | Ref | Note: Harness used to connect AC at platform harness to generator receptacle to power platform receptacle. | |

SECTION 7 - ELECTRICAL

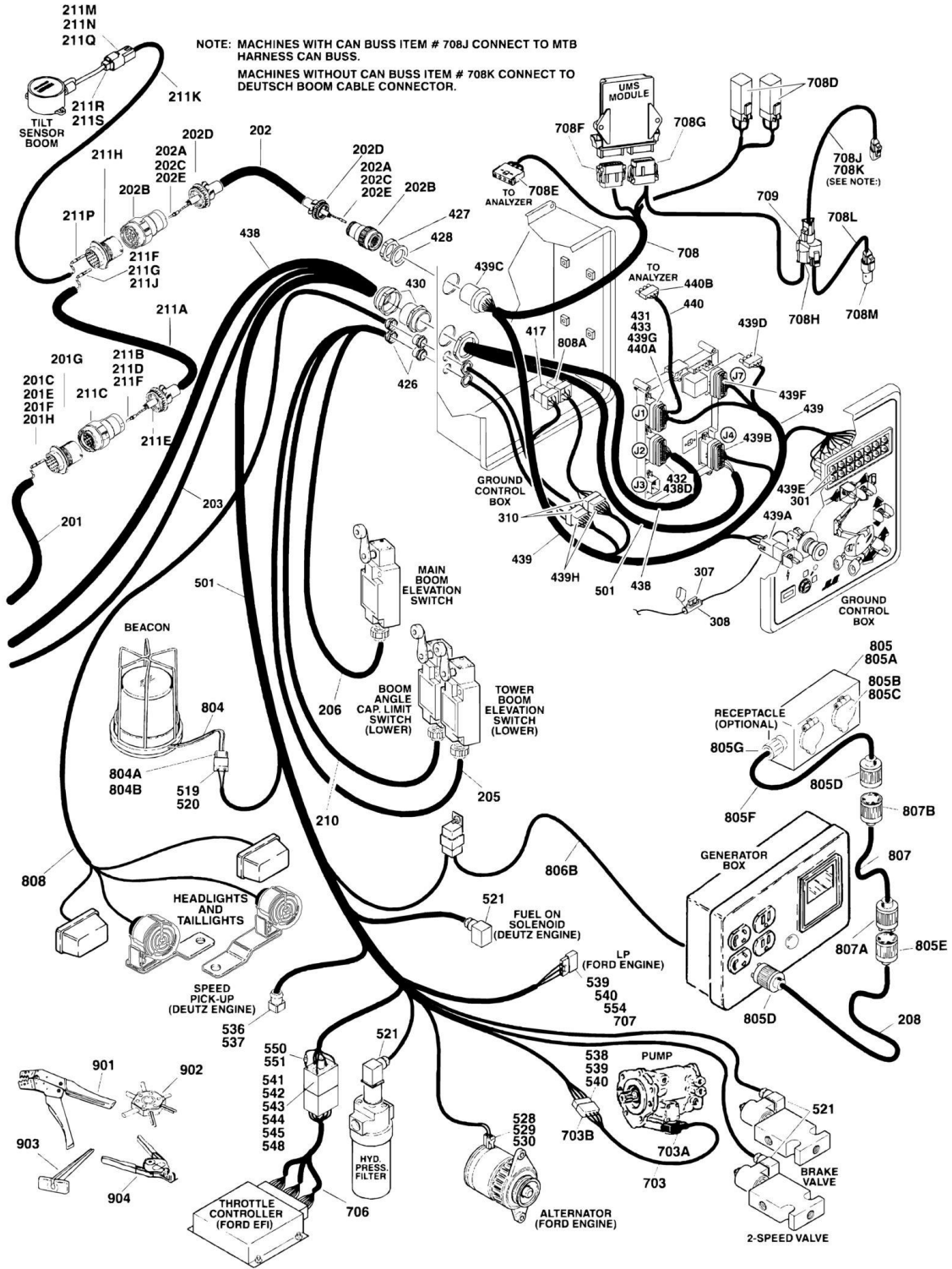
| ITEM | PART NUMBER | QTY | DESCRIPTION | REV |
|------|-------------|-----------------|---|-----|
| 807 | 1060494 | 26 ft/8m | Cable, Electrical - 12/3 | |
| 807A | 4460205 | 1 | Plug, Male (110V) | |
| 807A | 4460233 | 1 | Plug, Male (220V) | |
| 807B | 4460134 | 1 | Receptacle, Female (110V) | |
| 807B | 4460701 | 1 | Receptacle, Female (220V) | |
| 808 | See Note | 1 | Lights Harness (Note: Not Available for Purchase) | |
| 808 | 1060341 | 37 ft /11.3m | Cable, Electrical - 16/2 | |
| 808A | 3740049 | 1 | Relay | |
| 808B | 4922484 | 1 | Harness, Bag (Located at to Box) (Not Shown) | |
| 809 | 2920140 | 2 | Platform Worklights Harness (Includes Light and Wire Only) | |
| 809 | 2820035 | 9 ft/2.8m | Loom, Vinyl | |
| 809A | 4460598 | 1 | Connector, Strain Relief | |
| 809B | 4360232 | 1 | Circuit Breaker, 15Amp | |
| 810 | See Note | 1 | SoftTouch System Harness (Note: Not Available for Purchase) | |
| 810A | 1060341 | 16 ft/4.9m | Cable, Electrical - 16/3 | |
| 810B | 4460425 | 1 | Connector, Strain Relief | |
| | | Ref | TOOLS | |
| 901 | 7002821 | 1 | Crimper (For Wire to Pin/Socket Connections) | |
| 902 | 7002823 | 1 | Extractor (For Removal of Pin/Socket from Connectors) | |
| 903 | 4460467 | 1 | Extractor, Pin (Blue 16-18 Gauge) (For Removal of Pin/Socket from Connectors) | |
| 903 | 4460510 | 1 | Extractor, Pin (Yellow 12-14 Gauge) (For Removal of Pin/Socket from Connectors) | |
| 904 | 7002828 | 1 | Stripper, Wire | |
| 905 | 2901443 | 1 | Analyzer Kit (Not Shown) | |

SECTION 7 - ELECTRICAL

FIGURE 7-4. HARNESS COMPONENTS INSTALLATION (WITH ADE SYSTEM) (SN 0300064432 through 0300069000)



SECTION 7 - ELECTRICAL



SECTION 7 - ELECTRICAL

FIGURE 7-4. HARNESS COMPONENTS INSTALLATION (WITH ADE SYSTEM) (SN 0300064432 through 0300069000)

| ITEM | PART NUMBER | QTY | DESCRIPTION | REV |
|------|-------------|-----------|---|-----|
| | 4922639 | Ref | PLATFORM BOX HARNESS ASSEMBLY | 3-C |
| 1 | 4922639 | 1 | Harness, Console Box | |
| 19 | 4460866 | 1 | Connector - 19 Position | |
| 20 | 4460874 | 1 | Connector - 35 Position (Natural) | |
| 21 | 4460875 | 1 | Connector - 35 Position (Gray) | |
| 22 | 4460873 | 1 | Connector - 35 Position (Black) | |
| 23 | 4460871 | 70 | Socket, Female | |
| 24 | 4460464 | 7 | Pin, Male (16 Gauge) | |
| 25 | 4460879 | 1 | Terminal, Housing 2 Position | |
| 26 | 4460887 | 2 | Terminal, (12 Gauge) | |
| 30 | 4460418 | 8 | Connector - 6 Position | |
| 31 | 4460419 | 24 | Terminal, Female | |
| 32 | 4120035 | 12 | Base, Light | |
| 33 | 4460634 | 12 | Terminal, (16 Gauge) | |
| 34 | 4460635 | 12 | Terminal, (12 Gauge) | |
| 36 | 4460225 | 1 | Connector - 6 Position | |
| 37 | 4460227 | 28 | Pin | |
| 41 | 4460508 | 3 | Pin, Male (12 Gauge) | |
| 43 | 4460434 | 2 | Plug, 15 Position Mate-N-Loc | |
| 44 | 2920129 | 12 | Lamp, Indicator | |
| | | Ref | PLATFORM BOX ASSEMBLY COMPONENTS | |
| 104 | 0100048 | AR | Grease, Dielectric | |
| 114 | 1060918 | 8 ft/2.4m | Cable, Electrical - 18/3 | |
| 142 | 4460071 | 1 | Connector, Strain Relief | |
| 143 | 4460226 | 2 | Socket, Female | |
| 144 | 4460428 | 2 | Connector, Strain Relief | |
| 146 | 4460470 | 1 | Nut, Terminal | |
| 147 | 4460471 | 1 | Lockwasher, Terminal | |
| 148 | 4460905 | 5 | Seal, Plug | |
| 153 | 4922666 | 1 | Harness, Analyzer Cable | 1-A |
| 153 | 4460226 | 4 | Socket, Female (Not Shown - Located at J2) | |
| 153A | 4460761 | 1 | Connector, Female - 4 Position | |
| 153A | 4460227 | 4 | Pin, Male | |
| 155 | 4460708 | 2 | Terminal, 15 Pin Mate-N-Loc | |
| | | Ref | BOOM CABLES INSTALLATION | |
| | 0271374 | Ref | Boom Cables Installation 800A | C |
| | 0271376 | Ref | Boom Cables Installation 800AJ | 1 |
| | 0272429 | Ref | Boom Cables Installation 800A (With 7500W Generator) (SkyPower) | A |
| | 0272431 | Ref | Boom Cables Installation 800AJ (With 7500W Generator) (SkyPower) | 1 |
| 201 | | Ref | Harness Assembly - Main Boom (12/4 - 18/8) Options: | |
| 201 | 4922575 | 1 | Harness Assembly - Main Boom 800A | |
| 201 | 4922582 | 1 | Harness Assembly - Main Boom 800AJ | |
| 201 | 1060896 | AR | Cable, Electrical - 4 #12 AWG, 8 #18 AWG and 1 STP #18 AWG | |
| 201A | 4460465 | 11 | Socket, Female | |
| 201B | 4460865 | 1 | Connector - 19 Position | |
| 201C | 4460509 | 4 | Socket, Female | |

SECTION 7 - ELECTRICAL

| ITEM | PART NUMBER | QTY | DESCRIPTION | REV |
|------|-------------|-----------------|--|-----|
| 201D | 4460473 | 1 | Clamp, Cable | |
| 201E | 4460466 | 8 | Seal, Plug | |
| 201F | 4460464 | 11 | Pin, Male (16 Gauge) | |
| 201G | 4460866 | 1 | Connector - 19 Position | |
| 201H | 4460508 | 4 | Pin, Male (12 Gauge) | |
| 202 | 4922576 | 1 | Harness Assembly - Tower Boom (12/4 - 18/8) | |
| 202 | 1060896 | 44 ft /13.4m | Cable, Electrical - 4 #12 AWG, 8 #18 AWG and 1 STP #18 AWG | |
| 202A | 4460465 | 22 | Socket, Female | |
| 202B | 4460865 | 2 | Connector - 19 Position | |
| 202C | 4460509 | 8 | Socket, Female | |
| 202D | 4460473 | 2 | Clamp, Cable | |
| 202E | 4460466 | 8 | Seal, Plug | |
| 203 | 4922579 | 1 | Harness Assembly - Tower Boom (18/2) (800A Only) | |
| 203 | 1060902 | 47 ft /14.3m | Cable, Electrical - 18/2 | |
| 203A | 4460465 | 2 | Socket, Female | |
| 203A | 4460891 | 1 | Connector, Terminal - 2 Position | |
| 204 | 4922580 | 1 | Harness Assembly - Main Boom (18/2) (800A Only) | |
| 204 | 1060902 | 27 ft/8.2m | Cable, Electrical - 18/2 | |
| 204A | 4460464 | 2 | Pin, Male | |
| 204A | 4460897 | 1 | Plug, Terminal - 2 Position | |
| 205 | 4922577 | 1 | Harness Assembly - Tower Boom (18/2) | |
| 207 | | Ref | Harness Assembly - Main Boom Options: | |
| 207 | 4922215 | 1 | Harness Assembly - Main Boom 800A (10/3) | |
| 207 | 4922216 | 1 | Harness Assembly - Main Boom 800AJ (10/3) | |
| 207 | 4922773 | 1 | Harness Assembly - Main Boom 800A (8/5) (With 7500W Generator) (SkyPower) | |
| 207 | 4922775 | 1 | Harness Assembly - Main Boom 800AJ (8/5) (With 7500W Generator) (SkyPower) | |
| 208 | | Ref | Harness Assembly - Tower Boom Options: | |
| 208 | 4922217 | 1 | (10/3) | |
| 208 | 4922774 | 1 | (8/5) (With 7500W Generator) (SkyPower) | |
| 209 | 1320256 | 1 | Clamp, Block (Not Shown-Located on back of T/T) | |
| 210 | 4922581 | 1 | Harness Assembly (18/2) (800A Only) | |
| 211 | 1001094470 | 1 | Harness, Boom Cable Jumper | |
| 211A | 1060896 | 1 ft/0.3m | Cable, Electrical - 4 #12 AWG, 8 #18 AWG and 1 STP #18 AWG | |
| 211B | 4460465 | 11 | Socket, Female | |
| 211C | 4460865 | 1 | Connector - 19 Position | |
| 211D | 4460509 | 4 | Socket, Female | |
| 211E | 4460473 | 1 | Clamp, Cable | |
| 211F | 4460466 | 8 | Seal, Plug | |
| 211G | 4460464 | 8 | Pin, Male (16 Gauge) | |
| 211H | 4460866 | 1 | Connector - 19 Position | |
| 211J | 4460508 | 4 | Pin, Male (12 Gauge) | |
| 211K | 4923613 | 1 | Harness, Tilt Switch | |
| 211L | 1060978 | 2 ft/0.6m | Cable, Electrical - 18/3 | |
| 211M | 1001097051 | 1 | Connector - 4 Position | |
| 211N | 1001097082 | 3 | Pin, Male (Gold) | |
| 211P | 4460464 | 3 | Pin, Male (16 Gauge) | |
| 211Q | 4460466 | 1 | Seal, Plug | |

SECTION 7 - ELECTRICAL

| ITEM | PART NUMBER | QTY | DESCRIPTION | REV |
|------|-------------|-----|---|-----|
| 211R | 1001094400 | 1 | Tilt Sensor Harness (Boom) (Includes Sensor) | C |
| 211S | 4461077 | 1 | Terminal, Plug - 4 Position | |
| 211S | See Note | 3 | Socket, Female (Note: Not Available for Purchase) | |
| 217 | 4922578 | 1 | Harness Assembly - Limit Switch (18/2) | |
| | | Ref | GROUND CONTROL BOX DIAGRAMS: | |
| | 4933232 | Ref | Deutz Engine | 3-D |
| | 4933233 | Ref | Ford EFI Engine | 3-D |
| 301 | 2920129 | 7 | Bulb, Light | |
| 307 | 2400065 | 1 | Fuse, 30Amp | |
| 308 | 2400066 | 1 | Fuse, Holder | |
| 310 | 4460708 | 2 | Receptacle, Female - 15 Position | |
| 310 | 4460226 | 16 | Socket, Female | |
| 310 | 4922637 | 1 | Harness, Jumper (Not Shown) | |
| 310 | 4922636 | 1 | Harness, Jumper (Not Shown) | |
| | | Ref | GROUND CONTROL BOX COMPONENTS | |
| 417 | 3740049 | 1 | Relay | |
| 426 | 4460426 | 2 | Connector, Strain Relief | |
| 427 | 4460470 | 1 | Nut, Terminal | |
| 428 | 4460471 | 1 | Lockwasher, Terminal | |
| 430 | 4460526 | 1 | Connector, Strain Relief | |
| 431 | 4460874 | 1 | Connector (Natural) | |
| 432 | 4460875 | 1 | Connector (Gray) | |
| 433 | 4460905 | 4 | Connector, Amp Seal Plug | |
| 437 | | Ref | Engine Harness Assembly (Not Shown - See 501 to 566 for Breakdown) | |
| 437 | 4922549 | 1 | Deutz Engine Machines | |
| 437 | 4922550 | 1 | Ford Engine Machines with EFI | |
| 438 | 4922557 | 1 | Valve Harness Assembly | 1-A |
| 438A | 4460880 | 19 | Connector, DIN | |
| 438B | 4460320 | 2 | Connector, Female- 2 Position | |
| 438B | 4460267 | 7 | Pin, Male | |
| 438C | 4460424 | 1 | Connector, Male- 2 Position | |
| 438C | 4460268 | 5 | Pin, Female | |
| 438D | 4460871 | AR | Socket, Female | |
| 438E | 4460326 | 1 | Connector, Male - 3 Position | |
| 438E | 4460267 | 7 | Pin, Male | |
| 438F | 4460445 | 1 | Connector, Female - 3 Position | |
| 438F | 4460268 | 5 | Pin, Female | |
| 439 | | Ref | Ground Control Box Harness Assemblies: | |
| 439 | 4922638 | 1 | Ground Control Box Harness Assemblies (SN 0300064432 through 0300064492) | 4-E |
| 439 | 4922675 | 1 | Ground Control Box Harness Assemblies (SN 0300064493 through 0300069000) | 3-C |
| 439A | 4460418 | 9 | Connector, Female - 6 Position | |
| 439A | 4460419 | 27 | Socket, Female | |
| 439B | 4460876 | 1 | Connector 35 - Position | |
| 439B | 4460871 | AR | Socket, Female | |
| 439B | 4460905 | 28 | Seal, Plug | |
| 439C | 4460866 | 1 | Connector - 19 Position | |
| 439C | 4460464 | 10 | Pin, Male Deutsch (16 Gauge) | |
| 439D | 4460878 | 1 | Housing, Terminal - 4 Position | |
| 439D | 4460887 | 3 | Terminal (12 Gauge) | |

SECTION 7 - ELECTRICAL

| ITEM | PART NUMBER | QTY | DESCRIPTION | REV |
|------|-------------|-----|--|-----|
| 439E | 4120035 | AR | Base, Light | |
| 439E | 4460634 | AR | Terminal (16 Gauge) | |
| 439F | 4460873 | 1 | Connector - 35 Position (Black) | |
| 439F | 4460871 | AR | Socket, Female | |
| 439F | 4460635 | 5 | Terminal (12 Gauge) | |
| 439G | 4460871 | AR | Socket, Female | |
| 439H | 4460434 | 2 | Plug, Male 15- Position | |
| 439H | 4460227 | AR | Pin, Male | |
| 439I | 3990010 | 2 | Diode - 6 Amp (Not Shown) | |
| 440 | 4922666 | 1 | Cable, Analyzer | 1-A |
| 440A | 4460226 | 4 | Socket, Female | |
| 440B | 4460761 | 1 | Connector, Female 4- Position | |
| 440B | 4460227 | 4 | Pin, Male | |
| 441 | | Ref | Ground Control Box Wiring Diagram (Not Shown - See Items 301 to 310 for Breakdown) | |
| 441 | 4933232 | 1 | Deutz Engine | |
| 441 | 4933233 | 1 | Ford Engine with EFI | |
| | | Ref | ENGINE HARNESS ASSEMBLY | |
| | 4922549 | Ref | DEUTZ ENGINE | 3-D |
| | 4922550 | Ref | FORD ENGINE - LRG425 with EFI | 1-B |
| 501 | | Ref | Harness, Assembly Options: | |
| 501 | 4922549 | 1 | Deutz Engine | |
| 501 | 4922550 | 1 | Ford Engine - LRG425 with EFI | |
| 519 | 4460424 | 1 | Receptacle, Female - 2 Position | |
| 520 | 4460226 | 2 | Socket, Female | |
| 521 | 4460880 | AR | DIN Connector without Diode | |
| 528 | 4460582 | 3 | Terminal (Ford Engine Only) | |
| 529 | 4460580 | 1 | Lock, Terminal (Ford Engine Only) | |
| 530 | 4460579 | 1 | Housing - 3 Position (Ford Engine Only) | |
| 536 | 4460890 | 1 | Housing - 2 Position (Deutz Engine Only) | |
| 537 | 4460889 | 2 | Terminal (Deutz Engine Only) | |
| 538 | 4460460 | 1 | Connector, Male - 4 Position | |
| 539 | 4460457 | AR | Terminal, Female | |
| 540 | 4460458 | AR | Seal, Terminal | |
| 541 | 4460713 | 1 | Connector, Housing 42 Position (LRG425 with EFI Only) | |
| 542 | 4460725 | 1 | Connector Wedge Lock, Center (LRG425 with EFI Only) | |
| 543 | 4460726 | 2 | Connector Wedge Lock, Side (LRG425 with EFI Only) | |
| 544 | 4460800 | 32 | Connector, Plug (LRG425 with EFI Only) | |
| 545 | 4460799 | 7 | Pin, Male (LRG425 with EFI Only) | |
| 548 | 4460728 | 3 | Pin, Male (LRG425 with EFI Only) | |
| 550 | 2400061 | 2 | Fuse (LRG425 with EFI Only) | |
| 551 | 2400060 | 2 | Holder, Fuse (LRG425 with EFI Only) | |
| 554 | 4460742 | 1 | Connector, Male - 2 Position (LRG425 with EFI Only) | |
| 557 | 4460871 | AR | Socket, Female | |
| | | Ref | STANDARD HARNESS COMPONENTS | |
| 703 | See Note | 1 | Pump Harness (Note: Not Available for Purchase) | |
| 703A | 7007497 | 1 | Plug (Pump End) | |
| 703B | 7007498 | 1 | Plug (Engine Harness End) | |
| 704 | See Note | 1 | Controller Harness Assembly (Lift and Swing) (Note: Not Available for Purchase) | |
| 704A | 7022819 | 1 | Plug, Male - 8 Position (Natural) | |
| 704B | 4460871 | 8 | Socket, Female | |

SECTION 7 - ELECTRICAL

| ITEM | PART NUMBER | QTY | DESCRIPTION | REV |
|------|-------------|-----|--|-----|
| 705 | See Note | 1 | Controller Harness/Circuit Board Assembly (Drive and Steer) (Note: Not Available for Purchase) | |
| 705A | 7022825 | 1 | Plug, Male - 8 Position (Black) | |
| 705B | 4460871 | 7 | Socket, Female | |
| 706 | See Note | 1 | Ford Engine Harness (For replacement parts refer to Ford engine dealer (Ford EFI Engine Machines) (Note: Not Available for Purchase) | |
| 706 | 7022134 | 1 | Ford Engine Fuel Pump Harness (Not Shown) (Ford EFI Engine Machines) | |
| 706 | 7023657 | 1 | Ford Engine TPS Harness (Not Shown) (Ford EFI Engine Machines) | |
| 707 | See Note | 1 | Dual Fuel Shut-Off Filter Harness (Note: Not Available for Purchase) | |
| 707 | 7023679 | 1 | Electrical Connector Kit (Includes [1] 2 Position Connector, 2 Pins and 2 Seals) | |
| 708 | 1001093256 | Ref | Harness, Tilt | F |
| 708A | 2920129 | 1 | Bulb | |
| 708A | 4120035 | 1 | Socket, Light | |
| 708B | 4460464 | 4 | Pin, Male Deutsch (16 Gauge) | |
| 708C | 4460871 | 4 | Socket, Female | |
| 708D | 4460894 | 2 | Plug, Male - 6 Position | |
| 708D | 4460465 | 8 | Socket, Female | |
| 708D | 4460892 | 2 | Terminal, Buss Connector - 6 Position | |
| 708E | 4460761 | 1 | Connector, Female - 4 Position | |
| 708E | 4460227 | 4 | Pin, Male | |
| 708F | 4460909 | 1 | Connector - 12 Position (Black) | |
| 708F | 4460915 | 1 | Wedge Lock - 12 Position | |
| 708F | 4460928 | 6 | Socket, Female | |
| 708G | 4460908 | 1 | Connector - 12 Position (Gray) | |
| 708G | 4460915 | 1 | Wedge Lock - 12 Position | |
| 708G | 4460928 | 5 | Socket, Female | |
| 708H | 4460965 | 1 | Connector, Male - 3 Position | |
| 708H | 4460944 | 3 | Socket, Female (Gold) | |
| 708J | 4922099 | AR | Cable, Can-Buss (Machines with Can Buss Engine Controllers and Caterpillar Engine without Can Buss Engine Controllers) | |
| 708J | 4460965 | 1 | Connector, Male - 3 Position | |
| 708J | 4460944 | 6 | Socket, Female (Gold) | |
| 708J | 4460539 | 1 | Terminal, Plug - 3 Position | |
| 708K | 4922099 | AR | Cable, Can-Buss (Machines without Can Buss Engine Controllers) | |
| 708K | 4460965 | 1 | Connector, Male - 3 Position | |
| 708K | 4460944 | 6 | Socket, Female (Gold) | |
| 708K | 4460464 | 3 | Pin, Male Deutsch (16 Gauge) | |
| 708L | 4922099 | AR | Cable, Can-Buss (Machines without Can Buss Engine Controllers) | |
| 708L | 4460539 | 2 | Terminal, Plug - 3 Position | |
| 708L | 4460944 | 6 | Socket, Female (Gold) | |
| 708M | 4460536 | 1 | Terminal, Receptacle - 3 Position (Machines without Can Buss Engine Controllers) | |
| 709 | 1001093187 | Ref | Tilt Sensor Installation | C |
| 709 | 4460945 | 1 | Receptacle - 3 Position (3 way Tee) | |
| | | Ref | OPTIONAL HARNESS COMPONENTS | |
| 801 | 4921928 | 1 | 4WS Valve Harness | |
| 801A | 4460268 | 3 | Socket, Female | |

SECTION 7 - ELECTRICAL

| ITEM | PART NUMBER | QTY | DESCRIPTION | REV |
|------|-------------|----------------|---|-----|
| 801B | 4460445 | 1 | Connector, Female - 3 Position | |
| 801C | 4460499 | 2 | Connector, DIN with Diode | |
| 802 | 4921927 | 1 | Jib Valve Harness (800AJ Only) | |
| 802A | 4460326 | 1 | Plug, Male - 3 Position | |
| 802B | 4460267 | 3 | Pin, Male | |
| 802C | 4460499 | 2 | Connector, DIN with Diode | |
| 803 | 0257887 | 1 | Alarm Harness (Includes Alarm) | |
| 803A | 4460424 | 1 | Plug, Male - 2 Position | |
| 803B | 4460268 | 2 | Socket, Female | |
| 804 | 0255917 | 1 | Strobe Light Harness (Includes Strobe Light) | |
| 804A | 4460320 | 1 | Connector, Female - 2 Position | |
| 804B | 4460267 | 2 | Pin, Male | |
| 805 | | Ref | AC to Platform Receptacle Components Options: | |
| 805 | 0255382 | Ref | 110V GFI Receptacle (SN 0300064432 through 0300065565) | 4 |
| 805 | 0272259 | Ref | 110V GFI Receptacle (SN 0300065566 through 0300068999) | 1 |
| 805 | 0257176 | Ref | 220V GFI Receptacle (SN 0300064432 through 0300065565) | 4 |
| 805 | 0272260 | Ref | 220V GFI Receptacle (SN 0300065566 through 0300069000) | 1 |
| 805 | 0272433 | Ref | With 7500W Generator (SkyPower) | 1 |
| 805A | 0860038 | 1 | Box, Switch | |
| 805B | | Ref | Receptacle Options: | |
| 805B | 4460346 | 1 | 110V GFI | |
| 805B | 4460125 | 1 | 220V GFI | |
| 805C | | Ref | Shield, Cover Options: | |
| 805C | 4060700 | 1 | 110V GFI | |
| 805C | 4060092 | 1 | 220V GFI | |
| 805D | | Ref | Plug, Male Options: | |
| 805D | 4460205 | 2 | 110V GFI | |
| 805D | 4460233 | 2 | 220V GFI | |
| 805D | 4460959 | 2 | With 7500W Generator (SkyPower) | |
| 805E | | Ref | Connector, Female Options: | |
| 805E | 4460134 | 1 | 110V GFI | |
| 805E | 4460701 | 1 | 220V GFI | |
| 805E | 4460960 | 1 | With 7500W Generator (SkyPower) | |
| 805F | 4921801 | 1 | Harness-Receptacle Box to Boom (SN 0300064432 through 0300065566) | |
| 805F | 1060494 | 18 in /47cm | Cable, Electrical - 12/3 | |
| 805G | | Ref | Connector Options: | |
| 805G | 4460071 | 1 | Connector (SN 0300064432 through 0300065565) | |
| 805G | 4460051 | 1 | Connector (SN 0300065566 through 0300069000) | |
| 806 | | Ref | Generator Electrical Components | |
| 806 | 4933215 | Ref | 110V | 1-A |
| 806 | 4933216 | Ref | 220V | 1-A |
| 806 | 3990010 | 1 | Diode - 6 Amp (Not Shown) | |
| 806A | 4922641 | 1 | Harness - On/Off Switch | |
| 806B | 4922482 | 1 | Harness - Powermite Control Box to Relay | |
| 807 | 4921829 | 1 | Generator to Rear of Boom Harness (110V) | |
| 807 | 4921955 | 1 | Generator to Rear of Boom Harness (220V) | |
| | | Ref | Note: Harness used to connect AC at platform harness to generator receptacle to power platform receptacle. | |
| 807 | 1060494 | 6 ft/1.8m | Cable, Electrical - 12/3 | |
| 807A | 4460205 | 1 | Plug, Male (110V) | |

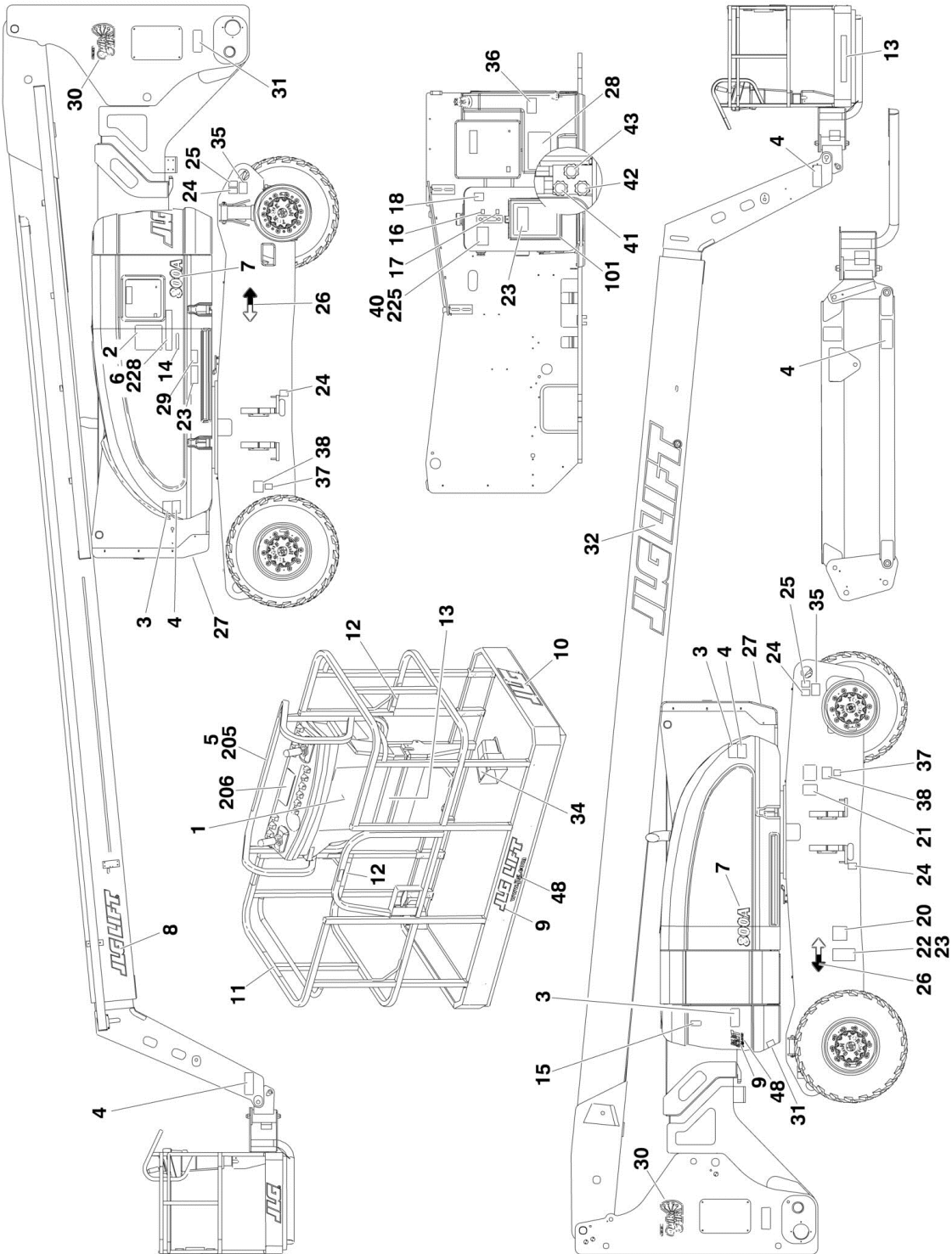
SECTION 7 - ELECTRICAL

| ITEM | PART NUMBER | QTY | DESCRIPTION | REV |
|------|-------------|-----------------|---|-----|
| 807A | 4460233 | 1 | Plug, Male (220V) | |
| 807B | 4460134 | 1 | Receptacle, Female (110V) | |
| 807B | 4460701 | 1 | Receptacle, Female (220V) | |
| 808 | See Note | 1 | Lights Harness (Note: Not Available for Purchase) | |
| 808 | 1060341 | 48 ft /14.6m | Cable, Electrical - 16/2 | |
| 808A | 3740049 | 1 | Relay | |
| 808B | 4922643 | 1 | Harness, Bag (Located at Ground Control Box) (Not Shown) | |
| 809 | 2920140 | 2 | Platform Worklights Harness (External) (Includes Light and Wire Only) | |
| 809 | 2820035 | 9 ft/2.8m | Loom, Vinyl | |
| 809A | 4460598 | 1 | Connector, Strain Relief | |
| 809B | 4360232 | 1 | Circuit Breaker, 15Amp | |
| 809C | 4922498 | 1 | Platform Worklights Harness (Internal) | |
| 809D | 4460871 | 3 | Socket, Female | |
| 810 | See Note | 1 | SoftTouch System Harness (Note: Not Available for Purchase) | |
| 810A | 1060341 | 16 ft/4.9m | Cable, Electrical - 16/3 | |
| 810B | 4460425 | 1 | Connector, Strain Relief | |
| | | Ref | TOOLS | |
| 901 | 7002821 | 1 | Crimper (For Wire to Pin/Socket Connections) | |
| 902 | 7002823 | 1 | Extractor (For Removal of Pin/Socket from Connectors) | |
| 903 | 4460467 | 1 | Extractor, Pin (Blue 16-18 Gauge) (For Removal of Pin/Socket from Connectors) | |
| 903 | 4460510 | 1 | Extractor, Pin (Yellow 12-14 Gauge) (For Removal of Pin/Socket from Connectors) | |
| 904 | 7002828 | 1 | Stripper, Wire | |
| 905 | 2901443 | 1 | Analyzer Kit (Not Shown) | |

SECTION 8 - DECALS

SECTION 8 - DECALS

FIGURE 8-1. DECALS INSTALLATION - STANDARD



SECTION 8 - DECALS

FIGURE 8-1. DECALS INSTALLATION - STANDARD

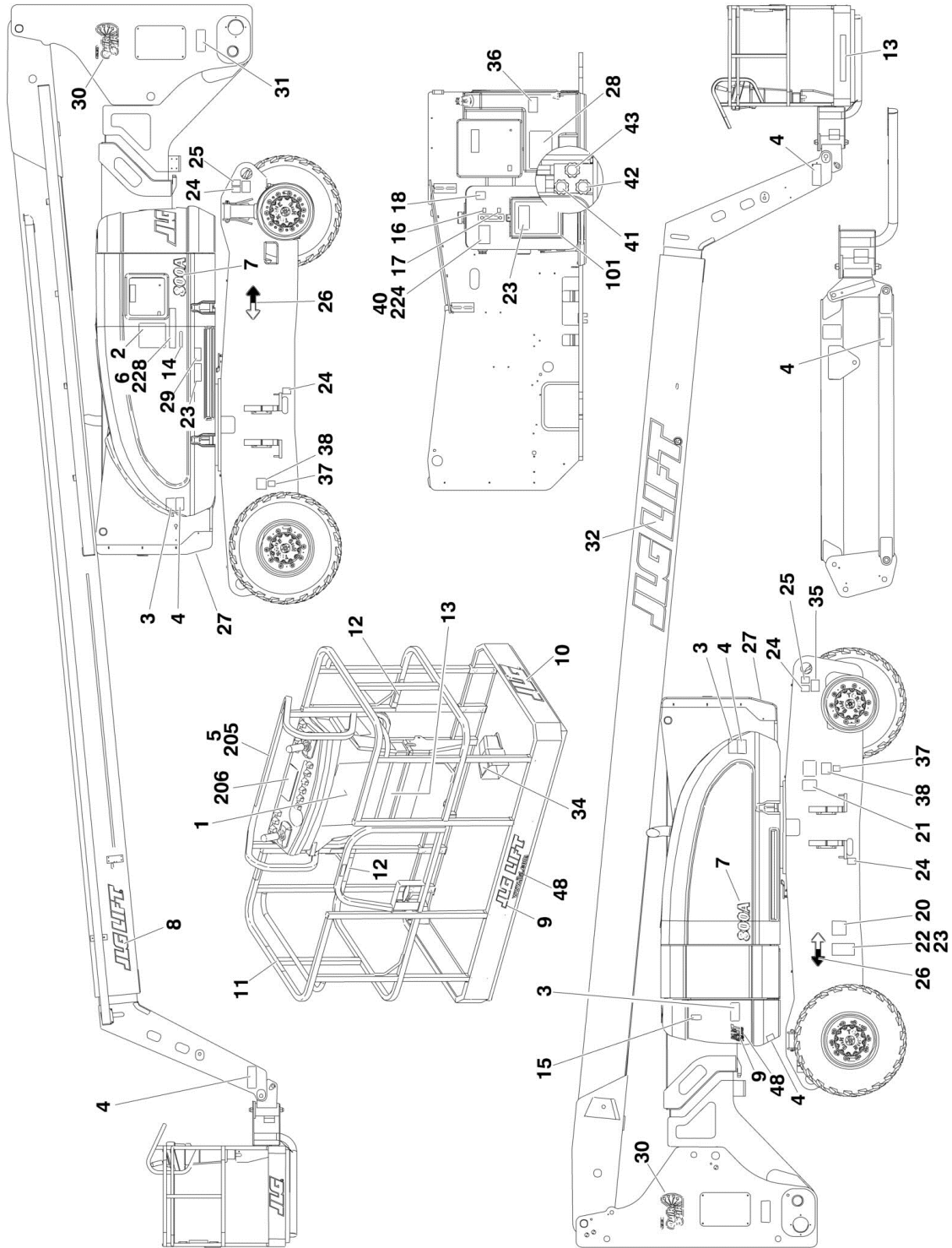
| ITEM | PART NUMBER | QTY | DESCRIPTION | REV |
|------|-------------|-----|---|-----|
| | | Ref | STANDARD DECAL INSTALLATIONS | |
| | 0271038 | Ref | JLG Logo | 1 |
| | 0258513 | Ref | Standard Decal Installations 800A | 8 |
| | 0258514 | Ref | Standard Decal Installations 800AJ | 8 |
| | 0258706 | Ref | MANUAL DESCENT DECALS INSTALLATION | 1 |
| 1 | 1703797 | 1 | Decal - Danger/Warning | |
| 2 | 1703798 | 1 | Decal - Danger/Warning | |
| 3 | 1703805 | 2 | Decal - Danger/Electrocution | |
| 4 | 1703804 | 4 | Decal - Warning/Crushing | |
| 5 | 1702784 | NLA | Decal - Legend (Use p/n 1707110) | |
| 6 | 1703808 | NLA | Decal - Legend (Use p/n 1001095809) | |
| 7 | | Ref | Decal - Model Options: | |
| 7 | 1703772 | 2 | Decal - Model 800A | |
| 7 | 1703773 | 2 | Decal - Model 800AJ | |
| 8 | 1702860 | 2 | Decal - JLG Lift (5in) | |
| 9 | 1702774 | 2 | Decal - JLG Lift (3-1/2in) | |
| 10 | 1702773 | 2 | Decal - JLG (5in) | |
| 11 | 1702868 | 2 | Decal - - No Hands | |
| 12 | | Ref | Decal - Attach Lanyard Here Options: | |
| 12 | 1702612 | 4 | Decal - Attach Lanyard Here (Prior to SN 0300061062) | |
| 12 | 1704277 | 4 | Decal - Attach Lanyard Here (SN 0300061062 through 0300069000) | |
| 13 | | Ref | Decal - 500lbs Max Capacity Options: | |
| 13 | 1704096 | 2 | Decal - 500lbs Max Capacity 800A | |
| 13 | 1701645 | 2 | Decal - 500lbs Max Capacity 800AJ | |
| 14 | | Ref | Decal - 500lbs Max Capacity Options: | |
| 14 | 1704104 | 1 | Decal - 500lbs Max Capacity 800A | |
| 14 | 1702688 | 1 | Decal - 500lbs Max Capacity 800AJ | |
| 15 | 3251813 | 1 | Decal - USA | |
| 16 | 1701502 | 1 | Decal - High Oil Level | |
| 17 | 1701503 | 1 | Decal - Low Oil Level | |
| 18 | 1701504 | 1 | Decal - Hydraulic Oil | |
| 19 | 1702153 | 1 | Decal - Inspection | |
| 20 | See Note | 1 | Decal - Bar Code (Note: Not Available for Purchase) | |
| 21 | 1700584 | 1 | Decal - Patent | |
| 22 | See Note | 1 | Nameplate - Serial Number (Note: Not Available for Purchase) | |
| 23 | 1701509 | 1 | Decal - Manual | |
| 24 | 1702300 | 4 | Decal - Tie Down /Lift | |
| 25 | 1701500 | 4 | Decal - Tie Down /Lift | |
| 26 | 1701501 | 4 | Decal - Arrow | |
| 27 | | Ref | Nameplate - 120V-60Hz | |
| 27 | 3251243 | 1 | 110V | |
| 27 | 3252507 | 1 | 220V | |
| 28 | 1703954 | 1 | Decal - Manual Descent | |
| 29 | 1702901 | 1 | Decal - Manual Descent Instructions Inside | |
| 30 | 1703959 | 2 | Decal - Quick Stick | |
| 31 | 1703953 | 3 | Decal - Warning/Crushing | |
| 32 | 1702862 | 1 | Decal - JLG Lift | |
| 33 | 3820001 | 4 | Rivet | |
| 34 | 3252347 | 1 | Decal - Footswitch (Part of 4360031 Footswitch) | |

SECTION 8 - DECALS

| ITEM | PART NUMBER | QTY | DESCRIPTION | REV |
|------|--------------|-----|---|-----|
| 35 | 1703960 | 4 | Decal - Max Tire Load | |
| 36 | | Ref | Decal - Fuel | |
| 36 | 1701542 | 1 | Ford Engine Machines | |
| 36 | 1701505 | 1 | Deutz Engine Machines | |
| 37 | | Ref | Decal - LPG Gas | |
| 37 | Not Required | 0 | Non-Dual Fuel Machines | |
| 37 | 1701543 | 1 | Dual Fuel Machines | |
| 38 | | Ref | Decal - LP Gas Liquid Withdrawal System | |
| 38 | Not Required | 0 | Non-Dual Fuel Machines | |
| 38 | 1700818 | 1 | Dual Fuel Machines | |
| 40 | 1702265 | NLA | Decal - Upright Level Override (Use p/n 1001096141) | |
| 41 | 1702903 | 1 | Decal - Knob #1 | |
| 42 | 1702927 | 1 | Decal - Knob #2 | |
| 43 | 1702924 | 1 | Decal - Knob #3 | |
| 48 | 1704885 | 2 | Decal - Website (SN 0300067900 through 0300069000) | |
| | 0258671 | Ref | MANUAL STORAGE BOX INSTALLATION | A |
| 101 | 0860520 | 1 | Box, Manual Storage | |
| 101 | 1060279 | 1 | Cable, Lanyard | |
| 101 | 0641408 | 1 | Bolt 1/4in-20NC x 1in | |
| 101 | 0641406 | 1 | Bolt 1/4in-20NC x 3/4in | |
| 101 | 4751400 | 6 | Flatwasher 1/4in | |
| 101 | 3311405 | 5 | Locknut 1/4in-20NC | |
| 101 | 0100011 | AR | Compound, Locking | |
| | | Ref | TILT SENSOR INSTALLATION OPTIONS: | |
| | 1001091538 | Ref | PRE ADE SYSTEM | E |
| | 1001093187 | Ref | ADE SYSTEM | C |
| 205 | 1707110 | 1 | Decal - Legend (Platform) | |
| 206 | 1707111 | 1 | Decal - Platform Display | |
| 225 | 1001096141 | 1 | Decal - Upright Level Over Ride | |
| 228 | 1001095809 | 1 | Decal - Legend (MTB Control) | |

SECTION 8 - DECALS

FIGURE 8-2. DECALS INSTALLATION - COUNTRY SPEC



SECTION 8 - DECALS

FIGURE 8-2. DECALS INSTALLATION - COUNTRY SPEC

| ITEM | PART NUMBER | QTY | DESCRIPTION | REV |
|------|-------------|-----|--|-----|
| | | Ref | DECAL INSTALLATIONS | |
| | 0271038 | Ref | JLG Logo | 1 |
| | 0258537 | Ref | Decal Installations 800A Dual Language English/Chinese Decals | 5 |
| | 0258535 | Ref | Decal Installations 800A Dual Language English/French Decals | 6 |
| | 0258533 | Ref | Decal Installations 800A Dual Language English/Spanish Decals | 5 |
| | 0258539 | Ref | Decal Installations 800A Dual Language Portuguese/Spanish Decals | 6 |
| | 0258529 | Ref | Decal Installations 800A Japanese Decals | 5 |
| | 0258531 | Ref | Decal Installations 800A Korean Decals | 5 |
| | 0258538 | Ref | Decal Installations 800AJ Dual Language Chinese/English Decals | 5 |
| | 0258536 | Ref | Decal Installations 800AJ Dual Language English/French Decals | 6 |
| | 0258534 | Ref | Decal Installations 800AJ Dual Language English/Spanish Decals | 5 |
| | 0258540 | Ref | Decal Installations 800AJ Dual Language Portuguese/Spanish Decals | 6 |
| | 0258530 | Ref | Decal Installations 800AJ Japanese Decals | 5 |
| | 0258532 | Ref | Decal Installations 800AJ Korean Decals | 5 |
| 1 | | Ref | Decal - Danger/Warning Options: | |
| 1 | 1703925 | 1 | Dual Language English/Chinese Decals | |
| 1 | 1703924 | 1 | Dual Language English/French Decals | |
| 1 | 1703923 | 1 | Dual Language English/Spanish Decals | |
| 1 | 1703928 | 1 | Dual Language Portuguese/Spanish Decals | |
| 1 | 1703926 | 1 | Japanese Decals | |
| 1 | 1703927 | 1 | Korean Decals | |
| 2 | | Ref | Decal - Danger/Warning Options: | |
| 2 | 1703931 | 1 | Dual Language English/Chinese Decals | |
| 2 | 1703930 | 1 | Dual Language English/French Decals | |
| 2 | 1703929 | 1 | Dual Language English/Spanish Decals | |
| 2 | 1703934 | 1 | Dual Language Portuguese/Spanish Decals | |
| 2 | 1703932 | 1 | Japanese Decals | |
| 2 | 1703933 | 1 | Korean Decals | |
| 3 | | Ref | Decal - Danger/Electrocution Options: | |
| 3 | 1703937 | 3 | Dual Language English/Chinese Decals | |
| 3 | 1703936 | 3 | Dual Language English/French Decals | |
| 3 | 1703935 | 3 | Dual Language English/Spanish Decals | |
| 3 | 1703940 | 3 | Dual Language Portuguese/Spanish Decals | |
| 3 | 1703938 | 3 | Japanese Decals | |
| 3 | 1703939 | 3 | Korean Decals | |
| 4 | | Ref | Decal - Warning/Crushing Options: | |
| 4 | 1703949 | 5 | Dual Language English/Chinese Decals | |
| 4 | 1703948 | 5 | Dual Language English/French Decals | |
| 4 | 1703947 | 5 | Dual Language English/Spanish Decals | |
| 4 | 1703952 | 5 | Dual Language Portuguese/Spanish Decals | |
| 4 | 1703950 | 5 | Japanese Decals | |
| 4 | 1703951 | 5 | Korean Decals | |
| 5 | | Ref | Decal - Legend Options: | |

SECTION 8 - DECALS

| ITEM | PART NUMBER | QTY | DESCRIPTION | REV |
|------|--------------|-----|---|-----|
| 5 | Not Required | 0 | Dual Language English/Chinese Decals | |
| 5 | 1702784 | NLA | Dual Language English/French Decals (Use p/n 1707110) | |
| 5 | 1702784 | NLA | Dual Language English/Spanish Decals (Use p/n 1707110) | |
| 5 | Not Required | 0 | Dual Language Portuguese/Spanish Decals | |
| 5 | Not Required | 0 | Japanese Decals | |
| 5 | Not Required | 0 | Korean Decals | |
| 6 | | Ref | Decal - Legend Options: | |
| 6 | Not Required | 0 | Dual Language English/Chinese Decals | |
| 6 | 1703808 | NLA | Dual Language English/French Decals (Use p/n 1001095809) | |
| 6 | 1703808 | NLA | Dual Language English/Spanish Decals (Use p/n 1001095809) | |
| 6 | Not Required | 0 | Dual Language Portuguese/Spanish Decals | |
| 6 | Not Required | 0 | Japanese Decals | |
| 6 | Not Required | 0 | Korean Decals | |
| 7 | | Ref | Decal - Model Options: | |
| 7 | 1703772 | 2 | Decal - Model 800A | |
| 7 | 1703773 | 2 | Decal - Model 800AJ | |
| 8 | 1702860 | 1 | Decal - JLG Lift (5in) | |
| 9 | 1702774 | 2 | Decal - JLG Lift (3-1/2in) | |
| 10 | 1702773 | 2 | Decal - JLG (5in) | |
| 11 | | Ref | Decal - No Hands Options: | |
| 11 | Not Required | 0 | Dual Language English/Chinese Decals | |
| 11 | 1704000 | 2 | Dual Language English/French Decals | |
| 11 | 1704001 | 2 | Dual Language English/Spanish Decals | |
| 11 | 1704002 | 2 | Dual Language Portuguese/Spanish Decals | |
| 11 | Not Required | 0 | Japanese Decals | |
| 11 | Not Required | 0 | Korean Decals | |
| 12 | | Ref | Decal - Attach Lanyard Here Options: | |
| 12 | 1704277 | 4 | Dual Language English/Chinese Decals | |
| 12 | | Ref | Dual Language English/French Decals Options: | |
| 12 | 1704003 | 4 | Dual Language English/French Decals (Prior to SN 0300061062) | |
| 12 | 1704277 | 4 | Dual Language English/French Decals (SN 0300061062 through 0300069000) | |
| 12 | | Ref | Dual Language English/Spanish Decals Options: | |
| 12 | 1704004 | 4 | Dual Language English/Spanish Decals (Prior to SN 0300061062) | |
| 12 | 1704277 | 4 | Dual Language English/Spanish Decals (SN 0300061062 through 0300069000) | |
| 12 | | Ref | Dual Language Portuguese/Spanish Decals Options: | |
| 12 | 1704005 | 4 | Dual Language Portuguese/Spanish Decals (Prior to SN 0300061062) | |
| 12 | 1704277 | 4 | Dual Language Portuguese/Spanish Decals (SN 0300061062 through 0300069000) | |
| 12 | 1704277 | 4 | Japanese Decals | |
| 12 | 1704277 | 4 | Korean Decals | |
| 13 | | Ref | Decal - 500lbs Max Capacity Options: | |
| 13 | 1704101 | 2 | Decal - 500lbs Max Capacity 800A Dual Language English/Chinese Decals | |
| 13 | 1703996 | 2 | Decal - 500lbs Max Capacity 800AJ Dual Language English/Chinese Decals | |
| 13 | 1704099 | 2 | Decal - 500lbs Max Capacity 800A Dual Language English/French Decals | |
| 13 | 1703996 | 2 | Decal - 500lbs Max Capacity 800AJ Dual Language English/French Decals | |

SECTION 8 - DECALS

| ITEM | PART NUMBER | QTY | DESCRIPTION | REV |
|------|--------------|-----|---|-----|
| 13 | 1704098 | 2 | Decal - 500lbs Max Capacity 800A Dual Language English/Spanish Decals | |
| 13 | 1703996 | 2 | Decal - 500lbs Max Capacity 800AJ Dual Language English/Spanish Decals | |
| 13 | 1704100 | 2 | Decal - 500lbs Max Capacity 800A Dual Language Portuguese/Spanish Decals | |
| 13 | 1703996 | 2 | Decal - 500lbs Max Capacity 800AJ Dual Language Portuguese/Spanish Decals | |
| 13 | 1704102 | 2 | Decal - 500lbs Max Capacity 800A Japanese Decals | |
| 13 | 1703996 | 2 | Decal - 500lbs Max Capacity 800AJ Japanese Decals | |
| 13 | 1704103 | 2 | Decal - 500lbs Max Capacity 800A Korean Decals | |
| 13 | 1703996 | 2 | Decal - 500lbs Max Capacity 800AJ Korean Decals | |
| 14 | | Ref | Decal - 500lbs Max Capacity Options: | |
| 14 | 1704109 | 1 | Decal - 500lbs Max Capacity 800A Dual Language English/Chinese Decals | |
| 14 | 1704112 | 1 | Decal - 500lbs Max Capacity 800AJ Dual Language English/Chinese Decals | |
| 14 | 1704107 | 1 | Decal - 500lbs Max Capacity 800A Dual Language English/French Decals | |
| 14 | 1704112 | 1 | Decal - 500lbs Max Capacity 800AJ Dual Language English/French Decals | |
| 14 | 1704106 | 1 | Decal - 500lbs Max Capacity 800A Dual Language English/Spanish Decals | |
| 14 | 1704112 | 1 | Decal - 500lbs Max Capacity 800AJ Dual Language English/Spanish Decals | |
| 14 | 1704108 | 1 | Decal - 500lbs Max Capacity 800A Dual Language Portuguese/Spanish Decals | |
| 14 | 1704112 | 1 | Decal - 500lbs Max Capacity 800AJ Dual Language Portuguese/Spanish Decals | |
| 14 | 1704110 | 1 | Decal - 500lbs Max Capacity 800A Japanese Decals | |
| 14 | 1704112 | 1 | Decal - 500lbs Max Capacity 800AJ Japanese Decals | |
| 14 | 1704111 | 1 | Decal - 500lbs Max Capacity 800A Korean Decals | |
| 14 | 1704112 | 1 | Decal - 500lbs Max Capacity 800AJ Korean Decals | |
| 15 | | Ref | Decal - USA Options: | |
| 15 | Not Required | 0 | Dual Language English/Chinese Decals | |
| 15 | 3251813 | 1 | Dual Language English/French Decals | |
| 15 | 3251813 | 1 | Dual Language English/Spanish Decals | |
| 15 | 3251813 | 1 | Dual Language Portuguese/Spanish Decals | |
| 15 | Not Required | 0 | Japanese Decals | |
| 15 | Not Required | 0 | Korean Decals | |
| 16 | 1701502 | 1 | Decal - High Oil Level | |
| 17 | 1701503 | 1 | Decal - Low Oil Level | |
| 18 | 1701504 | 1 | Decal - Hydraulic Oil | |
| 19 | | Ref | Decal - Inspection Options: | |
| 19 | Not Required | 0 | Dual Language English/Chinese Decals | |
| 19 | 1704006 | 1 | Dual Language English/French Decals | |
| 19 | 1704007 | 1 | Dual Language English/Spanish Decals | |
| 19 | 1704008 | 1 | Dual Language Portuguese/Spanish Decals | |
| 19 | Not Required | 0 | Japanese Decals | |
| 19 | Not Required | 0 | Korean Decals | |
| 20 | See Note | 1 | Decal - Bar Code (Note: Not Available for Purchase) | |
| 21 | 1700584 | 1 | Decal - Patent | |
| 22 | See Note | 1 | Nameplate - Serial Number (Note: Not Available for Purchase) | |
| 23 | 1701509 | 1 | Decal - Manual | |

SECTION 8 - DECALS

| ITEM | PART NUMBER | QTY | DESCRIPTION | REV |
|------|--------------|-----|---|-----|
| 24 | 1702300 | 6 | Decal - Tie Down /Lift | |
| 25 | 1701500 | 4 | Decal - Tie Down /Lift | |
| 26 | 1701501 | 4 | Decal- Arrow | |
| 27 | | Ref | Nameplate - 110V/220V Options: | |
| 27 | Not Required | 0 | 110V - Dual Language English/Chinese Decals | |
| 27 | 3251243 | 1 | 110V - Dual Language English/French Decals | |
| 27 | 3251243 | 1 | 110V - Dual Language English/Spanish Decals | |
| 27 | 3251243 | 1 | 110V - Dual Language Portuguese/Spanish Decals | |
| 27 | Not Required | 0 | 110V - Japanese Decals | |
| 27 | Not Required | 0 | 110V - Korean Decals | |
| 27 | 3252507 | 1 | 220V - All Specs | |
| 28 | | Ref | Decal - Manual Descent Options: | |
| 28 | 1703965 | 1 | Dual Language English/Chinese Decals | |
| 28 | 1703964 | 1 | Dual Language English/French Decals | |
| 28 | 1703963 | 1 | Dual Language English/Spanish Decals | |
| 28 | 1703968 | 1 | Dual Language Portuguese/Spanish Decals | |
| 28 | 1703966 | 1 | Japanese Decals | |
| 28 | 1703967 | 1 | Korean Decals | |
| 29 | | Ref | Decal - Manual Descent Instructions Inside Options: | |
| 29 | 1704121 | 1 | Dual Language English/Chinese Decals | |
| 29 | 1704116 | 1 | Dual Language English/French Decals | |
| 29 | 1704117 | 1 | Dual Language English/Spanish Decals | |
| 29 | 1704118 | 1 | Dual Language Portuguese/Spanish Decals | |
| 29 | 1704119 | 1 | Japanese Decals | |
| 29 | 1704120 | 1 | Korean Decals | |
| 30 | 1703959 | 2 | Decal - Quick Stick | |
| 31 | | Ref | Decal - Warning/Crushing Options: | |
| 31 | 1703943 | 3 | Dual Language English/Chinese Decals | |
| 31 | 1703942 | 3 | Dual Language English/French Decals | |
| 31 | 1703941 | 3 | Dual Language English/Spanish Decals | |
| 31 | 1703946 | 3 | Dual Language Portuguese/Spanish Decals | |
| 31 | 1703944 | 3 | Japanese Decals | |
| 31 | 1703945 | 3 | Korean Decals | |
| 32 | 1702862 | 1 | Decal - JLG Lift | |
| 33 | 3820001 | 8 | Rivet | |
| 34 | | Ref | Decal - Footswitch Options: | |
| 34 | 1703982 | 1 | Dual Language English/Chinese Decals | |
| 34 | 1703984 | 1 | Dual Language English/French Decals | |
| 34 | 1703983 | 1 | Dual Language English/Spanish Decals | |
| 34 | 1703985 | 1 | Dual Language Portuguese/Spanish Decals | |
| 34 | 1703980 | 1 | Japanese Decals | |
| 34 | 1703981 | 1 | Korean Decals | |
| 35 | | Ref | Decal - Maximum Tire Load Options: | |
| 35 | Not Required | 0 | Dual Language English/Chinese Decals | |
| 35 | Not Required | 0 | Dual Language English/French Decals | |
| 35 | Not Required | 0 | Dual Language English/Spanish Decals | |
| 35 | Not Required | 0 | Dual Language Portuguese/Spanish Decals | |
| 35 | 1703960 | 1 | Japanese Decals | |
| 35 | 1703960 | 1 | Korean Decals | |
| 36 | | Ref | Decal - Fuel | |
| 36 | 1701542 | 1 | Ford Engine Machines | |

SECTION 8 - DECALS

| ITEM | PART NUMBER | QTY | DESCRIPTION | REV |
|------|--------------|-----|---|-----|
| 36 | 1701505 | 1 | Deutz Engine Machines | |
| 37 | | Ref | Decal - LPG Gas | |
| 37 | Not Required | 0 | Non-Dual Fuel Machines | |
| 37 | 1701543 | 1 | Dual Fuel Machines | |
| 38 | | Ref | Decal - LP Gas Liquid Withdrawal System | |
| 38 | Not Required | 0 | Non-Dual Fuel Machines | |
| 38 | 1704271 | 1 | Dual Language English/French Decals | |
| 38 | 1700818 | 1 | Dual Fuel Machines except Portuguese/Spanish Decals | |
| 38 | 1702720 | 1 | Dual Fuel Machines with Portuguese/Spanish Decals | |
| 40 | | Ref | Decal - Upright Level Override Options: | |
| 40 | 1703988 | NLA | Dual Language English/Chinese Decals (Use p/n 1705977) | |
| 40 | 1703990 | NLA | Dual Language English/French Decals (Use p/n 1705977) | |
| 40 | 1703989 | NLA | Dual Language English/Spanish Decals (Use p/n 1705977) | |
| 40 | 1703991 | NLA | Dual Language Portuguese/Spanish Decals (Use p/n 1705977) | |
| 40 | 1703986 | NLA | Japanese Decals (Use p/n 1705977) | |
| 40 | 1703987 | NLA | Korean Decals (Use p/n 1705977) | |
| 41 | 1702903 | 1 | Decal - Knob #1 | |
| 42 | 1702927 | 1 | Decal - Knob #2 | |
| 43 | 1702924 | 1 | Decal - Knob #3 | |
| 48 | 1704885 | 2 | Decal - Website (SN 0300067900 through 0300069000) | |
| | 0258671 | Ref | MANUAL STORAGE BOX INSTALLATION | A |
| 101 | 0860520 | 1 | Box, Manual Storage | |
| 101 | 1060279 | 1 | Cable, Lanyard | |
| 101 | 0641408 | 1 | Bolt 1/4in-20NC x 1in | |
| 101 | 0641406 | 1 | Bolt 1/4in-20NC x 3/4in | |
| 101 | 4751400 | 6 | Flatwasher 1/4in | |
| 101 | 3311405 | 5 | Locknut 1/4in-20NC | |
| 101 | 0100011 | AR | Compound, Locking | |
| | | Ref | TILT SENSOR INSTALLATION OPTIONS: | |
| | 1001091538 | Ref | PRE ADE SYSTEM | E |
| | 1001093187 | Ref | ADE SYSTEM | C |
| 205 | 1707110 | 1 | Decal - Legend (Platform) | |
| 206 | 1707111 | 1 | Decal - Platform Display | |
| 224 | 1705977 | 1 | Decal - Upright Level Over Ride | |
| 228 | 1001095809 | 1 | Decal - Legend (MTB Control) | |

SECTION 9 - RECOMMENDED SERVICE PARTS STOCK

SECTION 9 - RECOMMENDED SERVICE PARTS STOCK

SECTION 9 - RECOMMENDED SERVICE PARTS STOCK

FIGURE 9-1. MODELS 800A/800AJ STANDARD PARTS

| ITEM | PART NUMBER | QTY | DESCRIPTION | REV |
|------|-------------|----------|---|-----|
| | Note | Ref | Note: The following list will service machines (built to current production per date on the front cover) with emergency repair parts which can be installed in the field. Parts from the list should be replaced when inventory is depleted to keep service parts stock supplied. For further information, contact your JLG dealer or the JLG Industries Parts Department. | |
| | | Ref | STANDARD PARTS | |
| | 2120168 | 4 | Element, Filter | |
| | 2120150 | 4 | Element Filter | |
| | 7012944 | 1 | Coil | |
| | 7018991 | 1 | Coil | |
| | 7012772 | 1 | Coil | |
| | 7012943 | 1 | Coil | |
| | 7012664 | 1 dz/doz | Element, Air Cleaner | |
| | 3740067 | 1 | Relay | |
| | 4360294 | 1 | Breaker, Circuit | |
| | 7014817 | 1 | Breather, Hydraulic Tank | |
| | 4360475 | 1 | Switch, Mushroom | |
| | 4360469 | 1 | Switch, Key | |
| | 2860030 | 1 | Key, Replacement | |
| | 4360476 | 1 | Contact, Switch Block | |
| | 3740049 | 1 | Relay | |
| | 2940074 | 1 | Latch | |
| | 1001129555 | 1 | Controller (Lift and Swing) | |
| | 1001212415 | 1 | Controller (Drive and Steer) | |
| | 4360387 | 1 | Switch, Push Button | |
| | 4360407 | 1 | Controller, Speed | |
| | 4360331 | 1 | Switch, Toggle | |
| | 4360232 | 1 | Breaker, Circuit | |
| | 3990010 | 2 | Diode | |

SECTION 9 - RECOMMENDED SERVICE PARTS STOCK

FIGURE 9-2. MODELS 800A/800AJ VARIABLE PARTS

| ITEM | PART NUMBER | QTY | DESCRIPTION | REV |
|------|-------------|----------|---|-----|
| | Note | Ref | Note: The following list will service machines (built to current production per date on the front cover) with emergency repair parts which can be installed in the field. Parts from the list should be replaced when inventory is depleted to keep service parts stock supplied. For further information, contact your JLG dealer or the JLG Industries Parts Department. | |
| | | Ref | VARIABLE PARTS | |
| | 7016331 | 1 dz/doz | Filter, Oil (Deutz Engine Machines) | |
| | 7016328 | 1 dz/doz | Filter, Fuel (Deutz Engine Machines) | |
| | 1660234 | 1 | Coupling, Pump (Deutz Engine Machines) | |
| | 7021868 | 1 dz/doz | Filter, Oil (Ford Engine Machines) | |
| | 1660250 | 1 | Coupling, Pump (Ford Engine Machines) | |
| | 1600314 | 1 | Controller, ECM (Ford Engine Machines) | |
| | 91083218 | 1 dz/doz | Filter, Fuel (Ford Engine Machines) | |
| | 7023634 | 1 dz/doz | Filter, Oil (Isuzu Engine Machines) | |
| | 7023641 | 1 dz/doz | Filter, Fuel (Isuzu Engine Machines) | |
| | 1660239 | 1 | Coupling, Pump (Isuzu Engine Machines) | |
| | 3740080 | 1 | Relay (Machines with Generator Option) | |
| | 4360336 | 1 | Switch, Toggle (Machines with Generator Option) | |
| | 4360336 | 1 | Switch, Toggle (Machines with Dual Fuel Option) | |
| | 1001094484 | 1 | Controller, UMS Module | |
| | 7016522 | 1 | Powertrack Repair Section (Gemco Brand) | |
| | 7006137 | 24 | Powertrack Pin Kit (Gemco Brand) | |
| | 70002013 | 1 | Powertrack Repair Section (Gortrac Brand) | |
| | 1001094400 | 1 | Sensor, Dual Axis | |
| | 4360387 | 1 | Switch, Push Button | |

SECTION 10 - SPECIAL OPTIONS

SECTION 10 - SPECIAL OPTIONS

FIGURE 10-1. SPECIAL OPTIONS

| ITEM | PART NUMBER | QTY | DESCRIPTION | REV |
|------|-------------|-----|--|-----|
| | Note | Ref | Note: This list is to accommodate machines ordered with special equipment. Options may not be applicable to all models. For more specific parts information contact JLG Parts Department. | |
| | | Ref | MISCELLANEOUS SPECIAL OPTIONS | |
| | | Ref | Airline to Platform Installation Options: | |
| | 0258802 | Ref | 1/2in 800A | |
| | 0258805 | Ref | 1/2in 800AJ | |
| | | Ref | Bellows Installation Options: | |
| | 0258734 | Ref | Boom 800A | |
| | 0258737 | Ref | Boom 800AJ | |
| | 0258757 | Ref | Chassis (Fixed Axle 2WS) | |
| | 0258759 | Ref | Chassis (Fixed Axle 4WS) | |
| | 0258387 | Ref | Chassis (Oscillating Axle 2WS) | |
| | 0258758 | Ref | Chassis (Oscillating Axle 4WS) | |
| | 2910887 | Ref | Boom Wear Pad Kit | |
| | 0258654 | Ref | Boom Wipers Installation | |
| | 0256789 | Ref | Camera Mount Assembly | |
| | | Ref | ClearSky Telematics Kits | |
| | 1001118234 | Ref | ANSI Spec (Non - ADE Machines) | |
| | 1001117251 | Ref | ANSI Spec (ADE Machines) | |
| | 1001102842 | Ref | ANSI Export | |
| | 1001118235 | Ref | CSA Spec (Non - ADE Machines) | |
| | 1001117258 | Ref | CSA Spec (ADE Machines) | |
| | | Ref | Note: Refer to ClearSky (Telematics) Manual p/n 3128499 for Service Parts. | |
| | | Ref | Cold Weather Package Installation Options: | |
| | 0256060 | Ref | Deutz without Glow Plugs | |
| | 0258927 | Ref | Deutz with Glow Plugs | |
| | 0255386 | Ref | Ford | |
| | | Ref | Decal Installations Options: | |
| | 1702788 | 1 | Decal - Biodegradable Hydraulic Fluid (All except German Spec) | |
| | 1703479 | 1 | Decal - Biodegradable Hydraulic Fluid (German Spec Only) | |
| | 3252221 | 1 | Decal - CSA (CSA Spec) | |
| | 1703175 | 1 | Decal - Lanyard Attach (GM K-1 Spec) | |
| | 1702962 | 1 | Decal - Prop 65 Warning (Diesel Machines) (California Spec) | |
| | 1702961 | 1 | Decal - Prop 65 Warning (Gasoline Machines) (California Spec) | |
| | 0257195 | Ref | Government Warranty Decal Installation | |
| | 0271112 | Ref | Sunbelt Decals Installation | |
| | 0270959 | Ref | United Decals Installation | |
| | 0258541 | Ref | Warning Stripes Installation | |
| | 1282946 | Ref | Warning Stripes Installation | |
| | | Ref | Decal Kits | |
| | 1001108720 | Ref | Decal Kit - Platform (800A) | |
| | 1001108721 | Ref | Decal Kit - Platform (800AJ) | |
| | 2910872 | Ref | Decal Kit - Platform Console (SN 0300064432 through 0300069000) | |
| | 2902396 | Ref | Drive/Steer Cutout Kit | |
| | | Ref | Electrical Connector Kits | |

SECTION 10 - SPECIAL OPTIONS

| ITEM | PART NUMBER | QTY | DESCRIPTION | REV |
|------|-------------|-----|---|-----|
| | 1001148902 | Ref | Amp/Tyco Electrical Connector Kit | |
| | 1001148903 | Ref | Deutsch DT Electrical Connector Kit | |
| | 1001148904 | Ref | Deutsch HD Electrical Connector Kit | |
| | 1001148905 | Ref | Packard Electrical Connector Kit | |
| | 1001148906 | Ref | Various Electrical Connectors Kit | |
| | 0258696 | Ref | Engine Block Heater Installation (Ford Engine Machines) | |
| | 1340061 | Ref | Engine Air Cleaner Pre-Cleaner Installation | |
| | 0257157 | Ref | Ether Start Installation (Deutz Engine Machines) | |
| | | Ref | Filter Kits: | |
| | | Ref | Combined Filter Kit (Hydraulic/Air and Fuel/Engine Oil): | |
| | 2910467 | 1 | Deutz Engine Machines | |
| | | Ref | Ford LRG-425 Non-UL Engine Machines | |
| | 2910465 | 1 | Ford LRG-425 Non-UL Engine Machines (Prior to SN 0300048538) | |
| | 1001114116 | 1 | Ford LRG-425 Non-UL Engine Machines (SN 0300048538 through 0300069000) | |
| | 1001109693 | 1 | Hydraulic/Air Filter (Ford Engine) | |
| | 1001110133 | 1 | Fuel/Engine Oil Filter (Deutz Engine) | |
| | 4060959 | Ref | Footswitch Shield (Note: Move Decal to Shield) | |
| | 0258928 | Ref | Glow Plugs Installation (Deutz Engine Machines) | |
| | 1001121735 | Ref | Hood Conversion Kit - Deutz (ABS to Steel) | |
| | | Ref | Hose Kits: | |
| | 2902457 | Ref | Hose Kit - Powertrack (Lower) (800A) | |
| | 2902456 | Ref | Hose Kit - Powertrack (Upper) (800A) | |
| | 1001204901 | Ref | Hose Kit - Powertrack (Lower) (800AJ) | |
| | 2902459 | Ref | Hose Kit - Powertrack (Upper) (800AJ) | |
| | 1001210685 | Ref | Hose Kit - Upper Boom (800A) | |
| | 1001210687 | Ref | Hose Kit - Upper Boom (800AJ) | |
| | 1001241410 | Ref | Hostile Environment Add-on Kit (2WS with Fixed Axle) (800A) | |
| | 1001241411 | Ref | Hostile Environment Add-on Kit (2WS with Oscillating Axle) (800A) | |
| | 1001241412 | Ref | Hostile Environment Add-on Kit (4WS with Fixed Axle) (800A) | |
| | 1001204927 | Ref | Hostile Environment Add-on Kit (4WS with Oscillating Axle) (800A) | |
| | 1001241413 | Ref | Hostile Environment Add-on Kit (2WS with Fixed Axle) (800AJ) | |
| | 1001241414 | Ref | Hostile Environment Add-on Kit (2WS with Oscillating Axle) (800AJ) | |
| | 1001241415 | Ref | Hostile Environment Add-on Kit (4WS with Fixed Axle) (800AJ) | |
| | 1001204928 | Ref | Hostile Environment Add-on Kit (4WS with Oscillating Axle) (800AJ) | |
| | 1001148971 | Ref | Lanyard (Bolt-On) Kit Installation | |
| | | Ref | Oil Cooler Installations | |
| | 0256762 | Ref | Deutz Engine Machines | |
| | 1282665 | Ref | Deutz Engine Machines | |
| | 0256777 | Ref | Ford Engine Machines (Prior to SN 0300067076) | |
| | 1282663 | Ref | Ford Engine Machines (Prior to SN 0300067076) | |
| | 0272040 | Ref | Ford Engine Machines (SN 0300067076 through 0300069000) | |
| | 1283309 | Ref | Ford Engine Machines (SN 0300067076 through 0300069000) | |
| | 0270712 | Ref | Oil Pressure and Oil Temperature Installation | |
| | 0270723 | Ref | Platform Beacon Light Installation | |
| | 0255398 | Ref | Platform Console Cover Installation | |

SECTION 10 - SPECIAL OPTIONS

| ITEM | PART NUMBER | QTY | DESCRIPTION | REV |
|------|-------------|-----|---|-----|
| | 2915228 | Ref | Platform Conversion Kit (Front to Side Entry) | |
| | 2902232 | Ref | Platform Conversion Kit (Front to Side Entry) (For SkyGlazier) | |
| | | Ref | Platform Entry Kits | |
| | 1001142504 | Ref | Drop Bar (Replacing Swing Gate with Drop Bar) | |
| | 1001142505 | Ref | Swing Gate (Replacing Drop Bar with Swing Gate) | |
| | | Ref | Platform Mesh to Top Rail Extension (ANSI Spec) | |
| | 1001214552 | Ref | 2.5ft x 4ft Platforms (Used on Platform p/n 1001186387) | |
| | 1001214561 | Ref | 3ft x 6ft Platforms (Used on Platform p/n 1001186384) | |
| | 1001214562 | Ref | 3ft x 8ft Platforms (Used on Platform p/n 1001186383) | |
| | | Ref | Platform Top Rail Extension (CSA Spec) | |
| | 0270511 | Ref | 3ft x 6ft Platforms | |
| | 0271771 | Ref | 3ft x 8ft Platforms | |
| | 1001139944 | NLA | Pump Mounting Bracket Kit (Sauer Danfoss) (Use p/n 1001162546) | |
| | 1001162546 | Ref | Pump Coupling Kit (Sauer Danfoss) | |
| | | Ref | Sky Accessory: | |
| | 0272395 | NLA | SkyGlazier - ANSI, CSA and Australian Specs (Use p/n 1001101422) | |
| | 0272418 | Ref | Decal - SkyGlazier | |
| | 0272255 | Ref | SkyPower - 7500W 60Hz | |
| | 0272435 | Ref | Decal - SkyPower | |
| | 0272590 | Ref | Plasma Cutter (SkyCutter) | |
| | 0272599 | Ref | Decal - SkyCutter | |
| | 0272254 | Ref | Welder - Stick, 250A | |
| | 0272448 | Ref | Decal - SkyWelder | |
| | | Ref | Note: For Breakdown of Sky Accessories Refer to Accessory Manual p/n 3124242 | |
| | | Ref | SkyGuard Component Options: | |
| | 1001149560 | Ref | SkyGuard Complete Add-on Kit (Non-UGM Machines) | |
| | 1001143256 | Ref | SkyGuard Blue Beacon Kit | |
| | 1001210025 | Ref | SkyGuard Strobe Light Kit - Hood Mounted (Red Beacon) | |
| | | Ref | Tire Sealant Installation | |
| | 1300019 | AR | Sealant | |
| | 0272312 | 1 | Decal - Tire Sealant | |
| | | Ref | Tools for Service | |
| | 7002840 | 1 | Antirotation Pin Removal Tool | |
| | 8896941 | 1 | Wire Stripper | |
| | 7002821 | 1 | Wire Crimper (To install wire ends to wires) | |
| | 7002823 | 1 | Pin/Socket Extractor - Universal (To Remove Pins/Sockets from Connectors) | |
| | 4460467 | 1 | Extractor - 16-18 Gauge (For Removal of Pin/Sockets from Deutsch Connectors) | |
| | 4460510 | 1 | Extractor - 12-14 Gauge (For Removal of Pin/Sockets from Deutsch Connectors) | |
| | 7002822 | 1 | Screwdriver, Potentiometer (To Adjust Drive Controllers) | |
| | 7016654 | 1 | Screwdriver, Magnetic | |
| | 7004275 | 1 | Seal Installation Tool - 1in | |
| | 7004276 | 1 | Seal Installation Tool - 1-1/2in | |
| | 7002826 | 1 | Seal Installation Tool - 2in | |
| | 7016655 | 1 | Wire Rope Sheave Gauge | |
| | 7016652 | 1 | Huck Bolt Fastener (For Small Huck Bolts Only) | |
| | 4921850 | 1 | Throttle Service Harness | |
| | 4922012 | 1 | Horsepower Card Service Harness | |

SECTION 10 - SPECIAL OPTIONS

| ITEM | PART NUMBER | QTY | DESCRIPTION | REV |
|------|-------------|-----|---|-----|
| | 70000017 | 1 | ADE Software CD | |
| | 1001137005 | 1 | Software Cable Kit | |
| | 0257728 | Ref | Tube Rack Installation | |
| | 1001149676 | Ref | UGM Conversion Kit (ADE Machines Only) | |
| | | Ref | Weld Leads to Platform Installation Options: | |
| | 0258826 | Ref | Weld Leads to Platform Installation 800A | |
| | 0258827 | Ref | Weld Leads to Platform Installation 800AJ | |

PART NUMBER INDEX

PART NUMBER INDEX

| | | | | | | | |
|--------------------------|--|--------------|---------------|--------------|---------------|--------------------------|----------------------------|
| 0060031..... | 131, 143 | 0256060..... | 312 | 0258531..... | 301 | 0270814.... | 154, 157, 166, 171, 267 |
| 0060033..... | 60, 95, 273 | 0256196..... | 17 | 0258532..... | 301 | 0270885..... | 15 |
| 0060041..... | 128, 143 | 0256689..... | 62 | 0258533..... | 301 | 0270886..... | 16 |
| 0060066..... | 131, 147 | 0256690..... | 62 | 0258534..... | 301 | 0270888..... | 16 |
| 0060069..... | 127, 147 | 0256762..... | 266, 313 | 0258535..... | 301 | 0270959..... | 312 |
| 0060077..... | 143 | 0256777..... | 267, 313 | 0258536..... | 301 | 0271002..... | 45 |
| 0080091..... | 72 | 0256789..... | 312 | 0258537..... | 301 | 0271038..... | 297, 301 |
| 0080124..... | 83 | 0256823..... | 120 | 0258538..... | 301 | 0271083..... | 16 |
| 0080163..... | 63 | 0256847..... | 63 | 0258539..... | 301 | 0271084..... | 16 |
| 0080181..... | 95 | 0257157..... | 313 | 0258540..... | 301 | 0271085..... | 16 |
| 0080201..... | 73, 79, 95 | 0257176.... | 275, 283, 293 | 0258541..... | 312 | 0271086..... | 16 |
| 0080214..... | 72, 78 | 0257195..... | 312 | 0258608..... | 163 | 0271090..... | 16 |
| 0080230..... | 95 | 0257728..... | 315 | 0258609..... | 119 | 0271091..... | 16 |
| 0080241..... | 115 | 0257760..... | 127 | 0258654..... | 312 | 0271091..... | 16 |
| 0100009.... | 109, 162, 166, 169 | 0257761..... | 131 | 0258655..... | 270 | 0271112..... | 312 |
| 0100011.... | 11, 12, 17, 27, 31, 33, 41, 45, 60, 68, 71, 73, 77, 78, 92, 96, 103, 105, 108, 111, 115, 120, 127, 128, 132, 133, 135, 139, 140, 149, 150, 162, 166, 170, 195, 197, 205, 209, 215, 219, 223, 227, 233, 239, 298, 305 | 0257764..... | 135 | 0258657..... | 270 | 0271340..... | 166, 171 |
| 0100019.41, 45, 259, 262 | | 0257849..... | 191 | 0258670..... | 32 | 0271364..... | 77 |
| 0100020.... | 60, 71, 73, 77, 78, 83, 87, 96, 103, 166, 169, 257, 261 | 0257850..... | 191 | 0258671..... | 298, 305 | 0271366.77, 87, 166, 171 | |
| 0100035.... | 149, 150, 162, 165, 169 | 0257851..... | 91 | 0258674..... | 115 | 0271367..... | 77 |
| 0100038.... | 135, 195, 197, 205, 209, 215, 219, 223, 227, 233, 239 | 0257853..... | 67 | 0258696..... | 313 | 0271368..... | 77 |
| 0100040..... | 157 | 0257856..... | 91 | 0258706..... | 297 | 0271371..... | 59 |
| 0100048.... | 109, 112, 115, 169, 288 | 0257857..... | 67 | 0258728..... | 123 | 0271374..... | 280, 288 |
| 0100062..... | 103 | 0257884..... | 115 | 0258734..... | 312 | 0271376..... | 288 |
| 0100063.... | 198, 205, 209, 215, 219, 223, 227, 233, 239 | 0257885..... | 115 | 0258737..... | 312 | 0271418..... | 166 |
| 0100079..... | 103 | 0257887.... | 115, 283, 293 | 0258757..... | 312 | 0271422..... | 115 |
| 0100081..... | 141, 170 | 0258048..... | 154, 267 | 0258758..... | 312 | 0271544..... | 67, 171 |
| 0140001..... | 32 | 0258076..... | 140 | 0258759..... | 312 | 0271545..... | 91, 171 |
| 0140011..... | 165, 169 | 0258077..... | 140 | 0258763..... | 192 | 0271546..... | 91, 171 |
| 0140026..... | 161 | 0258217..... | 149 | 0258765..... | 128 | 0271547..... | 67, 171 |
| 0140032..... | 115 | 0258285..... | 11 | 0258766..... | 132 | 0271550..... | 171, 191 |
| 0181727.... | 59, 72, 78, 95 | 0258286..... | 11 | 0258802..... | 312 | 0271551..... | 171, 191 |
| 0181949..... | 84, 88 | 0258287..... | 12 | 0258805..... | 312 | 0271768..... | 115, 171 |
| 0200530..... | 68 | 0258288..... | 12, 15, 27 | 0258826..... | 315 | 0271771..... | 314 |
| 0200547..... | 92 | 0258289..... | 15, 27 | 0258827..... | 315 | 0271941..... | 157 |
| 0200550..... | 191 | 0258323..... | 16 | 0258909..... | 12 | 0272040..... | 313 |
| 0200741..... | 68 | 0258324..... | 16 | 0258910..... | 15, 27 | 0272070..... | 128, 133 |
| 0200742..... | 68 | 0258327..... | 16 | 0258927..... | 312 | 0272131..... | 131 |
| 0239585..... | 41 | 0258328..... | 16 | 0258928..... | 313 | 0272189..... | 45 |
| 0254798..... | 41 | 0258330..... | 16 | 0258929..... | 95 | 0272254..... | 314 |
| 0255262..... | 105 | 0258331..... | 16 | 0258930..... | 72 | 0272255..... | 314 |
| 0255294..... | 105 | 0258333..... | 16 | 0258931..... | 71 | 0272259..... | 293 |
| 0255316..... | 42, 45 | 0258334..... | 16 | 0258932..... | 97 | 0272260..... | 293 |
| 0255382.... | 275, 283, 293 | 0258338..... | 150 | 0258945.... | 163, 166, 171 | 0272269..... | 11 |
| 0255386..... | 312 | 0258343..... | 27 | 0259055..... | 41 | 0272312..... | 314 |
| 0255398..... | 313 | 0258382..... | 103 | 0259147..... | 45 | 0272322..... | 15 |
| 0255524..... | 83, 87 | 0258387..... | 312 | 0259198..... | 97, 274 | 0272333..... | 16 |
| 0255917.... | 115, 283, 293 | 0258390..... | 75, 81 | 0259420..... | 136 | 0272334..... | 16 |
| | | 0258391..... | 75, 81 | 0259476..... | 77 | 0272354..... | 105 |
| | | 0258396..... | 15 | 0259477..... | 77 | 0272355..... | 105 |
| | | 0258397..... | 16 | 0259478..... | 77 | 0272381..... | 127 |
| | | 0258398..... | 16 | 0259479..... | 77, 87 | 0272395..... | 314 |
| | | 0258399..... | 16 | 0270209..... | 12, 15, 27 | 0272418..... | 314 |
| | | 0258402..... | 71 | 0270210..... | 15, 27 | 0272429..... | 288 |
| | | 0258403..... | 72 | 0270211..... | 15, 27 | 0272431..... | 288 |
| | | 0258407..... | 41 | 0270264..... | 119 | 0272433..... | 293 |
| | | 0258410..... | 32 | 0270331..... | 41 | 0272435..... | 314 |
| | | 0258415..... | 59 | 0270396..... | 103 | 0272444..... | 192 |
| | | 0258426..... | 83 | 0270511..... | 314 | 0272448..... | 314 |
| | | 0258454..... | 31 | 0270712..... | 313 | 0272480..... | 67, 171 |
| | | 0258455..... | 31 | 0270723..... | 313 | 0272481..... | 67, 171 |
| | | 0258456..... | 31 | 0270795..... | 166 | 0272590..... | 314 |
| | | 0258457..... | 31 | 0270796..... | 166 | 0272599..... | 314 |
| | | 0258513..... | 297 | 0270801..... | 166 | 0275804.... | 163, 166, 170 |
| | | 0258514..... | 297 | 0270808..... | 166 | 0340041.... | 59, 73, 79, 95 |
| | | 0258529..... | 301 | 0270809..... | 166 | 0340046..... | 75, 81, 97 |
| | | 0258530..... | 301 | 0270810..... | 166 | 0362519..... | 84, 88 |

PART NUMBER INDEX

| | | | |
|--|---|---------------------------------------|---|
| 0362610 150 | 0641607 ... 132, 135, 139, 140 | 0721006....69, 73, 77, 92, 96, 120 | 0902751 169 |
| 0362726 12 | 0641608 ... 11, 12, 27, 61, 72, 78, 96, 119, 128, 132, 135, 139 | 0721008.....120 | 0902756 92 |
| 0362770 119 | 0641609 ... 119, 123, 135, 139 | 0721010.....162 | 0902846 105 |
| 0370022 197 | 0641610 ... 33, 60, 68, 72, 78, 96, 135, 150, 154, 157, 161, 165, 169 | 0721014.....77 | 0920111 41, 49 |
| 0400075 59, 72, 78, 95 | 0641611 105, 128, 132 | 0731005.....191 | 0920112 15, 19 |
| 0440207 41 | 0641612 ... 132, 139, 140, 191, 219 | 0741606.....115 | 0920117 15, 19 |
| 0440233 41 | 0641614 31, 103, 132 | 0741607.... 127, 128, 132 | 0920119 41, 49 |
| 0440244 45 | 0641615 135 | 0801132.... 127, 131, 135 | 0940038 191 |
| 0480050 68, 92 | 0641616 135 | 0801133.....135 | 0940070 59, 73, 79, 95 |
| 0480111 68, 92 | 0641618 132 | 0801134.....135 | 0940071 119 |
| 0480118 68 | 0641622 135, 140 | 0801135..... 127, 139 | 0961816 195 |
| 0480119 68 | 0641628 27 | 0801136..... 131, 139 | 0961893 209, 213 |
| 0480121 68 | 0641640 140 | 0801137 139 | 0961894 ... 197, 203, 227, 229 |
| 0561185 135 | 0641652 239 | 0801138 139 | 0961895 195 |
| 0561237 132 | 0641772 68, 92 | 0801139 139 | 0961897 ... 233, 237, 239, 243 |
| 0561295 139 | 0641806 ... 135, 233, 235, 237 | 0801140.....139 | 0961900 223 |
| 0630427 149 | 0641808 61, 96 | 0801185.....139 | 0961901 205, 215 |
| 0630462 191 | 0641810 61, 128, 133 | 0801191.....139 | 0961902 197 |
| 0630464 162, 165, 169 | 0641812 ... 60, 71, 77, 96, 128, 133 | 0860038.... 275, 283, 293 | 0961903 219 |
| 0630491 115 | 0641814 11 | 0860520..... 298, 305 | 0961947 ... 131, 197, 201, 209 |
| 0630498 59, 72, 78, 95 | 0641816 11 | 0860984..... 161, 162 | 0961951 ... 128, 140, 197, 203, 223, 225, 227, 229 |
| 0630507 119 | 0641818 60, 96, 123, 205, 215 | 0861131.....107 | 0961977 231 |
| 0630518 109, 111 | 0641820 11, 105, 128, 132, 133 | 0861154.....107 | 0961986 60, 73, 79, 96 |
| 0630534 209, 213, 223 | 0641826 61 | 0861155.....107 | 0962031 96 |
| 0630535 ... 195, 197, 203, 227, 229, 233, 237, 239, 243 | 0641828 72, 78, 96 | 0861196.....107 | 0962051 123 |
| 0630536 219, 221 | 0642010 61, 73, 79, 97 | 0861197.....107 | 0962102 11, 135, 139, 205, 207, 215, 217, 219, 221 |
| 0630537 ... 205, 207, 215, 217 | 0642018 41 | 0861228.....107 | 0962122 135 |
| 0630539 136 | 0642212 11 | 0861229.....107 | 0962152 12 |
| 0630548 111 | 0642214 128, 132 | 0861258.....107 | 0962155 ... 223, 225, 227, 229 |
| 0641403 150 | 0642612 115 | 0861259.....107 | 0962156 223 |
| 0641404 ... 128, 132, 161, 165, 169 | 0642620 128, 132 | 0861302.....107 | 0962185 223 |
| 0641406 ... 32, 72, 78, 96, 109, 120, 157, 162, 169, 192, 298, 305 | 0642682 128, 133 | 0861313.....107 | 0962219 233 |
| 0641407 60 | 0651406 31 | 0861407.....111 | 0962224 12 |
| 0641408 ... 71, 72, 78, 83, 154, 157, 161, 165, 169, 298, 305 | 0681608 11, 128, 133 | 0861414.... 165, 166, 169, 170 | 0962335 132 |
| 0641410 80, 109, 112 | 0681610 128, 133 | 0861415..... 154, 165 | 0962336 209, 211, 213 |
| 0641414 11, 31, 154, 158 | 0681612 68, 92 | 0861445.....111 | 1001091424 32 |
| 0641416 83, 132, 150, 169 | 0681836 41 | 0861474..... 154, 169 | 1001091538 109, 150, 264, 298, 305 |
| 0641418 31, 165 | 0682016 12, 15, 41 | 0861500.....111 | 1001091778 109, 275 |
| 0641420 239 | 0682023 41, 45 | 0861501.....111 | 1001091941 109, 274 |
| 0641422 149 | 0682032 45 | 0861502.....111 | 1001092527 109 |
| 0641424 80 | 0682214 45 | 0861503.....111 | 1001093187 112, 150, 264, 283, 292, 298, 305 |
| 0641436 149 | 0700808 60, 97 | 0861517..... 157, 169 | 1001093256 112, 282, 292 |
| 0641506 33, 108, 111, 120 | 0700810 63, 71, 77 | 0861537..... 169, 170 | 1001094400 150, 275, 281, 290, 310 |
| 0641507 75, 81, 97 | 0700819 69, 73, 79 | 0902088..... 71 | 1001094401 150 |
| 0641508 ... 31, 60, 69, 74, 79, 92, 96, 103, 115, 119 | 0701011 96 | 0902109..... 105 | 1001094470 112, 281, 289 |
| 0641510 60 | 0701012 61, 73, 79, 96 | 0902132 83 | 1001094484 109, 112, 310 |
| 0641514 74, 128 | 0701014 71, 77 | 0902143..... 119 | 1001094557 264 |
| 0641524 154 | 0701015 61, 92, 97 | 0902161..... 119 | 1001094639 150 |
| 0641550 17 | 0701022 71, 77 | 0902206..... 115 | 1001094791 109, 275 |
| 0641604 128, 132 | 0701414 60 | 0902210..... 92 | 1001095809 298, 305 |
| 0641605 135 | 0711414 68 | 0902219..... 119 | 1001096141 298 |
| 0641606 ... 31, 61, 73, 79, 83, 88, 96, 128, 132, 133, 135, 139, 140 | 0721003 ... 162, 163, 166, 171 | 0902223..... 119 | 1001097051 281, 289 |
| | 0721004 73, 79, 162 | 0902243..... 60 | 1001097082 281, 289 |
| | 0721005 60, 108 | 0902309..... 75, 81 | 1001097957 275 |
| | | 0902351..... 119 | |
| | | 0902412..... 119 | |
| | | 0902415..... 33 | |
| | | 0902426..... 119 | |
| | | 0902491..... 119 | |
| | | 0902511..... 60 | |
| | | 0902520..... 105 | |
| | | 0902527..... 96 | |
| | | 0902539..... 77 | |
| | | 0902572..... 80 | |

PART NUMBER INDEX

| | | | |
|---------------------------------|---|--|--------------------------|
| 1001099837.....140 | 1001228030.....131, 203 | 1320223 ... 61, 72, 73, 79, 97, 103 | 1683059.....195 |
| 1001099840.....140 | 1001228033.....127, 201 | 1320248.....140 | 1683061.....239 |
| 1001100321.....67, 91 | 1001228041.....127, 131, 207 | 1320249.....140 | 1683071.....205, 215 |
| 1001102842.....312 | 1001228050.....131, 229 | 1320250.....135 | 1683073.....219 |
| 1001103095.....143 | 1001228086.....135, 243 | 1320251.....135 | 1683074.....197 |
| 1001108720.....312 | 1001228087.....139, 237 | 1320252.....136 | 1683078.....11, 195 |
| 1001108721.....312 | 1001228088.....139, 235 | 1320256 ... 271, 281, 289 | 1683079.....195 |
| 1001109690.....262 | 1001228506.....239 | 1320258.....61 | 1683081.....195 |
| 1001109693.....313 | 1001241410.....313 | 1320263.....140 | 1683261.....209 |
| 1001110133.....313 | 1001241411.....313 | 1340060 ... 59, 73, 79, 95 | 1683537....127, 131, 219 |
| 1001113961.....185, 187 | 1001241412.....313 | 1340061.....313 | 1683538.....219 |
| 1001114116.....313 | 1001241413.....313 | 1380147.....123 | 1683539.....219 |
| 1001117251.....312 | 1001241414.....313 | 1580011.....72, 78, 95 | 1683544.....205 |
| 1001117258.....312 | 1001241415.....313 | 1580012.....154, 158 | 1683545.....205 |
| 1001117320.....157 | 1001248012.....131, 213 | 1580013.....154, 158 | 1683546....127, 131, 205 |
| 1001118234.....312 | 1060012.....163, 270 | 1600211.....72 | 1683547....127, 131, 215 |
| 1001118235.....312 | 1060279.....298, 305 | 1600218.....161 | 1683548.....215 |
| 1001118416.....187 | 1060330 ... 165, 192, 280 | 1600283.....161, 183 | 1683549.....215 |
| 1001118417.....177 | 1060341 ... 192, 276, 284, 294 | 1600284.....161, 173 | 1683605.....12, 231 |
| 1001121735.....313 | 1060494 ... 276, 283, 284, 293 | 1600298.....78 | 1683606.....135, 239 |
| 1001129555.....308 | 1060516.....271 | 1600312.....111 | 1683607.....139, 233 |
| 1001137005.....315 | 1060637 ... 61, 74, 79, 97 | 1600313.....165, 169 | 1683608.....127, 223 |
| 1001137261.....12 | 1060676.....270 | 1600314.....78, 310 | 1683609.....131, 209 |
| 1001137460.....32 | 1060896 ... 280, 281, 288, 289 | 1600317 ... 165, 169, 175 | 1683610....127, 128, 197 |
| 1001138795.....213 | 1060902.....280, 289 | 1600318 ... 165, 169, 185 | 1683629.....239 |
| 1001138796.....203, 229 | 1060918 ... 157, 169, 288 | 1600327.....111 | 1683632.....239 |
| 1001139944.....314 | 1060978.....281, 289 | 1641808.....74, 79 | 1683633.....223 |
| 1001142504.....314 | 1100086.....11 | 1660157.....71 | 1683635.....223 |
| 1001142505.....314 | 1120484.....103 | 1660219.....105 | 1683642.....197 |
| 1001143187.....261, 264 | 1120487.....103 | 1660219RR.....105 | 1683643.....197 |
| 1001143188.....261, 264 | 1120510.....128, 131 | 1660220.....95 | 1683647.....233 |
| 1001143192.....263 | 1120552.....17 | 1660222.....95 | 1683648.....233 |
| 1001143256.....314 | 1180346.....135 | 1660223.....105 | 1683663.....233 |
| 1001144629.....157 | 1180347.....140 | 1660223RR.....105 | 1683672.....139, 233 |
| 1001148902.....313 | 1180349.....140 | 1660234.....63, 310 | 1683673.....233 |
| 1001148903.....313 | 1260017.....42, 45 | 1660239.....95, 310 | 1683675.....233 |
| 1001148904.....313 | 1260136.....192 | 1660250.....75, 80, 310 | 1683677.....131, 197 |
| 1001148905.....313 | 1282571.....266 | 1670769.....131 | 1683678.....197 |
| 1001148906.....313 | 1282663.....267, 313 | 1670776.....17 | 1683680.....197 |
| 1001148971.....313 | 1282665.....266, 313 | 1670785.....191 | 1683682.....131, 227 |
| 1001149391.....237 | 1282937.....266 | 1670786.....191 | 1683683.....227 |
| 1001149560.....314 | 1282946.....312 | 1670787.....191 | 1683685.....227 |
| 1001149676.....315 | 1283309.....313 | 1670788.....191 | 1683687.....209 |
| 1001162546.....314 | 1300019.....17, 314 | 1670789.....191 | 1683740.....12, 231 |
| 1001166538.....189 | 1320011.....239 | 1670791.....191 | 1683818.....219 |
| 1001166539.....179 | 1320012.....72, 78, 95 | 1670793.....191 | 1683819.....205 |
| 1001188840.....135, 239 | 1320016 ... 60, 73, 79, 95 | 1670795.....191 | 1683821.....215 |
| 1001188841.....139, 233 | 1320017.....83 | 1670796.....191 | 1683823.....219 |
| 1001188842.....240, 243 | 1320019.....77 | 1670797.....191 | 1683986.....195 |
| 1001188843.....233 | 1320022 ... 60, 71, 72, 77, 78, 83, 96 | 1670798.....191 | 1683987.....195 |
| 1001188968.....139, 233 | 1320031.....61 | 1670799.....191 | 1684089.....209 |
| 1001204901.....313 | 1320032.....73, 79 | 1670801.....191 | 1684090.....209 |
| 1001204927.....313 | 1320040.....192 | 1670803.....191 | 1684114.....223 |
| 1001204928.....313 | 1320060.72, 78, 161, 166 | 1670804.....191 | 1684115.....223 |
| 1001210025.....314 | 1320095.....162 | 1670824.....150 | 1684125.....227 |
| 1001210685.....313 | 1320127.....87 | 1670829 ... 109, 111, 162, 165, 169 | 1684126.....227 |
| 1001210687.....313 | 1320131.....61 | 1670836.....139 | 1684191.....195 |
| 1001212415.....308 | 1320159.....128 | 1670842.....119 | 1684228.....131, 197 |
| 1001214552.....314 | 1320176.....62 | 1670844.....127, 131 | 1684230.....197 |
| 1001214561.....314 | 1320218.....84, 88 | 1670850.....127, 131 | 1684232.....197 |
| 1001214562.....314 | 1320220.....83, 87 | 1670864.....128 | 1684408.....127, 197 |
| 1001228009.....127, 131, 221 | 1320222.....61, 71, 95 | 1670877.....170 | 1684497....127, 131, 205 |
| 1001228010.....127, 131, 217 | | 1683050.....223 | 1700584.....297, 303 |
| 1001228011.....127, 225 | | 1683053.....209 | 1700818.83, 87, 298, 305 |
| 1001228012.....131, 211 | | 1683055.....197, 227 | 1701500.....297, 304 |
| | | | 1701501.....297, 304 |
| | | | 1701502.....297, 303 |

PART NUMBER INDEX

| | | | |
|----------------------------|------------------------|-----------------------------|-----------------------------|
| 1701503 297, 303 | 1703937 301 | 1704120..... 304 | 2220242 249, 253 |
| 1701504 297, 303 | 1703938 301 | 1704121 304 | 2220250 60, 71, 73, 79 |
| 1701505 61, 97, 298, 305 | 1703939 301 | 1704260..... 162, 165, 169 | 2220251 83 |
| 1701509 297, 303 | 1703940 301 | 1704271 305 | 2220261 83, 87 |
| 1701542 73, 79, 298, 304 | 1703941 304 | 1704277 297, 302 | 2220270 73 |
| 1701543 83, 87, 298, 305 | 1703942 304 | 1704833..... 108 | 2220273 60, 71, 73, 79 |
| 1701645 297 | 1703943 304 | 1704885..... 298, 305 | 2220313 60, 96 |
| 1702153 297 | 1703944 304 | 1705132..... 112, 170 | 2220315 72 |
| 1702265 298 | 1703945 304 | 1705364..... 17 | 2220362 249, 253 |
| 1702300 297, 304 | 1703946 304 | 1705977 305 | 2220363 249 |
| 1702564 ... 161, 165, 169 | 1703947 301 | 1707110..... 298, 305 | 2220365 249, 253 |
| 1702565 161, 165, 169 | 1703948 301 | 1707111 163, 166, 170, | 2220366 249, 253 |
| 1702566 161, 165, 169 | 1703949 301 | 298, 305 | 2220371 ... 247, 250, 254, |
| 1702567 161, 165, 169 | 1703950 301 | 1840012..... 108 | 257, 261 |
| 1702610 108, 111 | 1703951 301 | 1840013..... 108 | 2220373 ... 249, 253, 257, |
| 1702612 297 | 1703952 301 | 1840014..... 108 | 261 |
| 1702676 ... 157, 161, 165, | 1703953 297 | 1840015..... 108 | 2220374 249, 253 |
| 169 | 1703954 297 | 1870062..... 267 | 2220375 249, 253 |
| 1702688 297 | 1703959 297, 304 | 1870063..... 267 | 2220376 257, 261 |
| 1702701 16 | 1703960 298, 304 | 1870100..... 267 | 2220377 249, 253 |
| 1702720 305 | 1703963 304 | 1870120..... 267 | 2220379 257, 261 |
| 1702739 16 | 1703964 304 | 1870132..... 267 | 2220380 249, 253 |
| 1702773 297, 302 | 1703965 304 | 2000146..... 59, 62 | 2220381 257, 261 |
| 1702774 297, 302 | 1703966 304 | 2000151..... 95, 97 | 2220385 257, 261 |
| 1702784 297, 302 | 1703967 304 | 2000156..... 71, 74 | 2220414 258 |
| 1702788 312 | 1703968 304 | 2000160..... 71, 74 | 2220415 ... 247, 249, 253, |
| 1702860 297, 302 | 1703980 304 | 2000164..... 77, 80 | 257, 261 |
| 1702862 297, 304 | 1703981 304 | 2000166..... 77, 80, 87 | 2220418 88 |
| 1702868 297 | 1703982 304 | 2000172..... 77, 80 | 2220428 257, 261 |
| 1702901 297 | 1703983 304 | 2000173..... 59, 62 | 2220429 257, 261 |
| 1702903 298, 305 | 1703984 304 | 2000174..... 77, 80, 87 | 2220430 79 |
| 1702924 298, 305 | 1703985 304 | 2000189..... 59, 62 | 2220437 71 |
| 1702927 298, 305 | 1703986 305 | 2060025..... 59, 72, 78, 95 | 2220451 60, 249, 253, |
| 1702938 ... 166, 171, 192 | 1703987 305 | 2080040..... 154, 157 | 257, 261 |
| 1702961 312 | 1703988 305 | 2080044..... 132 | 2220459 60 |
| 1702962 312 | 1703989 305 | 2120077 83 | 2220465 249 |
| 1703090 162 | 1703990 305 | 2120150..... 31, 308 | 2220466 ... 249, 253, 257, |
| 1703091 162 | 1703991 305 | 2120163..... 31 | 261 |
| 1703092 162 | 1703996 302, 303 | 2120167..... 31 | 2220473 ... 250, 254, 257, |
| 1703093 162 | 1704000 302 | 2120168..... 31, 308 | 261 |
| 1703162 ... 60, 72, 78, 95 | 1704001 302 | 2120169..... 74 | 2220478 257, 261 |
| 1703175 312 | 1704002 302 | 2160003..... 42, 45 | 2220479 249, 253 |
| 1703467 107, 111 | 1704003 302 | 2180104..... 83 | 2220490 ... 247, 250, 254, |
| 1703468 107, 111 | 1704004 302 | 2180125..... 83, 87 | 257, 261 |
| 1703479 312 | 1704005 302 | 2180344..... 42, 45 | 2220497 258 |
| 1703622 109 | 1704006 303 | 2180360..... 83 | 2220498 249 |
| 1703772 297, 302 | 1704007 303 | 2180380..... 259, 262 | 2220499 253 |
| 1703773 297, 302 | 1704008 303 | 2180387..... 83, 88 | 2220500 ... 249, 253, 257, |
| 1703797 297 | 1704096 297 | 2180388..... 83, 87 | 261 |
| 1703798 297 | 1704098 303 | 2180389..... 83, 88 | 2220501 ... 250, 254, 258, |
| 1703804 297 | 1704099 302 | 2180418..... 83, 87, 88 | 262 |
| 1703805 297 | 1704100 303 | 2180467..... 73, 79 | 2220502 253, 257, 261 |
| 1703808 297, 302 | 1704101 302 | 2180536..... 60, 71 | 2220504 249, 253 |
| 1703923 301 | 1704102 303 | 2180615..... 215, 217 | 2220516 215, 249 |
| 1703924 301 | 1704103 303 | 2180724..... 258, 262 | 2220517 253 |
| 1703925 301 | 1704104 297 | 2180798..... 59, 73, 79, 95 | 2220574 257, 261 |
| 1703926 301 | 1704106 303 | 2200204..... 83 | 2220577 ... 247, 250, 258, |
| 1703927 301 | 1704107 303 | 2200221..... 73, 97 | 262 |
| 1703928 301 | 1704108 303 | 2200222..... 47, 54, 103 | 2220582 ... 247, 249, 253, |
| 1703929 301 | 1704109 303 | 2200233..... 72 | 257, 261 |
| 1703930 301 | 1704110 303 | 2200317 72 | 2220591 258, 262 |
| 1703931 301 | 1704111 303 | 2220005..... 83, 87 | 2220593 257, 261 |
| 1703932 301 | 1704112 303 | 2220063..... 42, 45 | 2220596 ... 249, 253, 257, |
| 1703933 301 | 1704116 304 | 2220064..... 83, 87 | 261 |
| 1703934 301 | 1704117 304 | 2220235..... 249, 253 | 2220600 249, 253 |
| 1703935 301 | 1704118 304 | 2220237 249, 253 | 2220602 ... 247, 249, 253, |
| 1703936 301 | 1704119 304 | 2220240 249 | 257, 261 |

PART NUMBER INDEX

| | | | |
|--|---------------------------------------|-----------------------------------|---|
| 2220603.....247, 262 | 2360600 13 | 2752453 250, 254, 257 | 2753199.....257, 261 |
| 2220605....249, 253, 257, 261 | 2360601 13 | 2752462 258, 262 | 2753200.....257, 261 |
| 2220606.....263 | 2360602 13 | 2752463 258, 262 | 2753216.....257, 261 |
| 2220609....249, 253, 258, 262 | 2360603 13 | 2752468 257, 261 | 2753231.....257, 261 |
| 2220618....249, 253, 257, 261 | 2400060 273, 291 | 2752489 250, 254 | 2760105.... 108, 111, 161, 165, 169 |
| 2220619....247, 257, 261 | 2400061 273, 291 | 2752494 ... 250, 254, 258, 261 | 2780205.....41, 47 |
| 2220628.....249, 253 | 2400065 281, 290 | 2752498 249, 253 | 2780227.....15, 21 |
| 2220635.....247, 258 | 2400066 281, 290 | 2752513 250, 254 | 2780228.....15, 21 |
| 2220646.....249, 253 | 2420172 108, 111 | 2752514 ... 249, 250, 253, 254 | 2780229.....12 |
| 2220654.....257 | 2420187 71, 80 | 2752516 254 | 2792351.....264 |
| 2220655.....262 | 2420203 68, 92 | 2752518 249, 253 | 2792362.....249, 264 |
| 2220675.....83 | 2460011 67, 91 | 2752573 250, 254, 258 | 2792363.....253, 264 |
| 2220710.....249 | 2460013 67, 91 | 2752575 249, 253 | 2792364.....264 |
| 2220711247, 250, 253 | 2460032 67, 91 | 2752581 250, 254 | 2792365.....257, 264 |
| 2220720.....83 | 2460034 91 | 2752585 258, 262 | 2792367.....247, 264 |
| 2220737257, 261 | 2500005 71 | 2752591 254 | 2820031.....69, 92 |
| 2220765.....257, 261 | 2560136 161, 165, 169 | 2752592 254 | 2820035.... 115, 154, 158, 276, 284, 294 |
| 2220775.....215, 258 | 2600209 120 | 2752611 247 | 2820078.....120 |
| 2220794.....61 | 2600211 ... 162, 166, 170 | 2752642 254 | 2820079.....120 |
| 2220800.....253 | 2600216 153 | 2752644 254 | 2820080.....120 |
| 2220805.....78 | 2600219 154 | 2752648 ... 247, 250, 254 | 2820081.....120 |
| 2220810.....249, 253 | 2600233 120 | 2752671 261 | 2840016.....123 |
| 2220811247, 249, 253 | 2600244 119 | 2752673 250, 254 | 2860012.....68, 92 |
| 2220833.....254 | 2600281 157 | 2752674 258 | 2860030.... 107, 111, 308 |
| 2220852.....257, 261 | 2600287 154 | 2752721 257, 261 | 2900708.....31, 35, 36 |
| 2220873....257, 258, 261, 262 | 2680436 120 | 2752754 250, 254 | 2900770.....143, 195 |
| 2220883....197, 201, 203, 205, 207, 209, 211, 213, 215, 217, 219, 221, 235, 237, 239, 243 | 2680437 120 | 2752766 258, 262 | 2900788.....25 |
| 2220885....195, 197, 203, 209, 211, 213, 225, 229, 233, 237, 239, 243 | 2680448 119, 120 | 2752767 258, 262 | 2900792....198, 201, 203, 205, 207, 209, 211, 213, 215, 217, 219, 221 |
| 2220886....195, 235, 237, 239, 243 | 2680450 119 | 2752768 258, 262 | 2901271.....195 |
| 2220888....205, 207, 215, 217, 219, 221 | 2680451 119, 120 | 2752928 250 | 2901273.....239 |
| 2220893.....31 | 2720015 74 | 2752930 258, 262 | 2901301.....198, 227 |
| 2220923.....263 | 2720042 83 | 2752942 250, 254 | 2901303.....209 |
| 2220947257, 258, 261, 262 | 2720058 ... 61, 73, 79, 96 | 2752949 254 | 2901392.....60 |
| 2220950.....258, 262 | 2720112 83 | 2752977 249, 253 | 2901443.....284, 294 |
| 2220994.....71 | 2720144 83, 87 | 2752978 258, 262 | 2901514.....215, 217 |
| 2220999....249, 253, 257, 261 | 2720160 73 | 2753006 258, 262 | 2901526.... 201, 205, 207 |
| 2221018.....84, 88 | 2720271 60, 73 | 2753007 258, 262 | 2901537.....219, 221 |
| 2221019.....83, 87 | 2720341 80, 81 | 2753008 258, 261 | 2901549.....223 |
| 2221024.....84, 88 | 2720351 60 | 2753009 258, 262 | 2901556.....198 |
| 2221029.....249, 253 | 2720392 87 | 2753010 257, 261 | 2901608.....73, 79 |
| 2221030.....254 | 2720398 60 | 2753035 254 | 2901609.....60 |
| 2221036.....258, 262 | 2720423 61 | 2753036 249, 253 | 2901712.....233 |
| 2360461 13 | 2720434 60 | 2753087 250, 254 | 2901809.....96 |
| 2360488 13 | 2720435 72, 78 | 2753117 250, 254 | 2902232.....314 |
| 2360489 13 | 2720436 73, 79 | 2753118 258, 262 | 2902396.....312 |
| 2360490 13 | 2720441 95 | 2753122 258 | 2902456.....263, 313 |
| 2360494 13 | 2720442 95 | 2753123 258, 262 | 2902457.....263, 313 |
| 2360502 13 | 2720449 60 | 2753124 258, 262 | 2902459.....263, 313 |
| 2360587 13 | 2720472 78 | 2753125 258, 262 | 2910000.....273 |
| 2360588 13 | 2750532 ... 60, 71, 72, 77, 78, 96 | 2753126 258, 262 | 2910001.....274 |
| 2360589 13 | 2750760 247 | 2753128 258, 262 | 2910465.....313 |
| 2360590 13 | 2750920 247 | 2753129 258, 262 | 2910467.....313 |
| 2360591 13 | 2751011 249, 253 | 2753155 253 | 2910872.....312 |
| 2360592 13 | 2751017 249, 253 | 2753157 254 | 2910887.....312 |
| | 2751032 42, 45 | 2753158 254 | 2915087.....41 |
| | 2751095 42, 45 | 2753159 254 | 2915094.....45 |
| | 2751391 250, 254 | 2753161 253 | 2915096.....41 |
| | 2751397 250, 254 | 2753162 253 | 2915228.....314 |
| | 2751906 247, 254 | 2753187 254 | 2920110.....115 |
| | 2752265 249 | 2753189 258, 262 | 2920113.....115 |
| | 2752266 249 | 2753190 258, 262 | |
| | 2752345 249 | 2753191 258, 262 | |
| | 2752363 249, 253 | 2753192 257, 261 | |
| | 2752365 250, 254 | 2753195 257, 261 | |
| | 2752366 250, 254 | 2753196 257, 261 | |
| | 2752438 257, 261 | 2753197 257, 261 | |

PART NUMBER INDEX

| | | | |
|--|---|----------------------------------|---|
| 2920129 ... 162, 163, 166, 169, 270, 272, 274, 281, 282, 288, 290, 292 | 3311805 ... 15, 60, 72, 78, 96, 105, 119, 123, 128, 133 | 3480211 239 | 3572606 149 |
| 2920140 ... 154, 158, 276, 284, 294 | 3312002 45 | 3480232 223 | 3572607 149 |
| 2920162 67, 92 | 3321005 60 | 3480233 197 | 3580134 68, 92 |
| 2920215 115 | 3321401 71 | 3480234 233 | 3580158 67 |
| 2940074 ... 154, 157, 308 | 3321602 96 | 3480236 219 | 3580250 91 |
| 2940088 120 | 3321402 96 | 3480237 205 | 3580276 68, 92 |
| 3010088 192 | 3321602 96 | 3480238 215 | 3600277 59, 71, 99 |
| 3020021 64 | 3340705 139 | 3510488 153 | 3600278 ... 59, 71, 77, 95 |
| 3124114 81 | 3340756 135, 139 | 3510497 153 | 3600287 32 |
| 3160204 15, 25 | 3340764 140 | 3510542 153 | 3600295 ... 59, 71, 77, 95, 99 |
| 3160223 41, 51 | 3340828 135 | 3510543 153 | 3600377 80 |
| 3160279 41, 51 | 3340833 239 | 3510545 153 | 3600458 32 |
| 3160286 45, 54 | 3340834 239 | 3510546 153 | 3620033 59 |
| 3200362 ... 61, 72, 78, 97 | 3340835 ... 128, 132, 135 | 3510565 153 | 3620040 72, 78, 95 |
| 3200401 95 | 3340838 ... 233, 235, 237 | 3510566 153 | 3620090 108 |
| 3200406 59 | 3340840 140 | 3510728 153 | 3640986 109 |
| 3220103 62 | 3340840 140 | 3510822 157 | 3641182 163 |
| 3220104 62 | 3340859 136 | 3510833 157 | 3730023 272 |
| 3220113 75, 81, 97 | 3340860 140 | 3520028 69, 92, 161, 165, 169 | 3730099 271, 272 |
| 3220114 75, 81 | 3340861 140 | 3520033 119 | 3740049 ... 108, 109, 111, 162, 163, 266, 267, 284, 290, 294, 308 |
| 3251102 69, 92, 166, 171 | 3340871 139 | 3520035 ... 112, 149, 150 | 3740057 109, 267 |
| 3251243 297, 304 | 3380429 ... 61, 73, 79, 96 | 3520072 153, 157 | 3740058 162 |
| 3251813 297, 303 | 3380434 154, 157 | 3520173 162 | 3740063 162 |
| 3252221 312 | 3380442 119 | 3520174 109, 170 | 3740066 109, 267 |
| 3252347 297 | 3380443 119 | 3530072 191 | 3740067 ... 59, 72, 78, 95, 308 |
| 3252507 297, 304 | 3380444 119 | 3536089 154, 158 | 3740080 ... 69, 72, 78, 92, 310 |
| 3271605 239 | 3421565 41, 45 | 3537416 59 | 3740112 108 |
| 3272605 ... 128, 133, 143 | 3421627 41 | 3537417 59 | 3740113 109, 162 |
| 3300007 12, 15 | 3422446 ... 59, 72, 78, 95 | 3537420 59 | 3740115 162 |
| 3300205 108, 111 | 3422457 139 | 3537445 123 | 3740126 97, 274 |
| 3300353 170 | 3422530 123 | 3537446 123 | 3760133 139 |
| 3300390 109 | 3422532 ... 61, 73, 79, 97 | 3538047 11 | 3760170 41, 45 |
| 3300393 153 | 3422558 131 | 3538758 140 | 3760367 223 |
| 3300408 109, 111 | 3422559 132 | 3538819 161 | 3760368 209 |
| 3310601 108, 123 | 3422560 132 | 3538873 72 | 3760369 197, 227 |
| 3310605 150 | 3422561 132 | 3539219 108, 111 | 3760370 195, 239 |
| 3310801 150 | 3422563 132 | 3539275 162, 163 | 3760374 ... 205, 215, 219 |
| 3310805 84, 88, 149 | 3422578 127, 128 | 3539281 115 | 3790012 83, 87, 116, 157, 161, 163, 166, 167, 170, 171 |
| 3311001 ... 96, 108, 120, 157, 162, 166, 171 | 3422580 127, 128 | 3539685 154 | 3790044 61, 77 |
| 3311005 ... 69, 73, 77, 92, 115, 120, 154, 162, 163 | 3422582 128 | 3539719 191 | 3790110 144 |
| 3311401 ... 95, 111, 161, 165 | 3422583 132 | 3539872 ... 59, 72, 78, 95 | 3790152 71, 77, 97 |
| 3311405 ... 31, 32, 60, 71, 72, 78, 83, 96, 109, 112, 120, 149, 150, 154, 157, 158, 161, 165, 169, 192, 298, 305 | 3422681 127, 132 | 3539877 11 | 3820001 297, 304 |
| 3311501 191 | 3422683 127, 132 | 3539878 11 | 3841143 ... 11, 12, 59, 72, 78, 95, 127, 128, 132, 139 |
| 3311505 ... 60, 74, 75, 78, 81, 96, 97, 103, 120, 154 | 3422684 127, 132 | 3539934 119 | 3841255 71 |
| 3311601 ... 103, 119, 135, 150, 162, 166, 170 | 3422685 127, 132 | 3539955 120 | 3841287 ... 11, 127, 132 |
| 3311602 135 | 3422686 127, 132 | 3539957 ... 61, 74, 78, 96 | 3841340 ... 31, 59, 74, 78, 95, 128, 132, 133, 136 |
| 3311605 ... 60, 68, 72, 78, 92, 96, 119, 120, 123, 132, 135, 140, 154, 157, 162, 165, 169, 191 | 3422687 127, 132 | 3539971 59 | 3841351 95 |
| 3311705 69, 92 | 3422688 127, 132 | 3539972 71, 77 | 3841356 128, 132 |
| 3311801 ... 15, 61, 74, 79, 96, 149 | 3422689 127, 132 | 3539979 119 | 3841406 140 |
| 3311802 41 | 3422690 139 | 3570103 72, 78 | 3850018 197 |
| | 3422701 12 | 3570104 73 | 3900139 223 |
| | 3422702 11, 12 | 3570133 72, 78 | 3900141 209 |
| | 3422703 11 | 3570283 95 | 3900207 153 |
| | 3422729 127, 132 | 3570288 97 | 3900210 119 |
| | 3422753 12 | 3570488 41 | 3900217 96 |
| | 3422754 12 | 3570686 27 | 3900224 ... 162, 166, 170 |
| | 3422755 11 | 3570690 27 | 3900232 119, 140 |
| | 3422860 131, 132 | 3570775 233, 237 | |
| | 3422861 132 | 3570928 149 | |
| | 3422867 132 | 3570979 31 | |
| | 3430816 123 | 3571498 77 | |
| | 3450304 170 | 3572414 79 | |
| | 3450404 123 | 3572423 103 | |
| | 3480176 195 | 3572604 239 | |
| | 3480188 197, 227 | 3572605 239 | |
| | 3480210 209 | | |

PART NUMBER INDEX

| | | | |
|--|---|---|---|
| 3900239.....128, 132 | 4070967 135 | 4360475 ... 107, 111, 161, 165, 170, 308 | 4460442.....276 |
| 3900259.....139 | 4070968 135 | 4360476 ... 108, 111, 161, 165, 170, 308 | 4460445....272, 275, 282, 283, 290, 293 |
| 3900262.....136 | 4070969 140 | 4360498 150 | 4460449.....272, 273 |
| 3900268.....108, 111 | 4070987 109, 111 | 4360499 150 | 4460457.....97, 273, 274, 281, 291 |
| 3900272.....60, 78, 96 | 4071009 45 | 4360542 67, 91 | 4460458.....97, 273, 274, 281, 291 |
| 3900293.....45 | 4071052 140 | 4360549 149, 150 | 4460459.....97, 273, 274 |
| 3910608.....108, 123 | 4100025 72 | 4400275 83, 87 | 4460460.....273, 281, 291 |
| 3910610.....161 | 4100051 254 | 4400400 103 | 4460464....166, 170, 270, 271, 274, 280, 281, 282, 288, 289, 290, 292 |
| 3910804.....109, 111 | 4100058 250, 254 | 4400410 103 | 4460465....270, 271, 273, 274, 275, 280, 281, 282, 288, 289, 292 |
| 3910808.....84, 88 | 4100059 250, 253 | 4420038 103, 108 | 4460466....270, 271, 275, 280, 281, 289 |
| 3911008.....154, 157 | 4100062 258, 262 | 4420060 32, 150 | 4460467....161, 276, 284, 294, 314 |
| 3911024.....109 | 4120012 108, 267 | 4460023 69, 92 | 4460470....111, 162, 165, 170, 270, 280, 288, 290 |
| 3911040.....115 | 4120013 163 | 4460042 170 | 4460471....112, 162, 165, 170, 270, 280, 288, 290 |
| 3930606.....150 | 4120035 ... 163, 270, 272, 280, 281, 282, 288, 291, 292 | 4460049 191 | 4460473....270, 271, 280, 281, 289 |
| 3930816.....150 | 4130357 12 | 4460051 293 | 4460475.....97, 274 |
| 3930824.....149, 150 | 4130358 12 | 4460071 ... 154, 157, 161, 165, 170, 280, 283, 288, 293 | 4460476.....97, 273, 274 |
| 3931436.....149 | 4160139 119 | 4460125 275, 283, 293 | 4460488....112, 162, 170 |
| 3931448....233, 237, 239 | 4160143 119 | 4460134 ... 276, 283, 284, 293, 294 | 4460499.....39, 272, 275, 283, 293 |
| 3931464.....149 | 4220162 115 | 4460190 68, 92 | 4460502.....271 |
| 3931508.....239 | 4220165 154 | 4460205 ... 276, 283, 284, 293 | 4460503....163, 270, 271 |
| 3931516.....209, 223 | 4240032 115 | 4460224 273, 274 | 4460508....270, 280, 281, 288, 289 |
| 3931620....197, 203, 227, 229 | 4240033 73 | 4460225 ... 270, 272, 280, 288 | 4460509....270, 271, 280, 281, 288, 289 |
| 3931664.....233, 237 | 4240099 73, 154, 158 | 4460226 ... 170, 180, 189, 281, 288, 290, 291 | 4460510....161, 276, 284, 294, 314 |
| 3931672....162, 166, 170 | 4240112 103 | 4460227 ... 166, 170, 274, 280, 282, 288, 291, 292 | 4460526....108, 112, 275, 290 |
| 3931720.....195, 239 | 4240113 103 | 4460233 ... 276, 283, 284, 293, 294 | 4460536....271, 283, 292 |
| 3932224.....41, 45 | 4280295 103 | 4460234 109, 115, 116 | 4460539....271, 282, 283, 292 |
| 3932240....205, 207, 215, 217, 219, 221 | 4300056 71 | 4460265 173, 180, 189, 270, 272 | 4460579.....273, 291 |
| 3952020.....45 | 4300097 15 | 4460266 ... 173, 272, 273, 274 | 4460580.....273, 291 |
| 3960389....59, 74, 78, 96, 119 | 4300130 15 | 4460267 ... 173, 270, 272, 275, 282, 283, 290, 293 | 4460582.....273, 291 |
| 3960407.....61 | 4300148 96 | 4460268 ... 115, 173, 272, 273, 274, 275, 282, 283, 290, 292, 293 | 4460587.....273 |
| 3960438.....120 | 4340678 161, 165, 169 | 4460320 ... 272, 275, 282, 283, 290, 293 | 4460588.....273 |
| 3960453.....119 | 4340684 161, 165, 169 | 4460326 ... 275, 282, 290, 293 | 4460589.....273 |
| 3960461.....115 | 4340706 135 | 4460346 275, 283, 293 | 4460590.....273 |
| 3960462.....120 | 4360031 157 | 4460374 273 | 4460591.....273, 274 |
| 3960464.....120 | 4360037 71 | 4460375 273 | 4460598....154, 158, 166, 171, 276, 284, 294 |
| 3960468....61, 74, 79, 97 | 4360057 191 | 4460418 ... 270, 271, 280, 281, 288, 290 | 4460600....108, 163, 267 |
| 3960469....61, 74, 80, 97 | 4360065 71 | 4460419 ... 270, 271, 280, 281, 288, 290 | 4460601.....108, 163 |
| 3960470.....119 | 4360157 71 | 4460424 ... 115, 272, 275, 281, 282, 283, 290, 291, 293 | 4460602.....108, 163 |
| 3971820.....41 | 4360188 83, 87 | 4460425 ... 192, 276, 284, 294 | 4460603.....108, 163 |
| 3990001....270, 272, 274 | 4360232 ... 162, 166, 171, 284, 294, 308 | 4460426 108, 111, 290 | 4460607.....108, 163 |
| 3990010....270, 271, 272, 276, 283, 291, 293, 308 | 4360282 108, 161 | 4460428 ... 108, 111, 149, 150, 162, 165, 170, 270, 280, 288 | 4460608.....273, 274 |
| 4060092....275, 283, 293 | 4360289 107, 161 | 4460434 288, 291 | 4460611....61, 73, 79, 96 |
| 4060700....275, 283, 293 | 4360294 ... 61, 69, 73, 79, 92, 96, 308 | | 4460613.....163, 270 |
| 4060802.69, 92, 166, 171 | 4360314 108, 161, 163 | | 4460614.....270, 271 |
| 4060803.....154 | 4360315 107 | | 4460628.....108 |
| 4060804....61, 74, 79, 97 | 4360322 149, 150 | | 4460629.....163 |
| 4060805.61, 97, 140, 149 | 4360328 ... 111, 165, 166, 169, 171 | | 4460630.....108 |
| 4060806.....74, 79 | 4360331 ... 157, 161, 163, 165, 167, 170, 171, 308 | | 4460631.....108, 163 |
| 4060906.....108, 111 | 4360336 ... 69, 83, 87, 92, 116, 163, 166, 171, 310 | | |
| 4060907.....115 | 4360387 ... 109, 161, 165, 166, 170, 171, 192, 308, 310 | | |
| 4060959.....313 | 4360392 59, 72, 78, 95 | | |
| 4070410.....120 | 4360405 71 | | |
| 4070411.....120 | 4360407 ... 161, 165, 170, 308 | | |
| 4070412.....120 | 4360417 32 | | |
| 4070863.....139 | 4360436 103 | | |
| 4070864.....139 | 4360455 72 | | |
| 4070878.....11 | 4360469....107, 111, 308 | | |
| 4070879.....11 | | | |
| 4070897.....135, 139 | | | |
| 4070898.....135, 139 | | | |
| 4070929.....135 | | | |
| 4070944.....11 | | | |
| 4070945.....11 | | | |

PART NUMBER INDEX

| | | | |
|--|---|--|--|
| 4460632 163 | 4460960 293 | 4700005.....83 | 4844925 153 |
| 4460634 272, 288, 291 | 4460965 282, 292 | 4711000.....162 | 4844928 153 |
| 4460635 272, 288, 291 | 4460968 149, 150 | 4711400.... 11, 31, 32, 61, 73, 79, 97, 109, 112, 150, 154, 158, 192 | 4844954 153 |
| 4460693 274 | 4461076 275 | 4711500.... 31, 33, 75, 81, 97, 103, 115, 170 | 4844955 153 |
| 4460701 ... 276, 283, 284, 293, 294 | 4461077 ... 275, 281, 290 | 4711600.... 11, 31, 61, 97, 120, 128, 133, 135, 136, 139, 140, 239 | 4844956 153 |
| 4460708 170, 288, 290 | 4520204 16 | 4711800.... 123, 128, 133 | 4844958 45 |
| 4460711 109 | 4520205 16 | 4711900.....61 | 4845035 72, 95 |
| 4460713 273, 291 | 4520252 16 | 4740004.....41 | 4845308 191 |
| 4460720 270 | 4520253 16 | 4740057.....45 | 4845309 191 |
| 4460721 270 | 4562516 73 | 4740076.....119 | 4845327 153 |
| 4460725 273, 291 | 4564281 71, 80 | 4740111.....12 | 4845328 153 |
| 4460726 273, 291 | 4564417 92 | 4740119.....123 | 4845394 61 |
| 4460728 273, 291 | 4566468 198, 227 | 4740171.....119 | 4845395 60 |
| 4460742 273, 291 | 4566471 209 | 4740256.....12 | 4845404 59, 72, 78, 95 |
| 4460761 ... 166, 170, 274, 282, 288, 291, 292 | 4566605 71, 77 | 4740274.... 61, 74, 78, 96 | 4845408 153 |
| 4460777 273 | 4567071 73 | 4740362.... 115, 154, 157, 161, 165, 170 | 4845409 153 |
| 4460783 273 | 4567073 75, 81, 97 | 4740397.69, 92, 166, 171 | 4845410 153 |
| 4460784 273 | 4567112 59 | 4740439.....132 | 4845411 119 |
| 4460789 273 | 4567139 257, 261 | 4740442.....96 | 4845412 153 |
| 4460790 273 | 4567169 74 | 4740444..... 108, 112 | 4845413 153 |
| 4460799 273, 291 | 4567413 239 | 4740463.....12 | 4845426 153 |
| 4460800 273, 291 | 4567434 198 | 4740472.....11 | 4845469 153 |
| 4460836 273 | 4567730 74 | 4740473.....12 | 4845531 68 |
| 4460837 273 | 4567757 258, 262 | 4750600.....108 | 4845532 95 |
| 4460850 273 | 4567815 61 | 4750800.....84, 88 | 4845534 95 |
| 4460856 273 | 4567879 79 | 4751000.... 60, 69, 72, 73, 77, 92, 96, 108, 115, 120, 154, 157, 162, 163, 191 | 4845593 127, 131 |
| 4460857 273 | 4568118 103 | 4751400.... 60, 72, 78, 83, 96, 112, 120, 149, 150, 154, 157, 165, 170, 298, 305 | 4845617 103 |
| 4460865 ... 280, 281, 288, 289 | 4568119 103 | 4751500..69, 77, 92, 119, 120, 154, 191 | 4845658 11 |
| 4460866 ... 280, 281, 288, 289, 290 | 4568158 80 | 4751600....27, 33, 60, 68, 72, 78, 83, 88, 92, 96, 103, 105, 119, 120, 150, 154, 157, 161, 165, 170, 191 | 48456701 140 |
| 4460871 ... 165, 166, 170, 175, 177, 185, 187, 280, 281, 282, 288, 290, 291, 292, 294 | 4568514 12 | 4760600.....108 | 4845672 140 |
| 4460873 ... 280, 281, 288, 291 | 4620119 41, 45 | 4761000.... 109, 120, 154, 162, 166, 171 | 4845703 128 |
| 4460874 ... 112, 280, 288, 290 | 4640113 16 | 4761400.....112 | 4845716 131 |
| 4460875 ... 112, 280, 288, 290 | 4640509 ... 205, 207, 209, 211, 213, 215, 217, 219, 221 | 4761500..... 77, 191 | 4845729 140 |
| 4460876 281, 290 | 4640525 195 | 4761600.....150 | 4845730 140 |
| 4460878 281, 290 | 4640605 ... 198, 201, 203, 205, 207, 219, 221 | 4770600.....123 | 4845872 192 |
| 4460879 280, 288 | 4640751 59 | 47791400.....61, 83 | 4845928 103 |
| 4460880 ... 281, 282, 290, 291 | 4640778 253 | 4791600.....73 | 4846011 78 |
| 4460887 ... 280, 281, 288, 290 | 4640780 258, 262 | 4812000.....92 | 4846101 153 |
| 4460889 281, 291 | 4640858 195 | 4821397 192 | 4846102 153 |
| 4460890 281, 291 | 4640866 31 | 4831900.....64, 73, 79 | 4846103 153 |
| 4460891 274, 280, 289 | 4640871 11 | 4832000.....64, 73, 79 | 4846253 153 |
| 4460892 274, 282, 292 | 4640906 31 | 4844790.....133 | 4846254 153 |
| 4460894 274, 282, 292 | 4640921 32, 39 | 4844816.....131 | 4846255 153 |
| 4460897 274, 280, 289 | 4640922 32, 39 | 4844817 131 | 4846257 119 |
| 4460905 ... 112, 170, 288, 290 | 4640929 150 | 4844924.....153 | 4846430 45 |
| 4460908 275, 282, 292 | 4640932 ... 198, 201, 203 | | 4846452 157 |
| 4460909 275, 282, 292 | 4640989 71, 77 | | 4846479 59 |
| 4460915 275, 282, 292 | 4641019 95 | | 4846566 59 |
| 4460917 275 | 4641022 103 | | 4846573 128, 133 |
| 4460918 275 | 4641027 215, 217 | | 4860148 16 |
| 4460928 275, 282, 292 | 4641032 239, 243 | | 4860188 17 |
| 4460944 282, 283, 292 | 4641033 ... 233, 235, 237 | | 4860224 16 |
| 4460945 283, 292 | 4641034 31, 35 | | 4860225 17 |
| 4460959 293 | 4641041 27 | | 4891500 31 |
| | 4641042 27 | | 4891600 96, 123, 128, 133 |
| | 4641045 149 | | 4891800 ... 15, 41, 60, 71, 77, 123, 128, 133 |
| | 4641061 31 | | 4892000 15, 41, 45 |
| | 4641062 209, 215 | | 4892600 129, 133 |
| | 4641076 249 | | 4920018 154 |
| | 4641093 31, 35 | | 4920044 154 |
| | 4641099 31, 35 | | 4921801 276, 283, 293 |
| | 4641105 149 | | 4921829 276, 283, 293 |
| | 4641136 149 | | 4921850 314 |
| | 4641162 195 | | 4921927 32, 275, 293 |

PART NUMBER INDEX

| | | | |
|----------------------------------|----------------------------|-----------------------|-------------------------|
| 4921928.....32, 275, 283, 292 | 4922774 289 | 70002307 75, 80 | 70004747 189 |
| 4921938.....276 | 4922775 289 | 7000231 21 | 70004748 189 |
| 4921955.....276, 283, 293 | 4923613 281, 289 | 7000235 21 | 70004749 189 |
| 4922006.....272 | 4932915 266, 276 | 7000236 21 | 70004750 189 |
| 4922008.....272 | 4932917 266 | 70002366 225 | 70004751 189 |
| 4922012.....314 | 4932980 267 | 7000238 21 | 70004752 179 |
| 4922046.....107, 272 | 4932981 267, 271 | 7000239 21 | 70004753 179 |
| 4922077.....107, 272 | 4932982 267, 271 | 7000240 21 | 70004754 179 |
| 4922095.....266 | 4932983 267, 271 | 70002410 201 | 70004755 179 |
| 4922099.....282, 292 | 4932986 266 | 70002411 62, 63 | 70004756 179 |
| 4922130.....270 | 4932989 266, 276 | 7000246 47, 54 | 70004757 179 |
| 4922131 270 | 4933025 266 | 7000248 54 | 70004758 179 |
| 4922138.....107, 272 | 4933026 266 | 7000253 47, 54 | 70004759 179 |
| 4922145.....271 | 4933027 266 | 70002530 62, 63 | 70004760 179 |
| 4922146.....271 | 4933058 267, 271 | 70002546 275 | 70004761 179 |
| 4922155....162, 163, 267, 270 | 4933149 266, 276 | 7000255 47, 54 | 70004762 179 |
| 4922169.....271 | 4933150 266, 276 | 7000256 47, 54 | 70004763 179 |
| 4922170.....271 | 4933158 283 | 70002567 75, 81 | 70004764 179 |
| 4922171 271 | 4933162 283 | 7000257 47, 54 | 70004765 179 |
| 4922172 271 | 4933175 266 | 7000258 47, 54 | 70004766 179 |
| 4922173 271 | 4933189 266 | 7000263 47, 54 | 70004767 179 |
| 4922174 271 | 4933195 267, 281 | 7000265 12, 21 | 70004768 179 |
| 4922175 271 | 4933199 266 | 7000269 47, 54 | 70004769 179 |
| 4922180.....270 | 4933215 266, 293 | 7000270 47, 54 | 70004770 179 |
| 4922181 271 | 4933216 266, 293 | 7000272 21 | 70004771 179 |
| 4922215.....271, 281, 289 | 4933218 267 | 70002724 187 | 70004772 179 |
| 4922216.....271, 289 | 4933231 266 | 70002725 187 | 70004773 180 |
| 4922217.....271, 281, 289 | 4933232 267, 290, 291 | 70002726 187 | 70004774 180 |
| 4922235 272 | 4933233 267, 290, 291 | 70002727 187 | 70004775 180 |
| 4922272.....107, 272 | 4933307 266 | 70002728 187 | 70005230 189 |
| 4922311 272 | 70000017 315 | 70002729 187 | 70005594 243 |
| 4922318 271 | 70000123 67, 91 | 7000273 21 | 70005793 201 |
| 4922463 272 | 70000124 68, 92 | 70002730 177 | 7000625 157 |
| 4922472 272 | 70000125 68, 92 | 70002731 177 | 70006344 243 |
| 4922473 272 | 70000126 67, 91 | 70002732 177 | 70006375 221 |
| 4922482 283, 293 | 70000163 74 | 70002733 177 | 70006376 221 |
| 4922483 283 | 70000342 144, 147 | 70002734 177 | 70006377 221 |
| 4922484 266, 284 | 70000579 36 | 70002735 177 | 70006378 221 |
| 4922485 112, 165 | 70000580 36 | 7000274 21 | 70006384 217 |
| 4922498 294 | 70000582 36 | 7000275 21 | 70006385 207, 217 |
| 4922509.....166, 267, 280 | 70000583 36 | 7000281 54 | 70006386 217 |
| 4922542 266 | 70000646 74 | 70002813 62 | 70006387 217 |
| 4922549.....281, 290, 291 | 70001002 62, 63 | 7000282 21 | 70006388 217 |
| 4922550 290, 291 | 70001017 62 | 7000283 21 | 70006389 207 |
| 4922557 282, 290 | 70001059 32 | 7000284 21 | 70006390 207 |
| 4922565 266 | 70001067 32 | 7000287 22 | 70006391 207 |
| 4922575 280, 288 | 70001068 32 | 7000288 22 | 7000645 36 |
| 4922576 280, 289 | 70001069 32 | 7000289 22 | 70006479 243 |
| 4922577 281, 289 | 70001423 63 | 7000290 22 | 70006480 243 |
| 4922578 281, 290 | 70001498 63 | 70002906 177 | 70006568 211 |
| 4922579 280, 289 | 70001681 62, 63 | 70003476 62 | 70006569 211 |
| 4922580 280, 289 | 70001697 144, 147 | 70003483 157 | 70006570 211 |
| 4922581 281, 289 | 70001941 115 | 70003556 62 | 70006571 211 |
| 4922582 288 | 70001976 36, 39 | 70003983 33 | 70006572 211 |
| 4922636 290 | 70002013 140, 310 | 70003989 33 | 70006590 201 |
| 4922637 290 | 70002014 140 | 70003990 33 | 70006596 225 |
| 4922638 290 | 7000209 47, 54 | 70003992 33 | 70006601 201 |
| 4922639.....170, 267, 288 | 7000213 21 | 70003993 33 | 7000663 62 |
| 4922641 293 | 7000214 47, 54 | 70004738 189 | 70006642 203 |
| 4922643 266, 294 | 7000217 47, 54 | 70004739 189 | 70006643 203, 229 |
| 4922666....112, 170, 288, 291 | 7000220 21 | 70004740 189 | 70006644 203, 229 |
| 4922675 290 | 70002234 62 | 70004741 189 | 70006645 203 |
| 4922737 61 | 70002235 67, 91 | 70004742 189 | 70006649 213 |
| 4922773 289 | 7000224 21 | 70004743 189 | 70006650 213 |
| | 7000228 47, 54 | 70004744 189 | 70006651 229 |
| | 7000229 47, 54 | 70004745 189 | 70006668 229 |
| | 7000230 47, 54 | 70004746 189 | 70006669 237 |

PART NUMBER INDEX

| | | | | | | | |
|----------------|-----------------------|----------------|-----------------------|---------------|------------------------|---------------|-----------------|
| 70006670 | 237 | 7002822 | 314 | 7007441 | 99 | 7012702 | 25 |
| 70006671 | 237 | 7002823 ... | 276, 284, 294, 314 | 7007442 | 99 | 7012703 | 25 |
| 70006672 | 237 | 7002826 | 314 | 7007446 | 99 | 7012704 | 25 |
| 70006728 | 243 | 7002828 ... | 276, 284, 294 | 7007452 | 99 | 7012705 | 25 |
| 70006731 | 243 | 7002840 | 11, 314 | 7007453 | 100 | 7012706 | 25 |
| 70006733 | 243 | 7003049 | 19, 49 | 7007454 | 99 | 7012707 | 25 |
| 70006734 | 213 | 7003050 | 19, 49 | 7007457 | 100 | 7012708 | 25 |
| 70006735 | 213 | 7003094 | 19, 49 | 7007463 | 100 | 7012709 | 25 |
| 70006736 | 213 | 7003451 | 19, 49 | 7007464 | 100 | 7012710 | 25 |
| 70006777 | 225 | 7003452 | 19, 49 | 7007465 | 100 | 7012711 | 25 |
| 70006778 | 225 | 7003453 | 19, 49 | 7007466 | 100 | 7012712 | 25 |
| 70006779 | 225 | 7003454 | 19, 49 | 7007470 | 99 | 7012713 | 25 |
| 70006780 | 225 | 7003455 | 19, 49 | 7007472 | 100 | 7012714 | 25 |
| 70006781 | 225 | 7003456 | 19, 49 | 7007474 | 100 | 7012715 | 25 |
| 70006782 | 201 | 7003457 | 19, 49 | 7007475 | 100 | 7012716 | 25 |
| 70006783 | 201 | 7003458 | 49 | 7007477 | 100 | 7012769 | 36 |
| 70006784 | 201 | 7003459 | 19, 49 | 7007478 | 100 | 7012772 ... | 35, 36, 39, 308 |
| 70006796 | 235 | 7003460 | 19, 49 | 7007483 | 100 | 7012773 | 35, 36, 39 |
| 70006797 | 235 | 7003461 | 19, 49 | 7007484 | 100 | 7012774 | 36, 39 |
| 70006798 | 235 | 7003462 | 19, 49 | 7007485 | 100 | 7012775 | 35 |
| 70006799 | 235 | 7003463 | 19, 49 | 7007487 | 100 | 7012776 | 39 |
| 70006800 | 235 | 7003464 | 19, 49 | 7007488 | 100 | 7012777 | 39 |
| 70006801 | 235 | 7003657 | 67, 91 | 7007494 | 99 | 7012901 | 36 |
| 70006802 | 235 | 7003928 ... | 173, 175, 177 | 7007496 | 100 | 7012905 | 31 |
| 70006803 | 235 | 7003933 | 185 | 7007497 | 100, 282, 291 | 7012914 | 35 |
| 70006804 | 235 | 7003935 | 183, 185 | 7007498 | 100, 282, 291 | 7012918 | 35 |
| 70006921 | 243 | 7003941 ... | 183, 185, 187 | 7007633 | 47, 54 | 7012941 | 37 |
| 70006922 | 243 | 7003946 | 183, 185 | 7007990 | 19 | 7012943 | 31, 36, 308 |
| 70006923 | 243 | 7003952 | 173 | 7008833 | 60, 273 | 7012944 | 31, 37, 308 |
| 70006924 | 243 | 7003953 | 173, 175 | 7008835 | 60 | 7012953 | 36, 39, 150 |
| 70006925 | 243 | 7003956 | 173 | 7008836 | 60, 273 | 7012959 | 31 |
| 70006926 | 243 | 7003969 | 183, 185 | 7009996 | 51 | 7012965 | 39 |
| 70006927 | 243 | 7003972 ... | 183, 185, 187 | 7009998 | 51 | 7012970 | 150 |
| 70006928 | 243 | 7003973 ... | 183, 185, 187 | 7010116 | 101 | 7012972 | 31 |
| 7000699 | 62 | 7003974 | 173 | 7010122 | 100 | 7012989 | 36 |
| 7000722 | 19, 49 | 7003976 | 173, 175 | 7010404 | 12 | 7012998 | 35, 37, 39 |
| 7000723 | 19, 49 | 7003977 | 173, 175 | 7010405 | 12 | 7013187 | 105 |
| 7000724 | 19, 49 | 7003980 ... | 183, 185, 187 | 7010406 | 12 | 7014801 | 103 |
| 7000725 | 19, 49 | 7003982 | 187 | 7010461 | 54 | 7014802 | 103 |
| 7000728 | 19, 49 | 7003983 ... | 183, 185, 187 | 7010474 | 47, 54 | 7014810 | 103 |
| 7000731 | 19, 49, 55 | 7003986 | 185 | 7010488 | 47 | 7014813 | 103 |
| 7000782 | 19, 49 | 7003989 ... | 183, 185, 187 | 7010492 | 47, 54 | 7014816 | 103 |
| 7000796 | 19, 49 | 7003992 ... | 173, 175, 183, 185 | 7010494 | 47 | 7014817 | 103, 308 |
| 7000798 | 19, 49 | 7003993 ... | 173, 175, 183, 185 | 7010542 | 35 | 7014818 | 103 |
| 7000884 | 75 | 7003994 | 185 | 7010543 | 35, 37 | 7016180 | 95 |
| 7000897 | 74, 80 | 7004042 | 55 | 7010795 | 55 | 7016314 | 103 |
| 7001498 | 100 | 7004043 | 55 | 7011112 | 198, 201, 203 | 7016322 | 123 |
| 7001901 | 21 | 7004044 | 55 | 7011331 | 143 | 7016328 | 62, 310 |
| 7001902 | 21 | 7004046 | 55 | 7011332 | 143 | 7016330 | 62 |
| 7001903 | 21 | 7004275 | 314 | 7011333 | 149 | 7016331 | 62, 63, 310 |
| 7001906 | 21 | 7004276 | 314 | 7011342 | 149 | 7016332 | 62, 63 |
| 7001909 | 47, 54 | 70050801 | 225 | 7011346 | 144 | 7016336 | 274 |
| 7001911 | 47, 54 | 7006137 | 140, 310 | 7011868 | 74 | 7016342 | 105 |
| 7001912 | 54 | 7007208 | 99 | 7012513 | 67, 91 | 7016374 | 123 |
| 7001928 | 21, 47, 54 | 7007412 | 101 | 7012514 | 67, 91 | 7016380 | 115 |
| 7001931 | 47, 54 | 7007413 | 99 | 7012518 | 31 | 7016399 | 154, 158 |
| 7001985 | 47, 54 | 7007417 | 99 | 7012558 | 67, 91 | 7016522 | 140, 310 |
| 7001987 | 47 | 7007419 | 99 | 7012560 | 107 | 7016523 | 140 |
| 7001988 | 47 | 7007423 | 99 | 7012599 | 62 | 7016524 | 140 |
| 7002111 | 51 | 7007425 | 99 | 7012611 | 107, 161 | 7016529 | 140 |
| 7002117 | 51 | 7007435 | 99 | 7012612 | 107, 161 | 7016600 | 74 |
| 7002123 | 51 | 7007437 | 99 | 7012664 ... | 59, 73, 79, 95, 308 | 7016601 | 74 |
| 70022564 | 201 | 7007438 | 99 | 7012679 | 74 | 7016605 | 74 |
| 70023915 | 211 | 7007439 | 99 | 7012693 | 11 | 7016652 | 314 |
| 70027259 | 235 | | | 7012700 | 25 | 7016654 | 314 |
| 7002821 ... | 276, 284, 294, 314 | | | 7012701 | 25 | 7016655 | 314 |
| | | | | | | 7016779 | 32 |

PART NUMBER INDEX

| | | | | | | | |
|--------------|----------------|---------------------------|----------------|---------------------------|---------------|--------------|--------------|
| 7016780..... | 32 | 7017213..... | 231 | 7019166..... | 183, 185 | 7020353..... | 51 |
| 7016781..... | 32 | 7017214..... | 231 | 7019167.... | 183, 185, 187 | 7020357..... | 51 |
| 7016782..... | 32 | 7017215..... | 231 | 7019168..... | 183, 185 | 7020358..... | 51 |
| 7016783..... | 32 | 7017234..... | 231 | 7019171..... | 175 | 7020359..... | 51 |
| 7016784..... | 32 | 7017236..... | 231 | 7019174..... | 175 | 7020360..... | 51 |
| 7016785..... | 32 | 7017414..... | 36 | 7019177..... | 175 | 7020362..... | 51 |
| 7016800..... | 61, 73, 79, 96 | 7017420..... | 35, 39 | 7019194.... | 183, 185, 187 | 7020363..... | 51 |
| 7016802..... | 61, 96 | 7017421..... | 39 | 7019197..... | 173, 175 | 7020404..... | 62 |
| 7016803..... | 61 | 7017422..... | 39 | 7019607..... | 62 | 7020408..... | 63 |
| 7016807..... | 73, 79 | 7017423..... | 35 | 7019658..... | 103 | 7020411..... | 63 |
| 7016808..... | 73, 79 | 7017427..... | 35 | 7019924..... | 75 | 7020414..... | 62 |
| 7016809..... | 61 | 7017428..... | 35, 37 | 7019925..... | 81 | 7020418..... | 63 |
| 7016811..... | 96 | 7017466..... | 31 | 7019930..... | 75, 81 | 7020419..... | 62 |
| 7016824..... | 61, 73, 79, 96 | 7017474..... | 35 | 7019931..... | 75 | 7020425..... | 62 |
| 7016825..... | 61, 73, 79, 96 | 7017477..... | 36, 37 | 7019932..... | 75, 81 | 7020427..... | 62 |
| 7016831..... | 96 | 7017478..... | 37 | 7019933..... | 74 | 7020431..... | 62, 63 |
| 7017023..... | 54 | 7017479..... | 31 | 7019976..... | 74, 80 | 7020449..... | 63 |
| 7017027..... | 21 | 7017481..... | 31 | 7019977..... | 74, 80 | 7020458..... | 63 |
| 7017031..... | 21 | 7017515..... | 83 | 7019978..... | 75 | 7020459..... | 63 |
| 7017033..... | 21 | 7018612..... | 19, 49 | 7019980..... | 74, 274 | 7020460..... | 63 |
| 7017034..... | 21 | 7018912.... | 35, 36, 37, 39 | 7019982..... | 74 | 7020461..... | 63 |
| 7017035..... | 21 | 7018941..... | 35 | 7019983..... | 74 | 7020462..... | 63 |
| 7017036..... | 21 | 7018942..... | 37, 39 | 7019985..... | 74 | 7020463..... | 62, 63 |
| 7017037..... | 21 | 7018945..... | 37, 39 | 7019986..... | 80 | 7020464..... | 62 |
| 7017038..... | 21 | 7018946..... | 39 | 7019988..... | 74 | 7020465..... | 62, 63 |
| 7017039..... | 21 | 7018947..... | 39 | 7019993..... | 80 | 7020468..... | 63 |
| 7017040..... | 21 | 7018948..... | 39 | 7019994..... | 80 | 7020471..... | 62, 63 |
| 7017041..... | 21 | 7018951..... | 37 | 7019996..... | 80 | 7020474..... | 63 |
| 7017042..... | 21 | 7018991..... | 35, 308 | 7019997..... | 74 | 7020477..... | 62 |
| 7017043..... | 21 | 7018992..... | 35 | 7020020..... | 31 | 7020479..... | 63 |
| 7017044..... | 21 | 7018993..... | 36 | 7020021..... | 31 | 7020480..... | 63 |
| 7017045..... | 21 | 7018994..... | 36 | 7020025..... | 62 | 7020487..... | 63 |
| 7017046..... | 22 | 7018995.... | 59, 71, 77, 95 | 7020027..... | 62, 63 | 7021200..... | 99 |
| 7017047..... | 22 | 7019103..... | 183, 185 | 7020064..... | 135 | 7021201..... | 99 |
| 7017048..... | 21 | 7019110..... | 183, 185 | 7020065..... | 135 | 7021202..... | 99 |
| 7017050..... | 22 | 7019111... 173, 175, 183, | | 7020066..... | 135 | 7021203..... | 99 |
| 7017051..... | 12 | 185 | | 7020067..... | 135 | 7021205..... | 99 |
| 7017052..... | 12 | 7019112..... | 183, 185 | 7020068..... | 149 | 7021206..... | 100 |
| 7017053..... | 12 | 7019114..... | 185 | 7020069..... | 149 | 7021207..... | 99 |
| 7017054..... | 12 | 7019115..... | 183, 185 | 7020070..... | 149 | 7021208..... | 99 |
| 7017055..... | 12 | 7019117..... | 183 | 7020071..... | 149 | 7021209..... | 99 |
| 7017056..... | 12 | 7019122..... | 173, 175 | 7020108..... | 67, 91 | 7021212..... | 100 |
| 7017057..... | 12 | 7019123..... | 173, 175 | 7020109..... | 67, 91 | 7021213..... | 100 |
| 7017058..... | 12 | 7019137..... | 173 | 7020110..... | 67, 91 | 7021214..... | 100 |
| 7017068..... | 22 | 7019141..... | 173, 175 | 7020111..... | 67, 91 | 7021218..... | 100 |
| 7017070..... | 47, 54 | 7019142..... | 173, 175 | 7020120..... | 75, 81 | 7021219..... | 100 |
| 7017082..... | 54 | 7019143..... | 173, 175 | 7020168..... | 63 | 7021220..... | 100 |
| 7017085..... | 54 | 7019144..... | 173, 175 | 7020171..... | 149 | 7021221..... | 100 |
| 7017089..... | 47, 54 | 7019145..... | 173, 175 | 7020172..... | 149 | 7021222..... | 100 |
| 7017102..... | 143 | 7019146..... | 173 | 7020173..... | 149 | 7021223..... | 100 |
| 7017115..... | 143 | 7019147..... | 173, 175 | 7020175... 107, 111, 161, | | 7021226..... | 100 |
| 7017118..... | 144 | 7019149..... | 173, 175 | 165, 170 | | 7021227..... | 100 |
| 7017119..... | 143 | 7019150..... | 173, 175 | 7020176... 107, 111, 161, | | 7021228..... | 100 |
| 7017142..... | 143, 144 | 7019151..... | 183, 185 | 165, 170 | | 7021229..... | 100 |
| 7017156..... | 144 | 7019153..... | 183 | 7020190..... | 67, 91 | 7021230..... | 101 |
| 7017157..... | 144 | 7019154..... | 183, 185 | 7020191..... | 67, 92 | 7021231..... | 101 |
| 7017158..... | 144, 147 | 7019155..... | 183, 185 | 7020192..... | 68, 92 | 7021232..... | 101 |
| 7017159..... | 144, 147 | 7019156..... | 183 | 7020193..... | 67, 91 | 7021310..... | 37 |
| 7017162..... | 143, 147 | 7019157..... | 183 | 7020246..... | 107, 111 | 7021311..... | 37 |
| 7017163..... | 143, 147 | 7019158..... | 183 | 7020335..... | 51 | 7021601..... | 36 |
| 7017164..... | 143, 147 | 7019159..... | 183 | 7020336..... | 51 | 7021602..... | 35 |
| 7017174..... | 143 | 7019160..... | 183, 185 | 7020338..... | 51 | 7021625..... | 27 |
| 7017177..... | 143 | 7019161..... | 183, 185 | 7020339..... | 51 | 7021656..... | 27 |
| 7017183..... | 143, 147 | 7019162.... | 183, 185, 187 | 7020340..... | 51 | 7021868..... | 80, 310 |
| 7017193..... | 143, 147 | 7019163..... | 183 | 7020341..... | 51 | 7022127..... | 97 |
| 7017210..... | 231 | 7019164.... | 183, 185, 187 | 7020343..... | 51 | 7022134..... | 80, 274, 292 |
| 7017211..... | 231 | 7019165.... | 183, 185, 187 | 7020346..... | 51 | 7022136..... | 80 |

PART NUMBER INDEX

| | | | | | | | |
|--------------|---------------|--------------|-----------------------|--------------|----------|---------------|----------------|
| 7022139..... | 80 | 7022814..... | 175 | 7023660..... | 87 | 7024459..... | 55 |
| 7022142..... | 80 | 7022815..... | 175, 177 | 7023662..... | 80 | 7024508.... | 233, 235, 237 |
| 7022143..... | 75, 80 | 7022816..... | 175 | 7023663..... | 80 | 7024560..... | 62 |
| 7022144..... | 81 | 7022817..... | 175 | 7023665..... | 87 | 7024565..... | 63 |
| 7022149..... | 81 | 7022818..... | 175 | 7023679..... | 276, 292 | 7024579..... | 63 |
| 7022150..... | 75, 81 | 7022819 ... | 175, 177, 282, 291 | 7023680..... | 87 | 7024598..... | 123 |
| 7022151..... | 75, 81 | 7022822..... | 185 | 7023687..... | 74 | 7024702..... | 54, 55 |
| 7022152..... | 81 | 7022823..... | 185 | 7023900..... | 27 | 7024703..... | 54 |
| 7022153..... | 74, 81 | 7022824..... | 185 | 7023977..... | 99 | 7024704..... | 54 |
| 7022154..... | 81 | 7022825..... | 282, 292 | 7023981..... | 31 | 7024705..... | 54 |
| 7022155..... | 81 | 7023023..... | 231 | 7024036..... | 25 | 7024706..... | 54 |
| 7022156..... | 74, 81 | 7023206..... | 31 | 7024100..... | 47, 54 | 7024707..... | 54, 55 |
| 7022157..... | 75, 81 | 7023207..... | 31 | 7024155..... | 21 | 7024784..... | 54 |
| 7022158..... | 80 | 7023340..... | 60 | 7024185..... | 54 | 7024828..... | 100 |
| 7022159..... | 80 | 7023366..... | 119 | 7024189..... | 55 | 7024918.... | 59, 71, 77, 95 |
| 7022160..... | 80 | 7023603..... | 87 | 7024190..... | 55 | 7024930.... | 59, 71, 77, 95 |
| 7022161..... | 80 | 7023613..... | 80 | 7024191..... | 55 | 7025122..... | 74 |
| 7022162..... | 80 | 7023634..... | 97, 310 | 7024192..... | 55 | 7025124..... | 81 |
| 7022164..... | 81 | 7023635..... | 97 | 7024193..... | 55 | 7025125..... | 75 |
| 7022165..... | 87 | 7023637..... | 80 | 7024194..... | 55 | 7025126..... | 75 |
| 7022166..... | 87 | 7023638..... | 97 | 7024195..... | 55 | 7026199..... | 67, 91 |
| 7022167..... | 87 | 7023639..... | 97 | 7024196..... | 55 | 7026522..... | 63 |
| 7022168..... | 87 | 7023640..... | 97 | 7024197..... | 56 | 7026607..... | 63 |
| 7022170..... | 87 | 7023641..... | 97, 310 | 7024321..... | 74 | 7026608..... | 63 |
| 7022171..... | 87 | 7023642..... | 97 | 7024379..... | 55 | 7026631..... | 62, 63 |
| 7022177..... | 97 | 7023644..... | 81 | 7024380..... | 55 | 7027250..... | 62 |
| 7022178..... | 75, 80 | 7023645..... | 87 | 7024396..... | 55 | 7027292..... | 74 |
| 7022180..... | 75, 80 | 7023652..... | 80 | 7024397..... | 239, 243 | 7027402..... | 74, 81 |
| 7022396..... | 27 | 7023653..... | 80 | 7024398..... | 62 | 7027411..... | 81 |
| 7022397..... | 27 | 7023654..... | 80 | 7024413..... | 63 | 7027887..... | 68, 92 |
| 7022398..... | 27 | 7023655..... | 80 | 7024453..... | 55 | 8180311..... | 72, 78, 95 |
| 7022399..... | 27 | 7023656..... | 80 | 7024454..... | 55 | 8320270..... | 62 |
| 7022808.... | 173, 175, 177 | 7023657..... | 81, 274, 292 | 7024455..... | 55 | 8896941..... | 314 |
| 7022810..... | 183 | 7023658..... | 80 | 7024456..... | 55 | 91083218..... | 80, 310 |
| 7022812..... | 185 | 7023659..... | 87 | 7024457..... | 55 | | |
| 7022813..... | 173 | | | 7024458..... | 55 | | |



3120741



An Oshkosh Corporation Company

Corporate Office
JLG Industries, Inc.
1 JLG Drive
McConnellsburg, PA 17233-9533 USA
☎ (717) 485-5161 (Corporate)
☎ (877) 554-5438 (Customer Support)
📠 (717) 485-6417

Visit our website for JLG Worldwide Locations.
www.jlg.com