



# Illustrated Parts Manual

## **Models** **800A** **800AJ**

Prior to  
SN 0300069000

**P/N**  
**3120859**

August 31, 2018 - Rev AO



An Oshkosh Corporation Company



# REVISION LOG

**Note: See Note Below to Identify whether Machine is Equipped with ADE System.**

## ADE SYSTEM

All 800A and 800AJ machines from SN 0300064432 to present incorporate the ADE System, but no clean SN break exists. The following machine serial numbers prior to SN 0300064432 also utilize ADE: 0300062045, 0300062797, 0300063013, 0300063665, 0300063975, 0300064000-0300064017, 0300064390, 0300064392 & 0300064411. A machine that incorporates ADE System can be outwardly identified by the analyzer connection at the base of the platform console box.



December 11, 1998 - A - Original Issue Of Manual

May 31, 1999 - B - Revised

September 1, 1999 - C - Revised (Edited to B/M 0010551 Revision 5)

November 9, 1999 - D - Updated Page 6-12

March 24, 2000 - E - Revised (Edited to B/M 0010551 Revision 7)

May 4, 2001 - F - Revised (Manual edited to 0010551 Revision 16)

(Manual edited to 0010580 Revision 2 With ADE System)

October 20, 2001 - G - Revised (Manual edited to B/M 0010580 Revision 5 With ADE System)

January 24, 2002 - H - Revised

July 16, 2002 - I - Revised (Manual edited to B/M 0010580 Revision 21 With ADE System)

September 30, 2002 - J - Added "Prior to SN 0300069000" to Front Cover. Refer to Parts Manual 3121854 for Machines Built SN 0300069000 to Present.

February 1, 2003 - K - Updated Section 3

June 30, 2003 - L - Revised

October 8, 2004 - M - Revised

March 1, 2005 - N - Revised

June 1, 2006 - O - Revised

September 25, 2006 - P - Revised

April 18, 2007 - Q - Revised

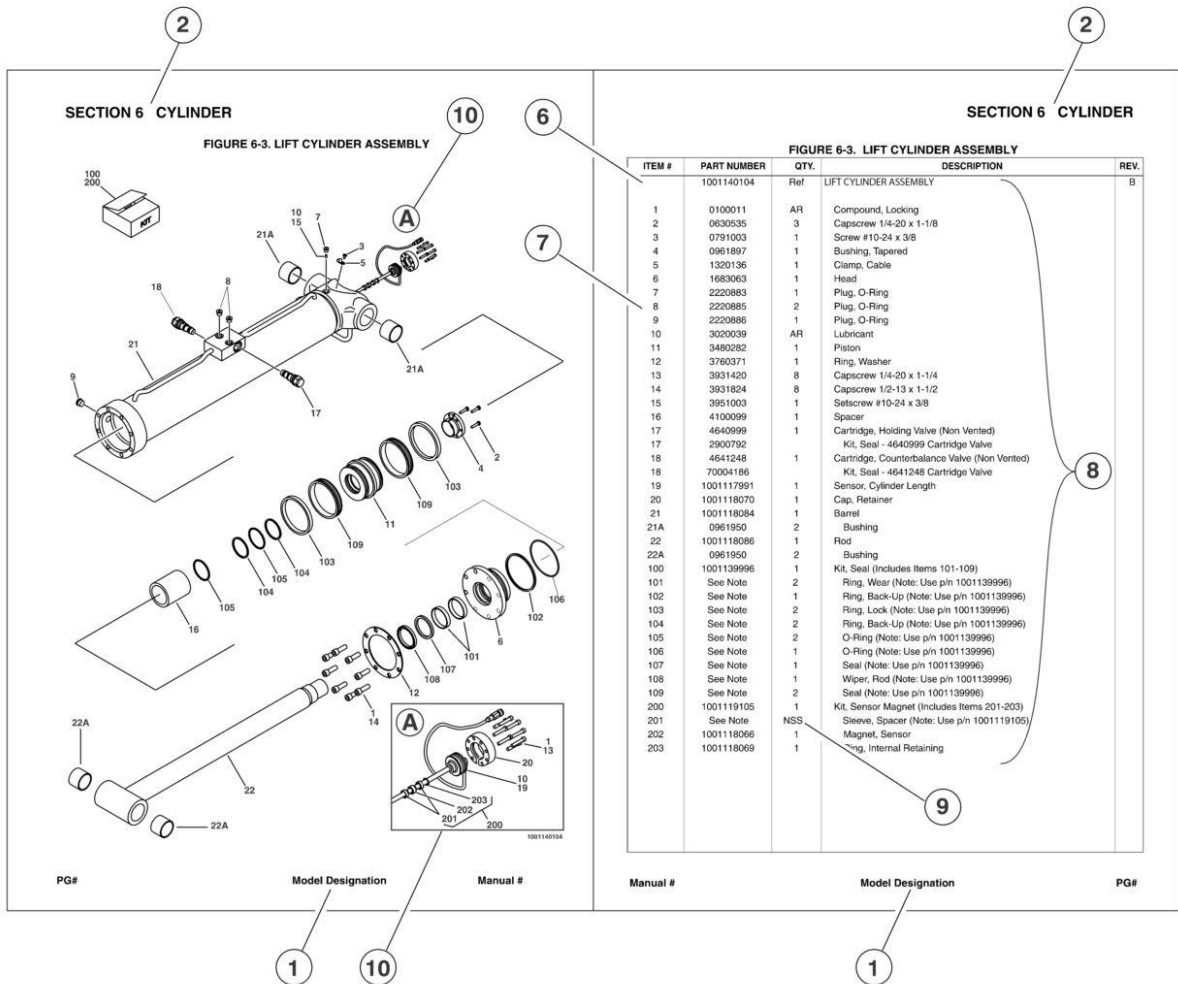
July 31, 2007 - R - Revised

December 10, 2007 - S - Revised

## REVISION LOG

March 15, 2008 - T - Revised  
November 28, 2008 - U - Revised  
May 15, 2009 - V - Revised  
October 15, 2009 - W - Revised  
April 15, 2010 - X - Revised  
December 30, 2010 - Y - Revised  
April 27, 2011 - Z - Revised  
July 29, 2011 - AA - Revised  
October 21, 2011 - AB - Revised  
January 10, 2012 - AC - Revised  
May 31, 2012 - AD - Revised  
July 31, 2012 - AE - Revised  
December 14, 2012 - AF - Revised  
March 26, 2013 - AG - Revised  
June 20, 2013 - AH - Revised  
June 20, 2013 - AI - Revised  
September 16, 2013 - AJ - Revised  
December 30, 2013 - AK - Revised  
April 30, 2014 - AL - Revised  
July 15, 2015 - AM - Revised  
December 14, 2015 - AN - Revised Manual (Revision 1)  
August 31, 2018 - AO - Revised Manual

# GENERAL INFORMATION



## 1) MACHINE IDENTIFICATION

Machines are identified by model and in some cases a combination of models, serial number (SN) or regional standard (i.e ANSI, CE, CSA). Components may also be identified by SN or manufacturer. Common components that may be identified by these characteristics are engines and hydraulic components.

## 2) PARTS MANUAL ORGANIZATION

Product information in this manual is organized under section titles. Frame, Cylinder, Hydraulic and Electrical are a few examples. Each section is organized by figure and page number. The information within the Figure is then organized by item number, part number, description and corresponding illustration (s).

## 3) TABLE OF CONTENTS

A table of contents is found toward the beginning of the manual. Figure number, description and page number are provided for quick reference to the page containing the related information.

## 4) RECOMMENDED SPARE PARTS

The Recommended Spare Parts, located near the end of the manual, reference most frequently used maintenance parts.

## 5) PART NUMBER INDEX

A numerical index listing all part numbers and the corresponding page number(s) appears at the back of the manual.

## GENERAL INFORMATION

### 6) NON-SERVICED PARTS

In some instances, it is necessary to display non-serviced parts, assemblies or installations. In the case of assemblies and installations there will be a Ref in the Qty column. In case of parts that are not available for service within assemblies or components, there will be a NSS (Not Sold Separately) or NLA (No Longer Available) listed in the Qty. column of the manual.

### 7) PARTS LIST ITEM NUMBERS

Numbers shown in the item# column correspond to numbers used in the associated illustration (s). Item numbers which are missing from the sequence in the parts list are not used on that page

### 8) INDENTED PARTS DESCRIPTION

An indented part description is included in the item under which it is indented.

### 9) ABB REVIATION AND SYMBOLS

|             |   |                |                                     |
|-------------|---|----------------|-------------------------------------|
| AC.....     | .. Alternating Current                        | LCD .....      | .. Liquid Crystal Display           |
| ADE. ....   | ..Advanced Design Electronics                 | LED .....      | .. Light Emitting Diodes            |
| ANSI .....  | ..American National Standards Institute       | LH... ..       | .. Left Hand                        |
| AR. ....    | ..As Required                                 | LSS .....      | ..Load Sensing System               |
| ASSY .....  | .. Assembly                                   | M(m)... ..     | .. Metric/Meter                     |
| AUX... ..   | ..A uxiliary                                  | MM (mm) .....  | ..Milimeter                         |
| AWG .....   | ..American WireGauge                          | mA.....        | .. Milliamps                        |
| B/M.....    | .. Bill of Material                           | NLA.....       | ..No Longer Available               |
| CE.. ..     | ..European Conformity                         | NPT .....      | .. National Pipe Threads            |
| CCW .....   | ..Counter Clockwise                           | NSS .....      | ..Not Sold Separately               |
| cm.....     | .. Centimeter                                 | OD.....        | ..Outside Diameter                  |
| CW .....    | ..Clockwise                                   | ORB.....       | .. O-Ring Bos s                     |
| CSA. ....   | ..Canadian Standards Association              | ORFS.....      | .. O-Ring Face Seal                 |
| CYL... ..   | ..Cylinder                                    | OZ (oz). ..... | ..Ounces                            |
| DIA. ....   | ..Diameter                                    | PG .....       | ..Page                              |
| DC .....    | ..Direct Current                              | P/N.....       | ..Part Number                       |
| EMS .....   | .. Emergency Stop                             | qt.....        | ..Quarts                            |
| ENG .....   | ..Engine                                      | QTY.....       | ..Quantity                          |
| FT(ft)..... | ..Feet  | REF .....      | ..Reference                         |
| GA(Ga).. .. | .. Gauge                                      | REV .....      | ..Revision Level                    |
| HYD .....   | ..Hydraulic                                   | RH... ..       | .. Right Hand                       |
| Hz. ....    | ..Her tz                                      | SAE.....       | .. Society of Automotive E ngineers |
| ID.....     | ..Inside Diameter                             | SN.. ..        | ..Serial Number                     |
| in.....     | .. inches                                     | SPEC(S).....   | ..Specifications                    |
| ISO.....    | ..I nternational Organ ization for Stand ards | T/T.....       | ..T urntable                        |
| JIC.....    | ..Joint Indust ry Council                     | UGM .....      | ..Univ ersal G round Module         |
| KG .....    | ..Kilogram                                    | V.....         | .. Volts                            |
| L.....      | ..Liter                                       | W.....         | .. Watts                            |
| LB .....    | ..P ounds                                     | #.....         | .. Number                           |

### 10) ILLUSTRATION REFERENCE LETTERS

When necessary, illustrations may contain reference letters that are intended to track information (i. e. hoses, harnesses) from one point to another or to track visual enlargement of components to show details that may be located in another area on the illustration.

*Note: Due to continuous product improvements, JLG Industries, Inc. reserves the right to make specification changes without prior notification. Contact JLG Industries, Inc. for updated information.*

# TABLE OF CONTENTS

|  |     |
|--|-----|
| SECTION 1 - FRAME.....   | 9   |
| FIGURE 1-1. AXLE AND STEERING INSTALLATION.....  | 10  |
| FIGURE 1-2. TIRE AND WHEEL DRIVE INSTALLATIONS.....  | 14  |
| FIGURE 1-3. DRIVE BRAKE ASSEMBLY.....  | 18  |
| FIGURE 1-4. DRIVE HUB ASSEMBLIES.....  | 20  |
| FIGURE 1-5. DRIVE MOTOR ASSEMBLY.....  | 24  |
| FIGURE 1-6. DRIVE VALVES INSTALLATIONS.....  | 26  |
| SECTION 2 - TURNTABLE.....   | 29  |
| FIGURE 2-1. CONTROL VALVES INSTALLATIONS.....  | 30  |
| FIGURE 2-2. MAIN CONTROL VALVE ASSEMBLY.....   | 34  |
| FIGURE 2-3. ACCESSORY VALVE ASSEMBLY.....  | 38  |
| FIGURE 2-4. TURNTABLE AND SWING DRIVE INSTALLATIONS (Prior to SN 0300068040).....  | 40  |
| FIGURE 2-5. TURNTABLE AND SWING DRIVE INSTALLATIONS (SN 0300068040 through 0300069000).....  | 44  |
| FIGURE 2-6. SWING HUB ASSEMBLY (Prior to SN 0300068040).....   | 46  |
| FIGURE 2-7. SWING BRAKE ASSEMBLY (Prior to SN 0300068040).....   | 48  |
| FIGURE 2-8. SWING MOTOR ASSEMBLY (Prior to SN 0300068040).....   | 50  |
| FIGURE 2-9. SWING MOTOR/HUB ASSEMBLY (SN 0300068040 through 0300069000).....   | 52  |
| FIGURE 2-10. DEUTZ ENGINE INSTALLATION.....  | 58  |
| FIGURE 2-11. GENERATOR INSTALLATION - DEUTZ MACHINES (OPTIONAL).....   | 66  |
| FIGURE 2-12. PISTON PUMP ASSEMBLY.....   | 70  |
| FIGURE 2-13. TANK INSTALLATIONS.....   | 74  |
| FIGURE 2-14. ROTARY COUPLING INSTALLATION.....   | 76  |
| FIGURE 2-15. GROUND CONTROL BOX ASSEMBLY (Prior to SN 0300064432).....   | 78  |
| FIGURE 2-16. GROUND CONTROL BOX ASSEMBLY (ADE SYSTEM) (SN 0300064432 through 0300069000).....                                      | 82  |
| FIGURE 2-17. ELECTRICAL OPTIONS INSTALLATION (TURNTABLE MOUNTED).....  | 86  |
| FIGURE 2-18. HOODS INSTALLATION.....   | 90  |
| FIGURE 2-19. ENGINE TRAY JACK INSTALLATION (OPTIONAL).....   | 94  |
| SECTION 3 - BOOM.....  | 97  |
| FIGURE 3-1. BOOM AND CYLINDER INSTALLATION - 800A.....   | 98  |
| FIGURE 3-2. BOOM AND CYLINDER INSTALLATION - 800AJ.....  | 102 |
| FIGURE 3-3. TOWER BOOM ASSEMBLY.....   | 106 |
| FIGURE 3-4. MAIN BOOM ASSEMBLIES.....  | 110 |
| FIGURE 3-5. ROTATOR ASSEMBLIES (FRONT ENTRY PLATFORM).....   | 114 |
| FIGURE 3-6. ROTATOR ASSEMBLIES (SIDE ENTRY PLATFORM).....  | 118 |
| FIGURE 3-7. VALVE AND LIMIT SWITCH INSTALLATIONS (BOOM MOUNTED).....   | 120 |
| SECTION 4 - PLATFORM.....  | 125 |
| FIGURE 4-1. PLATFORM COMPONENTS INSTALLATION (FRONT ENTRY).....  | 126 |
| FIGURE 4-2. PLATFORM COMPONENTS INSTALLATION (SIDE ENTRY).....   | 130 |
| FIGURE 4-3. PLATFORM CONSOLE ASSEMBLY (Prior to SN 0300064432).....  | 134 |
| FIGURE 4-4. PLATFORM CONSOLE ASSEMBLY (WITH ADE SYSTEM) (SN 0300064432 through 0300069000).....                                    | 140 |
| FIGURE 4-5. CONTROLLER ASSEMBLY (SWING AND LIFT) (Prior to SN 0300064432).....   | 144 |
| FIGURE 4-6. CONTROLLER ASSEMBLY (SWING AND LIFT) (WITH ADE SYSTEM) (ORIGINAL EQUIPMENT) (SN 0300064432 through 0300069000).....    | 146 |
| FIGURE 4-7. CONTROLLER ASSEMBLY (SWING AND LIFT) (WITH ADE SYSTEM) (SERVICE REPLACEMENT) (SN 0300064432 through 0300069000).....   | 148 |
| FIGURE 4-8. CONTROLLER ASSEMBLY (SWING AND LIFT) (WITH ADE SYSTEM) (SERVICE REPLACEMENT) (SN 0300064432 through 0300069000).....   | 150 |
| FIGURE 4-9. CONTROLLER ASSEMBLY (DRIVE AND STEER) (Prior to SN 0300064432).....  | 154 |
| FIGURE 4-10. CONTROLLER ASSEMBLY (DRIVE AND STEER) (WITH ADE SYSTEM) (ORIGINAL EQUIPMENT) (SN 0300064432 through 0300069000).....  | 156 |
| FIGURE 4-11. CONTROLLER ASSEMBLY (DRIVE AND STEER) (WITH ADE SYSTEM) (SERVICE REPLACEMENT) (SN 0300064432 through 0300069000)..... | 158 |
| FIGURE 4-12. CONTROLLER ASSEMBLY (DRIVE AND STEER) (WITH ADE SYSTEM) (SERVICE REPLACEMENT) (SN 0300064432 through 0300069000)..... | 160 |
| FIGURE 4-13. SOFT TOUCH SYSTEM INSTALLATION (OPTIONAL).....  | 162 |
| FIGURE 4-14. LOAD SENSING SYSTEM INSTALLATION (FRENCH SPEC) (Prior to SN 0300067883).....  | 166 |
| FIGURE 4-15. PLATFORM SUPPORT (LOAD SENSING) (SN 0300067883 through 0300069000).....   | 168 |
| SECTION 5 - CYLINDER.....  | 171 |

# TABLE OF CONTENTS

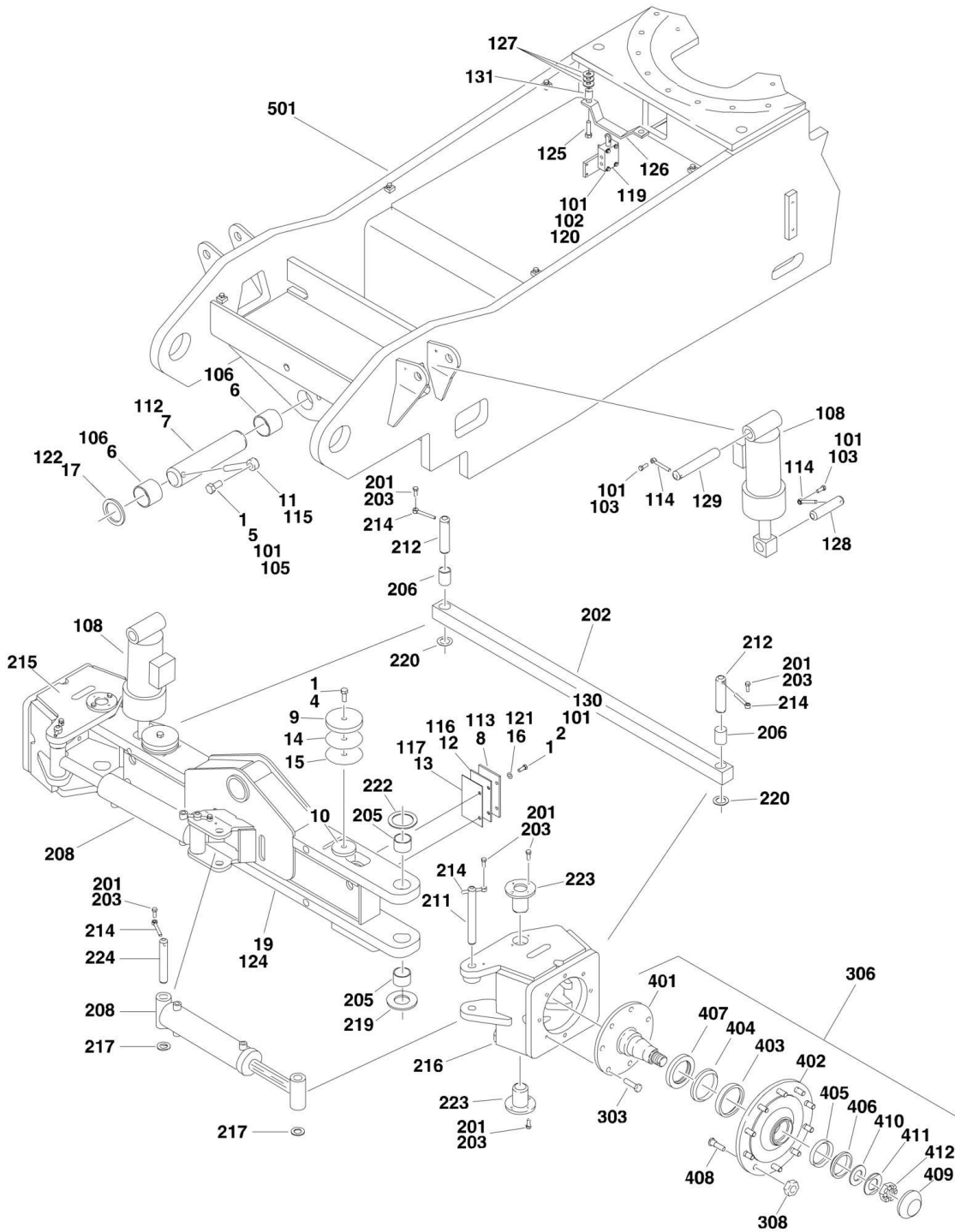
|  |     |
|--|-----|
| FIGURE 5-1. AXLE LOCKOUT CYLINDER ASSEMBLY .....   | 172 |
| FIGURE 5-2. LEVEL CYLINDER ASSEMBLY - PLATFORM SLAVE .....   | 174 |
| FIGURE 5-3. LEVEL CYLINDER ASSEMBLY - PLATFORM SLAVE (800A ONLY) (SERVICE REPLACEMENT) .....           | 178 |
| FIGURE 5-4. LEVEL CYLINDER ASSEMBLY - PLATFORM SLAVE (800AJ ONLY) (SERVICE REPLACEMENT) .....          | 180 |
| FIGURE 5-5. LEVEL CYLINDER ASSEMBLY - UPRIGHT .....  | 182 |
| FIGURE 5-6. LEVEL CYLINDER ASSEMBLY - UPRIGHT (SERVICE REPLACEMENT) .....                              | 184 |
| FIGURE 5-7. LIFT CYLINDER ASSEMBLY - JIB (800AJ ONLY) (ORIGINAL EQUIPMENT) .....                       | 186 |
| FIGURE 5-8. LIFT CYLINDER ASSEMBLY - JIB (800AJ ONLY) (USAGE MAY VARY) (SERVICE REPLACEMENT) .....     | 188 |
| FIGURE 5-9. LIFT CYLINDER ASSEMBLY - JIB (800AJ ONLY) (USAGE MAY VARY) (SERVICE REPLACEMENT) .....     | 190 |
| FIGURE 5-10. LIFT CYLINDER ASSEMBLY - MAIN BOOM (ORIGINAL EQUIPMENT) .....                             | 192 |
| FIGURE 5-11. LIFT CYLINDER ASSEMBLY - MAIN BOOM (SERVICE REPLACEMENT) .....                            | 194 |
| FIGURE 5-12. LIFT CYLINDER ASSEMBLY - TOWER BOOM (ORIGINAL EQUIPMENT) .....                            | 196 |
| FIGURE 5-13. LIFT CYLINDER ASSEMBLY - TOWER BOOM (SERVICE REPLACEMENT) .....                           | 198 |
| FIGURE 5-14. MASTER CYLINDER ASSEMBLY - 800A (ORIGINAL EQUIPMENT) .....                                | 200 |
| FIGURE 5-15. MASTER CYLINDER ASSEMBLY (800A) (SERVICE REPLACEMENT) .....                               | 202 |
| FIGURE 5-16. MASTER CYLINDER ASSEMBLY- 800AJ (ORIGINAL EQUIPMENT) .....                                | 204 |
| FIGURE 5-17. MASTER CYLINDER ASSEMBLY (800AJ) (SERVICE REPLACEMENT) .....                              | 206 |
| FIGURE 5-18. STEER CYLINDER ASSEMBLY .....   | 208 |
| FIGURE 5-19. TELESCOPE CYLINDER ASSEMBLY - MAIN BOOM .....   | 210 |
| FIGURE 5-20. TELESCOPE CYLINDER ASSEMBLY - MAIN BOOM (800A) (SERVICE REPLACEMENT) .....                | 212 |
| FIGURE 5-21. TELESCOPE CYLINDER ASSEMBLY - MAIN BOOM (800AJ) (SERVICE REPLACEMENT) .....               | 214 |
| FIGURE 5-22. TELESCOPE CYLINDER ASSEMBLY - TOWER BOOM .....  | 216 |
| FIGURE 5-23. TELESCOPE CYLINDER ASSEMBLY - TOWER BOOM (SERVICE REPLACEMENT) .....                      | 220 |
| <br>   |     |
| SECTION 6 - HYDRAULIC .....  | 223 |
| <br>   |     |
| FIGURE 6-1. AXLE LOCKOUT HYDRAULIC DIAGRAM .....   | 224 |
| FIGURE 6-2. DRIVE HYDRAULIC DIAGRAM - 2WD .....  | 226 |
| FIGURE 6-3. DRIVE HYDRAULIC DIAGRAM - 4WD .....  | 230 |
| FIGURE 6-4. STANDARD HYDRAULIC DIAGRAM (WITH FENNER AND HALDEX BRAND AUXILIARY PUMP) .....             | 234 |
| FIGURE 6-5. STANDARD HYDRAULIC DIAGRAM (WITH BUCHER BRAND AUXILIARY PUMP) .....                        | 238 |
| FIGURE 6-6. HYDRAULIC DIAGRAM LIST .....   | 242 |
| <br>   |     |
| SECTION 7 - ELECTRICAL .....   | 243 |
| <br>   |     |
| FIGURE 7-1. ELECTRICAL DIAGRAM LIST .....  | 244 |
| FIGURE 7-2. HARNESS COMPONENTS INSTALLATION (Prior to SN 0300064432) .....                             | 246 |
| FIGURE 7-3. HARNESS COMPONENTS INSTALLATION (WITH ADE SYSTEM) (SN 0300064432 through 0300069000) ..... | 254 |
| <br>   |     |
| SECTION 8 - DECALS .....   | 263 |
| <br>   |     |
| FIGURE 8-1. DECALS INSTALLATION .....  | 264 |
| <br>   |     |
| SECTION 9 - RECOMMENDED SERVICE PARTS STOCK .....  | 269 |
| <br>   |     |
| FIGURE 9-1. MODELS 800A/800AJ STANDARD PARTS .....   | 270 |
| FIGURE 9-2. MODELS 800A/800AJ VARIABLE PARTS .....   | 272 |
| <br>   |     |
| SECTION 10 - SPECIAL OPTIONS .....   | 273 |
| <br>   |     |
| FIGURE 10-1. SPECIAL OPTIONS .....   | 274 |
| <br>   |     |
| PART NUMBER INDEX .....  | 277 |



**SECTION 1 - FRAME**

# SECTION 1 - FRAME

## FIGURE 1-1. AXLE AND STEERING INSTALLATION



# SECTION 1 - FRAME

## FIGURE 1-1. AXLE AND STEERING INSTALLATION

| ITEM | PART NUMBER | QTY | DESCRIPTION   | REV |
|------|-------------|-----|---|-----|
|      | 0258286     | Ref | <b>FIXED AXLE INSTALLATION</b>                                  | C   |
| 1    | 0100011     | AR  | Compound, Locking   |     |
| 2    | 0681608     | 4   | Bolt 3/8in-16NC x 1in (Grade 8)                                 |     |
| 4    | 0641820     | 2   | Bolt 1/2in-13NC x 2-1/2in                                       |     |
| 5    | 0642212     | 1   | Bolt 3/4in-10NC x 1-1/2in                                       |     |
| 6    | 0962102     | 2   | Bushing   |     |
| 7    | 3422703     | 1   | Pin, Axle Pivot   |     |
| 8    | 3538047     | 2   | Shim, Wear  |     |
| 9    | 3539877     | 2   | Plate, Stop   |     |
| 10   | 3539878     | 2   | Plate, Stop   |     |
| 11   | 3841287     | 1   | Keeper, Pin   |     |
| 12   | 4070878     | AR  | Shim 1/16in   |     |
| 13   | 4070879     | AR  | Shim 1/8in  |     |
| 14   | 4070944     | AR  | Shim 1/16in   |     |
| 15   | 4070945     | AR  | Shim 1/4in  |     |
| 16   | 4711600     | 4   | Flatwasher 3/8in Narrow   |     |
| 17   | 4740472     | 1   | Washer, Special   |     |
| 19   | 4845658     | 1   | Axle Weldment   |     |
|      |             | Ref | <b>OSCILLATING AXLE INSTALLATION</b>                            |     |
|      | 0258285     | Ref | <b>Oscillating Axle (Prior to SN 0300068040)</b>                | E   |
|      | 0272269     | Ref | <b>Oscillating Axle (SN 0300068040 through 0300069000)</b>      | A   |
| 101  | 0100011     | AR  | Compound, Locking   |     |
| 102  | 0641414     | 4   | Bolt 1/4in-20NC x 1-3/4in                                       |     |
| 103  | 0641608     | 4   | Bolt 3/8in-16NC x 1in   |     |
| 105  | 0642212     | 1   | Bolt 3/4in-10NC x 1-1/2in                                       |     |
| 106  | 0962102     | 2   | Bushing   |     |
| 108  | 1683078     | 2   | Lockout Cylinder Assembly (See CYLINDER SECTION for Breakdown)  |     |
| 112  | 3422703     | 1   | Pin, Main Pivot   |     |
| 113  | 3538047     | 2   | Shim, Axle Wear   |     |
| 114  | 3841143     | 4   | Shaft, Keeper 3/8in Dia x 3in                                   |     |
| 115  | 3841287     | 1   | Shaft, Keeper 3/8in Dia x 6in                                   |     |
| 116  | 4070878     | 2   | Shim, Axle Wear   |     |
| 117  | 4070879     | 2   | Shim, Axle Wear   |     |
| 119  | 4640871     | 1   | Valve, Lockout  |     |
| 119  | 7012693     | 1   | Seal Kit - 4640871 Valve  |     |
| 119  | 7002840     | 1   | Pin Removal Tool  |     |
| 120  | 4711400     | 4   | Flatwasher 1/4in Narrow   |     |
| 121  | 4711600     | 4   | Flatwasher 3/8in Narrow   |     |
| 122  | 4740472     | 1   | Washer, Special   |     |
| 124  | 4845658     | 1   | Axle Weldment   |     |
| 125  |             | Ref | <b>Bolt Options:</b>  |     |
| 125  | 0641814     | 2   | Bolt 1/2in-13NC x 1-3/4in <b>(Prior to SN 0300068040)</b>       |     |
| 125  | 0641816     | 2   | Bolt 1/2in-13NC x 2in <b>(SN 0300068040 through 0300069000)</b> |     |
| 126  | 1100086     | 1   | Plate, Cam Lockout  |     |
| 127  | 4751800     | 4   | Flatwasher 1/2in  |     |
| 128  | 3422702     | 2   | Pin   |     |
| 129  | 3422755     | 2   | Pin   |     |
| 130  | 0681608     | 4   | Bolt 3/8in-16NC x 1in (Grade 8)                                 |     |
| 131  | 4568514     | 2   | Spacer, Tube <b>(SN 0300068040 through 0300069000)</b>          |     |

## SECTION 1 - FRAME

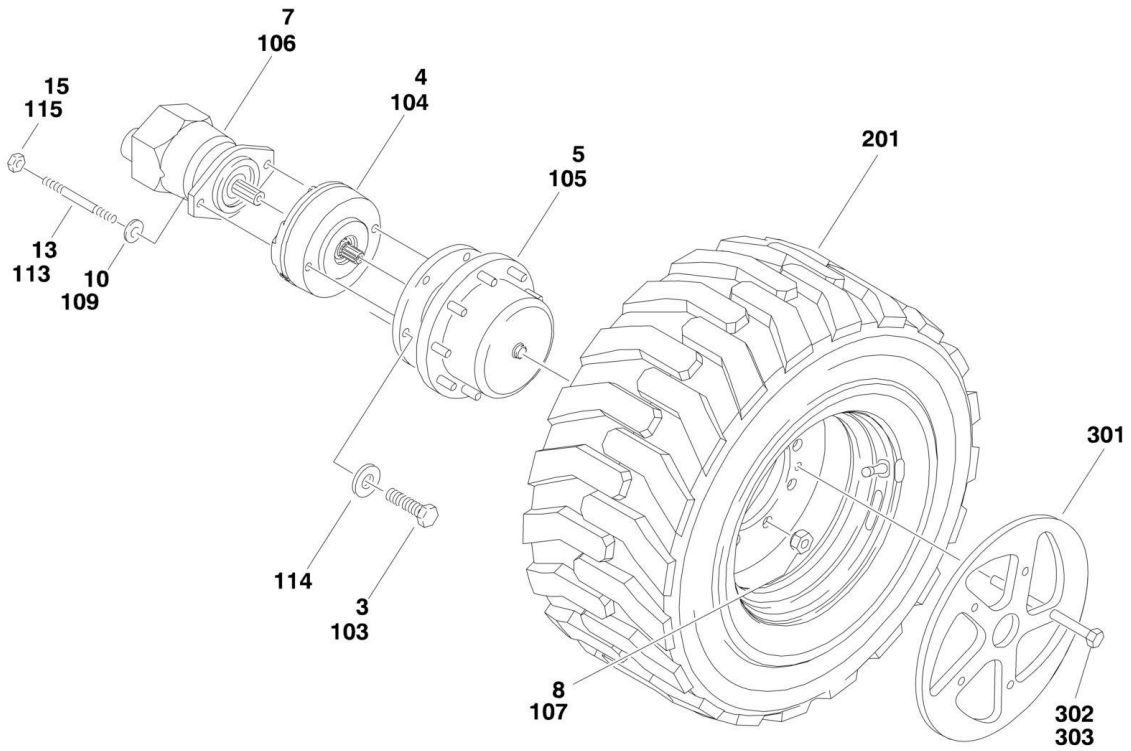
| ITEM | PART NUMBER | QTY | DESCRIPTION   | REV |
|------|-------------|-----|---|-----|
|      |             | Ref | <b>STEERING INSTALLATIONS</b>   |     |
|      | 0258287     | Ref | <b>Steering Installations 2WS</b>   | F   |
|      | 0258909     | Ref | <b>Steering Installations 4WS (Rear Steering Typical / Double Qty Listed for 4WS)</b>   | A   |
|      | 1001137261  | Ref | <b>King Pin Kit</b>   | A   |
|      |             | Ref | <b>Note: Before ordering king pin kit, verify that machines is equipped with the original components (king pin with 4 bolt holes) or service kit components (king pin with 8 bolt holes). If the king pin hole in the axle measurement exceeds 2.252in OD or is elongated, use King Pin Kit p/n 1001137261.</b> |     |
| 201  | 0100011     | AR  | Compound, Locking   |     |
| 202  | 0362726     | 1   | Tie-Rod   |     |
| 203  | 0641608     | 14  | Bolt 3/8in-16NC x 1in   |     |
| 205  | 0962224     | 4   | Bearing   |     |
| 206  | 0962152     | 2   | Bearing   |     |
| 208  |             | Ref | Steer Cylinder Assembly (See CYLINDER SECTION for Breakdown)  |     |
| 208  | 1683605     | NLA | Steer Cylinder Assembly 2WS - Original Equipment (Use p/n 1683740)  |     |
| 208  | 1683740     | 2   | Steer Cylinder Assembly 2WS - Service Replacement   |     |
| 208  | 1683740     | 2   | Steer Cylinder Assembly 4WS   |     |
| 211  | 3422701     | 2   | Pin, Steer, Spindle Attach  |     |
| 212  | 3422702     | 2   | Pin, Tie-Rod  |     |
| 214  | 3841143     | 6   | Shaft, Keeper 3/8in Dia x 3in   |     |
| 215  | 4130357     | 1   | Spindle Weldment (RH)   |     |
| 216  | 4130358     | 1   | Spindle Weldment (LH)   |     |
| 217  | 4740111     | 4   | Washer, Special   |     |
| 219  | 4740463     | 2   | Washer, Thrust  |     |
| 220  | 4740473     | 2   | Washer, Special   |     |
| 222  | 4740256     | 2   | Washer, Thrust  |     |
| 223  | 3422753     | 4   | Kingpin   |     |
| 224  | 3422754     | 2   | Pin, Attach   |     |
|      |             | Ref | <b>HUB INSTALLATION (2WD ONLY) OPTIONS:</b>   |     |
|      | 0258288     | Ref | <b>Hub Installation (2WD Only) (Prior to SN 0300056875)</b>   | C   |
|      | 0270209     | Ref | <b>Hub Installation (2WD Only) (SN 0300056875 through 0300069000)</b>   | B   |
| 303  | 0682016     | 16  | Bolt 5/8in-16NC x 2in (Grade 8)   |     |
| 306  | 2780229     | 2   | Hub Assembly (See Items 401-412 for Breakdown)  |     |
| 308  | 3300007     | 20  | Lugnut  |     |
|      | 2780229     | Ref | <b>HUB ASSEMBLY (2WD ONLY)</b>  | A   |
| 401  | 7017052     | 2   | Spindle (1 per Assembly)  |     |
| 402  | 7017053     | 2   | Housing (1 per Assembly)  |     |
| 403  | 7010404     | 2   | Cup, Bearing - Inner (1 per Assembly)   |     |
| 404  | 7010405     | 2   | Cone, Bearing - Inner (1 per Assembly)  |     |
| 405  | 7017056     | 2   | Cup, Bearing - Outer (1 per Assembly)   |     |
| 406  | 7017055     | 2   | Cone, Bearing - Outer (1 per Assembly)  |     |
| 407  | 7010406     | 2   | Seal, Lip (1 per Assembly)  |     |
| 408  | 7000265     | 20  | Stud (10 per Assembly)  |     |
| 409  | 7017054     | 2   | Dust Cap (1 per Assembly)   |     |
| 410  | 7017051     | 2   | Washer, Special (1 per Assembly)  |     |
| 411  | 7017057     | 2   | Washer, Tanged (1 per Assembly)   |     |
| 412  | 7017058     | 2   | Nut, Bearing (1 per Assembly)   |     |
| 501  |             | Ref | <b>FRAME WELDMENT OPTIONS:</b>  |     |

## SECTION 1 - FRAME

| ITEM | PART NUMBER | QTY | DESCRIPTION   | REV |
|------|-------------|-----|---|-----|
| 501  |             | Ref | Frame Weldment - 2WD/2WS with Foam-Filled Tires Options:                                  |     |
| 501  | 2360488     | 1   | Frame Weldment - 2WD/2WS with Foam-Filled Tires <b>(Prior to SN 0300068040)</b>           |     |
| 501  | 2360588     | 1   | Frame Weldment - 2WD/2WS with Foam-Filled Tires <b>(SN 0300068040 through 0300068373)</b> |     |
| 501  | 2360601     | 1   | Frame Weldment - 2WD/2WS with Foam-Filled Tires <b>(SN 0300068374 through 0300069000)</b> |     |
| 501  |             | Ref | Frame Weldment - 4WD/2WS with Foam-Filled Tires Options:                                  |     |
| 501  | 2360490     | 1   | Frame Weldment - 4WD/2WS with Foam-Filled Tires <b>(Prior to SN 0300068040)</b>           |     |
| 501  | 2360590     | 1   | Frame Weldment - 4WD/2WS with Foam-Filled Tires <b>(SN 0300068040 through 0300068373)</b> |     |
| 501  | 2360603     | 1   | Frame Weldment - 4WD/2WS with Foam-Filled Tires <b>(SN 0300068374 through 0300069000)</b> |     |
| 501  |             | Ref | Frame Weldment - 4WD/4WS with Foam-Filled Tires Options:                                  |     |
| 501  | 2360494     | 1   | Frame Weldment - 4WD/4WS with Foam-Filled Tires <b>(Prior to SN 0300068040)</b>           |     |
| 501  | 2360591     | 1   | Frame Weldment - 4WD/4WS with Foam-Filled Tires <b>(SN 0300068040 through 0300069000)</b> |     |

# SECTION 1 - FRAME

## FIGURE 1-2. TIRE AND WHEEL DRIVE INSTALLATIONS



# SECTION 1 - FRAME

## FIGURE 1-2. TIRE AND WHEEL DRIVE INSTALLATIONS

| ITEM | PART NUMBER | QTY | DESCRIPTION  | REV |
|------|-------------|-----|--|-----|
|      |             | Ref | <b>WHEEL DRIVE INSTALLATION OPTIONS: (2WD/2WS)</b>                           |     |
|      | 0258288     | Ref | <b>Wheel Drive Installation (Prior to SN 0300056875)</b>                     | C   |
|      | 0270209     | Ref | <b>Wheel Drive Installation (SN 0300056875 through 0300069000)</b>           | B   |
| 3    | 0682016     | 16  | Bolt 5/8in-11NC x 2in (Grade 8)  |     |
| 4    |             | Ref | Drive Brake Assembly Options: (See DRIVE BRAKE ASSEMBLY for Breakdown)       |     |
| 4    | 0920112     | 2   | Drive Brake Assembly ( <b>Prior to SN 0300056875</b> )                       |     |
| 4    | 0920117     | NLA | Drive Brake Assembly (Use p/n 0920119)                                       |     |
| 5    | 2780227     | 2   | Drive Hub Assembly (See DRIVE HUB ASSEMBLIES for Breakdown)                  |     |
| 7    | 3160204     | 2   | Drive Motor Assembly (See DRIVE MOTOR ASSEMBLY for Breakdown)                |     |
| 8    | 3300007     | 20  | Nut, Wheel   |     |
| 10   |             | Ref | Stud Options:  |     |
| 10   | 4300130     | 4   | Stud ( <b>Prior to SN 0300056875</b> )                                       |     |
| 10   | 4300097     | 4   | Stud ( <b>SN 0300056875 through 0300069000</b> )                             |     |
| 13   | 4891800     | 4   | Flatwasher 1/2in   |     |
| 15   |             | Ref | Nut Options:   |     |
| 15   | 3311805     | 4   | Locknut 1/2in - 13 NC ( <b>Prior to SN 0300056875</b> )                      |     |
| 15   | 3311801     | 4   | Nut 1/2in - 13 NC ( <b>SN 0300056875 through 0300069000</b> )                |     |
|      |             | Ref | <b>WHEEL DRIVE INSTALLATION OPTIONS:</b>                                     |     |
|      | 0258289     | Ref | <b>Wheel Drive Installation (4WD/2WS) (Prior to SN 0300056875)</b>           | D   |
|      | 0270210     | Ref | <b>Wheel Drive Installation (4WD/2WS) (SN 0300056875 through 0300069000)</b> | B   |
|      | 0258910     | Ref | <b>Wheel Drive Installation (4WD/4WS) (Prior to SN 0300056875)</b>           | A   |
|      | 0270211     | Ref | <b>Wheel Drive Installation (4WD/4WS) (SN 0300056875 through 0300069000)</b> | B   |
| 103  | 0682016     | 32  | Bolt 5/8in-11NC x 2in (Grade 8)  |     |
| 104  |             | Ref | Drive Brake Assembly Options: (See DRIVE BRAKE ASSEMBLY for Breakdown)       |     |
| 104  | 0920112     | 4   | Drive Brake Assembly ( <b>Prior to SN 0300056875</b> )                       |     |
| 104  | 0920117     | NLA | Drive Brake Assembly (Use p/n 0920119)                                       |     |
| 105  | 2780228     | 4   | Drive Hub Assembly (See DRIVE HUB ASSEMBLIES for Breakdown)                  |     |
| 106  | 3160204     | 4   | Drive Motor Assembly (See DRIVE MOTOR ASSEMBLY for Breakdown)                |     |
| 107  | 3300007     | 40  | Nut, Wheel   |     |
| 109  |             | Ref | Stud Options:  |     |
| 109  | 4300130     | 8   | Stud ( <b>Prior to SN 0300056875</b> )                                       |     |
| 109  | 4300097     | 8   | Stud ( <b>SN 0300056875 through 0300069000</b> )                             |     |
| 113  | 4891800     | 8   | Flatwasher, 1/2in Dia Plain Steel  |     |
| 114  | 4892000     | 32  | Flatwasher, 5/8in Dia Plain Steel  |     |
| 115  |             | Ref | Nut Options:   |     |
| 115  | 3311805     | 8   | Locknut 1/2in - 13 NC ( <b>Prior to SN 0300056875</b> )                      |     |
| 115  | 3311801     | 8   | Nut 1/2in - 13 NC ( <b>SN 0300056875 through 0300069000</b> )                |     |
|      |             | Ref | <b>TIRE AND WHEEL INSTALLATIONS</b>  |     |
|      | 0258397     | Ref | <b>IN385/65D19.5 (15 x 19.5) Foam-Filled (Prior to SN 0300068040)</b>        | B   |
|      | 0270886     | Ref | <b>15-625 Foam-Filled (SN 0300068040 through 0300069000)</b>                 | A   |
|      | 0258399     | Ref | <b>IN445/55D19.5 (18 x 19.5) Foam-Filled (Prior to SN 0300068040)</b>        | B   |
|      | 0270888     | Ref | <b>18-625 Foam-Filled (SN 0300068040 through 0300069000)</b>                 | A   |

## SECTION 1 - FRAME

| ITEM | PART NUMBER | QTY | DESCRIPTION   | REV |
|------|-------------|-----|---|-----|
| 201  |             | Ref | Tire and Wheel Installations <b>(Prior to SN 0300068040)</b>  |     |
| 201  | 0258327     | 2   | IN385/65D19.5 (15 x 19.5) Foam-Filled Left Side   |     |
| 201  | 0258328     | 2   | IN385/65D19.5 (15 x 19.5) Foam-Filled Right Side  |     |
| 201  | 0258333     | 2   | IN445/55D19.5 (18 x 19.5) Foam-Filled Left Side   |     |
| 201  | 0258334     | 2   | IN445/55D19.5 (18 x 19.5) Foam-Filled Right Side  |     |
| 201  |             | Ref | Tire and Wheel Installations <b>(SN 0300068040 through 0300069000)</b>  |     |
| 201  | 0271085     | 2   | 15-625 Foam-Filled Left Side  |     |
| 201  | 0271086     | 2   | 15-625 Foam-Filled Right Side   |     |
| 201  | 0271090     | 2   | 18-625 Foam-Filled Left Side  |     |
| 201  | 0271091     | 2   | 18-625 Foam-Filled Right Side   |     |
|      |             | Ref | <b>Note: Assemblies may require ballast/foam filling to manufacturer's specifications prior to installing on a machine. Refer to Operation and Safety or Service and Maintenance Manuals. Purchase individual tire and/or rim only if able to foam fill tire and wheel assembly, otherwise, purchase complete assembly.</b> |     |
| 201  |             | Ref | Replacement Tire Options:   |     |
| 201  | 4520204     | 1   | IN385/65D19.5 (15 x 19.5)   |     |
| 201  | 4520252     | 1   | 15-625  |     |
| 201  | 4520205     | 1   | IN445/55D19.5 (18 x 19.5)   |     |
| 201  | 4520253     | 1   | 18.625  |     |
|      | 0256196     | Ref | <b>WHEEL COVER INSTALLATION (OPTIONAL)</b>  | 2-A |
| 301  | 1670776     | 4   | Cover, Wheel  |     |
| 302  | 0641550     | 20  | Bolt 5/16in - 18NC x 6-1/4in  |     |
| 303  | 0100011     | AR  | Compound, Locking   |     |

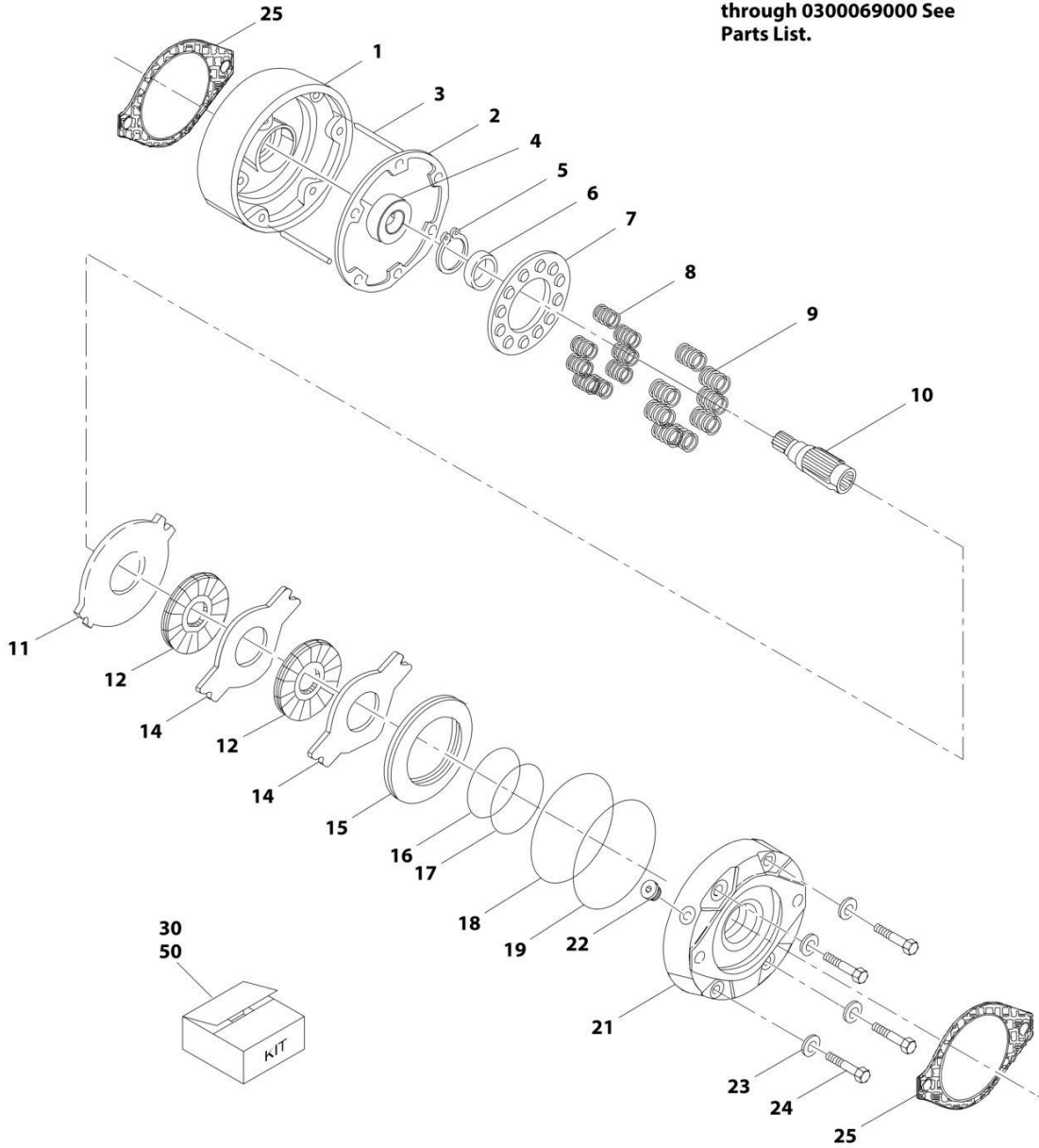




# SECTION 1 - FRAME

## FIGURE 1-3. DRIVE BRAKE ASSEMBLY

**NOTE: Figure Applies to Machines  
Prior to SN 0300056875 Only.  
For Machines SN 0300056875  
through 0300069000 See  
Parts List.**



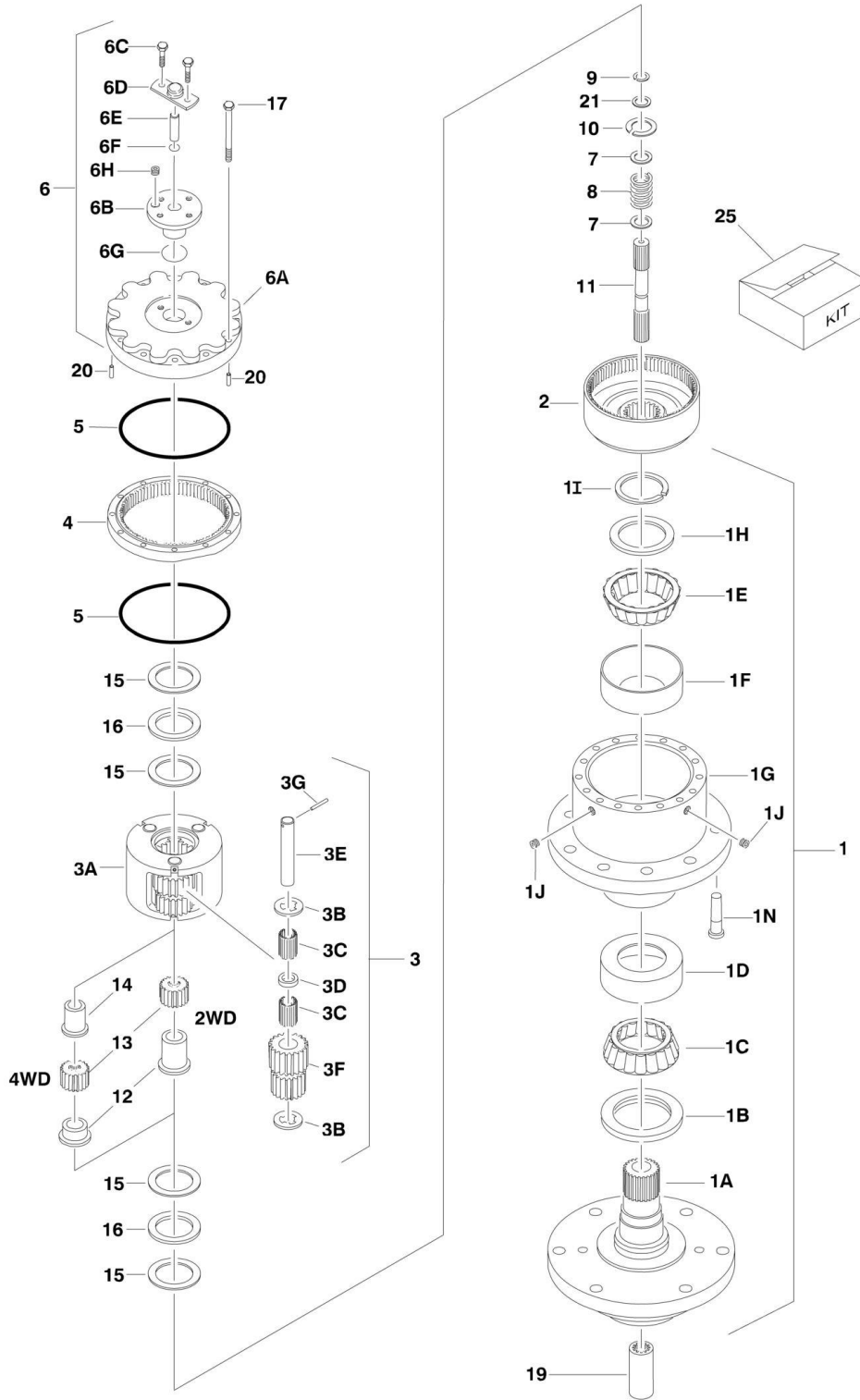
# SECTION 1 - FRAME

## FIGURE 1-3. DRIVE BRAKE ASSEMBLY

| ITEM | PART NUMBER | QTY | DESCRIPTION   | REV |
|------|-------------|-----|---|-----|
|      | 0920112     | Ref | <b>DRIVE BRAKE ASSEMBLY (Prior to SN 0300056875)</b>  | B   |
| 1    | 7003451     | 1   | Housing   |     |
| 2    | 7003452     | 1   | Gasket  |     |
| 3    | 7003094     | 2   | Pin, Torque   |     |
| 4    | 7003049     | 1   | Bearing, Ball   |     |
| 5    | 7003453     | 1   | Ring, Retaining   |     |
| 6    | 7003050     | 1   | Seal  |     |
| 7    | 7003454     | 1   | Retainer, Spring  |     |
| 8    | 7000798     | 10  | Spring, Compression (Small)   |     |
| 9    | 7000782     | 10  | Spring, Compression (Large)   |     |
| 10   | 7003455     | 1   | Shaft   |     |
| 11   | 7003456     | 1   | Disc, Primary   |     |
| 12   | 7003457     | 2   | Disc, Rotating  |     |
| 14   | 7003459     | 2   | Disc, Stationary  |     |
| 15   | 7003460     | 1   | Piston  |     |
| 16   | 7000722     | 1   | Ring, Back-up   |     |
| 17   | 7000723     | 1   | O-Ring  |     |
| 18   | 7000724     | 1   | Ring, Back-up   |     |
| 19   | 7000725     | 1   | O-Ring  |     |
| 20   | 7000796     | 1   | Screw, Bleeder  |     |
| 21   | 7003461     | 1   | Plate, Power  |     |
| 22   | 7000728     | 1   | Plug, Protective  |     |
| 23   | 7003462     | 4   | Flatwasher 1/2in  |     |
| 24   | 7003463     | 4   | Bolt 1/2in-13NC   |     |
| 25   | 7000731     | 2   | Gasket  |     |
| 30   | See Note    | 1   | Seal Kit - 0920112 Brake (Note: Not Available for Purchase)   |     |
|      | 0920117     | Ref | <b>DRIVE BRAKE ASSEMBLY (SN 0300056875 through 0300069000)</b>  |     |
| 50   | 7018612     | 1   | Repair Kit (Includes Case Seal, Piston Inner and Outer O-Rings and Back-up Rings, Stator Disc, Rotor Disc, Return Plate, Springs, Oil Seal, Bearing, 2 Retaining Rings and 2 Mounting Face Gaskets) |     |
|      | 7000731     | 2   | Gasket, Mounting Face   |     |
|      | 7007990     | 1   | O-Ring, Mounting (1 Per Assembly) (0920119 Brake)   |     |
|      |             | Ref | <b>Note: No Other Parts Available.</b>  |     |

# SECTION 1 - FRAME

## FIGURE 1-4. DRIVE HUB ASSEMBLIES



# SECTION 1 - FRAME

## FIGURE 1-4. DRIVE HUB ASSEMBLIES

| ITEM | PART NUMBER | QTY | DESCRIPTION   | REV |
|------|-------------|-----|---|-----|
|      | 2780227     | Ref | <b>DRIVE HUB ASSEMBLY (2WD)</b>   | A   |
|      | 2780228     | Ref | <b>DRIVE HUB ASSEMBLY (4WD)</b>   | A   |
| 1    | See Note    | NSS | Spindle/Housing Assembly (Note: Not Available - Purchase Individual Components) |     |
| 1A   | 7017031     | 1   | Spindle   |     |
| 1B   | 7000236     | 1   | Seal  |     |
| 1C   | 7000273     | 1   | Cone, Bearing   |     |
| 1D   | 7000272     | 1   | Cup, Bearing  |     |
| 1E   | 7000275     | 1   | Cone, Bearing   |     |
| 1F   | 7000274     | 1   | Cup, Bearing  |     |
| 1G   | 7017033     | 1   | Housing   |     |
| 1H   | 7000239     | 1   | Washer, Thrust  |     |
| 1I   | 7000240     | 1   | Ring, Retaining   |     |
| 1J   | 7001928     | 1   | Plug, Pipe  |     |
| 1N   | 7000265     | 10  | Stud, Wheel   |     |
| 2    | 7017034     | 1   | Gear, Ring  |     |
| 3    | See Note    | NSS | Carrier Assembly (Note: Not Available - Purchase Individual Components)         |     |
| 3A   | 7017036     | 1   | Carrier   |     |
| 3B   | 7001901     | 6   | Thrustwasher, Tanged  |     |
| 3C   | 7001902     | 96  | Bearing, Needle   |     |
| 3D   | 7001903     | 3   | Spacer, Thrust  |     |
| 3E   | 7017040     | 3   | Shaft, Planet   |     |
| 3F   | 7017037     | 3   | Gear, Cluster   |     |
| 3G   | 7001906     | 3   | Roll Pin  |     |
| 4    | 7017035     | 1   | Gear, Internal  |     |
| 5    | 7000224     | 1   | O-Ring  |     |
| 6    | See Note    | NSS | Cover Assembly (Note: Not Available - Purchase Individual Components)           |     |
| 6A   | 7024155     | 1   | Cover   |     |
| 6B   | 7017042     | 1   | Cap   |     |
| 6C   | 7000220     | 4   | Bolt 1/4in-20NC x 3/4in   |     |
| 6D   | 7000231     | 1   | Cap, Disengage  |     |
| 6E   | 7000235     | 1   | Rod, Disengage  |     |
| 6F   | 7000213     | 1   | O-Ring  |     |
| 6G   | 7000238     | 1   | O-Ring  |     |
| 6H   | 7017048     | 1   | Plug, Pipe  |     |
| 7    | 7000282     | 2   | Thrustwasher  |     |
| 8    | 7000283     | 1   | O-Ring  |     |
| 9    | 7000284     | 1   | Ring, Retaining   |     |
| 10   | 7017027     | 1   | Ring, Retaining   |     |
| 11   |             | Ref | Shaft, Input Options:   |     |
| 11   | 7017039     | 1   | Shaft, Input 2WD  |     |
| 11   | 7017044     | 1   | Shaft, Input 4WD  |     |
| 12   |             | Ref | Spacer, Input Options:  |     |
| 12   | 7017041     | 1   | Spacer, Input 2WD   |     |
| 12   | 7017045     | 1   | Spacer, Input 4WD   |     |
| 13   |             | Ref | Gear, Sun Options:  |     |
| 13   | 7017038     | 1   | Gear, Sun 2WD   |     |
| 13   | 7017043     | 1   | Gear, Sun 4WD   |     |

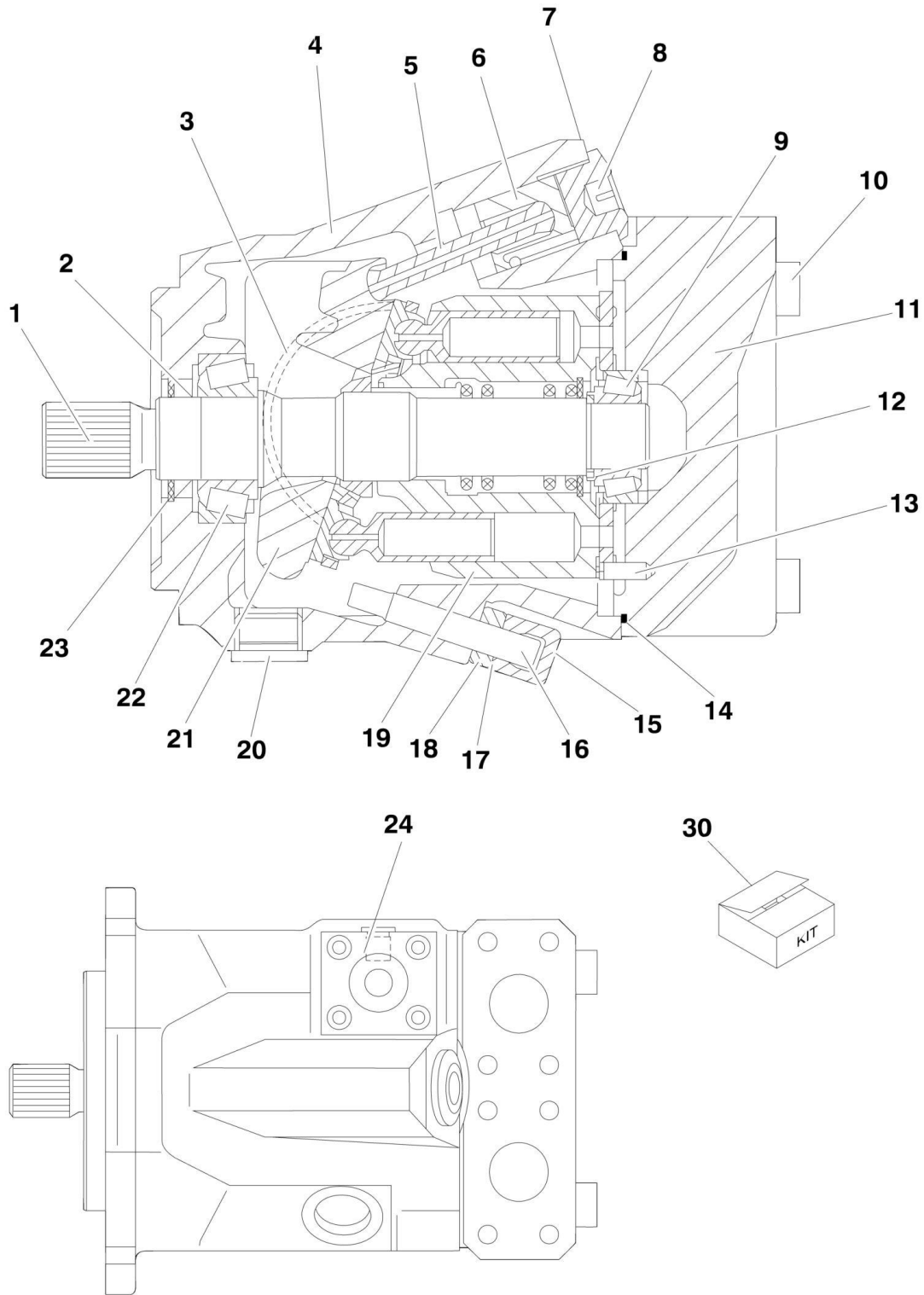
## SECTION 1 - FRAME

| ITEM | PART NUMBER  | QTY | DESCRIPTION  | REV |
|------|--------------|-----|--|-----|
| 14   |              | Ref | Spacer, Input Options:                               |     |
| 14   | Not Required | 0   | Spacer, Input 2WD                                    |     |
| 14   | 7017046      | 1   | Spacer, Input 4WD                                    |     |
| 15   | 7000287      | 4   | Thrustwasher   |     |
| 16   | 7000288      | 2   | Thrustwasher   |     |
| 17   | 7000289      | 12  | Bolt 3/8in-16NC x 2-1/2in (Grade 8)                  |     |
| 19   | 7000290      | 1   | Coupling   |     |
| 20   | 7017047      | 2   | Pin, Dowel   |     |
| 21   |              | Ref | Thrustwasher   |     |
| 21   | 7017050      | 1   | Thrustwasher 2WD                                     |     |
| 21   | Not Required | 0   | Thrustwasher 4WD                                     |     |
| 25   | 7017068      | 1   | Seal Kit (Includes Items 1B, 1I, 5, 6F, 6G, 15 & 16) |     |



# SECTION 1 - FRAME

## FIGURE 1-5. DRIVE MOTOR ASSEMBLY





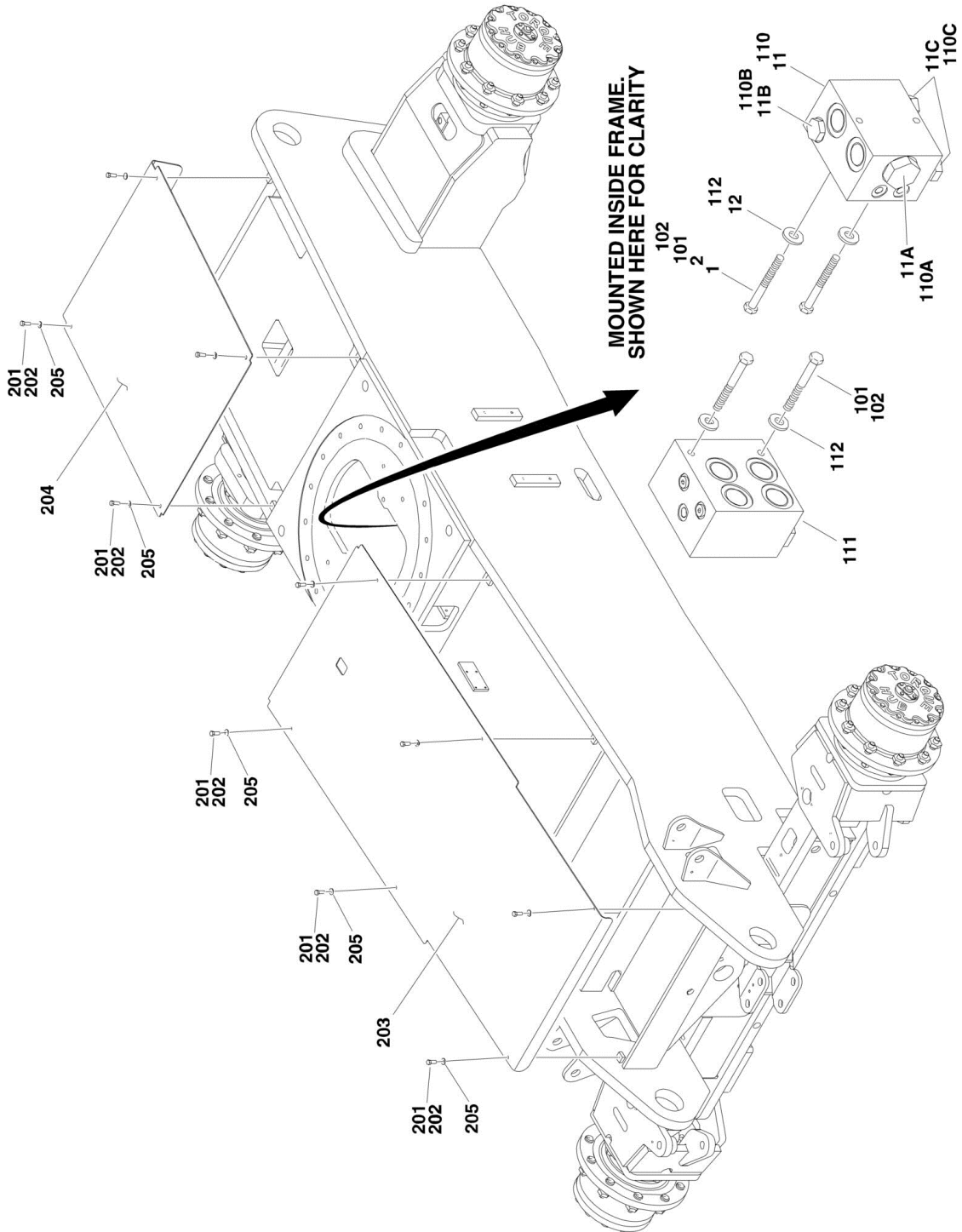
## SECTION 1 - FRAME

### FIGURE 1-5. DRIVE MOTOR ASSEMBLY

| ITEM | PART NUMBER | QTY | DESCRIPTION  | REV |
|------|-------------|-----|--|-----|
|      | 3160204     | Ref | <b>DRIVE MOTOR ASSEMBLY</b>                                      | A   |
| 1    | 7012701     | 1   | Shaft - 13 Teeth   |     |
| 2    | See Note    | NSS | Seal, Shaft (Note: Use Item 30)                                  |     |
| 3    | 7012702     | 2   | Bearing, Cradle  |     |
| 4    | See Note    | 1   | Housing (Note: Not Available - Purchase Complete Assembly)       |     |
| 5    | 7012703     | 1   | Rod, Piston  |     |
| 6    | 7012704     | 1   | Piston, Stroking   |     |
| 7    | See Note    | NSS | O-Ring (Note: Use Item 30)                                       |     |
| 8    | 7012705     | 1   | Nut, Adapter   |     |
| 9    | 7012706     | 1   | Bearing, Roller  |     |
| 10   | 7012707     | 4   | Bolt, Metric Socket Head M12 x 65                                |     |
| 11   | 7012708     | 1   | Block, Port  |     |
| 12   | 7012709     | 1   | Shim   |     |
| 13   | 7012710     | 1   | Pin, Dowel M6 x 18   |     |
| 14   | See Note    | NSS | O-Ring (Note: Use Item 30)                                       |     |
| 15   | 7012711     | 1   | Nut, Cap M10 x 1   |     |
| 16   | 7012712     | 1   | Screw, Adjusting   |     |
| 17   | See Note    | NSS | O-Ring (Note: Use Item 30)                                       |     |
| 18   | 7012713     | 1   | Nut, Jam M10 x 1   |     |
| 19   | 7012716     | 1   | Rotary Group Kit   |     |
| 20   | See Note    | NSS | Plug (Note: Not Available - Purchase Locally)                    |     |
| 21   | 7024036     | 1   | Plate, Swash   |     |
| 22   | 7012714     | 1   | Bearing, Roller  |     |
| 23   | 7012715     | 1   | V-Ring   |     |
| 24   | 7012700     | 1   | Control Plate Assembly   |     |
| 30   | 2900788     | 1   | Seal Kit (Includes Items 2, 7, 14, 17 and O-Rings under Item 24) |     |

# SECTION 1 - FRAME

## FIGURE 1-6. DRIVE VALVES INSTALLATIONS



# SECTION 1 - FRAME

## FIGURE 1-6. DRIVE VALVES INSTALLATIONS

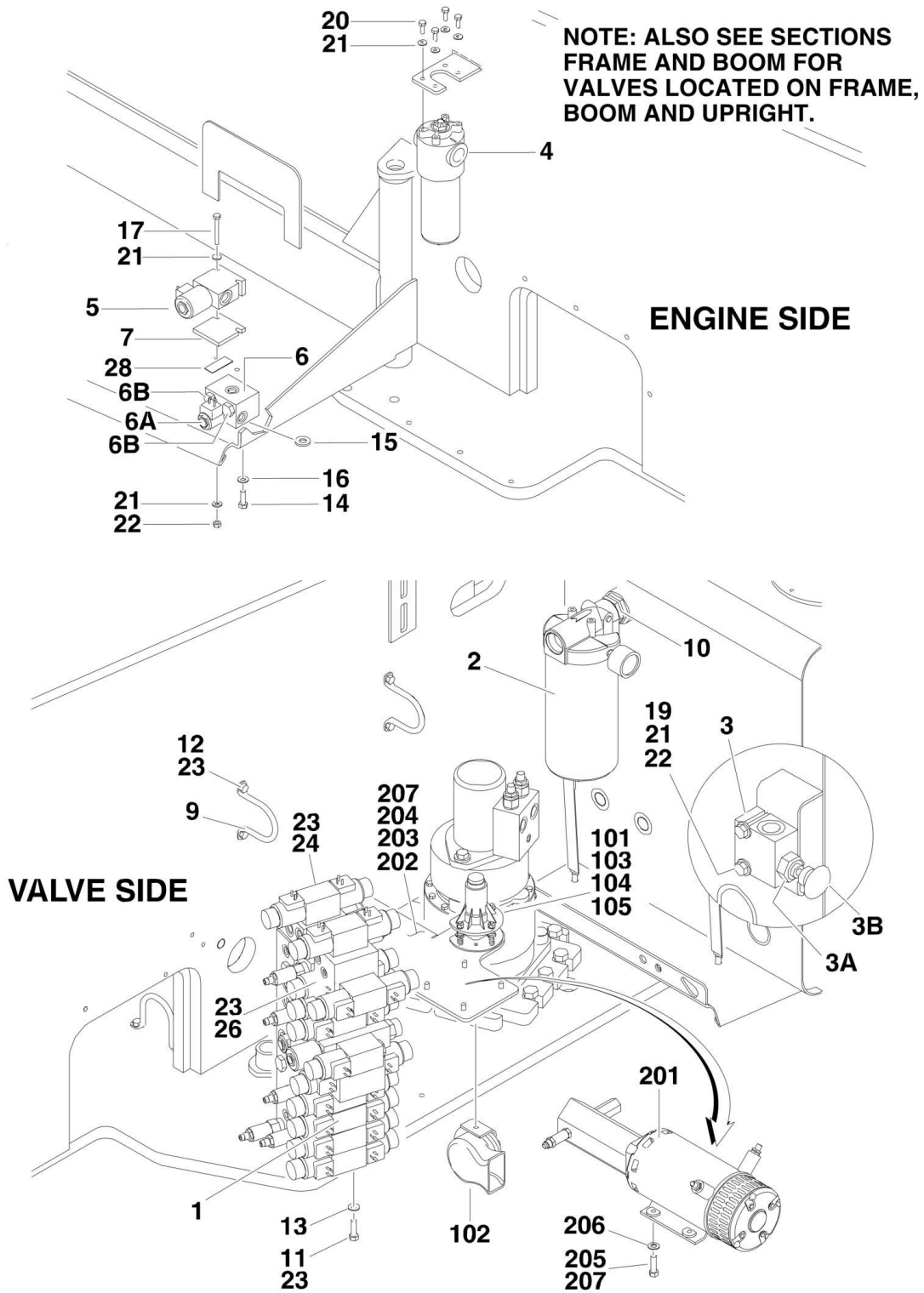
| ITEM | PART NUMBER | QTY | DESCRIPTION   | REV |
|------|-------------|-----|---|-----|
|      |             | Ref | <b>DRIVE VALVES INSTALLATION - 2WD/2WS OPTIONS:</b>                           |     |
|      | 0258288     | Ref | <b>Drive Valves Installation - 2WD/2WS (Prior to SN 0300056875)</b>           | C   |
|      | 0270209     | Ref | <b>Drive Valves Installation - 2WD/2WS (SN 0300056875 through 0300069000)</b> | B   |
| 1    | 0100011     | AR  | Compound, Locking,  |     |
| 2    | 0641628     | 2   | Bolt 3/8in-16NC x 3-1/2in   |     |
| 11   | 4641041     | 1   | Flow Divider Valve Assembly   |     |
| 11A  | 7022396     | 1   | Cartridge, Flow Divider   |     |
| 11A  | 7021625     | 1   | Seal Kit - 7022396 Cartridge  |     |
| 11B  | 7022398     | 1   | Cartridge, Load Shuttle   |     |
| 11B  | 7023900     | 1   | Seal Kit - 7022398 Cartridge  |     |
| 11C  | 7022397     | 2   | Cartridge, Check Valves   |     |
| 11C  | 7022399     | 2   | Seal Kit - 7022397 Cartridge  |     |
| 12   | 4751600     | 2   | Flatwasher, 3/8in   |     |
|      |             | Ref | <b>WHEEL DRIVE INSTALLATION OPTIONS:</b>                                      |     |
|      | 0258289     | Ref | <b>Wheel Drive Installation (4WD/2WS) (Prior to SN 0300056875)</b>            | D   |
|      | 0270210     | Ref | <b>Wheel Drive Installation (4WD/2WS) (SN 0300056875 through 0300069000)</b>  | B   |
|      | 0258910     | Ref | <b>Wheel Drive Installation (4WD/4WS) (Prior to SN 0300056875)</b>            | A   |
|      | 0270211     | Ref | <b>Wheel Drive Installation (4WD/4WS) (SN 0300056875 through 0300069000)</b>  | B   |
| 101  | 0100011     | AR  | Compound, Locking   |     |
| 102  | 0641628     | 4   | Bolt 5/8in-11NC x 3-1/2in   |     |
| 110  | 4641041     | 1   | Flow Divider Valve Assembly   |     |
| 110A | 7022396     | 1   | Cartridge, Flow Divider   |     |
| 110A | 7021625     | 1   | Seal Kit - 7022396 Cartridge  |     |
| 110B | 7022398     | 1   | Cartridge, Load Shuttle   |     |
| 110B | 7023900     | 1   | Seal Kit - 7022398 Cartridge  |     |
| 110C | 7022397     | 2   | Cartridge, Check Valves   |     |
| 110C | 7022399     | 2   | Seal Kit - 7022397 Cartridge  |     |
| 111  | 4641042     | 1   | Flow Divider Valve Assembly   |     |
| 111  | 7021656     | 2   | Cartridge, Flow Divider   |     |
| 111  | 7021625     | 2   | Seal Kit - 7021656 Cartridge  |     |
| 112  | 4751600     | 4   | Flatwasher, 3/8in   |     |
|      | 0258343     | Ref | <b>FRAME COVERS INSTALLATION</b>  | C   |
| 201  | 0100011     | AR  | Compound, Locking   |     |
| 202  | 0641608     | 10  | Bolt, 3/8in - 16NC x 1in  |     |
| 203  | 3570686     | 1   | Plate, Cover Front  |     |
| 204  | 3570690     | 1   | Plate, Cover Rear   |     |
| 205  | 4751600     | 10  | Flatwasher, 3/8in   |     |



**SECTION 2 - TURNTABLE**

# SECTION 2 - TURNTABLE

## FIGURE 2-1. CONTROL VALVES INSTALLATIONS



## SECTION 2 - TURNTABLE

### FIGURE 2-1. CONTROL VALVES INSTALLATIONS

| ITEM | PART NUMBER | QTY | DESCRIPTION   | REV |
|------|-------------|-----|---|-----|
|      |             | Ref | <b>VALVES INSTALLATIONS</b>   |     |
|      | 0258454     | Ref | <b>Valves Installations 800A (2WS)</b>  | C   |
|      | 0258455     | Ref | <b>Valves Installations 800A (4WS)</b>  | C   |
|      | 0258456     | Ref | <b>Valves Installations 800AJ (2WS)</b>   | C   |
|      | 0258457     | Ref | <b>Valves Installations 800AJ (4WS)</b>   | C   |
| 1    |             | Ref | Main Control Valve Assembly Options (See MAIN CONTROL VALVE ASSEMBLY for Breakdown):    |     |
| 1    | 4641034     | NLA | Main Control Valve Assembly (Use p/n 4641099) <b>(Prior to SN 0300040142)</b>           |     |
| 1    | 4641093     | NLA | Main Control Valve Assembly (Use p/n 4641099) <b>(SN 0300040142 through 0300041274)</b> |     |
| 1    | 4641099     | 1   | Main Control Valve Assembly <b>(SN 0300041275 through 0300069000)</b>                   |     |
| 2    | 2120167     | 1   | Return Filter Assembly  |     |
| 2    | 2120168     | 1   | Element, Filter   |     |
| 2    | 7020021     | 1   | Indicator, Clogged  |     |
| 3    | 4640866     | 1   | Valve Assembly (Level)  |     |
| 3A   | 7017466     | 1   | Cartridge   |     |
| 3A   | 2900708     | 1   | Seal Kit - Cartridge  |     |
| 3B   | 7012959     | 1   | Knob  |     |
| 4    | 2120163     | 1   | Pressure Filter Assembly  |     |
| 4    | 2120150     | 1   | Element, Filter   |     |
| 4    | 7023206     | 1   | O-Ring, Filter Bowl   |     |
| 4    | 7023207     | 1   | Ring, Filter Bowl Backup  |     |
| 4    | 7020020     | 1   | Indicator   |     |
| 5    | 4641061     | 1   | Solenoid Valve Assembly (Brake)   |     |
| 5    | 7012943     | 1   | Coil  |     |
| 5    | 7017479     | 1   | Cartridge without Coil  |     |
| 5    | 7012518     | 1   | Seal Kit - 7017479 Cartridge  |     |
| 6    | 4640906     | 1   | Solenoid Valve Assembly (2 Speed)   |     |
| 6A   | 7012944     | 1   | Coil  |     |
| 6A   | 7023981     | 1   | Cartridge without Coil  |     |
| 6A   | 7012905     | 1   | Seal Kit - 7017480 Cartridge  |     |
| 6B   | 7017481     | 2   | Cartridge, Check  |     |
| 6B   | 7012972     | 2   | Seal Kit - 7017481 Cartridge  |     |
| 7    | 3570979     | 1   | Plate, Spacer   |     |
| 9    | 3841340     | 4   | Loop, Hose  |     |
| 10   | 2220893     | 1   | Fitting, Adapter  |     |
| 11   | 0641614     | 3   | Bolt 3/8in-16NC x 1-3/4in   |     |
| 12   | 0641606     | 8   | Bolt 3/8in-16NC x 3/4in   |     |
| 13   | 4711600     | 6   | Flatwasher 3/8in Narrow   |     |
| 14   | 0641508     | 2   | Bolt 5/16in-18NC x 1in  |     |
| 15   | 4891500     | 2   | Flatwasher 5/16in   |     |
| 16   | 4711500     | 2   | Flatwasher 5/16in Narrow  |     |
| 17   | 0641418     | 2   | Bolt 1/4in-20NC x 2-1/4in   |     |
| 19   | 0641414     | 2   | Bolt 1/4in-20NC x 1-3/4in   |     |
| 20   | 0651406     | 4   | Bolt 1/4in-28NF x 3/4in   |     |
| 21   | 4711400     | 16  | Flatwasher 1/4in Narrow   |     |
| 22   | 3311405     | 6   | Locknut 1/4in-20NC  |     |
| 23   | 0100011     | AR  | Compound, Locking   |     |

## SECTION 2 - TURNTABLE

| ITEM | PART NUMBER  | QTY      | DESCRIPTION  | REV |
|------|--------------|----------|--|-----|
| 24   |              | Ref      | Valve Assembly (Jib Control) Options:  |     |
| 24   | Not Required | 0        | Valve Assembly (Jib Control) 800A  |     |
| 24   | 4640921      | 1        | Valve Assembly (Jib Control) 800AJ   |     |
| 25   |              | Ref      | Harness Assembly (Jib Control) Options (Not Shown - See ELECTRICAL SECTION for Breakdown):   |     |
| 25   | Not Required | 0        | Harness Assembly (Jib Control) 800A  |     |
| 25   | 4921927      | 1        | Harness Assembly (Jib Control) 800AJ   |     |
| 26   |              | Ref      | Valve Assembly (4WS Control) Options:  |     |
| 26   | Not Required | 0        | Valve Assembly 2WS   |     |
| 26   | 4640922      | 1        | Valve Assembly 4WS (See ACCESSORY VALVE ASSEMBLY for Breakdown)  |     |
| 27   |              | Ref      | Harness Assembly (4WS Control) Options (Not Shown - See ELECTRICAL SECTION for Breakdown):   |     |
| 27   | Not Required | 0        | Harness Assembly 2WS   |     |
| 27   | 4921928      | 1        | Harness Assembly 4WS (See ACCESSORY VALVE ASSEMBLY for Breakdown)  |     |
| 28   | 4420060      | 2 in/5cm | Tape, Double Sided   |     |
|      | 0258411      | Ref      | <b>TILT INDICATOR INSTALLATION (MACHINES WITHOUT ADE SYSTEM ONLY)</b>  | B   |
| 101  | 4360416      | 1        | Indicator, Tilt  |     |
| 102  | 0140001      | 1        | Horn   |     |
| 103  | 0641406      | 3        | Bolt 1/4in-20NC x 3/4in  |     |
| 104  | 4711400      | 5        | Flatwasher 1/4in Narrow  |     |
| 105  | 3311405      | 3        | Locknut 1/4in-20NC   |     |
|      | 0258670      | Ref      | <b>AUXILIARY PUMP INSTALLATION</b>   | B   |
|      |              | Ref      | <b>Note: Original Equipment pump may have been replaced with various Service Replacement pump. Identify component before ordering parts.</b> |     |
| 201  |              | Ref      | Auxiliary Pump Assembly Options:   |     |
| 201  | 3600287      | NLA      | Auxiliary Pump Service Kit (Original Equipment) (Use p/n 1001143191)   |     |
| 201  | 1001091424   | NLA      | Auxiliary Pump Service Kit (Original Equipment) (Use p/n 1001143191)   |     |
| 201  |              | Ref      | Service Parts for Fenner Brand (p/n 3600287 pump)  |     |
| 201  | 7016779      | 1        | Replacement Motor Assembly (p/n 3600287 pump)  |     |
| 201  | 7016781      | 1        | Brush Kit - 7016779 Motor  |     |
| 201  | 7016780      | 1        | Replacement Pump Assembly (p/n 3600287 pump)   |     |
| 201  | 7016785      | 1        | Seal Kit - 7016780 Pump  |     |
| 201  | 7016782      | 1        | Coupling, Pump/Motor (p/n 3600287 pump)  |     |
| 201  | 7016783      | 1        | Pump Mounting Kit (p/n 3600287 pump)   |     |
| 201  | 7016784      | 1        | Relief Valve Assembly (p/n 3600287 pump)   |     |
| 201  | 3600458      | NLA      | Auxiliary Pump Assembly (Service Replacement) (Use p/n 1001137460)   |     |
| 201  |              | Ref      | Service Parts for Haldex Brand (p/n 3600458 pump) (Service Replacement)  |     |
| 201  | 70001059     | 1        | Replacement Motor Assembly (p/n 3600458 pump)  |     |
| 201  | See Note     | 1        | Pump (p/n 1001137460 pump) (Note: Not Available for Purchase)  |     |
| 201  | 70001069     | 1        | Seal Kit, Pump (p/n 3600458 pump)  |     |
| 201  | 70001068     | 1        | Motor/Coupling Kit (p/n 3600458 pump)  |     |
| 201  | 70001067     | 1        | Valve, Logic (p/n 3600458 pump)  |     |
| 201  | 1001137460   | 1        | Auxiliary Pump Assembly (Service Replacement)  |     |
| 201  |              | Ref      | Service Parts for Bucher Brand (p/n 1001137460 pump) (Service Replacement)   |     |

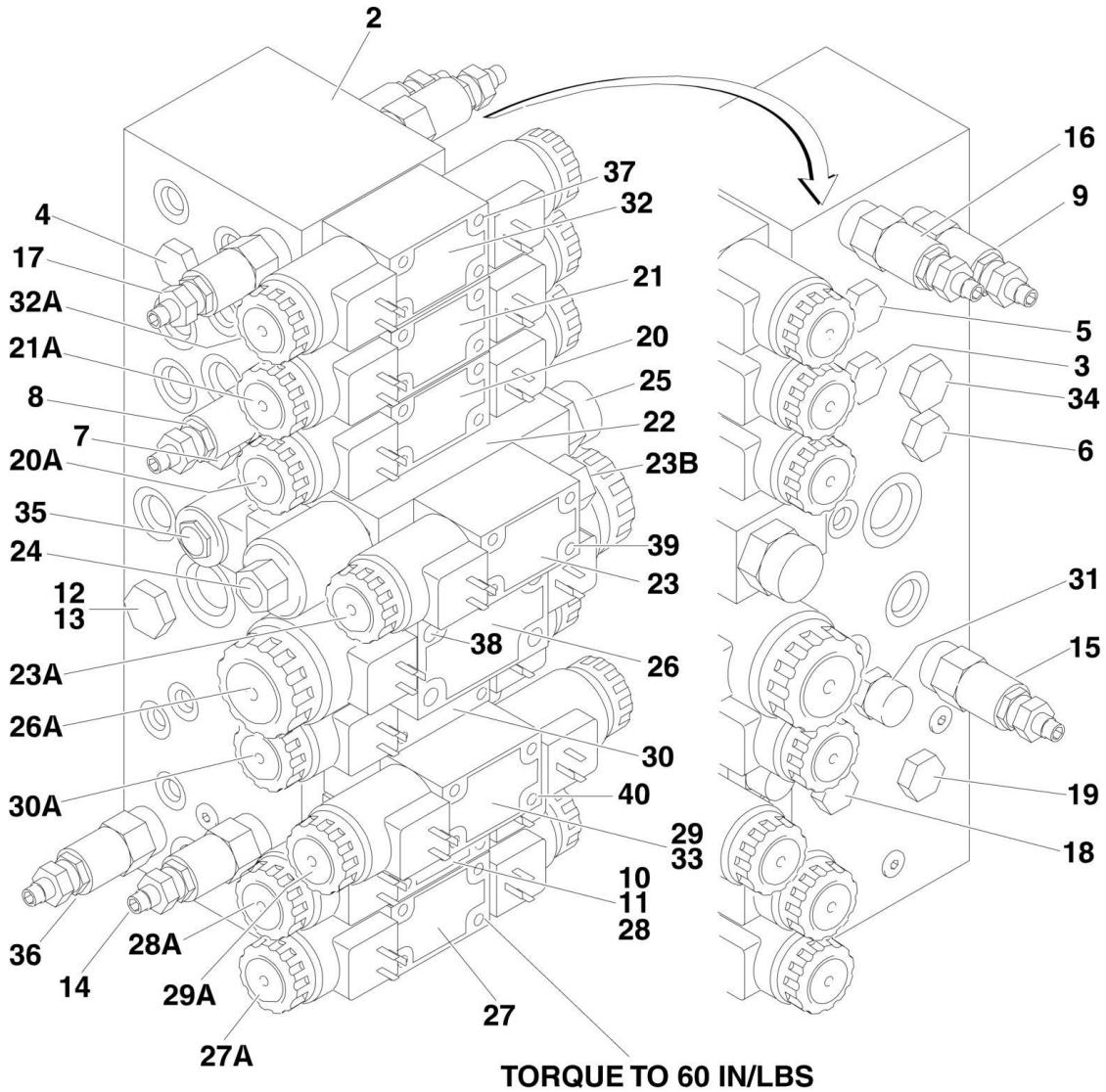


## SECTION 2 - TURNTABLE

| ITEM | PART NUMBER | QTY | DESCRIPTION   | REV |
|------|-------------|-----|---|-----|
| 201  | 70003992    | 1   | Replacement Motor Assembly (p/n 1001137460 pump)              |     |
| 201  | See Note    | 1   | Pump (p/n 1001137460 pump) (Note: Not Available for Purchase) |     |
| 201  | 70003983    | 1   | Base Assembly (p/n 1001137460 pump)                           |     |
| 201  | 70003993    | 1   | Seal Shaft - 70003983 Base Assembly                           |     |
| 201  | 70003989    | 1   | Valve, Logic (p/n 1001137460 pump)                            |     |
| 201  | 70003990    | 1   | Relief Valve (p/n 1001137460 pump)                            |     |
| 202  | 0902415     | 1   | Bracket, Pump Mounting  |     |
| 203  | 0641610     | 3   | Bolt 3/8in-16NC x 1-1/4in                                     |     |
| 204  | 4751600     | 3   | Flatwasher 3/8in  |     |
| 205  | 0641506     | 4   | Bolt 5/16in-18NC x 3/4in                                      |     |
| 206  | 4711500     | 4   | Flatwasher 5/16in Narrow                                      |     |
| 207  | 0100011     | AR  | Compound, Locking   |     |

# SECTION 2 - TURNTABLE

## FIGURE 2-2. MAIN CONTROL VALVE ASSEMBLY



**SECTION 2 - TURNTABLE**

**FIGURE 2-2. MAIN CONTROL VALVE ASSEMBLY**

| ITEM | PART NUMBER | QTY | DESCRIPTION  | REV |
|------|-------------|-----|--|-----|
|      |             | Ref | <b>MAIN CONTROL VALVE ASSEMBLY</b>   |     |
|      | 4641034     | Ref | <b>Main Control Valve Assembly (Prior to SN 0300040142)</b>  | A   |
|      | 4641093     | Ref | <b>Main Control Valve Assembly (SN 0300040142 through 0300041274)</b>  | B   |
|      | 4641099     | Ref | <b>Main Control Valve Assembly (SN 0300041275 through 0300069000)</b>  | B   |
|      |             | Ref | <b>Note: Original Equipment valve may have been replaced with Service Replacement valve. Visually identify the p/n stamped on valve before ordering parts.</b> |     |
| 2    | See Note    | 1   | Block (Note: Not Available - Purchase Complete Assembly)   |     |
| 3    | 7010542     | 1   | Cartridge, Load Sensing (Main Lift)  |     |
| 3    | 7010543     | 1   | Seal Kit - 7010542 Cartridge   |     |
| 4    | 7010542     | 1   | Cartridge, Load Sensing  |     |
| 4    | 7010543     | 1   | Seal Kit - 7010542 Cartridge   |     |
| 5    | 7010542     | 1   | Cartridge, Load Sensing (Swing)  |     |
| 5    | 7010543     | 1   | Seal Kit - 7010542 Cartridge   |     |
| 6    | 7010542     | 1   | Cartridge, Load Sensing  |     |
| 6    | 7010543     | 1   | Seal Kit - 7010542 Cartridge   |     |
| 7    | 7010542     | 1   | Cartridge, Load Sensing (Main)   |     |
| 7    | 7010543     | 1   | Seal Kit - 7010542 Cartridge   |     |
| 8    | 7017420     | 1   | Cartridge, Relief Valve (Main Lift)  |     |
| 8    | 7012998     | 1   | Seal Kit - 7017420 Cartridge   |     |
| 9    | 7017423     | 1   | Cartridge, Relief Valve (Swing)  |     |
| 9    | 7012998     | 1   | Seal Kit - 7017420 Cartridge   |     |
| 10   | 7018941     | 1   | Orifice  |     |
| 11   | 7018941     | 1   | Orifice  |     |
| 12   | 7017474     | 1   | Cartridge, Check Valve (Tower Lift)  |     |
| 12   | 2900708     | 1   | Seal Kit - 7017448 Cartridge   |     |
| 13   | 7021602     | 1   | Piston, Pilot (4641093 & 4641099 Valves Only)  |     |
| 14   | 7017428     | 1   | Cartridge, Relief Valve (Platform Level Down)  |     |
| 14   | 7012998     | 1   | Seal Kit - 7017428 Cartridge   |     |
| 15   | 7017427     | 1   | Cartridge, Relief Valve (Platform Level Up)  |     |
| 15   | 7012998     | 1   | Seal Kit - 7017427 Cartridge   |     |
| 16   | 7017428     | 1   | Cartridge, Relief Valve (Front Steer)  |     |
| 16   | 7012998     | 1   | Seal Kit - 7017428 Cartridge   |     |
| 17   | 7017428     | 1   | Cartridge, Relief Valve (Front Steer)  |     |
| 17   | 7012998     | 1   | Seal Kit - 7017428 Cartridge   |     |
| 18   | 7012914     | 1   | Cartridge, Pilot Check (Platform Level)  |     |
| 18   | 7012918     | 1   | Seal Kit - 7012914 Cartridge   |     |
| 19   | 7012914     | 1   | Cartridge, Pilot Check (Platform Level)  |     |
| 19   | 7012918     | 1   | Seal Kit - 7012914 Cartridge   |     |
| 20   | 7018992     | 1   | Control Valve Assembly (Main Lift)   |     |
| 20   | 7012773     | 1   | Seal Kit - 7018992 Valve   |     |
| 20A  | 7018991     | 2   | Coil   |     |
| 20A  | 7018912     | 2   | Nut  |     |
| 21   | 7012775     | 1   | Control Valve Assembly (Swing)   |     |
| 21   | 7012773     | 1   | Seal Kit - 7012775 Valve   |     |
| 21A  | 7012772     | 2   | Coil   |     |
| 21A  | 7018912     | 2   | Nut  |     |
| 22   | See Note    | 1   | Manifold, Valve (Main) (Note: Not Available for Purchase)  |     |

## SECTION 2 - TURNTABLE

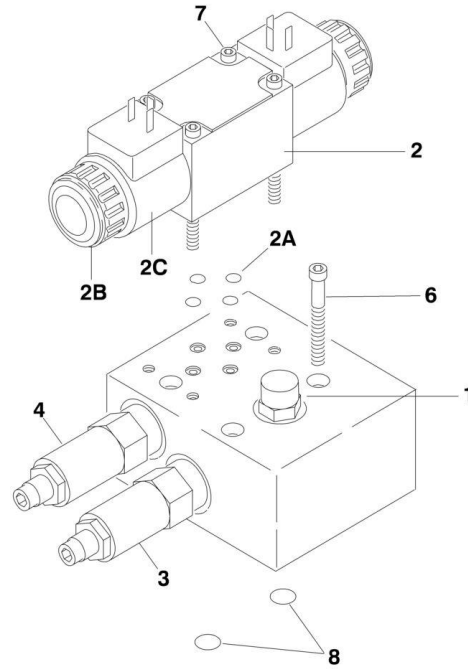
| ITEM | PART NUMBER | QTY | DESCRIPTION   | REV |
|------|-------------|-----|---|-----|
| 23   | 7018994     | 1   | Control Valve Assembly (Main)   |     |
| 23   | 7012773     | 1   | Seal Kit - 7018994 Valve  |     |
| 23A  | 7012772     | 1   | Coil  |     |
| 23A  | 7018912     | 1   | Nut   |     |
| 23B  | 7018993     | 1   | Plug  |     |
| 24   |             | Ref | Cartridge without Coil Options:   |     |
| 24   | 7017414     | 1   | 4641034 & 4641093 Valves (was p/n 7017475) <b>(Prior to SN 0300041275)</b>  |     |
| 24   | 7017414     | 1   | 4641099 Valve <b>(SN 0300041275 through 0300069000)</b>   |     |
| 24   | 2900708     | 1   | Seal Kit - 7017414 Cartridge  |     |
| 24   | 7012901     | 1   | Seal Kit - 7017475 Cartridge  |     |
| 24   | 7000645     | 1   | Coil - 7017414 Valve Only   |     |
| 24   | 7012943     | 1   | Coil - 7017475 Valve Only   |     |
| 25   |             | Ref | Cartridge, Flow Regulator (Main) Options:   |     |
| 25   | 7021601     | 1   | 4641034 Valve (was p/n 7017476) <b>(Prior to SN 0300040142)</b>   |     |
| 25   | 7021601     | 1   | 4641093 & 4641099 Valves <b>(SN 0300040142 through 0300069000)</b>  |     |
| 25   | 7017477     | 1   | Seal Kit - 7021601 Cartridge  |     |
| 26   | 70000579    | 1   | Control Valve Assembly (Main Tele) (was p/n 7012766)  |     |
|      |             | Ref | <b>Note: Refer to Vendor p/n on Valve Nameplate before ordering Parts. P/N 7012766 is RR00567495 or R900567495. P/N 70000579 is R900930080.</b> |     |
| 26   |             | Ref | Seal Kit Options:   |     |
| 26   | 7012769     | 1   | 7012766 Valve   |     |
| 26   | 70000583    | 1   | 70000579 Valve  |     |
| 26A  |             | Ref | Coil Options:   |     |
| 26A  | 7012772     | 1   | 7012766 Valve (Was p/n 7012768)   |     |
| 26A  | 70000582    | 1   | 70000579 Valve  |     |
| 26A  |             | Ref | Nut, Coil Options:  |     |
| 26A  | 7018912     | 1   | 7012766 Valve   |     |
| 26A  | 70000580    | 1   | 70000579 Valve  |     |
| 27   | 70001976    | 1   | Control Valve Assembly (Tower Tele) (was p/n 7012770)   |     |
| 27   | 7012773     | 1   | Seal Kit - 7012770 Valve  |     |
| 27A  | 7012772     | 2   | Coil  |     |
| 27A  | 7018912     | 2   | Nut   |     |
| 28   | 70001976    | 1   | Control Valve Assembly (Platform Level) (was p/n 7012770)   |     |
| 28   | 7012773     | 1   | Seal Kit - 7012770 Valve  |     |
| 28A  | 7012772     | 2   | Coil  |     |
| 28A  | 7018912     | 2   | Nut   |     |
| 29   | 70001976    | 1   | Control Valve Assembly (Platform Rotate) (was p/n 7012770)  |     |
| 29   | 7012773     | 1   | Seal Kit - 7012770 Valve  |     |
| 29A  | 7012772     | 2   | Coil  |     |
| 29A  | 7018912     | 2   | Nut   |     |
| 30   | 70001976    | 1   | Control Valve Assembly (Tower Lift) (was p/n 7012770)   |     |
| 30   | 7012773     | 1   | Seal Kit - 7012770 Valve  |     |
| 30A  | 7012772     | 2   | Coil  |     |
| 30A  | 7018912     | 2   | Nut   |     |
| 31   | 7012989     | 1   | Cartridge, Flow Regulator (Platform Rotate)   |     |
| 31   | 7012953     | 1   | Seal Kit - 7012989 Cartridge  |     |
| 32   | 7012774     | 1   | Control Valve Assembly (Front Steer)  |     |
| 32   | 7012773     | 1   | Seal Kit - 7012774 Valve  |     |
| 32A  | 7012772     | 2   | Coil  |     |

## SECTION 2 - TURNTABLE

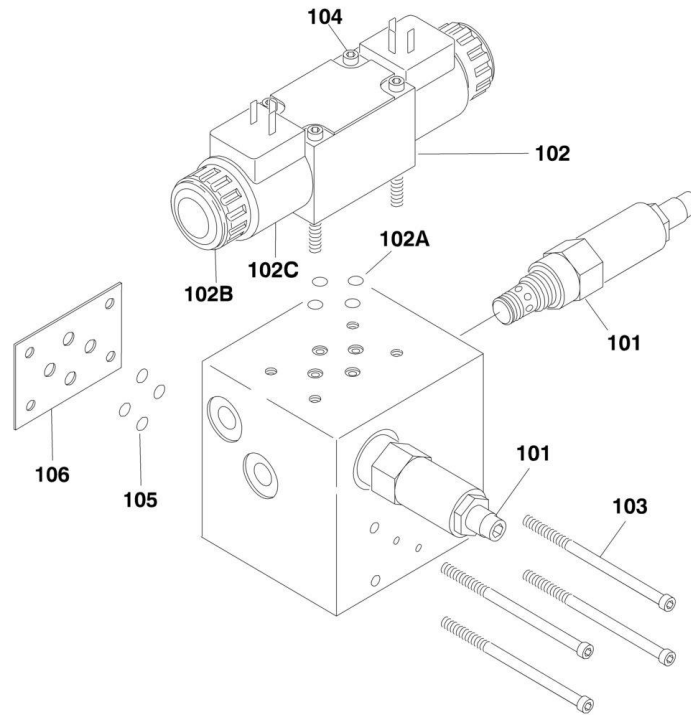
| ITEM | PART NUMBER  | QTY | DESCRIPTION  | REV |
|------|--------------|-----|--|-----|
| 32A  | 7018912      | 2   | Nut  |     |
| 33   |              | Ref | Valve, Sandwich (Platform Rotate) Options:   |     |
| 33   | Not Required | 0   | 4641034 & 4641093 Valves <b>(Prior to SN 0300041275)</b>                               |     |
| 33   | 7021310      | 1   | 4641099 Valve <b>(SN 0300041275 through 0300069000)</b>                                |     |
| 33   | 7018945      | 2   | O-Rings, Replacement - 7021310 Valve   |     |
| 34   | 7017478      | 1   | Cartridge, Check Valve (Main Pressure)   |     |
| 34   | 7017477      | 1   | Seal Kit - 7017478 Cartridge   |     |
| 35   | 7012941      | 1   | Cartridge without Coil (Main Dump)   |     |
| 35   | 7010543      | 1   | Seal Kit - 7017452 Cartridge   |     |
| 35   | 7012944      | 1   | Coil   |     |
| 36   | 7017428      | 1   | Cartridge, Relief Valve (Tower Tele)   |     |
| 36   | 7012998      | 1   | Seal Kit - 7017428 Cartridge   |     |
| 37   | 7018942      | 28  | Capscrew #10-24NC x 2in  |     |
| 38   | 7018951      | 4   | Capscrew 1/4in-20NC x 1-1/2in  |     |
| 39   | 7021311      | 4   | Capscrew #10-24NC x 4-1/2in  |     |
| 40   | See Note     | 1   | Valve, Check (Platform Rotate) (4641034 Valve Only) (Note: Not Available for Purchase) |     |
| 40   | 7018945      | 2   | O-Ring (Platform Rotate) (4641034 Valve Only)  |     |

## SECTION 2 - TURNTABLE

FIGURE 2-3. ACCESSORY VALVE ASSEMBLY



**NOTE: TORQUE ITEMS 6, 7, 103 & 104  
TO 60 IN/LBS.**



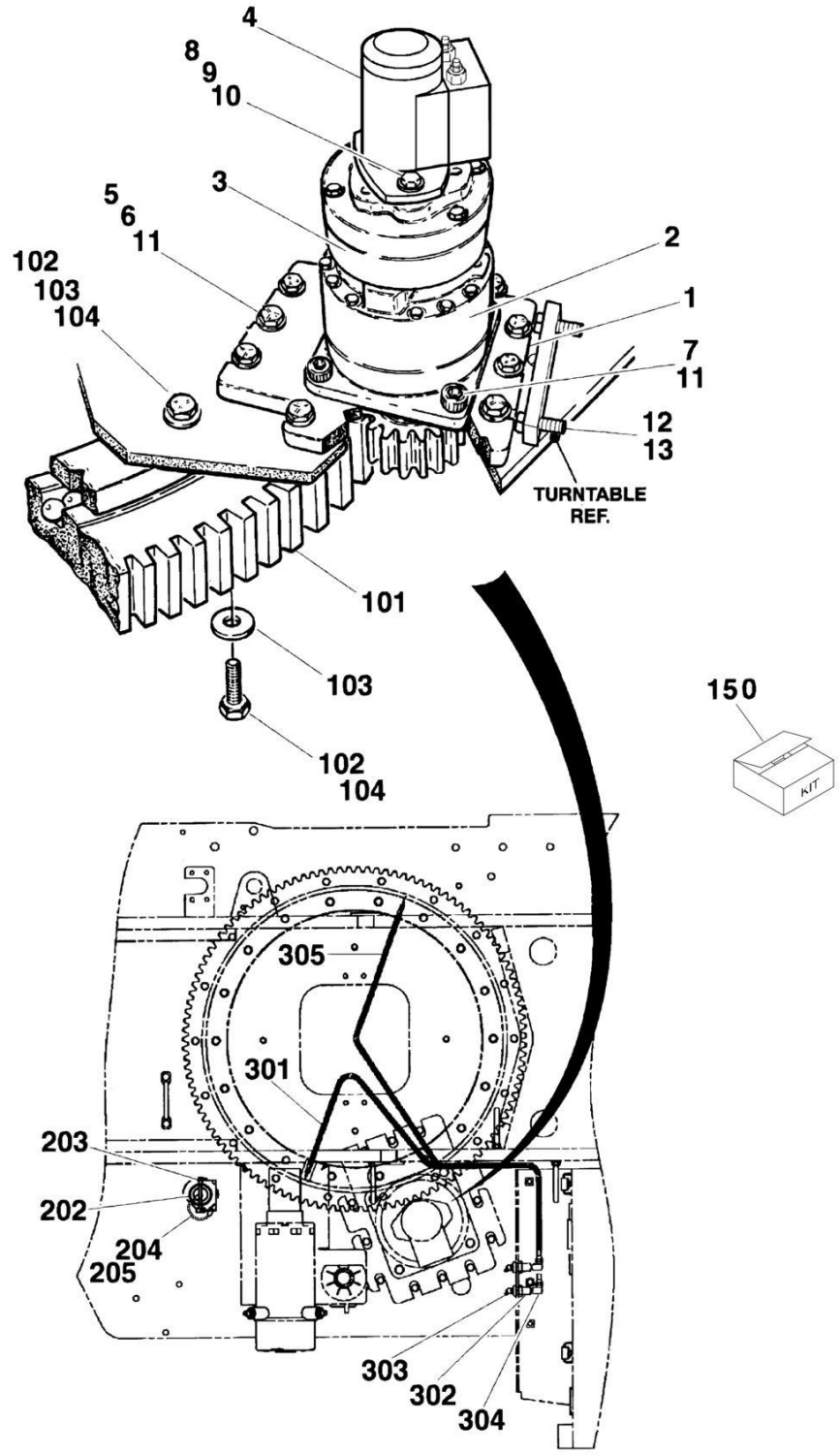
**SECTION 2 - TURNTABLE**

**FIGURE 2-3. ACCESSORY VALVE ASSEMBLY**

| ITEM | PART NUMBER | QTY | DESCRIPTION   | REV |
|------|-------------|-----|---|-----|
|      |             | Ref | <b>ACCESSORY VALVE ASSEMBLIES</b>   |     |
|      | 4640921     | Ref | <b>ARTICULATING JIB VALVE ASSEMBLY</b>  | D   |
| 1    | 7012965     | 1   | Cartridge, Flow Control   |     |
| 1    | 7012953     | 1   | Seal Kit - 7012965 Cartridge  |     |
| 2    | 70001976    | 1   | Directional Control Valve Assembly (was p/n 7012770)                            |     |
| 2    | 7012773     | 1   | Seal Kit  |     |
| 2A   | 7018945     | 4   | O-Ring  |     |
| 2B   | 7018912     | 2   | Nut   |     |
| 2C   | 7012772     | 2   | Coil  |     |
| 3    | 7017421     | 1   | Cartridge, Relief   |     |
| 3    | 7012998     | 1   | Seal Kit - 7017421 Cartridge  |     |
| 4    | 7017422     | 1   | Cartridge, Relief   |     |
| 4    | 7012998     | 1   | Seal Kit - 7017422 Cartridge  |     |
| 5    | 4460499     | 2   | Connector, DIN with Diode (Part of Valve Harness)                               |     |
| 6    | 7018946     | 4   | Capscrew, Socket Head #10-24NC x 5in (Not Shown - Used to Mount Valve Assembly) |     |
| 7    | 7018942     | 4   | Capscrew, Socket Head #10-24NC x 2in  |     |
| 8    | 7012776     | 4   | O-Ring (Not Shown - Used to Mount to Main Valve)                                |     |
|      | 4640922     | Ref | <b>4WS VALVE ASSEMBLY (NOT SHOWN)</b>   | B   |
| 101  | 7017420     | 2   | Cartridge, Flow Control   |     |
| 101  | 7012998     | 2   | Seal Kit - 7017420 Cartridge  |     |
| 102  | 7012774     | 1   | Directional Control Valve Assembly  |     |
| 102  | 7012773     | 1   | Seal Kit  |     |
| 102A | 7018945     | 4   | O-Ring  |     |
| 102B | 7018912     | 2   | Nut   |     |
| 102C | 7012772     | 2   | Coil  |     |
| 103  | 7018946     | 4   | Capscrew, Socket Head #10-24NC x 5in (Used to Mount Valve Assembly)             |     |
| 104  | 7018942     | 4   | Capscrew, Socket Head #10-24NC x 2in  |     |
| 105  | 7018948     | 4   | O-Ring (Used to Mount to Main Valve)  |     |
| 106  | 7018947     | 1   | Plate   |     |

# SECTION 2 - TURNTABLE

FIGURE 2-4. TURNTABLE AND SWING DRIVE INSTALLATIONS (Prior to SN 0300068040)





## SECTION 2 - TURNTABLE

**FIGURE 2-4. TURNTABLE AND SWING DRIVE INSTALLATIONS (Prior to SN 0300068040)**

| ITEM | PART NUMBER | QTY | DESCRIPTION  | REV |
|------|-------------|-----|--|-----|
|      |             | Ref | <b>TURNTABLE WELDMENT:</b>   |     |
|      | 4620119     | Ref | Standard Machines  |     |
|      |             | Ref | <b>SWING DRIVE INSTALLATION OPTIONS:</b>   |     |
|      | 0258407     | Ref | <b>Swing Drive Installation (Prior to SN 0300064566)</b>   | D   |
|      | 0270331     | Ref | <b>Swing Drive Installation (SN 0300064566 through 0300068040)</b>   | B   |
| 1    | 3570488     | 1   | Plate, Swing Drive   |     |
| 2    | 2780205     | 1   | Hub, Swing Assembly (See SWING HUB ASSEMBLY for Breakdown)   |     |
| 3    |             | Ref | Brake, Swing Assembly Options: (See SWING BRAKE ASSEMBLY for Breakdown)  |     |
| 3    | 0920111     | 1   | Brake, Swing Assembly ( <b>Prior to SN 0300064566</b> )  |     |
| 3    | 0920119     | 1   | Brake, Swing Assembly ( <b>SN 0300064566 through 0300068040</b> )  |     |
| 4    |             | Ref | Motor, Swing Assembly Options: (See SWING MOTOR ASSEMBLY for Breakdown)  |     |
| 4    | 3160223     | 1   | Motor, Swing Assembly ( <b>Prior to SN 0300064566</b> )  |     |
| 4    | 3160279     | 1   | Motor, Swing Assembly ( <b>SN 0300064566 through 0300068040</b> )  |     |
| 5    | 0642018     | 12  | Bolt 5/8in - 11NC x 2-1/4in  |     |
| 6    |             | Ref | Washer Options:  |     |
| 6    | 4892000     | 12  | Flatwasher 5/8in ( <b>Prior to SN 0300064566</b> )   |     |
| 6    | 4740004     | 12  | Hardened, Washer 5/8in ( <b>SN 0300064566 through 0300068040</b> )   |     |
| 7    | 3932224     | 4   | Bolt 1/2in - 13NC x 1-1/2in  |     |
| 8    | 0681836     | 2   | Bolt 1/2in - 13NC x 4-1/2in (Grade 8)  |     |
| 9    | 4891800     | 2   | Flatwasher 1/2in   |     |
| 10   | 0100011     | AR  | Compound, Locking  |     |
| 11   | 0100019     | AR  | Compound, Locking  |     |
| 12   | 3311802     | 2   | Nut Jam 1/2in - 13NC ( <b>SN 0300052924 through 0300068040</b> )   |     |
| 13   | 3971820     | 2   | Setscrew 1/2in - 13NC x 2 1/2 ( <b>SN 0300052924 through 0300068040</b> )  |     |
|      |             | Ref | <b>TURNTABLE BEARING INSTALLATIONS</b>   |     |
|      | 0254798     | Ref | <b>Turntable Bearing Installations (Prior to SN 0300041029)</b>  | A   |
|      | 0259055     | Ref | <b>Turntable Bearing Installations (SN 0300041029 through 0300068040)</b>  | A   |
| 101  |             | Ref | Bearing, Turntable Options:  |     |
| 101  | 0440207     | 1   | Bearing, Turntable ( <b>Prior to SN 0300041029</b> )   |     |
| 101  | 0440233     | NLA | Bearing, Turntable, Bearing Kit (Use p/n 2915096) (Kit Includes Bearing and Mounting Hardware) ( <b>SN 0300041029 through 0300068040</b> ) |     |
| 102  |             | Ref | Bolt 5/8in - 11NC (Grade 8)  |     |
| 102  | 0682016     | 36  | 2in Length ( <b>Prior to SN 0300041029</b> )   |     |
| 102  | 0682023     | 36  | 2-7/8in Length ( <b>SN 0300041029 through 0300068040</b> )   |     |
| 103  | 4892000     | 36  | Flatwasher, Hardened   |     |
| 104  | 0100019     | AR  | Compound, Locking  |     |
| 150  | 2915087     | 1   | <b>TURNTABLE BEARING KIT (Prior to SN 0300041029)</b>  |     |
| 150  | 2915096     | 1   | <b>TURNTABLE BEARING KIT (SN 0300041029 through 0300068039)</b>  |     |
|      | 0239585     | Ref | <b>TURNTABLE LOCK INSTALLATION</b>   | B   |
| 202  | 3421627     | 1   | Pin  |     |
| 203  | 3421565     | 1   | Pin, Snap  |     |
| 204  | 3760170     | 2   | Ring, Quick Release  |     |

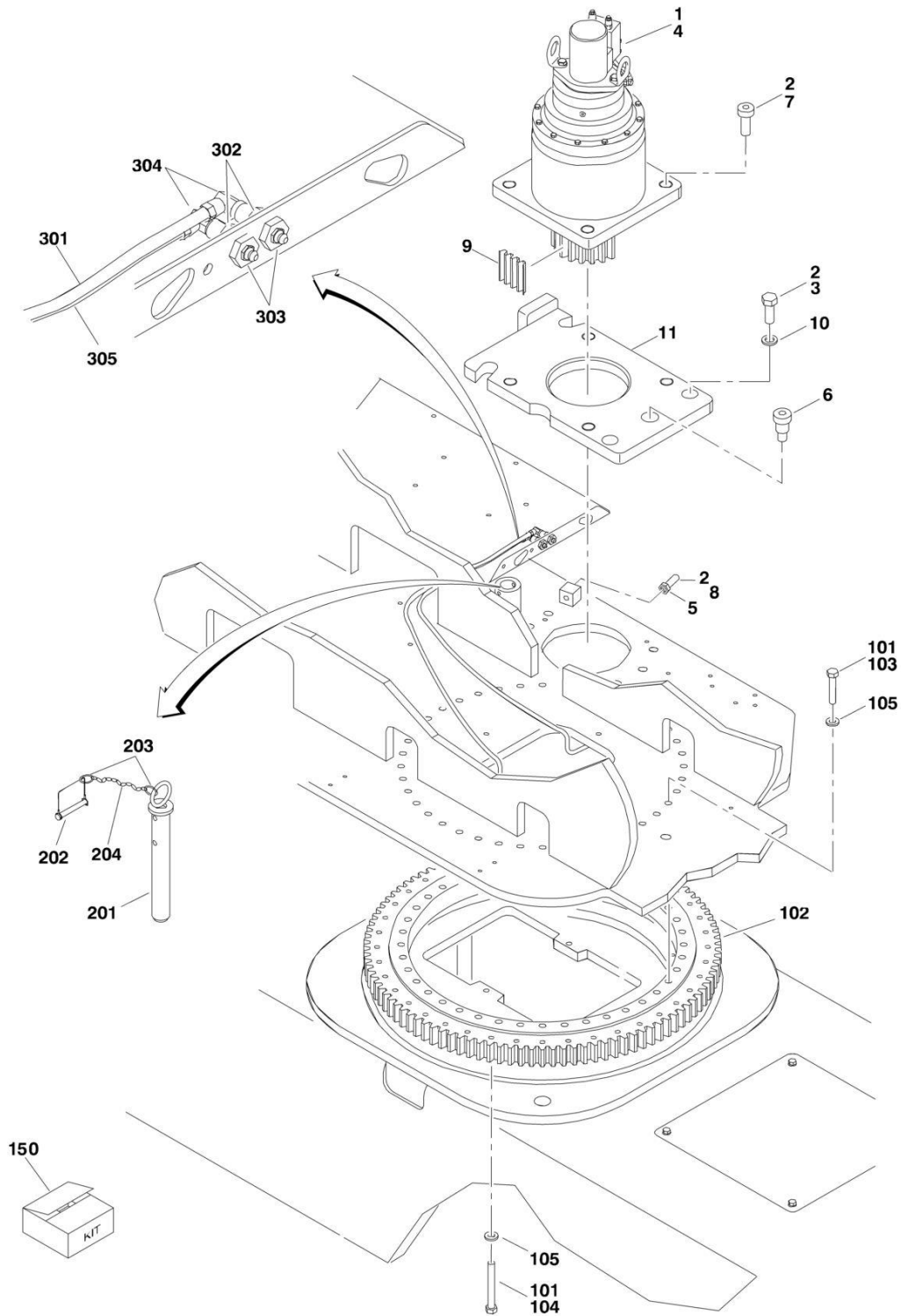
## SECTION 2 - TURNTABLE

| ITEM | PART NUMBER | QTY       | DESCRIPTION                             | REV |
|------|-------------|-----------|---|-----|
| 205  | 1260017     | 9 in/23cm | Chain                                   | 2   |
|      | 0255316     | Ref       | <b>REMOTE BEARING LUBE INSTALLATION</b> |     |
| 301  | 2751095     | 1         | Hose, Grease                            |     |
| 302  | 2180344     | 2         | Fitting, Bulkhead                       |     |
| 303  | 2160003     | 2         | Fitting, Grease Elbow                   |     |
| 304  | 2220063     | 2         | Fitting, Elbow                          |     |
| 305  | 2751032     | 1         | Hose, Grease                            |     |



# SECTION 2 - TURNTABLE

## FIGURE 2-5. TURNTABLE AND SWING DRIVE INSTALLATIONS (SN 0300068040 through 0300069000)



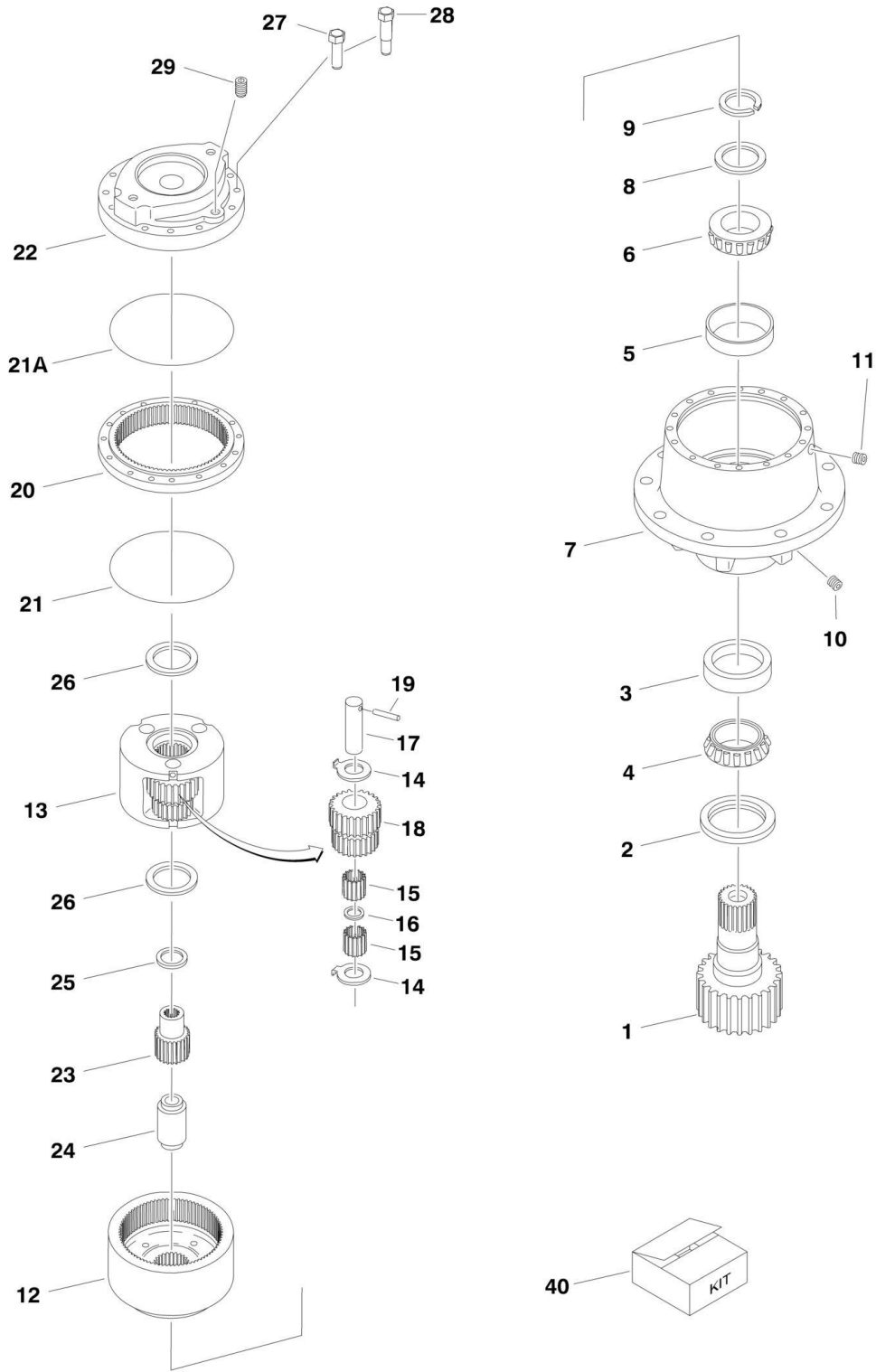
## SECTION 2 - TURNTABLE

**FIGURE 2-5. TURNTABLE AND SWING DRIVE INSTALLATIONS (SN 0300068040 through 0300069000)**

| ITEM | PART NUMBER | QTY       | DESCRIPTION  | REV |
|------|-------------|-----------|--|-----|
|      |             | Ref       | <b>TURNTABLE WELDMENT</b>  |     |
|      | 4620119     | Ref       | Standard Machines  |     |
|      | 0272189     | Ref       | <b>SWING DRIVE INSTALLATION</b>                                    | A   |
| 1    | 0100011     | AR        | Compound, Locking  |     |
| 2    | 0100019     | AR        | Compound, Locking  |     |
| 3    | 0682214     | 4         | Bolt 3/4in - 10NC x 1-3/4in (Grade 8)                              |     |
| 4    | 3160286     | 1         | Motor, Swing Assembly (See SWING MOTOR/HUB ASSEMBLY for Breakdown) |     |
| 5    | 3312002     | 1         | Nut Jam 5/8in - 11NC   |     |
| 6    | 3900293     | 1         | Screw, Shoulder  |     |
| 7    | 3932224     | 4         | Screw 3/4in- 10NC x 1-1/2in  |     |
| 8    | 3952020     | 1         | Setscrew 5/8in x 2in   |     |
| 9    | 4071009     | 1         | Shim   |     |
| 10   | 4740057     | 4         | Hardened, Washer   |     |
| 11   | 4846430     | 1         | Plate, Swing Drive   |     |
|      | 0271002     | Ref       | <b>TURNTABLE BEARING INSTALLATION</b>                              | E   |
| 101  | 0100019     | AR        | Compound, Locking  |     |
| 102  | 0440244     | 1         | Bearing, Turntable   |     |
| 103  | 0682023     | 24        | Bolt 5/8in - 11NC x 2-7/8in (Grade 8)                              |     |
| 104  | 0682032     | 24        | Bolt 5/8in - 11NC x 4in (Grade 8)                                  |     |
| 105  | 4892000     | 48        | Flatwasher, Hardened   |     |
| 150  | 2915094     | 1         | <b>TURNTABLE BEARING KIT</b>                                       |     |
|      | 0259147     | Ref       | <b>TURNTABLE LOCK INSTALLATION</b>                                 | A   |
| 201  | 4844958     | 1         | Weldment, Pin  |     |
| 202  | 3421565     | 1         | Pin, Snap  |     |
| 203  | 3760170     | 2         | Ring, Quick Release  |     |
| 204  | 1260017     | 9 in/23cm | Chain  |     |
|      | 0255316     | Ref       | <b>REMOTE BEARING LUBE INSTALLATION</b>                            | 2   |
| 301  | 2751095     | 1         | Hose, Grease   |     |
| 302  | 2180344     | 2         | Fitting, Bulkhead  |     |
| 303  | 2160003     | 2         | Fitting, Grease Elbow  |     |
| 304  | 2220063     | 2         | Fitting, Elbow   |     |
| 305  | 2751032     | 1         | Hose, Grease   |     |

# SECTION 2 - TURNTABLE

## FIGURE 2-6. SWING HUB ASSEMBLY (Prior to SN 0300068040)



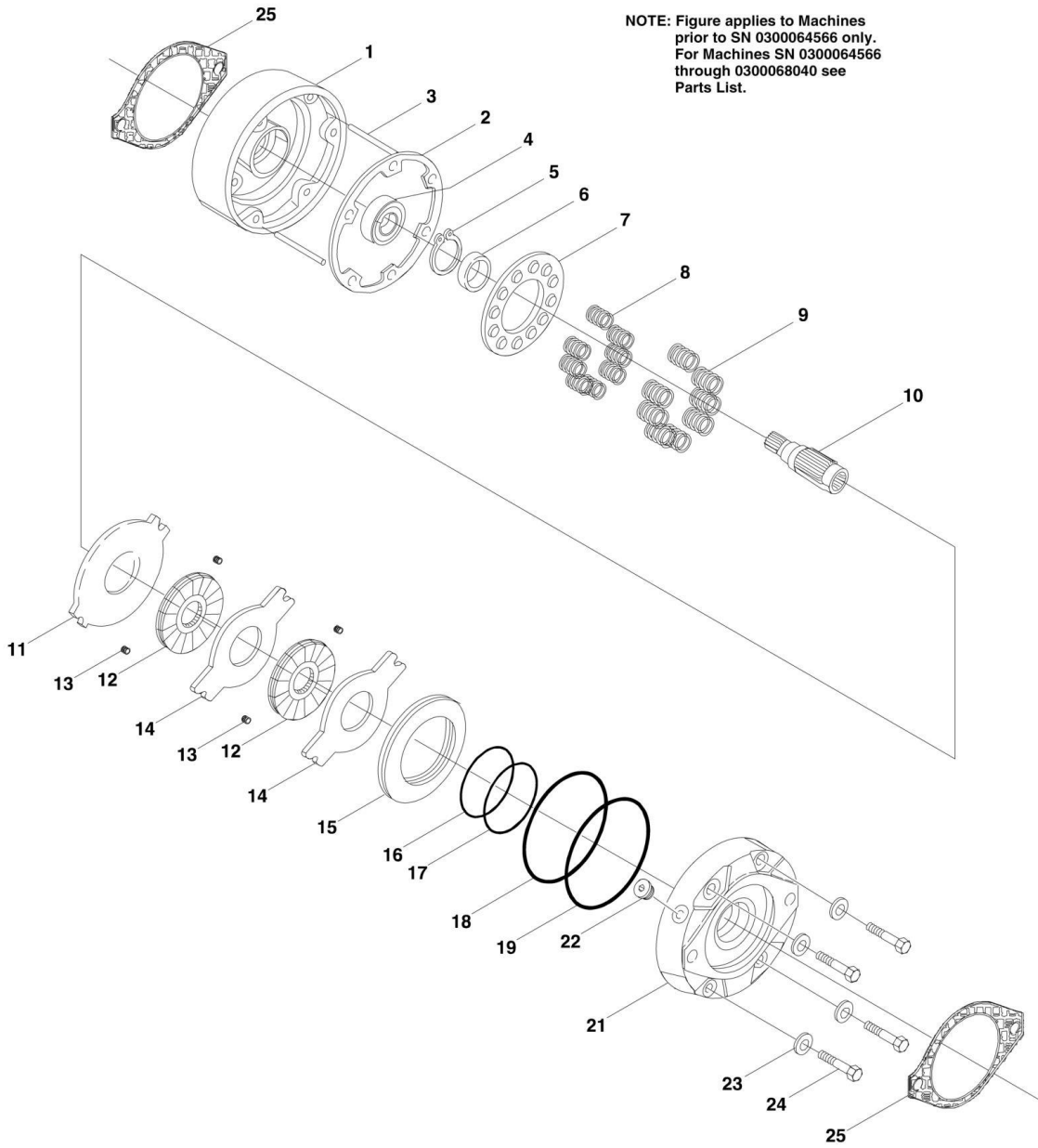
## SECTION 2 - TURNTABLE

**FIGURE 2-6. SWING HUB ASSEMBLY (Prior to SN 0300068040)**

| ITEM | PART NUMBER | QTY | DESCRIPTION                                   | REV |
|------|-------------|-----|---|-----|
|      | 2780205     | Ref | <b>SWING HUB ASSEMBLY</b>                     | -   |
|      |             | Ref | <b>HOUSING ASSEMBLY</b>                       |     |
| 1    | 7010492     | 1   | Shaft, Output                                 |     |
| 2    | 7000228     | 1   | Seal, Lip                                     |     |
| 3    | 7000255     | 1   | Cup, Bearing                                  |     |
| 4    | 7000256     | 1   | Cone, Bearing                                 |     |
| 5    | 7000257     | 1   | Cup, Bearing                                  |     |
| 6    | 7000258     | 1   | Cone, Bearing                                 |     |
| 7    | 7017089     | 1   | Housing                                       |     |
| 8    | 7007633     | 1   | Thrustwasher                                  |     |
| 9    | 7000229     | 1   | Ring, Retaining                               |     |
| 10   | 7010494     | 2   | Pipe, Plug                                    |     |
| 11   | 7001928     | 2   | Pipe, Plug                                    |     |
| 12   | 7000246     | 2   | Gear, In O-Ring                               |     |
|      |             | Ref | <b>CARRIER ASSEMBLY</b>                       |     |
| 13   | 7001931     | 1   | Carrier                                       |     |
| 14   | 7001985     | 6   | Thrustwasher, Tanged                          |     |
| 15   | 7001909     | 96  | Bearing, Needle                               |     |
| 16   | 7000263     | 3   | Spacer, Thrust                                |     |
| 17   | 7001911     | 3   | Shaft, Planet                                 |     |
| 18   | 7001987     | 3   | Gear, Cluster                                 |     |
| 19   | 7010474     | 3   | Roll Pin                                      |     |
| 20   | 7001988     | 1   | Ring Gear                                     |     |
| 21   | 7000230     | 2   | O-Ring  |     |
| 21A  | 7017070     | 1   | O-Ring  |     |
| 22   | 7000209     | 1   | Cover, Input                                  |     |
| 23   | 7010488     | 1   | Gear, Sun                                     |     |
| 24   | 7000269     | 1   | Spacer, Input                                 |     |
| 25   | 7000270     | 1   | Thrustwasher                                  |     |
| 26   | 7000253     | 2   | Thrustwasher                                  |     |
| 27   | 7000217     | 8   | Bolt  |     |
| 28   | 7000214     | 4   | Bolt, Shoulder                                |     |
| 29   | 2200222     | 1   | Pipe, Plug                                    |     |
| 40   | 7024100     | 1   | Kit, Seal (Includes Items 2, 9, 21, 21A & 26) |     |

# SECTION 2 - TURNTABLE

## FIGURE 2-7. SWING BRAKE ASSEMBLY (Prior to SN 0300068040)



NOTE: Figure applies to Machines prior to SN 0300064566 only. For Machines SN 0300064566 through 0300068040 see Parts List.



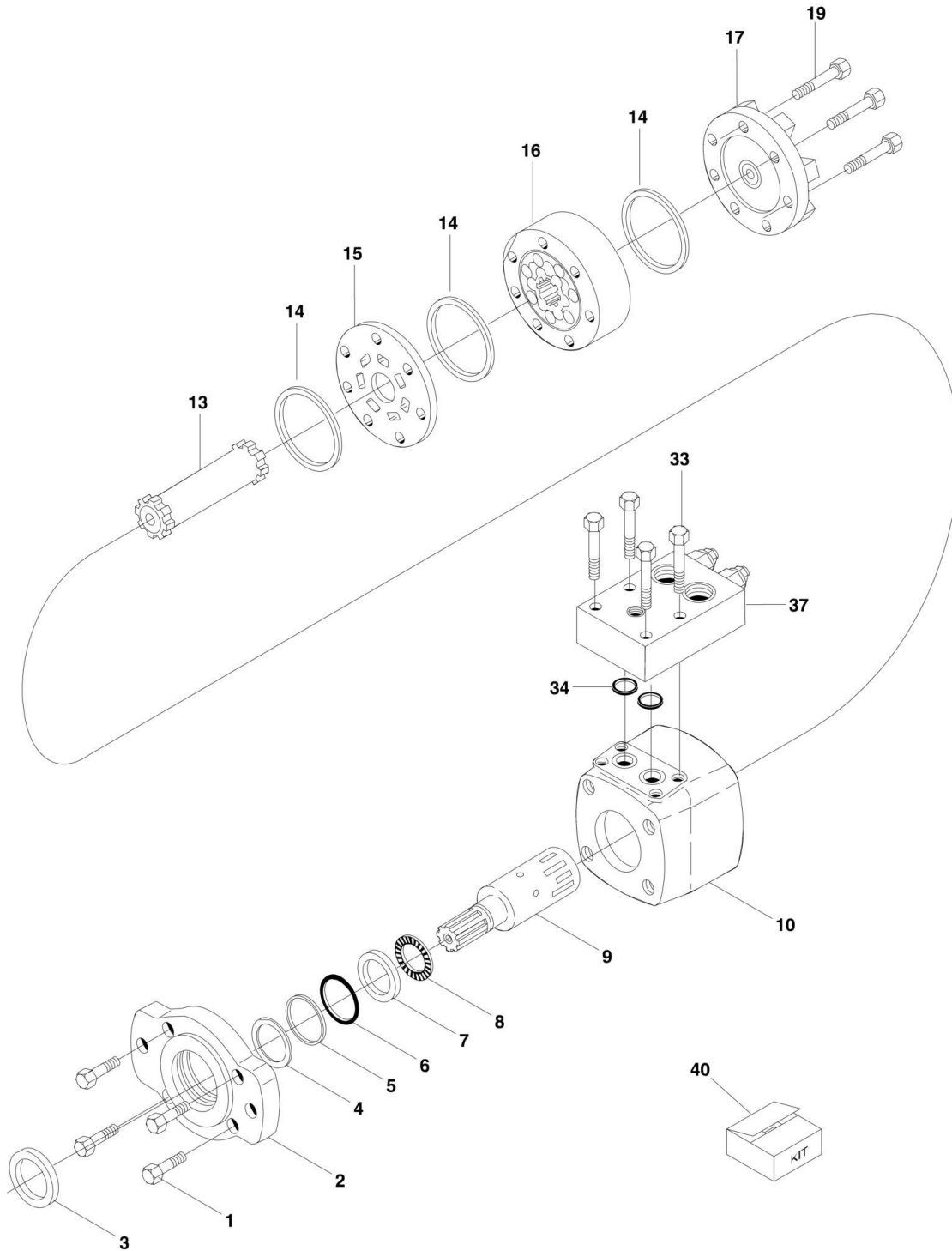
## SECTION 2 - TURNTABLE

**FIGURE 2-7. SWING BRAKE ASSEMBLY (Prior to SN 0300068040)**

| ITEM | PART NUMBER | QTY | DESCRIPTION  | REV |
|------|-------------|-----|--|-----|
|      | 0920111     | Ref | <b>SWING BRAKE ASSEMBLY (Prior to SN 0300064566)</b>                       | B   |
| 1    | 7003451     | 1   | Housing  |     |
| 2    | 7003452     | 1   | Gasket   |     |
| 3    | 7003094     | 2   | Torque Pin   |     |
| 4    | 7003049     | 1   | Bearing, Ball  |     |
| 5    | 7003453     | 1   | Ring, Retaining  |     |
| 6    | 7003050     | 1   | Seal   |     |
| 7    | 7003454     | 1   | Retainer, Spring   |     |
| 8    | 7000798     | 10  | Spring, Compression (Small)  |     |
| 9    | 7000782     | 10  | Spring, Compression (Large)  |     |
| 10   | 7003455     | 1   | Shaft  |     |
| 11   | 7003456     | 1   | Disc, Primary  |     |
| 12   | 7003457     | 2   | Disc, Rotating   |     |
| 13   | 7003458     | 4   | Spring, Wave   |     |
| 14   | 7003459     | 2   | Disc, Stationary   |     |
| 15   | 7003460     | 1   | Piston   |     |
| 16   | 7000722     | 1   | Ring, Back-up  |     |
| 17   | 7000723     | 1   | O-Ring   |     |
| 18   | 7000724     | 1   | Ring, Back-up  |     |
| 19   | 7000725     | 1   | O-Ring   |     |
| 20   | 7000796     | 1   | Screw, Bleeder   |     |
| 21   | 7003461     | 1   | Plate, Power   |     |
| 22   | 7000728     | 1   | Plug, Protective   |     |
| 23   | 7003462     | 4   | Washer   |     |
| 24   | 7003463     | 4   | Bolt 1/2in-13NC  |     |
| 25   | 7000731     | 2   | Gasket   |     |
|      | 0920119     | Ref | <b>SWING BRAKE ASSEMBLY (NOT SHOWN) (SN 0300064566 through 0300068040)</b> | B   |
|      | 7018612     | 1   | Kit, Repair  |     |
|      |             | Ref | <b>Note: Repair Kit Only</b>   |     |

# SECTION 2 - TURNTABLE

FIGURE 2-8. SWING MOTOR ASSEMBLY (Prior to SN 0300068040)



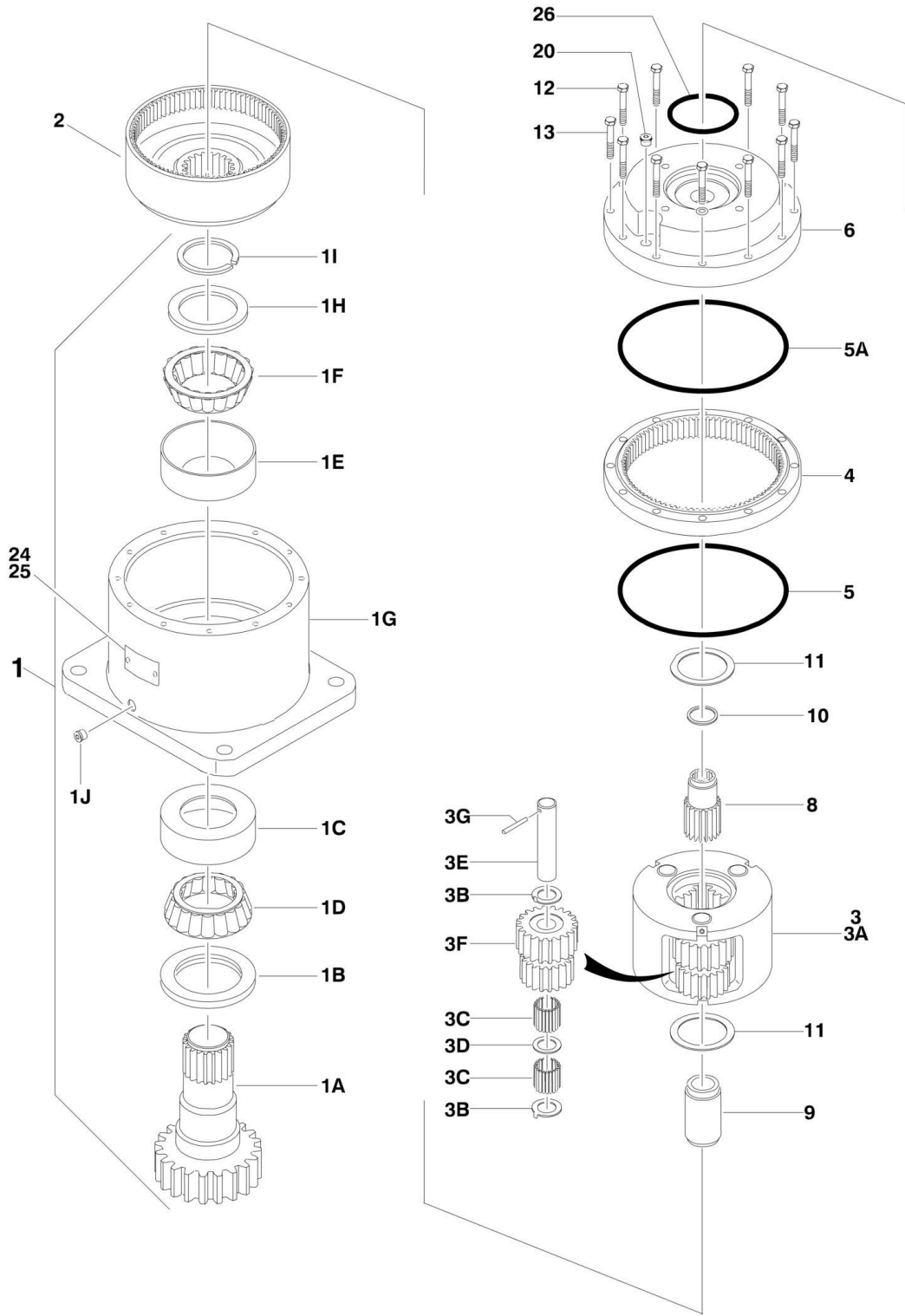
## SECTION 2 - TURNTABLE

**FIGURE 2-8. SWING MOTOR ASSEMBLY (Prior to SN 0300068040)**

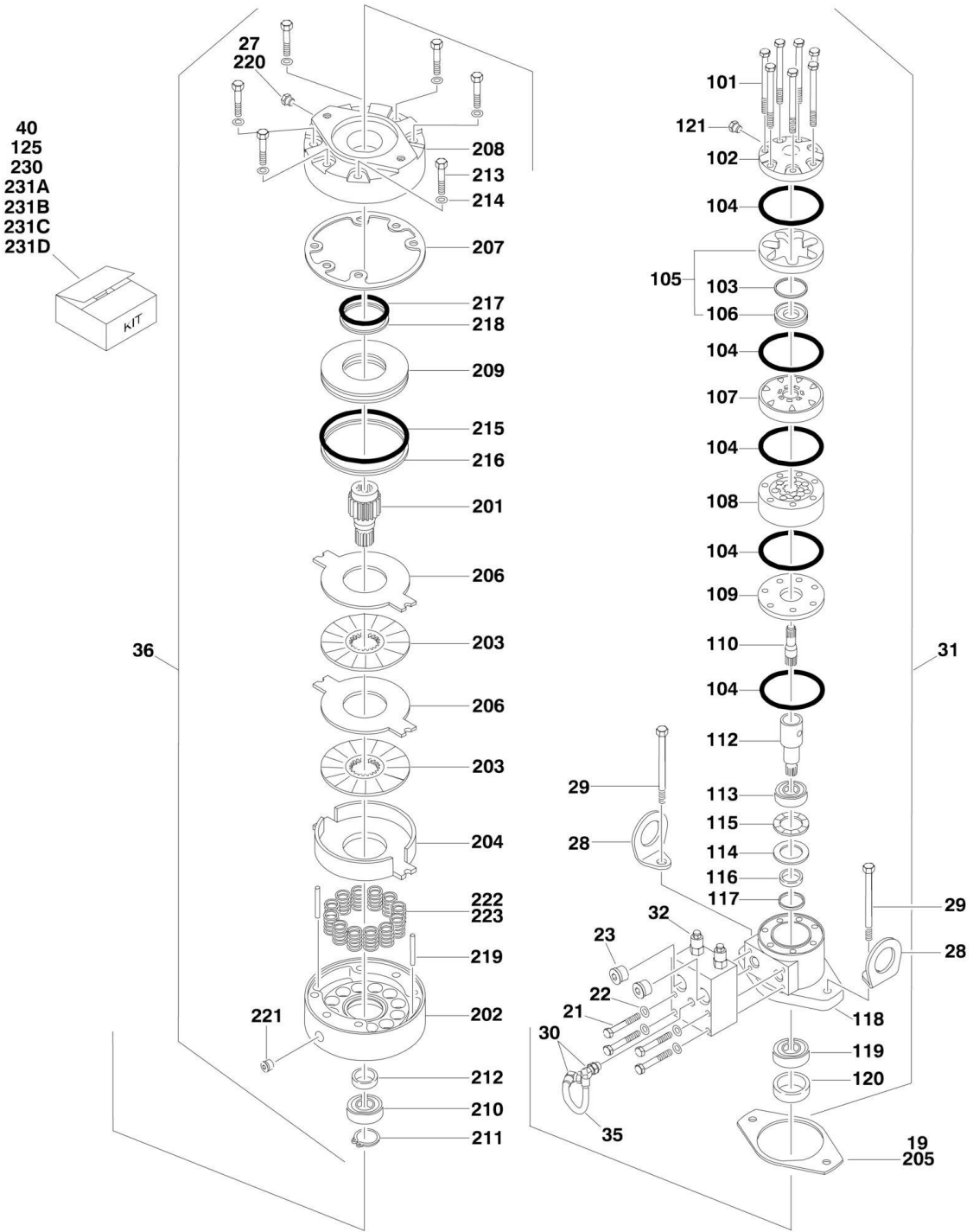
| ITEM | PART NUMBER | QTY | DESCRIPTION   | REV |
|------|-------------|-----|---|-----|
|      |             | Ref | <b>SWING MOTOR ASSEMBLY</b>   |     |
|      | 3160223     | Ref | <b>Swing Motor Assembly (Prior to SN 0300064061)</b>                                | B   |
|      | 3160279     | Ref | <b>Swing Motor Assembly (SN 0300064061 through 0300068040)</b>                      | A   |
| 1    |             | Ref | Bolt Options:   |     |
| 1    | 7002123     | 4   | <b>Bolt (Prior to SN 0300064566)</b>  |     |
| 1    | 7020357     | 4   | <b>Bolt (SN 0300064566 through 0300068040)</b>                                      |     |
| 2    | 7009996     | 1   | Flange, Mounting  |     |
| 3    | See Note    | NSS | Seal, Exclusion (Note: Use Item 40)   |     |
| 4    | See Note    | NSS | Washer, Back-up (Note: Use Item 40)   |     |
| 5    | See Note    | NSS | Seal, Pressure (Note: Use Item 40)  |     |
| 6    | See Note    | NSS | Seal (Note: Use Item 40)  |     |
| 7    | 7002117     | 1   | Race, Bearing   |     |
| 8    | 7002111     | 1   | Washer, Thrust  |     |
| 9    | 7009998     | 1   | Shaft   |     |
| 10   |             | Ref | Housing Options:  |     |
| 10   | 7020335     | 1   | <b>Housing (Prior to SN 0300064061)</b>   |     |
| 10   | 7020358     | 1   | <b>Housing (SN 0300064061 through 0300068040)</b>                                   |     |
| 13   | 7020336     | 1   | Drive   |     |
| 14   | See Note    | NSS | Seal, Body (Note: Use Item 40)  |     |
| 15   | 7020338     | 1   | Plate, Spacer   |     |
| 16   | 7020339     | 1   | Rotor Set Assembly  |     |
| 17   | 7020346     | 1   | Cap, End  |     |
| 19   | 7020340     | 7   | Bolt  |     |
| 33   |             | Ref | Bolt Options:   |     |
| 33   | 7020341     | 4   | <b>Bolt (Prior to SN 0300064061)</b>  |     |
| 33   | 7020353     | 4   | <b>Bolt (SN 0300064061 through 0300068040)</b>                                      |     |
| 34   | See Note    | NSS | O-Ring (Note: Use Item 40)  |     |
| 37   |             | Ref | Valve, Counterbalance Options:  |     |
| 37   | 7020343     | 1   | Valve, Counterbalance <b>(Prior to SN 0300064061)</b>                               |     |
| 37   | 7020359     | 1   | Valve, Counterbalance <b>(SN 0300064061 through 0300068040)</b>                     |     |
| 37   |             | Ref | Cartridge, Valve Options:   |     |
| 37   | See Note    | 2   | Cartridge, Valve (Note: Not Available for Purchase) <b>(Prior to SN 0300064061)</b> |     |
| 37   | 7020362     | 2   | Cartridge, Valve <b>(SN 0300064061 through 0300068040)</b>                          |     |
| 37   |             | Ref | O-Ring Options:   |     |
| 37   | See Note    | 2   | O-Ring (Note: Not Available for Purchase) <b>(Prior to SN 0300064061)</b>           |     |
| 37   | 7020363     | 2   | O-Ring <b>(SN 0300064061 through 0300068040)</b>                                    |     |
| 40   | 7020360     | 1   | Seal Kit - (Includes Items 3-6, 14 & 34)  |     |

# SECTION 2 - TURNTABLE

FIGURE 2-9. SWING MOTOR/HUB ASSEMBLY (SN 0300068040 through 0300069000)



# SECTION 2 - TURNTABLE



## SECTION 2 - TURNTABLE

FIGURE 2-9. SWING MOTOR/HUB ASSEMBLY (SN 0300068040 through 0300069000)

| ITEM | PART NUMBER | QTY | DESCRIPTION   | REV |
|------|-------------|-----|---|-----|
|      | 3160286     | Ref | <b>SWING MOTOR/HUB ASSEMBLY</b>   | A   |
| 1    | See Note    | 1   | Housing/Shaft Assembly (Note: Not Available - Purchase Individual Components) |     |
| 1A   | 7010492     | 1   | Shaft, Out put  |     |
| 1B   | 7000228     | 1   | Seal, Lip   |     |
| 1C   | 7000255     | 1   | Cup, Bearing  |     |
| 1D   | 7000256     | 1   | Cone, Bearing   |     |
| 1E   | 7000257     | 1   | Cup, Bearing  |     |
| 1F   | 7000258     | 1   | Cone, Bearing   |     |
| 1G   | 7017089     | 1   | Housing   |     |
| 1H   | 7007633     | 1   | Washer, Thrust  |     |
| 1I   | 7000229     | 1   | Ring, Retaining   |     |
| 1J   | 7001928     | 1   | Plug, Pipe  |     |
| 2    | 7000246     | 1   | Gear, Internal  |     |
| 3    | See Note    | 1   | Carrier Assembly (Note: Not Available - Purchase Individual Components)       |     |
| 3A   | 7001931     | 1   | Carrier   |     |
| 3B   | 7001985     | 6   | Washer, Tanged  |     |
| 3C   | 7001909     | 96  | Bearing, Needle   |     |
| 3D   | 7000263     | 3   | Washer, Thrust  |     |
| 3E   | 7001911     | 3   | Shaft, Planet   |     |
| 3F   | 7001912     | 3   | Gear, Cluster   |     |
| 3G   | 7010474     | 3   | Roll Pin  |     |
| 4    | 7000248     | 1   | Gear, Ring  |     |
| 5    | 7000230     | 1   | O-Ring  |     |
| 5A   | 7017070     | 1   | O-Ring  |     |
| 6    | 7000209     | 1   | Cover, Input  |     |
| 8    | 7010461     | 1   | Gear, Sun   |     |
| 9    | 7000269     | 1   | Spacer, Input   |     |
| 10   | 7000270     | 1   | Washer, Thrust  |     |
| 11   | 7000253     | 2   | Washer, Thrust  |     |
| 12   | 7000217     | 8   | Bolt 5/16in-18NC x 2-1/4in (Grade 8)  |     |
| 13   | 7000214     | 4   | Bolt, Shoulder 5/16in-18NC x 1-7/8in (Grade 8)                                |     |
| 19   | 7024703     | 1   | Gasket  |     |
| 20   | 2200222     | 1   | Plug, Pipe  |     |
| 21   | 7024704     | 4   | Bolt 5/16in-18NC x 2in (Grade 8)  |     |
| 22   | See Note    | 4   | Lockwasher (Note: Not Available for Purchase)                                 |     |
| 23   | 7017023     | 2   | Plug, Pipe  |     |
| 24   | See Note    | 1   | Plate, ID (Note: Not Available for Purchase)                                  |     |
| 25   | 7000281     | 2   | Screw, Drive  |     |
| 26   | 7024705     | 1   | O-Ring  |     |
| 27   | 7017082     | 1   | Plug, Pipe  |     |
| 28   | See Note    | 2   | Lug, Lifting (Note: Not Available for Purchase)                               |     |
| 29   | 7024185     | 2   | Bolt 1/2in-13NC x 5in (Grade 8)   |     |
| 30   | 7017085     | 2   | Elbow   |     |
| 31   | 7024707     | 1   | Motor Assembly (See Items 101-121 for Breakdown)                              |     |
| 32   | 7024784     | 1   | Valve (No Serviceable Parts)  |     |
| 35   | 7024706     | 1   | Tube  |     |
| 36   | 7024702     | 1   | Brake Assembly (See Items 201-223 for Breakdown)                              |     |
| 40   | 7024100     | 1   | Seal Kit, Swing Hub (Includes Items 1B, 1I, 5, 5A & 11)                       |     |

## SECTION 2 - TURNTABLE

| ITEM | PART NUMBER | QTY | DESCRIPTION  | REV |
|------|-------------|-----|--|-----|
|      | 7024707     | Ref | <b>MOTOR ASSEMBLY</b>  |     |
| 101  | 7024454     | 5   | Bolt   |     |
| 102  | 7024459     | 1   | Cover, End   |     |
| 103  | See Note    | NSS | Seal, Commutator (Note: Use Item 125)                            |     |
| 104  | See Note    | NSS | Seal, Ring (Note: Use Item 125)                                  |     |
| 105  | 7024453     | 1   | Commutator and Ring Assembly                                     |     |
| 106  | 7024453     | 1   | Ring   |     |
| 107  | 7024379     | 1   | Manifold   |     |
| 108  | 7024455     | 1   | Rotor Set  |     |
| 109  | 7024380     | 1   | Plate, Wear  |     |
| 110  | 7024456     | 1   | Link, Drive  |     |
| 112  | 7024458     | 1   | Shaft, Coupling  |     |
| 113  | 7004042     | 1   | Bushing, Bronze  |     |
| 114  | 7004043     | 1   | Washer, Thrust   |     |
| 115  | 7004044     | 1   | Bearing, Thrust  |     |
| 116  | See Note    | NSS | Seal, Inner (Note: Use Item 125)                                 |     |
| 117  | See Note    | NSS | Washer, Back-up (Note: Use Item 125)                             |     |
| 118  | 7024457     | 1   | Housing  |     |
| 119  | 7004046     | 1   | Bearing  |     |
| 120  | See Note    | NSS | Seal (Note: Use Item 125)  |     |
| 121  | 7010795     | 1   | Plug, O-Ring   |     |
| 125  | 7024396     | 1   | Seal Kit, Motor (Includes Items 103, 104, 116, 117 & 120)        |     |
|      | 7024702     | Ref | <b>BRAKE ASSEMBLY</b>  |     |
| 201  | 7024189     | 1   | Shaft  |     |
| 202  | 7024702     | 1   | Housing (Note: Not Available for Purchase)                       |     |
| 203  | See Note    | NSS | Plate, Friction (Note: Use Item 231C)                            |     |
| 204  | See Note    | NSS | Plate, Pressure (Note: Use Item 231C)                            |     |
| 205  | 7000731     | 1   | Gasket   |     |
| 206  | See Note    | NSS | Plate, Outer (Note: Use Item 231C)                               |     |
| 207  | See Note    | 1   | Gasket (Note: Use Item 230, 231C or 231D)                        |     |
| 208  | 7024191     | 1   | Cylinder   |     |
| 209  | 7024192     | 1   | Piston   |     |
| 210  | See Note    | NSS | Bearing, Ball (Note: Use Item 231D)                              |     |
| 211  | See Note    | NSS | Ring, Retaining (Note: Use Item 231D)                            |     |
| 212  | See Note    | NSS | Seal, Shaft (Note: Use Item 231D)                                |     |
| 213  | See Note    | 6   | Capscrew (Note: Not Available for Purchase)                      |     |
| 214  | See Note    | 6   | Lockwasher (Note: Not Available for Purchase)                    |     |
| 215  | See Note    | NSS | O-Ring (Note: Use Item 230)                                      |     |
| 216  | See Note    | NSS | Ring, Back-up (Note: Use Item 230)                               |     |
| 217  | See Note    | NSS | O-Ring (Note: Use Item 230)                                      |     |
| 218  | See Note    | NSS | Ring, Back-up (Note: Use Item 230)                               |     |
| 219  | 7024190     | 2   | Pin, Dowel   |     |
| 220  | See Note    | 1   | Plug (Note: Not Available - Purchase Locally)                    |     |
| 221  | See Note    | 1   | Plug (Note: Not Available - Purchase Locally)                    |     |
| 222  | See Note    | NSS | Spring (Natural) (Note: Use Item 231B)                           |     |
| 223  | See Note    | NSS | Spring (Blue) (Note: Use Item 231B)                              |     |
| 230  | 7024194     | 1   | Seal Kit, Brake (Includes Items 205, 207 & 215-218)              |     |
| 231  |             | Ref | Repair Kit, Brake Options:                                       |     |
| 231A | 7024195     | NLA | Spring Kit (Includes 12 Natural Colored Springs) (Use Item 231B) |     |
| 231B | 7024196     | 1   | Spring Kit (Includes 12 Blue and 12 Natural Colored Springs)     |     |
| 231C | 7024193     | 1   | Friction Disc Kit (Includes Items 203, 204, 206 & 207)           |     |

## SECTION 2 - TURNTABLE

| ITEM | PART NUMBER | QTY | DESCRIPTION                                | REV |
|------|-------------|-----|--|-----|
| 231D | 7024197     | 1   | Bearing Kit (Includes Items 207 & 210-212) |     |

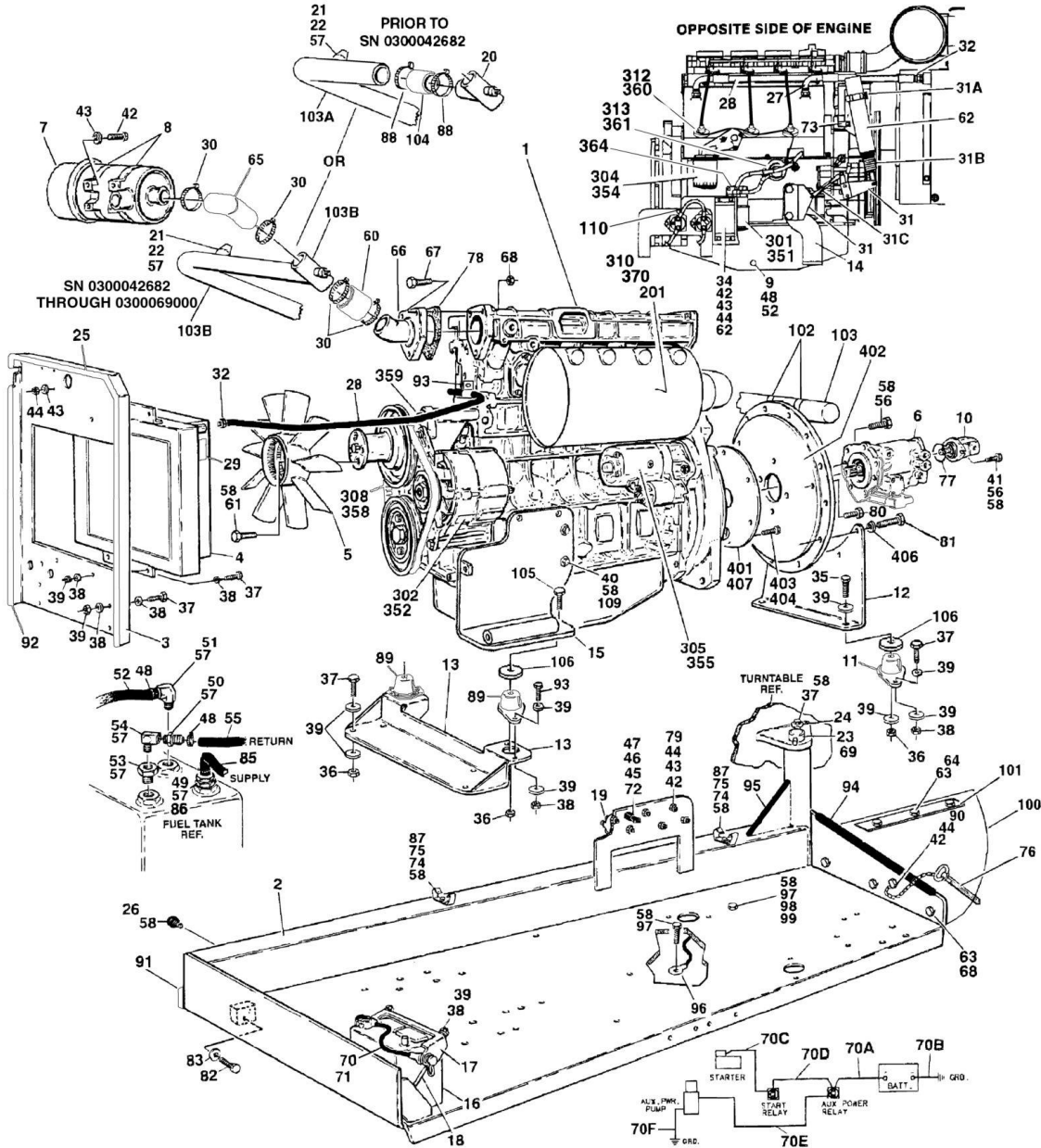




# SECTION 2 - TURNTABLE

## FIGURE 2-10. DEUTZ ENGINE INSTALLATION

NOTE: These Machine SN's Also Equipped With ADE System: 0300062045, 0300062797, 0300063013, 0300063665, 0300063975, 0300064000-0300064017, 0300064390, 0300064392 & 0300064411.



## SECTION 2 - TURNTABLE

### FIGURE 2-10. DEUTZ ENGINE INSTALLATION

| ITEM | PART NUMBER | QTY       | DESCRIPTION  | REV |
|------|-------------|-----------|--|-----|
|      |             | Ref       | <b>NOTE: THESE MACHINE SN'S ALSO EQUIPPED WITH ADE SYSTEM: 0300062045, 0300062797, 0300063013, 0300063665, 0300063975, 0300064000-0300064017, 0300064390, 0300064392 &amp; 0300064411.</b> |     |
|      |             | Ref       | <b>DEUTZ ENGINE INSTALLATIONS</b>  |     |
|      | 0258415     | Ref       | <b>Standard Machines (Prior to SN 0300064432)</b>  | 6-F |
|      | 0271371     | Ref       | <b>ADE System Machines (SN 0300064432 through 0300069000)</b>  | 9-F |
| 1    |             | Ref       | Engine - Deutz F4M1011F Diesel Options:  |     |
| 1    | 2000146     | 1         | Engine - Deutz F4M1011F Diesel ( <b>Prior to SN 0300064432</b> )   |     |
| 1    | 2000173     | 1         | Engine - Deutz F4M1011F Diesel ( <b>SN 0300064432 through 0300065694</b> )   |     |
| 1    | 2000189     | 1         | Engine - Deutz F4M1011F Diesel ( <b>SN 0300065695 through 0300069000</b> )   |     |
| 2    | 4845404     | 1         | Tray Engine  |     |
| 3    | 3539872     | 1         | Plate, Radiator Mounting   |     |
| 4    | 3620033     | 1         | Cooler, Oil  |     |
| 5    | 2060025     | 1         | Fan  |     |
| 6    |             | Ref       | Piston Pump Assembly Options (See PISTON PUMP ASSEMBLY for Breakdown):   |     |
| 6    | 3600277     | NLA       | Piston Pump Assembly (Use p/n 3600295)   |     |
| 6    | 3600295     | 1         | Piston Pump Assembly ( <b>SN 0300042829 through 0300069000</b> )   |     |
| 7    | 1340060     | 1         | Air Cleaner Assembly   |     |
| 7A   | 7012664     | 1         | Element, Air Cleaner   |     |
| 8    | 0340041     | 2         | Band, Mounting   |     |
| 9    | 4640751     | 1         | Valve, Oil Drain   |     |
| 10   | 3600278     | 1         | Piston Pump Assembly   |     |
| 10   | 7018995     | 1         | Seal Kit - 3600278 Pump  |     |
| 10   | 7024918     | 1         | Seal, Shaft  |     |
| 10   | 7024930     | 1         | Valve Assembly - 3600278 Motor   |     |
| 11   | 3200406     | 2         | Mount, Rubber Engine (Rear)  |     |
| 12   | 3537420     | 1         | Bracket, Engine Mounting - Rear  |     |
| 13   | 3539971     | 1         | Bracket, Engine Mounting - Front   |     |
| 14   | 3537416     | 1         | Support, Engine - Right  |     |
| 15   |             | Ref       | Support, Engine - Left Options:  |     |
| 15   | 3537417     | 1         | Support, Engine - Left ( <b>Prior to SN 0300041506</b> )   |     |
| 15   | 4846479     | 1         | Support, Engine - Left ( <b>SN 0300041506 through 0300068268</b> )   |     |
| 15   | 4846566     | 1         | Support, Engine - Left ( <b>SN 0300068269 through 0300069000</b> )   |     |
| 16   | 0400075     | 1         | Battery  |     |
| 17   | 0181727     | 1         | Hold-Down, Battery   |     |
| 18   | 0630498     | 2         | Rod, Hold-Down   |     |
| 19   | 3740067     | 2         | Relay  |     |
| 20   | 4567112     | 1         | Tee, Air Intake Tube ( <b>Prior to SN 0300042682</b> )   |     |
| 21   | 4360392     | 1         | Switch, Restrictor Indicator   |     |
| 22   | 2180798     | 1         | Fitting  |     |
| 23   | 3422446     | 1         | Pin, Pivot   |     |
| 24   | 3841143     | 1         | Keeper, Pin  |     |
| 25   | 3960389     | 5 ft/1.5m | Seal   |     |
| 26   | 0940070     | 1         | Bumper, Rubber   |     |
| 27   | 3841340     | AR        | Loop, Hose   |     |
| 28   | 2720398     | 2         | Hose, Oil Cooler   |     |

## SECTION 2 - TURNTABLE

| ITEM | PART NUMBER | QTY        | DESCRIPTION  | REV |
|------|-------------|------------|--|-----|
| 29   | 1703162     | 2          | Nameplate - Fan Caution  |     |
| 30   | 1320016     | 4          | Clamp, Hose  |     |
| 31   | 2901392     | 1          | Throttle Mounting Kit <b>(Prior to SN 0300064432)</b>  |     |
| 31A  | 7008833     | 1          | Bracket, Throttle  |     |
| 31B  | 7008835     | 1          | Coupling, Ball Joint   |     |
| 31C  | 7008836     | 1          | Spring   |     |
| 31D  | 7023340     | AR         | Screw, Shoulder 3/8in x 3/8in (Not Shown)  |     |
| 32   | 2220451     | 2          | Fitting, Straight  |     |
| 34   |             | Ref        | Bracket, Control Module Mounting Options:  |     |
| 34   | 0902243     | 1          | Bracket, Control Module Mounting <b>(Prior to SN 0300040385)</b>   |     |
| 34   | 0902511     | 1          | Bracket, Control Module Mounting <b>(SN 0300040385 through 0300064432)</b>                                 |     |
| 35   | 0641818     | AR         | Bolt 1/2in-13NC x 2-1/4in  |     |
| 36   | 3311805     | 4          | Locknut 1/2in-13NC   |     |
| 37   | 0641610     | AR         | Bolt 3/8in-16NC x 1-1/4in  |     |
| 38   | 3311605     | 22         | Locknut 3/8in-16NC x 1-1/4in   |     |
| 39   | 4751600     | 44         | Flatwasher 3/8in   |     |
| 40   | 0701414     | 6          | Bolt 1/4in-20NC x 3/4in  |     |
| 41   | 4891800     | 2          | Washer, Hardened 1/2in   |     |
| 42   | 0641407     | AR         | Bolt 1/4in-20NC x 7/8in  |     |
| 43   | 4751400     | AR         | Flatwasher 1/4in   |     |
| 44   | 3311405     | AR         | Locknut 1/4in-20NC   |     |
| 45   | 0721005     | 2          | Bolt #10-24NC x 5/8in <b>(Prior to SN 0300064432)</b>  |     |
| 46   | 3321005     | 2          | Locknut #10-24NC <b>(Prior to SN 0300064432)</b>   |     |
| 47   | 4751000     | 2          | Flatwasher #10 <b>(Prior to SN 0300064432)</b>   |     |
| 48   | 1320022     | 6          | Clamp, Hose  |     |
| 49   | 2220273     | 2          | Fitting, Reducer   |     |
| 50   | 2180536     | 1          | Fitting, Straight  |     |
| 51   | 2220313     | 1          | Fitting, Elbow   |     |
| 52   | 2750532     | 6 ft/1.83m | Hose 3/8in   |     |
| 53   | 2220250     | 1          | Fitting, Reducer   |     |
| 54   | 2220459     | 1          | Fitting, Elbow   |     |
| 55   | 2720271     | 15 ft/4.6m | Hose 3/16in  |     |
| 56   | 0641812     | 4          | Bolt 1/2in-13NC x 1-1/2in  |     |
| 57   | 0100020     | AR         | Sealant, Thread  |     |
| 58   | 0100011     | AR         | Compound, Locking  |     |
| 60   |             | Ref        | Coupling, Rubber Intake Options:   |     |
| 60   | 2720351     | 6 in/15cm  | Coupling, Rubber Intake <b>(Prior to SN 0300067970)</b>  |     |
| 60   | 2720449     | 1          | Coupling, Rubber Intake <b>(SN 0300067970 through 0300069000)</b>  |     |
| 61   | 0700808     | 4          | Bolt M8 x 16mm   |     |
| 62   | 0060033     | NLA        | Actuator Assembly (Use p/n 2910000) (See ELECTRICAL SECTION for Breakdown) <b>(Prior to SN 0300064432)</b> |     |
| 63   | 0641508     | 3          | Bolt 5/16in-18NC x 1-1/4in   |     |
| 64   | 3900272     | 3          | Capscrew, Button Head 5/16in-18NC x 1-3/4in  |     |
| 65   | 2720434     | 1          | Elbow, Rubber  |     |
| 66   | 4845395     | 1          | Air Intake Adapter Weldment  |     |
| 67   | 0641510     | 3          | Bolt 5/16in-18NC x 1-1/4in   |     |
| 68   | 3311505     | AR         | Locknut 5/16in-18NC  |     |
| 69   | 0961986     | 2          | Bushing, Flanged   |     |
| 70   | 2901609     | 1          | Battery Cable Kit  |     |
| 70A  | 7016800     | 1          | Cable, Battery (Red)   |     |

## SECTION 2 - TURNTABLE

| ITEM | PART NUMBER | QTY            | DESCRIPTION  | REV |
|------|-------------|----------------|--|-----|
| 70B  | 7016809     | 1              | Cable, Battery (Black)   |     |
| 70C  | 7016802     | 1              | Cable (Red)  |     |
| 70D  | 7016803     | 1              | Cable (Red)  |     |
| 70E  | 7016824     | 1              | Cable (Red)  |     |
| 70F  | 7016825     | 1              | Cable (Black)  |     |
| 71   | 4460611     | 1              | Terminal, Battery Jumper Post  |     |
| 72   | 4360294     | 1              | Breaker, Circuit - 30 Amp <b>(Prior to SN 0300064432)</b>                                    |     |
| 73   | 1320222     | 1              | J-Clip 3/8in   |     |
| 74   | 1320223     | 3              | J-Clip 1/2in   |     |
| 75   | 0641606     | 3              | Bolt 3/8in-16NC x 3/4in  |     |
| 76   | 3422532     | 1              | Pin, Hitch   |     |
| 77   | 3790044     | 1              | O-Ring   |     |
| 78   | 3960407     | 1              | Gasket   |     |
| 79   | 4791400     | 4              | Starwasher 1/4in   |     |
| 80   | 0701012     | 4              | Bolt M10 x 25mm  |     |
| 81   | 0701015     | 4              | Bolt M10 x 35mm  |     |
| 82   | 0642010     | 1              | Bolt 5/8in-11NC x 1-1/4in  |     |
| 83   | 4752000     | 1              | Flatwasher 5/8in   |     |
| 84   | 1701505     | 1              | Decal - Diesel (Not Shown - Located on Hood)   |     |
| 85   | 2720058     | 16 ft/4.9m     | Hose   |     |
| 86   | 2220794     | 1              | Fitting, Barbed  |     |
| 87   | 4711600     | 3              | Flatwasher 3/8in Narrow  |     |
| 88   | 1320031     | 2              | Clamp Only <b>(Prior to SN 0300042682)</b>   |     |
| 89   | 3200362     | 2              | Mount, Rubber Engine (Front)   |     |
| 90   | 4711400     | 1              | Flatwasher 1/4in Narrow  |     |
| 91   | 3960468     | 1              | Seal, Foam Gasket  |     |
| 92   | 3960469     | 1              | Seal, Foam Gasket  |     |
| 93   | 0641608     | 14             | Bolt 3/8in-16NC x 1in  |     |
| 94   | 4060805     | 7 in/18cm      | Flex-Trim 1/4in  |     |
| 95   | 4060804     | 16 in<br>/40cm | Flex-Trim 3/16in   |     |
| 96   | 1060637     | 1              | Lanyard  |     |
| 97   | 0641808     | 2              | Bolt 1/2in-13NC x 1in  |     |
| 98   | 3311801     | 1              | Nut 1/2in-13NC   |     |
| 99   | 4751800     | 1              | Flatwasher 1/2in   |     |
| 100  | 3380429     | 1              | Panel, Rubber  |     |
| 101  | 3539957     | 2              | Plate, Hold Down   |     |
| 102  | 1320131     | 2              | Clamp <b>(Prior to SN 0300042682)</b>  |     |
| 103  |             | Ref            | Tuning Tube Weldment Options:  |     |
| 103A | 4845394     | 1              | Tuning Tube Weldment <b>(Prior to SN 0300042682)</b>   |     |
| 103B | 4567815     | 1              | Tuning Tube Weldment <b>(SN 0300042682 through 0300069000)</b>                               |     |
| 104  | 2720423     | 1              | Hose <b>(Prior to SN 0300042682)</b>   |     |
| 105  | 0641826     | 2              | Bolt 1/2in-13NC x 3-1/4in  |     |
| 106  | 4740274     | 4              | Washer, Snubbing   |     |
| 107  | 1320258     | 1              | Clamp (Not Shown - Located in Center of Turntable) <b>(SN 0300042829 through 0300052923)</b> |     |
| 108  | 0641810     | 1              | Bolt 1/2in-13NC x 1-1/4in (Not Shown - Used with Item 107) <b>(Prior to SN 0300052924)</b>   |     |
| 109  | 4711900     | 6              | Flatwasher 9/16in  |     |
| 110  | 4922737     | 1              | Harness, Engine Grounding <b>(SN 0300068561 through 0300069000)</b>                          |     |

## SECTION 2 - TURNTABLE

| ITEM | PART NUMBER | QTY | DESCRIPTION   | REV |
|------|-------------|-----|---|-----|
|      |             | Ref | <b>MUFFLER INSTALLATIONS</b>                                  |     |
|      | 0256689     | Ref | <b>Standard Equipment (Spark Arresting)</b>                   | -   |
|      | 0256690     | Ref | <b>Optional Equipment (Catalytic)</b>                         | -   |
| 201  |             | Ref | Muffler Options:  |     |
| 201  | 3220103     | 1   | Spark Arresting   |     |
| 201  | 3220104     | 1   | Catalytic   |     |
| 201  |             | Ref | Muffler Components:   |     |
| 201  |             | Ref | Clamp Options:  |     |
| 201  | 1320176     | 1   | Saddle Clamp Used on Spark Arresting                          |     |
| 201  | 70001017    | 1   | Band Clamp Used on Catalytic                                  |     |
| 201  | 7024398     | 1   | Tube, Exhaust   |     |
| 201  | 7024560     | 1   | Plug, Brass   |     |
| 201  | 7020471     | 4   | Gasket  |     |
| 201  | 70003476    | 8   | Nut, Muffler Attaching  |     |
|      | 2000146     | Ref | <b>ENGINE COMPONENTS (Prior to SN 0300064432)</b>             | D   |
| 301  | 7016328     | 1   | Filter, Fuel (was p/n 7016639)                                |     |
| 302  | 7000663     | 1   | Alternator (was p/ns 7016329, 7020436 & 7020410)              |     |
| 303  | 7016330     | 1   | Switch, Oil Pressure (Not Shown)                              |     |
| 304  | 7016331     | 1   | Filter, Oil (was p/n 7016641)                                 |     |
| 304  | 70002813    | 1   | Seal (Between Filter Head and Block)                          |     |
| 305  | 7016332     | 1   | Starter   |     |
| 306  | 7026631     | 1   | Dipstick, Engine Oil (was p/ns 7019664 & 7016640) (Not Shown) |     |
| 306  | 70001002    | 1   | Tube, Oil Dipstick (was p/n 7019664) (Not Shown)              |     |
| 307  | 7020025     | 1   | Switch, Engine Oil Temperature (Not Shown)                    |     |
| 308  | 7020414     | 1   | V-Belt  |     |
| 309  |             | Ref | Gasket, Cylinder Head Options (Not Shown):                    |     |
| 309  | 70001681    | 1   | 1 Notch   |     |
| 309  | 70002411    | 1   | 2 Notches   |     |
| 309  | 70002530    | 1   | 3 Notches   |     |
| 309  | 7020431     | 1   | Gasket, Valve Cover (Not Shown):                              |     |
| 310  | 7000699     | 1   | Seal (Doughnut)   |     |
| 310  | 7020471     | 4   | Gasket (Muffler to Head)                                      |     |
| 310  | 70003476    | 8   | Nut, Muffler Attaching  |     |
| 311  | 7019607     | 1   | Shutdown, Throttle (was p/n 7016359) (Not Shown)              |     |
| 312  | 7012599     | 4   | Pump, Fuel Injection  |     |
| 312  | 7020427     | 4   | Injector, Fuel (Not Shown)                                    |     |
| 312  | 7020425     | 4   | Nozzle (Not Shown)  |     |
| 313  | 7020463     | 1   | Pump, Fuel Supply   |     |
| 313  | 7020419     | 1   | Hose, Fuel Return   |     |
| 314  | 7020027     | 1   | Flywheel/Ring Gear Assembly (Not Shown)                       |     |
| 314  | 7020477     | 1   | Ring Gear Only (Not Shown)                                    |     |
| 315  | 7020404     | 1   | Washer, Oil Drain Plug (Not Shown)                            |     |
| 316  | 7027250     | 1   | Spring, Actuator (Not Shown)                                  |     |
| 317  | 7020465     | 1   | Filler Cap, Oil (Not Shown)                                   |     |
|      |             | Ref | <b>ENGINE COMPONENTS</b>                                      |     |
|      | 2000173     | Ref | <b>Engine Components (SN 0300064432 through 0300065694)</b>   | B   |
|      | 2000189     | Ref | <b>Engine Components (SN 0300065695 through 0300069000)</b>   | A   |
| 351  | 8320270     | 1   | Filter, Fuel (was p/n 7016328)                                |     |
| 352  | 7000663     | 1   | Alternator (was p/n 7020410)                                  |     |
| 352  | 7020464     | 1   | Regulator   |     |
| 352  | 70002234    | 1   | Bracket, Adjustable   |     |

## SECTION 2 - TURNTABLE

| ITEM | PART NUMBER | QTY | DESCRIPTION  | REV |
|------|-------------|-----|--|-----|
| 352  | 70003556    | 1   | Pulley   |     |
| 353  | 7020461     | 1   | Switch, Oil Pressure (Not Shown)   |     |
| 354  | 7016331     | 1   | Filter, Oil  |     |
| 355  |             | Ref | Starter Options:   |     |
| 355  | 7016332     | 1   | Starter for 2000173 Engine   |     |
| 355  | 7020479     | 1   | Starter for 2000189 Engine   |     |
| 355  | See Note    | 1   | Relay (Note: Not Available for Purchase)                                 |     |
| 355  | 7026608     | 2   | Bolt, Starter Mounting   |     |
| 355  | 70001498    | 1   | Shield, Starter Heat (Not Shown)   |     |
| 356  |             | Ref | Dipstick, Oil Level Options (Not Shown):                                 |     |
| 356  | 7020418     | 1   | Dipstick for 2000173 Engine  |     |
| 356  | 7026631     | 1   | Dipstick for 2000189 Engine  |     |
| 356  | 7020487     | 1   | Seal, Dipstick (Not Shown)   |     |
| 356  |             | Ref | Tube, Dipstick Options (Not Shown):                                      |     |
| 356  | See Note    | 1   | Tube for 2000173 Engine (Note: Not Available for Purchase)               |     |
| 356  | 70001002    | 1   | Tube for 2000189 Engine  |     |
| 357  | 7020168     | 1   | Switch, Engine Temperature (Not Shown)                                   |     |
| 357  | 7020480     | 1   | Seal, Temperature Switch (Not Shown)                                     |     |
| 358  | 7020408     | 1   | V-Belt   |     |
| 359  | 7020458     | 1   | Actuator   |     |
| 359  | 7026607     | 1   | Spring, Actuator (was p/n 7027276)                                       |     |
| 360  | 7024318     | 4   | Pump, Fuel Injection (was p/n 7020462)                                   |     |
| 360  |             | Ref | Injector, Fuel (Includes Nozzle Element) (Not Shown):                    |     |
| 360  | See Note    | 4   | Injector for 2000173 Engine (Note: Not Available for Purchase)           |     |
| 360  | 7026522     | 4   | Injector for 2000189 Engine  |     |
| 361  |             | Ref | Pump, Fuel Supply Options:   |     |
| 361  | 7020463     | 1   | Pump for 2000173 Engine  |     |
| 361  | 7024413     | 1   | Pump for 2000189 Engine  |     |
| 361  | 7020411     | 1   | Seal, Pump (Not Shown)   |     |
| 362  |             | Ref | Flywheel Options (Not Shown):  |     |
| 362  | 7020027     | 1   | Flywheel for 2000173 Engine (Includes Ring Gear)                         |     |
| 362  | See Note    | 1   | Flywheel for 2000189 Engine (Note: Not Available for Purchase)           |     |
| 362  | 7024579     | 1   | Ring Gear for 2000189 Engine   |     |
| 363  | 7024565     | 1   | Sensor, Tach (Not Shown - Located on Flywheel Housing) (was p/n 7020481) |     |
| 364  | 70001423    | 1   | Fuel Filter Head   |     |
| 365  | 7020431     | 1   | Gasket, Valve Cover (Not Shown)  |     |
| 365  |             | Ref | Gasket, Cylinder Head Options: (Not Shown)                               |     |
| 365  | 70001681    | 1   | 1 Notch  |     |
| 365  | 70002411    | 1   | 2 Notches  |     |
| 365  | 70002530    | 1   | 3 Notches  |     |
| 366  | 7020459     | 1   | Thermostat (Includes Spring) (Not Shown)                                 |     |
| 366  | 7020460     | 1   | Spring, Thermostat (Not Shown)   |     |
| 367  | 7020465     | 1   | Cap, Oil Fill (Not Shown)  |     |
| 368  | 7020474     | 1   | Pump Oil Lubrication (Not Shown)   |     |
| 368  | 7020468     | 1   | Ring, Pump Sealing (Not Shown)   |     |
| 369  | 7020449     | 4   | Gasket, Intake Manifold to Head (Not Shown)                              |     |
| 370  | 7020471     | 4   | Gasket, Exhaust Manifold to Head   |     |
|      | 0256847     | Ref | <b>PUMP COUPLING INSTALLATION</b>  | -   |
| 401  | 1660234     | 1   | Coupling, Hayes  |     |
| 402  | 0080163     | 1   | Plate, Pump Adapter  |     |

## SECTION 2 - TURNTABLE

| ITEM | PART NUMBER | QTY | DESCRIPTION      | REV |
|------|-------------|-----|------------------|-----|
| 403  | 0700810     | 6   | Bolt M8 x 20mm   |     |
| 404  | 4831900     | 6   | Lockwasher M8    |     |
| 406  | 4832000     | 8   | Lockwasher M10   |     |
| 407  | 3020021     | AR  | Grease, Coupling |     |

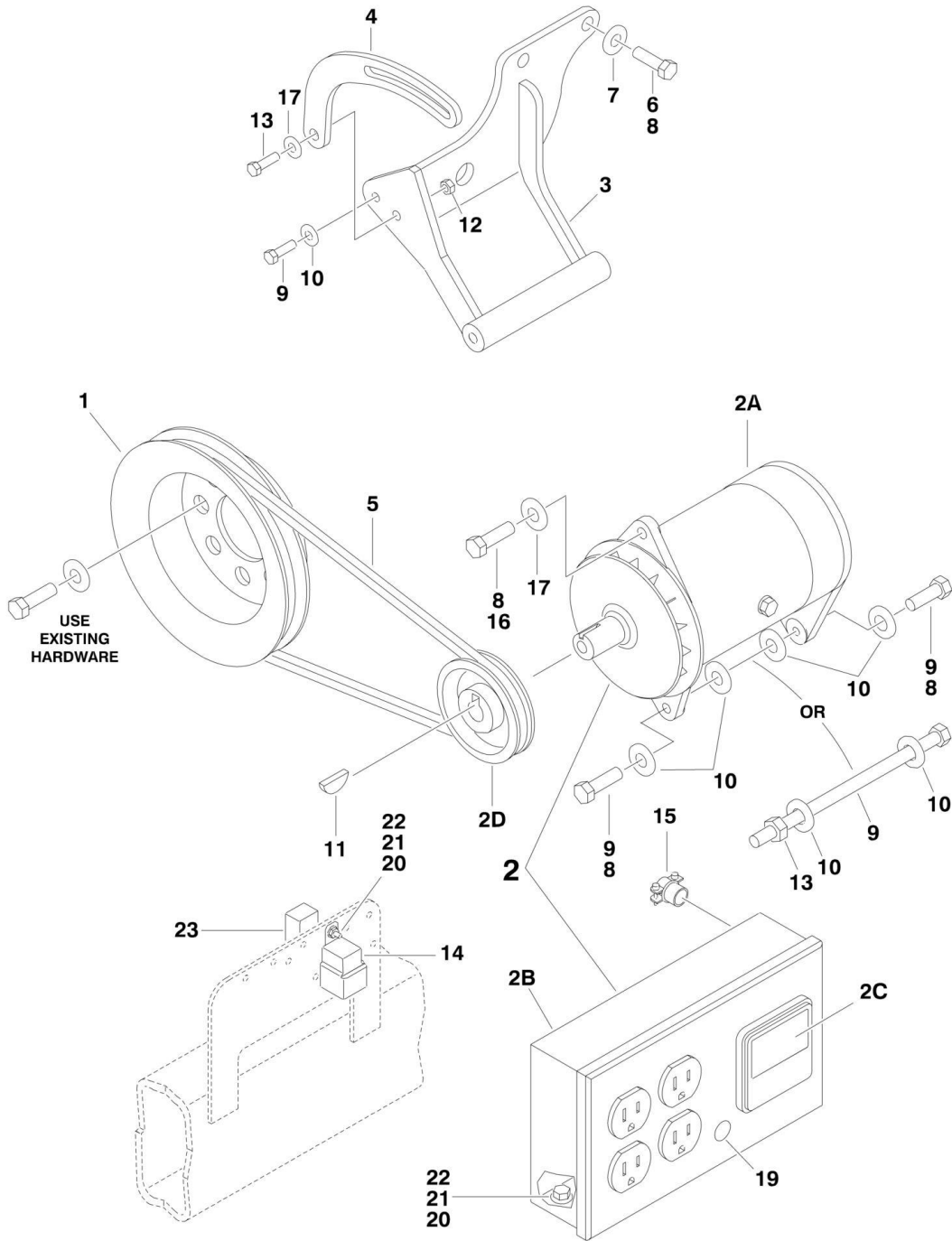




# SECTION 2 - TURNTABLE

## FIGURE 2-11. GENERATOR INSTALLATION - DEUTZ MACHINES (OPTIONAL)

**NOTE:** These Machine SN's Also Equipped With ADE System: 0300062045, 0300062797, 0300063013, 0300063665, 0300063975, 0300064000-0300064017, 0300064390, 0300064392 & 0300064411.



**SECTION 2 - TURNTABLE**

**FIGURE 2-11. GENERATOR INSTALLATION - DEUTZ MACHINES (OPTIONAL)**

| ITEM | PART NUMBER | QTY | DESCRIPTION  | REV |
|------|-------------|-----|--|-----|
|      |             | Ref | <b>NOTE: THESE MACHINE SN'S ALSO EQUIPPED WITH ADE SYSTEM: 0300062045, 0300062797, 0300063013, 0300063665, 0300063975, 0300064000-0300064017, 0300064390, 0300064392 &amp; 0300064411.</b> |     |
|      |             | Ref | <b>GENERATOR INSTALLATIONS</b>   |     |
|      |             | Ref | <b>110V Generator Options:</b>   |     |
|      | 0257853     | Ref | <b>110V 60Hz Generator (Prior to SN 0300064432)</b>  | 3   |
|      | 0271544     | Ref | <b>110V 60Hz Generator - ADE System (SN 0300064432 through 0300068268)</b>   | 3   |
|      | 0272480     | Ref | <b>110V 60Hz Generator - ADE System (SN 0300068269 through 0300069000)</b>   | 2   |
|      | 0272293     | Ref | <b>110V 50Hz Generator - ADE System (SN 0300066584 through 0300068268)</b>   | 1   |
|      | 0272482     | Ref | <b>110V 50Hz Generator - ADE System (SN 0300068269 through 0300069000)</b>   | 2   |
|      |             | Ref | <b>220V Generator Options:</b>   |     |
|      | 0257857     | Ref | <b>220V 50Hz Generator (Prior to SN 0300064432)</b>  | 4   |
|      | 0271547     | Ref | <b>220V 50Hz Generator - ADE System (SN 0300064432 through 0300068268)</b>   | 5   |
|      | 0272481     | Ref | <b>220V 50Hz Generator - ADE System (SN 0300068269 through 0300069000)</b>   | 2   |
|      |             | Ref | <b>Note: Refer to SkyPower Accessories Manual p/n 3124242 for the Miller 7500W Generator.</b>  |     |
| 1    | 3580158     | 1   | Pulley   |     |
| 2    |             | Ref | Generator and Control Box Assembly Options:  |     |
| 2    | 2460011     | 1   | 110Volt 60Hz Assembly ( <b>Prior to SN 0300066053</b> )  | I   |
| 2    | 2460032     | 1   | 110Volt 60Hz Assembly ( <b>SN 0300066053 through 0300069000</b> )  | C   |
| 2    | 2460039     | 1   | 110Volt 50Hz Assembly  | B   |
| 2    | 2460013     | 1   | 220Volt 50Hz Assembly  | B   |
| 2A   |             | Ref | Generator Options:   |     |
| 2A   | 7012558     | 1   | 110Volt 60Hz Replacement Generator   |     |
|      |             | Ref | <b>Note: Replacement Generator p/n 7012558 come standard with p/n 3580134 pulley. This pulley may not be correct for all applications. Refer to pulley options below.</b>                  |     |
| 2A   | 2460049     | 1   | 110Volt 50Hz Replacement Generator   |     |
| 2A   | 1001100321  | 1   | 220V 50Hz Replacement Generator  |     |
| 2A   | 7012513     | 4   | Cap, Brush Holder  |     |
| 2A   | 7020108     | 4   | Brush  |     |
| 2A   | 7020109     | 4   | Holder, Brush  |     |
| 2A   | 7026199     | 1   | 110V/60Hz Armature with Slip Rings   |     |
| 2A   | 70000122    | 1   | 110V/50Hz Armature with Slip Rings   |     |
| 2A   | 70000123    | 1   | 220V/50Hz Armature with Slip Rings   |     |
| 2A   | 7012514     | 1   | Fan  |     |
| 2A   | 7020190     | 2   | Bearing  |     |
| 2A   | 7020110     | 1   | End Bell, Front  |     |
| 2A   | 7020111     | 1   | End Bell, Rear   |     |
| 2A   | 7020193     | 1   | Harness, Generator   |     |
| 2B   |             | Ref | Box, Control Options:  |     |
| 2B   | 7003657     | 1   | 110V/60Hz Replacement Box  |     |
| 2B   | 70002239    | 1   | 110V/50Hz Replacement Box  |     |
|      |             | Ref | <b>Note: Replacement 110V Control Box comes with (2)</b>   |     |

## SECTION 2 - TURNTABLE

| ITEM | PART NUMBER  | QTY | DESCRIPTION   | REV |
|------|--------------|-----|---|-----|
|      |              |     | <b>standard receptacles p/n 4460190. Optional industrial twist lock receptacle p/n 4460027 must be ordered separately.</b>                      |     |
| 2B   | 70002235     | 1   | 220V/50Hz Replacement Box   |     |
| 2B   |              | Ref | Breaker, Circuit Options:   |     |
| 2B   | 4360542      | 1   | 110V/60Hz Breaker, Circuit  |     |
| 2B   | 70002240     | 1   | 110V/50Hz Breaker, Circuit  |     |
| 2B   | 70000126     | 1   | 220V Breaker, Circuit   |     |
| 2B   | 7020191      | 1   | Switch, Toggle  |     |
| 2B   | 2920162      | 1   | Lamp  |     |
| 2B   | 4460190      | 2   | Receptacle, Double (110V Box)   |     |
| 2B   | 70000124     | 1   | Receptacle, Double (220V Box)   |     |
| 2B   | 70000125     | 1   | Receptacle, Single (220V Box)   |     |
| 2C   |              | Ref | Voltmeter Options:  |     |
| 2C   | 2420203      | 1   | 110V Voltmeter  |     |
| 2C   | 7020192      | 1   | 220V Voltmeter  |     |
| 2D   |              | Ref | Pulley Options:   |     |
| 2D   | 3580134      | 1   | Generator p/n's 2460011, 2460013 & 2460039  |     |
| 2D   | 3580276      | 1   | Generator p/n 2460032   |     |
| 2D   | 7027887      | 1   | Key, Woodruff   |     |
| 3    |              | Ref | Bracket, Generator Mounting   |     |
| 3    | 4845531      | 1   | Bracket, Generator Mounting 800A/AJ Models <b>(Prior to SN 0300064007)</b>  |     |
| 3    | Not Required | 0   | Bracket, Generator Mounting 800A/AJ Models (Note: Generator Mount and Engine Mount are one Component) <b>(SN 0300064007 through 0300069000)</b> |     |
| 4    |              | Ref | Arm, Adjusting Options:   |     |
| 4    | 0200530      | 1   | Arm, Adjusting 800A/AJ Models <b>(Prior to SN 0300064007)</b>   |     |
| 4    | 0200741      | 1   | Arm, Adjusting 800A/AJ Models <b>(SN 0300064007 through 0300068268)</b>   |     |
| 4    | 0200742      | 1   | Arm, Adjusting 800A/AJ Models <b>(SN 0300068269 through 0300069000)</b>   |     |
| 5    |              | Ref | V-Belt Options:   |     |
| 5    |              | Ref | 110Volt Generator:  |     |
| 5    | 0480050      | 1   | 110Volt Generator 800A/AJ Models <b>(Prior to SN 0300064007)</b>  |     |
| 5    | 0480119      | 1   | 110Volt Generator 800A/AJ Models <b>(SN 0300064007 through 0300066052)</b>  |     |
| 5    | 0480111      | 1   | 110Volt Generator 800A/AJ Models <b>(SN 0300066053 through 0300068268)</b>  |     |
| 5    | 0480121      | 1   | 110Volt Generator 800A/AJ Models <b>(SN 0300068269 through 0300069000)</b>  |     |
| 5    |              | Ref | 220Volt Generator:  |     |
| 5    | 0480050      | 1   | 220Volt Generator 800A/AJ Models <b>(Prior to SN 0300064007)</b>  |     |
| 5    | 0480119      | 1   | 220Volt Generator 800A/AJ Models <b>(SN 0300064007 through 0300066052)</b>  |     |
| 5    | 0480050      | 1   | 220Volt Generator 800A/AJ Models <b>(SN 0300066053 through 0300066741)</b>  |     |
| 5    | 0480118      | 1   | 220Volt Generator 800A/AJ Models <b>(SN 0300066742 through 0300068269)</b>  |     |
| 5    | 0480121      | 1   | 220Volt Generator 800A/AJ Models <b>(SN 0300068270 through 0300069000)</b>  |     |
| 6    | 0711414      | 2   | Bolt M14 x 30mm <b>(Prior to SN 0300068269)</b>   |     |
| 7    |              | Ref | Hardware Options:   |     |

## SECTION 2 - TURNTABLE

| ITEM | PART NUMBER | QTY       | DESCRIPTION   | REV |
|------|-------------|-----------|---|-----|
| 7    | 4751900     | 2         | Flatwasher 9/16in <b>(Prior to SN 0300068269)</b>                   |     |
| 7    | 0641610     | 1         | Bolt 3/8in-16NC x 1-1/4in <b>(SN 0300068269 through 0300069000)</b> |     |
| 8    | 0100011     | AR        | Compound, Locking   |     |
| 9    |             | Ref       | Bolt Options:   |     |
| 9    | 0681612     | 3         | Bolt 3/8in-16NC x 1-1/2in (Grade 8) <b>(Prior to SN 0300068269)</b> |     |
| 9    | 0641772     | 1         | Bolt 7/16in-14NC x 9in <b>(SN 0300068269 through 0300069000)</b>    |     |
| 10   | 4751600     | 6         | Flatwasher 3/8in  |     |
| 11   | 2860012     | 1         | Key, Woodruff   |     |
| 12   | 3311605     | 1         | Locknut 3/8in-16NC  |     |
| 13   |             | Ref       | Hardware Options:   |     |
| 13   | 0700819     | 1         | Bolt M8 x 55mm <b>(Prior to SN 0300068269)</b>                      |     |
| 13   | 3311705     | 1         | Locknut 7/16in-14NC <b>(SN 0300068269 through 0300069000)</b>       |     |
| 14   | 3740080     | 1         | Relay   |     |
| 15   | 4460023     | 1         | Connector, Strain Relief  |     |
| 16   | 0641508     | 1         | Bolt 5/16in-18NC x 1in  |     |
| 17   | 4751500     | 2         | Flatwasher 5/16in   |     |
| 19   | 3520028     | 1         | Plug, Hole  |     |
| 20   | 0721006     | 4         | Bolt #10-24NC x 3/4in   |     |
| 21   | 3311005     | 4         | Locknut #10-24NC  |     |
| 22   | 4751000     | 9         | Flatwasher #10  |     |
| 23   | 4360294     | 1         | Breaker, Circuit - 30 Amp   |     |
| 25   | 4360336     | 1         | Switch, Toggle (Not Shown - Located at Platform)                    |     |
| 26   | 4740397     | 1         | Bushing (Not Shown - Located at Platform)                           |     |
| 27   | 4060802     | 1         | Guard, Switch (Not Shown - Located at Platform)                     |     |
| 29   | 2820031     | 4 in/10cm | Heat Shrink (Not Shown - Located at Platform)                       |     |
| 30   | 3251102     | 1         | Decal (Not Shown - Located at Platform)                             |     |
| 31   | 1705325     | 3         | Decal - 120V 50Hz (Not Shown - 110V 50Hz Only)                      |     |



## SECTION 2 - TURNTABLE

### FIGURE 2-12. PISTON PUMP ASSEMBLY

| ITEM | PART NUMBER | QTY | DESCRIPTION   | REV |
|------|-------------|-----|---|-----|
|      |             | Ref | <b>PISTON PUMP ASSEMBLIES</b>   |     |
|      | 3600277     | Ref | <b>Piston Pump Assemblies (Prior to SN 0300042829)</b>  | A   |
|      | 3600295     | Ref | <b>Piston Pump Assemblies (SN 0300042829 through 0300069000)</b>  | A   |
|      |             | Ref | <b>Note: Original Equipment pump may have been replaced with Service Replacement pump. Visually identify the p/n tag on pump before ordering parts.</b> |     |
| 101  | 7007413     | 1   | Shim Kit  |     |
| 102  | 7007414     | 1   | Plug  |     |
| 103  | See Note    | NSS | O-Ring (Note: Use Item 1525A)   |     |
| 104  | 7021200     | 1   | Spring, Relief Valve  |     |
| 105  | 7007417     | 1   | Valve, Relief   |     |
| 106  | See Note    | NSS | O-Ring (Note: Use Item 1525A)   |     |
| 107  | 7007419     | 2   | Plug  |     |
| 108  | 7021201     | 1   | Bracket, Lifting  |     |
| 110  | 7007470     | 2   | Plug  |     |
| 111  | 7007470     | 2   | Plug  |     |
| 114  | See Note    | NSS | Gasket, Servo Cover (Note: Use Item 1525A)  |     |
| 115  | 7007423     | 1   | Nut, Special  |     |
| 118  | 7007425     | 1   | Bearing, Needle   |     |
| 119  | See Note    | NSS | Ring, Retaining (Note: Use Item 1526)   |     |
| 120  | See Note    | NSS | Washer (Note: Use Item 1526)  |     |
| 121  | See Note    | NSS | Spring (Note: Use Item 1526)  |     |
| 123  | See Note    | NSS | Washer (Note: Use Item 1526)  |     |
| 124  | See Note    | NSS | Retainer (Note: Use Item 1526)  |     |
| 125  | See Note    | NSS | Pin, Slipper Holddown (Note: Use Item 1526)   |     |
| 126  | See Note    | NSS | Piston Assembly (Note: Use Item 1526)   |     |
| 127  | See Note    | NSS | Retainer, Slipper (Note: Use Item 1526)   |     |
| 128  | See Note    | NSS | Guide, Retainer (Note: Use Item 1526)   |     |
| 129  | 7007435     | 1   | Pin, Spring   |     |
| 130  | 7021202     | 1   | Screw, 12 Point Head  |     |
| 131  | 7007437     | 1   | Bearing, Ball   |     |
| 132  | 7007438     | 2   | Ring, Retainer  |     |
| 133  | 7007439     | 2   | Ring  |     |
| 134  | 7021203     | 2   | Pin, Spring   |     |
| 135  | 7007441     | 1   | Handle, Pin   |     |
| 136  | 7007442     | 1   | Sleeve, Bearing   |     |
| 137  | See Note    | NSS | Gasket, Front Cover (Note: Use Item 1525A)  |     |
| 138  | 7021205     | 1   | Pin   |     |
| 140  | 7007446     | 1   | Pin   |     |
| 141  | See Note    | NSS | O-Ring (Note: Use Item 1525A)   |     |
| 142  | See Note    | NSS | Ring, Load Temper (Note: Use Item 1525A)  |     |
| 150  | 7023977     | 1   | Housing, Pump   |     |
| 155  | 7007452     | 1   | Cover, Gerotor  |     |
| 158  | 7007208     | 1   | Plug  |     |
| 159  | 7007454     | 1   | Cover, Front  |     |
| 163  | 7021207     | 6   | Screw   |     |
| 165  | 7021208     | 2   | Spring  |     |
| 166  | 7021209     | 2   | Plug, SCR   |     |
| 167  | 7007494     | 1   | Piston, Servo   |     |

## SECTION 2 - TURNTABLE

| ITEM  | PART NUMBER | QTY | DESCRIPTION  | REV |
|-------|-------------|-----|--|-----|
| 168   | See Note    | NSS | Bearing (Note: Use Item 1525A)   |     |
| 201   | 7007457     | 1   | Swash Plate Assembly (Includes Items 135 & 138)                        |     |
| 202   | 7021212     | 2   | Journal, Bearing   |     |
| 301   | See Note    | NSS | Seal, Lip (Note: Use Item 1525A)                                       |     |
| 304   | See Note    | NSS | O-Ring (Note: Use Item 1525A)  |     |
| 401   | 7021213     | 1   | Shaft, Main Pump   |     |
| 501   | 7021214     | 1   | Plate, Valve   |     |
| 603   | 7007463     | 1   | Gerotor Assembly   |     |
| 604   | 7007464     | 1   | Pin  |     |
| 605   | 7007465     | 1   | Key, Woodruff  |     |
| 802   | 7007466     | 1   | Adaptor, Remote Filtration   |     |
| 805   | See Note    | NSS | Seal, Filter Adapter (Note: Use Item 1525A)                            |     |
| 806   | 7021218     | 3   | Screw  |     |
| 901   | 7021219     | 1   | Cover, Servo   |     |
| 902   | 7021220     | 1   | Cover, Servo   |     |
| 905   | 7007483     | 1   | Guide, Spring  |     |
| 906   | 7007484     | 1   | Stop, Servo  |     |
| 907   | 7007485     | 1   | Spring   |     |
| 908   | 7021221     | 1   | Screw  |     |
| 909   | 7007487     | 1   | Guide, Spring  |     |
| 910   | 7007488     | 1   | Ring, Retaining  |     |
| 911   | 7021222     | 1   | Nut  |     |
| 916   | See Note    | NSS | Ring, Piston (Note: Use Item 1525A or 1525B)                           |     |
| 918   | See Note    | NSS | O-Ring (Note: Use Item 1525A or 1525B)                                 |     |
| 919   | 7021206     | 1   | Nut  |     |
| 920   | 7021223     | 10  | Screw  |     |
| 1001  | 7007472     | 1   | Valve, Bypass  |     |
| 1002  | See Note    | NSS | Ring, Back-up (Note: Use Item 1525A)                                   |     |
| 1003  | See Note    | NSS | O-Ring (Note: Use Item 1525A)  |     |
| 1103  | 7010122     | 1   | SCR Kit (Includes items 166, 106 & 165)                                |     |
| 1104  | 7010122     | 1   | SCR Kit (Includes items 166, 106 & 165)                                |     |
| 1201  | 7007474     | 1   | Control, Dual Oil-Filled   |     |
| 1201  | 7007496     | 1   | Coil Assembly (Pilot)  |     |
| 1201  | 7007497     | 1   | Plug (Pump)  |     |
| 1201  | 7007498     | 1   | Plug (Valve Harness)   |     |
| 1201A | 7024828     | 1   | Gasket, Cover  |     |
| 1203  | 7007478     | 2   | Screw  |     |
| 1204  | 7001498     | 2   | Screw  |     |
| 1220  | See Note    | NSS | O-Ring (Note: Use Item 1525A)  |     |
| 1401  | 7007475     | 1   | Plug, Orifice/Screen (.156)  |     |
| 1403  |             | Ref | Plug, Orifice Options:   |     |
| 1403  | 7007477     | 1   | Plug, Orifice (3600277 Pump) <b>(Prior to SN 0300042829)</b>           |     |
| 1403  | 7021226     | 1   | Plug, Orifice (3600295 Pump) <b>(SN 0300042829 through 0300069000)</b> |     |
| 1404  |             | Ref | Plug, Orifice Options:   |     |
| 1404  | 7007477     | 1   | Plug, Orifice (3600277 Pump) <b>(Prior to SN 0300042829)</b>           |     |
| 1404  | 7021226     | 1   | Plug, Orifice (3600295 Pump) <b>(SN 0300042829 through 0300069000)</b> |     |
| 1502  | 7007453     | 3   | Screw  |     |
| 1503  | 7021227     | 1   | Adapter, Flange  |     |
| 1508  | 7021228     | 1   | O-Ring   |     |
| 1509  | 7021229     | 1   | Plate, Cover   |     |

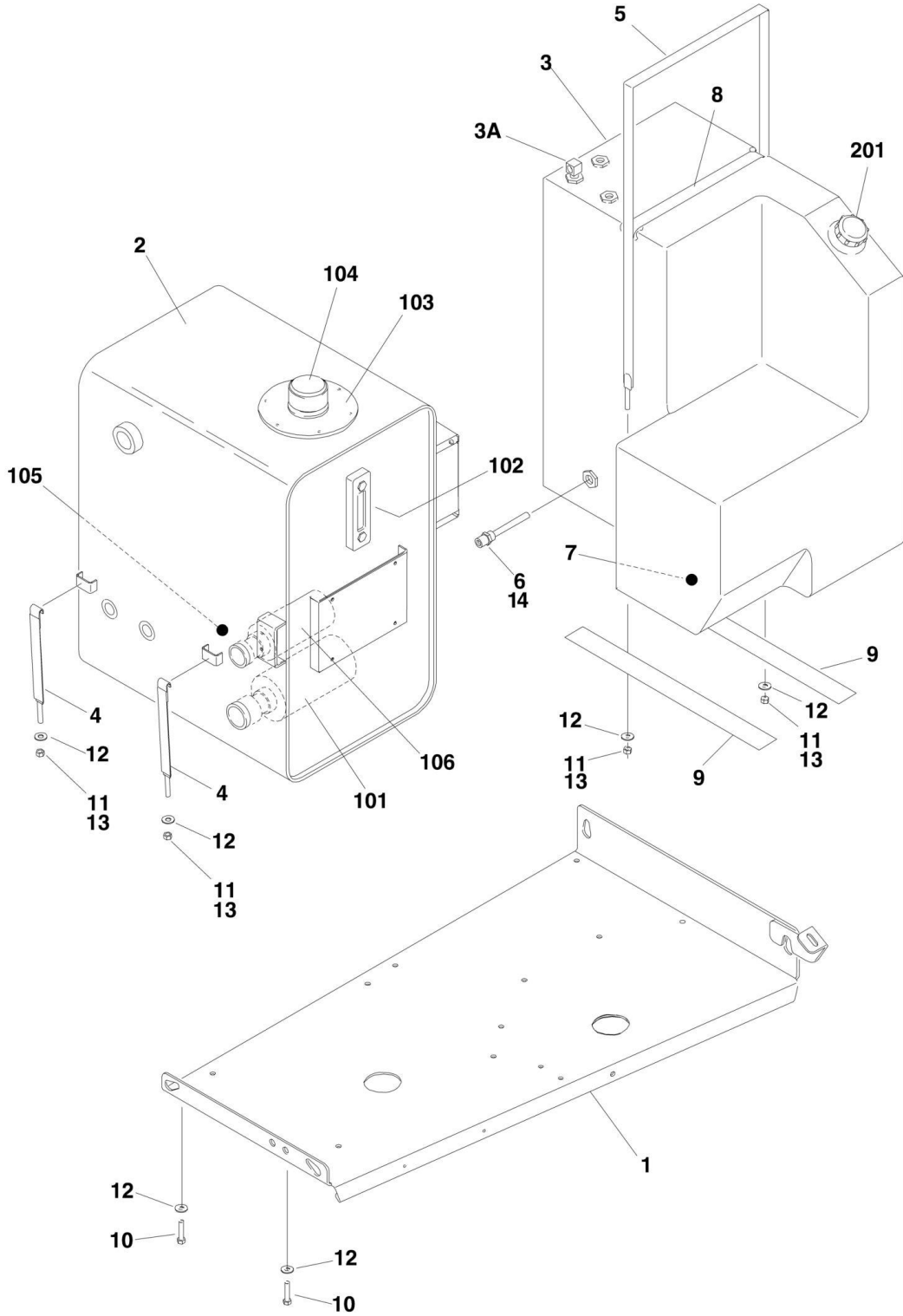


**SECTION 2 - TURNTABLE**

| ITEM  | PART NUMBER | QTY | DESCRIPTION   | REV |
|-------|-------------|-----|---|-----|
| 1510  | 7021230     | 2   | Screw   |     |
| 1511  | 7021231     | 1   | O-Ring  |     |
| 1525  |             | Ref | Seal Kit Options:   |     |
| 1525A | 7021232     | 1   | Seal Kit, Complete (Includes Items 103, 106, 114, 137, 141, 142, 168, 301, 304, 805, 916, 918, 1002, 1003 & 1220) |     |
| 1525B | 7007412     | 1   | Seal Kit, Servo Piston (Includes Items 916 & 918)   |     |
| 1526  | 7010116     | 1   | Cylinder Block Kit (Includes Items 119-128)   |     |

# SECTION 2 - TURNTABLE

## FIGURE 2-13. TANK INSTALLATIONS



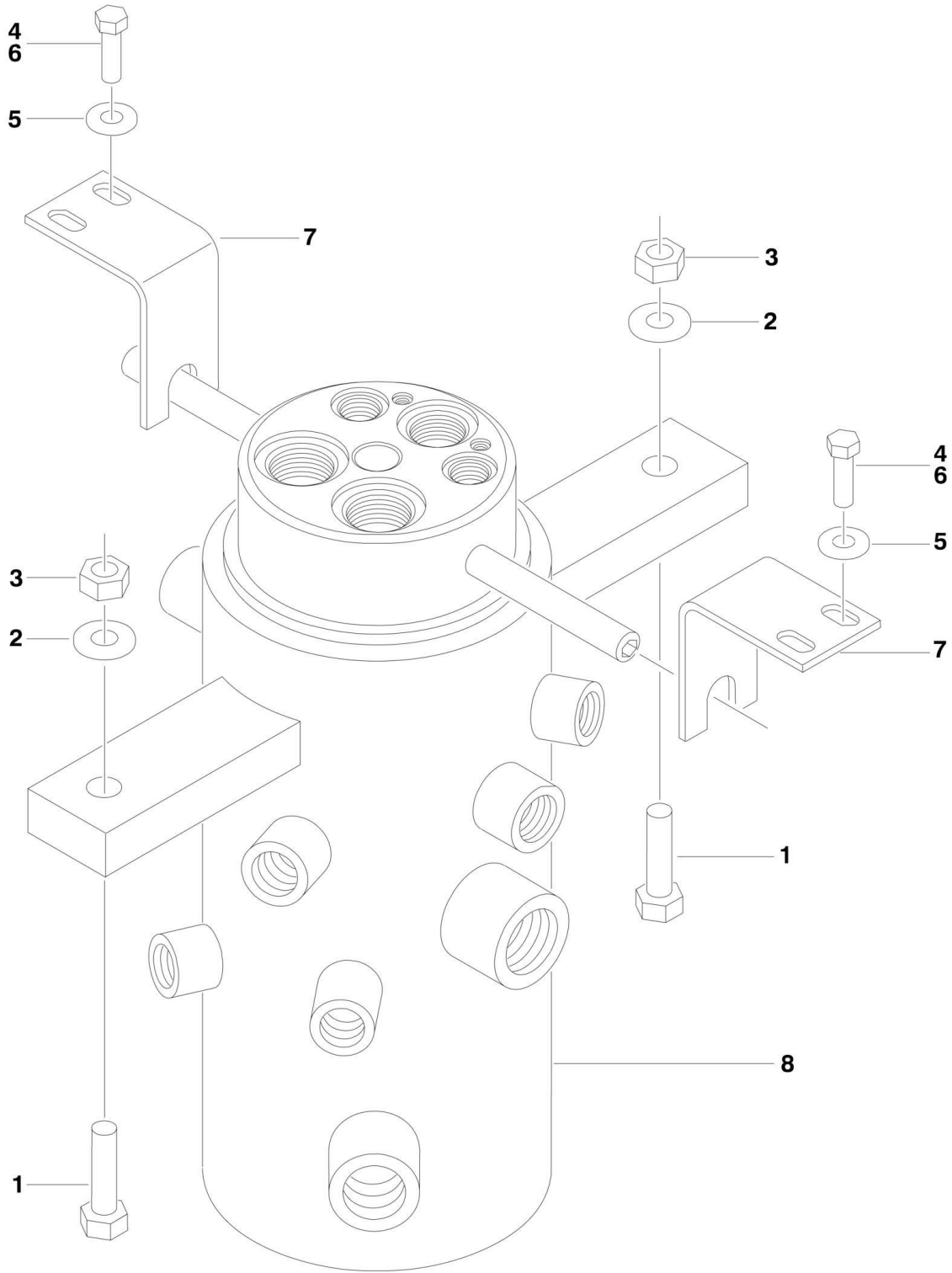
## SECTION 2 - TURNTABLE

### FIGURE 2-13. TANK INSTALLATIONS

| ITEM | PART NUMBER | QTY             | DESCRIPTION   | REV |
|------|-------------|-----------------|---|-----|
|      | 0258382     | Ref             | <b>TANKS INSTALLATION</b>                                 | C   |
| 1    |             | Ref             | Tray Weldment Options:                                    |     |
| 1    | 4845617     | 1               | Tray Weldment ( <b>Prior to SN 0300040678</b> )           |     |
| 1    | 4845928     | 1               | Tray Weldment ( <b>SN 0300040678 through 0300069000</b> ) |     |
| 2    | 4400410     | 1               | Hydraulic Tank Assembly (See Items 101-106 for Breakdown) |     |
| 3    | 4400400     | 1               | Tank, Fuel (Includes Non-Locking Cap)                     |     |
| 3A   | 7019658     | 1               | Fitting and Pick-up Tube                                  |     |
| 4    | 4240112     | 4               | Strap, Tank   |     |
| 5    | 4240113     | 1               | Strap, Tank   |     |
| 6    | 4360436     | 1               | Switch, Fuel Level  |     |
| 7    | 2200222     | 1               | Fitting   |     |
| 8    | 4280295     | 25 in<br>/44cm  | Strip, Protective   |     |
| 9    | 4420038     | 70 in<br>/1.78m | Tape, Rubber  |     |
| 10   | 0641614     | 6               | Bolt 3/8in-16NC x 1 3/4in                                 |     |
| 11   | 3311601     | 6               | Nut 3/8in-16NC  |     |
| 12   | 4751600     | 7               | Flatwasher 3/8in  |     |
| 13   | 0100011     | AR              | Compound, Locking   |     |
| 14   | 0100079     | AR              | Sealant   |     |
|      | 4400410     | Ref             | <b>HYDRAULIC TANK ASSEMBLY</b>                            | G   |
| 101  | 7014818     | 1               | Strainer 1-1/2inNPT                                       |     |
| 102  | 7014802     | 1               | Gauge, Sight  |     |
| 103  | 7014810     | 1               | Neck, Fill  |     |
| 103  | 7014816     | 1               | Screen  |     |
| 104  | 7014817     | 1               | Breather/Fill Cap   |     |
| 105  | 7014813     | 1               | Plug, Magnetic  |     |
| 106  | 7014801     | 1               | Strainer 1-1/4in NPT                                      |     |
|      |             | Ref             | <b>FUEL TANK CAP INSTALLATION</b>                         |     |
| 201  |             | Ref             | Cap Options:  |     |
| 201  | 7016314     | 1               | Standard Non-Locking (Part of Item 3)                     |     |
| 201  | 1120487     | 1               | Optional Lockable (Diesel Machines)                       |     |

# SECTION 2 - TURNTABLE

## FIGURE 2-14. ROTARY COUPLING INSTALLATION



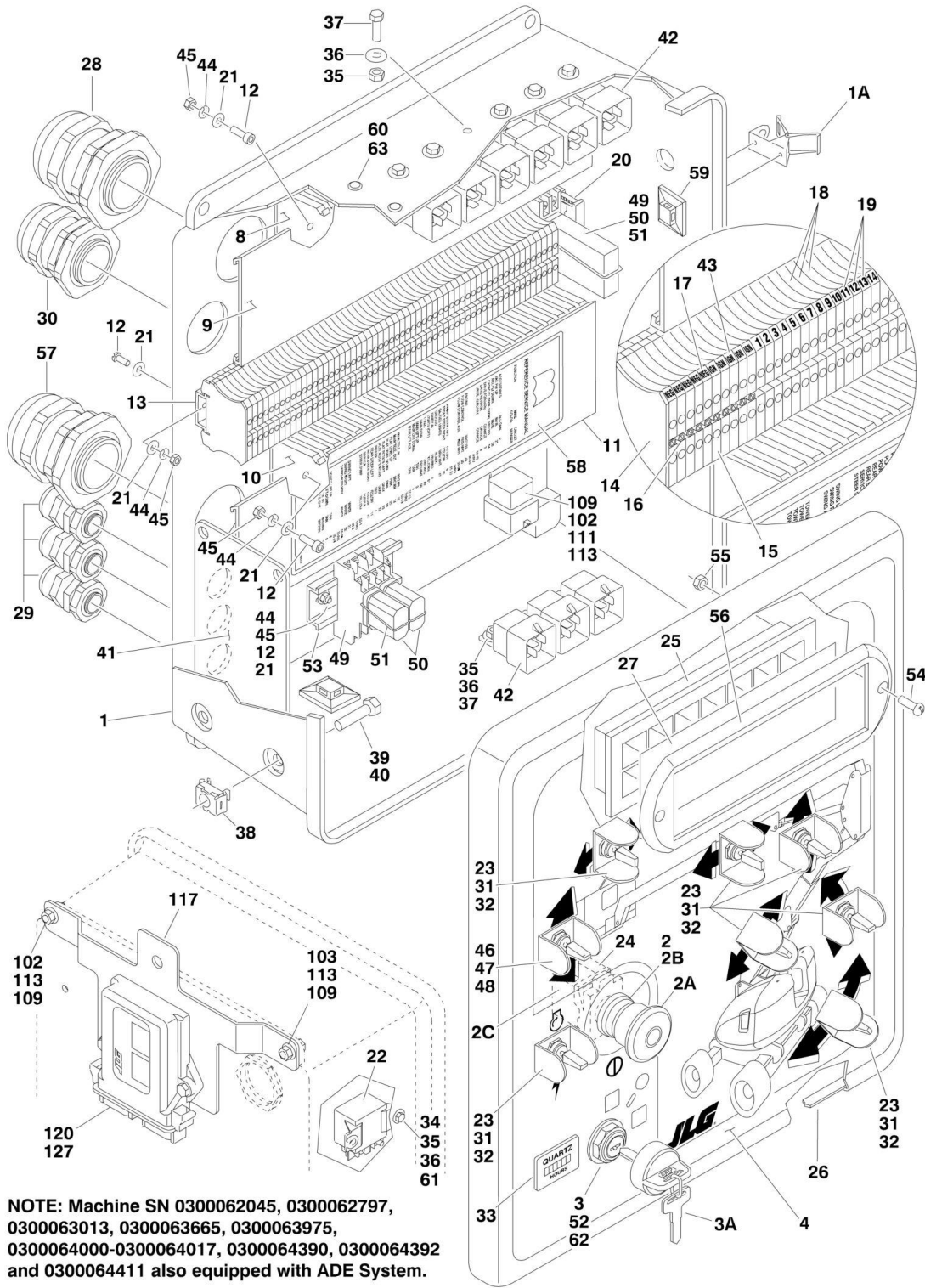
**SECTION 2 - TURNTABLE**

**FIGURE 2-14. ROTARY COUPLING INSTALLATION**

| ITEM | PART NUMBER | QTY | DESCRIPTION   | REV |
|------|-------------|-----|---|-----|
|      |             | Ref | <b>ROTARY COUPLING INSTALLATIONS</b>  |     |
|      | 0255262     | Ref | <b>Rotary Coupling Installations 2WS (Prior to SN 0300066290)</b>           | 5   |
|      | 0272354     | Ref | <b>Rotary Coupling Installations 2WS (SN 0300066290 through 0300069000)</b> | A   |
|      | 0255294     | Ref | <b>Rotary Coupling Installations 4WS (Prior to SN 0300066290)</b>           | 2   |
|      | 0272355     | Ref | <b>Rotary Coupling Installations 4WS (SN 0300066290 through 0300069000)</b> | A   |
| 1    | 0641820     | 2   | Bolt 1/2in-13NC x 2-1/2in   |     |
| 2    | 4751800     | 4   | Flatwasher 1/2in  |     |
| 3    | 3311805     | 2   | Locknut 1/2in-13NC  |     |
| 4    | 0641611     | 4   | Bolt 3/8in-16NC x 1-3/8in   |     |
| 5    | 4751600     | 4   | Flatwasher 3/8in  |     |
| 6    | 0100011     | AR  | Compound, Locking   |     |
| 7    |             | Ref | Bracket   |     |
| 7    | 0902109     | NLA | Bracket (Use p/n 0902520)   |     |
| 7    | 0902520     | 2   | Bracket <b>(SN 0300041300 through 0300066289)</b>                           |     |
| 7    | 0902846     | 2   | Bracket <b>(SN 0300066290 through 0300069000)</b>                           |     |
| 8    |             | Ref | Coupling, Rotary Options:   |     |
| 8    | 1660219     | AR  | 2WS Coupling Options:   |     |
| 8    | 1660219     | 1   | New OEM Replacement (2WS)   |     |
| 8    | 7013187     | 1   | Seal Kit - 1660219 Coupling (2WS)   |     |
| 8    | 1660219RR   | 1   | Rebuilt Replacement (2WS) (Note: Contact JLG Parts Dept for information)    |     |
| 8    |             | Ref | 4WS Coupling Options:   |     |
| 8    | 1660223     | 1   | New OEM Replacement (4WS)   |     |
| 8    | 7016342     | 1   | Seal Kit - 1660223 Coupling (4WS)   |     |
| 8    | 1660223RR   | 1   | Rebuilt Replacement (4WS) (Note: Contact JLG Parts Dept for information)    |     |

# SECTION 2 - TURNTABLE

FIGURE 2-15. GROUND CONTROL BOX ASSEMBLY (Prior to SN 0300064432)



# SECTION 2 - TURNTABLE

**FIGURE 2-15. GROUND CONTROL BOX ASSEMBLY (Prior to SN 0300064432)**

| ITEM | PART NUMBER | QTY | DESCRIPTION  | REV |
|------|-------------|-----|--|-----|
|      |             | Ref | <b>NOTE: THESE MACHINE SN'S ALSO EQUIPPED WITH ADE SYSTEM: 0300062045, 0300062797, 0300063013, 0300063665, 0300063975, 0300064000-0300064017, 0300064390, 0300064392 &amp; 0300064411.</b> |     |
|      |             | Ref | <b>GROUND CONTROL BOX ASSEMBLIES</b>   |     |
|      | 0861198     | Ref | <b>Ground Control Box Assemblies 800A with Deutz Engine</b>  | 6   |
|      | 0861199     | Ref | <b>Ground Control Box Assemblies 800AJ with Deutz Engine</b>   | 6   |
| 1    |             | Ref | Box, Fiberglass Options:   |     |
| 1    | 0861131     | 1   | Box, Fiberglass ( <b>Prior to SN 0300044657</b> )  |     |
| 1    | 0861302     | 1   | Box, Fiberglass ( <b>SN 0300044657 through 0300064432</b> )  |     |
| 1A   | 7020246     | 2   | Latch  |     |
| 2    |             | Ref | Switch, Emergency Stop Options:  |     |
| 2    | 4360289     | 1   | Switch, Emergency Stop ( <b>Prior to SN 0300044657</b> )   |     |
| 2    | 4360475     | 1   | Switch, Emergency Stop ( <b>SN 0300044657 through 0300064432</b> )   |     |
| 2A   | 7012611     | 1   | Cap, Mushroom Head ( <b>Prior to SN 0300044657</b> )   |     |
| 2A   | 7020175     | 1   | Cap, Mushroom Head ( <b>SN 0300044657 through 0300064432</b> )   |     |
| 2B   | 7012612     | 1   | Boot ( <b>Prior to SN 0300044657</b> )   |     |
| 2C   | 7020176     | 1   | Block, Contact ( <b>SN 0300044657 through 0300064432</b> )   |     |
| 3    |             | Ref | Switch, Key Options:   |     |
| 3    | 4360319     |     | Switch, Key ( <b>Prior to SN 0300044657</b> )  |     |
| 3    | 4360470     | 1   | Switch, Key (Common Key Style) ( <b>SN 0300044657 through 0300064432</b> )   |     |
| 3A   |             | Ref | Key Options:   |     |
| 3A   | 7012560     | 1   | Key ( <b>Prior to SN 0300044657</b> )  |     |
| 3A   | 2860030     | 1   | Key (Common Key Style) ( <b>SN 0300044657 through 0300064432</b> )   |     |
| 4    |             | Ref | Decal - Faceplate  |     |
| 4    | 1703467     | 1   | Decal - Faceplate 800A   |     |
| 4    | 1703468     | 1   | Decal - Faceplate 800AJ  |     |
| 5    | 4922077     | 1   | Engine Harness Assembly (See ELECTRICAL SECTION for Breakdown)   |     |
| 6    | 4922046     | 1   | Valve Harness Assembly (See ELECTRICAL SECTION for Breakdown)  |     |
| 8    | 1840012     | 1   | Duct, Wiring - 2in/5cm   |     |
| 9    | 1840013     | 1   | Duct, Cover - 2in/5cm  |     |
| 10   | 1840014     | 1   | Duct, Wiring - 3in/7.6cm   |     |
| 11   | 1840015     | 1   | Duct, Cover - 3in/7.6cm  |     |
| 12   | 3910608     | 8   | Screw #6-32NC x 1/2in  |     |
| 13   | 3640970     | 1   | Rail   |     |
| 14   | 4460602     | 1   | Barrier, Terminal  |     |
| 15   | 4460601     | 10  | Block, Terminal  |     |
| 16   | 4460603     | 1   | Bussbar - 10 Position (Requires being cut into (2) 5 position bussbars)  |     |
| 17   | 4460631     | 1   | Marker, Terminal (Negative)  |     |
| 18   | 4460600     | 46  | Block, Terminal  |     |
| 19   | 4460628     | 2   | Marker, Terminal (1-50)  |     |
| 20   | 4460607     | 1   | Stop, Terminal   |     |
| 21   | 4750600     | 14  | Flatwasher #6  |     |
| 22   | 3740112     | 1   | Relay, Bosch   |     |
| 23   | 4360314     | AR  | Switch, Toggle   |     |

## SECTION 2 - TURNTABLE

| ITEM | PART NUMBER | QTY       | DESCRIPTION  | REV |
|------|-------------|-----------|--|-----|
| 24   |             | Ref       | Switch, Contact Block Options:   |     |
| 24   | 4360282     | 1         | Switch, Contact Block <b>(Prior to SN 0300044657)</b>                    |     |
| 24   | 4360476     | 1         | Switch, Contact Block <b>(SN 0300044657 through 0300064432)</b>          |     |
| 25   | 2760105     | 1         | Housing, Display Light   |     |
| 26   | 4420038     | 4 in/10cm | Insulation, Adhesive Foam  |     |
| 27   |             | Ref       | Decal - Ground Control Display Options:                                  |     |
| 27   | 1702610     | 1         | Decal - Ground Control Display <b>(Prior to SN 0300056439)</b>           |     |
| 27   | 1704833     | 1         | Decal - Ground Control Display <b>(SN 0300056439 through 0300064432)</b> |     |
| 28   | 4460526     | 1         | Connector, Strain Relief   |     |
| 29   | 4460428     | 3         | Connector, Strain Relief   |     |
| 30   | 4460426     | 1         | Connector, Strain Relief   |     |
| 31   | 4740444     | AR        | Washer, Special  |     |
| 32   | 4060906     | AR        | Shield, Toggle Switch  |     |
| 33   | 2420172     | 1         | Gauge, Hourmeter   |     |
| 34   | 0721005     | 2         | Screw #10-24NC x 5/8in   |     |
| 35   | 3311001     | 2         | Nut #10-24NC   |     |
| 36   | 4751000     | 4         | Flatwasher #10   |     |
| 37   |             | Ref       | Screw Options:   |     |
| 37   | 0721004     | 9         | Screw #10-24NC <b>(Prior to SN 0300055084)</b>                           |     |
| 37   | 3900268     | 9         | Screw #10-24NC <b>(SN 0300055084 through 0300064432)</b>                 |     |
| 38   | 3300205     | 4         | Nut, Retainer  |     |
| 39   | 0641506     | 4         | Bolt 5/16in-18NC x 3/4in   |     |
| 40   | 0100011     | AR        | Compound, Locking  |     |
| 41   | 3539219     | 1         | Plate, Reinforcement   |     |
| 42   | 3740049     | 9         | Relay  |     |
| 43   | 4460630     | 1         | Marker, Terminal (Ignition)  |     |
| 44   | 4760600     | 8         | Lockwasher #6  |     |
| 45   | 3310601     | 8         | Nut #6-32NC  |     |
| 46   | 4360314     | 1         | Switch, Toggle   |     |
| 47   | 4740444     | 1         | Washer, Nylon  |     |
| 48   | 4060906     | 1         | Shield, Toggle Switch  |     |
| 49   | 4120012     | 2         | Socket, Relay <b>(SN 0300056439 through 0300064432)</b>                  |     |
| 50   | 3740057     | 2         | Relay <b>(SN 0300056439 through 0300064432)</b>                          |     |
| 51   | 3740066     | 2         | Spring, Relay <b>(SN 0300056439 through 0300064432)</b>                  |     |
| 52   |             | Ref       | Hardware Options:  |     |
| 52   | 3300390     | 1         | Nut with Weather Resistant Boot <b>(Prior to SN 0300044657)</b>          |     |
| 52   | 4070987     | AR        | Shim, Switch (Common Key) <b>(SN 0300044657 through 0300064432)</b>      |     |
| 53   | 3640986     | 1         | Rail, Relay Mounting <b>(SN 0300056439 through 0300064432)</b>           |     |
| 54   | 0630518     | 2         | Capscrew, Button Head  |     |
| 55   | 3300408     | 2         | Locknut, Plastic Insert  |     |
| 56   | 1670829     | 1         | Bezel  |     |
| 57   | 4460711     | 1         | Connector, Strain Relief   |     |
| 58   | 1703622     | 1         | Decal - Service Manual Reference   |     |
| 59   | 4460234     | 6         | Base, Tie-Strap  |     |
| 60   | 0100009     | AR        | Silicone   |     |
| 61   | 4761000     | 4         | Lockwasher #10   |     |
| 62   | 3910804     | 6         | Screw #8-32NC x 1/4in  |     |
| 63   | 3520174     | AR        | Plug, Hole   |     |
| 64   | 3300408     | 9         | Locknut, Plastic Insert <b>(SN 0300055084 through 0300064432)</b>        |     |
|      | 1001091538  | Ref       | <b>TILT SENSOR INSTALLATION (PRE ADE SYSTEM)</b>                         | E   |

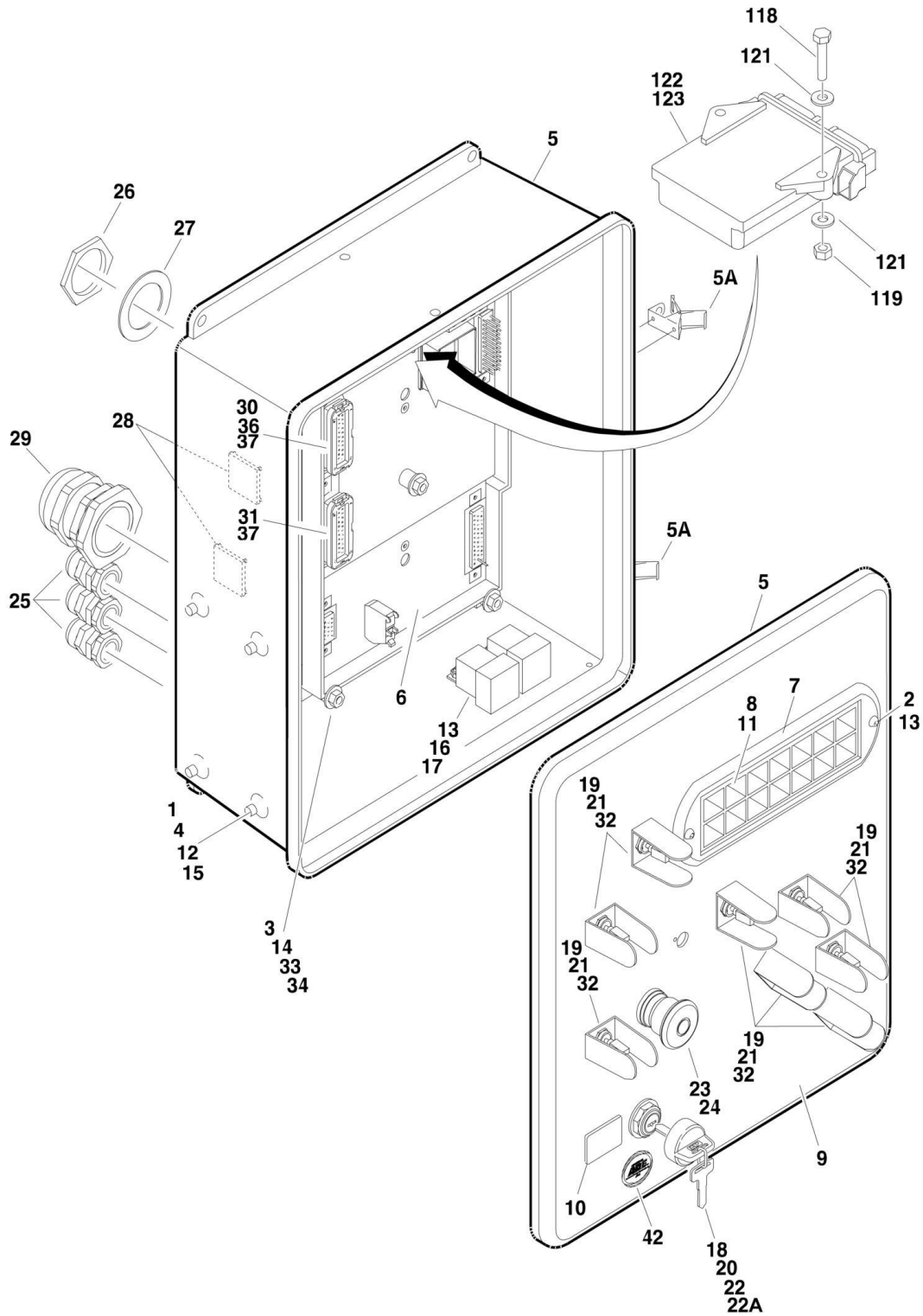


## SECTION 2 - TURNTABLE

| ITEM | PART NUMBER | QTY | DESCRIPTION   | REV |
|------|-------------|-----|---|-----|
| 102  | 0641406     | 3   | Bolt 1/4in-20NC x 3/4in   |     |
| 103  | 0641410     | 2   | Bolt 1/4in-20NC x 1-1/4in   |     |
| 109  | 3311405     | 5   | Locknut 1/4in-20NC  |     |
| 111  | 3740049     | 1   | Relay   |     |
| 113  | 4711400     | 5   | Flatwasher 1/4in (Narrow)   |     |
| 115  | 1001091778  | 1   | Harness, Tilt Switch Boom (Not Shown) (See ELECTRICAL SECTION for Breakdown)      |     |
| 116  | 1001091941  | 1   | Harness, Console Tilt (Not Shown) (See ELECTRICAL SECTION for Breakdown)          |     |
| 117  | 1001092527  | 1   | Plate, Module Mounting  |     |
| 120  | 1001094484  | 1   | Controller, UMS Module  |     |
| 123  | 1001094791  | 1   | Harness, Tilt Sensor Turntable (Not Shown) (See ELECTRICAL SECTION for Breakdown) |     |
| 127  | 0100048     | AR  | Grease, Dielectric  |     |

## SECTION 2 - TURNTABLE

FIGURE 2-16. GROUND CONTROL BOX ASSEMBLY (ADE SYSTEM) (SN 0300064432 through 0300069000)



## SECTION 2 - TURNTABLE

**FIGURE 2-16. GROUND CONTROL BOX ASSEMBLY (ADE SYSTEM) (SN 0300064432 through 0300069000)**

| ITEM | PART NUMBER | QTY | DESCRIPTION  | REV |
|------|-------------|-----|--|-----|
|      |             | Ref | <b>GROUND CONTROL BOX ASSEMBLIES</b>   |     |
|      | 0861504     | Ref | <b>Ground Control Box Assemblies 800A with Deutz Engine</b>                            | H   |
|      | 0861505     | Ref | <b>Ground Control Box Assemblies 800AJ with Deutz Engine</b>                           | G   |
| 1    | 0100011     | AR  | Compound, Locking  |     |
| 2    | 0630518     | 2   | Capscrew, Button Head  |     |
| 3    | 0630548     | 5   | Tap, Bolt 2-1/2in  |     |
| 4    | 0641506     | 4   | Bolt 5/16in-18NC x 3/4in   |     |
| 5    | 0861407     | 1   | Box, Fiberglass  |     |
| 5A   | 7020246     | 2   | Latch  |     |
| 6    | 1600327     | NLA | Module, Ground Control (Use p/n 2915014) (Note: Recalibration Required When Replaced.) |     |
| 7    | 1670829     | 1   | Bezel  |     |
| 8    | 1704833     | 1   | Decal - Ground Control Display   |     |
| 9    |             | Ref | Decal - Faceplate Options:   |     |
| 9    | 1703467     | 1   | Decal - Faceplate 800A   |     |
| 9    | 1703468     | 1   | Decal - Faceplate 800AJ  |     |
| 10   | 2420172     | 1   | Gauge, Hourmeter   |     |
| 11   | 2760105     | 1   | Housing, Display Light   |     |
| 12   | 3300205     | 4   | Nut, Retainer  |     |
| 13   | 3300408     | AR  | Locknut, Plastic Insert  |     |
| 14   | 3311401     | 10  | Nut 1/4in-20NC   |     |
| 15   | 3539219     | 1   | Plate, Reinforcement   |     |
| 16   | 3740049     | 2   | Relay  |     |
| 17   | 3900268     | 2   | Screw, Flange #10 x 1/2in  |     |
| 18   | 3910804     | 6   | Screw #8-32NC x 1/4in  |     |
| 19   | 4060906     | 8   | Shield, Toggle Switch  |     |
| 20   | 4070987     | 1   | Shim (.015)  |     |
| 21   | 4360328     | 8   | Switch, Toggle   |     |
| 22   | 4360470     | 1   | Switch, Key  |     |
| 22A  | 2860030     | 1   | Key Replacement  |     |
| 23   | 4360475     | 1   | Switch, Emergency Stop   |     |
| 23   | 7020175     | 1   | Cap, Mushroom  |     |
| 23   | 7020176     | 1   | Block, Contact   |     |
| 24   | 4360476     | 1   | Switch, Contact Block  |     |
| 25   | 4460426     | 2   | Connector, Strain Relief   |     |
| 26   | 4460470     | 1   | Nut, Terminal  |     |
| 27   | 4460471     | 1   | Lockwasher, Terminal   |     |
| 28   | 4460488     | 7   | Mounting Base, Terminal  |     |
| 29   | 4460526     | 1   | Connector, Strain Relief   |     |
| 30   | 4460874     | 1   | Connector, Natural   |     |
| 31   | 4460875     | 1   | Connector, Gray  |     |
| 32   | 4740444     | 8   | Washer, Special  |     |
| 33   | 4751400     | 20  | Flatwasher 1/4in   |     |
| 34   | 4761400     | 10  | Lockwasher 1/4in   |     |
| 35   | 4922666     | 1   | Harness, Analyzer Cable (Not Shown)  |     |
| 36   | 4460905     | 4   | Connector, Amp Seal  |     |
| 37   | 0100048     | AR  | Grease, Dielectric   |     |
| 42   | 1705132     | 1   | Decal - Control ADE (SN 0300066867 through 0300069000)                                 |     |
| 43   | 3520035     | 1   | Plug, Cap (Not Shown) (SN 0300068040 through 0300069000)                               |     |

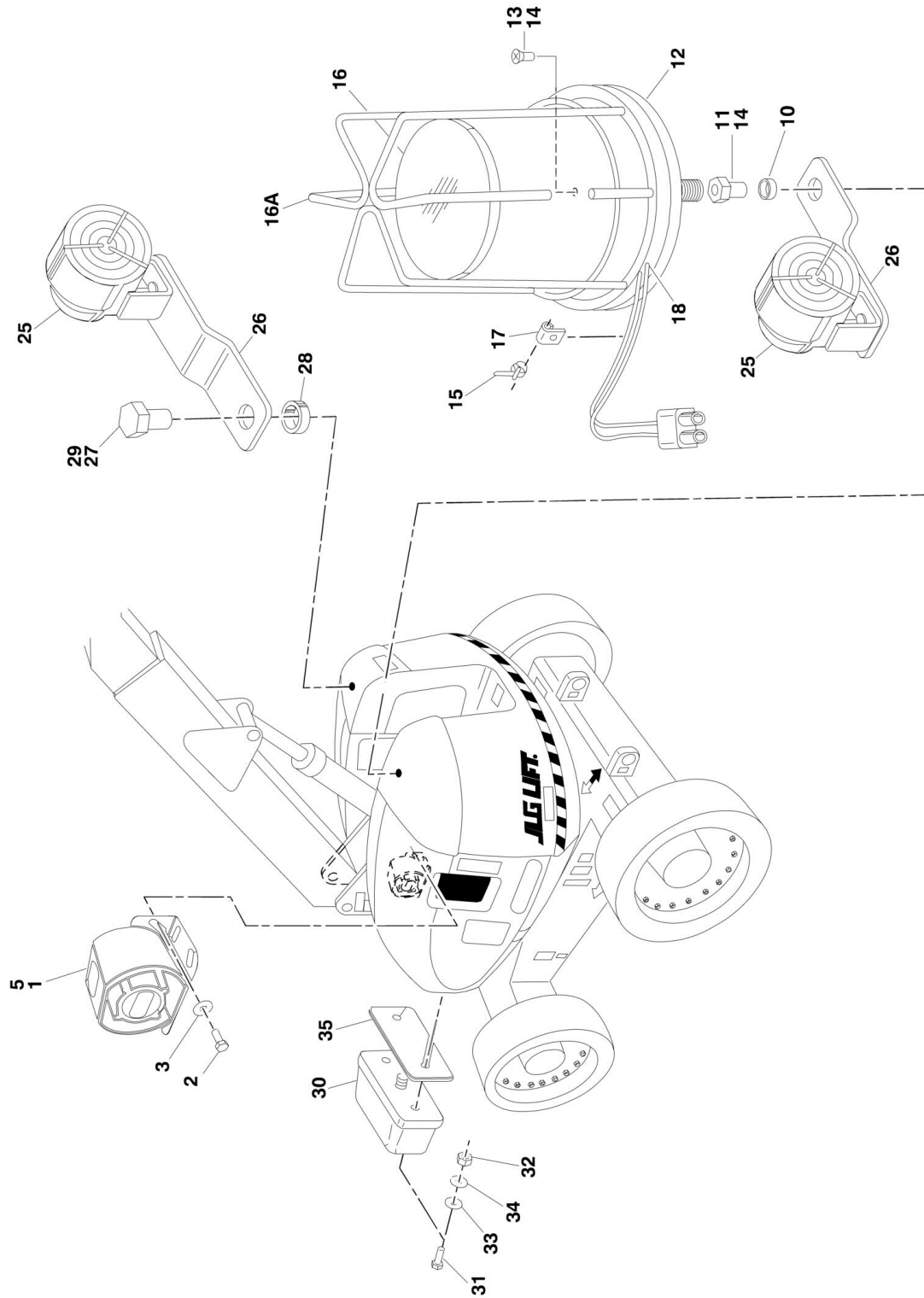
## SECTION 2 - TURNTABLE

| ITEM | PART NUMBER | QTY | DESCRIPTION   | REV |
|------|-------------|-----|---|-----|
|      | 1001093187  | Ref | <b>TILT SENSOR INSTALLATION (ADE SYSTEM)</b>                                  | C   |
| 112  | 1001093256  | 1   | Harness, Console (Not Shown) (See ELECTRICAL SECTION for Breakdown)           |     |
| 115  | 1001094470  | 1   | Harness, Boom Cable Jumper (Not Shown) (See ELECTRICAL SECTION for Breakdown) |     |
| 118  | 0641410     | 2   | Bolt 1/4in-20NC x 1-1/4in   |     |
| 119  | 3311405     | 2   | Locknut 1/4in-20NC  |     |
| 121  | 4711400     | 4   | Flatwasher 1/4in  |     |
| 122  | 1001094484  | 1   | Controller, UMS Module  |     |
| 123  | 0100048     | AR  | Grease, Dielectric  |     |



# SECTION 2 - TURNTABLE

## FIGURE 2-17. ELECTRICAL OPTIONS INSTALLATION (TURNTABLE MOUNTED)



## SECTION 2 - TURNTABLE

**FIGURE 2-17. ELECTRICAL OPTIONS INSTALLATION (TURNTABLE MOUNTED)**

| ITEM | PART NUMBER | QTY       | DESCRIPTION   | REV |
|------|-------------|-----------|---|-----|
|      |             | Ref       | <b>ELECTRICAL OPTIONS INSTALLATIONS (TURNTABLE MOUNTED)</b>   |     |
|      | 0258674     | Ref       | <b>ALARMS INSTALLATIONS</b>   | 1   |
| 1    | 0257887     | 1         | Alarm/Harness Assembly  |     |
| 1    | 0140032     | 1         | Alarm   |     |
| 1    | 2820035     | 6 in/15cm | Loom  |     |
| 1    | 4460424     | 1         | Plug  |     |
| 1    | 4460268     | 2         | Socket  |     |
| 2    | 0641508     | 2         | Bolt 5/16in-18NC x 1in  |     |
| 3    | 4711500     | 2         | Flatwasher 5/16in Narrow  |     |
| 5    | 0100048     | AR        | Sealant, Silicone   |     |
|      |             | Ref       | <b>STROBE LIGHT INSTALLATIONS (AMBER) (OPTIONAL)</b>  |     |
|      | 0257885     | Ref       | <b>Strobe Light Installations (Amber) (Prior to SN 0300064432)</b>                                    | 2   |
|      | 0271422     | Ref       | <b>Strobe Light Installations (Amber) (SN 0300064432 through 0300069000)</b>                          | 1   |
|      |             | Ref       | <b>Note: If machine is equipped with BLUE Strobe Light, See SPECIAL OPTIONS SECTION SkyGuard Kit.</b> |     |
| 10   | 4220162     | 1         | Spacer, Stop (Used with ECCO Model 6640 Only)   |     |
| 11   |             | Ref       | Adapter Options:  |     |
| 11   | 0630491     | 1         | Adapter - Used with ECCO Model 6640   |     |
| 11   | 0080241     | 1         | Adapter - Used with ECCO Model 6650   |     |
| 12   | 3539281     | 1         | Plate, Mounting (Used with ECCO Model 6640 Only)  |     |
| 13   | 0741606     | 1         | Screw, Flathead Countersunk 3/8in-16NC x 3/4in (Used with ECCO Model 6640 Only)                       |     |
| 14   | 0100011     | AR        | Compound, Locking   |     |
| 15   | 4240032     | 1         | Wire-Tile   |     |
| 16   | 0255917     | NLA       | Strobe Light/Guard/Harness Assembly (Use p/n 0272507)   |     |
| 16   |             | Ref       | Bulb, Replacement Options:  |     |
| 16   | 7016380     | 1         | Bulb for ECCO Model 6640  |     |
| 16   | 70001941    | 1         | Bulb for with ECCO Model 6650   |     |
| 16A  |             | Ref       | Guard Options:  |     |
| 16A  | 4060907     | 1         | Guard - Used with ECCO Model 6640   |     |
| 16A  | 2920215     | 1         | Guard - Used with ECCO Model 6650   |     |
| 17   | 4460234     | 1         | Clamp   |     |
| 18   | 0100048     | AR        | Sealant, Silicone   |     |
|      |             | Ref       | <b>LIGHTS INSTALLATIONS (OPTIONAL)</b>  |     |
|      | 0257884     | Ref       | <b>Lights Installations (Prior to SN 0300064432)</b>  | 1   |
|      | 0271768     | Ref       | <b>Lights Installations (SN 0300064432 through 0300069000)</b>  | 2   |
| 25   | 2920110     | 2         | Headlight   |     |
| 26   | 0902206     | 2         | Bracket, Mounting   |     |
| 27   | 0642612     | 1         | Bolt 1in-8NC x 1-1/2in  |     |
| 28   | 4220162     | 2         | Spacer  |     |
| 29   | 0100011     | AR        | Compound, Locking   |     |
| 30   | 2920113     | 2         | Taillight   |     |
| 31   | 3911040     | 4         | Screw, Machine #10-24NC x 2-1/2in   |     |
| 32   | 3311005     | 4         | Nut #10-24NC  |     |
| 33   | 4751000     | 4         | Flatwasher #10  |     |
| 34   | 4740362     | 4         | Washer, Fender  |     |
| 35   | 3960461     | 2         | Gasket  |     |
| 37   | 4240032     | 12        | Tie-Strap (Not Shown)   |     |

## SECTION 2 - TURNTABLE

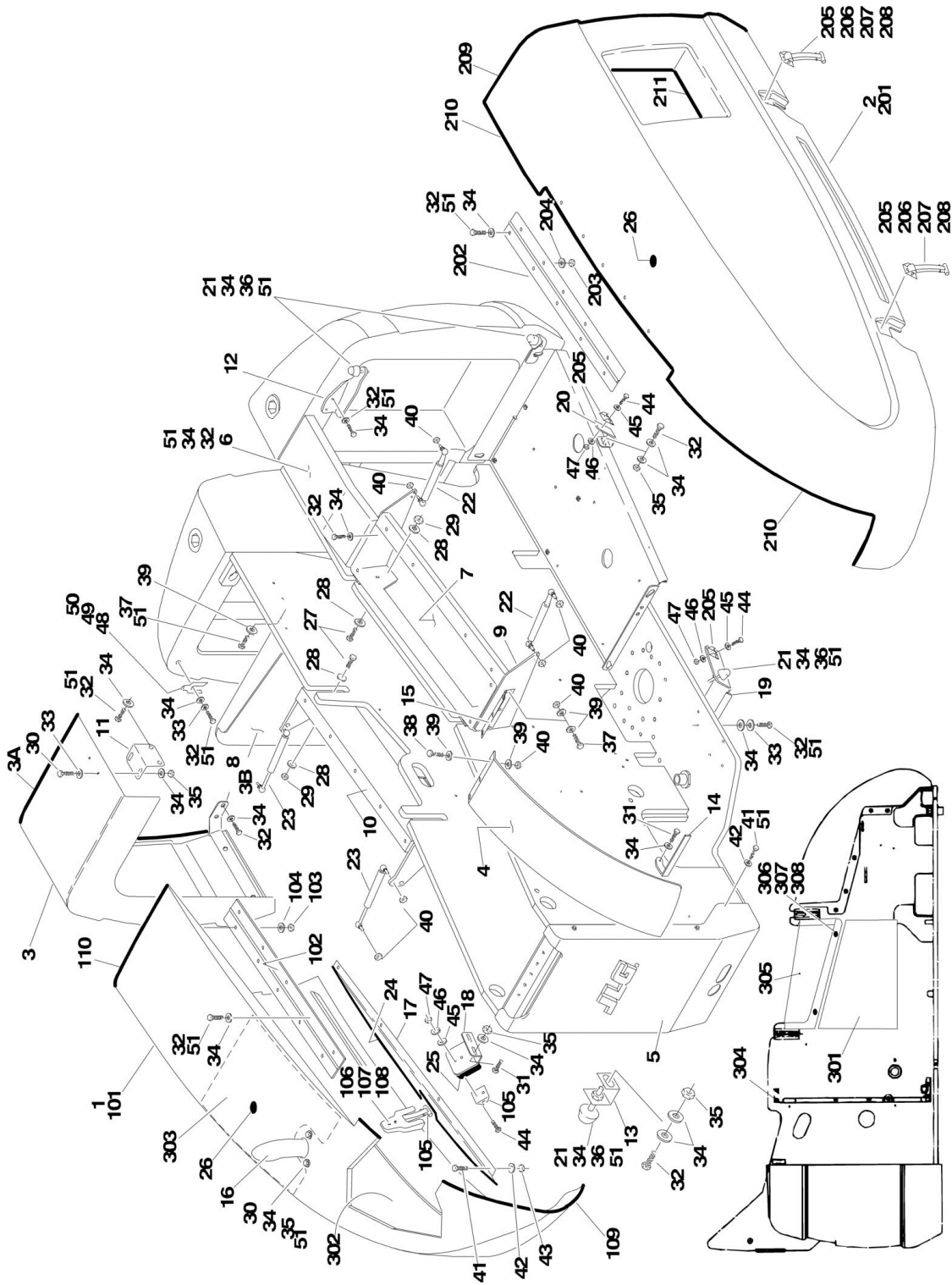
| ITEM | PART NUMBER | QTY | DESCRIPTION                                     | REV |
|------|-------------|-----|---|-----|
| 38   | 4460234     | 12  | Mount, Tie-Strap (Not Shown)                    |     |
| 39   | 4360336     | 1   | Switch, Toggle (Not Shown - Located on Console) |     |
| 40   | 3790012     | 1   | O-Ring (Not Shown - Located on Console)         |     |





# SECTION 2 - TURNTABLE

## FIGURE 2-18. HOODS INSTALLATION



## SECTION 2 - TURNTABLE

### FIGURE 2-18. HOODS INSTALLATION

| ITEM | PART NUMBER | QTY             | DESCRIPTION  | REV |
|------|-------------|-----------------|--|-----|
|      | 0258609     | Ref             | <b>HOODS INSTALLATION</b>  | 3-C |
| 1    | 2680451     | 1               | Hood Assembly - Engine Side (See Items 101-110 for Breakdown)                                  |     |
|      |             | Ref             | <b>Note: Replacement Decals Must be Ordered Separately - See DECALS SECTION for Breakdown.</b> |     |
| 2    | 2680448     | 1               | Hood Assembly - Tank Side (See Items 201-211 for Breakdown)                                    |     |
|      |             | Ref             | <b>Note: Replacement Decals Must be Ordered Separately - See DECALS SECTION for Breakdown.</b> |     |
| 3    | 2680450     | 1               | Hood Assembly- Engine Spacer   |     |
| 3A   | 3960453     | 68 in<br>/1.73m | Seal   |     |
| 3B   | 7023366     | 1               | Bracket  |     |
| 4    | 3380444     | 1               | Panel, Adapter   |     |
| 5    | 1670842     | 1               | Cover, Turntable End   |     |
| 6    | 3380442     | 1               | Cover, Top (Tank Side)   |     |
| 7    | 3380443     | 1               | Cover/Bracket Weldment (Tank Side)   |     |
| 8    | 3539979     | 1               | Plate, Baffle  |     |
| 9    | 0902412     | 1               | Bracket, Hood Mounting (Tank Side)   |     |
| 10   | 0902351     | 1               | Bracket, Hood Mounting (Engine Side)   |     |
| 11   | 0902161     | 1               | Bracket, Hood Spacer Mounting (Engine Side)  |     |
| 12   | 0902426     | 1               | Bracket, Bumper - Counterweight Mounted  |     |
| 13   | 0902219     | 2               | Bracket, Bumper  |     |
| 14   | 0362770     | 1               | Bar, Panel Mounting  |     |
| 15   | 2600244     | 1               | Adapter, Panel Hinge   |     |
| 16   | 4845411     | 1               | Exhaust Tube Weldment  |     |
| 17   | 3539934     | 1               | Plate, Seal  |     |
| 18   | 0902491     | 1               | Bracket, Latch (Engine Side)   |     |
| 19   | 0902223     | 1               | Bracket, Latch (Tank Side)   |     |
| 20   | 0902143     | 1               | Bracket, Latch Tank Side   |     |
| 21   | 0940071     | 6               | Bumper   |     |
| 22   | 4160139     | 1               | Spring, Gas (Tank Side)  |     |
| 23   | 4160143     | 1               | Spring, Gas (Engine Side)  |     |
| 24   | 3960389     | 3.5 ft/1m       | Seal   |     |
| 25   | 3960470     | 1               | Seal, Latch  |     |
| 26   | 3520033     | 2               | Plug, Hole   |     |
| 27   | 0630507     | 6               | Bolt, Carriage 1/2in-13NC x 1-1/4in  |     |
| 28   | 4740171     | 6               | Washer, Hardened   |     |
| 29   | 3311805     | 6               | Locknut 1/2in-13NC   |     |
| 30   | 3900232     | 5               | Screw, Button Head 3/8in-16NC x 1-1/4in  |     |
| 31   | 0641609     | 5               | Bolt 3/8in-16NC x 1-1/8in  |     |
| 32   | 0641608     | 26              | Bolt 3/8in-16NC x 1in  |     |
| 33   | 4740076     | 5               | Washer, Fender   |     |
| 34   | 4751600     | 56              | Flatwasher 3/8in   |     |
| 35   | 3311605     | 10              | Locknut 3/8in-16NC   |     |
| 36   | 3311601     | 12              | Nut 3/8in-16NC   |     |
| 37   | 0641508     | 17              | Bolt 5/16in-18NC x 1in   |     |
| 38   | 3900210     | 3               | Screw, Button Head 5/16in-18NC x 3/4in   |     |
| 39   | 4751500     | 26              | Flatwasher 5/16in  |     |
| 40   | 3311505     | 10              | Locknut 5/16in-18NC  |     |
| 41   | 0641406     | 4               | Bolt 1/4in-20NC x 3/4in  |     |
| 42   | 4751400     | 4               | Flatwasher 1/4in   |     |

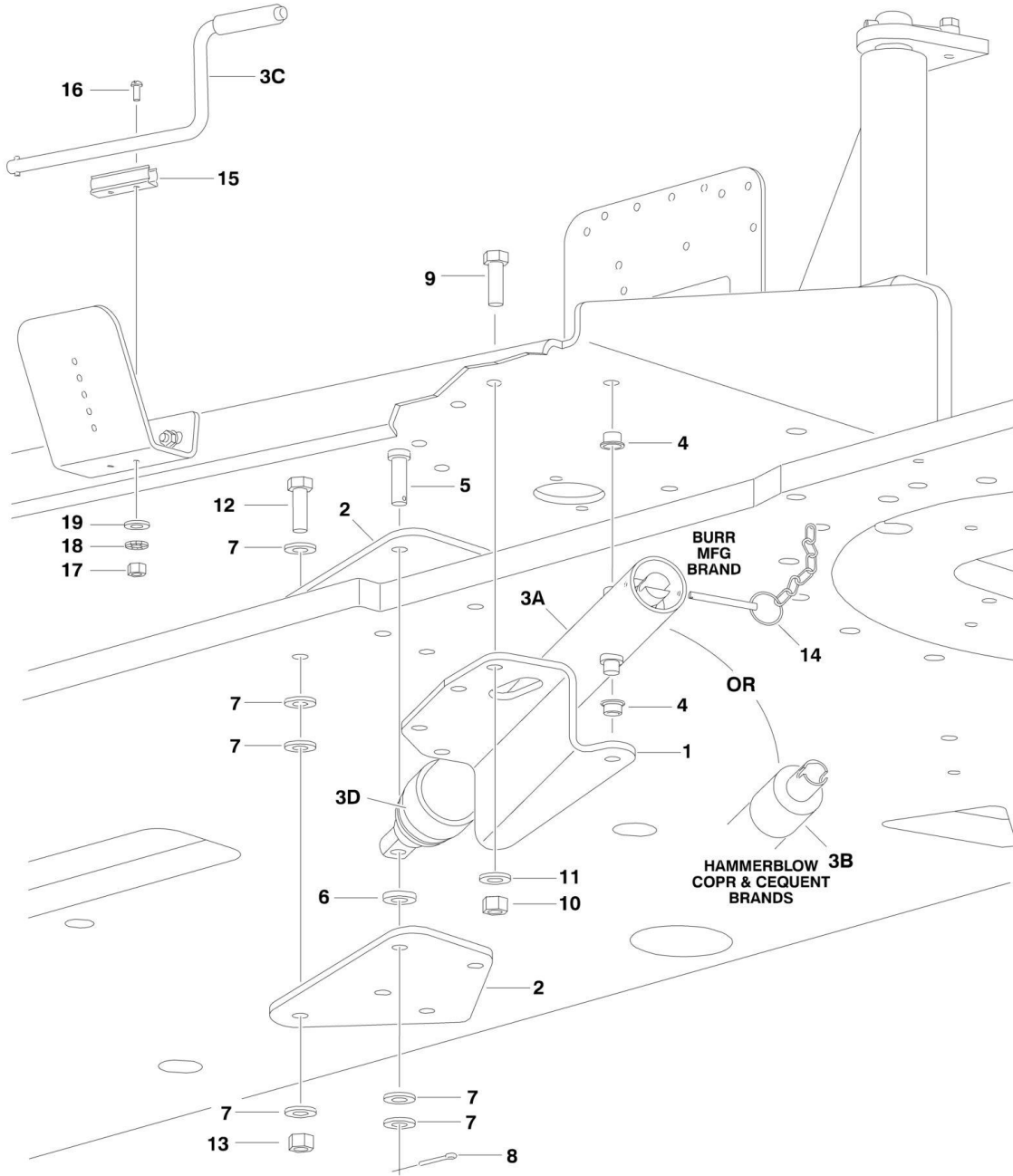
## SECTION 2 - TURNTABLE

| ITEM | PART NUMBER | QTY             | DESCRIPTION   | REV |
|------|-------------|-----------------|---|-----|
| 43   | 3311405     | 4               | Locknut 1/4in-20NC  |     |
| 44   | 0721006     | 6               | Screw #10-24NC x 3/4in                                      |     |
| 45   | 4751000     | 6               | Flatwasher #10  |     |
| 46   | 4761000     | 6               | Lockwasher #10  |     |
| 47   | 3311001     | 6               | Nut #10-24NC  |     |
| 48   | 4070410     | AR              | Shim 1/16in   |     |
| 49   | 4070411     | AR              | Shim 1/8in  |     |
| 50   | 4070412     | AR              | Shim 3/16in   |     |
| 51   | 0100011     | AR              | Compound, Locking   |     |
|      | 2680451     | Ref             | <b>HOOD ASSEMBLY (ENGINE SIDE)</b>                          | A   |
| 101  | 2680436     | 1               | Hood  |     |
| 102  | 2600209     | 1               | Hinge   |     |
| 103  | 3311605     | 4               | Locknut 3/8in-16NC  |     |
| 104  | 4751600     | 4               | Flatwasher 3/8in  |     |
| 105  | 2940088     | 1               | Latch   |     |
| 106  | 0721008     | 2               | Screw, Machine #10-24NC x 1in                               |     |
| 107  | 4751000     | 2               | Flatwasher #10  |     |
| 108  | 3311005     | 2               | Locknut #10-24NC  |     |
| 109  | 3960464     | 65 in<br>/1.67m | Seal  |     |
| 110  | 3960462     | 61 in<br>/1.55m | Seal  |     |
|      | 2680448     | Ref             | <b>HOOD ASSEMBLY (TANK SIDE)</b>                            | A   |
| 201  | 2680437     | 1               | Hood  |     |
| 202  | 2600233     | 1               | Hinge   |     |
| 203  | 3311605     | 5               | Locknut 3/8in-16NC  |     |
| 204  | 4711600     | 5               | Flatwasher 3/8in Narrow                                     |     |
| 205  | 2940088     | 2               | Latch   |     |
| 206  | 0721008     | 4               | Screw, Machine #10-24NC x 1in                               |     |
| 207  | 4751000     | 4               | Flatwasher #10  |     |
| 208  | 3311005     | 4               | Locknut #10-24NC  |     |
| 209  | 3960462     | 53 in<br>/1.35m | Seal  |     |
| 210  | 3960464     | 83 in<br>/2.11m | Seal  |     |
| 211  | 3960438     | 55 in/1.4m      | Seal  |     |
|      | 0256823     | Ref             | <b>NOISE REDUCTION INSTALLATION (DEUTZ ENGINE MACHINES)</b> | -   |
| 301  | 2820078     | 1               | Foam, Acoustical (Turntable Side)                           |     |
| 302  | 2820079     | 1               | Foam, Acoustical (Hood Side)                                |     |
| 303  | 2820080     | 1               | Foam, Acoustical (Hood Top)                                 |     |
| 304  | 2820081     | 1               | Foam, Acoustical (Located on #8)                            |     |
| 305  | 3539955     | 1               | Plate, Baffle   |     |
| 306  | 0641506     | 2               | Bolt 5/16in-18NC x 3/4in                                    |     |
| 307  | 4751500     | 2               | Flatwasher 5/16in   |     |
| 308  | 0100011     | AR              | Compound, Locking   |     |



# SECTION 2 - TURNTABLE

## FIGURE 2-19. ENGINE TRAY JACK INSTALLATION (OPTIONAL)



**SECTION 2 - TURNTABLE**

**FIGURE 2-19. ENGINE TRAY JACK INSTALLATION (OPTIONAL)**

| ITEM | PART NUMBER | QTY | DESCRIPTION                           | REV |
|------|-------------|-----|---------------------------------------|-----|
|      | 0258728     | Ref | <b>ENGINE TRAY JACK INSTALLATION</b>  | 1-B |
| 1    | 3537445     | 1   | Bracket                               |     |
| 2    | 3537446     | 2   | Bracket                               |     |
| 3    | 2840016     | 1   | Jack and Handle Assembly Options:     | D   |
| 3A   |             | Ref | Burr Manufacturing Brand              |     |
| 3B   |             | Ref | Hammerblow Corp Brand                 |     |
| 3C   |             | Ref | Handle Options:                       |     |
| 3C   | 7016374     | 1   | Burr Manufacturing Brand              |     |
| 3C   | 7024598     | 1   | Hammerblow Corp Brand                 |     |
| 3D   | 7016322     | 1   | Wiper (Burr Manufacturing Brand Only) |     |
| 4    | 0962051     | 2   | Bearing, Flange                       |     |
| 5    | 3430816     | 1   | Pin, Clevis                           |     |
| 6    | 4891800     | 1   | Washer, Hardened                      |     |
| 7    | 4711800     | 6   | Flatwasher 1/2in Narrow               |     |
| 8    | 3450404     | 1   | Pin, Cotter 1/8in x 1in               |     |
| 9    | 0641609     | 4   | Bolt 3/8in-16NC x 1-1/8in             |     |
| 10   | 3311605     | 4   | Locknut 3/8in-16NC                    |     |
| 11   | 4891600     | 4   | Washer, Hardened                      |     |
| 12   | 0641818     | 4   | Bolt 1/2in-13NC x 2-1/4in             |     |
| 13   | 3311805     | 4   | Locknut 1/2in-13NC                    |     |
| 14   | 3422530     | 1   | Pin, Hitch                            |     |
| 15   | 1380147     | 1   | Clip, Spring                          |     |
| 16   | 3910608     | 2   | Screw, Round Head #6-32NC x 1in       |     |
| 17   | 3310601     | 2   | Nut #6-32NC                           |     |
| 18   | 4770600     | 2   | Starwasher #6                         |     |
| 19   | 4740119     | 2   | Washer, Aluminum                      |     |

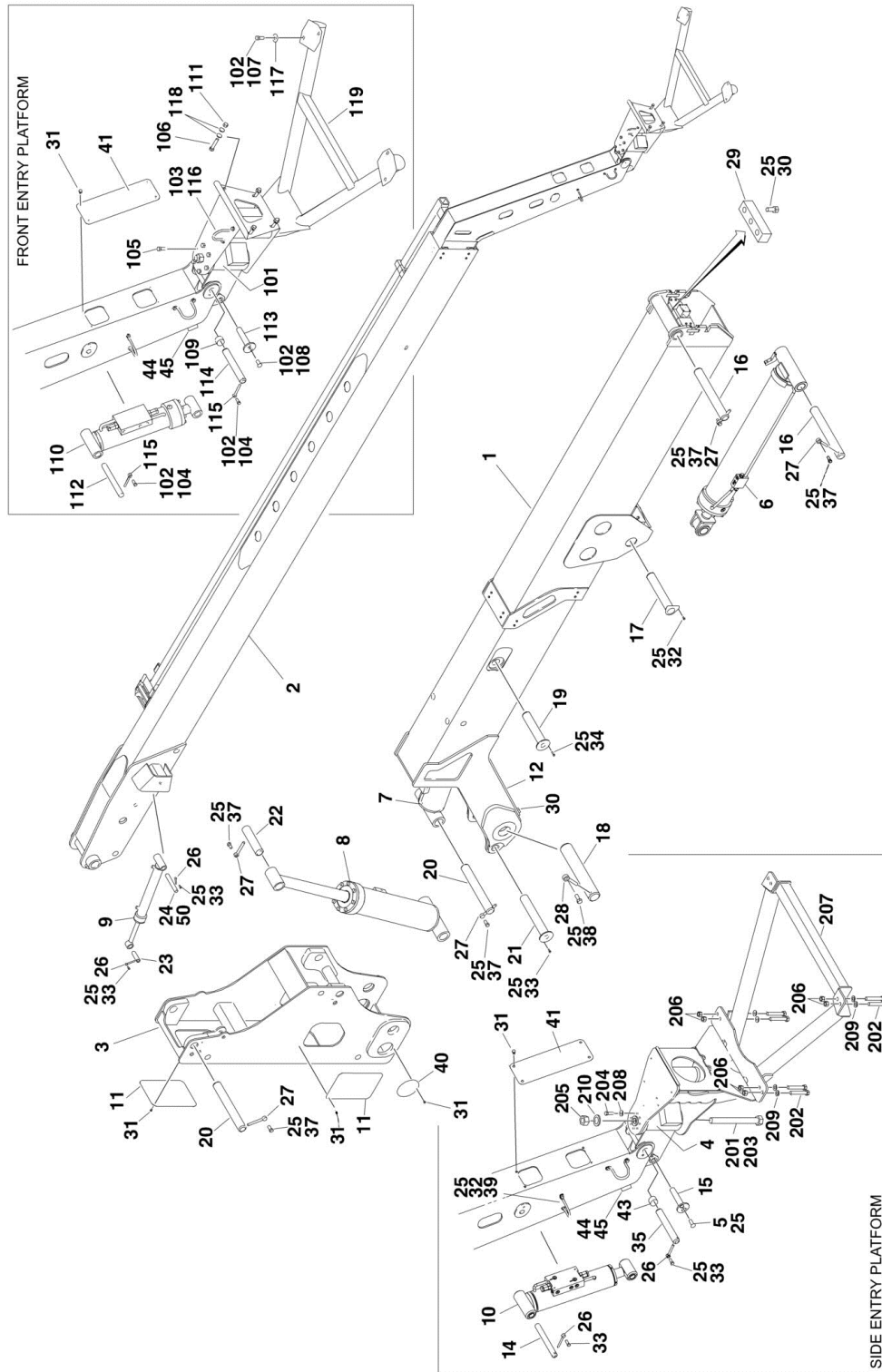




**SECTION 3 - BOOM**

# SECTION 3 - BOOM

## FIGURE 3-1. BOOM AND CYLINDER INSTALLATION - 800A



## SECTION 3 - BOOM

### FIGURE 3-1. BOOM AND CYLINDER INSTALLATION - 800A

| ITEM | PART NUMBER  | QTY | DESCRIPTION  | REV |
|------|--------------|-----|--|-----|
|      |              | Ref | <b>BOOMS AND CYLINDERS INSTALLATIONS - 800A</b>  |     |
|      | 0257760      | Ref | <b>Front Entry Platform</b>  | E   |
|      | 0272381      | Ref | <b>Side Entry Platform</b>   | A   |
| 1    | 0801132      | 1   | Boom Assembly - Tower (See TOWER BOOM ASSEMBLY for Breakdown)  |     |
| 2    | 0801135      | 1   | Boom Assembly - Main (See MAIN BOOM ASSEMBLIES for Breakdown)  |     |
| 3    | 4845593      | 1   | Upright Weldment   |     |
| 4    |              | Ref | Rotator Actuator Assembly Options:   |     |
| 4    | See Item 101 | 1   | Front Entry Platform   |     |
| 4    | 0060069      | 1   | Side Entry Platform (See ROTATOR ASSEMBLIES (SIDE ENTRY PLATFORM) for Breakdown)                                   |     |
| 5    | 0741607      | 1   | Screw, Countersunk 3/8in-16NC x 7/8in  |     |
| 6    | 1683537      | NLA | Lift Cylinder Assembly - Tower Boom (Use p/n 1001228009) (See CYLINDER SECTION for Breakdown) (Original Equipment) |     |
| 6    | 1001228009   | 1   | Lift Cylinder Assembly - Tower Boom (See CYLINDER SECTION for Breakdown) (Service Replacement)                     |     |
| 7    | 1683546      | NLA | Level Cylinder Assembly - Upright (Use p/n 1001228041) (See CYLINDER SECTION for Breakdown) (Original Equipment)   |     |
| 7    | 1684497      | NLA | Level Cylinder Assembly - Upright (Use p/n 1001228041) (See CYLINDER SECTION for Breakdown) (Service Replacement)  |     |
| 7    | 1001228041   | 1   | Level Cylinder Assembly - Upright (See CYLINDER SECTION for Breakdown) (Service Replacement)                       |     |
| 8    | 1683547      | NLA | Lift Cylinder Assembly - Main Boom (Use p/n 1001228010) (See CYLINDER SECTION for Breakdown) (Original Equipment)  |     |
| 8    | 1001228010   | 1   | Lift Cylinder Assembly - Main Boom (See CYLINDER SECTION for Breakdown) (Service Replacement)                      |     |
| 9    | 1683608      | NLA | Master Cylinder Assembly (Use p/n 1001228011) (See CYLINDER SECTION for Breakdown) (Original Equipment)            |     |
| 9    | 1001228011   | 1   | Master Cylinder Assembly (See CYLINDER SECTION for Breakdown) (Service Replacement)                                |     |
| 10   | 1683610      | NLA | Slave Cylinder Assembly (Use p/n 1001228033) (See CYLINDER SECTION for Breakdown) (Original Equipment)             |     |
| 10   | 1684408      | NLA | Slave Cylinder Assembly (Use p/n 1001228033) (See CYLINDER SECTION for Breakdown) (Service Replacement)            |     |
| 10   | 1001228033   | 1   | Slave Cylinder Assembly (See CYLINDER SECTION for Breakdown) (Service Replacement)                                 |     |
| 11   | 1670844      | 4   | Cover, Upright   |     |
| 12   | 1670850      | 1   | Cover, Tower Fly   |     |
| 14   | 3422578      | 1   | Pin  |     |
| 15   | 3422580      | 1   | Pin  |     |
| 16   | 3422681      | 2   | Pin  |     |
| 17   | 3422729      | 1   | Pin  |     |
| 18   | 3422683      | 1   | Pin  |     |
| 19   | 3422684      | 1   | Pin  |     |
| 20   | 3422685      | 2   | Pin  |     |
| 21   | 3422686      | 1   | Pin  |     |
| 22   | 3422687      | 1   | Pin  |     |
| 23   | 3422688      | 1   | Pin  |     |
| 24   | 3422689      | 1   | Pin  |     |
| 25   | 0100011      | AR  | Compound, Locking  |     |
| 26   | 3841143      | 2   | Keeper, Pin  |     |
| 27   | 3841287      | 5   | Keeper, Pin  |     |

## SECTION 3 - BOOM

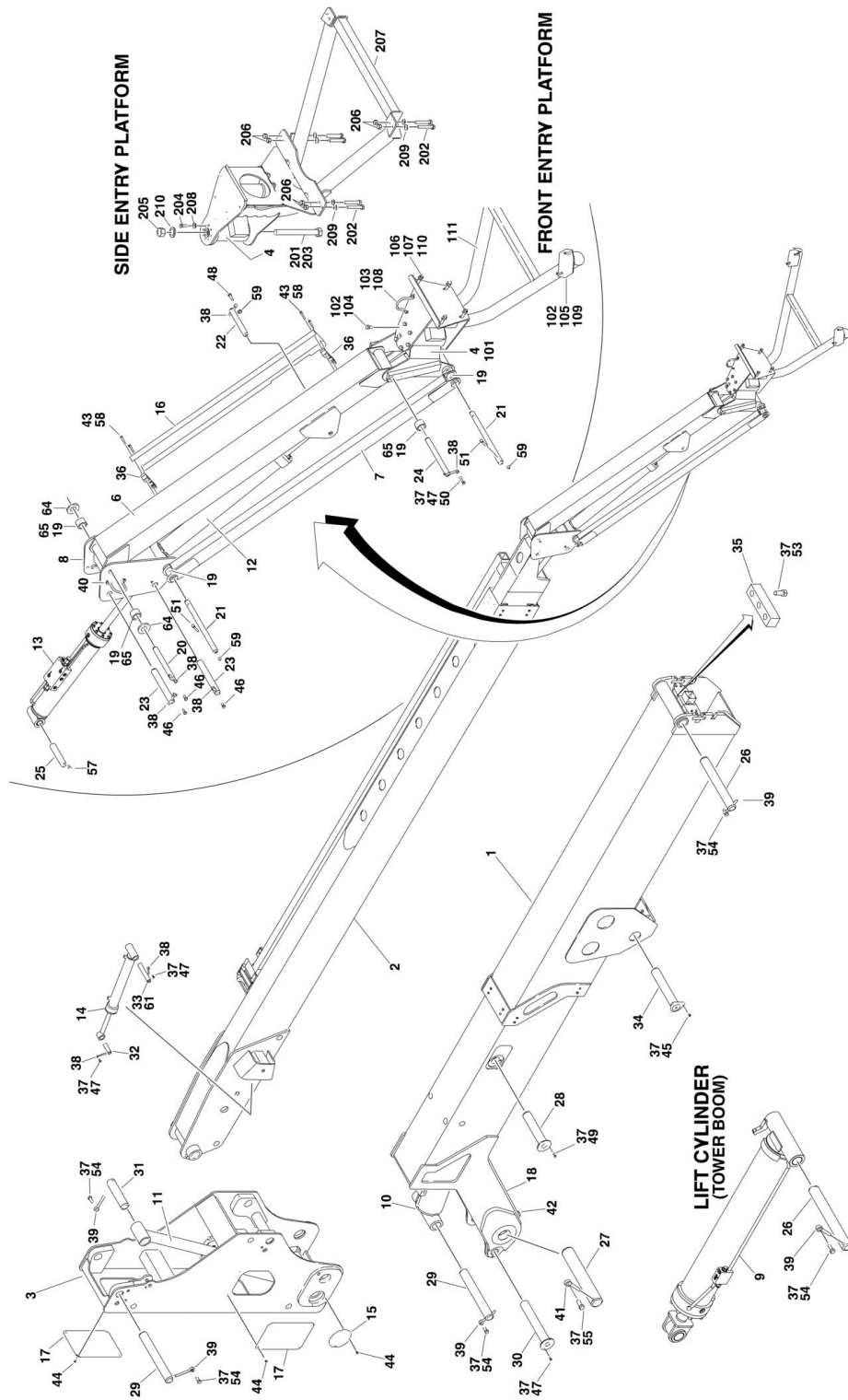
| ITEM | PART NUMBER | QTY | DESCRIPTION   | REV |
|------|-------------|-----|---|-----|
| 28   | 3841356     | 1   | Keeper, Pin   |     |
| 29   | 3340835     | 1   | Pad, Rest   |     |
| 30   | 0641404     | 4   | Bolt 1/4in-20NC x 1/2in   |     |
| 31   | 0641604     | 28  | Bolt 3/8in-16NC x 1/2in   |     |
| 32   | 0641606     | 6   | Bolt 3/8in-16NC x 3/4in   |     |
| 33   | 0641608     | 6   | Bolt 3/8in-16NC x 1in   |     |
| 34   | 0641611     | 2   | Bolt 3/8in-16NC x 1-3/8in   |     |
| 35   | 3422582     | 1   | Pin   |     |
| 36   | 0641820     | 3   | Bolt 1/2in-13NC x 2-1/2in   |     |
| 37   | 0642214     | 5   | Bolt 3/4in-10NC x 1-3/4in   |     |
| 38   | 0642620     | 1   | Bolt 1in-8NC x 2-1/2in  |     |
| 39   | 3841340     | 1   | Rod, Hose Loop  |     |
| 40   | 1120510     | 1   | Cover, Upright  |     |
| 41   | 1670864     | 1   | Cover, Fly Hose   |     |
| 43   | 0961951     | 2   | Bearing   |     |
| 44   | 0641514     | 1   | Bolt 5/16in-18NC x 1-3/4in  |     |
| 45   | 1320159     | 1   | Clamp   |     |
| 50   | 3900239     | 1   | Setscrew 3/8in-16NC x 1/2in   |     |
|      |             | Ref | <b>ROTATOR AND SUPPORT INSTALLATIONS (FRONT ENTRY PLATFORM)</b>   |     |
|      | 0258765     | Ref | <b>Australian Spec</b>  | C   |
|      | 0258767     | Ref | <b>CE Spec Only (Prior to SN 0300054596)</b>  | D   |
|      | 0259500     | Ref | <b>CE Spec Only (SN 0300054596 through 0300068040)</b>  | 1   |
| 101  | 0060041     | NLA | Rotator Actuator Assembly (Use p/n 0060077) (See ROTATOR ASSEMBLIES (FRONT ENTRY PLATRORM) for Breakdown) |     |
| 102  | 0100011     | AR  | Compound, Locking   |     |
| 103  | 0641606     | 2   | Bolt 3/8in-16NC x 3/4in   |     |
| 104  | 0641608     | 2   | Bolt 3/8in-16NC x 1in   |     |
| 105  | 0641810     | 6   | Bolt 1/2in-13NC x 1-1/4in   |     |
| 106  | 0641820     | 4   | Bolt 1/2in-13NC x 2-1/2in   |     |
| 107  | 0681610     | 4   | Bolt 3/8in-16NC x 1-1/4in (Grade 8)   |     |
| 108  | 0741607     | 1   | Screw, Countersunk 3/8in-16NC x 7/8in   |     |
| 109  | 0961951     | 2   | Bearing   |     |
| 110  | 1683610     | NLA | Slave Cylinder Assembly (See CYLINDER SECTION for Breakdown) (Use p/n 1684408)                            |     |
| 111  | 3311805     | 4   | Locknut 1/2in-13NC  |     |
| 112  | 3422578     | 1   | Pin   |     |
| 113  | 3422580     | 1   | Pin   |     |
| 114  | 3422582     | 1   | Pin   |     |
| 115  | 3841143     | 2   | Keeper, Pin   |     |
| 116  | 3841340     | 3   | Rod, Hose Loop  |     |
| 117  | 4711600     | 4   | Flatwasher 3/8in Narrow   |     |
| 118  | 4711800     | 8   | Flatwasher 1/2in Narrow   |     |
| 119  |             | Ref | Support Weldment Options:   |     |
| 119  | 4845703     | 1   | Standard Spec   |     |
| 119  | 4845871     | 1   | French Spec <b>(Prior to SN 0300054596)</b>   |     |
| 119  | 4846081     | 1   | French Spec <b>(SN 0300054596 through 0300068040)</b>   |     |
|      |             | Ref | <b>PLATFORM SUPPORT INSTALLATIONS (SIDE ENTRY PLATFORM)</b>   |     |
|      | 0272070     | Ref | <b>Australian Spec</b>  | B   |
|      | 0272071     | Ref | <b>CE Spec Only</b>   | C   |
| 201  | 0100011     | AR  | Compound, Locking   |     |

## SECTION 3 - BOOM

| ITEM | PART NUMBER | QTY | DESCRIPTION                                 | REV |
|------|-------------|-----|---|-----|
| 202  |             | Ref | Bolt Options:                               |     |
| 202  | 0641812     | 8   | Australian Spec - Bolt 1/2in-13NC x 1-1/2in |     |
| 202  | 0641822     | 8   | CE Spec - Bolt 1/2in-13NC x 2-3/4in         |     |
| 203  | 0642682     | 1   | Bolt 1in-8NC x 10-1/4in                     |     |
| 204  |             | Ref | Bolt Options:                               |     |
| 204  | 0681608     | 8   | Australian Spec - Bolt 3/8in-16NC x 1in     |     |
| 204  | 0681610     | 8   | CE Spec - Bolt 3/8in-16NC x 1-1/4in         |     |
| 205  | 3272605     | 1   | Locknut 1in-8NC                             |     |
| 206  | 3311805     | 8   | Locknut 1/2in-13NC                          |     |
| 207  | 4846573     | 1   | Support Weldment                            |     |
| 208  | 4891600     | 8   | Flatwasher 3/8in (Hardened)                 |     |
| 209  | 4891800     | 8   | Flatwasher 1/2in (Hardened)                 |     |
| 210  | 4892600     | 1   | Flatwasher 1in (Hardened)                   |     |

# SECTION 3 - BOOM

## FIGURE 3-2. BOOM AND CYLINDER INSTALLATION - 800AJ



## SECTION 3 - BOOM

**FIGURE 3-2. BOOM AND CYLINDER INSTALLATION - 800AJ**

| ITEM | PART NUMBER | QTY | DESCRIPTION  | REV |
|------|-------------|-----|--|-----|
|      |             | Ref | <b>BOOMS AND CYLINDERS INSTALLATION - 800AJ</b>  |     |
|      | 0257761     | Ref | <b>Front Entry Platform</b>  | C   |
|      | 0272131     | Ref | <b>Side Entry Platform</b>   | B   |
| 1    | 0801132     | 1   | Boom Assembly - Tower (See TOWER BOOM ASSEMBLY for Breakdown)  |     |
| 2    | 0801136     | 1   | Boom Assembly - Main (See MAIN BOOM ASSEMBLIES for Breakdown)  |     |
| 3    | 4845593     | 1   | Upright Weldment   |     |
| 4    |             | Ref | Rotator Actuator Assembly Options:   |     |
| 4    | 0060031     | NLA | Front Entry Platform (Use p/n 0060074) (See ROTATOR ASSEMBLIES (FRONT ENTRY PLATFORM) for Breakdown)               |     |
| 4    | 0060066     | 1   | Side Entry Platform (See ROTATOR ASSEMBLIES (SIDE ENTRY PLATFORM) for Breakdown)                                   |     |
| 6    | 4844816     | 1   | Tube Weldment - Jib Top  |     |
| 7    | 4844817     | 2   | Tube Weldment - Jib Bottom   |     |
| 8    | 4845716     | 1   | Pivot Weldment   |     |
| 9    | 1683537     | NLA | Lift Cylinder Assembly - Tower Boom (Use p/n 1001228009) (See CYLINDER SECTION for Breakdown) (Original Equipment) |     |
| 9    | 1001228009  | 1   | Lift Cylinder Assembly - Tower Boom (See CYLINDER SECTION for Breakdown) (Service Replacement)                     |     |
| 10   | 1683546     | NLA | Level Cylinder Assembly - Upright (Use p/n 1001228041) (See CYLINDER SECTION for Breakdown) (Original Equipment)   |     |
| 10   | 1684497     | NLA | Level Cylinder Assembly - Upright (Use p/n 1001228041) (See CYLINDER SECTION for Breakdown) (Service Replacement)  |     |
| 10   | 1001228041  | 1   | Level Cylinder Assembly - Upright (See CYLINDER SECTION for Breakdown) (Service Replacement)                       |     |
| 11   | 1683547     | NLA | Lift Cylinder Assembly - Main Boom (Use p/n 1001228010) (See CYLINDER SECTION for Breakdown) (Original Equipment)  |     |
| 11   | 1001228010  | 1   | Lift Cylinder Assembly - Main Boom (See CYLINDER SECTION for Breakdown) (Service Replacement)                      |     |
| 12   | 1683609     | NLA | Lift Cylinder Assembly - Jib (Use p/n 1001248012) (See CYLINDER SECTION for Breakdown) (Original Equipment)        |     |
| 12   | 1001228012  | NLA | Lift Cylinder Assembly - Jib (Use p/n 1001248012) (See CYLINDER SECTION for Breakdown) (Service Replacement)       |     |
| 12   | 1001248012  | 1   | Lift Cylinder Assembly - Jib (See CYLINDER SECTION for Breakdown) (Service Replacement)                            |     |
| 13   | 1683677     | NLA | Slave Cylinder Assembly (Use p/n 1001228030) (See CYLINDER SECTION for Breakdown) (Original Equipment)             |     |
| 13   | 1684228     | NLA | Slave Cylinder Assembly (Use p/n 1001228030) (See CYLINDER SECTION for Breakdown) (Service Replacement)            |     |
| 13   | 1001228030  | 1   | Slave Cylinder Assembly (See CYLINDER SECTION for Breakdown) (Service Replacement)                                 |     |
| 14   | 1683682     | NLA | Master Cylinder Assembly (Use p/n 1001228050) (See CYLINDER SECTION for Breakdown) (Original Equipment)            |     |
| 14   | 1001228050  | 1   | Master Cylinder Assembly (See CYLINDER SECTION for Breakdown) (Service Replacement)                                |     |
| 15   | 1120510     | 4   | Cover, Upright   |     |
| 16   | 1670769     | 1   | Cover, Cable   |     |
| 17   | 1670844     | 4   | Cover, Upright   |     |
| 18   | 1670850     | 1   | Cover, Tower Fly   |     |
| 19   | 0961947     | AR  | Bearing  |     |
| 20   |             | Ref | Pin Options:   |     |
| 20   | 3422558     | 1   | Pin (Prior to SN 0300054012)   |     |
| 20   | 3422860     | 1   | Pin (SN 0300054012 through 0300069000)   |     |

## SECTION 3 - BOOM

| ITEM | PART NUMBER | QTY | DESCRIPTION   | REV |
|------|-------------|-----|---|-----|
| 21   |             | Ref | Pin Options:  |     |
| 21   | 3422559     | 2   | Pin ( <b>Prior to SN 0300054012</b> )                           |     |
| 21   | 3422861     | 2   | Pin ( <b>SN 0300054012 through 0300069000</b> )                 |     |
| 22   |             | Ref | Pin Options:  |     |
| 22   | 3422560     | 1   | Pin ( <b>Prior to SN 0300054012</b> )                           |     |
| 22   | 3422867     | 1   | Pin ( <b>SN 0300054012 through 0300069000</b> )                 |     |
| 23   | 3422561     | 2   | Pin   |     |
| 24   |             | Ref | Pin Options:  |     |
| 24   |             | Ref | Front Entry   |     |
| 24   | 3422563     | 1   | Production (10-3/4in Length)                                    |     |
| 24   | 3422860     | 1   | For Service Replacement Rotator (9-7/16in Length)               |     |
| 24   | 3422860     | 1   | Side Entry Platform   |     |
| 25   | 3422583     | 1   | Pin   |     |
| 26   | 3422681     | 2   | Pin   |     |
| 27   | 3422683     | 1   | Pin   |     |
| 28   | 3422684     | 1   | Pin   |     |
| 29   | 3422685     | 2   | Pin   |     |
| 30   | 3422686     | 1   | Pin   |     |
| 31   | 3422687     | 1   | Pin   |     |
| 32   | 3422688     | 1   | Pin   |     |
| 33   | 3422689     | 1   | Pin   |     |
| 34   | 3422729     | 1   | Pin   |     |
| 35   | 3340835     | 1   | Pad, Rest   |     |
| 36   | 0561237     | 2   | Clamp, Block  |     |
| 37   | 0100011     | AR  | Compound, Locking   |     |
| 38   | 3841143     | 7   | Keeper, Pin   |     |
| 39   | 3841287     | 5   | Keeper, Pin   |     |
| 40   | 3841340     | 1   | Rod, Hose Loop  |     |
| 41   | 3841356     | 1   | Keeper, Pin   |     |
| 42   | 0641404     | 4   | Bolt 1/4in-20NC x 1/2in   |     |
| 43   | 0641416     | 4   | Bolt 1/4in-20NC x 2in   |     |
| 44   | 0641604     | 24  | Bolt 3/8in-16NC x 1/2in   |     |
| 45   | 0641606     | 4   | Bolt 3/8in-16NC x 3/4in   |     |
| 46   | 0641607     | 3   | Bolt 3/8in-16NC x 7/8in   |     |
| 47   | 0641608     | AR  | Bolt 3/8in-16NC x 1in   |     |
| 48   | 0641611     | 1   | Bolt 3/8in-16NC x 1-3/8in                                       |     |
| 49   | 0641612     | 2   | Bolt 3/8in-16NC x 1-1/2in                                       |     |
| 50   | 0641614     | 1   | Bolt 3/8in-16NC x 1-3/4in                                       |     |
| 51   | 0641618     | 4   | Bolt 3/8in-16NC x 2-1/4in                                       |     |
| 53   | 0641820     | 3   | Bolt 1/2in-13NC x 2-1/2in                                       |     |
| 54   | 0642214     | 5   | Bolt 3/4in-10NC x 1-3/4in                                       |     |
| 55   | 0642620     | 1   | Bolt 1in-8NC x 2-1/2in  |     |
| 57   | 0741607     | 1   | Screw, Countersunk 3/8in-16NC x 7/8in                           |     |
| 58   | 2080044     | 4   | Rivnut 1/4in-20NC   |     |
| 59   | 3311605     | 5   | Locknut 3/8in-16NC  |     |
| 61   | 3900239     | 1   | Setscrew 3/8in-16NC x 1/2in                                     |     |
| 64   | 4740439     | 2   | Washer, Thrust  |     |
| 65   | 0962335     | 4   | Bearing ( <b>SN 0300054012 through 0300069000</b> )             |     |
|      |             | Ref | <b>ROTATOR AND SUPPORT INSTALLATIONS (FRONT ENTRY PLATFORM)</b> |     |
|      | 0258766     | Ref | <b>Australian Spec</b>  | C   |
|      | 0258768     | Ref | <b>CE Spec Only (Prior to SN 0300054596)</b>                    | D   |

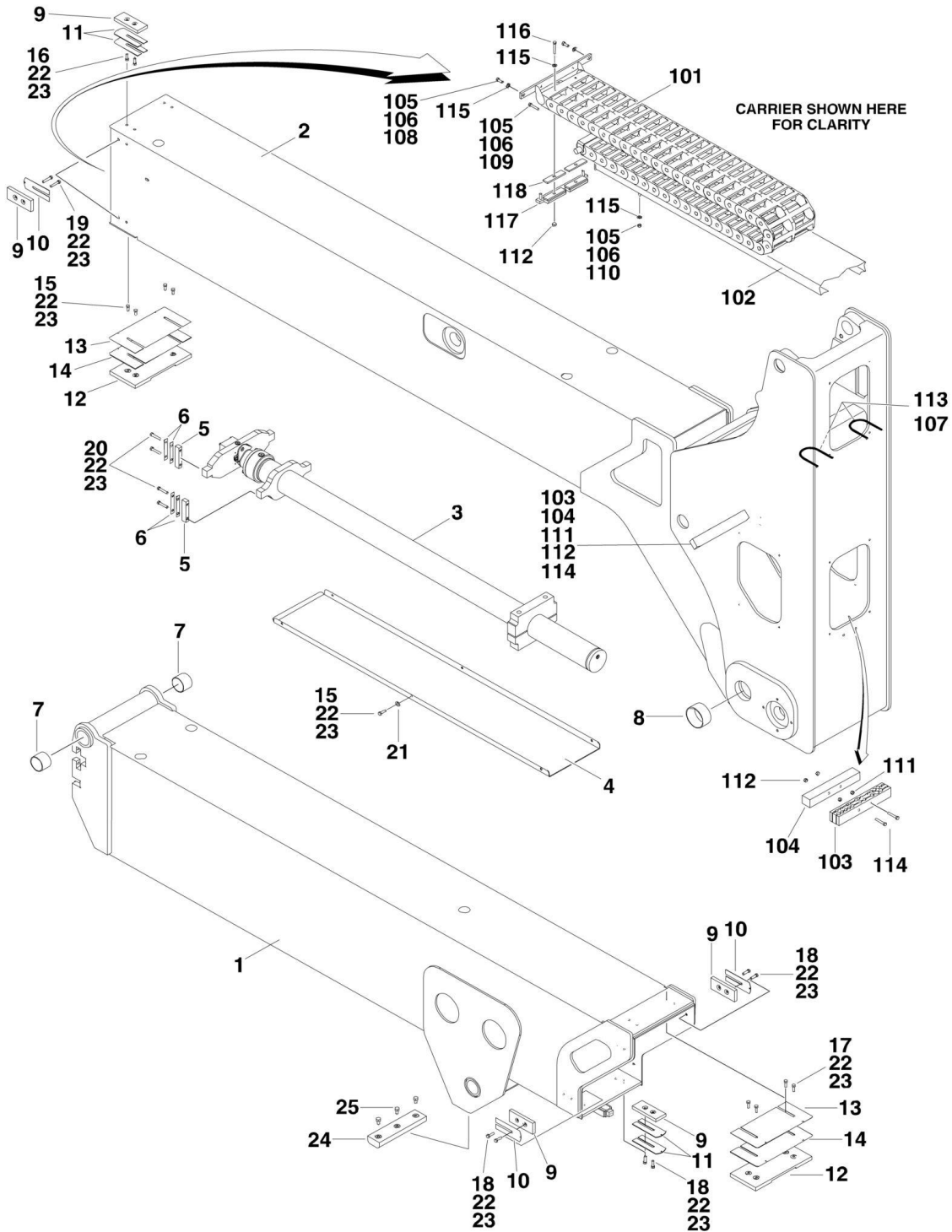


## SECTION 3 - BOOM

| ITEM | PART NUMBER | QTY | DESCRIPTION   | REV |
|------|-------------|-----|---|-----|
|      | 0259501     | Ref | <b>CE Spec Only (SN 0300054596 through 0300068040)</b>      | 1   |
| 101  | See Item 4  | 1   | Rotator Actuator Assembly                                   |     |
| 102  | 0100011     | AR  | Compound, Locking   |     |
| 103  | 0641606     | 2   | Bolt 3/8in-16NC x 3/4in                                     |     |
| 104  | 0641810     | 6   | Bolt 1/2in-13NC x 1-1/4in                                   |     |
| 105  | 0681610     | 4   | Bolt 3/8in-16NC x 1-1/4in (Grade 8)                         |     |
| 106  | 0641820     | 4   | Bolt 1/2in-13NC x 2-1/2in                                   |     |
| 107  | 3311805     | 4   | Locknut 1/2in-13NC  |     |
| 108  | 3841340     | 1   | Rod, Hose Loop  |     |
| 109  | 4711600     | 4   | Flatwasher 3/8in Narrow                                     |     |
| 110  | 4711800     | 8   | Flatwasher 1/2in Narrow                                     |     |
| 111  |             | Ref | Support Weldment Options:                                   |     |
| 111  | 4844790     | 1   | Australian Spec   |     |
| 111  | 4845682     | 1   | CE Spec ( <b>Prior to SN 0300054596</b> )                   |     |
| 111  | 4846081     | 1   | CE Spec ( <b>SN 0300054596 through 0300069000</b> )         |     |
|      |             | Ref | <b>PLATFORM SUPPORT INSTALLATIONS (SIDE ENTRY PLATFORM)</b> |     |
|      | 0272070     | Ref | <b>Australian Spec</b>                                      | B   |
|      | 0272071     | Ref | <b>CE Spec Only</b>   | C   |
| 201  | 0100011     | AR  | Compound, Locking   |     |
| 202  |             | Ref | Bolt Options:   |     |
| 202  | 0641812     | 8   | Australian Spec - Bolt 1/2in-13NC x 1-1/2in                 |     |
| 202  | 0641822     | 8   | CE Spec - Bolt 1/2in-13NC x 2-3/4in                         |     |
| 203  | 0642682     | 1   | Bolt 1in-8NC x 10-1/4in                                     |     |
| 204  |             | Ref | Bolt Options:   |     |
| 204  | 0681608     | 8   | Australian Spec - Bolt 3/8in-16NC x 1in                     |     |
| 204  | 0681610     | 8   | CE Spec - Bolt 3/8in-16NC x 1-1/4in                         |     |
| 205  | 3272605     | 1   | Locknut 1in-8NC   |     |
| 206  | 3311805     | 8   | Locknut 1/2in-13NC  |     |
| 207  | 4846573     | 1   | Support Weldment  |     |
| 208  | 4891600     | 8   | Flatwasher 3/8in (Hardened)                                 |     |
| 209  | 4891800     | 8   | Flatwasher 1/2in (Hardened)                                 |     |
| 210  | 4892600     | 1   | Flatwasher 1in (Hardened)                                   |     |

# SECTION 3 - BOOM

## FIGURE 3-3. TOWER BOOM ASSEMBLY



## SECTION 3 - BOOM

### FIGURE 3-3. TOWER BOOM ASSEMBLY

| ITEM | PART NUMBER | QTY | DESCRIPTION   | REV |
|------|-------------|-----|---|-----|
|      | 0801132     | Ref | <b>TOWER BOOM ASSEMBLY</b>  | C   |
| 1    | 0801133     | 1   | Base Weldment   |     |
| 2    | 0801134     | 1   | Fly Weldment  |     |
| 3    | 1683606     | NLA | Cylinder Assembly - Tower Telescope (Use p/n 1001228086) (See CYLINDER SECTION for Breakdown) (Original Equipment)  |     |
| 3    | 1001188840  | NLA | Cylinder Assembly - Tower Telescope (Use p/n 1001228086) (See CYLINDER SECTION for Breakdown) (Service Replacement) |     |
| 3    | 1001228086  | 1   | Cylinder Assembly - Tower Telescope (See CYLINDER SECTION for Breakdown) (Service Replacement)                      |     |
| 4    | 4340706     | 1   | Support   |     |
| 5    | 0561185     | 4   | Block, Attach   |     |
| 6    | 4070929     | 8   | Shim 1/16in   |     |
| 7    | 0962102     | 2   | Bushing   |     |
| 8    | 0962122     | 2   | Bushing   |     |
| 9    |             | Ref | Pad, Wear Options:  |     |
| 9    | 3340756     | 12  | Pad, Wear <b>(Prior to SN 0300064695)</b>   |     |
| 9    | 3340881     | 12  | Pad, Wear <b>(SN 0300064695 through 0300069000)</b>   |     |
| 10   | 4070897     | 8   | Shim .05  |     |
| 11   | 4070898     | 8   | Shim .12  |     |
| 12   | 3340828     | 2   | Pad, Wear   |     |
| 13   | 4070967     | 2   | Shim .05  |     |
| 14   | 4070968     | 2   | Shim .12  |     |
| 15   | 0641607     | 10  | Bolt 3/8in-16NC x 7/8in   |     |
| 16   | 0641608     | 4   | Bolt 3/8in-16NC x 1in   |     |
| 17   | 0641609     | 4   | Bolt 3/8in-16NC x 1-1/8in   |     |
| 18   | 0641610     | 12  | Bolt 3/8in-16NC x 1-1/4in   |     |
| 19   | 0641615     | 8   | Bolt 3/8in-16NC x 1-7/8in   |     |
| 20   | 0641616     | 8   | Bolt 3/8in-16NC x 2in   |     |
| 21   | 4711600     | 6   | Flatwasher 3/8in Narrow   |     |
| 22   | 0100011     | AR  | Compound, Locking   |     |
| 23   | 0100038     | AR  | Primer, Locking   |     |
| 24   | 3340835     | 1   | Pad, Boom Rest  |     |
| 25   | 0641806     | 3   | Bolt 1/2in-13NC x 3/4in   |     |
|      | 0257764     | Ref | <b>POWER TRACK INSTALLATION</b>   | F   |
| 101  | 1180346     | 1   | Carrier   |     |
| 101  | 7020064     | 1   | Bracket, End (Moving)   |     |
| 101  | 7020065     | 1   | Bracket, End (Fixed)  |     |
| 101  | 7020066     | 1   | Section, Repair   |     |
| 101  | 7020067     | 1   | Link, Repair  |     |
| 102  | 4845680     | 1   | Hose Tube Weldment  |     |
| 103  | 1320251     | 2   | Clamp, Block  |     |
| 104  | 1320250     | 2   | Bar, Clamp  |     |
| 105  | 0100011     | AR  | Compound, Locking   |     |
| 106  | 0100038     | AR  | Primer, Locking   |     |
| 107  | 0641605     | 4   | Bolt 3/8in-16NC x 5/8in   |     |
| 108  | 0641606     | 2   | Bolt 3/8in-16NC x 3/4in   |     |
| 109  | 0641622     | 2   | Bolt 3/8in-16NC x 2-3/4in   |     |
| 110  | 3311601     | 4   | Nut 3/8in-16NC  |     |
| 111  | 3311602     | 2   | Nut, Jam 3/8in-16NC   |     |
| 112  | 3311605     | 4   | Locknut 3/8in-16NC  |     |

## SECTION 3 - BOOM

| ITEM | PART NUMBER | QTY | DESCRIPTION   | REV |
|------|-------------|-----|---|-----|
| 113  | 3841340     | 2   | Rod, Hose Loop  |     |
| 114  | 3900262     | 4   | Bolt 3/8in-16NC x 4-3/4in   |     |
| 115  | 4711600     | 6   | Flatwasher 3/8in Narrow   |     |
| 116  | 0630539     | 2   | Bolt 3/8in-16NC x 3-1/2in   |     |
| 117  |             | Ref | Clamp Assembly Options:   |     |
| 117  | 0259420     | 1   | Clamp Assembly (was qty 2 of p/n 1320252) <b>(Prior to SN 0300043680)</b> |     |
| 117  | 0259420     | 1   | Clamp Assembly <b>(SN 0300043680 through 0300069000)</b>                  |     |
| 118  | 3340859     | 2   | Pad, Rubber   |     |



# SECTION 3 - BOOM

## FIGURE 3-4. MAIN BOOM ASSEMBLIES

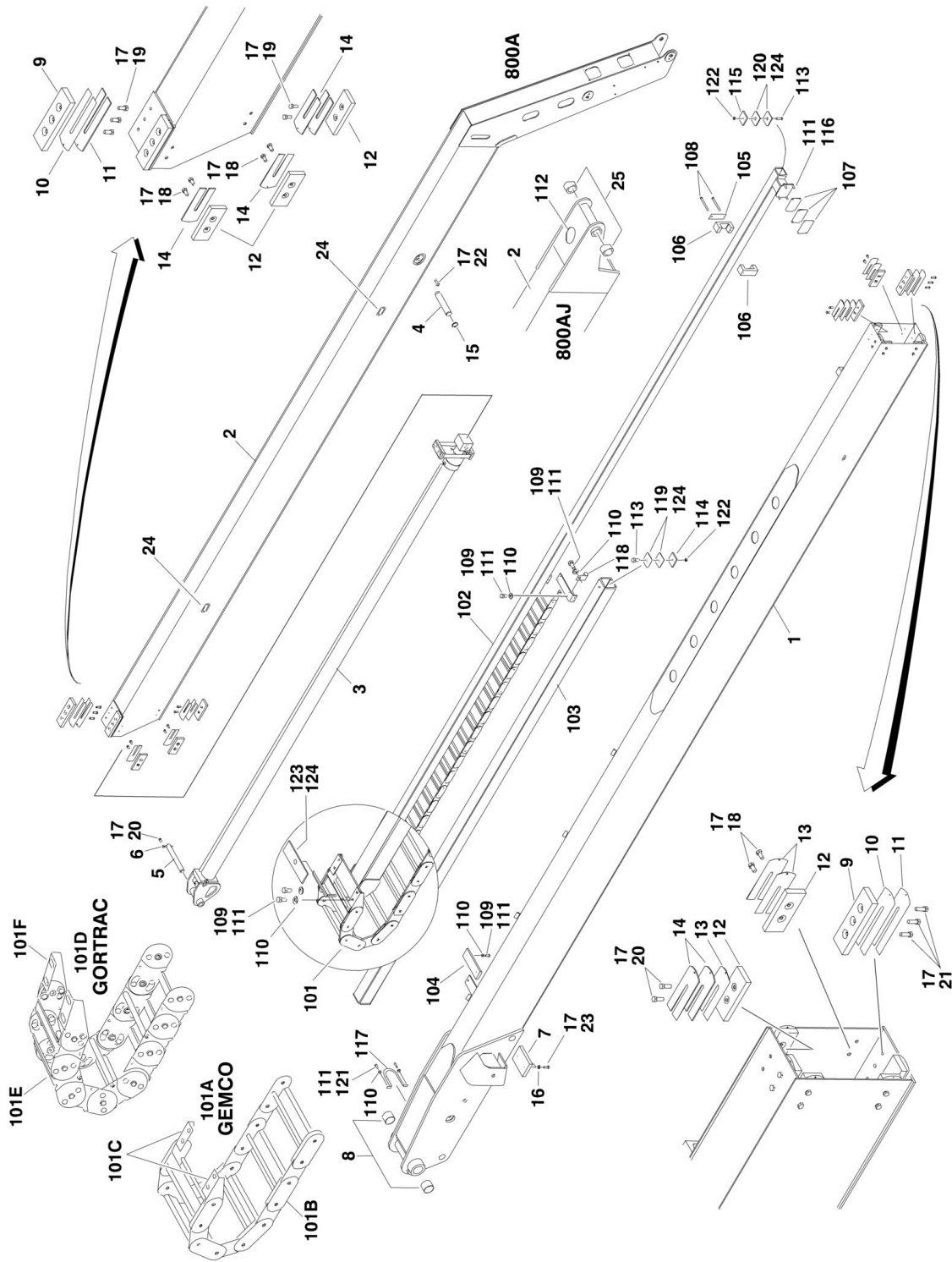


FIGURE 3-4. MAIN BOOM ASSEMBLIES

| ITEM | PART NUMBER  | QTY | DESCRIPTION   | REV |
|------|--------------|-----|---|-----|
|      |              | Ref | <b>MAIN BOOM ASSEMBLY OPTIONS:</b>  |     |
|      | 0801135      | Ref | <b>Main Boom Assembly 800A</b>  | E   |
|      | 0801136      | Ref | <b>Main Boom Assembly 800AJ</b>   | E   |
| 1    |              | Ref | Base Weldment Options:  |     |
| 1    | 0801137      | NLA | Base Weldment 800A (Use p/n 0801185)  |     |
| 1    | 0801185      | 1   | Base Weldment 800A ( <b>SN 0300042446 through 0300069000</b> )                    |     |
| 1    | 0801139      | NLA | Base Weldment 800AJ (Use p/n 0801191)   |     |
| 1    | 0801191      | 1   | Base Weldment 800AJ ( <b>SN 0300042446 through 0300069000</b> )                   |     |
| 2    |              | Ref | Fly Weldment Options:   |     |
| 2    | 0801138      | 1   | Fly Weldment 800A   |     |
| 2    | 0801140      | 1   | Fly Weldment 800AJ  |     |
| 3    |              | Ref | Telescope Cylinder Assembly Options:  |     |
| 3    | 1683607      | NLA | Telescope Cylinder Assembly (Use p/n 1001228088) (800A)<br>(Original Equipment)   |     |
| 3    | 1001188968   | NLA | Telescope Cylinder Assembly (Use p/n 1001228088) (800A)<br>(Service Replacement)  |     |
| 3    | 1001228088   | 1   | Telescope Cylinder Assembly (800A) (Service Replacement)                          |     |
| 3    | 1683672      | NLA | Telescope Cylinder Assembly (Use p/n 1001228087) (800AJ)<br>(Original Equipment)  |     |
| 3    | 1001188841   | NLA | Telescope Cylinder Assembly (Use p/n 1001228087) (800AJ)<br>(Service Replacement) |     |
| 3    | 1001228087   | 1   | Telescope Cylinder Assembly (800AJ) (Service Replacement)                         |     |
| 4    | 3422457      | 1   | Pin   |     |
| 5    | 3422690      | 1   | Pin   |     |
| 6    | 3841143      | 1   | Keeper, Pin   |     |
| 7    | 0561295      | 1   | Block, Boom Rest  |     |
| 8    | 0962102      | 2   | Bushing   |     |
| 9    |              | Ref | Pad, Wear Options:  |     |
| 9    | 3340705      | 4   | Pad, Wear ( <b>Prior to SN 0300064695</b> )                                       |     |
| 9    | 3340871      | 4   | Pad, Wear ( <b>SN 0300064695 through 0300069000</b> )                             |     |
| 10   | 4070863      | 4   | Shim 1/8in  |     |
| 11   | 4070864      | 4   | Shim .05  |     |
| 12   |              | Ref | Pad, Wear Options:  |     |
| 12   | 3340756      | 12  | Pad, Wear ( <b>Prior to SN 0300064695</b> )                                       |     |
| 12   | 3340881      | 12  | Pad, Wear ( <b>SN 0300064695 through 0300069000</b> )                             |     |
| 13   | 4070897      | 10  | Shim .05  |     |
| 14   | 4070898      | 12  | Shim 1/8in  |     |
| 15   | 3760133      | 2   | Ring, Retaining   |     |
| 16   | 4711600      | 2   | Flatwasher 3/8in Narrow   |     |
| 17   | 0100011      | AR  | Compound, Locking   |     |
| 18   | 0641606      | 16  | Bolt 3/8in-16NC x 3/4in   |     |
| 19   | 0641607      | 10  | Bolt 3/8in-16NC x 7/8in   |     |
| 20   | 0641608      | 5   | Bolt 3/8in-16NC x 1in   |     |
| 21   | 0641609      | 6   | Bolt 3/8in-16NC x 1-1/8in   |     |
| 22   | 3900259      | 4   | Bolt, Shoulder  |     |
| 23   | 0641612      | 2   | Bolt 3/8in-16NC x 1-1/2in   |     |
| 24   | 1670836      | 6   | Cover, Boom   |     |
| 25   |              | Ref | Bushing   |     |
| 25   | Not Required | 0   | Bushing 800A  |     |
| 25   | 0961951      | 2   | Bushing 800AJ   |     |

## SECTION 3 - BOOM

| ITEM | PART NUMBER  | QTY       | DESCRIPTION   | REV |
|------|--------------|-----------|---|-----|
|      |              | Ref       | <b>POWER TRACK INSTALLATION OPTIONS:</b>                                |     |
|      | 0258076      | Ref       | <b>Power Track Installation 800A</b>                                    | G   |
|      | 0258077      | Ref       | <b>Power Track Installation 800AJ</b>                                   | F   |
| 101  |              | Ref       | Carrier Options:  |     |
| 101A |              | Ref       | Gemco Brand Power Track (Original Equipment)                            |     |
| 101A | 1180347      | NLA       | Gemco Brand Power Track (Original Equipment) 800A (Use p/n 1001099840)  |     |
| 101A | 1180349      | NLA       | Gemco Brand Power Track (Original Equipment) 800AJ (Use p/n 1001099837) |     |
| 101B | 7016522      | AR        | Carrier Repair Section (Includes 1 Pin for each end)                    |     |
| 101B | 7016523      | AR        | Rod Assembly (Includes 1 rod and hardware)                              |     |
| 101B | 7016529      | AR        | Roller, Plastic Rod   |     |
| 101B | 7006137      | AR        | Link Pin Assembly   |     |
| 101C | 7016524      | 2         | Foot, Mounting (1 Pair)   |     |
| 101D |              | Ref       | Gortrac Brand Power Track (Service Replacement)                         |     |
| 101D | 1001099840   | 1         | Gortrac Brand Power Track (Service Replacement) 800A                    |     |
| 101D | 1001099837   | 1         | Gortrac Brand Power Track (Service Replacement) 800AJ                   |     |
| 101E | 70002013     | AR        | Carrier Repair Section (Includes 1 Pin Assembly for each end)           |     |
| 101F | 70002014     | AR        | Mounting Foot Kit (Includes Both Pair of Feet)                          |     |
| 102  |              | Ref       | Push Tube Weldment  |     |
| 102  | 4845701      | 1         | Push Tube Weldment 800A   |     |
| 102  | 4845729      | 1         | Push Tube Weldment 800AJ  |     |
| 103  |              | Ref       | Support   |     |
| 103  | 4845702      | 1         | Support 800A  |     |
| 103  | 4845730      | 1         | Support 800AJ   |     |
| 104  | 3340840      | 1         | Pad   |     |
| 105  | 3538758      | 1         | Plate, Backing  |     |
| 106  | 3340764      | 2         | Pad   |     |
| 107  | 4070969      | 3         | Shim  |     |
| 108  | 0641640      | 2         | Bolt 3/8in-16NC x 5in   |     |
| 109  | 0641606      | 18        | Bolt 3/8in-16NC x 3/4in   |     |
| 110  | 4711600      | 22        | Flatwasher 3/8in Narrow   |     |
| 111  | 0100011      | AR        | Compound, Locking   |     |
| 112  |              | Ref       | Flex-Trim   |     |
| 112  | Not Required | 0         | Flex-Trim 800A  |     |
| 112  | 4060805      | 8 in/20cm | Flex-Trim 800AJ   |     |
| 113  | 0641622      | 2         | Bolt 3/8in-16NC x 2-3/4in   |     |
| 114  | 1320248      | 1         | Clamp, Hose   |     |
| 115  | 1320249      | 1         | Clamp, Hose   |     |
| 116  |              | Ref       | Bolt Options:   |     |
| 116  | 0641607      | 4         | Bolt 800A (Bolt 3/8in-16NC x 7/8in)                                     |     |
| 116  | 0641612      | 4         | Bolt 800AJ (Bolt 3/8in-16NC x 1-1/2in)                                  |     |
| 117  | 3841406      | 1         | Loop, Hose  |     |
| 118  | 1320263      | 1         | Clamp, Loop   |     |
| 119  | 3340860      | 2         | Pad, Rubber   |     |
| 120  | 3340861      | 2         | Pad, Rubber   |     |
| 121  | 3900232      | 2         | Screw, Button Head 3/8in-16NC x 1-1/4in                                 |     |
| 122  | 3311605      | 2         | Locknut 3/8in-16NC <b>(SN 0300066130 through 0300069000)</b>            |     |
| 123  | 4071052      | 2         | Shim <b>(SN 0300066130 through 0300069000)</b>                          |     |
| 124  | 0100081      | AR        | Adhesive  |     |





# SECTION 3 - BOOM

## FIGURE 3-5. ROTATOR ASSEMBLIES (FRONT ENTRY PLATFORM)

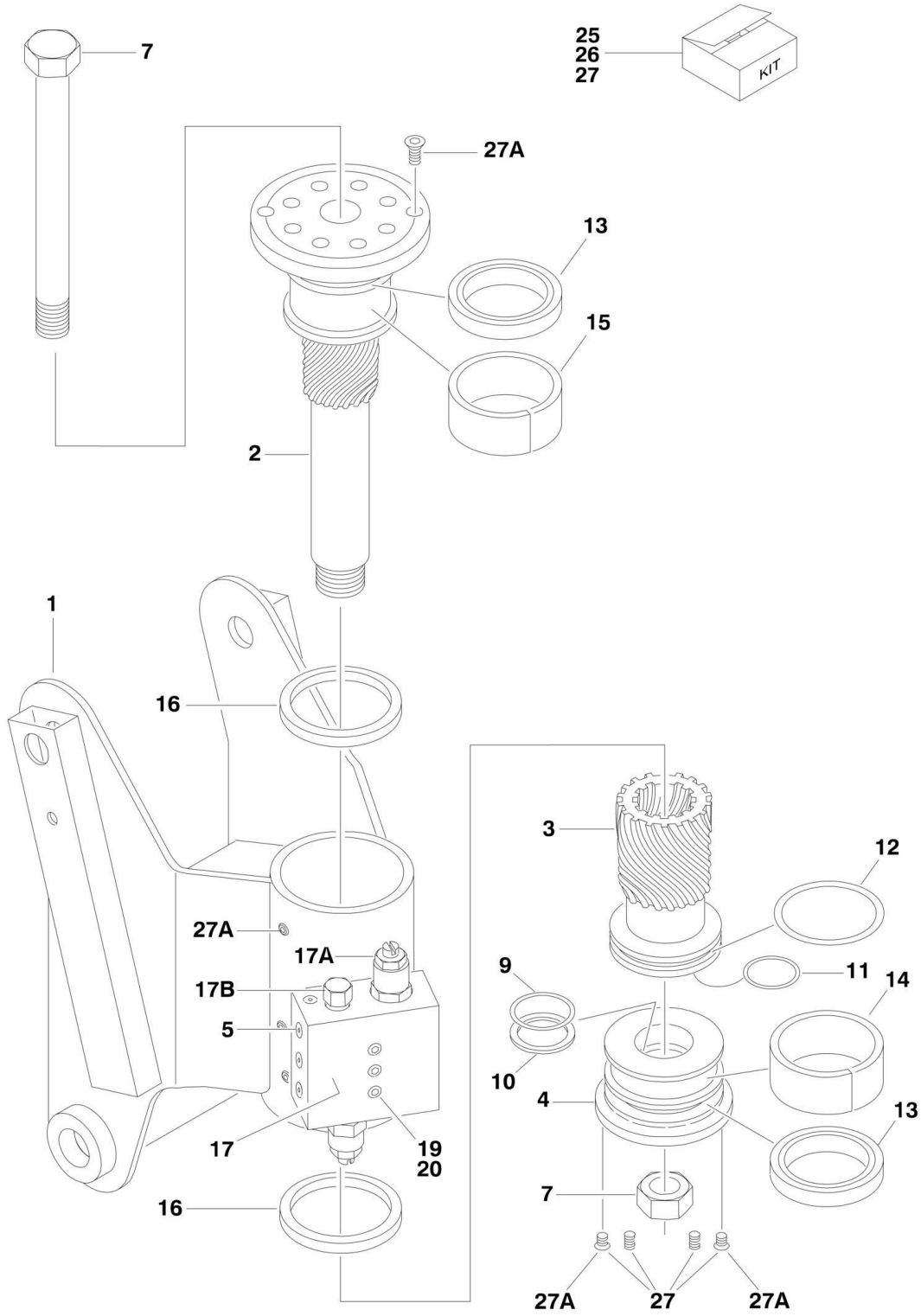


FIGURE 3-5. ROTATOR ASSEMBLIES (FRONT ENTRY PLATFORM)

| ITEM | PART NUMBER | QTY | DESCRIPTION   | REV |
|------|-------------|-----|---|-----|
|      |             | Ref | <b>ROTATOR ASSEMBLIES</b>   |     |
|      |             | Ref | <b>Rotator Assemblies 800A</b>  |     |
|      | 0060041     | Ref | <b>Actual Production</b>  | G   |
|      | 0060077     | Ref | <b>Recommended Replacement</b>  | B   |
|      |             | Ref | <b>Rotator Assemblies 800AJ</b>   |     |
|      | 0060031     | Ref | <b>Actual Production</b>  | I   |
|      | 1001103095  | Ref | <b>Recommended Replacement Kit (contains 0060074 rotator, upper pin, keeper shaft, keeper shaft bolt and instruction sheet)</b>   | 1   |
|      |             | Ref | <b>Note: Before ordering parts, identify whether original equipment rotator has been replaced with service replacement. Service replacement rotator uses spacer plate bolted on the top with 8 capscrews (Not shown - located at item 2). Original equipment rotator does not use spacer plate.</b> |     |
| 1    | See Note    | 1   | Housing/Ring Gear Assembly (Note: Not Available - Purchase Complete Assembly)   |     |
| 2    |             | Ref | Shaft Weldment Options:   |     |
| 2    | 7017177     | 1   | 0060041 & 0060031 Rotators (was p/n 7017117)  |     |
| 2    | 7017162     | 1   | 0060077 & 0060074 Rotators  |     |
| 2    | See Note    | 1   | Plate, Spacer (Not Shown) (0060077 & 0060074 Rotators Only) (Note: Not Available for Purchase)  |     |
| 3    |             | Ref | Piston/Sleeve Options:  |     |
| 3    | 7017115     | 1   | 0060041 & 0060031 Rotators  |     |
| 3    | 7017163     | 1   | 0060077 & 0060074 Rotators  |     |
| 4    |             | Ref | Cap, End Options:   |     |
| 4    | 7017174     | 1   | 0060041 & 0060031 Rotators (was p/n 7017116)  |     |
| 4    | 7017164     | 1   | 0060077 & 0060074 Rotators  |     |
| 5    | See Note    | NSS | Plug, Port (Note: Not Available for Purchase)   |     |
| 6    | 7017142     | 2   | Plug  |     |
| 7    | 7017102     | 1   | Tie-Rod/Locknut Assembly  |     |
| 7    | 7017119     | 1   | Bolt 1in-8NC x 11in   |     |
| 8    | 3272605     | AR  | Locknut 1in-8NC   |     |
| 9    | See Note    | NSS | Seal, Cap (Note: Use Item 25)   |     |
| 10   | See Note    | NSS | Ring, Back-up (Cap) (Note: Use Item 25)   |     |
| 11   | See Note    | NSS | Seal, Rod (Note: Use Item 25)   |     |
| 12   | See Note    | NSS | Seal, Piston (Note: Use Item 25)  |     |
| 13   | See Note    | NSS | Packing, Bearing (Note: Use Item 25)  |     |
| 14   | See Note    | NSS | Bearing, Cap (Note: Use Item 26)  |     |
| 15   | See Note    | NSS | Bearing, Shaft (Note: Use Item 26)  |     |
| 16   | See Note    | NSS | Washer, Thrust (Note: Use Item 26)  |     |
| 17   |             | Ref | Valve Assembly Options:   |     |
| 17   | 7017183     | 1   | 0060041 & 0060031 Rotators (was p/n 7017101)  |     |
| 17   | 7017183     | 1   | 0060077 & 0060074 Rotators  |     |
| 17A  |             | Ref | Cartridge, Valve Options:   |     |
| 17A  | 7011331     | 2   | 0060041 & 0060031 Rotators  |     |
| 17A  | 7017193     | 2   | 0060077 & 0060074 Rotators  |     |
| 17A  | 2900770     | 2   | Seal Kit - 7011331 Valve  |     |
| 17A  | See Note    | 2   | Seal Kit - 7017193 Valve (Note: Not Available for Purchase)   |     |
| 17B  |             | Ref | Cartridge, Valve Options:   |     |
| 17B  | 7011332     | 2   | 0060041 & 0060031 Rotators  |     |
| 17B  | See Note    | 1   | 0060077 & 0060074 Rotators (Not Shown - Located on Side   |     |

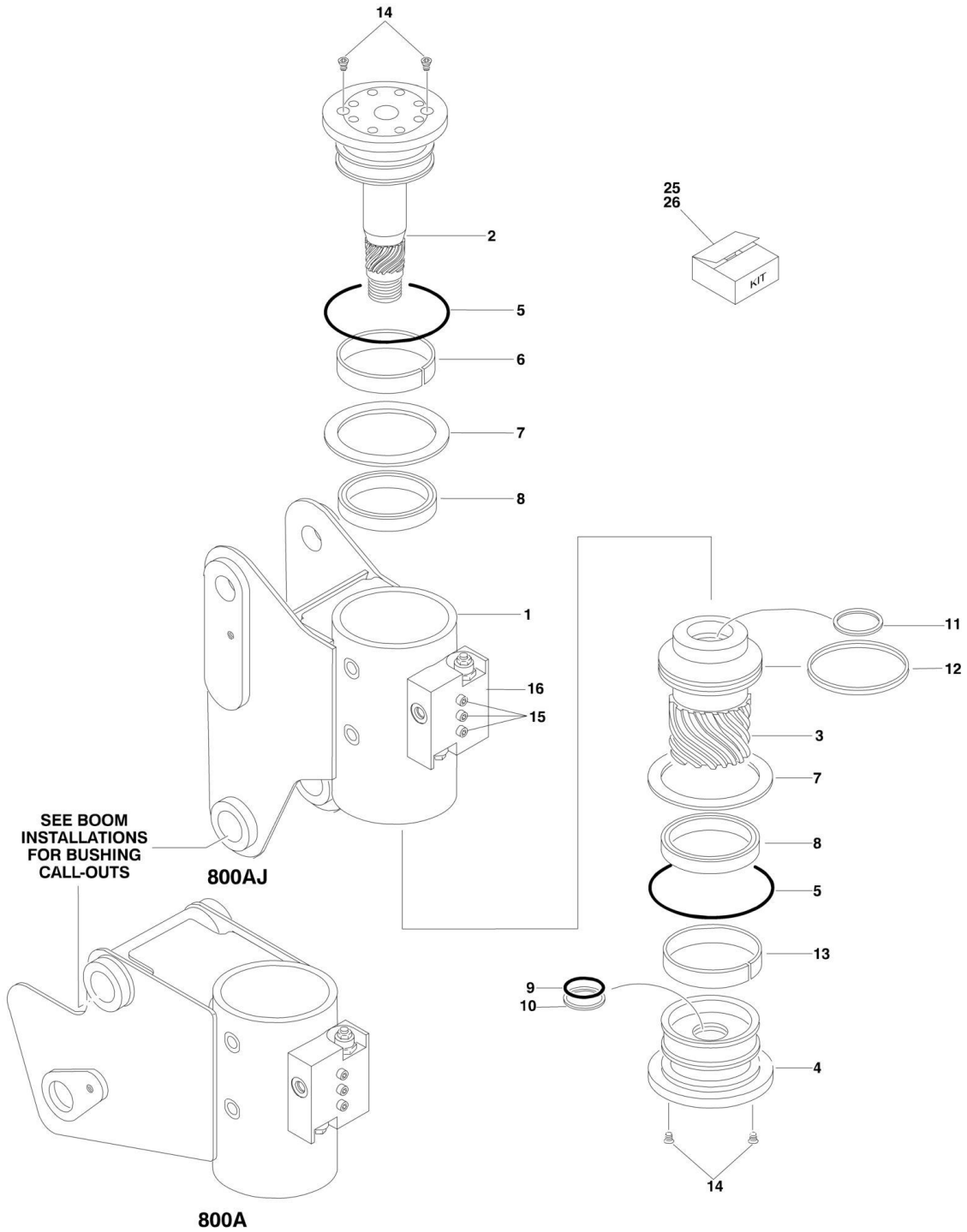
## SECTION 3 - BOOM

| ITEM | PART NUMBER | QTY | DESCRIPTION  | REV |
|------|-------------|-----|--|-----|
| 17B  | 7011346     | 2   | of Valve Block) (Note: Not Available for Purchase)<br>Seal Kit - 7011332 Valve     |     |
| 17B  | See Note    | 1   | Seal Kit - Valve Located on Side of Block (Note: Not Available for Purchase)       |     |
| 18   | 7017118     | 2   | Setscrew (0060041 & 0060031 Rotators Only)   |     |
| 19   | See Note    | 3   | Bolts 1/4 x 1-1/2 (Grade 8) (Note: Not Available for Purchase)                     |     |
| 20   | 3790110     | 3   | O-Ring (Not Shown - Located between Valve and Actuator Housing)                    |     |
| 25   |             | Ref | Seal Kit Options (Includes Items 9-13):  |     |
| 25   | 7017157     | 1   | 0060041 & 0060031 Rotators   |     |
| 25   |             | Ref | 0060077 & 0060074 Rotators Options:  |     |
| 25   | 7017158     | 1   | Standard   |     |
| 25   | 70000342    | 1   | Low Temperature  |     |
| 26   |             | Ref | Bearing Kit Options (Includes Items 14-16):  |     |
| 26   | 7017156     | 1   | 0060041 & 0060031 Rotators   |     |
| 26   | 7017159     | 1   | 0060077 & 0060074 Rotators   |     |
| 27   | 7017142     | 1   | Hardware Kit (Includes End Cap screws and Dowel Pins - 0060031 & 0060077 Rotators) |     |
| 27A  | 70001697    | 6   | Screw, Countersunk 1/4in-20NC x 3/8in Grade 8                                      |     |



# SECTION 3 - BOOM

## FIGURE 3-6. ROTATOR ASSEMBLIES (SIDE ENTRY PLATFORM)



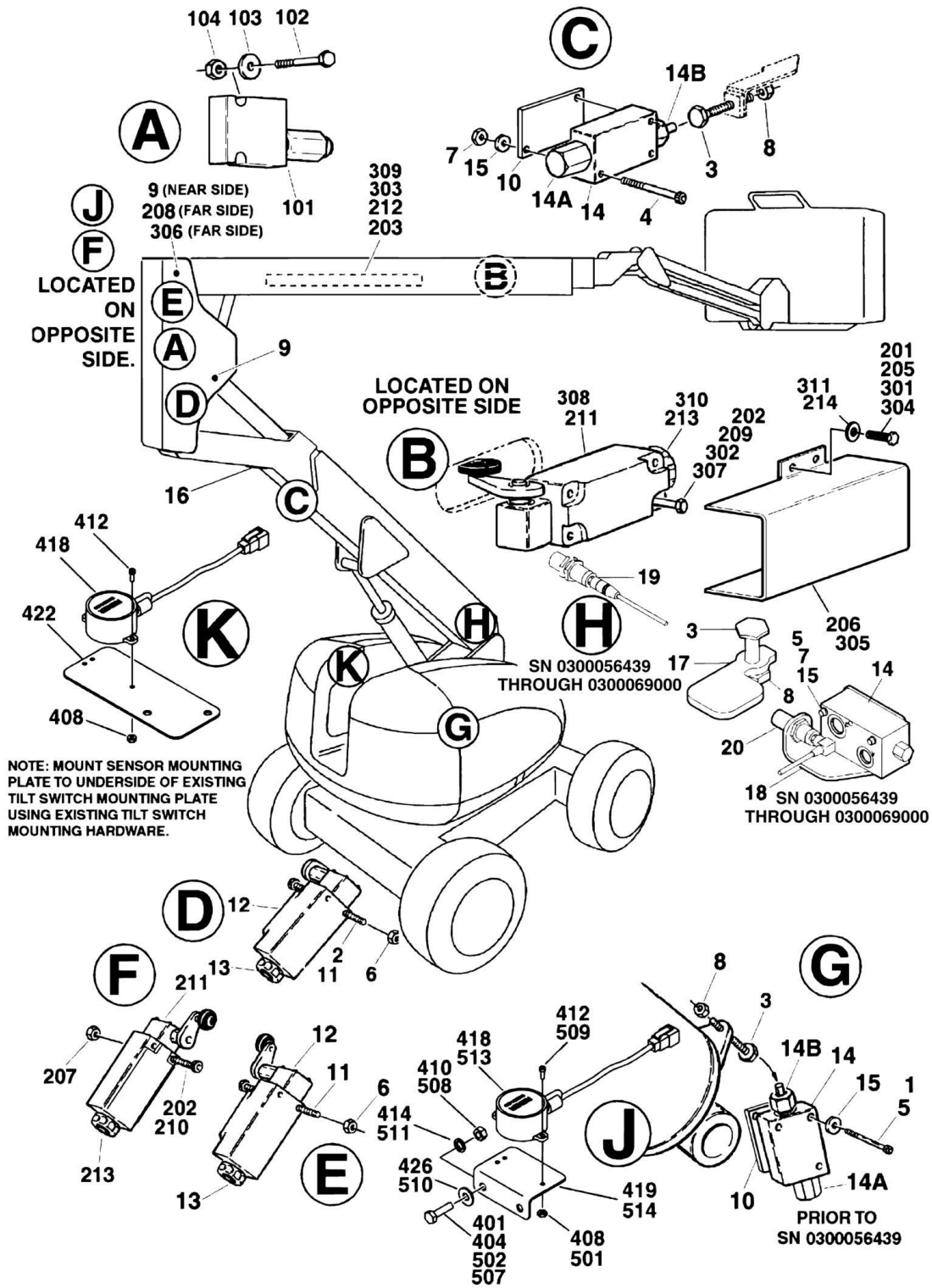
## SECTION 3 - BOOM

**FIGURE 3-6. ROTATOR ASSEMBLIES (SIDE ENTRY PLATFORM)**

| ITEM | PART NUMBER | QTY | DESCRIPTION  | REV |
|------|-------------|-----|--|-----|
|      |             | Ref | <b>ROTATOR ASSEMBLIES</b>  |     |
|      | 0060069     | Ref | <b>Rotator Assemblies 800A</b>   | A   |
|      | 0060066     | Ref | <b>Rotator Assemblies 800AJ</b>  | A   |
| 1    | See Note    | 1   | Housing/Ring Gear Assembly (Note: Not Available - Purchase Complete Assembly)                              |     |
| 2    | 7017162     | 1   | Shaft  |     |
| 3    | 7017163     | 1   | Piston/Sleeve Assembly   |     |
| 4    | 7017164     | 1   | Cap, End   |     |
| 5    | See Note    | NSS | O-Ring (Note: Use Item 25)   |     |
| 6    | See Note    | NSS | Bearing, Shaft (Note: Use Item 26)   |     |
| 7    | See Note    | NSS | Washer, Thrust (Note: Use Item 26)   |     |
| 8    | See Note    | NSS | Packing, Bearing (Note: Use Item 25)   |     |
| 9    | See Note    | NSS | Seal, Cap (Note: Use Item 25)  |     |
| 10   | See Note    | NSS | Ring, Back-up Cap (Note: Use Item 25)  |     |
| 11   | See Note    | NSS | Seal, Rod (Note: Use Item 25)  |     |
| 12   | See Note    | NSS | Seal, Piston (Note: Use Item 25)   |     |
| 13   | See Note    | NSS | Bearing, Cap (Note: Use Item 26)   |     |
| 14   | 70001697    | 6   | Capscrew 1/4in-20NC x 3/8in (Grade 8)  |     |
| 15   | See Note    | 3   | Bolt 1/4 x 1-1/2 (Grade 8) (Note: Not Available for Purchase)  |     |
| 16   | 7017183     | 1   | Valve Assembly   |     |
| 16   | 7017193     | 2   | Cartridge, Valve   |     |
| 16   | See Note    | 2   | Seal Kit - 7017193 Valve (Note: Not Available - Purchase Complete Assembly)                                |     |
| 16   | See Note    | 1   | Cartridge, Valve (Not Shown - Located on Side of Block) (Note: Not Available - Purchase Complete Assembly) |     |
| 16   | See Note    | 1   | Seal Kit - Valve Located on Side of Block (Note: Not Available - Purchase Complete Assembly)               |     |
| 25   |             | Ref | Seal Kit Options (Includes Items 5, 8-12 & Hardware Kit):  |     |
| 25   | 7017158     | 1   | Standard   |     |
| 25   | 70000342    | 1   | Low Temperature  |     |
| 26   | 7017159     | 1   | Bearing Kit (Includes Items 6, 7 & 13)   |     |

# SECTION 3 - BOOM

FIGURE 3-7. VALVE AND LIMIT SWITCH INSTALLATIONS (BOOM MOUNTED)





## SECTION 3 - BOOM

**FIGURE 3-7. VALVE AND LIMIT SWITCH INSTALLATIONS (BOOM MOUNTED)**

| ITEM | PART NUMBER | QTY       | DESCRIPTION  | REV |
|------|-------------|-----------|--|-----|
|      | 0258217     | Ref       | <b>BOOM VALVES AND LIMIT SWITCHES INSTALLATION</b>   | H   |
| 1    | 0100011     | AR        | Compound, Locking  |     |
| 2    | 0100035     | AR        | Compound, Locking  |     |
| 3    | 0630427     | 2         | Bolt, Special  |     |
| 4    |             | Ref       | Bolt Options:  |     |
| 4    | 0641422     | 3         | Bolt 1/4in-20NC x 2-3/4in ( <b>Prior to SN 0300048726</b> )  |     |
| 4    | 3931436     | 3         | Bolt 1/4in-20NC x 2-1/4in ( <b>SN 0300048726 through 0300069000</b> )  |     |
| 5    |             | Ref       | Bolt Options:  |     |
| 5    | 0641436     | 3         | Bolt 1/4in-20NC x 4-1/2in ( <b>Prior to SN 0300048726</b> )  |     |
| 5    | 3931464     | 3         | Bolt 1/4in-20NC x 4in ( <b>SN 0300048726 through 0300069000</b> )  |     |
| 6    | 3310805     | 4         | Locknut #8-32NC  |     |
| 7    | 3311405     | 6         | Locknut 1/4in-20NC   |     |
| 8    | 3311801     | 2         | Nut 1/2in-13NC   |     |
| 9    | 3520035     | 2         | Plug, Cap  |     |
| 10   | 3570928     | 2         | Plate, Spacer  |     |
| 11   | 3930824     | 4         | Capscrew, Socket Head #8-32NC x 1-1/2in  |     |
| 12   | 4360322     | NLA       | Switch, Limit (Use p/n 4360578) (Note: P/N 4360578 does not include #13 Connector - Purchase Separately)             |     |
| 12   | 4360549     | NLA       | Switch, Limit (Use p/n 4360578) (Note: P/N 4360549 & P/N 4360578 do not include #13 Connector - Purchase Separately) |     |
| 13   |             | Ref       | Connector, Strain Relief Options:  |     |
| 13   | 4460428     | 2         | Use with p/n 4360322 Switch  |     |
| 13   | 4460968     | 2         | Use with p/n 4360549 & 4360578 Switches  |     |
| 14   |             | Ref       | Valve, Switch Options:   |     |
| 14   | 4641045     | NLA       | Valve, Switch (Use p/n 4641136)  |     |
| 14   | 4641105     | NLA       | Valve Switch (Use p/n 4641136)   |     |
| 14   | 4641136     | 2         | Valve, Switch ( <b>SN 0300049402 through 0300069000</b> )  |     |
| 14   |             | Ref       | 4641136 Replacement Parts:   |     |
| 14A  | 7011342     | 2         | Valve, Check (1 per Assembly)  |     |
| 14A  | 7011333     | 2         | Seal Kit - Check Valve (1 per Assembly)  |     |
| 14B  | 7020172     | 2         | Valve, Plunger (1 per Assembly)  |     |
| 14B  | 7020173     | 2         | Seal Kit - 7020172 Valve (1 per Assembly)  |     |
| 14   |             | Ref       | 4641105 Replacement Parts:   |     |
| 14A  | See Note    | 2         | Valve, Check (1 per Assembly) (Note: Not Available for Purchase)   |     |
| 14A  | 7020171     | 2         | Seal Kit - Check Valve (1 per Assembly)  |     |
| 14B  | 7020172     | 2         | Valve, Plunger (1 per Assembly)  |     |
| 14B  | 7020173     | 2         | Seal Kit - 7020172 Valve (1 per Assembly)  |     |
| 14   |             | Ref       | 4641045 Replacement Parts:   |     |
| 14A  | 7020068     | 2         | Valve, Check (1 per Assembly)  |     |
| 14A  | 7020069     | 2         | Seal Kit - 7020068 Valve (1 per Assembly)  |     |
| 14B  | 7020070     | 2         | Valve, Plunger (1 per Assembly)  |     |
| 14B  | 7020071     | 2         | Seal Kit - 7020070 Valve (1 per Assembly)  |     |
| 15   | 4751400     | 6         | Flatwasher 1/4in   |     |
| 16   | 4060805     | 7 in/25cm | Trim, Edge ( <b>SN 0300039755 through 0300069000</b> )   |     |
| 17   | 3572606     | 1         | Plate, Lower Boom Proximity Switch Target ( <b>SN 0300056439 through 0300069000</b> )                                |     |
| 18   | 3572607     | 1         | Plate, Lower Boom Proximity Switch Mount ( <b>SN 0300056439 through 0300069000</b> )                                 |     |
| 19   | 4360498     | 1         | Switch Proximity (Note: Machines Prior to SN 0300056439 may  |     |

## SECTION 3 - BOOM

| ITEM | PART NUMBER | QTY | DESCRIPTION  | REV |
|------|-------------|-----|--|-----|
| 20   | 4360499     | 1   | have been retrofitted with this switch) (SN 0300056439 through 0300069000)<br>Switch Proximity (Note: Machines Prior to SN 0300056439 may have been retrofitted with this switch) (SN 0300056439 through 0300069000) |     |
|      |             | Ref | <b>VALVES INSTALLATION</b>   | A   |
| 101  | 4640929     | 1   | Valve Assembly (Relief)  |     |
| 101  | 7012970     | 1   | Cartridge  |     |
| 101  | 7012953     | 1   | Seal Kit - 7012970 Cartridge   |     |
| 102  | 0641416     | 2   | Bolt 1/4in-20NC x 2in  |     |
| 103  | 4711400     | 4   | Flatwasher 1/4in Narrow  |     |
| 104  | 3311405     | 2   | Locknut 1/4in-20NC   |     |
|      | 0258338     | Ref | <b>LIMIT SWITCHES INSTALLATION - 800A dual capacity (AUSTRALIAN SPEC ONLY)</b>   | D   |
| 201  | 0100011     | AR  | Compound, Locking  |     |
| 202  | 0100035     | AR  | Compound, Locking  |     |
| 203  | 0362610     | NLA | Bar, Fiberglass (Use p/n 1001106482)   |     |
| 205  | 0641403     | 4   | Bolt 1/4in-20NC x 3/8in  |     |
| 206  | 1670824     | 1   | Cover  |     |
| 207  | 3310801     | 2   | Locknut #8-32NC  |     |
| 208  | 3520035     | 1   | Plug, Cap  |     |
| 209  | 3930816     | 2   | Capscrew, Socket Head #8-32NC x 1in  |     |
| 210  | 3930824     | 2   | Capscrew, Socket Head #8-32NC x 1-1/2in  |     |
| 211  | 4360322     | NLA | Switch, Limit (Use p/n 4360578) (Note: P/N 4360578 does not include #213 Connector - Purchase Separately)  |     |
| 211  | 4360549     | NLA | Switch, Limit (Use p/n 4360578) (Note: P/N 4360549 & P/N 4360578 do not include #213 Connector - Purchase Separately)  |     |
| 212  | 4420060     | 2   | Tape, Double Sided   |     |
| 213  |             | Ref | Connector, Strain Relief Options:  |     |
| 213  | 4460428     | 2   | Use with p/n 4360322 Switch  |     |
| 213  | 4460968     | 2   | Use with p/n 4360549 & 4360578 Switches  |     |
| 214  | 4751400     | 4   | Flatwasher 1/4in   |     |
|      |             | Ref | <b>TRANSPORT POSITION SWITCH INSTALLATIONS (CE SPEC)</b>   |     |
|      | 0258384     | Ref | <b>Transport Position Switch Installations 800A</b>  | B   |
|      | 0258567     | Ref | <b>Transport Position Switch Installations 800AJ</b>   | B   |
| 301  | 0100011     | AR  | Compound, Locking  |     |
| 302  | 0100035     | AR  | Compound, Locking  |     |
| 303  |             | Ref | Bar, Fiberglass Options:   |     |
| 303  | 0362772     | NLA | Bar, Fiberglass 800A (Use p/n 1001106477)  |     |
| 303  | 0362609     | NLA | Bar, Fiberglass 800AJ (Use p/n 1001106481)   |     |
| 304  | 0641403     | 4   | Bolt 1/4in-20NC x 3/8in  |     |
| 305  | 1670824     | 1   | Cover, Switch  |     |
| 306  | 3520035     | 1   | Plug, Cap  |     |
| 307  | 3930816     | 2   | Capscrew, Socket Head #8-32NC x 1in  |     |
| 308  | 4360322     | NLA | Switch, Limit (Use p/n 4360578) (Note: P/N 4360578 does not include #213 Connector - Purchase Separately)  |     |
| 308  | 4360549     | NLA | Switch, Limit (Use p/n 4360578) (Note: P/N 4360549 & P/N 4360578 do not include #213 Connector - Purchase Separately)  |     |
| 309  | 4420060     | AR  | Tape, Double Sided Foam  |     |
| 310  |             | Ref | Connector, Strain Relief Options:  |     |
| 310  | 4460428     | 1   | Use with p/n 4360322 Switch  |     |
| 310  | 4460968     | 1   | Use with p/n 4360549 & 4360578 Switches  |     |
| 311  | 4751400     | 1   | Flatwasher 1/4in   |     |

## SECTION 3 - BOOM

| ITEM | PART NUMBER | QTY | DESCRIPTION                                       | REV |
|------|-------------|-----|---|-----|
|      | 1001091538  | Ref | <b>TILT SENSOR INSTALLATION (PRE ADE SYSTEM)</b>  | E   |
| 401  | 0100011     | AR  | Compound, Locking                                 |     |
| 404  | 0641610     | 2   | Bolt 3/8in-16NC x 1-1/4in                         |     |
| 408  | 3310605     | 6   | Locknut #6-32 NC                                  |     |
| 410  | 3311601     | 2   | Locknut 3/8in-16NC                                |     |
| 412  | 3930606     | 6   | Screw #6-32 NC                                    |     |
| 414  | 4761600     | 2   | Lockwasher 3/8in                                  |     |
| 418  | 1001094400  | 2   | Sensor, Dual Axis                                 |     |
| 419  | 1001094401  | 1   | Bracket, Tilt Sensor                              |     |
| 422  | 1001094639  | 1   | Bracket, Tilt Sensor                              |     |
| 426  | 4751600     | 2   | Flatwasher 3/8in                                  |     |
|      | 1001093187  | Ref | <b>TILT SENSOR INSTALLATION (WITH ADE SYSTEM)</b> | C   |
| 501  | 0100011     | AR  | Compound, Locking                                 |     |
| 502  | 0641610     | 2   | Bolt 3/8in-16NC x 1-1/4in                         |     |
| 507  | 3310605     | 3   | Locknut #6-32 NC                                  |     |
| 508  | 3311601     | 2   | Locknut 3/8in-16NC                                |     |
| 509  | 3930606     | 3   | Screw #6-32 NC                                    |     |
| 510  | 4751600     | 2   | Flatwasher 3/8in                                  |     |
| 511  | 4761600     | 2   | Lockwasher 3/8in                                  |     |
| 513  | 1001094400  | 1   | Sensor, Dual Axis                                 |     |
| 514  | 1001094401  | 1   | Bracket, Tilt Sensor                              |     |

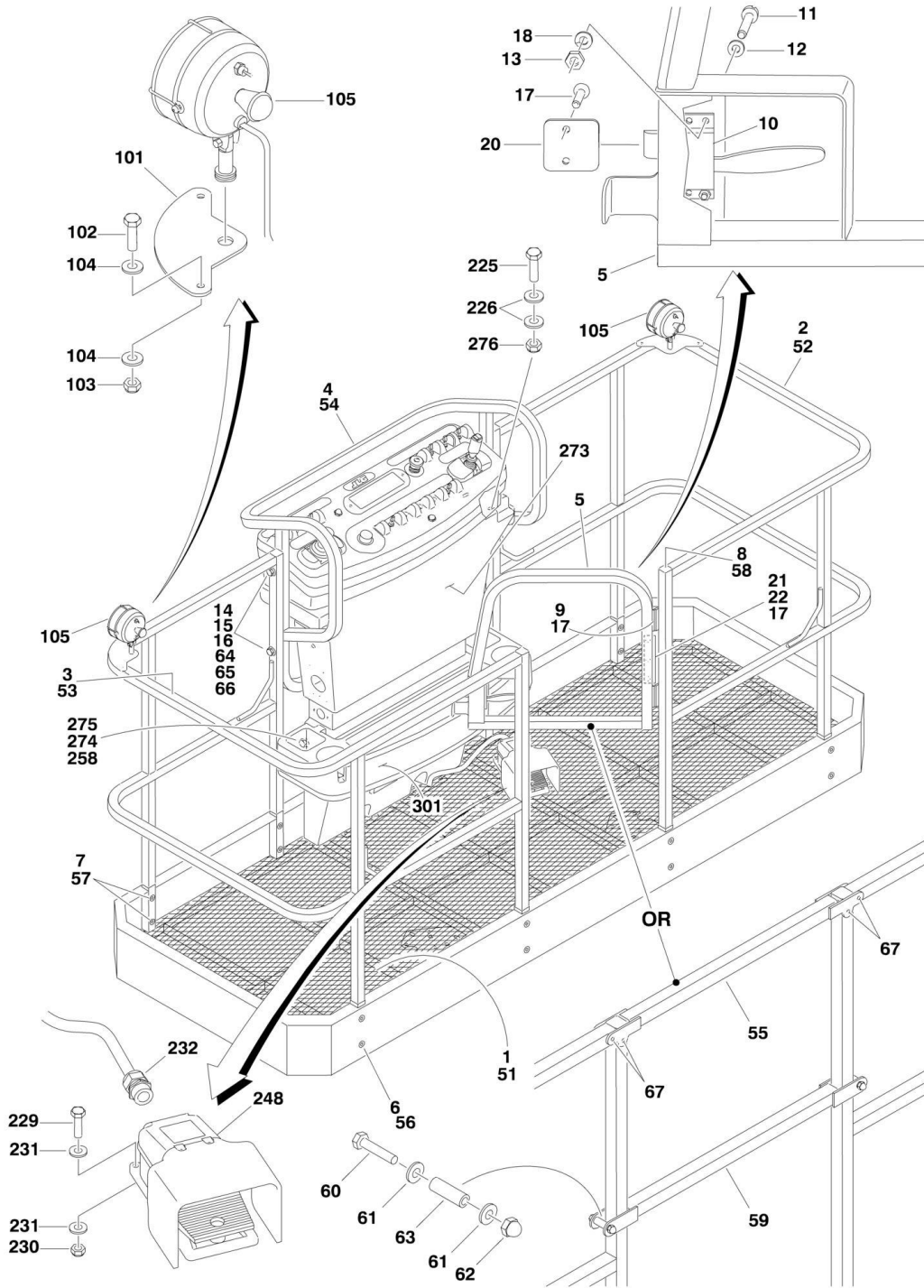


**SECTION 4 - PLATFORM**

# SECTION 4 - PLATFORM

## FIGURE 4-1. PLATFORM COMPONENTS INSTALLATION (FRONT ENTRY)

**NOTE:** These Machine SN's Also Equipped With ADE System: 0300062045, 0300062797, 0300063013, 0300063665, 0300063975, 0300064000-0300064017, 0300064390, 0300064392 & 0300064411.



## SECTION 4 - PLATFORM

**FIGURE 4-1. PLATFORM COMPONENTS INSTALLATION (FRONT ENTRY)**

| ITEM | PART NUMBER | QTY | DESCRIPTION  | REV |
|------|-------------|-----|--|-----|
|      |             | Ref | <b>NOTE: THESE MACHINE SN'S ALSO EQUIPPED WITH ADE SYSTEM: 0300062045, 0300062797, 0300063013, 0300063665, 0300063975, 0300064000-0300064017, 0300064390, 0300064392 &amp; 0300064411.</b>                             |     |
|      |             | Ref | <b>AUSTRALIAN SPEC PLATFORM ASSEMBLIES:</b>  |     |
|      | 3510760     | Ref | <b>4ft (1.22m) with Self-Closing Gate</b>  | 3   |
|      | 3510728     | Ref | <b>5ft (1.52m) Self-Closing Gate (Without Mesh)</b>  | 3   |
|      | 3510542     | Ref | <b>6ft (1.83m) Self-Closing Gate (Without Mesh)</b>  | 3   |
|      | 3510565     | Ref | <b>6ft (1.83m) with Mesh to Top Rail</b>   | 3   |
|      | 3510543     | Ref | <b>8ft (2.44m) Self-Closing Gate (Without Mesh)</b>  | 3   |
|      | 3510566     | Ref | <b>8ft (2.44m) with Mesh to Top Rail</b>   | 4   |
|      |             | Ref | <b>Note: Replacement Decals Must be Ordered Separately - See DECALS SECTION.</b>   |     |
| 1    |             | Ref | Floor Weldment Options:  |     |
| 1    | 4846253     | 1   | 4ft Platform   |     |
| 1    | 4846101     | 1   | 5ft Platform   |     |
| 1    | 4844954     | 1   | 6ft Platform   |     |
| 1    | 4844928     | 1   | 8ft Platform   |     |
| 2    |             | Ref | Rail Weldment - Right Side Options:  |     |
| 2    | 4846254     | 1   | 4ft Platform without Mesh  |     |
| 2    | 4846102     | 1   | 5ft Platform without Mesh  |     |
| 2    | 4844955     | 1   | 6ft Platform without Mesh  |     |
| 2    | 4845408     | 1   | 6ft Platform with Mesh Top Rail  |     |
| 2    | 4844924     | 1   | 8ft Platform without Mesh  |     |
| 2    | 4845412     | 1   | 8ft Platform with Mesh Top Rail  |     |
| 3    |             | Ref | Rail Weldment - Left Side Options:   |     |
| 3    | 4846255     | 1   | 4ft Platform without Mesh  |     |
| 3    | 4846103     | 1   | 5ft Platform without Mesh  |     |
| 3    | 4844956     | 1   | 6ft Platform without Mesh  |     |
| 3    | 4845409     | 1   | 6ft Platform with Mesh Top Rail  |     |
| 3    | 4844925     | 1   | 8ft Platform without Mesh  |     |
| 3    | 4845413     | 1   | 8ft Platform with Mesh Top Rail  |     |
| 4    | 4845328     | 1   | Rail Weldment - Back Options:  |     |
| 5    |             | Ref | Gate Weldment Options:   |     |
| 5    | 4845426     | 1   | Self-Closing Gate without Mesh   |     |
| 5    | 4845469     | 1   | Self-Closing Gate with Mesh Top Rail   |     |
| 6    | 3900207     | AR  | Fastener   |     |
|      |             | Ref | <b>(Note: P/N 3900207 Fastener may be replaced with P/N 0641416 Bolt, P/N 4751400 Flatwasher, P/N 3311405 Locknut and P/N 3300151 Acorn Type Nut. Acorn type nut is required to meet industry safety requirements)</b> |     |
| 7    | 3300393     | AR  | Collar   |     |
| 8    | 3520072     | 4   | Plug, Cap  |     |
| 9    |             | Ref | Hinge Options:   |     |
| 9    | 2600219     | 2   | Hinge <b>(Prior to SN 0300068576)</b>  |     |
| 9    | 2600287     | 2   | Hinge <b>(SN 0300068576 through 0300069000)</b>  |     |
| 10   | 2940074     | 1   | Latch  |     |
| 11   | 3911008     | 4   | Screw #10-24NC x 1in   |     |
| 12   | 4751000     | 4   | Flatwasher #10   |     |
| 13   | 3311005     | 4   | Locknut #10-24NC   |     |
| 14   | 0641524     | 4   | Bolt 5/16in-18NC x 3in   |     |

## SECTION 4 - PLATFORM

| ITEM | PART NUMBER | QTY       | DESCRIPTION   | REV |
|------|-------------|-----------|---|-----|
| 15   | 3311505     | 4         | Locknut 5/16in-18NC   |     |
| 16   | 4751500     | 4         | Flatwasher 5/16in   |     |
| 17   | 2080040     | 13        | Fastener  |     |
| 18   | 4761000     | 4         | Lockwasher 3/8in <b>(Prior to SN 0300068576)</b>  |     |
| 20   | 3539685     | 1         | Plate, Latch  |     |
| 21   | 4220165     | 1         | Stop, Gate  |     |
| 22   | 4060803     | 6 ft/1.8m | Trim  |     |
|      |             | Ref       | <b>CE SPEC PLATFORM ASSEMBLIES:</b>   |     |
|      | 3510751     | Ref       | <b>5ft (1.52m) (Without Mesh)</b>   | 2-A |
|      | 3510499     | Ref       | <b>6ft (1.83m) (Without Mesh)</b>   | 3-A |
|      | 3510763     | Ref       | <b>6ft (1.83m) (With Mesh to Mid Rail)</b>  | 1-A |
|      | 3510500     | Ref       | <b>8ft (2.44m) (Without Mesh)</b>   | 2-A |
|      | 3510764     | Ref       | <b>8ft (2.44m) (With Mesh to Mid Rail)</b>  | 1-A |
| 51   |             | Ref       | Floor Weldment Options:   |     |
| 51   | 4846184     | 1         | 5ft Platform  |     |
| 51   | 4845290     | 1         | 6ft Platform  |     |
| 51   | 4845289     | 1         | 8ft Platform  |     |
| 52   |             | Ref       | Rail Weldment - Right Side Options:   |     |
| 52   | 4846194     | 1         | 5ft Platform without Mesh   |     |
| 52   | 4844955     | 1         | 6ft Platform without Mesh   |     |
| 52   | 4846228     | 1         | 6ft Platform with Mesh to Mid Rail  |     |
| 52   | 4844924     | 1         | 8ft Platform without Mesh   |     |
| 52   | 4846240     | 1         | 8ft Platform with Mesh Mid Rail   |     |
| 53   |             | Ref       | Rail Weldment - Left Side Options:  |     |
| 53   | 4846195     | 1         | 5ft Platform without Mesh   |     |
| 53   | 4844956     | 1         | 6ft Platform without Mesh   |     |
| 53   | 4846229     | 1         | 6ft Platform with Mesh to Mid Rail  |     |
| 53   | 4844925     | 1         | 8ft Platform without Mesh   |     |
| 53   | 4846241     | 1         | 8ft Platform with Mesh Mid Rail   |     |
| 54   | 4845328     | 1         | Rail Weldment - Back  |     |
| 55   | 4845287     | 1         | Rail, Top   |     |
| 56   | 3900207     | AR        | Fastener  |     |
|      |             | Ref       | <b>Note: P/N 3900207 Fastener may be replaced with P/N 0641416 Bolt, P/N 4751400 Flatwasher, P/N 3311405 Locknut and P/N 3300151 Acorn Type Nut. Acorn type nut is required to meet industry safety requirements.</b> |     |
| 57   | 3300393     | AR        | Collar  |     |
| 58   | 3520072     | 4         | Plug, Cap   |     |
| 59   | 4845288     | 2         | Gate, Lift  |     |
| 60   | 0641418     | 2         | Bolt 1/4in-20NC x 2-1/4in   |     |
| 61   | 4740411     | 4         | Washer, Nylon   |     |
| 62   | 3300151     | 2         | Nut, Acorn 1/4in-20NC   |     |
| 63   | 0961845     | 2         | Bushing   |     |
| 64   | 0641524     | 4         | Bolt 5/16in-18NC x 3in  |     |
| 65   | 3311505     | 4         | Locknut 5/16in-18NC   |     |
| 66   | 4751500     | 4         | Flatwasher 5/16in   |     |
| 67   | 2080040     | 13        | Fastener  |     |
| 68   | 4420055     | 7 in/18cm | Tape, UHMW  |     |
|      |             | Ref       | <b>WORKLIGHTS INSTALLATION (OPTIONAL)</b>   |     |
|      | 0258048     | Ref       | <b>Worklights Installation (Prior to SN 0300064432)</b>   | 2-E |
|      | 0270814     | Ref       | <b>Worklights Installation (ADE System) (SN 0300064432 through 0300069000)</b>  | 3-D |

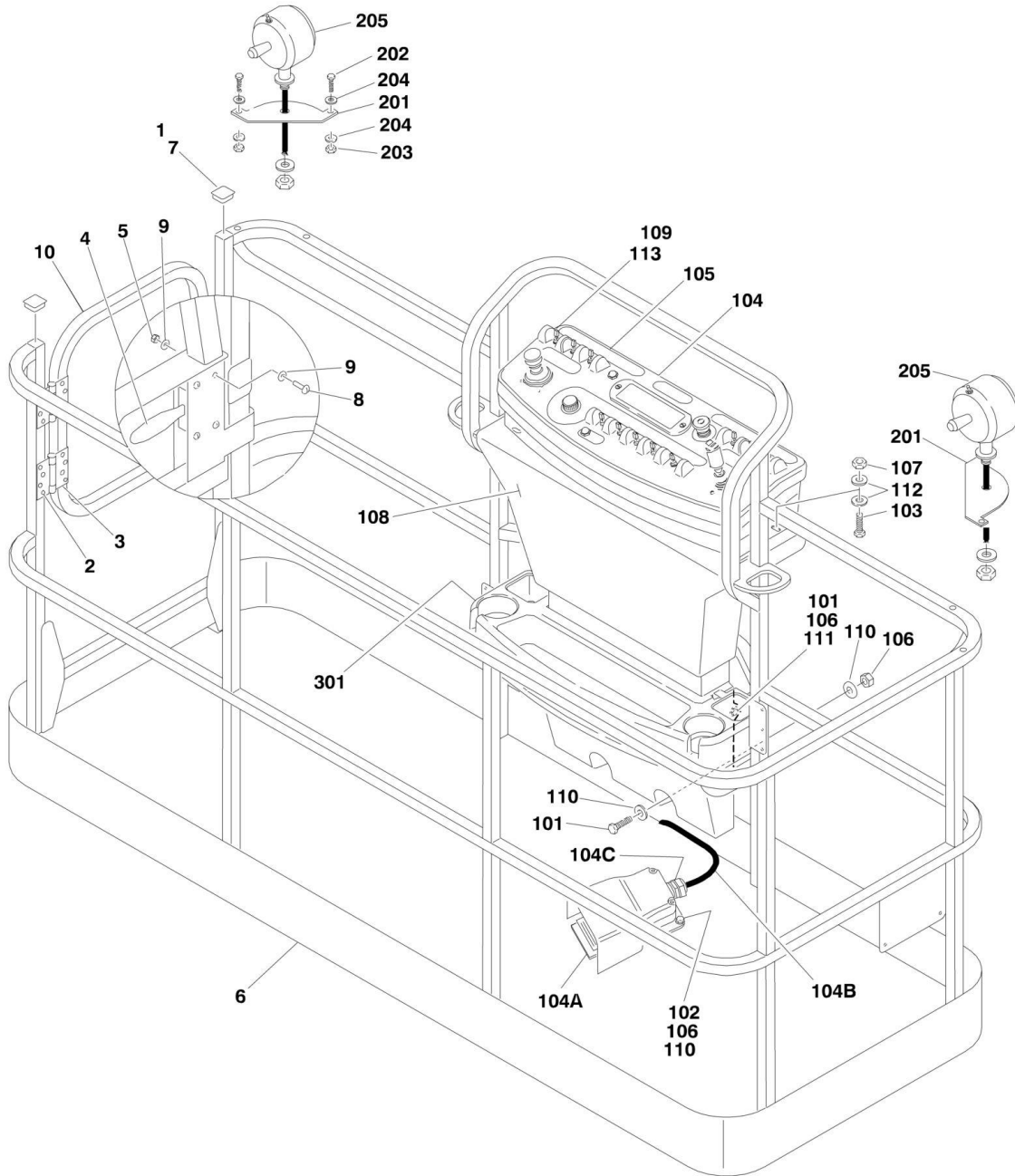


## SECTION 4 - PLATFORM

| ITEM | PART NUMBER | QTY | DESCRIPTION  | REV |
|------|-------------|-----|--|-----|
| 101  | 3536089     | 2   | Plate, Mounting  |     |
| 102  | 0641414     | 4   | Bolt 1/4in-20NC x 1-3/4in  |     |
| 103  | 3311405     | 4   | Locknut 1/4in-20NC   |     |
| 104  | 4711400     | 8   | Flatwasher 1/4in Narrow  |     |
| 105  | 2920140     | 2   | Worklight  |     |
| 105  | 7016399     | 2   | Bulb, Replacement (1 Per Worklight)  |     |
| 106  | 4240099     | 10  | Tie-Strap (Not Shown)  |     |
| 107  | 2820035     | 9   | Loom, Vinyl (Not Shown)  |     |
| 109  | 4460598     | 1   | Connector, Strain Relief (Not Shown - Located at Console Box)                          |     |
| 110  |             | Ref | Wire Options: (Not Shown)  |     |
| 110  | 4921028     | AR  | Wire, White/Brown 16 Ga ( <b>Prior to SN 0300035129</b> )                              |     |
| 110  | 4920018     | AR  | Wire, Black 16 Ga ( <b>SN 0300035129 through 0300061927</b> )                          |     |
|      |             | Ref | <b>FOOTSWITCH AND COVERS INSTALLATIONS</b>   |     |
|      | 0861237     | Ref | <b>Australian Spec (Prior to SN 0300064432)</b>  | 5-D |
|      | 0861236     | Ref | <b>CE Spec (Prior to SN 0300064432)</b>  | 5-D |
|      | 0861474     | Ref | <b>Australian Spec/CE Spec (ADE System) (SN 0300064432 through 0300069000)</b>         | B   |
| 225  | 0641610     | 4   | Bolt 3/8in-16NC x 3/4in  |     |
| 226  | 4751600     | 4   | Flatwasher 3/8in   |     |
| 229  | 0641408     | 3   | Bolt 1/4in-20NC x 1in  |     |
| 230  | 3311405     | 3   | Locknut 1/4in-20NC   |     |
| 231  | 4740362     | 3   | Washer, Fender   |     |
| 232  | 4460071     | 1   | Terminal, Strain Relief  |     |
| 248  | See Note    | 1   | Footswitch (Note: See PLATFORM COMPONENTS INSTALLATION (SIDE ENTRY) for Service Parts) |     |
| 258  | 4751400     | 4   | Flatwasher 1/4in   |     |
| 273  | 3380434     | 1   | Panel, Poly  |     |
| 274  | 0641414     | 2   | Bolt 1/4in-20NC x 1-3/4in  |     |
| 275  | 3311405     | 2   | Locknut 1/4in-20NC   |     |
|      |             | Ref | <b>TRAY INSTALLATIONS (OPTIONAL)</b>   |     |
| 301  | 1580012     | 1   | Tray, Storage (Center)   |     |
| 302  | 1580013     | 1   | Tray, Storage (Rail Mounted - Not Shown)   |     |

# SECTION 4 - PLATFORM

## FIGURE 4-2. PLATFORM COMPONENTS INSTALLATION (SIDE ENTRY)



## SECTION 4 - PLATFORM

**FIGURE 4-2. PLATFORM COMPONENTS INSTALLATION (SIDE ENTRY)**

| ITEM | PART NUMBER | QTY        | DESCRIPTION  | REV |
|------|-------------|------------|--|-----|
|      |             | Ref        | <b>PLATFORM ASSEMBLIES:</b>  |     |
|      | 3510822     | Ref        | <b>8ft (2.44m) with No Mesh</b>  | B-A |
|      | 3510833     | Ref        | <b>6ft (1.83m) with No Mesh</b>  | B-A |
|      |             | Ref        | <b>Note: Original Equipment platform may have been replaced with Service Replacement platform. Identify platform before ordering parts.</b>  |     |
|      |             | Ref        | <b>Note: Replacement Decals Must be Ordered Separately - See DECALS SECTION for Breakdown.</b>   |     |
| 1    | 0100040     | AR         | Sealant, Adhesive  |     |
| 2    | 2080040     | 16         | Fastener, Huck   |     |
| 3    | 2600281     | 2          | Hinge, Self-Closing  |     |
| 4    | 2940074     | 1          | Latch  |     |
| 5    | 3311001     | 4          | Nut #10-24NC   |     |
| 6    | See Note    | 1          | Platform Weldment (Note: Not Available - Purchase Complete Platform Assembly)  |     |
| 7    | 3520072     | 2          | Cap-Plug   |     |
| 8    | 3911008     | 4          | Screw #10-24NC x 1in   |     |
| 9    | 4751000     | 8          | Flatwasher #10   |     |
| 10   |             | Ref        | Gate Weldment Options:   |     |
| 10   | 4846452     | 1          | Gate for Platform p/ns 3510822 & 3510833   |     |
| 10   | 1001144629  | 1          | Gate for Platform p/ns 1001144023 & 1001144024   |     |
|      |             | Ref        | <b>CONSOLE BOX INSTALLATIONS</b>   |     |
|      | 0271941     | Ref        | <b>Console Box Installations 4WD</b>   | A   |
| 101  | 0641406     | 4          | Bolt 1/4in-20NC x 3/4in  |     |
| 102  | 0641408     | 3          | Bolt 1/4in-20NC x 1in  |     |
| 103  | 0641610     | 4          | Bolt 3/8in-16NC x 1-1/4in  |     |
| 104  | 0861517     | 1          | Platform Console Box Assembly (See PLATFORM CONSOLE ASSEMBLY (WITH ADE SYSTEM) for Breakdown)  |     |
| 104A | 4360031     | NLA        | Footswitch Assembly (Includes Footswitch and Items 104B & 104C) (Use p/n 0272970)  |     |
|      |             | Ref        | <b>Note: Assembly p/n 0272970 may use either p/n 4360031 or p/n 1001117320. If Original Equipment was replaced as an "assembly," p/n 1001117320 may have been used as part of the Service Replacement. Identify component before ordering parts.</b> |     |
| 104A |             | Ref        | Footswitch Less Cable Options:   |     |
| 104A | 4360031     | 1          | Original Equipment   |     |
| 104A | 1001117320  | 1          | Service Replacement  |     |
| 104A |             | Ref        | Block, Contact Options (See Note Above):   |     |
| 104A | 7000625     | 2          | Contact Block for 4360031 Footswitch   |     |
| 104A | 70003483    | 1          | Contact Block for 1001117320 Footswitch  |     |
| 104B | 1060918     | 7 ft/2.14m | Cable, Electrical - 18/3   |     |
| 104C | 4460071     | 1          | Connector, Strain Relief   |     |
| 105  | 1702676     | 1          | Decal - Horn   |     |
| 106  | 3311405     | 7          | Locknut 1/4in-20NC   |     |
| 107  | 3311605     | 4          | Locknut 3/8in-16NC   |     |
| 108  | 3380434     | 1          | Panel, Decal Mount   |     |
| 109  | 4360331     | 1          | Switch, Toggle (4WD)   |     |
| 110  | 4740362     | 7          | Washer, Fender 1/4in   |     |
| 111  | 4751400     | 4          | Flatwasher 1/4in (Wide)  |     |
| 112  | 4751600     | 8          | Flatwasher 3/8in (Wide)  |     |
| 113  | 3790012     | 1          | O-Ring   |     |

## SECTION 4 - PLATFORM

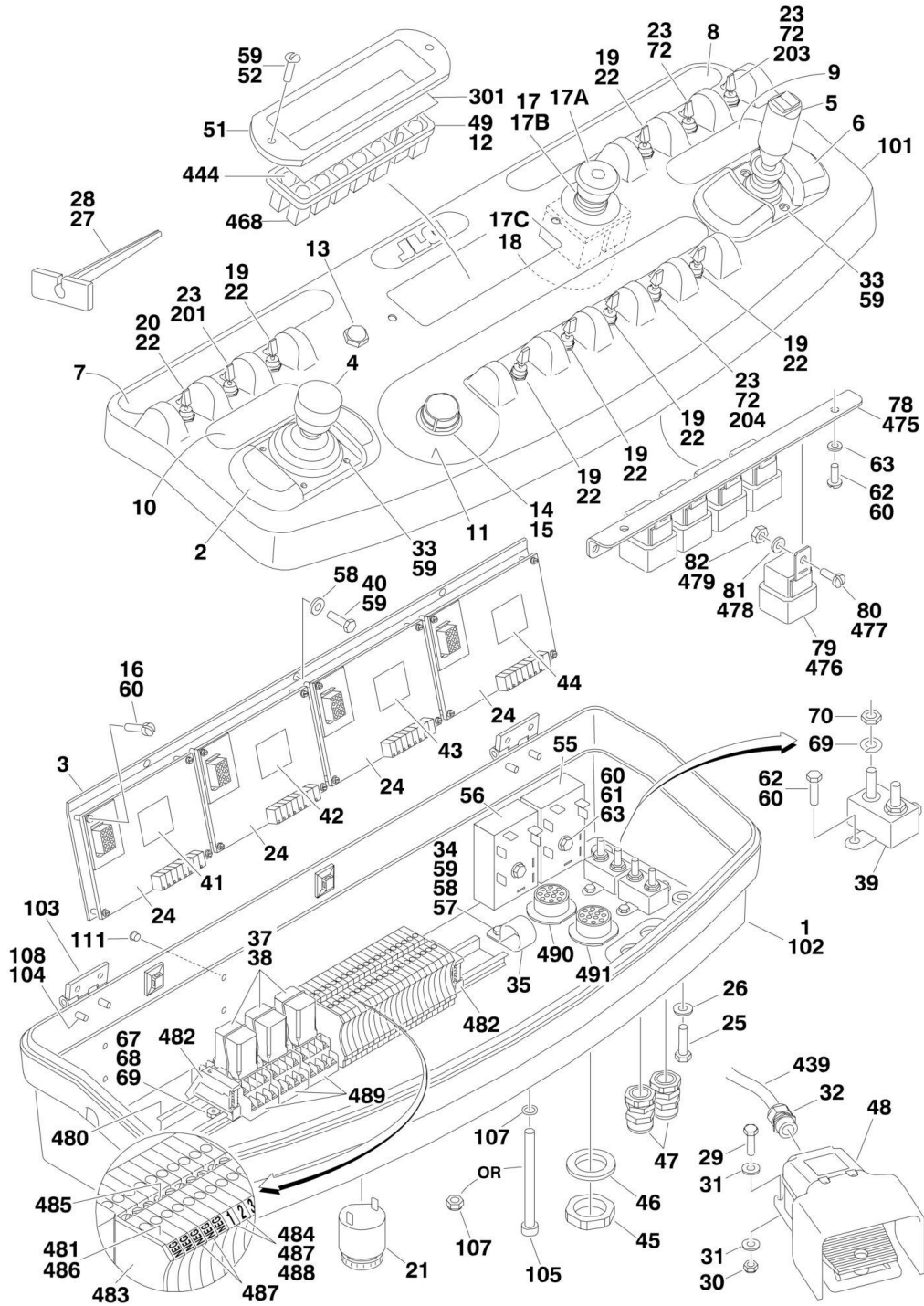
| ITEM | PART NUMBER | QTY | DESCRIPTION   | REV |
|------|-------------|-----|---|-----|
|      | 0270814     | Ref | <b>WORKLIGHTS INSTALLATIONS (OPTIONAL)</b>                    | 3-D |
| 201  | 3536089     | 2   | Plate, Mounting   |     |
| 202  | 0641414     | 4   | Bolt 1/4in-20NC x 1-3/4in                                     |     |
| 203  | 3311405     | 4   | Locknut 1/4in-20NC  |     |
| 204  | 4711400     | 8   | Flatwasher 1/4in Narrow                                       |     |
| 205  | 2920140     | 2   | Worklight   |     |
| 205  | 7016399     | 2   | Bulb, Replacement (1 Per Worklight)                           |     |
| 206  | 4240099     | 10  | Tie-Strap (Not Shown)   |     |
| 207  | 2820035     | 9   | Loom, Vinyl (Not Shown)                                       |     |
| 209  | 4460598     | 1   | Connector, Strain Relief (Not Shown - Located at Console Box) |     |
| 209  |             | Ref | <b>TRAY INSTALLATIONS (OPTIONAL)</b>                          |     |
| 301  | 1580012     | 1   | Tray, Storage (Center)  |     |
| 302  | 1580013     | 1   | Tray, Storage (Rail Mounted - Not Shown)                      |     |



# SECTION 4 - PLATFORM

## FIGURE 4-3. PLATFORM CONSOLE ASSEMBLY (Prior to SN 0300064432)

NOTE: These Machine SN's Also Equipped With ADE System:  
0300062045, 0300062797, 0300063013, 0300063665, 0300063975,  
0300064000-0300064017, 0300064390, 0300064392 & 0300064411.



## SECTION 4 - PLATFORM

**FIGURE 4-3. PLATFORM CONSOLE ASSEMBLY (Prior to SN 0300064432)**

| ITEM | PART NUMBER | QTY | DESCRIPTION  | REV |
|------|-------------|-----|--|-----|
|      |             | Ref | <b>NOTE: THESE MACHINE SN'S ALSO EQUIPPED WITH ADE SYSTEM: 0300062045, 0300062797, 0300063013, 0300063665, 0300063975, 0300064000-0300064017, 0300064390, 0300064392 &amp; 0300064411.</b> |     |
|      |             | Ref | <b>CONSOLE BOX ASSEMBLIES</b>  |     |
|      | 0861237     | Ref | <b>Australian Spec</b>   | 5-D |
|      | 0861236     | Ref | <b>CE Spec</b>   | 5-D |
| 1    | 0860984     | 1   | Box, Console   |     |
| 2    | 4340678     | 1   | Support, Hand  |     |
| 3    | 3538819     | 1   | Plate, Mounting  |     |
| 4    | 1600284     | 1   | Controller Assembly (Swing and Lift) (See CONTROLLER ASSEMBLY (SWING AND LIFT) (WITH ADE SYSTEM) for Breakdown)  |     |
| 5    | 1600283     | 1   | Controller Assembly (Drive and Steer) (See CONTROLLER ASSEMBLY (DRIVE AND STEER) (WITH ADE SYSTEM) for Breakdown)  |     |
| 6    | 4340684     | 1   | Support, Hand  |     |
| 7    | 1702676     | 1   | Decal (Horn/Drive Speed/Level)   |     |
| 8    | 1702564     | 1   | Decal (Stop)   |     |
| 9    | 1702565     | 1   | Decal (Drive and Steer)  |     |
| 10   | 1702566     | 1   | Decal (Lift and Swing)   |     |
| 11   | 1702567     | 1   | Decal (Speed/Lower Lift/Tele/Rotate/Jib)   |     |
| 12   | 2760105     | 1   | Housing, Display Light   |     |
| 13   | 4360387     | 1   | Switch, Pushbutton   |     |
| 14   | 2560136     | 1   | Knob, Speed Control  |     |
| 15   | 4360407     | 1   | Controller, Speed  |     |
| 16   | 3910610     | 16  | Screw #6-32NC x 5/8in  |     |
| 17   |             | Ref | Switch, Emergency Stop Options:  |     |
| 17   | 4360289     | 1   | Switch, Emergency Stop ( <b>Prior to SN 0300044657</b> )   |     |
| 17   | 4360475     | 1   | Switch, Emergency Stop ( <b>SN 0300044657 through 0300064432</b> )   |     |
| 17A  | 7012611     | 1   | Cap, Mushroom Head ( <b>Prior to SN 0300044657</b> )   |     |
| 17A  | 7020175     | 1   | Cap, Mushroom Head ( <b>SN 0300044657 through 0300064432</b> )   |     |
| 17B  | 7012612     | 1   | Boot ( <b>Prior to SN 0300044657</b> )   |     |
| 17C  | 7020176     | 1   | Block, Contact ( <b>SN 0300044657 through 0300064432</b> )   |     |
| 18   |             | Ref | Switch, Contact Block Options:   |     |
| 18   | 4360282     | 1   | Switch, Contact Block ( <b>Prior to SN 0300044657</b> )  |     |
| 18   | 4360476     | 1   | Switch, Contact Block ( <b>SN 0300044657 through 0300064432</b> )  |     |
| 19   | 4360314     | 6   | Switch, Toggle   |     |
| 20   | 4360331     | 1   | Switch, Toggle   |     |
| 21   | 0140026     | 1   | Alarm  |     |
| 22   | 3790012     | 7   | O-Ring   |     |
| 23   | 3520028     | 4   | Plug, Hole (For switch call-outs at these locations, refer to options installation below)  |     |
| 24   | 1600218     | 4   | Card, Control  |     |
| 25   | 0641610     | 4   | Bolt 3/8in-16NC x 3/4in  |     |
| 26   | 4751600     | 4   | Flatwasher 3/8in   |     |
| 27   | 4460467     | 1   | Tool, Pin Extraction (Blue 16-18 Gauge) (Not Shown)  |     |
| 28   | 4460510     | 1   | Tool, Pin Extraction (Yellow 12-14 Gauge) (Not Shown)  |     |
| 29   | 0641408     | 3   | Bolt 1/4in-20NC x 1in  |     |
| 30   | 3311405     | 3   | Locknut 1/4in-20NC   |     |

## SECTION 4 - PLATFORM

| ITEM | PART NUMBER  | QTY | DESCRIPTION  | REV |
|------|--------------|-----|--|-----|
| 31   | 4740362      | 3   | Washer 1/4in (Fender)  |     |
| 32   | 4460071      | 1   | Connector, Strain Relief   |     |
| 33   | 0641404      | 8   | Bolt 1/4in-20NC x 1/2in  |     |
| 34   | 3311401      | 1   | Nut 1/4in-20NC   |     |
| 35   | 1320060      | 1   | Clamp  |     |
| 36   | 1320095      | 1   | Clamp  |     |
| 37   | 3740058      | 3   | Relay - 4PDT   |     |
| 38   | 3740063      | 3   | Spring, Relay  |     |
| 39   | 4360232      | 2   | Breaker, Circuit - 15 Amp  |     |
| 40   | 0641406      | 3   | Bolt 1/4in-20NC x 3/4in  |     |
| 41   | 1703090      | 1   | Decal - Control Card (Lift)  |     |
| 42   | 1703091      | 1   | Decal - Control Card (Swing)   |     |
| 43   | 1703092      | 1   | Decal - Control Card (Flow Control)  |     |
| 44   | 1703093      | 1   | Decal - Control Card (Drive)   |     |
| 45   | 4460470      | 2   | Nut, Conduit   |     |
| 46   | 4460471      | 2   | Washer   |     |
| 47   | 4460428      | 2   | Connector, Strain Relief   |     |
| 50   |              | Ref | Harness Assembly Options (Not Shown - See ELECTRICAL SECTION for Breakdown and Items 401-491 Below): |     |
| 50   | 4922155      | 1   | Australian Spec  |     |
| 50   | 4922155      | 1   | CE Spec  |     |
| 51   | 1670829      | 1   | Bezel  |     |
| 52   | 0630464      | 2   | Screw, Button Head #10-24NC x 1/2in  |     |
| 55   | 3740113      | 1   | Relay, Time Delay  |     |
| 56   | 3740115      | 1   | Relay, Time Delay  |     |
| 57   | 0641406      | 1   | Bolt 1/4in-20NC x 3/4in  |     |
| 59   | 0100011      | AR  | Compound, Locking  |     |
| 60   | 0100035      | AR  | Compound, Locking  |     |
| 61   | 0721010      | 2   | Screw, Machine #10-24NC x 1-1/4in  |     |
| 62   | 0721003      | 4   | Screw, Machine #10-24NC x 3/8in  |     |
| 63   | 4751000      | 2   | Flatwasher #10   |     |
| 65   |              | Ref | Relay - DPDT Options:  |     |
| 65   | Not Required | 0   | Australian Spec  |     |
| 65   | 3740057      | 1   | CE Spec  |     |
| 66   |              | Ref | Spring, Relay Options:   |     |
| 66   | Not Required | 0   | Australian Spec  |     |
| 66   | 3740066      | 1   | CE Spec  |     |
| 67   | 0721004      | 2   | Screw, Machine #10-32NC x 1/2in  |     |
| 68   | 4711000      | 2   | Flatwasher #10 Narrow  |     |
| 69   | 4761000      | 6   | Lockwasher #10   |     |
| 70   | 3311001      | 4   | Nut #10-24NC   |     |
| 71   | 4460488      | 10  | Base, Wire Tie (Not Shown)   |     |
| 72   | 0100009      | AR  | Silicone   |     |
| 76   | 3311605      | 4   | Locknut 3/8in-16NC   |     |
| 77   |              | Ref | Decal - EMS Options:   |     |
| 77   | Not Required | 0   | Decal - EMS (Prior to SN 0300044657)   |     |
| 77   | 1704260      | 1   | Decal - EMS (SN 0300044657 through 0300064432)   |     |
| 78   | 3539275      | 1   | Plate, Relay Mounting (SN 0300049954 through 0300064432)   |     |
| 79   | 3740049      | 5   | Relay, Bosch (SN 0300049954 through 0300064432)  |     |
| 80   | 0721003      | 5   | Screw #10-24NC x 3/8in (SN 0300049954 through 0300064432)  |     |
| 81   | 4751000      | 5   | Flatwasher #10 (SN 0300049954 through 0300064432)  |     |
| 82   | 3311005      | 5   | Locknut #10-24NC (SN 0300049954 through 0300064432)  |     |



## SECTION 4 - PLATFORM

| ITEM | PART NUMBER | QTY       | DESCRIPTION  | REV |
|------|-------------|-----------|--|-----|
| 83   | 2920129     | 12        | Bulb, Light (SN 0300049954 through 0300064432)                                   |     |
|      | 0860984     | Ref       | <b>CONSOLE BOX ASSEMBLY</b>  | 6-E |
| 101  | 0860984     | 1         | Console Top (Note: Not Available for Purchase)                                   |     |
| 102  | 0860984     | 1         | Console Bottom (Note: Not Available for Purchase)                                |     |
| 103  | 2600211     | 2         | Hinge  |     |
| 104  | 3900224     | 8         | Capscrew, Socket Head Countersunk 6mm x 16mm                                     |     |
| 105  | 3931672     | 1         | Capscrew, Socket Head 3/8in-16NC x 4-1/2in                                       |     |
| 107  | 3311601     | 1         | Nut 3/8in-16NC   |     |
| 108  | 0100011     | AR        | Compound, Locking  |     |
| 111  | 3520173     | 4         | Plug (Located on back of console box)  |     |
|      |             | Ref       | <b>CONSOLE BOX OPTIONS</b>   |     |
| 201  | 0258945     | AR        | 4WS Switch Option Components   | A   |
| 201  | 4360331     | 1         | Switch, Toggle   |     |
| 201  | 3790012     | 1         | O-Ring   |     |
| 203  |             | Ref       | Lights Switch Option Components  |     |
| 203  | 4360336     | 1         | Switch, Toggle   |     |
| 203  | 3790012     | 1         | O-Ring   |     |
| 204  | 0258608     | AR        | Jib Switch Option Components   | A   |
| 204  | 4360314     | 1         | Switch, Toggle   |     |
| 204  | 3790012     | 1         | O-Ring   |     |
|      |             | Ref       | <b>LIGHT PANEL DECAL INSTALLATIONS</b>   |     |
|      | 0275804     | Ref       | <b>Australian Spec</b>   | A   |
|      | 0275805     | Ref       | <b>CE Spec</b>   | A   |
| 301  |             | Ref       | Decal - Light Panel Display  |     |
| 301  | 1707111     | 1         | Australian Spec  |     |
| 301  | 1707113     | 1         | CE Spec  |     |
|      |             | Ref       | <b>Note: Machines should have been updated to this light panel installation.</b> |     |
|      |             | Ref       | <b>RELAY AND TERMINAL BLOCK INSTALLATIONS</b>                                    |     |
|      | 4922155     | Ref       | <b>Australian Spec</b>   | 1   |
|      | 4922137     | Ref       | <b>CE Spec</b>   | 2   |
| 439  | 1060012     | 7 ft/2.1m | Cable, Electrical - 12/4   |     |
| 444  | 2920129     | 9         | Bulb, Light  |     |
| 468  | 4120035     | 9         | Base, Light  |     |
| 475  | 3539275     | 1         | Plate, Relay Mounting  |     |
| 476  | 3740049     | AR        | Relay, Bosch   |     |
| 477  | 0721003     | AR        | Screw #10-24NC x 3/8in   |     |
| 478  | 4751000     | AR        | Flatwasher #10   |     |
| 479  | 3311005     | AR        | Locknut #10-24NC   |     |
| 480  | 3641182     | 1         | Track  |     |
| 481  | 4460601     | 10        | Block, Terminal  |     |
| 482  | 4460607     | 2         | Stop, End  |     |
| 483  | 4460602     | 1         | Barrier, Terminal  |     |
| 484  | 4460629     | 2         | Marker, Terminal (6-15)  |     |
| 485  | 4460603     | 1         | Bar, Buss - 10 Position (Cut into [2] 5 Position Bars)                           |     |
| 486  | 4460600     | 10        | Block, Terminal  |     |
| 487  | 4460631     | 1         | Marker, Terminal (Negative)  |     |
| 488  | 4460632     | 1         | Marker, Terminal (1-5)   |     |
| 489  | 4120013     | 3         | Socket, Relay  |     |
| 490  | 4460613     | 1         | Connector - 21 Position  |     |
| 491  | 4460503     | 1         | Connector - 31 Position  |     |
| 492  |             | Ref       | Socket, Relay Options:   |     |

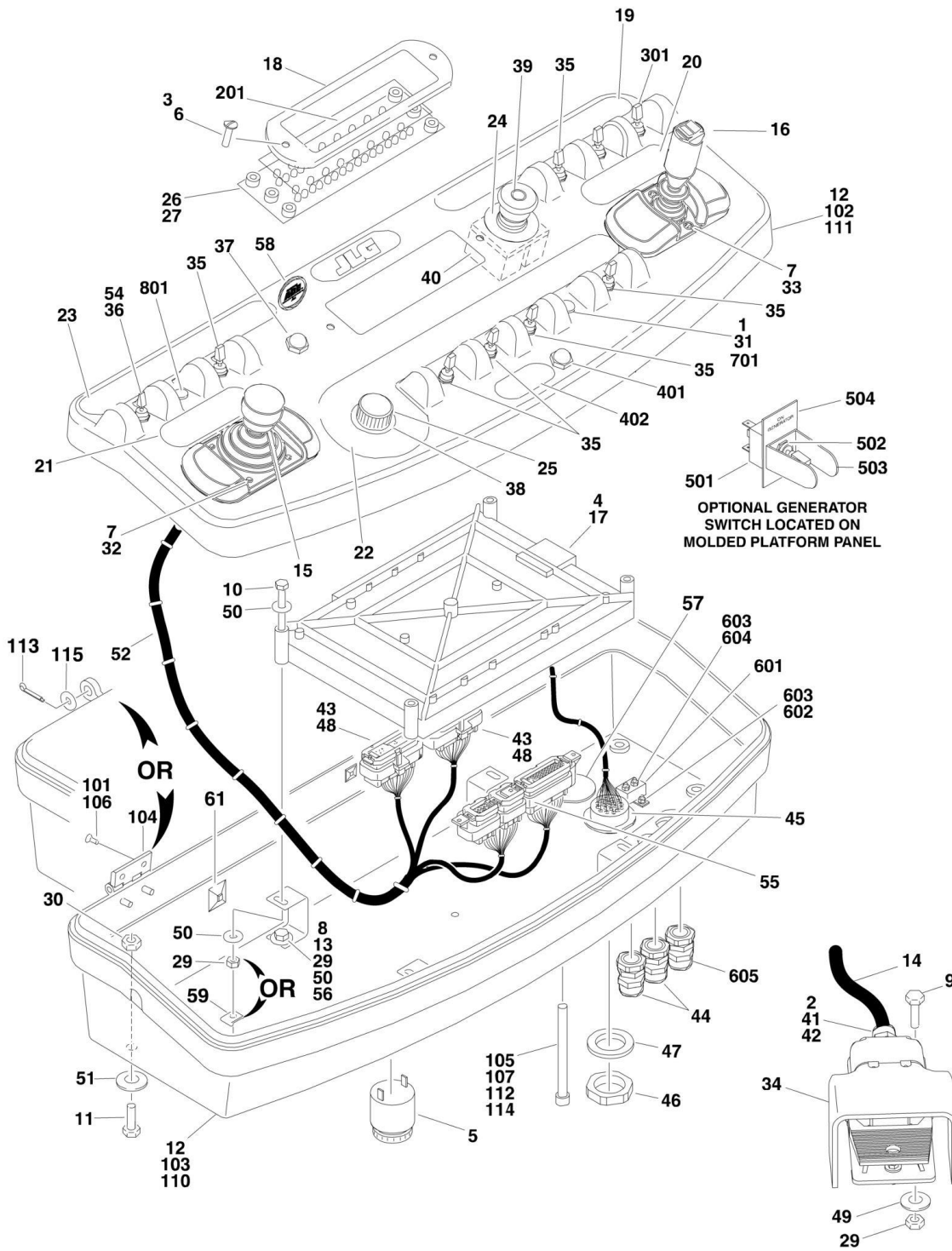
## SECTION 4 - PLATFORM

| ITEM | PART NUMBER  | QTY | DESCRIPTION     | REV |
|------|--------------|-----|-----------------|-----|
| 492  | Not Required | 0   | Australian Spec |     |
| 492  | 4120012      | 1   | CE Spec         |     |



# SECTION 4 - PLATFORM

FIGURE 4-4. PLATFORM CONSOLE ASSEMBLY (WITH ADE SYSTEM) (SN 0300064432 through 0300069000)



## SECTION 4 - PLATFORM

**FIGURE 4-4. PLATFORM CONSOLE ASSEMBLY (WITH ADE SYSTEM) (SN 0300064432 through 0300069000)**

| ITEM | PART NUMBER | QTY       | DESCRIPTION  | REV |
|------|-------------|-----------|--|-----|
|      |             | Ref       | <b>CONSOLE BOX AND FOOTSWITCH ASSEMBLIES</b>   |     |
|      | 0861474     | Ref       | <b>Console Box and Footswitch Assemblies (SN 0300064432 through 0300068917)</b>                                      | B   |
|      | 0861517     | Ref       | <b>Console Box and Footswitch Assemblies (SN 0300068918 through 0300069000)</b>                                      | A   |
| 1    | 0100009     | AR        | Sealant  |     |
| 2    | 0100020     | AR        | Sealant  |     |
| 3    | 0100035     | AR        | Compound, Locking  |     |
| 4    | 0100048     | AR        | Grease, Dielectric   |     |
| 5    | 0140011     | 1         | Alarm  |     |
| 6    | 0630464     | 2         | Screw, Button Head #10-24NC x 1/2in  |     |
| 7    | 0641404     | 8         | Bolt 1/4in-20NC x 1/2in  |     |
| 8    | 0641406     | 4         | Bolt 1/4in-20NC x 3/4in  |     |
| 9    | 0641408     | 3         | Bolt 1/4in-20NC x 1in  |     |
| 10   | 0641416     | 4         | Bolt 1/4in-20NC x 2in  |     |
| 11   | 0641610     | 4         | Bolt 3/8in-16NC x 1-1/4in  |     |
| 12   |             | Ref       | Box, Console Options:  |     |
| 12   | 0861414     | 1         | Box, Console (See Items 101-107 for Breakdown) <b>(SN 0300064432 through 0300068917)</b>                             |     |
| 12   | 0861537     | 1         | Box, Console (See Items 110-115 for Breakdown) <b>(SN 0300068918 through 0300069000)</b>                             |     |
| 13   | 0902751     | 4         | Bracket, Card Support  |     |
| 14   | 1060918     | 8 ft/2.4m | Cable, 18/3  |     |
| 15   | 1600317     | NLA       | Controller Assembly (Swing and Lift) (Use p/n 1001129555) (See CONTROLLER ASSEMBLY (SWING AND LIFT) for Breakdown)   |     |
| 16   | 1600318     | NLA       | Controller Assembly (Drive and Steer) (Use p/n 1001212415) (See CONTROLLER ASSEMBLY (DRIVE AND STEER) for Breakdown) |     |
| 17   | 1600313     | 1         | Controller, Module   |     |
| 18   | 1670829     | 1         | Bezel  |     |
| 19   | 1702564     | 1         | Decal (Stop)   |     |
| 20   | 1702565     | 1         | Decal (Drive and Steer)  |     |
| 21   | 1702566     | 1         | Decal (Lift and Swing)   |     |
| 22   | 1702567     | 1         | Decal (Function Speed)   |     |
| 23   | 1702676     | 1         | Decal (Horn)   |     |
| 24   | 1704260     | 1         | Decal - EMS  |     |
| 25   | 2560136     | 1         | Handle, Knob   |     |
| 26   | 2760105     | 1         | Housing, Display Light   |     |
| 27   | 2920129     | 12        | Bulb, Light  |     |
| 29   | 3311405     | 11        | Locknut 1/4in-20NC   |     |
| 30   | 3311605     | 4         | Locknut 3/8in-16NC   |     |
| 31   | 3520028     | 4         | Plug, Hole 1/2in   |     |
| 32   | 4340678     | 1         | Support, Hand  |     |
| 33   | 4340684     | 1         | Support, Hand  |     |
| 34   | See Note    | 1         | Footswitch (Note: See PLATFORM COMPONENTS INSTALLATION (SIDE ENTRY) for Service Parts)                               |     |
| 35   | 4360328     | 6         | Switch, Toggle   |     |
| 36   | 4360331     | 1         | Switch, Toggle   |     |
| 37   | 4360387     | 1         | Switch, Pushbutton   |     |
| 38   | 4360407     | 1         | Controller, Speed  |     |

## SECTION 4 - PLATFORM

| ITEM | PART NUMBER | QTY | DESCRIPTION  | REV |
|------|-------------|-----|--|-----|
| 39   | 4360475     | 1   | Switch, Emergency Stop   |     |
| 39   | 7020175     | 1   | Cap, Red   |     |
| 39   | 7020176     | 1   | Contact Block  |     |
| 40   | 4360476     | 1   | Block, Contact   |     |
| 41   | 4460042     | 3   | Ring, Terminal   |     |
| 42   | 4460071     | 1   | Connector, Strain Relief                                       |     |
| 43   | 4460226     | 2   | Contact, Socket  |     |
| 44   | 4460428     | 2   | Connector, Strain Relief                                       |     |
| 45   | 4460464     | 1   | Terminal, Deutsch  |     |
| 46   | 4460470     | 1   | Nut, Terminal  |     |
| 47   | 4460471     | 1   | Lockwasher, Terminal   |     |
| 48   | 4460905     | 5   | Connector, Amp Seal Plug                                       |     |
| 49   | 4740362     | 3   | Washer 1/4in (Fender)  |     |
| 50   | 4751400     | 16  | Flatwasher 1/4in   |     |
| 51   | 4751600     | 4   | Flatwasher 3/8in   |     |
| 52   | 4922639     | 1   | Harness, Platform Box  |     |
| 53   | 4922666     | 1   | Harness, Analyzer Cable (Not Shown)                            |     |
| 53   | 4460871     | 4   | Terminal, Socket   |     |
| 53   | 4460761     | 1   | Housing - 4 Position   |     |
| 53   | 4460227     | 4   | Pin  |     |
| 54   | 3790012     | 7   | O-Ring   |     |
| 55   | 4460708     | 2   | Terminal, 15 Pin   |     |
| 56   | 0100081     | AR  | Adhesive   |     |
| 57   | 1671037     | 1   | Cover (SN 0300068918 through 0300069000)                       |     |
| 58   | 1705132     | 1   | Decal - ADE (SN 0300068918 through 0300069000)                 |     |
| 59   | 3300353     | 4   | Nut, Tinnerman (SN 0300068918 through 0300069000)              |     |
| 60   | 4460226     | 3   | Wire, Tie (Not Shown) (SN 0300068918 through 0300069000)       |     |
| 61   | 4460488     | 1   | Base, Mounting (SN 0300068918 through 0300069000)              |     |
|      | 0861414     | Ref | <b>CONSOLE BOX ASSEMBLY (SN 0300064432 through 0300068285)</b> | C   |
| 101  | 0100011     | AR  | Compound, Locking  |     |
| 102  | 0861414     | 1   | Console Top (Note: Not Available for Purchase)                 |     |
| 103  | 0861414     | 1   | Console Bottom (Note: Not Available for Purchase)              |     |
| 104  | 2600211     | 2   | Hinge  |     |
| 105  | 3311601     | 1   | Nut 3/8in-16NC   |     |
| 106  | 3900224     | 8   | Screw Countersunk  |     |
| 107  | 3931672     | 1   | Screw 3/8in-16NC x 4-1/2in                                     |     |
| 108  | 3520174     | 3   | Plug, 3/16in (Not Shown)                                       |     |
|      | 0861537     | Ref | <b>CONSOLE BOX ASSEMBLY (SN 0300068918 through 0300069000)</b> | A   |
| 110  | 0861537     | 1   | Console Bottom (Note: Not Available for Purchase)              |     |
| 111  | 0861537     | 1   | Console Top (Note: Not Available for Purchase)                 |     |
| 112  | 3311601     | 1   | Nut 3/8in-16NC   |     |
| 113  | 3450304     | 2   | Pin, Cotter  |     |
| 114  | 3931672     | 1   | Screw 3/8in-16NC x 4-1/2in                                     |     |
| 115  | 4711500     | 2   | Flatwasher 5/16in  |     |
|      |             | Ref | <b>LIGHT PANEL DECAL INSTALLATIONS</b>                         |     |
|      | 0275804     | Ref | <b>Australian Spec</b>   | A   |
|      | 0275805     | Ref | <b>CE Spec</b>   | A   |
| 201  |             | Ref | Decal - Light Panel Display                                    |     |
| 201  | 1707111     | 1   | Australian Spec  |     |
| 201  | 1707113     | 1   | CE Spec  |     |

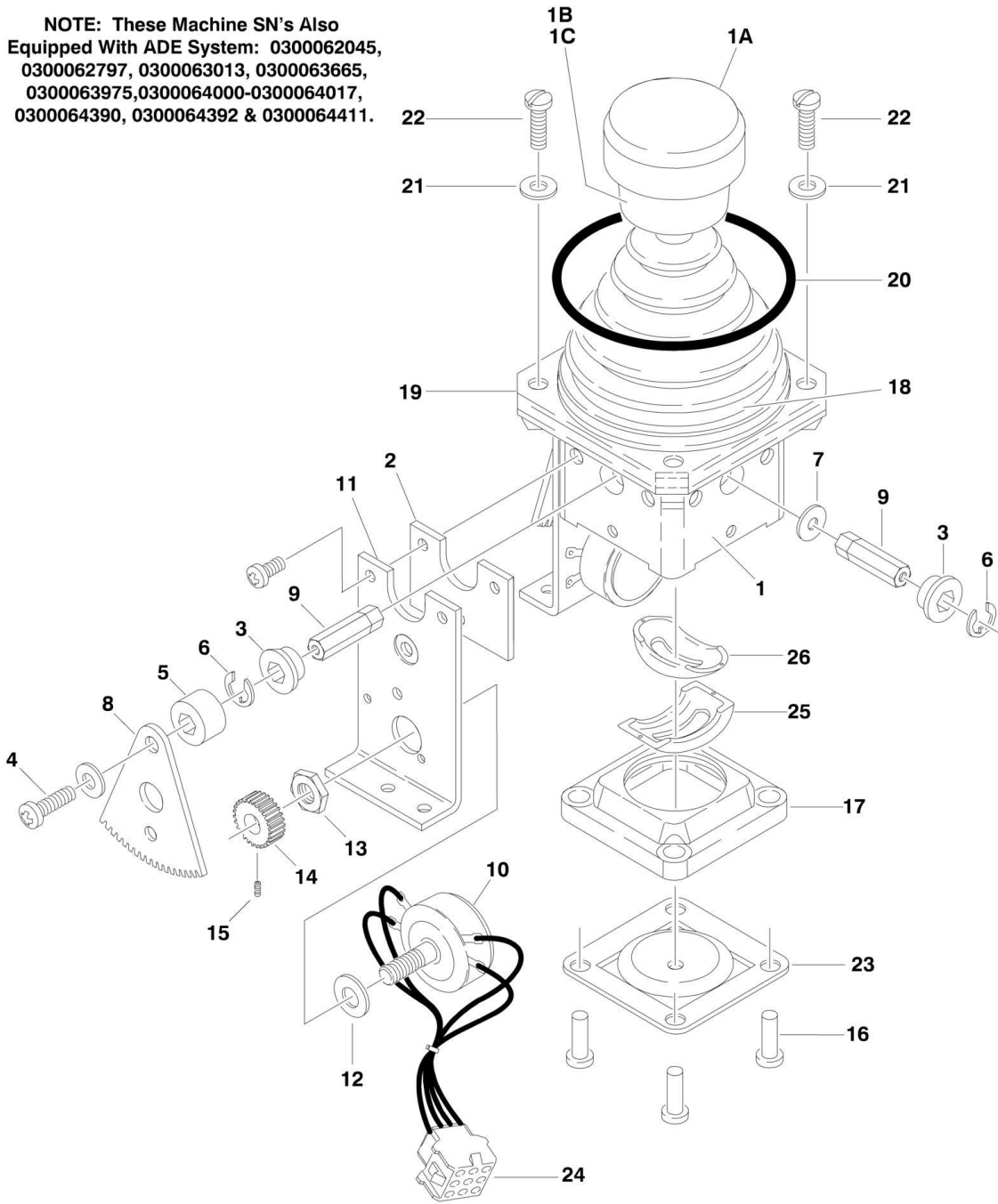
## SECTION 4 - PLATFORM

| ITEM | PART NUMBER | QTY | DESCRIPTION  | REV |
|------|-------------|-----|--|-----|
|      |             | Ref | <b>Note: Machines should have been updated to this light panel installation.</b> |     |
|      | 0271768     | Ref | <b>HEAD AND TAIL LIGHTS INSTALLATION (OPTIONAL)</b>                              | 2   |
| 301  | 4360336     | 1   | Switch, Toggle   |     |
| 301  | 3790012     | 1   | O-Ring   |     |
|      |             | Ref | <b>SOFT TOUCH SYSTEM INSTALLATION (OPTIONAL)</b>                                 |     |
|      | 0271550     | Ref | <b>6FT PLATFORM</b>  | 1   |
|      | 0271551     | Ref | <b>8FT PLATFORM</b>  | 1   |
| 401  | 4360387     | 1   | Switch, Pushbutton   |     |
| 402  | 1702938     | 1   | Decal - Soft Touch Override  |     |
|      |             | Ref | <b>GENERATOR INSTALLATION (OPTIONAL)</b>   |     |
|      | 0271547     | Ref | <b>220V DEUTZ (Prior to SN 0300068269)</b>                                       | 2   |
|      | 0272481     | Ref | <b>220V DEUTZ (SN 0300068269 through 0300069000)</b>                             | 2   |
| 501  | 4360336     | 1   | Switch, Toggle   |     |
| 502  | 4740397     | 1   | Bushing  |     |
| 503  | 4060802     | 1   | Guard, Switch  |     |
| 504  | 3251102     | 1   | Decal - Generator ON/OFF   |     |
|      | 0270814     | Ref | <b>PLATFORM WORKLIGHT INSTALLATION (OPTIONAL)</b>                                | 3   |
| 601  | 4360232     | 1   | Breaker, Circuit - 15Amp   |     |
| 602  | 0721003     | 2   | Bolt #10-24NC x 3/8in  |     |
| 603  | 4761000     | 4   | Lockwasher #10   |     |
| 604  | 3311001     | 2   | Nut #10-24NC   |     |
| 605  | 4460598     | 1   | Connector, Strain Relief   |     |
|      | 0271340     | Ref | <b>JIB SWITCH INSTALLATION (OPTIONAL)</b>  | 1   |
| 701  | 4360328     | 1   | Switch, Toggle   |     |
|      | 3790012     | 1   | O-Ring   |     |
|      | 0258945     | Ref | <b>STEER SWITCH (4WS) INSTALLATION (OPTIONAL)</b>                                | 1   |
| 801  | 4360331     | 1   | Switch, Toggle   |     |
| 801  | 3790012     | 1   | O-Ring   |     |

# SECTION 4 - PLATFORM

## FIGURE 4-5. CONTROLLER ASSEMBLY (SWING AND LIFT) (Prior to SN 0300064432)

**NOTE:** These Machine SN's Also  
Equipped With ADE System: 0300062045,  
0300062797, 0300063013, 0300063665,  
0300063975, 0300064000-0300064017,  
0300064390, 0300064392 & 0300064411.





## SECTION 4 - PLATFORM

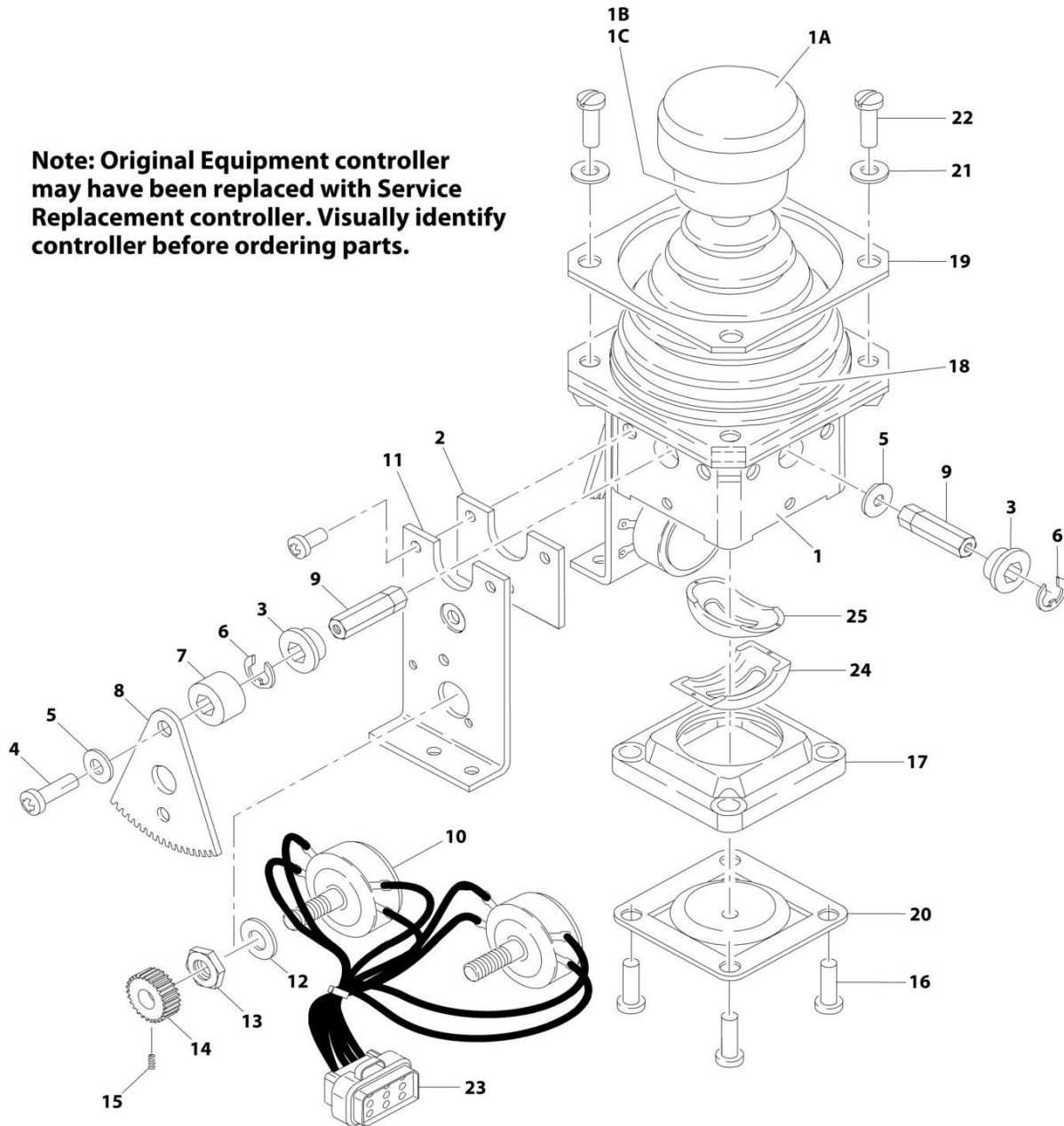
**FIGURE 4-5. CONTROLLER ASSEMBLY (SWING AND LIFT) (Prior to SN 0300064432)**

| ITEM | PART NUMBER | QTY | DESCRIPTION  | REV |
|------|-------------|-----|--|-----|
|      |             | Ref | <b>NOTE: THESE MACHINE SN'S ALSO EQUIPPED WITH ADE SYSTEM: 0300062045, 0300062797, 0300063013, 0300063665, 0300063975, 0300064000-0300064017, 0300064390, 0300064392 &amp; 0300064411.</b> |     |
|      | 1600284     | Ref | <b>CONTROLLER ASSEMBLY</b>   | A   |
| 1    | 7019141     | 1   | Mechanical Assembly (Includes Base, Handle Stem and Items 1A, 1B, 1C & 18)   |     |
| 1A   | 7019197     | 1   | Handle Cap and Rod   |     |
| 1B   | 7003928     | 1   | Spring   |     |
| 1C   | 7022808     | 1   | Cap, Lift  |     |
| 2    | 7019142     | 2   | Plate  |     |
| 3    | 7019111     | 4   | Bearing, Gear  |     |
| 4    | 7019143     | 2   | Screw  |     |
| 5    | 7019144     | 2   | Spacer, Cam  |     |
| 6    | 7019145     | 4   | E-Clip   |     |
| 7    | 7019146     | 2   | Spacer   |     |
| 8    | 7003977     | 2   | Gear, Drive  |     |
| 9    | 7019147     | 4   | Shaft  |     |
| 10   | 7003974     | 2   | Potentiometer  |     |
| 11   | 7019142     | 2   | Plate  |     |
| 12   | 7003992     | 2   | Washer   |     |
| 13   | 7003993     | 2   | Nut  |     |
| 14   | 7003976     | 2   | Gear, Slave  |     |
| 15   | 7019149     | 2   | Setscrew   |     |
| 16   | 7003952     | 4   | Screw  |     |
| 17   | 7019150     | 1   | Gate   |     |
| 18   | 7022813     | 1   | Boot (was p/n 7003955)   |     |
| 19   | 7022813     | 1   | Plate, Plastic (was p/n 7003954)   |     |
| 20   | 7003956     | 1   | Gasket   |     |
| 21   | 7003953     | 4   | Washer   |     |
| 22   | 7019137     | 4   | Screw  |     |
| 23   | See Note    | 1   | Center, Detent (Note: Not Available for Purchase)  |     |
| 24   | 4460266     | 1   | Connector - 9 Pin  |     |
| 24   | 4460268     | 8   | Socket, Female   |     |
| 24   | 4460265     | 1   | Plug - 9 Pin (Part of Platform Wiring) (Not Shown)   |     |
| 24   | 4460267     | 8   | Pin, Male (Part of Platform Wiring) (Not Shown)  |     |
| 25   | 7019122     | 1   | Gimble, Outer  |     |
| 26   | 7019123     | 1   | Gimble, Inner  |     |

## SECTION 4 - PLATFORM

FIGURE 4-6. CONTROLLER ASSEMBLY (SWING AND LIFT) (WITH ADE SYSTEM) (ORIGINAL EQUIPMENT) (SN 0300064432 through 0300069000)

**Note: Original Equipment controller may have been replaced with Service Replacement controller. Visually identify controller before ordering parts.**



ART\_1600317

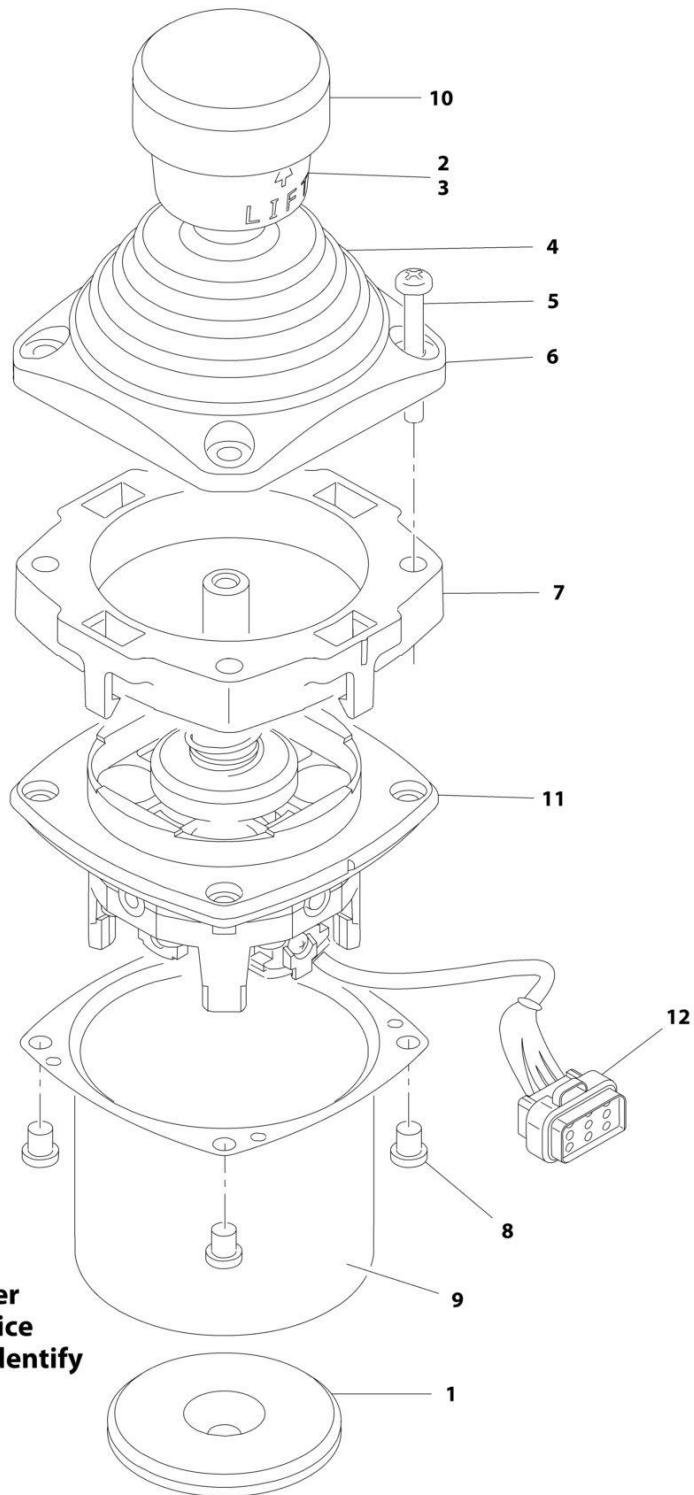
## SECTION 4 - PLATFORM

**FIGURE 4-6. CONTROLLER ASSEMBLY (SWING AND LIFT) (WITH ADE SYSTEM) (ORIGINAL EQUIPMENT) (SN 0300064432 through 0300069000)**

| ITEM | PART NUMBER | QTY | DESCRIPTION  | REV |
|------|-------------|-----|--|-----|
|      |             | Ref | <b>Note: Original Equipment controller may have been replaced with Service Replacement controller. Visually identify controller before ordering parts.</b> |     |
|      | 1600317     | Ref | <b>CONTROLLER ASSEMBLY</b>   | C   |
|      |             | Ref | <b>Note: Use p/n 1001129555 Kit as Replacement.</b>  |     |
| 1    | 7019141     | 1   | Mechanical Assembly (Includes Base, Handle Stem and Items 1A, 1B, 1C & 18)   |     |
| 1A   | 7019197     | 1   | Handle Cap and Rod   |     |
| 1B   | 7003928     | 1   | Spring   |     |
| 1C   | 7022808     | 1   | Cap, Lift  |     |
| 2    | 7019171     | 2   | Plate  |     |
| 3    | 7019111     | 4   | Bearing, Gear  |     |
| 4    | 7019143     | 2   | Screw  |     |
| 5    | 7019144     | 2   | Spacer, Cam  |     |
| 6    | 7019145     | 4   | E-Clip   |     |
| 7    | 7019174     | 2   | Spacer   |     |
| 8    | 7003977     | 2   | Gear, Drive  |     |
| 9    |             | Ref | Shaft Options:   |     |
| 9    | 7019147     | 2   | Shaft, Short   |     |
| 9    | 7019177     | 2   | Shaft, Long  |     |
| 10   | 7022818     | 2   | Potentiometer  |     |
| 11   | 7019142     | 2   | Plate  |     |
| 12   | 7003992     | 2   | Washer   |     |
| 13   | 7003993     | 2   | Nut  |     |
| 14   | 7003976     | 2   | Gear, Slave  |     |
| 15   | 7019149     | 2   | Setscrew   |     |
| 16   | 7022816     | 4   | Screw  |     |
| 17   | 7019150     | 1   | Gate   |     |
| 18   | 7022814     | 1   | Boot   |     |
| 19   | 7022815     | 1   | Bezel  |     |
| 20   | See Note    | NSS | Center, Detent (Note: Use p/n 1001129555)  |     |
| 21   | 7003953     | 4   | Washer   |     |
| 22   | 7022817     | 4   | Screw  |     |
| 23   | 7022819     | 1   | Plug, Male - 8 Position (Natural)  |     |
| 23   | 4460871     | 8   | Socket, Female   |     |
| 24   | 7019122     | 1   | Gimble, Outer  |     |
| 25   | 7019123     | 1   | Gimble, Inner  |     |

## SECTION 4 - PLATFORM

FIGURE 4-7. CONTROLLER ASSEMBLY (SWING AND LIFT) (WITH ADE SYSTEM) (SERVICE REPLACEMENT) (SN 0300064432 through 0300069000)



**Note: Original Equipment controller may have been replaced with Service Replacement controller. Visually identify controller before ordering parts.**

ART\_100118417

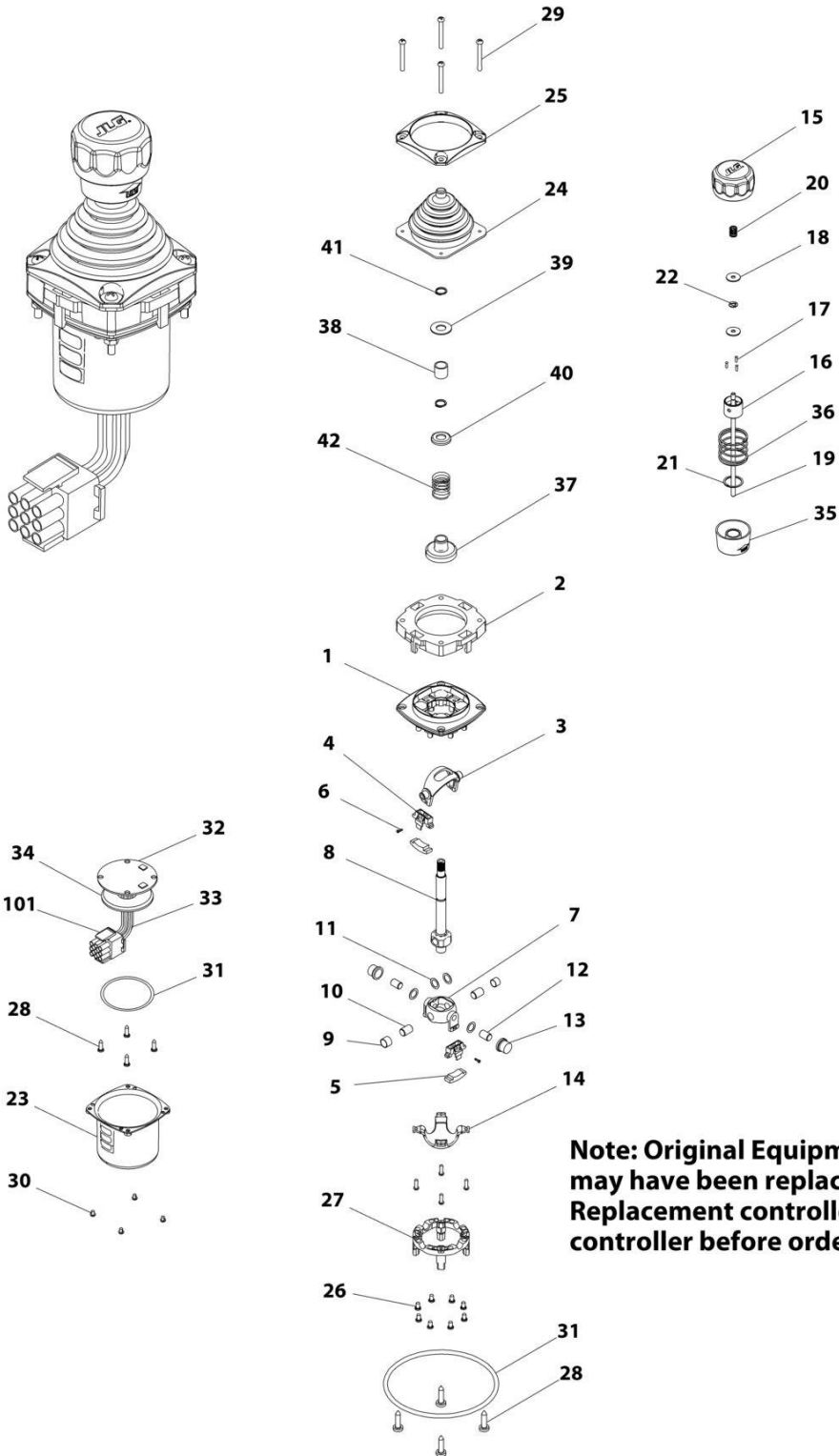
## SECTION 4 - PLATFORM

**FIGURE 4-7. CONTROLLER ASSEMBLY (SWING AND LIFT) (WITH ADE SYSTEM) (SERVICE REPLACEMENT) (SN 0300064432 through 0300069000)**

| ITEM | PART NUMBER | QTY | DESCRIPTION  | REV |
|------|-------------|-----|--|-----|
|      |             | Ref | <b>Note: Original Equipment controller may have been replaced with Service Replacement controller. Visually identify controller before ordering parts.</b> |     |
|      | 1001118417  | Ref | <b>CONTROLLER ASSEMBLY</b>   | E   |
|      |             | Ref | <b>Note: Use p/n 1001129555 as Replacement.</b>  |     |
| 1    | 70002730    | 1   | Gasket   |     |
| 2    | 7003928     | 1   | Spring   |     |
| 3    | 7022808     | 1   | Cap, Lift  |     |
| 4    | 70002731    | 1   | Boot   |     |
| 5    | 70002732    | 4   | Screw  |     |
| 6    | 7022815     | 1   | Bezel  |     |
| 7    | 70002733    | 1   | Adapter  |     |
| 8    | 70002734    | 4   | Screw  |     |
| 9    | 70002735    | 1   | Can, Enclosure   |     |
| 10   | 70002906    | 1   | Cap  |     |
| 11   | See Note    | NSS | Mechanical Assembly (Note: Use p/n 1001129555)   |     |
| 12   | 7022819     | 1   | Connector - 8 Position   |     |
| 12   | 4460871     | 6   | Socket, Female   |     |

# SECTION 4 - PLATFORM

**FIGURE 4-8. CONTROLLER ASSEMBLY (SWING AND LIFT) (WITH ADE SYSTEM) (SERVICE REPLACEMENT) (SN 0300064432 through 0300069000)**



**Note: Original Equipment controller may have been replaced with Service Replacement controller. Visually identify controller before ordering parts.**

ART\_1001166539

## SECTION 4 - PLATFORM

**FIGURE 4-8. CONTROLLER ASSEMBLY (SWING AND LIFT) (WITH ADE SYSTEM) (SERVICE REPLACEMENT) (SN 0300064432 through 0300069000)**

| ITEM | PART NUMBER | QTY | DESCRIPTION  | REV |
|------|-------------|-----|--|-----|
|      |             | Ref | <b>Note: Original Equipment controller may have been replaced with Service Replacement controller. Visually identify controller before ordering parts.</b> |     |
|      | 1001166539  | Ref | <b>CONTROLLER ASSEMBLY (SWING AND LIFT)</b>  | D   |
|      |             | Ref | <b>Note: Use p/n 1001129555 as Replacement.</b>  |     |
| 1    | See Note    | NSS | Main Cast Body (Note: Not Available - Purchase Complete Assembly)  |     |
| 2    | 70004752    | 1   | Adapter  |     |
| 3    | See Note    | NSS | Pivot Arm, Plastic (Note: Not Available - Purchase Complete Assembly)  |     |
| 4    | See Note    | NSS | Holder, Magnet (Note: Not Available - Purchase Complete Assembly)  |     |
| 5    | See Note    | NSS | Arc, Magnet (Note: Not Available - Purchase Complete Assembly)   |     |
| 6    | See Note    | NSS | Screw (Note: Not Available for Purchase)   |     |
| 7    | See Note    | NSS | Pivot Arm, Cast (Note: Not Available - Purchase Complete Assembly)   |     |
| 8    | See Note    | NSS | Shaft, Main (Note: Not Available - Purchase Complete Assembly)   |     |
| 9    | See Note    | NSS | Bearing (Note: Not Available - Purchase Complete Assembly)   |     |
| 10   | See Note    | NSS | Pin (Note: Not Available - Purchase Complete Assembly)   |     |
| 11   | See Note    | NSS | Shim (Note: Not Available - Purchase Complete Assembly)  |     |
| 12   | See Note    | NSS | Pin (Note: Not Available - Purchase Complete Assembly)   |     |
| 13   | See Note    | NSS | Bearing (Note: Not Available - Purchase Complete Assembly)   |     |
| 14   | See Note    | NSS | Dome, Centering (Note: Not Available - Purchase Complete Assembly)   |     |
| 15   | 70004753    | 1   | Cap  |     |
| 16   | 70004754    | 1   | Insert, Cap  |     |
| 17   | 70004755    | 3   | Pin  |     |
| 18   | 70004756    | 2   | Washer   |     |
| 19   | 70004757    | 1   | Pin, Centering   |     |
| 20   | 70004758    | 1   | Spring   |     |
| 21   | 70004759    | 1   | Ring, Retaining  |     |
| 22   | 70004760    | 1   | E-Ring   |     |
| 23   | 70004761    | 1   | Can, Enclosure   |     |
| 24   | 70004762    | 1   | Boot   |     |
| 25   | 70004763    | 1   | Bezel  |     |
| 26   | See Note    | NSS | Screw (Note: Not Available for Purchase)   |     |
| 27   | See Note    | NSS | Base, Mounting (Note: Not Available - Purchase Complete Assembly)  |     |
| 28   | See Note    | NSS | Screw (Note: Not Available for Purchase)   |     |
| 29   | 70004764    | 4   | Screw  |     |
| 30   | 70004765    | 4   | Screw  |     |
| 31   | 70004766    | 1   | O-Ring   |     |
| 32   | See Note    | NSS | Plate (Note: Not Available - Purchase Complete Assembly)   |     |
| 33   | See Note    | NSS | Harness (Note: Not Available - Purchase Complete Assembly)   |     |
| 34   | 70004767    | 1   | Grommet, Rubber  |     |
| 35   | 70004768    | 1   | Housing  |     |
| 36   | 70004769    | 1   | Spring   |     |
| 37   | 70004770    | 1   | Stopper  |     |
| 38   | 70004771    | 1   | Spacer   |     |
| 39   | 70004772    | 1   | Washer   |     |

## SECTION 4 - PLATFORM

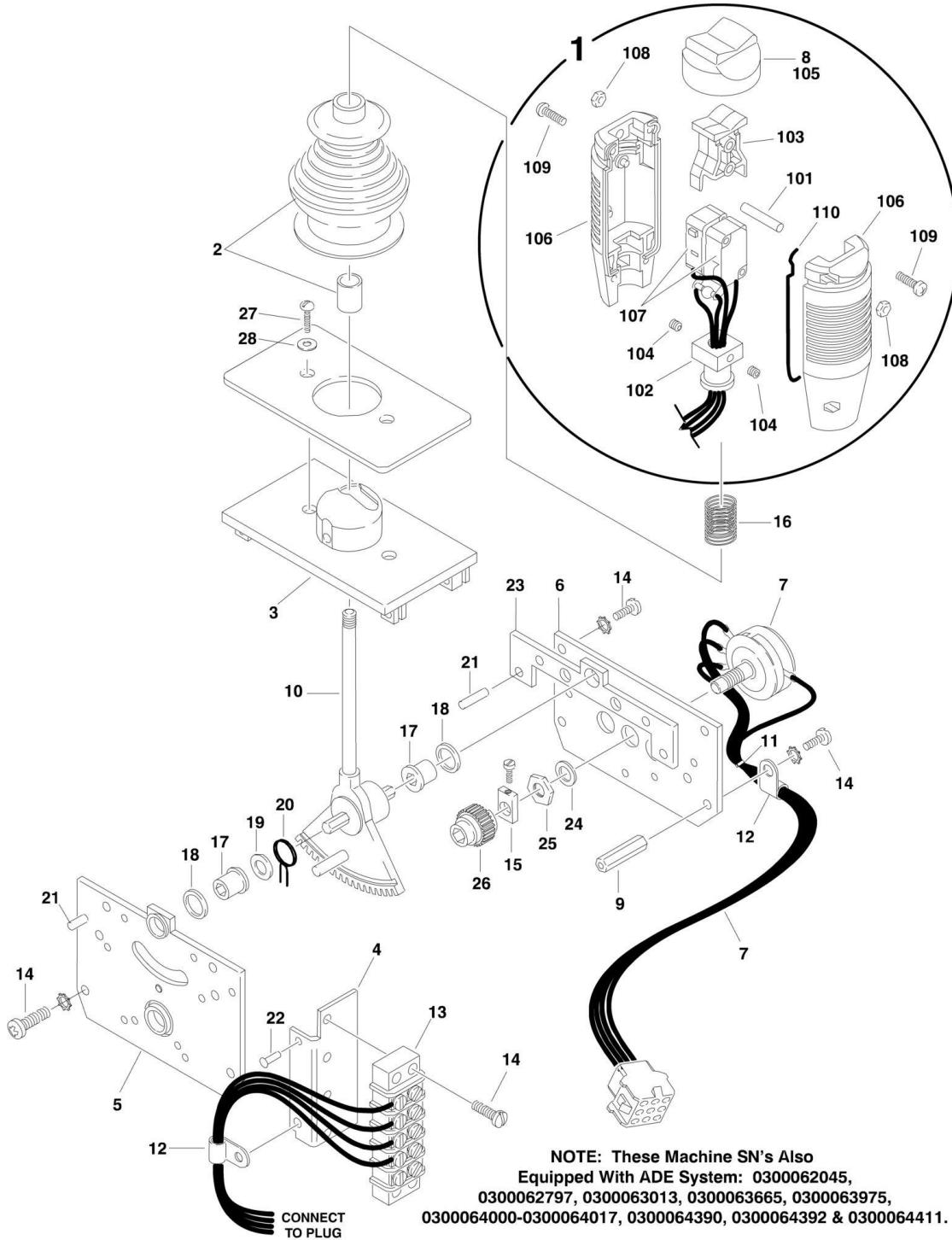
| ITEM | PART NUMBER | QTY | DESCRIPTION            | REV |
|------|-------------|-----|------------------------|-----|
| 40   | 70004773    | 1   | Disc                   |     |
| 41   | 70004774    | 2   | Ring, Retaining        |     |
| 42   | 70004775    | 1   | Spring                 |     |
| 101  | 4460265     | 1   | Connector - 9 Position |     |
| 101  | 4460226     | 6   | Socket, Female         |     |





# SECTION 4 - PLATFORM

FIGURE 4-9. CONTROLLER ASSEMBLY (DRIVE AND STEER) (Prior to SN 0300064432)



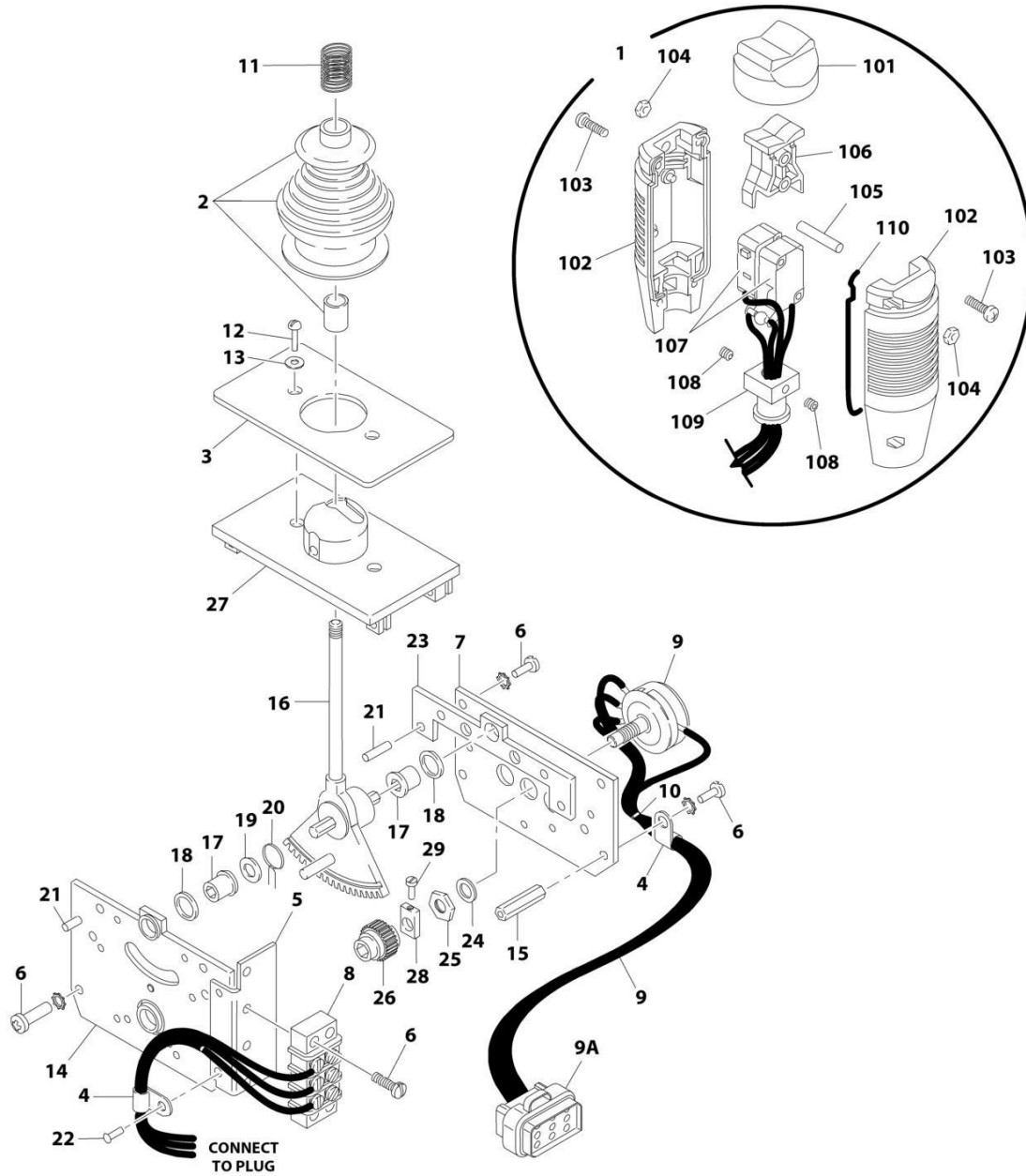
## SECTION 4 - PLATFORM

**FIGURE 4-9. CONTROLLER ASSEMBLY (DRIVE AND STEER) (Prior to SN 0300064432)**

| ITEM | PART NUMBER | QTY | DESCRIPTION  | REV |
|------|-------------|-----|--|-----|
|      |             | Ref | <b>NOTE: THESE MACHINE SN'S ALSO EQUIPPED WITH ADE SYSTEM: 0300062045, 0300062797, 0300063013, 0300063665, 0300063975, 0300064000-0300064017, 0300064390, 0300064392 &amp; 0300064411.</b> |     |
|      | 1600283     | Ref | <b>CONTROLLER ASSEMBLY</b>   |     |
| 1    | 7022810     | 1   | Handle Assembly (See items 101-110 for Breakdown)  |     |
| 2    | 7019161     | 1   | Boot and Sleeve  |     |
| 3    | 7019160     | 1   | Cast Housing Assembly  |     |
| 4    | 7019159     | 1   | Bracket, Mounting  |     |
| 5    | 7019158     | 1   | Plate, Mounting (Left Side)  |     |
| 6    | 7019157     | 1   | Plate, Pot Mounting  |     |
| 7    | 7019156     | 1   | Electric Assembly  |     |
| 8    | 7003972     | 1   | Boot, Rocker   |     |
| 9    | 7019115     | 2   | Stand-off  |     |
| 10   | 7019155     | 1   | Shaft 8mm  |     |
| 11   | 7019151     | AR  | Tie-Strap  |     |
| 12   | 7019154     | 2   | Clamp, Wire  |     |
| 13   | 7019153     | 1   | Strip, Terminal - 5 Position   |     |
| 14   | 7019117     | 8   | Screw  |     |
| 15   | 7019163     | 1   | Potentiometer Coupling Assembly  |     |
| 16   | 7019162     | 1   | Spring   |     |
| 17   | 7019111     | 2   | Bearing  |     |
| 18   | 7019110     | 2   | Spacer, Head Gear  |     |
| 19   | 7019112     | 1   | Washer   |     |
| 20   | 7003946     | 1   | Spring, Return   |     |
| 21   | 7019103     | 4   | Pin  |     |
| 22   | See Note    | 1   | Rivet (Note: Not Available for Purchase)   |     |
| 23   | 7019168     | 1   | Plate, Mounting (Right Side)   |     |
| 24   | 7003992     | 1   | Washer   |     |
| 25   | 7003993     | 1   | Nut  |     |
| 26   | 7003935     | 1   | Gear, Slave  |     |
| 27   | 7003969     | 2   | Screw  |     |
| 28   | 7003941     | 2   | Washer   |     |
|      | 7022810     | Ref | <b>HANDLE ASSEMBLY</b>   |     |
| 101  | 7019164     | 1   | Axle   |     |
| 102  | 7019194     | 1   | Coupling   |     |
| 103  | 7019165     | 1   | Rocker   |     |
| 104  | 7003983     | 2   | Setscrew   |     |
| 105  | 7003972     | 1   | Boot, Switch   |     |
| 106  | 7003973     | 2   | Half, Handle   |     |
| 107  | 7019166     | 2   | Switch, Micro  |     |
| 108  | 7019167     | 4   | Nut  |     |
| 109  | 7003980     | 4   | Screw  |     |
| 110  | 7003989     | 2   | Gasket   |     |

# SECTION 4 - PLATFORM

FIGURE 4-10. CONTROLLER ASSEMBLY (DRIVE AND STEER) (WITH ADE SYSTEM) (ORIGINAL EQUIPMENT) (SN 0300064432 through 0300069000)



**Note: Original Equipment controller may have been replaced with Service Replacement controller. Visually identify controller before ordering parts.**

ART\_1600318

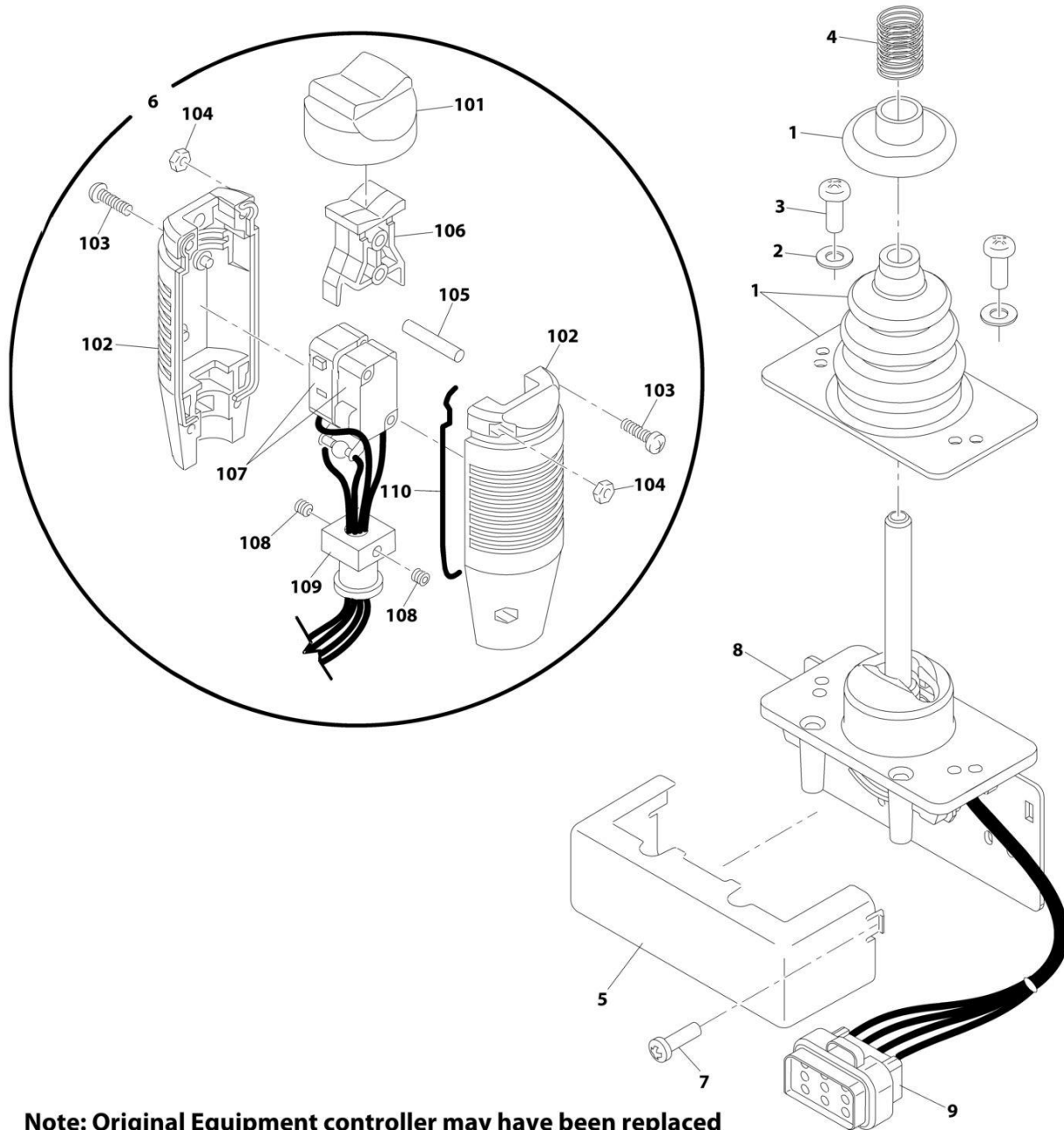
## SECTION 4 - PLATFORM

**FIGURE 4-10. CONTROLLER ASSEMBLY (DRIVE AND STEER) (WITH ADE SYSTEM) (ORIGINAL EQUIPMENT) (SN 0300064432 through 0300069000)**

| ITEM | PART NUMBER | QTY | DESCRIPTION  | REV |
|------|-------------|-----|--|-----|
|      |             | Ref | <b>Note: Original Equipment controller may have been replaced with Service Replacement controller. Visually identify controller before ordering parts.</b> |     |
|      | 1600318     | Ref | <b>CONTROLLER ASSEMBLY</b>   | C   |
|      |             | Ref | <b>Note: Use p/n 1001212415 as Replacement.</b>  |     |
| 1    | 7022812     | 1   | Handle Assembly (See Items 101-110 for Breakdown)  |     |
| 2    | 7019161     | 1   | Boot and Sleeve  |     |
| 3    | 7003933     | 1   | Gasket   |     |
| 4    | 7019154     | 2   | Clamp, Wire  |     |
| 5    | 7022823     | 1   | Bracket, Mounting  |     |
| 6    | 7003994     | 1   | Screw  |     |
| 7    | 7022822     | 1   | Plate, Pot Mounting  |     |
| 8    | 7003986     | 1   | Strip, Terminal - 3 Position   |     |
| 9    | 7022824     | 1   | Electric Assembly  |     |
| 9A   | 1001113961  | 1   | Plug, Male - 8 Position (Black) (was p/n 7022825)  |     |
| 9A   | 4460871     | 7   | Socket, Female   |     |
| 10   | 7019151     | AR  | Tie-Strap  |     |
| 11   | 7019162     | 1   | Spring   |     |
| 12   | 7003969     | 2   | Screw  |     |
| 13   | 7003941     | 2   | Washer   |     |
| 14   | See Note    | NSS | Plate, Mounting (Left Side) (Note: Use p/n 1001166538)   |     |
| 15   | 7019115     | 2   | Stand-off  |     |
| 16   | 7019155     | 1   | Shaft 8mm  |     |
| 17   | 7019111     | 2   | Bearing  |     |
| 18   | 7019110     | 2   | Spacer, Head Gear  |     |
| 19   | 7019112     | 1   | Washer   |     |
| 20   | 7003946     | 1   | Spring, Return   |     |
| 21   | 7019103     | 4   | Pin  |     |
| 22   | See Note    | NSS | Rivet (Note: Not Available - Purchase Locally)   |     |
| 23   | 7019168     | 1   | Plate, Mounting (Right Side)   |     |
| 24   | 7003992     | 1   | Washer   |     |
| 25   | 7003993     | 1   | Nut  |     |
| 26   | 7003935     | 1   | Gear, Slave  |     |
| 27   | 7019160     | 1   | Plate, Base  |     |
| 28   | 7019114     | 1   | Coupling, Potentiometer  |     |
| 29   | See Note    | NSS | Cup Point Screw (Note: Not Available for Purchase)   |     |
|      | 7022812     | Ref | <b>HANDLE ASSEMBLY</b>   |     |
| 101  | 7003972     | 1   | Boot, Switch   |     |
| 102  | 7003973     | 2   | Half, Handle   |     |
| 103  | 7003980     | 4   | Screw  |     |
| 104  | 7019167     | 4   | Nut  |     |
| 105  | 7019164     | 1   | Axle   |     |
| 106  | 7019165     | 1   | Rocker   |     |
| 107  | See Note    | NSS | Wiring for Controller Assembly p/n 1600318 (Note: Use p/n 1001166538)  |     |
| 107  | 7019166     | 2   | Switch, Micro  |     |
| 108  | 7003983     | 2   | Setscrew   |     |
| 109  | 7019194     | 1   | Coupling   |     |
| 110  | 7003989     | 2   | Gasket   |     |

## SECTION 4 - PLATFORM

FIGURE 4-11. CONTROLLER ASSEMBLY (DRIVE AND STEER) (WITH ADE SYSTEM) (SERVICE REPLACEMENT) (SN 0300064432 through 0300069000)



**Note: Original Equipment controller may have been replaced with Service Replacement controller. Visually identify controller before ordering parts.**

ART\_1001118416

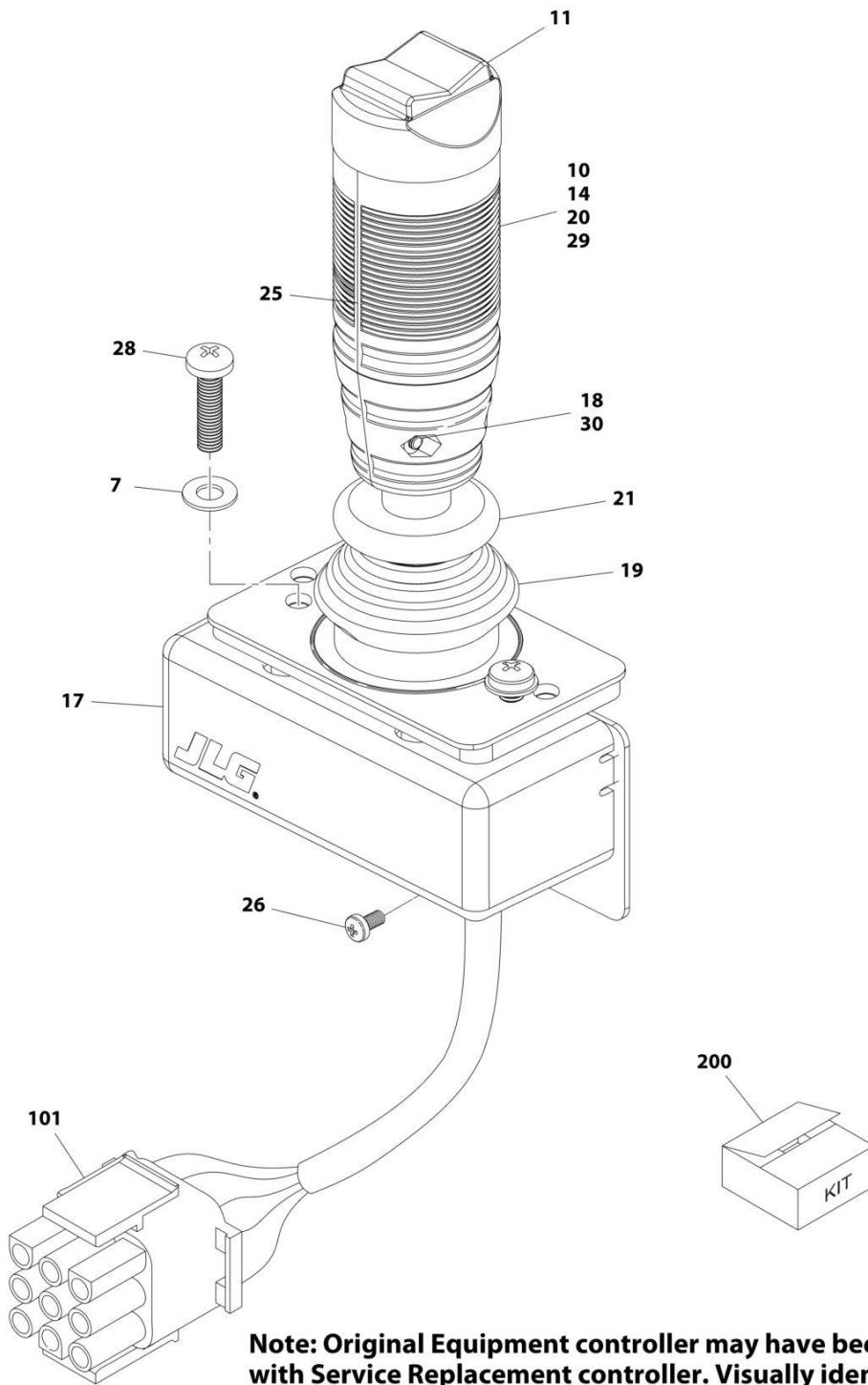
## SECTION 4 - PLATFORM

**FIGURE 4-11. CONTROLLER ASSEMBLY (DRIVE AND STEER) (WITH ADE SYSTEM) (SERVICE REPLACEMENT) (SN 0300064432 through 0300069000)**

| ITEM | PART NUMBER | QTY | DESCRIPTION  | REV |
|------|-------------|-----|--|-----|
|      |             | Ref | <b>Note: Original Equipment controller may have been replaced with Service Replacement controller. Visually identify controller before ordering parts.</b> |     |
|      | 1001118416  | Ref | <b>CONTROLLER ASSEMBLY</b>   | D   |
|      |             | Ref | <b>Note: Use p/n 1001212415 as Replacement.</b>  |     |
| 1    | 70002724    | 1   | Boot and Control Lock Assembly   |     |
| 2    | 7003941     | 2   | Washer   |     |
| 3    | 70002725    | 2   | Screw  |     |
| 4    | 7019162     | 1   | Spring   |     |
| 5    | 70002726    | 1   | Enclosure  |     |
| 6    | 70002727    | 1   | Handle Assembly (See Items 101-110 for Breakdown)  |     |
| 7    | 70002728    | 1   | Screw  |     |
| 8    | See Note    | NSS | Mechanical Assembly (Note: Use p/n 1001166538)   |     |
| 9    | 1001113961  | 1   | Plug, Male - 8 Position (Black) (was p/n 7022825)  |     |
| 9    | 4460871     | 7   | Socket, Female   |     |
|      | 70002727    | Ref | <b>HANDLE ASSEMBLY</b>   |     |
| 101  | 7003972     | 1   | Boot, Switch   |     |
| 102  | 7003973     | 2   | Half, Handle   |     |
| 103  | 7003980     | 4   | Screw  |     |
| 104  | 7019167     | 4   | Nut  |     |
| 105  | 7019164     | 1   | Axle   |     |
| 106  | 7019165     | 1   | Rocker   |     |
| 107  | 70002729    | 1   | Wiring Assembly  |     |
| 107  | 7003982     | 2   | Switch, Micro  |     |
| 108  | 7003983     | 2   | Set Screw  |     |
| 109  | 7019194     | 1   | Coupling   |     |
| 110  | 7003989     | 2   | Gasket   |     |

## SECTION 4 - PLATFORM

FIGURE 4-12. CONTROLLER ASSEMBLY (DRIVE AND STEER) (WITH ADE SYSTEM) (SERVICE REPLACEMENT) (SN 0300064432 through 0300069000)



ART\_1001166538



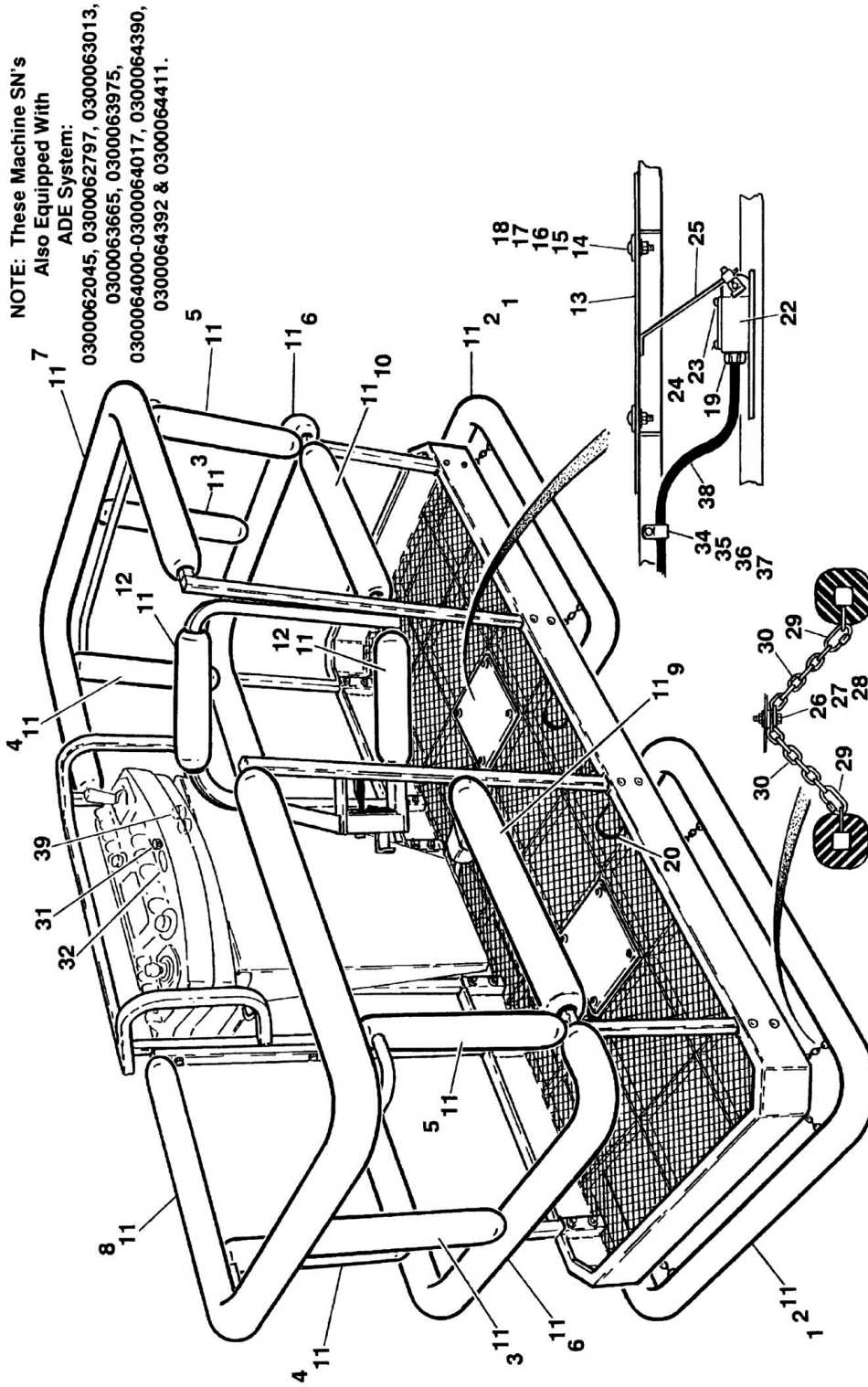
## SECTION 4 - PLATFORM

**FIGURE 4-12. CONTROLLER ASSEMBLY (DRIVE AND STEER) (WITH ADE SYSTEM) (SERVICE REPLACEMENT) (SN 0300064432 through 0300069000)**

| ITEM | PART NUMBER | QTY | DESCRIPTION  | REV |
|------|-------------|-----|--|-----|
|      |             | Ref | <b>Note: Original Equipment controller may have been replaced with Service Replacement controller. Visually identify controller before ordering parts.</b> |     |
|      | 1001166538  | Ref | <b>CONTROLLER ASSEMBLY</b>   | E   |
|      |             | Ref | <b>Note: Use p/n 1001212415 as Replacement.</b>  |     |
| 7    | 70004738    | 2   | Washer   |     |
| 10   | 70004739    | 1   | Roller   |     |
| 11   | 70004740    | 1   | Boot, Switch   |     |
| 14   | 70004741    | 2   | Half, Handle   |     |
| 17   | 70004742    | 1   | Enclosure  |     |
| 18   | 70004743    | 4   | Nut  |     |
| 19   | 70004744    | NLA | Boot, Controller (Note: Use Item 200)  |     |
| 20   | 70004745    | NLA | Tube, Locking (Note: Use Item 200)   |     |
| 21   | 70004746    | NLA | Disc, Locking (Note: Use Item 200)   |     |
| 25   | 70004747    | 2   | Seal, Rope   |     |
| 26   | 70004748    | 1   | Screw, M3 x 6  |     |
| 28   | 70004749    | 2   | Screw, M5 x 20   |     |
| 29   | 70004750    | 1   | Pin, Dowel   |     |
| 30   | 70004751    | 4   | Screw, M3 x 16   |     |
| 101  | 4460265     | 1   | Connector - 9 Position   |     |
| 101  | 4460226     | 7   | Socket, Female   |     |
| 200  | 70005230    | 1   | Boot Kit (Includes Items 19-21)  |     |

# SECTION 4 - PLATFORM

FIGURE 4-13. SOFT TOUCH SYSTEM INSTALLATION (OPTIONAL)



## SECTION 4 - PLATFORM

**FIGURE 4-13. SOFT TOUCH SYSTEM INSTALLATION (OPTIONAL)**

| ITEM | PART NUMBER | QTY             | DESCRIPTION  | REV |
|------|-------------|-----------------|--|-----|
|      |             | Ref             | <b>NOTE: THESE MACHINE SN'S ALSO EQUIPPED WITH ADE SYSTEM: 0300062045, 0300062797, 0300063013, 0300063665, 0300063975, 0300064000-0300064017, 0300064390, 0300064392 &amp; 0300064411.</b> |     |
|      |             | Ref             | <b>SOFT TOUCH SYSTEM INSTALLATIONS OPTIONS:</b>  |     |
|      | 0257849     | Ref             | <b>6ft/1.8m Platforms (Prior to SN 0300064432)</b>   | 1   |
|      | 0271550     | Ref             | <b>6ft/1.8m Platforms - ADE System (SN 0300064432 through 0300069000)</b>  | 1   |
|      | 0257850     | Ref             | <b>8ft/2.4m Platforms (Prior to SN 0300064432)</b>   | 1   |
|      | 0271551     | Ref             | <b>8ft/2.4m Platforms - ADE System (SN 0300064432 through 0300069000)</b>  | 1   |
| 1    |             | Ref             | Rail Weldment Options:   |     |
| 1    | 4845308     | 2               | 6ft/1.8m Platforms   |     |
| 1    | 4845309     | 2               | 8ft/2.4m Platforms   |     |
| 2    |             | Ref             | Cover, Rail Options:   |     |
| 2    | 1670804     | 2               | 6ft/1.8m Platforms   |     |
| 2    | 1670803     | 2               | 8ft/2.4m Platforms   |     |
| 3    | 1670787     | 2               | Cover, End Post  |     |
| 4    | 1670785     | 2               | Cover, Front Right Post  |     |
| 5    | 1670786     | 2               | Cover, Front Left Post   |     |
| 6    | 1670793     | 2               | Cover, End Mid Rail  |     |
| 7    |             | Ref             | Cover, Right End Top Options:  |     |
| 7    | 1670798     | 1               | 6ft/1.8m Platforms   |     |
| 7    | 1670796     | 1               | 8ft/2.4m Platforms   |     |
| 8    |             | Ref             | Cover, Left End Top Options:   |     |
| 8    | 1670797     | 1               | 6ft/1.8m Platforms   |     |
| 8    | 1670795     | 1               | 8ft/2.4m Platforms   |     |
| 9    |             | Ref             | Cover, Left End Mid Options:   |     |
| 9    | 1670799     | 1               | 6ft/1.8m Platforms   |     |
| 9    | 1670789     | 1               | 8ft/2.4m Platforms   |     |
| 10   |             | Ref             | Cover, Right End Mid Options:  |     |
| 10   | 1670801     | 1               | 6ft/1.8m Platforms   |     |
| 10   | 1670791     | 1               | 8ft/2.4m Platforms   |     |
| 11   | 0940038     | 70 ft<br>/21.4m | Padding, Bumper  |     |
| 12   | 1670788     | 2               | Cover, Gate  |     |
| 13   | 3539719     | 2               | Plate, Switch Strike   |     |
| 14   | 0630462     | 8               | Bolt, Carriage   |     |
| 15   | 4761500     | 8               | Lockwasher 5/16in  |     |
| 16   | 4751800     | 8               | Flatwasher 1/2in   |     |
| 17   | 3311501     | 8               | Nut 5/16in-18NC  |     |
| 18   | 4751500     | 8               | Flatwasher 5/16in  |     |
| 19   | 4460049     | 2               | Connector, Strain Relief   |     |
| 20   | 3530072     | 4               | Plug, Cap  |     |
| 22   | 4360057     | 2               | Switch, Limit  |     |
| 23   | 0731005     | 4               | Bolt #10-32NC x 5/8in  |     |
| 24   | 4751000     | 4               | Lockwasher #10   |     |
| 25   | 0200550     | 2               | Arm, Switch  |     |
| 26   | 0641612     | 8               | Bolt 3/8in-16NC x 1-1/2in  |     |
| 27   | 4751600     | 40              | Flatwasher 3/8in   |     |
| 28   | 3311605     | 8               | Locknut 3/8in-16NC   |     |

## SECTION 4 - PLATFORM

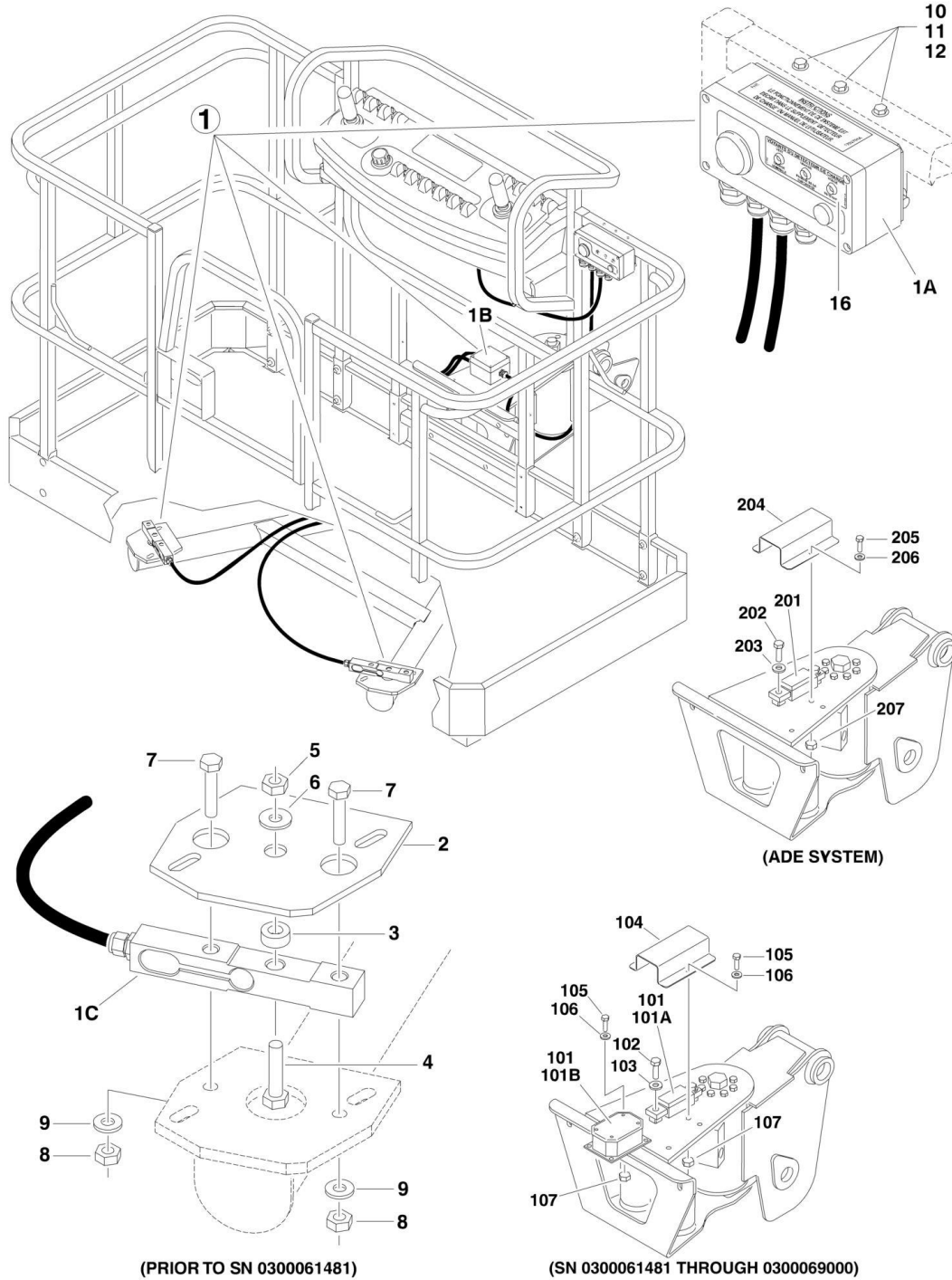
| ITEM | PART NUMBER | QTY        | DESCRIPTION   | REV |
|------|-------------|------------|---|-----|
| 29   | 3010088     | 16         | Link, Quick   |     |
| 30   | 1260136     | 10 ft/3m   | Chain   |     |
| 31   | 4360387     | 1          | Switch, Push Button   |     |
| 32   | 1702938     | 1          | Decal - Soft Touch Override   |     |
| 34   | 1320040     | 4          | Clamp   |     |
| 35   | 0641406     | 4          | Bolt 1/4in-20NC x 3/4in   |     |
| 36   | 4711400     | 8          | Flatwasher 1/4in  |     |
| 37   | 3311405     | 4          | Locknut 1/4in-20NC  |     |
| 38   |             | Ref        | Cable, Electrical Options:  |     |
| 38   | 1060330     | 16 ft/4.9m | Cable, Electrical (16/3) (Prior to SN 0300064007)   |     |
| 38   | 1060341     | 16 ft/4.9m | Cable, Electrical (16/2) (SN 0300064007 through 0300069000)                                 |     |
| 39   | 4460425     | 1          | Connector, Strain Relief  |     |
|      | 0258763     | Ref        | <b>SOFT TOUCH COUNTERWEIGHT INSTALLATION (NOT SHOWN) (Prior to SN 0300068374)</b>           | A   |
|      | 4845872     | 1          | Counterweight (Located in Frame)  |     |
|      | 0272444     | Ref        | <b>SOFT TOUCH COUNTERWEIGHT INSTALLATION (NOT SHOWN) (SN 0300068374 through 0300069000)</b> | B   |
|      | 4821397     | 1          | Counterweight (Located in Frame)  |     |



# SECTION 4 - PLATFORM

**FIGURE 4-14. LOAD SENSING SYSTEM INSTALLATION (FRENCH SPEC) (Prior to SN 0300067883)**

**NOTE: These Machine SN's Also Equipped With ADE System: 0300062045, 0300062797, 0300063013, 0300063665, 0300063975, 0300064000-0300064017, 0300064390, 0300064392 & 0300064411.**



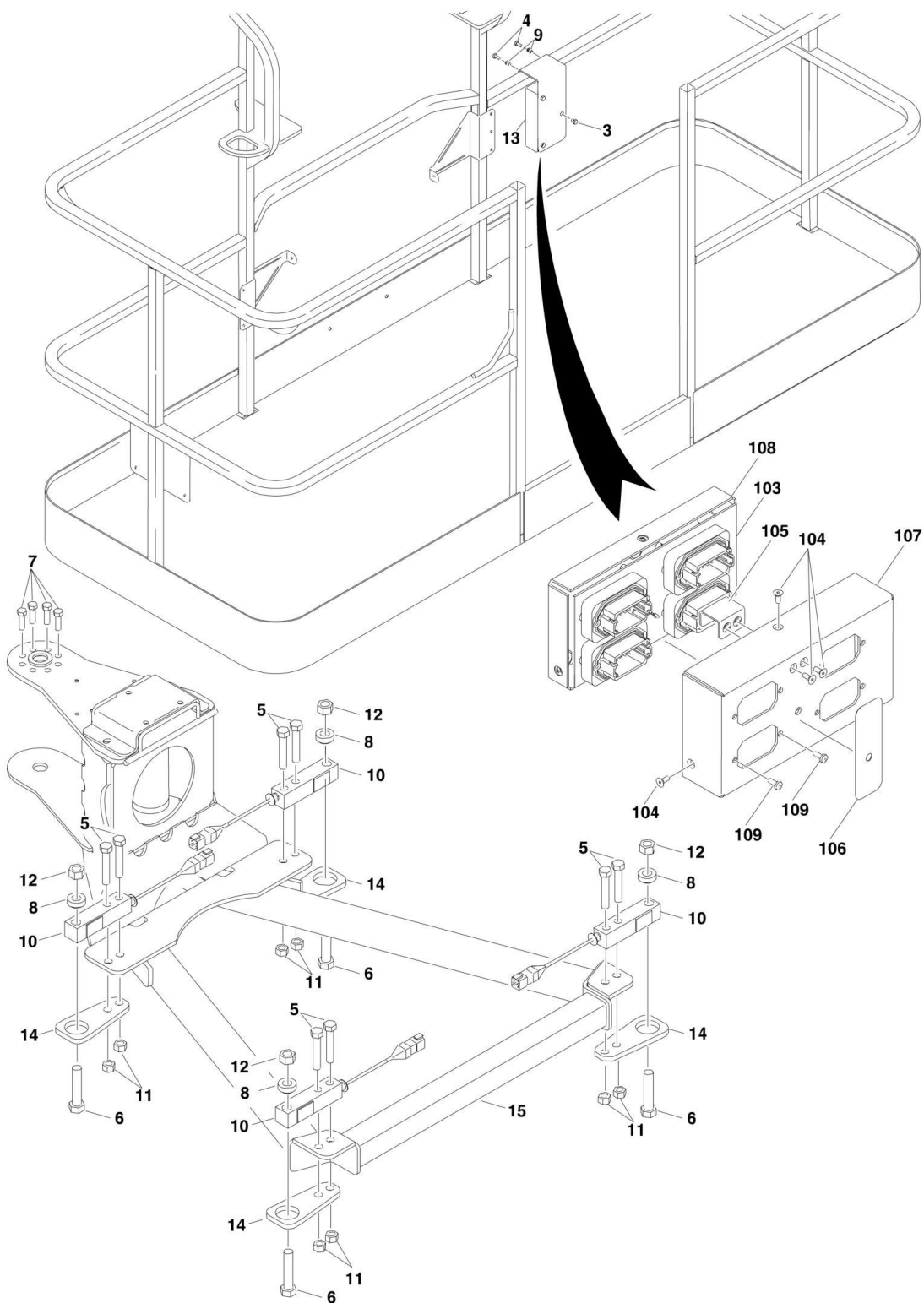
## SECTION 4 - PLATFORM

**FIGURE 4-14. LOAD SENSING SYSTEM INSTALLATION (FRENCH SPEC) (Prior to SN 0300067883)**

| ITEM | PART NUMBER | QTY | DESCRIPTION  | REV |
|------|-------------|-----|--|-----|
|      |             | Ref | <b>NOTE: THESE MACHINE SN'S ALSO EQUIPPED WITH ADE SYSTEM: 0300062045, 0300062797, 0300063013, 0300063665, 0300063975, 0300064000-0300064017, 0300064390, 0300064392 &amp; 0300064411.</b> |     |
|      |             | Ref | <b>PLATFORM LOAD SENSING DEVICE INSTALLATION OPTIONS (FRENCH SPEC):</b>  |     |
|      | 0258767     | Ref | <b>Platform Load Sensing Device Installation 800A (Prior to SN 0300058378)</b>   | D   |
|      | 0258768     | Ref | <b>Platform Load Sensing Device Installation 800AJ (Prior to SN 0300058378)</b>  | D   |
| 1    | 2901557     | 1   | Load Sensing Assembly  |     |
| 1A   | 7020057     | 1   | Display Unit - 12V DC  |     |
| 1B   | 7020058     | 1   | Converter (Junction Box)   |     |
| 1C   | 7020059     | 2   | Load Cell  |     |
| 2    | 3570740     | 2   | Plate, Spacer  |     |
| 3    | 0962180     | 2   | Spacer, Load Cell  |     |
| 4    | 0641818     | 2   | Bolt 1/2in-13NC x 2-1/4in  |     |
| 5    | 3311805     | 2   | Locknut 1/2in-13NC   |     |
| 6    | 4751800     | 2   | Flatwasher 1/2in   |     |
| 7    | 0641616     | 4   | Bolt 3/8in-16NC x 2in  |     |
| 8    | 3311605     | 4   | Locknut 3/8in-16NC   |     |
| 9    | 4751600     | 4   | Flatwasher 3/8in   |     |
| 10   | 0641416     | 3   | Bolt 1/4in-20NC x 2in  |     |
| 11   | 3311405     | 3   | Locknut 1/4in-20NC   |     |
| 12   | 4751400     | 3   | Flatwasher 1/4in   |     |
| 16   | 1703801     | 1   | Decal - Load Sensing Device Lights   |     |
| 17   | 3124025     | 1   | Manual Supplement (Not Shown)  |     |
|      | 0259233     | Ref | <b>PLATFORM LOAD SENSING DEVICE INSTALLATION (FRENCH SPEC) (SN 0300058378 through 0300064431)</b>  | 4-C |
| 101  | 2901811     | 1   | Load Sensing Assembly  |     |
| 101A | 3990109     | 1   | Transducer, Pressure   |     |
| 101B | 7023332     | 1   | Card, Control  |     |
| 101B | 7023331     | 1   | Fuse   |     |
| 101B | 7023333     | 1   | Holder, Fuse   |     |
| 102  | 0701010     | 2   | Bolt 10mm x 20mm   |     |
| 103  | 4812000     | 2   | Flatwasher 10mm  |     |
| 104  | 1670900     | 1   | Cover, Load Cell   |     |
| 105  | 0641407     | 4   | Bolt 1/4in-20NC x 7/8in  |     |
| 106  | 4761400     | 4   | Washer, Spring Lock 1/4in  |     |
| 107  | 3311401     | 4   | Nut 1/4in-20NC   |     |
|      | 0271543     | Ref | <b>PLATFORM LOAD SENSING DEVICE INSTALLATION OPTIONS: (FRENCH SPEC) (WITH ADE SYSTEM) (SN 0300064432 through 0300067883)</b>   | 1-B |
| 201  | 3990109     | 1   | Transducer, Pressure   |     |
| 202  | 0701010     | 2   | Bolt 10mm x 20mm   |     |
| 203  | 4812000     | 2   | Flatwasher 10mm  |     |
| 204  | 1670900     | 1   | Cover, Load Cell   |     |
| 205  | 0641407     | 2   | Bolt 1/4in-20NC x 7/8in  |     |
| 206  | 4761400     | 2   | Washer, Spring Lock 1/4in  |     |
| 207  | 3311401     | 2   | Nut 1/4in-20NC   |     |
| 209  | 4460226     | 4   | Terminal, Socket (Not Shown) (Located in Console Box)  |     |

# SECTION 4 - PLATFORM

FIGURE 4-15. PLATFORM SUPPORT (LOAD SENSING) (SN 0300067883 through 0300069000)





## SECTION 4 - PLATFORM

**FIGURE 4-15. PLATFORM SUPPORT (LOAD SENSING) (SN 0300067883 through 0300069000)**

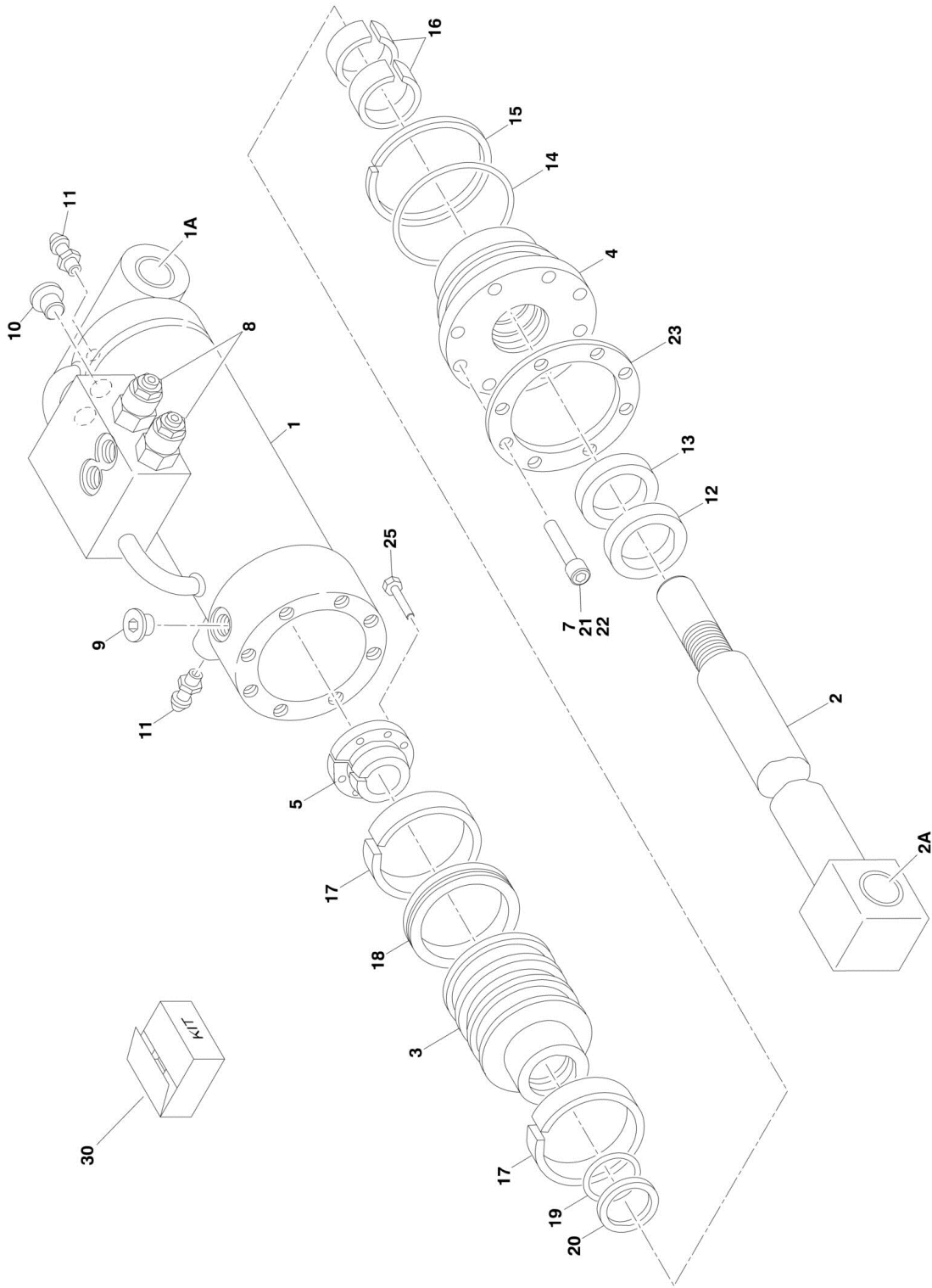
| ITEM | PART NUMBER | QTY | DESCRIPTION   | REV |
|------|-------------|-----|---|-----|
|      | 0272071     | Ref | <b>SUPPORT AND LOAD SENSING SYSTEM INSTALLATION</b>                   | A   |
| 1    | 0100011     | AR  | Compound, Locking (Not Shown)   |     |
| 2    | 0272050     | 1   | Assembly Electronic Interface Module (See Item 101-109 for Breakdown) |     |
| 3    | 0641403     | 3   | Bolt 1/4in-20NC x 3/8in   |     |
| 4    | 0641405     | 2   | Bolt 1/4in-20NC x 5/8in   |     |
| 5    | 0641820     | 8   | Bolt 1/2in-13NC x 2-1/2in   |     |
| 6    | 0642022     | 4   | Bolt 5/8in-11NC x 2-3/4in   |     |
| 7    | 0681610     | 8   | Bolt 3/8in-16NC x 1-1/4in   |     |
| 8    | 0962450     | 4   | Bushing, Spacer   |     |
| 9    | 2080044     | 2   | Fastener, Rivnut 1/4in-20NC   |     |
| 10   | 2420200     | 4   | Load Cell   |     |
| 11   | 3311805     | 8   | Locknut 1/2in-13NC  |     |
| 12   | 3312005     | 4   | Locknut 5/8in-11NC  |     |
| 13   | 3573515     | 1   | Plate, Mounting Bracket   |     |
| 14   | 3573516     | 4   | Plate, Gage Protector   |     |
| 15   | 4846573     | 1   | Weldment, Long Support  |     |
|      | 0272050     | Ref | <b>ASSEMBLY ELECTRONIC INTERFACE MODULE</b>                           | A   |
| 101  | 0100011     | AR  | Compound, Locking (Not Shown)   |     |
| 102  | 0100083     | AR  | Grease, Heat Transfer (Not Shown)                                     |     |
| 103  | 0610155     | 1   | P/C Board Electronic Interface Module                                 |     |
| 104  | 0740603     | 5   | Screw #6-32NC x 3/8in   |     |
| 105  | 0902810     | 1   | Bracket, Heat Sink  |     |
| 106  | 1705165     | 1   | Decal - Status EIM  |     |
| 107  | 3573447     | 1   | Plate, Cover EIM  |     |
| 108  | 3573448     | 1   | Plate, Base EIM   |     |
| 109  | 3900320     | 8   | Screw   |     |



**SECTION 5 - CYLINDER**

# SECTION 5 - CYLINDER

## FIGURE 5-1. AXLE LOCKOUT CYLINDER ASSEMBLY



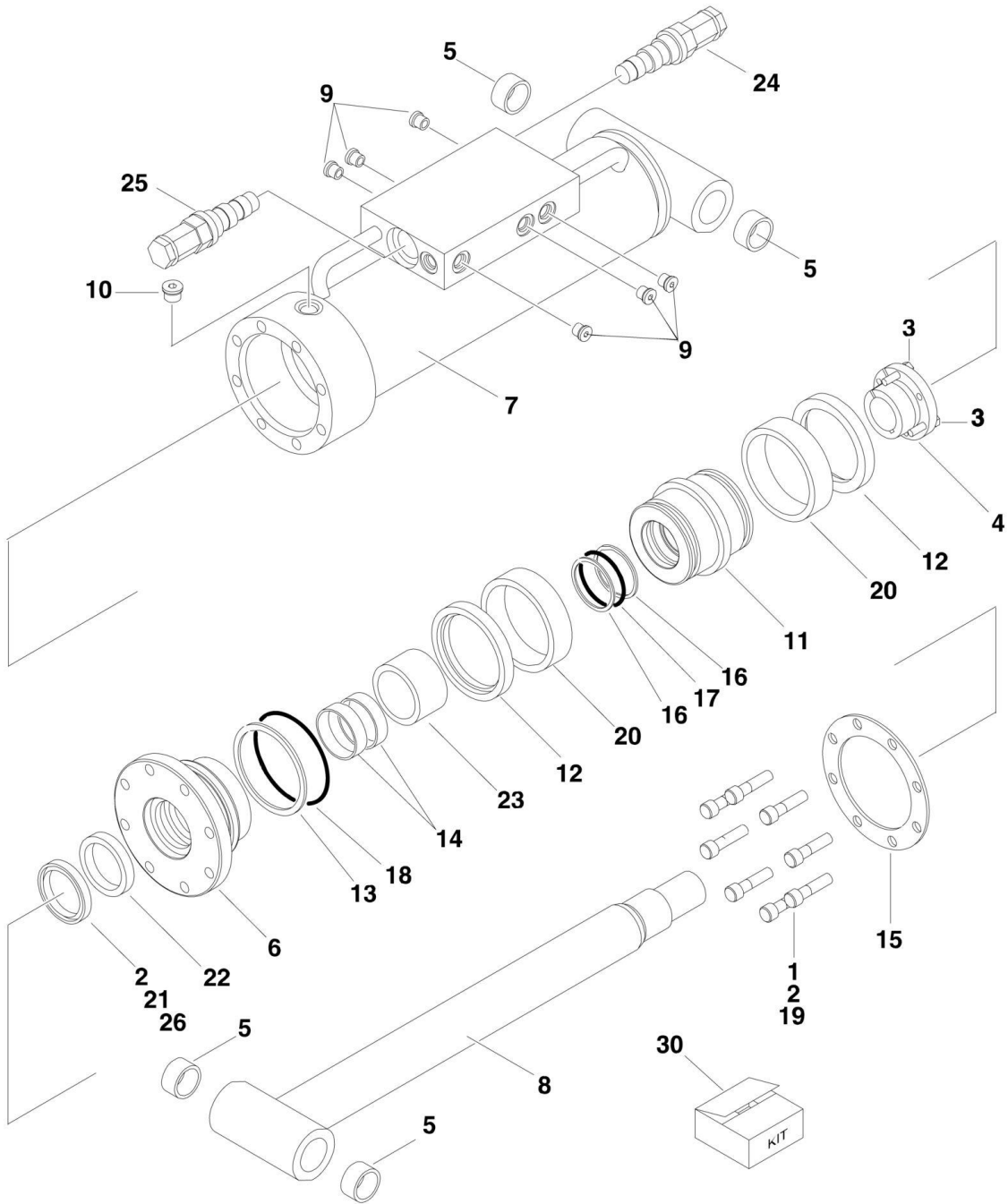
## SECTION 5 - CYLINDER

### FIGURE 5-1. AXLE LOCKOUT CYLINDER ASSEMBLY

| ITEM | PART NUMBER | QTY | DESCRIPTION  | REV |
|------|-------------|-----|--|-----|
|      | 1683078     | Ref | <b>AXLE LOCKOUT CYLINDER ASSEMBLY</b>                      | G   |
| 1    |             | Ref | Barrel Weldment Options: (Note: Includes Item 1A)          |     |
| 1    | 1683079     | 1   | Barrel Weldment <b>(Prior to SN 0300056912)</b>            |     |
| 1    | 1683987     | 1   | Barrel Weldment <b>(SN 0300056912 through 0300065394)</b>  |     |
| 1    | 1684191     | 1   | Barrel Weldment <b>(SN 0300065395 through 0300069000)</b>  |     |
| 1A   | 0961816     | 2   | Bushing  |     |
| 2    |             | Ref | Rod Weldment Options: (Note: Includes Item 2A)             |     |
| 2    | 1683081     | 1   | Rod Weldment <b>(Prior to SN 0300056912)</b>               |     |
| 2    | 1683986     | 1   | Rod Weldment <b>(SN 0300056912 through 0300069000)</b>     |     |
| 2A   | 0961816     | 2   | Bushing  |     |
| 3    | 3480176     | 1   | Piston   |     |
| 4    | 1683059     | 1   | Head   |     |
| 5    | 0961895     | 1   | Bushing  |     |
| 7    | 3931720     | 8   | Bolt, Socket Head 7/16in-14NC x 1-1/4in                    |     |
| 8    |             | Ref | Cartridge, Valve Options (Counterbalance):                 |     |
| 8    | 4640525     | 2   | Cartridge, Valve <b>(Prior to SN 0300056912)</b>           |     |
| 8    | 2900770     | 2   | Seal Kit - 4640525 Valve (1 Per Assembly)                  |     |
| 8    | 4641162     | 2   | Cartridge, Valve <b>(SN 0300056912 through 0300069000)</b> |     |
| 8    | 2900770     | 2   | Seal Kit - 4641162 Valve (1 Per Assembly)                  |     |
| 9    | 2220886     | 1   | Plug, O-Ring   |     |
| 10   | 2220885     | 2   | Plug, O-Ring   |     |
| 11   | 4640858     | 3   | Valve, Bleeder   |     |
| 12   | See Note    | NSS | Wiper (Note: Use Item 30)                                  |     |
| 13   | See Note    | NSS | Seal, Rod (Note: Use Item 30)                              |     |
| 14   | See Note    | NSS | O-Ring (Note: Use Item 30)                                 |     |
| 15   | See Note    | NSS | Ring, Back-up (Note: Use Item 30)                          |     |
| 16   | See Note    | NSS | Ring, Wear (Note: Use Item 30)                             |     |
| 17   | See Note    | NSS | Ring, Wear (Note: Use Item 30)                             |     |
| 18   | See Note    | NSS | T-Seal (Note: Use Item 30)                                 |     |
| 19   | See Note    | NSS | O-Ring (Note: Use Item 30)                                 |     |
| 20   | See Note    | NSS | Ring, Back-up (Note: Use Item 30)                          |     |
| 21   | 0100011     | AR  | Compound, Locking  |     |
| 22   | 0100038     | AR  | Primer, Locking  |     |
| 23   | 3760370     | 1   | Ring, Washer   |     |
| 25   | 0630535     | 3   | Bolt 1/4in-20NC x 1-1/8in                                  |     |
| 30   | 2901271     | 1   | Seal Kit (Includes Items 12-20)                            |     |

# SECTION 5 - CYLINDER

## FIGURE 5-2. LEVEL CYLINDER ASSEMBLY - PLATFORM SLAVE



## SECTION 5 - CYLINDER

### FIGURE 5-2. LEVEL CYLINDER ASSEMBLY - PLATFORM SLAVE

| ITEM | PART NUMBER | QTY | DESCRIPTION  | REV |
|------|-------------|-----|--|-----|
|      |             | Ref | <b>Note: Original Equipment Cylinder may have been replaced with Service Replacement Cylinder. Identify p/n stamped on cylinder before ordering parts.</b> |     |
|      |             | Ref | <b>LEVEL CYLINDER ASSEMBLY - PLATFORM SLAVE</b>  |     |
|      |             | Ref | <b>Slave Cylinder Assembly 800A</b>  |     |
|      | 1683610     | Ref | <b>Original Equipment</b>  | E   |
|      | 1684408     | Ref | <b>Service Replacement</b>   | C   |
|      |             | Ref | <b>Slave Cylinder Assembly 800AJ</b>   |     |
|      | 1683677     | Ref | <b>Original Equipment</b>  | B   |
|      | 1684228     | Ref | <b>Service Replacement</b>   | C   |
| 1    | 0100011     | AR  | Compound, Locking  |     |
| 2    | 0100038     | AR  | Primer, Locking  |     |
| 3    | 0630535     | 3   | Capscrew, Socket Head 1/4in-20NC x 1in   |     |
| 4    |             | Ref | Bushing, Tapered Options:  |     |
| 4    | 0961902     | 1   | Bushing, Tapered 800A  |     |
| 4    | 0961894     | 1   | Bushing, Tapered 800AJ   |     |
| 5    |             | Ref | Bushing Options:   |     |
| 5    | 0961947     | 4   | Bushing 800A   |     |
| 5    | 0961951     | 4   | Bushing 800AJ  |     |
| 6    |             | Ref | Head Options:  |     |
| 6    | 1683074     | 1   | Head 800A  |     |
| 6    | 1683055     | 1   | Head 800AJ   |     |
| 7    |             | Ref | Barrel Options:  |     |
| 7    | 1683642     | 1   | Used with p/n 1683610  |     |
| 7    | 0370022     | 1   | Used with p/n 1684408  |     |
| 7    | 1683678     | 1   | Used with p/n 1683677  |     |
| 7    | 1684230     | 1   | Used with p/n 1684228  |     |
| 8    |             | Ref | Rod Options:   |     |
| 8    | 1683643     | 1   | Used with p/n 1683610  |     |
| 8    | 3850018     | 1   | Used with p/n 1684408  |     |
| 8    | 1683680     | 1   | Used with p/n 1683677  |     |
| 8    | 1684232     | 1   | Used with p/n 1684228  |     |
| 8    |             | Ref | Rod 800A   |     |
| 8    |             | Ref | Rod 800AJ  |     |
| 9    | 2220883     | 6   | Plug   |     |
| 10   | 2220885     | 1   | Plug   |     |
| 11   |             | Ref | Piston Options:  |     |
| 11   | 3480233     | 1   | Piston 800A  |     |
| 11   | 3480188     | 1   | Piston 800AJ   |     |
| 12   | See Note    | NSS | Ring, Lock (Note: Use Item 30)   |     |
| 13   | See Note    | NSS | Ring, Back-up (Note: Use Item 30)  |     |
| 14   | See Note    | NSS | Ring, Wear (Note: Use Item 30)   |     |
| 15   | 3760369     | 1   | Ring, Washer   |     |
| 16   | See Note    | NSS | Ring, Back-up (Note: Use Item 30)  |     |
| 17   | See Note    | NSS | O-Ring (Note: Use Item 30)   |     |
| 18   | See Note    | NSS | O-Ring (Note: Use Item 30)   |     |
| 19   | 3931620     | 8   | Capscrew 3/8in-16NC x 1-1/4in  |     |
| 20   | See Note    | NSS | Seal (Note: Use Item 30)   |     |
| 21   | See Note    | NSS | Wiper (Note: Use Item 30)  |     |
| 22   | See Note    | NSS | Seal (Note: Use Item 30)   |     |

## SECTION 5 - CYLINDER

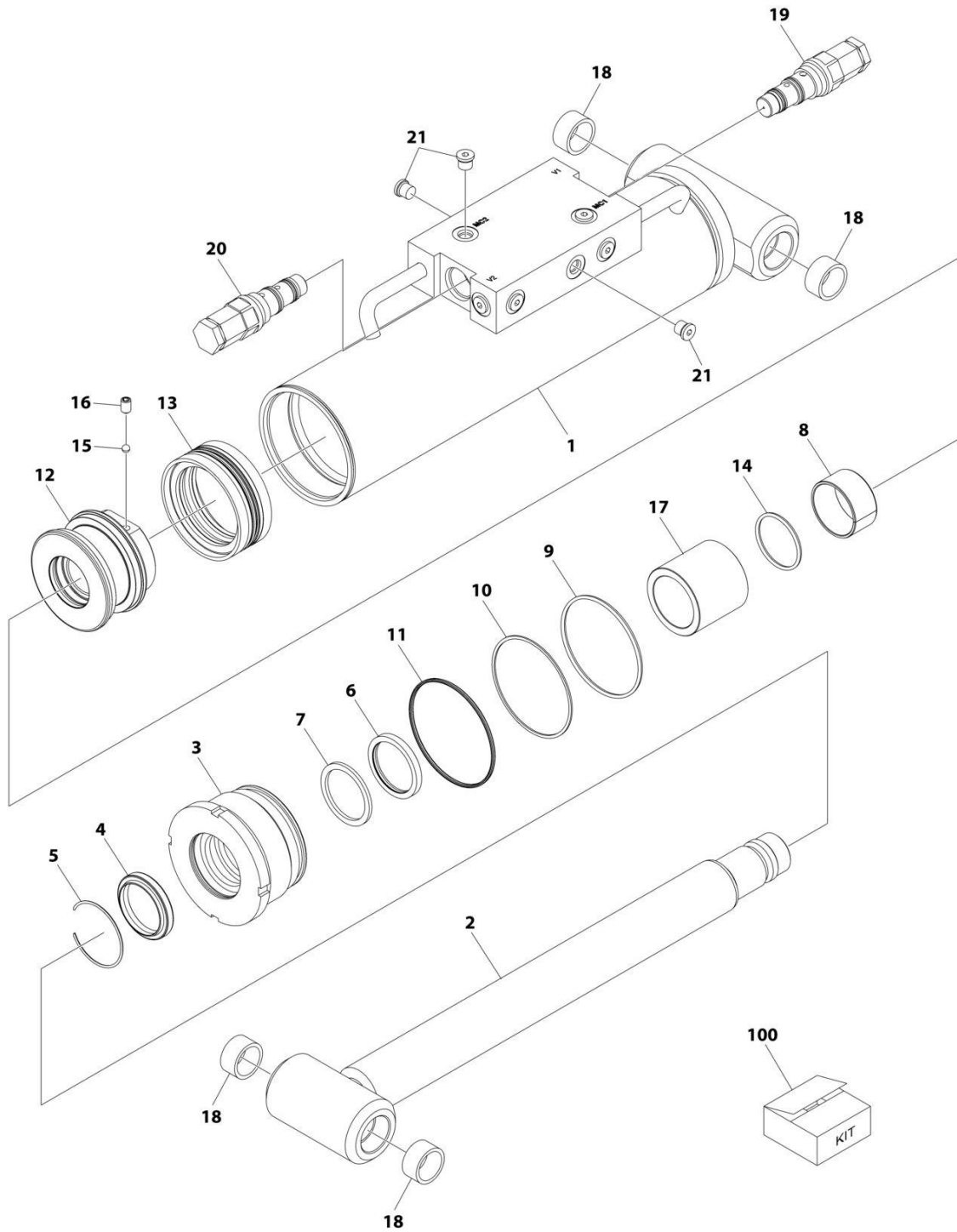
| ITEM | PART NUMBER | QTY | DESCRIPTION  | REV |
|------|-------------|-----|--|-----|
| 23   |             | Ref | Spacer, Tube Options:                                  |     |
| 23   | 4567434     | 1   | Spacer, Tube 800A                                      |     |
| 23   | 4566468     | 1   | Spacer, Tube 800AJ                                     |     |
| 24   | 4640605     | 1   | Valve, Cartridge                                       |     |
| 24   | 2900792     | 1   | Seal Kit - 4640605 Valve                               |     |
| 25   | 4640932     | 1   | Valve, Cartridge                                       |     |
| 25   | 7011112     | 1   | Seal Kit - 4640932 Valve                               |     |
| 26   | 0100063     | AR  | Loctite #RC609   |     |
| 30   |             | Ref | Seal Kit Options (Includes Items 12-14, 16-18 & 20-22) |     |
| 30   | 2901556     | 1   | Seal Kit 800A  |     |
| 30   | 2901301     | 1   | Seal Kit 800AJ   |     |





# SECTION 5 - CYLINDER

## FIGURE 5-3. LEVEL CYLINDER ASSEMBLY - PLATFORM SLAVE (800A ONLY) (SERVICE REPLACEMENT)



ART\_1001228033

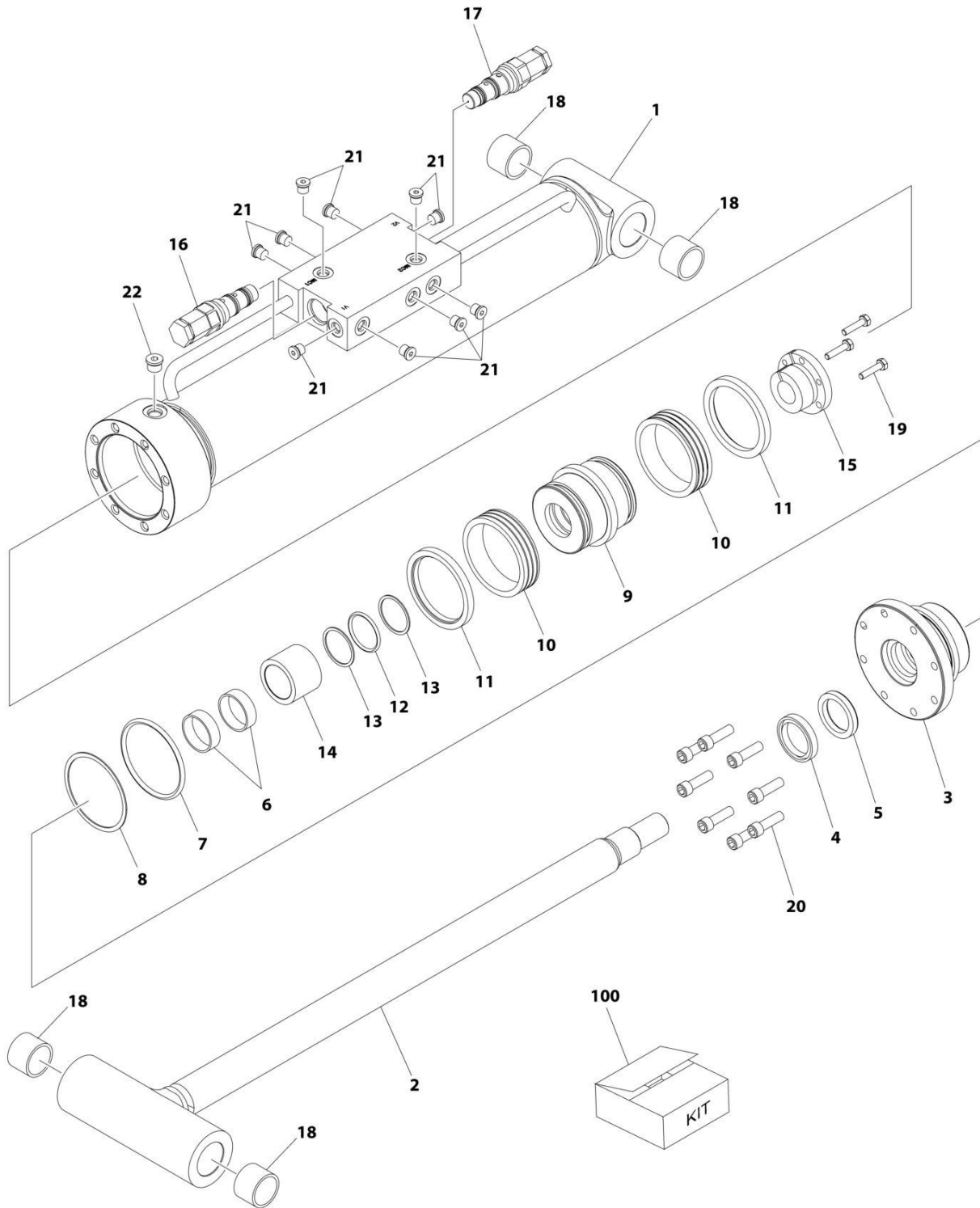
## SECTION 5 - CYLINDER

**FIGURE 5-3. LEVEL CYLINDER ASSEMBLY - PLATFORM SLAVE (800A ONLY) (SERVICE REPLACEMENT)**

| ITEM | PART NUMBER | QTY | DESCRIPTION   | REV |
|------|-------------|-----|---|-----|
|      | 1001228033  | Ref | LEVEL (SLAVE) CYLINDER ASSEMBLY - PLATFORM  | A   |
|      |             | Ref | Note: Original Cylinder may have been replaced with Service Replacement. Identify PN Stamped on Cylinder Before Ordering Parts. |     |
| 1    | See Note    | NSS | Barrel (Note: Not Available for Purchase)   |     |
| 2    | 70006782    | 1   | Rod   |     |
| 3    | 70006783    | 1   | Head  |     |
| 4    | See Note    | NSS | Wiper (Note: Use Item 100)  |     |
| 5    | 70002410    | 1   | Ring, Retaining   |     |
| 6    | See Note    | NSS | Seal, Rod (Note: Use Item 100)  |     |
| 7    | See Note    | NSS | Ring, Back-up (Note: Use Item 100)  |     |
| 8    | 70005793    | 1   | Spacer  |     |
| 9    | See Note    | NSS | O-Ring (Note: Use Item 100)   |     |
| 10   | See Note    | NSS | Ring, Back-up (Note: Use Item 100)  |     |
| 11   | See Note    | NSS | O-Ring (Note: Use Item 100)   |     |
| 12   | 70006590    | 1   | Piston  |     |
| 13   | See Note    | NSS | Seal (Note: Use Item 100)   |     |
| 14   | See Note    | NSS | O-Ring (Note: Use Item 100)   |     |
| 15   | 70022564    | 1   | Ball (Steel)  |     |
| 16   | 70006601    | 1   | Setscrew  |     |
| 17   | 70006784    | 1   | Spacer, Tube  |     |
| 18   | 0961947     | 4   | Bushing   |     |
| 19   | 4640605     | 1   | Valve, Cartridge  |     |
| 19   | 2900792     | 1   | Seal Kit - 4640605 Valve  |     |
| 20   | 4640932     | 1   | Valve, Cartridge  |     |
| 20   | 7011112     | 1   | Seal Kit - 4640932 Valve  |     |
| 21   | 2220883     | 10  | Plug  |     |
| 100  | 2901526     | 1   | Seal Kit (Includes Items 4, 6, 7, 9-11, 13 & 14)  |     |

# SECTION 5 - CYLINDER

## FIGURE 5-4. LEVEL CYLINDER ASSEMBLY - PLATFORM SLAVE (800AJ ONLY) (SERVICE REPLACEMENT)



ART\_1001228030

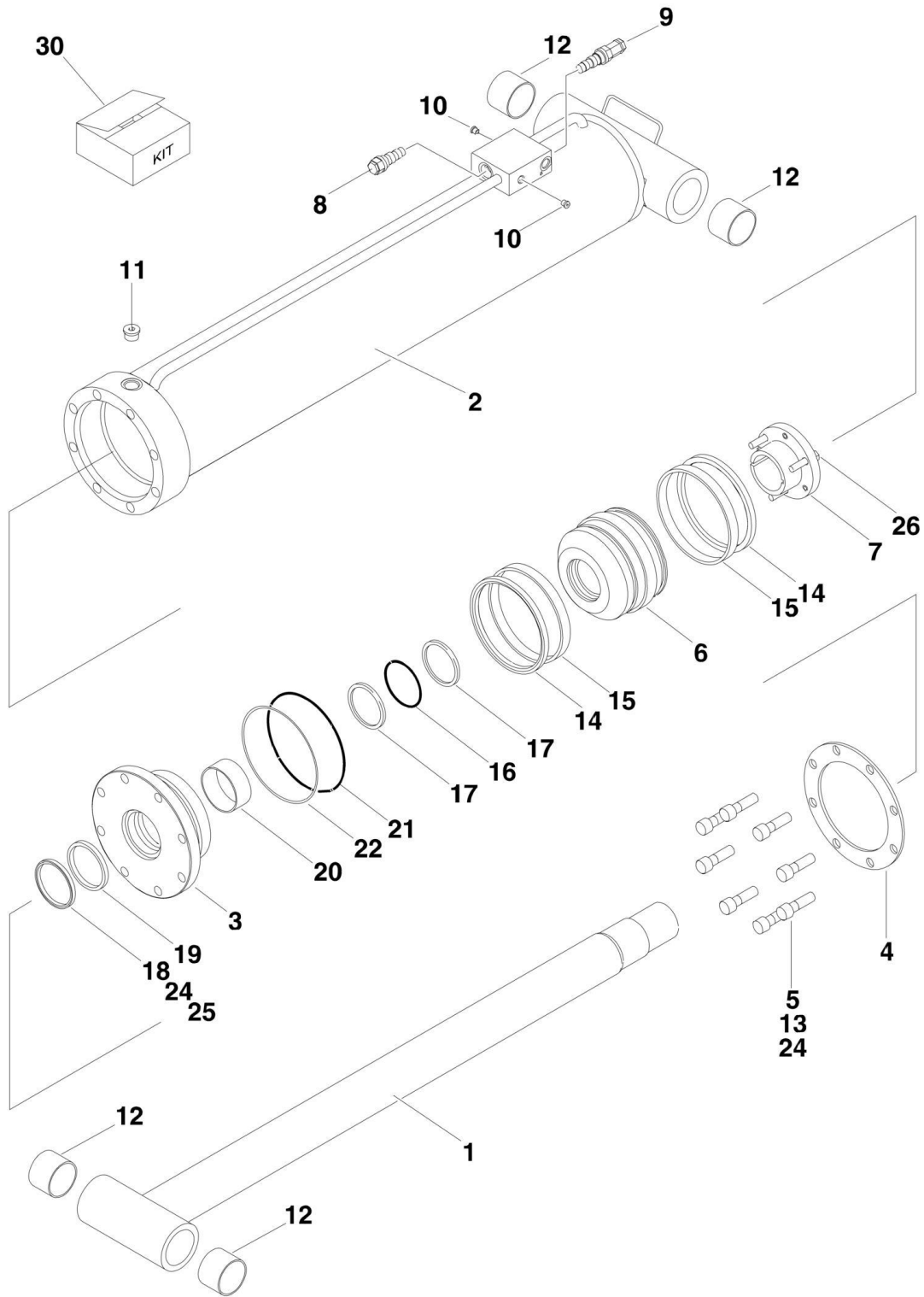
## SECTION 5 - CYLINDER

**FIGURE 5-4. LEVEL CYLINDER ASSEMBLY - PLATFORM SLAVE (800AJ ONLY) (SERVICE REPLACEMENT)**

| ITEM | PART NUMBER | QTY | DESCRIPTION   | REV |
|------|-------------|-----|---|-----|
|      | 1001228030  | Ref | LEVEL (SLAVE) CYLINDER ASSEMBLY   | B   |
|      |             | Ref | Note: Original Cylinder may have been replaced with Service Replacement. Identify PN Stamped on Cylinder Before Ordering Parts. |     |
| 1    | See Note    | NSS | Barrel (Note: Not Available for Purchase)   |     |
| 2    | 70006642    | 1   | Rod   |     |
| 3    | 70006643    | 1   | Head  |     |
| 4    | See Note    | NSS | Wiper (Note: Use Item 100)  |     |
| 5    | See Note    | NSS | Seal (Note: Use Item 100)   |     |
| 6    | See Note    | NSS | Ring, Wear (Note: Use Item 100)   |     |
| 7    | See Note    | NSS | O-Ring (Note: Use Item 100)   |     |
| 8    | See Note    | NSS | Ring, Back-up (Note: Use Item 100)  |     |
| 9    | 70006644    | 1   | Piston  |     |
| 10   | See Note    | NSS | Seal (Note: Use Item 100)   |     |
| 11   | See Note    | NSS | Ring, Lock (Note: Use Item 100)   |     |
| 12   | See Note    | NSS | O-Ring (Note: Use Item 100)   |     |
| 13   | See Note    | NSS | Ring, Back-up (Note: Use Item 100)  |     |
| 14   | 70006645    | 1   | Spacer, Tube  |     |
| 15   | 0961894     | 1   | Bushing, Tapered  |     |
| 16   | 4640932     | 1   | Valve, Cartridge  |     |
| 16   | 7011112     | 1   | Seal Kit - 4640932 Valve  |     |
| 17   | 4640605     | 1   | Valve, Cartridge  |     |
| 17   | 2900792     | 1   | Seal Kit - 4640605 Valve  |     |
| 18   | 0961951     | 4   | Bushing   |     |
| 19   | 0630535     | 3   | Bolt  |     |
| 20   | 3931620     | 8   | Capscrew 3/8-16 x 1-1/4   |     |
| 21   | 2220883     | 10  | Plug, O-Ring  |     |
| 22   | 2220885     | 1   | Plug, O-Ring  |     |
| 100  | 1001138796  | 1   | Seal Kit (Includes Items 4-8 & 10-13)   |     |

# SECTION 5 - CYLINDER

## FIGURE 5-5. LEVEL CYLINDER ASSEMBLY - UPRIGHT



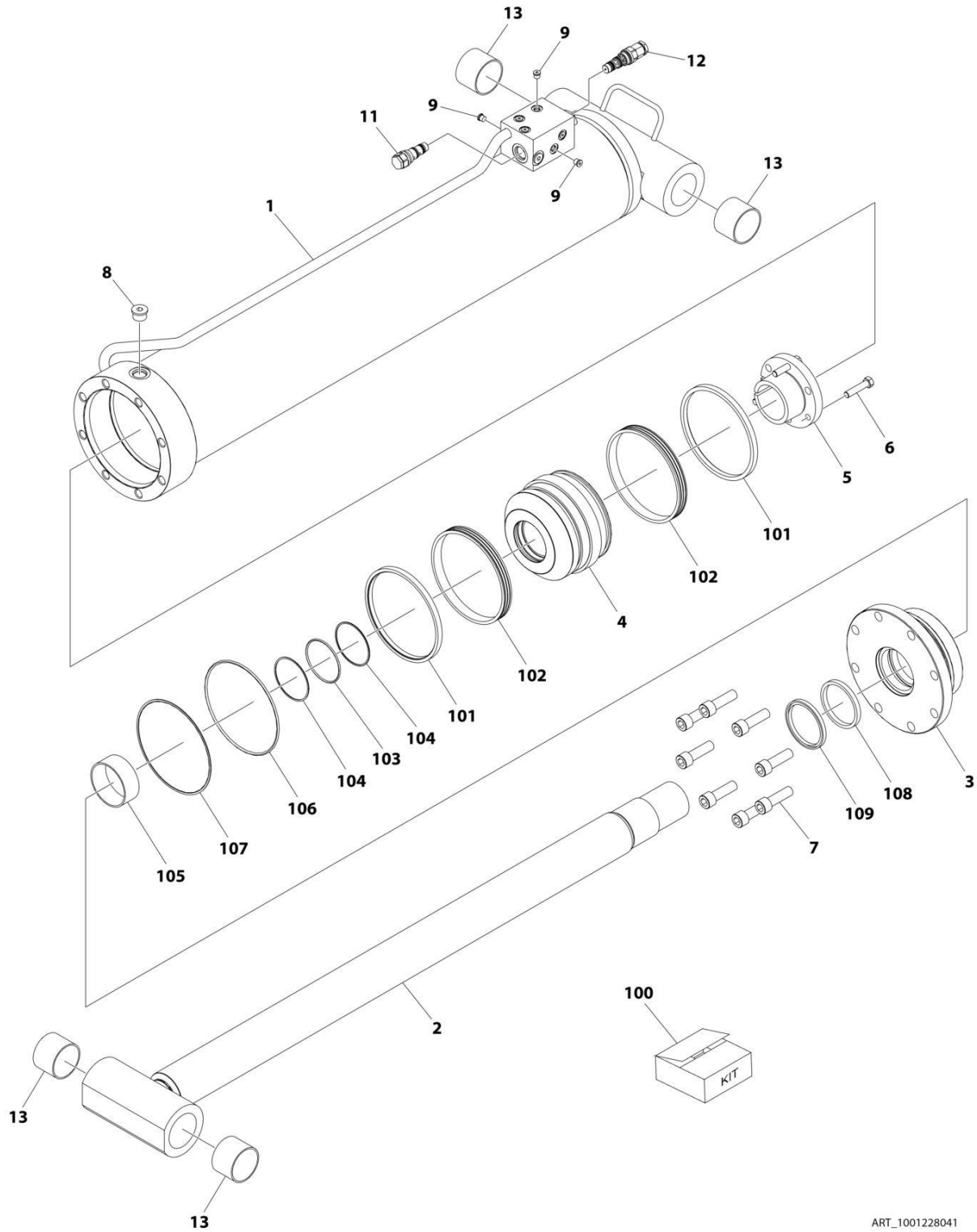
## SECTION 5 - CYLINDER

### FIGURE 5-5. LEVEL CYLINDER ASSEMBLY - UPRIGHT

| ITEM | PART NUMBER | QTY | DESCRIPTION  | REV |
|------|-------------|-----|--|-----|
|      |             | Ref | <b>Note: Original Equipment Cylinder may have been replaced with Service Replacement Cylinder. Identify p/n stamped on cylinder before ordering parts.</b> |     |
|      |             | Ref | <b>LEVEL CYLINDER ASSEMBLY - UPRIGHT</b>   |     |
|      | 1683546     | Ref | <b>Original Equipment</b>  | G   |
|      | 1684497     | Ref | <b>Service Replacement</b>   | C   |
| 1    | 1683544     | 1   | Rod Weldment   |     |
| 2    | 1683545     | NLA | Barrel Weldment (Use p/n 0370034)  |     |
| 2    | 1683819     | NLA | Barrel Weldment (Use p/n 0370034)  |     |
| 3    | 1683071     | 1   | Head   |     |
| 4    | 3760374     | 1   | Ring, Washer   |     |
| 5    | 3932240     | 8   | Bolt, Socket Head 3/4in x 2-1/2in  |     |
| 6    | 3480237     | 1   | Piston   |     |
| 7    | 0961901     | 1   | Bushing, Tapered   |     |
| 8    | 4640509     | 1   | Cartridge, Valve   |     |
| 8    | 2900792     | 1   | Seal Kit - 4640509 Valve   |     |
| 9    | 4640605     | 1   | Cartridge, Valve   |     |
| 9    | 2900792     | 1   | Seal Kit - 4640605 Valve   |     |
| 10   | 2220883     | 2   | Plug, O-Ring   |     |
| 11   | 2220888     | 1   | Plug, O-Ring   |     |
| 12   | 0962102     | 4   | Bushing  |     |
| 14   | See Note    | NSS | Ring, Lock (Note: Use Item 30)   |     |
| 15   | See Note    | NSS | Seal (Note: Use Item 30)   |     |
| 16   | See Note    | NSS | Ring, Washer (Note: Use Item 30)   |     |
| 17   | See Note    | NSS | Ring, Back-up (Note: Use Item 30)  |     |
| 18   | See Note    | NSS | Wiper (Note: Use Item 30)  |     |
| 19   | See Note    | NSS | Seal, Rod (Note: Use Item 30)  |     |
| 20   | See Note    | NSS | Ring, Wear (Note: Use Item 30)   |     |
| 21   | See Note    | NSS | O-Ring (Note: Use Item 30)   |     |
| 22   | See Note    | NSS | Ring, Back-up (Note: Use Item 30)  |     |
| 23   | 0100011     | AR  | Compound, Locking  |     |
| 24   | 0100038     | AR  | Primer, Locking  |     |
| 25   | 0100063     | AR  | Loctite #RC609   |     |
| 26   |             | Ref | Hardware Options:  |     |
| 26   | 0641818     | 3   | Bolt 1/2in-13NC x 2-1/2in <b>(Prior to SN 0300045154)</b>  |     |
| 26   | 0630537     | 3   | Bolt <b>(SN 0300045154 through 0300069000)</b>   |     |
| 30   | 2901526     | 1   | Seal Kit (Includes Items 14-22)  |     |

# SECTION 5 - CYLINDER

## FIGURE 5-6. LEVEL CYLINDER ASSEMBLY - UPRIGHT (SERVICE REPLACEMENT)



ART\_1001228041



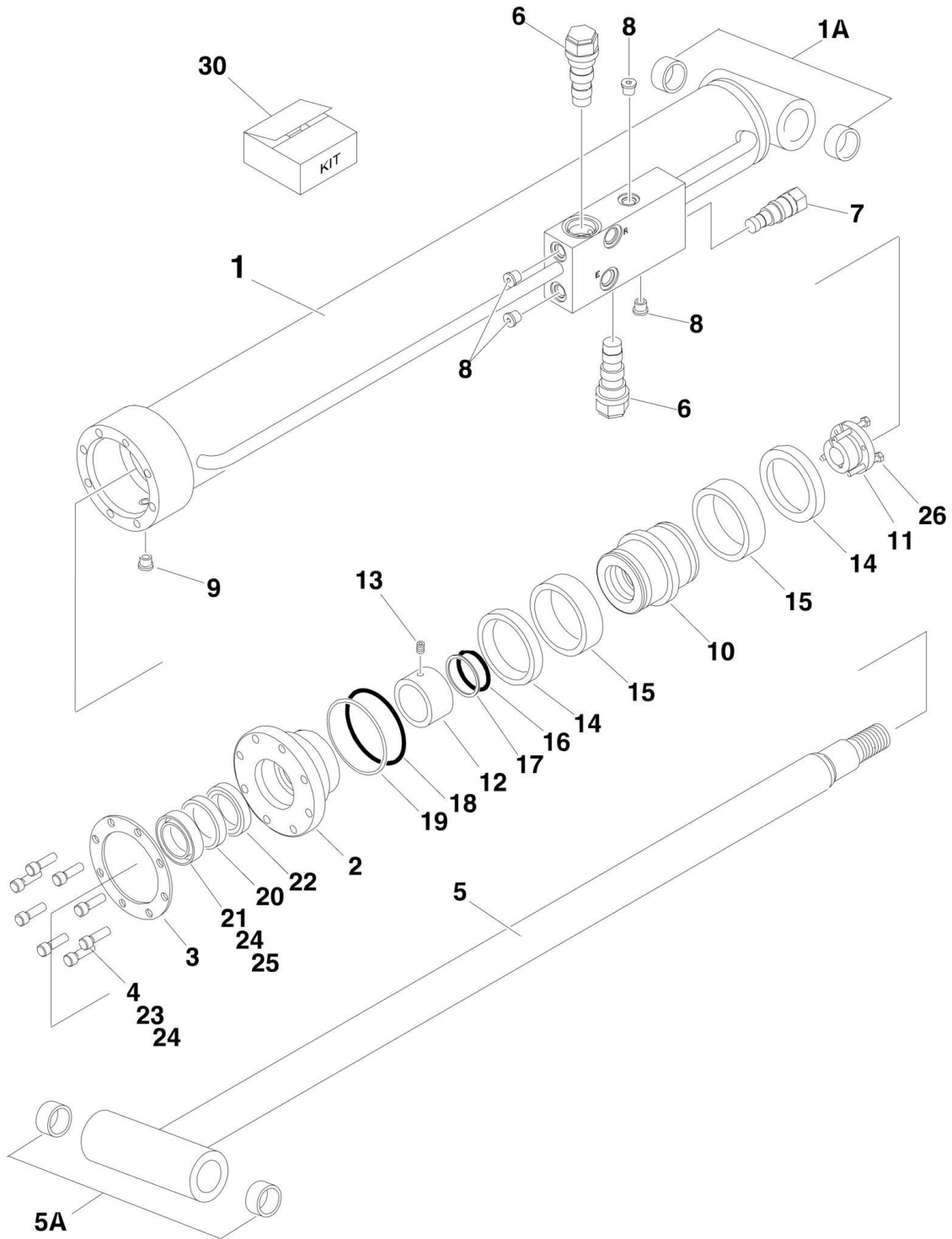
## SECTION 5 - CYLINDER

**FIGURE 5-6. LEVEL CYLINDER ASSEMBLY - UPRIGHT (SERVICE REPLACEMENT)**

| ITEM | PART NUMBER | QTY | DESCRIPTION   | REV |
|------|-------------|-----|---|-----|
|      | 1001228041  | Ref | LEVEL CYLINDER ASSEMBLY   | B   |
|      |             | Ref | Note: Original Cylinder may have been replaced with Service Replacement. Identify PN Stamped on Cylinder Before Ordering Parts. |     |
| 1    | See Note    | NSS | Barrel (Note: Not Available for Purchase)   |     |
| 2    | 70006391    | 1   | Rod   |     |
| 3    | 70006390    | 1   | Head  |     |
| 4    | 70006389    | 1   | Piston  |     |
| 5    | 70006385    | 1   | Bushing, Tapered  |     |
| 6    | 0630537     | 3   | Bolt  |     |
| 7    | 3932240     | 8   | Capscrew 3/4 x 2-1/2  |     |
| 8    | 2220888     | 1   | Plug, O-Ring  |     |
| 9    | 2220883     | 6   | Plug, O-Ring  |     |
| 11   | 4640509     | 1   | Cartridge, Valve  |     |
| 11   | 2900792     | 1   | Seal Kit - 4640509 Valve  |     |
| 12   | 4640605     | 1   | Cartridge, Valve  |     |
| 12   | 2900792     | 1   | Seal Kit - 4640605 Valve  |     |
| 13   | 0962102     | 4   | Bushing   |     |
| 100  | 2901526     | 1   | Seal Kit (Includes Items 101-109)   |     |
| 101  | See Note    | NSS | Ring, Lock (Note: Use Item 100)   |     |
| 102  | See Note    | NSS | Seal (Note: Use Item 100)   |     |
| 103  | See Note    | NSS | Ring, Washer (Note: Use Item 100)   |     |
| 104  | See Note    | NSS | Ring, Back-up (Note: Use Item 100)  |     |
| 105  | See Note    | NSS | Ring, Wear (Note: Use Item 100)   |     |
| 106  | See Note    | NSS | O-Ring (Note: Use Item 100)   |     |
| 107  | See Note    | NSS | Ring, Back-up (Note: Use Item 100)  |     |
| 108  | See Note    | NSS | Seal, Rod (Note: Use Item 100)  |     |
| 109  | See Note    | NSS | Wiper (Note: Use Item 100)  |     |

# SECTION 5 - CYLINDER

FIGURE 5-7. LIFT CYLINDER ASSEMBLY - JIB (800AJ ONLY) (ORIGINAL EQUIPMENT)



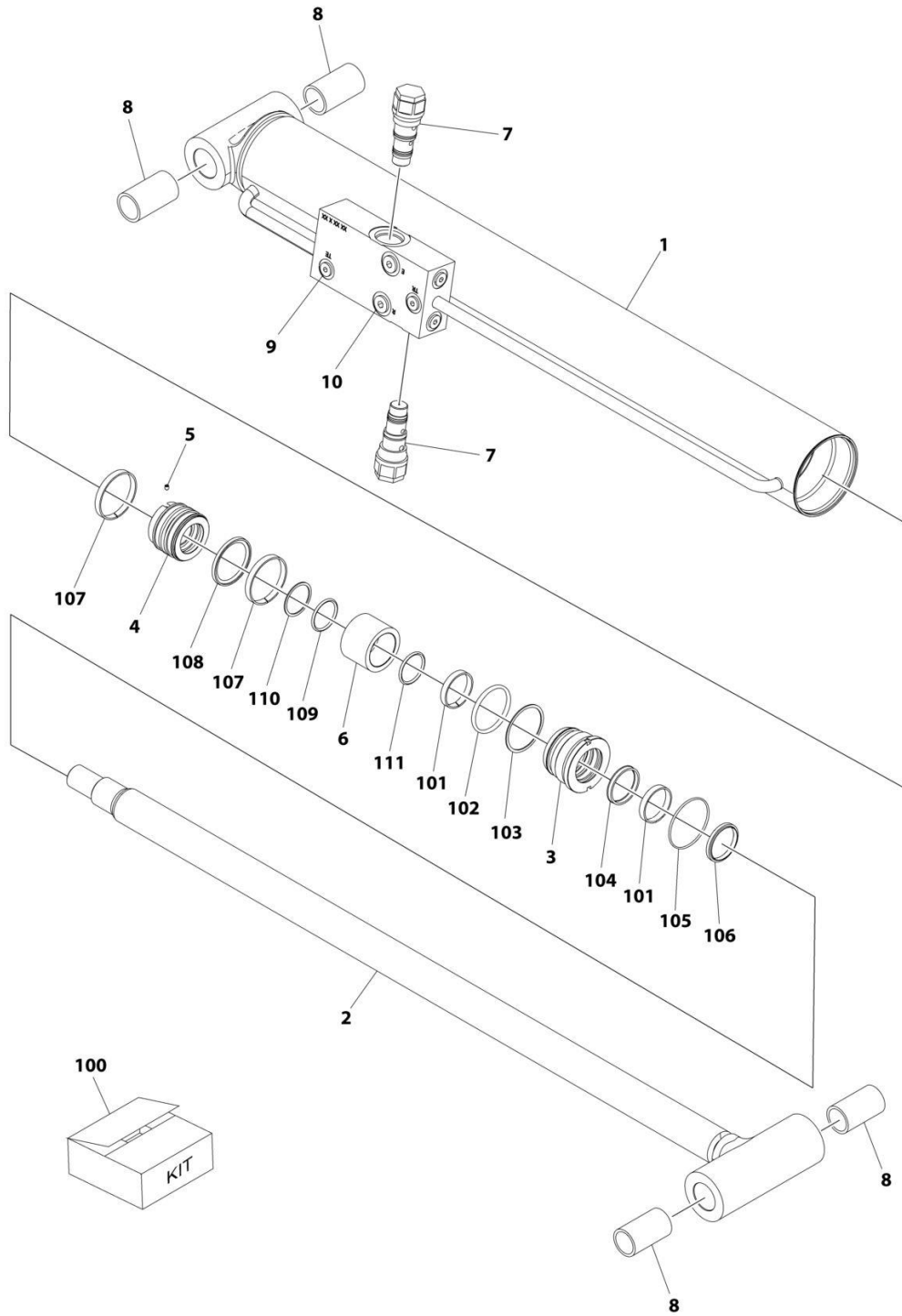
## SECTION 5 - CYLINDER

**FIGURE 5-7. LIFT CYLINDER ASSEMBLY - JIB (800AJ ONLY) (ORIGINAL EQUIPMENT)**

| ITEM | PART NUMBER | QTY | DESCRIPTION   | REV |
|------|-------------|-----|---|-----|
|      | 1683609     | Ref | <b>LIFT CYLINDER ASSEMBLY - JIB (800AJ ONLY)</b>  | D   |
|      |             | Ref | Note: Original Cylinder may have been replaced with Service Replacement. Identify PN Stamped on Cylinder Before Ordering Parts. |     |
| 1    |             | Ref | Barrel Weldment Options: (Note: Includes Item 1A)   |     |
| 1    | 1683687     | 1   | Barrel Weldment <b>(Prior to SN 0300062045)</b>   |     |
| 1    | 1684089     | 1   | Barrel Weldment <b>(SN 0300062045 through 0300069000)</b>   |     |
| 1A   |             | Ref | Bushing Options:  |     |
| 1A   | 0961947     | 2   | Bushing <b>(Prior to SN 0300054012)</b>   |     |
| 1A   | 0962336     | 2   | Bushing <b>(SN 0300054012 through 0300069000)</b>   |     |
| 2    | 1683053     | 1   | Head  |     |
| 3    | 3760368     | 1   | Washer, Ring  |     |
| 4    | 3931516     | 8   | Bolt, Socket Head 5/16in-18NC x 2in   |     |
| 5    |             | Ref | Rod Weldment Options: (Note: Includes Item 5A)  |     |
| 5    | 1683261     | 1   | Rod Weldment <b>(Prior to SN 0300062045)</b>  |     |
| 5    | 1684090     | 1   | Rod Weldment <b>(SN 0300062045 through 0300069000)</b>  |     |
| 5A   |             | Ref | Bushing Options:  |     |
| 5A   | 0961947     | 2   | Bushing <b>(Prior to SN 0300054012)</b>   |     |
| 5A   | 0962336     | 2   | Bushing <b>(SN 0300054012 through 0300069000)</b>   |     |
| 6    | 4640509     | 2   | Cartridge, Valve (Counterbalance Non-Vented)  |     |
| 6    | 2900792     | 2   | Seal Kit - 4640509 Valve  |     |
| 7    | 4641062     | 1   | Plug, P.O. Check  |     |
| 8    | 2220883     | 4   | Plug, O-Ring  |     |
| 9    | 2220885     | 1   | Plug, O-Ring  |     |
| 10   | 3480210     | 1   | Piston  |     |
| 11   | 0961893     | 1   | Bushing, Tapered  |     |
| 12   | 4566471     | 1   | Spacer, Tube  |     |
| 13   | 3900141     | 1   | Setscrew 1/4in-20NC x 1/4in   |     |
| 14   | See Note    | NSS | Ring, Lock (Note: Use Item 30)  |     |
| 15   | See Note    | NSS | Seal, Piston (Note: Use Item 30)  |     |
| 16   | See Note    | NSS | O-Ring (Note: Use Item 30)  |     |
| 17   | See Note    | NSS | Ring, Back-up (Note: Use Item 30)   |     |
| 18   | See Note    | NSS | O-Ring (Note: Use Item 30)  |     |
| 19   | See Note    | NSS | Ring, Back-up (Note: Use Item 30)   |     |
| 20   | See Note    | NSS | Seal (Note: Use Item 30)  |     |
| 21   | See Note    | NSS | Wiper (Note: Use Item 30)   |     |
| 22   | See Note    | NSS | Ring, Wear (Note: Use Item 30)  |     |
| 23   | 0100011     | 1   | Compound, Locking   |     |
| 24   | 0100038     | AR  | Primer, Locking   |     |
| 25   | 0100063     | AR  | Loctite #RC609  |     |
| 26   | 0630534     | 3   | Capscrew, Socket Head #10-24NC x 1in  |     |
| 30   | 2901303     | 1   | Seal Kit (Includes Items 14-22)   |     |

# SECTION 5 - CYLINDER

FIGURE 5-8. LIFT CYLINDER ASSEMBLY - JIB (800AJ ONLY) (USAGE MAY VARY) (SERVICE REPLACEMENT)



ART\_1001228012

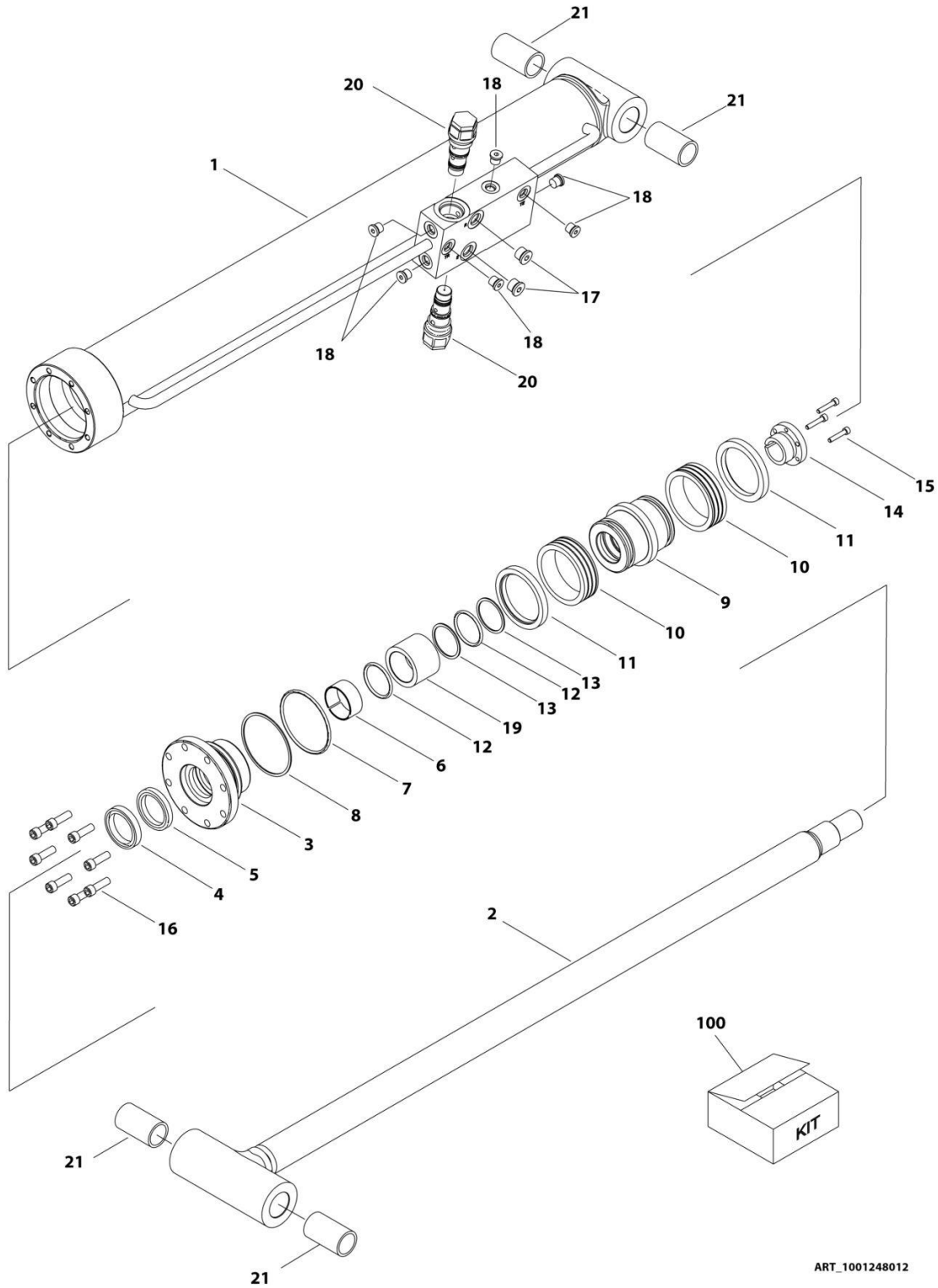
## SECTION 5 - CYLINDER

**FIGURE 5-8. LIFT CYLINDER ASSEMBLY - JIB (800AJ ONLY) (USAGE MAY VARY) (SERVICE REPLACEMENT)**

| ITEM | PART NUMBER | QTY | DESCRIPTION   | REV |
|------|-------------|-----|---|-----|
|      | 1001228012  | Ref | LIFT CYLINDER ASSEMBLY - JIB  | C   |
|      |             | Ref | Note: Original Cylinder May Have Been Replaced with Service Replacement. Identify PN Stamped on Cylinder Before Ordering Parts. |     |
| 1    | See Note    | NSS | Barrel (Note: Not Available for Purchase)   |     |
| 2    | 70006572    | 1   | Rod   |     |
| 3    | 70006571    | 1   | Head  |     |
| 4    | 70006570    | 1   | Piston  |     |
| 5    | 70023915    | 1   | Screw   |     |
| 6    | 70006569    | 1   | Spacer  |     |
| 7    | 4640509     | 2   | Cartridge, Valve  |     |
| 7    | 2900792     | 2   | Seal Kit - 4640509 Valve  |     |
| 8    | 0962336     | 4   | Bushing   |     |
| 9    | 2220883     | 6   | Plug, O-Ring  |     |
| 10   | 2220885     | 2   | Plug, O-Ring  |     |
| 100  | 70006568    | 1   | Seal Kit (Includes Items 101-111)   |     |
| 101  | See Note    | NSS | Ring, Wear (Note: Use Item 100)   |     |
| 102  | See Note    | NSS | O-Ring (Note: Use Item 100)   |     |
| 103  | See Note    | NSS | Ring, Back-up (Note: Use Item 100)  |     |
| 104  | See Note    | NSS | Seal, Rod (Note: Use Item 100)  |     |
| 105  | See Note    | NSS | O-Ring (Note: Use Item 100)   |     |
| 106  | See Note    | NSS | Wiper (Note: Use Item 100)  |     |
| 107  | See Note    | NSS | Ring, Wear (Note: Use Item 100)   |     |
| 108  | See Note    | NSS | Seal (Note: Use Item 100)   |     |
| 109  | See Note    | NSS | O-Ring (Note: Use Item 100)   |     |
| 110  | See Note    | NSS | Ring, Back-up (Note: Use Item 100)  |     |
| 111  | See Note    | NSS | O-Ring (Note: Use Item 100)   |     |

# SECTION 5 - CYLINDER

FIGURE 5-9. LIFT CYLINDER ASSEMBLY - JIB (800AJ ONLY) (USAGE MAY VARY) (SERVICE REPLACEMENT)



ART\_1001248012

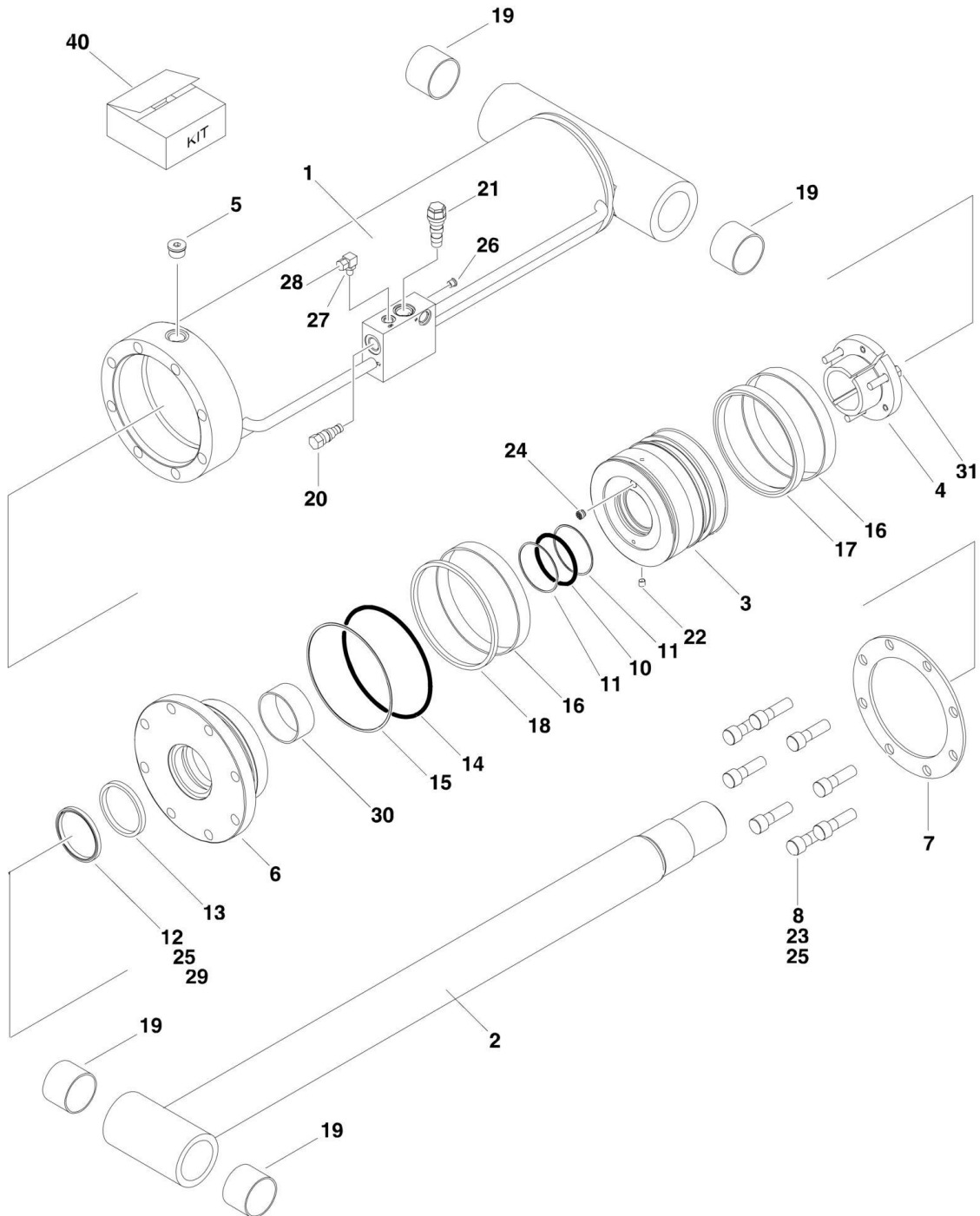
## SECTION 5 - CYLINDER

**FIGURE 5-9. LIFT CYLINDER ASSEMBLY - JIB (800AJ ONLY) (USAGE MAY VARY) (SERVICE REPLACEMENT)**

| ITEM | PART NUMBER | QTY | DESCRIPTION   | REV |
|------|-------------|-----|---|-----|
|      | 1001248012  | Ref | LIFT CYLINDER ASSEMBLY - JIB  | A   |
|      |             | Ref | Note: Original Cylinder May Have Been Replaced with Service Replacement. Identify PN Stamped on Cylinder Before Ordering Parts. |     |
| 1    | See Note    | NSS | Barrel (Note: Not Available for Purchase)   |     |
| 2    | 70006734    | 1   | Rod   |     |
| 3    | 70006649    | 1   | Head  |     |
| 4    | See Note    | NSS | Wiper (Note: Use Item 100)  |     |
| 5    | See Note    | NSS | Seal, Rod (Note: Use Item 100)  |     |
| 6    | See Note    | NSS | Ring, Wear (Note: Use Item 100)   |     |
| 7    | See Note    | NSS | O-Ring (Note: Use Item 100)   |     |
| 8    | See Note    | NSS | Ring, Back-up (Note: Use Item 100)  |     |
| 9    | 70006650    | 1   | Piston  |     |
| 10   | See Note    | NSS | Seal (Note: Use Item 100)   |     |
| 11   | See Note    | NSS | Ring, Lock (Note: Use Item 100)   |     |
| 12   | See Note    | NSS | O-Ring (Note: Use Item 100)   |     |
| 13   | See Note    | NSS | Ring, Back-up (Note: Use Item 100)  |     |
| 14   | 0961893     | 1   | Bushing, Tapered  |     |
| 15   | 0630534     | 3   | Capscrew, Socket Head #10 x 1   |     |
| 16   | 70006735    | 8   | Capscrew 5/16   |     |
| 17   | 2220885     | 2   | Plug, O-Ring  |     |
| 18   | 2220883     | 6   | Plug, O-Ring  |     |
| 19   | 70006736    | 1   | Spacer  |     |
| 20   | 4640509     | 2   | Cartridge, Valve  |     |
| 20   | 2900792     | 2   | Seal Kit - 4640509 Valve  |     |
| 21   | 0962336     | 4   | Bushing   |     |
| 100  | 1001138795  | 1   | Seal Kit (Includes Items 4-8 & 10-13)   |     |

# SECTION 5 - CYLINDER

## FIGURE 5-10. LIFT CYLINDER ASSEMBLY - MAIN BOOM (ORIGINAL EQUIPMENT)





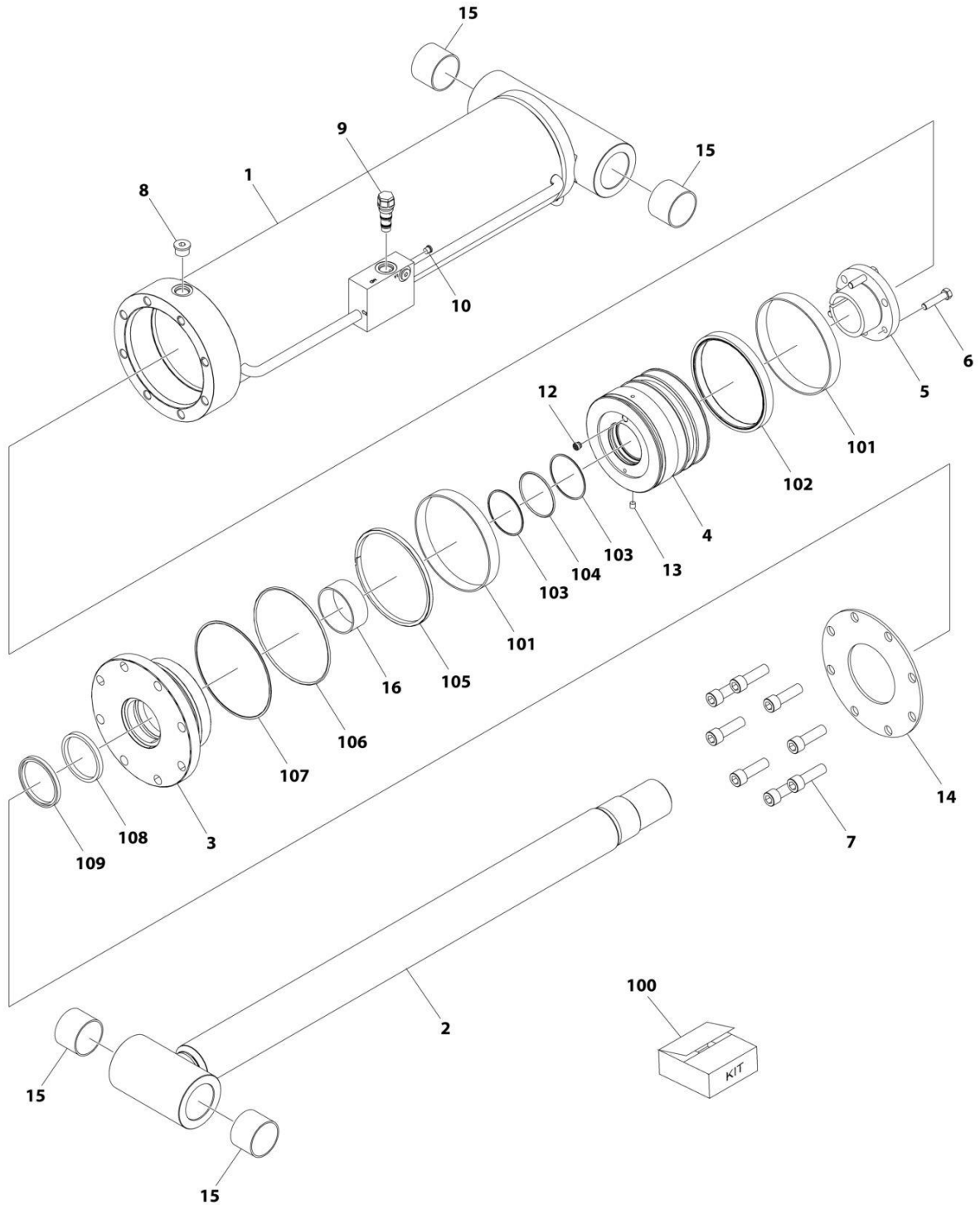
## SECTION 5 - CYLINDER

**FIGURE 5-10. LIFT CYLINDER ASSEMBLY - MAIN BOOM (ORIGINAL EQUIPMENT)**

| ITEM | PART NUMBER | QTY | DESCRIPTION   | REV |
|------|-------------|-----|---|-----|
|      | 1683547     | Ref | <b>LIFT CYLINDER ASSEMBLY - MAIN BOOM</b>   | I   |
|      |             | Ref | Note: Original Cylinder may have been replaced with Service Replacement. Identify PN Stamped on Cylinder Before Ordering Parts. |     |
| 1    |             | Ref | Barrel Weldment Options:  |     |
| 1    | 1683548     | NLA | Barrel Weldment (Use p/n 1683821) <b>(Prior to SN 0300045154)</b>   |     |
| 1    | 1683821     | 1   | Barrel Weldment <b>(SN 0300045154 through 0300069000)</b>   |     |
| 2    | 1683549     | 1   | Rod Weldment  |     |
| 3    | 3480238     | 1   | Piston  |     |
| 4    | 0961901     | 1   | Bushing, Tapered  |     |
| 5    | 2220888     | 1   | Plug, O-Ring  |     |
| 6    | 1683071     | 1   | Head  |     |
| 7    | 3760374     | 1   | Washer, Ring  |     |
| 8    | 3932240     | 8   | Bolt, Socket Head 3/4in x 2-1/2in   |     |
| 10   | See Note    | NSS | O-Ring (Note: Use Item 40)  |     |
| 11   | See Note    | NSS | Ring, Back-up (Note: Use Item 40)   |     |
| 12   | See Note    | NSS | Wiper (Note: Use Item 40)   |     |
| 13   | See Note    | NSS | Seal, Rod (Note: Use Item 40)   |     |
| 14   | See Note    | NSS | O-Ring (Note: Use Item 40)  |     |
| 15   | See Note    | NSS | Ring, Back-up (Note: Use Item 40)   |     |
| 16   | See Note    | NSS | Ring, Wear (Note: Use Item 40)  |     |
| 17   | See Note    | NSS | T-Seal (Note: Use Item 40)  |     |
| 18   | See Note    | NSS | Seal (Note: Use Item 40)  |     |
| 19   | 0962102     | 4   | Bushing   |     |
| 20   | 4641062     | 1   | Cartridge, Cavity Plug  |     |
| 21   | 4640509     | 1   | Cartridge, Valve  |     |
| 21   | 2900792     | 1   | Seal Kit - 4640509 Valve  |     |
| 22   | 2180615     | 1   | Orifice   |     |
| 23   | 0100011     | AR  | Compound, Locking   |     |
| 24   | 4641027     | 1   | Plug, Check Valve   |     |
| 25   | 0100038     | AR  | Primer, Locking   |     |
| 26   | 2220883     | 1   | Plug  |     |
| 27   | 2220775     | 1   | Fitting   |     |
| 28   | 2220516     | 1   | Fitting   |     |
| 29   | 0100063     | AR  | Loctite #RC609  |     |
| 30   | See Note    | NSS | Ring, Wear (Note: Use Item 40)  |     |
| 31   |             | Ref | Hardware Options:   |     |
| 31   | 0641818     | 3   | Bolt 1/2in-13NC x 2-1/2in <b>(Prior to SN 0300045154)</b>   |     |
| 31   | 0630537     | 3   | Bolt <b>(SN 0300045154 through 0300069000)</b>  |     |
| 40   | 2901514     | 1   | Seal Kit (Includes Items 10-18 & 30)  |     |

# SECTION 5 - CYLINDER

## FIGURE 5-11. LIFT CYLINDER ASSEMBLY - MAIN BOOM (SERVICE REPLACEMENT)



ART\_1001228010

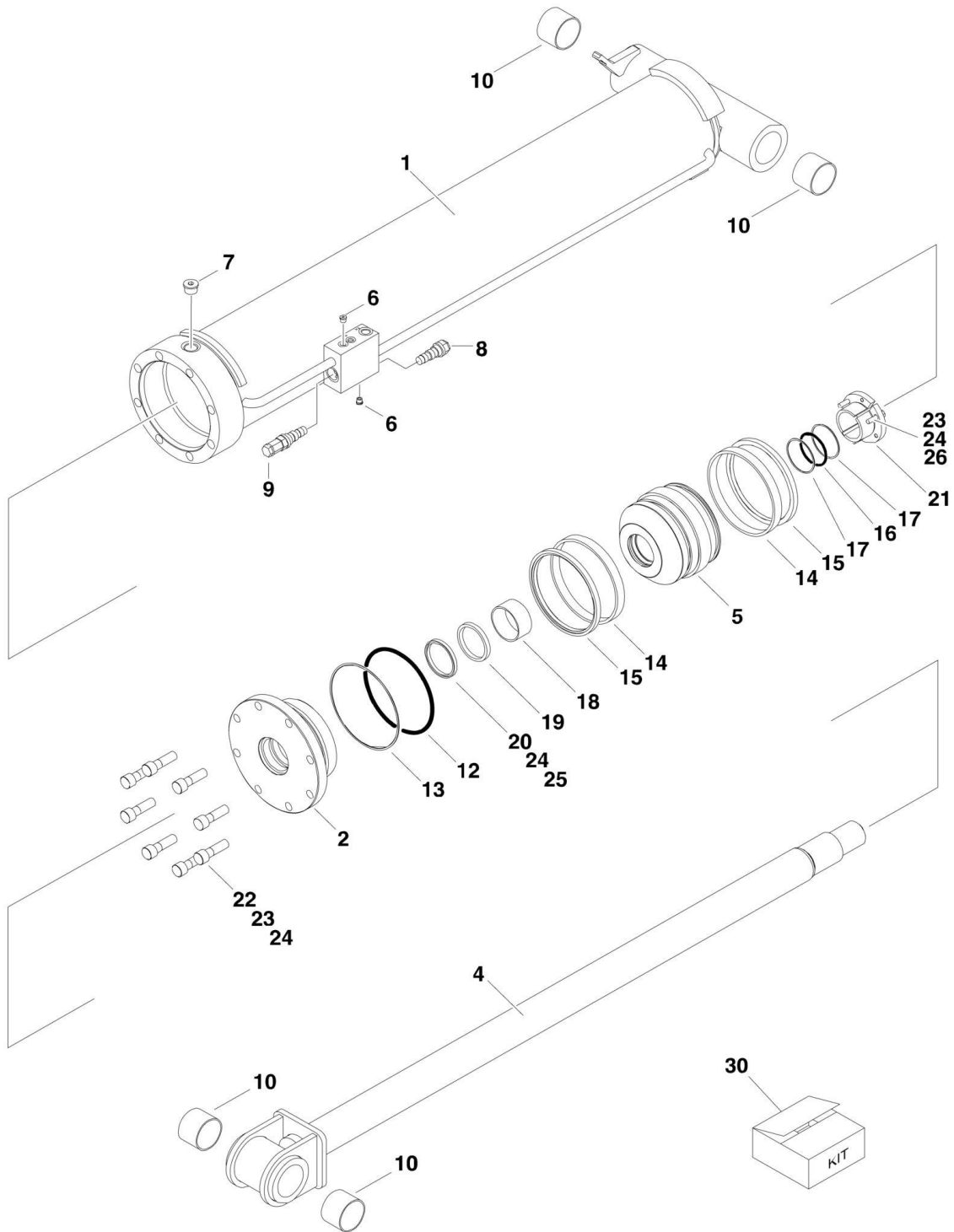
## SECTION 5 - CYLINDER

**FIGURE 5-11. LIFT CYLINDER ASSEMBLY - MAIN BOOM (SERVICE REPLACEMENT)**

| ITEM | PART NUMBER | QTY | DESCRIPTION   | REV |
|------|-------------|-----|---|-----|
|      | 1001228010  | Ref | LIFT CYLINDER ASSEMBLY  | B   |
|      |             | Ref | Note: Original Cylinder may have been replaced with Service Replacement. Identify PN Stamped on Cylinder Before Ordering Parts. |     |
| 1    | See Note    | NSS | Barrel (Note: Not Available for Purchase)   |     |
| 2    | 70006388    | 1   | Rod   |     |
| 3    | 70006387    | 1   | Head  |     |
| 4    | 70006386    | 1   | Piston  |     |
| 5    | 70006385    | 1   | Bushing, Tapered  |     |
| 6    | 0630537     | 3   | Bolt  |     |
| 7    | 3932240     | 8   | Capscrew 3/4 x 2-1/2  |     |
| 7    | See Note    | AR  | Compound, Locking (Note: Use Loctite 263)   |     |
| 8    | 2220888     | 1   | Plug  |     |
| 9    | 4640509     | 1   | Cartridge, Valve  |     |
| 9    | 2900792     | 1   | Seal Kit - 4640509 Valve  |     |
| 10   | 2220883     | 1   | Plug  |     |
| 12   | 4641027     | 1   | Plug, Check Valve   |     |
| 13   | 2180615     | 1   | Orifice   |     |
| 14   | 70006384    | 1   | Washer, Ring  |     |
| 15   | 0962102     | 4   | Bushing   |     |
| 16   | See Note    | NSS | Ring, Wear (Note: Use Item 100)   |     |
| 100  | 2901514     | 1   | Seal Kit (Includes Items 16 and 101-109)  |     |
| 101  | See Note    | NSS | Ring, Wear (Note: Use Item 100)   |     |
| 102  | See Note    | NSS | T-Seal (Note: Use Item 100)   |     |
| 103  | See Note    | NSS | Ring, Back-up (Note: Use Item 100)  |     |
| 104  | See Note    | NSS | O-Ring (Note: Use Item 100)   |     |
| 105  | See Note    | NSS | Seal (Note: Use Item 100)   |     |
| 106  | See Note    | NSS | O-Ring (Note: Use Item 100)   |     |
| 107  | See Note    | NSS | Ring Back-up (Note: Use Item 100)   |     |
| 108  | See Note    | NSS | Seal, Rod (Note: Use Item 100)  |     |
| 109  | See Note    | NSS | Wiper (Note: Use Item 100)  |     |

# SECTION 5 - CYLINDER

## FIGURE 5-12. LIFT CYLINDER ASSEMBLY - TOWER BOOM (ORIGINAL EQUIPMENT)



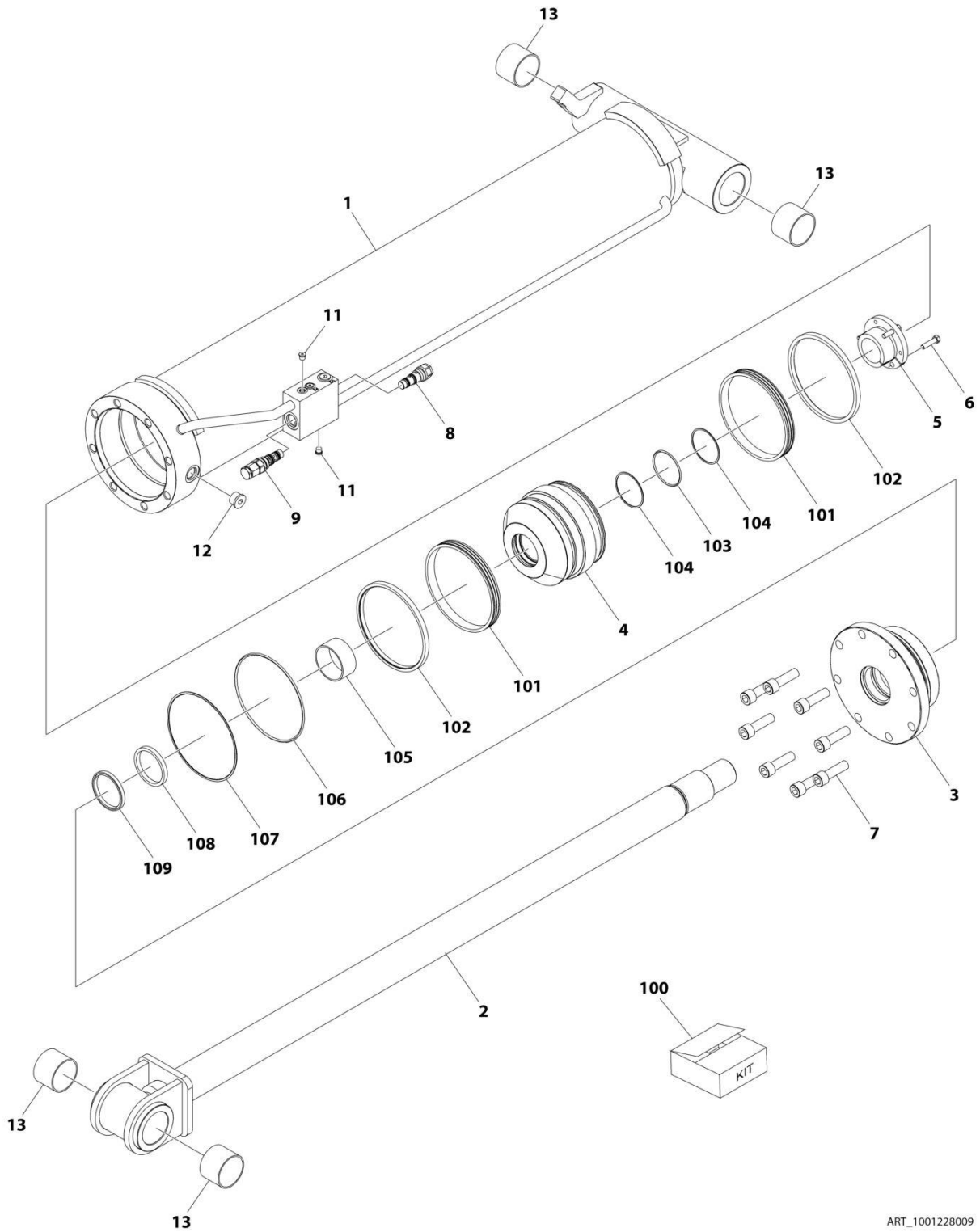
## SECTION 5 - CYLINDER

**FIGURE 5-12. LIFT CYLINDER ASSEMBLY - TOWER BOOM (ORIGINAL EQUIPMENT)**

| ITEM | PART NUMBER | QTY | DESCRIPTION   | REV |
|------|-------------|-----|---|-----|
|      | 1683537     | Ref | <b>LIFT CYLINDER ASSEMBLY - TOWER BOOM</b>  | G   |
|      |             | Ref | Note: Original Cylinder may have been replaced with Service Replacement. Identify PN Stamped on Cylinder Before Ordering Parts. |     |
| 1    |             | Ref | Barrel Weldment Options:  |     |
| 1    | 1683538     | NLA | Barrel Weldment (Use p/n 1683823) <b>(Prior to SN 0300045154)</b>   |     |
| 1    | 1683823     | 1   | Barrel Weldment <b>(SN 0300045154 through 0300069000)</b>   |     |
| 2    |             | Ref | Head Options:   |     |
| 2    | 1683073     | NLA | Head (Use p/n 1683818) <b>(Prior to SN 0300045154)</b>  |     |
| 2    | 1683818     | 1   | Head <b>(SN 0300045154 through 0300069000)</b>  |     |
| 3    | 3760374     | 1   | Ring, Washer <b>(Prior to SN 0300045154)</b>  |     |
| 4    | 1683539     | 1   | Rod Weldment  |     |
| 5    | 3480236     | 1   | Piston  |     |
| 6    | 2220883     | 2   | Plug, O-Ring  |     |
| 7    | 2220888     | 1   | Plug, O-Ring  |     |
| 8    | 4640509     | 1   | Cartridge, Valve  |     |
| 8    | 2900792     | 1   | Seal Kit - 4640999 Valve  |     |
| 9    | 4640605     | 1   | Cartridge, Valve  |     |
| 9    | 2900792     | 1   | Seal Kit - 4640605 Valve  |     |
| 10   | 0962102     | 4   | Bushing   |     |
| 12   | See Note    | NSS | O-Ring (Note: Use Item 30)  |     |
| 13   | See Note    | NSS | Ring, Lock (Note: Use Item 30)  |     |
| 14   | See Note    | NSS | Seal (Note: Use Item 30)  |     |
| 15   | See Note    | NSS | Ring, Lock (Note: Use Item 30)  |     |
| 16   | See Note    | NSS | O-Ring (Note: Use Item 30)  |     |
| 17   | See Note    | NSS | Ring, Back-up (Note: Use Item 30)   |     |
| 18   | See Note    | NSS | Ring, Wear (Note: Use Item 30)  |     |
| 19   | See Note    | NSS | Seal (Note: Use Item 30)  |     |
| 20   | See Note    | NSS | Wiper (Note: Use Item 30)   |     |
| 21   | 0961903     | 1   | Bushing, Tapered  |     |
| 22   | 3932240     | 8   | Capscrew, Socket Head 3/4in x 2-1/2in   |     |
| 23   | 0100011     | AR  | Compound, Locking   |     |
| 24   | 0100038     | AR  | Primer, Locking   |     |
| 25   | 0100063     | AR  | Loctite #RC609  |     |
| 26   |             | Ref | Hardware Options:   |     |
| 26   | 0641612     | 3   | Bolt 3/8in-16NC x 1-1/2in <b>(Prior to SN 0300045154)</b>   |     |
| 26   | 0630536     | 3   | Bolt <b>(SN 0300045154 through 0300069000)</b>  |     |
| 30   | 2901537     | 1   | Seal Kit (Includes Items 12-20)   |     |

# SECTION 5 - CYLINDER

## FIGURE 5-13. LIFT CYLINDER ASSEMBLY - TOWER BOOM (SERVICE REPLACEMENT)



ART\_1001228009

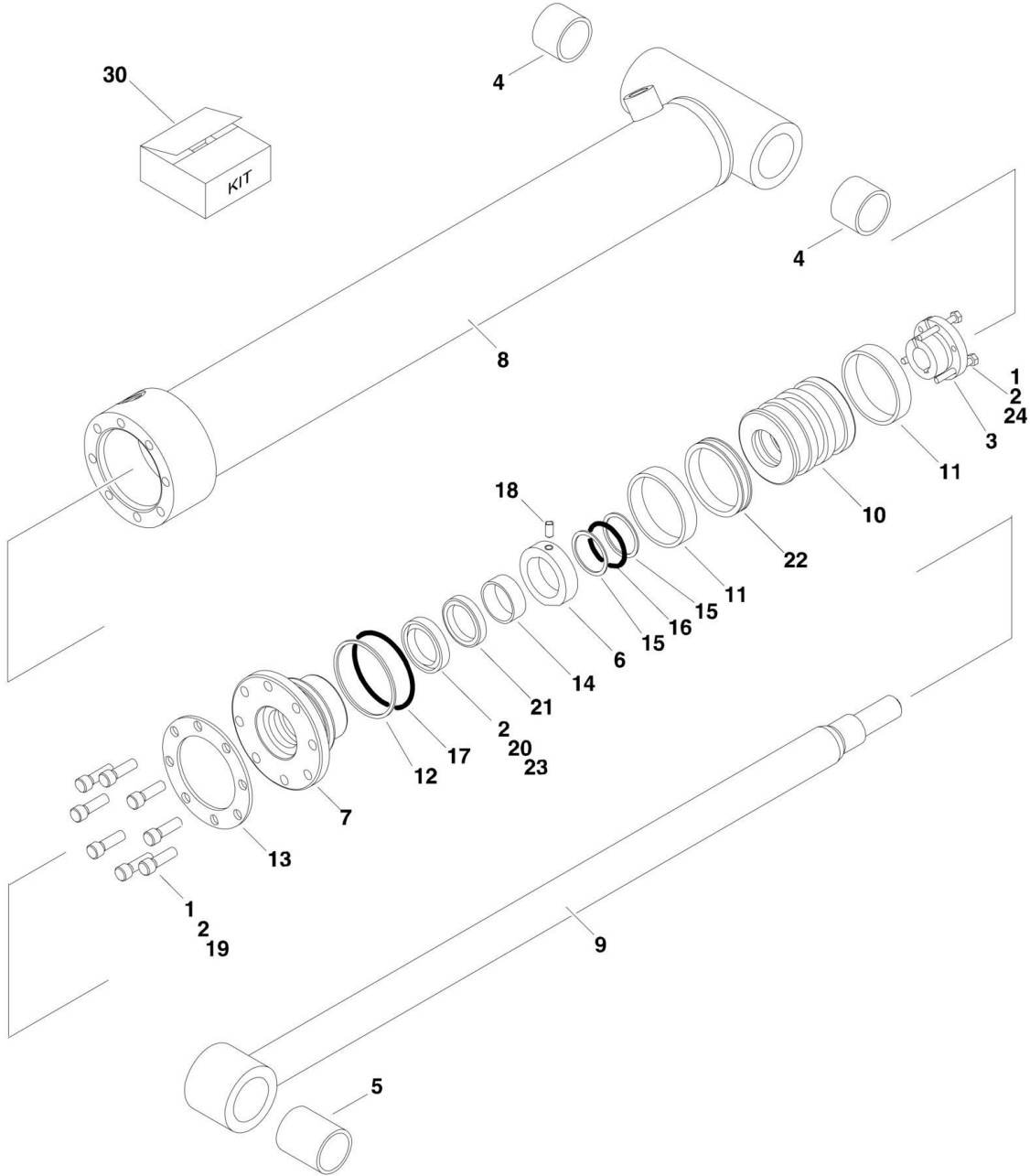
## SECTION 5 - CYLINDER

**FIGURE 5-13. LIFT CYLINDER ASSEMBLY - TOWER BOOM (SERVICE REPLACEMENT)**

| ITEM | PART NUMBER | QTY | DESCRIPTION   | REV |
|------|-------------|-----|---|-----|
|      | 1001228009  | Ref | LIFT CYLINDER ASSEMBLY  | B   |
|      |             | Ref | Note: Original Cylinder may have been replaced with Service Replacement. Identify PN Stamped on Cylinder Before Ordering Parts. |     |
| 1    | See Note    | NSS | Barrel (Note: Not Available for Purchase)   |     |
| 2    | 70006378    | 1   | Rod   |     |
| 3    | 70006377    | 1   | Head  |     |
| 4    | 70006376    | 1   | Piston  |     |
| 5    | 70006375    | 1   | Bushing, Tapered  |     |
| 6    | 0630536     | 3   | Bolt  |     |
| 7    | 3932240     | 8   | Capscrew 3/4 x 2-1/2  |     |
| 8    | 4640509     | 1   | Cartridge, Valve  |     |
| 8    | 2900792     | 1   | Seal Kit - 4640999 Valve  |     |
| 9    | 4640605     | 1   | Cartridge, Valve  |     |
| 9    | 2900792     | 1   | Seal Kit - 4640605 Valve  |     |
| 11   | 2220883     | 4   | Plug, O-Ring  |     |
| 12   | 2220888     | 1   | Plug, O-Ring  |     |
| 13   | 0962102     | 4   | Bushing   |     |
| 100  | 2901537     | 1   | Seal Kit (Includes Items 101-109)   |     |
| 101  | See Note    | NSS | Seal (Note: Use Item 100)   |     |
| 102  | See Note    | NSS | Ring, Lock (Note: Use Item 100)   |     |
| 103  | See Note    | NSS | O-Ring (Note: Use Item 100)   |     |
| 104  | See Note    | NSS | Ring, Back-up (Note: Use Item 100)  |     |
| 105  | See Note    | NSS | Ring, Wear (Note: Use Item 100)   |     |
| 106  | See Note    | NSS | O-Ring (Note: Use Item 100)   |     |
| 107  | See Note    | NSS | Ring, Back-up (Note: Use Item 100)  |     |
| 108  | See Note    | NSS | Seal (Note: Use Item 100)   |     |
| 109  | See Note    | NSS | Wiper (Note: Use Item 100)  |     |

# SECTION 5 - CYLINDER

FIGURE 5-14. MASTER CYLINDER ASSEMBLY - 800A (ORIGINAL EQUIPMENT)





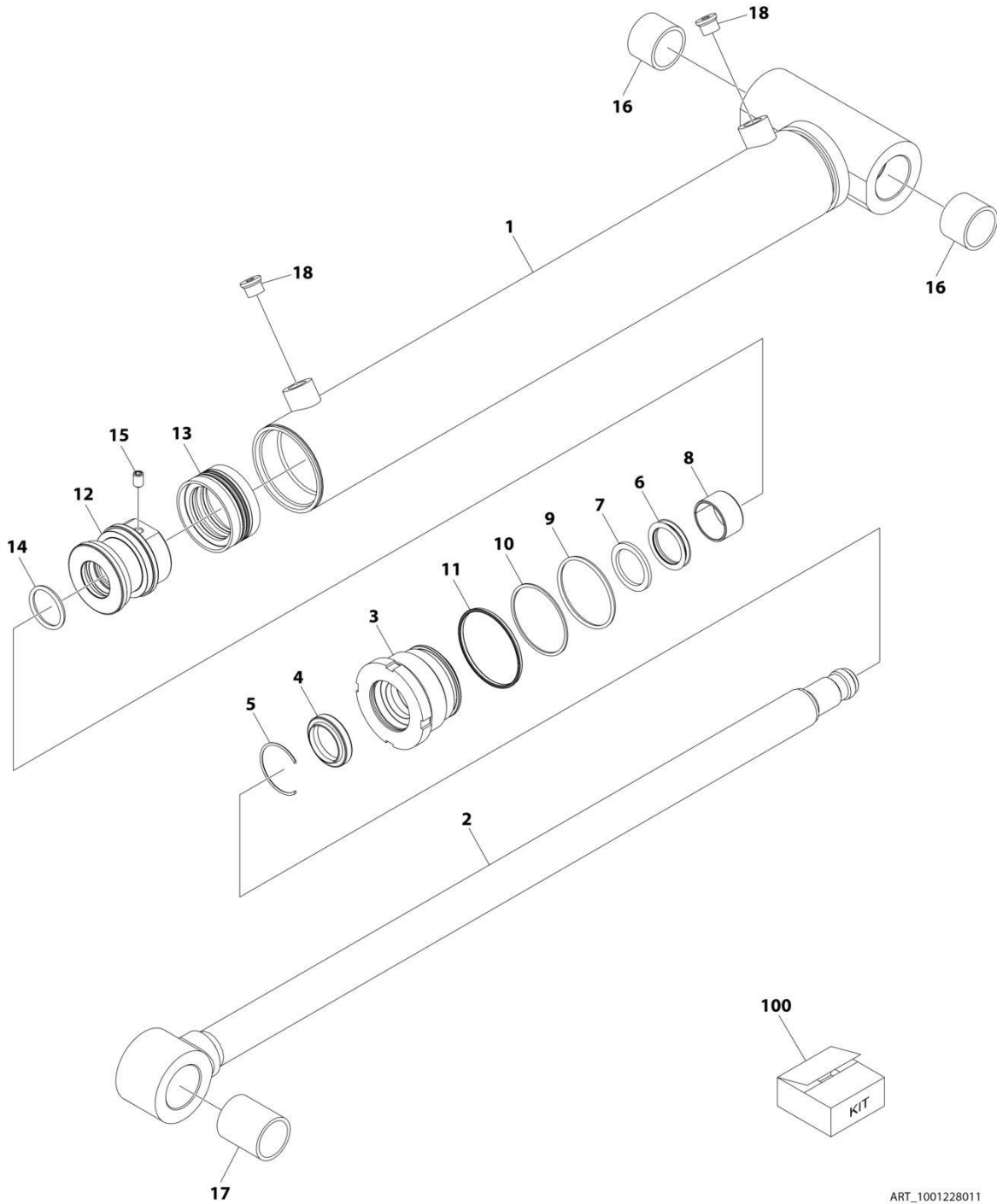
## SECTION 5 - CYLINDER

**FIGURE 5-14. MASTER CYLINDER ASSEMBLY - 800A (ORIGINAL EQUIPMENT)**

| ITEM | PART NUMBER | QTY | DESCRIPTION   | REV |
|------|-------------|-----|---|-----|
|      | 1683608     | Ref | <b>MASTER CYLINDER ASSEMBLY - 800A</b>  | F   |
|      |             | Ref | Note: Original Cylinder may have been replaced with Service Replacement. Identify PN Stamped on Cylinder Before Ordering Parts. |     |
| 1    | 0100011     | AR  | Compound, Locking   |     |
| 2    | 0100038     | AR  | Primer, Locking   |     |
| 3    |             | Ref | Bushing, Tapered Options:   |     |
| 3    | 0961900     | 1   | Bushing, Tapered <b>(Prior to SN 0300054182)</b>  |     |
| 3    | 0962185     | 1   | Bushing, Tapered <b>(SN 0300054182 through 0300069000)</b>  |     |
| 4    | 0961951     | 2   | Bushing   |     |
| 5    | 0962155     | 1   | Bushing   |     |
| 6    | 0962156     | 1   | Spacer, Tube  |     |
| 7    | 1683050     | 1   | Head  |     |
| 8    |             | Ref | Barrel Options:   |     |
| 8    | 1683633     | 1   | Barrel <b>(Prior to SN 0300064390)</b>  |     |
| 8    | 1684114     | 1   | Barrel <b>(SN 0300064390 through 0300069000)</b>  |     |
| 9    |             | Ref | Rod Options:  |     |
| 9    | 1683635     | 1   | Rod <b>(Prior to SN 0300064390)</b>   |     |
| 9    | 1684115     | 1   | Rod <b>(SN 0300064390 through 0300069000)</b>   |     |
| 10   | 3480232     | 1   | Piston  |     |
| 11   | See Note    | NSS | Ring, Wear (Note: Use Item 30)  |     |
| 12   | See Note    | NSS | Ring, Back-up (Note: Use Item 30)   |     |
| 13   | 3760367     | 1   | Ring, Washer  |     |
| 14   | See Note    | NSS | Ring, Wear (Note: Use Item 30)  |     |
| 15   | See Note    | NSS | Ring, Back-up (Note: Use Item 30)   |     |
| 16   | See Note    | NSS | O-Ring (Note: Use Item 30)  |     |
| 17   | See Note    | NSS | O-Ring (Note: Use Item 30)  |     |
| 18   | 3900139     | 1   | Setscrew 1/4in-20NC x 1/2in   |     |
| 19   | 3931516     | 8   | Capscrew 5/16in-18NC x 1in  |     |
| 20   | See Note    | NSS | Wiper (Note: Use Item 30)   |     |
| 21   | See Note    | NSS | Seal (Note: Use Item 30)  |     |
| 22   | See Note    | NSS | T-Seal (Note: Use Item 30)  |     |
| 23   | 0100063     | AR  | Loctite #RC 609   |     |
| 24   | 0630534     | 3   | Capscrew, Socket Head #10-24NC x 1in  |     |
| 30   | 2901549     | 1   | Seal Kit (Includes Items 11, 12, 14-17 & 20-22)   |     |

# SECTION 5 - CYLINDER

## FIGURE 5-15. MASTER CYLINDER ASSEMBLY (800A) (SERVICE REPLACEMENT)



ART\_1001228011

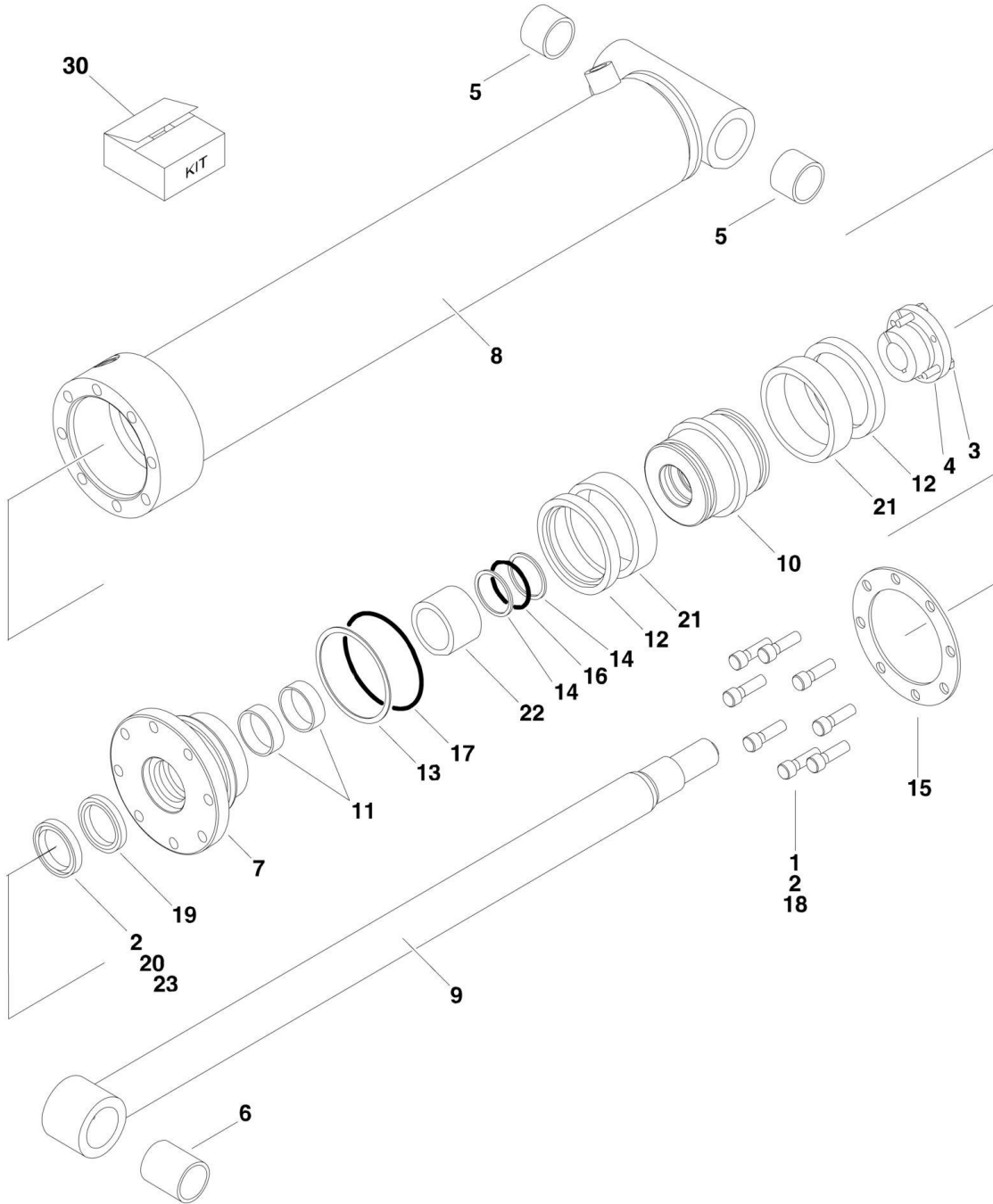
## SECTION 5 - CYLINDER

**FIGURE 5-15. MASTER CYLINDER ASSEMBLY (800A) (SERVICE REPLACEMENT)**

| ITEM | PART NUMBER | QTY | DESCRIPTION   | REV |
|------|-------------|-----|---|-----|
|      | 1001228011  | Ref | MASTER CYLINDER ASSEMBLY (800A)   | B   |
|      |             | Ref | Note: Original Cylinder may have been replaced with Service Replacement. Identify PN Stamped on Cylinder Before Ordering Parts. |     |
| 1    | See Note    | NSS | Barrel (Note: Not Available for Purchase)   |     |
| 2    | 70006777    | 1   | Rod   |     |
| 3    | 70006778    | 1   | Head  |     |
| 4    | See Note    | NSS | Wiper (Note: Use Item 100)  |     |
| 5    | 70002366    | 1   | Ring, Retaining   |     |
| 6    | See Note    | NSS | Seal, Rod (Note: Use Item 100)  |     |
| 7    | See Note    | NSS | Ring, Back-up (Note: Use Item 100)  |     |
| 8    | 70006779    | 1   | Ring, Wear  |     |
| 9    | See Note    | NSS | O-Ring (Note: Use Item 100)   |     |
| 10   | See Note    | NSS | Ring, Back-up (Note: Use Item 100)  |     |
| 11   | 70050801    | NSS | O-Ring (Note: Use Item 100)   |     |
| 12   | 70006780    | 1   | Piston  |     |
| 13   | See Note    | NSS | Seal (Note: Use Item 100)   |     |
| 14   | See Note    | NSS | O-Ring (Note: Use Item 100)   |     |
| 15   | 70006596    | 1   | Setscrew  |     |
| 16   | 0961951     | 2   | Bushing   |     |
| 17   | 0962155     | 1   | Bushing   |     |
| 18   | 2220885     | 2   | Plug  |     |
| 100  | 70006781    | 1   | Seal Kit (Includes Items 4, 6, 7, 9-11, 13 & 14)  |     |

# SECTION 5 - CYLINDER

FIGURE 5-16. MASTER CYLINDER ASSEMBLY- 800AJ (ORIGINAL EQUIPMENT)



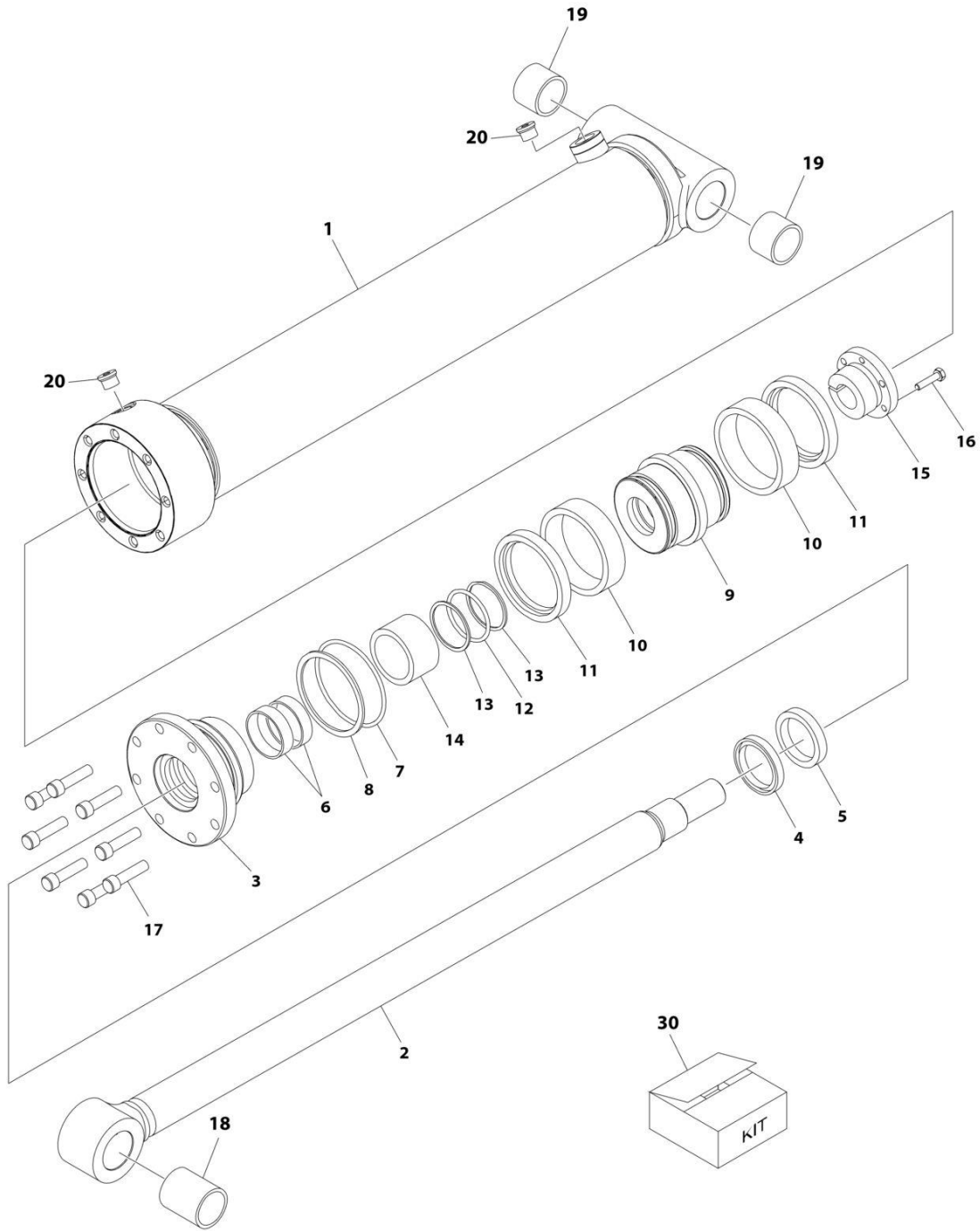
## SECTION 5 - CYLINDER

**FIGURE 5-16. MASTER CYLINDER ASSEMBLY- 800AJ (ORIGINAL EQUIPMENT)**

| ITEM | PART NUMBER | QTY | DESCRIPTION                                      | REV |
|------|-------------|-----|--|-----|
|      | 1683682     | Ref | <b>MASTER CYLINDER ASSEMBLY - 800AJ</b>          | C   |
|      |             | Ref |  |     |
| 1    | 0100011     | AR  | Compound, Locking                                |     |
| 2    | 0100038     | AR  | Primer, Locking                                  |     |
| 3    | 0630535     | 3   | Capscrew, Socket Head 1/4in-20NC x 1in           |     |
| 4    | 0961894     | 1   | Bushing, Tapered                                 |     |
| 5    | 0961951     | 2   | Bushing  |     |
| 6    | 0962155     | 1   | Bushing  |     |
| 7    | 1683055     | 1   | Head   |     |
| 8    |             | Ref | Barrel Options:                                  |     |
| 8    | 1683683     | 1   | Barrel <b>(Prior to SN 0300064390)</b>           |     |
| 8    | 1684125     | 1   | Barrel <b>(SN 0300064390 through 0300069000)</b> |     |
| 9    |             | Ref | Rod Options:                                     |     |
| 9    | 1683685     | 1   | Rod <b>(Prior to SN 0300064390)</b>              |     |
| 9    | 1684126     | 1   | Rod <b>(SN 0300064390 through 0300069000)</b>    |     |
| 10   | 3480188     | 1   | Piston   |     |
| 11   | See Note    | NSS | Ring, Wear (Note: Use Item 30)                   |     |
| 12   | See Note    | NSS | Ring, Lock (Note: Use Item 30)                   |     |
| 13   | See Note    | NSS | Ring, Back-up (Note: Use Item 30)                |     |
| 14   | See Note    | NSS | Ring, Back-up (Note: Use Item 30)                |     |
| 15   | 3760369     | 1   | Ring, Washer                                     |     |
| 16   | See Note    | NSS | O-Ring (Note: Use Item 30)                       |     |
| 17   | See Note    | NSS | O-Ring (Note: Use Item 30)                       |     |
| 18   | 3931620     | 8   | Capscrew 3/8in-16NC x 1-1/4in                    |     |
| 19   | See Note    | NSS | Seal, Rod (Note: Use Item 30)                    |     |
| 20   | See Note    | NSS | Wiper (Note: Use Item 30)                        |     |
| 21   | See Note    | NSS | Seal (Note: Use Item 30)                         |     |
| 22   | 4566468     | 1   | Spacer, Tube                                     |     |
| 23   | 0100063     | AR  | Loctite #RC609                                   |     |
| 30   | 2901301     | 1   | Seal Kit (Includes Items 11-14, 16, 17 & 19-21)  |     |

# SECTION 5 - CYLINDER

## FIGURE 5-17. MASTER CYLINDER ASSEMBLY (800AJ) (SERVICE REPLACEMENT)



ART\_1001228050

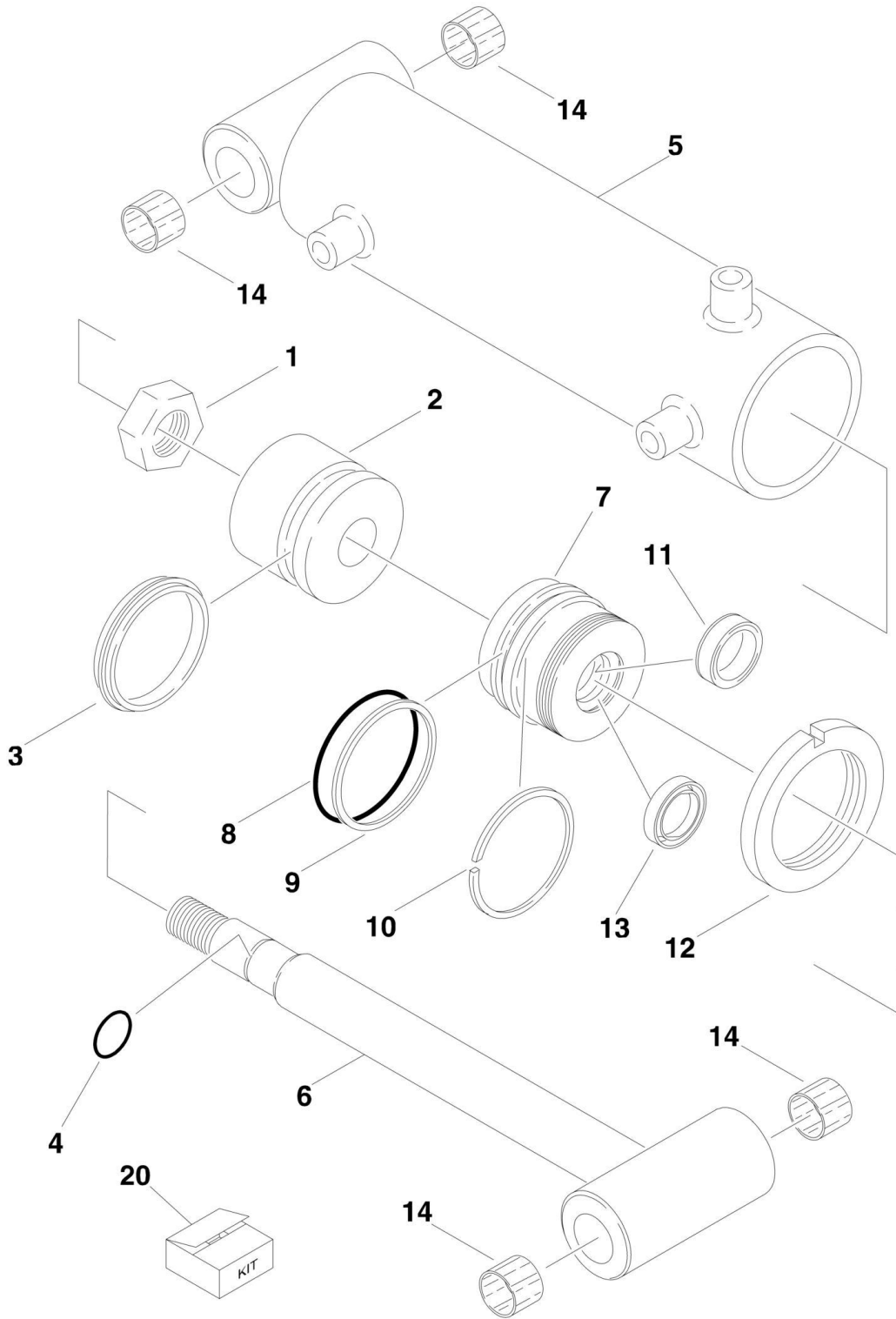
## SECTION 5 - CYLINDER

**FIGURE 5-17. MASTER CYLINDER ASSEMBLY (800AJ) (SERVICE REPLACEMENT)**

| ITEM | PART NUMBER | QTY | DESCRIPTION   | REV |
|------|-------------|-----|---|-----|
|      | 1001228050  | Ref | MASTER CYLINDER ASSEMBLY  | A   |
|      |             | Ref | Note: Original Cylinder may have been replaced with Service Replacement. Identify PN Stamped on Cylinder Before Ordering Parts. |     |
| 1    | See Note    | NSS | Barrel (Note: Not Available for Purchase)   |     |
| 2    | 70006668    | 1   | Rod   |     |
| 3    | 70006643    | 1   | Head  |     |
| 4    | See Note    | NSS | Wiper (Note: Use Item 30)   |     |
| 5    | See Note    | NSS | Seal, Rod (Note: Use Item 30)   |     |
| 6    | See Note    | NSS | Ring, Wear (Note: Use Item 30)  |     |
| 7    | See Note    | NSS | O-Ring (Note: Use Item 30)  |     |
| 8    | See Note    | NSS | Ring, Back-up (Note: Use Item 30)   |     |
| 9    | 70006644    | 1   | Piston  |     |
| 10   | See Note    | NSS | Ring, Wear (Note: Use Item 30)  |     |
| 11   | See Note    | NSS | Ring, Lock (Note: Use Item 30)  |     |
| 12   | See Note    | NSS | O-Ring (Note: Use Item 30)  |     |
| 13   | See Note    | NSS | Ring, Back-up (Note: Use Item 30)   |     |
| 14   | 70006651    | 1   | Spacer, Tube  |     |
| 15   | 0961894     | 1   | Bushing, Tapered  |     |
| 16   | 0630535     | 3   | Capscrew 1/4 x 1-1/8  |     |
| 17   | 3931620     | 8   | Capscrew 3/8 x 1-1/4  |     |
| 18   | 0962155     | 1   | Bushing   |     |
| 19   | 0961951     | 2   | Bushing   |     |
| 20   | 2220885     | 2   | Plug, O-Ring  |     |
| 30   | 1001138796  | 1   | Seal Kit (Machines with Arctic Package) (Includes Items 4-8 & 10-13)  |     |

# SECTION 5 - CYLINDER

## FIGURE 5-18. STEER CYLINDER ASSEMBLY





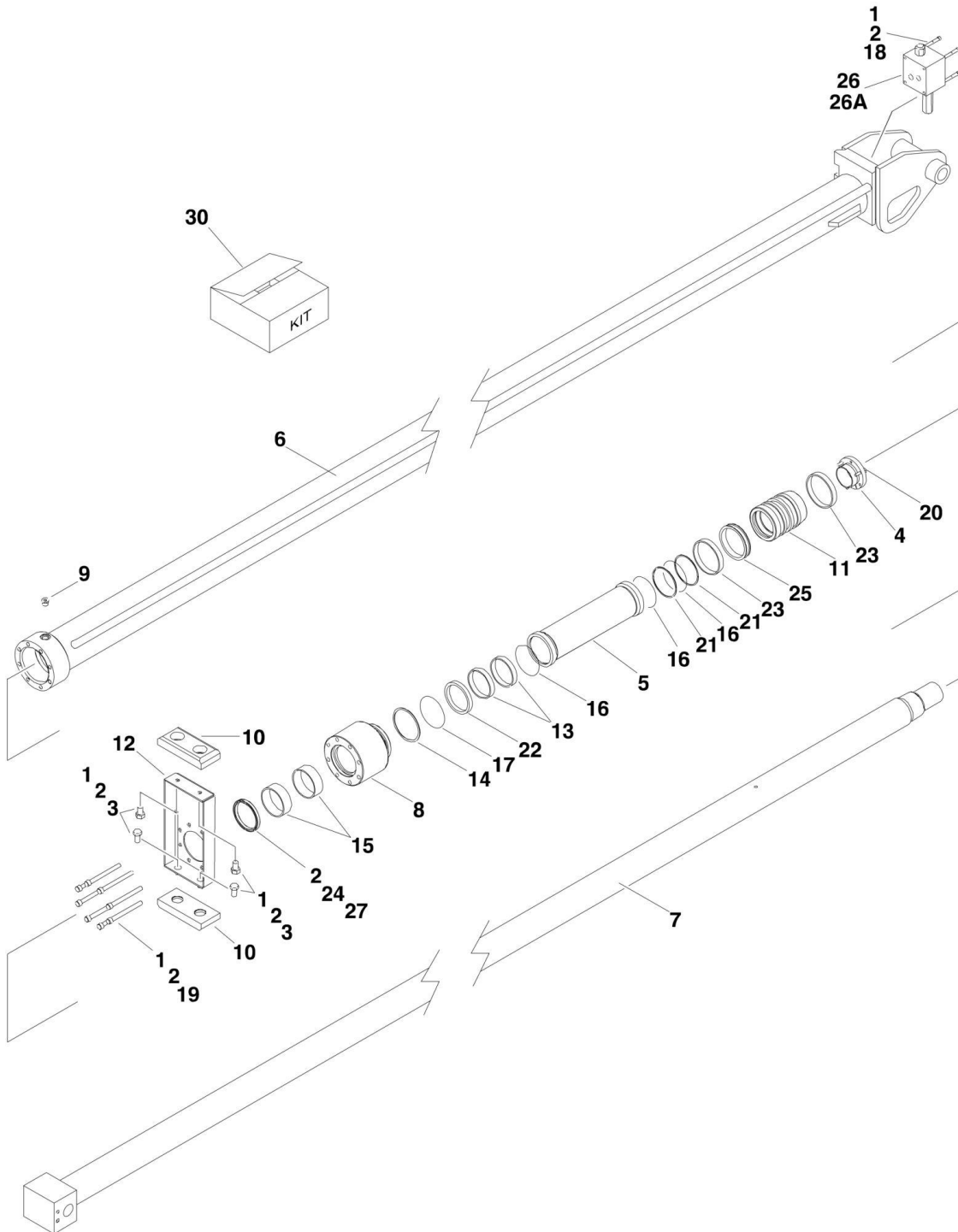
## SECTION 5 - CYLINDER

**FIGURE 5-18. STEER CYLINDER ASSEMBLY**

| ITEM | PART NUMBER | QTY | DESCRIPTION  | REV |
|------|-------------|-----|--|-----|
|      |             | Ref | <b>Note: Original Equipment Cylinder may have been replaced with Service Replacement Cylinder. Identify p/n stamped on cylinder before ordering parts.</b> |     |
|      |             | Ref | <b>STEER CYLINDER ASSEMBLY</b>   |     |
|      | 1683605     | Ref | <b>Steer Cylinder Assembly 2WS - Original Equipment</b>  | A   |
|      | 1683740     | Ref | <b>Steer Cylinder Assembly 2WS - Service Replacement</b>   | B   |
|      | 1683740     | Ref | <b>Steer Cylinder Assembly 4WS</b>   | B   |
| 1    | 7017210     | 1   | Locknut  |     |
| 2    | 7017211     | 1   | Piston   |     |
| 3    | See Note    | NSS | Seal (Note: Use Item 20)   |     |
| 4    | See Note    | NSS | O-Ring (Note: Use Item 20)   |     |
| 5    |             | Ref | Barrel Weldment Options:   |     |
| 5    | 7017234     | 1   | Barrel Weldment 2WS <b>(Prior to SN 0300042477)</b>  |     |
| 5    | 7023023     | 1   | Barrel Weldment 2WS <b>(SN 0300042477 through 0300069000)</b>  |     |
| 5    | 7023023     | 1   | Barrel Weldment 4WS  |     |
| 6    | 7017236     | 1   | Rod Weldment   |     |
| 7    | 7017213     | 1   | Head   |     |
| 8    | See Note    | NSS | O-Ring (Note: Use Item 20)   |     |
| 9    | See Note    | NSS | Ring, Back-up (Note: Use Item 20)  |     |
| 10   | See Note    | NSS | Ring, Retainer (Note: Use Item 20)   |     |
| 11   | See Note    | NSS | Seal (Note: Use Item 20)   |     |
| 12   | 7017214     | 1   | Nut, Spanner   |     |
| 13   | See Note    | NSS | Wiper (Note: Use Item 20)  |     |
| 14   | 0961977     | 4   | Bushings   |     |
| 20   | 7017215     | 1   | Seal Kit (Includes Items 3, 4, 8-11 & 13)  |     |

# SECTION 5 - CYLINDER

## FIGURE 5-19. TELESCOPE CYLINDER ASSEMBLY - MAIN BOOM



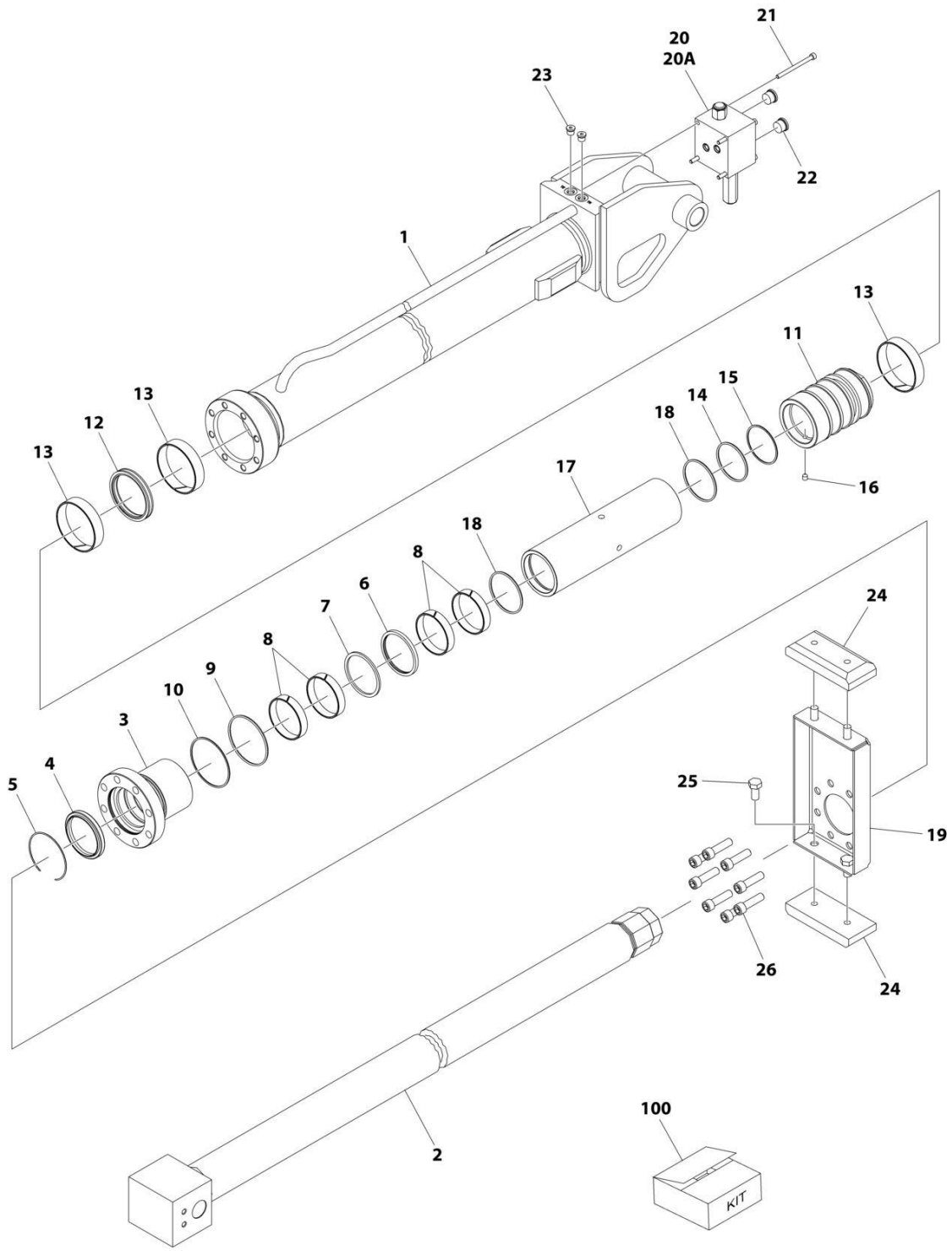
## SECTION 5 - CYLINDER

**FIGURE 5-19. TELESCOPE CYLINDER ASSEMBLY - MAIN BOOM**

| ITEM | PART NUMBER | QTY | DESCRIPTION   | REV |
|------|-------------|-----|---|-----|
|      |             | Ref | <b>TELESCOPE CYLINDER ASSEMBLY - MAIN BOOM</b>  |     |
|      | 1683607     | Ref | <b>Telescope Cylinder Assembly 800A (Original Equipment)</b>  | F   |
|      | 1001188968  | Ref | <b>Telescope Cylinder Assembly 800A (Service Replacement)</b>   | B   |
|      | 1683672     | Ref | <b>Telescope Cylinder Assembly 800AJ (Original Equipment)</b>   | F   |
|      | 1001188841  | Ref | <b>Telescope Cylinder Assembly 800AJ (Service Replacement)</b>  | B   |
|      |             | Ref | Note: Original Cylinder may have been replaced with Service Replacement. Identify PN Stamped on Cylinder Before Ordering parts. |     |
| 1    | 0100011     | AR  | Compound, Locking   |     |
| 2    | 0100038     | AR  | Primer, Locking   |     |
| 3    | 0641806     | 4   | Bolt 1/2in-13NC x 3/4in   |     |
| 4    | 0961897     | 1   | Bushing, Tapered  |     |
| 5    | 0962219     | 1   | Spacer, Tube  |     |
| 6    |             | Ref | Barrel Options:   |     |
| 6    | 1683647     | 1   | Barrel 800A   |     |
| 6    | 1683673     | 1   | Barrel 800AJ  |     |
| 7    |             | Ref | Rod Options:  |     |
| 7    | 1683648     | 1   | Rod 800A  |     |
| 7    | 1683675     | 1   | Rod 800AJ   |     |
| 8    | 1683663     | 1   | Head  |     |
| 9    | 2220885     | 1   | Plug, O-Ring  |     |
| 10   | 3340838     | 2   | Pad, Wear   |     |
| 11   | 3480234     | 1   | Piston  |     |
| 12   | 3570775     | 1   | Plate   |     |
| 13   | See Note    | NSS | Ring, Wear (Note: Use Item 30)  |     |
| 14   | See Note    | NSS | Ring, Back-up (Note: Use Item 30)   |     |
| 15   | See Note    | NSS | Ring, Wear (Note: Use Item 30)  |     |
| 16   | See Note    | NSS | O-Ring (Note: Use Item 30)  |     |
| 17   | See Note    | NSS | O-Ring (Note: Use Item 30)  |     |
| 18   | 3931448     | 4   | Capscrew 1/4in-20NC x 3in   |     |
| 19   | 3931664     | 8   | Capscrew 3/8in-16NC x 4in   |     |
| 20   | 0630535     | 3   | Bolt 1/4in-20NC x 1-1/8in   |     |
| 21   | See Note    | NSS | Ring, Back-up (Note: Use Item 30)   |     |
| 22   | See Note    | NSS | Seal, Rod (Note: Use Item 30)   |     |
| 23   | See Note    | NSS | Ring, Wear (Note: Use Item 30)  |     |
| 24   | See Note    | NSS | Wiper (Note: Use Item 30)   |     |
| 25   | See Note    | NSS | T-Seal (Note: Use Item 30)  |     |
| 26   | 4641033     | 1   | Valve Assembly (No serviceable parts - sold as assembly only)   |     |
| 26A  | 7024508     | 2   | O-Ring (Between Valve and Cylinder Barrel)  |     |
| 27   | 0100063     | AR  | Loctite #RC609  |     |
| 30   | 2901712     | NLA | Seal Kit (Includes Items 13-17 & 21-25) (Use p/n 1001188843)<br>(Use on p/n 1683607 & 1683672)                                  |     |
| 30   | 1001188843  | 1   | Seal Kit (Includes Items 13-17 & 21-25) (Use p/n 1001188843)<br>(Use on p/n 1001188968 & 1001188841)                            |     |

# SECTION 5 - CYLINDER

FIGURE 5-20. TELESCOPE CYLINDER ASSEMBLY - MAIN BOOM (800A) (SERVICE REPLACEMENT)



ART\_1001228088

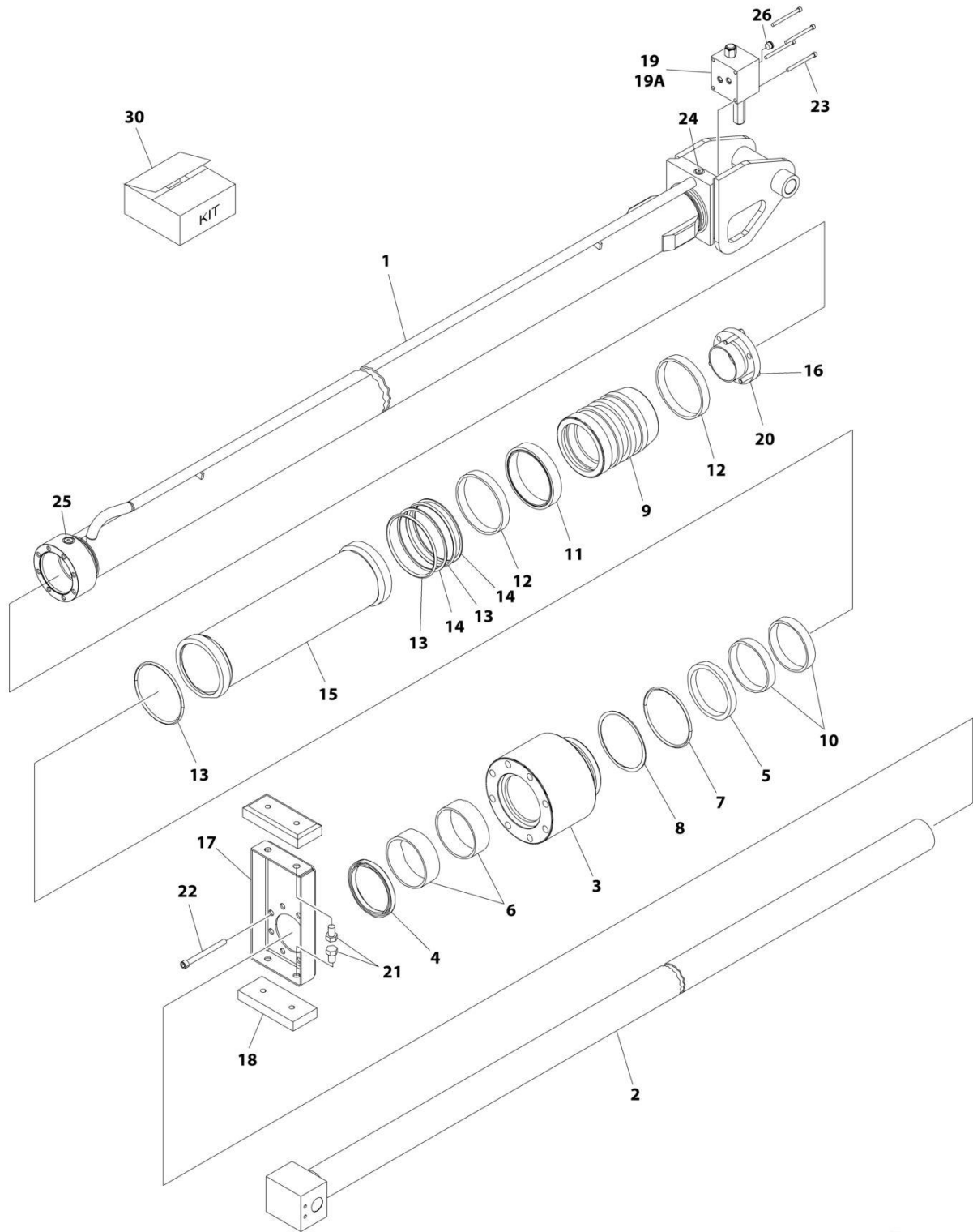
## SECTION 5 - CYLINDER

**FIGURE 5-20. TELESCOPE CYLINDER ASSEMBLY - MAIN BOOM (800A) (SERVICE REPLACEMENT)**

| ITEM | PART NUMBER | QTY | DESCRIPTION   | REV |
|------|-------------|-----|---|-----|
|      | 1001228088  | Ref | TELESCOPE CYLINDER ASSEMBLY - MAIN BOOM   | B   |
|      |             | Ref | Note: Original Cylinder may have been replaced with Service Replacement. Identify PN Stamped on Cylinder Before Ordering Parts. |     |
| 1    | See Note    | NSS | Barrel (Note: Not Available for Purchase)   |     |
| 2    | 70006796    | 1   | Rod   |     |
| 3    | 70006797    | 1   | Head  |     |
| 4    | See Note    | NSS | Wiper (Note: Use Item 100)  |     |
| 5    | 70027259    | 1   | Ring, Retaining   |     |
| 6    | See Note    | NSS | Seal, Rod (Note: Use Item 100)  |     |
| 7    | See Note    | NSS | Ring, Back-up (Note: Use Item 100)  |     |
| 8    | See Note    | NSS | Ring, Wear (Note: Use Item 100)   |     |
| 9    | See Note    | NSS | O-Ring (Note: Use Item 100)   |     |
| 10   | See Note    | NSS | Ring, Back-up (Note: Use Item 100)  |     |
| 11   | 70006798    | 1   | Piston  |     |
| 12   | See Note    | NSS | Seal (Note: Use Item 100)   |     |
| 13   | See Note    | NSS | Ring, Wear (Note: Use Item 100)   |     |
| 14   | See Note    | NSS | O-Ring (Note: Use Item 100)   |     |
| 15   | See Note    | NSS | Ring, Back-up (Note: Use Item 100)  |     |
| 16   | 70006799    | 1   | Setscrew  |     |
| 17   | 70006800    | 1   | Spacer, Tube  |     |
| 18   | See Note    | NSS | O-Ring (Note: Use Item 100)   |     |
| 19   | 70006801    | 1   | Plate   |     |
| 20   | 4641033     | 1   | Valve Assembly (No serviceable parts - sold as assembly only)   |     |
| 20A  | 7024508     | 2   | O-Ring (Between Valve and Cylinder Barrel)  |     |
| 21   | 70006802    | 4   | Capscrew M6   |     |
| 22   | 2220886     | 2   | Plug, O-Ring  |     |
| 23   | 2220883     | 2   | Plug, O-Ring  |     |
| 24   | 3340838     | 2   | Pad, Wear   |     |
| 25   | 0641806     | 4   | Bolt 1/2 x 3/4  |     |
| 26   | 70006803    | 8   | Capscrew M12  |     |
| 100  | 70006804    | 1   | Seal Kit - 1001228088 Cylinder (Includes Items 4, 6-10, 12-15 & 18)   |     |

# SECTION 5 - CYLINDER

## FIGURE 5-21. TELESCOPE CYLINDER ASSEMBLY - MAIN BOOM (800AJ) (SERVICE REPLACEMENT)



ART\_1001228087

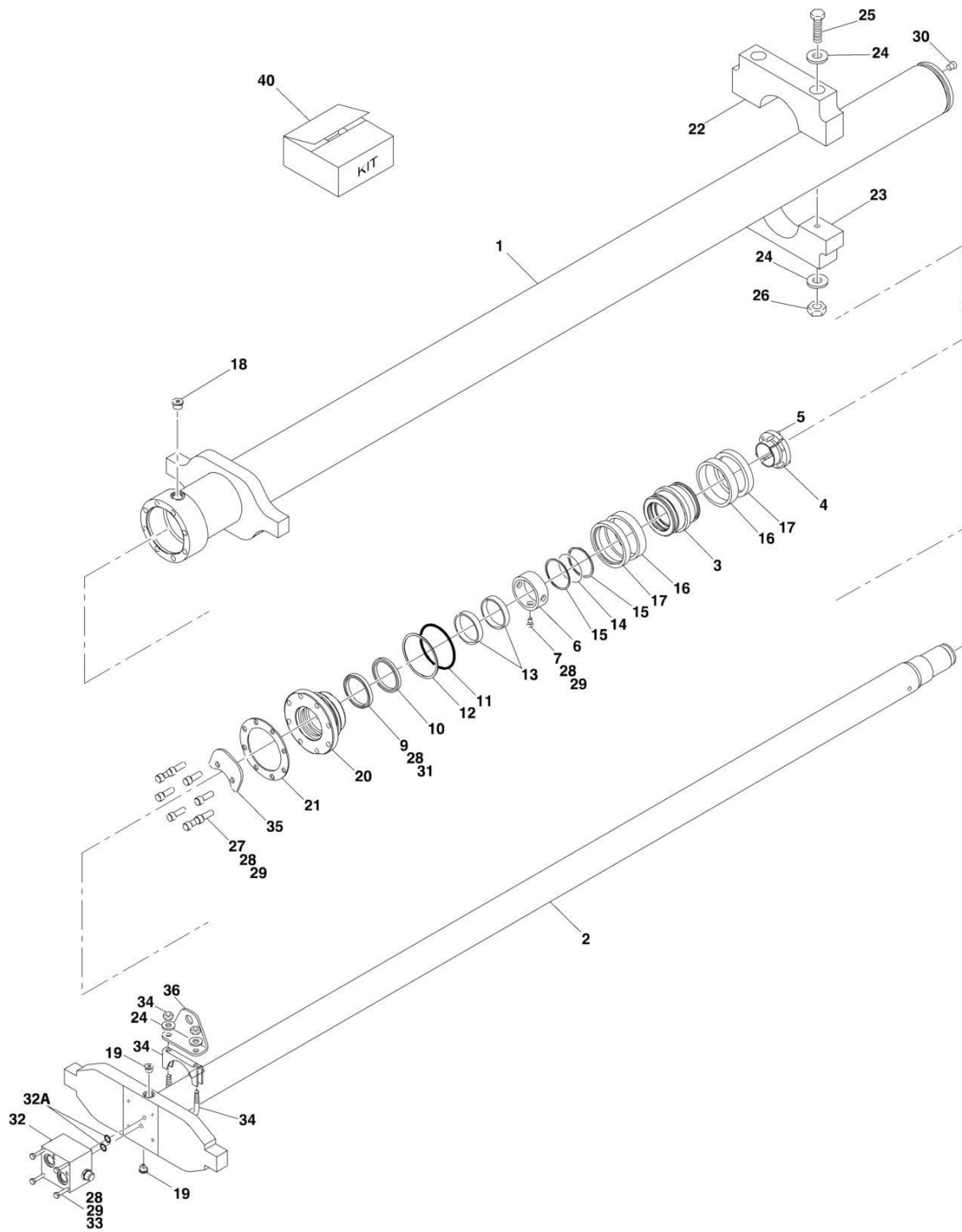
## SECTION 5 - CYLINDER

**FIGURE 5-21. TELESCOPE CYLINDER ASSEMBLY - MAIN BOOM (800AJ) (SERVICE REPLACEMENT)**

| ITEM | PART NUMBER | QTY | DESCRIPTION   | REV |
|------|-------------|-----|---|-----|
|      | 1001228087  | Ref | TELESCOPE CYLINDER ASSEMBLY   | A   |
|      |             | Ref | Note: Original Cylinder may have been replaced with Service Replacement. Identify PN Stamped on Cylinder Before Ordering Parts. |     |
| 1    | See Note    | NSS | Barrel (Note: Not Available for Purchase)   |     |
| 2    | 70006669    | 1   | Rod   |     |
| 3    | 70006670    | 1   | Head  |     |
| 4    | See Note    | NSS | Wiper (Note: Use Item 30)   |     |
| 5    | See Note    | NSS | Seal, Rod (Note: Use Item 30)   |     |
| 6    | See Note    | NSS | Ring, Wear (Note: Use Item 30)  |     |
| 7    | See Note    | NSS | O-Ring (Note: Use Item 30)  |     |
| 8    | See Note    | NSS | Ring, Back-up (Note: Use Item 30)   |     |
| 9    | 70006671    | 1   | Piston  |     |
| 10   | See Note    | NSS | Ring, Wear (Note: Use Item 30)  |     |
| 11   | See Note    | NSS | Seal, Piston (Note: Use Item 30)  |     |
| 12   | See Note    | NSS | Ring, Wear (Note: Use Item 30)  |     |
| 13   | See Note    | NSS | O-Ring (Note: Use Item 30)  |     |
| 14   | See Note    | NSS | Ring, Back-up (Note: Use Item 30)   |     |
| 15   | 70006672    | 1   | Spacer  |     |
| 16   | 0961897     | 1   | Bushing, Tapered  |     |
| 17   | 3570775     | 1   | Plate   |     |
| 18   | 3340838     | 2   | Pad, Wear   |     |
| 19   | 4641033     | 1   | Valve Assembly (No serviceable parts - sold as assembly only)   |     |
| 19A  | 7024508     | 2   | O-Ring (Between Valve and Cylinder Barrel)  |     |
| 20   | 0630535     | 3   | Bolt 1/4 x 1-1/8  |     |
| 21   | 0641806     | 4   | Bolt 1/2 x 3/4  |     |
| 22   | 3931664     | 8   | Capscrew 3/8 x 4  |     |
| 23   | 3931448     | 4   | Capscrew 1/4 x 3  |     |
| 24   | 2220883     | 1   | Plug, O-Ring  |     |
| 25   | 2220885     | 1   | Plug, O-Ring  |     |
| 26   | 2220886     | 1   | Plug, O-Ring  |     |
| 30   | 1001149391  | 1   | Seal Kit (Includes Items 4-8 & 10-14)   |     |

# SECTION 5 - CYLINDER

## FIGURE 5-22. TELESCOPE CYLINDER ASSEMBLY - TOWER BOOM





## SECTION 5 - CYLINDER

**FIGURE 5-22. TELESCOPE CYLINDER ASSEMBLY - TOWER BOOM**

| ITEM | PART NUMBER | QTY | DESCRIPTION   | REV |
|------|-------------|-----|---|-----|
|      |             | Ref | TELESCOPE CYLINDER ASSEMBLY - TOWER BOOM  |     |
|      | 1683606     | Ref | Telescope Cylinder Assembly - Tower Boom (Original Equipment)   | J   |
|      | 1001188840  | Ref | Telescope Cylinder Assembly - Tower Boom (Service Replacement)  | C   |
|      |             | Ref | Note: Original Cylinder may have been replaced with Service Replacement. Identify PN Stamped on Cylinder Before Ordering Parts. |     |
| 1    | 1683632     | 1   | Barrel Weldment   |     |
| 2    | 1683629     | 1   | Rod Weldment  |     |
| 3    | 3480211     | 1   | Piston  |     |
| 4    | 0961897     | 1   | Bushing, Tapered  |     |
| 5    | 0630535     | 3   | Bolt 1/4in-20NC x 1-1/8in   |     |
| 6    | 4567413     | 1   | Spacer, Tube  |     |
| 7    | 3931508     | 1   | Bolt, Socket Head 5/16in-18NC x 1/2in   |     |
| 9    | See Note    | NSS | Wiper (Note: Use Item 40)   |     |
| 10   | See Note    | NSS | Seal (Note: Use Item 40)  |     |
| 11   | See Note    | NSS | O-Ring (Note: Use Item 40)  |     |
| 12   | See Note    | NSS | Ring, Back-up (Note: Use Item 40)   |     |
| 13   | See Note    | NSS | Ring, Wear (Note: Use Item 40)  |     |
| 14   | See Note    | NSS | O-Ring (Note: Use Item 40)  |     |
| 15   | See Note    | NSS | Ring, Back-up (Note: Use Item 40)   |     |
| 16   | See Note    | NSS | Seal (Note: Use Item 40)  |     |
| 17   | See Note    | NSS | Ring, Lock (Note: Use Item 40)  |     |
| 18   | 2220886     | 1   | Plug, O-Ring  |     |
| 19   | 2220885     | 2   | Plug, O-Ring  |     |
| 20   | 1683061     | 1   | Head  |     |
| 21   | 3760370     | 1   | Ring, Washer  |     |
| 22   | 3340834     | 1   | Pad, Support  |     |
| 23   | 3340833     | 1   | Pad, Support  |     |
| 24   | 4711600     | 10  | Flatwasher 3/8in Narrow   |     |
| 25   | 0641652     | 2   | Bolt 3/8in-16NC x 6-1/2in   |     |
| 26   | 3271605     | 2   | Locknut 3/8in-16NC  |     |
| 27   | 3931720     | 2   | Capscrew 7/16in-14NC x 1-1/4in  |     |
| 28   | 0100038     | AR  | Primer, Locking   |     |
| 29   | 0100011     | AR  | Compound, Locking   |     |
| 30   | 2220883     | 1   | Plug, O-Ring  |     |
| 31   | 0100063     | AR  | Loctite #RC609  |     |
| 32   | 4641032     | 1   | Valve Assembly (No serviceable parts - sold as assembly only)   |     |
| 32A  | 7024397     | 2   | O-Ring  |     |
| 33   |             | Ref | Hardware Options:   |     |
| 33   | 0641420     | 4   | Bolt 1/4in-20NC x 2-1/2in <b>(Prior to SN 0300056439)</b>   |     |
| 33   | 3931448     | 4   | Capscrew 1/4in-20NC x 3in <b>(SN 0300056439 through 0300069000)</b>   |     |
| 34   | 1320011     | 1   | Clamp (Use on p/n 1683606) <b>(SN 0300056439 through 0300069000)</b>  |     |
| 34   | 1001228506  | 1   | Bolt, U-Bolt (Use on p/n 1001188840)  |     |
| 35   | 3572604     | 1   | Plate, Proximity Switch Target <b>(SN 0300056439 through 0300069000)</b>  |     |
| 36   | 3572605     | 1   | Plate, Proximity Switch Mount <b>(SN 0300056439 through 0300069000)</b>   |     |
| 40   | 2901273     | 1   | Seal Kit (Includes Items 9-17) (Use on p/n 1683606)   |     |

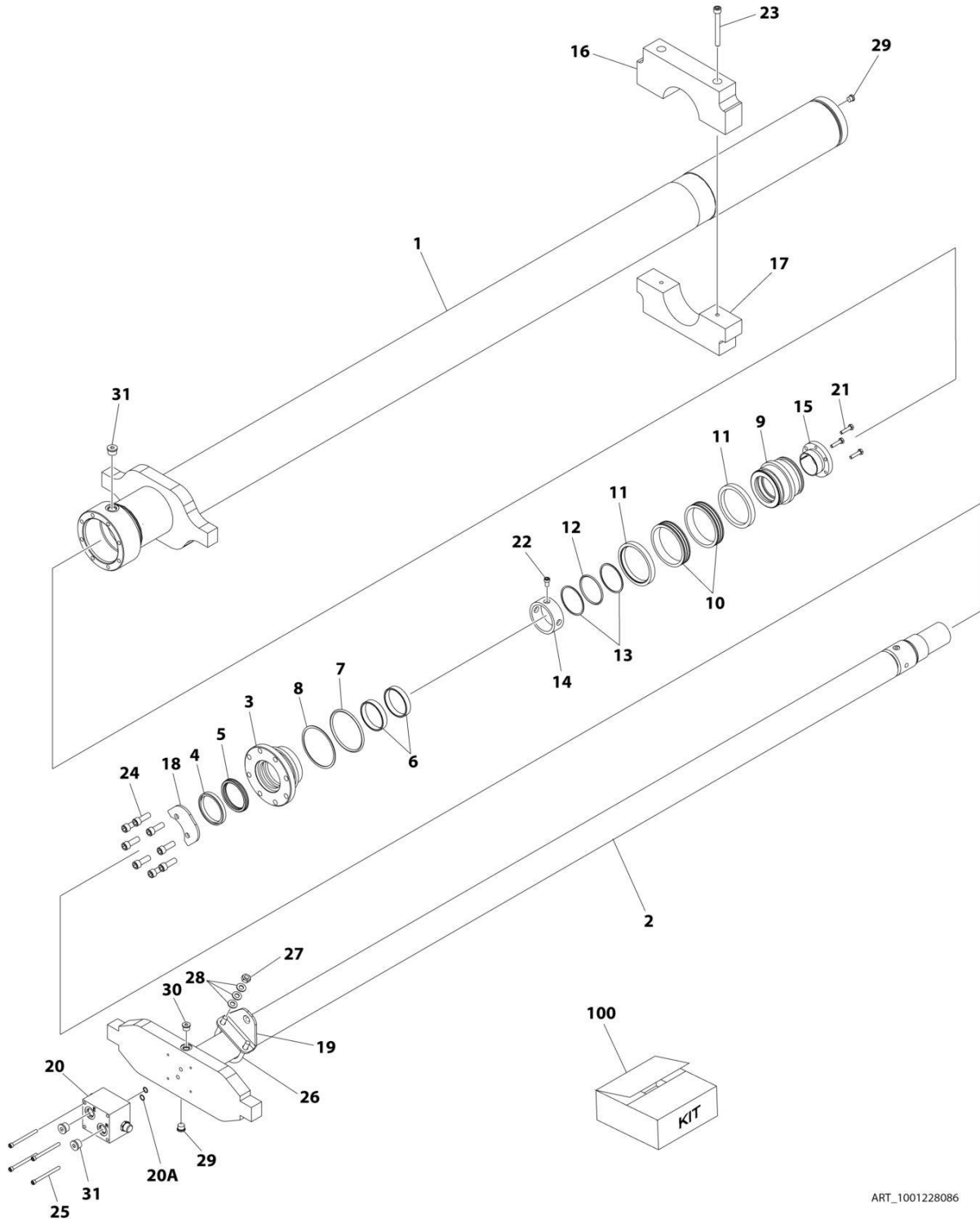
## SECTION 5 - CYLINDER

| ITEM | PART NUMBER | QTY | DESCRIPTION  | REV |
|------|-------------|-----|--|-----|
| 40   | 1001188842  | 1   | Seal Kit (Includes Items 9-17) (Use on p/n 1001188840) |     |



# SECTION 5 - CYLINDER

## FIGURE 5-23. TELESCOPE CYLINDER ASSEMBLY - TOWER BOOM (SERVICE REPLACEMENT)



ART\_1001228086

## SECTION 5 - CYLINDER

**FIGURE 5-23. TELESCOPE CYLINDER ASSEMBLY - TOWER BOOM (SERVICE REPLACEMENT)**

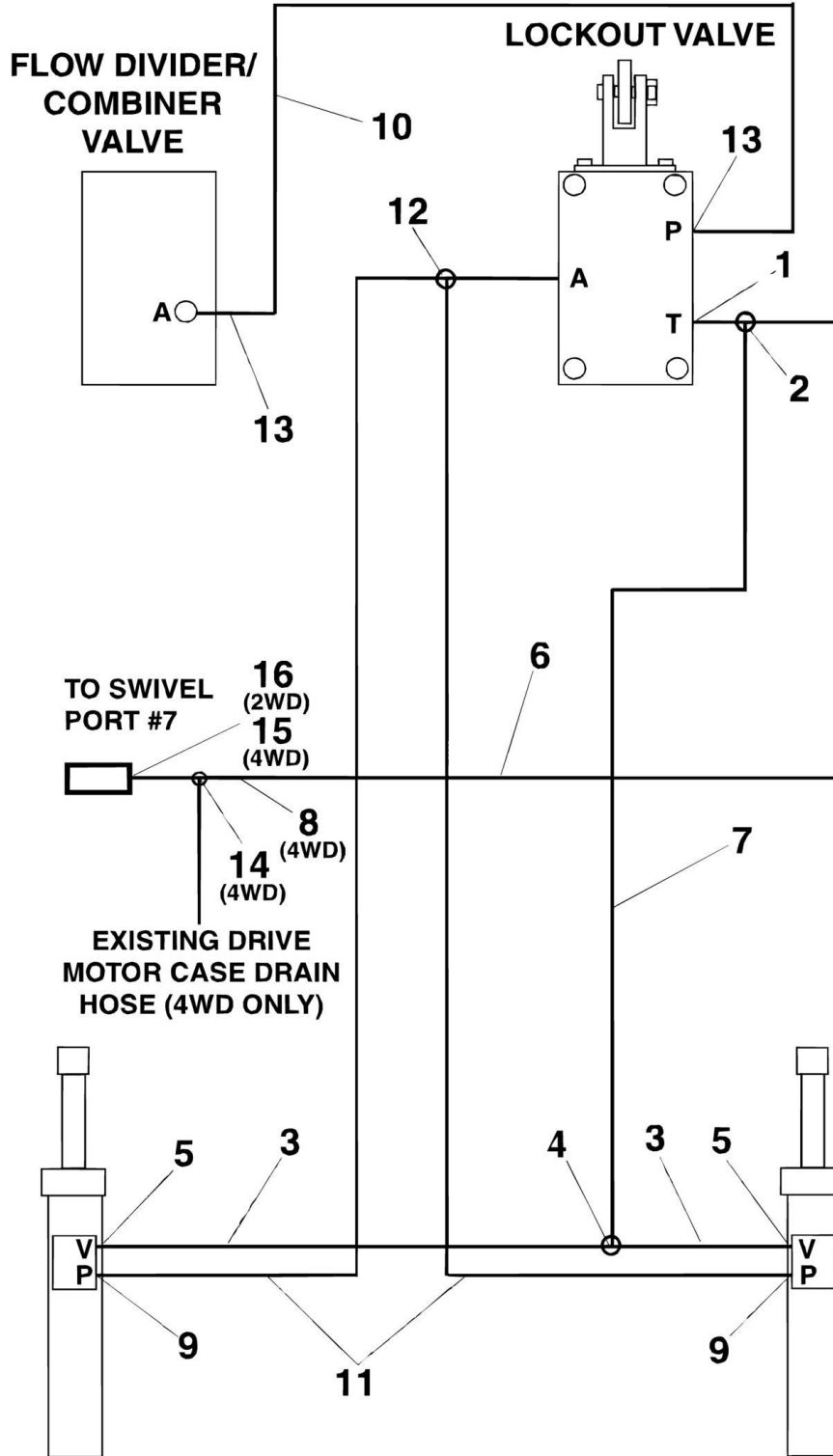
| ITEM | PART NUMBER | QTY | DESCRIPTION   | REV |
|------|-------------|-----|---|-----|
|      | 1001228086  | Ref | TELESCOPE CYLINDER ASSEMBLY   | B   |
|      |             | Ref | Note: Original Cylinder may have been replaced with Service Replacement. Identify PN Stamped on Cylinder Before Ordering Parts. |     |
| 1    | See Note    | NSS | Barrel (Note: Not Available for Purchase)   |     |
| 2    | 70006921    | 1   | Rod   |     |
| 3    | 70006480    | 1   | Head  |     |
| 4    | See Note    | NSS | Wiper (Note: Use Item 100)  |     |
| 5    | See Note    | NSS | Seal, Rod (Note: Use Item 100)  |     |
| 6    | See Note    | NSS | Ring, Wear (Note: Use Item 100)   |     |
| 7    | See Note    | NSS | O-Ring (Note: Use Item 100)   |     |
| 8    | See Note    | NSS | Ring, Back-up (Note: Use Item 100)  |     |
| 9    | 70006479    | 1   | Piston  |     |
| 10   | See Note    | NSS | Seal, Piston (Note: Use Item 100)   |     |
| 11   | See Note    | NSS | Ring, Lock (Note: use Item 100)   |     |
| 12   | See Note    | NSS | O-Ring (Note: Use Item 100)   |     |
| 13   | See Note    | NSS | Ring, Back-up (Note: Use Item 100)  |     |
| 14   | 70006922    | 1   | Spacer  |     |
| 15   | 0961897     | 1   | Bushing, Tapered  |     |
| 16   | 70006923    | 1   | Pad, Wear   |     |
| 17   | 70006924    | 1   | Pad, Wear   |     |
| 18   | 70006925    | 1   | Plate   |     |
| 19   | 70006926    | 1   | Plate   |     |
| 20   | 4641032     | 1   | Valve Assembly (No serviceable parts - sold as assembly only)   |     |
| 20A  | 7024397     | 2   | O-Ring (Between Valve and Cylinder Barrel)  |     |
| 21   | 0630535     | 3   | Bolt 1/4 x 1-1/8  |     |
| 22   | 70006731    | 1   | Bolt  |     |
| 23   | 70006927    | 2   | Bolt M10  |     |
| 24   | 70006728    | 8   | Bolt 7/16   |     |
| 25   | 70006733    | 4   | Bolt M8   |     |
| 26   | 70006928    | 1   | U-Bolt M10  |     |
| 27   | 70005594    | 2   | Nut M10   |     |
| 28   | 70006344    | 6   | Washer M10  |     |
| 29   | 2220883     | 2   | Plug, O-Ring  |     |
| 30   | 2220885     | 1   | Plug, O-Ring  |     |
| 31   | 2220886     | 3   | Plug, O-Ring  |     |
| 100  | 1001188842  | 1   | Seal Kit - 1001228086 Cylinder (Includes Items 4-8 & 10-13)   |     |



**SECTION 6 - HYDRAULIC**

# SECTION 6 - HYDRAULIC

## FIGURE 6-1. AXLE LOCKOUT HYDRAULIC DIAGRAM





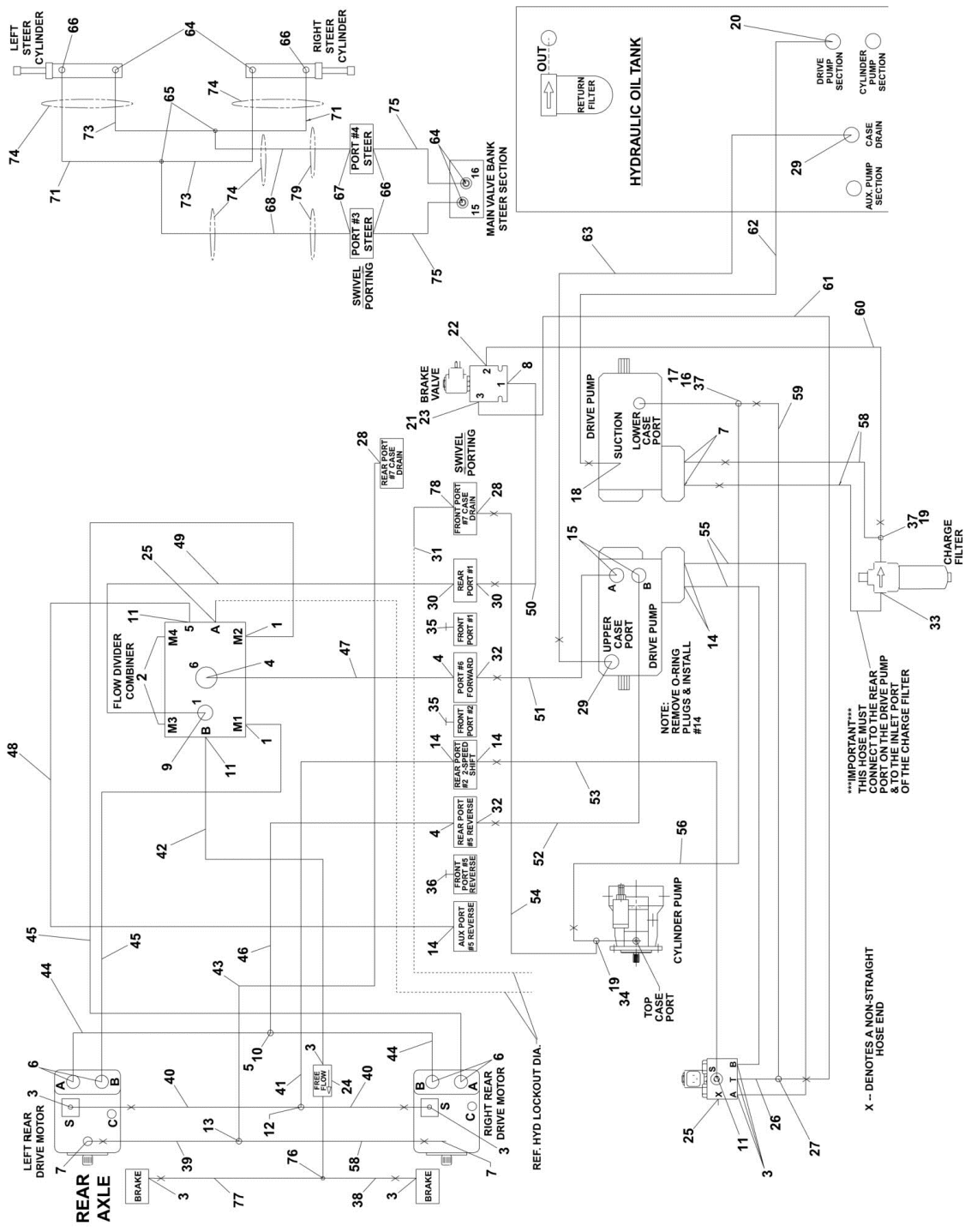
## SECTION 6 - HYDRAULIC

**FIGURE 6-1. AXLE LOCKOUT HYDRAULIC DIAGRAM**

| ITEM | PART NUMBER | QTY | DESCRIPTION                            | REV |
|------|-------------|-----|--|-----|
|      | 2792367     | Ref | <b>AXLE LOCKOUT HYDRAULIC DIAGRAMS</b> | 2-B |
| 1    | 2220603     | 1   | Fitting, Straight                      |     |
| 2    | 2220635     | 1   | Fitting, Tee                           |     |
| 3    | 2750920     | 2   | Hose                                   |     |
| 4    | 2220490     | 1   | Fitting, Tee                           |     |
| 5    | 2220371     | 2   | Fitting, Straight                      |     |
| 6    | 2752648     | 1   | Hose                                   |     |
| 7    | 2752611     | 1   | Hose                                   |     |
| 8    | 2220619     | 1   | Fitting, Reducer                       |     |
| 9    | 2220582     | 2   | Fitting, Straight                      |     |
| 10   | 2750760     | 1   | Hose                                   |     |
| 11   | 2751906     | 2   | Hose                                   |     |
| 12   | 2220711     | 1   | Fitting, Tee                           |     |
| 13   | 2220415     | 2   | Fitting, Straight                      |     |
| 14   | 2220602     | 1   | Fitting, Tee (Not Shown)               |     |
| 15   | 2220811     | 1   | Fitting, Reducer (Not Shown)           |     |
| 16   | 2220577     | 1   | Fitting, Straight (Not Shown)          |     |

# SECTION 6 - HYDRAULIC

## FIGURE 6-2. DRIVE HYDRAULIC DIAGRAM - 2WD



## SECTION 6 - HYDRAULIC

### FIGURE 6-2. DRIVE HYDRAULIC DIAGRAM - 2WD

| ITEM | PART NUMBER | QTY | DESCRIPTION                          | REV |
|------|-------------|-----|--------------------------------------|-----|
|      | 2792362     | Ref | <b>DRIVE HYDRAULIC DIAGRAM - 2WD</b> | 6-F |
| 1    | 2220498     | 2   | Fitting, Elbow                       |     |
| 2    | 2220240     | 2   | Fitting, Plug                        |     |
| 3    | 2220415     | 8   | Fitting, Straight                    |     |
| 4    | 2220365     | 3   | Fitting, Elbow                       |     |
| 5    | 2220710     | 2   | Fitting, Reducer                     |     |
| 6    | 2220465     | 4   | Fitting, Elbow                       |     |
| 7    | 2220374     | 4   | Fitting, Straight                    |     |
| 8    | 2220373     | 1   | Fitting, Straight                    |     |
| 9    | 2220500     | 1   | Fitting, Elbow                       |     |
| 10   | 2220363     | 1   | Fitting, Tee                         |     |
| 11   | 2220466     | 3   | Fitting, Elbow                       |     |
| 12   | 2220504     | 1   | Fitting, Tee                         |     |
| 13   | 2220362     | 1   | Fitting, Tee                         |     |
| 14   | 2220582     | 5   | Fitting, Straight                    |     |
| 15   | 2220646     | 2   | Fitting, Elbow                       |     |
| 16   | 2220999     | 1   | Fitting, Tee                         |     |
| 17   | 2220618     | 1   | Fitting, Reducer                     |     |
| 18   | 2220479     | 1   | Fitting, Straight                    |     |
| 19   | 2220602     | 2   | Fitting, Tee                         |     |
| 20   | 2220380     | 1   | Fitting, Straight                    |     |
| 21   | 2220609     | 1   | Fitting, Reducer                     |     |
| 22   | 2220596     | 1   | Fitting, Elbow                       |     |
| 23   | 2220628     | 1   | Fitting, Elbow                       |     |
| 24   | 4641076     | 1   | Valve, Restrictor (.021)             |     |
| 25   | 2220235     | 2   | Fitting, Plug                        |     |
| 26   | 2221029     | 1   | Fitting, Orifice (.031)              |     |
| 27   | 2220605     | 1   | Fitting, Tee                         |     |
| 28   | 2220375     | 2   | Fitting, Straight                    |     |
| 29   | 2220451     | 2   | Fitting, Straight                    |     |
| 30   | 2220600     | 2   | Fitting, Straight                    |     |
| 31   | 2220516     | 1   | Fitting, Cap                         |     |
| 32   | 2220377     | 2   | Fitting, Straight                    |     |
| 33   | 2220366     | 1   | Fitting, Elbow                       |     |
| 34   | 2220810     | 1   | Fitting, Straight                    |     |
| 35   | 2220237     | 2   | Fitting, Plug                        |     |
| 36   | 2220242     | 1   | Fitting, Plug                        |     |
| 37   | 2220811     | 2   | Fitting, Straight                    |     |
| 38   | 2752575     | 1   | Hose                                 |     |
| 39   | 2752514     | 1   | Hose                                 |     |
| 40   | 2753036     | 2   | Hose                                 |     |
| 41   | 2751011     | 1   | Hose                                 |     |
| 42   | 2752977     | 1   | Hose                                 |     |
| 43   | 2752518     | 1   | Hose                                 |     |
| 44   | 2752265     | 2   | Hose                                 |     |
| 45   | 2752266     | 2   | Hose                                 |     |
| 46   | 2752345     | 1   | Hose                                 |     |
| 47   | 2752363     | 1   | Hose                                 |     |
| 48   | 2751017     | 1   | Hose                                 |     |
| 49   | 2752498     | 1   | Hose                                 |     |

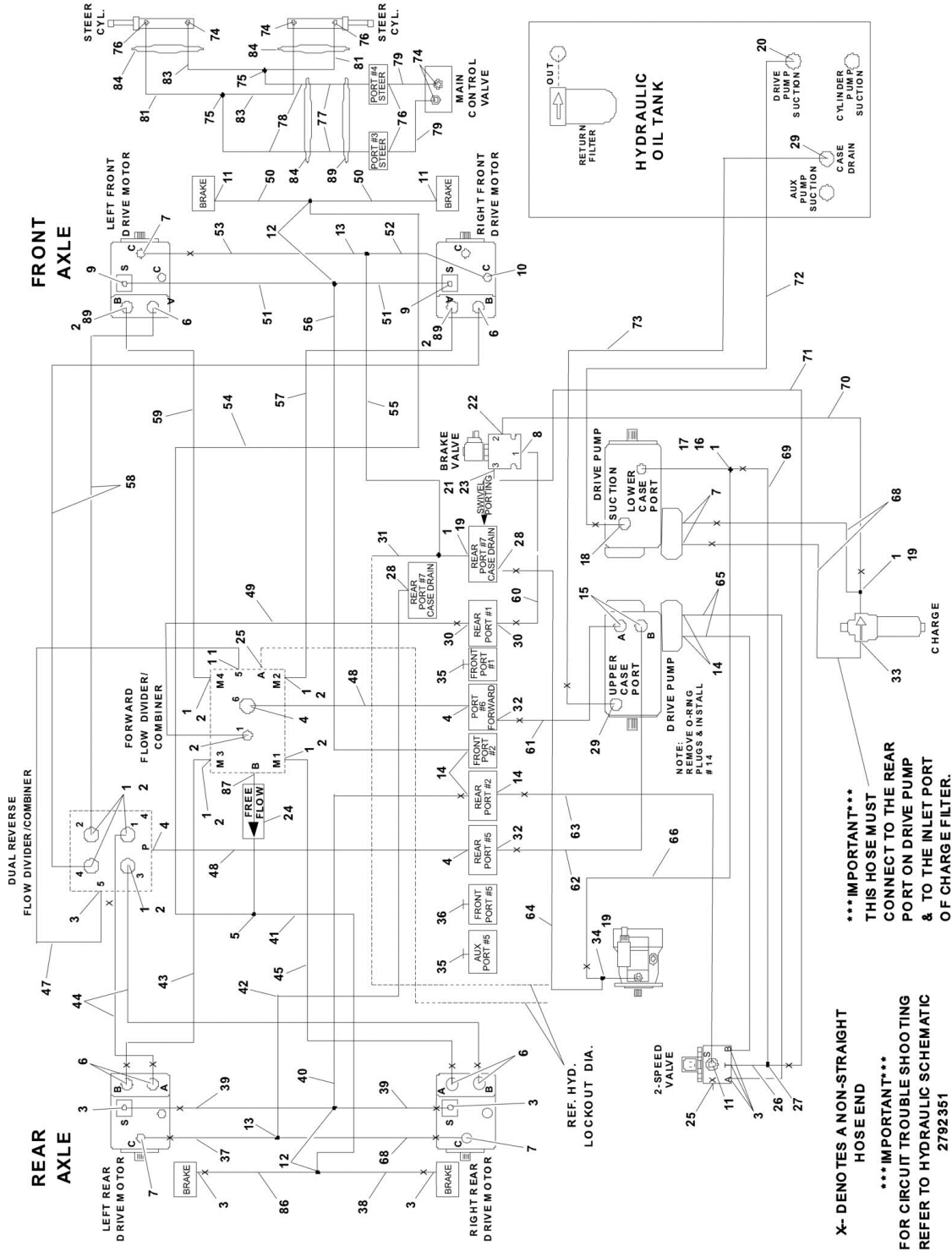
## SECTION 6 - HYDRAULIC

| ITEM | PART NUMBER | QTY | DESCRIPTION                        | REV |
|------|-------------|-----|------------------------------------|-----|
| 50   | 2752928     | 1   | Hose                               |     |
| 51   | 2752365     | 1   | Hose                               |     |
| 52   | 2752366     | 1   | Hose                               |     |
| 53   | 2751391     | 1   | Hose                               |     |
| 54   | 2752513     | 1   | Hose                               |     |
| 55   | 2751397     | 2   | Hose                               |     |
| 56   | 2752942     | 1   | Hose                               |     |
| 58   | 2752494     | 3   | Hose                               |     |
| 59   | 2752453     | 1   | Hose                               |     |
| 60   | 2752514     | 1   | Hose                               |     |
| 61   | 2752573     | 1   | Hose                               |     |
| 62   | 2752754     | 1   | Hose                               |     |
| 63   | 2752673     | 1   | Hose                               |     |
| 64   | 2220501     | 4   | Fitting, Elbow                     |     |
| 65   | 2220490     | 2   | Fitting, Tee                       |     |
| 66   | 2220473     | 2   | Fitting, Elbow                     |     |
| 67   | 2220371     | 2   | Fitting, Straight                  |     |
| 68   | 2753117     | 2   | Hose                               |     |
| 71   | 2753087     | 2   | Hose                               |     |
| 73   | 2752648     | 2   | Hose                               |     |
| 74   | 4100058     | 4   | Sleeve, Nylon (12in/30.5cm Pieces) |     |
| 75   | 2752489     | 2   | Hose                               |     |
| 76   | 2220711     | 1   | Fitting, Tee                       |     |
| 77   | 2752581     | 1   | Hose                               |     |
| 78   | 2220577     | 1   | Fitting, Straight                  |     |
| 79   | 4100059     | 2   | Sleeve, Nylon (8in/20cm Pieces)    |     |



# SECTION 6 - HYDRAULIC

## FIGURE 6-3. DRIVE HYDRAULIC DIAGRAM - 4WD



\*\*\* IMPORTANT \*\*\*  
 THIS HOSE MUST  
 CONNECT TO THE REAR  
 PORT ON DRIVE PUMP  
 & TO THE INLET PORT  
 OF CHARGE FILTER.

X- DENOTES A NON-STRAIGHT  
 HOSE END  
 \*\*\* IMPORTANT \*\*\*  
 FOR CIRCUIT TROUBLE SHOOTING  
 REFER TO HYDRAULIC SCHEMATIC  
 2792351

## SECTION 6 - HYDRAULIC

**FIGURE 6-3. DRIVE HYDRAULIC DIAGRAM - 4WD**

| ITEM | PART NUMBER | QTY | DESCRIPTION                          | REV |
|------|-------------|-----|--------------------------------------|-----|
|      | 2792363     | Ref | <b>DRIVE HYDRAULIC DIAGRAM - 4WD</b> | 9-H |
| 1    | 2220811     | 9   | Fitting, Reducer                     |     |
| 2    | 2220500     | 11  | Fitting, Elbow                       |     |
| 3    | 2220415     | 8   | Fitting, Straight                    |     |
| 4    | 2220365     | 4   | Fitting, Elbow                       |     |
| 5    | 2220711     | 1   | Fitting, Tee                         |     |
| 6    | 2220800     | 6   | Fitting, Straight                    |     |
| 7    | 2220374     | 5   | Fitting, Straight                    |     |
| 8    | 2220373     | 1   | Fitting, Straight                    |     |
| 9    | 2220502     | 2   | Fitting, Elbow                       |     |
| 10   | 2220499     | 1   | Fitting, Elbow                       |     |
| 11   | 2220466     | 4   | Fitting, Elbow                       |     |
| 12   | 2220504     | 4   | Fitting, Tee                         |     |
| 13   | 2220362     | 2   | Fitting, Tee                         |     |
| 14   | 2220582     | 5   | Fitting, Straight                    |     |
| 15   | 2220646     | 2   | Fitting, Elbow                       |     |
| 16   | 2220999     | 1   | Fitting, Tee                         |     |
| 17   | 2220618     | 1   | Fitting, Reducer                     |     |
| 18   | 2220479     | 1   | Fitting, Straight                    |     |
| 19   | 2220602     | 3   | Fitting, Tee                         |     |
| 20   | 2220380     | 1   | Fitting, Straight                    |     |
| 21   | 2220609     | 1   | Fitting, Reducer                     |     |
| 22   | 2220596     | 1   | Fitting, Elbow                       |     |
| 23   | 2220628     | 1   | Fitting, Elbow                       |     |
| 24   | 4640778     | 1   | Valve, Restrictor (.030)             |     |
| 25   | 2220235     | 2   | Fitting, Plug                        |     |
| 26   | 2221029     | 1   | Fitting, Orifice (.031)              |     |
| 27   | 2220605     | 1   | Fitting, Tee                         |     |
| 28   | 2220375     | 2   | Fitting, Straight                    |     |
| 29   | 2220451     | 2   | Fitting, Straight                    |     |
| 30   | 2220600     | 2   | Fitting, Straight                    |     |
| 31   | 2220517     | 1   | Fitting, Cap                         |     |
| 32   | 2220377     | 2   | Fitting, Straight                    |     |
| 33   | 2220366     | 1   | Fitting, Elbow                       |     |
| 34   | 2220810     | 1   | Fitting, Reducer                     |     |
| 35   | 2220237     | 2   | Fitting, Plug                        |     |
| 36   | 2220242     | 1   | Fitting, Plug                        |     |
| 37   | 2752514     | 1   | Hose                                 |     |
| 38   | 2752575     | 1   | Hose                                 |     |
| 39   | 2753036     | 2   | Hose                                 |     |
| 40   | 2751011     | 1   | Hose                                 |     |
| 41   | 2752977     | 1   | Hose                                 |     |
| 42   | 2752518     | 1   | Hose                                 |     |
| 43   | 2753155     | 1   | Hose                                 |     |
| 44   | 2753161     | 2   | Hose                                 |     |
| 45   | 2753162     | 1   | Hose                                 |     |
| 46   | 4100059     | 2   | Sleeve, Nylon (8in/20cm Pieces)      |     |
| 47   | 2751017     | 1   | Hose                                 |     |
| 48   | 2752363     | 2   | Hose                                 |     |
| 49   | 2752498     | 1   | Hose                                 |     |

## SECTION 6 - HYDRAULIC

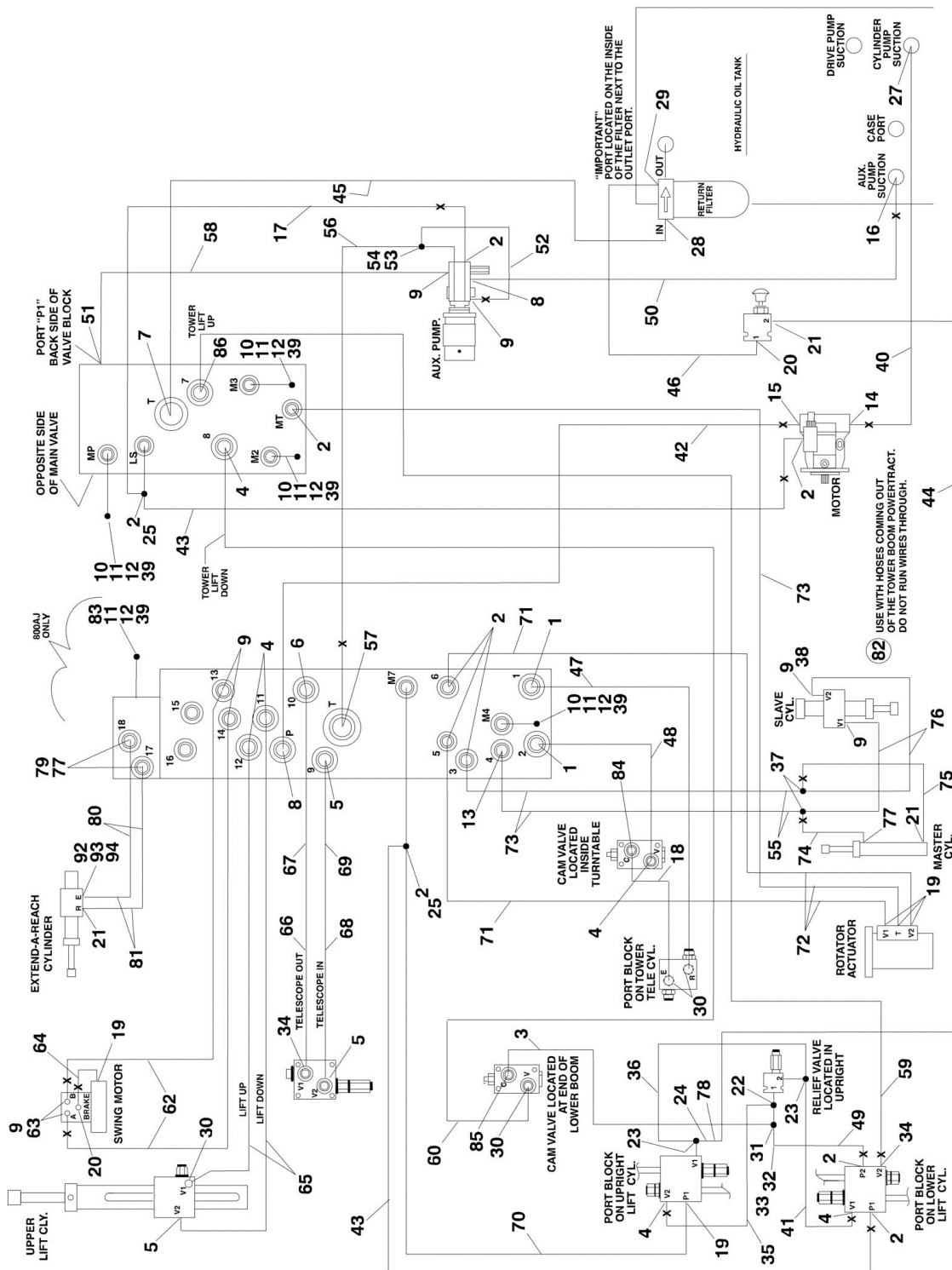
| ITEM | PART NUMBER | QTY | DESCRIPTION                          | REV |
|------|-------------|-----|--------------------------------------|-----|
| 50   | 2752592     | 2   | Hose                                 |     |
| 51   | 2753035     | 2   | Hose                                 |     |
| 52   | 2752516     | 1   | Hose                                 |     |
| 53   | 2752514     | 1   | Hose                                 |     |
| 54   | 2752591     | 1   | Hose                                 |     |
| 55   | 2752949     | 1   | Hose                                 |     |
| 56   | 2751906     | 1   | Hose                                 |     |
| 57   | 2753157     | 1   | Hose                                 |     |
| 58   | 2753158     | 2   | Hose                                 |     |
| 59   | 2753159     | 1   | Hose                                 |     |
| 60   | 2753187     | 1   | Hose                                 |     |
| 61   | 2752365     | 1   | Hose                                 |     |
| 62   | 2752366     | 1   | Hose                                 |     |
| 63   | 2751391     | 1   | Hose                                 |     |
| 64   | 2752513     | 1   | Hose                                 |     |
| 65   | 2751397     | 2   | Hose                                 |     |
| 66   | 2752942     | 1   | Hose                                 |     |
| 68   | 2752494     | 3   | Hose                                 |     |
| 69   | 2752453     | 1   | Hose                                 |     |
| 70   | 2752514     | 1   | Hose                                 |     |
| 71   | 2752573     | 1   | Hose                                 |     |
| 72   | 2752754     | 1   | Hose                                 |     |
| 73   | 2752673     | 1   | Hose                                 |     |
| 74   | 2220501     | 4   | Fitting, Elbow                       |     |
| 75   | 2220490     | 2   | Fitting, Tee                         |     |
| 76   | 2220473     | 4   | Fitting, Elbow                       |     |
| 77   | 2220371     | 2   | Fitting, Straight                    |     |
| 78   | 2753117     | 2   | Hose                                 |     |
| 79   | 2752489     | 2   | Hose                                 |     |
| 81   | 2753087     | 2   | Hose                                 |     |
| 83   | 2752648     | 2   | Hose                                 |     |
| 84   | 4100058     | 4   | Sleeve, Nylon (12in/30.5cm Pieces)   |     |
| 85   | 2752642     | 1   | Hose <b>(Prior to SN 0300053332)</b> |     |
| 86   | 2752581     | 1   | Hose                                 |     |
| 87   | 2221030     | 1   | Fitting, Nipple                      |     |
| 89   | 2220833     | 2   | Fitting, Reducer                     |     |
| 90   | 4100051     | 1   | Sleeve, Nylon                        |     |





# SECTION 6 - HYDRAULIC

## FIGURE 6-4. STANDARD HYDRAULIC DIAGRAM (WITH FENNER AND HALDEX BRAND AUXILIARY PUMP)



## SECTION 6 - HYDRAULIC

**FIGURE 6-4. STANDARD HYDRAULIC DIAGRAM (WITH FENNER AND HALDEX BRAND AUXILIARY PUMP)**

| ITEM | PART NUMBER | QTY | DESCRIPTION                                    | REV  |
|------|-------------|-----|--|------|
|      |             | Ref | <b>STANDARD HYDRAULIC DIAGRAM</b>              |      |
|      | 2792365     | Ref | <b>Standard Hydraulic Diagram 800A</b>         | 9-H  |
|      | 2792366     | Ref | <b>Standard Hydraulic Diagram 800AJ</b>        | 11-K |
| 1    | 2220381     | 2   | Fitting, Straight                              |      |
| 2    | 2220415     | AR  | Fitting, Straight                              |      |
| 3    | 2753199     | 1   | Hose   |      |
| 4    | 2220373     | 6   | Fitting, Straight                              |      |
| 5    | 2220500     | 3   | Fitting, Elbow                                 |      |
| 6    | 2220947     | 1   | Fitting, Straight                              |      |
| 7    | 2220376     | 1   | Fitting, Straight                              |      |
| 8    | 2220593     | 2   | Fitting, Straight                              |      |
| 9    | 2220371     | AR  | Fitting, Straight                              |      |
| 10   | 2220873     | 4   | Fitting, Straight                              |      |
| 11   | 2220428     | AR  | Fitting, Quick Disconnect                      |      |
| 12   | 2220429     | AR  | Fitting, Dust Cap                              |      |
| 13   | 2220502     | 1   | Fitting, Elbow                                 |      |
| 14   | 2220737     | 1   | Split Flange Kit #24                           |      |
| 15   | 2220478     | 1   | Split Flange Kit #16                           |      |
| 16   | 2220451     | 1   | Fitting, Straight                              |      |
| 17   | 2752453     | 1   | Hose   |      |
| 18   | 2753200     | 1   | Hose   |      |
| 19   | 2220466     | AR  | Fitting, Elbow                                 |      |
| 20   | 2220582     | AR  | Fitting, Straight                              |      |
| 21   | 2220473     | AR  | Fitting, Elbow                                 |      |
| 22   | 2220602     | 1   | Fitting, Tee                                   |      |
| 23   | 2220999     | 2   | Fitting, Tee                                   |      |
| 24   | 2220619     | 1   | Fitting, Reducer                               |      |
| 25   | 2220605     | 2   | Fitting, Tee                                   |      |
| 27   | 2220765     | 1   | Fitting, Straight                              |      |
| 28   | 2220379     | 1   | Fitting, Straight                              |      |
| 29   | 2220574     | 1   | Fitting, Straight                              |      |
| 30   | 2220596     | AR  | Fitting, Elbow                                 |      |
| 31   | 2220385     | 1   | Fitting, Tee                                   |      |
| 32   | 2220618     | 1   | Fitting, Reducer                               |      |
| 33   | 2220654     | 1   | Fitting, Elbow <b>(Prior to SN 0300048538)</b> |      |
| 34   | 2220852     | 3   | Fitting, Straight                              |      |
| 35   | 2753197     | 1   | Hose   |      |
| 36   | 2753196     | 1   | Hose   |      |
| 37   | 2220490     | 2   | Fitting, Tee                                   |      |
| 38   | 4567139     | 1   | Tube   |      |
| 39   | 0100020     | AR  | Sealant, Pipe                                  |      |
| 40   | 2753216     | 1   | Hose   |      |
| 41   | 2753195     | 1   | Hose   |      |
| 42   | 2753231     | 1   | Hose   |      |
| 43   | 2753010     | 2   | Hose   |      |
| 44   | 2752468     | 1   | Hose   |      |
| 45   | 2752721     | 1   | Hose   |      |
| 46   | 2752438     | 1   | Hose   |      |
| 47   | 2753192     | 1   | Hose   |      |

## SECTION 6 - HYDRAULIC

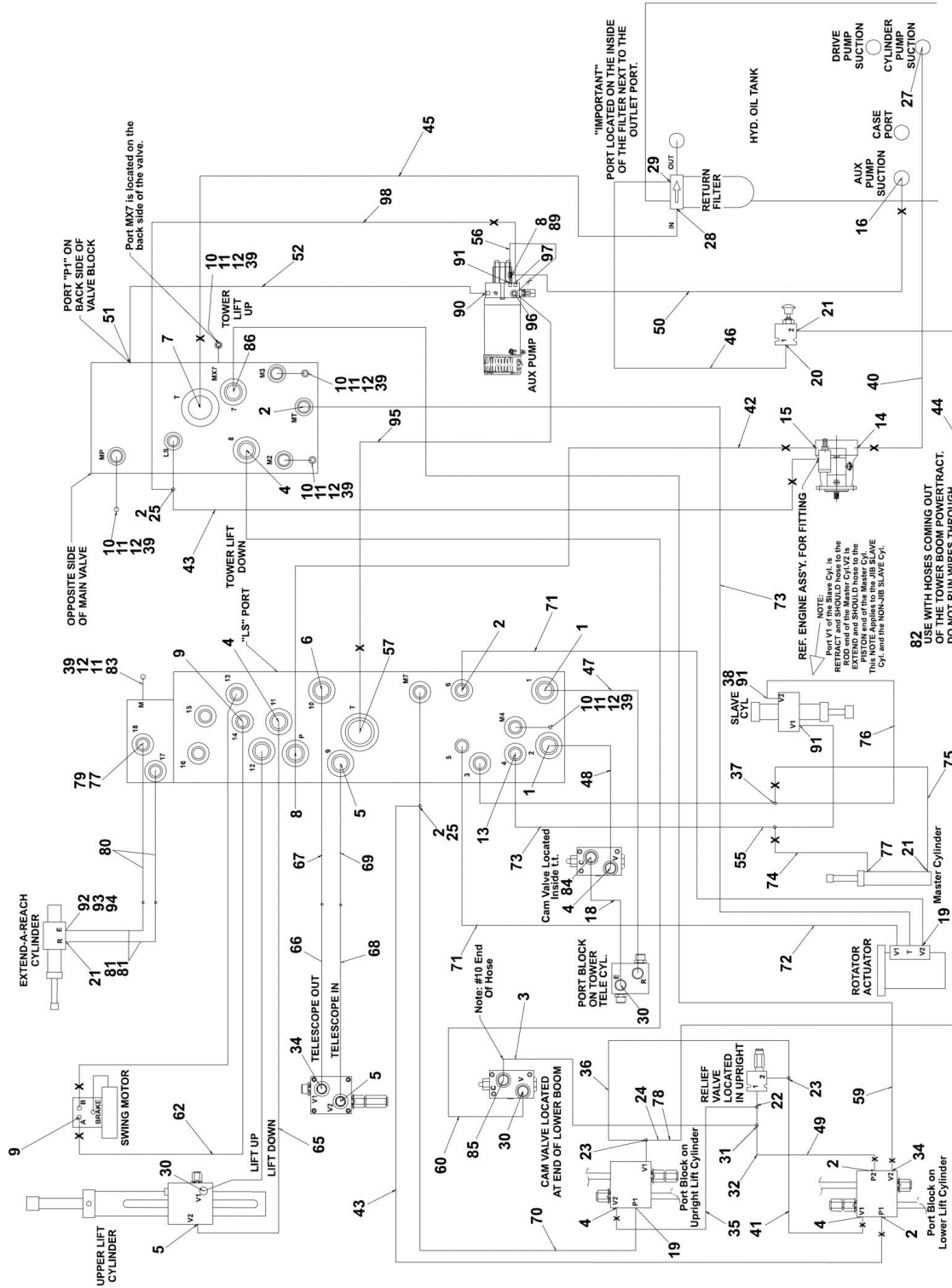
| ITEM | PART NUMBER  | QTY | DESCRIPTION  | REV |
|------|--------------|-----|--|-----|
| 48   | 2752494      | 1   | Hose   |     |
| 49   | 2753008      | 1   | Hose   |     |
| 50   | 2752674      | 1   | Hose   |     |
| 51   | 4640780      | 1   | Fitting, Check Valve                                     |     |
| 52   | 2753118      | 1   | Hose   |     |
| 53   | 2220775      | 1   | Fitting, Elbow   |     |
| 54   | 2220635      | 1   | Fitting, Tee   |     |
| 55   | 2220609      | 2   | Fitting, Reducer   |     |
| 56   | 2752463      | 1   | Hose   |     |
| 57   | 2220577      | 1   | Fitting, Straight  |     |
| 58   | 2753122      | 1   | Hose   |     |
| 59   | 2752768      | 1   | Hose   |     |
| 60   | 2752930      | 1   | Hose   |     |
| 62   | 2752462      | 2   | Hose   |     |
| 63   | 2220497      | 2   | Fitting, Straight <b>(Prior to SN 0300068040)</b>        |     |
| 64   | 2752573      | AR  | Hose <b>(Prior to SN 0300068040)</b>                     |     |
| 65   | 2753189      | 2   | Hose   |     |
| 66   | 2752767      | 1   | Hose   |     |
| 67   | 2752766      | 1   | Hose   |     |
| 68   | 2753190      | 1   | Hose   |     |
| 69   | 2753191      | 1   | Hose   |     |
| 70   | 2752978      | 1   | Hose   |     |
| 71   | 2752585      | 2   | Hose   |     |
| 72   |              | Ref | Hose Options:  |     |
| 72   | 2753009      | 3   | Hose 800A  |     |
| 72   | 2753006      | 3   | Hose 800AJ   |     |
| 73   | 2753007      | 3   | Hose   |     |
| 74   | 2753124      | 1   | Hose   |     |
| 75   | 2753125      | 1   | Hose   |     |
| 76   |              | Ref | Hose Options:  |     |
| 76   | 2753129      | 2   | Hose 800A  |     |
| 76   | 2753126      | 2   | Hose 800AJ   |     |
| 77   | 2220501      | AR  | Fitting, Elbow   |     |
| 78   | 4567757      | 1   | Tube   |     |
| 79   |              | Ref | Fitting, Reducer Options:                                |     |
| 79   | Not Required | 0   | Fitting, Reducer 800A                                    |     |
| 79   | 2220591      | 2   | Fitting, Reducer 800AJ                                   |     |
| 80   |              | Ref | Hose Options:  |     |
| 80   | Not Required | 0   | Hose 800A  |     |
| 80   | 2753123      | 2   | Hose 800AJ   |     |
| 81   |              | Ref | Hose Options:  |     |
| 81   | Not Required | 0   | Hose 800A  |     |
| 81   | 2753128      | 2   | Hose 800AJ   |     |
| 82   | 4100062      | 2   | Protection, Nylon Hose (24in/61cm)                       |     |
| 83   |              | Ref | Fitting Options: (800AJ Only)                            |     |
| 83   | 2220414      | 1   | Fitting <b>(Prior to SN 0300053556)</b>                  |     |
| 83   | 2220873      | 1   | Fitting <b>(SN 0300053556 through 0300069000)</b>        |     |
| 84   | 2220947      | 1   | Fitting, Straight  |     |
| 85   | 2221036      | 1   | Fitting, Elbow   |     |
| 86   | 2220950      | 1   | Fitting, Elbow <b>(SN 0300067447 through 0300069000)</b> |     |
| 92   | 2180724      | 1   | Fitting, Modified  |     |

## SECTION 6 - HYDRAULIC

| ITEM | PART NUMBER | QTY | DESCRIPTION       | REV |
|------|-------------|-----|-------------------|-----|
| 93   | 2180380     | 1   | Fitting, Orifice  |     |
| 94   | 0100019     | AR  | Compound, Locking |     |

# SECTION 6 - HYDRAULIC

## FIGURE 6-5. STANDARD HYDRAULIC DIAGRAM (WITH BUCHER BRAND AUXILIARY PUMP)



## SECTION 6 - HYDRAULIC

**FIGURE 6-5. STANDARD HYDRAULIC DIAGRAM (WITH BUCHER BRAND AUXILIARY PUMP)**

| ITEM | PART NUMBER | QTY | DESCRIPTION                             | REV |
|------|-------------|-----|---|-----|
|      |             | Ref | <b>STANDARD HYDRAULIC DIAGRAM</b>       |     |
|      | 1001143187  | Ref | <b>Standard Hydraulic Diagram 800A</b>  | A   |
|      | 1001143188  | Ref | <b>Standard Hydraulic Diagram 800AJ</b> | A   |
| 1    | 2220381     | 2   | Fitting, Straight                       |     |
| 2    | 2220415     | 8   | Fitting, Straight                       |     |
| 3    | 2753199     | 1   | Hose                                    |     |
| 4    | 2220373     | 6   | Fitting, Straight                       |     |
| 5    | 2220500     | 3   | Fitting, Elbow                          |     |
| 6    | 2220947     | 1   | Fitting, Straight                       |     |
| 7    | 2220376     | 1   | Fitting, Straight                       |     |
| 8    | 2220593     | 2   | Fitting, Straight                       |     |
| 9    | 2220371     | 4   | Fitting, Straight                       |     |
| 10   | 2220873     | 5   | Fitting, Straight                       |     |
| 11   | 2220428     | AR  | Fitting, Quick Disconnect               |     |
| 12   | 2220429     | AR  | Fitting, Dust Cap                       |     |
| 13   | 2220502     | 1   | Fitting, Elbow                          |     |
| 14   | 2220737     | 1   | Split Flange Kit #24                    |     |
| 15   | 2220478     | 1   | Split Flange Kit #16                    |     |
| 16   | 2220451     | 1   | Fitting, Straight                       |     |
| 18   | 2753200     | 1   | Hose                                    |     |
| 19   | 2220466     | 4   | Fitting, Elbow                          |     |
| 20   | 2220582     | 1   | Fitting, Straight                       |     |
| 21   | 2220473     | AR  | Fitting, Elbow                          |     |
| 22   | 2220602     | 1   | Fitting, Tee                            |     |
| 23   | 2220999     | 2   | Fitting, Tee                            |     |
| 24   | 2220619     | 1   | Fitting, Reducer                        |     |
| 25   | 2220605     | 2   | Fitting, Tee                            |     |
| 27   | 2220765     | 1   | Fitting, Straight                       |     |
| 28   | 2220379     | 1   | Fitting, Straight                       |     |
| 29   | 2220574     | 1   | Fitting, Straight                       |     |
| 30   | 2220596     | 4   | Fitting, Elbow                          |     |
| 31   | 2220385     | 1   | Fitting, Tee                            |     |
| 32   | 2220618     | 1   | Fitting, Reducer                        |     |
| 34   | 2220852     | 2   | Fitting, Straight                       |     |
| 35   | 2753197     | 1   | Hose                                    |     |
| 36   | 2753196     | 1   | Hose                                    |     |
| 37   | 2220490     | 2   | Fitting, Tee                            |     |
| 38   | 4567139     | 1   | Tube                                    |     |
| 39   | 0100020     | AR  | Sealant, Pipe                           |     |
| 40   | 2753216     | 1   | Hose                                    |     |
| 41   | 2753195     | 1   | Hose                                    |     |
| 42   | 2753231     | 1   | Hose                                    |     |
| 43   | 2753010     | 2   | Hose                                    |     |
| 44   | 2752468     | 1   | Hose                                    |     |
| 45   | 2752721     | 1   | Hose                                    |     |
| 46   | 2752438     | 1   | Hose                                    |     |
| 47   | 2753192     | 1   | Hose                                    |     |
| 48   | 2752494     | 1   | Hose                                    |     |
| 49   | 2753008     | 1   | Hose                                    |     |
| 50   | 2752671     | 1   | Hose                                    |     |

## SECTION 6 - HYDRAULIC

| ITEM | PART NUMBER  | QTY | DESCRIPTION                                  | REV |
|------|--------------|-----|--|-----|
| 51   | 4640780      | 1   | Fitting, Check Valve                         |     |
| 52   | 2753118      | 1   | Hose   |     |
| 55   | 2220609      | 2   | Fitting, Reducer                             |     |
| 56   | 2752463      | 1   | Hose   |     |
| 57   | 2220577      | 1   | Fitting, Straight                            |     |
| 59   | 2752768      | 1   | Hose   |     |
| 60   | 2752930      | 1   | Hose   |     |
| 62   | 2752462      | 2   | Hose   |     |
| 65   | 2753189      | 2   | Hose   |     |
| 66   | 2752767      | 1   | Hose   |     |
| 67   | 2752766      | 1   | Hose   |     |
| 68   | 2753190      | 1   | Hose   |     |
| 69   | 2753191      | 1   | Hose   |     |
| 70   | 2752978      | 1   | Hose   |     |
| 71   | 2752585      | 2   | Hose   |     |
| 72   |              | Ref | Hose Options:                                |     |
| 72   | 2753009      | 3   | Hose 800A                                    |     |
| 72   | 2753006      | 3   | Hose 800AJ                                   |     |
| 73   | 2753007      | 3   | Hose   |     |
| 74   | 2753124      | 1   | Hose   |     |
| 75   | 2753125      | 1   | Hose   |     |
| 76   |              | Ref | Hose Options:                                |     |
| 76   | 2753129      | 2   | Hose 800A                                    |     |
| 76   | 2753126      | 2   | Hose 800AJ                                   |     |
| 77   | 2220501      | 1   | Fitting, Elbow                               |     |
| 78   | 4567757      | 1   | Tube   |     |
| 79   |              | Ref | Fitting, Reducer Options:                    |     |
| 79   | Not Required | 0   | Fitting, Reducer 800A                        |     |
| 79   | 2220591      | 2   | Fitting, Reducer 800AJ                       |     |
| 80   |              | Ref | Hose Options:                                |     |
| 80   | Not Required | 0   | Hose 800A                                    |     |
| 80   | 2753123      | 2   | Hose 800AJ                                   |     |
| 81   |              | Ref | Hose Options:                                |     |
| 81   | Not Required | 0   | Hose 800A                                    |     |
| 81   | 2753128      | 2   | Hose 800AJ                                   |     |
| 82   | 4100062      | 4   | Protection, Nylon Hose (24in/61cm per piece) |     |
| 83   | 2220873      | 1   | Fitting (800AJ Only)                         |     |
| 84   | 2220947      | 1   | Fitting, Straight                            |     |
| 85   | 2221036      | 1   | Fitting, Elbow                               |     |
| 86   | 2220950      | 1   | Fitting, Elbow                               |     |
| 89   | 2220655      | 1   | Fitting, Elbow                               |     |
| 90   | 2220501      | 1   | Fitting                                      |     |
| 91   | 2220603      | 3   | Fitting, Straight                            |     |
| 92   |              | Ref | Fitting, Modified Options:                   |     |
| 92   | Not Required | 0   | Fitting, Modified 800A                       |     |
| 92   | 2180724      | 1   | Fitting, Modified 800AJ                      |     |
| 93   |              | Ref | Fitting, Orifice Options:                    |     |
| 93   | Not Required | 0   | Fitting, Orifice 800A                        |     |
| 93   | 2180380      | 1   | Fitting, Orifice 800AJ                       |     |
| 94   | 0100019      | AR  | Compound, Locking                            |     |
| 95   | 1001109690   | 1   | Hose   |     |



## SECTION 6 - HYDRAULIC

| ITEM | PART NUMBER | QTY | DESCRIPTION  | REV |
|------|-------------|-----|--|-----|
| 96   | 2220606     | 1   | Fitting, Tee   |     |
| 97   | 2220923     | 1   | Fitting, Straight  |     |
| 98   | 1001143192  | 1   | Hose   |     |
|      |             | Ref | Hose Kit Options:  |     |
|      |             | Ref | Hose Kit 800A  |     |
|      | 2902456     | 1   | Hose Kit (Includes Items 72 & 76)  |     |
|      | 2902457     | 1   | Hose Kit (Includes Items 3, 35, 36, 41, 44, 49, 60, 65, 67, 69, 70, 71 & 73) |     |
|      |             | Ref | Hose Kit 800AJ   |     |
|      | 2902459     | 1   | Hose Kit (Includes Items 72, 76 & 81)  |     |
|      | 2902457     | 1   | Hose Kit (Includes Items 3, 35, 36, 41, 44, 49, 60, 65, 67, 69, 70, 71 & 73) |     |

## SECTION 6 - HYDRAULIC

FIGURE 6-6. HYDRAULIC DIAGRAM LIST

| ITEM | PART NUMBER | QTY | DESCRIPTION  | REV |
|------|-------------|-----|--|-----|
|      |             | Ref | <b>Note: Diagrams not shown is available from JLG Service/Parts Departments.</b> |     |
|      | 2792367     | Ref | <b>Axle Lockout Hydraulic Diagram</b>  |     |
|      |             | Ref | <b>Drive Hydraulic Diagrams:</b>   |     |
|      | 2792362     | Ref | Drive Hydraulic Diagram 2WD/2WS Machines   |     |
|      | 2792363     | Ref | Drive Hydraulic Diagram 4WD/2WS Machines   |     |
|      | 2792364     | Ref | Drive Hydraulic Diagram 4WD/4WS Machines   |     |
|      |             | Ref | <b>Standard Hydraulic Diagrams:</b>  |     |
|      | 2792365     | Ref | Standard Hydraulic Diagrams 800A (Haldex Brand Auxiliary Pump)                   |     |
|      | 1001143187  | Ref | Standard Hydraulic Diagrams 800A (Bucher Brand Auxiliary Pump)                   |     |
|      | 2792366     | Ref | Standard Hydraulic Diagrams 800AJ (Haldex Brand Auxiliary Pump)                  |     |
|      | 1001143188  | Ref | Standard Hydraulic Diagrams 800AJ (Bucher Brand Auxiliary Pump)                  |     |
|      | 2792351     | Ref | <b>Standard Hydraulic Schematic</b>  |     |
|      |             | Ref | <b>Tilt Sensor Installation Options:</b>   |     |
|      | 1001091538  | Ref | <b>Pre ADE System</b>  |     |
|      | 1001093187  | Ref | <b>ADE System</b>  |     |
|      | 1001094557  | 1   | Adapter, Pressure Tap  |     |

**SECTION 7 - ELECTRICAL**

# SECTION 7 - ELECTRICAL

## FIGURE 7-1. ELECTRICAL DIAGRAM LIST

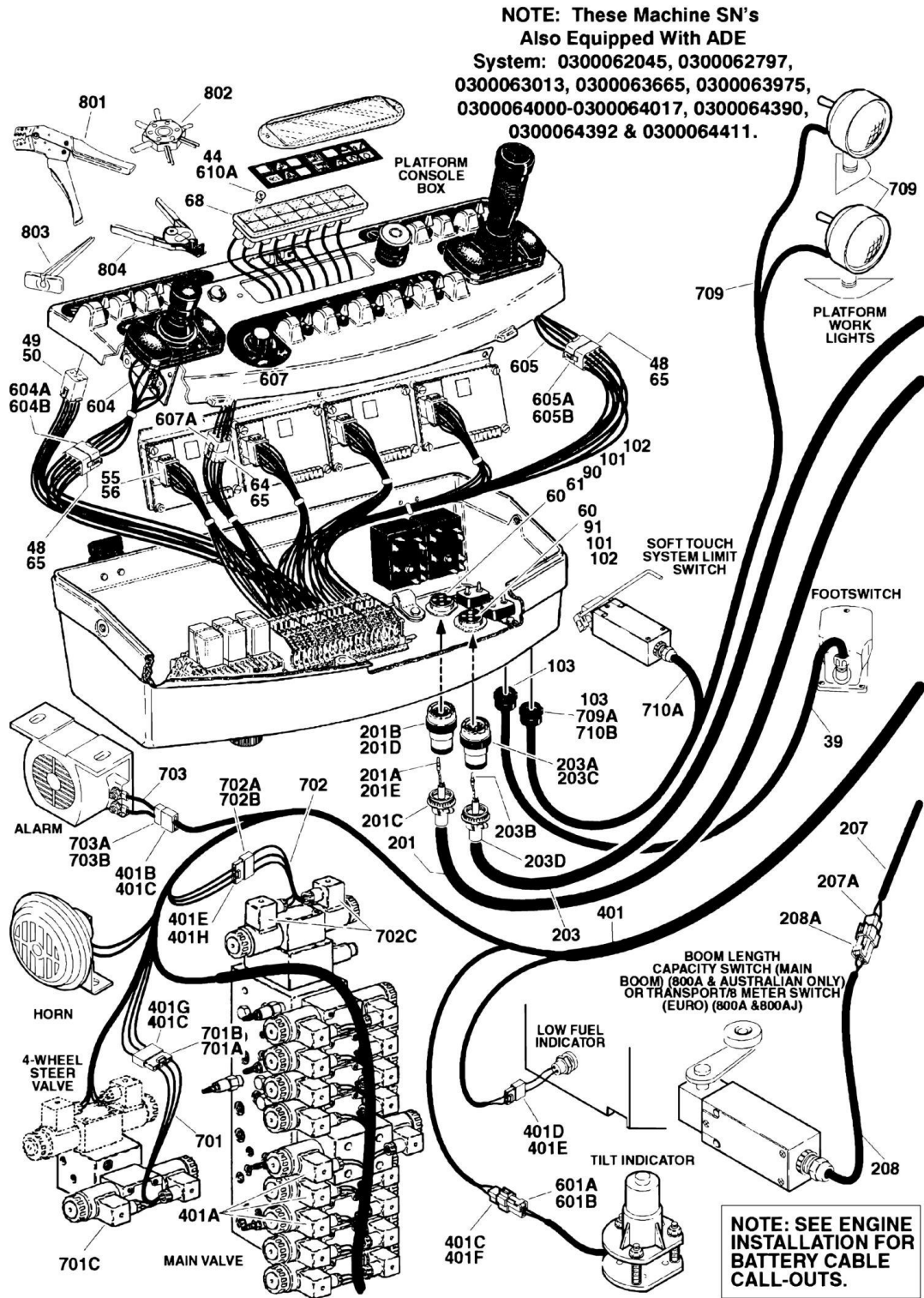
| ITEM | PART NUMBER | QTY | DESCRIPTION  | REV |
|------|-------------|-----|--|-----|
|      |             | Ref | <b>Note: Diagrams not shown are available from the JLG Service Department. Schematics shown in the Service and Maintenance Manual.</b>   |     |
|      |             | Ref | <b>NOTE: THESE MACHINE SN'S ALSO EQUIPPED WITH ADE SYSTEM: 0300062045, 0300062797, 0300063013, 0300063665, 0300063975, 0300064000-0300064017, 0300064390, 0300064392 &amp; 0300064411.</b> |     |
|      |             | Ref | <b>ALARM ELECTRICAL DIAGRAMS</b>   |     |
|      | 4933025     | Ref | <b>Motion Alarm (Prior to SN 0300064432)</b>   | 1   |
|      | 1282937     | Ref | <b>Motion Alarm (Prior to SN 0300064432)</b>   | A   |
|      | 4933026     | Ref | <b>Travel Alarm (Prior to SN 0300064432)</b>   | 1   |
|      | 1282937     | Ref | <b>Travel Alarm (Prior to SN 0300064432)</b>   | A   |
|      | See Note    | Ref | <b>Alarm (All) (Use Schematic 1870132) (SN 0300065634 through 0300069000)</b>  | B   |
|      | 1282571     | Ref | <b>COLD WEATHER START ELECTRICAL DIAGRAM</b>   | F   |
|      | 4933307     | Ref | <b>DRIVE/STEER CUT-OUT ELECTRICAL DIAGRAMS</b>   | A   |
|      | 4932986     | Ref | <b>ENGINE SHUTDOWN ELECTRICAL DIAGRAM (DEUTZ ENGINE MACHINES OPTION)</b>   | B   |
|      |             | Ref | <b>GENERATOR ELECTRICAL DIAGRAMS</b>   |     |
|      | 4932915     | Ref | <b>110Volt (Prior to SN 0300056098)</b>  | 1-A |
|      | 4933150     | Ref | <b>110Volt (SN 0300056098 through 0300064431)</b>  | 2-B |
|      | 4933215     | Ref | <b>110Volt (ADE SYSTEM) (SN 0300064432 through 0300069000)</b>   | 1-A |
|      | 4932989     | Ref | <b>220 Volt (Prior to SN 0300056098)</b>   | 1-B |
|      | 4933149     | Ref | <b>220 Volt (SN 0300056098 through 0300064431)</b>   | 2-B |
|      | 4933216     | Ref | <b>220 Volt (ADE SYSTEM) (SN 0300064432 through 0300069000)</b>  | 1-A |
|      |             | Ref | <b>GLOW PLUG DIAGRAM OPTIONS:</b>  |     |
|      | 4933175     | Ref | <b>Glow Plug Diagram (Prior to SN 0300064432)</b>  | A   |
|      | 4933189     | Ref | <b>Glow Plug Diagram (SN 0300064432 through 0300069000)</b>  | A   |
|      |             | Ref | <b>Harness Options:</b>  |     |
|      | 4922542     | 1   | <b>Harness (Prior to SN 0300064432)</b>  |     |
|      | 4922565     | 1   | <b>Harness (SN 0300064432 through 0300069000)</b>  |     |
|      |             | Ref | <b>LIGHTS ELECTRICAL DIAGRAMS</b>  |     |
|      | 4932917     | Ref | <b>Headlight/Taillight (Prior to SN 0300064432)</b>  | 3-D |
|      | 4922095     | 1   | <b>Harness (Located in Platform Console Box)</b>   |     |
|      | 3740049     | 1   | <b>Relay</b>   |     |
|      | 4933199     | Ref | <b>Headlight/Taillight (ADE System) (SN 0300064432 through 0300064007)</b>   | A   |
|      | 4922484     | 1   | <b>Harness (Located in Ground Console Box)</b>   |     |
|      | 3740049     | 1   | <b>Relay</b>   |     |
|      | 4933231     | Ref | <b>Headlight/Taillight (ADE System) (SN 0300064432 through 0300069000)</b>   | 1-B |
|      | 4922643     | 1   | <b>Harness (Located in Ground Console Box)</b>   |     |
|      | 3740049     | 1   | <b>Relay</b>   |     |
|      |             | Ref | <b>STROBE LIGHT OPTIONS:</b>   |     |
|      | 4933027     | Ref | <b>Strobe Light (Prior to SN 0300064432)</b>   | 1   |
|      | 1282937     | Ref | <b>Strobe Light (Prior to SN 0300064432)</b>   | A   |
|      | See Note    | Ref | <b>Strobe Light (Use Schematic 1870132) (SN 0300065634 through 0300069000)</b>   | B   |
|      | 0256762     | Ref | <b>OIL COOLER ELECTRICAL DIAGRAMS:</b>   | 3   |
|      | 1282665     | Ref | <b>OIL COOLER ELECTRICAL DIAGRAMS:</b>   | C   |
|      |             | Ref | <b>PLATFORM LOAD SENSING DEVICE INSTALLATION</b>   |     |

## SECTION 7 - ELECTRICAL

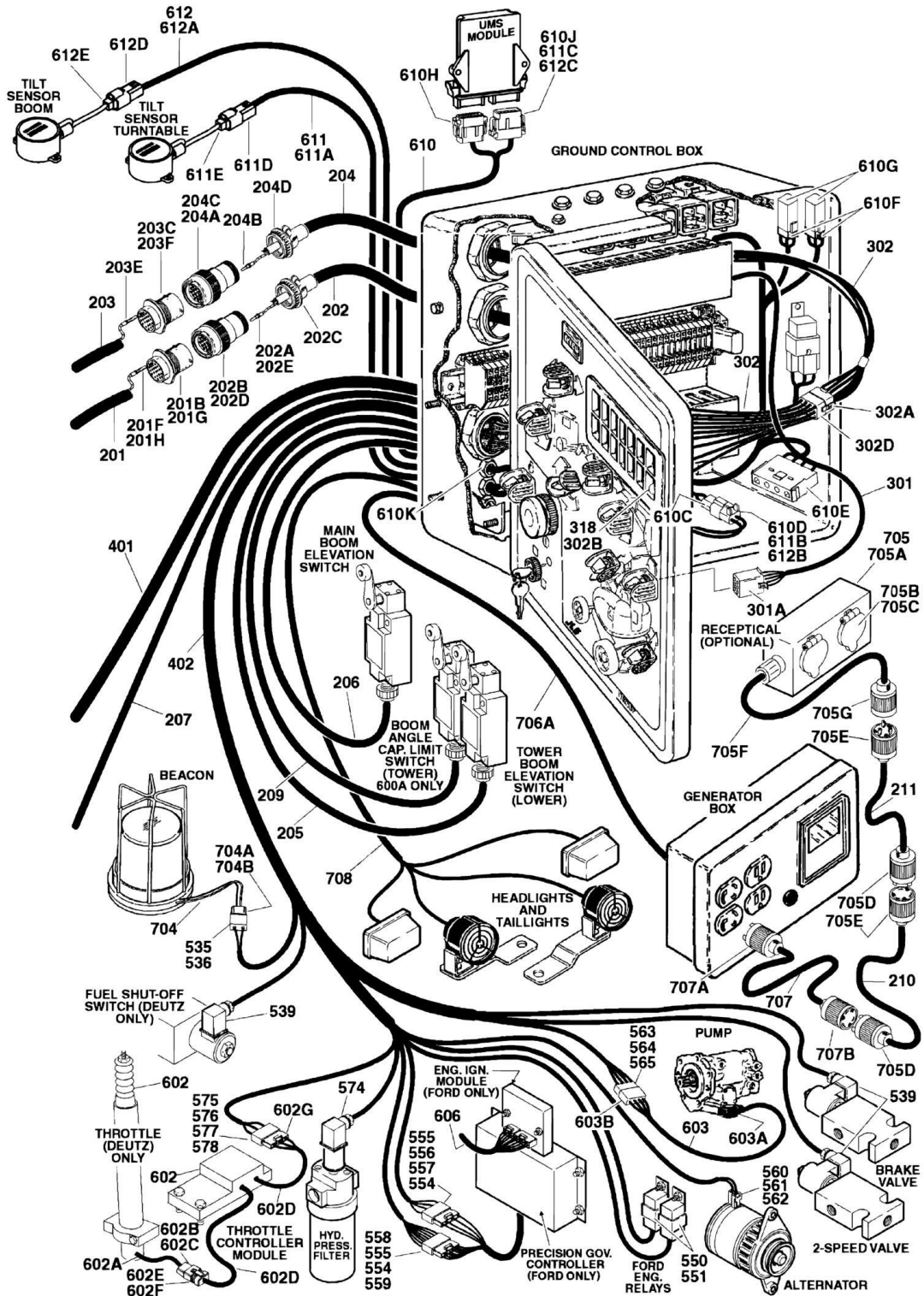
| ITEM | PART NUMBER | QTY | DESCRIPTION  | REV |
|------|-------------|-----|--|-----|
|      |             |     | <b>(FRENCH SPEC) ELECTRICAL DIAGRAMS:</b>  |     |
|      | 4933006     | Ref | Platform Load Sensing Device Installation (French Spec) Electrical Diagrams (Prior to SN 0300061481)           | A   |
|      | 0259233     | Ref | Platform Load Sensing Device Installation (French Spec) Electrical Diagrams (SN 0300061481 through 0300064431) | C   |
|      | See Note    | Ref | With ADE System (SN 0300064432 through 0300067882)   | B   |
|      | 4933265     | Ref | With ADE System (SN 0300067883 through 0300069000)   | A   |
|      |             | Ref | <b>PLATFORM ELECTRICAL DIAGRAMS:</b>   |     |
|      | 4922155     | Ref | Platform Electrical Diagrams (Prior to SN 0300064432)  | 5-D |
|      | 4922639     | Ref | With ADE System (SN 0300064432 through 0300069000)   | 3-C |
|      | 4932980     | Ref | <b>PLATFORM SOFT TOUCH SYSTEM ELECTRICAL DIAGRAM (Prior to SN 0300064432)</b>                                  | 2-C |
|      | 3740057     | 1   | Relay (Located in Platform Console Box)  |     |
|      | 4120012     | 1   | Socket, Relay (Located in Platform Console Box)  |     |
|      | 3740066     | 1   | Spring, Relay (Located in Platform Console Box)  |     |
|      | 3740049     | 1   | Relay (Located in Platform Console Box)  |     |
|      | 4460600     | 1   | Block, Terminal (Located in Platform Console Box)  |     |
|      | 4933218     | Ref | <b>PLATFORM SOFT TOUCH SYSTEM ELECTRICAL DIAGRAM (WITH ADE SYSTEM) (SN 0300064432 through 0300069000)</b>      | 1-A |
|      |             | Ref | <b>PLATFORM WORKLIGHTS ELECTRICAL DIAGRAMS:</b>  |     |
|      | 0258048     | Ref | Platform Worklights Electrical Diagrams (Prior to SN 0300064432)   | 2-E |
|      | 0270814     | Ref | With ADE System (SN 0300064432 through 0300069000)   | 2-C |
|      |             | Ref | <b>STANDARD ELECTRICAL DIAGRAMS</b>  |     |
|      | 4932982     | Ref | Deutz Machines (Prior to SN 0300064432)  | 5-F |
|      | 4933232     | Ref | Deutz Engine (With ADE System) (SN 0300064432 through 0300069000)  | 3-C |
|      |             | Ref | <b>STANDARD ELECTRICAL SCHEMATIC</b>   |     |
|      | 1870064     | Ref | Deutz Machines (Prior to SN 0300064432)  | G   |
|      | 1870132     | Ref | Deutz Machines (With ADE System) (SN 0300064432 through 0300069000)  | M   |
|      |             | Ref | <b>NOTE: FOR SCHEMATIC P/N 1870132 SEE FIELD BULLETIN FSB107C2 FOR PLATFORM AND MTB WIRING.</b>                |     |

# SECTION 7 - ELECTRICAL

FIGURE 7-2. HARNESS COMPONENTS INSTALLATION (Prior to SN 0300064432)



# SECTION 7 - ELECTRICAL



# SECTION 7 - ELECTRICAL

FIGURE 7-2. HARNESS COMPONENTS INSTALLATION (Prior to SN 0300064432)

| ITEM | PART NUMBER | QTY          | DESCRIPTION  | REV |
|------|-------------|--------------|--|-----|
|      |             | Ref          | <b>NOTE: THESE MACHINE SN'S ALSO EQUIPPED WITH ADE SYSTEM: 0300062045, 0300062797, 0300063013, 0300063665, 0300063975, 0300064000-0300064017, 0300064390, 0300064392 &amp; 0300064411.</b> |     |
|      |             | Ref          | <b>HARNESS COMPONENTS INSTALLATION</b>   |     |
|      |             | Ref          | <b>PLATFORM BOX HARNESS ASSEMBLIES</b>   |     |
|      |             | Ref          | <b>(Note: Also includes terminal block/rail assembly and Bosch relays - See PLATFORM SECTION)</b>  |     |
|      | 4922155     | Ref          | <b>Australian Spec</b>   | 2-B |
|      | 4922137     | Ref          | <b>CE Spec</b>   | 2-B |
| 39   | 1060012     | 7 ft/2.13m   | Cable, Electrical - 12/4   |     |
| 44   | 2920129     | 9            | Bulb, Light  |     |
| 48   | 4460265     | 2            | Plug, Male - 9 Position  |     |
| 49   | 4460418     | 9            | Connector - 6 Position   |     |
| 50   | 4460419     | 45           | Terminal, Female   |     |
| 55   | 4460720     | 4            | Connector - 15 Position  |     |
| 56   | 4460721     | 38           | Socket, Female   |     |
| 60   | 4460464     | 38           | Pin, Male (16 Gauge)   |     |
| 61   | 4460508     | 4            | Pin, Male (12 Gauge)   |     |
| 62   | 3990001     | 16           | Diode - 3 Amp (Not Shown)  |     |
| 64   | 4460225     | 1            | Connector, Plug - 3 Position   |     |
| 65   | 4460267     | 22           | Pin, Male  |     |
| 66   | 3990010     | 9            | Diode - 6 Amp (Not Shown)  |     |
| 68   | 4120035     | 9            | Base, Light  |     |
| 90   | 4460613     | 1            | Connector - 21 Position  |     |
| 91   | 4460503     | 1            | Connector - 31 Position  |     |
|      |             | Ref          | <b>PLATFORM BOX ASSEMBLY COMPONENTS</b>  |     |
| 101  | 4460470     | 2            | Nut, Conduit   |     |
| 102  | 4460471     | 2            | Washer   |     |
| 103  | 4460428     | 2            | Connector, Strain Relief   |     |
|      |             | Ref          | <b>BOOM CABLES INSTALLATION</b>  |     |
|      | 0258656     | Ref          | <b>Boom Cables Installation 800A</b>   | C   |
|      | 0258658     | Ref          | <b>Boom Cables Installation 800AJ</b>  | 5   |
| 201  |             | Ref          | Harness Assembly - Main Boom (10/4-18/16) Options:   |     |
| 201  | 4922130     | 1            | Harness Assembly - Main Boom (10/4-18/16) 800A   |     |
| 201  | 4922180     | 1            | Harness Assembly - Main Boom (10/4-18/16) 800AJ  |     |
| 201  | 1060676     | AR           | Cable, Electrical - 10/4-18/16   |     |
| 201A | 4460465     | 16           | Socket, Female   |     |
| 201B | 4460466     | 2            | Seal, Plug   |     |
| 201C | 4460473     | 1            | Clamp. Cable   |     |
| 201D | 4460614     | 1            | Connector - 21 Position  |     |
| 201E | 4460509     | 4            | Socket, Female   |     |
| 201F | 4460464     | 16           | Pin, Male (16 Gauge)   |     |
| 201G | 4460613     | 1            | Connector - 21 Position  |     |
| 201H | 4460508     | 4            | Pin, Male (12 Gauge)   |     |
| 202  | 4922131     | 1            | Harness Assembly - Tower Boom (10/4-18/16)   |     |
| 202  | 1060676     | 47 ft /14.3m | Cable, Electrical - 10/4-18/16   |     |
| 202A | 4460465     | 16           | Socket, Female   |     |
| 202B | 4460466     | 1            | Seal, Plug   |     |
| 202C | 4460473     | 1            | Clamp. Cable   |     |



## SECTION 7 - ELECTRICAL

| ITEM | PART NUMBER  | QTY             | DESCRIPTION   | REV |
|------|--------------|-----------------|---|-----|
| 202D | 4460614      | 1               | Connector - 21 Position   |     |
| 202E | 4460509      | 4               | Socket, Female  |     |
| 203  |              | Ref             | Harness Assembly - Main Boom (16/30) Options:   |     |
| 203  | 4922169      | 1               | Harness Assembly - Main Boom (16/30) 800A   |     |
| 203  | 1060516      | 67 ft<br>/20.4m | Cable, Electrical - 16/30   |     |
| 203  | 4922181      | 1               | Harness Assembly - Main Boom (16/30) 800AJ  |     |
| 203  | 1060516      | 64 ft<br>/19.5m | Cable, Electrical - 16/30   |     |
| 203A | 4460502      | 1               | Connector - 31 Position   |     |
| 203B | 4460465      | 30              | Socket, Female  |     |
| 203C | 4460466      | 2               | Seal, Plug  |     |
| 203D | 4460473      | 1               | Clamp, Cable  |     |
| 203E | 4460464      | 30              | Pin, Male (16 Gauge)  |     |
| 203F | 4460503      | 1               | Connector - 31 Position   |     |
| 204  | 4922170      | 1               | Harness Assembly - Tower Boom (16/30)   |     |
| 204  | 1060516      | 47 ft<br>/14.3m | Cable, Electrical - 16/30   |     |
| 204A | 4460502      | 1               | Connector - 31 Position   |     |
| 204B | 4460465      | 30              | Socket, Female  |     |
| 204C | 4460466      | 1               | Seal, Plug  |     |
| 204D | 4460473      | 1               | Clamp, Cable  |     |
| 205  | 4922171      | 1               | Harness Assembly - Tower Boom (16/3)  |     |
| 206  | 4922172      | 1               | Harness Assembly - Main Boom (16/3)   |     |
| 207  | 4922173      | 1               | Harness Assembly - Tower Boom (16/3) (800A Only)  |     |
| 207A | 4460465      | 3               | Socket, Female  |     |
| 207A | 4460539      | 1               | Connector, Terminal - 3 Position  |     |
| 208  | 4922174      | 1               | Harness Assembly - Main Boom (16/3) (800A Only)   |     |
| 208A | 4460464      | 3               | Pin, Male   |     |
| 208A | 4460536      | 1               | Plug, Terminal - 3 Position   |     |
| 209  | Not Required | 0               | Harness Assembly (16/3) (800A Only)   |     |
| 210  | 4922220      | 1               | Harness Assembly - Tower Boom (10/3)  |     |
| 211  |              | Ref             | Harness Assembly - Main Boom (10/3) Options:  |     |
| 211  | 4922218      | 1               | Harness Assembly - Main Boom (10/3) 800A  |     |
| 211  | 4922219      | 1               | Harness Assembly - Main Boom (10/3) 800AJ   |     |
| 212  |              | Ref             | Clamp, Block (Not Shown-Located on back of T/T) Options:                                  |     |
| 212  | 1320256      | 1               | Clamp, Block (Not Shown-Located on back of T/T) <b>(Prior to SN 0300047993)</b>           |     |
| 212  | 0561367      | 1               | Clamp, Block (Not Shown-Located on back of T/T) <b>(SN 0300047993 through 0300048725)</b> |     |
| 212  | 1320256      | 1               | Clamp, Block (Not Shown-Located on back of T/T) <b>(SN 0300048726 through 0300064432)</b> |     |
|      |              | Ref             | <b>GROUND CONTROL BOX DIAGRAMS</b>  |     |
|      | 4932982      | Ref             | <b>DEUTZ ENGINE MACHINES</b>  | 5-E |
| 301  | 4922146      | 1               | Harness Assembly - Ground Control Box   | 3-B |
| 301  | 3730099      | 2               | Resistor Adjustable (Not Shown)   |     |
| 301A | 4460418      | 9               | Connector - 6 Position  |     |
| 301A | 4460419      | 47              | Terminal, Female  |     |
| 302  |              | Ref             | Harness Assembly - Light Panel  |     |
| 302  | 4922145      | 1               | Harness Assembly - Light Panel <b>(Prior to SN 0300048538)</b>                            | 2-B |
| 302  | 4922311      | 1               | Harness Assembly - Light Panel <b>(SN 0300048538 through 0300064432)</b>                  | 3-C |
| 302  | 3730023      | 1               | Resistor 510 Ohm 1/2 Watt (Not Shown)   |     |

## SECTION 7 - ELECTRICAL

| ITEM       | PART NUMBER  | QTY | DESCRIPTION   | REV |
|------------|--------------|-----|---|-----|
| 302        | 3990001      | 4   | Diode 3 Amp (Not Shown)   |     |
| 302A       | 4460266      | 1   | Connector, Female - 9 Position  |     |
| 302A       | 4460268      | 9   | Socket, Female  |     |
| 302B       | 4120035      | 5   | Base, Light   |     |
| 302B       | 4460634      | 6   | Terminal (Single Wire)  |     |
| 302B       | 4460635      | 4   | Terminal (Double Wire)  |     |
| 302C       | 4460267      | 7   | Pin, Male   |     |
| 302C       | 4460265      | 1   | Plug, Male - 9 Position   |     |
| 303        |              | Ref | Sub-Harness - Start Options (Not Shown):  |     |
| 303        | 4922008      | 1   | Sub-Harness - Start ( <b>Prior to SN 0300056439</b> )                                     |     |
| 303        | 4922473      | 1   | Sub-Harness - Start ( <b>SN 0300056439 through 0300064432</b> )                           |     |
| 312        | 3990010      | 9   | Diode 6 Amp (Not Shown)   |     |
| 317        | 3730099      | 2   | Resistor 750 Ohm (Not Shown)  |     |
| 318        | 2920129      | 7   | Bulb, Light   |     |
|            |              | Ref | <b>GROUND CONTROL BOX ASSEMBLY COMPONENTS</b>   |     |
| 401        | 4922046      | 1   | Valve Harness Assembly  | 2-D |
| 401A       | 4460499      | 19  | DIN Connector with Diode  |     |
| 401B       | 4460320      | 1   | Plug, Male - 2 Position   |     |
| 401C       | 4460267      | 11  | Pin, Male   |     |
| 401D       | 4460424      | 1   | Receptacle, Female - 2 Position   |     |
| 401E       | 4460268      | 5   | Socket, Female  |     |
| 401F       | 4460225      | 1   | Housing, Terminal - 6 Position  |     |
| 401G       | 4460445      | 1   | Receptacle, Female - 3 Position   |     |
| 401H       | 4460449      | 1   | DIN Connector without Diode   |     |
| 402        | 4922077      | 1   | Engine Harness Assembly (See Items 501-578 for Breakdown)                                 |     |
|            | 4922077      | Ref | <b>ENGINE HARNESS ASSEMBLY - DEUTZ ENGINE MACHINES</b>                                    | 5-F |
| 528        | 4460268      | 11  | Socket, Female  |     |
| 529        | 4460267      | 12  | Pin, Male   |     |
| 535        | 4460424      | 1   | Receptacle, Female - 2 Position   |     |
| 536        | 4460268      | 2   | Socket, Female  |     |
| 539        | 4460499      | 3   | DIN Connector with Diode  |     |
| 545        | 4460445      | 1   | Housing, Terminal - 3 Position  |     |
| 547        | 4460265      | 1   | Plug, Male - 9 Position   |     |
| 548        | 4460266      | 1   | Connector, Female - 9 Position  |     |
| 549 to 562 | Not Required | 0   | Not Required  |     |
| 563        | 4460460      | 1   | Connector, Male - 4 Position  |     |
| 564        | 4460457      | 4   | Terminal, Female  |     |
| 565        | 4460458      | 4   | Seal, Terminal  |     |
| 574        | 4460449      | 1   | DIN Connector without Diode   |     |
| 575        | 4460777      | 1   | Plug, Male - 4 Position   |     |
| 576        | 4460591      | 1   | Lock, Terminal  |     |
| 577        | 4460589      | 3   | Socket, Female  |     |
| 578        | 4460608      | 3   | Seal, Terminal  |     |
|            |              | Ref | <b>STANDARD HARNESS COMPONENTS</b>  |     |
| 601        | See Note     | 1   | Tilt Indicator Harness (Note: Not Available for Purchase)                                 |     |
| 601A       | 4460268      | 6   | Socket, Female  |     |
| 601B       | 4460224      | 1   | Connector, Female - 6 Position  |     |
| 602        | See Note     | 1   | Throttle Actuator/Controller Harness (Deutz and Isuzu) (Note: Not available for purchase) |     |
| 602        | 0060033      | NLA | Throttle Actuator and Controller Assembly (Use p/n 2910000)                               |     |
| 602        | 7008833      | 1   | Mounting Clamp Kit (Not Shown)  |     |
| 602        | 7008836      | 1   | Spring, Retract (Not Shown)   |     |

## SECTION 7 - ELECTRICAL

| ITEM | PART NUMBER | QTY       | DESCRIPTION  | REV |
|------|-------------|-----------|--|-----|
| 602A | 2910000     | 1         | Throttle Actuator and Harness (Note: Not Available for Purchase)                               |     |
| 602A | 7016336     | 1         | Boot Kit   |     |
| 602B | See Note    | 9         | Pin, Male (Note: Not Available for Purchase)   |     |
| 602C | See Note    | 1         | Connector, Male (Note: Not Available for Purchase)   |     |
| 602D | 2910001     | NLA       | Controller and Harnesses (Use p/n 2910000)   |     |
| 602E | See Note    | 9         | Socket, Female (Note: Not Available for Purchase)  |     |
| 602F | See Note    | 1         | Connector, (Note: Not Available for Purchase)  |     |
| 602G | See Note    | 1         | Plug, Male - 4 Position (Note: Not Available for Purchase)                                     |     |
| 602G | 4460693     | 4         | Pin, Male  |     |
| 602G | 4460591     | 1         | Clip   |     |
| 602G | 4460608     | 4         | Seal, Terminal   |     |
| 603  | See Note    | 1         | Pump Harness (Note: Not Available for Purchase)  |     |
| 603A | See Note    | 1         | Plug (Pump End) (Note: Not Available for Purchase)   |     |
| 603B | See Note    | 1         | Plug (Engine Harness End) (Note: Not Available for Purchase)                                   |     |
| 604  | See Note    | 1         | Controller Harness Assembly (Lift and Swing) (Note: Not Available for Purchase)                |     |
| 604A | 4460266     | 1         | Connector, Female - 9 Position   |     |
| 604B | 4460268     | 9         | Socket, Female   |     |
| 605  | See Note    | 1         | Controller Harness/Circuit Board Assembly (Drive and Steer) (Note: Not Available for Purchase) |     |
| 605A | 4460266     | 1         | Connector, Female - 9 Position   |     |
| 605B | 4460268     | 9         | Socket, Female   |     |
| 606  | See Note    | 1         | Engine Harness (Note: Not Available for Purchase)  |     |
| 607  | See Note    | 1         | Speed Controller Harness Assembly (Note: Not Available for Purchase)                           |     |
| 607A | 4460224     | 1         | Connector, Female - 6 Position   |     |
| 607A | 4460268     | 6         | Socket, Female   |     |
| 610  | 1001091941  | 1         | Tilt Harness (MTB Control Box)   | D   |
| 610A | 2920129     | 1         | Bulb   |     |
| 610B | 3990001     | 2         | Diode, 3 AMP (Not Shown)   |     |
| 610C | 4460897     | 1         | Plug, Terminal - 2 Position  |     |
| 610C | 4460464     | 2         | Pin, Male (16 Gauge)   |     |
| 610D | 4460891     | 1         | Connector, Terminal - 2 Position   |     |
| 610E | 4460761     | 1         | Connector, Female - 4 Position   |     |
| 610E | 4460227     | 4         | Pin, Male  |     |
| 610F | 4460894     | 2         | Plug, Terminal - 6 Position  |     |
| 610F | 4460465     | 8         | Socket, Female   |     |
| 610G | 4460892     | 2         | Terminal, Buss Connector - 6 Position  |     |
| 610H | 4460909     | 1         | Connector - 12 Position (Black)  |     |
| 610H | 4460915     | 1         | Wedge Lock - 12 Position   |     |
| 610H | 4460928     | 9         | Socket, Female   |     |
| 610H | 4460466     | 3         | Terminal, Sealing Plug   |     |
| 610J | 4460908     | 1         | Connector - 12 Position (Gray)   |     |
| 610J | 4460915     | 1         | Wedge Lock - 12 Position   |     |
| 610J | 4460928     | 2         | Socket, Female   |     |
| 610J | 4460466     | 10        | Terminal, Sealing Plug   |     |
| 610K | 4460526     | 1         | Connector, Strain Relief   |     |
| 611  | 1001094791  | 1         | Tilt Sensor Harness (Turntable)  | C   |
| 611A | 1001097957  | 8 ft/2.4m | Cable, Electrical 16/4   |     |
| 611B | 4460465     | 2         | Socket, Female   |     |
| 611C | 4460928     | 1         | Socket, Female   |     |

## SECTION 7 - ELECTRICAL

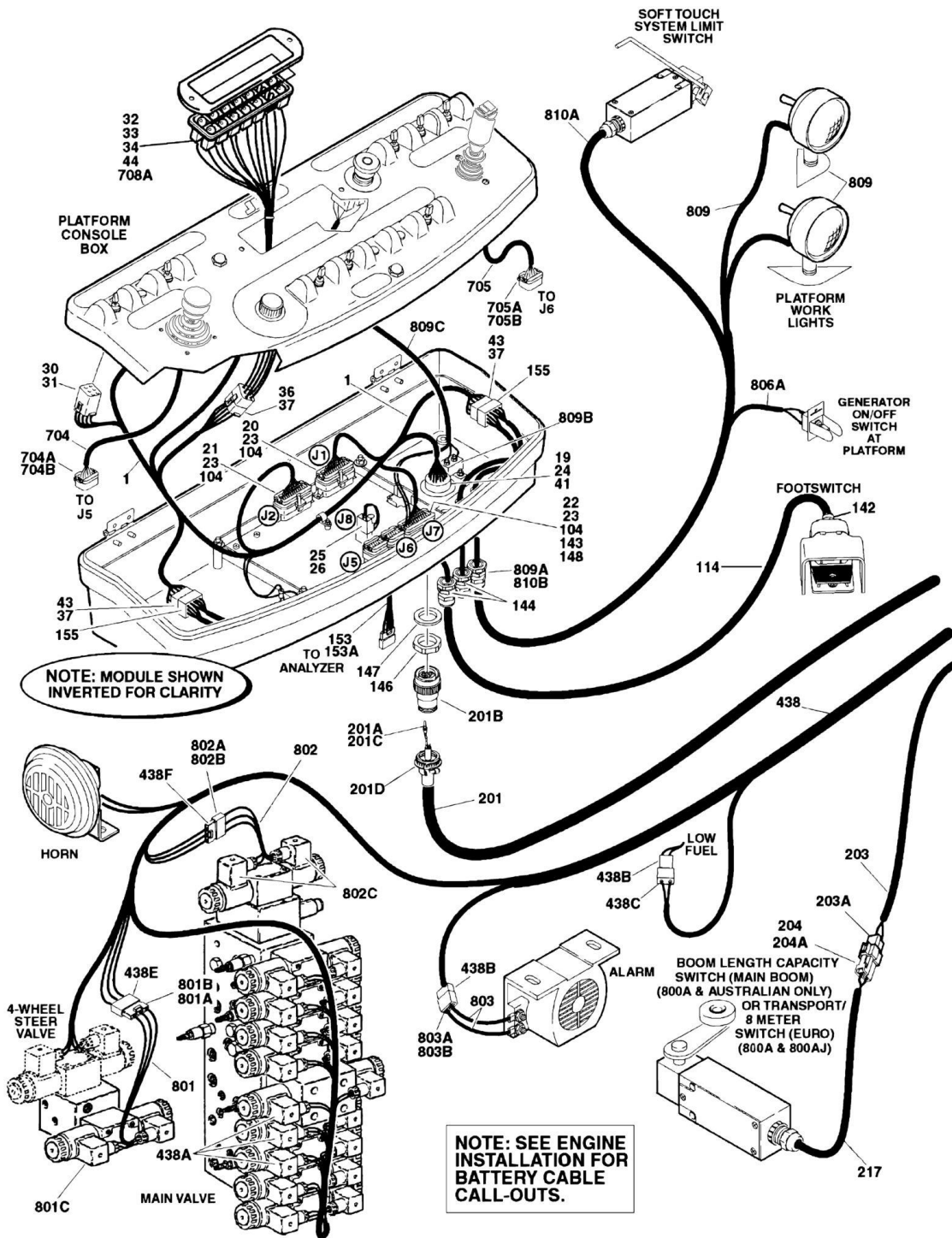
| ITEM | PART NUMBER  | QTY            | DESCRIPTION   | REV |
|------|--------------|----------------|---|-----|
| 611D | 4461076      | 1              | Connector - 4 Position (With Wedge Lock and Seal)   |     |
| 611D | 4460917      | 4              | Pin, Male (Gold)  |     |
| 611E | 4461077      | 1              | Terminal, Plug - 4 Position   |     |
| 611E | 4460918      | 4              | Socket, Female (Gold)   |     |
| 612  | 1001091778   | 1              | Tilt Sensor Harness (Boom)  | E   |
| 612A | 1001097957   | 8 ft/2.4m      | Cable, Electrical 16/4  |     |
| 612B | 4460465      | 2              | Socket, Female  |     |
| 612C | 4460928      | 1              | Socket, Female  |     |
| 612D | 4461076      | 1              | Connector - 4 Position (With Wedge Lock and Seal)   |     |
| 612D | 70002546     | 4              | Pin, Male (Gold)  |     |
| 612E | 1001094400   | 1              | Tilt Sensor Harness (Boom) (Includes Sensor)  | C   |
| 612E | 4461077      | 1              | Terminal, Plug - 4 Position   |     |
| 612E | 4460918      | 4              | Socket, Female (Gold)   |     |
|      |              | Ref            | <b>OPTIONAL HARNESS COMPONENTS</b>  |     |
| 701  | 4921928      | 1              | 4WS Valve Harness   | 3-D |
| 701A | 4460268      | 3              | Socket, Female  |     |
| 701B | 4460445      | 1              | Connector, Female - 3 Position  |     |
| 701C | 4460499      | 2              | Connector, DIN with Diode   |     |
| 702  | 4921927      | 1              | Jib Valve Harness (800AJ Only)  |     |
| 702A | 4460326      | 1              | Plug, Male - 3 Position   |     |
| 702B | 4460267      | 3              | Pin, Male   |     |
| 702C | 4460499      | 2              | Connector, DIN with Diode   |     |
| 703  | See Note     | 1              | Alarm Harness (Note: Not Available for Purchase)  |     |
| 703A | 4460424      | 1              | Plug, Male - 2 Position   |     |
| 703B | 4460268      | 2              | Socket, Female  |     |
| 704  | See Note     | 1              | Strobe Light Harness (Note: Not Available for Purchase)   |     |
| 704A | 4460320      | 1              | Connector, Female - 2 Position  |     |
| 704B | 4460267      | 2              | Pin, Male   |     |
| 705  | 0256202      | Ref            | AC to Platform Receptacle Components  | 5   |
| 705A | Not Required | 0              | Box, Switch   |     |
| 705B | Not Required | 0              | Receptacle  |     |
| 705C | Not Required | 0              | Shield, Cover   |     |
| 705D | Not Required | 0              | Plug, Male  |     |
| 705E | 4460710      | 1              | Connector, Female   |     |
| 705F | 4921820      | 1              | Harness-Receptacle Box to Boom <b>(Prior to SN 0300065566)</b>  |     |
| 705F | 1060461      | 30 in<br>/76cm | Cable, Electrical - 12/3  |     |
| 705G | 4460709      | 1              | Plug, Male  |     |
| 706  |              | Ref            | Generator Electrical Components   |     |
| 706  | 4932915      | Ref            | 110V <b>(Prior to SN 0300056098)</b>  | 1-A |
| 706  | 4933150      | Ref            | 110V <b>(SN 0300056098 through 0300064432)</b>  | 2-B |
| 706  | 4932989      | Ref            | 220V <b>(Prior to SN 0300056098)</b>  | 1-A |
| 706  | 4933149      | Ref            | 220V <b>(SN 0300056098 through 0300064432)</b>  | 2-B |
| 706  | 3990010      | 1              | Diode - 6 Amp (Not Shown)   |     |
| 706A | 4921938      | 1              | Harness - On/Off Switch (Powermite Control Box to Ground Control Box)   |     |
| 707  | 4921829      | 1              | Generator to Rear of Boom Harness (110V)  |     |
| 707  | 4921955      | 1              | Generator to Rear of Boom Harness (220V)  |     |
|      |              | Ref            | <b>Note: Harness used to connect AC at platform harness to generator receptacle to power platform receptacle.</b> |     |
| 707  | 1060494      | 26 ft/8m       | Cable, Electrical - 12/3  |     |
| 707A | 4460205      | 1              | Plug, Male (110V)   |     |

## SECTION 7 - ELECTRICAL

| ITEM | PART NUMBER | QTY             | DESCRIPTION   | REV |
|------|-------------|-----------------|---|-----|
| 707A | 4460233     | 1               | Plug, Male (220V)   |     |
| 707B | 4460134     | 1               | Receptacle, Female (110V)   |     |
| 707B | 4460701     | 1               | Receptacle, Female (220V)   |     |
| 708  | See Note    | 1               | Lights Harness (Note: Not Available for Purchase)                               |     |
| 708  | 1060341     | 37 ft<br>/11.3m | Cable, Electrical - 16/2  |     |
| 709  | 2920140     | 2               | Platform Worklights Harness (Includes Light and Wire Only)                      |     |
| 709  | 2820035     | 9 ft/2.8m       | Loom, Vinyl   |     |
| 709A | 4460598     | 1               | Connector, Strain Relief  |     |
| 709A | 4460442     | 2               | Terminal (Not Shown-Located in Platform Console)                                |     |
| 710  | See Note    | 1               | SoftTouch System Harness (Note: Not Available for Purchase)                     |     |
| 710A | 1060341     | 16 ft/4.9m      | Cable, Electrical - 16/3  |     |
| 710B | 4460425     | 1               | Connector, Strain Relief  |     |
|      |             | Ref             | <b>TOOLS</b>  |     |
| 801  | 7002821     | 1               | Crimper (For Wire to Pin/Socket Connections)                                    |     |
| 802  | 7002823     | 1               | Extractor (For Removal of Pin/Socket from Connectors)                           |     |
| 803  | 4460467     | 1               | Extractor, Pin (Blue 16-18 Gauge) (For Removal of Pin/Socket from Connectors)   |     |
| 803  | 4460510     | 1               | Extractor, Pin (Yellow 12-14 Gauge) (For Removal of Pin/Socket from Connectors) |     |
| 804  | 7002828     | 1               | Stripper, Wire  |     |

# SECTION 7 - ELECTRICAL

FIGURE 7-3. HARNESS COMPONENTS INSTALLATION (WITH ADE SYSTEM) (SN 0300064432 through 0300069000)





## SECTION 7 - ELECTRICAL

**FIGURE 7-3. HARNESS COMPONENTS INSTALLATION (WITH ADE SYSTEM) (SN 0300064432 through 0300069000)**

| ITEM | PART NUMBER | QTY       | DESCRIPTION   | REV |
|------|-------------|-----------|---|-----|
|      | 4922639     | Ref       | <b>PLATFORM BOX HARNESS ASSEMBLY</b>                                    | 3-C |
| 1    | 4922639     | 1         | Harness, Console Box  |     |
| 19   | 4460866     | 1         | Connector - 19 Position   |     |
| 20   | 4460874     | 1         | Connector - 35 Position (Natural)                                       |     |
| 21   | 4460875     | 1         | Connector - 35 Position (Gray)  |     |
| 22   | 4460873     | 1         | Connector - 35 Position (Black)   |     |
| 23   | 4460871     | 70        | Socket, Female  |     |
| 24   | 4460464     | 7         | Pin, Male (16 Gauge)  |     |
| 25   | 4460879     | 1         | Terminal, Housing 2 Position  |     |
| 26   | 4460887     | 2         | Terminal, (12 Gauge)  |     |
| 30   | 4460418     | 8         | Connector - 6 Position  |     |
| 31   | 4460419     | 24        | Terminal, Female  |     |
| 32   | 4120035     | 12        | Base, Light   |     |
| 33   | 4460634     | 12        | Terminal, (16 Gauge)  |     |
| 34   | 4460635     | 12        | Terminal, (12 Gauge)  |     |
| 36   | 4460225     | 1         | Connector - 6 Position  |     |
| 37   | 4460227     | 28        | Pin   |     |
| 41   | 4460508     | 3         | Pin, Male (12 Gauge)  |     |
| 43   | 4460434     | 2         | Plug, 15 Position Mate-N-Loc  |     |
| 44   | 2920129     | 12        | Lamp, Indicator   |     |
|      |             | Ref       | <b>PLATFORM BOX ASSEMBLY COMPONENTS</b>                                 |     |
| 104  | 0100048     | AR        | Grease, Dielectric  |     |
| 114  | 1060918     | 8 ft/2.4m | Cable, Electrical - 18/3  |     |
| 142  | 4460071     | 1         | Connector, Strain Relief  |     |
| 143  | 4460226     | 2         | Socket, Female  |     |
| 144  | 4460428     | 2         | Connector, Strain Relief  |     |
| 146  | 4460470     | 1         | Nut, Terminal   |     |
| 147  | 4460471     | 1         | Lockwasher, Terminal  |     |
| 148  | 4460905     | 5         | Seal, Plug  |     |
| 153  | 4460226     | 4         | Socket, Female (Not Shown - Located at J2)                              |     |
| 153A | 4460761     | 1         | Connector, Female - 4 Position  |     |
| 153A | 4460227     | 4         | Pin, Male   |     |
| 155  | 4460708     | 2         | Terminal, 15 Pin Mate-N-Loc   |     |
|      |             | Ref       | <b>BOOM CABLES INSTALLATION</b>   |     |
|      | 0271375     | Ref       | <b>Boom Cables Installation 800A</b>                                    | B   |
|      | 0271377     | Ref       | <b>Boom Cables Installation 800AJ</b>                                   | 2   |
|      | 0272430     | Ref       | <b>Boom Cables Installation 800A (With 7500W Generator) (SkyPower)</b>  | A   |
|      | 0272432     | Ref       | <b>Boom Cables Installation 800AJ (With 7500W Generator) (SkyPower)</b> | 1   |
| 201  |             | Ref       | Harness Assembly - Main Boom (12/4 -18/8) Options:                      |     |
| 201  | 4922575     | 1         | Harness Assembly - Main Boom 800A                                       |     |
| 201  | 4922582     | 1         | Harness Assembly - Main Boom 800AJ                                      |     |
| 201  | 1060896     | AR        | Cable, Electrical - 4 #12 AWG, 8 #18 AWG & 1 STP #18 AWG                |     |
| 201A | 4460465     | 11        | Socket, Female  |     |
| 201B | 4460865     | 1         | Connector - 19 Position   |     |
| 201C | 4460509     | 4         | Socket, Female  |     |
| 201D | 4460473     | 1         | Clamp, Cable  |     |
| 201E | 4460466     | 8         | Seal, Plug  |     |



## SECTION 7 - ELECTRICAL

| ITEM | PART NUMBER | QTY             | DESCRIPTION  | REV |
|------|-------------|-----------------|--|-----|
| 201F | 4460464     | 11              | Pin, Male (16 Gauge)   | C   |
| 201G | 4460866     | 1               | Connector - 19 Position  |     |
| 201H | 4460508     | 4               | Pin, Male (12 Gauge)   |     |
| 201J | 4923613     | 1               | Harness, Tilt Switch   |     |
| 201K | 1060978     | 2 ft/0.6m       | Cable, Electrical 18/3   |     |
| 201L | 1001097051  | 1               | Connector - 4 Position   |     |
| 201M | 1001097082  | 3               | Pin, Male  |     |
| 201N | 4460464     | 3               | Pin, Male (16 Gauge)   |     |
| 201P | 4460466     | 1               | Seal, Plug   |     |
| 201Q | 4461077     | 1               | Terminal, Plug - 4 Position  |     |
| 201R | See Note    | 3               | Socket, Female (Note: Not Available for Purchase)                          |     |
| 202  | 4922576     | 1               | Harness Assembly - Tower Boom (12/4 - 18/8)                                |     |
| 202  | 1060896     | 44 ft<br>/13.4m | Cable, Electrical - 4 #12 AWG, 8 #18 AWG & 1 STP #18 AWG                   |     |
| 202A | 4460465     | 22              | Socket, Female   |     |
| 202B | 4460865     | 2               | Connector - 19 Position  |     |
| 202C | 4460509     | 8               | Socket, Female   |     |
| 202D | 4460473     | 2               | Clamp, Cable   |     |
| 202E | 4460466     | 8               | Seal, Plug   |     |
| 203  | 4922579     | 1               | Harness Assembly - Tower Boom (18/2) (800A Only)                           |     |
| 203  | 1060902     | 47 ft<br>/14.3m | Cable, Electrical - 18/2   |     |
| 203A | 4460465     | 2               | Socket, Female   |     |
| 203A | 4460891     | 1               | Connector, Terminal - 2 Position   |     |
| 204  | 4922580     | 1               | Harness Assembly - Main Boom (18/2) (800A Only)                            |     |
| 204  | 1060902     | 27 ft/8.2m      | Cable, Electrical - 18/2   |     |
| 204A | 4460464     | 2               | Pin, Male  |     |
| 204A | 4460897     | 1               | Plug, Terminal - 2 Position  |     |
| 205  | 4922577     | 1               | Harness Assembly - Tower Boom (18/2)                                       |     |
| 207  |             | Ref             | Harness Assembly - Main Boom (10/3) Options:                               |     |
| 207  | 4922218     | 1               | Harness Assembly - Main Boom 800A  |     |
| 207  | 4922219     | 1               | Harness Assembly - Main Boom 800AJ   |     |
| 207  | 4922773     | 1               | Harness Assembly - Main Boom 800A (8/5) (With 7500W Generator) (SkyPower)  |     |
| 207  | 4922775     | 1               | Harness Assembly - Main Boom 800AJ (8/5) (With 7500W Generator) (SkyPower) |     |
| 208  |             | Ref             | Harness Assembly - Tower Boom Options:                                     |     |
| 208  | 4922217     | 1               | (10/3)   |     |
| 208  | 4922774     | 1               | (8/5) (With 7500W Generator) (SkyPower)                                    |     |
| 209  | 1320256     | 1               | Clamp, Block (Not Shown-Located on back of T/T)                            |     |
| 210  | 4922581     | 1               | Harness Assembly (18/2) (800A Only)  |     |
| 211  | 1001094470  | 1               | Harness, Boom Cable Jumper   |     |
| 211A | 1060896     | 1 ft/0.3m       | Cable, Electrical - 4 #12 AWG, 8 #18 AWG & 1 STP #18 AWG                   |     |
| 211B | 4460465     | 11              | Socket, Female   |     |
| 211C | 4460865     | 1               | Connector - 19 Position  |     |
| 211D | 4460509     | 4               | Socket, Female   |     |
| 211E | 4460473     | 1               | Clamp, Cable   |     |
| 211F | 4460466     | 8               | Seal, Plug   |     |
| 211G | 4460464     | 8               | Pin, Male (16 Gauge)   |     |
| 211H | 4460866     | 1               | Connector - 19 Position  |     |
| 211J | 4460508     | 4               | Pin, Male (12 Gauge)   |     |
| 211K | 4923613     | 1               | Harness, Tilt Switch   |     |

## SECTION 7 - ELECTRICAL

| ITEM | PART NUMBER | QTY       | DESCRIPTION   | REV |
|------|-------------|-----------|---|-----|
| 211L | 1060978     | 2 ft/0.6m | Cable, Electrical - 18/3  |     |
| 211M | 1001097051  | 1         | Connector - 4 Position  |     |
| 211N | 1001097082  | 3         | Pin, Male (Gold)  |     |
| 211P | 4460464     | 3         | Pin, Male (16 Gauge)  |     |
| 211Q | 4460466     | 1         | Seal, Plug  |     |
| 211R | 1001094400  | 1         | Tilt Sensor Harness (Boom) (Includes Sensor)                                      | C   |
| 211S | 4461077     | 1         | Terminal, Plug - 4 Position   |     |
| 211S | See Note    | 3         | Socket, Female (Note: Not Available for Purchase)                                 |     |
| 217  | 4922578     | 1         | Harness Assembly - Main Boom (18/2)   |     |
|      | 4933232     | Ref       | <b>GROUND CONTROL BOX DIAGRAM</b>   | 3-D |
| 301  | 2920129     | 7         | Bulb, Light   |     |
| 307  | 2400065     | 1         | Fuse, 30Amp   |     |
| 308  | 2400066     | 1         | Fuse, Holder  |     |
| 310  | 4460708     | 2         | Receptacle, Female - 15 Position  |     |
| 310  | 4460226     | 16        | Socket, Female  |     |
| 310  | 4922637     | 1         | Harness, Jumper (Not Shown)   |     |
| 310  | 4922636     | 1         | Harness, Jumper (Not Shown)   |     |
|      |             | Ref       | <b>GROUND CONTROL BOX COMPONENTS</b>  |     |
| 417  | 3740049     | 1         | Relay   |     |
| 426  | 4460426     | 2         | Connector, Strain Relief  |     |
| 427  | 4460470     | 1         | Nut, Terminal   |     |
| 428  | 4460471     | 1         | Lockwasher, Terminal  |     |
| 430  | 4460526     | 1         | Connector, Strain Relief  |     |
| 431  | 4460874     | 1         | Connector (Natural)   |     |
| 432  | 4460875     | 1         | Connector (Gray)  |     |
| 433  | 4460905     | 4         | Connector, Amp Seal Plug  |     |
| 437  | 4922549     | 1         | Deutz Engine Harness Assembly (Not Shown - See 501-700 for Breakdown)             |     |
| 438  | 4922557     | 1         | Valve Harness Assembly  | 1-A |
| 438A | 4460880     | 19        | Connector, DIN  |     |
| 438B | 4460320     | 2         | Connector, Female- 2 Position   |     |
| 438B | 4460267     | 7         | Pin, Male   |     |
| 438C | 4460424     | 1         | Connector, Male- 2 Position   |     |
| 438C | 4460268     | 5         | Pin, Female   |     |
| 438D | 4460871     | AR        | Socket, Female  |     |
| 438E | 4460326     | 1         | Connector, Male - 3 Position  |     |
| 438E | 4460267     | 7         | Pin, Male   |     |
| 438F | 4460445     | 1         | Connector, Female - 3 Position  |     |
| 438F | 4460268     | 5         | Pin, Female   |     |
| 439  |             | Ref       | Ground Control Box Harness Assemblies   |     |
| 439  | 4922638     | 1         | Ground Control Box Harness Assemblies ( <b>Prior to SN 0300064493</b> )           | 4-E |
| 439  | 4922675     | 1         | Ground Control Box Harness Assemblies ( <b>SN 0300064493 through 0300069000</b> ) | 3-C |
| 439A | 4460418     | 9         | Connector, Female- 6 Position   |     |
| 439A | 4460419     | 27        | Socket, Female  |     |
| 439B | 4460876     | 1         | Connector, 35- Position   |     |
| 439B | 4460871     | AR        | Socket, Female  |     |
| 439B | 4460905     | 28        | Seal, Plug  |     |
| 439C | 4460866     | 1         | Connector - 19 Position   |     |
| 439C | 4460464     | 10        | Pin, Male Deutsch (16 Gauge)  |     |
| 439D | 4460878     | 1         | Housing, Terminal - 4 Position  |     |

## SECTION 7 - ELECTRICAL

| ITEM       | PART NUMBER  | QTY | DESCRIPTION  | REV |
|------------|--------------|-----|--|-----|
| 439D       | 4460887      | 3   | Terminal (12 Gauge)  |     |
| 439E       | 4120035      | AR  | Base, Light  |     |
| 439E       | 4460634      | AR  | Terminal (16 Gauge)  |     |
| 439F       | 4460873      | 1   | Connector - 35 Position (Black)  |     |
| 439F       | 4460871      | AR  | Socket, Female   |     |
| 439F       | 4460635      | 5   | Terminal (12 Gauge)  |     |
| 439G       | 4460871      | AR  | Socket, Female   |     |
| 439H       | 4460434      | 2   | Plug, Male 15 - Position   |     |
| 439H       | 4460227      | AR  | Pin  |     |
| 439I       | 3990010      | 2   | Diode - 6 Amp (Not Shown)  |     |
| 440        | 4922666      | 1   | Cable, Analyzer  | 1-A |
| 440A       | 4460226      | 4   | Socket, Female   |     |
| 440B       | 4460761      | 1   | Connector, Female 4- Position  |     |
| 440B       | 4460227      | 4   | Pin, Male  |     |
| 441        | 4933232      | 1   | Ground Control Box Wiring Diagram (Not Shown - See Items 301-310 for Breakdown)                |     |
|            | 4922549      | Ref | <b>DEUTZ ENGINE HARNESS ASSEMBLY</b>   | 3-D |
| 501        | 4922549      | 1   | Harness Assembly   |     |
| 519        | 4460424      | 1   | Receptacle, Female - 2 Position  |     |
| 520        | 4460226      | 2   | Socket, Female   |     |
| 521        | 4460880      | AR  | DIN Connector without Diode  |     |
| 536        | 4460890      | 1   | Housing - 2 Position   |     |
| 537        | 4460889      | 2   | Terminal   |     |
| 538        | 4460460      | 1   | Connector, Male - 4 Position   |     |
| 539        | 4460457      | AR  | Terminal, Female   |     |
| 540        | 4460458      | AR  | Seal, Terminal   |     |
| 557        | 4460871      | AR  | Socket, Female   |     |
|            |              | Ref | <b>STANDARD HARNESS COMPONENTS</b>   |     |
| 703        | See Note     | 1   | Pump Harness (Note: Not Available for Purchase)  |     |
| 703A       | 7007497      | 1   | Plug (Pump End)  |     |
| 703B       | 7007498      | 1   | Plug (Engine Harness End)  |     |
| 704        | See Note     | 1   | Controller Harness Assembly (Lift and Swing) (Note: Not Available for Purchase)                |     |
| 704A       | 7022819      | 1   | Plug, Male - 8 Position (Natural)  |     |
| 704B       | 4460871      | 8   | Socket, Female   |     |
| 705        | See Note     | 1   | Controller Harness/Circuit Board Assembly (Drive and Steer) (Note: Not Available for Purchase) |     |
| 705A       | 7022825      | 1   | Plug, Male - 8 Position (Black)  |     |
| 705B       | 4460871      | 7   | Socket, Female   |     |
| 706 to 707 | Not Required | 0   | Not Required   |     |
| 708        | 1001093256   | Ref | Harness, Tilt  | F   |
| 708A       | 2920129      | 1   | Bulb   |     |
| 708A       | 4120035      | 1   | Socket, Light  |     |
| 708B       | 4460464      | 4   | Pin, Male Deutsch (16 Gauge)   |     |
| 708C       | 4460871      | 4   | Socket, Female   |     |
| 708D       | 4460894      | 2   | Plug, Male - 6 Position  |     |
| 708D       | 4460465      | 8   | Socket, Female   |     |
| 708D       | 4460892      | 2   | Terminal, Buss Connector - 6 Position  |     |
| 708E       | 4460761      | 1   | Connector, Female - 4 Position   |     |
| 708E       | 4460227      | 4   | Pin, Male  |     |
| 708F       | 4460909      | 1   | Connector - 12 Position (Black)  |     |
| 708F       | 4460915      | 1   | Wedge Lock - 12 Position   |     |

## SECTION 7 - ELECTRICAL

| ITEM | PART NUMBER  | QTY            | DESCRIPTION  | REV |
|------|--------------|----------------|--|-----|
| 708F | 4460928      | 6              | Socket, Female   |     |
| 708G | 4460908      | 1              | Connector - 12 Position (Gray)   |     |
| 708G | 4460915      | 1              | Wedge Lock - 12 Position   |     |
| 708G | 4460928      | 5              | Socket, Female   |     |
| 708H | 4460965      | 1              | Connector, Male - 3 Position   |     |
| 708H | 4460944      | 3              | Socket, Female (Gold)  |     |
| 708J | 4922099      | AR             | Cable, Can-Buss (Machines with Can Buss Engine Controllers and Caterpillar Engine without Can Buss Engine Controllers) |     |
| 708J | 4460965      | 1              | Connector, Male - 3 Position   |     |
| 708J | 4460944      | 6              | Socket, Female (Gold)  |     |
| 708J | 4460539      | 1              | Terminal, Plug - 3 Position  |     |
| 708K | 4922099      | AR             | Cable, Can-Buss (Machines without Can Buss Engine Controllers)   |     |
| 708K | 4460965      | 1              | Connector, Male - 3 Position   |     |
| 708K | 4460944      | 6              | Socket, Female (Gold)  |     |
| 708K | 4460464      | 3              | Pin, Male Deutsch (16 Gauge)   |     |
| 708L | 4922099      | AR             | Cable, Can-Buss (Machines without Can Buss Engine Controllers)   |     |
| 708L | 4460539      | 2              | Terminal, Plug - 3 Position  |     |
| 708L | 4460944      | 6              | Socket, Female (Gold)  |     |
| 708M | 4460536      | 1              | Terminal, Receptacle - 3 Position (Machines without Can Buss Engine Controllers)                                       |     |
| 709  | 1001093187   | Ref            | Tilt Sensor Installation   | C   |
| 709  | 4460945      | 1              | Receptacle - 3 Position (3 way Tee)  |     |
|      |              | Ref            | <b>OPTIONAL HARNESS COMPONENTS</b>   |     |
| 801  | 4921928      | 1              | 4WS Valve Harness  |     |
| 801A | 4460268      | 3              | Socket, Female   |     |
| 801B | 4460445      | 1              | Connector, Female - 3 Position   |     |
| 801C | 4460499      | 2              | Connector, DIN with Diode  |     |
| 802  | 4921927      | 1              | Jib Valve Harness (800AJ Only)   |     |
| 802A | 4460326      | 1              | Plug, Male - 3 Position  |     |
| 802B | 4460267      | 3              | Pin, Male  |     |
| 802C | 4460499      | 2              | Connector, DIN with Diode  |     |
| 803  | 0257887      | 1              | Alarm Harness (Includes Alarm)   |     |
| 803A | 4460424      | 1              | Plug, Male - 2 Position  |     |
| 803B | 4460268      | 2              | Socket, Female   |     |
| 804  | 0255917      | 1              | Strobe Light Harness (Includes Strobe Light)   |     |
| 804A | 4460320      | 1              | Connector, Female - 2 Position   |     |
| 804B | 4460267      | 2              | Pin, Male  |     |
| 805  |              | Ref            | AC to Platform Receptacle Components   |     |
| 805  | 0256202      | Ref            | AC Cable to Platform   | 5   |
| 805  | 0272433      | Ref            | With 7500W Generator (SkyPower)  | 1   |
| 805A | Not Required | 0              | Box, Switch  |     |
| 805B | Not Required | 0              | Receptacle   |     |
| 805C | Not Required | 0              | Shield, Cover  |     |
| 805D | Not Required | 0              | Plug, Male   |     |
| 805D | 4460959      | 1              | With 7500W Generator (SkyPower)  |     |
| 805E | 4460710      | 1              | Connector, Female  |     |
| 805E | 4460960      | 1              | With 7500W Generator (SkyPower)  |     |
| 805F | 4921820      | 1              | Harness-Receptacle Box to Boom <b>(Prior to SN 0300065566)</b>   |     |
| 805F | 1060461      | 30 in<br>/76cm | Cable, Electrical - 12/3   |     |

## SECTION 7 - ELECTRICAL

| ITEM | PART NUMBER | QTY             | DESCRIPTION   | REV |
|------|-------------|-----------------|---|-----|
| 805G | 4460709     | 1               | Plug, Male  |     |
| 806  |             | Ref             | Generator Electrical Components   |     |
| 806  | 4933215     | Ref             | 110V  | 1-A |
| 806  | 4933216     | Ref             | 220V  | 1-A |
| 806  | 3990010     | 1               | Diode - 6 Amp (Not Shown)   |     |
| 806A | 4922641     | 1               | Harness - On/Off Switch   |     |
| 806B | 4922482     | 1               | Harness - Powermite Control Box to Relay  |     |
| 807  | 4921957     | 1               | Generator to Rear of Boom Harness (110V/220V)   |     |
|      |             | Ref             | <b>Note: Harness used to connect AC at platform harness to generator receptacle to power platform receptacle.</b> |     |
| 807  | 1060461     | 6 ft/1.8m       | Cable, Electrical - 12/3  |     |
| 807A | See Note    | 1               | Plug, Male (Note: Not Available for Purchase)   |     |
| 807B | See Note    | 1               | Receptacle, Female (Note: Not Available for Purchase)   |     |
| 808  | See Note    | 1               | Lights Harness (Note: Not Available for Purchase)   |     |
| 808  | 1060341     | 48 ft<br>/14.6m | Cable, Electrical - 16/2  |     |
| 808A | 3740049     | 1               | Relay   |     |
| 808B | 4922643     | 1               | Harness, Bag (Located at Ground Control Box) (Not Shown)  |     |
| 809  | 2920140     | 2               | Platform Worklights Harness (External) (Includes Light and Wire Only)   |     |
| 809  | 2820035     | 9 ft/2.8m       | Loom, Vinyl   |     |
| 809A | 4460598     | 1               | Connector, Strain Relief  |     |
| 809B | 4360232     | 1               | Circuit Breaker, 15Amp  |     |
| 809C | 4922498     | 1               | Platform Worklights Harness (Internal)  |     |
| 809D | 4460871     | 3               | Socket, Female  |     |
| 810  | See Note    | 1               | Soft Touch System Harness (Note: Not Available for Purchase)  |     |
| 810A | 1060341     | 16 ft/4.9m      | Cable, Electrical - 16/3  |     |
| 810B | 4460425     | 1               | Connector, Strain Relief  |     |
|      |             | Ref             | <b>TOOLS</b>  |     |
| 901  | 7002821     | 1               | Crimper (For Wire to Pin/Socket Connections)  |     |
| 902  | 7002823     | 1               | Extractor (For Removal of Pin/Socket from Connectors)   |     |
| 903  | 4460467     | 1               | Extractor, Pin (Blue 16-18 Gauge) (For Removal of Pin/Socket from Connectors)                                     |     |
| 903  | 4460510     | 1               | Extractor, Pin (Yellow 12-14 Gauge) (For Removal of Pin/Socket from Connectors)                                   |     |
| 904  | 7002828     | 1               | Stripper, Wire  |     |
| 905  | 2901443     | 1               | Analyzer Kit (Not Shown)  |     |



**SECTION 8 - DECALS**

# SECTION 8 - DECALS

## FIGURE 8-1. DECALS INSTALLATION

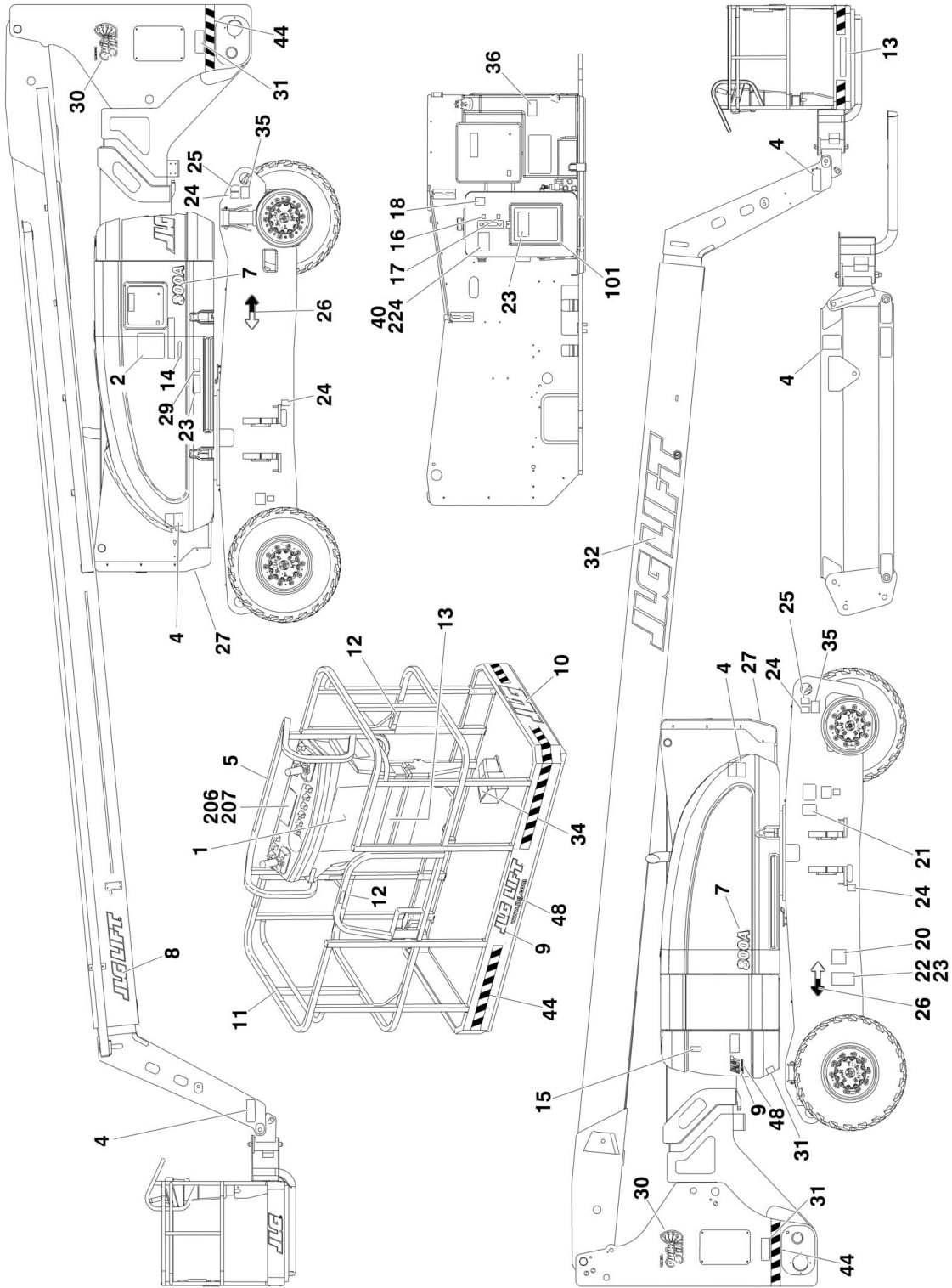




FIGURE 8-1. DECALS INSTALLATION

| ITEM | PART NUMBER  | QTY | DESCRIPTION   | REV |
|------|--------------|-----|---|-----|
|      |              | Ref | <b>STANDARD DECAL INSTALLATIONS</b>                       |     |
|      | 0271038      | Ref | <b>JLG Logo</b>   | 1   |
|      | 0258515      | Ref | <b>Australian Spec 800A</b>                               | 4   |
|      | 0258516      | Ref | <b>Australian Spec 800AJ</b>                              | 5   |
|      | 0258521      | Ref | <b>Dutch Spec 800A</b>                                    | 6   |
|      | 0258522      | Ref | <b>Dutch Spec 800AJ</b>                                   | 6   |
|      | 0258525      | Ref | <b>French Spec 800A</b>                                   | 6   |
|      | 0258526      | Ref | <b>French Spec 800AJ</b>                                  | 6   |
|      | 0258519      | Ref | <b>German Spec 800A</b>                                   | 6   |
|      | 0258520      | Ref | <b>German Spec 800AJ</b>                                  | 6   |
|      | 0258523      | Ref | <b>Italian Spec 800A</b>                                  | 6   |
|      | 0258524      | Ref | <b>Italian Spec 800AJ</b>                                 | 6   |
|      | 0258527      | Ref | <b>Spanish Spec 800A</b>                                  | 6   |
|      | 0258528      | Ref | <b>Spanish Spec 800AJ</b>                                 | 6   |
|      | 0258517      | Ref | <b>UK Spec 800A</b>                                       | 6   |
|      | 0258518      | Ref | <b>UK Spec 800AJ</b>                                      | 6   |
| 1    |              | Ref | Decal - Danger/Warning Options:                           |     |
| 1    | 1703992      | 1   | Australian Spec   |     |
| 1    | 1703913      | 1   | Dutch Spec  |     |
| 1    | 1703917      | 1   | French Spec   |     |
| 1    | 1703799      | 1   | German Spec   |     |
| 1    | 1703915      | 1   | Italian Spec  |     |
| 1    | 1703919      | 1   | Spanish Spec  |     |
| 1    | 1703806      | 1   | UK Spec   |     |
| 2    |              | Ref | Decal - Danger/Warning Options:                           |     |
| 2    | 1703807      | 1   | Australian Spec   |     |
| 2    | 1703914      | 1   | Dutch Spec  |     |
| 2    | 1703918      | 1   | French Spec   |     |
| 2    | 1703800      | 1   | German Spec   |     |
| 2    | 1703916      | 1   | Italian Spec  |     |
| 2    | 1703920      | 1   | Spanish Spec  |     |
| 2    | 1703807      | 1   | UK Spec   |     |
| 4    | 1701518      | 4   | Decal - Warning/Crushing                                  |     |
| 7    |              | Ref | Decal - Model Options:                                    |     |
| 7    | 1703772      | 2   | Decal - Model 800A  |     |
| 7    | 1703773      | 2   | Decal - Model 800AJ                                       |     |
| 8    | 1702860      | 1   | Decal - JLG Lift (5in)                                    |     |
| 9    | 1702774      | 2   | Decal - JLG Lift (3-1/2in)                                |     |
| 10   | 1702773      | 2   | Decal - JLG (5in)   |     |
| 12   |              | Ref | Decal - Attach Lanyard Here Options:                      |     |
| 12   | 1702612      | 4   | Australian Spec <b>(Prior to SN 0300061062)</b>           |     |
| 12   | 1704277      | 4   | Australian Spec <b>(SN 0300061062 through 0300069000)</b> |     |
| 12   | 1704277      | 4   | Dutch/French/German/Italian/Spanish/UK Spec               |     |
| 13   |              | Ref | Decal - 500LBS Max Capacity Options:                      |     |
| 13   | 1704097      | 1   | Australian Spec 800A                                      |     |
| 13   | Not Required | 0   | Australian Spec 800AJ                                     |     |
| 13   | Not Required | 0   | Dutch/French/German/Italian/Spanish/UK Spec               |     |
| 14   |              | Ref | Decal - 500LBS Max Capacity Options:                      |     |
| 14   | 1704105      | 1   | Australian Spec 800A                                      |     |
| 14   | Not Required | 0   | Australian Spec 800AJ                                     |     |

## SECTION 8 - DECALS

| ITEM     | PART NUMBER  | QTY        | DESCRIPTION  | REV |
|----------|--------------|------------|--|-----|
| 14       | Not Required | 0          | Dutch/French/German/Italian/Spanish/UK Spec  |     |
| 15       |              | Ref        | Decal Options:   |     |
| 15       | Not Required | 0          | Australian Spec  |     |
| 15       | 1702928      | 1          | Decal - CE (Dutch/French/German/Italian/Spanish/UK Spec)<br><b>(Prior to SN 0300065634)</b>                          |     |
| 15       | 1705084      | 1          | Decal - Sound Power Level<br>(Dutch/French/German/Italian/Spanish/UK Spec) <b>(SN 0300065634 through 0300069000)</b> |     |
| 16       | 1701502      | 1          | Decal - High Oil Level   |     |
| 17       | 1701503      | 1          | Decal - Low Oil Level  |     |
| 18       | 1701504      | 1          | Decal - Hydraulic Oil  |     |
| 20       | See Note     | 1          | Decal - Bar Code (Note: Not Available for Purchase)  |     |
| 21       | 1700584      | 1          | Decal - Patent   |     |
| 22       | See Note     | 1          | Nameplate - Serial Number (Note: Not Available for Purchase)   |     |
| 23       | 1701509      | 1          | Decal - Manual   |     |
| 24       | 1702300      | 4          | Decal - Tie Down/Lift  |     |
| 25       | 1701500      | 4          | Decal - Tie Down/Lift  |     |
| 26       | 1701501      | 4          | Decal - Arrow  |     |
| 27       |              | Ref        | Nameplate - 240V-50Hz Options:   |     |
| 27       | 3251242      | 1          | Australian Spec  |     |
| 27       | Not Required | 0          | Dutch/French/German/Italian/Spanish/UK Spec  |     |
| 28 to 29 |              | Ref        | (Illustration and Parts List Usage)  |     |
| 30       | 1703959      | 2          | Decal - Quick Stick  |     |
| 31       | 1701518      | 3          | Decal - Warning/Crushing   |     |
| 32       | 1702862      | 1          | Decal - JLG Lift   |     |
| 33       | 3820001      | 4          | Rivet  |     |
| 34       |              | Ref        | Decal - Footswitch   |     |
| 34       | 3252347      | 1          | Australian/UK Spec (Part of 4360031 Footswitch)  |     |
| 34       | 1703518      | 1          | Dutch Spec   |     |
| 34       | 1693292      | 1          | French Spec  |     |
| 34       | 1693294      | 1          | Dutch Spec   |     |
| 34       | 1701600      | 1          | Italian Spec   |     |
| 34       | 1701791      | 1          | Spanish Spec   |     |
| 35       | 1703960      | 4          | Decal - Max. Tire Load   |     |
| 36       | 1701505      | 1          | Decal - Fuel   |     |
| 40       |              | Ref        | Decal - Upright Level Override   |     |
| 40       | 1702265      | NLA        | Australian/UK Spec (Use p/n 1705977)   |     |
| 40       | 1702268      | NLA        | Dutch Spec (Use p/n 1705977)   |     |
| 40       | 1702270      | NLA        | French Spec (Use p/n 1705977)  |     |
| 40       | 1702267      | NLA        | Dutch Spec (Use p/n 1705977)   |     |
| 40       | 1702269      | NLA        | Italian Spec (Use p/n 1705977)   |     |
| 40       | 1702266      | NLA        | Spanish Spec (Use p/n 1705977)   |     |
| 44       | 4420051      | 23.1 ft/7m | Decal - Warning Stripes  |     |
| 48       | 1704885      | 2          | Decal - Website <b>(SN 0300067900 through 0300069000)</b>  |     |
|          | 0258671      | Ref        | <b>MANUAL STORAGE BOX INSTALLATION</b>   | A   |
| 101      | 0860520      | 1          | Box, Manual Storage  |     |
| 101      | 1060279      | 1          | Cable, Lanyard   |     |
| 101      | 0641408      | 1          | Bolt 1/4in-20NC x 1in  |     |
| 101      | 0641406      | 1          | Bolt 1/4in-20NC x 3/4in  |     |
| 101      | 4751400      | 6          | Flatwasher 1/4in   |     |
| 101      | 3311405      | 5          | Locknut 1/4in-20NC   |     |
| 101      | 0100011      | AR         | Compound, Locking  |     |

## SECTION 8 - DECALS

| ITEM | PART NUMBER | QTY | DESCRIPTION                                     | REV |
|------|-------------|-----|---|-----|
|      |             | Ref | <b>TILT SENSOR INSTALLATION OPTIONS:</b>        |     |
|      | 1001091538  | Ref | <b>PRE ADE SYSTEM</b>                           | E   |
|      | 1001093187  | Ref | <b>ADE SYSTEM</b>                               | C   |
| 206  | 1707111     | 1   | Decal - Platform Display (Australian Spec Only) |     |
| 207  | 1707113     | 1   | Decal - Platform Display (CE Spec Only)         |     |
| 224  | 1705977     | 1   | Decal - Upright Level Over Ride                 |     |



## **SECTION 9 - RECOMMENDED SERVICE PARTS STOCK**

## **SECTION 9 - RECOMMENDED SERVICE PARTS STOCK**

## SECTION 9 - RECOMMENDED SERVICE PARTS STOCK

FIGURE 9-1. MODELS 800A/800AJ STANDARD PARTS

| ITEM | PART NUMBER | QTY   | DESCRIPTION   | REV |
|------|-------------|-------|---|-----|
|      | Note        | Ref   | <b>Note: The following list will service machines (built to current production per date on the front cover) with emergency repair parts which can be installed in the field. Parts from the list should be replaced when inventory is depleted to keep service parts stock supplied. For further information, contact your JLG dealer or the JLG Industries Parts Department.</b> |     |
|      |             | Ref   | <b>STANDARD PARTS</b>   |     |
|      | 2120168     | 4     | Element, Filter   |     |
|      | 2120150     | 4     | Element Filter  |     |
|      | 7012944     | 1     | Coil  |     |
|      | 7018991     | 1     | Coil  |     |
|      | 7012772     | 1     | Coil  |     |
|      | 7012943     | 1     | Coil  |     |
|      | 7012664     | 1/doz | Element, Air Cleaner  |     |
|      | 3740067     | 1     | Relay   |     |
|      | 4360294     | 1     | Breaker, Circuit  |     |
|      | 7016331     | 1/doz | Filter, Oil   |     |
|      | 7016328     | 1/doz | Filter, Fuel  |     |
|      | 1660234     | 1     | Coupling, Pump  |     |
|      | 7014817     | 1     | Breather, Hydraulic Tank  |     |
|      | 4360475     | 1     | Switch, Mushroom  |     |
|      | 4360470     | 1     | Switch, Key   |     |
|      | 2860030     | 1     | Key, Replacement  |     |
|      | 4360328     | 1     | Switch, Toggle  |     |
|      | 4360476     | 1     | Contact, Switch Block   |     |
|      | 3740049     | 1     | Relay   |     |
|      | 2940074     | 1     | Latch   |     |
|      | 1001129555  | 1     | Controller (Life and Swing)   |     |
|      | 1001212415  | 1     | Controller (Drive and Steer)  |     |
|      | 4360387     | 1     | Switch, Push Button   |     |
|      | 4360407     | 1     | Controller, Speed   |     |
|      | 4360331     | 1     | Switch, Toggle  |     |
|      | 4360232     | 1     | Breaker, Circuit  |     |
|      | 3990010     | 2     | Diode   |     |



## SECTION 9 - RECOMMENDED SERVICE PARTS STOCK

FIGURE 9-2. MODELS 800A/800AJ VARIABLE PARTS

| ITEM | PART NUMBER | QTY | DESCRIPTION   | REV |
|------|-------------|-----|---|-----|
|      | Note        | Ref | <b>Note: The following list will service machines (built to current production per date on the front cover) with emergency repair parts which can be installed in the field. Parts from the list should be replaced when inventory is depleted to keep service parts stock supplied. For further information, contact your JLG dealer or the JLG Industries Parts Department.</b> |     |
|      |             | Ref | <b>VARIABLE PARTS</b>   |     |
|      | 3740080     | 1   | Relay (Machines with Generator Option)  |     |
|      | 4360336     | 1   | Switch, Toggle (Machines with Generator Option)   |     |
|      | 1001094484  | 1   | Controller, UMS Module  |     |
|      | 7016522     | 1   | Powertrack Repair Section (Gemco Brand)   |     |
|      | 7006137     | 24  | Powertrack Pin Kit (Gemco Brand)  |     |
|      | 70002013    | 1   | Powertrack Repair Section (Gortrac Brand)   |     |
|      | 1001094400  | 1   | Sensor, Dual Axis   |     |
|      | 4360387     | 1   | Switch, Push Button   |     |



**SECTION 10 - SPECIAL OPTIONS**

## SECTION 10 - SPECIAL OPTIONS

FIGURE 10-1. SPECIAL OPTIONS

| ITEM | PART NUMBER | QTY | DESCRIPTION  | REV |
|------|-------------|-----|--|-----|
|      | Note        | Ref | <b>Note: This list is to accommodate machines ordered with special equipment. Options may not be applicable to all models. For more specific parts information contact JLG Parts Department.</b> |     |
|      |             | Ref | <b>MISCELLANEOUS SPECIAL OPTIONS:</b>  |     |
|      |             | Ref | <b>Airline to Platform Installation Options:</b>   |     |
|      | 0258802     | Ref | 1/2in 800A   |     |
|      | 0258805     | Ref | 1/2in 800AJ  |     |
|      |             | Ref | <b>Bellows Installation Options:</b>   |     |
|      | 0258734     | Ref | Boom 800A  |     |
|      | 0258737     | Ref | Boom 800AJ   |     |
|      | 0258757     | Ref | Chassis (Fixed Axle 2WS)   |     |
|      | 0258759     | Ref | Chassis (Fixed Axle 4WS)   |     |
|      | 0258387     | Ref | Chassis (Oscillating Axle 2WS)   |     |
|      | 0258758     | Ref | Chassis (Oscillating Axle 4WS)   |     |
|      | 2910887     | Ref | <b>Boom Wear Pad Kit</b>   |     |
|      | 0258654     | Ref | <b>Boom Wipers Installation</b>  |     |
|      | 0256789     | Ref | <b>Camera Mount Assembly</b>   |     |
|      |             | Ref | <b>ClearSky Telematics Kits</b>  |     |
|      | 1001139132  | Ref | <b>Australian Spec</b>   |     |
|      | 1001102842  | Ref | <b>CE Spec</b>   |     |
|      |             | Ref | <b>Note: Refer to ClearSky (Telematics) Manual p/n 3128499 for Service Parts.</b>  |     |
|      |             | Ref | <b>Cold Weather Package Installation Options:</b>  |     |
|      | 0256060     | Ref | Deutz without Glow Plugs   |     |
|      | 0258927     | Ref | Deutz with Glow Plugs  |     |
|      |             | Ref | <b>Decal Installations Options:</b>  |     |
|      | 1702788     | 1   | Decal - Biodegradable Hydraulic Fluid (All except German Spec)   |     |
|      | 1703479     | 1   | Decal - Biodegradable Hydraulic Fluid (German Spec Only)   |     |
|      |             | Ref | <b>Decal Kits</b>  |     |
|      | 1001108720  | Ref | Decal Kit - Platform (800A)  |     |
|      | 1001108721  | Ref | Decal Kit - Platform (800AJ)   |     |
|      | 2910872     | Ref | Decal Kit - Platform Console ( <b>SN 0300064432 through 0300069000</b> )   |     |
|      | 2902396     | Ref | <b>Drive/Steer Cutout Kit</b>  |     |
|      |             | Ref | <b>Electrical Connector Kits</b>   |     |
|      | 1001148902  | Ref | Amp/Tyco Electrical Connector Kit  |     |
|      | 1001148903  | Ref | Deutsch DT Electrical Connector Kit  |     |
|      | 1001148904  | Ref | Deutsch HD Electrical Connector Kit  |     |
|      | 1001148905  | Ref | Packard Electrical Connector Kit   |     |
|      | 1001148906  | Ref | Various Electrical Connectors Kit  |     |
|      | 1340061     | Ref | <b>Engine Air Cleaner Pre-Cleaner Installation</b>   |     |
|      | 0258929     | Ref | <b>Engine Installation (Isuzu)</b>   |     |
|      | 0257157     | Ref | <b>Ether Start Installation (Deutz Engine Machines)</b>  |     |
|      |             | Ref | <b>Filter Kits:</b>  |     |
|      | 2910467     | 1   | Combined Filter Kit (Hydraulic/Air and Fuel/Engine Oil)  |     |
|      | 1001110133  | 1   | Fuel/Engine Oil Filter - Deutz Engine  |     |
|      | 4060959     | Ref | <b>Footswitch Shield (Note: Move Decal to Shield)</b>  |     |
|      |             | Ref | <b>Glow Plugs Installation Options: (Deutz Engine Machines)</b>  |     |

## SECTION 10 - SPECIAL OPTIONS

| ITEM | PART NUMBER | QTY | DESCRIPTION   | REV |
|------|-------------|-----|---|-----|
|      | 0258928     | Ref | <b>Glow Plugs Installation (Prior to SN 0300064007)</b>                                   |     |
|      | 0271326     | Ref | <b>Glow Plugs Installation (SN 0300064007 through 0300069000)</b>                         |     |
|      | 1001121735  | Ref | <b>Hood Conversion Kit - Deutz (ABS to Steel)</b>   |     |
|      |             | Ref | <b>Hose Kits:</b>   |     |
|      | 2902457     | Ref | Hose Kit - Powertrack (Lower) (800A)  |     |
|      | 2902456     | Ref | Hose Kit - Powertrack (Upper) (800A)  |     |
|      | 1001204901  | Ref | Hose Kit - Powertrack (Lower) (800AJ)   |     |
|      | 2902459     | Ref | Hose Kit - Powertrack (Upper) (800AJ)   |     |
|      | 1001210685  | Ref | Hose Kit - Upper Boom (800A)  |     |
|      | 1001210687  | Ref | Hose Kit - Upper Boom (800AJ)   |     |
|      | 1001241410  | Ref | <b>Hostile Environment Add-on Kit (2WS with Fixed Axle) (800A)</b>                        |     |
|      | 1001241411  | Ref | <b>Hostile Environment Add-on Kit (2WS with Oscillating Axle) (800A)</b>                  |     |
|      | 1001241412  | Ref | <b>Hostile Environment Add-on Kit (4WS with Fixed Axle) (800A)</b>                        |     |
|      | 1001204927  | Ref | <b>Hostile Environment Add-on Kit (800A)</b>  |     |
|      | 1001241413  | Ref | <b>Hostile Environment Add-on Kit (2WS with Fixed Axle) (800AJ)</b>                       |     |
|      | 1001241414  | Ref | <b>Hostile Environment Add-on Kit (2WS with Oscillating Axle) (800AJ)</b>                 |     |
|      | 1001241415  | Ref | <b>Hostile Environment Add-on Kit (4WS with Fixed Axle) (800AJ)</b>                       |     |
|      | 1001204928  | Ref | <b>Hostile Environment Add-on Kit (800AJ)</b>   |     |
|      | 1001148971  | Ref | <b>Lanyard (Bolt-On) Kit Installation</b>   |     |
|      | 0256762     | Ref | <b>Oil Cooler Installation</b>  |     |
|      | 1282665     | Ref | <b>Oil Cooler Installation</b>  |     |
|      | 0270712     | Ref | <b>Oil Pressure and Oil Temperature Installation</b>                                      |     |
|      | 0270723     | Ref | <b>Platform Beacon Light Installation</b>   |     |
|      | 0255398     | Ref | <b>Platform Console Cover Installation</b>  |     |
|      | 2915228     | Ref | <b>Platform Conversion Kit (Front to Side Entry)</b>                                      |     |
|      | 2902232     | Ref | <b>Platform Conversion Kit (Front to Side Entry) (For SkyGlazier)</b>                     |     |
|      |             | Ref | <b>Platform Entry Kits</b>  |     |
|      | 1001142504  | Ref | <b>Drop Bar (Replacing Swing Gate with Drop Bar)</b>                                      |     |
|      | 1001142505  | Ref | <b>Swing Gate (Replacing Drop Bar with Swing Gate)</b>                                    |     |
|      |             | Ref | <b>Platform Load Sensing Installation (French Spec)</b>                                   |     |
|      | 0258767     | Ref | Platform Load Sensing Installation 800A ( <b>Prior to SN 0300061481</b> )                 |     |
|      | 0258768     | Ref | Platform Load Sensing Installation 800AJ ( <b>Prior to SN 0300061481</b> )                |     |
|      | 0259233     | Ref | Platform Load Sensing Installation 800A/800AJ ( <b>SN 0300061481 through 0300064006</b> ) |     |
|      | 0271543     | Ref | Platform Load Sensing Installation 800A/800AJ ( <b>SN 0300064007 through 0300069000</b> ) |     |
|      | 1001139944  | NLA | <b>Pump Mounting Bracket Kit (Sauer Danfoss) (Use p/n 1001162546)</b>                     |     |
|      | 1001162546  | Ref | <b>Pump Coupling Kit (Sauer Danfoss)</b>  |     |
|      |             | Ref | <b>Sky Accessory:</b>   |     |
|      | 0272606     | Ref | Plasma Cutter (SkyCutter)   |     |
|      | 0272607     | Ref | Decal - SkyCutter   |     |
|      | 0272492     | Ref | SkyPower - 7500W 50Hz   |     |
|      | 0272589     | Ref | Decal - SkyPower  |     |
|      | 0272521     | Ref | Welder - Stick, 250A  |     |
|      | 0272588     | Ref | Decal - SkyWelder   |     |
|      |             | Ref | <b>Note: For Breakdown of Sky Accessories Refer to Accessory</b>                          |     |

## SECTION 10 - SPECIAL OPTIONS

| ITEM | PART NUMBER | QTY | DESCRIPTION  | REV |
|------|-------------|-----|--|-----|
|      |             |     | <b>Manual p/n 3124242</b>  |     |
|      |             | Ref | <b>SkyGuard Component Options:</b>   |     |
|      | 1001149560  | Ref | SkyGuard Complete Add-on Kit (Non-UGM Machines)                              |     |
|      | 1001143256  | Ref | SkyGuard Blue Beacon Kit   |     |
|      | 1001210025  | Ref | SkyGuard Strobe Light Kit - Hood Mounted (Red Beacon)                        |     |
|      |             | Ref | <b>Tools for Service</b>   |     |
|      | 7002840     | 1   | Antirotation Pin Removal Tool  |     |
|      | 8896941     | 1   | Wire Stripper  |     |
|      | 7002821     | 1   | Wire Crimper (To install wire ends to wires)                                 |     |
|      | 7002823     | 1   | Pin/Socket Extractor - Universal (To Remove Pins/Sockets from Connectors)    |     |
|      | 4460467     | 1   | Extractor - 16-18 Gauge (For Removal of Pin/Sockets from Deutsch Connectors) |     |
|      | 4460510     | 1   | Extractor - 12-14 Gauge (For Removal of Pin/Sockets from Deutsch Connectors) |     |
|      | 7002822     | 1   | Screwdriver, Potentiometer (To Adjust Drive Controllers)                     |     |
|      | 7016654     | 1   | Screwdriver, Magnetic  |     |
|      | 7004275     | 1   | Seal Installation Tool - 1in   |     |
|      | 7004276     | 1   | Seal Installation Tool - 1-1/2in   |     |
|      | 7002826     | 1   | Seal Installation Tool - 2in   |     |
|      | 7016655     | 1   | Wire Rope Sheave Gauge   |     |
|      | 7016652     | 1   | Huck Bolt Fastener (For Small Huck Bolts Only)                               |     |
|      | 4921850     | 1   | Throttle Service Harness   |     |
|      | 4922012     | 1   | Horsepower Card Service Harness  |     |
|      | 2900838     | 1   | U.S. Standards Fastener (Hardware) Kit                                       |     |
|      | 7014676     | 1   | U.S. Standards Tool Kit  |     |
|      | 70000017    | 1   | ADE Software CD  |     |
|      | 1001137005  | 1   | Software Cable Kit   |     |
|      | 0257728     | Ref | <b>Tube Rack Installation</b>  |     |
|      | 1001149676  | Ref | <b>UGM Conversion Kit (ADE Machines Only)</b>                                |     |
|      |             | Ref | <b>Weld Leads to Platform Installation Options:</b>                          |     |
|      | 0258826     | Ref | Weld Leads to Platform Installation 800A                                     |     |
|      | 0258827     | Ref | Weld Leads to Platform Installation 800AJ                                    |     |

**PART NUMBER INDEX**

# PART NUMBER INDEX

|   |                            |                                   |  |
|---|----------------------------|-----------------------------------|--|
| 0060031.....103, 115  | 0257850.....163            | 0258768 .... 104, 167, 275        | 0272589.....275  |
| 0060033.....60, 250   | 0257853.....67             | 0258802 ..... 274                 | 0272606.....275  |
| 0060041.....100, 115  | 0257857.....67             | 0258805 ..... 274                 | 0272607.....275  |
| 0060066.....103, 119  | 0257884.....87             | 0258826 ..... 276                 | 0275804.....137, 142   |
| 0060069.....99, 119   | 0257885.....87             | 0258827 ..... 276                 | 0275805.....137, 142   |
| 0060077.....115   | 0257887.....87, 260        | 0258909 ..... 12                  | 0340041.....59   |
| 0080163.....63  | 0258048 ..... 128, 245     | 0258910 ..... 15, 27              | 0362609.....122  |
| 0080241.....87  | 0258076 ..... 112          | 0258927 ..... 274                 | 0362610.....122  |
| 0100009.....80, 136, 141  | 0258077 ..... 112          | 0258928 ..... 275                 | 0362726.....12   |
| 0100011....11, 12, 16, 27,<br>31, 33, 41, 45, 60, 69,<br>75, 77, 80, 83, 87, 92,<br>99, 100, 104, 105, 107,<br>111, 112, 121, 122,<br>123, 136, 137, 142,<br>169, 173, 175, 183,<br>187, 193, 197, 201,<br>205, 211, 217, 266 | 0258217 ..... 121          | 0258929 ..... 274                 | 0362770.....91   |
| 0100019.41, 45, 237, 240  | 0258285 ..... 11           | 0258945 ..... 137, 143            | 0362772.....122  |
| 0100020.....60, 141, 235,<br>239  | 0258286 ..... 11           | 0259055 ..... 41                  | 0370022.....175  |
| 0100035....121, 122, 136,<br>141  | 0258287 ..... 12           | 0259147 ..... 45                  | 0400075.....59   |
| 0100038....107, 173, 175,<br>183, 187, 193, 197,<br>201, 205, 211, 217  | 0258288 ..... 12, 15, 27   | 0259233 .... 167, 245, 275        | 0440207.....41   |
| 0100040.....131   | 0258289 ..... 15, 27       | 0259420 ..... 108                 | 0440233.....41   |
| 0100048....81, 83, 84, 87,<br>141, 256  | 0258327 ..... 16           | 0259500 ..... 100                 | 0440244.....45   |
| 0100063....176, 183, 187,<br>193, 197, 201, 205,<br>211, 217  | 0258328 ..... 16           | 0259501 ..... 105                 | 0480050.....68   |
| 0100079.....75  | 0258333 ..... 16           | 0270209 ..... 12, 15, 27          | 0480111.....68   |
| 0100081 ..... 112, 142  | 0258334 ..... 16           | 0270210 ..... 15, 27              | 0480118.....68   |
| 0100083.....169   | 0258338 ..... 122          | 0270211 ..... 15, 27              | 0480119.....68   |
| 0140001.....32  | 0258343 ..... 27           | 0270331 ..... 41                  | 0480121.....68   |
| 0140011.....141   | 0258382 ..... 75           | 0270712 ..... 275                 | 0561185.....107  |
| 0140026.....135   | 0258384 ..... 122          | 0270723 ..... 275                 | 0561237.....104  |
| 0140032.....87  | 0258387 ..... 274          | 0270814 ... 128, 132, 143,<br>245 | 0561295.....111  |
| 0181727.....59  | 0258397 ..... 15           | 0270886 ..... 15                  | 0561367.....249  |
| 0200530.....68  | 0258399 ..... 15           | 0270888 ..... 15                  | 0610155.....169  |
| 0200550.....163   | 0258407 ..... 41           | 0271002 ..... 45                  | 0630427.....121  |
| 0200741.....68  | 0258411 ..... 32           | 0271038 ..... 265                 | 0630462.....163  |
| 0200742.....68  | 0258415 ..... 59           | 0271085 ..... 16                  | 0630464.....136, 141   |
| 0239585.....41  | 0258454 ..... 31           | 0271086 ..... 16                  | 0630491.....87   |
| 0254798.....41  | 0258455 ..... 31           | 0271090 ..... 16                  | 0630498.....59   |
| 0255262.....77  | 0258456 ..... 31           | 0271091 ..... 16                  | 0630507.....91   |
| 0255294.....77  | 0258457 ..... 31           | 0271099 ..... 16                  | 0630518.....80, 83   |
| 0255316.....42, 45  | 0258515 ..... 265          | 0271326 ..... 275                 | 0630534....187, 191, 201                                     |
| 0255398.....275   | 0258516 ..... 265          | 0271340 ..... 143                 | 0630535....173, 175, 181,<br>205, 207, 211, 215,<br>217, 221 |
| 0255917.....87, 260   | 0258517 ..... 265          | 0271371 ..... 59                  | 0630536.....197, 199   |
| 0256060.....274   | 0258518 ..... 265          | 0271375 ..... 256                 | 0630537....183, 185, 193,<br>195                             |
| 0256196.....16  | 0258519 ..... 265          | 0271377 ..... 256                 | 0630539.....108  |
| 0256202.....252, 260  | 0258520 ..... 265          | 0271422 ..... 87                  | 0630548.....83   |
| 0256689.....62  | 0258521 ..... 265          | 0271543 ..... 167, 275            | 0641403.....122, 169   |
| 0256690.....62  | 0258522 ..... 265          | 0271544 ..... 67                  | 0641404....100, 104, 136,<br>141                             |
| 0256762.....244, 275  | 0258523 ..... 265          | 0271547 ..... 67, 143             | 0641405.....169  |
| 0256789.....274   | 0258524 ..... 265          | 0271550 ..... 143, 163            | 0641406..32, 81, 91, 131,<br>136, 141, 164, 266              |
| 0256823.....92  | 0258525 ..... 265          | 0271551 ..... 143, 163            | 0641407.....60, 167  |
| 0256847.....63  | 0258526 ..... 265          | 0271768 ..... 87, 143             | 0641408....129, 131, 135,<br>141, 266                        |
| 0257157.....274   | 0258527 ..... 265          | 0271941 ..... 131                 | 0641410.....81, 84   |
| 0257728.....276   | 0258528 ..... 265          | 0272050 ..... 169                 | 0641414.11, 31, 129, 132                                     |
| 0257760.....99  | 0258528 ..... 265          | 0272070 ..... 100, 105            | 0641416....104, 122, 141,<br>167                             |
| 0257761.....103   | 0258567 ..... 122          | 0272071 .... 100, 105, 169        | 0641418.....31, 128  |
| 0257764.....107   | 0258608 ..... 137          | 0272131 ..... 103                 | 0641420.....217  |
| 0257849.....163   | 0258609 ..... 91           | 0272189 ..... 45                  | 0641422.....121  |
|   | 0258654 ..... 274          | 0272269 ..... 11                  | 0641436.....121  |
|   | 0258656 ..... 248          | 0272293 ..... 67                  | 0641506....33, 80, 83, 92                                    |
|   | 0258658 ..... 248          | 0272354 ..... 77                  | 0641508....31, 60, 69, 87,<br>91                             |
|   | 0258670 ..... 32           | 0272355 ..... 77                  | 0641510.....60   |
|   | 0258671 ..... 266          | 0272381 ..... 99                  | 0641514.....100  |
|   | 0258674 ..... 87           | 0272430 ..... 256                 | 0641524.....127, 128   |
|   | 0258728 ..... 95           | 0272432 ..... 256                 | 0641550.....16   |
|   | 0258734 ..... 274          | 0272433 ..... 260                 |  |
|   | 0258737 ..... 274          | 0272444 ..... 164                 |  |
|   | 0258757 ..... 274          | 0272480 ..... 67                  |  |
|   | 0258758 ..... 274          | 0272481 ..... 67, 143             |  |
|   | 0258759 ..... 274          | 0272482 ..... 67                  |  |
|   | 0258763 ..... 164          | 0272492 ..... 275                 |  |
|   | 0258765 ..... 100          | 0272521 ..... 275                 |  |
|   | 0258766 ..... 104          | 0272588 ..... 275                 |  |
|   | 0258767 .... 100, 167, 275 |                                   |  |

## PART NUMBER INDEX

|                            |                            |                            |                           |
|----------------------------|----------------------------|----------------------------|---------------------------|
| 0641604 ..... 100, 104     | 0721010 ..... 136          | 0961947.... 103, 175, 179, | 1001143188 ..... 239, 242 |
| 0641605 ..... 107          | 0731005 ..... 163          | 187                        | 1001143192 ..... 241      |
| 064160631, 61, 100, 104,   | 0740603 ..... 169          | 0961951.... 100, 111, 175, | 1001143256 ..... 276      |
| 105, 107, 111, 112         | 0741606 ..... 87           | 181, 201, 203, 205, 207    | 1001144629 ..... 131      |
| 0641607 ... 104, 107, 111, | 0741607 ..... 99, 100, 104 | 0961977.....209            | 1001148902 ..... 274      |
| 112                        | 0801132 ..... 99, 103, 107 | 0961986.....60             | 1001148903 ..... 274      |
| 0641608... 11, 12, 27, 61, | 0801133 ..... 107          | 0962051.....95             | 1001148904 ..... 274      |
| 91, 100, 104, 107, 111     | 0801134 ..... 107          | 0962102.....11, 107, 111,  | 1001148905 ..... 274      |
| 0641609 91, 95, 107, 111   | 0801135 ..... 99, 111      | 183, 185, 193, 195,        | 1001148906 ..... 274      |
| 0641610 . 33, 60, 69, 107, | 0801136 ..... 103, 111     | 197, 199                   | 1001148971 ..... 275      |
| 123, 129, 131, 135, 141    | 0801137 ..... 111          | 0962122.....107            | 1001149391 ..... 215      |
| 0641611 ..... 77, 100, 104 | 0801138 ..... 111          | 0962152.....12             | 1001149560 ..... 276      |
| 0641612 ... 104, 111, 112, | 0801139 ..... 111          | 0962155....201, 203, 205,  | 1001149676 ..... 276      |
| 163, 197                   | 0801140 ..... 111          | 207                        | 1001162546 ..... 275      |
| 0641614 ..... 31, 75, 104  | 0801185 ..... 111          | 0962156.....201            | 1001166538 ..... 161      |
| 0641615 ..... 107          | 0801191 ..... 111          | 0962180.....167            | 1001166539 ..... 151      |
| 0641616 ..... 107, 167     | 0860520 ..... 266          | 0962185.....201            | 1001188840 ..... 107, 217 |
| 0641618 ..... 104          | 0860984 ..... 135, 137     | 0962219.....211            | 1001188841 ..... 111, 211 |
| 0641622 ..... 107, 112     | 0861131 ..... 79           | 0962224.....12             | 1001188842 ..... 218, 221 |
| 0641628 ..... 27           | 0861198 ..... 79           | 0962335.....104            | 1001188843 ..... 211      |
| 0641640 ..... 112          | 0861199 ..... 79           | 0962336.... 187, 189, 191  | 1001188968 ..... 111, 211 |
| 0641652 ..... 217          | 0861236 ..... 129, 135     | 0962450.....169            | 1001204901 ..... 275      |
| 0641772 ..... 69           | 0861237 ..... 129, 135     | 1001091424.....32          | 1001204927 ..... 275      |
| 0641806 ... 107, 211, 213, | 0861302 ..... 79           | 1001091538 80, 123, 242,   | 1001204928 ..... 275      |
| 215                        | 0861407 ..... 83           | 267                        | 1001210025 ..... 276      |
| 0641808 ..... 61           | 0861414 ..... 141, 142     | 1001091778.....81, 252     | 1001210685 ..... 275      |
| 0641810 ..... 61, 100, 105 | 0861474 ..... 129, 141     | 1001091941.....81, 251     | 1001210687 ..... 275      |
| 0641812 ..... 60, 101, 105 | 0861504 ..... 83           | 1001092527 ..... 81        | 1001212415 ..... 270      |
| 0641814 ..... 11           | 0861505 ..... 83           | 1001093187 84, 123, 242,   | 1001228009 99, 103, 199   |
| 0641816 ..... 11           | 0861517 ..... 131, 141     | 260, 267                   | 1001228010 99, 103, 195   |
| 0641818 60, 95, 167, 183,  | 0861537 ..... 141, 142     | 1001093256.....84, 259     | 1001228011 ..... 99, 203  |
| 193                        | 0902109 ..... 77           | 1001094400.....123, 252,   | 1001228012 ..... 103, 189 |
| 0641820 11, 77, 100, 104,  | 0902143 ..... 91           | 258, 272                   | 1001228030 ..... 103, 181 |
| 105, 169                   | 0902161 ..... 91           | 1001094401.....123         | 1001228033 ..... 99, 179  |
| 0641822 ..... 101, 105     | 0902206 ..... 87           | 1001094470.....84, 257     | 1001228041 99, 103, 185   |
| 0641826 ..... 61           | 0902219 ..... 91           | 1001094484...81, 84, 272   | 1001228050 ..... 103, 207 |
| 0642010 ..... 61           | 0902223 ..... 91           | 1001094557 ..... 242       | 1001228086 ..... 107, 221 |
| 0642018 ..... 41           | 0902243 ..... 60           | 1001094639 ..... 123       | 1001228087 ..... 111, 215 |
| 0642022 ..... 169          | 0902351 ..... 91           | 1001094791 ..... 81, 251   | 1001228088 ..... 111, 213 |
| 0642212 ..... 11           | 0902412 ..... 91           | 1001097051.....257, 258    | 1001228506 ..... 217      |
| 0642214 ..... 100, 104     | 0902415 ..... 33           | 1001097082.....257, 258    | 1001241410 ..... 275      |
| 0642612 ..... 87           | 0902426 ..... 91           | 1001097957.....251, 252    | 1001241411 ..... 275      |
| 0642620 ..... 100, 104     | 0902491 ..... 91           | 1001099837.....112         | 1001241412 ..... 275      |
| 0642682 ..... 101, 105     | 0902511 ..... 60           | 1001099840 ..... 112       | 1001241413 ..... 275      |
| 0651406 ..... 31           | 0902520 ..... 77           | 1001100321 ..... 67        | 1001241414 ..... 275      |
| 0681608 ..... 11, 101, 105 | 0902751 ..... 141          | 1001102842 ..... 274       | 1001241415 ..... 275      |
| 0681610 ... 100, 101, 105, | 0902810 ..... 169          | 1001103095 ..... 115       | 1001248012 ..... 103, 191 |
| 169                        | 0902846 ..... 77           | 1001108720 ..... 274       | 1060012 ..... 137, 248    |
| 0681612 ..... 69           | 0920111 ..... 41, 49       | 1001108721 ..... 274       | 1060279 ..... 266         |
| 0681836 ..... 41           | 0920112 ..... 15, 19       | 1001109690 ..... 240       | 1060330 ..... 164         |
| 0682016 ..... 12, 15, 41   | 0920117 ..... 15, 19       | 1001110133 ..... 274       | 1060341 ... 164, 253, 261 |
| 0682023 ..... 41, 45       | 0920119 ..... 41, 49       | 1001113961 ..... 157, 159  | 1060461 ... 252, 260, 261 |
| 0682032 ..... 45           | 0940038 ..... 163          | 1001117320 ..... 131       | 1060494 ..... 252         |
| 0682214 ..... 45           | 0940070 ..... 59           | 1001118416 ..... 159       | 1060516 ..... 249         |
| 0700808 ..... 60           | 0940071 ..... 91           | 1001118417 ..... 149       | 1060637 ..... 61          |
| 0700810 ..... 64           | 0961816 ..... 173          | 1001121735 ..... 275       | 1060676 ..... 248         |
| 0700819 ..... 69           | 0961845 ..... 128          | 1001129555 ..... 270       | 1060896 ..... 256, 257    |
| 0701010 ..... 167          | 0961893 ..... 187, 191     | 1001137005 ..... 276       | 1060902 ..... 257         |
| 0701012 ..... 61           | 0961894 ... 175, 181, 205, | 1001137261 ..... 12        | 1060918 ... 131, 141, 256 |
| 0701015 ..... 61           | 207                        | 1001137460 ..... 32        | 1060978 ..... 257, 258    |
| 0701414 ..... 60           | 0961895 ..... 173          | 1001138795 ..... 191       | 1100086 ..... 11          |
| 0711414 ..... 68           | 0961897 ... 211, 215, 217, | 1001138796 ..... 181, 207  | 1120487 ..... 75          |
| 0721003 ... 136, 137, 143  | 221                        | 1001139132 ..... 274       | 1120510 ..... 100, 103    |
| 0721004 ..... 80, 136      | 0961900 ..... 201          | 1001139944 ..... 275       | 1180346 ..... 107         |
| 0721005 ..... 60, 80       | 0961901 ..... 183, 193     | 1001142504 ..... 275       | 1180347 ..... 112         |
| 0721006 ..... 69, 92       | 0961902 ..... 175          | 1001142505 ..... 275       | 1180349 ..... 112         |
| 0721008 ..... 92           | 0961903 ..... 197          | 1001143187 ..... 239, 242  | 1260017 ..... 42, 45      |

## PART NUMBER INDEX

|                |                  |              |              |              |               |              |                            |
|----------------|------------------|--------------|--------------|--------------|---------------|--------------|----------------------------|
| 1260136.....   | 164              | 1683053..... | 187          | 1701500..... | 266           | 1705165..... | 169                        |
| 1282571.....   | 244              | 1683055..... | 175, 205     | 1701501..... | 266           | 1705325..... | 69                         |
| 1282665.....   | 244, 275         | 1683059..... | 173          | 1701502..... | 266           | 1705977..... | 267                        |
| 1282937.....   | 244              | 1683061..... | 217          | 1701503..... | 266           | 1707111..... | 137, 142, 267              |
| 1320011.....   | 217              | 1683071..... | 183, 193     | 1701504..... | 266           | 1707113..... | 137, 142, 267              |
| 1320016.....   | 60               | 1683073..... | 197          | 1701505..... | 61, 266       | 1840012..... | 79                         |
| 1320022.....   | 60               | 1683074..... | 175          | 1701509..... | 266           | 1840013..... | 79                         |
| 1320031.....   | 61               | 1683078..... | 11, 173      | 1701518..... | 265, 266      | 1840014..... | 79                         |
| 1320040.....   | 164              | 1683079..... | 173          | 1701600..... | 266           | 1840015..... | 79                         |
| 1320060.....   | 136              | 1683081..... | 173          | 1701791..... | 266           | 1870064..... | 245                        |
| 1320095.....   | 136              | 1683261..... | 187          | 1702265..... | 266           | 1870132..... | 245                        |
| 1320131.....   | 61               | 1683537..... | 99, 103, 197 | 1702266..... | 266           | 2000146..... | 59, 62                     |
| 1320159.....   | 100              | 1683538..... | 197          | 1702267..... | 266           | 2000173..... | 59, 62                     |
| 1320176.....   | 62               | 1683539..... | 197          | 1702268..... | 266           | 2000189..... | 59, 62                     |
| 1320222.....   | 61               | 1683544..... | 183          | 1702269..... | 266           | 2060025..... | 59                         |
| 1320223.....   | 61               | 1683545..... | 183          | 1702270..... | 266           | 2080040..... | 128, 131                   |
| 1320248.....   | 112              | 1683546..... | 99, 103, 183 | 1702300..... | 266           | 2080044..... | 104, 169                   |
| 1320249.....   | 112              | 1683547..... | 99, 103, 193 | 1702564..... | 135, 141      | 2120150..... | 31, 270                    |
| 1320250.....   | 107              | 1683548..... | 193          | 1702565..... | 135, 141      | 2120163..... | 31                         |
| 1320251.....   | 107              | 1683549..... | 193          | 1702566..... | 135, 141      | 2120167..... | 31                         |
| 1320256.....   | 249, 257         | 1683605..... | 12, 209      | 1702567..... | 135, 141      | 2120168..... | 31, 270                    |
| 1320258.....   | 61               | 1683606..... | 107, 217     | 1702610..... | 80            | 2160003..... | 42, 45                     |
| 1320263.....   | 112              | 1683607..... | 111, 211     | 1702612..... | 265           | 2180344..... | 42, 45                     |
| 1340060.....   | 59               | 1683608..... | 99, 201      | 1702676..... | 131, 135, 141 | 2180380..... | 237, 240                   |
| 1340061.....   | 274              | 1683609..... | 103, 187     | 1702773..... | 265           | 2180536..... | 60                         |
| 1380147.....   | 95               | 1683610..... | 99, 100, 175 | 1702774..... | 265           | 2180615..... | 193, 195                   |
| 1580012.....   | 129, 132         | 1683629..... | 217          | 1702788..... | 274           | 2180724..... | 236, 240                   |
| 1580013.....   | 129, 132         | 1683632..... | 217          | 1702860..... | 265           | 2180798..... | 59                         |
| 1600218.....   | 135              | 1683633..... | 201          | 1702862..... | 266           | 2200222..... | 47, 54, 75                 |
| 1600283.....   | 135, 155         | 1683635..... | 201          | 1702928..... | 266           | 2220063..... | 42, 45                     |
| 1600284.....   | 135, 145         | 1683642..... | 175          | 1702938..... | 143, 164      | 2220235..... | 227, 231                   |
| 1600313.....   | 141              | 1683643..... | 175          | 1703090..... | 136           | 2220237..... | 227, 231                   |
| 1600317.....   | 141, 147         | 1683647..... | 211          | 1703091..... | 136           | 2220240..... | 227                        |
| 1600318.....   | 141, 157         | 1683648..... | 211          | 1703092..... | 136           | 2220242..... | 227, 231                   |
| 1600327.....   | 83               | 1683663..... | 211          | 1703093..... | 136           | 2220250..... | 60                         |
| 1660219.....   | 77               | 1683672..... | 111, 211     | 1703162..... | 60            | 2220273..... | 60                         |
| 1660219RR..... | 77               | 1683673..... | 211          | 1703467..... | 79, 83        | 2220313..... | 60                         |
| 1660223.....   | 77               | 1683675..... | 211          | 1703468..... | 79, 83        | 2220362..... | 227, 231                   |
| 1660223RR..... | 77               | 1683677..... | 103, 175     | 1703479..... | 274           | 2220363..... | 227                        |
| 1660234.....   | 63, 270          | 1683678..... | 175          | 1703518..... | 266           | 2220365..... | 227, 231                   |
| 1670769.....   | 103              | 1683680..... | 175          | 1703622..... | 80            | 2220366..... | 227, 231                   |
| 1670776.....   | 16               | 1683682..... | 103, 205     | 1703772..... | 265           | 2220371..... | 225, 228, 232,<br>235, 239 |
| 1670785.....   | 163              | 1683683..... | 205          | 1703773..... | 265           | 2220373..... | 227, 231, 235,<br>239      |
| 1670786.....   | 163              | 1683685..... | 205          | 1703799..... | 265           | 2220374..... | 227, 231                   |
| 1670787.....   | 163              | 1683687..... | 187          | 1703800..... | 265           | 2220375..... | 227, 231                   |
| 1670788.....   | 163              | 1683740..... | 12, 209      | 1703801..... | 167           | 2220376..... | 235, 239                   |
| 1670789.....   | 163              | 1683818..... | 197          | 1703806..... | 265           | 2220377..... | 227, 231                   |
| 1670791.....   | 163              | 1683819..... | 183          | 1703807..... | 265           | 2220379..... | 235, 239                   |
| 1670793.....   | 163              | 1683821..... | 193          | 1703913..... | 265           | 2220380..... | 227, 231                   |
| 1670795.....   | 163              | 1683823..... | 197          | 1703914..... | 265           | 2220381..... | 235, 239                   |
| 1670796.....   | 163              | 1683986..... | 173          | 1703915..... | 265           | 2220385..... | 235, 239                   |
| 1670797.....   | 163              | 1683987..... | 173          | 1703916..... | 265           | 2220414..... | 236                        |
| 1670798.....   | 163              | 1684089..... | 187          | 1703917..... | 265           | 2220415..... | 225, 227, 231,<br>235, 239 |
| 1670799.....   | 163              | 1684090..... | 187          | 1703918..... | 265           | 2220428..... | 235, 239                   |
| 1670801.....   | 163              | 1684114..... | 201          | 1703919..... | 265           | 2220429..... | 235, 239                   |
| 1670803.....   | 163              | 1684115..... | 201          | 1703920..... | 265           | 2220451..... | 60, 227, 231,<br>235, 239  |
| 1670804.....   | 163              | 1684125..... | 205          | 1703959..... | 266           | 2220459..... | 60                         |
| 1670824.....   | 122              | 1684126..... | 205          | 1703960..... | 266           | 2220465..... | 227                        |
| 1670829.....   | 80, 83, 136, 141 | 1684191..... | 173          | 1703992..... | 265           | 2220466..... | 227, 231, 235,<br>239      |
| 1670836.....   | 111              | 1684228..... | 103, 175     | 1704097..... | 265           | 2220473..... | 228, 232, 235,<br>239      |
| 1670842.....   | 91               | 1684230..... | 175          | 1704105..... | 265           | 2220478..... | 235, 239                   |
| 1670844.....   | 99, 103          | 1684232..... | 175          | 1704260..... | 136, 141      |              |                            |
| 1670850.....   | 99, 103          | 1684408..... | 99, 175      | 1704277..... | 265           |              |                            |
| 1670864.....   | 100              | 1684497..... | 99, 103, 183 | 1704833..... | 80, 83        |              |                            |
| 1670900.....   | 167              | 1693292..... | 266          | 1704885..... | 266           |              |                            |
| 1671037.....   | 142              | 1693294..... | 266          | 1705084..... | 266           |              |                            |
| 1683050.....   | 201              | 1700584..... | 266          | 1705132..... | 83, 142       |              |                            |



## PART NUMBER INDEX

|               |   |               |                       |               |  |
|---------------|---|---------------|-----------------------|---------------|--|
| 2220479 ..... | 227, 231  | 2752489 ..... | 228, 232              | 2760105 ..... | 80, 83, 135, 141   |
| 2220490 ...   | 225, 228, 232,<br>235, 239  | 2752494 ..... | 228, 232, 236,<br>239 | 2780205 ..... | 41, 47   |
| 2220497 ..... | 236   | 2752498 ..... | 227, 231              | 2780227 ..... | 15, 21   |
| 2220498 ..... | 227   | 2752513 ..... | 228, 232              | 2780228 ..... | 15, 21   |
| 2220499 ..... | 231   | 2752514 ..... | 227, 228, 231,<br>232 | 2780229 ..... | 12   |
| 2220500 ...   | 227, 231, 235,<br>239   | 2752516 ..... | 232                   | 2792351 ..... | 242  |
| 2220501 ...   | 228, 232, 236,<br>240   | 2752518 ..... | 227, 231              | 2792362 ..... | 227, 242   |
| 2220502 ...   | 231, 235, 239   | 2752573 ..... | 228, 232, 236         | 2792363 ..... | 231, 242   |
| 2220504 ..... | 227, 231  | 2752575 ..... | 227, 231              | 2792364 ..... | 242  |
| 2220516 ..... | 193, 227  | 2752581 ..... | 228, 232              | 2792365 ..... | 235, 242   |
| 2220517 ..... | 231   | 2752585 ..... | 236, 240              | 2792366 ..... | 235, 242   |
| 2220574 ..... | 235, 239  | 2752591 ..... | 232                   | 2792367 ..... | 225, 242   |
| 2220577 ...   | 225, 228, 236,<br>240   | 2752592 ..... | 232                   | 2820031 ..... | 69   |
| 2220582 ...   | 225, 227, 231,<br>235, 239  | 2752611 ..... | 225                   | 2820035 ..... | 87, 129, 132,<br>253, 261  |
| 2220591 ..... | 236, 240  | 2752642 ..... | 232                   | 2820078 ..... | 92   |
| 2220593 ..... | 235, 239  | 2752648 ..... | 225, 228, 232         | 2820079 ..... | 92   |
| 2220596 ...   | 227, 231, 235,<br>239   | 2752671 ..... | 239                   | 2820080 ..... | 92   |
| 2220600 ..... | 227, 231  | 2752673 ..... | 228, 232              | 2820081 ..... | 92   |
| 2220602 ...   | 225, 227, 231,<br>235, 239  | 2752674 ..... | 236                   | 2840016 ..... | 95   |
| 2220603 ..... | 225, 240  | 2752721 ..... | 235, 239              | 2860012 ..... | 69   |
| 2220605 ...   | 227, 231, 235,<br>239   | 2752754 ..... | 228, 232              | 2860030 ..... | 79, 83, 270  |
| 2220606 ..... | 241   | 2752766 ..... | 236, 240              | 2900708 ..... | 31, 35, 36   |
| 2220609 ...   | 227, 231, 236,<br>240   | 2752767 ..... | 236, 240              | 2900770 ..... | 115, 173   |
| 2220618 ...   | 227, 231, 235,<br>239   | 2752768 ..... | 236, 240              | 2900788 ..... | 25   |
| 2220619 ...   | 225, 235, 239   | 2752768 ..... | 236, 240              | 2900792 ...   | 176, 179, 181,<br>183, 185, 187, 189,<br>191, 193, 195, 197, 199 |
| 2220628 ..... | 227, 231  | 2752928 ..... | 228                   | 2900838 ..... | 276  |
| 2220635 ..... | 225, 236  | 2752930 ..... | 236, 240              | 2901271 ..... | 173  |
| 2220646 ..... | 227, 231  | 2752942 ..... | 228, 232              | 2901273 ..... | 217  |
| 2220654 ..... | 235   | 2752949 ..... | 232                   | 2901301 ..... | 176, 205   |
| 2220655 ..... | 240   | 2752977 ..... | 227, 231              | 2901303 ..... | 187  |
| 2220710 ..... | 227   | 2752978 ..... | 236, 240              | 2901392 ..... | 60   |
| 2220711 ...   | 225, 228, 231   | 2753006 ..... | 236, 240              | 2901443 ..... | 261  |
| 2220737 ..... | 235, 239  | 2753007 ..... | 236, 240              | 2901514 ..... | 193, 195   |
| 2220765 ..... | 235, 239  | 2753008 ..... | 236, 239              | 2901526 ...   | 179, 183, 185  |
| 2220775 ..... | 193, 236  | 2753009 ..... | 236, 240              | 2901537 ..... | 197, 199   |
| 2220794 ..... | 61  | 2753010 ..... | 235, 239              | 2901549 ..... | 201  |
| 2220800 ..... | 231   | 2753035 ..... | 232                   | 2901556 ..... | 176  |
| 2220810 ..... | 227, 231  | 2753036 ..... | 227, 231              | 2901557 ..... | 167  |
| 2220811 ...   | 225, 227, 231   | 2753087 ..... | 228, 232              | 2901609 ..... | 60   |
| 2220833 ..... | 232   | 2753117 ..... | 228, 232              | 2901712 ..... | 211  |
| 2220852 ..... | 235, 239  | 2753118 ..... | 236, 240              | 2901811 ..... | 167  |
| 2220873 ...   | 235, 236, 239,<br>240   | 2753122 ..... | 236                   | 2902232 ..... | 275  |
| 2220883 ...   | 175, 179, 181,<br>183, 185, 187, 189,<br>191, 193, 195, 197,<br>199, 213, 215, 217, 221 | 2753123 ..... | 236, 240              | 2902396 ..... | 274  |
| 2220885 ...   | 173, 175, 181,<br>187, 189, 191, 203,<br>207, 211, 215, 217, 221                        | 2753124 ..... | 236, 240              | 2902456 ..... | 241, 275   |
| 2220886 ...   | 173, 213, 215,<br>217, 221  | 2753125 ..... | 236, 240              | 2902457 ..... | 241, 275   |
| 2220888 ...   | 183, 185, 193,<br>195, 197, 199   | 2753126 ..... | 236, 240              | 2902459 ..... | 241, 275   |
| 2220893 ..... | 31  | 2753128 ..... | 236, 240              | 2910000 ..... | 251  |
| 2220923 ..... | 241   | 2753129 ..... | 236, 240              | 2910001 ..... | 251  |
| 2220947 ...   | 235, 236, 239,<br>240   | 2753155 ..... | 231                   | 2910067 ..... | 274  |
| 2220950 ..... | 236, 240  | 2753157 ..... | 232                   | 2910872 ..... | 274  |
| 2220999 ...   | 227, 231, 235,<br>239   | 2753158 ..... | 232                   | 2910887 ..... | 274  |
| 2221029 ..... | 227, 231  | 2753159 ..... | 232                   | 2915087 ..... | 41   |
| 2221030 ..... | 232   | 2753161 ..... | 231                   | 2915094 ..... | 45   |
| 2221036 ..... | 236, 240  | 2753162 ..... | 231                   | 2915096 ..... | 41   |
| 2360488 ..... | 13  | 2753187 ..... | 232                   | 2915228 ..... | 275  |
| 2360490 ..... | 13  | 2753189 ..... | 236, 240              | 2920110 ..... | 87   |
| 2360494 ..... | 13  | 2753190 ..... | 236, 240              | 2920113 ..... | 87   |
| 2360588 ..... | 13  | 2753191 ..... | 236, 240              | 2920129 ...   | 137, 141, 248,<br>250, 251, 256, 258, 259                        |
| 2360590 ..... | 13  | 2753192 ..... | 235, 239              | 2920140 ...   | 129, 132, 253,<br>261  |
| 2360591 ..... | 13  | 2753195 ..... | 235, 239              | 2920162 ..... | 68   |
| 2360601 ..... | 13  | 2753196 ..... | 235, 239              | 2920215 ..... | 87   |
| 2360603 ..... | 13  | 2753197 ..... | 235, 239              | 2940074 ...   | 127, 131, 270  |
| 2400065 ..... | 258   | 2753199 ..... | 235, 239              |               |  |
| 2400066 ..... | 258   | 2753200 ..... | 235, 239              |               |  |
| 2420172 ..... | 80, 83  | 2753216 ..... | 235, 239              |               |  |
| 2420200 ..... | 169   | 2753231 ..... | 235, 239              |               |  |
| 2420203 ..... | 68  |               |                       |               |  |
| 2460011 ..... | 67  |               |                       |               |  |
| 2460013 ..... | 67  |               |                       |               |  |
| 2460032 ..... | 67  |               |                       |               |  |
| 2460039 ..... | 67  |               |                       |               |  |
| 2460049 ..... | 67  |               |                       |               |  |
| 2560136 ..... | 135, 141  |               |                       |               |  |
| 2600209 ..... | 92  |               |                       |               |  |
| 2600211 ..... | 137, 142  |               |                       |               |  |
| 2600219 ..... | 127   |               |                       |               |  |
| 2600233 ..... | 92  |               |                       |               |  |
| 2600244 ..... | 91  |               |                       |               |  |
| 2600281 ..... | 131   |               |                       |               |  |
| 2600287 ..... | 127   |               |                       |               |  |
| 2680436 ..... | 92  |               |                       |               |  |
| 2680437 ..... | 92  |               |                       |               |  |
| 2680448 ..... | 91, 92  |               |                       |               |  |
| 2680450 ..... | 91  |               |                       |               |  |
| 2680451 ..... | 91, 92  |               |                       |               |  |
| 2720058 ..... | 61  |               |                       |               |  |
| 2720271 ..... | 60  |               |                       |               |  |
| 2720351 ..... | 60  |               |                       |               |  |
| 2720398 ..... | 59  |               |                       |               |  |
| 2720423 ..... | 61  |               |                       |               |  |
| 2720434 ..... | 60  |               |                       |               |  |
| 2720449 ..... | 60  |               |                       |               |  |
| 2750532 ..... | 60  |               |                       |               |  |
| 2750760 ..... | 225   |               |                       |               |  |
| 2750920 ..... | 225   |               |                       |               |  |
| 2751011 ..... | 227, 231  |               |                       |               |  |
| 2751017 ..... | 227, 231  |               |                       |               |  |
| 2751032 ..... | 42, 45  |               |                       |               |  |
| 2751095 ..... | 42, 45  |               |                       |               |  |
| 2751391 ..... | 228, 232  |               |                       |               |  |
| 2751397 ..... | 228, 232  |               |                       |               |  |
| 2751906 ..... | 225, 232  |               |                       |               |  |
| 2752265 ..... | 227   |               |                       |               |  |
| 2752266 ..... | 227   |               |                       |               |  |
| 2752345 ..... | 227   |               |                       |               |  |
| 2752363 ..... | 227, 231  |               |                       |               |  |
| 2752365 ..... | 228, 232  |               |                       |               |  |
| 2752366 ..... | 228, 232  |               |                       |               |  |
| 2752438 ..... | 235, 239  |               |                       |               |  |
| 2752453 ...   | 228, 232, 235   |               |                       |               |  |
| 2752462 ..... | 236, 240  |               |                       |               |  |
| 2752463 ..... | 236, 240  |               |                       |               |  |
| 2752468 ..... | 235, 239  |               |                       |               |  |

# PART NUMBER INDEX

|   |                            |   |  |
|---|----------------------------|---|--|
| 2940088.....92  | 3340881 ..... 107, 111     | 3520033 .....91   | 3740113.....136                              |
| 3010088.....164   | 3380429 ..... 61           | 3520035 ..... 83, 121, 122                                    | 3740115.....136                              |
| 3020021.....64  | 3380434 ..... 129, 131     | 3520072 .... 127, 128, 131                                    | 3760133.....111                              |
| 3124025.....167   | 3380442 ..... 91           | 3520173 ..... 137   | 3760170.....41, 45                           |
| 3160204.....15, 25  | 3380443 ..... 91           | 3520174 ..... 80, 142   | 3760367.....201                              |
| 3160223.....41, 51  | 3380444 ..... 91           | 3530072 ..... 163   | 3760368.....187                              |
| 3160279.....41, 51  | 3421565 ..... 41, 45       | 3536089 ..... 129, 132  | 3760369.....175, 205                         |
| 3160286.....45, 54  | 3421627 ..... 41           | 3537416 ..... 59  | 3760370.....173, 217                         |
| 3200362.....61  | 3422446 ..... 59           | 3537417 ..... 59  | 3760374.....183, 193, 197                    |
| 3200406.....59  | 3422457 ..... 111          | 3537420 ..... 59  | 3790012.....88, 131, 135,<br>137, 142, 143   |
| 3220103.....62  | 3422530 ..... 95           | 3537445 ..... 95  | 3790044.....61                               |
| 3220104.....62  | 3422532 ..... 61           | 3537446 ..... 95  | 3790110.....116                              |
| 3251102.....69, 143   | 3422558 ..... 103          | 3538047 ..... 11  | 3820001.....266                              |
| 3251242.....266   | 3422559 ..... 104          | 3538758 ..... 112   | 3841143.....11, 12, 59, 99,<br>100, 104, 111 |
| 3252347.....266   | 3422560 ..... 104          | 3538819 ..... 135   | 3841287.....11, 99, 104                      |
| 3271605.....217   | 3422561 ..... 104          | 3539219 ..... 80, 83  | 384134031, 59, 100, 104,<br>105, 108         |
| 3272605.....101, 105, 115   | 3422563 ..... 104          | 3539275 ..... 136, 137  | 3841356.....100, 104                         |
| 3300007.....12, 15  | 3422578 ..... 99, 100      | 3539281 ..... 87  | 3841406.....112                              |
| 3300151.....128   | 3422580 ..... 99, 100      | 3539685 ..... 128   | 3850018.....175                              |
| 3300205.....80, 83  | 3422582 ..... 100          | 3539719 ..... 163   | 3900139.....201                              |
| 3300353.....142   | 3422583 ..... 104          | 3539872 ..... 59  | 3900141.....187                              |
| 3300390.....80  | 3422681 ..... 99, 104      | 3539877 ..... 11  | 3900207.....127, 128                         |
| 3300393.....127, 128  | 3422683 ..... 99, 104      | 3539878 ..... 11  | 3900210.....91                               |
| 3300408.....80, 83  | 3422684 ..... 99, 104      | 3539934 ..... 91  | 3900224.....137, 142                         |
| 3310601.....80, 95  | 3422685 ..... 99, 104      | 3539955 ..... 92  | 3900232.....91, 112                          |
| 3310605.....123   | 3422686 ..... 99, 104      | 3539957 ..... 61  | 3900239.....100, 104                         |
| 3310801.....122   | 3422687 ..... 99, 104      | 3539971 ..... 59  | 3900259.....111                              |
| 3310805.....121   | 3422688 ..... 99, 104      | 3539979 ..... 91  | 3900262.....108                              |
| 331100180, 92, 131, 136,<br>143   | 3422689 ..... 99, 104      | 3570488 ..... 41  | 3900268.....80, 83                           |
| 3311005..69, 87, 92, 127,<br>136, 137   | 3422690 ..... 111          | 3570686 ..... 27  | 3900272.....60                               |
| 3311401.....83, 136, 167  | 3422701 ..... 12           | 3570690 ..... 27  | 3900293.....45                               |
| 3311405.....31, 32, 60, 81,<br>84, 92, 121, 122, 129,<br>131, 132, 135, 141,<br>164, 167, 266 | 3422702 ..... 11, 12       | 3570740 ..... 167   | 3900320.....169                              |
| 3311501.....163   | 3422703 ..... 11           | 3570775 ..... 211, 215  | 3910608.....79, 95                           |
| 3311505.....60, 91, 128   | 3422729 ..... 99, 104      | 3570928 ..... 121   | 3910610.....135                              |
| 331160175, 91, 107, 123,<br>137, 142  | 3422753 ..... 12           | 3570979 ..... 31  | 3910804.....80, 83                           |
| 3311602.....107   | 3422754 ..... 12           | 3572604 ..... 217   | 3911008.....127, 131                         |
| 3311605.....60, 69, 91, 92,<br>95, 104, 107, 112, 131,<br>136, 141, 163, 167                  | 3422755 ..... 11           | 3572605 ..... 217   | 3911040.....87                               |
| 3311705.....69  | 3422860 ..... 103, 104     | 3572606 ..... 121   | 3930606.....123                              |
| 3311801.....15, 61, 121   | 3422861 ..... 104          | 3572607 ..... 121   | 3930816.....122                              |
| 3311802.....41  | 3422867 ..... 104          | 3573447 ..... 169   | 3930824.....121, 122                         |
| 3311805.....15, 60, 77, 91,<br>95, 100, 101, 105, 167,<br>169                                 | 3430816 ..... 95           | 3573448 ..... 169   | 3931436.....121                              |
| 3312002.....45  | 3450304 ..... 142          | 3573515 ..... 169   | 3931448.....211, 215, 217                    |
| 3312005.....169   | 3450404 ..... 95           | 3573516 ..... 169   | 3931464.....121                              |
| 3321005.....60  | 3480176 ..... 173          | 3580134 ..... 68  | 3931508.....217                              |
| 3340705.....111   | 3480188 ..... 175, 205     | 3580158 ..... 67  | 3931516.....187, 201                         |
| 3340756.....107, 111  | 3480210 ..... 187          | 3580276 ..... 68  | 3931620.....175, 181, 205,<br>207            |
| 3340764.....112   | 3480211 ..... 217          | 3600277 ..... 59, 71  | 3931664.....211, 215                         |
| 3340828.....107   | 3480232 ..... 201          | 3600278 ..... 59  | 3931672.....137, 142                         |
| 3340833.....217   | 3480233 ..... 175          | 3600287 ..... 32  | 3931720.....173, 217                         |
| 3340834.....217   | 3480234 ..... 211          | 3600295 ..... 59, 71  | 3932224.....41, 45                           |
| 3340835.....100, 104, 107   | 3480236 ..... 197          | 3600458 ..... 32  | 3932240.....183, 185, 193,<br>195, 197, 199  |
| 3340838.....211, 213, 215   | 3480237 ..... 183          | 3620033 ..... 59  | 3952020.....45                               |
| 3340840.....112   | 3480238 ..... 193          | 3640970 ..... 79  | 3960389.....59, 91                           |
| 3340859.....108   | 3510499 ..... 128          | 3640986 ..... 80  | 3960407.....61                               |
| 3340860.....112   | 3510500 ..... 128          | 3641182 ..... 137   | 3960438.....92                               |
| 3340861.....112   | 3510542 ..... 127          | 3730023 ..... 249   | 3960453.....91                               |
| 3340871.....111   | 3510543 ..... 127          | 3730099 ..... 249, 250  | 3960461.....87                               |
|   | 3510565 ..... 127          | 3740049 . 80, 81, 83, 136,<br>137, 244, 245, 258,<br>261, 270 | 3960462.....92                               |
|   | 3510566 ..... 127          |   | 3960464.....92                               |
|   | 3510728 ..... 127          |   | 3960468.....61                               |
|   | 3510751 ..... 128          | 3740057 ..... 80, 136, 245                                    | 3960469.....61                               |
|   | 3510760 ..... 127          | 3740058 ..... 136   | 3960470.....91                               |
|   | 3510763 ..... 128          | 3740063 ..... 136   |  |
|   | 3510764 ..... 128          | 3740066 ..... 80, 136, 245                                    |  |
|   | 3510822 ..... 131          | 3740067 ..... 59, 270   |  |
|   | 3510833 ..... 131          | 3740080 ..... 69, 272   |  |
|   | 3520028 ..... 69, 135, 141 | 3740112 ..... 79  |  |

## PART NUMBER INDEX

|               |                                 |               |                                      |              |   |               |   |
|---------------|---------------------------------|---------------|--------------------------------------|--------------|---|---------------|---|
| 3971820 ..... | 41                              | 4360331 ...   | 131, 135, 137,<br>141, 143, 270      | 4460458..... | 250, 259  | 4460874 ..... | 83, 256, 258                                      |
| 3990001 ....  | 248, 250, 251                   | 4360336       | 69, 88, 137, 143,<br>272             | 4460460..... | 250, 259  | 4460875 ..... | 83, 256, 258                                      |
| 3990010 ...   | 248, 250, 252,<br>259, 261, 270 | 4360387 ...   | 135, 141, 143,<br>164, 270, 272      | 4460464....  | 142, 248, 249,<br>251, 256, 257, 258,<br>259, 260 | 4460876 ..... | 258   |
| 3990109 ..... | 167                             | 4360392 ..... | 59                                   | 4460465....  | 248, 249, 251,<br>252, 256, 257, 259              | 4460878 ..... | 258   |
| 4060802 ..... | 69, 143                         | 4360407 ...   | 135, 141, 270                        | 4460466....  | 248, 249, 251,<br>256, 257, 258                   | 4460879 ..... | 256   |
| 4060803 ..... | 128                             | 4360416 ..... | 32                                   | 4460467....  | 135, 253, 261,<br>276                             | 4460880 ..... | 258, 259  |
| 4060804 ..... | 61                              | 4360436 ..... | 75                                   | 4460470..... | 83, 136, 142,<br>248, 256, 258                    | 4460887 ..... | 256, 259  |
| 4060805 ..... | 61, 112, 121                    | 4360470 ..... | 79, 83, 270                          | 4460471..... | 83, 136, 142,<br>248, 256, 258                    | 4460889 ..... | 259   |
| 4060906 ..... | 80, 83                          | 4360475       | 79, 83, 135, 142,<br>270             | 4460473....  | 248, 249, 256,<br>257                             | 4460890 ..... | 259   |
| 4060907 ..... | 87                              | 4360498 ..... | 121                                  | 4460488..... | 83, 136, 142                                      | 4460891 ..... | 251, 257  |
| 4060959 ..... | 274                             | 4360499 ..... | 122                                  | 4460499..... | 39, 250, 252,<br>260                              | 4460892 ..... | 251, 259  |
| 4070410 ..... | 92                              | 4360542 ..... | 68                                   | 4460502..... | 249   | 4460894 ..... | 251, 259  |
| 4070411 ..... | 92                              | 4360549 ..... | 121, 122                             | 4460503....  | 137, 248, 249                                     | 4460897 ..... | 251, 257  |
| 4070412 ..... | 92                              | 4400400 ..... | 75                                   | 4460508....  | 248, 256, 257                                     | 4460905 ..... | 83, 142, 256,<br>258                              |
| 4070863 ..... | 111                             | 4400410 ..... | 75                                   | 4460509....  | 248, 249, 256,<br>257                             | 4460908 ..... | 251, 260  |
| 4070864 ..... | 111                             | 4420038 ..... | 75, 80                               | 4460510....  | 135, 253, 261,<br>276                             | 4460909 ..... | 251, 259  |
| 4070878 ..... | 11                              | 4420051 ..... | 266                                  | 4460526.     | 80, 83, 251, 258                                  | 4460915 ....  | 251, 259, 260                                     |
| 4070879 ..... | 11                              | 4420055 ..... | 128                                  | 4460536..... | 249, 260  | 4460917 ..... | 252   |
| 4070897 ..... | 107, 111                        | 4420060 ..... | 32, 122                              | 4460539..... | 249, 260  | 4460918 ..... | 252   |
| 4070898 ..... | 107, 111                        | 4460023 ..... | 69                                   | 4460589..... | 250   | 4460928 ....  | 251, 252, 260                                     |
| 4070929 ..... | 107                             | 4460042 ..... | 142                                  | 4460591..... | 250, 251  | 4460944 ..... | 260   |
| 4070944 ..... | 11                              | 4460049 ..... | 163                                  | 4460598....  | 129, 132, 143,<br>253, 261                        | 4460945 ..... | 260   |
| 4070945 ..... | 11                              | 4460071 ...   | 129, 131, 136,<br>142, 256           | 4460600..... | 79, 137, 245                                      | 4460959 ..... | 260   |
| 4070967 ..... | 107                             | 4460134 ..... | 253                                  | 4460601..... | 79, 137   | 4460960 ..... | 260   |
| 4070968 ..... | 107                             | 4460190 ..... | 68                                   | 4460602..... | 79, 137   | 4460965 ..... | 260   |
| 4070969 ..... | 112                             | 4460205 ..... | 252                                  | 4460603..... | 79, 137   | 4460968 ..... | 121, 122  |
| 4070987 ..... | 80, 83                          | 4460224 ..... | 250, 251                             | 4460607..... | 79, 137   | 4461076 ..... | 252   |
| 4071009 ..... | 45                              | 4460225 ...   | 248, 250, 256                        | 4460608..... | 250, 251  | 4461077 ....  | 252, 257, 258                                     |
| 4071052 ..... | 112                             | 4460226 ...   | 142, 152, 161,<br>167, 256, 258, 259 | 4460611..... | 61  | 4520204 ..... | 16  |
| 4100051 ..... | 232                             | 4460227 ...   | 142, 251, 256,<br>259                | 4460613..... | 137, 248  | 4520205 ..... | 16  |
| 4100058 ..... | 228, 232                        | 4460233 ..... | 253                                  | 4460614..... | 248, 249  | 4520252 ..... | 16  |
| 4100059 ..... | 228, 231                        | 4460234 ..... | 80, 87, 88                           | 4460628..... | 79  | 4520253 ..... | 16  |
| 4100062 ..... | 236, 240                        | 4460265 ...   | 145, 152, 161,<br>248, 250           | 4460629..... | 137   | 4566468 ..... | 176, 205  |
| 4120012 ..... | 80, 138, 245                    | 4460266 ....  | 145, 250, 251                        | 4460630..... | 80  | 4566471 ..... | 187   |
| 4120013 ..... | 137                             | 4460267 ...   | 145, 248, 250,<br>252, 258, 260      | 4460631..... | 79, 137   | 4567112 ..... | 59  |
| 4120035 ...   | 137, 248, 250,<br>256, 259      | 4460268 ....  | 87, 145, 250,<br>251, 252, 258, 260  | 4460632..... | 137   | 4567139 ..... | 235, 239  |
| 4130357 ..... | 12                              | 4460320 ...   | 250, 252, 258,<br>260                | 4460634..... | 250, 256, 259                                     | 4567413 ..... | 217   |
| 4130358 ..... | 12                              | 4460326 ...   | 252, 258, 260                        | 4460635..... | 250, 256, 259                                     | 4567434 ..... | 176   |
| 4160139 ..... | 91                              | 4460328 ...   | 252, 258, 260                        | 4460693..... | 251   | 4567757 ..... | 236, 240  |
| 4160143 ..... | 91                              | 4460418 ...   | 248, 249, 256,<br>258                | 4460701..... | 253   | 4567815 ..... | 61  |
| 4220162 ..... | 87                              | 4460419 ...   | 248, 249, 256,<br>258                | 4460708....  | 142, 256, 258                                     | 4568514 ..... | 11  |
| 4220165 ..... | 128                             | 4460424 ....  | 87, 250, 252,<br>258, 259, 260       | 4460709..... | 252, 261  | 4620119 ..... | 41, 45  |
| 4240032 ..... | 87                              | 4460425 ....  | 164, 253, 261                        | 4460710..... | 252, 260  | 4640509 ...   | 183, 185, 187,<br>189, 191, 193, 195,<br>197, 199 |
| 4240099 ..... | 129, 132                        | 4460426 ..... | 80, 83, 258                          | 4460711..... | 80  | 4640525 ..... | 173   |
| 4240112 ..... | 75                              | 4460428 ....  | 80, 121, 122,<br>136, 142, 248, 256  | 4460720..... | 248   | 4640605 ...   | 176, 179, 181,<br>183, 185, 197, 199              |
| 4240113 ..... | 75                              | 4460434 ..... | 256, 259                             | 4460721..... | 248   | 4640751 ..... | 59  |
| 4280295 ..... | 75                              | 4460442 ..... | 253                                  | 4460761....  | 142, 251, 256,<br>259                             | 4640778 ..... | 231   |
| 4300097 ..... | 15                              | 4460445 ...   | 250, 252, 258,<br>260                | 4460777..... | 250   | 4640780 ..... | 236, 240  |
| 4300130 ..... | 15                              | 4460449 ..... | 250                                  | 4460865..... | 256, 257  | 4640858 ..... | 173   |
| 4340678 ..... | 135, 141                        | 4460457 ..... | 250, 259                             | 4460866....  | 256, 257, 258                                     | 4640866 ..... | 31  |
| 4340684 ..... | 135, 141                        |               |                                      | 4460871....  | 142, 147, 149,<br>157, 159, 256, 258,<br>259, 261 | 4640871 ..... | 11  |
| 4340706 ..... | 107                             |               |                                      | 4460873..... | 256, 259  | 4640906 ..... | 31  |
| 4360031 ..... | 131                             |               |                                      |              |   | 4640921 ..... | 32, 39  |
| 4360057 ..... | 163                             |               |                                      |              |   | 4640922 ..... | 32, 39  |
| 4360232 ...   | 136, 143, 261,<br>270           |               |                                      |              |   | 4640929 ..... | 122   |
| 4360282 ..... | 80, 135                         |               |                                      |              |   | 4640932 ....  | 176, 179, 181                                     |
| 4360289 ..... | 79, 135                         |               |                                      |              |   | 4641027 ..... | 193, 195  |
| 4360294 ..... | 61, 69, 270                     |               |                                      |              |   | 4641032 ..... | 217, 221  |
| 4360314       | 79, 80, 135, 137                |               |                                      |              |   | 4641033 ....  | 211, 213, 215                                     |
| 4360319 ..... | 79                              |               |                                      |              |   | 4641034 ..... | 31, 35  |
| 4360322 ..... | 121, 122                        |               |                                      |              |   | 4641041 ..... | 27  |
| 4360328 ..... | 83, 141, 143,<br>270            |               |                                      |              |   | 4641042 ..... | 27  |
|               |                                 |               |                                      |              |   | 4641045 ..... | 121   |

# PART NUMBER INDEX

|   |   |                                   |                          |
|---|---|-----------------------------------|--------------------------|
| 4641061.....31  | 4844924..... 127, 128                   | 4921829.....252                   | 4932989.....244, 252     |
| 4641062..... 187, 193   | 4844925..... 127, 128                   | 4921850..... 276                  | 4933006.....245          |
| 4641076.....227   | 4844928..... 127                        | 4921927..... 32, 252, 260         | 4933025.....244          |
| 4641093.....31, 35  | 4844954..... 127                        | 4921928..... 32, 252, 260         | 4933026.....244          |
| 4641099.....31, 35  | 4844955..... 127, 128                   | 4921938..... 252                  | 4933027.....244          |
| 4641105..... 121  | 4844956..... 127, 128                   | 4921955..... 252                  | 4933149.....244, 252     |
| 4641136..... 121  | 4844958..... 45                         | 4921957..... 261                  | 4933150.....244, 252     |
| 4641162..... 173  | 4845287..... 128                        | 4922008..... 250                  | 4933175.....244          |
| 4711000.....136   | 4845288..... 128                        | 4922012..... 276                  | 4933189.....244          |
| 4711400....11, 31, 32, 61,<br>81, 84, 122, 129, 132,<br>164                           | 4845289..... 128                        | 4922046..... 79, 250              | 4933199.....244          |
| 4711500...31, 33, 87, 142   | 4845290..... 128                        | 4922077..... 79, 250              | 4933215.....244, 261     |
| 4711600....11, 31, 61, 92,<br>100, 105, 107, 108,<br>111, 112, 217                    | 4845308..... 163                        | 4922095..... 244                  | 4933216.....244, 261     |
| 4711800.....95, 100, 105  | 4845309..... 163                        | 4922099..... 260                  | 4933218.....245          |
| 4711900.....61  | 4845328..... 127, 128                   | 4922130..... 248                  | 4933231.....244          |
| 4740004.....41  | 4845394..... 61                         | 4922131..... 248                  | 4933232....245, 258, 259 |
| 4740057.....45  | 4845395..... 60                         | 4922137..... 137, 248             | 4933265.....245          |
| 4740076.....91  | 4845404..... 59                         | 4922145..... 249                  | 4933307.....244          |
| 4740111..... 12   | 4845408..... 127                        | 4922146..... 249                  | 70000017.....276         |
| 4740119.....95  | 4845409..... 127                        | 4922155 ... 136, 137, 245,<br>248 | 70000122..... 67         |
| 4740171.....91  | 4845411..... 91                         | 4922169..... 249                  | 70000123..... 67         |
| 4740256..... 12   | 4845412..... 127                        | 4922170..... 249                  | 70000124..... 68         |
| 4740274.....61  | 4845413..... 127                        | 4922171..... 249                  | 70000125..... 68         |
| 4740362....87, 129, 131,<br>136, 142  | 4845426..... 127                        | 4922172..... 249                  | 70000126..... 68         |
| 4740397.....69, 143   | 4845469..... 127                        | 4922173..... 249                  | 70000342..... 116, 119   |
| 4740411..... 128  | 4845531..... 68                         | 4922174..... 249                  | 70000579..... 36         |
| 4740439..... 104  | 4845593..... 99, 103                    | 4922180..... 248                  | 70000580..... 36         |
| 4740444.....80, 83  | 4845617..... 75                         | 4922181..... 249                  | 70000582..... 36         |
| 4740463..... 12   | 4845658..... 11                         | 4922181..... 249                  | 70000583..... 36         |
| 4740472..... 11   | 4845680..... 107                        | 4922217..... 257                  | 70001002..... 62, 63     |
| 4740473..... 12   | 4845682..... 105                        | 4922218..... 249, 257             | 70001017..... 62         |
| 4750600.....79  | 4845701..... 112                        | 4922219..... 249, 257             | 70001059..... 32         |
| 4751000....60, 69, 80, 87,<br>92, 127, 131, 136, 137,<br>163                          | 4845702..... 112                        | 4922220..... 249                  | 70001067..... 32         |
| 4751400..60, 83, 91, 121,<br>122, 129, 131, 142,<br>167, 266                          | 4845703..... 100                        | 4922311..... 249                  | 70001068..... 32         |
| 4751500..69, 91, 92, 128,<br>163  | 4845716..... 103                        | 4922473..... 250                  | 70001069..... 32         |
| 4751600....27, 33, 60, 69,<br>75, 77, 91, 92, 123,<br>129, 131, 135, 142,<br>163, 167 | 4845729..... 112                        | 4922482..... 261                  | 70001423..... 63         |
| 4751800..11, 61, 77, 163,<br>167  | 4845730..... 112                        | 4922484..... 244                  | 70001498..... 63         |
| 4751900.....69  | 4845871..... 100                        | 4922498..... 261                  | 70001681..... 62, 63     |
| 4752000.....61  | 4845872..... 164                        | 4922542..... 244                  | 70001697..... 116, 119   |
| 4760600.....80  | 4845928..... 75                         | 4922549..... 258, 259             | 70001941..... 87         |
| 476100080, 92, 128, 136,<br>143   | 4846081..... 100, 105                   | 4922557..... 258                  | 70001976..... 36, 39     |
| 4761400.....83, 167   | 4846101..... 127                        | 4922565..... 244                  | 70002013..... 112, 272   |
| 4761500.....163   | 4846102..... 127                        | 4922575..... 256                  | 70002014..... 112        |
| 4761600.....123   | 4846103..... 127                        | 4922576..... 257                  | 7000209..... 47, 54      |
| 4770600.....95  | 4846184..... 128                        | 4922577..... 257                  | 7000213..... 21          |
| 4791400.....61  | 4846194..... 128                        | 4922578..... 258                  | 7000214..... 47, 54      |
| 4812000.....167   | 4846195..... 128                        | 4922579..... 257                  | 7000217..... 47, 54      |
| 4821397.....164   | 4846228..... 128                        | 4922580..... 257                  | 7000220..... 21          |
| 4831900.....64  | 4846229..... 128                        | 4922581..... 257                  | 70002234..... 62         |
| 4832000.....64  | 4846240..... 128                        | 4922582..... 256                  | 70002235..... 68         |
| 4844790..... 105  | 4846241..... 128                        | 4922636..... 258                  | 70002239..... 67         |
| 4844816.....103   | 4846253..... 127                        | 4922637..... 258                  | 7000224..... 21          |
| 4844817.....103   | 4846254..... 127                        | 4922638..... 258                  | 70002240..... 68         |
|   | 4846255..... 127                        | 4922639 ... 142, 245, 256         | 7000228..... 47, 54      |
|   | 4846430..... 45                         | 4922641..... 261                  | 7000229..... 47, 54      |
|   | 4846452..... 131                        | 4922643..... 244, 261             | 7000230..... 47, 54      |
|   | 4846479..... 59                         | 4922666..... 83, 142, 259         | 7000231..... 21          |
|   | 4846566..... 59                         | 4922675..... 258                  | 7000235..... 21          |
|   | 4846573.... 101, 105, 169               | 4922737..... 61                   | 7000236..... 21          |
|   | 4891500..... 31                         | 4922773..... 257                  | 70002366.....203         |
|   | 4891600.... 95, 101, 105                | 4922774..... 257                  | 7000238..... 21          |
|   | 4891800 ... 15, 41, 60, 95,<br>101, 105 | 4922775..... 257                  | 7000239..... 21          |
|   | 4892000..... 15, 41, 45                 | 4923613..... 257                  | 7000240..... 21          |
|   | 4892600..... 101, 105                   | 4932915..... 244, 252             | 70002410.....179         |
|   | 4920018..... 129                        | 4932917..... 244                  | 70002411..... 62, 63     |
|   | 4921028..... 129                        | 4932980..... 245                  | 7000246..... 47, 54      |
|   | 4921820..... 252, 260                   | 4932982..... 245, 249             | 7000248..... 54          |
|   |   | 4932986..... 244                  | 7000253..... 47, 54      |

## PART NUMBER INDEX

|                       |                         |                           |                                   |
|-----------------------|-------------------------|---------------------------|-----------------------------------|
| 70002530 ..... 62, 63 | 70004761 ..... 151      | 70006782 ..... 179        | 7003460 ..... 19, 49              |
| 70002546 ..... 252    | 70004762 ..... 151      | 70006783 ..... 179        | 7003461 ..... 19, 49              |
| 7000255 ..... 47, 54  | 70004763 ..... 151      | 70006784 ..... 179        | 7003462 ..... 19, 49              |
| 7000256 ..... 47, 54  | 70004764 ..... 151      | 70006796 ..... 213        | 7003463 ..... 19, 49              |
| 7000257 ..... 47, 54  | 70004765 ..... 151      | 70006797 ..... 213        | 7003657 ..... 67                  |
| 7000258 ..... 47, 54  | 70004766 ..... 151      | 70006798 ..... 213        | 7003928 ... 145, 147, 149         |
| 7000263 ..... 47, 54  | 70004767 ..... 151      | 70006799 ..... 213        | 7003933 ..... 157                 |
| 7000265 ..... 12, 21  | 70004768 ..... 151      | 70006800 ..... 213        | 7003935 ..... 155, 157            |
| 7000269 ..... 47, 54  | 70004769 ..... 151      | 70006801 ..... 213        | 7003941 ... 155, 157, 159         |
| 7000270 ..... 47, 54  | 70004770 ..... 151      | 70006802 ..... 213        | 7003946 ..... 155, 157            |
| 7000272 ..... 21      | 70004771 ..... 151      | 70006803 ..... 213        | 7003952 ..... 145                 |
| 70002724 ..... 159    | 70004772 ..... 151      | 70006804 ..... 213        | 7003953 ..... 145, 147            |
| 70002725 ..... 159    | 70004773 ..... 152      | 70006921 ..... 221        | 7003956 ..... 145                 |
| 70002726 ..... 159    | 70004774 ..... 152      | 70006922 ..... 221        | 7003969 ..... 155, 157            |
| 70002727 ..... 159    | 70004775 ..... 152      | 70006923 ..... 221        | 7003972 ... 155, 157, 159         |
| 70002728 ..... 159    | 70005230 ..... 161      | 70006924 ..... 221        | 7003973 ... 155, 157, 159         |
| 70002729 ..... 159    | 70005594 ..... 221      | 70006925 ..... 221        | 7003974 ..... 145                 |
| 7000273 ..... 21      | 70005793 ..... 179      | 70006926 ..... 221        | 7003976 ..... 145, 147            |
| 70002730 ..... 149    | 7000625 ..... 131       | 70006927 ..... 221        | 7003977 ..... 145, 147            |
| 70002731 ..... 149    | 70006344 ..... 221      | 70006928 ..... 221        | 7003980 ... 155, 157, 159         |
| 70002732 ..... 149    | 70006375 ..... 199      | 7000699 ..... 62          | 7003982 ..... 159                 |
| 70002733 ..... 149    | 70006376 ..... 199      | 7000722 ..... 19, 49      | 7003983 ... 155, 157, 159         |
| 70002734 ..... 149    | 70006377 ..... 199      | 7000723 ..... 19, 49      | 7003986 ..... 157                 |
| 70002735 ..... 149    | 70006378 ..... 199      | 7000724 ..... 19, 49      | 7003989 ... 155, 157, 159         |
| 7000274 ..... 21      | 70006384 ..... 195      | 7000725 ..... 19, 49      | 7003992 ... 145, 147, 155,<br>157 |
| 7000275 ..... 21      | 70006385 ..... 185, 195 | 7000728 ..... 19, 49      | 7003993 ... 145, 147, 155,<br>157 |
| 7000281 ..... 54      | 70006386 ..... 195      | 7000731 ..... 19, 49, 55  | 7003994 ..... 157                 |
| 70002813 ..... 62     | 70006387 ..... 195      | 7000782 ..... 19, 49      | 7004042 ..... 55                  |
| 7000282 ..... 21      | 70006388 ..... 195      | 7000796 ..... 19, 49      | 7004043 ..... 55                  |
| 7000283 ..... 21      | 70006389 ..... 185      | 7000798 ..... 19, 49      | 7004044 ..... 55                  |
| 7000284 ..... 21      | 70006390 ..... 185      | 7001498 ..... 72          | 7004046 ..... 55                  |
| 7000287 ..... 22      | 70006391 ..... 185      | 7001901 ..... 21          | 7004275 ..... 276                 |
| 7000288 ..... 22      | 7000645 ..... 36        | 7001902 ..... 21          | 7004276 ..... 276                 |
| 7000289 ..... 22      | 70006479 ..... 221      | 7001903 ..... 21          | 70050801 ..... 203                |
| 7000290 ..... 22      | 70006480 ..... 221      | 7001906 ..... 21          | 7006137 ..... 112, 272            |
| 70002906 ..... 149    | 70006568 ..... 189      | 7001909 ..... 47, 54      | 7007208 ..... 71                  |
| 70003476 ..... 62     | 70006569 ..... 189      | 7001911 ..... 47, 54      | 7007412 ..... 73                  |
| 70003483 ..... 131    | 70006570 ..... 189      | 7001912 ..... 54          | 7007413 ..... 71                  |
| 70003556 ..... 63     | 70006571 ..... 189      | 7001928 ..... 21, 47, 54  | 7007414 ..... 71                  |
| 70003983 ..... 33     | 70006572 ..... 189      | 7001931 ..... 47, 54      | 7007417 ..... 71                  |
| 70003989 ..... 33     | 70006590 ..... 179      | 7001985 ..... 47, 54      | 7007419 ..... 71                  |
| 70003990 ..... 33     | 70006596 ..... 203      | 7001987 ..... 47          | 7007423 ..... 71                  |
| 70003992 ..... 33     | 70006601 ..... 179      | 7001988 ..... 47          | 7007425 ..... 71                  |
| 70003993 ..... 33     | 7000663 ..... 62        | 7002111 ..... 51          | 7007435 ..... 71                  |
| 70004738 ..... 161    | 70006642 ..... 181      | 7002117 ..... 51          | 7007437 ..... 71                  |
| 70004739 ..... 161    | 70006643 ..... 181, 207 | 7002123 ..... 51          | 7007438 ..... 71                  |
| 70004740 ..... 161    | 70006644 ..... 181, 207 | 70022564 ..... 179        | 7007439 ..... 71                  |
| 70004741 ..... 161    | 70006645 ..... 181      | 70023915 ..... 189        | 7007441 ..... 71                  |
| 70004742 ..... 161    | 70006649 ..... 191      | 70027259 ..... 213        | 7007442 ..... 71                  |
| 70004743 ..... 161    | 70006650 ..... 191      | 7002821 ... 253, 261, 276 | 7007446 ..... 71                  |
| 70004744 ..... 161    | 70006651 ..... 207      | 7002822 ..... 276         | 7007452 ..... 71                  |
| 70004745 ..... 161    | 70006668 ..... 207      | 7002823 ... 253, 261, 276 | 7007453 ..... 72                  |
| 70004746 ..... 161    | 70006669 ..... 215      | 7002826 ..... 276         | 7007454 ..... 71                  |
| 70004747 ..... 161    | 70006670 ..... 215      | 7002828 ..... 253, 261    | 7007457 ..... 72                  |
| 70004748 ..... 161    | 70006671 ..... 215      | 7002840 ..... 11, 276     | 7007463 ..... 72                  |
| 70004749 ..... 161    | 70006672 ..... 215      | 7003049 ..... 19, 49      | 7007464 ..... 72                  |
| 70004750 ..... 161    | 70006728 ..... 221      | 7003050 ..... 19, 49      | 7007465 ..... 72                  |
| 70004751 ..... 161    | 70006731 ..... 221      | 7003094 ..... 19, 49      | 7007466 ..... 72                  |
| 70004752 ..... 151    | 70006733 ..... 221      | 7003451 ..... 19, 49      | 7007470 ..... 71                  |
| 70004753 ..... 151    | 70006734 ..... 191      | 7003452 ..... 19, 49      | 7007472 ..... 72                  |
| 70004754 ..... 151    | 70006735 ..... 191      | 7003453 ..... 19, 49      | 7007474 ..... 72                  |
| 70004755 ..... 151    | 70006736 ..... 191      | 7003454 ..... 19, 49      | 7007475 ..... 72                  |
| 70004756 ..... 151    | 70006777 ..... 203      | 7003455 ..... 19, 49      | 7007477 ..... 72                  |
| 70004757 ..... 151    | 70006778 ..... 203      | 7003456 ..... 19, 49      | 7007478 ..... 72                  |
| 70004758 ..... 151    | 70006779 ..... 203      | 7003457 ..... 19, 49      | 7007483 ..... 72                  |
| 70004759 ..... 151    | 70006780 ..... 203      | 7003458 ..... 49          |                                   |
| 70004760 ..... 151    | 70006781 ..... 203      | 7003459 ..... 19, 49      |                                   |

# PART NUMBER INDEX

|              |                 |              |             |              |                |              |                    |
|--------------|-----------------|--------------|-------------|--------------|----------------|--------------|--------------------|
| 7007484..... | 72              | 7012901..... | 36          | 7017043..... | 21             | 7018993..... | 36                 |
| 7007485..... | 72              | 7012905..... | 31          | 7017044..... | 21             | 7018994..... | 36                 |
| 7007487..... | 72              | 7012914..... | 35          | 7017045..... | 21             | 7018995..... | 59                 |
| 7007488..... | 72              | 7012918..... | 35          | 7017046..... | 22             | 7019103..... | 155, 157           |
| 7007494..... | 71              | 7012941..... | 37          | 7017047..... | 22             | 7019110..... | 155, 157           |
| 7007496..... | 72              | 7012943..... | 31, 36, 270 | 7017048..... | 21             | 7019111..... | 145, 147, 155, 157 |
| 7007497..... | 72, 259         | 7012944..... | 31, 37, 270 | 7017050..... | 22             | 7019112..... | 155, 157           |
| 7007498..... | 72, 259         | 7012953..... | 36, 39, 122 | 7017051..... | 12             | 7019114..... | 157                |
| 7007633..... | 47, 54          | 7012959..... | 31          | 7017052..... | 12             | 7019115..... | 155, 157           |
| 7007990..... | 19              | 7012965..... | 39          | 7017053..... | 12             | 7019117..... | 155                |
| 7008833..... | 60, 250         | 7012970..... | 122         | 7017054..... | 12             | 7019122..... | 145, 147           |
| 7008835..... | 60              | 7012972..... | 31          | 7017055..... | 12             | 7019123..... | 145, 147           |
| 7008836..... | 60, 250         | 7012989..... | 36          | 7017056..... | 12             | 7019137..... | 145                |
| 7009996..... | 51              | 7012998..... | 35, 37, 39  | 7017057..... | 12             | 7019141..... | 145, 147           |
| 7009998..... | 51              | 7013187..... | 77          | 7017058..... | 12             | 7019142..... | 145, 147           |
| 7010116..... | 73              | 7014676..... | 276         | 7017068..... | 22             | 7019143..... | 145, 147           |
| 7010122..... | 72              | 7014801..... | 75          | 7017070..... | 47, 54         | 7019144..... | 145, 147           |
| 7010404..... | 12              | 7014802..... | 75          | 7017082..... | 54             | 7019145..... | 145, 147           |
| 7010405..... | 12              | 7014810..... | 75          | 7017085..... | 54             | 7019146..... | 145                |
| 7010406..... | 12              | 7014813..... | 75          | 7017089..... | 47, 54         | 7019147..... | 145, 147           |
| 7010461..... | 54              | 7014816..... | 75          | 7017102..... | 115            | 7019149..... | 145, 147           |
| 7010474..... | 47, 54          | 7014817..... | 75, 270     | 7017115..... | 115            | 7019150..... | 145, 147           |
| 7010488..... | 47              | 7014818..... | 75          | 7017118..... | 116            | 7019151..... | 155, 157           |
| 7010492..... | 47, 54          | 7016314..... | 75          | 7017119..... | 115            | 7019153..... | 155                |
| 7010494..... | 47              | 7016322..... | 95          | 7017142..... | 115, 116       | 7019154..... | 155, 157           |
| 7010542..... | 35              | 7016328..... | 62, 270     | 7017156..... | 116            | 7019155..... | 155, 157           |
| 7010543..... | 35, 37          | 7016330..... | 62          | 7017157..... | 116            | 7019156..... | 155                |
| 7010795..... | 55              | 7016331..... | 62, 63, 270 | 7017158..... | 116, 119       | 7019157..... | 155                |
| 7011112..... | 176, 179, 181   | 7016332..... | 62, 63      | 7017159..... | 116, 119       | 7019158..... | 155                |
| 7011331..... | 115             | 7016336..... | 251         | 7017162..... | 115, 119       | 7019159..... | 155                |
| 7011332..... | 115             | 7016342..... | 77          | 7017163..... | 115, 119       | 7019160..... | 155, 157           |
| 7011333..... | 121             | 7016374..... | 95          | 7017164..... | 115, 119       | 7019161..... | 155, 157           |
| 7011342..... | 121             | 7016380..... | 87          | 7017174..... | 115            | 7019162..... | 155, 157, 159      |
| 7011346..... | 116             | 7016399..... | 129, 132    | 7017177..... | 115            | 7019163..... | 155                |
| 7012513..... | 67              | 7016522..... | 112, 272    | 7017183..... | 115, 119       | 7019164..... | 155, 157, 159      |
| 7012514..... | 67              | 7016523..... | 112         | 7017193..... | 115, 119       | 7019165..... | 155, 157, 159      |
| 7012518..... | 31              | 7016524..... | 112         | 7017210..... | 209            | 7019166..... | 155, 157           |
| 7012558..... | 67              | 7016529..... | 112         | 7017211..... | 209            | 7019167..... | 155, 157, 159      |
| 7012560..... | 79              | 7016652..... | 276         | 7017213..... | 209            | 7019168..... | 155, 157           |
| 7012599..... | 62              | 7016654..... | 276         | 7017214..... | 209            | 7019171..... | 147                |
| 7012611..... | 79, 135         | 7016655..... | 276         | 7017215..... | 209            | 7019174..... | 147                |
| 7012612..... | 79, 135         | 7016779..... | 32          | 7017234..... | 209            | 7019177..... | 147                |
| 7012664..... | 59, 270         | 7016780..... | 32          | 7017236..... | 209            | 7019194..... | 155, 157, 159      |
| 7012693..... | 11              | 7016781..... | 32          | 7017414..... | 36             | 7019197..... | 145, 147           |
| 7012700..... | 25              | 7016782..... | 32          | 7017420..... | 35, 39         | 7019607..... | 62                 |
| 7012701..... | 25              | 7016783..... | 32          | 7017421..... | 39             | 7019658..... | 75                 |
| 7012702..... | 25              | 7016784..... | 32          | 7017422..... | 39             | 7020020..... | 31                 |
| 7012703..... | 25              | 7016785..... | 32          | 7017423..... | 35             | 7020021..... | 31                 |
| 7012704..... | 25              | 7016800..... | 60          | 7017427..... | 35             | 7020025..... | 62                 |
| 7012705..... | 25              | 7016802..... | 61          | 7017428..... | 35, 37         | 7020027..... | 62, 63             |
| 7012706..... | 25              | 7016803..... | 61          | 7017466..... | 31             | 7020057..... | 167                |
| 7012707..... | 25              | 7016809..... | 61          | 7017474..... | 35             | 7020058..... | 167                |
| 7012708..... | 25              | 7016824..... | 61          | 7017477..... | 36, 37         | 7020059..... | 167                |
| 7012709..... | 25              | 7016825..... | 61          | 7017478..... | 37             | 7020064..... | 107                |
| 7012710..... | 25              | 7017023..... | 54          | 7017479..... | 31             | 7020065..... | 107                |
| 7012711..... | 25              | 7017027..... | 21          | 7017481..... | 31             | 7020066..... | 107                |
| 7012712..... | 25              | 7017031..... | 21          | 7018612..... | 19, 49         | 7020067..... | 107                |
| 7012713..... | 25              | 7017033..... | 21          | 7018912..... | 35, 36, 37, 39 | 7020068..... | 121                |
| 7012714..... | 25              | 7017034..... | 21          | 7018941..... | 35             | 7020069..... | 121                |
| 7012715..... | 25              | 7017035..... | 21          | 7018942..... | 37, 39         | 7020070..... | 121                |
| 7012716..... | 25              | 7017036..... | 21          | 7018945..... | 37, 39         | 7020071..... | 121                |
| 7012769..... | 36              | 7017037..... | 21          | 7018946..... | 39             | 7020108..... | 67                 |
| 7012772..... | 35, 36, 39, 270 | 7017038..... | 21          | 7018947..... | 39             | 7020109..... | 67                 |
| 7012773..... | 35, 36, 39      | 7017039..... | 21          | 7018948..... | 39             | 7020110..... | 67                 |
| 7012774..... | 36, 39          | 7017040..... | 21          | 7018951..... | 37             | 7020111..... | 67                 |
| 7012775..... | 35              | 7017041..... | 21          | 7018991..... | 35, 270        | 7020168..... | 63                 |
| 7012776..... | 39              | 7017042..... | 21          | 7018992..... | 35             |              |                    |

## PART NUMBER INDEX

|               |                  |               |        |              |               |               |               |
|---------------|------------------|---------------|--------|--------------|---------------|---------------|---------------|
| 7020171 ..... | 121              | 7020464 ..... | 62     | 7022396..... | 27            | 7024196 ..... | 55            |
| 7020172 ..... | 121              | 7020465 ..... | 62, 63 | 7022397..... | 27            | 7024197 ..... | 56            |
| 7020173 ..... | 121              | 7020468 ..... | 63     | 7022398..... | 27            | 7024318 ..... | 63            |
| 7020175 ..... | 79, 83, 135, 142 | 7020471 ..... | 62, 63 | 7022399..... | 27            | 7024379 ..... | 55            |
| 7020176 ..... | 79, 83, 135, 142 | 7020474 ..... | 63     | 7022808..... | 145, 147, 149 | 7024380 ..... | 55            |
| 7020190 ..... | 67               | 7020477 ..... | 62     | 7022810..... | 155           | 7024396 ..... | 55            |
| 7020191 ..... | 68               | 7020479 ..... | 63     | 7022812..... | 157           | 7024397 ..... | 217, 221      |
| 7020192 ..... | 68               | 7020480 ..... | 63     | 7022813..... | 145           | 7024398 ..... | 62            |
| 7020193 ..... | 67               | 7020487 ..... | 63     | 7022814..... | 147           | 7024413 ..... | 63            |
| 7020246 ..... | 79, 83           | 7021200 ..... | 71     | 7022815..... | 147, 149      | 7024453 ..... | 55            |
| 7020335 ..... | 51               | 7021201 ..... | 71     | 7022816..... | 147           | 7024454 ..... | 55            |
| 7020336 ..... | 51               | 7021202 ..... | 71     | 7022817..... | 147           | 7024455 ..... | 55            |
| 7020338 ..... | 51               | 7021203 ..... | 71     | 7022818..... | 147           | 7024456 ..... | 55            |
| 7020339 ..... | 51               | 7021205 ..... | 71     | 7022819..... | 147, 149, 259 | 7024457 ..... | 55            |
| 7020340 ..... | 51               | 7021206 ..... | 72     | 7022822..... | 157           | 7024458 ..... | 55            |
| 7020341 ..... | 51               | 7021207 ..... | 71     | 7022823..... | 157           | 7024459 ..... | 55            |
| 7020343 ..... | 51               | 7021208 ..... | 71     | 7022824..... | 157           | 7024508 ....  | 211, 213, 215 |
| 7020346 ..... | 51               | 7021209 ..... | 71     | 7022825..... | 259           | 7024560 ..... | 62            |
| 7020353 ..... | 51               | 7021212 ..... | 72     | 7023023..... | 209           | 7024565 ..... | 63            |
| 7020357 ..... | 51               | 7021213 ..... | 72     | 7023206..... | 31            | 7024579 ..... | 63            |
| 7020358 ..... | 51               | 7021214 ..... | 72     | 7023207..... | 31            | 7024598 ..... | 95            |
| 7020359 ..... | 51               | 7021218 ..... | 72     | 7023331..... | 167           | 7024702 ..... | 54, 55        |
| 7020360 ..... | 51               | 7021219 ..... | 72     | 7023332..... | 167           | 7024703 ..... | 54            |
| 7020362 ..... | 51               | 7021220 ..... | 72     | 7023333..... | 167           | 7024704 ..... | 54            |
| 7020363 ..... | 51               | 7021221 ..... | 72     | 7023340..... | 60            | 7024705 ..... | 54            |
| 7020404 ..... | 62               | 7021222 ..... | 72     | 7023366..... | 91            | 7024706 ..... | 54            |
| 7020408 ..... | 63               | 7021223 ..... | 72     | 7023900..... | 27            | 7024707 ..... | 54, 55        |
| 7020411 ..... | 63               | 7021226 ..... | 72     | 7023977..... | 71            | 7024784 ..... | 54            |
| 7020414 ..... | 62               | 7021227 ..... | 72     | 7023981..... | 31            | 7024828 ..... | 72            |
| 7020418 ..... | 63               | 7021228 ..... | 72     | 7024036..... | 25            | 7024918 ..... | 59            |
| 7020419 ..... | 62               | 7021229 ..... | 72     | 7024100..... | 47, 54        | 7024930 ..... | 59            |
| 7020425 ..... | 62               | 7021230 ..... | 73     | 7024155..... | 21            | 7026199 ..... | 67            |
| 7020427 ..... | 62               | 7021231 ..... | 73     | 7024185..... | 54            | 7026522 ..... | 63            |
| 7020431 ..... | 62, 63           | 7021232 ..... | 73     | 7024189..... | 55            | 7026607 ..... | 63            |
| 7020449 ..... | 63               | 7021310 ..... | 37     | 7024190..... | 55            | 7026608 ..... | 63            |
| 7020458 ..... | 63               | 7021311 ..... | 37     | 7024191..... | 55            | 7026631 ..... | 62, 63        |
| 7020459 ..... | 63               | 7021601 ..... | 36     | 7024192..... | 55            | 7027250 ..... | 62            |
| 7020460 ..... | 63               | 7021602 ..... | 35     | 7024193..... | 55            | 7027887 ..... | 68            |
| 7020461 ..... | 63               | 7021625 ..... | 27     | 7024194..... | 55            | 8320270 ..... | 62            |
| 7020463 ..... | 62, 63           | 7021656 ..... | 27     | 7024195..... | 55            | 8896941 ..... | 276           |



**3120859**



An Oshkosh Corporation Company

**Corporate Office**  
**JLG Industries, Inc.**  
**1 JLG Drive**  
**McConnellsburg, PA 17233-9533 USA**  
**☎ (717) 485-5161 (Corporate)**  
**☎ (877) 554-5438 (Customer Support)**  
**📠 (717) 485-6417**

**Visit our website for JLG Worldwide Locations.**  
**[www.jlg.com](http://www.jlg.com)**