



# *Illustrated Parts Manual*

## *Models*

*1055*

*1255*

31211032

August 20, 2018 - Rev N





## EFFECTIVITY PAGE

April 9, 2015 - A - Original Issue of Manual  
August 10, 2015 - B - Revised Manual  
November 11, 2015 - C - Revised Manual  
February 23, 2016 - D - Revised Manual  
May 24, 2016 - E - Revised Manual  
August 19, 2016 - F - Revised Manual  
November 30, 2016 - G - Revised Manual  
March 1, 2017 - H - Revised Manual  
May 25, 2017 - I - Revised Manual  
August 18, 2017 - J - Revised Manual  
November 22, 2017 - K - Revised Manual  
January 19, 2018 - L - Revised Manual  
April 13, 2018 - M - Revised Manual  
August 20, 2018 - N - Revised Manual

## Machine Configuration

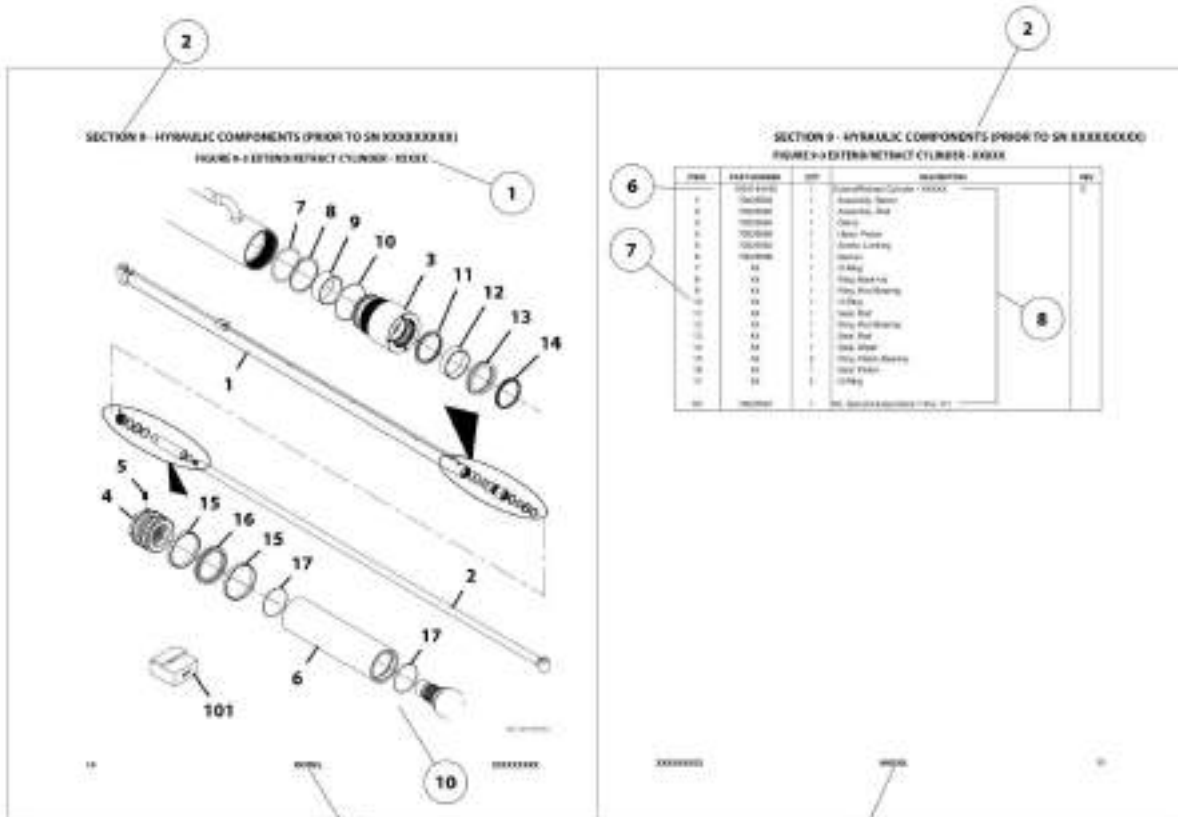
---



Two configurations of each machine are included in this manual. Determine if machine is equipped with Ultra Low Sulfur Fuel Decal (1).

If equipped with the Ultra Low Sulfur decal, all specific references to this machine configuration will be referred to as Ultra Low Sulfur (ULS) from this point forward.

If not equipped with the Ultra Low Sulfur decal, all specific references to this machine configuration will be referred to as Low Sulfur (LS) from this point forward.



## General Information

### 1. MACHINE IDENTIFICATION

Machines are identified by model and in some cases a combination of model, serial number (S/N) or regional standard (e.g. ANSI, CE, CSA, AUS). Components may also be identified by S/N or manufacturer. Common components that may be identified by these characteristics are attachments, engine, transmission and hydraulic components.

### 2. PARTS MANUAL ORGANIZATION

Product information in this manual is organized under section titles. Frame, Engine and Electrical are a few examples. Each section is organized by Figure and page number. The information within the Figure is then organized by item number, part number, description and corresponding illustration(s).

### 3. TABLE OF CONTENTS

A table of contents (TOC) is found toward the beginning of the manual. Figure number, description and page number are provided for quick reference to the page containing the related information.

### 4. RECOMMENDED SPARE PARTS

The Recommended Spare Parts, located near the end of the manual, references most frequently used maintenance parts.

### 5. PARTS NUMBER INDEX

A numerical index listing all part numbers and the corresponding page number(s) appears at the back of the manual.

### 6. NON-SERVICED PARTS

In some instances it is necessary to display non-serviced parts, assemblies or installations. In the case of assemblies and installations there will be a Ref in the QTY column and a note after the item description stating what is available for service within. In the case of parts that are not available for service within assemblies or components there will be a NSS (Not Sold Separately) listed in the part number column of the manual.

### 7. PARTS LIST ITEM NUMBERS

Numbers shown in the Item column correspond to numbers used in the associated illustration(s). Item numbers which are missing from sequence and are not shown in the illustration(s) are not used on that page.

### 8. INDENTED PART DESCRIPTION

An indented part description is included in the item under which it is indented.

## 9. ABBREVIATIONS AND SYMBOLS

AC	Alternating Current
A/C	Air Conditioning
ADE	Advanced Design Electronics
AG	Agriculture
AMP	Amperage
ANSI	American National Standards Institute
AR	As Required
ASSY	Assembly
AUS	Australia
AUX	Auxiliary
AWG	American Wire Gauge
CAC	Charge Air Cooler
CE	European Conformity
CM	Centimeter
CONST	Construction
CSA	Canadian Standards Association
DEF	Diesel Exhaust Fluid
DIA	Diameter
DC	Direct Current
DTZ	Decentralized Transmission Zeros
ECU	Electronic Control Unit
EMS	Emergency Stop
FNR	Forward Neutral Reverse
FT	Foot
GA	Gauge
GR	Grade
HBP	High Boom Pivot
HHP	High Horse Power
HOC	Hydraulic Oil Cooler
HVAC	Heating, Ventilating, and Air Conditioning
ID	Inside Diameter
IN	Inch
ISO	International Organization for Standards
ITSDF	Industrial Truck Standards Development Foundation
JK	Joint Industry Council
KG	Kilogram
KW	Kilowatt
L	Liter

LB	Pound
LBP	Low Boom Pivot
LCD	Liquid Crystal Display
LED	Light Emitting Diode
LH	Left Hand
LHD	Left Hand Drive
LHP	Low Horse Power
LMIS	Load Management Indicator System
LS	Low Sulfur
LSI	Load Stability Indicator
LSS	Load Sensing System
M <sup>3</sup>	Cubic Meter
MA	Milliamp
M(m)	Metric/Meter
MM	Millimeter
N	Newton
NACD	North America Construction Division
NLA	No Longer Available
NSS	Not Sold Separately
OD	Outside Diameter
ORB	O-Ring Boss
ORFS	O-Ring Face Seal
OZ	Ounce
PR	Ply Rating
QT	Quart
QTY	Quantity
REF	Reference
REV	Revision
RH	Right Hand
RHD	Right Hand Drive
RHOC	Remote Hydraulic Oil Cooler
RUS	Russia
SAE	Society of Automotive Engineers
SAHR	Spring Applied Hydraulically Released
SN	Serial Number
SPO	Speed
TLU	Torque Lock Up
UGM	Universal Ground Module

## 10. ILLUSTRATION REFERENCE LETTERS

When necessary, illustrations may contain reference letters that are intended to track information from one point to another in the illustration such as harnesses and hoses or any other information that has been separated in the illustration.

**Note:** Due to continuous product improvements, JLG Industries, Inc. reserves the right to make specification changes without prior notification. Contact JLG Industries, Inc. for updated information.

# TABLE OF CONTENTS

SECTION 1 - FRAME AND ATTACHING PARTS.....	17
FIGURE 1-1. FRAME WELDMENT (Prior to SN 0160079256) .....	18
FIGURE 1-2. FRAME WELDMENT (SN 0160079256 to Present).....	20
FIGURE 1-3. FRAME COVER INSTALLATION (ULS) .....	22
FIGURE 1-4. FRAME COVER INSTALLATION (LS).....	24
FIGURE 1-5. ENGINE INSTALLATION.....	26
FIGURE 1-6. ENGINE ENCLOSURE INSTALLATION.....	28
FIGURE 1-7. ENGINE ENCLOSURE COVER INSTALLATION.....	30
FIGURE 1-8. HOOD ASSEMBLY .....	32
FIGURE 1-9. HOOD ASSEMBLY .....	34
FIGURE 1-10. TANK INSTALLATION.....	36
FIGURE 1-11. FUEL TANK INSTALLATION.....	38
FIGURE 1-12. HYDRAULIC TANK INSTALLATION .....	40
FIGURE 1-13. OUTRIGGERS INSTALLATION .....	42
FIGURE 1-14. COUNTERWEIGHT INSTALLATION - 1055 .....	44
FIGURE 1-15. COUNTERWEIGHT INSTALLATION - 1255 .....	46
FIGURE 1-16. MIRROR INSTALLATION .....	48
FIGURE 1-17. CONVEX MIRROR ASSEMBLY .....	50
SECTION 2 - BOOM.....	53
FIGURE 2-1. BOOM ASSEMBLY - 1055.....	54
FIGURE 2-2. BOOM ASSEMBLY - 1255.....	58
FIGURE 2-3. FIRST BOOM ASSEMBLY - 1055 .....	62
FIGURE 2-4. FIRST BOOM ASSEMBLY - 1255 .....	64
FIGURE 2-5. SECOND BOOM ASSEMBLY - 1055 .....	66
FIGURE 2-6. SECOND BOOM ASSEMBLY - 1255 .....	68
FIGURE 2-7. THIRD BOOM ASSEMBLY - 1055.....	70
FIGURE 2-8. THIRD BOOM ASSEMBLY - 1255.....	72
FIGURE 2-9. FOURTH BOOM ASSEMBLY - 1055.....	74
FIGURE 2-10. FOURTH BOOM ASSEMBLY - 1255.....	76
FIGURE 2-11. EXTEND CYLINDER PINS INSTALLATION.....	78
FIGURE 2-12. SECOND BOOM SECTION EXTEND CHAIN INSTALLATION - 1055.....	80
FIGURE 2-13. SECOND BOOM SECTION EXTEND CHAIN INSTALLATION - 1255.....	82
FIGURE 2-14. THIRD BOOM SECTION EXTEND CHAIN INSTALLATION .....	84
FIGURE 2-15. SECOND BOOM SECTION RETRACT CHAIN INSTALLATION - 1055 .....	86
FIGURE 2-16. SECOND BOOM SECTION RETRACT CHAIN INSTALLATION - 1255 .....	88
FIGURE 2-17. THIRD BOOM SECTION RETRACT CHAIN INSTALLATION - 1055.....	90
FIGURE 2-18. THIRD BOOM SECTION RETRACT CHAIN INSTALLATION - 1255.....	92
FIGURE 2-19. CHAIN SHEAVE ASSEMBLY .....	94
FIGURE 2-20. CHAIN SHEAVE ASSEMBLY .....	96
FIGURE 2-21. CHAIN SHEAVE ASSEMBLY .....	98
FIGURE 2-22. CHAIN SHEAVE ASSEMBLY .....	100
FIGURE 2-23. BOOM PINNING INSTALLATION.....	102
FIGURE 2-24. BOOM PIVOT INSTALLATION.....	104
FIGURE 2-25. LIFT CYLINDER INSTALLATION .....	106
FIGURE 2-26. COMPENSATION CYLINDER INSTALLATION .....	108
FIGURE 2-27. BOOM BRUSHES INSTALLATION .....	110
FIGURE 2-28. BOOM ANGLE INDICATOR INSTALLATION.....	112
FIGURE 2-29. MANUAL QUICK COUPLER INSTALLATION.....	114
FIGURE 2-30. HYDRAULIC QUICK COUPLER INSTALLATION .....	116
FIGURE 2-31. PIN INSTALLATION.....	118
FIGURE 2-32. PIN INSTALLATION.....	120
FIGURE 2-33. QUICK COUPLER ASSEMBLY .....	122
FIGURE 2-34. BOOM PROP INSTALLATION (ANSI).....	124
FIGURE 2-35. BOOM PROP INSTALLATION (CANADA) .....	126
FIGURE 2-36. BOOM PROP BRACKET .....	128
SECTION 3 - ATTACHMENTS .....	131
FIGURE 3-1. CARRIAGE ASSEMBLY (50 INCH) (Prior to SN 0160075710) .....	132
FIGURE 3-2. CARRIAGE ASSEMBLY (50 INCH) (SN 0160075710 to Present) .....	134
FIGURE 3-3. CARRIAGE ASSEMBLY (60 INCH) (Prior to SN 0160075710) .....	136
FIGURE 3-4. CARRIAGE ASSEMBLY (60 INCH) (SN 0160075710 to Present) .....	138
FIGURE 3-5. CARRIAGE ASSEMBLY (72 INCH) (Prior to SN 0160073773) .....	140

# TABLE OF CONTENTS

FIGURE 3-6. CARRIAGE ASSEMBLY (72 INCH) (SN 0160073773 through 0160075709)	142
FIGURE 3-7. CARRIAGE ASSEMBLY (72 INCH) (SN 0160075710 to Present)	144
FIGURE 3-8. SIDE TILT CARRIAGE ASSEMBLY (50 INCH) - 1055	146
FIGURE 3-9. SIDE TILT CARRIAGE ASSEMBLY (60 INCH) - 1055	148
FIGURE 3-10. SIDE TILT CARRIAGE ASSEMBLY (72 INCH) - 1055	150
FIGURE 3-11. SIDE TILT CARRIAGE ASSEMBLY (50 INCH) - 1255	152
FIGURE 3-12. SIDE TILT CARRIAGE ASSEMBLY (60 INCH) - 1255	154
FIGURE 3-13. SIDE TILT CARRIAGE ASSEMBLY (72 INCH) - 1255	156
FIGURE 3-14. SIDE TILT CARRIAGE ASSEMBLY (50 INCH)	158
FIGURE 3-15. SIDE TILT CARRIAGE ASSEMBLY (60 INCH)	160
FIGURE 3-16. SIDE TILT CARRIAGE ASSEMBLY (72 INCH)	162
FIGURE 3-17. SIDE SHIFT CARRIAGE ASSEMBLY (50 INCH)	164
FIGURE 3-18. 90 SWING CARRIAGE ASSEMBLY (72 INCH)	166
FIGURE 3-19. 180 SWING CARRIAGE (72 INCH)	168
FIGURE 3-20. DUAL FORK CARRIAGE (50 INCH) - 1055 (Prior to SN 0160082577)	170
FIGURE 3-21. DUAL FORK CARRIAGE (50 INCH) - 1055 (SN 0160082577 to Present)	172
FIGURE 3-22. DUAL FORK CARRIAGE ASSEMBLY (50 INCH)	174
FIGURE 3-23. DUAL FORK CARRIAGE VALVE ASSEMBLY	176
FIGURE 3-24. DUAL FORK POSITIONING CARRIAGE ASSEMBLY (50 INCH) - 1255 (Prior to SN 0160082577)	178
FIGURE 3-25. DUAL FORK POSITIONING CARRIAGE ASSEMBLY (50 INCH) - 1255 (SN 0160082577 to Present)	180
FIGURE 3-26. DUAL FORK POSITIONING CARRIAGE (50 INCH) - 1255	182
FIGURE 3-27. TRUSS BOOM ASSEMBLY (3 FOOT WITH WINCH)	184
FIGURE 3-28. TRUSS BOOM (12 FOOT WITH WINCH)	186
FIGURE 3-29. TRUSS BOOM (12 FOOT WITHOUT WINCH)	188
FIGURE 3-30. TRUSS BOOM (15 FOOT WITHOUT WINCH)	190
FIGURE 3-31. ADJUSTABLE TRUSS BOOM	192
FIGURE 3-32. MAST (8 FOOT)	194
FIGURE 3-33. SIDE TILT ELECTRIC MAST (8 FOOT)	198
FIGURE 3-34. BUCKET (60 INCH)	202
FIGURE 3-35. BUCKET (72 INCH)	204
FIGURE 3-36. BUCKET (96 INCH)	206
FIGURE 3-37. BUCKET (102 INCH)	208
FIGURE 3-38. FORK MOUNTED PLATFORM (ASME)	210
FIGURE 3-39. FORK MOUNTED PLATFORM (ISO)	212
FIGURE 3-40. FORK MOUNTED PLATFORM (FRENCH)	214
FIGURE 3-41. FORK MOUNTED PLATFORM ASSEMBLY	216
FIGURE 3-42. GRAPPLE BUCKET	218
FIGURE 3-43. PIPE HANDLER CARRIAGE	220
FIGURE 3-44. FORK MOUNTED HOOK	224
FIGURE 3-45. COUPLER MOUNTED HOOK	226
FIGURE 3-46. FORK CLAMPS INSTALLATION	228
FIGURE 3-47. CUBING FORK	230
FIGURE 3-48. FORK - PALLET 1.6X5.9X60	232
FIGURE 3-49. FORK - PALLET 2X7X60	234
FIGURE 3-50. PALLET FORK (48X4X2.36)	236
FIGURE 3-51. PALLET FORK (48X5X2.36)	238
FIGURE 3-52. PALLET FORK (2.4X4X60) - 1055	240
FIGURE 3-53. PALLET FORK (2.36X5.00X60) -1255	242
FIGURE 3-54. PALLET FORK (2.36X4X48)	244
FIGURE 3-55. PALLET FORK (2.4X5X72)	246
FIGURE 3-56. DUAL TAPER FORK (60X6X2.36)	248
FIGURE 3-57. DUAL TAPER FORK (72X6X2)	250
FIGURE 3-58. FORK EXTENSION (90 INCH)	252
FIGURE 3-59. TRASH HOPPER INSTALLATION	254
FIGURE 3-60. PO CHECK VALVE	256
FIGURE 3-61. MAIN LIFT CYLINDER	258
FIGURE 3-62. KIT DECAL	260
FIGURE 3-63. ADJUSTABLE TRUSS BOOM INSTALLATION (FORK MOUNTED)	262
 SECTION 4 - ENGINE AND ATTACHING PARTS	 265
FIGURE 4-1. ENGINE INSTALLATION (ULS)	266
FIGURE 4-2. ENGINE INSTALLATION (LS)	268
FIGURE 4-3. ENGINE, QSF 3.8L, (130HP) (ULS)	270
FIGURE 4-4. CUMMINS ENGINE, QSF 3.8L (LS)	272
FIGURE 4-5. FUEL LINES INSTALLATION (ULS)	274
FIGURE 4-6. FUEL LINES INSTALLATION (LS)	278



# TABLE OF CONTENTS

FIGURE 4-7. PRIMARY FUEL FILTER INSTALLATION (ULS) .....	282
FIGURE 4-8. PRIMARY FUEL FILTER INSTALLATION (LS) .....	284
FIGURE 4-9. FUEL TANK ASSEMBLY (Prior to SN 0160074740) .....	286
FIGURE 4-10. FUEL TANK ASSEMBLY (SN 0160074740 to Present).....	288
FIGURE 4-11. COOLING PACKAGE INSTALLATION (ULS) .....	290
FIGURE 4-12. COOLING PACKAGE INSTALLATION (LS) .....	292
FIGURE 4-13. RADIATOR .....	294
FIGURE 4-14. HOC LINES INSTALLATION .....	296
FIGURE 4-15. COOLANT LINES INSTALLATION (ULS).....	298
FIGURE 4-16. COOLANT LINES INSTALLATION (LS) .....	300
FIGURE 4-17. CAC LINES INSTALLATION (ULS) .....	302
FIGURE 4-18. CAC LINES INSTALLATION (LS).....	304
FIGURE 4-19. TOC LINES INSTALLATION.....	306
FIGURE 4-20. SURGE TANK INSTALLATION .....	308
FIGURE 4-21. FAN INSTALLATION .....	310
FIGURE 4-22. FAN GUARD INSTALLATION .....	312
FIGURE 4-23. AIR INTAKE LINES INSTALLATION (ULS) .....	314
FIGURE 4-24. AIR INTAKE LINES INSTALLATION (LS).....	316
FIGURE 4-25. AIR CLEANER INSTALLATION (ULS) .....	318
FIGURE 4-26. AIR CLEANER INSTALLATION (LS).....	320
FIGURE 4-27. AIR CLEANER ASSEMBLY.....	322
FIGURE 4-28. AIR INTAKE DUCT INSTALLATION.....	324
FIGURE 4-29. EXHAUST INSTALLATION (ULS) .....	326
FIGURE 4-30. EXHAUST INSTALLATION (LS) .....	328
FIGURE 4-31. MUFFLER INSTALLATION (LS).....	330
FIGURE 4-32. DEF LINES INSTALLATION .....	332
FIGURE 4-33. DEF PUMP LINES INSTALLATION (Prior to SN 0160075366).....	334
FIGURE 4-34. DEF PUMP LINES INSTALLATION (SN 0160075366 to Present) .....	336
FIGURE 4-35. DEF TANK INSTALLATION.....	338
FIGURE 4-36. DEF TANK ASSEMBLY .....	340
FIGURE 4-37. DEF PUMP AND CONTROL INSTALLATION .....	342
FIGURE 4-38. DEF MODULE PUMP (Prior to SN 0160077096) .....	344
FIGURE 4-39. DEF MODULE PUMP (SN 0160077096 to Present).....	346
FIGURE 4-40. ENGINE PARTS INSTALLATION (NO HEATER).....	348
FIGURE 4-41. ENGINE PARTS INSTALLATION (HEATER) .....	350
FIGURE 4-42. A/C PUMP INSTALLATION (ULS) .....	352
FIGURE 4-43. A/C LINES INSTALLATION .....	354
FIGURE 4-44. FUEL CAP ASSEMBLY .....	356
FIGURE 4-45. AC PUMP INSTALLATION (LS) .....	358
FIGURE 4-46. BREATHER HEATER .....	360
FIGURE 4-47. AIR INTAKE SHUT OFF VALVE INSTALLATION .....	362
SECTION 5 - DRIVE TRAIN .....	365
FIGURE 5-1. DRIVE TRAIN INSTALLATION .....	366
FIGURE 5-2. FRONT AXLE INSTALLATION .....	368
FIGURE 5-3. FRONT AXLE MOUNTING INSTALLATION.....	370
FIGURE 5-4. FRONT AXLE .....	372
FIGURE 5-5. FRONT AXLE, CENTRAL HOUSING .....	374
FIGURE 5-6. FRONT AXLE, DIFFERENTIAL .....	376
FIGURE 5-7. FRONT AXLE, HUB REDUCTION.....	378
FIGURE 5-8. FRONT AXLE, BRAKES .....	380
FIGURE 5-9. FRONT AXLE, STEERING .....	382
FIGURE 5-10. FRONT AXLE, TRUNION .....	384
FIGURE 5-11. FRONT AXLE, DIFFERENTIAL KIT.....	386
FIGURE 5-12. FRONT AXLE, STEERING ADJUSTING BOLT KIT .....	388
FIGURE 5-13. FRONT AXLE, RING GEAR SUPPORT KIT.....	390
FIGURE 5-14. FRONT AXLE, PLANET GEAR CARRIER KIT.....	392
FIGURE 5-15. FRONT AXLE, REDUCTION BUSHING .....	394
FIGURE 5-16. FRONT AXLE, SUPPORT ASSEMBLY (LF, RR) .....	396
FIGURE 5-17. FRONT AXLE, SUPPORT ASSEMBLY (RF, LR) .....	398
FIGURE 5-18. FRONT AXLE, STEERING CASE ASSEMBLY (LF, RR).....	400
FIGURE 5-19. FRONT AXLE, STEERING CASE ASSEMBLY (RF, LR).....	402
FIGURE 5-20. REAR AXLE INSTALLATION .....	404
FIGURE 5-21. REAR AXLE MOUNTING INSTALLATION .....	406
FIGURE 5-22. REAR AXLE .....	408
FIGURE 5-23. REAR AXLE, CENTRAL HOUSING.....	410

# TABLE OF CONTENTS

FIGURE 5-24. REAR AXLE, DIFFERENTIAL .....	412
FIGURE 5-25. REAR AXLE, HUB REDUCTION.....	414
FIGURE 5-26. REAR AXLE, BRAKES .....	416
FIGURE 5-27. REAR AXLE, STEERING .....	418
FIGURE 5-28. REAR AXLE, TRUNION .....	420
FIGURE 5-29. REAR AXLE, DIFFERENTIAL KIT .....	422
FIGURE 5-30. REAR AXLE, PLANET GEAR CARRIER KIT AND RING GEAR KIT.....	424
FIGURE 5-31. REAR AXLE, STEERING CASE ASSEMBLY (LF, RR).....	426
FIGURE 5-32. REAR AXLE, STEERING CASE ASSEMBLY (RF, LR).....	428
FIGURE 5-33. REAR AXLE, STEERING ADJUST BOLT KIT .....	430
FIGURE 5-34. REAR AXLE, RING GEAR SUPPORT KIT.....	432
FIGURE 5-35. REAR AXLE, PLANET GEAR CARRIER KIT .....	434
FIGURE 5-36. REAR AXLE, SUPPORT ASSEMBLY (LF, RR) .....	436
FIGURE 5-37. REAR AXLE, SUPPORT ASSEMBLY (RF, LR) .....	438
FIGURE 5-38. REAR AXLE, REDUCTION BUSHING ASSEMBLY.....	440
FIGURE 5-39. DRIVE SHAFTS INSTALLATION .....	442
FIGURE 5-40. REAR DRIVE SHAFT INSTALLATION.....	444
FIGURE 5-41. REAR DRIVE SHAFT .....	446
FIGURE 5-42. FRONT MID SHAFT INSTALLATION.....	448
FIGURE 5-43. FRONT MID DRIVE SHAFT .....	450
FIGURE 5-44. FRONT DRIVE SHAFT INSTALLATION .....	452
FIGURE 5-45. FRONT DRIVE SHAFT.....	454
FIGURE 5-46. TRANSMISSION INSTALLATION .....	456
FIGURE 5-47. POWERSHIFT TRANSMISSION .....	458
FIGURE 5-48. TRANSMISSION, ENGINE CONNECTION.....	462
FIGURE 5-49. TRANSMISSION, CONVERTER.....	464
FIGURE 5-50. TRANSMISSION, INPUT.....	466
FIGURE 5-51. TRANSMISSION, HOUSING GROUP 1.....	468
FIGURE 5-52. TRANSMISSION, HOUSING GROUP 2.....	470
FIGURE 5-53. TRANSMISSION, CLUTCH GROUP 1 .....	472
FIGURE 5-54. TRANSMISSION, CLUTCH GROUP 2.....	474
FIGURE 5-55. TRANSMISSION, COUPLING GROUP 1.....	476
FIGURE 5-56. TRANSMISSION, COUPLING GROUP 2.....	478
FIGURE 5-57. TRANSMISSION, COUPLING GROUP 3.....	480
FIGURE 5-58. TRANSMISSION, COUPLING GROUP 4.....	482
FIGURE 5-59. TRANSMISSION, OUTPUT.....	484
FIGURE 5-60. TRANSMISSION, POWER TAKE-OFF .....	486
FIGURE 5-61. TRANSMISSION, CONTROL UNIT.....	488
FIGURE 5-62. TRANSMISSION, SHIFT SYSTEM .....	490
FIGURE 5-63. TRANSMISSION, PRESSURE REGULATOR .....	492
FIGURE 5-64. TRANSMISSION, PRESSURE OIL PUMP.....	494
FIGURE 5-65. TRANSMISSION, INDUCTIVE TRANSMITTER.....	496
FIGURE 5-66. TRANSMISSION, FILTER .....	498
FIGURE 5-67. TRANSMISSION, ACCESSORIES GROUP 1 .....	500
FIGURE 5-68. TRANSMISSION, PERIPHERALS GROUP 1 .....	502
FIGURE 5-69. TRANSMISSION, ACCESSORIES GROUP 2 .....	504
FIGURE 5-70. TRANSMISSION, TRANSFER BOX.....	506
FIGURE 5-71. TRANSMISSION, TRANSFER BOX HOUSING 1 .....	508
FIGURE 5-72. TRANSMISSION, TRANSFER BOX HOUSING 2.....	510
FIGURE 5-73. TRANSMISSION, TRANSFER BOX HOUSING INPUT .....	512
FIGURE 5-74. TRANSMISSION, TRANSFER BOX HOUSING OUTPUT 1 .....	514
FIGURE 5-75. TRANSMISSION, TRANSFER BOX HOUSING OUTPUT 2.....	516
FIGURE 5-76. TIRE WHEEL SET-400/75-28-PNEUMATIC .....	518
FIGURE 5-77. WHEEL ASSEMBLY - 400/75-28 - PNEUMATIC .....	520
FIGURE 5-78. TIRE WHEEL SET - 14.00-24 16PR - PNEUMATIC - 1055 .....	522
FIGURE 5-79. LEFT TIRE AND WHEEL ASSEMBLY - 14.00X24 PNEUMATIC - 1055.....	524
FIGURE 5-80. RIGHT TIRE AND WHEEL ASSEMBLY - 14.00X24 PNEUMATIC - 1055 .....	526
FIGURE 5-81. TIRE WHEEL SET - 17.50-25 16 PLY - 1255.....	528
FIGURE 5-82. RIGHT WHEEL ASSEMBLY - 17.50-25 16 PLY - 1255 .....	530
FIGURE 5-83. LEFT WHEEL ASSEMBLY - 17.50-25 16 PLY - 1255.....	532
FIGURE 5-84. TIRE WHEEL SET - 400/75-28 - FOAM FILLED.....	534
FIGURE 5-85. TIRE AND WHEEL ASSEMBLY - 400/75-28 - FOAM FILLED .....	536
FIGURE 5-86. TIRE WHEEL SET - 17.50-25 G2 - FOAM FILLED - 1255 .....	538
FIGURE 5-87. RIGHT WHEEL ASSEMBLY - 17.50-25 G2 - FOAM FILLED - 1255.....	540
FIGURE 5-88. LEFT WHEEL ASSEMBLY - 17.50-25 G2 - FOAM FILLED - 1255 .....	542
FIGURE 5-89. TIRE WHEEL SET - 14.00-24 G2 - FOAM FILLED - 1055.....	544
FIGURE 5-90. RIGHT WHEEL ASSEMBLY - 14.00-24 G2 - FOAM FILLED - 1055.....	546

# TABLE OF CONTENTS

FIGURE 5-91. LEFT WHEEL ASSEMBLY - 14.00-24 G2 - FOAM FILLED - 1055.....	548
FIGURE 5-92. TIRE WHEEL SET - 14.00X24 SOLID (1055 Prior to SN 0160083753; 1255 Prior to SN 0160083813) .....	550
FIGURE 5-93. TIRE WHEEL SET - 360/85-28 - SOLID .....	552
FIGURE 5-94. FENDER INSTALLATION .....	554
FIGURE 5-95. RH FENDER ASSEMBLY (Prior to SN 0160073625) .....	556
FIGURE 5-96. LH FENDER ASSEMBLY (Prior to SN 0160073625) .....	558
FIGURE 5-97. WHEEL CHOCK INSTALLATION .....	560
FIGURE 5-98. TOOLBOX INSTALLATION .....	562
<b>SECTION 6 - CAB</b> .....	<b>565</b>
FIGURE 6-1. CAB MOUNTING .....	566
FIGURE 6-2. CAB MOUNTS INSTALLATION.....	568
FIGURE 6-3. FRONT CAB OUTRIGGER INSTALLATION .....	570
FIGURE 6-4. CAB FENDER INSTALLATION .....	572
FIGURE 6-5. CAB FENDER INSTALLATION REAR (LH).....	574
FIGURE 6-6. TOP CAB GUARD .....	576
FIGURE 6-7. FRONT CAB GUARD INSTALLATION .....	578
FIGURE 6-8. TOP AND FRONT CAB GUARD INSTALLATION .....	580
FIGURE 6-9. OROPS CAB INSTALLATION .....	582
FIGURE 6-10. EROPS CAB INSTALLATION.....	584
FIGURE 6-11. OPEN CAB INSTALLATION (Prior to SN 0160079256) .....	586
FIGURE 6-12. ENCLOSED CAB INSTALLATION (Prior to SN 0160079256).....	588
FIGURE 6-13. OPEN CAB ASSEMBLY .....	590
FIGURE 6-14. OPEN CAB PLUG GROUP.....	592
FIGURE 6-15. OPEN CAB INSTALLATION (SN 0160079256 to Present).....	594
FIGURE 6-16. ENCLOSED CAB INSTALLATION (SN 0160079256 to Present) .....	596
FIGURE 6-17. CAB (SN 0160079256 to Present) .....	598
FIGURE 6-18. MIRROR INSTALLATION .....	600
FIGURE 6-19. FRONT COVER INSTALLATION .....	602
FIGURE 6-20. FILTER TRAY ASSEMBLY .....	604
FIGURE 6-21. FRONT DUCT COVER .....	606
FIGURE 6-22. LEVEL INDICATOR INSTALLATION.....	608
FIGURE 6-23. FRONT WIPER INSTALLATION.....	610
FIGURE 6-24. WASHER TANK INSTALLATION .....	612
FIGURE 6-25. ENCLOSED CAB ASSEMBLY.....	614
FIGURE 6-26. REAR WINDOW INSTALLATION .....	616
FIGURE 6-27. REAR WINDOW INSTALLATION (WO/WIPER) (ANSI) .....	618
FIGURE 6-28. REAR WINDOW INSTALLATION (WO/WIPER) (ISO) .....	620
FIGURE 6-29. REAR WINDOW INSTALLATION (WO/WIPER) (ENG/SPAN) .....	622
FIGURE 6-30. REAR WINDOW ASSEMBLY .....	624
FIGURE 6-31. DOOR INSTALLATION.....	626
FIGURE 6-32. CAB LATCH ASSEMBLY .....	628
FIGURE 6-33. CAB DOOR TRIGGER ASSEMBLY .....	630
FIGURE 6-34. DOOR ASSEMBLY .....	632
FIGURE 6-35. DOOR STRAP INSTALLATION.....	634
FIGURE 6-36. CAB DOOR.....	636
FIGURE 6-37. ENCLOSED CAB PLUG GROUP .....	638
FIGURE 6-38. HEADLINER INSTALLATION .....	640
FIGURE 6-39. OPEN CAB TRIM INSTALLATION (Prior to SN 0160081665).....	642
FIGURE 6-40. OPEN CAB TRIM INSTALLATION (SN 0160081665 to Present).....	646
FIGURE 6-41. ENCLOSED CAB TRIM INSTALLATION (Prior to SN 0160081665) .....	650
FIGURE 6-42. ENCLOSED CAB TRIM INSTALLATION (SN 0160081665 to Present) .....	654
FIGURE 6-43. CAB TRIM INSTALLATION (IF EQUIPPED WITH BEACON LIGHT).....	658
FIGURE 6-44. OPEN CAB FRONT COVER INSTALLATION .....	662
FIGURE 6-45. ENCLOSED CAB FRONT COVER INSTALLATION.....	664
FIGURE 6-46. OPEN CAB FRONT COVER WITH CAB FENDER INSTALLATION.....	666
FIGURE 6-47. ENCLOSED CAB FRONT COVER WITH CAB FENDER INSTALLATION .....	668
FIGURE 6-48. DOOR UPPER GLASS ASSEMBLY (1055 Prior to SN 0160076824; 1255 Prior to SN 0160076390).....	670
FIGURE 6-49. DOOR UPPER GLASS ASSEMBLY (1055 SN 0160076824 to Present; 1255 SN 0160076390 to Present) .....	672
FIGURE 6-50. SEAT INSTALLATION .....	674
FIGURE 6-51. SEAT (Prior to SN 0160068604).....	676
FIGURE 6-52. SEAT (SN 0160068604 to Present) .....	678
FIGURE 6-53. SEAT BELT INSTALLATION (Prior to SN 0160085636, Including 0160083994, 0160083995, 0160083996, 0160084653, 0160084654, 0160085042 and 0160085051) .....	680
FIGURE 6-54. SEAT BELT INSTALLATION (3 INCH) (SN 0160085636 to Present, Excluding 0160083994, 0160083995, 0160083996, 0160084653, 0160084654, 0160085042 and 0160085051) .....	682

# TABLE OF CONTENTS

FIGURE 6-55. HEATER INSTALLATION.....	684
FIGURE 6-56. HEATER AND A/C INSTALLATION .....	686
FIGURE 6-57. HEATER ASSEMBLY (Prior to SN 0160077683) .....	690
FIGURE 6-58. HEATER ASSEMBLY (SN 0160077683 to Present) .....	692
FIGURE 6-59. HEATER .....	694
FIGURE 6-60. HEATER .....	696
FIGURE 6-61. HEATER AND A/C GROUP (Prior to SN 0160077683).....	698
FIGURE 6-62. HEATER AND A/C GROUP (SN 0160077683 to Present) .....	700
FIGURE 6-63. HEATER AND A/C.....	702
FIGURE 6-64. HEATER AND A/C.....	704
FIGURE 6-65. HVAC CAB ACTUATOR.....	706
FIGURE 6-66. CAB CONDENSER ASSEMBLY .....	708
FIGURE 6-67. A/C RECEIVER DRIER .....	710
FIGURE 6-68. CONDENSER.....	712
FIGURE 6-69. REAR WIPER INSTALLATION .....	714
FIGURE 6-70. ROOF WIPER INSTALLATION .....	716
FIGURE 6-71. LONG CAB ROOF CAPPING INSTALLATION .....	718
FIGURE 6-72. SHORT CAB ROOF CAPPING INSTALLATION .....	720
FIGURE 6-73. NON SKID TAPE INSTALLATION.....	722
FIGURE 6-74. EXTERNAL WINDOW RELEASE INSTALLATION .....	724
FIGURE 6-75. SWITCH LIGHT INSTALLATION .....	726
FIGURE 6-76. MANUAL HOLDER INSTALLATION .....	728
FIGURE 6-77. GRIP TAPE PLATE INSTALLATION.....	730
FIGURE 6-78. CLEARSKY INSTALLATION (LONG ROOF CAP) (Prior to SN 0160082543) .....	732
FIGURE 6-79. CLEARSKY INSTALLATION (SHORT ROOF CAP) (Prior to SN 0160082543) .....	734
FIGURE 6-80. TELEMATICS READY INSTALLATION .....	736
FIGURE 6-81. ROOF PIGTAIL CAP INSTALLATION.....	738
FIGURE 6-82. ROOF PIGTAIL INSTALLATION .....	740
FIGURE 6-83. NO SUNBLIND INSTALLATION.....	742
FIGURE 6-84. RETRACTABLE SUNSCREEN INSTALLATION.....	744
SECTION 7 - CONTROLS.....	747
FIGURE 7-1. ACCELERATOR PEDAL INSTALLATION.....	748
FIGURE 7-2. PEDAL ACCELERATOR DUAL ANALOG.....	750
FIGURE 7-3. BRAKE PEDAL INSTALLATION (Prior to SN 0160072874).....	752
FIGURE 7-4. BRAKE PEDAL INSTALLATION (SN 0160072874 to Present).....	754
FIGURE 7-5. BRAKE PEDAL.....	756
FIGURE 7-6. BRAKE PEDAL PLATE .....	758
FIGURE 7-7. STEERING COLUMN INSTALLATION NO FNR LEVER .....	760
FIGURE 7-8. STEERING COLUMN INSTALLATION WITH FNR LEVER .....	762
FIGURE 7-9. STEERING WHEEL INSTALLATION .....	764
FIGURE 7-10. STEERING WHEEL.....	766
FIGURE 7-11. HORN BUTTON INSTALLATION.....	768
FIGURE 7-12. JOYSTICK INSTALLATION (W/AUX, DECLUTCH) .....	770
FIGURE 7-13. OUTRIGGER CONTROL INSTALLATION .....	772
FIGURE 7-14. COLUMN CLAMP INSTALLATION .....	774
FIGURE 7-15. WIPER-TURN SWITCH.....	776
SECTION 8 - HYDRAULIC CIRCUITS .....	779
FIGURE 8-1. MAIN HYDRAULICS INSTALLATION .....	780
FIGURE 8-2. STEER SELECT VALVE INSTALLATION.....	784
FIGURE 8-3. STEER SELECT VALVE ASSEMBLY .....	786
FIGURE 8-4. PRIORITY FUNCTION MANIFOLD INSTALLATION .....	788
FIGURE 8-5. PRIORITY MANIFOLD VALVE ASSEMBLY .....	790
FIGURE 8-6. MAIN CONTROL VALVE INSTALLATION (Prior to SN 0160082543) .....	792
FIGURE 8-7. MAIN CONTROL VALVE INSTALLATION (SN 0160082543 to Present).....	794
FIGURE 8-8. MAIN CONTROL VALVE ASSEMBLY (Prior to SN 0160082543).....	796
FIGURE 8-9. MAIN CONTROL VALVE ASSEMBLY (SN 0160082543 to Present).....	798
FIGURE 8-10. FRAME LEVEL AND OUTRIGGER VALVE INSTALLATION (Prior to SN 0160069775) .....	800
FIGURE 8-11. FRAME LEVEL AND OUTRIGGER VALVE INSTALLATION (SN 0160069775 to Present) .....	802
FIGURE 8-12. FRAME LEVEL AND OUTRIGGER VALVE ASSEMBLY (Prior to SN 0160069775) .....	804
FIGURE 8-13. FRAME LEVEL AND OUTRIGGER VALVE ASSEMBLY (SN 0160069775 to Present) .....	806
FIGURE 8-14. FRAME HYDRAULIC INSTALLATION .....	808
FIGURE 8-15. CAB HYDRAULIC INSTALLATION .....	812
FIGURE 8-16. BOOM HYDRAULIC INSTALLATION.....	814

# TABLE OF CONTENTS

FIGURE 8-17. ENGINE BAY HYDRAULIC INSTALLATION .....	816
FIGURE 8-18. PISTON PUMP INSTALLATION .....	820
FIGURE 8-19. PISTON PUMP ASSEMBLY .....	822
FIGURE 8-20. BOOM HYDRAULIC TUBES INSTALLATION .....	824
FIGURE 8-21. BOOM AUXILIARY HYDRAULIC INSTALLATION .....	828
FIGURE 8-22. HYDRAULIC AUXILIARY WITH COUPLER INSTALLATION .....	830
FIGURE 8-23. FRAME LEVEL INSTALLATION .....	832
FIGURE 8-24. REAR AXLE STABILIZER INSTALLATION .....	834
FIGURE 8-25. REAR AXLE STABILIZER CYLINDER INSTALLATION .....	836
FIGURE 8-26. LIFT CYLINDER VALVE INSTALLATION, NO RIDE CONTROL (Prior to SN 0160082543) .....	838
FIGURE 8-27. LIFT CYLINDER VALVE INSTALLATION, NO RIDE CONTROL (SN 0160082543 to Present) .....	840
FIGURE 8-28. RIDE CONTROL INSTALLATION - 1055 (Prior to SN 0160082543) .....	842
FIGURE 8-29. RIDE CONTROL INSTALLATION - 1055 (SN 0160082543 to Present) .....	844
FIGURE 8-30. RIDE CONTROL INSTALLATION - 1255 (Prior to SN 0160082543) .....	846
FIGURE 8-31. RIDE CONTROL INSTALLATION - 1255 (SN 0160082543 to Present) .....	848
FIGURE 8-32. RIDE CONTROL HYDRAULIC LINES (Prior to SN 0160082543) .....	850
FIGURE 8-33. RIDE CONTROL HYDRAULIC LINES (SN 0160082543 to Present) .....	852
FIGURE 8-34. COUNTERBALANCE VALVE HYDRAULIC LINES (LIFT - RIDE CONTROL) (SN 0160082543 to Present) .....	854
FIGURE 8-35. FRAME LEVEL CYLINDER INSTALLATION .....	856
FIGURE 8-36. OUTRIGGER CYLINDER INSTALLATION (Prior to SN 0160078794) .....	858
FIGURE 8-37. EXTEND/RETRACT CYLINDER INSTALLATION .....	860
FIGURE 8-38. LIFT CYLINDER INSTALLATION - 1055 .....	862
FIGURE 8-39. HYDRAULIC QUICK COUPLER INSTALLATION .....	864
FIGURE 8-40. LIFT CYLINDER INSTALLATION - 1255 .....	866
FIGURE 8-41. QUICK COUPLER VALVE ASSEMBLY .....	868
FIGURE 8-42. QUICK COUPLER CYLINDER ASSEMBLY .....	870
FIGURE 8-43. FRONT AXLE LINES INSTALLATION .....	872
FIGURE 8-44. REAR AXLE LINES INSTALLATION .....	874
FIGURE 8-45. VALVE ASSEMBLY .....	876
FIGURE 8-46. CHECK VALVE ASSEMBLY .....	878
FIGURE 8-47. TWIN/TRI LINE HOSES INSTALLATION .....	880
<b>SECTION 9 - HYDRAULIC COMPONENTS .....</b>	<b>883</b>
FIGURE 9-1. CYLINDER GROUP INSTALLATION - 1055 .....	884
FIGURE 9-2. CYLINDER GROUP INSTALLATION - 1255 .....	886
FIGURE 9-3. LIFT CYLINDER - 1055 (Prior to SN 0160078794) .....	888
FIGURE 9-4. LIFT CYLINDER - 1055 (SN 0160078794 to Present) .....	890
FIGURE 9-5. LIFT CYLINDER - 1255 (Prior to SN 0160078794) .....	892
FIGURE 9-6. LIFT CYLINDER INSTALLATION - 1255 (SN 0160078794 to Present) .....	894
FIGURE 9-7. LIFT CYLINDER - 1255 (SN 0160078794 to Present) .....	896
FIGURE 9-8. TILT CYLINDER INSTALLATION - 1055 .....	898
FIGURE 9-9. TILT CYLINDER - 1055 .....	900
FIGURE 9-10. TILT CYLINDER - 1055 .....	902
FIGURE 9-11. TILT CYLINDER INSTALLATION - 1255 .....	904
FIGURE 9-12. TILT CYLINDER - 1255 (Prior to SN 0160085831) .....	906
FIGURE 9-13. TILT CYLINDER - 1255 (SN 0160085831 to Present) .....	908
FIGURE 9-14. COMPENSATION CYLINDER - 1055 .....	910
FIGURE 9-15. COMPENSATION CYLINDER - 1255 .....	912
FIGURE 9-16. FRAME LEVEL CYLINDER .....	914
FIGURE 9-17. OUTRIGGER CYLINDER (Prior to SN 0160078794) .....	916
FIGURE 9-18. OUTRIGGER CYLINDER (SN 0160078794 to Present) .....	918
FIGURE 9-19. REAR AXLE STABILIZER CYLINDER .....	920
FIGURE 9-20. EXTEND/RETRACT CYLINDER (Prior to SN 0160086847, Excluding 0160086030) .....	922
FIGURE 9-21. EXTEND/RETRACT CYLINDER (SN 0160086847 to Present, Including 0160086030) .....	924
FIGURE 9-22. QUICK COUPLER CYLINDER .....	926
FIGURE 9-23. MAIN CONTROL VALVE (Prior to SN 0160082543) .....	928
FIGURE 9-24. MAIN CONTROL VALVE - INLET SECTION (Prior to SN 0160082543) .....	930
FIGURE 9-25. MAIN CONTROL VALVE - SPOOL SECTION (Prior to SN 0160082543) .....	932
FIGURE 9-26. MAIN CONTROL VALVE - SPOOL SECTION (Prior to SN 0160082543) .....	934
FIGURE 9-27. MAIN CONTROL VALVE - SPOOL SECTION (Prior to SN 0160082543) .....	936
FIGURE 9-28. MAIN CONTROL VALVE - SPOOL SECTION (Prior to SN 0160082543) .....	938
FIGURE 9-29. MAIN CONTROL VALVE (SN 0160082543 to Present) .....	940
FIGURE 9-30. HYDRAULIC TANK ASSEMBLY .....	942
FIGURE 9-31. HYDRAULIC FILTER .....	944
FIGURE 9-32. QUICK COUPLER VALVE .....	946
FIGURE 9-33. STEER SELECT VALVE .....	948

# TABLE OF CONTENTS

FIGURE 9-34. PRIORITY MANIFOLD VALVE.....	950
FIGURE 9-35. FRAME LEVEL AND OUTRIGGER VALVE .....	952
FIGURE 9-36. PISTON PUMP .....	954
FIGURE 9-37. REAR AXLE STABILIZER VALVE (Prior to SN 0160080905).....	956
FIGURE 9-38. REAR AXLE STABILIZER VALVE (SN 0160080905 to Present) .....	958
FIGURE 9-39. VALVE STEERING ORBITAL .....	960
FIGURE 9-40. SIDE TILT CYLINDER.....	962
FIGURE 9-41. SIDE TILT CYLINDER ASSEMBLY .....	964
FIGURE 9-42. PIPE HANDLER CYLINDER .....	966
FIGURE 9-43. DUAL FORK CYLINDER ASSEMBLY .....	968
FIGURE 9-44. FLOW DIVIDER VALVE .....	970
FIGURE 9-45. GRAPPLE BUCKET CYLINDER .....	972
FIGURE 9-46. AIR SHUT OFF VALVE .....	974
SECTION 10 - ELECTRICAL.....	977
FIGURE 10-1. MAIN ELECTRICAL INSTALLATION (ULS).....	978
FIGURE 10-2. MAIN ELECTRICAL INSTALLATION (LS) .....	980
FIGURE 10-3. ELECTRICAL FRAME INSTALLATION.....	982
FIGURE 10-4. ENGINE BAY WIRING INSTALLATION (ULS).....	986
FIGURE 10-5. ENGINE BAY WIRING INSTALLATION (LS) .....	990
FIGURE 10-6. ENGINE BAY ELECTRICAL INSTALLATION (ULS).....	994
FIGURE 10-7. ENGINE BAY ELECTRICAL INSTALLATION (LS) .....	996
FIGURE 10-8. FRAME WIRING INSTALLATION (ULS) .....	998
FIGURE 10-9. FRAME WIRING INSTALLATION (LS).....	1000
FIGURE 10-10. POWER DISTRIBUTION ELECTRICAL BOX .....	1002
FIGURE 10-11. BOOM ANGLE SENSOR INSTALLATION .....	1004
FIGURE 10-12. CAB ELECTRICAL INSTALLATION.....	1006
FIGURE 10-13. DASH ELECTRICAL INSTALLATION (ULS).....	1008
FIGURE 10-14. DASH ELECTRICAL INSTALLATION (LS) .....	1010
FIGURE 10-15. OPEN CAB ELECTRICAL INSTALLATION WITH OPTIONS .....	1012
FIGURE 10-16. ENCLOSED CAB ELECTRICAL INSTALLATION WITH OPTIONS .....	1014
FIGURE 10-17. REVERSE CAMERA INSTALLATION.....	1016
FIGURE 10-18. REVERSE SENSOR INSTALLATION .....	1018
FIGURE 10-19. BOOM AUXILIARY ELECTRIC INSTALLATION.....	1020
FIGURE 10-20. BOOM AUXILIARY ELECTRIC HARNESS INSTALLATION.....	1022
FIGURE 10-21. ENGINE WIRING INSTALLATION (ULS).....	1024
FIGURE 10-22. ENGINE WIRING INSTALLATION (LS) .....	1028
FIGURE 10-23. ENGINE ECU INSTALLATION (ULS).....	1032
FIGURE 10-24. ENGINE ECM INSTALLATION (LS).....	1034
FIGURE 10-25. BATTERY INSTALLATION.....	1036
FIGURE 10-26. ARCTIC COLD WEATHER PACKAGE INSTALLATION (ULS) .....	1038
FIGURE 10-27. ARCTIC COLD WEATHER PACKAGE INSTALLATION (LS) .....	1040
FIGURE 10-28. ARCTIC BATTERIES INSTALLATION .....	1042
FIGURE 10-29. HYDRAULIC TANK HEATER INSTALLATION .....	1044
FIGURE 10-30. HIGH END DISPLAY INSTALLATION.....	1046
FIGURE 10-31. BACKUP ALARM INSTALLATION .....	1048
FIGURE 10-32. WHITE ALARM BACKUP INSTALLATION.....	1050
FIGURE 10-33. ROAD LIGHT INSTALLATION (Prior to SN 0160079256).....	1052
FIGURE 10-34. ROAD LIGHT INSTALLATION (SN 0160079256 to Present).....	1054
FIGURE 10-35. CAB WORKLIGHTS INSTALLATION (WITHOUT A/C).....	1056
FIGURE 10-36. CAB LED WORK LIGHTS INSTALLATION (WITHOUT A/C).....	1058
FIGURE 10-37. CAB WORKLIGHTS INSTALLATION (WITH A/C) .....	1060
FIGURE 10-38. CAB LED WORK LIGHTS INSTALLATION (WITH A/C) .....	1062
FIGURE 10-39. BOOM WORKLIGHTS INSTALLATION .....	1064
FIGURE 10-40. BOOM WORK LIGHTS INSTALLATION .....	1066
FIGURE 10-41. BOOM LIGHTS INSTALLATION .....	1068
FIGURE 10-42. BOOM LED LIGHTS INSTALLATION .....	1070
FIGURE 10-43. BEACON INSTALLATION .....	1072
FIGURE 10-44. LED BEACON INSTALLATION .....	1074
FIGURE 10-45. BOOM AUXILIARY HARNESS.....	1076
FIGURE 10-46. BOOM WORKLIGHTS HARNESS .....	1078
FIGURE 10-47. A/C OPTION HARNESS.....	1080
FIGURE 10-48. REAR FRAME HARNESS (Prior to SN 0160073773) .....	1082
FIGURE 10-49. REAR FRAME HARNESS (SN 0160073773 to Present) .....	1086
FIGURE 10-50. FRONT FRAME HARNESS (Prior to SN 0160080792).....	1090
FIGURE 10-51. FRONT FRAME HARNESS (SN 0160080792 to Present).....	1094

# TABLE OF CONTENTS

FIGURE 10-52. ENGINE CHASSIS HARNESS .....	1098
FIGURE 10-53. ENGINE HARNESS (ULS) (Prior to SN 0160080792) .....	1102
FIGURE 10-54. ENGINE HARNESS (ULS) (SN 0160080792 to Present) .....	1108
FIGURE 10-55. ENGINE HARNESS (LS) (Prior to SN 0160080792).....	1114
FIGURE 10-56. ENGINE HARNESS (LS) (SN 0160080792 to Present).....	1118
FIGURE 10-57. FRONT FRAME HEADLIGHT HARNESS .....	1122
FIGURE 10-58. TAIL LIGHTS HARNESS .....	1124
FIGURE 10-59. REVERSE SENSOR HARNESS.....	1126
FIGURE 10-60. CAB HARNESS .....	1128
FIGURE 10-61. OPTION 1 CAB HARNESS.....	1132
FIGURE 10-62. OPTION 2 CAB HARNESS.....	1136
FIGURE 10-63. CAB OPTION HARNESS.....	1138
FIGURE 10-64. STANDARD ELECTRICAL BOARD ASSEMBLY .....	1140
FIGURE 10-65. OPTION 1 ELECTRICAL BOARD ASSEMBLY .....	1142
FIGURE 10-66. OPTION 2 ELECTRICAL BOARD ASSEMBLY .....	1144
FIGURE 10-67. CLEARSKY HARNESS (Prior to SN 0160082543).....	1146
FIGURE 10-68. TELEMATICS READY HARNESS .....	1148
FIGURE 10-69. FUEL FILTER HEATER INSTALLATION.....	1150
FIGURE 10-70. CLEARSKY CONTROLLER (US) (Prior to SN 0160082543) .....	1152
FIGURE 10-71. ROOF PIGTAIL HARNESS.....	1154
FIGURE 10-72. BOOM AUXILIARY ELECTRIC HARNESS INSTALLATION .....	1156
FIGURE 10-73. PLATFORM HARNESS .....	1158
FIGURE 10-74. USB CHARGER INSTALLATION .....	1160
FIGURE 10-75. COMMUNICATION ANALYZER HARNESS .....	1162
FIGURE 10-76. TELEMATICS HARNESS .....	1164
FIGURE 10-77. CANBUS TELEMATICS INSTALLATION (SN 0160082543 to Present).....	1166
FIGURE 10-78. TELEMATICS HARNESS (SN 0160082543 to Present).....	1168
FIGURE 10-79. TELEMATICS INSTALLATION, UNITED RENTALS .....	1170
FIGURE 10-80. TELEMATICS INSTALLATION, UNITED RENTALS .....	1172
FIGURE 10-81. GATEWAY CONTROLLER.....	1174
FIGURE 10-82. TELEMATICS CANBUS INSTALLATION (CLEARSKY 2).....	1176
FIGURE 10-83. TELEMATICS HARNESS (CLEARSKY 2).....	1178
FIGURE 10-84. CLEARSKY INSTALLATION 3-WIRE .....	1180
FIGURE 10-85. CONTROL ACCESSORY .....	1182
FIGURE 10-86. CAB AIR SHUT OFF VALVE HARNESS .....	1184
FIGURE 10-87. ENGINE AIR SHUT OFF VALVE HARNESS.....	1186
SECTION 11 - DECALS.....	1189
FIGURE 11-1. CAPACITY CHART HOLDER .....	1190
FIGURE 11-2. DECAL INSTALLATION - 1055 .....	1192
FIGURE 11-3. DECAL INSTALLATION - 1255 .....	1194
FIGURE 11-4. DECAL INSTALLATION (ENGLISH).....	1196
FIGURE 11-5. DECAL INSTALLATION (ISO).....	1198
FIGURE 11-6. DECAL INSTALLATION (ENGLISH/FRENCH).....	1200
FIGURE 11-7. DECAL INSTALLATION (ENGLISH/SPANISH).....	1202
FIGURE 11-8. CAPACITY CHART (ANSI) - 1055 (Prior to SN 0160075710) .....	1206
FIGURE 11-9. CAPACITY CHART (ANSI) - 1055 (SN 0160075710 through 0160081279).....	1208
FIGURE 11-10. CAPACITY CHART (ANSI) - 1055 (SN 0160081279 to Present) .....	1210
FIGURE 11-11. CAPACITY CHART (ANSI) - 1255 (Prior to SN 0160075710) .....	1212
FIGURE 11-12. CAPACITY CHART (ANSI) - 1255 (SN 0160075710 through 0160081279).....	1214
FIGURE 11-13. CAPACITY CHART (ANSI) - 1255 (SN 0160081279 to Present) .....	1216
FIGURE 11-14. CAPACITY CHART (METRIC) - 1055 (Prior to SN 0160075710).....	1218
FIGURE 11-15. CAPACITY CHART (METRIC) - 1055 (SN 0160075710 through 0160081279) .....	1220
FIGURE 11-16. CAPACITY CHART (METRIC) - 1055 (SN 0160081279 to Present) .....	1222
FIGURE 11-17. CAPACITY CHART (METRIC) - 1255 (Prior to SN 0160075710).....	1224
FIGURE 11-18. CAPACITY CHART (METRIC) - 1255 (SN 0160075710 through 0160081279) .....	1226
FIGURE 11-19. CAPACITY CHART (METRIC) - 1255 (SN 0160081279 to Present) .....	1228
FIGURE 11-20. DECAL INSTALLATION.....	1230
FIGURE 11-21. REVERSE SENSOR SYSTEM DECAL (ENGLISH) .....	1232
FIGURE 11-22. REVERSE SENSOR SYSTEM DECAL (ISO).....	1234
FIGURE 11-23. REVERSE SENSOR SYSTEM DECAL (ENGLISH/FRENCH) .....	1236
FIGURE 11-24. REVERSE SENSOR SYSTEM DECAL (ENGLISH/SPANISH) .....	1238
FIGURE 11-25. CLEARSKY DECAL INSTALLATION.....	1240
SECTION 12 - RECOMMENDED SPARE PARTS .....	1243

# TABLE OF CONTENTS

FIGURE 12-1. RECOMMENDED SPARE PARTS.....	1244
PART NUMBER INDEX.....	1247

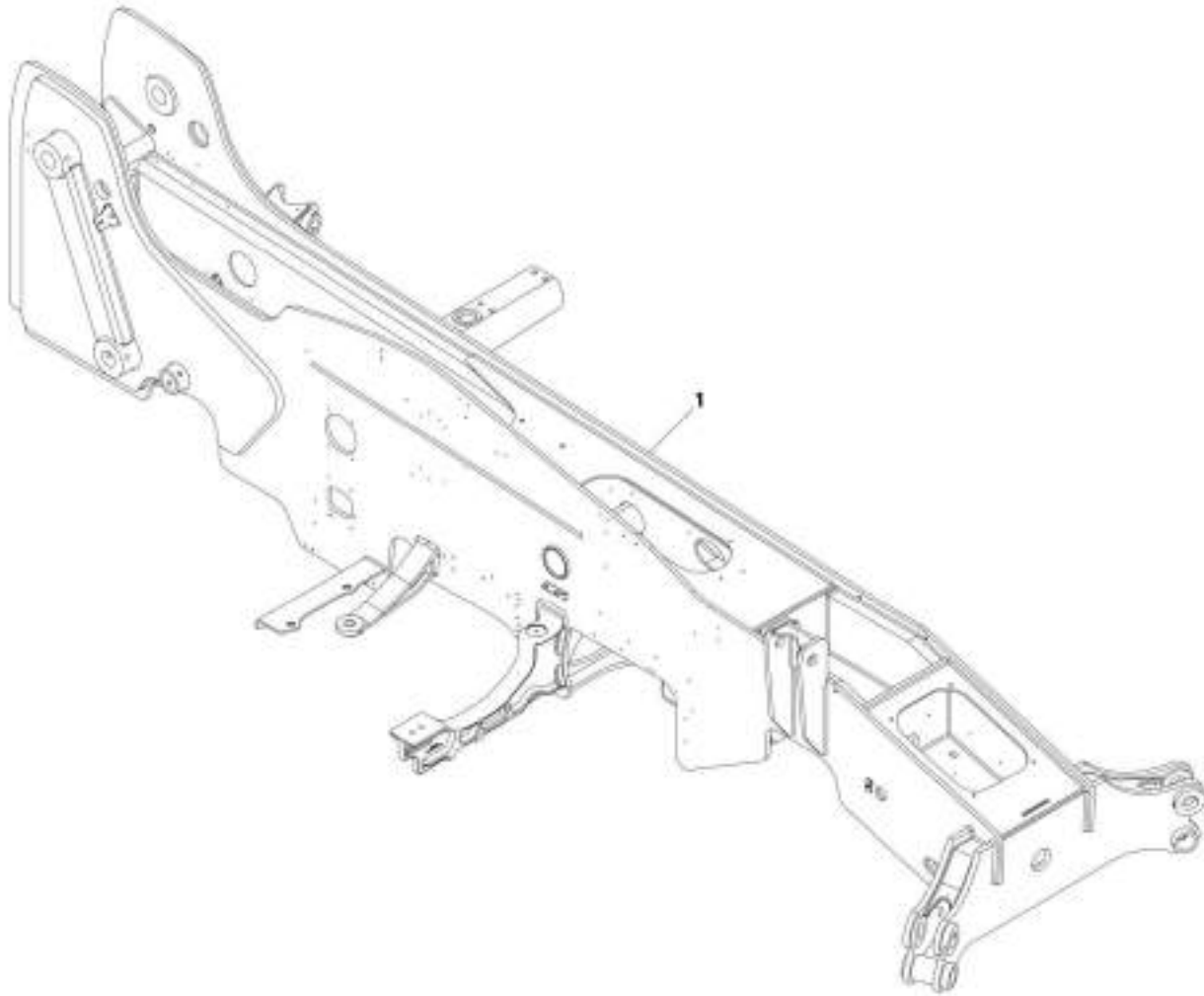


## **SECTION 1 - FRAME AND ATTACHING PARTS**

## **SECTION 1 - FRAME AND ATTACHING PARTS**

# SECTION 1 - FRAME AND ATTACHING PARTS

FIGURE 1-1. FRAME WELDMENT (Prior to SN 0160079256)



ART\_1001155439-P

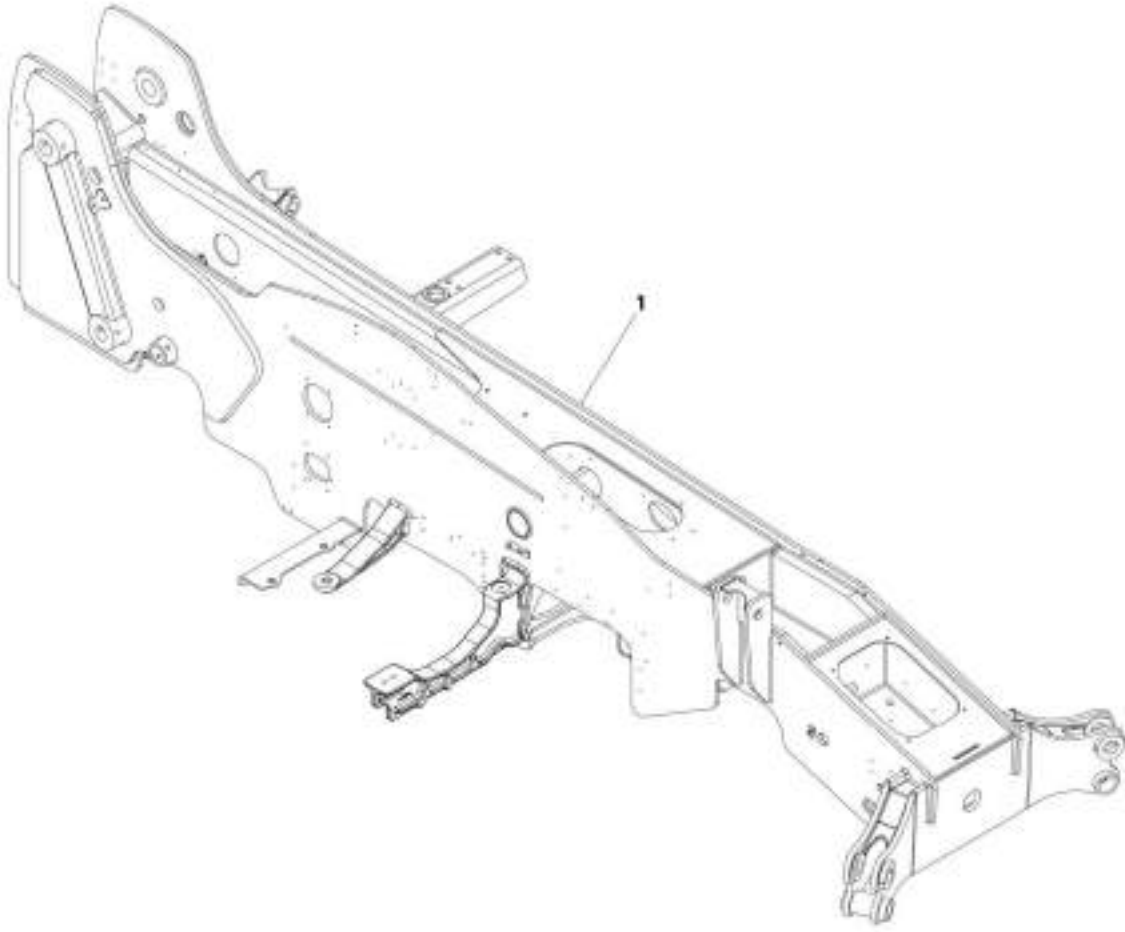
# SECTION 1 - FRAME AND ATTACHING PARTS

FIGURE 1-1. FRAME WELDMENT (Prior to SN 0160079256)

ITEM	PART NUMBER	QTY	DESCRIPTION	REV
1	1001155439J	1	Frame Weldment	P

# SECTION 1 - FRAME AND ATTACHING PARTS

FIGURE 1-2. FRAME WELDMENT (SN 0160079256 to Present)



ART\_1001220552-B

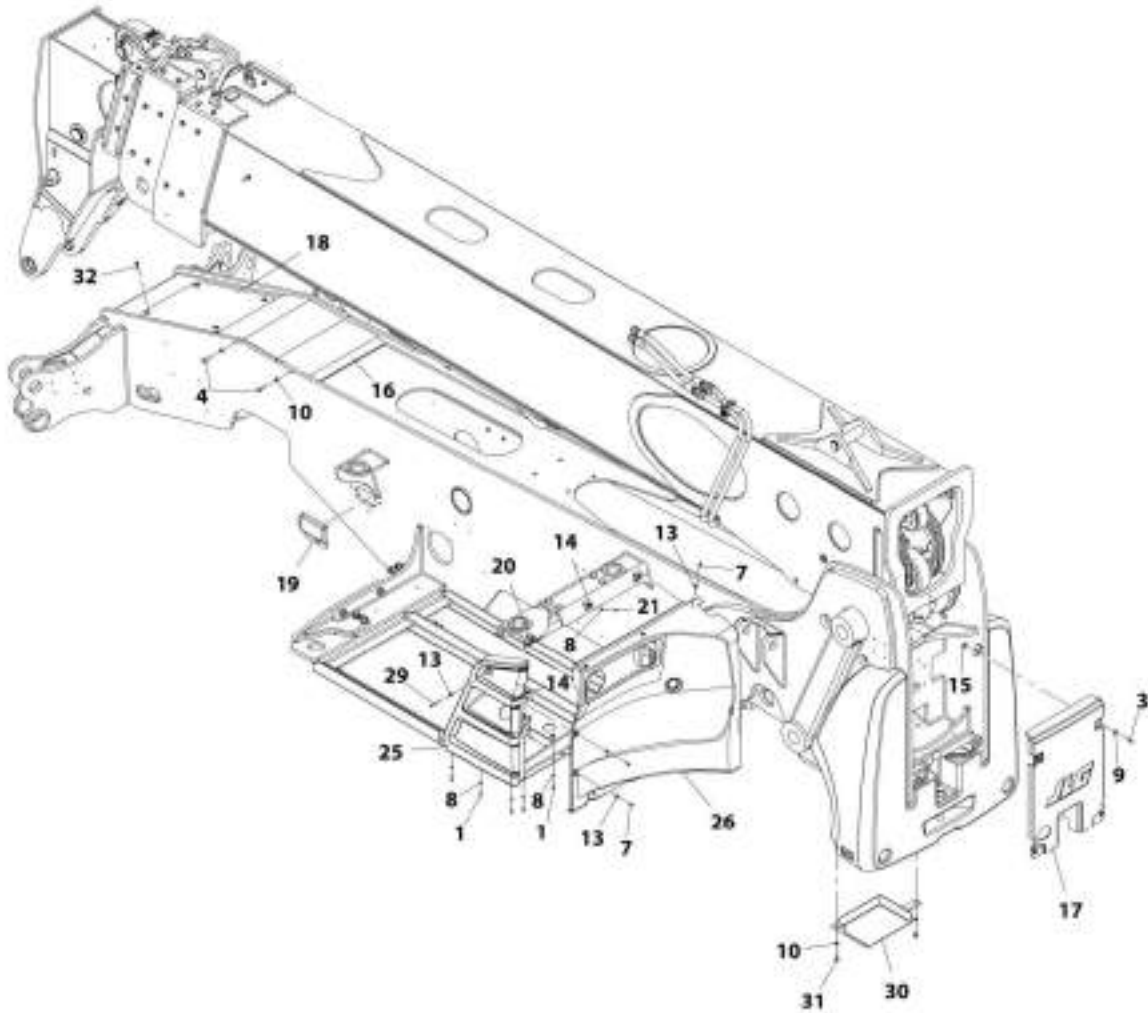
# SECTION 1 - FRAME AND ATTACHING PARTS

FIGURE 1-2. FRAME WELDMENT (SN 0160079256 to Present)

ITEM	PART NUMBER	QTY	DESCRIPTION	REV
1	1001220552J	1	Frame Weldment	B

# SECTION 1 - FRAME AND ATTACHING PARTS

FIGURE 1-3. FRAME COVER INSTALLATION (ULS)



ART\_1001160710-K

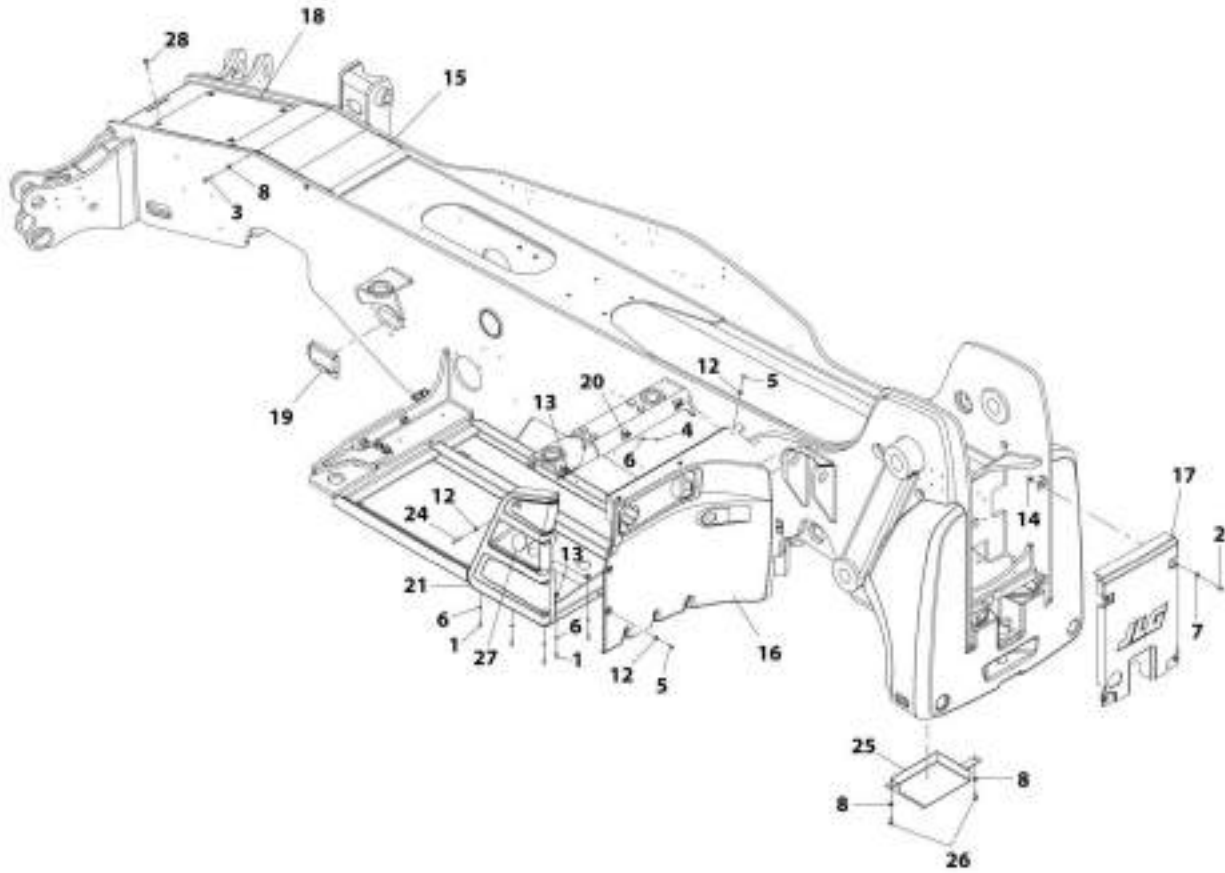
# SECTION 1 - FRAME AND ATTACHING PARTS

## FIGURE 1-3. FRAME COVER INSTALLATION (ULS)

ITEM	PART NUMBER	QTY	DESCRIPTION	REV
	1001160710	Ref	Frame Cover Installation (if equipped for ULS)	K
1	0700610	7	Bolt, M6X20	
3	0700814	4	Bolt, M8X30	
4	0701016	4	Bolt, M10X40	
7	3900379	5	Capscrew, M6-1X25	
8	4811700	10	Washer, M6	
9	4811902	4	Washer, M8	
10	4812000	6	Washer, M10	
13	1001097540	6	Washer, Nylon M6	
14	1001130220	12	Nut, M6	
15	1001149160	4	Nut, M8	
16	1001207299	1	Bracket, Battery Shield	
17	1001170645	1	Cover, Counterweight	
18	1001170665	1	Plate, Valve Cover	
19	1001201646	1	Shield, Inspection Port	
20	1001171772	3	Plate, Angle Bracket	
21	0760606	3	Screw, M6X12	
25	1001168760	1	Cover, Side Tank	
26	1001179548	1	Cover, Rear Tank	
29	1001112902	1	Screw, M6	
30	1001173468	1	Cover, Rear Frame Module	
31	0761010	2	Bolt, M10X20	
32	5250814	4	Bolt, M8X30	

# SECTION 1 - FRAME AND ATTACHING PARTS

## FIGURE 1-4. FRAME COVER INSTALLATION (LS)



MIT\_1001120306-R



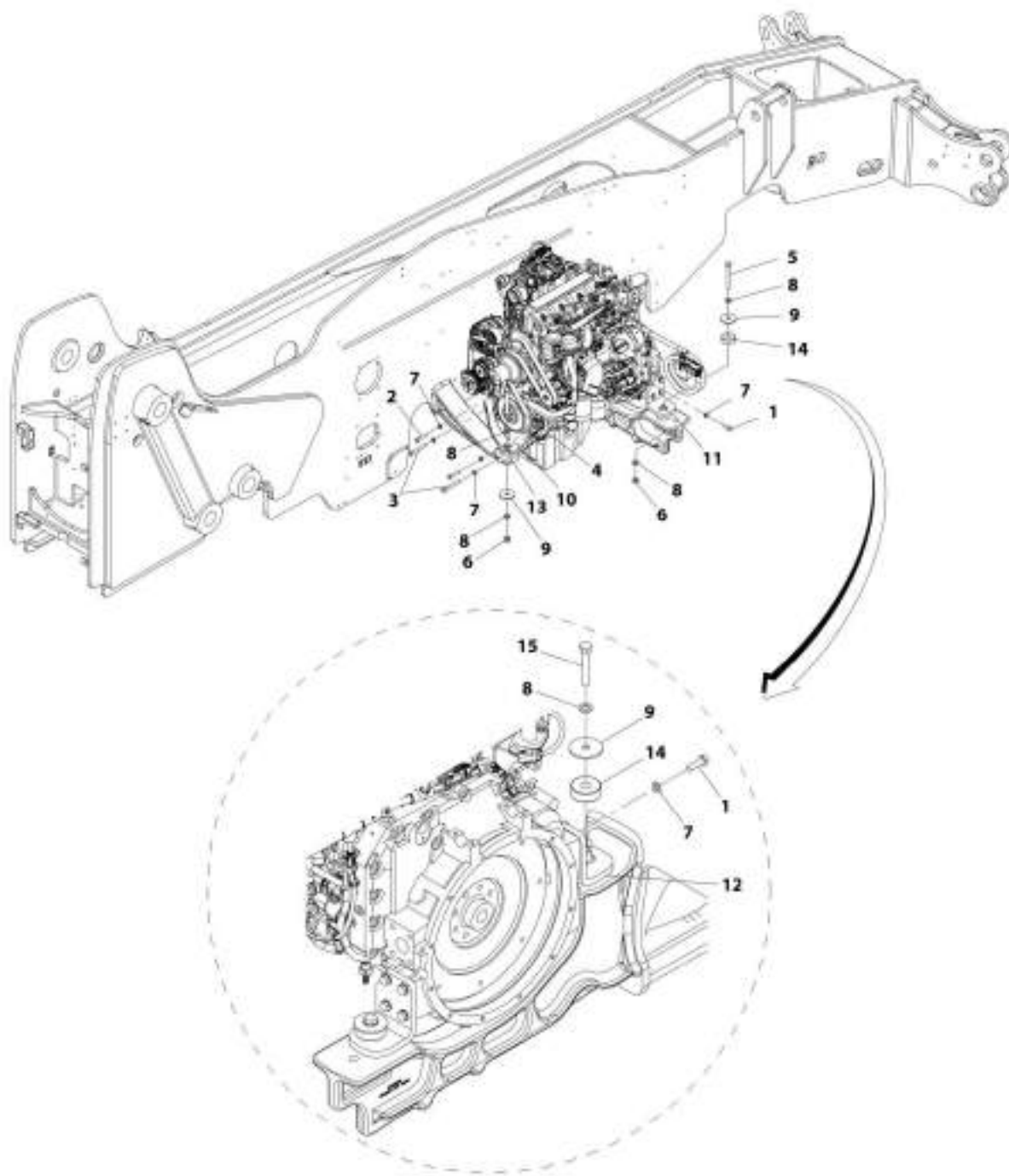
# SECTION 1 - FRAME AND ATTACHING PARTS

## FIGURE 1-4. FRAME COVER INSTALLATION (LS)

ITEM	PART NUMBER	QTY	DESCRIPTION	REV
	1001172638	Ref	Frame Cover Installation (if equipped for LS)	K
1	0700610	7	Bolt, M6X20	
2	0700814	4	Bolt, M8X30	
3	0701016	4	Bolt, M10X40	
4	0760606	3	Screw, M6X12	
5	3900379	5	Capscrew, M6-1X25	
6	4811700	10	Washer, M6	
7	4811902	4	Washer, M8	
8	4812000	6	Washer, M10	
12	1001097540	6	Washer, Nylon M6	
13	1001130220	12	Nut, M6	
14	1001149160	4	Nut, M8	
15	1001207299	1	Bracket, Battery Shield	
16	1001168761	1	Cover, Rear Tank	
17	1001170645	1	Cover, Counterweight	
18	1001170665	1	Plate, Valve Cover	
19	1001201646	1	Shield, Inspection Port	
20	1001171772	3	Plate, Angle Bracket	
21	1001168760	1	Cover, Side Tank	
24	1001112902	1	Screw, M6	
25	1001173468	1	Cover, Rear Frame Module	
26	0761010	2	Bolt, M10X20	
27	1001206746	1	Cap, Side Tank Cover	
28	5250814	4	Bolt, M8X30	

# SECTION 1 - FRAME AND ATTACHING PARTS

## FIGURE 1-5. ENGINE INSTALLATION



AHT\_1001163327-H

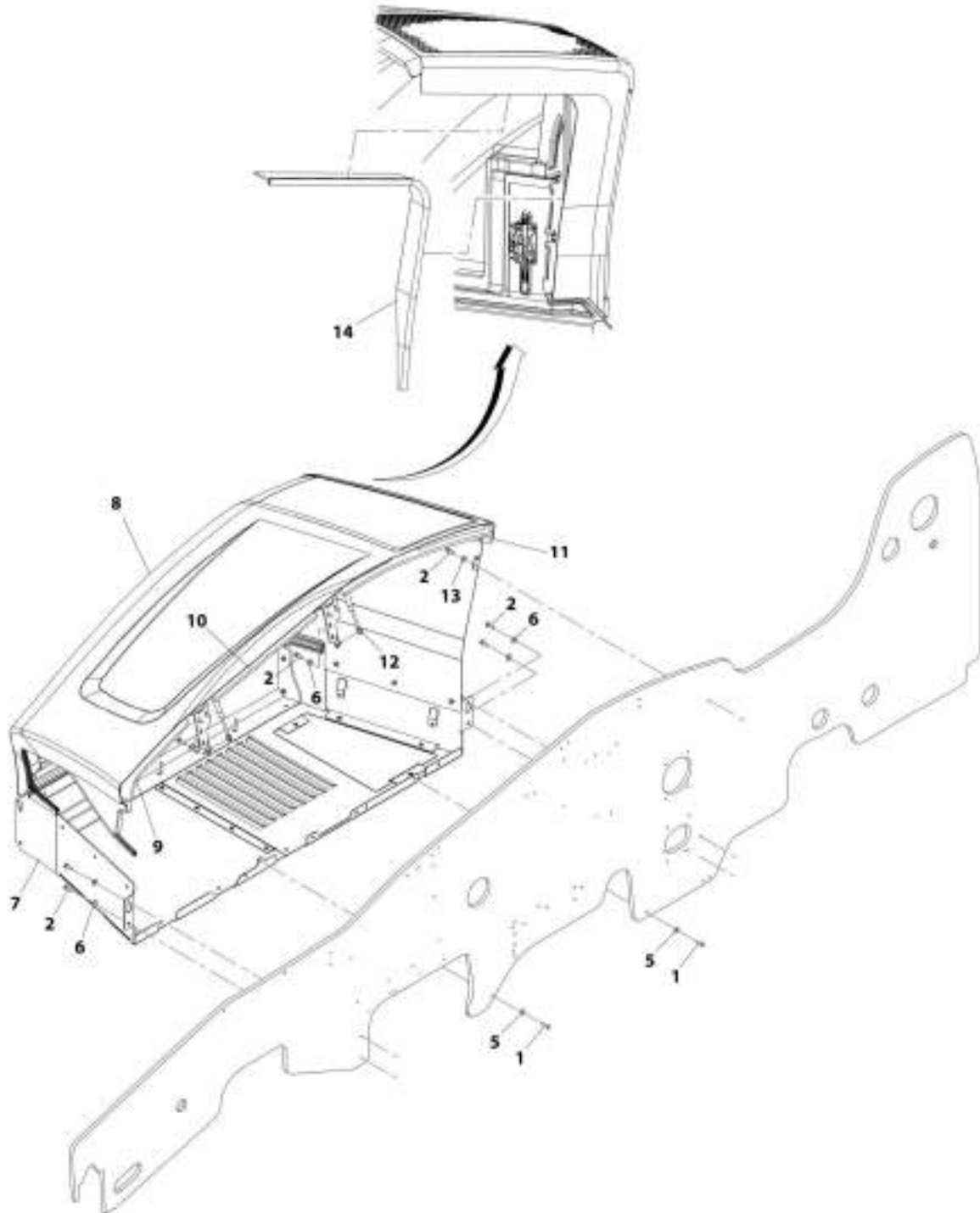
# SECTION 1 - FRAME AND ATTACHING PARTS

## FIGURE 1-5. ENGINE INSTALLATION

ITEM	PART NUMBER	QTY	DESCRIPTION	REV
	1001163227	Ref	Engine Installation	H
1	0701216	8	Bolt, M12X40	
2	0701220	2	Bolt, M12X60	
3	0701227	2	Bolt, M12X100	
4	0711629	1	Bolt, M16X120	
5	0711630	1	Bolt, M16X130	
6	3331615	2	Nut, M16X2	
7	4812100	12	Washer, M12	
8	4812300	5	Washer, M16	
9	7300435	3	Washer	
10	1001160116	1	Bracket, Engine	
11	1001168795	1	Plate, Engine Mount	
12	1001168797	1	Plate, Engine Mount	
13	1001160888	1	Mount, Isolator Engine	
14	1001195518	2	Mount, Isolator Engine	
15	0711626	1	Bolt, M16X90	

# SECTION 1 - FRAME AND ATTACHING PARTS

FIGURE 1-6. ENGINE ENCLOSURE INSTALLATION



ART\_1001190253-1

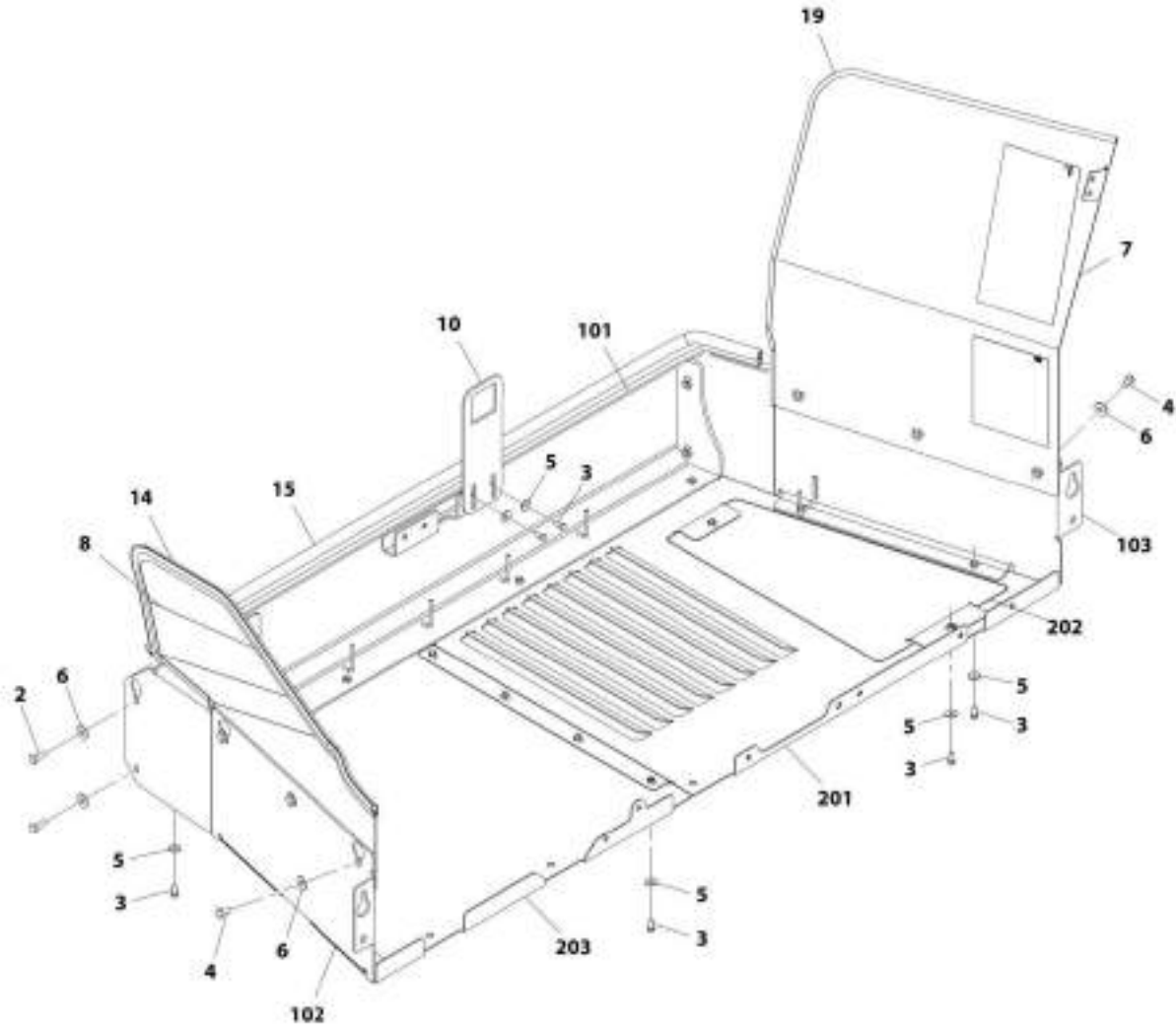
# SECTION 1 - FRAME AND ATTACHING PARTS

## FIGURE 1-6. ENGINE ENCLOSURE INSTALLATION

ITEM	PART NUMBER	QTY	DESCRIPTION	REV
	1001160253	Ref	Engine Enclosure Installation	1
1	0760815	2	Bolt, M8X35	
2	0701014	11	Bolt, M10X30	
5	4811902	2	Washer, M8	
6	4812002	10	Washer, M10	
7	1001162239	Ref	Installation, Engine Enclosure Cover, (See ENGINE ENCLOSURE COVER INSTALLATION for Breakdown)	
8	1001168834	NLA	Assembly, Hood (no longer available, use 1001235963 for replacement)	
8	1001235963	Ref	Assembly, Hood (See HOOD ASSEMBLY for Breakdown)	
9	1001203932	1	Seal	
10	1001203933	1	Seal	
11	1001203934	1	Seal	
12	1001171885	2	Spring, Gas	
13	4812000	1	Washer, M10	
14	1001197339	1	Seal	

# SECTION 1 - FRAME AND ATTACHING PARTS

FIGURE 1-7. ENGINE ENCLOSURE COVER INSTALLATION



ART\_100160239-L

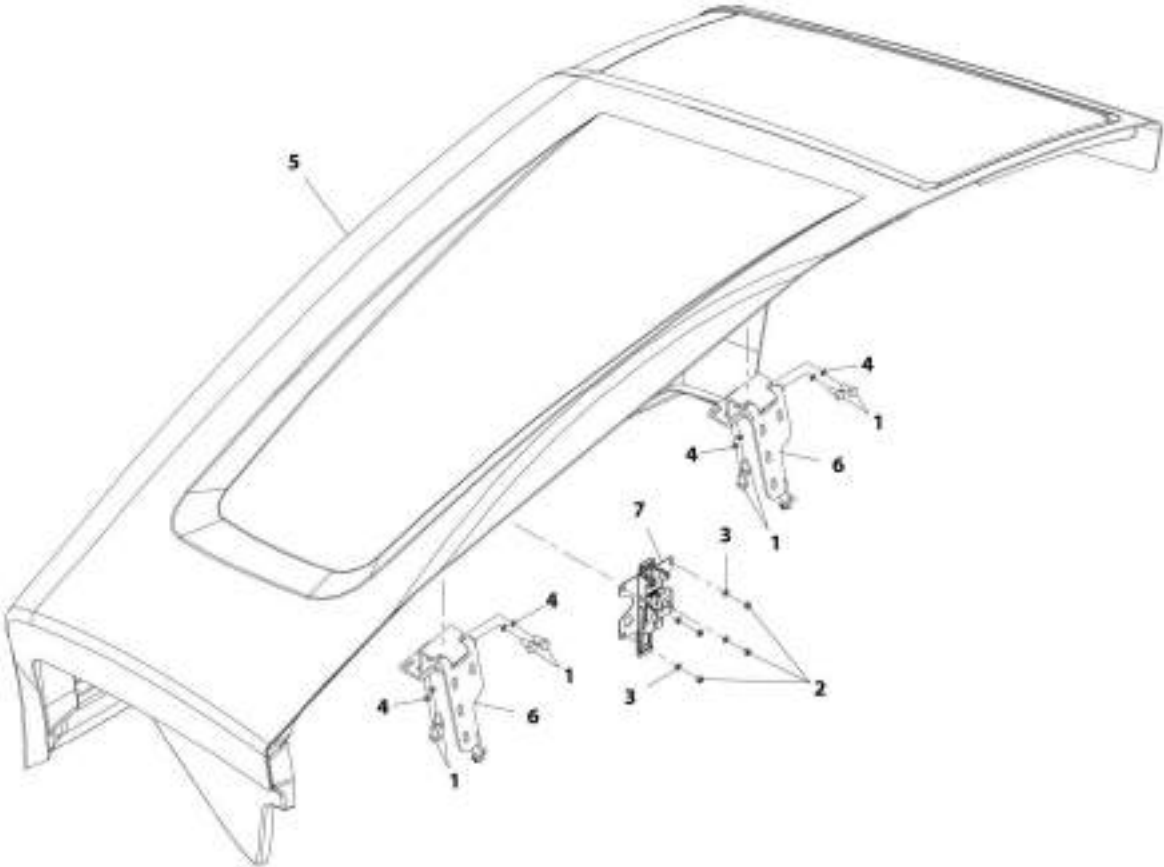
# SECTION 1 - FRAME AND ATTACHING PARTS

## FIGURE 1-7. ENGINE ENCLOSURE COVER INSTALLATION

ITEM	PART NUMBER	QTY	DESCRIPTION	REV
	1001162239	Ref	Engine Enclosure Cover Installation	L
2	0701014	4	Bolt, M10X30	
3	0760810	16	Bolt, M8X20	
4	0761010	6	Bolt, M10X20	
5	4811902	16	Washer, M8	
6	4812002	10	Washer, M10	
7	1001204086	1	Plate, Rear Cover	
8	1001184076	1	Panel, Front Cover	
10	1001209388	1	Bracket, Hood Latch	
14	1001003227	1375 mm	Seal	
15	1001204486	1795 mm	Seal	
19	1001008999	1345 mm	Trim, Edge	
101	1001162240J	1	Side Skirt	
102	1001213126J	1	Front Skirt	
103	1001196426J	1	Rear Skirt	
201	1001196422	1	Side Skirt	
202	1001169265	1	Front Skirt	
203	1001196404	1	Rear Skirt	

**SECTION 1 - FRAME AND ATTACHING PARTS**

**FIGURE 1-8. HOOD ASSEMBLY**



ART\_100108034-K



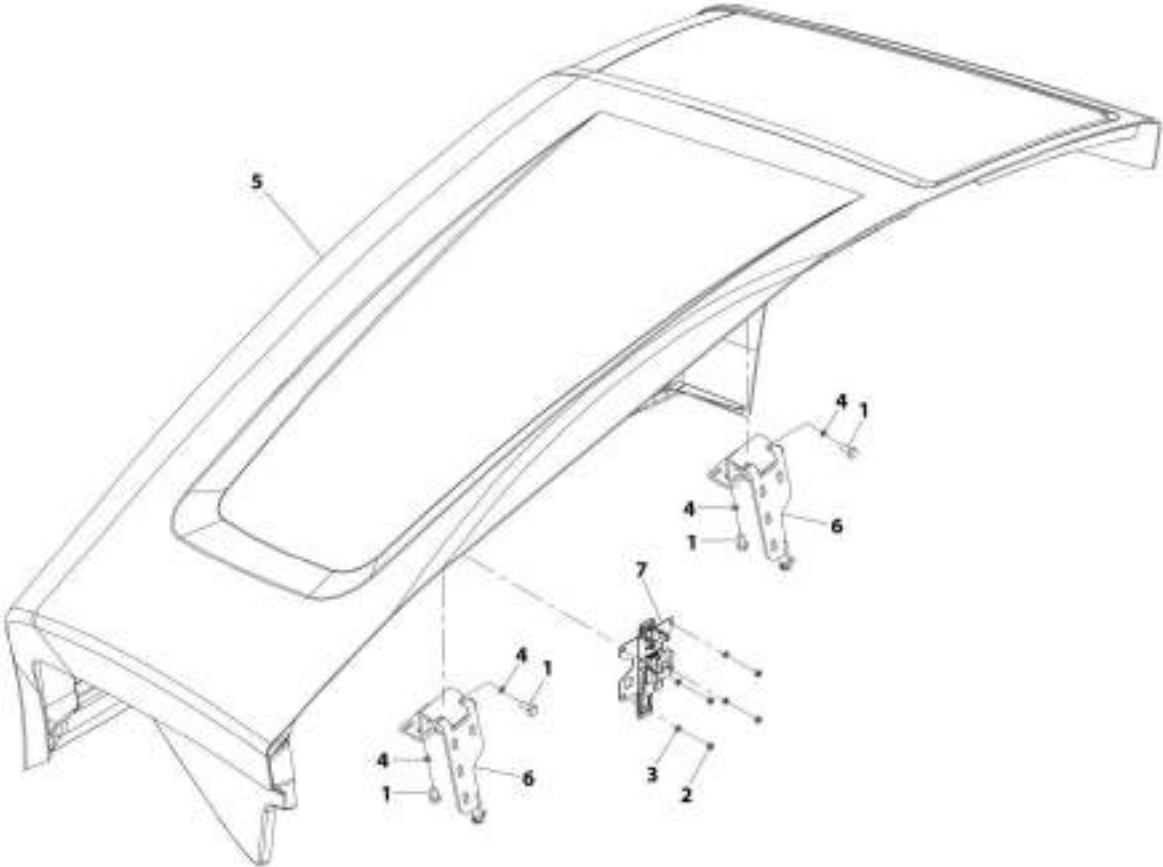
# SECTION 1 - FRAME AND ATTACHING PARTS

## FIGURE 1-8. HOOD ASSEMBLY

ITEM	PART NUMBER	QTY	DESCRIPTION	REV
	1001168834	NLA	Hood Assembly (no longer available, use items 1 thru 7 for service or 1001235963 for replacement)	K
1	0761010	8	Bolt, M10X20	
2	3290605	4	Nut, Lock M6X1	
3	4811700	4	Washer, M6	
4	4812000	8	Washer, M10	
5	1001166698	1	Hood	
6	1001209387	2	Hinge, Hood	
7	1001132168	1	Latch, Hood	

**SECTION 1 - FRAME AND ATTACHING PARTS**

**FIGURE 1-9. HOOD ASSEMBLY**



ART\_1001255903-B

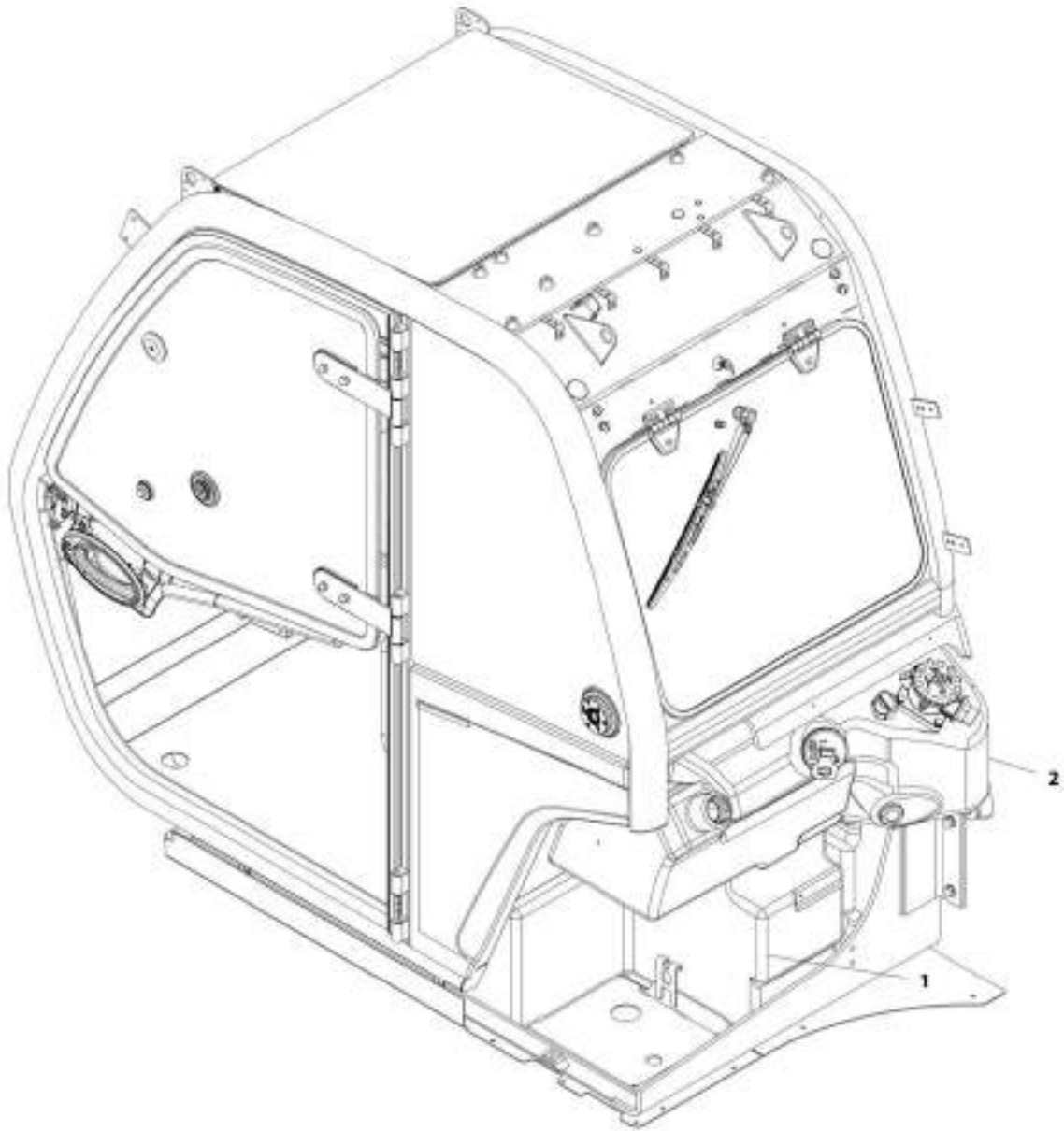
# SECTION 1 - FRAME AND ATTACHING PARTS

## FIGURE 1-9. HOOD ASSEMBLY

ITEM	PART NUMBER	QTY	DESCRIPTION	REV
	1001235963	Ref	Hood Assembly	B
1	0761010	8	Bolt, M10X20	
2	3290605	4	Nut, Lock M6X1	
3	4811700	4	Washer, M6	
4	4812000	8	Washer, M10	
5	1001234455	1	Hood	
6	1001209387	2	Hinge, Hood	
7	1001132168	1	Latch, Hood	

# SECTION 1 - FRAME AND ATTACHING PARTS

## FIGURE 1-10. TANK INSTALLATION



ART\_1001160735-A

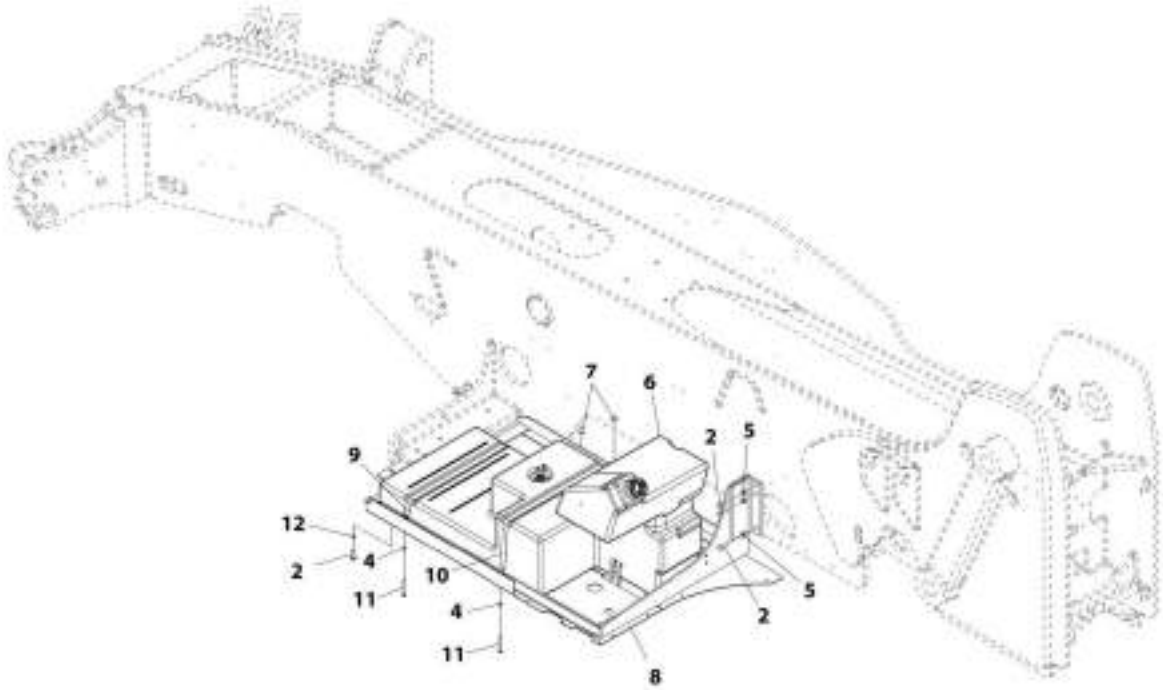
# SECTION 1 - FRAME AND ATTACHING PARTS

## FIGURE 1-10. TANK INSTALLATION

ITEM	PART NUMBER	QTY	DESCRIPTION	REV
1	1001160735	Ref	Tank Installation	A
	1001171153	Ref	Installation, Fuel Tank (See FUEL TANK INSTALLATION for Breakdown)	
2	1001171154	Ref	Installation, Hydraulic Tank (See HYDRAULIC TANK INSTALLATION for Breakdown)	

# SECTION 1 - FRAME AND ATTACHING PARTS

FIGURE 1-11. FUEL TANK INSTALLATION



ART\_1001171133-H

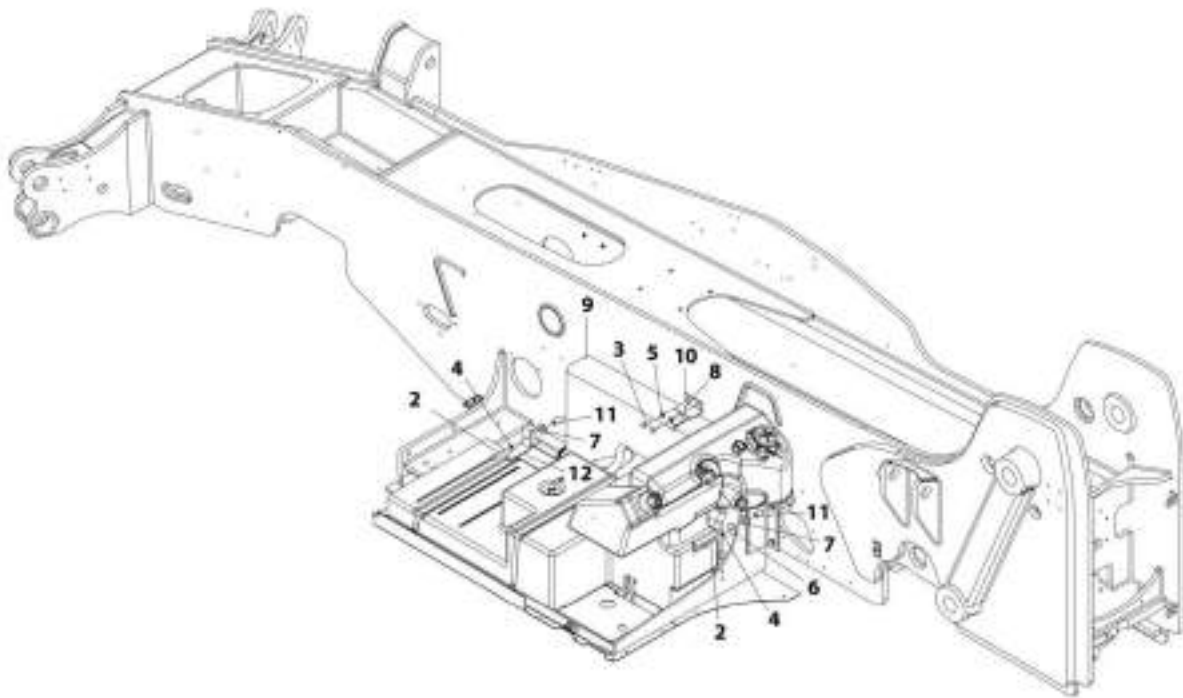
# SECTION 1 - FRAME AND ATTACHING PARTS

## FIGURE 1-11. FUEL TANK INSTALLATION

ITEM	PART NUMBER	QTY	DESCRIPTION	REV
	1001171153	Ref	Fuel Tank Installation	H
2	0761215	6	Bolt, M12X35	
4	4811900	2	Washer, M8	
5	4812100	3	Washer, M12	
6	1001163066	1	Tank, Fuel (See ENGINE AND ATTACHING PARTS SECTION for Breakdown) <b>(Prior to SN 0160074740)</b>	
6	1001211432	1	Tank, Fuel (See ENGINE AND ATTACHING PARTS SECTION for Breakdown) <b>(SN 0160074740 to Present)</b>	
7	1001169454	4	Mount, Buffer	
8	1001169602	1	Support, Tank Plate	
9	1001170071	1	Strap, Tank	
10	1001170072	1	Strap, Tank	
11	0760823	2	Bolt, M8X75	
12	4812102	3	Washer, M12	

# SECTION 1 - FRAME AND ATTACHING PARTS

## FIGURE 1-12. HYDRAULIC TANK INSTALLATION



ART\_3001171154-E



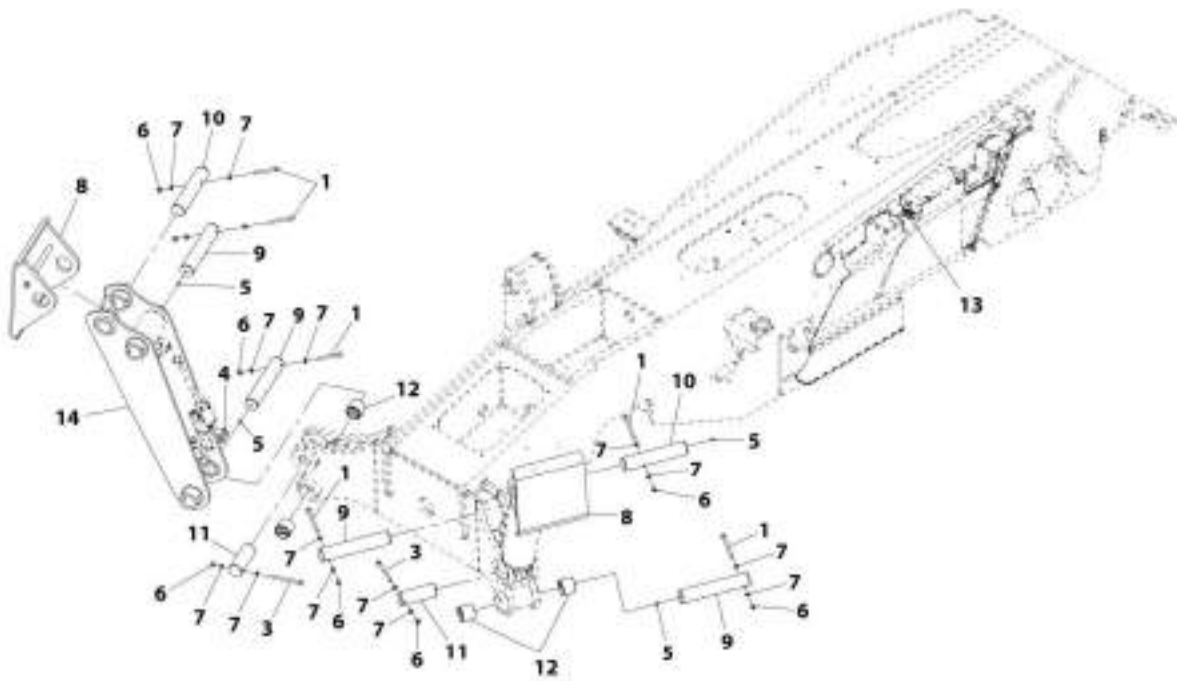
# SECTION 1 - FRAME AND ATTACHING PARTS

## FIGURE 1-12. HYDRAULIC TANK INSTALLATION

ITEM	PART NUMBER	QTY	DESCRIPTION	REV
	1001171154	Ref	Hydraulic Tank Installation	E
2	0701020	2	Bolt, M10X60	
3	0761214	2	Bolt, M12X30	
4	4812000	2	Washer, M10	
5	4812100	2	Washer, M12	
6	1001172147	1	Washer, M10	
7	1001172146	2	Washer, Rubber	
8	1001008575	1	Bumper, Conical	
9	1001163067	Ref	Tank, Hydraulic (See HYDRAULIC COMPONENT SECTION for Breakdown)	
10	1001169461	1	Bracket	
11	1001171179	2	Spacer	
12	1001210707	1	Bracket	

# SECTION 1 - FRAME AND ATTACHING PARTS

## FIGURE 1-13. OUTRIGGERS INSTALLATION



ART\_1001174786-11

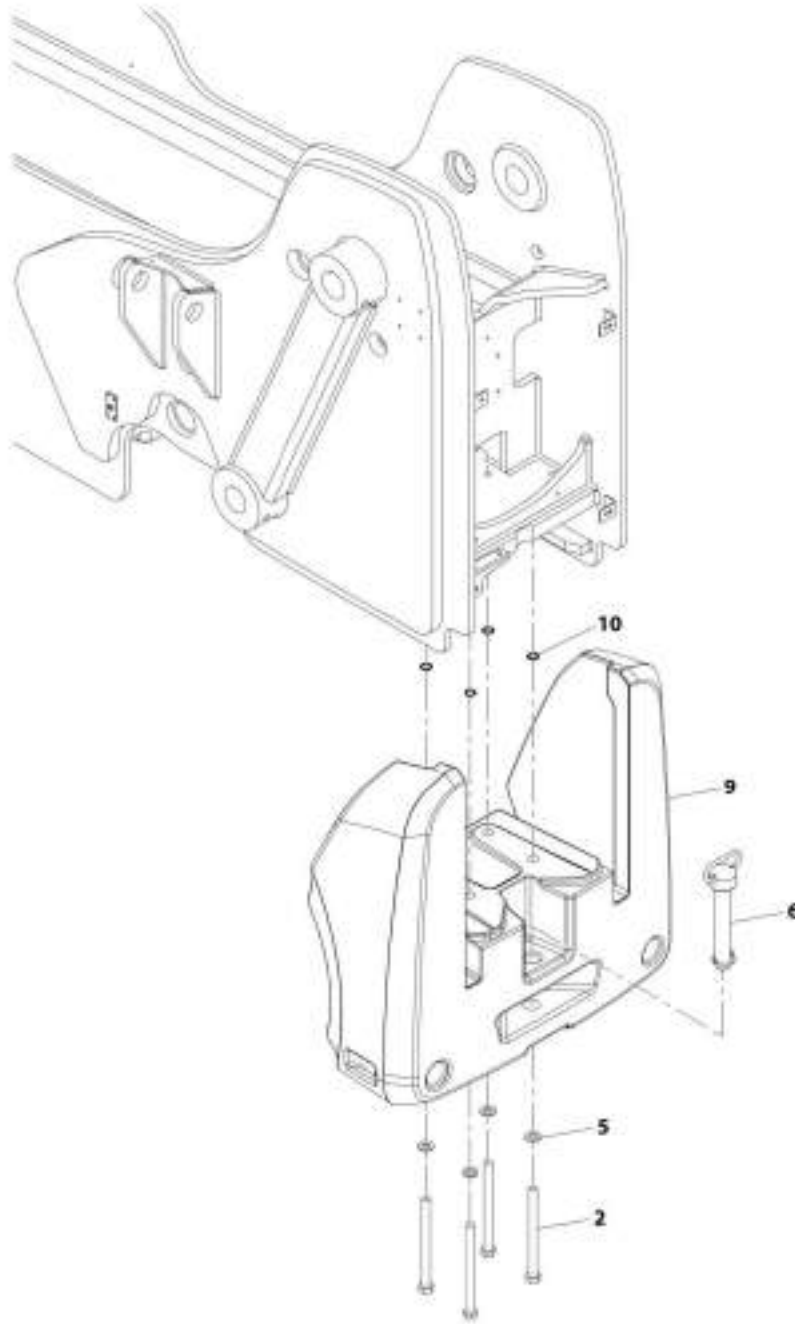
# SECTION 1 - FRAME AND ATTACHING PARTS

## FIGURE 1-13. OUTRIGGERS INSTALLATION

ITEM	PART NUMBER	QTY	DESCRIPTION	REV
	1001174788	Ref	Outriggers Installation	H
1	0701229	6	Bolt, M12X120	
3	0701232	2	Bolt, M12X150	
4	2110808	4	Fitting, Straight ORFS	
5	2160016	4	Fitting, Grease Straight	
6	3291205	8	Nut, Lock M12X1.75	
7	4812100	16	Washer, M12	
8	1001161564	2	Plate, Outrigger Pad	
9	1001164436	4	Pin	
10	1001207292	2	Pin	
11	1001164454	2	Pin	
12	1001168281	4	Bearing	
13	1001174478	Ref	Installation, Outrigger Switches (See CONTROLS SECTION for Breakdown)	
14	1001207291J	2	Arm, Outrigger	

# SECTION 1 - FRAME AND ATTACHING PARTS

FIGURE 1-14. COUNTERWEIGHT INSTALLATION - 1055



ART\_1001365421-G

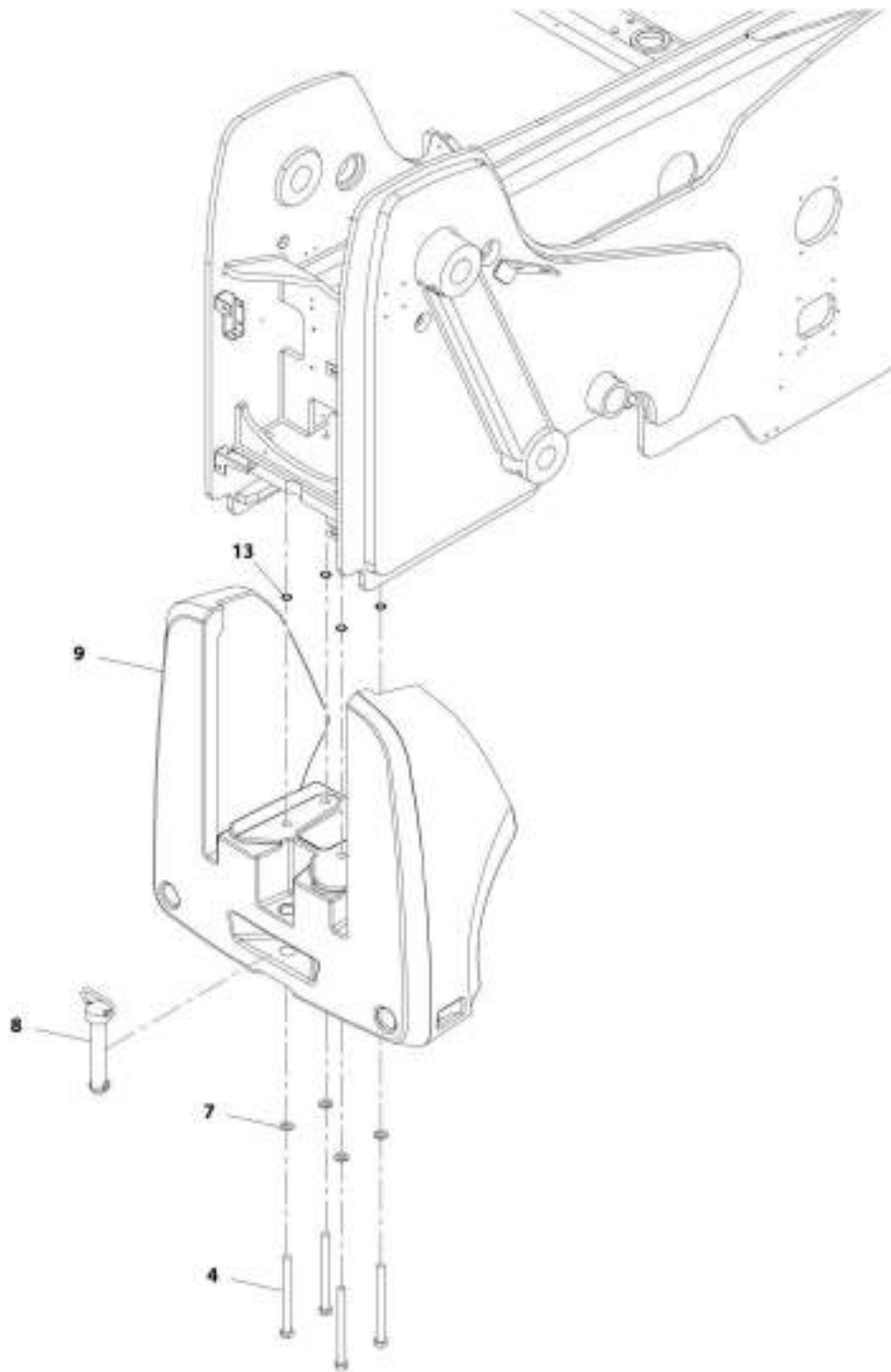
# SECTION 1 - FRAME AND ATTACHING PARTS

## FIGURE 1-14. COUNTERWEIGHT INSTALLATION - 1055

ITEM	PART NUMBER	QTY	DESCRIPTION	REV
	1001165421	Ref	Counterweight Installation - 1055	G
2	0712042	4	Bolt, M20X250 GR10.9	
5	8310620	4	Washer, M20	
6	1001211913	1	Pin	
9	1001176492J	1	Counterweight, 1000KG	
10	1001218341	4	Washer	

# SECTION 1 - FRAME AND ATTACHING PARTS

FIGURE 1-15. COUNTERWEIGHT INSTALLATION - 1255



ART\_1001165400-1

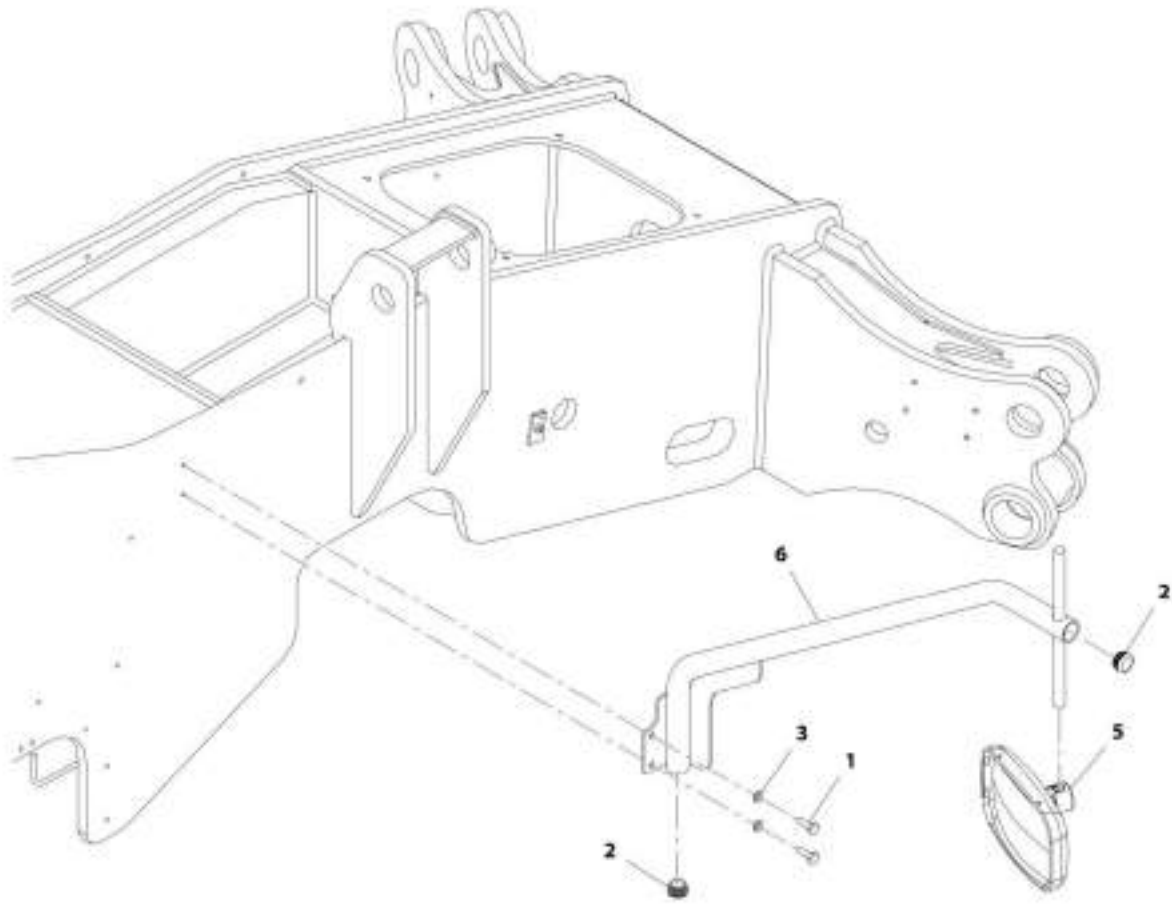
# SECTION 1 - FRAME AND ATTACHING PARTS

## FIGURE 1-15. COUNTERWEIGHT INSTALLATION - 1255

ITEM	PART NUMBER	QTY	DESCRIPTION	REV
	1001165409	Ref	Counterweight Installation - 1255	I
4	0712042	4	Bolt, M20X250 GR10.9	
7	8310620	4	Washer, M20	
8	1001211913	1	Pin	
9	1001176490J	1	Counterweight, 1500KG	
13	1001218341	4	Washer	

# SECTION 1 - FRAME AND ATTACHING PARTS

## FIGURE 1-16. MIRROR INSTALLATION



AMF\_100160218-02



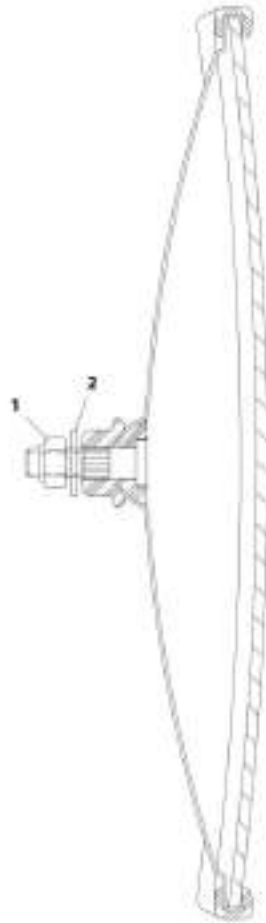
# SECTION 1 - FRAME AND ATTACHING PARTS

## FIGURE 1-16. MIRROR INSTALLATION

ITEM	PART NUMBER	QTY	DESCRIPTION	REV
	1001160255	Ref	Mirror Installation	D
1	0701014	2	Bolt, M10X30 GR8.8	
2	3520186	2	Plug	
3	4812000	2	Washer, M10	
5	1001191635	1	Assembly, Convex Mirror (See CONVEX MIRROR ASSEMBLY for Breakdown)	
6	1001191603	1	Bracket, Mirror	

# SECTION 1 - FRAME AND ATTACHING PARTS

FIGURE 1-17. CONVEX MIRROR ASSEMBLY



REV. 0000000 1

# SECTION 1 - FRAME AND ATTACHING PARTS

## FIGURE 1-17. CONVEX MIRROR ASSEMBLY

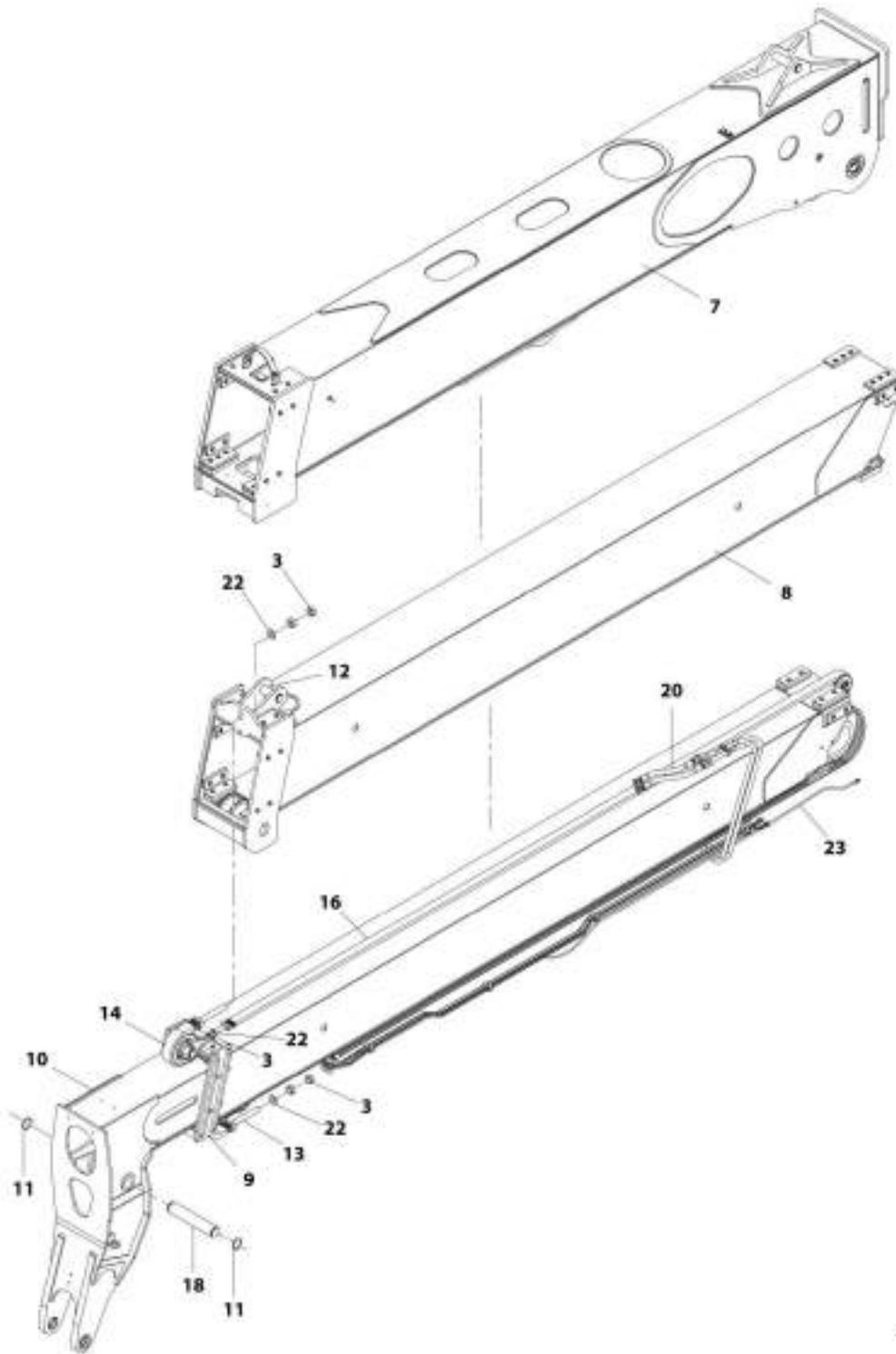
ITEM	PART NUMBER	QTY	DESCRIPTION	REV
	8866348	Ref	Convex Mirror Assembly	E
1	83683300	1	Nut, Lock	
2	83683298	1	Washer	



**SECTION 2 - BOOM**

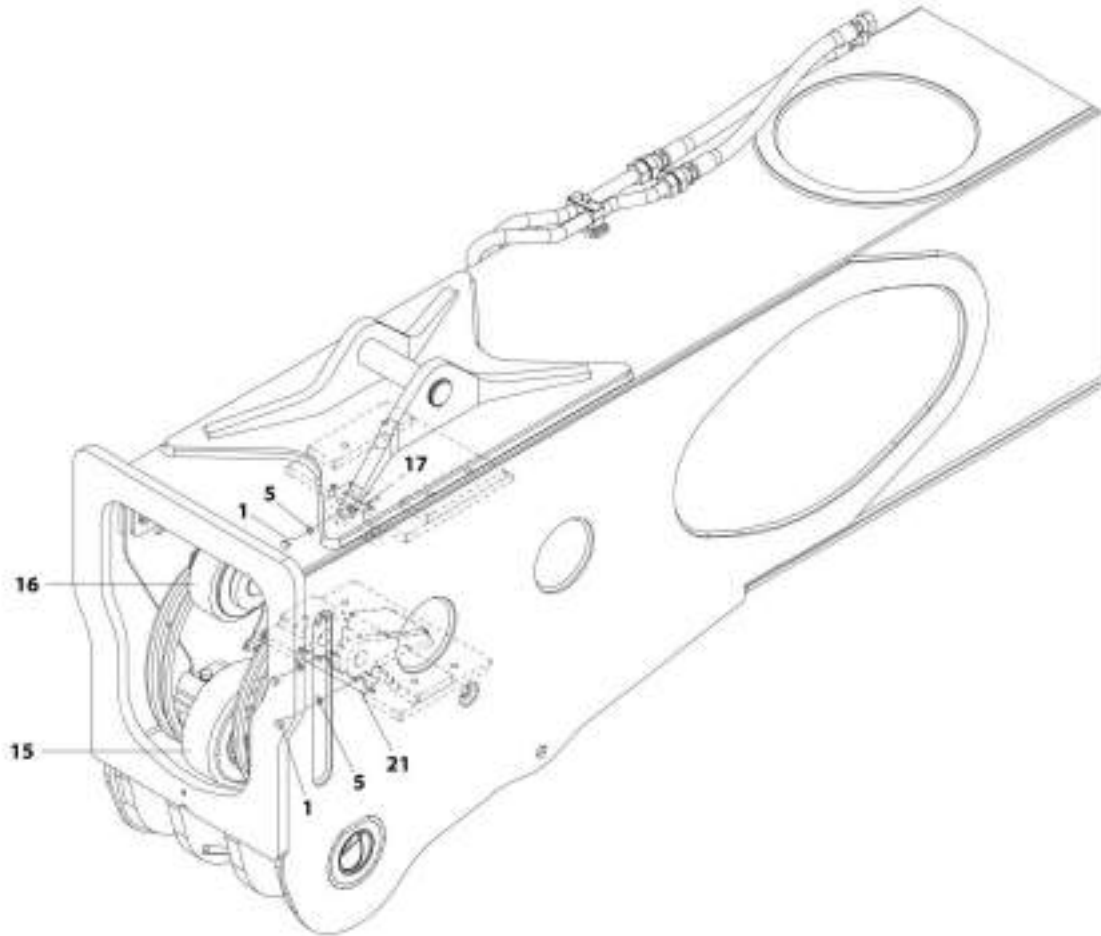
# SECTION 2 - BOOM

## FIGURE 2-1. BOOM ASSEMBLY - 1055



ART\_100119958\_1.P

## SECTION 2 - BOOM



ART\_1001159858\_2-F

## SECTION 2 - BOOM

**FIGURE 2-1. BOOM ASSEMBLY - 1055**

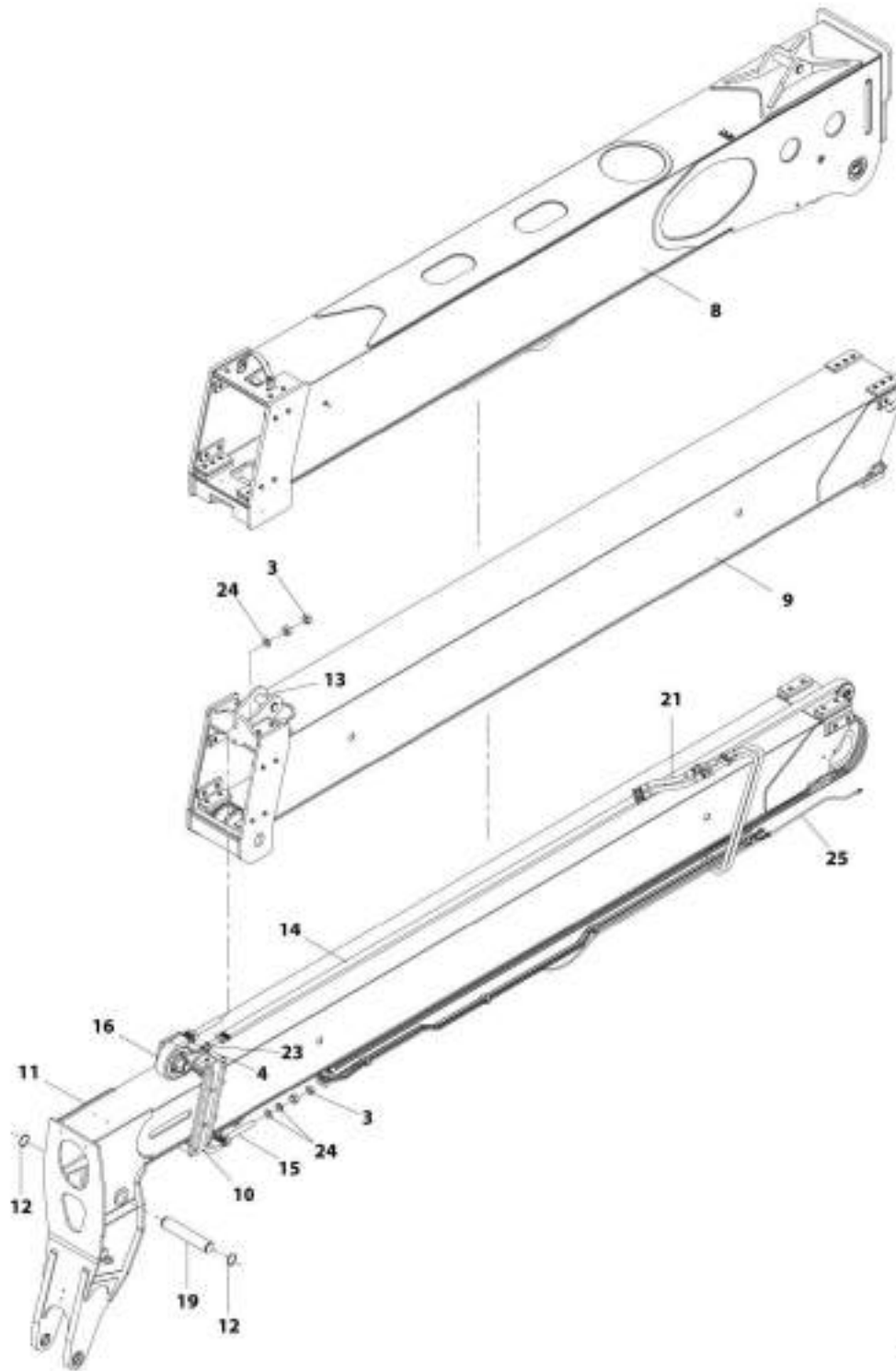
ITEM	PART NUMBER	QTY	DESCRIPTION	REV
	1001159958	Ref	Boom Assembly - 1055	F
1	0760810	3	Bolt, M8X20	
3	3332411	10	Nut, M24X3	
5	4811900	3	Washer, M8	
7	1001159967	1	Assembly, First Boom (See FIRST BOOM ASSEMBLY - 1055 for Breakdown)	
8	1001160014	1	Assembly, Second Boom (See SECOND BOOM ASSEMBLY - 1055 for Breakdown)	
9	1001160024	1	Assembly, Third Boom (See THIRD BOOM ASSEMBLY - 1055 for Breakdown)	
10	1001160033	1	Assembly, Fourth Boom (See FOURTH BOOM ASSEMBLY - 1055 for Breakdown)	
11	88581157	2	Ring, Snap	
12	1001163881	Ref	Installation, Extend Cylinder Pins (See EXTEND CYLINDER PINS INSTALLATION for Breakdown)	
13	1001165045	Ref	Installation, Second Boom Section Retract Chain (See SECOND BOOM SECTION RETRACT CHAIN INSTALLATION - 1055 for Breakdown)	
14	1001165046	Ref	Installation, Second Boom Section Extend Chain (See SECOND BOOM SECTION EXTEND CHAIN INSTALLATION - 1055 for Breakdown)	
15	1001165047	Ref	Installation, Third Boom Section Retract Chain (See THIRD BOOM SECTION RETRACT CHAIN INSTALLATION - 1055 for Breakdown)	
16	1001165048	Ref	Installation, Third Boom Section Extend Chain (See THIRD BOOM SECTION EXTEND CHAIN INSTALLATION for Breakdown)	
17	1001165484	1	Plate	
18	1001167491	1	Pin	
20	1001174329	Ref	Installation, Boom Hydraulic Tubes (See HYDRAULIC CIRCUITS SECTION for Breakdown)	
21	1001171001	1	Plate	
22	4812700	5	Washer, M24	
23	1001178792	1	Hose <b>(Prior to SN 0160078794)</b>	
23	1001208050	1	Hose <b>(SN 0160078794 to Present)</b>	





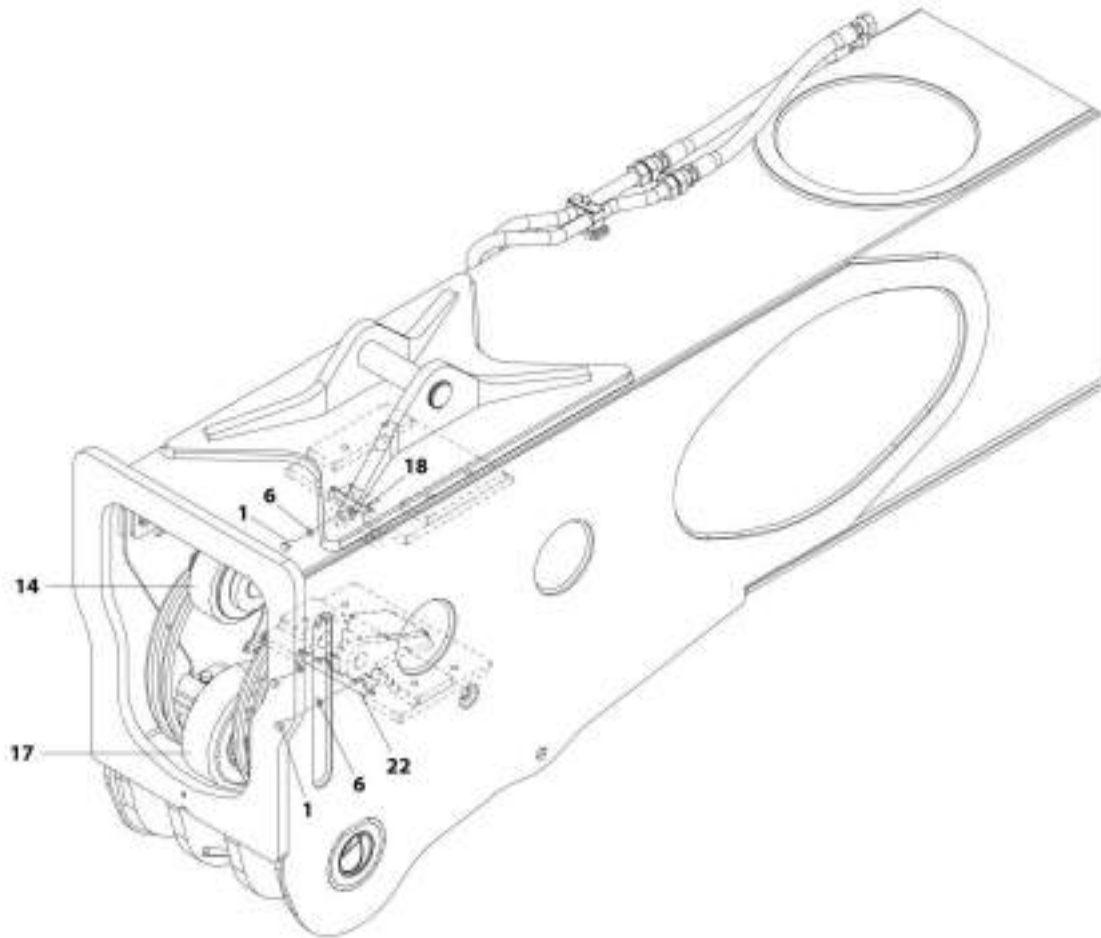
# SECTION 2 - BOOM

## FIGURE 2-2. BOOM ASSEMBLY - 1255



WRT\_100115985T\_1-0

# SECTION 2 - BOOM



ART\_100159957\_2-G

## SECTION 2 - BOOM

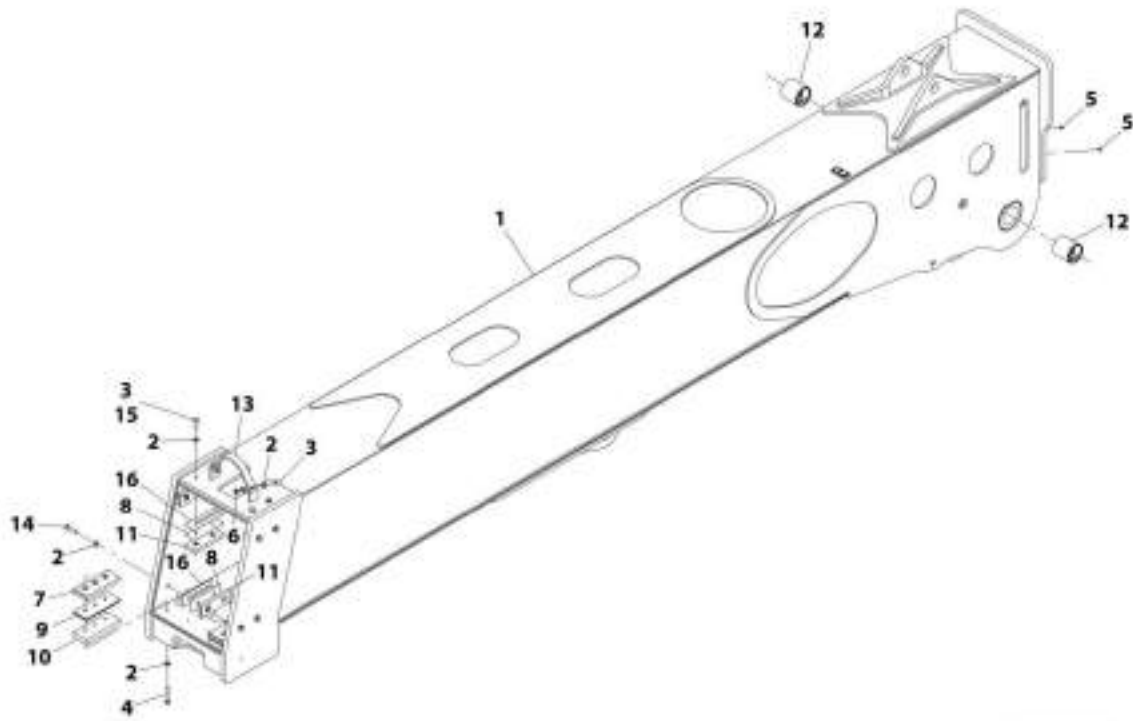
**FIGURE 2-2. BOOM ASSEMBLY - 1255**

ITEM	PART NUMBER	QTY	DESCRIPTION	REV
	1001159957	Ref	Boom Assembly - 1255	G
1	0760810	3	Bolt, M8X20	
3	3333011	8	Nut, M30	
4	3332411	2	Nut, M24X3	
6	4811900	3	Washer, M8	
8	1001159966	1	Assembly, First Boom (See FIRST BOOM ASSEMBLY - 1255 for Breakdown)	
9	1001160013	1	Assembly, Second Boom (See SECOND BOOM ASSEMBLY - 1255 for Breakdown)	
10	1001160023	1	Assembly, Third Boom (See THIRD BOOM ASSEMBLY for Breakdown)	
11	1001160032	1	Assembly, Fourth Boom (See FOURTH BOOM ASSEMBLY - 1255 for Breakdown)	
12	88581157	2	Ring, Snap	
13	1001163881	Ref	Installation, Extend Cylinder Pins (See EXTEND CYLINDER PINS INSTALLATION for Breakdown)	
14	1001165048	Ref	Installation, Third Boom Section Extend Chain (See THIRD BOOM SECTION EXTEND CHAIN INSTALLATION for Breakdown)	
15	1001165295	Ref	Installation, Second Boom Section Retract Chain - 1255 (See SECOND BOOM SECTION RETRACT CHAIN INSTALLATION - 1255 for Breakdown)	
16	1001165296	Ref	Installation, Second Boom Section Extend Chain - 1255 (See SECOND BOOM SECTION EXTEND CHAIN INSTALLATION - 1255 for Breakdown)	
17	1001165297	Ref	Installation, Third Boom Section Retract Chain - 1255 (See THIRD BOOM SECTION RETRACT CHAIN INSTALLATION - 1255 for Breakdown)	
18	1001165484	1	Plate	
19	1001167491	1	Pin	
21	1001174329	1	Installation, Boom Hydraulic Tubes (See HYDRAULIC CIRCUIT SECTION for Breakdown)	
22	1001171001	1	Plate	
23	4812700	1	Washer, M24	
24	1001097412	4	Washer	
25	1001178792	1	Hose <b>(Prior to SN 0160078794)</b>	
25	1001208050	1	Hose <b>(SN 0160078794 to Present)</b>	



# SECTION 2 - BOOM

FIGURE 2-3. FIRST BOOM ASSEMBLY - 1055



ART\_100150967-E

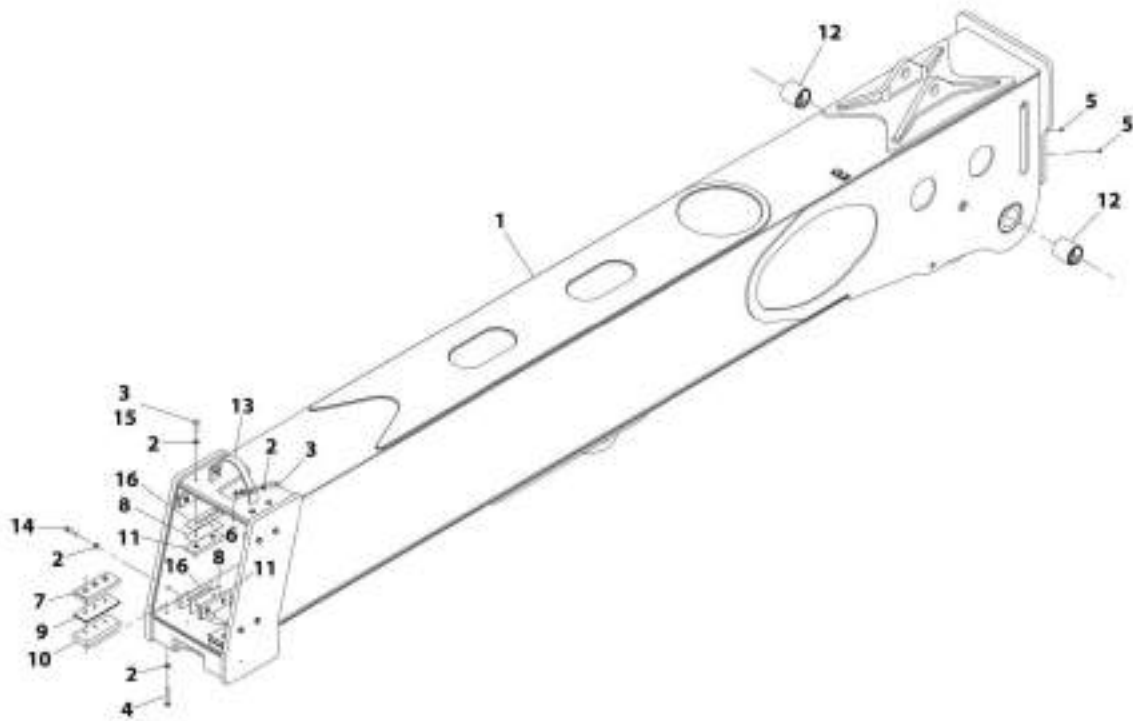
## SECTION 2 - BOOM

**FIGURE 2-3. FIRST BOOM ASSEMBLY - 1055**

ITEM	PART NUMBER	QTY	DESCRIPTION	REV
	1001159967	Ref	First Boom Assembly - 1055	E
1	1001159971J	1	Weldment, First Boom	
2	1001125117	AR	Washer, M12	
3	0711216	6	Bolt, M12X40	
4	0711223	6	Bolt, M12X75 GR10.9	
5	2160016	2	Fitting, Grease	
6	3291201	2	Nut, M12X1.75	
7	1001162469	2	Pad, Wear	
8	1001163034	AR	Spacer	
9	1001163112	AR	Spacer	
10	1001163113	2	Spacer	
11	1001165171	6	Pad, Wear	
12	1001166455	2	Sleeve, Bronze	
13	1001171178	1	Strap, Cylinder	
14	0711218	8	Bolt, M12X50	
15	0711217	AR	Bolt, M12X45	
16	1001163103	AR	Shim	

# SECTION 2 - BOOM

FIGURE 2-4. FIRST BOOM ASSEMBLY - 1255



ART\_1301150965-E



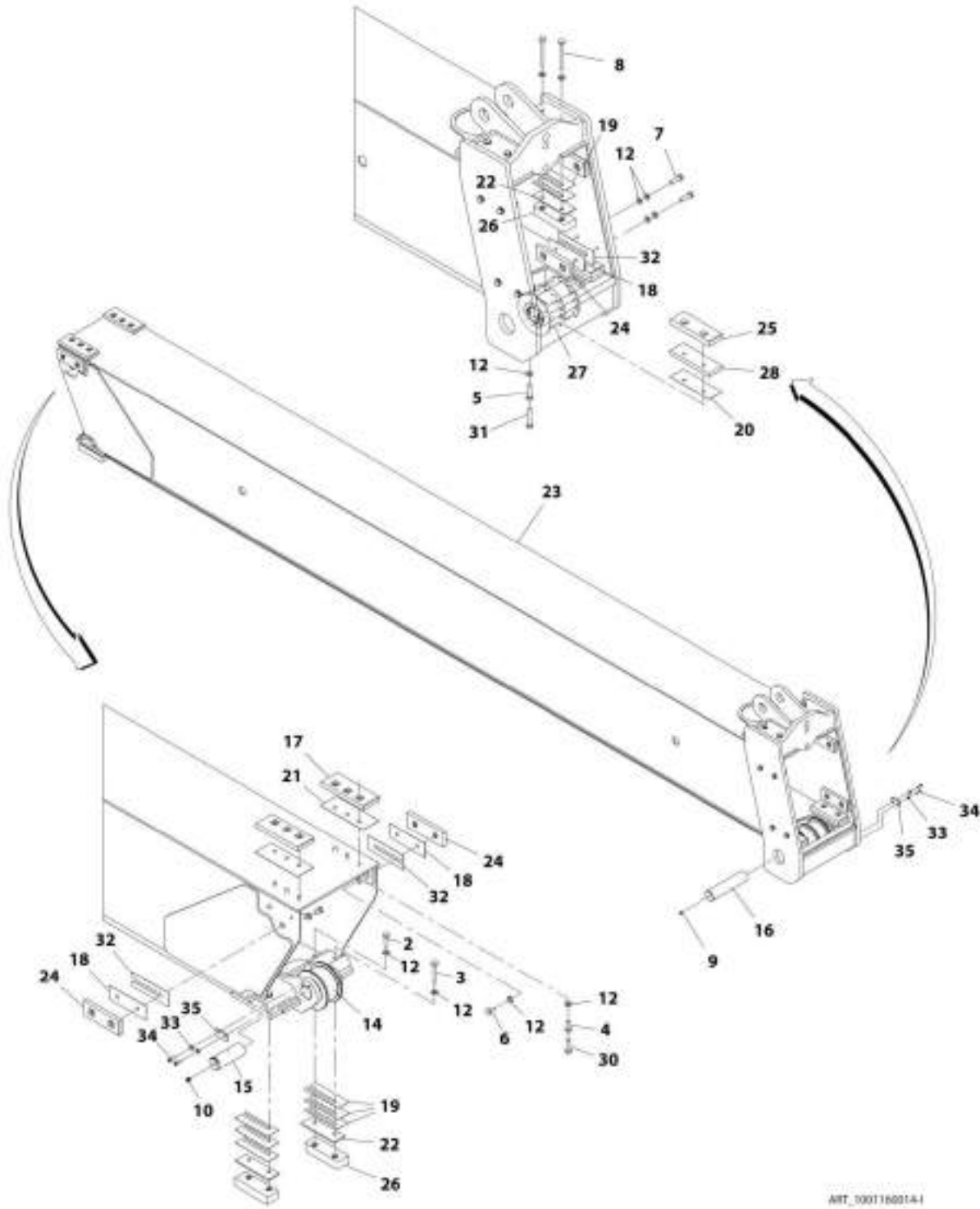
## SECTION 2 - BOOM

**FIGURE 2-4. FIRST BOOM ASSEMBLY - 1255**

ITEM	PART NUMBER	QTY	DESCRIPTION	REV
	1001159966	Ref	First Boom Assembly - 1255	E
1	1001159970J	1	Weldment, First Boom	
2	1001125117	AR	Washer, M12	
3	0711216	6	Bolt, M12X40	
4	0711223	6	Bolt, M12X75 GR10.9	
5	2160016	2	Fitting, Grease	
6	3291201	2	Nut, M12X1.75	
7	1001162469	2	Pad, Wear	
8	1001163034	AR	Spacer	
9	1001163112	AR	Spacer	
10	1001163113	2	Spacer	
11	1001165171	6	Pad, Wear	
12	1001166455	2	Sleeve, Bronze	
13	1001171178	1	Strap, Cylinder	
14	0711218	8	Bolt, M12X50	
15	0711217	AR	Bolt, M12X45	
16	1001163103	AR	Shim	

# SECTION 2 - BOOM

FIGURE 2-5. SECOND BOOM ASSEMBLY - 1055



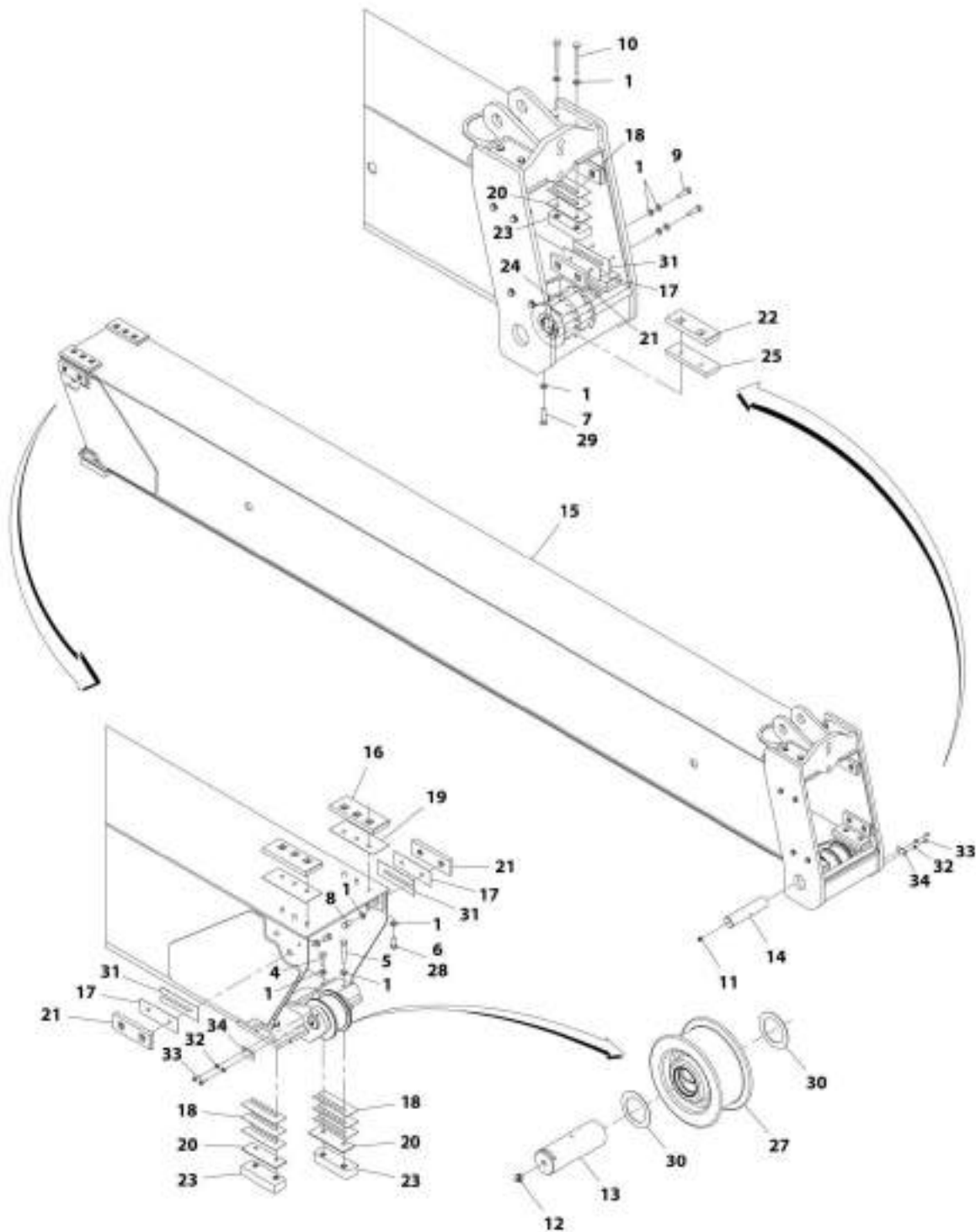
## SECTION 2 - BOOM

**FIGURE 2-5. SECOND BOOM ASSEMBLY - 1055**

ITEM	PART NUMBER	QTY	DESCRIPTION	REV
	1001160014	Ref	Second Boom Assembly - 1055	1
2	0711216	2	Bolt, M12X40	
3	0711224	2	Bolt, M12X80	
4	0711214	6	Bolt, M12X30	
5	0711219	4	Bolt, M12X55 GR10.9	
6	0771210	4	Bolt, M12X20	
7	0711217	8	Bolt, M12X45	
8	0711228	4	Bolt, M12X110	
9	2160016	1	Fitting, Grease	
10	2160018	1	Fitting, Grease	
12	1001125117	AR	Washer, M12	
14	1001101867	1	Assembly, Chain Sheave (See CHAIN SHEAVE ASSEMBLY for Breakdown)	
15	1001159611	1	Pin	
16	1001161054	1	Pin	
17	1001162469	2	Pad, Wear	
18	1001163034	AR	Spacer	
19	1001163104	AR	Shim	
20	1001163108	AR	Spacer	
21	1001163112	AR	Spacer	
22	1001163114	4	Spacer	
23	1001163900	1	Weldment, Second Boom	
24	1001165171	6	Pad, Wear	
25	1001165173	2	Pad, Wear	
26	1001165175	4	Pad, Wear	
27	1001168286	1	Assembly, Chain Sheave (See CHAIN SHEAVE ASSEMBLY for Breakdown)	
28	1001170627	2	Spacer	
30	0711215	AR	Bolt, M12X35	
31	0711220	AR	Bolt, M12X60	
32	1001163103	AR	Shim	
33	5240800	4	Washer, M8	
34	5271808	4	Bolt, M8X20	
35	1001206248	2	Bracket	

# SECTION 2 - BOOM

## FIGURE 2-6. SECOND BOOM ASSEMBLY - 1255



ART\_1001100013-H

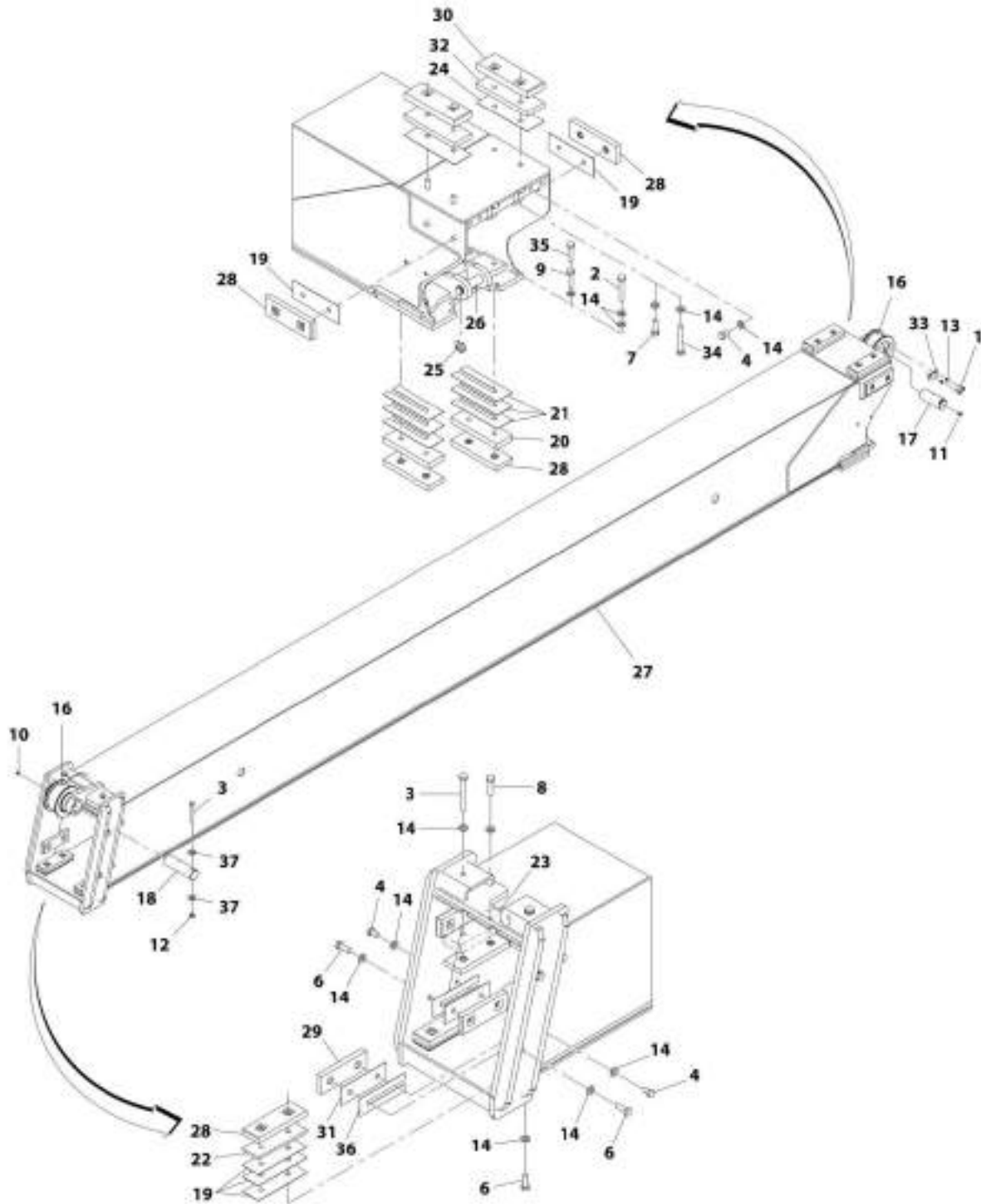
## SECTION 2 - BOOM

**FIGURE 2-6. SECOND BOOM ASSEMBLY - 1255**

ITEM	PART NUMBER	QTY	DESCRIPTION	REV
	1001160013	Ref	Second Boom Assembly - 1255	H
1	1001125117	AR	Washer, M12	
4	0711216	2	Bolt, M12X40	
5	0711224	2	Bolt, M12X80 GR10.9	
6	0711214	6	Bolt, M12X30	
7	0711219	4	Bolt, M12X55 GR10.9	
8	0771210	4	Bolt, M12X20 GR10.9	
9	0711217	8	Bolt, M12X45	
10	0711228	4	Bolt, M12X10	
11	2160016	1	Fitting, Grease	
12	2160018	1	Fitting, Grease	
13	1001159611	1	Pin	
14	1001161054	1	Pin	
15	1001162286	1	Weldment, Second Boom	
16	1001162469	2	Pad, Wear	
17	1001163034	AR	Spacer	
18	1001163104	AR	Shim	
19	1001163112	AR	Spacer	
20	1001163114	4	Plate, Spacer	
21	1001165171	6	Pad, Wear	
22	1001165173	2	Pad, Wear	
23	1001165175	4	Pad, Wear	
24	1001167027	1	Assembly, Chain Sheave (See CHAIN SHEAVE ASSEMBLY for Breakdown)	
25	1001170627	2	Spacer	
27	91565005	1	Assembly, Chain Sheave (See CHAIN SHEAVE ASSEMBLY for Breakdown)	
28	0711215	AR	Bolt, M12X35	
29	0711220	AR	Bolt, M12X60	
30	91041596	AR	Washer	
31	1001163103	AR	Shim	
32	5240800	4	Washer, M8	
33	5271808	4	Bolt, M8X20	
34	1001206248	2	Bracket	

# SECTION 2 - BOOM

## FIGURE 2-7. THIRD BOOM ASSEMBLY - 1055



ART\_10019K024-I

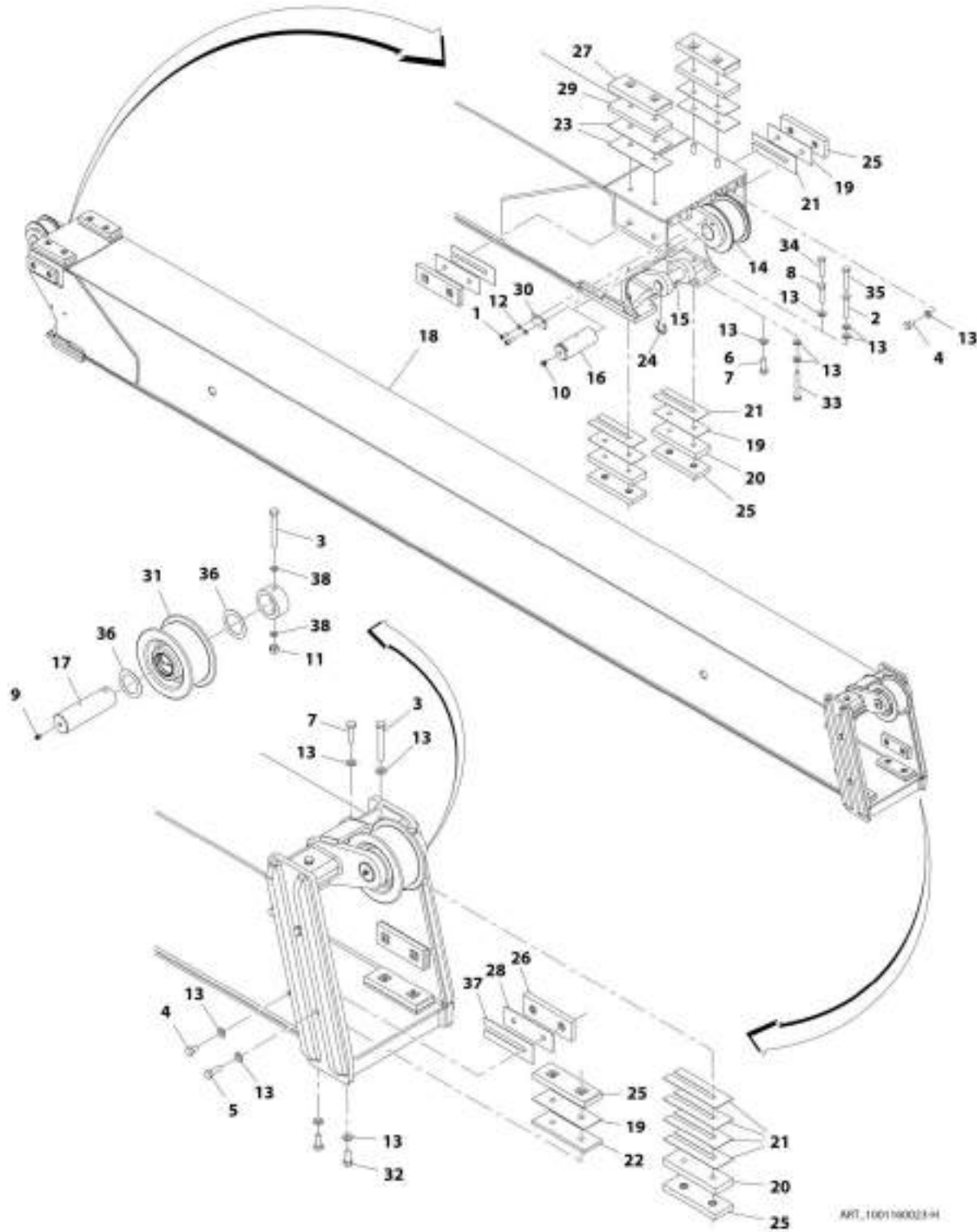
## SECTION 2 - BOOM

**FIGURE 2-7. THIRD BOOM ASSEMBLY - 1055**

ITEM	PART NUMBER	QTY	DESCRIPTION	REV
	1001160024	Ref	Third Boom Assembly - 1055	1
1	5271808	2	Bolt, M8X20	
2	1001098828	2	Bolt, M12X70	
3	0711227	3	Bolt, M12X100	
4	0771210	8	Bolt, M12X20	
6	0711215	8	Bolt, M12X35	
7	0711216	2	Bolt, M12X40	
8	0711217	2	Bolt, M12X45	
9	0711218	AR	Bolt, M12X50	
10	2160016	1	Fitting, Grease	
11	2160018	1	Fitting, Grease	
12	3291205	1	Nut, Lock M12X1.75	
13	5240800	2	Washer, M8	
14	1001125117	AR	Washer, M12	
16	1001101867	2	Assembly, Chain Sheave (See CHAIN SHEAVE ASSEMBLY for Breakdown)	
17	1001159613	1	Pin	
18	1001161055	1	Pin	
19	1001163034	AR	Spacer	
20	1001163038	2	Spacer	
21	1001163103	AR	Shim	
22	1001163105	2	Spacer	
23	1001163107	2	Spacer	
24	1001163108	AR	Spacer	
25	1001163638	2	Ring, Retaining	
26	1001163693	1	Pin	
27	1001163903	1	Weldment, Third Boom	
28	1001165171	8	Pad, Wear	
29	1001165172	4	Pad, Wear	
30	1001165173	2	Pad, Wear	
31	1001165367	AR	Spacer	
32	1001170627	2	Spacer	
33	1001206248	1	Bracket	
34	0711226	2	Bolt, M12X85	
35	0711219	2	Bolt, M12X55	
36	1001200989	AR	Shim	
37	4812100	2	Washer, M12	

# SECTION 2 - BOOM

## FIGURE 2-8. THIRD BOOM ASSEMBLY - 1255





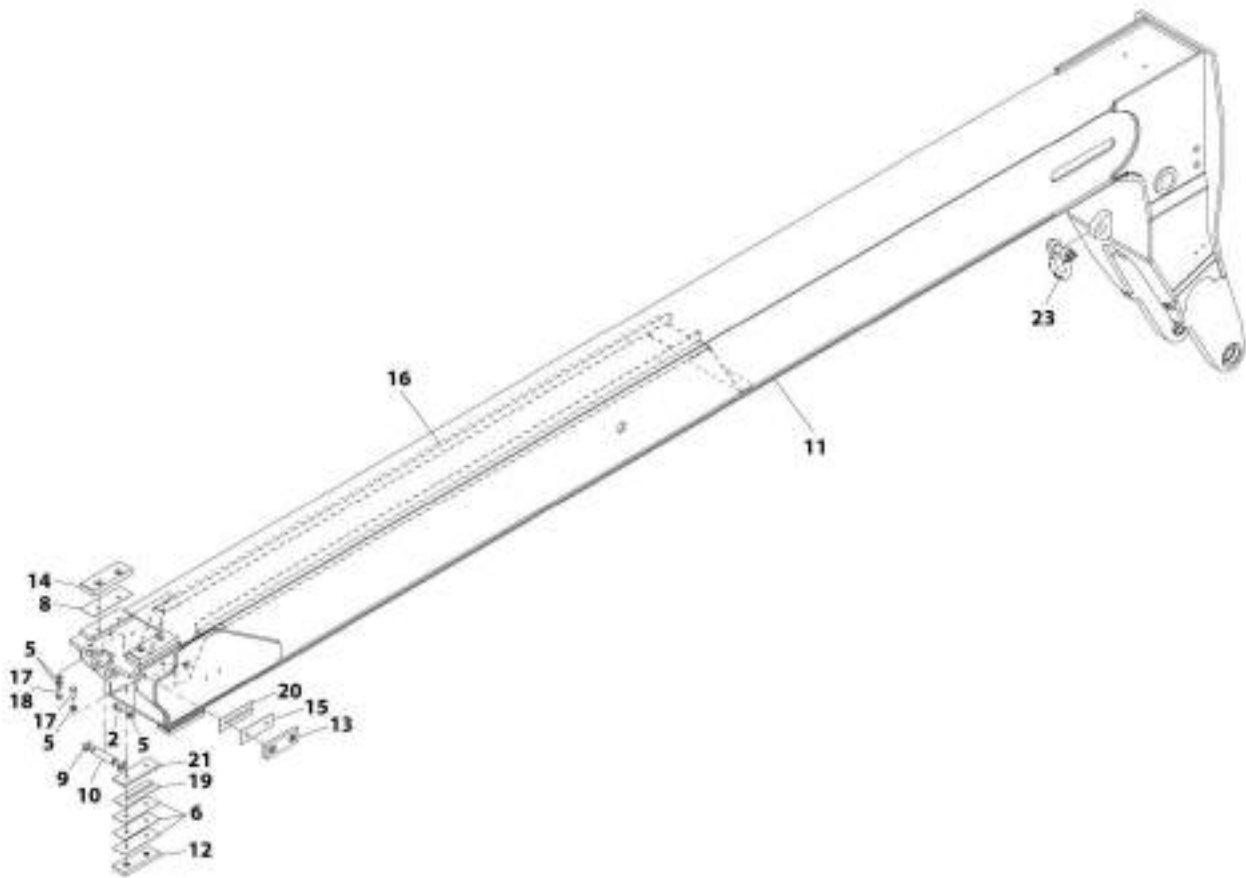
## SECTION 2 - BOOM

**FIGURE 2-8. THIRD BOOM ASSEMBLY - 1255**

ITEM	PART NUMBER	QTY	DESCRIPTION	REV
	1001160023	Ref	Third Boom Assembly - 1255	H
1	5271808	2	Bolt, M8X20	
2	1001098828	2	Bolt, M12-1.75X70 GR10.9	
3	0711227	3	Bolt, M12X100 GR10.9	
4	0771210	8	Bolt, M12X20 GR10.9	
5	0711215	4	Bolt, M12X35 GR10.9	
6	0711216	2	Bolt, M12X40 GR10.9	
7	0711217	2	Bolt, M12X45	
8	0711218	2	Bolt, M12X50 GR10.9	
9	2160016	1	Fitting, Grease	
10	2160018	1	Fitting, Grease	
11	3291205	1	Nut, Lock M12X1.75	
12	5240800	2	Washer, M8	
13	1001125117	AR	Washer, M12	
14	1001101867	1	Assembly, Chain Sheave (See CHAIN SHEAVE ASSEMBLY for Breakdown)	
15	1001159612	1	Pin	
16	1001159613	1	Pin	
17	1001161055	1	Pin	
18	1001162376	1	Weldment, Third Boom	
19	1001163034	AR	Spacer	
20	1001163038	4	Spacer	
21	1001163103	AR	Shim	
22	1001163105	2	Spacer	
23	1001163108	AR	Spacer	
24	1001163619	2	Ring, Retaining	
25	1001165171	8	Pad, Wear	
26	1001165172	4	Pad, Wear	
27	1001165173	2	Pad, Wear	
28	1001165367	AR	Spacer	
29	1001170627	2	Spacer	
30	1001206248	1	Bracket	
31	91565005	1	Assembly, Chain Sheave (See CHAIN SHEAVE ASSEMBLY for Breakdown)	
32	0711214	4	Bolt, M12X30	
33	0711226	2	Bolt, M12X90	
34	0711219	AR	Bolt, M12X55	
35	0711221	AR	Bolt, M12X65	
36	91041596	AR	Washer	
37	1001200989	AR	Shim	
38	4812100	2	Washer, M12	

# SECTION 2 - BOOM

FIGURE 2-9. FOURTH BOOM ASSEMBLY - 1055



ART\_1001160033-K

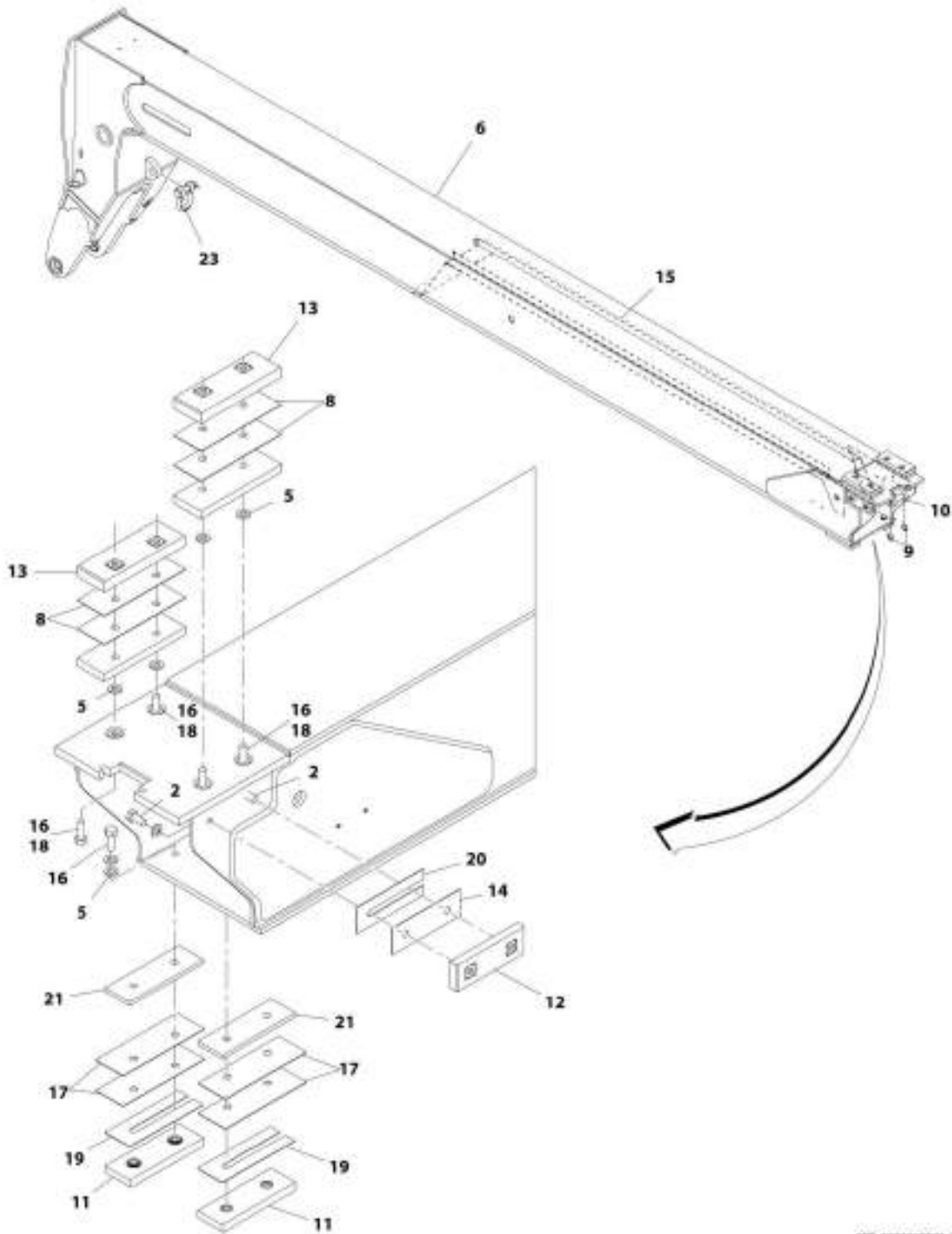
## SECTION 2 - BOOM

**FIGURE 2-9. FOURTH BOOM ASSEMBLY - 1055**

ITEM	PART NUMBER	QTY	DESCRIPTION	REV
	1001160033	Ref	Fourth Boom Assembly - 1055	K
2	0771212	4	Bolt, M12X35	
5	1001125117	AR	Washer, M12	
6	1001163034	AR	Spacer	
7	1001183046	1	Spacer, (not shown) <b>(Prior to SN 0160075710)</b>	
8	1001163108	AR	Spacer	
9	1001163638	2	Ring, Retainer	
10	1001163693	1	Pin	
11	1001163908	1	Weldment, Fourth Boom	
12	1001165171	2	Pad, Wear	
13	1001165172	2	Pad, Wear	
14	1001165173	2	Pad, Wear	
15	1001165367	AR	Spacer	
16	1001173926	1	Support, Hose	
17	0711215	8	Bolt, M12X35	
18	0711214	AR	Bolt, M12X30	
19	1001163103	AR	Shim	
20	1001200989	AR	Shim	
21	1001163105	2	Plate, Spacer <b>(SN 0160075710 to Present)</b>	
23	1001204045	1	Clevis <b>(SN 0160075710 to Present)</b>	

# SECTION 2 - BOOM

## FIGURE 2-10. FOURTH BOOM ASSEMBLY - 1255



ARJ\_T001190052-4

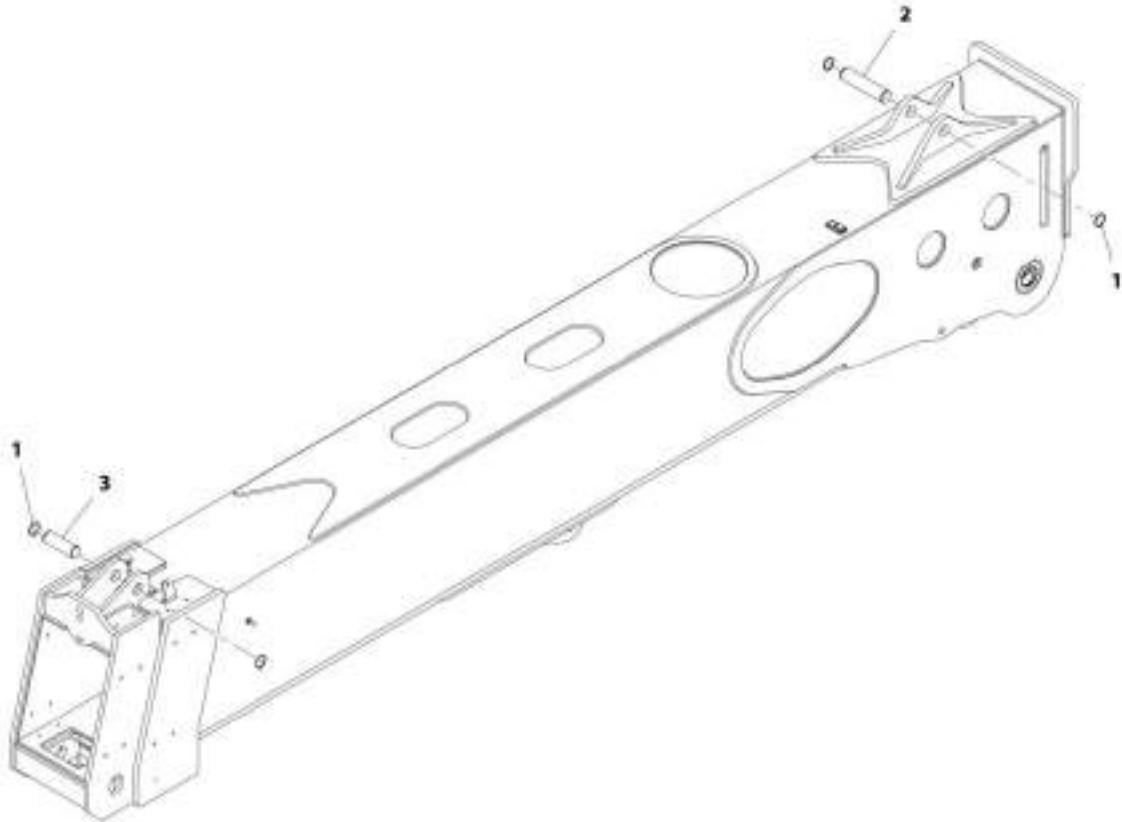
## SECTION 2 - BOOM

### FIGURE 2-10. FOURTH BOOM ASSEMBLY - 1255

ITEM	PART NUMBER	QTY	DESCRIPTION	REV
	1001160032	Ref	Fourth Boom Assembly - 1255	K
2	0771212	4	Bolt, M12X25	
5	1001125117	AR	Washer, M12	
6	1001162262	1	Weldment, Fourth Boom	
7	1001183046	1	Spacer, (not shown) <b>(Prior to SN 0160075710)</b>	
8	1001163108	AR	Spacer	
9	1001163638	2	Ring, Retaining	
10	1001163693	1	Pin	
11	1001165171	2	Wear, Pad	
12	1001165172	2	Pad, Wear	
13	1001165173	2	Pad, Wear	
14	1001165367	AR	Spacer	
15	1001173926	1	Support, Hose	
16	0711215	8	Bolt, M12X35	
17	1001163034	AR	Spacer	
18	0711214	AR	Bolt, M12X30	
19	1001163103	AR	Shim	
20	1001200989	AR	Shim	
21	1001163105	2	Plate, Spacer <b>(SN 0160075710 to Present)</b>	
23	1001204045	1	Clevis <b>(SN 0160075710 to Present)</b>	

## SECTION 2 - BOOM

FIGURE 2-11. EXTEND CYLINDER PINS INSTALLATION



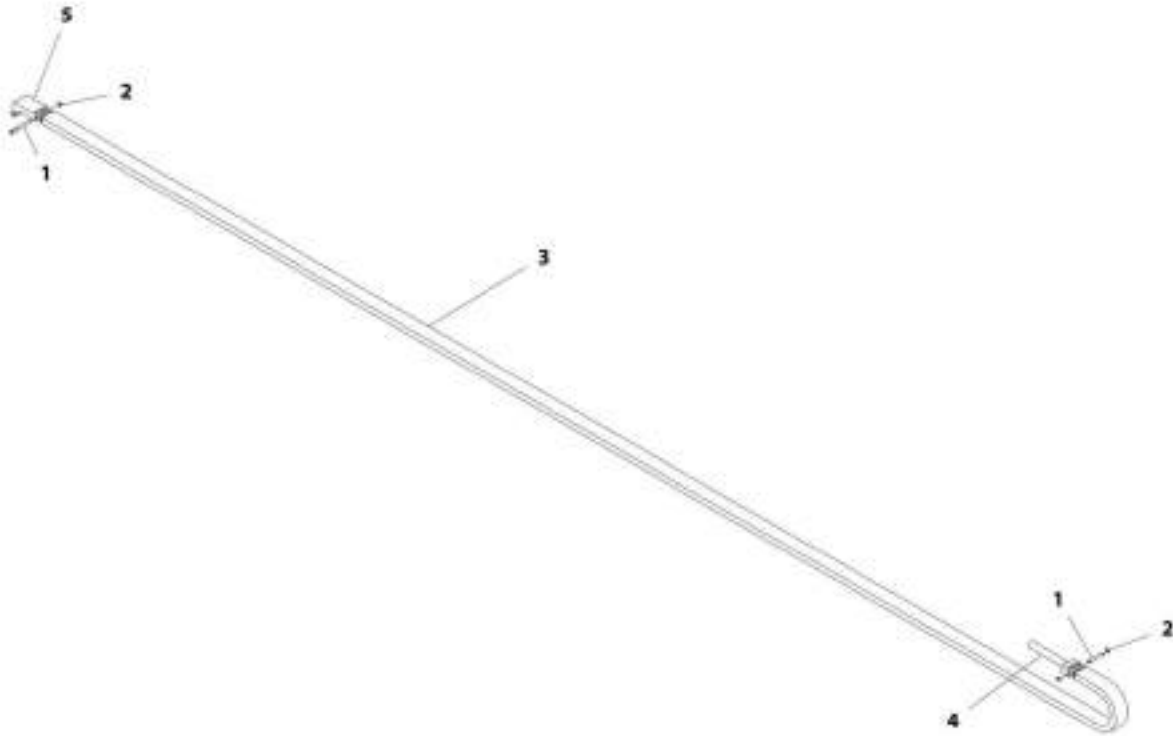
ART\_1001163881-A

**FIGURE 2-11. EXTEND CYLINDER PINS INSTALLATION**

<b>ITEM</b>	<b>PART NUMBER</b>	<b>QTY</b>	<b>DESCRIPTION</b>	<b>REV</b>
	1001163881	Ref	Extend Cylinder Pins Installation	A
1	3760493	4	Ring, Retaining	
2	1001159609	1	Pin	
3	1001163880	1	Pin	

## SECTION 2 - BOOM

FIGURE 2-12. SECOND BOOM SECTION EXTEND CHAIN INSTALLATION - 1055



ART\_1001W50M6-C



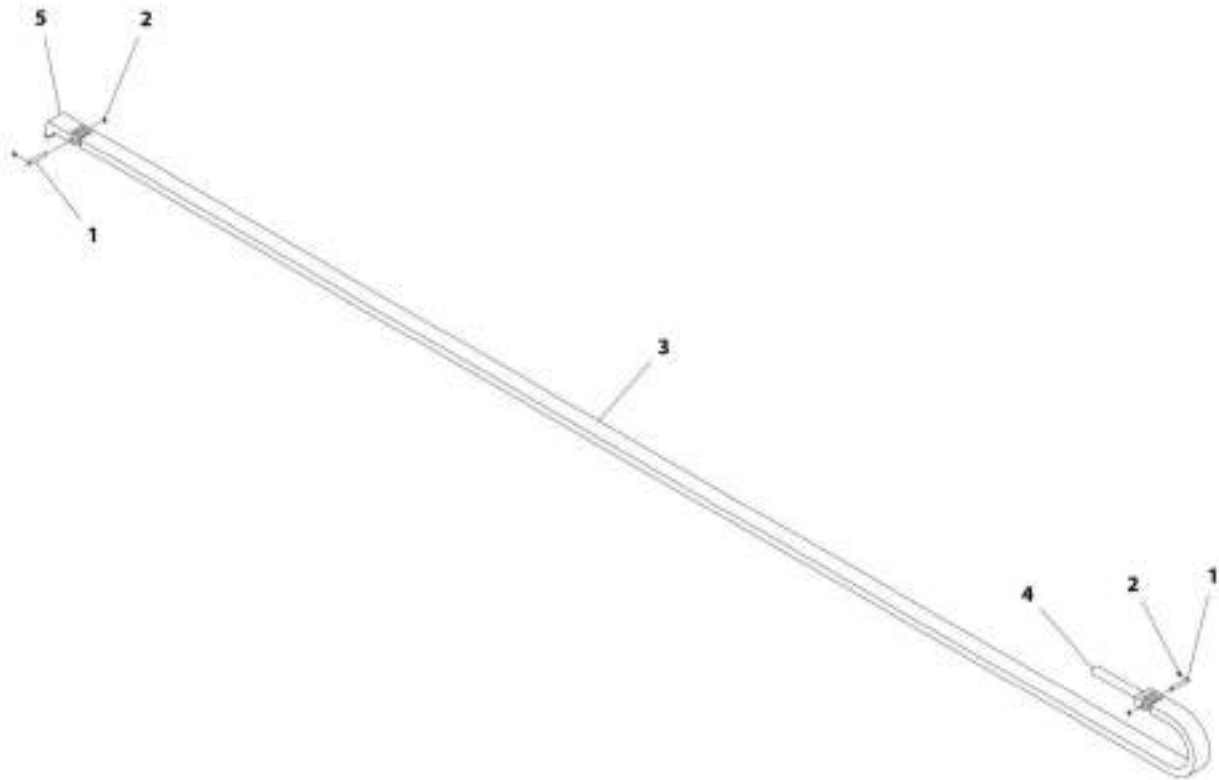
## SECTION 2 - BOOM

**FIGURE 2-12. SECOND BOOM SECTION EXTEND CHAIN INSTALLATION - 1055**

ITEM	PART NUMBER	QTY	DESCRIPTION	REV
	1001165046	Ref	Second Boom Section Extend Chain Installation - 1055	C
1	1001163841	2	Pin	
2	1001164039	4	Ring, Retaining	
3	1001165040	1	Chain	
4	1001165590	1	Clevis, Chain	
5	1001165739	1	Clevis, Chain	

## SECTION 2 - BOOM

FIGURE 2-13. SECOND BOOM SECTION EXTEND CHAIN INSTALLATION - 1255



ART\_100195296-C

## SECTION 2 - BOOM

**FIGURE 2-13. SECOND BOOM SECTION EXTEND CHAIN INSTALLATION - 1255**

ITEM	PART NUMBER	QTY	DESCRIPTION	REV
	1001165296	Ref	Second Boom Section Extend Chain Installation - 1255	C
1	1001163842	2	Pin	
2	1001164039	4	Ring, Retainer	
3	1001165293	1	Chain, Extend	
4	1001165486	1	Chain	
5	1001165493	1	Clevis, Chain	

## SECTION 2 - BOOM

FIGURE 2-14. THIRD BOOM SECTION EXTEND CHAIN INSTALLATION



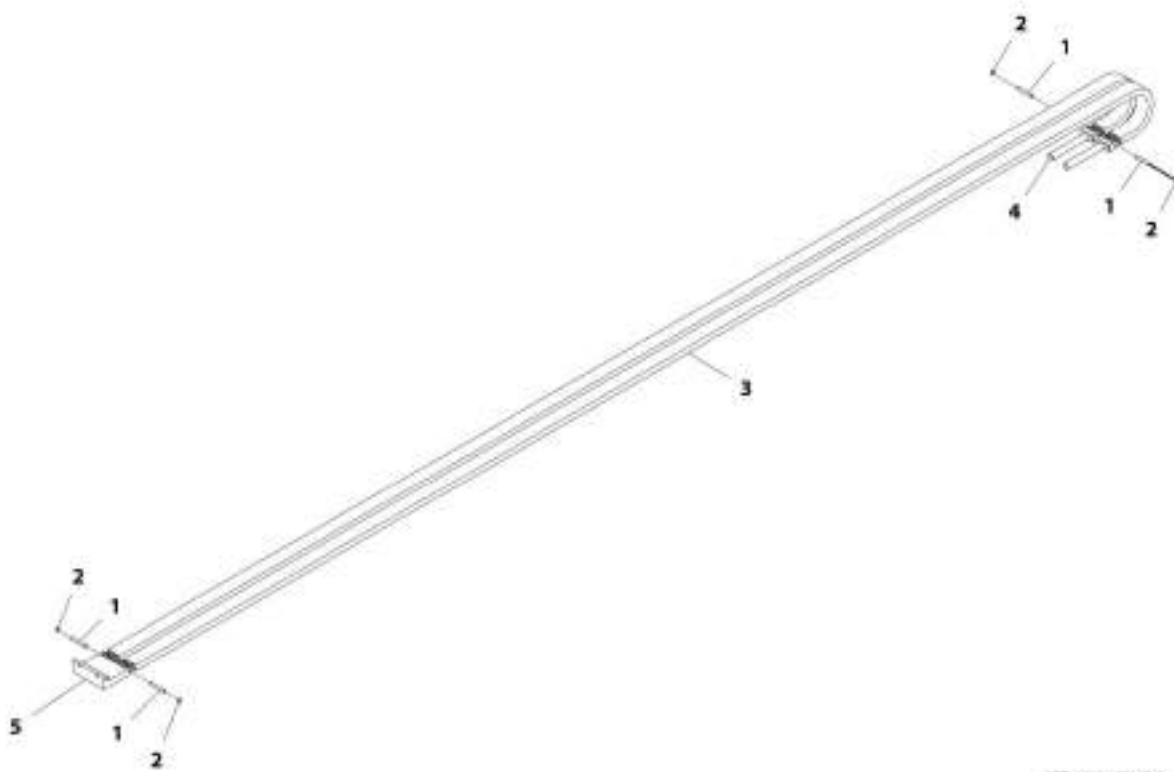
ART\_3001165948-B

**FIGURE 2-14. THIRD BOOM SECTION EXTEND CHAIN INSTALLATION**

ITEM	PART NUMBER	QTY	DESCRIPTION	REV
	1001165048	Ref	Third Boom Section Extend Chain Installation	B
1	1001147623	1	Clevis, Chain	
2	1001163841	2	Pin, Chain Clevis	
3	1001164039	4	Ring, M8	
4	1001165043	1	Chain	
5	1001165590	1	Clevis, Chain	

## SECTION 2 - BOOM

FIGURE 2-15. SECOND BOOM SECTION RETRACT CHAIN INSTALLATION - 1055



ART. 1001105045-A

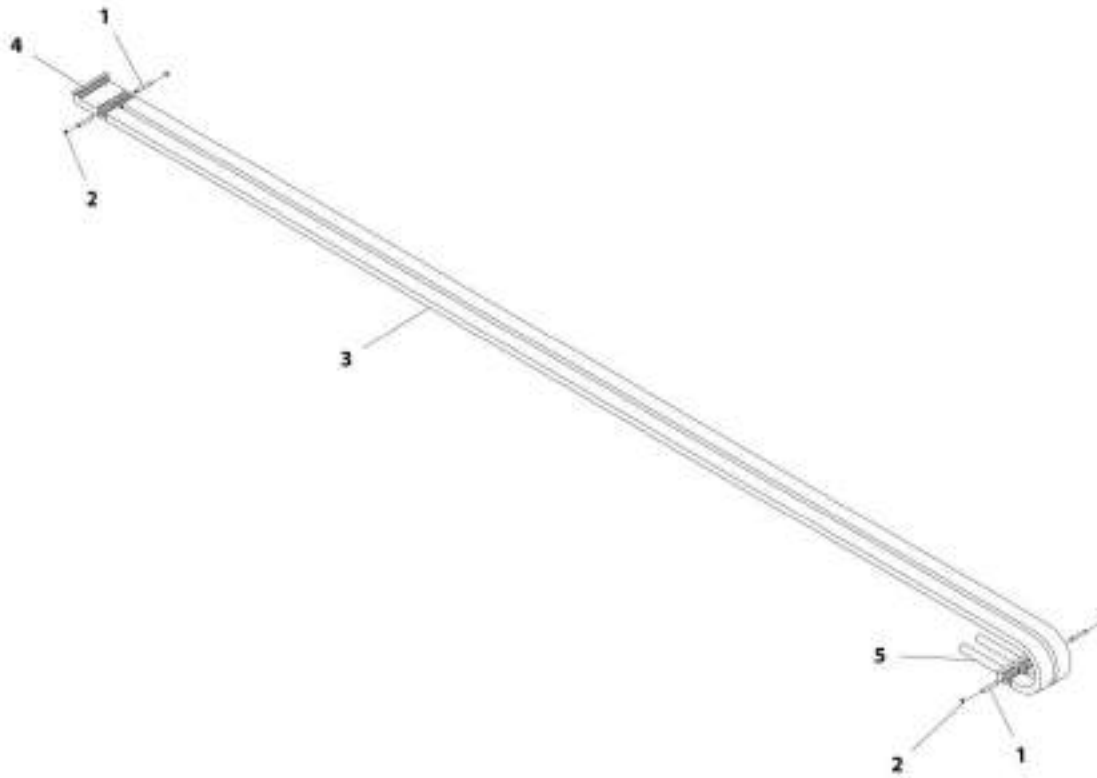
## SECTION 2 - BOOM

**FIGURE 2-15. SECOND BOOM SECTION RETRACT CHAIN INSTALLATION - 1055**

ITEM	PART NUMBER	QTY	DESCRIPTION	REV
	1001165045	Ref	Second Boom Section Retract Chain Installation - 1055	A
1	1001163841	4	Pin, Chain Clevis	
2	1001164039	8	Ring, M8	
3	1001165036	2	Chain	
4	1001165483	1	Clevis, Dual	
5	1001165590	2	Clevis, Dual	

## SECTION 2 - BOOM

FIGURE 2-16. SECOND BOOM SECTION RETRACT CHAIN INSTALLATION - 1255



48T\_1001385205-A



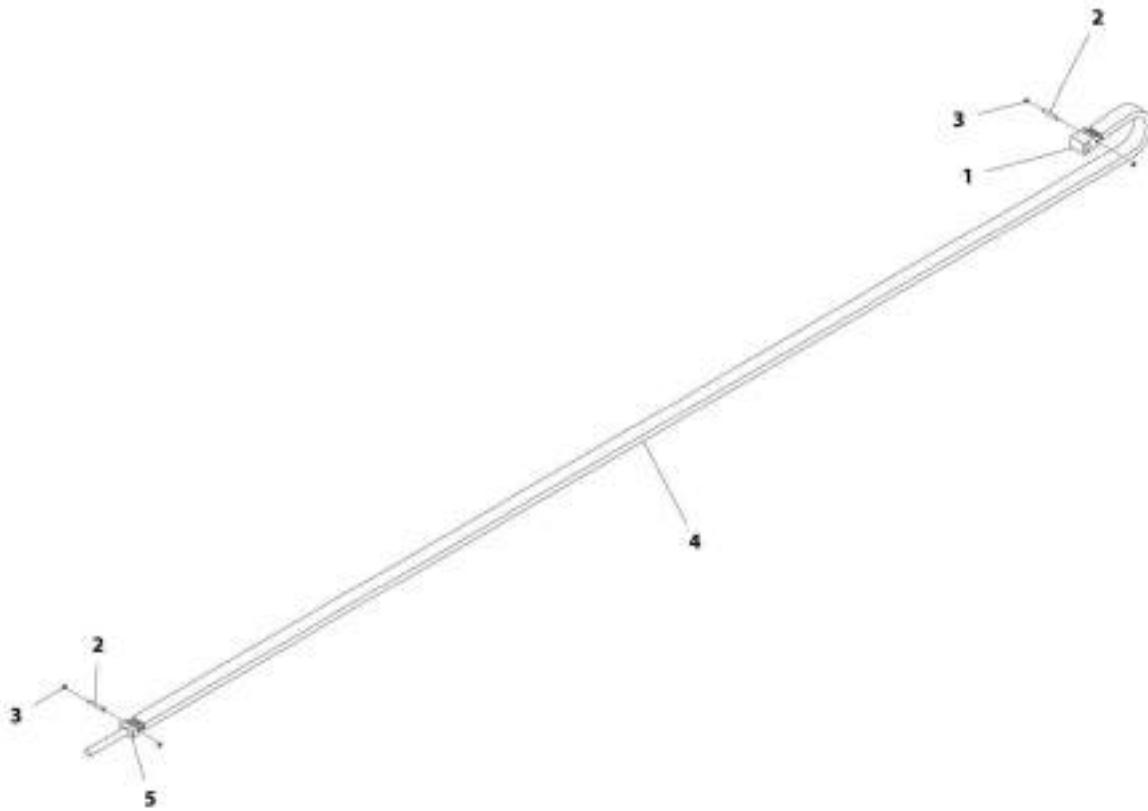
## SECTION 2 - BOOM

**FIGURE 2-16. SECOND BOOM SECTION RETRACT CHAIN INSTALLATION - 1255**

ITEM	PART NUMBER	QTY	DESCRIPTION	REV
	1001165295	Ref	Second Boom Section Retract Chain Installation - 1255	A
1	1001163842	4	Pin, Chain Clevis	
2	1001164039	8	Ring, M8	
3	1001165292	2	Chain, Extend	
4	1001165487	1	Clevis, Dual	
5	1001165486	2	Clevis, Chain	

## SECTION 2 - BOOM

FIGURE 2-17. THIRD BOOM SECTION RETRACT CHAIN INSTALLATION - 1055



AWT\_3001145547-R

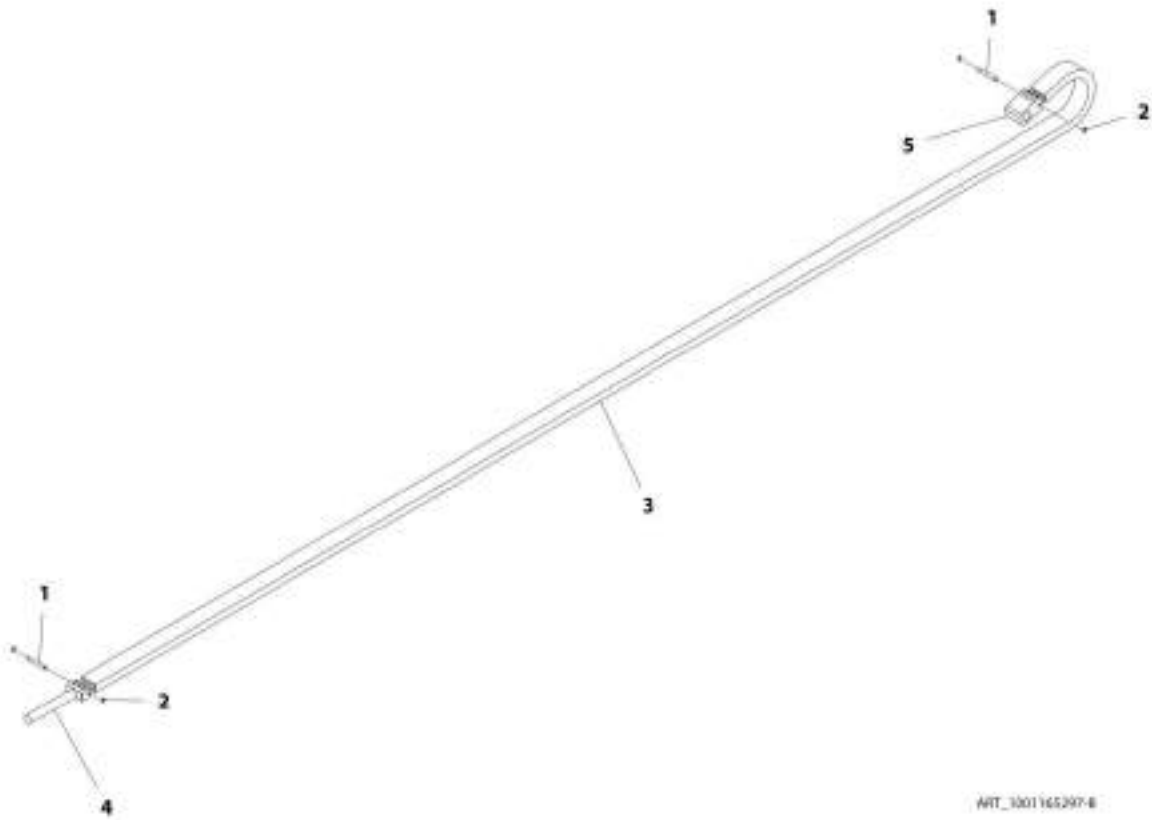
## SECTION 2 - BOOM

**FIGURE 2-17. THIRD BOOM SECTION RETRACT CHAIN INSTALLATION - 1055**

ITEM	PART NUMBER	QTY	DESCRIPTION	REV
	1001165047	Ref	Third Boom Section Retract Chain Installation - 1055	B
1	1001147623	1	Clevis, Chain	
2	1001163841	2	Pin, Chain clevis	
3	1001164039	4	Ring, M8	
4	1001165042	1	Chain	
5	1001165590	1	Clevis, Chain	

## SECTION 2 - BOOM

FIGURE 2-18. THIRD BOOM SECTION RETRACT CHAIN INSTALLATION - 1255



ART\_1001465297-B

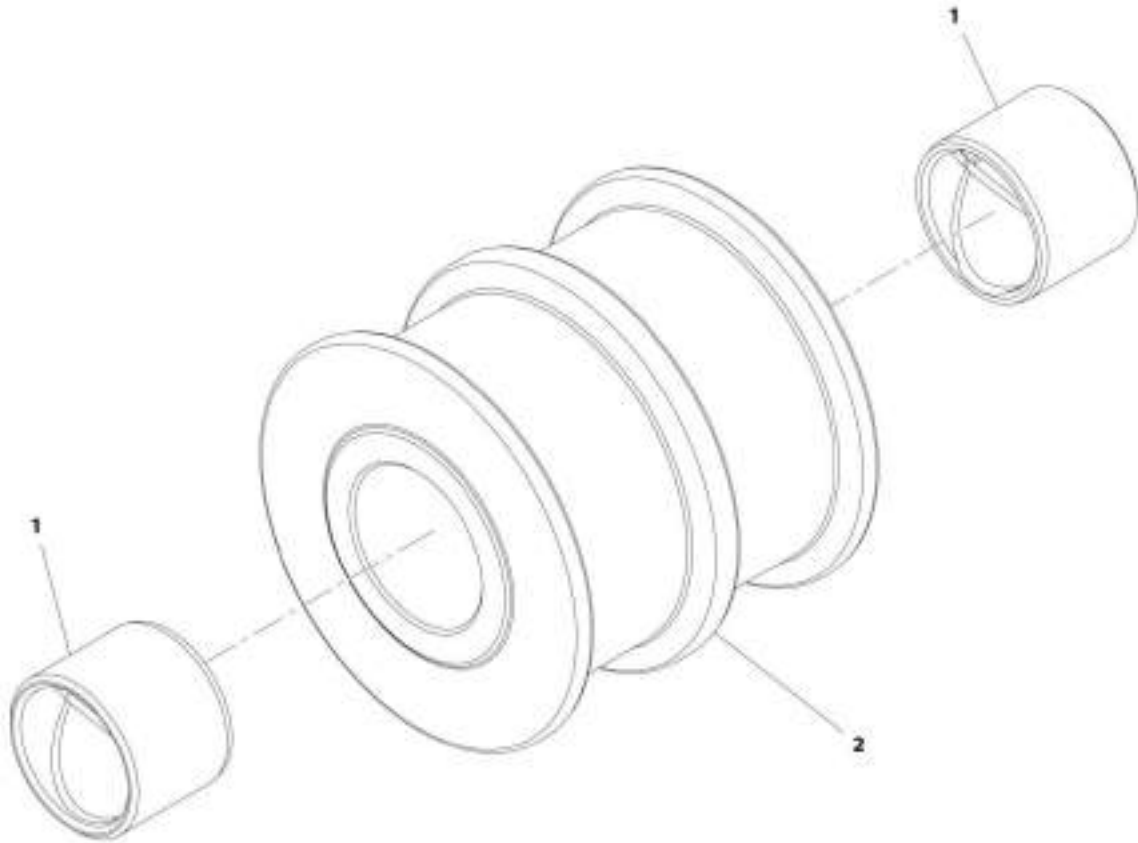
## SECTION 2 - BOOM

**FIGURE 2-18. THIRD BOOM SECTION RETRACT CHAIN INSTALLATION - 1255**

ITEM	PART NUMBER	QTY	DESCRIPTION	REV
	1001165297	Ref	Third Boom Section Retract Chain Installation - 1255	B
1	1001163842	2	Pin, Chain Clevis	
2	1001164039	4	Ring, M8	
3	1001165294	1	Chain, Retract	
4	1001165486	1	Clevis, Chain	
5	1001165496	1	Clevis, Chain	

## SECTION 2 - BOOM

FIGURE 2-19. CHAIN SHEAVE ASSEMBLY



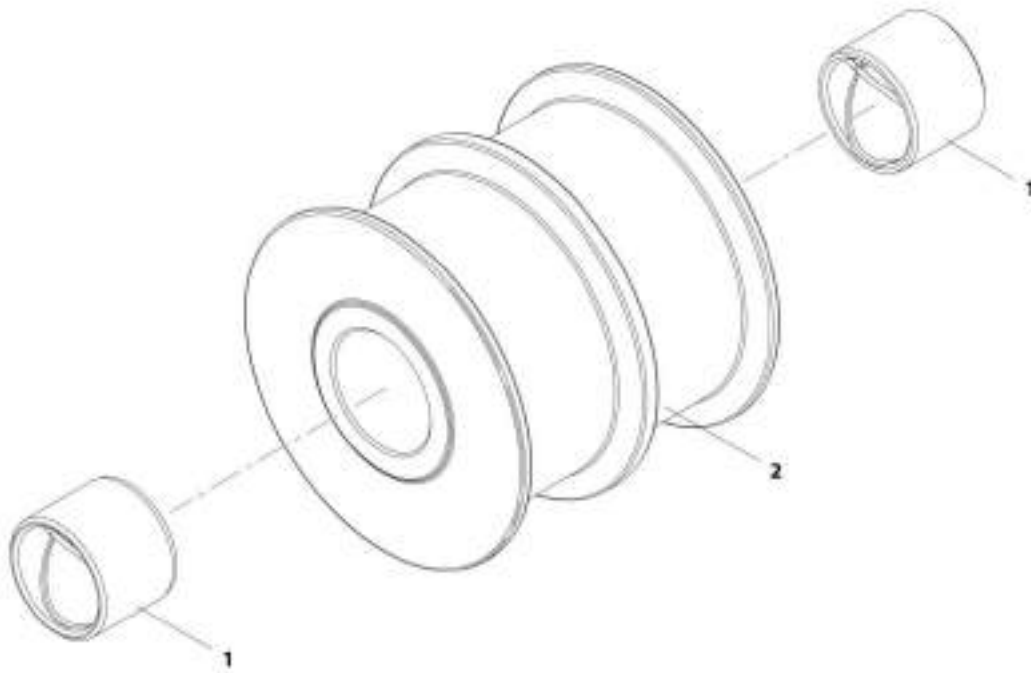
AWT\_1001166206-B

**FIGURE 2-19. CHAIN SHEAVE ASSEMBLY**

<b>ITEM</b>	<b>PART NUMBER</b>	<b>QTY</b>	<b>DESCRIPTION</b>	<b>REV</b>
	1001168286	Ref	Chain Sheave Assembly	B
1	1001167025	2	Bearing, Bushing Extend Chain	
2	1001168285	1	Roller, Chain	

## SECTION 2 - BOOM

FIGURE 2-20. CHAIN SHEAVE ASSEMBLY



ART\_1001107007-B

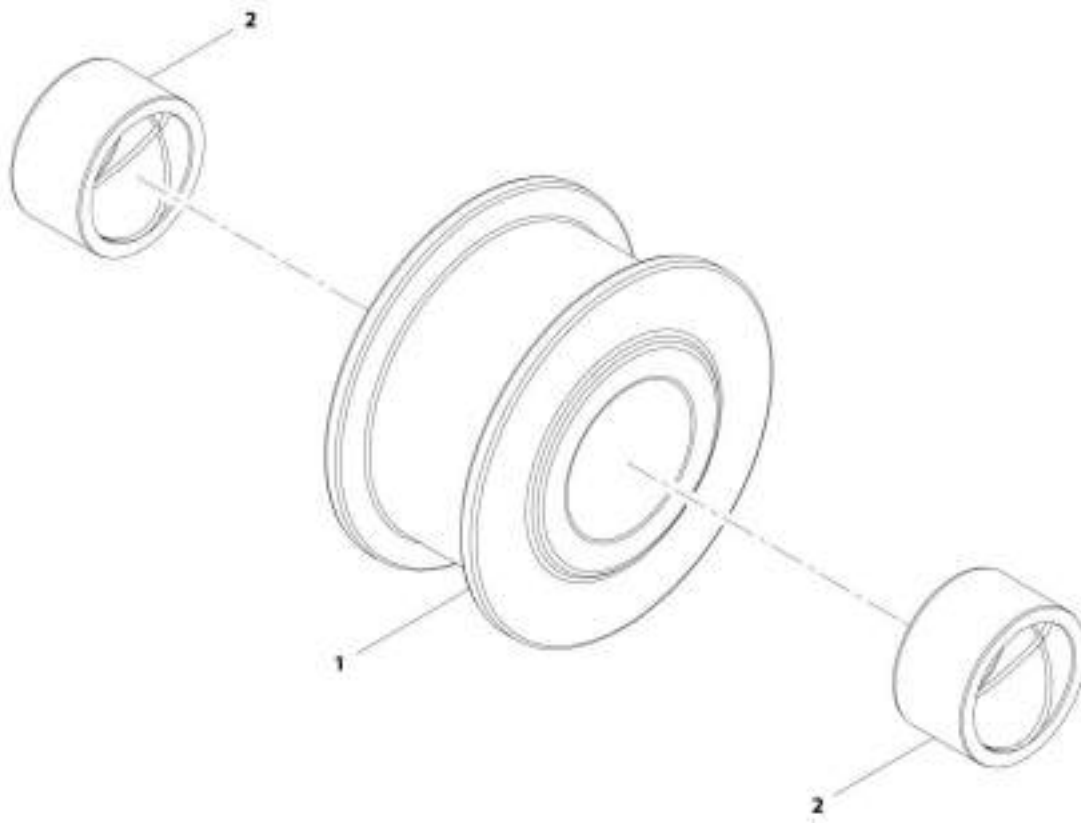


**FIGURE 2-20. CHAIN SHEAVE ASSEMBLY**

<b>ITEM</b>	<b>PART NUMBER</b>	<b>QTY</b>	<b>DESCRIPTION</b>	<b>REV</b>
	1001167027	Ref	Chain Sheave Assembly	B
1	1001167025	2	Bearing, Bushing Extend Chain	
2	1001167026	1	Roller, Chain	

## SECTION 2 - BOOM

FIGURE 2-21. CHAIN SHEAVE ASSEMBLY



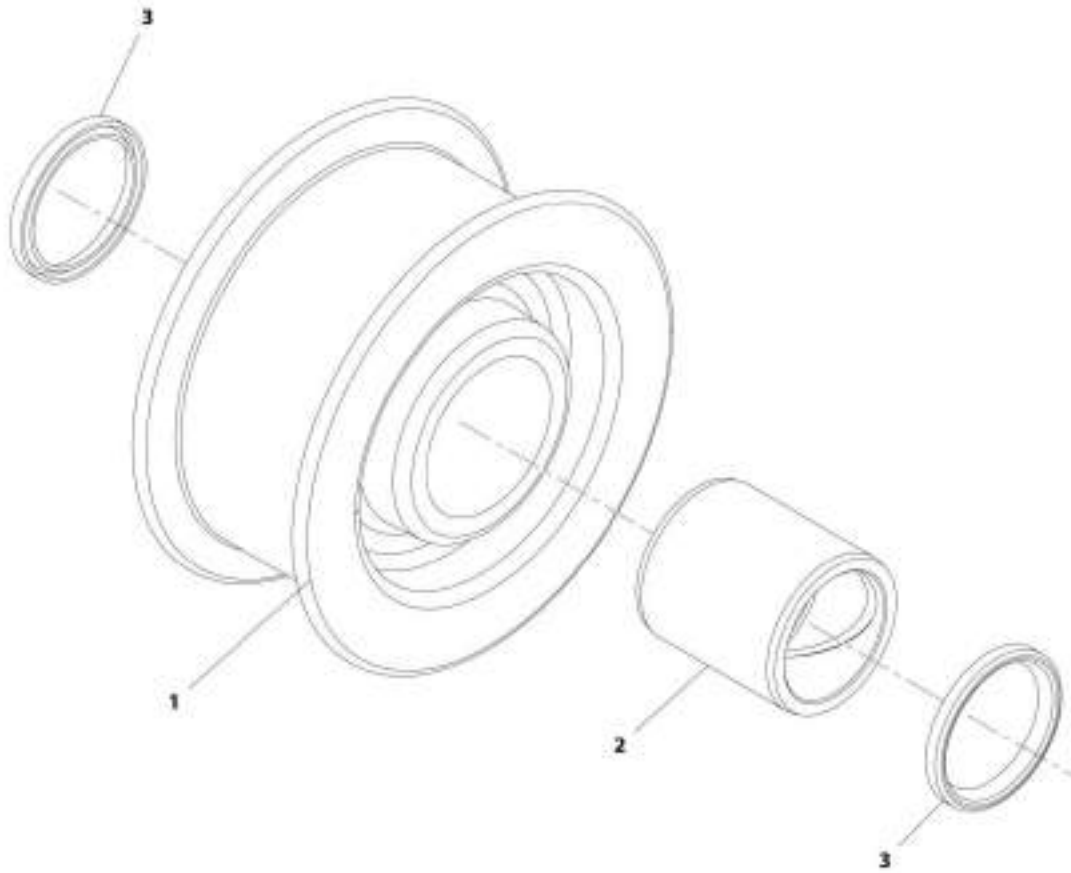
ART\_1001101867-A

**FIGURE 2-21. CHAIN SHEAVE ASSEMBLY**

<b>ITEM</b>	<b>PART NUMBER</b>	<b>QTY</b>	<b>DESCRIPTION</b>	<b>REV</b>
	1001101867	Ref	Chain Sheave Assembly	A
1	7114032	1	Sheave, Chain	
2	7117502	2	Bushing, Sheave Chain	

## SECTION 2 - BOOM

FIGURE 2-22. CHAIN SHEAVE ASSEMBLY



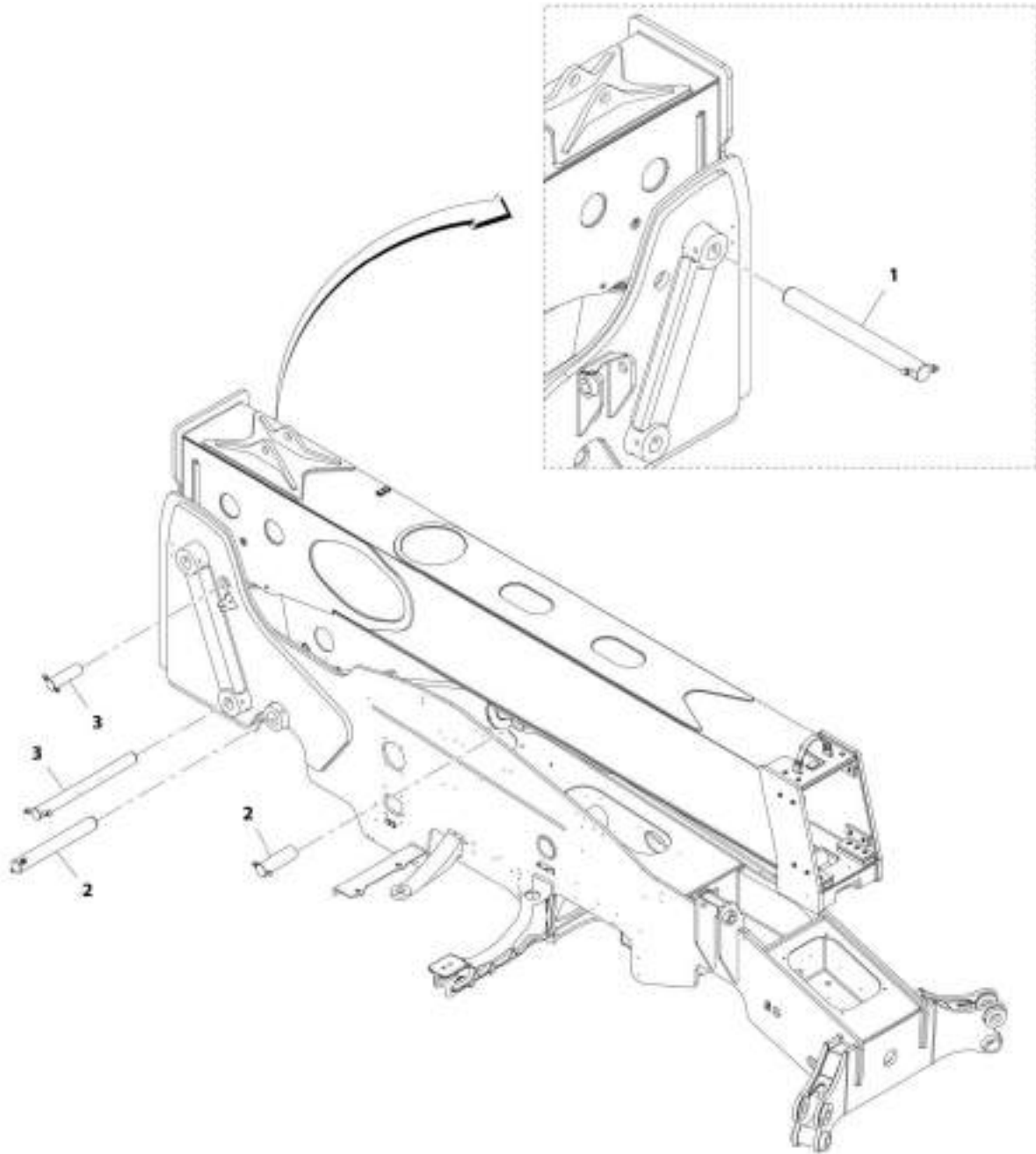
ART\_01585005-E

**FIGURE 2-22. CHAIN SHEAVE ASSEMBLY**

<b>ITEM</b>	<b>PART NUMBER</b>	<b>QTY</b>	<b>DESCRIPTION</b>	<b>REV</b>
	91565005	Ref	Chain Sheave Assembly	E
1	91563026	1	Roller, Chain	
2	91563025	1	Bushing	
3	91403119	2	Seal	

## SECTION 2 - BOOM

FIGURE 2-23. BOOM PINNING INSTALLATION



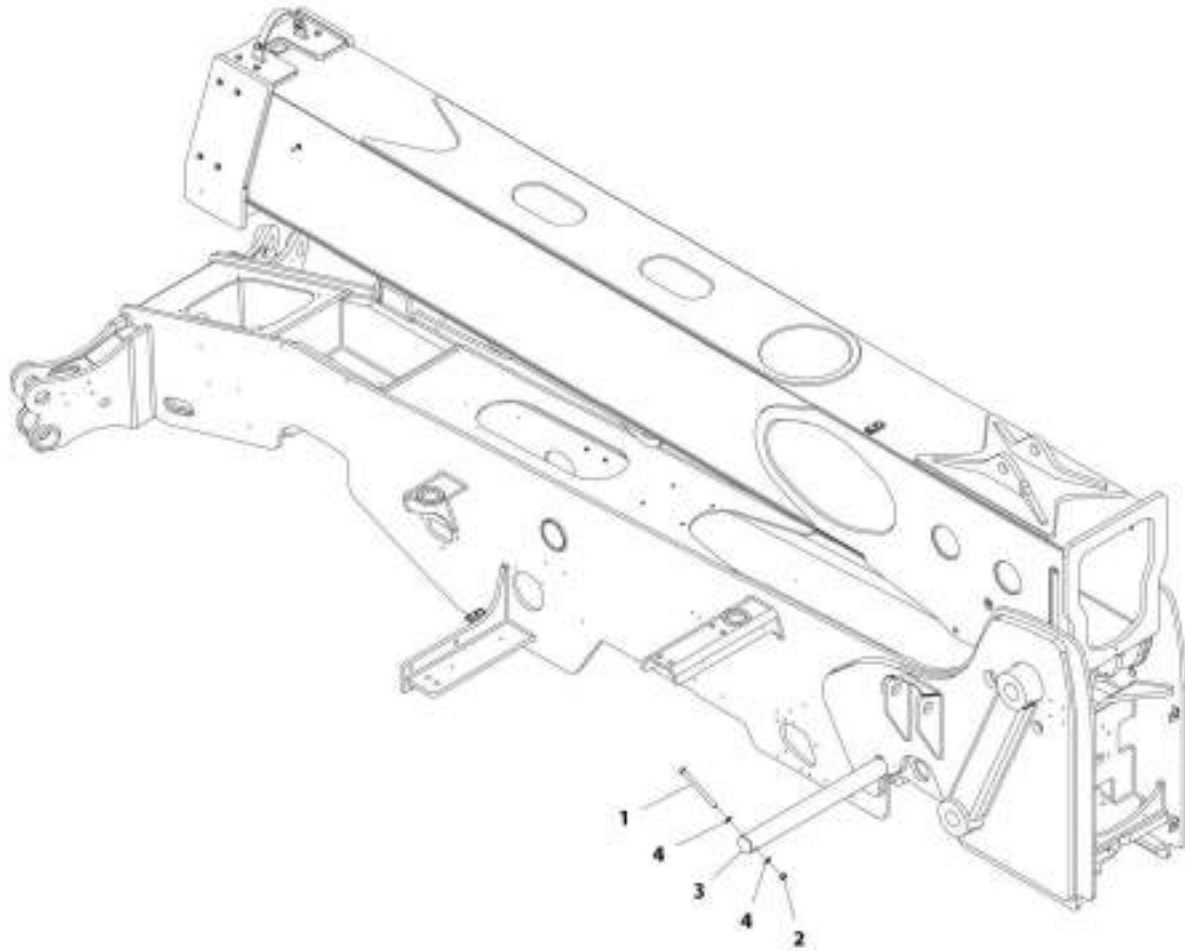
AWT\_000119945-C

FIGURE 2-23. BOOM PINNING INSTALLATION

ITEM	PART NUMBER	QTY	DESCRIPTION	REV
1	1001159943	Ref	Boom Pinning Installation	C
	1001159947	Ref	Installation, Boom Pivot (See BOOM PIVOT INSTALLATION for Breakdown)	
2	1001167010	Ref	Installation, Lift Cylinder (See LIFT CYLINDER INSTALLATION for Breakdown)	
3	1001167011	Ref	Installation, Compensation Cylinder (See COMPENSATION CYLINDER INSTALLATION for Breakdown)	

## SECTION 2 - BOOM

FIGURE 2-24. BOOM PIVOT INSTALLATION



ART. 10015997-C

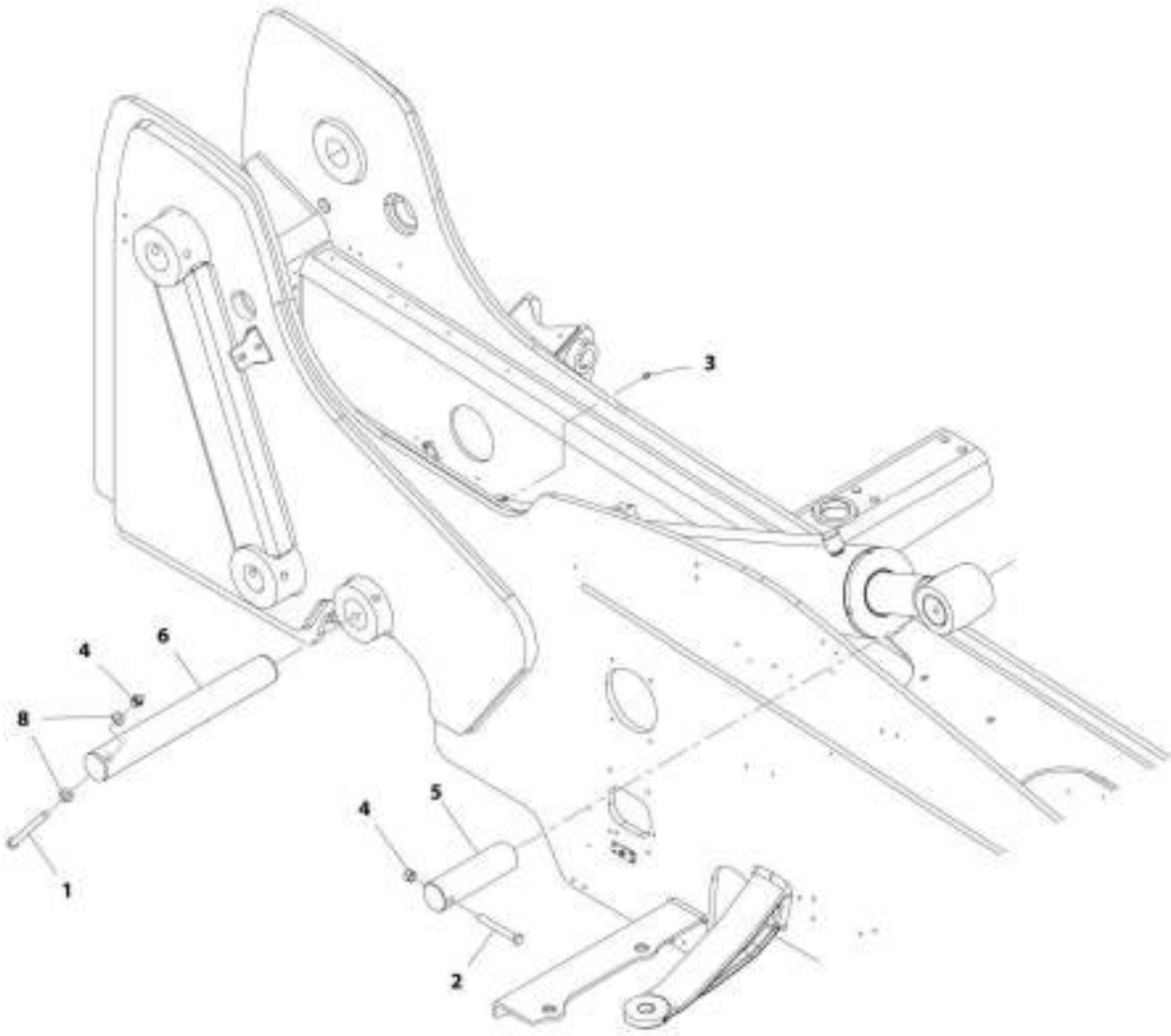


FIGURE 2-24. BOOM PIVOT INSTALLATION

ITEM	PART NUMBER	QTY	DESCRIPTION	REV
	1001159947	Ref	Boom Pivot Installation	C
1	1001091951	1	Bolt, M16X180 Grade 10.9	
2	3291605	1	Nut, Lock M16X2 Grade 8	
3	1001166975	1	Pin	
4	4812300	2	Washer, M16	

## SECTION 2 - BOOM

FIGURE 2-25. LIFT CYLINDER INSTALLATION



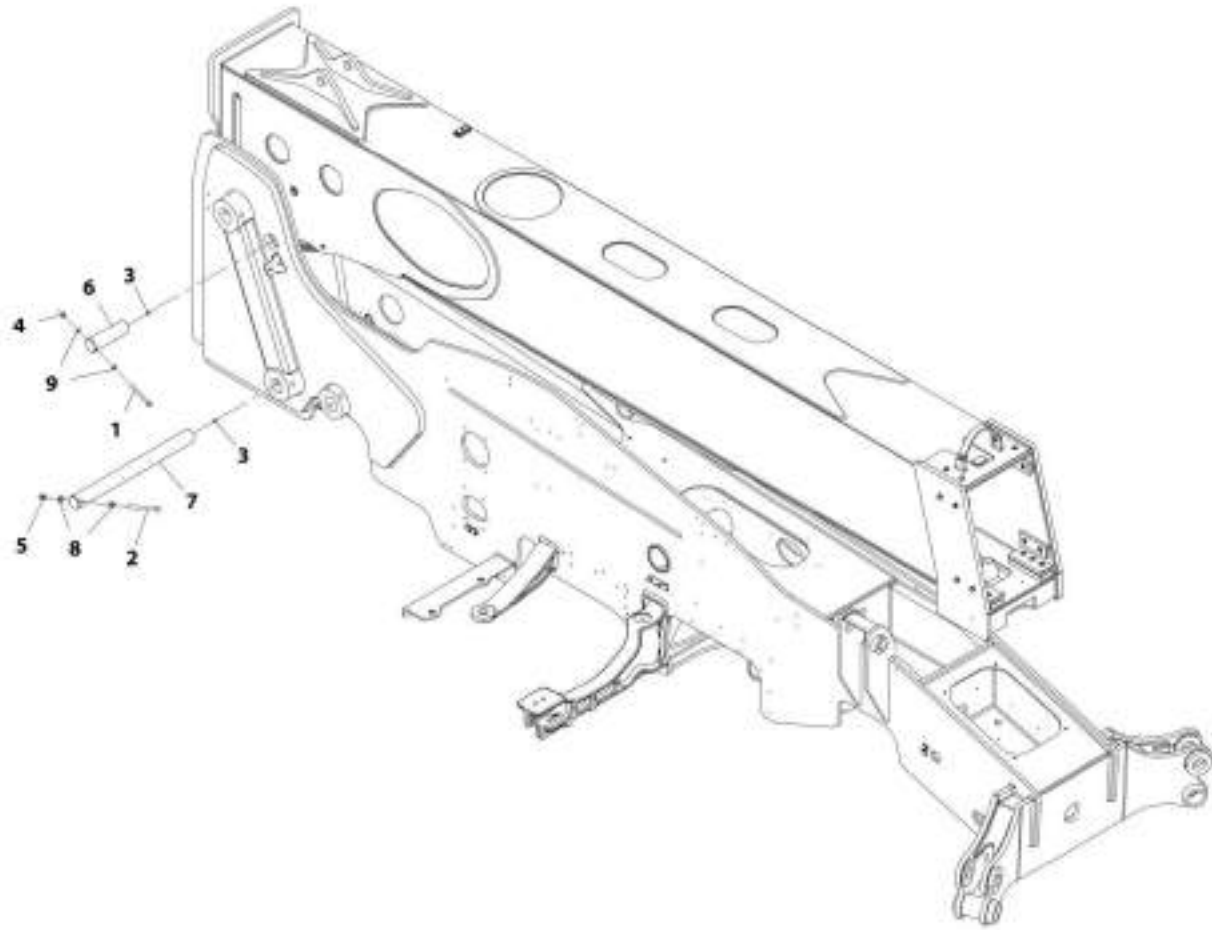
ART\_1001162010-G

FIGURE 2-25. LIFT CYLINDER INSTALLATION

ITEM	PART NUMBER	QTY	DESCRIPTION	REV
	1001167010	Ref	Lift Cylinder Installation	G
1	0711631	1	Bolt, M16X140	
2	0711630	1	Bolt, M16X130 Grade 10.9	
3	2160016	1	Fitting, Grease	
4	3291605	2	Nut, Lock M16X2	
5	1001159604	1	Pin ( <b>Prior to SN 0160078794</b> )	
5	1001207939	1	Pin ( <b>SN 0160078794 to Present</b> )	
6	1001164888	1	Pin	
8	4812300	2	Washer, M16	

## SECTION 2 - BOOM

FIGURE 2-26. COMPENSATION CYLINDER INSTALLATION



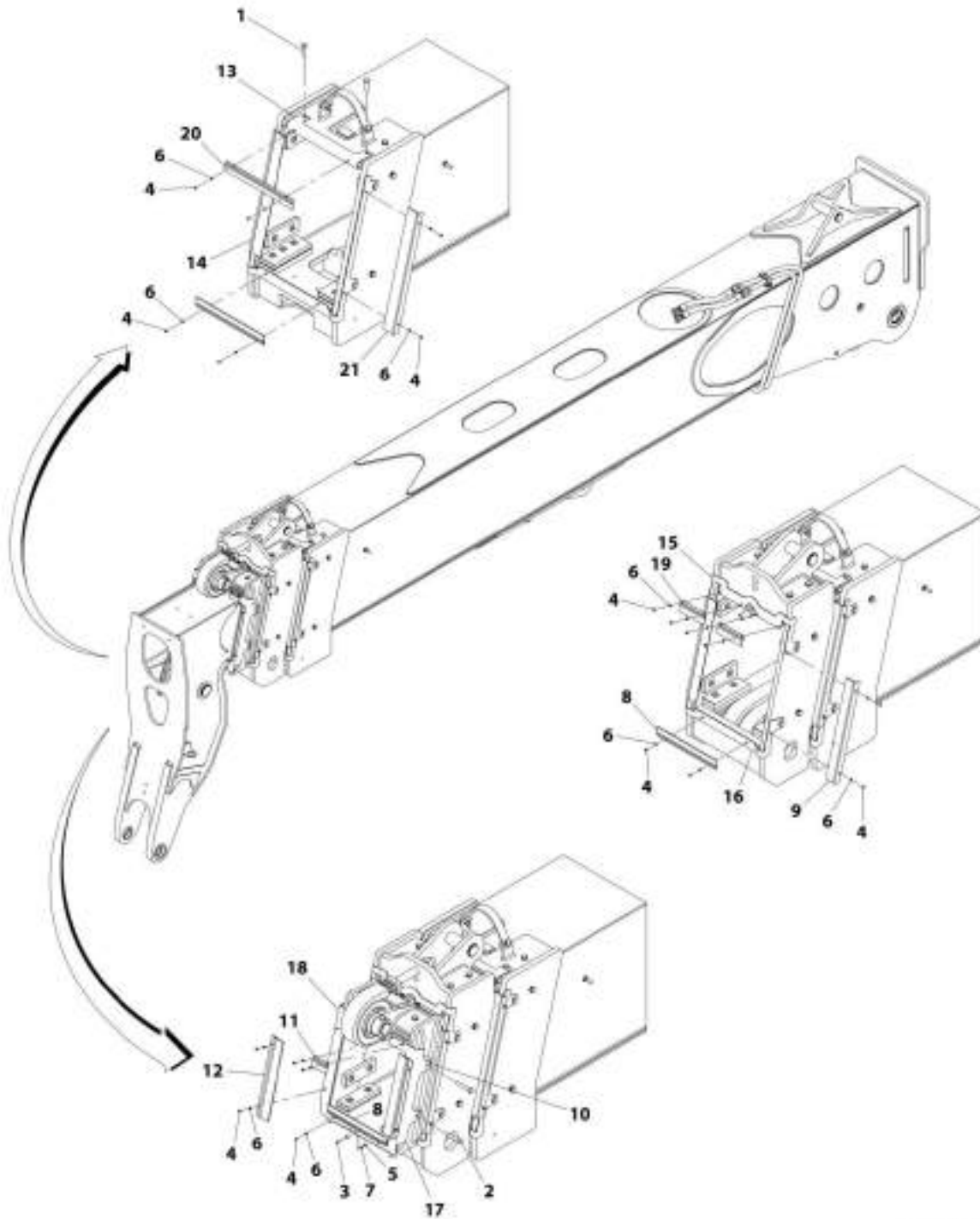
ART\_1001187011-C

FIGURE 2-26. COMPENSATION CYLINDER INSTALLATION

ITEM	PART NUMBER	QTY	DESCRIPTION	REV
	1001167011	Ref	Compensation Cylinder Installation	C
1	0711229	1	Bolt, M12X120 Grade 10.9	
2	1001091951	1	Bolt, M16X180 Grade 10.9	
3	2160016	2	Fitting, Grease	
4	3291205	1	Nut, Lock M12X1.75	
5	3291605	1	Nut, Lock M16X2	
6	1001159605	1	Pin	
7	1001164889	1	Pin	
8	4812300	2	Washer, M16	
9	4812100	2	Washer, M12	

# SECTION 2 - BOOM

## FIGURE 2-27. BOOM BRUSHES INSTALLATION



ART\_1001160014-C

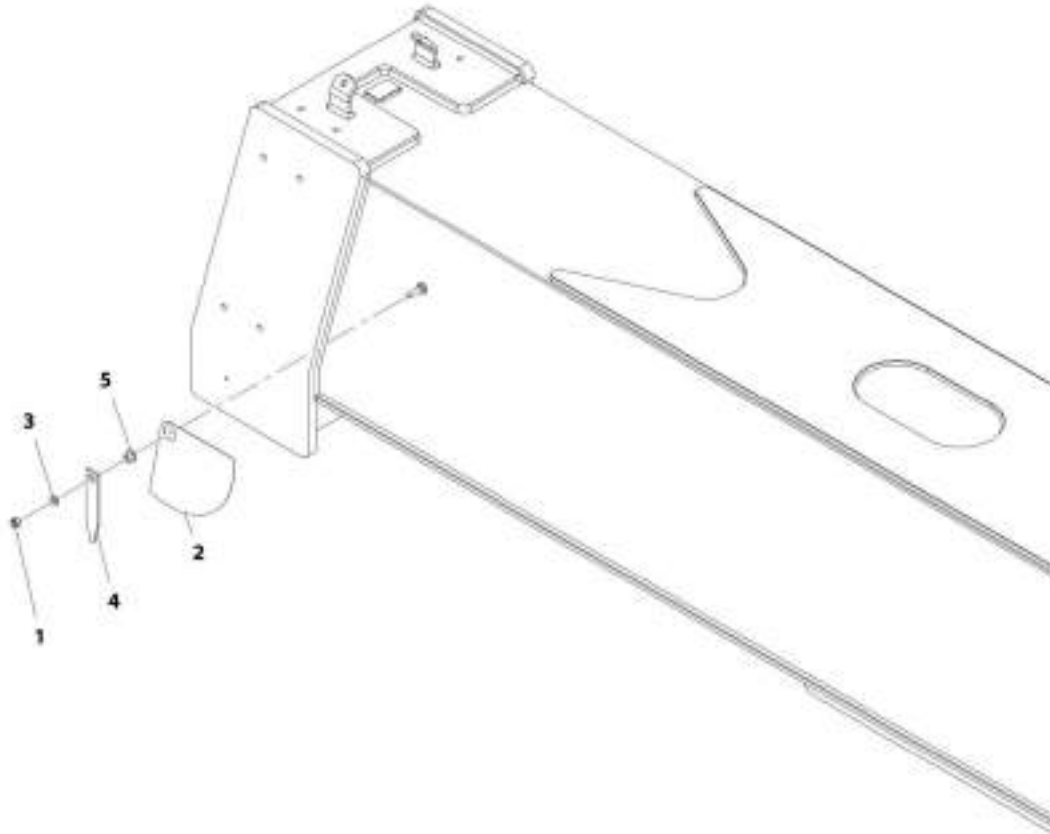
## SECTION 2 - BOOM

**FIGURE 2-27. BOOM BRUSHES INSTALLATION**

ITEM	PART NUMBER	QTY	DESCRIPTION	REV
	1001160914	Ref	Boom Brushes Installation	C
1	0711217	2	Bolt, M12X45	
2	1001098828	4	Bolt, M12X1.75X70 Grade 10.9	
3	0760608	1	Bolt, M6X16	
4	3290505	28	Nut, Lock M5X0.8 Grade 8	
5	3290601	1	Nut, M6X1 Grade 8	
6	4811600	28	Washer, M5	
7	4811700	2	Washer, M6	
8	1001172997	2	Brush, Boom	
9	1001173000	2	Brush, Boom	
10	1001173576	4	Plate, Spacer	
11	1001173678	2	Brush, Boom	
12	1001173679	2	Brush, Boom	
13	1001173688	1	Bracket, Boom Brush	
14	1001173689	1	Bracket, Boom Brush	
15	1001173690	1	Bracket, Boom Brush	
16	1001173691	1	Bracket, Boom Brush	
17	1001173692	1	Bracket, Boom Brush	
18	1001173693	1	Bracket, Boom Brush	
19	1001173728	2	Brush, Boom	
20	1001173739	2	Brush, Boom	
21	1001173740	2	Brush, Boom	

## SECTION 2 - BOOM

FIGURE 2-28. BOOM ANGLE INDICATOR INSTALLATION



AWT\_1001167800-B

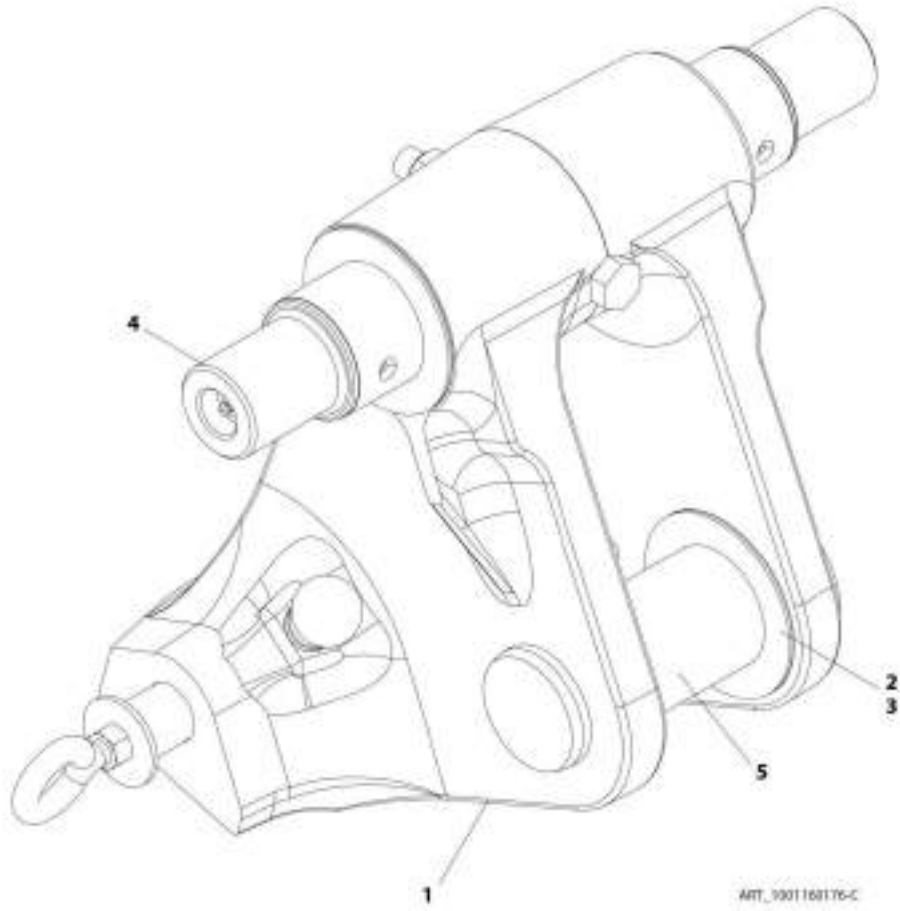


**FIGURE 2-28. BOOM ANGLE INDICATOR INSTALLATION**

<b>ITEM</b>	<b>PART NUMBER</b>	<b>QTY</b>	<b>DESCRIPTION</b>	<b>REV</b>
	1001167806	Ref	Boom Angle Indicator Installation	B
1	3291005	1	Nut, Lock M10X1.5 Grade 8	
2	4105262	1	Decal, Boom Angle Indicator	
3	4812000	1	Washer, M10	
4	1001098769	1	Plate	
5	1001171808	1	Spacer	

## SECTION 2 - BOOM

FIGURE 2-29. MANUAL QUICK COUPLER INSTALLATION

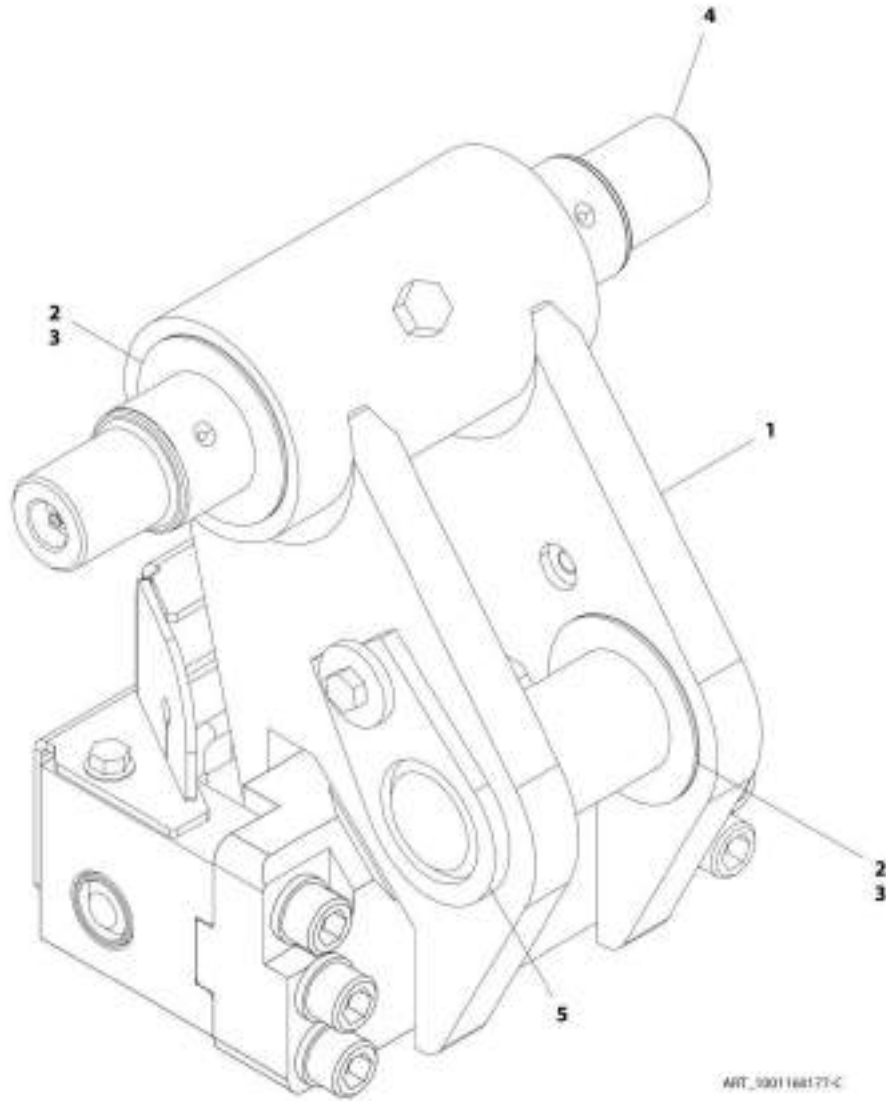


**FIGURE 2-29. MANUAL QUICK COUPLER INSTALLATION**

<b>ITEM</b>	<b>PART NUMBER</b>	<b>QTY</b>	<b>DESCRIPTION</b>	<b>REV</b>
	1001160176	Ref	Manual Quick Coupler Installation	C
1	1001164571	1	Coupling, Quick Connect, (See Separate Breakdown in this Section)	
2	1001164884	AR	Shim, 2mm	
3	1001164885	AR	Shim, 3.5mm	
4	1001167761	Ref	Installation, Pin (See PIN INSTALLATION for Breakdown)	
5	1001167762	Ref	Installation, Pin (See PIN INSTALLATION for Breakdown)	

## SECTION 2 - BOOM

FIGURE 2-30. HYDRAULIC QUICK COUPLER INSTALLATION

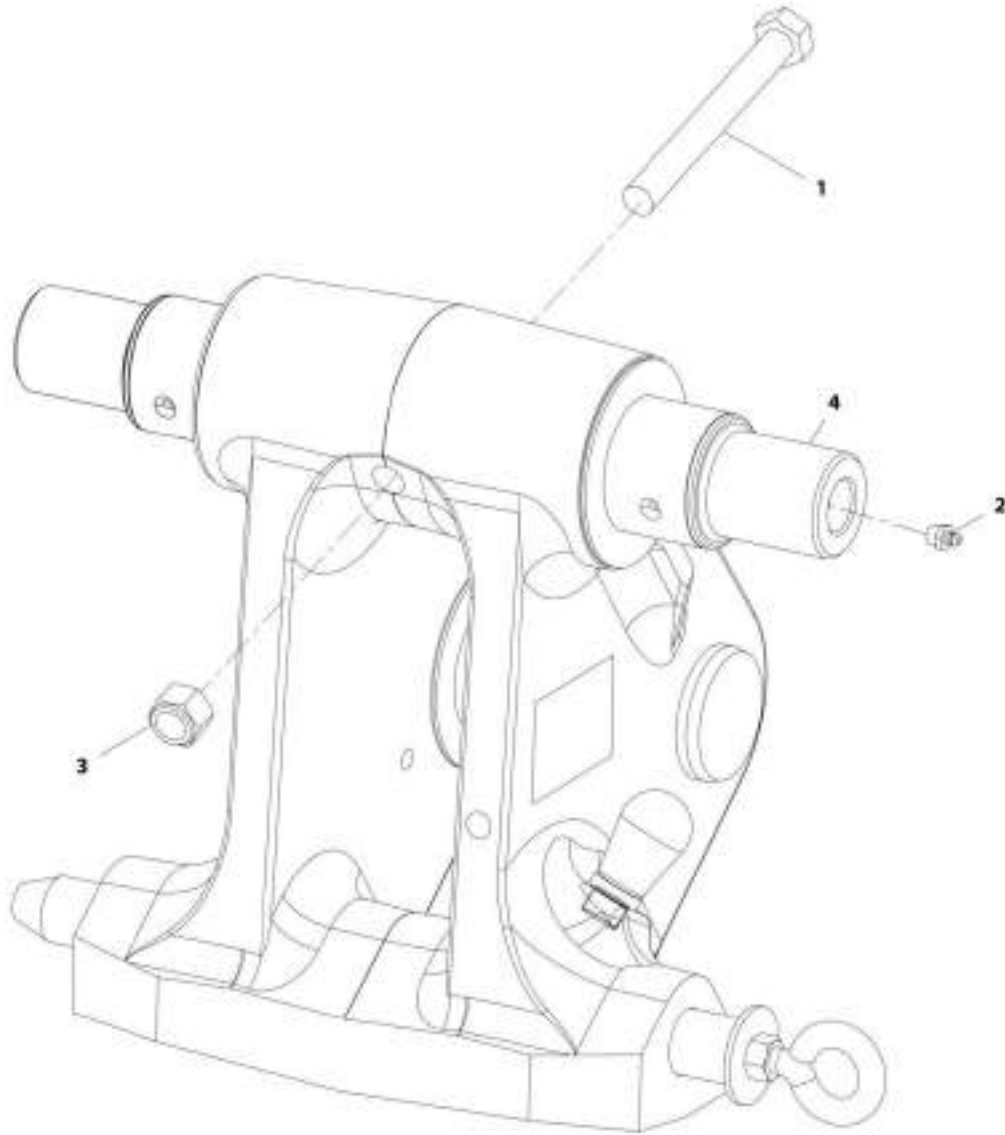


**FIGURE 2-30. HYDRAULIC QUICK COUPLER INSTALLATION**

<b>ITEM</b>	<b>PART NUMBER</b>	<b>QTY</b>	<b>DESCRIPTION</b>	<b>REV</b>
	1001160177	Ref	Hydraulic Quick Coupler Installation	C
1	1001164845	1	Installation, Hydraulic Quick Coupler (See HYDRAULIC CIRCUITS SECTION for Breakdown)	
2	1001164884	AR	Shim, 2mm	
3	1001164885	AR	Shim, 3.5mm	
4	1001167761	Ref	Installation, Pin (See PIN INSTALLATION for Breakdown)	
5	1001167762	Ref	Installation, Pin (See PIN INSTALLATION for Breakdown)	

## SECTION 2 - BOOM

FIGURE 2-31. PIN INSTALLATION



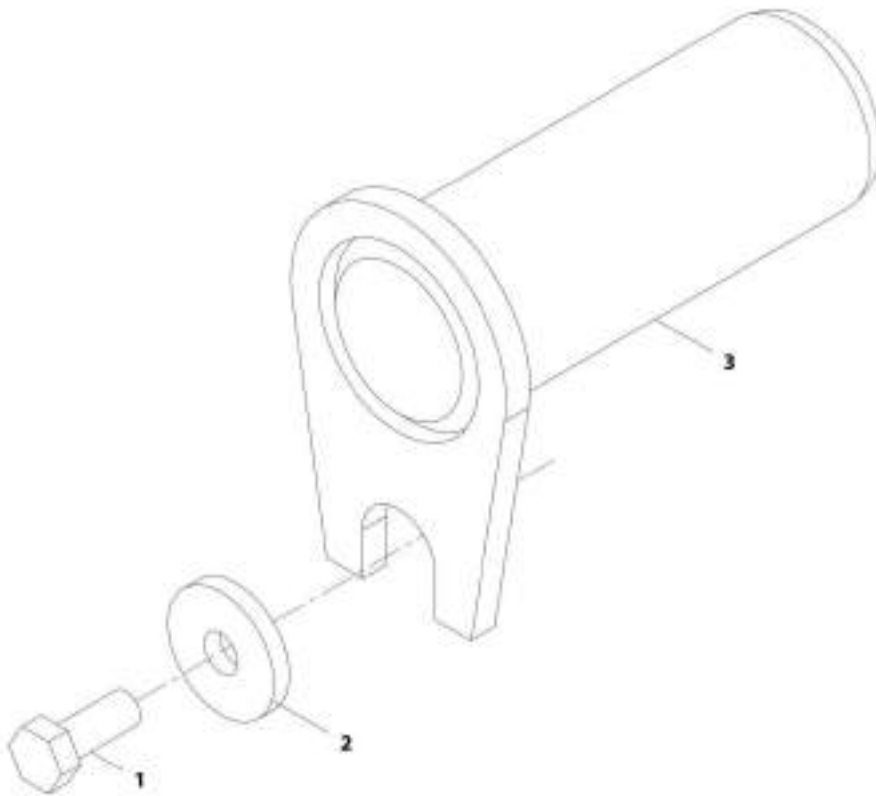
ART\_100157761-B

FIGURE 2-31. PIN INSTALLATION

ITEM	PART NUMBER	QTY	DESCRIPTION	REV
	1001167761	Ref	Pin Installation	B
1	0711631	1	Bolt, M16X140	
2	2160016	2	Fitting, Straight	
3	3291605	1	Nut, Lock M16X2	
4	1001164871	1	Pin	

## SECTION 2 - BOOM

FIGURE 2-32. PIN INSTALLATION



ART\_100116776G-A

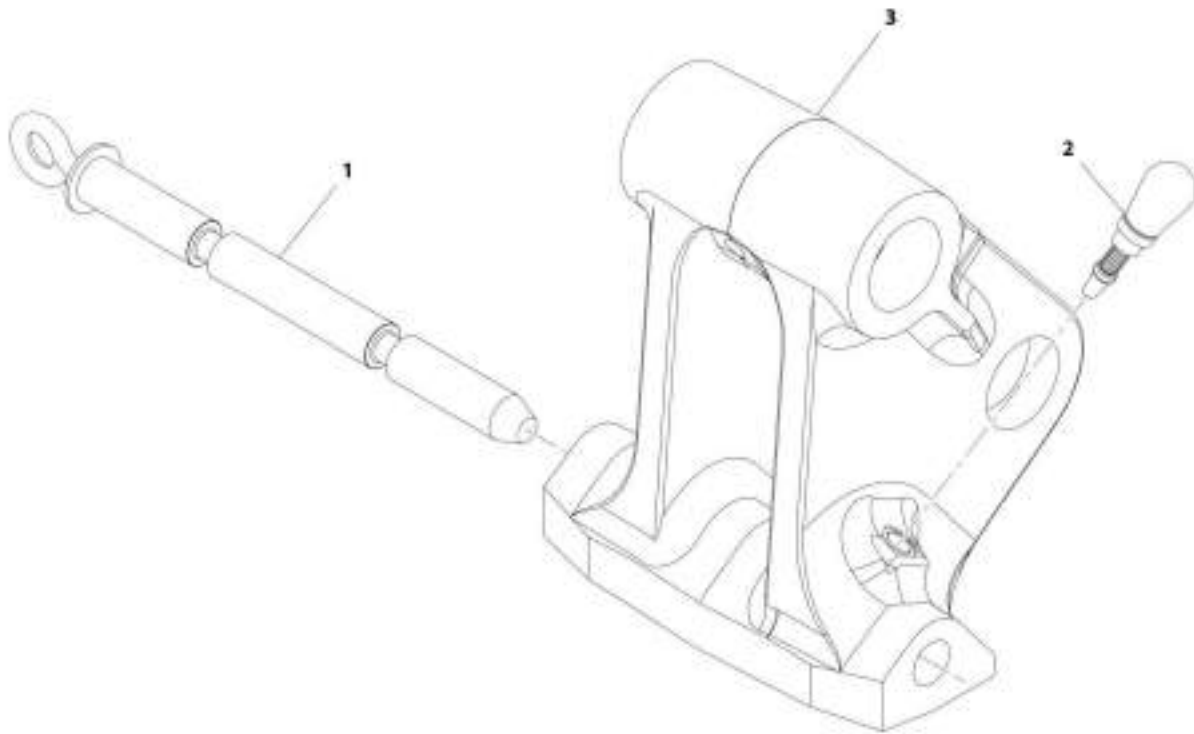


**FIGURE 2-32. PIN INSTALLATION**

<b>ITEM</b>	<b>PART NUMBER</b>	<b>QTY</b>	<b>DESCRIPTION</b>	<b>REV</b>
	1001167762	Ref	Pin Installation	A
1	0761214	1	Bolt, M12X30	
2	4740003	1	Washer	
3	1001164881	1	Pin	

## SECTION 2 - BOOM

FIGURE 2-33. QUICK COUPLER ASSEMBLY



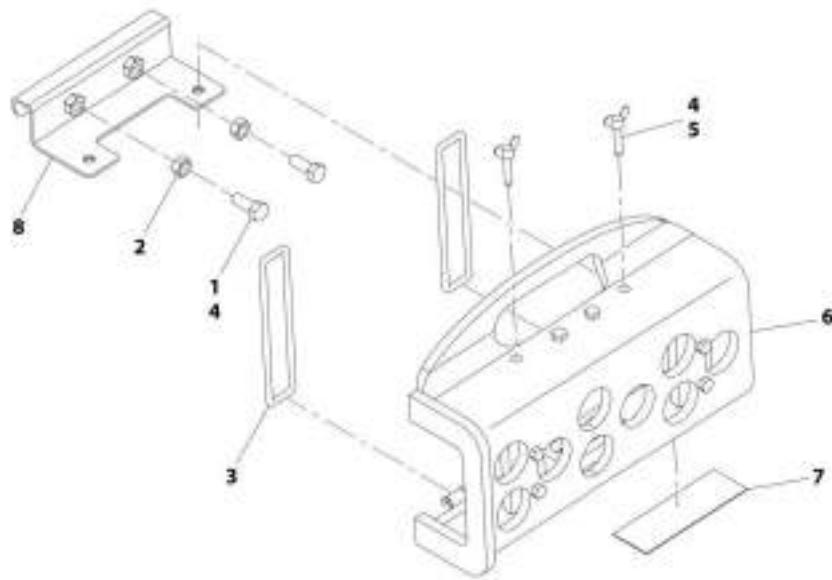
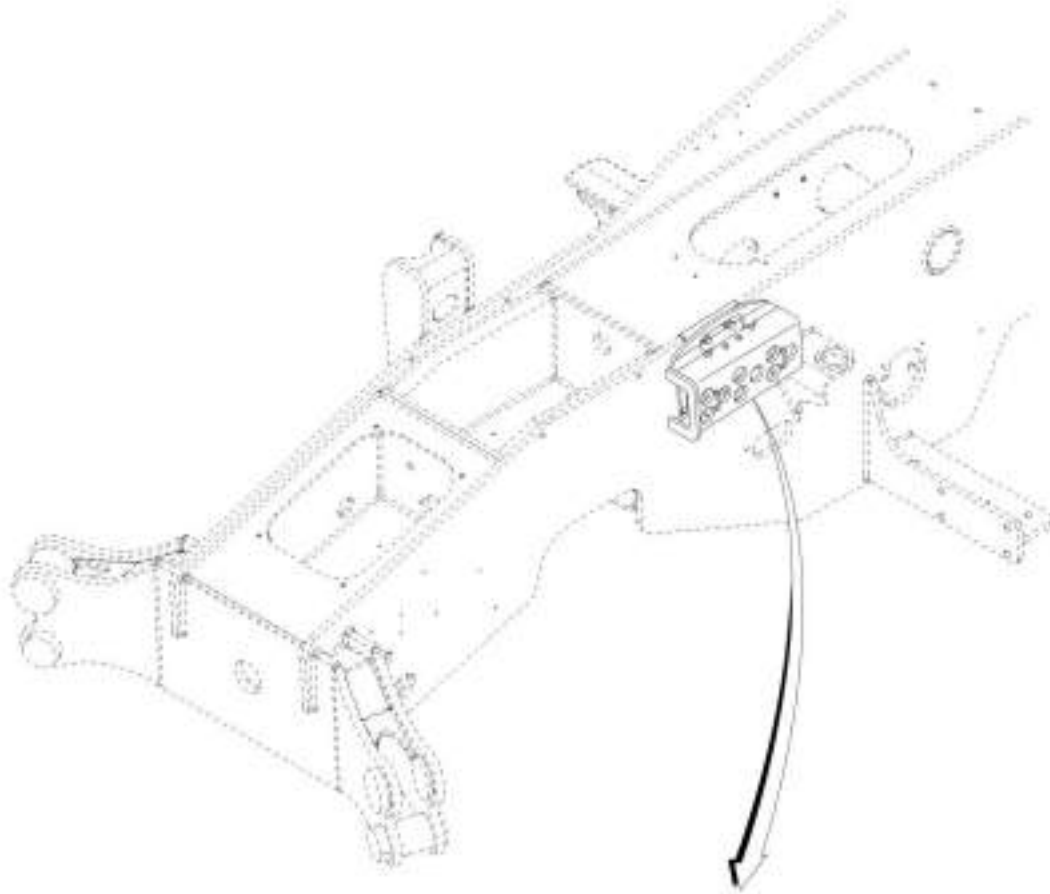
ART\_3001164571-A

**FIGURE 2-33. QUICK COUPLER ASSEMBLY**

<b>ITEM</b>	<b>PART NUMBER</b>	<b>QTY</b>	<b>DESCRIPTION</b>	<b>REV</b>
	1001164571	1	Quick Coupler Assembly	A
1	1001105441	1	Pin	
2	1001143692	1	Pin, Poppin	
3	1001164567	1	Coupling, Quick Connect	

# SECTION 2 - BOOM

## FIGURE 2-34. BOOM PROP INSTALLATION (ANSI)



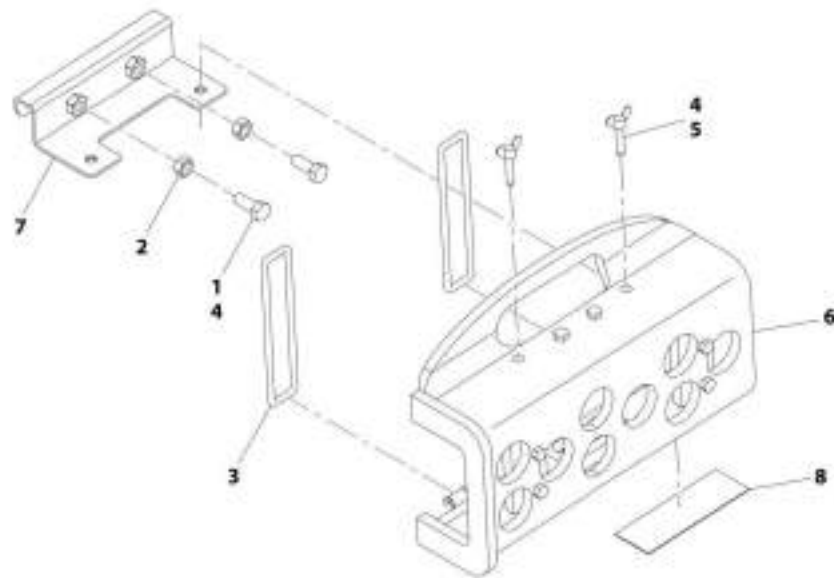
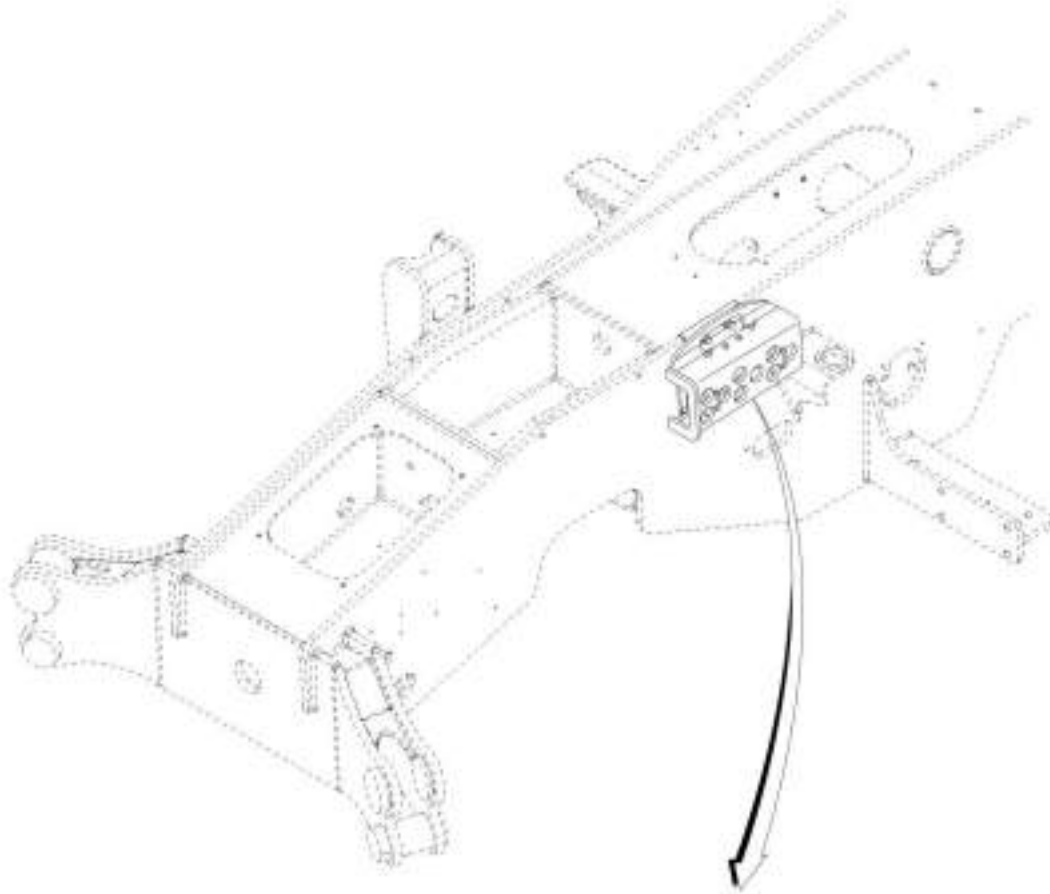
ART\_1001232339-A

FIGURE 2-34. BOOM PROP INSTALLATION (ANSI)

ITEM	PART NUMBER	QTY	DESCRIPTION	REV
	1001232339	Ref	Boom Prop Installation (ANSI)	A
1	0761214	2	Bolt, 12 X 30, GR8.8	
2	3291201	2	Nut, M12X1.75	
3	1784861	2	O-Ring	
4	1001095650	AR	Compound, Locking	
5	1001101458	2	Bolt, M8X40	
6	1001231221	Ref	Bracket, Boom Prop Class D (See Separate Breakdown in this Section)	
7	1001232148	1	Decal, Warning	
8	1001232299	1	Bracket, Mount	

## SECTION 2 - BOOM

FIGURE 2-35. BOOM PROP INSTALLATION (CANADA)



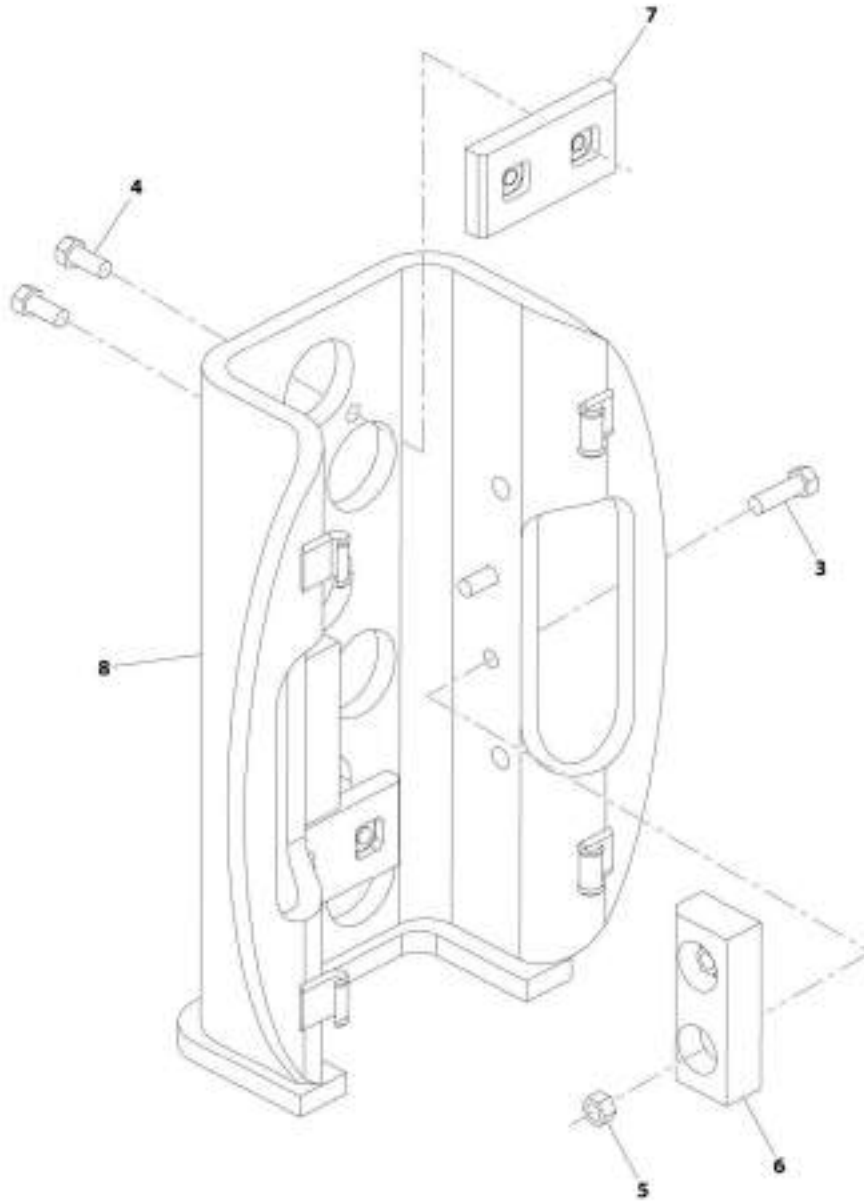
ART\_1001234157-A

FIGURE 2-35. BOOM PROP INSTALLATION (CANADA)

ITEM	PART NUMBER	QTY	DESCRIPTION	REV
	1001234137	Ref	Boom Prop Installation (Canada)	A
1	0761214	2	Bolt, 12 X 30, GR8.8	
2	3291201	2	Nut, M12X1.75	
3	1784861	2	O-Ring	
4	1001095650	AR	Compound, Locking	
5	1001101458	2	Bolt, M8X40	
6	1001231221	Ref	Bracket, Boom Prop Class D (See Separate Breakdown in this Section)	
7	1001232299	1	Bracket, Mount	
8	1001234254	1	Decal, Warning	

## SECTION 2 - BOOM

FIGURE 2-36. BOOM PROP BRACKET



ART\_1001231231-A



FIGURE 2-36. BOOM PROP BRACKET

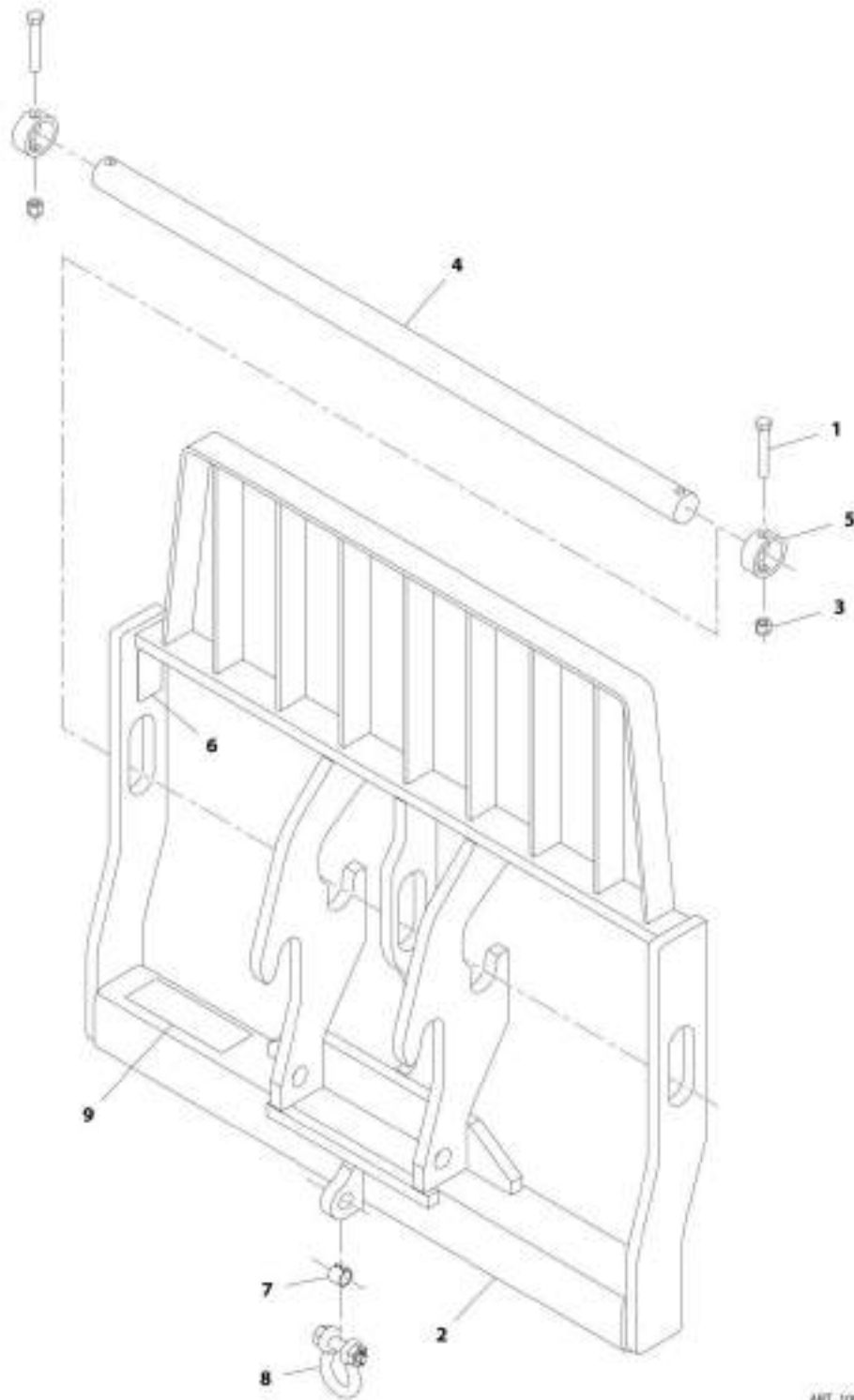
ITEM	PART NUMBER	QTY	DESCRIPTION	REV
	1001231221	Ref	Boom Prop Bracket	A
3	0641610	4	Bolt, 3/8-16X5/4	
4	0651607	4	Bolt, 3/8-24X7/8	
5	3311605	4	Nut, 3/8-16	
6	3340843	2	Pad, Wear	
7	91403530	2	Bearing, Pad	
8	1001232587	1	Bracket	



**SECTION 3 - ATTACHMENTS**

# SECTION 3 - ATTACHMENTS

FIGURE 3-1. CARRIAGE ASSEMBLY (50 INCH) (Prior to SN 0160075710)



AMT\_1001146304-0

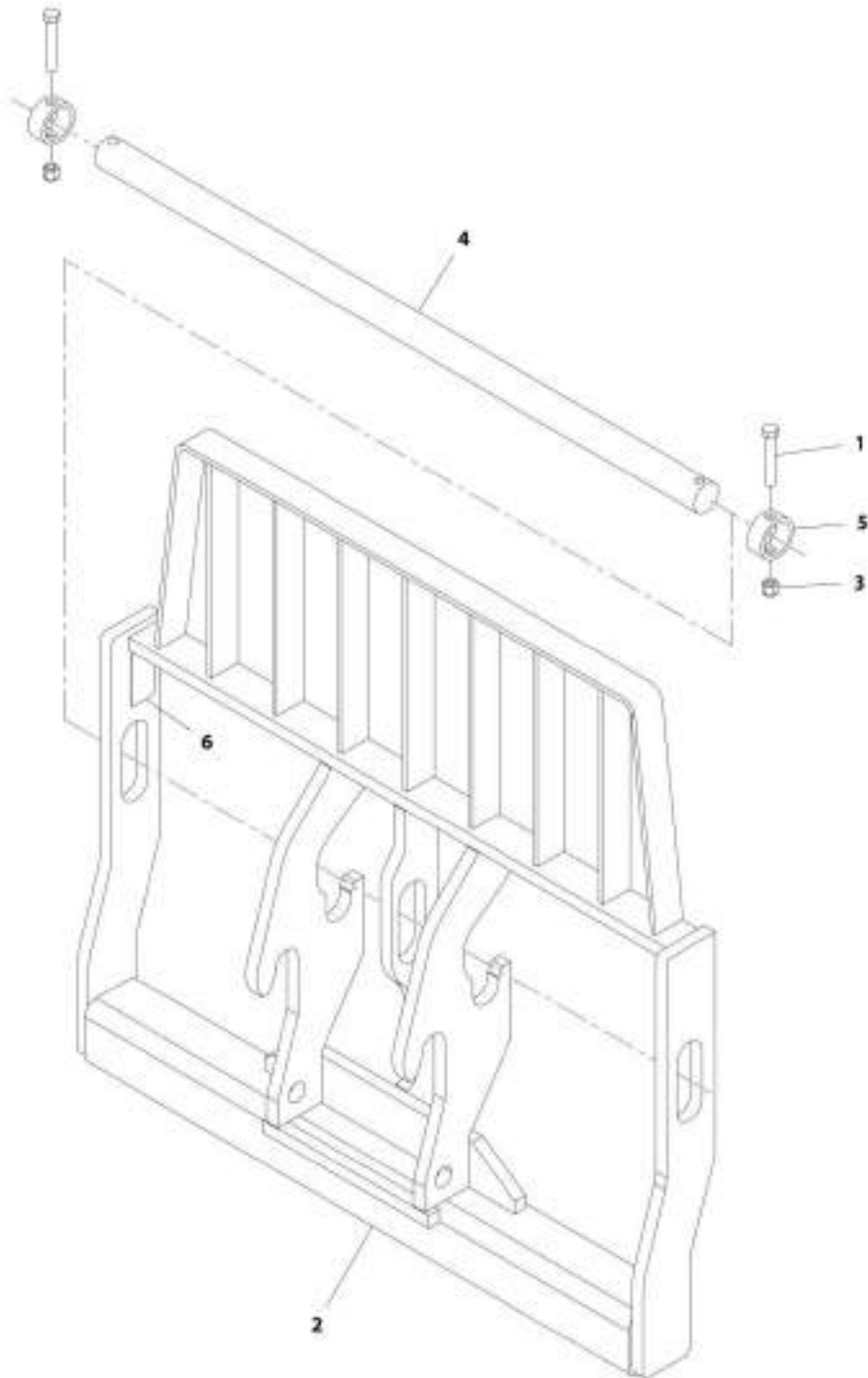
## SECTION 3 - ATTACHMENTS

**FIGURE 3-1. CARRIAGE ASSEMBLY (50 INCH) (Prior to SN 0160075710)**

ITEM	PART NUMBER	QTY	DESCRIPTION	REV
	1001146084	Ref	Carriage Assembly (50 Inch)	D
1	0642032	2	Bolt, 5/8-11X4	
2	N.S.S.	1	Weldment, Carriage	
3	3300240	2	Nut, Lock 5/8-11	
4	3423275	1	Pin, Fork	
5	90200003	2	Collar, Fork Pin	
6	N.S.S.	1	S/N Plate	
7	1001146159	1	Sleeve, Insert	
8	1001146160	1	Shackle, Bolt 3/4	
9	1001151561	1	Decal, Danger Swinging Loads	

# SECTION 3 - ATTACHMENTS

FIGURE 3-2. CARRIAGE ASSEMBLY (50 INCH) (SN 0160075710 to Present)



AWT\_1170021-F

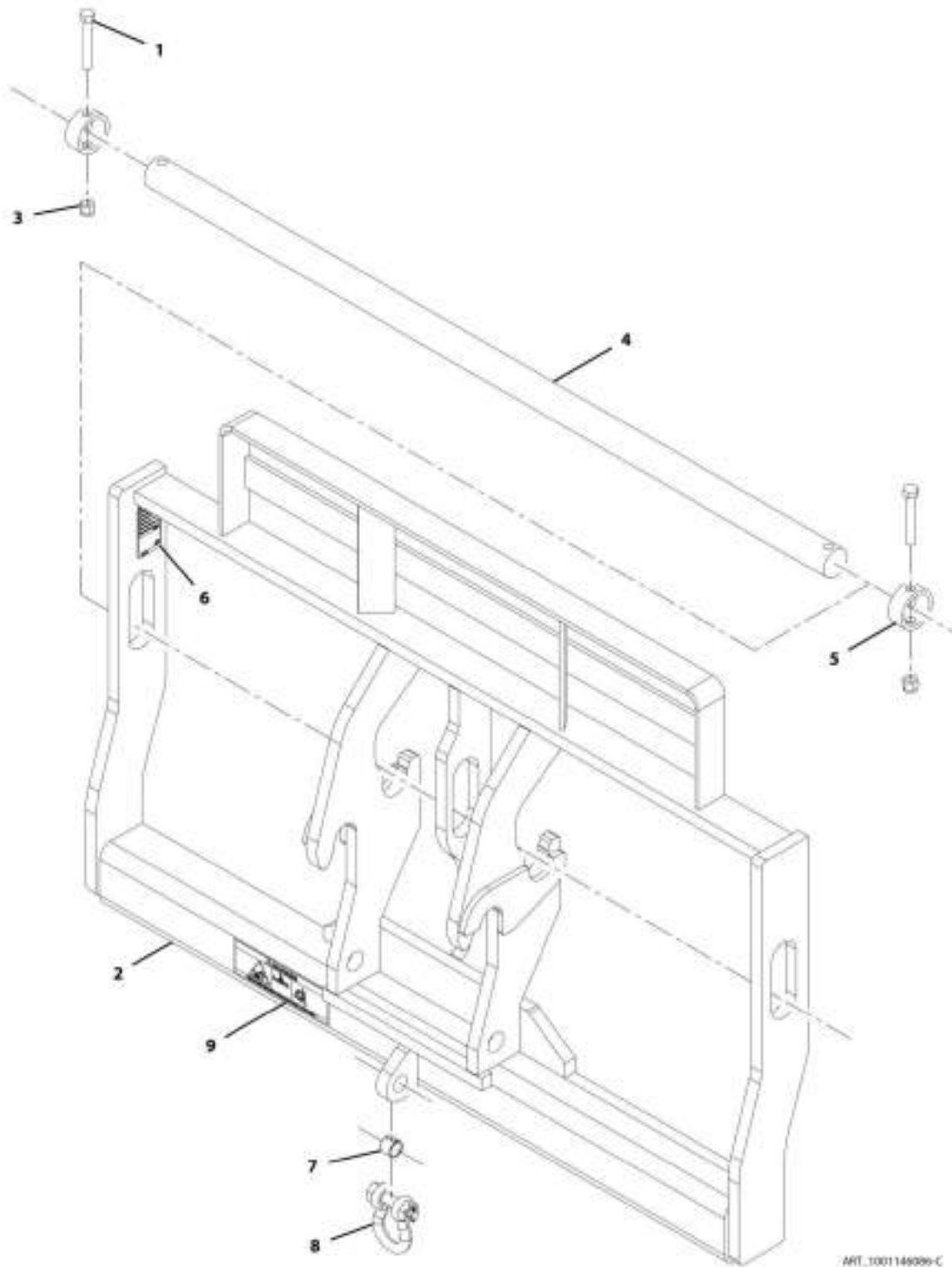
## SECTION 3 - ATTACHMENTS

**FIGURE 3-2. CARRIAGE ASSEMBLY (50 INCH) (SN 0160075710 to Present)**

ITEM	PART NUMBER	QTY	DESCRIPTION	REV
	1170021	Ref	Carriage Assembly (50 Inch)	F
1	0642032	2	Bolt, 5/8-11X4	
2	N.S.S.	1	Weldment, Carriage	
3	3300240	2	Nut, Lock 5/8-11	
4	3423275	1	Pin, Fork	
5	90200003	2	Collar, Fork Pin	
6	N.S.S.	1	S/N Plate	

# SECTION 3 - ATTACHMENTS

FIGURE 3-3. CARRIAGE ASSEMBLY (60 INCH) (Prior to SN 0160075710)



ART\_1001146086-C



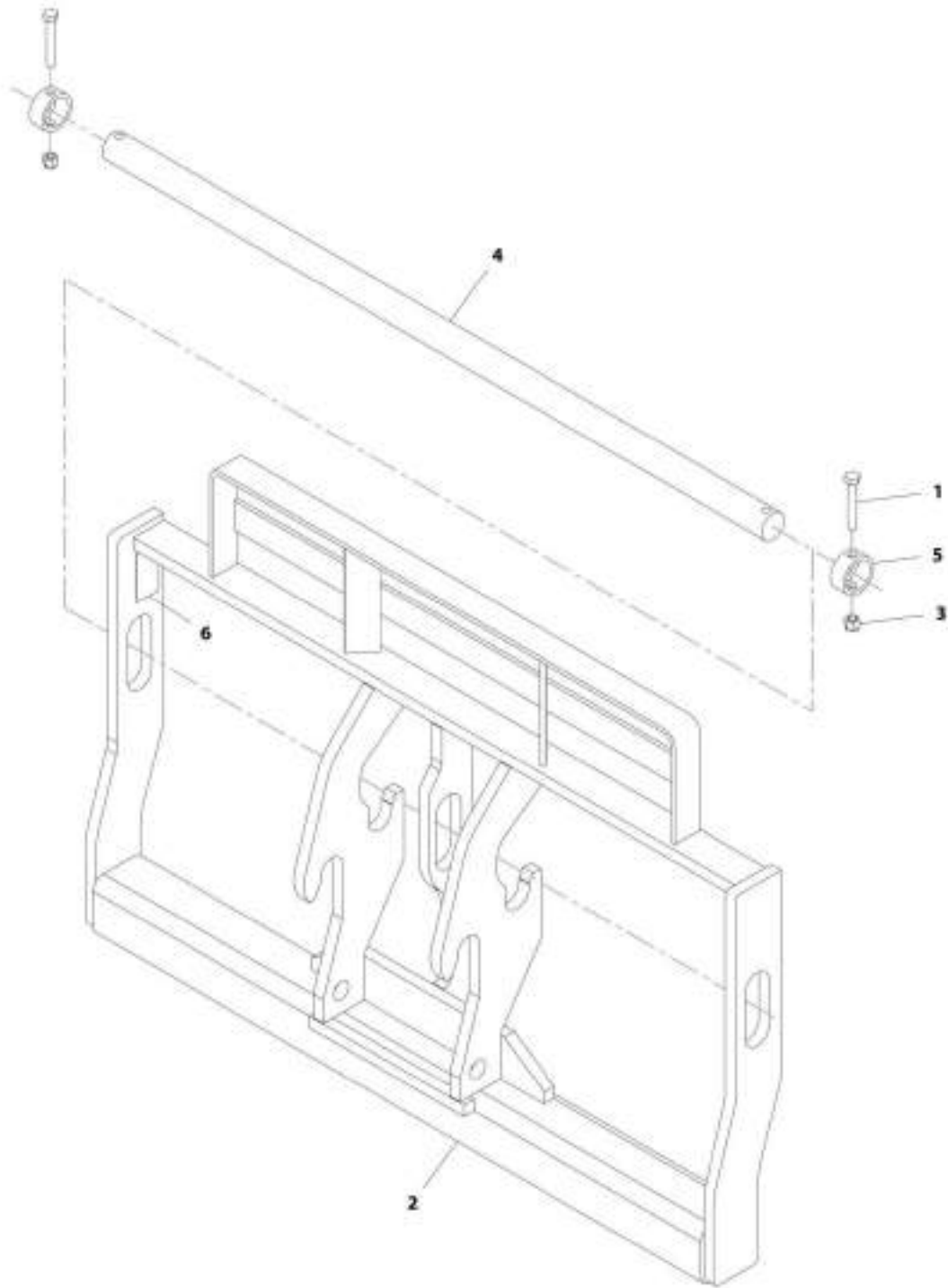
## SECTION 3 - ATTACHMENTS

**FIGURE 3-3. CARRIAGE ASSEMBLY (60 INCH) (Prior to SN 0160075710)**

ITEM	PART NUMBER	QTY	DESCRIPTION	REV
	1001146086	Ref	Carriage Assembly (60 Inch)	C
1	0642032	2	Bolt, 5/8-11X4	
2	N.S.S.	1	Weldment, Carriage	
3	3300240	2	Nut, Lock 5/8-11	
4	3423242	1	Pin, Fork	
5	90200003	2	Collar, Fork Pin	
6	N.S.S.	1	S/N Plate	
7	1001146159	1	Sleeve, Insert	
8	1001146160	1	Shackle, Bolt 3/4	
9	1001151561	1	Decal, Danger Swinging Loads	

# SECTION 3 - ATTACHMENTS

FIGURE 3-4. CARRIAGE ASSEMBLY (60 INCH) (SN 0160075710 to Present)



ART\_117004-F

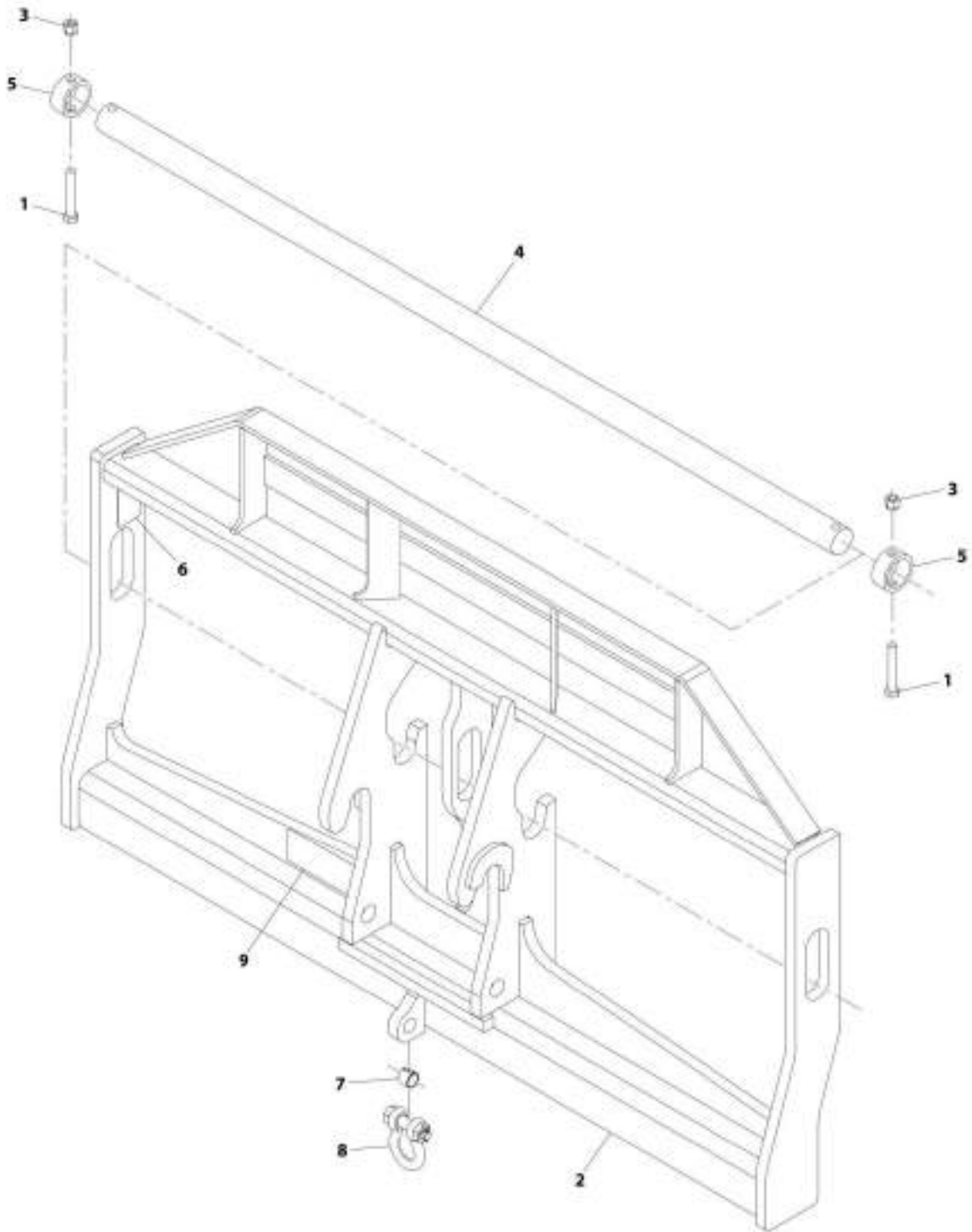
## SECTION 3 - ATTACHMENTS

**FIGURE 3-4. CARRIAGE ASSEMBLY (60 INCH) (SN 0160075710 to Present)**

ITEM	PART NUMBER	QTY	DESCRIPTION	REV
	1170024	Ref	Carriage Assembly (60 Inch)	F
1	0642032	2	Bolt, 5/8-11X4	
2	N.S.S.	1	Weldment, Carriage	
3	3300240	2	Nut, Lock 5/8-11	
4	3423242	1	Pin, Fork	
5	90200003	2	Collar, Fork Pin	
6	N.S.S.	1	S/N Plate	

# SECTION 3 - ATTACHMENTS

FIGURE 3-5. CARRIAGE ASSEMBLY (72 INCH) (Prior to SN 0160073773)



ART\_1001149000-F

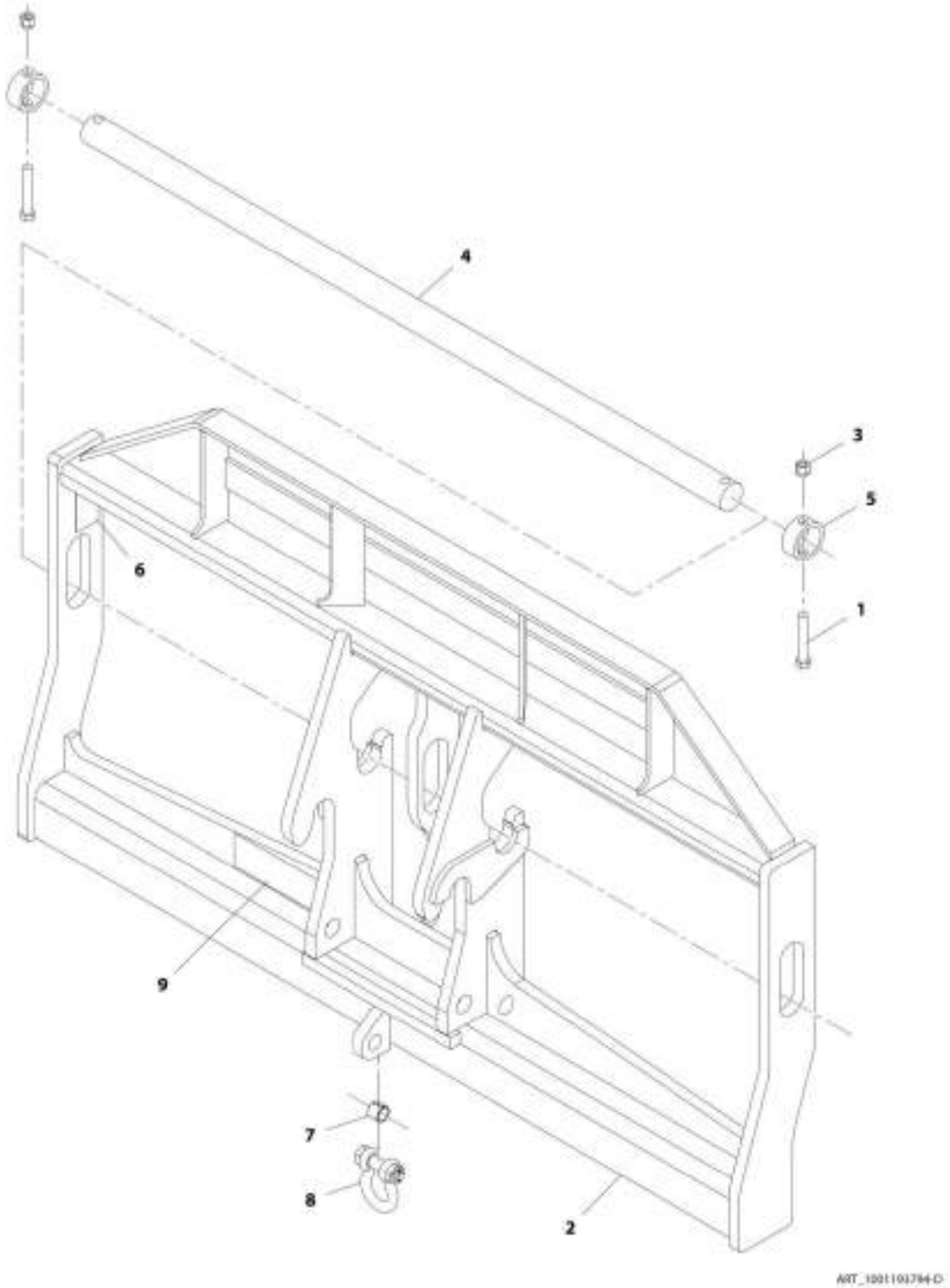
## SECTION 3 - ATTACHMENTS

**FIGURE 3-5. CARRIAGE ASSEMBLY (72 INCH) (Prior to SN 0160073773)**

ITEM	PART NUMBER	QTY	DESCRIPTION	REV
	1001146088	NLA	Carriage Assembly (72 Inch), (no longer available, use 1001193794 for replacement)	F
1	0642032	2	Bolt, 5/8-11X4	
2	N.S.S.	1	Weldment, Carriage	
3	3300240	2	Nut, Lock 5/8-11	
4	3423276	1	Pin, Fork	
5	90200003	2	Collar, Fork Pin	
6	N.S.S.	1	S/N Plate	
7	1001146159	1	Sleeve, Insert	
8	1001146160	1	Shackle, Bolt 3/4	
9	1001151561	1	Decal, Danger Swinging Loads	

# SECTION 3 - ATTACHMENTS

FIGURE 3-6. CARRIAGE ASSEMBLY (72 INCH) (SN 0160073773 through 0160075709)



AWT\_1001101794-D

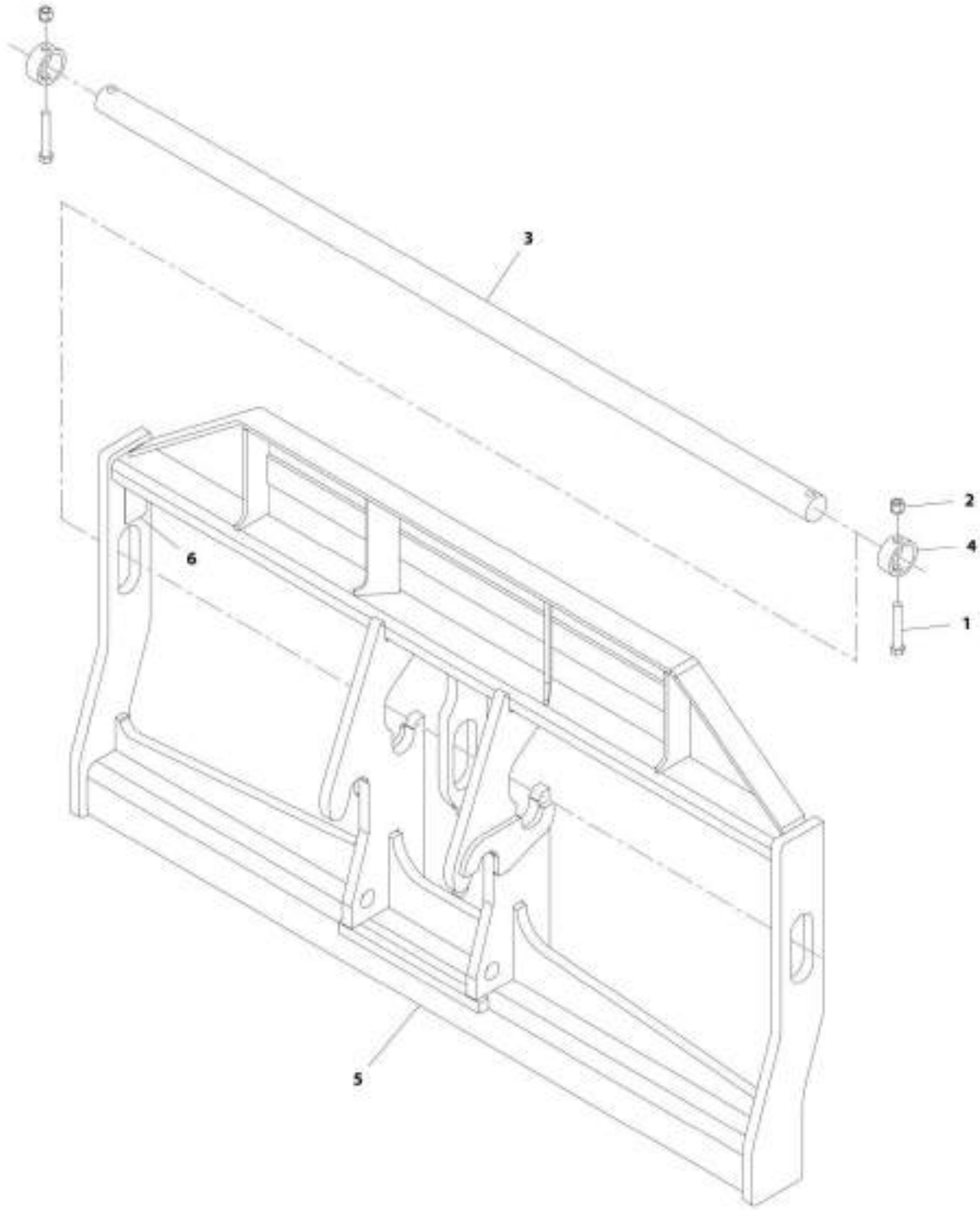
## SECTION 3 - ATTACHMENTS

**FIGURE 3-6. CARRIAGE ASSEMBLY (72 INCH) (SN 0160073773 through 0160075709)**

ITEM	PART NUMBER	QTY	DESCRIPTION	REV
	1001193794	Ref	Carriage Assembly (72 Inch)	D
1	0642032	2	Bolt, 5/8-11X4	
2	N.S.S.	1	Weldment, Carriage	
3	3300240	2	Nut, Lock 5/8-11	
4	3423276	1	Pin, Fork	
5	90200003	2	Collar, Fork Pin	
6	N.S.S.	1	S/N Plate	
7	1001146159	1	Sleeve, Insert	
8	1001146160	1	Shackle, Bolt 3/4	
9	1001151561	1	Decal, Danger Swinging Loads	

# SECTION 3 - ATTACHMENTS

FIGURE 3-7. CARRIAGE ASSEMBLY (72 INCH) (SN 0160075710 to Present)



ARC\_100/011016-A



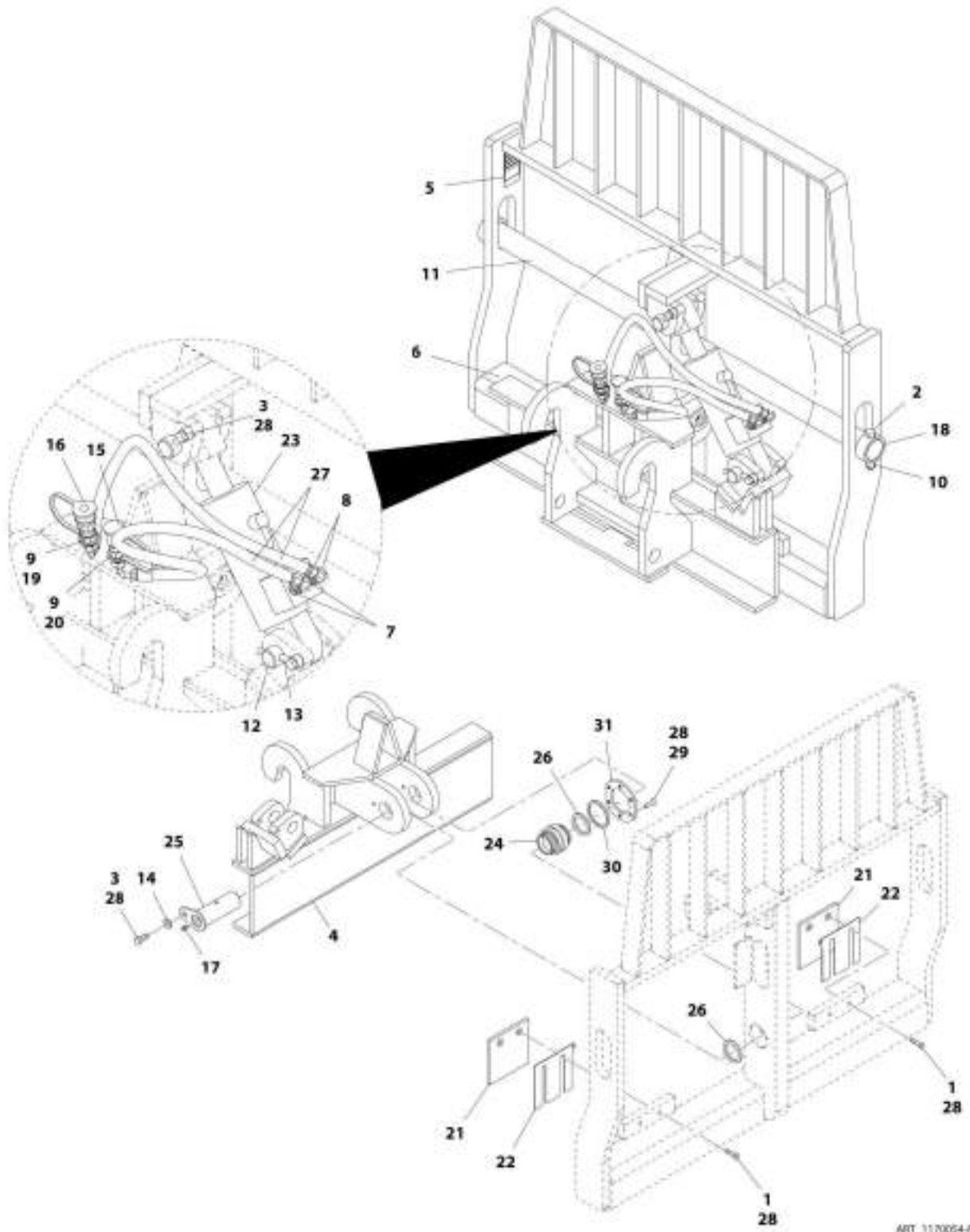
## SECTION 3 - ATTACHMENTS

**FIGURE 3-7. CARRIAGE ASSEMBLY (72 INCH) (SN 0160075710 to Present)**

ITEM	PART NUMBER	QTY	DESCRIPTION	REV
	1001211516	Ref	Carriage Assembly (72 Inch)	A
1	0642032	2	Bolt, 5/8-11X4	
2	3300240	2	Nut, Lock 5/8-11	
3	3423276	1	Pin, Fork	
4	90200003	2	Collar, Fork Pin	
5	N.S.S.	1	Weldment, Carriage	
6	N.S.S.	1	S/N Plate	

# SECTION 3 - ATTACHMENTS

FIGURE 3-8. SIDE TILT CARRIAGE ASSEMBLY (50 INCH) - 1055



ART\_1170054-M

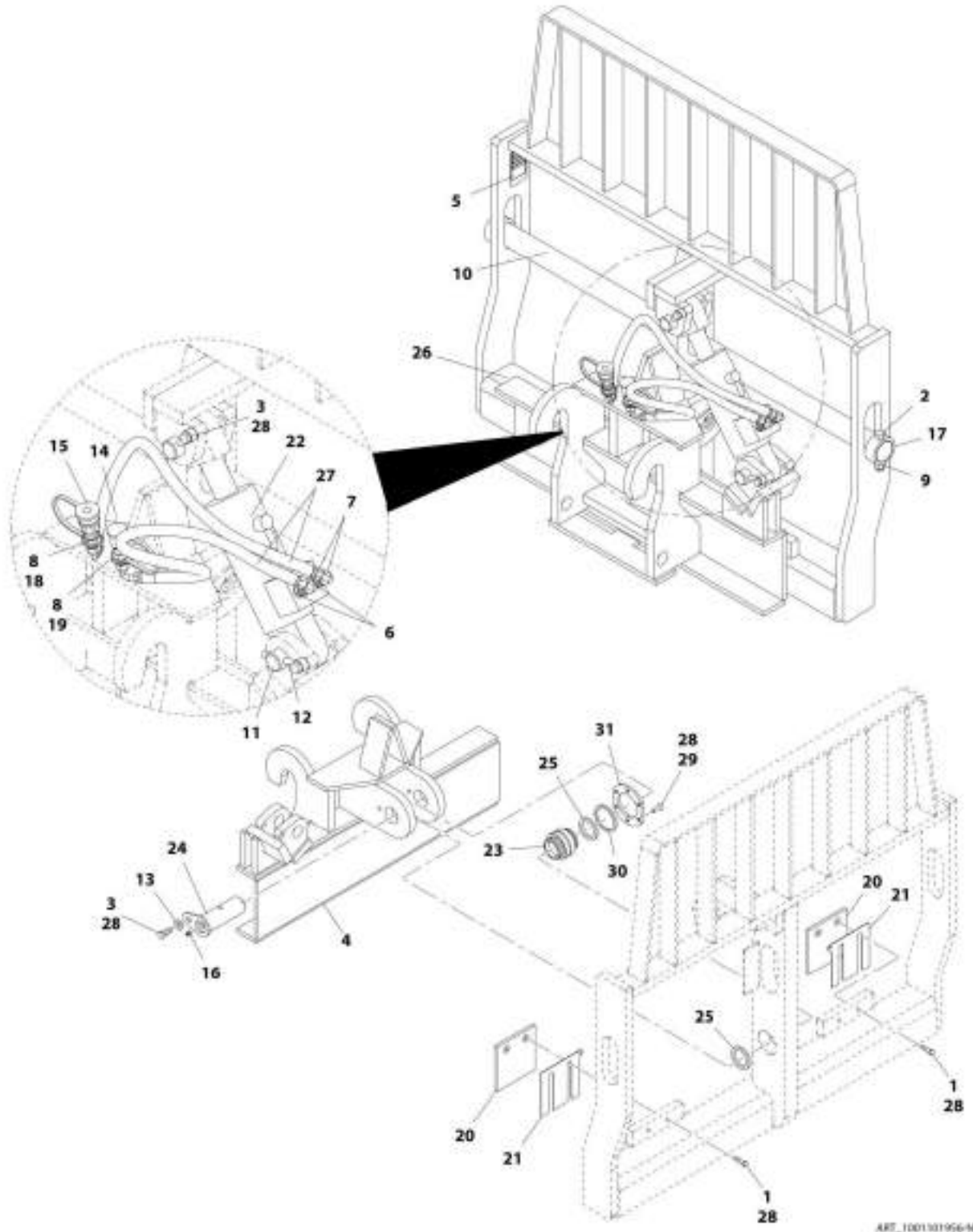
## SECTION 3 - ATTACHMENTS

**FIGURE 3-8. SIDE TILT CARRIAGE ASSEMBLY (50 INCH) - 1055**

ITEM	PART NUMBER	QTY	DESCRIPTION	REV
	1170054	NLA	Side Tilt Carriage Assembly (50 Inch) - 1055 (no longer available, see items 1 through 31 for service or 1001233383 for replacement)	M
1	0641612	4	Bolt, 3/8-16X1-1/2	
2	0642032	2	Bolt, 5/8-11X4	
3	0681810	3	Bolt, 1/2-13X1-1/4	
4	1001133072	1	Carriage, Base Pivot	
5	N.S.S.	1	S/N Plate	
6	N.S.S.	1	Carriage, Side Tilt	
7	2110606	2	Adapter, Straight	
8	2172106	2	Adapter, 90	
9	2110808	2	Adapter, Straight	
10	3300240	2	Nut, Lock 5/8-11	
11	3423275	1	Pin, Fork	
12	3423307	2	Pin, Side Tilt Cylinder	
13	3841203	2	Keeper, Rod	
14	4891800	1	Washer, 1/2	
15	8420053	1	Cap, Dust	
16	8420055	1	Plug, Dust	
17	88671001	1	Fitting, Grease	
18	90200003	2	Collar, Fork Pin	
19	91403413	1	Adapter	
20	91403414	1	Adapter	
21	1001090063	2	Pad, Wear	
22	1001090064	AR	Shim, Wear Pad	
23	1001163414	1	Cylinder, Side Tilt (See HYDRAULIC COMPONENTS SECTION for Breakdown)	
24	1001090140	1	Bearing, Side Tilt Spherical	
25	1001099113	1	Pin, Side Tilt Frame Pivot	
26	1001099115	2	Sleeve, Tilt Bearing Spacer	
27	1001102378	2	Hose	
28	0100011	AR	Compound, Locking	
29	0741610	6	Screw, 3/8-16X1-1/4	
30	1001120914	1	Shim, Bearing Retainer	
31	1001120915	1	Plate, Bearing Retainer	

# SECTION 3 - ATTACHMENTS

FIGURE 3-9. SIDE TILT CARRIAGE ASSEMBLY (60 INCH) - 1055



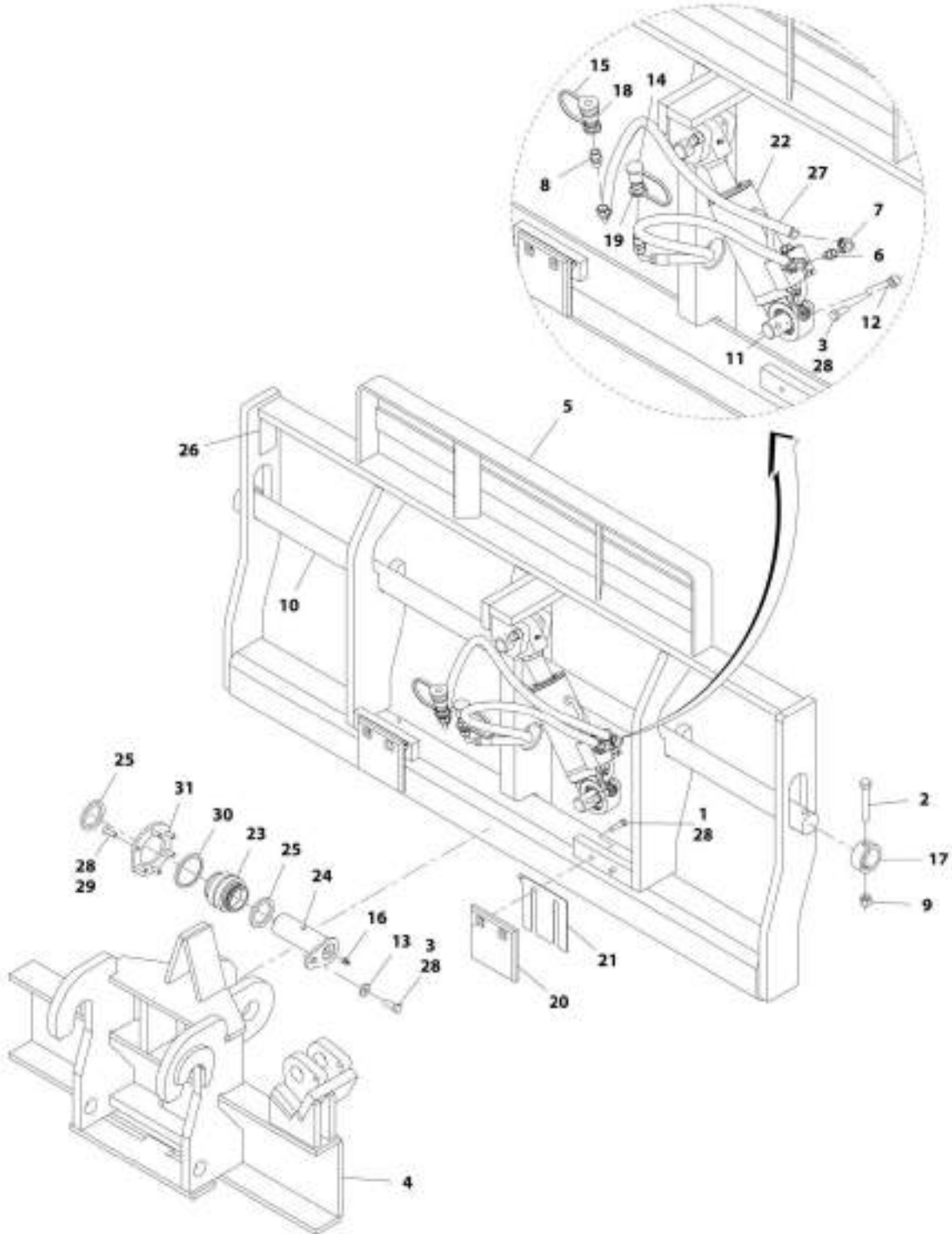
## SECTION 3 - ATTACHMENTS

**FIGURE 3-9. SIDE TILT CARRIAGE ASSEMBLY (60 INCH) - 1055**

ITEM	PART NUMBER	QTY	DESCRIPTION	REV
	1001101956	NLA	Side Tilt Carriage Assembly (60 Inch) - 1055 (no longer available, see items 1 through 31 for service or 1001233384 for replacement)	N
1	0641612	4	Bolt, 3/8-16X1-1/2	
2	0642032	2	Bolt, 5/8-11X4	
3	0681810	3	Bolt, 1/2-13X1-1/4	
4	1001133072	1	Carriage, Base Pivot	
5	N.S.S.	1	S/N Plate	
6	2110606	2	Adapter, Straight	
7	2172106	2	Adapter, 90	
8	2110808	2	Adapter, Straight	
9	3300240	2	Nut, Lock 5/8-11	
10	3423242	1	Pin, Fork	
11	3423307	2	Pin, Side Tilt Cylinder	
12	3841203	2	Keeper, Rod	
13	4891800	1	Washer, 1/2	
14	8420053	1	Cap, Dust	
15	8420055	1	Plug, Dust	
16	88671001	1	Fitting, Grease	
17	90200003	2	Collar, Fork Pin	
18	91403413	1	Adapter	
19	91403414	1	Adapter	
20	1001090063	2	Pad, Wear	
21	1001090064	AR	Shim, Wear Pad	
22	1001163414	1	Cylinder, Side Tilt (See HYDRAULIC COMPONENTS SECTION for Breakdown)	
23	1001090140	1	Bearing, Side Tilt Spherical	
24	1001099113	1	Pin, Side Tilt Frame Pivot	
25	1001099115	2	Sleeve, Tilt Bearing Spacer	
26	N.S.S.	1	Carriage, Side Tilt	
27	1001102378	2	Hose	
28	0100011	AR	Compound, Locking	
29	0741610	6	Screw, 3/8-16X1-1/4	
30	1001120914	1	Shim, Bearing Retainer	
31	1001120915	1	Plate, Bearing Retainer	

# SECTION 3 - ATTACHMENTS

FIGURE 3-10. SIDE TILT CARRIAGE ASSEMBLY (72 INCH) - 1055



ART\_1179057-M

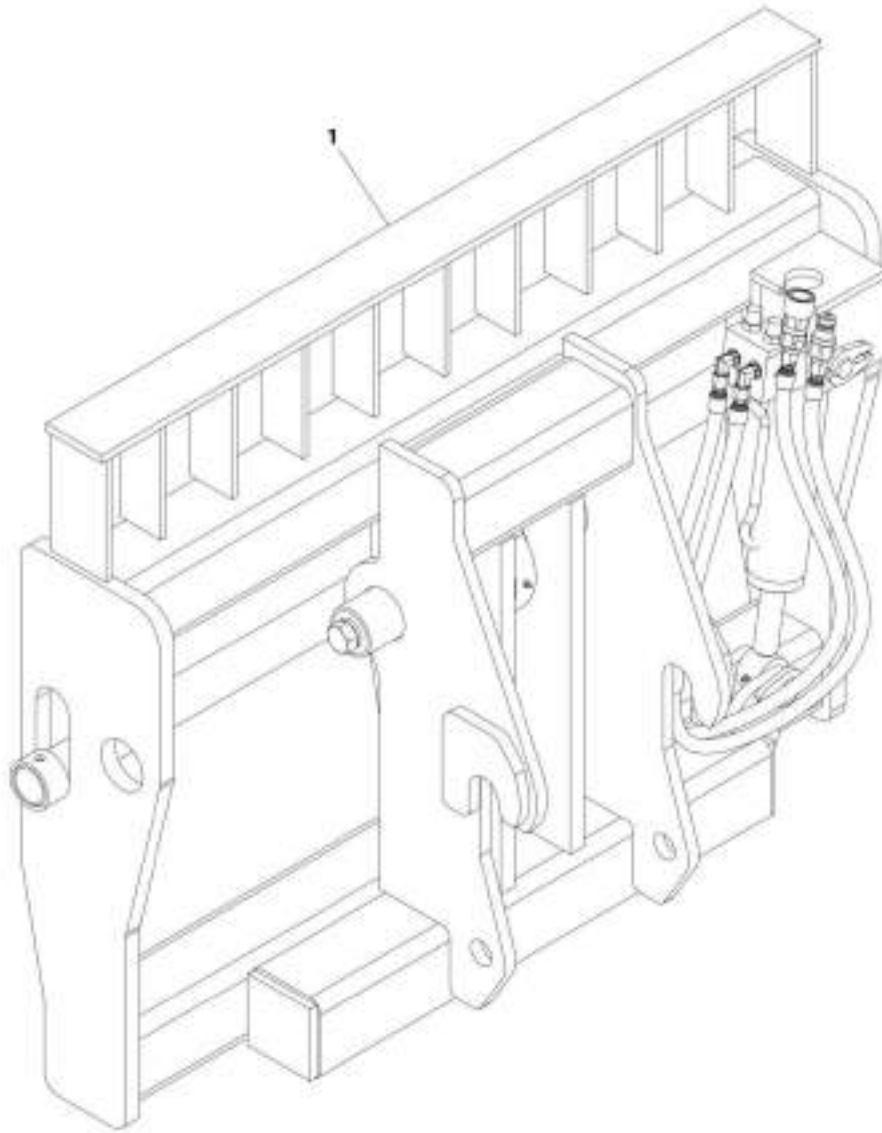
## SECTION 3 - ATTACHMENTS

**FIGURE 3-10. SIDE TILT CARRIAGE ASSEMBLY (72 INCH) - 1055**

ITEM	PART NUMBER	QTY	DESCRIPTION	REV
	1170057	NLA	Side Tilt Carriage Assembly (72 Inch) - 1055 (no longer available, see items 1 through 31 for service or 1001233385 for replacement)	M
1	0641612	4	Bolt, 3/8-16X1-1/2	
2	0642032	2	Bolt, 5/8-11X4	
3	0681810	3	Bolt, 1/2-13X1-1/4	
4	1001133072	1	Carriage, Base Pivot	
5	N.S.S.	1	Carriage, Side Tilt	
6	2110606	2	Adapter, Straight	
7	2172106	2	Adapter, 90	
8	2110808	2	Adapter, Straight	
9	3300240	2	Nut, Lock 5/8-11	
10	3423276	1	Pin, Fork	
11	3423307	2	Pin, Side Tilt Cylinder	
12	3841203	2	Keeper, Rod	
13	4891800	1	Washer, 1/2	
14	8420053	1	Cap, Dust	
15	8420055	1	Plug, Dust	
16	88671001	1	Fitting, Grease	
17	90200003	2	Collar, Fork Pin	
18	91403413	1	Adapter	
19	91403414	1	Adapter	
20	1001090063	2	Pad, Wear	
21	1001090064	AR	Shim, Wear Pad	
22	1001163414	1	Cylinder, Side Tilt (See HYDRAULIC COMPONENTS SECTION for Breakdown)	
23	1001090140	1	Bearing, Side Tilt Spherical	
24	1001099113	1	Pin, Side Tilt Frame Pivot	
25	1001099115	2	Sleeve, Tilt Bearing Spacer	
26	N.S.S.	1	S/N Plate	
27	1001102378	2	Hose	
28	0100011	AR	Compound, Locking	
29	0741610	6	Screw, 3/8-16X1-1/4	
30	1001120914	1	Shim, Bearing Retainer	
31	1001120915	1	Plate, Bearing Retainer	

## SECTION 3 - ATTACHMENTS

FIGURE 3-11. SIDE TILT CARRIAGE ASSEMBLY (50 INCH) - 1255



ART\_1001182051-E



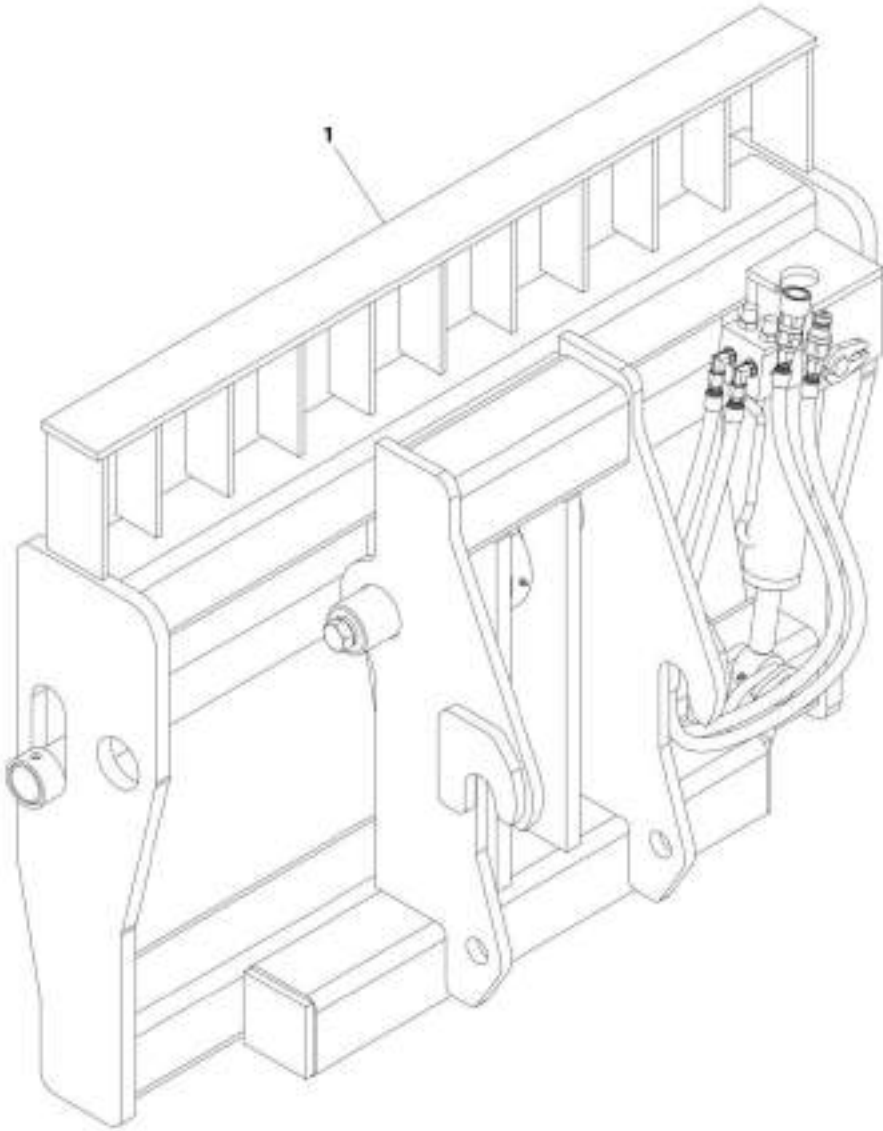
## SECTION 3 - ATTACHMENTS

**FIGURE 3-11. SIDE TILT CARRIAGE ASSEMBLY (50 INCH) - 1255**

ITEM	PART NUMBER	QTY	DESCRIPTION	REV
1	1001182951	NLA	Side Tilt Carriage Assembly (50 Inch) - 1255 (no longer available, use 1001233383 for replacement)	E

**SECTION 3 - ATTACHMENTS**

**FIGURE 3-12. SIDE TILT CARRIAGE ASSEMBLY (60 INCH) - 1255**



ART\_1001182062-C

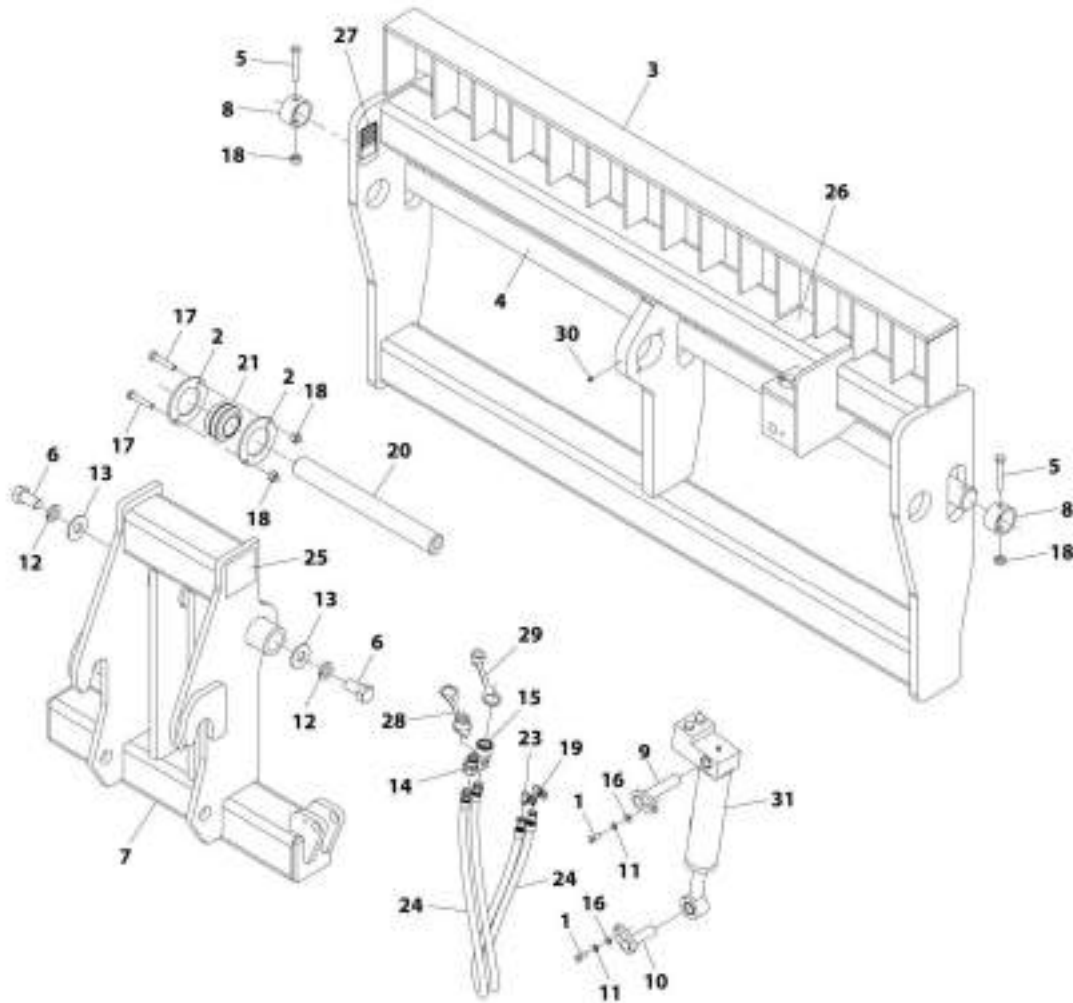
## SECTION 3 - ATTACHMENTS

**FIGURE 3-12. SIDE TILT CARRIAGE ASSEMBLY (60 INCH) - 1255**

ITEM	PART NUMBER	QTY	DESCRIPTION	REV
1	1001182952	NLA	Side Tilt Carriage Assembly (60 Inch) - 1255 (no longer available, use 1001233384 for replacement)	E

# SECTION 3 - ATTACHMENTS

FIGURE 3-13. SIDE TILT CARRIAGE ASSEMBLY (72 INCH) - 1255



ART\_3001182953-E

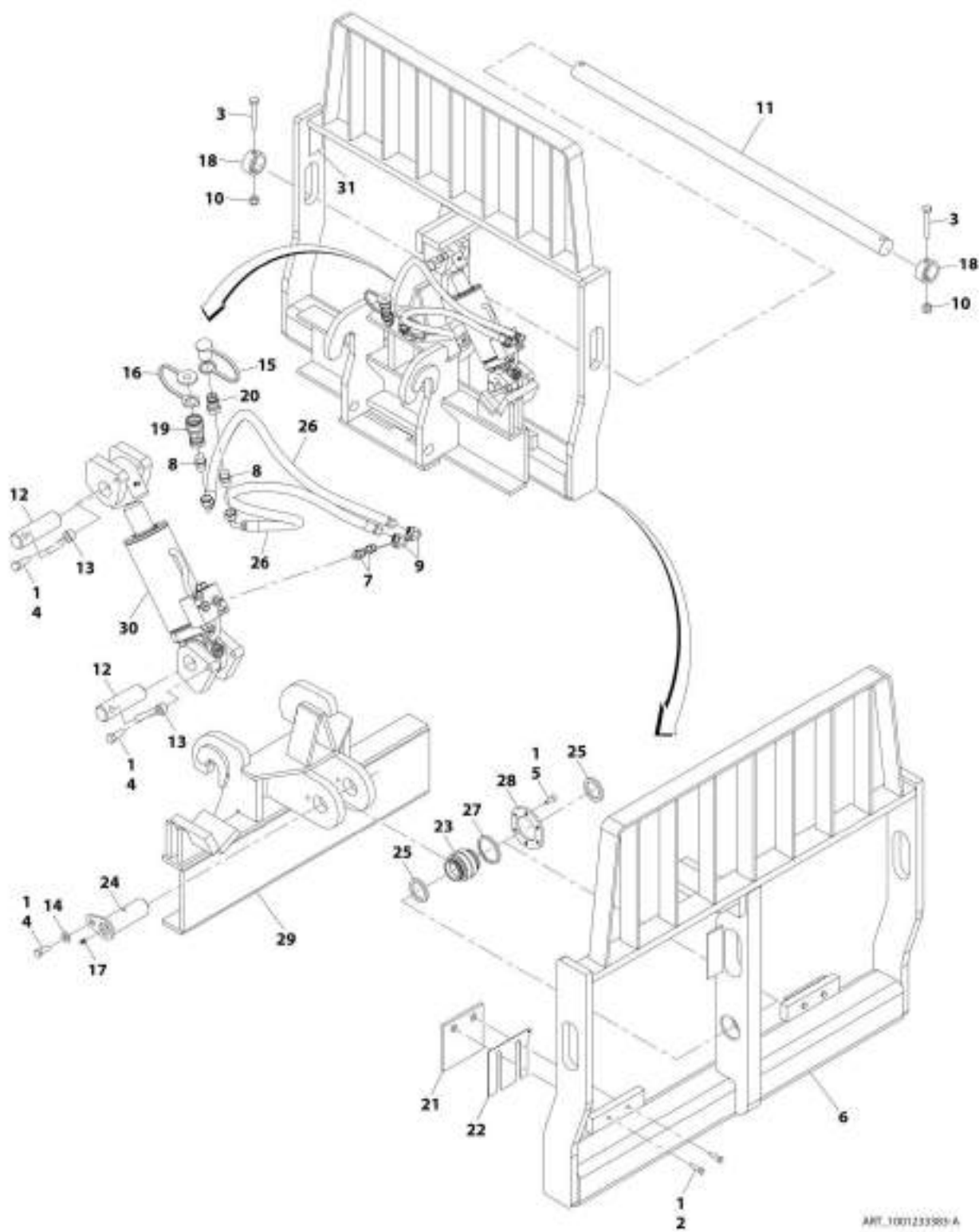
## SECTION 3 - ATTACHMENTS

**FIGURE 3-13. SIDE TILT CARRIAGE ASSEMBLY (72 INCH) - 1255**

ITEM	PART NUMBER	QTY	DESCRIPTION	REV
	1001182953	NLA	Side Tilt Carriage Assembly (72 Inch) - 1255 (no longer available, see items 1 through 31 for service or 1001233385 for replacement)	E
1	70021349	2	Bolt, 3/8X1	
2	70024091	2	Plate Bearing Retainer	
3	N.S.S.	1	Weldment, Main Frame	
4	70026704	1	Fork Pin	
5	70020002	2	Bolt	
6	70024095	2	Bolt	
7	N.S.S.	1	Weldment, Rear Frame	
8	70020028	2	Fork Pin Retainer	
9	70021348	1	Pin	
10	70021351	1	Pin	
11	90554042	2	Washer, Lock 3/8	
12	70024094	2	Washer	
13	70024093	2	Washer	
14	91403414	1	Adapter, Male Quick Disconnect	
15	91403413	1	Adapter, Female Quick Disconnect	
16	7029703	2	Washer	
17	70026703	2	Bolt	
18	90554038	4	Nut	
19	70026700	1	Fitting	
20	70028456	1	Pin	
21	70024089	1	Bearing	
23	90554065	1	Elbow, 90	
24	70026702	2	Hose	
25	90554017	2	Decal, Danger Pinch Point	
26	7029711	1	Decal	
27	N.S.S.	1	S/N Plate	
28	8420053	1	Cap, Dust	
29	8420055	1	Plug, Dust	
30	90554045	1	Fitting, Grease	
31	70021363	1	Cylinder, Side Tilt Cylinder (See Separate Breakdown in HYDRAULIC COMPONENTS Section)	

# SECTION 3 - ATTACHMENTS

## FIGURE 3-14. SIDE TILT CARRIAGE ASSEMBLY (50 INCH)



ART.1001233903-A

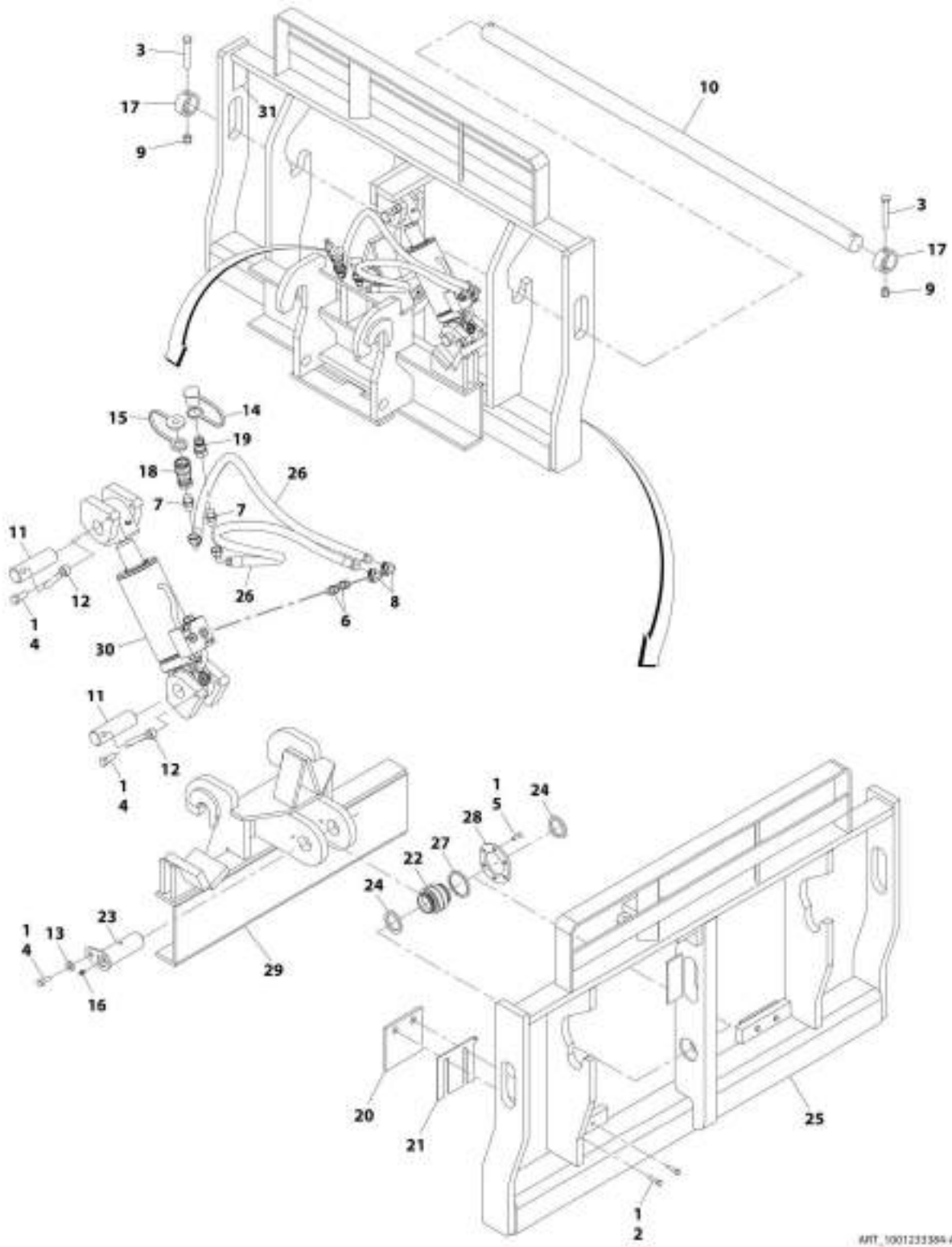
## SECTION 3 - ATTACHMENTS

**FIGURE 3-14. SIDE TILT CARRIAGE ASSEMBLY (50 INCH)**

ITEM	PART NUMBER	QTY	DESCRIPTION	REV
	1001233383	Ref	Side Tilt Carriage Assembly (50 Inch)	A
1	0100011	AR	Compound, Locking	
2	0641612	4	Bolt, 3/8-16X1-1/2	
3	0642032	2	Bolt, 5/8-11X4	
4	0681810	3	Bolt, 1/2-13X1-1/4	
5	0741610	6	Screw, 3/8-16X1-1/4	
6	N.S.S.	1	Carriage, Side Tilt	
7	2110606	2	Adapter, Straight	
8	2110808	2	Adapter, Straight	
9	2172106	2	Adapter, 90	
10	3300240	2	Nut, Lock 5/8-11	
11	3423275	1	Pin, Fork	
12	3423307	2	Pin, Side Tilt Cylinder	
13	3841203	2	Keeper, Rod	
14	4891800	1	Washer, 1/2	
15	8420053	1	Cap, Dust	
16	8420055	1	Plug, Dust	
17	88671001	1	Fitting, Grease	
18	90200003	2	Collar, Fork Pin	
19	91403413	1	Adapter	
20	91403414	1	Adapter	
21	1001090063	2	Pad, Wear	
22	1001090064	AR	Shim, Wear Pad	
23	1001090140	1	Bearing, Side Tilt Spherical	
24	1001099113	1	Pin, Side Tilt Frame Pivot	
25	1001099115	2	Sleeve, Tilt Bearing Spacer	
26	1001102378	2	Hose	
27	1001120914	1	Shim, Bearing Retainer	
28	1001120915	1	Plate, Bearing Retainer	
29	1001133072	1	Carriage, Base Pivot	
30	1001163414	1	Cylinder, Side Tilt (See HYDRAULIC COMPONENTS SECTION for Breakdown)	
31	N.S.S.	1	S/N Plate	

# SECTION 3 - ATTACHMENTS

## FIGURE 3-15. SIDE TILT CARRIAGE ASSEMBLY (60 INCH)



MKT\_1001233584-A



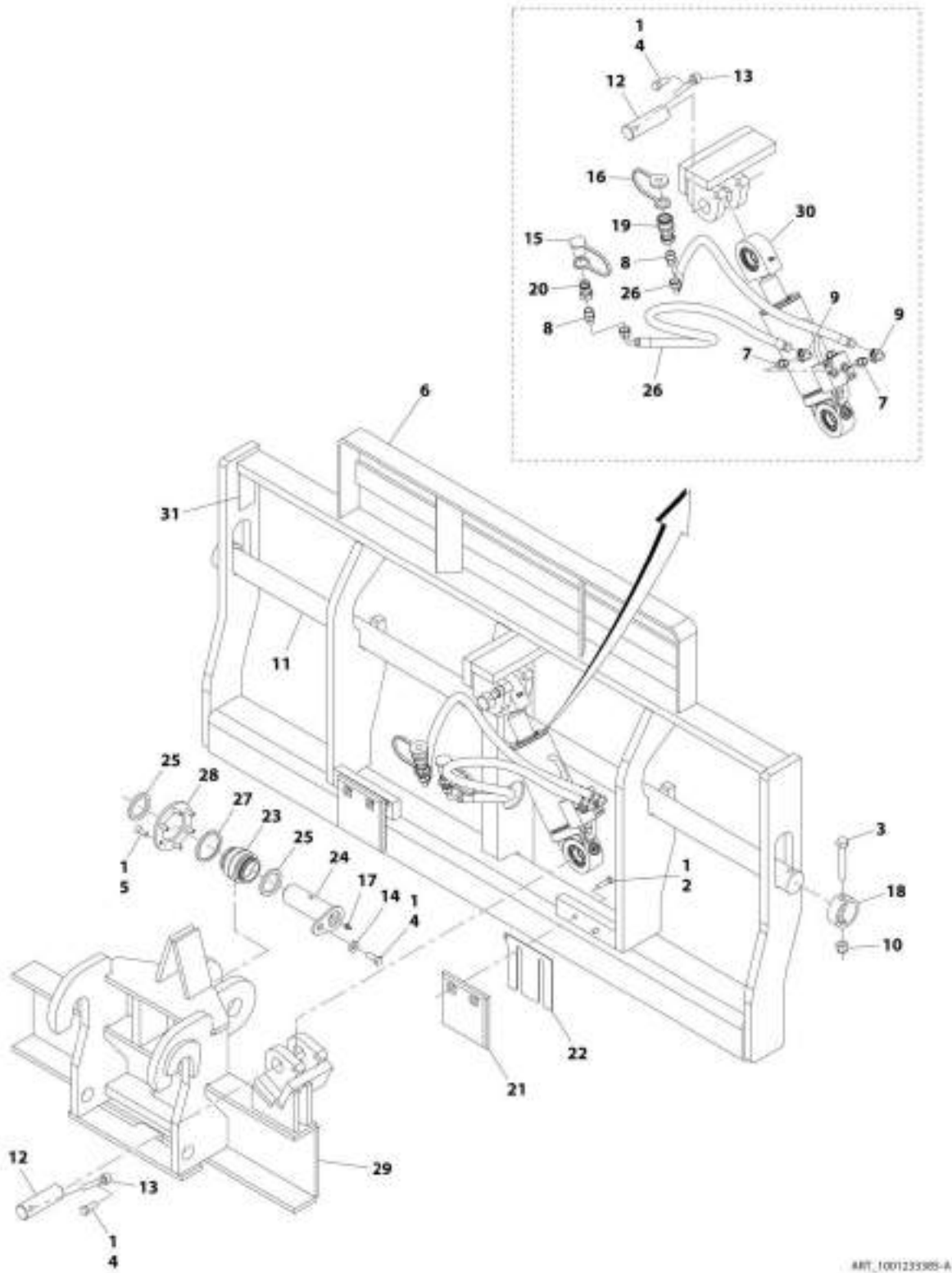
## SECTION 3 - ATTACHMENTS

**FIGURE 3-15. SIDE TILT CARRIAGE ASSEMBLY (60 INCH)**

ITEM	PART NUMBER	QTY	DESCRIPTION	REV
	1001233384	Ref	Side Tilt Carriage Assembly (60 Inch)	A
1	0100011	AR	Compound, Locking	
2	0641612	4	Bolt, 3/8-16X1-1/2	
3	0642032	2	Bolt, 5/8-11X4	
4	0681810	3	Bolt, 1/2-13X1-1/4	
5	0741610	6	Screw, 3/8-16X1-1/4	
6	2110606	2	Adapter, Straight	
7	2110808	2	Adapter, Straight	
8	2172106	2	Adapter, 90	
9	3300240	2	Nut, Lock 5/8-11	
10	3423242	1	Pin, Fork	
11	3423307	2	Pin, Side Tilt Cylinder	
12	3841203	2	Keeper, Rod	
13	4891800	1	Washer, 1/2	
14	8420053	1	Cap, Dust	
15	8420055	1	Plug, Dust	
16	88671001	1	Fitting, Grease	
17	90200003	2	Collar, Fork Pin	
18	91403413	1	Adapter	
19	91403414	1	Adapter	
20	1001090063	2	Pad, Wear	
21	1001090064	AR	Shim, Wear Pad	
22	1001090140	1	Bearing, Side Tilt Spherical	
23	1001099113	1	Pin, Side Tilt Frame Pivot	
24	1001099115	2	Sleeve, Tilt Bearing Spacer	
25	N.S.S.	1	Carriage, Side Tilt	
26	1001102378	2	Hose	
27	1001120914	1	Shim, Bearing Retainer	
28	1001120915	1	Plate, Bearing Retainer	
29	1001133072	1	Carriage, Base Pivot	
30	1001163414	1	Cylinder, Side Tilt (See HYDRAULIC COMPONENTS SECTION for Breakdown)	
31	N.S.S.	1	S/N Plate	

# SECTION 3 - ATTACHMENTS

## FIGURE 3-16. SIDE TILT CARRIAGE ASSEMBLY (72 INCH)



ART\_1001233985-A

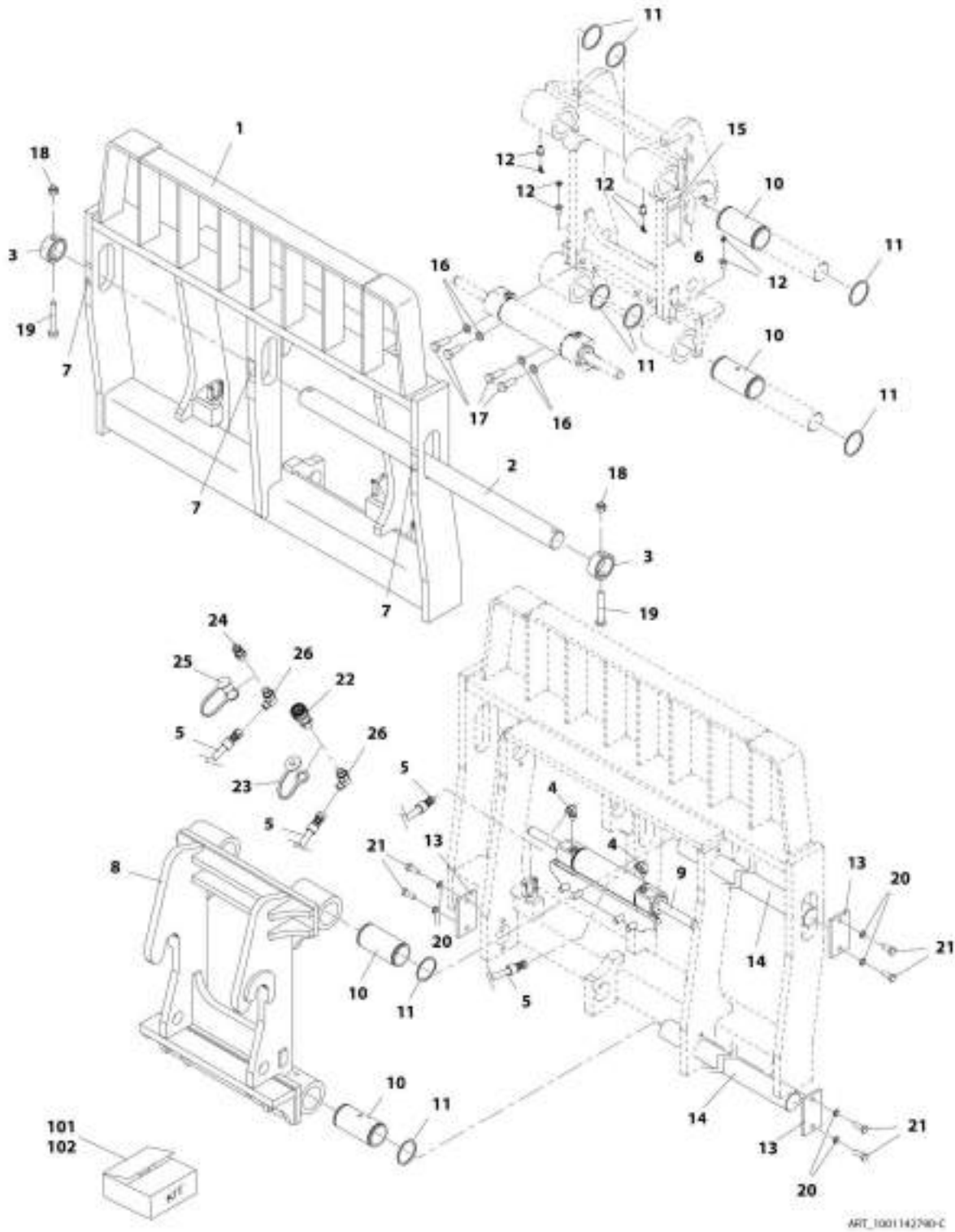
## SECTION 3 - ATTACHMENTS

**FIGURE 3-16. SIDE TILT CARRIAGE ASSEMBLY (72 INCH)**

ITEM	PART NUMBER	QTY	DESCRIPTION	REV
	1001233385	Ref	Side Tilt Carriage Assembly (72 Inch)	A
1	0100011	AR	Compound, Locking	
2	0641612	4	Bolt, 3/8-16X1-1/2	
3	0642032	2	Bolt, 5/8-11X4	
4	0681810	3	Bolt, 1/2-13X1-1/4	
5	0741610	6	Screw, 3/8-16X1-1/4	
6	N.S.S.	1	Carriage, Side Tilt	
7	2110606	2	Adapter, Straight	
8	2110808	2	Adapter, Straight	
9	2172106	2	Adapter, 90	
10	3300240	2	Nut, Lock 5/8-11	
11	3423276	1	Pin, Fork	
12	3423307	2	Pin, Side Tilt Cylinder	
13	3841203	2	Keeper, Rod	
14	4891800	1	Washer, 1/2	
15	8420053	1	Cap, Dust	
16	8420055	1	Plug, Dust	
17	88671001	1	Fitting, Grease	
18	90200003	2	Collar, Fork Pin	
19	91403413	1	Adapter	
20	91403414	1	Adapter	
21	1001090063	2	Pad, Wear	
22	1001090064	AR	Shim, Wear Pad	
23	1001090140	1	Bearing, Side Tilt Spherical	
24	1001099113	1	Pin, Side Tilt Frame Pivot	
25	1001099115	2	Sleeve, Tilt Bearing Spacer	
26	1001102378	2	Hose	
27	1001120914	1	Shim, Bearing Retainer	
28	1001120915	1	Plate, Bearing Retainer	
29	1001133072	1	Carriage, Base Pivot	
30	1001163414	1	Cylinder, Side Tilt (See HYDRAULIC COMPONENTS SECTION for Breakdown)	
31	N.S.S.	1	S/N Plate	

# SECTION 3 - ATTACHMENTS

## FIGURE 3-17. SIDE SHIFT CARRIAGE ASSEMBLY (50 INCH)



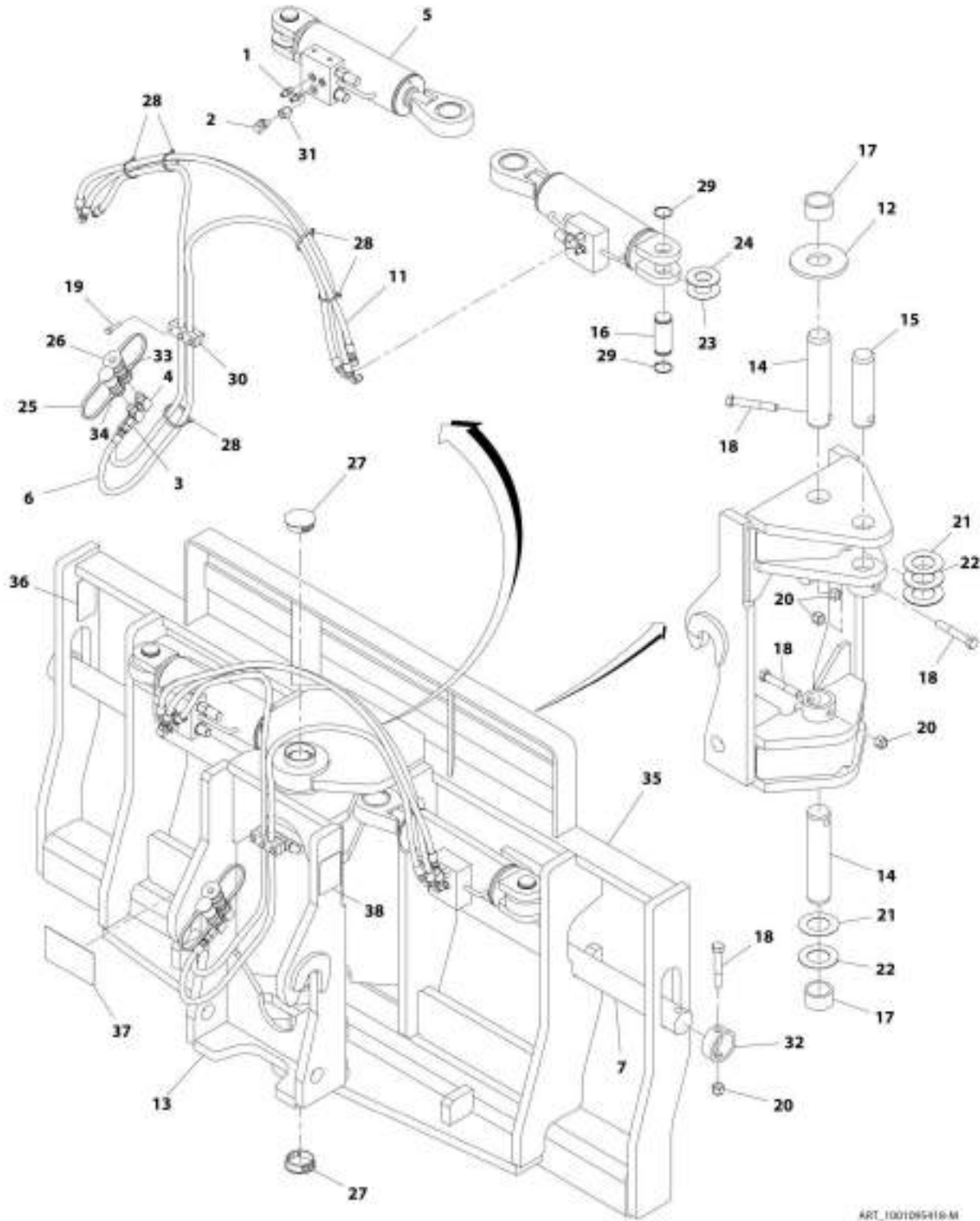
## SECTION 3 - ATTACHMENTS

**FIGURE 3-17. SIDE SHIFT CARRIAGE ASSEMBLY (50 INCH)**

ITEM	PART NUMBER	QTY	DESCRIPTION	REV
	1001142790	Ref	Side Shift Carriage Assembly (50 Inch)	C
1	N.S.S.	1	Weldment	
2	70024535	1	Shaft	
3	70024536	2	Collar	
4	70024123	2	Adapter, 90 (includes o-ring)	
5	70024537	2	Hose	
6	N.S.S.	1	S/N Plate	
7	70024538	3	Decal, Warning	
8	N.S.S.	1	Weldment	
9	70024539	1	Cylinder, Side Shift Carriage (50 Inch) (See HYDRAULIC COMPONENTS SECTION for Breakdown)	
10	70024540	4	Bushing	
11	70024541	8	Circlip	
12	70024542	4	Fitting, Grease	
13	70024543	4	Retainer	
14	70024544	2	Shaft	
15	N.S.S.	1	S/N Plate	
16	70024551	4	Washer, Lock 16	
17	70024552	4	Bolt, M16X45	
18	70024553	2	Nut, Hex M16	
19	70024554	2	Bolt, M16X100	
20	70022997	8	Washer, Lock 12	
21	70024555	8	Bolt, M12X35	
22	91403413	1	Adapter, Female Quick Disconnect	
23	8420055	1	Plug, Dust	
24	91403414	1	Adapter, Male Quick Disconnect	
25	8420053	1	Cap, Dust	
26	70024550	2	Adapter, 90 (includes o-ring)	
101	70024545	1	Kit, Hydraulic Repair (includes items 5 & 22 thru 26)	
102	70024546	1	Kit, Retainer (includes items 13, 20 & 21)	

# SECTION 3 - ATTACHMENTS

## FIGURE 3-18. 90 SWING CARRIAGE ASSEMBLY (72 INCH)



ART\_1001065418-M

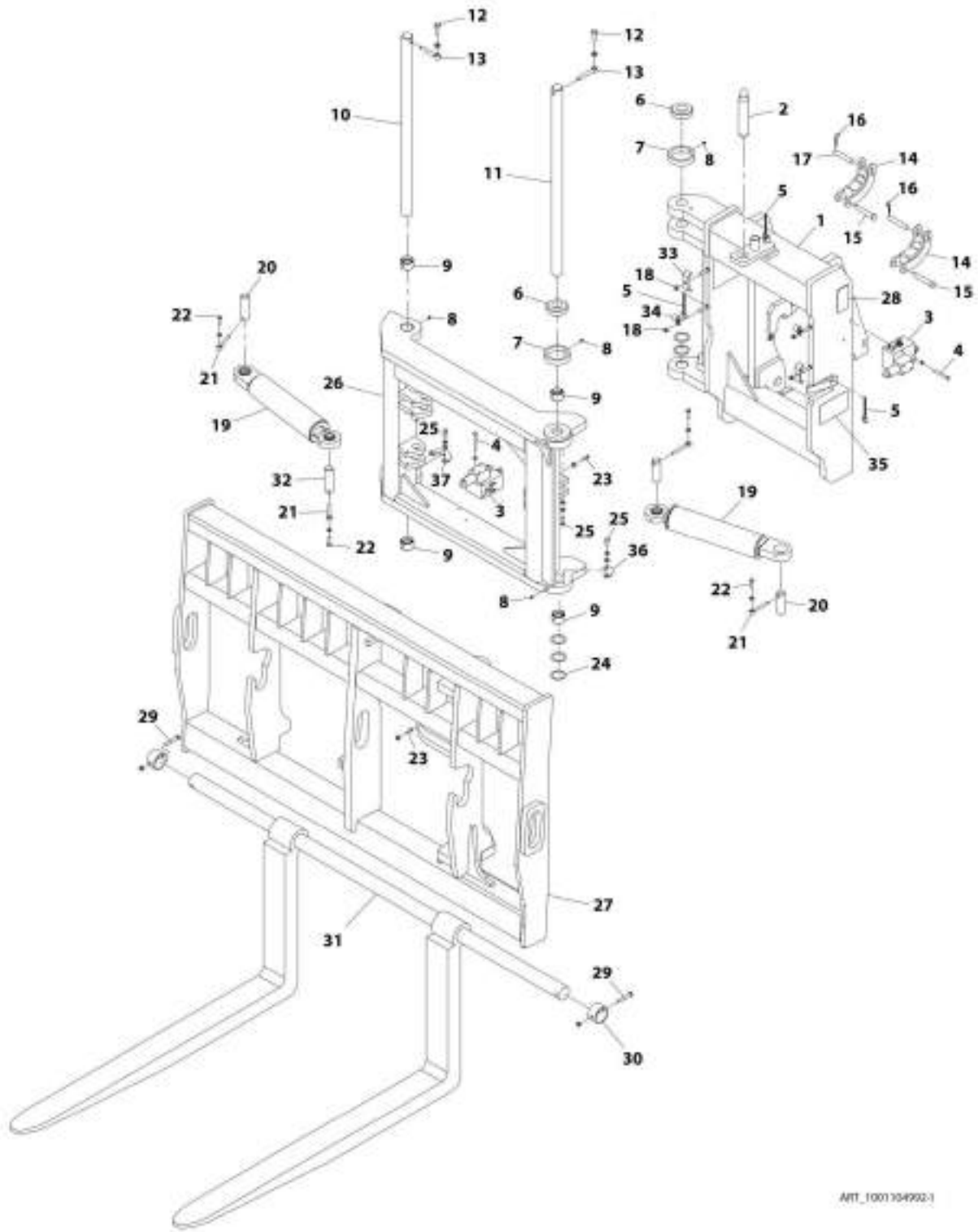
## SECTION 3 - ATTACHMENTS

**FIGURE 3-18. 90 SWING CARRIAGE ASSEMBLY (72 INCH)**

ITEM	PART NUMBER	QTY	DESCRIPTION	REV
	1001095418	1	90 Swing Carriage Assembly (72 Inch)	M
1	2220415	4	Adapter, Straight	
2	2220473	2	Adapter, 90	
3	2220609	2	Adapter, Straight	
4	2220628	2	Adapter, 90	
5	1001103182	2	Swing Carriage Cylinder (See HYDRAULIC COMPONENTS for Breakdown)	
6	2717287	2	Hose	
7	3423276	1	Pin, Fork	
11	6604662	2	Hose	
12	7062922	1	Washer, Thrust	
13	N.S.S.	1	Weldment, Pivot	
14	7110702	2	Pin, Pivot	
15	7110712	1	Pin, Cylinder	
16	7110722	1	Pin, Cylinder	
17	8065062	2	Bushing	
18	8303634	5	Bolt, 5/8-11X4	
19	8303715	3	Bolt, 5/16-18X1-1/2	
20	8305643	5	Nut, Lock 5/8-11	
21	8307904	AR	Washer, Shim	
22	8307918	AR	Washer, Shim	
23	8310160	AR	Washer, Shim	
24	8310161	AR	Washer, Shim	
25	8420053	1	Cap, Dust	
26	8420055	1	Plug, Dust	
27	8580315	2	Plug	
28	8584001	5	Wrap, Tie	
29	8642207	4	Ring, Retaining	
30	8769132	2	Clamp, Twin	
31	8770016	2	Adapter, Straight	
32	90200003	2	Collar, Fork Pin	
33	91403413	1	Adapter, Female Quick Disconnect	
34	91403414	1	Adapter, Male Quick Disconnect	
35	N.S.S.	1	Frame, Carriage	
36	N.S.S.	1	S/N Plate	
37	1001110704	1	Decal, Warning Crush Hazard	
38	1001111190	2	Decal, Warning	

# SECTION 3 - ATTACHMENTS

## FIGURE 3-19. 180 SWING CARRIAGE (72 INCH)



ART\_1001354902-1



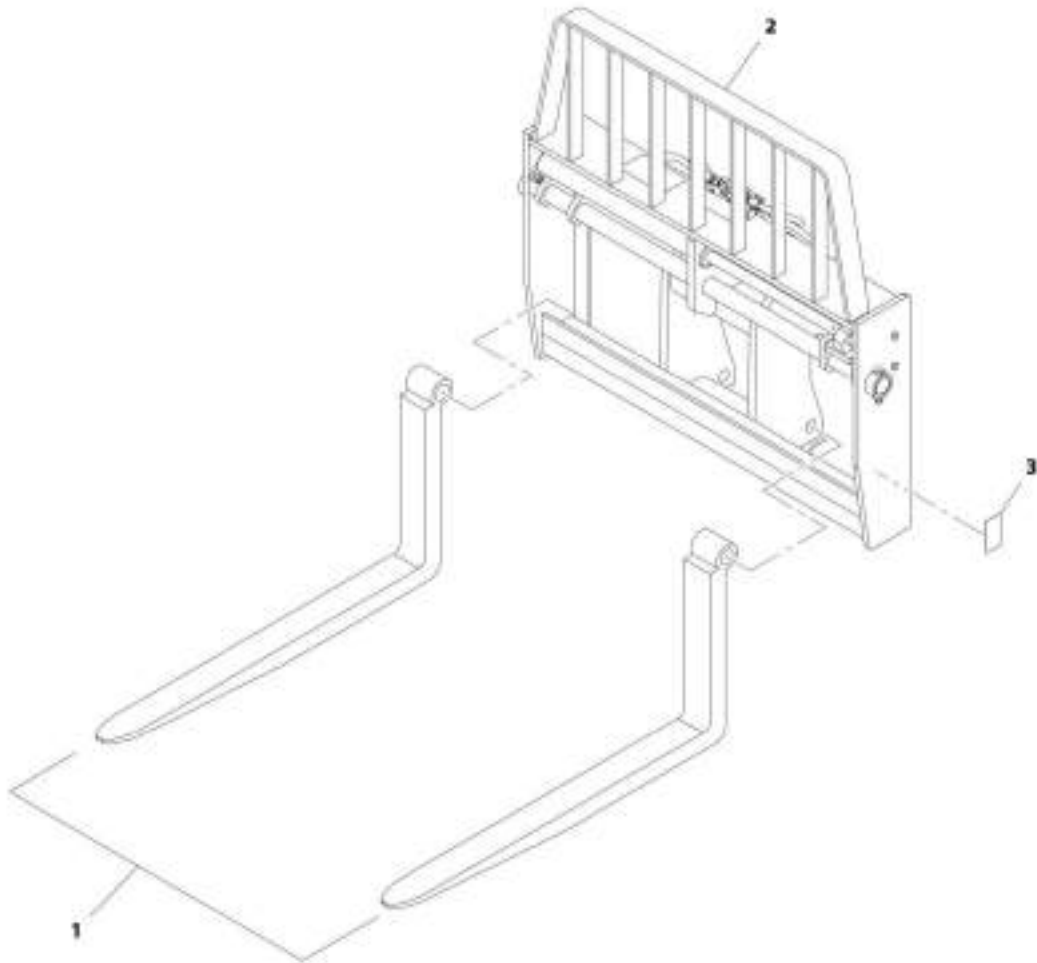
## SECTION 3 - ATTACHMENTS

**FIGURE 3-19. 180 SWING CARRIAGE (72 INCH)**

ITEM	PART NUMBER	QTY	DESCRIPTION	REV
	1001104992	1	180 Swing Carriage (72 Inch)	I
1	N.S.S.	1	Back Frame	
2	90554026	1	Pin	
3	91564003	2	Valve	
4	90554070	4	Bolt	
4	90554067	4	Washer, Lock	
5	90554025	3	Chain, #12 Jack	
6	90554024	2	Bearing	
7	70020017	2	Spacer	
8	90554045	10	Zerk, Grease	
9	70020015	4	Bearing	
10	70020026	1	Pin	
11	70020025	1	Pin	
12	70021382	2	Bolt	
12	90554020	2	Washer, Lock 1/2	
13	90554021	2	Pin, Rod End	
14	90554027	2	Pin Support Wmt	
15	90554035	2	Pin	
16	1316794	2	Pin Cotter	
17	70020029	2	Pin Clevis	
18	70021367	6	Nut, Lock 3/8	
19	70027641	2	Cylinder Assy	
20	90554044	3	Pin	
21	90554043	4	Pin, Rod End	
22	70021429	4	Bolt	
22	90554042	4	Washer, Lock 3/8	
23	70020004	2	Bolt	
23	90554056	2	Nut	
24	90554040	5	Washer, Thrust	
25	7029997	6	Bolt	
25	90554042	6	Washer, Lock 3/8	
25	7029703	6	Washer, Flat	
26	N.S.S.	1	Frame	
27	N.S.S.	1	Frame	
28	N.S.S.	1	Tag	
29	70020002	2	Bolt	
29	70027642	2	Washer, Lock	
30	70020028	2	Fork Pin Retainer	
31	70020027	1	Pin Fork	
32	70022530	1	Pin	
33	90554039	3	Hose Clamp	
34	7029996	3	Clamp, Hose	
35	70027643	1	Decal, Warning	
36	70027644	2	Retainer, Bearing	
37	70027645	1	Retainer, Bearing	

## SECTION 3 - ATTACHMENTS

FIGURE 3-20. DUAL FORK CARRIAGE (50 INCH) - 1055 (Prior to SN 0160082577)



ART\_1301255-G

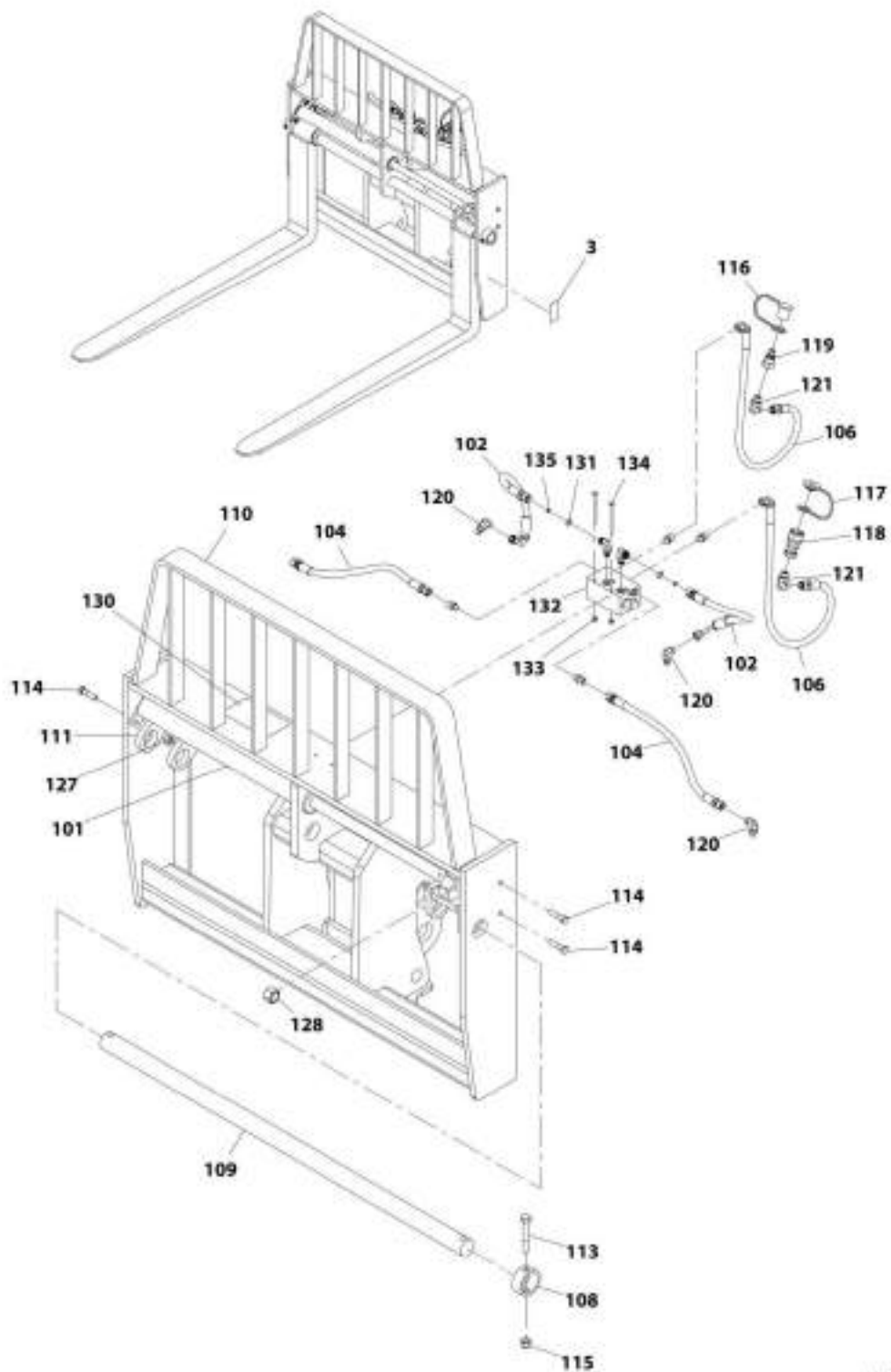
## SECTION 3 - ATTACHMENTS

**FIGURE 3-20. DUAL FORK CARRIAGE (50 INCH) - 1055 (Prior to SN 0160082577)**

ITEM	PART NUMBER	QTY	DESCRIPTION	REV
	7301295	Ref	Dual Fork Carriage (50 Inch) - 1055	G
1	7301408	2	Fork, Pallet	
2	7301568	1	Assembly, Dual Fork Carriage (See Separate Breakdown in this Section)	
3	N.S.S.	1	S/N Plate	

# SECTION 3 - ATTACHMENTS

FIGURE 3-21. DUAL FORK CARRIAGE (50 INCH) - 1055 (SN 0160082577 to Present)



ART\_7301295-H

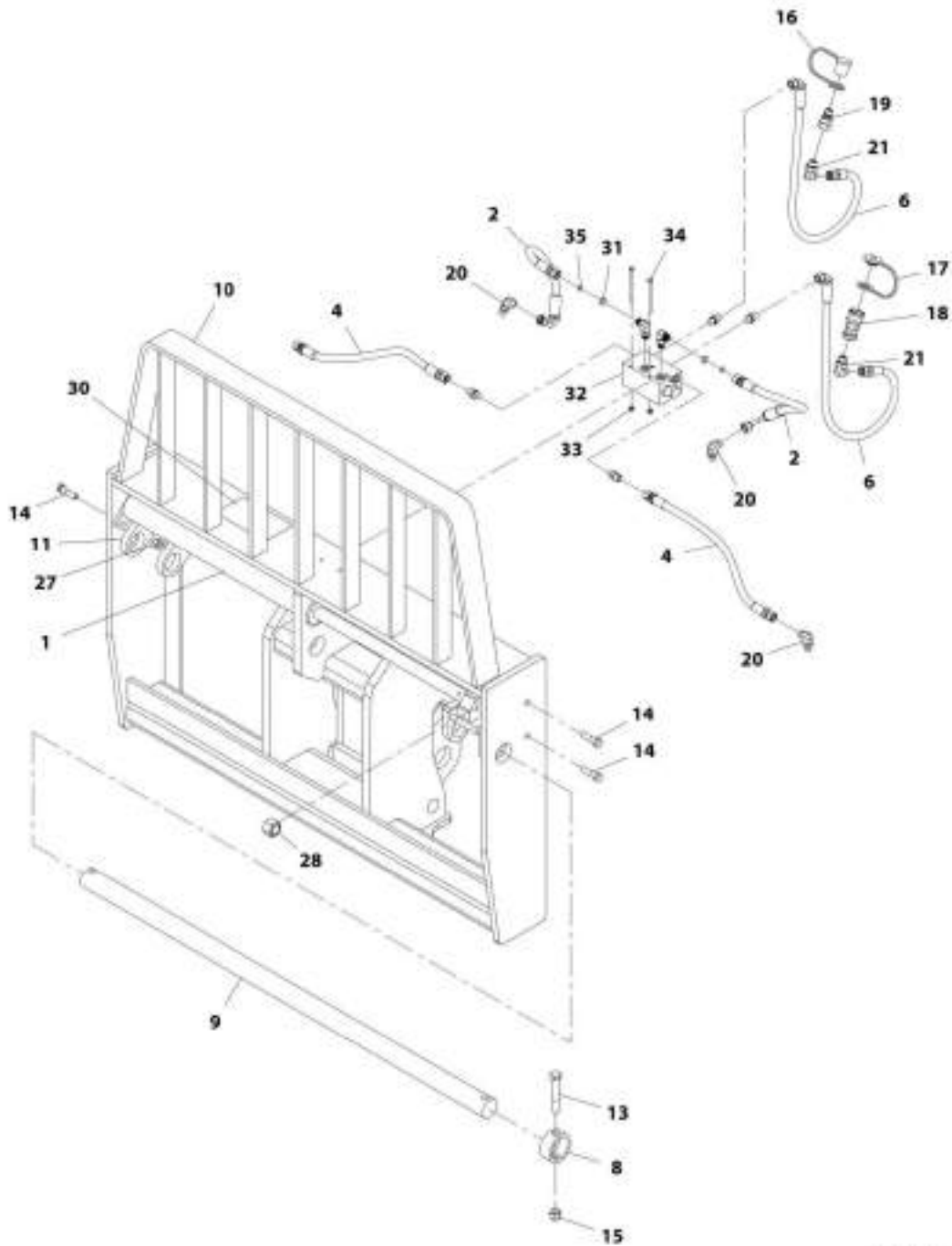
## SECTION 3 - ATTACHMENTS

**FIGURE 3-21. DUAL FORK CARRIAGE (50 INCH) - 1055 (SN 0160082577 to Present)**

ITEM	PART NUMBER	QTY	DESCRIPTION	REV
	7301295	Ref	Dual Fork Carriage (50 Inch) - 1055	H
3	N.S.S.	1	S/N Plate	
101	2717283	2	Cylinder, Fork Positioning	
102	2717160	2	Hose	
104	2717161	2	Hose	
106	2717162	2	Hose	
108	90200003	2	Collar, Fork Pin	
109	90451058	1	Shaft, Fork	
110	N.S.S.	1	Weldment, Carriage	
111	N.S.S.	1	Weldment, Fork Adapter	
113	8303634	2	Bolt, 5/8-11X4	
114	8303658	4	Bolt, 1/2-13X2	
115	8305643	2	Nut, Lock 5/8-11	
116	8420053	1	Cap, Dust	
117	8420055	1	Plug, Dust	
118	91403413	1	Adapter, Quick Disconnect	
119	91403414	1	Adapter, Quick Disconnect	
120	2130606	4	Adapter, 90 Straight	
121	2130608	2	Adapter, 90 Straight	
127	8310302	4	Nut, Lock 1/2-13	
128	10705034	2	Nut, Lock 1-14	
130	4110473	1	Decal, Warning Route Hoses	
131	7139918	2	Disk, Orifice	
132	4641502	1	Assembly, Dual Fork Carriage Valve (See Separate Breakdown in this Section)	
133	8305624	2	Nut, Lock 1/4-20	
134	8310435	2	Bolt, 1/4-20X3-3/4	
135	8630003	2	O-Ring	

# SECTION 3 - ATTACHMENTS

## FIGURE 3-22. DUAL FORK CARRIAGE ASSEMBLY (50 INCH)



WRT 7901568 J

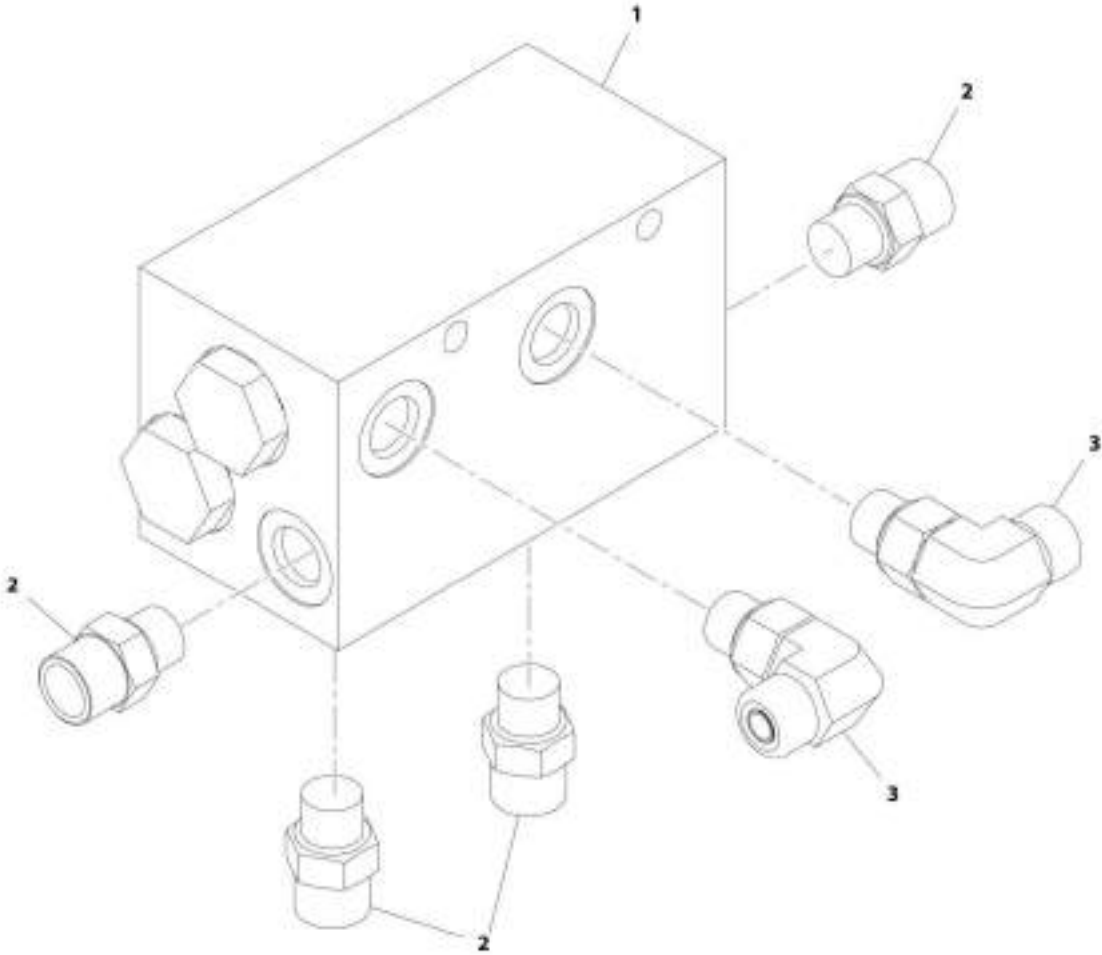
## SECTION 3 - ATTACHMENTS

**FIGURE 3-22. DUAL FORK CARRIAGE ASSEMBLY (50 INCH)**

ITEM	PART NUMBER	QTY	DESCRIPTION	REV
	7301568	NLA	Dual Fork Carriage Assembly (50 Inch) (no longer available, see items 1 through 35 for service or use 7301295 for replacement)	J
1	2717283	2	Cylinder, Fork Positioning	
2	2717160	2	Hose	
4	2717161	2	Hose	
6	2717162	2	Hose	
8	90200003	2	Collar, Fork Pin	
9	90451058	1	Shaft, Fork	
10	N.S.S.	1	Weldment, Carriage	
11	N.S.S.	2	Weldment, Fork Adapter	
13	8303634	2	Bolt, 5/8-11X4	
14	8303658	4	Bolt, 1/2-13X2	
15	8305643	2	Nut, Lock 5/8-11	
16	8420053	1	Cap, Dust	
17	8420055	1	Plug, Dust	
18	91403413	1	Adapter, Quick Disconnect	
19	91403414	1	Adapter, Quick Disconnect	
20	2130606	4	Adapter, 90 Straight	
21	2130608	2	Adapter, 90 Straight	
27	8310302	4	Nut, Lock 1/2-13	
28	10705034	2	Nut, Lock 1-14	
30	4110473	1	Decal, Warning Route Hoses	
31	7139918	2	Disk, Orifice	
32	4641502	1	Assembly, Dual Fork Carriage Valve (See Separate Breakdown in HYDRAULIC COMPONENTS Section)	
33	8305624	2	Nut, Lock 1/4-20	
34	8310435	2	Bolt, 1/4-20X3-3/4	
35	8630003	2	O-Ring	

**SECTION 3 - ATTACHMENTS**

**FIGURE 3-23. DUAL FORK CARRIAGE VALVE ASSEMBLY**



ART. 4641502-B



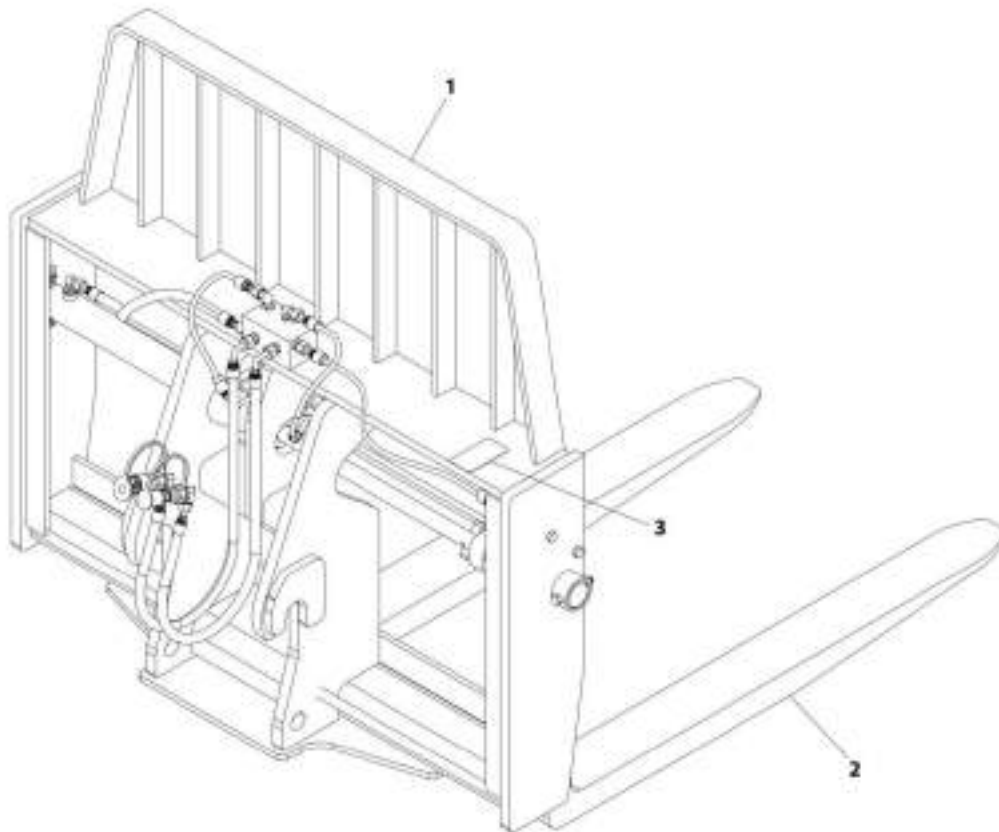
## SECTION 3 - ATTACHMENTS

**FIGURE 3-23. DUAL FORK CARRIAGE VALVE ASSEMBLY**

ITEM	PART NUMBER	QTY	DESCRIPTION	REV
	4641502	Ref	Dual Fork Carriage Valve Assembly	B
1	4641501	1	Valve, Flow Divider (See Separate Breakdown in HYDRAULIC COMPONENTS Section)	
2	2110606	4	Adapter, Straight	
3	2130606	2	Adapter, 90	

## SECTION 3 - ATTACHMENTS

FIGURE 3-24. DUAL FORK POSITIONING CARRIAGE ASSEMBLY (50 INCH) - 1255 (Prior to SN 0160082577)



ART\_1001184211-B

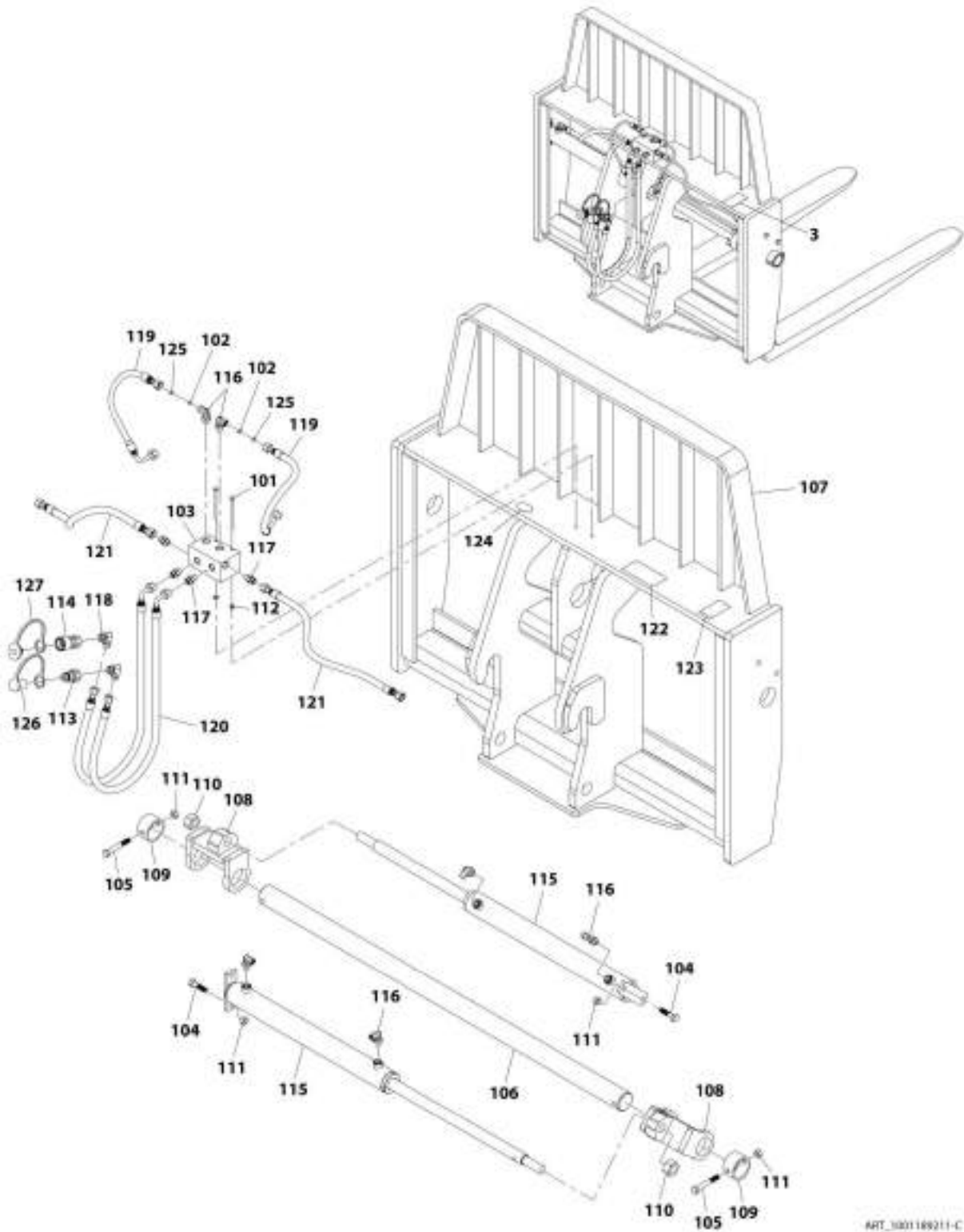
## SECTION 3 - ATTACHMENTS

**FIGURE 3-24. DUAL FORK POSITIONING CARRIAGE ASSEMBLY (50 INCH) - 1255 (Prior to SN 0160082577)**

ITEM	PART NUMBER	QTY	DESCRIPTION	REV
1	1001189211	Ref	Dual Fork Positioning Carriage Assembly (50 Inch) - 1255	B
	1001188390	1	Carriage, Dual Fork Positioning (50 Inch) - 1255 (See DUAL FORK POSITIONING CARRIAGE (50 INCH) - 1255 for Breakdown)	
2	2340038	2	Fork, Pallet 2.36X5X48 (See FORK, PALLET 2.36X5X48 for Breakdown)	
3	N.S.S.	1	S/N Plate	

# SECTION 3 - ATTACHMENTS

FIGURE 3-25. DUAL FORK POSITIONING CARRIAGE ASSEMBLY (50 INCH) - 1255 (SN 0160082577 to Present)



ART\_1001189211-C

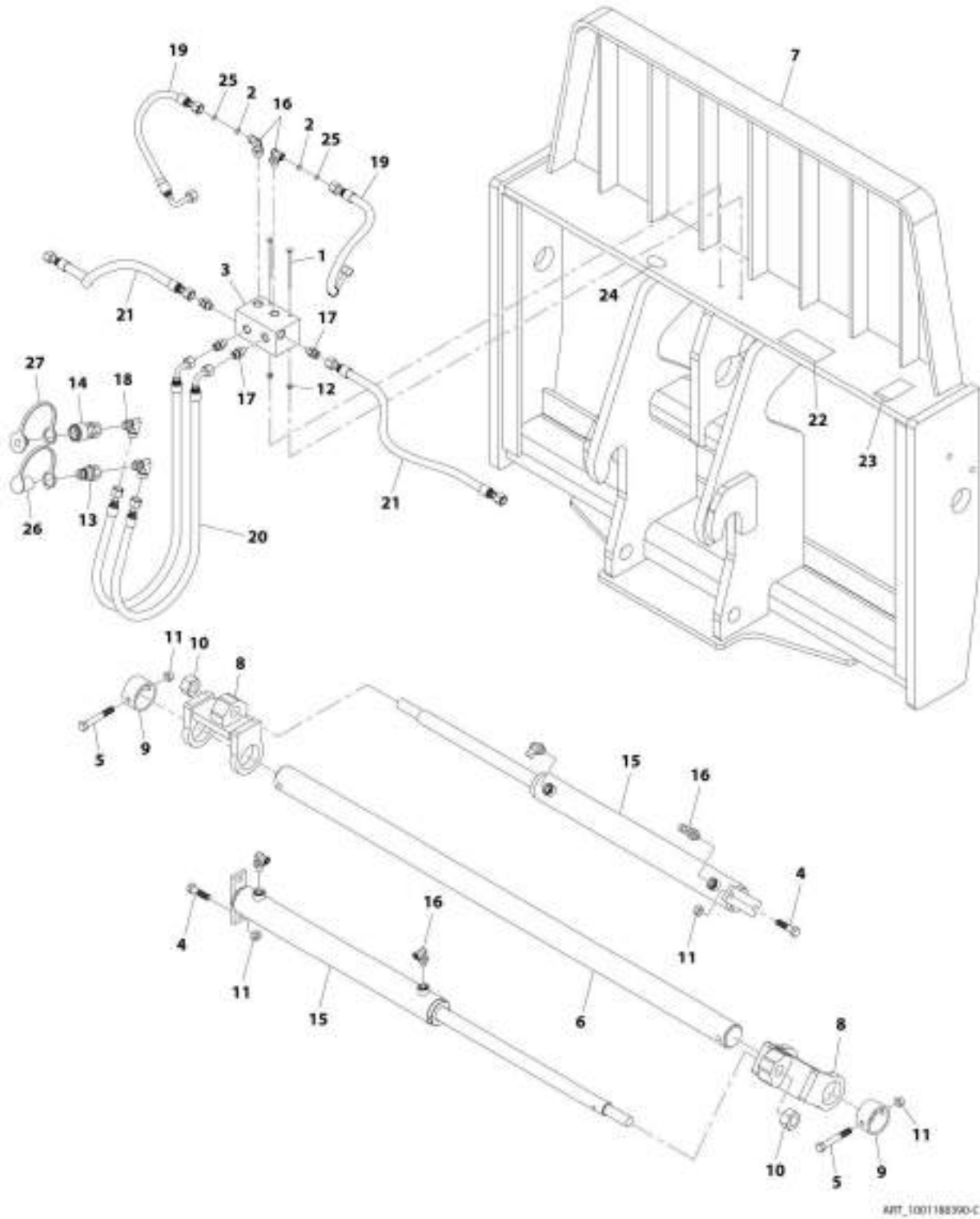
## SECTION 3 - ATTACHMENTS

**FIGURE 3-25. DUAL FORK POSITIONING CARRIAGE ASSEMBLY (50 INCH) - 1255 (SN 0160082577 to Present)**

ITEM	PART NUMBER	QTY	DESCRIPTION	REV
	1001189211	Ref	Dual Fork Positioning Carriage Assembly (50 Inch) - 1255	C
3	N.S.S.	1	SN Plate	
101	70028519	2	Bolt	
102	70028520	2	Orifice	
103	70028521	1	Valve	
104	90554019	4	Bolt	
105	70020002	2	Bolt	
106	70027283	1	Pin Fork	
107	N.S.S.	1	Weldment	
108	70028522	2	Weldment, Fork Adapter	
109	70020028	2	Bushing	
110	70021440	2	Nut	
111	70028523	6	Nut	
112	70028524	2	Nut	
113	91403414	1	Adapter, Male Quick Disconnect	
114	91403413	1	Adapter, Female Quick Disconnect	
115	70026772	2	Cylinder, Dual Fork (See Separate Breakdown in HYDRAULIC COMPONENTS Section)	
116	70028525	6	Elbow, 90	
117	70028486	4	Fitting	
118	70028526	2	Elbow, 90	
119	70028527	2	Hose	
120	70028528	2	Hose	
121	70028529	2	Hose	
122	70028530	1	Decal, Hose Routing	
123	N.S.S.	1	SN Plate	
124	90554016	1	Decal	
125	70028531	2	O-Ring	
126	8420055	1	Plug, Dust	
127	8420053	1	Cap, Dust	

# SECTION 3 - ATTACHMENTS

## FIGURE 3-26. DUAL FORK POSITIONING CARRIAGE (50 INCH) - 1255



AMT\_1001188390-C

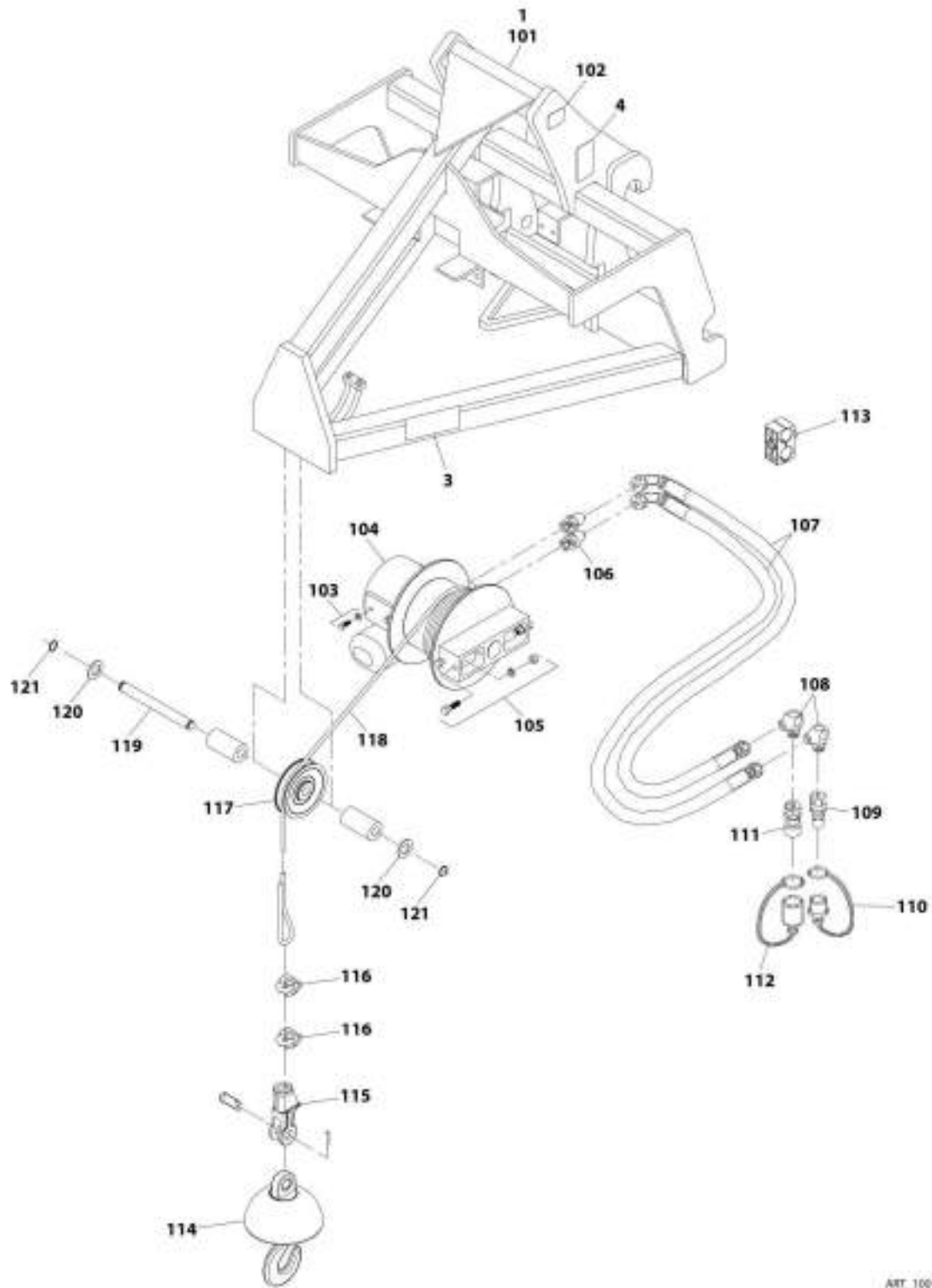
## SECTION 3 - ATTACHMENTS

**FIGURE 3-26. DUAL FORK POSITIONING CARRIAGE (50 INCH) - 1255**

ITEM	PART NUMBER	QTY	DESCRIPTION	REV
	1001188390	NLA	Dual Fork Positioning Carriage (50 Inch) - 1255 (no longer available, see items 1 thru 27 for service or use 1001189211 for replacement)	C
1	70028519	2	Bolt	
2	70028520	2	Orifice	
3	70028521	1	Valve	
4	90554019	4	Bolt	
5	70020002	2	Bolt	
6	70027283	1	Pin Fork	
7	N.S.S.	1	Weldment	
8	70028522	2	Weldment, Fork Adapter	
9	70020028	2	Bushing	
10	70021440	2	Nut	
11	70028523	6	Nut	
12	70028524	2	Nut	
13	91403414	1	Adapter, Male Quick Disconnect	
14	91403413	1	Adapter, Female Quick Disconnect	
15	70026772	2	Cylinder, Dual Fork (See Separate Breakdown in HYDRAUIC COMPONENTS Section)	
16	70028525	6	Elbow, 90	
17	70028486	4	Fitting	
18	70028526	2	Elbow, 90	
19	70028527	2	Hose	
20	70028528	2	Hose	
21	70028529	2	Hose	
22	70028530	1	Decal, Hose Routing	
23	N.S.S.	1	S/N Plate	
24	90554016	1	Decal	
25	70028531	2	O-Ring	
26	8420055	1	Plug, Dust	
27	8420053	1	Cap, Dust	

# SECTION 3 - ATTACHMENTS

## FIGURE 3-27. TRUSS BOOM ASSEMBLY (3 FOOT WITH WINCH)



ART\_100100967-C



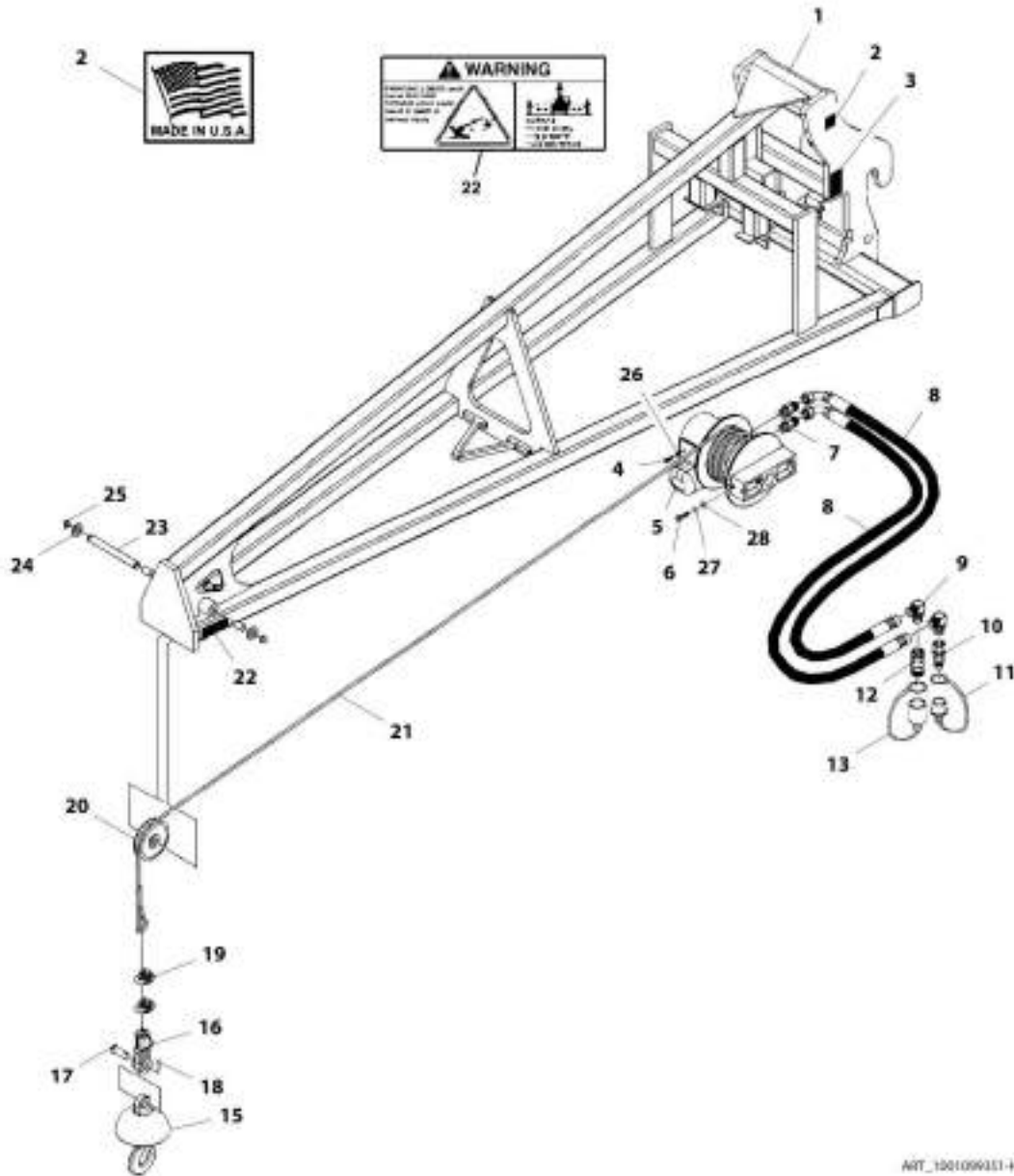
## SECTION 3 - ATTACHMENTS

**FIGURE 3-27. TRUSS BOOM ASSEMBLY (3 FOOT WITH WINCH)**

ITEM	PART NUMBER	QTY	DESCRIPTION	REV
	1001100967	Ref	Truss Boom Assembly (3 Foot with Winch) (includes items 1, 3, 4 & 101 thru 121)	C
1	8380008	NLA	Truss Boom (3 Foot with Winch) (no longer available, use 1001100967 for replacement)	
3	4110422	2	Decal, Danger Swinging Loads	
4	N.S.S.	1	S/N Plate	
101	N.S.S.	1	Truss Boom Frame	
102	90554016	1	Decal	
103	70021349	4	Bolt	
103	90554042	4	Washer	
104	70021921	1	Winch, Truss Boom	
105	70024059	4	Bolt	
105	90554054	4	Nut	
105	90554020	4	Washer	
106	70021415	2	Fitting	
107	70021977	2	Hose	
108	70022527	2	Fitting, 90	
109	91403414	1	Hydraulic Coupler, Male	
110	8420053	1	Cap Dust, Male	
111	91403413	1	Hydraulic Coupler, Female	
112	8420055	1	Plug Dust, Female	
113	70021387	1	Clamp	
114	70021978	1	Ball Swivel Saftey Hook	
115	70021979	1	Assembly, Socket	
116	70022528	2	Clamp	
117	70021935	1	Pulley	
118	70022028	1	Cable	
119	70022529	1	Pin	
120	70027009	2	Washer	
121	70026698	2	Ring, Snap	

# SECTION 3 - ATTACHMENTS

## FIGURE 3-28. TRUSS BOOM (12 FOOT WITH WINCH)



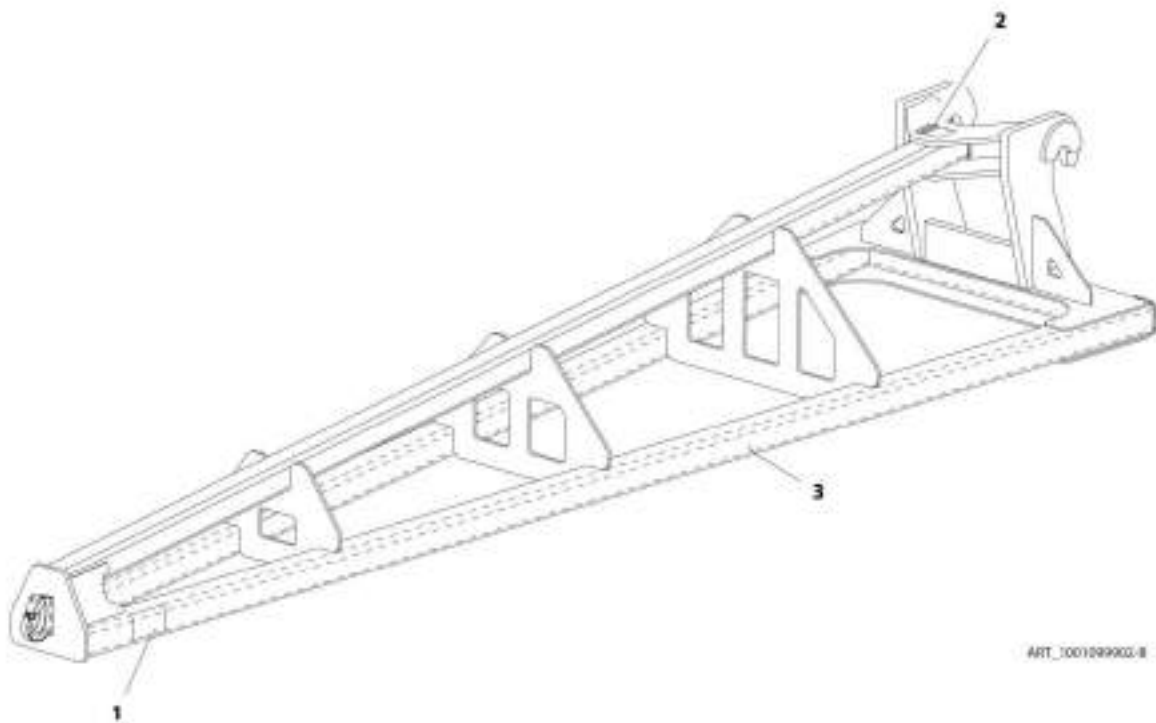
## SECTION 3 - ATTACHMENTS

**FIGURE 3-28. TRUSS BOOM (12 FOOT WITH WINCH)**

ITEM	PART NUMBER	QTY	DESCRIPTION	REV
	1001099351	Ref	Truss Boom (12 Foot with Winch)	H
1	N.S.S.	1	Frame, Truss Boom	
2	90554016	1	Decal, Made in USA	
3	N.S.S.	1	S/N Plate	
4	70021349	4	Bolt, 3/8X1	
5	70021921	1	Motor, Truss Boom Winch	
6	70024059	1	Bolt, 1/2X1-3/4	
7	70021415	2	Connector	
8	70021977	2	Hose	
9	70022527	2	Elbow, 90	
10	7029692	1	Quick Coupler, Male	
11	90554062	1	Cap, Dust	
12	70021342	1	Quick Coupler, Female	
13	90554076	1	Cover, Dust	
15	70021978	1	Ball Swivel with Safety Hook	
16	70021979	1	Assembly, Socket	
17	N.S.S.	1	Pin	
18	N.S.S.	1	Pin, Cotter	
19	70022528	2	Clamp	
20	70021935	1	Pulley	
21	70022028	1	Cable	
22	4110422	2	Decal, Warning Swinging Loads	
23	70022529	1	Pin	
24	70024060	2	Washer, Flat 1	
25	70024061	2	Ring, Snap	
26	90554042	4	Washer, Lock 3/8	
27	90554020	2	Washer, Lock 1/2	
28	90554054	2	Nut, 1/2	

## SECTION 3 - ATTACHMENTS

FIGURE 3-29. TRUSS BOOM (12 FOOT WITHOUT WINCH)



ART\_1001099003-8

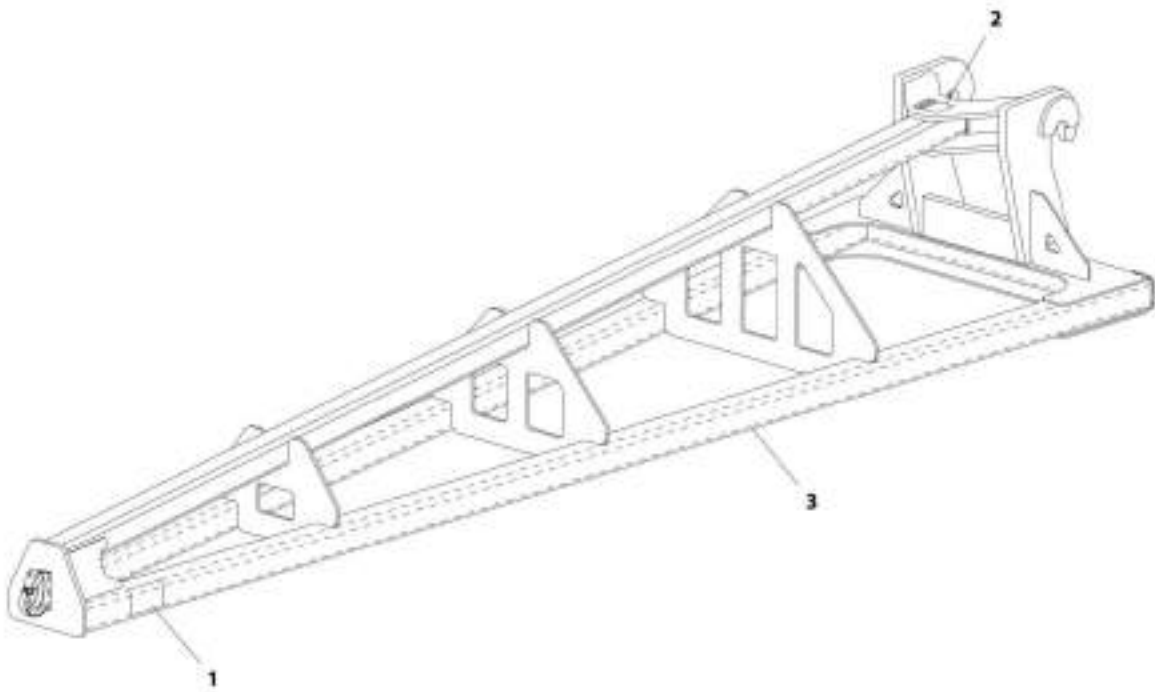
## SECTION 3 - ATTACHMENTS

**FIGURE 3-29. TRUSS BOOM (12 FOOT WITHOUT WINCH)**

ITEM	PART NUMBER	QTY	DESCRIPTION	REV
	1001099902	Ref	Truss Boom (12 Foot without Winch)	B
1	4110422	2	Decal, Danger Swinging Loads	
2	N.S.S.	1	S/N Plate	
3	N.S.S.	1	Boom, Truss	

## SECTION 3 - ATTACHMENTS

FIGURE 3-30. TRUSS BOOM (15 FOOT WITHOUT WINCH)



ART. 10109900-C

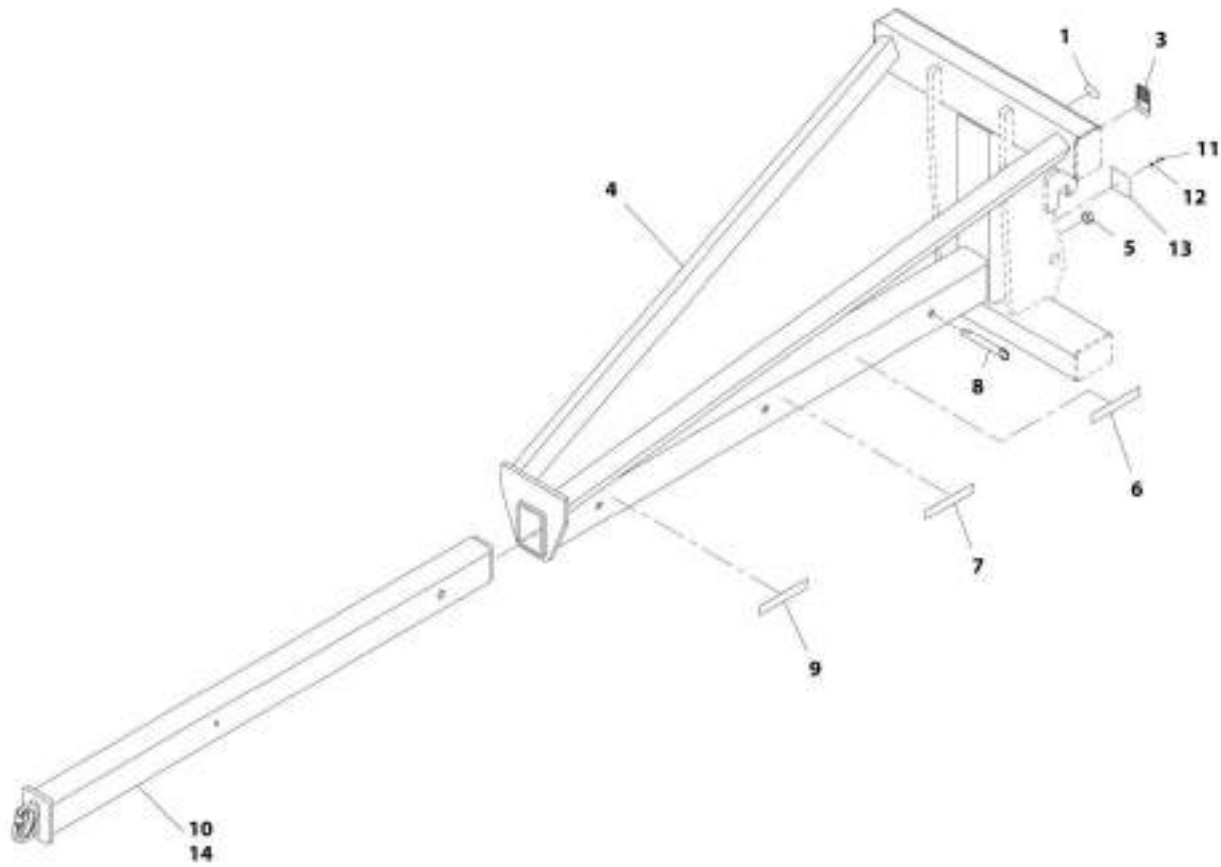
## SECTION 3 - ATTACHMENTS

**FIGURE 3-30. TRUSS BOOM (15 FOOT WITHOUT WINCH)**

ITEM	PART NUMBER	QTY	DESCRIPTION	REV
	1001099901	Ref	Truss Boom (15 Foot without Winch)	C
1	4110422	1	Decal, Danger Swinging Loads	
2	N.S.S.	1	S/N Plate	
3	N.S.S.	1	Boom, Truss	

# SECTION 3 - ATTACHMENTS

## FIGURE 3-31. ADJUSTABLE TRUSS BOOM



ART\_1001126515-B



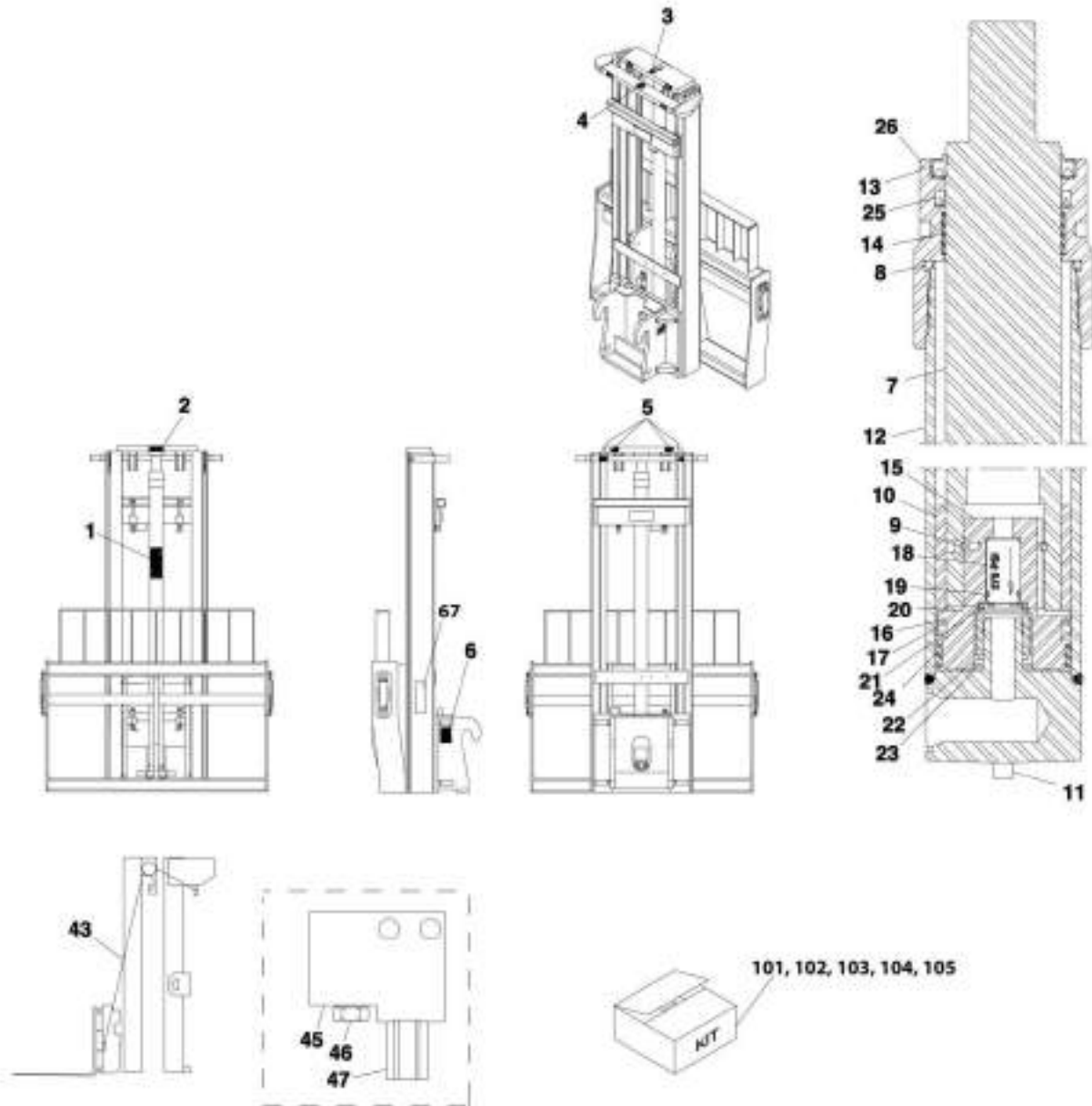
## SECTION 3 - ATTACHMENTS

### FIGURE 3-31. ADJUSTABLE TRUSS BOOM

ITEM	PART NUMBER	QTY	DESCRIPTION	REV
	1001176515	Ref	Adjustable Truss Boom	B
1	90554016	1	Decal, Made in USA	
3	N.S.S.	1	S/N Plate	
4	N.S.S.	1	Truss Boom, Adjustable	
5	70021440	1	Nut, Lock	
6	70024062	2	Decal, 4000 lbs cap	
7	70026944	2	Decal, 3000 lbs cap	
8	70026946	1	Pin	
9	70026699	2	Decal, 2000 lbs cap	
10	70026747	1	Stop Rod, Boom Extension	
11	90554033	1	Bolt, 3/4X1/4	
12	90554034	1	Washer, Lock 1/4	
13	70026948	1	Plate, Stop	
14	70026949	1	Boom, Telescopic	

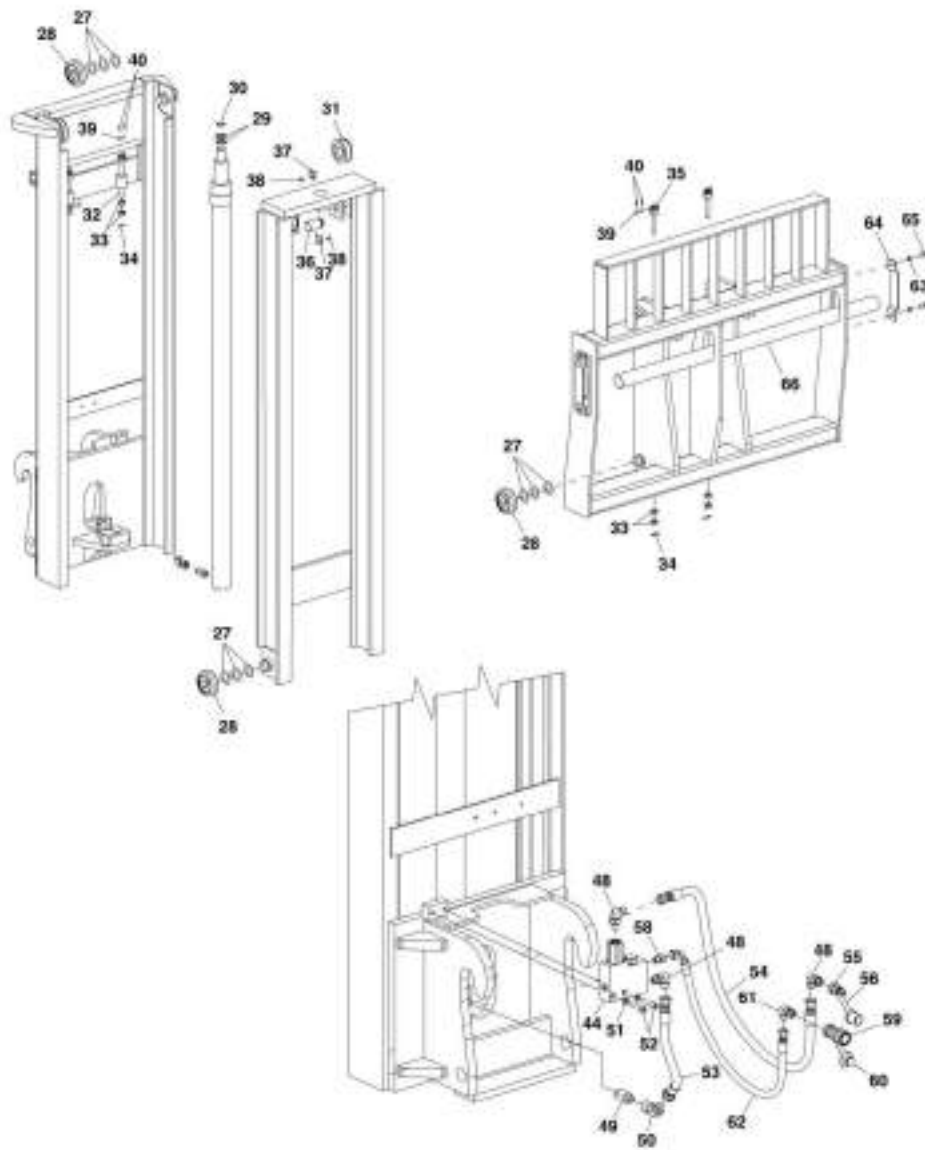
# SECTION 3 - ATTACHMENTS

## FIGURE 3-32. MAST (8 FOOT)



ART\_1001108668\_1-C

# SECTION 3 - ATTACHMENTS



ART\_100110666\_2-C

# SECTION 3 - ATTACHMENTS

## FIGURE 3-32. MAST (8 FOOT)

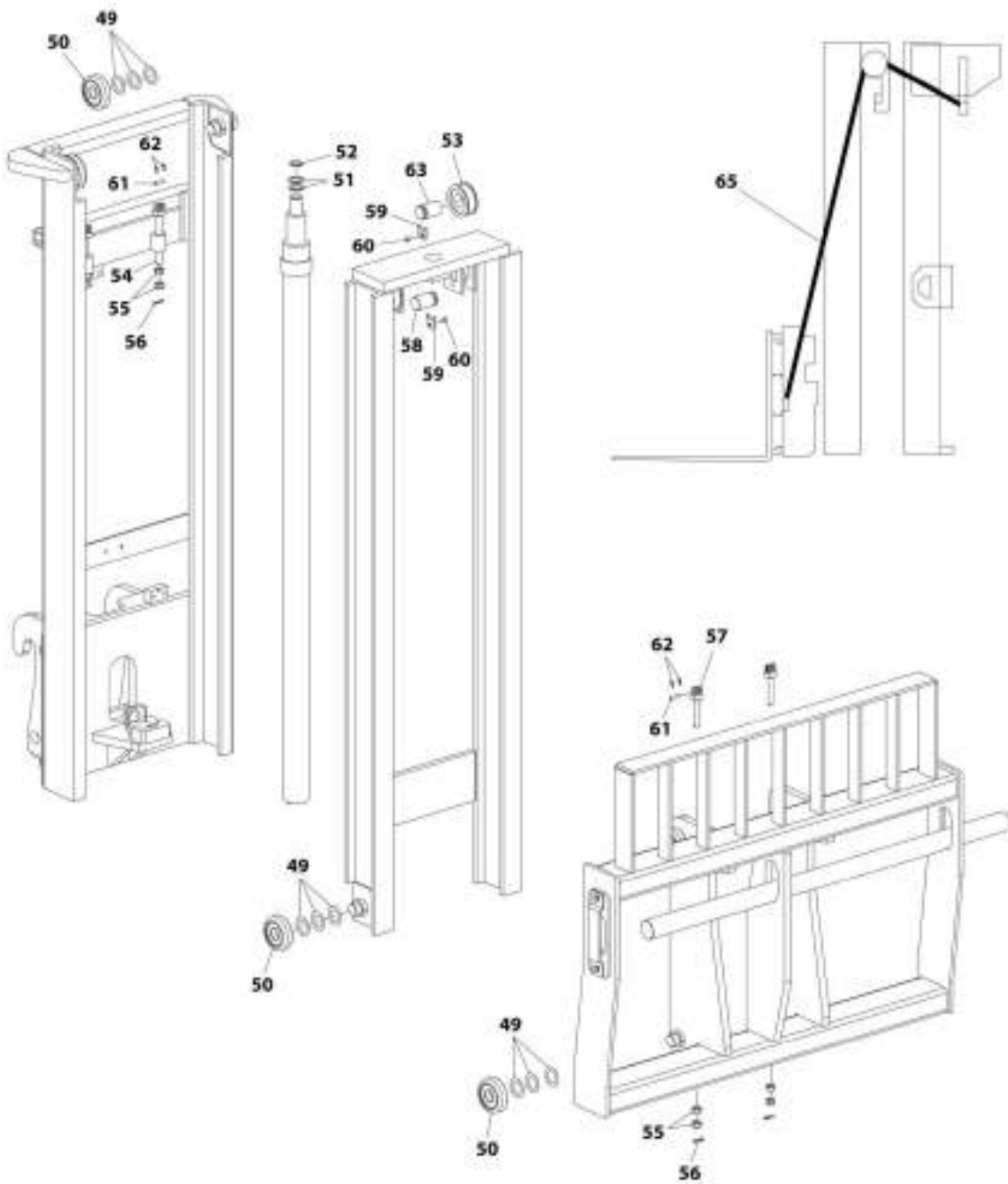
ITEM	PART NUMBER	QTY	DESCRIPTION	REV
	1001108668	1	Mast (8 Foot)	C
1	Kit	1	Decal, Warning	
2	Kit	1	Decal, Warning	
3	Kit	1	Decal, No Step	
4	Kit	1	Decal, No Step	
5	Kit	4	Decal, Hands Off	
6	Kit	2	Decal, Hose Routing	
6	70023008	1	Cylinder, Main Lift (includes items 7 thru 26)	
7	N.S.S.	1	Rod/Plunger	
8	Kit	1	O-Ring	
9	Kit	1	Wire, Pull	
10	N.S.S.	1	Spacer	
11	N.S.S.	2	Pin, Roll	
12	N.S.S.	1	Barrel	
13	Kit	1	Wiper	
14	Kit	1	Bushing	
15	N.S.S.	1	Barrel	
16	Kit	1	Ring, Nylon	
17	Kit	1	Seal, Piston	
18	Kit	1	Valve, Check	
19	Kit	1	O-Ring	
20	Kit	1	Washer	
21	Kit	1	Circlip	
22	N.S.S.	1	Sleeve	
23	Kit	1	Ring, Retaining	
24	Kit	1	Ring, Wear	
25	Kit	1	Seal, Rod	
26	70023004	1	Retainer/Gland	
27	70023014	24	Shim	
28	70022987	8	Bearing, Ball	
29	Kit	2	Washer, Shim	
30	70023016	1	Ring, Snap	
31	70022969	2	Assembly, Sheave	
32	70022960	2	Anchor, Chain	
33	70022957	8	Nut, 5/8-18	
34	70022993	4	Pin, Cotter	
35	70022995	2	Anchor, Chain	
36	70022984	1	Shaft, Sheave	
37	70022970	2	Bar, Retainer	
38	70023003	2	Capscrew	
39	70022994	4	Pin, Chain Anchor	
40	70022992	8	Pin, Cotter	
41	70022985	1	Shaft, Sheave	
43	70023009	2	Chain, Lift	
44	70022932	1	Assembly, PO Check Valve (includes items 45, 46 & 47)	
45	N.S.S.	1	Manifold	
46	70022931	1	Cartridge, PO Check Valve	
47	70023010	1	Check, PO	
48	70022934	3	Fitting, 90	
49	70022936	1	Limitter, Flow	

## SECTION 3 - ATTACHMENTS

ITEM	PART NUMBER	QTY	DESCRIPTION	REV
50	70022937	1	Fitting, 45	
51	70022949	2	Washer, Lock M10	
52	70022950	2	Bolt	
53	70022942	1	Hose	
54	70022952	1	Hose	
55	91403414	1	Adapter, Male Quick Disconnect	
56	91043126	1	Cap, Dust	
58	70022939	1	Fitting, Straight	
59	91403413	1	Adapter, Female Quick Disconnect	
60	91043125	1	Plug, Dust	
61	70022935	1	Elbow, Straight Thread	
62	70022946	1	Hose	
63	70022949	4	Washer, Lock M10	
64	70022980	2	Keeper, Fork Pin	
65	70022998	4	Screw, M10X20	
66	70022990	1	Pin, Fork	
67	N.S.S.	1	S/N Plate	
101	70023925	1	Kit, Decal (includes items 1 thru 6)	
102	70023005	1	Seal Kit, Main Lift Cylinder (includes items 8, 9, 13, 14, 16, 17, 19, 21 & 23 thru 25)	
103	70023006	1	Kit, Check Valve (includes items 18 thru 21 & 23)	
104	70023007	1	Kit, Shim	
105	70023015	1	Kit, Mast Common Parts (includes items 27 thru 41)	

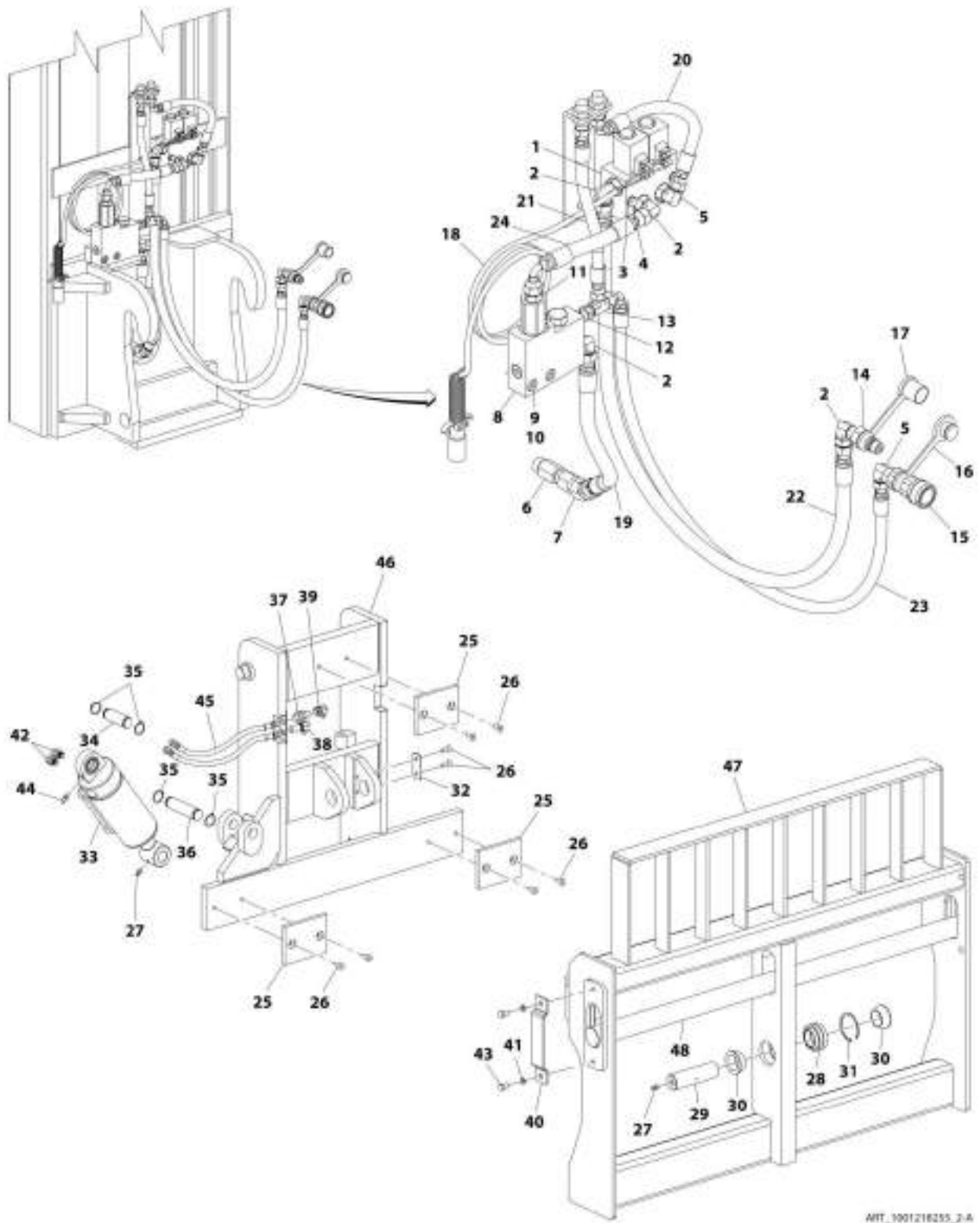
# SECTION 3 - ATTACHMENTS

## FIGURE 3-33. SIDE TILT ELECTRIC MAST (8 FOOT)



ART\_IG01218255\_1-A

# SECTION 3 - ATTACHMENTS



MIT\_1001218255\_2-A

## SECTION 3 - ATTACHMENTS

**FIGURE 3-33. SIDE TILT ELECTRIC MAST (8 FOOT)**

ITEM	PART NUMBER	QTY	DESCRIPTION	REV
	1001218255	Ref	Side Tilt Electric Mast (8 Foot)	A
1	70022933	1	Solenoid Valve Bank	
2	70022934	4	Fitting, 90	
3	70022948	2	Washer, Lock M8	
4	70022951	2	Screw, M8X60	
5	70022935	2	Elbow, Straight Thread	
6	70022936	1	Limiter, Flow	
7	70022937	1	Fitting, 45	
8	70022932	1	Assembly, PO Check Valve	
9	70022949	2	Washer, Lock M10	
10	70022950	2	Bolt	
11	70022938	1	Fitting, Straight	
12	70022939	1	Fitting, Straight	
13	70022940	1	Tee Fitting	
14	91403414	1	Adapter, Male Quick Disconnect	
15	91403413	1	Adapter, Female Quick Disconnect	
16	8420055	1	Cover, Dust	
17	8420053	1	Cover, Dust	
18	70022941	1	Harness	
19	70022942	1	Hose	
20	70022943	1	Hose	
21	70022944	1	Hose	
22	70022945	1	Hose	
23	70022946	1	Hose	
24	70022947	1	Hose	
25	70022972	3	Wear Pad	
26	70022971	8	Capscrew, Flat Head	
27	70023001	2	Grease Fitting	
28	70022975	1	Spherical Bearing	
29	70022973	1	Pivot Shaft	
30	70022974	2	Beveled Spacer	
31	70022988	1	Ring, Retaining	
32	70022976	1	Retainer Plate	
33	2716143	1	Tilt Cylinder	
34	70022977	1	Pin	
35	70023016	4	Ring, Snap	
36	70022978	1	Pin	
37	70023000	1	Fitting	
38	70022999	1	Elbow	
39	70022982	1	Elbow, Straight Thread	
40	70022980	2	Keeper, Fork Pin	
41	70022949	4	Washer, Lock M10	
42	70022939	2	Fitting, Straight	
43	70022998	4	Screw, M10X20	
44	70022966	1	Grease Fitting 30	
45	70022979	2	Hose	
46	70025353	1	Spine Weldment	
47	N.S.S.	1	Front Frame Weldment	
48	70022990	1	Pin, Fork	
49	70023014	24	Shim	

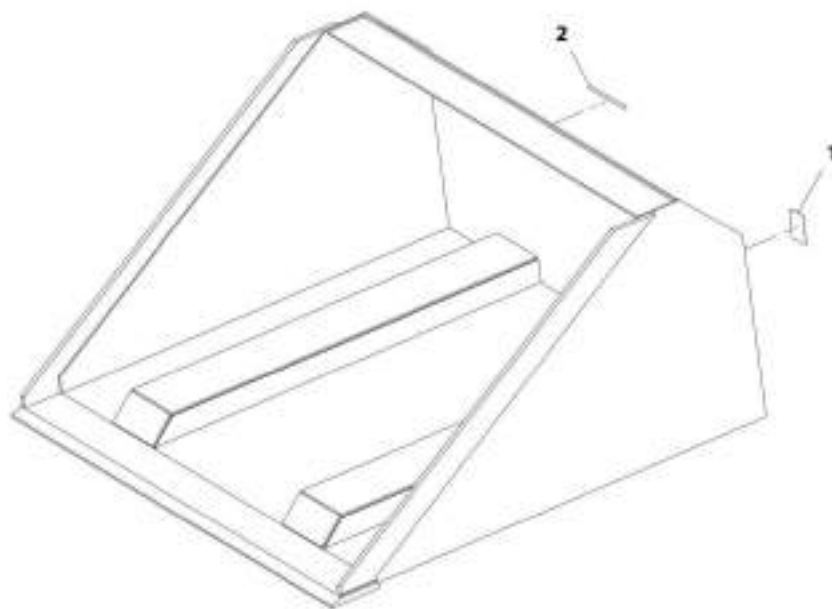


## SECTION 3 - ATTACHMENTS

ITEM	PART NUMBER	QTY	DESCRIPTION	REV
50	70022987	8	Bearing, Ball	
51	70027951	2	Washer, Shim	
52	70023016	1	Ring, Snap	
53	70022969	2	Assembly, Sheave	
54	70022960	2	Anchor, Chain	
55	70022957	8	Nut, 5/8-18	
56	70022993	4	Pin, Cotter	
57	70022995	2	Anchor, Chain	
58	70022984	1	Shaft, Sheave	
59	70022970	2	Bar, Retainer	
60	70023003	2	Capscrew	
61	70022994	4	Pin, Chain Anchor	
62	70022992	8	Pin, Cotter	
63	70022985	1	Shaft, Sheave	
64	70023925	1	Kit, Decal (not shown) (See Separate Breakdown in this Section)	
65	70023009	2	Chain, Lift	
66	70023008	1	Cylinder, Main Lift (not shown) (See Separate Breakdown in this Section)	

# SECTION 3 - ATTACHMENTS

FIGURE 3-34. BUCKET (60 INCH)



ART\_1001195075-0

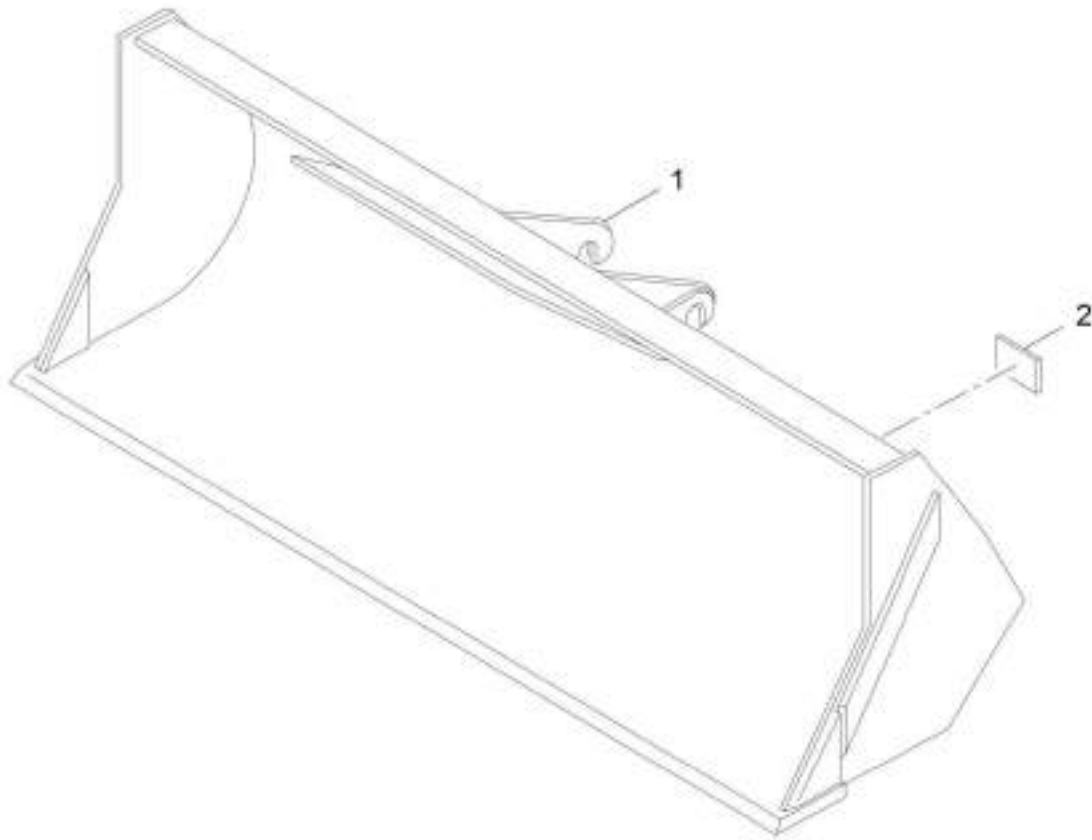
## SECTION 3 - ATTACHMENTS

### FIGURE 3-34. BUCKET (60 INCH)

ITEM	PART NUMBER	QTY	DESCRIPTION	REV
	1001195970	Ref	Bucket (60 Inch)	B
1	N.S.S.	1	S/N Plate	
2	70029028	1	Retention Pin Kit, (includes Pin, Retention Cable and Cotter Pin)	

# SECTION 3 - ATTACHMENTS

FIGURE 3-35. BUCKET (72 INCH)



ART 1001100822 ©

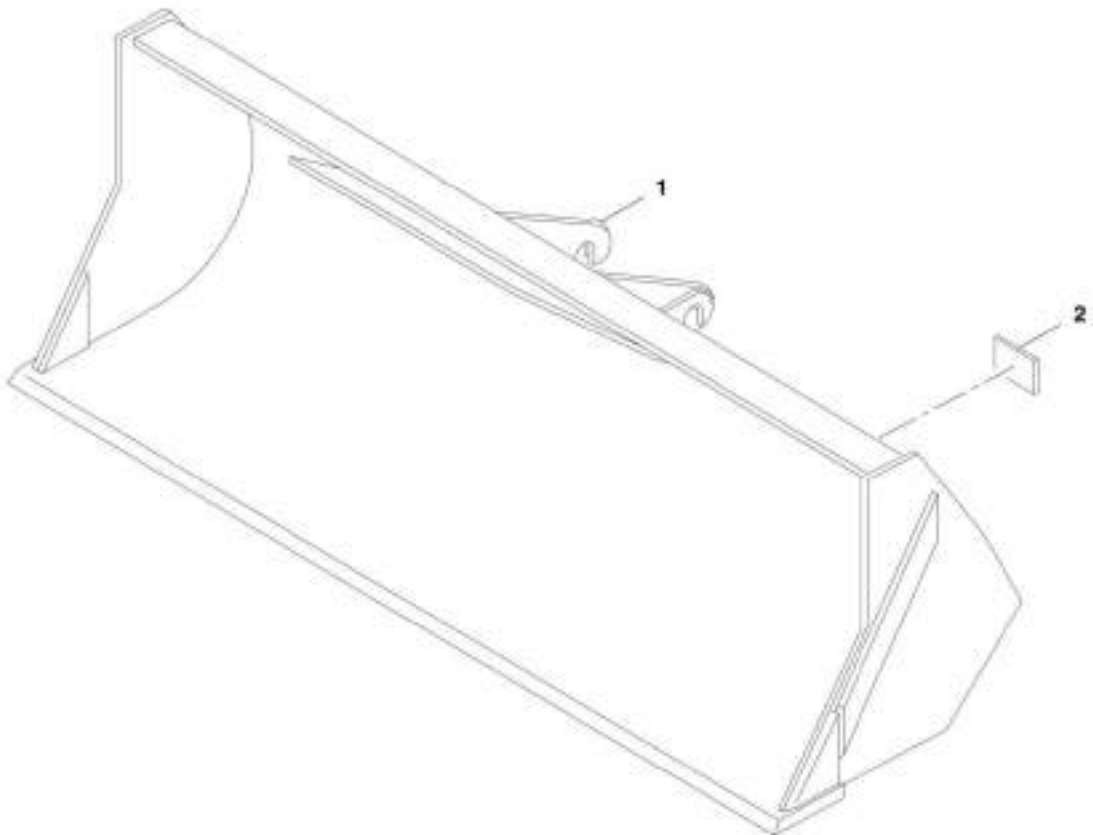
## SECTION 3 - ATTACHMENTS

### FIGURE 3-35. BUCKET (72 INCH)

ITEM	PART NUMBER	QTY	DESCRIPTION	REV
1	1001100822	1	Bucket (72 Inch)	C
2	N.S.S.	1	S/N Plate	

# SECTION 3 - ATTACHMENTS

FIGURE 3-36. BUCKET (96 INCH)



ART\_1981100023-C

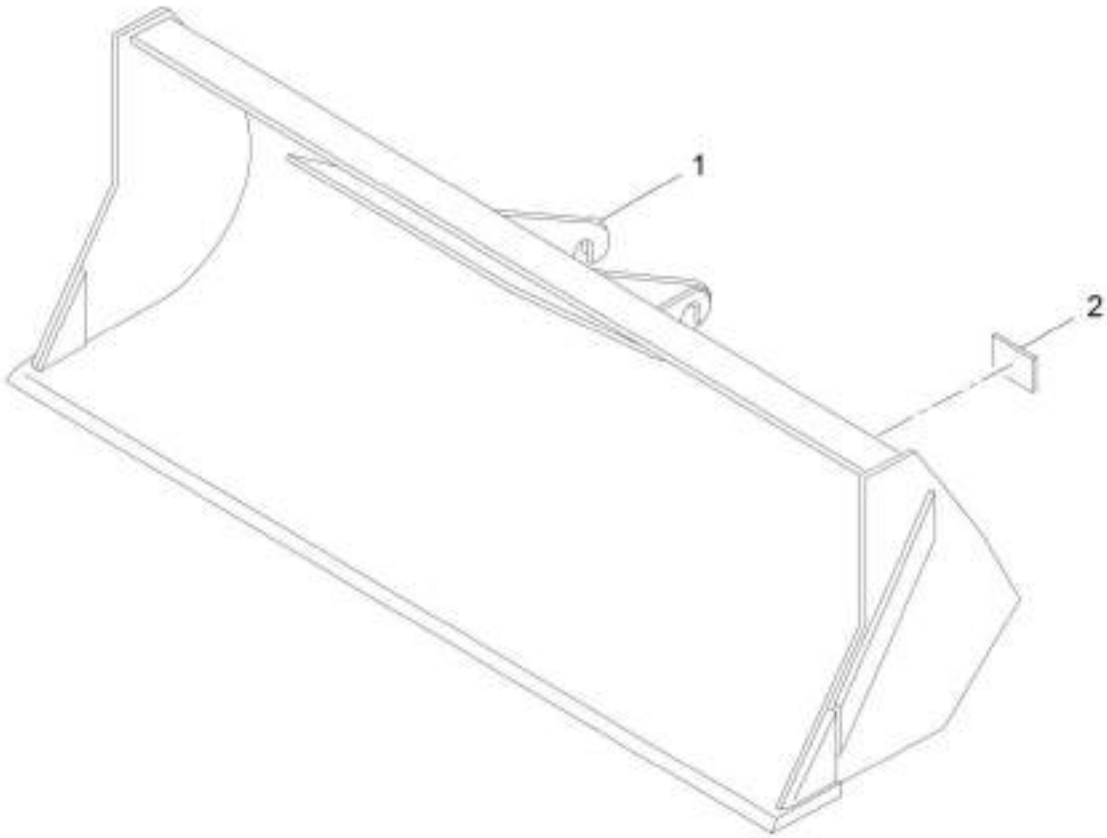
## SECTION 3 - ATTACHMENTS

**FIGURE 3-36. BUCKET (96 INCH)**

ITEM	PART NUMBER	QTY	DESCRIPTION	REV
1	1001100823	1	Bucket (96 Inch)	C
2	N.S.S.	1	S/N Plate	

**SECTION 3 - ATTACHMENTS**

**FIGURE 3-37. BUCKET (102 INCH)**



ART\_1001100024-C



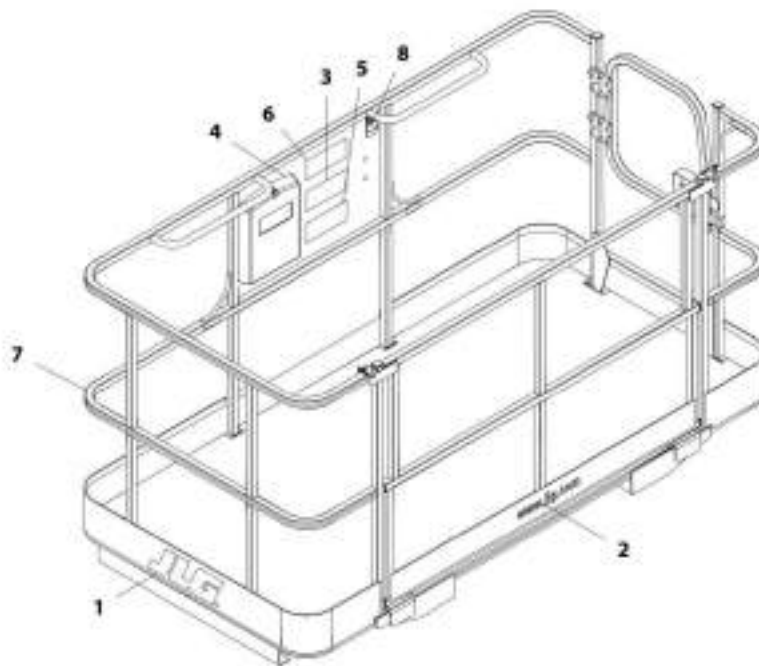
## SECTION 3 - ATTACHMENTS

**FIGURE 3-37. BUCKET (102 INCH)**

ITEM	PART NUMBER	QTY	DESCRIPTION	REV
1	1001100824	1	Bucket (102 Inch)	C
2	N.S.S.	1	S/N Plate	

## SECTION 3 - ATTACHMENTS

FIGURE 3-38. FORK MOUNTED PLATFORM (ASME)



ART. 3001103637-F

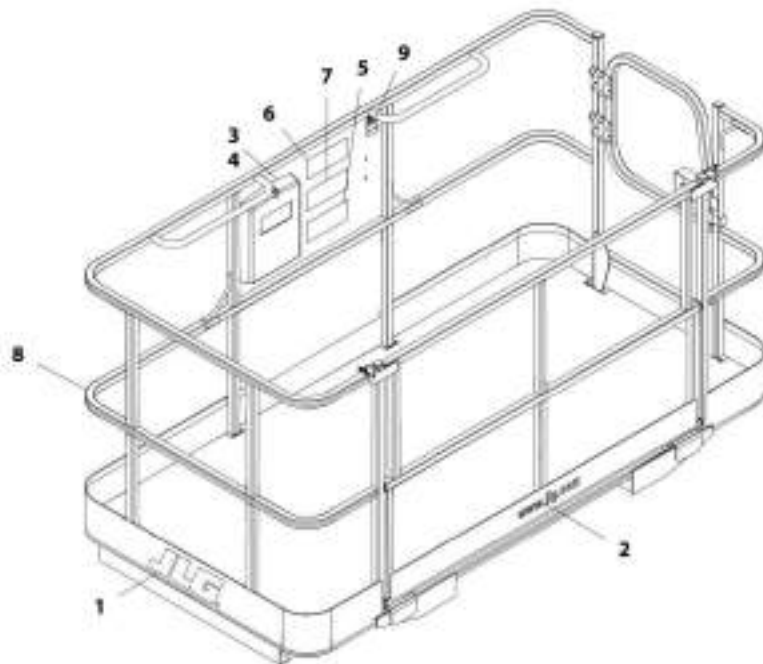
## SECTION 3 - ATTACHMENTS

### FIGURE 3-38. FORK MOUNTED PLATFORM (ASME)

ITEM	PART NUMBER	QTY	DESCRIPTION	REV
	1001103637	1	Fork Mounted Platform (ASME)	F
1	1702773	2	Decal, JLG	
2	1704885	1	Decal, Website	
3	1706892	1	Decal, Platform Warning	
4	31200160	1	Manual, Personnel Work Platform Operation and Safety	
5	1001092481	1	Decal, Warning Attachment	
6	1001092482	1	Decal, Platform Capacity	
7	1001096162	1	Platform, Fork Mounted (See FORK MOUNTED PLATFORM for Breakdown)	
8	N.S.S.	1	S/N Plate	

## SECTION 3 - ATTACHMENTS

FIGURE 3-39. FORK MOUNTED PLATFORM (ISO)



ART\_100103238-F

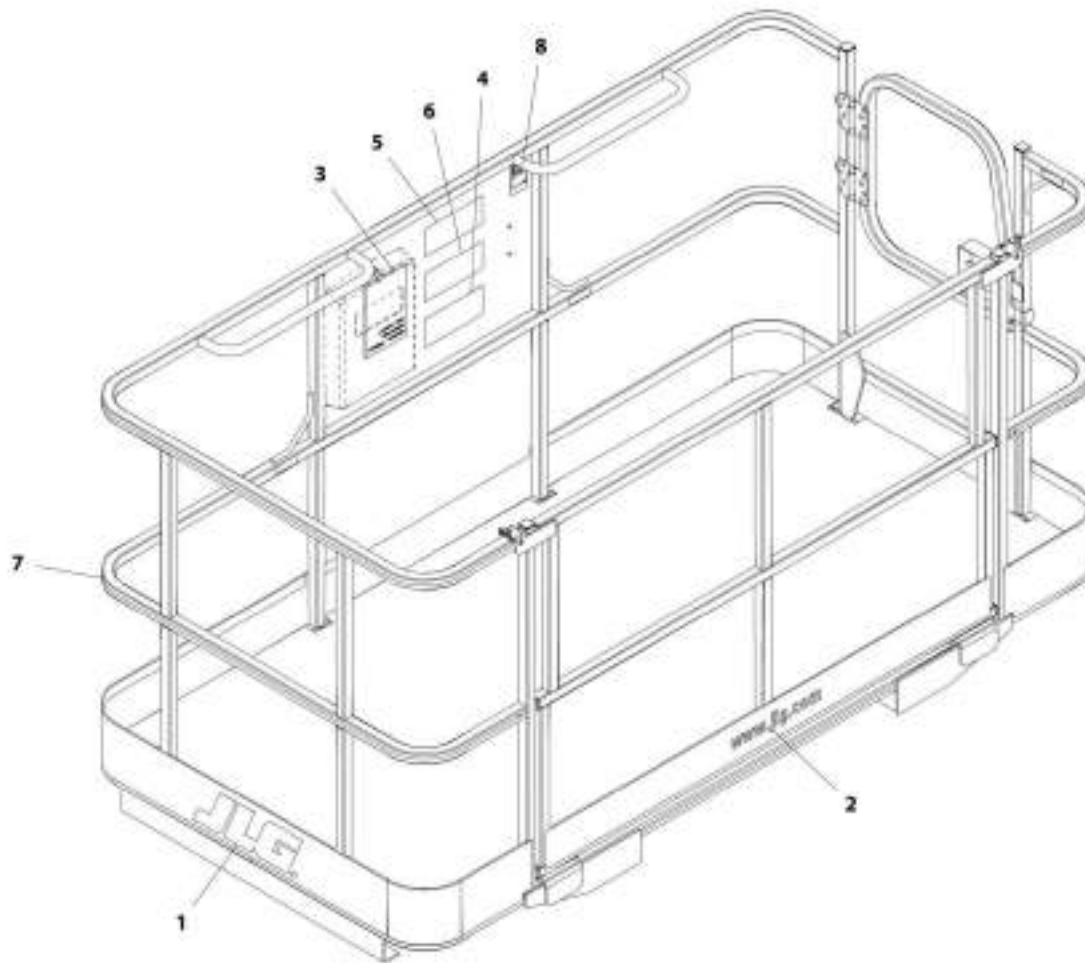
## SECTION 3 - ATTACHMENTS

**FIGURE 3-39. FORK MOUNTED PLATFORM (ISO)**

ITEM	PART NUMBER	QTY	DESCRIPTION	REV
	1001103730	1	Fork Mounted Platform (ISO)	F
1	1702773	2	Decal, JLG	
2	1704885	1	Decal, Website	
3	31200387	1	Manual, Personnel Work Platform Operation and Safety (Spanish)	
4	31200388	1	Manual, Personnel Work Platform Operation and Safety (Portuguese)	
5	1001096021	1	Decal, Warning Attachment (ISO)	
6	1001096023	1	Decal, Platform Capacity (ISO)	
7	1001096025	1	Decal, Platform Warning (ISO)	
8	1001096162	1	Platform, Fork Mounted (See FORK MOUNTED PLATFORM for Breakdown)	
9	N.S.S.	1	S/N Plate	

# SECTION 3 - ATTACHMENTS

## FIGURE 3-40. FORK MOUNTED PLATFORM (FRENCH)



ART\_3001103790-F

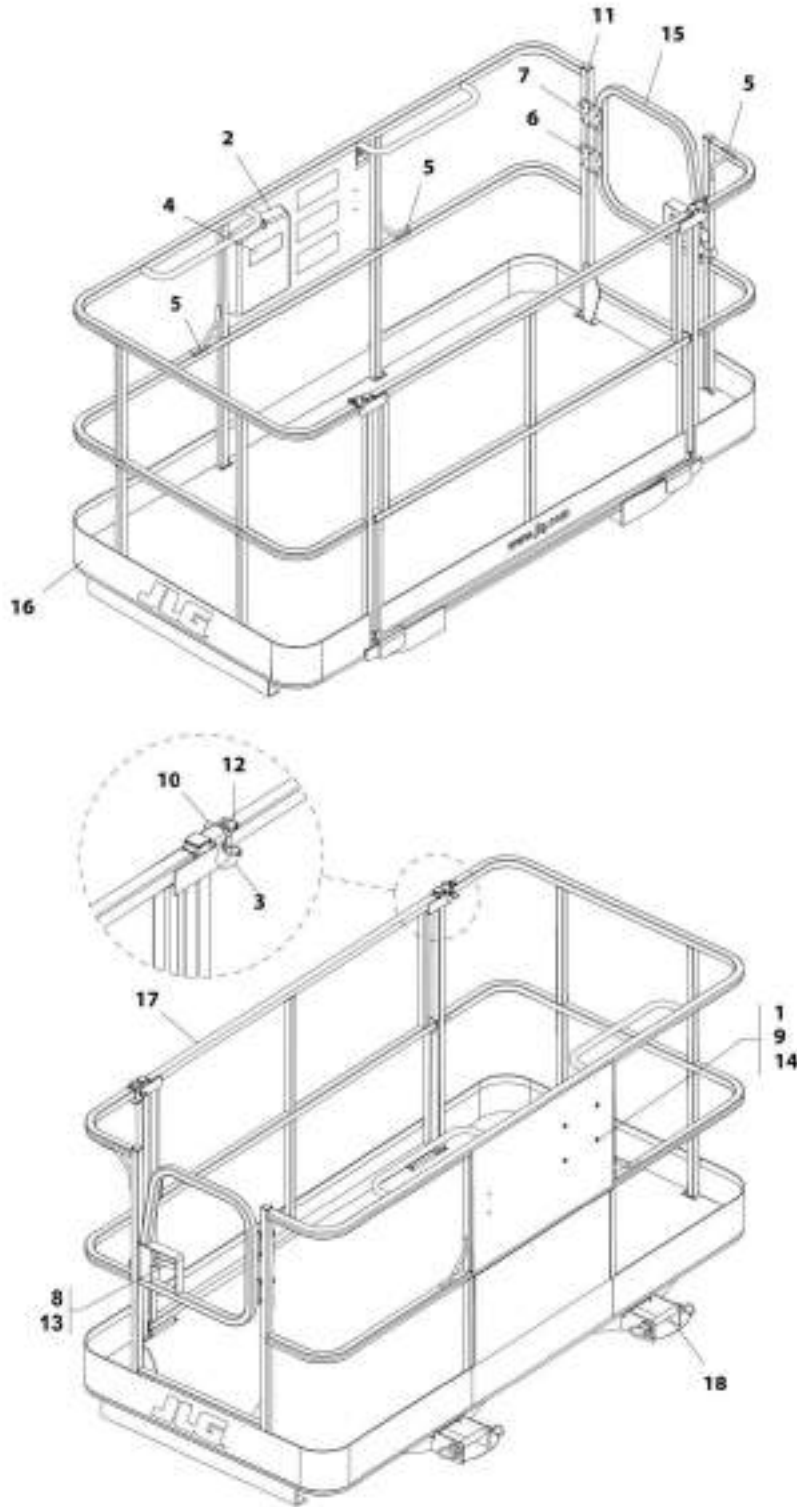
## SECTION 3 - ATTACHMENTS

### FIGURE 3-40. FORK MOUNTED PLATFORM (FRENCH)

ITEM	PART NUMBER	QTY	DESCRIPTION	REV
	1001103736	1	Fork Mounted Platform (French)	F
1	1702773	2	Decal, JLG	
2	1704885	1	Decal, Website	
3	31200386	1	Manual, Personnel Work Platform Operation and Safety (French)	
4	1001096019	1	Decal, Warning Attachment (French)	
5	1001096020	1	Decal, Platform Capacity (French)	
6	1001096024	1	Decal, Platform Warning (French)	
7	1001096162	1	Platform, Fork Mounted (See FORK MOUNTED PLATFORM for Breakdown)	
8	N.S.S.	1	S/N Plate	

# SECTION 3 - ATTACHMENTS

## FIGURE 3-41. FORK MOUNTED PLATFORM ASSEMBLY



ART\_1001085162\_I



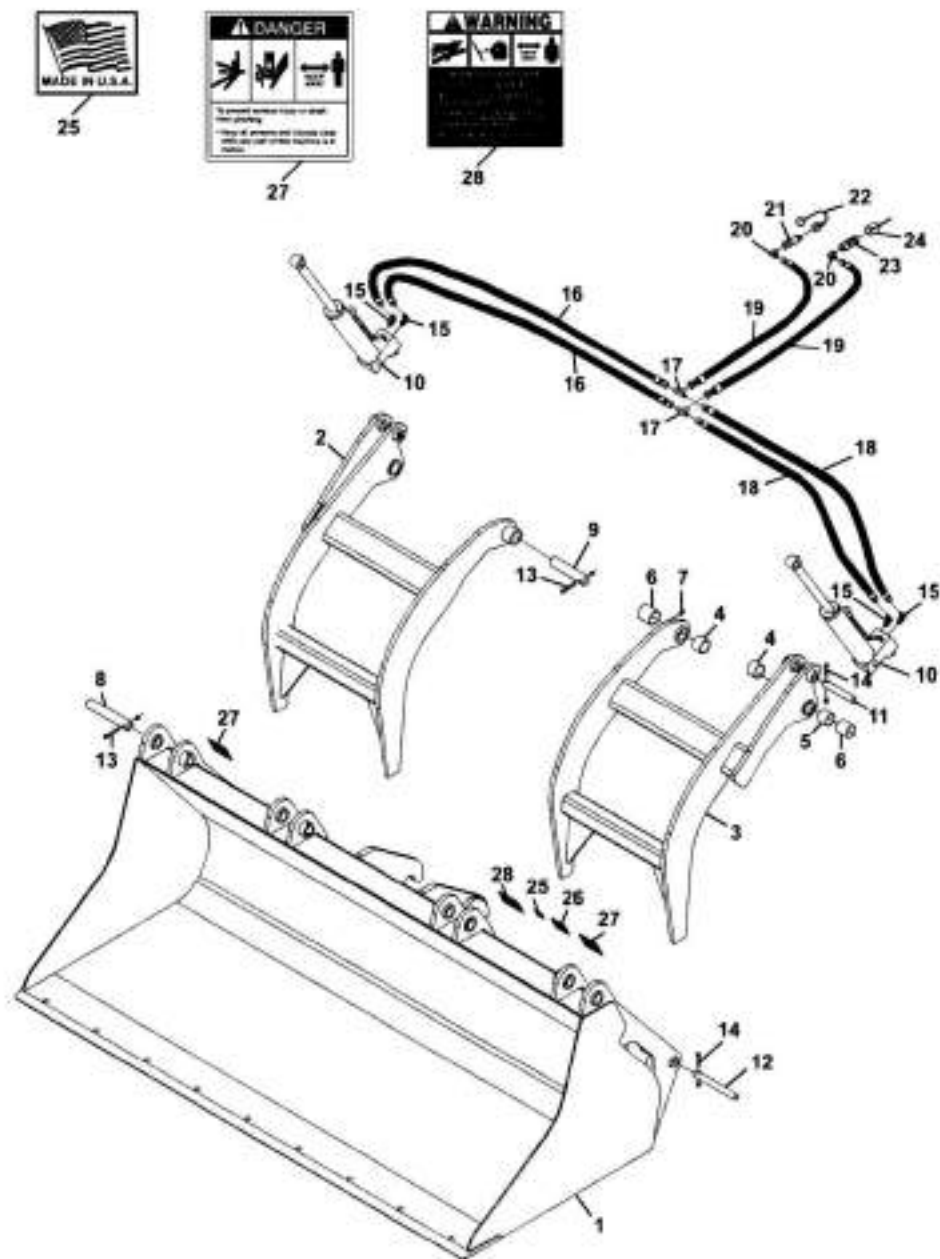
## SECTION 3 - ATTACHMENTS

**FIGURE 3-41. FORK MOUNTED PLATFORM ASSEMBLY**

ITEM	PART NUMBER	QTY	DESCRIPTION	REV
	1001096162	Ref	Fork Mounted Platform	J
1	0641405	4	Bolt, 1/4-20X5/8	
2	0860520	1	Box, Manual Storage	
3	1060379	2	Cable, Lanyard	
4	1701509	1	Decal, Manual	
5	1704277	3	Decal, Lanyard Attach	
6	2080040	16	Fastener	
7	2600281	2	Hinge	
8	2940074	1	Latch	
9	3311405	4	Nut, Lock 1/4-20	
10	3421453	2	Pin	
11	3520072	10	Plug	
12	3760170	4	Ring	
13	3820020	4	Rivet	
14	4711400	8	Washer, 1/4	
15	4846452	1	Weldment, Gate	
16	N.S.S.	1	Platform, Fork Mounted	
17	1001095810	1	Weldment, Gate	
18	1001102813	2	Pin, Hitch	

# SECTION 3 - ATTACHMENTS

## FIGURE 3-42. GRAPPLE BUCKET



A8T\_D633025-H

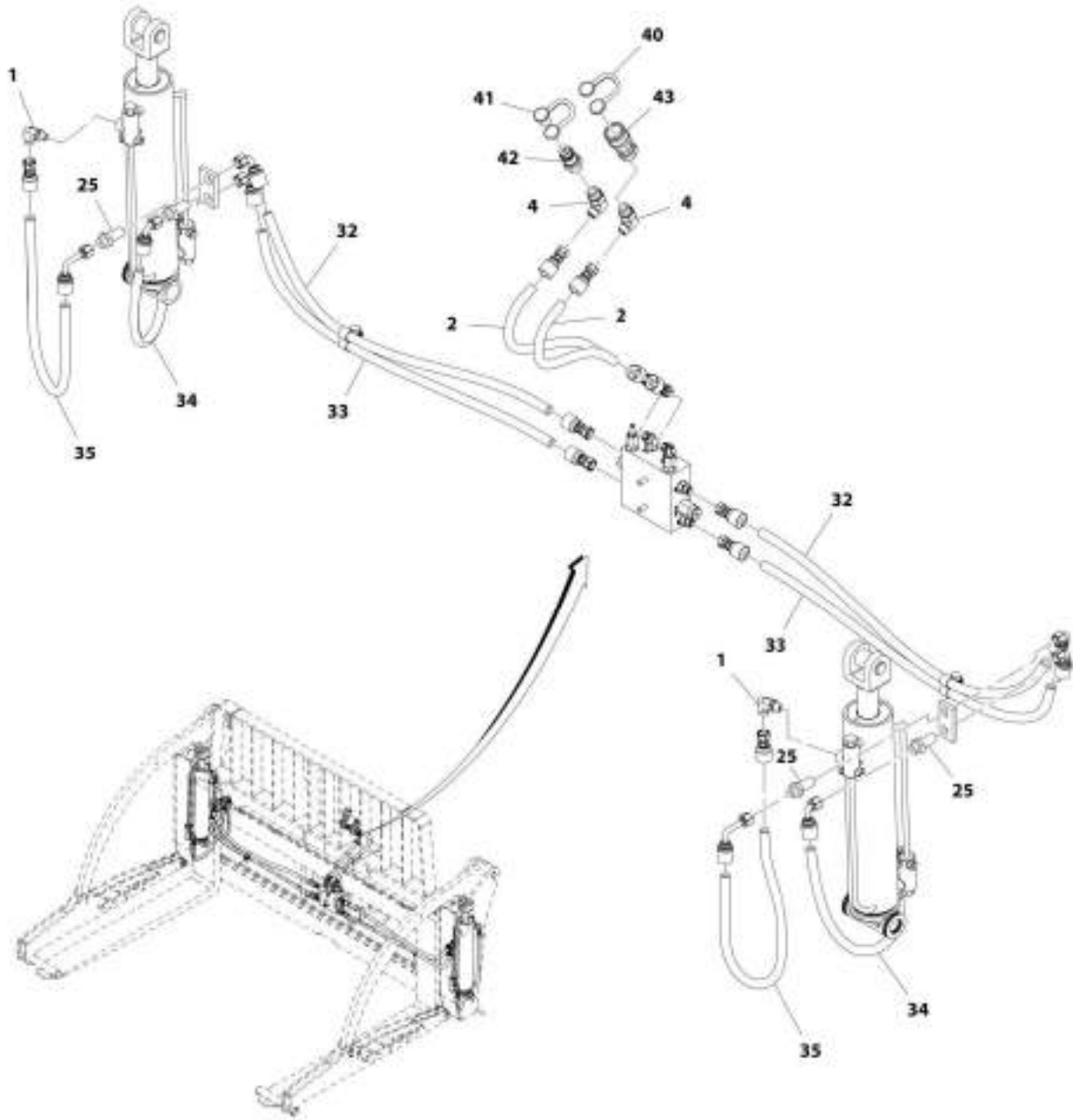
## SECTION 3 - ATTACHMENTS

### FIGURE 3-42. GRAPPLE BUCKET

ITEM	PART NUMBER	QTY	DESCRIPTION	REV
	0930020	1	Grapple Bucket	H
1	N.S.S.	1	Bucket	
1	70021387	4	Clamp, Hose	
2	70021391	1	Hook, RH Grapple	
3	70021392	1	Hook, LH Grapple	
4	70021358	4	Bushing	
5	70021359	2	Spacer	
6	70021360	4	Bushing	
7	7029714	4	Fitting, Grease	
8	70021361	2	Pin, Outer Pivot	
9	70021362	2	Pin, Inner Pivot	
10	70021393	2	Cylinder, Grapple Bucket (See HYDRAULIC COMPONENTS SECTION for Breakdown)	
11	70021364	2	Pin, Cylinder (base end)	
12	70021365	2	Pin, Cylinder (rod end)	
13	70021366	4	Bolt, 3/8X2-3/4	
13	70021367	4	Nut, Lock 3/8	
14	70021399	4	Bolt, 3/8X2-1/4	
14	70021367	4	Nut, Lock 3/8	
15	90554065	4	Elbow, 90	
16	70021980	2	Hose	
17	70020562	2	Fitting, Tee	
18	70021981	2	Hose	
19	70021982	2	Hose	
20	70022527	2	Elbow, 90	
21	7029692	1	Quick Coupler, Male	
22	90554062	1	Cover, Dust	
23	70021342	1	Quick Coupler, Female	
24	90554076	1	Cover, Dust	
25	90554016	1	Decal, Made in USA	
26	N.S.S.	1	S/N Plate	
27	90554017	2	Decal, Danger Pinch Point	
28	90554018	1	Decal, Warning High Pressure	

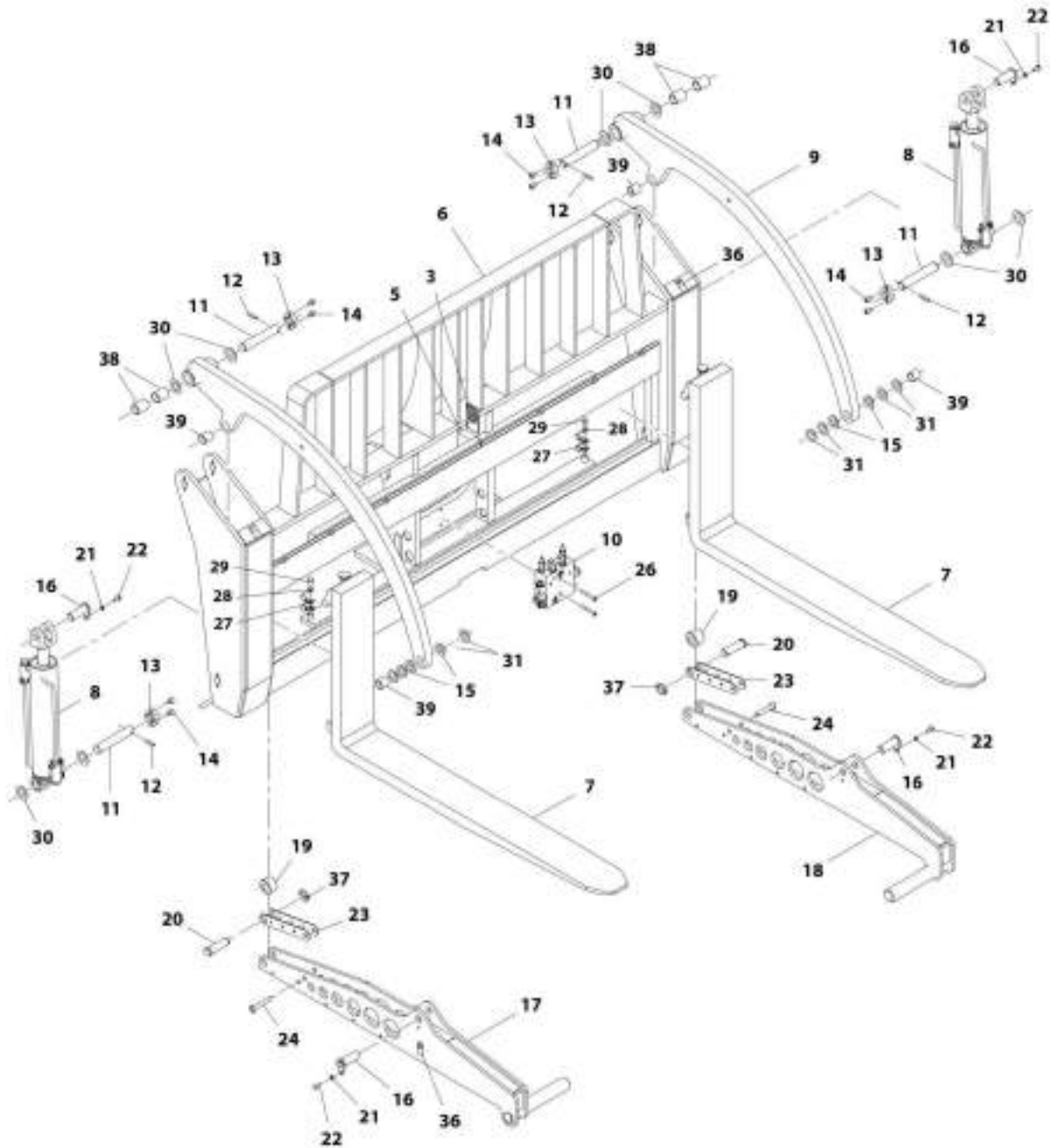
# SECTION 3 - ATTACHMENTS

## FIGURE 3-43. PIPE HANDLER CARRIAGE



MIT\_100142247\_1-C

# SECTION 3 - ATTACHMENTS



ART\_1001142247\_3-C

## SECTION 3 - ATTACHMENTS

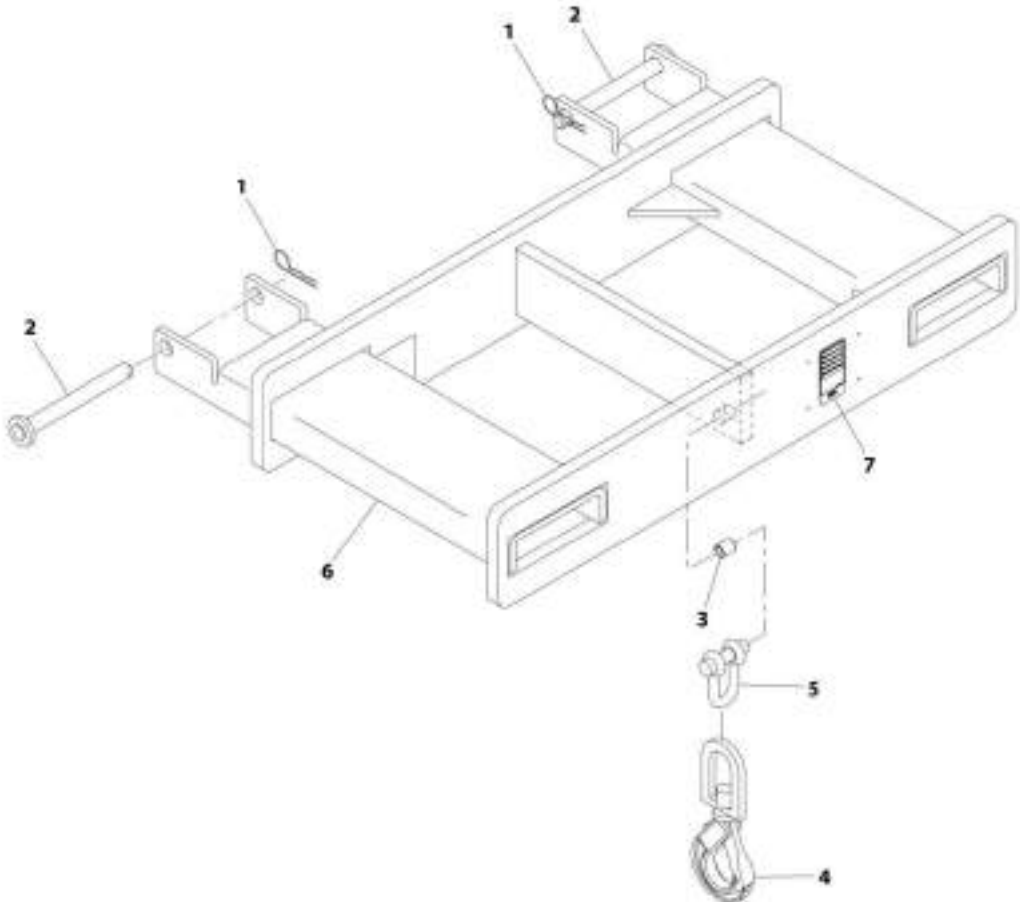
### FIGURE 3-43. PIPE HANDLER CARRIAGE

ITEM	PART NUMBER	QTY	DESCRIPTION	REV
	1001142247	1	Pipe Handler Carriage	C
	70026585	1	Hydraulic Supply Group (includes items 1, 2, 4, 25 & 32 thru 35 & 40 thru 43)	
1	70024123	4	Fitting	
2	70026347	2	Hose, 485 mm	
3	N.S.S.	1	JLG Nameplate	
4	70024550	2	Fitting	
5	N.S.S.	1	S/N Plate	
6	N.S.S.	1	Carriage Weldment	
7	70026586	2	Fork	
8	70026587	2	Cylinder, Pipe Handler (See HYDRAULIC COMPONENTS SECTION for Breakdown)	
9	70026588	2	Arm	
10	70026589	1	Valve Assembly (See HYDRAULIC CIRCUITS SECTION for Breakdown)	
11	70026470	4	Pin	
12	70026471	4	Pin Drive - Lock	
13	70026472	4	Retainer	
14	70026473	8	Capscrew, M10X12	
15	70026590	4	Thrust Washer	
16	70026591	4	Pin Weldment	
17	70026592	1	Contact Pad - RH	
18	70026593	1	Contact Pad - LH	
19	70026594	2	Roller	
20	70026595	2	Clevis Pin	
21	70026596	4	Lockwasher, M8	
22	70026597	4	Capscrew, M8X16	
23	70026598	2	Retainer	
24	70026599	2	Ring Detent Pin	
25	70023000	4	Fitting	
26	70026600	2	Capscrew, M8X60	
27	70026481	4	Hose Clamp	
28	70026482	2	Washer	
29	70022996	2	Capscrew, M10X16	
30	70026476	24	Shim	
31	70026601	8	Shim	
32	70026602	2	Hose	
33	70026603	2	Hose	
34	70026604	2	Hose	
35	70026605	2	Hose	
36	70024538	4	Warning Decal	
37	70026606	2	Lynch Pin, 3/16	
38	70026501	4	Bushing	
39	70026607	4	Bushing	
40	70026608	1	Plug	
41	70026609	1	Cap	
42	91403414	1	Coupler - Male	
43	91403413	1	Coupler - Female	



**SECTION 3 - ATTACHMENTS**

**FIGURE 3-44. FORK MOUNTED HOOK**



AJIT\_1001097200-H



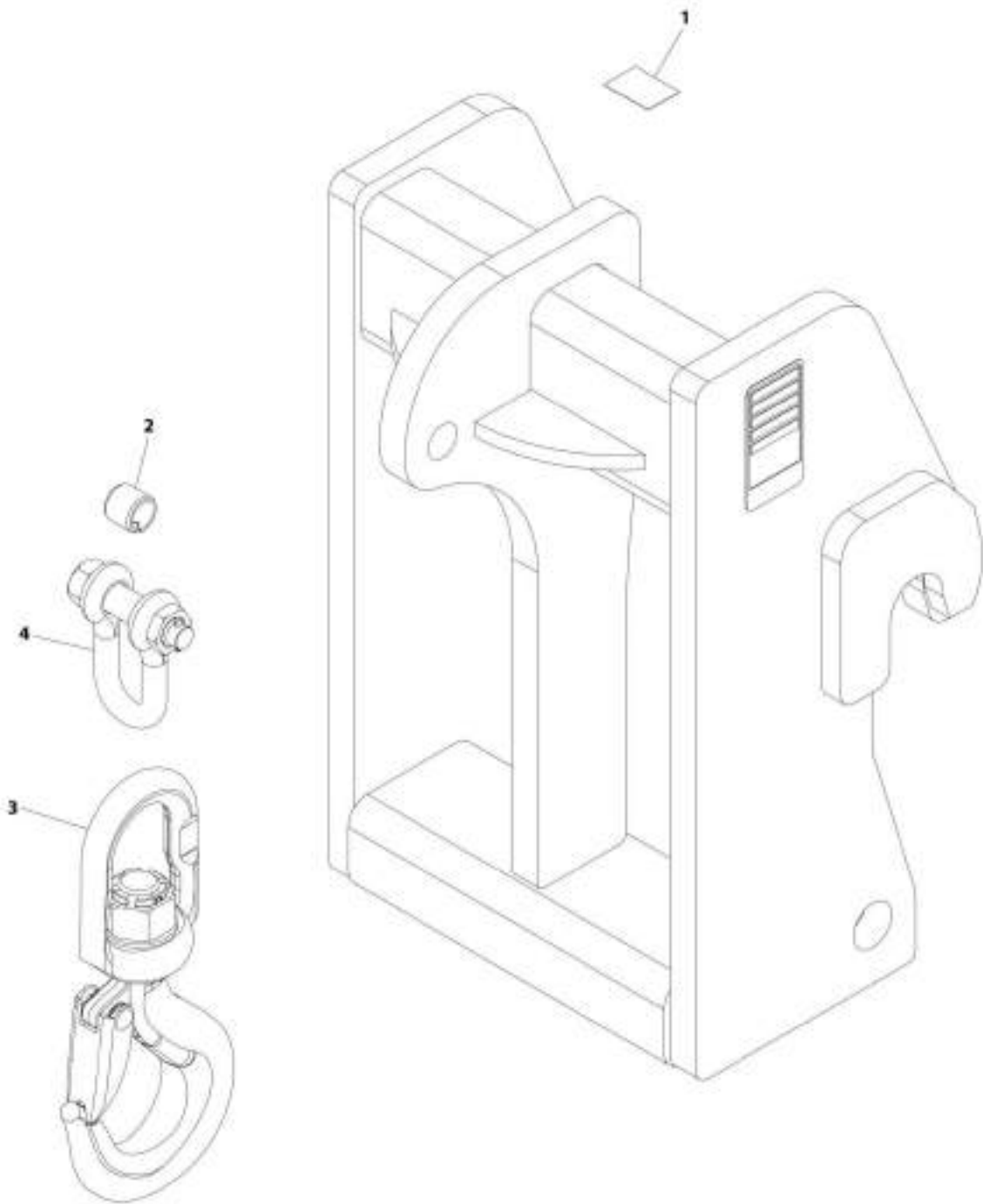
## SECTION 3 - ATTACHMENTS

### FIGURE 3-44. FORK MOUNTED HOOK

ITEM	PART NUMBER	QTY	DESCRIPTION	REV
	1001097205	Ref	Fork Mounted Hook	H
1	7029520	2	Pin, Cotter	
2	1001093171	2	Pin	
3	70020555	1	Bushing	
4	90554080	1	Hook	
5	7029521	1	Shackle	
6	N.S.S.	1	Weldment, Hook	
7	N.S.S.	1	S/N Plate	

**SECTION 3 - ATTACHMENTS**

**FIGURE 3-45. COUPLER MOUNTED HOOK**



ART\_1001257006-8

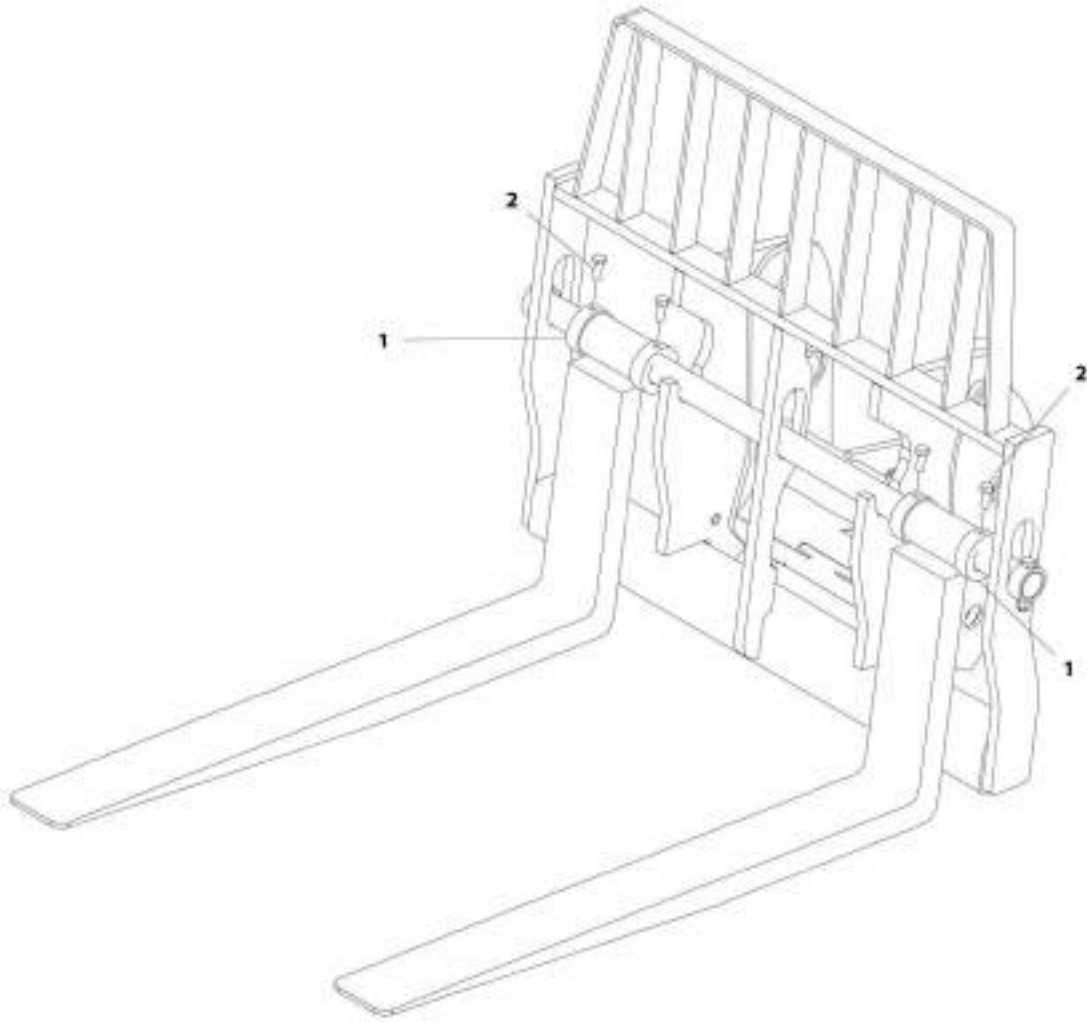
## SECTION 3 - ATTACHMENTS

### FIGURE 3-45. COUPLER MOUNTED HOOK

ITEM	PART NUMBER	QTY	DESCRIPTION	REV
	1001207606	Ref	Coupler Mounted Hook	B
1	90554016	1	Decal	
2	70020555	1	Bushing	
3	70026745	1	Hook Swivel	
4	70026746	1	Shackle Chain	

## SECTION 3 - ATTACHMENTS

FIGURE 3-46. FORK CLAMPS INSTALLATION



ART\_1001004134-A

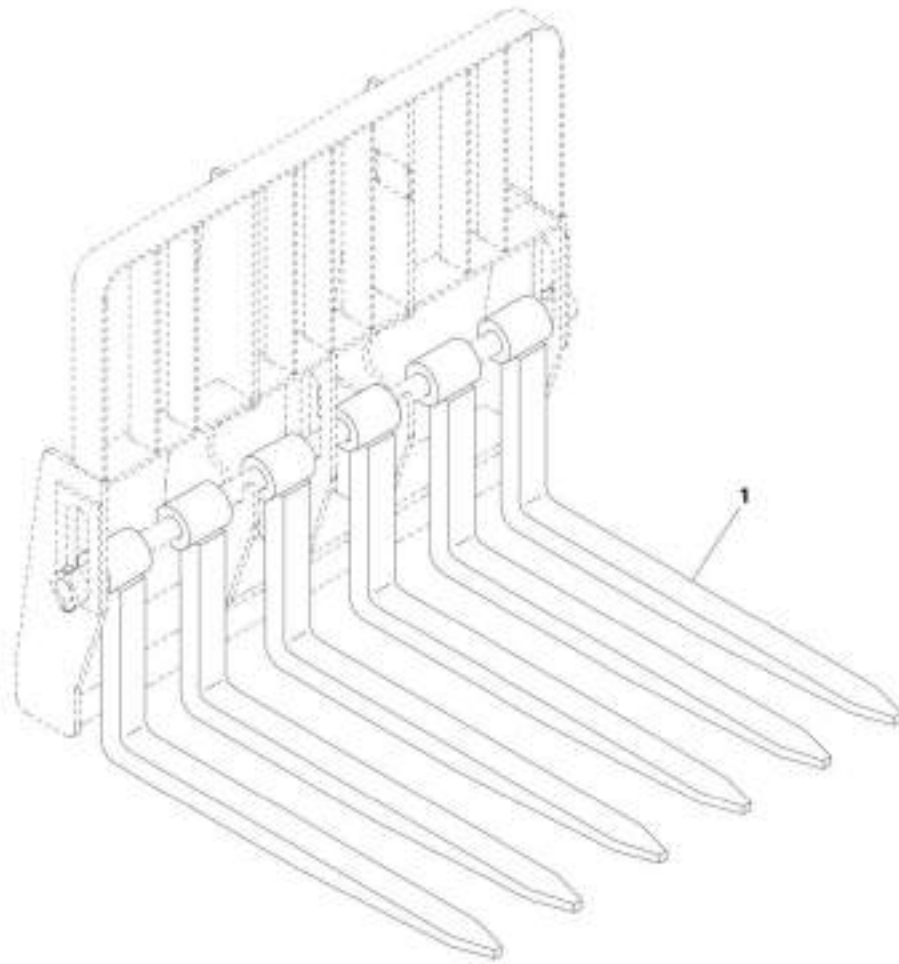
## SECTION 3 - ATTACHMENTS

### FIGURE 3-46. FORK CLAMPS INSTALLATION

ITEM	PART NUMBER	QTY	DESCRIPTION	REV
	1001094134	Ref	Fork Clamps Installation	A
1	1001094136	4	Clamp, Fork	
2	10700681	4	Bolt, 0.625-18X1.5	

# SECTION 3 - ATTACHMENTS

FIGURE 3-47. CUBING FORK



MT-254807-A

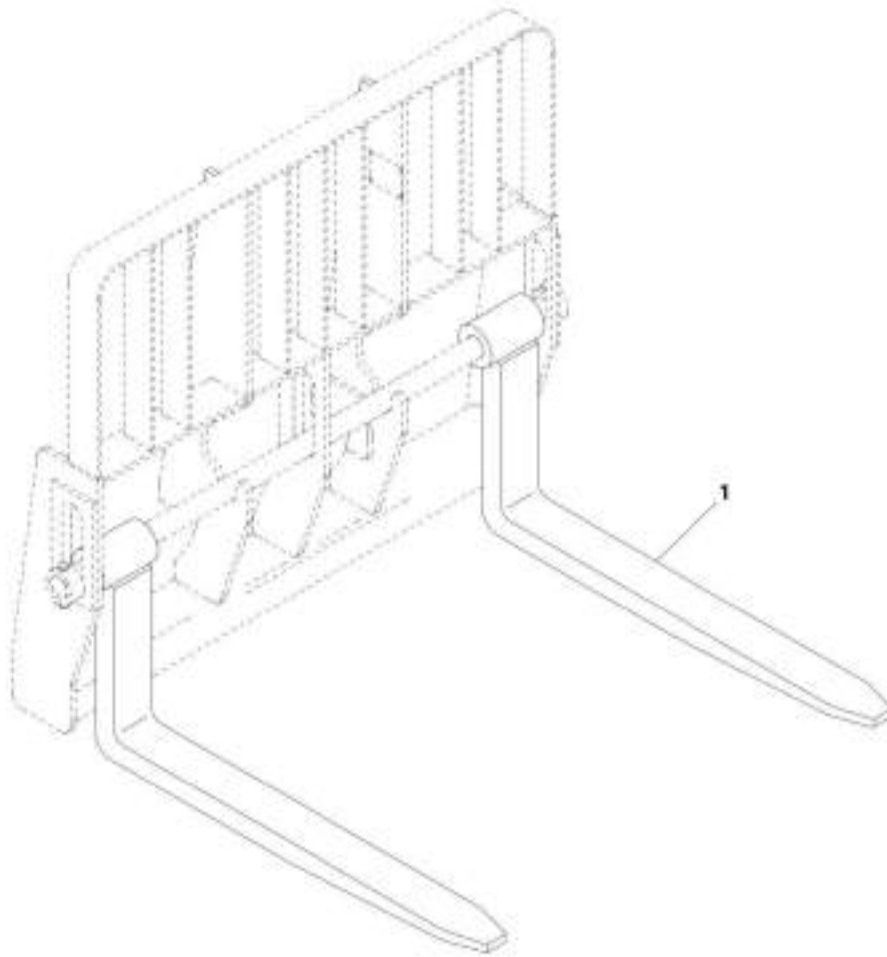
## SECTION 3 - ATTACHMENTS

**FIGURE 3-47. CUBING FORK**

ITEM	PART NUMBER	QTY	DESCRIPTION	REV
1	2340037	6	Cubing Fork	A
N1	Note	Ref	<b>FORKS RATED LESS THAN THE ATTACHMENT OR MACHINE'S CAPACITY DECREASES CAPACITY OF THE ATTACHMENT OR MACHINE TO THAT OF THE FORKS. FORKS RATED MORE THAN THE ATTACHMENT OR MACHINE'S CAPACITY DO NOT INCREASE ATTACHMENT OR MACHINE'S CAPACITY.</b>	
N2	Note	Ref	<b>PLEASE CONSULT JLG PARTS DEPARTMENT TO DETERMINE THE CORRECT FORKS APPLICABLE TO YOUR SPECIFIC CARRIASE ASSEMBLY AND APPLICATION.</b>	

## SECTION 3 - ATTACHMENTS

FIGURE 3-48. FORK - PALLET 1.6X5.9X60



ART\_100109457-C



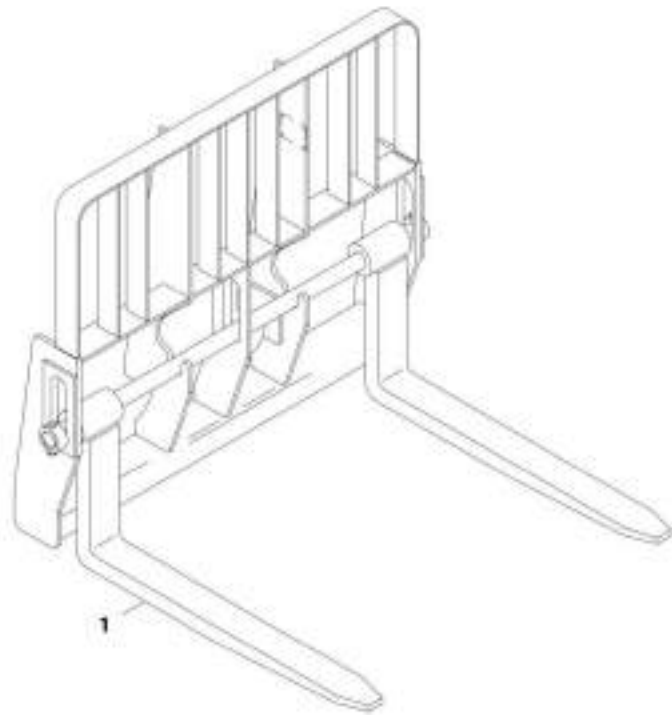
## SECTION 3 - ATTACHMENTS

**FIGURE 3-48. FORK - PALLET 1.6X5.9X60**

ITEM	PART NUMBER	QTY	DESCRIPTION	REV
1	1001099457	2	Fork - Pallet 1.5X6X60	C

## SECTION 3 - ATTACHMENTS

FIGURE 3-49. FORK - PALLET 2X7X60



ART\_1001097110-A

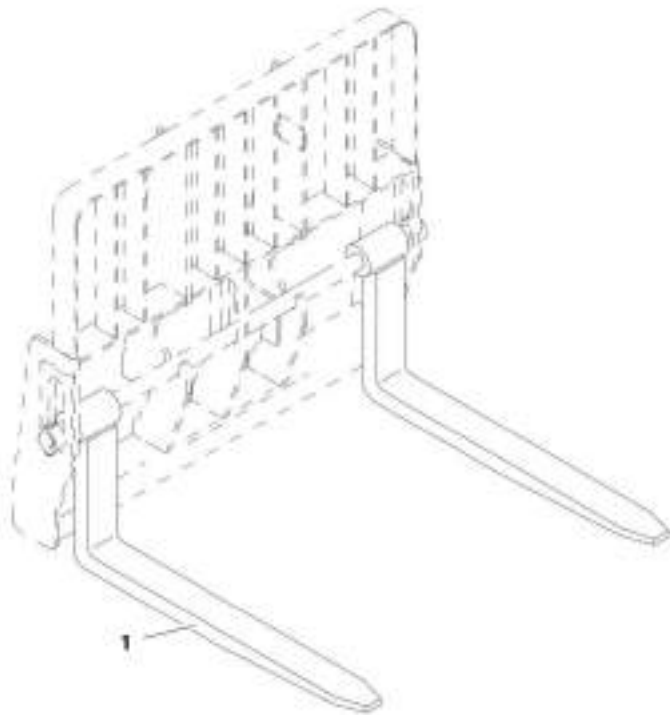
## SECTION 3 - ATTACHMENTS

**FIGURE 3-49. FORK - PALLET 2X7X60**

ITEM	PART NUMBER	QTY	DESCRIPTION	REV
1	1001097110	2	Fork - Pallet 2X7X60	A

## SECTION 3 - ATTACHMENTS

FIGURE 3-50. PALLET FORK (48X4X2.36)



ART\_3340045\_B

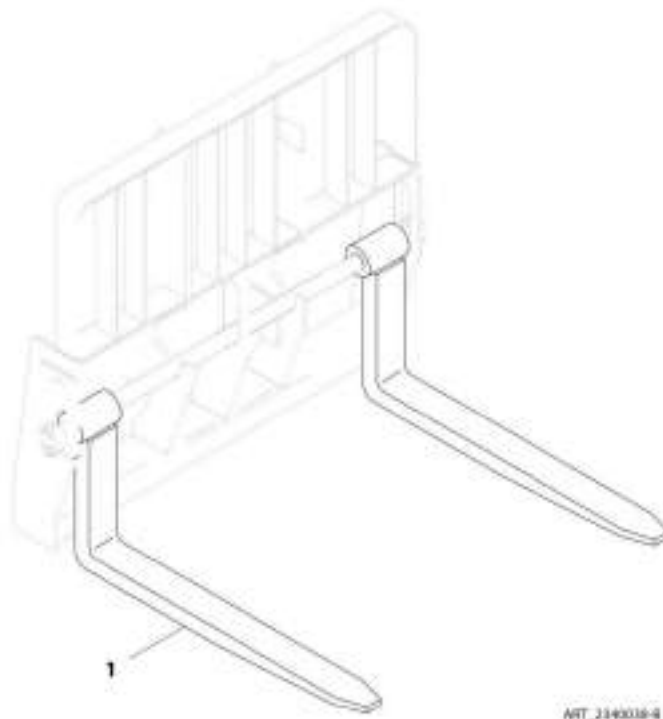
## SECTION 3 - ATTACHMENTS

**FIGURE 3-50. PALLET FORK (48X4X2.36)**

ITEM	PART NUMBER	QTY	DESCRIPTION	REV
1	2340045	2	Pallet Fork (48X4X2.36)	B
N1	Note	Ref	<b>FORKS RATED LESS THAN THE ATTACHMENT OR MACHINE'S CAPACITY DECREASES CAPACITY OF THE ATTACHMENT OR MACHINE TO THAT OF THE FORKS. FORKS RATED MORE THAN THE ATTACHMENT OR MACHINE'S CAPACITY DO NOT INCREASE ATTACHMENT OR MACHINE'S CAPACITY.</b>	
N2	Note	Ref	<b>PLEASE CONSULT JLG PARTS DEPARTMENT TO DETERMINE THE CORRECT FORKS APPLICABLE TO YOUR SPECIFIC CARRIASE ASSEMBLY AND APPLICATION.</b>	

## SECTION 3 - ATTACHMENTS

FIGURE 3-51. PALLET FORK (48X5X2.36)



MT\_3140018-4

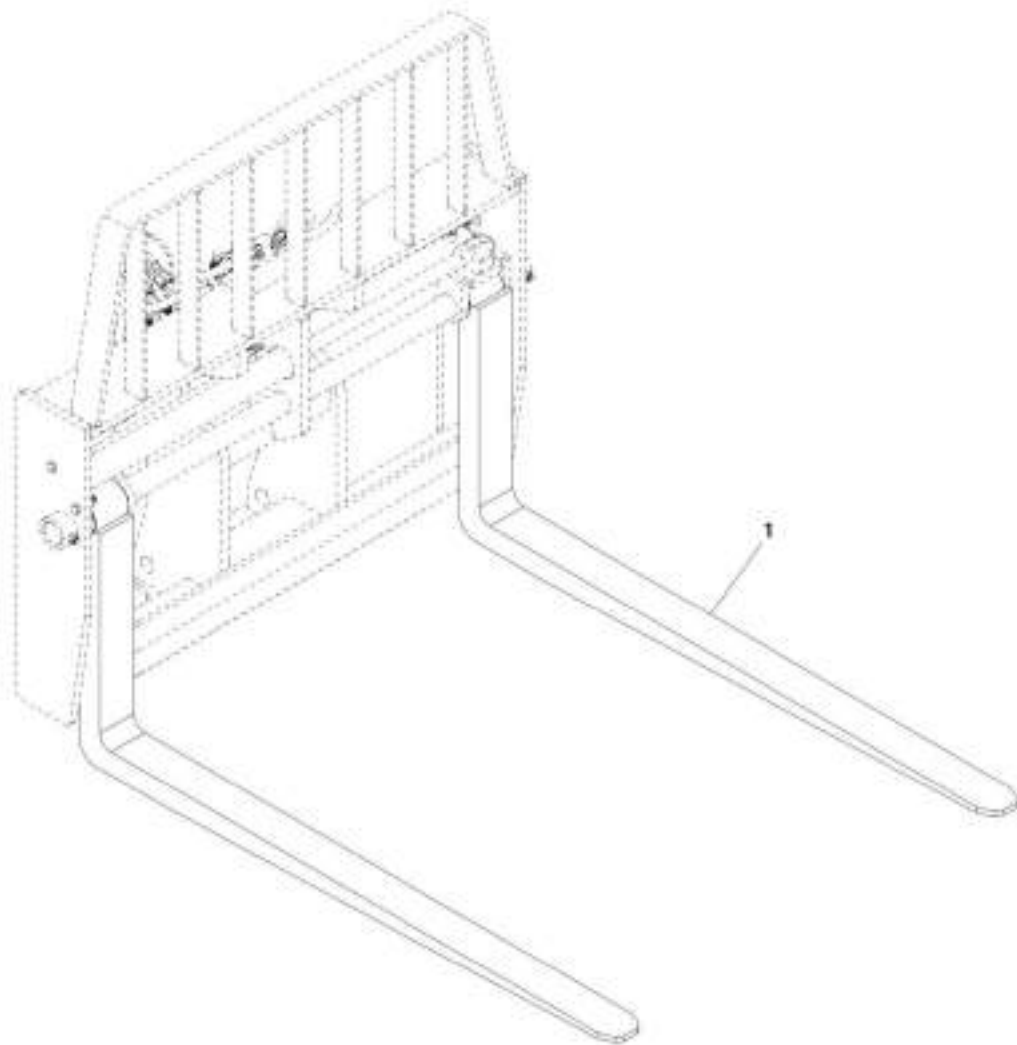
## SECTION 3 - ATTACHMENTS

**FIGURE 3-51. PALLET FORK (48X5X2.36)**

ITEM	PART NUMBER	QTY	DESCRIPTION	REV
1	2340038	2	Pallet Fork (48X5X2.36)	B
N1	Note	Ref	<b>FORKS RATED LESS THAN THE ATTACHMENT OR MACHINE'S CAPACITY DECREASES CAPACITY OF THE ATTACHMENT OR MACHINE TO THAT OF THE FORKS. FORKS RATED MORE THAN THE ATTACHMENT OR MACHINE'S CAPACITY DO NOT INCREASE ATTACHMENT OR MACHINE'S CAPACITY.</b>	
N2	Note	Ref	<b>PLEASE CONSULT JLG PARTS DEPARTMENT TO DETERMINE THE CORRECT FORKS APPLICABLE TO YOUR SPECIFIC CARRIASE ASSEMBLY AND APPLICATION.</b>	

## SECTION 3 - ATTACHMENTS

FIGURE 3-52. PALLET FORK (2.4X4X60) - 1055



ART\_1001227379-A



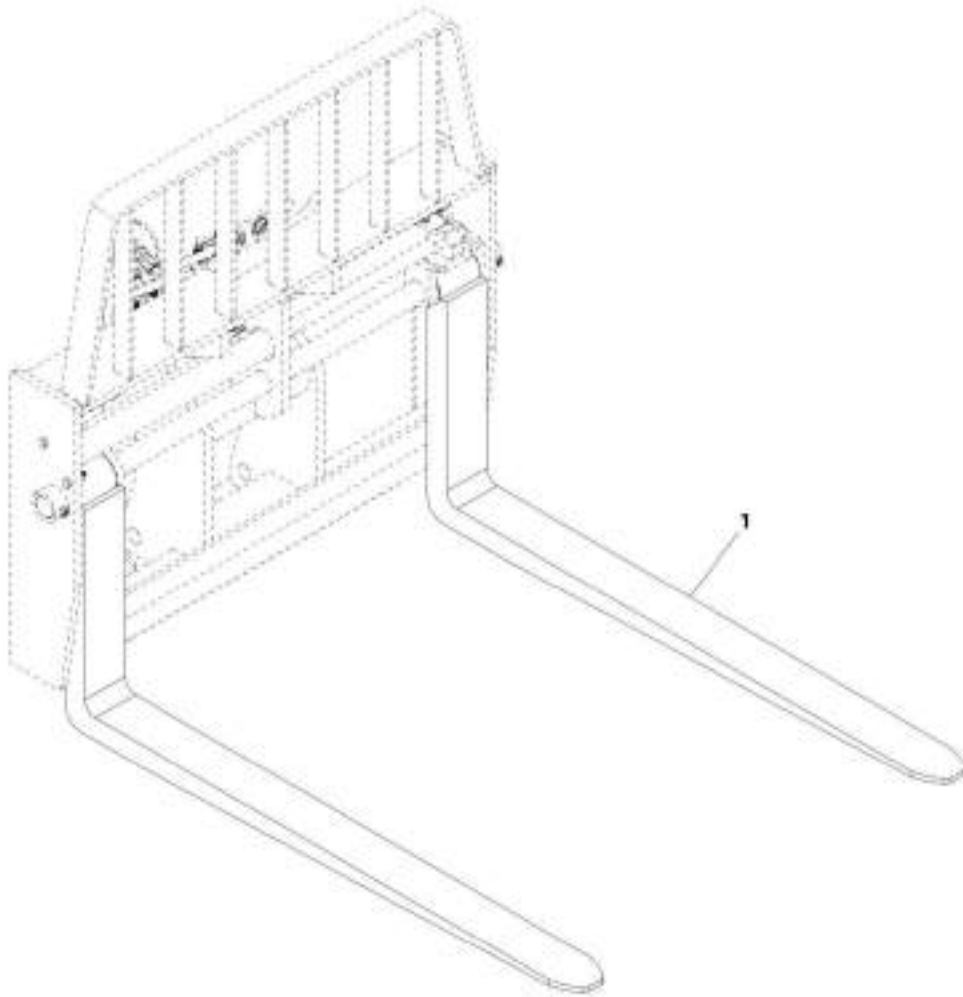
## SECTION 3 - ATTACHMENTS

**FIGURE 3-52. PALLET FORK (2.4X4X60) - 1055**

ITEM	PART NUMBER	QTY	DESCRIPTION	REV
1	1001227379	2	Pallet Fork (2.4X4X60) - 1055	A
N1	Note	Ref	<b>FORKS RATED LESS THAN THE ATTACHMENT OR MACHINE'S CAPACITY DECREASES CAPACITY OF THE ATTACHMENT OR MACHINE TO THAT OF THE FORKS. FORKS RATED MORE THAN THE ATTACHMENT OR MACHINE'S CAPACITY DO NOT INCREASE ATTACHMENT OR MACHINE'S CAPACITY.</b>	
N2	Note	Ref	<b>PLEASE CONSULT JLG PARTS DEPARTMENT TO DETERMINE THE CORRECT FORKS APPLICABLE TO YOUR SPECIFIC CARRIASE ASSEMBLY AND APPLICATION.</b>	

## SECTION 3 - ATTACHMENTS

FIGURE 3-53. PALLET FORK (2.36X5.00X60) -1255



MTL\_1001227982-A

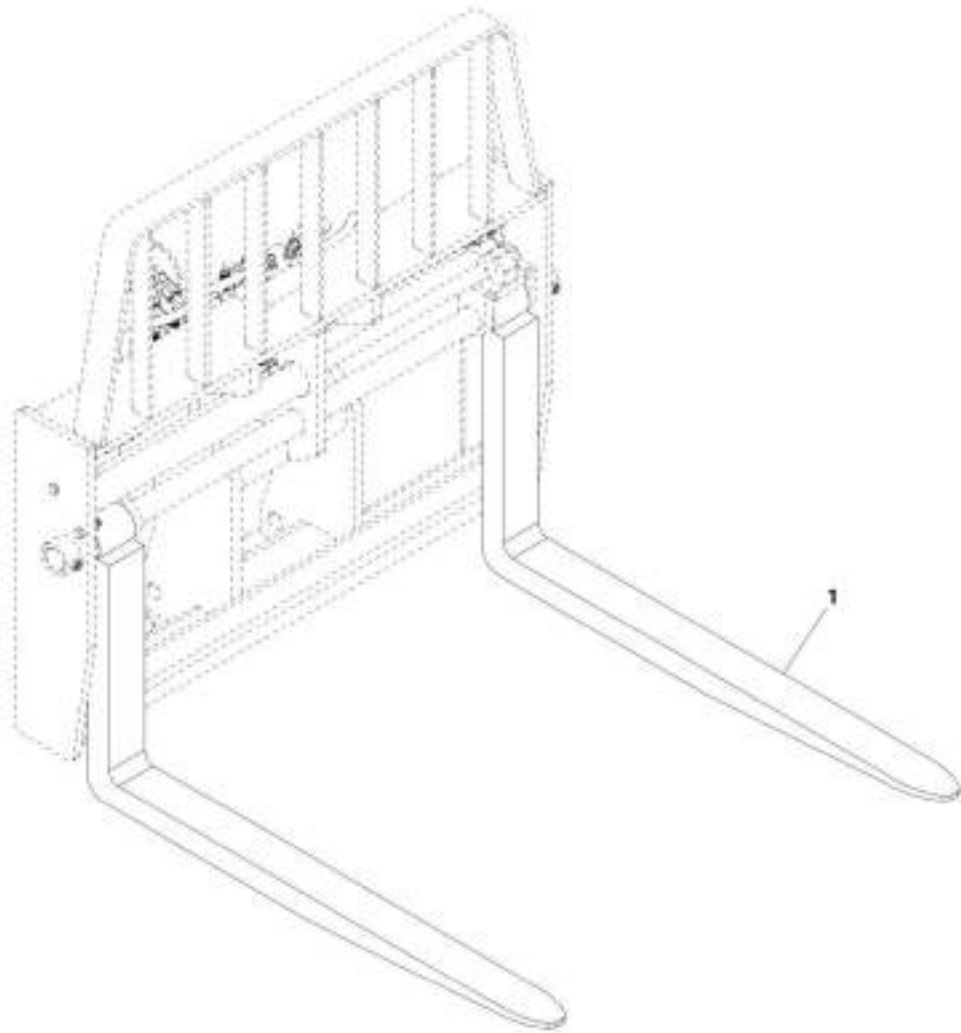
## SECTION 3 - ATTACHMENTS

**FIGURE 3-53. PALLET FORK (2.36X5.00X60) -1255**

ITEM	PART NUMBER	QTY	DESCRIPTION	REV
1	1001227382	1	Pallet Fork (2.36X5.00X60) -1255	A
N1	Note	Ref	<b>FORKS RATED LESS THAN THE ATTACHMENT OR MACHINE'S CAPACITY DECREASES CAPACITY OF THE ATTACHMENT OR MACHINE TO THAT OF THE FORKS. FORKS RATED MORE THAN THE ATTACHMENT OR MACHINE'S CAPACITY DO NOT INCREASE ATTACHMENT OR MACHINE'S CAPACITY.</b>	
N2	Note	Ref	<b>PLEASE CONSULT JLG PARTS DEPARTMENT TO DETERMINE THE CORRECT FORKS APPLICABLE TO YOUR SPECIFIC CARRIASE ASSEMBLY AND APPLICATION.</b>	

## SECTION 3 - ATTACHMENTS

FIGURE 3-54. PALLET FORK (2.36X4X48)



REF\_7301400-D

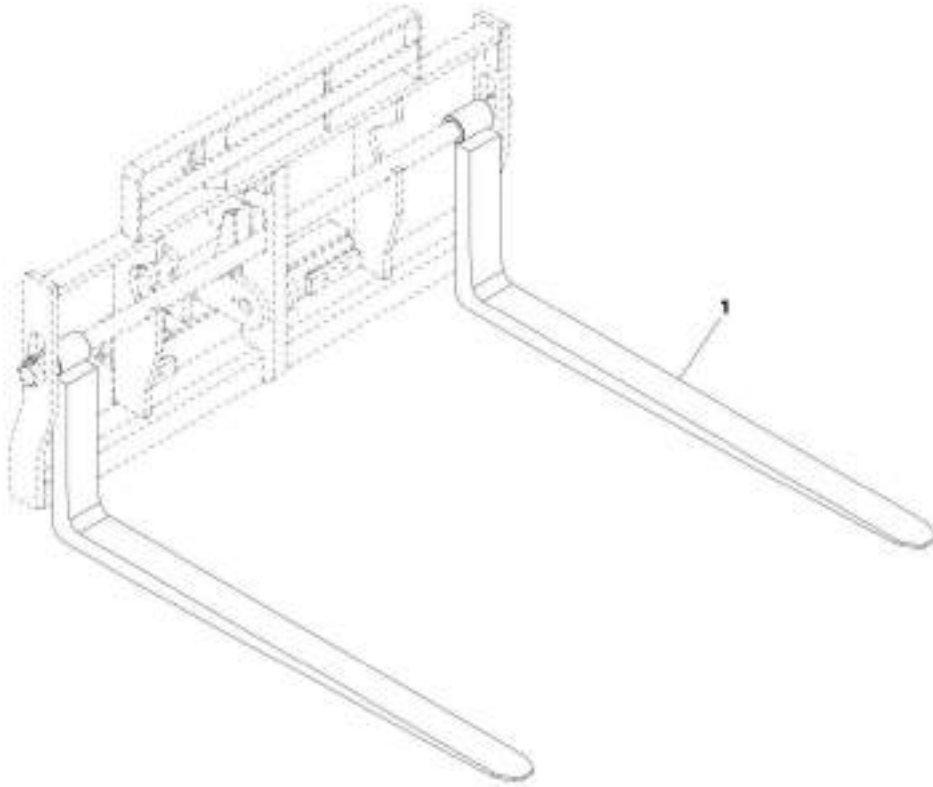
## SECTION 3 - ATTACHMENTS

**FIGURE 3-54. PALLET FORK (2.36X4X48)**

ITEM	PART NUMBER	QTY	DESCRIPTION	REV
1	7301408	2	Pallet Fork (2.36X4X48)	D
N1	Note	Ref	<b>FORKS RATED LESS THAN THE ATTACHMENT OR MACHINE'S CAPACITY DECREASES CAPACITY OF THE ATTACHMENT OR MACHINE TO THAT OF THE FORKS. FORKS RATED MORE THAN THE ATTACHMENT OR MACHINE'S CAPACITY DO NOT INCREASE ATTACHMENT OR MACHINE'S CAPACITY.</b>	
N2	Note	Ref	<b>PLEASE CONSULT JLG PARTS DEPARTMENT TO DETERMINE THE CORRECT FORKS APPLICABLE TO YOUR SPECIFIC CARRIASE ASSEMBLY AND APPLICATION.</b>	

## SECTION 3 - ATTACHMENTS

FIGURE 3-55. PALLET FORK (2.4X5X72)



ART\_1001252555-A

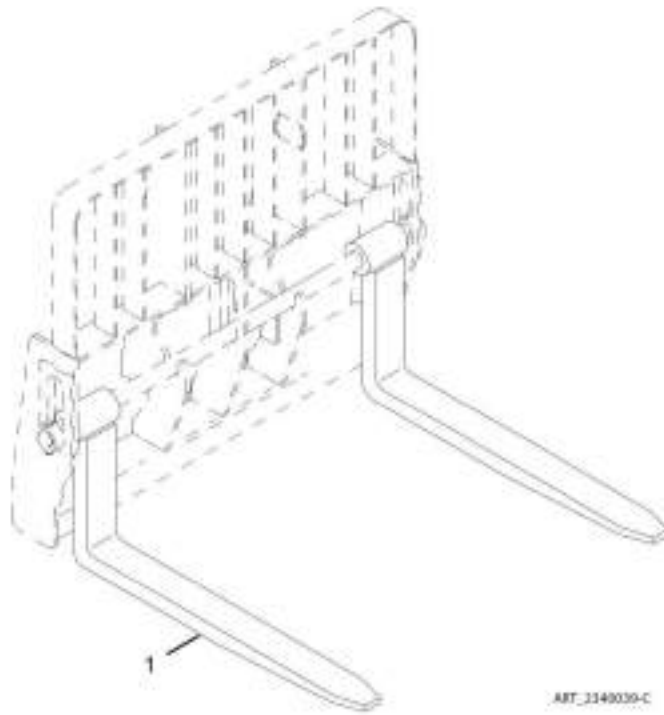
## SECTION 3 - ATTACHMENTS

**FIGURE 3-55. PALLET FORK (2.4X5X72)**

ITEM	PART NUMBER	QTY	DESCRIPTION	REV
1	1001232355	2	Pallet Fork (2.4X5X72)	A
N1	Note	Ref	<b>FORKS RATED LESS THAN THE ATTACHMENT OR MACHINE'S CAPACITY DECREASES CAPACITY OF THE ATTACHMENT OR MACHINE TO THAT OF THE FORKS. FORKS RATED MORE THAN THE ATTACHMENT OR MACHINE'S CAPACITY DO NOT INCREASE ATTACHMENT OR MACHINE'S CAPACITY.</b>	
N2	Note	Ref	<b>PLEASE CONSULT JLG PARTS DEPARTMENT TO DETERMINE THE CORRECT FORKS APPLICABLE TO YOUR SPECIFIC CARRIASE ASSEMBLY AND APPLICATION.</b>	

## SECTION 3 - ATTACHMENTS

FIGURE 3-56. DUAL TAPER FORK (60X6X2.36)





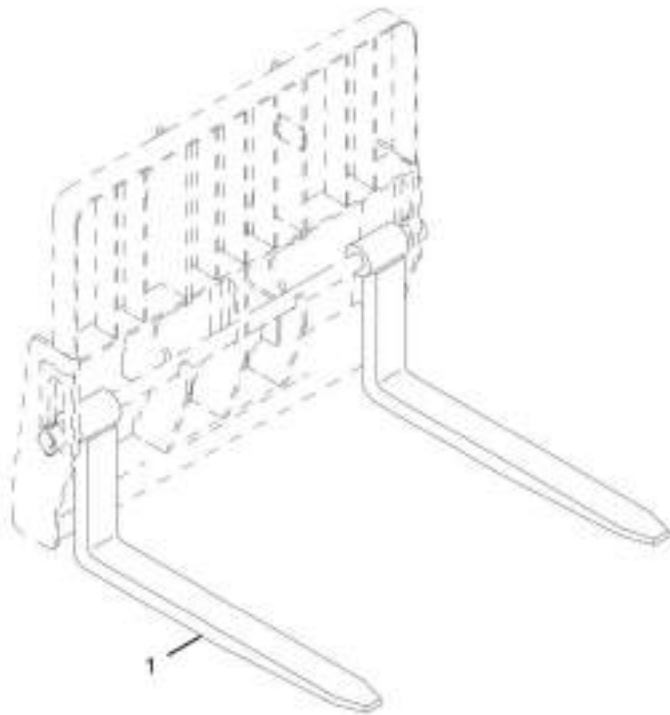
## SECTION 3 - ATTACHMENTS

**FIGURE 3-56. DUAL TAPER FORK (60X6X2.36)**

ITEM	PART NUMBER	QTY	DESCRIPTION	REV
N1	2340039 Note	2 Ref	Dual Taper Fork (60X6X2.36) <b>FORKS RATED LESS THAN THE ATTACHMENT OR MACHINE'S CAPACITY DECREASES CAPACITY OF THE ATTACHMENT OR MACHINE TO THAT OF THE FORKS. FORKS RATED MORE THAN THE ATTACHMENT OR MACHINE'S CAPACITY DO NOT INCREASE ATTACHMENT OR MACHINE'S CAPACITY.</b>	C
N2	Note	Ref	<b>PLEASE CONSULT JLG PARTS DEPARTMENT TO DETERMINE THE CORRECT FORKS APPLICABLE TO YOUR SPECIFIC CARRIAGE ASSEMBLY AND APPLICATION.</b>	

## SECTION 3 - ATTACHMENTS

FIGURE 3-57. DUAL TAPER FORK (72X6X2)



ART\_1001092391\_3

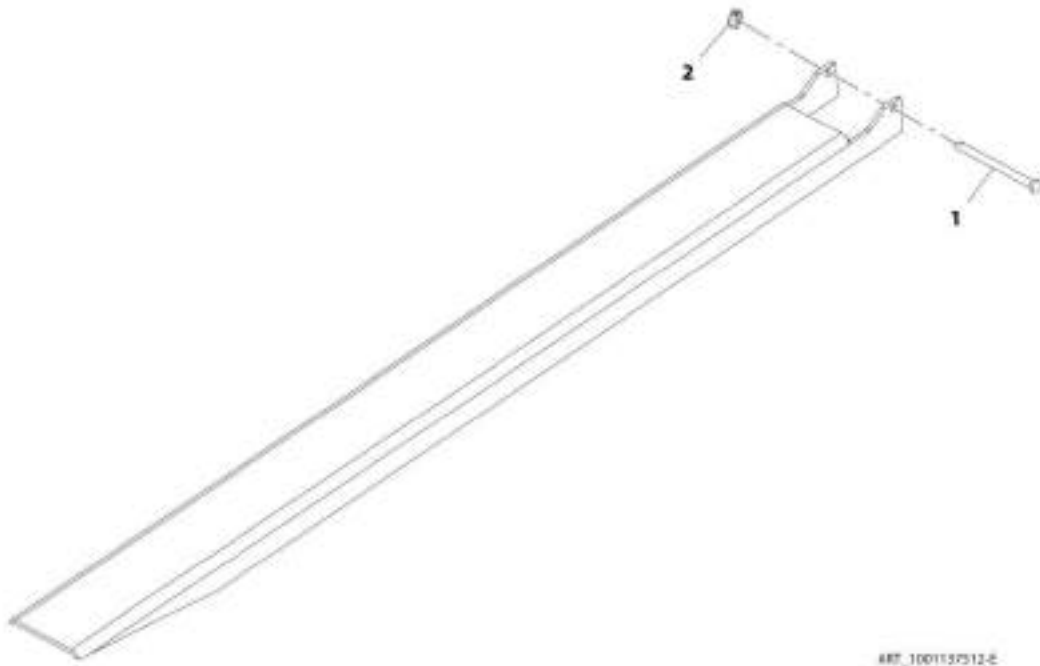
## SECTION 3 - ATTACHMENTS

**FIGURE 3-57. DUAL TAPER FORK (72X6X2)**

ITEM	PART NUMBER	QTY	DESCRIPTION	REV
N1	1001092391 Note	2 Ref	Dual Taper Fork (72X6X2) <b>FORKS RATED LESS THAN THE ATTACHMENT OR MACHINE'S CAPACITY DECREASES CAPACITY OF THE ATTACHMENT OR MACHINE TO THAT OF THE FORKS. FORKS RATED MORE THAN THE ATTACHMENT OR MACHINE'S CAPACITY DO NOT INCREASE ATTACHMENT OR MACHINE'S CAPACITY.</b>	B
N2	Note	Ref	<b>PLEASE CONSULT JLG PARTS DEPARTMENT TO DETERMINE THE CORRECT FORKS APPLICABLE TO YOUR SPECIFIC CARRIAGE ASSEMBLY AND APPLICATION.</b>	

# SECTION 3 - ATTACHMENTS

FIGURE 3-58. FORK EXTENSION (90 INCH)



ART\_1001137512-2

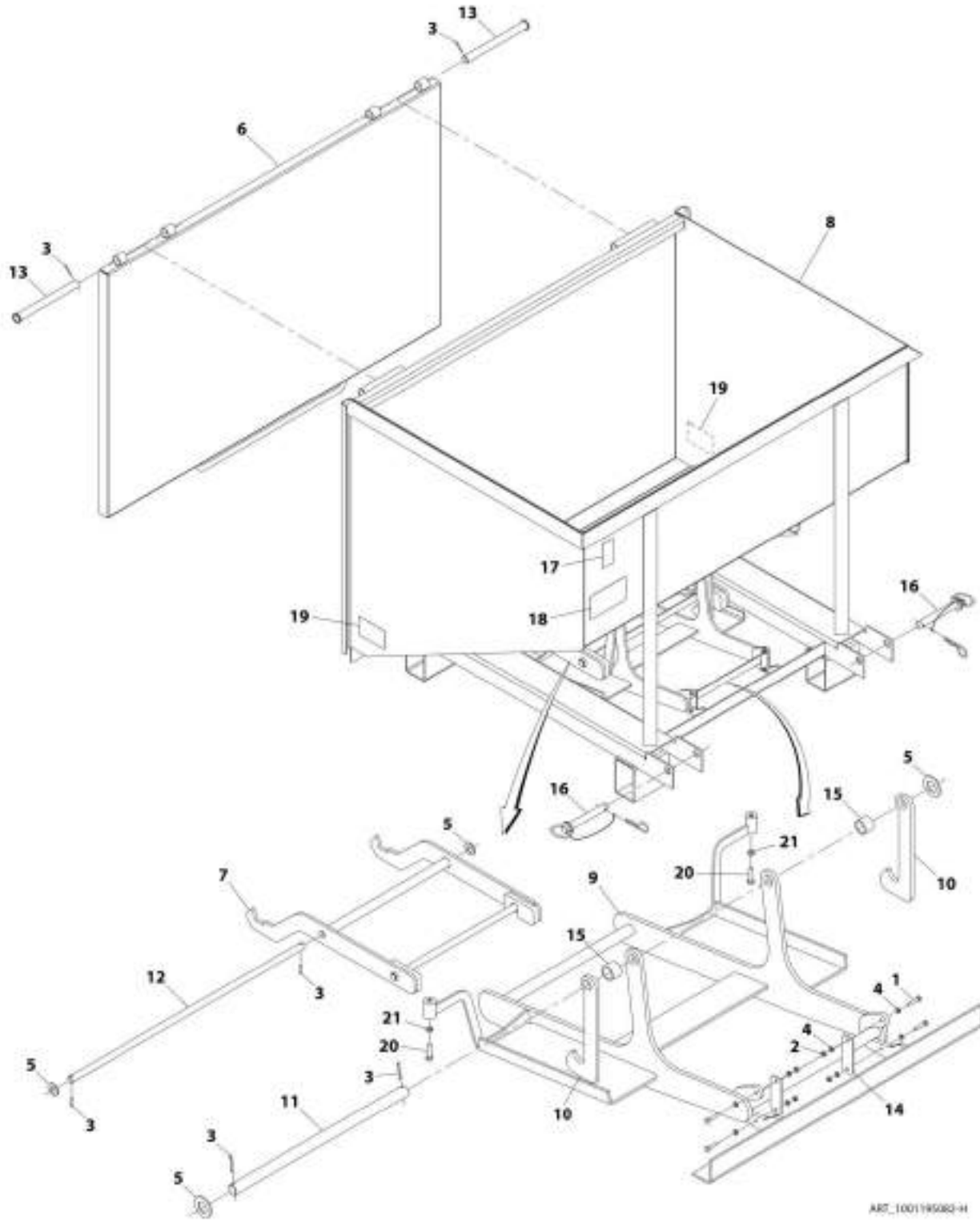
## SECTION 3 - ATTACHMENTS

**FIGURE 3-58. FORK EXTENSION (90 INCH)**

ITEM	PART NUMBER	QTY	DESCRIPTION	REV
	1001137512	2	Fork Extension (90 Inch)	E
1	70024306	1	Pin	
2	70024307	1	Clip	
N1	Note	Ref	<b>FORKS RATED LESS THAN THE ATTACHMENT OR MACHINE'S CAPACITY DECREASES CAPACITY OF THE ATTACHMENT OR MACHINE TO THAT OF THE FORKS. FORKS RATED MORE THAN THE ATTACHMENT OR MACHINE'S CAPACITY DO NOT INCREASE ATTACHMENT OR MACHINE'S CAPACITY.</b>	
N2	Note	Ref		<b>PLEASE CONSULT JLG PARTS DEPARTMENT TO DETERMINE THE CORRECT FORKS APPLICABLE TO YOUR SPECIFIC CARRIAGE ASSEMBLY AND APPLICATION.</b>

# SECTION 3 - ATTACHMENTS

## FIGURE 3-59. TRASH HOPPER INSTALLATION



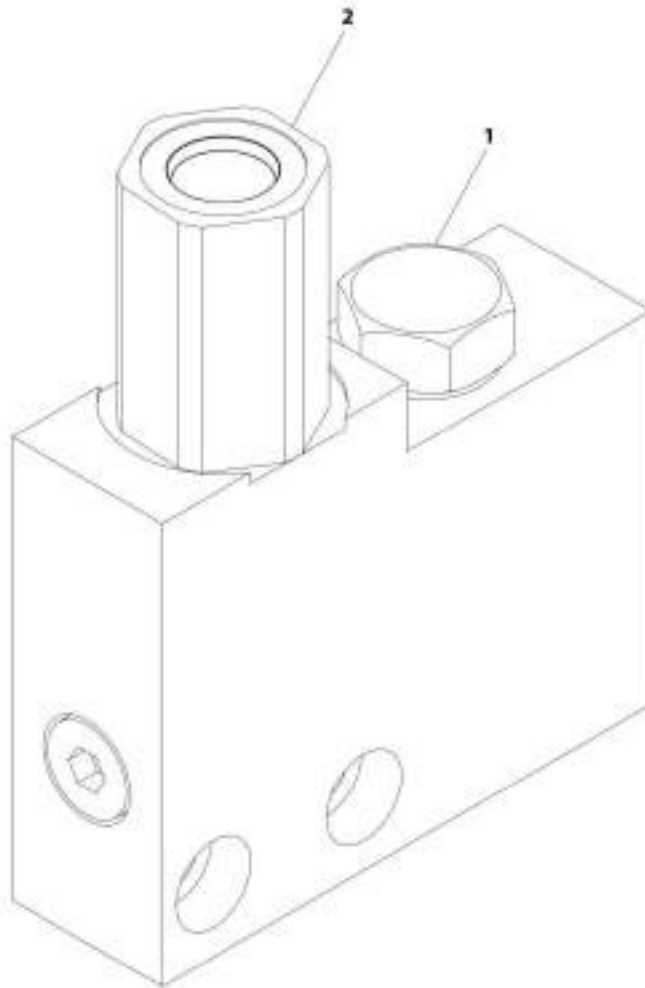
## SECTION 3 - ATTACHMENTS

**FIGURE 3-59. TRASH HOPPER INSTALLATION**

ITEM	PART NUMBER	QTY	DESCRIPTION	REV
	1001195082	1	Trash Hopper Installation	H
1	0700614	4	Bolt M6X30	
2	3290601	4	Nut M6	
3	3391410	6	Pin	
4	4811700	8	Washer M6	
5	5242400	4	Washer M24	
6	1001192711	1	Door Assembly, Trash Hopper	
7	1001192720	1	Hook Assembly, Trash Hopper	
8	1001192736	1	Weldment, Trash Hopper	
9	1001192875	1	Tray Assembly, Trash Hopper	
10	1001192876	2	Arm, Swing	
11	1001192877	1	Rod, Swing	
12	1001193525	1	Bar, Hook Assembly	
13	1001193540	2	Pin, Door Assembly	
14	1001193729	2	Plate, Tray Locking	
15	1001198355	2	Accessory, Spacer	
16	1001102813	2	Pin, Hitch	
17	1001203232	1	Plate, Trash Hopper	
18	1001203503	1	Decal - Trash Hopper Operation	
19	1706302	2	Decal - Pinch Point	
20	0641510	2	Hex Screw, 5/16-18x1/4	
21	3311502	2	Nut, 5/16-18	

## SECTION 3 - ATTACHMENTS

FIGURE 3-60. PO CHECK VALVE



ART\_10022932-A



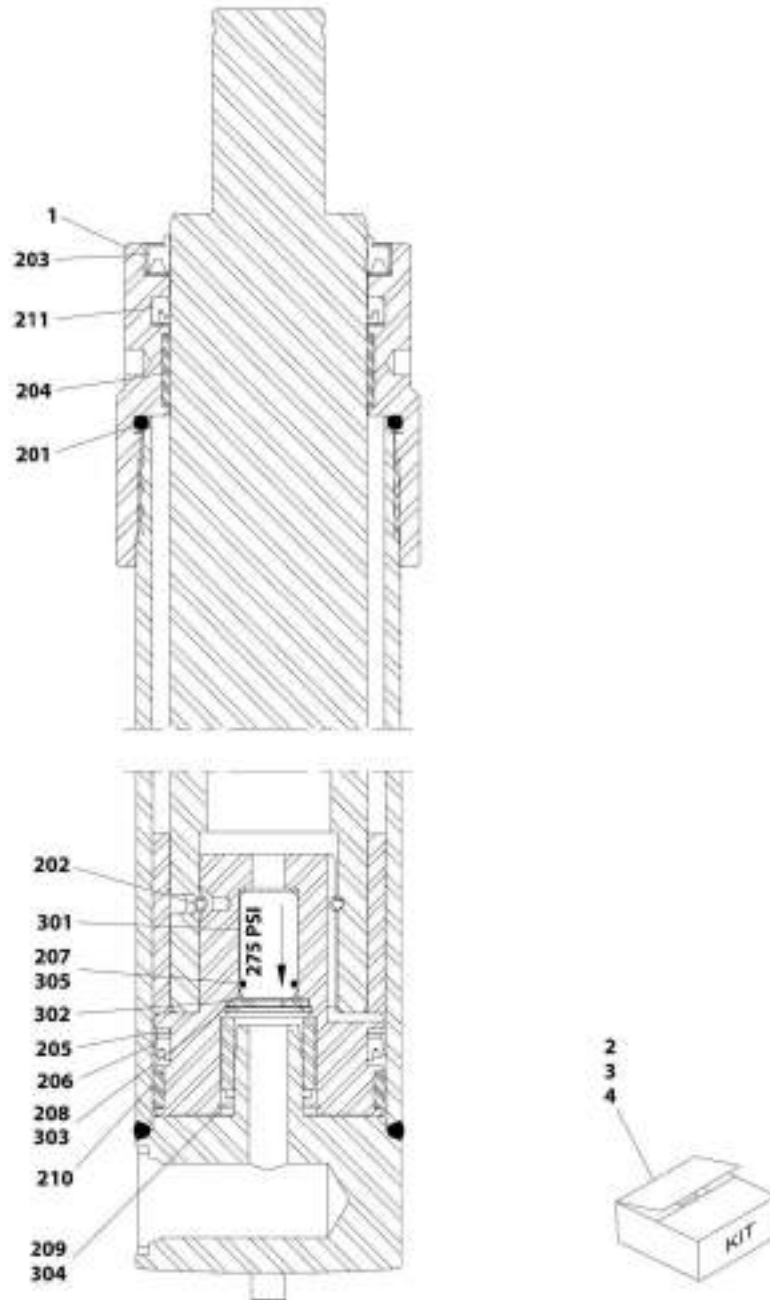
## SECTION 3 - ATTACHMENTS

### FIGURE 3-60. PO CHECK VALVE

ITEM	PART NUMBER	QTY	DESCRIPTION	REV
	70022932	Ref	PO Check Valve	A
1	70022931	1	Cartridge, PO Check Valve	
2	70023010	1	Check, PO	

# SECTION 3 - ATTACHMENTS

## FIGURE 3-61. MAIN LIFT CYLINDER



ART\_70023000-A

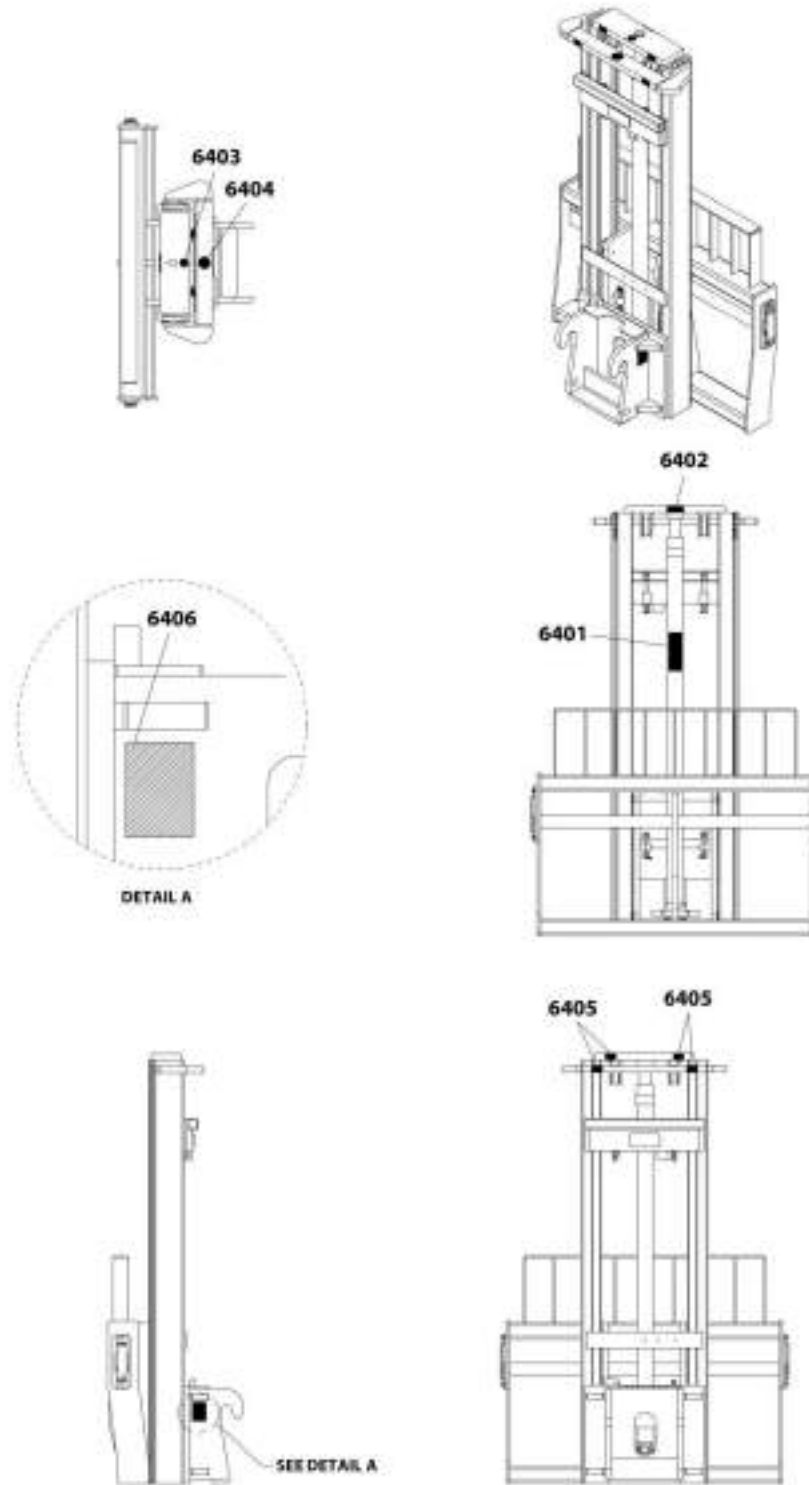
## SECTION 3 - ATTACHMENTS

### FIGURE 3-61. MAIN LIFT CYLINDER

ITEM	PART NUMBER	QTY	DESCRIPTION	REV
	70023008	Ref	Main Lift Cylinder	A
1	70023004	1	Retainer/Gland	
2	70023005	1	Seal Kit, Main Lift Cylinder	
201	Kit	1	O-Ring	
202	Kit	1	Wire, Pull	
203	Kit	1	Wiper	
204	Kit	1	Bushing	
205	Kit	1	Ring, Nylon	
206	Kit	1	Seal, Piston	
207	Kit	1	O-Ring	
208	Kit	1	Circlip	
209	Kit	1	Ring, Retaining	
210	Kit	1	Ring, Wear	
211	Kit	1	Seal, Rod	
3	70023006	1	Kit, Check Valve	
301	Kit	1	Valve, Check	
302	Kit	1	Washer	
303	Kit	1	Circlip	
304	Kit	1	Ring, Retaining	
304	Kit	1	O-Ring	
4	70023007	1	Kit, Shim	

# SECTION 3 - ATTACHMENTS

## FIGURE 3-62. KIT DECAL



ART\_70623025-A

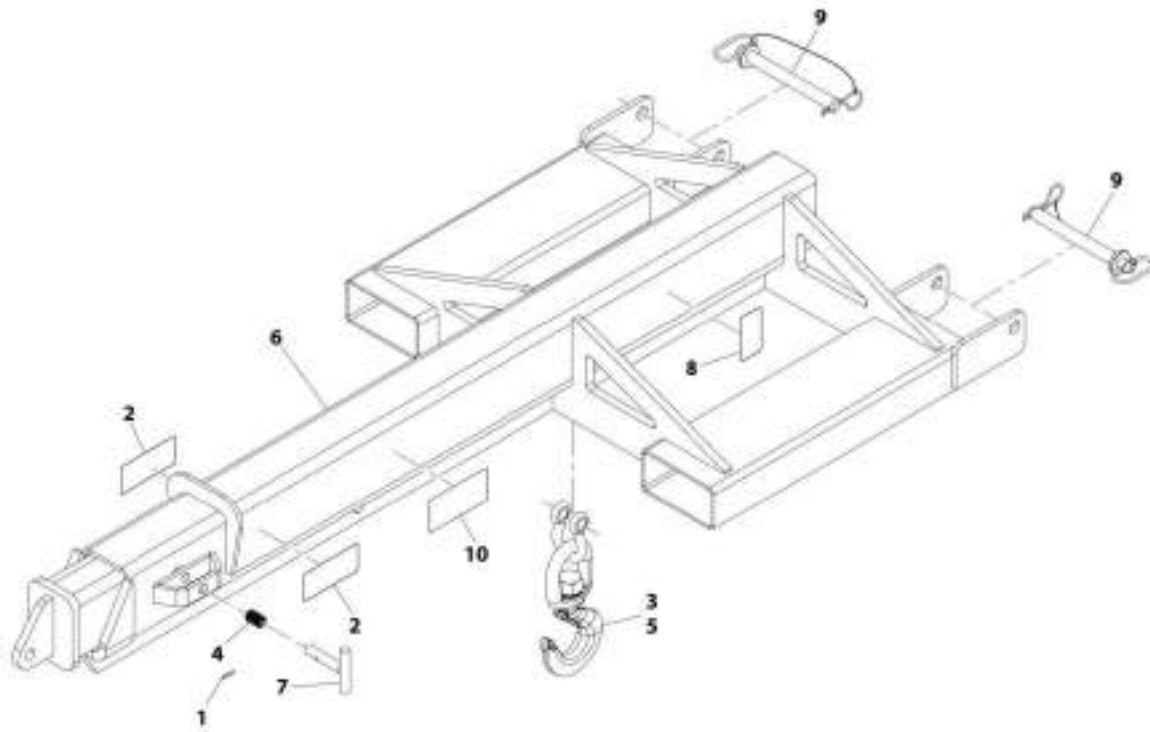
# SECTION 3 - ATTACHMENTS

## FIGURE 3-62. KIT DECAL

ITEM	PART NUMBER	QTY	DESCRIPTION	REV
	70023925	Ref	Kit, Decal	A
6401	Kit	1	Decal, Warning	
6402	Kit	1	Decal, Warning	
6403	Kit	1	Decal, No Step	
6404	Kit	1	Decal, No Step	
6405	Kit	4	Decal, Hands Off	
6406	Kit	2	Decal, Hose Routing	

# SECTION 3 - ATTACHMENTS

FIGURE 3-63. ADJUSTABLE TRUSS BOOM INSTALLATION (FORK MOUNTED)



MIT\_1001230341-P

## SECTION 3 - ATTACHMENTS

**FIGURE 3-63. ADJUSTABLE TRUSS BOOM INSTALLATION (FORK MOUNTED)**

ITEM	PART NUMBER	QTY	DESCRIPTION	REV
	1001230241	Ref	Adjustable Truss Boom Installation (Fork Mounted)	F
1	3440620	1	Pin	
2	4110422	2	Decal, Danger Swinging Loads	
3	91403448	1	Hook, Swivel	
4	1001128890	1	Spring	
5	1001146160	1	Shackle	
6	N.S.S.	1	Truss Boom, Adjustable	
7	1001230239	1	Pin	
8	N.S.S.	1	Plate, Serial Number	
9	1001231692	2	Pin	
10	1001232500	1	Decal, Load Capacities	



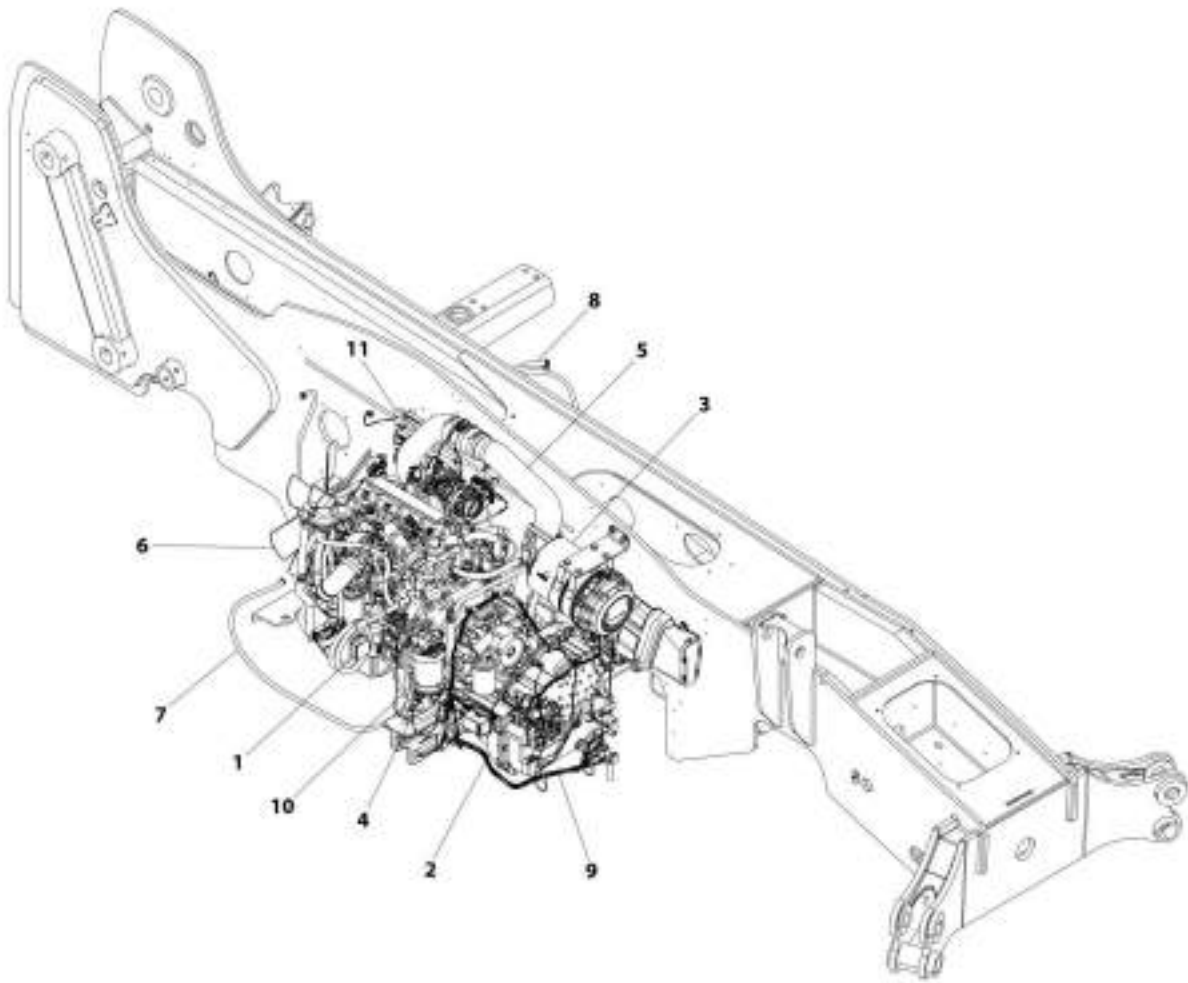


## **SECTION 4 - ENGINE AND ATTACHING PARTS**

## **SECTION 4 - ENGINE AND ATTACHING PARTS**

## SECTION 4 - ENGINE AND ATTACHING PARTS

FIGURE 4-1. ENGINE INSTALLATION (ULS)



ART\_1001190307-D

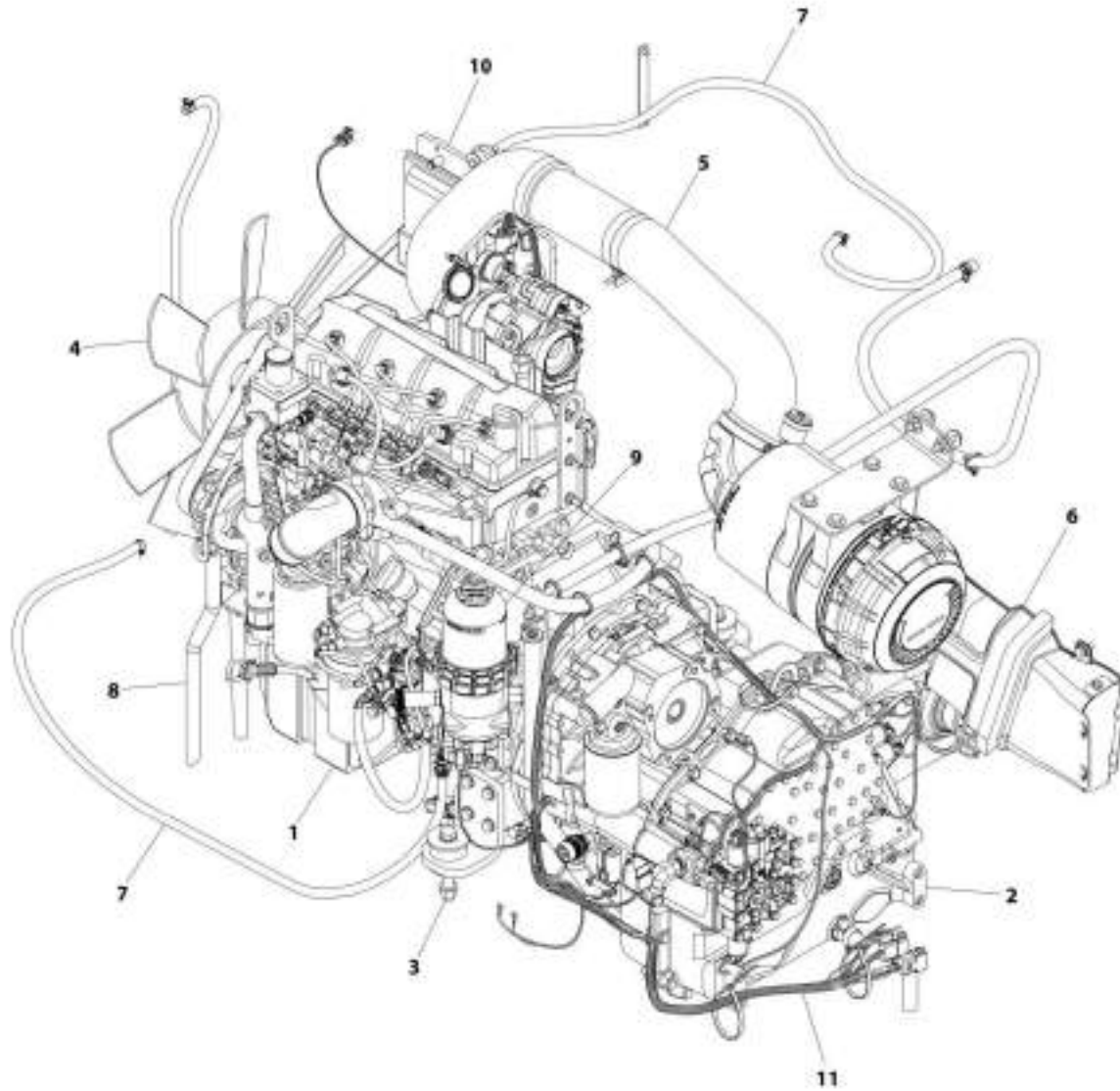
## SECTION 4 - ENGINE AND ATTACHING PARTS

**FIGURE 4-1. ENGINE INSTALLATION (ULS)**

ITEM	PART NUMBER	QTY	DESCRIPTION	REV
1	1001160387	Ref	Engine Installation (if equipped for ULS)	D
	1001154511	Ref	Engine, QSF 3.8L, (130HP) (See Engine, QSF 3.8L, (130HP) (ULS) for Breakdown)	
2	1001161664	Ref	Transmission Powershift Installation (See DRIVETRAIN SECTION for Breakdown)	
3	1001162988	Ref	Air Cleaner, 4.4L 106KW Installation (See AIR CLEANER INSTALLATION (ULS) for Breakdown)	
4	1001163227	Ref	Engine Mounting 3.8L Engine Installation (See FRAME AND ATTACHING PARTS SECTION for Breakdown)	
5	1001163228	Ref	Intake Air Lines 3.8L Engine Installation Assembly, Electrical PDB (See AIR INTAKE LINES INSTALLATION for Breakdown)	
6	1001163230	Ref	Fan, 3.8L Engine Installation Assembly, Electrical PDB (See FAN INSTALLATION for Breakdown)	
7	1001163231	Ref	Fuel Lines, 3.8L Engine Installation Assembly, Electrical PDB (See FUEL LINES INSTALLATION (ULS) for Breakdown)	
8	1001163232	Ref	Def Lines, 3.8L Engine Installation Assembly, Electrical PDB (See DEF LINES INSTALLATION for Breakdown)	
9	1001163233	Ref	Engine Wiring 3.8L Engine Installation Assembly, Electrical PDB (See ELECTRICAL SECTION for Breakdown)	
10	1001163235	Ref	Primary Fuel Filter, 3.8L Engine Installation Assembly, Electrical PDB (See PRIMARY FUEL FILTER INSTALLATION (ULS) for Breakdown)	
11	1001170722	Ref	ECU, 3.8L Engine Installation (See ELECTRICAL SECTION for Breakdown)	

## SECTION 4 - ENGINE AND ATTACHING PARTS

FIGURE 4-2. ENGINE INSTALLATION (LS)



ART\_1001180390-D

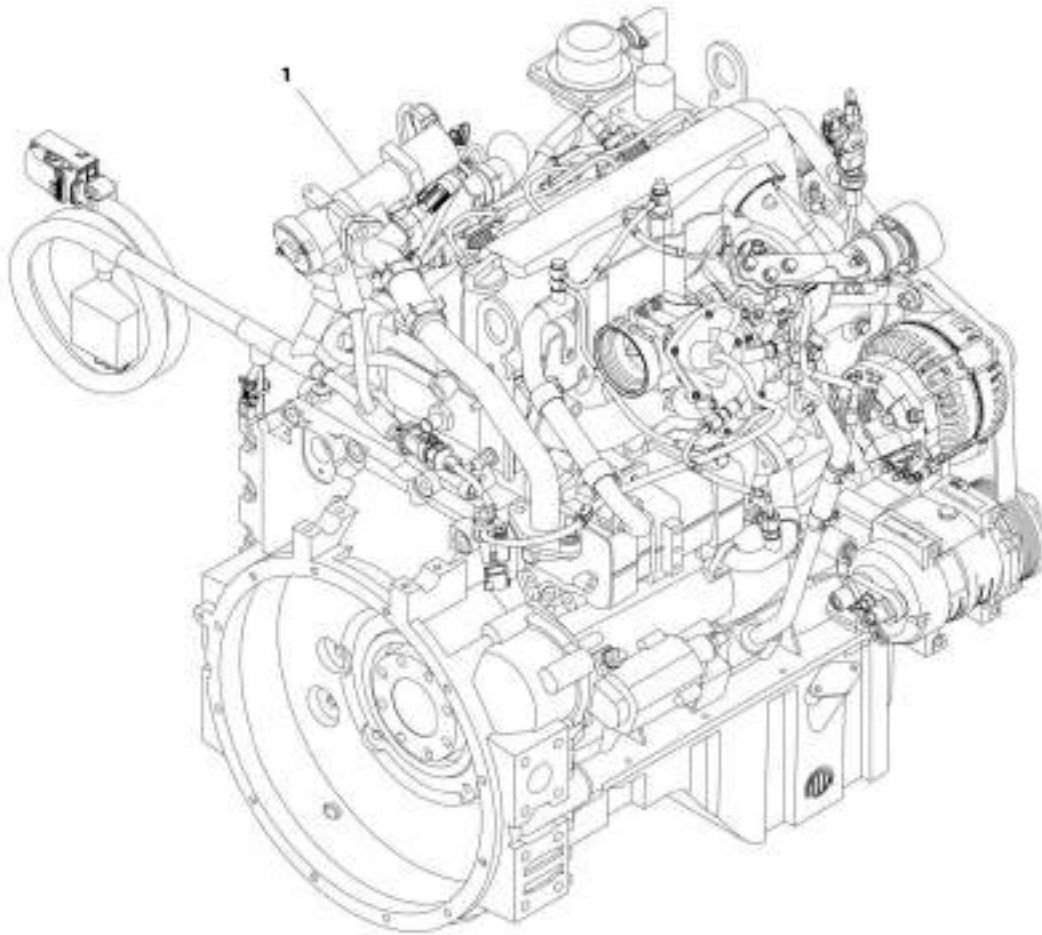
## SECTION 4 - ENGINE AND ATTACHING PARTS

**FIGURE 4-2. ENGINE INSTALLATION (LS)**

ITEM	PART NUMBER	QTY	DESCRIPTION	REV
	1001160396	Ref	Engine Installation (if equipped for LS)	D
1	1001154790	Ref	Engine, Cummins QSF 3.8L T4F (See CUMMINS ENGINE, QSF 3.8L T4F (LS) for Breakdown)	
2	1001161664	Ref	Installation, Transmission Powershift (See DRIVETRAIN SECTION for Breakdown)	
3	1001163227	Ref	Engine Mounting 3.8L Engine Installation (See FRAME AND ATTACHING PARTS SECTION for Breakdown)	
4	1001163230	Ref	Fan, 3.8L Engine Installation Assembly, Electrical PDB (See FAN INSTALLATION for Breakdown)	
5	1001163238	Ref	Intake Air Lines 3.8L Engine Installation Assembly (See AIR INTAKE LINES INSTALLATION (LS) for Breakdown)	
6	1001163239	Ref	Air Cleaner 3.8L Installation (See AIR CLEANER INSTALLATION (LS) for Breakdown)	
7	1001163241	Ref	Fuel Lines 3.8L Engine Installation Assembly, Electrical PDB (See FUEL LINES INSTALLATION (LS) for Breakdown)	
8	1001176228	1	Hose, Cummins 3.8L SPL	
9	1001180076	Ref	Primary Fuel Filter 3.8L Engine Installation Assembly, Electrical PDB (See PRIMARY FUEL FILTER INSTALLATION (LS) for Breakdown)	
10	1001180242	Ref	ECM 3.8L Engine Installation (See ELECTRICAL SECTION for Breakdown)	
11	1001163242	Ref	Engine Wiring 3.8L Engine Installation Assembly, Electrical PDB (See ELECTRICAL SECTION for Breakdown)	

## SECTION 4 - ENGINE AND ATTACHING PARTS

FIGURE 4-3. ENGINE, QSF 3.8L, (130HP) (ULS)



ART\_1001154011-P

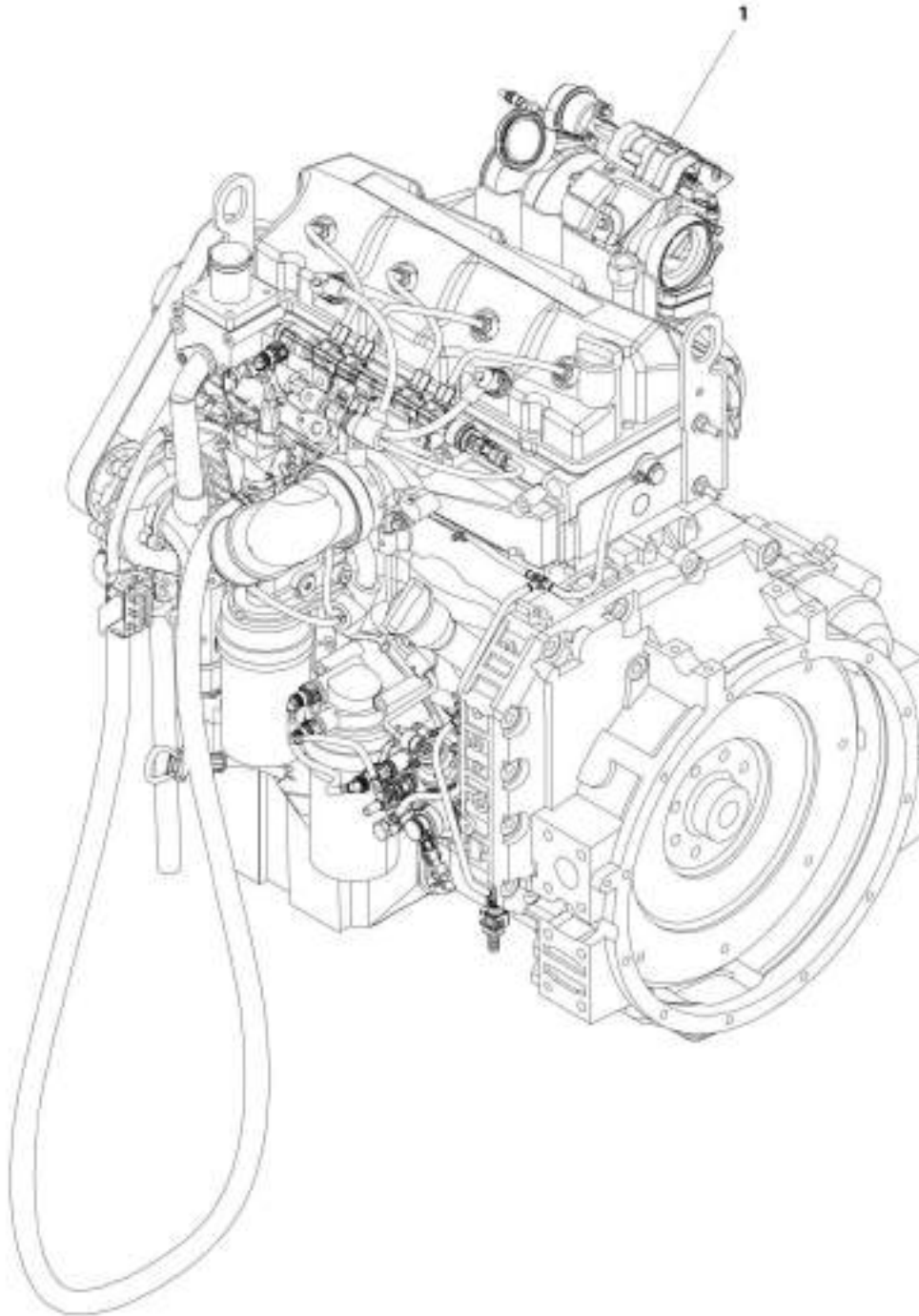
## SECTION 4 - ENGINE AND ATTACHING PARTS

**FIGURE 4-3. ENGINE, QSF 3.8L, (130HP) (ULS)**

ITEM	PART NUMBER	QTY	DESCRIPTION	REV
	1001154511	Ref	Engine, QSF 3.8L (if equipped for ULS)	P
	70026220	1	Assembly, Secondary Fuel Filter (includes filter head, seal and element)	
	70026453	1	Element, Fuel Filter	
	70026223	1	Pan, Oil	
	70026224	1	Seal, Oil Pan	
	70026225	1	Plug, Oil Pan	
	70026226	1	Seal, Oil Pan Plug	
	1001128594	1	Starter	
	70026228	1	Cap, Valve Cover Filler	
	70026229	1	Belt, V-Ribbed Fan	
	70026230	1	Support, Fan	
	70026231	1	Pulley, Fan	
	70026232	1	Alternator	
	70026233	NLA	Assembly, Primary Fuel Filter, (includes filter head, seal and element), (no longer available, use 70028450 for replacement)	
	70028450	1	Assembly, Primary Fuel Filter, (includes filter head, seal and element)	
	70026234	1	Element, Fuel Filter	
	70026235	1	Assembly, Dipstick Oil Level	
	70026236	1	Assembly, Block Heater	
	70026241	1	Assembly, Fuel Filter Plug	
	70026237	1	Filter, Oil	
	70023933	1	O-Ring, Fuel Filter Plug	
	70041620	2	Ring, Retaining	
	70041616	1	Screw, Hex	
	70041617	1	Bearing, Ball	
	70041619	1	Retainer, Fan Hub	
	1322039	1	Spacer, Fan Pilot	
	1321094	16	Bolt, Fan Drive	
	70024016	1	Cap, Side Oil Fill	
	70022634	1	Flywheel with Ring Gear	
	70023736	1	Gear, Flywheel Ring	
	1322040	1	Plug, Flywheel	
	1001195923	1	Block Heat Cordset	

## SECTION 4 - ENGINE AND ATTACHING PARTS

FIGURE 4-4. CUMMINS ENGINE, QSF 3.8L (LS)



887\_1001154796-1



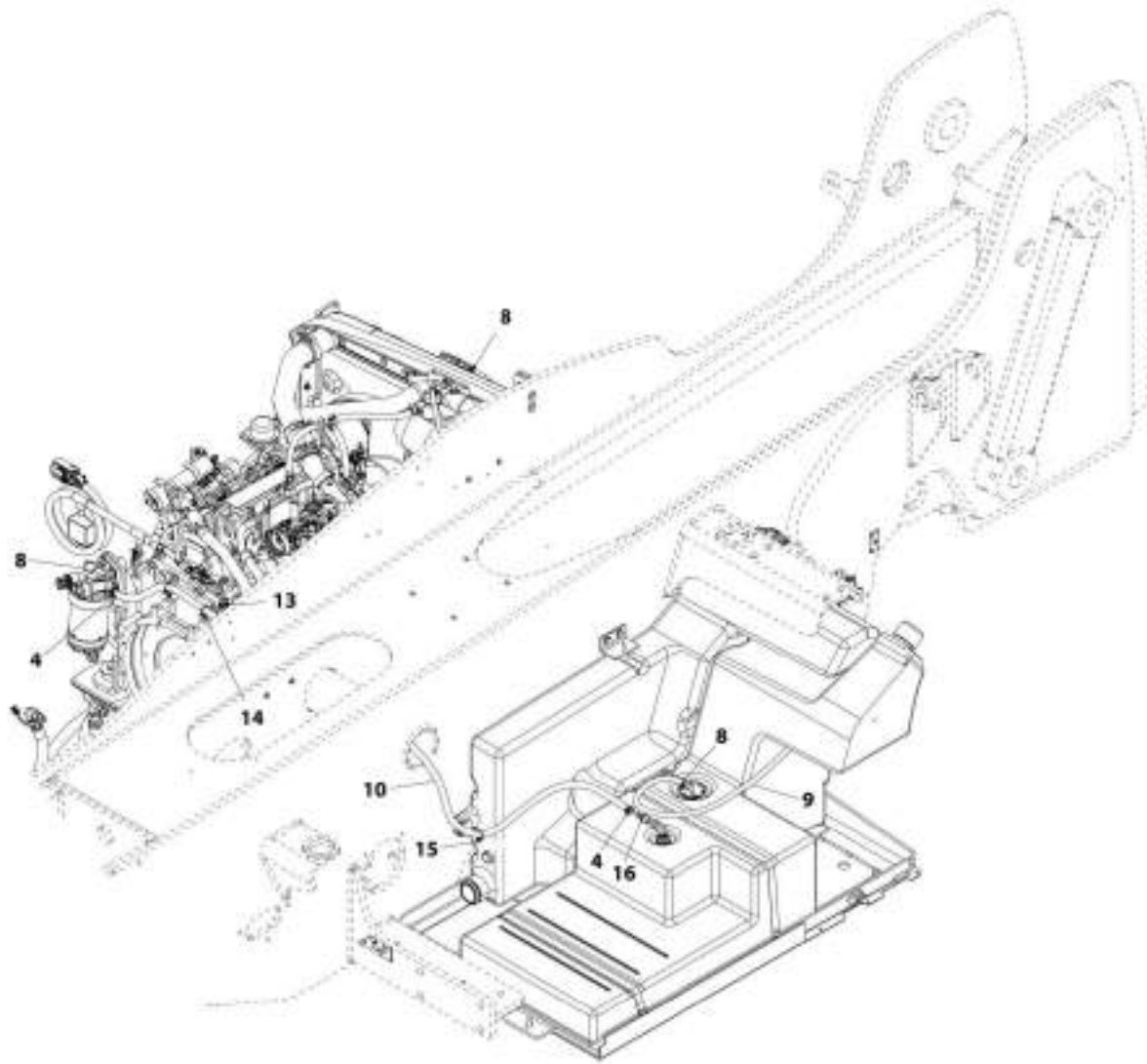
## SECTION 4 - ENGINE AND ATTACHING PARTS

**FIGURE 4-4. CUMMINS ENGINE, QSF 3.8L (LS)**

ITEM	PART NUMBER	QTY	DESCRIPTION	REV
	1001154790	Ref	Engine, Cummins QSF 3.8L T4F (if equipped for LS)	J
	70026800	1	Assembly, Secondary Fuel Filter, (includes filter head, seal and element)	
	70026801	1	Element, Secondary Fuel Filter	
	70026222	1	Assembly, Flywheel Housing	
	70027281	1	Pan, Oil	
	70026224	1	Seal, Oil Pan	
	70026225	1	Plug, Oil Pan	
	70026226	1	Seal, Oil Pan Plug	
	1001128594	1	Starter	
	70026228	1	Filler Cap, Valve Cover	
	70026229	1	Fan Belt, V-Ribbed	
	70026230	1	Support, Fan	
	70026231	1	Pulley, Fan	
	70026232	1	Alternator	
	70026233	1	Assembly, Primary Fuel Filter	
	70026234	1	Element, Fuel Filter	
	70026235	1	Assembly, Dipstick Oil Level	
	70026241	1	Assembly, Fuel Filter Plug	
	70026237	1	Filter, Oil	
	70041620	1	Ring, Retaining	
	70041616	1	Bolt	
	70041617	1	Bearing, Ball	
	70041619	1	Retainer, Fan Hub	
	1322039	1	Spacer, Fan Pilot	
	1321094	1	Screw	
	70024016	1	Cap, Side Oil Fill	
	70022634	1	Flywheel w/Ring Gear	
	70023736	1	Ring Gear, Flywheel	
	1322040	1	Plug, Flywheel	

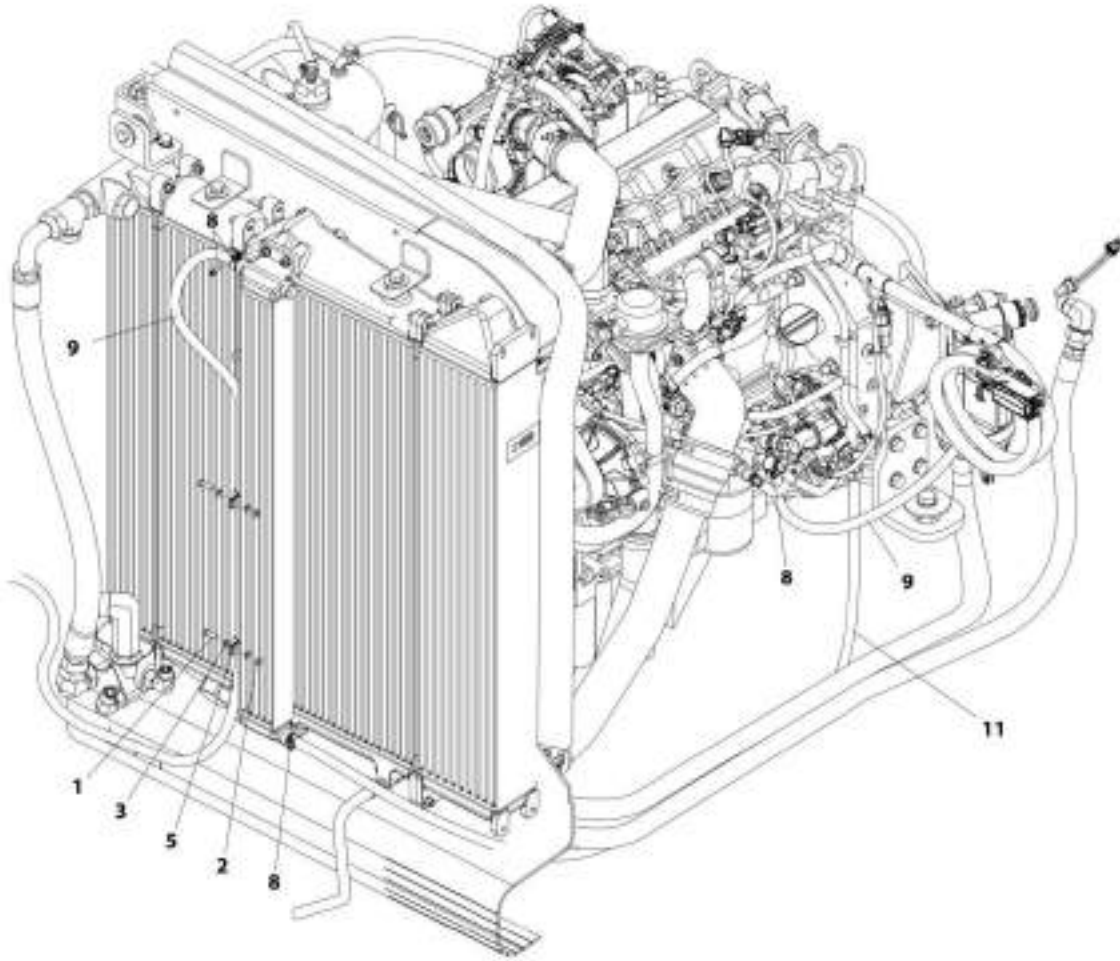
# SECTION 4 - ENGINE AND ATTACHING PARTS

## FIGURE 4-5. FUEL LINES INSTALLATION (ULS)



ART\_1001105231\_1-I

# SECTION 4 - ENGINE AND ATTACHING PARTS



ART\_100163231\_24

## SECTION 4 - ENGINE AND ATTACHING PARTS

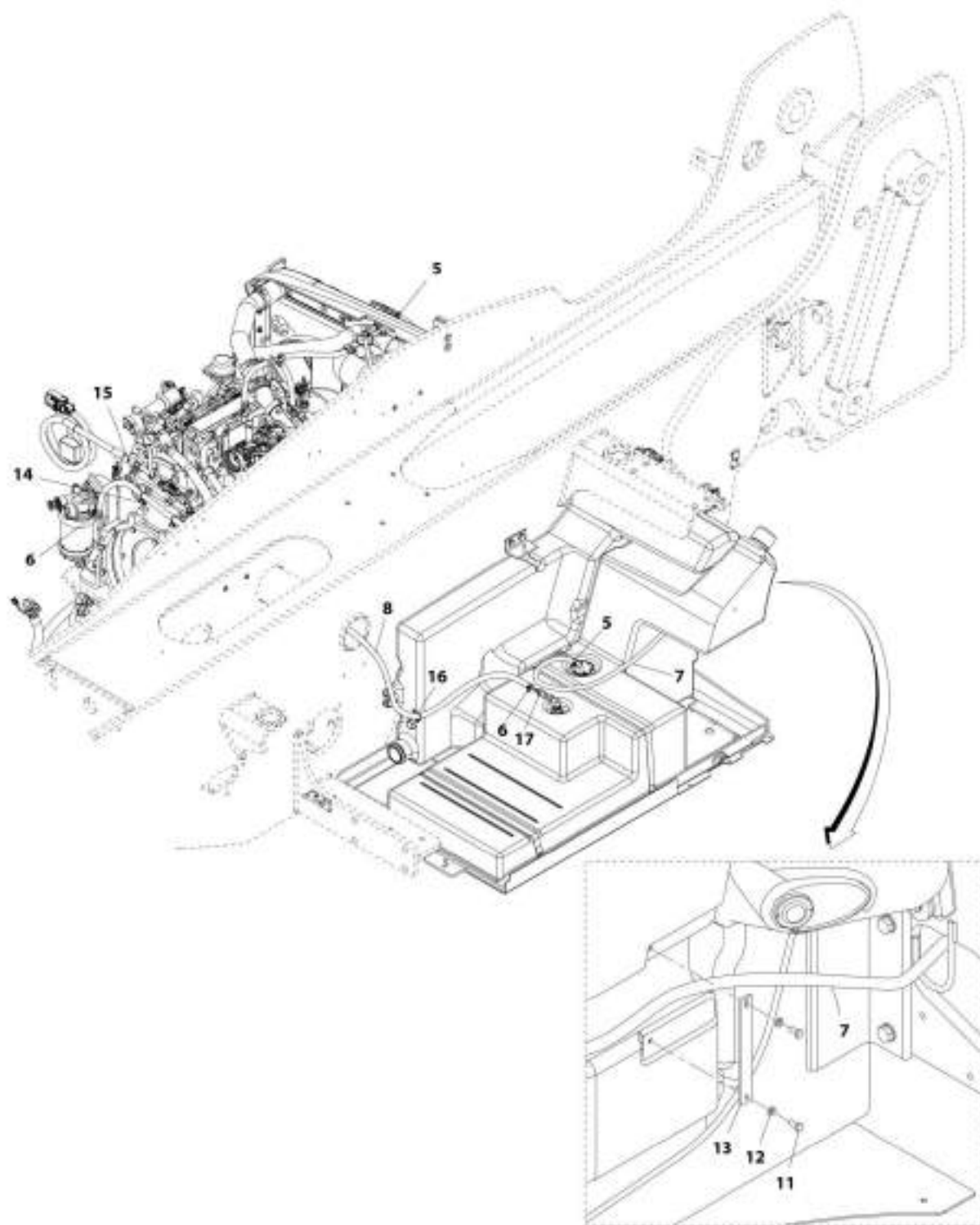
FIGURE 4-5. FUEL LINES INSTALLATION (ULS)

ITEM	PART NUMBER	QTY	DESCRIPTION	REV
	1001163231	Ref	Fuel Lines Installation (if equipped for ULS)	I
1	0700610	2	Bolt, M6X20	
2	3290601	2	Nut, M6X1 Grade 8	
3	4811700	4	Washer, M6	
4	1001186342	2	Clip, Hose	
5	8406112	2	Clip, Tube	
8	1001136975	5	Clamp	
9	1001141400	4.3 m	Hose	
10	1001172755	2.4 m	Hose	
11	1001197299	1	Hose	
13	1001008559	2	Strap	
14	1001202986	2	Strap, Push Mount	
15	1001146588	1	Strap	
16	1001206588	1	Fitting	



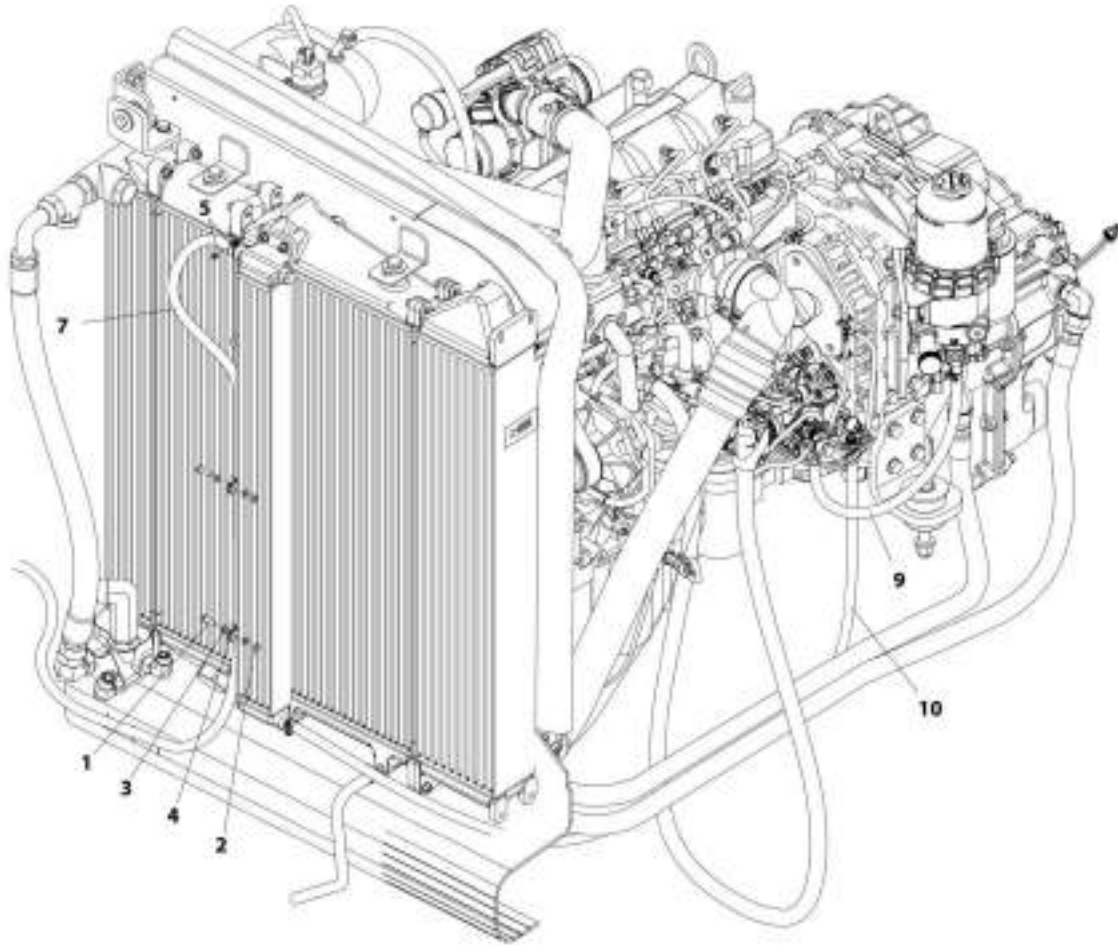
## SECTION 4 - ENGINE AND ATTACHING PARTS

FIGURE 4-6. FUEL LINES INSTALLATION (LS)



ART\_1001103241\_1-0

# SECTION 4 - ENGINE AND ATTACHING PARTS



ART\_1001103241\_2-G

## SECTION 4 - ENGINE AND ATTACHING PARTS

FIGURE 4-6. FUEL LINES INSTALLATION (LS)

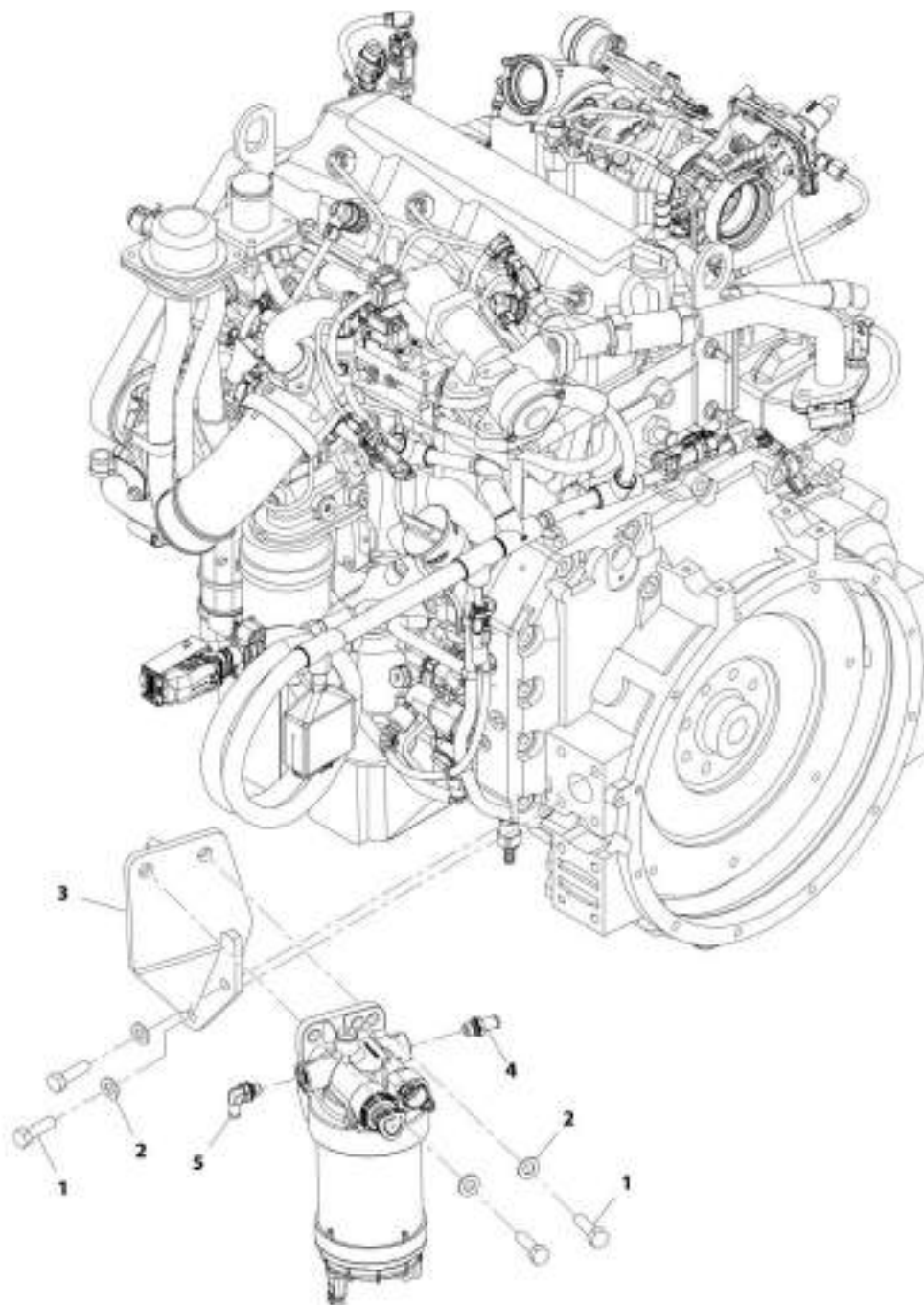
ITEM	PART NUMBER	QTY	DESCRIPTION	REV
	1001163241	Ref	Fuel Lines Installation (if equipped for LS)	G
1	0700610	2	Bolt, M6X20	
2	3290601	2	Nut, M6X1 Grade 8	
3	4811700	4	Washer, M6	
4	8406112	2	Clip	
5	1001136975	4	Clamp	
6	1001186342	2	Clip	
7	1001141400	3.7 m	Hose	
8	1001172755	2.4 m	Hose	
9	1001190980	1	Hose	
10	1001197299	1	Hose	
11	0760607	2	Bolt, M6X14	
12	4831700	2	Washer, Lock M6	
13	1001196440	1	Plate, Retainer	
14	1001202986	2	Strap, Push Mount	
15	1001008559	2	Strap	
16	1001146588	1	Strap	
17	1001206588	1	Fitting	





## SECTION 4 - ENGINE AND ATTACHING PARTS

FIGURE 4-7. PRIMARY FUEL FILTER INSTALLATION (ULS)



ART. 3001162205-F

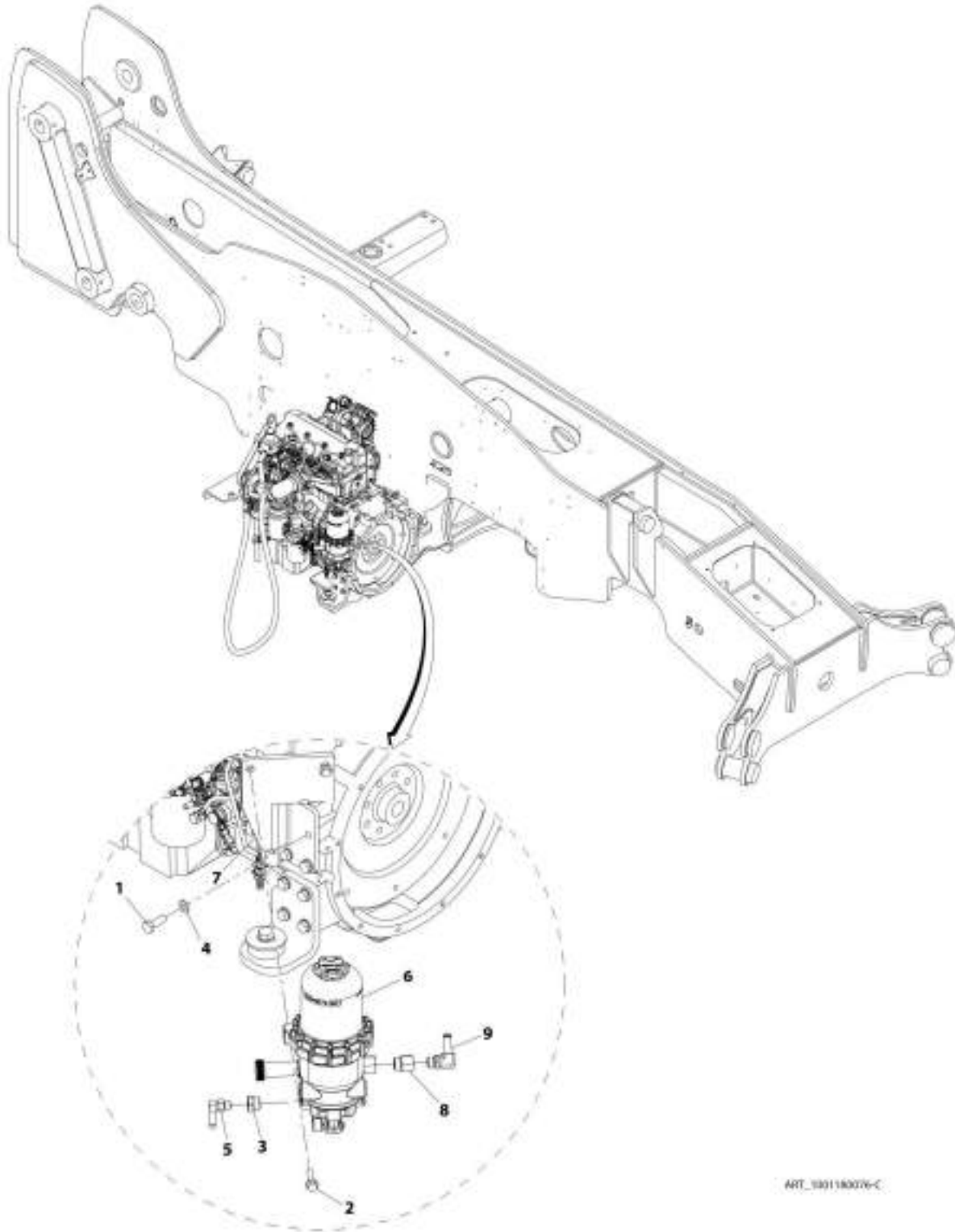
## SECTION 4 - ENGINE AND ATTACHING PARTS

FIGURE 4-7. PRIMARY FUEL FILTER INSTALLATION (ULS)

ITEM	PART NUMBER	QTY	DESCRIPTION	REV
	1001163235	Ref	Primary Fuel Filter Installation (if equipped for ULS)	F
1	0701216	4	Bolt, M12X40	
2	4812100	4	Washer, M12	
3	1001206019	1	Bracket, Fuel Filter Mount	
4	1001217467	1	Barb, Hose	
5	1001182094	1	Hose	

## SECTION 4 - ENGINE AND ATTACHING PARTS

FIGURE 4-8. PRIMARY FUEL FILTER INSTALLATION (LS)



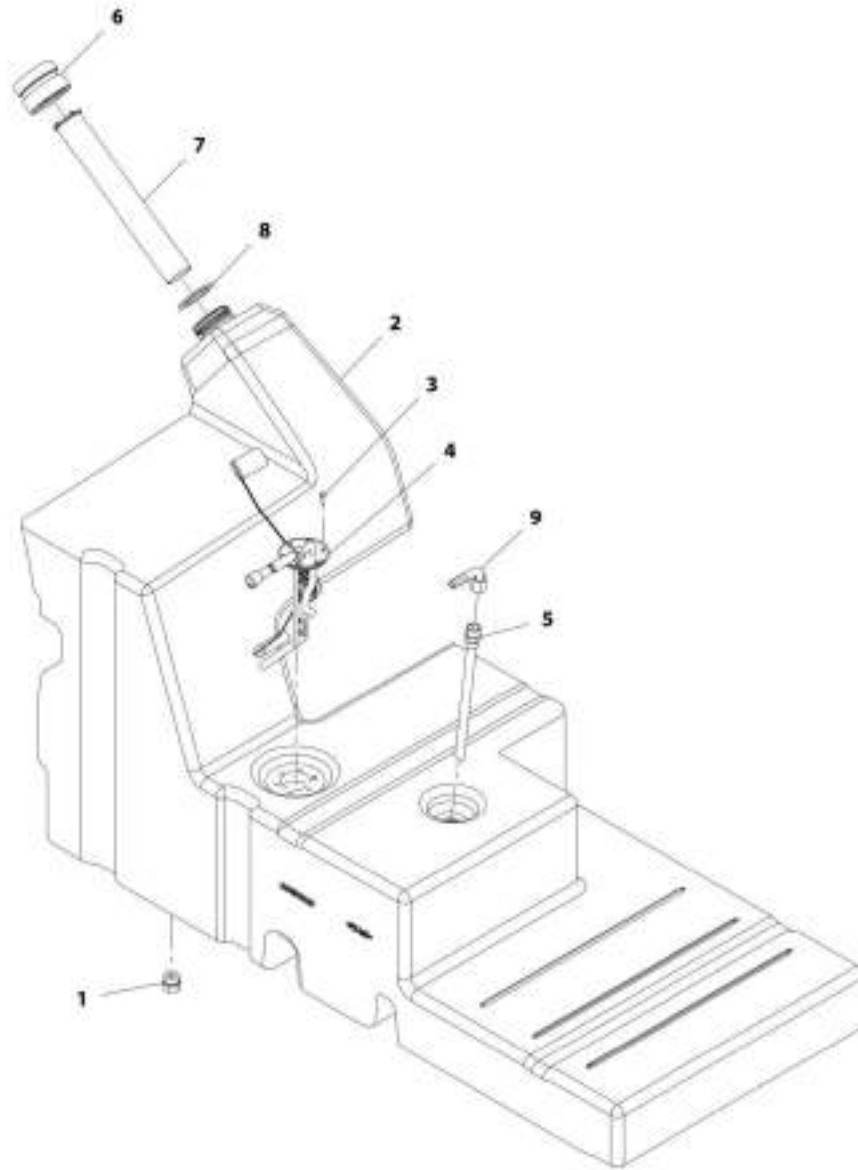
## SECTION 4 - ENGINE AND ATTACHING PARTS

FIGURE 4-8. PRIMARY FUEL FILTER INSTALLATION (LS)

ITEM	PART NUMBER	QTY	DESCRIPTION	REV
	1001180076	Ref	Primary Fuel Filter Installation (if equipped for LS)	C
1	0701215	3	Bolt, M12X35	
2	0781016	2	Bolt, M10X40	
3	2220218	1	Fitting, Straight ORFS	
4	4812100	3	Washer, M12	
5	8430034	1	Elbow, 90	
6	1001133534	1	Filter, Fuel	
7	1001180078	1	Bracket, Fuel Filter Mount	
8	2220810	1	Adapter	
9	1001200239	1	Adapter	

## SECTION 4 - ENGINE AND ATTACHING PARTS

FIGURE 4-9. FUEL TANK ASSEMBLY (Prior to SN 0160074740)



ART\_1501163064-K

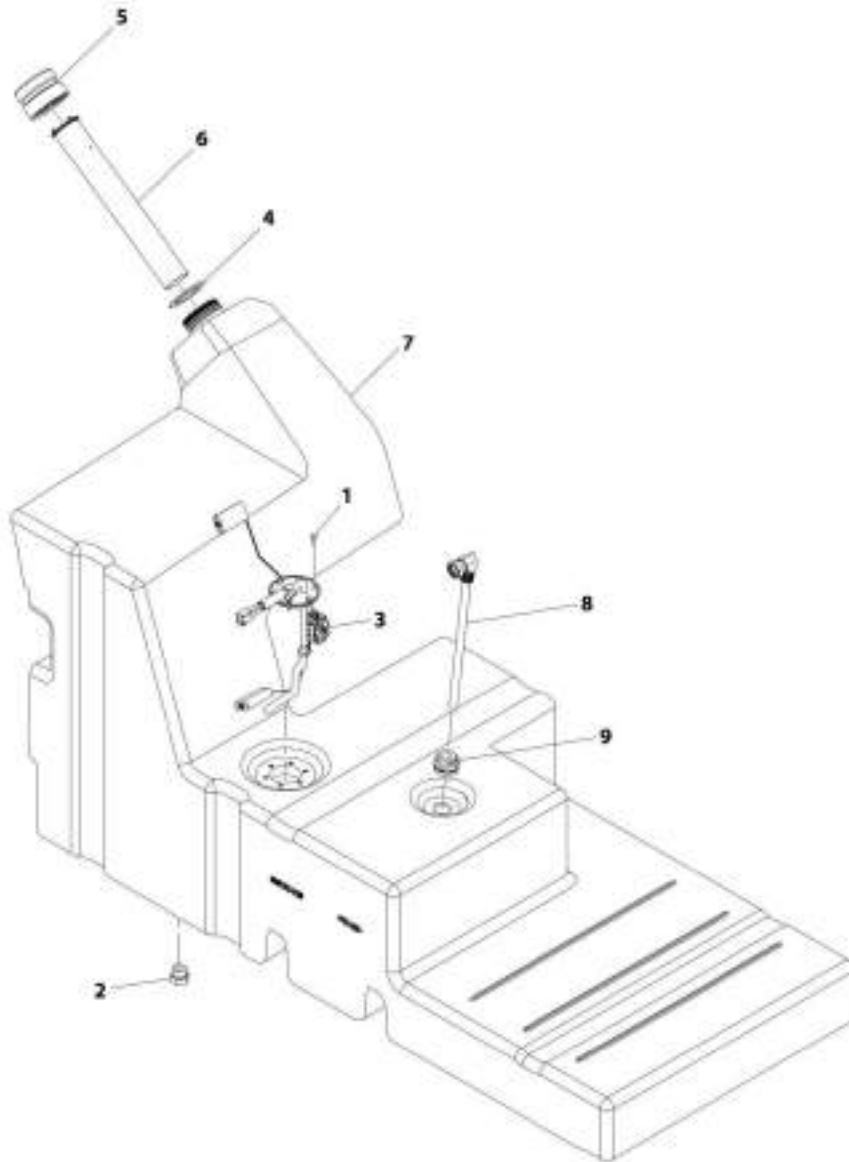
## SECTION 4 - ENGINE AND ATTACHING PARTS

FIGURE 4-9. FUEL TANK ASSEMBLY (Prior to SN 0160074740)

ITEM	PART NUMBER	QTY	DESCRIPTION	REV
	1001163066	Ref	Fuel Tank Assembly	K
1	1001003427	1	Plug	
2	1001162628	1	Tank, Fuel	
3	0760507	6	Bolt, M5X14	
4	1001169867	1	Gauge, Fuel Level	
5	1001170105	1	Pipe, Fuel Supply	
6	1001207282	1	Adapter, Tank Cap	
7	1001207557	1	Pipe, Fuel Tank Drop	
8	1001172178	1	Gasket	
9	1001172587	1	Coupling, ORFS	

# SECTION 4 - ENGINE AND ATTACHING PARTS

FIGURE 4-10. FUEL TANK ASSEMBLY (SN 0160074740 to Present)



REF. 1001211412 F



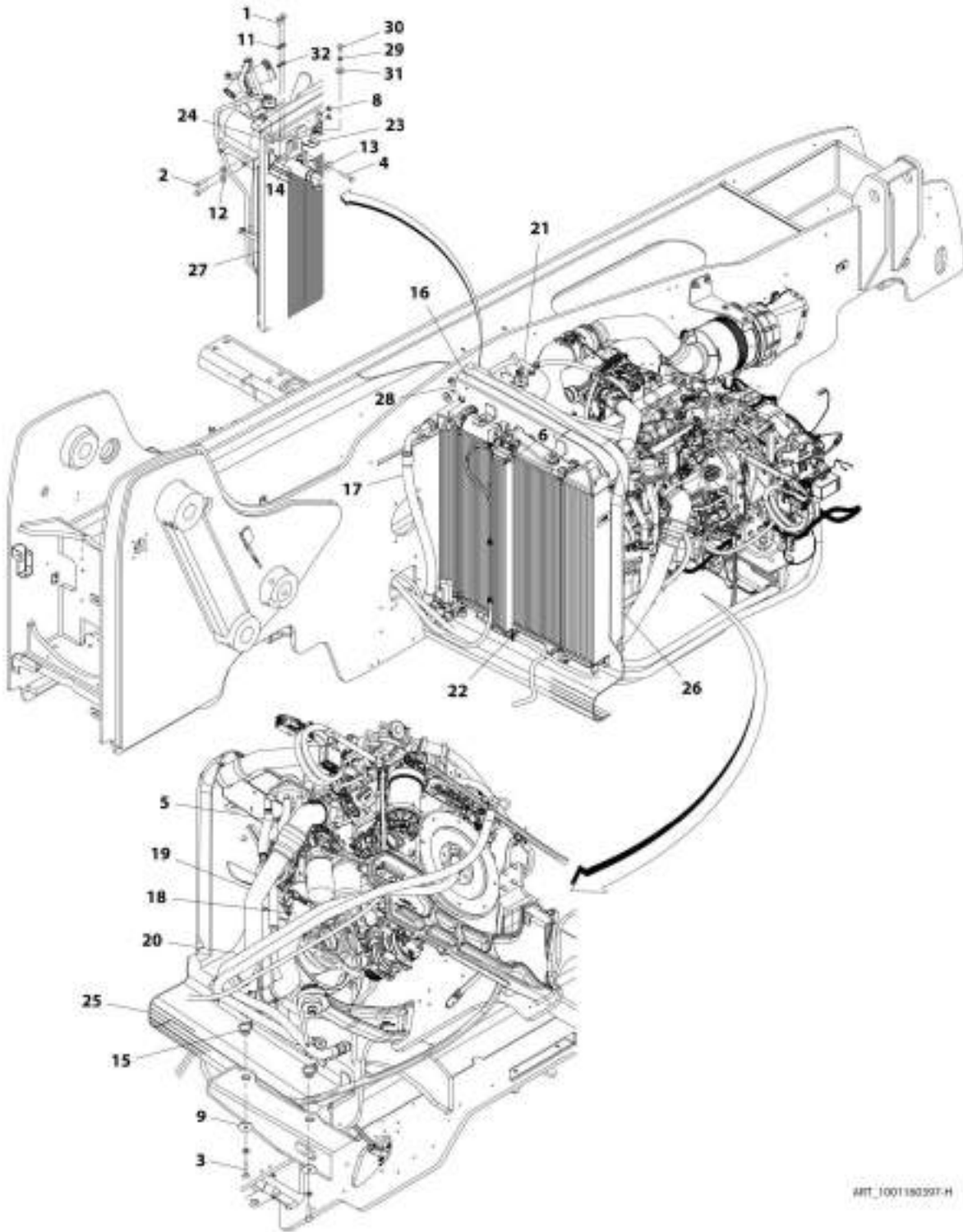
## SECTION 4 - ENGINE AND ATTACHING PARTS

**FIGURE 4-10. FUEL TANK ASSEMBLY (SN 0160074740 to Present)**

ITEM	PART NUMBER	QTY	DESCRIPTION	REV
	1001211432	Ref	Fuel Tank Assembly	F
1	0760507	6	Bolt, M5X14	
2	1001003427	1	Plug	
3	1001169867	NLA	Gauge, Fuel Level (no longer available, use 1001235100 for replacement)	
3	1001235100	1	Gauge, Fuel Level	
4	1001172178	1	Gasket	
5	1001207282	1	Adapter, Tank Cap	
6	1001207557	1	Pipe, Fuel Tank Drop	
7	1001211428	1	Tank, Fuel	
8	1001211429	1	Coupling, ORFS	
9	1001211747	1	Pipe, Fuel Supply	

# SECTION 4 - ENGINE AND ATTACHING PARTS

FIGURE 4-11. COOLING PACKAGE INSTALLATION (ULS)



MIT\_1001180207-H

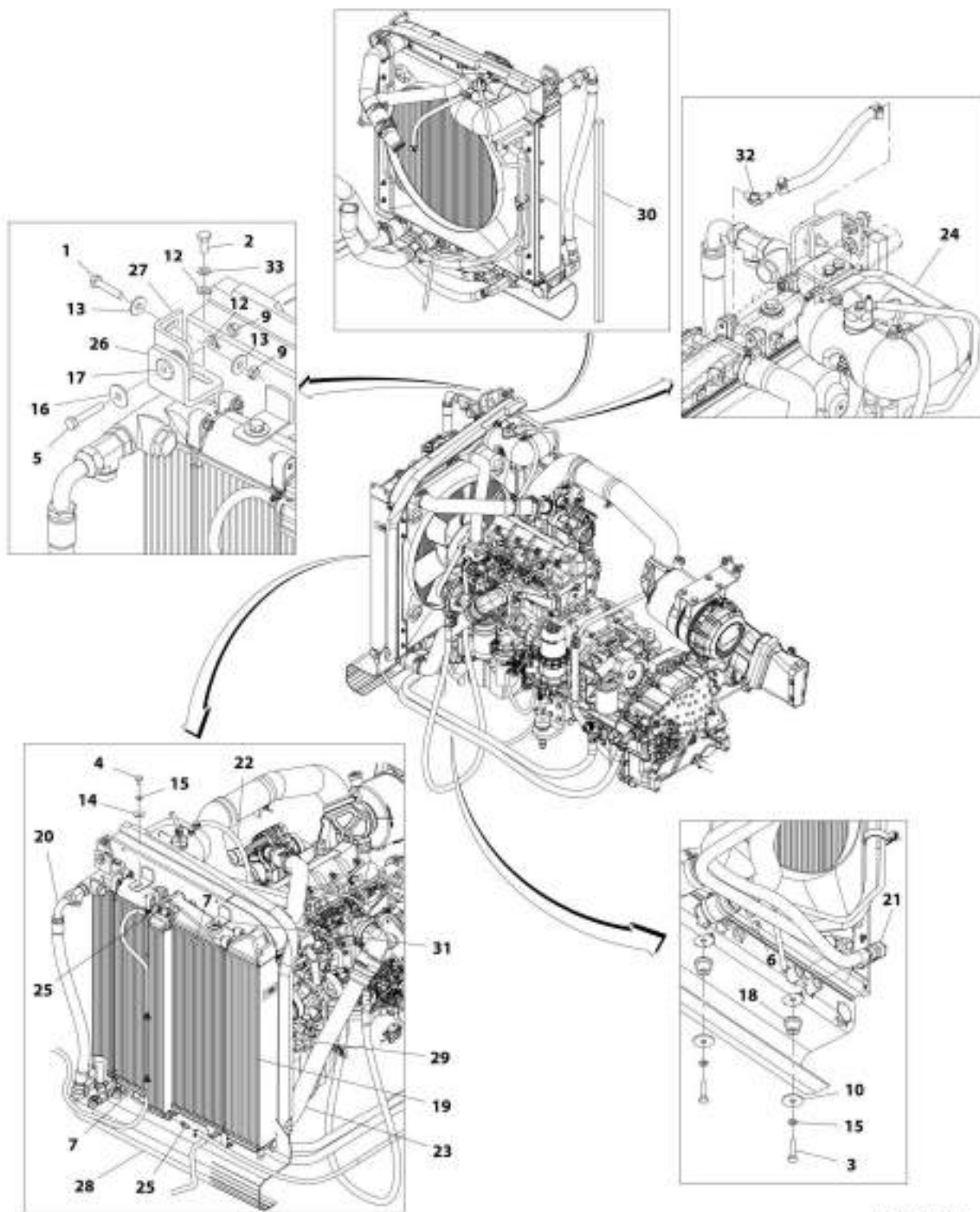
## SECTION 4 - ENGINE AND ATTACHING PARTS

**FIGURE 4-11. COOLING PACKAGE INSTALLATION (ULS)**

ITEM	PART NUMBER	QTY	DESCRIPTION	REV
	1001160397	Ref	Cooling Package Installation (if equipped for ULS)	H
1	0761012	2	Bolt, M10X25	
2	0701018	2	Bolt, M10X50	
3	0761218	2	Bolt, M12X50	
4	0701020	1	Bolt, M10X60	
5	1001174356	1	Barb, Hose	
6	2220237	2	Plug	
8	3291001	3	Nut, M10X1.5 Grade 8	
9	4740274	4	Washer	
11	4812000	3	Washer, M10	
12	4812002	4	Washer, M10	
13	1001155540	2	Washer	
14	8278020	1	Mount	
15	1001114803	2	Mount	
16	1001159347	1	Installation, Radiator (See RADIATOR for Breakdown)	
17	1001163082	1	Installation, HOC Lines (See HOC LINES INSTALLATION for Breakdown)	
18	1001163245	1	Installation, Coolant Lines 3.8L Engine (See COOLANT LINES INSTALLATION (ULS) for Breakdown)	
19	1001163246	1	Installation, CAC Lines 3.8L Engine (See CAC LINES INSTALLATION (ULS) for Breakdown)	
20	1001163247	1	Installation, TOC Lines 3.8L Engine (See TOC LINES INSTALLATION for Breakdown)	
21	1001167078	1	Installation, Surge Tank (See SURGE TANK INSTALLATION for Breakdown)	
22	1001168030	2	Barb, Hose	
23	1001169173	1	Bracket	
24	1001169174	1	Bracket	
25	1001169965	1	Panel	
26	1001173452	1	Seal, Foam Gasket	
27	1001173457	1	Seal, Foam Gasket	
28	1001173546	1	Bracket	
29	4832100	4	Washer, Lock M12	
30	0761210	2	Bolt, M12X20	
31	4812102	2	Washer, M12	
32	4832000	2	Washer, Lock M10	

# SECTION 4 - ENGINE AND ATTACHING PARTS

## FIGURE 4-12. COOLING PACKAGE INSTALLATION (LS)



ART\_3001160412-E

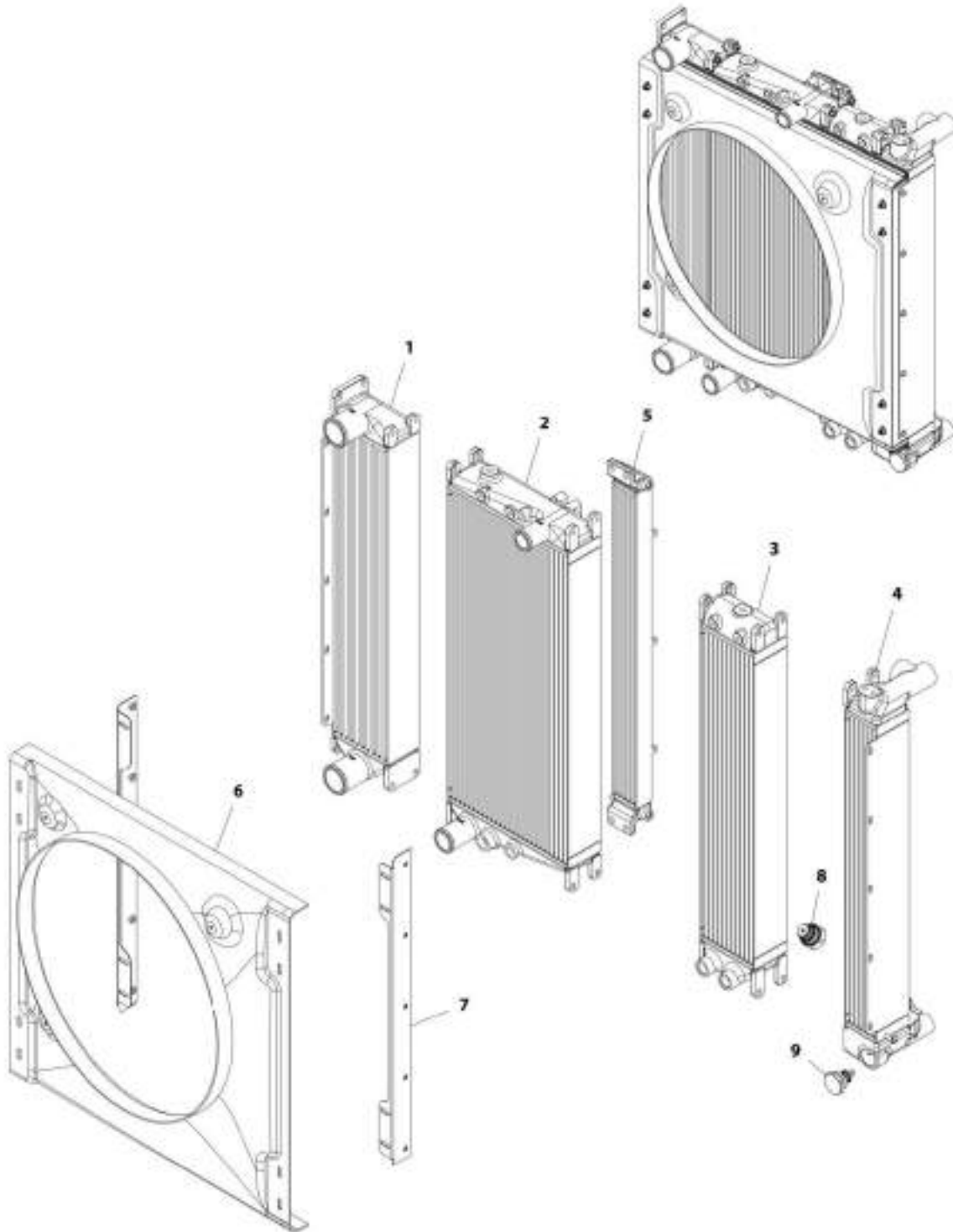
## SECTION 4 - ENGINE AND ATTACHING PARTS

**FIGURE 4-12. COOLING PACKAGE INSTALLATION (LS)**

ITEM	PART NUMBER	QTY	DESCRIPTION	REV
	1001160402	Ref	Cooling Package Installation (if equipped for LS)	E
1	0701018	2	Bolt, M10X50	
2	0761012	2	Bolt, M10X25	
3	0761218	2	Bolt, M12X50	
4	0771210	2	Bolt, M12X20	
5	0701020	1	Bolt, M10X60	
6	2200223	1	Plug	
7	2220237	2	Plug	
9	3291001	3	Nut, M10X1.5 Grade 8	
10	4740274	4	Washer	
12	4812000	3	Washer, M10	
13	4812002	4	Washer, M10	
14	4812102	2	Washer, M12	
15	4832100	4	Lockwasher, M12	
16	1001155540	2	Washer	
17	8278020	1	Mount	
18	1001114803	2	Mount	
19	1001159347	1	Installation, Radiator (See RADIATOR for Breakdown)	
20	1001163082	1	Installation, HOC Lines (See HOC LINES INSTALLATION for Breakdown)	
21	1001163247	1	Installation, TOC Lines 3.8L Engine (See TOC LINES INSTALLATION for Breakdown)	
22	1001163248	1	Installation, Coolant Lines 3.8L Engine (See COOLANT LINES INSTALLATION (LS) for Breakdown)	
23	1001163249	1	Installation, CAC Lines 3.8L Engine (See CAC LINES INSTALLATION (LS) for Breakdown)	
24	1001167078	1	Installation, Surge Tank (See SURGE TANK INSTALLATION for Breakdown)	
25	1001168030	2	Barb, Hose	
26	1001169173	1	Bracket	
27	1001169174	1	Bracket	
28	1001169965	1	Panel	
29	1001173452	1	Seal, Foam Gasket	
30	1001173457	1	Seal, Foam Gasket	
31	1001173546	1	Bracket	
32	1001174356	1	Barb, Hose	
33	4832000	2	Lockwasher, M10	

# SECTION 4 - ENGINE AND ATTACHING PARTS

## FIGURE 4-13. RADIATOR



MP\_100159347-G

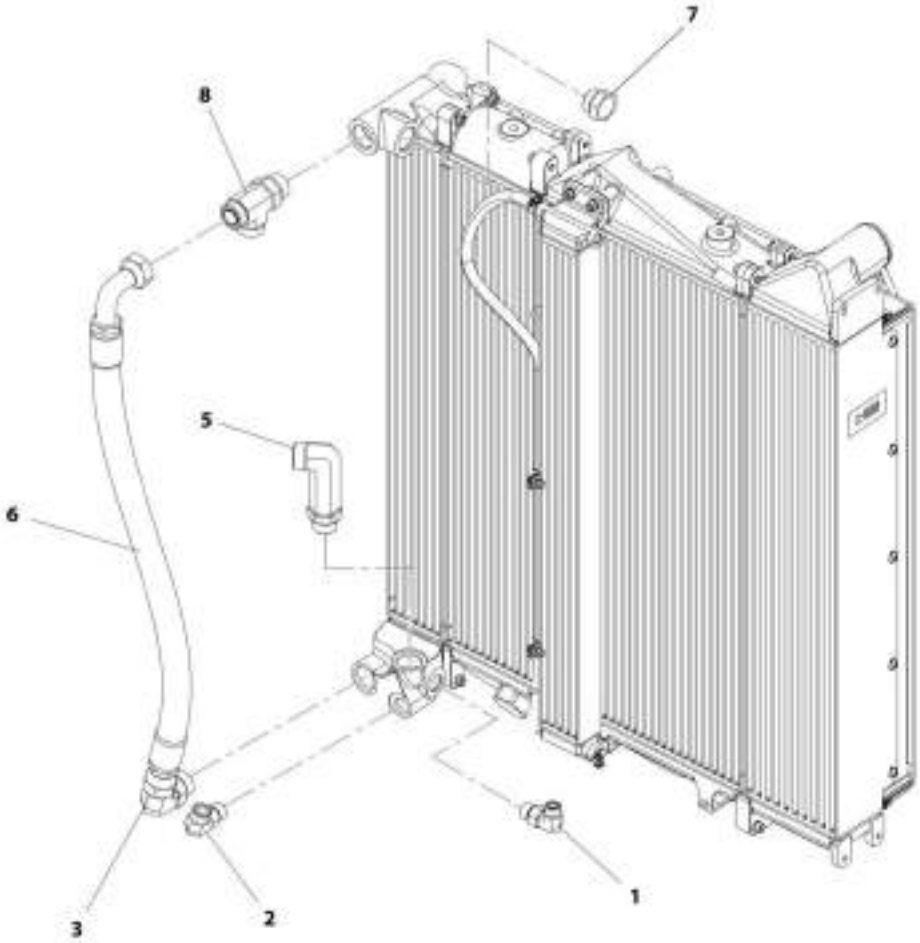
## SECTION 4 - ENGINE AND ATTACHING PARTS

FIGURE 4-13. RADIATOR

ITEM	PART NUMBER	QTY	DESCRIPTION	REV
	1001159347	Ref	Radiator	G
1	70026353	1	Cooler, Air Charge	
2	70026354	1	Radiator	
3	70026355	1	Cooler, Transmission Oil	
4	70026356	1	Cooler, Hydraulic Oil	
5	70026357	1	Cooler, Fuel	
6	70026358	1	Shroud	
7	70026359	2	Bracket, Shroud Mounting	
8	70026082	1	Valve, Bypass	
9	70026360	1	Valve, Bypass	

**SECTION 4 - ENGINE AND ATTACHING PARTS**

**FIGURE 4-14. HOC LINES INSTALLATION**



ART\_100118082-C



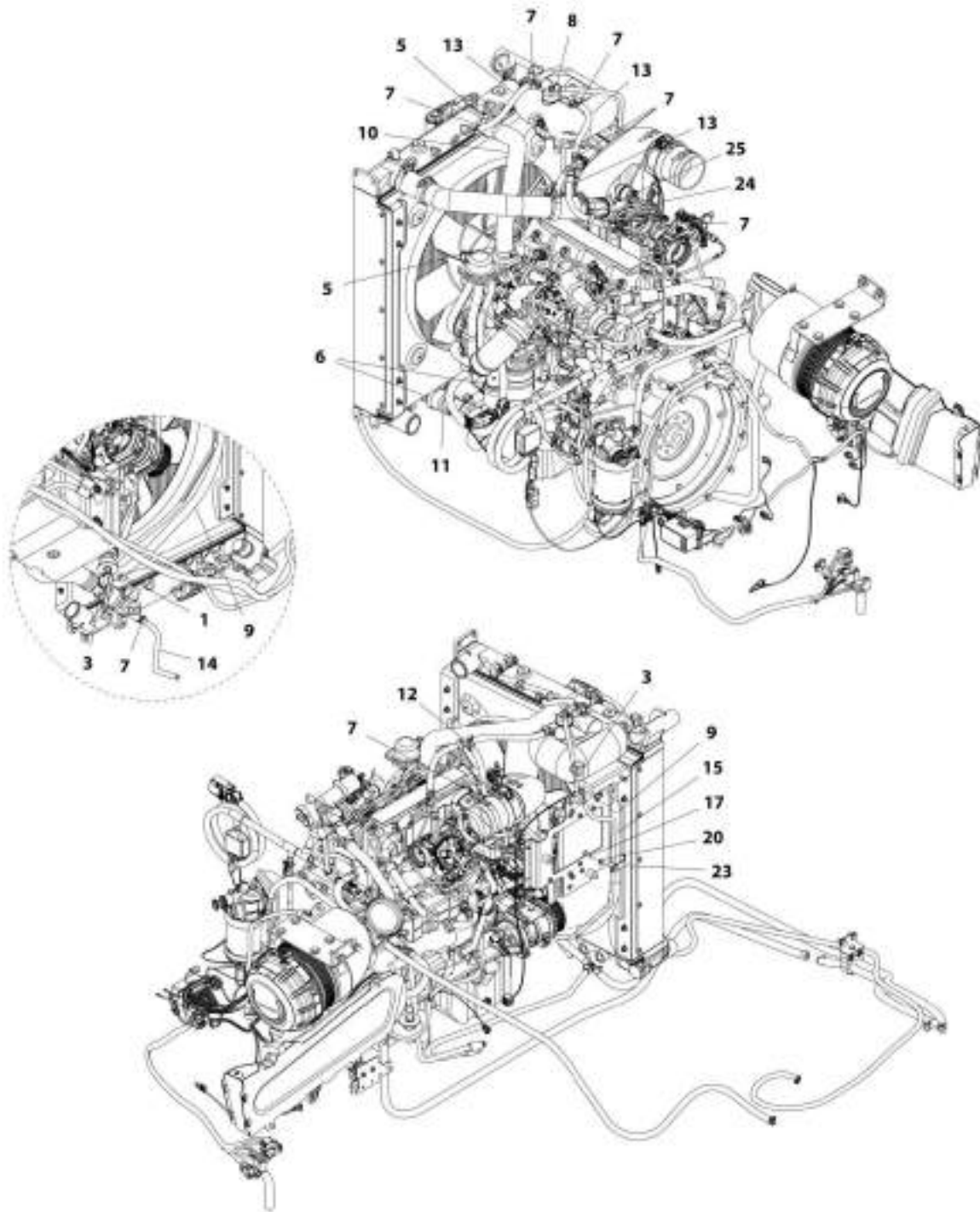
## SECTION 4 - ENGINE AND ATTACHING PARTS

FIGURE 4-14. HOC LINES INSTALLATION

ITEM	PART NUMBER	QTY	DESCRIPTION	REV
	1001163082	Ref	HOC Lines Installation	C
1	2130810	1	Fitting, ORFS	
2	2131010	1	Fitting, ORFS	
3	2131616	1	Fitting, ORFS	
5	2170216	1	Fitting, ORFS	
6	1001163723	1	Hose	
7	2220242	1	Fitting	
8	2170316	1	Fitting, Tee ORFS	

# SECTION 4 - ENGINE AND ATTACHING PARTS

FIGURE 4-15. COOLANT LINES INSTALLATION (ULS)



ART\_3001163245-H

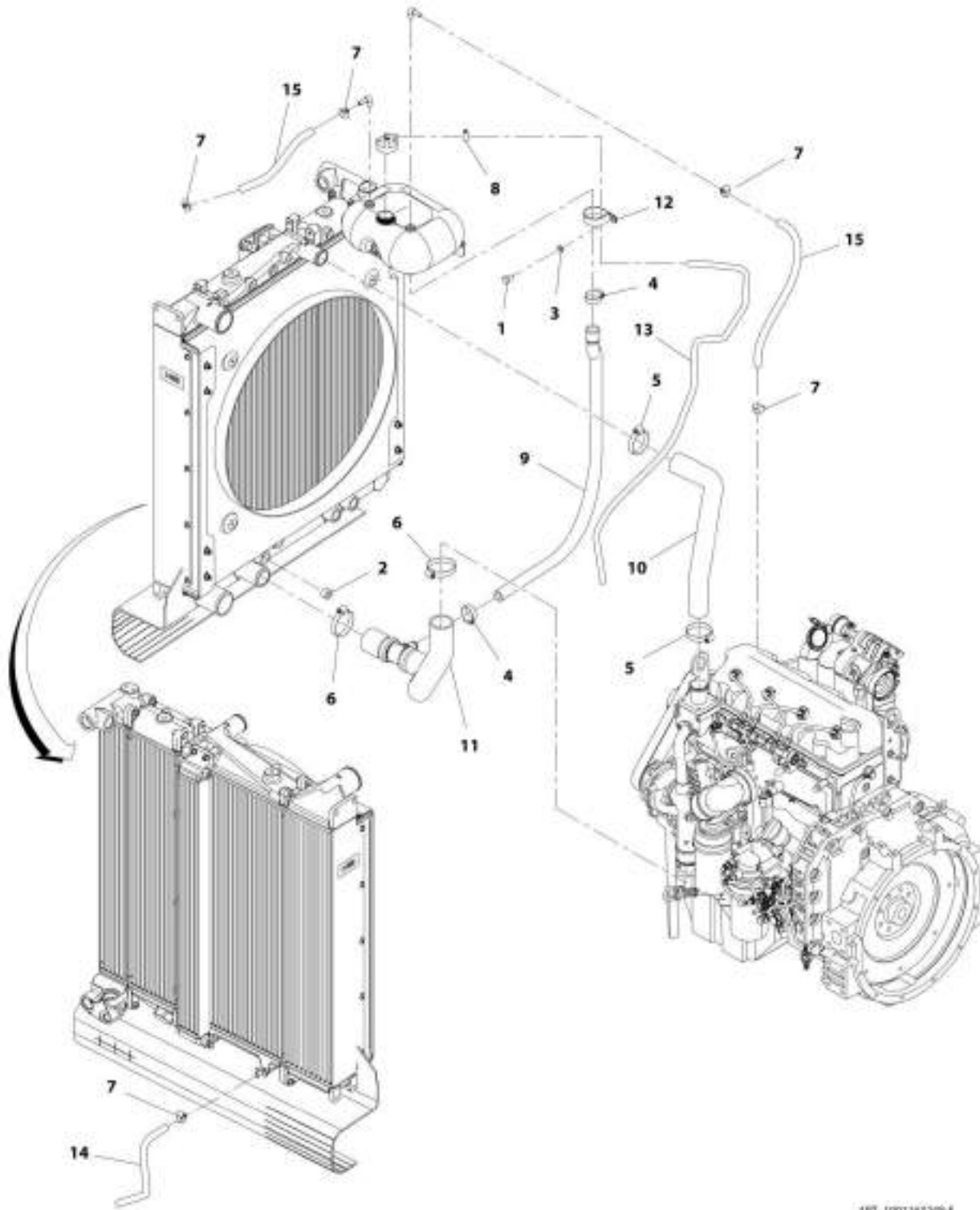
## SECTION 4 - ENGINE AND ATTACHING PARTS

**FIGURE 4-15. COOLANT LINES INSTALLATION (ULS)**

ITEM	PART NUMBER	QTY	DESCRIPTION	REV
	1001163245	Ref	Coolant Lines Installation (if equipped for ULS)	H
1	2200224	1	Plug	
3	8405101	2	Clamp, Gear	
5	8405201	2	Clamp, Gear	
6	8405202	2	Clamp, Gear	
7	8410013	9	Clamp, Gear	
8	8405009	1	Clamp, Hose	
9	1001182011	1	Hose	
10	1001166430	1	Pipe	
11	1001182012	1	Hose	
12	1001172953	1	Pipe, Tee	
13	1001181625	1042 mm	Hose	
14	1001180553	370 mm	Hose	
15	1001180542	1680 mm	Hose	
17	0761010	1	Bolt, M10X20	
20	4812000	1	Washer, M10	
23	1001097588	1	Clamp	
24	8410019	1	Clip	
25	0760605	1	Bolt, M6X10	

# SECTION 4 - ENGINE AND ATTACHING PARTS

## FIGURE 4-16. COOLANT LINES INSTALLATION (LS)



ART\_1001183240-E

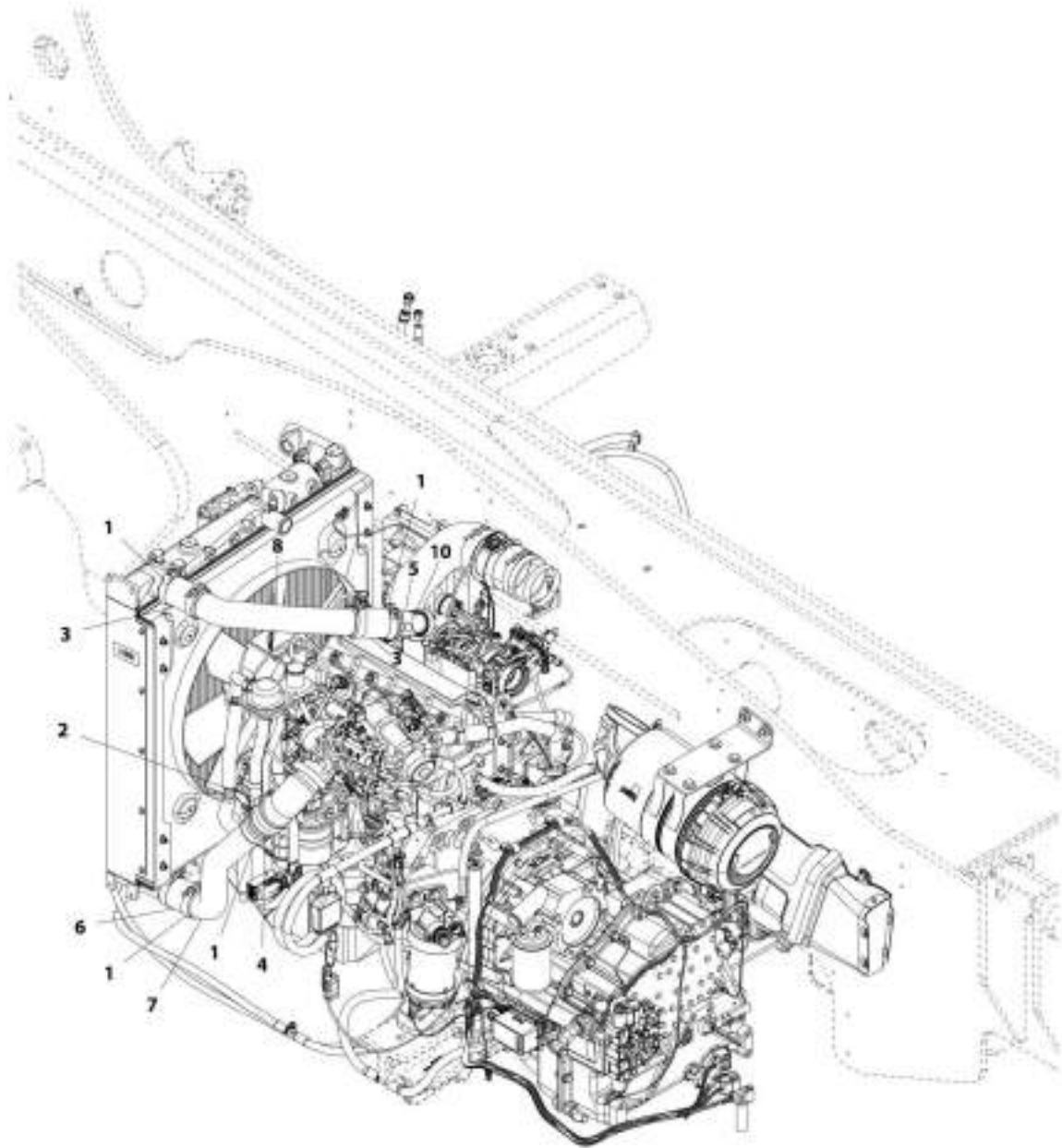
## SECTION 4 - ENGINE AND ATTACHING PARTS

**FIGURE 4-16. COOLANT LINES INSTALLATION (LS)**

ITEM	PART NUMBER	QTY	DESCRIPTION	REV
	1001163248	Ref	Coolant Lines Installation (if equipped for LS)	E
1	0761010	1	Bolt, M10X20	
2	2200224	1	Plug	
3	4812000	1	Washer, M10	
4	8405101	2	Clamp, Gear	
5	8405201	2	Clamp, Gear	
6	8405202	2	Clamp, Gear	
7	8410013	5	Clamp, Gear	
8	8405009	1	Clamp, Hose	
9	1001182011	1	Hose	
10	1001166430	1	Pipe	
11	1001182012	1	Hose	
12	1001097588	1	Clamp	
13	1001180542	1680 mm	Hose	
14	1001180553	369 mm	Hose	
15	1001181625	711 mm	Hose	

# SECTION 4 - ENGINE AND ATTACHING PARTS

FIGURE 4-17. CAC LINES INSTALLATION (ULS)



ART\_1001163246-F

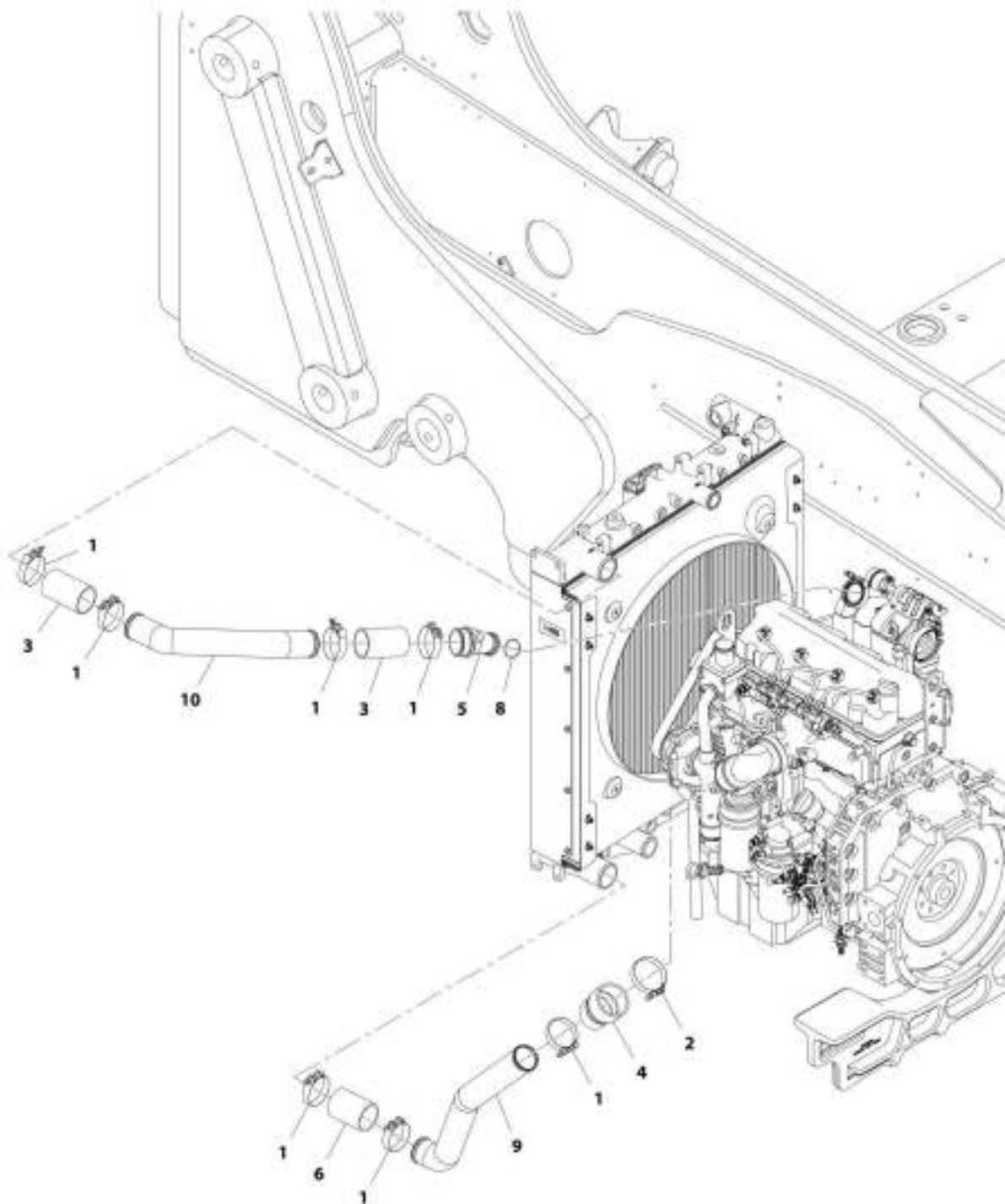
## SECTION 4 - ENGINE AND ATTACHING PARTS

FIGURE 4-17. CAC LINES INSTALLATION (ULS)

ITEM	PART NUMBER	QTY	DESCRIPTION	REV
	1001163246	Ref	CAC Lines Installation (if equipped for ULS)	F
1	8405212	7	Clamp, T-Bolt	
2	8405305	1	Clamp, T-Bolt	
3	1001114495	2	Hose	
4	1001138348	1	Hose	
5	1001161920	1	Adapter Mech	
6	1001166416	1	Hose	
7	1001166925	1	Pipe	
8	1001166993	1	Pipe	
10	1001172591	1	O-Ring	

# SECTION 4 - ENGINE AND ATTACHING PARTS

## FIGURE 4-18. CAC LINES INSTALLATION (LS)



ART\_100116328H-C



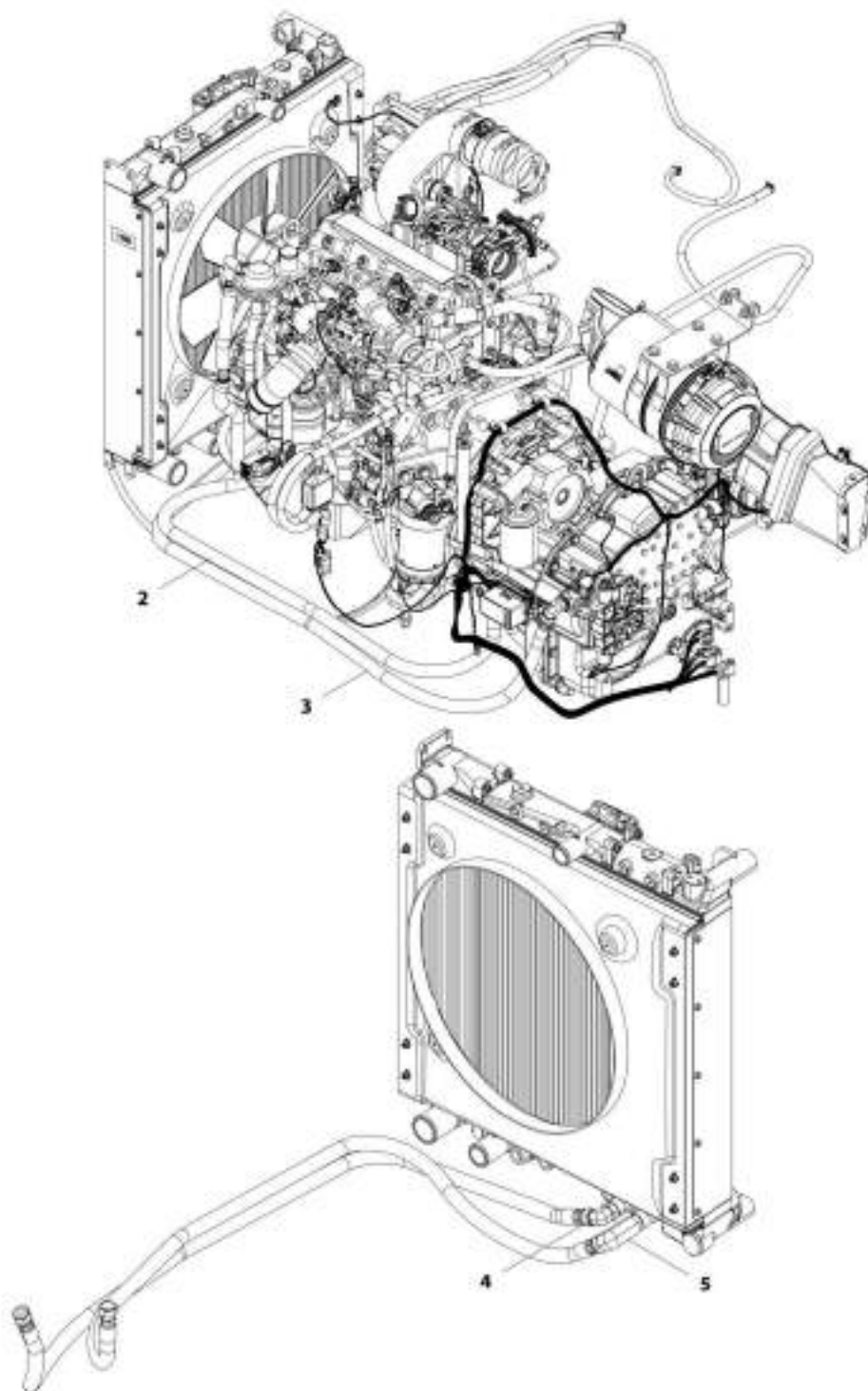
## SECTION 4 - ENGINE AND ATTACHING PARTS

FIGURE 4-18. CAC LINES INSTALLATION (LS)

ITEM	PART NUMBER	QTY	DESCRIPTION	REV
	1001163249	Ref	CAC Lines Installation (if equipped for LS)	C
1	8405212	7	Clamp, T-Bolt	
2	8405305	1	Clamp, T-Bolt	
3	1001114495	2	Hose	
4	1001138348	1	Hose	
5	1001161920	1	Adapter Mech	
6	1001166416	1	Hose	
8	1001172591	1	O-Ring	
9	1001174832	1	Pipe	
10	1001179376	1	Pipe	

## SECTION 4 - ENGINE AND ATTACHING PARTS

FIGURE 4-19. TOC LINES INSTALLATION



WRT\_1001103247-C

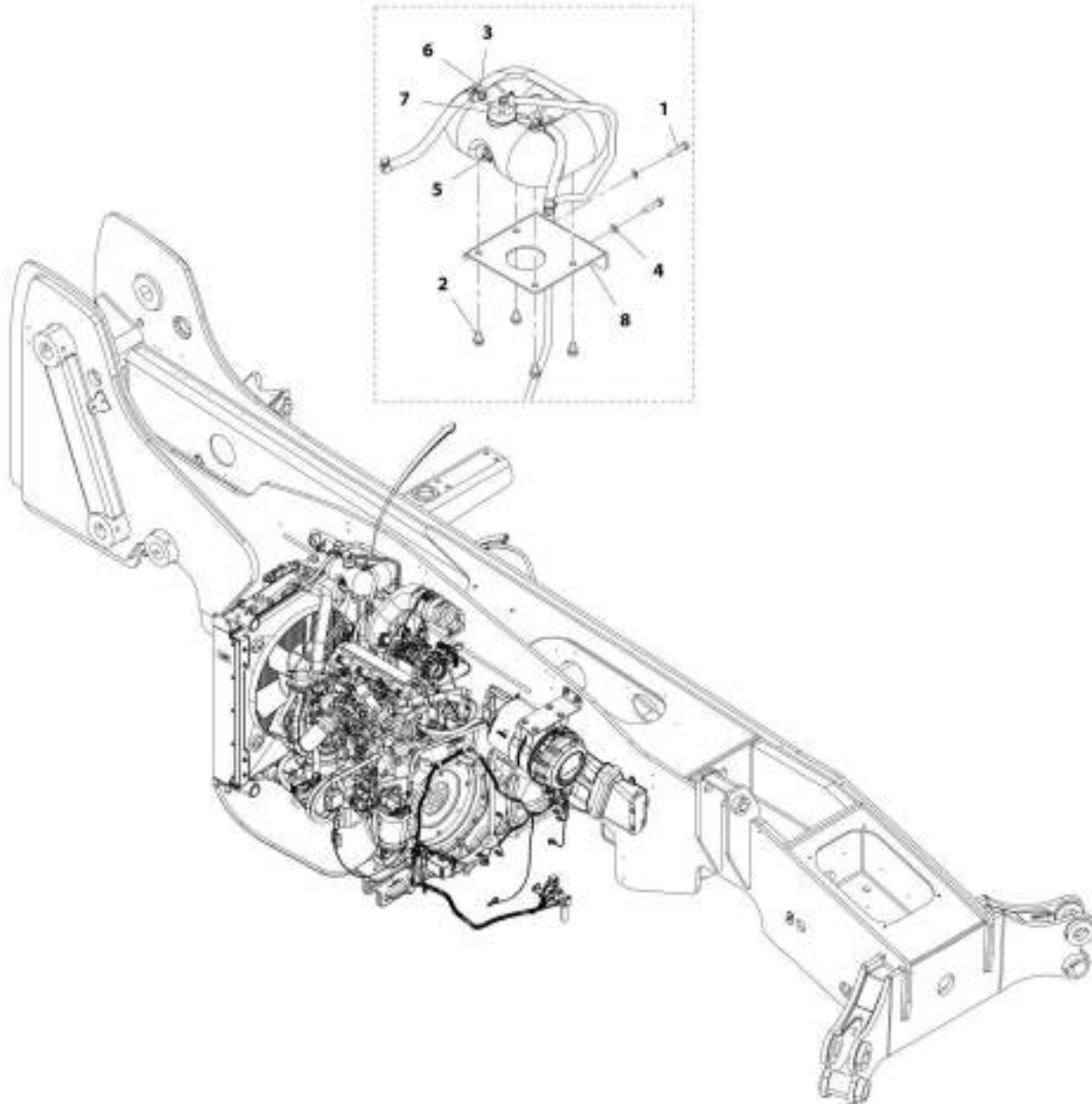
## SECTION 4 - ENGINE AND ATTACHING PARTS

FIGURE 4-19. TOC LINES INSTALLATION

ITEM	PART NUMBER	QTY	DESCRIPTION	REV
	1001163247	Ref	TOC Lines Installation	C
2	1001169207	1	Hose	
3	1001169393	1	Hose	
4	2131212	1	Fitting, 90 ORFS	
5	2170212	1	Fitting, 90 ORFS	

# SECTION 4 - ENGINE AND ATTACHING PARTS

## FIGURE 4-20. SURGE TANK INSTALLATION



ART\_100167038-E

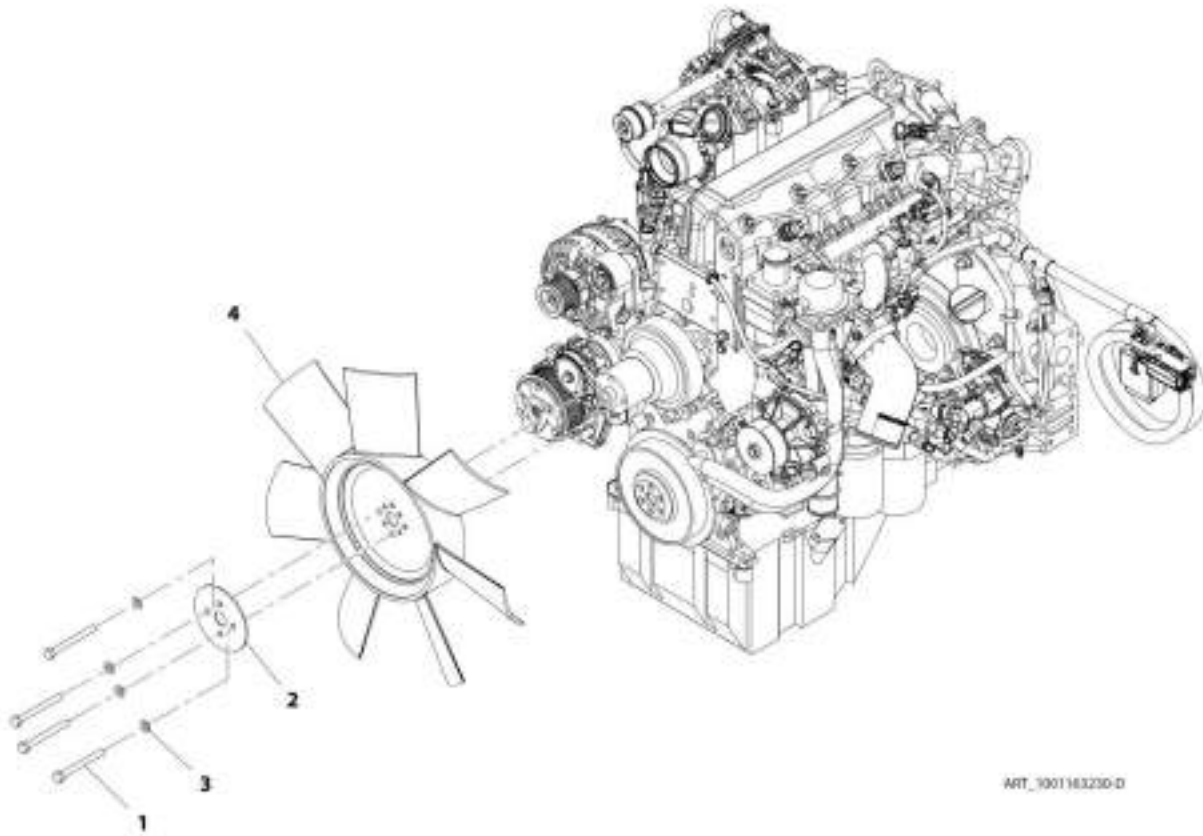
## SECTION 4 - ENGINE AND ATTACHING PARTS

FIGURE 4-20. SURGE TANK INSTALLATION

ITEM	PART NUMBER	QTY	DESCRIPTION	REV
	1001167078	Ref	Surge Tank Installation	E
1	0700816	2	Bolt, M8X40	
2	0791605	4	Bolt, M3/8-16X5/8	
3	2180467	2	Fitting	
4	4811900	2	Washer, M8	
5	1001121955	1	Sensor, Coolant Level	
6	1001128144	1	Tank, Coolant	
7	1001128341	1	Cap	
8	1001163637	1	Bracket, Coolant Tank	

# SECTION 4 - ENGINE AND ATTACHING PARTS

FIGURE 4-21. FAN INSTALLATION



ART\_3001183230-D

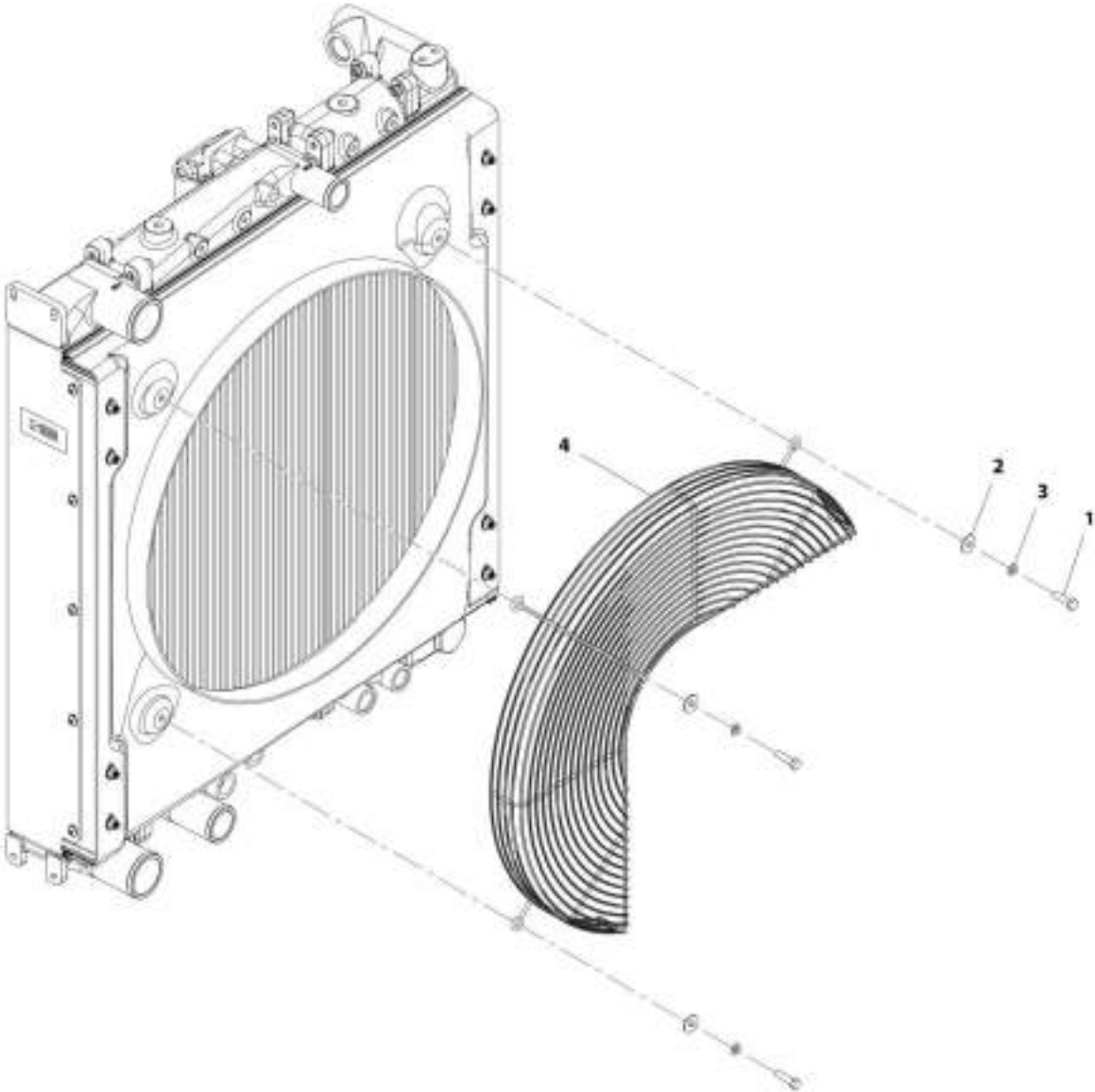
## SECTION 4 - ENGINE AND ATTACHING PARTS

FIGURE 4-21. FAN INSTALLATION

ITEM	PART NUMBER	QTY	DESCRIPTION	REV
	1001163230	Ref	Fan Installation	D
1	0701027	4	Bolt, M10X100	
2	3575947	1	Plate	
3	4812000	4	Washer, M10	
4	1001175269	1	Fan, Cooling	

**SECTION 4 - ENGINE AND ATTACHING PARTS**

**FIGURE 4-22. FAN GUARD INSTALLATION**



ART\_1001160420-D



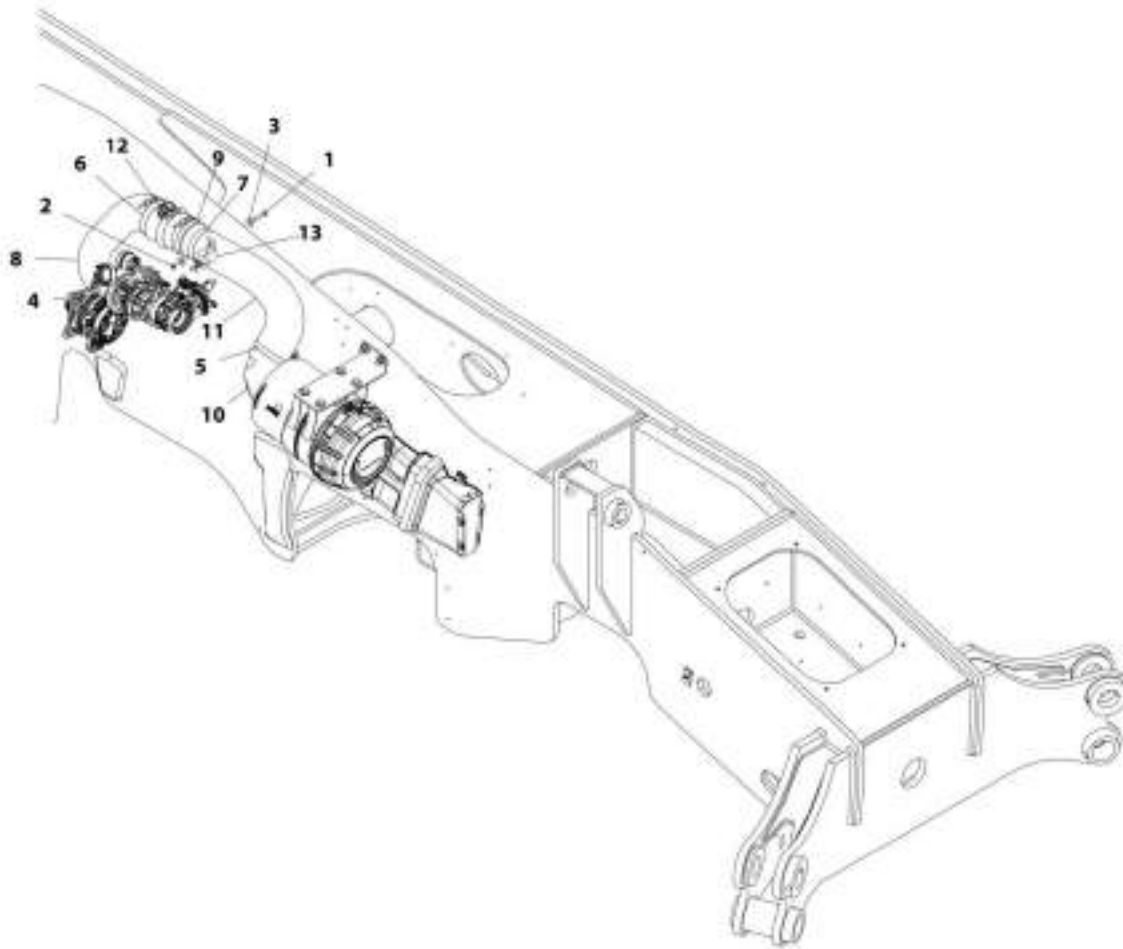
## SECTION 4 - ENGINE AND ATTACHING PARTS

### FIGURE 4-22. FAN GUARD INSTALLATION

ITEM	PART NUMBER	QTY	DESCRIPTION	REV
	1001160420	Ref	Fan Guard Installation	D
1	0700814	3	Bolt, M8X30	
2	4811902	3	Washer, M8	
3	4831900	3	Washer, Lock M8	
4	1001167186	1	Grill	

## SECTION 4 - ENGINE AND ATTACHING PARTS

FIGURE 4-23. AIR INTAKE LINES INSTALLATION (ULS)



ART\_1001163226-E

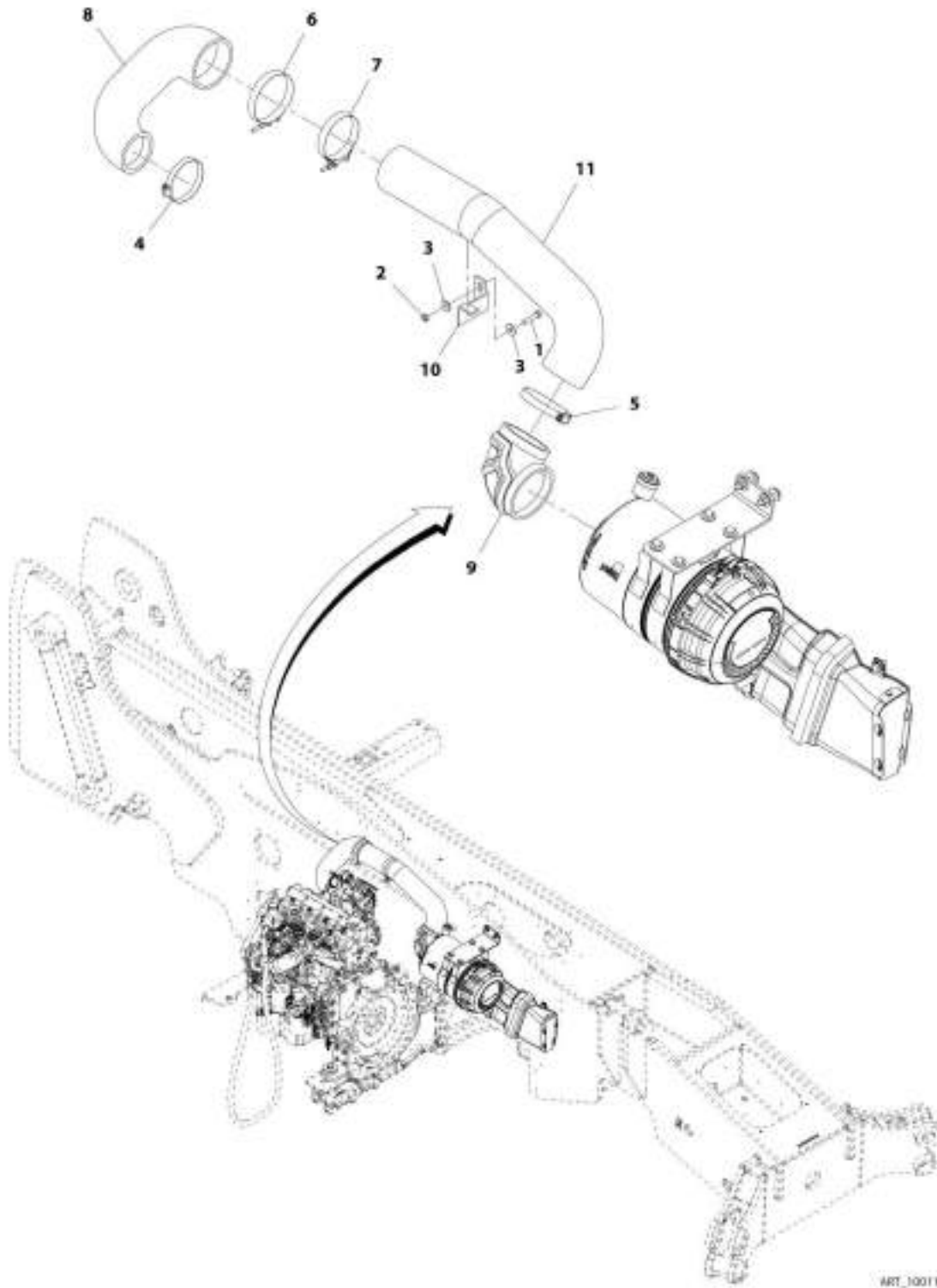
## SECTION 4 - ENGINE AND ATTACHING PARTS

### FIGURE 4-23. AIR INTAKE LINES INSTALLATION (ULS)

ITEM	PART NUMBER	QTY	DESCRIPTION	REV
	1001163228	Ref	Air Intake Lines Installation (if equipped for ULS)	E
1	0700816	1	Bolt, M8X40	
2	3290801	1	Nut, M8X1.25	
3	4811902	2	Washer, M8	
4	8410011	1	Clamp, Gear	
5	8405402	1	Clamp	
6	80933367	3	Clamp	
7	91413025	1	Clamp	
8	1001166449	1	Hose	
9	1001166450	1	Hose	
10	1001166451	1	Elbow, Air Intake	
11	1001184052	1	Tube	
12	1001168771	1	Tube	
13	1001169155	1	Bracket	

# SECTION 4 - ENGINE AND ATTACHING PARTS

FIGURE 4-24. AIR INTAKE LINES INSTALLATION (LS)



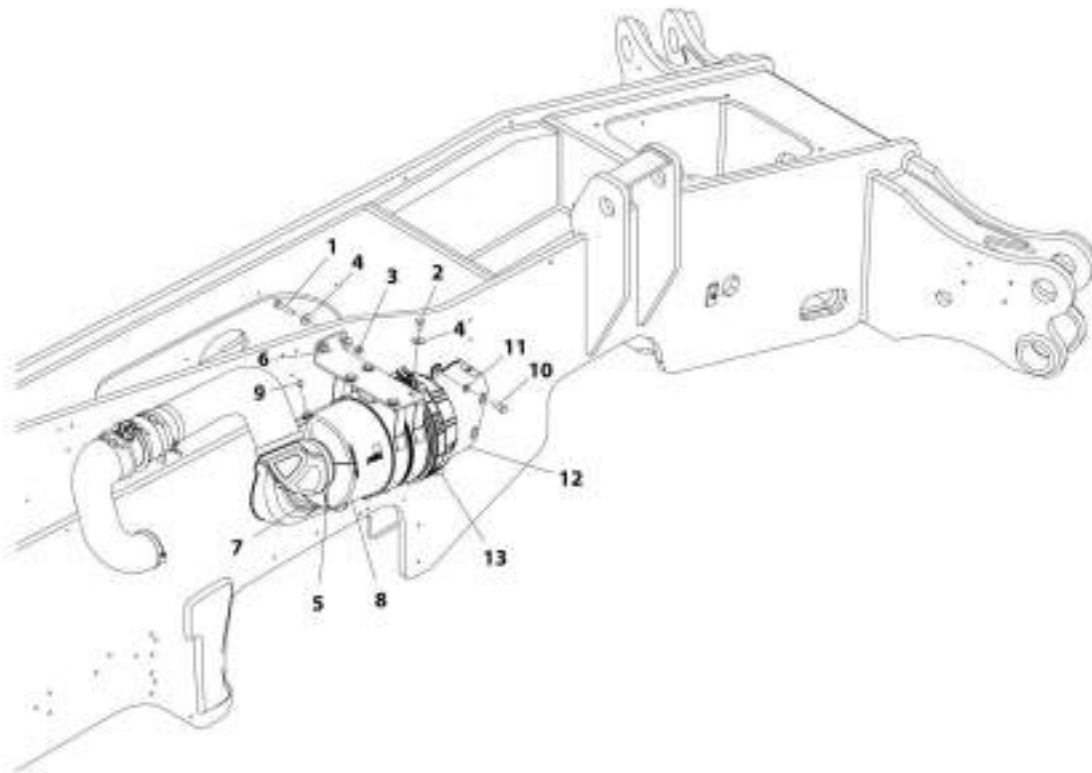
## SECTION 4 - ENGINE AND ATTACHING PARTS

FIGURE 4-24. AIR INTAKE LINES INSTALLATION (LS)

ITEM	PART NUMBER	QTY	DESCRIPTION	REV
	1001163238	Ref	Air Intake Lines Installation (if equipped for LS)	C
1	0700816	1	Bolt, M8X40	
2	3290801	1	Nut, M8X1.25 Grade 8	
3	4811902	2	Washer, M8	
4	8410011	1	Clamp, Gear	
5	10719267	1	Clamp, Hose	
6	80933367	1	Clamp	
7	91413025	1	Clamp	
8	1001166449	1	Hose	
9	1001166451	1	Elbow	
10	1001169155	1	Bracket	
11	1001185498	1	Tube	

## SECTION 4 - ENGINE AND ATTACHING PARTS

FIGURE 4-25. AIR CLEANER INSTALLATION (ULS)



AWT\_3001162988-1

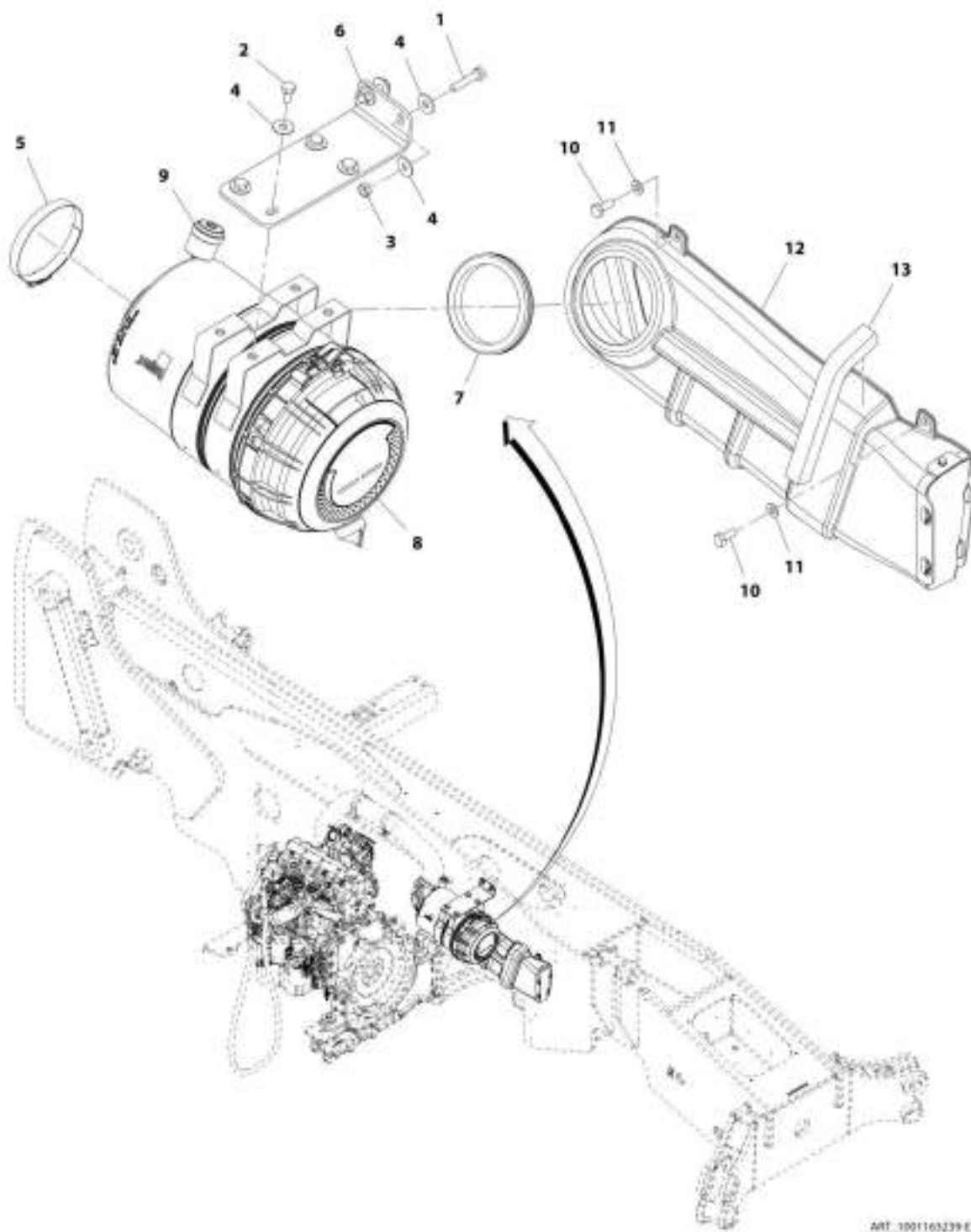
## SECTION 4 - ENGINE AND ATTACHING PARTS

**FIGURE 4-25. AIR CLEANER INSTALLATION (ULS)**

ITEM	PART NUMBER	QTY	DESCRIPTION	REV
	1001162988	Ref	Air Cleaner Installation (if equipped for ULS)	1
1	0701018	2	Bolt, M10X50	
2	0761010	4	Bolt, M10X20	
3	3291001	2	Nut, M10X1.5 Grade 8	
4	4812002	8	Washer, M10	
5	8405402	1	Clamp	
6	1001194534	1	Bracket, Air Cleaner Mount	
7	1001183831	1	Grommet, Intake	
8	1001166565	1	Filter, Air Cleaner (See AIR CLEANER ASSEMBLY for Breakdown)	
9	1001183177	1	Cap, Air Cleaner	
10	0761012	4	Bolt, M10X25	
11	4812000	4	Washer, M10	
12	1001183835	Ref	Installation, Duct Air Intake (See AIR INTAKE DUCT INSTALLATION for Breakdown)	
13	1001186898	1	Gasket	

## SECTION 4 - ENGINE AND ATTACHING PARTS

FIGURE 4-26. AIR CLEANER INSTALLATION (LS)





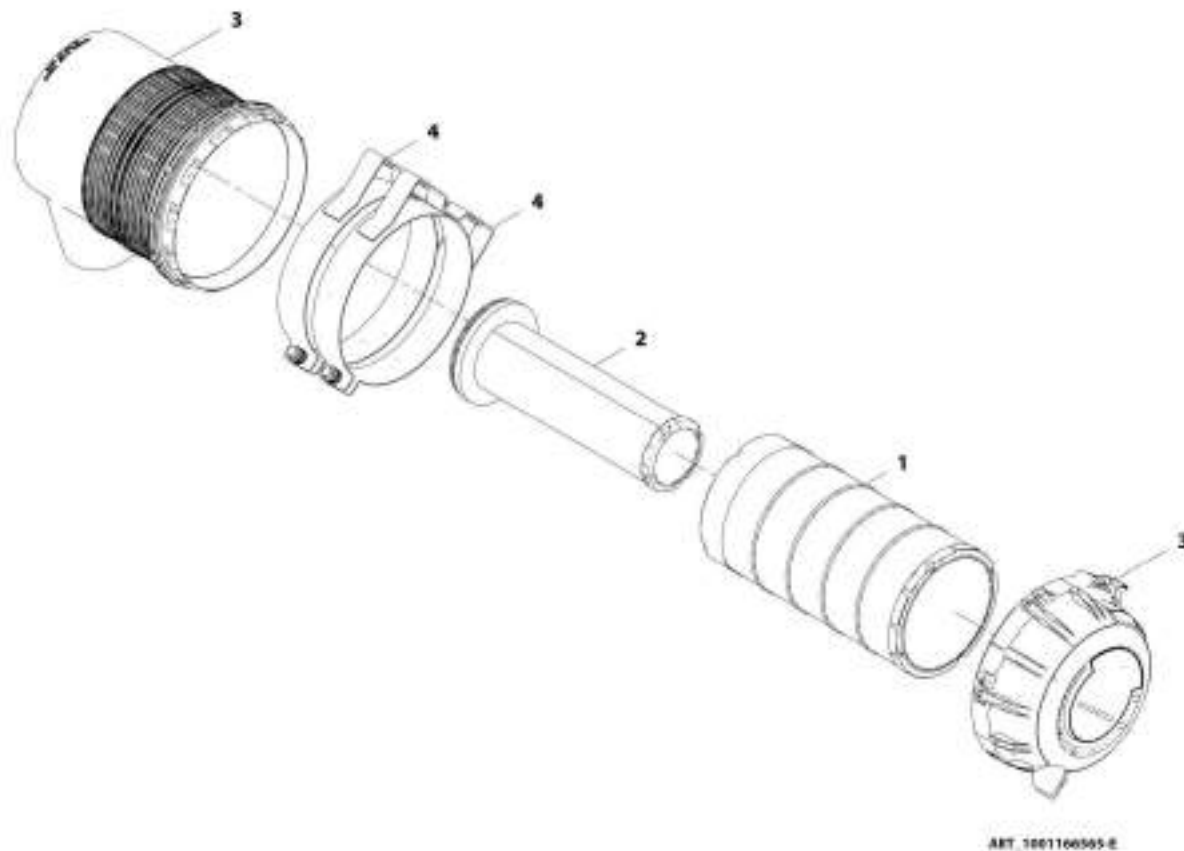
## SECTION 4 - ENGINE AND ATTACHING PARTS

**FIGURE 4-26. AIR CLEANER INSTALLATION (LS)**

ITEM	PART NUMBER	QTY	DESCRIPTION	REV
	1001163239	Ref	Air Cleaner Installation (if equipped for LS)	E
1	0701018	2	Bolt, M10X50	
2	0761010	4	Bolt, M10X20	
3	3291001	2	Nut, M10X1.5 Grade 8	
4	4812002	8	Washer, M10	
5	8405402	1	Clamp	
6	1001194534	1	Bracket, Air Cleaner Mount	
7	1001183831	1	Grommet	
8	1001166565	1	Filter, Air Cleaner (See AIR CLEANER ASSEMBLY for Breakdown)	
9	1001166716	1	Indicator	
10	0761012	4	Bolt, M10X25	
11	4812000	4	Washer, M10	
12	1001183835	1	Installation, Duct Air Intake (See AIR INTAKE DUCT INSTALLATION for Breakdown)	
13	1001186898	1	Seal, Foam Gasket	

## SECTION 4 - ENGINE AND ATTACHING PARTS

FIGURE 4-27. AIR CLEANER ASSEMBLY



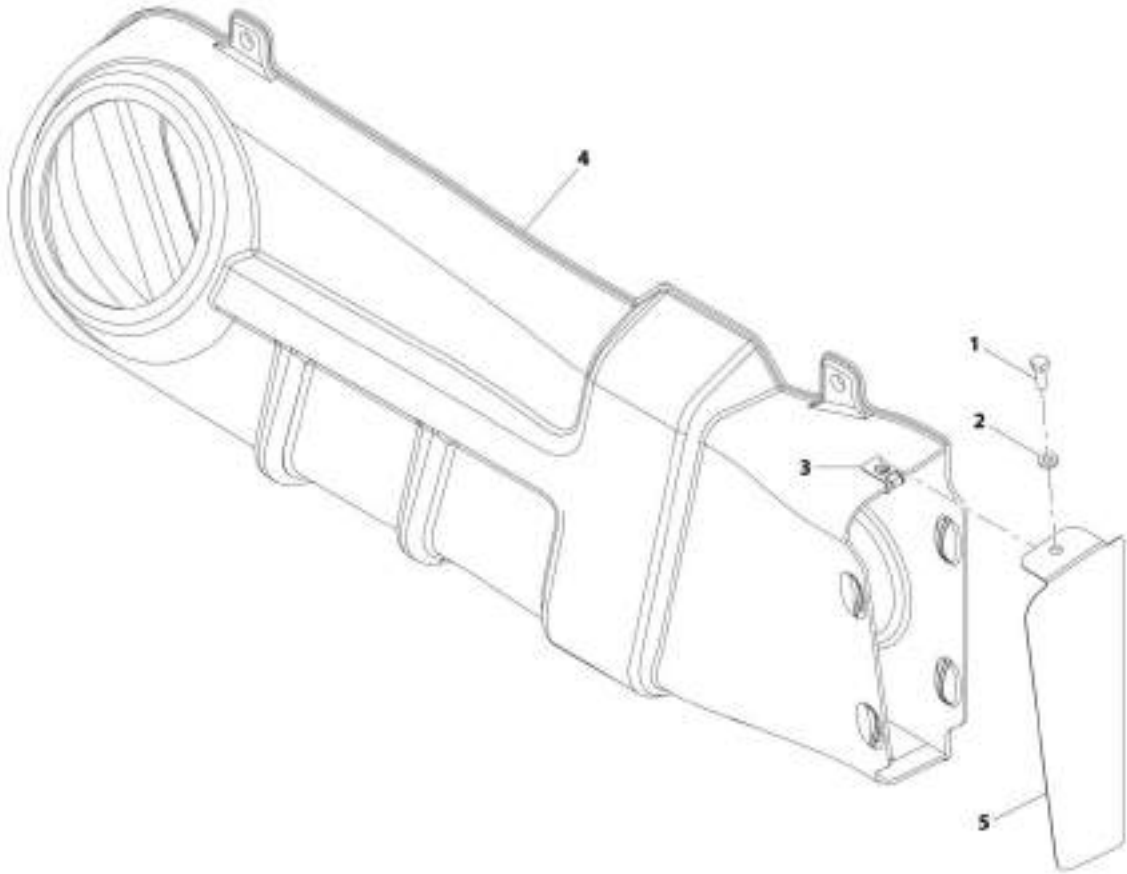
## SECTION 4 - ENGINE AND ATTACHING PARTS

FIGURE 4-27. AIR CLEANER ASSEMBLY

ITEM	PART NUMBER	QTY	DESCRIPTION	REV
	1001166565	Ref	Air Cleaner Assembly	E
1	70025850	1	Filter, Cylindrical Air Primary	
2	70025851	1	Filter, Cylindrical Air Secondary	
3	70026395	1	Cover, Air Cleaner	
4	70026396	2	Bracket, Mounting Band	

**SECTION 4 - ENGINE AND ATTACHING PARTS**

**FIGURE 4-28. AIR INTAKE DUCT INSTALLATION**



ART\_1001183825-C

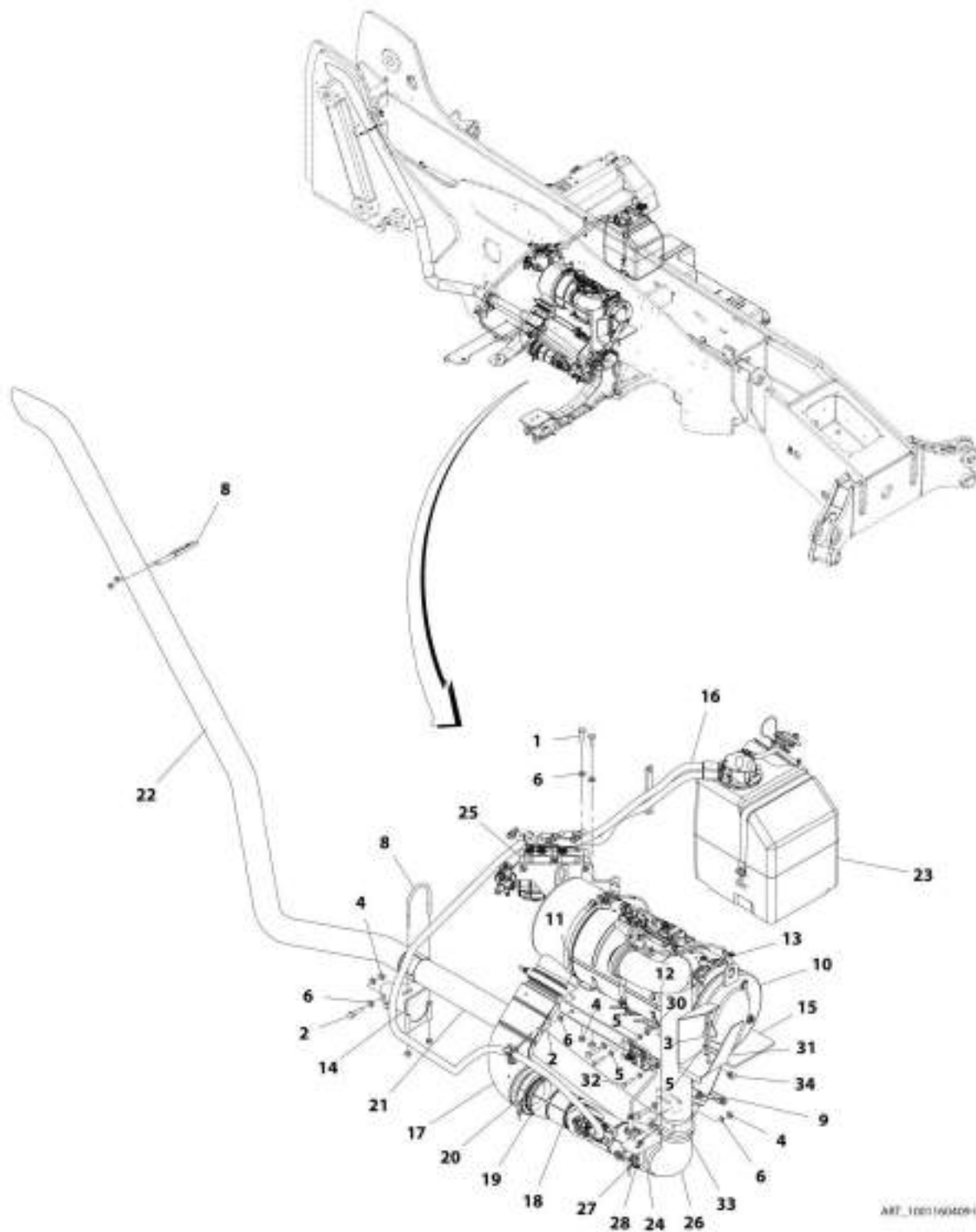
## SECTION 4 - ENGINE AND ATTACHING PARTS

FIGURE 4-28. AIR INTAKE DUCT INSTALLATION

ITEM	PART NUMBER	QTY	DESCRIPTION	REV
	1001183835	Ref	Air Intake Duct Installation	B
1	0760608	1	Bolt, M6X16	
2	4811700	1	Washer, M6	
3	8305919	1	Nut	
4	1001183827	1	Duct	
5	1001183829	1	Plate	

# SECTION 4 - ENGINE AND ATTACHING PARTS

## FIGURE 4-29. EXHAUST INSTALLATION (ULS)



ART\_100160409-1

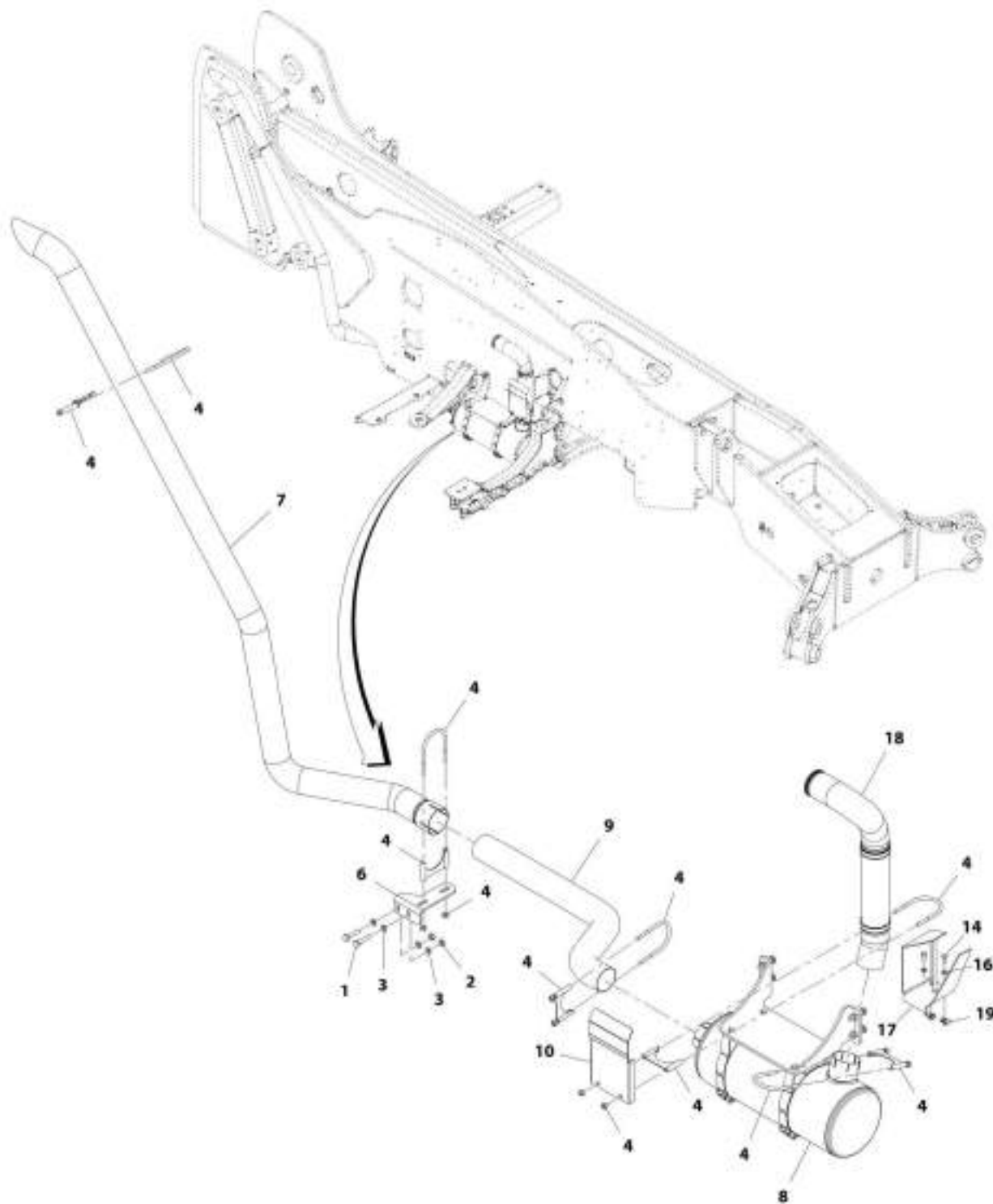
## SECTION 4 - ENGINE AND ATTACHING PARTS

**FIGURE 4-29. EXHAUST INSTALLATION (ULS)**

ITEM	PART NUMBER	QTY	DESCRIPTION	REV
	1001160409	Ref	Exhaust Installation (if equipped for ULS)	I
1	0701014	10	Bolt, M10X30	
2	0701016	6	Bolt, M10X40	
3	0760810	2	Bolt, M8X20	
4	3291001	12	Nut, M10X1.5 Grade 8	
5	4811900	6	Washer, M8	
6	4812000	28	Washer, M10	
8	24921332	3	Clamp	
9	86883127	1	Clamp	
10	1001155261	1	Muffler	
11	1001159881	1	Bracket	
12	1001159882	1	Bracket	
13	1001176945	2	Strap	
14	1001162281	1	Support, Exhaust Pipe	
15	1001162597	1	Bracket	
16	1001163253	Ref	Installation, Def Pump Lines (See DEF PUMP LINES INSTALLATION for Breakdown) <b>(Prior to SN 0160075366)</b>	
16	1001199825	Ref	Installation, Def Pump Lines (See DEF PUMP LINES INSTALLATION for Breakdown) <b>(SN 0160075366 to Present)</b>	
17	1001163546	1	Pipe	
18	1001164404	1	Muffler	
19	1001164837	2	Seal	
20	1001164838	2	Clamp	
21	1001168560	1	Pipe	
22	1001168635	1	Pipe	
23	1001168638	Ref	Installation, Def Tank (See DEF TANK INSTALLATION for Breakdown)	
24	1001183836	1	Bracket	
25	1001170308	Ref	Installation, Def Pump and Control (See DEF PUMP AND CONTROL INSTALLATION for Breakdown)	
26	1001183759	1	Pipe	
27	1001167167	1	Clamp	
28	1001167168	1	Seal	
30	3290801	2	Nut, M8X1.25 Grade 8	
31	1001176650	1	Shield	
32	0760815	2	Bolt, M8X35	
33	8275212	1	Clamp	
34	8310686	2	Nut, M8X12.5	

# SECTION 4 - ENGINE AND ATTACHING PARTS

## FIGURE 4-30. EXHAUST INSTALLATION (LS)



ART\_1001160417-D



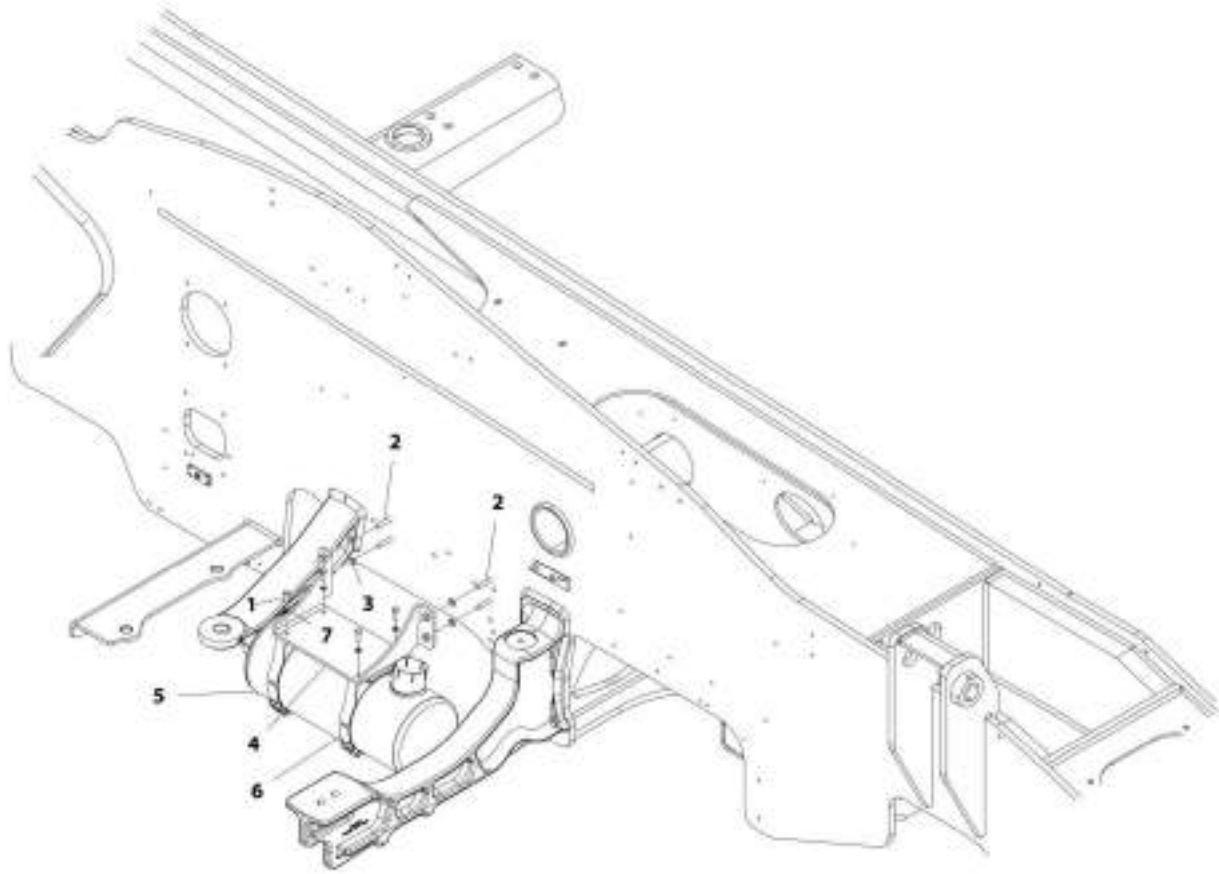
## SECTION 4 - ENGINE AND ATTACHING PARTS

**FIGURE 4-30. EXHAUST INSTALLATION (LS)**

ITEM	PART NUMBER	QTY	DESCRIPTION	REV
	1001160417	Ref	Exhaust Installation (if equipped for LS)	G
1	0701017	2	Bolt, M10X45	
2	3291001	2	Nut, M10X1.5 Grade 8	
3	4812000	4	Washer, M10	
4	24921332	5	Clamp	
6	1001162281	1	Support, Exhaust Pipe	
7	1001168635	1	Pipe	
8	1001179968	Ref	Installation, Muffler (See MUFFLER INSTALLATION (LS) for Breakdown)	
9	1001179972	1	Pipe	
10	1001181815	1	Plate, Heat Shield	
14	0760810	2	Bolt, M8X20	
16	4811900	2	Washer, M8	
17	1001176650	1	Shield	
18	1001191348	1	Pipe	
19	8310686	2	Nut, M8X12.5	

# SECTION 4 - ENGINE AND ATTACHING PARTS

## FIGURE 4-31. MUFFLER INSTALLATION (LS)



ART\_1001170668-D

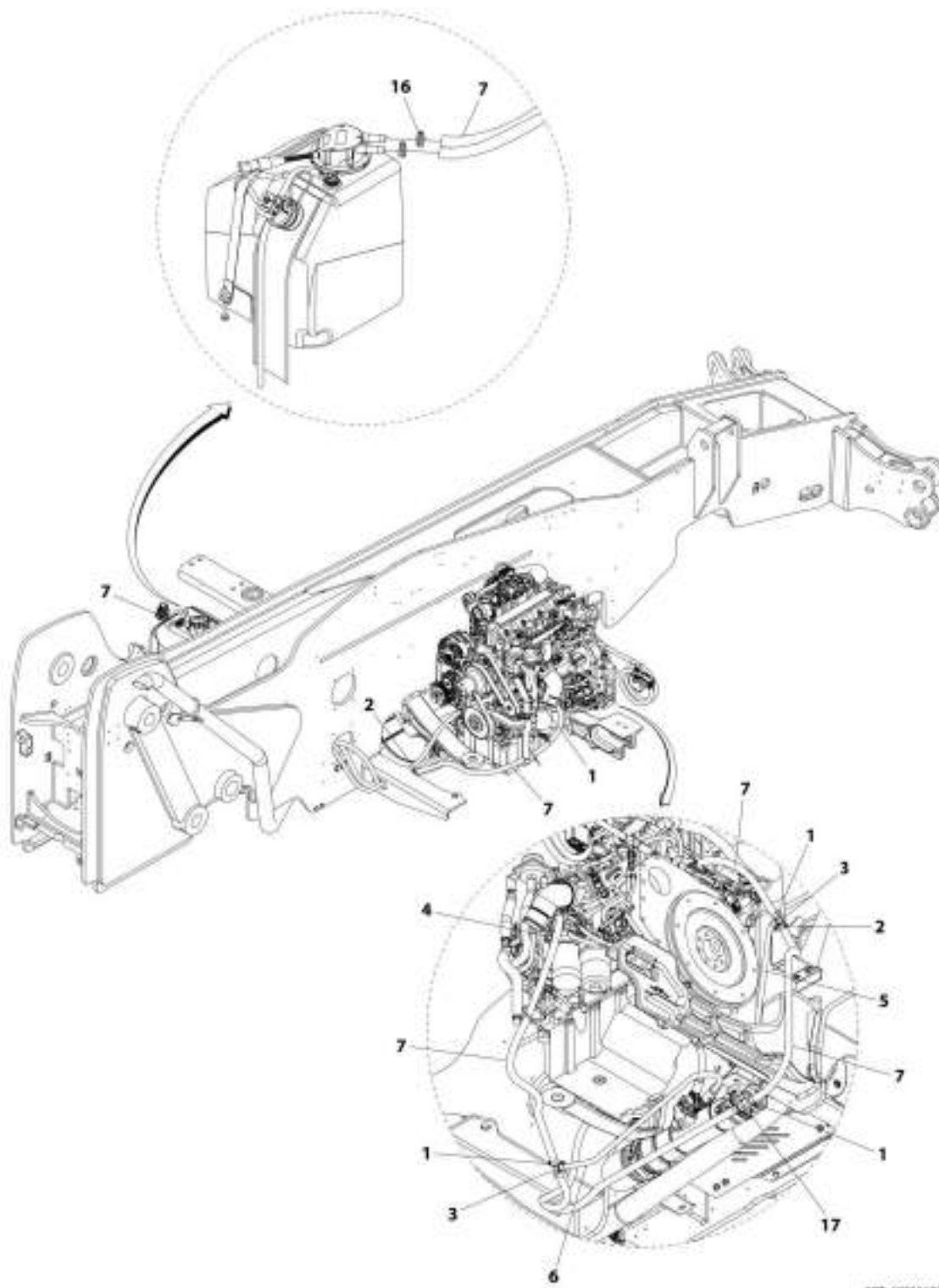
## SECTION 4 - ENGINE AND ATTACHING PARTS

### FIGURE 4-31. MUFFLER INSTALLATION (LS)

ITEM	PART NUMBER	QTY	DESCRIPTION	REV
	1001179968	Ref	Muffler Installation (if equipped for LS)	D
1	0760812	4	Bolt, M8X25	
2	0701017	4	Bolt, M10X45	
3	4812000	4	Washer, M10	
4	1001179973	1	Bracket	
5	1001180226	1	Muffler	
6	1001180227	2	Clamp, Muffler	
7	4811900	4	Washer, M8	

# SECTION 4 - ENGINE AND ATTACHING PARTS

## FIGURE 4-32. DEF LINES INSTALLATION



ART\_1001163232-I

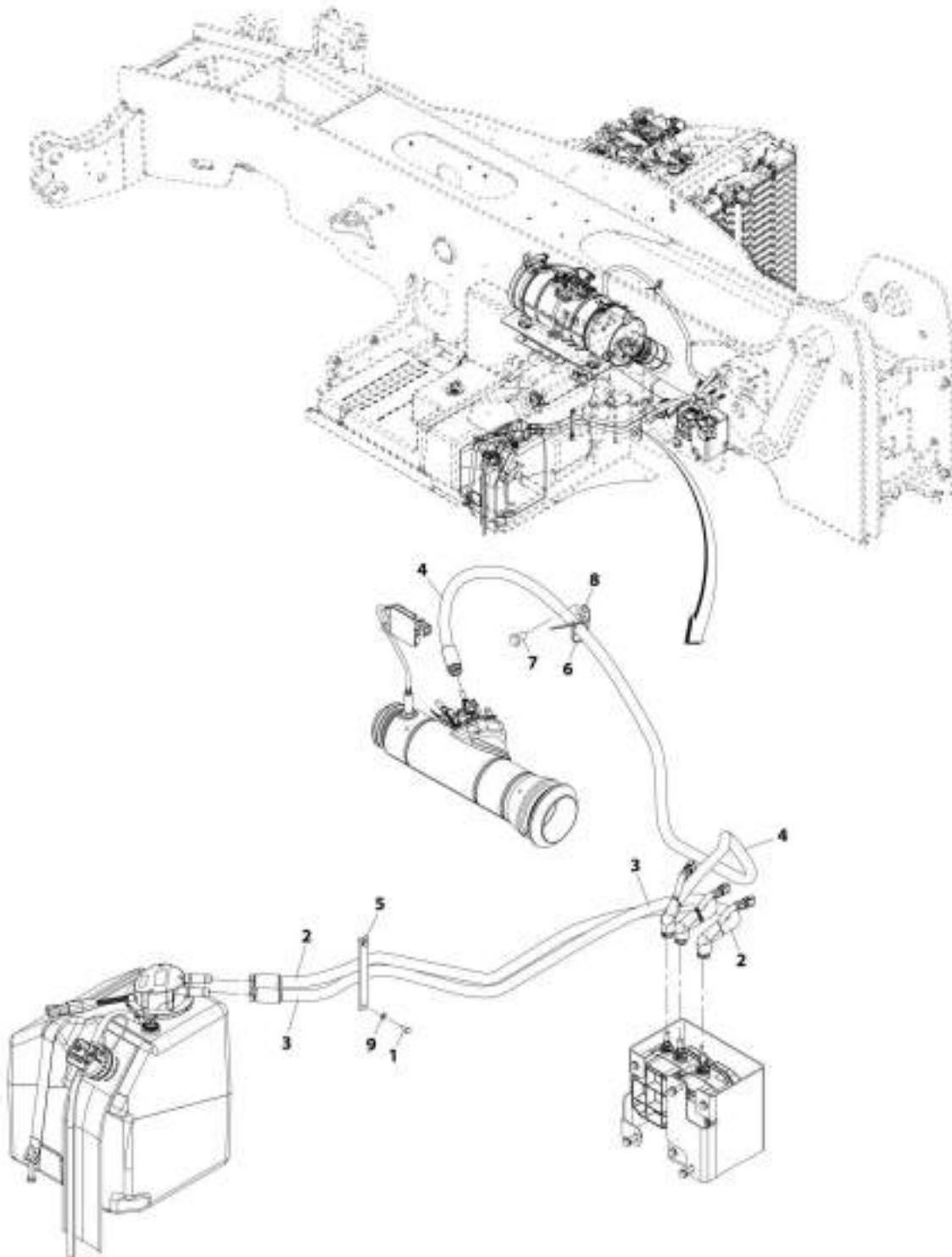
## SECTION 4 - ENGINE AND ATTACHING PARTS

FIGURE 4-32. DEF LINES INSTALLATION

ITEM	PART NUMBER	QTY	DESCRIPTION	REV
	1001163232	Ref	DEF Lines Installation	I
1	8410009	10	Gear Clamp	
2	8410013	2	Gear Clamp	
3	1001162212	2	Pipe	
4	1001168822	1	Pipe	
5	1001169409	1	Hose	
6	1001169410	1	Hose	
7	82033995	6.9 m	Hose	
16	1001202526	2	Clamp	
17	1001228872	1	Filter	

# SECTION 4 - ENGINE AND ATTACHING PARTS

FIGURE 4-33. DEF PUMP LINES INSTALLATION (Prior to SN 0160075366)



ART\_1001163253-G

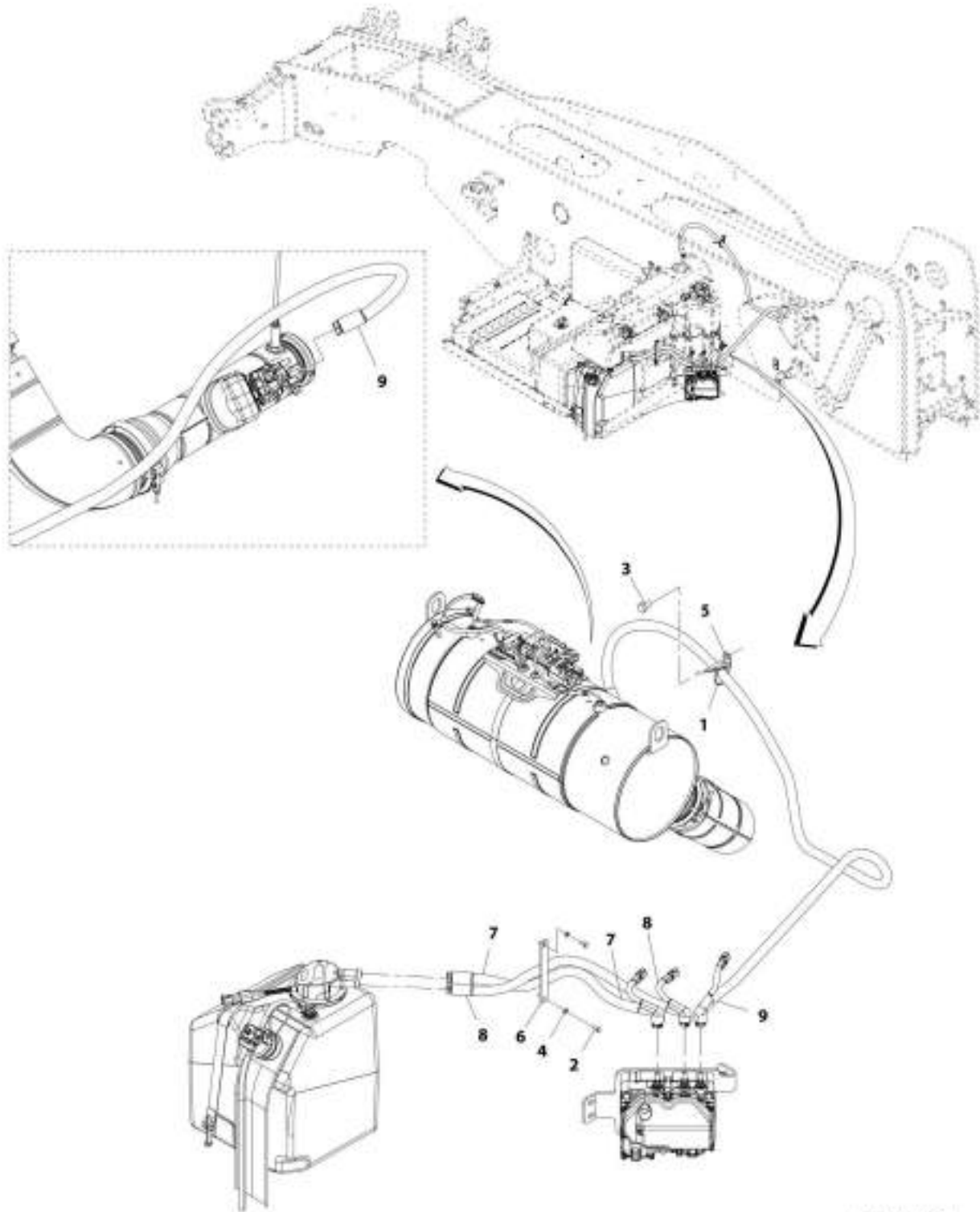
## SECTION 4 - ENGINE AND ATTACHING PARTS

**FIGURE 4-33. DEF PUMP LINES INSTALLATION (Prior to SN 0160075366)**

ITEM	PART NUMBER	QTY	DESCRIPTION	REV
	1001163253	Ref	DEF Pump Lines Installation	G
1	0760607	2	Bolt, M6X14	
2	1001167969	NLA	Hose, (no longer available, use 1001196354 for replacement)	
2	1001196354	1	Hose	
3	1001167970	NLA	Hose, (no longer available, use 1001196421 for replacement)	
3	1001196421	1	Hose	
4	1001167971	1	Hose	
5	1001196440	1	Plate, Retainer	
6	8881802	1	Wire Tie	
7	0761210	1	Bolt, M12X20	
8	1001025750	1	Clip	
9	4831700	2	Washer, Lock M6	

# SECTION 4 - ENGINE AND ATTACHING PARTS

FIGURE 4-34. DEF PUMP LINES INSTALLATION (SN 0160075366 to Present)



ART\_100119825-8



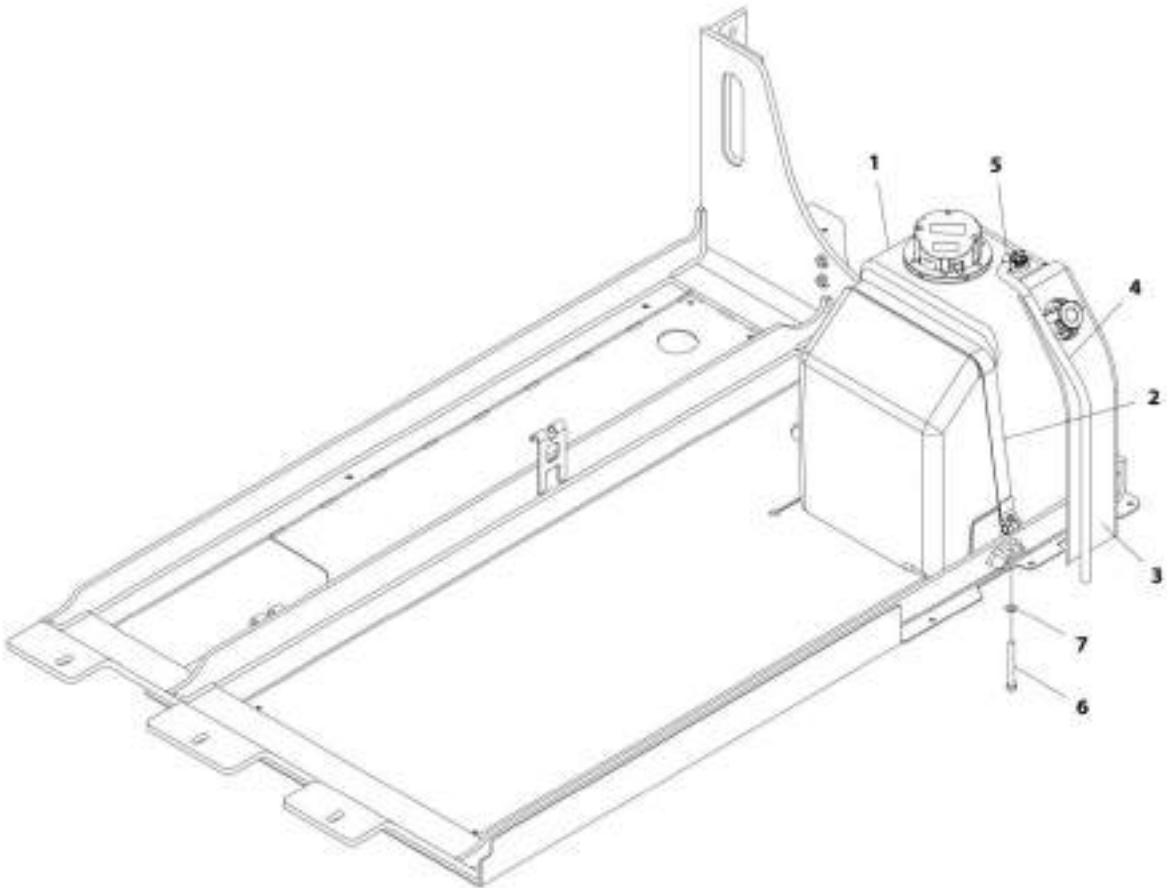
## SECTION 4 - ENGINE AND ATTACHING PARTS

FIGURE 4-34. DEF PUMP LINES INSTALLATION (SN 0160075366 to Present)

ITEM	PART NUMBER	QTY	DESCRIPTION	REV
	1001199825	Ref	DEF Pump Lines Installation	B
1	8881802	1	Wire Tie	
2	0760607	2	Bolt, M6X14	
3	0761210	1	Bolt, M12X20	
4	4831700	2	Washer, Lock M6	
5	1001025750	1	Clip	
6	1001196440	1	Plate, Retainer	
7	1001199822	1	Hose	
8	1001199823	1	Hose	
9	1001199824	1	Hose	

## SECTION 4 - ENGINE AND ATTACHING PARTS

FIGURE 4-35. DEF TANK INSTALLATION



ART\_1001168620-1

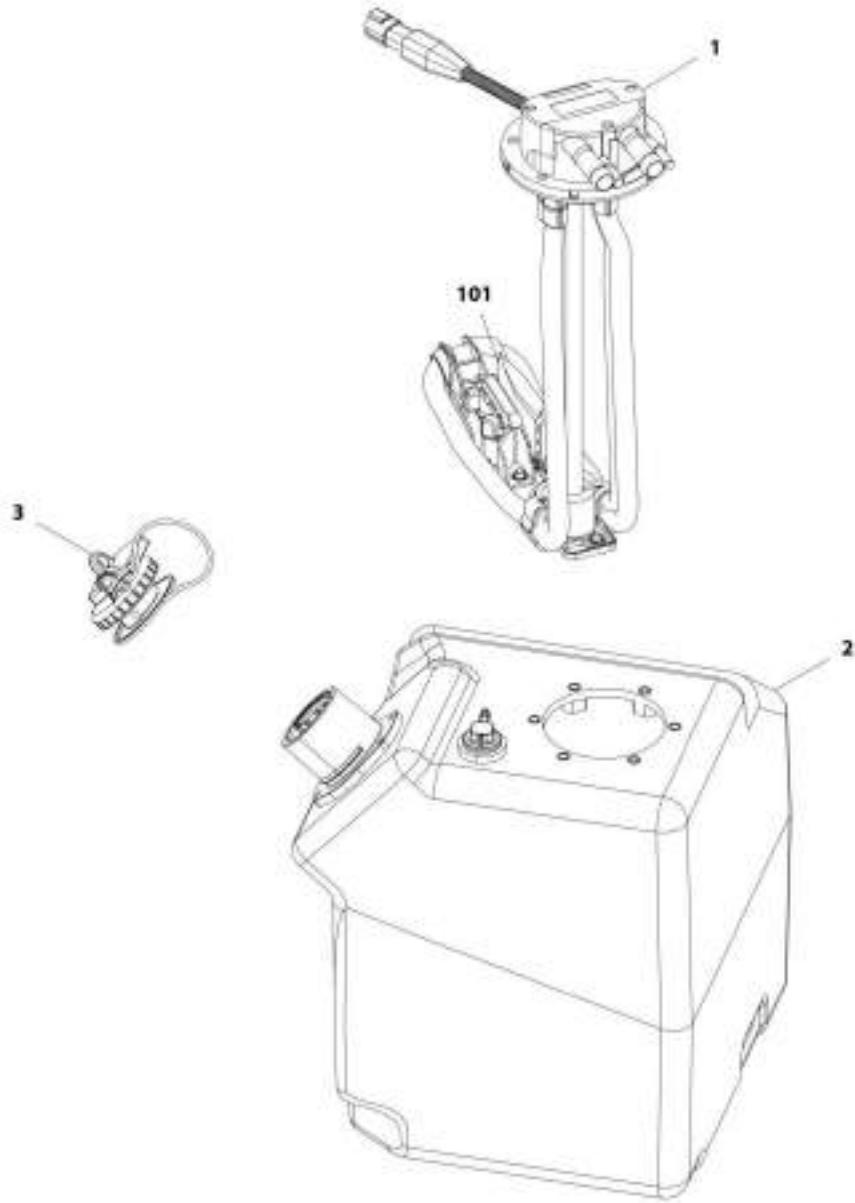
## SECTION 4 - ENGINE AND ATTACHING PARTS

### FIGURE 4-35. DEF TANK INSTALLATION

ITEM	PART NUMBER	QTY	DESCRIPTION	REV
	1001168638	Ref	DEF Tank Installation	I
1	1001164966	1	Tank, Def (See DEF TANK ASSEMBLY for Breakdown)	
2	1001178791	1	Strap, Tank	
3	1001168272	1	Sleeve	
4	1001175201	0.6 m	Hose	
5	8405009	1	Clamp, Gear	
6	0760823	1	Bolt, M8X75	
7	4811900	1	Washer, M8	

# SECTION 4 - ENGINE AND ATTACHING PARTS

FIGURE 4-36. DEF TANK ASSEMBLY



ART\_1001194906-C

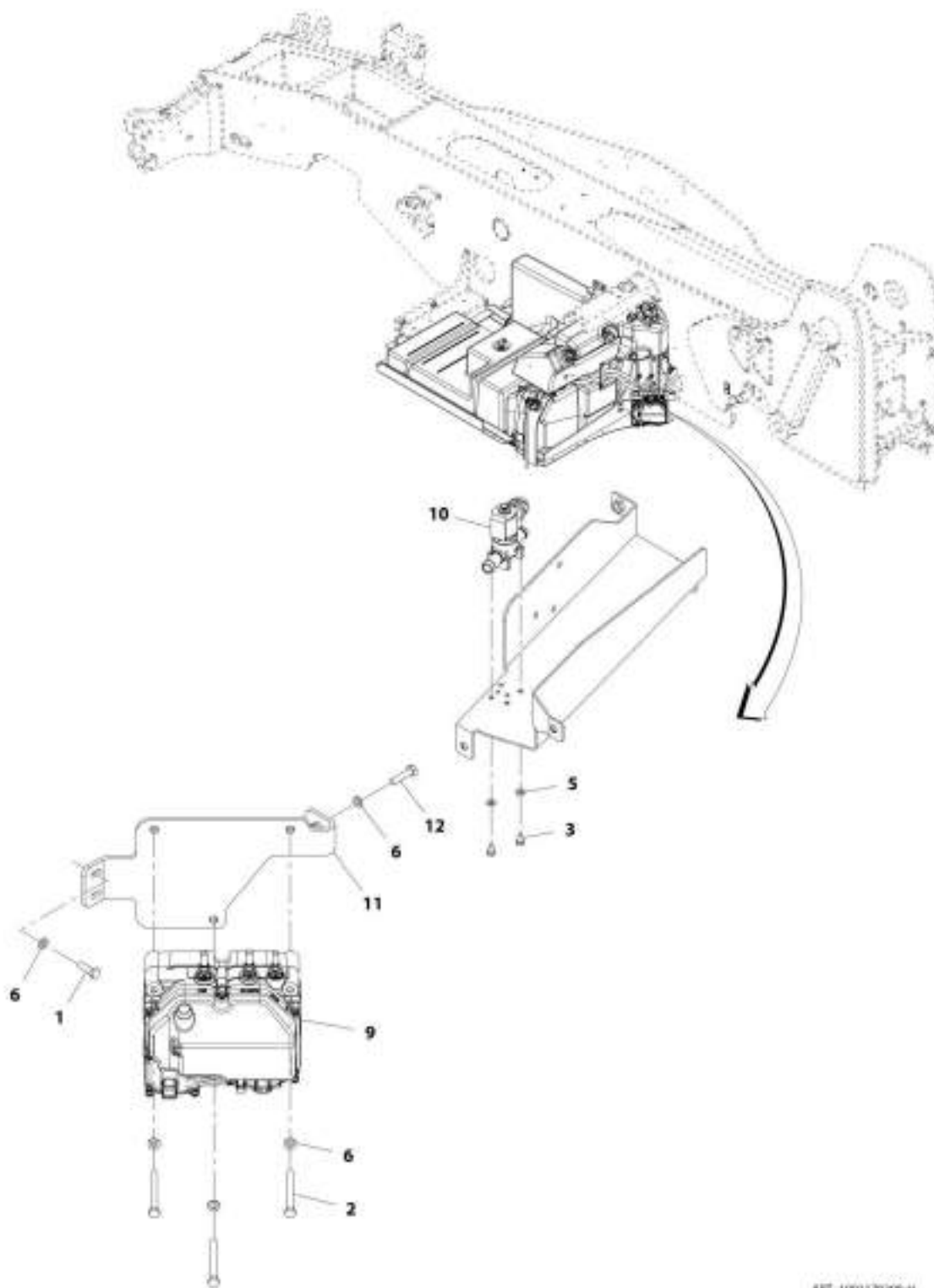
## SECTION 4 - ENGINE AND ATTACHING PARTS

FIGURE 4-36. DEF TANK ASSEMBLY

ITEM	PART NUMBER	QTY	DESCRIPTION	REV
	1001164966	Ref	DEF Tank Assembly	E
1	1001164964	1	Assembly, DEF Electrical (includes item 101)	
2	1001164967	1	Tank	
3	1001174795	1	Cap	
101	70026584	1	Filter, Def	

# SECTION 4 - ENGINE AND ATTACHING PARTS

## FIGURE 4-37. DEF PUMP AND CONTROL INSTALLATION



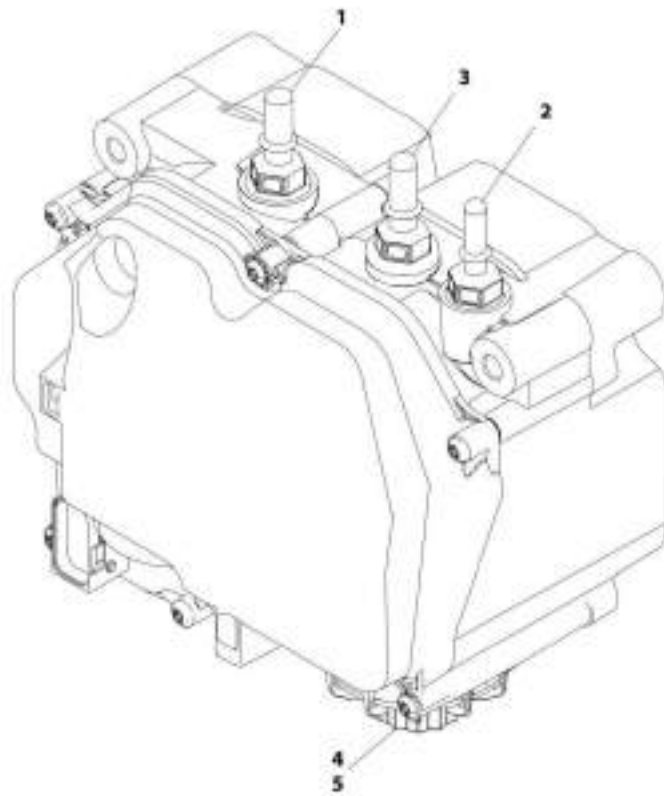
## SECTION 4 - ENGINE AND ATTACHING PARTS

FIGURE 4-37. DEF PUMP AND CONTROL INSTALLATION

ITEM	PART NUMBER	QTY	DESCRIPTION	REV
	1001170308	Ref	DEF Pump and Control Installation	H
1	0760812	2	Bolt, M8X25	
2	0700826	3	Bolt, M8X90	
3	0760605	4	Bolt, M6X10	
5	4811700	4	Washer, M6	
6	4811900	6	Washer, M8	
9	1001154227	NLA	Pump, (no longer available, use 1001213210 for replacement)	
9	1001213210	1	Pump (See DEF MODULE PUMP for Breakdown)	
10	1001199670	1	Valve	
11	1001199645	1	Bracket	
12	0760815	1	Bolt, M8X35	

## SECTION 4 - ENGINE AND ATTACHING PARTS

FIGURE 4-38. DEF MODULE PUMP (Prior to SN 0160077096)



APT\_1001154227-C



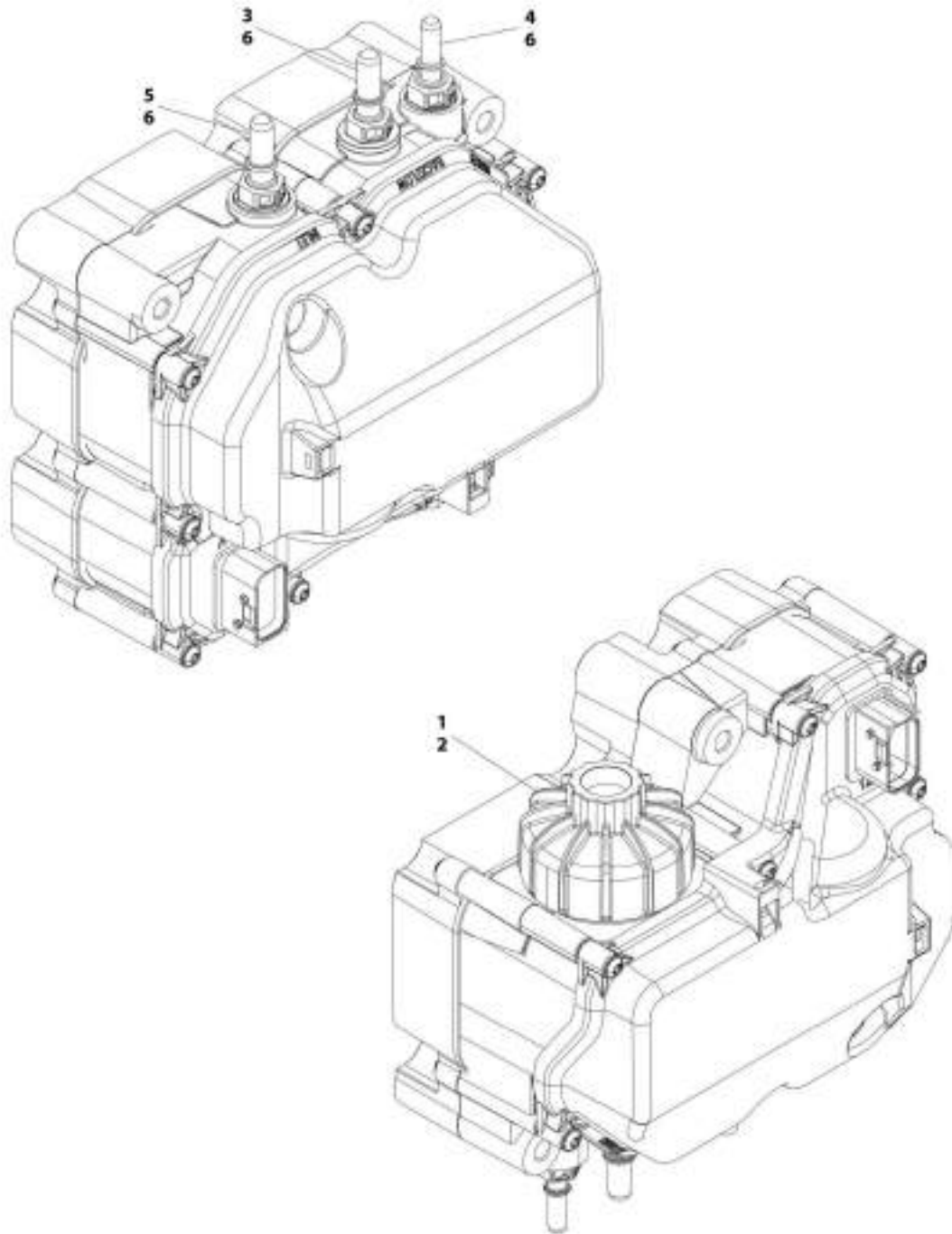
## SECTION 4 - ENGINE AND ATTACHING PARTS

**FIGURE 4-38. DEF MODULE PUMP (Prior to SN 0160077096)**

ITEM	PART NUMBER	QTY	DESCRIPTION	REV
	1001154227	Ref	DEF Module Pump	C
1	70026244	1	Connector, Male (Inlet)	
2	70026245	1	Connector, Male (Outlet)	
3	70026246	1	Connector, Male (Backflow)	
4	70026247	1	Cap, Filter	
5	70026248	1	Kit, Filter	

## SECTION 4 - ENGINE AND ATTACHING PARTS

FIGURE 4-39. DEF MODULE PUMP (SN 0160077096 to Present)



ART\_1001315210-A

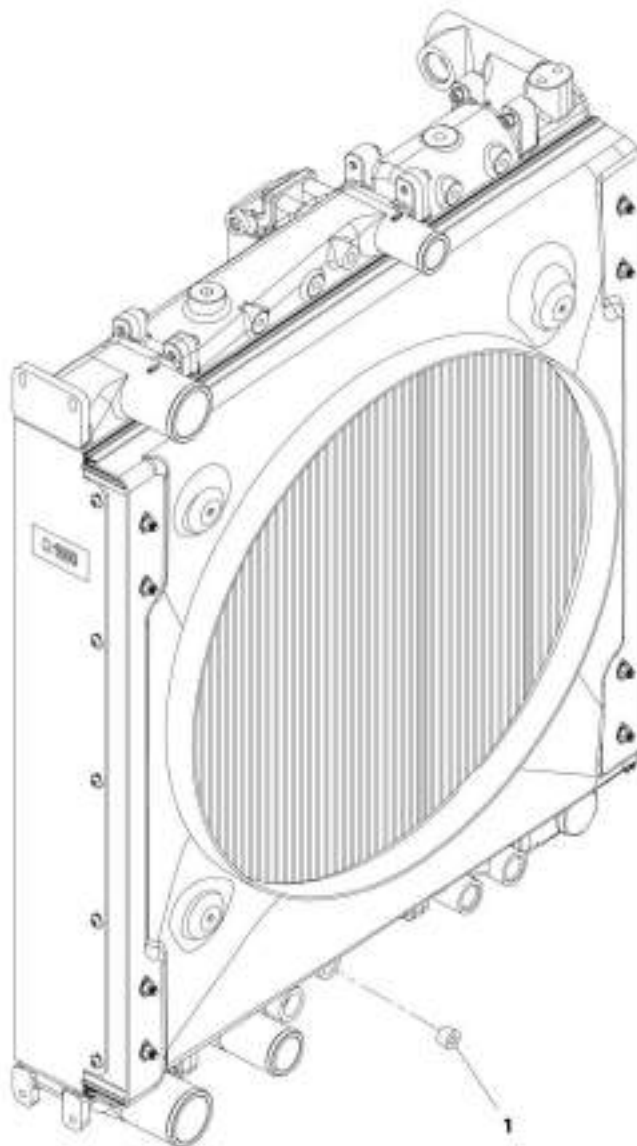
## SECTION 4 - ENGINE AND ATTACHING PARTS

FIGURE 4-39. DEF MODULE PUMP (SN 0160077096 to Present)

ITEM	PART NUMBER	QTY	DESCRIPTION	REV
	1001213210	1	DEF Module Pump	A
1	70026248	1	Kit, Filter	
2	70026247	1	Cap, Filter	
3	70027705	1	Connector, Male (Backflow)	
4	70026245	1	Connector, Male (Outlet)	
5	70026244	1	Connector, Male (Inlet)	
6	70027706	3	Gasket, Circular (O-Ring)	

## SECTION 4 - ENGINE AND ATTACHING PARTS

FIGURE 4-40. ENGINE PARTS INSTALLATION (NO HEATER)



ART\_1001163133-C

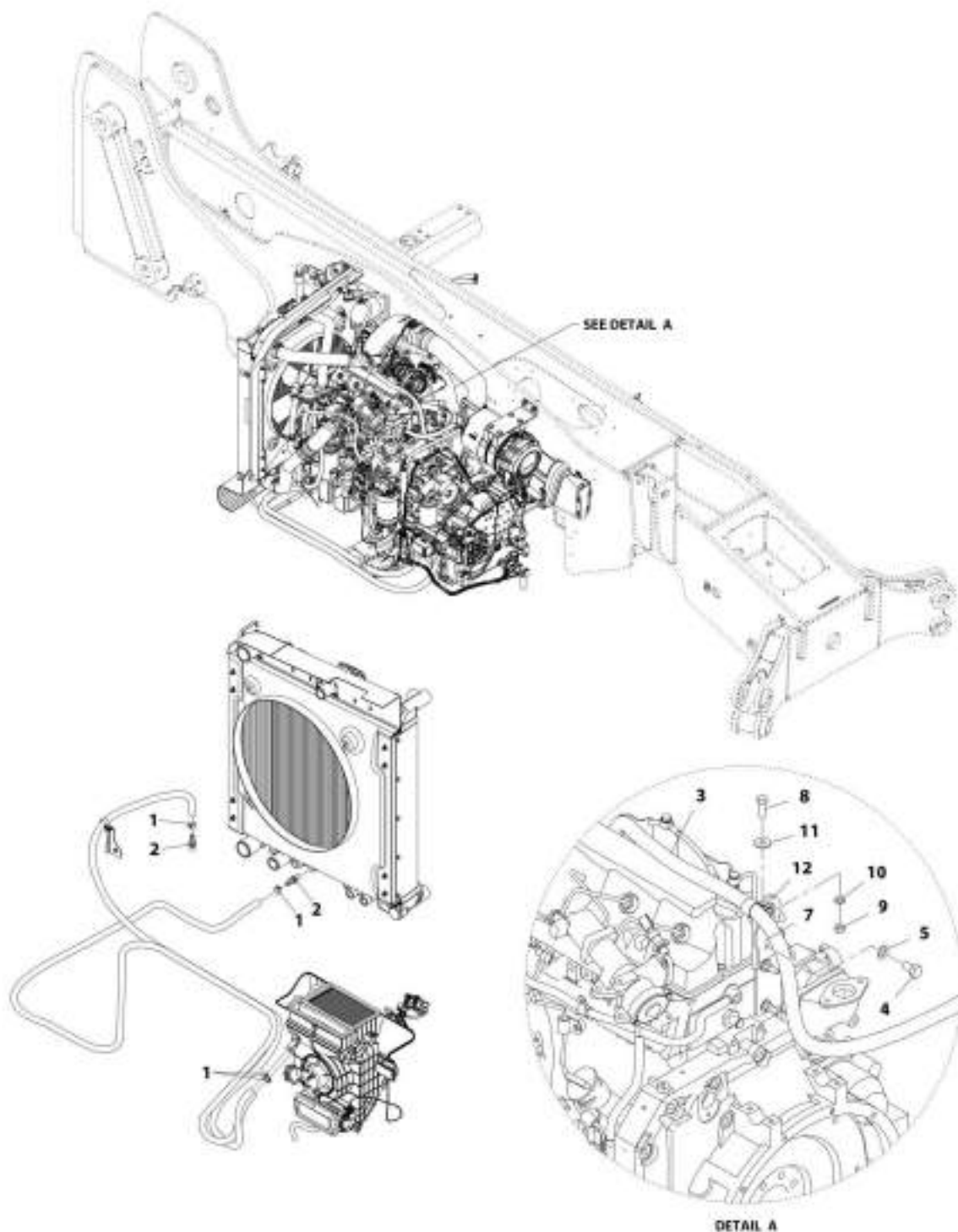
## SECTION 4 - ENGINE AND ATTACHING PARTS

FIGURE 4-40. ENGINE PARTS INSTALLATION (NO HEATER)

ITEM	PART NUMBER	QTY	DESCRIPTION	REV
1	1001163133 2200223	Ref 1	Engine Parts Installation (No Heater) Plug	C

# SECTION 4 - ENGINE AND ATTACHING PARTS

## FIGURE 4-41. ENGINE PARTS INSTALLATION (HEATER)



ART. 3001163134-J

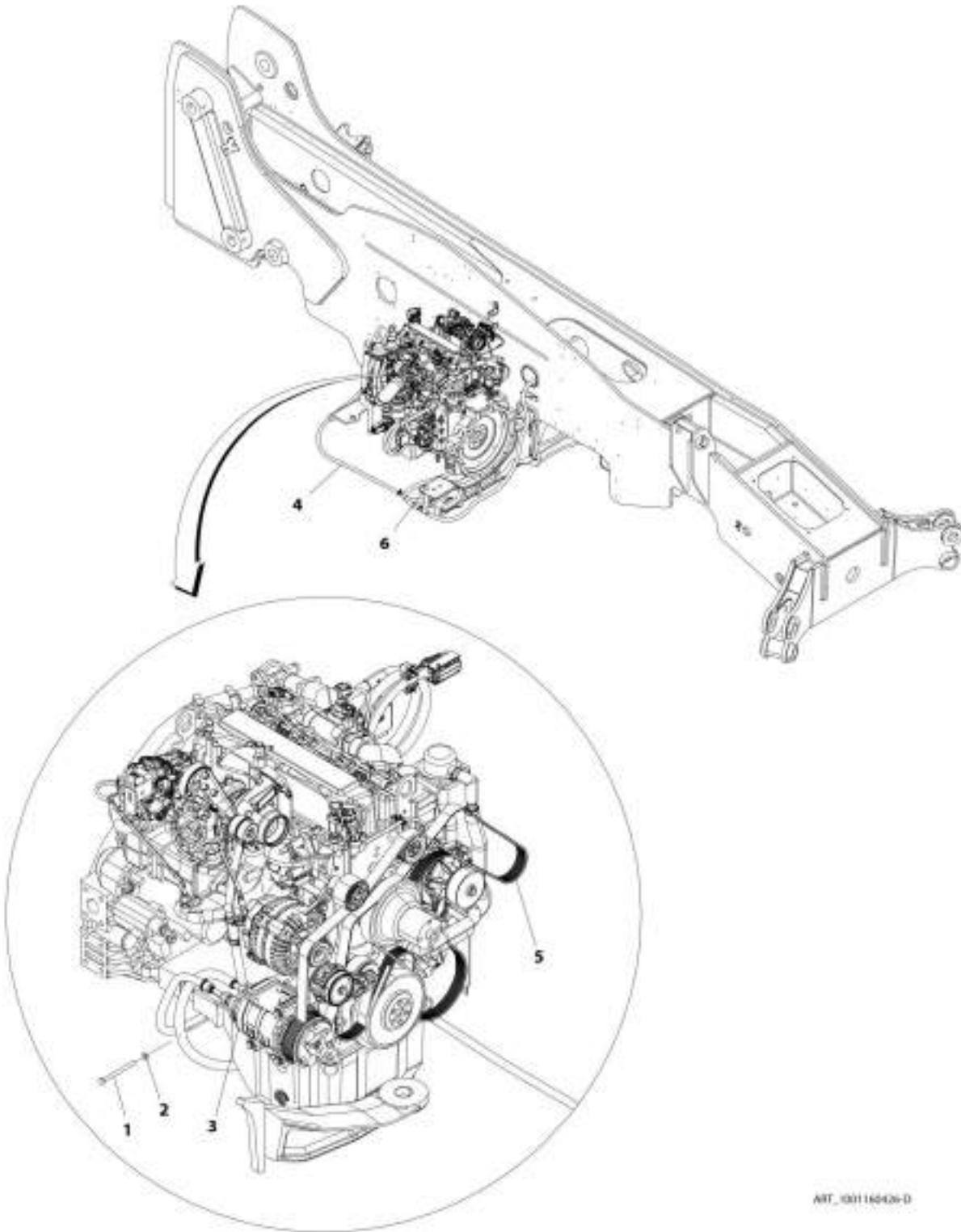
## SECTION 4 - ENGINE AND ATTACHING PARTS

FIGURE 4-41. ENGINE PARTS INSTALLATION (HEATER)

ITEM	PART NUMBER	QTY	DESCRIPTION	REV
	1001163134	Ref	Engine Parts Installation (Heater)	J
1	8410009	4	Clamp, Gear	
2	1001104685	2	Pipe	
3	82033995	7 m	Hose	
4	0760807	1	Bolt, M8X14	
5	4811900	1	Washer, M8	
7	1001200555	1	Bracket	
8	0700610	1	Bolt, M6X20	
9	3290601	1	Nut, M6X1 Grade 8	
10	4811700	1	Washer, M6	
11	4811702	1	Washer, M6	
12	8406201	1	Clip	

## SECTION 4 - ENGINE AND ATTACHING PARTS

FIGURE 4-42. A/C PUMP INSTALLATION (ULS)



ART\_1001165426-D



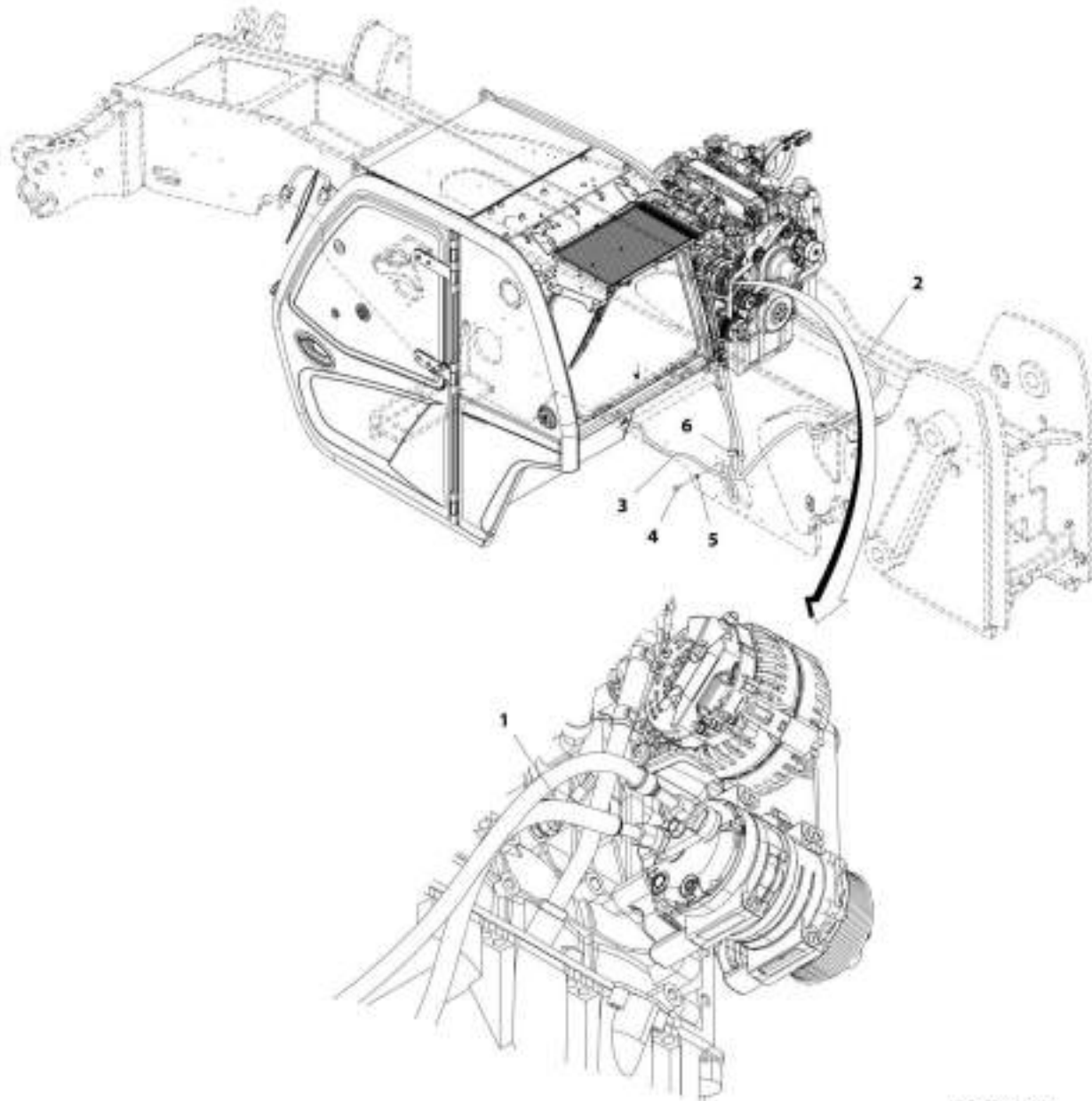
## SECTION 4 - ENGINE AND ATTACHING PARTS

### FIGURE 4-42. A/C PUMP INSTALLATION (ULS)

ITEM	PART NUMBER	QTY	DESCRIPTION	REV
	1001160426	Ref	A/C Pump Installation (if equipped for ULS)	D
1	0700827	4	Bolt, M8X100	
2	4811900	4	Washer, M8	
3	1001157663	1	Compressor, A/C	
4	1001163254	Ref	Installation, A/C Lines (See A/C LINES INSTALLATION for Breakdown)	
5	1001167357	1	Belt	
6	1001193026	1	Decal	

# SECTION 4 - ENGINE AND ATTACHING PARTS

## FIGURE 4-43. A/C LINES INSTALLATION



ART\_100163254-H

## SECTION 4 - ENGINE AND ATTACHING PARTS

### FIGURE 4-43. A/C LINES INSTALLATION

ITEM	PART NUMBER	QTY	DESCRIPTION	REV
	1001163254	Ref	A/C Lines Installation	H
1	1001196491	1	Hose	
2	1001184017	1	Hose	
3	1001186705	1	Hose	
4	0761012	1	Bolt, M10X25	
5	4812000	1	Washer, M10	
6	8406102	2	Clip	

## SECTION 4 - ENGINE AND ATTACHING PARTS

FIGURE 4-44. FUEL CAP ASSEMBLY



ART\_1001194929-A

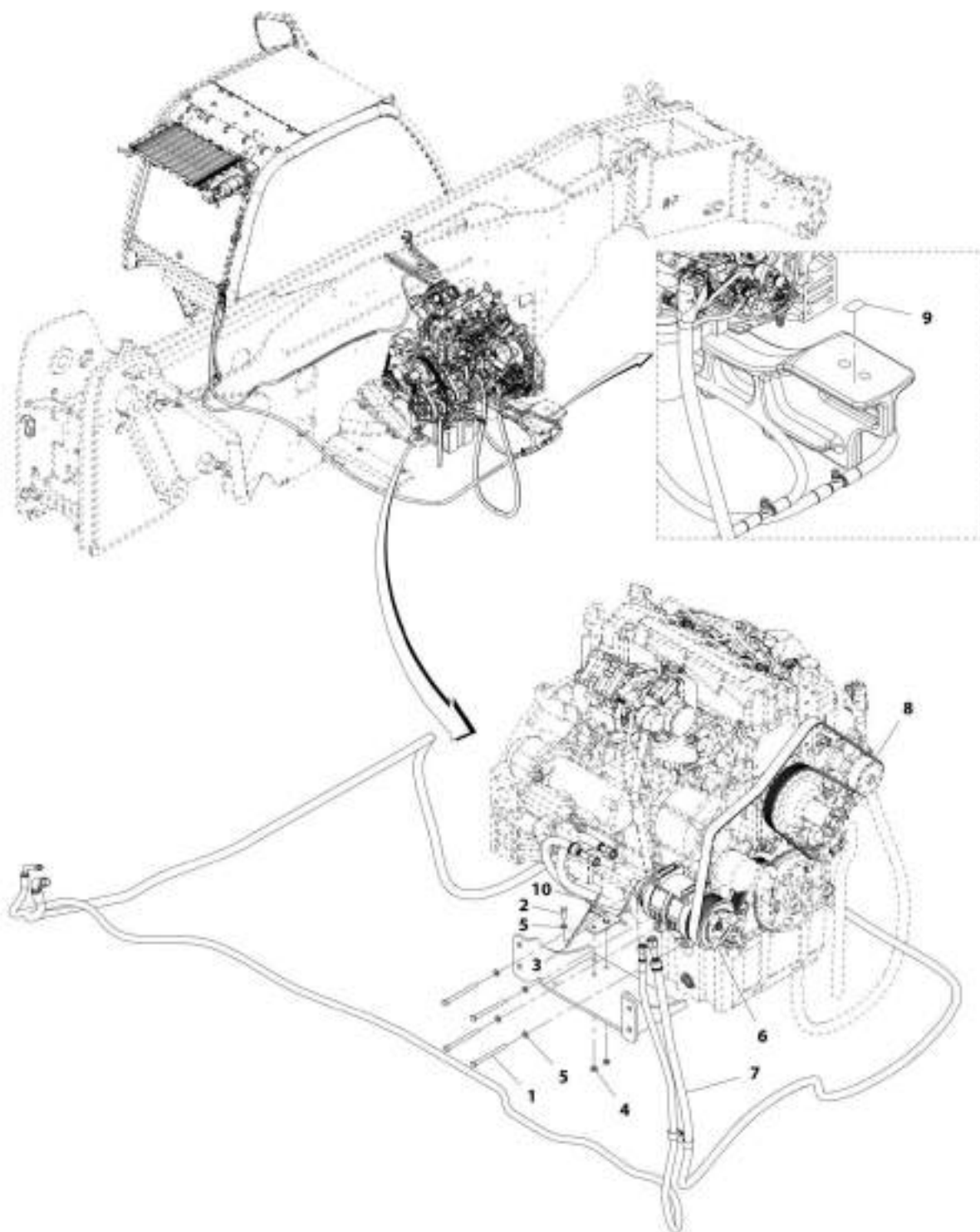
## SECTION 4 - ENGINE AND ATTACHING PARTS

FIGURE 4-44. FUEL CAP ASSEMBLY

ITEM	PART NUMBER	QTY	DESCRIPTION	REV
1	1001194978	Ref	Fuel Cap Assembly	A

# SECTION 4 - ENGINE AND ATTACHING PARTS

## FIGURE 4-45. AC PUMP INSTALLATION (LS)



ART\_1001206440-A

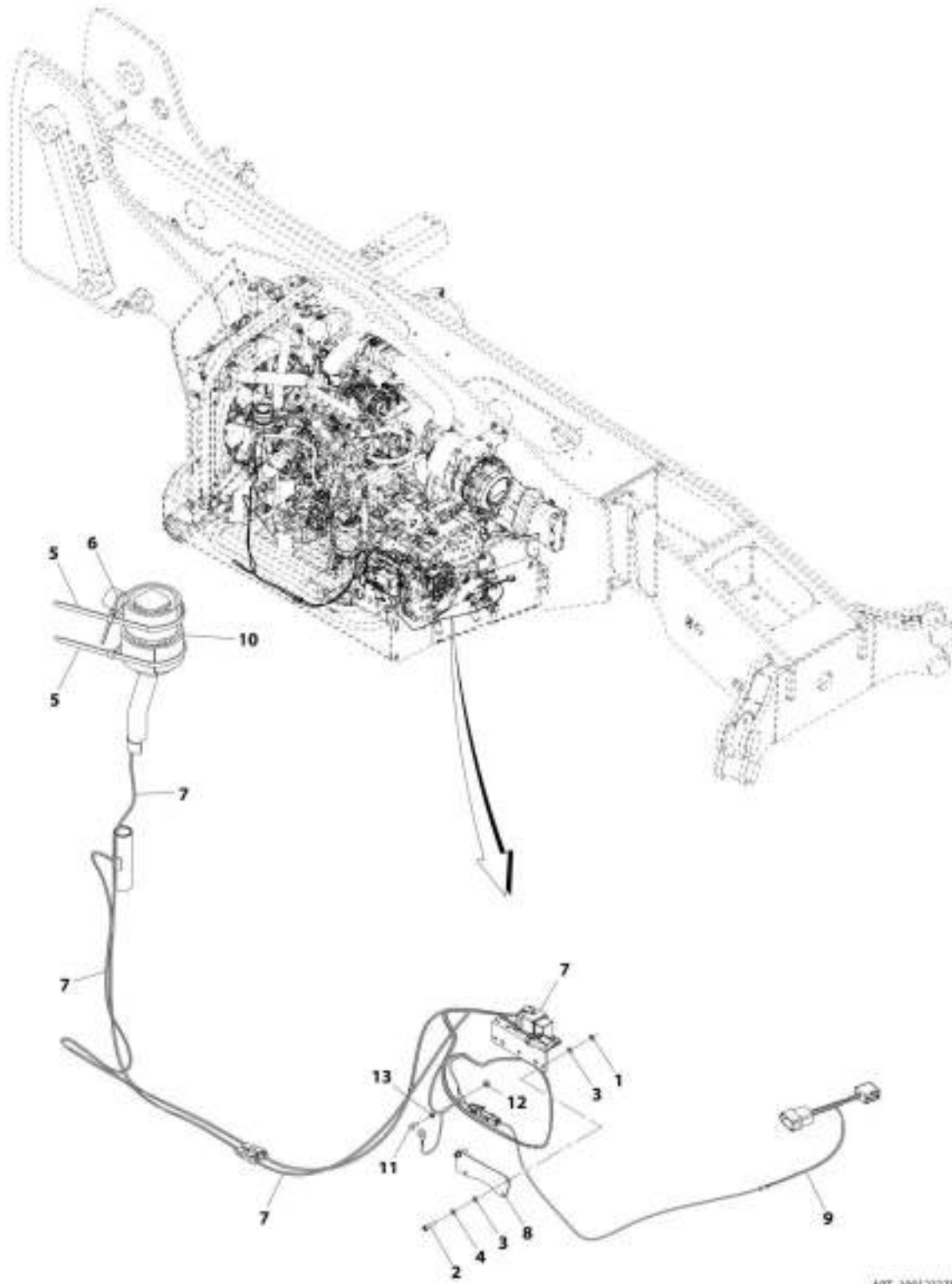
## SECTION 4 - ENGINE AND ATTACHING PARTS

### FIGURE 4-45. AC PUMP INSTALLATION (LS)

ITEM	PART NUMBER	QTY	DESCRIPTION	REV
	1001206448	Ref	AC Pump Installation (If equipped for LS)	A
1	0700827	4	Bolt, M8X100	
2	0760812	2	Screw, M8X25	
3	1062255	1	Tie, Strap	
4	3290801	2	Nut, M8X1.25	
5	4811900	6	Washer, M8	
6	1001157663	1	Compressor, A/C	
7	1001163254	1	Installation, A/C Lines (See A/C LINES INSTALLATION for Breakdown)	
8	1001167357	1	Belt	
9	1001193026	1	Decal	
10	1001206332	1	Bracket	

# SECTION 4 - ENGINE AND ATTACHING PARTS

## FIGURE 4-46. BREATHER HEATER



ART\_1001202751-0



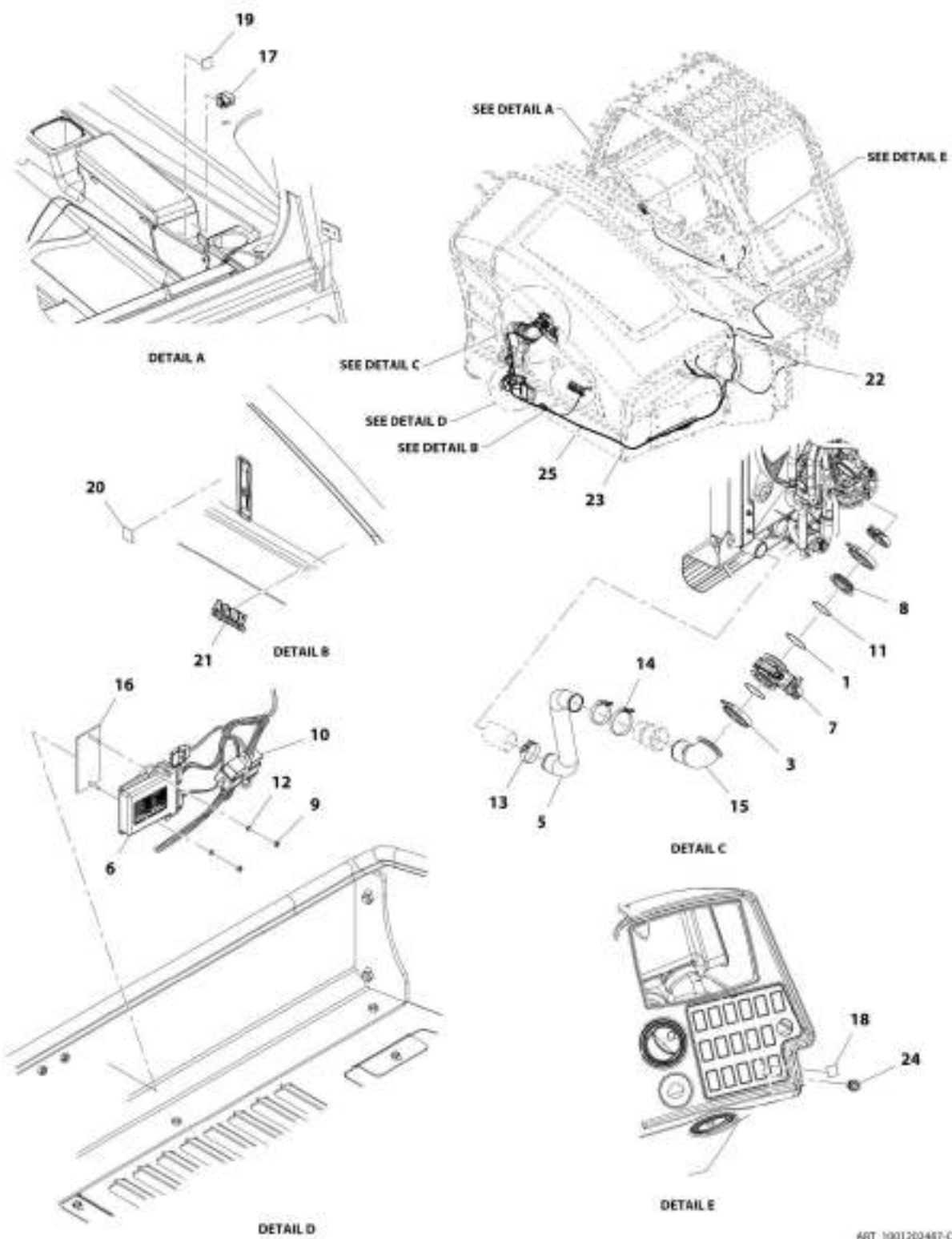
## SECTION 4 - ENGINE AND ATTACHING PARTS

### FIGURE 4-46. BREATHER HEATER

ITEM	PART NUMBER	QTY	DESCRIPTION	REV
	1001232751	Ref	Breather Heater	B
1	3290501	2	Nut, M5X0.8	
2	4031608	2	Screw, M5X20	
3	4811600	4	Washer, M5	
4	4831600	2	Washer, Lock M5	
5	01043892	2	Tie wrap, Long	
6	86683122	1	Tie wrap, Short	
7	1001232439	1	Engine, Cummins Breather Kit	
8	1001232440	1	Bracket, Cummins Kit Support	
9	1001232556	1	Harness, Cummins Heater Jump	
10	1001232624	1	Insulate, Cummins Insulation	
11	0760607	1	Bolt, M6X14	
12	3290601	1	Nut, M6X1	
13	4811700	2	Washer, M6	

# SECTION 4 - ENGINE AND ATTACHING PARTS

## FIGURE 4-47. AIR INTAKE SHUT OFF VALVE INSTALLATION



ART\_1001200487-C

## SECTION 4 - ENGINE AND ATTACHING PARTS

**FIGURE 4-47. AIR INTAKE SHUT OFF VALVE INSTALLATION**

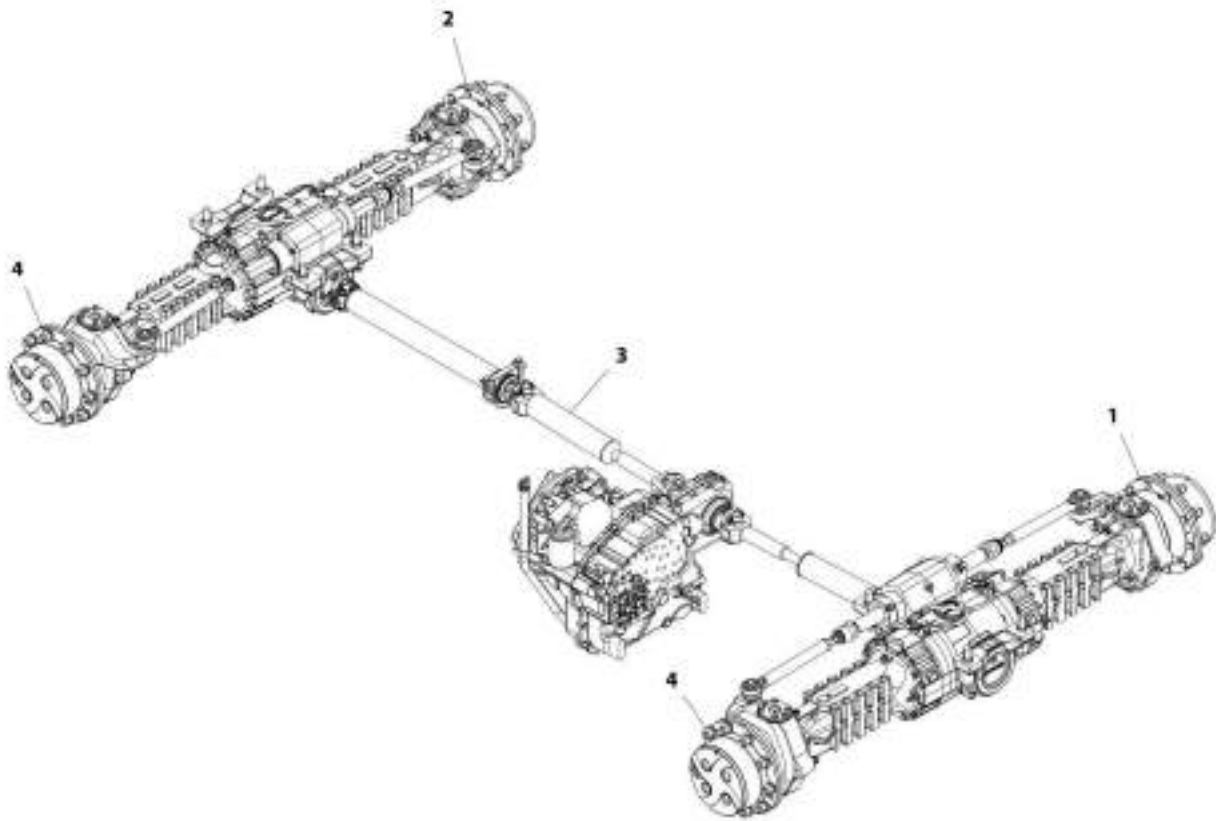
ITEM	PART NUMBER	QTY	DESCRIPTION	REV
	1001202487	Ref	Air Intake Shut Off Valve Installation	C
1	3790152	2	Ring	
3	1001202247	2	Clamp	
5	1001202491	1	Pipe	
6	1001203181	Ref	Accessory, Control (See Separate Breakdown in Electrical Section)	
7	1001204032	Ref	Valve, Air Shut Off (See Separate Breakdown in Hydraulic Section)	
8	1001206980	1	Plate	
9	3290505	2	Nut, Lock M5X0.8 Grade 8	
10	3740080	2	Relay	
11	3790151	1	O-Ring	
12	4811600	2	Washer, M5	
13	8405212	2	Clamp	
14	8405305	1	Clamp	
15	1001215476	1	Pipe	
16	1001219082	1	Bracket	
17	1001215941	1	Switch	
18	1001227077	1	Decal, Air Shut Off	
19	1001227964	1	Decal, ASOV Test	
20	1001228273	1	Decal, Air Shut Off	
21	1001228643	1	Decal, ASOV Equipped	
22	1001231407	Ref	Harness, Cab Air Shut Off Valve (See Separate Breakdown in Electrical Section)	
23	1001231483	Ref	Harness, Engine Air Shut Off Valve (See Separate Breakdown in Electrical Section)	
24	1001239539	1	Lamp	
25	91053419	AR	Strap, Cable	



**SECTION 5 - DRIVE TRAIN**

## SECTION 5 - DRIVE TRAIN

FIGURE 5-1. DRIVE TRAIN INSTALLATION



ART\_1901178524 C

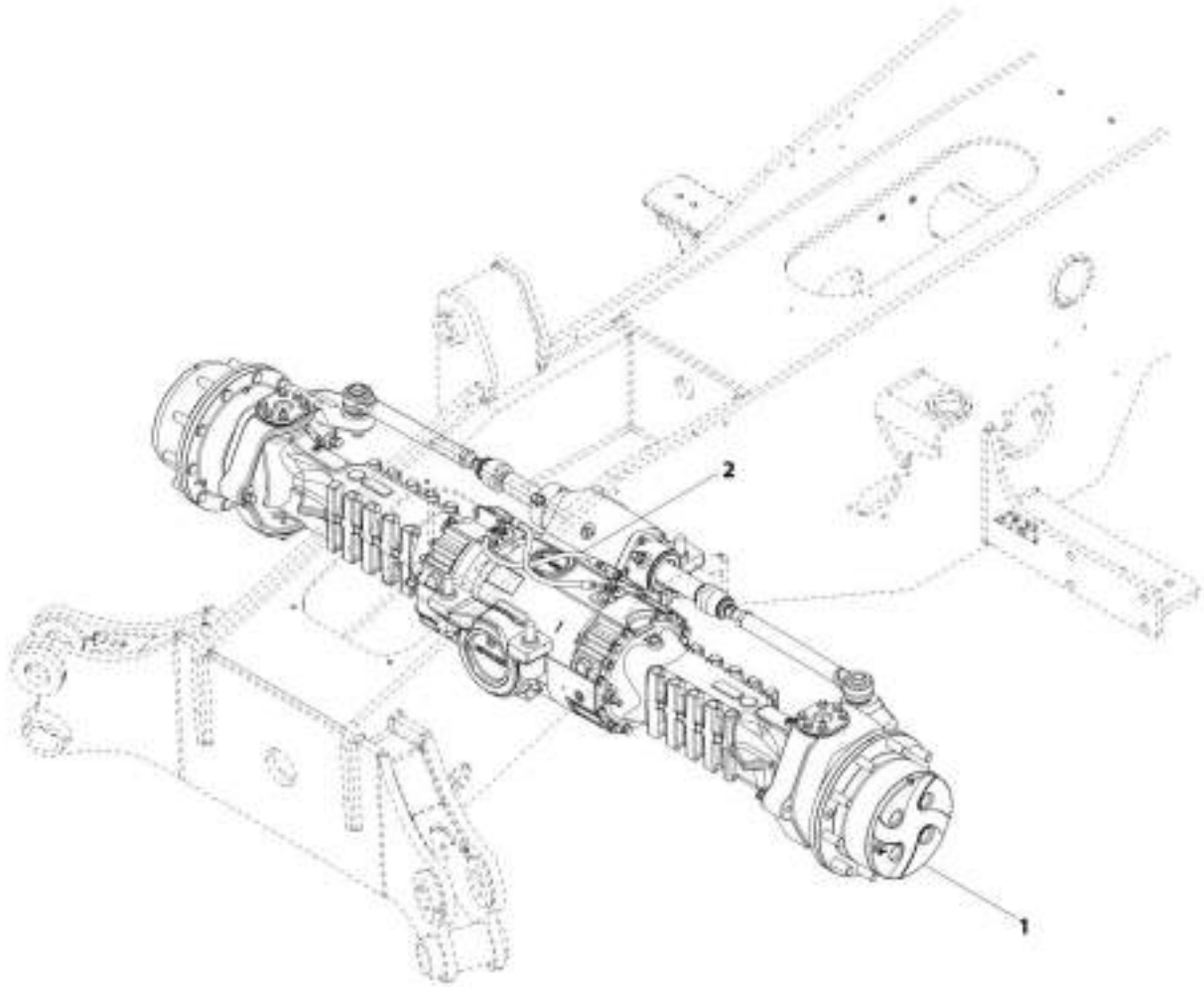
## SECTION 5 - DRIVE TRAIN

### FIGURE 5-1. DRIVE TRAIN INSTALLATION

ITEM	PART NUMBER	QTY	DESCRIPTION	REV
1	1001170524	Ref	Drive Train Installation	C
	1001161418	Ref	Installation, Front Axle (See FRONT AXLE INSTALLATION for Breakdown)	
2	1001161419	Ref	Installation, Rear Axle (See REAR AXLE INSTALLATION for Breakdown)	
3	1001169682	Ref	Installation, Drive Shafts (See DRIVE SHAFTS INSTALLATION for Breakdown)	
4	91403193	40	Lug Nut, M22X1.5	

# SECTION 5 - DRIVE TRAIN

## FIGURE 5-2. FRONT AXLE INSTALLATION



ART\_1001101438-B



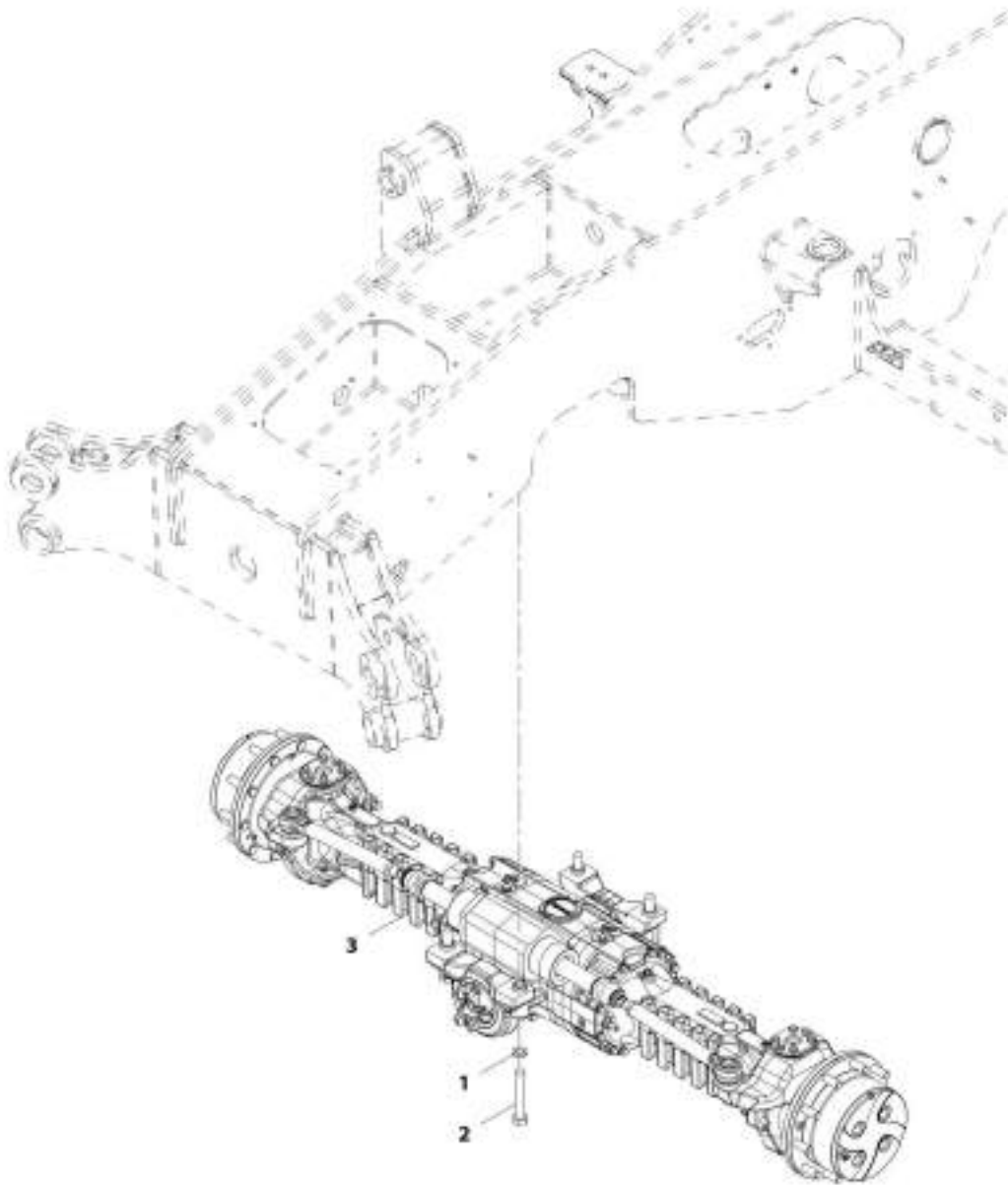
## SECTION 5 - DRIVE TRAIN

### FIGURE 5-2. FRONT AXLE INSTALLATION

ITEM	PART NUMBER	QTY	DESCRIPTION	REV
1	1001161418	Ref	Front Axle Installation	B
	1001161420	Ref	Installation, Front Axle Mounting (See FRONT AXLE MOUNTING INSTALLATION for Breakdown)	
2	1001161421	Ref	Installation, Front Axle Hydraulic Lines (See HYDRAULIC CIRCUITS SECTION for Breakdown)	

## SECTION 5 - DRIVE TRAIN

FIGURE 5-3. FRONT AXLE MOUNTING INSTALLATION



ART\_1001361400-3

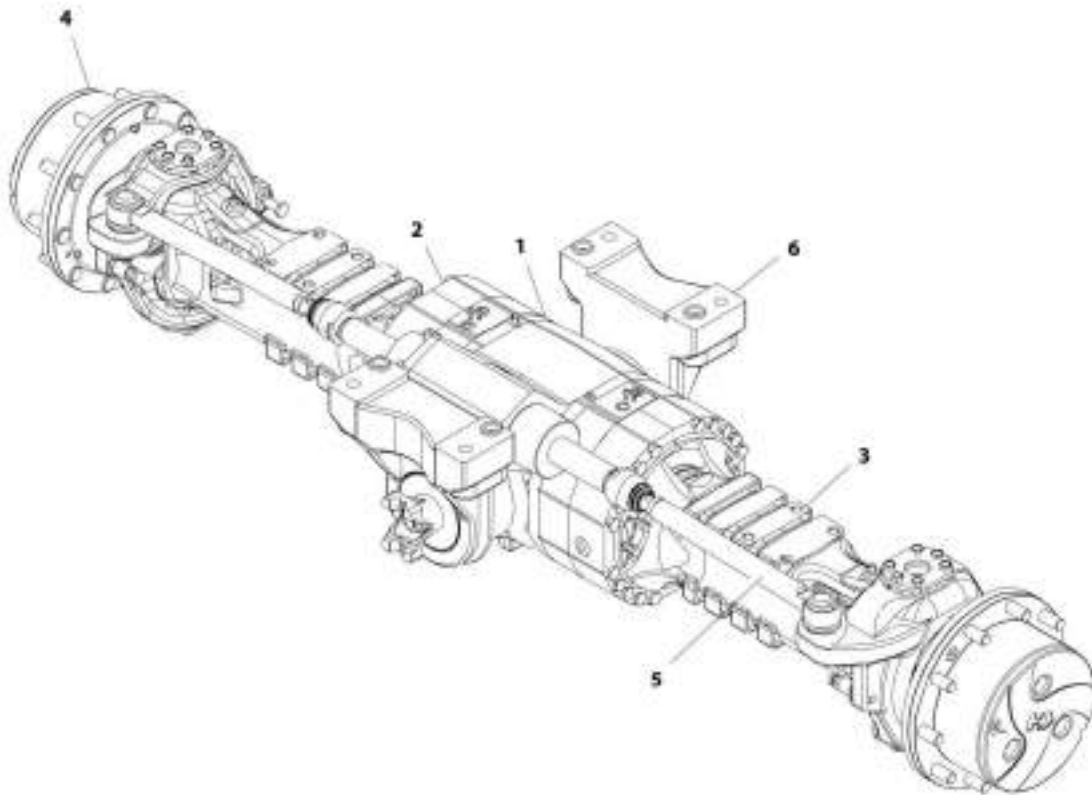
## SECTION 5 - DRIVE TRAIN

### FIGURE 5-3. FRONT AXLE MOUNTING INSTALLATION

ITEM	PART NUMBER	QTY	DESCRIPTION	REV
	1001161420	Ref	Front Axle Installation	B
1	4892600	4	Washer, 1	
2	1001097587	4	Bolt, M24-3X150 GR10.9	
3	1001160802	1	Axle, Front (See FRONT AXLE for Breakdown)	

# SECTION 5 - DRIVE TRAIN

## FIGURE 5-4. FRONT AXLE



AMT\_100118002.P

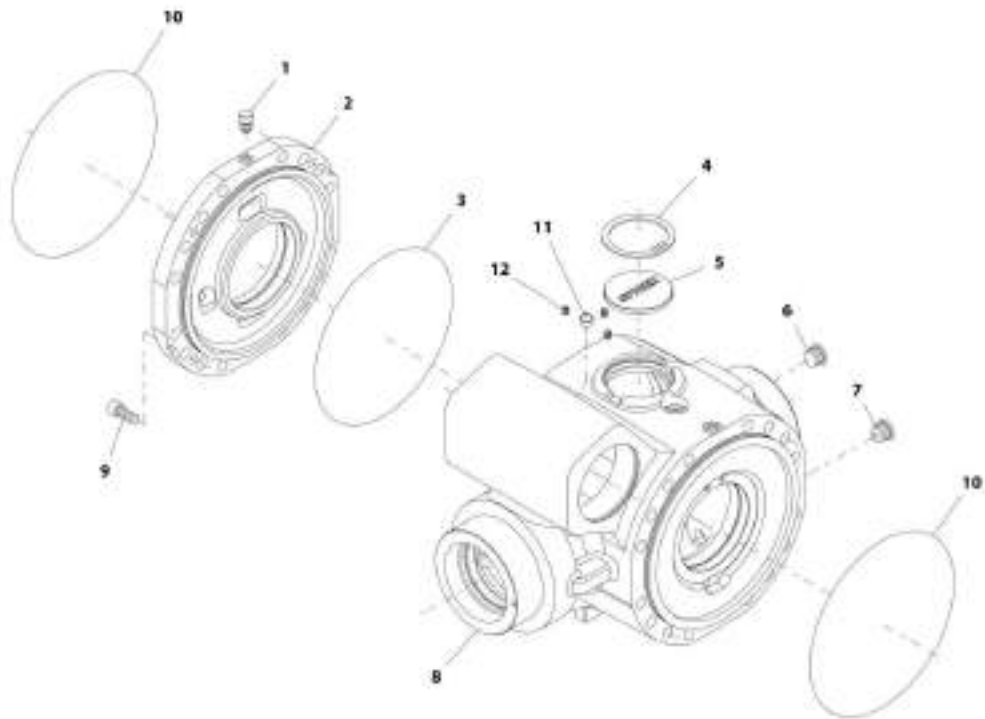
## SECTION 5 - DRIVE TRAIN

### FIGURE 5-4. FRONT AXLE

ITEM	PART NUMBER	QTY	DESCRIPTION	REV
1	1001160802	Ref	Front Axle	F
		Ref	Front Axle, Central Housing (See FRONT AXLE, CENTRAL HOUSING for breakdown)	
2		Ref	Front Axle, Differential (See FRONT AXLE, DIFFERENTIAL for Breakdown)	
3		Ref	Front Axle, Hub Reduction (See FRONT AXLE, HUB REDUCTION for Breakdown)	
4		Ref	Front Axle, Brakes (See FRONT AXLE, BRAKES for Breakdown)	
5		Ref	Front Axle, Steering (See FRONT AXLE, STEERING for Breakdown)	
6		Ref	Front Axle, Trunion (See FRONT AXLE, TRUNION for Details)	

# SECTION 5 - DRIVE TRAIN

## FIGURE 5-5. FRONT AXLE, CENTRAL HOUSING



ART 38114002 1/2

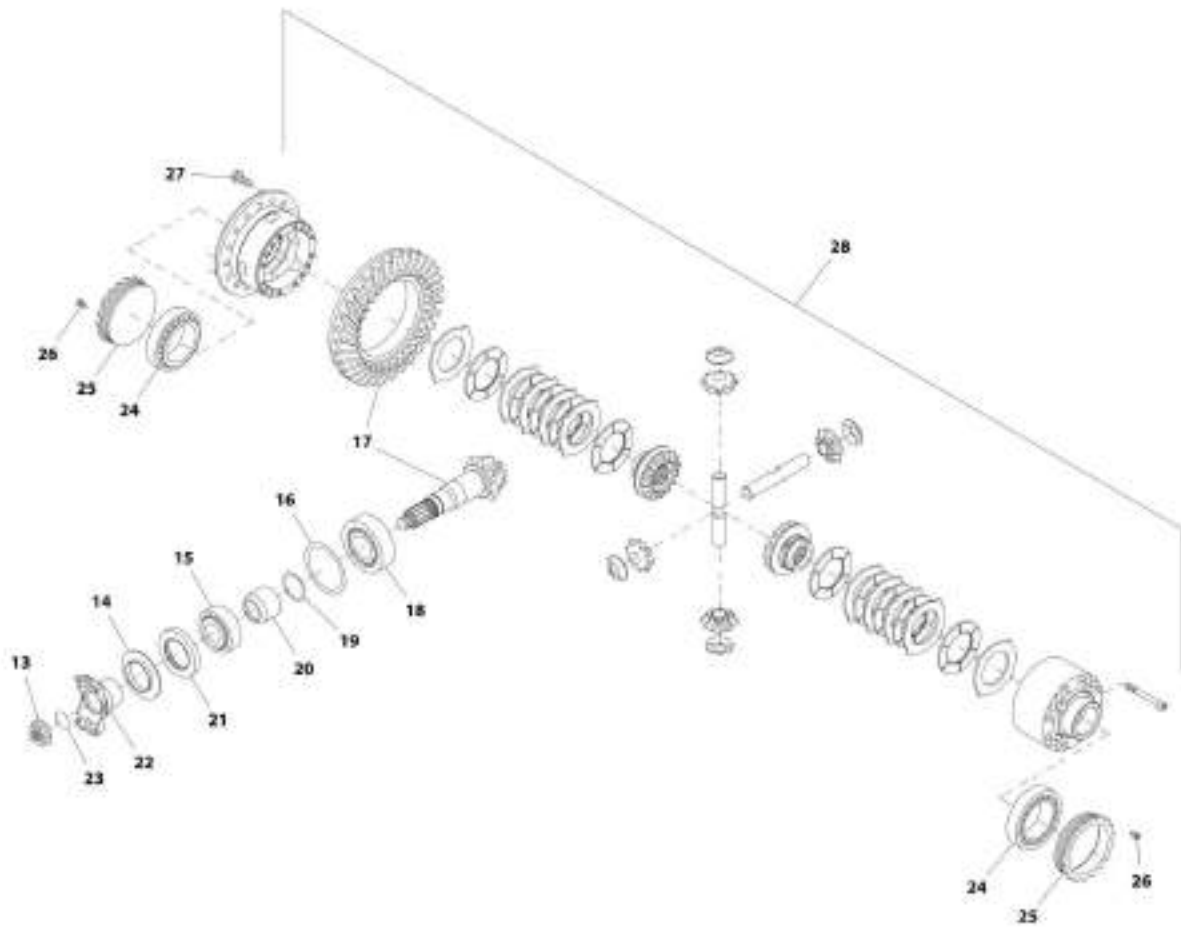
## SECTION 5 - DRIVE TRAIN

### FIGURE 5-5. FRONT AXLE, CENTRAL HOUSING

ITEM	PART NUMBER	QTY	DESCRIPTION	REV
1	91474512	1	Vent	
2	7029288	1	Cover, Intermediate	
3	80204002	1	O-Ring	
4	80204005	1	Circlip	
5	91514098	1	Plug	
6	91514087	1	Plug	
7	70021177	1	Plug	
8	70025335	1	Housing	
9	91514101	4	Bolt	
10	91514089	2	O-Ring	
11	7029307	1	Plug	
12	8008175	3	Bolt	

# SECTION 5 - DRIVE TRAIN

## FIGURE 5-6. FRONT AXLE, DIFFERENTIAL



ART. 180110002.2.P



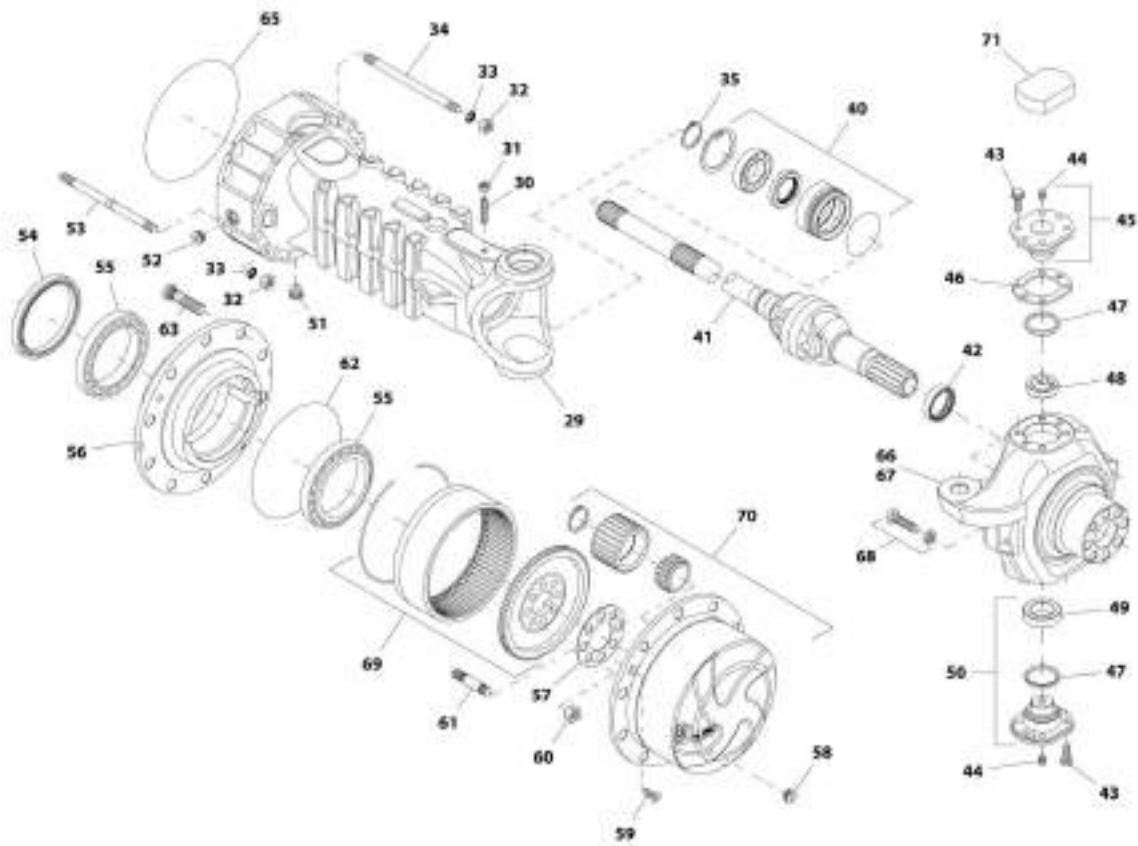
## SECTION 5 - DRIVE TRAIN

**FIGURE 5-6. FRONT AXLE, DIFFERENTIAL**

ITEM	PART NUMBER	QTY	DESCRIPTION	REV
13	80204043	1	Nut	
14	91514130	1	Cover Plate	
15	80204048	1	Taper Roller Bearing	
16	70023469	1	Shim	
17	70026255	1	Bevel Gear Set	
18	80204035	1	Taper Roller Bearing	
19	70023494	1	Ring	
20	70022140	1	Spacer	
21	70025887	1	Seal	
22	91514131	1	Flange	
23	10725554	1	O-Ring	
24	80204033	2	Bearing, Taper Roller	
25	91514133	2	Ring Nut	
26	91514134	2	Bolt	
27	91514123	16	Bolt	
28	70024005	1	Kit, Differential (See FRONT AXLE, DIFFERENTIAL KIT for Breakdown)	

# SECTION 5 - DRIVE TRAIN

## FIGURE 5-7. FRONT AXLE, HUB REDUCTION



APT\_100110802\_11

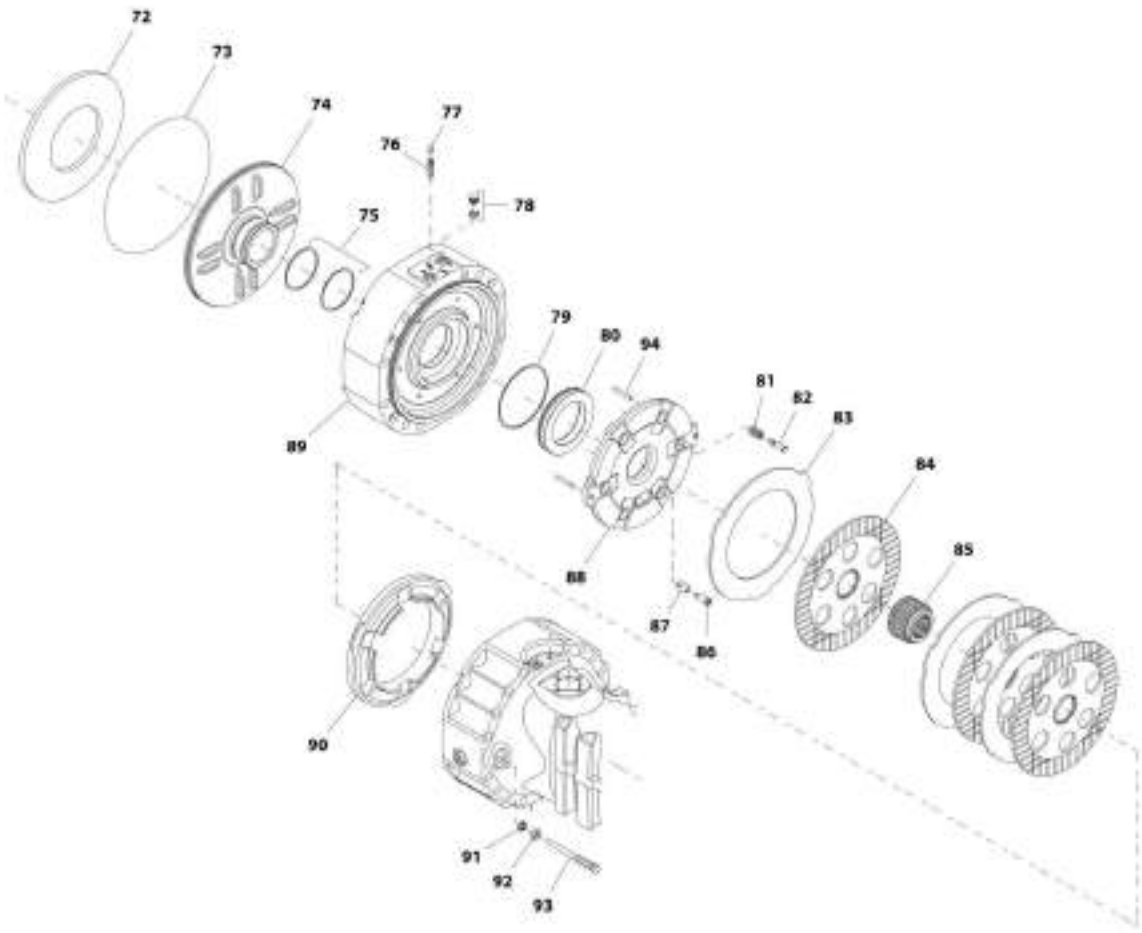
## SECTION 5 - DRIVE TRAIN

### FIGURE 5-7. FRONT AXLE, HUB REDUCTION

ITEM	PART NUMBER	QTY	DESCRIPTION	REV
29	70026256	2	Case, Axle	
30	91514081	2	Bolt	
31	91514082	2	Nut	
32	91514083	8	Nut	
33	91514084	8	Washer	
34	7029309	24	Bolt	
35	80204071	2	Circlip	
40	91514149	2	Bushing, Reduction (See FRONT AXLE, REDUCTION BUSHING ASSEMBLY for Breakdown)	
41	70026066	2	Joint, Double Universal	
42	70026238	2	Seal	
43	91514123	24	Bolt	
44	91514099	4	Fitting, Grease	
45	91514112	2	Pin, Pivot	
46	70025561	1	Shim	
47	7028716	4	Seal, Dust	
48	7028714	2	Bushing	
49	91514095	2	Bearing	
50	7028715	2	Pivot Pin	
51	70021177	2	Plug	
52	91514087	2	Plug	
53	70024851	8	Stud	
54	70026002	2	Seal	
55	80204076	4	Bearing, Taper Roller	
56	91514174	2	Hub, Wheel	
57	91514178	2	Plate, Locking	
58	91514188	2	Plug	
59	91514189	4	Bolt	
60	91514179	16	Nut	
61	91514180	16	Stud	
62	91514181	2	O-Ring	
63	91514183	20	Stud, Wheel	
65	91514089	2	O-Ring	
66	70026260	1	Case, Steering (LF, RR) (See FRONT AXLE, STEERING CASE ASSEMBLY (LF, RR) for Breakdown)	
67	70026261	1	Case, Steering (RF, LR) (See FRONT AXLE, STEERING CASE ASSEMBLY (RF, LR) for Breakdown)	
68	7028733	4	Kit, Steering Adjust Bolt (See FRONT AXLE, STEERING ADJUST BOLT KIT for Breakdown)	
69	70024146	2	Kit, Ring Gear Support (See FRONT AXLE, RING GEAR SUPPORT KIT for Breakdown)	
70	7029743	2	Kit, Planet Carrier (See FRONT AXLE, PLANET CARRIER KIT for Breakdown)	
71	91474524	2	Cover	

# SECTION 5 - DRIVE TRAIN

## FIGURE 5-8. FRONT AXLE, BRAKES



MIT\_100116000\_04

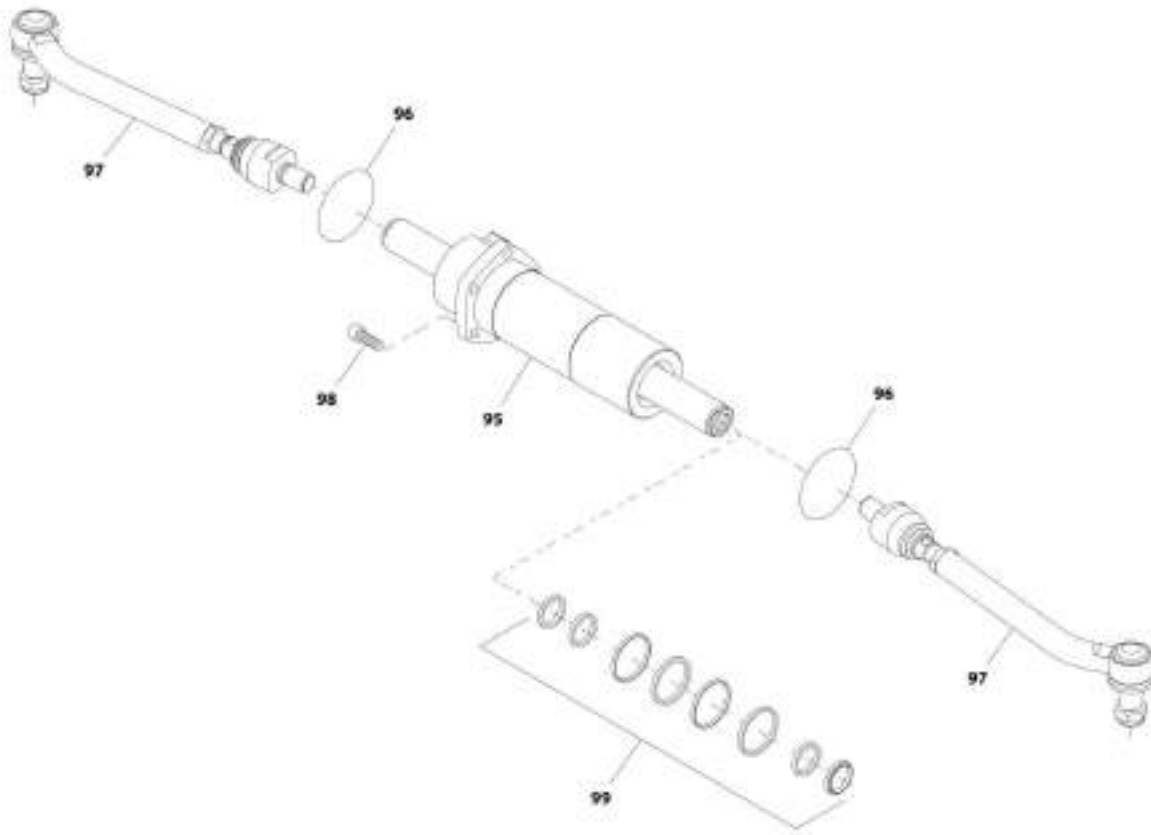
## SECTION 5 - DRIVE TRAIN

### FIGURE 5-8. FRONT AXLE, BRAKES

ITEM	PART NUMBER	QTY	DESCRIPTION	REV
72	91514151	2	Washer	
73	91514089	2	O-Ring	
74	91514152	2	Piston	
75	70026262	4	Seal	
76	80204281	4	Bolt, Bleeding	
77	80204117	4	Plug	
78	91514154	2	Plug	
79	70026263	2	Seal	
80	91514158	2	Piston	
81	91514159	6	Spring	
82	70024210	6	Bolt, Adjusting	
83	91514161	6	Disc, Intermediate Brake	
84	7029735	6	Disc, Brake	
85	7029734	2	Bushing, Reduction	
86	7029789	6	Bolt	
87	91514165	6	Spring	
88	70024849	2	Disc, Intermediate Brake	
89	70024848	2	Cover	
90	70026264	2	Spacer	
91	80204108	4	Washer, Lock	
92	80204060	4	Nut	
93	70024213	4	Bolt, M12X122.5	
94	70024215	4	Dowel	

# SECTION 5 - DRIVE TRAIN

## FIGURE 5-9. FRONT AXLE, STEERING



REV. 3/01188KQ.3-F

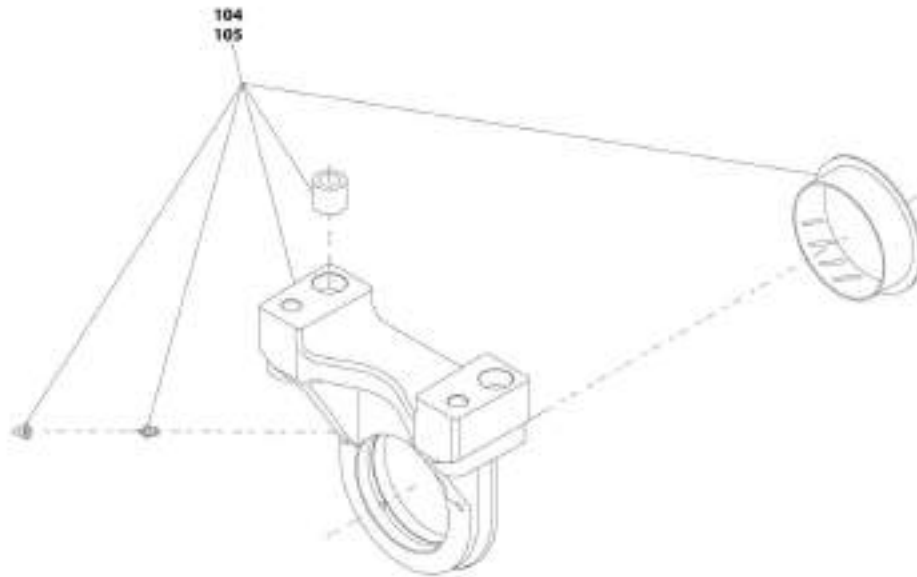
## SECTION 5 - DRIVE TRAIN

### FIGURE 5-9. FRONT AXLE, STEERING

ITEM	PART NUMBER	QTY	DESCRIPTION	REV
95	7026490	1	Cylinder	
96	80204143	2	O-Ring	
97	70021614	2	Rod, Articulated Tie	
98	80204144	5	Bolt	
99	7029127	1	Seal	

# SECTION 5 - DRIVE TRAIN

## FIGURE 5-10. FRONT AXLE, TRUNION



ART\_300100802\_A.F



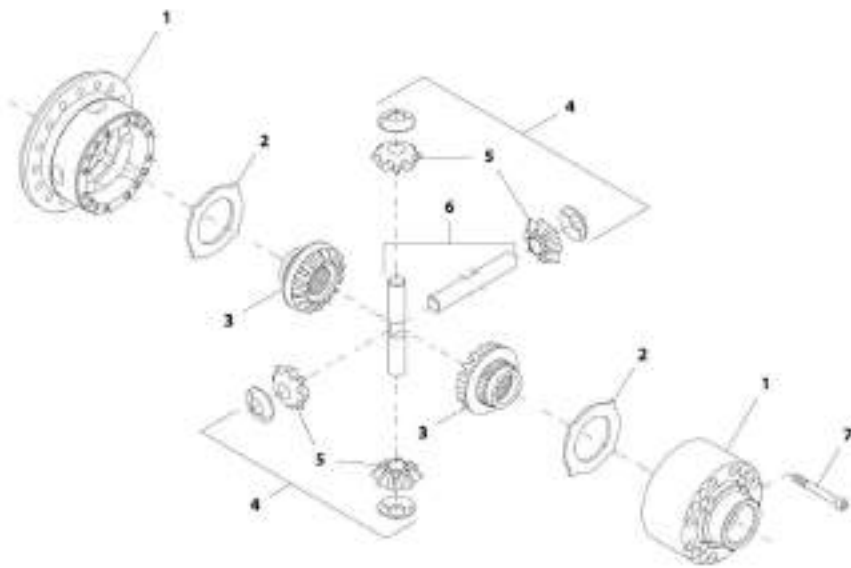
## SECTION 5 - DRIVE TRAIN

### FIGURE 5-10. FRONT AXLE, TRUNION

ITEM	PART NUMBER	QTY	DESCRIPTION	REV
104	70026265	1	Support (LF, RR) (See FRONT AXLE, SUPPORT ASSEMBLY (LF, RR) for Breakdown)	
105	70026266	1	Support, (RF, LR) (See FRONT AXLE, SUPPORT ASSEMBLY (RF, LR) for Breakdown)	

# SECTION 5 - DRIVE TRAIN

## FIGURE 5-11. FRONT AXLE, DIFFERENTIAL KIT



ART 10010002\_7/4

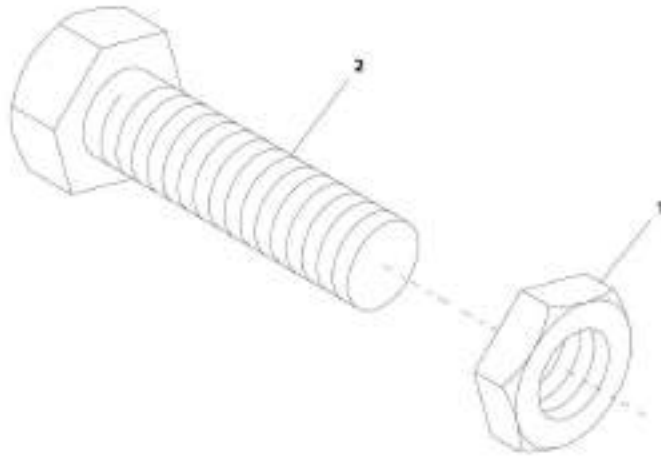
## SECTION 5 - DRIVE TRAIN

### FIGURE 5-11. FRONT AXLE, DIFFERENTIAL KIT

ITEM	PART NUMBER	QTY	DESCRIPTION	REV
	70024005	Ref	Front Axle, Differential Kit	
1	70024004	1	Carrier, Differential	
2	70023496	2	Disc, Clutch	
3	70025856	2	Gear, Differential Side	
4	70023491	4	Washer	
5	70025339	4	Pinion, Differential	
6	70023490	2	Shaft, Differential	
7	91514143	15	Bolt	

## SECTION 5 - DRIVE TRAIN

FIGURE 5-12. FRONT AXLE, STEERING ADJUSTING BOLT KIT



MT\_1011680\_01

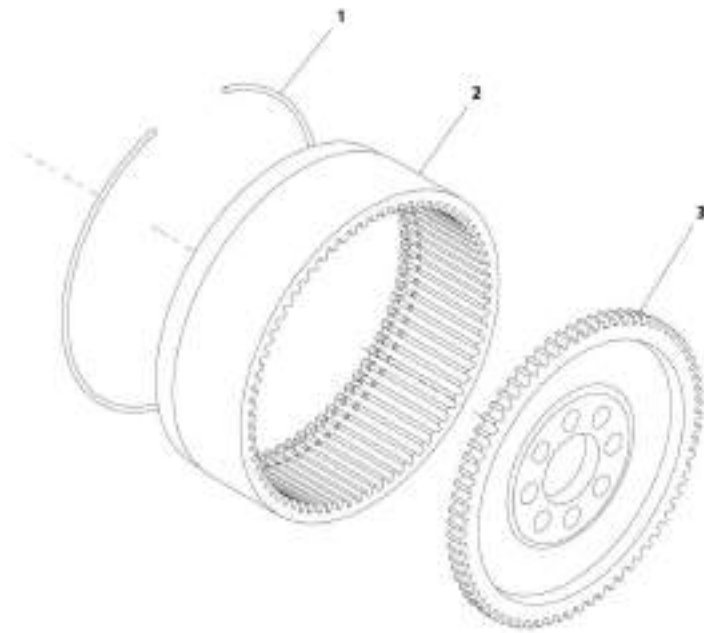
## SECTION 5 - DRIVE TRAIN

FIGURE 5-12. FRONT AXLE, STEERING ADJUSTING BOLT KIT

ITEM	PART NUMBER	QTY	DESCRIPTION	REV
	7028733	Ref	Front Axle, Steering Adjusting Bolt Kit	
1	80204065	1	Nut	
2	91514117	1	Bolt	

## SECTION 5 - DRIVE TRAIN

FIGURE 5-13. FRONT AXLE, RING GEAR SUPPORT KIT



ART. 10470002\_V01

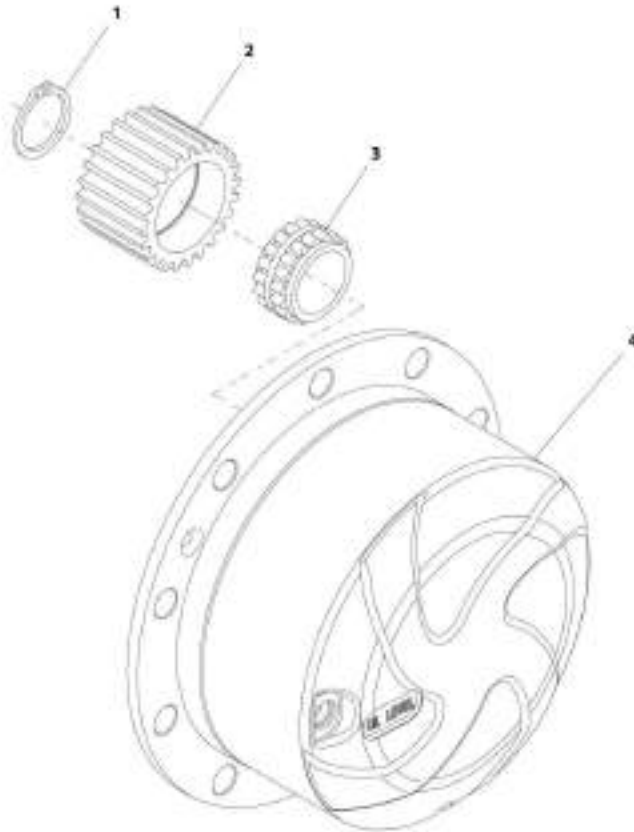
## SECTION 5 - DRIVE TRAIN

**FIGURE 5-13. FRONT AXLE, RING GEAR SUPPORT KIT**

ITEM	PART NUMBER	QTY	DESCRIPTION	REV
	70024146	1	Front Axle, Ring Gear Support Kit	
1	91514175	1	Circlip	
2	70024147	1	Gear, Ring	
3	91514177	1	Support, Ring Gear	

## SECTION 5 - DRIVE TRAIN

FIGURE 5-14. FRONT AXLE, PLANET GEAR CARRIER KIT



48T\_308110002\_11.P



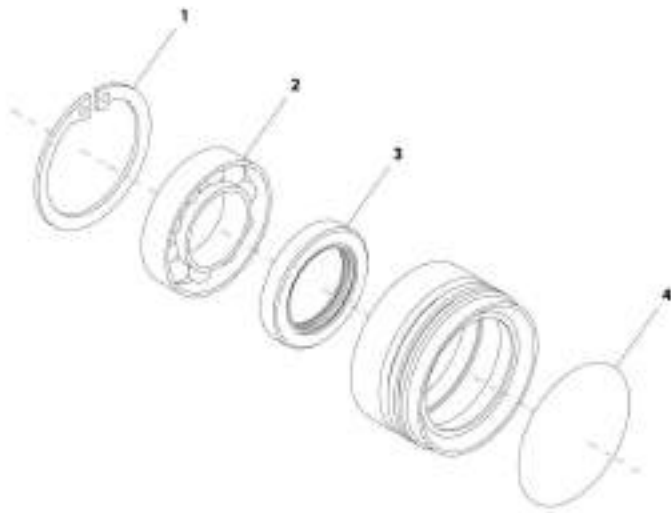
## SECTION 5 - DRIVE TRAIN

**FIGURE 5-14. FRONT AXLE, PLANET GEAR CARRIER KIT**

ITEM	PART NUMBER	QTY	DESCRIPTION	REV
	7029743	Ref	Front Axle, Planet Carrier Kit	
1	91514184	4	Circlip	
2	91514185	4	Gear, Planet	
3	91514186	4	Bearing	
4	7029317	1	Carrier, Planet Gear	

## SECTION 5 - DRIVE TRAIN

FIGURE 5-15. FRONT AXLE, REDUCTION BUSHING



REF: 10511400L.027

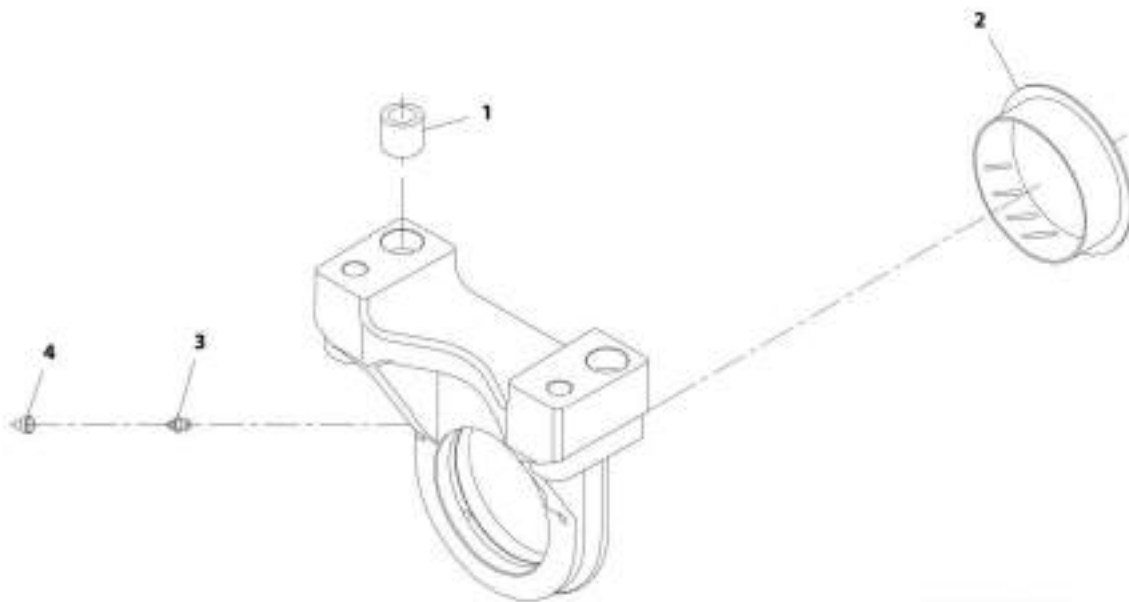
## SECTION 5 - DRIVE TRAIN

### FIGURE 5-15. FRONT AXLE, REDUCTION BUSHING

ITEM	PART NUMBER	QTY	DESCRIPTION	REV
	91514149	Ref	Front Axle, Reduction Bushing Assembly	
1	80204005	1	Circlip	
2	91514146	1	Bearing, Ball	
3	91514147	1	Seal	
4	91514148	1	O-Ring	

## SECTION 5 - DRIVE TRAIN

FIGURE 5-16. FRONT AXLE, SUPPORT ASSEMBLY (LF, RR)



ART\_1001190802\_13-F

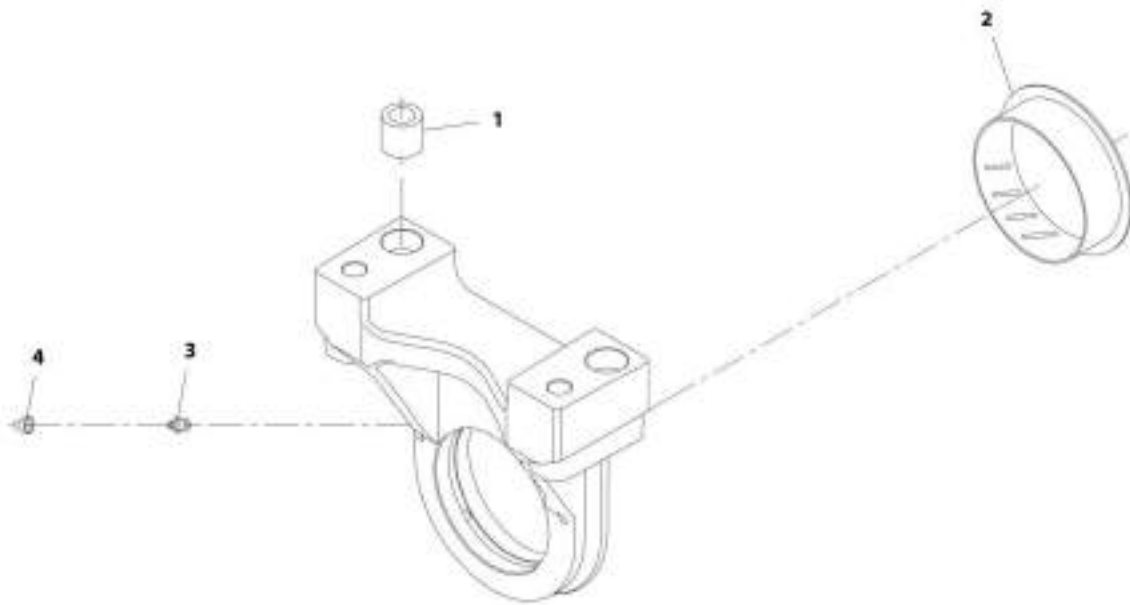
## SECTION 5 - DRIVE TRAIN

**FIGURE 5-16. FRONT AXLE, SUPPORT ASSEMBLY (LF, RR)**

ITEM	PART NUMBER	QTY	DESCRIPTION	REV
	70026265	Ref	Front Axle, Support Assembly (LF, RR)	
1	7029290	2	Bushing	
2	91514090	1	Bushing, Thrust	
3	91514099	1	Fitting, Grease	
4	80204117	1	Plug	

# SECTION 5 - DRIVE TRAIN

FIGURE 5-17. FRONT AXLE, SUPPORT ASSEMBLY (RF, LR)



ABT\_1001100802\_14-F

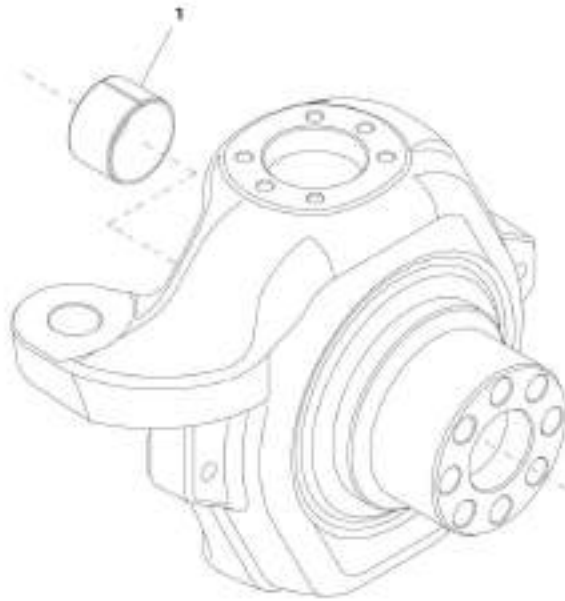
## SECTION 5 - DRIVE TRAIN

**FIGURE 5-17. FRONT AXLE, SUPPORT ASSEMBLY (RF, LR)**

ITEM	PART NUMBER	QTY	DESCRIPTION	REV
	70026266	Ref	Front Axle, Support Assembly (RF, LR)	
1	7029290	2	Bushing, Reduction	
2	91514090	1	Bushing, Thrust	
3	91514099	1	Grease Fitting	
4	80204117	1	Plug	

## SECTION 5 - DRIVE TRAIN

FIGURE 5-18. FRONT AXLE, STEERING CASE ASSEMBLY (LF, RR)



REF. CONTINUED 18F



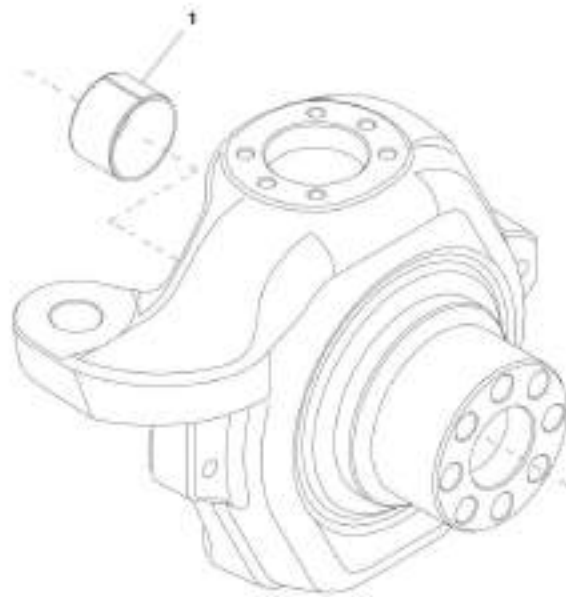
## SECTION 5 - DRIVE TRAIN

**FIGURE 5-18. FRONT AXLE, STEERING CASE ASSEMBLY (LF, RR)**

ITEM	PART NUMBER	QTY	DESCRIPTION	REV
1	70026260 91514111	Ref 1	Front Axle, Steering Case Assembly (LF, RR) Bushing	

## SECTION 5 - DRIVE TRAIN

FIGURE 5-19. FRONT AXLE, STEERING CASE ASSEMBLY (RF, LR)



REF. 30019082.54F

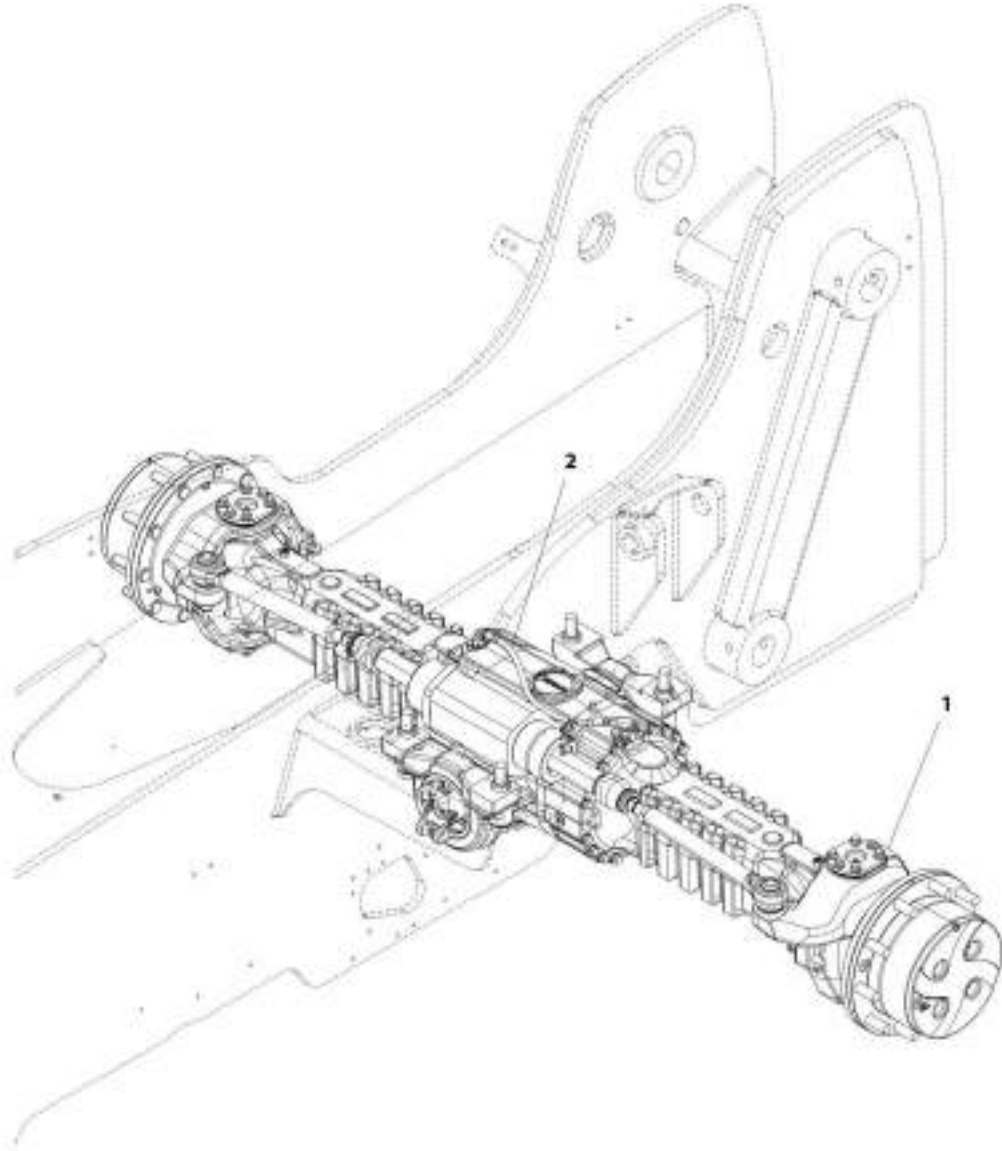
## SECTION 5 - DRIVE TRAIN

**FIGURE 5-19. FRONT AXLE, STEERING CASE ASSEMBLY (RF, LR)**

ITEM	PART NUMBER	QTY	DESCRIPTION	REV
1	70026261 91514111	Ref 1	Front Axle, Steering Case Assembly (RF, LR) Bushing	

## SECTION 5 - DRIVE TRAIN

FIGURE 5-20. REAR AXLE INSTALLATION



ART\_3001161419-8

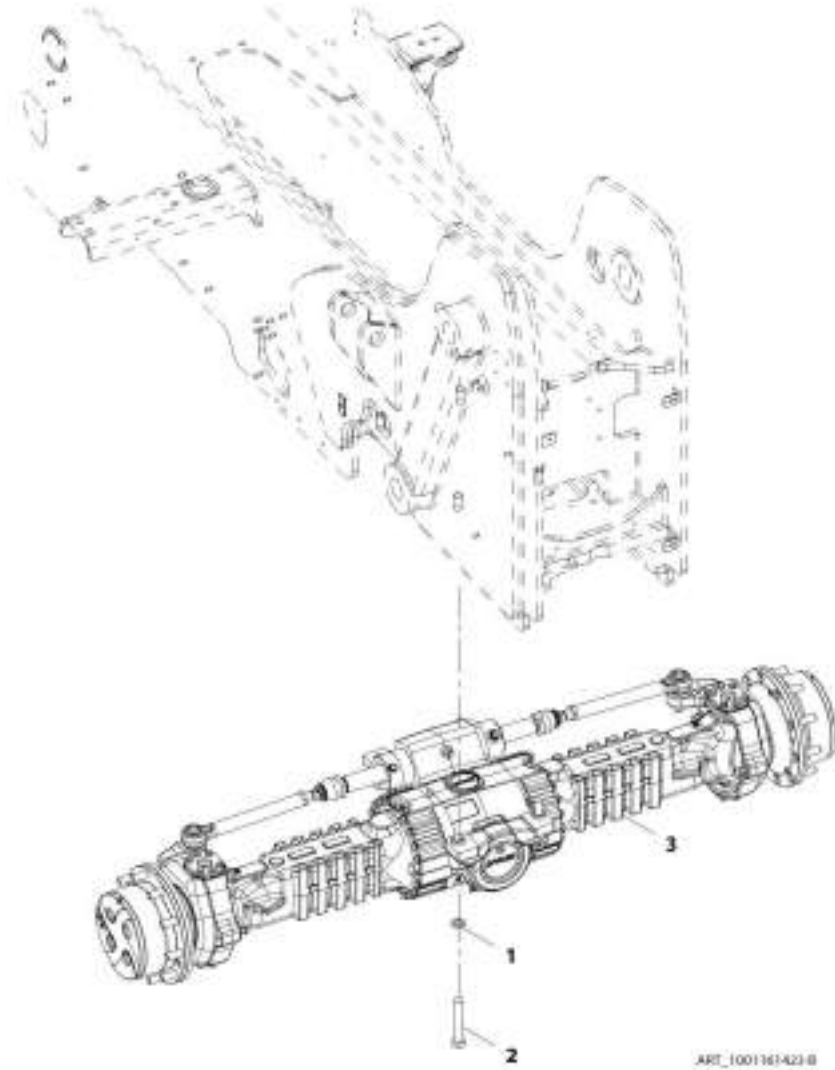
## SECTION 5 - DRIVE TRAIN

### FIGURE 5-20. REAR AXLE INSTALLATION

ITEM	PART NUMBER	QTY	DESCRIPTION	REV
1	1001161419	Ref	Rear Axle Installation	B
	1001161423	Ref	Installation, Rear Axle Mounting (See REAR AXLE MOUNTING INSTALLATION for Breakdown)	
2	1001161424	Ref	Installation, Rear Axle Lines (See HYDRAULIC CIRCUITS SECTION for Breakdown)	

# SECTION 5 - DRIVE TRAIN

## FIGURE 5-21. REAR AXLE MOUNTING INSTALLATION



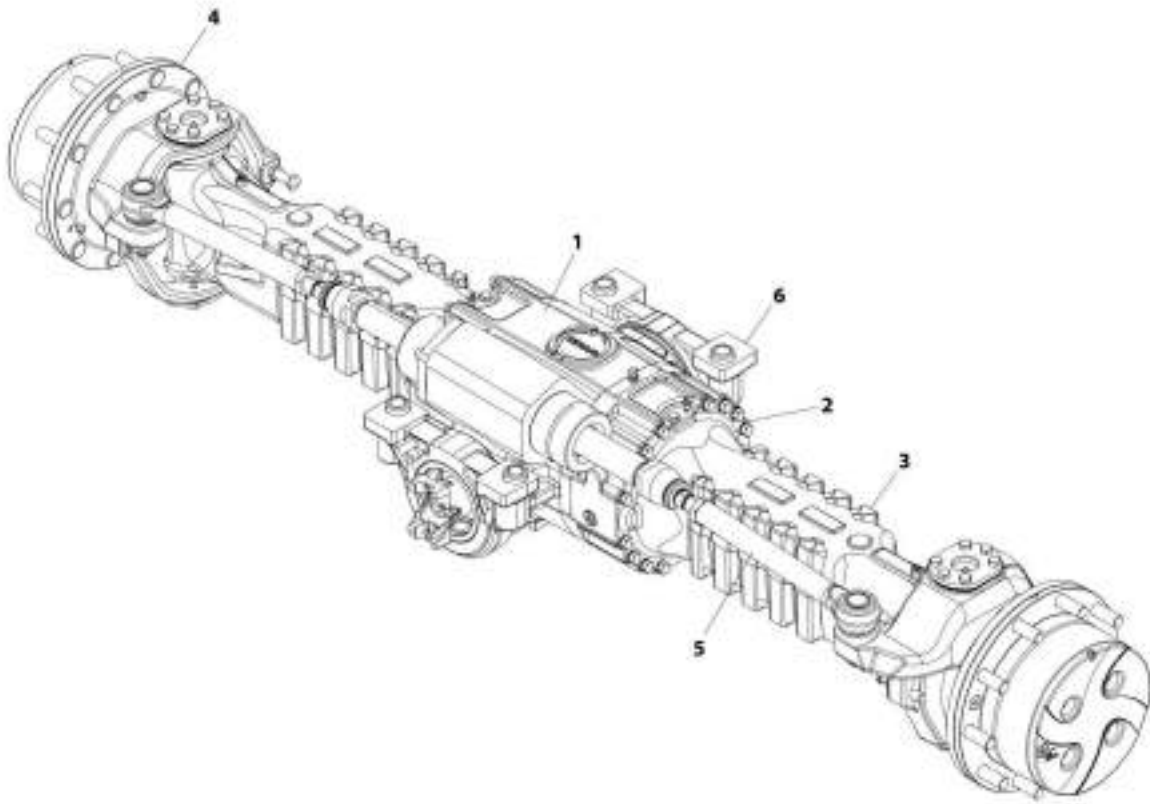
## SECTION 5 - DRIVE TRAIN

### FIGURE 5-21. REAR AXLE MOUNTING INSTALLATION

ITEM	PART NUMBER	QTY	DESCRIPTION	REV
	1001161423	Ref	Rear Axle Mounting Installation	B
1	4892600	4	Washer, 1	
2	1001097587	4	Bolt, M24-3X150, G10.9	
3	1001160803	1	Axle, Rear (See REAR AXLE for Breakdown)	

# SECTION 5 - DRIVE TRAIN

## FIGURE 5-22. REAR AXLE



ART\_1001302803-H



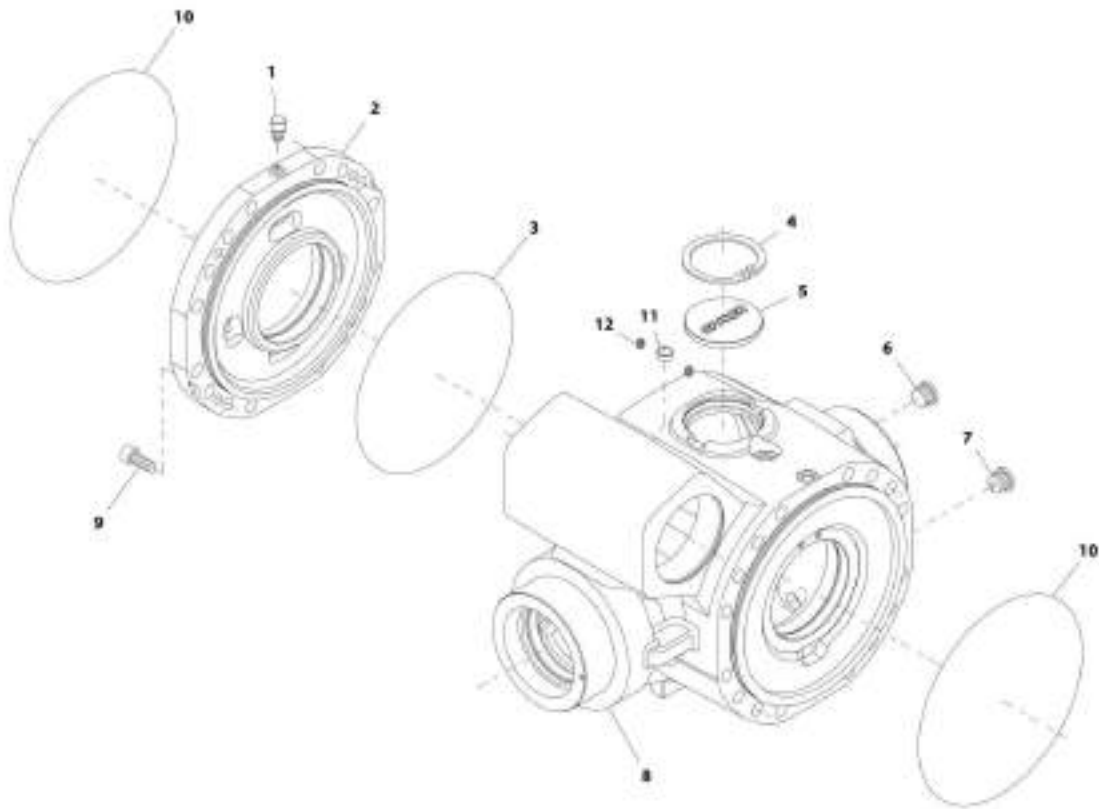
## SECTION 5 - DRIVE TRAIN

### FIGURE 5-22. REAR AXLE

ITEM	PART NUMBER	QTY	DESCRIPTION	REV
1	1001160803	Ref	Axle, Rear	H
		Ref	Rear Axle, Central Housing (See REAR AXLE, CENTRAL HOUSING for Breakdown)	
2		Ref	Rear Axle, Differential (See REAR AXLE, DIFFERENTIAL for Breakdown)	
3		Ref	Rear Axle, Hub Reduction (See REAR AXLE, HUB REDUCTION for Breakdown)	
4		Ref	Rear Axle, Brakes (See REAR AXLE, BRAKES for Breakdown)	
5		Ref	Rear Axle, Steering (See REAR AXLE, STEERING for Breakdown)	
6		Ref	Rear Axle, Trunion (See REAR AXLE, TRUNION for Breakdown)	

# SECTION 5 - DRIVE TRAIN

## FIGURE 5-23. REAR AXLE, CENTRAL HOUSING



ART. 101100001, 1/04

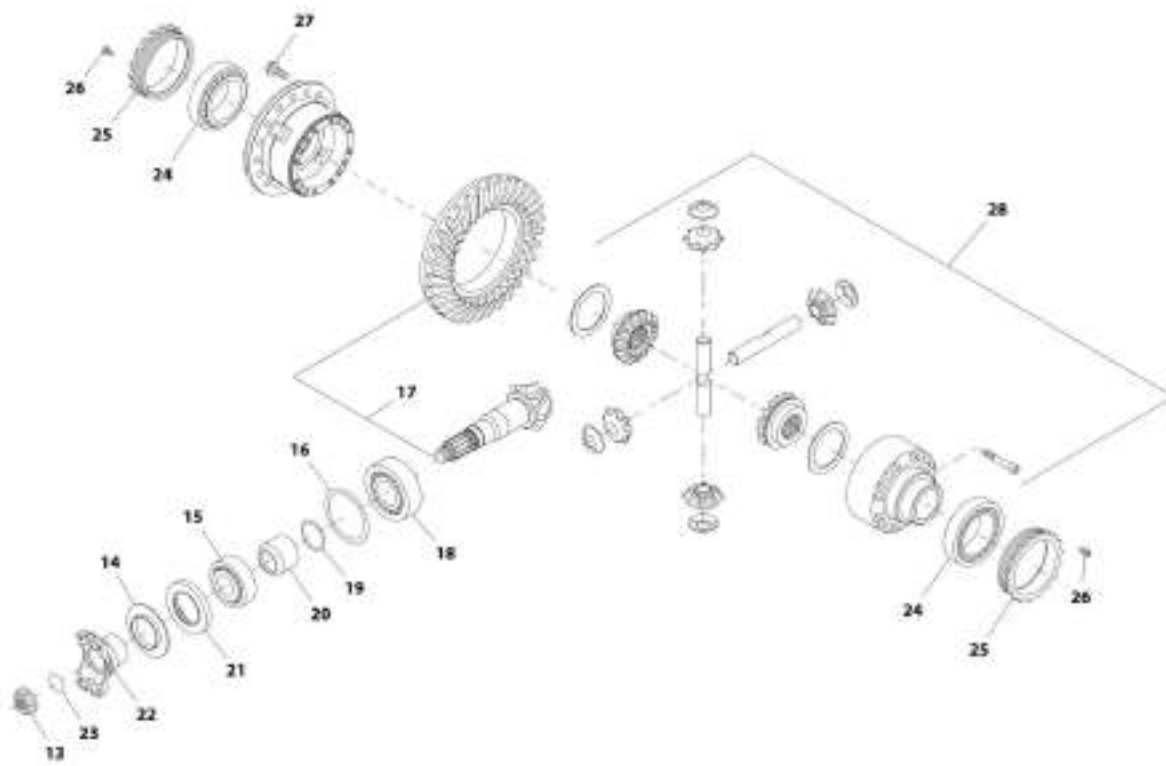
## SECTION 5 - DRIVE TRAIN

FIGURE 5-23. REAR AXLE, CENTRAL HOUSING

ITEM	PART NUMBER	QTY	DESCRIPTION	REV
1	91474512	1	Vent	
2	7029288	1	Cover, Intermediate	
3	80204002	1	O-Ring	
4	80204005	1	Circlip	
5	91514098	1	Plug	
6	91514087	1	Plug	
7	70021177	1	Plug	
8	70025335	1	Housing	
9	91514101	4	Bolt	
10	91514089	2	O-Ring	
11	7029307	1	Plug	
12	7029306	3	Bolt	

# SECTION 5 - DRIVE TRAIN

## FIGURE 5-24. REAR AXLE, DIFFERENTIAL



MT\_00108001.2-H

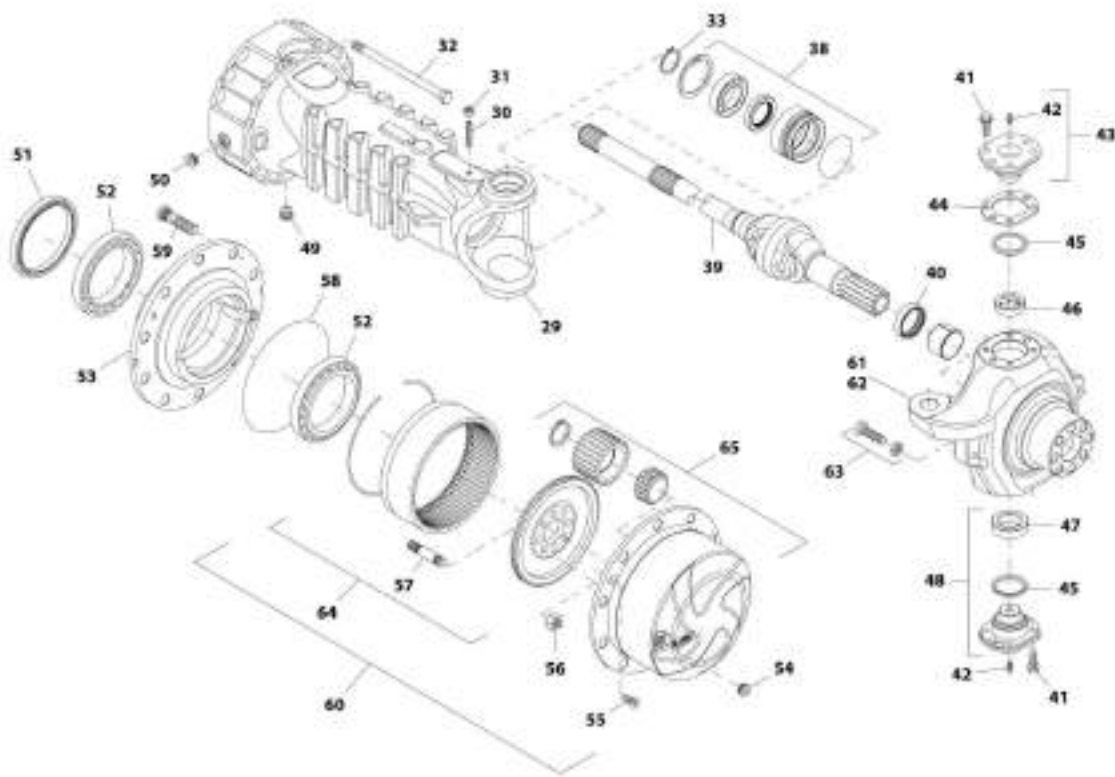
## SECTION 5 - DRIVE TRAIN

### FIGURE 5-24. REAR AXLE, DIFFERENTIAL

ITEM	PART NUMBER	QTY	DESCRIPTION	REV
13	80204043	1	Nut	
14	91514130	1	Plate, Cover	
15	80204048	1	Bearing, Taper Roller	
16	70023469	1	Shim	
17	70025336	1	Set, Bevel Gear	
18	80204035	1	Bearing, Taper Roller	
19	70023494	1	Ring	
20	70022140	1	Spacer	
21	70025887	1	Seal	
22	91514131	1	Flange	
23	10725554	1	O-Ring	
24	80204033	2	Bearing, Taper Roller	
25	91514133	2	Nut, Ring	
26	91514134	2	Bolt	
27	91514123	16	Bolt	
28	70026030	1	Kit, Differential (See DIFFERENTIAL KIT for Breakdown)	

# SECTION 5 - DRIVE TRAIN

## FIGURE 5-25. REAR AXLE, HUB REDUCTION



REF. 1001102800\_3-11

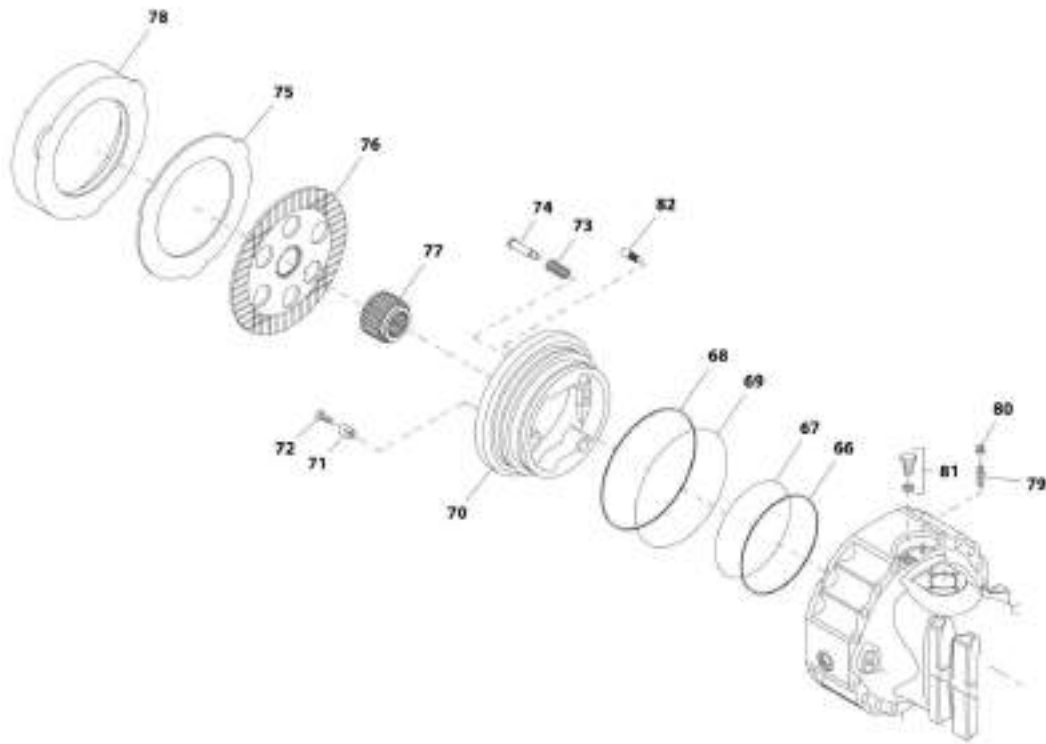
## SECTION 5 - DRIVE TRAIN

**FIGURE 5-25. REAR AXLE, HUB REDUCTION**

ITEM	PART NUMBER	QTY	DESCRIPTION	REV
29	70025341	2	Case, Axle	
30	91514081	2	Bolt	
31	91514082	2	Nut	
32	70022814	32	Bolt	
33	80204071	2	Circlip	
38	91514149	2	Bushing, Reduction (See REDUCTION BUSHING for Breakdown)	
39	70026066	2	Joint, Double Universal	
40	70026238	2	Seal	
41	91514123	24	Bolt	
42	91514099	2	Fitting, Grease	
43	91514112	2	Pin, Pivot	
44	70025561	1	Shim	
45	7028716	2	Seal, Dust	
46	7028714	2	Bushing	
47	91514095	2	Bearing	
48	7028715	2	Pin, Pivot	
49	70021177	2	Plug	
50	91514087	2	Plug	
51	7029300	2	Seal	
52	80204076	4	Bearing, Taper Roller	
53	91514174	2	Hub, Wheel	
54	91514188	2	Plug	
55	91514189	4	Bolt, Countersunk	
56	91514179	16	Nut	
57	91514180	16	Stud	
58	91514181	2	O-Ring	
59	91514183	20	Wheel Stud	
60	70026259	1	Kit, Planet Gear Carrier Kit and Ring Gear (See PLANET GEAR CARRIER KIT AND RING GEAR KIT for Breakdown)	
61	70026260	1	Assembly, Steering Case (LF, RR) (See STEERING CASE ASSEMBLY (LF, RR) for Breakdown)	
62	70026261	1	Assembly, Steering Case (RF, LR) (See STEERING CASE ASSEMBLY (RF, LR) for Breakdown)	
63	7028733	4	Kit, Steering Adjust Bolt (See STEERING ADJUST BOLT KIT for Breakdown)	
64	70024146	2	Kit, Ring Gear Support (See RING GEAR SUPPORT KIT for Breakdown)	
65	7029743	2	Kit, Planet Gear Carrier (See PLANET GEAR CARRIER KIT for Breakdown)	

# SECTION 5 - DRIVE TRAIN

## FIGURE 5-26. REAR AXLE, BRAKES



AWT\_100110001\_011



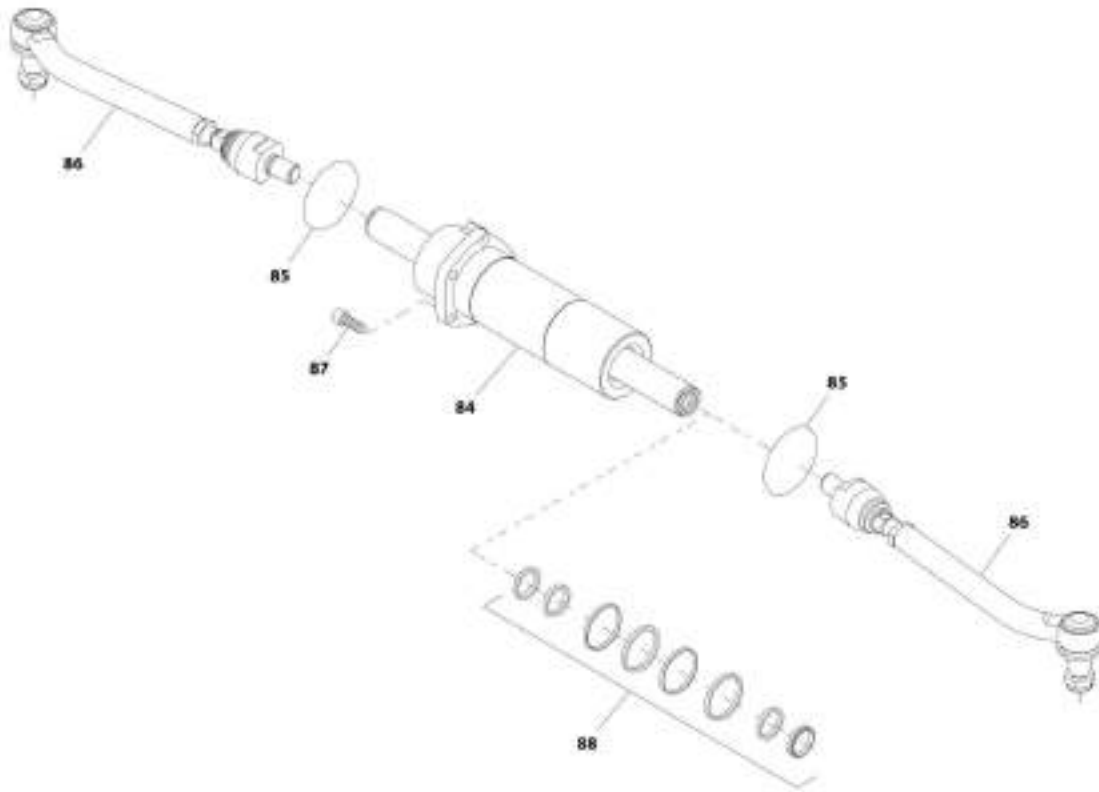
## SECTION 5 - DRIVE TRAIN

### FIGURE 5-26. REAR AXLE, BRAKES

ITEM	PART NUMBER	QTY	DESCRIPTION	REV
66	70021609	2	Ring, Back-up	
67	70021610	2	O-Ring	
68	70021612	2	Ring, Back-Up	
69	70021611	2	O-Ring	
70	70024216	2	Piston	
71	91514165	6	Spring	
72	70021607	6	Bolt, Adjusting	
73	91514159	6	Spring	
74	70024210	6	Bolt, Adjusting	
75	91514161	6	Disc, Intermediate Brake	
76	7029735	6	Disc, Brake	
77	7029734	2	Bushing, Reduction	
78	70021606	2	Spacer	
79	80204281	2	Bolt, Bleeding	
80	80204117	2	Plug	
81	91514154	2	Plug	
82	70021613	2	Bolt, Pilot	

# SECTION 5 - DRIVE TRAIN

## FIGURE 5-27. REAR AXLE, STEERING



ART.1001 30861.3-F

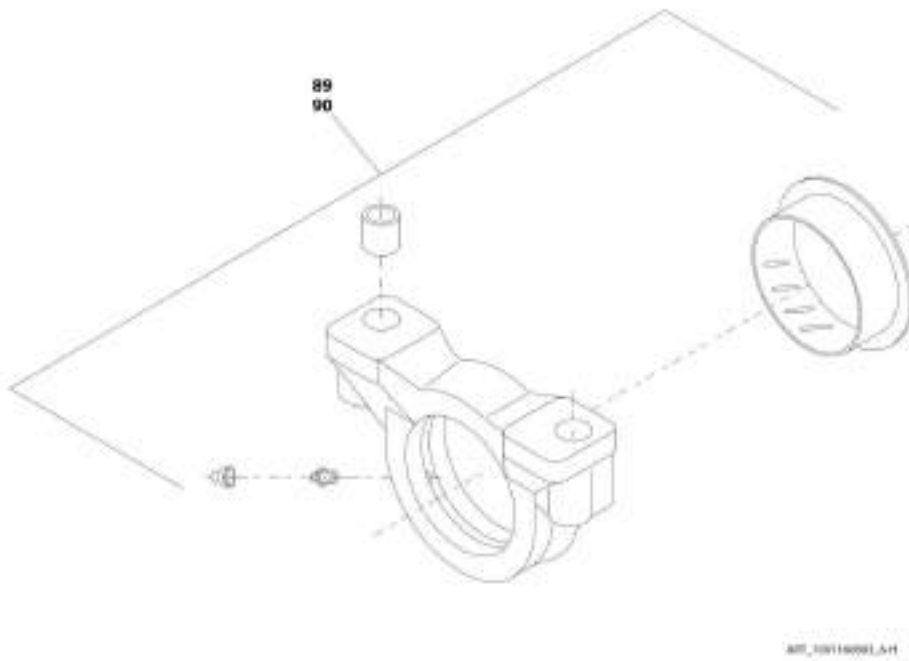
## SECTION 5 - DRIVE TRAIN

### FIGURE 5-27. REAR AXLE, STEERING

ITEM	PART NUMBER	QTY	DESCRIPTION	REV
84	7026490	1	Cylinder	
85	80204143	2	O-Ring	
86	70021614	2	Rod, Articulated Tie	
87	80204144	5	Bolt, Cylinder	
88	7029127	1	Seal	

# SECTION 5 - DRIVE TRAIN

## FIGURE 5-28. REAR AXLE, TRUNION



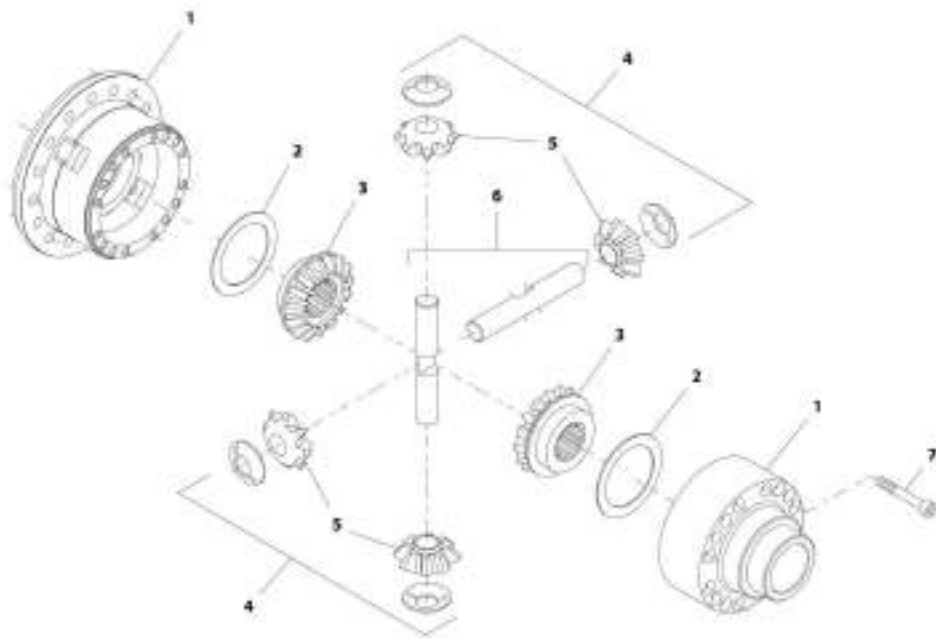
## SECTION 5 - DRIVE TRAIN

### FIGURE 5-28. REAR AXLE, TRUNION

ITEM	PART NUMBER	QTY	DESCRIPTION	REV
89	70026265	1	Support Assembly (LF, RR) (See REAR AXLE, SUPPORT ASSEMBLY (LF, RR) for Breakdown)	
90	70026266	1	Support Assembly (LF, RR) (See REAR AXLE, SUPPORT ASSEMBLY (LF, RR) for Breakdown)	

# SECTION 5 - DRIVE TRAIN

FIGURE 5-29. REAR AXLE, DIFFERENTIAL KIT



ART.30016080L7-R

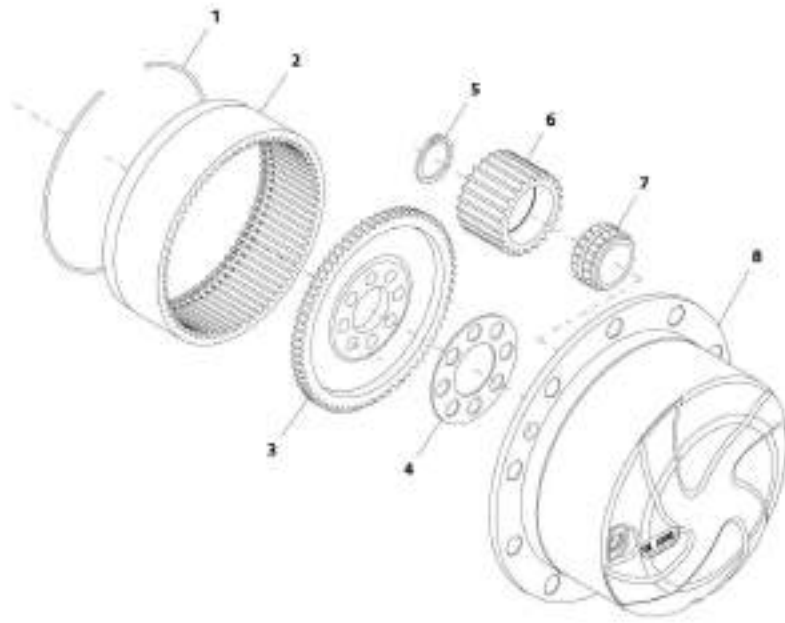
## SECTION 5 - DRIVE TRAIN

**FIGURE 5-29. REAR AXLE, DIFFERENTIAL KIT**

ITEM	PART NUMBER	QTY	DESCRIPTION	REV
	70026030	Ref	Differential Kit	
1	70025337	2	Carrier, Differential	
2	70023493	1	Washer, Friction	
3	70025338	2	Gear, Differential Side	
4	70023491	4	Washer, Friction	
5	70025339	4	Pinion, Differential	
6	70023490	2	Shaft, Differential	
7	70023489	15	Bolt	

## SECTION 5 - DRIVE TRAIN

FIGURE 5-30. REAR AXLE, PLANET GEAR CARRIER KIT AND RING GEAR KIT



ART. 31211032.8.9



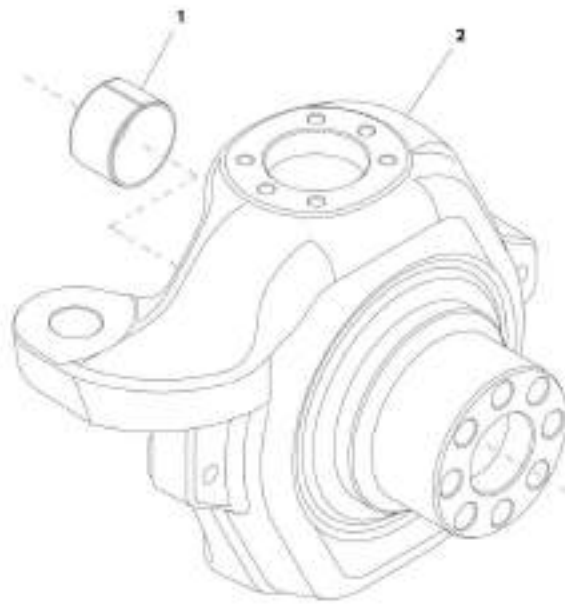
## SECTION 5 - DRIVE TRAIN

**FIGURE 5-30. REAR AXLE, PLANET GEAR CARRIER KIT AND RING GEAR KIT**

ITEM	PART NUMBER	QTY	DESCRIPTION	REV
	7029743	Ref	Planet Gear Carrier Kit	
1	91514175	1	Circlip	
2	70024147	1	Gear, Ring	
3	91514177	1	Support, Ring Gear	
4	91514178	1	Plate, Locking	
5	91514184	4	Circlip	
6	91514185	4	Gear, Planet	
7	91514186	4	Bearing	
8	7029317	1	Carrier, Planet Gear	

## SECTION 5 - DRIVE TRAIN

FIGURE 5-31. REAR AXLE, STEERING CASE ASSEMBLY (LF, RR)



REF. LISTING 44

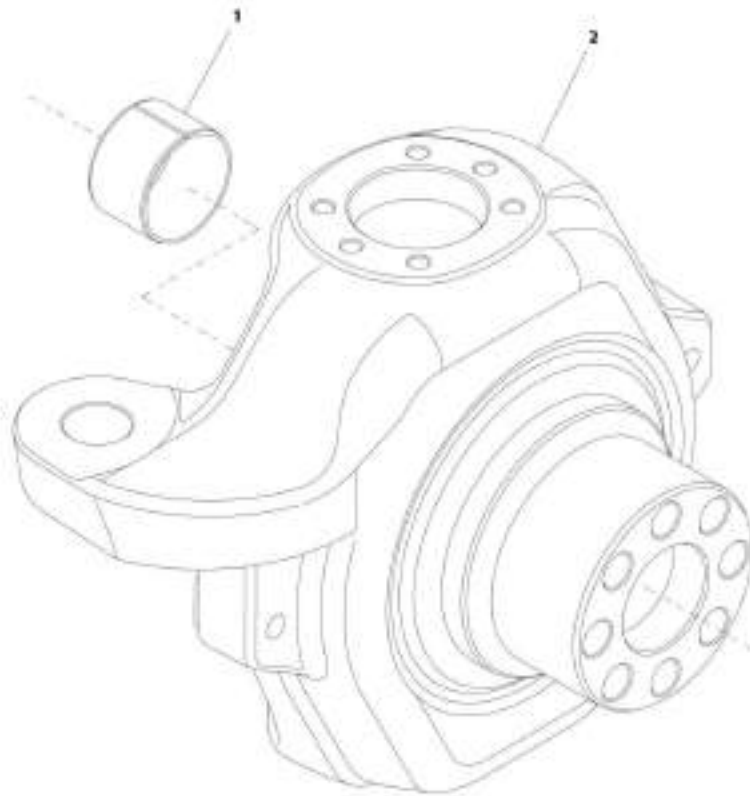
## SECTION 5 - DRIVE TRAIN

**FIGURE 5-31. REAR AXLE, STEERING CASE ASSEMBLY (LF, RR)**

ITEM	PART NUMBER	QTY	DESCRIPTION	REV
	70026260	Ref	Steering Case Assembly (LF, RR)	
1	91514111	1	Bushing, Thrust	
2	70026267	1	Case, Steering (LF, RR)	

## SECTION 5 - DRIVE TRAIN

FIGURE 5-32. REAR AXLE, STEERING CASE ASSEMBLY (RF, LR)



REF. 100148803.104

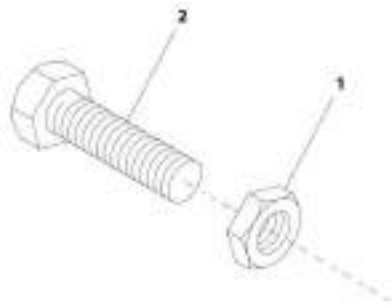
## SECTION 5 - DRIVE TRAIN

**FIGURE 5-32. REAR AXLE, STEERING CASE ASSEMBLY (RF, LR)**

ITEM	PART NUMBER	QTY	DESCRIPTION	REV
	70026261	Ref	Steering Case Assembly (RF, LR)	
1	91514111	1	Bushing, Thrust	
2	70026268	1	Case, Steering (RF, LR)	

## SECTION 5 - DRIVE TRAIN

FIGURE 5-33. REAR AXLE, STEERING ADJUST BOLT KIT



REF\_30118803\_11-A

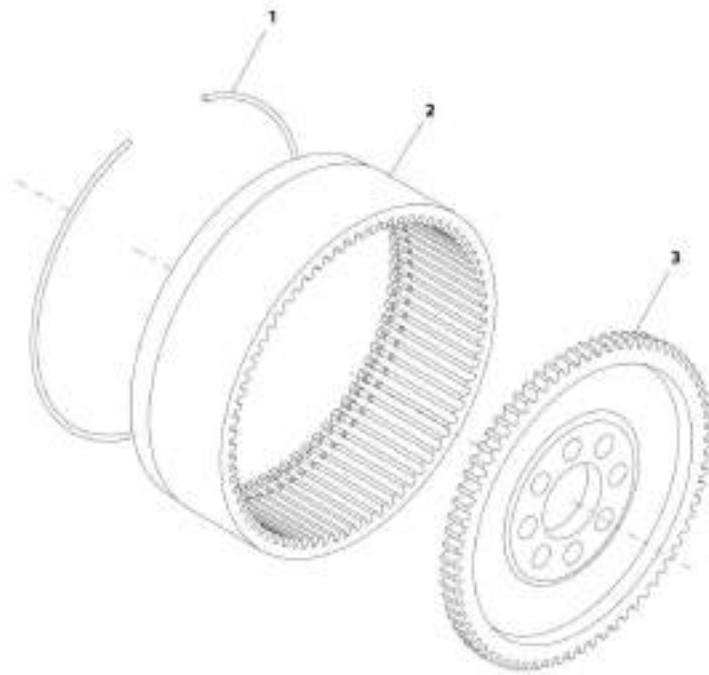
## SECTION 5 - DRIVE TRAIN

**FIGURE 5-33. REAR AXLE, STEERING ADJUST BOLT KIT**

ITEM	PART NUMBER	QTY	DESCRIPTION	REV
	7028733	Ref	Steering Adjust Bolt Kit	
1	80204065	1	Nut	
2	91514117	1	Bolt	

## SECTION 5 - DRIVE TRAIN

FIGURE 5-34. REAR AXLE, RING GEAR SUPPORT KIT



APR\_02/10/03\_1244



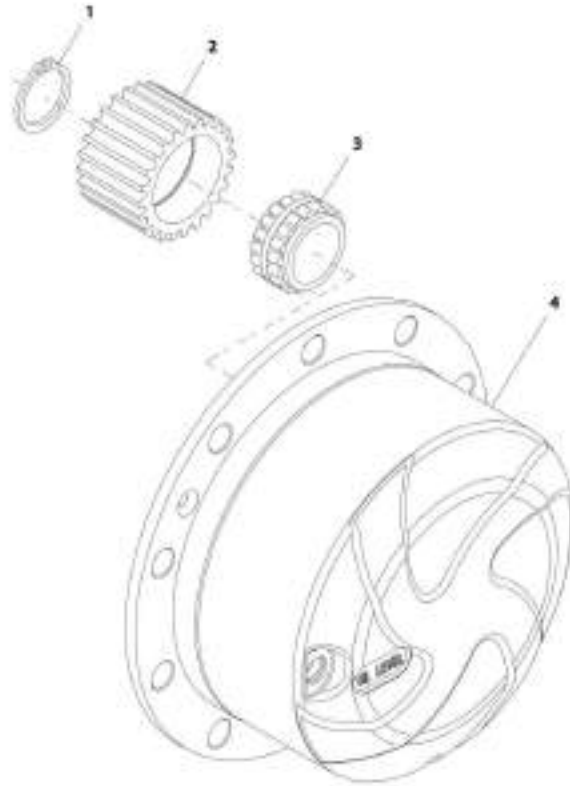
## SECTION 5 - DRIVE TRAIN

**FIGURE 5-34. REAR AXLE, RING GEAR SUPPORT KIT**

ITEM	PART NUMBER	QTY	DESCRIPTION	REV
	70024146	Ref	Ring Gear Support Kit	
1	91514175	1	Circlip	
2	70024147	1	Gear, Ring	
3	91514177	1	Support, Ring Gear	

## SECTION 5 - DRIVE TRAIN

FIGURE 5-35. REAR AXLE, PLANET GEAR CARRIER KIT



ART\_100110001\_11-H

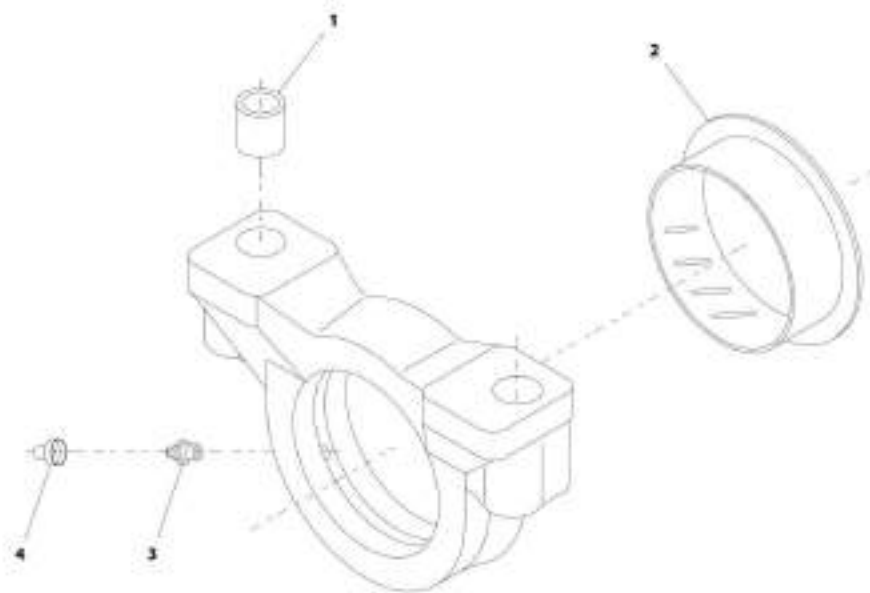
## SECTION 5 - DRIVE TRAIN

FIGURE 5-35. REAR AXLE, PLANET GEAR CARRIER KIT

ITEM	PART NUMBER	QTY	DESCRIPTION	REV
	7029743	Ref	Planet Gear Carrier Kit	
1	91514184	4	Circlip	
2	91514185	4	Gear, Planet	
3	91514186	4	Bearing	
4	7029317	1	Carrier, Planet Gear	

# SECTION 5 - DRIVE TRAIN

FIGURE 5-36. REAR AXLE, SUPPORT ASSEMBLY (LF, RR)



ART\_100100001\_10-H

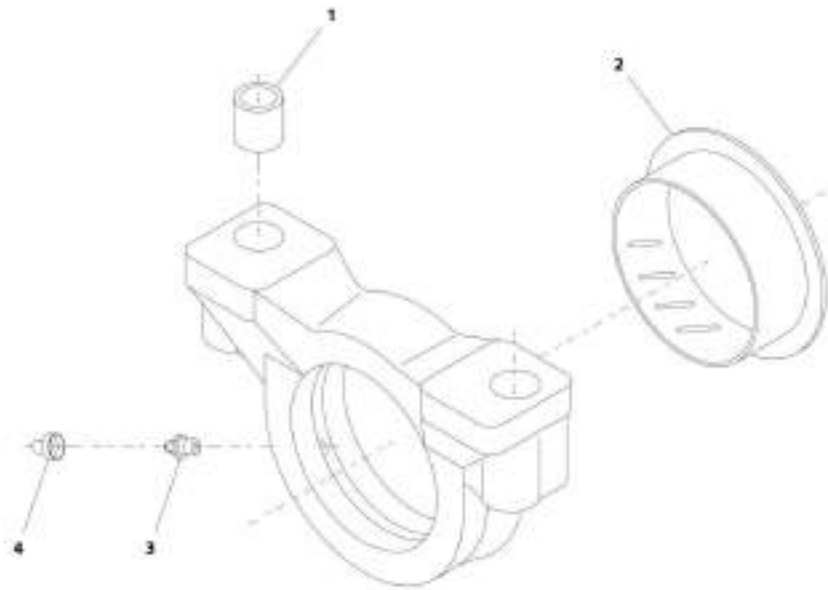
## SECTION 5 - DRIVE TRAIN

**FIGURE 5-36. REAR AXLE, SUPPORT ASSEMBLY (LF, RR)**

ITEM	PART NUMBER	QTY	DESCRIPTION	REV
	70026265	Ref	Support Assembly (LF, RR)	
1	7029290	2	Bushing	
2	91514090	1	Bushing, Thrust	
3	91514099	1	Fitting, Grease	
4	80204117	1	Plug	

# SECTION 5 - DRIVE TRAIN

FIGURE 5-37. REAR AXLE, SUPPORT ASSEMBLY (RF, LR)



APT\_100100001\_10-H

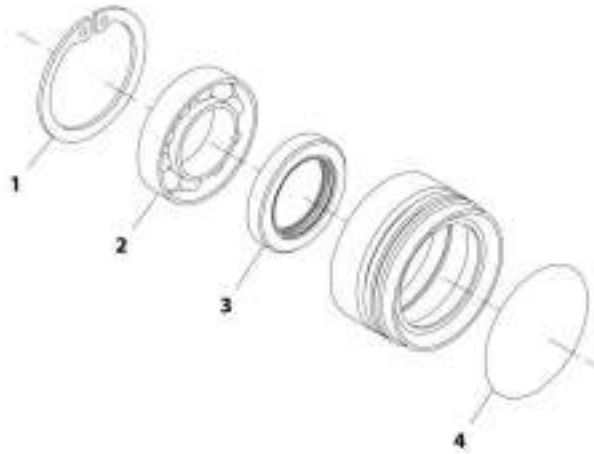
## SECTION 5 - DRIVE TRAIN

**FIGURE 5-37. REAR AXLE, SUPPORT ASSEMBLY (RF, LR)**

ITEM	PART NUMBER	QTY	DESCRIPTION	REV
	70026266	Ref	Support Assembly (RF, LR)	
1	7029290	2	Bushing, Reduction	
2	91514090	1	Bushing, Thrust	
3	91514099	1	Fitting, Grease	
4	80204117	1	Plug	

## SECTION 5 - DRIVE TRAIN

FIGURE 5-38. REAR AXLE, REDUCTION BUSHING ASSEMBLY



ART\_3301100833\_16-H



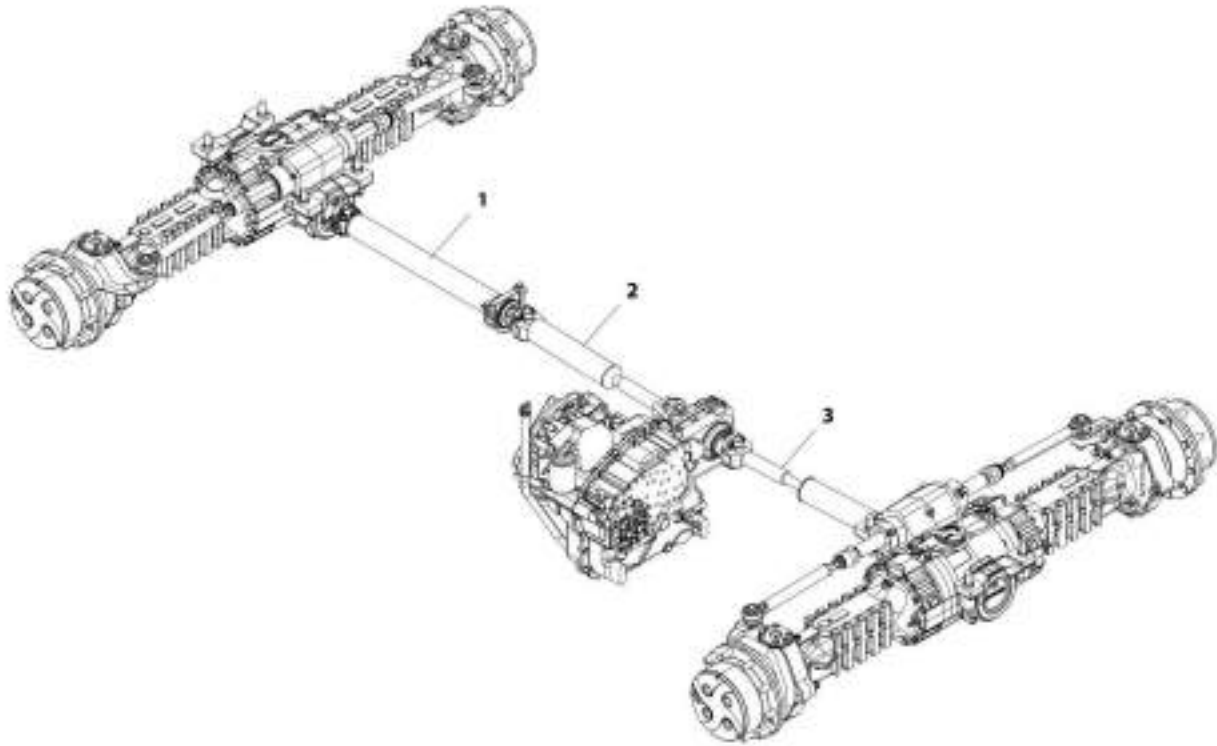
## SECTION 5 - DRIVE TRAIN

FIGURE 5-38. REAR AXLE, REDUCTION BUSHING ASSEMBLY

ITEM	PART NUMBER	QTY	DESCRIPTION	REV
	91514149	Ref	Reduction Bushing	
1	80204005	1	Circlip	
2	91514146	1	Bearing, Ball	
3	91514147	1	Seal	
4	91514148	1	O-Ring	

## SECTION 5 - DRIVE TRAIN

FIGURE 5-39. DRIVE SHAFTS INSTALLATION



ART\_1001149402-A

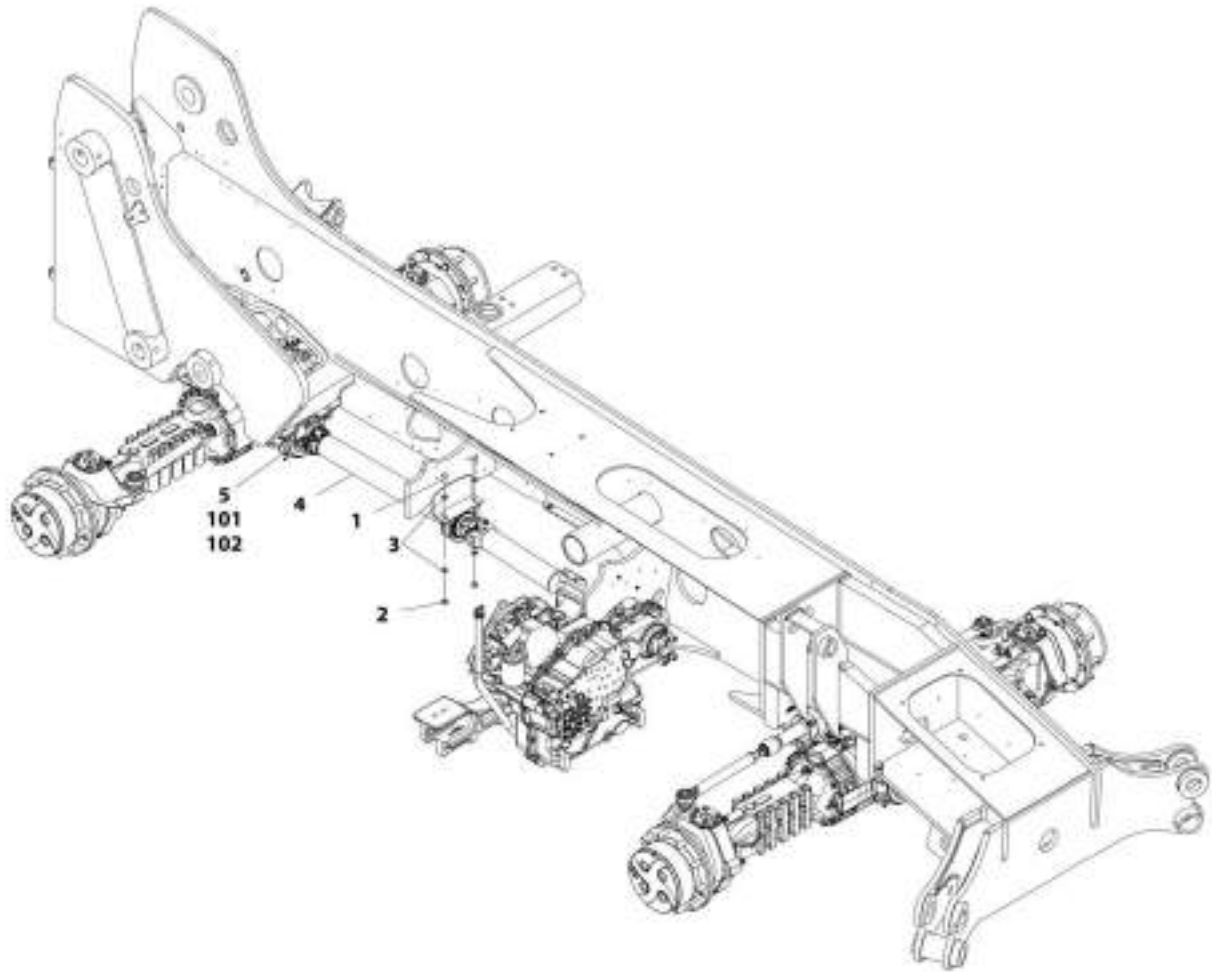
## SECTION 5 - DRIVE TRAIN

### FIGURE 5-39. DRIVE SHAFTS INSTALLATION

ITEM	PART NUMBER	QTY	DESCRIPTION	REV
1	1001169682	Ref	Drive Shafts Installation	A
	1001163987	Ref	Installation, Rear Drive Shaft (See REAR DRIVE SHAFT INSTALLATION for Breakdown)	
2	1001170509	Ref	Installation, Front Mid Shaft (See FRONT MID SHAFT INSTALLATION for Breakdown)	
3	1001170530	Ref	Installation, Front Drive Shaft (See FRONT DRIVE SHAFT INSTALLATION for Breakdown)	

# SECTION 5 - DRIVE TRAIN

## FIGURE 5-40. REAR DRIVE SHAFT INSTALLATION



ART\_1001362967-8

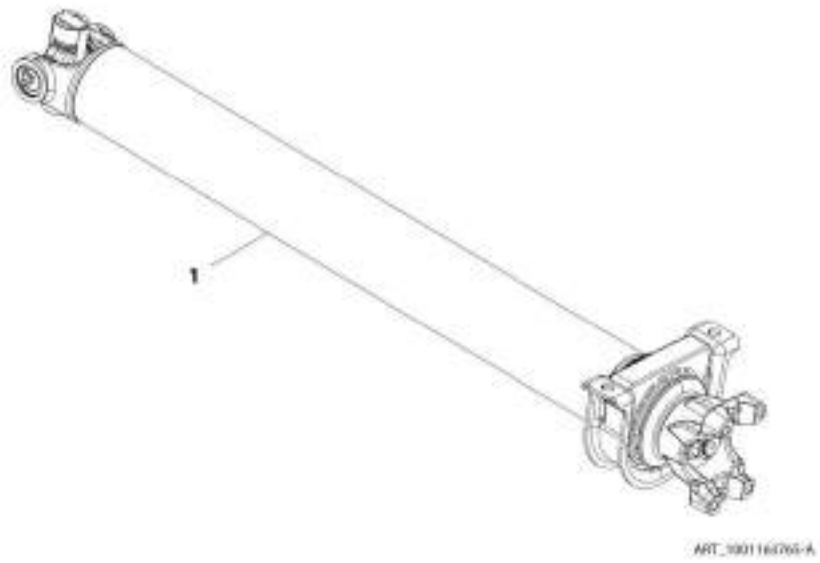
## SECTION 5 - DRIVE TRAIN

### FIGURE 5-40. REAR DRIVE SHAFT INSTALLATION

ITEM	PART NUMBER	QTY	DESCRIPTION	REV
	1001163987	Ref	Rear Drive Shaft Installation	B
1	0761214	2	Bolt, 12 X 30, GR8.8	
2	3291205	2	Nut, Lock M12 X 1.75	
3	4812100	4	Washer, 12	
4	1001163765	1	Shaft, Rear Drive (See REAR DRIVE SHAFT for Breakdown)	
5	8880218-OM	1	Kit, Strap (includes items 101 & 102)	
101	N.S.S.	1	Strap	
102	N.S.S.	1	Bolt, Strap 0.375-24X0.75	

## SECTION 5 - DRIVE TRAIN

FIGURE 5-41. REAR DRIVE SHAFT



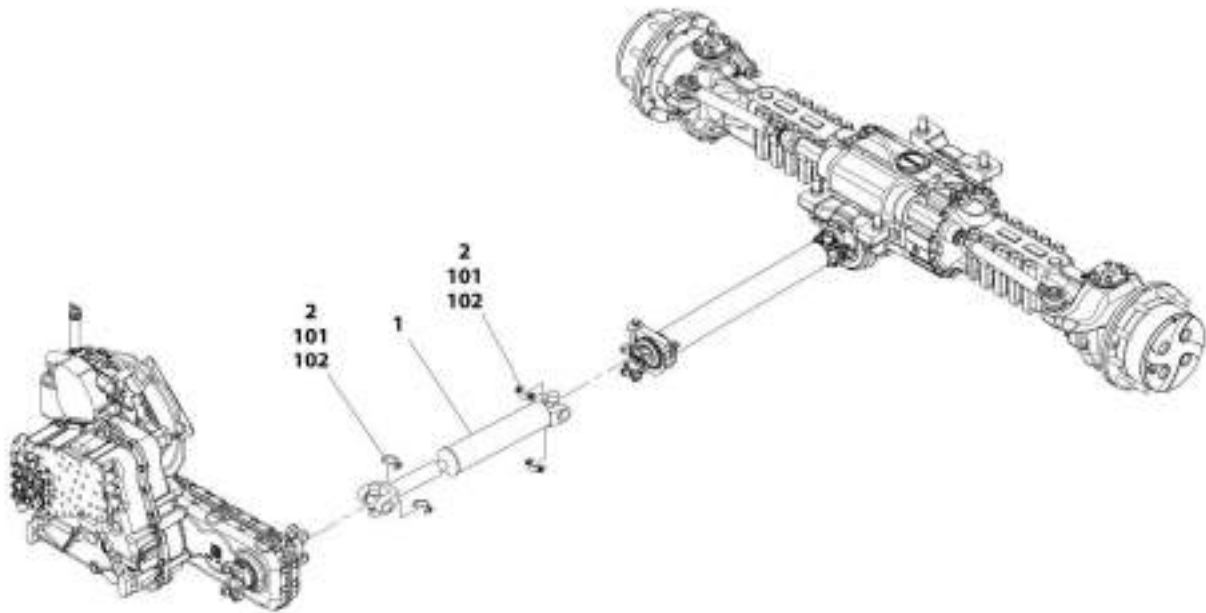
## SECTION 5 - DRIVE TRAIN

### FIGURE 5-41. REAR DRIVE SHAFT

ITEM	PART NUMBER	QTY	DESCRIPTION	REV
1	1001163765 91474035	Ref 1	Rear Drive Shaft Kit, Universal Joint	A

# SECTION 5 - DRIVE TRAIN

## FIGURE 5-42. FRONT MID SHAFT INSTALLATION



ART\_1001170509-B



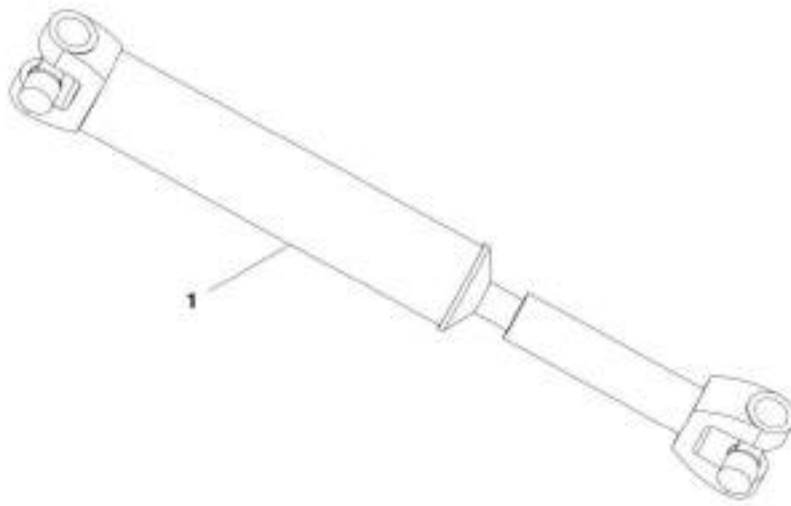
## SECTION 5 - DRIVE TRAIN

### FIGURE 5-42. FRONT MID SHAFT INSTALLATION

ITEM	PART NUMBER	QTY	DESCRIPTION	REV
	1001170509	Ref	Front Mid Drive Shaft Installation	B
1	1001170615	1	Shaft, Driveshaft Mid (See FRONT MID DRIVE SHAFT for Breakdown)	
2	8880218-OM	2	Kit, Strap (includes items 101 & 102)	
101	N.S.S.	1	Strap	
102	N.S.S.	1	Bolt, Strap 0.375-24X0.75	

## SECTION 5 - DRIVE TRAIN

FIGURE 5-43. FRONT MID DRIVE SHAFT



ART\_1001170615-B

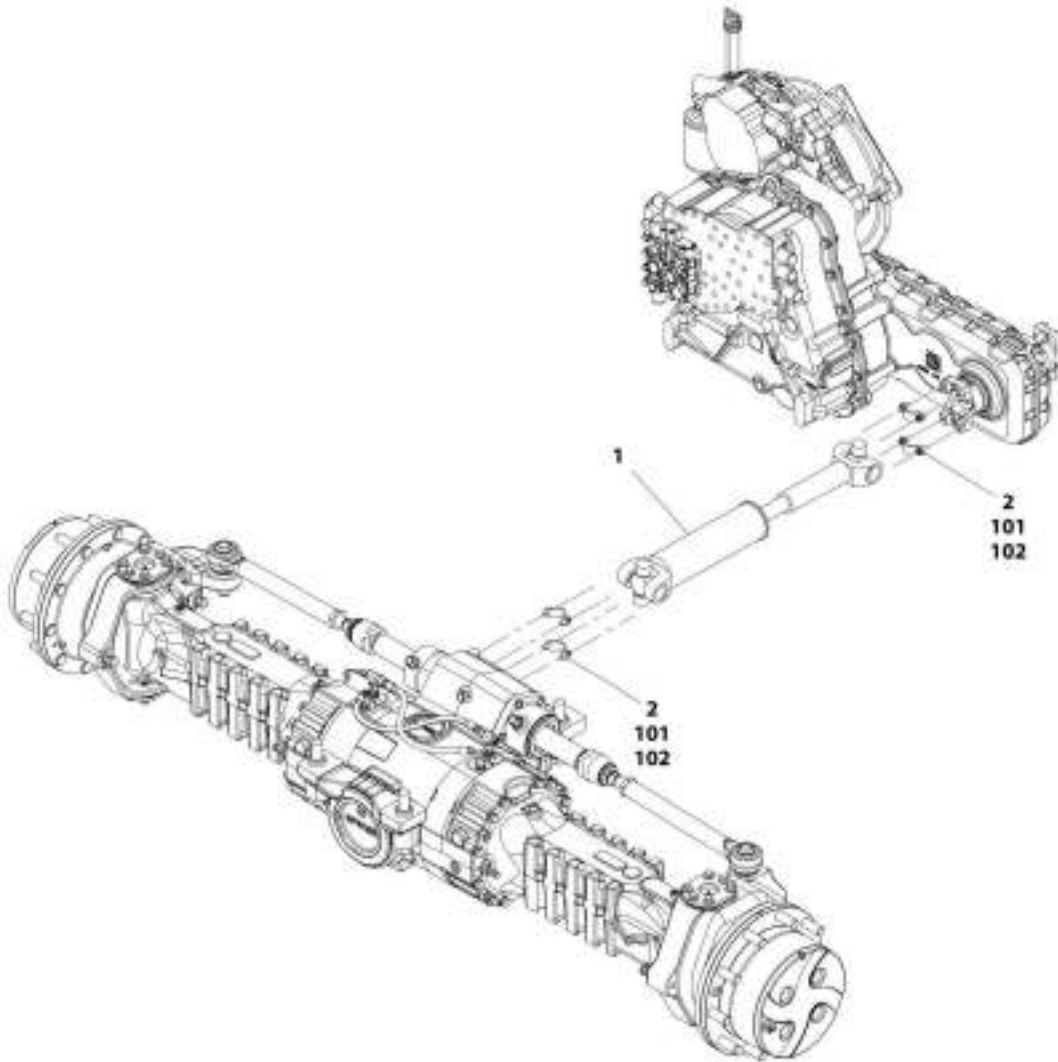
## SECTION 5 - DRIVE TRAIN

### FIGURE 5-43. FRONT MID DRIVE SHAFT

ITEM	PART NUMBER	QTY	DESCRIPTION	REV
1	1001170615	1	Front Mid Drive Shaft	B
	91474035	2	Kit, Universal Joint	

# SECTION 5 - DRIVE TRAIN

## FIGURE 5-44. FRONT DRIVE SHAFT INSTALLATION



AWT\_100112530-8

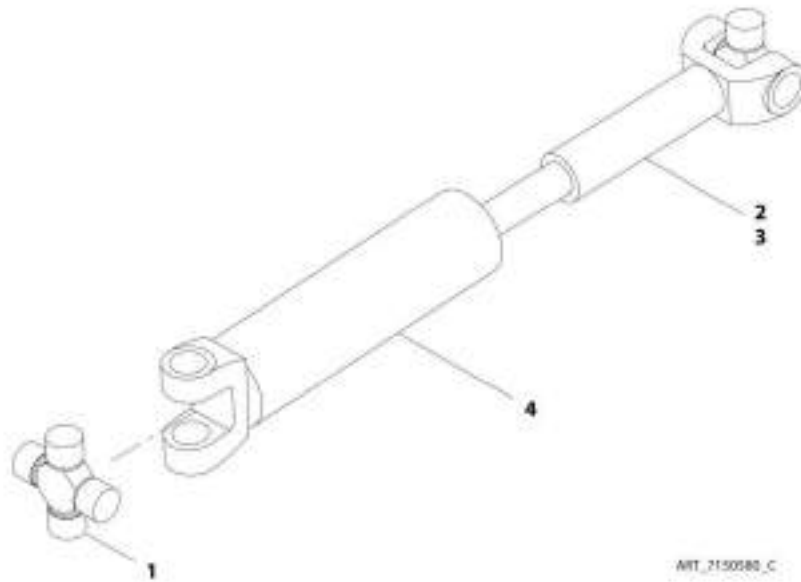
## SECTION 5 - DRIVE TRAIN

### FIGURE 5-44. FRONT DRIVE SHAFT INSTALLATION

ITEM	PART NUMBER	QTY	DESCRIPTION	REV
	1001170530	Ref	Front Drive Shaft Installation	B
1	7150580	1	Shaft, Rear Drive (See Rear Drive Shaft for Breakdown)	
2	8880218-OM	1	Kit, Strap (includes items 101 & 102)	
101	N.S.S.	1	Strap	
102	N.S.S.	1	Bolt, Strap 0.375-24X0.75	

## SECTION 5 - DRIVE TRAIN

FIGURE 5-45. FRONT DRIVE SHAFT



ART\_2150580\_C

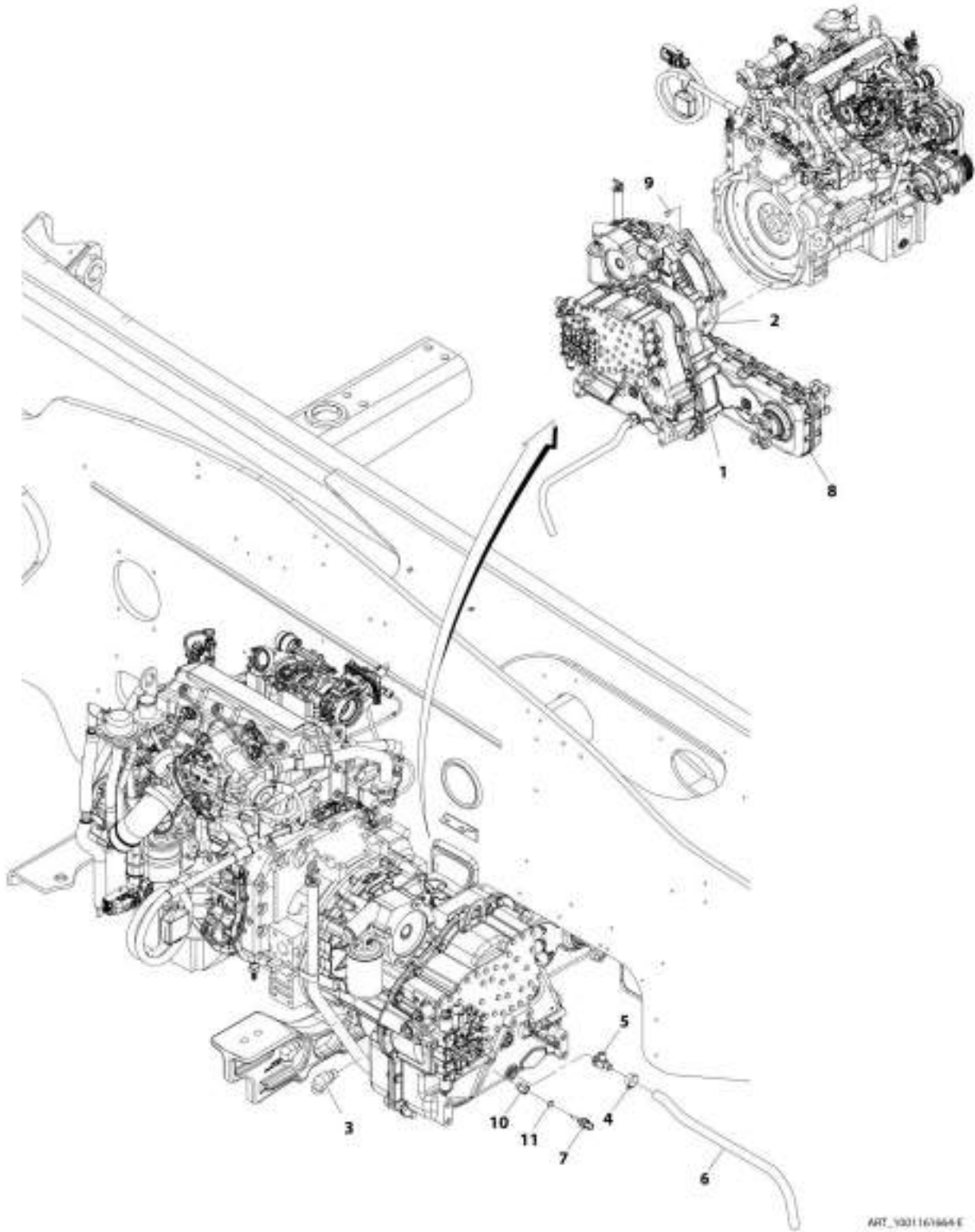
## SECTION 5 - DRIVE TRAIN

### FIGURE 5-45. FRONT DRIVE SHAFT

ITEM	PART NUMBER	QTY	DESCRIPTION	REV
	7150580	Ref	Front Drive Shaft	C
1	8036433	4	Cross and Bearing Kit	
2	8035779	2	Dust Cap Kit	
3	N.S.S.	1	Joint, Slip	
4	N.S.S.	1	Shaft, Yoke	

# SECTION 5 - DRIVE TRAIN

## FIGURE 5-46. TRANSMISSION INSTALLATION



ART\_1001161044 E



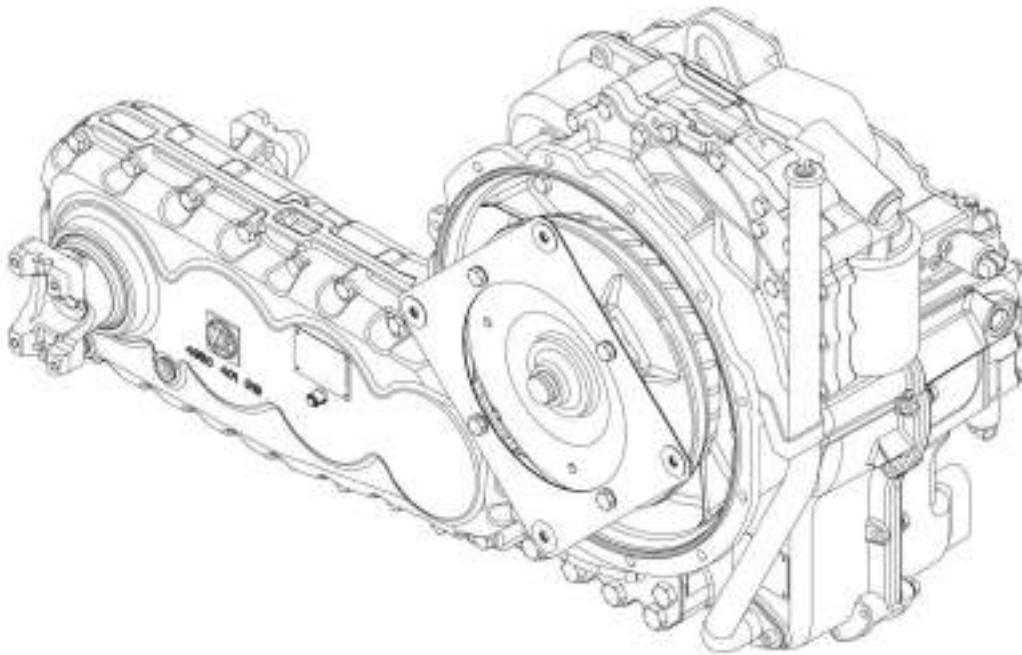
## SECTION 5 - DRIVE TRAIN

**FIGURE 5-46. TRANSMISSION INSTALLATION**

ITEM	PART NUMBER	QTY	DESCRIPTION	REV
	1001161664	Ref	Transmission Installation	E
1	0711015	12	Bolt, M10X35	
2	4812000	12	Washer, 10	
3	2131210	2	Fitting, 90 ORFS	
4	8405007	1	Clamp, Hose	
5	1001097053	1	Valve, Oil Drain	
6	1001186225	1	Hose, Drain	
7	1001147072	1	Switch, Oil Temperature <b>(Prior to SN 0160080792)</b>	
7	1001128478	1	Switch, Oil Temperature <b>(SN 0160080792 to Present)</b>	
8	1001170171	1	Transmission, Powershift (See POWERSHIFT TRANSMISSION for Breakdown)	
9	0761010	4	Bolt, M10X20	
10	1001220760	1	Adapter <b>(SN 0160080792 to Present)</b>	
11	1001009163	1	Seal <b>(SN 0160080792 to Present)</b>	

## SECTION 5 - DRIVE TRAIN

FIGURE 5-47. POWERSHIFT TRANSMISSION



ARE\_105117017L\_1-C

## SECTION 5 - DRIVE TRAIN

**FIGURE 5-47. POWERSHIFT TRANSMISSION**

ITEM	PART NUMBER	QTY	DESCRIPTION	REV
	1001170171	Ref	Powershift Transmission	C
		Ref	Transmission, Engine Connection (See TRANSMISSION, ENGINE CONNECTION for Breakdown)	
		Ref	Transmission, Converter (See TRANSMISSION, CONVERTER for Breakdown)	
		Ref	Transmission, Input (See TRANSMISSION, INPUT for Breakdown)	
		Ref	Transmission, Housing Group 1 (See TRANSMISSION, HOUSING GROUP 1 for Breakdown)	
		Ref	Transmission, Housing Group 2 (See TRANSMISSION, HOUSING GROUP 2 for Breakdown)	
		Ref	Transmission, Clutch Group 1 (See TRANSMISSION, CLUTCH GROUP 1 for Breakdown)	
		Ref	Transmission, Clutch Group 2 (See TRANSMISSION, CLUTCH GROUP 2 for Breakdown)	
		Ref	Transmission, Coupling Group 1 (See TRANSMISSION, COUPLING GROUP 1 for Breakdown)	
		Ref	Transmission, Coupling Group 2 (See TRANSMISSION, COUPLING GROUP 2 for Breakdown)	
		Ref	Transmission, Coupling Group 3 (See TRANSMISSION, COUPLING GROUP 3 for Breakdown)	
		Ref	Transmission, Coupling Group 4 (See TRANSMISSION, COUPLING GROUP 4 for Breakdown)	
		Ref	Transmission, Output (See TRANSMISSION, OUTPUT for Breakdown)	
		Ref	Transmission, Power Take-Off (See TRANSMISSION, POWER TAKE-OFF for Breakdown)	
		Ref	Transmission, Control Unit (See TRANSMISSION, CONTROL UNIT for Breakdown)	
		Ref	Transmission, Shift System (See TRANSMISSION, SHIFT SYSTEM for Breakdown)	
		Ref	Transmission, Pressure Regulator (See TRANSMISSION, PRESSURE REGULATOR for Breakdown)	
		Ref	Transmission, Pressure Oil Pump (See TRANSMISSION, PRESSURE OIL PUMP for Breakdown)	
		Ref	Transmission, Inductive Transmitter (See TRANSMISSION, INDUCTIVE TRANSMITTER for Breakdown)	
		Ref	Transmission, Filter (See TRANSMISSION, FILTER for Breakdown)	
		Ref	Transmission, Accessories Group 1 (See TRANSMISSION, ACCESSORIES GROUP 1 for Breakdown)	
		Ref	Transmission, Peripherals Group 1 (See TRANSMISSION, PERIPHERALS GROUP 1 for Breakdown)	
		Ref	Transmission, Peripherals Group 2 (See TRANSMISSION, PERIPHERALS GROUP 2 for Breakdown)	
		Ref	Transmission, Accessories Group 2 (See TRANSMISSION, ACCESSORIES GROUP 2 for Breakdown)	
		Ref	Transmission, Housing Group (See TRANSMISSION, HOUSING GROUP for Breakdown)	
		Ref	Transmission, Housing 1 (See TRANSMISSION, HOUSING 1 for Breakdown)	
		Ref	Transmission, Housing 2 (See TRANSMISSION, HOUSING 2 for Breakdown)	
		Ref	Transmission, Housing Input (See TRANSMISSION, HOUSING INPUT for Breakdown)	

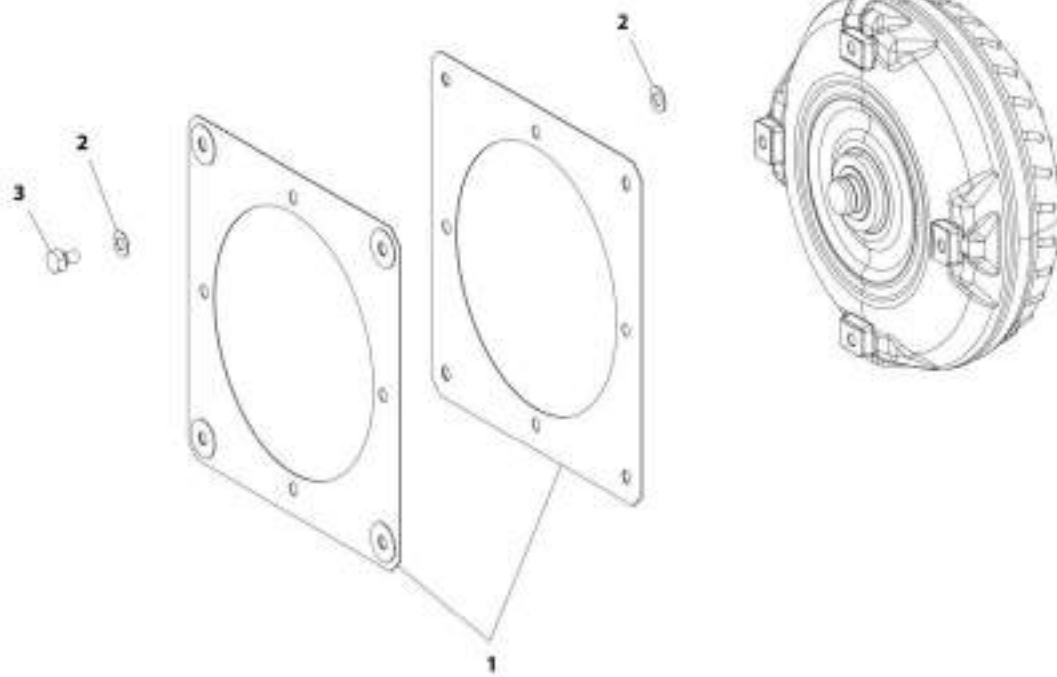
## SECTION 5 - DRIVE TRAIN

ITEM	PART NUMBER	QTY	DESCRIPTION	REV
		Ref	Transmission, Housing Output 1 (See TRANSMISSION, HOUSING OUTPUT 1 for Breakdown)	
		Ref	Transmission, Housing Output 2 (See TRANSMISSION, HOUSING OUTPUT 2 for Breakdown)	



# SECTION 5 - DRIVE TRAIN

## FIGURE 5-48. TRANSMISION, ENGINE CONNECTION



ART\_100112017L3-C

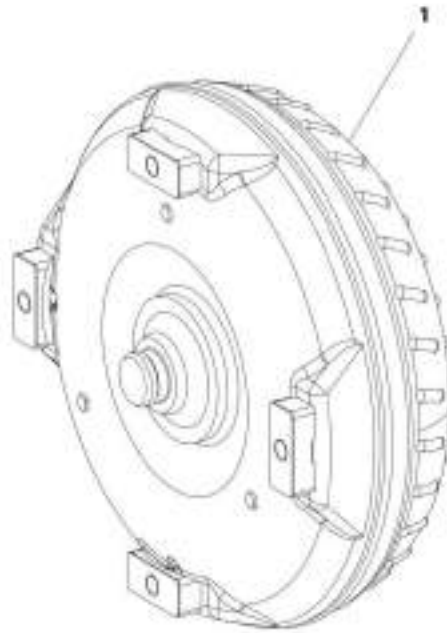
## SECTION 5 - DRIVE TRAIN

**FIGURE 5-48. TRANSMISION, ENGINE CONNECTION**

ITEM	PART NUMBER	QTY	DESCRIPTION	REV
1	1319229	2	Diaphragm	
2	7026745	8	Washer, Thrust M10	
3	7026744	4	Bolt, M10X16	

## SECTION 5 - DRIVE TRAIN

FIGURE 5-49. TRANSMISSION, CONVERTER



ARF\_1001170171\_3-C



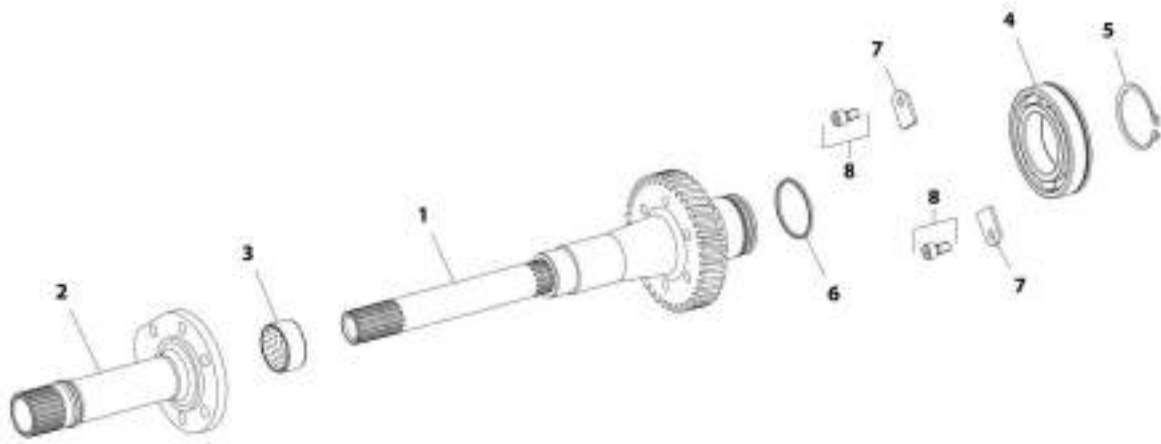
## SECTION 5 - DRIVE TRAIN

FIGURE 5-49. TRANSMISSION, CONVERTER

ITEM	PART NUMBER	QTY	DESCRIPTION	REV
1	7026746	1	Converter, Torque	

# SECTION 5 - DRIVE TRAIN

## FIGURE 5-50. TRANSMISSION, INPUT



ART\_3801120171\_4C

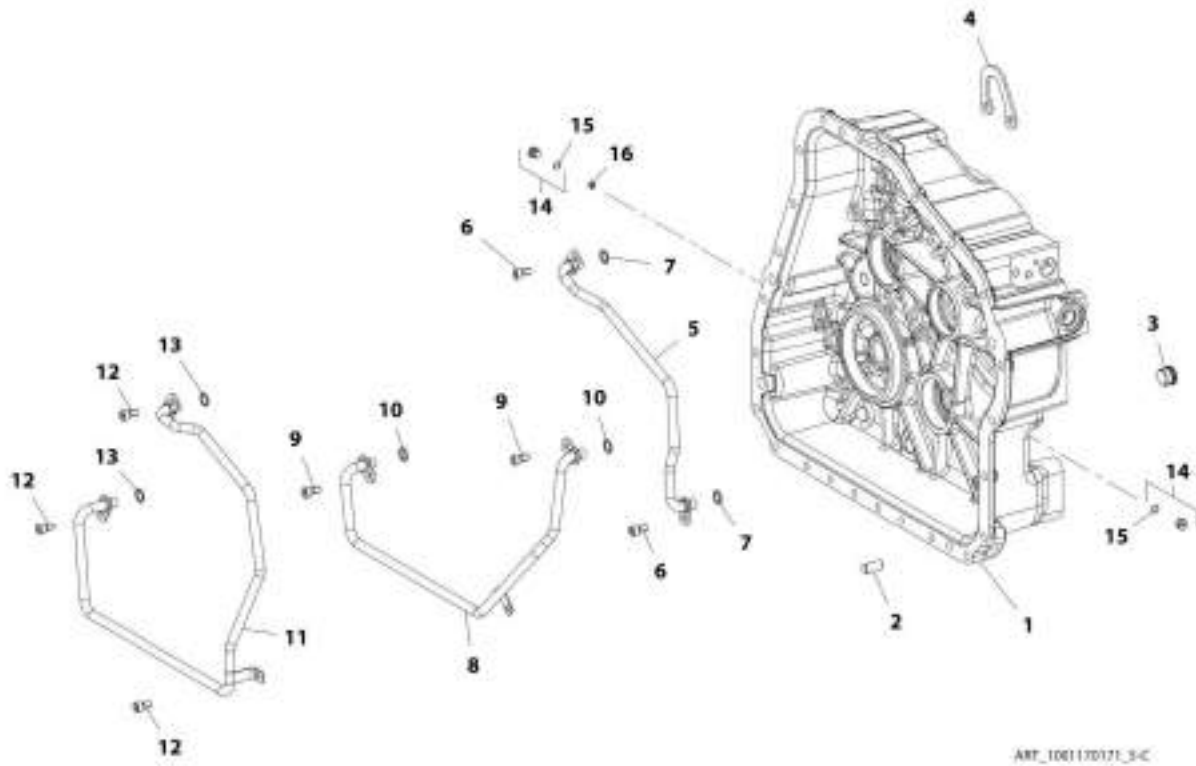
## SECTION 5 - DRIVE TRAIN

**FIGURE 5-50. TRANSMISSION, INPUT**

ITEM	PART NUMBER	QTY	DESCRIPTION	REV
1	7026747	1	Shaft, Turbine	
2	7026748	1	Shaft, Stator	
3	1319558	1	Bushing, Bearing	
4	1319563	1	Bearing, Ball	
5	80304405	1	Ring, Retaining	
6	7026749	1	Ring, Piston	
7	70026515	2	Strap	
8	70026516	2	Bolt, M8X16	

# SECTION 5 - DRIVE TRAIN

## FIGURE 5-51. TRANSMISSION, HOUSING GROUP 1



ART\_1061170171\_3-C

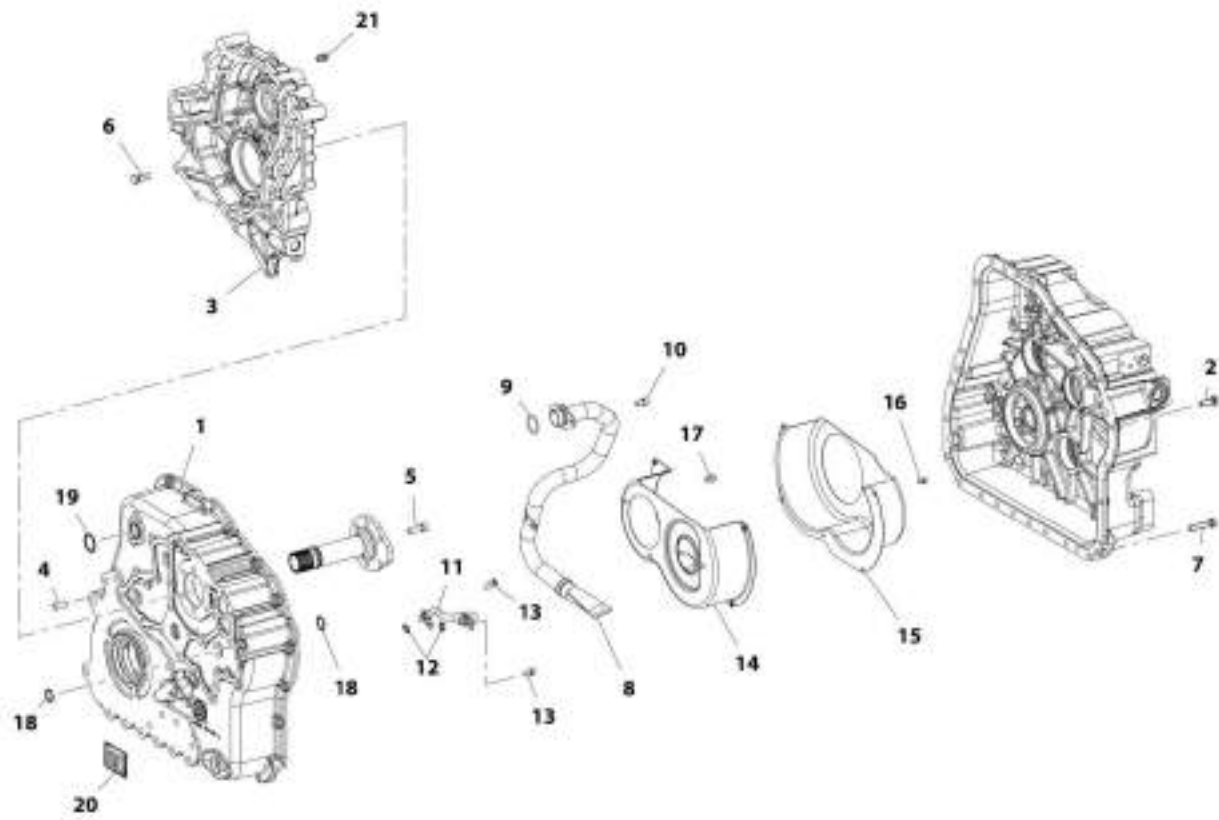
## SECTION 5 - DRIVE TRAIN

### FIGURE 5-51. TRANSMISSION, HOUSING GROUP 1

ITEM	PART NUMBER	QTY	DESCRIPTION	REV
1	7029973	1	Housing	
2	1319571	2	Pin, Dowel	
3	70023404	1	Plug	
4	1319590	1	Bracket, Lift	
5	7026750	1	Pipe	
6	70026516	2	Bolt, M8X16	
7	8036847	2	O-Ring	
8	7026751	1	Pipe	
9	70026516	2	Bolt, M8X16	
10	8036847	2	O-Ring	
11	7026752	1	Pipe	
12	70026516	3	Bolt, M8X16	
13	8036847	2	O-Ring	
14	70026517	7	Plug, Screw	
15	10731709	7	O-Ring	
16	70026518	1	Nozzle	

# SECTION 5 - DRIVE TRAIN

## FIGURE 5-52. TRANSMISSION, HOUSING GROUP 2



ART\_1001170171\_5-C

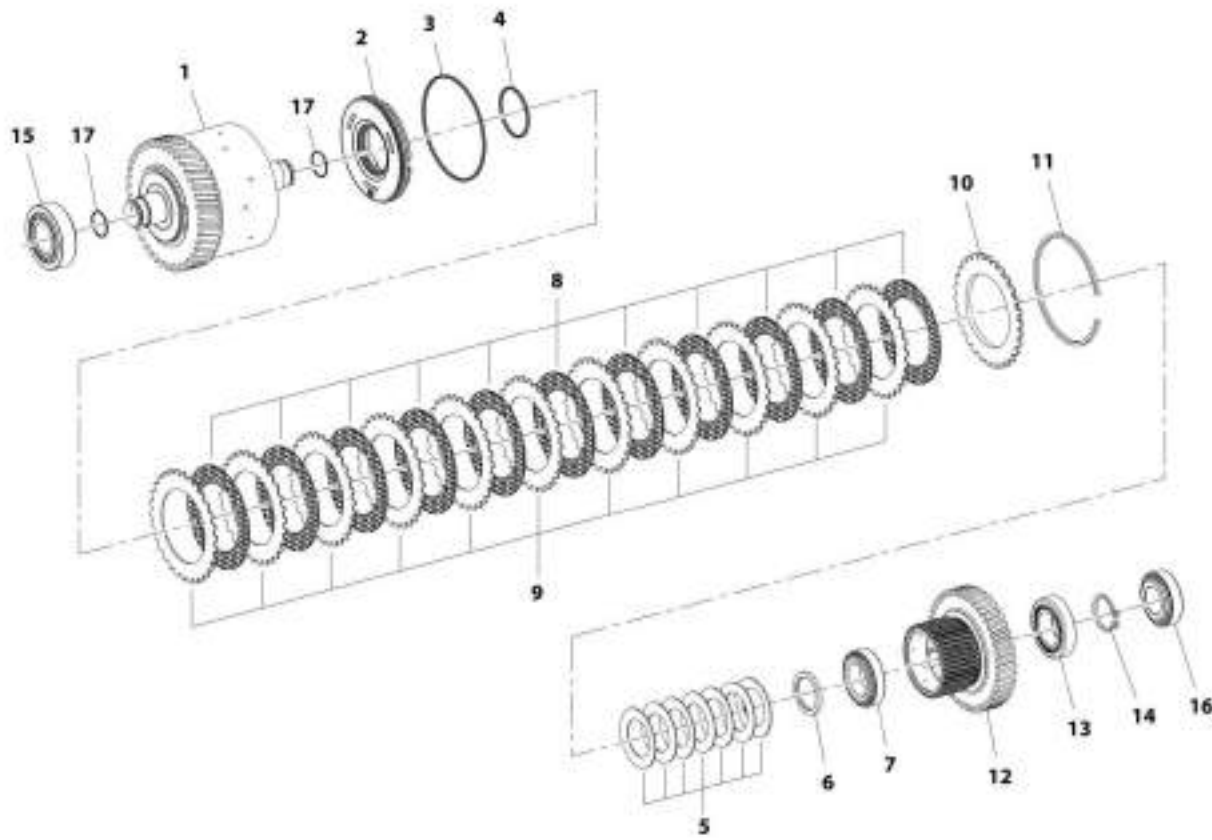
## SECTION 5 - DRIVE TRAIN

**FIGURE 5-52. TRANSMISSION, HOUSING GROUP 2**

ITEM	PART NUMBER	QTY	DESCRIPTION	REV
1	7029972	1	Housing	
2	80304394	18	Bolt, M10X30	
3	70021920	1	Housing, PTO	
4	1319571	2	Pin, Dowel	
5	70026519	6	Bolt, M10X30	
6	80304394	13	Bolt, M10X30	
7	7026794	6	Bolt, M10X50	
8	7026753	1	Tube, Suction	
9	70023885	1	O-Ring	
10	70026516	2	Bolt, M8X16	
11	7026754	1	Pipe	
12	8036847	2	O-Ring	
13	70026516	2	Bolt, M8X16	
14	7026755	1	Sheet, Screen	
15	7026756	1	Sheet, Screen	
16	70026520	5	Bolt, M6X10	
17	70026521	3	Bolt, M8X12	
18	7026792	2	O-Ring	
19	70023885	1	O-Ring	
20	N.S.S.	1	Plate, Serial Number	
21	10731744	1	Breather	

# SECTION 5 - DRIVE TRAIN

## FIGURE 5-53. TRANSMISSION, CLUTCH GROUP 1



ART\_1001170171\_7-C



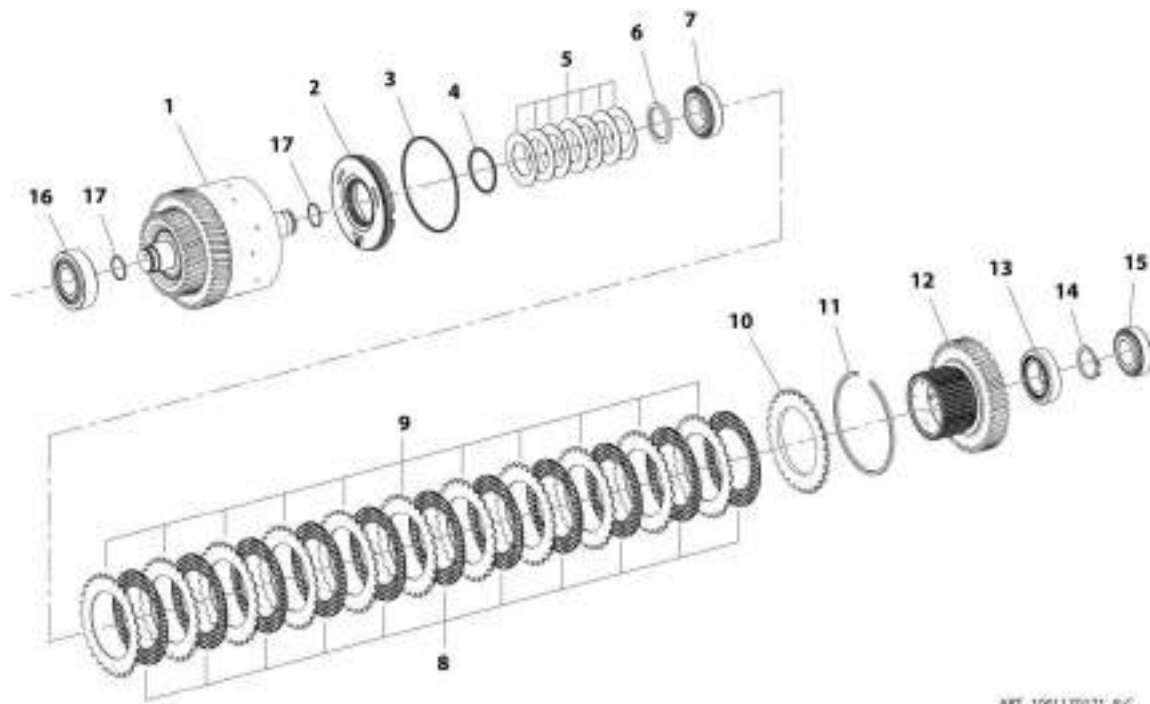
## SECTION 5 - DRIVE TRAIN

**FIGURE 5-53. TRANSMISSION, CLUTCH GROUP 1**

ITEM	PART NUMBER	QTY	DESCRIPTION	REV
1	7026757	1	Coupling	
2	70022075	1	Piston	
3	1319594	1	O-Ring	
4	1319593	1	O-Ring	
5	1319595	7	Spring, Cup	
6	1319617	1	Support, Shim	
7	1319618	AR	Bearing, Roller	
8	7026758	11	Disc, Friction	
9	7026759	11	Disc, Clutch	
10	7026760	1	Shim, End	
11	70026527	AR	Ring, Snap 2.00	
11	70026528	AR	Ring, Snap 2.25	
11	70026529	AR	Ring, Snap 2.50	
11	7029852	AR	Ring, Snap 2.75	
11	1319602	AR	Ring, Snap 3.00	
11	7029849	AR	Ring, Snap 3.25	
11	1319601	AR	Ring, Snap 3.50	
11	7029850	AR	Ring, Snap 3.75	
11	1319600	AR	Ring, Snap 4.00	
12	1319638	1	Carrier, Inner Disc	
13	1319620	AR	Bearing, Roller	
14	1319632	AR	Ring, Retaining 2.10	
14	1319631	AR	Ring, Retaining 2.20	
14	1319630	AR	Ring, Retaining 2.30	
14	1319629	AR	Ring, Retaining 2.40	
14	1319628	AR	Ring, Retaining 2.50	
14	1319627	AR	Ring, Retaining 2.60	
14	1319626	AR	Ring, Retaining 2.70	
14	1319625	AR	Ring, Retaining 2.80	
14	1319624	AR	Ring, Retaining 2.90	
14	1319623	AR	Ring, Retaining 3.00	
14	1319622	AR	Ring, Retaining 3.10	
14	1319621	AR	Ring, Retaining 3.20	
15	1319615	1	Bearing, Roller	
16	1319636	1	Bearing, Roller	
17	7026761	2	Ring, Piston	

# SECTION 5 - DRIVE TRAIN

## FIGURE 5-54. TRANSMISSION, CLUTCH GROUP 2



ART\_1061170171\_B/C

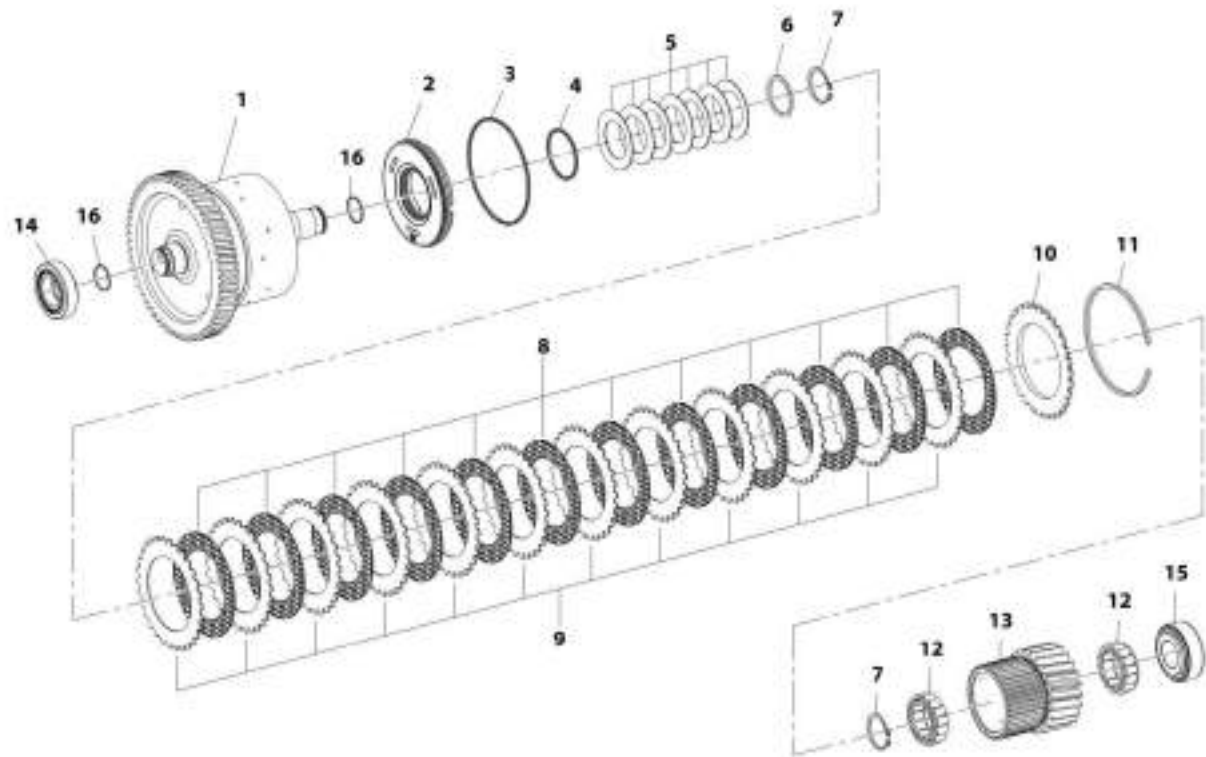
## SECTION 5 - DRIVE TRAIN

**FIGURE 5-54. TRANSMISSION, CLUTCH GROUP 2**

ITEM	PART NUMBER	QTY	DESCRIPTION	REV
1	7026762	1	Coupling	
2	70022075	1	Piston	
3	1319594	1	O-Ring	
4	1319593	1	O-Ring	
5	1319595	7	Spring, Cup	
6	1319617	1	Shim, Support	
7	1319618	AR	Bearing, Roller	
8	7026758	11	Disc, Friction	
9	7026759	11	Disc, Static	
10	7026760	1	Shim, End	
11	70026527	AR	Ring, Snap 2.00	
11	70026528	AR	Ring, Snap 2.25	
11	70026529	AR	Ring, Snap 2.50	
11	7029852	AR	Ring, Snap 2.75	
11	1319602	AR	Ring, Snap 3.00	
11	7029849	AR	Ring, Snap 3.25	
11	1319601	AR	Ring, Snap 3.50	
11	7029850	AR	Ring, Snap 3.75	
11	1319600	AR	Ring, Snap 4.00	
12	1319638	1	Carrier, Disc	
13	1319620	1	Bearing, Roller	
14	1319632	AR	Ring, Retaining 2.10	
14	1319631	AR	Ring, Retaining 2.20	
14	1319630	AR	Ring, Retaining 2.30	
14	1319629	AR	Ring, Retaining 2.40	
14	1319628	AR	Ring, Retaining 2.50	
14	1319627	AR	Ring, Retaining 2.60	
14	1319626	AR	Ring, Retaining 2.70	
14	1319625	AR	Ring, Retaining 2.80	
14	1319624	AR	Ring, Retaining 2.90	
14	1319623	AR	Ring, Retaining 3.00	
14	1319622	AR	Ring, Retaining 3.10	
14	1319621	AR	Ring, Retaining 3.20	
15	1319615	1	Bearing, Roller	
16	1319636	1	Bearing, Roller	
17	7026761	2	Ring, Piston	

# SECTION 5 - DRIVE TRAIN

## FIGURE 5-55. TRANSMISSION, COUPLING GROUP 1



MT\_1001170171\_9-C

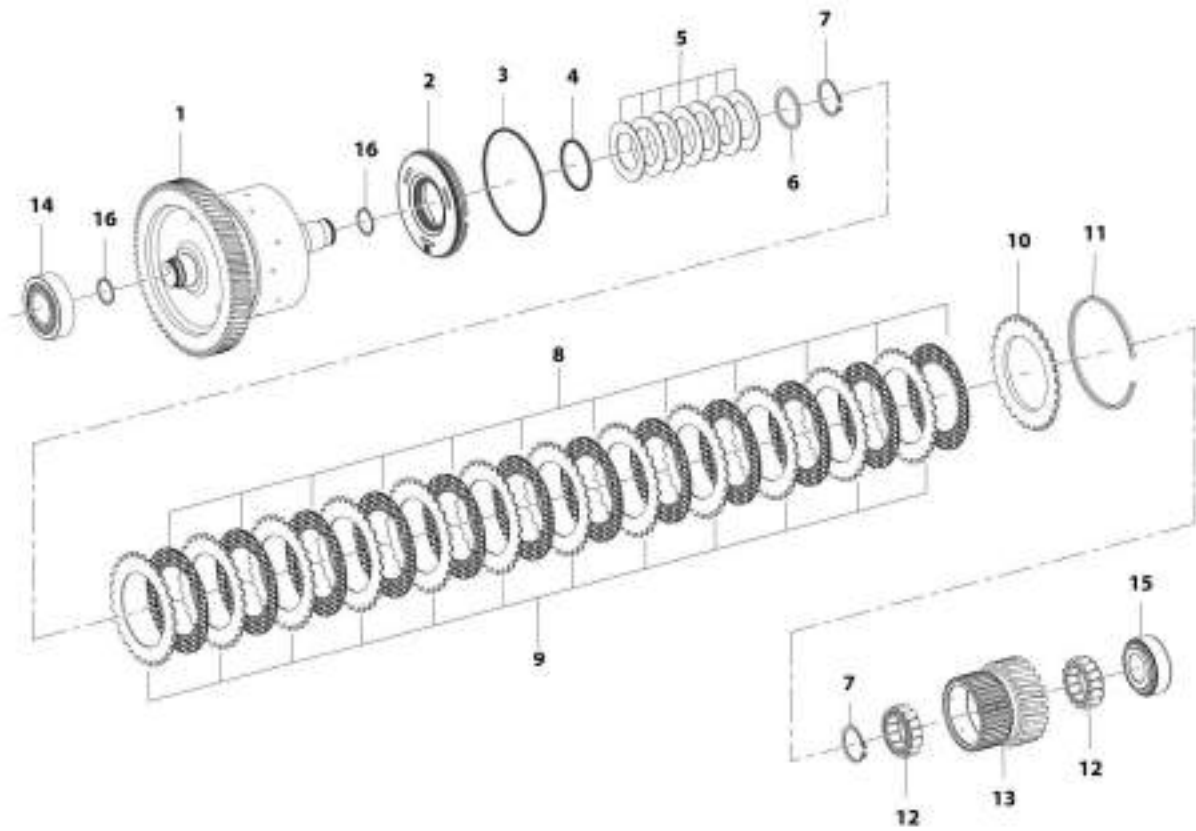
## SECTION 5 - DRIVE TRAIN

**FIGURE 5-55. TRANSMISSION, COUPLING GROUP 1**

ITEM	PART NUMBER	QTY	DESCRIPTION	REV
1	70026530	1	Coupling	
2	70022075	1	Piston	
3	1319594	1	O-Ring	
4	1319593	1	O-Ring	
5	1319595	7	Spring, Cup	
6	1319596	1	Shim 2.00	
7	10731845	2	Ring, Retaining	
8	7026758	12	Disc, Friction	
9	7026759	12	Disc, Clutch	
10	7026760	1	Shim, End	
11	70026527	AR	Ring, Snap 2.00	
11	70026528	AR	Ring, Snap 2.25	
11	70026529	AR	Ring, Snap 2.50	
11	7029852	AR	Ring, Snap 2.75	
11	1319602	AR	Ring, Snap 3.00	
11	7029849	AR	Ring, Snap 3.25	
11	1319601	AR	Ring, Snap 3.50	
11	7029850	AR	Ring, Snap 3.75	
11	1319600	AR	Ring, Snap 4.00	
12	1319605	AR	Cage, Roller	
13	1319607	1	Carrier, Disc	
14	1319608	1	Bearing, Roller	
15	8036190	1	Bearing, Roller	
16	7026761	2	Piston Ring	

# SECTION 5 - DRIVE TRAIN

## FIGURE 5-56. TRANSMISSION, COUPLING GROUP 2



ART. 3001170171\_10C

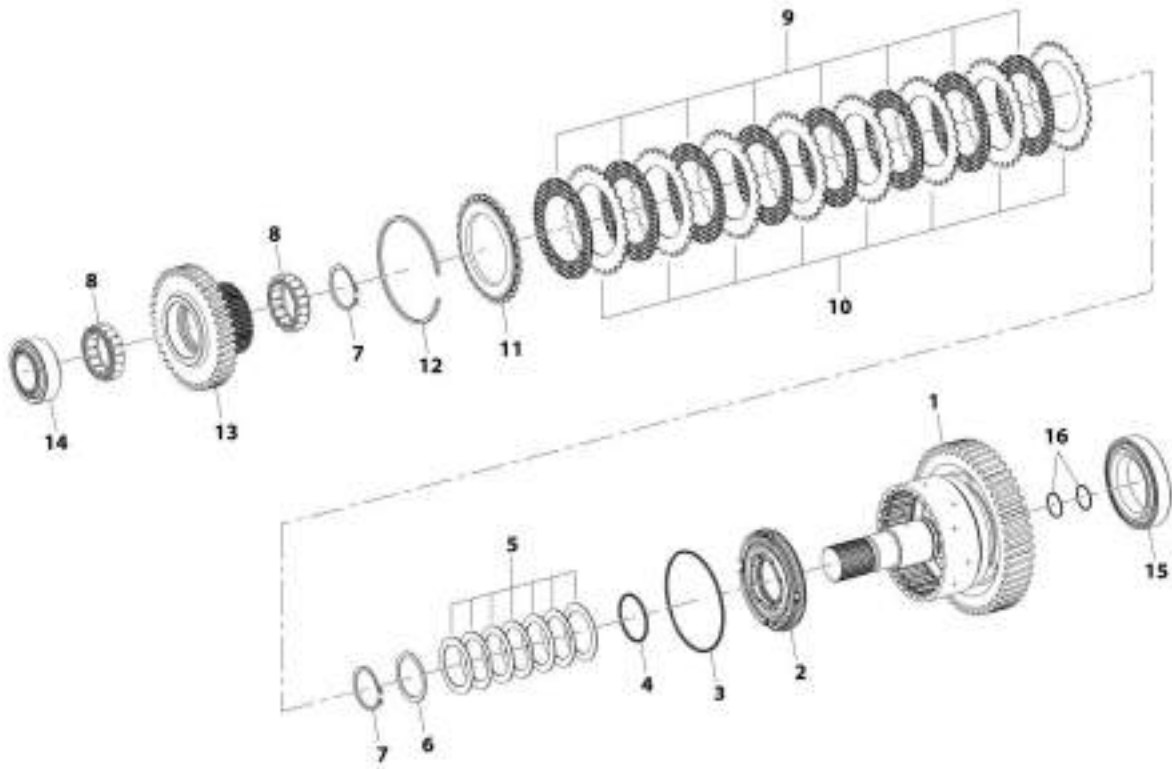
## SECTION 5 - DRIVE TRAIN

**FIGURE 5-56. TRANSMISSION, COUPLING GROUP 2**

ITEM	PART NUMBER	QTY	DESCRIPTION	REV
1	70026531	1	Coupling	
2	70022075	1	Piston	
3	1319594	1	O-Ring	
4	1319593	1	O-Ring	
5	1319595	7	Spring, Cup	
6	1319596	1	Shim	
7	10731845	2	Ring, Retaining	
8	7026758	12	Disc, Friction	
9	7026759	12	Disc, Clutch	
10	7026760	1	Shim, End	
11	70026527	AR	Ring, Snap 2.00	
11	70026528	AR	Ring, Snap 2.25	
11	70026529	AR	Ring, Snap 2.50	
11	7029852	AR	Ring, Snap 2.75	
11	1319602	AR	Ring, Snap 3.00	
11	7029849	AR	Ring, Snap 3.25	
11	1319601	AR	Ring, Snap 3.50	
11	7029850	AR	Ring, Snap 3.75	
11	1319600	AR	Ring, Snap 4.00	
12	1319605	AR	Bearing, Roller	
13	1319614	1	Carrier, Disc	
14	1319615	1	Bearing, Roller	
15	8036190	1	Bearing, Roller	
16	7026761	2	Ring, Piston	

# SECTION 5 - DRIVE TRAIN

FIGURE 5-57. TRANSMISSION, COUPLING GROUP 3



AWT\_100117012L\_11-C



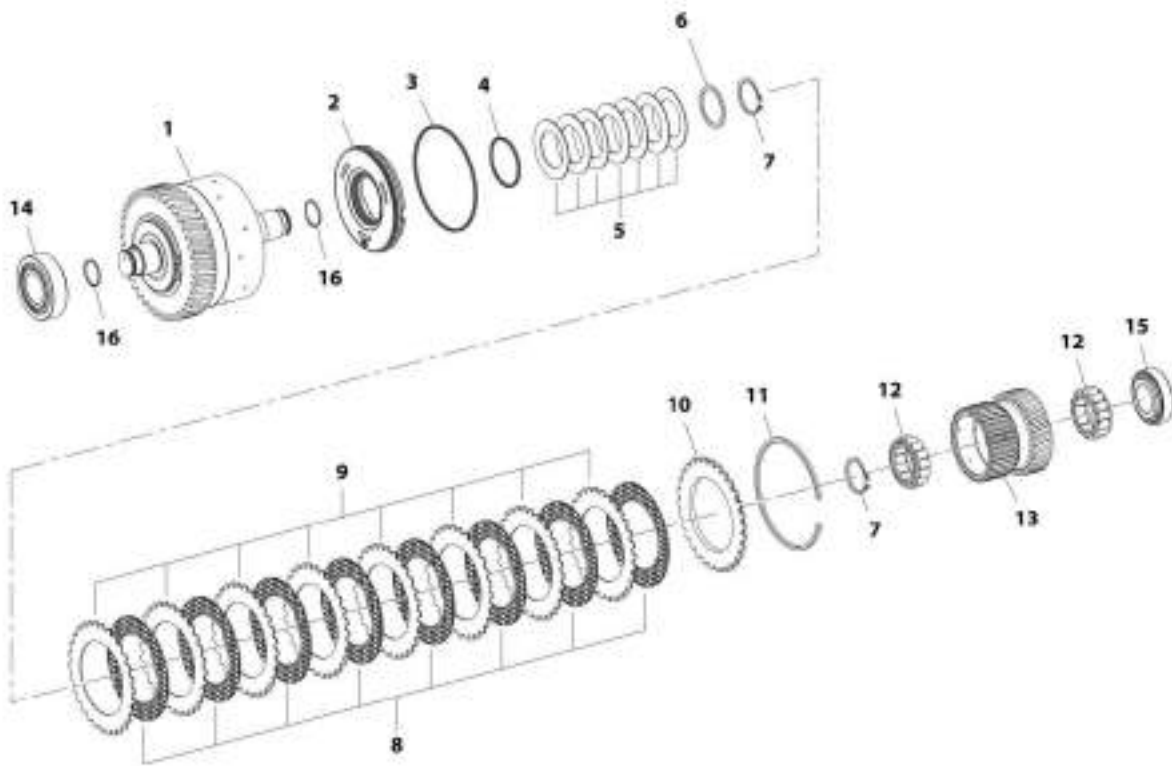
## SECTION 5 - DRIVE TRAIN

**FIGURE 5-57. TRANSMISSION, COUPLING GROUP 3**

ITEM	PART NUMBER	QTY	DESCRIPTION	REV
1	70026532	1	Coupling	
2	70022075	1	Piston	
3	1319594	1	O-Ring	
4	1319593	1	O-Ring	
5	7026765	7	Spring, Cup	
6	7026766	1	Washer	
7	80304227	AR	Ring, Retaining	
8	70021227	AR	Ring	
8	70021228	AR	Cage, Roller	
9	7026758	AR	Disc, Friction	
10	7026759	AR	Disc, Clutch	
11	7026760	AR	Shim, End	
12	70026527	AR	Ring, Snap 2.00	
12	70026528	AR	Ring, Snap 2.25	
12	70026529	AR	Ring, Snap 2.50	
12	7029852	AR	Ring, Snap 2.75	
12	1319602	AR	Ring, Snap 3.00	
12	7029849	AR	Ring, Snap 3.25	
12	1319601	AR	Ring, Snap 3.50	
12	7029850	AR	Ring, Snap 3.75	
12	1319600	AR	Ring, Snap 4.00	
13	7027267	1	Carrier, Disc	
14	70021268	1	Bearing, Outer Ring	
14	70021269	1	Bearing, Inner Ring	
15	7026769	AR	Bearing, Roller	
16	7026761	2	Ring, Piston	

# SECTION 5 - DRIVE TRAIN

## FIGURE 5-58. TRANSMISSION, COUPLING GROUP 4



ART\_1001170171\_12-C

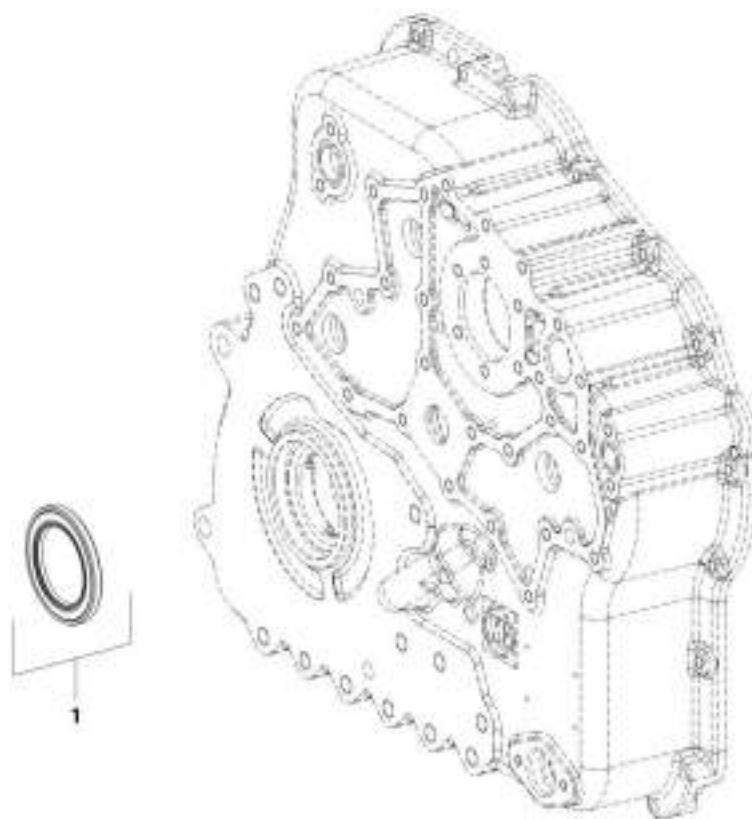
## SECTION 5 - DRIVE TRAIN

**FIGURE 5-58. TRANSMISSION, COUPLING GROUP 4**

ITEM	PART NUMBER	QTY	DESCRIPTION	REV
1	70026535	1	Coupling	
2	70022075	1	Piston	
3	1319594	1	O-Ring	
4	1319593	1	O-Ring	
5	1319595	7	Spring, Cup	
6	1319596	1	Shim	
7	10731845	2	Ring, Retaining	
8	7026758	8	Disc, Friction	
9	7026759	8	Disc, Clutch	
10	7026760	1	Shim, End	
11	70026527	AR	Ring, Snap 2.00	
11	70026528	AR	Ring, Snap 2.25	
11	70026529	AR	Ring, Snap 2.50	
11	7029852	AR	Ring, Snap 2.75	
11	1319602	AR	Ring, Snap 3.00	
11	7029849	AR	Ring, Snap 3.25	
11	1319601	AR	Ring, Snap 3.5	
11	7029850	AR	Ring, Snap 3.75	
11	1319600	AR	Ring, Snap 4.00	
12	1319605	AR	Bearing, Roller	
13	1319635	1	Carrier, Disc	
14	1319615	1	Bearing, Roller	
15	1319636	1	Bearing, Roller	
16	7026761	2	Ring, Piston	

# SECTION 5 - DRIVE TRAIN

## FIGURE 5-59. TRANSMISSION, OUTPUT



ART\_1001170171\_15-C

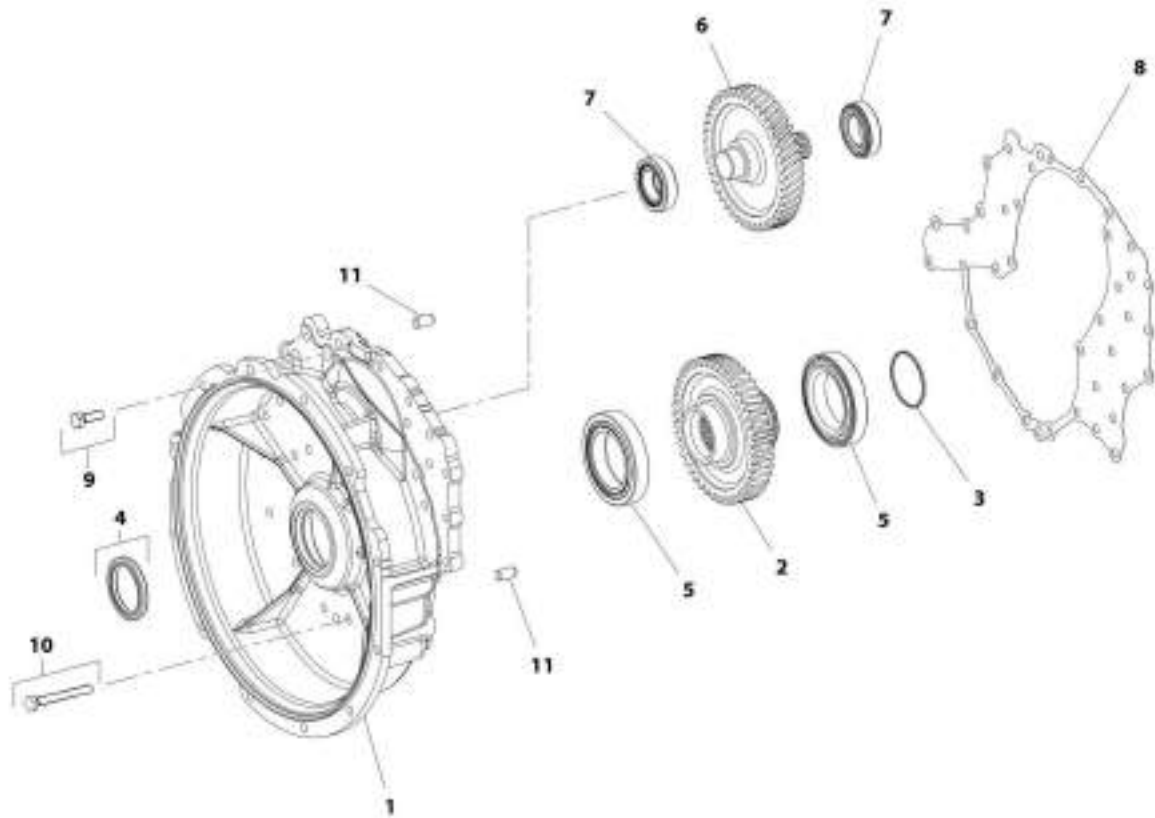
## SECTION 5 - DRIVE TRAIN

FIGURE 5-59. TRANSMISSION, OUTPUT

ITEM	PART NUMBER	QTY	DESCRIPTION	REV
1	70026536	1	Seal, Shaft	

# SECTION 5 - DRIVE TRAIN

## FIGURE 5-60. TRANSMISSION, POWER TAKE-OFF



ART. 3001170171\_14-C

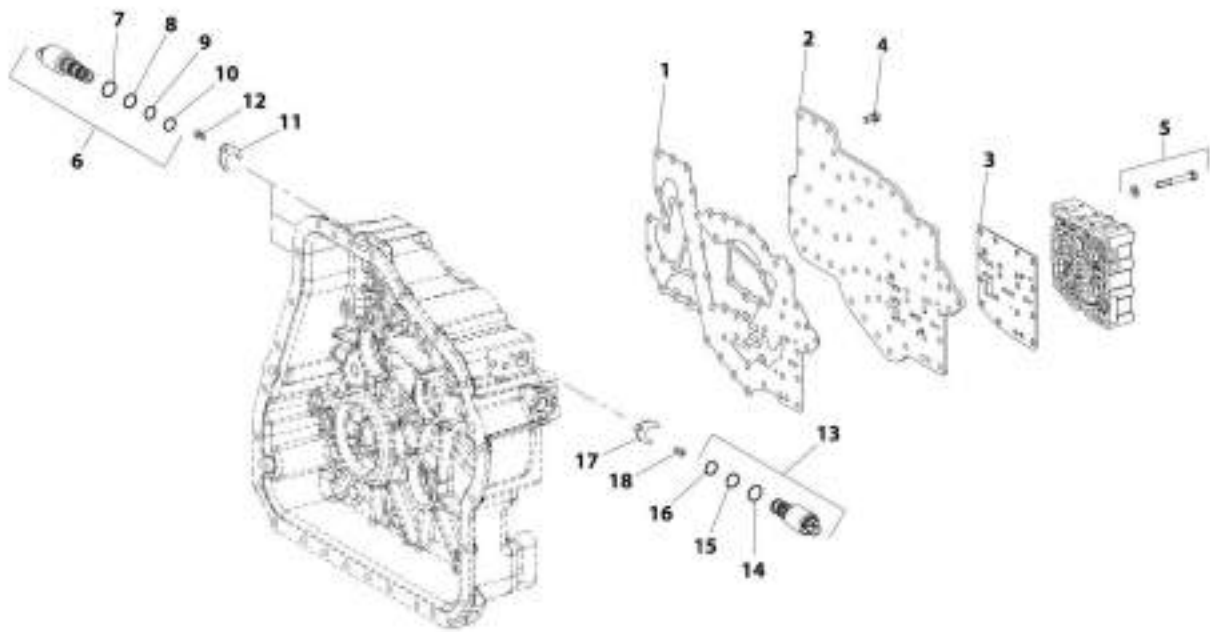
## SECTION 5 - DRIVE TRAIN

**FIGURE 5-60. TRANSMISSION, POWER TAKE-OFF**

ITEM	PART NUMBER	QTY	DESCRIPTION	REV
1	70021526	1	Housing	
2	7026771	1	Shaft	
3	7026772	1	Ring, Piston	
4	1319576	1	Seal, Shaft	
5	7026769	AR	Bearing, Roller	
6	7026773	1	Shaft	
7	1319608	AR	Bearing, Roller	
8	7026774	1	Gasket	
9	80304394	21	Bolt, M10X30	
10	7026775	15	Bolt, M10X80	
11	1319571	2	Pin	

# SECTION 5 - DRIVE TRAIN

## FIGURE 5-61. TRANSMISSION, CONTROL UNIT



ART\_3001130071\_15-C



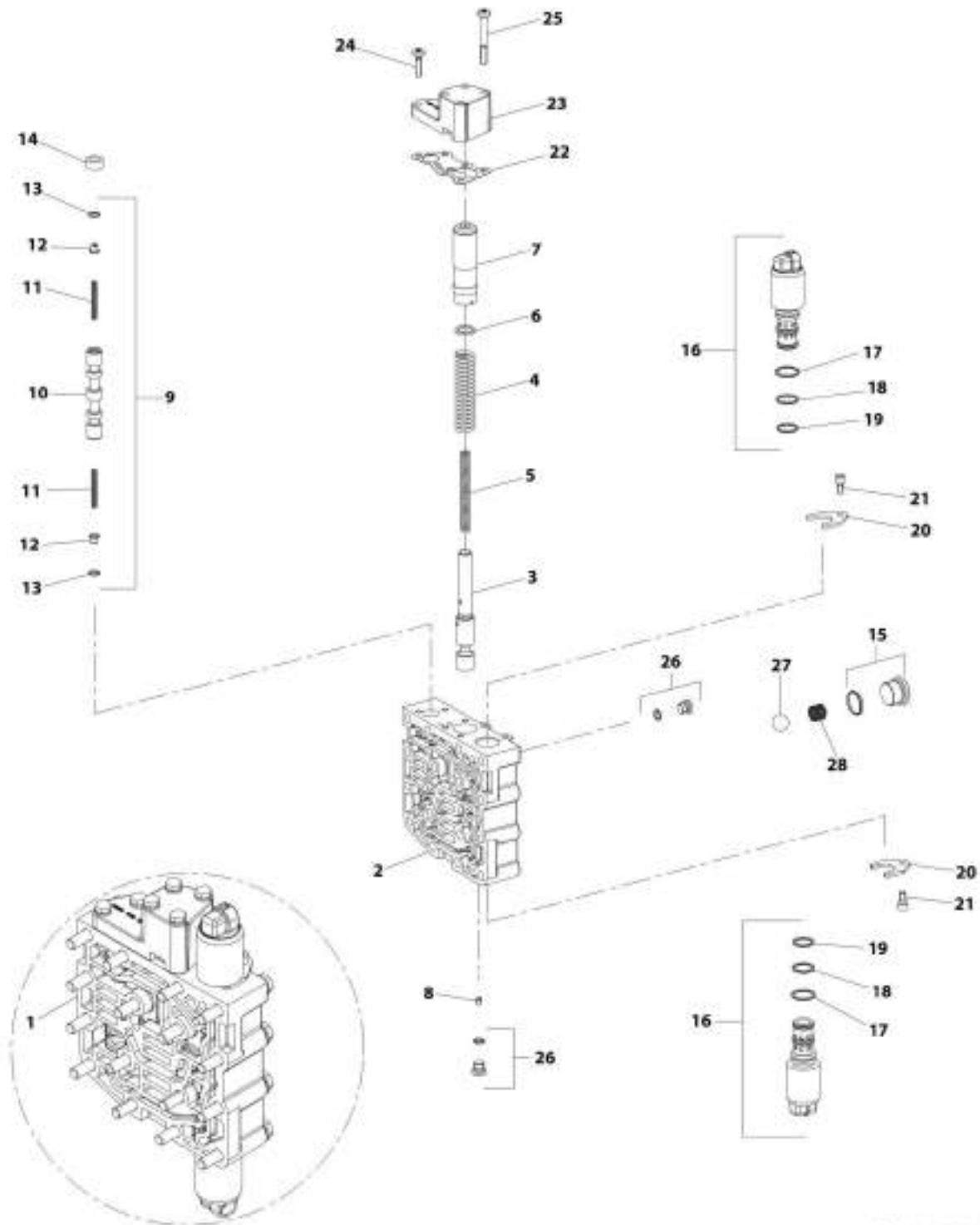
## SECTION 5 - DRIVE TRAIN

**FIGURE 5-61. TRANSMISSION, CONTROL UNIT**

ITEM	PART NUMBER	QTY	DESCRIPTION	REV
1	7026776	1	Gasket	
2	70026538	1	Plate	
3	70026539	1	Sheet, Intermediate	
4	7026780	46	Bolt, M8X16	
5	7026781	16	Bolt, M8X60 (includes washer)	
5	10732095	16	Washer	
6	8036529	3	Valve, Solenoid (includes items 7 thru 10)	
7	N.S.S.	3	O-Ring	
8	N.S.S.	3	O-Ring	
9	N.S.S.	3	O-Ring	
10	N.S.S.	3	O-Ring	
11	7029267	3	Bracket	
12	70026544	3	Bolt, M6X12	
13	8036528	1	Valve, Solenoid (includes items 14 thru 16)	
14	N.S.S.	1	O-Ring	
15	N.S.S.	1	O-Ring	
16	N.S.S.	1	O-Ring	
17	7029267	1	Bracket	
18	70026544	1	Bolt, M6X12	

# SECTION 5 - DRIVE TRAIN

## FIGURE 5-62. TRANSMISSION, SHIFT SYSTEM



ARS\_1001170171\_38-C

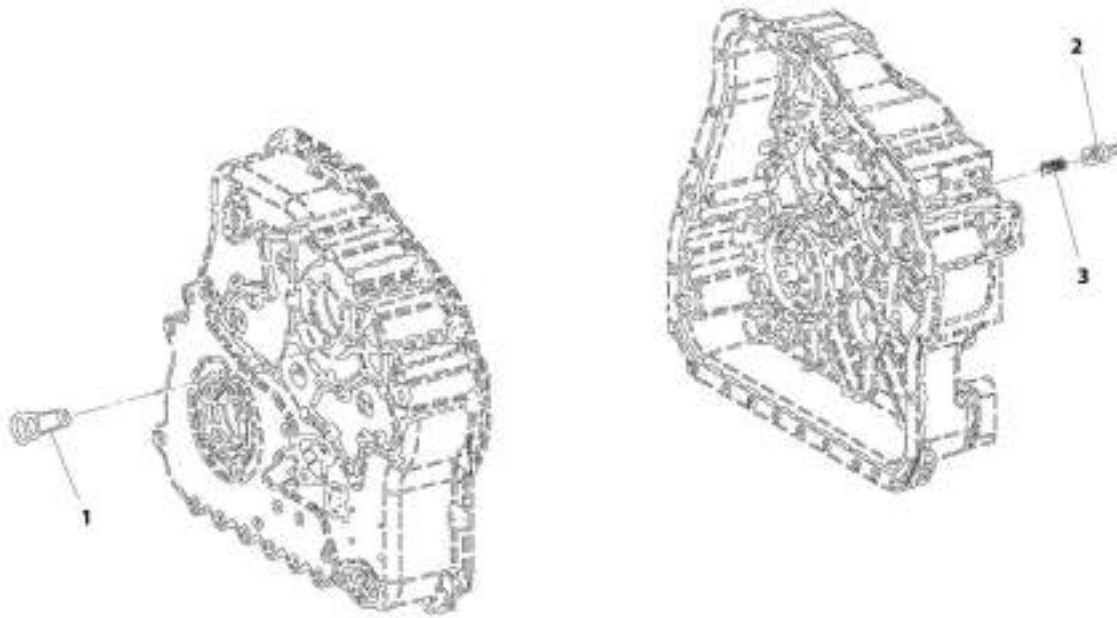
## SECTION 5 - DRIVE TRAIN

**FIGURE 5-62. TRANSMISSION, SHIFT SYSTEM**

ITEM	PART NUMBER	QTY	DESCRIPTION	REV
1	70026561	1	Assembly, Shift System (includes all items)	
2	70026546	1	Housing, Valve	
3	70026547	1	Piston, Control	
4	1319683	1	Spring	
5	1319684	1	Spring	
6	1319689	AR	Washer 0.20	
6	1319688	AR	Washer, 0.30	
6	1319687	AR	Washer, 0.50	
6	1319686	AR	Washer, 1.00	
6	1319685	AR	Washer, 2.00	
7	70026548	1	Piston	
8	70026549	1	Nozzle	
9	1319694	1	Assembly, Valve (includes items 10 thru 13)	
10	N.S.S.	1	Piston	
11	N.S.S.	2	Spring, Compression	
12	N.S.S.	2	Sleeve, Spring	
13	N.S.S.	2	Ring, Snap	
14	7026787	1	Spacer	
15	70026554	1	Plug, Screw (includes o-ring)	
15	70000656	1	O-Ring	
16	8036528	2	Valve, Solenoid (includes items 17 thru 19)	
17	N.S.S.	2	O-Ring	
18	N.S.S.	2	O-Ring	
19	N.S.S.	2	O-Ring	
20	7029267	2	Bracket	
21	70026544	2	Bolt, M6X12	
22	7026788	1	Gasket	
23	7026789	1	Cover	
24	70026555	2	Screw, Torx M6X23	
25	70026556	4	Screw, Torx M6X52	
26	70026517	2	Plug, Screw (includes o-ring)	
26	10731709	2	O-Ring	
27	10732071	1	Ball	
28	10732072	1	Spring	

# SECTION 5 - DRIVE TRAIN

## FIGURE 5-63. TRANSMISSION, PRESSURE REGULATOR



ART\_001170171\_17-C

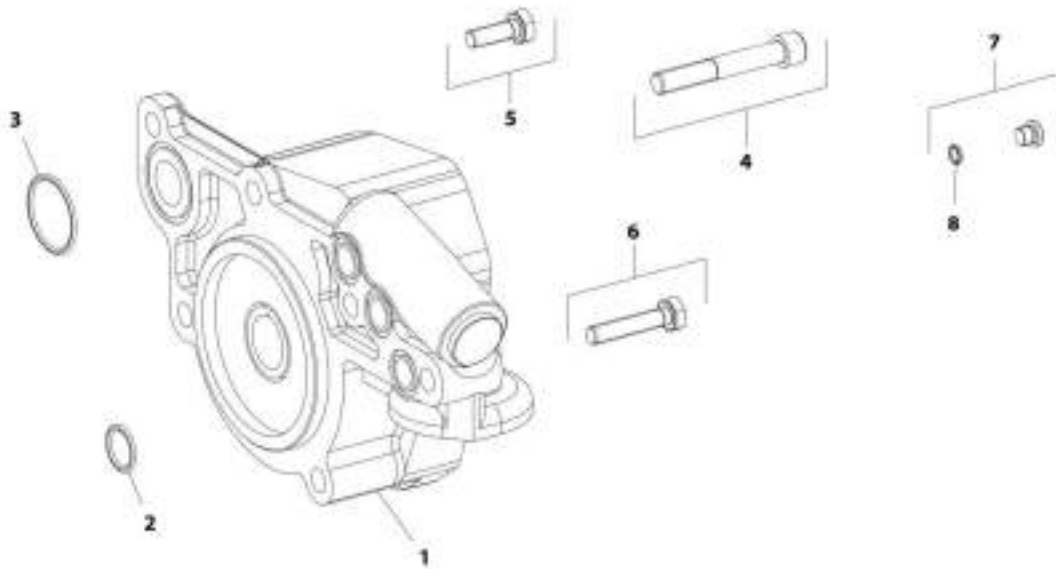
## SECTION 5 - DRIVE TRAIN

FIGURE 5-63. TRANSMISSION, PRESSURE REGULATOR

ITEM	PART NUMBER	QTY	DESCRIPTION	REV
1	7026782	1	Valve	
2	7026783	1	Piston	
3	7026784	1	Spring	

# SECTION 5 - DRIVE TRAIN

## FIGURE 5-64. TRANSMISSION, PRESSURE OIL PUMP



WIT\_1001120171\_18-C

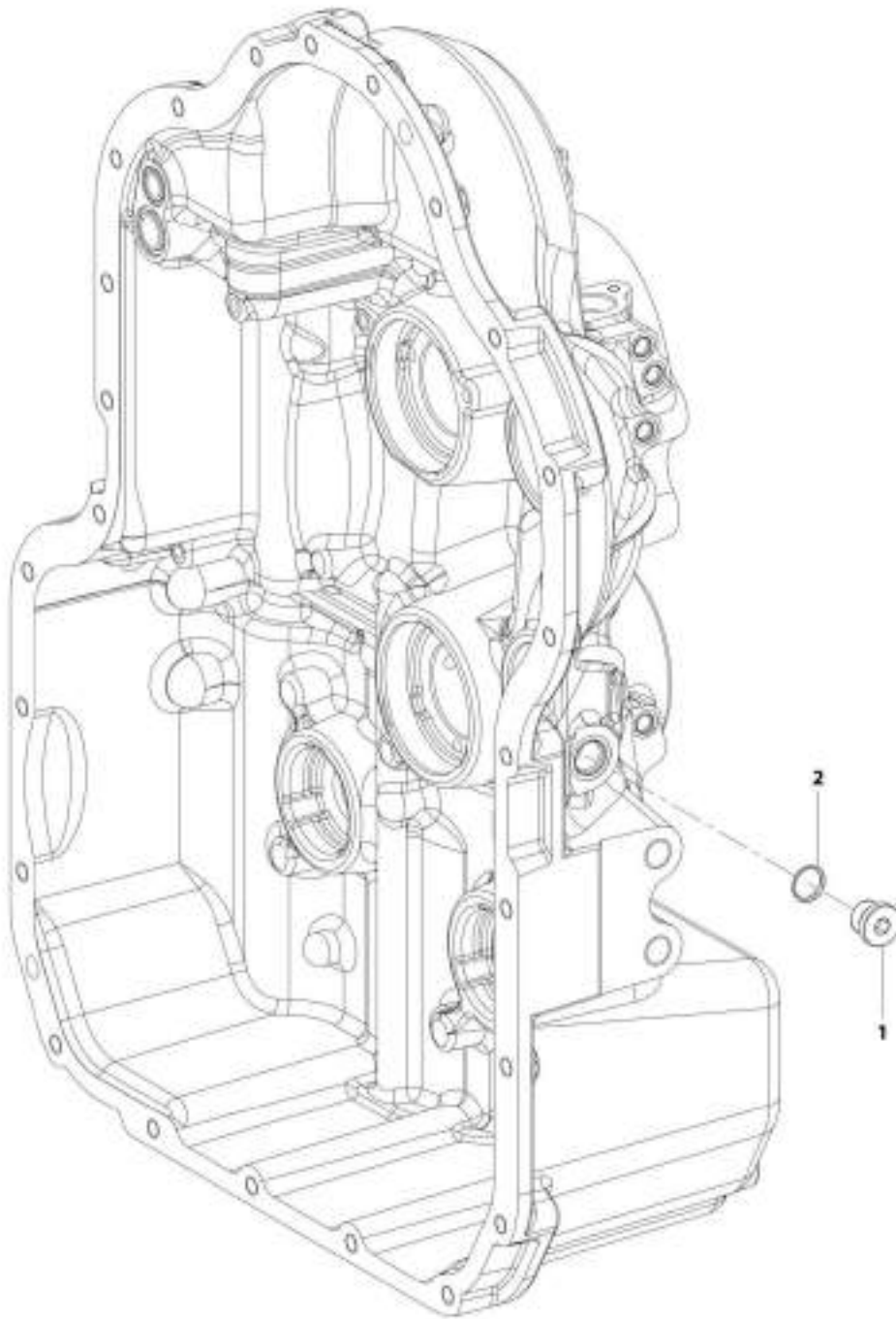
## SECTION 5 - DRIVE TRAIN

FIGURE 5-64. TRANSMISSION, PRESSURE OIL PUMP

ITEM	PART NUMBER	QTY	DESCRIPTION	REV
1	7026791	1	Pump	
2	7026792	3	O-Ring	
3	1319719	1	O-Ring	
4	7026793	4	Bolt, M12X80	
5	80304394	1	Bolt, M10X30	
6	7026794	1	Bolt, M10X50	
7	70026517	2	Plug, Screw	
8	10731709	2	O-Ring	

# SECTION 5 - DRIVE TRAIN

FIGURE 5-65. TRANSMISSION, INDUCTIVE TRANSMITTER



MIT\_3001170171\_19-C



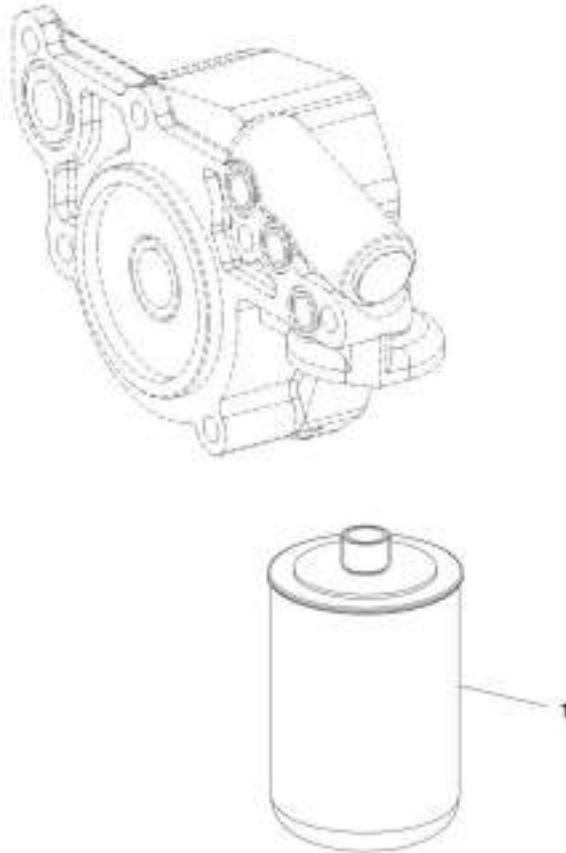
## SECTION 5 - DRIVE TRAIN

**FIGURE 5-65. TRANSMISSION, INDUCTIVE TRANSMITTER**

ITEM	PART NUMBER	QTY	DESCRIPTION	REV
1	70024895	1	Plug, Screw (includes o-ring)	
2	N.S.S.	1	O-Ring	

## SECTION 5 - DRIVE TRAIN

FIGURE 5-66. TRANSMISSION, FILTER



ART\_100110171\_20-C

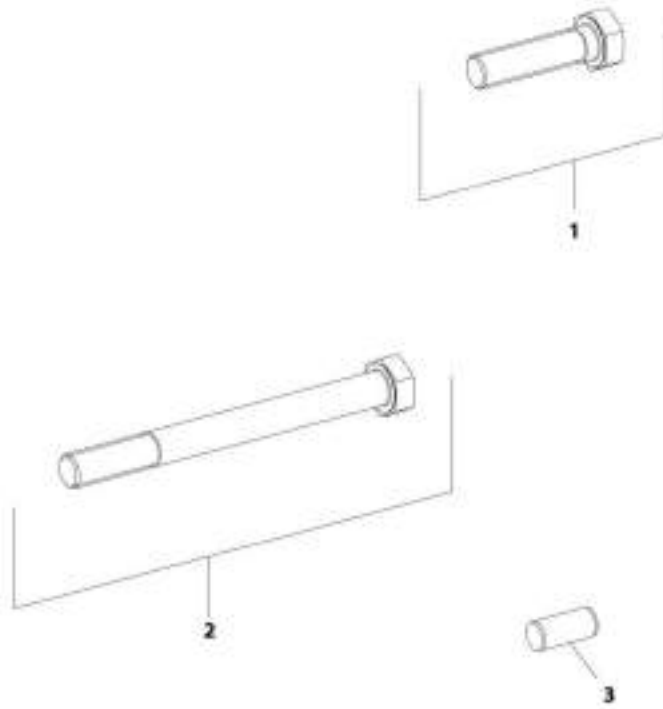
## SECTION 5 - DRIVE TRAIN

FIGURE 5-66. TRANSMISSION, FILTER

ITEM	PART NUMBER	QTY	DESCRIPTION	REV
1	1319726	1	Filter	

# SECTION 5 - DRIVE TRAIN

FIGURE 5-67. TRANSMISSION, ACCESSORIES GROUP 1



ART. 3001170171\_21-C

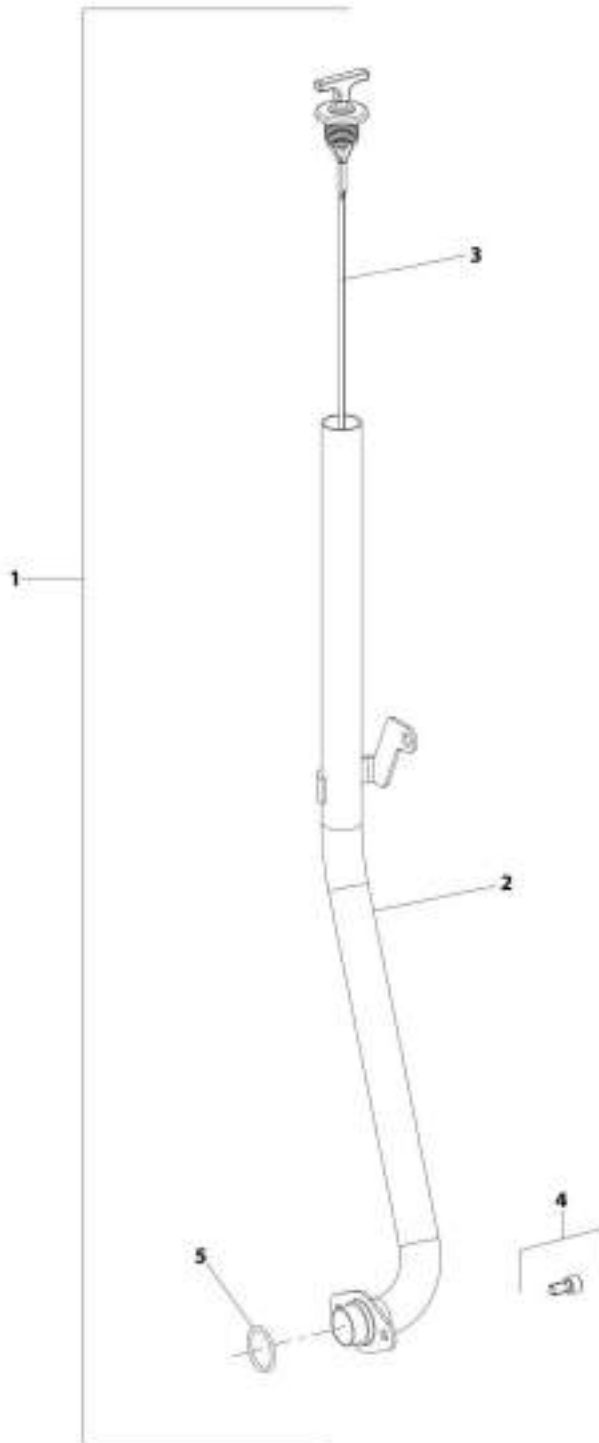
## SECTION 5 - DRIVE TRAIN

FIGURE 5-67. TRANSMISSION, ACCESSORIES GROUP 1

ITEM	PART NUMBER	QTY	DESCRIPTION	REV
1	7027254	12	Bolt, M14X55	
2	7027255	2	Bolt, M14X150	
3	1319571	1	Pin	

# SECTION 5 - DRIVE TRAIN

FIGURE 5-68. TRANSMISSION, PERIPHERALS GROUP 1



ART\_1001120171\_22-C

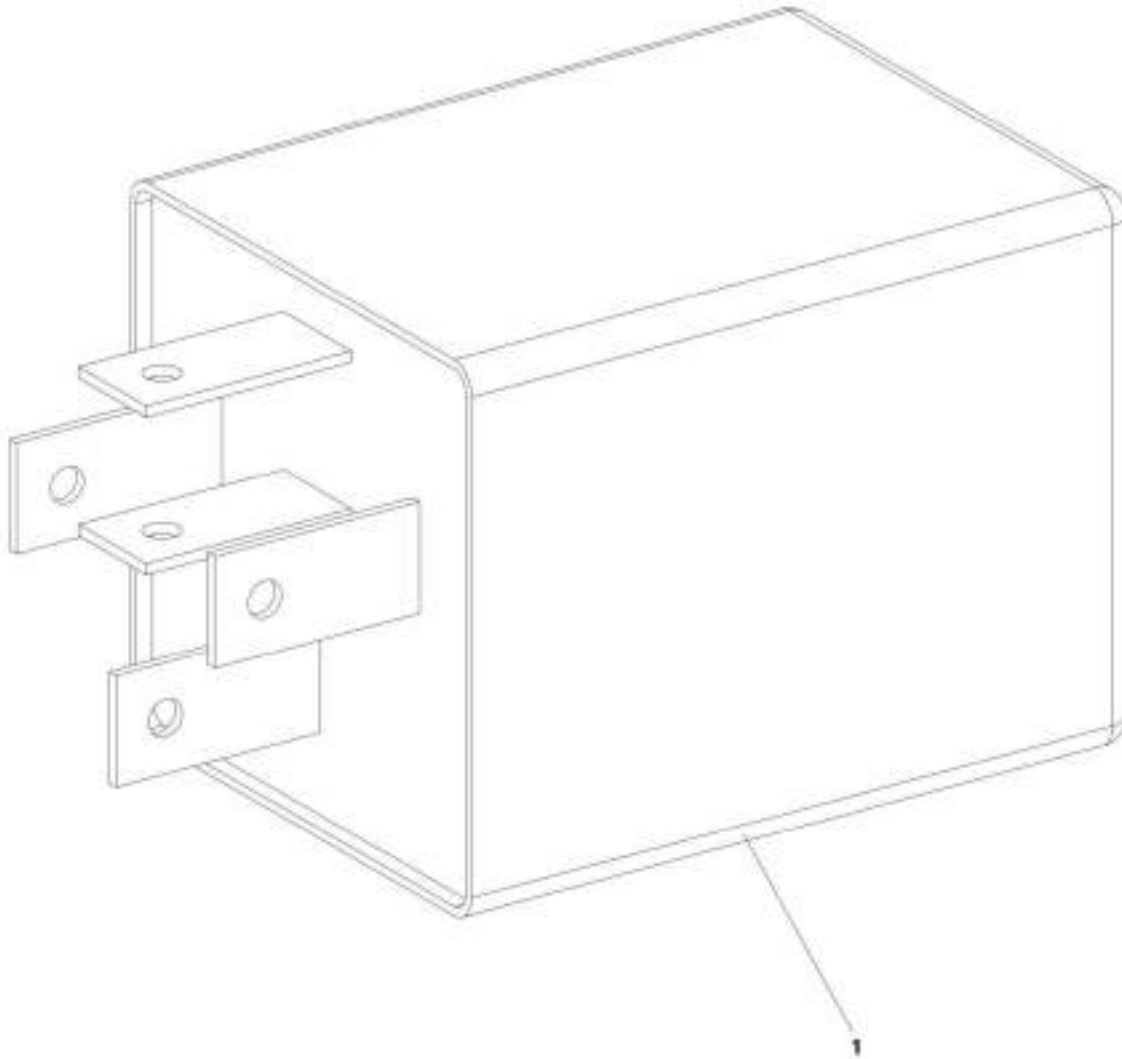
## SECTION 5 - DRIVE TRAIN

FIGURE 5-68. TRANSMISSION, PERIPHERALS GROUP 1

ITEM	PART NUMBER	QTY	DESCRIPTION	REV
1	1001095738	1	Kit, Oil Level Dipstick (includes items 2 & 3)	
2	1001095744	1	Tube, Oil Level	
3	8841322	1	Dipstick, Oil Level	
4	70026516	2	Bolt, M8X16	
5	70023885	1	O-Ring	

## SECTION 5 - DRIVE TRAIN

FIGURE 5-69. TRANSMISSION, ACCESSORIES GROUP 2



ART\_100170171\_24-C



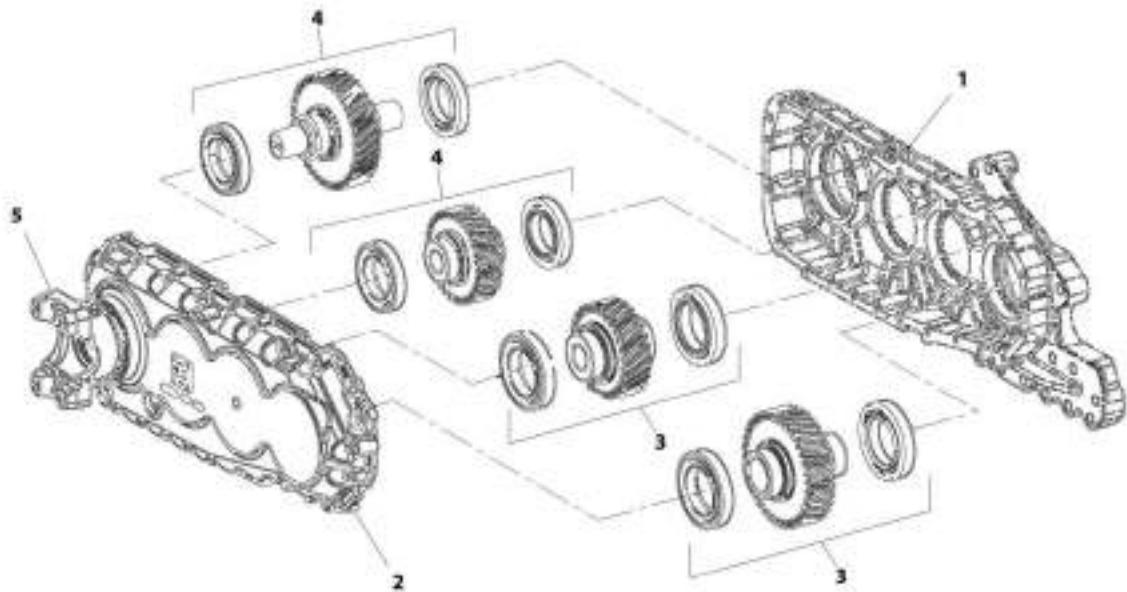
## SECTION 5 - DRIVE TRAIN

FIGURE 5-69. TRANSMISSION, ACCESSORIES GROUP 2

ITEM	PART NUMBER	QTY	DESCRIPTION	REV
1	70026559	1	Relay	

# SECTION 5 - DRIVE TRAIN

FIGURE 5-70. TRANSMISSION, TRANSFER BOX



ART\_1001170171\_25<

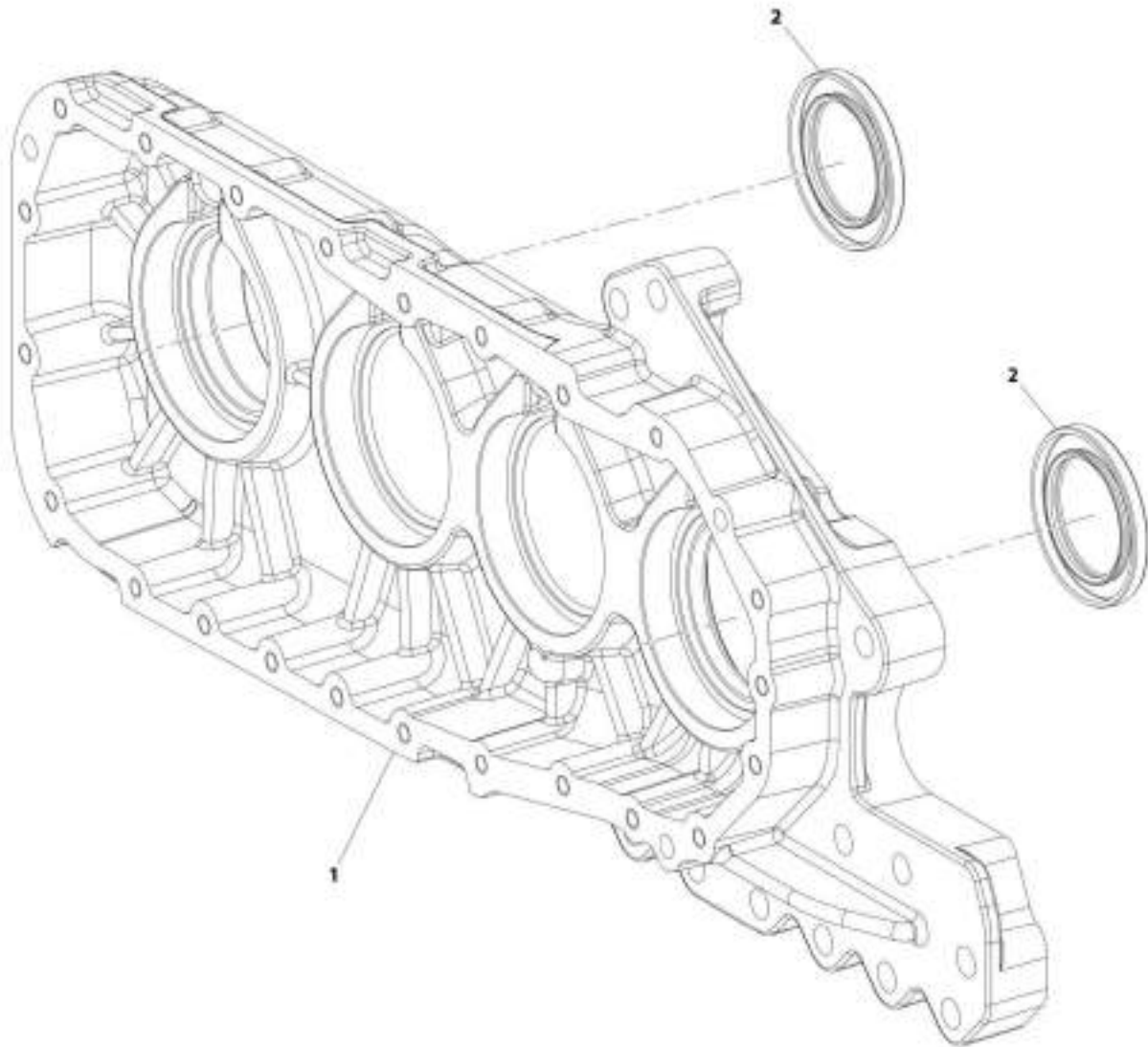
## SECTION 5 - DRIVE TRAIN

### FIGURE 5-70. TRANSMISSION, TRANSFER BOX

ITEM	PART NUMBER	QTY	DESCRIPTION	REV
	70023502	1	Box Transfer (includes all items)	
1	N.S.S.	Ref	Housing 1, Transfer Box (see TRANSFER BOX HOUSING 1 for Breakdown)	
2	N.S.S.	Ref	Housing 2, Transfer Box (See TRANSFER BOX HOUSING 2 for Breakdown)	
3	N.S.S.	Ref	Input, Transfer Box (See TRANSFER BOX INPUT for Breakdown)	
4	N.S.S.	Ref	Output 1, Transfer Box (See TRANSFER BOX OUTPUT 1 for Breakdown)	
5	N.S.S.	Ref	Output 2, Transfer Box (See TRANSFER BOX OUTPUT 2 for Breakdown)	

# SECTION 5 - DRIVE TRAIN

FIGURE 5-71. TRANSMISSION, TRANSFER BOX HOUSING 1



ART\_1001179171\_34-C

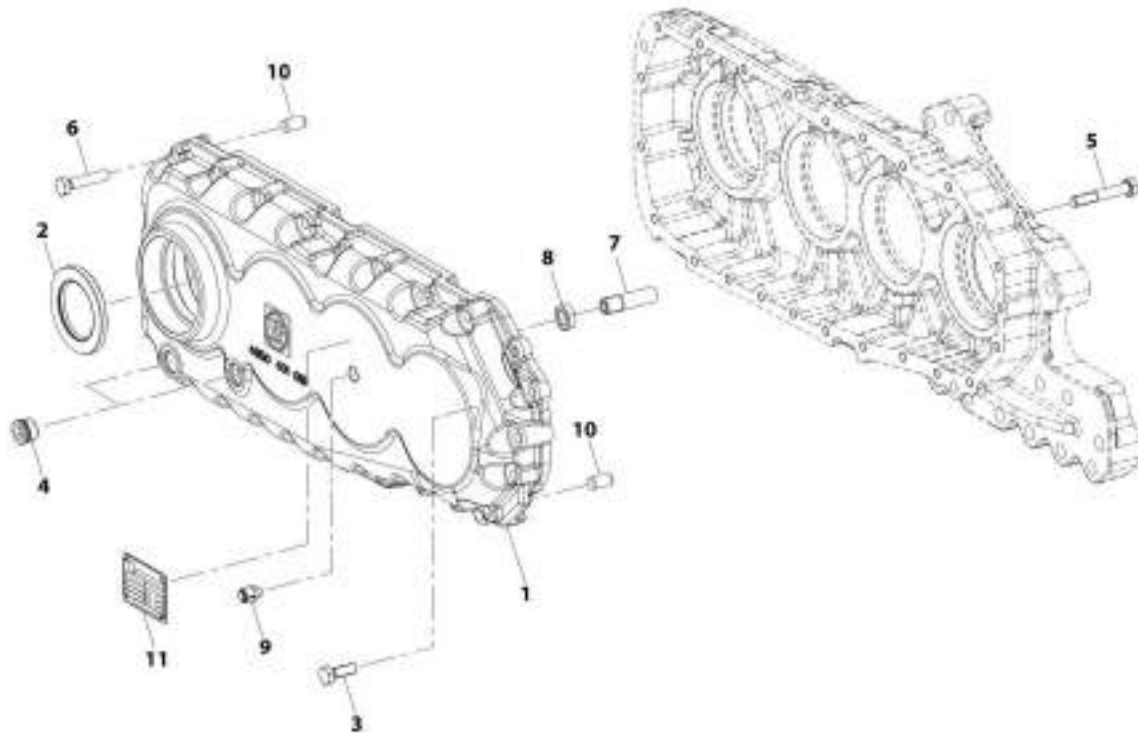
## SECTION 5 - DRIVE TRAIN

FIGURE 5-71. TRANSMISSION, TRANSFER BOX HOUSING 1

ITEM	PART NUMBER	QTY	DESCRIPTION	REV
1	70023474	1	Housing, Transfer Box	
2	70026536	2	Seal, Shaft	

## SECTION 5 - DRIVE TRAIN

FIGURE 5-72. TRANSMISSION, TRANSFER BOX HOUSING 2



ART\_1001170171\_27-C

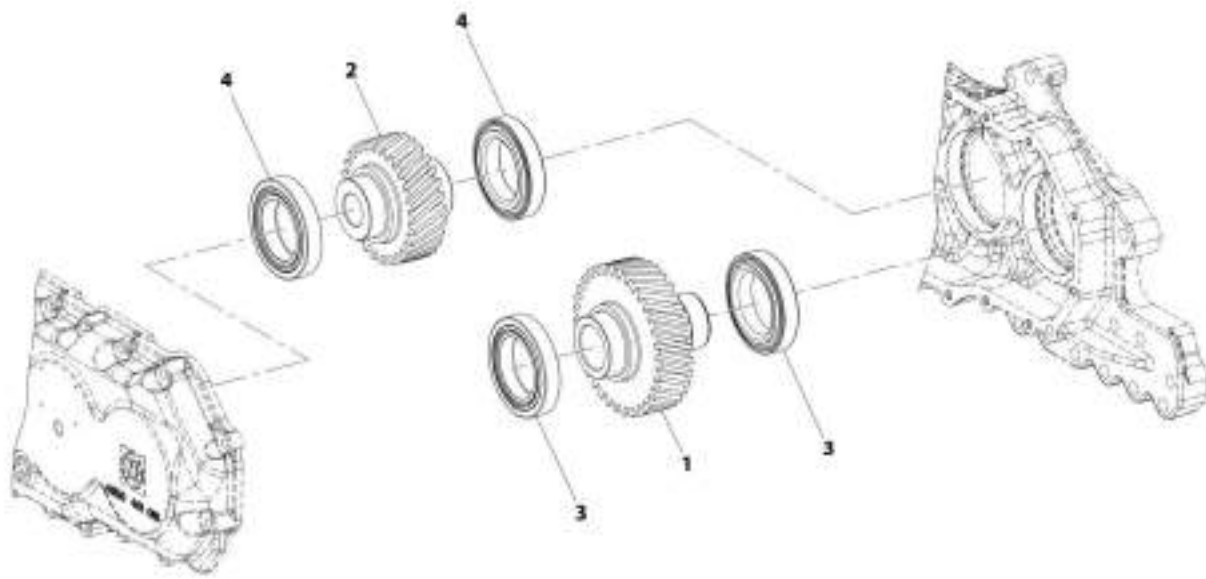
## SECTION 5 - DRIVE TRAIN

FIGURE 5-72. TRANSMISSION, TRANSFER BOX HOUSING 2

ITEM	PART NUMBER	QTY	DESCRIPTION	REV
1	70023475	1	Housing	
2	70026536	1	Seal, Shaft	
3	70023800	1	Bolt, M10X30	
4	70023404	2	Plug	
5	70023476	1	Bolt, M10X65	
6	70023801	22	Bolt, M10X50	
7	7026577	1	Sleeve	
8	7026578	1	Nut, M16	
9	1319436	1	Breather	
10	1319571	2	Pin	
11	N.S.S.	1	S/N Plate	

## SECTION 5 - DRIVE TRAIN

FIGURE 5-73. TRANSMISSION, TRANSFER BOX HOUSING INPUT



ART\_1001130171\_28-C



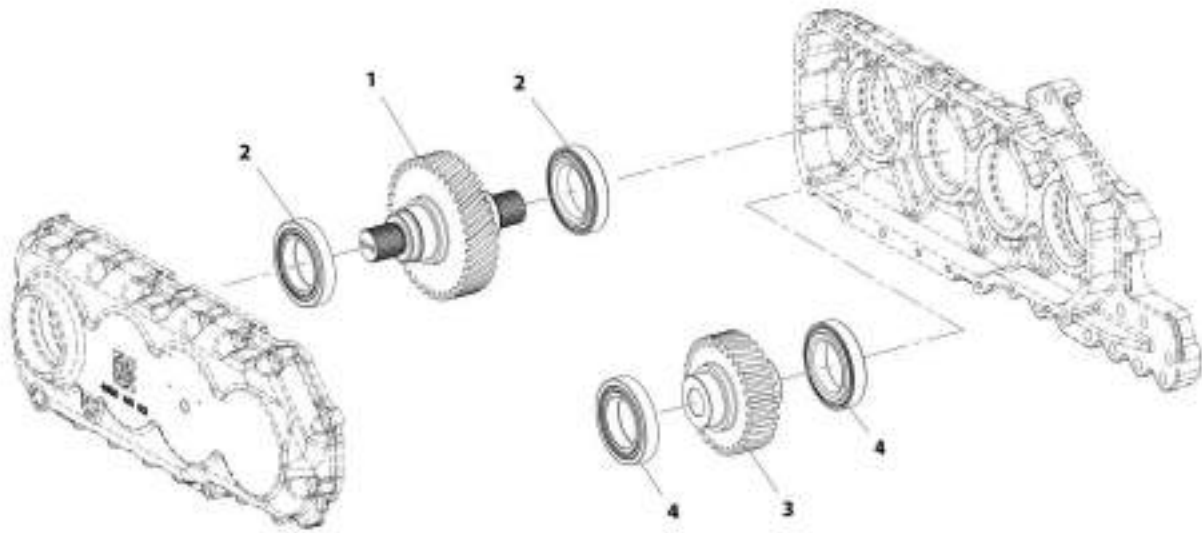
## SECTION 5 - DRIVE TRAIN

**FIGURE 5-73. TRANSMISSION, TRANSFER BOX HOUSING INPUT**

ITEM	PART NUMBER	QTY	DESCRIPTION	REV
1	7027269	1	Shaft	
2	7027270	1	Gear, Idler	
3	7026769	2	Bearing, Roller	
4	1320748	2	Cup, Tapered Roller	
4	1320754	2	Cone, Tapered Roller	

## SECTION 5 - DRIVE TRAIN

FIGURE 5-74. TRANSMISSION, TRANSFER BOX HOUSING OUTPUT 1



ART\_1001170171\_29-C

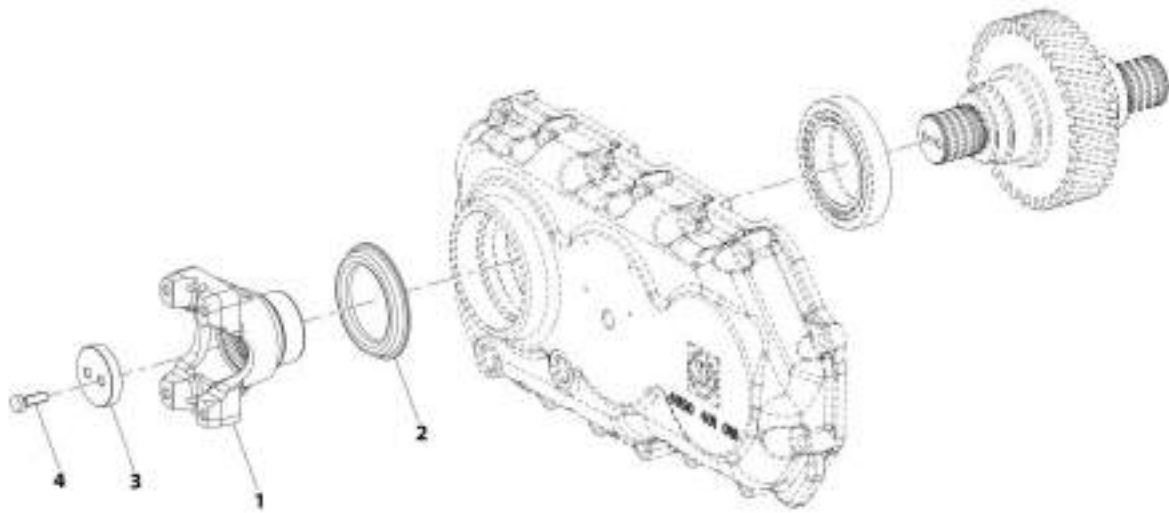
## SECTION 5 - DRIVE TRAIN

FIGURE 5-74. TRANSMISSION, TRANSFER BOX HOUSING OUTPUT 1

ITEM	PART NUMBER	QTY	DESCRIPTION	REV
1	7027271	1	Gear, Output	
2	7026769	2	Bearing, Roller	
3	7027272	1	Gear, Idler	
4	1320748	2	Cup, Tapered Roller	
4	1320754	2	Cone, Tapered Roller	

## SECTION 5 - DRIVE TRAIN

FIGURE 5-75. TRANSMISSION, TRANSFER BOX HOUSING OUTPUT 2



ARS\_1001170171\_30-C

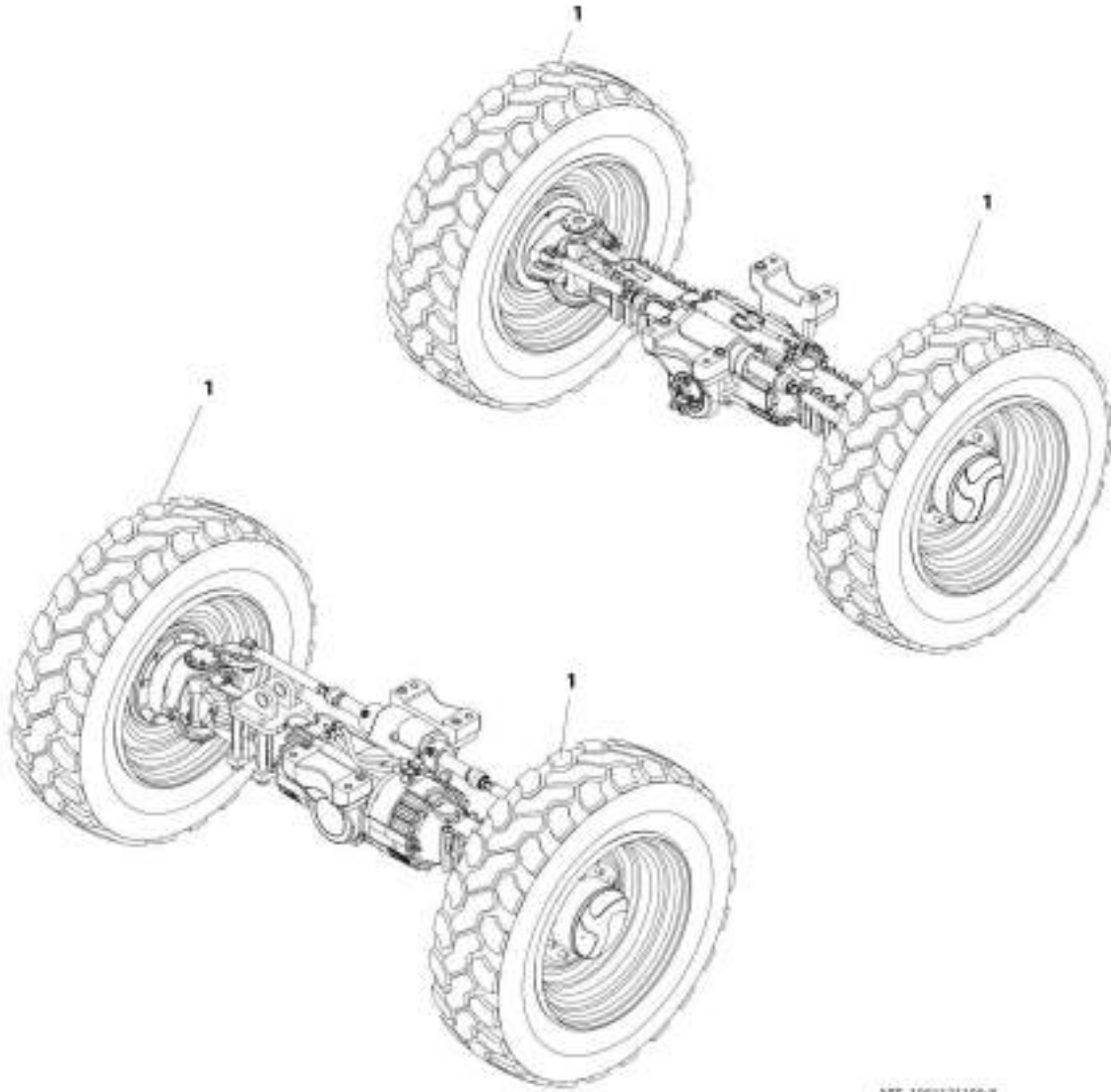
## SECTION 5 - DRIVE TRAIN

**FIGURE 5-75. TRANSMISSION, TRANSFER BOX HOUSING OUTPUT 2**

ITEM	PART NUMBER	QTY	DESCRIPTION	REV
1	7027273	2	Flange (one per side)	
2	1319647	2	Sheet, Screen (one per side)	
3	1319648	2	Washer, (one per side)	
4	10731959	4	Bolt, M8X25 (two per side)	

## SECTION 5 - DRIVE TRAIN

FIGURE 5-76. TIRE WHEEL SET-400/75-28-PNEUMATIC



ARF\_3001121106-B

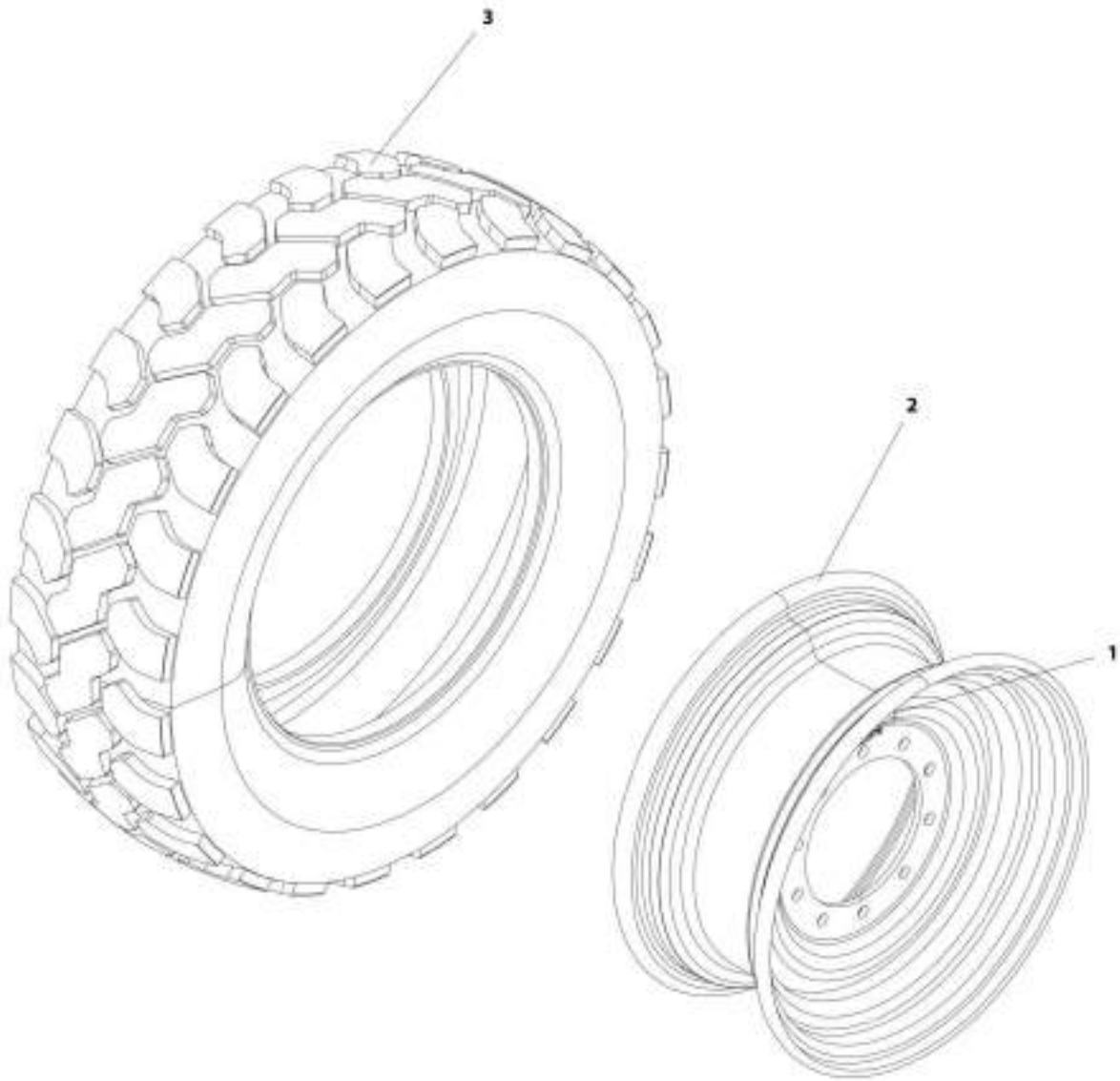
## SECTION 5 - DRIVE TRAIN

**FIGURE 5-76. TIRE WHEEL SET-400/75-28-PNEUMATIC**

ITEM	PART NUMBER	QTY	DESCRIPTION	REV
1	1001121109 1001121103	1 4	Tire Wheel Set - 400/75-28 - PNEUMATIC Assembly, Tire and Wheel - 400/75-28 - PNEUMATIC (See TIRE AND WHEEL ASSEMBLY - 400/75-28 - PNEUMATIC for Breakdown)	B

## SECTION 5 - DRIVE TRAIN

FIGURE 5-77. WHEEL ASSEMBLY - 400/75-28 - PNEUMATIC



ART\_100121303-B



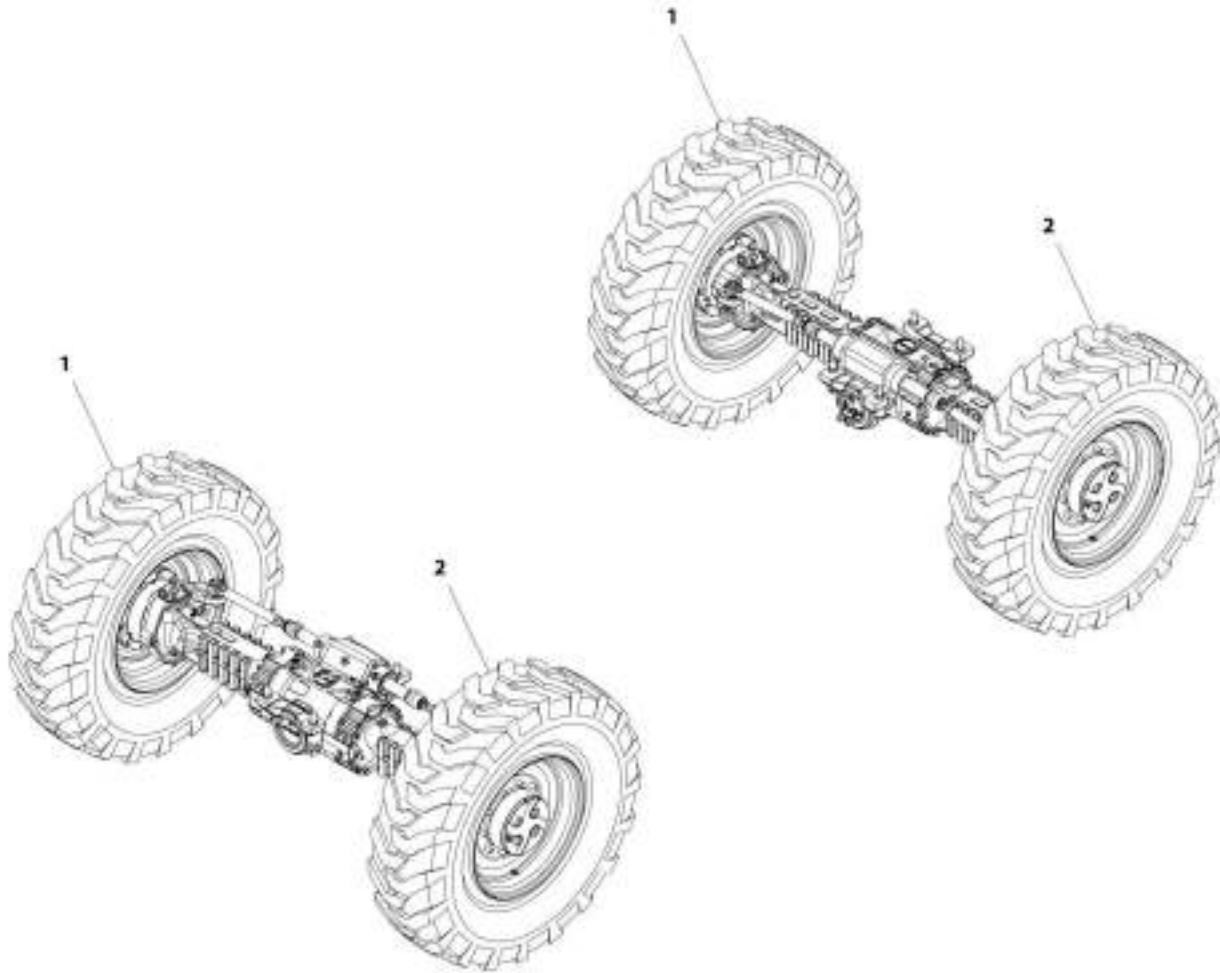
## SECTION 5 - DRIVE TRAIN

### FIGURE 5-77. WHEEL ASSEMBLY - 400/75-28 - PNEUMATIC

ITEM	PART NUMBER	QTY	DESCRIPTION	REV
	1001121103	Ref	Tire and Wheel Assembly - 400/75-28 - PNEUMATIC	B
1	8786514	1	Valve, Stem	
2	1001120178	1	Wheel, 28.00x12w/.75 Offset	
3	1001120179	1	Tire, 400/7D-28	

## SECTION 5 - DRIVE TRAIN

FIGURE 5-78. TIRE WHEEL SET - 14.00-24 16PR - PNEUMATIC - 1055



ART\_1001190291-A

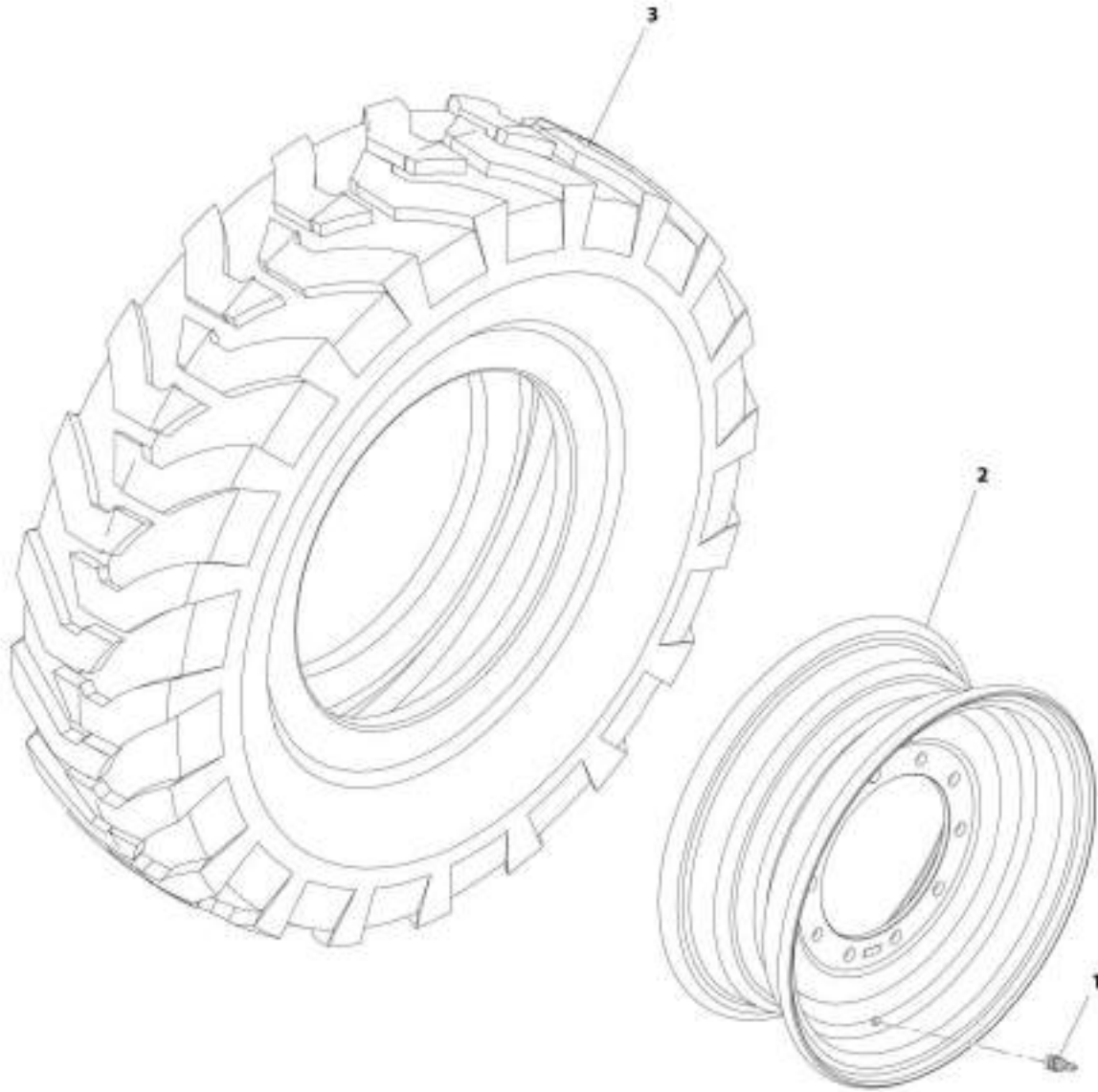
## SECTION 5 - DRIVE TRAIN

**FIGURE 5-78. TIRE WHEEL SET - 14.00-24 16PR - PNEUMATIC - 1055**

ITEM	PART NUMBER	QTY	DESCRIPTION	REV
1	1001198291	1	Tire Wheel Set - 14.00-24 16PR - PNEUMATIC - 1055	A
	1001197715	2	Assembly, Right Tire and Wheel - 14.00X24 PNEUMATIC (See RIGHT TIRE AND WHEEL ASSEMBLY - 14.00X24 PNEUMATIC - 1055 for Breakdown)	
2	1001197716	2	Assembly, Left Tire and Wheel - 14.00X24 PNEUMATIC (See LEFT TIRE AND WHEEL ASSEMBLY - 14.00X24 PNEUMATIC - 1055 for Breakdown)	

## SECTION 5 - DRIVE TRAIN

FIGURE 5-79. LEFT TIRE AND WHEEL ASSEMBLY - 14.00X24 PNEUMATIC - 1055



ART\_100197716-9

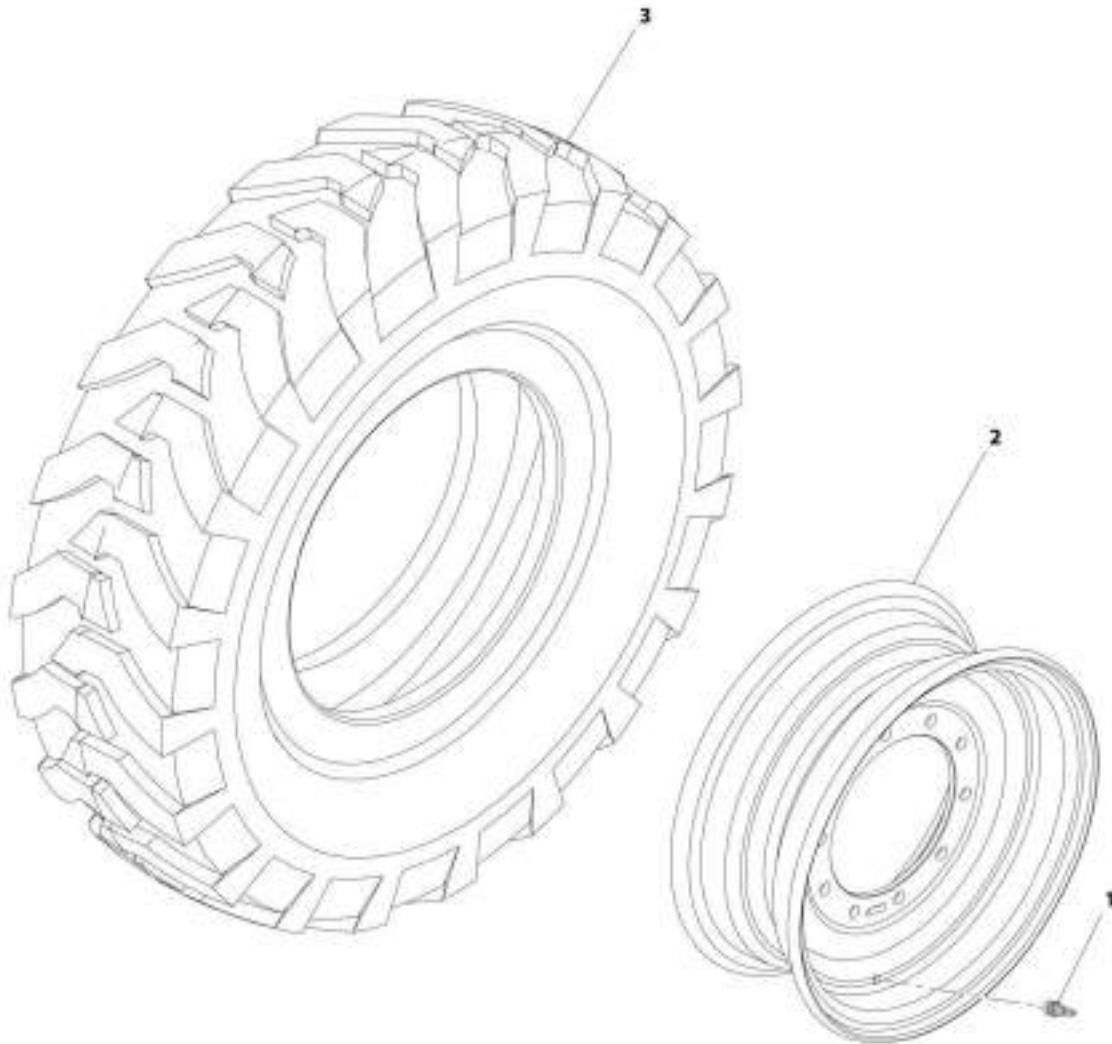
## SECTION 5 - DRIVE TRAIN

**FIGURE 5-79. LEFT TIRE AND WHEEL ASSEMBLY - 14.00X24 PNEUMATIC - 1055**

ITEM	PART NUMBER	QTY	DESCRIPTION	REV
	1001197716	Ref	Left Tire and Wheel Assembly - 14.00X24 PNEUMATIC - 1055	B
1	8786514	1	Valve, Stem	
2	91473206	1	Wheel, 24X9.00	
3	1001197709	1	Tire, 14.00X24TG 12 PLY	

## SECTION 5 - DRIVE TRAIN

FIGURE 5-80. RIGHT TIRE AND WHEEL ASSEMBLY - 14.00X24 PNEUMATIC - 1055



ART\_100107715-0

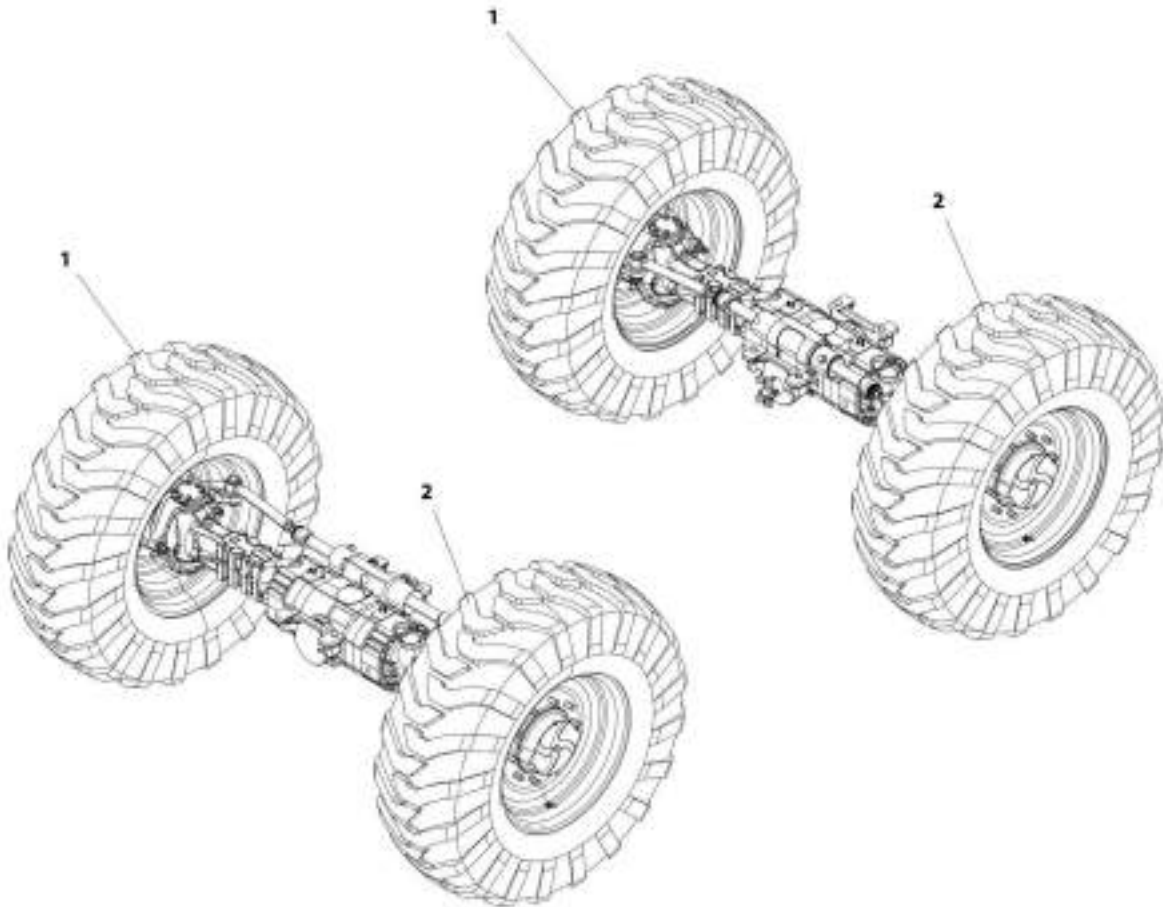
## SECTION 5 - DRIVE TRAIN

**FIGURE 5-80. RIGHT TIRE AND WHEEL ASSEMBLY - 14.00X24 PNEUMATIC - 1055**

ITEM	PART NUMBER	QTY	DESCRIPTION	REV
	1001197715	Ref	Right Tire and Wheel Assembly - 14.00X24 PNEUMATIC - 1055	B
1	8786514	1	Valve, Stem	
2	91473206	1	Wheel, 24X9.00	
3	1001197709	1	Tire, 14.00X24TG 12 PLY	

## SECTION 5 - DRIVE TRAIN

FIGURE 5-81. TIRE WHEEL SET - 17.50-25 16 PLY - 1255



AWT\_1001152410-A



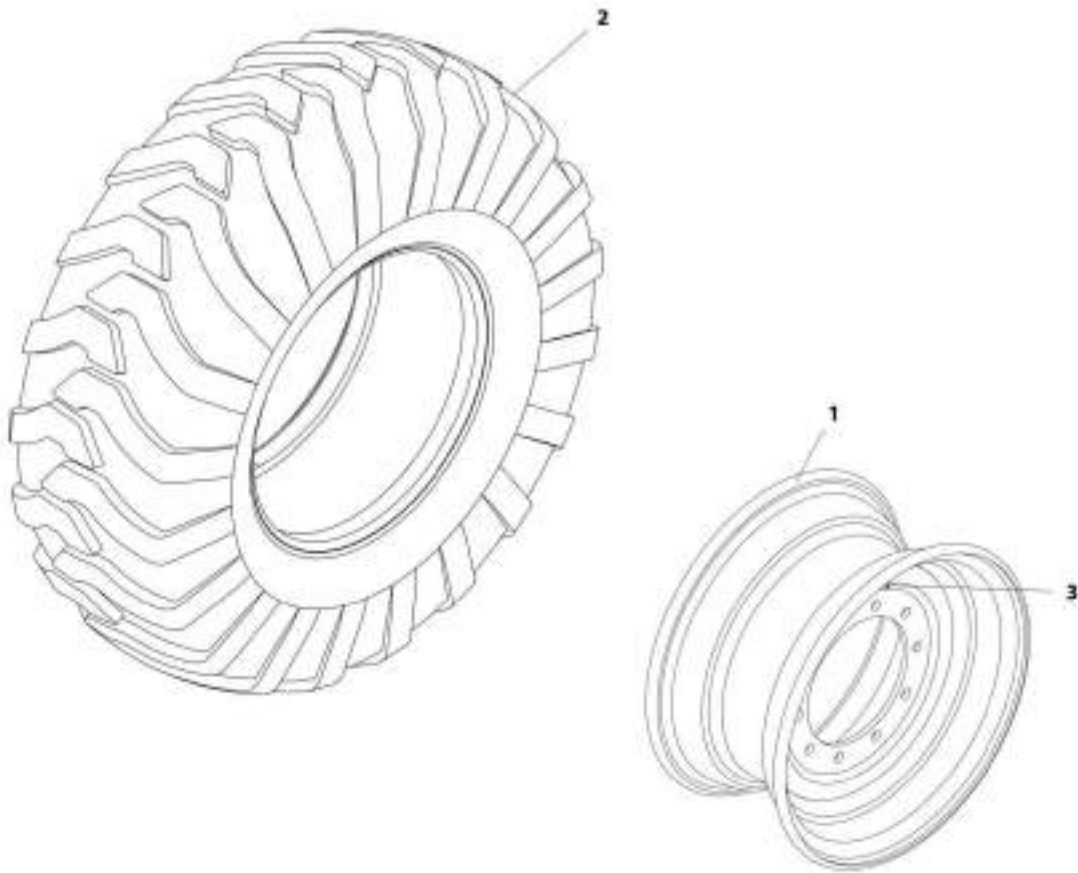
## SECTION 5 - DRIVE TRAIN

**FIGURE 5-81. TIRE WHEEL SET - 17.50-25 16 PLY - 1255**

ITEM	PART NUMBER	QTY	DESCRIPTION	REV
1	1001152430	Ref	Tire Wheel Set - 17.5-25 16 PLY -1255	A
	1001152415	2	Assembly, Right Tire and Wheel - 17.5-25 16 PLY (See RIGHT WHEEL ASSEMBLY - 17.50-25 16 PLY - 1255 for Breakdown)	
2	1001152416	2	Assembly, Left Tire and Wheel - 17.5-25 16 PLY (See LEFT WHEEL ASSEMBLY - 17.50-25 16 PLY - 1255 for Breakdown)	

## SECTION 5 - DRIVE TRAIN

FIGURE 5-82. RIGHT WHEEL ASSEMBLY - 17.50-25 16 PLY - 1255



ART. Y01152415-A

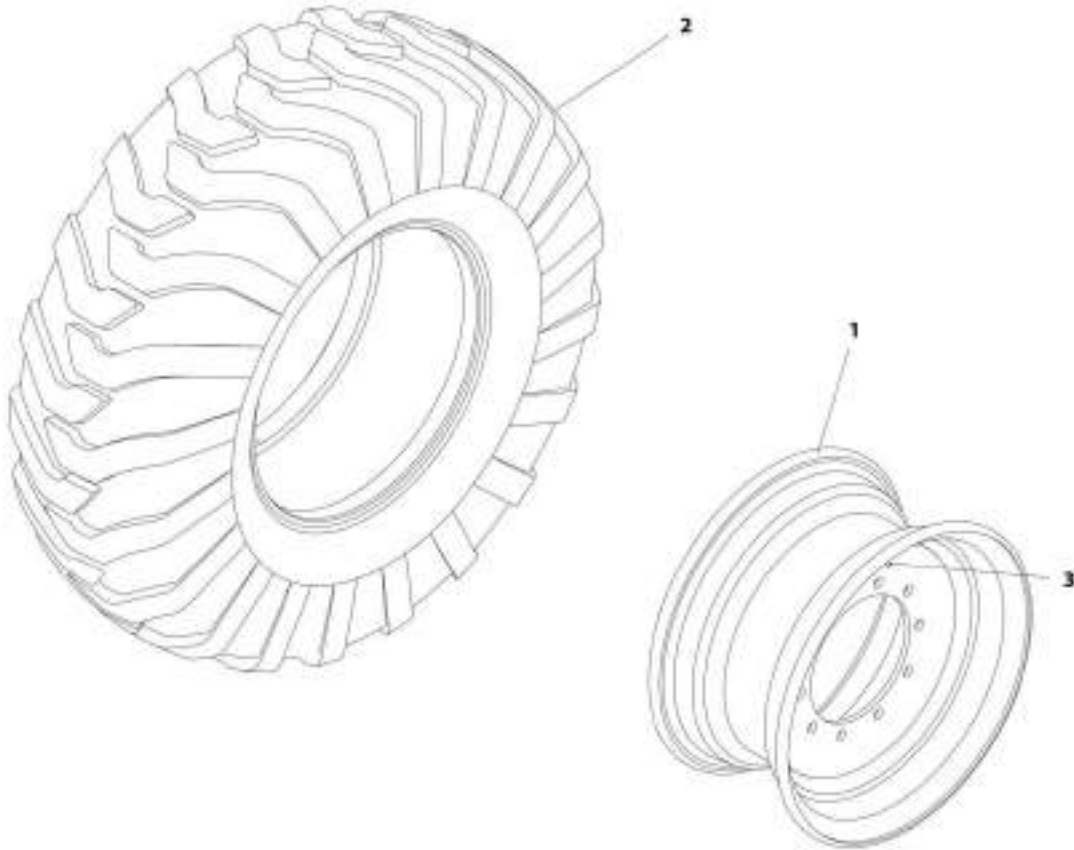
## SECTION 5 - DRIVE TRAIN

**FIGURE 5-82. RIGHT WHEEL ASSEMBLY - 17.50-25 16 PLY - 1255**

ITEM	PART NUMBER	QTY	DESCRIPTION	REV
	1001152415	Ref	Right Wheel Assembly - 17.5-25 16 PLY - 1255	A
1	91563250	1	Wheel, 25X13.00 LR 1.687 Offset	
2	8780039	1	Tire, 17.5-25 16 PLY	
3	91083385	1	Valve, Tire	

## SECTION 5 - DRIVE TRAIN

FIGURE 5-83. LEFT WHEEL ASSEMBLY - 17.50-25 16 PLY - 1255



AWT\_1001152410-A

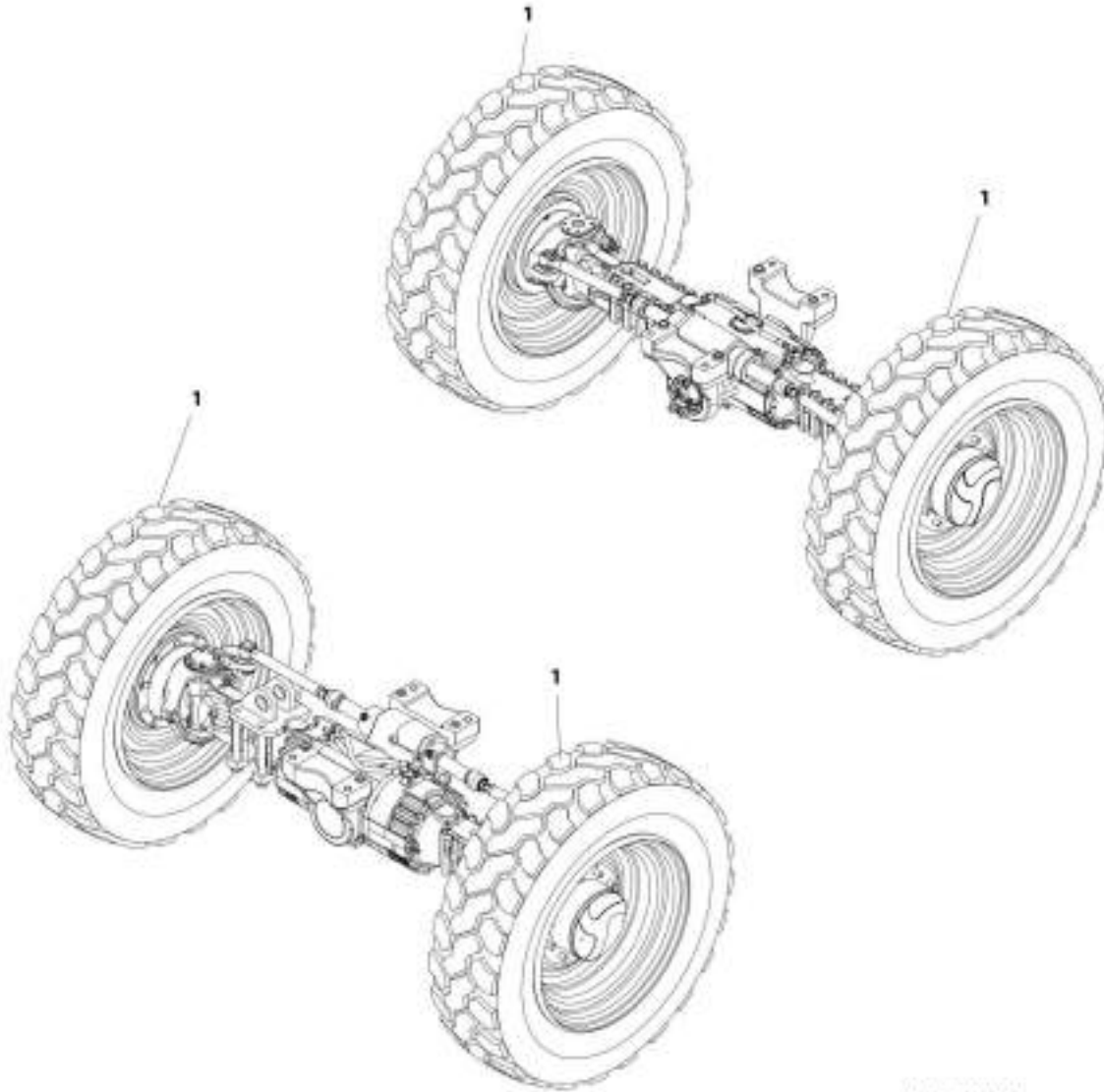
## SECTION 5 - DRIVE TRAIN

**FIGURE 5-83. LEFT WHEEL ASSEMBLY - 17.50-25 16 PLY - 1255**

ITEM	PART NUMBER	QTY	DESCRIPTION	REV
	1001152416	Ref	Tire, Wheel Assembly (LEFT)	A
1	91563250	1	Wheel, 25X13.00 LR 1.687 Offset	
2	8780039	1	Tire, 17.5-25 16 PLY	
3	91083385	1	Valve, Tire	

## SECTION 5 - DRIVE TRAIN

FIGURE 5-84. TIRE WHEEL SET - 400/75-28 - FOAM FILLED



ART\_1001129410-8

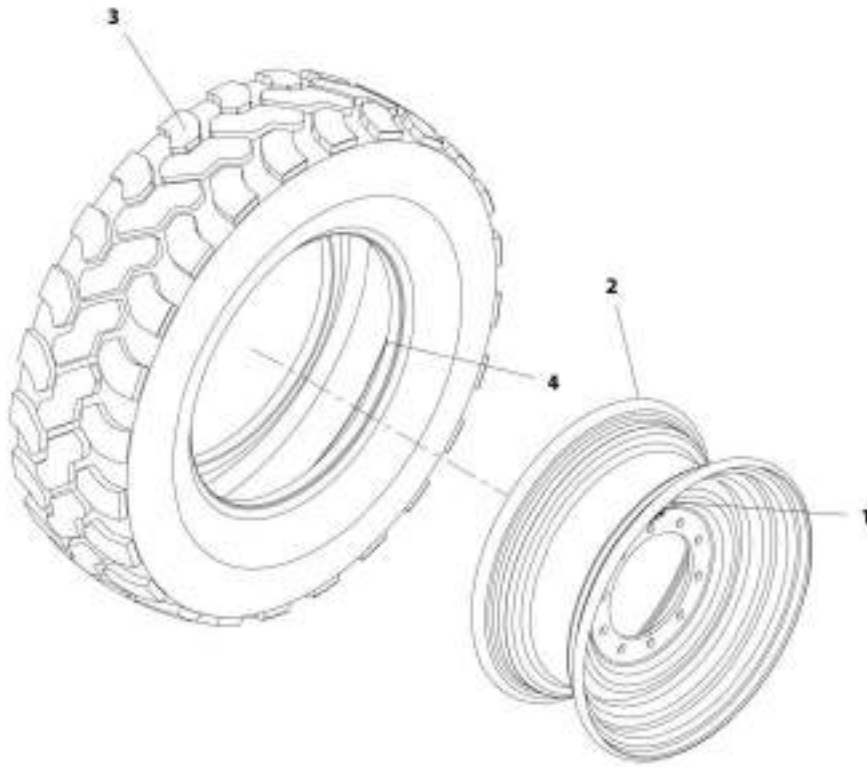
## SECTION 5 - DRIVE TRAIN

**FIGURE 5-84. TIRE WHEEL SET - 400/75-28 - FOAM FILLED**

ITEM	PART NUMBER	QTY	DESCRIPTION	REV
1	1001125410 1001121105	Ref 4	Tire Wheel Set - 400/75-28 - Foam Filled Assembly, Tire and Wheel - 400/75-28 - Foam Filled (See TIRE AND WHEEL ASSEMBLY - 400/75-28 - FOAM FILLED for Breakdown)	B

## SECTION 5 - DRIVE TRAIN

FIGURE 5-85. TIRE AND WHEEL ASSEMBLY - 400/75-28 - FOAM FILLED



ART\_1001121105-C



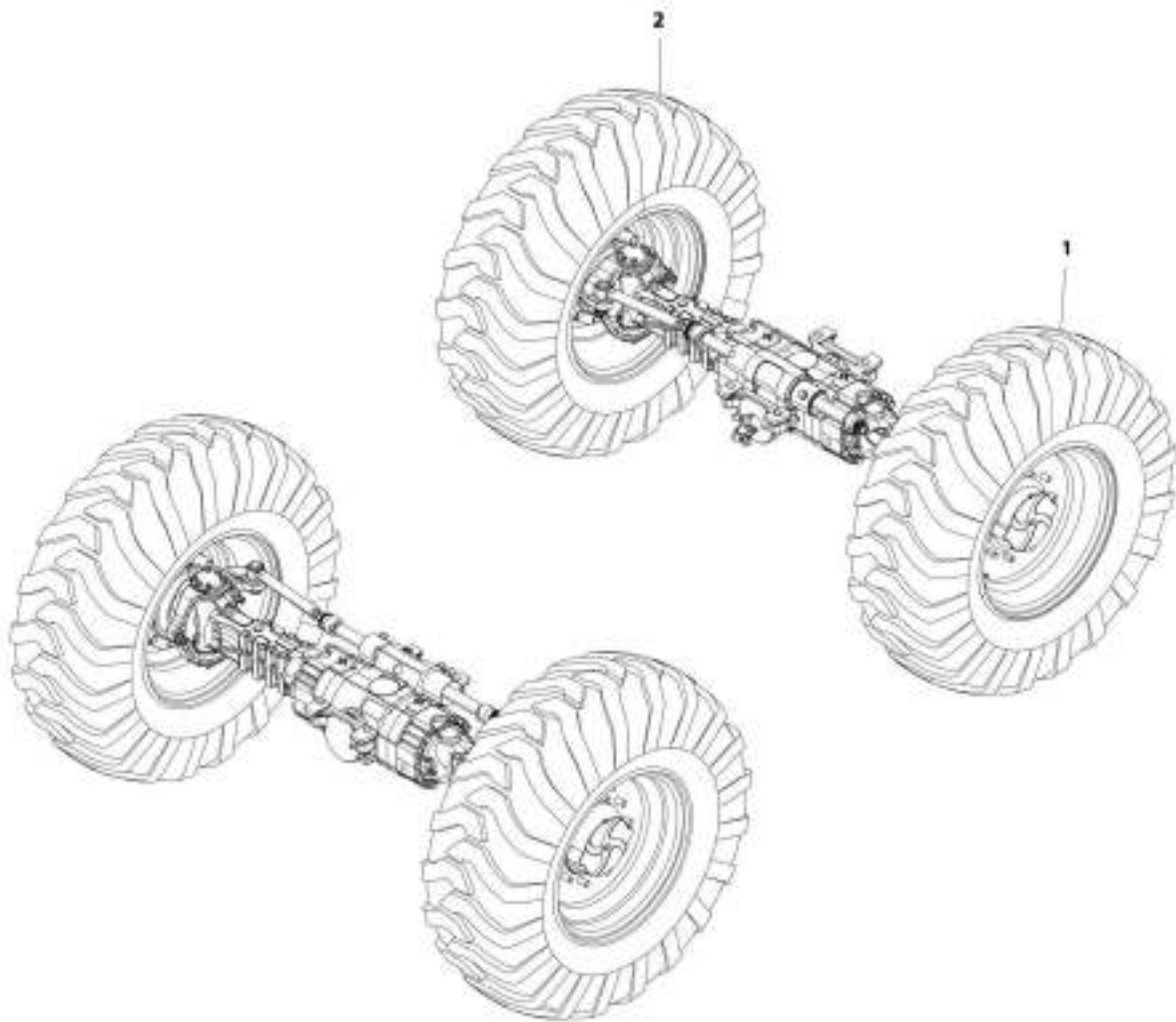
## SECTION 5 - DRIVE TRAIN

**FIGURE 5-85. TIRE AND WHEEL ASSEMBLY - 400/75-28 - FOAM FILLED**

ITEM	PART NUMBER	QTY	DESCRIPTION	REV
	1001121105	Ref	Tire and Wheel Assembly - 400/75-28 FOAM FILLED - 1255	C
1	8786514	1	Valve, Stem	
2	1001120178	1	Wheel, 28.00X12 W/0.75 Offset	
3	1001120179	1	Tire, 400/75D-28	
4	8526203	1	Foam Fill	

## SECTION 5 - DRIVE TRAIN

FIGURE 5-86. TIRE WHEEL SET - 17.50-25 G2 - FOAM FILLED - 1255



ART\_4526510-B

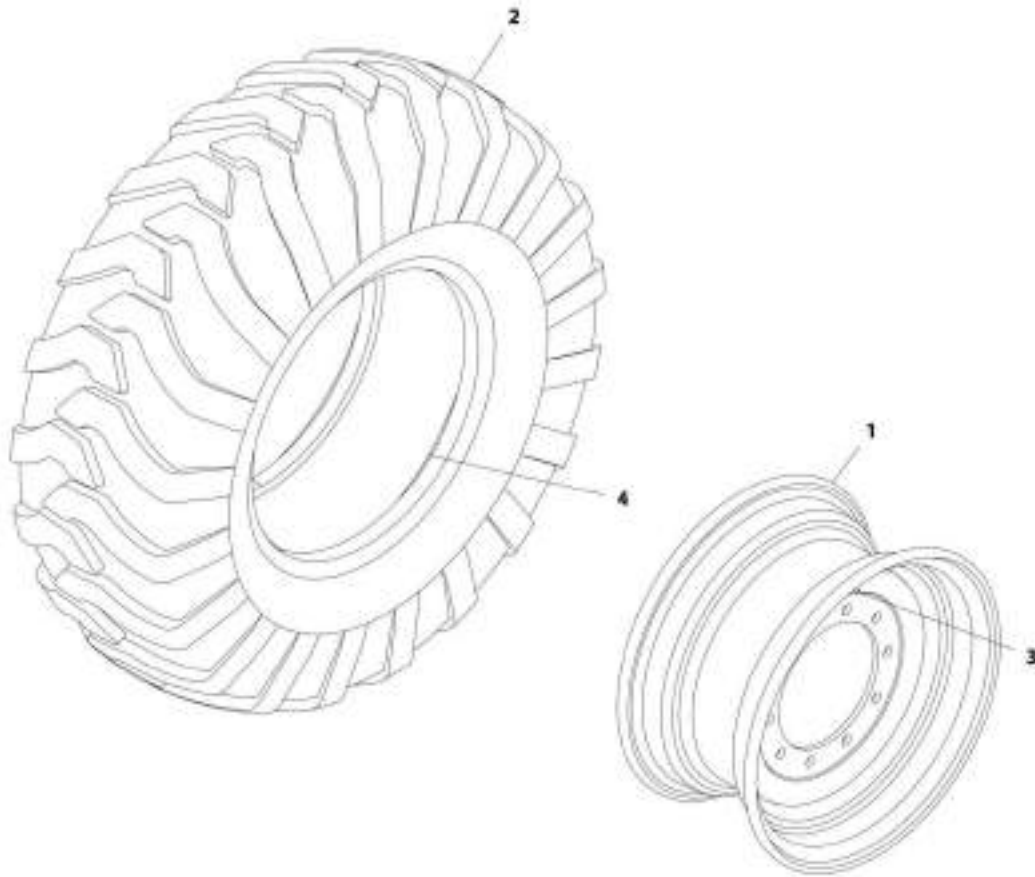
## SECTION 5 - DRIVE TRAIN

**FIGURE 5-86. TIRE WHEEL SET - 17.50-25 G2 - FOAM FILLED - 1255**

ITEM	PART NUMBER	QTY	DESCRIPTION	REV
1	4520519	1	Tire Wheel Set - 17.50-25 G2 - FOAM FILLED - 1255	B
	91565039	2	Assembly, Left Tire and Wheel - 17.50-25 G2 - FOAM FILLED - 1255 (See Left Tire and Wheel Assembly - 17.50-25 G2 - FOAM FILLED - 1255 for Breakdown)	
2	91565040	2	Assembly, Right Tire and Wheel - 17.50-25 G2 - FOAM FILLED - 1255 (See Right Tire and Wheel Assembly - 17.50-25 G2 - FOAM FILLED - 1255 for Breakdown)	

## SECTION 5 - DRIVE TRAIN

FIGURE 5-87. RIGHT WHEEL ASSEMBLY - 17.50-25 G2 - FOAM FILLED - 1255



AMT\_31565943.E

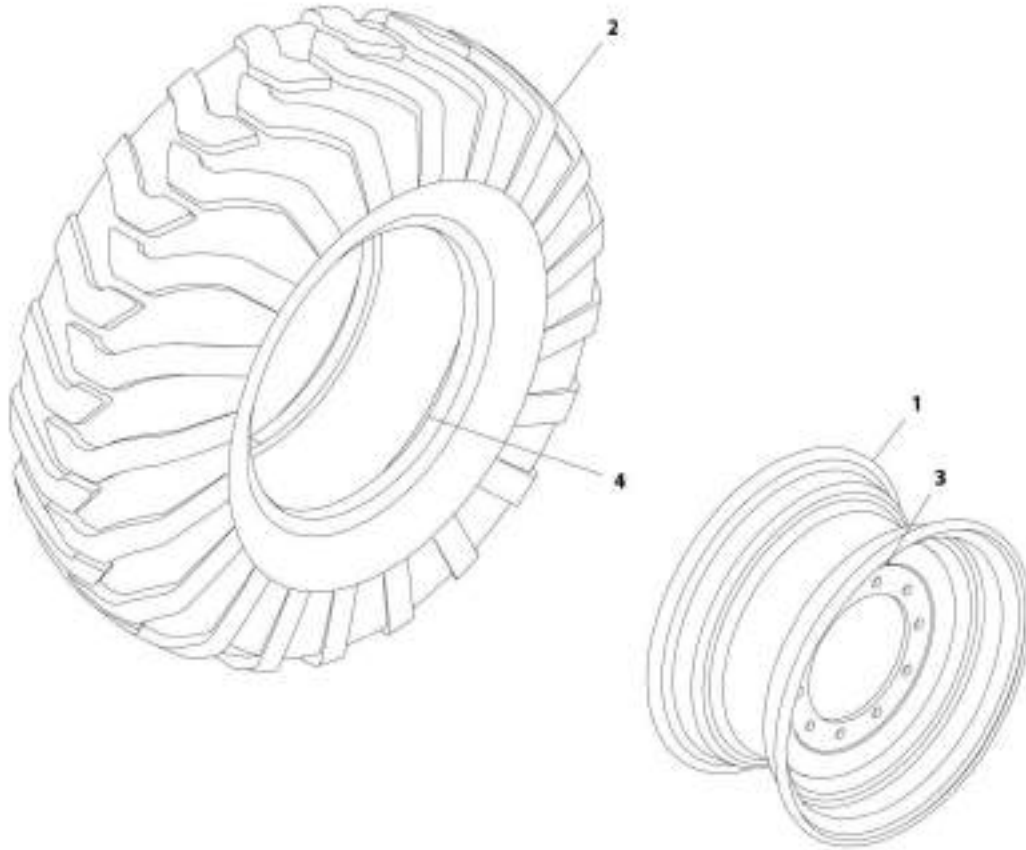
## SECTION 5 - DRIVE TRAIN

**FIGURE 5-87. RIGHT WHEEL ASSEMBLY - 17.50-25 G2 - FOAM FILLED - 1255**

ITEM	PART NUMBER	QTY	DESCRIPTION	REV
	91565040	1	Right Wheel Assembly - 17.50-25 G2 - FOAM FILLED - 1255	E
1	91563250	1	Wheel, 25X13.00 LR 1.687 Offset	
2	4520527	1	Tire, 17.5-25 12 PLY	
3	91083385	1	Valve, Tire	
4	8526203	785 lb	Foam Fill	

## SECTION 5 - DRIVE TRAIN

FIGURE 5-88. LEFT WHEEL ASSEMBLY - 17.50-25 G2 - FOAM FILLED - 1255



AWT\_91366009 E

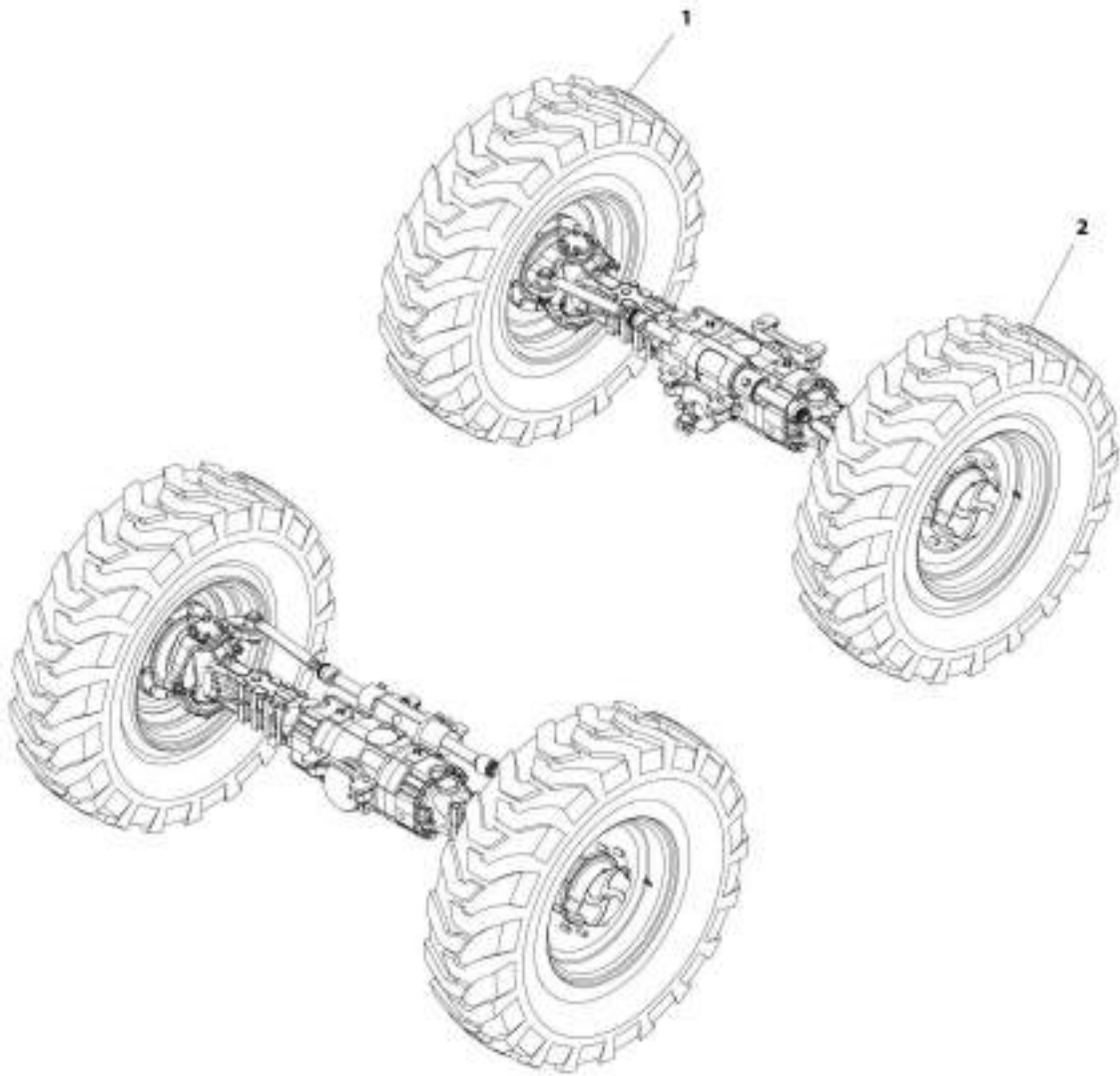
## SECTION 5 - DRIVE TRAIN

**FIGURE 5-88. LEFT WHEEL ASSEMBLY - 17.50-25 G2 - FOAM FILLED - 1255**

ITEM	PART NUMBER	QTY	DESCRIPTION	REV
	91565039	1	Left Wheel Assembly- 17.50-25 G2 - FOAM FILLED - 1255	E
1	91563250	1	Wheel, 25X13.00 LR 1.687 Offset	
2	4520527	1	Tire, 17.5-25 12 PLY	
3	91083385	1	Valve, Tire	
4	8526203	785 lb	Foam Fill	

## SECTION 5 - DRIVE TRAIN

FIGURE 5-89. TIRE WHEEL SET - 14.00-24 G2 - FOAM FILLED - 1055



ART\_4520482-C



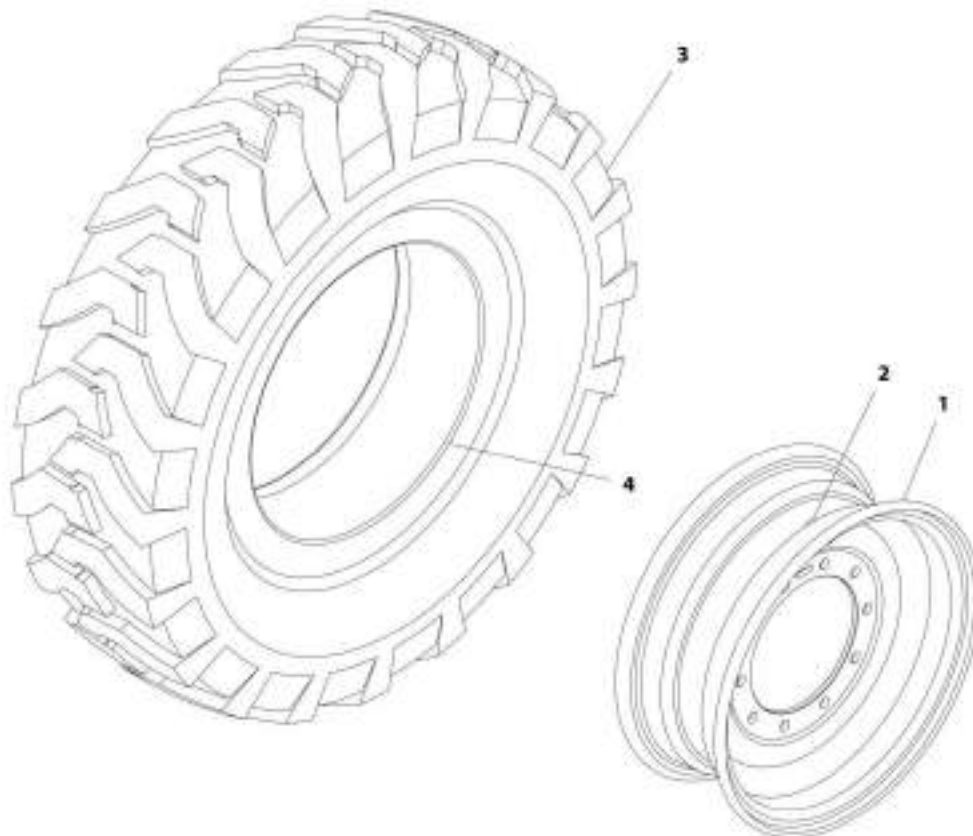
## SECTION 5 - DRIVE TRAIN

**FIGURE 5-89. TIRE WHEEL SET - 14.00-24 G2 - FOAM FILLED - 1055**

ITEM	PART NUMBER	QTY	DESCRIPTION	REV
1	4520482	1	Tire Wheel Set - 14.00-24 G2 - Foam Filled - 1055	C
	91355037	2	Assembly, Right Tire and Wheel - 14 - 24 G2 - Foam Filled - 1055(See RIGHT TIRE AND WHEEL ASSEMBLY - 14.00-24 G2 - FOAM FILLED - 1055 for Breakdown)	
2	91355038	2	Assembly, Left Tire and Wheel - 14 - 24 G2 - Foam Filled - 1055 (See LEFT TIRE AND WHEEL ASSEMBLY - 14.00-24 G2 - FOAM FILLED - 1055 for Breakdown)	

## SECTION 5 - DRIVE TRAIN

FIGURE 5-90. RIGHT WHEEL ASSEMBLY - 14.00-24 G2 - FOAM FILLED - 1055



ART\_31355032-F

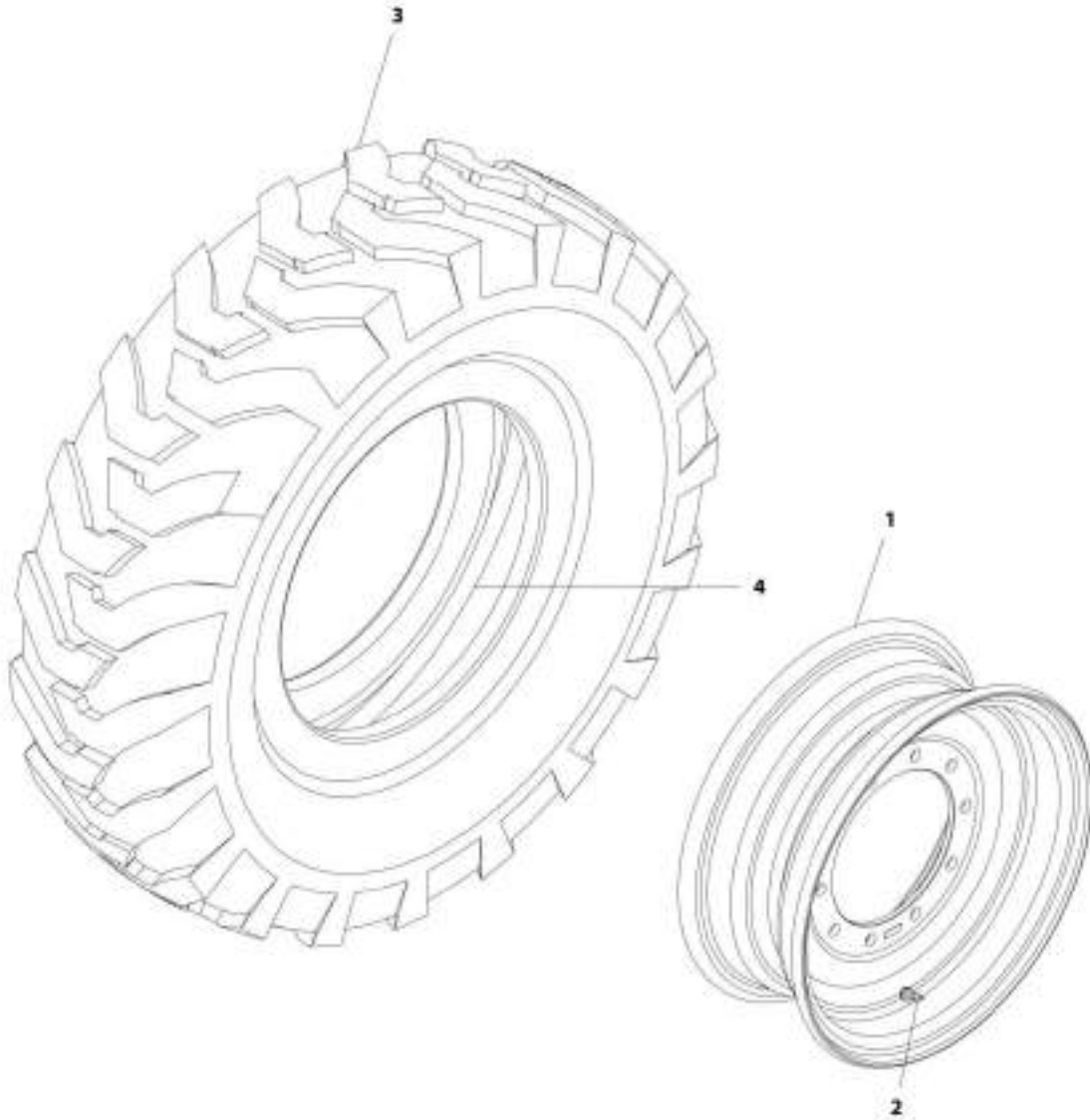
## SECTION 5 - DRIVE TRAIN

**FIGURE 5-90. RIGHT WHEEL ASSEMBLY - 14.00-24 G2 - FOAM FILLED - 1055**

ITEM	PART NUMBER	QTY	DESCRIPTION	REV
	91355037	Ref	Right Wheel Assembly - 14.00-24 G2 - FOAM FILLED - 1055	F
1	91473206	1	Wheel, 24X9.00	
2	8786514	1	Valve, Tire	
3	91043084	1	Tire, 14.00X24TG 12 PLY	
4	8526203	1	Foam Fill	

# SECTION 5 - DRIVE TRAIN

FIGURE 5-91. LEFT WHEEL ASSEMBLY - 14.00-24 G2 - FOAM FILLED - 1055



ART\_91355036-F

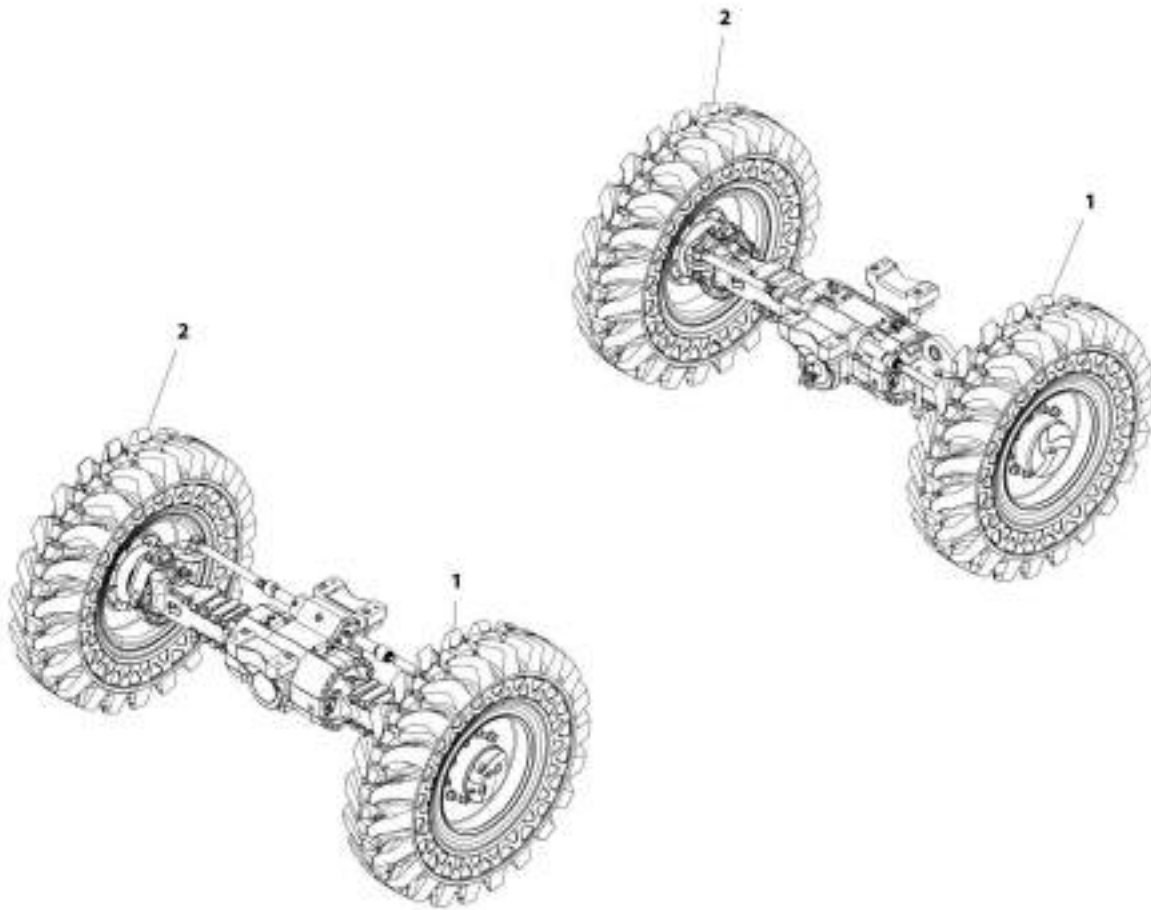
## SECTION 5 - DRIVE TRAIN

**FIGURE 5-91. LEFT WHEEL ASSEMBLY - 14.00-24 G2 - FOAM FILLED - 1055**

ITEM	PART NUMBER	QTY	DESCRIPTION	REV
	91355038	1	Left Wheel Assembly - 14.00-24 G2 - FOAM FILLED - 1055	F
1	91473206	1	Wheel, 24X9.00	
2	8786514	1	Valve, Tire	
3	91043084	1	Tire, 14.00X24TG 12PLY	
4	8526203	1	Foam Fill	

## SECTION 5 - DRIVE TRAIN

FIGURE 5-92. TIRE WHEEL SET - 14.00X24 SOLID (1055 Prior to SN 0160083753; 1255 Prior to SN 0160083813)



ART\_1061131106-A

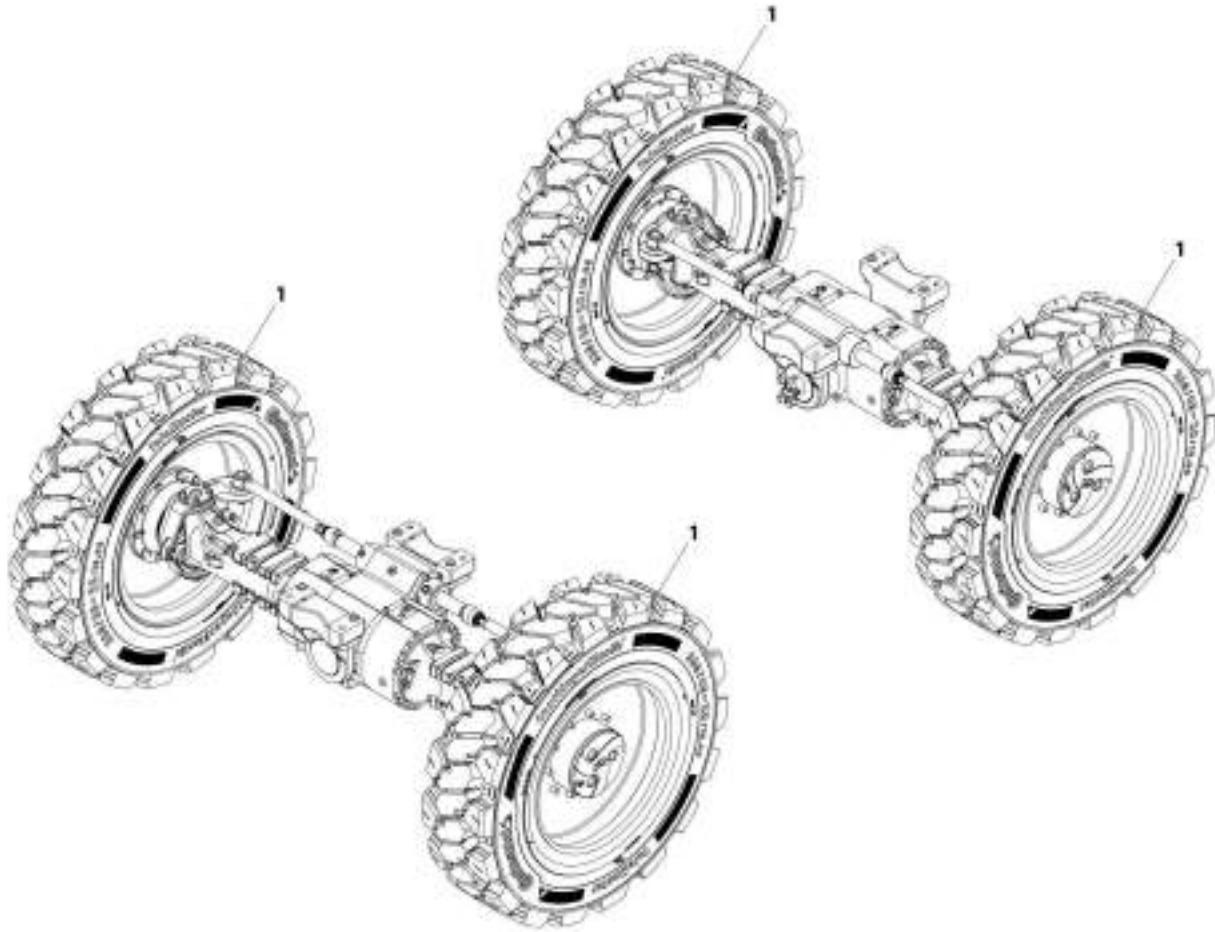
## SECTION 5 - DRIVE TRAIN

**FIGURE 5-92. TIRE WHEEL SET - 14.00X24 SOLID (1055 Prior to SN 0160083753; 1255 Prior to SN 0160083813)**

ITEM	PART NUMBER	QTY	DESCRIPTION	REV
	1001151108	Ref	Tire Wheel Set - 14.00x24, 14.00X24 Solid	A
1	1001151101	2	Tire, Left Solid, 14.00-24 0.219 Offset	
2	1001151102	2	Tire, Right Solid, 14.00-24 0.219 Offset	

## SECTION 5 - DRIVE TRAIN

FIGURE 5-93. TIRE WHEEL SET - 360/85-28 - SOLID



ART\_1001221504-A



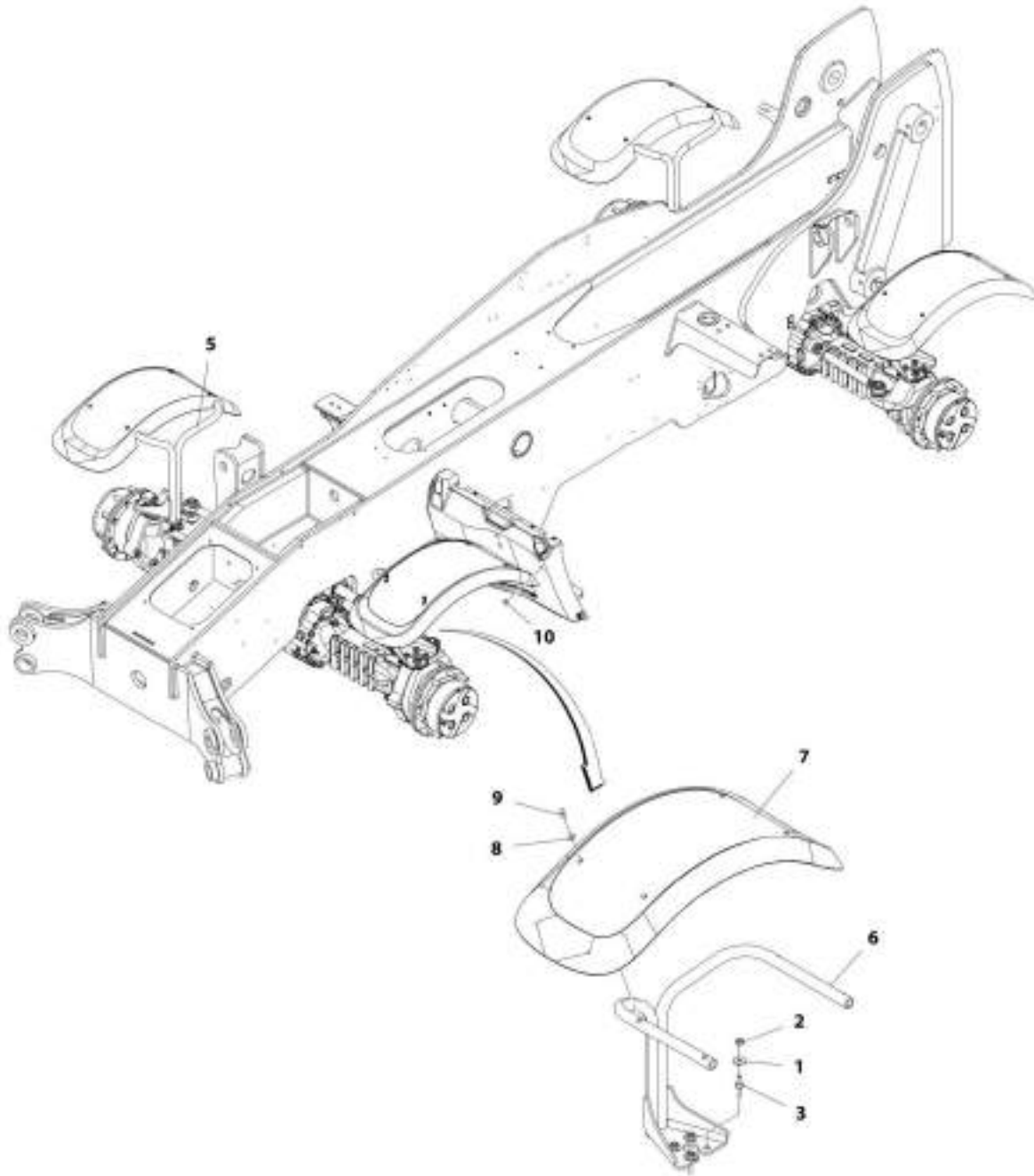
## SECTION 5 - DRIVE TRAIN

**FIGURE 5-93. TIRE WHEEL SET - 360/85-28 - SOLID**

ITEM	PART NUMBER	QTY	DESCRIPTION	REV
1	1001221504	Ref	Tire Wheel Set - 360/85-28 - Solid	A
	1001213200J	4	Tire Wheel Solid, 360/85-28/10 - 1M Offset	

# SECTION 5 - DRIVE TRAIN

## FIGURE 5-94. FENDER INSTALLATION



ART\_1001171262-E

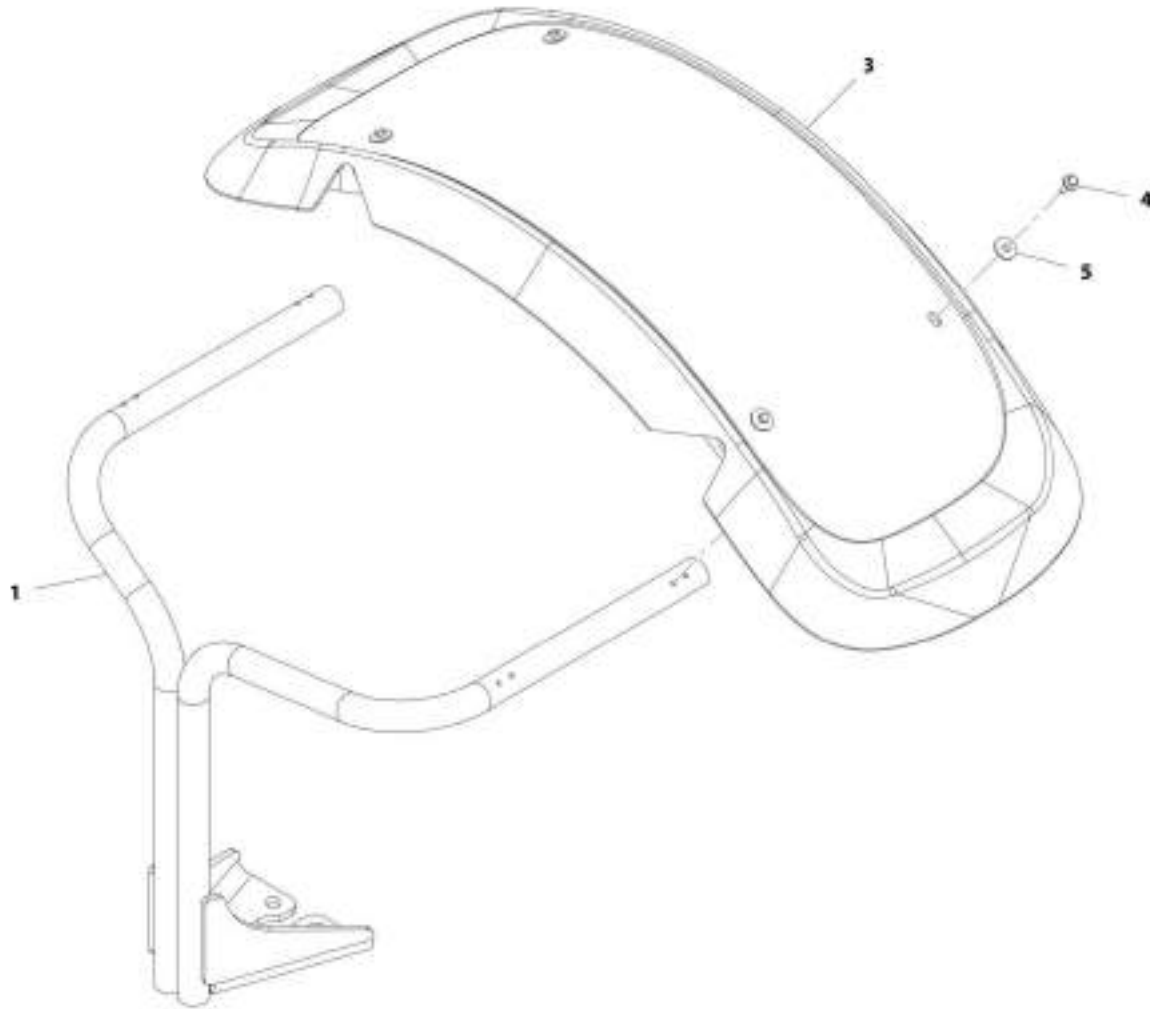
## SECTION 5 - DRIVE TRAIN

### FIGURE 5-94. FENDER INSTALLATION

ITEM	PART NUMBER	QTY	DESCRIPTION	REV
	1001171242	Ref	Fender Installation	E
1	4812102	16	Washer, M12	
2	91513266	16	Nut, M12X1.25	
3	91514118	16	Stud, Fender	
5	1001168261	2	Assembly, RH Fender (See RH FENDER ASSEMBLY for Breakdown) <b>(Prior to SN 0160073625)</b>	
5	1001202513	2	RH Bracket <b>(SN 0160073625 to Present)</b>	
6	1001168262	2	Assembly, LH Fender (See LH FENDER ASSEMBLY for Breakdown) <b>(Prior to SN 0160073625)</b>	
6	1001202512	2	LH Bracket <b>(SN 0160073625 to Present)</b>	
7	1001168264	4	Fender <b>(SN 0160073625 to Present)</b>	
8	1001202786	16	Washer <b>(SN 0160073625 to Present)</b>	
9	0760812	16	Screw, M8X25 <b>(SN 0160073625 to Present)</b>	
10	1001208338	4	Plug <b>(SN 0160073625 to Present)</b>	

# SECTION 5 - DRIVE TRAIN

FIGURE 5-95. RH FENDER ASSEMBLY (Prior to SN 0160073625)



ART\_100190261-E

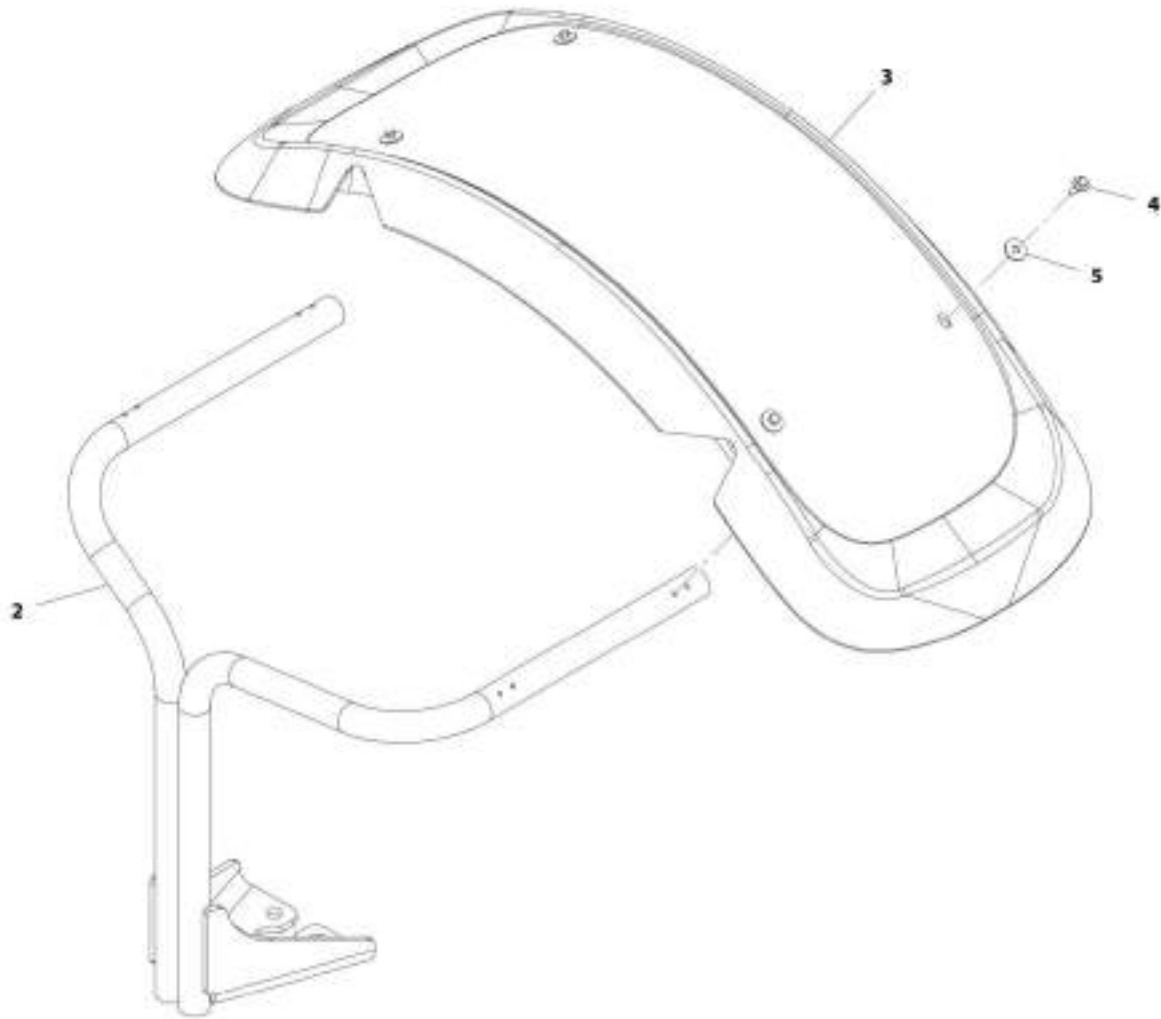
## SECTION 5 - DRIVE TRAIN

**FIGURE 5-95. RH FENDER ASSEMBLY (Prior to SN 0160073625)**

ITEM	PART NUMBER	QTY	DESCRIPTION	REV
	1001168261	1	RH Fender Assembly	E
1	1001168178	1	Bracket	
3	1001168264	1	Fender	
4	1001201904	4	Screw	
5	1001201905	4	Washer	

## SECTION 5 - DRIVE TRAIN

FIGURE 5-96. LH FENDER ASSEMBLY (Prior to SN 0160073625)



REF\_100194062-E

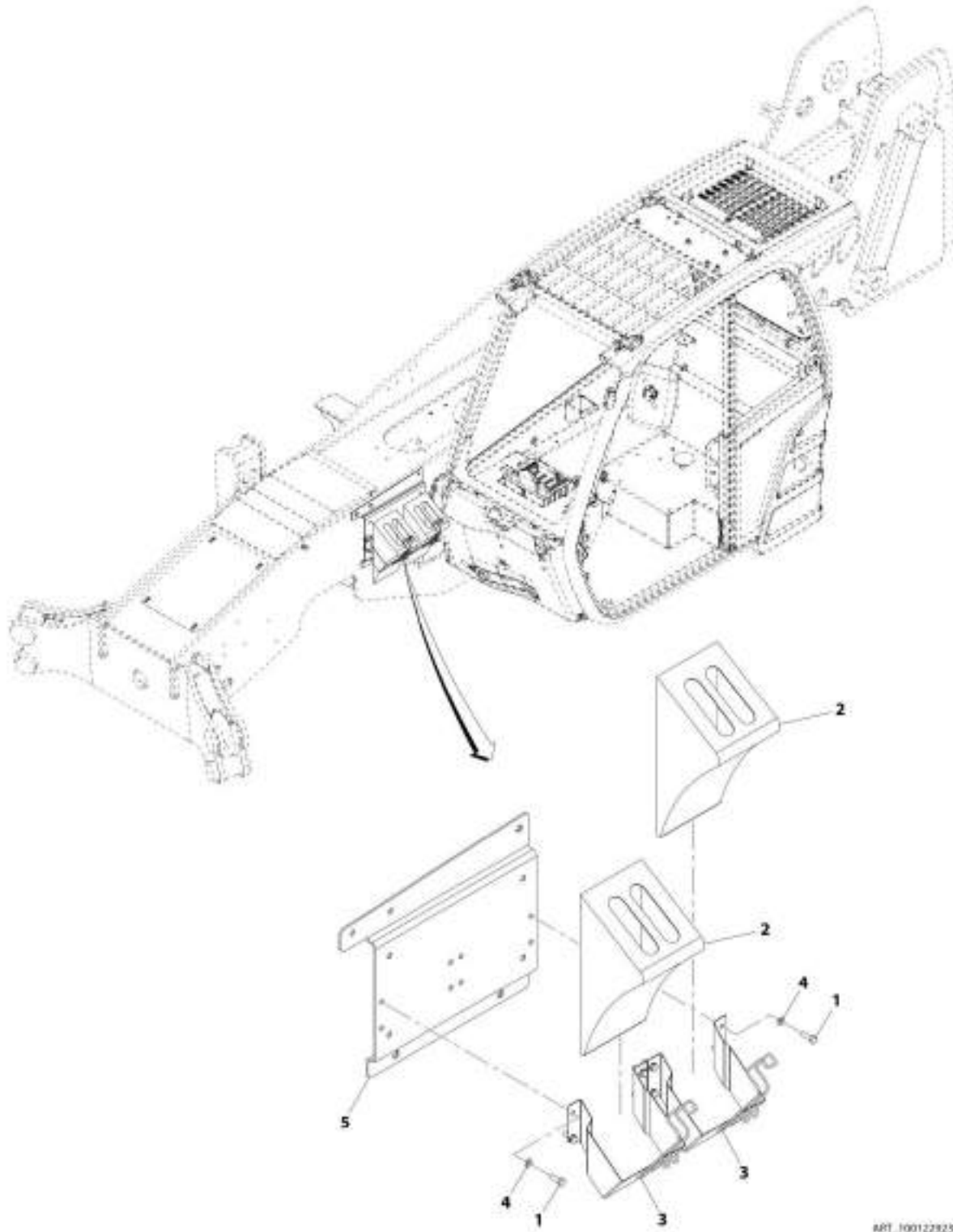
## SECTION 5 - DRIVE TRAIN

**FIGURE 5-96. LH FENDER ASSEMBLY (Prior to SN 0160073625)**

ITEM	PART NUMBER	QTY	DESCRIPTION	REV
	1001168262	1	LH Fender Assembly	E
2	1001168182	1	Bracket	
3	1001168264	1	Fender	
4	1001201904	4	Screw	
5	1001201905	4	Washer	

# SECTION 5 - DRIVE TRAIN

## FIGURE 5-97. WHEEL CHOCK INSTALLATION



MRT\_1001228235-A



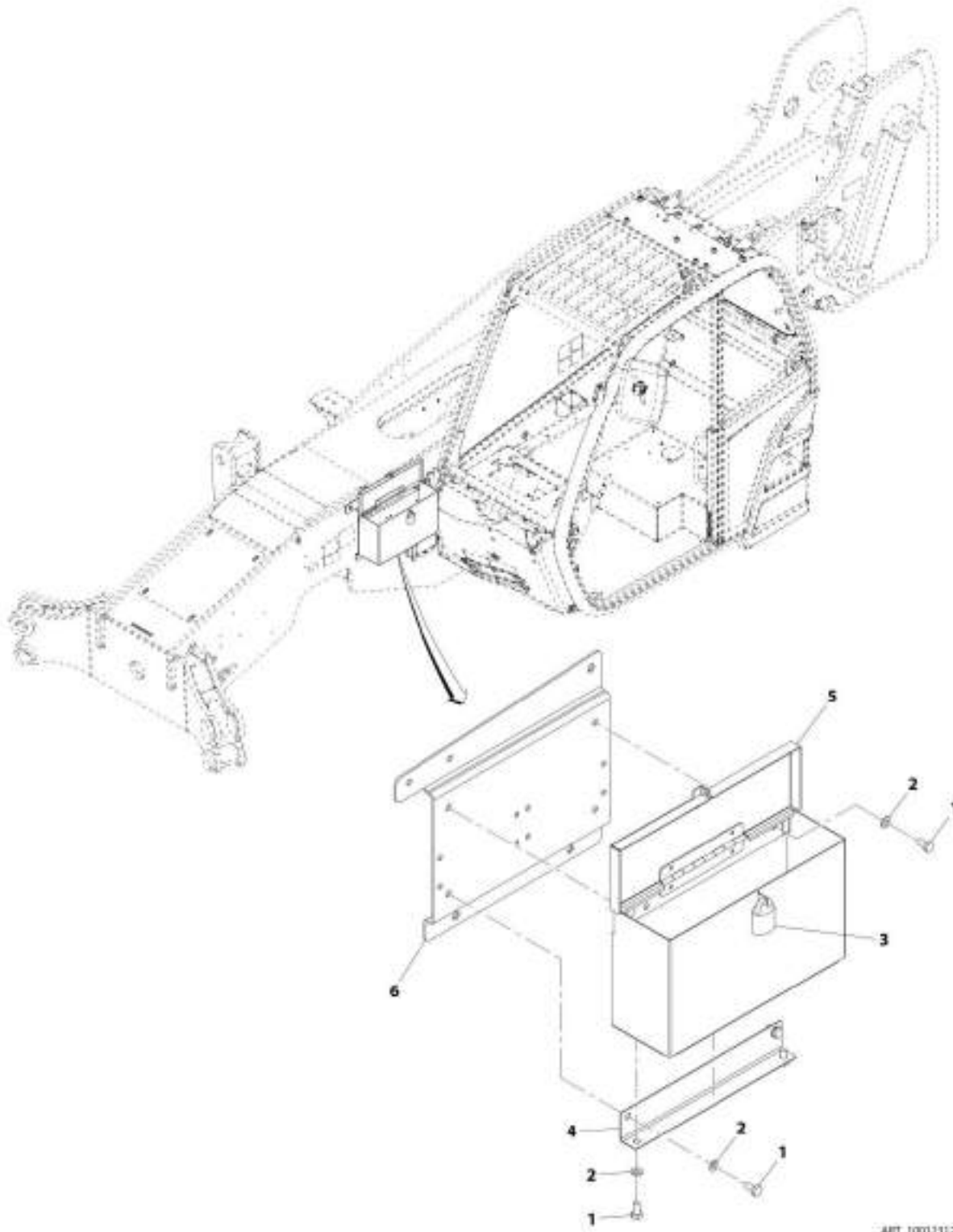
## SECTION 5 - DRIVE TRAIN

### FIGURE 5-97. WHEEL CHOCK INSTALLATION

ITEM	PART NUMBER	QTY	DESCRIPTION	REV
	1001229235	Ref	Wheel Chock Installation (If equipped)	A
1	0700812	8	Hex Screw, 8X25 LG	
2	806253	2	Wedge	
3	806264	2	Holder	
4	4811900	8	Washer, 8mm	
5	1001230713J	1	Bracket	

# SECTION 5 - DRIVE TRAIN

## FIGURE 5-98. TOOLBOX INSTALLATION



AMT\_1001231244-A

## SECTION 5 - DRIVE TRAIN

### FIGURE 5-98. TOOLBOX INSTALLATION

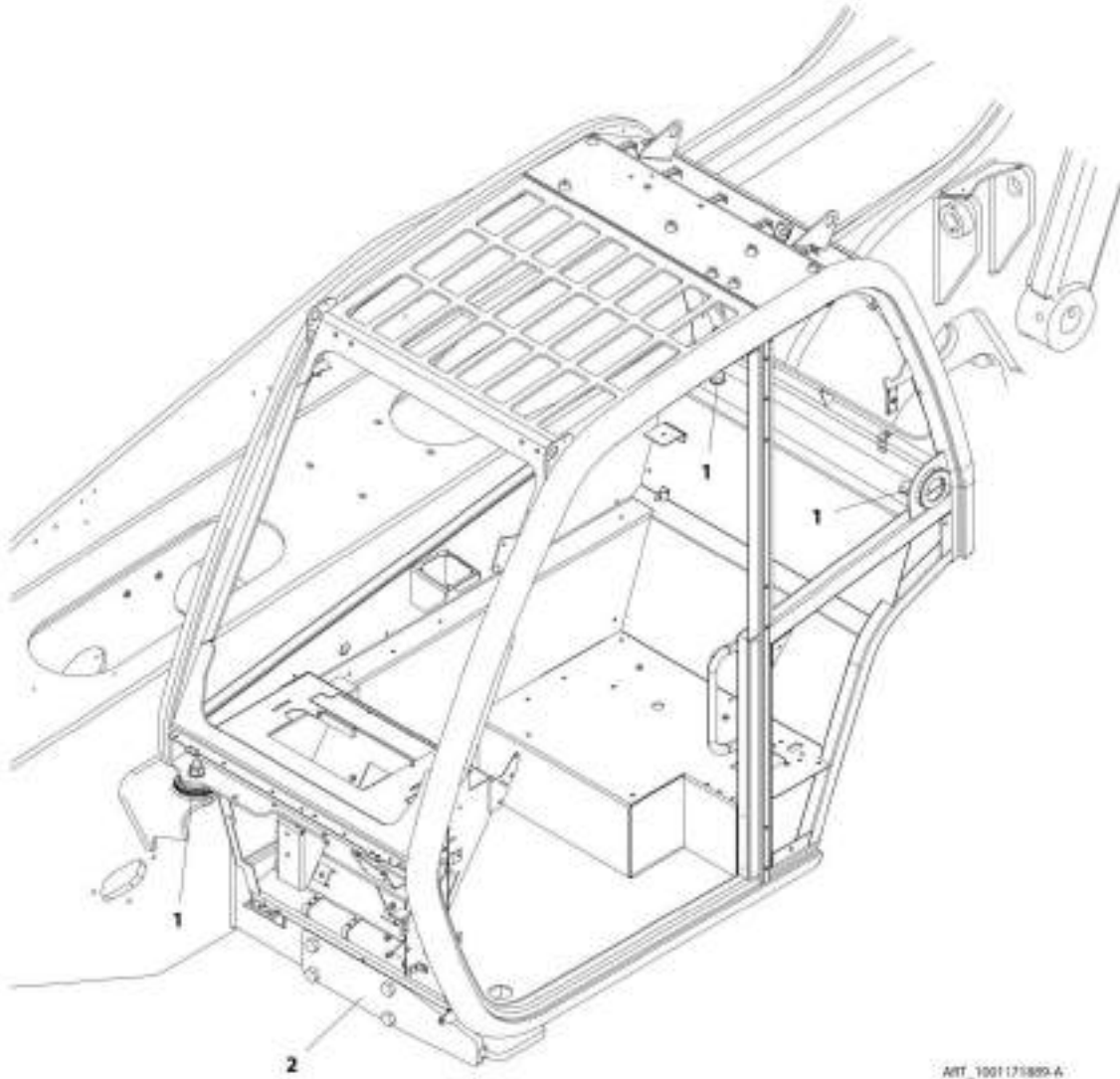
ITEM	PART NUMBER	QTY	DESCRIPTION	REV
	1001231244	Ref	ToolBox Installation (If equipped)	A
1	0761010	6	Bolt, M10X20	
2	4812000	6	Washer, M10	
3	1001008687	1	Padlock	
4	1001178729	1	Bracket	
5	1001192836	1	Box	
6	1001230713J	1	Bracket	



**SECTION 6 - CAB**

# SECTION 6 - CAB

## FIGURE 6-1. CAB MOUNTING



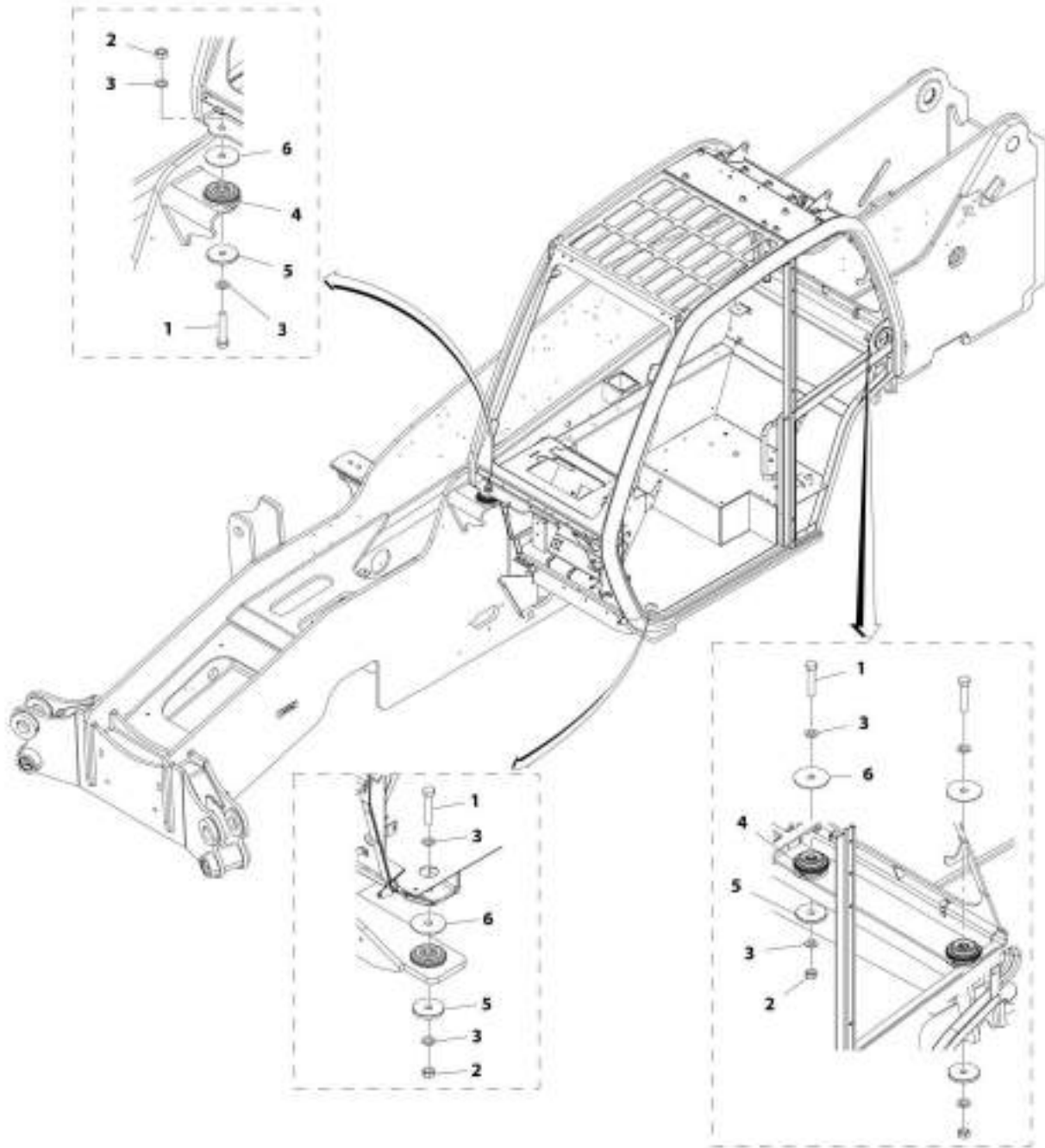
AVT\_1001173889-A

**FIGURE 6-1. CAB MOUNTING**

ITEM	PART NUMBER	QTY	DESCRIPTION	REV
1	1001171889	Ref	Cab Mounting Installation	A
	1001155446	Ref	Installation, Cab Mounts (See CAB MOUNT INSTALLATION for Breakdown)	
2	1001171890	Ref	Installation, Front Cab Outrigger (See FRONT CAB OUTRIGGER INSTALLATION for Breakdown)	

# SECTION 6 - CAB

## FIGURE 6-2. CAB MOUNTS INSTALLATION



ART\_100155446-E

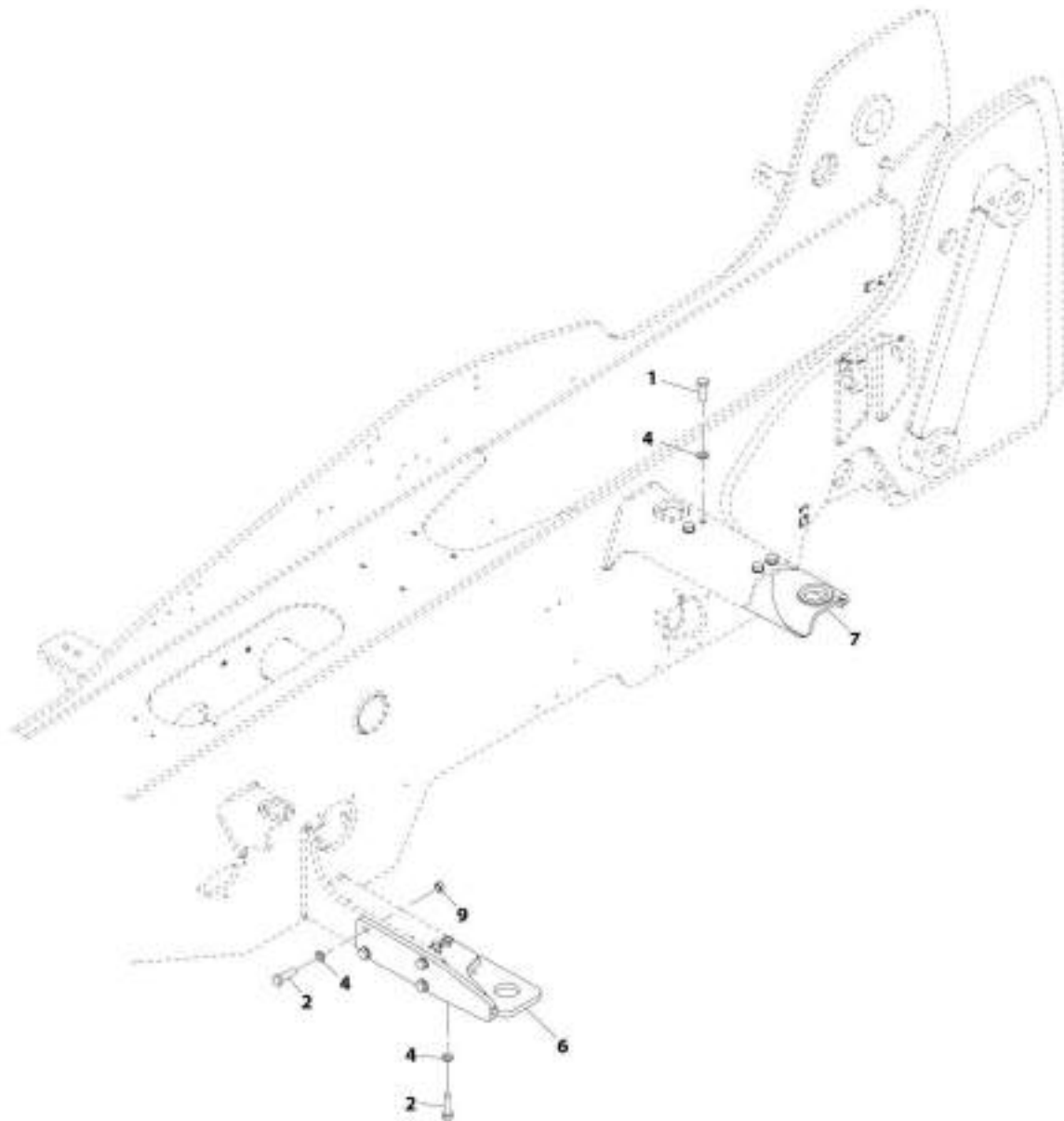


FIGURE 6-2. CAB MOUNTS INSTALLATION

ITEM	PART NUMBER	QTY	DESCRIPTION	REV
	1001155446	Ref	Cab Mounts Installation	E
1	0712027	4	Bolt, M20X100 GR10.9	
2	3332011	4	Nut, Lock M20X2.5	
3	4812500	8	Washer, M20	
4	1001166754	4	Mount, Cab Isolation	
5	1001166755	4	Washer, Cab Rebound	
6	1001220540	4	Washer, Cab Mount	

# SECTION 6 - CAB

## FIGURE 6-3. FRONT CAB OUTRIGGER INSTALLATION



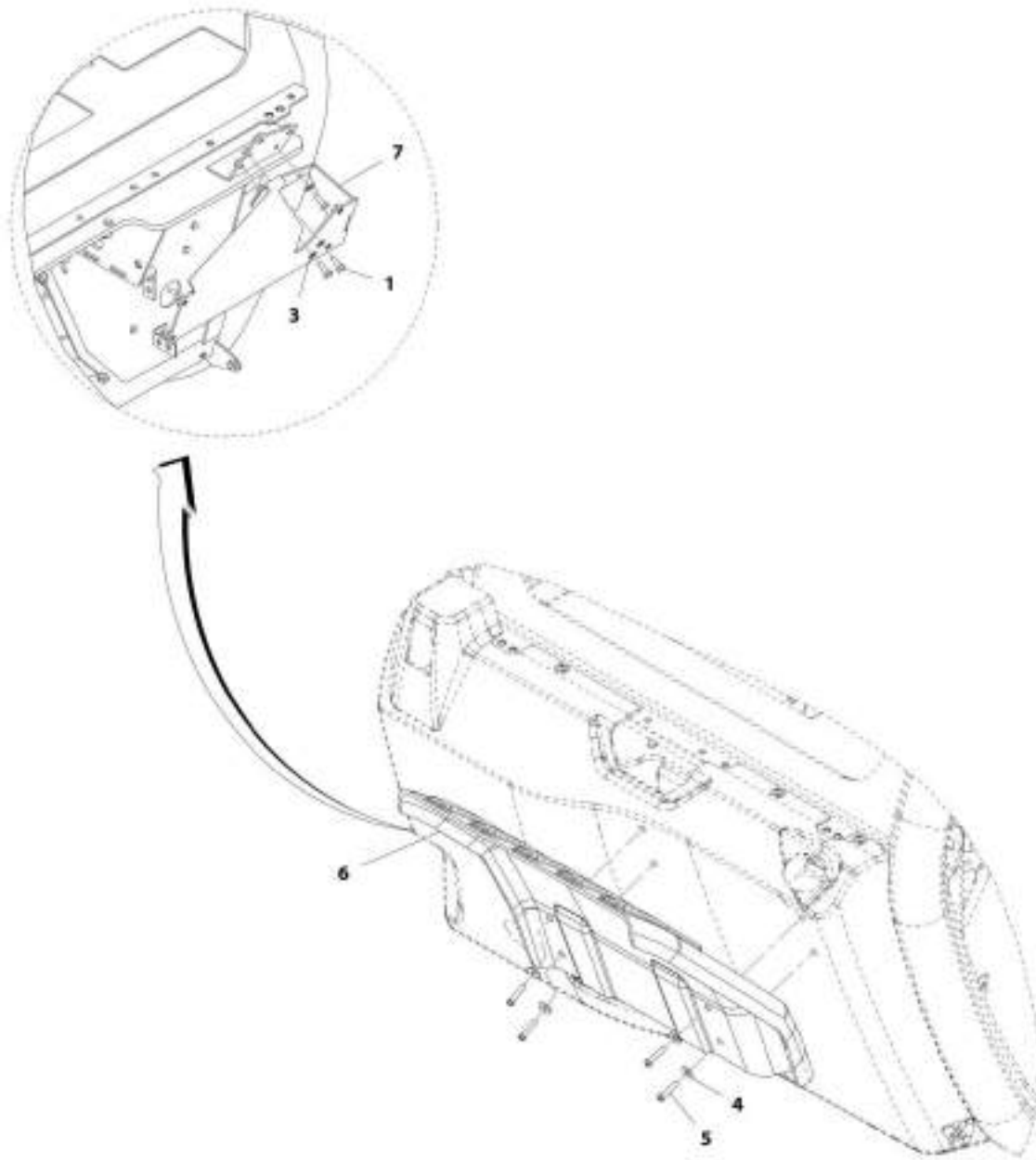
ART\_3001171890-E

FIGURE 6-3. FRONT CAB OUTRIGGER INSTALLATION

ITEM	PART NUMBER	QTY	DESCRIPTION	REV
	1001171890	Ref	Front Cab Outrigger Installation	E
1	0712020	4	Bolt, M20X60	
2	0712022	6	Bolt, M20X70	
4	4812500	10	Washer, M20	
6	1001171898	NLA	Bracket, Front Lower Cab, (no longer available, use 1001208106 for replacement)	
6	1001208106	1	Bracket, Front Lower Cab	
7	1001171903	NLA	Bracket, Rear Cab Mount, (no longer available, use 1001210782 for replacement)	
7	1001210782	1	Bracket, Rear Cab Mount	
9	3292001	4	Hex Nut, M20X2.5	

# SECTION 6 - CAB

## FIGURE 6-4. CAB FENDER INSTALLATION



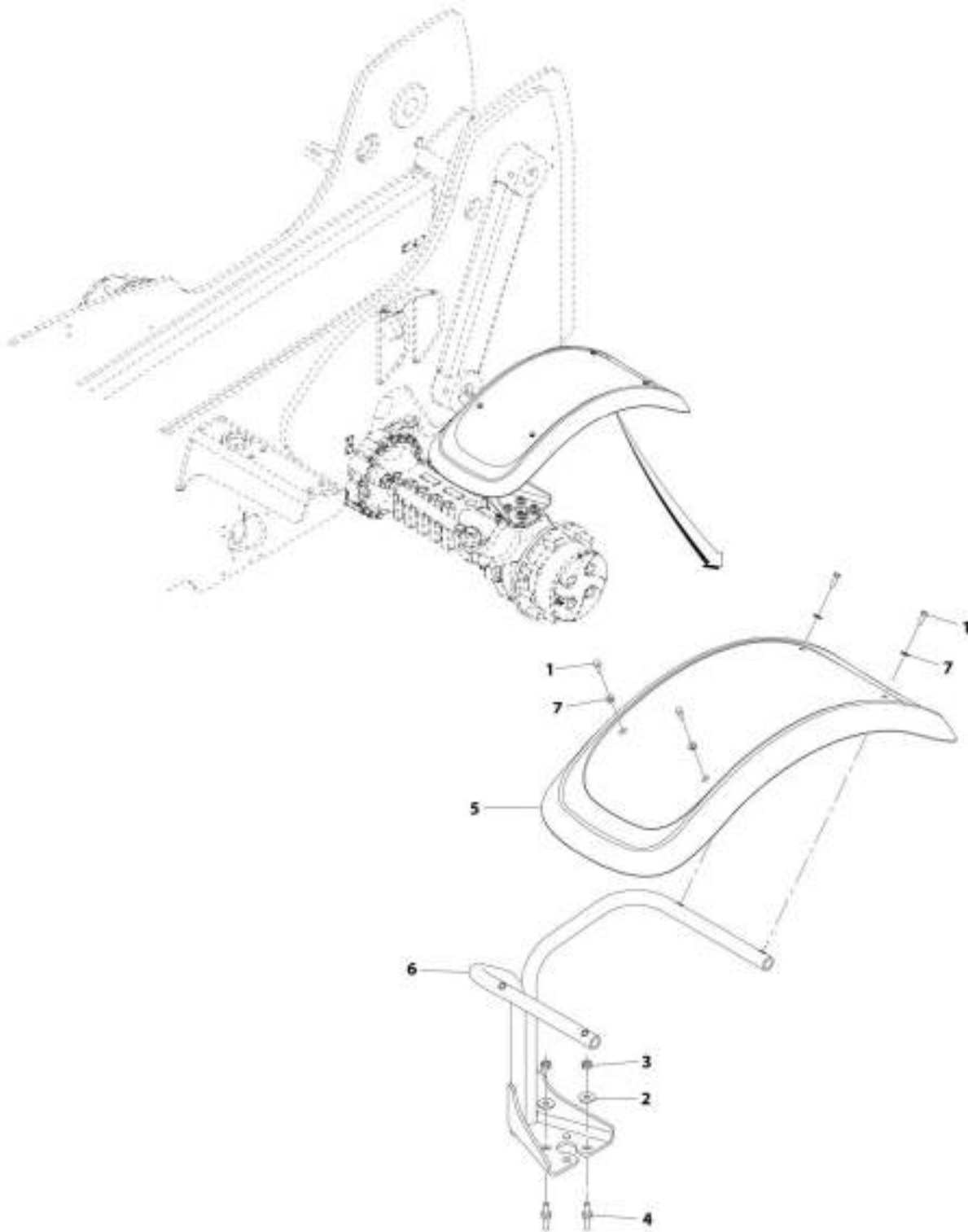
ART\_1001185972-C

FIGURE 6-4. CAB FENDER INSTALLATION

ITEM	PART NUMBER	QTY	DESCRIPTION	REV
	1001195972	Ref	Cab Fender Installation	C
1	0760608	3	Bolt, M6X16	
3	4811700	3	Washer, M6	
4	4811702	4	Washer, M6	
5	1001097202	4	Bolt, M6X30	
6	1001187335	1	Fender, Front	
7	1001188048	1	Plate	

# SECTION 6 - CAB

## FIGURE 6-5. CAB FENDER INSTALLATION REAR (LH)



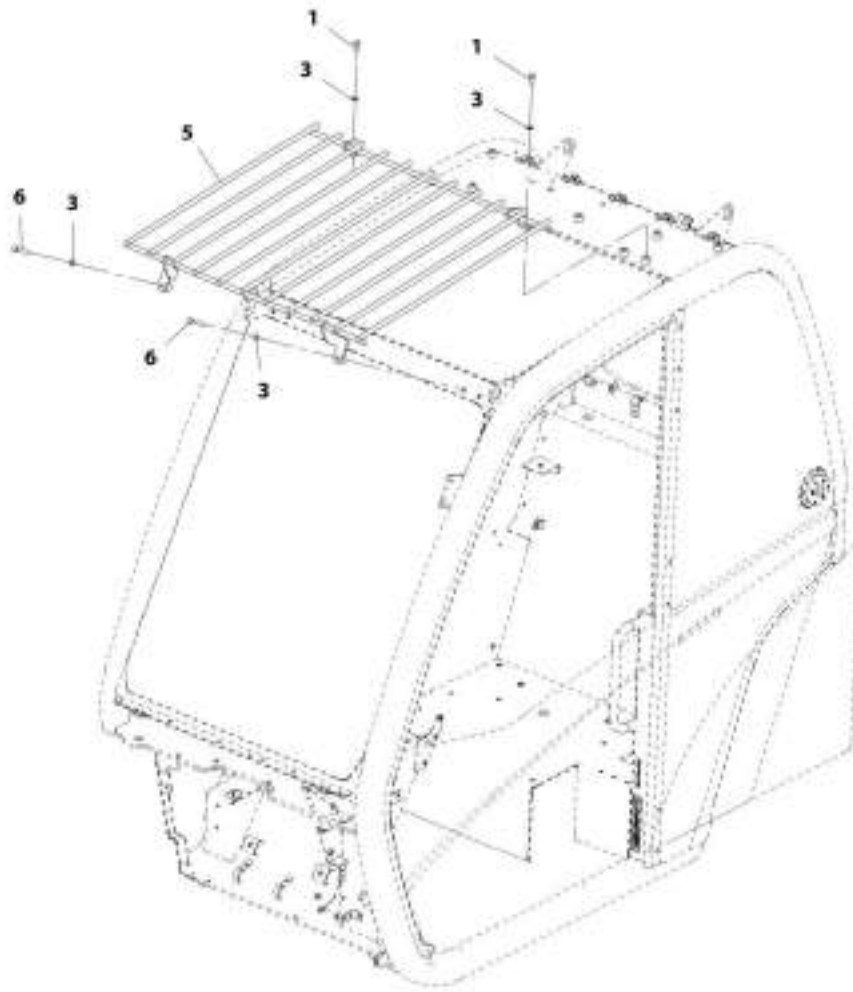
ART. 1001230542-A

FIGURE 6-5. CAB FENDER INSTALLATION REAR (LH)

ITEM	PART NUMBER	QTY	DESCRIPTION	REV
	1001236542	Ref	Cab Fender Installation Rear (LH)	A
1	0760812	4	Bolt, M8X25	
2	4812102	4	Washer, M12	
3	91513266	4	Nut, M12X1.25	
4	91514118	4	Stud, Fender	
5	1001168264	1	Plastic, Fender	
6	1001202512	1	LH Bracket	
7	1001202786	4	Washer	

# SECTION 6 - CAB

## FIGURE 6-6. TOP CAB GUARD



ART\_1001100496-F

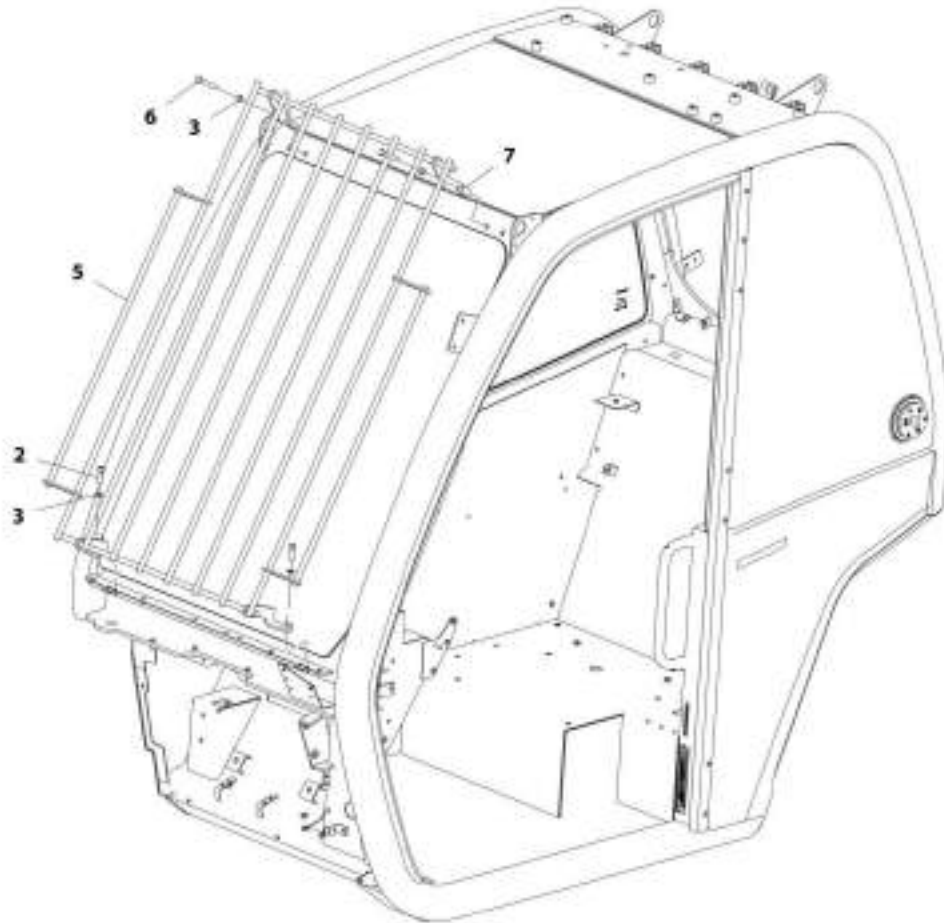


FIGURE 6-6. TOP CAB GUARD

ITEM	PART NUMBER	QTY	DESCRIPTION	REV
	1001160496	Ref	Top Cab Guard	F
1	0760810	2	Bolt, M8X20	
3	4811900	4	Washer, M8	
5	1001160503	1	Plate	
6	0700820	2	Bolt, M8X60	

## SECTION 6 - CAB

FIGURE 6-7. FRONT CAB GUARD INSTALLATION



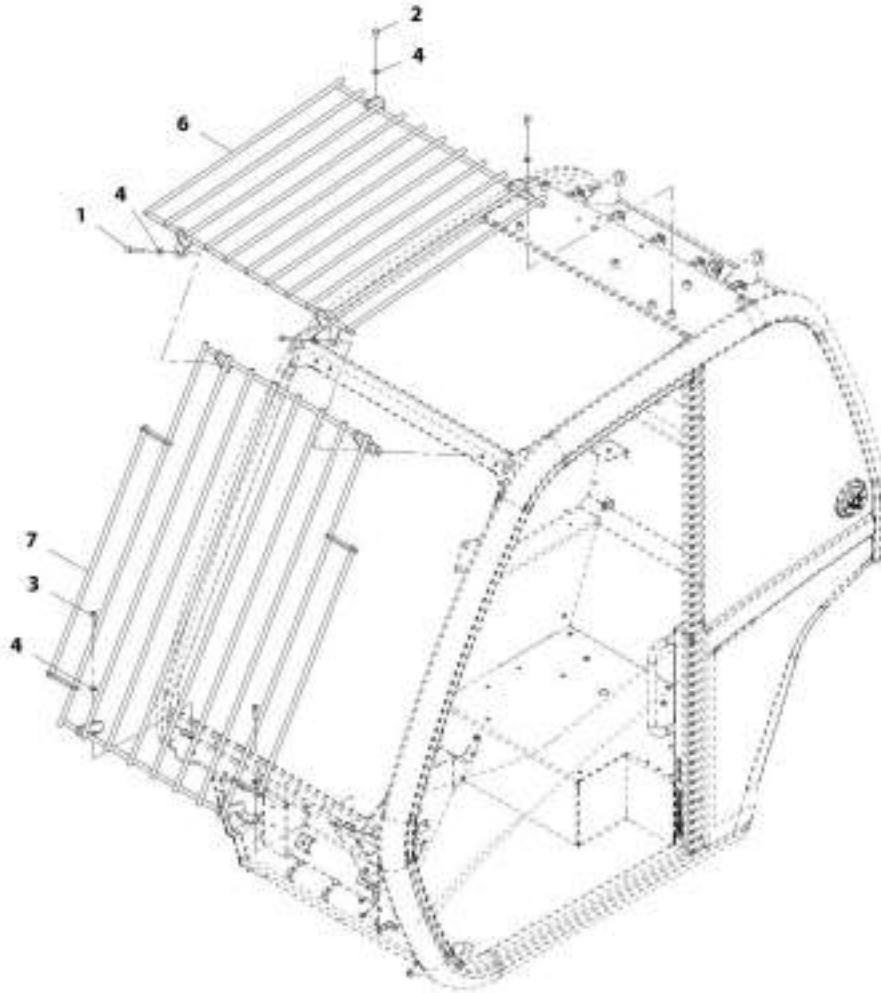
ART\_100190504-G

FIGURE 6-7. FRONT CAB GUARD INSTALLATION

ITEM	PART NUMBER	QTY	DESCRIPTION	REV
	1001160506	Ref	Front Cab Guard Installation	G
2	4031910	2	Bolt, M8X30	
3	4811900	4	Washer, M8	
5	1001180263	1	Cab	
6	0700820	2	Bolt, M8X60	
7	1001173257	2	Spacer	

## SECTION 6 - CAB

FIGURE 6-8. TOP AND FRONT CAB GUARD INSTALLATION



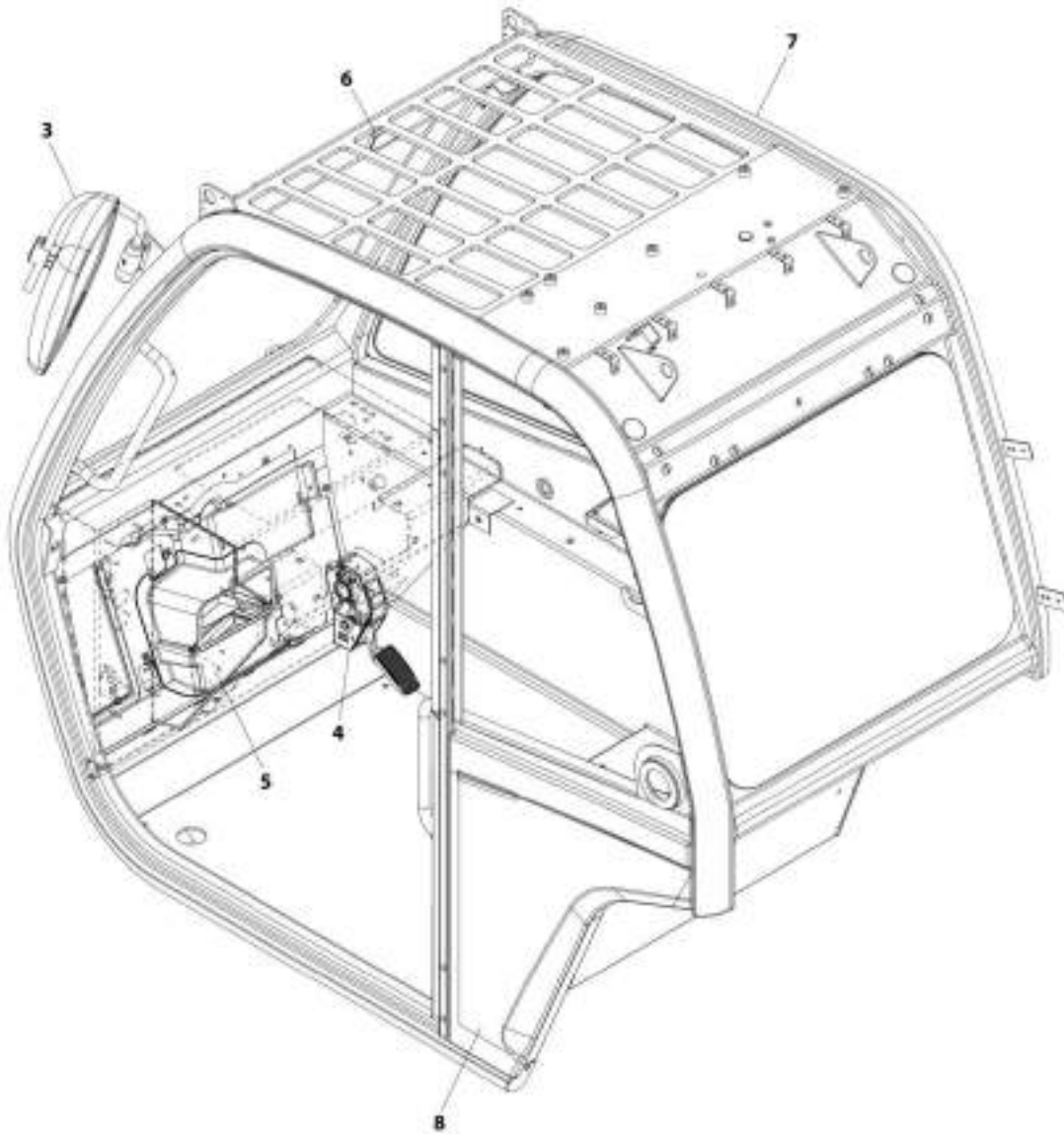
AWT\_1001122794-F

FIGURE 6-8. TOP AND FRONT CAB GUARD INSTALLATION

ITEM	PART NUMBER	QTY	DESCRIPTION	REV
	1001172774	Ref	Top and Front Cab Guard Installation	F
1	0700820	2	Bolt, M8X60	
2	0760810	2	Bolt, M8X20	
3	4031910	2	Bolt, M8X30	
4	4811900	6	Washer, M8	
6	1001160503	1	Plate	
7	1001180263	1	Cab	

# SECTION 6 - CAB

## FIGURE 6-9. OROPS CAB INSTALLATION



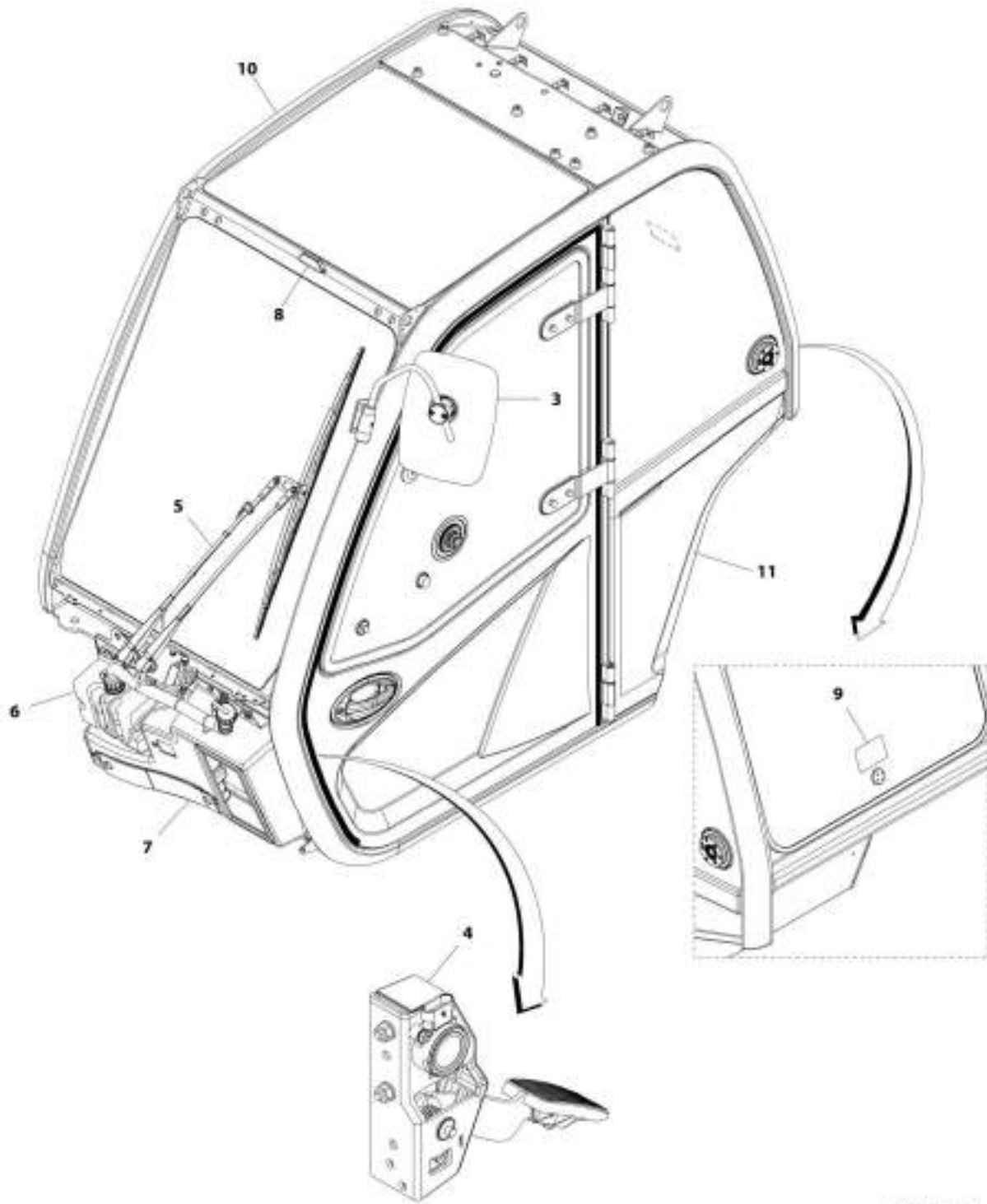
ART\_100154884-G

FIGURE 6-9. OROPS CAB INSTALLATION

ITEM	PART NUMBER	QTY	DESCRIPTION	REV
	1001154984	Ref	OROPS Cab Installation	G
1	1001154711	Ref	Installation, Open Cab (not shown) (See OPEN CAB INSTALLATION for Breakdown) <b>(Prior to SN 0160079256)</b>	
3	1001160508	Ref	Installation, Mirror (See MIRROR INSTALLATION for Breakdown)	
4	1001161499	Ref	Installation, Accelerator Pedal (See CONTROLS SECTION for Breakdown)	
5	1001170366	Ref	Installation, Front Cover (See FRONT COVER INSTALLATION for Breakdown)	
6	1001172401	Ref	Installation, Level Indicator (See LEVEL INDICATOR INSTALLATION for Breakdown)	
7	1001214326	Ref	Cab, (See Separate Breakdown in this Section) <b>(SN 0160079256 to Present)</b>	
8	1001214331	Ref	Installation, Open Cab, (See Separate Breakdown in this Section) <b>(SN 0160079256 to Present)</b>	

# SECTION 6 - CAB

## FIGURE 6-10. EROPS CAB INSTALLATION



ART\_1001173419-1

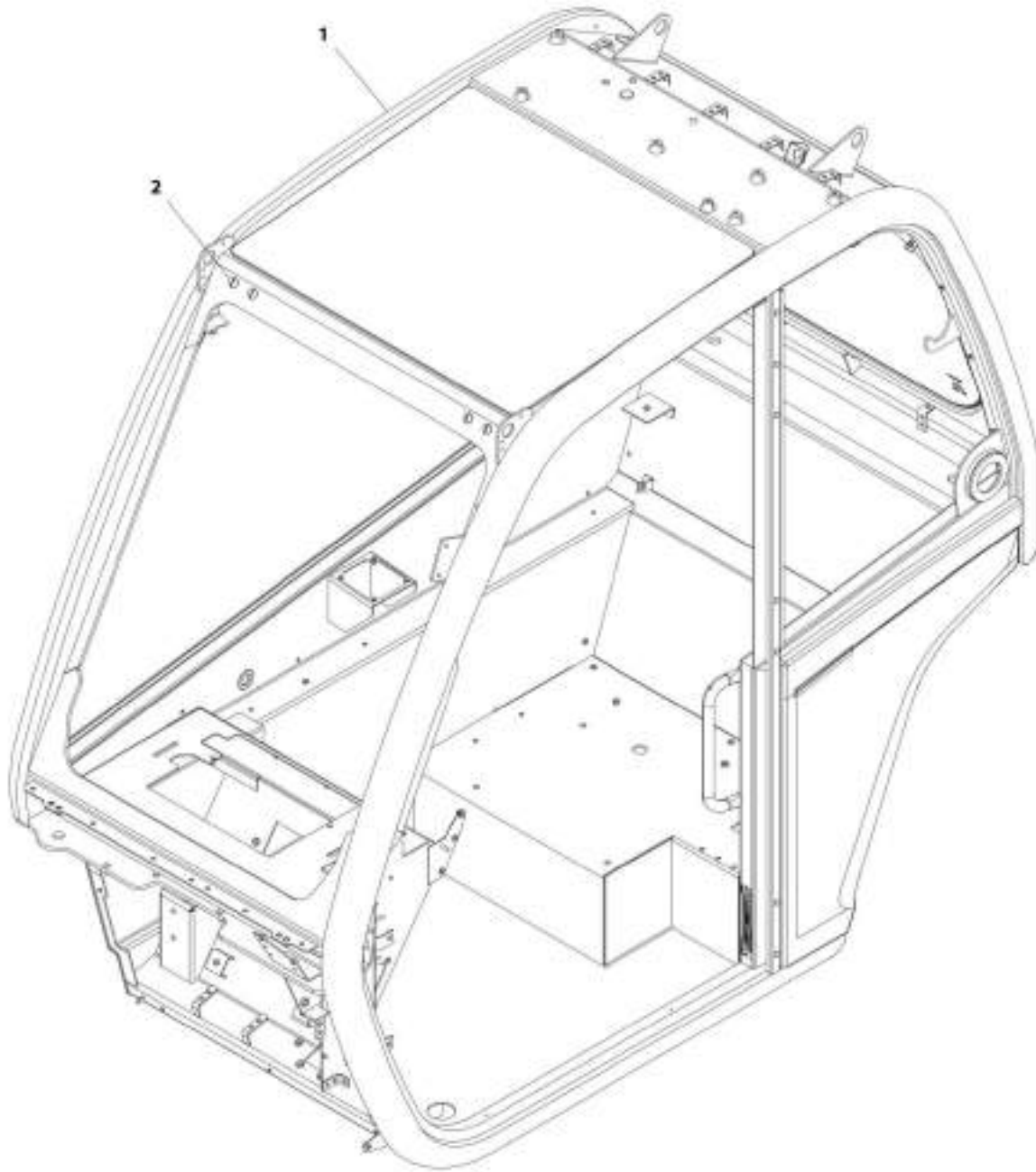


FIGURE 6-10. EROPS CAB INSTALLATION

ITEM	PART NUMBER	QTY	DESCRIPTION	REV
	1001173419	Ref	EROPS Cab Installation	I
1	1001173414	Ref	Installation, Enclosed Cab (not shown) (See ENCLOSED CAB INSTALLATION for Breakdown) <b>(Prior to SN 0160079256)</b>	
3	1001160508	Ref	Installation, Mirror (See MIRROR INSTALLATION for Breakdown)	
4	1001161499	Ref	Installation, Accelerator Pedal (See CONTROLS SECTION for Breakdown)	
5	1001155447	Ref	Installation, Front Wiper (See FRONT WIPER INSTALLATION for Breakdown)	
6	1001162789	Ref	Installation, Washer Tank (See WASHER TANK INSTALLATION for Breakdown)	
7	1001170366	Ref	Installation, Front Cover (See FRONT COVER INSTALLATION for Breakdown)	
8	1001172401	Ref	Installation, Level Indicator (See LEVEL INDICATOR INSTALLATION for Breakdown)	
9	8005870	1	Decal, Emergency Exit	
10	1001214326	Ref	Cab, (See Separate Breakdown in this Section) <b>(SN 0160079256 to Present)</b>	
11	1001214332	Ref	Installation, Enclosed Cab (See Separate Breakdown in this Section) <b>(SN 0160079256 to Present)</b>	

## SECTION 6 - CAB

FIGURE 6-11. OPEN CAB INSTALLATION (Prior to SN 0160079256)



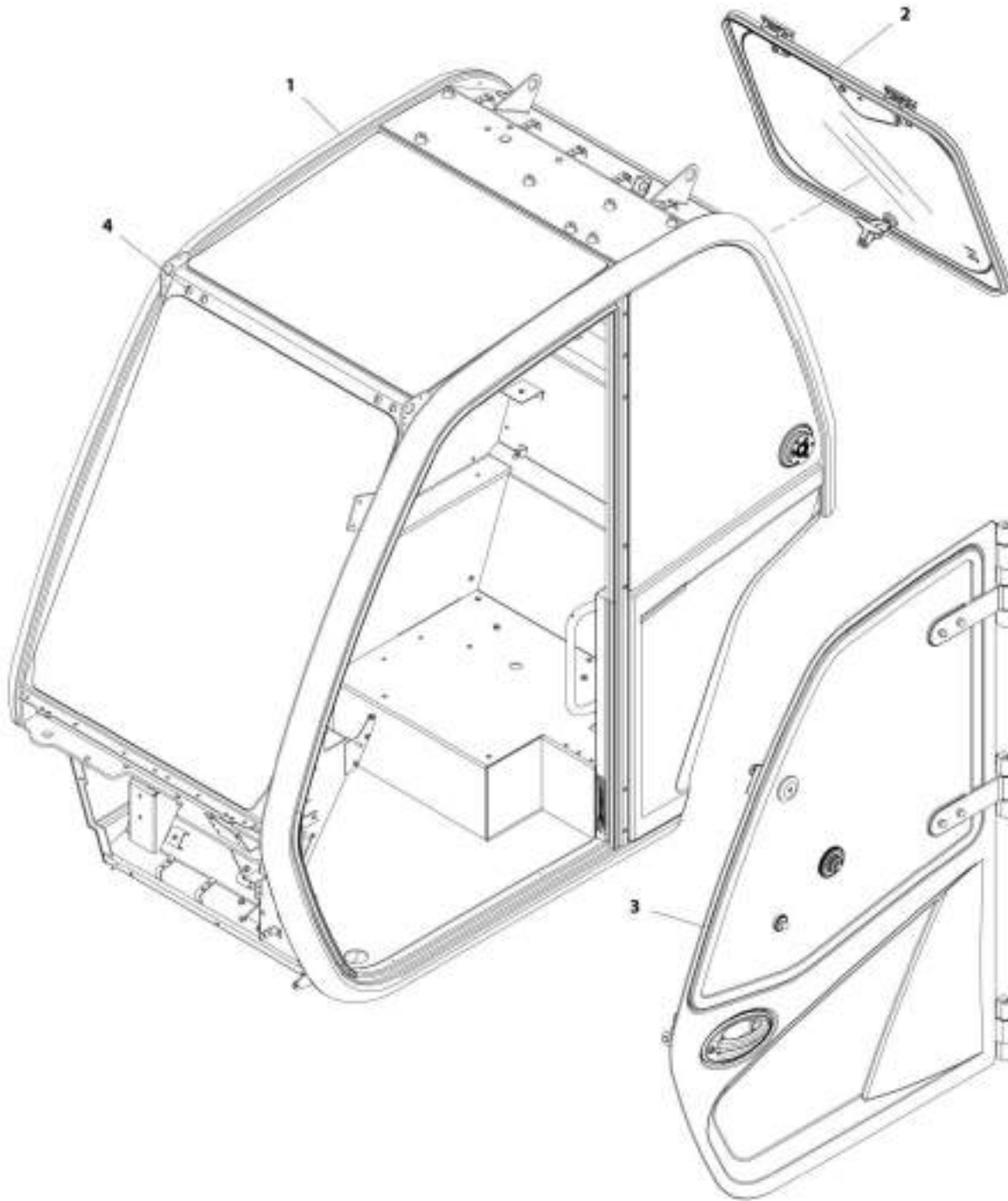
MIT\_1001154711-C

**FIGURE 6-11. OPEN CAB INSTALLATION (Prior to SN 0160079256)**

<b>ITEM</b>	<b>PART NUMBER</b>	<b>QTY</b>	<b>DESCRIPTION</b>	<b>REV</b>
1	1001154711 1001154721	Ref 1	Open Cab Installation Assembly, Open Cab (See OPEN CAB ASSEMBLY for Breakdown)	C
2	1001170495	1	Group, Open Cab Plug (See OPEN CAB PLUG GROUP for Breakdown)	

## SECTION 6 - CAB

FIGURE 6-12. ENCLOSED CAB INSTALLATION (Prior to SN 0160079256)



ARE\_1001173414 C

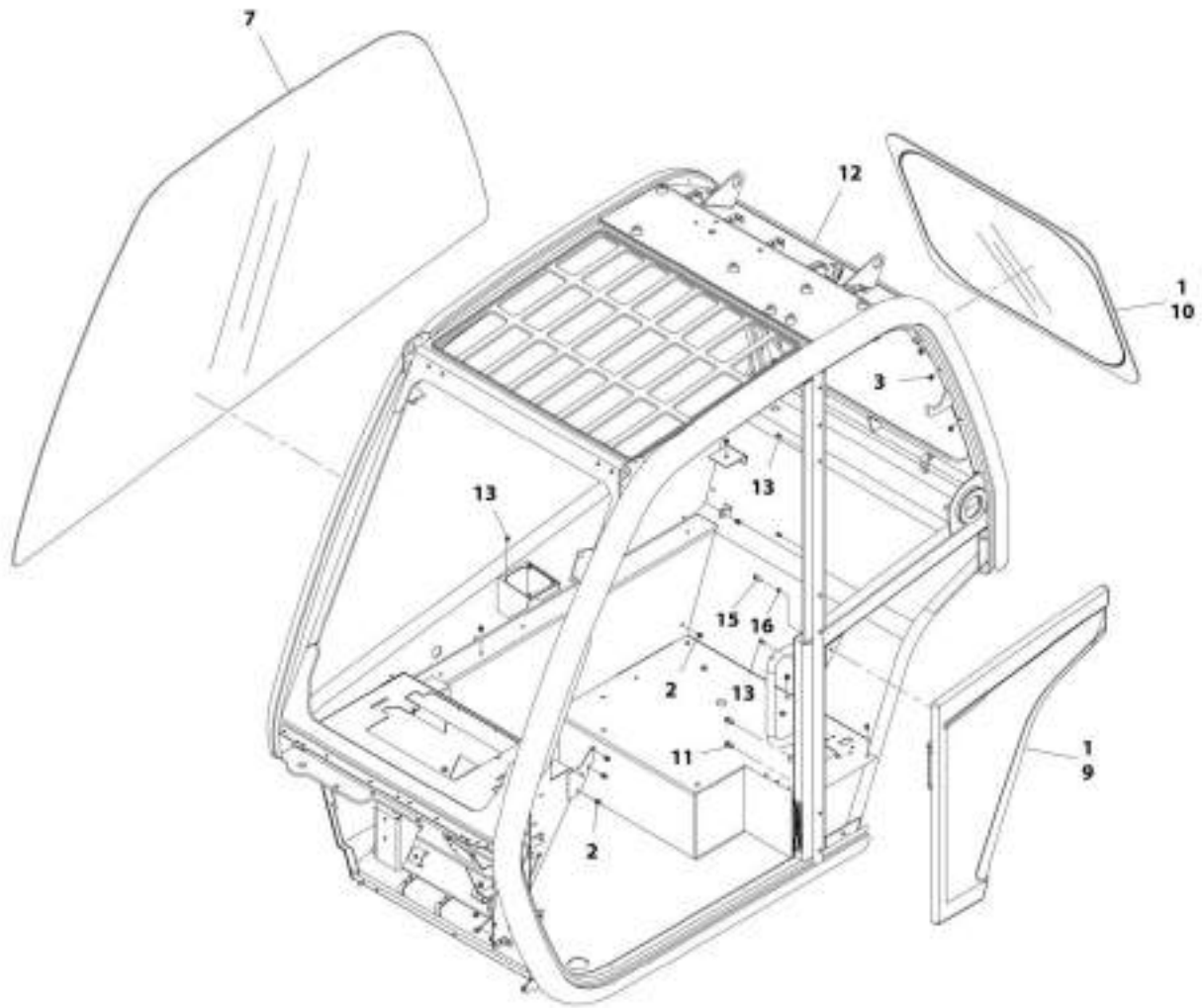
## SECTION 6 - CAB

**FIGURE 6-12. ENCLOSED CAB INSTALLATION (Prior to SN 0160079256)**

ITEM	PART NUMBER	QTY	DESCRIPTION	REV
1	1001173414	Ref	Enclosed Cab Installation	C
2	1001154365	Ref	Cab (See ENCLOSED CAB ASSEMBLY for Breakdown)	
3	1001170500	Ref	Installation, Rear Window (See REAR WINDOW INSTALLATION for Breakdown)	
4	1001165080	Ref	Group, Door Cab (See DOOR INSTALLATION for Breakdown)	
5	1001170603	Ref	Group, Cab Plug (See ENCLOSED CAB PLUG GROUP for Breakdown)	

# SECTION 6 - CAB

## FIGURE 6-13. OPEN CAB ASSEMBLY



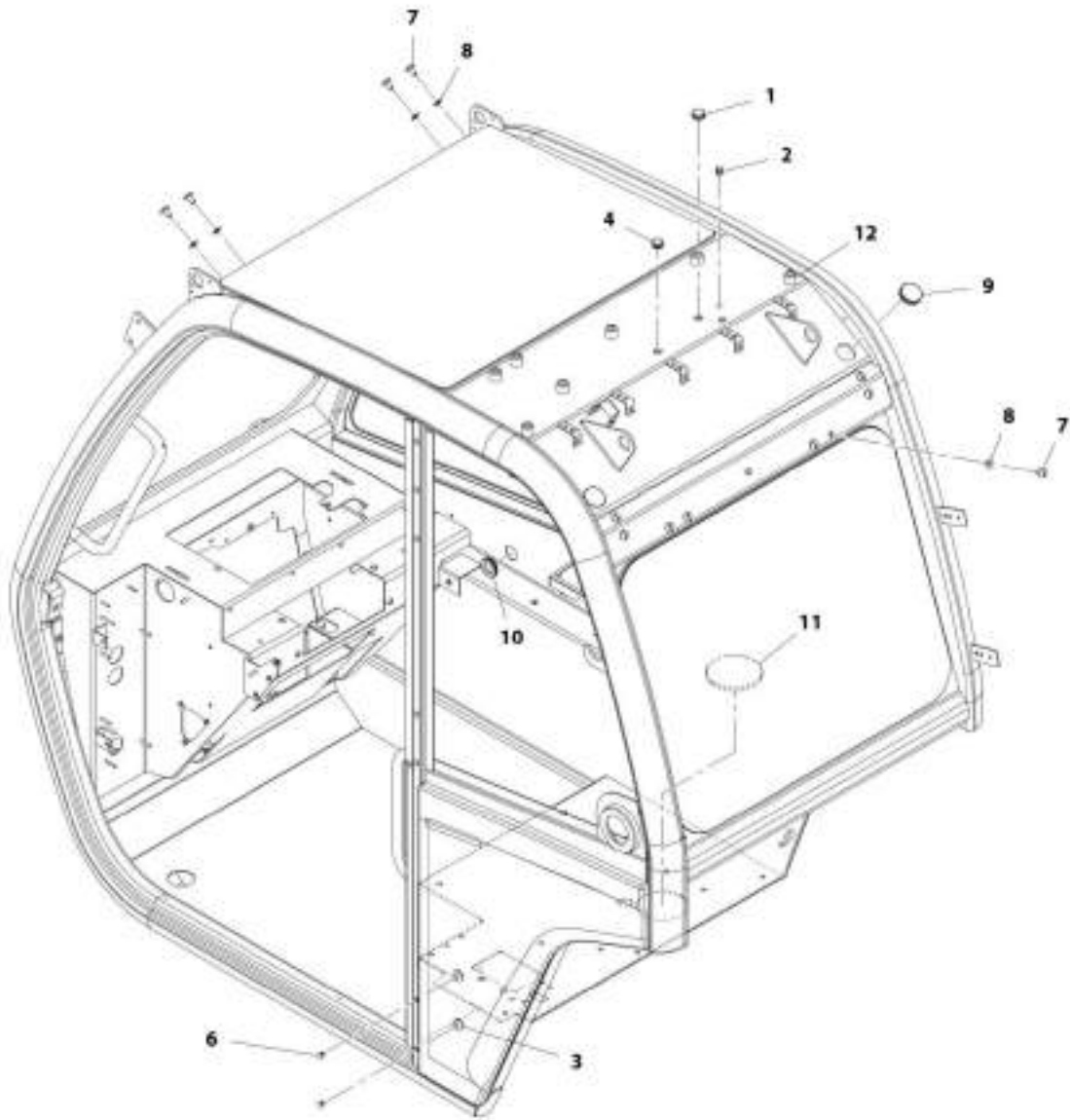
ART\_1001154721-I

FIGURE 6-13. OPEN CAB ASSEMBLY

ITEM	PART NUMBER	QTY	DESCRIPTION	REV
	1001154721	Ref	Open Cab Assembly	1
1	1001111317	AR	Compound, Locking	
2	2080086	17	Rivnut, M6X1	
3	2080087	16	Rivnut, M8X1.25	
7	1001152947	1	Glass, RH Screen	
9	N.S.S.	1	Panel, Cab Quarter	
10	1001161538	1	Glass, Rear Window	
11	1001172193	2	Rivnut, M5X0.8	
12	N.S.S.	1	Weldment, Cab <b>(Prior to SN 0160079256)</b>	
13	1001195878	7	Rivnut, M5X0.8	
15	N.S.S.	3	Screw	
16	4811700	3	Washer, M6	

# SECTION 6 - CAB

## FIGURE 6-14. OPEN CAB PLUG GROUP



ART\_1001170495-E

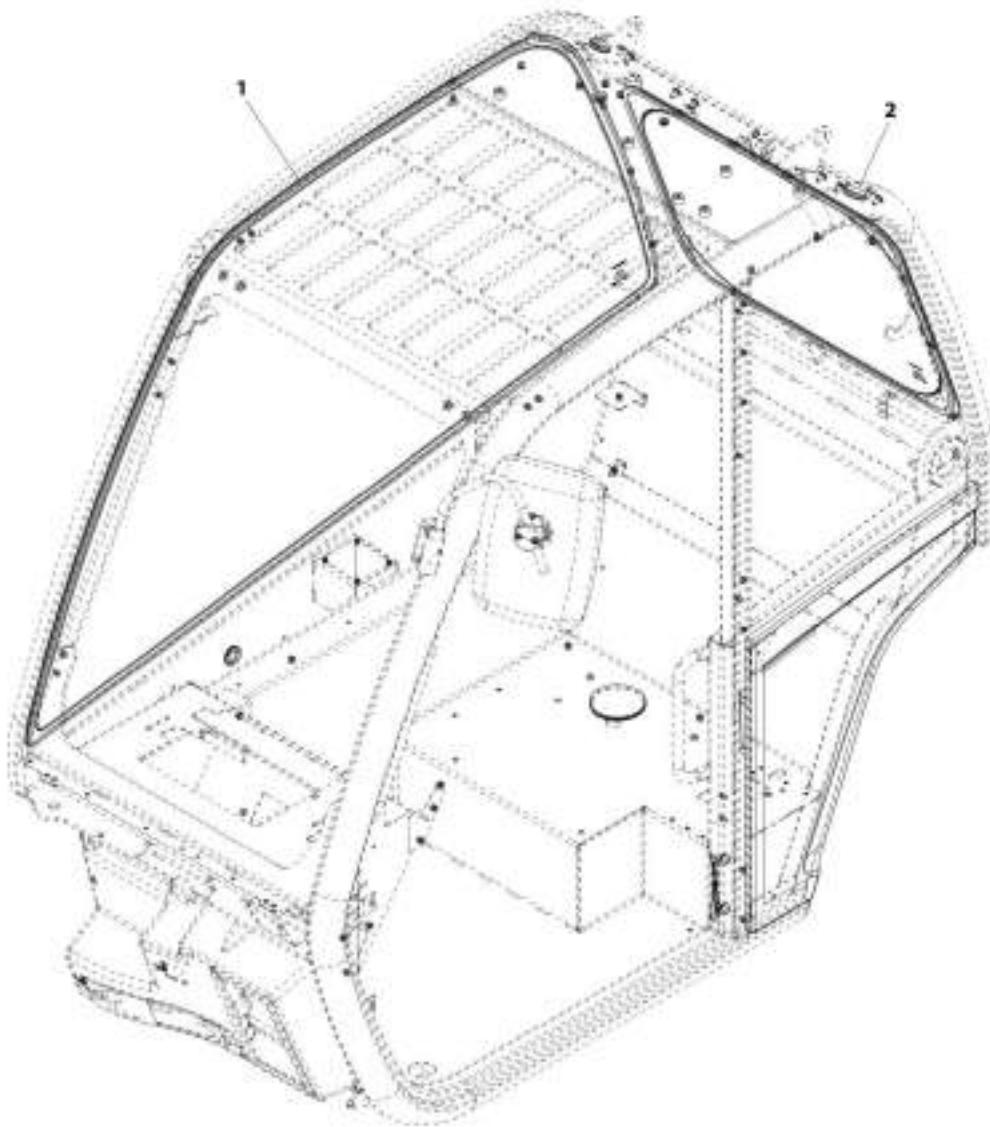


FIGURE 6-14. OPEN CAB PLUG GROUP

ITEM	PART NUMBER	QTY	DESCRIPTION	REV
	1001170495	Ref	Open Cab Plug Group	E
1	1001176273	1	Plug	
2	1001176272	3	Plug	
3	1001143200	2	Plug	
4	1001176626	1	Plug	
6	1001170374	7	Plug	
7	1001181920	12	Screw, M8X16	
8	1001181921	12	Washer, Rubber M8	
9	1001182123	2	Plug	
10	1001182139	1	Plug	
11	1001209899	1	Plug	
12	1001219220	7	Vinyl Round	

## SECTION 6 - CAB

FIGURE 6-15. OPEN CAB INSTALLATION (SN 0160079256 to Present)



AWT\_0001214331-D

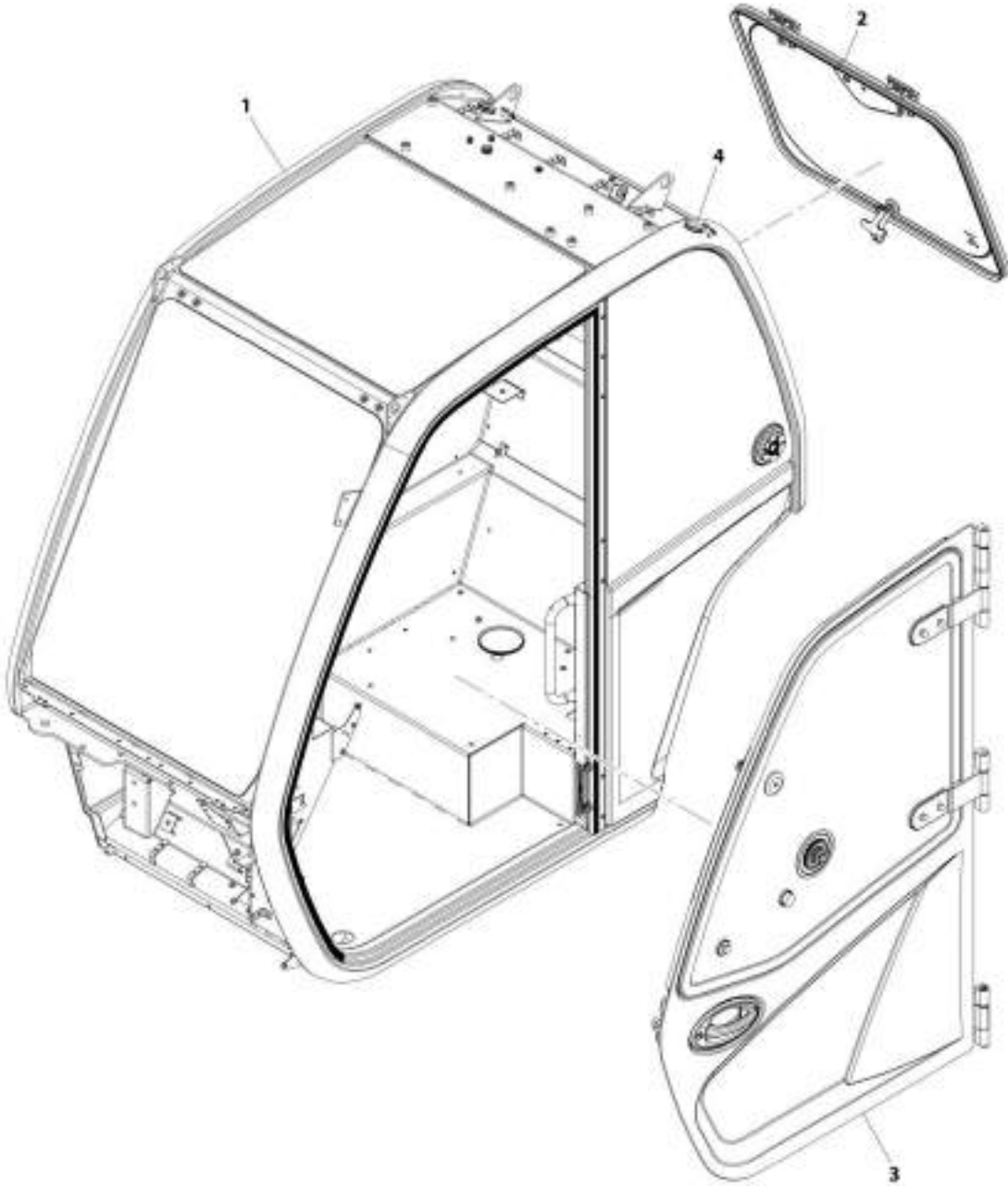
## SECTION 6 - CAB

**FIGURE 6-15. OPEN CAB INSTALLATION (SN 0160079256 to Present)**

ITEM	PART NUMBER	QTY	DESCRIPTION	REV
	1001214331	Ref	Open Cab Installation	D
1	1001154721	1	Assembly, Open Cab (See Separate Breakdown in this Section)	
2	1001170495	1	Group, Open Cab Plug (See Separate Breakdown in this Section)	

# SECTION 6 - CAB

FIGURE 6-16. ENCLOSED CAB INSTALLATION (SN 0160079256 to Present)



AWT\_1001214332-F

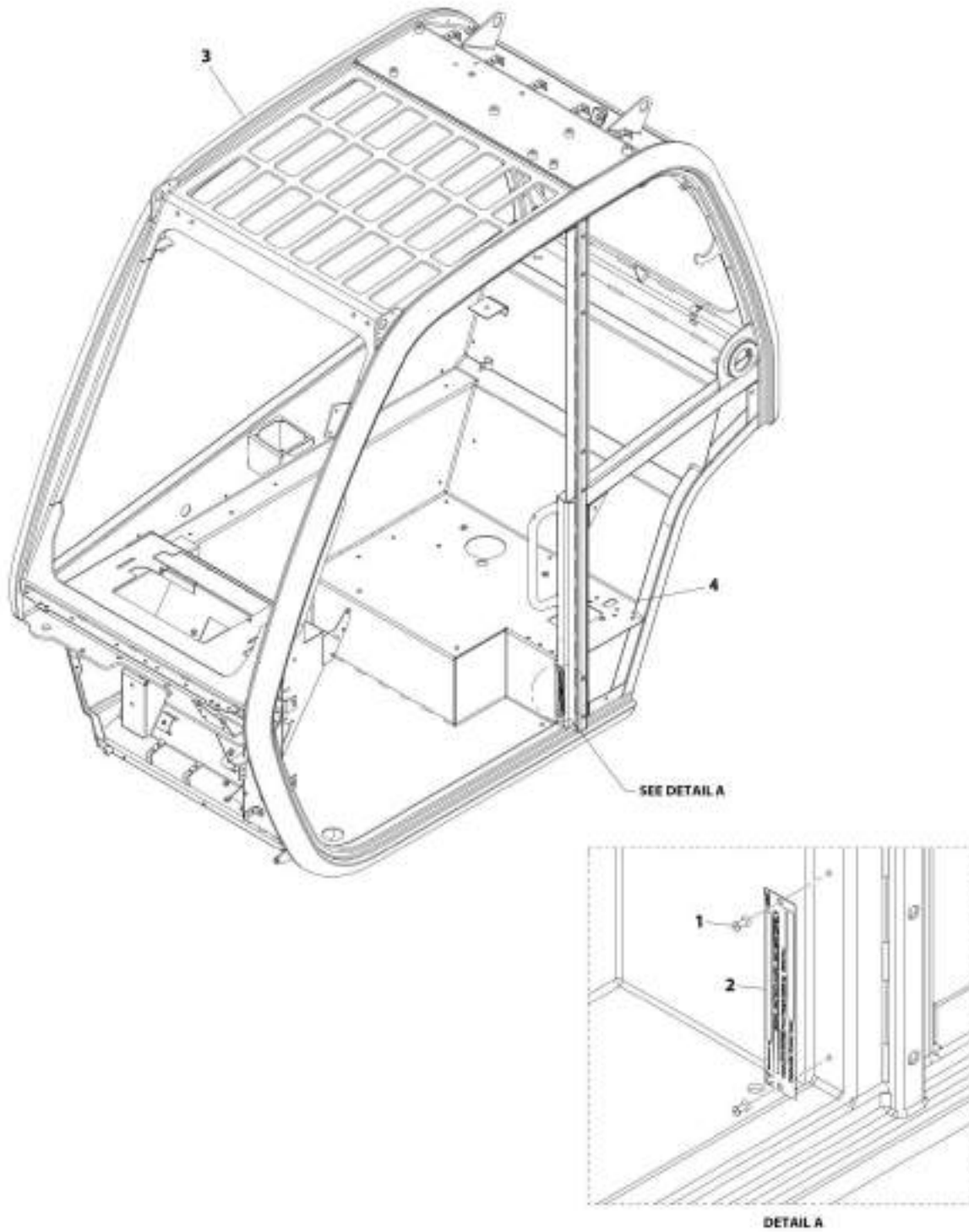
## SECTION 6 - CAB

**FIGURE 6-16. ENCLOSED CAB INSTALLATION (SN 0160079256 to Present)**

ITEM	PART NUMBER	QTY	DESCRIPTION	REV
1	1001214332	Ref	Enclosed Cab Installation	F
	1001154365	1	Assembly, Enclosed Cab (See Separate Breakdown in this Section)	
2	1001170500	1	Installation, Rear Window (See Separate Breakdown in this Section)	
3	1001165080	1	Installation, Door Cab (See Separate Breakdown in this Section)	
4	1001170603	1	Group, Cab Plug (See Separate Breakdown in this Section)	

# SECTION 6 - CAB

FIGURE 6-17. CAB (SN 0160079256 to Present)



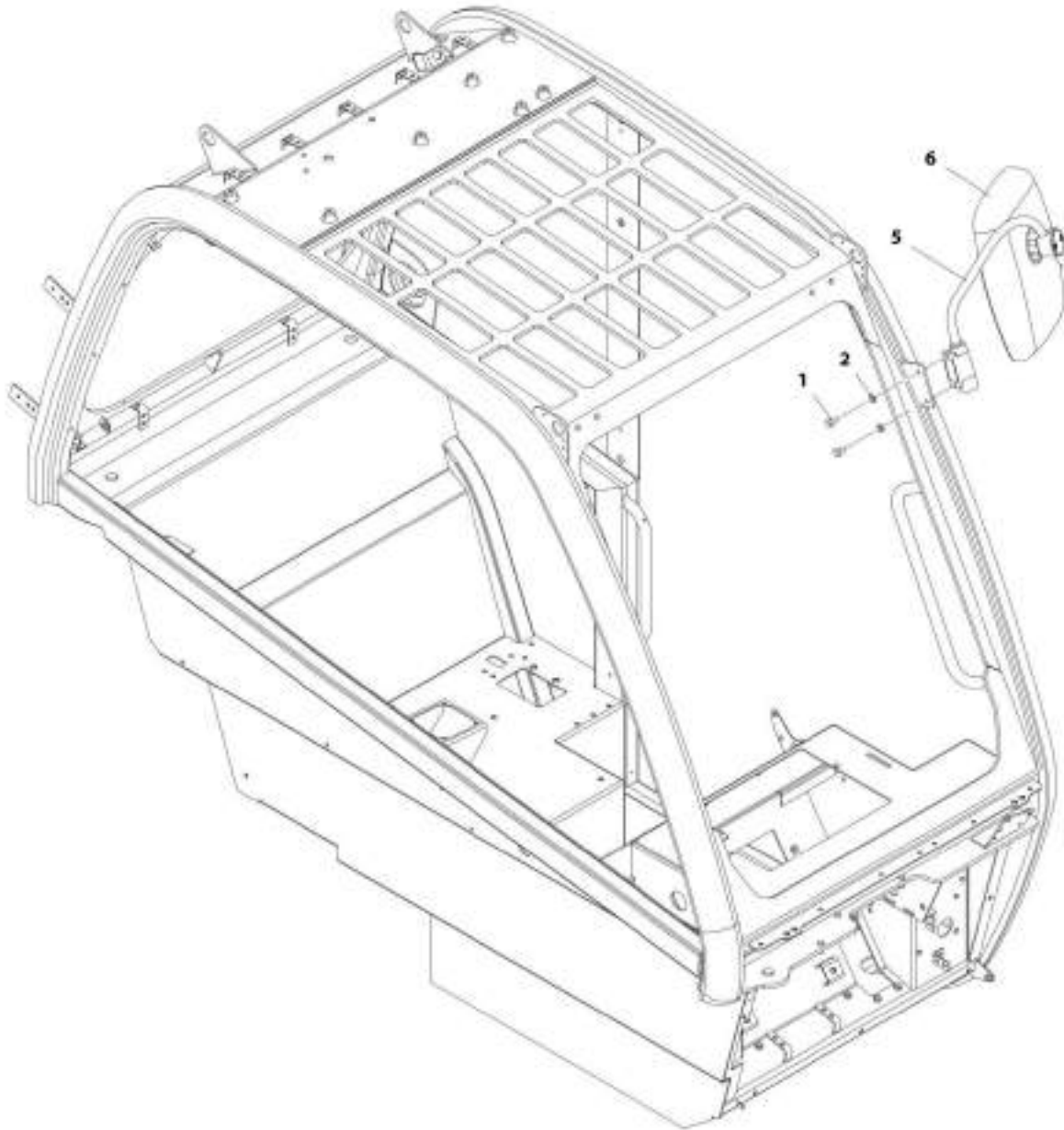
ART\_1001214326-D

FIGURE 6-17. CAB (SN 0160079256 to Present)

ITEM	PART NUMBER	QTY	DESCRIPTION	REV
	1001214326	Ref	Cab	D
1	1001099170	2	Rivet, 4	
2	N.S.S.	1	S/N Plate, Cab	
3	N.S.S.	1	Weldment	
4	1001205402	AR	Sealant	

# SECTION 6 - CAB

## FIGURE 6-18. MIRROR INSTALLATION



AWT\_1001166509 E

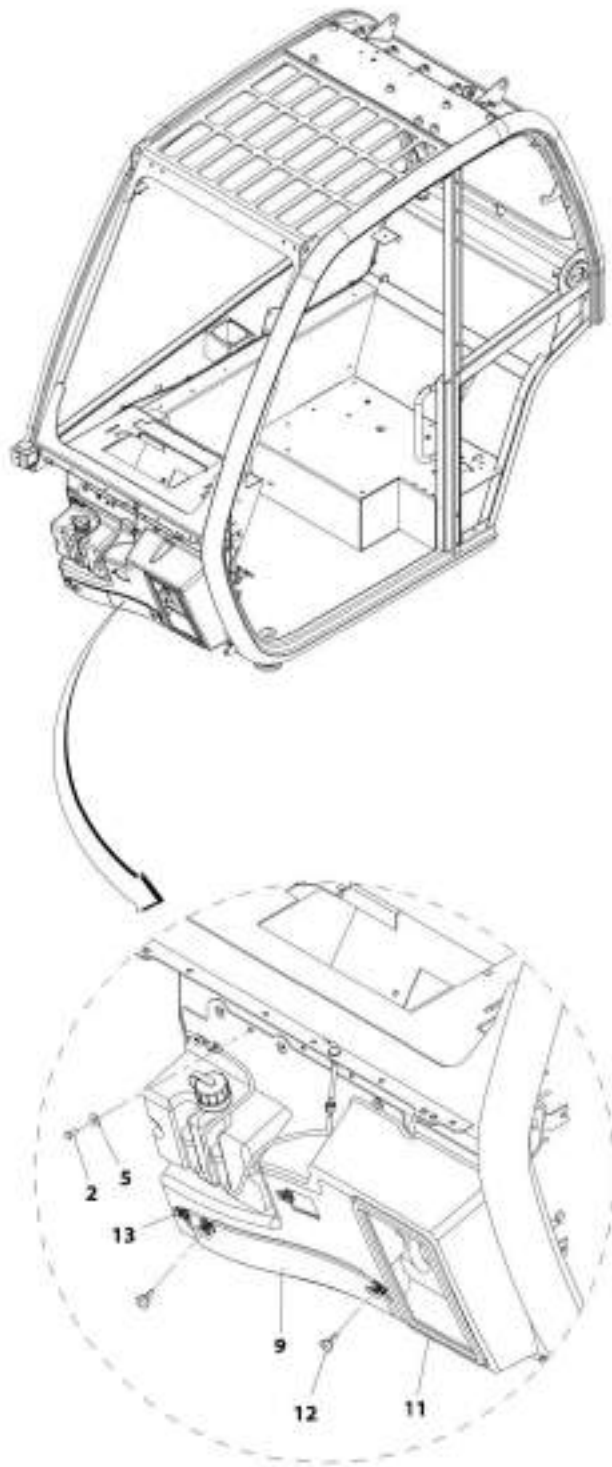


FIGURE 6-18. MIRROR INSTALLATION

ITEM	PART NUMBER	QTY	DESCRIPTION	REV
	1001160508	Ref	Mirror Installation	E
1	0760808	2	Bolt, M8X16	
2	4811900	2	Washer, M8	
5	1001164655	1	Bracket, Cab Mirror	
6	80363195	1	Mirror, Hood Mounted	

# SECTION 6 - CAB

## FIGURE 6-19. FRONT COVER INSTALLATION



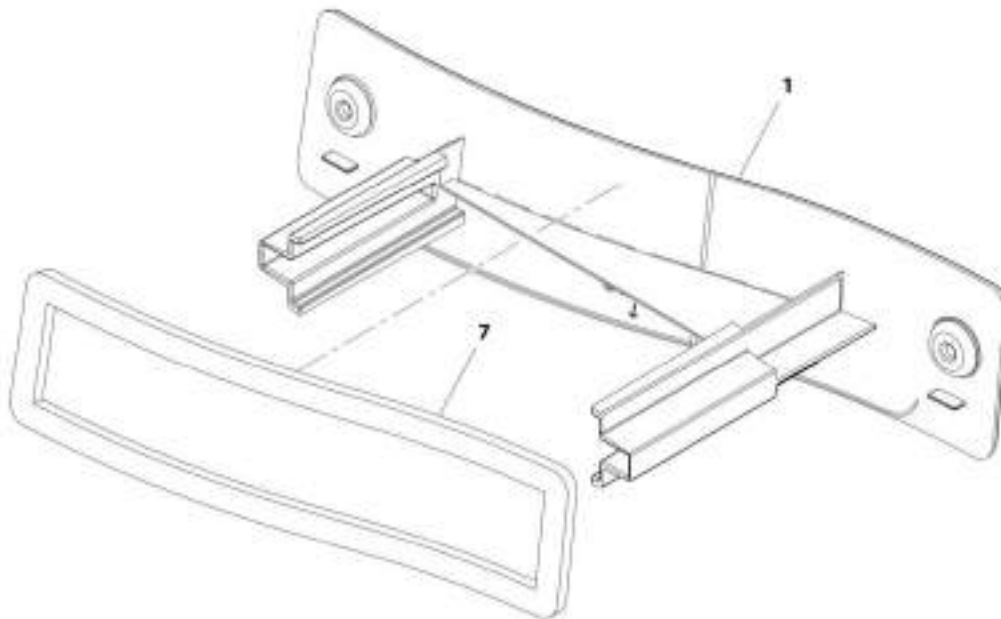
ART\_100170M6-G

FIGURE 6-19. FRONT COVER INSTALLATION

ITEM	PART NUMBER	QTY	DESCRIPTION	REV
	1001170366	Ref	Front Cover Installation	G
2	0760608	7	Bolt, M6X16	
5	4811702	7	Washer, M6	
9	1001175471	1	Assembly, Filter Tray (See FILTER TRAY ASSEMBLY for Breakdown)	
11	1001176121	1	Assembly, Front Duct Cover (See FRONT DUCT COVER ASSEMBLY for Breakdown)	
12	2080092	2	Screw, M6	
13	8305919	4	Nut, M6	

# SECTION 6 - CAB

## FIGURE 6-20. FILTER TRAY ASSEMBLY



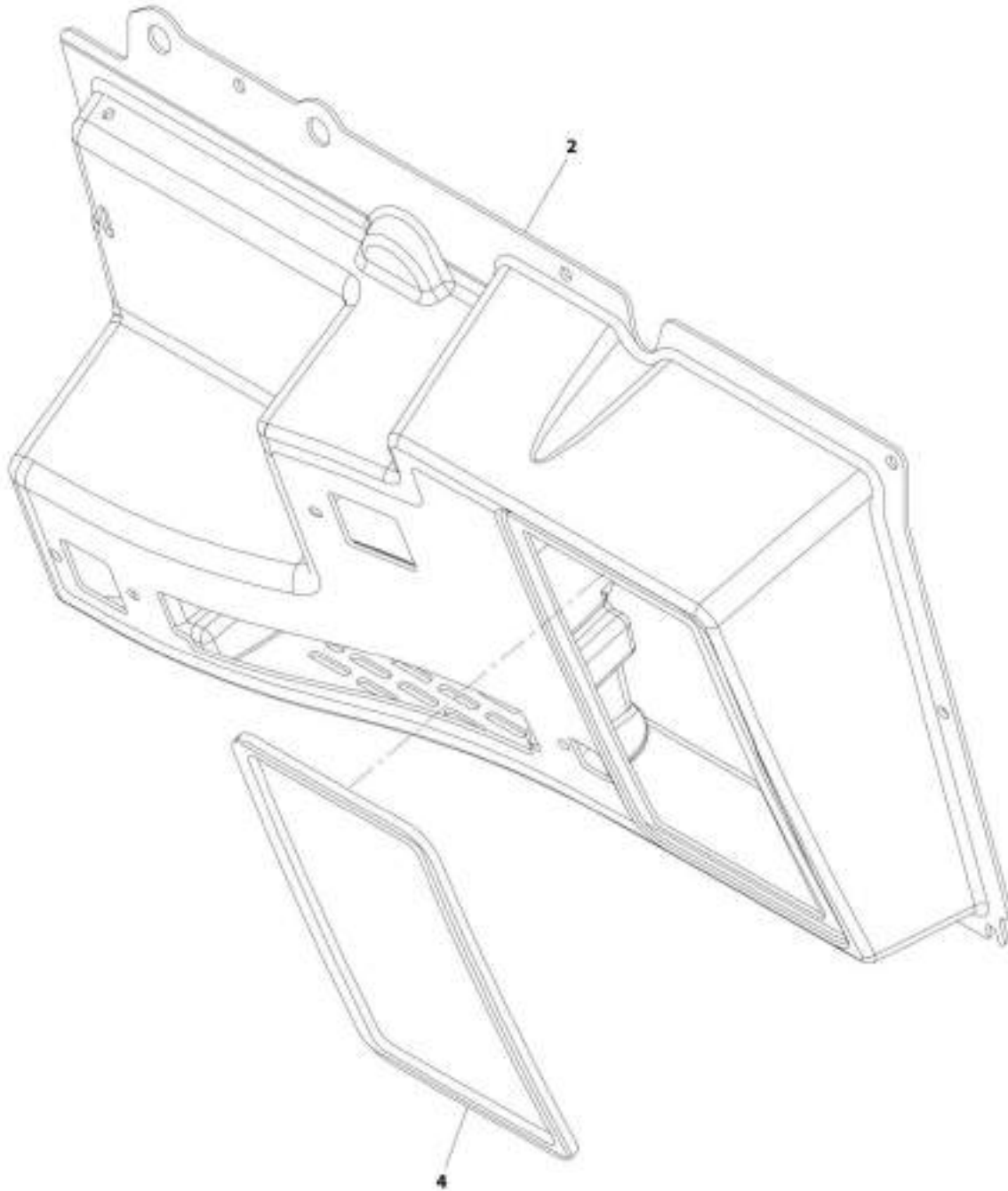
MIT\_1001175471-D

**FIGURE 6-20. FILTER TRAY ASSEMBLY**

<b>ITEM</b>	<b>PART NUMBER</b>	<b>QTY</b>	<b>DESCRIPTION</b>	<b>REV</b>
	1001175471	Ref	Filter Tray Assembly	D
1	1001170993	1	Panel, Front Inlet	
7	1001171767	1	Seal, Front Cab Panel	

**SECTION 6 - CAB**

**FIGURE 6-21. FRONT DUCT COVER**



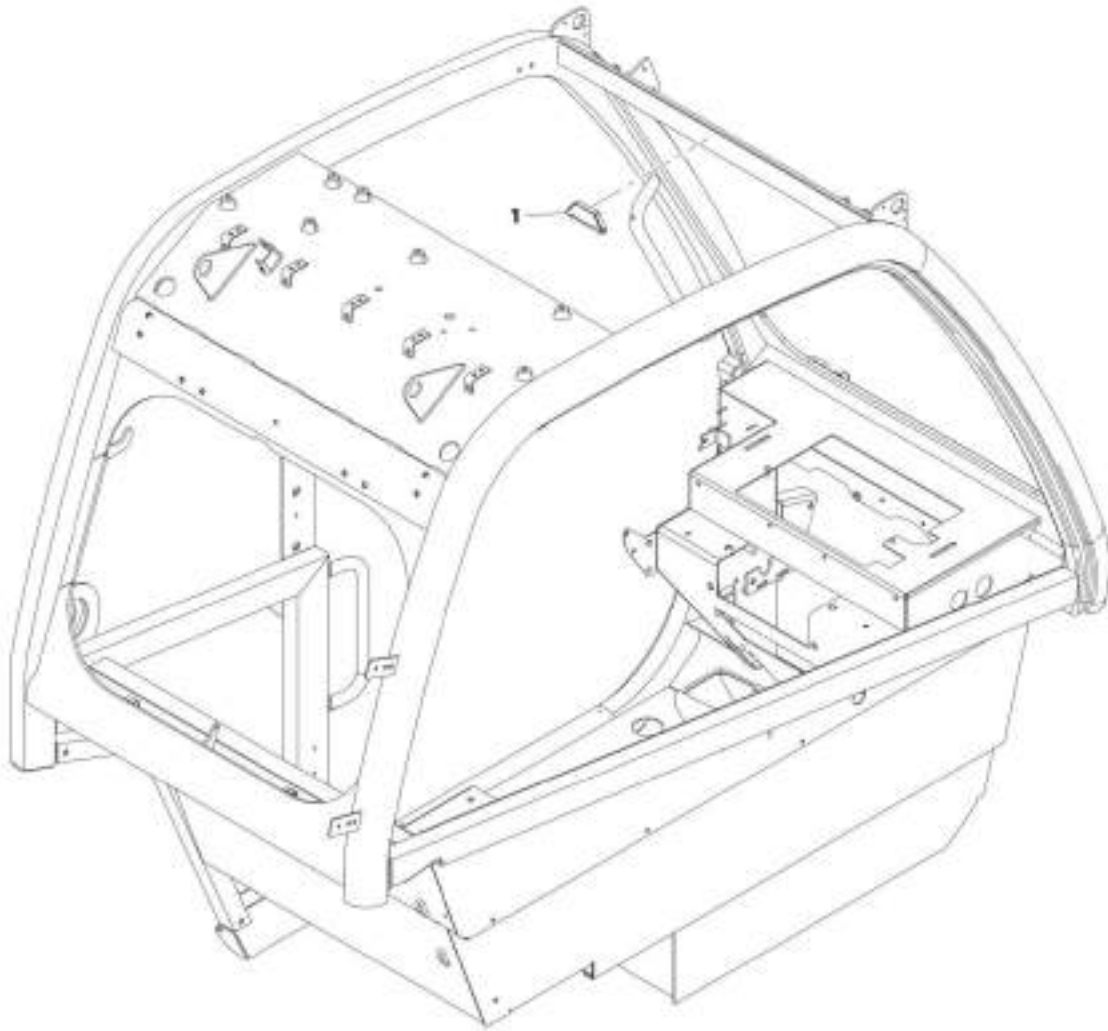
ART\_1001176121-G

**FIGURE 6-21. FRONT DUCT COVER**

<b>ITEM</b>	<b>PART NUMBER</b>	<b>QTY</b>	<b>DESCRIPTION</b>	<b>REV</b>
	1001176121	Ref	Front Duct Cover Assembly	G
2	1001170326	1	Cover, Front	
4	1001175470	1	Seal, Front Cab Panel	

## SECTION 6 - CAB

FIGURE 6-22. LEVEL INDICATOR INSTALLATION



ART\_100172401-C

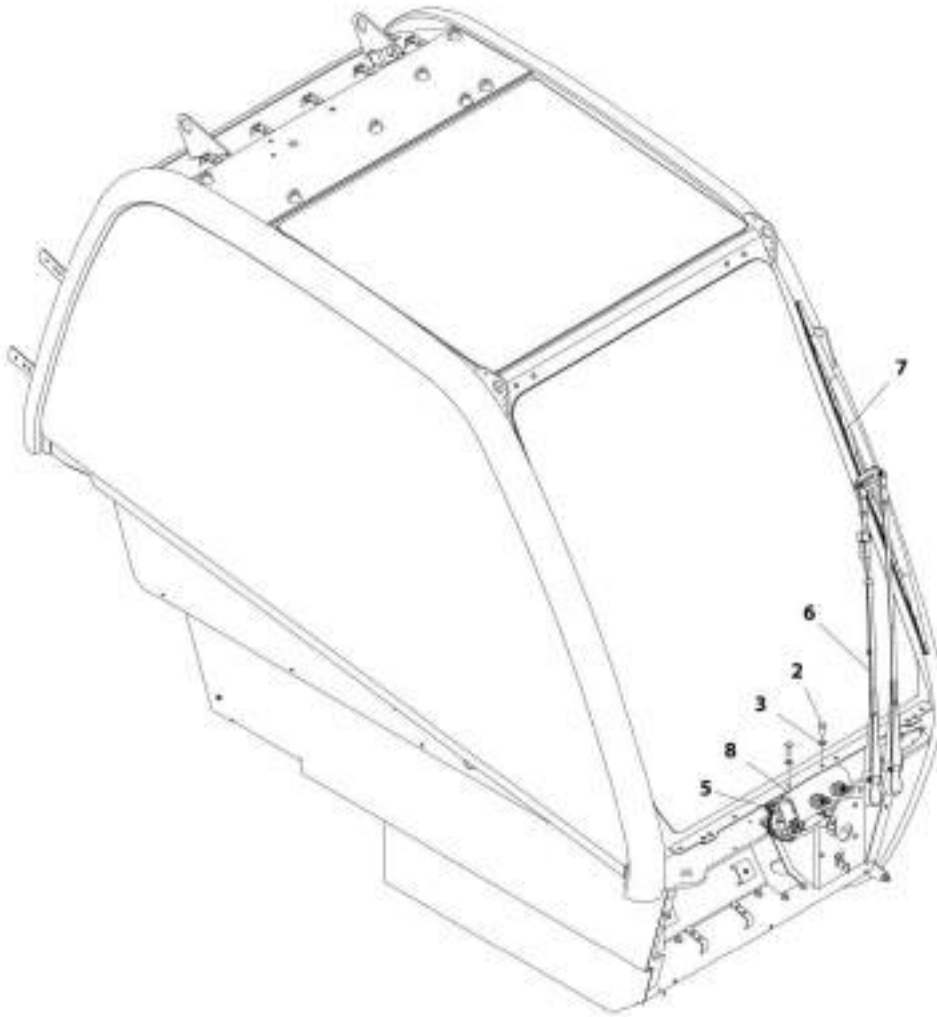


**FIGURE 6-22. LEVEL INDICATOR INSTALLATION**

ITEM	PART NUMBER	QTY	DESCRIPTION	REV
1	1001172401 8466306	Ref 1	Level Indicator Installation Gauge, Tilt Angle	C

## SECTION 6 - CAB

FIGURE 6-23. FRONT WIPER INSTALLATION



ART\_9001155447-G

FIGURE 6-23. FRONT WIPER INSTALLATION

ITEM	PART NUMBER	QTY	DESCRIPTION	REV
	1001155447	Ref	Front Wiper Installation	G
2	0760810	2	Bolt, M8X20	
3	4811900	2	Washer, M8	
5	1001090336	1	Motor, Front Wiper <b>(Prior to SN 0160077012)</b>	
5	1001214092	1	Motor, Front Wiper <b>(SN 0160077012 to Present)</b>	
6	1001212369	1	Blade, Front Arm Wiper	
7	1001141281	1	Blade, Wiper	
8	1001165637	1	Bracket	

# SECTION 6 - CAB

## FIGURE 6-24. WASHER TANK INSTALLATION

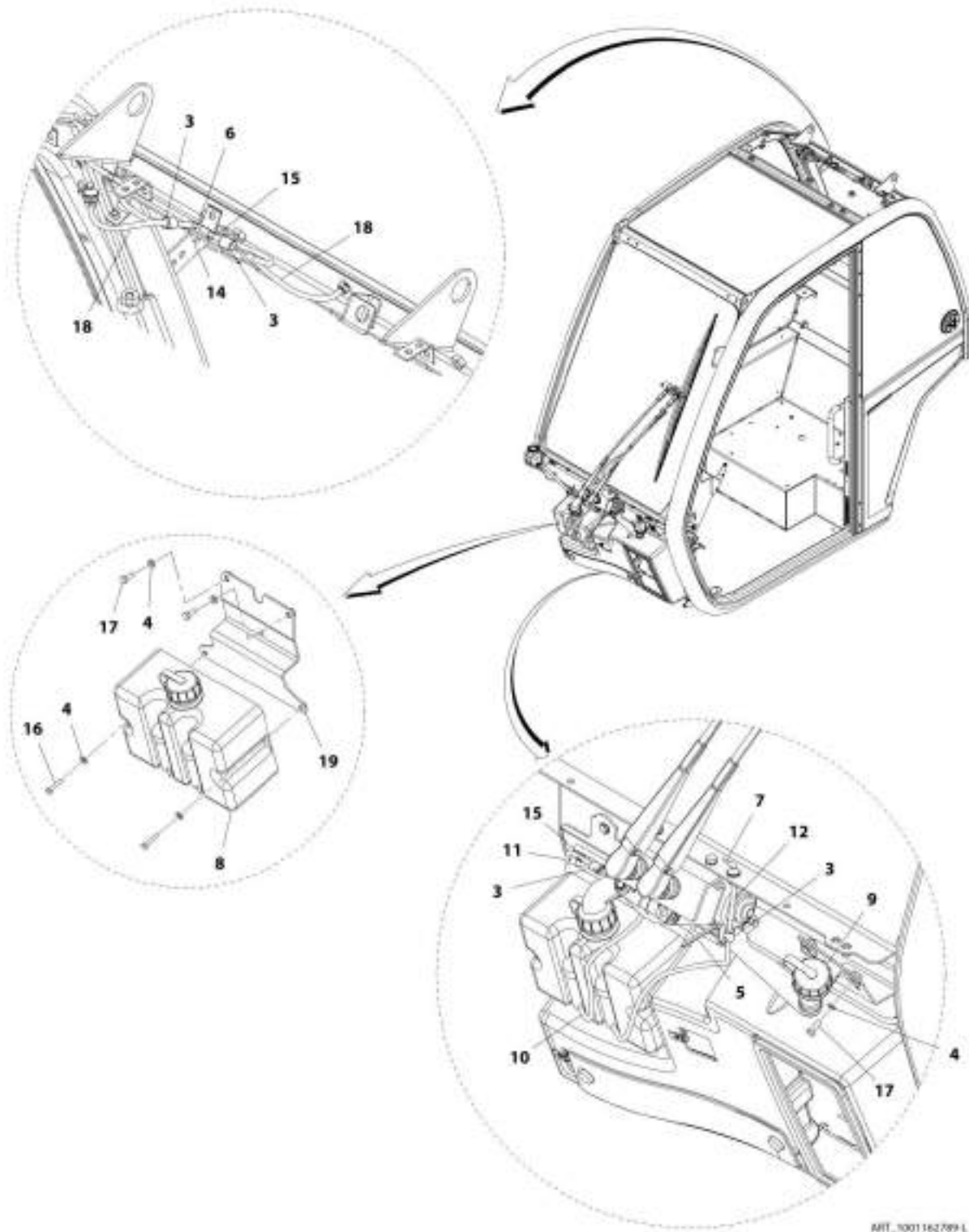
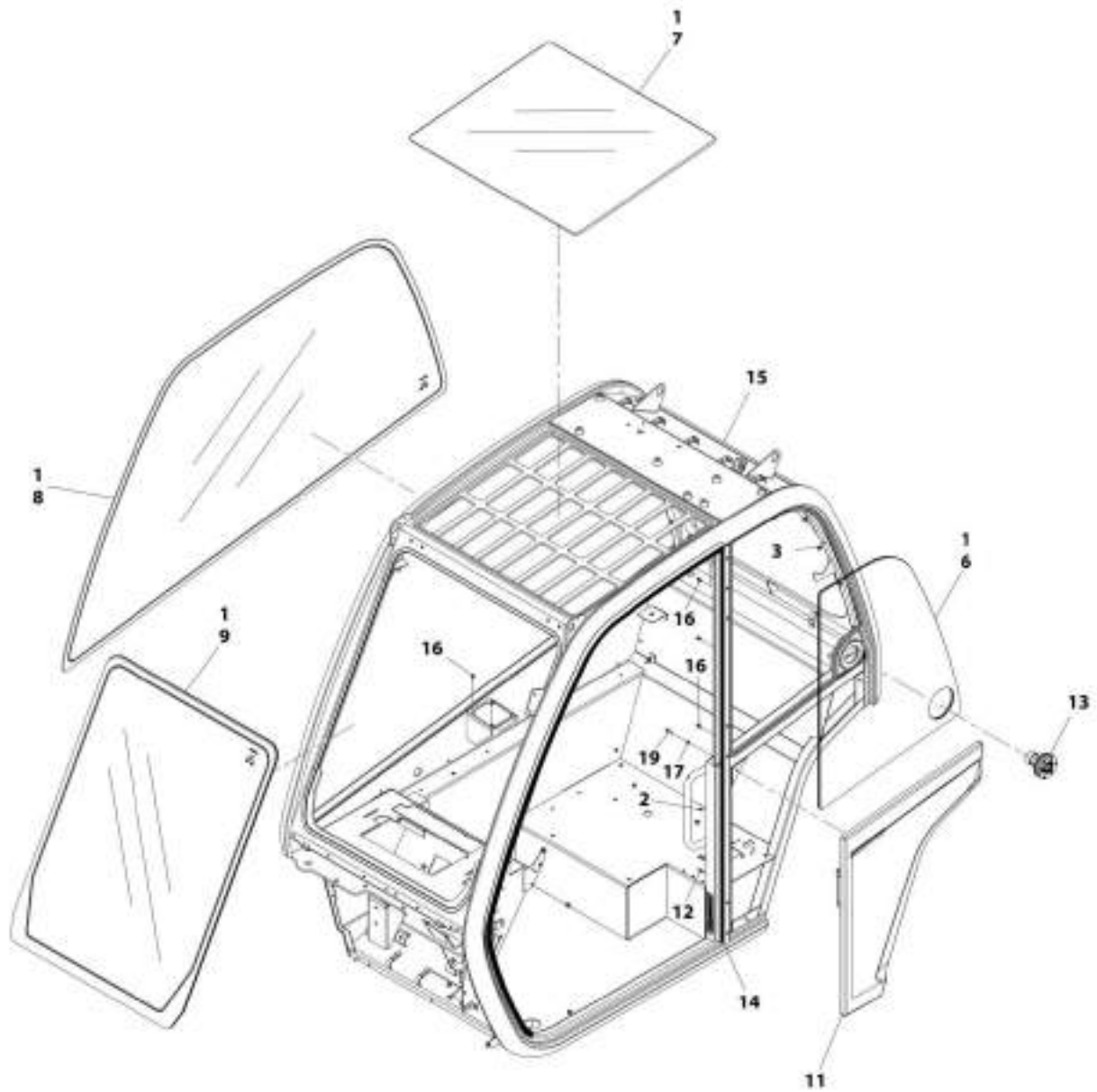


FIGURE 6-24. WASHER TANK INSTALLATION

ITEM	PART NUMBER	QTY	DESCRIPTION	REV
	1001162789	Ref	Washer Tank Installation	L
3	1001201331	4	Valve, Check	
4	4811700	6	Washer, M6	
5	471678	2	Strap, Cable	
6	1001008742	1	Coupling, Tee	
7	1001090343	1	Connector	
8	1001165269	1	Bottle, Washer	
9	1001165270	1	Cab Washer, Filler Hose	
10	1001165351	2	Hose	
11	1001165407	1	Hose	
12	1001165416	1	Hose	
14	1001165455	2	Hose	
15	1001165458	16	Mount, Hose	
16	0760512	2	Bolt M5X25 GR8.8	
17	0760608	4	Bolt, M6X16 GR8.8	
18	1001178123	2	Hose	
19	1001171756	1	Bracket	

# SECTION 6 - CAB

## FIGURE 6-25. ENCLOSED CAB ASSEMBLY



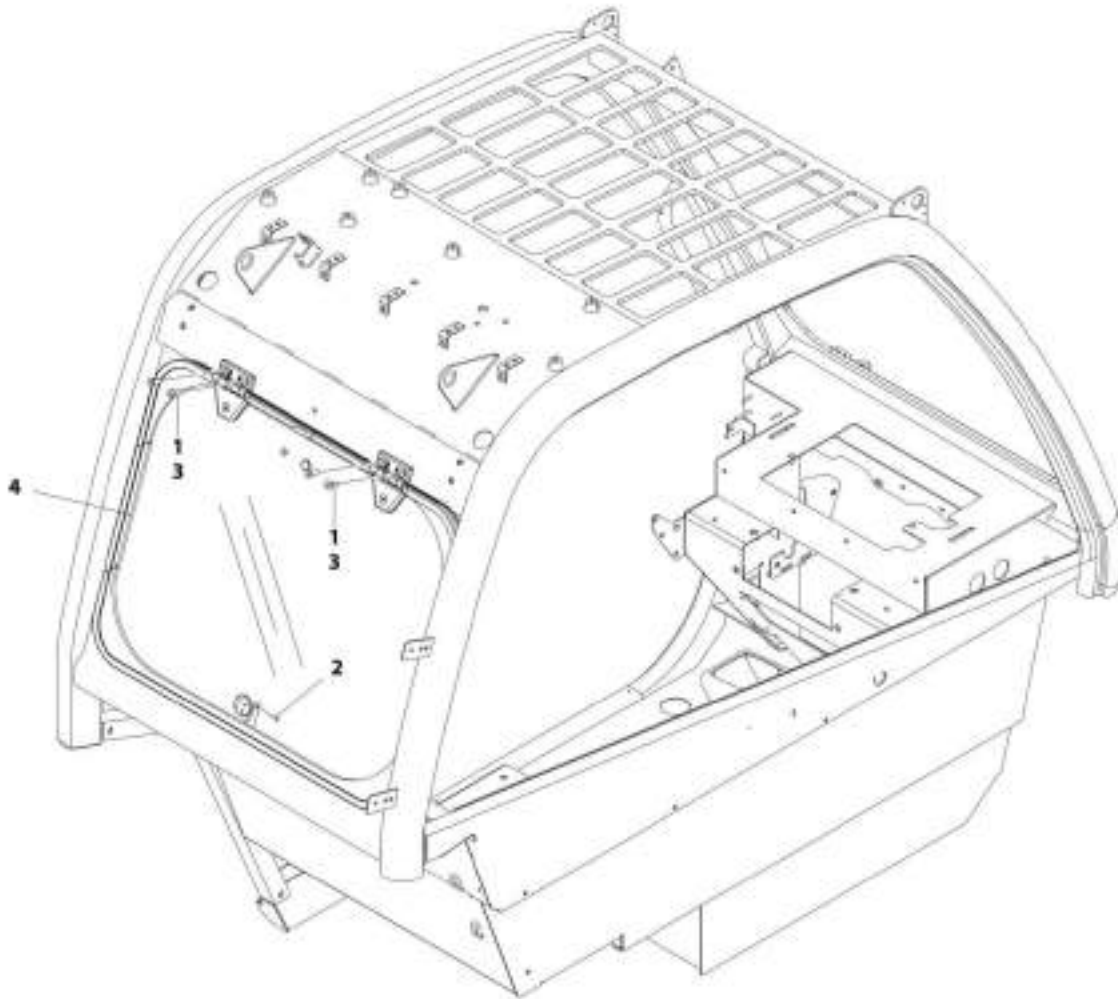
ART\_1001154302-2

FIGURE 6-25. ENCLOSED CAB ASSEMBLY

ITEM	PART NUMBER	QTY	DESCRIPTION	REV
	1001154365	Ref	Enclosed Cab Assembly	J
1	1001111317	AR	Compound, Locking	
2	2080086	17	Rivnut, M6X1	
3	2080087	16	Rivnut, M8X1.25	
6	1001152915	1	Glass, LH Screen	
7	1001152934	1	Glass, Roof	
8	1001152947	1	Glass, RH Screen	
9	1001154419	1	Glass, Front	
11	N.S.S.	1	Panel, Cab Quarter	
12	1001172193	2	Rivnut, M5X0.8	
13	1001174320	1	Latch, Top Window	
14	1001175226	NLA	Seal, Cab Door, (no longer available, use 1001227186 for replacement)	
14	1001227186	1	Seal, Cab Door	
15	N.S.S.	1	Weldment, Cab <b>(Prior to SN 0160079256)</b>	
16	1001195878	7	Rivnut, M5X0.8	
17	4811700	3	Washer, M6	
19	N.S.S.	3	Screw	

## SECTION 6 - CAB

FIGURE 6-26. REAR WINDOW INSTALLATION



ART\_1001170500-C

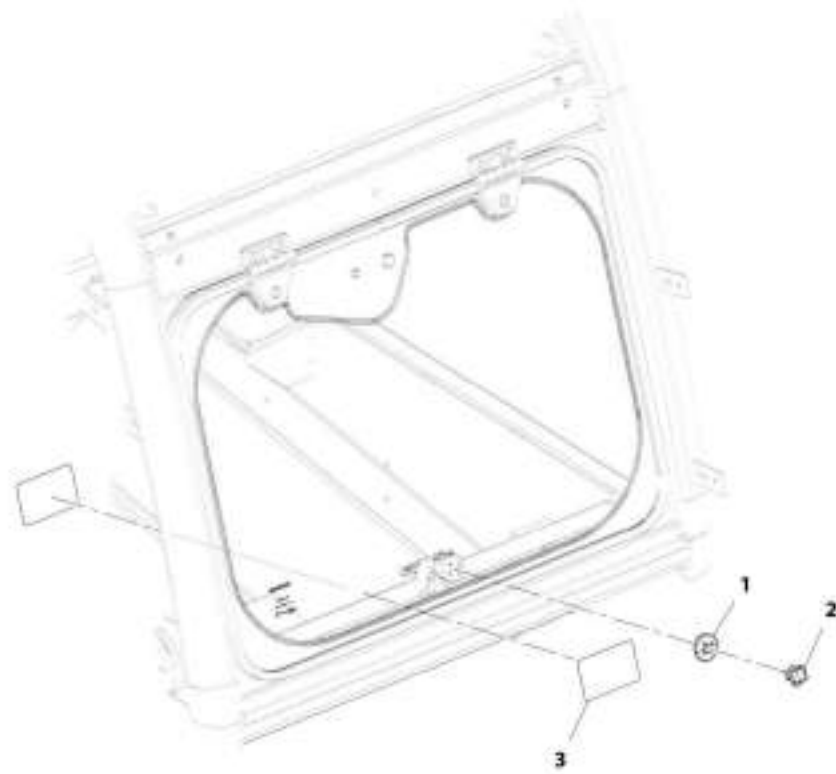


FIGURE 6-26. REAR WINDOW INSTALLATION

ITEM	PART NUMBER	QTY	DESCRIPTION	REV
	1001170500	Ref	Rear Window Installation	C
1	1001095650	AR	Compound, Locking	
2	1001003043	1	Pin, Spring	
3	1001097586	4	Bolt, M8-1.25X25	
4	1001170502	1	Window, Rear (See REAR WINDOW ASSEMBLY for Breakdown)	

# SECTION 6 - CAB

FIGURE 6-27. REAR WINDOW INSTALLATION (WO/WIPER) (ANSI)



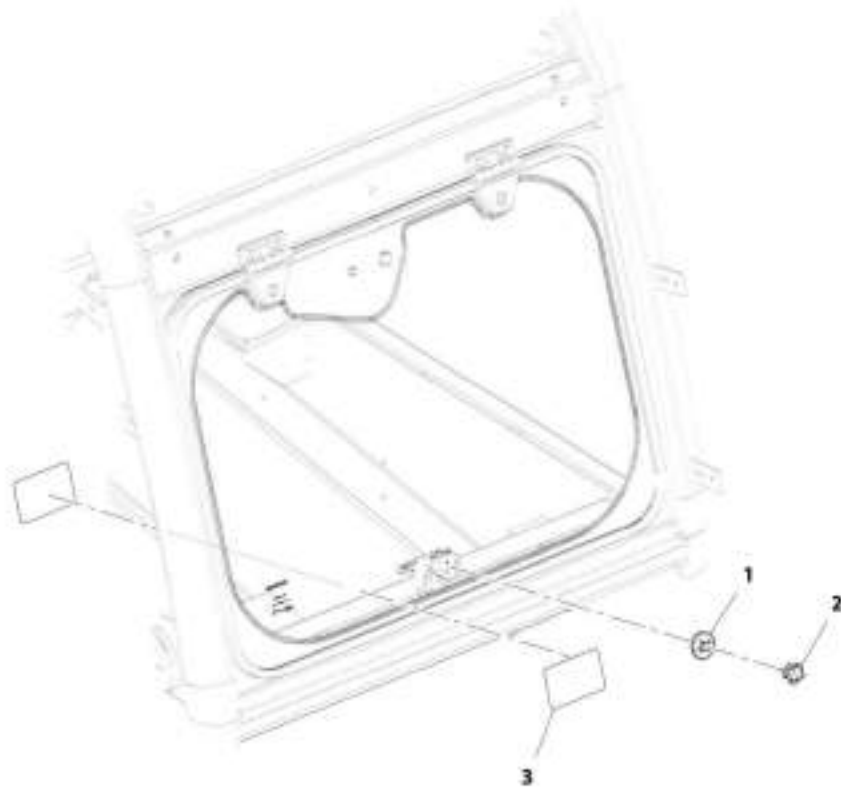
AWT\_1001212047-A

**FIGURE 6-27. REAR WINDOW INSTALLATION (WO/WIPER) (ANSI)**

<b>ITEM</b>	<b>PART NUMBER</b>	<b>QTY</b>	<b>DESCRIPTION</b>	<b>REV</b>
	1001212047	Ref	Rear Window Installation (WO/Wiper) (ANSI)	A
1	1001179008	1	Cap, Latch Window	
2	1001179009	1	Cap, Knob M6	
3	1001212049	2	Decal, Emergency Exit	

## SECTION 6 - CAB

FIGURE 6-28. REAR WINDOW INSTALLATION (WO/WIPER) (ISO)



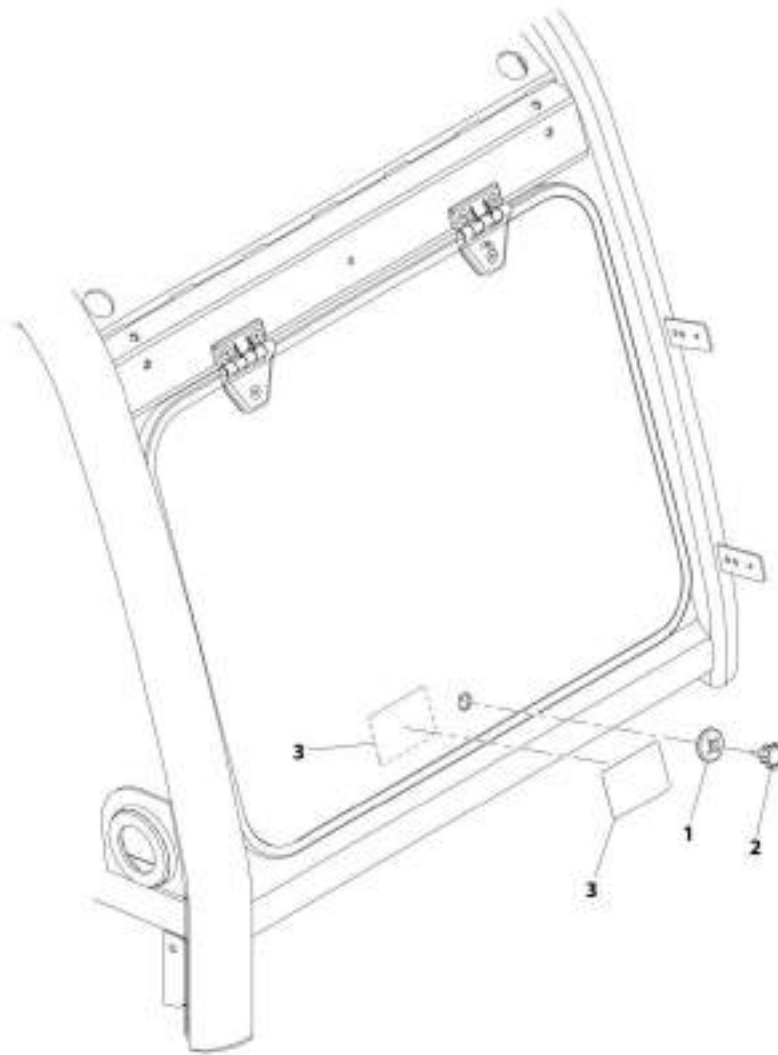
ART\_1801212548-A

FIGURE 6-28. REAR WINDOW INSTALLATION (WO/WIPER) (ISO)

ITEM	PART NUMBER	QTY	DESCRIPTION	REV
	1001212048	Ref	Rear Window Installation (WO/Wiper) (ISO)	A
1	1001179008	1	Cap, Latch Window	
2	1001179009	1	Cap, Knob M6	
3	1001212050	2	Decal, Emergency Exit	

# SECTION 6 - CAB

## FIGURE 6-29. REAR WINDOW INSTALLATION (WO/WIPER) (ENG/SPAN)



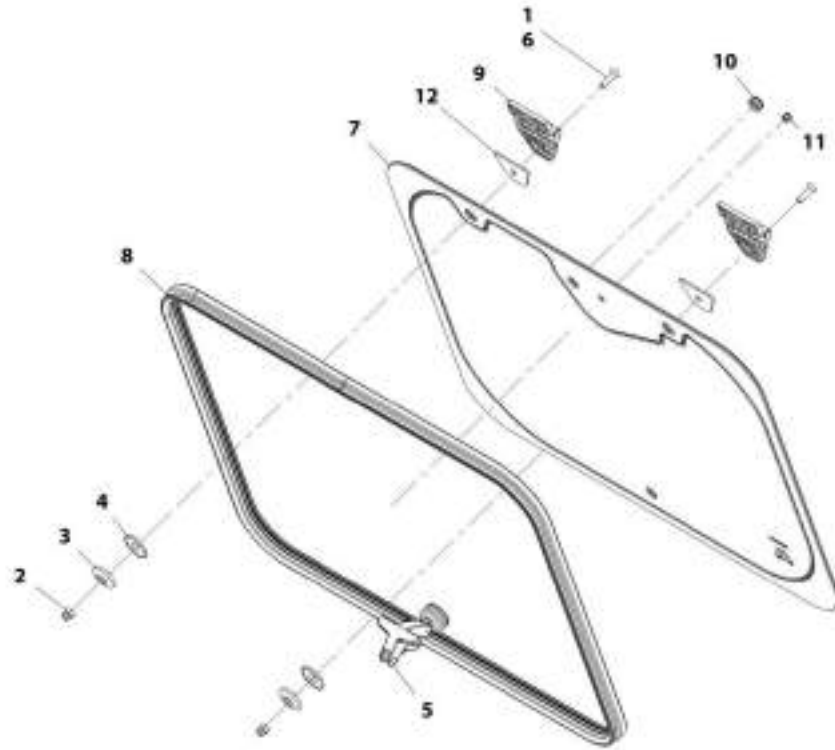
ART\_1001237652-A

**FIGURE 6-29. REAR WINDOW INSTALLATION (WO/WIPER) (ENG/SPAN)**

<b>ITEM</b>	<b>PART NUMBER</b>	<b>QTY</b>	<b>DESCRIPTION</b>	<b>REV</b>
	1001237852	Ref	Rear Window Installation (WO/Wiper) (ENG/SPAN)	A
1	1001179008	1	Cap, Latch Window	
2	1001179009	1	Cap, Knob M6	
3	1001237845	2	Decal, Emergency Exit	

# SECTION 6 - CAB

## FIGURE 6-30. REAR WINDOW ASSEMBLY



ART\_1001170502-C

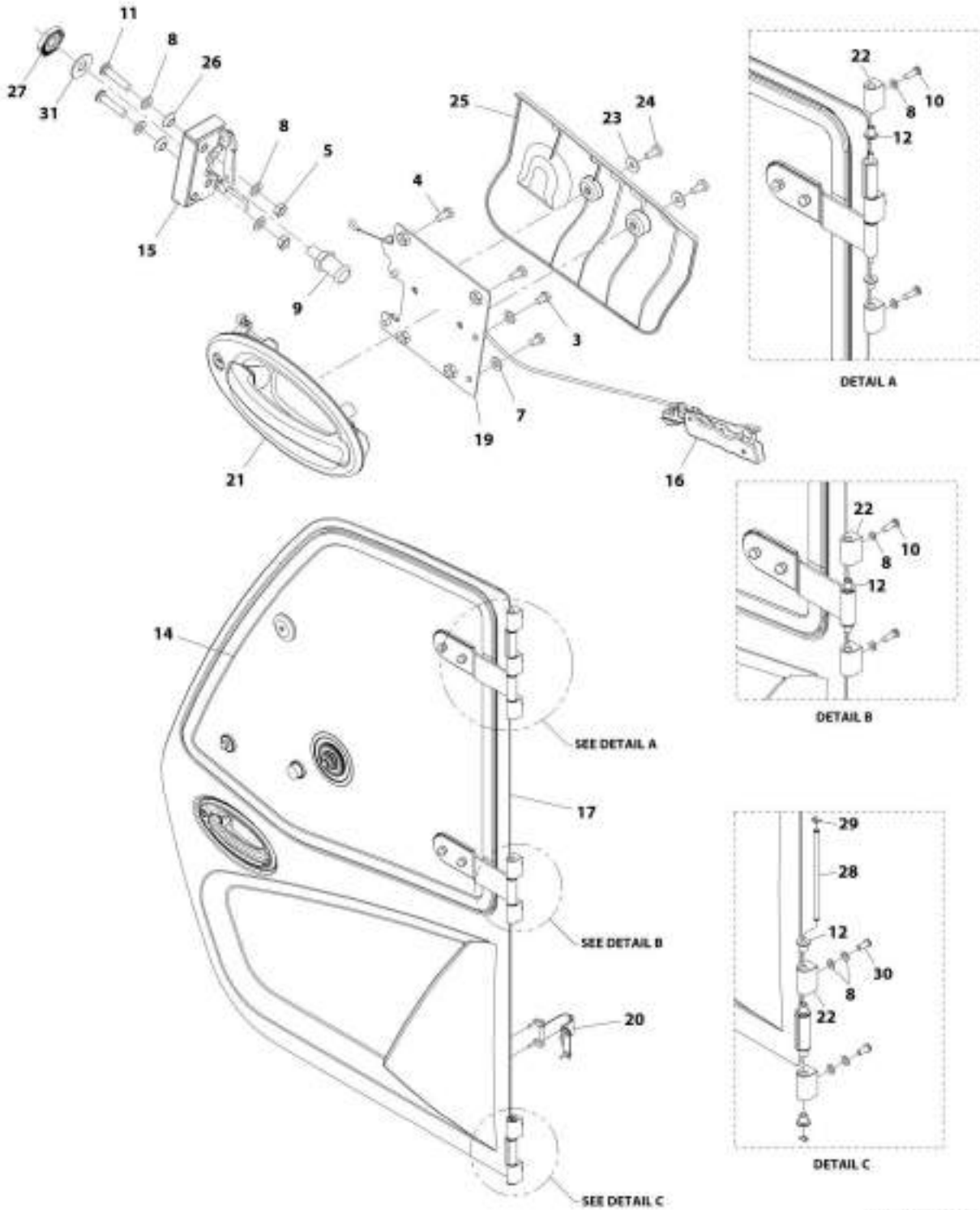


FIGURE 6-30. REAR WINDOW ASSEMBLY

ITEM	PART NUMBER	QTY	DESCRIPTION	REV
	1001170502	1	Rear Window Assembly	C
1	1001095650	AR	Compound, Locking	
2	3290806	2	Nut, M8X1.25	
3	8000759	2	Spacer	
4	8004398	2	Washer	
5	1001005368	1	Latch, Window	
6	2080078	2	Fastener, M8X30	
7	1001157481	1	Glass, Rear Window	
8	1001157487	1	Seal	
9	1001139568	2	Hinge	
10	1001171182	1	Grommet	
11	1001171183	1	Grommet	
12	1001181411	2	Gasket, Rear Window Hinge	

# SECTION 6 - CAB

## FIGURE 6-31. DOOR INSTALLATION



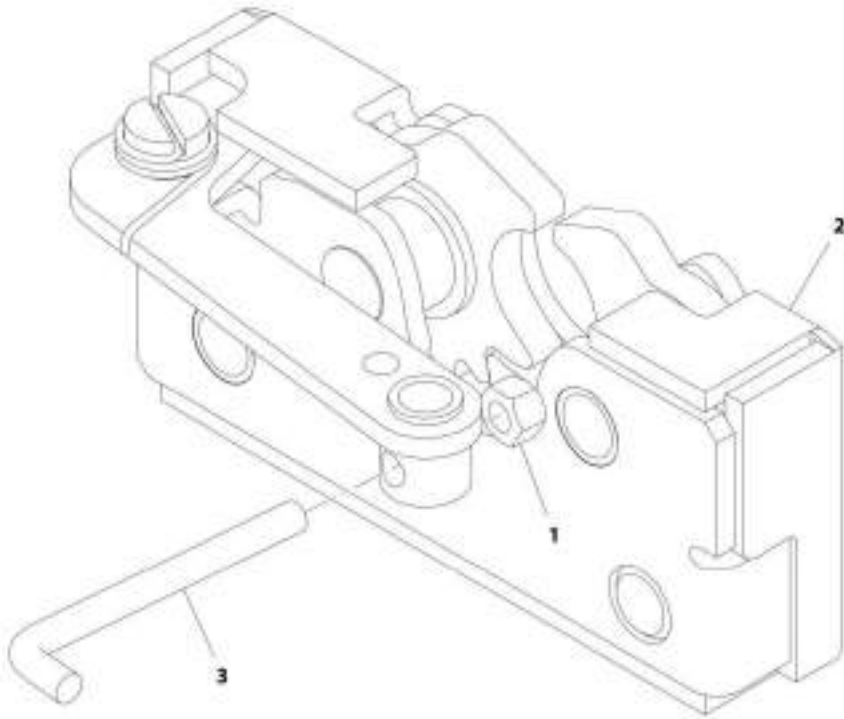
AHT\_1001185080-M

FIGURE 6-31. DOOR INSTALLATION

ITEM	PART NUMBER	QTY	DESCRIPTION	REV
	1001165080	Ref	Door Installation	M
3	0760605	4	Bolt, M6X10	
4	0760607	4	Bolt, M6X14	
5	3290801	2	Nut, M8X1.25	
7	4811700	4	Washer, M6	
8	4811900	13	Washer, M8	
9	8000803	1	Pin, Door Striker	
10	1001008988	5	Screw, M8X25	
11	1001047062	2	Screw, M8X35	
12	1001107192	10	Sleeve, Hinge	
14		Ref	Assembly, Door Upper Glass (See Separate Breakdown in this Section)	
15	1001192766	1	Assembly, Cab Latch (See Separate Breakdown in this Section)	
16	1001167958	1	Assembly, Cab Door Trigger (See Separate Breakdown in this Section)	
17	1001169881	1	Assembly, Door (See Separate Breakdown in this Section)	
19	1001173298	1	Bracket	
20	1001174295	1	Installation, Door Strap (See Separate Breakdown in this Section)	
21	1001192646	1	Handle, Exterior Door	
22	1001170601J	7	Lug, Hinge	
23	4811702001	2	Washer, M6	
24	4010608002	2	Screw, M6X16	
25	1001175477	1	Cover, Cab Door Interior	
26	1001184439	2	Bushing	
27	1001192309	1	Nut, M12X1	
28	1001213791	1	Pin, Hinge	
29	0498748	2	Clip	
30	1001164726	2	Bolt, BTNHD Socket M8X20	
31	1001227802	1	Washer, Striker	

**SECTION 6 - CAB**

**FIGURE 6-32. CAB LATCH ASSEMBLY**



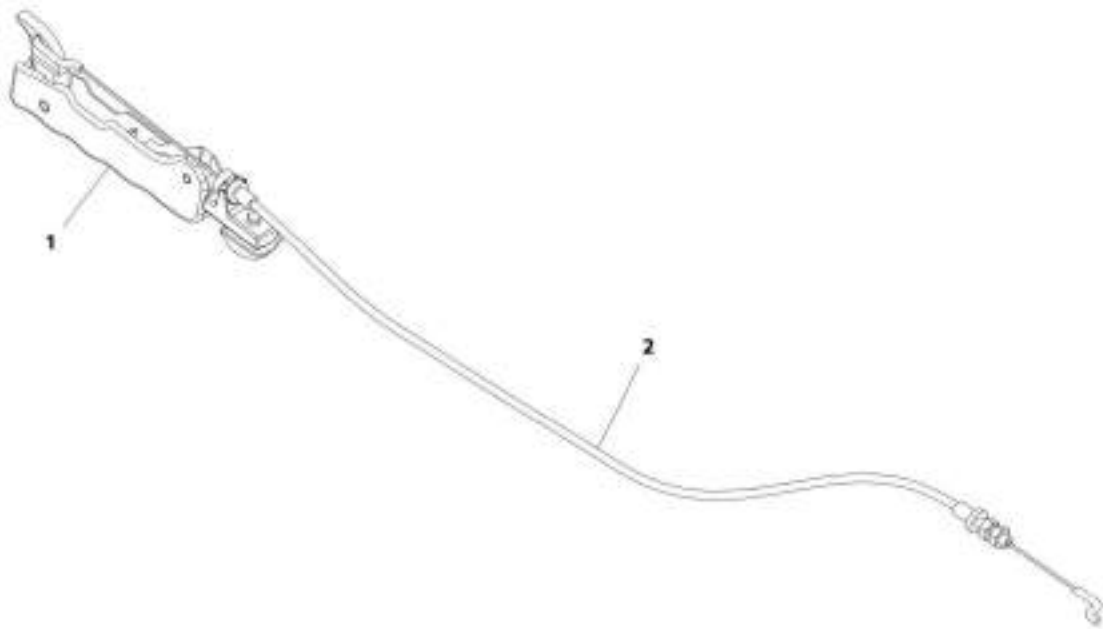
ART\_10011K2166-A

**FIGURE 6-32. CAB LATCH ASSEMBLY**

<b>ITEM</b>	<b>PART NUMBER</b>	<b>QTY</b>	<b>DESCRIPTION</b>	<b>REV</b>
	1001192766	1	Cab Latch Assembly	A
1	3290405	1	Nut, Lock M4X0.7	
2	1001192643	1	Latch	
3	1001192755	1	Link, Door Handle	

# SECTION 6 - CAB

## FIGURE 6-33. CAB DOOR TRIGGER ASSEMBLY



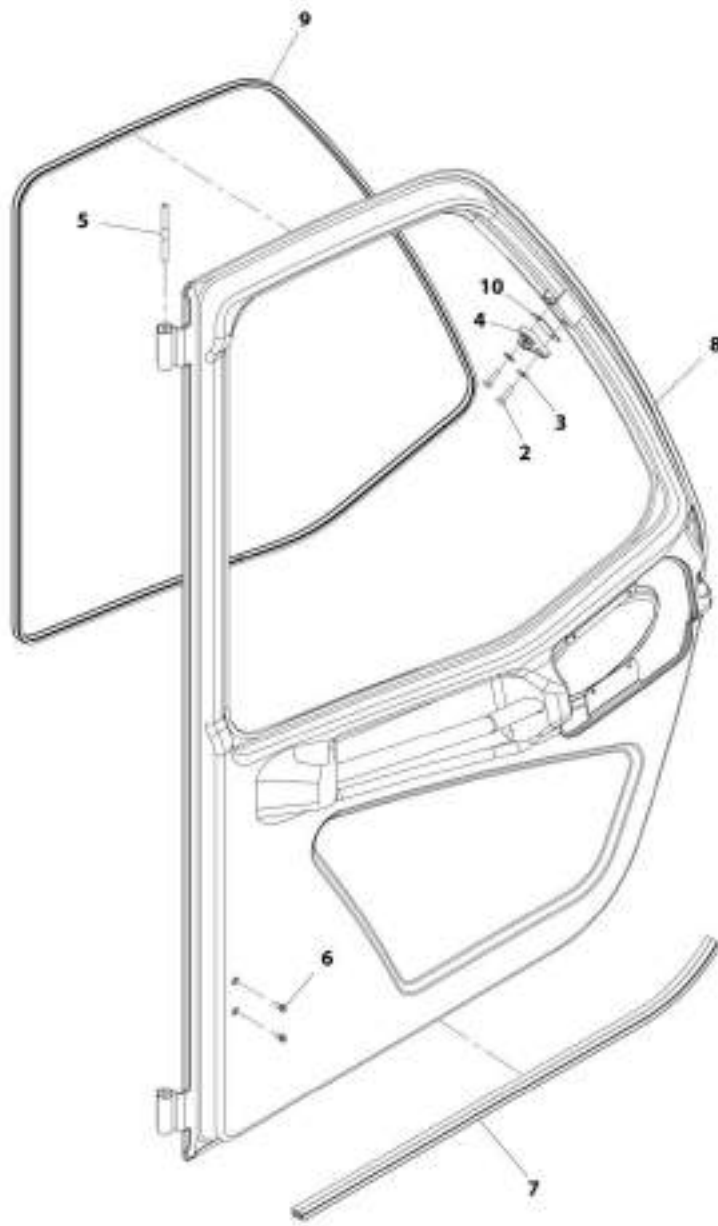
ART\_1001107958-E

**FIGURE 6-33. CAB DOOR TRIGGER ASSEMBLY**

<b>ITEM</b>	<b>PART NUMBER</b>	<b>QTY</b>	<b>DESCRIPTION</b>	<b>REV</b>
	1001167958	1	Cab Door Trigger Assembly	E
1	1001167937	1	Trigger, Cab Interior Release	
2	1001192644	1	Cable, Cab Latch Release	

# SECTION 6 - CAB

## FIGURE 6-34. DOOR ASSEMBLY



ART\_1001100001-J



FIGURE 6-34. DOOR ASSEMBLY

ITEM	PART NUMBER	QTY	DESCRIPTION	REV
	1001169881	Ref	Door Assembly	J
2	4010612002	2	Screw, Posi-Drive, M6X25	
3	4811702001	2	Washer, 6mm	
4	1001165276	1	Plate, Window Latch Striker	
5	1001166634	1	Pin, Hinge	
6	1001172193	2	Rivnut, M5X0.8	
7	1001175227	NLA	Seal, Cab Door, (no longer available, use 1001227188 for replacement)	
7	1001227188	1	Seal, Cab Door	
8	1001165022J	1	Door, Cab (See Separate Breakdown in this Section)	
9	1001178213	NLA	Seal, Cab Door Window, (no longer available, use 1001227187 for replacement)	
9	1001227187	1	Seal, Cab Door Window	
10	1001193210	AR	Shim, Window Latch	

# SECTION 6 - CAB

## FIGURE 6-35. DOOR STRAP INSTALLATION

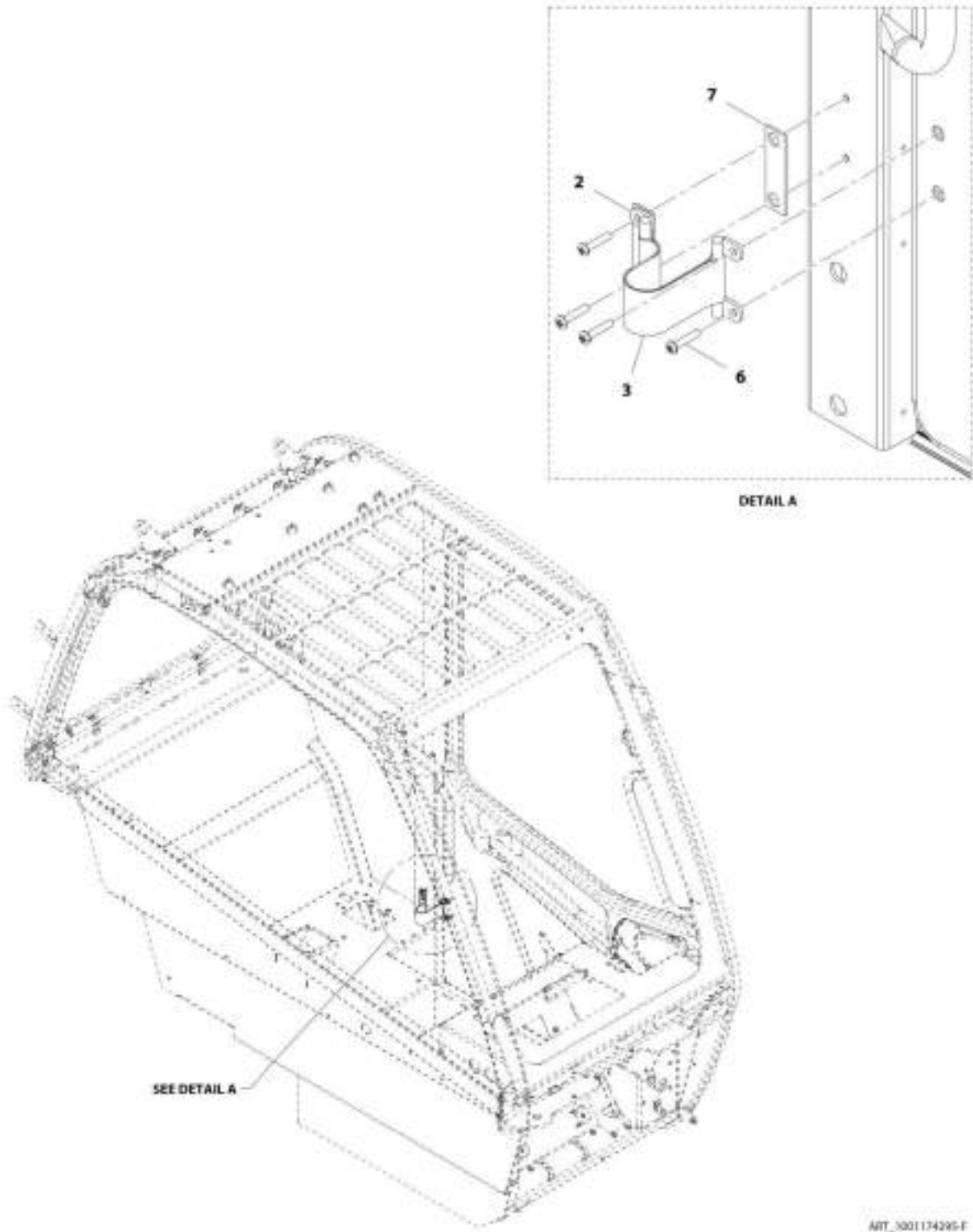
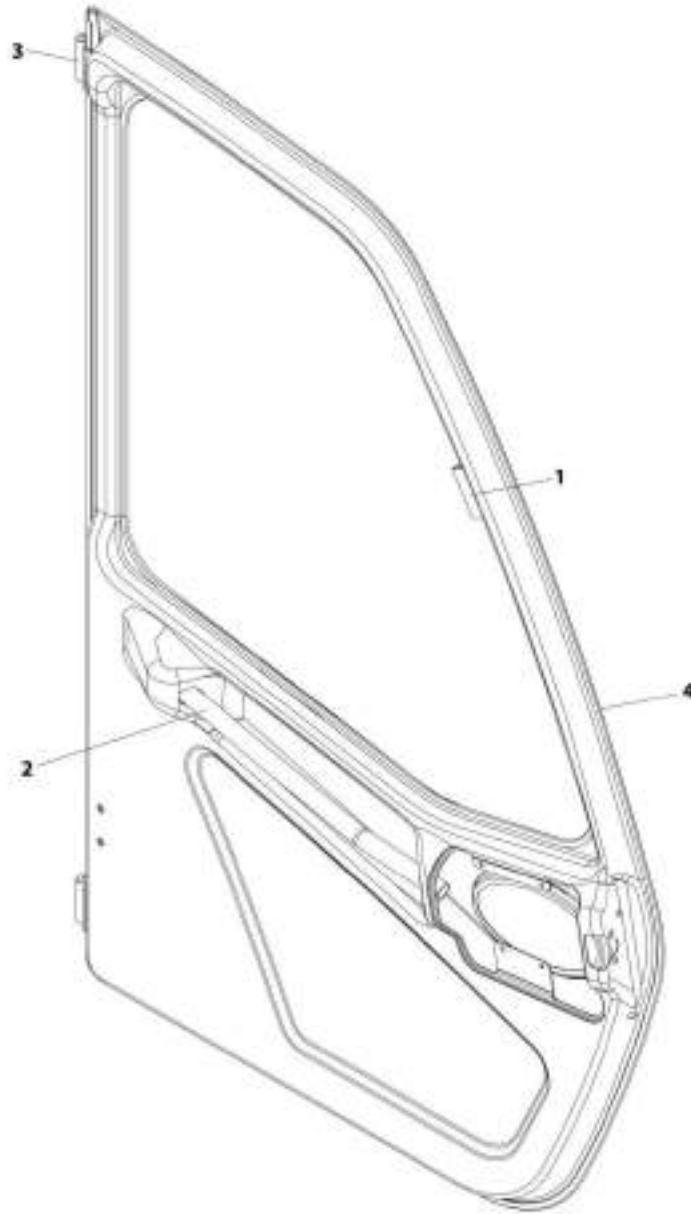


FIGURE 6-35. DOOR STRAP INSTALLATION

ITEM	PART NUMBER	QTY	DESCRIPTION	REV
	1001174295	Ref	Door Strap Installation	F
2	1001230163	2	Bracket, Door Strap Holder	
3	1001184801	NLA	Strap, Door Hold Open, (no longer available, use 1001212011 for replacement)	
3	1001212011	1	Strap, Door Hold Open	
6	8310559	4	Screw	
7	1001191091	1	Plate, Cab Door Strap	

SECTION 6 - CAB

FIGURE 6-36. CAB DOOR



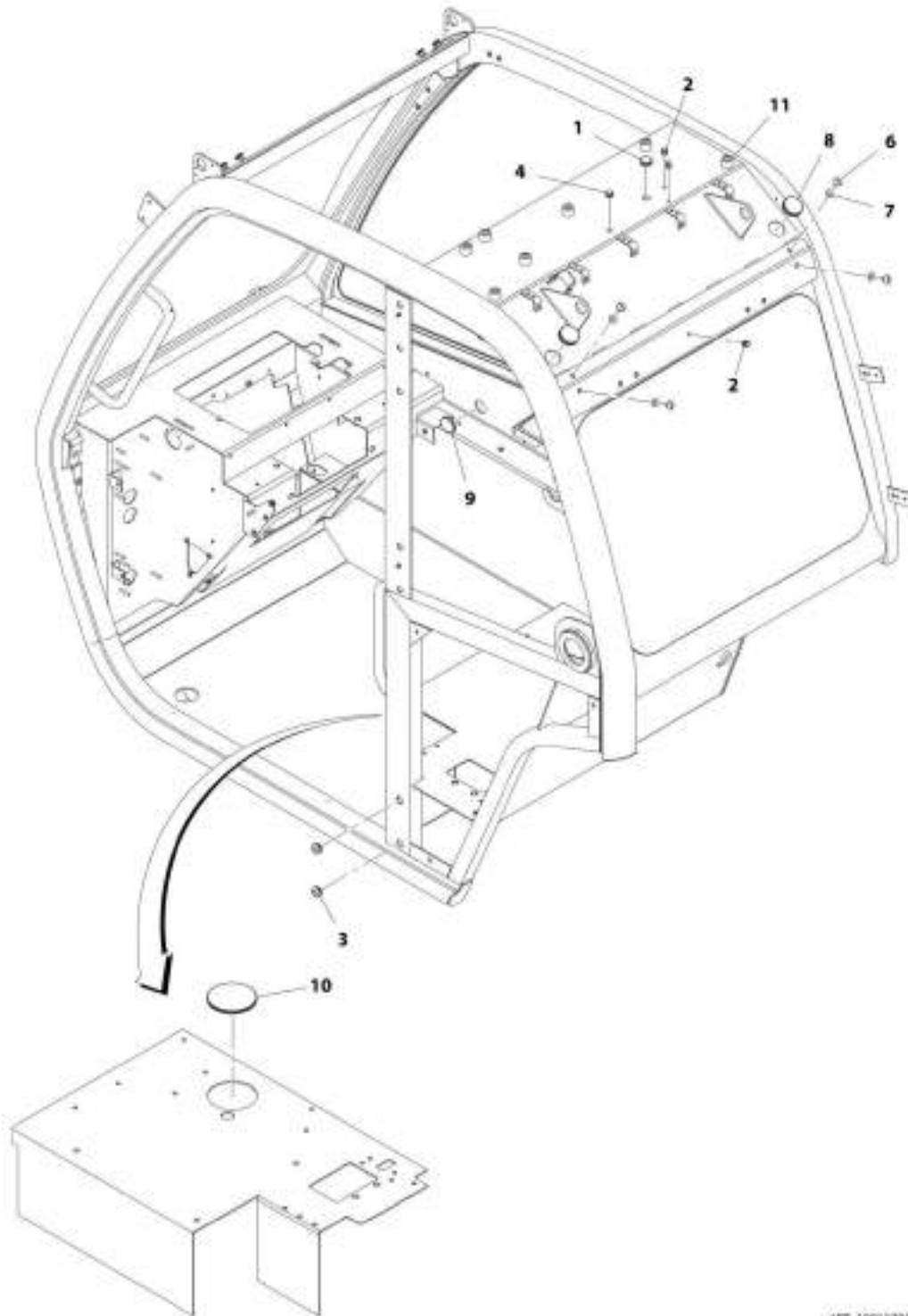
ART\_1001165022-E

FIGURE 6-36. CAB DOOR

ITEM	PART NUMBER	QTY	DESCRIPTION	REV
	1001165022	Ref	Cab Door	E
1	1001169883	1	Bracket, Window Latch	
2	1001169885	1	Handle, Interior Door	
3	1001171037	1	Plate, Hinge	
4	1001171634	1	Frame, Door	

# SECTION 6 - CAB

## FIGURE 6-37. ENCLOSED CAB PLUG GROUP



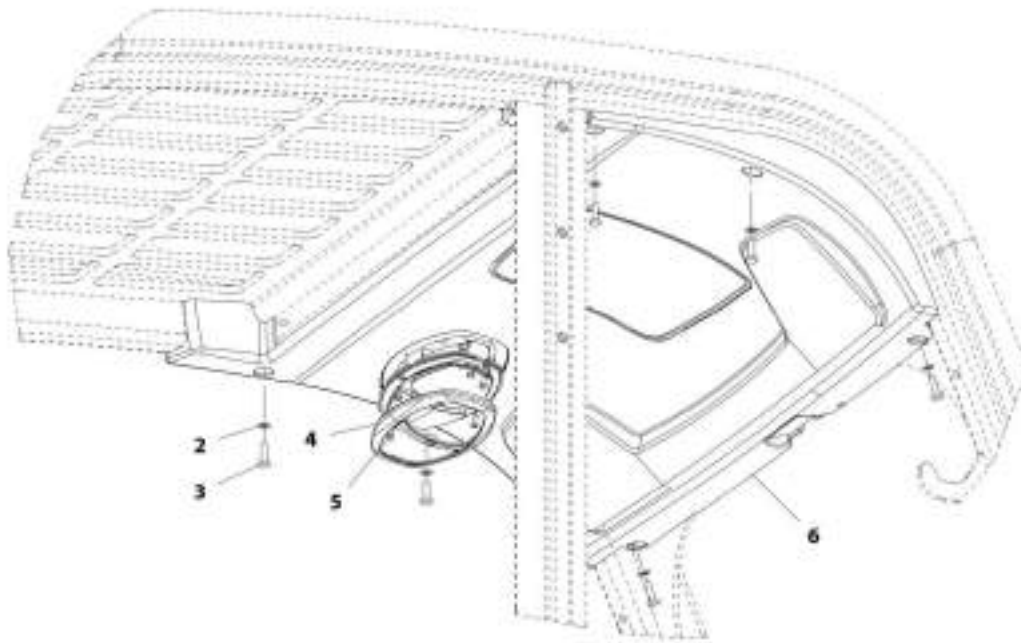
ARJ\_1001170603-E

FIGURE 6-37. ENCLOSED CAB PLUG GROUP

ITEM	PART NUMBER	QTY	DESCRIPTION	REV
	1001170603	Ref	Enclosed Cab Plug Group	E
1	1001176273	1	Plug	
2	1001176272	3	Plug	
3	1001143200	2	Plug	
4	1001176626	1	Plug	
6	1001181920	8	Screw, M8X16	
7	1001181921	8	Washer, Rubber M8	
8	1001182123	2	Plug	
9	1001182139	1	Plug	
10	1001209899	1	Plug	
11	1001219220	7	Plug	

# SECTION 6 - CAB

## FIGURE 6-38. HEADLINER INSTALLATION



ART. 105170317-D

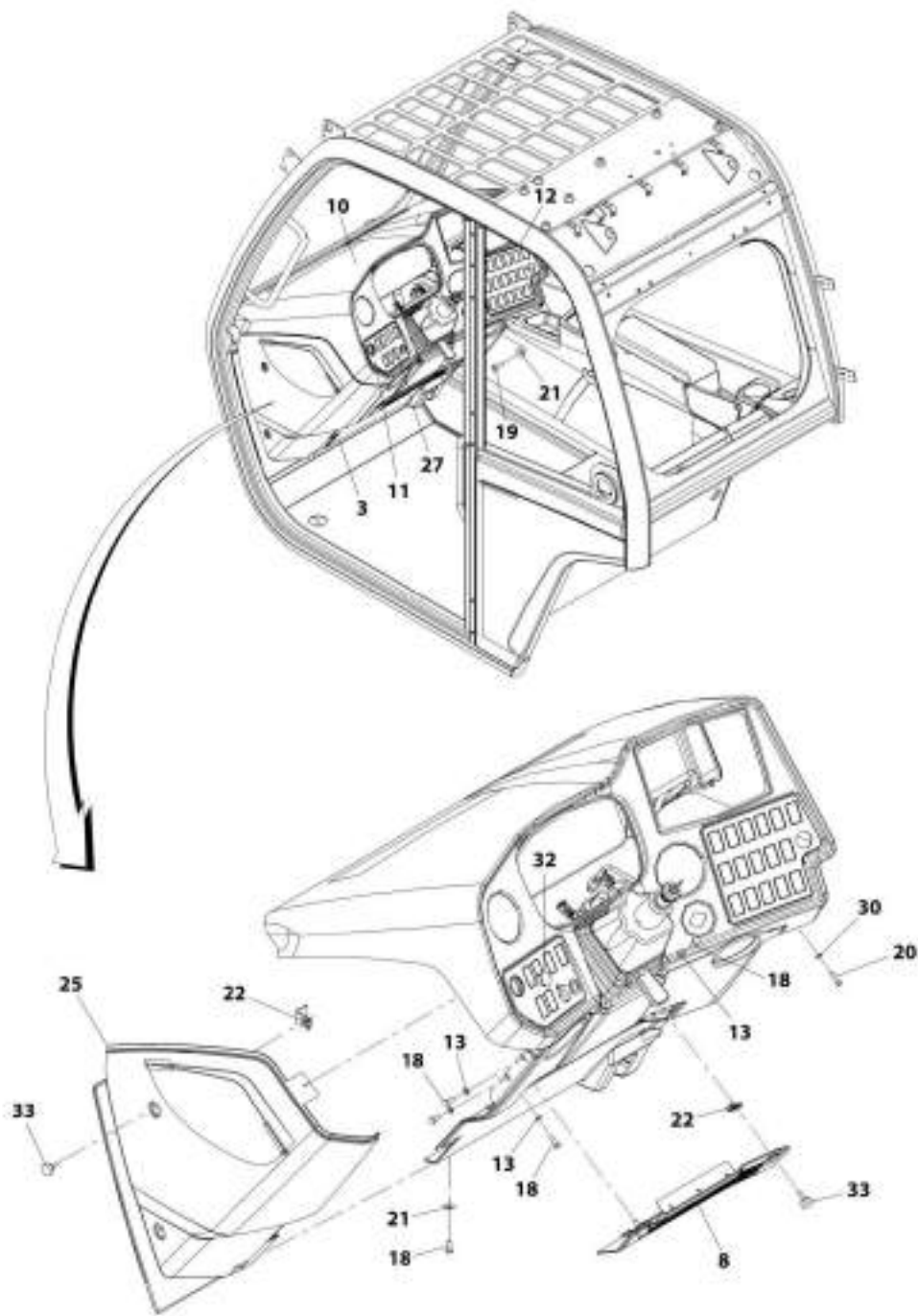


FIGURE 6-38. HEADLINER INSTALLATION

ITEM	PART NUMBER	QTY	DESCRIPTION	REV
	1001170717	Ref	Headliner Installation	D
2	4811700	6	Washer, M6	
3	4010610002	6	Screw, M6X20	
4	1001167015	1	Lamp	
5	7029486	4	Screw	
6	1001161069	1	Panel, Headliner	

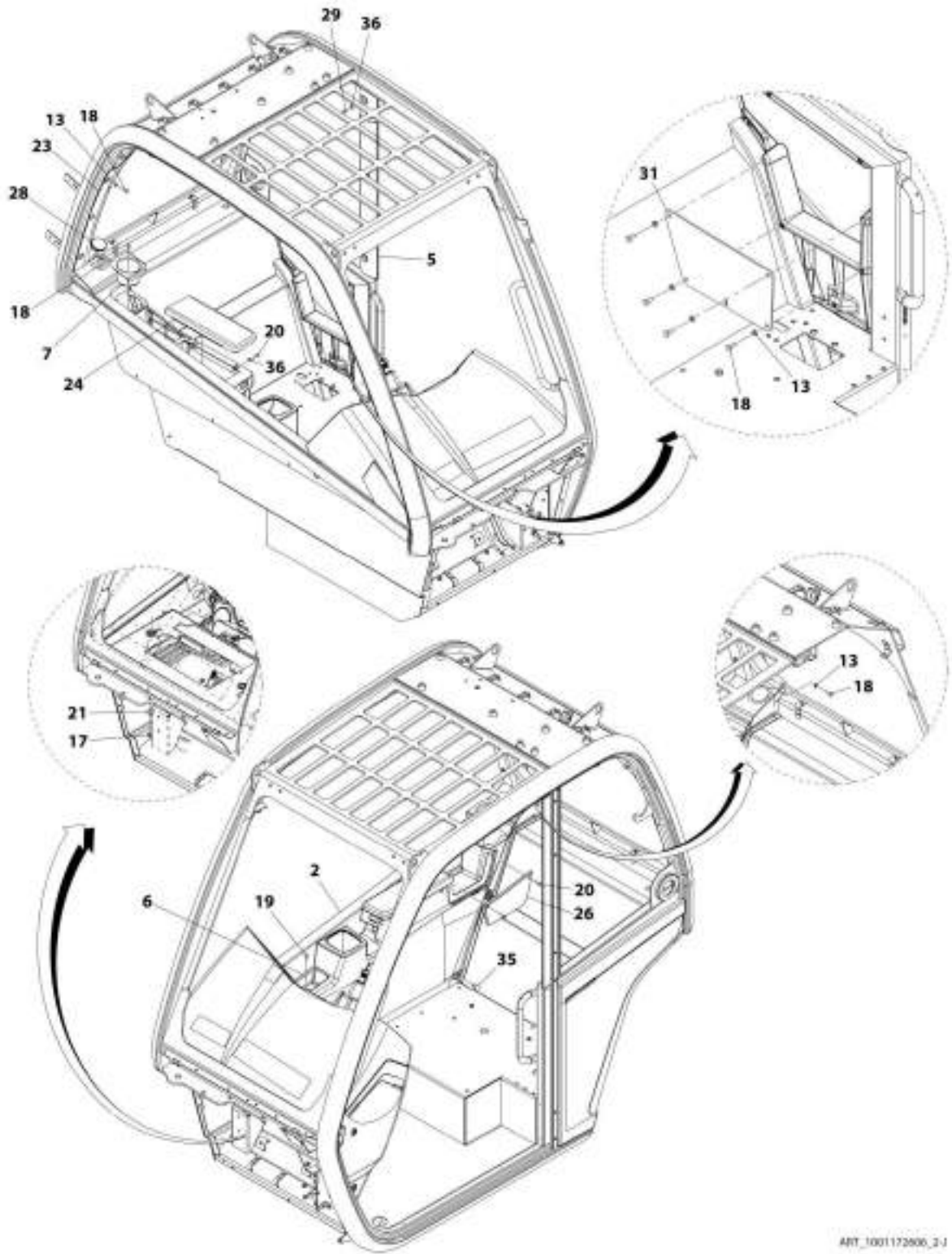
# SECTION 6 - CAB

FIGURE 6-39. OPEN CAB TRIM INSTALLATION (Prior to SN 0160081665)



ART\_1001172006\_1-1

# SECTION 6 - CAB



ART\_1001172906\_2/1

## SECTION 6 - CAB

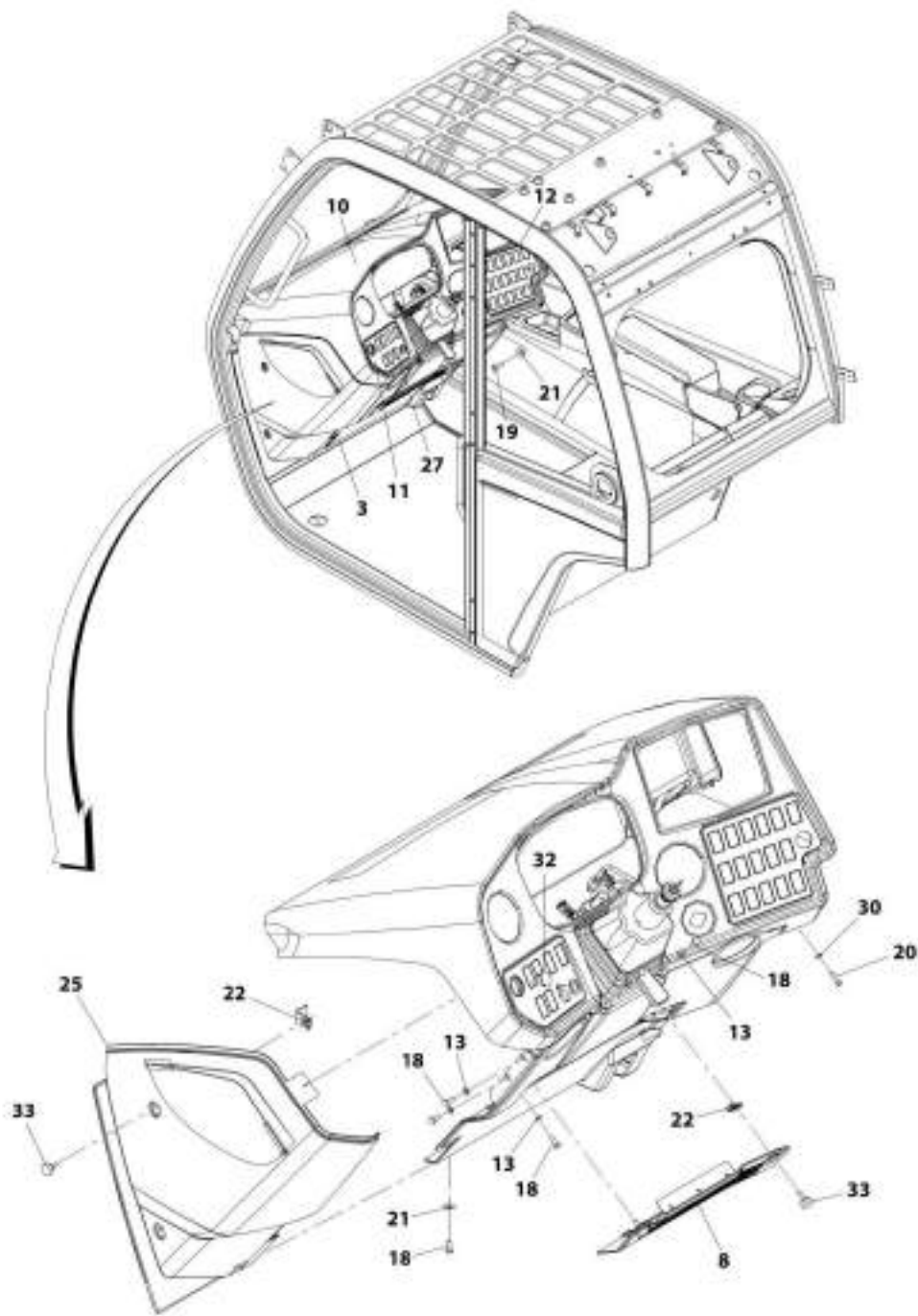
**FIGURE 6-39. OPEN CAB TRIM INSTALLATION (Prior to SN 0160081665)**

ITEM	PART NUMBER	QTY	DESCRIPTION	REV
	1001172606	Ref	Open Cab Trim Installation	F
2	1001169605	1	Cover, Side	
3	1001175904	1	Panel, Lower Dash	
5	1001161251	1	Panel, Cover	
6	1001169603	1	Panel, Trinket Tray	
7	1001170518	1	Holder, Cup	
8	1001170506	1	Panel, Recirculation Grille Cover	
10	1001172608	1	Panel, Dash	
11	1001165066	1	Plate, LH Switch	
12	1001165067	1	Plate, RH Switch	
13	4811700	14	Washer, M6	
17	3290605	2	Nut, Lock M6X1 Grade 8	
18	4010608002	19	Screw, Posi-Drive M6X16 GR4.8	
19	4010610002	1	Screw, Posi-Drive M6X20 GR4.8	
20	4031608	5	Screw, M5X20	
21	4811702	6	Washer, M6	
22	8305919	2	Nut, M6	
23	1001191617	1	Panel, Cover	
24	1001161854	1	Armrest	
25	1001161855	1	Panel, LH Dash	
26	1001173965	1	Bezel, RH	
27	1001190347	1	Decal, No HVAC	
28	1001190413	1	Plug	
29	4010510002	2	Screw, Posi-Drive M5X20	
30	4811600	3	Washer, M5	
31	1001185179	1	Cover, LH Rear Panel	
32	1001190589	1	Blanking Plug	
33	1001208308	2	Screw, M6X15	
34	1001148557	2	Washer	
35	1001211907	1	Screw	



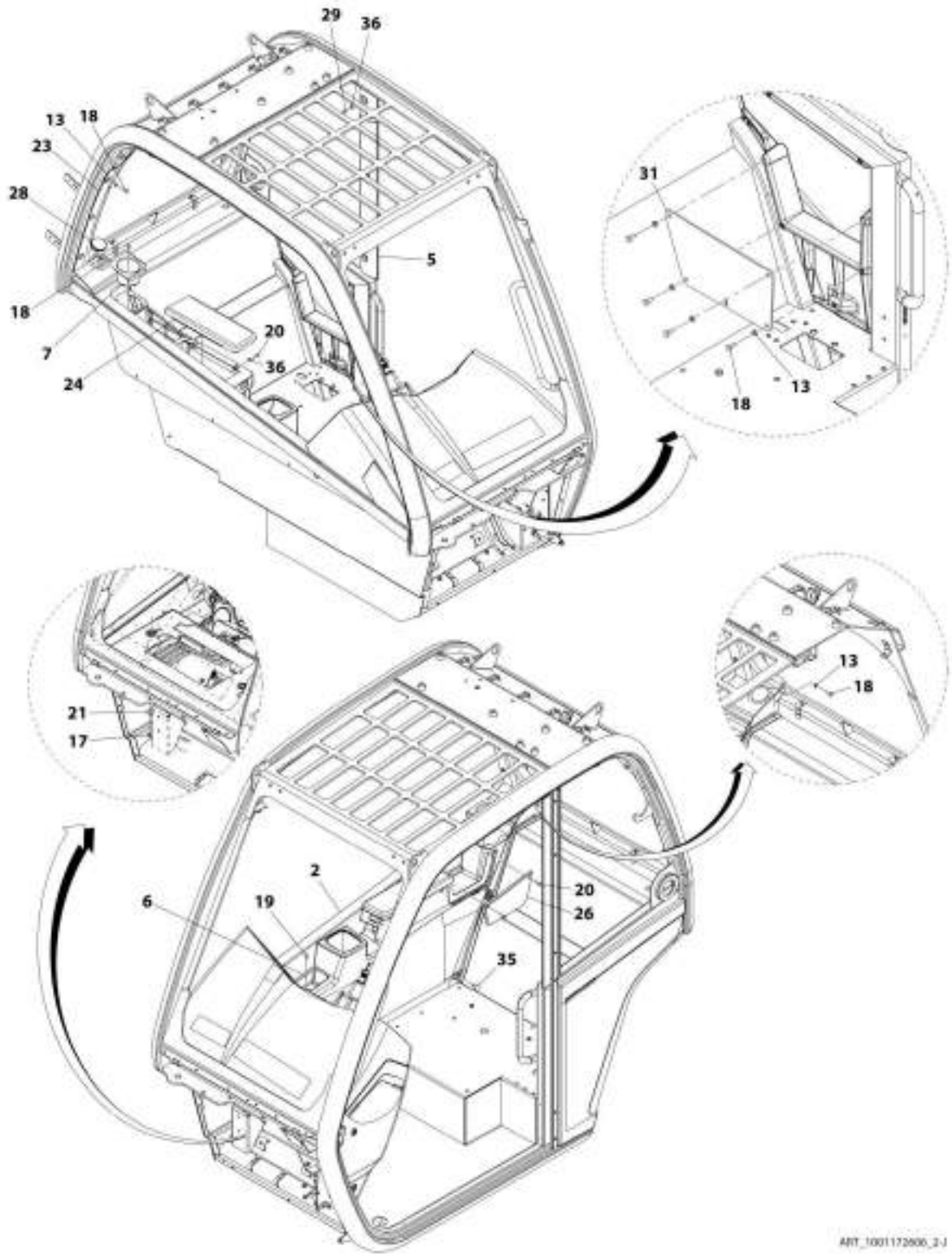
# SECTION 6 - CAB

FIGURE 6-40. OPEN CAB TRIM INSTALLATION (SN 0160081665 to Present)



ART\_1001172006\_1-1

# SECTION 6 - CAB



ART\_1001172906\_2-1

## SECTION 6 - CAB

**FIGURE 6-40. OPEN CAB TRIM INSTALLATION (SN 0160081665 to Present)**

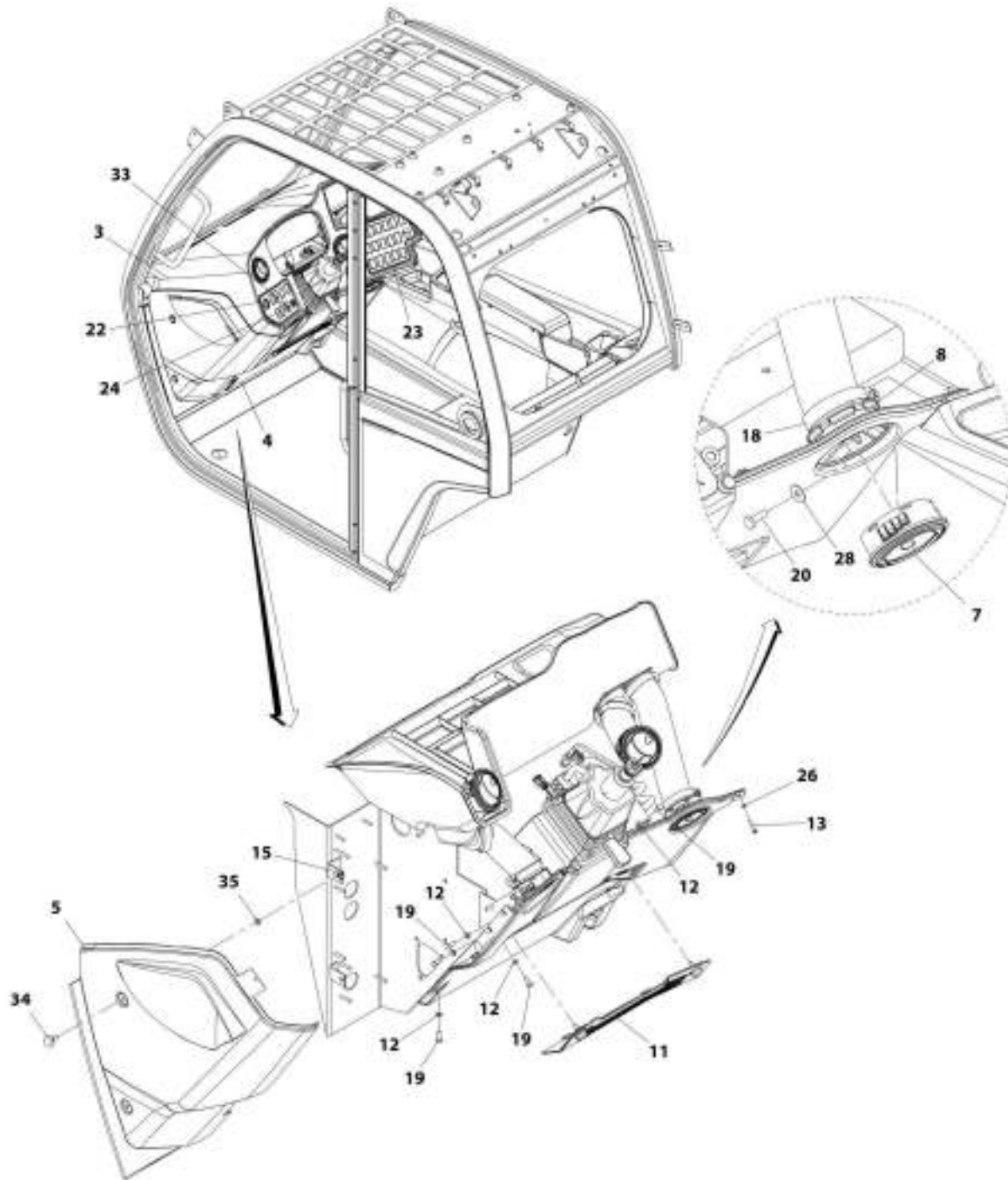
ITEM	PART NUMBER	QTY	DESCRIPTION	REV
	1001172606	Ref	Open Cab Trim Installation	J
2	1001169605	1	Cover, Side	
3	1001175904	1	Panel, Lower Dash	
5	1001161251	NLA	Panel, Cover (no longer available, use 1001219076 for replacement)	
5	1001219076	1	Panel, Cover	
6	1001169603	1	Panel, Trinket Tray	
7	1001170518	1	Holder, Cup	
8	1001170506	NLA	Panel, Recirculation Grille Cover (no longer available, use 1001170504 for replacement)	
8	1001170504	1	Panel, Recirculation Grille Cover	
10	1001172608	1	Panel, Dash	
11	1001219864	1	Plate, LH Switch	
12	1001219865	1	Plate, RH Switch	
13	4811700001	14	Washer, M6	
17	3290605	2	Nut, Lock M6X1 Grade 8	
18	4010608002	18	Screw, Posi-Drive M6X16 GR4.8	
19	4010610002	2	Screw, Posi-Drive M6X20 GR4.8	
20	4031608001	5	Screw, M5X20	
21	4811702001	6	Washer, M6	
22	8305919	4	Nut, M6	
23	1001191617	1	Panel, Cover	
24	1001161854	1	Armrest	
25	1001161855	1	Panel, LH Dash	
26	1001173965	1	Bezel, RH	
27	1001190347	1	Decal, No HVAC	
28	1001223265	1	Plug	
29	4010508002	3	Screw, Posi-Drive M5X16	
30	4811600	1	Washer, M5	
31	1001185179	1	Cover, LH Rear Panel	
32	1001190589	1	Blanking Plug	
33	1001208308	4	Screw, M6X15	
35	1001211907	1	Screw	
36	4811602001	5	Washer, M5	





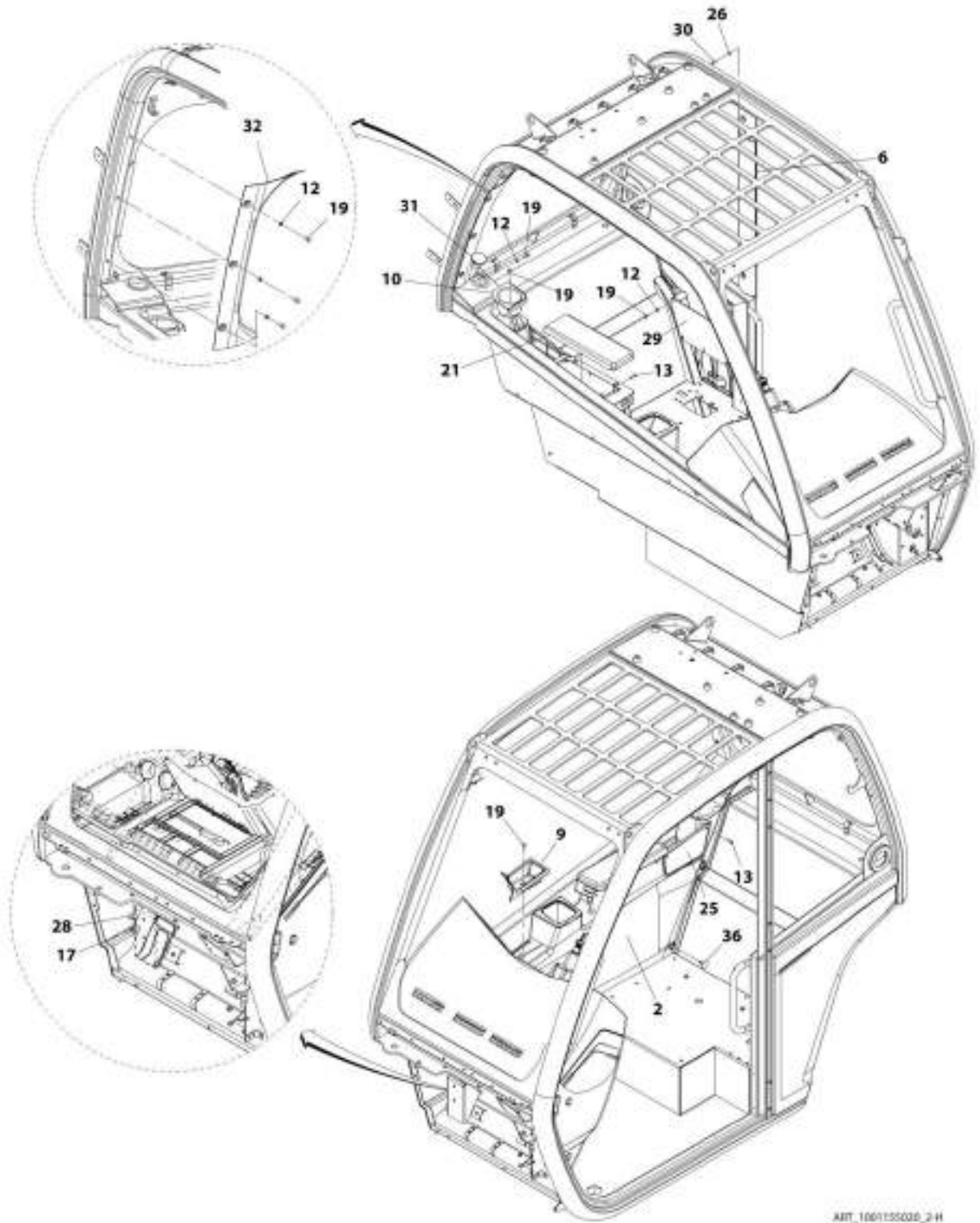
# SECTION 6 - CAB

FIGURE 6-41. ENCLOSED CAB TRIM INSTALLATION (Prior to SN 0160081665)



AWT\_1001159020\_1-H

# SECTION 6 - CAB



ART. 1061135035\_3-H

## SECTION 6 - CAB

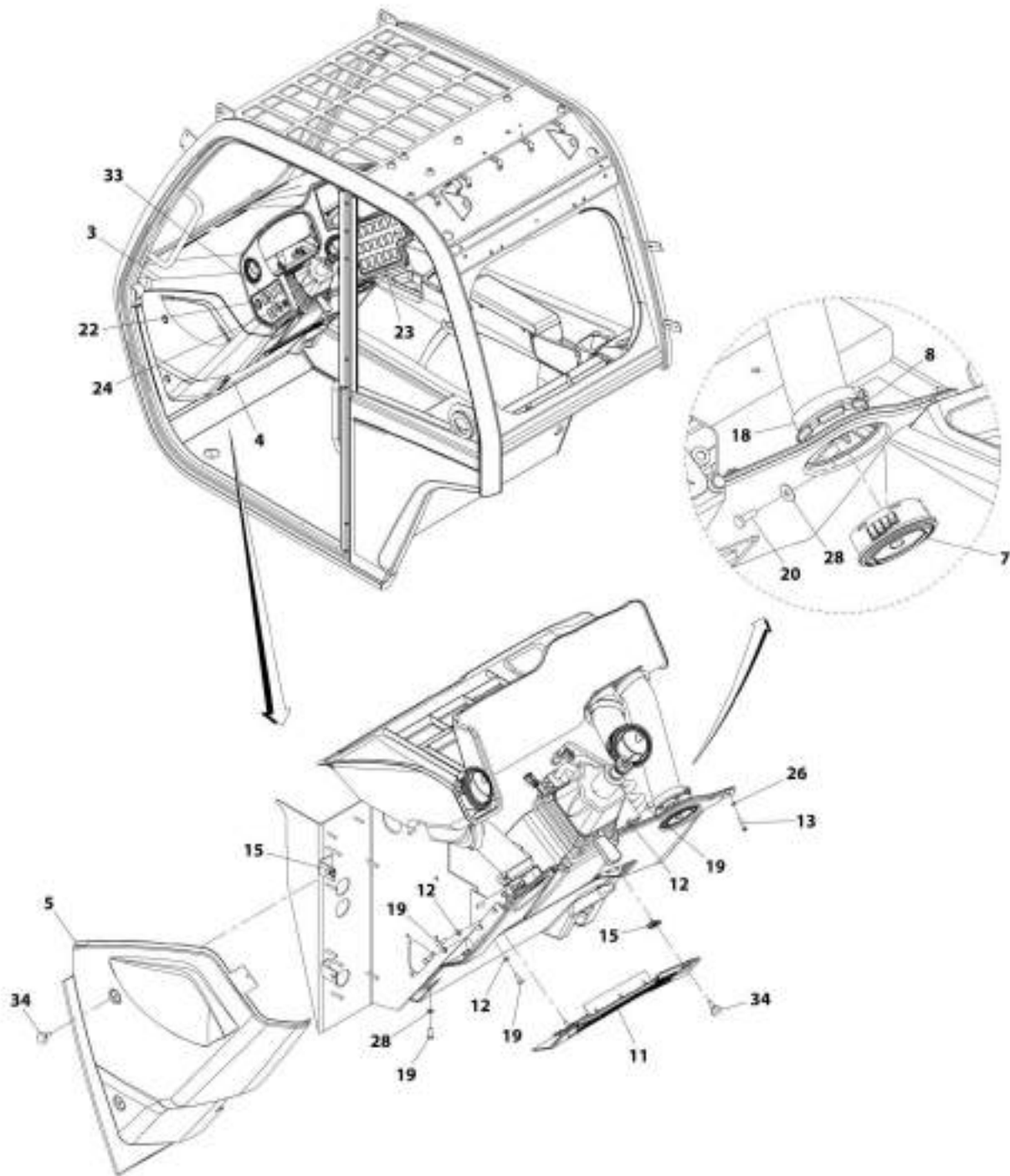
**FIGURE 6-41. ENCLOSED CAB TRIM INSTALLATION (Prior to SN 0160081665)**

ITEM	PART NUMBER	QTY	DESCRIPTION	REV
	1001155020	Ref	Enclosed Cab Trim Installation	H
2	1001169605	1	Cover, Side	
3	1001169604	1	Cover, Dash	
4	1001175903	1	Panel, Lower Dash	
5	1001161855	1	Panel, Dash LH	
6	1001161251	1	Panel, Cover	
7	1001147449	2	Vent, Air	
8	1001149278	2	Vent, Connector	
9	1001169603	1	Panel, Trinket Tray	
10	1001170518	1	Holder, Cup	
11	1001170506	1	Panel, Recirculation Grille Cover	
12	4811700	16	Washer, M6	
13	4031608	5	Bolt, M5X20	
15	8305919	2	Nut, M6	
17	3290605	2	Nut, Lock M6X1	
18	8405201	2	Clamp, Gear	
19	4010608002	19	Screw, Posi-Drive M6X16 GR4.8	
20	4010610002	1	Screw, Posi-Drive M6X20 GR4.8	
21	1001161854	1	Armrest	
22	1001165066	1	Plate, LH Switch	
23	1001165067	1	Plate, RH Switch	
24	1001184975	1	Decal, HVAC	
25	1001173965	1	Bezel, RH	
26	4811600	3	Washer, M5	
28	4811702	4	Washer, M6	
29	1001185179	1	Panel, LH Rear Cover	
30	4010510002	2	Screw, Posi-Drive M5X20 GR4.8	
31	1001190413	1	Plug	
32	1001191617	1	Panel, Cover	
33	1001190589	1	Blanking Plug	
34	1001208308	2	Screw, M6X15	
35	1001148557	2	Washer	
36	1001211907	1	Screw	



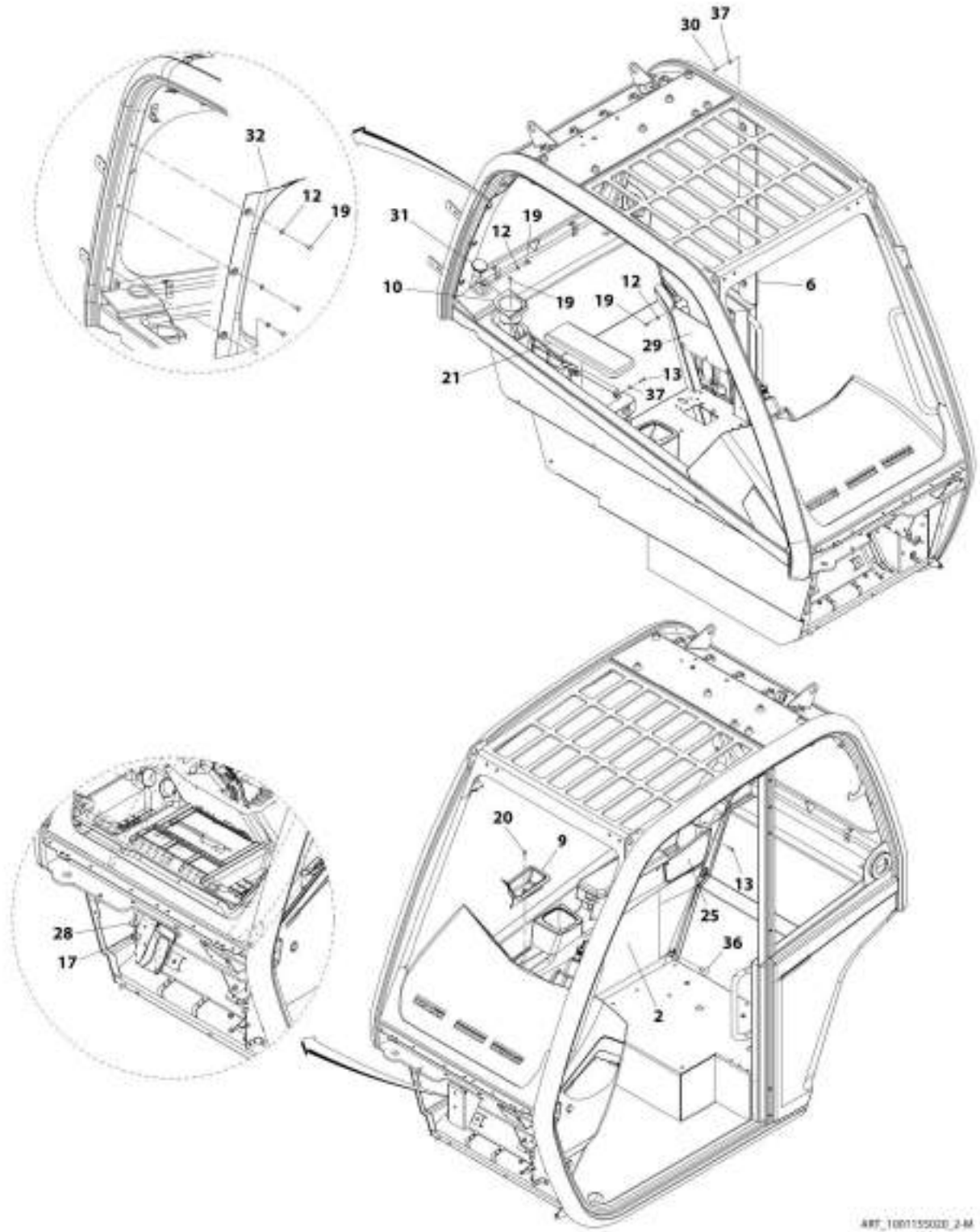
# SECTION 6 - CAB

FIGURE 6-42. ENCLOSED CAB TRIM INSTALLATION (SN 0160081665 to Present)



AWT\_1001159020\_1-04

# SECTION 6 - CAB



## SECTION 6 - CAB

**FIGURE 6-42. ENCLOSED CAB TRIM INSTALLATION (SN 0160081665 to Present)**

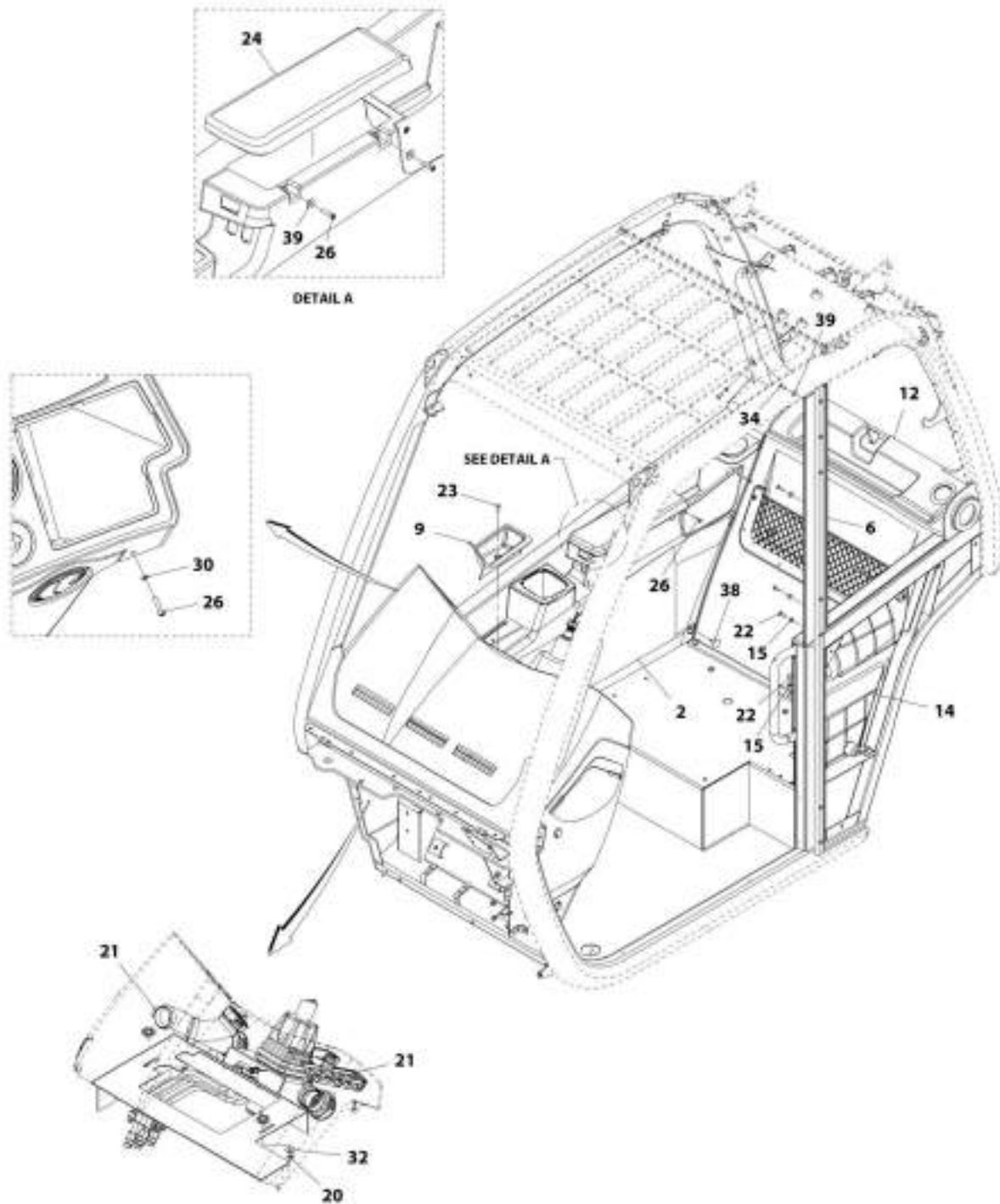
ITEM	PART NUMBER	QTY	DESCRIPTION	REV
	1001155020	Ref	Enclosed Cab Trim Installation	M
2	1001169605	1	Cover, Side	
3	1001169604	1	Cover, Dash	
4	1001175903	1	Panel, Lower Dash	
5	1001161855	1	Panel, Dash LH	
6	1001161251	NLA	Panel, Cover (no longer available, use 1001219076 for replacement)	
6	1001219076	1	Panel, Cover	
7	1001147449	2	Vent, Air	
8	1001149278	2	Vent, Connector	
9	1001169603	1	Panel, Trinket Tray	
10	1001170518	1	Holder, Cup	
11	1001170506	NLA	Panel, Recirculation Grille Cover (no longer available, use 1001170504 for replacement)	
11	1001170504	1	Panel, Recirculation Grille Cover	
12	4811700001	14	Washer, M6	
13	4031608001	5	Bolt, M5X20	
15	8305919	4	Nut, M6	
17	3290605	2	Nut, Lock M6X1	
18	8405201	2	Clamp, Gear	
19	4010608002	18	Screw, Posi-Drive M6X16 GR4.8	
20	4010610002	2	Screw, Posi-Drive M6X20 GR4.8	
21	1001161854	1	Armrest	
22	1001219864	1	Plate, LH Switch	
23	1001219865	1	Plate, RH Switch	
24	1001184975	1	Decal, HVAC	
25	1001173965	1	Bezel, RH	
26	4811600	1	Washer, M5	
28	4811702001	6	Washer, M6	
29	1001185179	1	Panel, LH Rear Cover	
30	4010508002	3	Screw, Posi-Drive M5X16	
31	1001223265	1	Plug	
32	1001191617	1	Panel, Cover	
33	1001190589	1	Blanking Plug	
34	1001208308	4	Screw, M6X15	
36	1001211907	1	Screw	
37	4811602001	5	Washer, M5	





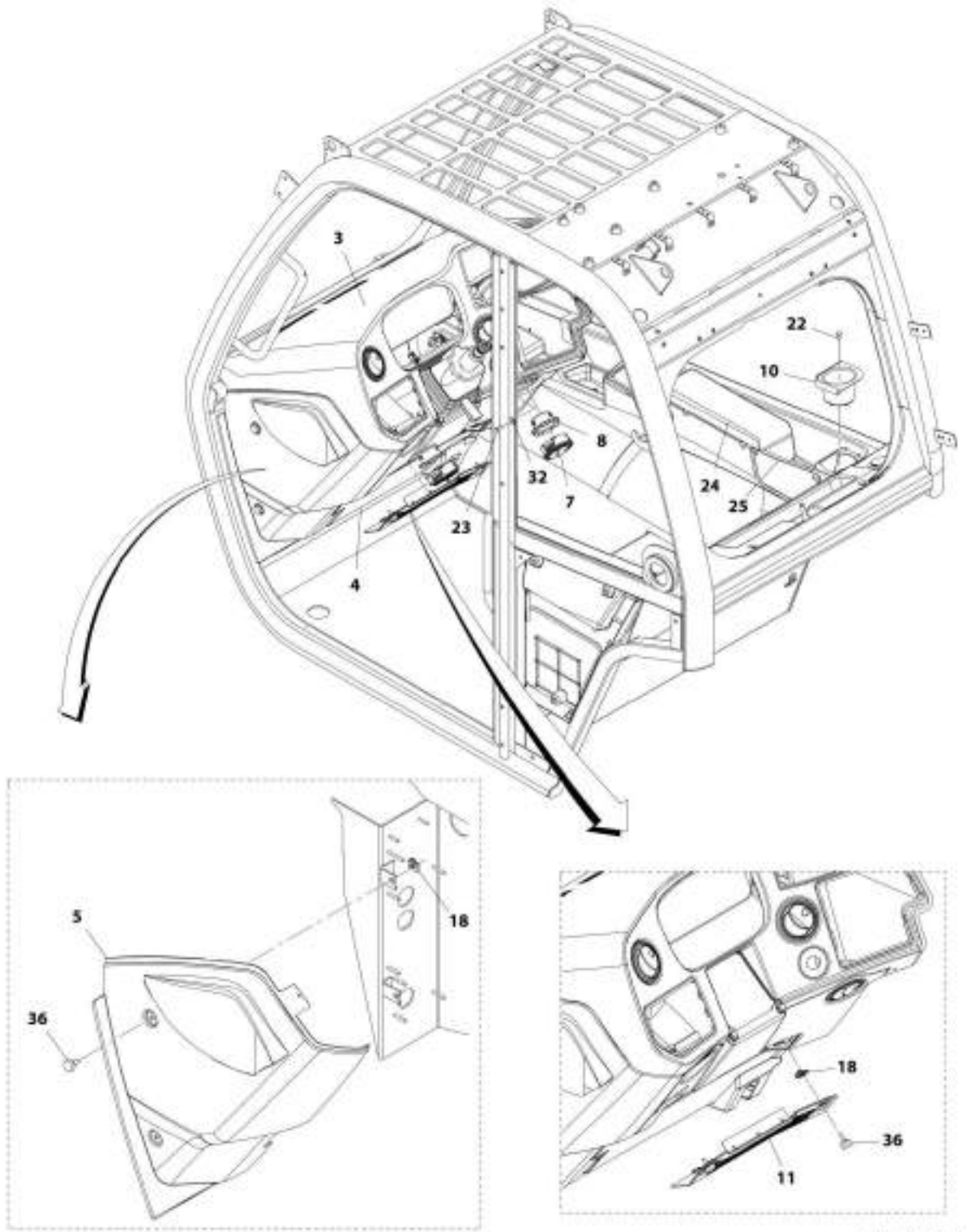
# SECTION 6 - CAB

FIGURE 6-43. CAB TRIM INSTALLATION (IF EQUIPPED WITH BEACON LIGHT)



ART\_1001107078\_1-J

# SECTION 6 - CAB



ART\_30011679N\_2-1

## SECTION 6 - CAB

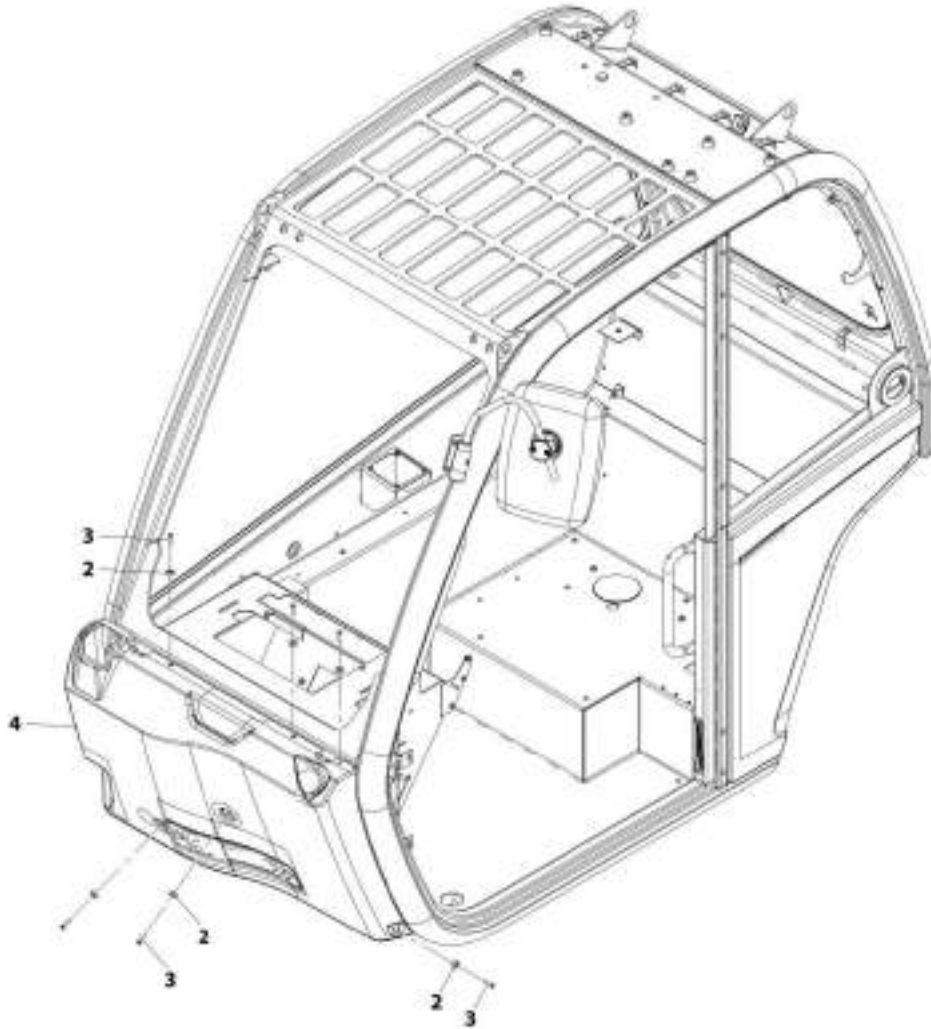
**FIGURE 6-43. CAB TRIM INSTALLATION (IF EQUIPPED WITH BEACON LIGHT)**

ITEM	PART NUMBER	QTY	DESCRIPTION	REV
	1001167979	Ref	Cab Trim Installation (if equipped with Beacon Light)	J
2	1001169605	1	Cover, Side	
3	1001169604	1	Cover, Dash	
4	1001175903	1	Panel, Lower Dash	
5	1001161855	1	Panel, LH Dash Cover	
6	1001161251	NLA	Panel, Cover (no longer available, use 1001219076 for replacement)	
6	1001219076	1	Panel, Cover	
7	1001147449	2	Vent, Air	
8	1001149278	2	Vent, Connector	
9	1001169603	1	Panel, Trinket Tray	
10	1001170518	1	Holder, Cup	
11	1001170506	NLA	Panel, Recirculation Grille Cover (no longer available, use 1001170504 for replacement)	
11	1001170504	1	Panel, Recirculation Grille Cover	
12	1001170519	1	Panel, Rear Cover	
14	1001161068	1	Panel, Left Side	
15	4811700	NLA	Washer, M6 (no longer available, use 4811700001 for replacement)	
15	4811700001	12	Washer, M6	
18	8305919	4	Nut, M6	
20	3290605	2	Nut, Lock M6X1 Grade 8	
21	8405201	2	Clamp, Gear	
22	4010608002	19	Screw, Posi-Drive M6X16	
23	4010610002	2	Screw, Posi-Drive M6X20	
24	1001161854	1	Armrest	
25	1001173965	1	Bezel, RH	
26	4031608	NLA	Bolt, M5X20 (no longer available, use 4031608001 for replacement)	
26	4031608001	5	Bolt, M5X20	
30	4811600	1	Washer, M5	
32	4811702001	9	Washer, M6	
34	4031607	NLA	Screw, M5-0.8X16 (no longer available, use 4010508002 for replacement)	
34	4010508002	3	Screw, M5X16	
36	1001208308	4	Screw, M6X15	
38	1001211907	1	Screw	
39	4811602	NLA	Washer, M5 (no longer available, use 4811602001 for replacement)	
39	4811602001	5	Washer, M5	



## SECTION 6 - CAB

FIGURE 6-44. OPEN CAB FRONT COVER INSTALLATION



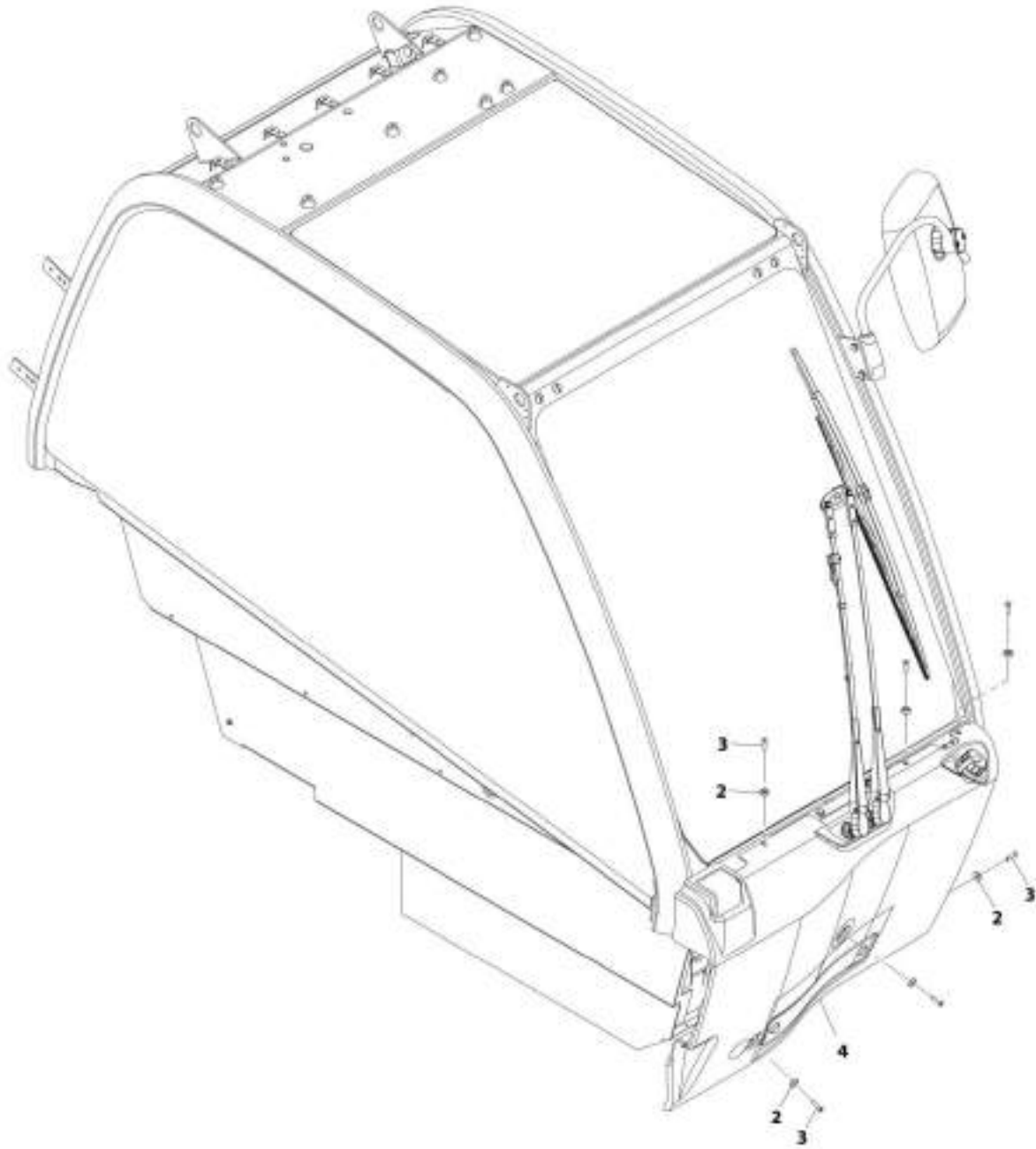
AWT\_1001173441-G

**FIGURE 6-44. OPEN CAB FRONT COVER INSTALLATION**

<b>ITEM</b>	<b>PART NUMBER</b>	<b>QTY</b>	<b>DESCRIPTION</b>	<b>REV</b>
	1001173441	Ref	Open Cab Front Cover Installation	G
2	1001097540	6	Washer, M6	
3	3900379	6	Screw, M6X25	
4	1001173469	1	Cover, Front	

# SECTION 6 - CAB

## FIGURE 6-45. ENCLOSED CAB FRONT COVER INSTALLATION



ART\_1001170502-G

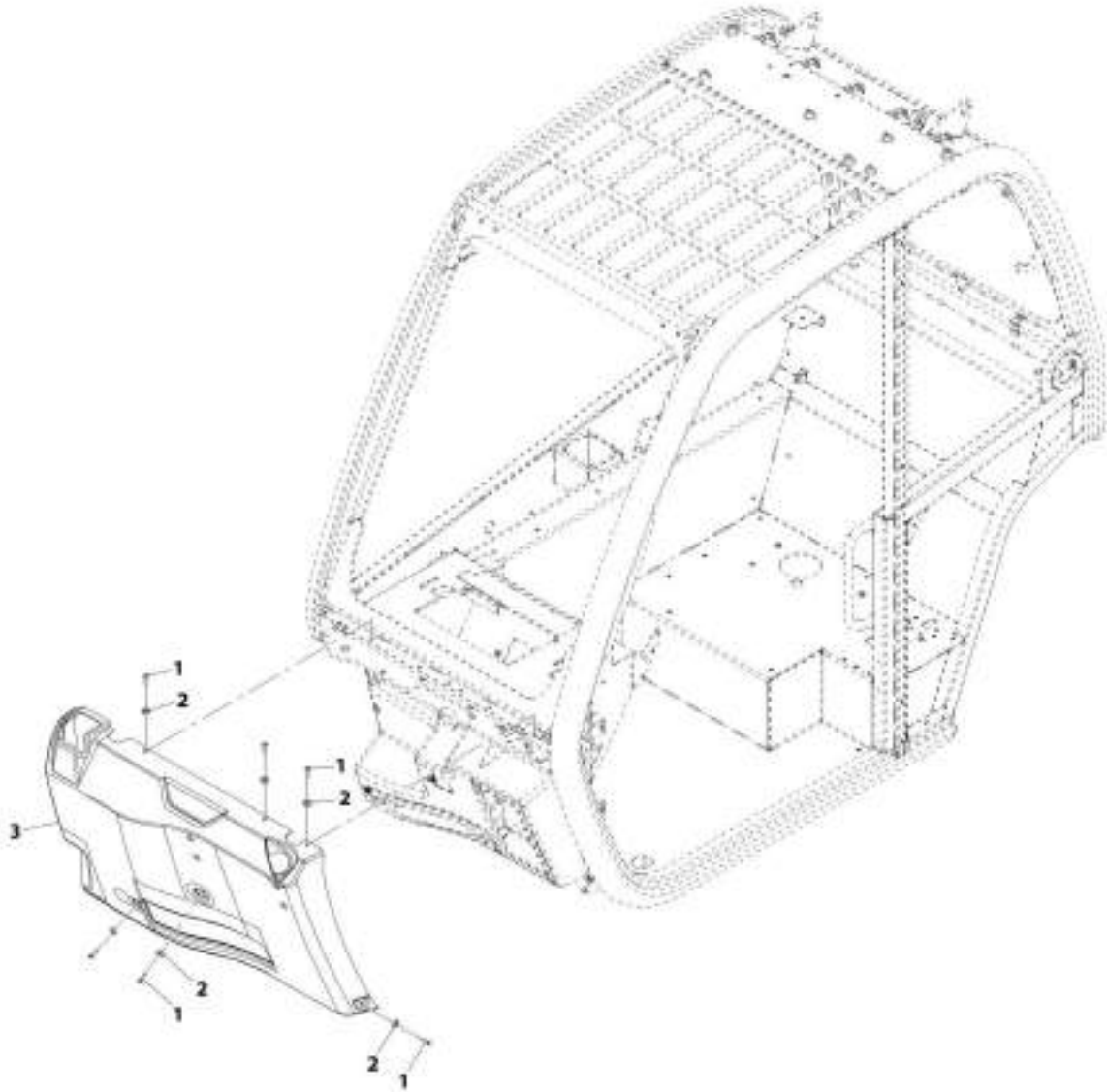


**FIGURE 6-45. ENCLOSED CAB FRONT COVER INSTALLATION**

<b>ITEM</b>	<b>PART NUMBER</b>	<b>QTY</b>	<b>DESCRIPTION</b>	<b>REV</b>
	1001179592	Ref	Enclosed Cab Front Cover Installation	G
2	1001097540	6	Washer, M6	
3	3900379	6	Screw, M6X25	
4	1001170325	1	Cover, Front	

## SECTION 6 - CAB

FIGURE 6-46. OPEN CAB FRONT COVER WITH CAB FENDER INSTALLATION



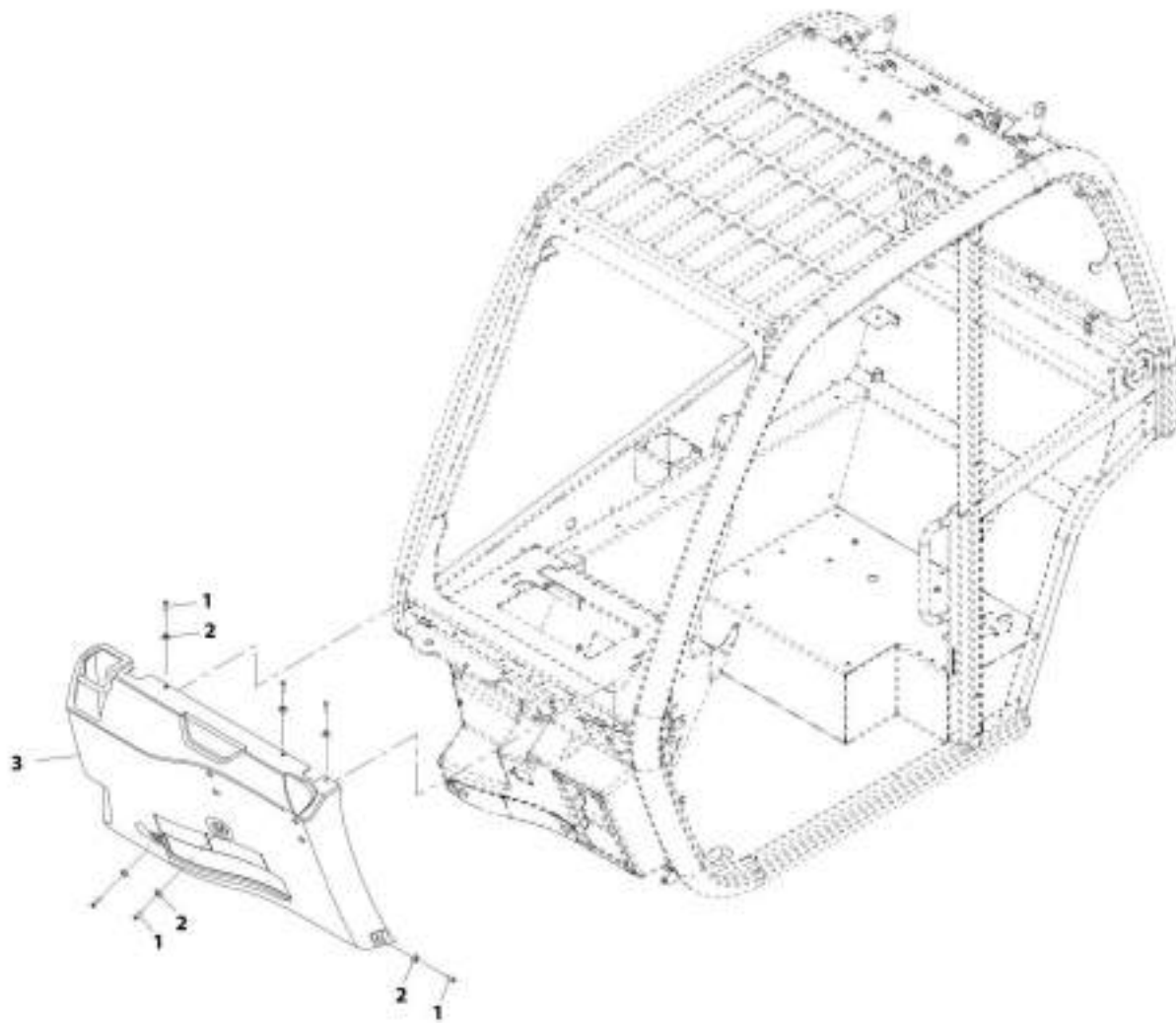
ART\_3001228530-A

**FIGURE 6-46. OPEN CAB FRONT COVER WITH CAB FENDER INSTALLATION**

ITEM	PART NUMBER	QTY	DESCRIPTION	REV
	1001179853	NLA	Open Cab Front Cover with Cab Fender Installation, (no longer available, use 1001229550 for replacement)	G
	1001229550	Ref	Open Cab Front Cover with Cab Fender Installation	A
1	3900379	6	Screw, M6X25	
2	1001097540	6	Washer, M6	
3	1001189658	NLA	Cover, (no longer available, use 1001229540 for replacement)	
3	1001229540	1	Cover	

# SECTION 6 - CAB

FIGURE 6-47. ENCLOSED CAB FRONT COVER WITH CAB FENDER INSTALLATION



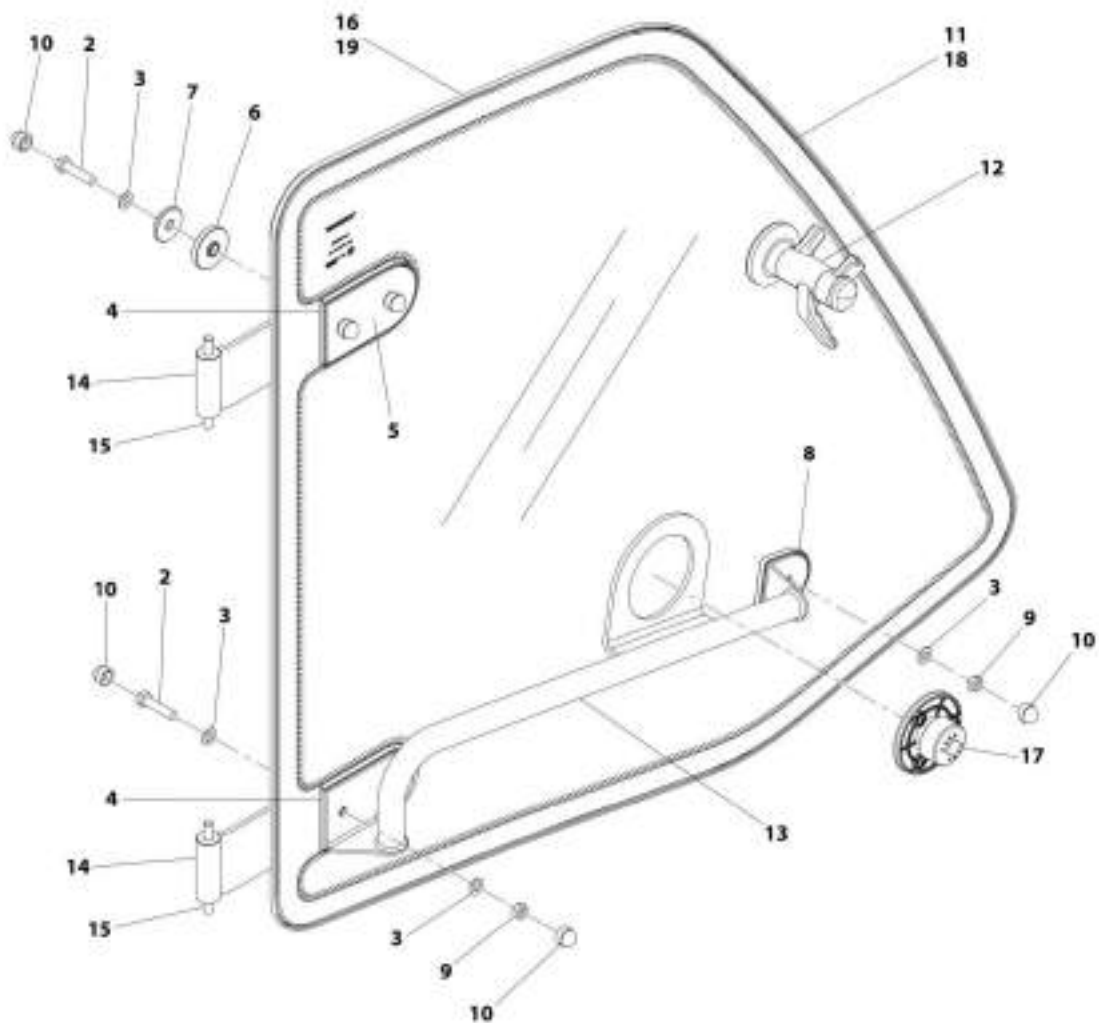
WIT\_1001229551-A

**FIGURE 6-47. ENCLOSED CAB FRONT COVER WITH CAB FENDER INSTALLATION**

<b>ITEM</b>	<b>PART NUMBER</b>	<b>QTY</b>	<b>DESCRIPTION</b>	<b>REV</b>
	1001192463	NLA	Enclosed Cab Front Cover with Cab Fender Installation (no longer available, use 1001229551 for replacement)	E
	1001229551	Ref	Enclosed Cab Front Cover with Cab Fender Installation	A
1	3900379	6	Screw, M6X25	
2	1001097540	6	Washer, M6	
3	1001192464	NLA	Cover (no longer available, use 1001229541 for replacement)	
3	1001229541	1	Cover	

## SECTION 6 - CAB

FIGURE 6-48. DOOR UPPER GLASS ASSEMBLY (1055 Prior to SN 0160076824; 1255 Prior to SN 0160076390)



ART\_3001165186-F

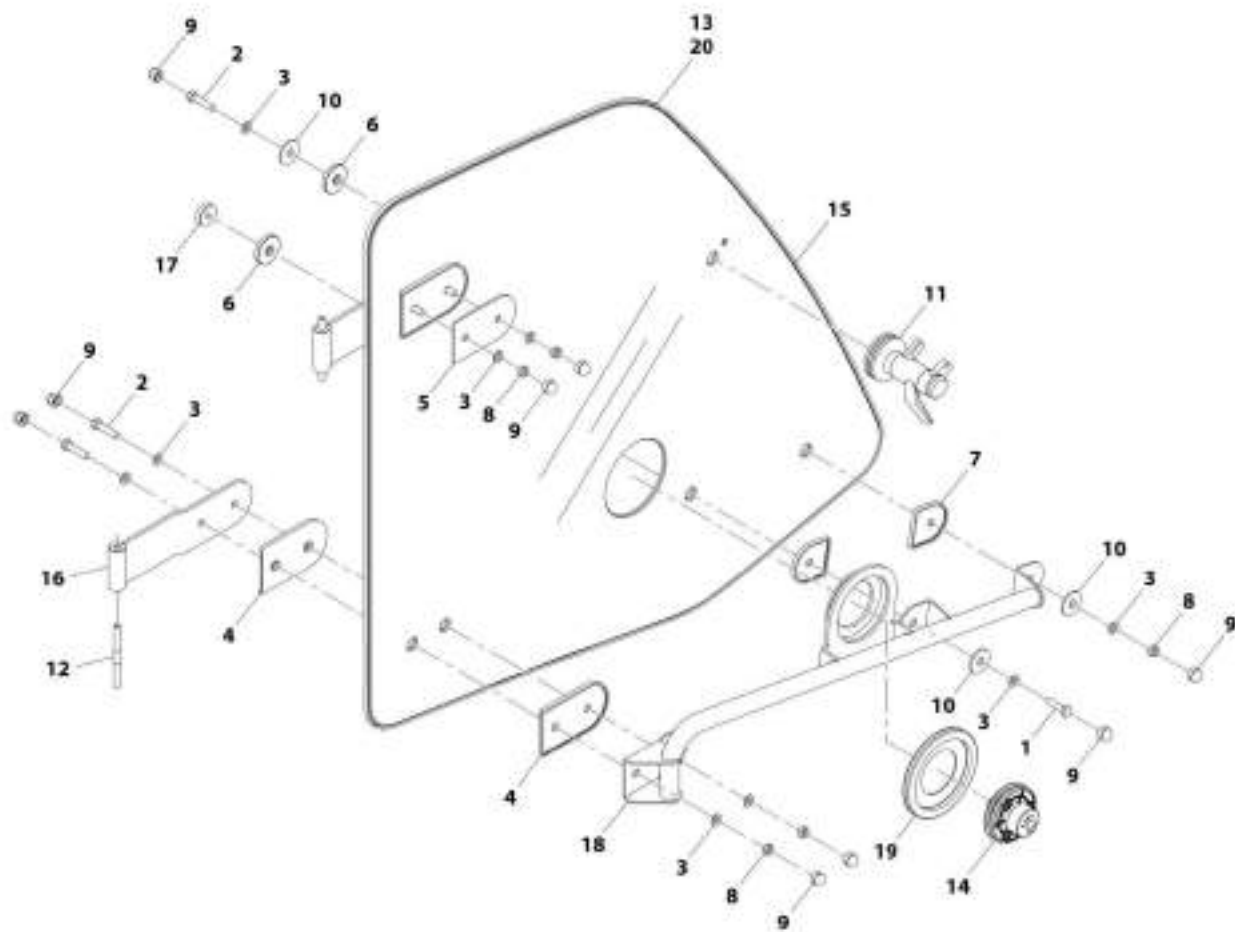
**SECTION 6 - CAB**

**FIGURE 6-48. DOOR UPPER GLASS ASSEMBLY (1055 Prior to SN 0160076824; 1255 Prior to SN 0160076390)**

ITEM	PART NUMBER	QTY	DESCRIPTION	REV
	1001165186	Ref	Door Upper Glass Assembly	F
2	0760815	5	Bolt, M8X35	
3	4811900	10	Washer, 8mm	
4	1001002946	4	Mount, Hinge	
5	1001002947	1	Mount, Hinge	
6	1001002953	1	Mount, Rubber	
7	1001141246	1	Mount, Rubber	
8	1001002957	1	Mount, Latch	
9	1001008857	5	Nut, Lock	
10	1001096365	10	Cap, M8	
11	1001165187	1	Glass, Window	
12	1001165275	1	Latch, Window	
13	1001199915	1	Handle	
14	1001165459	2	Hinge	
15	1001166634	2	Pin, Hinge	
16	1001170944	1	Panel, Window Surround	
17	1001174321	1	Striker, Top Window	
18	1001111317	AR	Adhesive, Window Sealant	
19	1001200713	AR	Adhesive, Window Surround	

# SECTION 6 - CAB

FIGURE 6-49. DOOR UPPER GLASS ASSEMBLY (1055 SN 0160076824 to Present; 1255 SN 0160076390 to Present)



ART\_1001205532-E



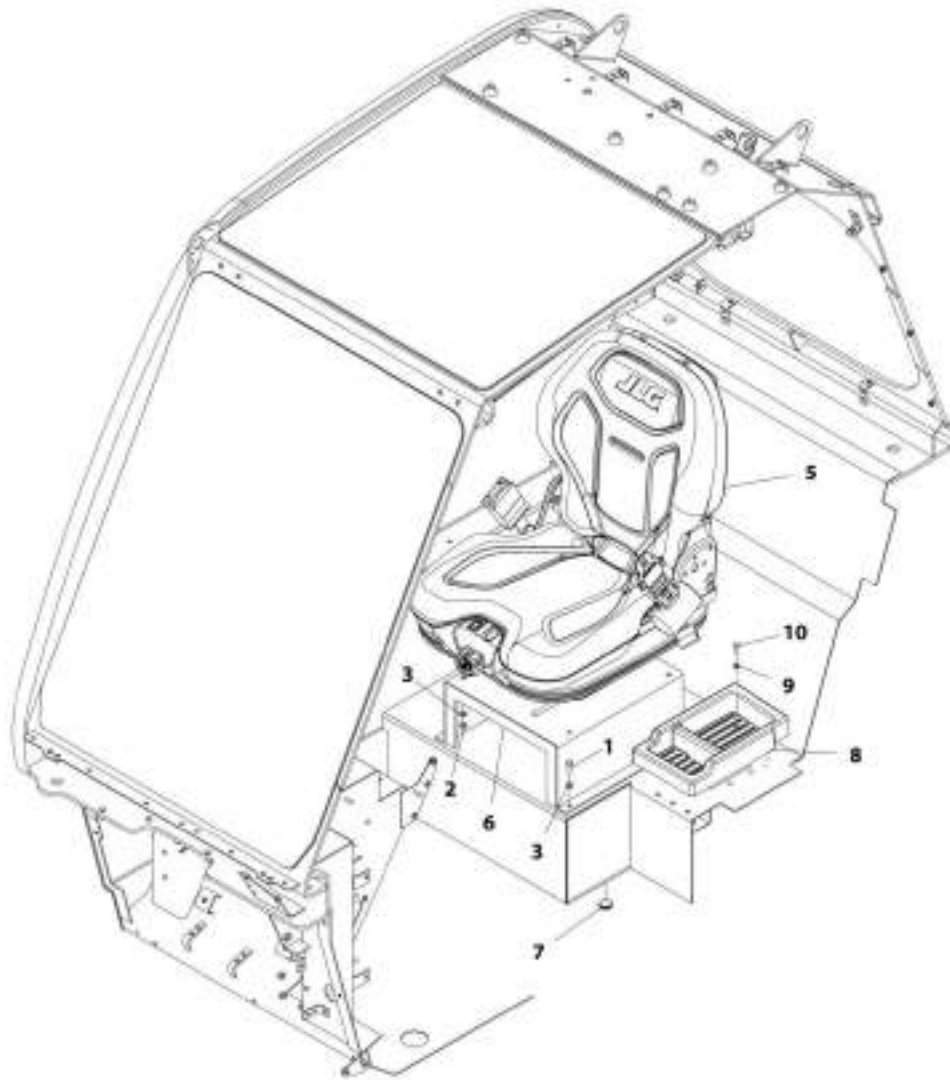
## SECTION 6 - CAB

**FIGURE 6-49. DOOR UPPER GLASS ASSEMBLY (1055 SN 0160076824 to Present; 1255 SN 0160076390 to Present)**

ITEM	PART NUMBER	QTY	DESCRIPTION	REV
	1001205532	Ref	Door Upper Glass Assembly	E
1	0760812	1	Bolt, M8X25	
2	0760815	5	Bolt, M8X35	
3	4811900	11	Washer, M8	
4	1001002946	4	Mount, Hinge	
5	1001002947	1	Mount, Hinge	
6	1001002953	2	Mount, Rubber	
7	1001002957	2	Mount, Latch	
8	1001008857	5	Nut, Lock	
9	1001096365	11	Cap, M8	
10	1001141246	3	Mount, Handle	
11	1001165275	1	Latch, Window	
12	1001166634	2	Pin, Hinge	
13	1001170944	1	Panel, Window Surround	
14	1001174321	1	Striker, Top Window	
15	1001204066	1	Glass, Window	
16	1001204115	2	Hinge, Assembly	
17	1001222741	1	Buffer, Cab	
18	1001204120	1	Handle	
19	1001213331	1	Gasket, Back Window	
20	1001215531	AR	Adhesive	

# SECTION 6 - CAB

## FIGURE 6-50. SEAT INSTALLATION



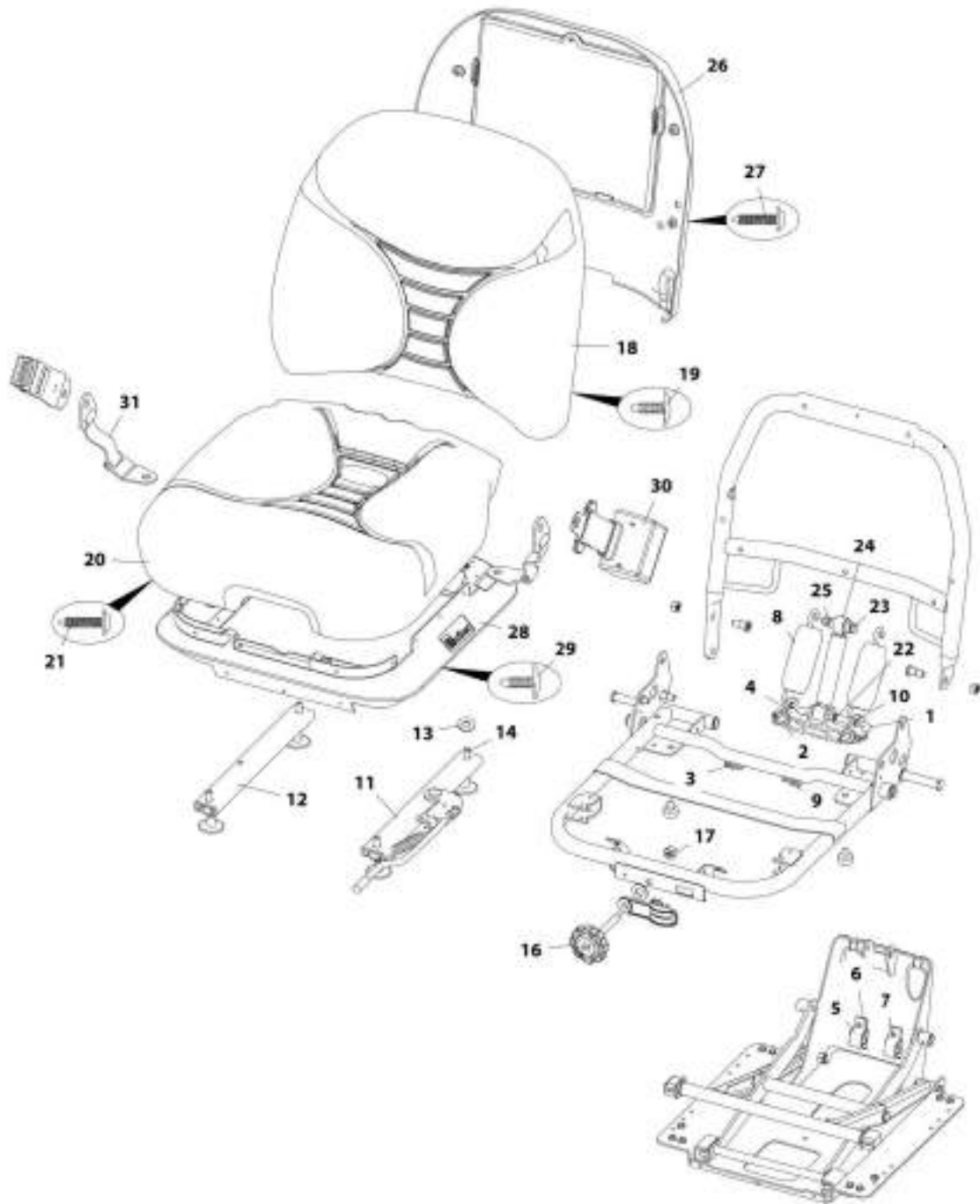
ART\_100114615-G

FIGURE 6-50. SEAT INSTALLATION

ITEM	PART NUMBER	QTY	DESCRIPTION	REV
	1001164615	Ref	Seat Installation	G
1	0760810	4	Bolt, M8X20	
2	3311505	4	Nut, Lock 5/16-18	
3	4811900	8	Washer, M8	
5	1001101085	1	Seat, (See SEAT for Breakdown) <b>(Prior to SN 0160068604)</b>	
5	1001197027	1	Seat, (See SEAT for Breakdown) <b>(SN 0160068604 to Present)</b>	
6	1001164498	1	Plinth, Seat	
7	1001196076	1	Grommet	
8	1001170515	1	Insert, Storage Tray	
9	4811700	1	Washer, M6	
10	4010608002	1	Screw, Posi-Drive, M6X16	

# SECTION 6 - CAB

## FIGURE 6-51. SEAT (Prior to SN 0160068604)



ART\_1001101085-D

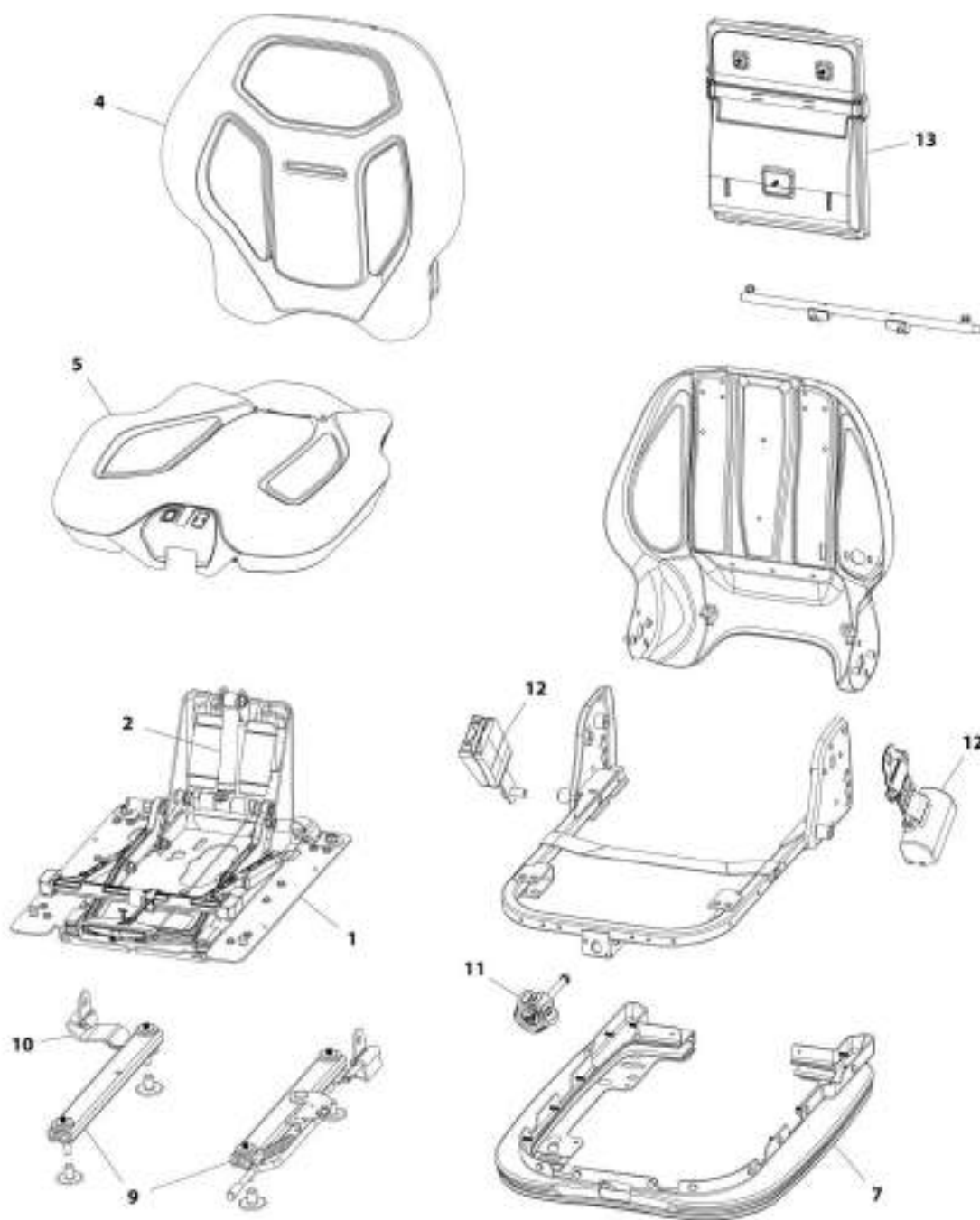
**SECTION 6 - CAB**

**FIGURE 6-51. SEAT (Prior to SN 0160068604)**

ITEM	PART NUMBER	QTY	DESCRIPTION	REV
	1001101085	1	Seat	D
	70020928	1	Kit, Spring and Saddle	
1	N.S.S.	1	Arm, Spring	
2	N.S.S.	2	Bushing, Saddle	
3	N.S.S.	2	Bearing, Spring Arm	
4	N.S.S.	1	Saddle, Spring	
5	N.S.S.	2	Strap, Pivot Block	
6	N.S.S.	2	Block, Pivot	
7	N.S.S.	2	Screw, Taptite 1/4-20	
8	N.S.S.	2	Spring, Suspension	
9	N.S.S.	2	Screw, 8-18	
10	N.S.S.	2	Bushing, Spring	
	7026798	1	Kit, Slide	
11	N.S.S.	1	Assembly, Adjuster	
12	N.S.S.	1	Adjuster, Slave	
13	N.S.S.	4	Spacer, Nylon	
14	N.S.S.	4	Screw, Taptite, 5/16-18	
	7026799	1	Kit, Knob	
16	N.S.S.	1	Knob	
17	N.S.S.	1	Nut, 5/16-18	
	7026900	1	Back Cushion Kit	
18	N.S.S.	1	Cushion, Back	
19	N.S.S.	6	Clip	
	7026901	1	Kit, Seat Cushion	
20	N.S.S.	1	Cushion, Seat	
21	N.S.S.	2	Screw, Taptite 1/4-15	
	70023040	1	Kit, Shock Absorber	
22	N.S.S.	1	Pin, Shock	
23	N.S.S.	1	Pin, Shock	
24	N.S.S.	1	Absorber, Shock	
25	N.S.S.	2	Nut, 5/16-18	
	7026902	1	Kit, Back Panel	
26	N.S.S.	1	Panel, Back	
27	N.S.S.	1	Screw, 8-18	
	70023890	1	Kit, Boot	
28	N.S.S.	1	Boot	
29	N.S.S.	27	Clip	
30	7026905	1	Kit, Seat Belt (2IN)	
	7026906	1	Kit, Tether	
31	N.S.S.	2	Strap, Tether	

# SECTION 6 - CAB

## FIGURE 6-52. SEAT (SN 0160068604 to Present)



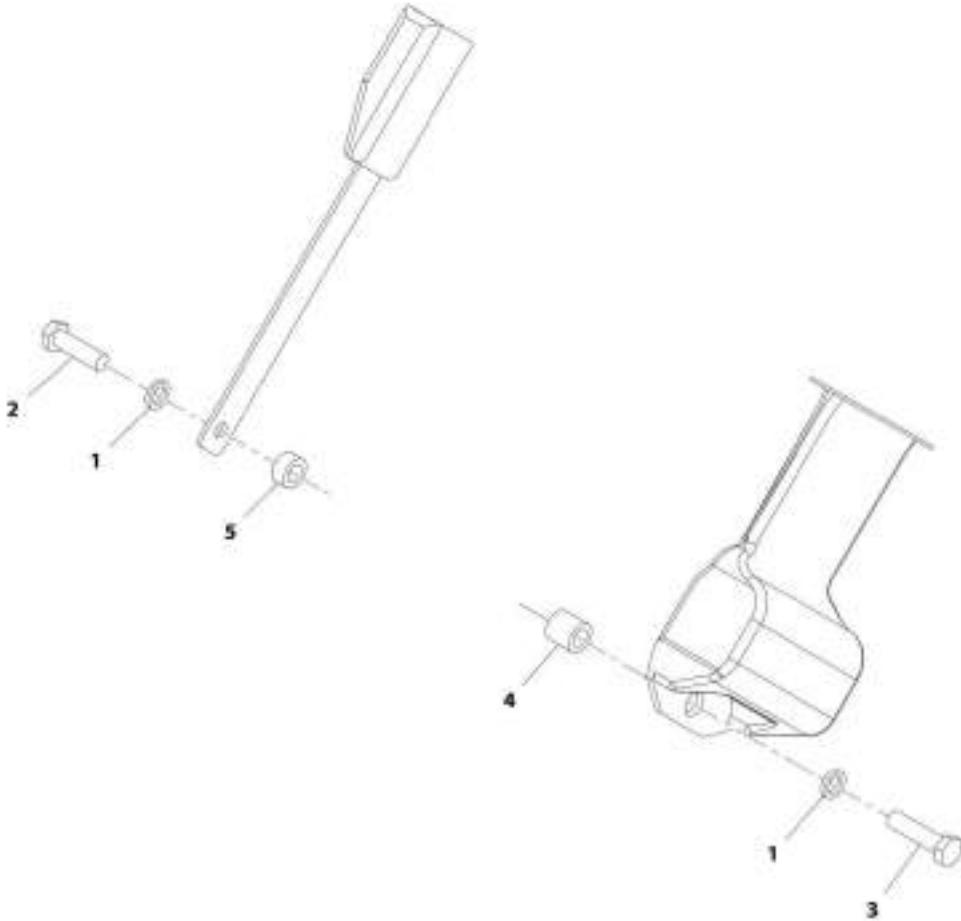
ART\_1000107007-D

FIGURE 6-52. SEAT (SN 0160068604 to Present)

ITEM	PART NUMBER	QTY	DESCRIPTION	REV
	1001197027	1	Seat	D
1	70027024	1	Suspension Assembly Kit	
2	70027025	1	Spring Saddle Assembly Kit	
4	70027026	1	Back Cushion Kit	
5	70027028	1	Seat Cushion Assembly Kit	
7	70027030	1	Boot Kit	
9	7026798	1	Adjuster Kit	
10	70027032	1	Tether Strap	
11	70027033	1	Weight Adjust Knob Kit	
12	70027034	2	Seat Belt Kit	
13	70027035	1	Document Box Kit	

## SECTION 6 - CAB

**FIGURE 6-53. SEAT BELT INSTALLATION (Prior to SN 0160085636, Including 0160083994, 0160083995, 0160083996, 0160084653, 0160084654, 0160085042 and 0160085051)**



ARC\_1001006731-B



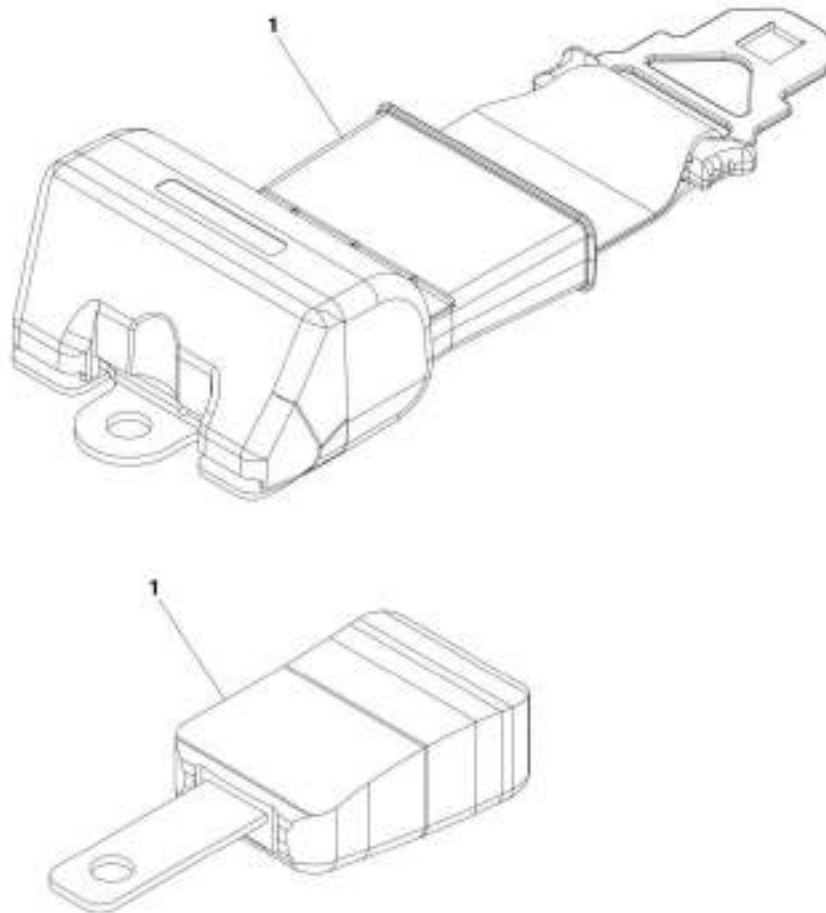
## SECTION 6 - CAB

**FIGURE 6-53. SEAT BELT INSTALLATION (Prior to SN 0160085636, Including 0160083994, 0160083995, 0160083996, 0160084653, 0160084654, 0160085042 and 0160085051)**

ITEM	PART NUMBER	QTY	DESCRIPTION	REV
	1001006731	Ref	Belt, GP Seat	B
1	1001010646	2	Washer, Spring	
2	1001010647	1	Bolt	
3	1001010648	1	Bolt	
4	1001010649	1	Spacer	
5	1001010650	1	Spacer	

## SECTION 6 - CAB

**FIGURE 6-54. SEAT BELT INSTALLATION (3 INCH) (SN 0160085636 to Present, Excluding 0160083994, 0160083995, 0160083996, 0160084653, 0160084654, 0160085042 and 0160085051)**



ART\_1001215718-B

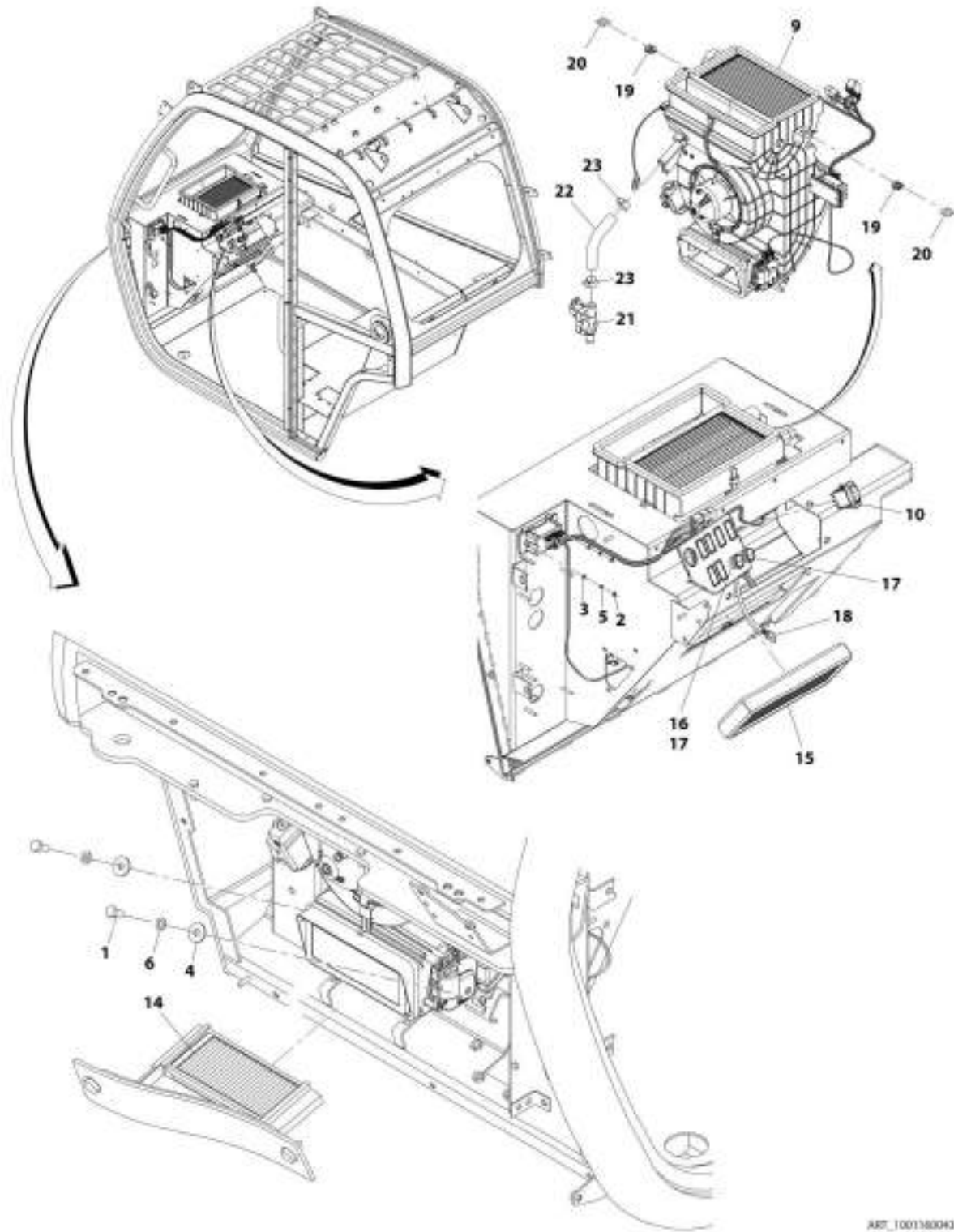
## SECTION 6 - CAB

**FIGURE 6-54. SEAT BELT INSTALLATION (3 INCH) (SN 0160085636 to Present, Excluding 0160083994, 0160083995, 0160083996, 0160084653, 0160084654, 0160085042 and 0160085051)**

ITEM	PART NUMBER	QTY	DESCRIPTION	REV
1	1001215778	Ref	Seat Belt Installation (3 Inch)	B

# SECTION 6 - CAB

## FIGURE 6-55. HEATER INSTALLATION



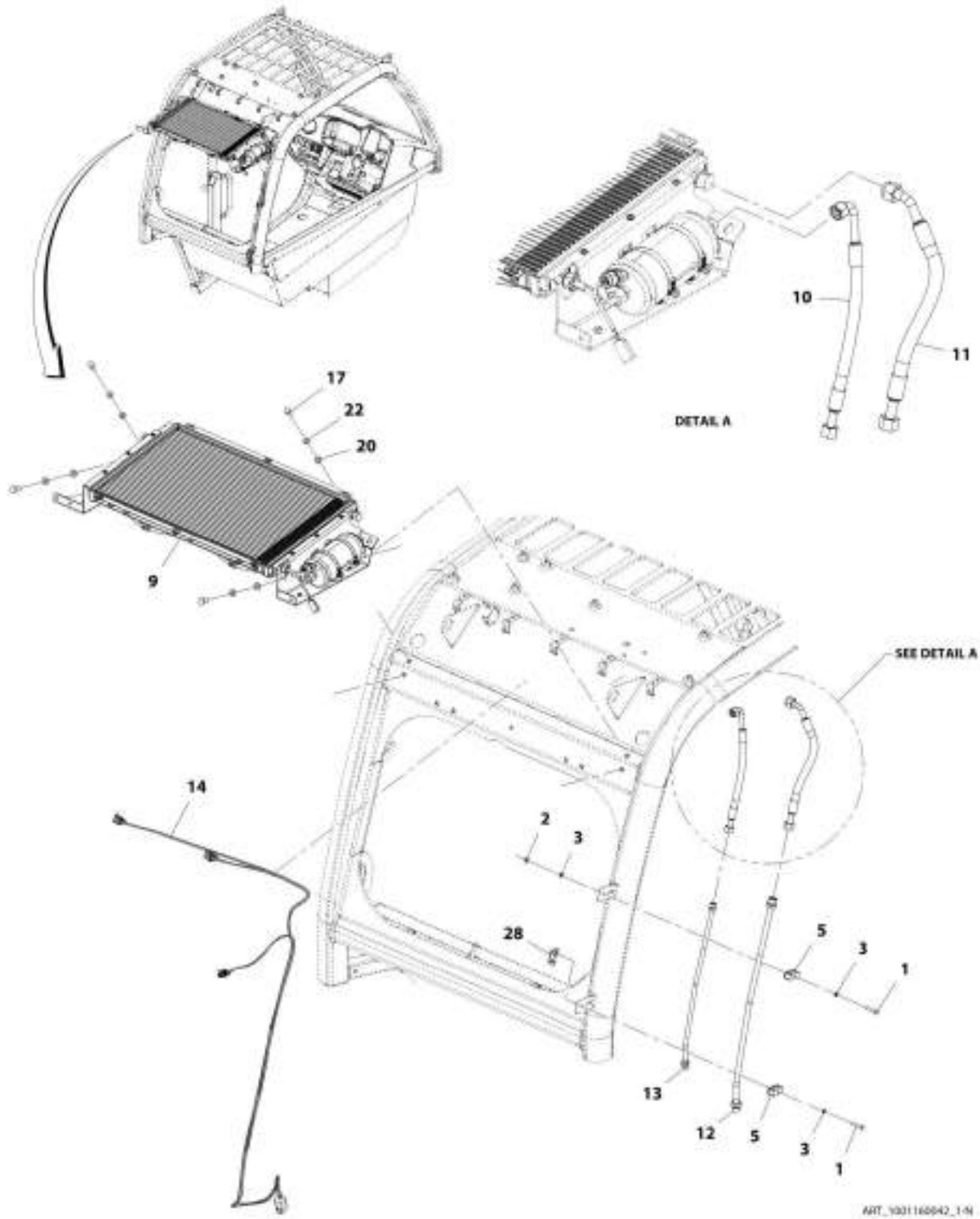
ART\_1001580043-E

FIGURE 6-55. HEATER INSTALLATION

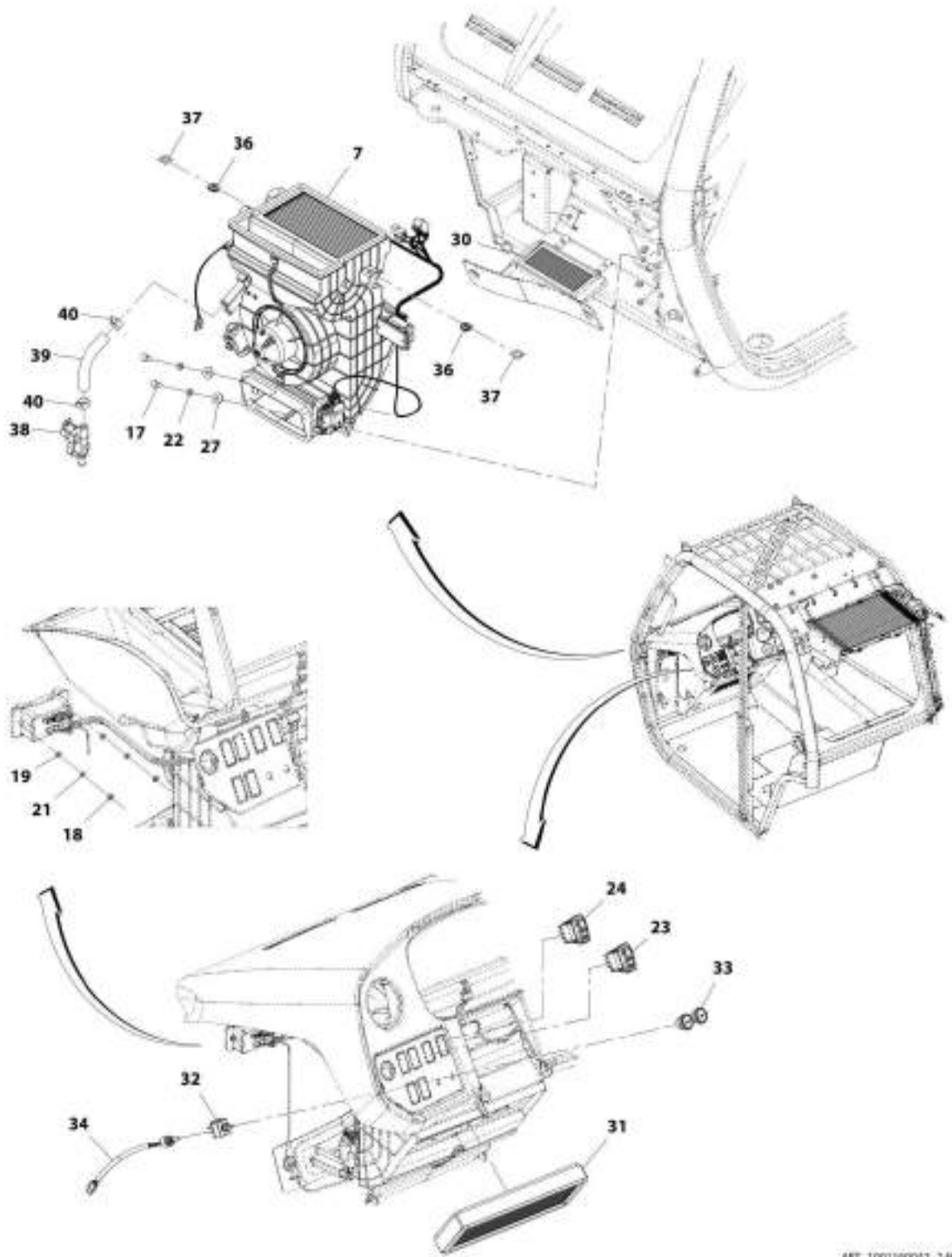
ITEM	PART NUMBER	QTY	DESCRIPTION	REV
	1001160043	Ref	Heater Installation	K
1	0760810	2	Bolt, M8X20	
2	3290401	2	Nut, M4X0.7	
3	4811400	2	Washer, M4	
4	4811902	2	Washer, M8	
5	4831400	2	Washer, Lock M4	
6	4831900	2	Washer, M8	
9	1001161858	1	Assembly, Heater (See HEATER ASSEMBLY for Breakdown)	
10	1001159925	1	Switch, HVAC Recycle	
14	1001218996	1	Filter, HVAC Fresh Air	
15	1001172553	1	Filter, HVAC Recirculation Air	
16	1001172547	1	Switch, HVAC Rotary	
17	1001172550	2	HVAC, Control Knob	
18	1001218529	1	Cab, HVAC Cable	
19	1001188590	2	Grommet, Cable Passage	
20	1001218542	2	Shim, HVAC Damper	
21	1001221059	1	Valve, Cab Water	
22	1001221295	1	Hose	
23	8410009	2	Clamp, Gear	

# SECTION 6 - CAB

## FIGURE 6-56. HEATER AND A/C INSTALLATION



# SECTION 6 - CAB



ART\_100190042\_2-R

## SECTION 6 - CAB

**FIGURE 6-56. HEATER AND A/C INSTALLATION**

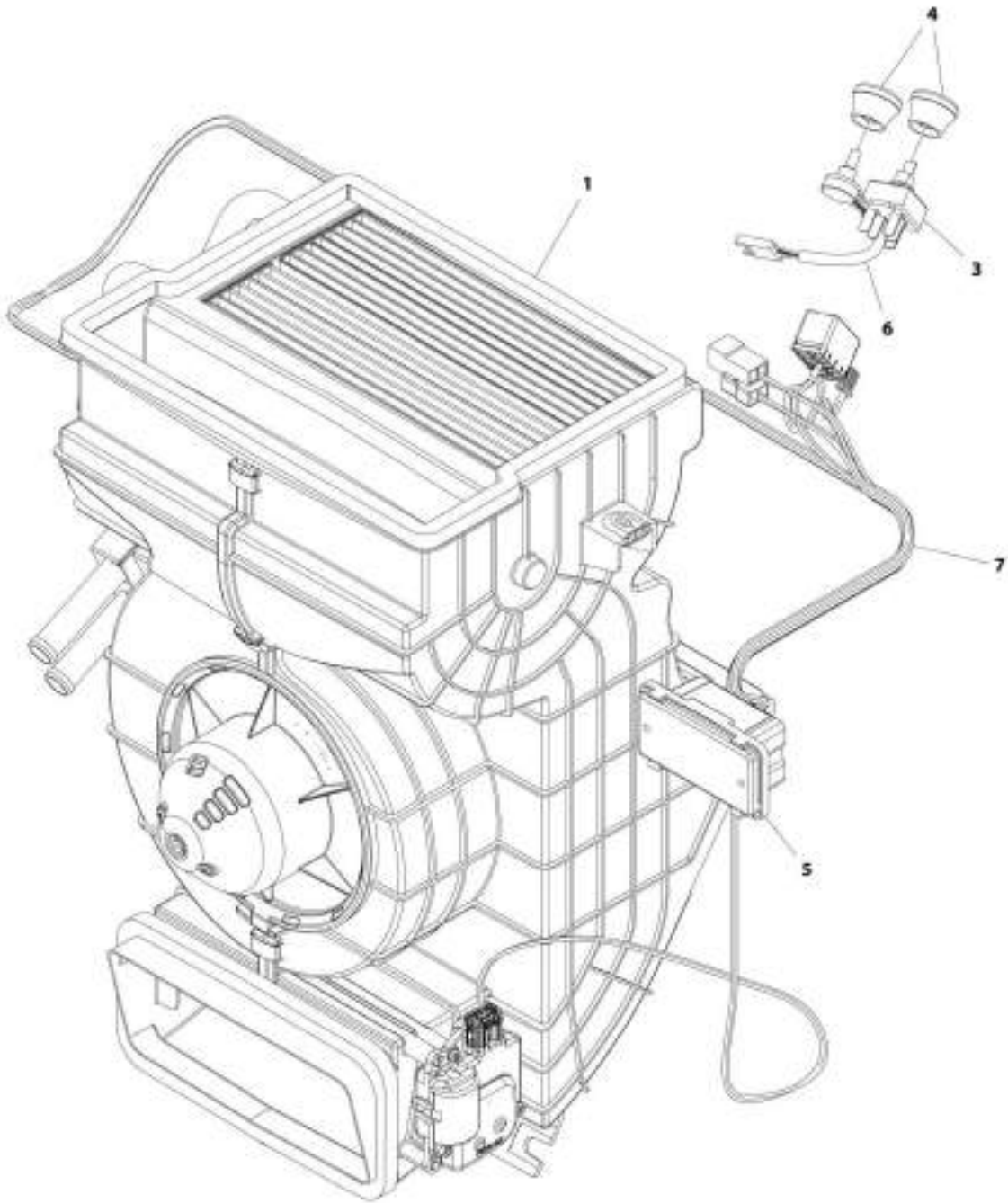
ITEM	PART NUMBER	QTY	DESCRIPTION	REV
	1001160042	Ref	Heater and A/C Installation	N
1	0700614	2	Bolt, M6X30	
2	3290601	1	Nut, M6X1	
3	4811700	3	Washer, M6	
5	1001145539	2	Support, Pipe	
7	1001188303	1	Assembly, Heater and A/C (See HEATER AND A/C ASSEMBLY for Breakdown)	
9	1001162953	1	Assembly, Cab Condenser (See CAB CONDENSER ASSEMBLY for Breakdown)	
10	1001168327	1	Hose	
11	1001168330	1	Hose	
12	1001168331	1	Tube	
13	1001168456	1	Tube	
14	1001169151	1	Harness, A/C Option (See ELECTRICAL SECTION for Breakdown)	
17	0760810	6	Bolt, M8X20 GR8.8	
18	3290401	2	Nut, M4X0.7	
19	4811400	2	Washer, M4	
20	4811900	4	Washer, M8	
21	4831400	2	Washer, Lock M4	
22	4831900	6	Washer, Lock M8	
23	1001159925	1	Switch, HVAC Recycle	
24	1001160326	1	Switch, HVAC On/Off	
27	4811902	2	Washer, M8	
28	1001178170	1	Bracket	
30	1001218996	1	Filter, HVAC Fresh Air	
31	1001172553	1	Filter, HVAC Air Recirculation	
32	1001172547	1	Switch, HVAC Rotary	
33	1001172550	2	HVAC, Control Knob	
34	1001218529	1	Cab, HVAC Cable	
36	1001188590	2	Grommet, Cable Passage	
37	1001218542	2	Shim, HVAC Damper	
38	1001221059	1	Valve, Cab Water	
39	1001221295	1	Hose	
40	8410009	2	Clamp, Gear	





# SECTION 6 - CAB

## FIGURE 6-57. HEATER ASSEMBLY (Prior to SN 0160077683)



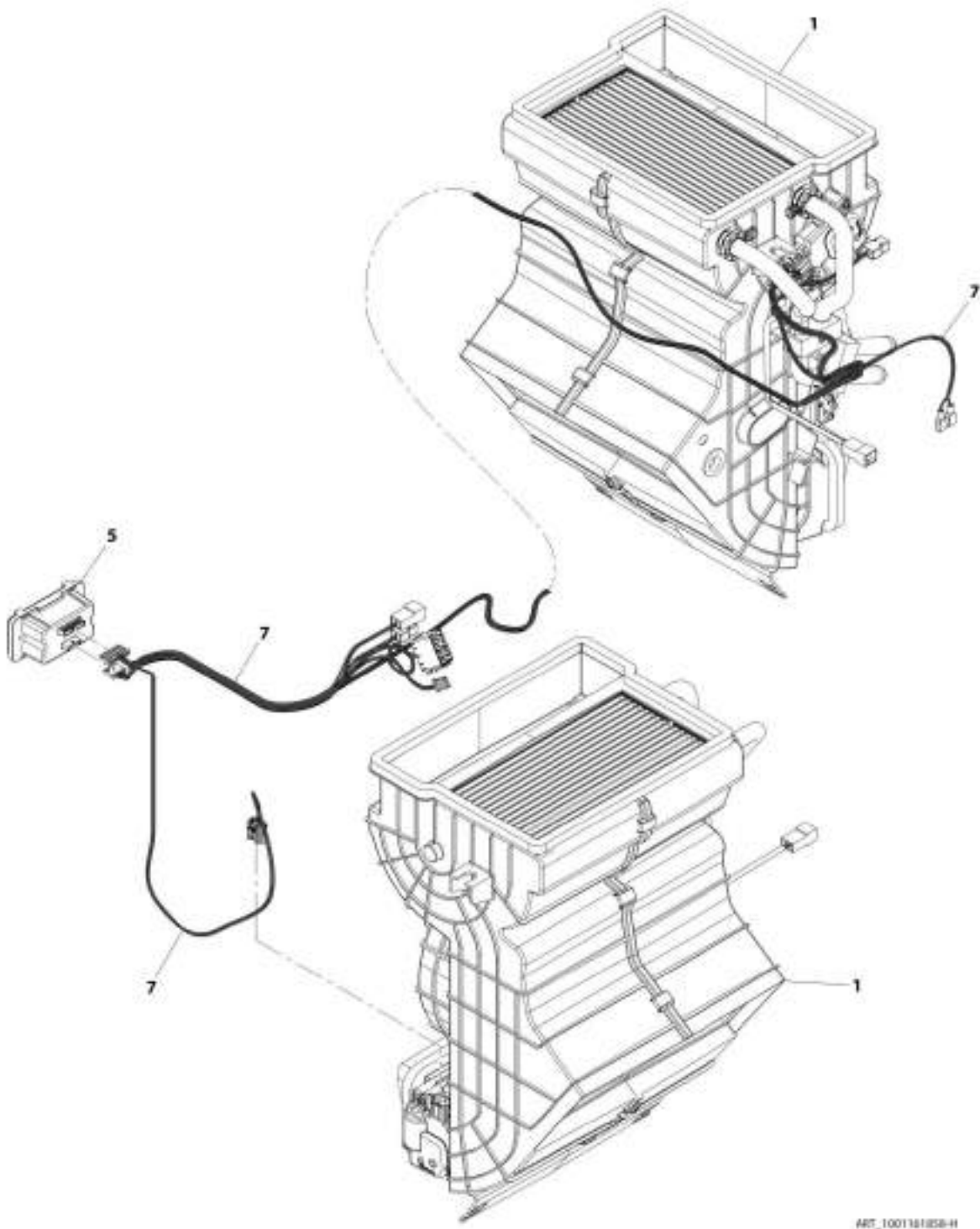
ART\_100161658-E

FIGURE 6-57. HEATER ASSEMBLY (Prior to SN 0160077683)

ITEM	PART NUMBER	QTY	DESCRIPTION	REV
	1001161858	Ref	Heater Assembly	E
1	1001152908	1	Heater, Cab (See HEATER for Breakdown)	
3	1001172547	1	Switch, HVAC Rotary 3 Speed	
4	1001172550	2	Knob, HVAC Control	
5	1001172551	1	Actuator, HVAC Cab (See HVAC CAB ACUATOR for Breakdown)	
6	1001172552	1	Cable, HVAC	
7	1001173571	1	Harness, HVAC Actuator	

# SECTION 6 - CAB

FIGURE 6-58. HEATER ASSEMBLY (SN 0160077683 to Present)



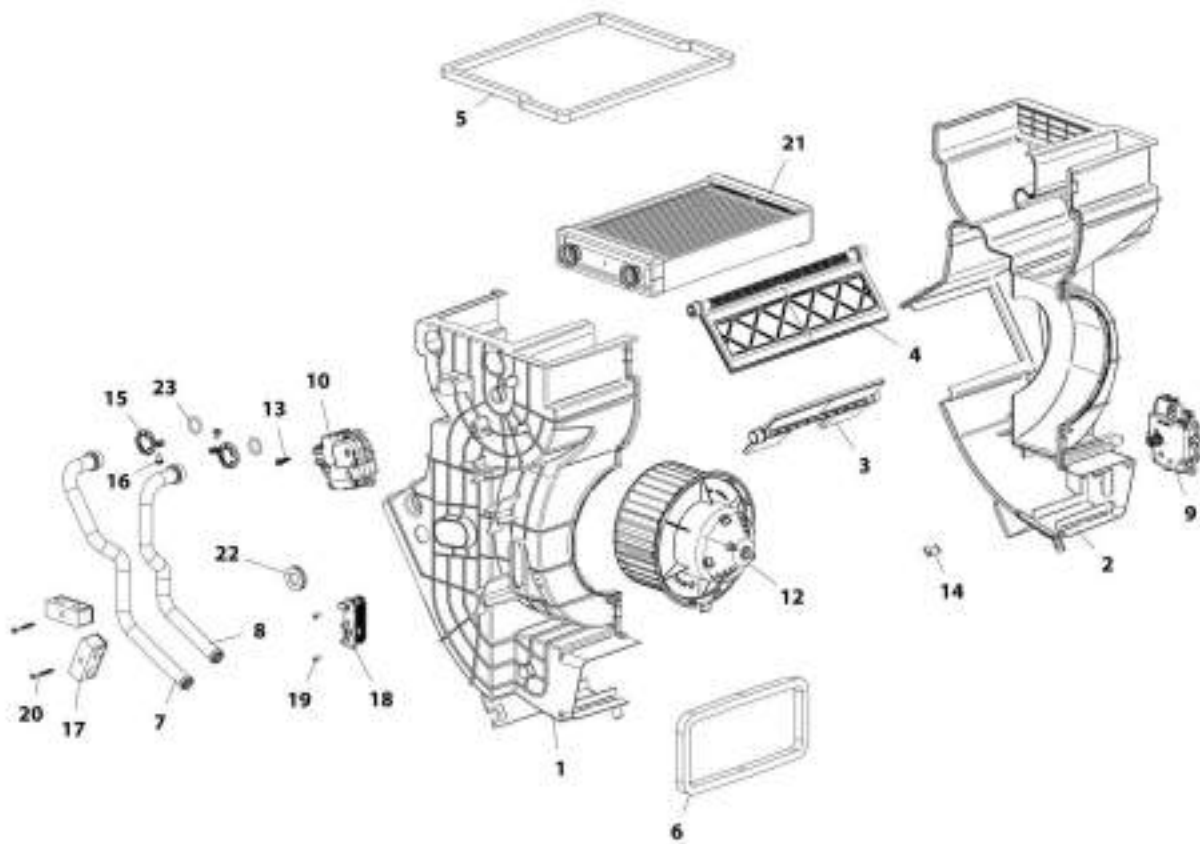
ART\_1001181858-H

**FIGURE 6-58. HEATER ASSEMBLY (SN 0160077683 to Present)**

ITEM	PART NUMBER	QTY	DESCRIPTION	REV
	1001161858	Ref	Heater Assembly	H
1	1001152908	NLA	Heater, Cab (See Separate Breakdown in this Section), (no longer available, use 1001221052 for replacement)	
1	1001221052	1	Heater, Cab (See Separate Breakdown in this Section)	
5	1001172551	1	Actuator, HVAC Cab (See HVAC CAB ACUATOR for Breakdown)	
7	1001173571	NLA	Harness, HVAC Actuator, (no longer available, use 1001221056 for replacement)	
7	1001221056	1	Harness, HVAC Actuator	

# SECTION 6 - CAB

## FIGURE 6-59. HEATER



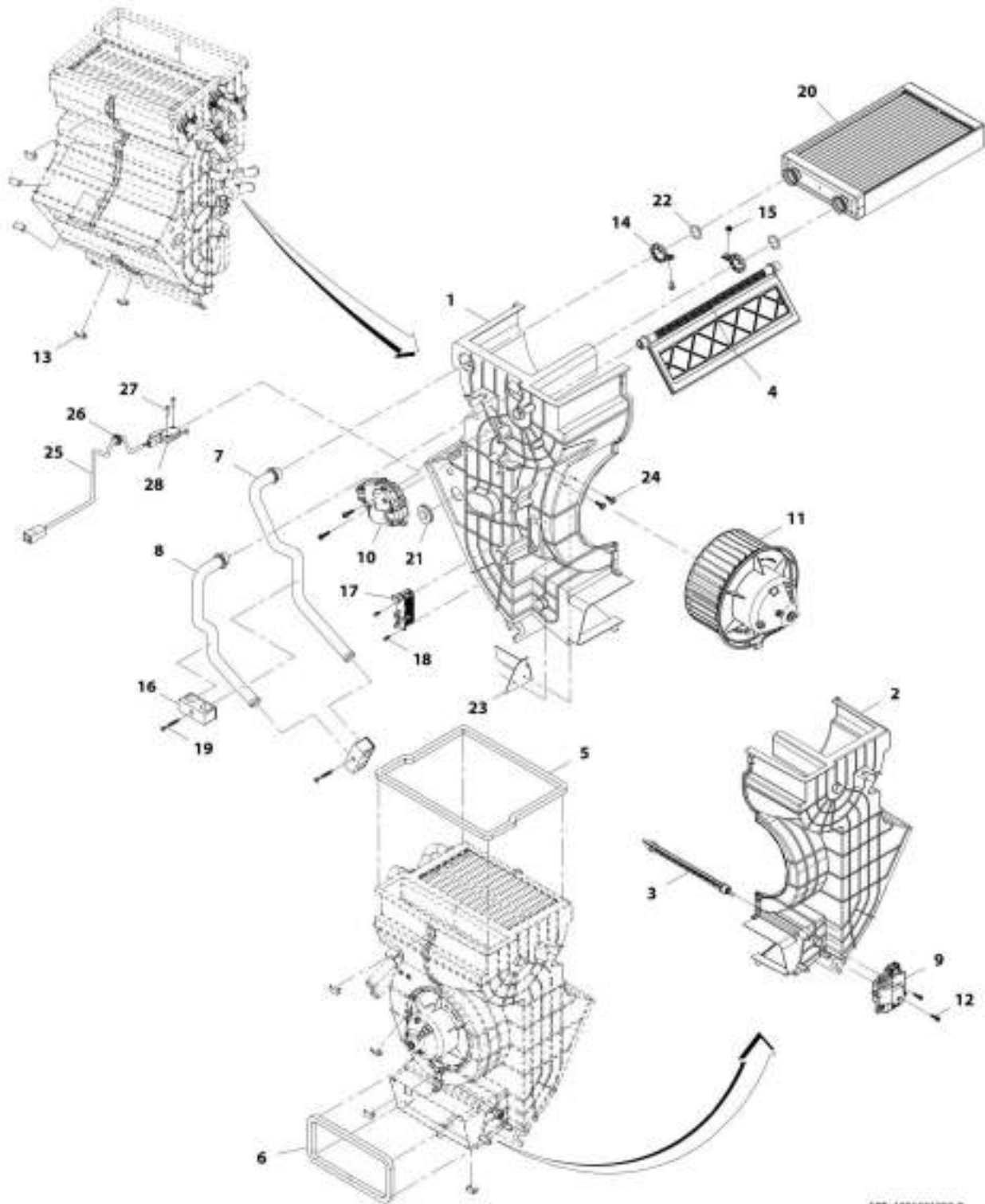
ART. 1001152008-E

FIGURE 6-59. HEATER

ITEM	PART NUMBER	QTY	DESCRIPTION	REV
	1001152908	Ref	Heater, (no longer available, see items 1 through 23 for service or use 1001221052 for replacement)	E
1	1001166091	1	Housing, RH	
2	1001166092	1	Housing, LH	
3	1001184275	1	Flap, Recirculation with Foam	
4	1001184278	1	Flap, Mixing with Foam	
5	1001184294	1	Foam, Air Outlet	
6	1001184295	1	Foam, Air Inlet	
7	1001184296	1	Pipe, Water	
8	1001184297	1	Pipe, Water	
9	1001188577	1	Actuator, Fresh/Recirculation Air	
10	1001188578	1	Actuator, Hot/Cold	
12	1001188594	1	Fan, 12V	
13	1001188602	4	Screw	
14	1001188603	9	Clamp	
15	1001188604	2	Clamp	
16	1001188610	2	Screw	
17	1001188612	2	Clamp	
18	1001188614	1	Resistor	
19	1001188720	2	Screw	
20	1001188725	2	Screw	
21	1001188729	1	Radiator, Heater Core	
22	1001188733	1	Grommet	
23	1001189025	2	O-Ring	

# SECTION 6 - CAB

## FIGURE 6-60. HEATER



ART\_1001221053-B

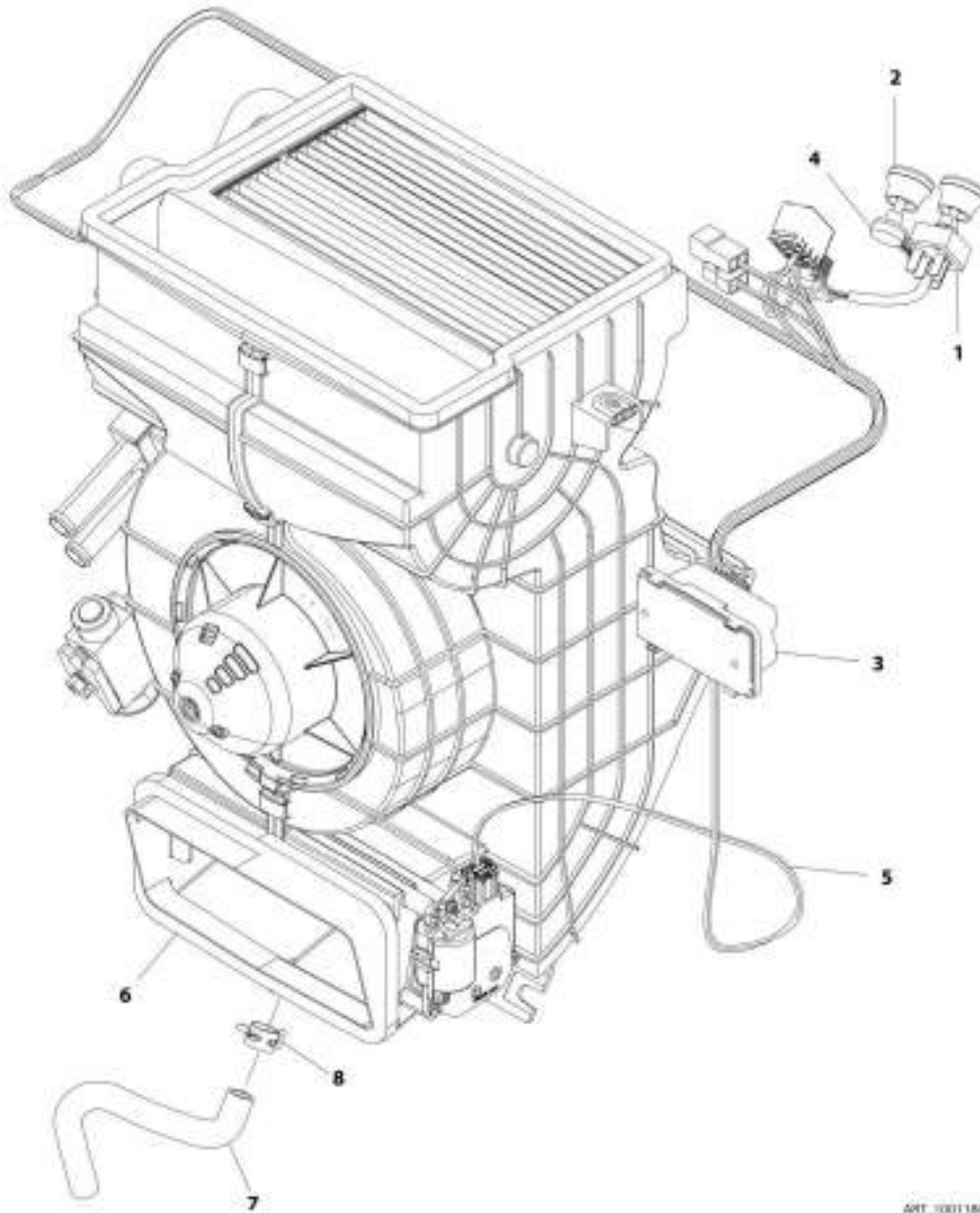


FIGURE 6-60. HEATER

ITEM	PART NUMBER	QTY	DESCRIPTION	REV
	1001221052	Ref	Heater	B
1	1001166091	1	Housing, RH	
2	1001166092	1	Housing, LH	
3	1001184275	1	Flap, Recirculation with Foam	
4	1001184278	1	Flap, Mixing with Foam	
5	1001184294	1	Foam, Air Outlet	
6	1001184295	1	Foam, Air Inlet	
7	1001184296	1	Pipe, Water	
8	1001184297	1	Pipe, Water	
9	1001188577	1	Actuator, Fresh/Recirculation Air	
10	1001188578	1	Actuator, Hot/Cold	
11	1001188594	1	Fan, 12V	
12	1001188602	4	Screw	
13	1001188603	9	Clamp	
14	1001188604	2	Clamp	
15	1001188610	2	Screw	
16	1001188612	2	Clamp	
17	1001188614	1	Resistor	
18	1001188720	2	Screw	
19	1001188725	2	Screw	
20	1001188729	1	Radiator, Heater Core	
21	1001188733	1	Grommet	
22	1001189025	2	O-Ring	
23	1001221057	1	Baffle, Plate	
24	1001221058	2	Screw	
25	1001228132	1	Harness	
26	1001228140	1	Grommet	
27	1001228141	2	Screw	
28	1001228147	1	Sensor	

## SECTION 6 - CAB

FIGURE 6-61. HEATER AND A/C GROUP (Prior to SN 0160077683)



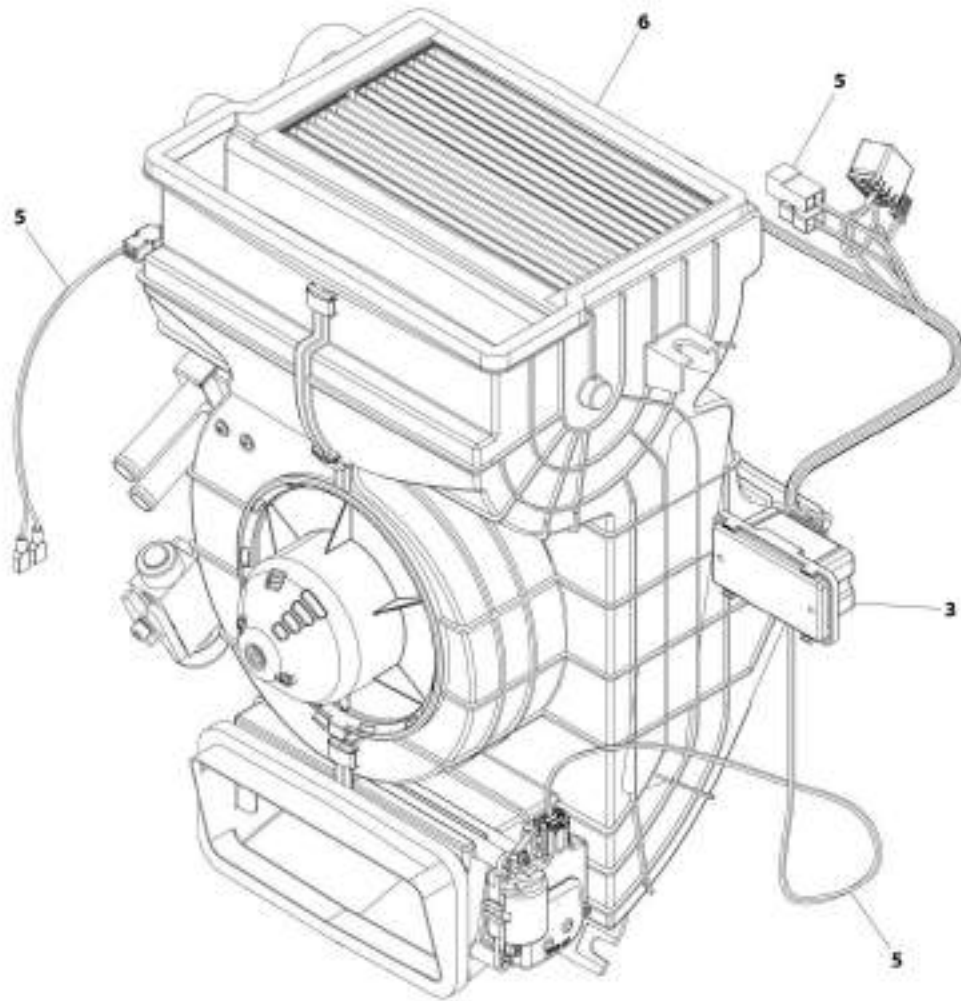
ART\_1001188305-B

**SECTION 6 - CAB****FIGURE 6-61. HEATER AND A/C GROUP (Prior to SN 0160077683)**

<b>ITEM</b>	<b>PART NUMBER</b>	<b>QTY</b>	<b>DESCRIPTION</b>	<b>REV</b>
	1001188303	Ref	Heater and A/C Group	B
1	1001172547	1	Switch, HVAC Rotary 3 Speed	
2	1001172550	2	Knob, HVAC Control	
3	1001172551	1	Actuator, HVAC Cab (See HVAC Cab Actuator for Breakdown)	
4	1001172552	1	Cable, HVAC	
5	1001173571	1	Harness, HVAC Actuator	
6	1001188275	1	Heater and A/C (See HEATER AND A/C for Breakdown)	
7	1001161865	1	Hose	
8	1001152729	1	Clamp	

## SECTION 6 - CAB

FIGURE 6-62. HEATER AND A/C GROUP (SN 0160077683 to Present)



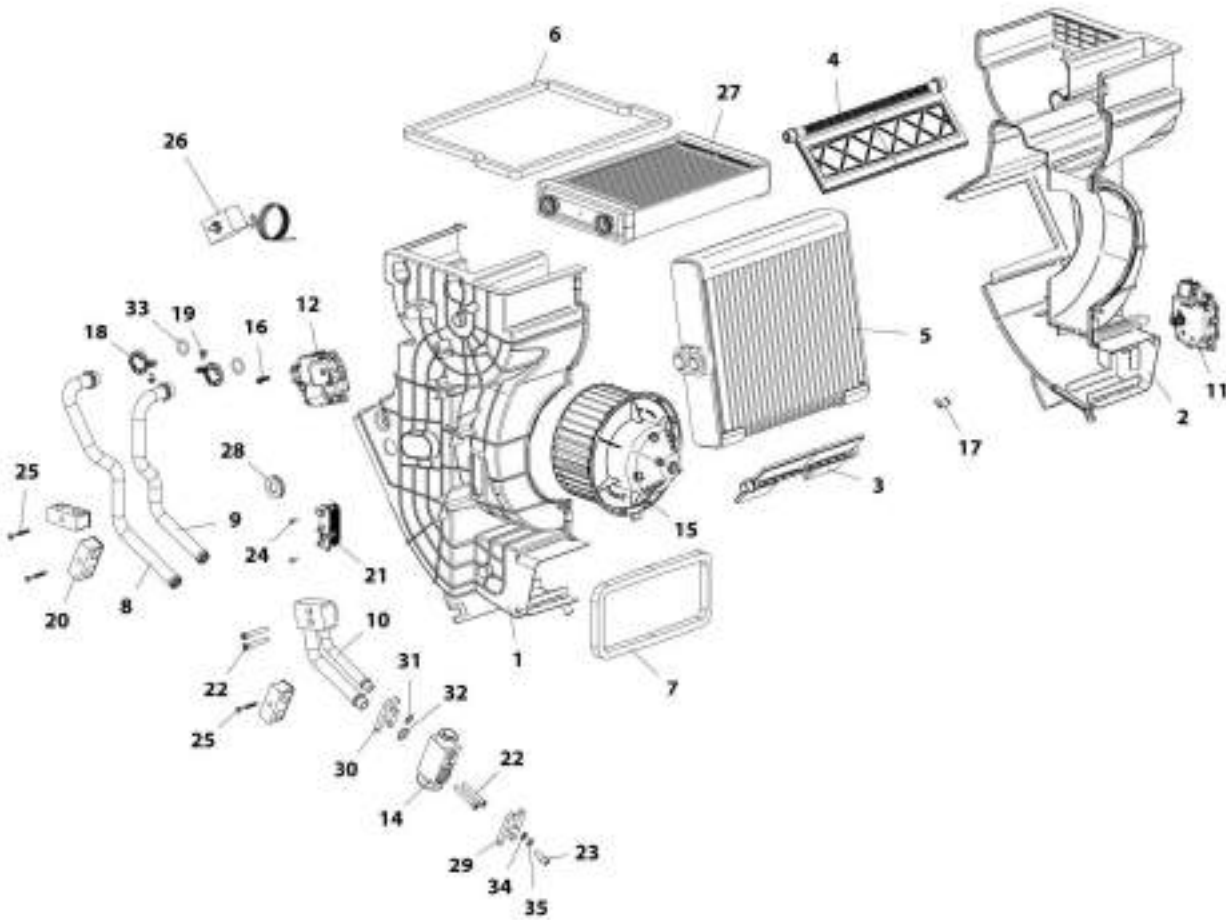
ART\_1001188303-G

**SECTION 6 - CAB****FIGURE 6-62. HEATER AND A/C GROUP (SN 0160077683 to Present)**

<b>ITEM</b>	<b>PART NUMBER</b>	<b>QTY</b>	<b>DESCRIPTION</b>	<b>REV</b>
	1001188303	Ref	Heater and A/C Group	F
3	1001172551	1	Actuator, HVAC Cab (See HVAC Cab Actuator for Breakdown)	
5	1001173571	NLA	Harness, HVAC Actuator, (no longer available, use 1001221056 for replacement)	
5	1001221056	1	Harness, HVAC Actuator	
6	1001188275	NLA	Heater and A/C (See Separate Breakdown in this Section), (no longer available, use 1001221054 for replacement)	
6	1001221054	1	Heater and A/C (See Separate Breakdown in this Section)	

# SECTION 6 - CAB

## FIGURE 6-63. HEATER AND A/C



ART\_1001180275-D

FIGURE 6-63. HEATER AND A/C

ITEM	PART NUMBER	QTY	DESCRIPTION	REV
	1001188275	Ref	Heater and A/C, (no longer available, see items 1 through 35 for service or use 1001221054 for replacement)	D
1	1001166091	1	Housing, HVAC RH	
2	1001166092	1	Housing, HVAC LH	
3	1001184275	1	Foam, Heater Flap	
4	1001184278	1	Foam, Heater Mixing Flap	
5	1001184280	1	Evaporator, Heater	
6	1001184294	1	Seal, Heater Foam	
7	1001184295	1	Seal, Air Inlet Foam	
8	1001184296	1	Pipe, Heater Water	
9	1001184297	1	Pipe, Heater Water	
10	1001184427	1	Pipe, Heater	
11	1001188577	1	Actuator, Fresh/Recirculation Air	
12	1001188578	1	Actuator, Hot/Cold Mixing	
14	1001188592	1	Valve, HVAC Expansion	
15	1001188594	1	Fan, HVAC Centrifugal 12V	
16	1001188602	4	Screw, 4mm	
17	1001188603	9	Clamp, HVAC Case	
18	1001188604	2	Clamp, HVAC Pipe	
19	1001188610	2	Screw, M4X0.7	
20	1001188612	3	Clamp, Pipe	
21	1001188614	1	Resistor	
22	1001188618	4	Screw, M5	
23	1001188619	1	Screw, M6	
24	1001188720	2	Screw, M2.9X9.5	
25	1001188725	3	Screw, M4X35	
26	1001188728	1	Sensor, HVAC Thermostat	
27	1001188729	1	Radiator, Heater Core	
28	1001188733	1	Grommet	
29	1001188817	1	Clamp, Hose	
30	1001188818	1	Clamp, HVAC EVAP/Valve	
31	1001189023	1	O-Ring	
32	1001189024	1	O-Ring	
33	1001189025	2	O-Ring	
34	1001189048	1	Washer	
35	1001189054	1	Washer, Spring	

# SECTION 6 - CAB

## FIGURE 6-64. HEATER AND A/C

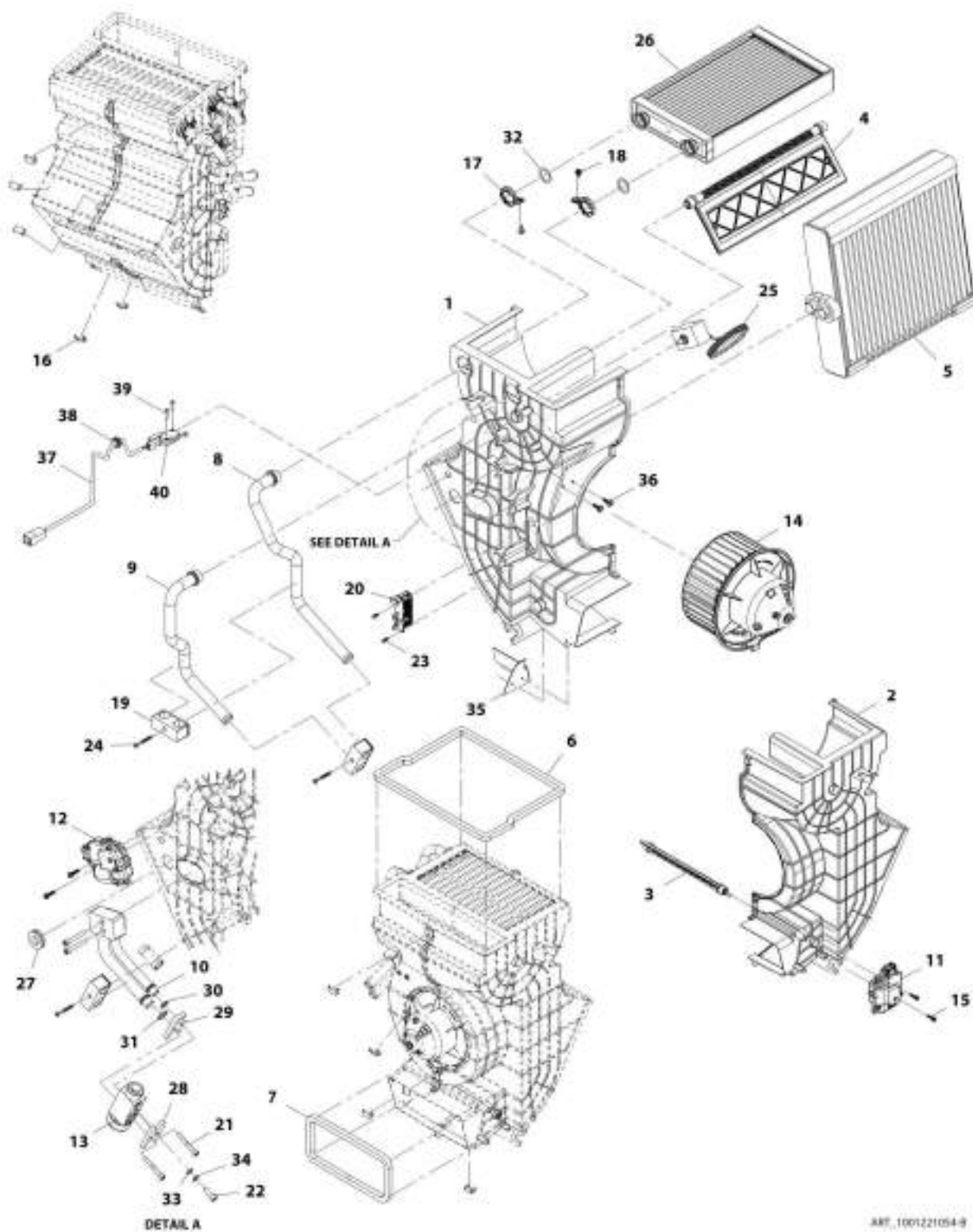


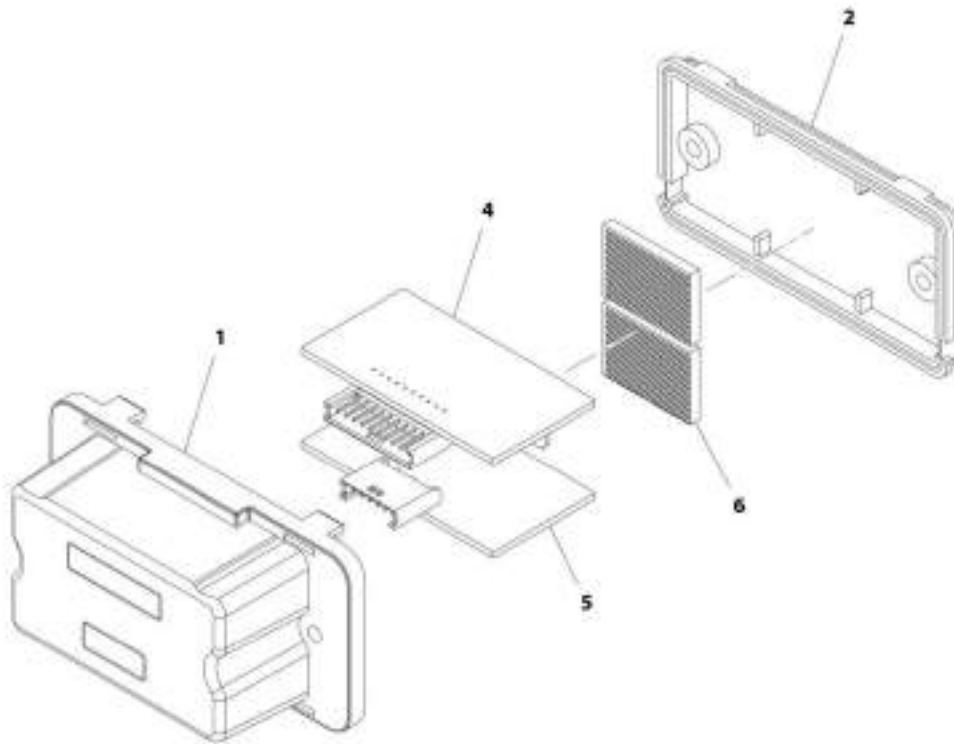


FIGURE 6-64. HEATER AND A/C

ITEM	PART NUMBER	QTY	DESCRIPTION	REV
	1001221054	Ref	Heater and A/C	B
1	1001166091	1	Housing, HVAC RH	
2	1001166092	1	Housing, HVAC LH	
3	1001184275	1	Foam, Heater Flap	
4	1001184278	1	Foam, Heater Mixing Flap	
5	1001184280	1	Evaporator, Heater	
6	1001184294	1	Seal, Heater Foam	
7	1001184295	1	Seal, Air Inlet Foam	
8	1001184296	1	Pipe, Heater Water	
9	1001184297	1	Pipe, Heater Water	
10	1001184427	1	Pipe, Heater	
11	1001188577	1	Actuator, Fresh/Recirculation Air	
12	1001188578	1	Actuator, Hot/Cold Mixing	
13	1001188592	1	Valve, HVAC Expansion	
14	1001188594	1	Fan, HVAC Centrifugal 12V	
15	1001188602	4	Screw, 4mm	
16	1001188603	9	Clamp, HVAC Case	
17	1001188604	2	Clamp, HVAC Pipe	
18	1001188610	2	Screw, M4X0.7	
19	1001188612	3	Clamp, Pipe	
20	1001188614	1	Resistor	
21	1001188618	4	Screw, M5	
22	1001188619	1	Screw, M6	
23	1001188720	2	Screw, M2.9X9.5	
24	1001188725	3	Screw, M4X35	
25	1001188728	1	Sensor, HVAC Thermostat	
26	1001188729	1	Radiator, Heater Core	
27	1001188733	1	Grommet	
28	1001188817	1	Clamp, Hose	
29	1001188818	1	Clamp, HVAC EVAP/Valve	
30	1001189023	1	O-Ring	
31	1001189024	1	O-Ring	
32	1001189025	2	O-Ring	
33	1001189048	1	Washer	
34	1001189054	1	Washer, Spring	
35	1001221057	1	Baffle, Plate	
36	1001221058	2	Screw	
37	1001228132	1	Harness	
38	1001228140	1	Grommet	
39	1001228141	2	Screw	
40	1001228147	1	Sensor	

# SECTION 6 - CAB

## FIGURE 6-65. HVAC CAB ACTUATOR



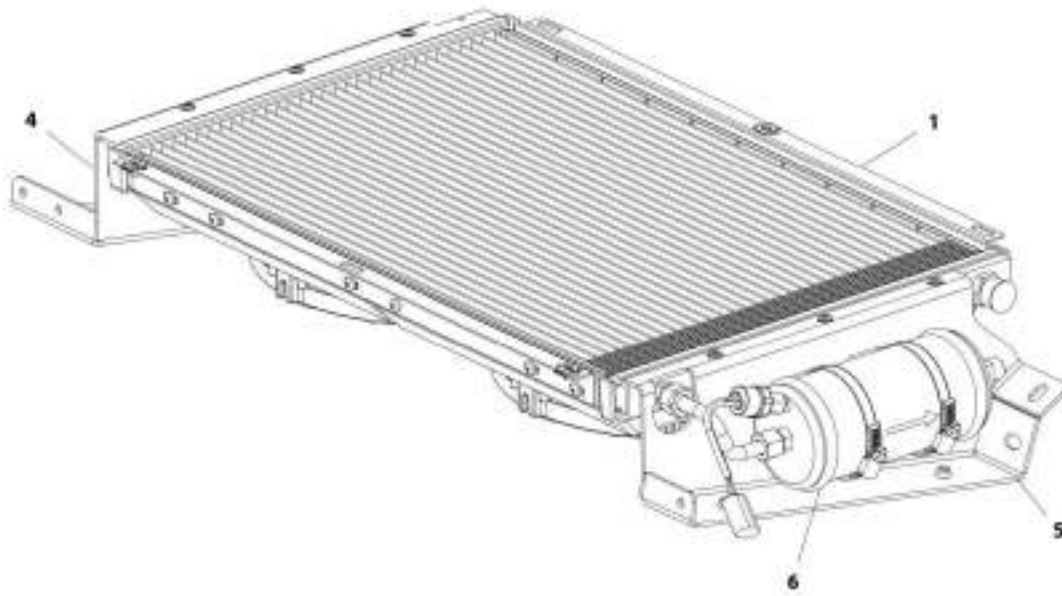
ART\_1061172551-C

FIGURE 6-65. HVAC CAB ACTUATOR

ITEM	PART NUMBER	QTY	DESCRIPTION	REV
	1001172551	Ref	HVAC Cab Actuator	C
1	1001184306	1	Box, Heater Controller	
2	1001184307	1	Base, Heater Controller Box	
4	1001184309	1	Board, Heater Control	
5	1001184310	1	Board, Heater Control	
6	1001189980	2	Insulator, Heater Controller Box	

# SECTION 6 - CAB

## FIGURE 6-66. CAB CONDENSER ASSEMBLY



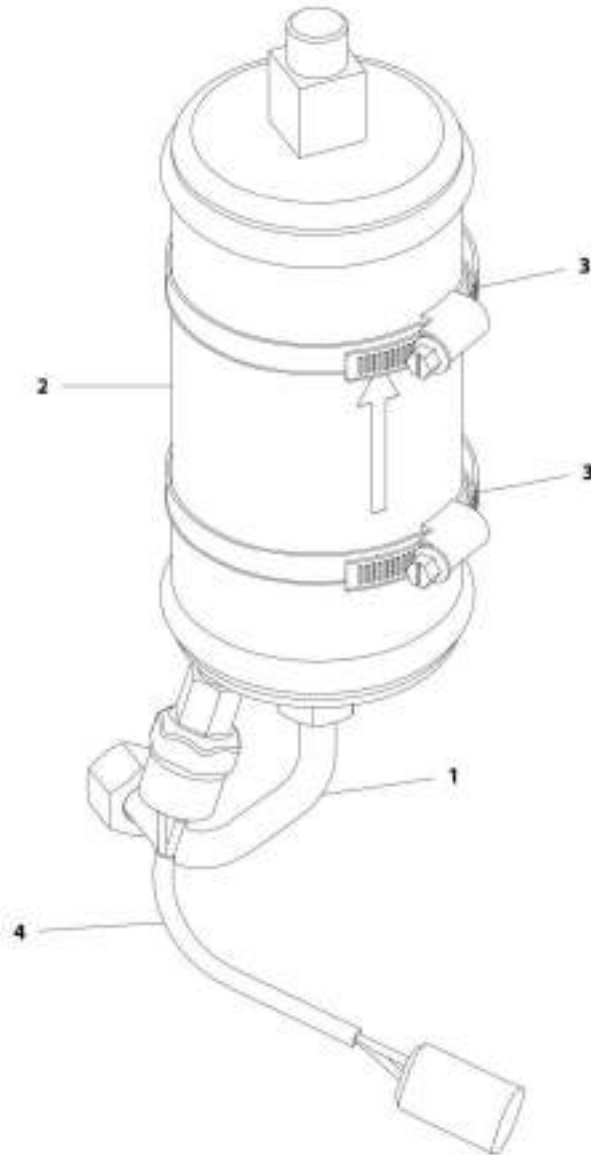
ART\_3001162953-F

FIGURE 6-66. CAB CONDENSER ASSEMBLY

ITEM	PART NUMBER	QTY	DESCRIPTION	REV
	1001162953	Ref	Cab Condenser Assembly	F
1	1001167266	1	Condenser (See CONDENSER for Breakdown)	
4	1001179080	1	Bracket	
5	1001179081	1	Bracket	
6	1001179130	1	Drier, A/C Receiver (See A/C RECEIVER DRIER for Breakdown)	

**SECTION 6 - CAB**

**FIGURE 6-67. A/C RECEIVER DRIER**



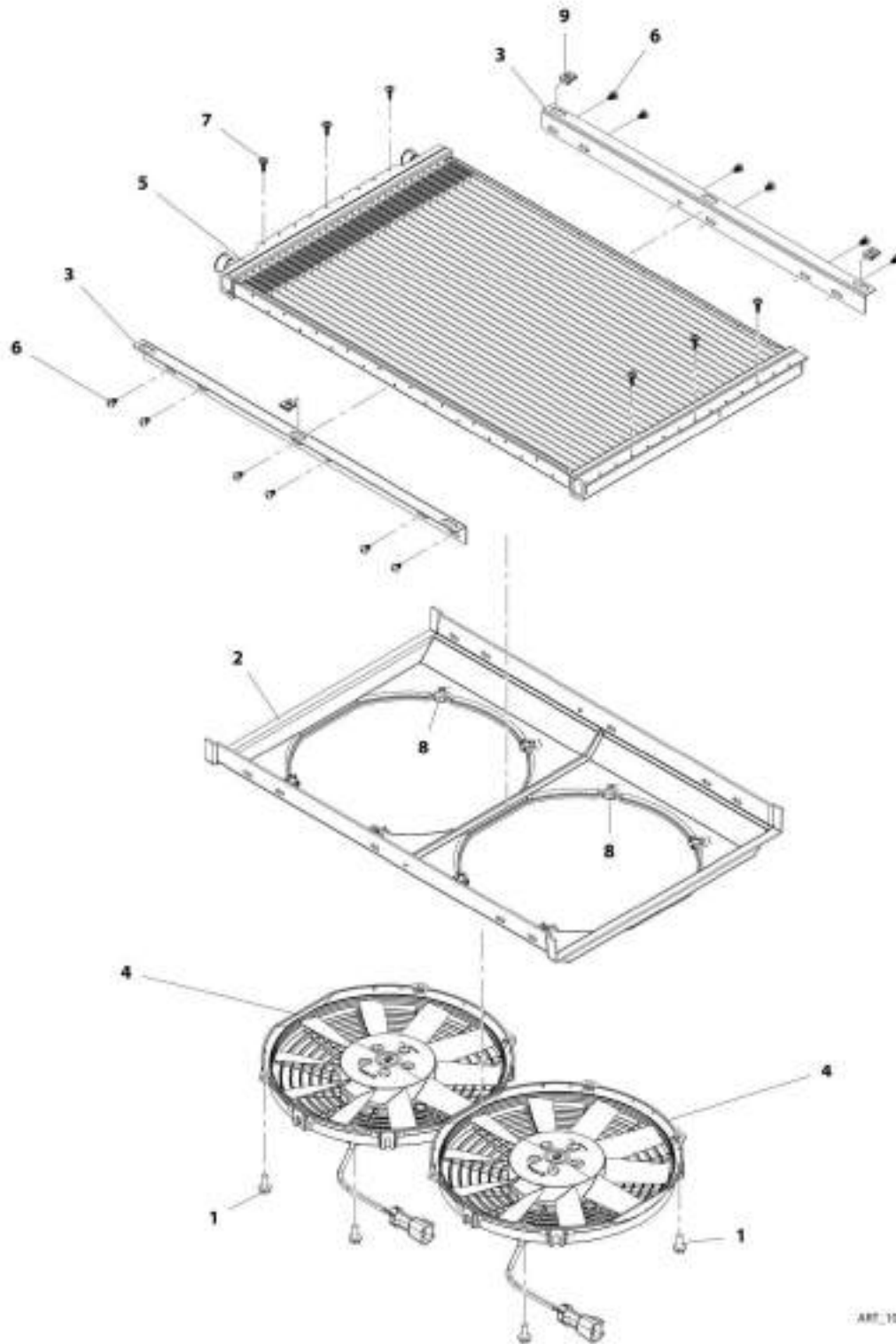
ART\_1001/P1130-B

FIGURE 6-67. A/C RECEIVER DRIER

ITEM	PART NUMBER	QTY	DESCRIPTION	REV
	1001179130	Ref	A/C Receiver Drier	B
1	1001184403	1	Tube, Heater	
2	1001184404	1	Receiver, Heater Drier	
3	1001184405	2	Clamp	
4	1001184406	1	Connector, Heater	

# SECTION 6 - CAB

## FIGURE 6-68. CONDENSER



ART. 1001107290 C

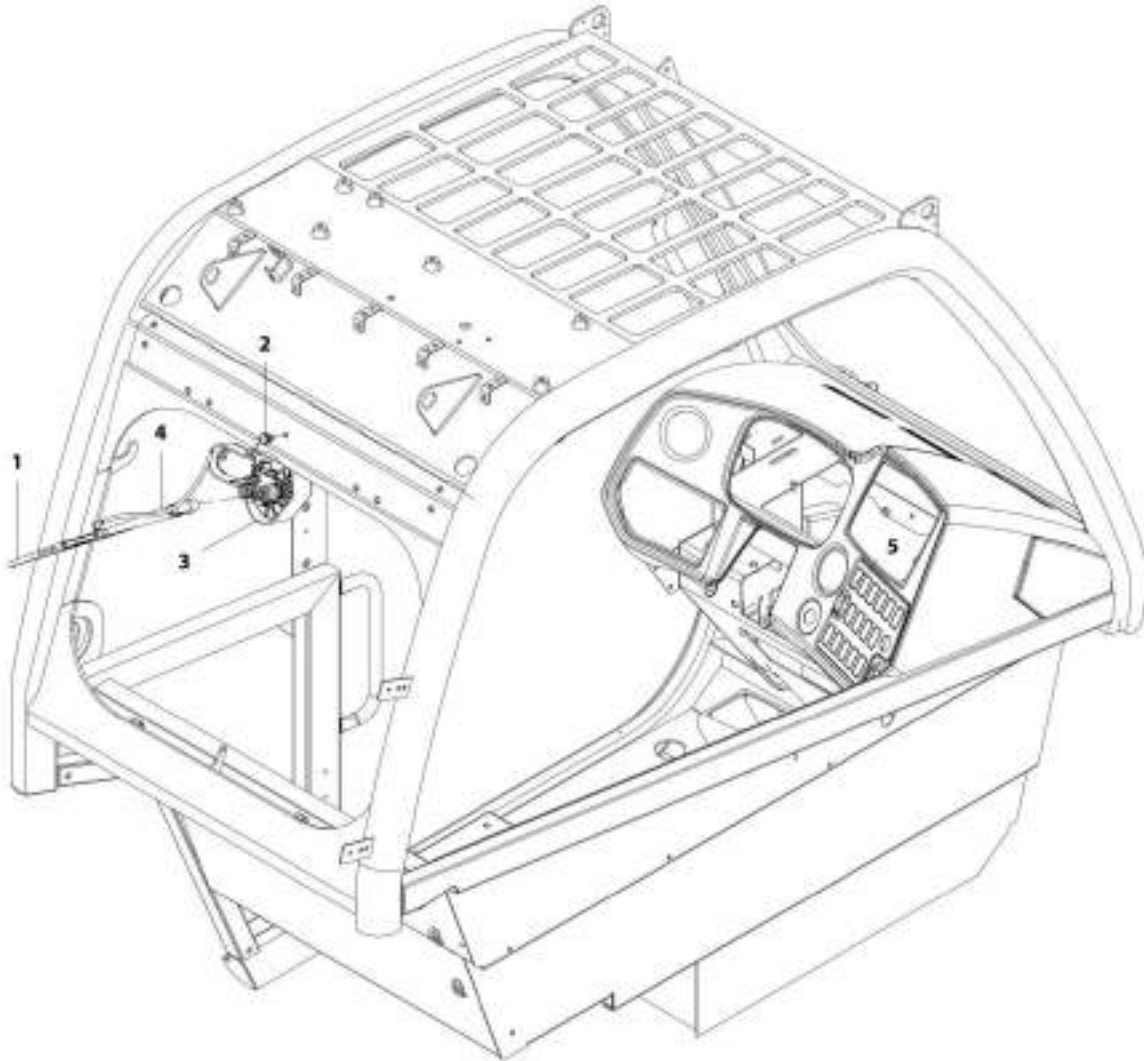


FIGURE 6-68. CONDENSER

ITEM	PART NUMBER	QTY	DESCRIPTION	REV
	1001167266	Ref	Condenser	C
1	5250608	8	Bolt, M6X16	
2	1001195342	1	Bracket, Condenser Fan Mount	
3	1001195343	2	Support, Condenser	
4	1001195345	2	Fan, Condenser	
5	1001195346	1	Condenser	
6	1001195385	12	Screw, M3.9X9.5	
7	1001195386	6	Screw, M4.2X16	
8	1001195437	8	Clip, M6X1	
9	1001195438	3	Clip, M6X1	

# SECTION 6 - CAB

## FIGURE 6-69. REAR WIPER INSTALLATION



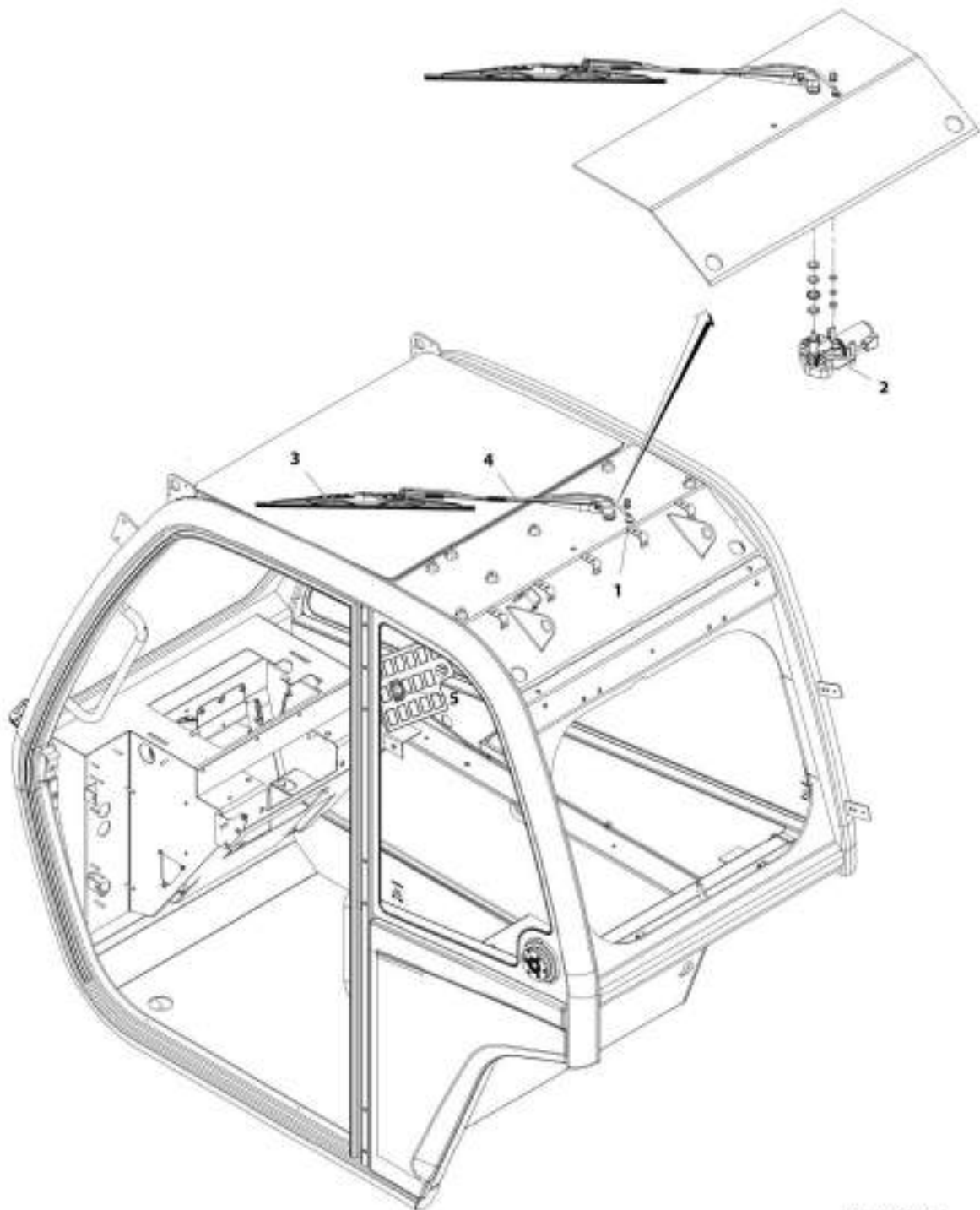
ART\_100176164-B

FIGURE 6-69. REAR WIPER INSTALLATION

ITEM	PART NUMBER	QTY	DESCRIPTION	REV
	1001176164	Ref	Rear Wiper Installation	B
1	4807718	1	Blade, Wiper	
2	1001090343	1	Connector	
3	1001139552	1	Motor, Rear Wiper Window	
4	1001141312	1	Arm, Rear Window Wiper Blade	
5	1001159735	1	Switch, Rear Wiper	

# SECTION 6 - CAB

## FIGURE 6-70. ROOF WIPER INSTALLATION



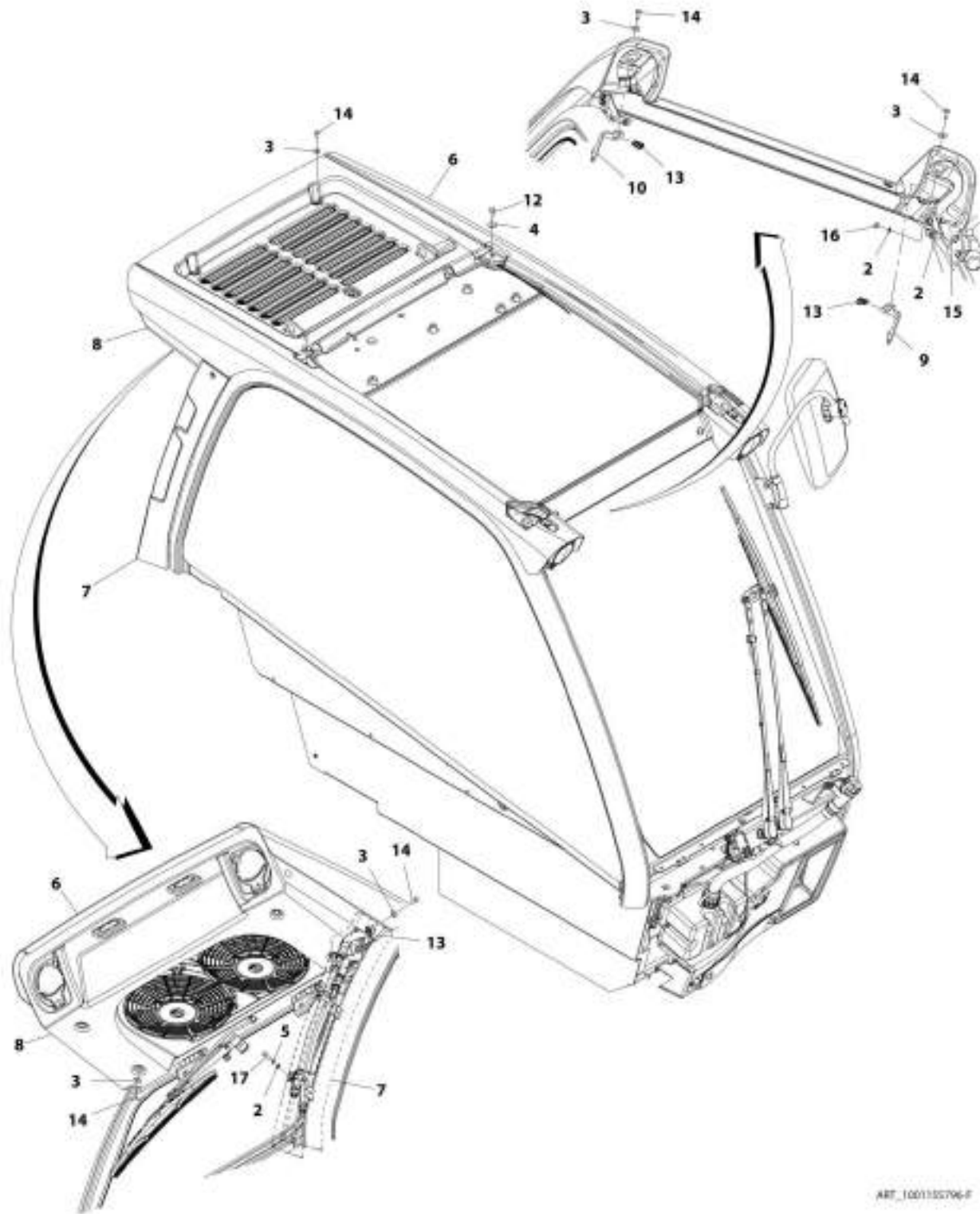
ART\_100155486-B

FIGURE 6-70. ROOF WIPER INSTALLATION

ITEM	PART NUMBER	QTY	DESCRIPTION	REV
	1001155486	Ref	Roof Wiper Installation	B
1	1001090343	1	Connector	
2	1001139551	1	Motor, Roof Wiper	
3	1001141313	1	Blade, Roof Wiper	
4	1001141311	1	Arm, Roof Wiper Blade	
5	1001159736	1	Switch, Roof Wiper	

# SECTION 6 - CAB

## FIGURE 6-71. LONG CAB ROOF CAPPING INSTALLATION



ART\_100135796-F

FIGURE 6-71. LONG CAB ROOF CAPPING INSTALLATION

ITEM	PART NUMBER	QTY	DESCRIPTION	REV
	1001155796	Ref	Long Cab Roof Capping Installation	F
2	4811700	9	Washer, M6	
3	4811702	10	Washer, M6	
4	4811902	2	Washer, M8	
5	4831700	1	Washer, Lock M6	
6	1001155800	1	Cover, Upper Roof Cap	
7	1001174741	1	Cover	
8	1001176317	NLA	Cover, Lower Roof Cap, (no longer available, use 1001214156 for replacement)	
8	1001214156	1	Cover, Lower Roof Cap	
9	1001174800	1	Bracket, Roof Cap	
10	1001174801	1	Bracket, Roof Cap	
12	0760808	2	Bolt, M8X16	
13	8305919	3	Nut, M6	
14	4010610002	10	Screw, Posi-Drive M6X20	
15	0700610	4	Bolt, M6X20	
16	3290601	4	Nut, M6X1	
17	4010608002	1	Screw, M6X16	

# SECTION 6 - CAB

## FIGURE 6-72. SHORT CAB ROOF CAPPING INSTALLATION

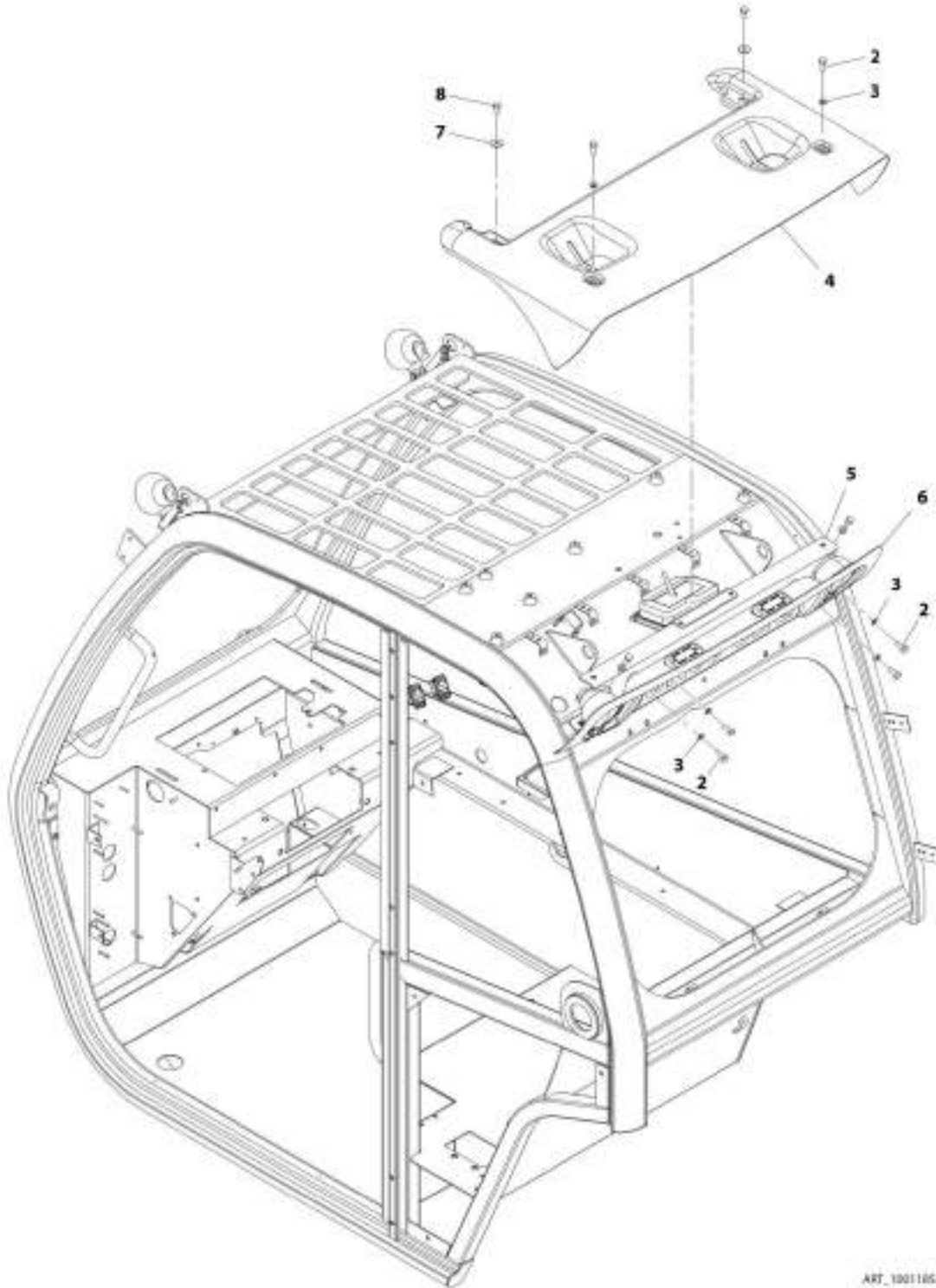


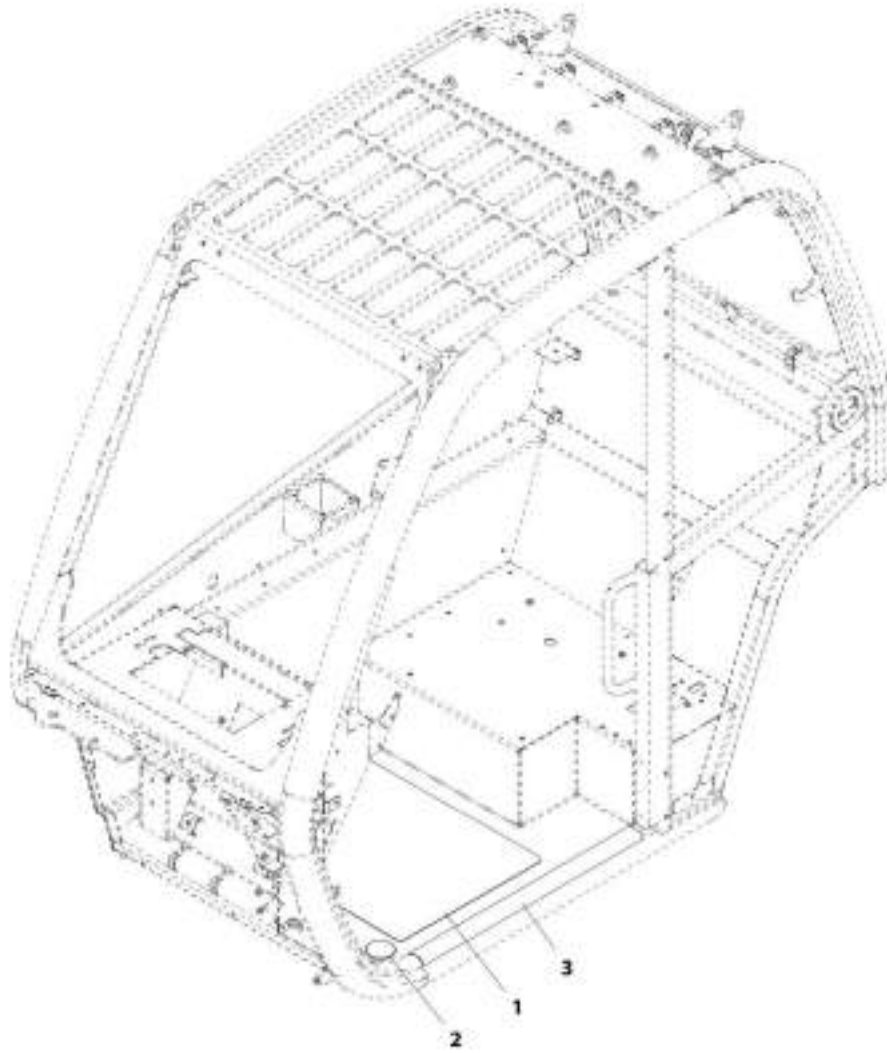


FIGURE 6-72. SHORT CAB ROOF CAPPING INSTALLATION

ITEM	PART NUMBER	QTY	DESCRIPTION	REV
	1001185846	Ref	Short Cab Roof Capping Installation	D
2	0760810	8	Bolt, M8X20	
3	4811900	8	Washer, M8	
4	1001182328	1	Cover, Short Upper Roof Cap	
5	1001185633	1	Bracket, Roof Cap Mount	
6	1001185844	NLA	Cover, Short Lower Roof Cap, (no longer available, use 1001214535 for replacement)	
6	1001214535	1	Cover, Short Lower Roof Cap	
7	4811902	2	Washer, M8	
8	0760808	2	Bolt, M8X16	

# SECTION 6 - CAB

## FIGURE 6-73. NON SKID TAPE INSTALLATION



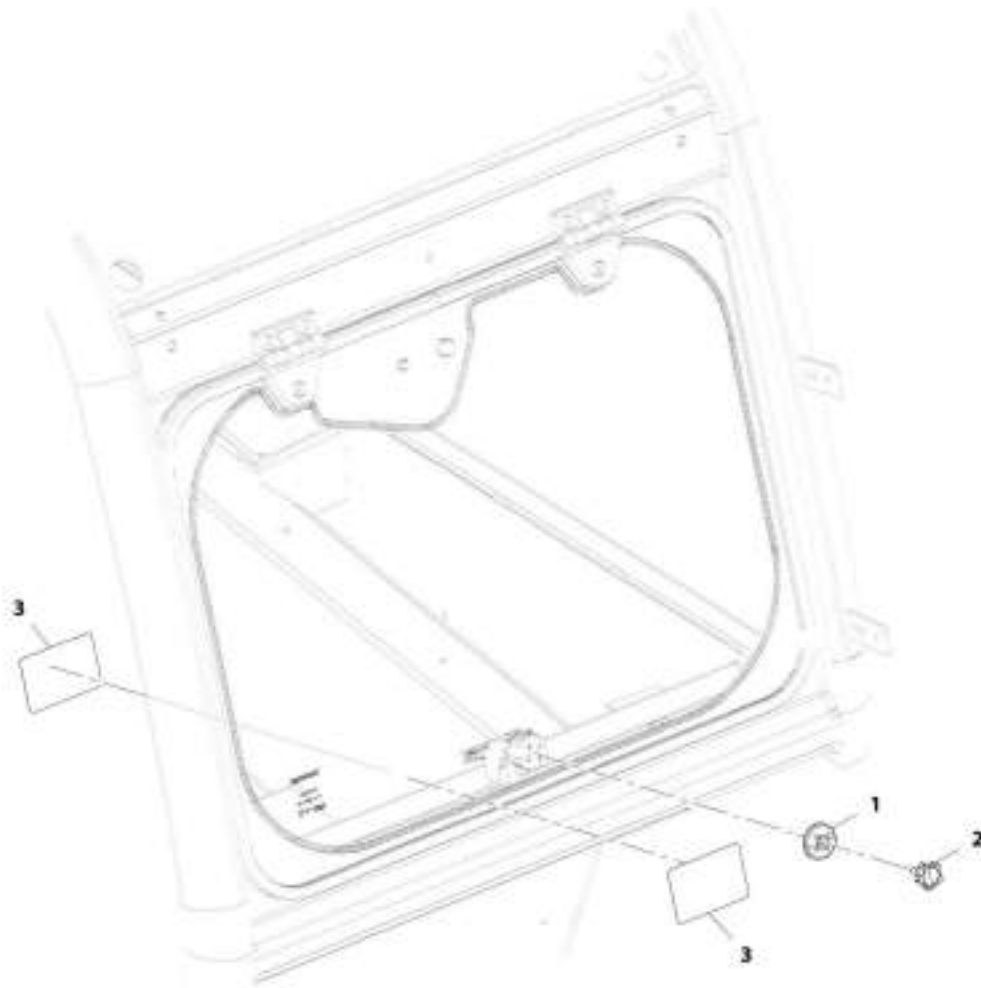
ART\_3001107219-B

**FIGURE 6-73. NON SKID TAPE INSTALLATION**

<b>ITEM</b>	<b>PART NUMBER</b>	<b>QTY</b>	<b>DESCRIPTION</b>	<b>REV</b>
	1001197219	Ref	Non Skid Tape Installation	B
1	1001197217	1	Tape, Non Skid Floor	
2	1001197218	1	Grommet	
3	1001197259	1	Tape, Non Skid Frame	

# SECTION 6 - CAB

## FIGURE 6-74. EXTERNAL WINDOW RELEASE INSTALLATION



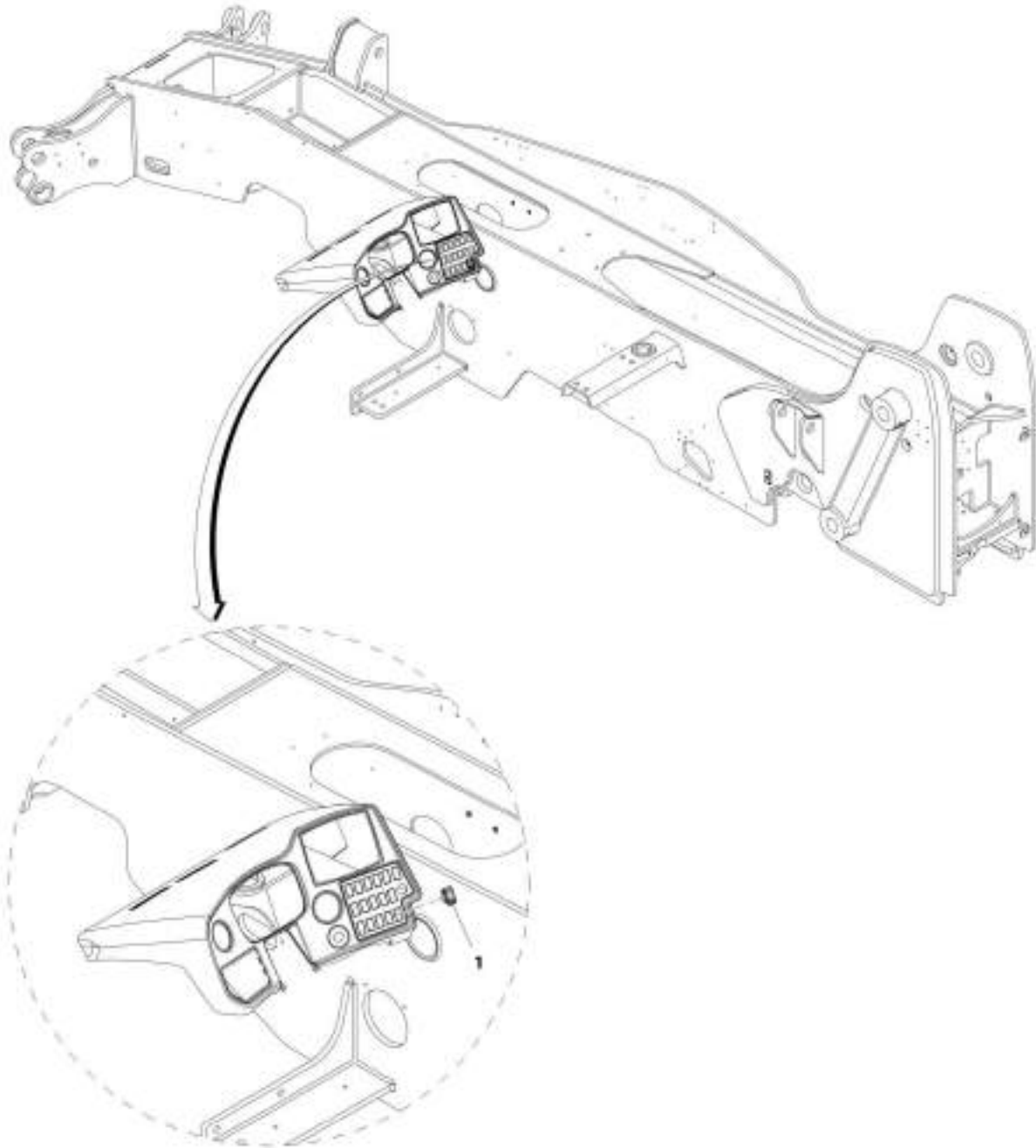
ART\_1001178826-C

**FIGURE 6-74. EXTERNAL WINDOW RELEASE INSTALLATION**

<b>ITEM</b>	<b>PART NUMBER</b>	<b>QTY</b>	<b>DESCRIPTION</b>	<b>REV</b>
	1001178826	Ref	External Window Release Installation	C
1	1001179008	1	Cap, Latch Window	
2	1001179009	1	Knob	
3	1001204709	2	Decal - Emergency Exit	

# SECTION 6 - CAB

## FIGURE 6-75. SWITCH LIGHT INSTALLATION



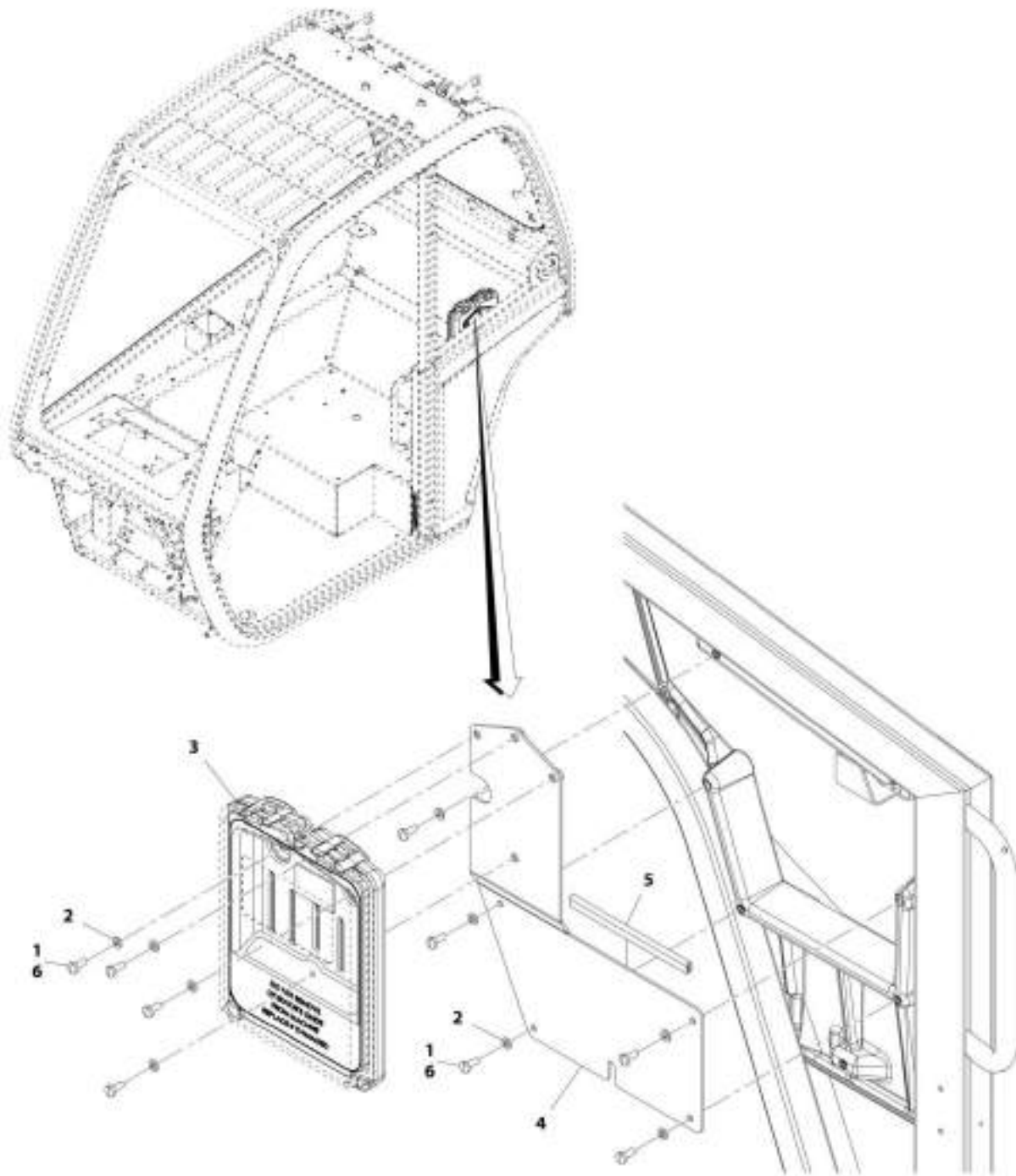
ART\_100197282-A

**FIGURE 6-75. SWITCH LIGHT INSTALLATION**

<b>ITEM</b>	<b>PART NUMBER</b>	<b>QTY</b>	<b>DESCRIPTION</b>	<b>REV</b>
1	1001197282 1001163639	Ref 1	Switch Light Installation Switch, Driving Lights	A

# SECTION 6 - CAB

## FIGURE 6-76. MANUAL HOLDER INSTALLATION



48T\_100189406-A

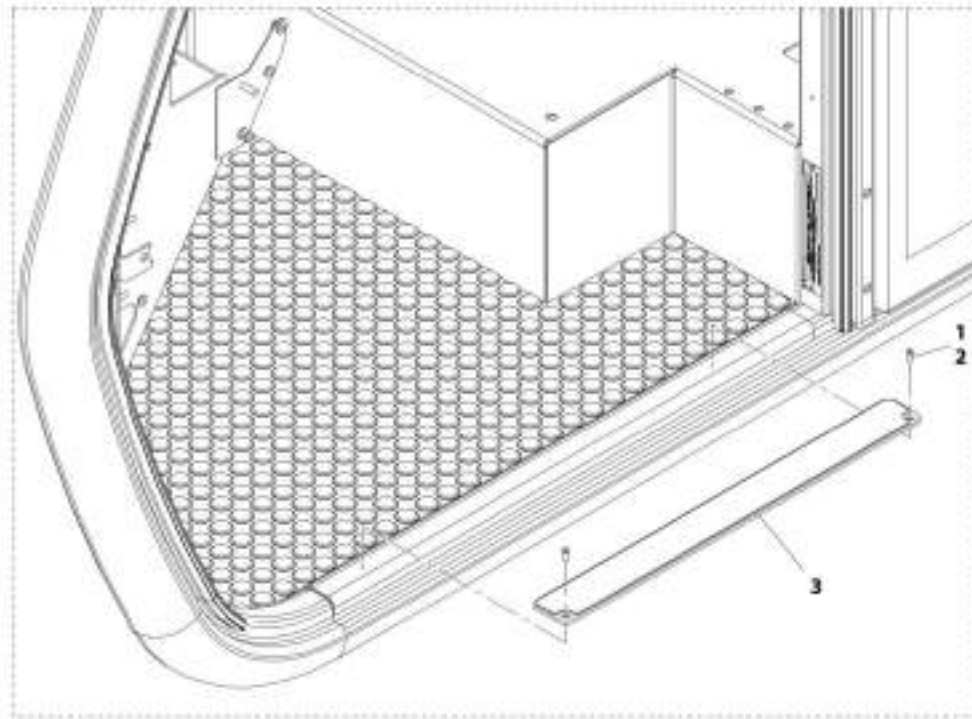
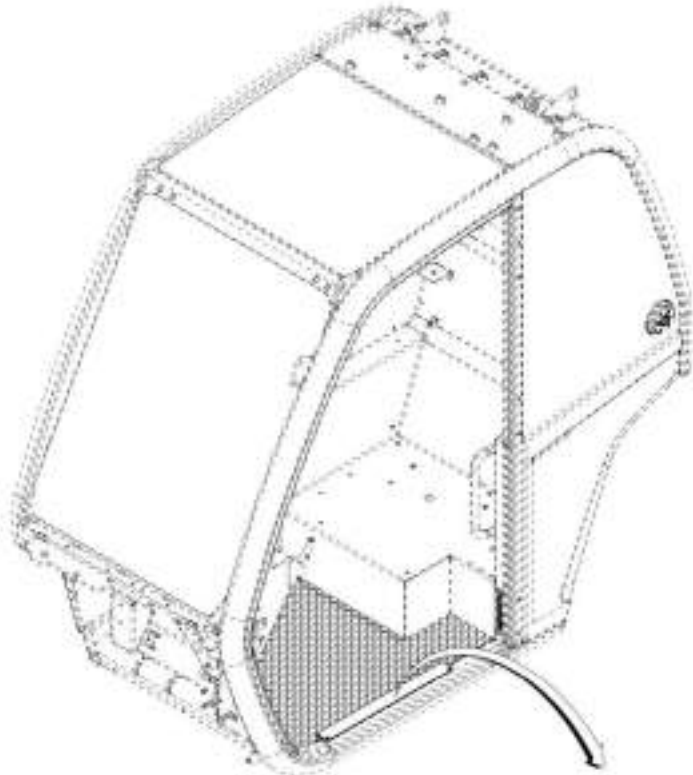


FIGURE 6-76. MANUAL HOLDER INSTALLATION

ITEM	PART NUMBER	QTY	DESCRIPTION	REV
	1001189498	Ref	Manual Holder Installation	A
1	1001095650	AR	Compound, Locking	
2	4811700	9	Washer, M6	
3	8990147	1	Manual Holder	
4	1001192006	1	Bracket	
5	1001192074	1	Trim Edge	
6	4010608002	9	Screw, Posi-Drive M6X16 GR4.8	

# SECTION 6 - CAB

## FIGURE 6-77. GRIP TAPE PLATE INSTALLATION



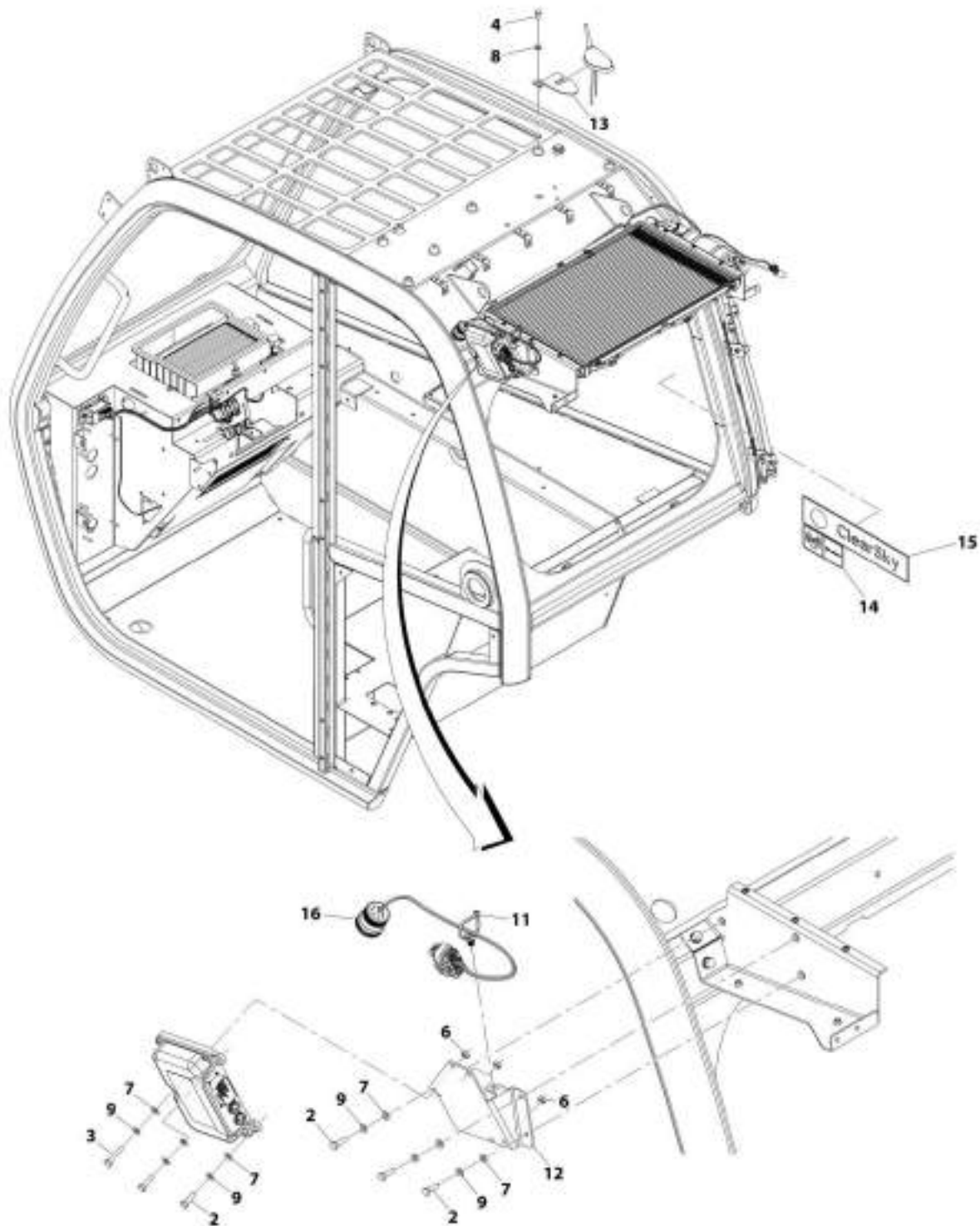
ART\_1001193205-A

**FIGURE 6-77. GRIP TAPE PLATE INSTALLATION**

<b>ITEM</b>	<b>PART NUMBER</b>	<b>QTY</b>	<b>DESCRIPTION</b>	<b>REV</b>
	1001193295	Ref	Grip Tape Plate Installation	A
1	1001095650	AR	Compound, Locking	
2	1001097244	2	Screw, M4X12 GR8.8	
3	1001195369	1	Plate	

# SECTION 6 - CAB

FIGURE 6-78. CLEARSKY INSTALLATION (LONG ROOF CAP) (Prior to SN 0160082543)



ART\_1001174368-0

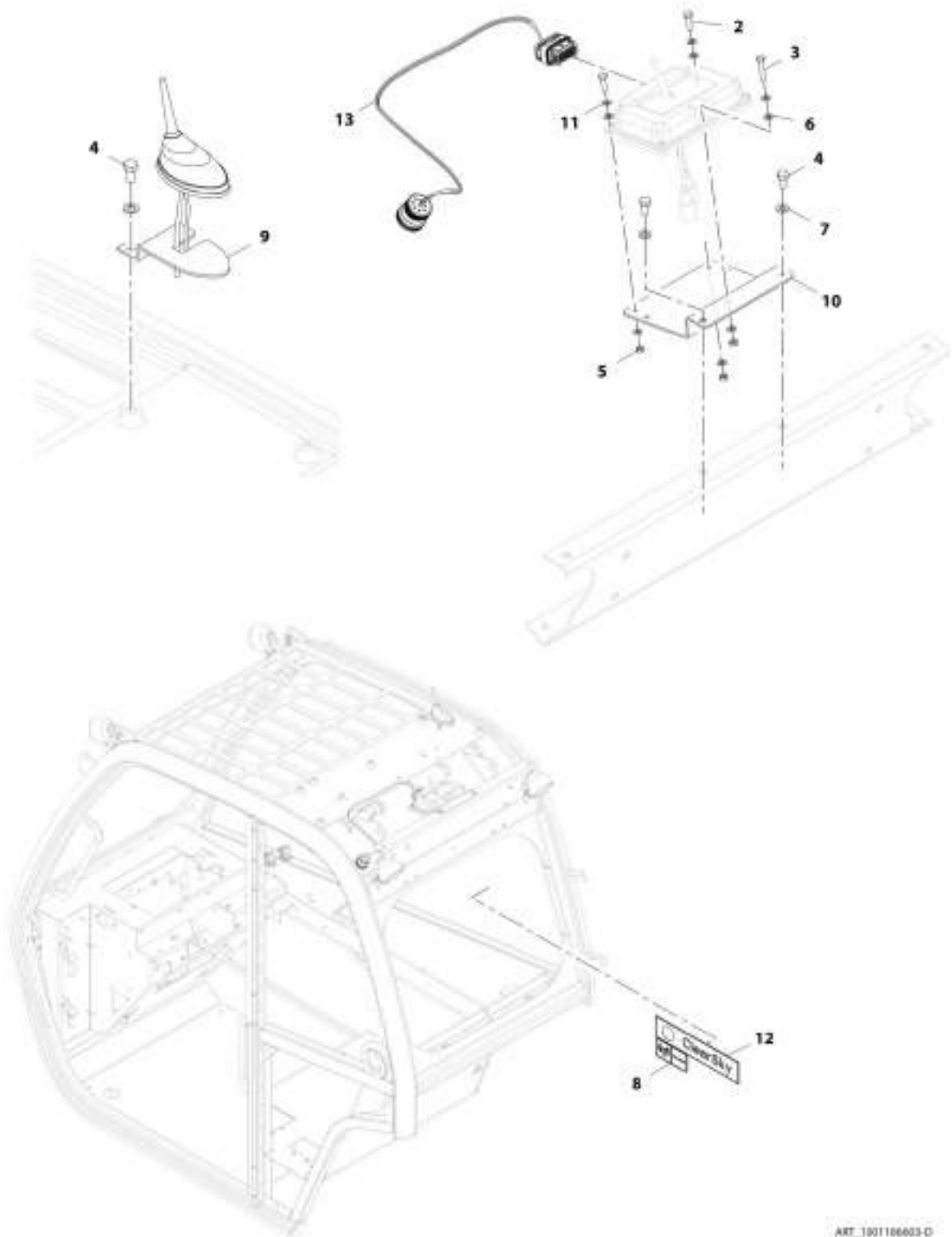
## SECTION 6 - CAB

**FIGURE 6-78. CLEARSKY INSTALLATION (LONG ROOF CAP) (Prior to SN 0160082543)**

ITEM	PART NUMBER	QTY	DESCRIPTION	REV
	1001174368	Ref	Clearsky Installation (Long Roof Cap)	G
2	0700610	5	Bolt, M6X20	
3	0700614	1	Bolt, M6X30	
4	0760808	1	Bolt, M8X16	
6	3290601	3	Nut, M6X1	
7	4811700	6	Washer, M6	
8	4811900	1	Washer, M8	
9	4831700	6	Washer, Lock M6	
11	1001146588	1	Strap, Cable	
12	1001174359	NLA	Support Bracket, (no longer available, use 1001220947 for replacement)	
12	1001220947	1	Support Bracket	
13	1001174372	1	Clearsky Ant, Bracket	
14	1001120989	1	Decal, Radio Frequency	
15	1001116208	1	Decal, Clear Sky	
16	1001196452	1	Harness, Clearsky (See ELECTRICAL SECTION for Breakdown)	

# SECTION 6 - CAB

FIGURE 6-79. CLEARSKY INSTALLATION (SHORT ROOF CAP) (Prior to SN 0160082543)



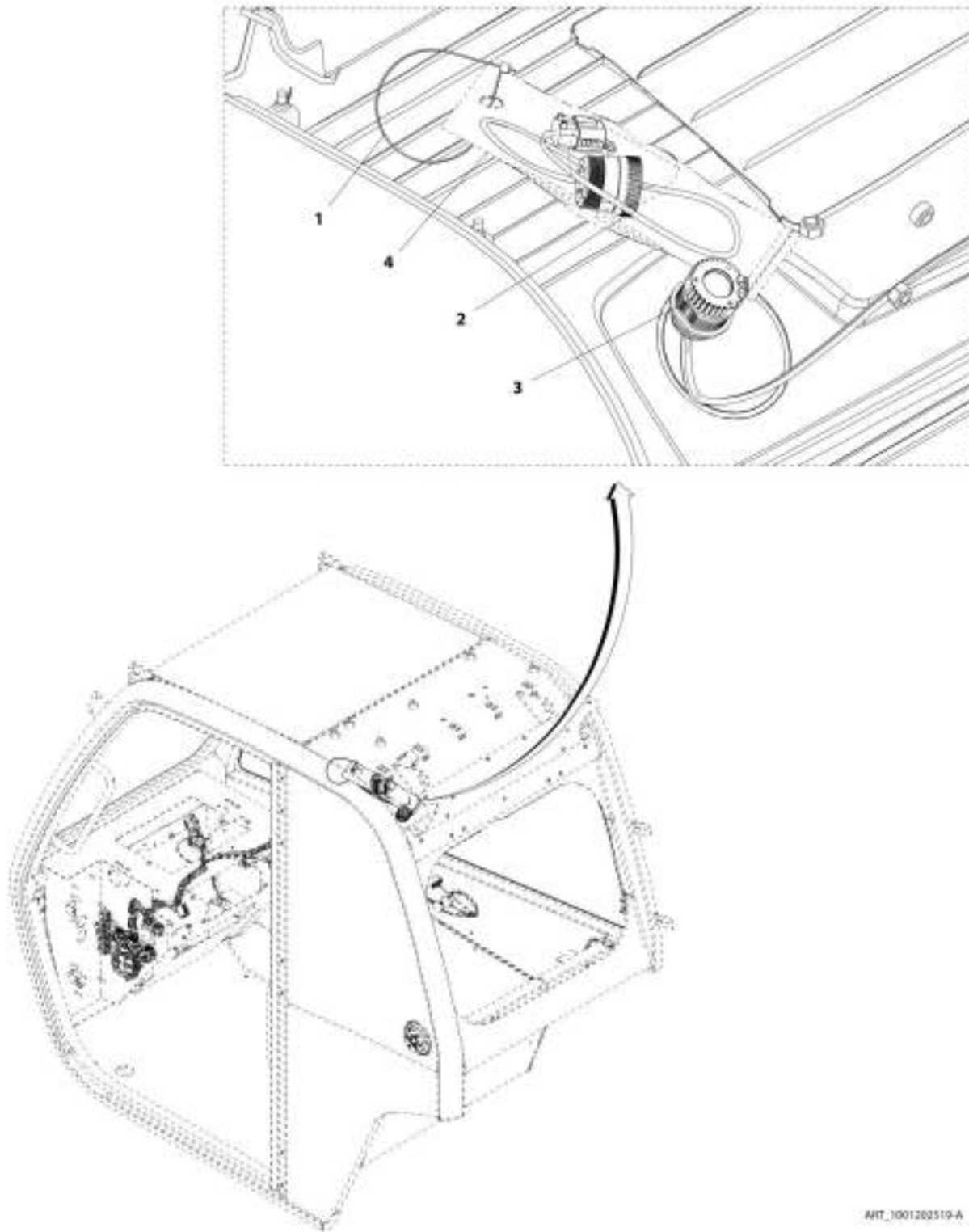
ART 1901186603-D

**SECTION 6 - CAB****FIGURE 6-79. CLEARSKY INSTALLATION (SHORT ROOF CAP) (Prior to SN 0160082543)**

ITEM	PART NUMBER	QTY	DESCRIPTION	REV
	1001186603	Ref	Clearsky Installation (Short Roof Cap)	D
2	0700610	2	Bolt, M6X20	
3	0700614	1	Bolt, M6X30	
4	0760808	3	Bolt, M8X16	
5	3290601	3	Nut, M6X1 Grade 8	
6	4811700	6	Washer, M6	
7	4811900	3	Washer, M8	
8	1001120989	1	Radio Frequency Decal	
9	1001174372	1	Bracket	
10	1001185722	1	Bracket, Support	
11	4831700	3	Washer, Lock M6	
12	1001116208	1	Clearsky Decal	
13	1001196452	1	Harness, Clearsky (See ELECTRICAL SECTION for Breakdown)	

# SECTION 6 - CAB

FIGURE 6-80. TELEMATICS READY INSTALLATION



AWT\_1001202519-A

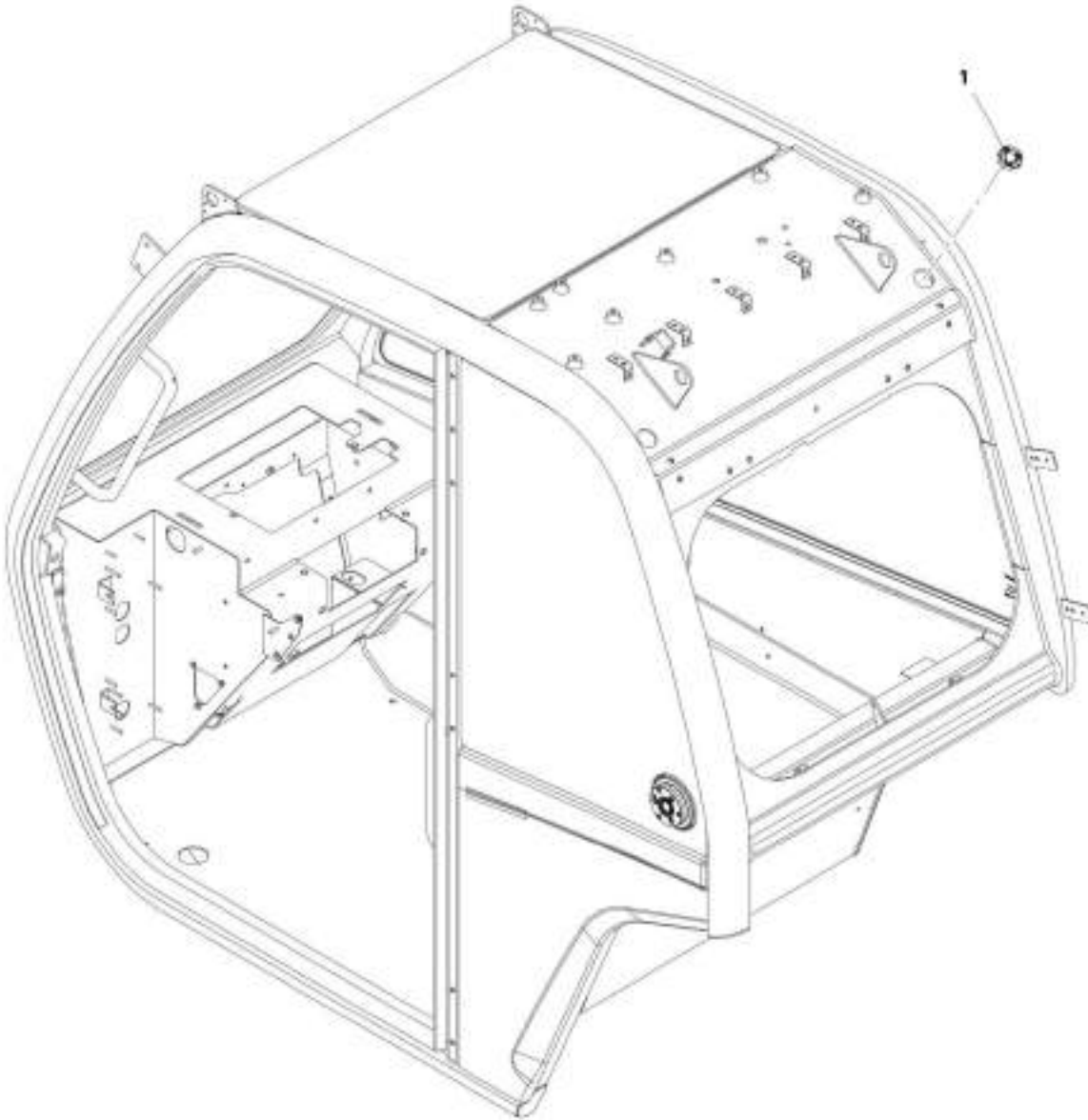


FIGURE 6-80. TELEMATICS READY INSTALLATION

ITEM	PART NUMBER	QTY	DESCRIPTION	REV
	1001202519	Ref	Telematics Ready Installation	A
1	8584003	1	Tie Strap	
2	1001196289	1	Harness, Telematics Ready (See ELECTRICAL SECTION for Breakdown)	
3	1001201162	1	Cap, Deutsch	
4	1001202617	1	Bag	

# SECTION 6 - CAB

## FIGURE 6-81. ROOF PIGTAIL CAP INSTALLATION



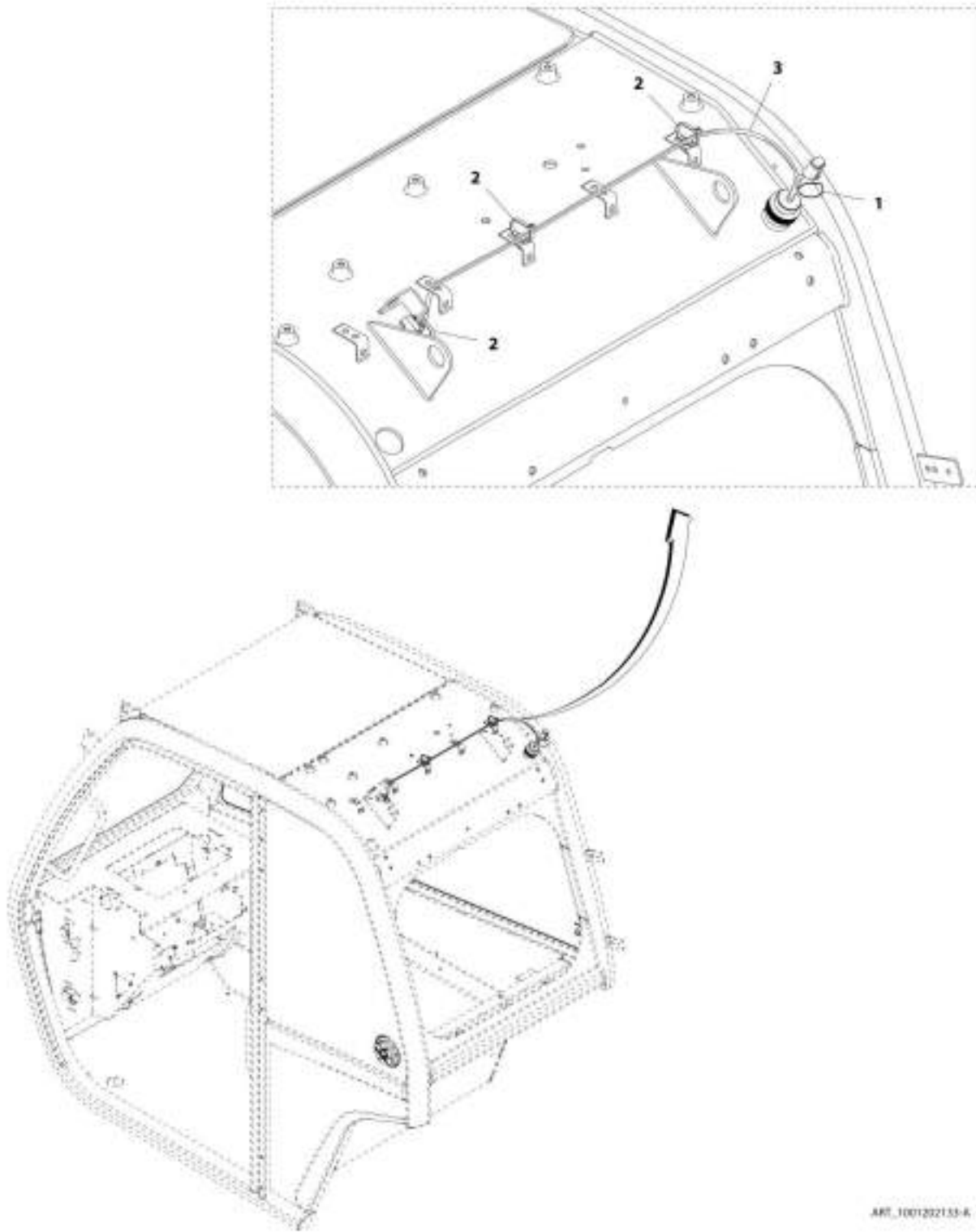
ART\_1001202138-A

**FIGURE 6-81. ROOF PIGTAIL CAP INSTALLATION**

<b>ITEM</b>	<b>PART NUMBER</b>	<b>QTY</b>	<b>DESCRIPTION</b>	<b>REV</b>
1	1001202138 1001202134	Ref 1	Roof Pigtail Cap Installation Cap, Deutsch Dust	A

# SECTION 6 - CAB

## FIGURE 6-82. ROOF PIGTAIL INSTALLATION



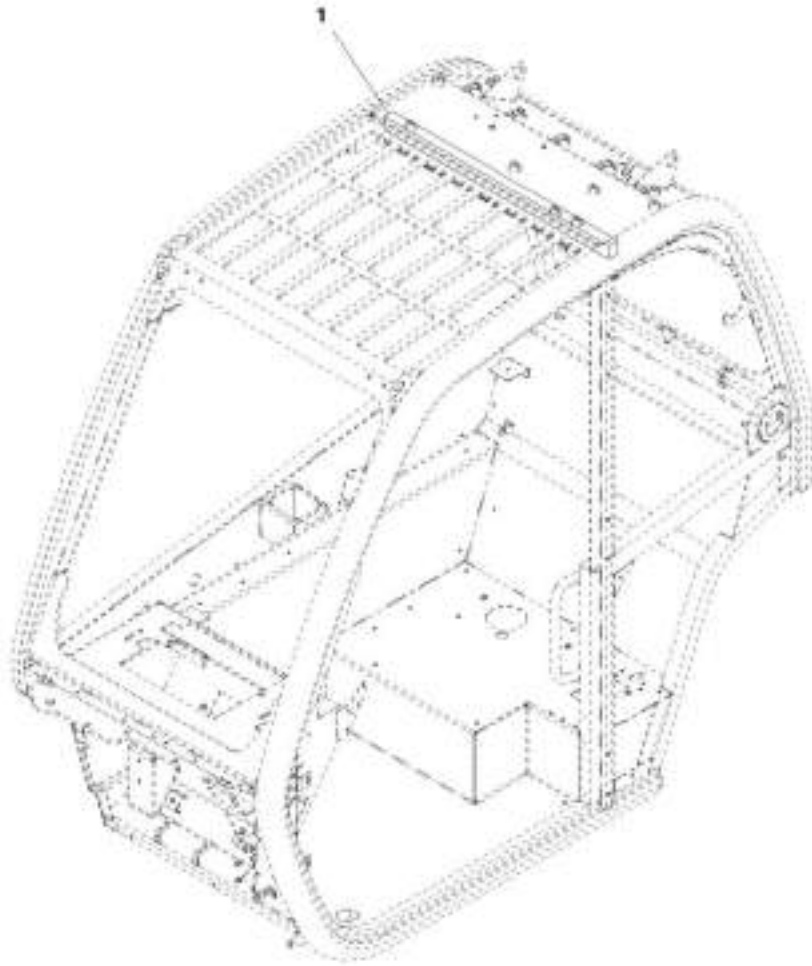
ART\_1001202153-R

FIGURE 6-82. ROOF PIGTAIL INSTALLATION

ITEM	PART NUMBER	QTY	DESCRIPTION	REV
	1001202133	Ref	Roof Pigtail Installation	A
1	4240033	1	Cable Tie	
2	1001146588	3	Strap	
3	1001202132	1	Harness, Roof Pigtail (See ELECTRICAL SECTION for Breakdown)	

**SECTION 6 - CAB**

**FIGURE 6-83. NO SUNBLIND INSTALLATION**



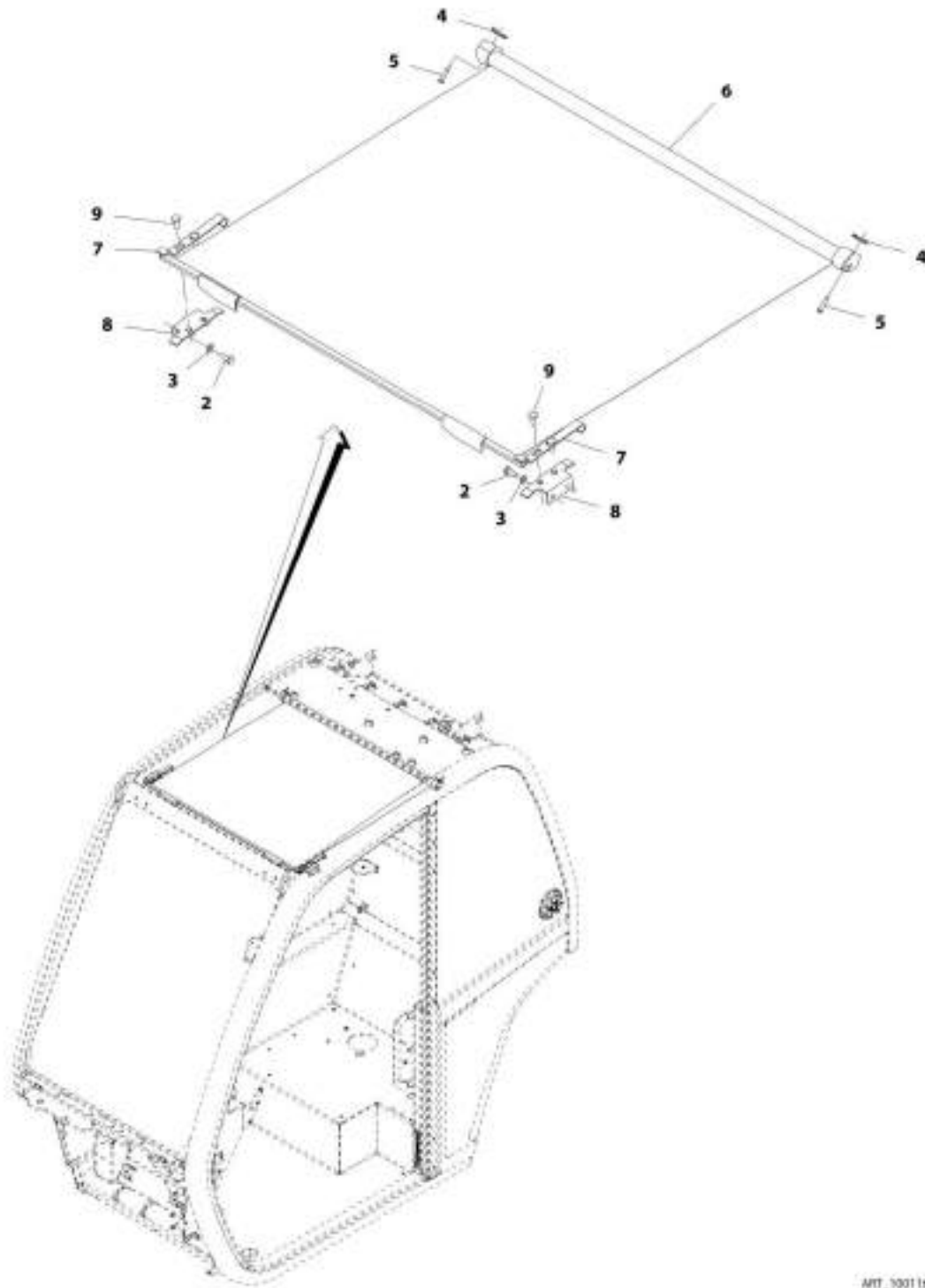
ART\_3001231041-A

**FIGURE 6-83. NO SUNBLIND INSTALLATION**

<b>ITEM</b>	<b>PART NUMBER</b>	<b>QTY</b>	<b>DESCRIPTION</b>	<b>REV</b>
1	1001211041 1001208192	Ref 1	No Sunblind Installation Seal, Foam	A

# SECTION 6 - CAB

## FIGURE 6-84. RETRACTABLE SUNSCREEN INSTALLATION



MTT\_5001163151-G



FIGURE 6-84. RETRACTABLE SUNSCREEN INSTALLATION

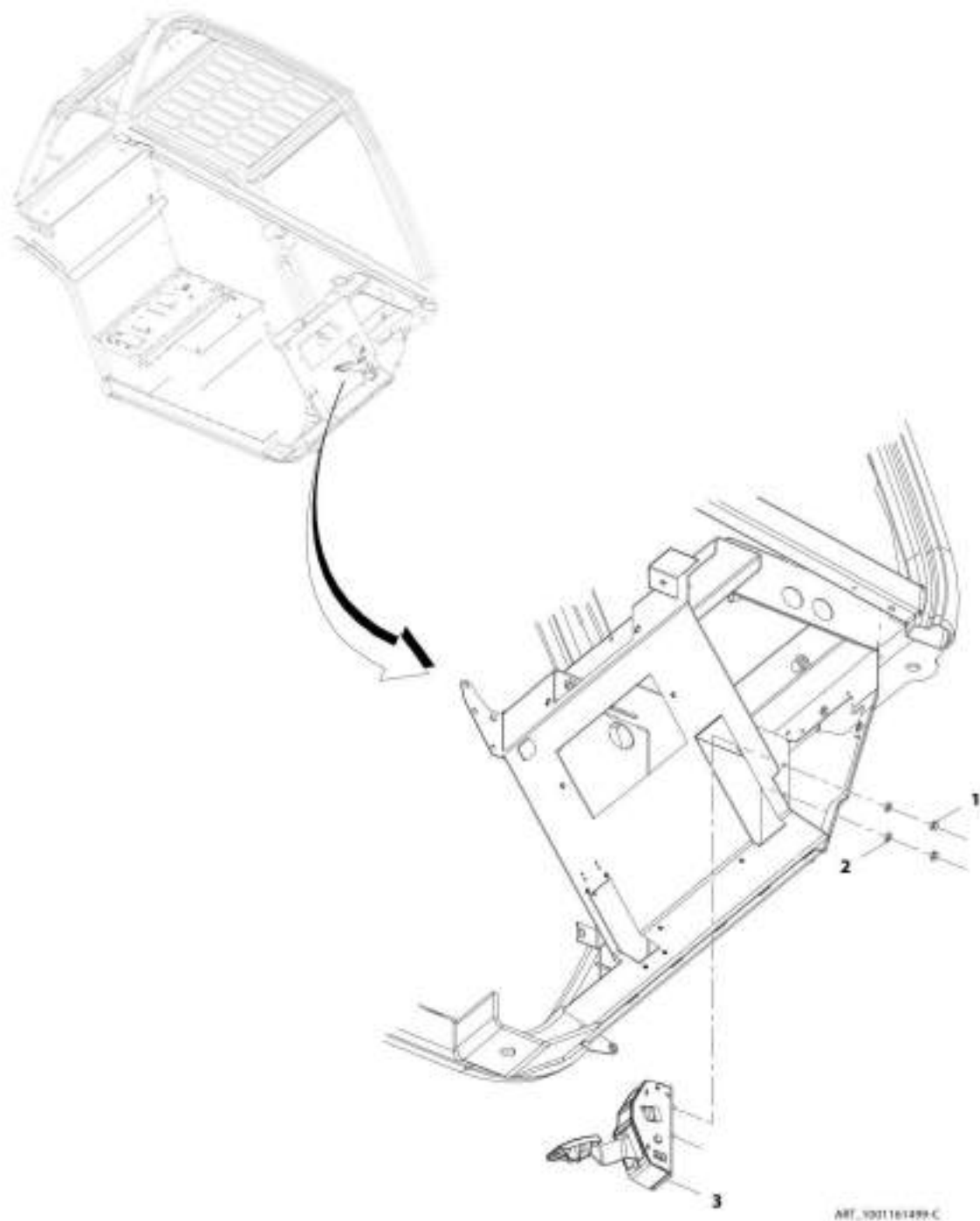
ITEM	PART NUMBER	QTY	DESCRIPTION	REV
	1001163151	Ref	Retractable Sunscreen Installation	G
2	0760608	4	Bolt, M6X16	
3	4811700	4	Washer, M6	
4	1001111076	2	Nut	
5	1001111147	2	Screw	
6	1001163170	1	Cab, Screen Blind	
7	1001209463	2	Bracket, Sunscreen Mount	
8	1001166385	2	Bracket	
9	4010608002	4	Screw, M6X16	



**SECTION 7 - CONTROLS**

# SECTION 7 - CONTROLS

## FIGURE 7-1. ACCELERATOR PEDAL INSTALLATION



ART. 1001161489-C

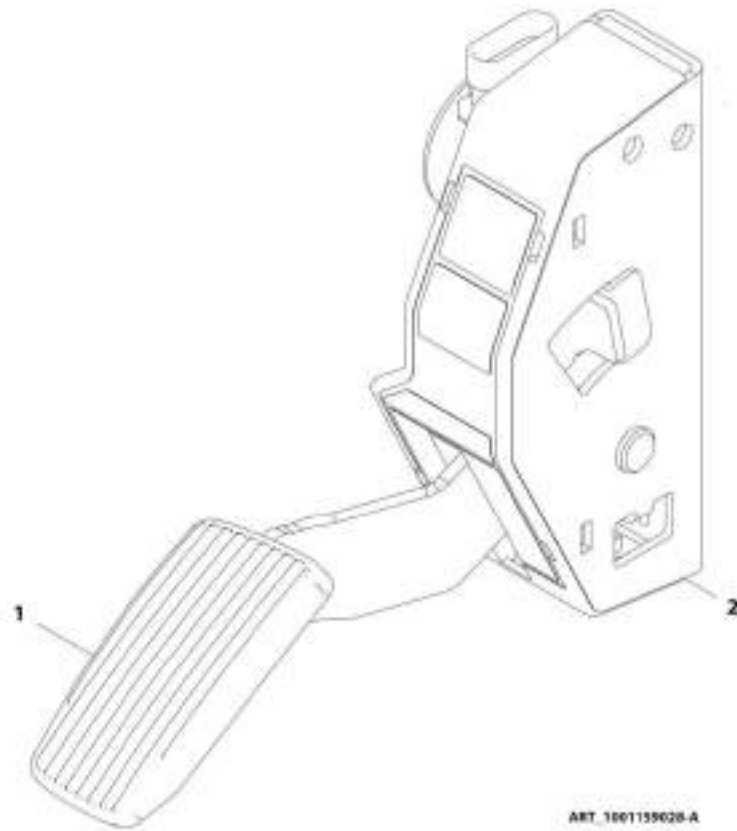
## SECTION 7 - CONTROLS

### FIGURE 7-1. ACCELERATOR PEDAL INSTALLATION

ITEM	PART NUMBER	QTY	DESCRIPTION	REV
	1001161499	Ref	Accelerator Pedal Installation	C
1	3290801	2	Nut, M8X1.25	
2	4811900	2	Washer, M8	
3	1001159028	1	Pedal, Accelerator (See PEDAL ACCELERATOR DUAL ANALOG for Breakdown)	

## SECTION 7 - CONTROLS

FIGURE 7-2. PEDAL ACCELERATOR DUAL ANALOG



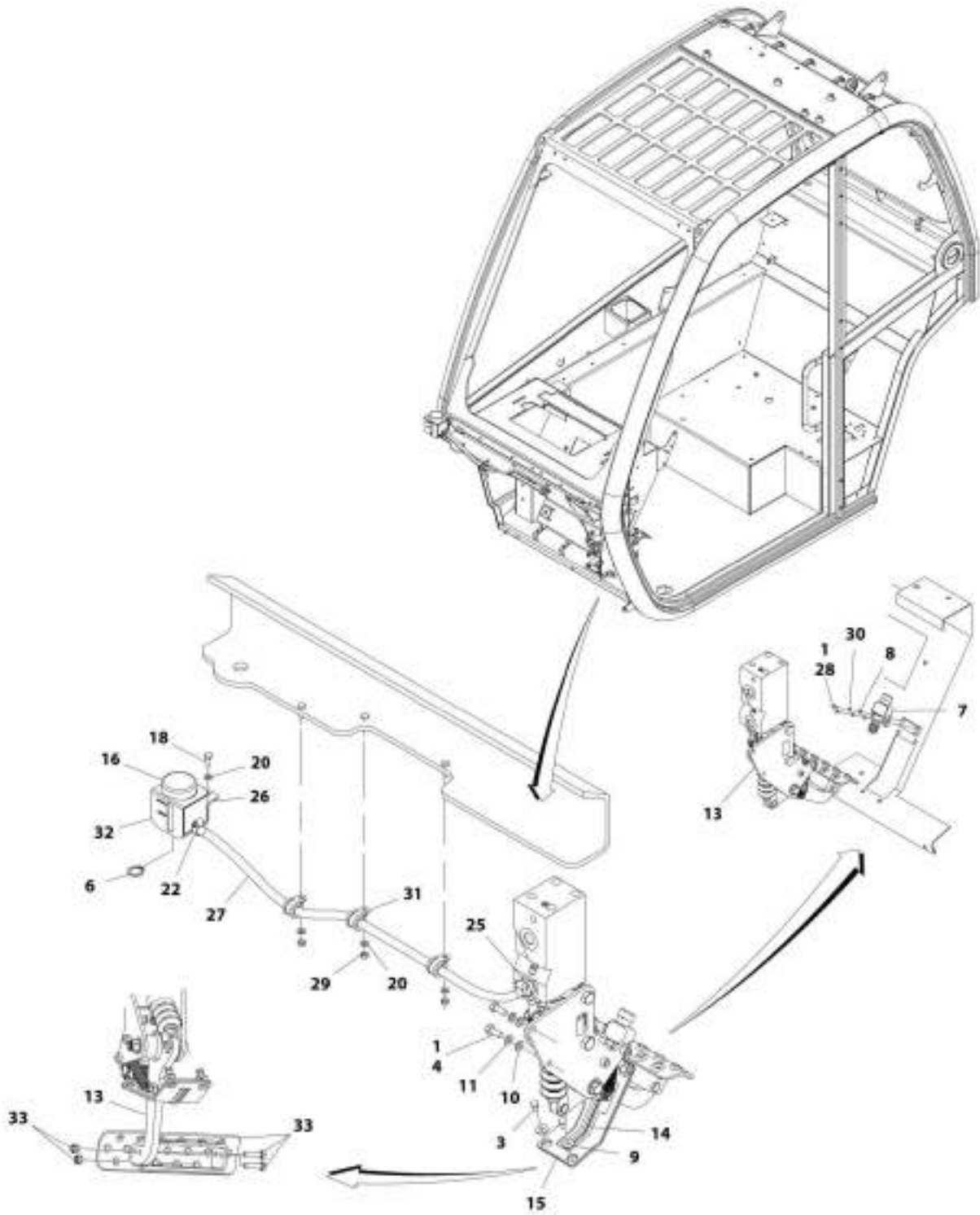
## SECTION 7 - CONTROLS

**FIGURE 7-2. PEDAL ACCELERATOR DUAL ANALOG**

ITEM	PART NUMBER	QTY	DESCRIPTION	REV
	1001159028	Ref	Pedal, Accelerator Dual Analog	A
1	70025816	1	Pad, Rubber	
2	70025817	1	Cover, Rubber	

# SECTION 7 - CONTROLS

FIGURE 7-3. BRAKE PEDAL INSTALLATION (Prior to SN 0160072874)



ART\_1001161934-J



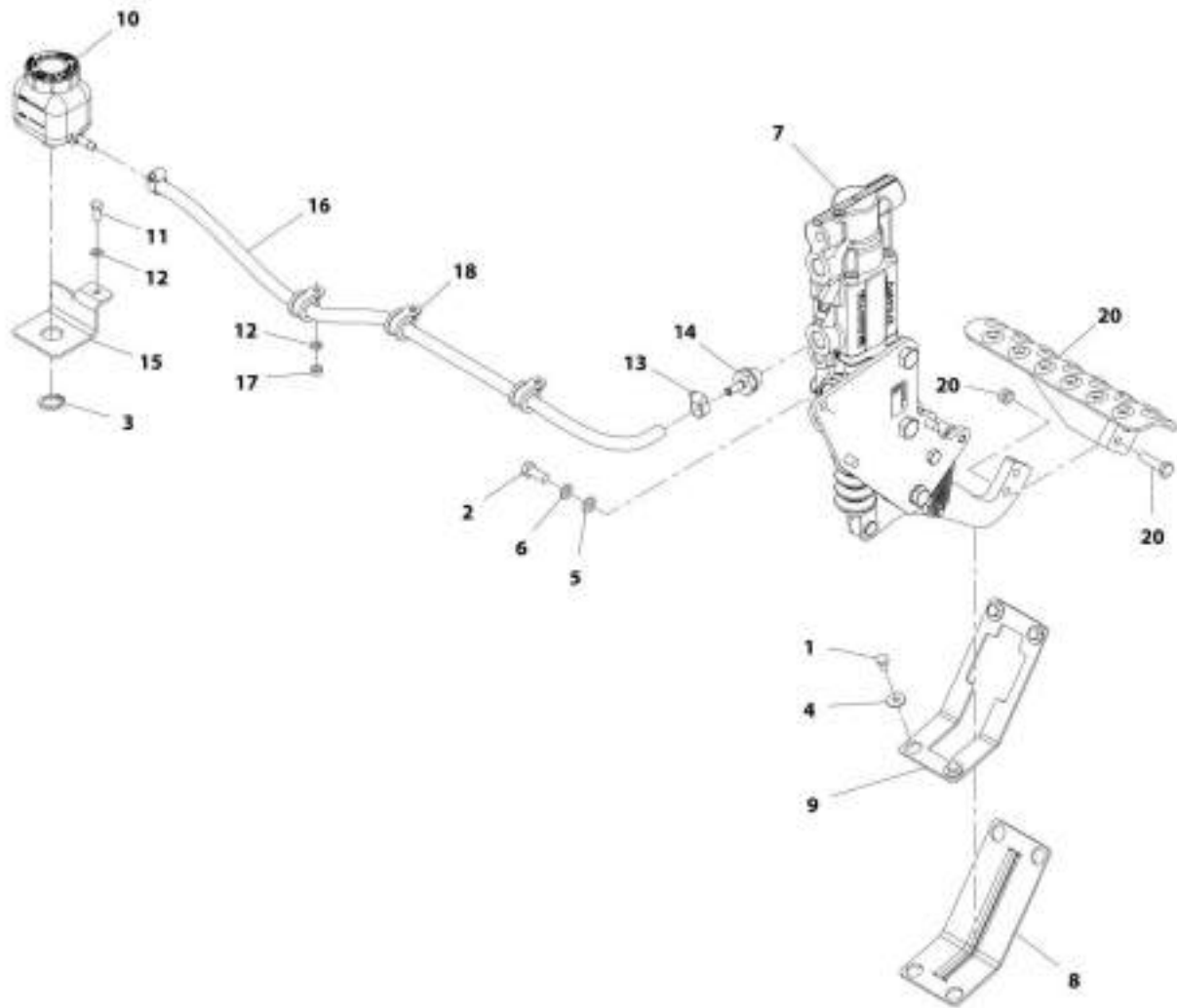
## SECTION 7 - CONTROLS

**FIGURE 7-3. BRAKE PEDAL INSTALLATION (Prior to SN 0160072874)**

ITEM	PART NUMBER	QTY	DESCRIPTION	REV
	1001161934	Ref	Brake Pedal Installation	J
1	1001095650	AR	Compound, Locking	
3	0760605	4	Bolt, M6X10	
4	0760810	3	Bolt, M8X20	
6	3760348	1	Ring, Retaining	
7	4360658	1	Switch, Brake Light	
8	4811400	2	Washer, M4	
9	4811702	4	Washer, M6	
10	4811900	3	Washer, M8	
11	4831900	3	Lockwasher, Spring M8	
13	1001162855	NLA	Pedal, Brake (no longer available, use 1001197138 for replacement)	
13	1001197138	1	Pedal, Brake (See BRAKE PEDAL for Breakdown)	
14	1001162920	1	Gasket, Brake Pedal	
15	1001162922	1	Plate	
16	1001081152	1	Reservoir, Brake	
18	0760608	1	Bolt, M6X16	
20	4811700	4	Washer, M6	
22	8405009	2	Clamp, Gear	
25	1001171874	1	Fitting, Hose Barb	
26	1001172088	1	Bracket, Brake Reservoir	
27	1001172094	1	Hose, Brake Reservoir	
28	0700408	2	Bolt, M4X16	
29	3290601	3	Nut, M6X1	
30	4831400	2	Lockwasher, Spring M4	
31	1001170231	3	Clip, M6X15	
32	1001184814	1	Gauge, Fluid Level	
33	1001197139	1	Plate, Brake Pedal, (See BRAKE PEDAL PLATE for Breakdown)	

# SECTION 7 - CONTROLS

FIGURE 7-4. BRAKE PEDAL INSTALLATION (SN 0160072874 to Present)



ART\_1001204225-C

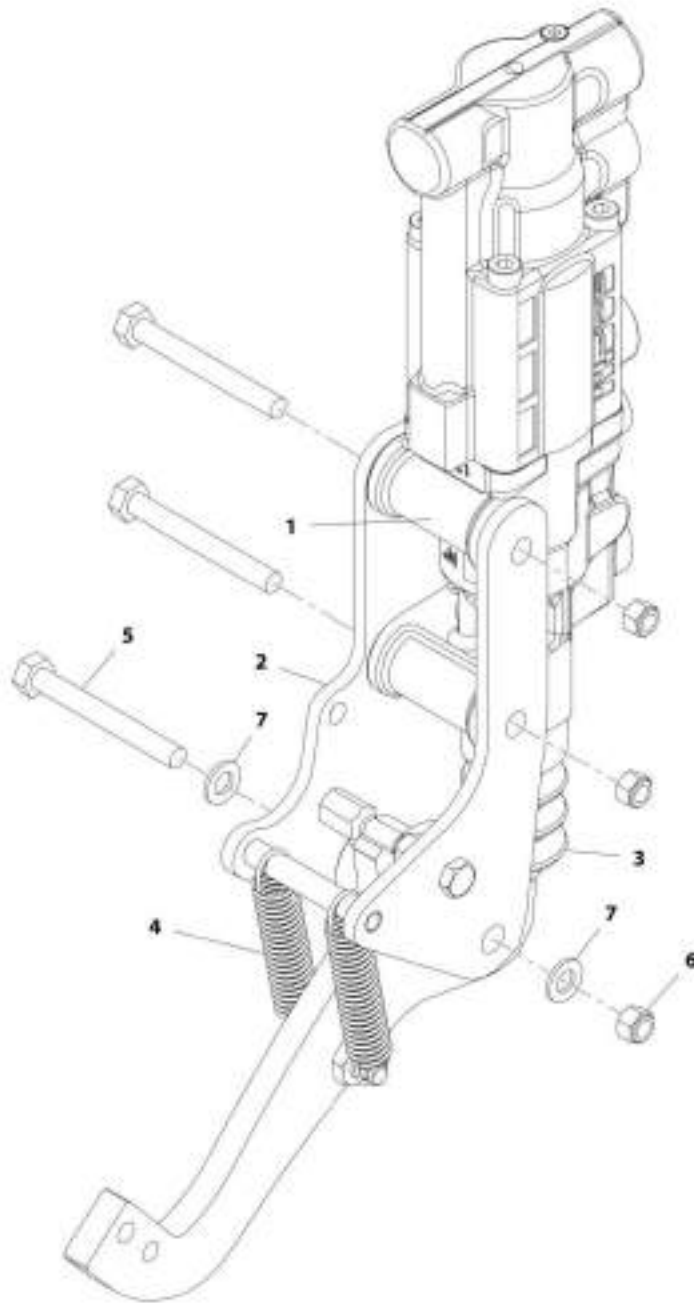
## SECTION 7 - CONTROLS

**FIGURE 7-4. BRAKE PEDAL INSTALLATION (SN 0160072874 to Present)**

ITEM	PART NUMBER	QTY	DESCRIPTION	REV
	1001204225	Ref	Brake Pedal Installation	C
1	0760605	4	Bolt, M6X10	
2	0760810	3	Bolt, M8X20	
3	3760348	1	Ring, Retaining	
4	4811702	4	Washer, M6	
5	4811900	3	Washer, M8	
6	4831900	3	Lockwasher, Spring M8	
7	1001197138	1	Pedal, Brake (See BRAKE PEDAL for Breakdown)	
8	1001162920	1	Gasket, Brake Pedal	
9	1001162922	1	Plate	
10	1001214220	1	Reservoir, Brake	
11	0760608	1	Bolt, M6X16	
12	4811700	4	Washer, M6	
13	8405009	2	Clamp, Gear	
14	1001171874	1	Fitting, Hose Barb	
15	1001172088	1	Bracket, Brake Reservoir	
16	1001172094	1	Hose, Brake Reservoir	
17	3290601	3	Nut, M6X1	
18	1001170231	3	Clip, M6X15	
20	1001197139	1	Plate, Brake Pedal (See BRAKE PEDAL PLATE for Breakdown)	

# SECTION 7 - CONTROLS

## FIGURE 7-5. BRAKE PEDAL



ART\_1031107138-D

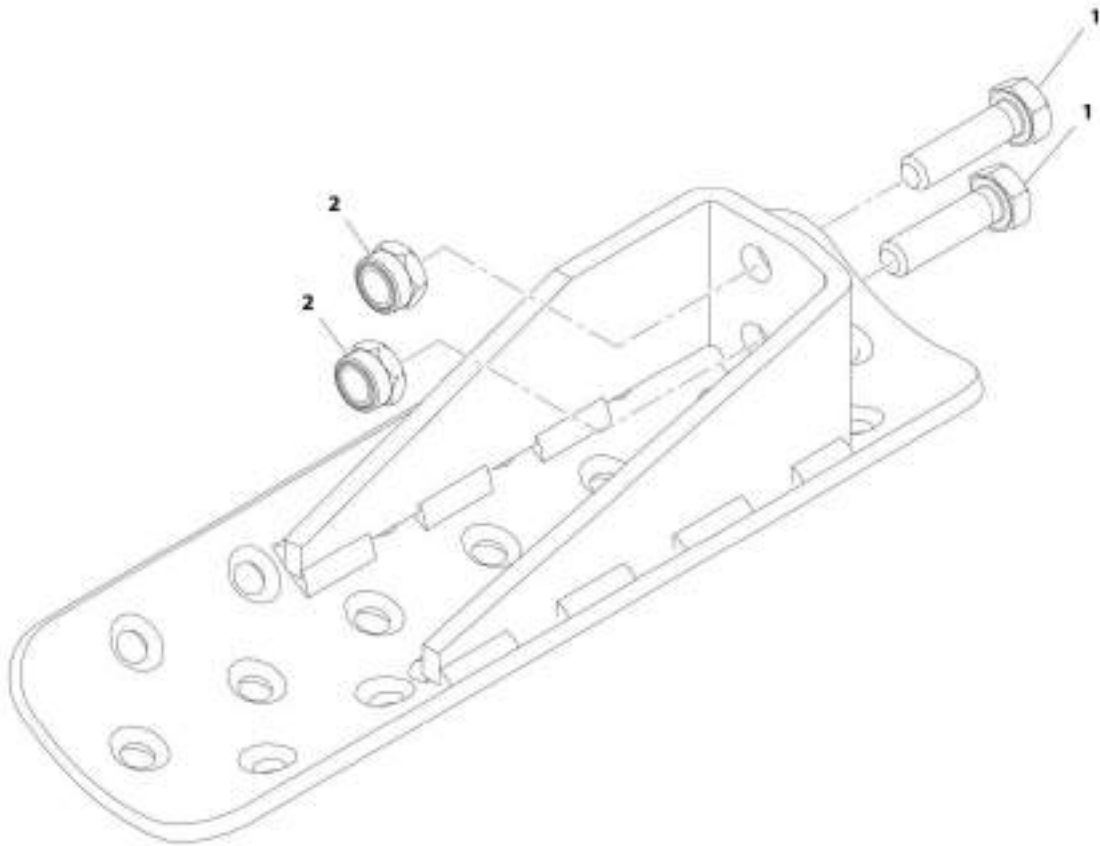
## SECTION 7 - CONTROLS

### FIGURE 7-5. BRAKE PEDAL

ITEM	PART NUMBER	QTY	DESCRIPTION	REV
	1001162855	NLA	Brake Pedal, (no longer available, use 1001197138 for replacement)	E
	1001197138	1	Brake Pedal	D
1	70026432	1	Cylinder, Master	
2	70026433	1	Support, Pedal, Complete	
3	70025859	1	Cover, Dust	
4	70025860	2	Spring, Return	
5	0701226	3	Bolt, M12X90	
6	3291205	3	Nut, Lock M12X1.75	
7	4812100	2	Washer, M12	

# SECTION 7 - CONTROLS

## FIGURE 7-6. BRAKE PEDAL PLATE



ART\_1001197136-A

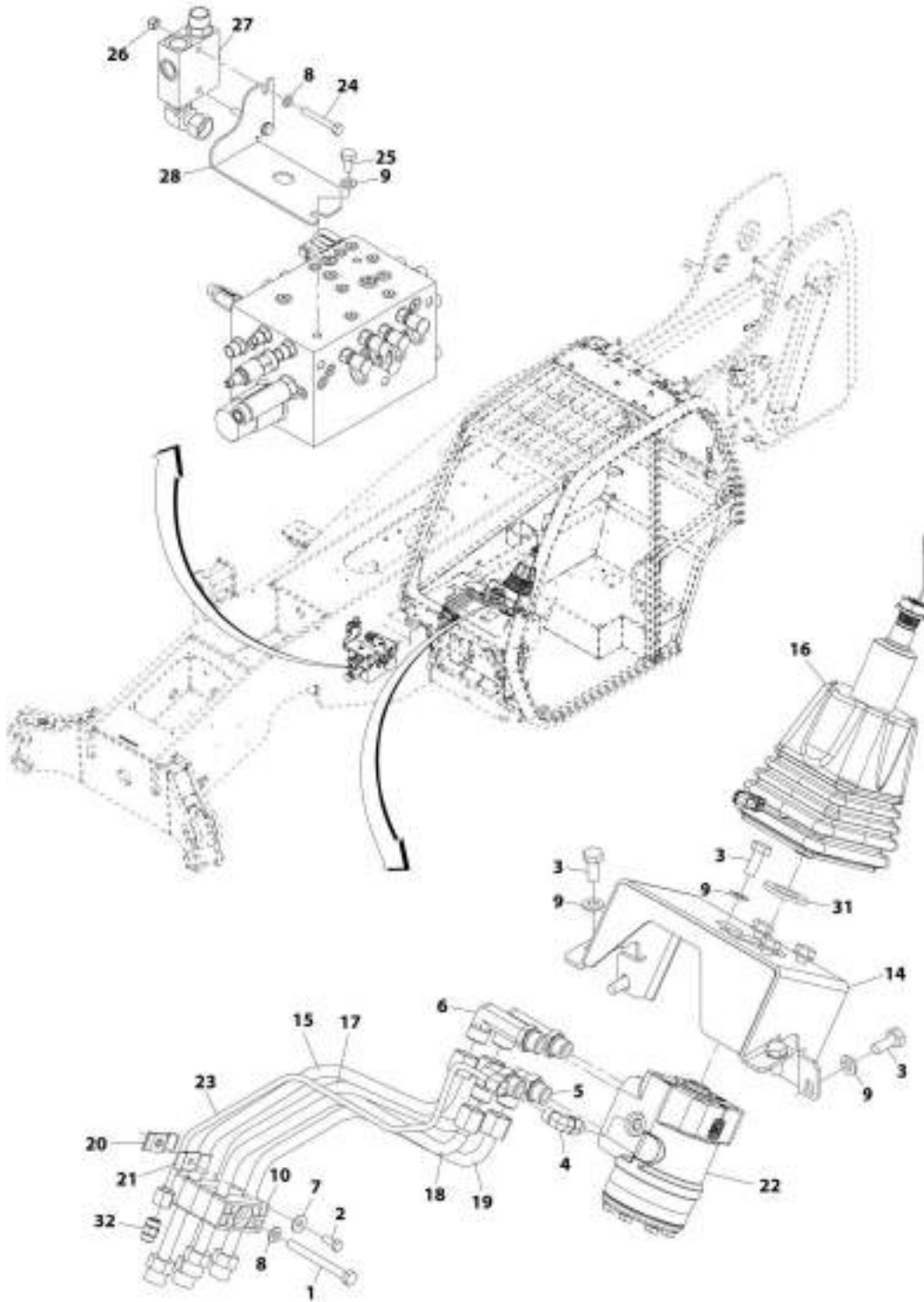
## SECTION 7 - CONTROLS

### FIGURE 7-6. BRAKE PEDAL PLATE

ITEM	PART NUMBER	QTY	DESCRIPTION	REV
	1001197139	Ref	Brake Pedal Plate	A
1	0770814	2	Screw, 8X30	
2	3290805	2	Nut, M8X1.25	

# SECTION 7 - CONTROLS

FIGURE 7-7. STEERING COLUMN INSTALLATION NO FNR LEVER



INT\_1001105634 E



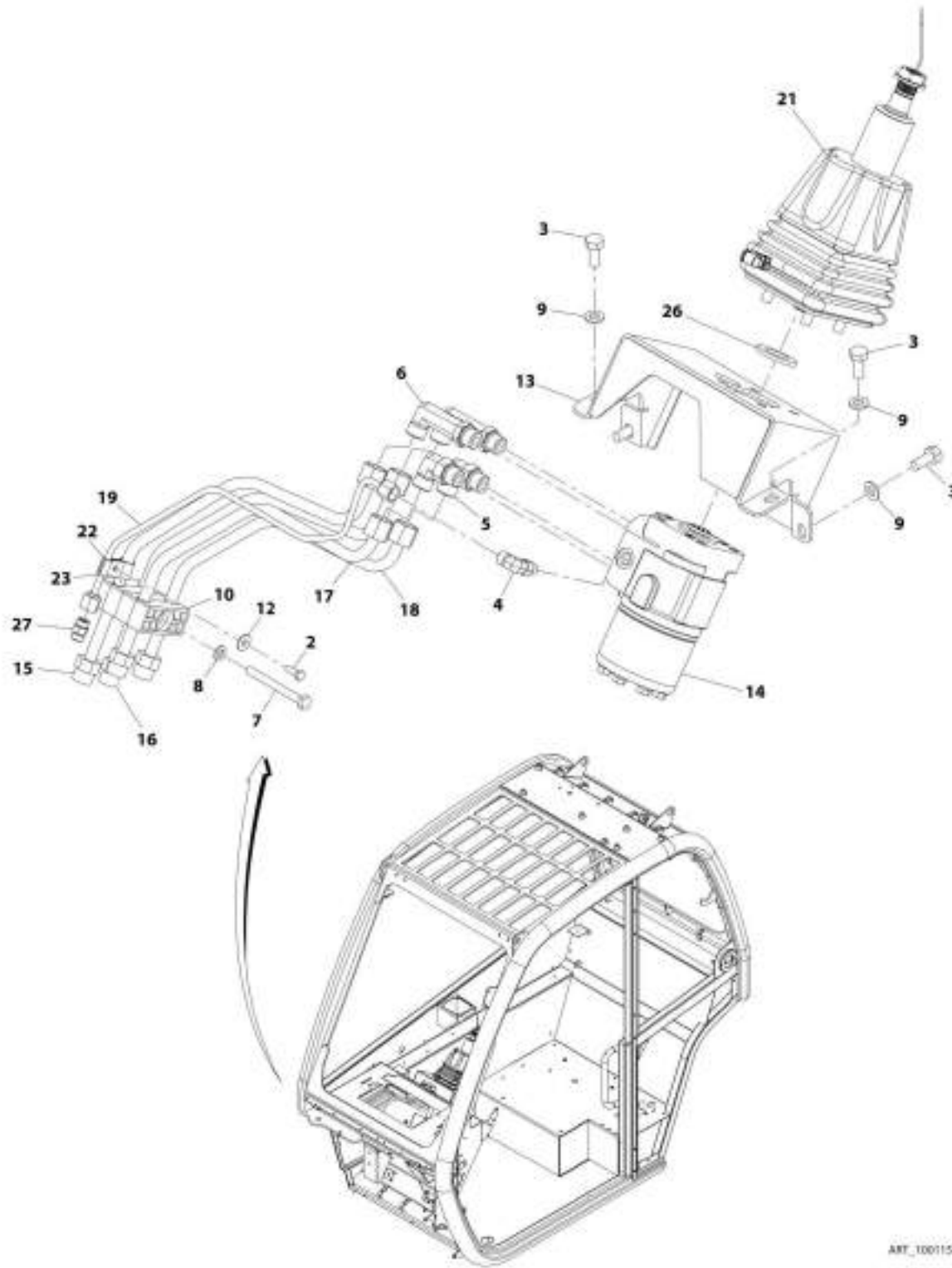
## SECTION 7 - CONTROLS

**FIGURE 7-7. STEERING COLUMN INSTALLATION NO FNR LEVER**

ITEM	PART NUMBER	QTY	DESCRIPTION	REV
	1001195634	Ref	Steering Column Installation no FNR Lever	E
1	0700824	1	Bolt, M8X80	
2	0760608	1	Bolt, M6X16	
3	0761012	8	Bolt, M10X25	
4	2130404	1	Fitting, 90 ORFS	
5	2130808	2	Fitting, 90 ORFS	
6	2170208	2	Fitting, 90 ORFS	
7	4811702	1	Washer, M6	
8	4811900	5	Washer, M8	
9	4812000	9	Washer, M10	
10	1001004640	4	Clamp	
14	1001156265	1	Plate	
15	1001161672	1	Pipe	
16	1001161733	NLA	Column, Steering (no longer available, see 1001214481 for replacement)	
16	1001214481	1	Column, Steering	
17	1001161896	1	Pipe	
18	1001161897	1	Pipe	
19	1001161898	1	Pipe	
20	1001168142	1	Bracket	
21	1001168151	1	Bracket	
22	1001178670	1	Valve, Steering Unit	
23	1001194282	1	Pipe	
24	0700820	2	Bolt M8X60	
25	0761010	1	Bolt M10X20	
26	3290805	2	Nut M8	
27	1001210803	1	Check Valve Assembly (See CHECK VALVE ASSEMBLY for Breakdown)	
28	1001210934	1	Support, Check Valve	
31	1001214480	1	Washer	
32	1001143857	1	Adaptor	

# SECTION 7 - CONTROLS

## FIGURE 7-8. STEERING COLUMN INSTALLATION WITH FNR LEVER



ART\_1001155307-P

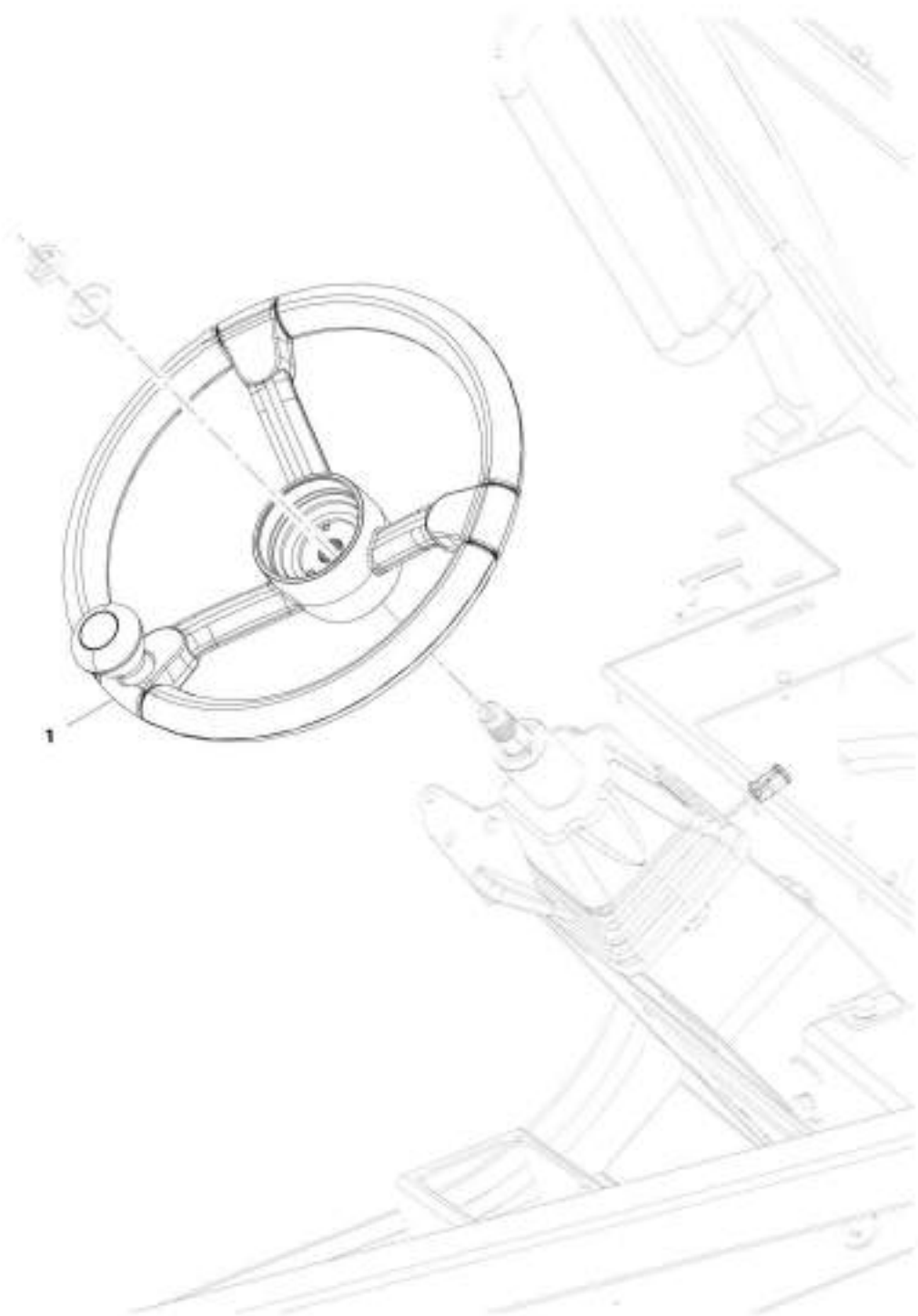
## SECTION 7 - CONTROLS

**FIGURE 7-8. STEERING COLUMN INSTALLATION WITH FNR LEVER**

ITEM	PART NUMBER	QTY	DESCRIPTION	REV
	1001155307	Ref	Steering Column Installation with FNR Lever	F
2	0760608	1	Bolt, M6X16	
3	0761012	8	Bolt, M10X25	
4	2130404	1	Fitting, 90 ORFS	
5	2130808	2	Fitting, 90 ORFS	
6	2170208	2	Fitting, 90 ORFS	
7	0700824	1	Bolt, M8X80	
8	4811900	1	Washer, M8	
9	4812000	8	Washer, M10	
10	1001004640	4	Clamp	
12	4811702	1	Washer, M6	
13	1001156265	1	Support, Steering Column	
14	1001158527	1	Valve, Steering (See HYDRAULIC COMPONENTS SECTION for Breakdown)	
15	1001161672	1	Pipe	
16	1001161896	1	Pipe	
17	1001161897	1	Pipe	
18	1001161898	1	Pipe	
19	1001162979	1	Pipe	
21	1001161733	NLA	Column, Steering (no longer available, see 1001214481 for replacement)	
21	1001214481	1	Column, Steering	
22	1001168142	1	Bracket	
23	1001168151	1	Bracket	
26	1001214480	1	Washer	
27	1001143857	1	Adaptor	

## SECTION 7 - CONTROLS

FIGURE 7-9. STEERING WHEEL INSTALLATION



ART\_100168751-C

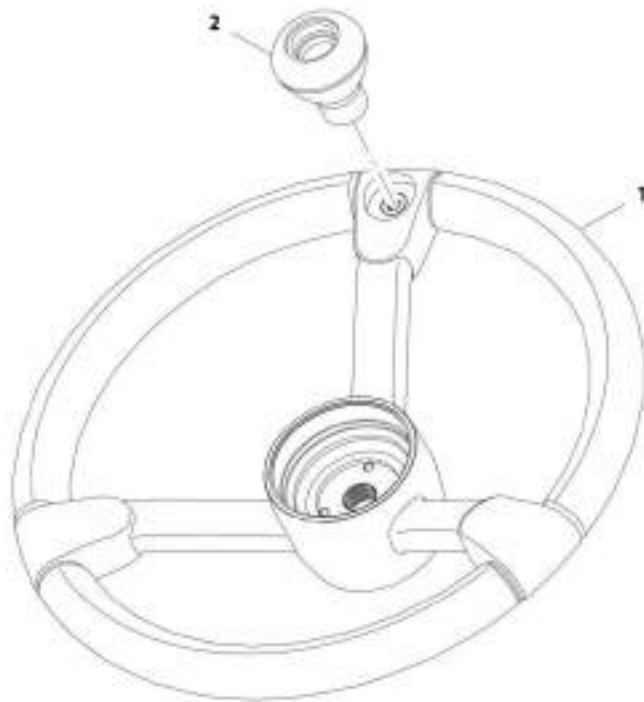
## SECTION 7 - CONTROLS

**FIGURE 7-9. STEERING WHEEL INSTALLATION**

ITEM	PART NUMBER	QTY	DESCRIPTION	REV
1	1001169751 1001169354	Ref 1	Steering Wheel Installation Wheel, Steering (See STEERING WHEEL for Breakdown)	C

# SECTION 7 - CONTROLS

## FIGURE 7-10. STEERING WHEEL



ART\_1001169354-D

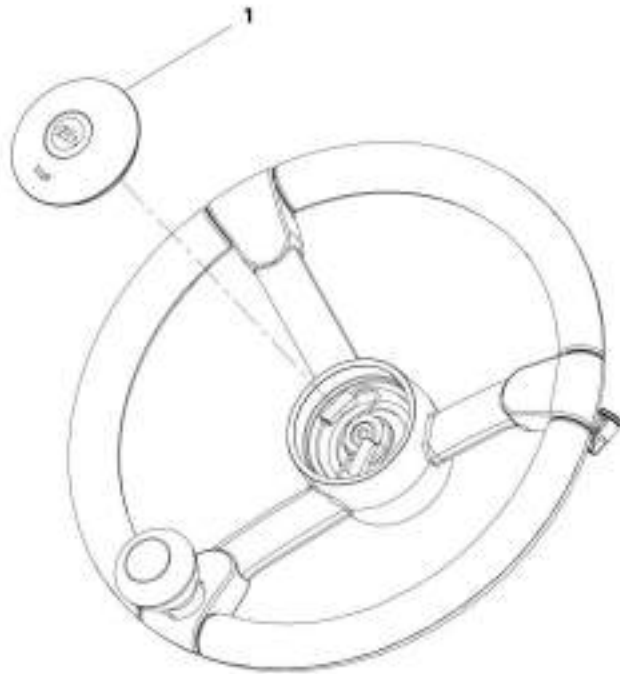
## SECTION 7 - CONTROLS

### FIGURE 7-10. STEERING WHEEL

ITEM	PART NUMBER	QTY	DESCRIPTION	REV
	1001169354	Ref	Steering Wheel	D
1	1001169367	1	Wheel, Steering	
2	1001169355	1	Handle, Steer Spinner	

## SECTION 7 - CONTROLS

FIGURE 7-11. HORN BUTTON INSTALLATION



ART\_100160763-A



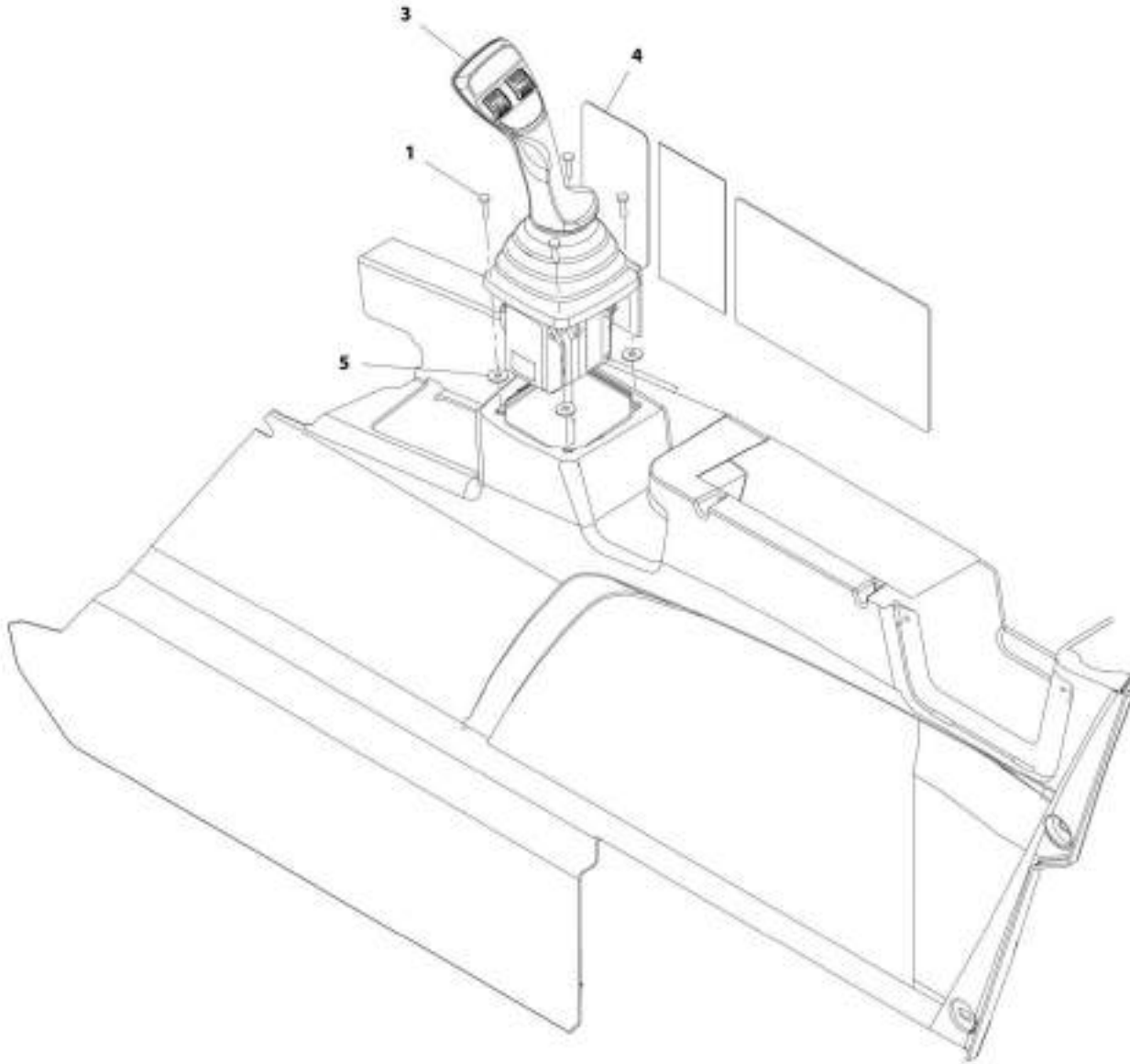
## SECTION 7 - CONTROLS

**FIGURE 7-11. HORN BUTTON INSTALLATION**

ITEM	PART NUMBER	QTY	DESCRIPTION	REV
1	1001169763 1001169268	Ref 1	Horn Button Installation Button, Horn	A

## SECTION 7 - CONTROLS

FIGURE 7-12. JOYSTICK INSTALLATION (W/AUX, DECLUTCH)



ART\_1001167001-E

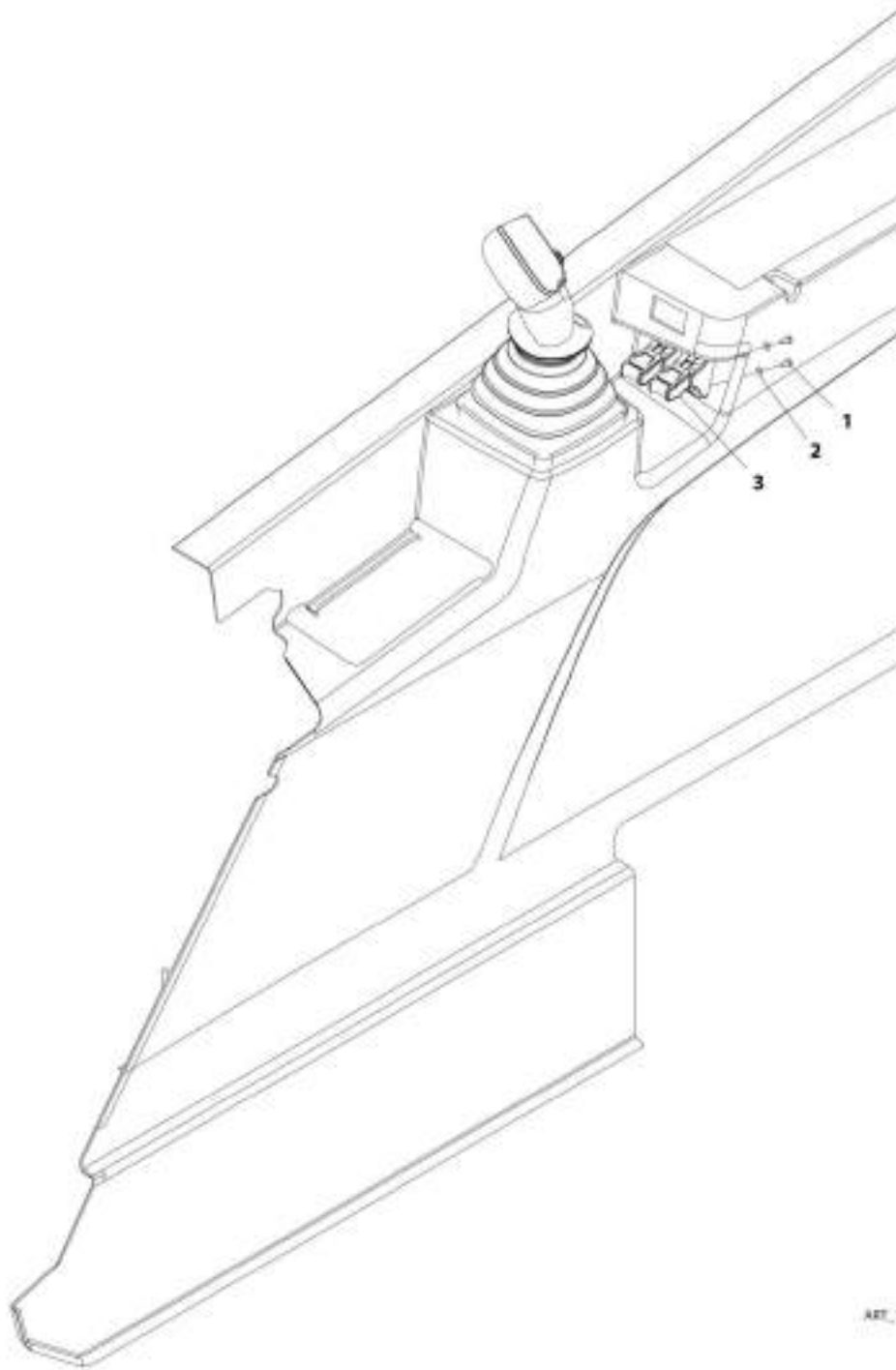
## SECTION 7 - CONTROLS

**FIGURE 7-12. JOYSTICK INSTALLATION (W/AUX, DECLUTCH)**

ITEM	PART NUMBER	QTY	DESCRIPTION	REV
	1001167001	Ref	Joystick Installation (W/Aux, Declutch)	E
1	4010510	4	Screw, Pan HD M5X20	
3	1001160122	NLA	Joystick, (no longer available, use 1001222609 for replacement)	
3	1001222609	1	Joystick	
4	1001181543	1	Decal Joystick	
5	4811702001	AR	Washer, M6	

# SECTION 7 - CONTROLS

## FIGURE 7-13. OUTRIGGER CONTROL INSTALLATION



ART\_100137478-B

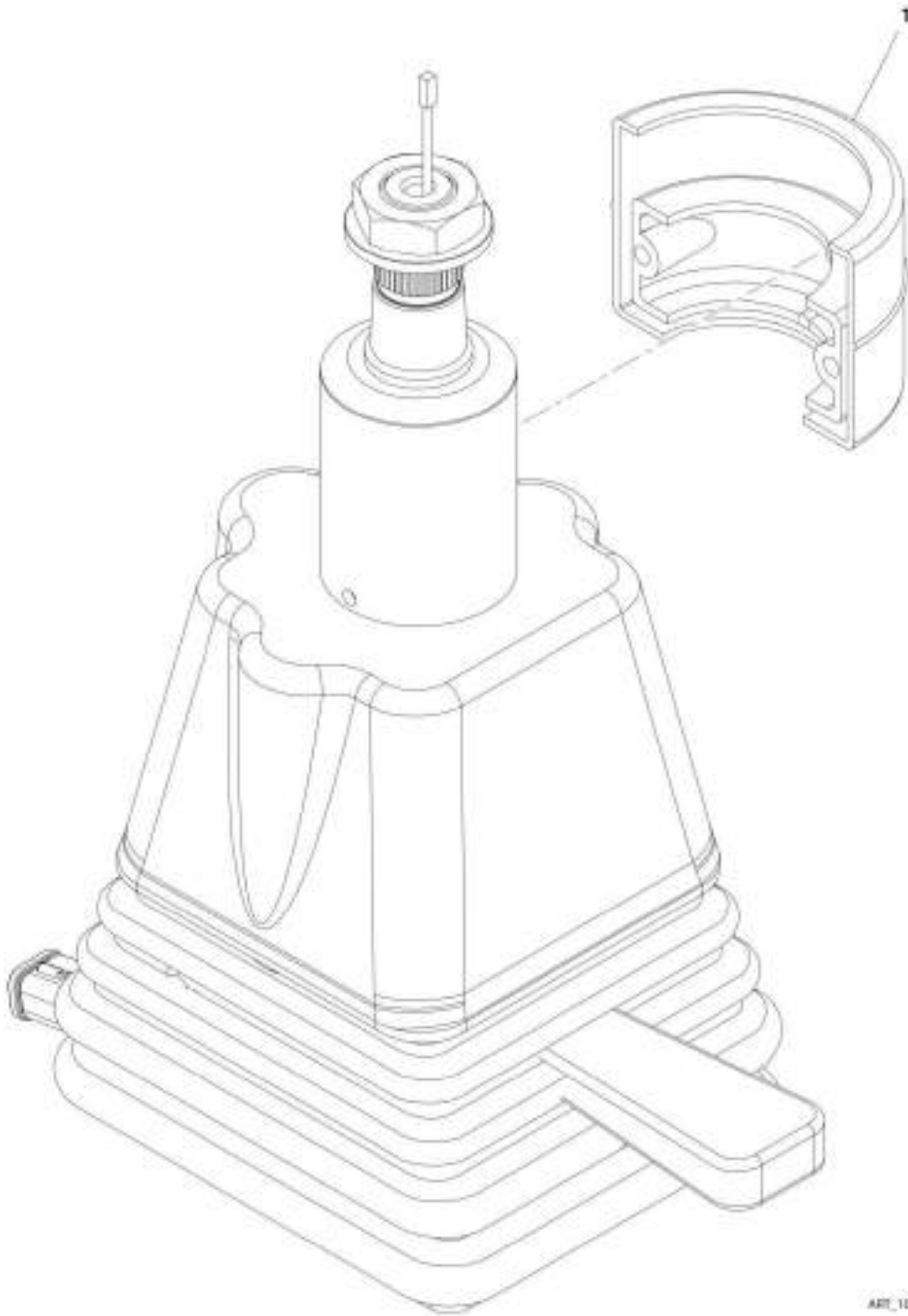
## SECTION 7 - CONTROLS

**FIGURE 7-13. OUTRIGGER CONTROL INSTALLATION**

ITEM	PART NUMBER	QTY	DESCRIPTION	REV
	1001174478	Ref	Outrigger Control Installation	B
1	0760304	4	Bolt, M3X8 GR8.8	
2	1001110544	4	Washer, M3	
3	1001157919	2	Joystick, Fingertip Control	

## SECTION 7 - CONTROLS

FIGURE 7-14. COLUMN CLAMP INSTALLATION



ARE\_1001162671-C

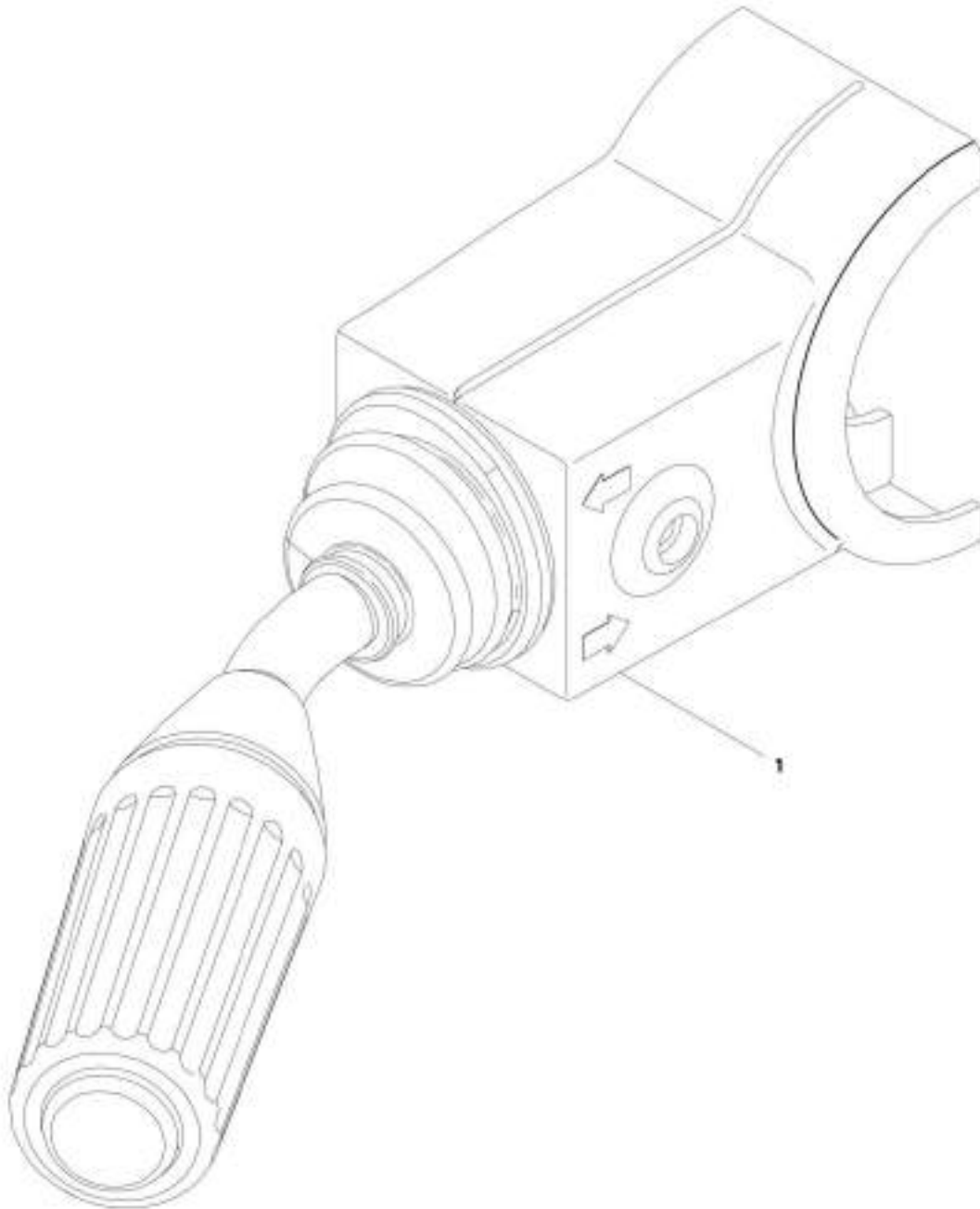
## SECTION 7 - CONTROLS

FIGURE 7-14. COLUMN CLAMP INSTALLATION

ITEM	PART NUMBER	QTY	DESCRIPTION	REV
1	1001182671 1001199640	Ref 1	Column Clamp Installation Clamp	C

## SECTION 7 - CONTROLS

FIGURE 7-15. WIPER-TURN SWITCH



ART\_1001105655.A



## SECTION 7 - CONTROLS

**FIGURE 7-15. WIPER-TURN SWITCH**

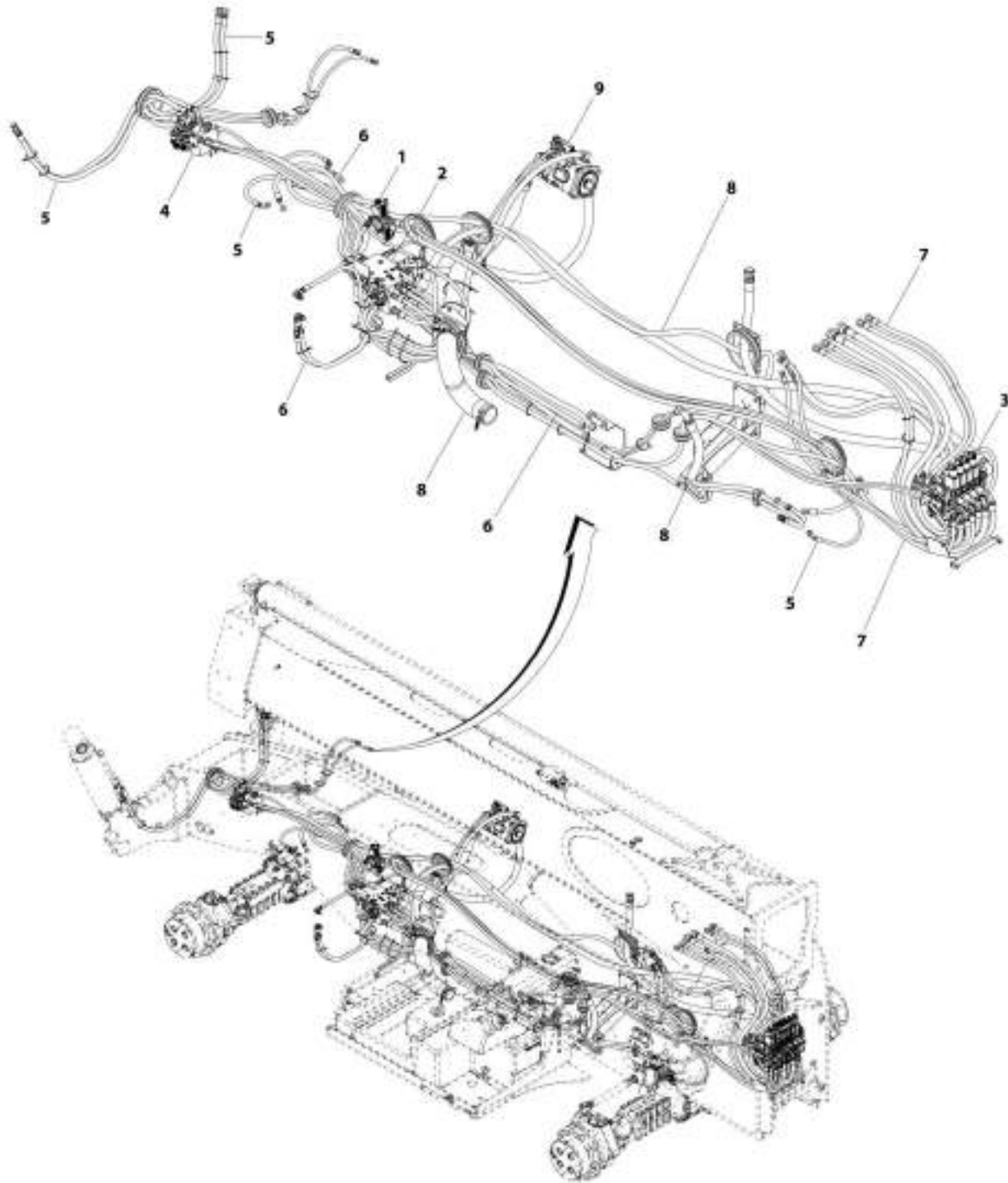
ITEM	PART NUMBER	QTY	DESCRIPTION	REV
	1001163695	1	Wiper-Turn Switch	A



**SECTION 8 - HYDRAULIC CIRCUITS**

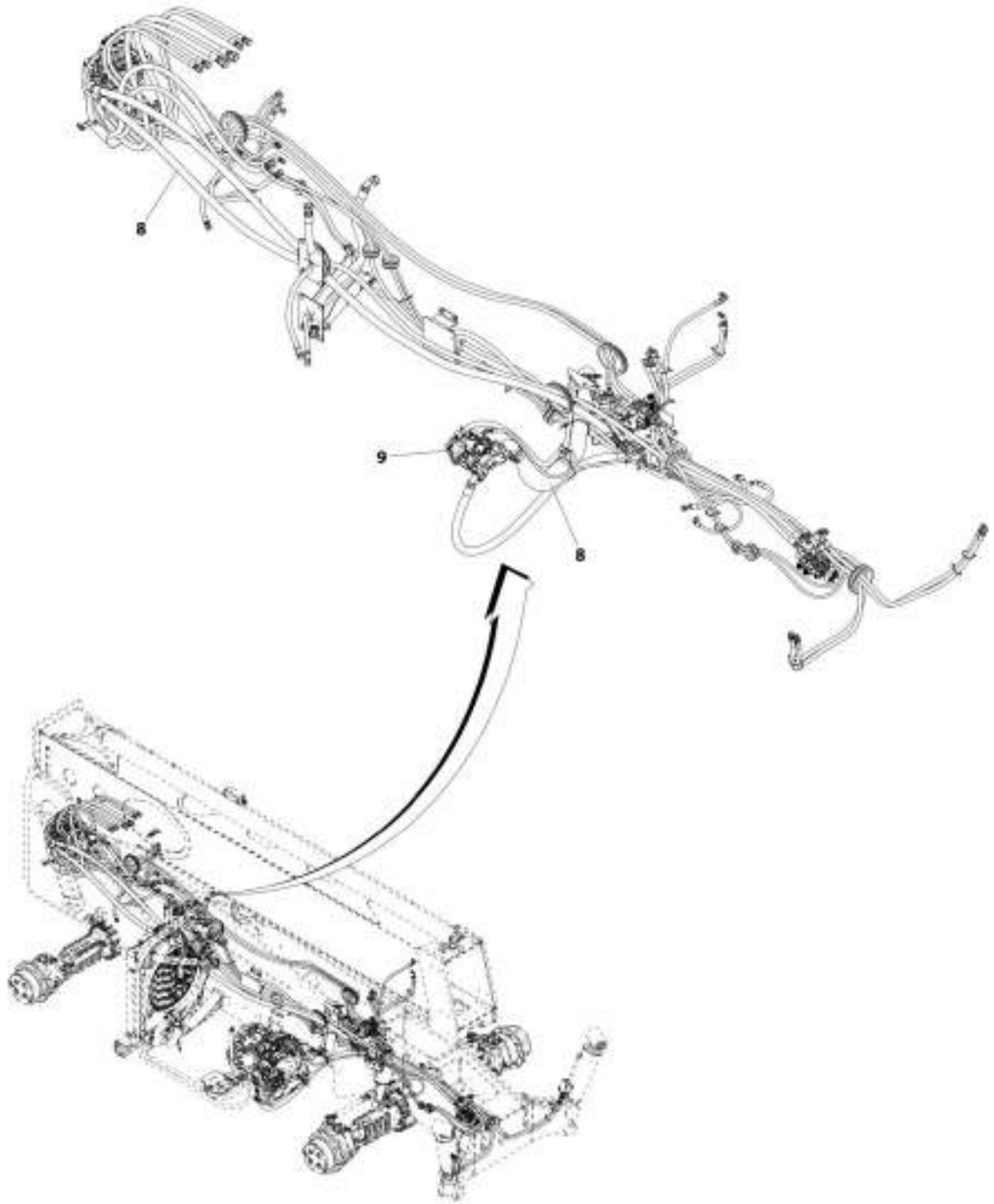
# SECTION 8 - HYDRAULIC CIRCUITS

FIGURE 8-1. MAIN HYDRAULICS INSTALLATION



ART\_100160705\_1-E

# SECTION 8 - HYDRAULIC CIRCUITS



ART\_100160705\_2-E

## SECTION 8 - HYDRAULIC CIRCUITS

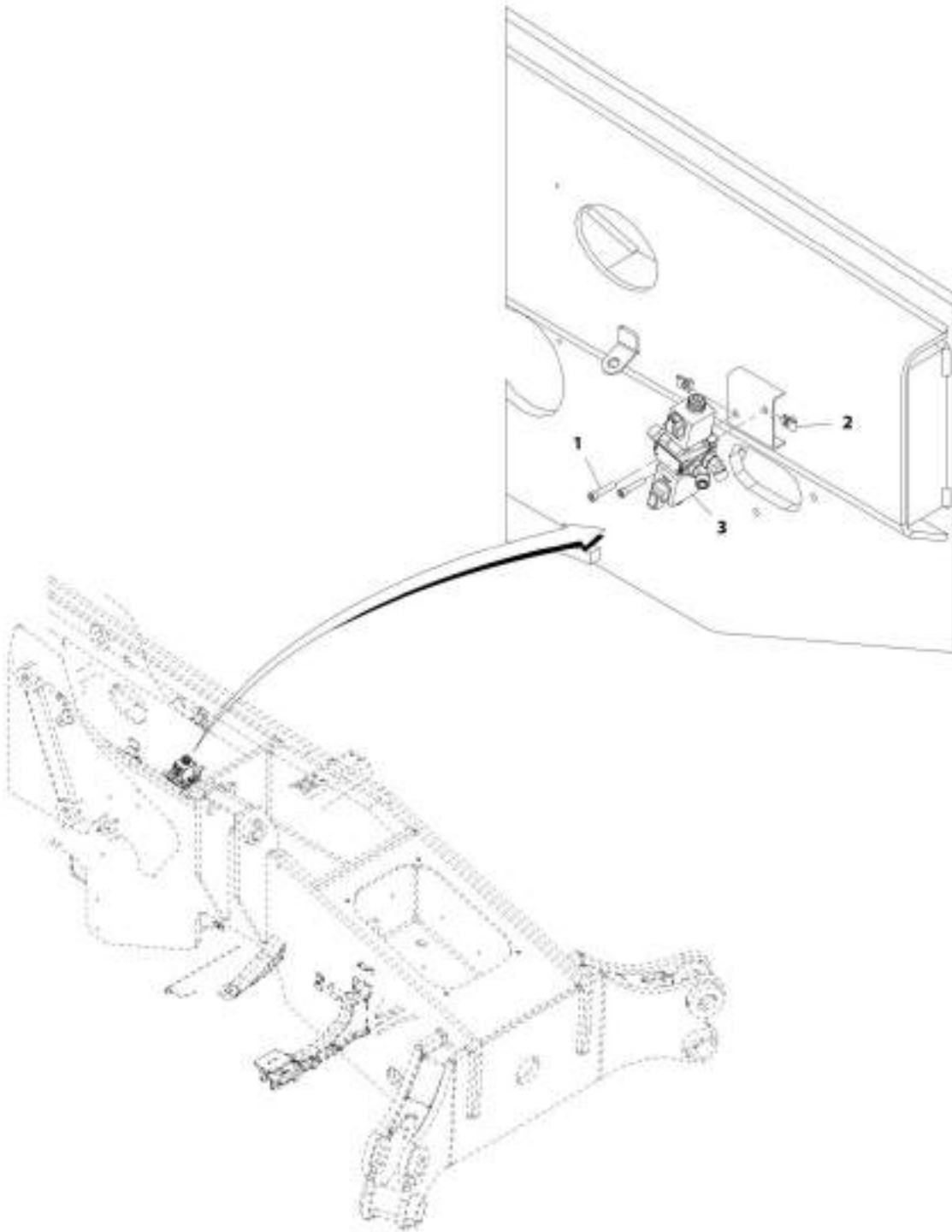
FIGURE 8-1. MAIN HYDRAULICS INSTALLATION

ITEM	PART NUMBER	QTY	DESCRIPTION	REV
	1001160705	Ref	Main Hydraulics Installation	E
1	1001161306	Ref	Installation, Steer Select Valve (See STEER SELECT VALVE INSTALLATION for Breakdown)	
2	1001161308	Ref	Installation, Priority Function Manifold (See PRIORITY FUNCTION MANIFOLD INSTALLATION for Breakdown)	
3	1001161310	Ref	Installation, Main Control Valve (See MAIN CONTROL VALVE INSTALLATION for Breakdown) <b>(Prior to SN 0160082543)</b>	
3	1001225751	Ref	Installation, Main Control Valve (See MAIN CONTROL VALVE INSTALLATION for Breakdown) <b>(SN 0160082543 to Present)</b>	
4	1001161316	Ref	Installation, Frame Level and Outrigger Valve (See FRAME LEVEL AND OUTRIGGER VALVE INSTALLATION for Breakdown) <b>(Prior to SN 0160069775)</b>	
4	1001159760	Ref	Installation, Frame Level and Outrigger Valve (See FRAME LEVEL AND OUTRIGGER VALVE INSTALLATION for Breakdown) <b>(SN 0160069775 to Present)</b>	
5	1001161351	Ref	Installation, Frame Hydraulic (See FRAME HYDRAULIC INSTALLATION for Breakdown)	
6	1001161352	Ref	Installation, Cab Hydraulic (See CAB HYDRAULIC INSTALLATION for Breakdown)	
7	1001194245	Ref	Installation, Boom Hydraulic (See BOOM HYDRAULIC INSTALLATION for Breakdown)	
8	1001161780	Ref	Installation, Engine Bay Hydraulic (See ENGINE BAY HYDRAULIC INSTALLATION for Breakdown)	
9	1001162670	Ref	Installation, Piston Pump (See PISTON PUMP INSTALLATION for Breakdown)	



# SECTION 8 - HYDRAULIC CIRCUITS

## FIGURE 8-2. STEER SELECT VALVE INSTALLATION



ART\_3001161300-C



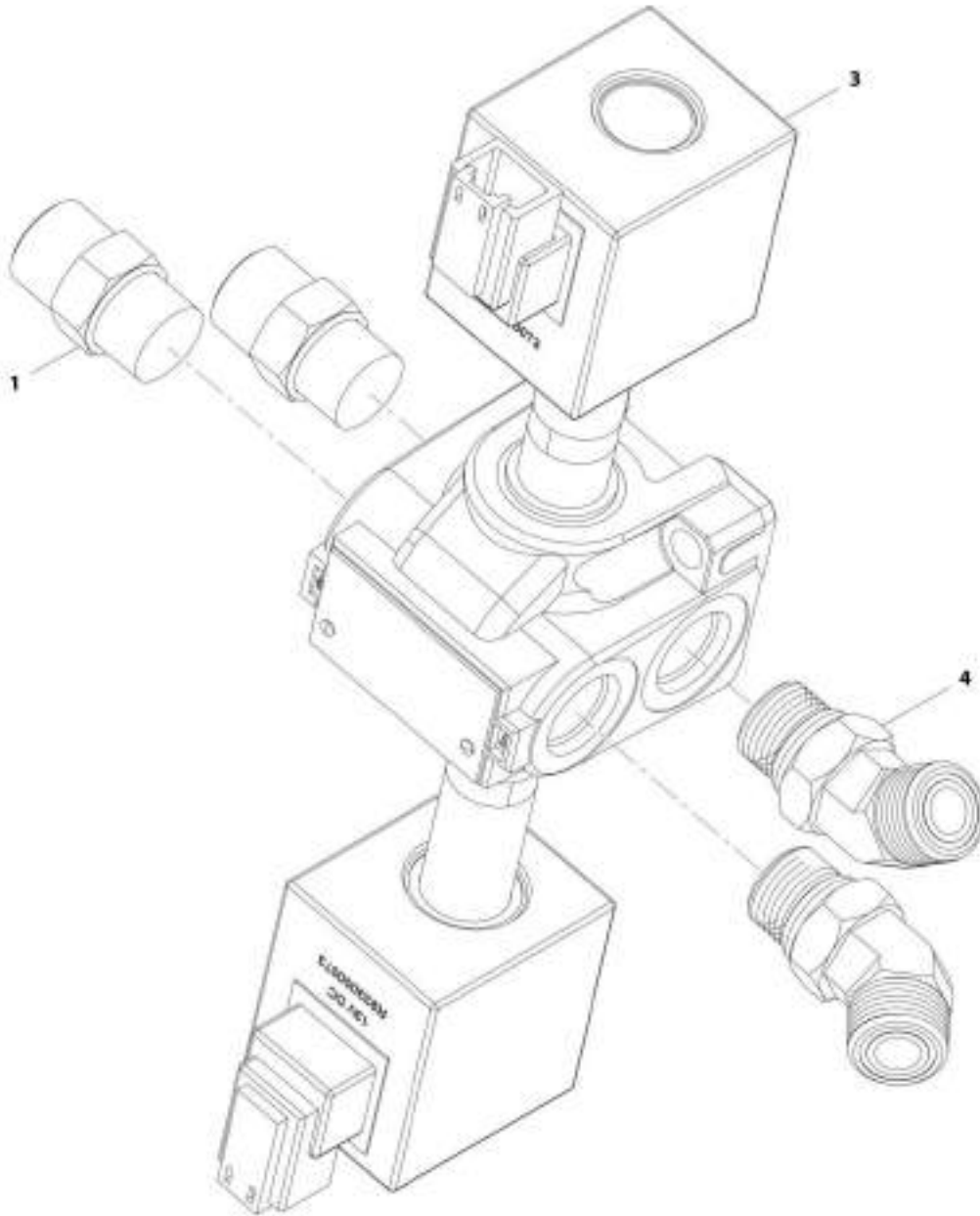
## SECTION 8 - HYDRAULIC CIRCUITS

### FIGURE 8-2. STEER SELECT VALVE INSTALLATION

ITEM	PART NUMBER	QTY	DESCRIPTION	REV
	1001161306	Ref	Steer Select Valve Installation	C
1	4031912	2	Bolt, M8X40	
2	8310686	2	Nut, M8X12.5	
3	1001161304	1	Assembly, Steer Select Valve (See STEER SELECT VALVE ASSEMBLY for Breakdown)	

# SECTION 8 - HYDRAULIC CIRCUITS

## FIGURE 8-3. STEER SELECT VALVE ASSEMBLY



ART 1001161304-B

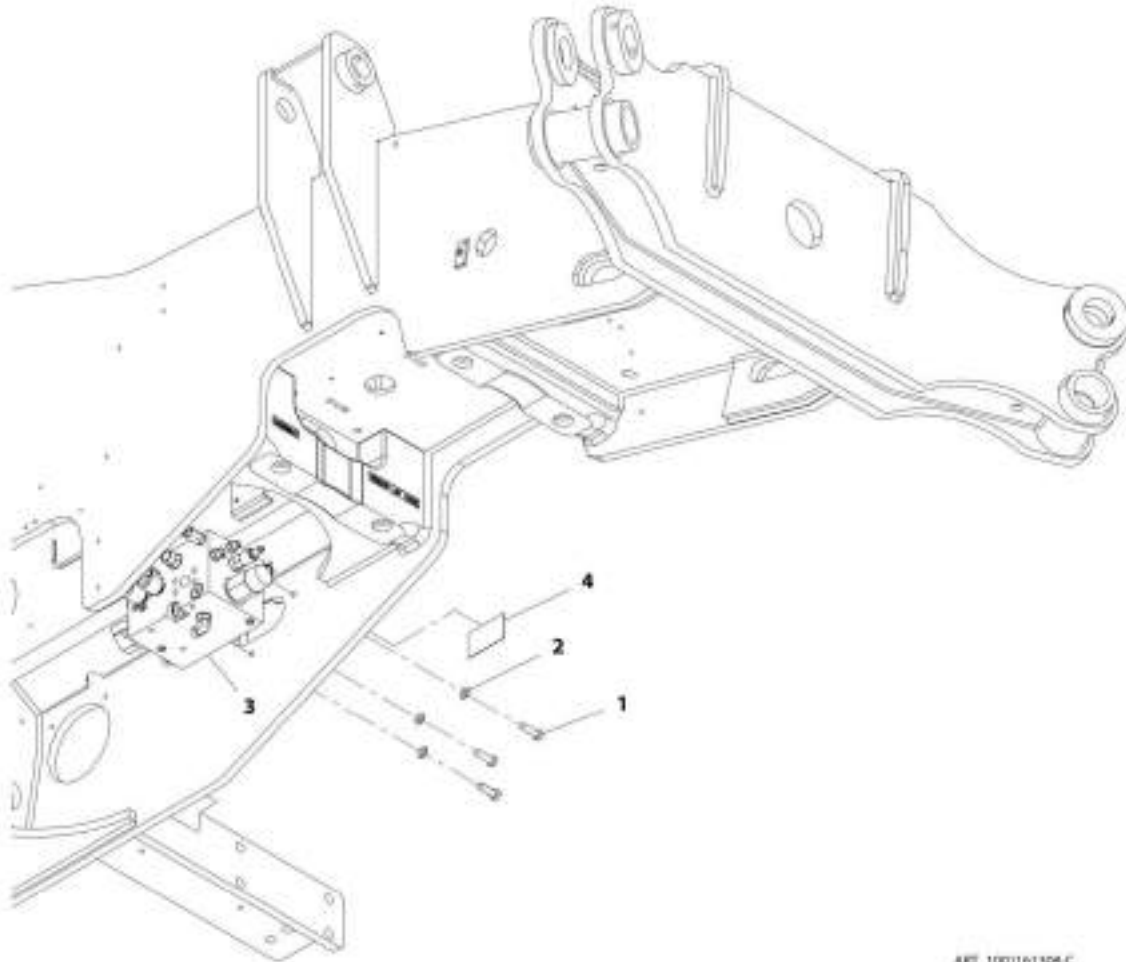
## SECTION 8 - HYDRAULIC CIRCUITS

### FIGURE 8-3. STEER SELECT VALVE ASSEMBLY

ITEM	PART NUMBER	QTY	DESCRIPTION	REV
	1001161304	Ref	Steer Select Valve Assembly	B
1	2110808	2	Fitting, Straight ORFS	
3	1001153748	1	Valve, Steering (See HYDRAULIC COMPONENTS SECTION for Breakdown)	
4	2150808	2	Fitting, 45	

# SECTION 8 - HYDRAULIC CIRCUITS

FIGURE 8-4. PRIORITY FUNCTION MANIFOLD INSTALLATION



ART\_1001161308-C

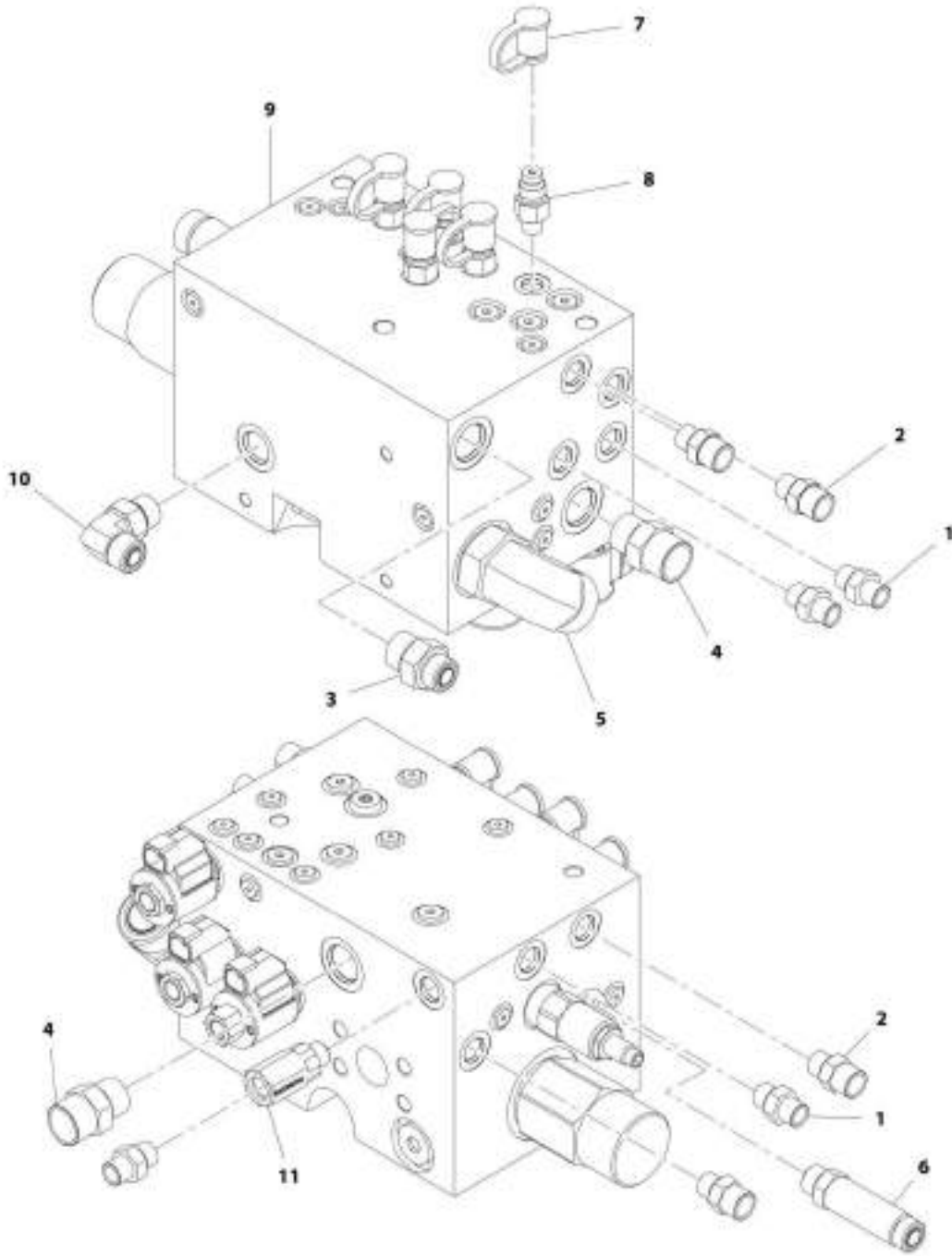
## SECTION 8 - HYDRAULIC CIRCUITS

**FIGURE 8-4. PRIORITY FUNCTION MANIFOLD INSTALLATION**

ITEM	PART NUMBER	QTY	DESCRIPTION	REV
	1001161308	Ref	Priority Function Manifold Installation	C
1	0701216	3	Bolt, M12X40	
2	4812100	3	Washer, M12	
3	1001166223	1	Assembly, Priority Manifold Valve (See PRIORITY MANIFOLD VALVE ASSEMBLY for Breakdown)	
4	1001183243	1	Decal, Port ID	

# SECTION 8 - HYDRAULIC CIRCUITS

## FIGURE 8-5. PRIORITY MANIFOLD VALVE ASSEMBLY



ART\_300116423-F

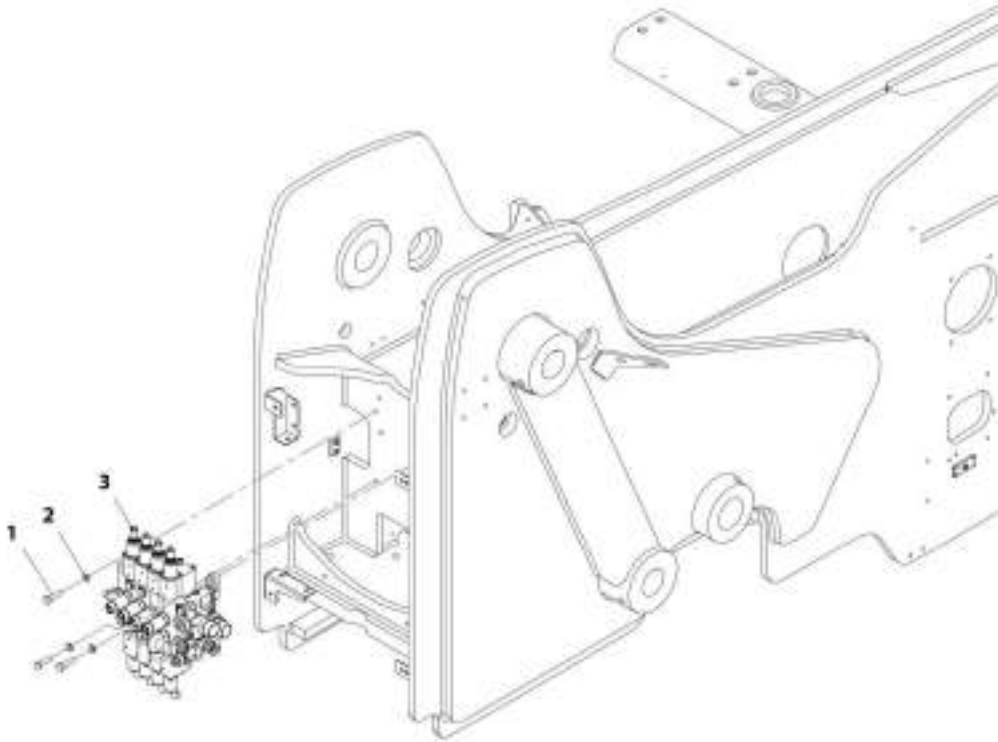
## SECTION 8 - HYDRAULIC CIRCUITS

### FIGURE 8-5. PRIORITY MANIFOLD VALVE ASSEMBLY

ITEM	PART NUMBER	QTY	DESCRIPTION	REV
	1001166223	Ref	Priority Manifold Valve Assembly	F
1	2110406	4	Fitting, Straight ORFS	
2	2110606	4	Fitting, Straight ORFS	
3	2110810	1	Fitting, Straight ORFS	
4	2111010	2	Fitting, Straight ORFS	
5	2131616	1	Fitting, 90 ORFS	
6	1001201755	1	Fitting, Straight ORFS	
7	8430032	5	Plug	
8	8430033	5	Fitting, Straight	
9	1001162548	1	Valve, Priority Manifold (See HYDRAULIC COMPONENTS SECTION for Breakdown)	
10	2130808	1	Fitting, 90 ORFS	
11	1001196608	1	Valve, Check	

## SECTION 8 - HYDRAULIC CIRCUITS

FIGURE 8-6. MAIN CONTROL VALVE INSTALLATION (Prior to SN 0160082543)



MT\_330198310E



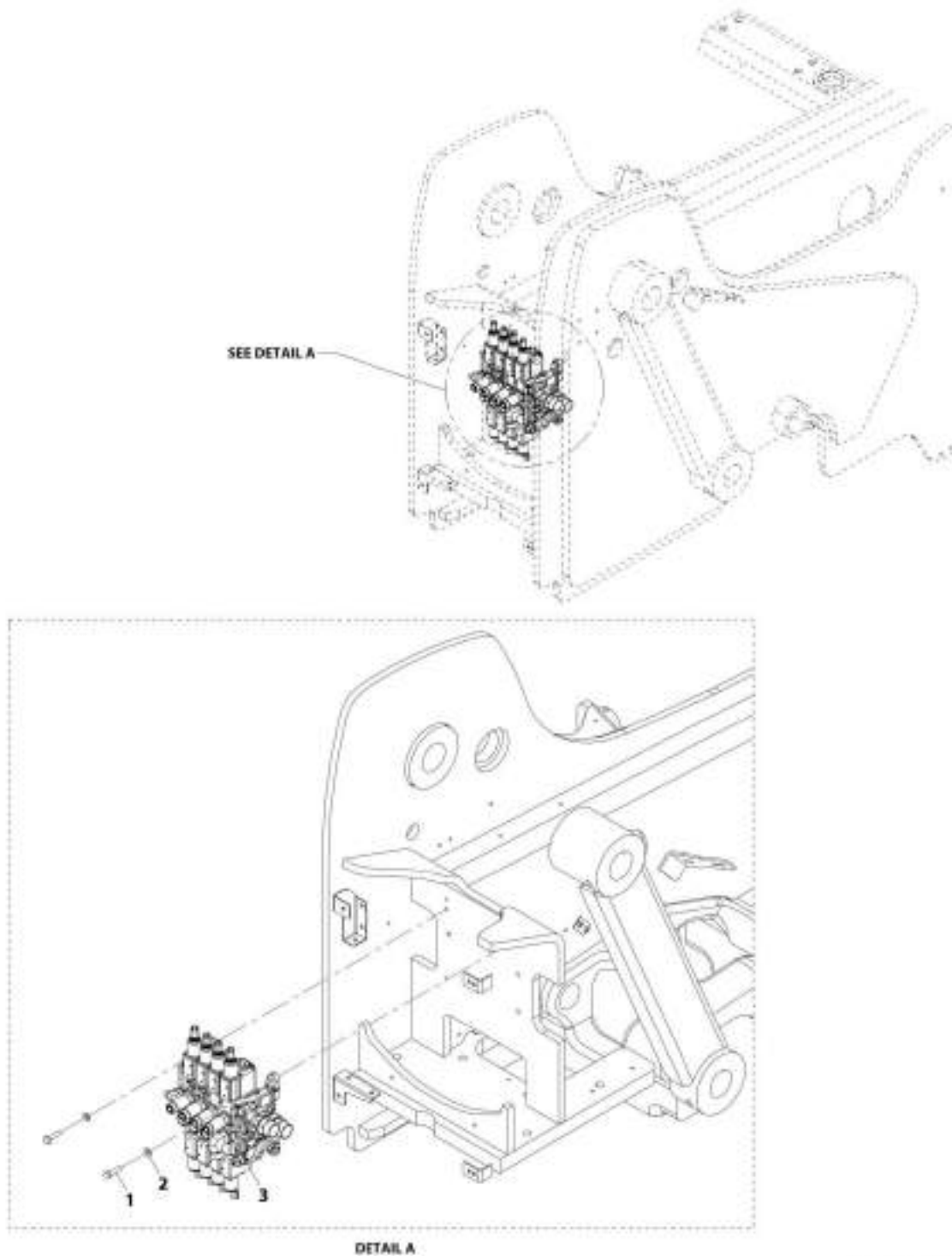
## SECTION 8 - HYDRAULIC CIRCUITS

**FIGURE 8-6. MAIN CONTROL VALVE INSTALLATION (Prior to SN 0160082543)**

ITEM	PART NUMBER	QTY	DESCRIPTION	REV
	1001161310	Ref	Main Control Valve Installation	E
1	0701016	3	Bolt, M10X40	
2	4812000	3	Washer, M10	
3	1001161321	1	Assembly, Main Control Valve (See MAIN CONTROL VALVE ASSEMBLY for Breakdown)	

# SECTION 8 - HYDRAULIC CIRCUITS

FIGURE 8-7. MAIN CONTROL VALVE INSTALLATION (SN 0160082543 to Present)



ART\_1001225751-A

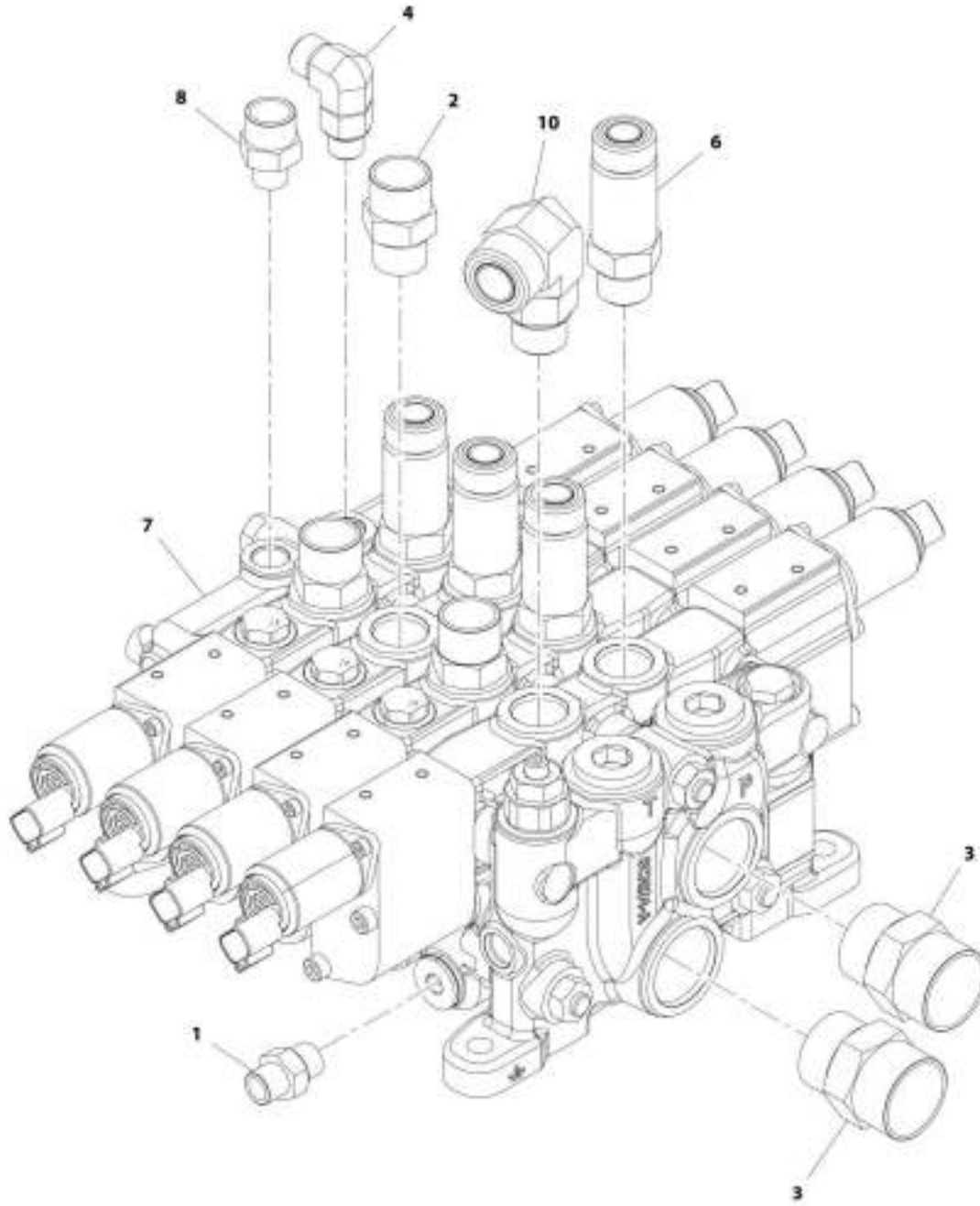
## SECTION 8 - HYDRAULIC CIRCUITS

**FIGURE 8-7. MAIN CONTROL VALVE INSTALLATION (SN 0160082543 to Present)**

ITEM	PART NUMBER	QTY	DESCRIPTION	REV
	1001225751	Ref	Main Control Valve Installation	A
1	0701016	3	Bolt, M10X40	
2	4812000	3	Washer, M10	
3	1001225752	1	Assembly, Main Control Valve Assembly (See Separate Breakdown in this Section)	

# SECTION 8 - HYDRAULIC CIRCUITS

FIGURE 8-8. MAIN CONTROL VALVE ASSEMBLY (Prior to SN 0160082543)



ART\_3001161321-H

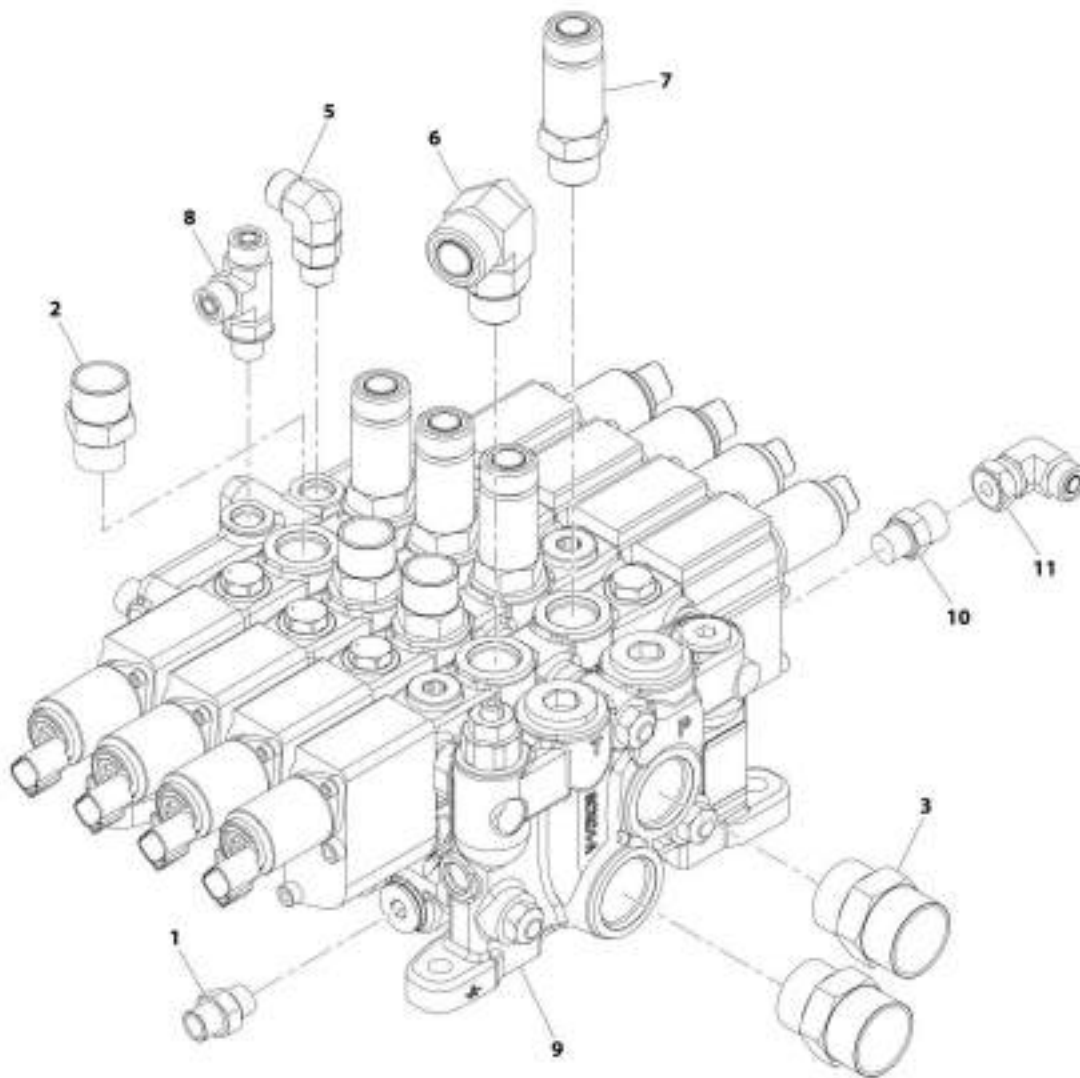
## SECTION 8 - HYDRAULIC CIRCUITS

**FIGURE 8-8. MAIN CONTROL VALVE ASSEMBLY (Prior to SN 0160082543)**

ITEM	PART NUMBER	QTY	DESCRIPTION	REV
	1001161321	Ref	Main Control Valve Assembly	H
1	2110406	1	Fitting, Straight ORFS	
2	2111010	3	Fitting, Straight ORFS	
3	2111616	2	Fitting, Straight ORFS	
4	2130606	1	Fitting, 90 ORFS	
6	2170110	4	Fitting, Straight ORFS	
7		Ref	Valve, Main Control (See Separate Breakdown in HYDRAULIC COMPONENTS Section)	
8	2110806	1	Fitting, Straight ORFS	
10	2131210	1	Fitting, 90 ORFS	

## SECTION 8 - HYDRAULIC CIRCUITS

FIGURE 8-9. MAIN CONTROL VALVE ASSEMBLY (SN 0160082543 to Present)



ART. 1001225752-C

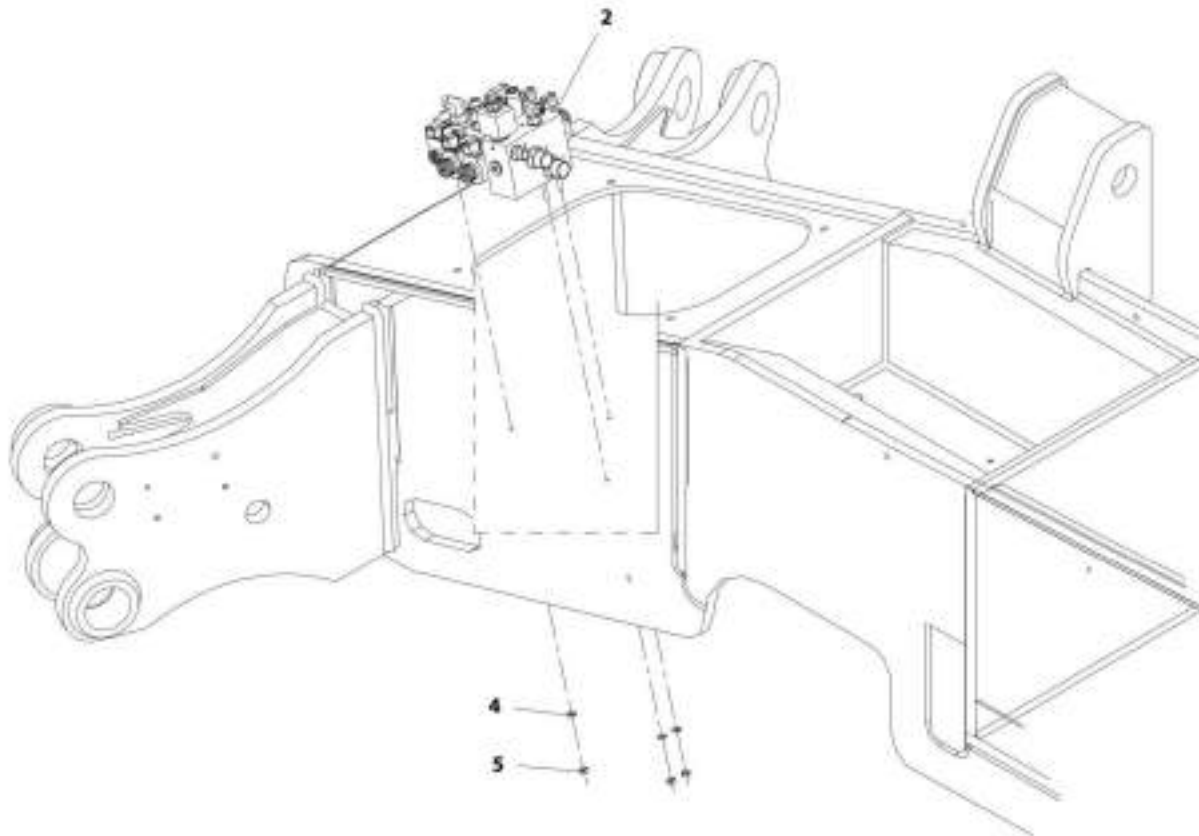
## SECTION 8 - HYDRAULIC CIRCUITS

**FIGURE 8-9. MAIN CONTROL VALVE ASSEMBLY (SN 0160082543 to Present)**

ITEM	PART NUMBER	QTY	DESCRIPTION	REV
	1001225752	Ref	INSTALL, MCV FTG ASSY	C
1	2110406	1	ADPT,ST S ORFS/ORB 4-6 FG	
2	2111010	3	ADPT,ST S ORFS/ORB 10-10 FG	
3	2111616	2	ADPT,ST S ORFS/ORB 16-16 FG	
5	2130606	1	ADPT,90 S ORFS/ORB 6-6 FG	
6	2131210	1	ADPT,90 S ORFS/ORB 12-10 FG	
7	2170110	4	ADPT,ST L ORFS/ORB 10-10 FG	
8	2170306	1	ADPT,TR ORFS/ORB/ORFS 6-6-6 FG	
9		Ref	Valve, Main Control (See Separate Breakdown in HYDRAULIC COMPONENTS Section)	
10	2110606	1	Fitting, Straight ORFS	
11	2172106	1	Adapter, 90	

## SECTION 8 - HYDRAULIC CIRCUITS

FIGURE 8-10. FRAME LEVEL AND OUTRIGGER VALVE INSTALLATION (Prior to SN 0160069775)



ART 3001161316-D



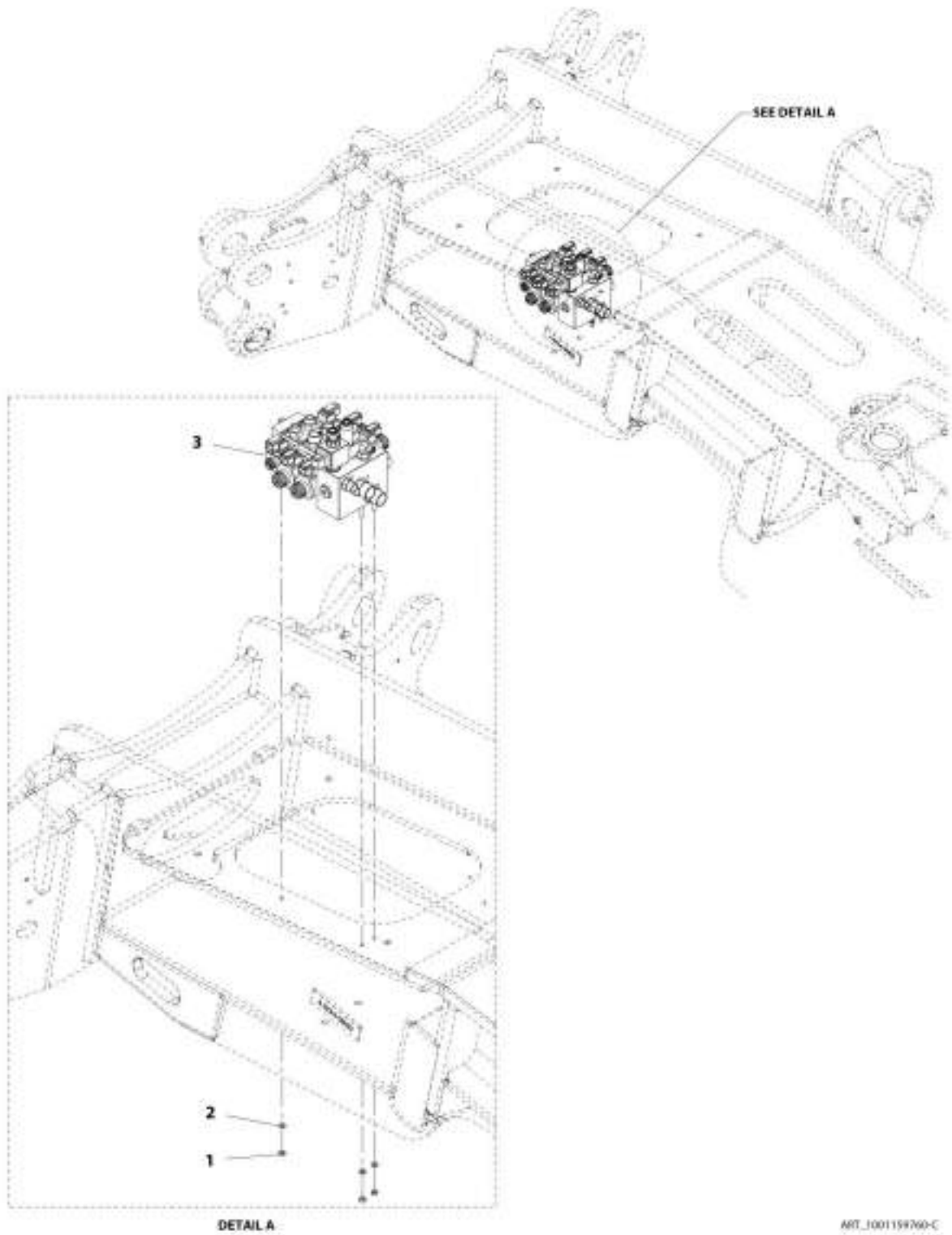
## SECTION 8 - HYDRAULIC CIRCUITS

**FIGURE 8-10. FRAME LEVEL AND OUTRIGGER VALVE INSTALLATION (Prior to SN 0160069775)**

ITEM	PART NUMBER	QTY	DESCRIPTION	REV
	1001161316	Ref	Frame Level and Outrigger Valve Installation	D
2	1001161317	1	Assembly, Frame Level and Outrigger Valve (See FRAME LEVEL AND OUTRIGGER VALVE ASSEMBLY for Breakdown)	
4	4811700	3	Washer, M6	
5	3290601	3	Nut, M6X1	

# SECTION 8 - HYDRAULIC CIRCUITS

FIGURE 8-11. FRAME LEVEL AND OUTRIGGER VALVE INSTALLATION (SN 0160069775 to Present)



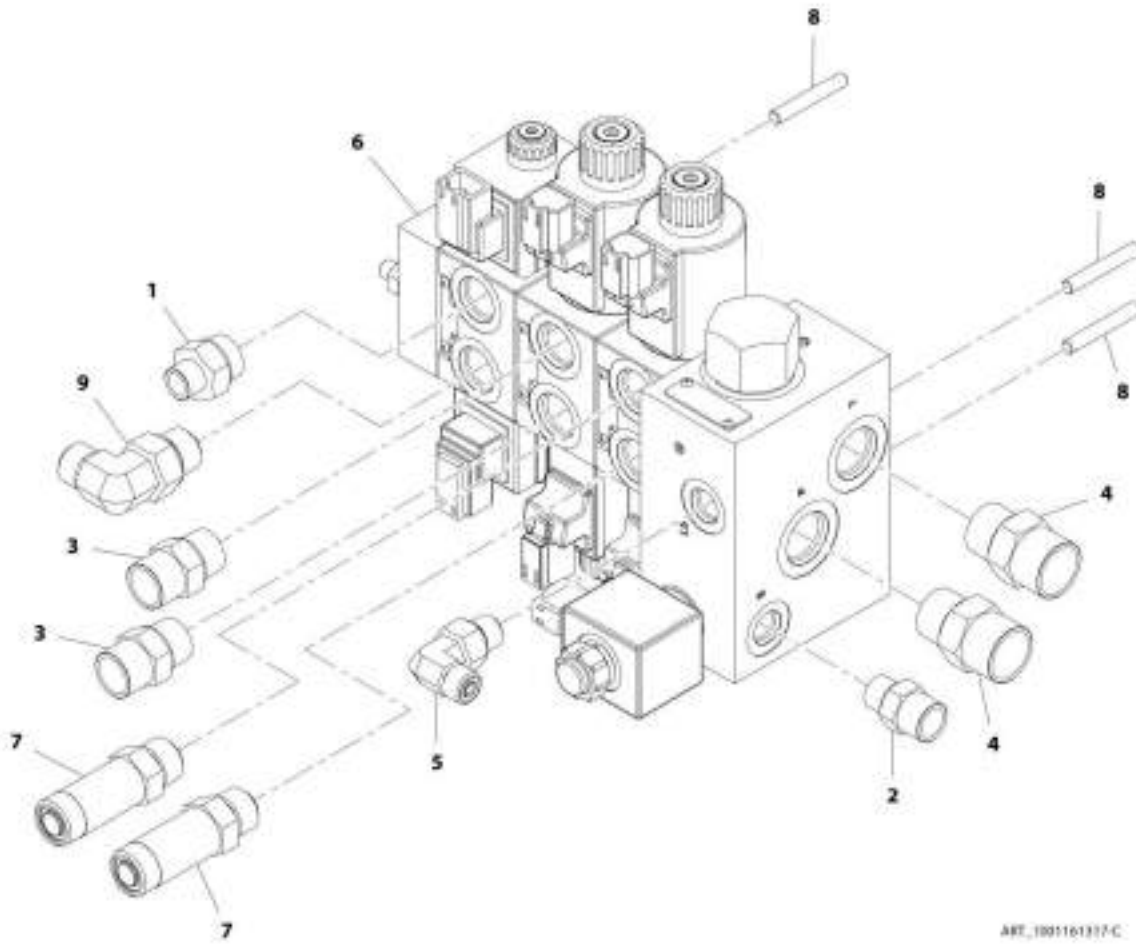
## SECTION 8 - HYDRAULIC CIRCUITS

**FIGURE 8-11. FRAME LEVEL AND OUTRIGGER VALVE INSTALLATION (SN 0160069775 to Present)**

ITEM	PART NUMBER	QTY	DESCRIPTION	REV
	1001159760	Ref	Frame Level and Outrigger Valve Installation	C
1	3290601	3	Nut, M6X1 Grade 8	
2	4811700	3	Washer, M6	
3	1001159847	1	Assembly, Frame Level and Outrigger Valve (See FRAME LEVEL AND OUTRIGGER VALVE ASSEMBLY for Breakdown)	

# SECTION 8 - HYDRAULIC CIRCUITS

FIGURE 8-12. FRAME LEVEL AND OUTRIGGER VALVE ASSEMBLY (Prior to SN 0160069775)



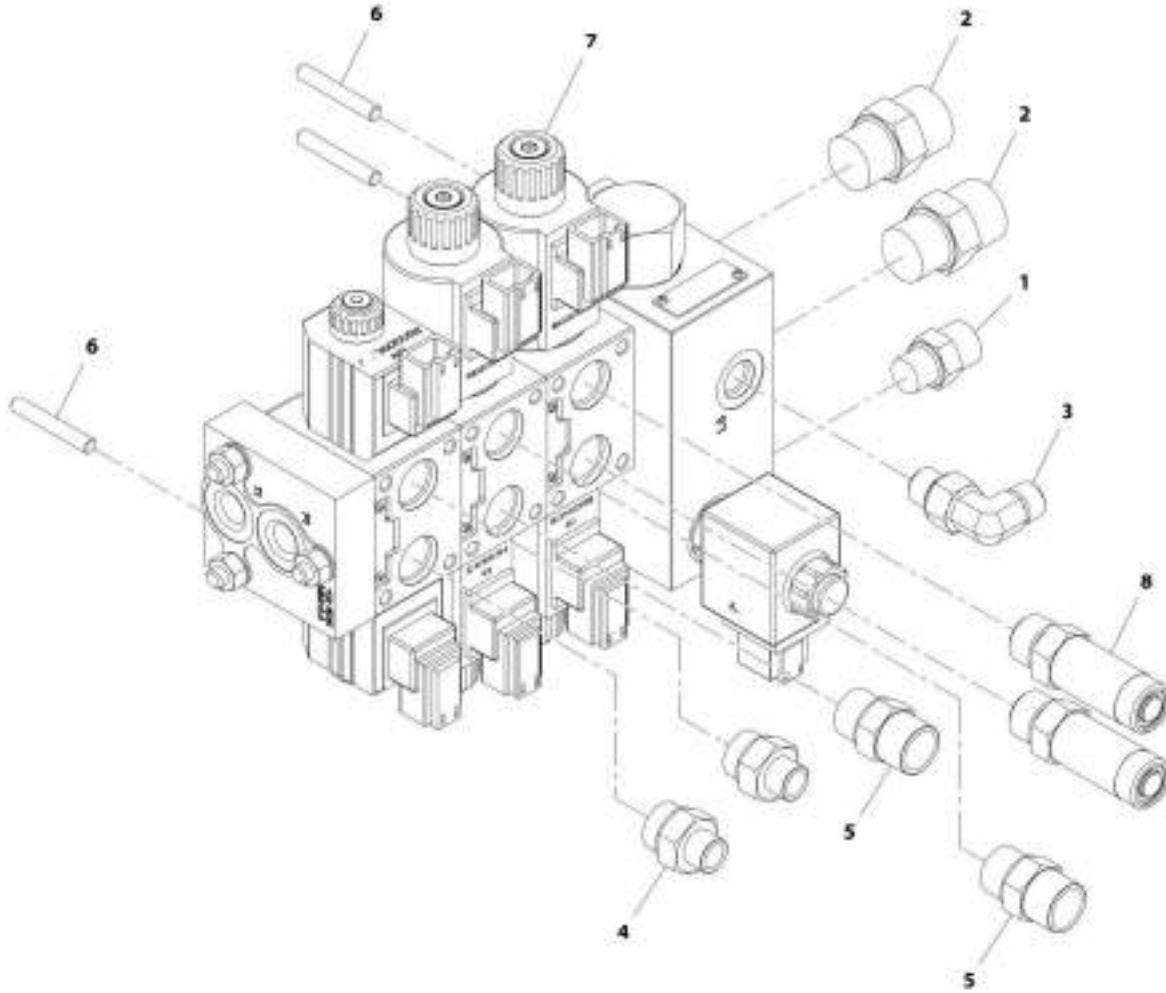
## SECTION 8 - HYDRAULIC CIRCUITS

**FIGURE 8-12. FRAME LEVEL AND OUTRIGGER VALVE ASSEMBLY (Prior to SN 0160069775)**

ITEM	PART NUMBER	QTY	DESCRIPTION	REV
	1001161317	Ref	Frame Level and Outrigger Valve Assembly	C
1	2110408	1	Fitting, Straight ORFS	
2	2110606	1	Fitting, Straight ORFS	
3	2110808	2	Fitting, Straight ORFS	
4	2111010	2	Fitting, Straight ORFS	
5	2130406	1	Fitting, 90 ORFS	
6	1001157972	1	Valve, Frame Level and Outrigger (See HYDRAULIC COMPONENTS SECTION for Breakdown)	
7	2170108	2	Fitting, Straight ORFS	
8	1001177702	3	Stud, M6X40	
9	2130608	1	Fitting, 90 ORFS	

# SECTION 8 - HYDRAULIC CIRCUITS

FIGURE 8-13. FRAME LEVEL AND OUTRIGGER VALVE ASSEMBLY (SN 0160069775 to Present)



MIT\_1001159847-E

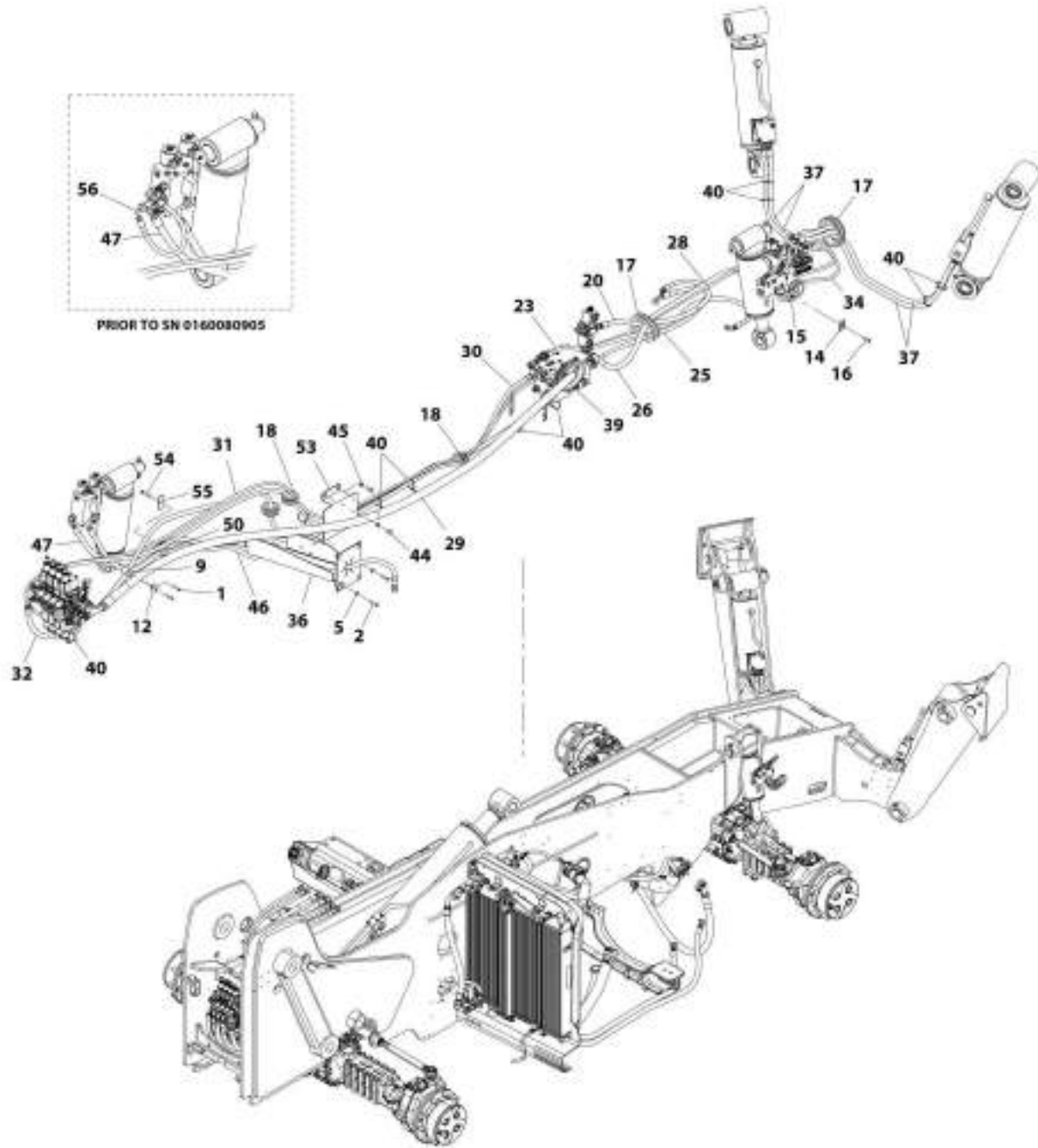
## SECTION 8 - HYDRAULIC CIRCUITS

**FIGURE 8-13. FRAME LEVEL AND OUTRIGGER VALVE ASSEMBLY (SN 0160069775 to Present)**

ITEM	PART NUMBER	QTY	DESCRIPTION	REV
	1001159847	Ref	Frame Level and Outrigger Valve Assembly	E
1	2110606	1	Fitting, Straight ORFS	
2	2111010	2	Fitting, Straight ORFS	
3	2130406	1	Fitting, 90 ORFS	
4	2110408	2	Fitting, Straight ORFS	
5	2110808	2	Fitting, Straight ORFS	
6	1001177702	3	Stud, M6X40	
7	1001157972	1	Valve, Frame Level and Outrigger (See HYDRAULIC COMPONENTS SECTION for Breakdown)	
8	2170108	2	Fitting, Straight ORFS	

# SECTION 8 - HYDRAULIC CIRCUITS

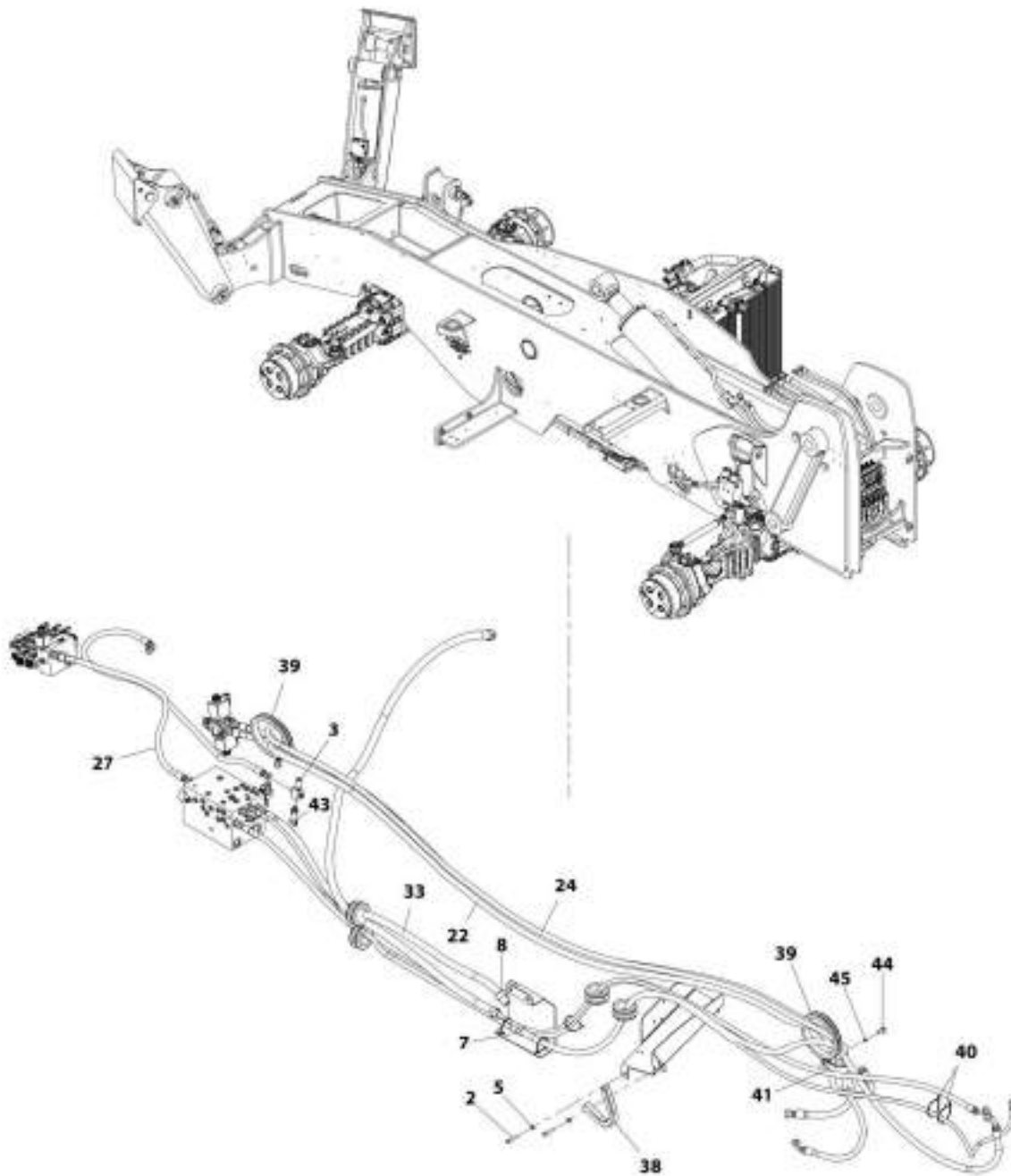
## FIGURE 8-14. FRAME HYDRAULIC INSTALLATION



ART\_1001381351\_1-X



# SECTION 8 - HYDRAULIC CIRCUITS



ART.1001541351\_2-X

# SECTION 8 - HYDRAULIC CIRCUITS

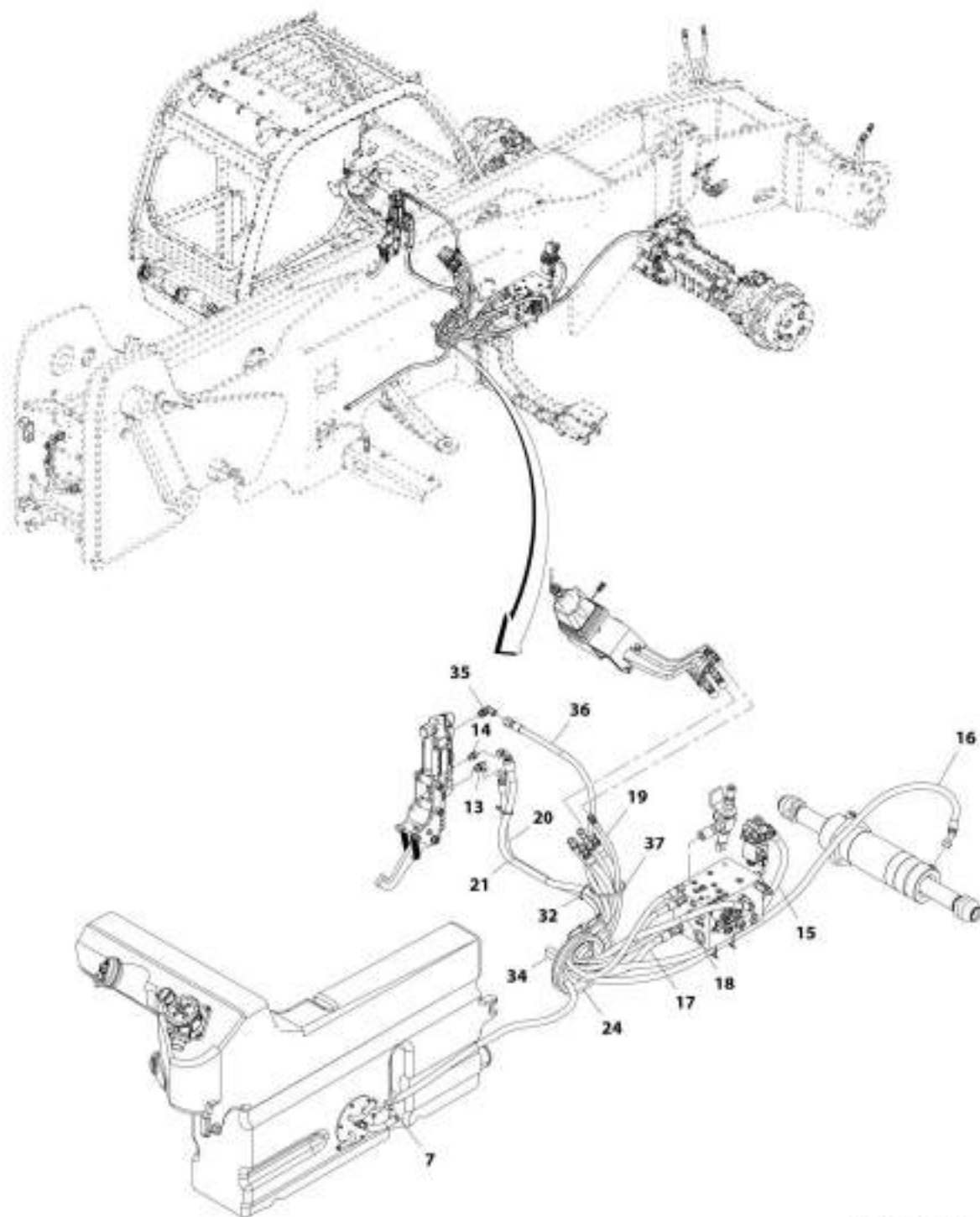
## FIGURE 8-14. FRAME HYDRAULIC INSTALLATION

ITEM	PART NUMBER	QTY	DESCRIPTION	REV
	1001161351	Ref	Frame Hydraulic Installation	X
1	0700616	2	Bolt, M6X40	
2	0700815	4	Bolt, M8X40	
3	1001205756	1	Fitting, Tee	
5	4811900	4	Washer, M8	
7	8405006	1	Clamp, Gear	
8	8410009	1	Clamp, Gear	
9	8750029	1	Clamp, Hose	
12	8769153	1	Plate, Cover	
14	77133140	1	Plate, Cover	
15	77133168	1	Clamp, Twin Hose	
16	0760815	1	Bolt, M8X35	
17	1001166397	2	Grommet	
18	1001028308	5	Grommet	
20	1001161340	1	Hose	
22	1001161343	2	Hose	
23	1001202846	1	Hose	
24	1001202847	1	Hose	
25	1001161535	1	Hose	
26	1001161909	1	Hose	
27	1001161910	1	Hose	
28	1001161911	1	Hose	
29	1001161972	1	Hose	
30	1001161973	1	Hose	
31	1001161974	1	Hose	
32	1001161975	1	Hose (Prior to SN 0160083962)	
32	1001225467	1	Hose (SN 0160083962 to Present)	
33	1001161976	1	Hose	
34	1001162069	2	Hose	
36	1001199750	1	Channel, Hose	
37	1001200080	4	Hose (Prior to SN 0160078794)	
37	1001214468	4	Hose (SN 0160078794 to Present)	
38	4060919	225 mm	Trim, Hose Protection	
39	1001177704	3	Grommet	
40	4240099	16	Tie, Wire	
41	80673025	1	P-Clamp, 2.25	
43	1001147340	1	Sensor, Pressure	
44	0761010	3	Bolt, M10X20	
45	4812000	3	Washer, M10	
46	1001182506	1	Hose	
47	1001192042	1	Hose	
50	8750016	1	Clamp, Twin Hose	
53	1001208881	1	Bracket, Hose Guide	
54	0700817	1	Bolt, M8X45	
55	77133137	1	Plate, Twin Hose Cover	
56	1001097810	1	Hose (Prior to SN 0160080905)	



# SECTION 8 - HYDRAULIC CIRCUITS

## FIGURE 8-15. CAB HYDRAULIC INSTALLATION



ART\_1001361352-M

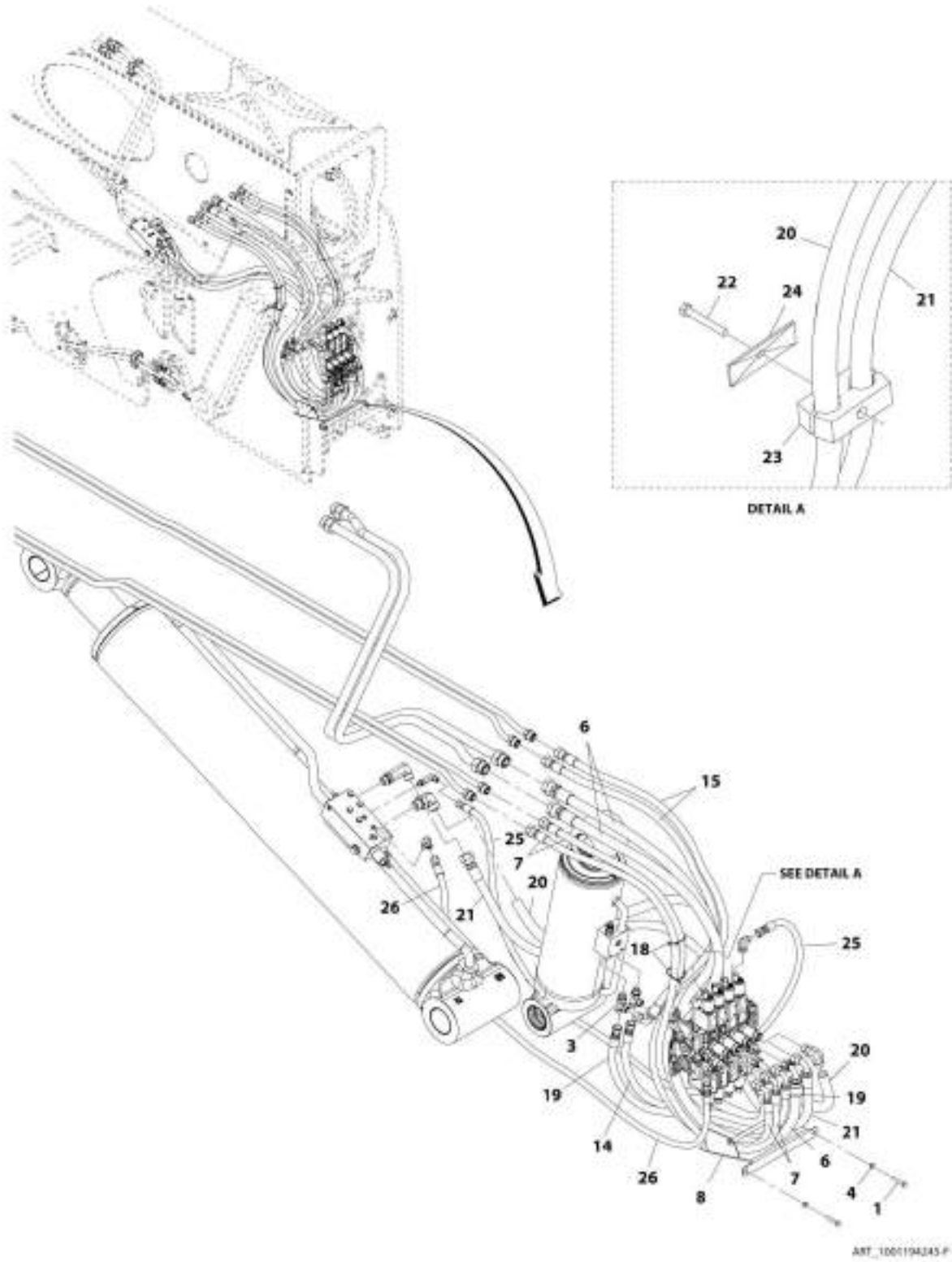
## SECTION 8 - HYDRAULIC CIRCUITS

**FIGURE 8-15. CAB HYDRAULIC INSTALLATION**

ITEM	PART NUMBER	QTY	DESCRIPTION	REV
	1001161352	Ref	Cab Hydraulic Installation	M
7	8405006	1	Clamp, Gear	
13	8770120	1	Fitting, 90 ORFS	
14	80233218	1	Fitting, Straight ORFS	
15	1001204152	1	Hose	
16	1001204153	1	Hose	
17	1001161344	1	Hose	
18	1001204154	1	Hose	
19	1001161346	1	Hose	
20	1001161527	1	Hose	
21	1001161528	1	Hose	
24	1001169830	1	Grommet	
32	4240099	5	Tie, Wire	
34	4060919	230 mm	Shield	
35	1001168054	1	Adapter	
36	1001203067	1	Hose	
37	4240018	3	Strap	

# SECTION 8 - HYDRAULIC CIRCUITS

## FIGURE 8-16. BOOM HYDRAULIC INSTALLATION



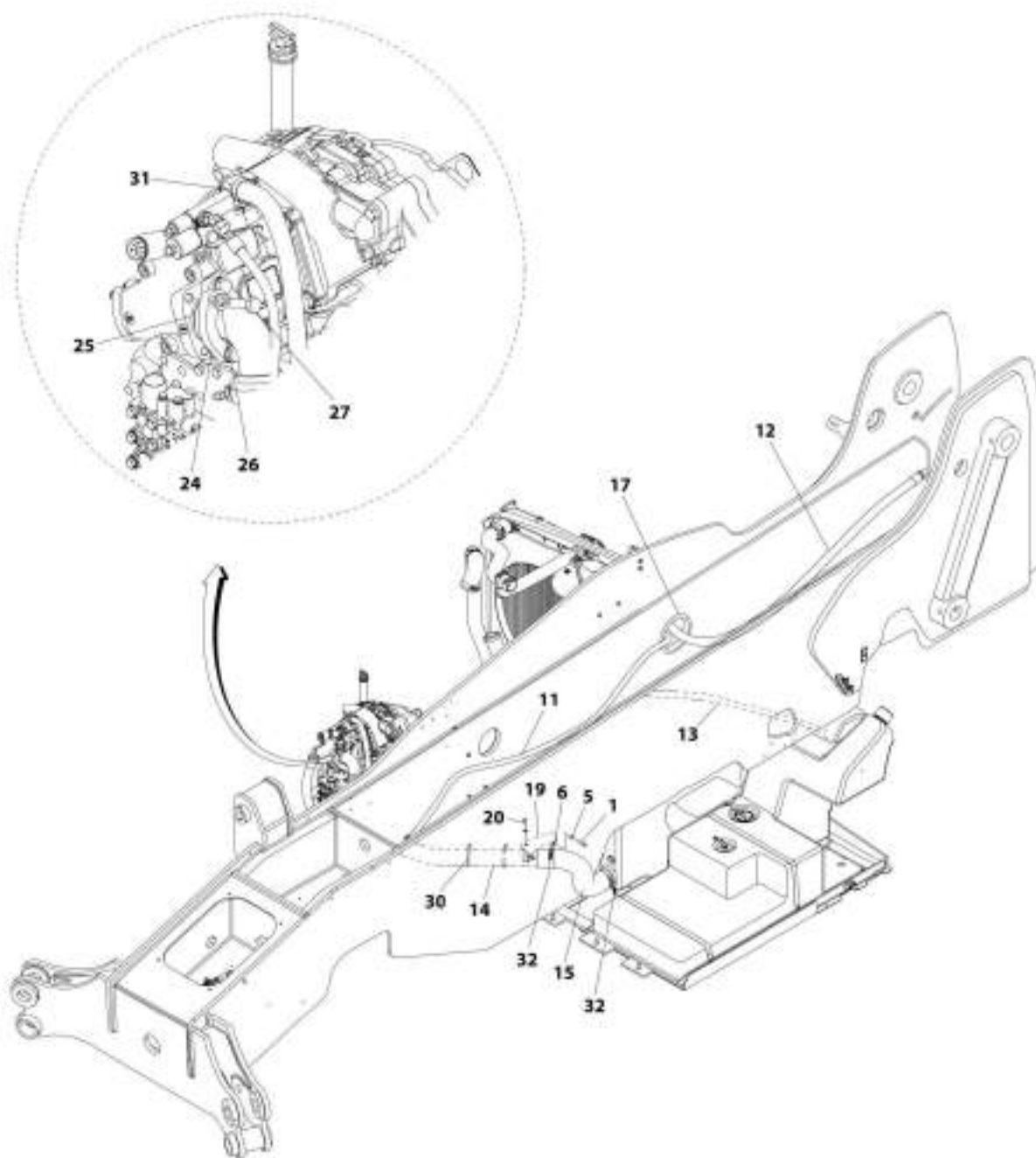
## SECTION 8 - HYDRAULIC CIRCUITS

### FIGURE 8-16. BOOM HYDRAULIC INSTALLATION

ITEM	PART NUMBER	QTY	DESCRIPTION	REV
	1001194245	Ref	Boom Hydraulic Installation	F
1	0700816	2	Bolt, M8X40	
2	0761012	NLA	Bolt, M10X25, (no longer available) (not shown)	
3	2170308	2	Fitting, Tee ORFS	
4	4811900	2	Washer, M8	
5	4812000	NLA	Washer, M10, (no longer available) (not shown)	
6	1001169376	2	Hose	
7	1001169378	2	Hose	
8	1001193771	1	Channel, Boom Hose	
9	1001199179	NLA	Bracket, (no longer available) (not shown)	
10	1001193777	NLA	Hose, (no longer available) (not shown)	
11	1001193778	NLA	Hose (no longer available, order 1001201922 for service) (not shown)	
12	1001193779	NLA	Hose, (no longer available) (not shown)	
13	1001193780	NLA	Hose (no longer available, order 1001201922 for service) (not shown)	
14	1001193781	1	Hose	
15	1001193782	2	Hose	
16	2171112	NLA	Fitting, Bulkhead ORFS, (no longer available) (not shown)	
17	2171210	NLA	Fitting, 90 ORFS, (no longer available) (not shown)	
18	4240099	2	Tie, Wire	
19	1001188637	1	Hose	
20	1001201921	1	Hose	
21	1001201922	1	Hose <b>(Prior to SN 0160082543)</b>	
21	1001226397	1	Hose <b>(SN 0160082543 to Present)</b>	
22	0700820	1	Screw, M8X60	
23	8750024	1	Clamp	
24	8750025	1	Cover Plate	
25	1001226405	1	Hose	
26	1001226406	1	Hose	

# SECTION 8 - HYDRAULIC CIRCUITS

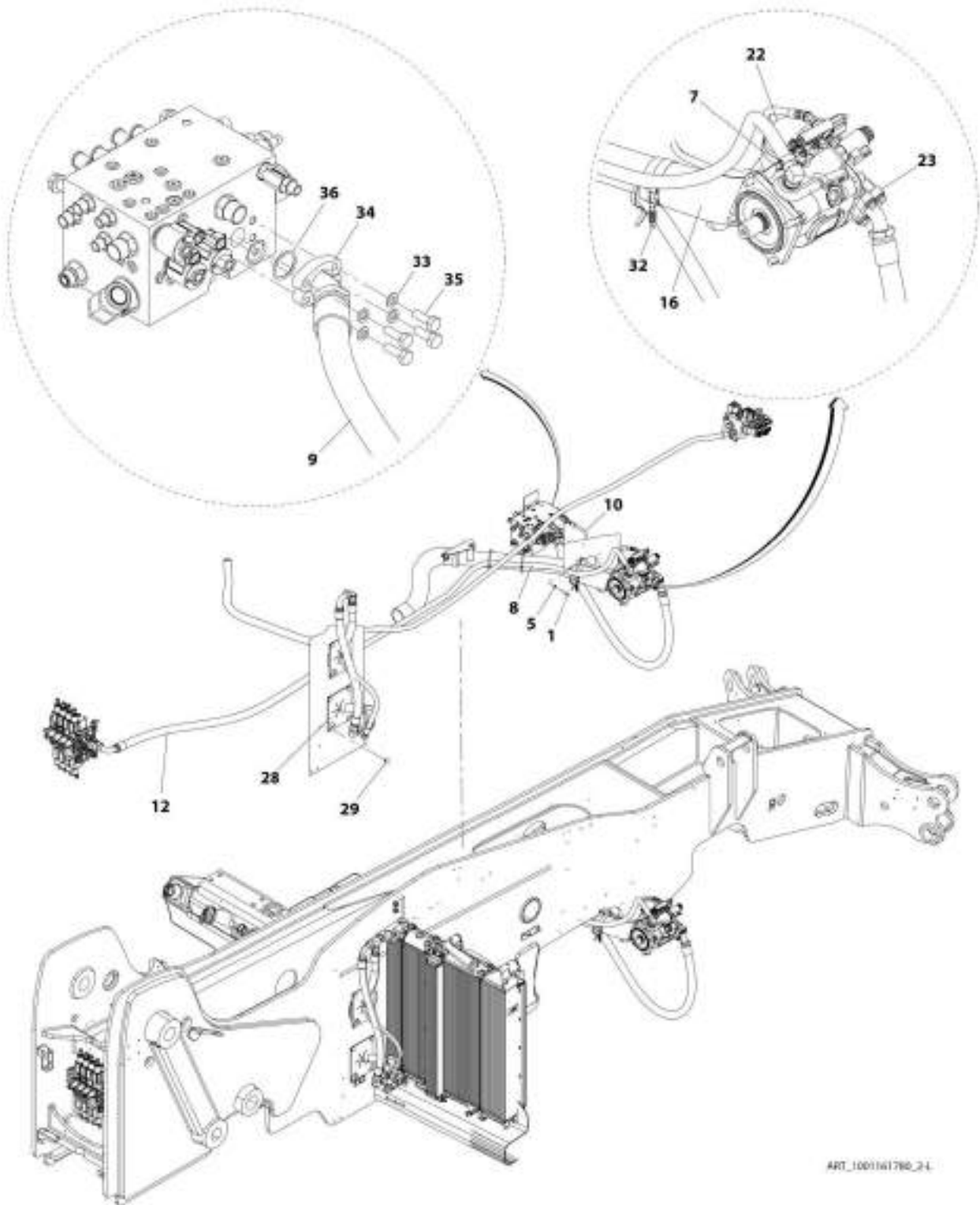
FIGURE 8-17. ENGINE BAY HYDRAULIC INSTALLATION



APT\_1001W1790\_1-L



# SECTION 8 - HYDRAULIC CIRCUITS



ART\_100161780\_2-L

## SECTION 8 - HYDRAULIC CIRCUITS

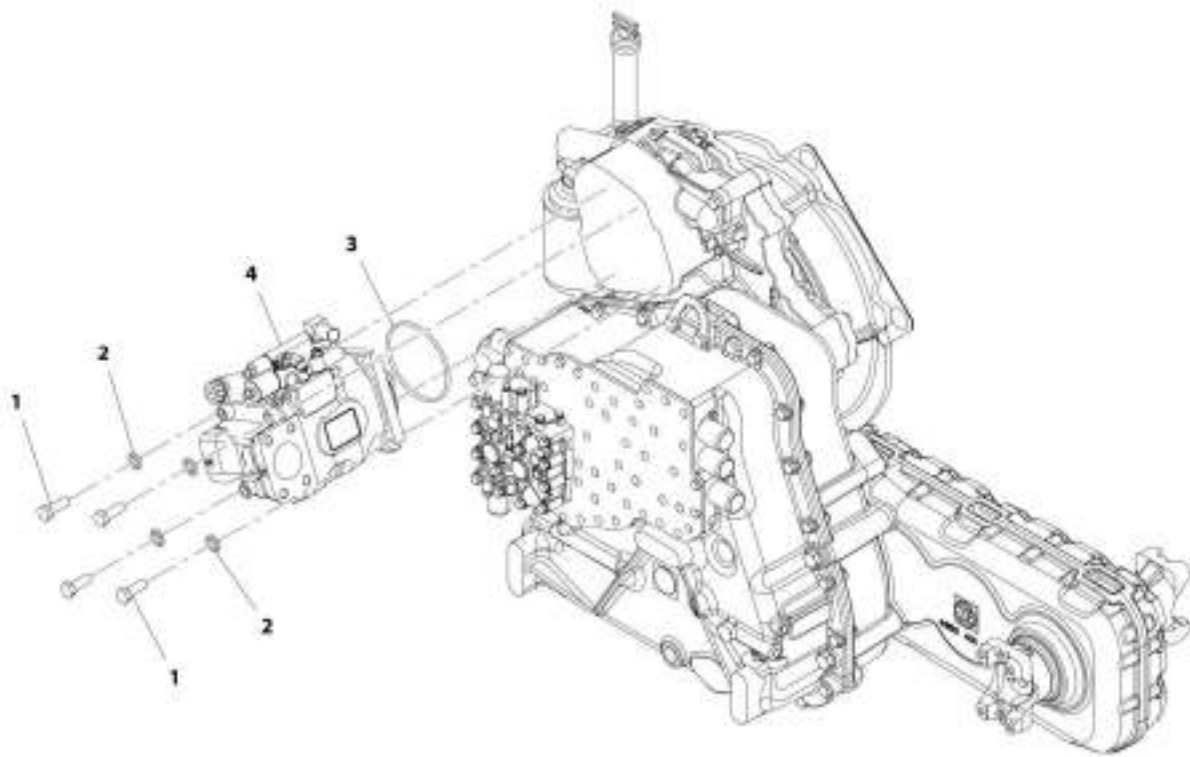
FIGURE 8-17. ENGINE BAY HYDRAULIC INSTALLATION

ITEM	PART NUMBER	QTY	DESCRIPTION	REV
	1001161780	Ref	Engine Bay Hydraulic Installation	L
1	0700816	4	Bolt, M8X40	
5	4811900	5	Washer, M8	
6	8310686	3	Nut, M8X12.5	
7	8405209	1	Clamp, T-Bolt	
8	1001186418	1	Hose	
9	1001192098	1	Hose	
10	1001161797	1	Hose	
11	1001161912	1	Hose	
12	1001161977	1	Hose	
13	1001161978	1	Hose	
14	1001173446	1	Pipe	
15	1001173451	1	Hose	
16	1001173450	1	Hose	
17	1001169830	1	Grommet	
19	1001174338	1	Bracket, Suction Tube	
20	0760810	1	Bolt, M8X20	
22	8424233	1	Elbow, 90	
23	2220478	1	Kit, Flange	
24	8546407	2	Flange, Half	
25	3790228	1	O-Ring	
26	4761800	4	Washer, Lock 1/2	
27	0641812	4	Bolt, 1/2-13	
28	1001175347	2	Grommet, Rubber	
29	1001180306	8	Screw	
30	1062255	3	Strap, Tie	
31	8405007	2	Clamp, Hose	
32	1001186843	3	Clamp, T-Bolt	
33	4832000	4	Washer, Lock M10	
34	8530030	2	Flange, Half	
35	0701014	4	Bolt, M10X30	
36	91083106	1	O-Ring	



## SECTION 8 - HYDRAULIC CIRCUITS

FIGURE 8-18. PISTON PUMP INSTALLATION



ART\_100102670-C

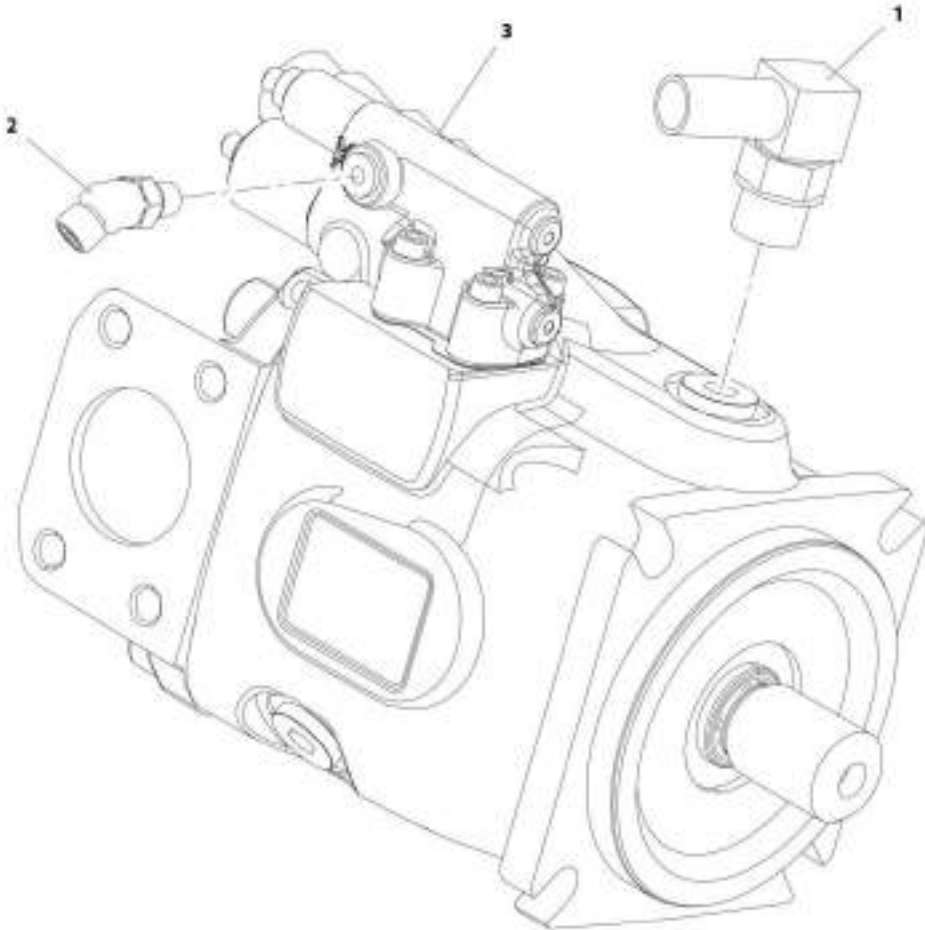
## SECTION 8 - HYDRAULIC CIRCUITS

### FIGURE 8-18. PISTON PUMP INSTALLATION

ITEM	PART NUMBER	QTY	DESCRIPTION	REV
	1001162670	Ref	Piston Pump Installation	C
1	0761215	4	Bolt, M12X35	
2	4740532	4	Washer, M12	
3	80933113	1	O-Ring	
4	1001162674	1	Assembly, Piston Pump (See PISTON PUMP ASSEMBLY for Breakdown)	

**SECTION 8 - HYDRAULIC CIRCUITS**

**FIGURE 8-19. PISTON PUMP ASSEMBLY**



ART\_1001162674-C

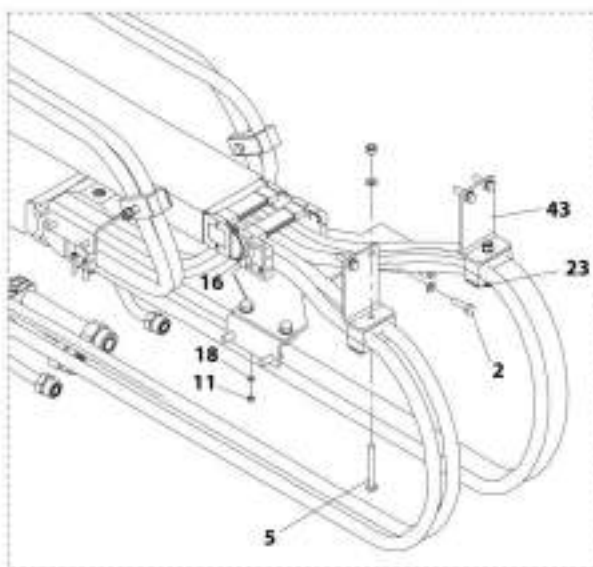
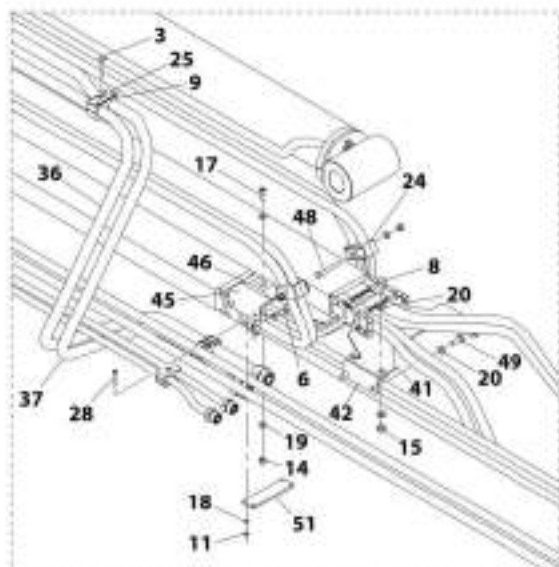
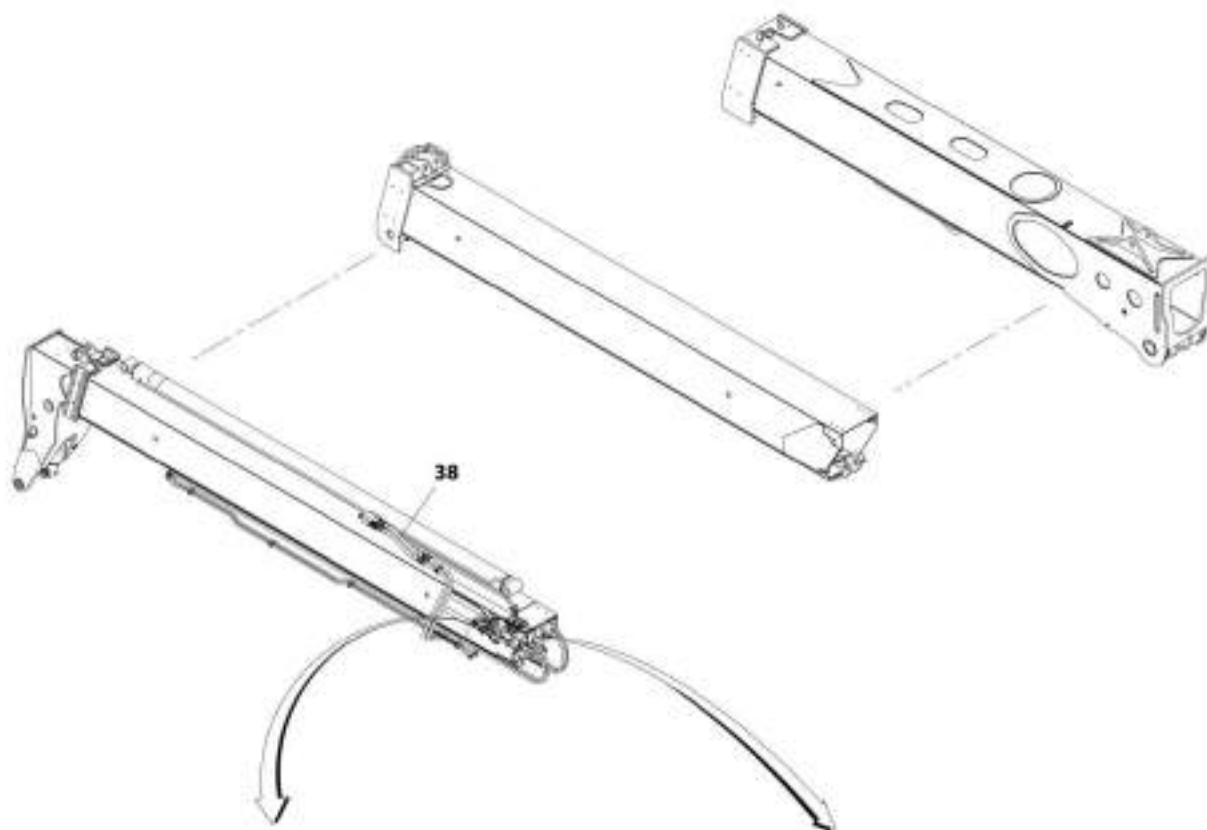
## SECTION 8 - HYDRAULIC CIRCUITS

### FIGURE 8-19. PISTON PUMP ASSEMBLY

ITEM	PART NUMBER	QTY	DESCRIPTION	REV
	1001162674	Ref	Piston Pump Assembly	C
1	8424217	1	Fitting, 90	
2	2150404	1	Fitting, 45 ORFS	
3	1001182279	1	Piston Pump (See HYDRAULIC COMPONENTS SECTION for Breakdown)	

# SECTION 8 - HYDRAULIC CIRCUITS

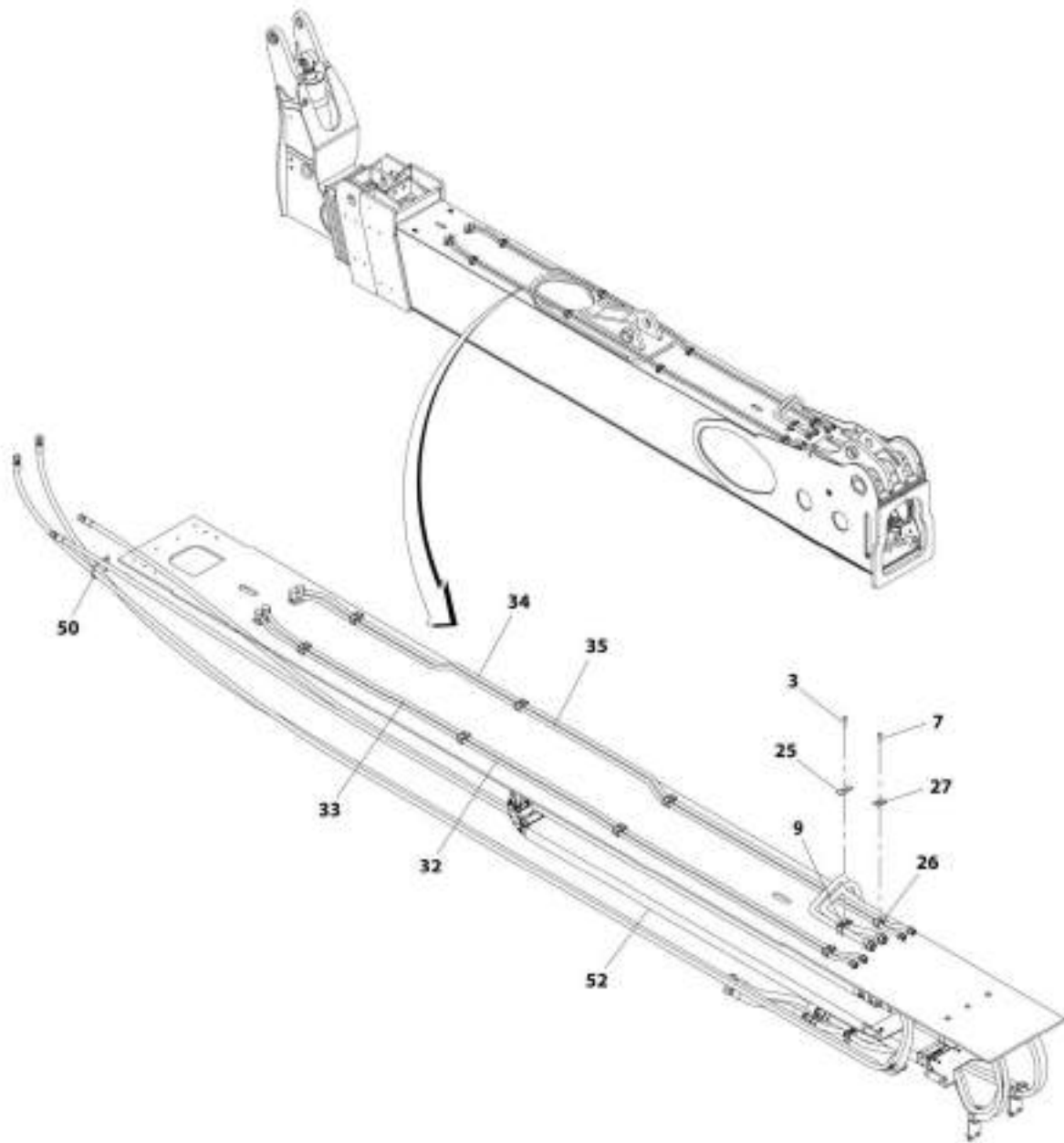
## FIGURE 8-20. BOOM HYDRAULIC TUBES INSTALLATION



AWT\_100117432R\_1-1



# SECTION 8 - HYDRAULIC CIRCUITS



ART\_1001174329\_24

## SECTION 8 - HYDRAULIC CIRCUITS

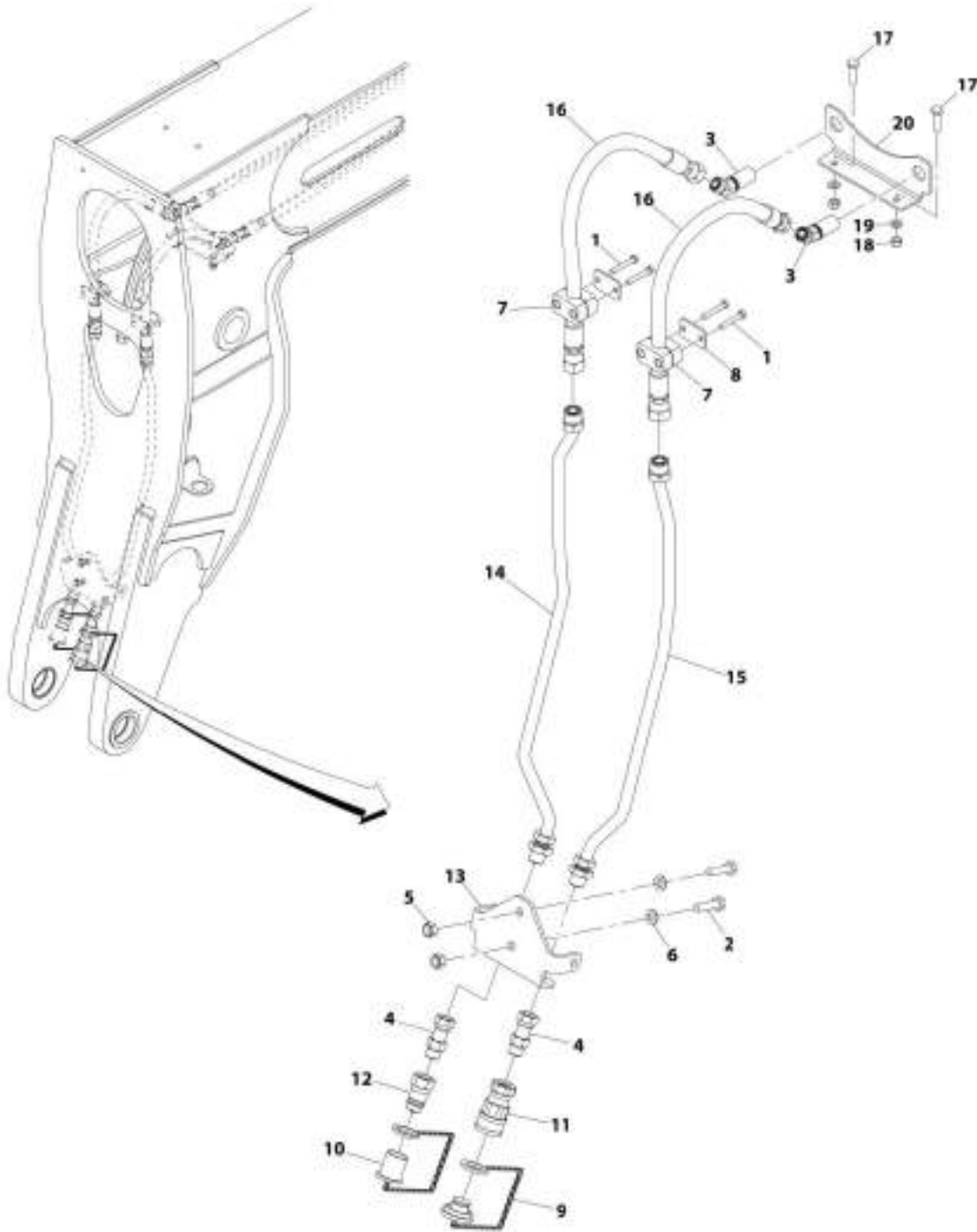
FIGURE 8-20. BOOM HYDRAULIC TUBES INSTALLATION

ITEM	PART NUMBER	QTY	DESCRIPTION	REV
	1001174329	Ref	Boom Hydraulic Tubes Installation	I
2	0700814	4	Bolt, M8X30	
3	0700817	2	Bolt, M8X45	
5	0700822	2	Bolt, M8X70	
6	0760810	4	Bolt, M8X20	
7	0760815	8	Bolt, M8X35	
8	0761012	2	Bolt, M10X25	
9	1321329	2	Clamp	
11	3290505	8	Nut, Lock M5X0.8	
14	3290805	6	Nut, Lock M8X1.25	
15	3291001	2	Nut, M10X1.5	
16	4031608	4	Bolt, M5X20	
17	4031908	2	Bolt, M8X20	
18	4811600	8	Washer, M5	
19	4811900	17	Washer, M8	
20	4812000	8	Washer, M10	
23	8406105	1	Clip	
24	77133136	4	Clamp	
25	77133137	6	Plate, Twin Hose Cover	
26	77133139	8	Clamp	
27	77133140	8	Plate, Cover	
28	1001104029	4	Bolt, M5X30	
32	1001170536	1	Tube	
33	1001170537	1	Tube	
34	1001170538	1	Tube	
35	1001170539	1	Tube	
36	1001170540	1	Tube	
37	1001170541	1	Tube	
38	1001170549	2	Hose	
41	1001173953	1	Bracket	
42	1001173954	1	Bracket	
43	1001173955	2	Bracket	
45	1001174100	1	Bracket	
46	1001174145	1	Pad	
48	0700821	2	Bolt, M8X65	
49	0761010	4	Bolt, M10X20	
50	8881800	1	Tie Strap	
51	1001202303	1	Plate	
52	1001233919	1	Installation, Twin/Tri Line Hoses (See Separate Breakdown in this Section)	



# SECTION 8 - HYDRAULIC CIRCUITS

## FIGURE 8-21. BOOM AUXILIARY HYDRAULIC INSTALLATION



ART\_1001167781-H

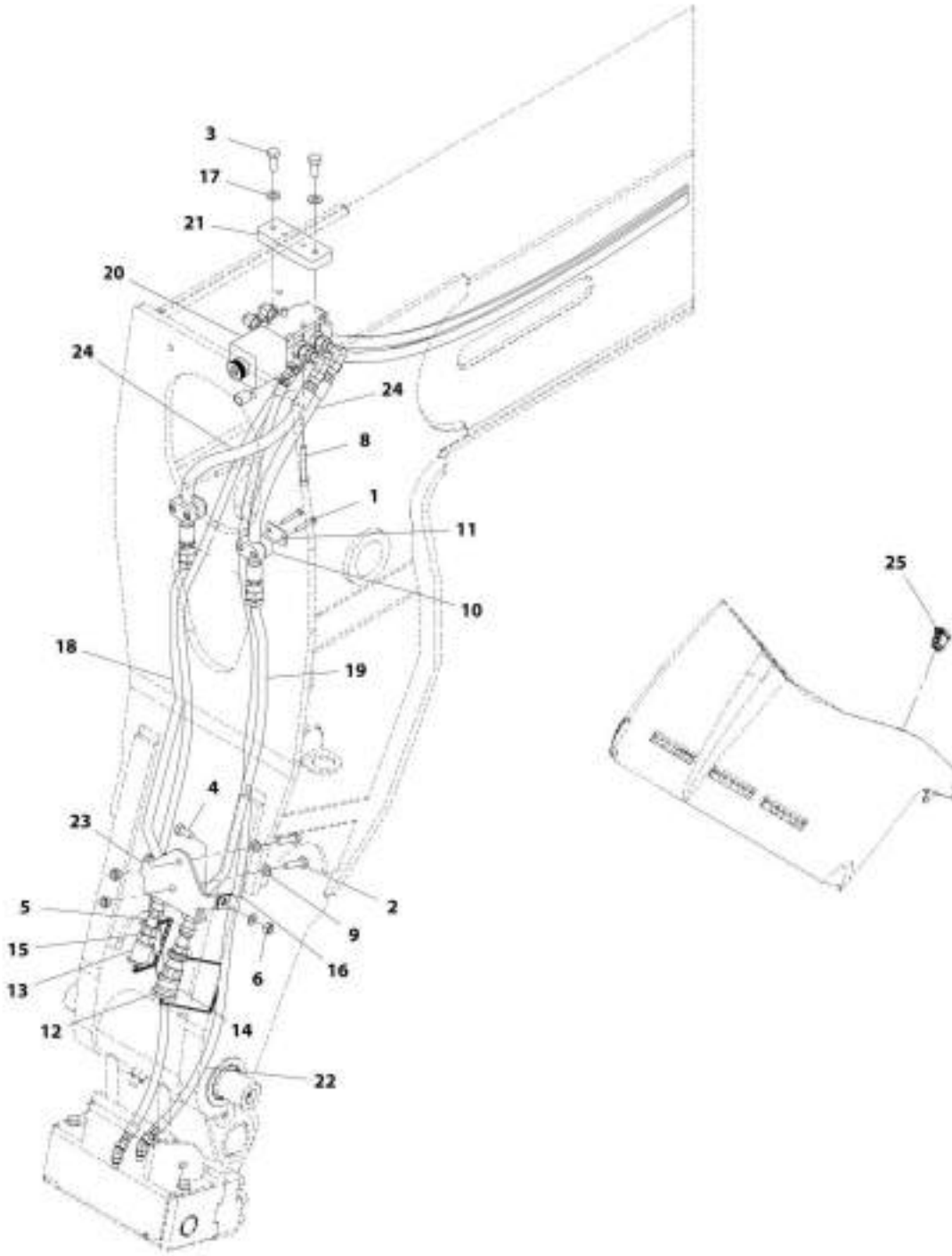
## SECTION 8 - HYDRAULIC CIRCUITS

**FIGURE 8-21. BOOM AUXILIARY HYDRAULIC INSTALLATION**

ITEM	PART NUMBER	QTY	DESCRIPTION	REV
	1001167781	Ref	Boom Auxiliary Hydraulic Installation	H
1	0700616	4	Bolt, M6X40	
2	0701016	2	Bolt, M10X40	
3	2171308	2	Fitting, 45 ORFS	
4	2180849	2	Fitting, Straight ORFS	
5	3291005	2	Nut, Lock M10X1.5	
6	4812000	2	Washer, M10	
7	1024044	2	Clamp	
8	8769153	2	Plate, Cover	
9	91043125	1	Plug, Dust	
10	91043126	1	Cap, Dust	
11	91403413	1	Coupler, Female	
12	91403414	1	Coupler, Male	
13	1001164948	1	Bracket	
14	1001164863	1	Hose <b>(Prior to SN 0160076257)</b>	
14	1001211627	1	Hose <b>(SN 0160076257 to Present)</b>	
15	1001164864	1	Hose <b>(Prior to SN 0160076257)</b>	
15	1001211628	1	Hose <b>(SN 0160076257 to Present)</b>	
16	1001178060	2	Hose	
17	0700814	2	Bolt, M8X30	
18	3290805	2	Nut, Lock M8X1.25	
19	4811900	2	Washer, M8	
20	1001169653	1	Support	

# SECTION 8 - HYDRAULIC CIRCUITS

FIGURE 8-22. HYDRAULIC AUXILIARY WITH COUPLER INSTALLATION



ART\_100136730-1

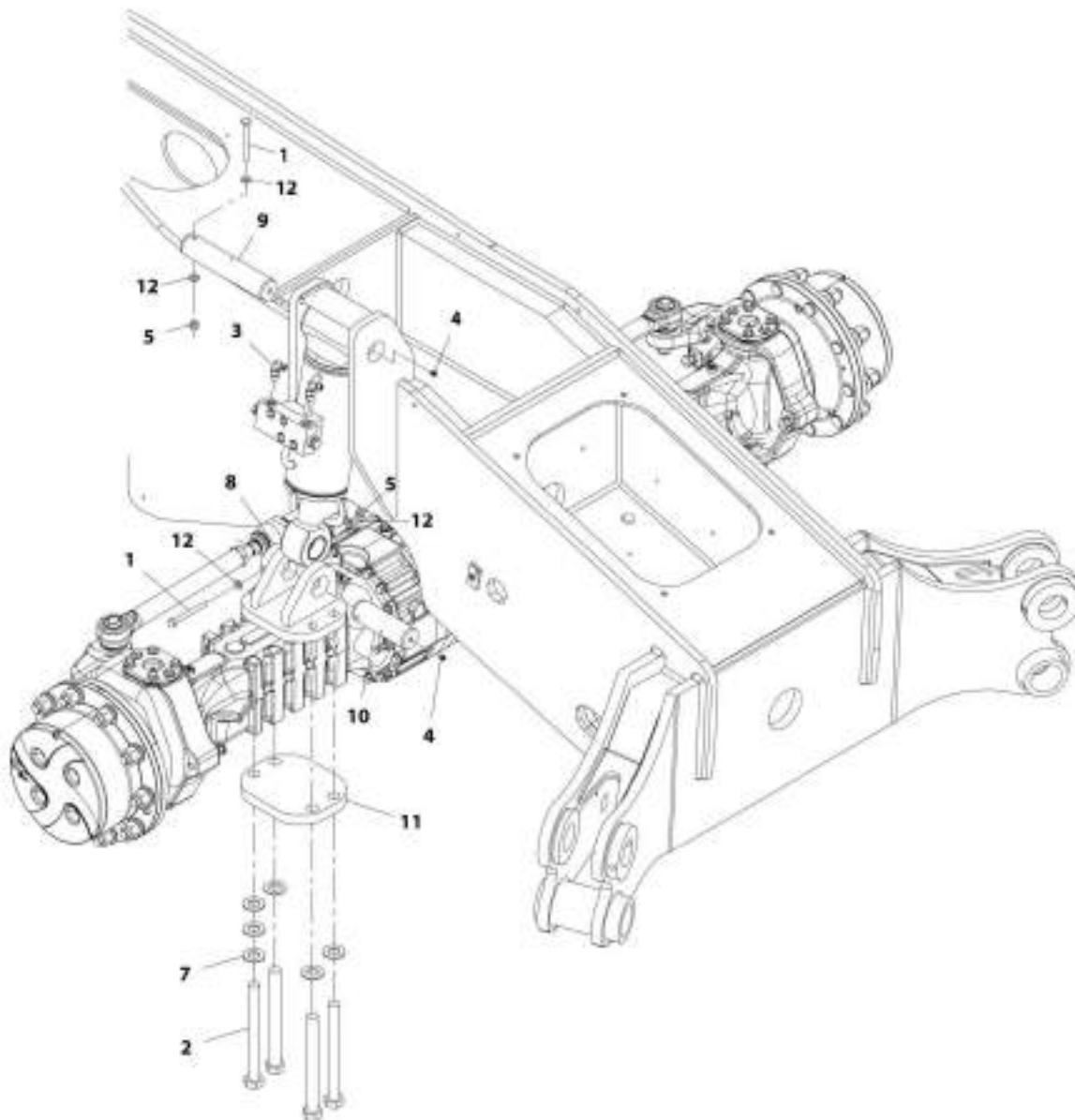
## SECTION 8 - HYDRAULIC CIRCUITS

**FIGURE 8-22. HYDRAULIC AUXILIARY WITH COUPLER INSTALLATION**

ITEM	PART NUMBER	QTY	DESCRIPTION	REV
	1001167787	Ref	Hydraulic Auxiliary with Coupler Installation	I
1	0700616	4	Bolt, M6X40	
2	0701016	2	Bolt, M10X40	
3	0761214	2	Bolt, M12X30	
4	0761012	2	Bolt, M10X25	
5	2180849	2	Fitting, Straight ORFS	
6	3291005	4	Nut, Lock M10X1.5	
8	4031918	2	Bolt, M8X70	
9	4812000	4	Washer, M10	
10	1024044	2	Clamp	
11	8769153	2	Plate, Cover	
12	91043125	1	Plug, Dust	
13	91043126	1	Cap, Dust	
14	91403413	1	Coupler, Female	
15	91403414	1	Coupler, Male	
16	1001080996	2	Clamp	
17	1001125117	2	Washer, M12	
18	1001164863	1	Hose <b>(Prior to SN 0160076257)</b>	
18	1001211627	1	Hose <b>(SN 0160076257 to Present)</b>	
19	1001164864	1	Hose <b>(Prior to SN 0160076257)</b>	
19	1001211628	1	Hose <b>(SN 0160076257 to Present)</b>	
20	1001164869	1	Assembly, Quick Attach Valve (See QUICK ATTACH VALVE ASSEMBLY for Breakdown)	
21	1001164870	1	Plate, Valve Attachment	
22	1001164873	2	Hose	
23	1001164948	1	Bracket, Aux Mount	
24	1001178060	2	Hose	
25	1001080375	1	Switch, Quick Switch	

# SECTION 8 - HYDRAULIC CIRCUITS

## FIGURE 8-23. FRAME LEVEL INSTALLATION



MIT\_1001180009-F



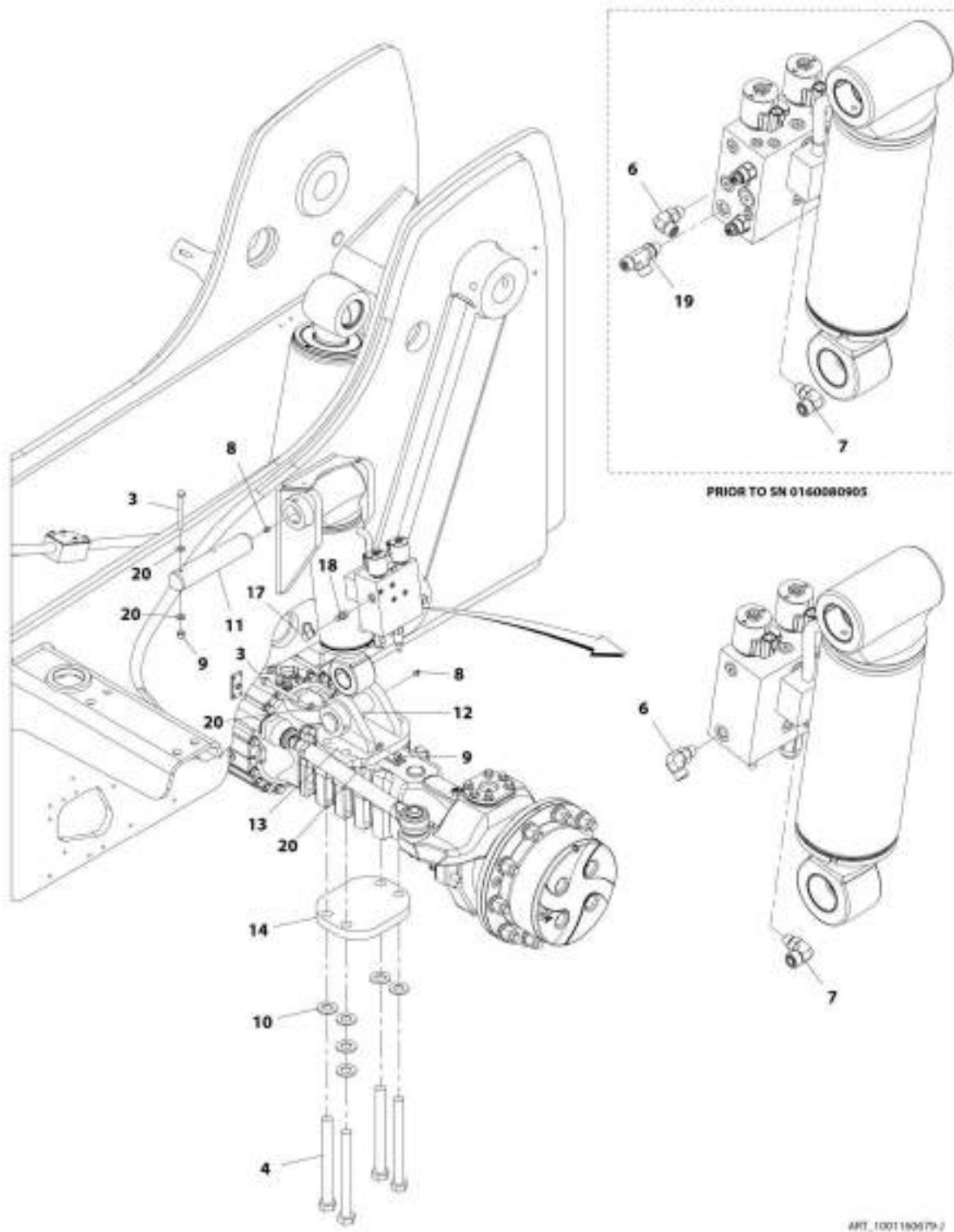
## SECTION 8 - HYDRAULIC CIRCUITS

### FIGURE 8-23. FRAME LEVEL INSTALLATION

ITEM	PART NUMBER	QTY	DESCRIPTION	REV
	1001160669	Ref	Frame Level Installation	F
1	0711027	2	Bolt, M10X100 Grade 10.9	
2	0712442	4	Bolt, M24X250 Grade 10.9	
3	2130406	2	Fitting, 90 ORFS	
4	2160016	2	Fitting, Grease	
5	3291005	2	Nut, Lock M10X1.5	
7	5242400	6	Washer, M24	
8	1001167697	1	Bracket	
9	1001164971	1	Pin	
10	1001164972	1	Pin	
11	1001168629	1	Plate	
12	4812000	4	Washer, M10	

# SECTION 8 - HYDRAULIC CIRCUITS

## FIGURE 8-24. REAR AXLE STABILIZER INSTALLATION



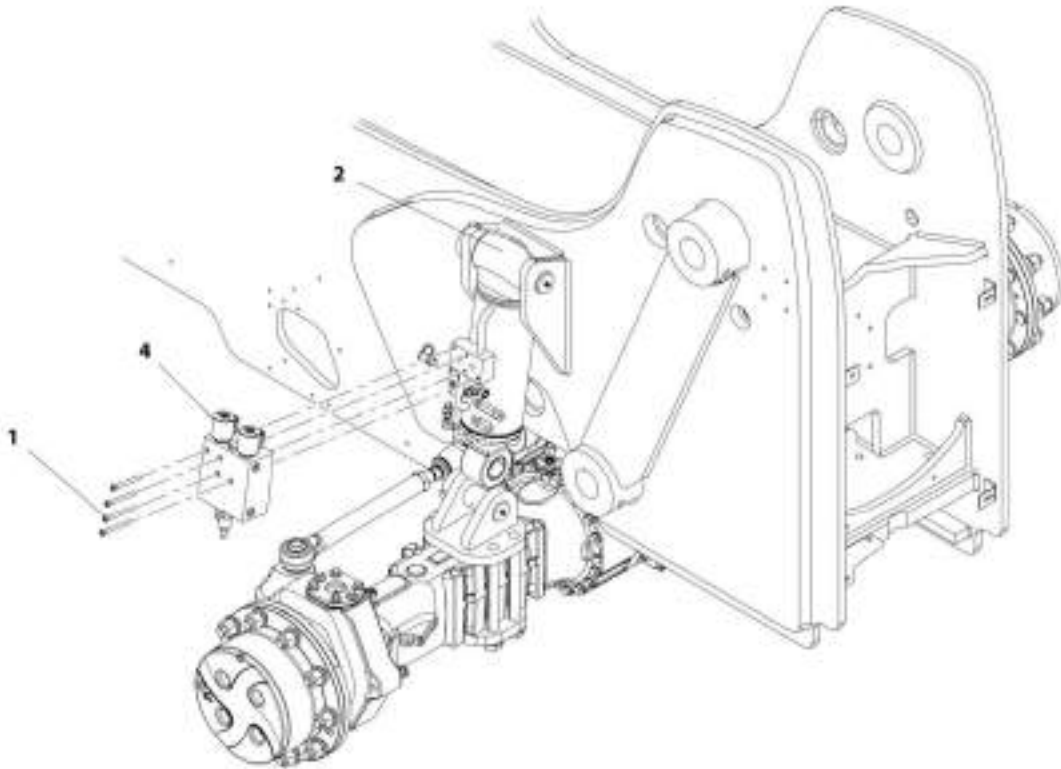
## SECTION 8 - HYDRAULIC CIRCUITS

### FIGURE 8-24. REAR AXLE STABILIZER INSTALLATION

ITEM	PART NUMBER	QTY	DESCRIPTION	REV
	1001160679	1	Rear Axle Stabilizer Installation	J
3	0711027	2	Bolt, M10X100 Grade 10.9	
4	0712442	4	Bolt, M24X250 Grade 10.9	
6	2130606	1	Fitting, 90 ORFS	
7	2130806	1	Fitting, 90 ORFS	
8	2160016	2	Fitting, Grease	
9	3291005	2	Nut, Lock M10X1.5	
10	5242400	6	Washer, M24	
11	1001164971	1	Pin	
12	1001164972	1	Pin	
13	1001167697	1	Bracket	
14	1001168629	1	Plate	
17	8430032	1	Plug	
18	1001003590	1	Adapter, Male	
19	2170306	1	Fitting ( <b>Prior to SN 0160080905</b> )	
20	4812000	4	Washer, M10	

## SECTION 8 - HYDRAULIC CIRCUITS

FIGURE 8-25. REAR AXLE STABILIZER CYLINDER INSTALLATION



ART\_1001194036-E

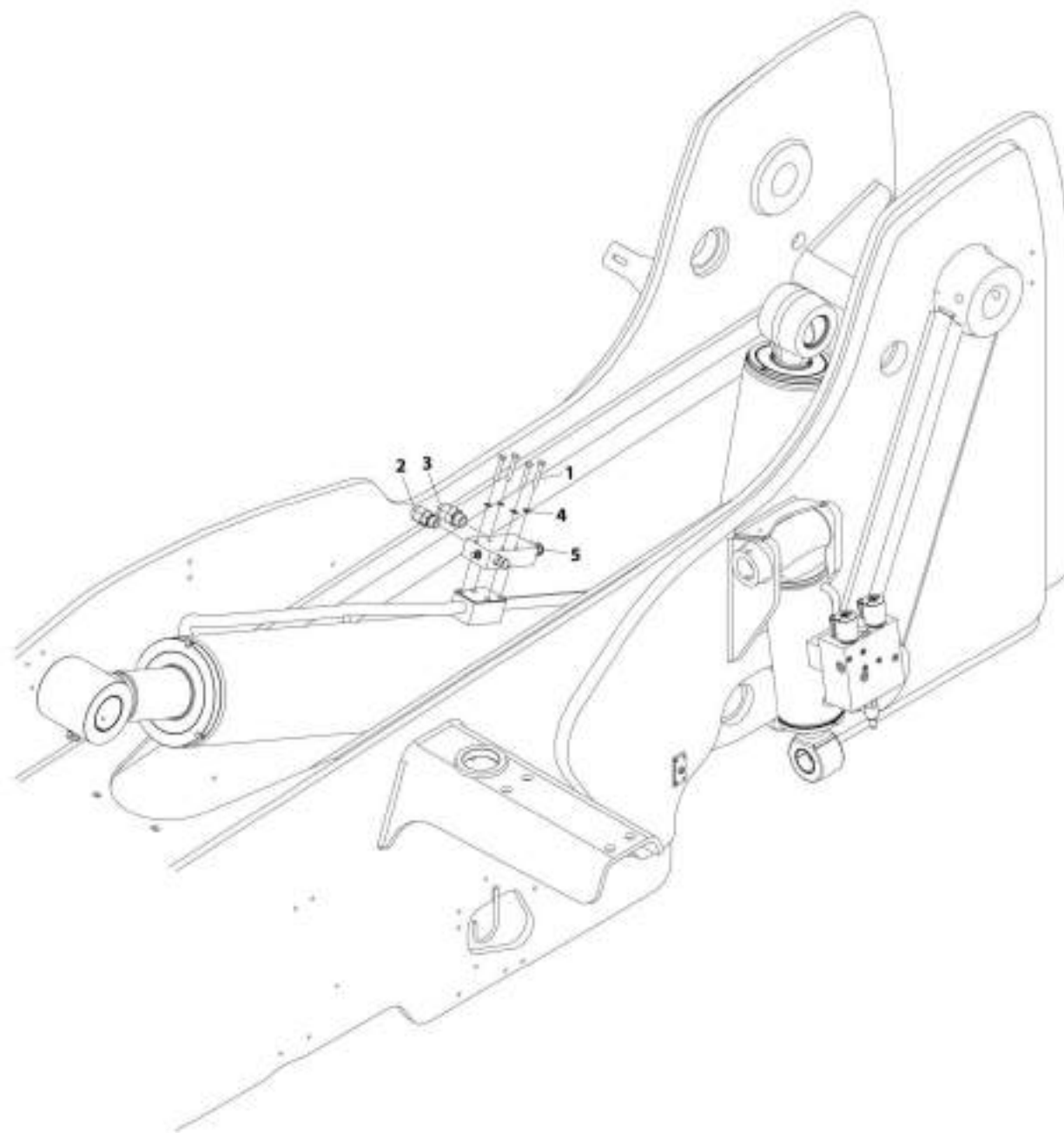
## SECTION 8 - HYDRAULIC CIRCUITS

**FIGURE 8-25. REAR AXLE STABILIZER CYLINDER INSTALLATION**

ITEM	PART NUMBER	QTY	DESCRIPTION	REV
	1001164036	Ref	Rear Axle Stabilizer Cylinder Installation	E
1	4031920	4	Screwsocket	
2	1001158620	1	Cylinder, Frame Stability	
4		Ref	Valve (See HYDRAULIC COMPONENTS SECTION for Breakdown)	

## SECTION 8 - HYDRAULIC CIRCUITS

FIGURE 8-26. LIFT CYLINDER VALVE INSTALLATION, NO RIDE CONTROL (Prior to SN 0160082543)



ARI\_1001165847-B

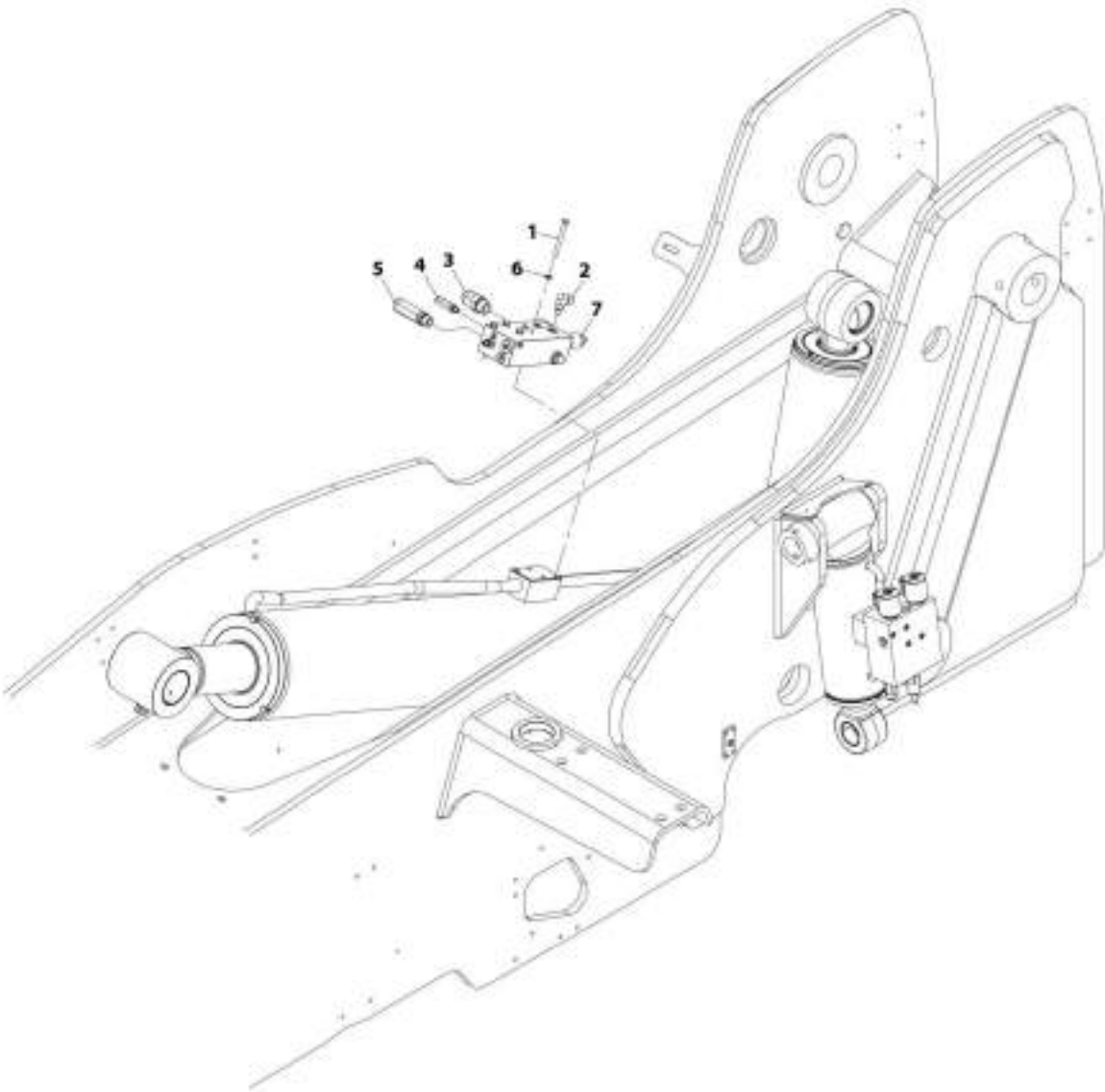
## SECTION 8 - HYDRAULIC CIRCUITS

**FIGURE 8-26. LIFT CYLINDER VALVE INSTALLATION, NO RIDE CONTROL (Prior to SN 0160082543)**

ITEM	PART NUMBER	QTY	DESCRIPTION	REV
	1001165847	Ref	Lift Cylinder Valve Installation, No Ride Control	B
1	0700818	4	Bolt, M8X50	
2	2131210	1	Adapter	
3	2131212	1	Adapter	
4	4811900	4	Washer, M8	
5	1001168597	1	Valve	

## SECTION 8 - HYDRAULIC CIRCUITS

FIGURE 8-27. LIFT CYLINDER VALVE INSTALLATION, NO RIDE CONTROL (SN 0160082543 to Present)



4MT\_1001228362-A



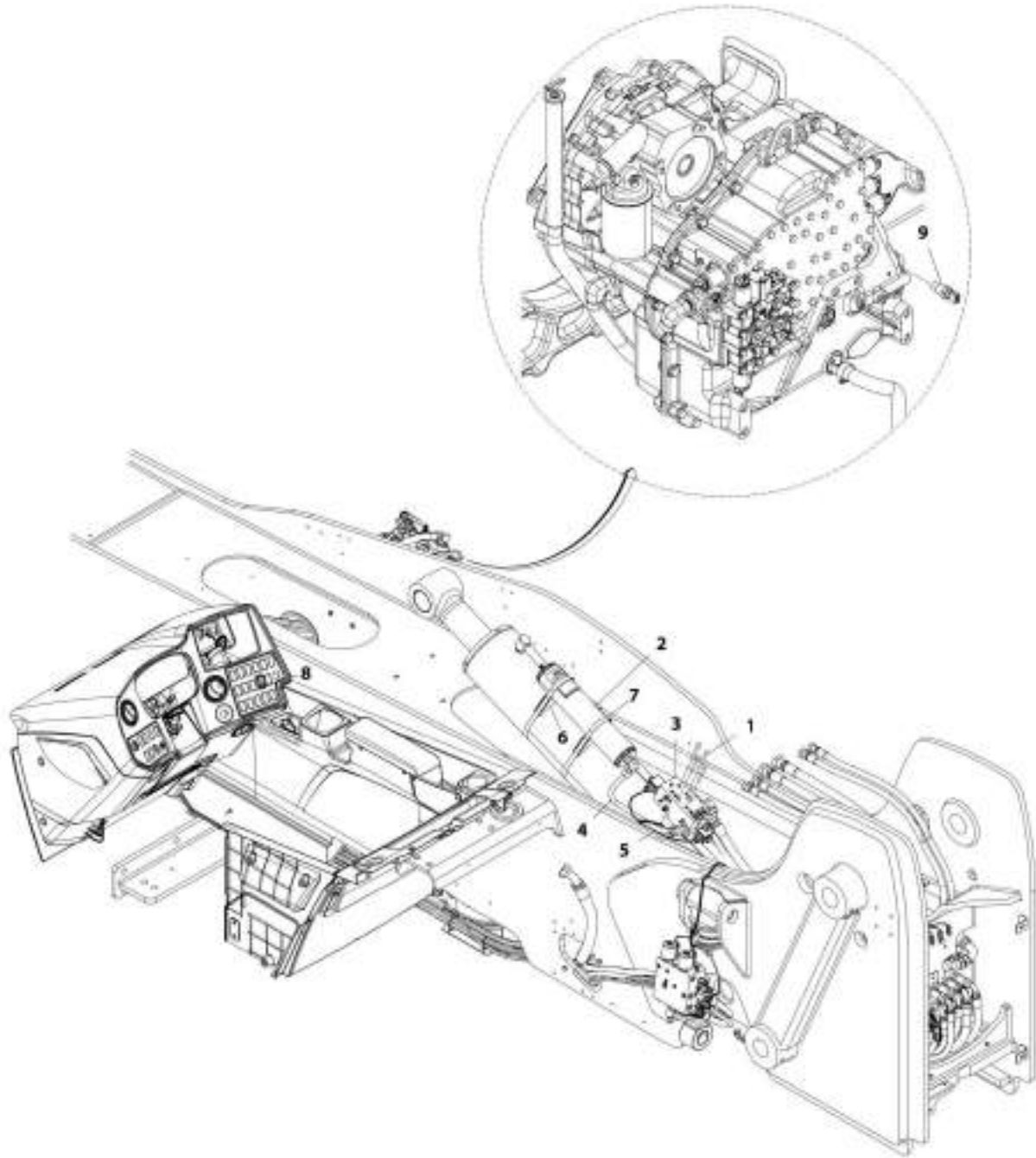
## SECTION 8 - HYDRAULIC CIRCUITS

**FIGURE 8-27. LIFT CYLINDER VALVE INSTALLATION, NO RIDE CONTROL (SN 0160082543 to Present)**

ITEM	PART NUMBER	QTY	DESCRIPTION	REV
	1001226362	Ref	Lift Cylinder Valve Installation, No Ride Control	A
1	0700823	4	Bolt, M8X75	
2	2130604	1	Adapter, 90	
3	2131212	1	Adapter, 90	
4	2170204	1	Fitting, 90	
5	2170210	1	Fitting, 90	
6	4811900	4	Washer, M8	
7	1001226035	1	Valve, Counterbalance	

## SECTION 8 - HYDRAULIC CIRCUITS

FIGURE 8-28. RIDE CONTROL INSTALLATION - 1055 (Prior to SN 0160082543)



ARE\_100110929-C

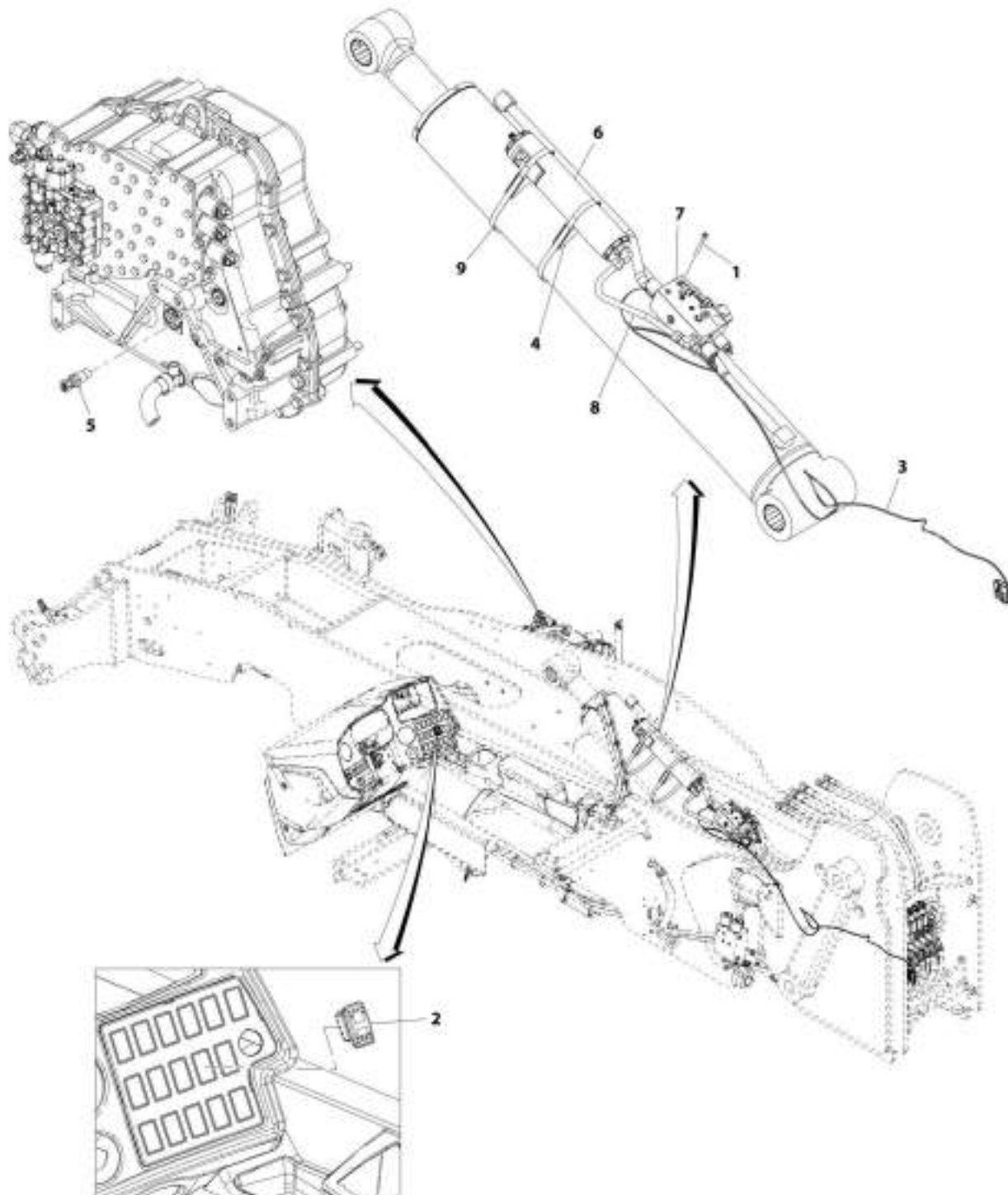
## SECTION 8 - HYDRAULIC CIRCUITS

**FIGURE 8-28. RIDE CONTROL INSTALLATION - 1055 (Prior to SN 0160082543)**

ITEM	PART NUMBER	QTY	DESCRIPTION	REV
	1001169676	Ref	Ride Control Installation - 1055	C
1	4031920	4	Screwsocket	
2	1001192435	1	Cylinder	
3	1001162547	1	Valve, Ride Control	
4	1001169614	1	Installation, Lines, Ride Control (See RIDE CONTROL HYDRAULIC LINES for Breakdown)	
5	1001169613	1	Installation, Wiring Ride Control	
6	1001169680	2	Bumper, Cylinder Saddle	
7	1001170287	2	Clamp, Hose	
8	1001159745	1	Switch, Boom Ride	
9	1001190881	1	Sensor, Speed	

# SECTION 8 - HYDRAULIC CIRCUITS

FIGURE 8-29. RIDE CONTROL INSTALLATION - 1055 (SN 0160082543 to Present)



ART\_1001226164-A

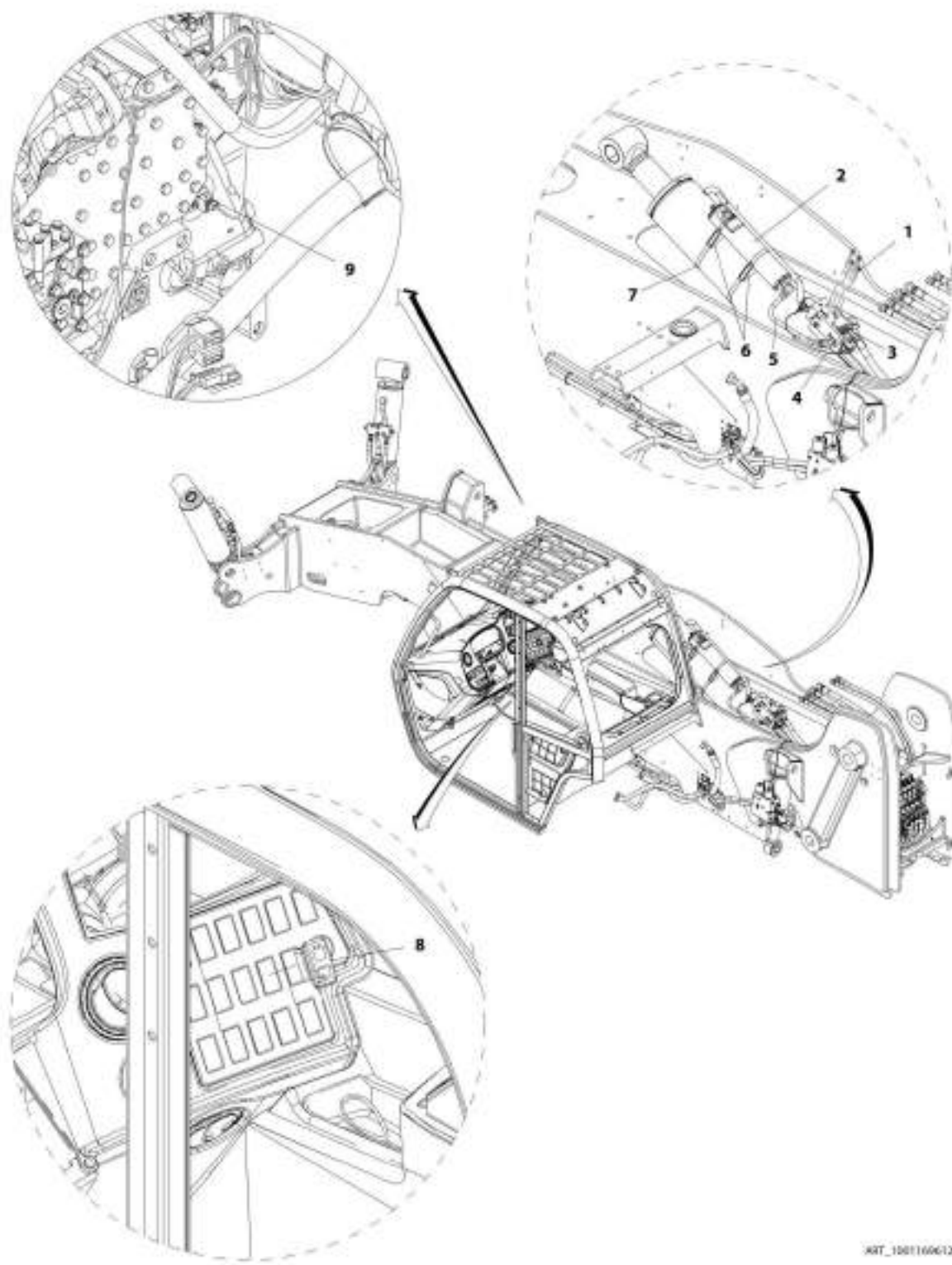
## SECTION 8 - HYDRAULIC CIRCUITS

**FIGURE 8-29. RIDE CONTROL INSTALLATION - 1055 (SN 0160082543 to Present)**

ITEM	PART NUMBER	QTY	DESCRIPTION	REV
	1001226364	Ref	Ride Control Installation - 1055	A
1	4031921	4	Bolt, M8X85	
2	1001159745	1	Switch, Boom Ride	
3	1001169613	1	Installation, Wiring Ride Control	
4	1001169680	2	Bumper, Cylinder Saddle	
5	1001190881	1	Sensor, Speed	
6	1001192435	1	Cylinder	
7	1001227056	1	Line, Counterbalance Valve (Lift - Ride Control) (See Separate Breakdown in this Section)	
8	1001228861	1	Installation, Lines, Ride Control (See Separate Breakdown in this Section)	
9	1001170287	2	Clamp, Hose	

## SECTION 8 - HYDRAULIC CIRCUITS

FIGURE 8-30. RIDE CONTROL INSTALLATION - 1255 (Prior to SN 0160082543)



KIT\_1581166G12-C

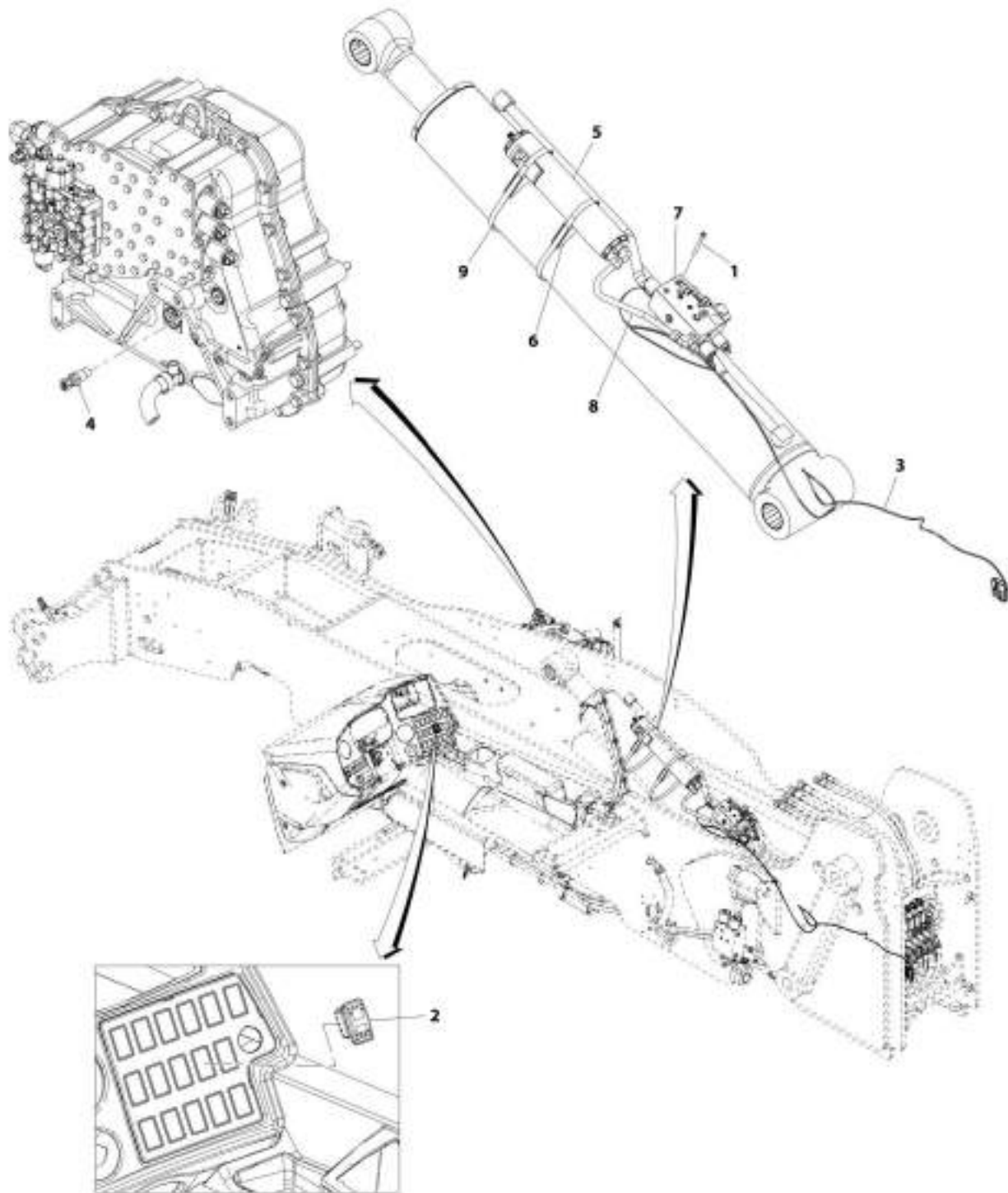
## SECTION 8 - HYDRAULIC CIRCUITS

**FIGURE 8-30. RIDE CONTROL INSTALLATION - 1255 (Prior to SN 0160082543)**

ITEM	PART NUMBER	QTY	DESCRIPTION	REV
	1001169612	Ref	Ride Control Installation - 1255	C
1	4031920	4	Screwsocket, M8X1.25	
2	1001192435	1	Cylinder	
3	1001162547	1	Valve, Ride Control	
4	1001169613	1	Installation, Wiring Ride Control	
5	1001169614	1	Installation, Lines Ride Control (See RIDE CONTROL HYDRAULIC LINES for Breakdown)	
6	1001193775	2	Bumper	
7	1001170287	2	Clamp, Hose	
8	1001159745	1	Switch, Boom Ride	
9	1001190881	1	Sensor, Speed	

# SECTION 8 - HYDRAULIC CIRCUITS

FIGURE 8-31. RIDE CONTROL INSTALLATION - 1255 (SN 0160082543 to Present)



REF\_100120193-A



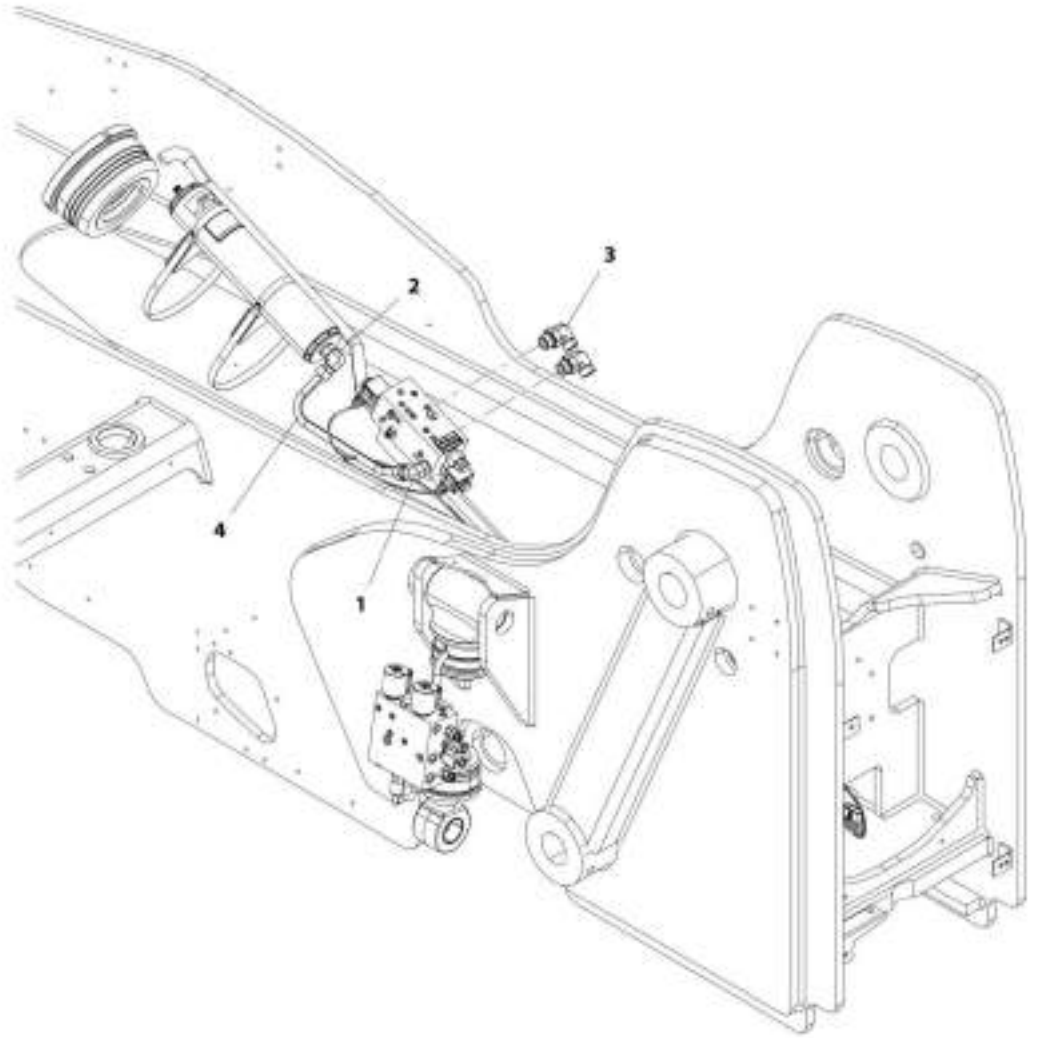
## SECTION 8 - HYDRAULIC CIRCUITS

**FIGURE 8-31. RIDE CONTROL INSTALLATION - 1255 (SN 0160082543 to Present)**

ITEM	PART NUMBER	QTY	DESCRIPTION	REV
	1001226363	Ref	Ride Control Installation - 1255	A
1	4031921	4	Bolt, M8X85	
2	1001159745	1	Switch, Boom Ride	
3	1001169613	1	Installation, Wiring Ride Control	
4	1001190881	1	Sensor, Speed	
5	1001192435	1	Cylinder	
6	1001193775	2	Bumper	
7	1001227056	1	Line, Counterbalance Valve (Lift - Ride Control) (See Separate Breakdown in this Section)	
8	1001228861	1	Installation, Lines, Ride Control (See Separate Breakdown in this Section)	
9	1001170287	2	Clamp, Hose	

## SECTION 8 - HYDRAULIC CIRCUITS

FIGURE 8-32. RIDE CONTROL HYDRAULIC LINES (Prior to SN 0160082543)



ART\_102116A13-A

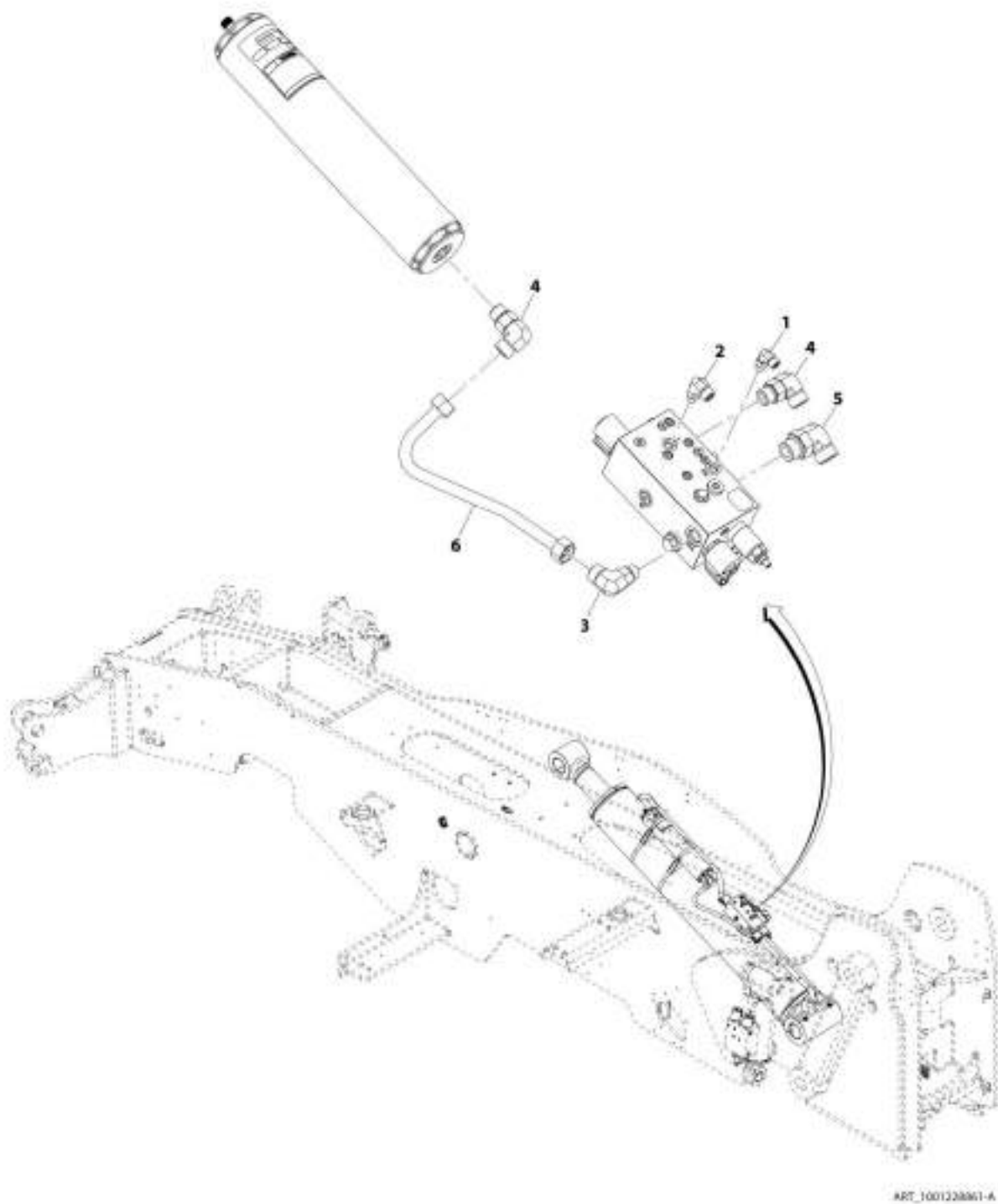
## SECTION 8 - HYDRAULIC CIRCUITS

FIGURE 8-32. RIDE CONTROL HYDRAULIC LINES (Prior to SN 0160082543)

ITEM	PART NUMBER	QTY	DESCRIPTION	REV
	1001169614	Ref	Ride Control Hydraulic Lines	A
1	2131008	1	Adapter	
2	2131010	1	Adapter	
3	2131212	2	Adapter	
4	1001169772	1	Pipe	

## SECTION 8 - HYDRAULIC CIRCUITS

FIGURE 8-33. RIDE CONTROL HYDRAULIC LINES (SN 0160082543 to Present)



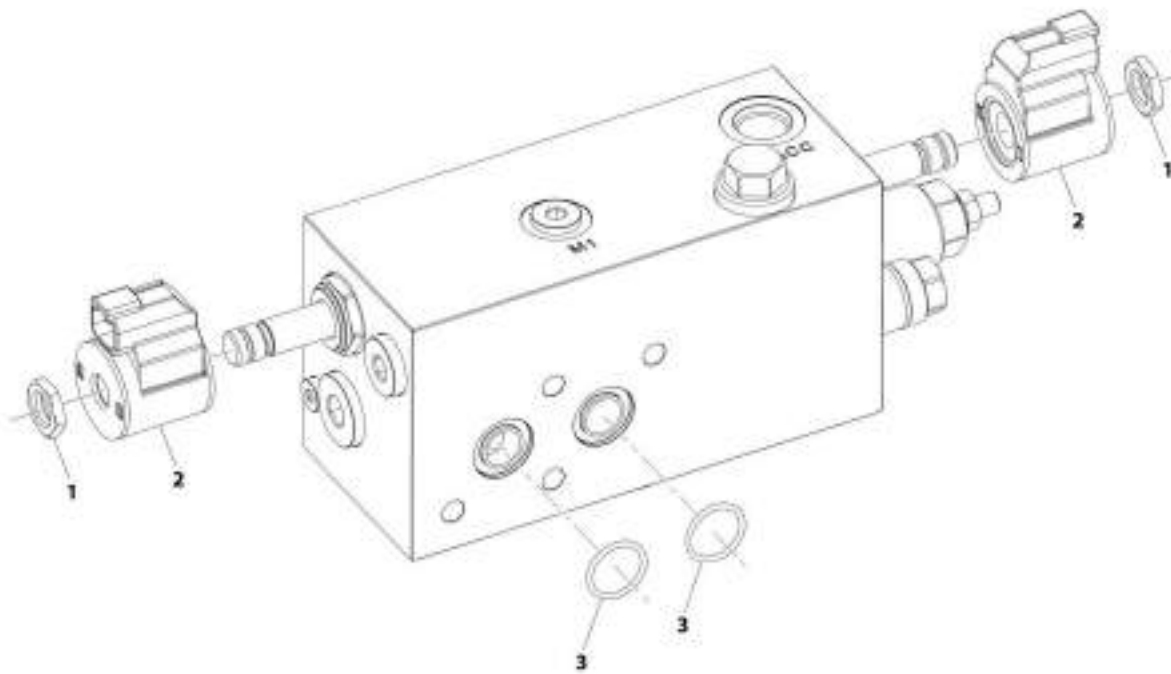
## SECTION 8 - HYDRAULIC CIRCUITS

**FIGURE 8-33. RIDE CONTROL HYDRAULIC LINES (SN 0160082543 to Present)**

ITEM	PART NUMBER	QTY	DESCRIPTION	REV
	1001228861	Ref	Ride Control Hydraulic Lines	A
1	2130404	1	Fitting, 90 ORFS	
2	2130604	1	Fitting, 90 ORFS	
3	2131008	1	Adapter	
4	2131010	2	Adapter	
5	2131212	1	Adapter	
6	1001226398	1	Pipe	

## SECTION 8 - HYDRAULIC CIRCUITS

FIGURE 8-34. COUNTERBALANCE VALVE HYDRAULIC LINES (LIFT - RIDE CONTROL) (SN 0160082543 to Present)



ART\_1001227056-A

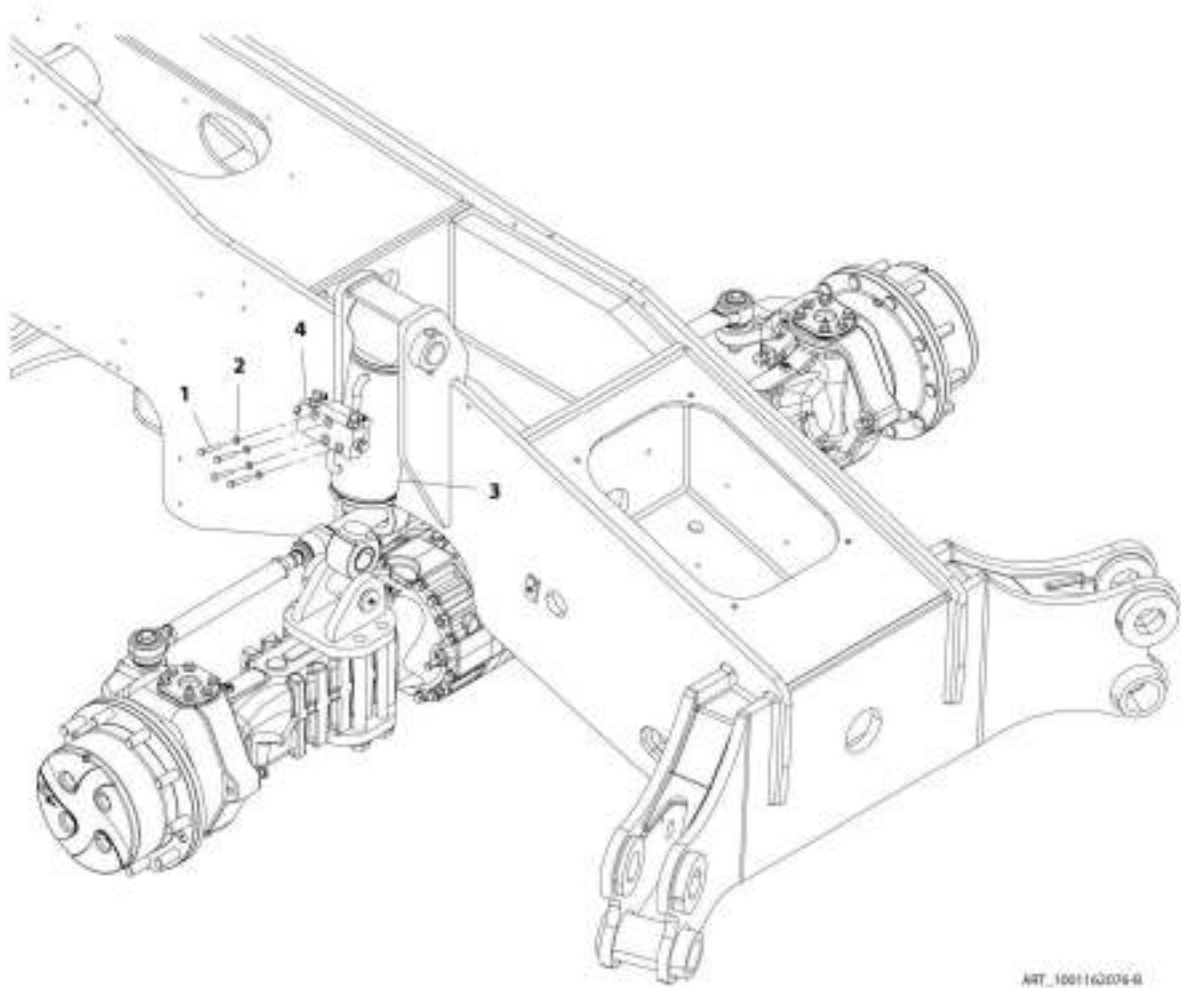
## SECTION 8 - HYDRAULIC CIRCUITS

**FIGURE 8-34. COUNTERBALANCE VALVE HYDRAULIC LINES (LIFT - RIDE CONTROL) (SN 0160082543 to Present)**

ITEM	PART NUMBER	QTY	DESCRIPTION	REV
	1001227056	Ref	Counterbalance Valve Hydraulic Lines (Lift - Ride Control)	A
1	7022390	2	Nut	
2	70028281	2	Coil	
3	70028453	2	O-Ring	

## SECTION 8 - HYDRAULIC CIRCUITS

FIGURE 8-35. FRAME LEVEL CYLINDER INSTALLATION





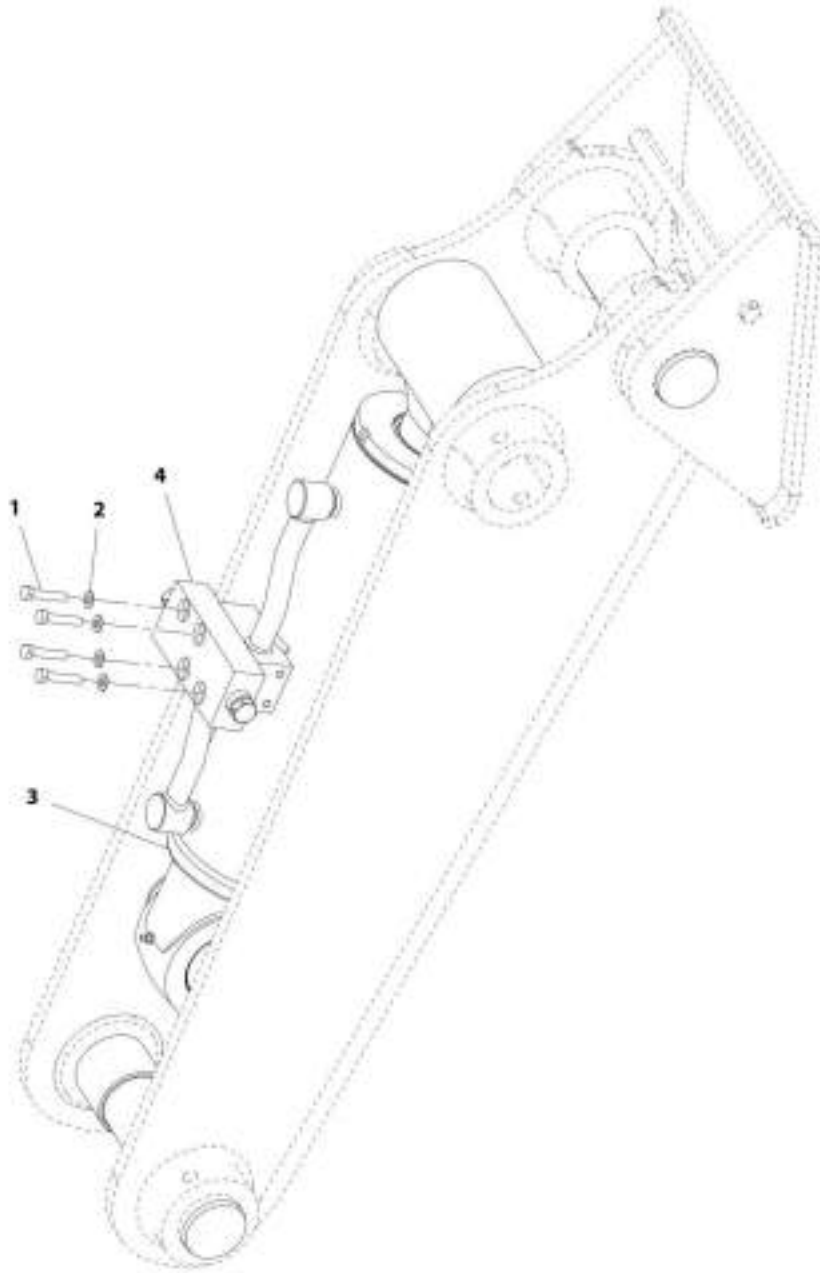
## SECTION 8 - HYDRAULIC CIRCUITS

### FIGURE 8-35. FRAME LEVEL CYLINDER INSTALLATION

ITEM	PART NUMBER	QTY	DESCRIPTION	REV
	1001162076	Ref	Frame Level Cylinder Installation	B
1	0700818	4	Bolt, M8X50	
2	4811900	4	Washer, M8	
3	1001179369	1	Cylinder, Frame Stability (See HYDRAULIC COMPONENTS SECTION for Breakdown)	
4	1001168599	1	Valve, Counterbalance	

## SECTION 8 - HYDRAULIC CIRCUITS

FIGURE 8-36. OUTRIGGER CYLINDER INSTALLATION (Prior to SN 0160078794)



MIT\_3001163577-D

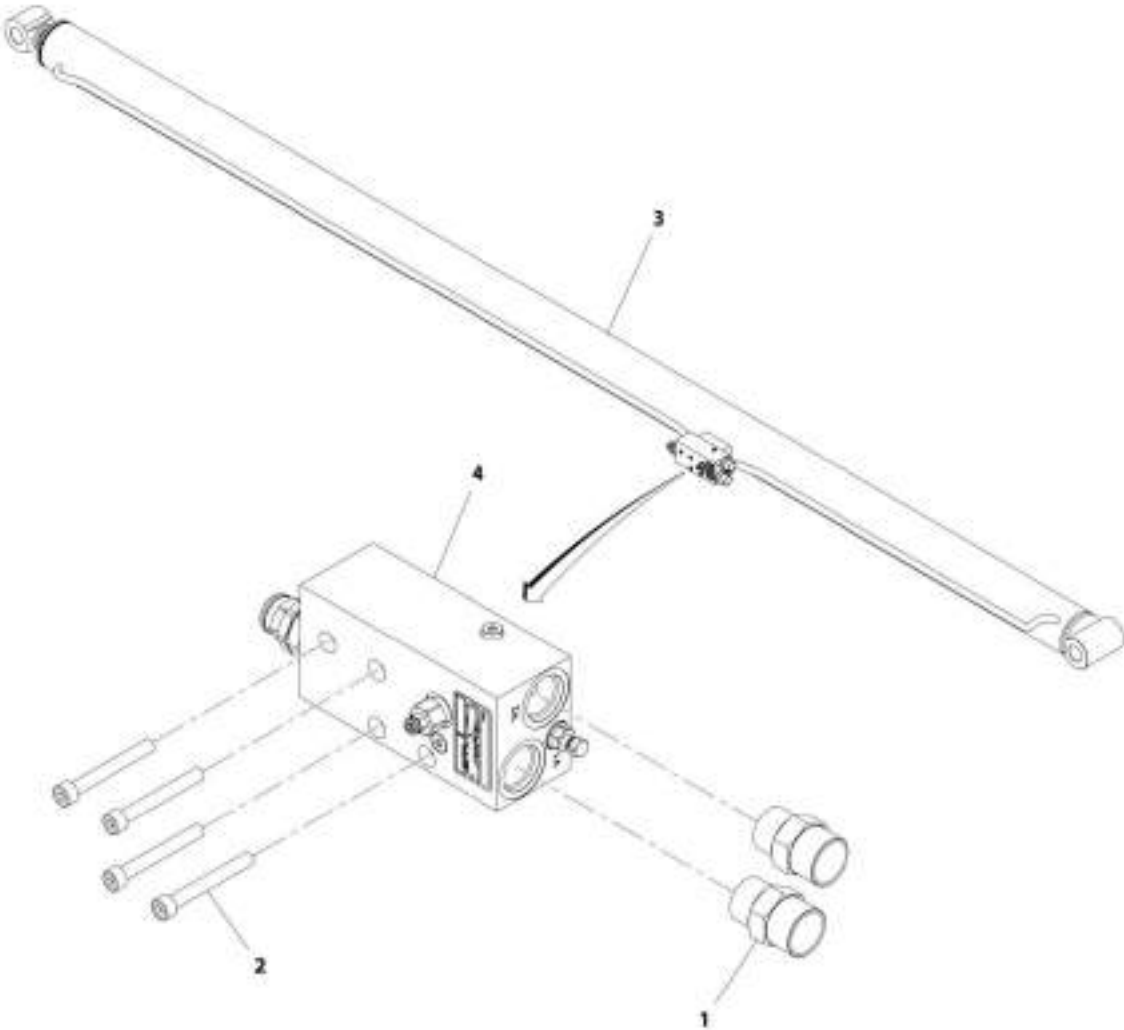
## SECTION 8 - HYDRAULIC CIRCUITS

**FIGURE 8-36. OUTRIGGER CYLINDER INSTALLATION (Prior to SN 0160078794)**

ITEM	PART NUMBER	QTY	DESCRIPTION	REV
	1001163577	Ref	Outrigger Cylinder Installation	D
1	0700816	4	Bolt, M8X40	
2	4811900	4	Washer, M8	
3	1001163040	1	Cylinder, Outrigger (See HYDRAULIC COMPONENTS SECTION for Breakdown)	
4	1001184205	1	Valve	

**SECTION 8 - HYDRAULIC CIRCUITS**

**FIGURE 8-37. EXTEND/RETRACT CYLINDER INSTALLATION**



AWT\_1051171330-E

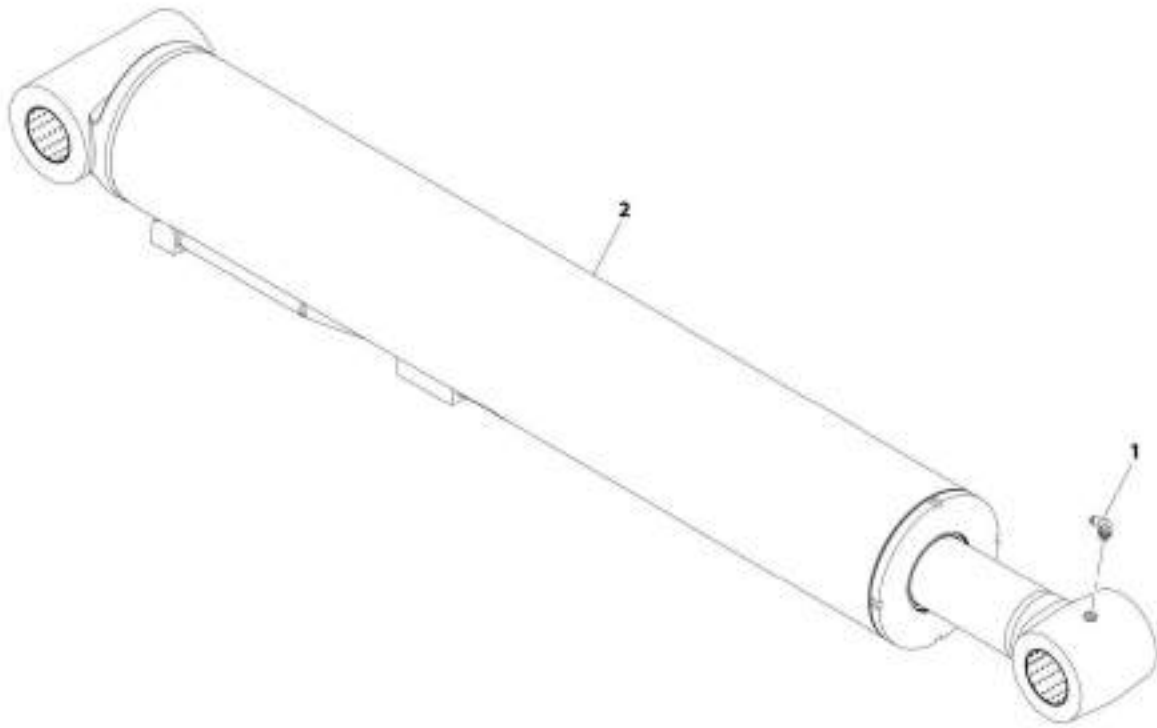
## SECTION 8 - HYDRAULIC CIRCUITS

**FIGURE 8-37. EXTEND/RETRACT CYLINDER INSTALLATION**

ITEM	PART NUMBER	QTY	DESCRIPTION	REV
	1001171330	Ref	Extend/Retract Cylinder Installation	E
1	2111212	2	Adapter	
2	4031917	4	Bolt, M8X65	
3	1001157036	1	Cylinder, Extend/Retract (See Separate Breakdown in HYDRAULIC COMPONENTS Section) <b>(Prior to SN 0160086847, Excluding 0160086030)</b>	
3	1001228067	1	Cylinder, Extend/Retract (See Separate Breakdown in HYDRAULIC COMPONENTS Section) <b>(SN 0160086847 to Present, Including 0160086030)</b>	
4	1001168598	1	Valve, Counterbalance	

## SECTION 8 - HYDRAULIC CIRCUITS

FIGURE 8-38. LIFT CYLINDER INSTALLATION - 1055



REF\_1001200766-8

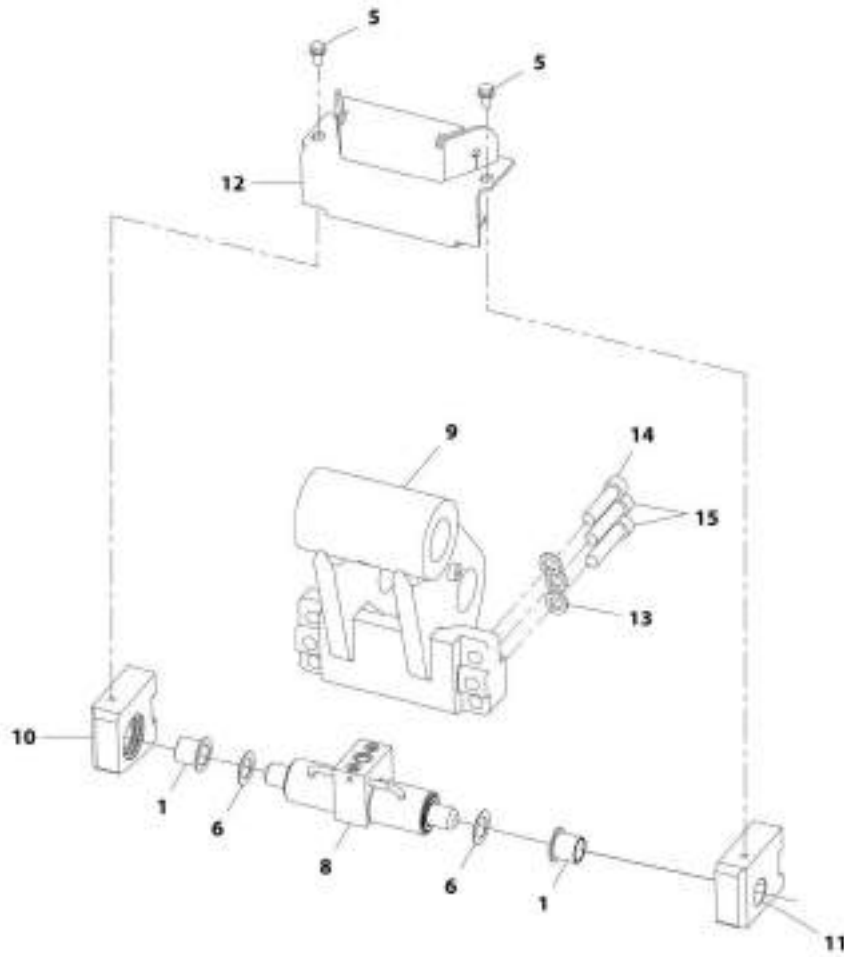
## SECTION 8 - HYDRAULIC CIRCUITS

**FIGURE 8-38. LIFT CYLINDER INSTALLATION - 1055**

ITEM	PART NUMBER	QTY	DESCRIPTION	REV
	1001208766	Ref	Lift Cylinder Installation - 1055	B
1	8770215	1	Fitting, 90 ORFS	
2	1001211607	1	Cylinder, Lift - 1055 (See LIFT CYLINDER - 1055 for Breakdown)	

# SECTION 8 - HYDRAULIC CIRCUITS

FIGURE 8-39. HYDRAULIC QUICK COUPLER INSTALLATION



ANT\_1001164845-C



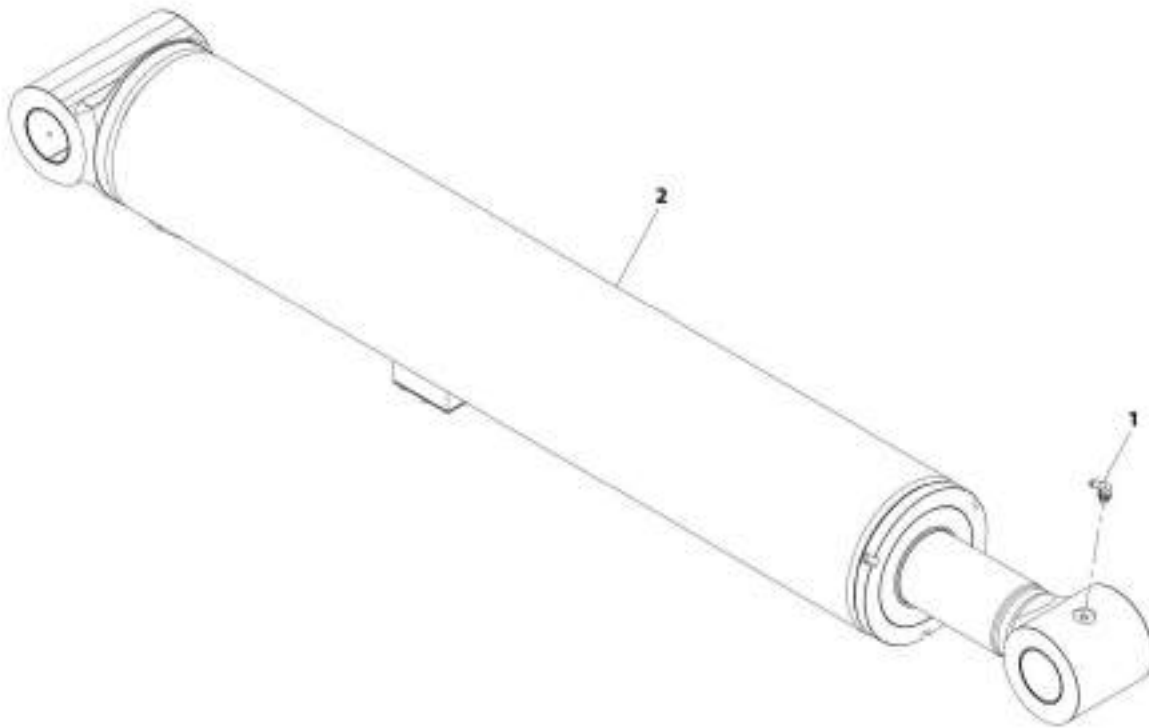
## SECTION 8 - HYDRAULIC CIRCUITS

### FIGURE 8-39. HYDRAULIC QUICK COUPLER INSTALLATION

ITEM	PART NUMBER	QTY	DESCRIPTION	REV
	1001164845	Ref	Hydraulic Quick Coupler Installation	C
1	0440321	2	Bearing, Flange	
5	5201210	2	Bolt, Ripp M12X20	
6	91561240	AR	Shim	
8	1001197151	1	Assembly, Quick Coupler Cylinder (See QUICK COUPLER CYLINDER ASSEMBLY for Breakdown)	
9	1001164846	1	Adapter, Hydraulic Quick Coupler	
10	1001164858	1	Plate	
11	1001164859	1	Plate	
12	1001164860	1	Cover	
13	1001171991	6	Washer, M20	
14	1001172153	2	Screw, M20X1.5X80	
15	1001172154	4	Screw, M20X1.5X90	

## SECTION 8 - HYDRAULIC CIRCUITS

FIGURE 8-40. LIFT CYLINDER INSTALLATION - 1255



ART\_1051208765-A

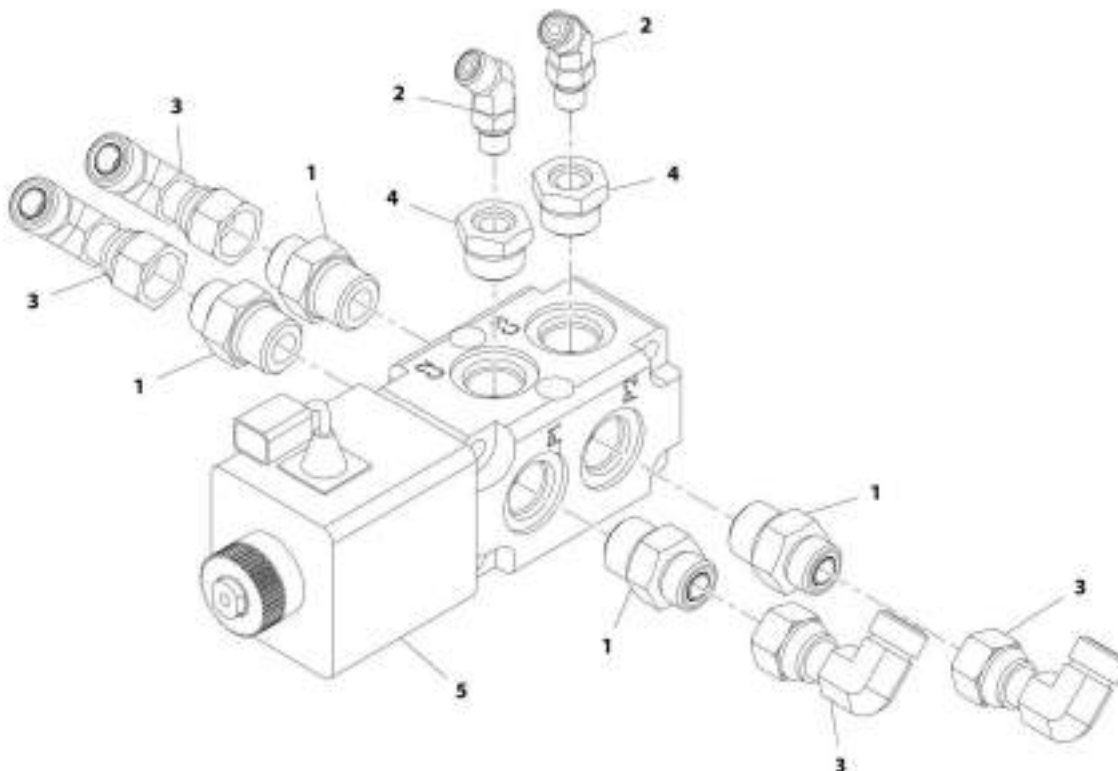
## SECTION 8 - HYDRAULIC CIRCUITS

**FIGURE 8-40. LIFT CYLINDER INSTALLATION - 1255**

ITEM	PART NUMBER	QTY	DESCRIPTION	REV
	1001208765	Ref	Lift Cylinder Installation - 1255	A
1	8770215	1	Fitting, 90 ORFS	
2	1001211608	1	Cylinder, Lift - 1255 (See Separate Breakdown in HYDRAULIC COMPONENTS Section)	

# SECTION 8 - HYDRAULIC CIRCUITS

## FIGURE 8-41. QUICK COUPLER VALVE ASSEMBLY



ART\_3001164899-E

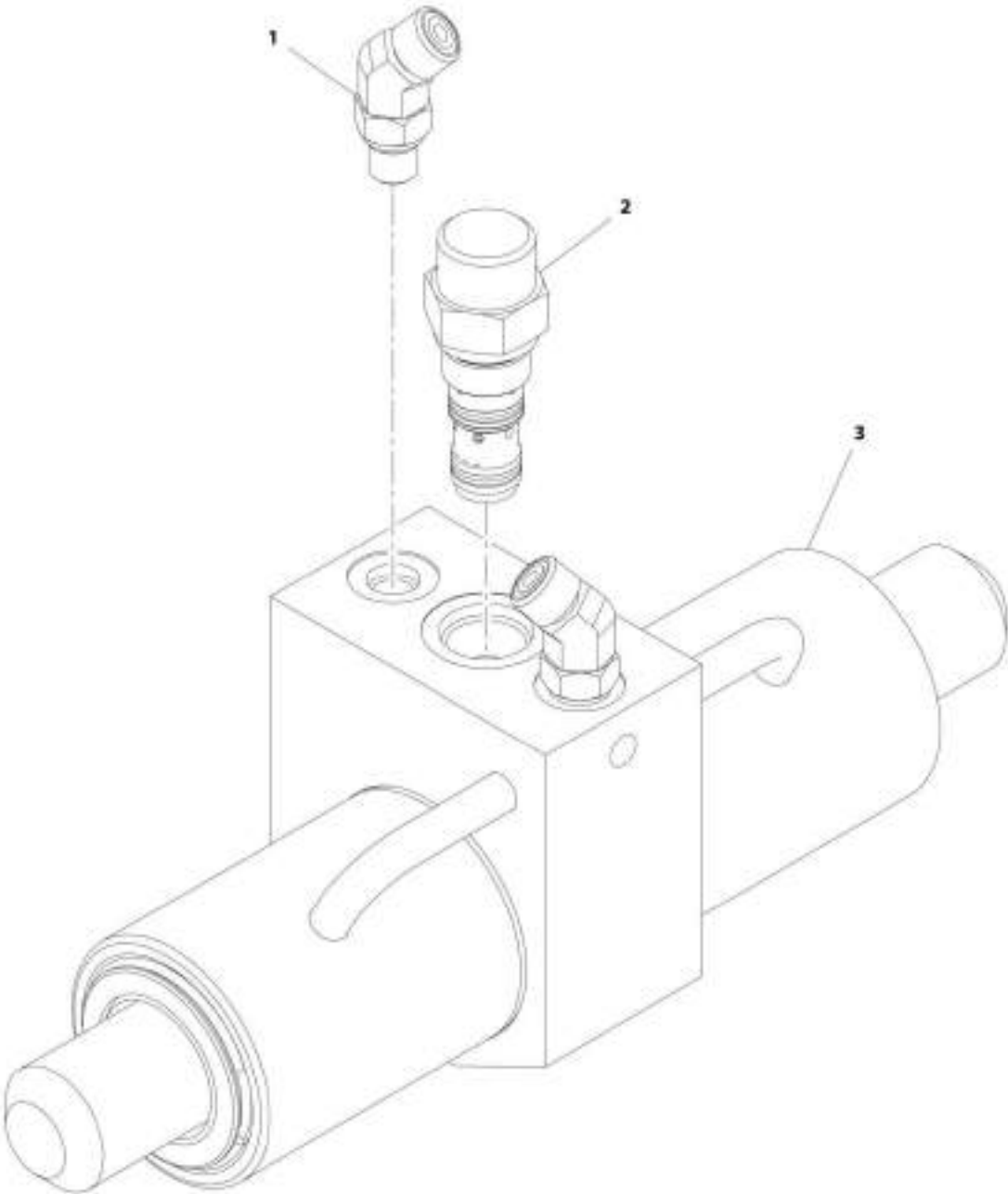
## SECTION 8 - HYDRAULIC CIRCUITS

**FIGURE 8-41. QUICK COUPLER VALVE ASSEMBLY**

ITEM	PART NUMBER	QTY	DESCRIPTION	REV
	1001164869	Ref	Quick Coupler Valve Assembly	B
1	2110810	4	Adapter	
2	2150404	2	Adapter	
3	2172108	4	Adapter	
4	1001001568	2	Reducer	
5	1001104477	1	Valve, Quick Coupler (See HYDRAULIC COMPONENTS SECTION for Breakdown)	

**SECTION 8 - HYDRAULIC CIRCUITS**

**FIGURE 8-42. QUICK COUPLER CYLINDER ASSEMBLY**



ART\_100197153-B

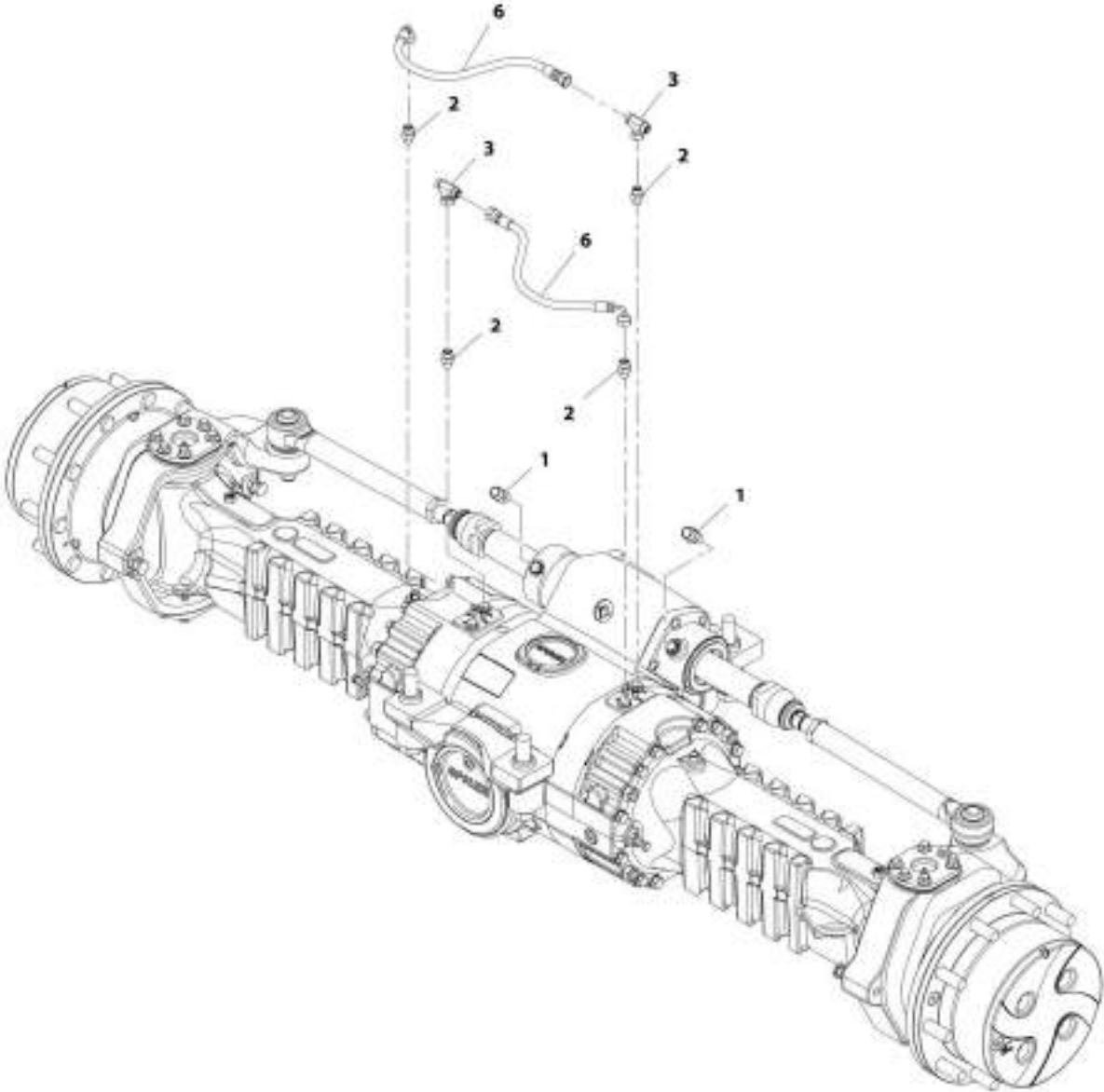
## SECTION 8 - HYDRAULIC CIRCUITS

**FIGURE 8-42. QUICK COUPLER CYLINDER ASSEMBLY**

ITEM	PART NUMBER	QTY	DESCRIPTION	REV
	1001197151	1	Quick Coupler Cylinder Assembly	B
1	2150404	2	Fitting, 45 ORFS	
2	1001007056	1	Valve, Check	
3	1001120163	1	Cylinder, Quick Coupler (See HYDRAULIC COMPONENTS SECTION for Breakdown)	

**SECTION 8 - HYDRAULIC CIRCUITS**

**FIGURE 8-43. FRONT AXLE LINES INSTALLATION**



NET\_100161A21-C



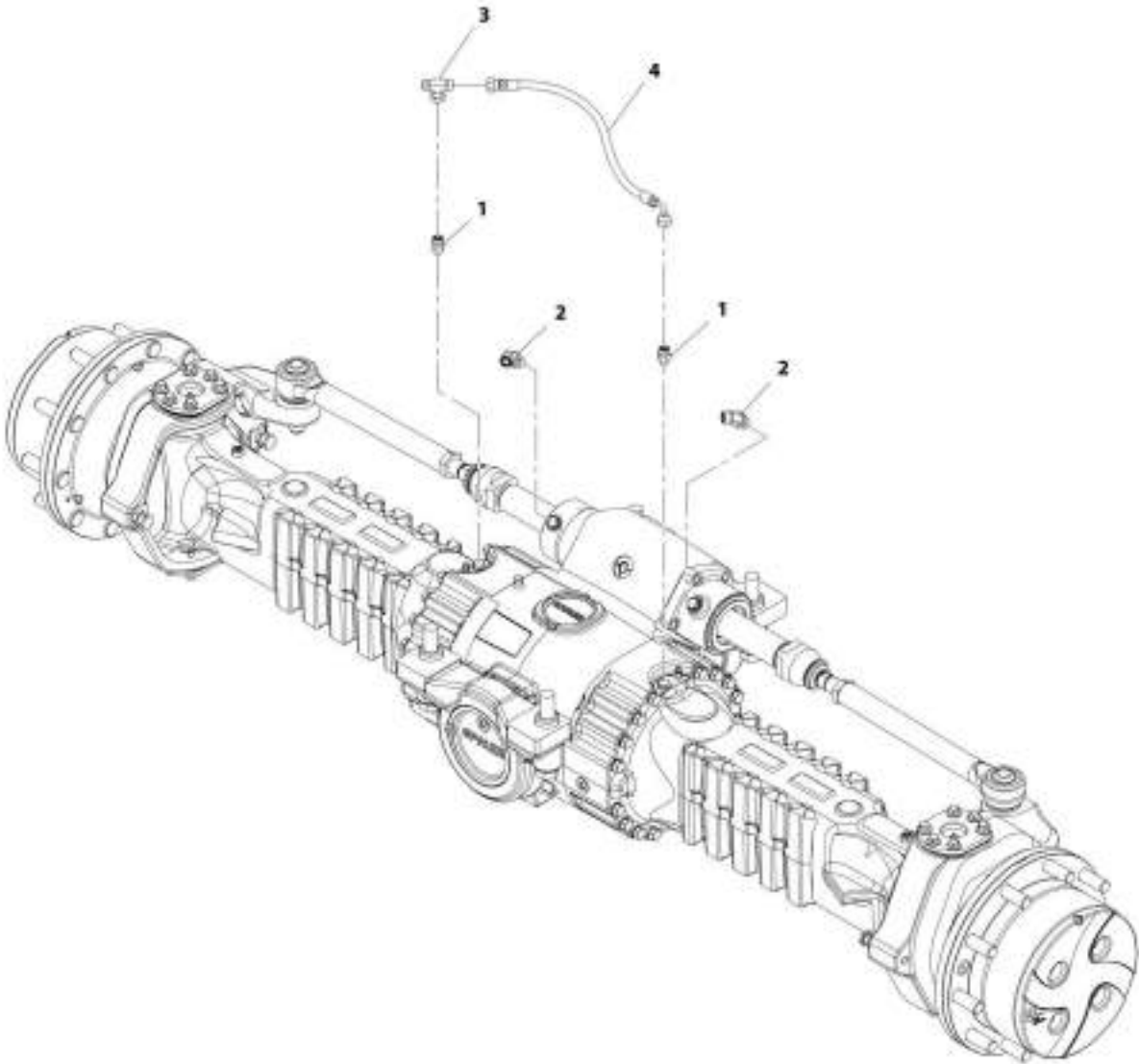
## SECTION 8 - HYDRAULIC CIRCUITS

**FIGURE 8-43. FRONT AXLE LINES INSTALLATION**

ITEM	PART NUMBER	QTY	DESCRIPTION	REV
	1001161421	Ref	Front Axle Lines Installation	C
1	2110808	2	Fitting, Straight ORFS	
2	2144605	4	Fitting, Straight ORFS	
3	2170806	2	Fitting	
6	1001097810	2	Hose	

**SECTION 8 - HYDRAULIC CIRCUITS**

**FIGURE 8-44. REAR AXLE LINES INSTALLATION**



WRT\_1001181-024-C

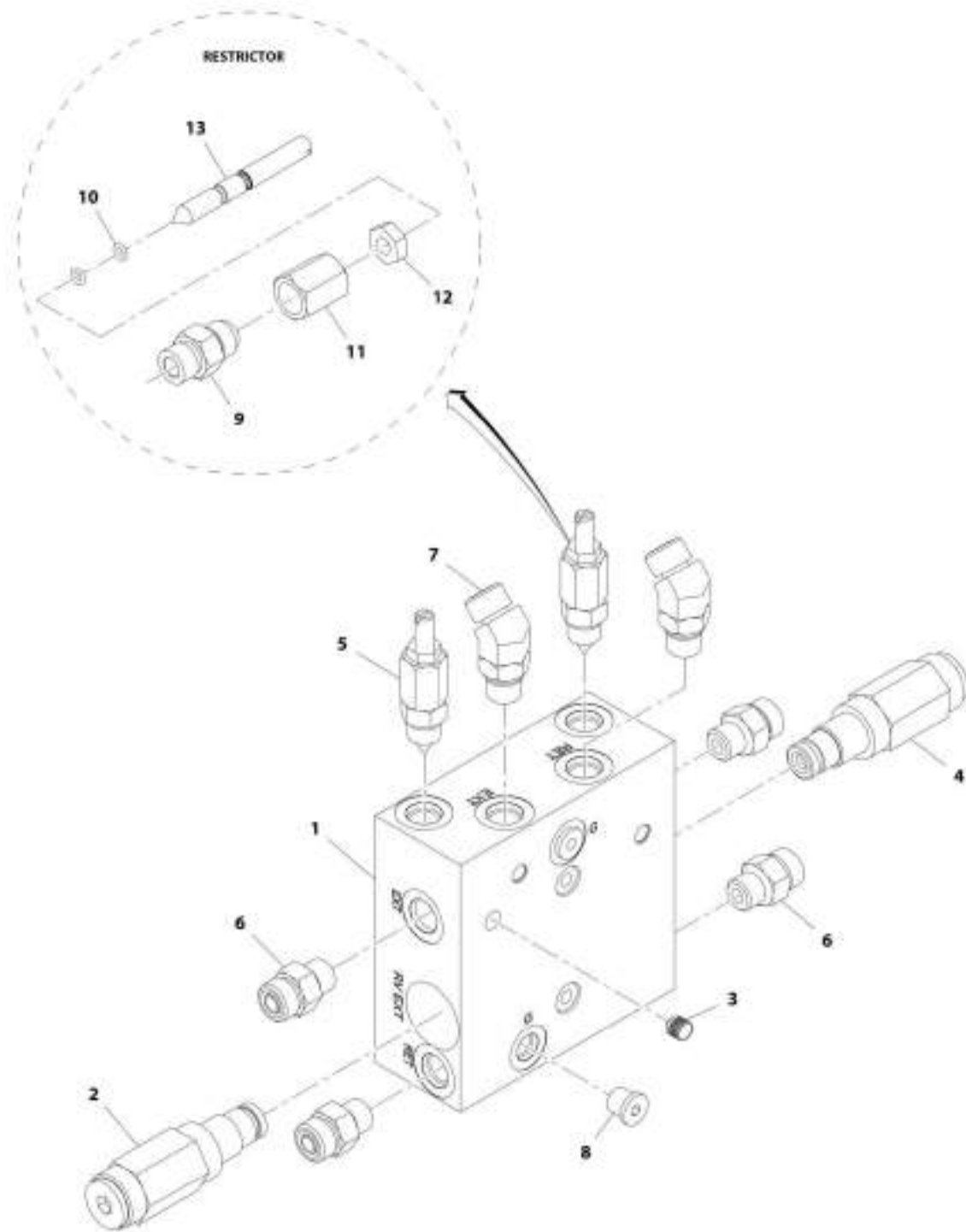
## SECTION 8 - HYDRAULIC CIRCUITS

### FIGURE 8-44. REAR AXLE LINES INSTALLATION

ITEM	PART NUMBER	QTY	DESCRIPTION	REV
	1001161424	Ref	Rear Axle Lines Installation	C
1	2144605	2	Fitting, Straight ORFS	
2	2150808	2	Fitting, Straight ORFS	
3	2170806	1	Fitting	
4	1001102509	1	Hose	

# SECTION 8 - HYDRAULIC CIRCUITS

## FIGURE 8-45. VALVE ASSEMBLY



WRT\_70026589

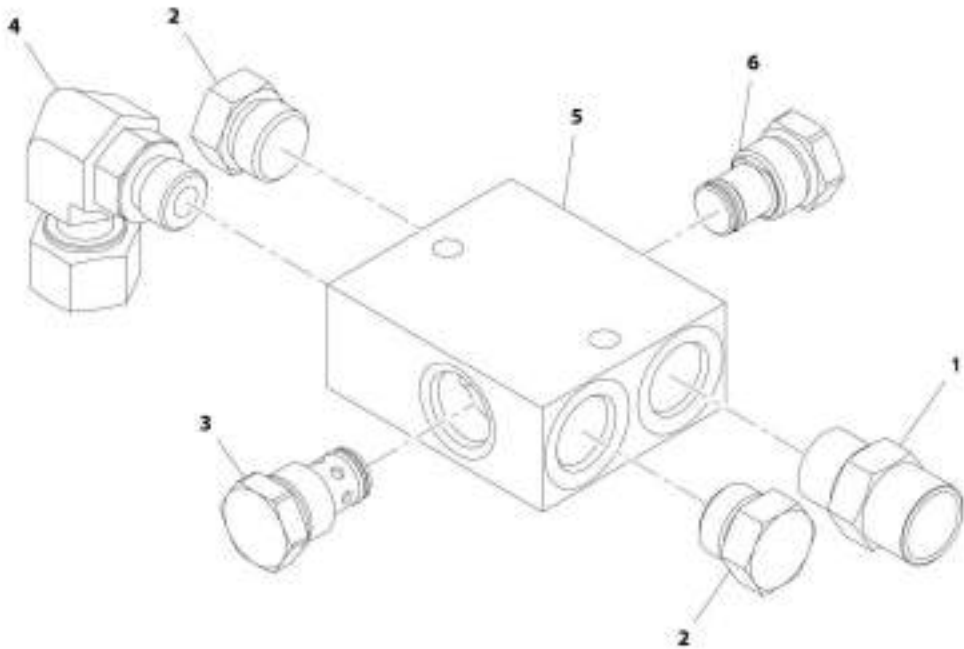
## SECTION 8 - HYDRAULIC CIRCUITS

### FIGURE 8-45. VALVE ASSEMBLY

ITEM	PART NUMBER	QTY	DESCRIPTION	REV
	70026589	1	Valve Assembly	
1	70026612	1	Manifold	
2	70026613	1	Cartridge	
3	70026614	4	Plug	
4	70026478	1	Relief Valve Cartridge	
5	70026615	2	Restrictor	
6	70024130	4	Fitting	
7	70026616	2	Fitting	
8	70024129	2	Plug	
9	70026617	1	Fitting	
10	70026618	2	O-Ring	
11	70026619	1	Cap	
12	70026620	1	Jam Nut	
13	70026621	1	Plunger	

**SECTION 8 - HYDRAULIC CIRCUITS**

**FIGURE 8-46. CHECK VALVE ASSEMBLY**



ART\_1001250803-A

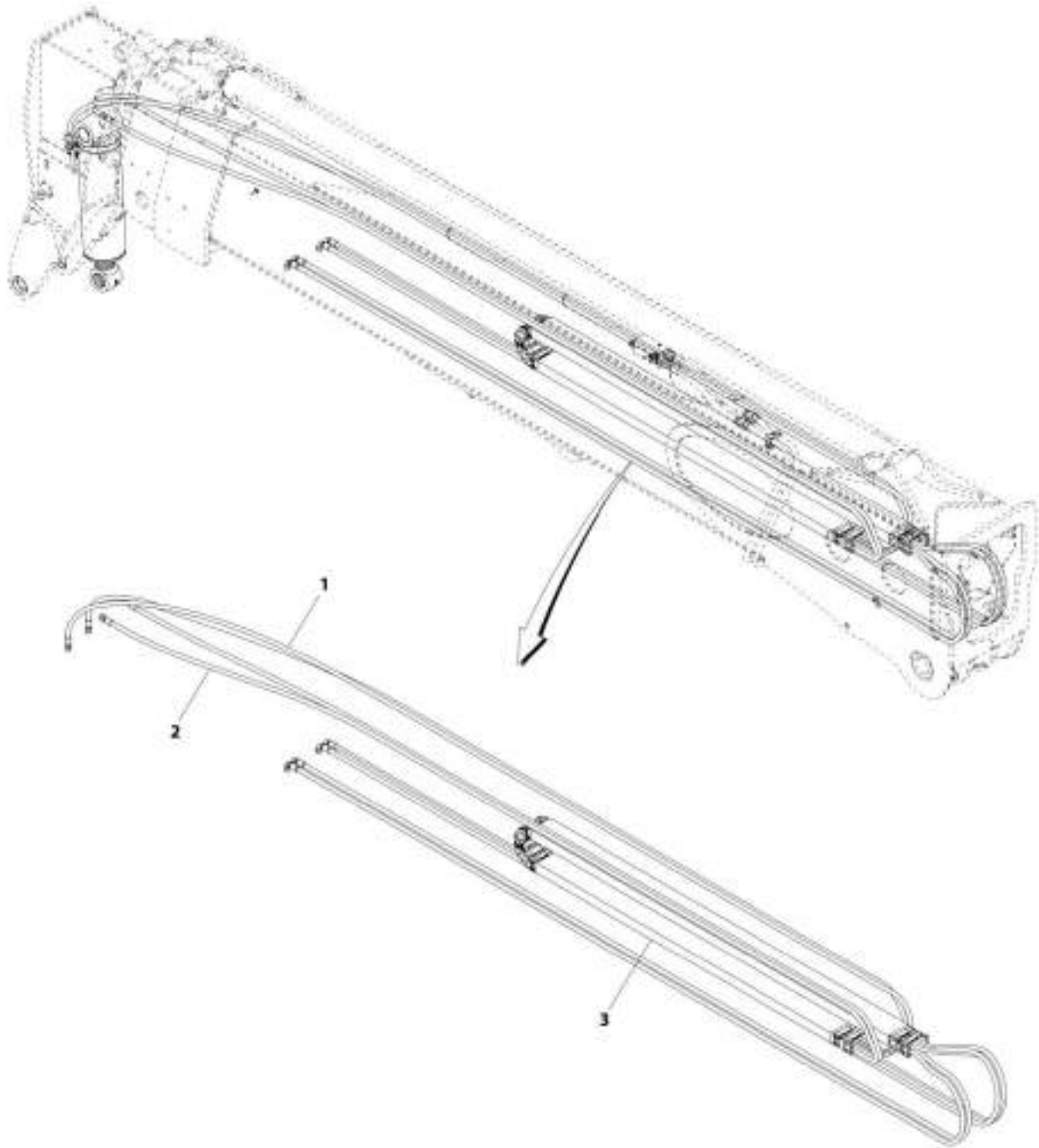
## SECTION 8 - HYDRAULIC CIRCUITS

### FIGURE 8-46. CHECK VALVE ASSEMBLY

ITEM	PART NUMBER	QTY	DESCRIPTION	REV
	1001210803	Ref	Check Valve Assembly	A
1	2111010	1	Fitting, Straight	
2	2220239	2	Plug	
3	4641192	1	Valve, Check	
4	1001096679	1	Fitting, 90	
5	1001210780	1	Manifold, Dual Check	
6	1001210801	1	Valve, Check	

# SECTION 8 - HYDRAULIC CIRCUITS

FIGURE 8-47. TWIN/TRI LINE HOSES INSTALLATION



ART\_1001255018-A



## SECTION 8 - HYDRAULIC CIRCUITS

FIGURE 8-47. TWIN/TRI LINE HOSES INSTALLATION

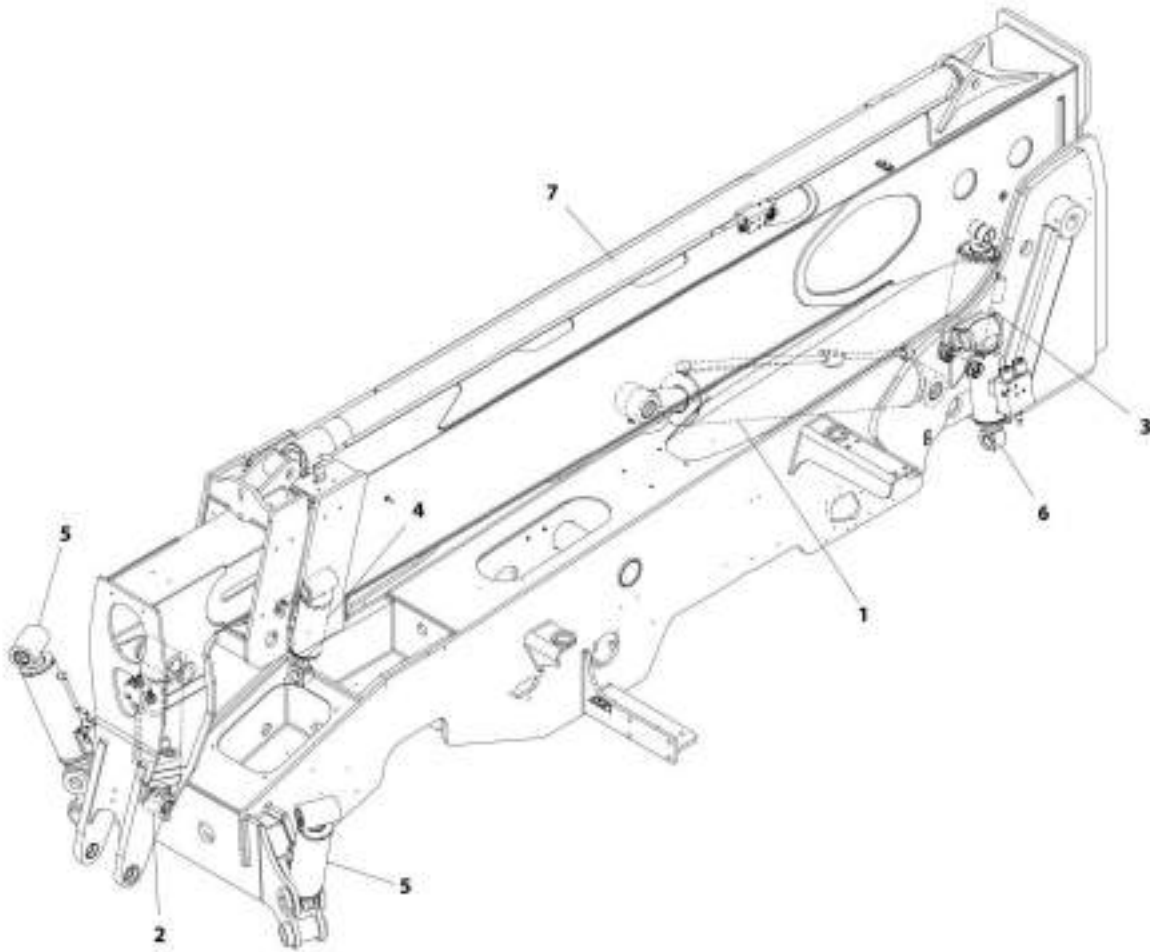
ITEM	PART NUMBER	QTY	DESCRIPTION	REV
	1001233919	1	Twin/Tri Line Hose Installation	A
1	1001173934	1	Hose	
2	1001173935	1	Hose	
3	1001175033	1	Carrier, Hose	



**SECTION 9 - HYDRAULIC COMPONENTS**

# SECTION 9 - HYDRAULIC COMPONENTS

## FIGURE 9-1. CYLINDER GROUP INSTALLATION - 1055



AWT\_001180721-G

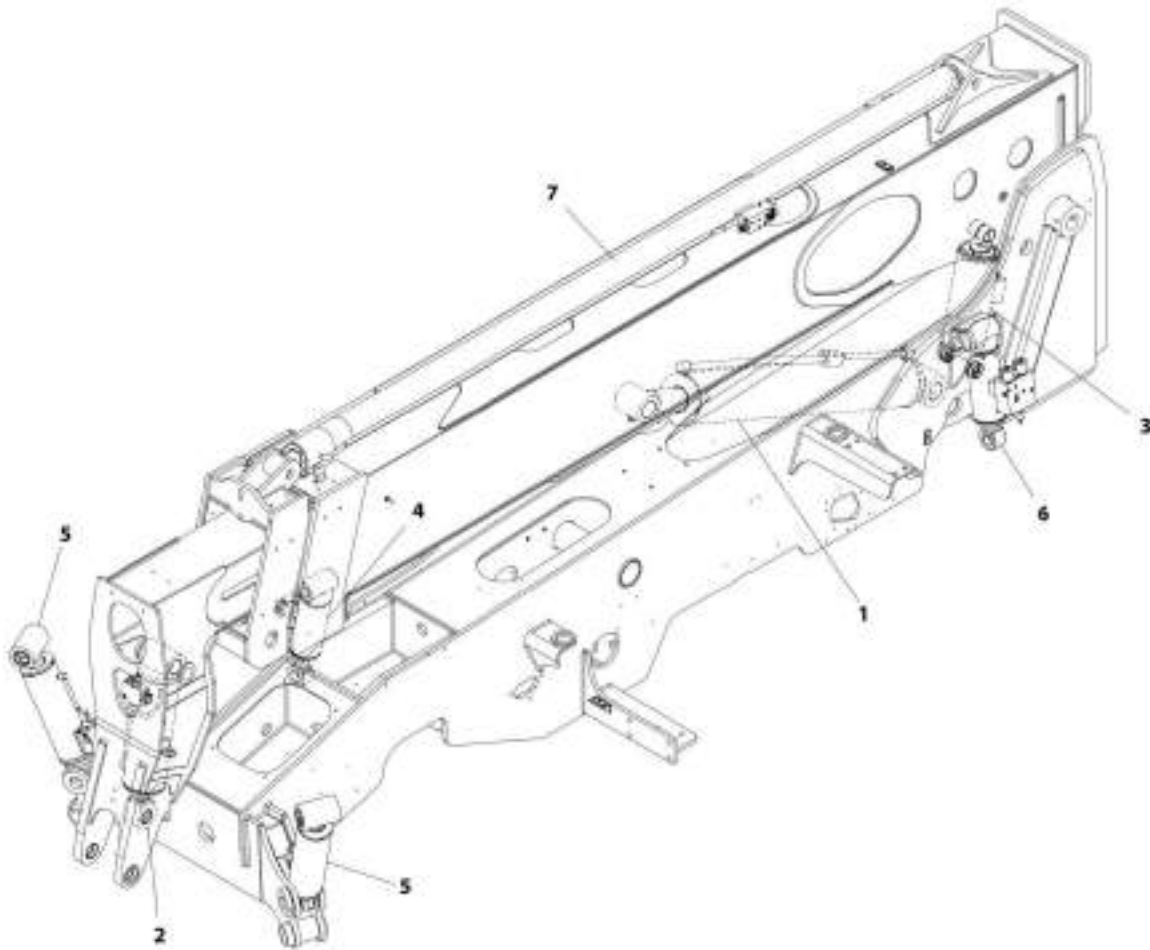
## SECTION 9 - HYDRAULIC COMPONENTS

**FIGURE 9-1. CYLINDER GROUP INSTALLATION - 1055**

ITEM	PART NUMBER	QTY	DESCRIPTION	REV
	1001160721	Ref	Cylinder Group Installation - 1055	G
1	1001156227	Ref	Cylinder, Lift - 1055 (See LIFT CYLINDER - 1055 for Breakdown) <b>(Prior to SN 0160078794)</b>	
1	1001208766	Ref	Installation, Lift Cylinder (See HYDRAULIC CIRCUITS SECTION for Breakdown) <b>(SN 0160078794 to Present)</b>	
2	1001196455	Ref	Cylinder, Tilt - 1055 (See TILT CYLINDER - 1055 for Breakdown)	
3	1001184452	Ref	Cylinder, Compensation - 1055 (See COMPENSATION CYLINDER - 1055 for Breakdown)	
4	1001162076	Ref	Installation, Frame Level Cylinder (See HYDRAULIC CIRCUITS SECTION for Breakdown)	
5	1001163577	Ref	Installation, Outrigger Cylinder (See HYDRAULIC CIRCUITS SECTION for Breakdown) <b>(Prior to SN 0160078794)</b>	
5	1001213065	Ref	Cylinder, Outrigger (See OUTRIGGER CYLINDER for Breakdown) <b>(SN 0160078794 to Present)</b>	
6	1001164036	Ref	Installation, Rear Axle Stabilizer Cylinder (See HYDRAULIC CIRCUITS SECTION for Breakdown)	
7	1001171330	Ref	Installation, Extend/Retract Cylinder (See HYDRAULIC CIRCUITS SECTION for Breakdown)	

# SECTION 9 - HYDRAULIC COMPONENTS

FIGURE 9-2. CYLINDER GROUP INSTALLATION - 1255



ART\_3001160720 H

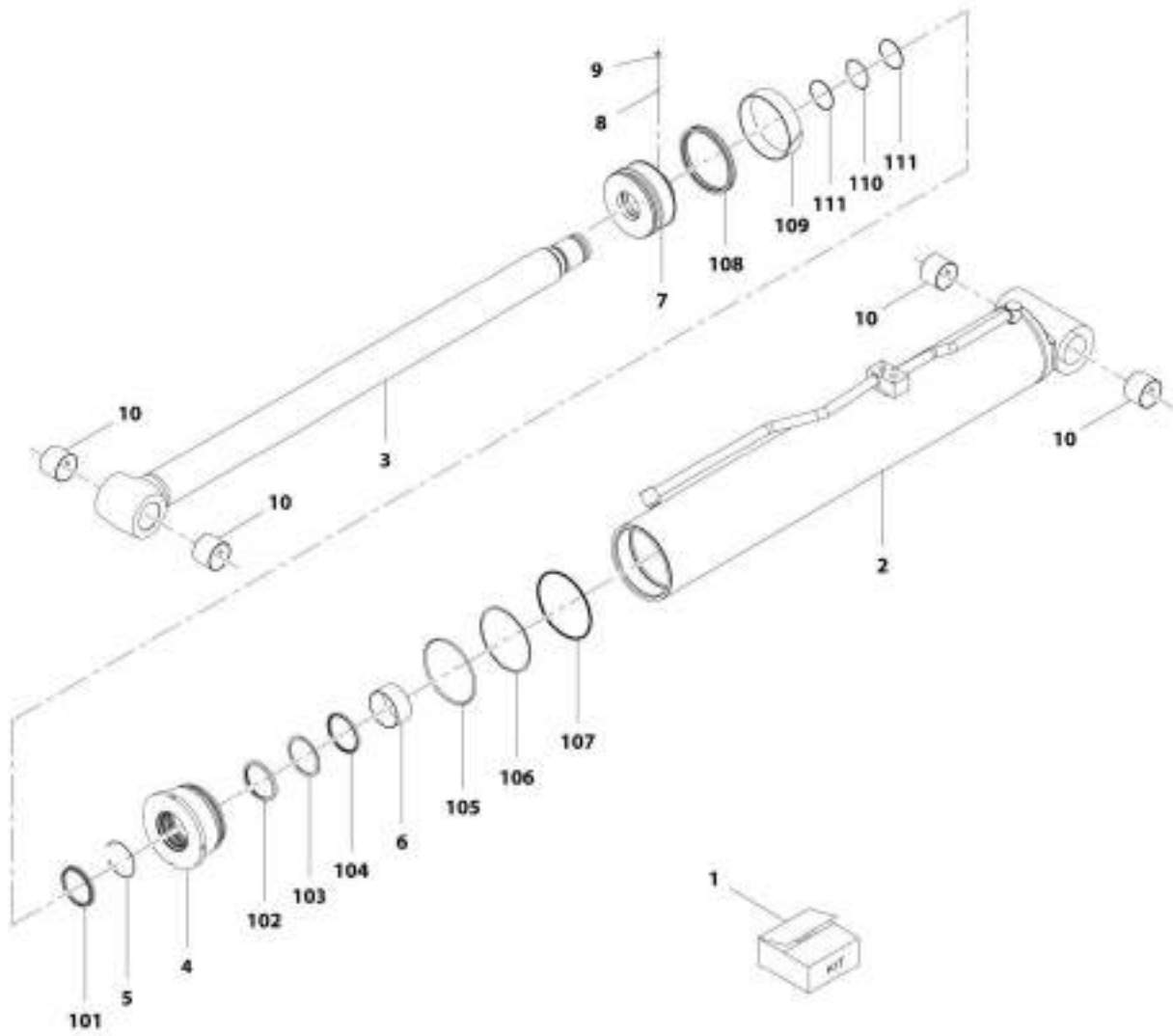
## SECTION 9 - HYDRAULIC COMPONENTS

**FIGURE 9-2. CYLINDER GROUP INSTALLATION - 1255**

ITEM	PART NUMBER	QTY	DESCRIPTION	REV
	1001160720	Ref	Cylinder Group Installation - 1255	H
1	1001192597	Ref	Cylinder, Lift - 1255 (See LIFT CYLINDER - 1255 for Breakdown) <b>(Prior to SN 0160078794)</b>	
1	1001208765	Ref	Installation, Lift Cylinder (See HYDRAULIC CIRCUITS SECTION for Breakdown) <b>(SN 0160078794 to Present)</b>	
2	1001196454	Ref	Cylinder, Tilt - 1255 (See TILT CYLINDER - 1255 for Breakdown)	
3	1001184453	Ref	Cylinder, Compensation - 1255 (See COMPENSATION CYLINDER - 1255 for Breakdown)	
4	1001162076	Ref	Installation, Frame Level Cylinder (See HYDRAULIC CIRCUITS SECTION for Breakdown)	
5	1001163577	Ref	Installation, Outrigger Cylinder (See HYDRAULIC CIRCUITS SECTION for Breakdown) <b>(Prior to SN 0160078794)</b>	
5	1001213065	Ref	Cylinder, Outrigger (See OUTRIGGER CYLINDER for Breakdown) <b>(SN 0160078794 to Present)</b>	
6	1001164036	Ref	Installation, Rear Axle Stabilizer Cylinder (See HYDRAULIC CIRCUITS SECTION for Breakdown)	
7	1001171330	Ref	Installation, Extend/Retract Cylinder (See HYDRAULIC CIRCUITS SECTION for Breakdown)	

# SECTION 9 - HYDRAULIC COMPONENTS

FIGURE 9-3. LIFT CYLINDER - 1055 (Prior to SN 0160078794)



WIT\_1001158227-0



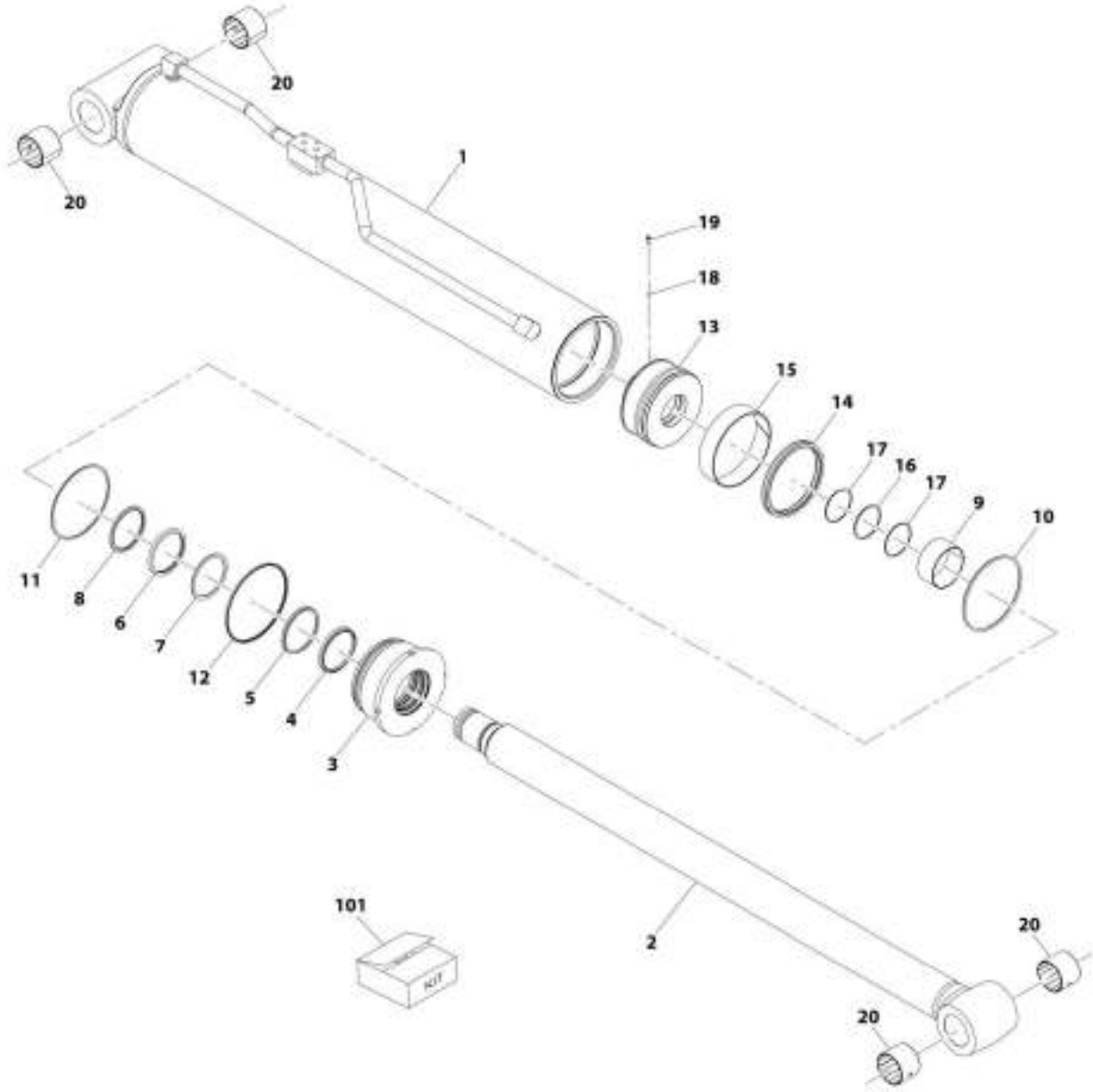
## SECTION 9 - HYDRAULIC COMPONENTS

**FIGURE 9-3. LIFT CYLINDER - 1055 (Prior to SN 0160078794)**

ITEM	PART NUMBER	QTY	DESCRIPTION	REV
	1001156227	Ref	Lift Cylinder - 1055	G
1	70026291	1	Kit, Seal (includes items 101 thru 111)	
2	70026491	1	Barrel	
3	70026281	1	Rod	
4	70026282	1	Gland	
5	70026283	1	Ring, Retain	
6	70026284	4	Bearing, Dry	
7	70026285	1	Piston	
8	70026286	1	Ball, Steel	
9	70026287	1	Screw, Set	
10	70026288	4	Bearing, Dry	
101	Kit	1	Wiper, Dust	
102	Kit	1	Seal, Rod	
103	Kit	1	Ring, Back up	
104	Kit	1	Ring, Buffer	
105	Kit	1	O-Ring	
106	Kit	1	Ring, Back Up	
107	Kit	1	O-Ring	
108	Kit	1	Seal, Piston	
109	Kit	1	Ring, Wear	
110	Kit	1	O-Ring	
111	Kit	2	Ring, Back Up	

# SECTION 9 - HYDRAULIC COMPONENTS

FIGURE 9-4. LIFT CYLINDER - 1055 (SN 0160078794 to Present)



ART\_1001201607-B

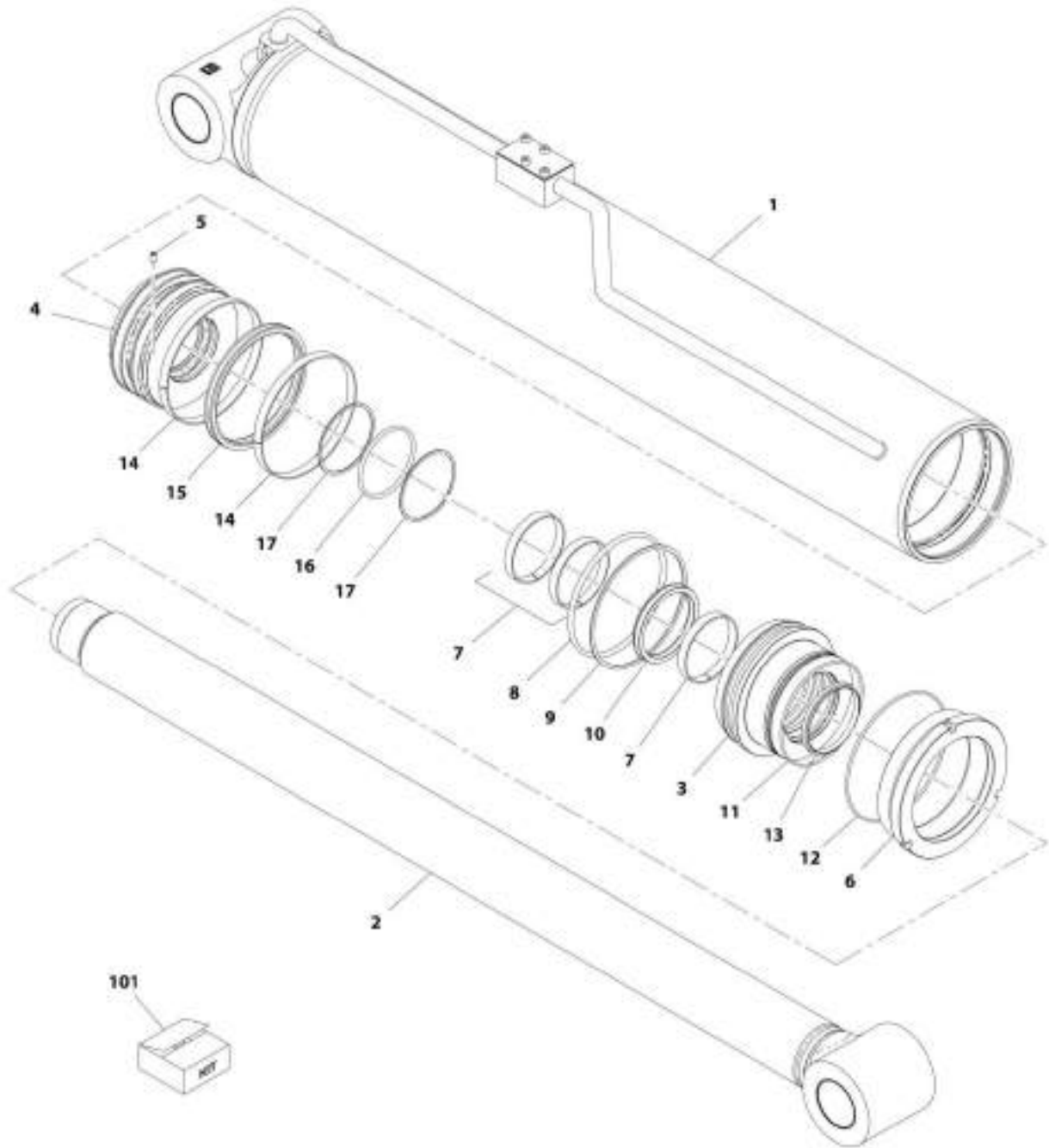
## SECTION 9 - HYDRAULIC COMPONENTS

**FIGURE 9-4. LIFT CYLINDER - 1055 (SN 0160078794 to Present)**

ITEM	PART NUMBER	QTY	DESCRIPTION	REV
	1001211607	Ref	Lift Cylinder - 1055	B
1	70026491	1	Barrel Assembly	
2	N.S.S.	1	Rod Assembly	
3	70026282	1	Gland	
4	N.S.S.	1	Dust Wiper	
5	70026283	1	Retain Ring	
6	Kit	1	Rod Seal	
7	Kit	1	Back-up Ring	
8	Kit	1	Buffer Ring	
9	70026284	1	Bearing	
10	Kit	1	O-Ring	
11	Kit	1	Back-up Ring	
12	Kit	1	O-Ring	
13	70026285	1	Piston	
14	Kit	1	Piston Seal	
15	Kit	1	Wear Ring	
16	Kit	1	O-Ring	
17	Kit	2	Back-up Ring	
18	N.S.S.	1	Steel Ball	
19	N.S.S.	1	Set Screw	
20	70026288	4	Bearing	
101	70026291	1	Kit, Seal (includes items 6 thru 8, 10 thru 12 & 14 thru 17)	

# SECTION 9 - HYDRAULIC COMPONENTS

FIGURE 9-5. LIFT CYLINDER - 1255 (Prior to SN 0160078794)



ART\_1001192907-B

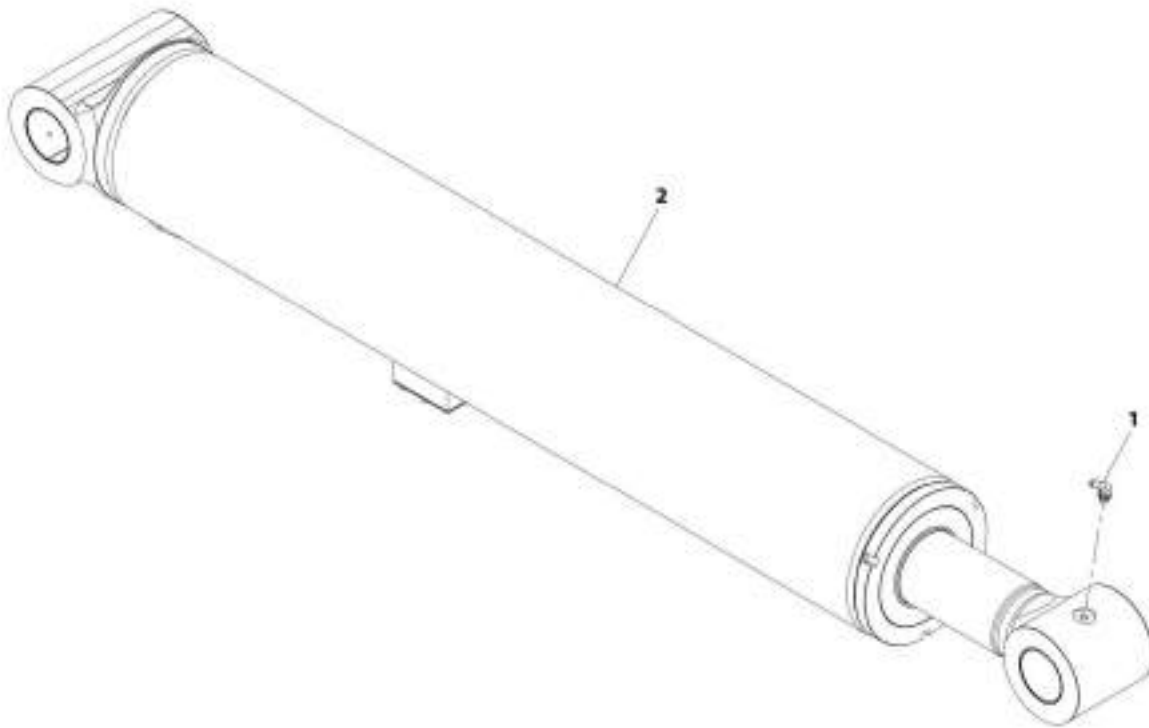
## SECTION 9 - HYDRAULIC COMPONENTS

**FIGURE 9-5. LIFT CYLINDER - 1255 (Prior to SN 0160078794)**

ITEM	PART NUMBER	QTY	DESCRIPTION	REV
	1001192597	Ref	Lift Cylinder - 1255	B
1	70026423	1	Barrel	
2	70026426	1	Rod	
3	70026421	1	Guide, Rod	
4	70026424	1	Piston	
5	70020438	1	Screw	
6	70026422	1	Screw	
7	Kit	3	Bearing	
8	Kit	1	O-Ring	
9	Kit	1	Ring, Backup	
10	Kit	1	Seal, Rod	
11	Kit	1	O-Ring	
12	Kit	1	O-Ring	
13	Kit	1	Wiper	
14	Kit	2	Bearing	
15	Kit	1	Seal, Piston	
16	Kit	1	O-Ring	
17	Kit	2	Ring, Backup	
101	70026425	1	Kit, Seal (Includes items 7 thru 17)	

## SECTION 9 - HYDRAULIC COMPONENTS

FIGURE 9-6. LIFT CYLINDER INSTALLATION - 1255 (SN 0160078794 to Present)



ART\_1001208765-A

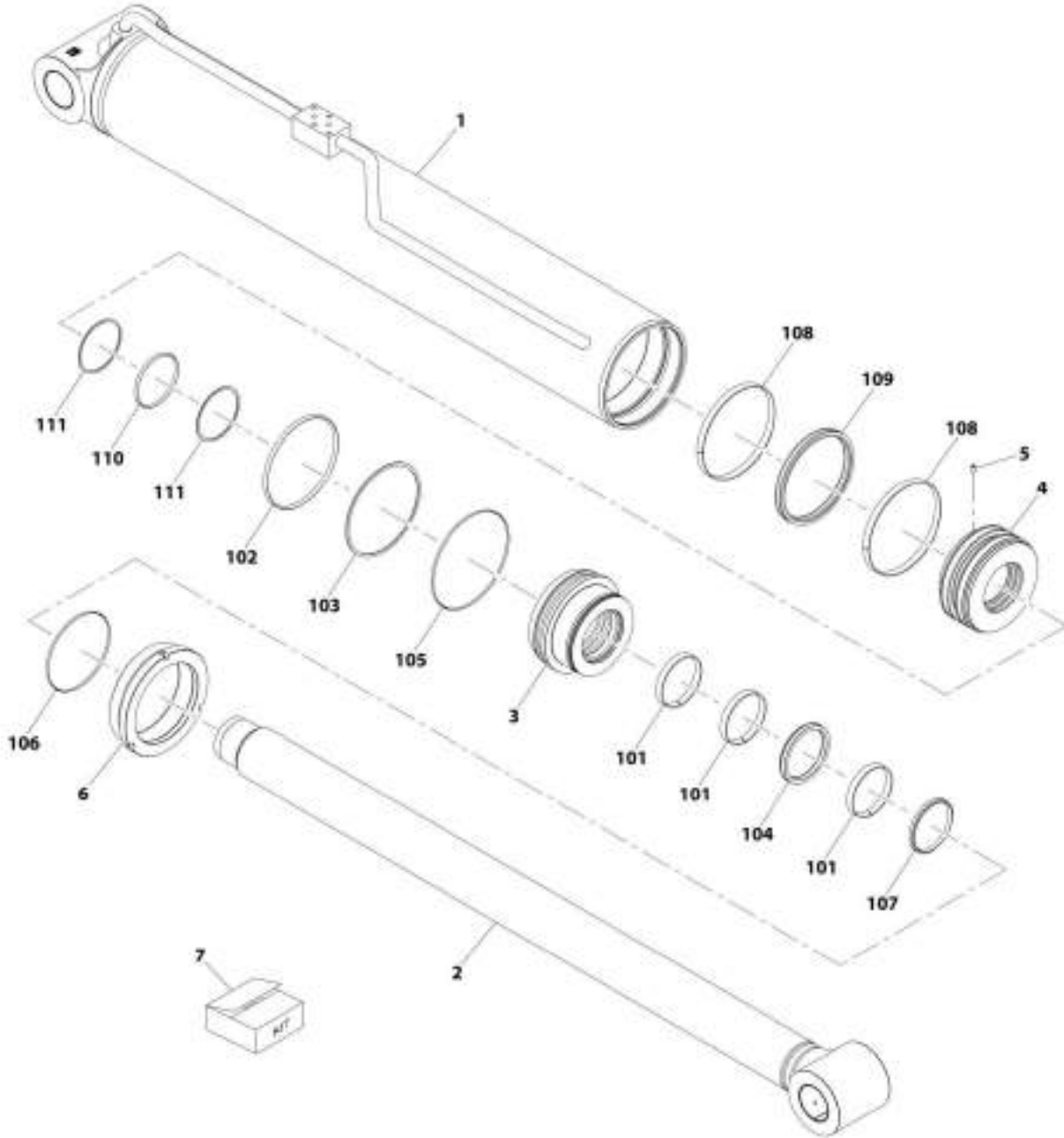
## SECTION 9 - HYDRAULIC COMPONENTS

**FIGURE 9-6. LIFT CYLINDER INSTALLATION - 1255 (SN 0160078794 to Present)**

ITEM	PART NUMBER	QTY	DESCRIPTION	REV
	1001208765	Ref	Lift Cylinder Installation - 1255	A
1	8770215	1	Fitting, 90 ORFS	
2	1001211608	1	Cylinder, Lift - 1255 (See Separate Breakdown in HYDRAULIC COMPONENTS Section)	

# SECTION 9 - HYDRAULIC COMPONENTS

FIGURE 9-7. LIFT CYLINDER - 1255 (SN 0160078794 to Present)



ARE\_1001211608-A



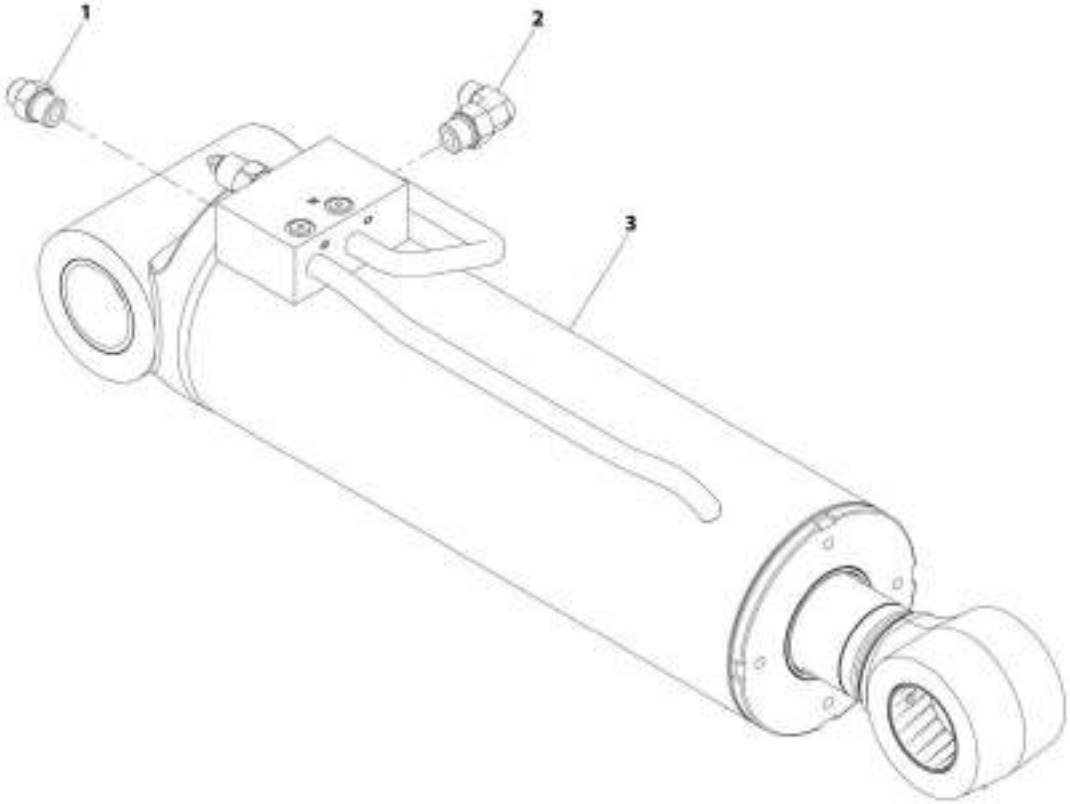
## SECTION 9 - HYDRAULIC COMPONENTS

**FIGURE 9-7. LIFT CYLINDER - 1255 (SN 0160078794 to Present)**

ITEM	PART NUMBER	QTY	DESCRIPTION	REV
	1001211608	1	Lift Cylinder - 1255	A
1	70026423	1	Barrel	
2	70028279	1	Rod	
3	70026421	1	Head	
4	70026424	1	Piston	
5	70020438	1	Radial Screw	
6	70026422	1	Screw	
7	70026425	1	Kit, Seal (includes items 101 thru 111)	
101	Kit	3	Wear Ring	
102	Kit	1	O-Ring	
103	Kit	1	Back-up Ring	
104	Kit	1	Rod Seal	
105	Kit	1	O-Ring	
106	Kit	1	O-Ring	
107	Kit	1	Wiper	
108	Kit	2	Wear Ring	
109	Kit	1	Piston Seal	
110	Kit	1	O-Ring	
111	Kit	2	Back-up Ring	

**SECTION 9 - HYDRAULIC COMPONENTS**

**FIGURE 9-8. TILT CYLINDER INSTALLATION - 1055**



ART\_100190455-C

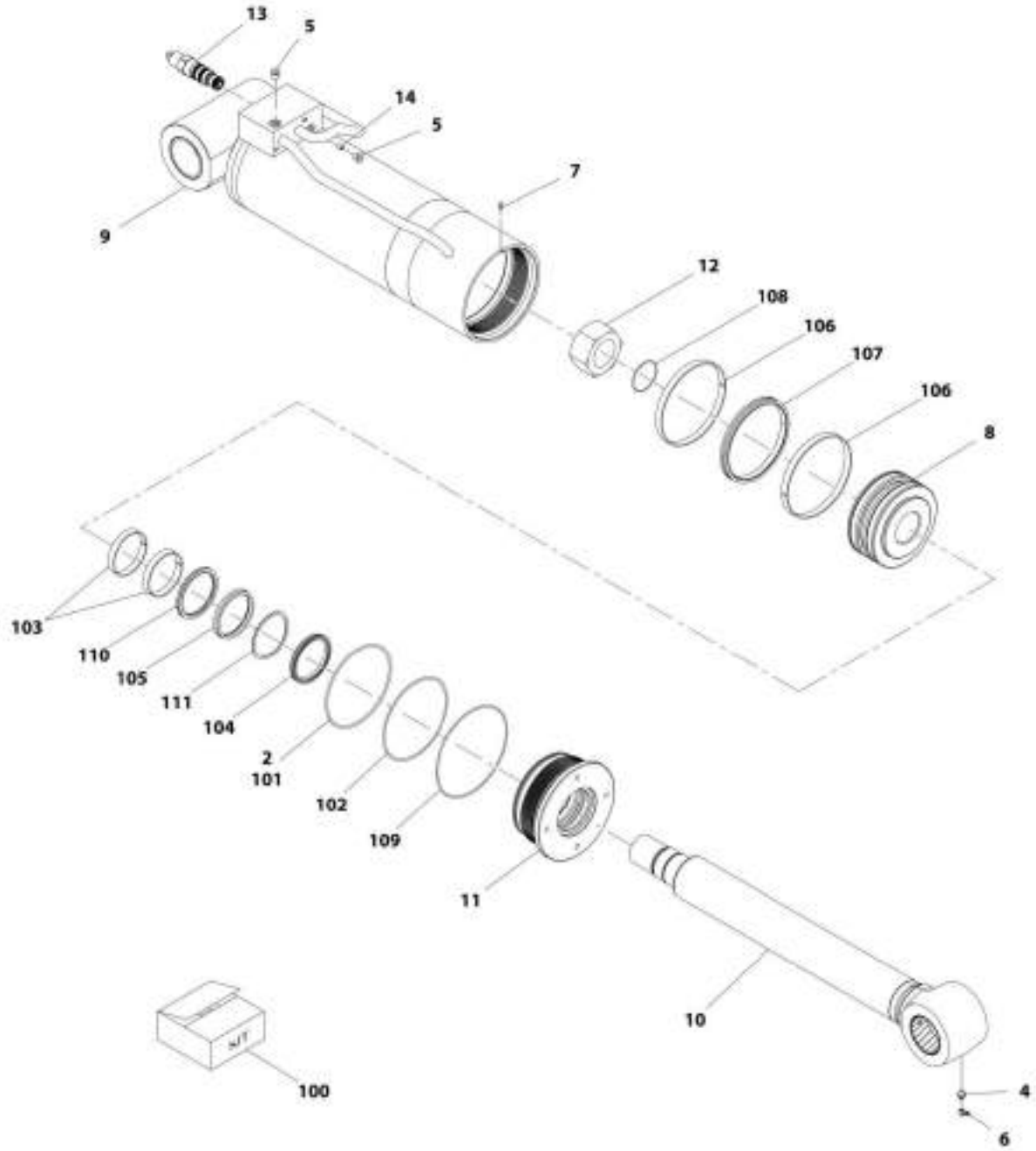
## SECTION 9 - HYDRAULIC COMPONENTS

FIGURE 9-8. TILT CYLINDER INSTALLATION - 1055

ITEM	PART NUMBER	QTY	DESCRIPTION	REV
	1001196455	1	Tilt Cylinder Installation - 1055	C
1	2110810	1	Fitting, Straight ORFS	
2	2130810	1	Fitting, 90 ORFS	
3	1001157360	NLA	Tilt Cylinder (See Separate Breakdown in this Section) (no longer available, use 1001228069 for replacement)	
3	1001228069	1	Tilt Cylinder (See Separate Breakdown in this Section)	

# SECTION 9 - HYDRAULIC COMPONENTS

## FIGURE 9-9. TILT CYLINDER - 1055



ART\_100157360-R

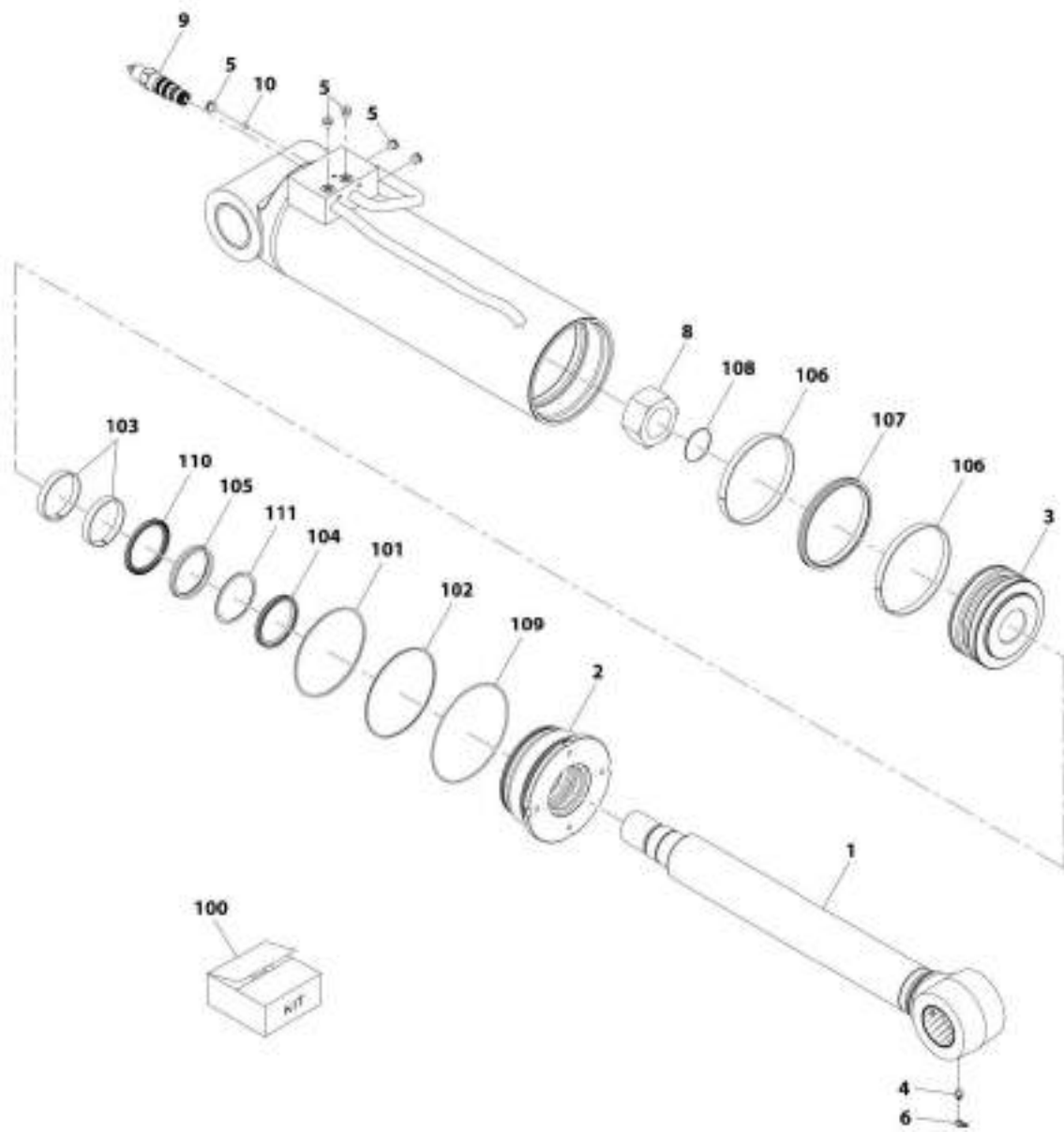
## SECTION 9 - HYDRAULIC COMPONENTS

### FIGURE 9-9. TILT CYLINDER - 1055

ITEM	PART NUMBER	QTY	DESCRIPTION	REV
	1001157360	NLA	Tilt Cylinder, (no longer available, use 1001228069 for replacement)	K
2	3020043	AR	Lube, Anti-Seize	
4	2160016	1	Fitting, Grease	
5	2220883	4	Plug	
6	8887145	1	Cap, Grease Fitting	
7	1001125137	1	Screw, Self Tapping	
8	1001161813	1	Piston	
9	1001161816	1	Barrel	
10	1001161814	1	Rod	
11	1001162124	1	Head	
12	1001122453	1	Nut, Lock	
13	1001189888	1	Valve, Counterbalance	
14	1001163267	1	Plug	
100	1001162126	1	Kit, Seal	
101	1001162127	1	O-Ring	
102	1001162128	1	Ring, Back-Up	
103	1001162129	2	Ring, Wear	
104	1001162130	1	Wiper, Rod	
105	1001162131	1	Seal, Rod	
106	1001162132	2	Ring, Piston Wear	
107	1001162133	1	Seal	
108	1001162134	1	O-Ring	
109	1001162158	1	O-Ring	
110	1001162159	1	Seal, Rod Buffer	
111	1001163540	1	Ring, Back-Up	

# SECTION 9 - HYDRAULIC COMPONENTS

## FIGURE 9-10. TILT CYLINDER - 1055



ART\_0001228504-A

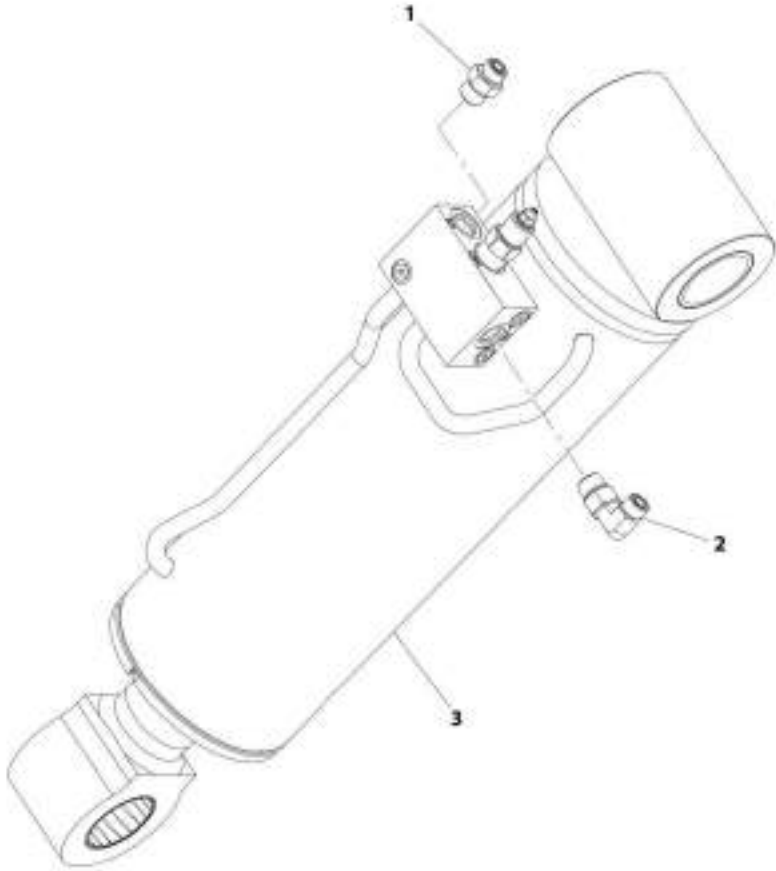
## SECTION 9 - HYDRAULIC COMPONENTS

### FIGURE 9-10. TILT CYLINDER - 1055

ITEM	PART NUMBER	QTY	DESCRIPTION	REV
	1001228069	Ref	Tilt Cylinder	A
1	70029031	1	Rod	
2	70029032	1	Gland	
3	70029033	1	Piston	
4	2160016	1	Fitting, Grease	
5	2220883	5	Plug	
6	8887145	1	Cap, Grease Fitting	
7	1001125137	1	Screw, Self Tapping (not shown)	
8	1001122453	1	Nut, Lock	
9	1001189888	1	Valve, Counterbalance	
10	1001163267	1	Plug	
100	1001162126	1	Kit, Seal	
101	Kit	1	O-Ring	
102	Kit	1	Ring, Back-Up	
103	Kit	2	Ring, Wear	
104	Kit	1	Wiper, Rod	
105	Kit	1	Seal, Rod	
106	Kit	2	Ring, Piston Wear	
107	Kit	1	Seal	
108	Kit	1	O-Ring	
109	Kit	1	O-Ring	
110	Kit	1	Seal, Rod Buffer	
111	Kit	1	Ring, Back-Up	

**SECTION 9 - HYDRAULIC COMPONENTS**

**FIGURE 9-11. TILT CYLINDER INSTALLATION - 1255**



ART\_100119624-C



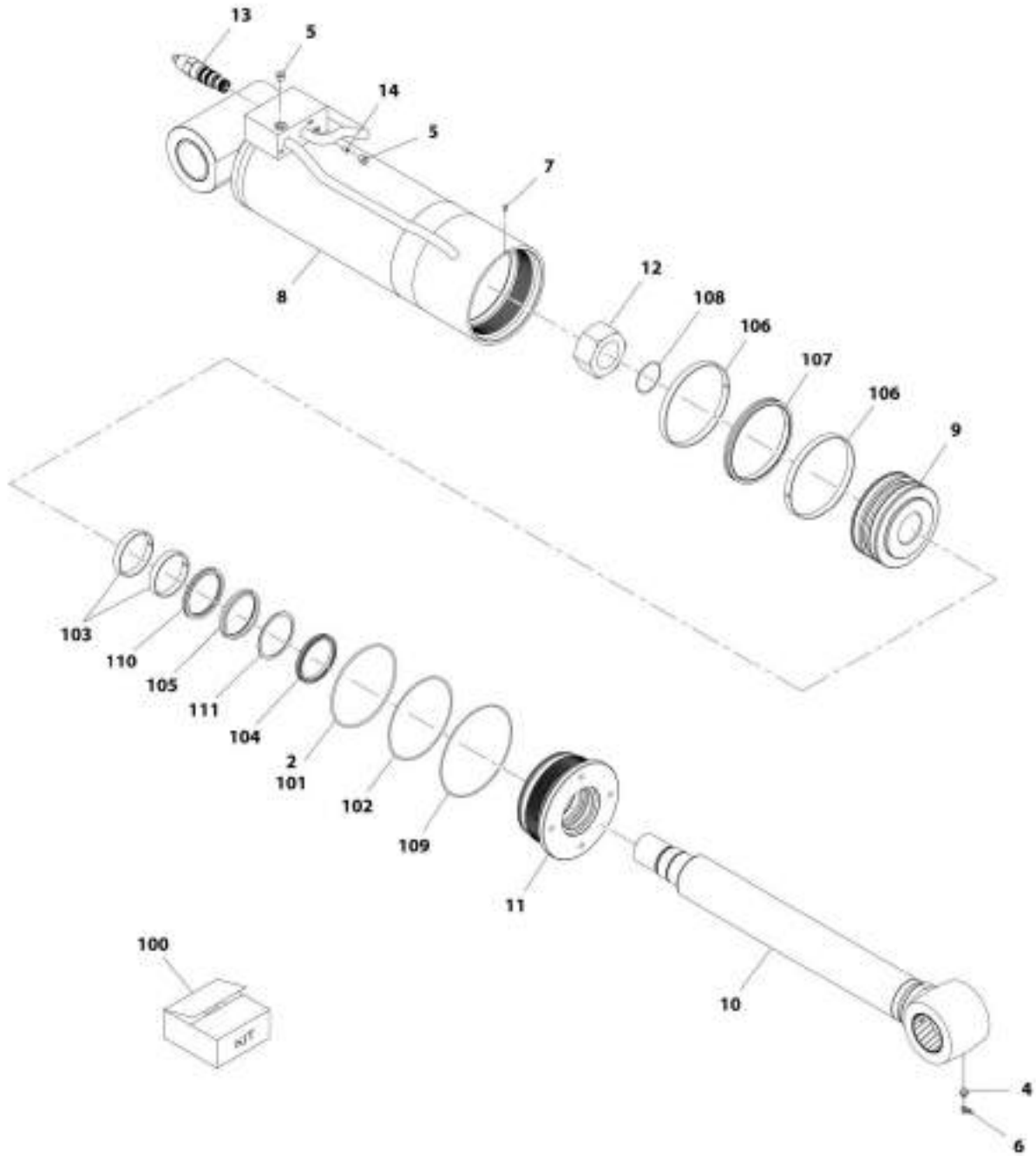
## SECTION 9 - HYDRAULIC COMPONENTS

FIGURE 9-11. TILT CYLINDER INSTALLATION - 1255

ITEM	PART NUMBER	QTY	DESCRIPTION	REV
	1001196454	Ref	Tilt Cylinder Installation - 1255	C
1	2110810	1	Fitting, Straight ORFS	
2	2130810	1	Fitting, Straight ORFS	
3	1001157359	1	Tilt Cylinder, (See Separate Breakdown in this Section) <b>(Prior to SN 0160085831)</b>	
3	1001228068	1	Tilt Cylinder, (See Separate Breakdown in this Section) <b>(SN 0160085831 to Present)</b>	

# SECTION 9 - HYDRAULIC COMPONENTS

FIGURE 9-12. TILT CYLINDER - 1255 (Prior to SN 0160085831)



ART\_100157819-R

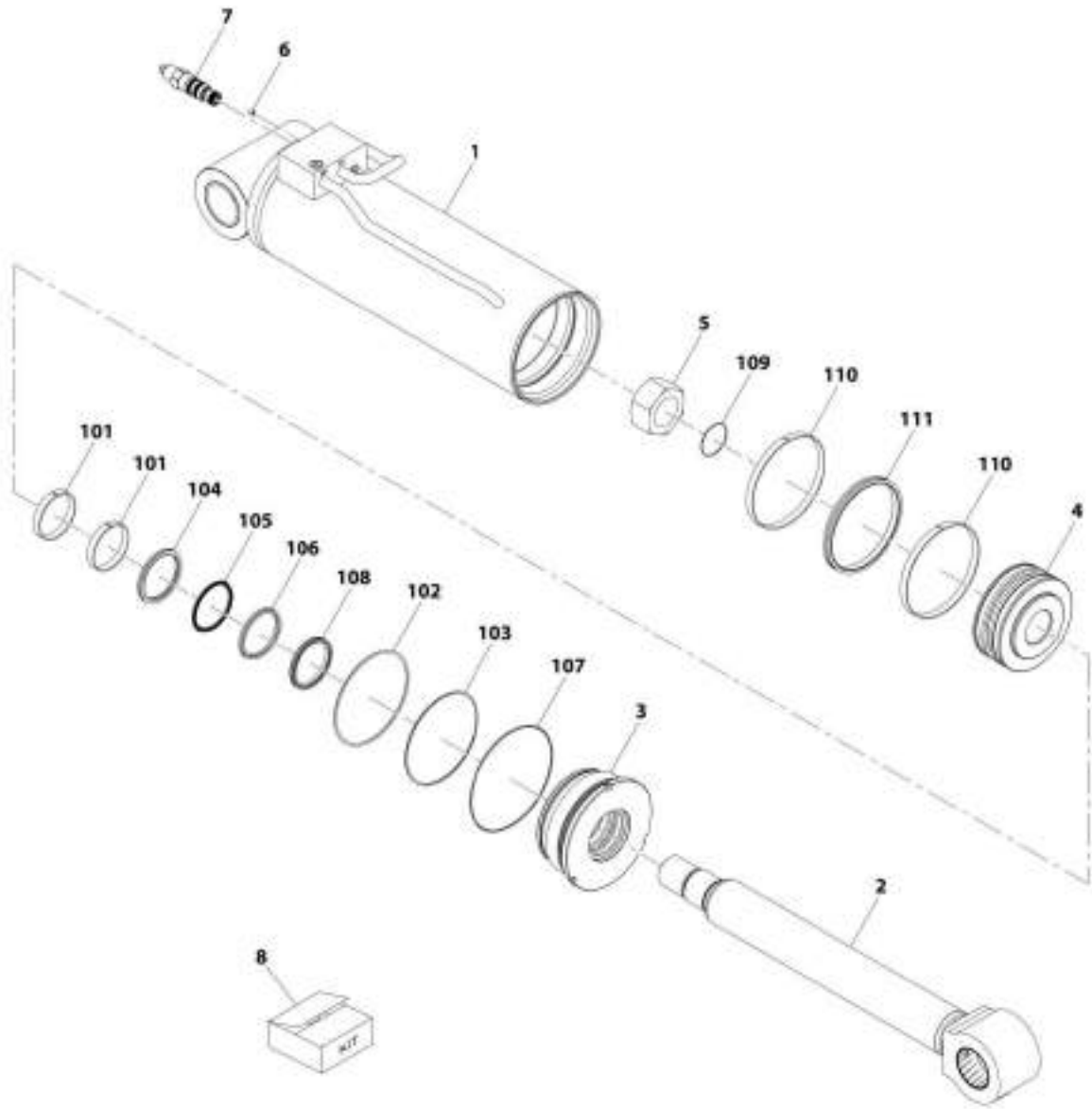
## SECTION 9 - HYDRAULIC COMPONENTS

**FIGURE 9-12. TILT CYLINDER - 1255 (Prior to SN 0160085831)**

ITEM	PART NUMBER	QTY	DESCRIPTION	REV
	1001157359	Ref	Tilt Cylinder	K
2	3020043	AR	Lube, Anti-Seize	
4	2160016	1	Fitting, Grease	
5	2220883	4	Plug	
6	8887145	1	Cap, Grease Fitting	
7	1001125137	1	Screw, Self Tapping	
8	1001161824	1	Barrel	
9	1001162142	1	Piston	
10	1001161814	1	Rod	
11	1001162141	1	Head	
12	1001122453	1	Nut, Lock	
13	1001189888	1	Valve, Counterbalance	
14	1001163267	1	Plug	
100	1001162144	1	Kit, Seal	
101	1001162145	1	O-Ring	
102	1001162146	1	Ring, Back-Up	
103	1001162129	2	Ring, Wear	
104	1001162130	1	Wiper, Rod	
105	1001162131	1	Seal, Rod	
106	1001162152	2	Ring, Piston Wear	
107	1001162153	1	Seal	
108	1001162134	1	O-Ring	
109	1001162148	1	O-Ring	
110	1001162159	1	Seal, Rod Buffer	
111	1001163540	1	Ring, Back-Up	

# SECTION 9 - HYDRAULIC COMPONENTS

FIGURE 9-13. TILT CYLINDER - 1255 (SN 0160085831 to Present)



MIT\_3001228006-A

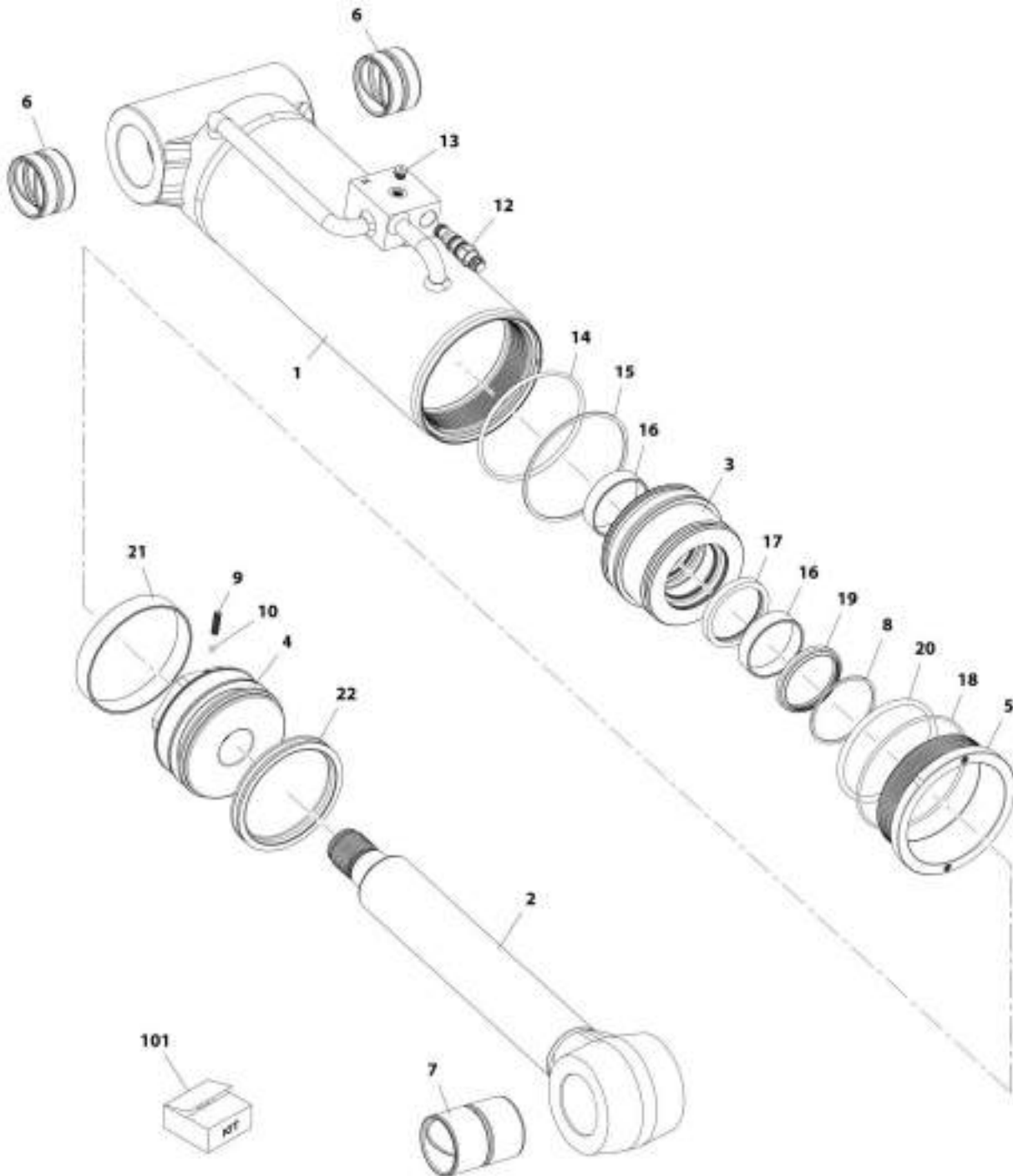
## SECTION 9 - HYDRAULIC COMPONENTS

**FIGURE 9-13. TILT CYLINDER - 1255 (SN 0160085831 to Present)**

ITEM	PART NUMBER	QTY	DESCRIPTION	REV
	1001228068	Ref	Tilt Cylinder	A
1	N.S.S.	1	Body	
2	70028772	1	Rod	
3	70028773	1	Rod, Guide	
4	70028774	1	Piston	
5	70028775	1	Nut	
6	1001163267	1	Plug	
7	1001189888	1	Valve, Counterbalance	
8	1001162144	1	Kit, Seal	
101	Kit	2	Bearing	
102	Kit	1	O-Ring	
103	Kit	1	Ring, Back-Up	
104	Kit	1	Buffer	
105	Kit	1	Seal, Rod	
106	Kit	1	Ring, Back-Up	
107	Kit	1	O-Ring	
108	Kit	1	Wiper	
109	Kit	1	O-Ring	
110	Kit	2	Bearing	
111	Kit	1	Piston, Seal	

# SECTION 9 - HYDRAULIC COMPONENTS

FIGURE 9-14. COMPENSATION CYLINDER - 1055



MIT\_3001184452-A

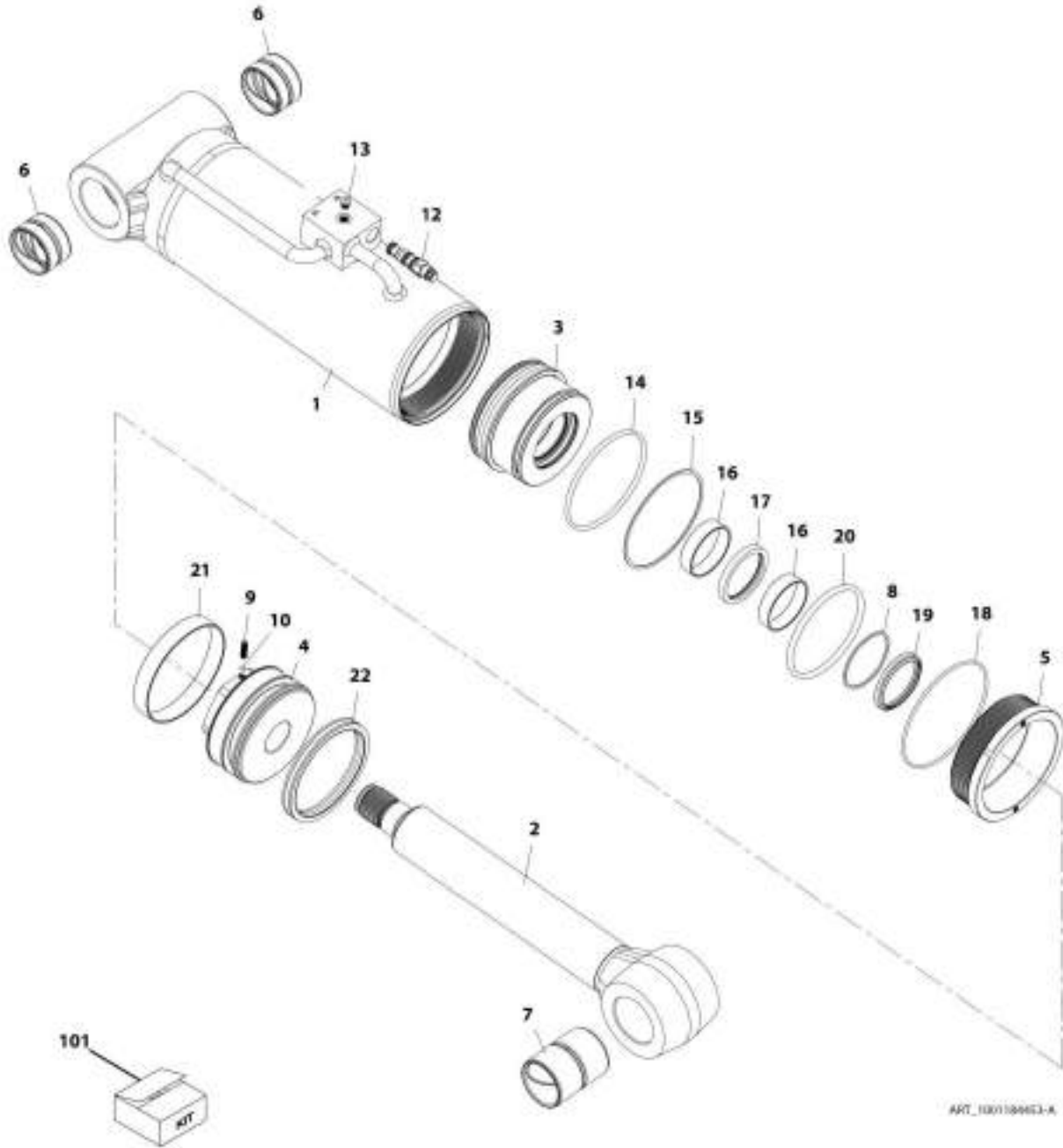
## SECTION 9 - HYDRAULIC COMPONENTS

**FIGURE 9-14. COMPENSATION CYLINDER - 1055**

ITEM	PART NUMBER	QTY	DESCRIPTION	REV
	1001184452	Ref	Compensation Cylinder - 1055	A
1	70026337	1	Barrel	
2	70026338	1	Rod	
3	70026339	1	Gland	
4	70026163	1	Head, Piston	
5	70026164	1	Collar, Gland Locking	
6	70026157	2	Bushing	
7	70026158	1	Bushing	
8	70023086	1	Ring, Snap	
9	70026159	1	Screw	
10	70005014	1	Ball, Steel	
12	70026336	1	Valve, Counterbalance	
13	70025619	1	Plug	
14	Kit	1	O-Ring	
15	Kit	1	Ring, Backup	
16	Kit	2	Ring, Bearing	
17	Kit	1	Seal, Rod	
18	Kit	1	O-Ring	
19	Kit	1	Seal, Wiper	
20	Kit	1	O-Ring	
21	Kit	1	Ring, Bearing	
22	Kit	1	Seal, Piston	
101	70026340	1	Kit, Seal (includes items 14 thru 22)	

# SECTION 9 - HYDRAULIC COMPONENTS

FIGURE 9-15. COMPENSATION CYLINDER - 1255





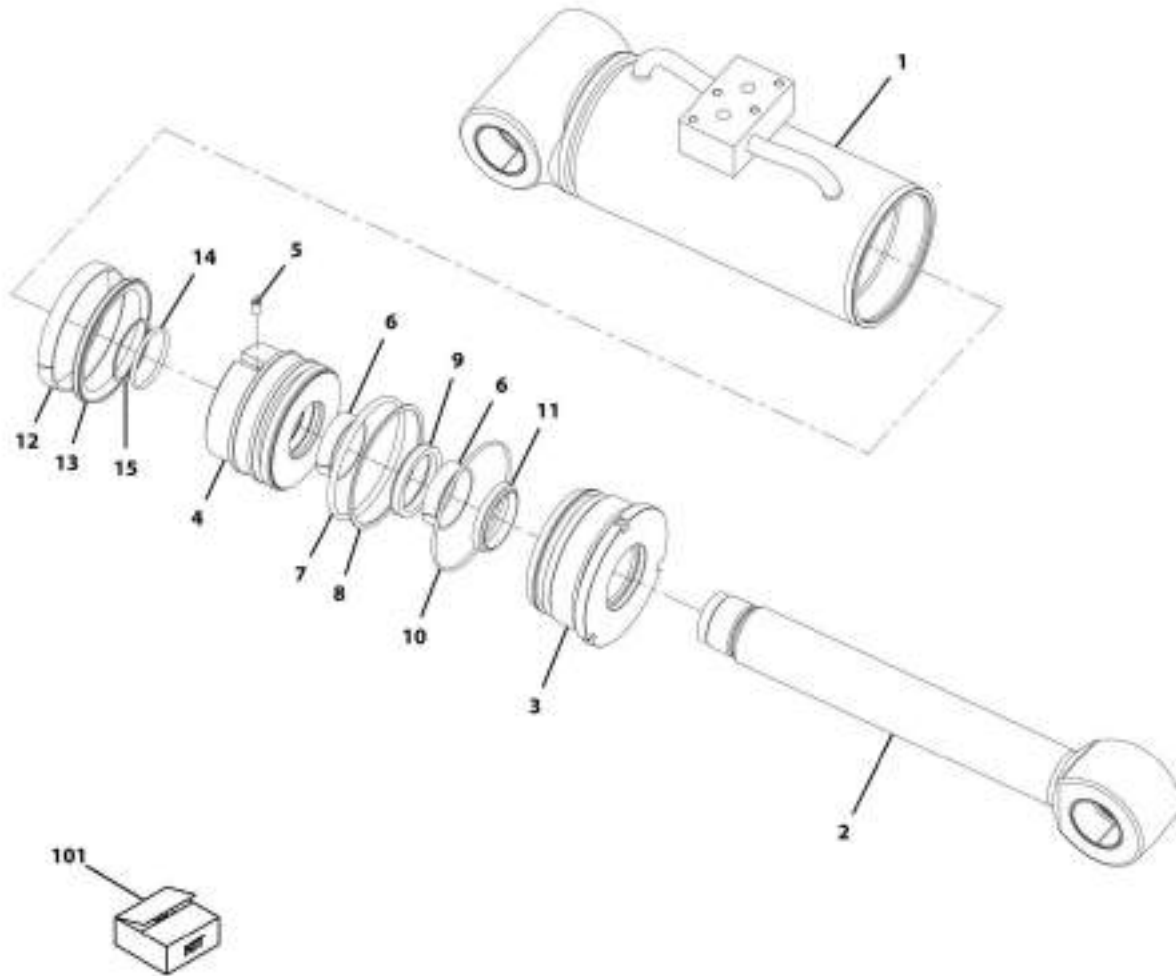
## SECTION 9 - HYDRAULIC COMPONENTS

**FIGURE 9-15. COMPENSATION CYLINDER - 1255**

ITEM	PART NUMBER	QTY	DESCRIPTION	REV
	1001184453	Ref	Compensation Cylinder - 1255	A
1	70026341	1	Barrel	
2	70026342	1	Rod	
3	70026154	1	Gland	
4	70026155	1	Head, Piston	
5	70026156	1	Collar, Gland Locking	
6	70026157	2	Bushing	
7	70026158	1	Bushing	
8	70023086	1	Ring, Snap	
9	70026159	1	Screw	
10	70005014	1	Ball, Steel	
12	70026336	1	Valve, Counterbalance	
13	70025619	1	Plug	
14	Kit	1	O-Ring	
15	Kit	1	Ring, Backup	
16	Kit	2	Ring, Bearing	
17	Kit	1	Seal, Rod	
18	Kit	1	O-Ring	
19	Kit	1	Seal, Wiper	
20	Kit	1	O-Ring	
21	Kit	1	Ring, Bearing	
22	Kit	1	Seal, Piston	
101	70026343	1	Kit, Seal (includes items 14 thru 22)	

# SECTION 9 - HYDRAULIC COMPONENTS

## FIGURE 9-16. FRAME LEVEL CYLINDER



ART\_1901179360-A

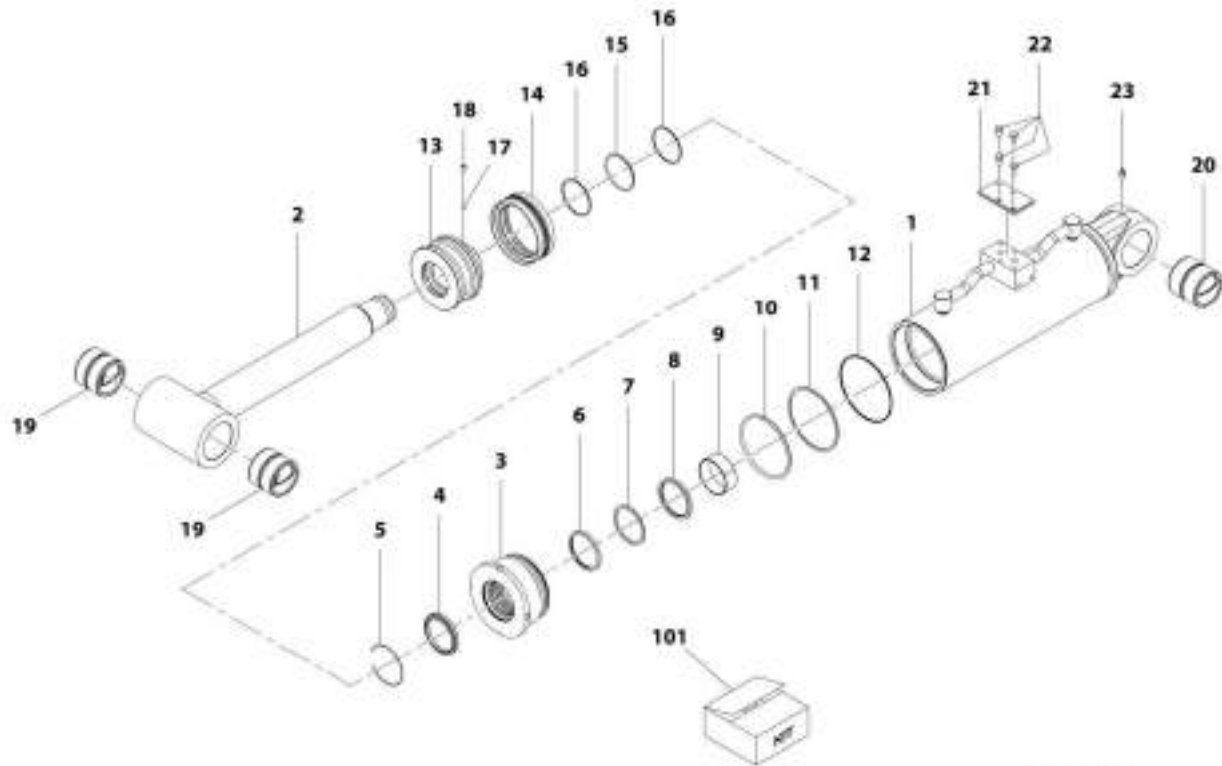
## SECTION 9 - HYDRAULIC COMPONENTS

**FIGURE 9-16. FRAME LEVEL CYLINDER**

ITEM	PART NUMBER	QTY	DESCRIPTION	REV
	1001179369	Ref	Frame Level Cylinder	A
1	70026435	1	Barrel	
2	70026436	1	Rod	
3	70026249	1	Guide, Rod	
4	70026251	1	Piston	
5	70020438	1	Screw	
6	Kit	2	Bearing	
7	Kit	1	O-Ring	
8	Kit	1	Ring, Backup	
9	Kit	1	Seal, Rod	
10	Kit	1	O-Ring	
11	Kit	1	Wiper	
12	Kit	1	Bearing	
13	Kit	1	Seal, Piston	
14	Kit	1	O-Ring	
15	Kit	2	Ring, Backup	
101	70026253	1	Kit, Seal (includes items 6 thru 15)	

# SECTION 9 - HYDRAULIC COMPONENTS

FIGURE 9-17. OUTRIGGER CYLINDER (Prior to SN 0160078794)



MT\_100160340-D

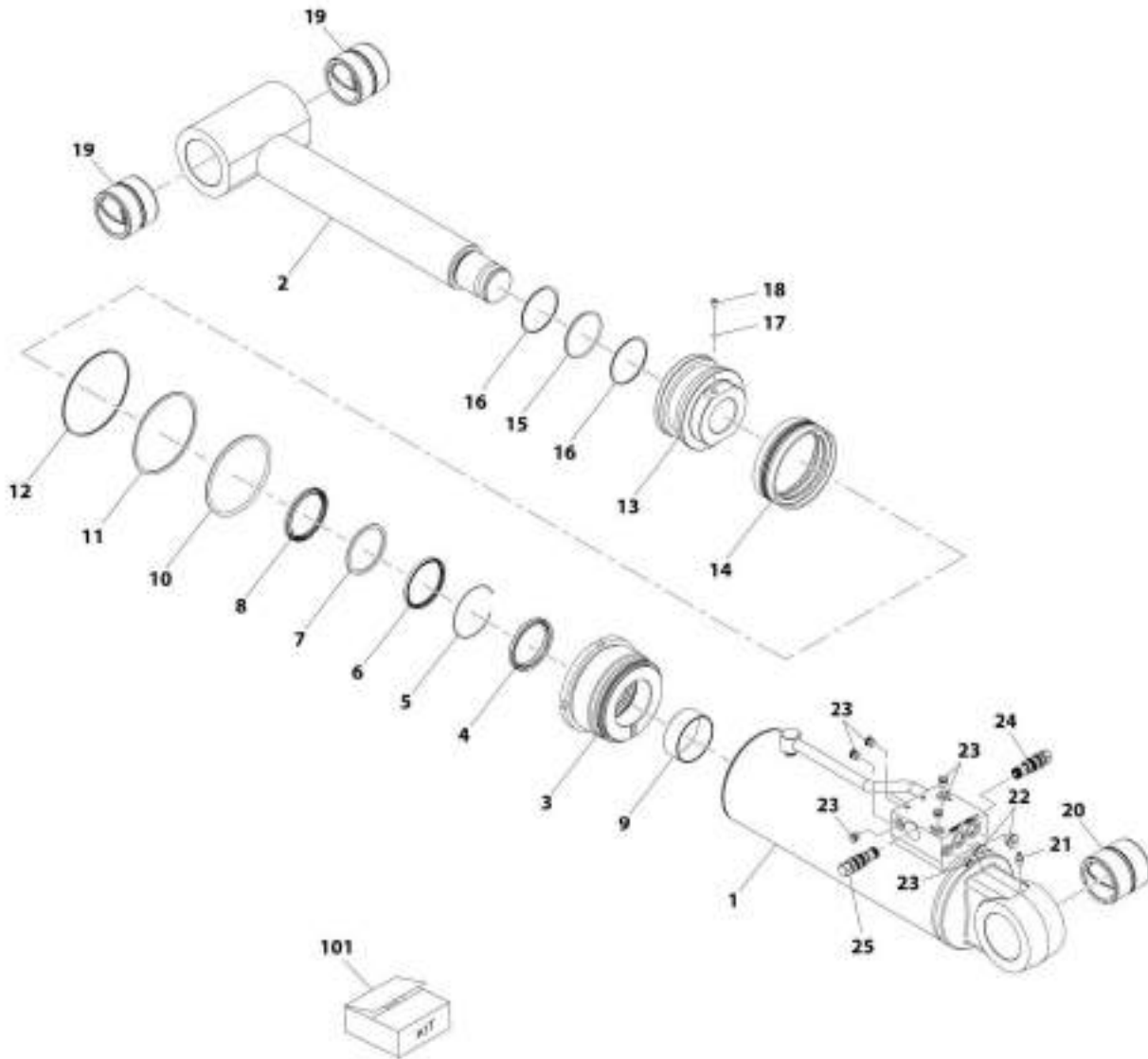
## SECTION 9 - HYDRAULIC COMPONENTS

**FIGURE 9-17. OUTRIGGER CYLINDER (Prior to SN 0160078794)**

ITEM	PART NUMBER	QTY	DESCRIPTION	REV
	1001163040	Ref	Outrigger Cylinder	D
1	70026299	1	Barrel	
2	70026300	1	Rod	
3	70026301	1	Gland	
4	Kit	1	Wiper, Dust	
5	70023379	1	Ring, Retain	
6	Kit	1	Seal, Rod	
7	Kit	1	Ring, Back-Up	
8	Kit	1	Ring, Buffer	
9	70026302	1	Bearing, Dry	
10	Kit	1	O-Ring	
11	Kit	1	Ring, Back-Up	
12	Kit	1	O-Ring	
13	70026303	1	Piston	
14	Kit	1	Seal, Piston	
15	Kit	1	O-Ring	
16	Kit	2	Ring, Back-Up	
17	70022564	1	Ball, Steel	
18	70023369	1	Screw, Set	
19	70026304	2	Pin	
20	70026305	1	Pin	
21	70026306	1	Cover, Dust	
22	70026307	4	Bolt	
23	70026308	1	Fitting	
101	70026309	1	Kit, Seal (includes items 4, 6 thru 8, 10 thru 12, 14 thru 16)	

# SECTION 9 - HYDRAULIC COMPONENTS

FIGURE 9-18. OUTRIGGER CYLINDER (SN 0160078794 to Present)



AMT\_1001219065-C

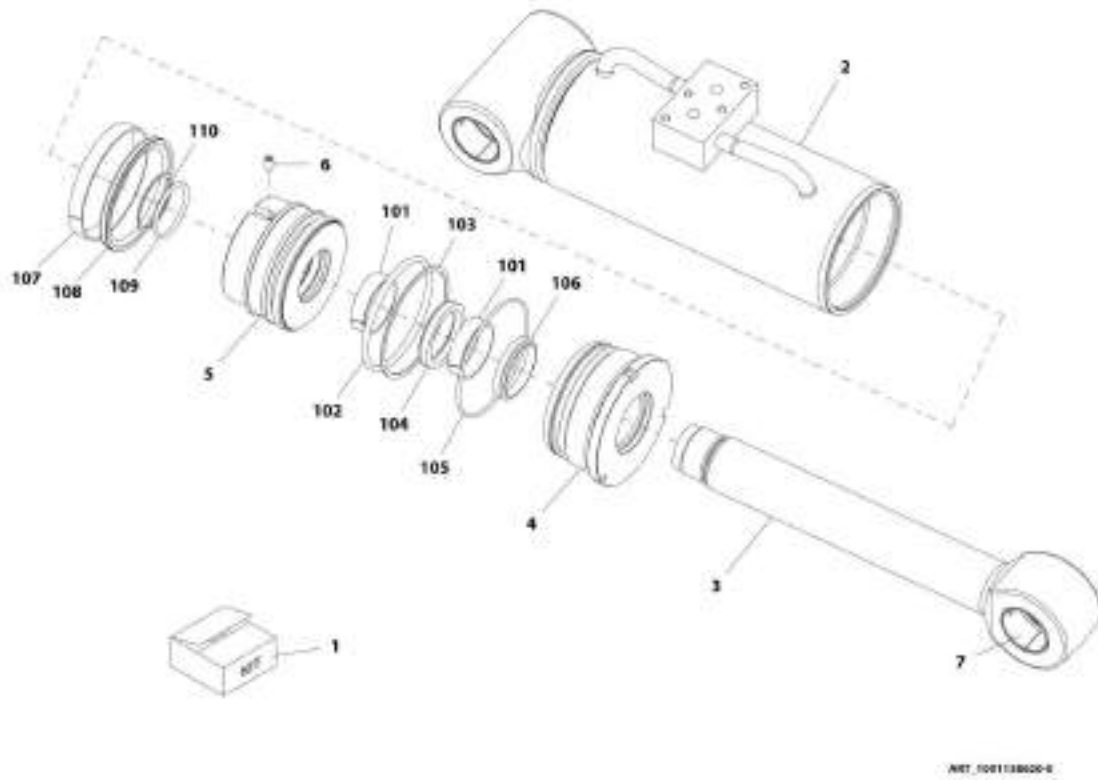
## SECTION 9 - HYDRAULIC COMPONENTS

**FIGURE 9-18. OUTRIGGER CYLINDER (SN 0160078794 to Present)**

ITEM	PART NUMBER	QTY	DESCRIPTION	REV
	1001213065	Ref	Outrigger Cylinder	C
1	70027758	1	Tube Assembly	
2	70026300	1	Rod Assembly	
3	70026301	1	Gland	
4	Kit	1	Dust Wiper	
5	70023379	1	Retain Ring	
6	Kit	1	Rod Seal	
7	Kit	1	Back-up Ring	
8	Kit	1	Buffer Ring	
9	70026302	1	Dry Bearing	
10	Kit	1	O-ring	
11	Kit	1	Back-up Ring	
12	Kit	1	O-ring	
13	70026303	1	Piston	
14	Kit	1	Piston Seal	
15	Kit	1	O-ring	
16	Kit	2	Back-up Ring	
17	70022564	1	Steel Ball	
18	70023369	1	Set Screw	
19	70026304	2	Pin Bush	
20	70026305	1	Pin Bush	
21	70026308	1	Grease Nipple	
22	2220886	2	Hex Soc. Plug	
23	2220883	6	Hex Soc. Plug	
24	1001214653	1	Counter Balance Valve	
25	1001214654	1	Counter Balance Valve	
101	70026309	1	Kit, Seal (includes items 4, 6, 7, 8, 10, 11, 12 & 14 thru 16)	

# SECTION 9 - HYDRAULIC COMPONENTS

## FIGURE 9-19. REAR AXLE STABILIZER CYLINDER





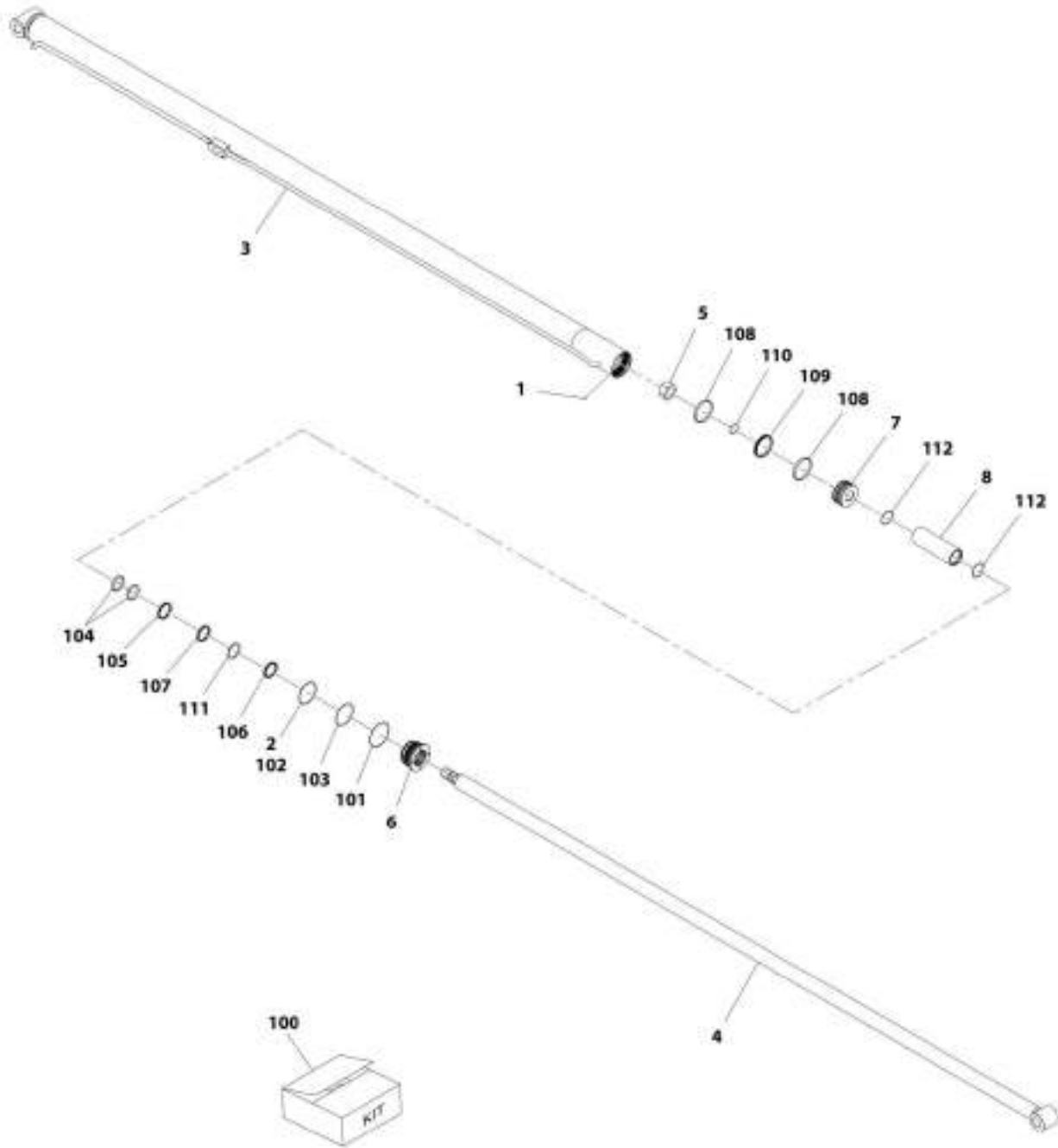
## SECTION 9 - HYDRAULIC COMPONENTS

### FIGURE 9-19. REAR AXLE STABILIZER CYLINDER

ITEM	PART NUMBER	QTY	DESCRIPTION	REV
	1001158620	Ref	Rear Axle Stabilizer Cylinder	E
1	70026253	1	Kit, Seal (includes items 101 thru 110)	
2	70026250	1	Barrel	
3	70026252	1	Rod	
4	70026249	1	Rod, Guide	
5	70026261	1	Piston	
6	70020438	1	Screw	
7	70020476	4	Bushing	
101	Kit	2	Bearing	
102	Kit	1	O-Ring	
103	Kit	1	Ring, Back-Up	
104	Kit	1	Seal, Rod	
105	Kit	1	O-Ring	
106	Kit	1	Wiper	
107	Kit	1	Bearing	
108	Kit	1	Seal, Piston	
109	Kit	1	O-Ring	
110	Kit	1	Back-Up	

# SECTION 9 - HYDRAULIC COMPONENTS

FIGURE 9-20. EXTEND/RETRACT CYLINDER (Prior to SN 0160086847, Excluding 0160086030)



ART\_1001157036-1

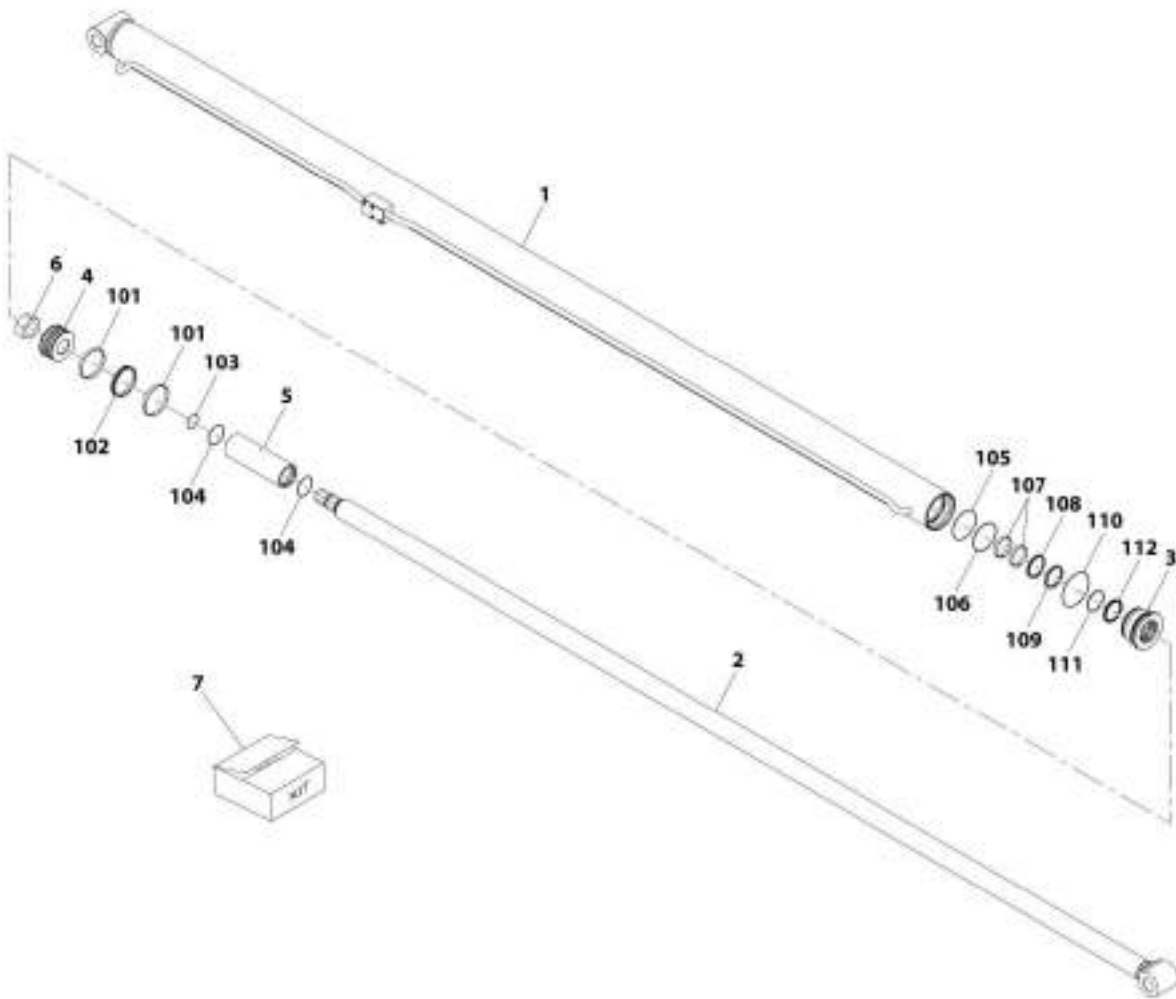
## SECTION 9 - HYDRAULIC COMPONENTS

**FIGURE 9-20. EXTEND/RETRACT CYLINDER (Prior to SN 0160086847, Excluding 0160086030)**

ITEM	PART NUMBER	QTY	DESCRIPTION	REV
	1001157036	Ref	Extend/Retract Cylinder	J
1	1001125137	1	Screw, Self Tapping	
2	3020043	AR	Lube, Anti-Seize	
3	1001161828	1	Barrel	
4	1001161830	1	Rod	
5	1001122453	1	Nut, Lock	
6	1001202623	1	Head, Cylinder	
7	1001162166	1	Piston, Cylinder	
8	1001163376	1	Spacer	
100	1001162168	1	Kit, Seal	
101	1001162169	1	O-Ring	
102	1001162170	1	O-Ring	
103	1001162171	1	Ring, Back-Up	
104	1001162129	2	Ring, Wear	
105	1001162159	1	Seal, Rod Buffer	
106	1001162130	1	Wiper, Rod	
107	1001162131	1	Seal, Rod	
108	1001162176	2	Ring, Piston Wear	
109	1001162177	1	Seal	
110	1001162134	1	O-Ring	
111	1001163540	1	Ring, Back-Up	
112	3790151	2	O-Ring	

# SECTION 9 - HYDRAULIC COMPONENTS

FIGURE 9-21. EXTEND/RETRACT CYLINDER (SN 0160086847 to Present, Including 0160086030)



MTT\_000128007-A

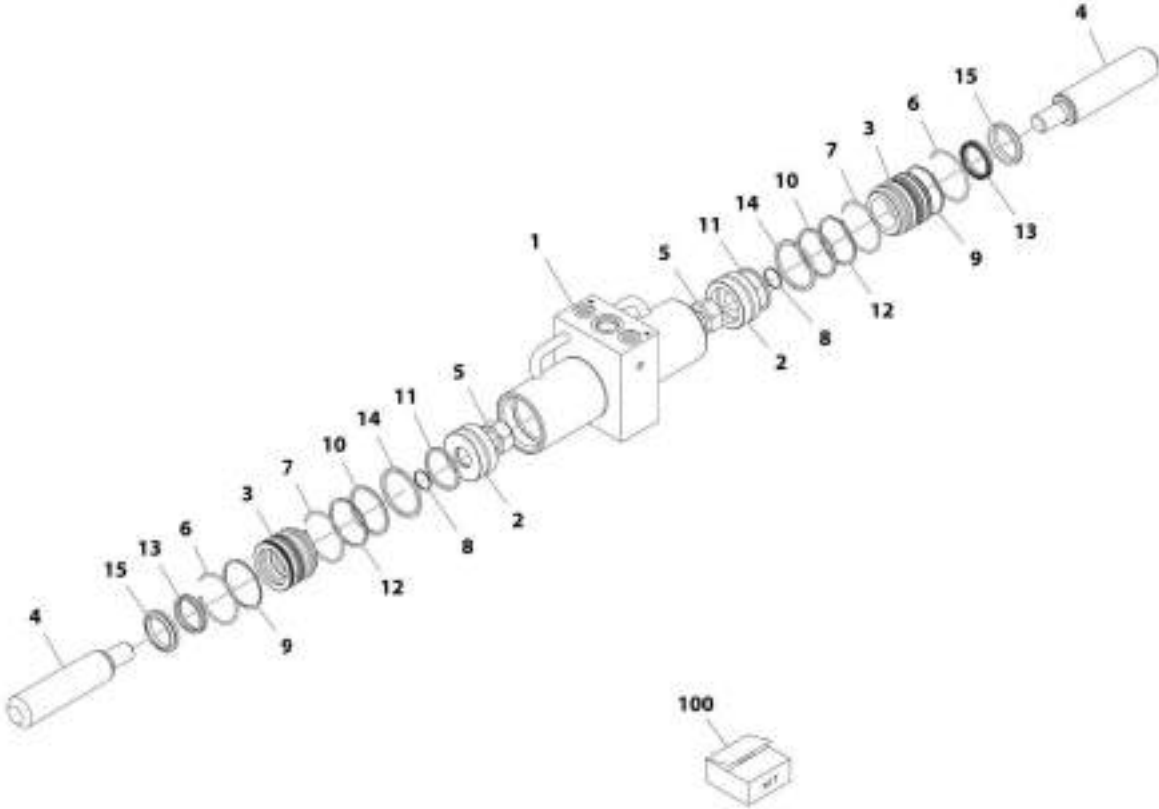
## SECTION 9 - HYDRAULIC COMPONENTS

**FIGURE 9-21. EXTEND/RETRACT CYLINDER (SN 0160086847 to Present, Including 0160086030)**

ITEM	PART NUMBER	QTY	DESCRIPTION	REV
	1001228067	Ref	Extend/Retract Cylinder	A
1	N.S.S.	1	Barrel	
2	70028759	1	Rod	
3	70028760	1	Head	
4	70028761	1	Piston	
5	1001122453	1	Spacer	
6	70028775	1	Nut, Lock	
7	1001162168	1	Kit, Seal	
101	Kit	2	Bearing	
102	Kit	1	Piston Seal	
103	Kit	1	O-Ring	
104	Kit	2	O-Ring	
105	Kit	1	O-Ring	
106	Kit	1	Ring, Back-Up	
107	Kit	2	Bearing	
108	Kit	1	Buffer	
109	Kit	1	Seal, Rod	
110	Kit	1	O-Ring	
111	Kit	1	Ring, Back-Up	
112	Kit	1	Wiper	

# SECTION 9 - HYDRAULIC COMPONENTS

FIGURE 9-22. QUICK COUPLER CYLINDER



ART\_100110163-D

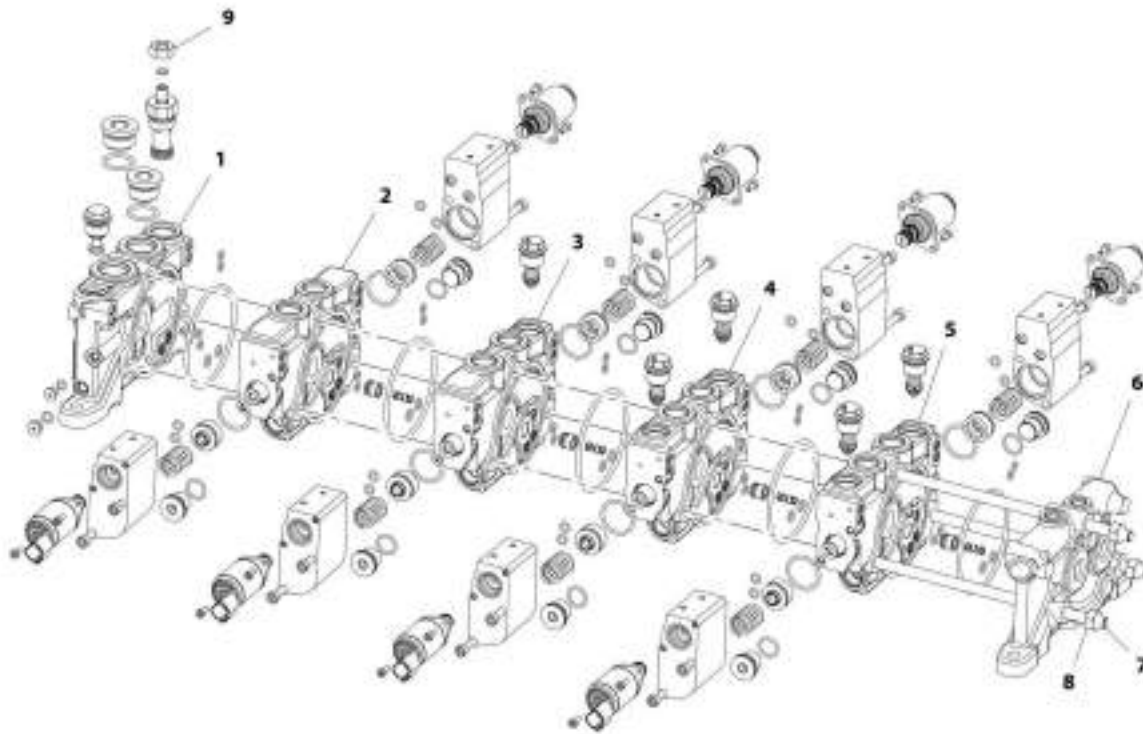
## SECTION 9 - HYDRAULIC COMPONENTS

**FIGURE 9-22. QUICK COUPLER CYLINDER**

ITEM	PART NUMBER	QTY	DESCRIPTION	REV
	1001120163	Ref	Cylinder, Quick Coupler	D
1	70026211	1	Barrel	
2	70026212	2	Piston	
3	70026213	2	Head Gland	
4	70026214	2	Cylinder Rod	
5	8037140	2	Locknut	
6	Kit	2	Round Retaining Ring	
7	Kit	2	Round Retaining Ring	
8	Kit	2	O-Ring	
9	Kit	2	O-Ring	
10	Kit	2	O-Ring	
11	Kit	2	Square Ring	
12	Kit	2	Backup Ring	
13	Kit	2	Rod Seal	
14	Kit	2	Piston Seal	
15	Kit	2	Rod Wiper	
100	70026215	1	Kit, Seal (includes items 6 thru 15)	

# SECTION 9 - HYDRAULIC COMPONENTS

FIGURE 9-23. MAIN CONTROL VALVE (Prior to SN 0160082543)



ART\_100161773\_1P



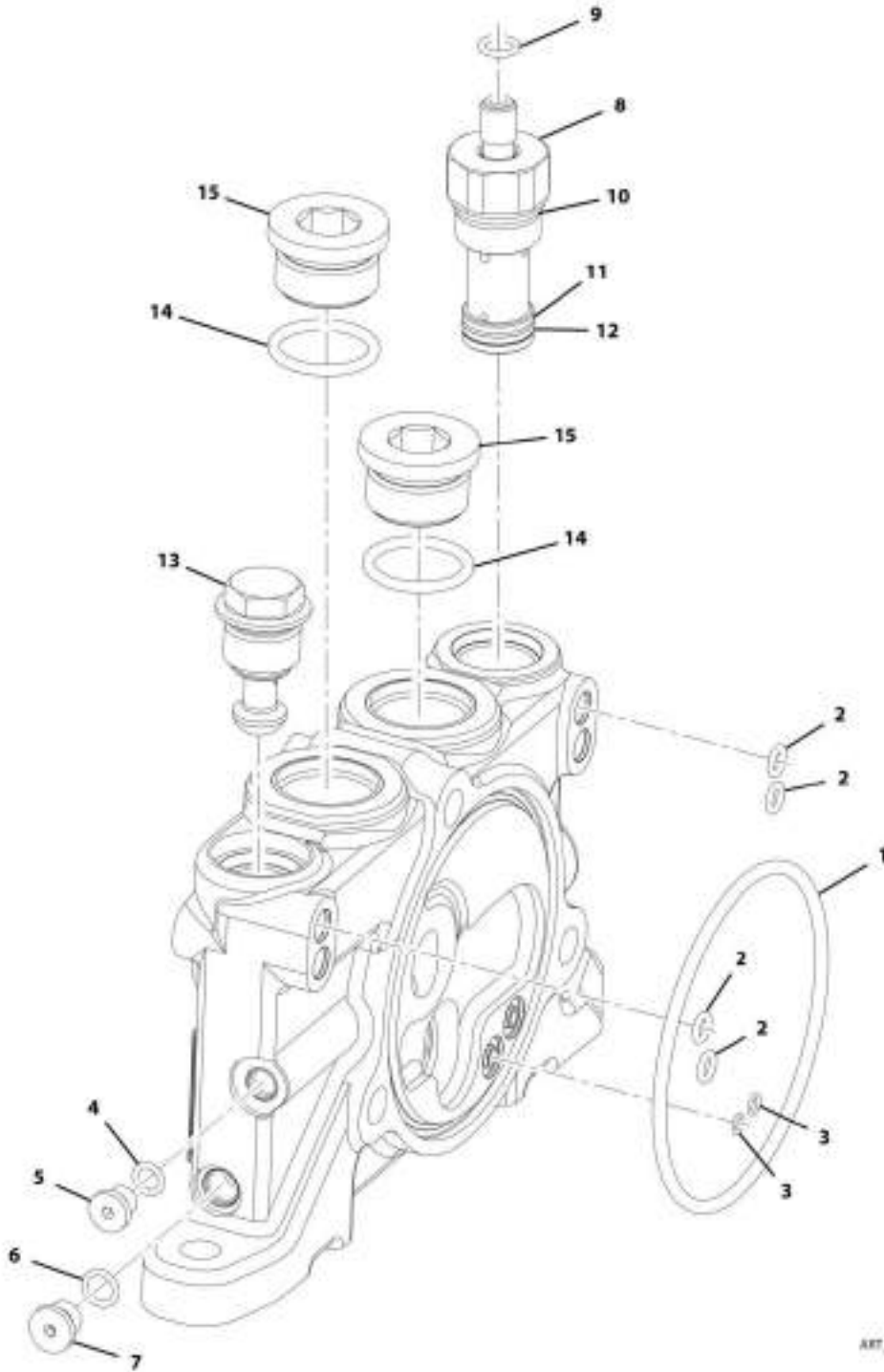
## SECTION 9 - HYDRAULIC COMPONENTS

FIGURE 9-23. MAIN CONTROL VALVE (Prior to SN 0160082543)

ITEM	PART NUMBER	QTY	DESCRIPTION	REV
	1001161773	Ref	Main Control Valve	F
1	70026384	1	Section, Inlet (See INLET SECTION for Breakdown)	
2	70026385	1	Section, Spool (See SPOOL SECTION for Breakdown)	
3	70026386	1	Section, Spool (See SPOOL SECTION for Breakdown)	
4	70026387	1	Section, Spool (See SPOOL SECTION for Breakdown)	
5	70026388	1	Section, Spool (See SPOOL SECTION for Breakdown)	
6	70026389	1	Section, Outlet	
7	70026375	3	Rod, Tie	
8	70050481	6	Nut	
9	8037130	1	Nut	

# SECTION 9 - HYDRAULIC COMPONENTS

FIGURE 9-24. MAIN CONTROL VALVE - INLET SECTION (Prior to SN 0160082543)



ART\_100161773\_2

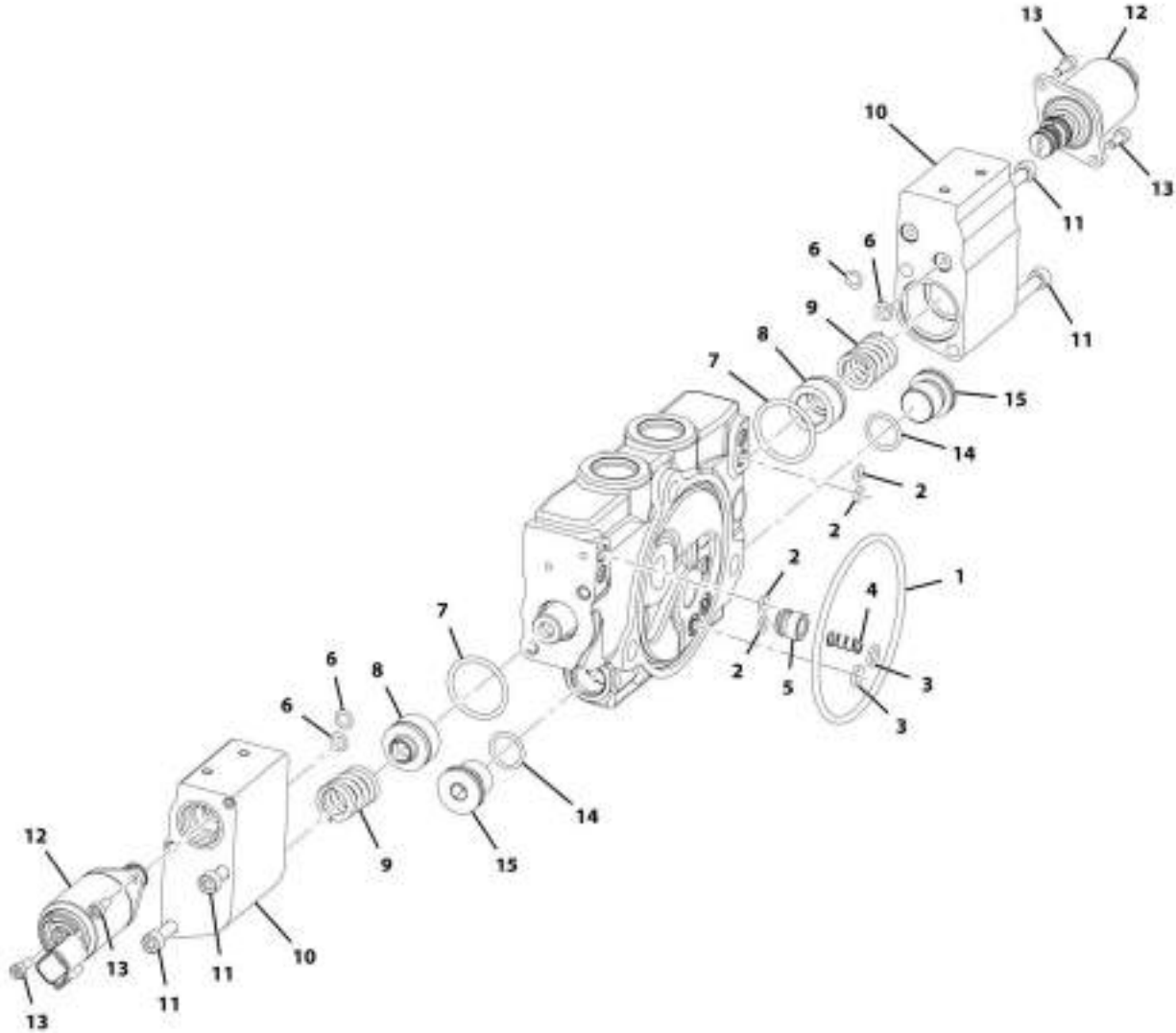
## SECTION 9 - HYDRAULIC COMPONENTS

**FIGURE 9-24. MAIN CONTROL VALVE - INLET SECTION (Prior to SN 0160082543)**

ITEM	PART NUMBER	QTY	DESCRIPTION	REV
	70026384	Ref	Main Control Valve - Inlet Section	
1	8034697	1	O-Ring	
2	70050508	4	O-Ring	
3	70050507	2	O-Ring	
4	70026372	1	O-Ring	
5	70026379	1	Plug	
6	70026371	1	O-Ring	
7	70027096	1	Plug Assy	
8	70022012	1	Drain Regulator Assy	
9	70026373	1	O-Ring	
10	10837928	1	O-Ring	
11	70026376	1	Ring	
12	70026370	1	O-Ring	
13	70026382	1	Plug Assy, Shut Off	
14	70026374	2	O-Ring	
15	70050472	2	Plug Assy	

# SECTION 9 - HYDRAULIC COMPONENTS

FIGURE 9-25. MAIN CONTROL VALVE - SPOOL SECTION (Prior to SN 0160082543)



ART\_1001161773\_3

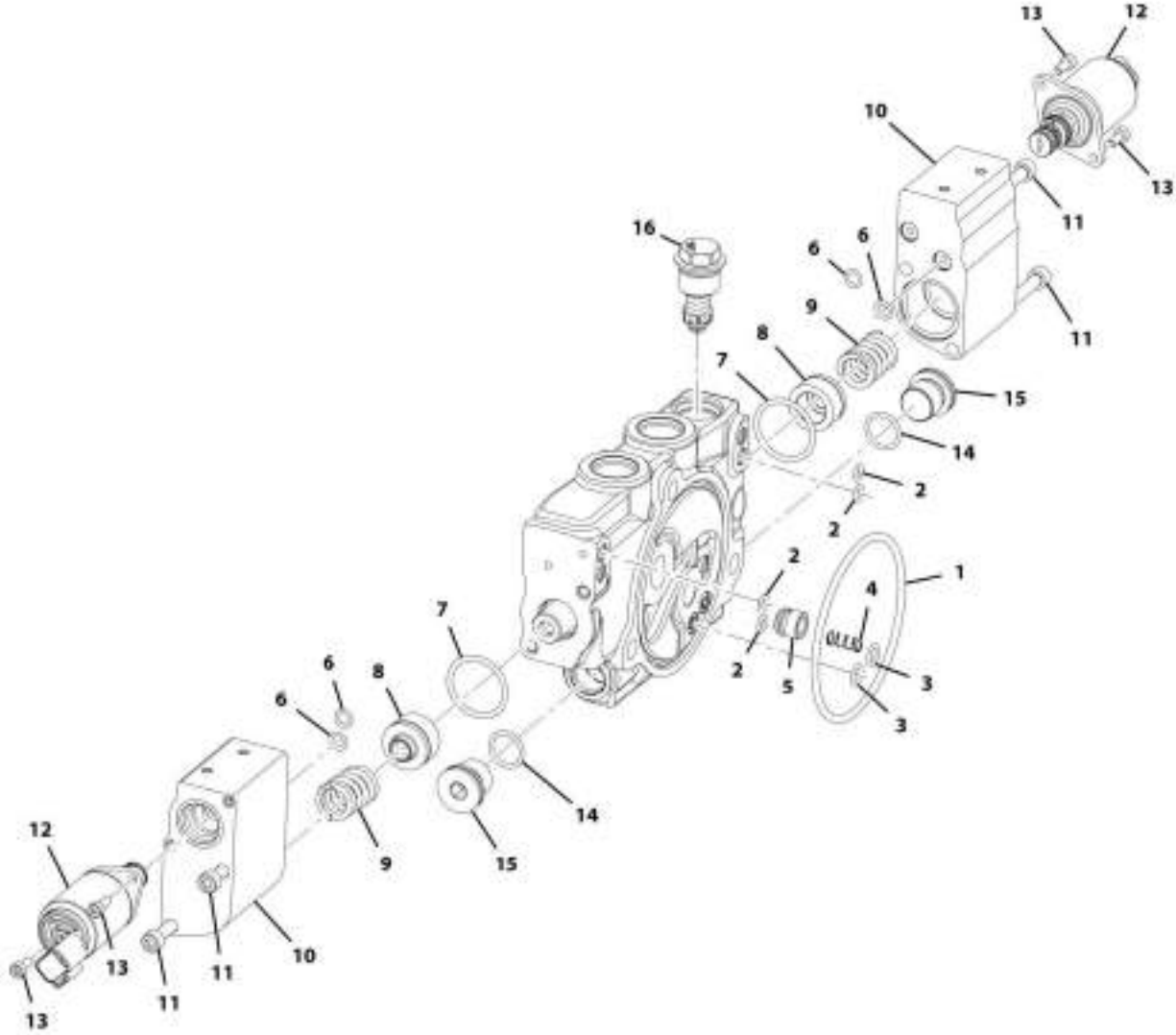
## SECTION 9 - HYDRAULIC COMPONENTS

**FIGURE 9-25. MAIN CONTROL VALVE - SPOOL SECTION (Prior to SN 0160082543)**

ITEM	PART NUMBER	QTY	DESCRIPTION	REV
	70026385	Ref	Main Control Valve - Spool Section	
1	8034697	1	O-Ring	
2	70050508	4	O-Ring	
3	70050507	2	O-Ring	
4	10837937	1	Spring	
5	10837929	1	Poppet	
6	70026369	4	O-Ring	
7	70026380	2	O-Ring	
8	70026378	2	Spring Seat	
9	70026377	2	Spring	
10	70026381	2	End Cap Assy, Solenoid	
11	70026383	4	Capscrew	
12	70022013	2	Valve, Solenoid Cartridge	
13	70022014	4	Bolt	
14	70027097	2	O-Ring	
15	70050504	2	Plug Assy	

# SECTION 9 - HYDRAULIC COMPONENTS

FIGURE 9-26. MAIN CONTROL VALVE - SPOOL SECTION (Prior to SN 0160082543)



ART\_1001W177L4

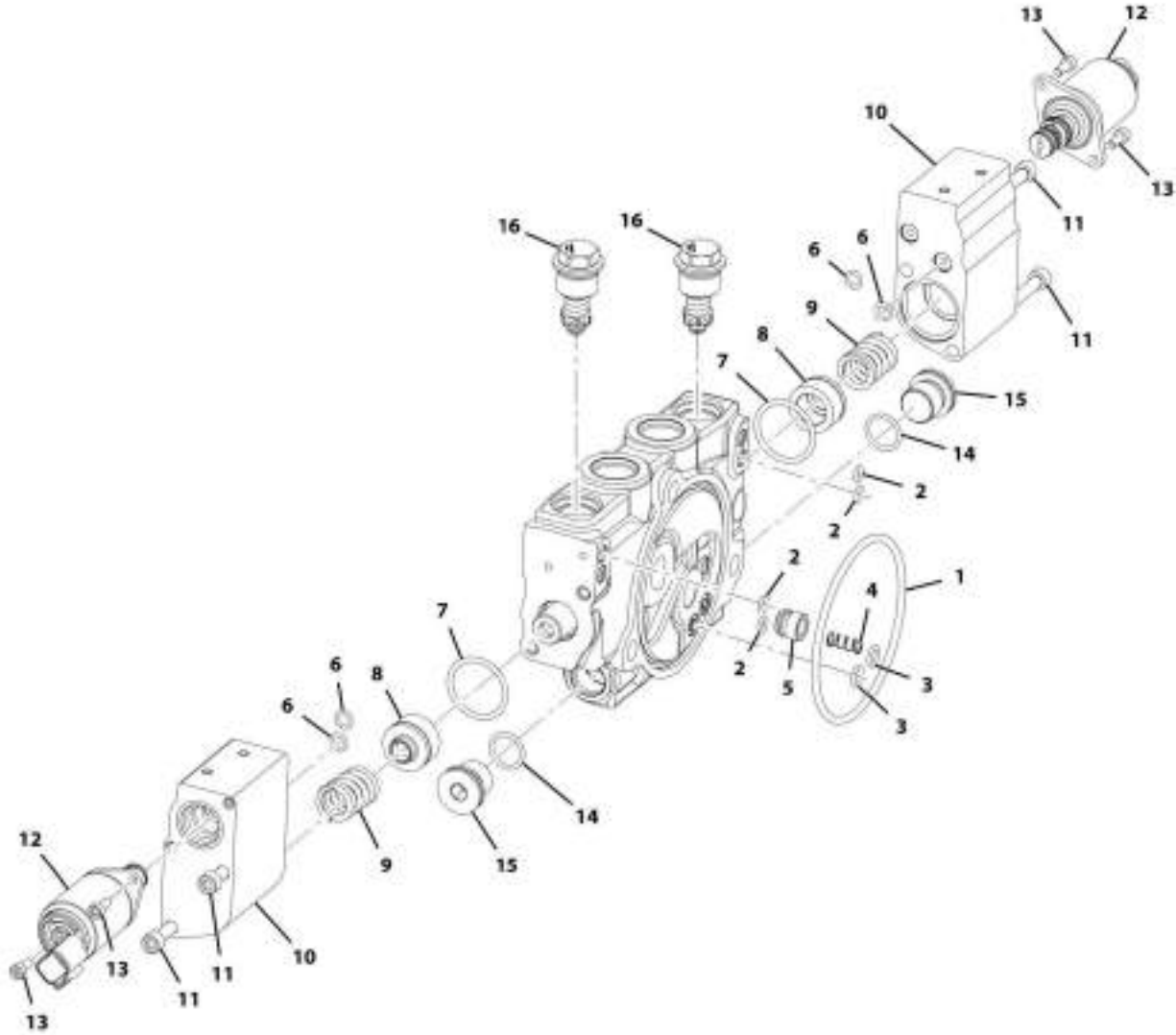
## SECTION 9 - HYDRAULIC COMPONENTS

**FIGURE 9-26. MAIN CONTROL VALVE - SPOOL SECTION (Prior to SN 0160082543)**

ITEM	PART NUMBER	QTY	DESCRIPTION	REV
	70026386	Ref	Main Control Valve - Spool Section	
1	8034697	1	O-Ring	
2	70050508	4	O-Ring	
3	70050507	2	O-Ring	
4	10837937	1	Spring	
5	10837929	1	Poppet	
6	70026369	4	O-Ring	
7	70026380	2	O-Ring	
8	70026378	2	Spring Seat	
9	70026377	2	Spring	
10	70026381	2	End Cap Assy, Solenoid	
11	70026383	4	Capscrew	
12	70022013	2	Valve, Solenoid Cartridge	
13	70022014	4	Bolt	
14	70027097	2	O-Ring	
15	70050504	2	Plug Assy	
16	70022010	1	Relief Valve Assy	

# SECTION 9 - HYDRAULIC COMPONENTS

FIGURE 9-27. MAIN CONTROL VALVE - SPOOL SECTION (Prior to SN 0160082543)



ART\_3001161775\_5



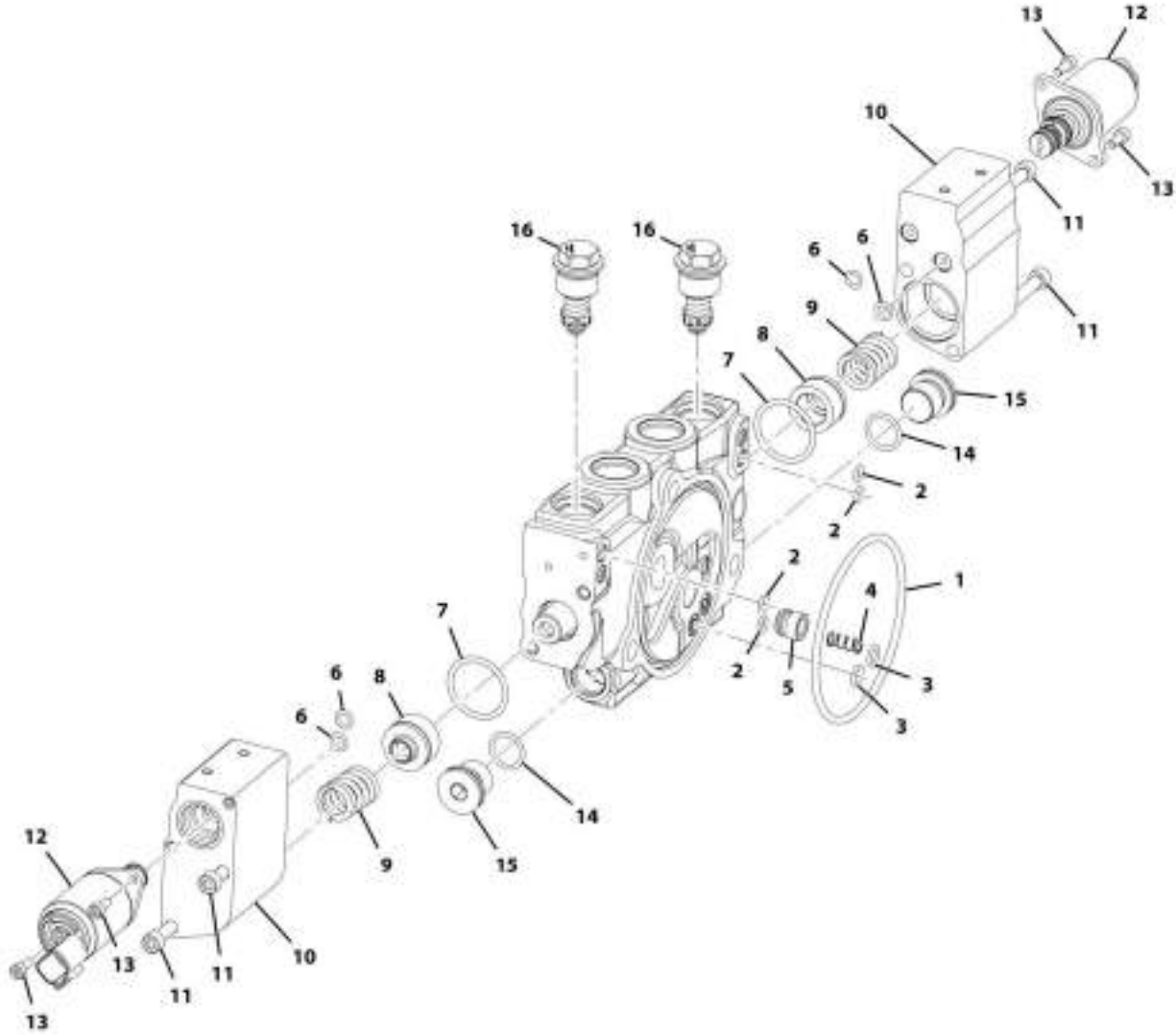
## SECTION 9 - HYDRAULIC COMPONENTS

**FIGURE 9-27. MAIN CONTROL VALVE - SPOOL SECTION (Prior to SN 0160082543)**

ITEM	PART NUMBER	QTY	DESCRIPTION	REV
	70026387	Ref	Main Control Valve - Spool Section	
1	8034697	1	O-Ring	
2	70050508	4	O-Ring	
3	70050507	2	O-Ring	
4	10837937	1	Spring	
5	10837929	1	Poppet	
6	70026369	4	O-Ring	
7	70026380	2	O-Ring	
8	70026378	2	Spring Seat	
9	70026377	2	Spring	
10	70026381	2	End Cap Assy	
11	70026383	4	Capscrew	
12	70022013	2	Valve, Solenoid Cartridge	
13	70022014	4	Bolt	
14	70027097	2	O-Ring	
15	70050504	2	Plug Assy	
16	70022010	2	Relief Valve Assy	

# SECTION 9 - HYDRAULIC COMPONENTS

FIGURE 9-28. MAIN CONTROL VALVE - SPOOL SECTION (Prior to SN 0160082543)



ART\_3001161775\_8

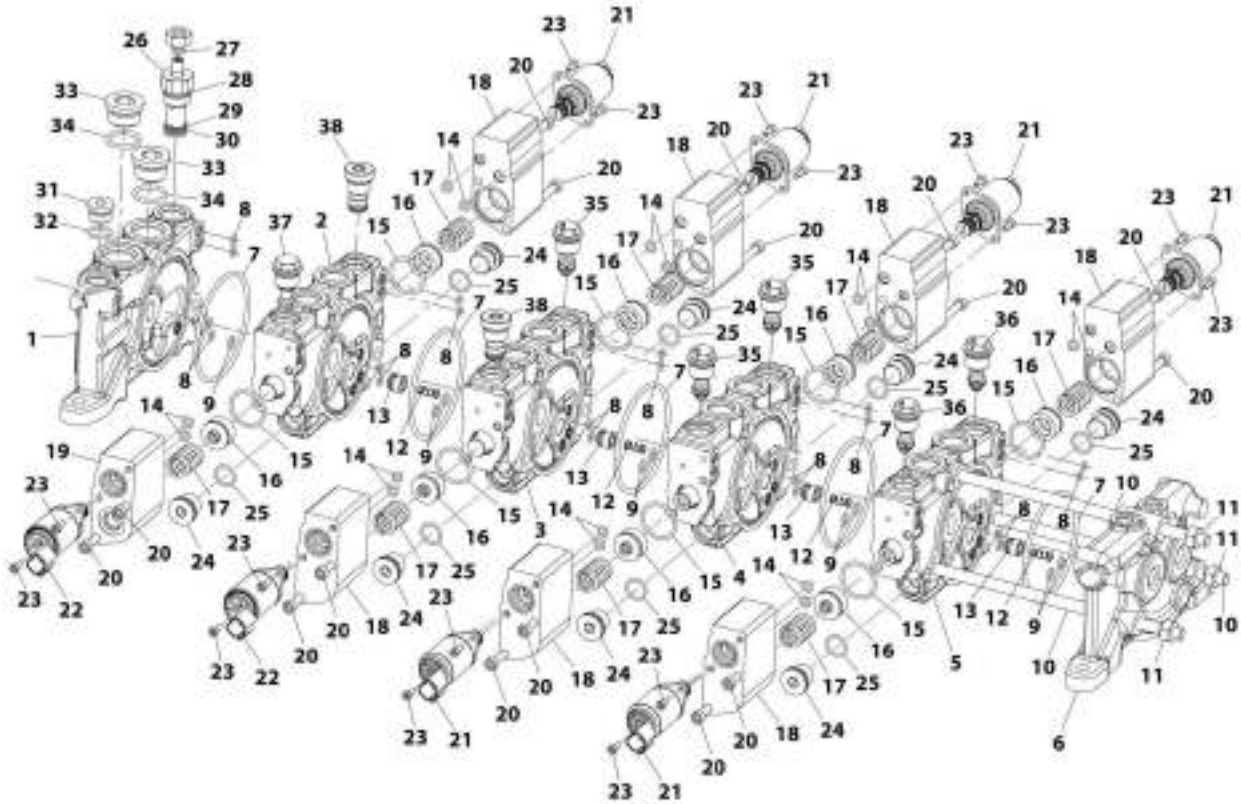
## SECTION 9 - HYDRAULIC COMPONENTS

**FIGURE 9-28. MAIN CONTROL VALVE - SPOOL SECTION (Prior to SN 0160082543)**

ITEM	PART NUMBER	QTY	DESCRIPTION	REV
	70026388	Ref	Main Control Valve - Spool Section	
1	8034697	1	O-Ring	
2	70050508	4	O-Ring	
3	70050507	2	O-Ring	
4	10837937	1	Spring	
5	10837929	1	Poppet	
6	70026369	4	O-Ring	
7	70026380	2	O-Ring	
8	70026378	2	Spring Seat	
9	70026377	2	Spring	
10	70026381	2	End Cap Assembly	
11	70026383	4	Capscrew	
12	70022013	2	Valve, Solenoid Cartridge	
13	70022014	4	Bolt	
14	70027097	2	O-Ring	
15	70050504	2	Plug Assembly	
16	70027098	2	Relief Valve Assembly	

# SECTION 9 - HYDRAULIC COMPONENTS

FIGURE 9-29. MAIN CONTROL VALVE (SN 0160082543 to Present)



AHT\_1001226812-D

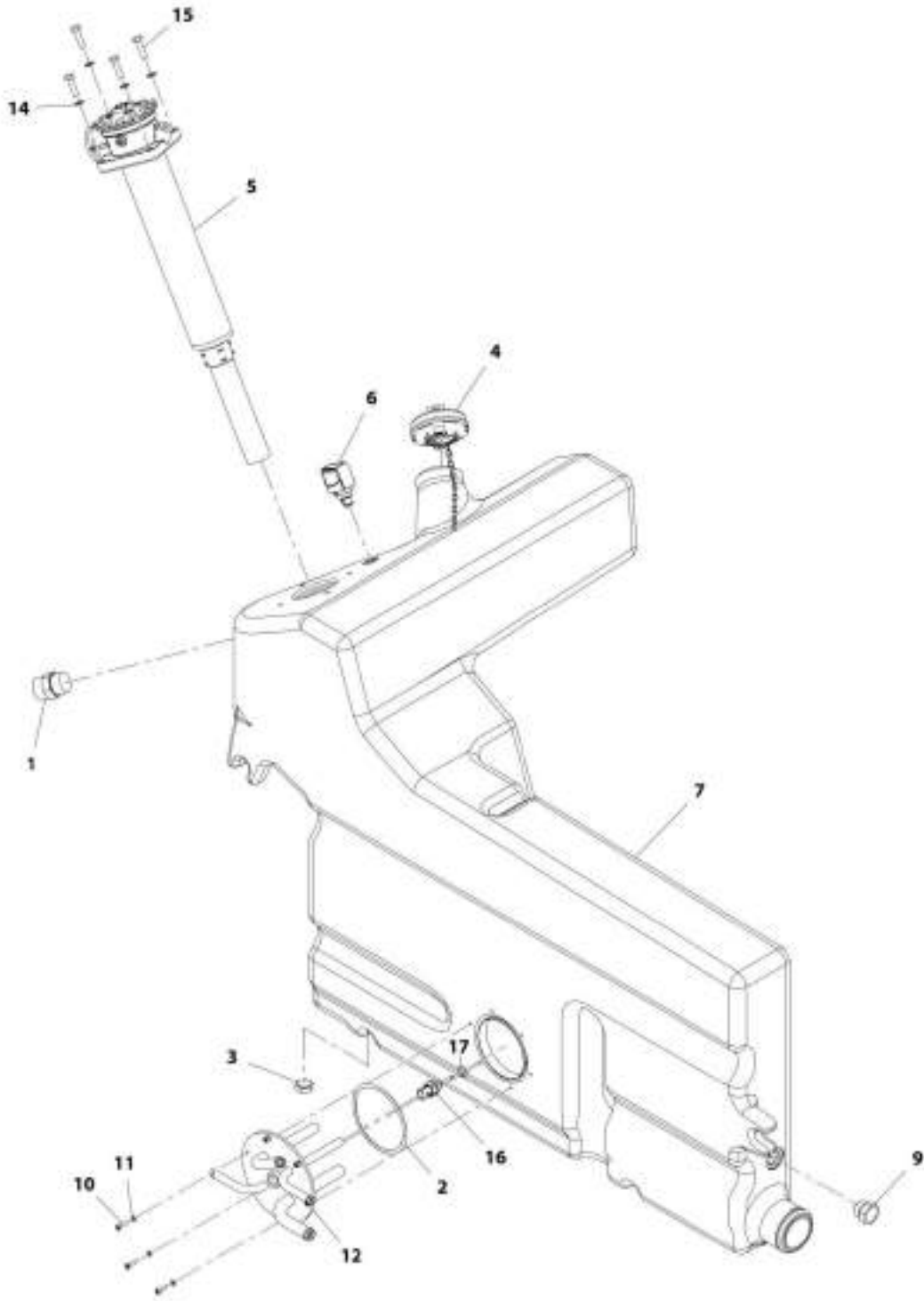
## SECTION 9 - HYDRAULIC COMPONENTS

**FIGURE 9-29. MAIN CONTROL VALVE (SN 0160082543 to Present)**

ITEM	PART NUMBER	QTY	DESCRIPTION	REV
	1001226812	Ref	Main Control Valve	D
1	70028478	1	Section, Inlet	
2	70028479	1	Section, Spool	
3	70028480	1	Section, Spool	
4	70026387	1	Section, Spool	
5	70028481	1	Section, Spool	
6	70026389	1	Section, Outlet	
7	8034697	5	O-Ring	
8	70050508	20	O-Ring	
9	70050507	9	O-Ring	
10	70026375	3	Rod, Tie	
11	70050481	6	Nut	
12	10837937	4	Spring	
13	10837929	4	Poppet	
14	70026369	16	O-Ring	
15	70026380	8	O-Ring	
16	70026378	8	Spring	
17	70026377	8	Spring	
18	70026381	7	Cap	
19	70028482	1	Cap	
20	70026383	16	Cap	
21	70022013	6	Valve	
22	70028483	2	Valve	
23	70022014	16	Bolt	
24	70050504	8	Plug	
25	70027130	8	O-Ring	
26	70022012	1	Regulator	
27	70026373	1	O-Ring	
28	10837928	1	O-Ring	
29	70026376	1	Ring	
30	70026370	1	O-Ring	
31	8035382	1	Plug	
32	70024202	1	O-Ring	
33	70050472	2	Plug	
34	70026374	2	O-Ring	
35	70022010	3	Valve	
36	70027098	2	Valve	
37	70028484	1	Valve	
38	70022008	2	Plug	

# SECTION 9 - HYDRAULIC COMPONENTS

FIGURE 9-30. HYDRAULIC TANK ASSEMBLY



ART\_100103067-04

## SECTION 9 - HYDRAULIC COMPONENTS

**FIGURE 9-30. HYDRAULIC TANK ASSEMBLY**

ITEM	PART NUMBER	QTY	DESCRIPTION	REV
	1001163067	1	Hydraulic Tank Assembly	N
1	2111616	1	Fitting, Straight ORFS	
2	1001003301	1	O-Ring	
3	2220239	1	Plug	
4	1001194981	1	Cap, Hydraulic	
5	1001162660	1	Filter, Hydraulic (See HYDRAULIC FILTER for Breakdown)	
6	1001162662	1	Filter, Breather	
7	1001162765	1	Tank, Hydraulic	
9	2220240	1	Plug	
10	4031607	6	Screw, M5-0.8X16	
11	4831600	6	Washer, Lock	
12	1001167281	1	Manifold, Hydraulic Return	
14	4811900	4	Washer, M8	
15	0700814	4	Bolt, M8X30	
16	1001128478	1	Sensor, Temperature	
17	1001009163	1	O-Ring	

# SECTION 9 - HYDRAULIC COMPONENTS

FIGURE 9-31. HYDRAULIC FILTER





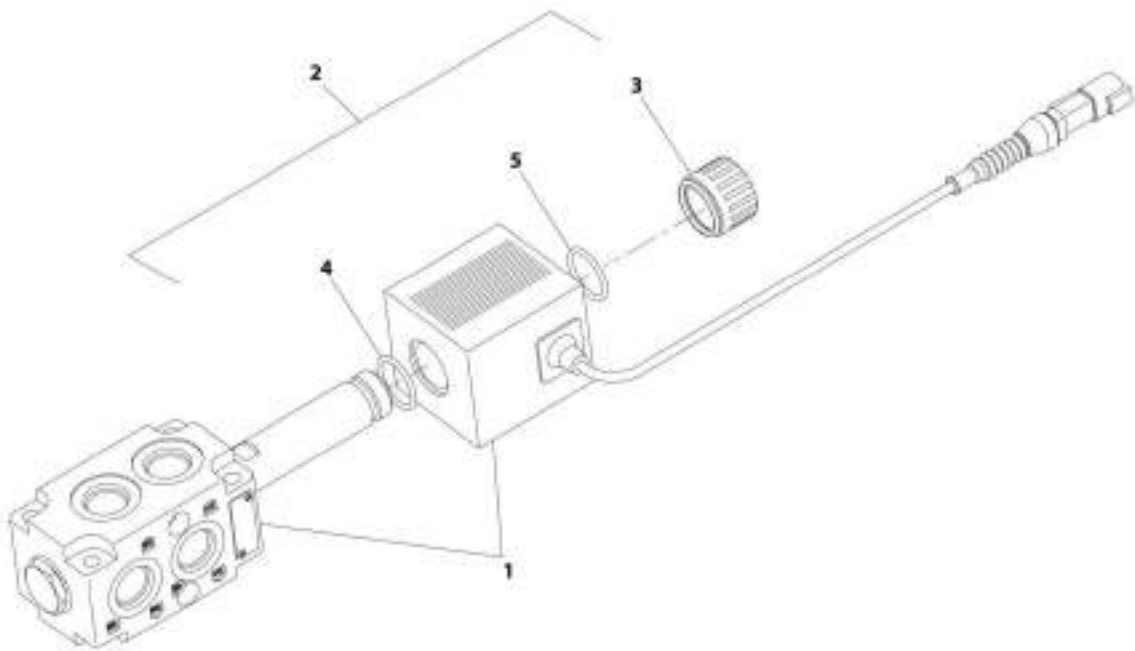
## SECTION 9 - HYDRAULIC COMPONENTS

### FIGURE 9-31. HYDRAULIC FILTER

ITEM	PART NUMBER	QTY	DESCRIPTION	REV
1	1001162660	Ref	Hydraulic Filter	C
	1001162661	1	Filter	
	1001162663	1	Element, Filter	
2	1001162667	1	Pipe, Filter Return	

## SECTION 9 - HYDRAULIC COMPONENTS

FIGURE 9-32. QUICK COUPLER VALVE



ART\_100104077-D

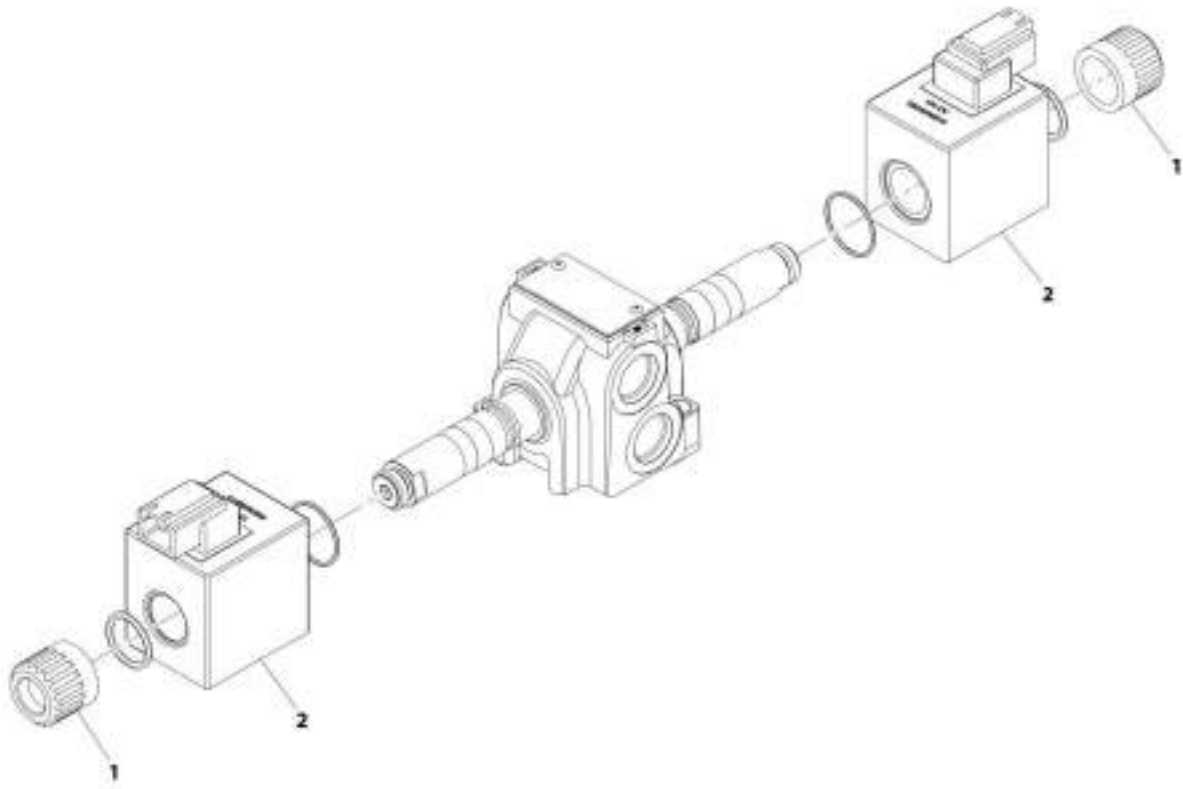
## SECTION 9 - HYDRAULIC COMPONENTS

### FIGURE 9-32. QUICK COUPLER VALVE

ITEM	PART NUMBER	QTY	DESCRIPTION	REV
	1001104477	Ref	Quick Coupler Valve	D
1	70020764	1	Coil	
2	70021531	1	Kit, Retainer	
3	N.S.S.	1	Nut	
4	N.S.S.	1	O-Ring	
5	N.S.S.	1	O-Ring	

# SECTION 9 - HYDRAULIC COMPONENTS

FIGURE 9-33. STEER SELECT VALVE



AMF\_1001155748-C

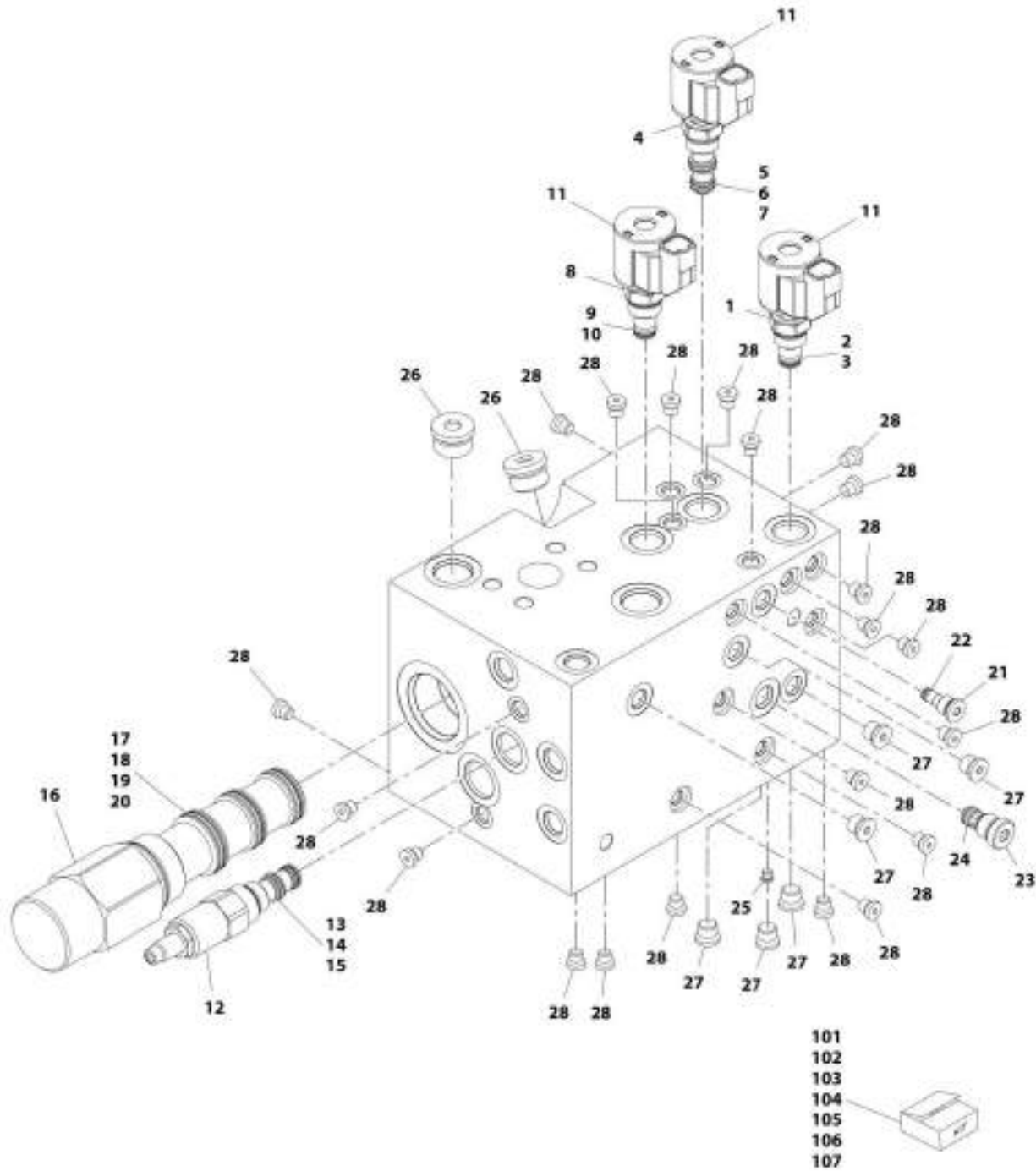
## SECTION 9 - HYDRAULIC COMPONENTS

FIGURE 9-33. STEER SELECT VALVE

ITEM	PART NUMBER	QTY	DESCRIPTION	REV
	1001153748	Ref	Steer Select Valve	C
1	70020867	2	Kit, Retainer, W/Seals	
2	70026582	2	Coil	

# SECTION 9 - HYDRAULIC COMPONENTS

## FIGURE 9-34. PRIORITY MANIFOLD VALVE



MIT\_1001382946-F

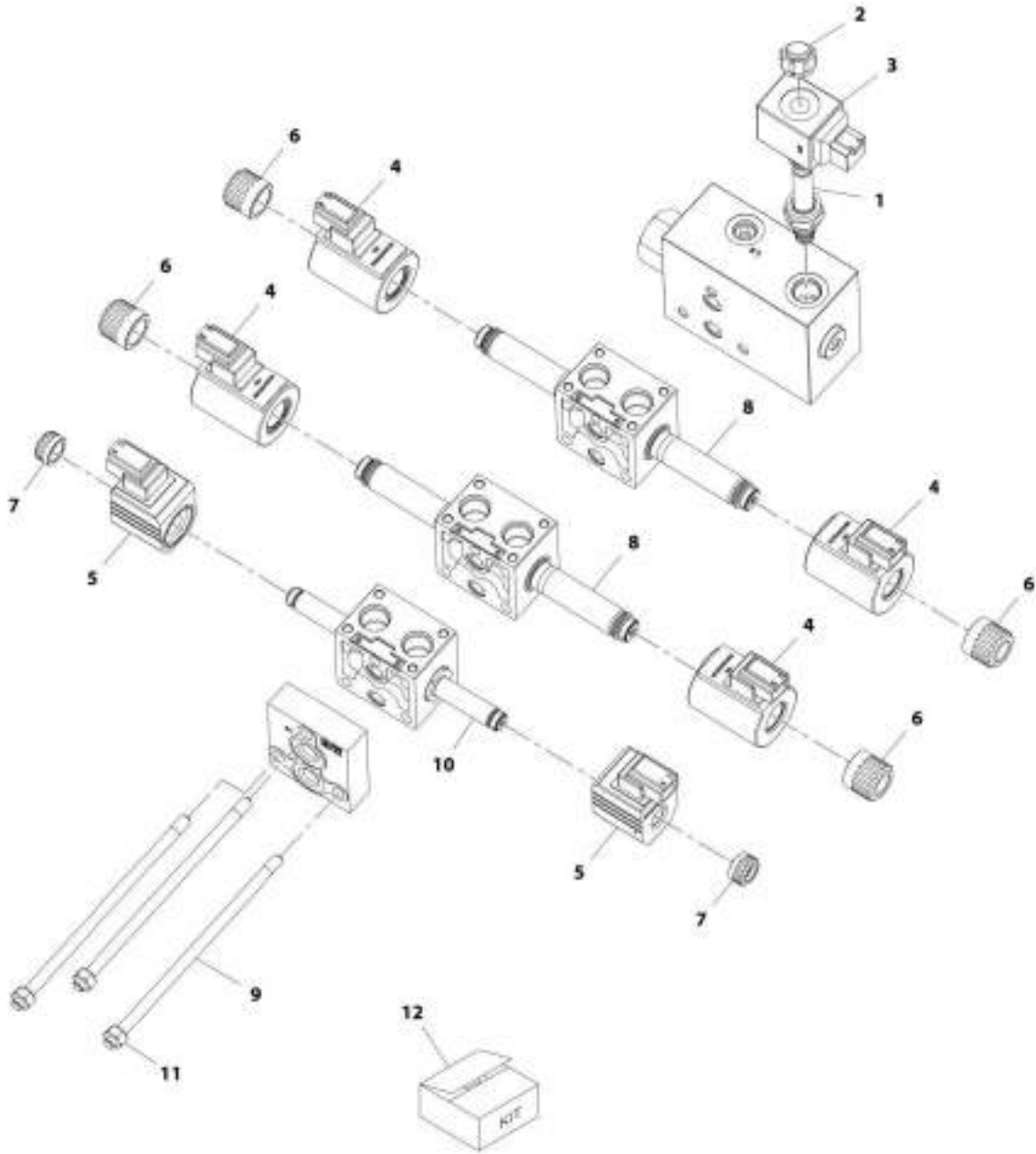
## SECTION 9 - HYDRAULIC COMPONENTS

**FIGURE 9-34. PRIORITY MANIFOLD VALVE**

ITEM	PART NUMBER	QTY	DESCRIPTION	REV
	1001162548	Ref	Priority Manifold Valve	F
1	H000071	1	Cartridge	
2	Kit	1	Seal	
3	Kit	1	Seal	
4	7012941	1	Cartridge	
5	Kit	1	Seal	
6	Kit	1	Seal	
7	Kit	1	Seal	
8	7017410	1	Cartridge	
9	Kit	1	Seal	
10	Kit	1	Seal	
11	70002963	3	Coil	
12	70026310	1	Cartridge	
13	Kit	1	Seal	
14	Kit	1	Seal	
15	Kit	1	Seal	
16	70026311	1	Cartridge	
17	Kit	1	Seal	
18	Kit	1	Seal	
19	Kit	1	Seal	
20	Kit	1	Seal	
21	70002975	1	Cartridge	
22	Kit	1	Seal	
23	70026312	1	Cartridge	
24	Kit	1	Seal	
25	70026313	1	Plug	
26	70026314	2	Plug	
27	7017406	6	Plug	
28	70026315	21	Plug	
101	7012953	1	Kit, Seal (includes items 2 thru 3)	
102	7010543	1	Kit, Seal (includes items 5 thru 7)	
103	7012953	1	Kit, Seal (includes items 9 thru 10)	
104	7021653	1	Kit, Seal (includes items 13 thru 15)	
105	70026333	1	Kit, Seal (includes items 17 thru 20)	
106	70002976	1	Kit, Seal (includes items 22)	
107	70026334	1	Kit, Seal (includes items 24)	

# SECTION 9 - HYDRAULIC COMPONENTS

FIGURE 9-35. FRAME LEVEL AND OUTRIGGER VALVE



ART\_3001157972 E



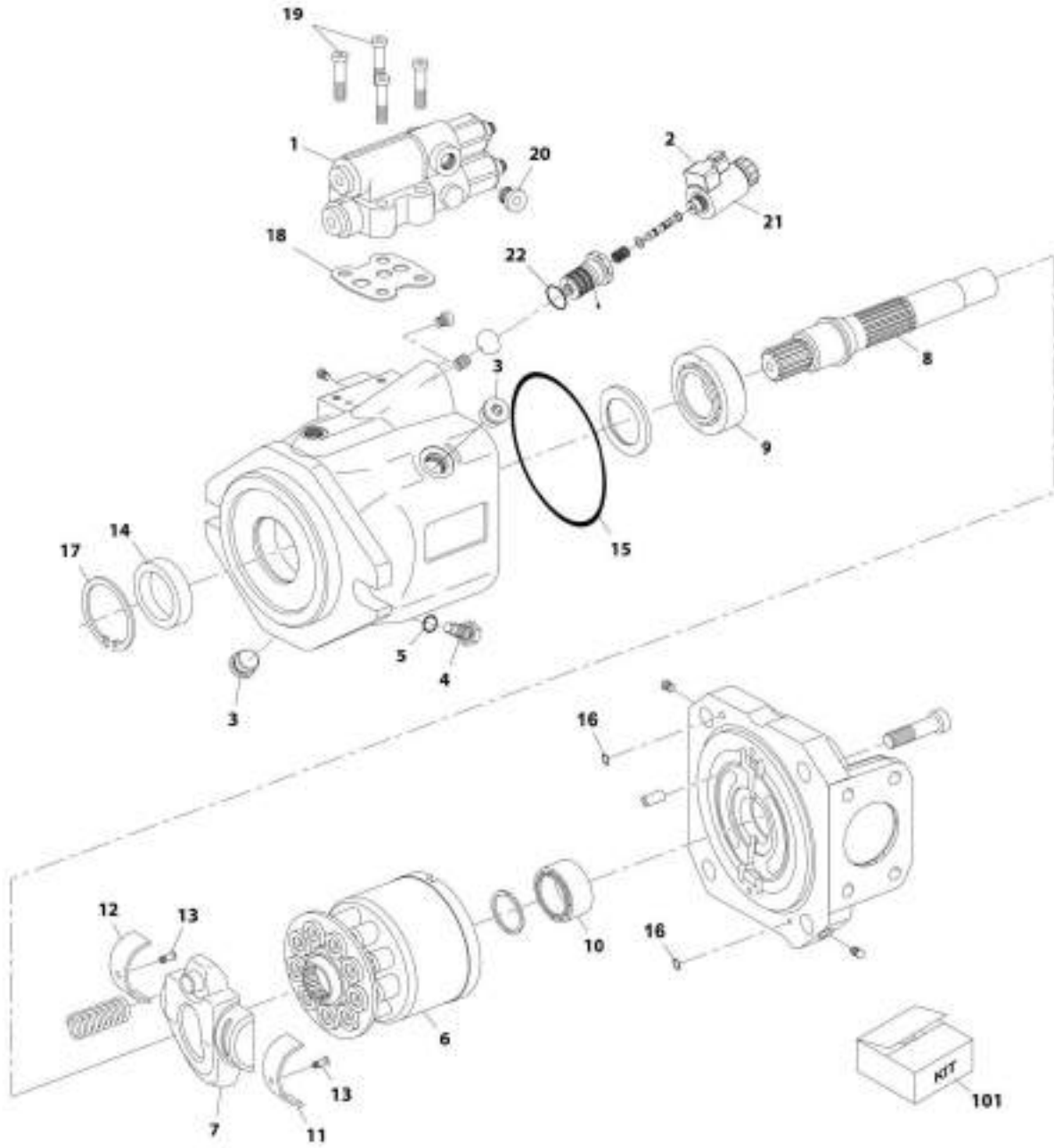
## SECTION 9 - HYDRAULIC COMPONENTS

**FIGURE 9-35. FRAME LEVEL AND OUTRIGGER VALVE**

ITEM	PART NUMBER	QTY	DESCRIPTION	REV
	1001157972	Ref	Valve, Frame Level and Outrigger	E
1	70023327	1	Solenoid	
2	70004654	1	Nut, Coil	
3	70022147	1	Coil	
4	70020868	4	Coil	
5	70021208	2	Coil	
6	70020867	4	Kit, Retainer, W/Seals	
7	70021209	2	Kit, Retainer, W/Seals	
8	70026568	2	Section, Outrigger Valve	
9	70026569	3	Rod, Tie	
10	70021213	1	Section, Frame Level	
11	70026570	3	Nut	
12	70026571	1	Kit, Seal	
	Kit	1	O-Ring	
	Kit	1	O-Ring	
	Kit	1	O-Ring	
	Kit	1	O-Ring	
	Kit	1	O-Ring	
	Kit	1	O-Ring	
	Kit	4	O-Ring	
	Kit	4	O-Ring	
	Kit	2	O-Ring	
	Kit	2	O-Ring	

# SECTION 9 - HYDRAULIC COMPONENTS

## FIGURE 9-36. PISTON PUMP



ART\_100168376-B

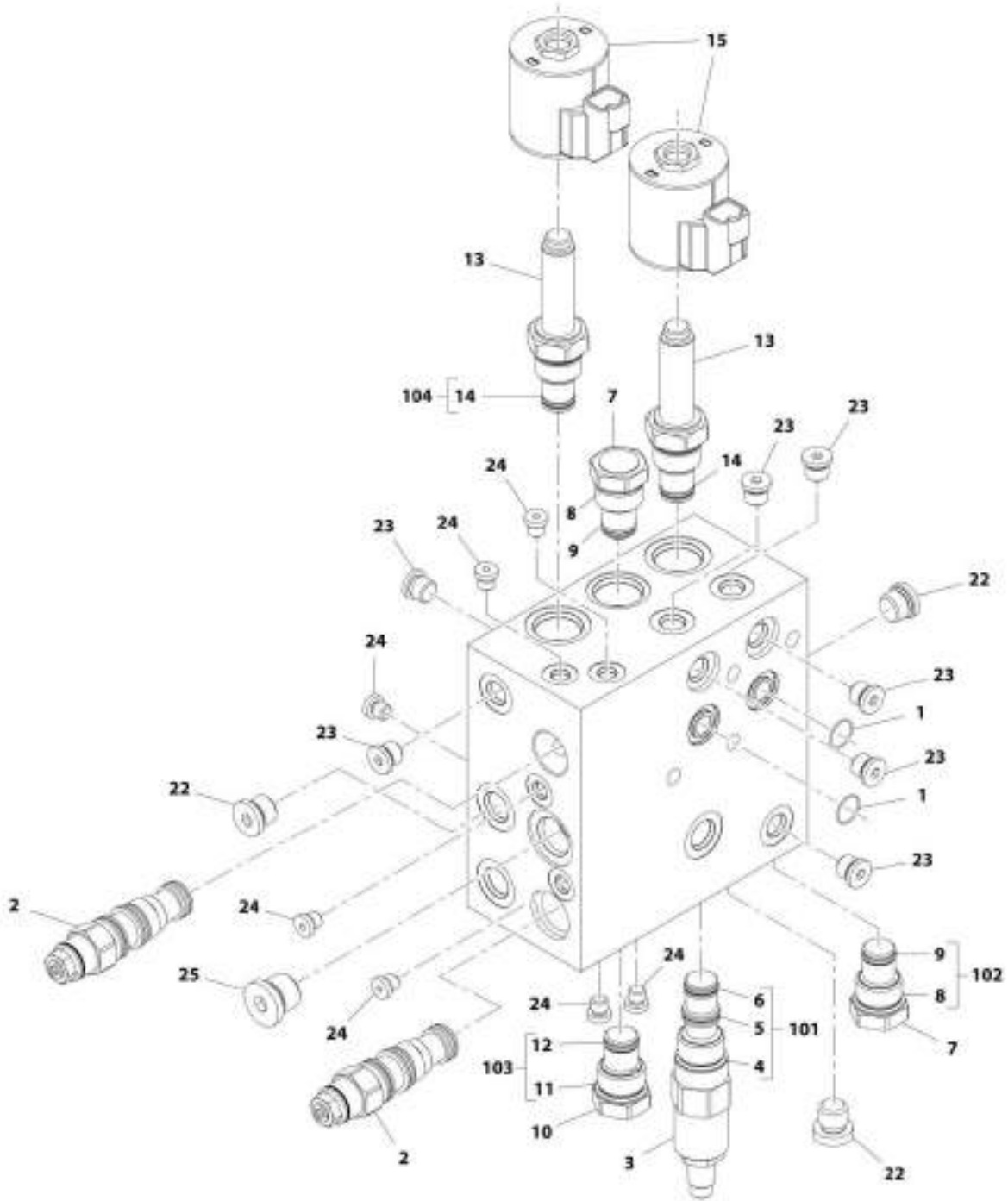
## SECTION 9 - HYDRAULIC COMPONENTS

### FIGURE 9-36. PISTON PUMP

ITEM	PART NUMBER	QTY	DESCRIPTION	REV
	1001182279	Ref	Piston Pump	B
1	70026572	1	Valve, Control	
2	70024186	1	Valve, Control	
3	70024407	2	Plug	
4	70024408	1	Screw, Stop	
5	Kit	1	O-Ring	
6	70024188	1	Group, Rotary	
7	70026583	1	Plate, Swash	
8	7024939	1	Shaft, Drive	
9	7024943	1	Bearing, Front	
10	7024944	1	Bearing, Rear	
11	70024414	1	Liner, Bearing	
12	70024415	1	Liner, Bearing	
13	7024953	2	Screw, M5X16	
14	80634004	1	Seal, Shaft	
15	Kit	1	O-Ring	
16	Kit	2	Sing, Seal	
17	80334277	1	Ring, Safety	
18	70021867	1	Gasket	
19	7024954	4	Screw, M6X30	
20	70024416	1	Plug	
21	70025897	1	Solenoid	
22	Kit	1	O-Ring	
101	70024189	1	Kit, Seal	

# SECTION 9 - HYDRAULIC COMPONENTS

FIGURE 9-37. REAR AXLE STABILIZER VALVE (Prior to SN 0160080905)



ART\_100117960-C

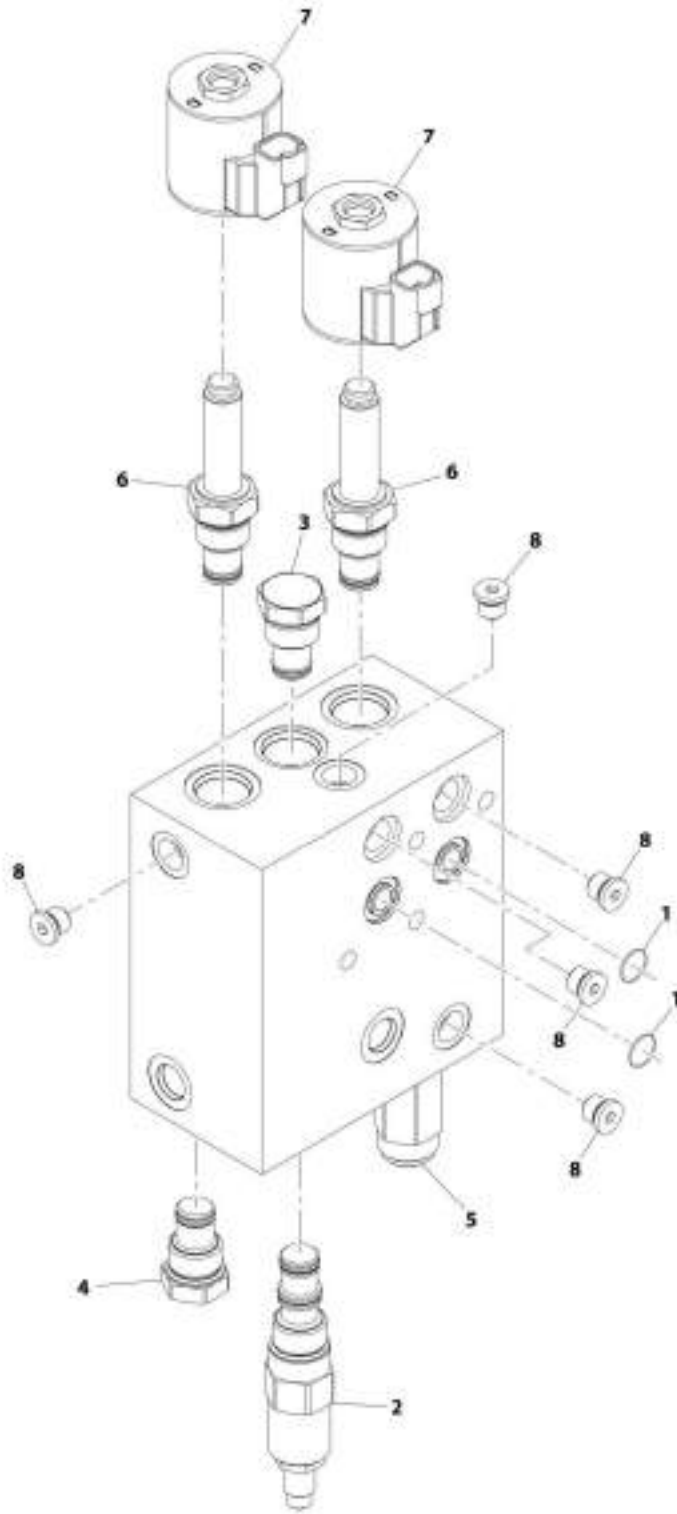
## SECTION 9 - HYDRAULIC COMPONENTS

**FIGURE 9-37. REAR AXLE STABILIZER VALVE (Prior to SN 0160080905)**

ITEM	PART NUMBER	QTY	DESCRIPTION	REV
	1001179601	Ref	Rear Axle Stabilizer Valve	D
1	70026440	2	O-Ring	
2	70026441	2	Valve	
3	70026442	1	Valve	
4	Kit	1	O-Ring	
5	Kit	1	O-Ring	
6	Kit	1	O-Ring	
7	70026443	2	Valve	
8	Kit	1	O-Ring	
9	Kit	1	O-Ring	
10	70026444	1	Valve	
11	Kit	1	O-Ring	
12	Kit	1	O-Ring	
13	70026445	2	Valve	
14	Kit	1	O-Ring	
15	70003788	2	Coil	
16	70026447	1	Valve (not shown)	
17	Kit	1	O-Ring (not shown)	
18	Kit	1	O-Ring (not shown)	
19	Kit	1	O-Ring (not shown)	
20	Kit	1	O-Ring (not shown)	
21	70002386	1	Coil (not shown)	
22	7024844	3	Plug	
23	7017406	7	Plug	
24	70026315	7	Plug	
25	2220886	1	Plug	
101	7012510	1	Kit, Seal (includes items 4 thru 6)	
102	7024808	1	Kit, Seal (includes items 8 thru 9)	
103	7022399	1	Kit, Seal (includes items 11 thru 12)	
104	70026446	1	Kit, Seal (includes item 14)	
105	70005075	1	Kit, Seal (includes items 17 thru 20) (not shown)	

# SECTION 9 - HYDRAULIC COMPONENTS

FIGURE 9-38. REAR AXLE STABILIZER VALVE (SN 0160080905 to Present)



ARE\_1001997600-A

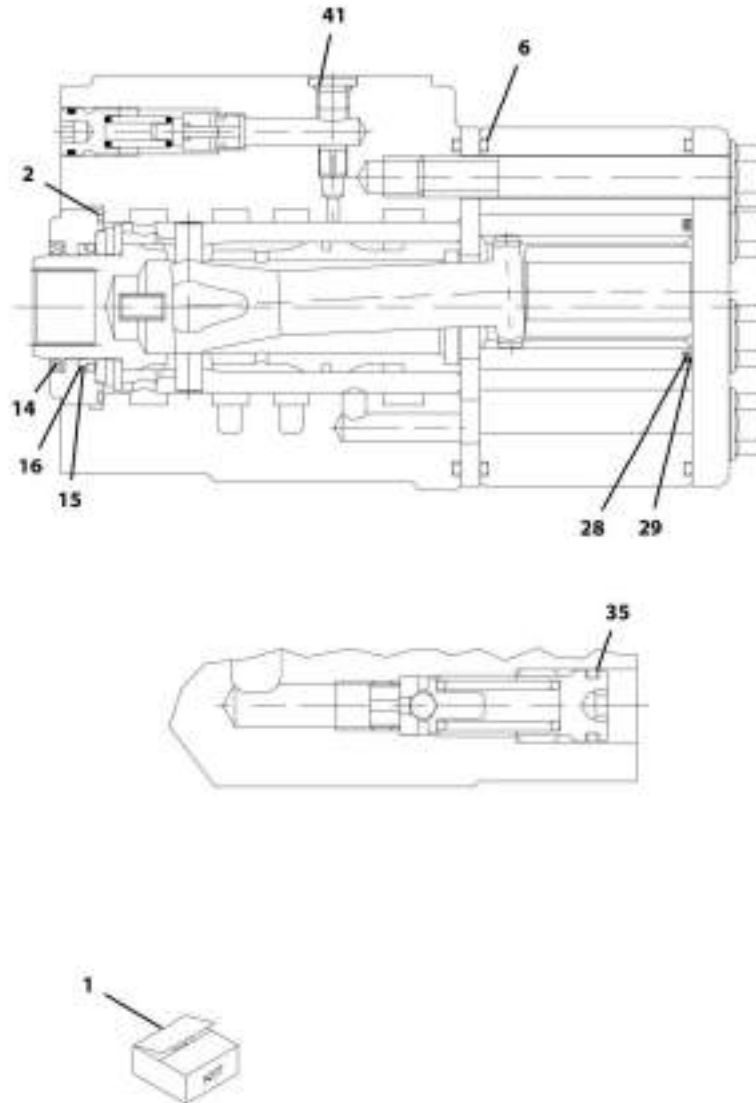
## SECTION 9 - HYDRAULIC COMPONENTS

**FIGURE 9-38. REAR AXLE STABILIZER VALVE (SN 0160080905 to Present)**

ITEM	PART NUMBER	QTY	DESCRIPTION	REV
	1001197600	Ref	Rear Axle Stabilizer Valve	A
1	70026440	2	O-Ring	
2	70026442	1	Cartridge Valve	
2	7012510	1	Seal kit	
2	Kit	1	O-Ring	
2	Kit	1	O-Ring	
2	Kit	1	O-Ring	
3	70026443	1	Cartridge Valve	
3	7024808	1	Seal kit	
3	Kit	1	O-Ring	
3	Kit	1	O-Ring	
4	70026444	1	Cartridge Valve	
4	7022399	1	Seal kit	
4	Kit	1	O-Ring	
4	Kit	1	O-Ring	
5	70028451	1	Cartridge Valve	
5	7024808	1	Seal kit	
5	Kit	1	O-Ring	
5	Kit	1	O-Ring	
6	70026445	2	Cartridge Valve	
6	70026446	1	Seal kit	
6	Kit	1	O-Ring	
7	70003788	2	Coil	
8	2220883	5	Plug	

# SECTION 9 - HYDRAULIC COMPONENTS

FIGURE 9-39. VALVE STEERING ORBITAL



ART\_1001198527-E



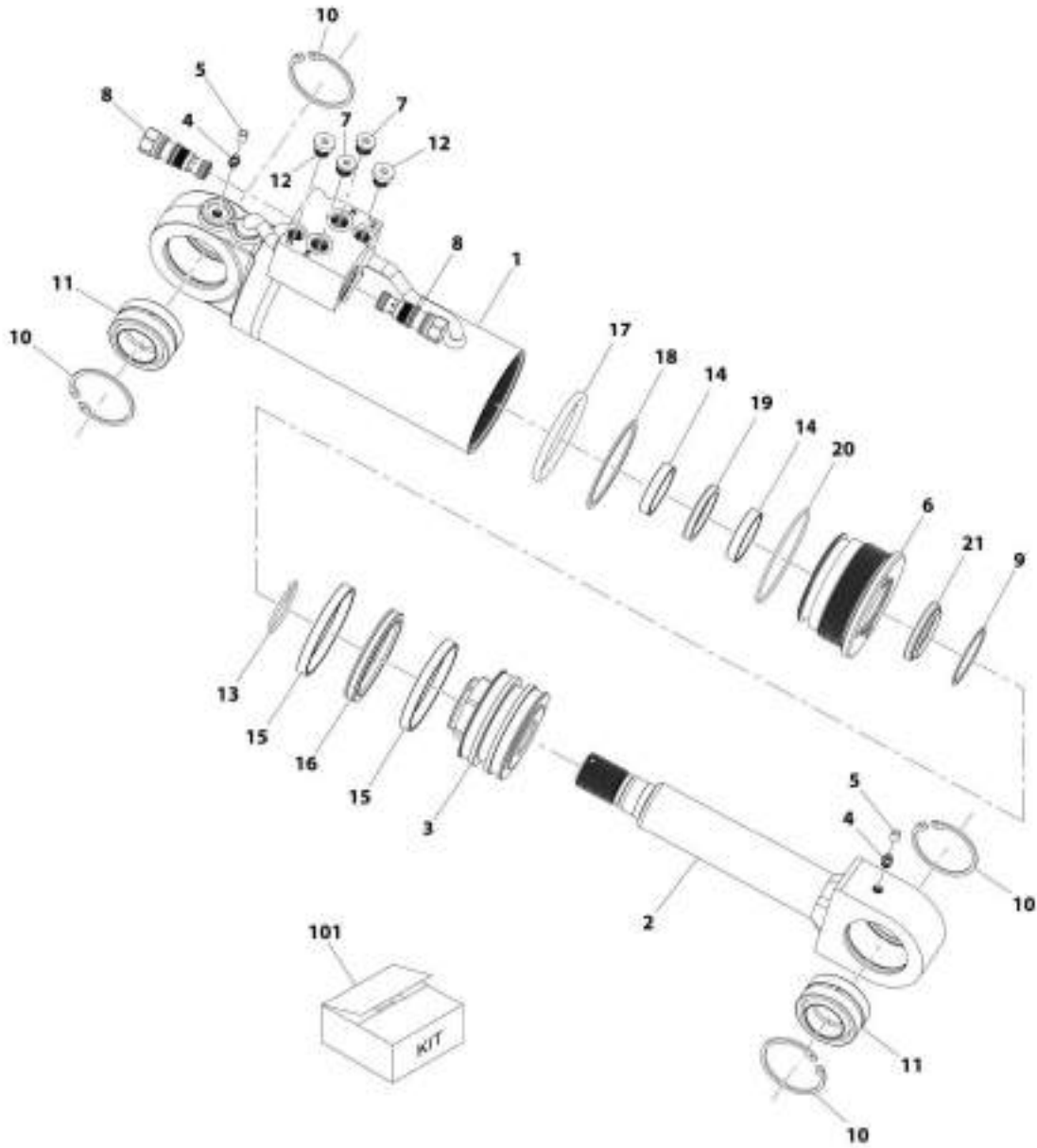
## SECTION 9 - HYDRAULIC COMPONENTS

### FIGURE 9-39. VALVE STEERING ORBITAL

ITEM	PART NUMBER	QTY	DESCRIPTION	REV
	1001158527	1	Valve, Steering Orbital	E
1	70026401	1	Kit, Seal	
2	Kit	1	O-Ring	
6	Kit	3	O-Ring	
14	Kit	1	Seal, Dust	
15	Kit	1	O-Ring	
16	Kit	1	Seal, Shaft	
28	Kit	1	Washer, Back-Up	
29	Kit	1	Ring, Seal	
35	Kit	3	O-Ring	
41	Kit	2	O-Ring	

# SECTION 9 - HYDRAULIC COMPONENTS

## FIGURE 9-40. SIDE TILT CYLINDER



ART\_1001103434-A

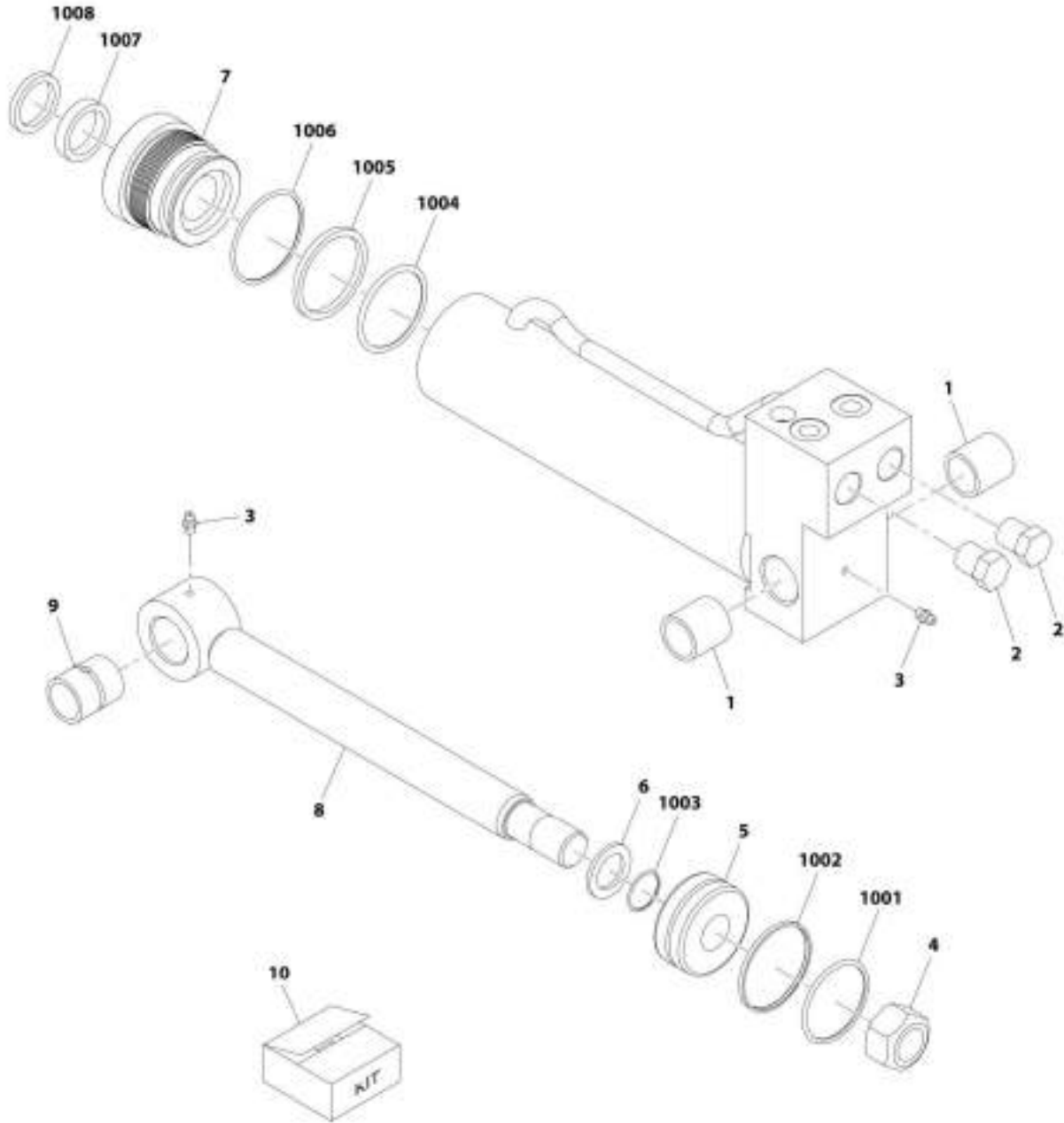
## SECTION 9 - HYDRAULIC COMPONENTS

### FIGURE 9-40. SIDE TILT CYLINDER

ITEM	PART NUMBER	QTY	DESCRIPTION	REV
	1001163414	Ref	Side Tilt Cylinder	A
1	70026056	1	Barrel	
2	70026057	1	Rod	
3	70026058	1	Head, Piston	
4	70025606	2	Nipple, Grease	
5	70024020	2	Fitting, Grease	
6	70003849	1	Gland	
7	70025959	2	Plug	
8	70026059	2	Valve, P.O. Check	
9	70002219	1	Ring, Internal Snap	
10	70026060	4	Ring, Internal Snap	
11	70026061	2	Bearing, Spherical	
12	70024262	2	Plug	
13	70002224	1	Ring, Locking	
14	Kit	2	Ring, Rod Bearing	
15	Kit	2	Ring, Piston Bearing	
16	Kit	1	Seal, Piston	
17	Kit	1	O-Ring	
18	Kit	1	Ring, Back-Up	
19	Kit	1	Seal, Rod	
20	Kit	1	O-Ring	
21	Kit	1	Seal, Wiper	
101	70026062	1	Kit, Seal (includes items 14 thru 21)	

# SECTION 9 - HYDRAULIC COMPONENTS

## FIGURE 9-41. SIDE TILT CYLINDER ASSEMBLY



ART\_30021363-A

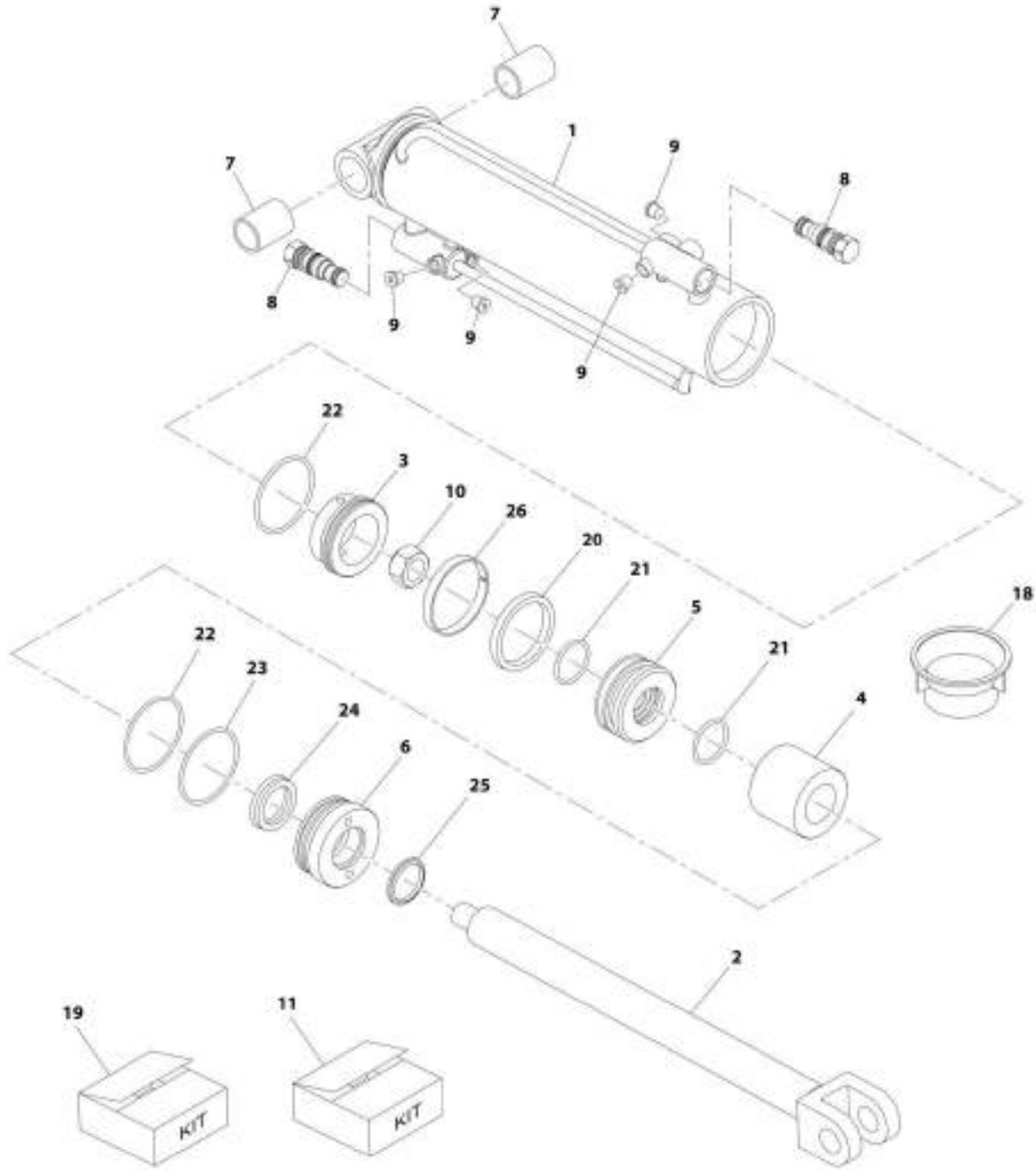
## SECTION 9 - HYDRAULIC COMPONENTS

**FIGURE 9-41. SIDE TILT CYLINDER ASSEMBLY**

ITEM	PART NUMBER	QTY	DESCRIPTION	REV
	70021363	Ref	Side Tilt Cylinder Assembly	
1	N.S.S.	1	Cylinder Tube	
2	70021448	1	Bushing	
3	70021464	1	Valve Cartridge	
4	90554045	1	Grease	
5	70021440	1	Nut	
6	Kit	1	Piston Ring	
7	Kit	1	O-Ring	
8	70021451	1	Cylinder Piston	
9	Kit	1	O-Ring	
10	70021444	1	Washer	
11	Kit	1	O-Ring	
12	Kit	1	O-Ring, Back-Up	
13	Kit	1	O-Ring	
14	70021446	1	Cylinder Gland	
15	Kit	1	Seal	
16	Kit	1	Rod Wiper	
17	70021462	1	Cylinder Rod	
18	70021447	1	Bushing	
101	70021452	1	Kit, Seal (includes items 6, 7, 9, 11, 12, 13, 15 & 16)	

# SECTION 9 - HYDRAULIC COMPONENTS

## FIGURE 9-42. PIPE HANDLER CYLINDER



ART\_70028507

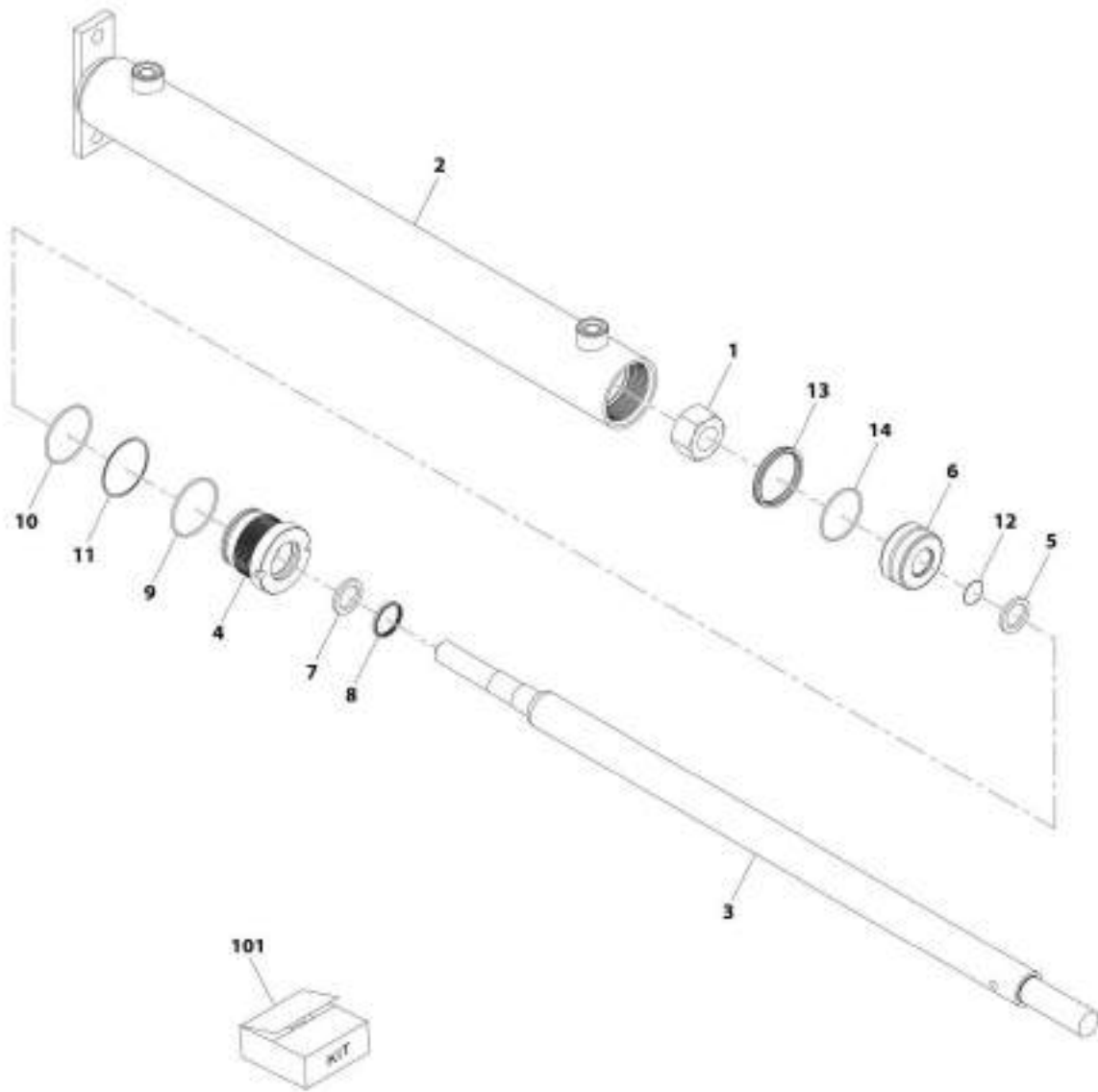
## SECTION 9 - HYDRAULIC COMPONENTS

### FIGURE 9-42. PIPE HANDLER CYLINDER

ITEM	PART NUMBER	QTY	DESCRIPTION	REV
	70026587	1	Pipe Handler Cylinder	
1	70026495	1	Barrel	
2	70026610	1	Rod	
3	70026497	1	Spacer	
4	70026611	1	Spacer	
5	Kit	1	Seal	
6	70026499	1	Piston	
7	Kit	2	O-Ring	
8	Kit	2	O-Ring	
9	Kit	1	Back-up Ring	
10	Kit	1	Seal	
11	70026500	1	Retainer	
12	Kit	1	Wiper	
13	70026501	2	Bushing	
14	70026502	2	Check Valve	
15	70024129	4	Fitting, 4	
16	Kit	1	Wear Ring	
17	70026503	1	Nut	
18	70024734	1	Check Valve Service Kit	
19	70026505	1	Seal Loader Kit	
20	70026506	1	Service Kit (includes items 5, 7 thru 10 and 12 & 16)	

# SECTION 9 - HYDRAULIC COMPONENTS

## FIGURE 9-43. DUAL FORK CYLINDER ASSEMBLY



ART\_31026772



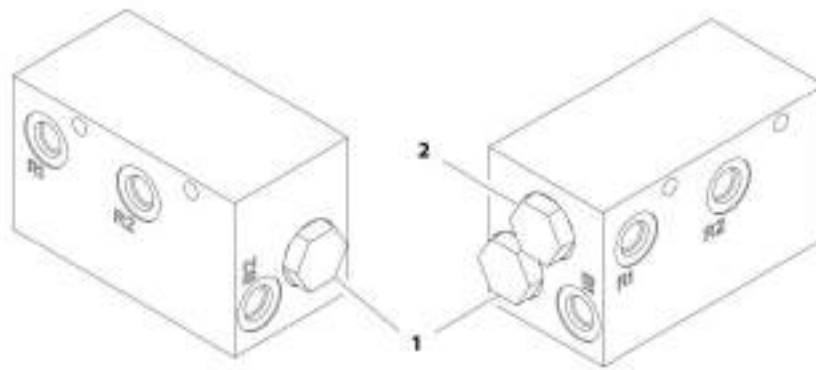
## SECTION 9 - HYDRAULIC COMPONENTS

**FIGURE 9-43. DUAL FORK CYLINDER ASSEMBLY**

ITEM	PART NUMBER	QTY	DESCRIPTION	REV
	70026772	2	Dual Fork Cylinder Assembly	
1	70026770	1	Nut	
2	N.S.S.	1	Weldment, Cylinder Tube	
3	70026773	1	Cylinder Rod	
4	70026774	1	Gland	
5	70026775	1	Washer	
6	70026771	1	Cylinder Piston	
7	Kit	1	Seal	
8	Kit	1	Rod Wiper	
9	Kit	1	O-Ring	
10	Kit	1	O-Ring	
11	Kit	1	O-Ring, Back-Up	
12	Kit	1	O-Ring	
13	Kit	1	Piston Ring	
14	Kit	1	O-Ring	
101	8036733	1	Kit, Seal (includes items 7 thru 14)	

# SECTION 9 - HYDRAULIC COMPONENTS

FIGURE 9-44. FLOW DIVIDER VALVE



ART\_4641900-A

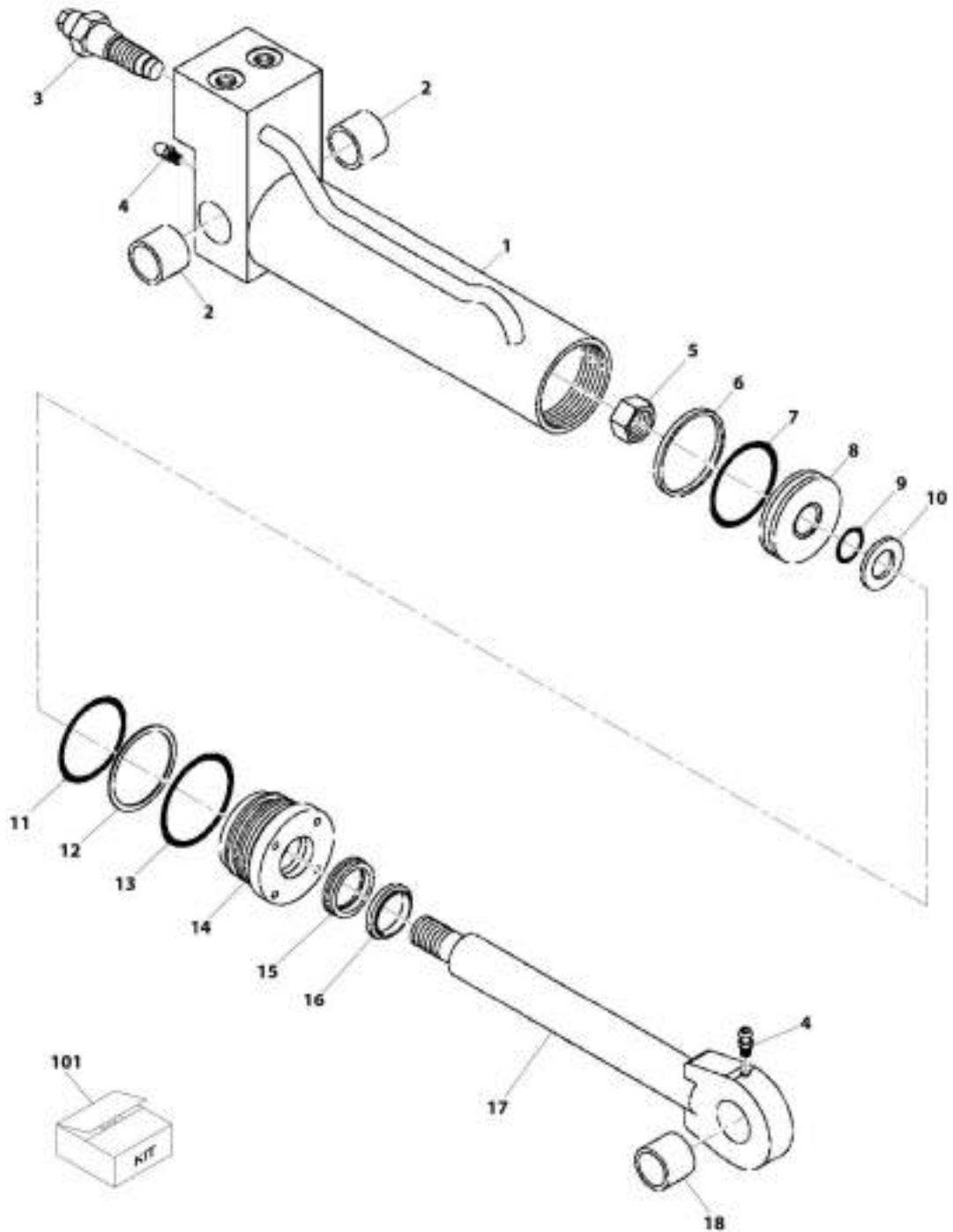
## SECTION 9 - HYDRAULIC COMPONENTS

### FIGURE 9-44. FLOW DIVIDER VALVE

ITEM	PART NUMBER	QTY	DESCRIPTION	REV
	4641501	Ref	Flow Divider Valve	A
1	70023928	2	Cartridge, PO Check Valve	
2	70023929	1	Cartridge, Valve	

# SECTION 9 - HYDRAULIC COMPONENTS

## FIGURE 9-45. GRAPPLE BUCKET CYLINDER



MT\_30021393-A

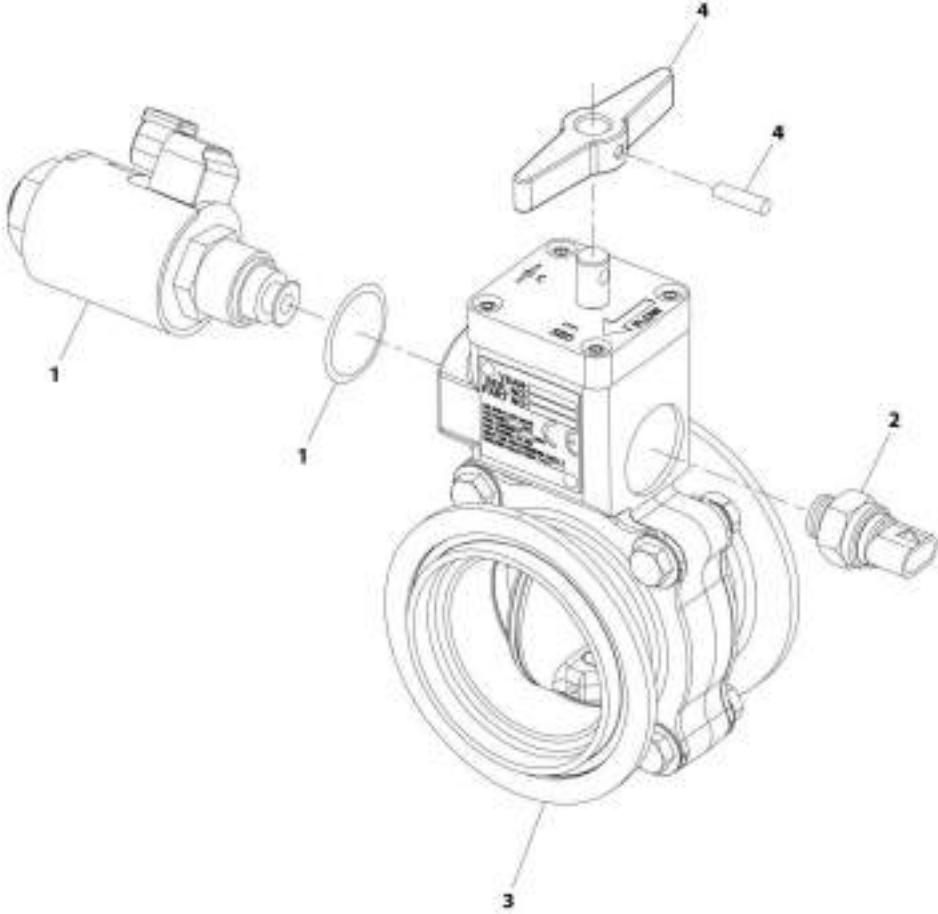
## SECTION 9 - HYDRAULIC COMPONENTS

### FIGURE 9-45. GRAPPLE BUCKET CYLINDER

ITEM	PART NUMBER	QTY	DESCRIPTION	REV
	70021393	Ref	Grapple Bucket Cylinder	
1	70021465	1	Tube, Cylinder	
2	70021448	2	Bushing	
3	70021464	2	Cartridge, Valve	
4	90554045	2	Fitting, Grease	
5	70021440	1	Nut, Hex	
6	Kit	1	Ring, Piston	
7	Kit	1	O-Ring	
8	70021451	1	Piston	
9	Kit	1	O-Ring	
10	70021444	1	Washer	
11	Kit	1	O-Ring	
12	Kit	1	Washer, Back-Up	
13	Kit	1	O-Ring	
14	70021446	1	Gland, Cylinder	
15	Kit	1	Seal, Poly-Pak	
16	Kit	1	Wiper, Rod	
17	70021466	1	Rod, Piston	
18	70021447	1	Bushing	
101	70021452	1	Kit, Seal (includes items 6, 7, 9, 11 thru 13, 15 & 16)	

**SECTION 9 - HYDRAULIC COMPONENTS**

**FIGURE 9-46. AIR SHUT OFF VALVE**



ART\_1001204603-A

## SECTION 9 - HYDRAULIC COMPONENTS

### FIGURE 9-46. AIR SHUT OFF VALVE

ITEM	PART NUMBER	QTY	DESCRIPTION	REV
	1001204032	Ref	Air Shut Off Valve	A
1	70028514	1	Kit, Solenoid 12V	
	N.S.S.	1	Solenoid	
	N.S.S.	1	Coil, 12V	
	N.S.S.	1	O-Ring	
2	70028515	1	Kit, Switch	
	N.S.S.	1	Switch, Ball	
	N.S.S.	1	O-Ring	
3	70028516	1	Kit, Flange and Hardware	
	N.S.S.	1	Flange, Female	
	N.S.S.	1	Flange, Male	
	N.S.S.	4	Bolt	
	N.S.S.	4	Washer	
	N.S.S.	4	Locknut	
4	70028517	1	Handle	
	N.S.S.	1	Handle, Reset	
	N.S.S.	1	Pin	

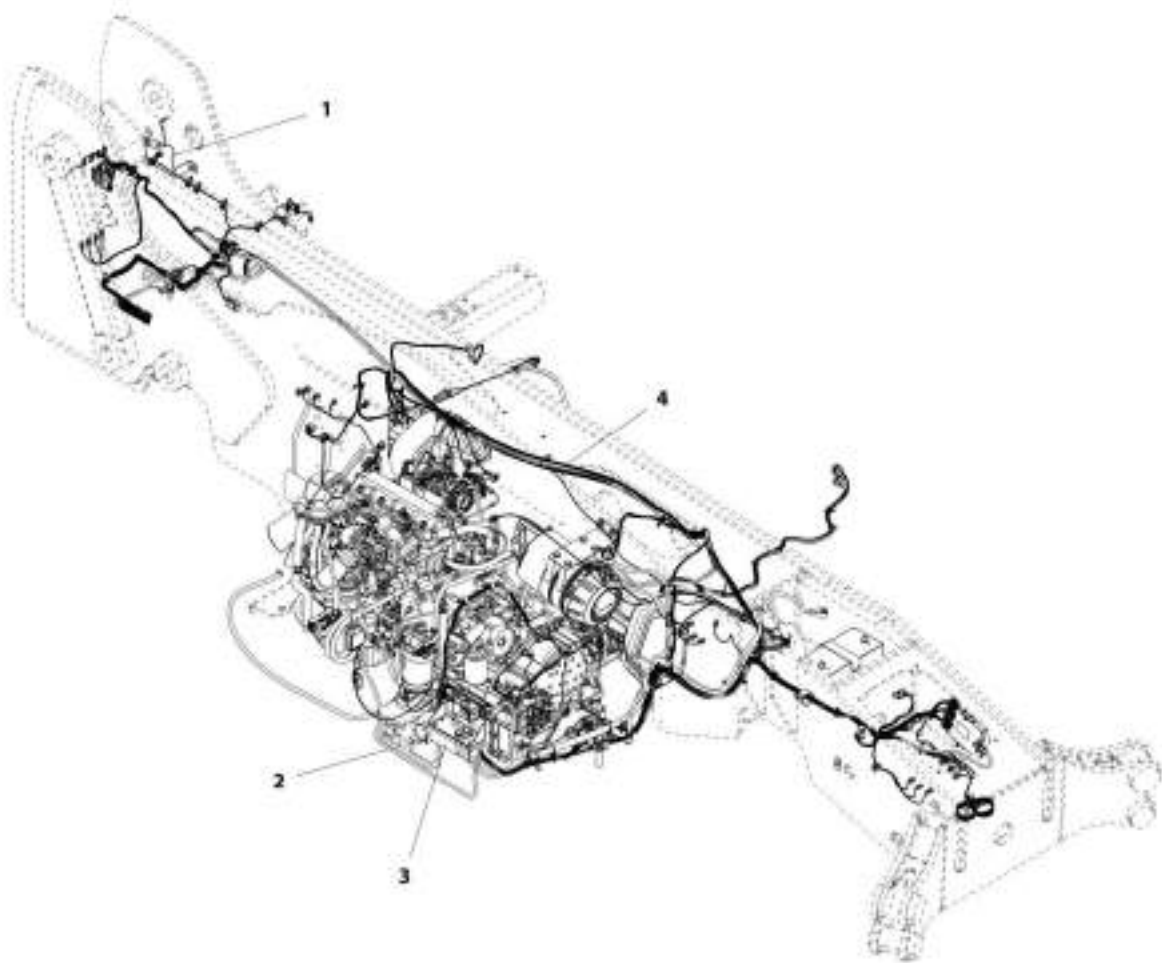




**SECTION 10 - ELECTRICAL**

# SECTION 10 - ELECTRICAL

FIGURE 10-1. MAIN ELECTRICAL INSTALLATION (ULS)



ART\_000116430-C

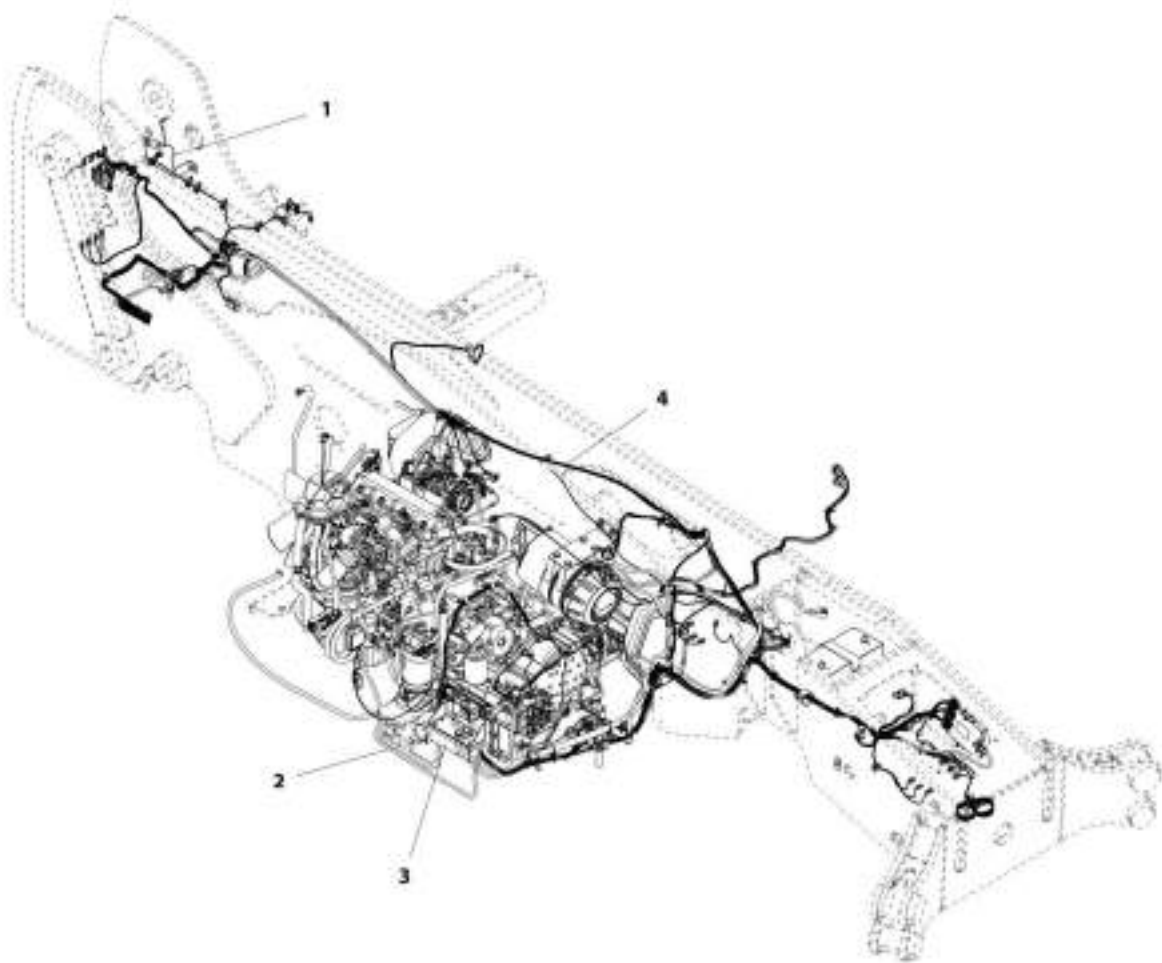
## SECTION 10 - ELECTRICAL

**FIGURE 10-1. MAIN ELECTRICAL INSTALLATION (ULS)**

ITEM	PART NUMBER	QTY	DESCRIPTION	REV
1	1001160438	Ref	Main Electrical Installation (if equipped for ULS)	C
	1001161732	Ref	Installation, Electrical Frame (See ELECTRICAL FRAME INSTALLATION for Breakdown)	
2	1001163255	Ref	Installation, Engine Bay Wiring 3.8L Engine (See ENGINE BAY WIRING INSTALLATION (ULS) for Breakdown)	
3	1001163127	Ref	Installation, Electrical Engine Bay (See ENGINE BAY ELECTRICAL INSTALLATION (ULS) for Breakdown)	
4	1001164287	Ref	Installation, Frame Wiring (See FRAME WIRING INSTALLATION (ULS) for Breakdown)	

# SECTION 10 - ELECTRICAL

## FIGURE 10-2. MAIN ELECTRICAL INSTALLATION (LS)



ART\_000182805-C

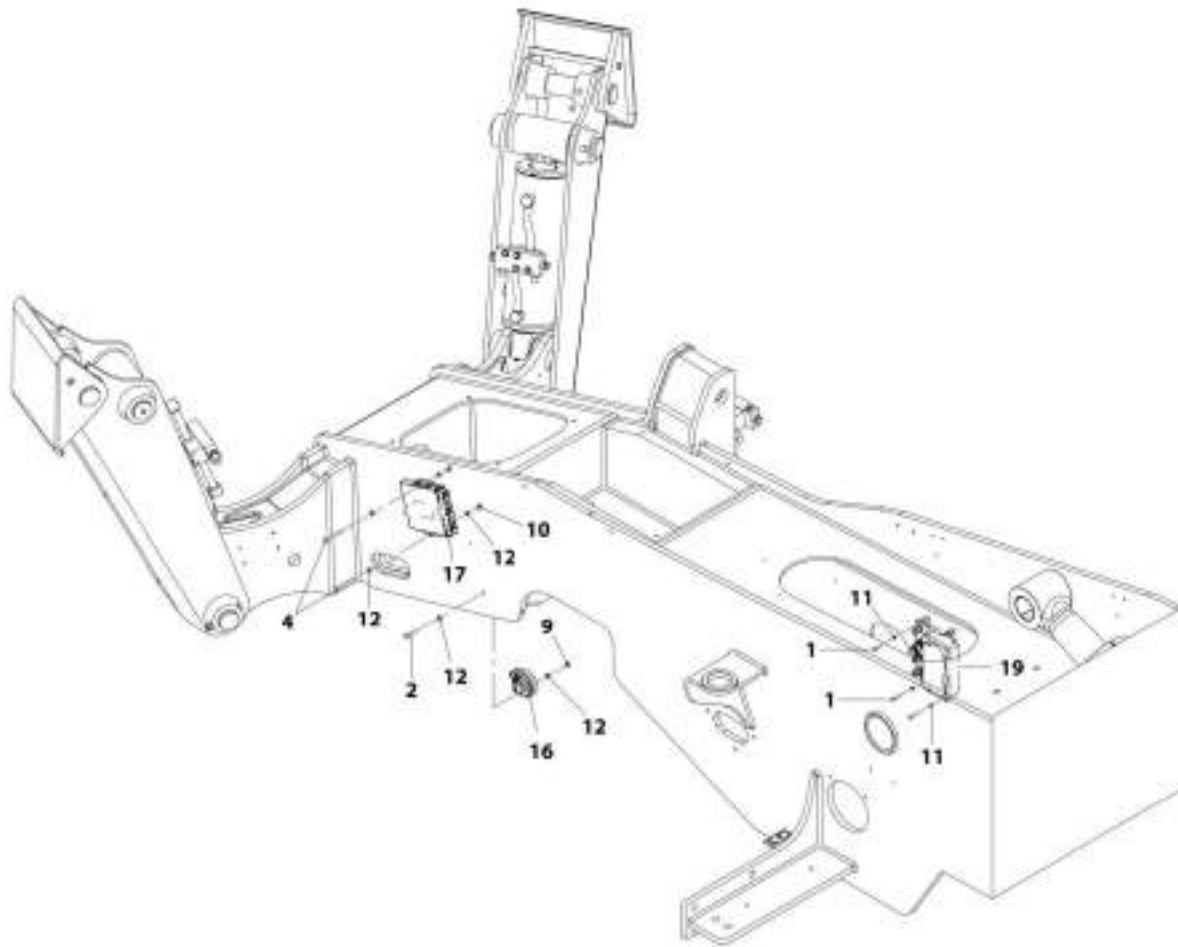
## SECTION 10 - ELECTRICAL

### FIGURE 10-2. MAIN ELECTRICAL INSTALLATION (LS)

ITEM	PART NUMBER	QTY	DESCRIPTION	REV
1	1001182805	Ref	Main Electrical Installation (if equipped for LS)	C
	1001161732	Ref	Installation, Electrical Frame (See ELECTRICAL FRAME INSTALLATION for Breakdown)	
2	1001188403	Ref	Installation, Engine Bay Wiring 3.8L (See ENGINE BAY WIRING INSTALLATION (LS) for Breakdown)	
3	1001185889	Ref	Installation, Electrical Engine Bay (See ENGINE BAY ELECTRICAL INSTALLATION (LS) for Breakdown)	
4	1001182807	Ref	Installation, Frame Wiring (See FRAME WIRING INSTALLATION (LS) for Breakdown)	

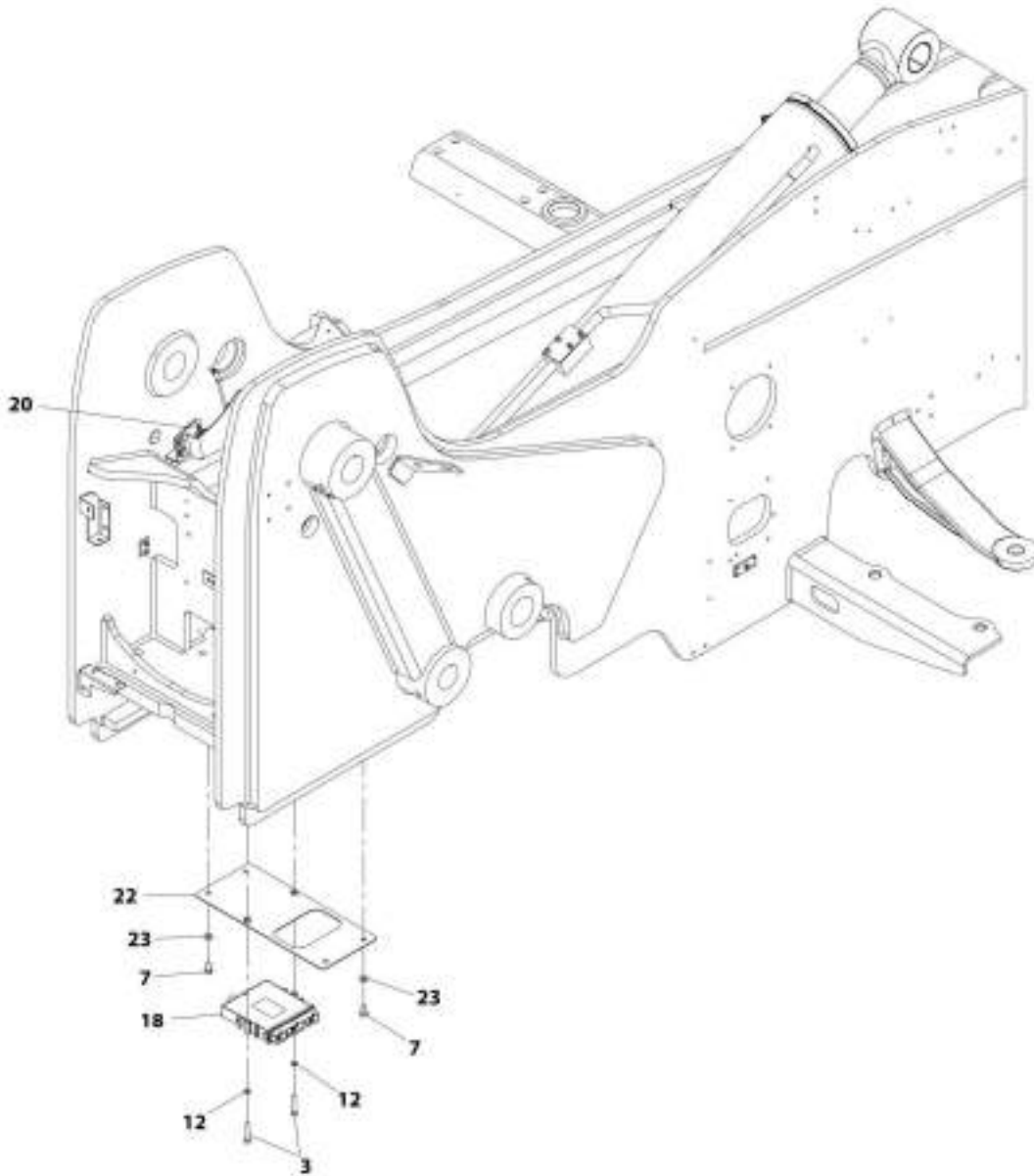
# SECTION 10 - ELECTRICAL

## FIGURE 10-3. ELECTRICAL FRAME INSTALLATION



ART\_1001161732\_1-H

# SECTION 10 - ELECTRICAL



ART\_1001101732\_2H

## SECTION 10 - ELECTRICAL

**FIGURE 10-3. ELECTRICAL FRAME INSTALLATION**

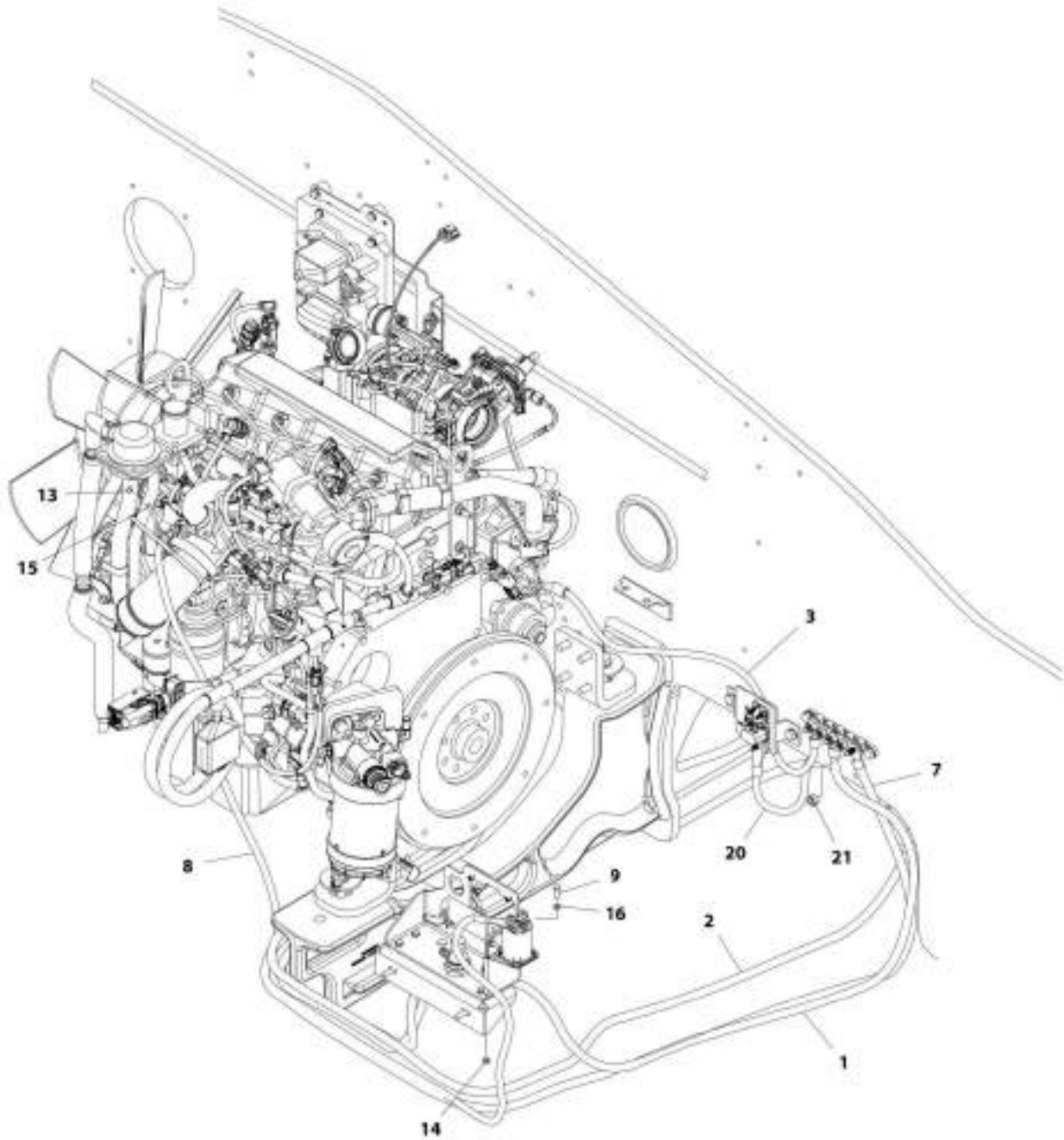
ITEM	PART NUMBER	QTY	DESCRIPTION	REV
	1001161732	Ref	Electrical Frame Installation	H
1	0700610	4	Bolt, M6X20	
2	0760815	1	Bolt, M8X35	
3	0700818	2	Bolt, M8X50	
4	0700822	2	Bolt, M8X70	
7	0761010	2	Bolt, M10X20	
9	3290801	1	Nut, M8X1.25 Grade 8	
10	3290805	2	Nut, Lock M8X1.25 Grade 8	
11	4811700	4	Washer, M6	
12	4811900	8	Washer, M8	
16	10713707	1	Horn	
17	1001162253	1	Control, Front Frame Module	
18	1001162256	1	Control, Rear Frame Module	
19	1001164402	1	Assembly, Power distribution Box (See POWER DISTRIBUTION ELECTRICAL BOX for Breakdown)	
20	1001168479	1	Installation, Boom Angle Sensor (See BOOM ANGLE SENSOR INSTALLATION for Breakdown)	
22	1001169817	1	Plate	
23	4812000	2	Washer, M10	





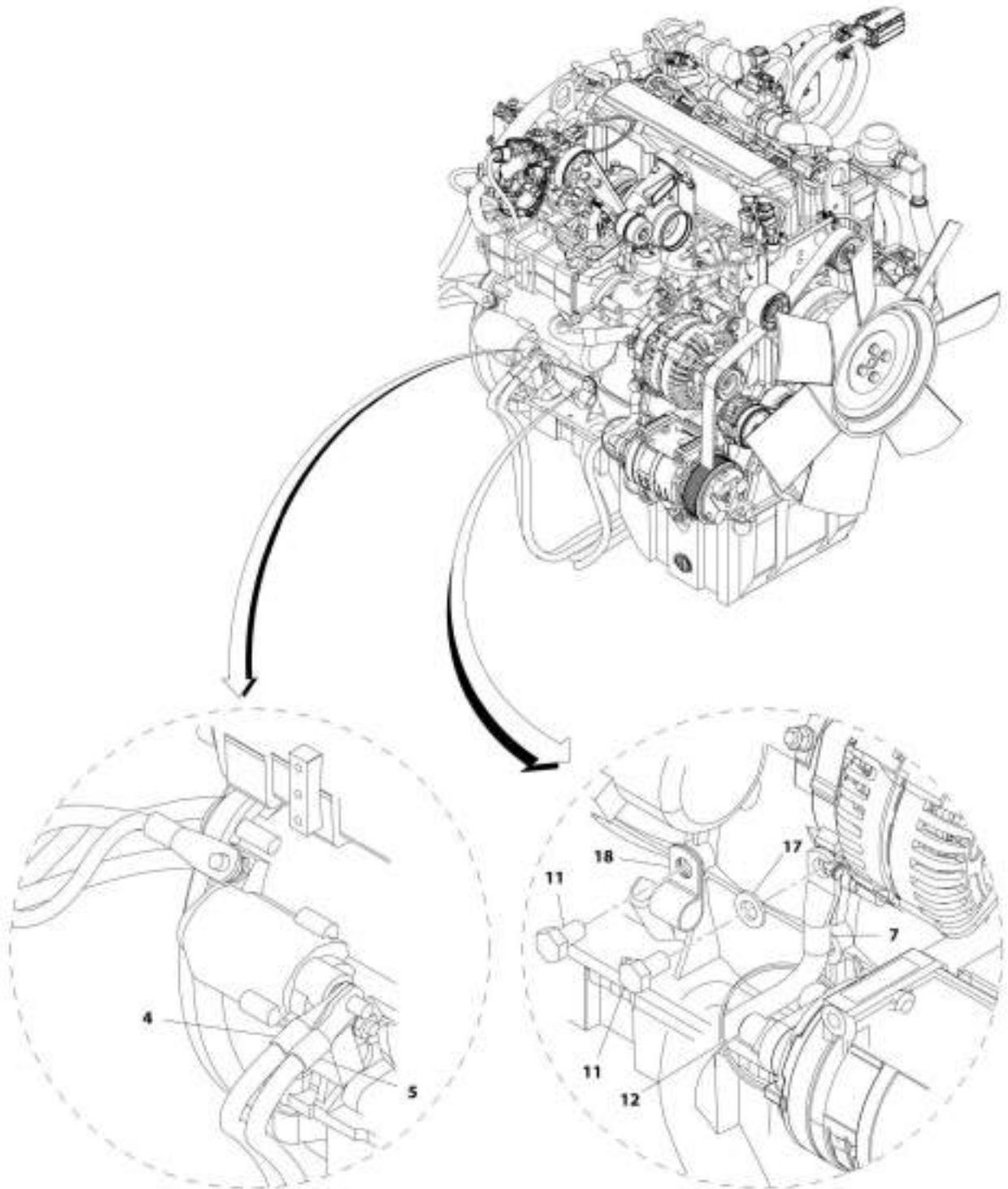
# SECTION 10 - ELECTRICAL

FIGURE 10-4. ENGINE BAY WIRING INSTALLATION (ULS)



KRT\_100160355\_1-H

# SECTION 10 - ELECTRICAL



ART\_1001105225\_2H

## SECTION 10 - ELECTRICAL

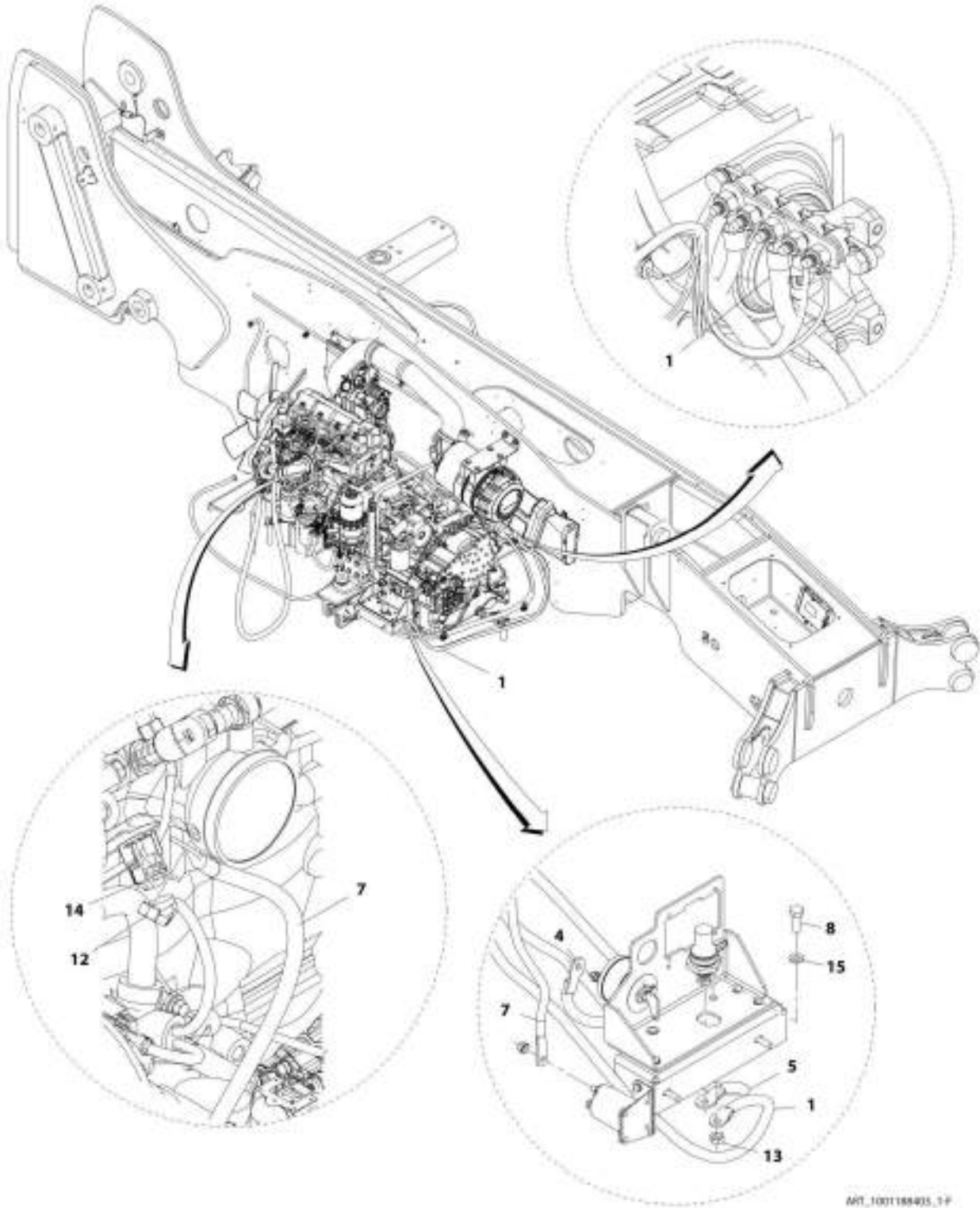
**FIGURE 10-4. ENGINE BAY WIRING INSTALLATION (ULS)**

ITEM	PART NUMBER	QTY	DESCRIPTION	REV
	1001163255	Ref	Engine Bay Wiring Installation (if equipped for ULS)	H
1	1001200102	1	Cable, Ground Bus to Remote Ground	
2	1001170215	1	Cable, PDM to Alternator	
3	1001170320	1	Cable, Starter Ground	
4	1001170740	1	Cable, Starter to Battery	
5	1001170741	1	Cable, Starter to Remote B+	
7	1001170749	1	Cable, Engine Ground	
8	1001170816	1	Cable, Grid Heater	
9	0701014	1	Bolt, M10X30	
11	0761210	2	Bolt, M12X20	
12	1062255	1	Tie Strap	
13	3290605	1	Nut, Lock M6X1 Grade 8	
14	3291001	1	Nut, M10X1.5 Grade 8	
15	4811700	1	Washer, M6	
16	4812000	1	Washer, M10	
17	4812100	1	Washer, M12	
18	8406105	1	Clip	
20	1001190585	1	Cable, Glow Plug	
21	3291005	5	Nut, Lock M0X1.5 Grade 8	

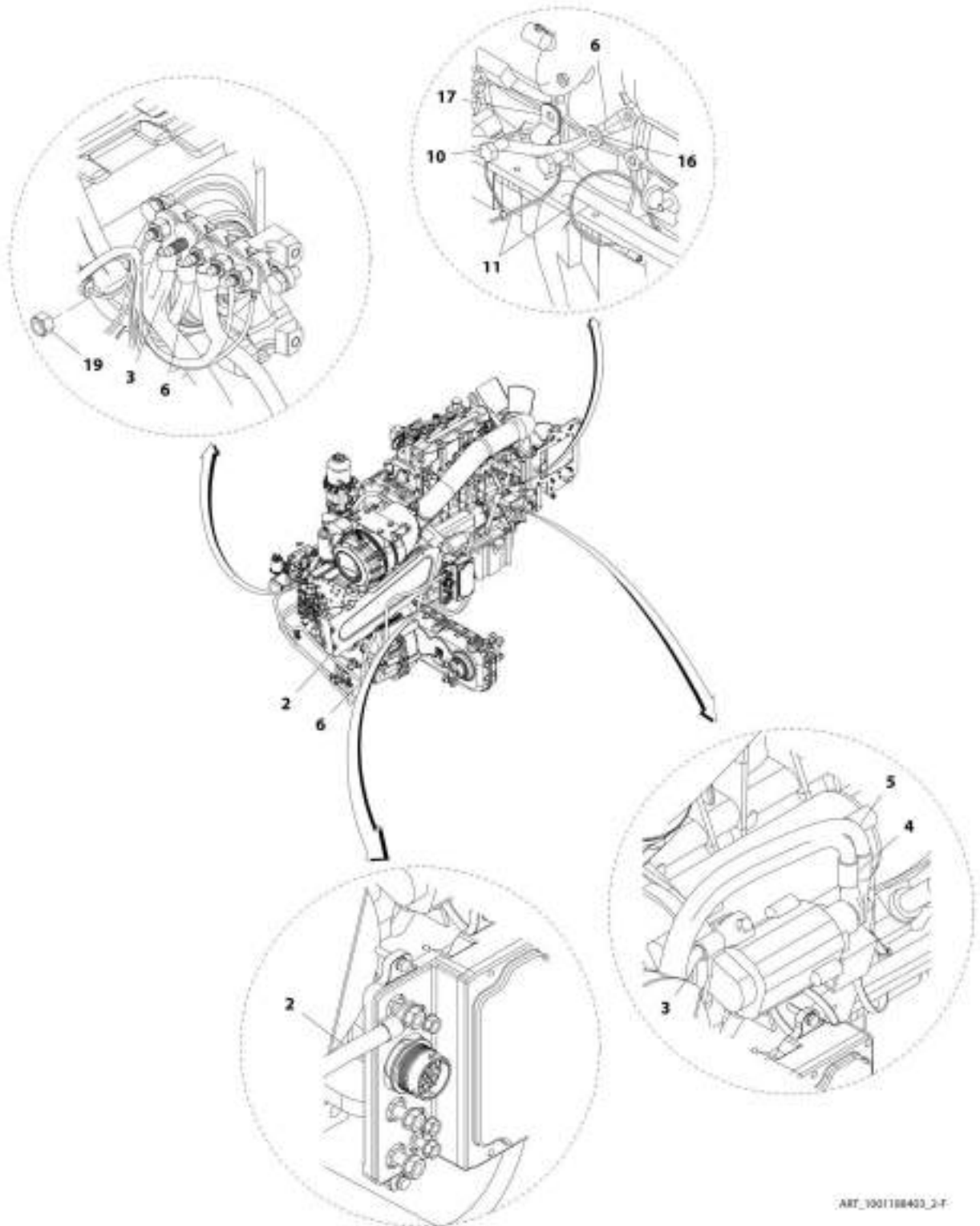


# SECTION 10 - ELECTRICAL

## FIGURE 10-5. ENGINE BAY WIRING INSTALLATION (LS)



# SECTION 10 - ELECTRICAL



ART\_3001188403\_2-F

## SECTION 10 - ELECTRICAL

**FIGURE 10-5. ENGINE BAY WIRING INSTALLATION (LS)**

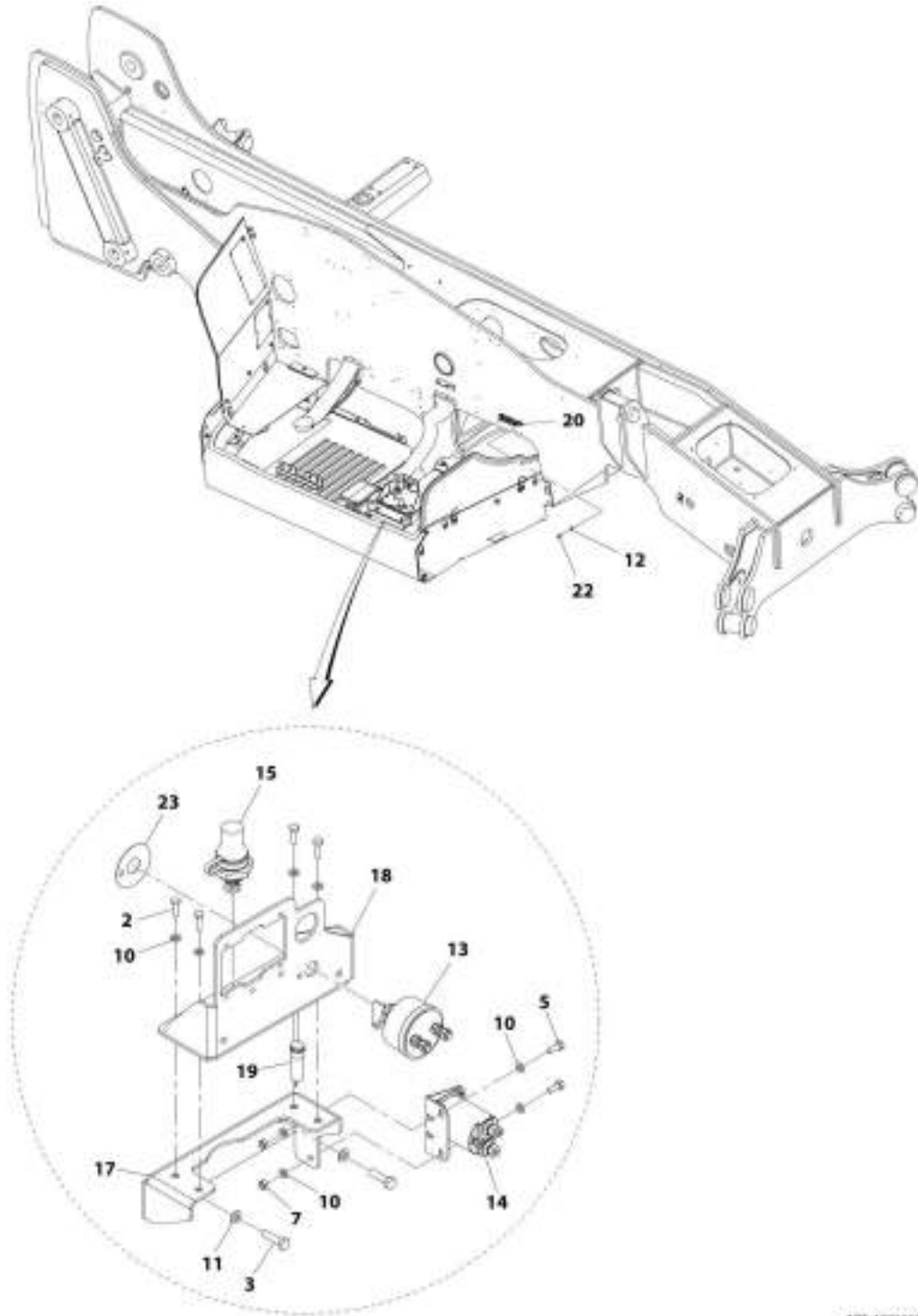
ITEM	PART NUMBER	QTY	DESCRIPTION	REV
	1001188403	Ref	Engine Bay Wiring Installation (if equipped for LS)	F
1	1001200102	1	Cable, Ground Bus to Remote Ground	
2	1001205254	1	Cable, PDM to Alternator	
3	1001170320	1	Cable, Starter Ground	
4	1001187623	1	Cable, Starter to Battery	
5	1001187624	1	Cable, Starter to Remote B+	
6	1001205255	1	Cable, Engine Ground	
7	1001170816	1	Cable, Grid Heater	
8	0701014	1	Bolt, M10X30	
10	0761210	2	Bolt, M12X20	
11	1062255	4	Tie Strap	
12	3290605	1	Nut, Lock M6X1 Grade 8	
13	3291001	1	Nut, M10X1.5 Grade 8	
14	4811700	1	Washer, M6	
15	4812000	1	Washer, M10	
16	4812100	1	Washer, M12	
17	8406105	1	Clip	
19	3291005	5	Nut, Lock M0X1.5 Grade 8	





# SECTION 10 - ELECTRICAL

FIGURE 10-6. ENGINE BAY ELECTRICAL INSTALLATION (ULS)



MIT\_1001183127-1

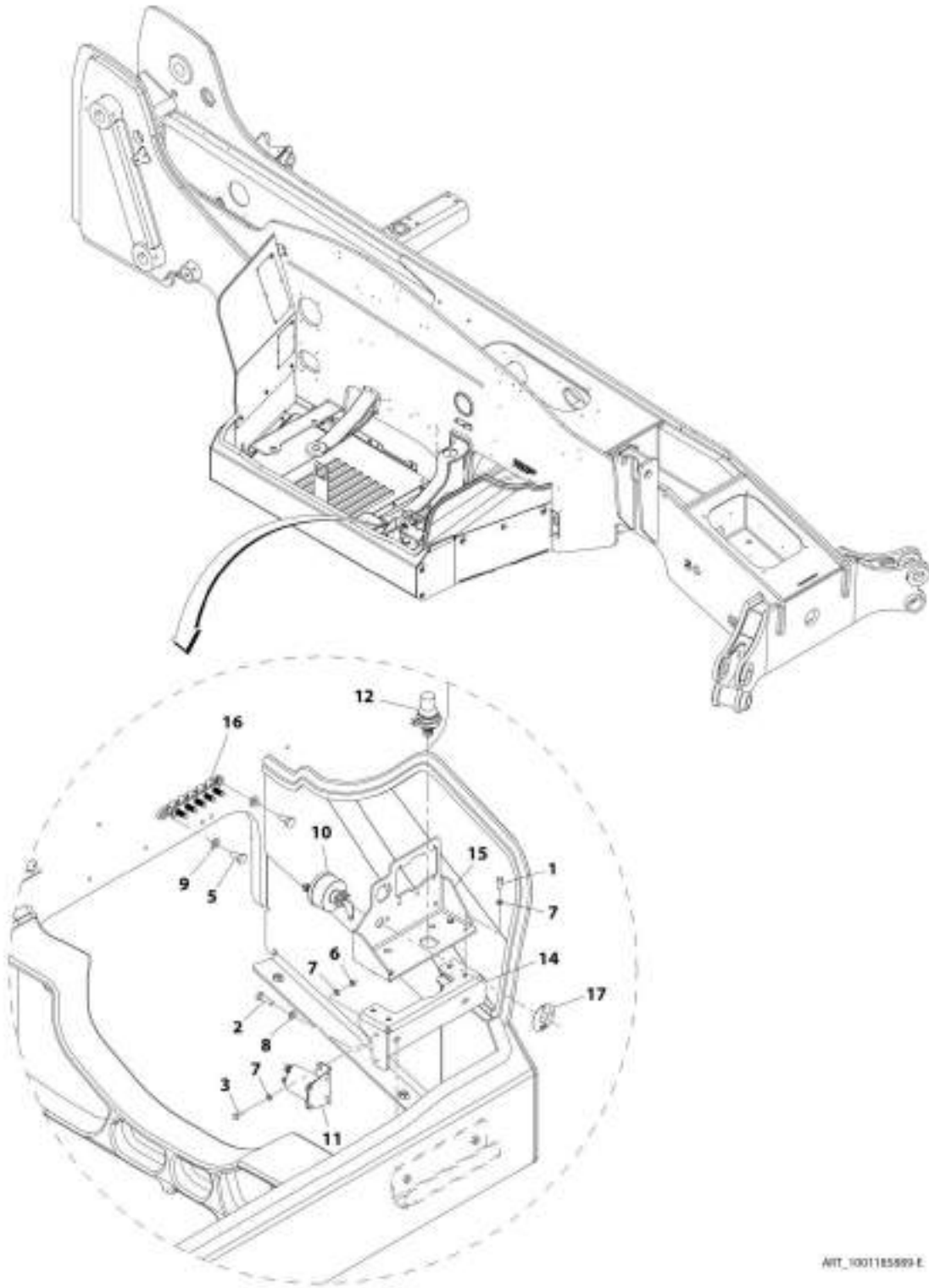
## SECTION 10 - ELECTRICAL

**FIGURE 10-6. ENGINE BAY ELECTRICAL INSTALLATION (ULS)**

ITEM	PART NUMBER	QTY	DESCRIPTION	REV
	1001163127	Ref	Engine Bay Electrical Installation (if equipped for ULS)	1
2	0700610	4	Bolt, M6X20	
3	0700814	2	Bolt, M8X30	
5	0760608	2	Bolt, M6X16	
7	3290601	2	Nut, M6X1 Grade 8	
10	4811700	8	Washer, M6	
11	4811900	2	Washer, M8	
12	4812000	2	Washer, M10	
13	1001192142	1	Switch	
14	1001117308	1	Relay	
15	1001193993	1	Terminal	
17	1001199099	1	Bracket	
18	1001198321	1	Bracket	
19	1001169825	1	Bulb, LED 12V	
20	1001181128	1	Bussbar	
22	0761010	2	Bolt, M10X20	
23	1001008540	1	Plate	

# SECTION 10 - ELECTRICAL

## FIGURE 10-7. ENGINE BAY ELECTRICAL INSTALLATION (LS)



ART\_1001185899-E

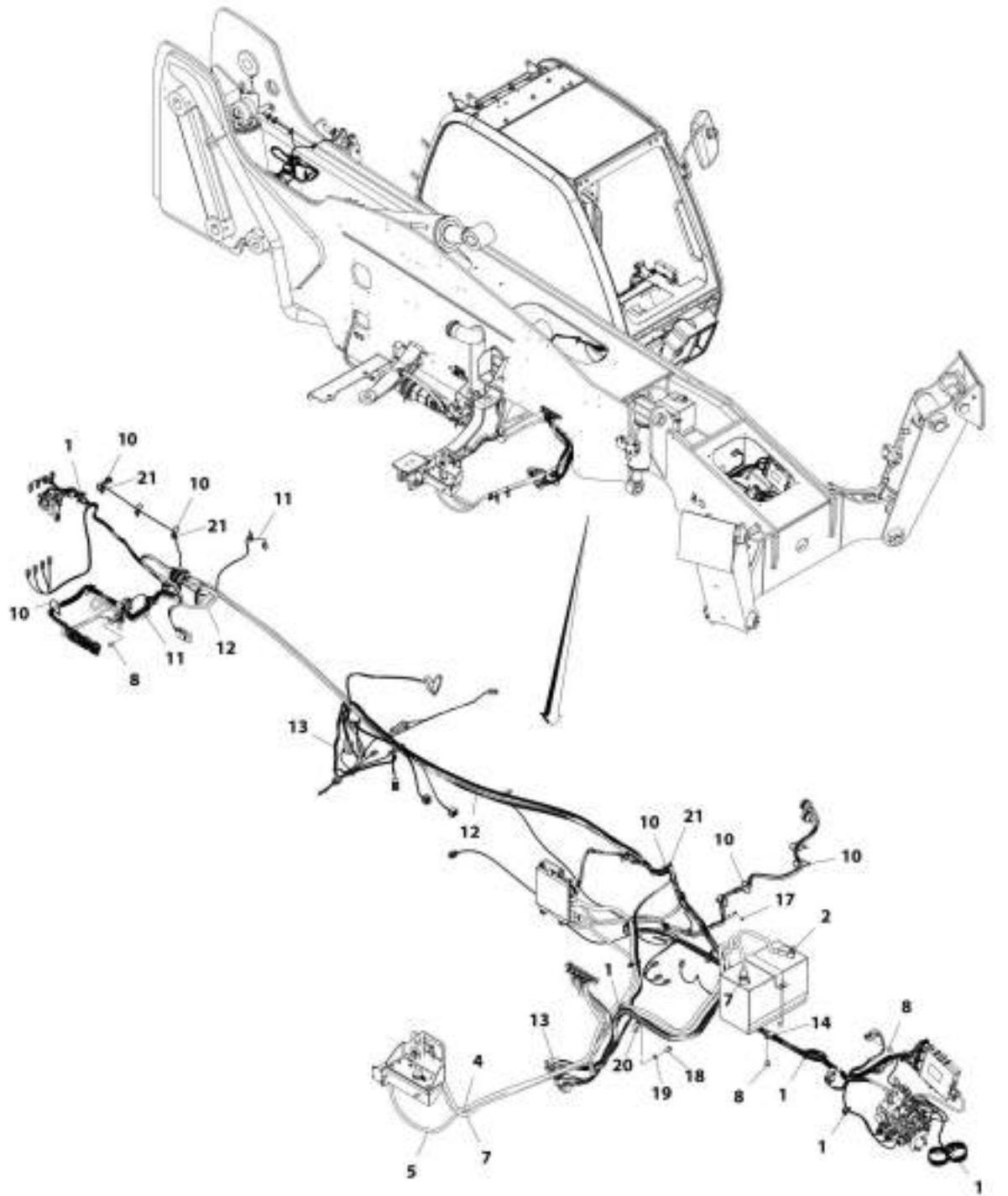
## SECTION 10 - ELECTRICAL

**FIGURE 10-7. ENGINE BAY ELECTRICAL INSTALLATION (LS)**

ITEM	PART NUMBER	QTY	DESCRIPTION	REV
	1001185889	Ref	Engine Bay Electrical Installation (if equipped for LS)	E
1	0700610	4	Bolt, M6X20	
2	0700814	2	Bolt, M8X30	
3	0760608	2	Bolt, M6X16	
5	0761010	2	Bolt, M10X20	
6	3290601	2	Nut, M6X1 Grade 8	
7	4811700	8	Washer, M6	
8	4811900	2	Washer, M8	
9	4812000	2	Washer, M10	
10	1001192142	1	Switch	
11	1001117308	1	Relay, 200 Amp	
12	1001193993	1	Terminal	
14	1001199099	1	Bracket	
15	1001198321	1	Bracket	
16	1001181128	1	Busbar	
17	1001008540	1	Plate	

# SECTION 10 - ELECTRICAL

## FIGURE 10-8. FRAME WIRING INSTALLATION (ULS)



MIT\_1001164207-N

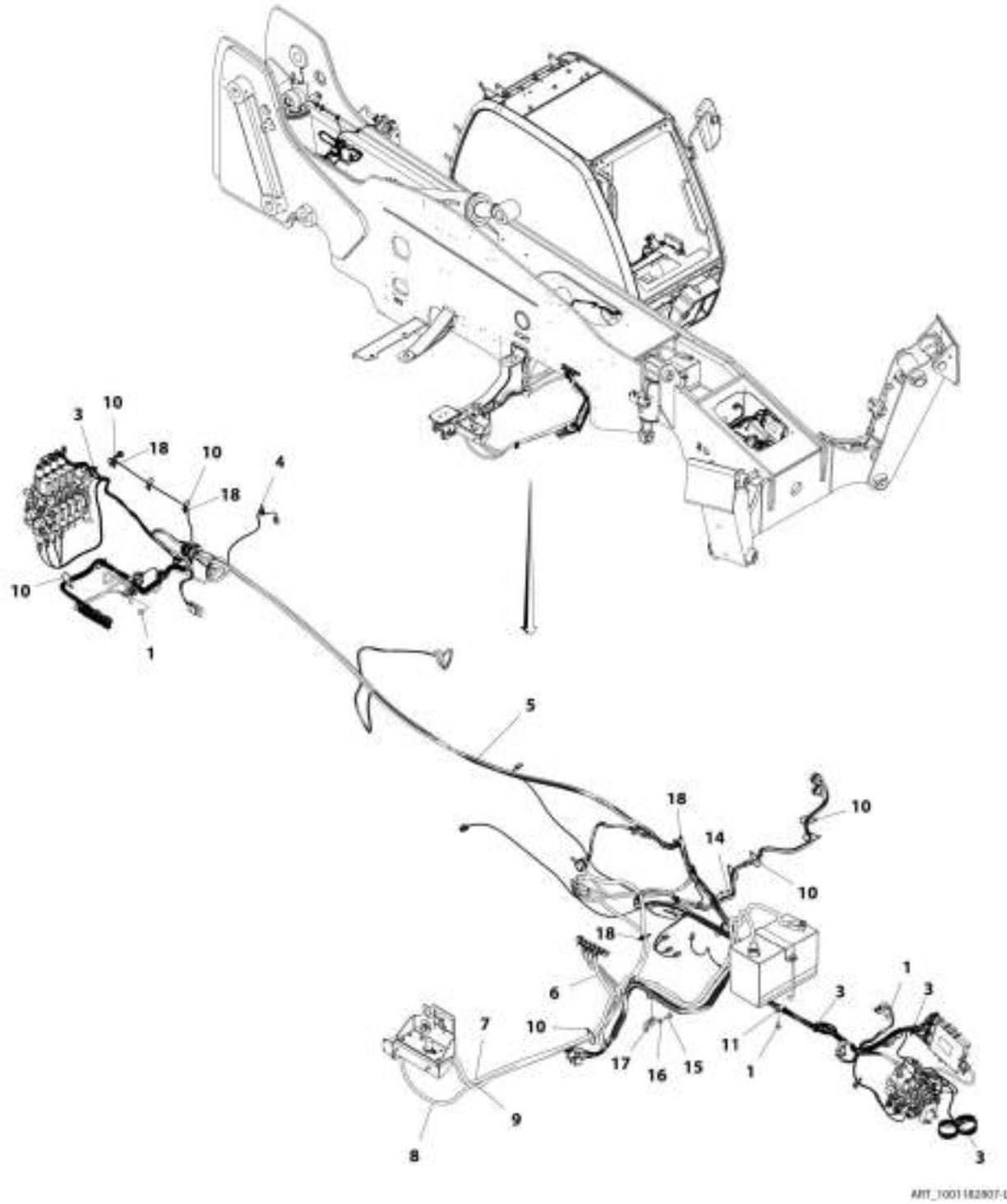
## SECTION 10 - ELECTRICAL

**FIGURE 10-8. FRAME WIRING INSTALLATION (ULS)**

ITEM	PART NUMBER	QTY	DESCRIPTION	REV
	1001164287	Ref	Frame Wiring Installation (if equipped for ULS)	N
1	1001146588	12	Strap, Cable	
2	1001169365	1	Cable, Battery Negative	
4	1001170566	1	Cable, Battery to PDM	
5	1001200082	1	Cable, PDM to Grid Heater	
7	1001170624	1	Cable, B+ to Disconnect	
8	0761007	3	Bolt, M10X14	
10	1001008559	23	Strap	
11	1001164941	1	Harness, Rear Frame (See REAR FRAME HANESS for Breakdown) <b>(Prior to SN 0160073773)</b>	
11	1001202908	1	Harness, Rear Frame (See REAR FRAME HANESS for Breakdown) <b>(SN 0160073773 to Present)</b>	
12	1001165359	1	Harness, Front Frame (See FRONT FRAME HARNESS for Breakdown) <b>(Prior to SN 0160080792)</b>	
12	1001221727	1	Harness, Front Frame (See FRONT FRAME HARNESS for Breakdown) <b>(SN 0160080792 to Present)</b>	
13	1001168952	1	Harness, Cummins (See ENGINE CHASSIS HARNESS for Breakdown)	
14	8406201	1	Clip	
17	3290601	1	Nut, M6X1 Grade 8	
18	0761010	1	Bolt, M10X20	
19	4812000	1	Washer, M10	
20	1001025753	1	Clip	
21	1001202986	16	Strap	

# SECTION 10 - ELECTRICAL

## FIGURE 10-9. FRAME WIRING INSTALLATION (LS)





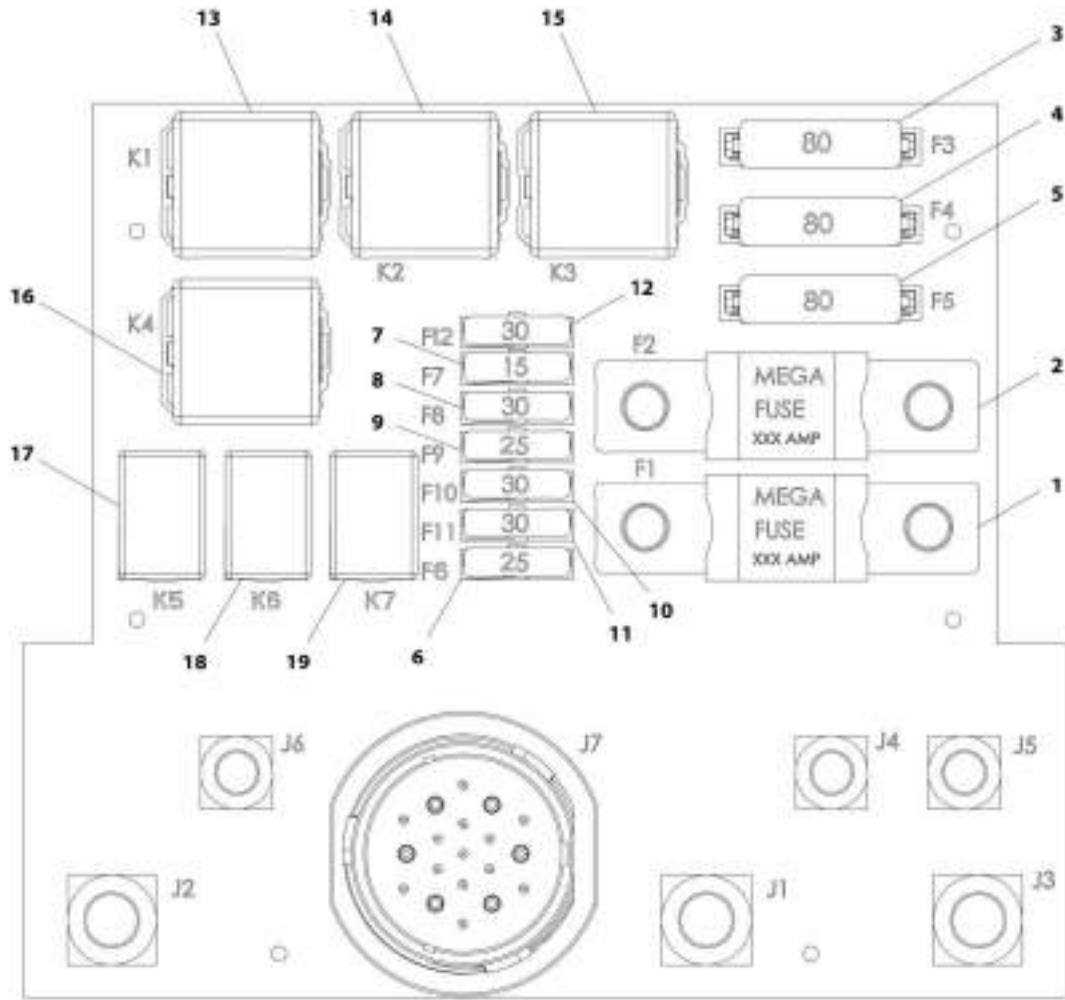
## SECTION 10 - ELECTRICAL

**FIGURE 10-9. FRAME WIRING INSTALLATION (LS)**

ITEM	PART NUMBER	QTY	DESCRIPTION	REV
	1001182807	Ref	Frame Wiring Installation (if equipped for LS)	L
1	0761007	3	Bolt, M10X14	
3	1001146588	12	Strap, Cable	
4	1001164941	1	Harness, Rear Frame (See REAR FRAME HARNESS for Breakdown) <b>(Prior to SN 0160073773)</b>	
4	1001202908	1	Harness, Rear Frame (See REAR FRAME HANESS for Breakdown) <b>(SN 0160073773 to Present)</b>	
5	1001165359	1	Harness, Front Frame (See FRONT FRAME HARNESS for Breakdown) <b>(Prior to SN 0160080792)</b>	
5	1001221727	1	Harness, Front Frame (See FRONT FRAME HARNESS for Breakdown) <b>(SN 0160080792 to Present)</b>	
6	1001169365	1	Cable, Battery Negative	
7	1001170566	1	Cable, Battery to PDM	
8	1001200082	1	Cable, PDM to Grid Heater	
9	1001170624	1	Cable, B+ to Disconnect	
10	1001008559	21	Strap, Cable	
11	8406201	1	Clip	
14	3290601	1	Nut, M6X1 Grade 8	
15	0761010	1	Bolt, M10X20	
16	4812000	1	Washer, M10	
17	1001025753	1	Clip	
18	1001202986	14	Strap	

# SECTION 10 - ELECTRICAL

## FIGURE 10-10. POWER DISTRIBUTION ELECTRICAL BOX



ART\_100110402.F

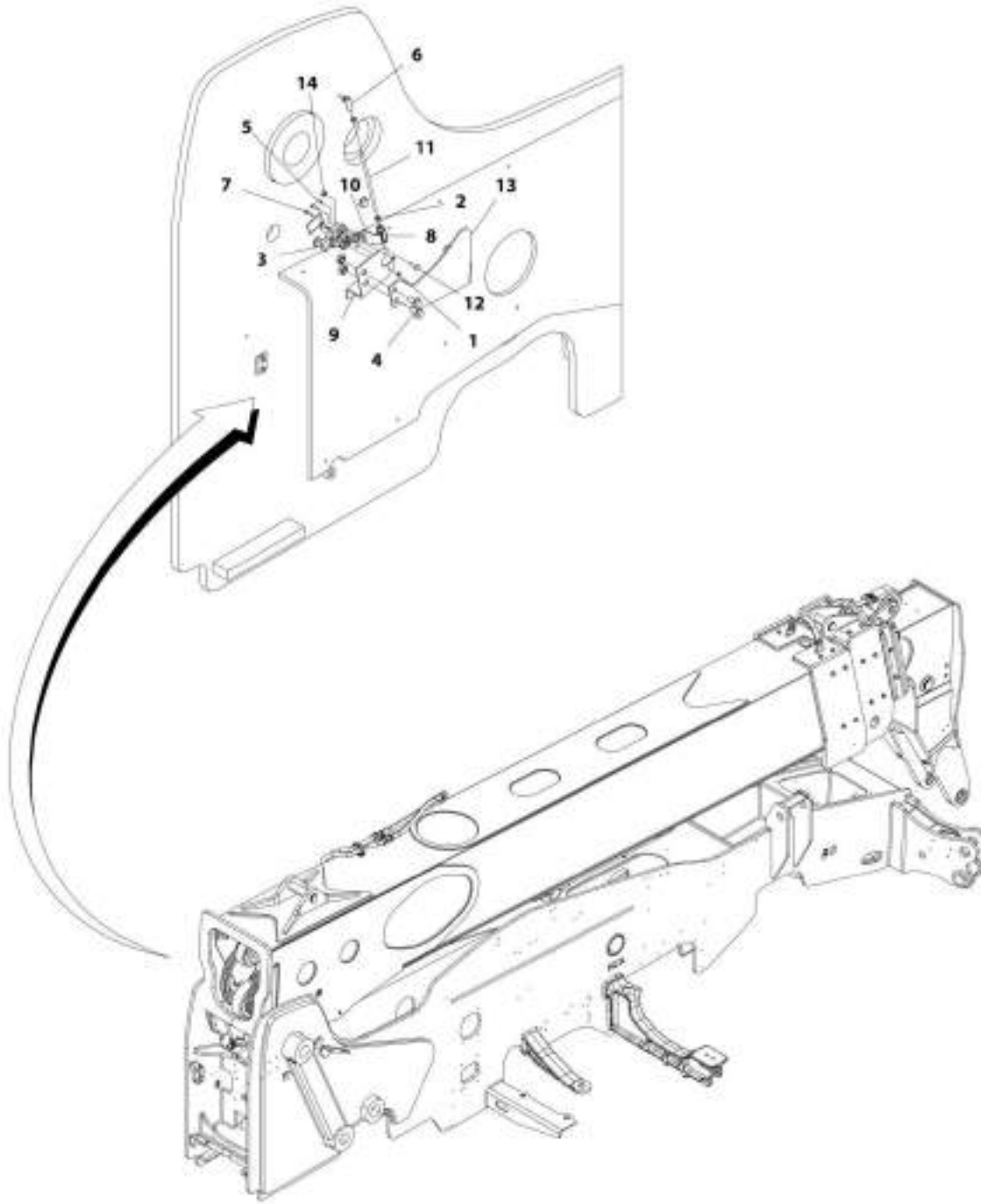
## SECTION 10 - ELECTRICAL

**FIGURE 10-10. POWER DISTRIBUTION ELECTRICAL BOX**

ITEM	PART NUMBER	QTY	DESCRIPTION	REV
	1001164402	Ref	Power distribution Electrical Box	F
1	1001095336	1	Fuse, 150amp	
2	70026296	1	Fuse, 200amp	
3	70026297	1	Fuse, 80amp	
4	70026297	1	Fuse, 80amp	
5	70026297	1	Fuse, 80amp	
6	8229247	1	Fuse, 25amp	
7	8229244	1	Fuse, 15amp	
8	8229245	1	Fuse, 30amp	
9	8229247	1	Fuse, 25amp	
10	8229245	1	Fuse, 30amp	
11	8229245	1	Fuse, 30amp	
12	8229245	1	Fuse, 30amp	
13	70026294	1	Relay, 70amp	
14	70026294	1	Relay, 70amp	
15	70026294	1	Relay, 70amp	
16	70026294	1	Relay, 70amp	
17	70026295	1	Relay, 30amp	
18	70026295	1	Relay, 30amp	
19	70026295	1	Relay, 30amp	

# SECTION 10 - ELECTRICAL

## FIGURE 10-11. BOOM ANGLE SENSOR INSTALLATION



ART\_1001168470-E

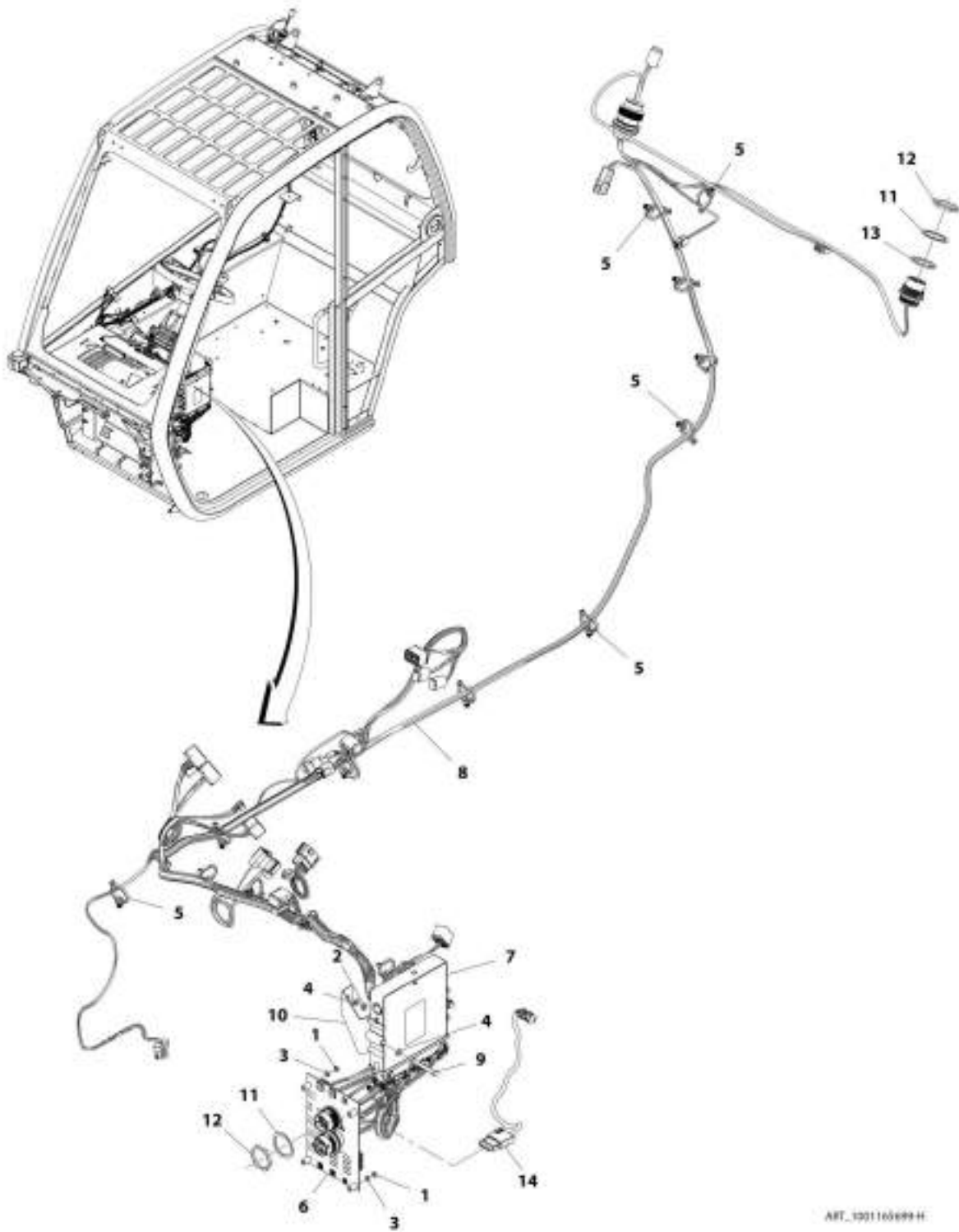
## SECTION 10 - ELECTRICAL

### FIGURE 10-11. BOOM ANGLE SENSOR INSTALLATION

ITEM	PART NUMBER	QTY	DESCRIPTION	REV
	1001168479	Ref	Boom Angle Sensor Installation	E
1	3290405	2	Nut, Lock M4X0.7 Grade 8	
2	3290601	2	Nut, M6X1 Grade 8	
3	4000015	1	Sensor, Angle	
4	5201010	5	Bolt, M10X20	
5	1001103156	1	Pin	
6	1001184484	1	Joint, Ball	
7	1001126837	2	Screw, M4X16	
8	1001134274	1	Clevis	
9	1001188782	1	Bracket	
10	1001188787	1	Link	
11	1001168482	1	Rod	
12	4010610002	1	Screw, M6X20	
13	1001188778	1	Bracket	
14	3290605	1	Nut, Lock M6X1	

# SECTION 10 - ELECTRICAL

## FIGURE 10-12. CAB ELECTRICAL INSTALLATION



ART\_1001100694-H

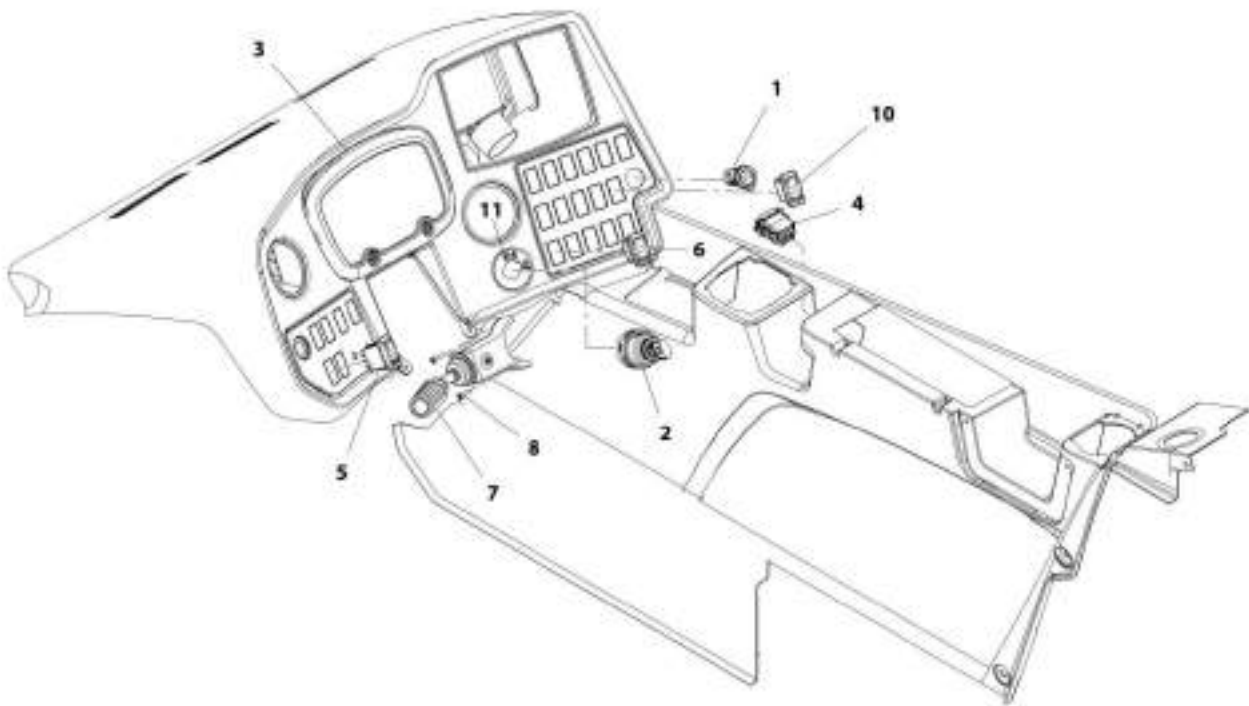
## SECTION 10 - ELECTRICAL

### FIGURE 10-12. CAB ELECTRICAL INSTALLATION

ITEM	PART NUMBER	QTY	DESCRIPTION	REV
	1001165699	Ref	Cab Electrical Installation	H
1	3290501	3	Nut, M5X0.8	
2	3290601	2	Nut, M6X1	
3	120034	3	Washer, Plastic	
4	4811700	4	Washer, M6	
5	1001146588	16	Strap, Cable Tie	
6	1001161769	1	Assembly, Standard Electrical Board (See STANDARD ELECTRICAL BOARD ASSEMBLY for Breakdown)	
7	1001162249	1	Module, Cab Control	
8	1001196451	1	Harness, Cab (See CAB HARNESS for Breakdown)	
9	0700618	2	Bolt, M6X50	
10	1001178933	1	Bracket	
11	4460496	4	Washer, Terminal Lock	
12	4460497	4	Nut, Terminal	
13	1001211693	2	Seal	
14	1001213988	1	Harness, Communication Analyzer (See Separate Breakdown in this Section)	

# SECTION 10 - ELECTRICAL

FIGURE 10-13. DASH ELECTRICAL INSTALLATION (ULS)



ARL100175849-G



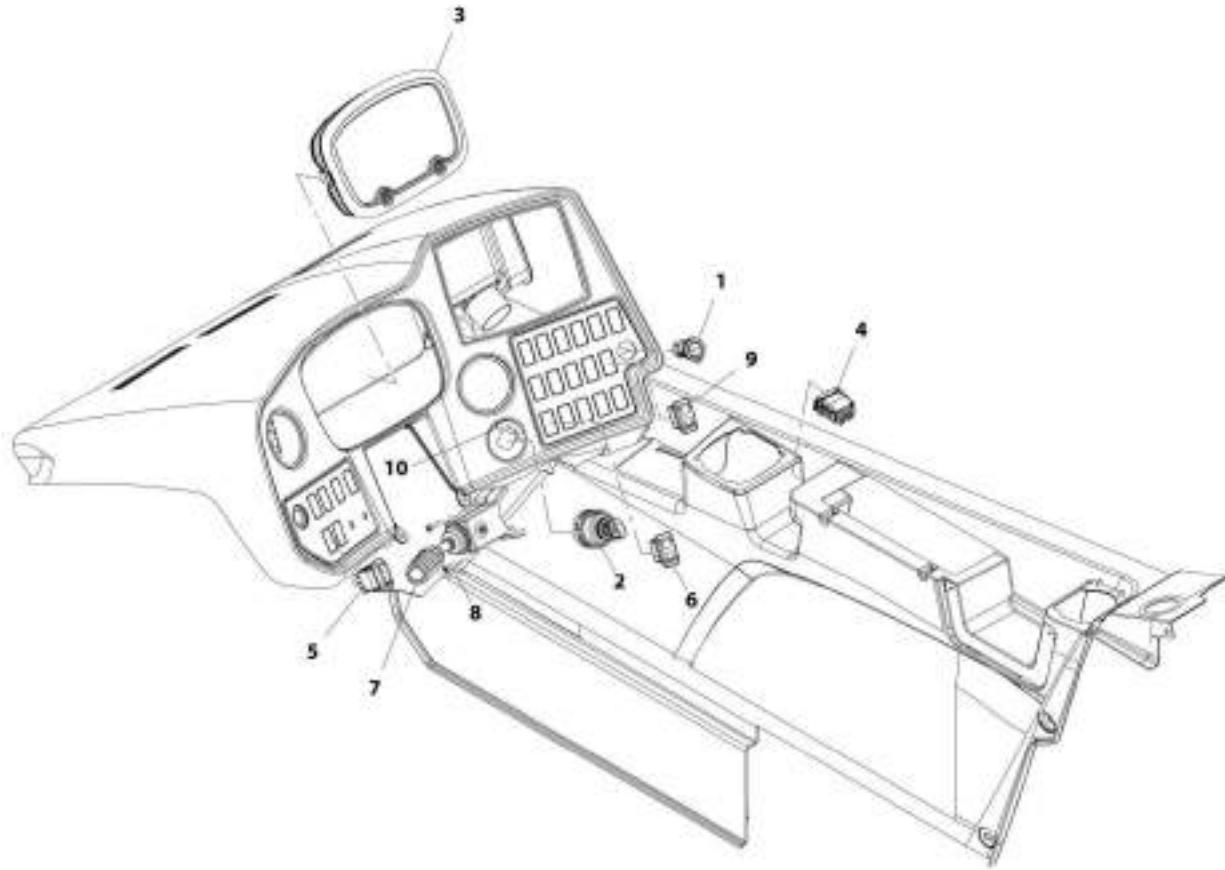
## SECTION 10 - ELECTRICAL

**FIGURE 10-13. DASH ELECTRICAL INSTALLATION (ULS)**

ITEM	PART NUMBER	QTY	DESCRIPTION	REV
	1001173849	Ref	Dash Electrical Installation (if equipped for ULS)	G
1	1001095804	1	Connector, 12V Power Socket	
2	1001102502	1	Switch, 4 Position Key	
2	70022765	1	Key, Ignition	
3	1001158146	1	Cluster, Electrical Gauge	
4	1001189876	1	Switch, Frame Level <b>(Prior to SN 0160081665)</b>	
4	1001212470	1	Switch, Frame Level <b>(SN 0160081665 to Present)</b>	
5	1001159753	1	Switch, Park Brake	
6	1001159849	1	Switch, Steer Mode	
7	1001163698	1	Switch, FNR 4 Speed	
8	4031607	2	Screw, M5-0.8X16	
10	1001104654	1	Switch, AUX	
11	1001181531	1	Decal, Ignition Switch	

# SECTION 10 - ELECTRICAL

FIGURE 10-14. DASH ELECTRICAL INSTALLATION (LS)



ART\_1001203225-C

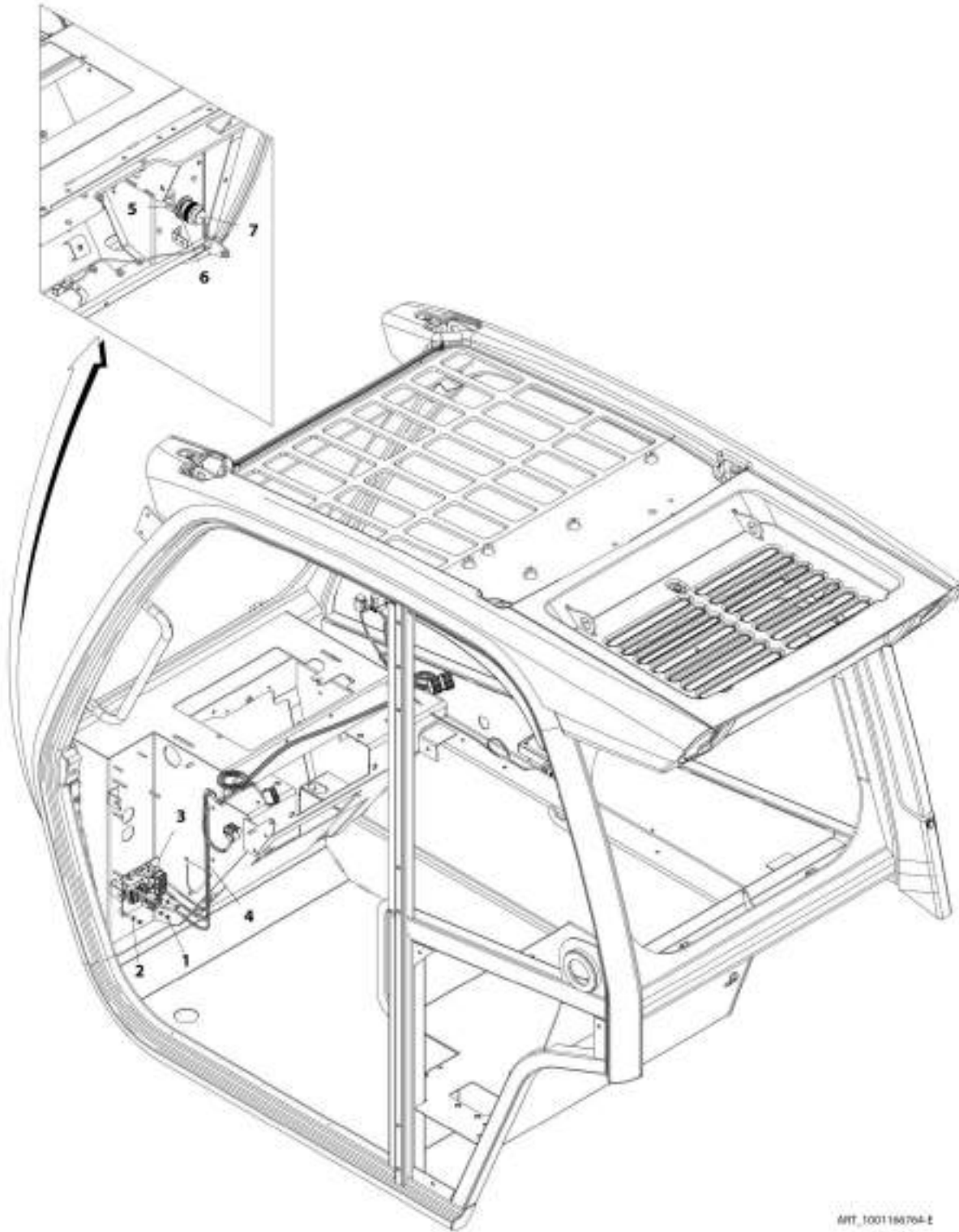
## SECTION 10 - ELECTRICAL

**FIGURE 10-14. DASH ELECTRICAL INSTALLATION (LS)**

ITEM	PART NUMBER	QTY	DESCRIPTION	REV
	1001203225	Ref	Dash Electrical Installation (if equipped for LS)	C
1	1001095804	1	Connector, 12V Power Socket	
2	1001102502	1	Switch, 4 Position Key	
2	70022765	1	Key, Ignition	
3	1001202454	1	Cluster, Electrical Gauge	
4	1001189876	1	Switch, Frame Level <b>(Prior to SN 0160081665)</b>	
4	1001212470	1	Switch, Frame Level <b>(SN 0160081665 to Present)</b>	
5	1001159753	1	Switch, Park Brake	
6	1001159849	1	Switch, Steer Mode	
7	1001163698	1	Switch, FNR 4 Speed	
8	4031607	2	Screw, M5-0.8X16	
9	1001104654	1	Switch, AUX	
10	1001181531	1	Decal, Ignition Switch	

# SECTION 10 - ELECTRICAL

FIGURE 10-15. OPEN CAB ELECTRICAL INSTALLATION WITH OPTIONS



MTT\_1001166704-E

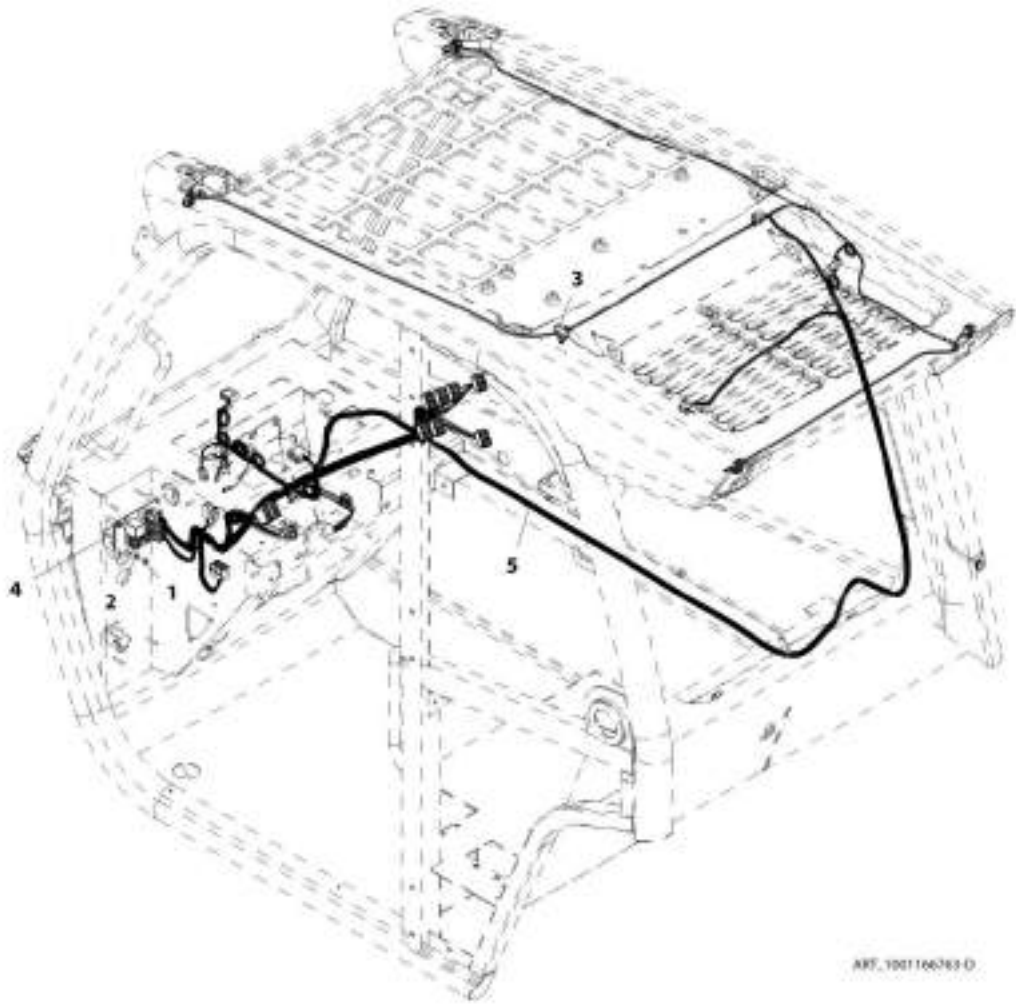
## SECTION 10 - ELECTRICAL

**FIGURE 10-15. OPEN CAB ELECTRICAL INSTALLATION WITH OPTIONS**

ITEM	PART NUMBER	QTY	DESCRIPTION	REV
	1001166764	Ref	Open Cab Electrical Installation with Options	E
1	3290501	3	Nut, M5X0.8	
2	120034	3	Washer, Plastic	
3	1001161771	1	Assembly, Option 2 Electrical Board (See OPTION 2 ELECTRICAL BOARD ASSEMBLY for Breakdown)	
4	1001163372	1	Harness, Option 2 Cab (See OPTION 2 CAB HARNESS for Breakdown)	
5	4460496	1	Washer, Terminal Lock	
6	4460497	1	Nut, Terminal	
7	1001181573	1	Harness, Cab Option (See CAB OPTION HARNESS for Breakdown)	

# SECTION 10 - ELECTRICAL

FIGURE 10-16. ENCLOSED CAB ELECTRICAL INSTALLATION WITH OPTIONS



ART. 101166783-D

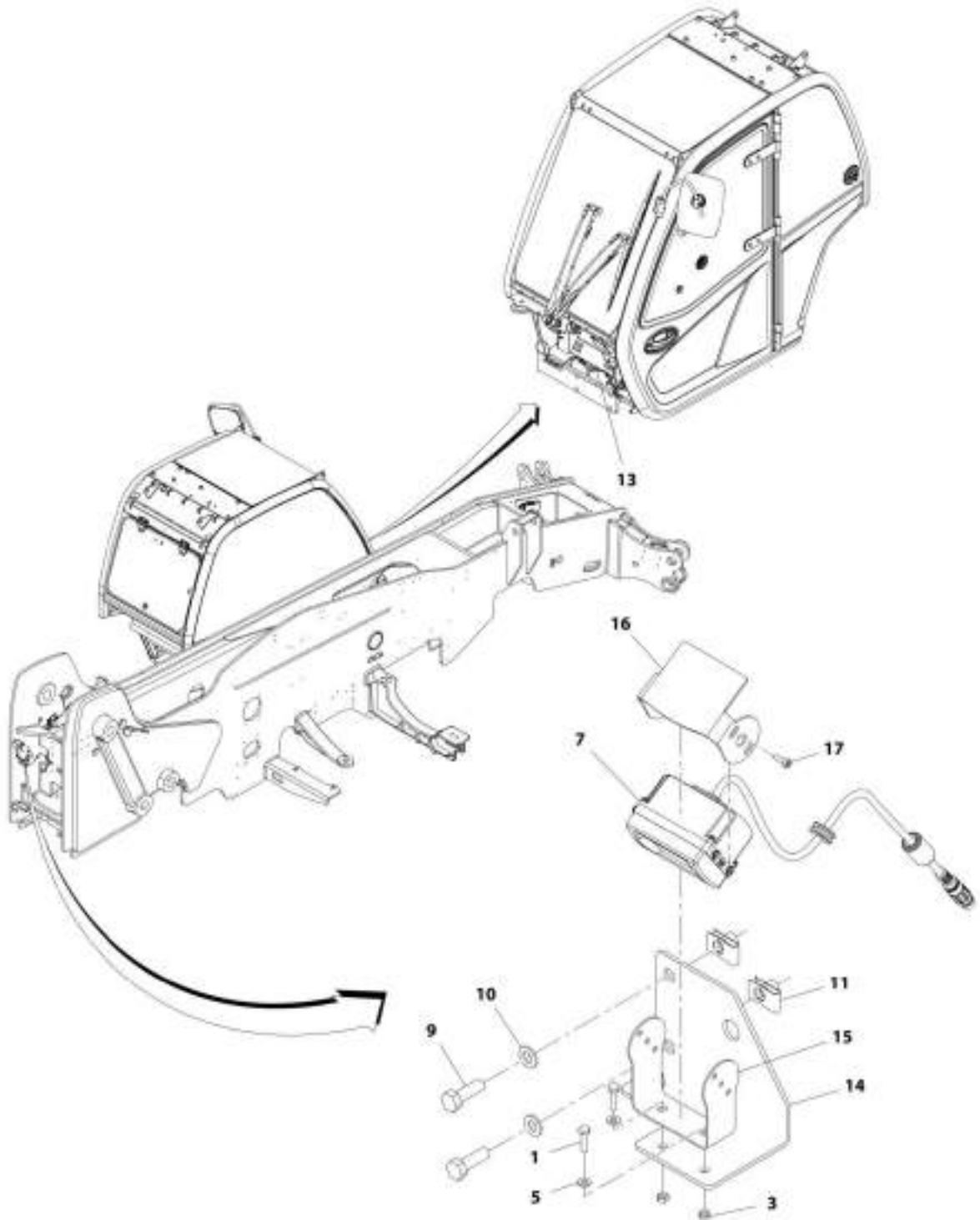
## SECTION 10 - ELECTRICAL

**FIGURE 10-16. ENCLOSED CAB ELECTRICAL INSTALLATION WITH OPTIONS**

ITEM	PART NUMBER	QTY	DESCRIPTION	REV
	1001166763	Ref	Enclosed Cab Electrical Installation with Options	D
1	3290501	1	Nut, M5X0.8	
2	120034	1	Washer, Plastic	
3	1001146588	1	Strap, Cable Tie	
4	1001161770	1	Assembly, Option 1 Electrical Board (See OPTION 1 ELECTRICAL BOARD ASSEMBLY for Breakdown)	
5	1001163371	1	Harness, Option 1 Cab (See OPTION 1 CAB HARNESS for Breakdown)	

# SECTION 10 - ELECTRICAL

## FIGURE 10-17. REVERSE CAMERA INSTALLATION



ARF\_1001108031-E



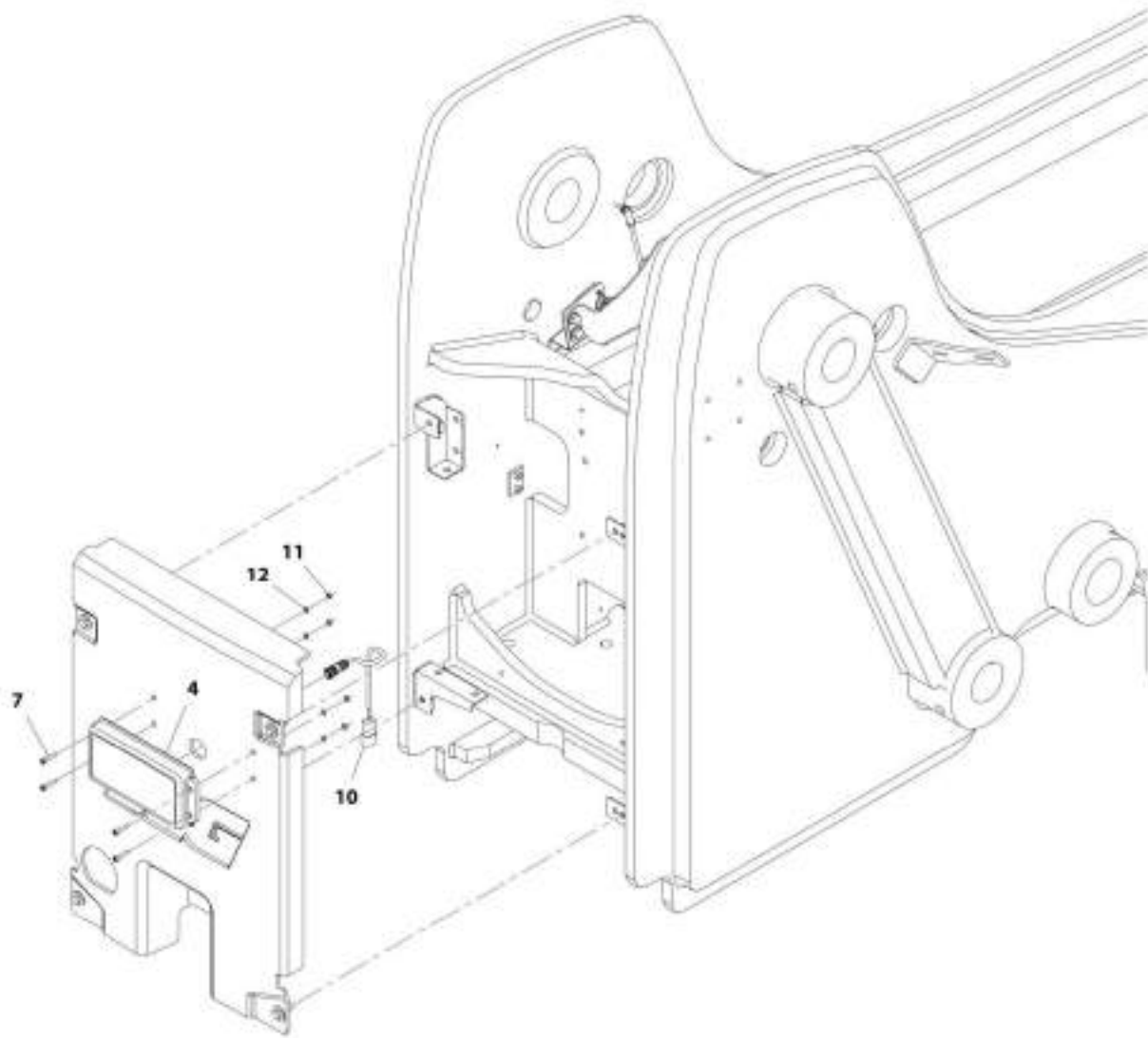
## SECTION 10 - ELECTRICAL

### FIGURE 10-17. REVERSE CAMERA INSTALLATION

ITEM	PART NUMBER	QTY	DESCRIPTION	REV
	1001168031	Ref	Reverse Camera Installation	E
1	0700408	2	Bolt, M4X16	
3	3290401	2	Nut, M4X0.7	
5	4811400	2	Washer, M4	
7	1001167017	1	Camera	
9	0760812	3	Bolt, M8X25	
10	4811900	3	Washer, M8	
11	8310686	3	Nut, Retainer M8X12.5	
13	1001171962	1	Cable, Reverse Camera	
14	1001202620	1	Bracket, Camera Mount	
15	1001202621	1	Bracket, Camera Mount	
16	1001202622	1	Bracket	
17	4031205	4	Bolt, M3X10	

# SECTION 10 - ELECTRICAL

## FIGURE 10-18. REVERSE SENSOR INSTALLATION



ART\_1001172590-H

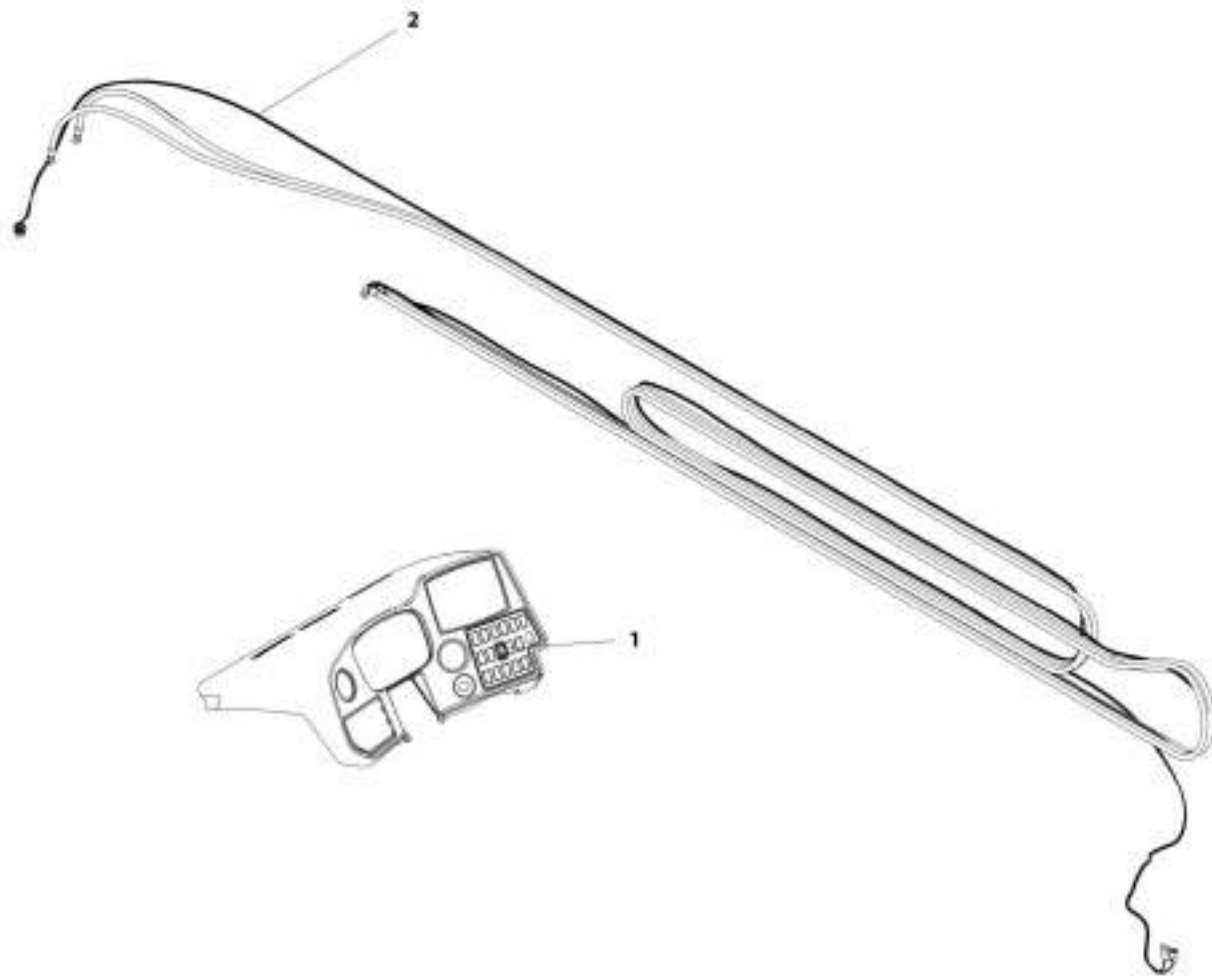
## SECTION 10 - ELECTRICAL

### FIGURE 10-18. REVERSE SENSOR INSTALLATION

ITEM	PART NUMBER	QTY	DESCRIPTION	REV
	1001172536	Ref	Installation, Reverse Sensor	H
4	1001189997	1	Sensor, Reverse	
7	5271609	4	Screw, M5X25	
10	1001175776	1	Harness, Reverse Sensor (See REVERSE SENSOR HARNESS for Breakdown)	
11	3290501	4	Nut, M5X0.8	
12	4811600	4	Washer, M5	

# SECTION 10 - ELECTRICAL

FIGURE 10-19. BOOM AUXILIARY ELECTRIC INSTALLATION



ART 3001185494-A

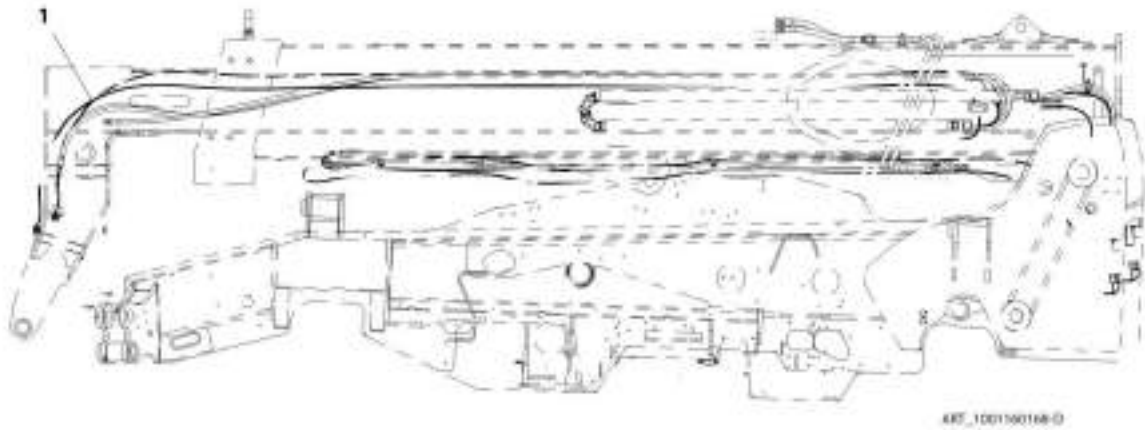
## SECTION 10 - ELECTRICAL

### FIGURE 10-19. BOOM AUXILIARY ELECTRIC INSTALLATION

ITEM	PART NUMBER	QTY	DESCRIPTION	REV
	1001185494	Ref	Boom Auxiliary Electric Installation	A
1	1001159746	1	Switch, AUX	
2	1001160168	1	Installation, Boom Auxiliary Electric Harness (See BOOM AUXILIARY ELECTRIC HARNESS INSTALLATION for Breakdown)	

# SECTION 10 - ELECTRICAL

FIGURE 10-20. BOOM AUXILIARY ELECTRIC HARNESS INSTALLATION



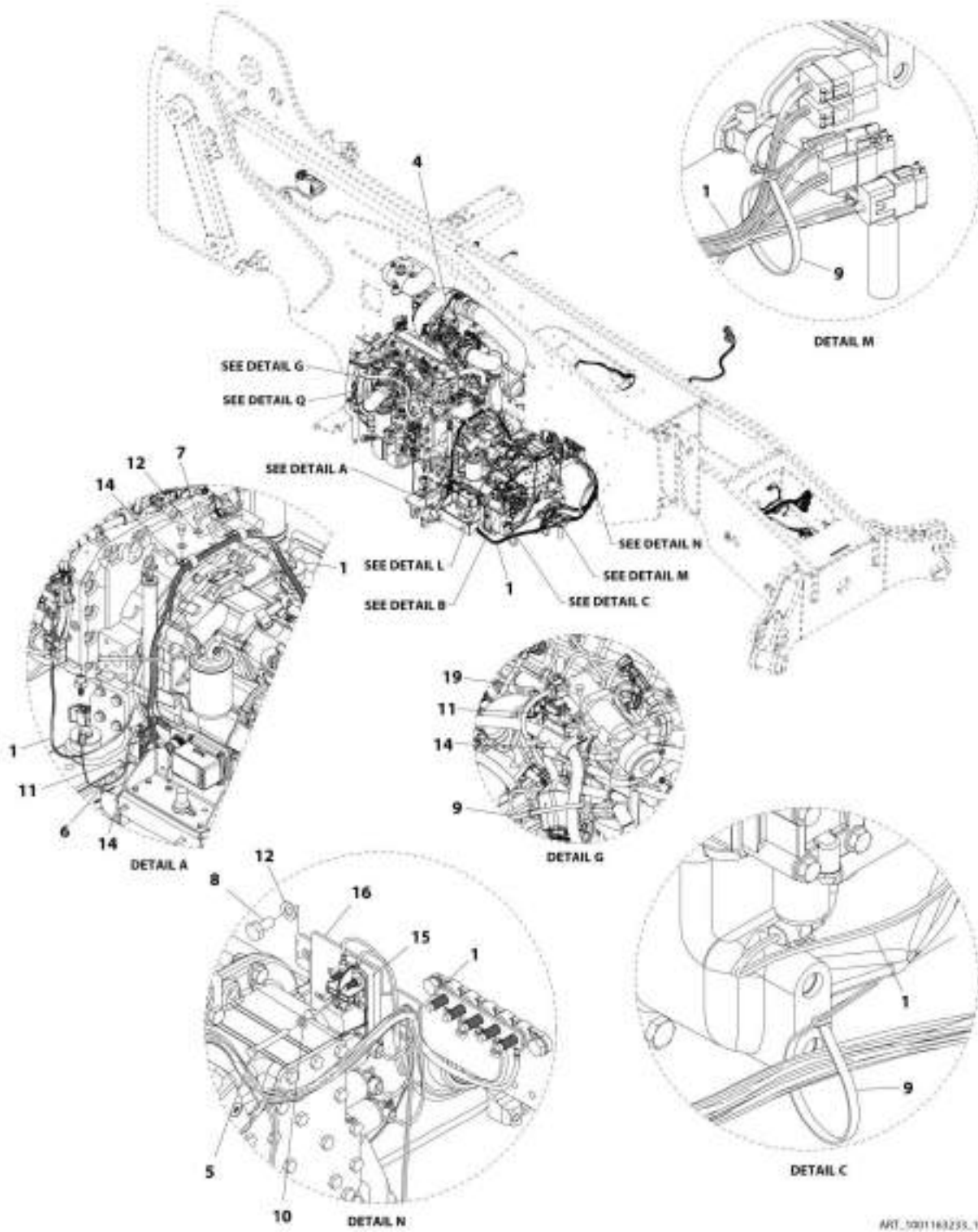
## SECTION 10 - ELECTRICAL

**FIGURE 10-20. BOOM AUXILIARY ELECTRIC HARNESS INSTALLATION**

ITEM	PART NUMBER	QTY	DESCRIPTION	REV
1	1001160168 1001166323	Ref 1	Boom Auxiliary Electric Harness Installation Harness, Boom Auxiliary (See BOOM AUXILIARY HARNESS for Breakdown)	D

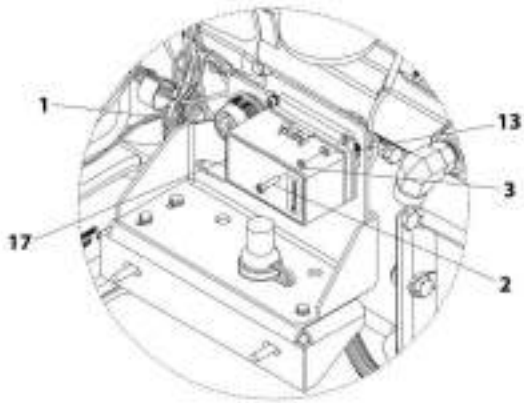
# SECTION 10 - ELECTRICAL

## FIGURE 10-21. ENGINE WIRING INSTALLATION (ULS)

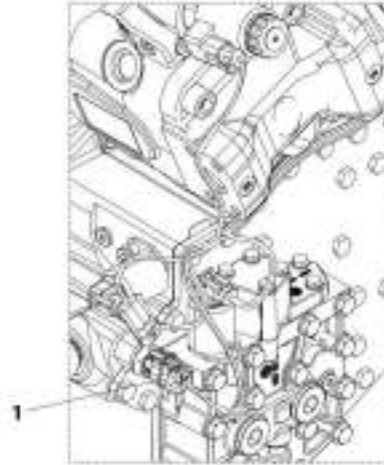




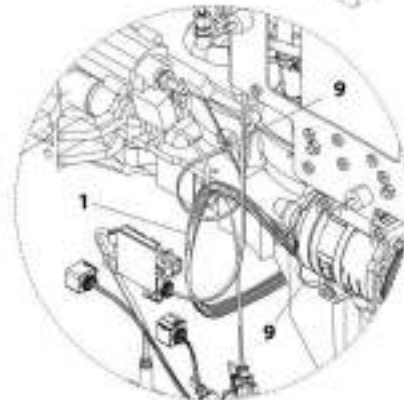
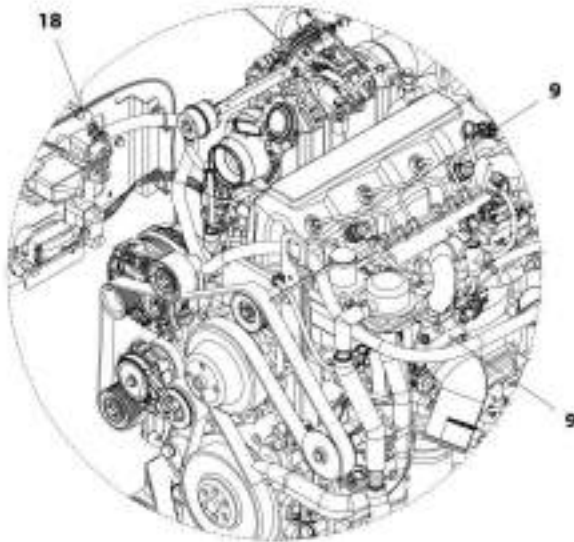
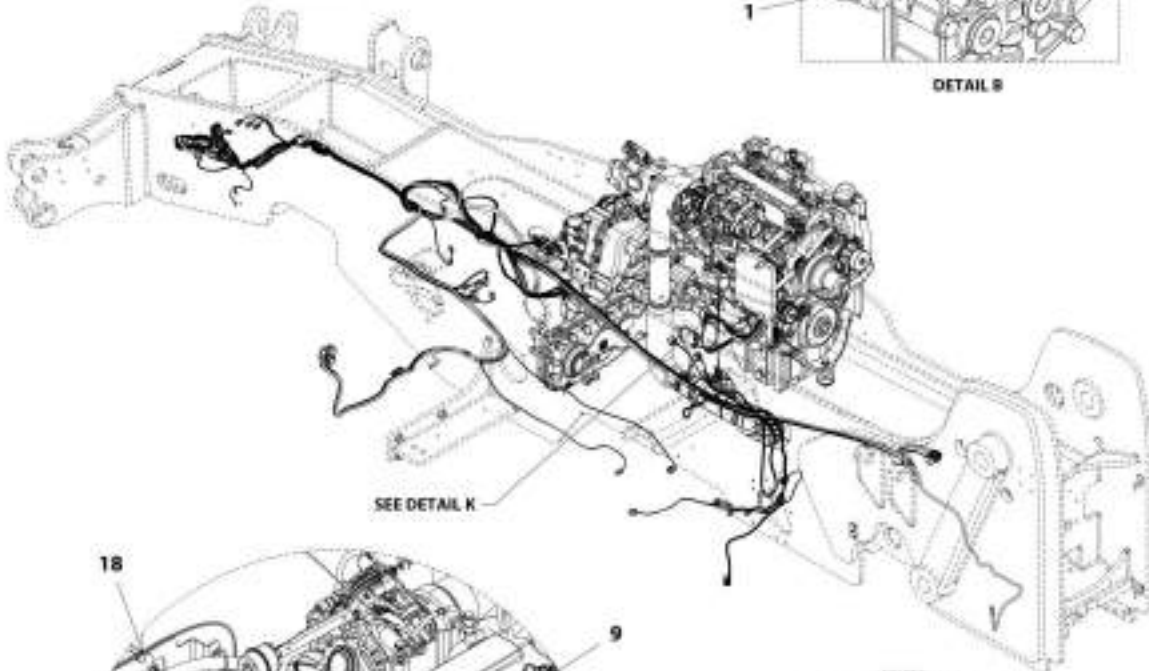
# SECTION 10 - ELECTRICAL



DETAIL L



DETAIL B



DETAIL K

ART\_1001163233\_3-K



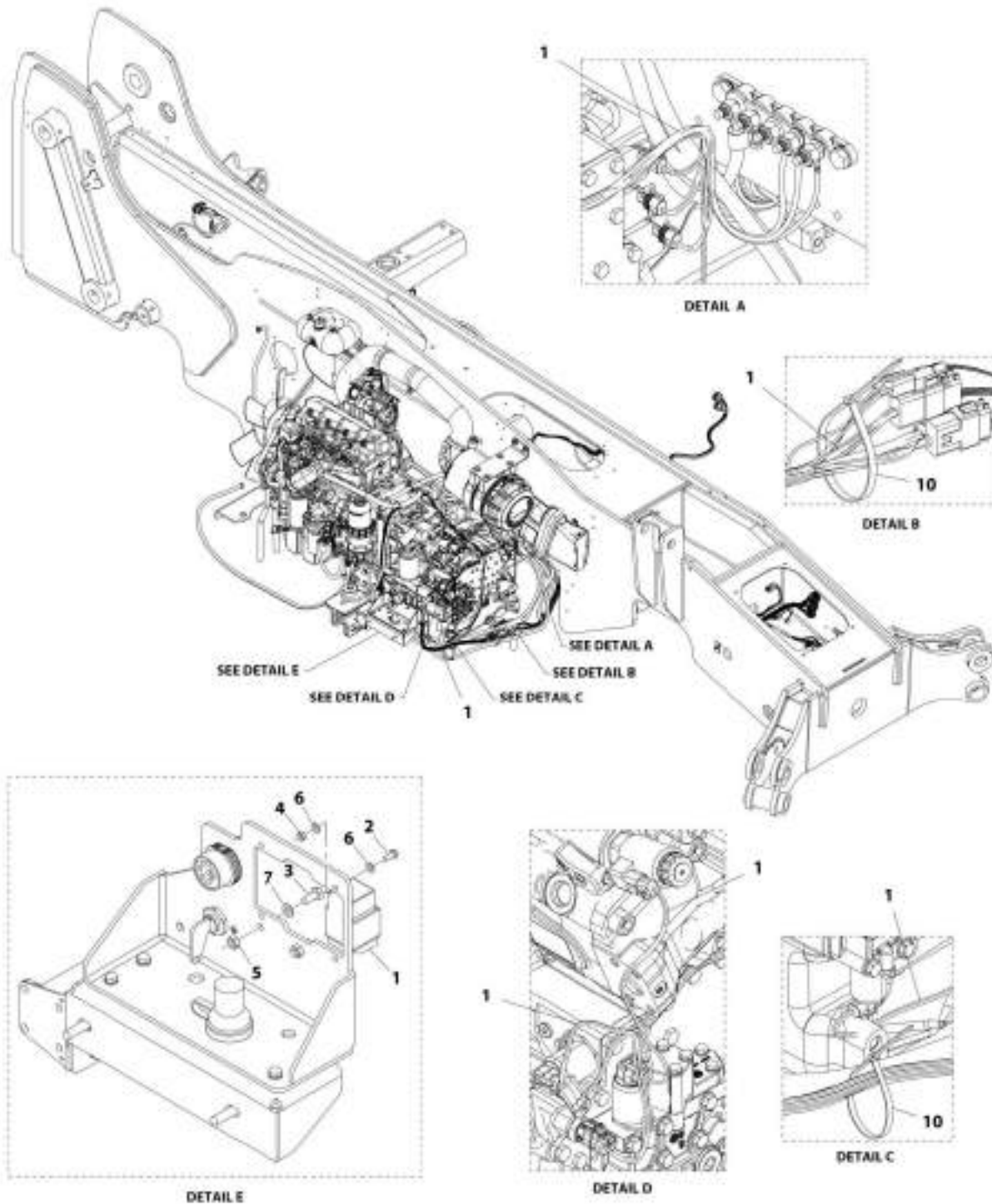
## SECTION 10 - ELECTRICAL

**FIGURE 10-21. ENGINE WIRING INSTALLATION (ULS)**

ITEM	PART NUMBER	QTY	DESCRIPTION	REV
1	1001163233	Ref	Engine Wiring Installation (if equipped for ULS)	K
		Ref	Harness, Engine (if equipped for ULS) (See Separate Breakdown in this Section)	
2	4031608	4	Screw, M5X20	
3	4811600	4	Washer, M5	
4	1001184835	1	Harness	
5	0700618	1	Bolt, M6X50	
6	0760808	1	Bolt, M8X16	
7	0761007	2	Bolt, M10X14	
8	0761010	2	Bolt, M10X20	
9	1062255	8	Strap, Tie	
10	4811700	1	Washer, M6	
11	4811900	2	Washer, M8	
12	4812000	4	Washer, M10	
13	4831600	4	Washer, Lock M5	
14	8406201	4	Clip, Tube	
15	1001131177	1	Fuse, Power Module	
16	1001189046	1	Bracket	
17	1001191486	1	Decal	
18	1001167646	1	Connector, Strain Relief	
19	0760807	1	Bolt, M8X14	

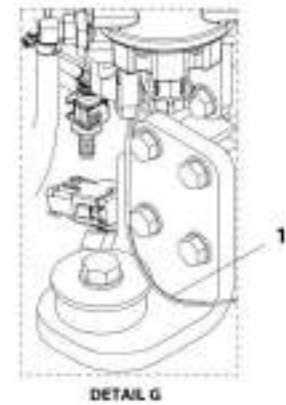
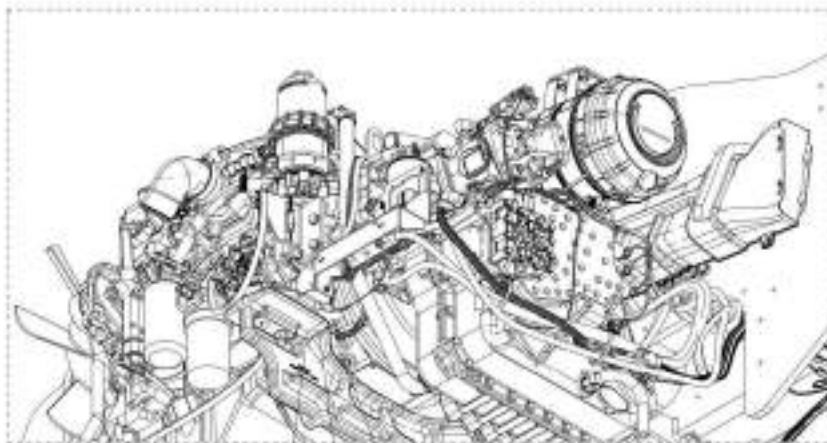
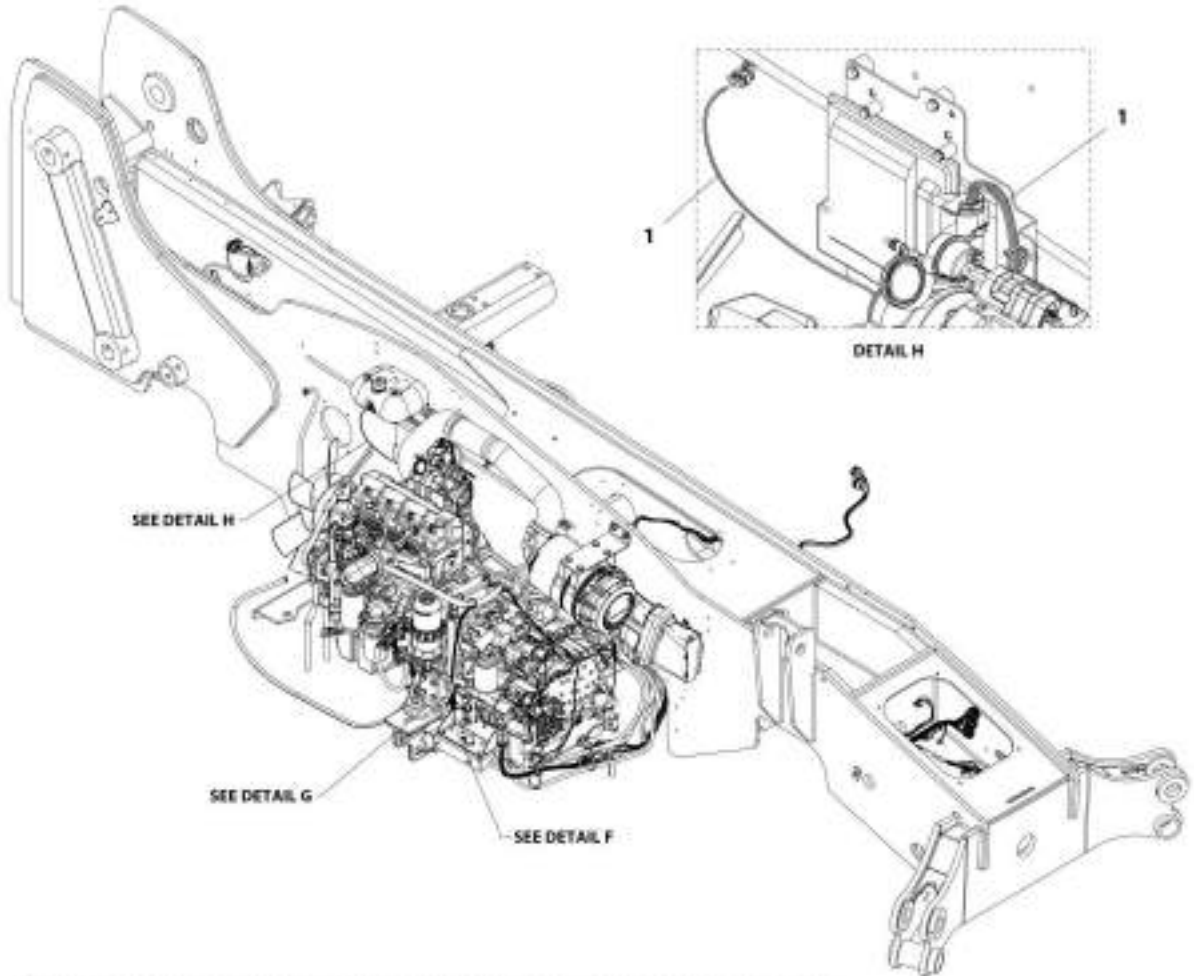
# SECTION 10 - ELECTRICAL

## FIGURE 10-22. ENGINE WIRING INSTALLATION (LS)



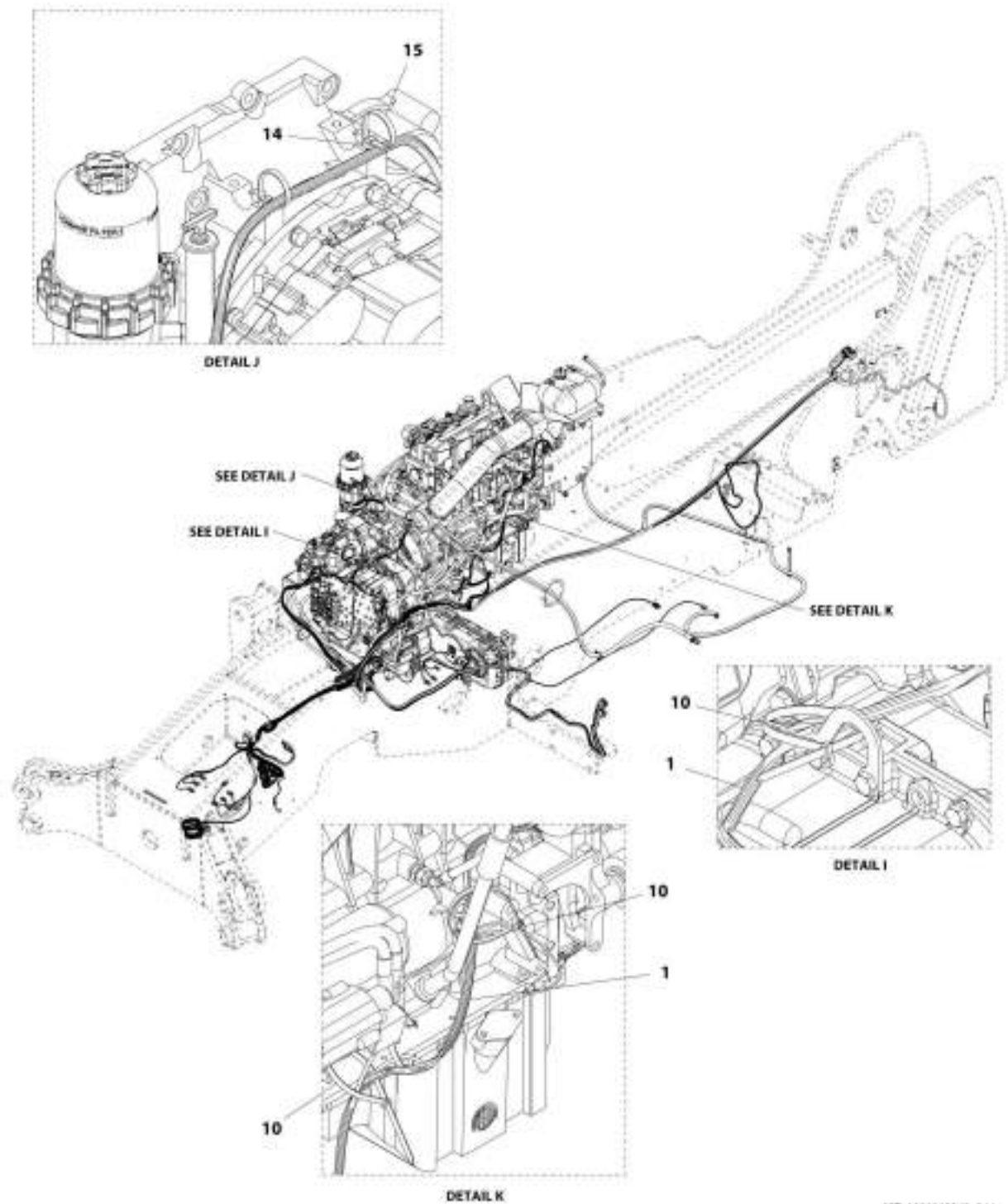
ART\_1001163242\_I-H

# SECTION 10 - ELECTRICAL



ART\_1001185242\_2-H

# SECTION 10 - ELECTRICAL



## SECTION 10 - ELECTRICAL

**FIGURE 10-22. ENGINE WIRING INSTALLATION (LS)**

ITEM	PART NUMBER	QTY	DESCRIPTION	REV
1	1001163242	Ref	Engine Wiring Installation (if equipped for LS)	H
		Ref	Harness, Engine (if equipped for LS) (See Separate Breakdown in this Section)	
2	0760405	1	Bolt, M4X10	
3	0760607	2	Bolt, M6X14	
4	3290401	1	Nut, M4X0.7	
5	3290601	2	Nut, M6X1 Grade 8	
6	4811400	2	Washer, M4	
7	4811700	2	Washer, M6	
8	0760808	1	Bolt, M8X16	
10	1062255	5	Strap, Tie	
11	4811900	1	Washer, M8	
13	8406201	1	Clip, Tube	
14	1001202986	2	Strap, Push Mount	
15	1001008559	2	Strap	





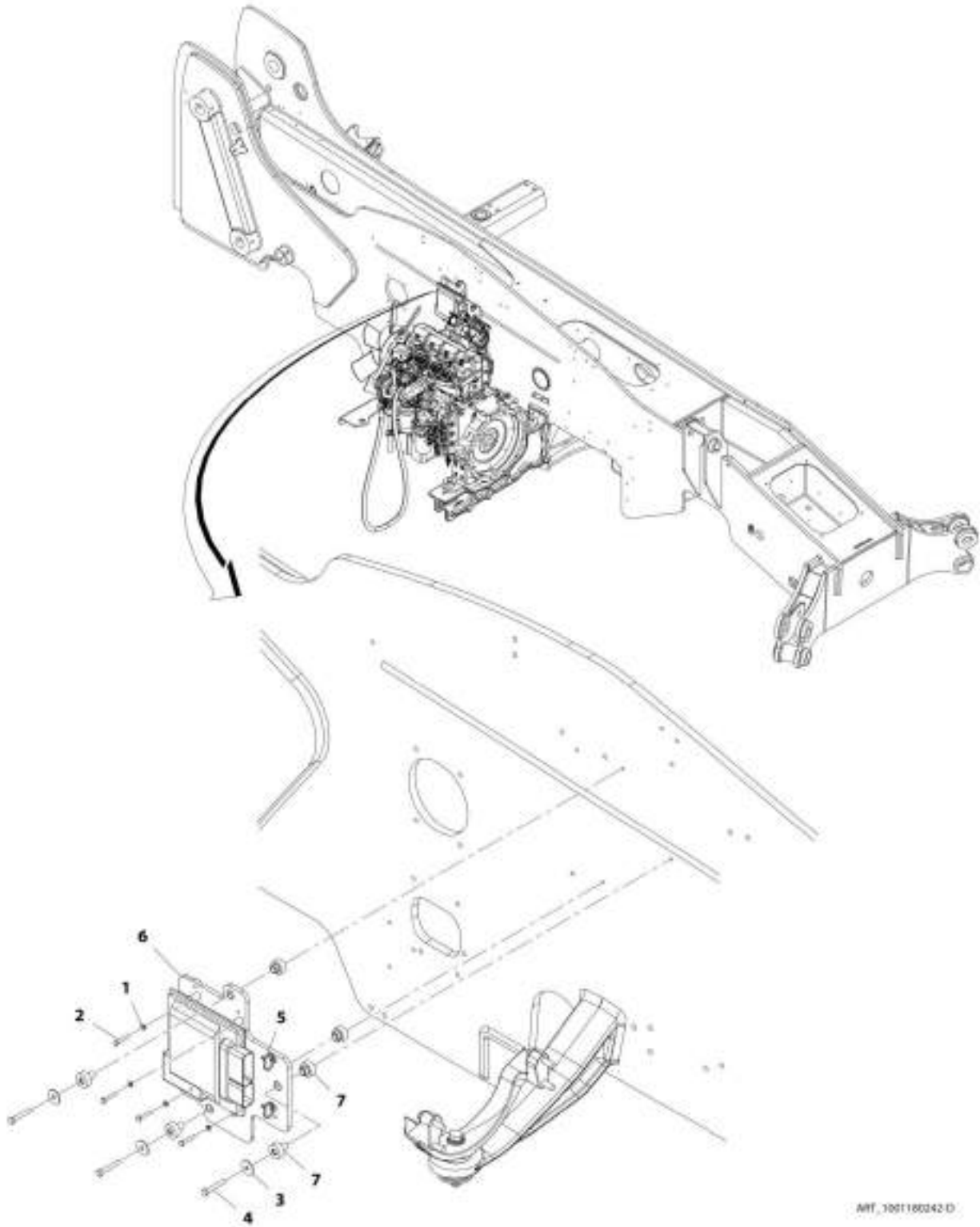
## SECTION 10 - ELECTRICAL

**FIGURE 10-23. ENGINE ECU INSTALLATION (ULS)**

ITEM	PART NUMBER	QTY	DESCRIPTION	REV
	1001170722	Ref	Engine ECU Installation (if equipped for ULS)	G
1	5250814	4	Bolt, M8X30	
7	1001146588	1	Strap, Tie	
8	1001179907	4	Mount, Isolator	

# SECTION 10 - ELECTRICAL

## FIGURE 10-24. ENGINE ECM INSTALLATION (LS)



AWT\_1001180342.D

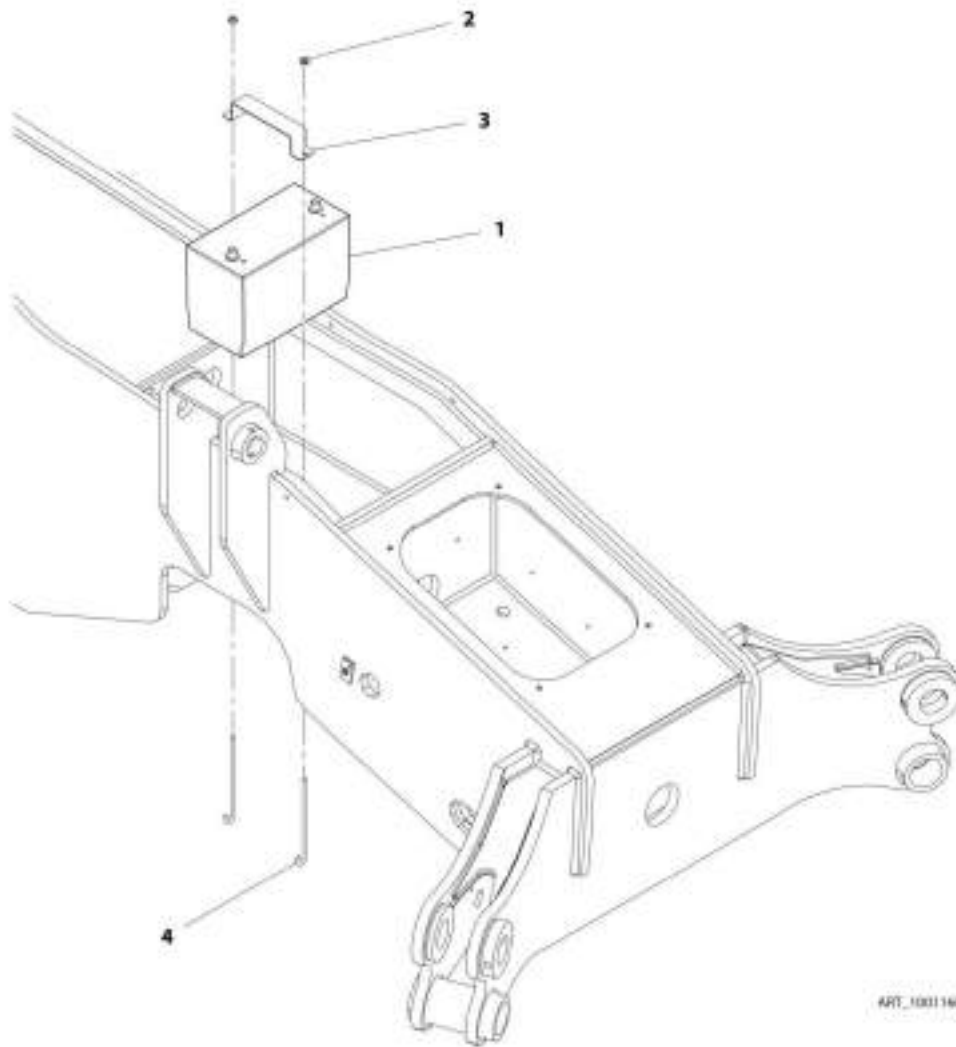
## SECTION 10 - ELECTRICAL

**FIGURE 10-24. ENGINE ECM INSTALLATION (LS)**

ITEM	PART NUMBER	QTY	DESCRIPTION	REV
	1001180242	Ref	Engine ECM Installation (if equipped for LS)	D
1	4811700	4	Washer, M6	
2	0760615	4	Bolt, M6X35	
3	1001195089	3	Washer	
4	0700819	3	Bolt, M8X55	
5	1001146588	2	Strap	
6	1001192468	1	Bracket	
7	1001192471	3	Mount, Isolator	

# SECTION 10 - ELECTRICAL

## FIGURE 10-25. BATTERY INSTALLATION



ART\_1001160711-C

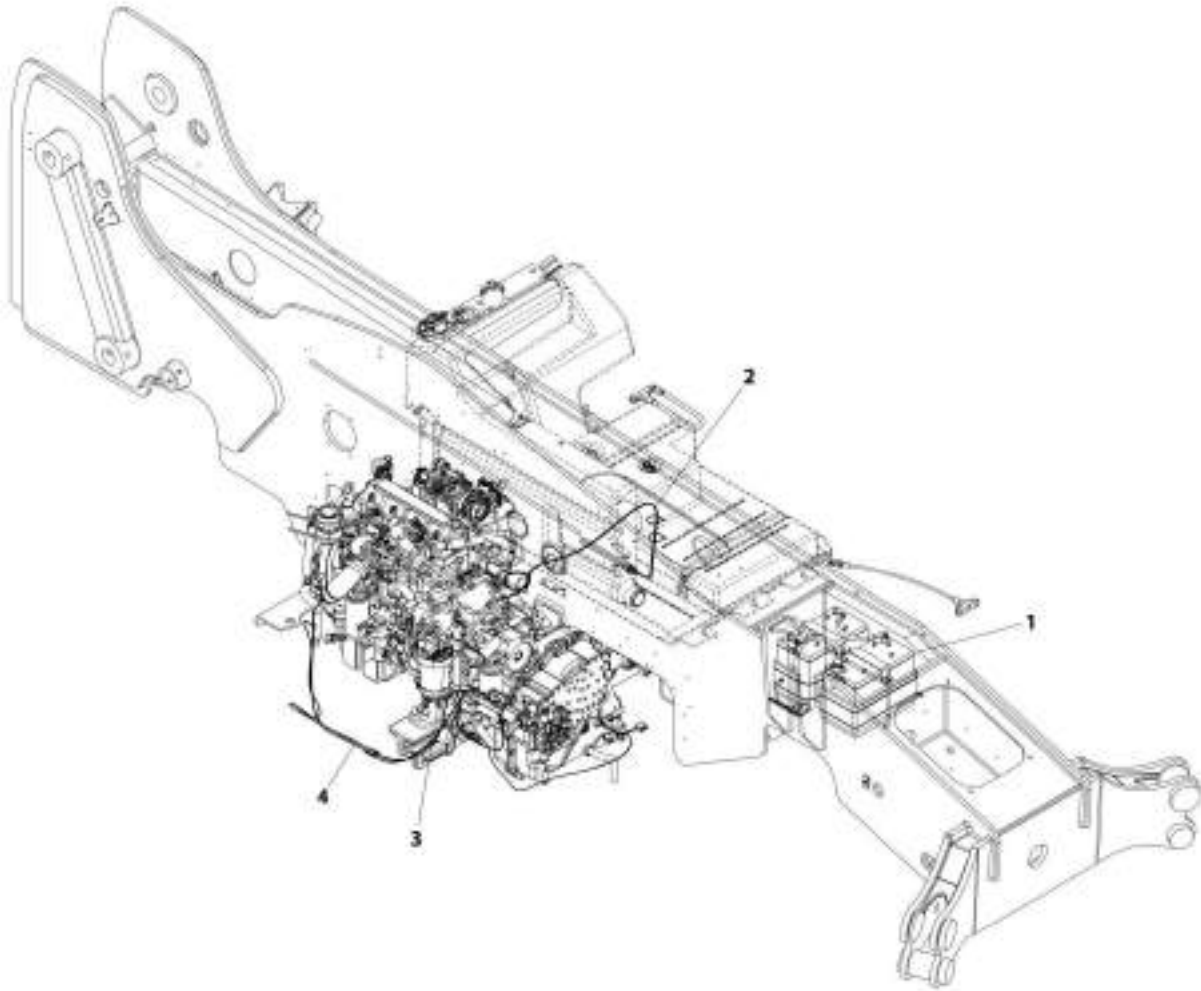
## SECTION 10 - ELECTRICAL

### FIGURE 10-25. BATTERY INSTALLATION

ITEM	PART NUMBER	QTY	DESCRIPTION	REV
	1001160711	Ref	Battery Installation	C
1	0400075	1	Battery, 12V Group 31	
2	5220800	2	Nut, M8	
3	1001160927	1	Plate, Battery Hold Down	
4	1001181961	2	J-Bolt	

# SECTION 10 - ELECTRICAL

FIGURE 10-26. ARCTIC COLD WEATHER PACKAGE INSTALLATION (ULS)



MT\_1001190129-D

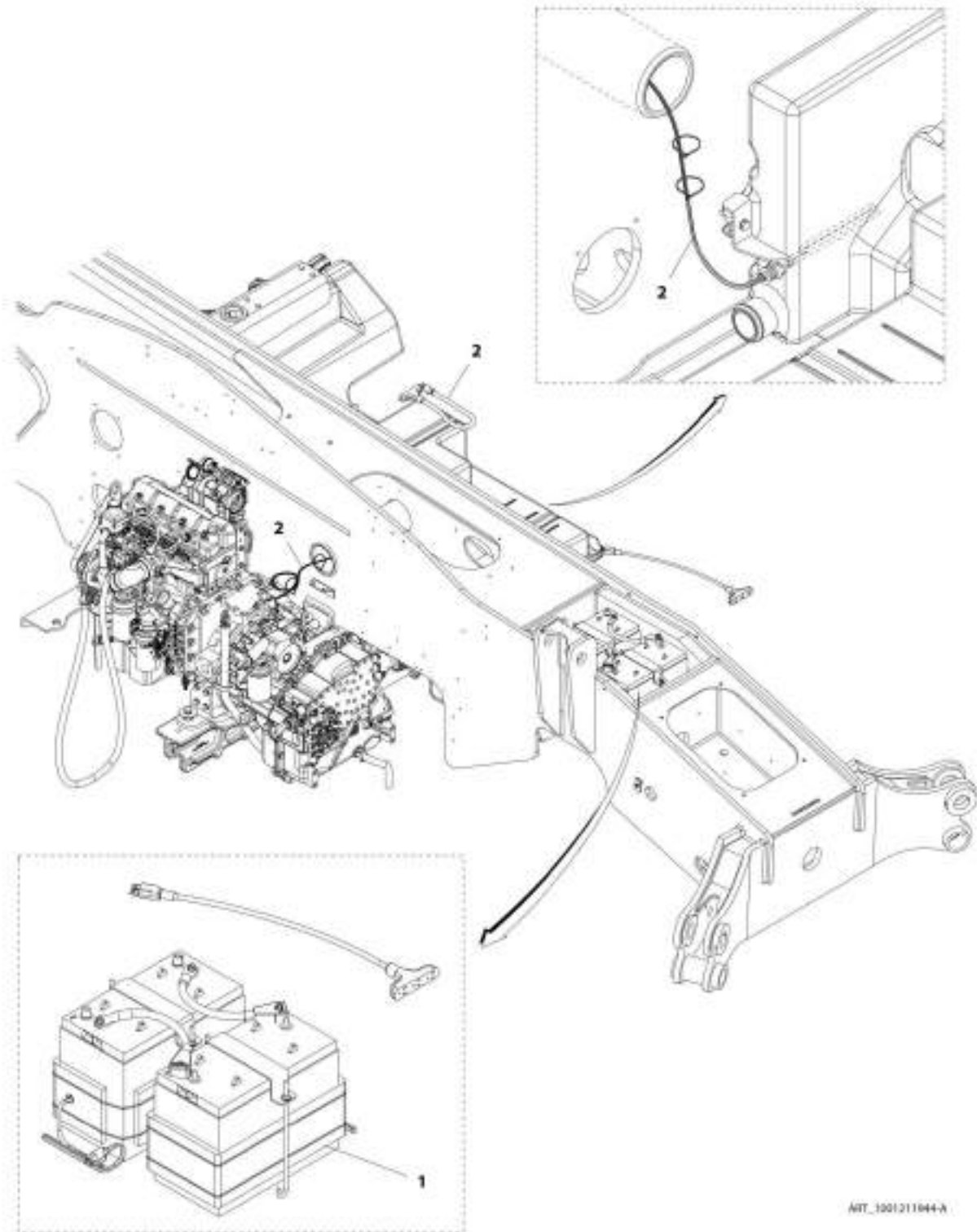
## SECTION 10 - ELECTRICAL

**FIGURE 10-26. ARCTIC COLD WEATHER PACKAGE INSTALLATION (ULS)**

ITEM	PART NUMBER	QTY	DESCRIPTION	REV
1	1001190179	Ref	Arctic Cold Weather Package Installation (if equipped for ULS)	D
	1001190670	1	Installation, Arctic Batteries (See ARCTIC BATTERIES INSTALLATION for Breakdown)	
2	1001190671	1	Installation, Tank Heater (See HYDRAULIC TANK HEATER INSTALLATION for Breakdown)	
3	1001204095	1	Installation, Fuel Filter Heater (See FUEL FILTER HEATER INSTALLATION for Breakdown)	
4	1001232751	1	Heater, Breather (See Separate Breakdown in ENGINE AND ATTACHING PARTS Section)	

# SECTION 10 - ELECTRICAL

## FIGURE 10-27. ARCTIC COLD WEATHER PACKAGE INSTALLATION (LS)





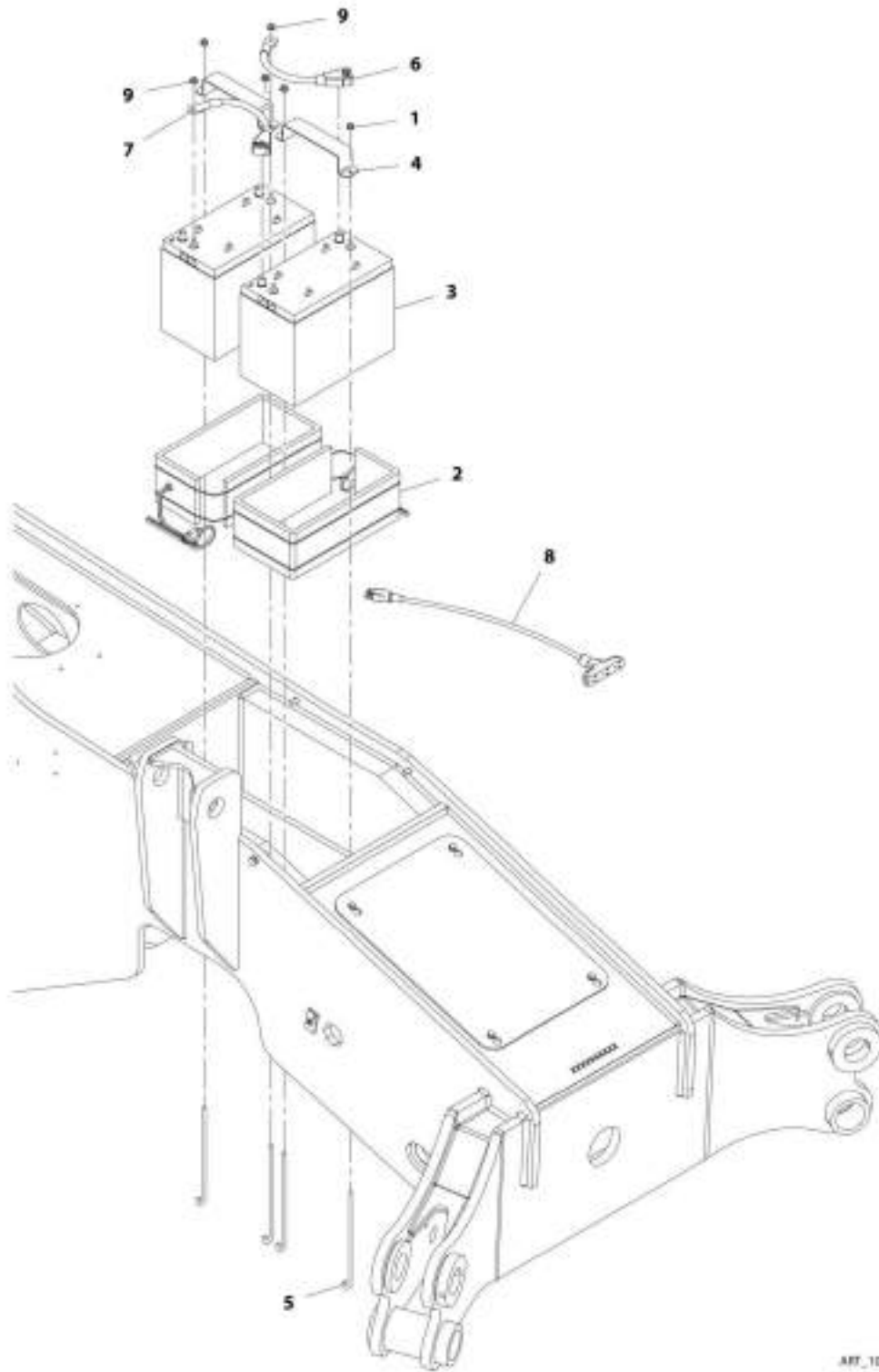
## SECTION 10 - ELECTRICAL

**FIGURE 10-27. ARCTIC COLD WEATHER PACKAGE INSTALLATION (LS)**

ITEM	PART NUMBER	QTY	DESCRIPTION	REV
1	1001211944	Ref	Arctic Cold Weather Package Installation (if equipped for LS)	A
	1001190670	1	Installation, Arctic Batteries (See ARCTIC BATTERIES INSTALLATION for Breakdown)	
2	1001190671	1	Installation, Tank Heater (See HYDRAULIC TANK HEATER INSTALLATION for Breakdown)	

# SECTION 10 - ELECTRICAL

## FIGURE 10-28. ARCTIC BATTERIES INSTALLATION



ARF\_1001100670-C

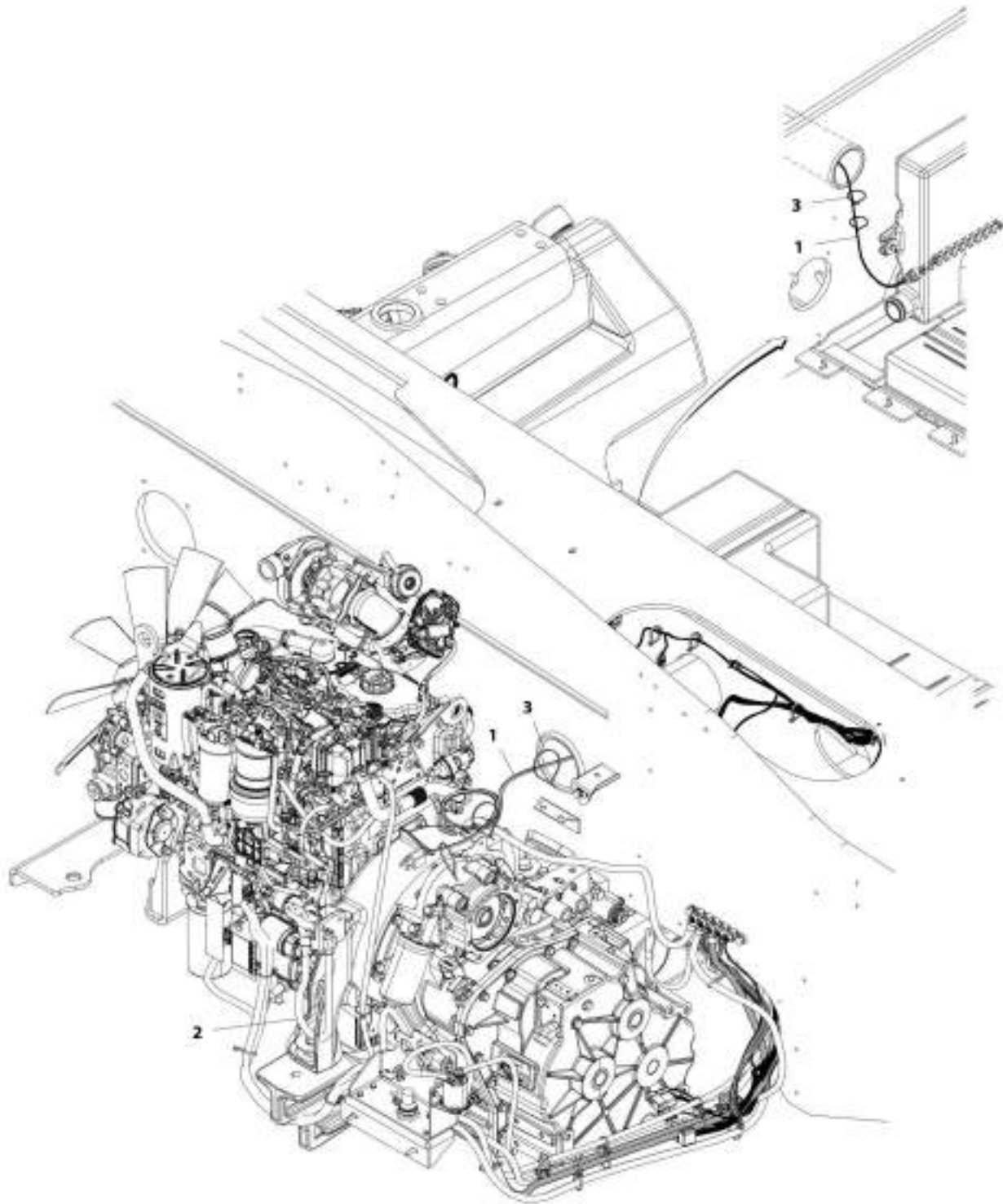
## SECTION 10 - ELECTRICAL

### FIGURE 10-28. ARCTIC BATTERIES INSTALLATION

ITEM	PART NUMBER	QTY	DESCRIPTION	REV
	1001190670	Ref	Arctic Batteries Installation	C
1	5220800	4	Nut, M8	
2	1001093564	2	Heater, Battery	
3	1001098762	2	Battery, 12V	
4	1001160927	2	Plate, Battery Hold Down	
5	1001160928	4	J-Bolt	
6	1001172495	1	Cable, Positive	
7	1001172496	1	Cable, Negative	
8	1060626	1	Cord, 3-Way Extension	
9	3311508	2	Nut, M5	

# SECTION 10 - ELECTRICAL

## FIGURE 10-29. HYDRAULIC TANK HEATER INSTALLATION



ART\_100190671-0

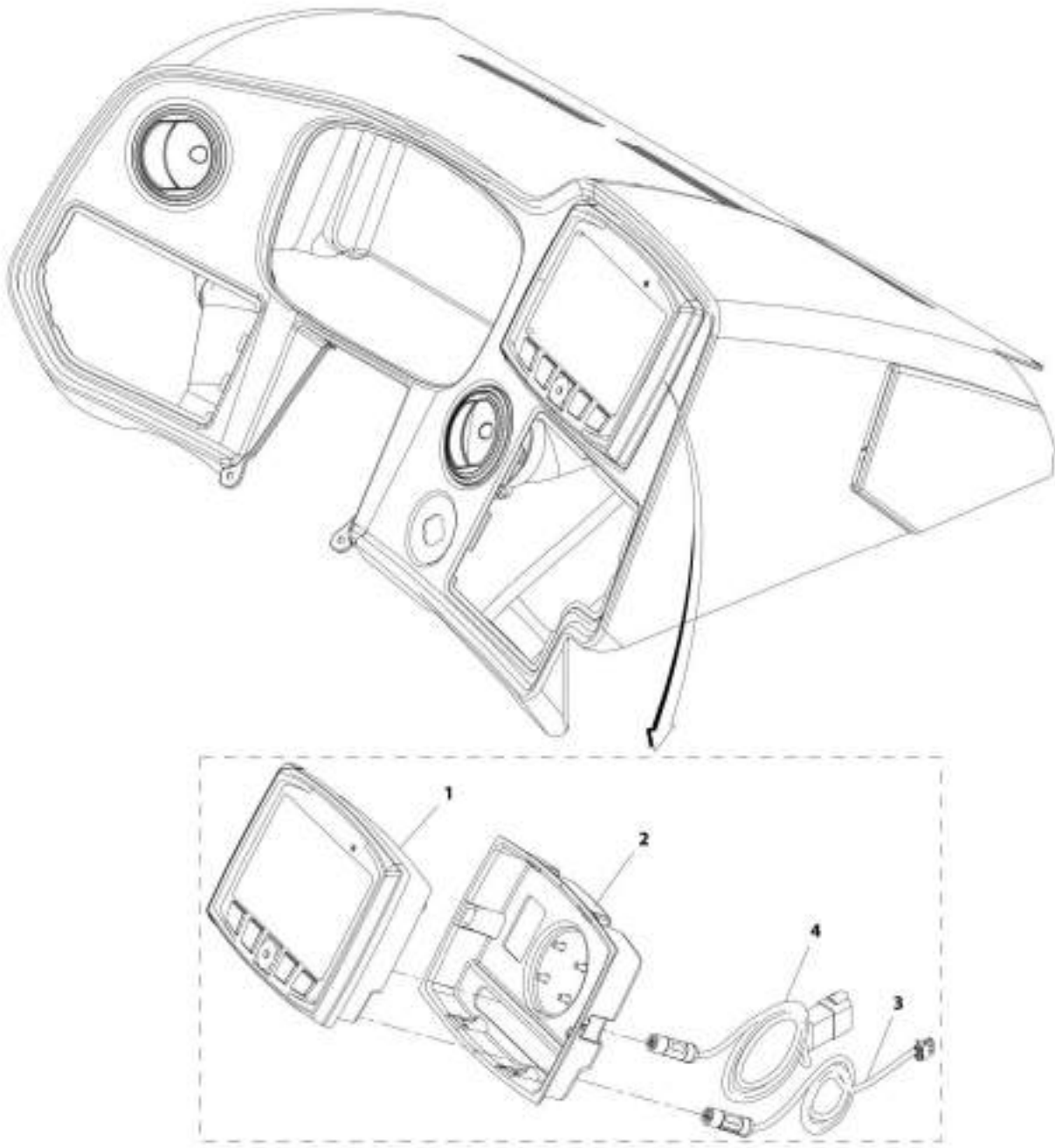
## SECTION 10 - ELECTRICAL

### FIGURE 10-29. HYDRAULIC TANK HEATER INSTALLATION

ITEM	PART NUMBER	QTY	DESCRIPTION	REV
	1001190671	Ref	Hydraulic Tank Heater Installation	B
1	1001105886	1	Heater, Immersion	
2	1060626	1	Cord, 3-Way Extension	
3	4240099	5	Wire, Tie	

# SECTION 10 - ELECTRICAL

## FIGURE 10-30. HIGH END DISPLAY INSTALLATION



APP\_1001176338-0

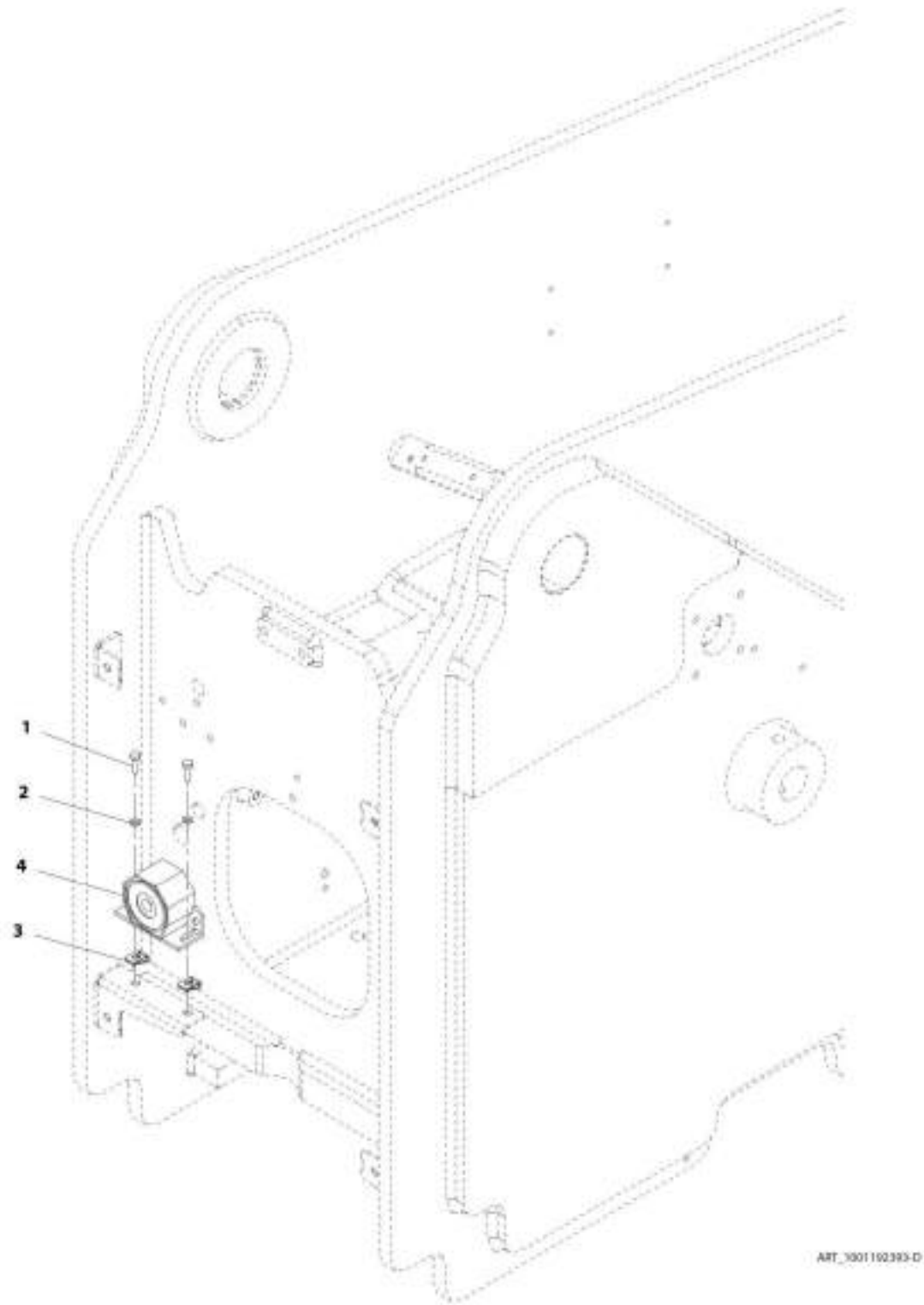
## SECTION 10 - ELECTRICAL

### FIGURE 10-30. HIGH END DISPLAY INSTALLATION

ITEM	PART NUMBER	QTY	DESCRIPTION	REV
	1001176338	Ref	High End Display Installation	B
1	1001211357	1	Display	
2	1001178783	1	Bezel	
3	1001180682	1	Cable	
4	1001180683	1	Cable, Video	

# SECTION 10 - ELECTRICAL

## FIGURE 10-31. BACKUP ALARM INSTALLATION





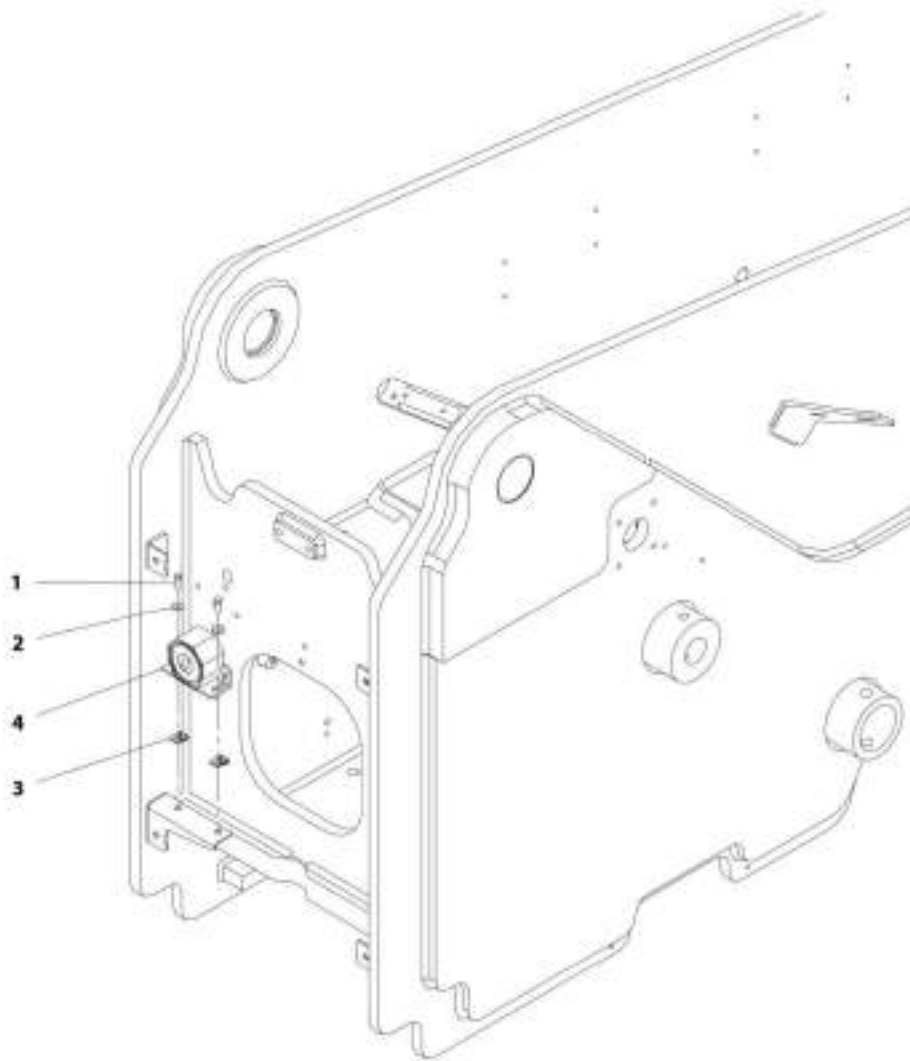
## SECTION 10 - ELECTRICAL

### FIGURE 10-31. BACKUP ALARM INSTALLATION

ITEM	PART NUMBER	QTY	DESCRIPTION	REV
	1001192393	Ref	Backup Alarm Installation	D
1	0700610	2	Bolt, M6X20	
2	4811702	2	Washer, M6	
3	8305919	2	Nut, M6	
4	1001101808	1	Alarm, Backup	

# SECTION 10 - ELECTRICAL

## FIGURE 10-32. WHITE ALARM BACKUP INSTALLATION



ART\_1001192394-D

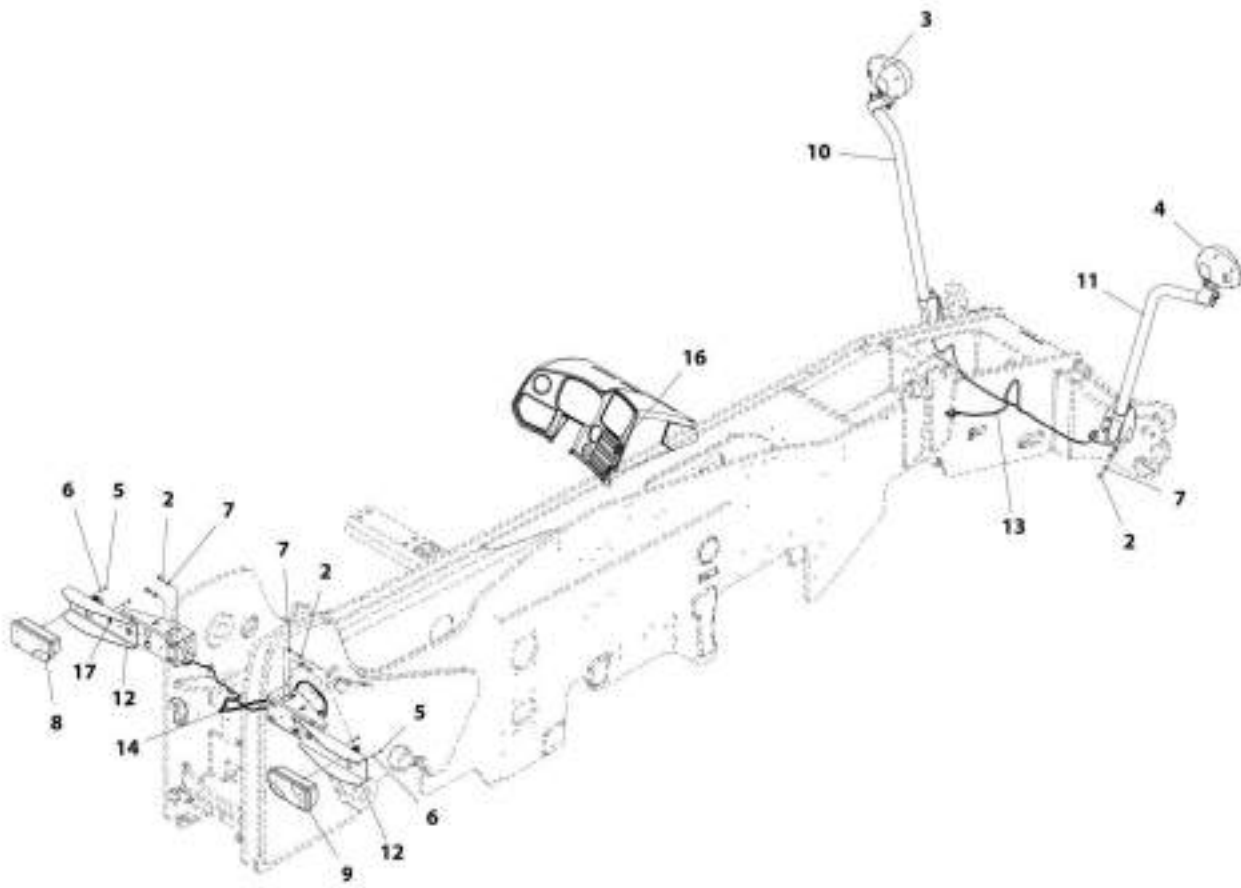
## SECTION 10 - ELECTRICAL

### FIGURE 10-32. WHITE ALARM BACKUP INSTALLATION

ITEM	PART NUMBER	QTY	DESCRIPTION	REV
	1001192394	Ref	White Alarm Backup Installation	D
1	0700610	2	Bolt, M6X20	
2	4811702	2	Washer, M6	
3	8305919	2	Nut, M6	
4	1001165827	1	Alarm, Reverse White Noise	

# SECTION 10 - ELECTRICAL

FIGURE 10-33. ROAD LIGHT INSTALLATION (Prior to SN 0160079256)



MIT\_1001190250-0

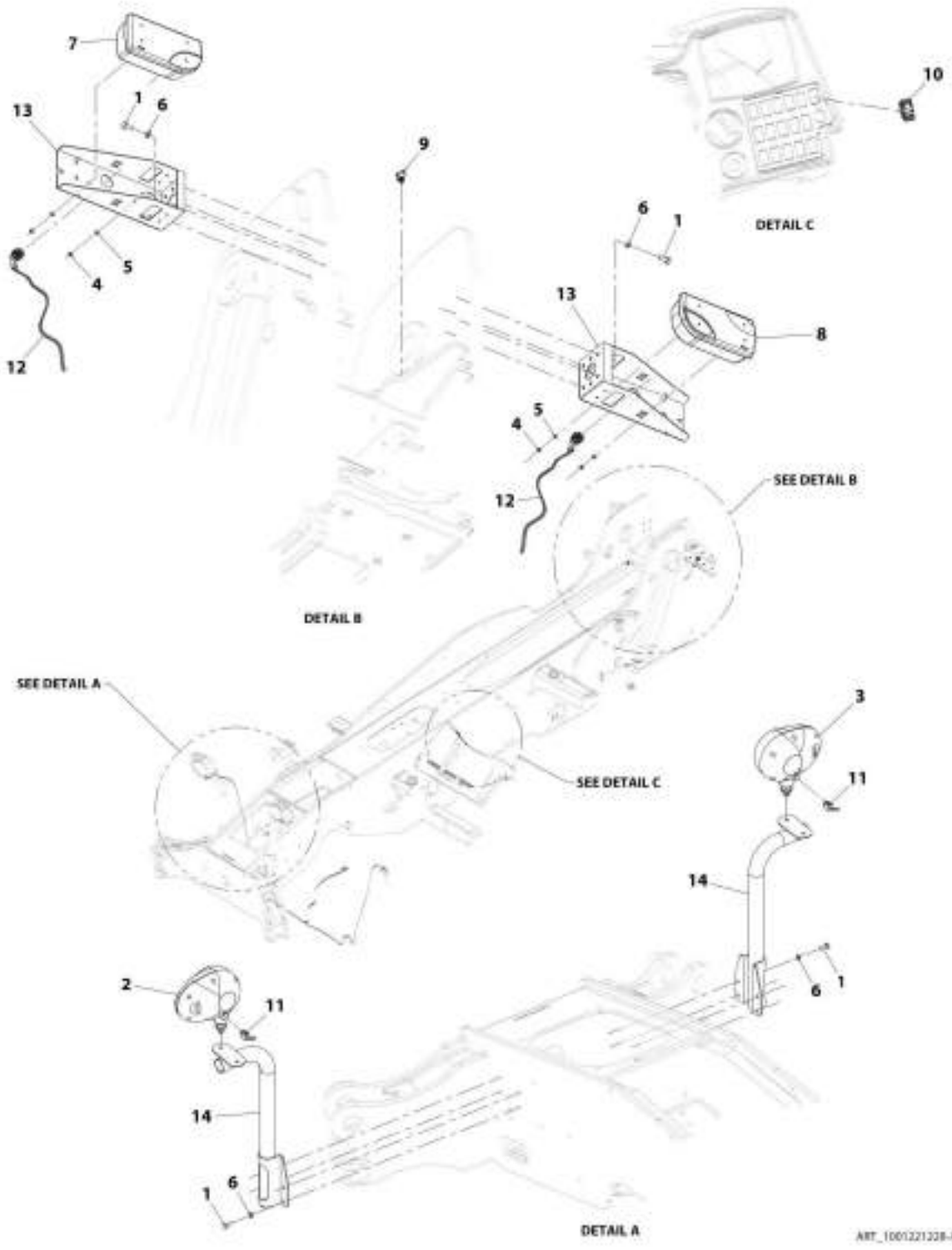
## SECTION 10 - ELECTRICAL

**FIGURE 10-33. ROAD LIGHT INSTALLATION (Prior to SN 0160079256)**

ITEM	PART NUMBER	QTY	DESCRIPTION	REV
	1001160260	Ref	Road Light Installation	J
2	0761012	16	Bolt, M10X25	
3	2920207	1	Light, Driving LH	
	7029969	1	Bulb, 4W	
	7029970	1	Bulb, 55W	
	7029971	1	Bulb, 21W	
4	2920208	1	Light, Driving RH	
	7029969	1	Bulb, 4W	
	7029970	1	Bulb, 55W	
	7029971	1	Bulb, 21W	
5	3290607	4	Nut, Lock M6X1	
6	4811700	4	Washer, M6	
7	4812000	16	Washer, M10	
8	1001091715	1	Lamp, Rear, LH	
	70021341	1	Bulb, 5W	
	70021340	1	Bulb, 21W	
	7029971	1	Bulb, 21W	
9	1001091716	1	Lamp, Rear RH	
	70021341	1	Bulb, 5W	
	70021340	1	Bulb, 21W	
	7029971	1	Bulb, 21W	
10	1001188102	1	Bracket	
11	1001188103	1	Bracket	
12	1001183112	2	Bracket	
13	1001165360	1	Harness, Front Frame (See FRONT FRAME HEADLIGHT HARNESS for Breakdown)	
14	1001165594	1	Harness, Tail Lights (See TAIL LIGHTS HARNESS for Breakdown)	
16	1001159734	1	Switch, Hazard	
17	1001008559	4	Strap	
18	1001146588	1	Strap, Cable Tie (not shown)	

# SECTION 10 - ELECTRICAL

FIGURE 10-34. ROAD LIGHT INSTALLATION (SN 0160079256 to Present)



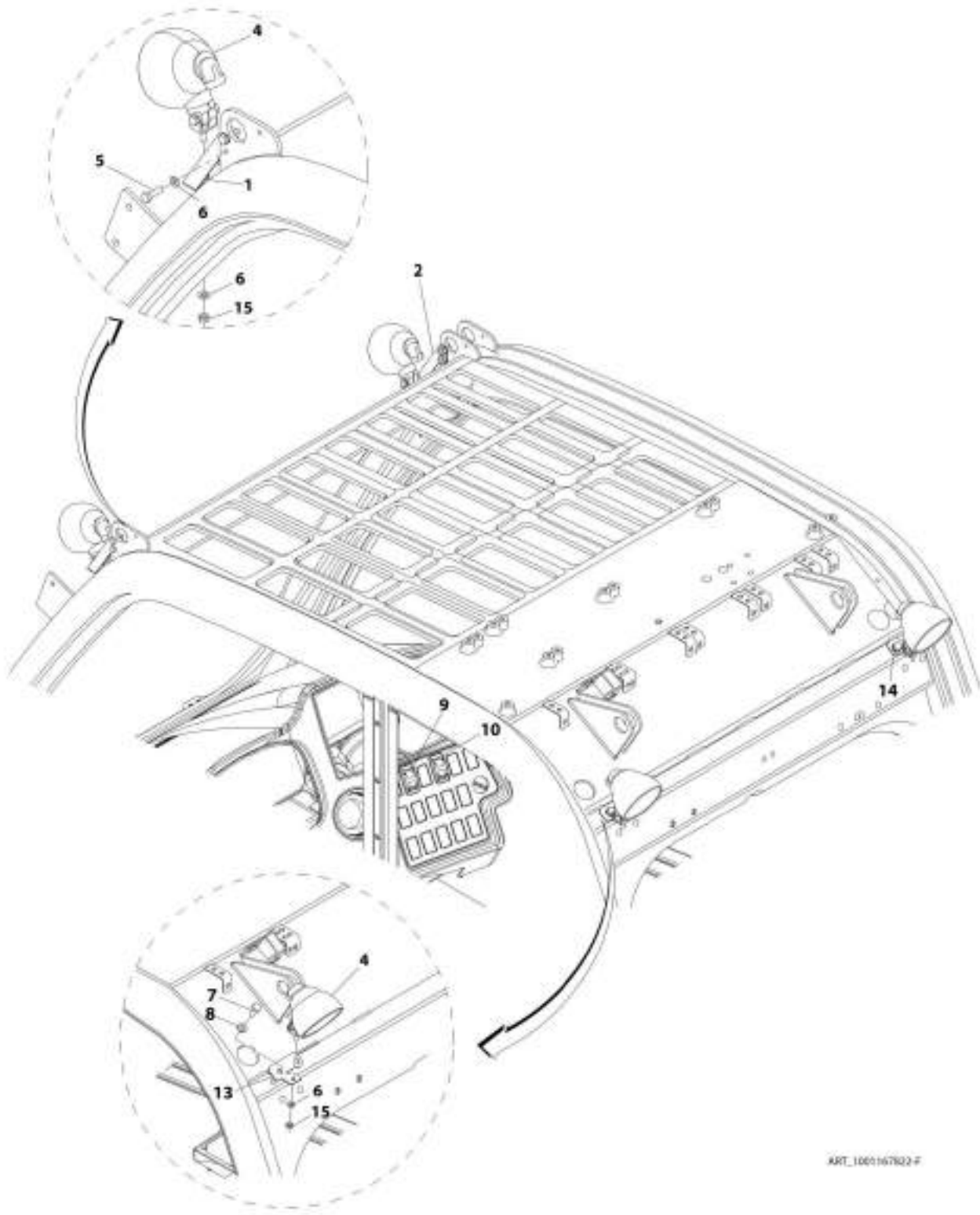
## SECTION 10 - ELECTRICAL

**FIGURE 10-34. ROAD LIGHT INSTALLATION (SN 0160079256 to Present)**

ITEM	PART NUMBER	QTY	DESCRIPTION	REV
	1001221228	1	Road Light Installation	A
1	0761012	16	Bolt, M10X25	
2	2920207	1	Light, Driving LH	
2	7029969	1	Bulb, 4W	
2	7029970	1	Bulb, 55W	
2	7029971	1	Bulb, 21W	
3	2920208	1	Light, Driving RH	
3	7029969	1	Bulb, 4W	
3	7029970	1	Bulb, 55W	
3	7029971	1	Bulb, 21W	
4	3290607	4	Nut, Lock M6X1	
5	4811700	4	Washer, M6	
6	4812000	16	Washer, M10	
7	1001091715	1	Lamp, Rear, LH	
7	70021341	1	Bulb, 5W	
7	70021340	1	Bulb, 21W	
7	7029971	1	Bulb, 21W	
8	1001091716	1	Lamp, Rear RH	
8	70021341	1	Bulb, 5W	
8	70021340	1	Bulb, 21W	
8	7029971	1	Bulb, 21W	
9	1001146588	1	Strap, Cable Tie	
10	1001159734	1	Switch, Hazard	
11	1001165360	1	Harness, Front Frame (See Separate Breakdown in this Section)	
12	1001165594	1	Harness, Tail Lights (See Separate Breakdown in this Section)	
13	1001196100	2	Bracket	
14	1001220817	2	Bracket	

# SECTION 10 - ELECTRICAL

## FIGURE 10-35. CAB WORKLIGHTS INSTALLATION (WITHOUT A/C)



ART\_100167822-F



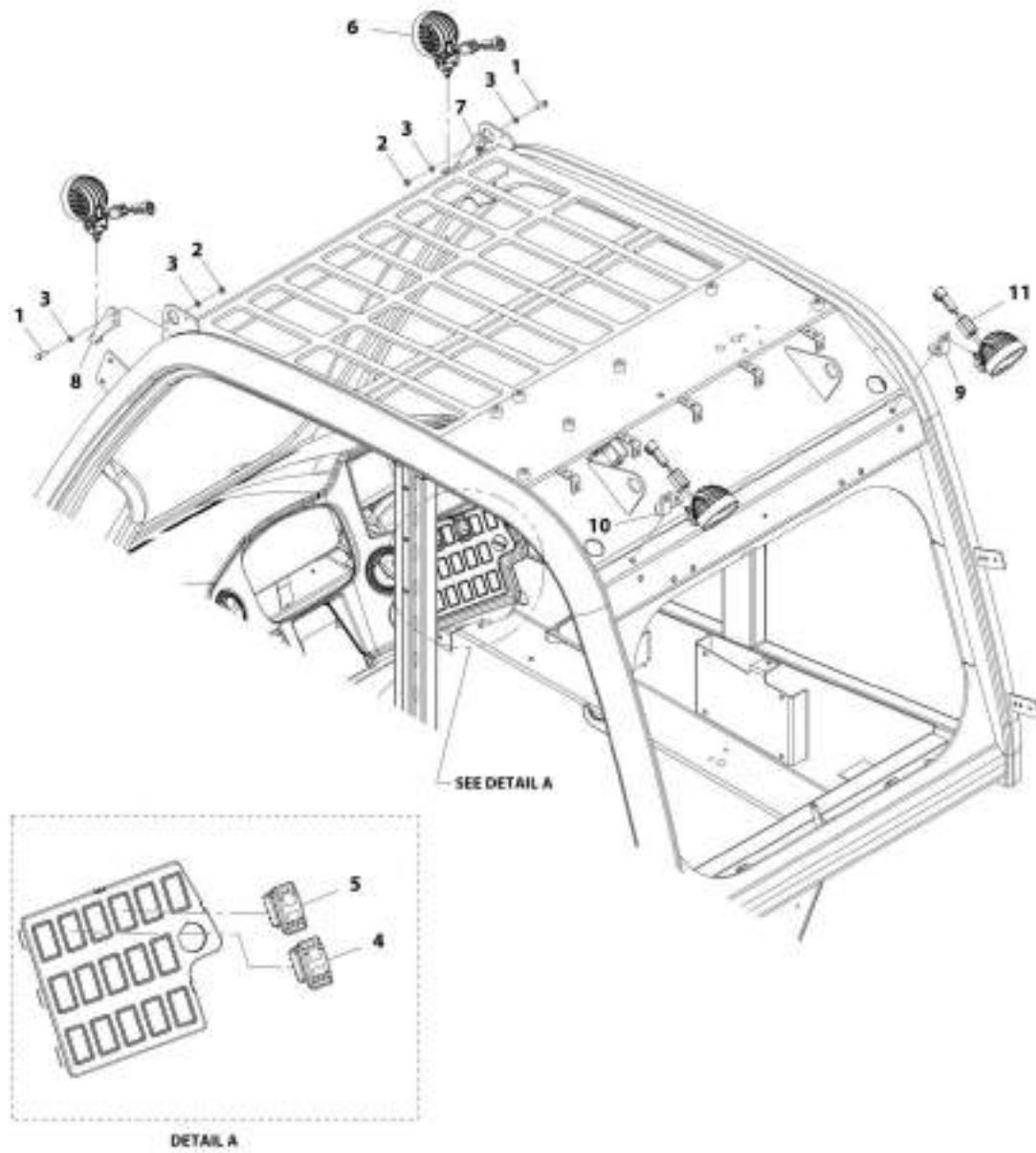
## SECTION 10 - ELECTRICAL

**FIGURE 10-35. CAB WORKLIGHTS INSTALLATION (WITHOUT A/C)**

ITEM	PART NUMBER	QTY	DESCRIPTION	REV
	1001167822	Ref	Cab Worklights Installation (without A/C)	F
1	1001186567	1	Bracket, Work Light LH	
2	1001186565	1	Bracket, Work Light RH	
4	2920206	4	Worklight	
	70020796	1	Bulb, 12V-50W	
5	0700610	4	Bolt, M6X20	
6	4811700	8	Washer, M6	
7	0760810	2	Bolt, M8X20	
8	4811900	2	Washer, M8	
9	1001159845	1	Switch, Front Worklights	
10	1001159846	1	Switch, Rear Worklights	
13	1001183888	1	Bracket, Work Light LH	
14	1001183890	1	Bracket, Work Light RH	
15	3290601	1	Nut, M6X1	

# SECTION 10 - ELECTRICAL

## FIGURE 10-36. CAB LED WORK LIGHTS INSTALLATION (WITHOUT A/C)



ART\_1001200538-C

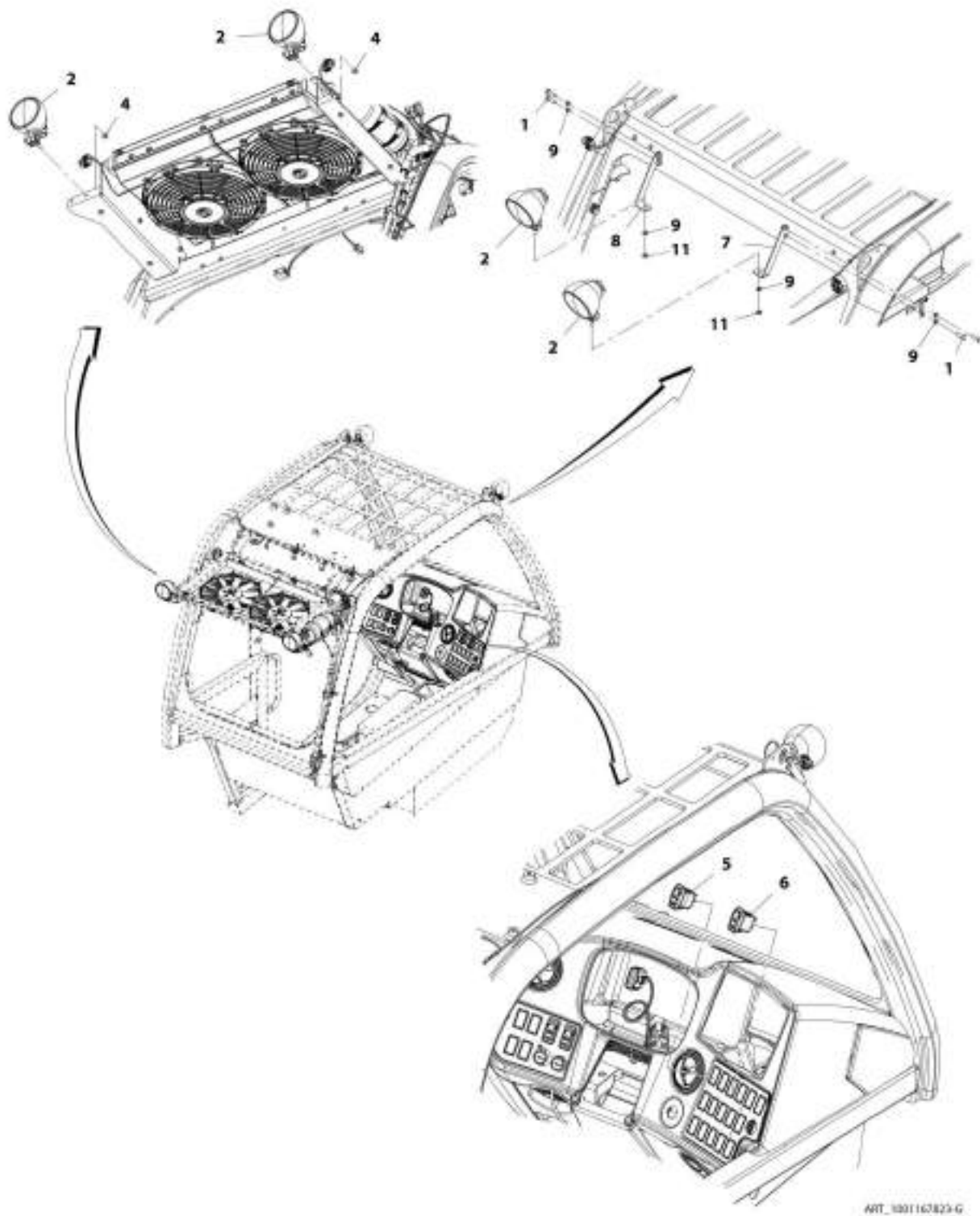
## SECTION 10 - ELECTRICAL

**FIGURE 10-36. CAB LED WORK LIGHTS INSTALLATION (WITHOUT A/C)**

ITEM	PART NUMBER	QTY	DESCRIPTION	REV
	1001200538	Ref	Cab LED Work Lights Installation (without A/C)	C
1	0700610	4	Bolt, M6X20	
2	3290601	4	Nut, M6X1	
3	4811700	8	Washer, M6	
4	1001159845	1	Switch, Front Work Lights	
5	1001159846	1	Switch, Rear Work Lights	
6	1001203640	4	Lamp, LED Work Light	
7	1001204444	1	Support, LED Work Light RH	
8	1001204445	1	Support, LED Work Light LH	
9	1001204528	1	Support, LED Work Light RH	
10	1001204530	1	Support, LED Work Light LH	
11	1001228989	4	Harness	

# SECTION 10 - ELECTRICAL

## FIGURE 10-37. CAB WORKLIGHTS INSTALLATION (WITH A/C)



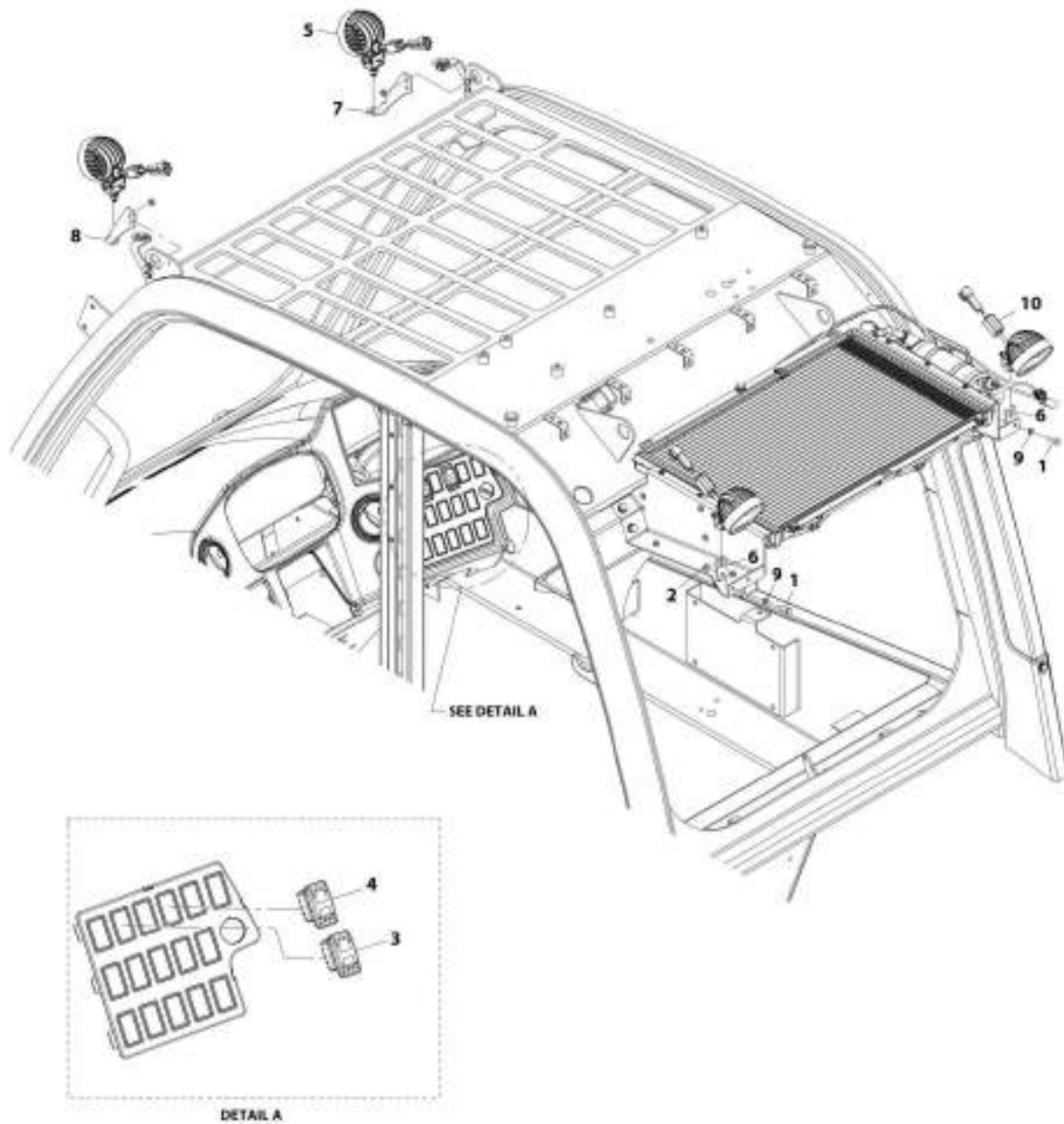
## SECTION 10 - ELECTRICAL

### FIGURE 10-37. CAB WORKLIGHTS INSTALLATION (WITH A/C)

ITEM	PART NUMBER	QTY	DESCRIPTION	REV
	1001167823	Ref	Cab Worklights Installation (with A/C)	G
1	0700610	4	Bolt, M6X20	
2	2920206	4	Worklight	
	70020796	1	Bulb, 12V-50W	
4	5220600	2	Nut	
5	1001159845	1	Switch, Front Worklights	
6	1001159846	1	Switch, Rear Worklights	
7	1001186567	1	Bracket, Work Light LH	
8	1001186565	1	Bracket, Work Light RH	
9	4811700	6	Washer, M6	
11	3290601	2	Nut, M6X1	

# SECTION 10 - ELECTRICAL

## FIGURE 10-38. CAB LED WORK LIGHTS INSTALLATION (WITH A/C)



ART\_3001200529-C

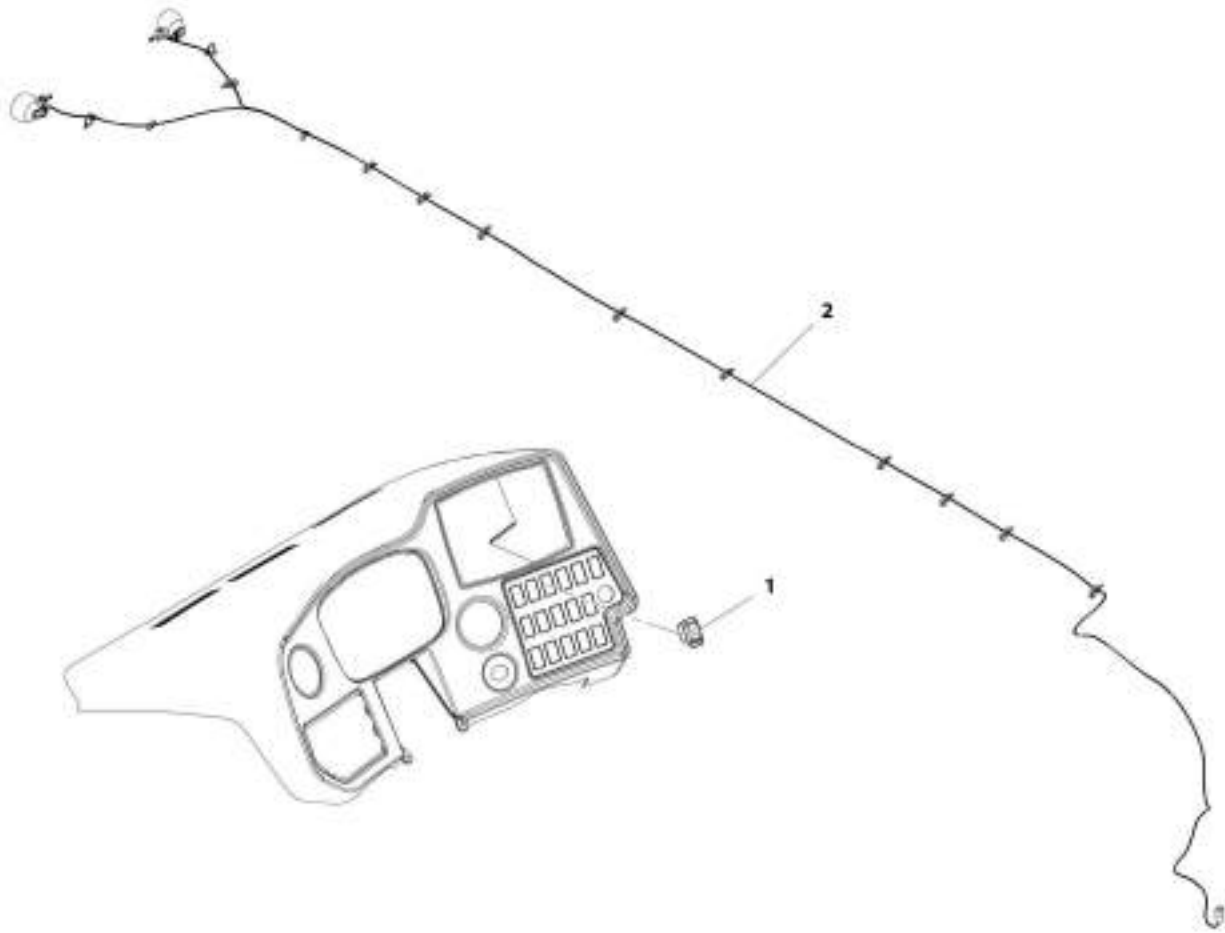
## SECTION 10 - ELECTRICAL

**FIGURE 10-38. CAB LED WORK LIGHTS INSTALLATION (WITH A/C)**

ITEM	PART NUMBER	QTY	DESCRIPTION	REV
	1001200539	Ref	Cab LED Work Lights Installation (with A/C)	C
1	0700610	2	Bolt, M6X20	
2	5220600	2	Nut	
3	1001159845	1	Switch, Front Work Lights	
4	1001159846	1	Switch, Rear Work Lights	
5	1001203640	4	Lamp, LED Work Light	
6	1001204060	2	Bracket, LED Work Light	
7	1001204444	1	Support, LED Work Light RH	
8	1001204445	1	Support, LED Work Light LH	
9	4811700	2	Washer, M6	
10	1001228989	4	Harness	

# SECTION 10 - ELECTRICAL

## FIGURE 10-39. BOOM WORKLIGHTS INSTALLATION



ART\_100181327-0



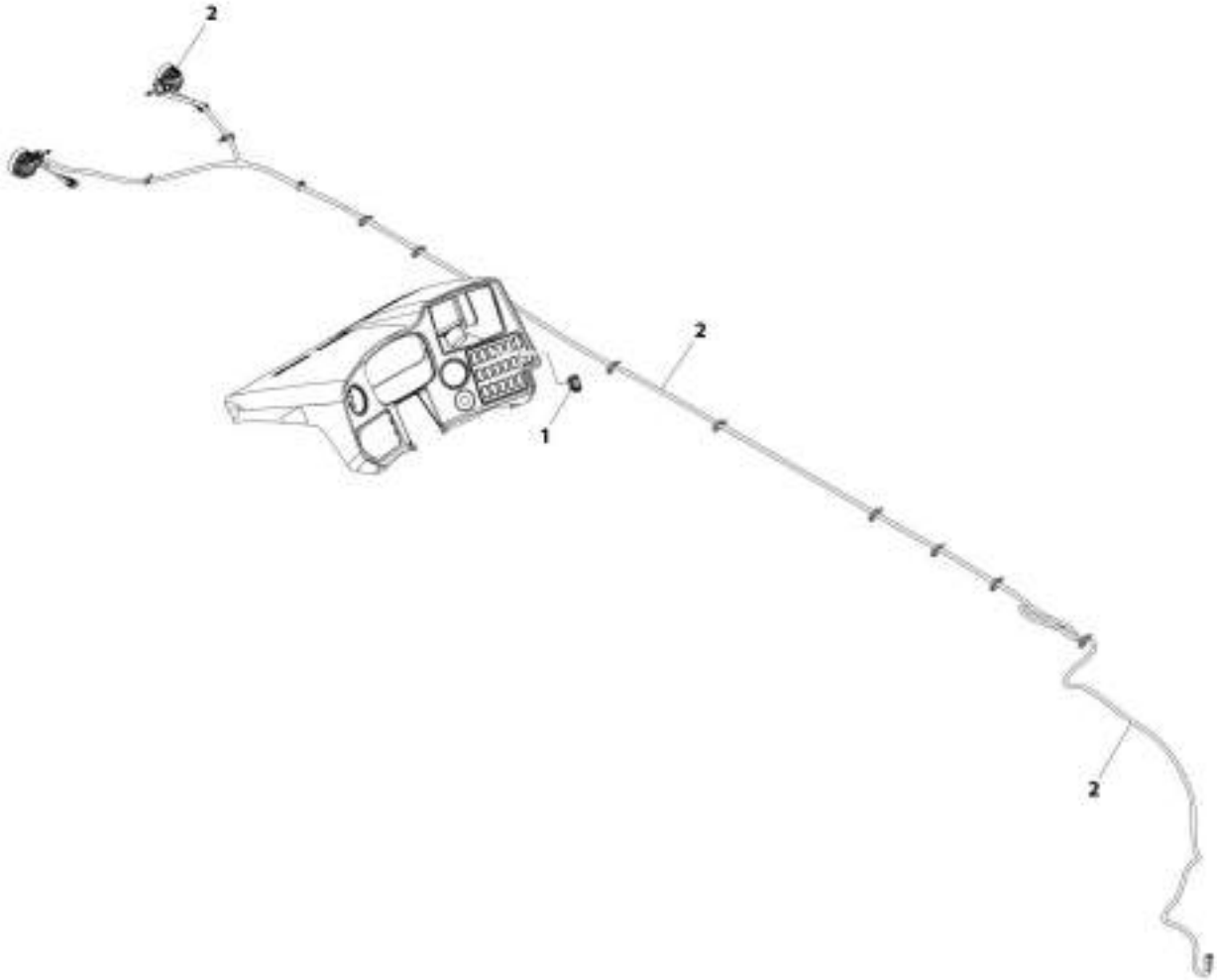
## SECTION 10 - ELECTRICAL

### FIGURE 10-39. BOOM WORKLIGHTS INSTALLATION

ITEM	PART NUMBER	QTY	DESCRIPTION	REV
	1001181327	Ref	Boom Worklights Installation	B
1	1001159739	1	Switch, Boom Worklights	
2	1001167810	1	Installation, Work Lights Boom (See BOOM LIGHTS INSTALLATION for Breakdown)	

# SECTION 10 - ELECTRICAL

## FIGURE 10-40. BOOM WORK LIGHTS INSTALLATION



AHJ\_1001280599-A

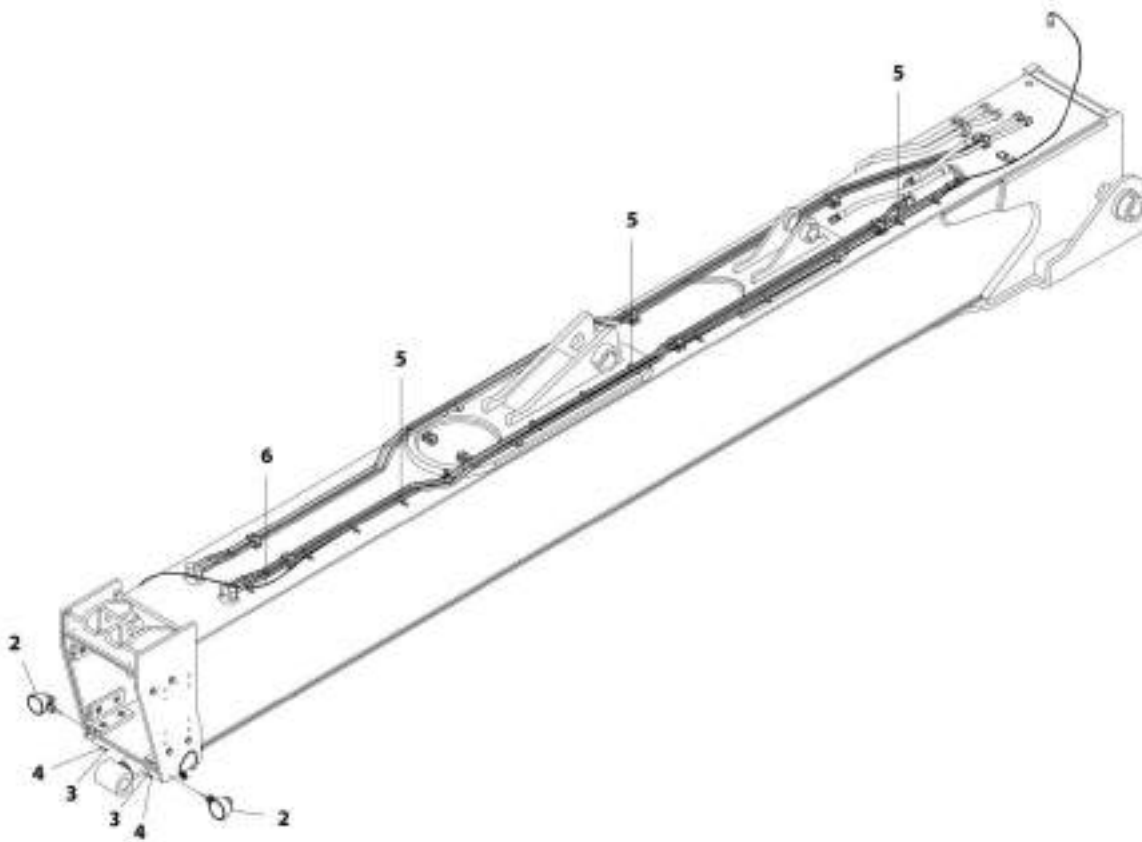
## SECTION 10 - ELECTRICAL

### FIGURE 10-40. BOOM WORK LIGHTS INSTALLATION

ITEM	PART NUMBER	QTY	DESCRIPTION	REV
	1001230599	Ref	Boom Work Lights Installation	A
1	1001159739	1	Switch, Boom Work Lights	
2	1001230623	1	Installation, Boom LED Work Lights (See Separate Breakdown in this Section)	

# SECTION 10 - ELECTRICAL

## FIGURE 10-41. BOOM LIGHTS INSTALLATION



ART\_1001167010-E

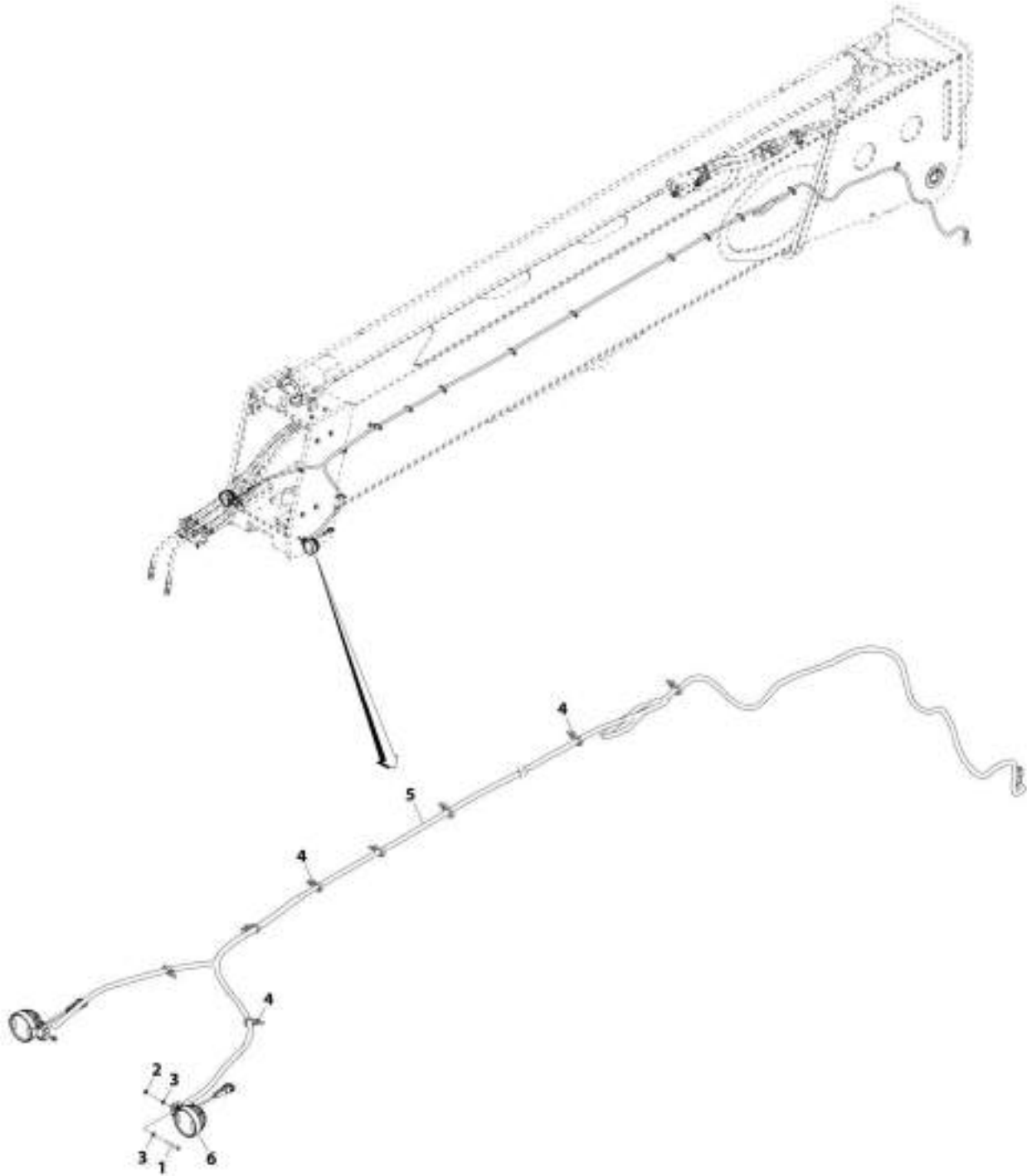
## SECTION 10 - ELECTRICAL

### FIGURE 10-41. BOOM LIGHTS INSTALLATION

ITEM	PART NUMBER	QTY	DESCRIPTION	REV
	1001167810	Ref	Boom Lights Installation	E
2	1001207287	2	Worklight	
2	70020796	1	Bulb, 12V-50W	
3	3290601	2	Nut, M6X1 Grade 8	
4	4811700	2	Washer, M6	
5	1001008923	AR	Strap, Cable	
6	1001167608	1	Harness, Boom Worklights (See BOOM WORKLIGHTS HARNESS for Breakdown)	

# SECTION 10 - ELECTRICAL

## FIGURE 10-42. BOOM LED LIGHTS INSTALLATION



AWT\_1005230623-A

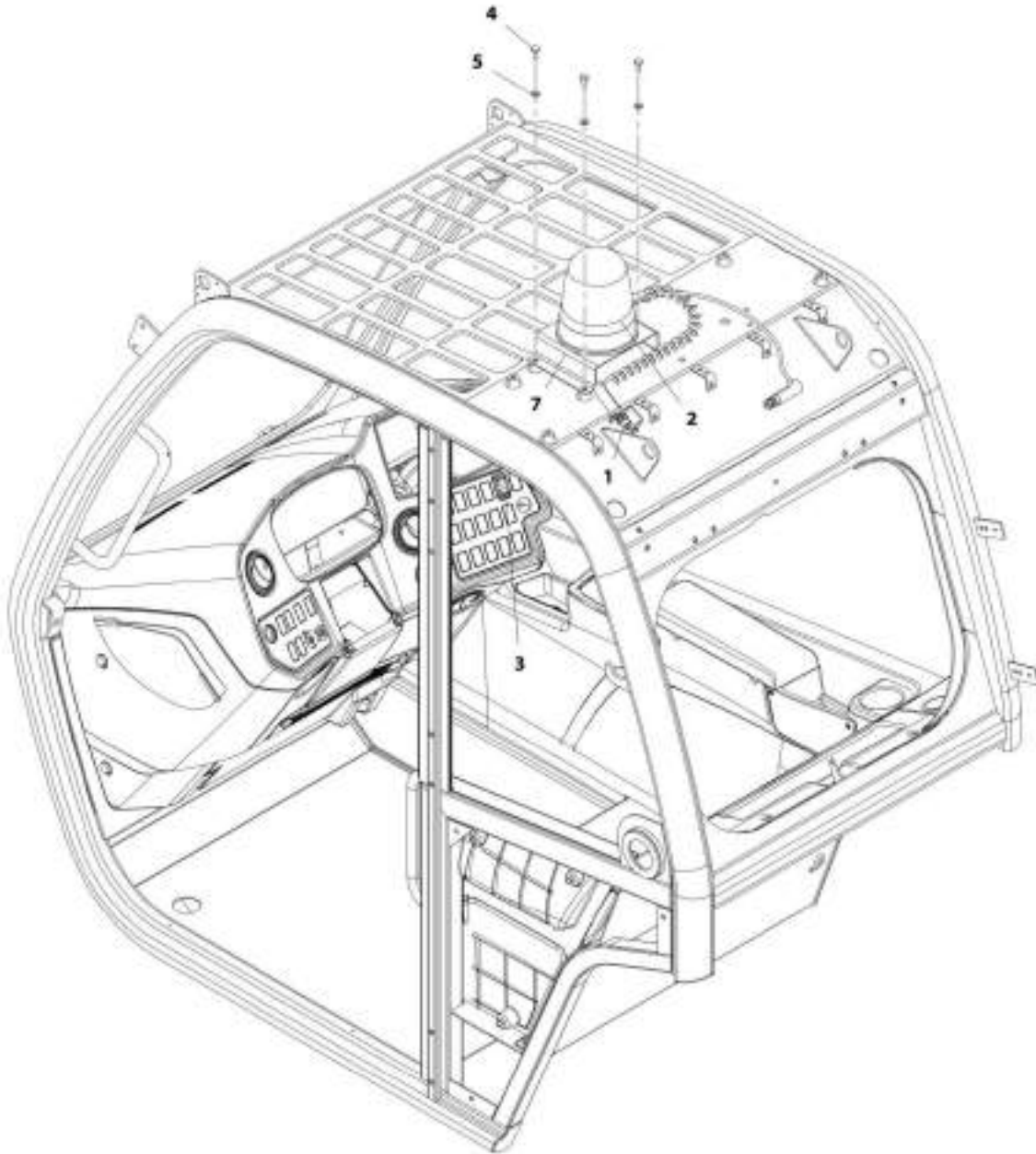
## SECTION 10 - ELECTRICAL

### FIGURE 10-42. BOOM LED LIGHTS INSTALLATION

ITEM	PART NUMBER	QTY	DESCRIPTION	REV
	1001230623	Ref	Boom LED Lights Installation	A
1	0700616	2	Bolt, M6X40	
2	3290601	2	Nut, M6X1 Grade 8	
3	4811700	4	Washer, M6	
4	1001008923	AR	Strap, Cable	
5	1001167608	1	Harness, Boom Work Lights (See Separate Breakdown in this Section)	
6	1001203640	2	Lamp, LED Work Light	

# SECTION 10 - ELECTRICAL

## FIGURE 10-43. BEACON INSTALLATION



ART\_1001371162-E



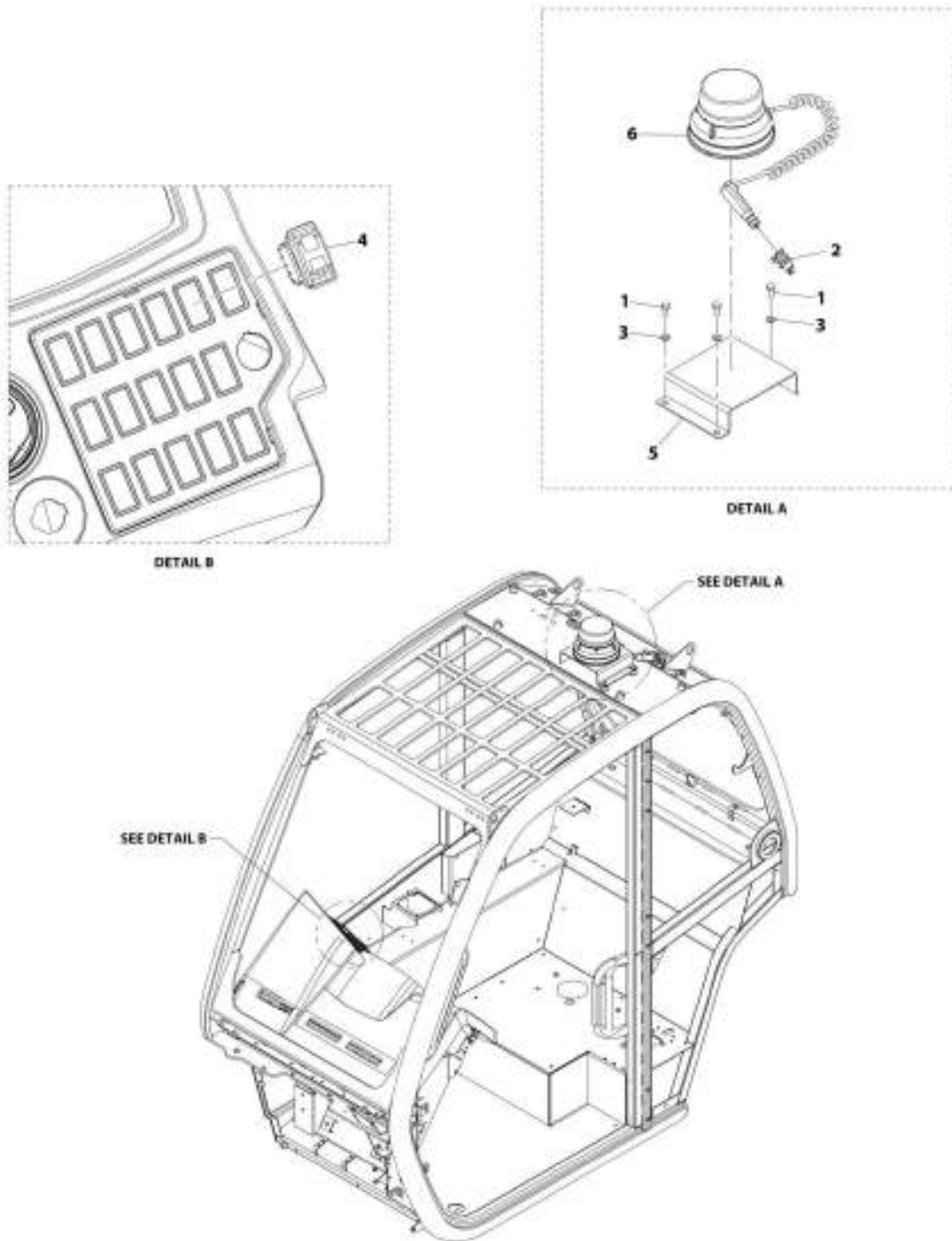
## SECTION 10 - ELECTRICAL

### FIGURE 10-43. BEACON INSTALLATION

ITEM	PART NUMBER	QTY	DESCRIPTION	REV
	1001171162	Ref	Beacon Installation	E
1	4461174	1	Terminal, 12 Volt	
2	1001091573	NLA	Light, Warning, (no longer available, see 1001217623 for replacement)	
2	1001217623	1	Light, Warning	
3	1001159738	1	Switch, Beacon	
4	0760808	3	Bolt, M8X16	
5	4811900	3	Washer, M8	
7	1001174796	1	Bracket, Beacon	

# SECTION 10 - ELECTRICAL

## FIGURE 10-44. LED BEACON INSTALLATION



ART\_1001095880-A

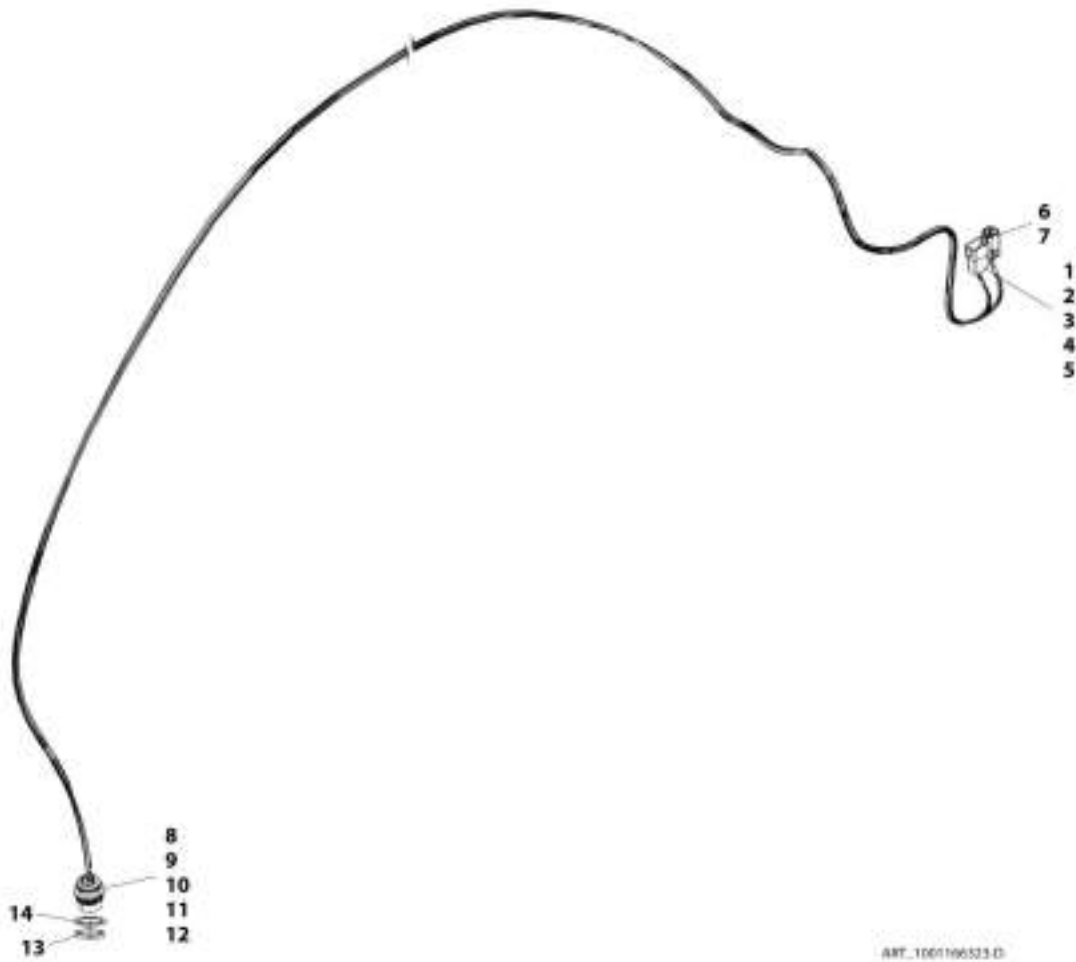
## SECTION 10 - ELECTRICAL

### FIGURE 10-44. LED BEACON INSTALLATION

ITEM	PART NUMBER	QTY	DESCRIPTION	REV
	1001195883	Ref	LED Beacon Installation	A
1	0760808	3	Bolt, M8X16	
2	4461174	1	Terminal, 12 Volt	
3	4811900	3	Washer, M8	
4	1001159738	1	Switch, Beacon	
5	1001174796	1	Bracket, Beacon	
6	1001198893	1	Light, Warning	

# SECTION 10 - ELECTRICAL

## FIGURE 10-45. BOOM AUXILIARY HARNESS



ART\_100196523.D

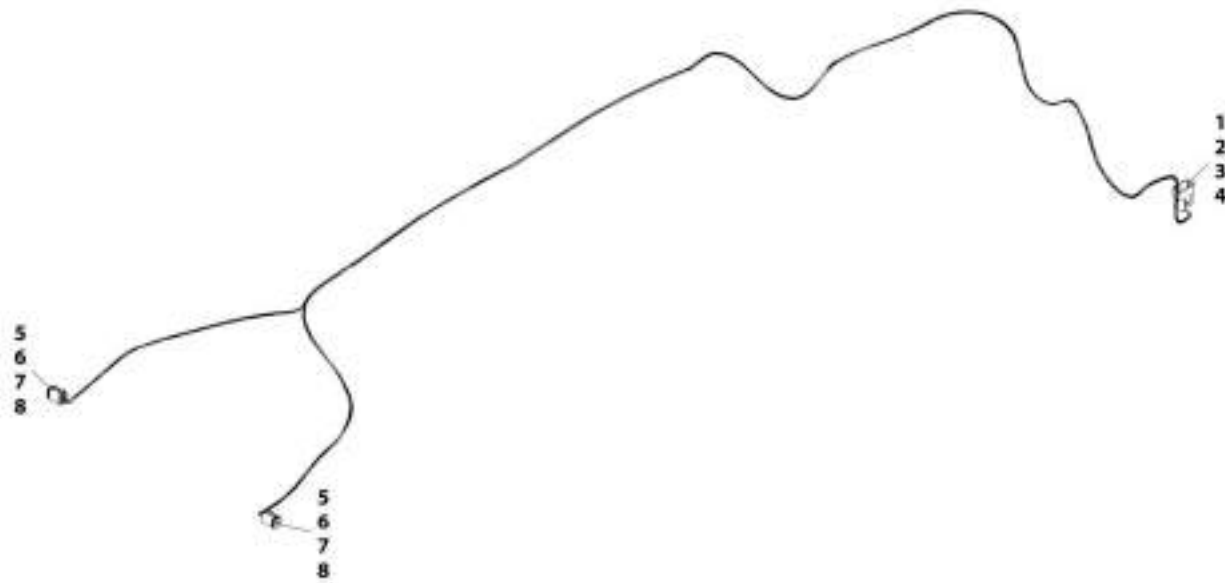
## SECTION 10 - ELECTRICAL

### FIGURE 10-45. BOOM AUXILIARY HARNESS

ITEM	PART NUMBER	QTY	DESCRIPTION	REV
	1001166323	Ref	Boom Auxiliary Harness	D
1	4460931	1	Connector	
2	91503106	1	Wedge Lock	
3	4460464	4	Terminal	
4	4460943	2	Terminal	
5	4460466	2	Plug	
6	4461017	1	Connector	
7	4460508	2	Terminal	
8	1001112612	1	Connector	
9	1001157891	2	Terminal	
10	4460464	4	Terminal	
11	4460943	2	Terminal	
12	4460466	1	Plug	
13	4460497	1	Nut	
14	1001125784	1	Washer	

# SECTION 10 - ELECTRICAL

## FIGURE 10-46. BOOM WORKLIGHTS HARNESS



ART\_3001167808-E

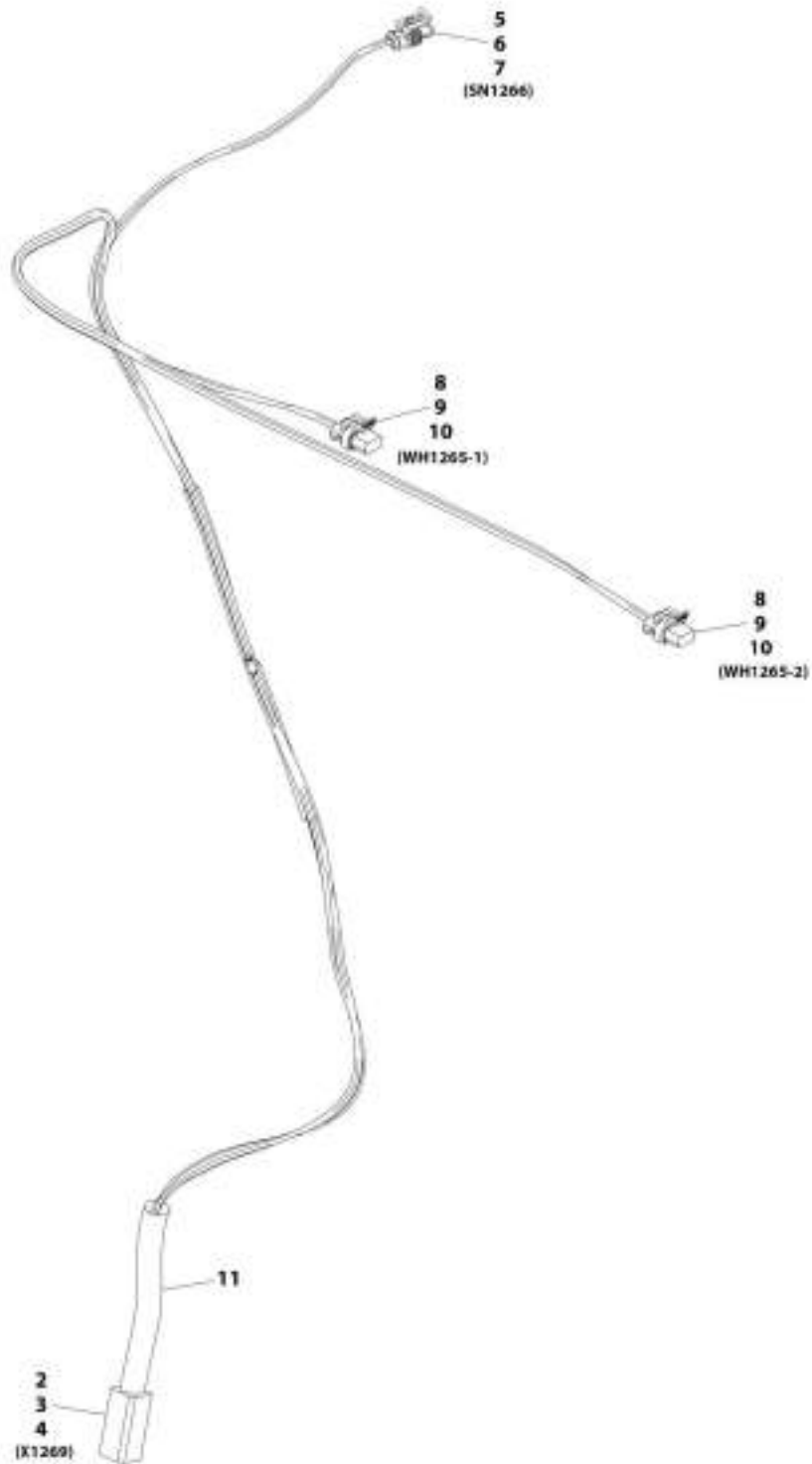
## SECTION 10 - ELECTRICAL

### FIGURE 10-46. BOOM WORKLIGHTS HARNESS

ITEM	PART NUMBER	QTY	DESCRIPTION	REV
	1001167608	Ref	Boom Worklights Harness	E
1	4460932	1	Connector	
2	80604020	1	Lock, Connector	
3	4460464	2	Terminal	
4	4460466	2	Plug	
5	4461115	2	Connector	
6	1001116728	2	Terminal	
7	4460458	2	Seal	
8	1001103564	2	Lock, Terminal	

# SECTION 10 - ELECTRICAL

## FIGURE 10-47. A/C OPTION HARNESS





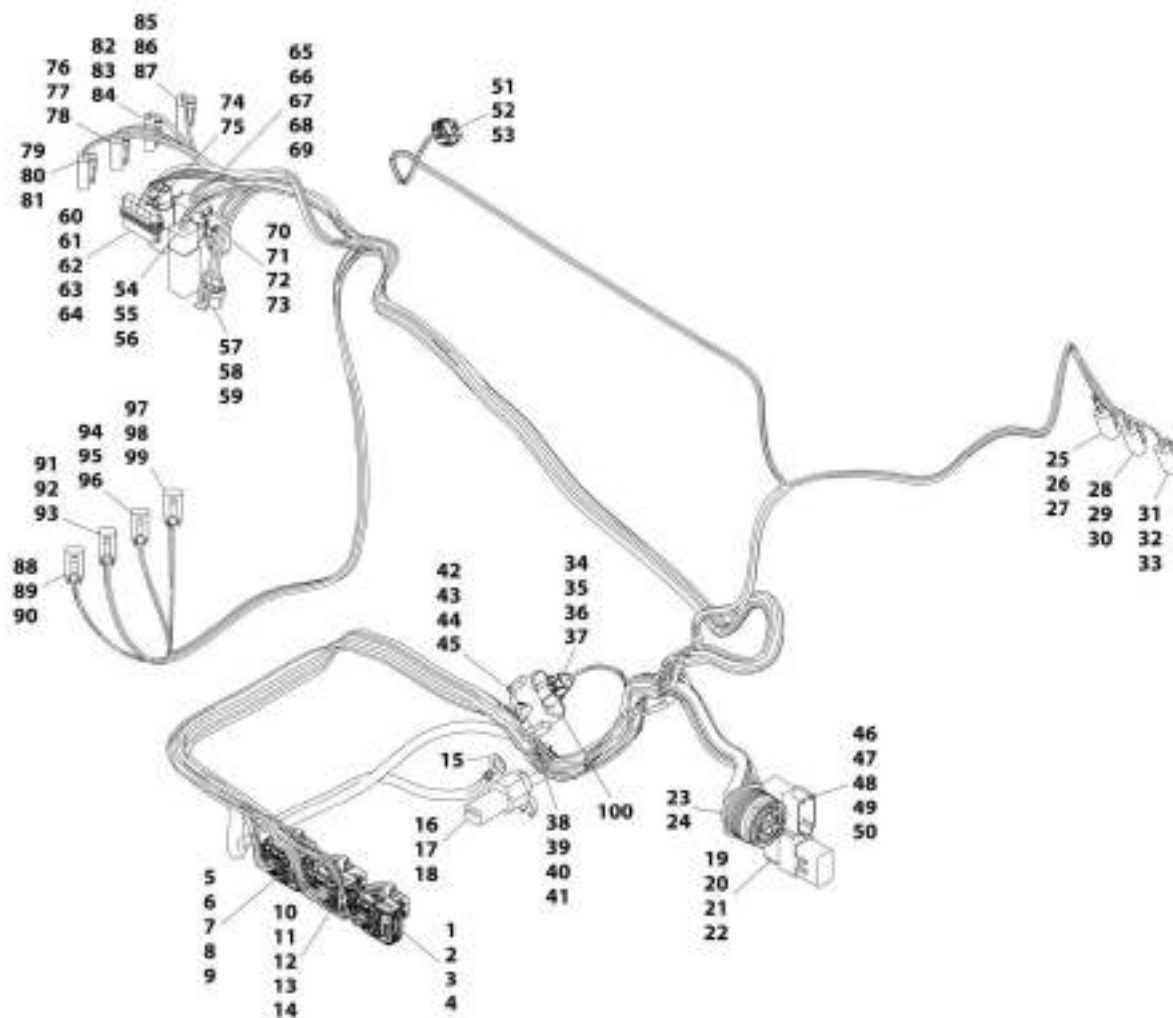
# SECTION 10 - ELECTRICAL

## FIGURE 10-47. A/C OPTION HARNESS

ITEM	PART NUMBER	QTY	DESCRIPTION	REV
	1001169151	Ref	A/C Option Harness	E
2	4460899	1	Connector	
3	4460941	4	Terminal	
4	4460464	2	Terminal	
5	4461118	1	Connector	
6	1001107854	2	Terminal	
7	1001116763	2	Seal	
8	1001117021	2	Connector	
9	1001116747	4	Terminal	
10	4460789	4	Seal	
11	70028546	1	Backshell	

# SECTION 10 - ELECTRICAL

FIGURE 10-48. REAR FRAME HARNESS (Prior to SN 0160073773)



ART\_1001164901-G

## SECTION 10 - ELECTRICAL

**FIGURE 10-48. REAR FRAME HARNESS (Prior to SN 0160073773)**

ITEM	PART NUMBER	QTY	DESCRIPTION	REV
	1001164941	Ref	Rear Frame Harness	G
1	1001161957	1	Connector	
2	1001161097	8	Terminal	
3	1001161100	16	Plug	
4	1001161101	8	Plug	
5	1001160500	1	Connector	
6	1001161097	2	Terminal	
7	1001161099	7	Terminal	
8	1001161100	22	Plug	
9	1001161101	1	Plug	
10	1001161963	1	Connector	
11	1001161097	21	Terminal	
12	1001161099	5	Terminal	
13	1001161100	19	Plug	
14	1001161101	3	Plug	
15	1001187080	1	Ring, Terminal	
16	1001160509	1	Connector	
17	1001160510	1	Terminal	
18	1001175267	1	Seal	
19	4460933	1	Connector	
20	4460465	10	Terminal	
21	4460466	2	Plug	
22	80604016	1	Lock, Connector	
23	1001165311	1	Connector	
24	91013191	2	Terminal	
25	4460891	1	Connector	
26	4460465	2	Terminal	
27	80604018	1	Lock, Connector	
28	4460891	1	Connector	
29	4460465	2	Terminal	
30	80604018	1	Lock, Connector	
31	4460891	1	Connector	
32	4460465	2	Terminal	
33	80604018	1	Lock, Connector	
34	1001116812	1	Connector	
35	4460944	2	Terminal	
36	91554019	1	Lock, Connector	
37	4460466	1	Plug	
38	4460539	1	Connector	
39	4460944	2	Terminal	
40	77363244	1	Wedge Lock	
41	4460466	1	Plug	
42	1001116812	1	Connector	
43	4460944	2	Terminal	
44	91554019	1	Lock, Connector	
45	4460466	1	Plug	
46	4460970	6	Connector	
47	4460464	4	Terminal	
48	4460941	1	Terminal	
49	4460466	6	Plug	

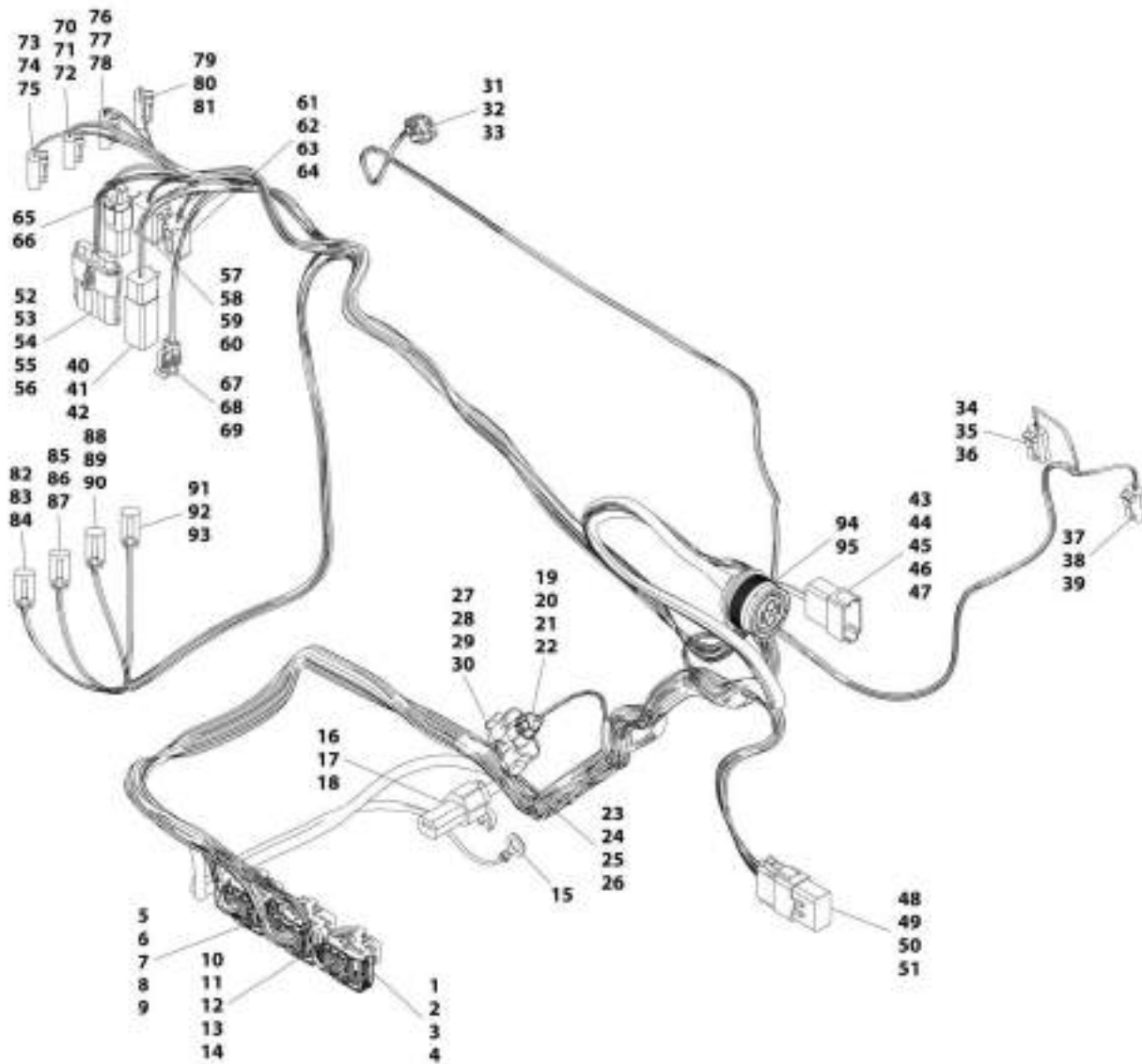
## SECTION 10 - ELECTRICAL

ITEM	PART NUMBER	QTY	DESCRIPTION	REV
50	80363179	1	Lock, Connector	
51	4461262	1	Connector	
52	1001107854	3	Terminal	
53	1001104498	3	Seal	
54	4460884	1	Connector	
55	4460465	4	Terminal	
56	80604021	1	Wedge Lock	
57	1001117021	1	Connector	
58	1001116728	2	Terminal	
59	4460458	2	Seal	
60	1001121726	1	Connector	
61	1001116728	3	Terminal	
62	1001175265	2	Seal	
63	4460458	1	Seal	
64	1001116727	1	Plug	
65	4460930	1	Connector	
66	4460465	2	Terminal	
67	4460466	6	Plug	
68	4460894	2	Bussbar	
69	8220525	1	Wedge Lock	
70	4460884	1	Connector	
71	4460465	2	Terminal	
72	4460466	2	Plug	
73	80604021	1	Wedge Lock	
74	4461018	1	Connector	
75	4460509	2	Terminal	
76	4460891	1	Connector	
77	4460465	2	Terminal	
78	80604018	1	Lock, Connector	
79	4460891	1	Connector	
80	4460465	2	Terminal	
81	80604018	1	Lock, Connector	
82	4460891	1	Connector	
83	4460465	2	Terminal	
84	80604018	1	Lock, Connector	
85	4460891	1	Connector	
86	4460465	2	Terminal	
87	80604018	1	Lock, Connector	
88	4460891	1	Connector	
89	4460465	2	Terminal	
90	80604018	1	Lock, Connector	
91	4460891	1	Connector	
92	4460465	2	Terminal	
93	80604018	1	Lock, Connector	
94	4460891	1	Connector	
95	4460465	2	Terminal	
96	80604018	1	Lock, Connector	
97	4460891	1	Connector	
98	4460465	2	Terminal	
99	80604018	1	Lock, Connector	
100	4460945	1	Connector, 3 Way	



# SECTION 10 - ELECTRICAL

FIGURE 10-49. REAR FRAME HARNESS (SN 0160073773 to Present)



ART\_1001202900-A

## SECTION 10 - ELECTRICAL

**FIGURE 10-49. REAR FRAME HARNESS (SN 0160073773 to Present)**

ITEM	PART NUMBER	QTY	DESCRIPTION	REV
	1001202908	Ref	Rear Frame Harness	A
1	1001161957	1	Connector	
2	1001161097	7	Terminal	
3	1001161100	17	Plug	
4	1001161101	8	Plug	
5	1001160500	1	Connector	
6	1001161097	2	Terminal	
7	1001161099	7	Terminal	
8	1001161100	22	Plug	
9	1001161101	1	Plug	
10	1001161963	1	Connector	
11	1001161097	21	Terminal	
12	1001161099	5	Terminal	
13	1001161100	19	Plug	
14	1001161101	3	Plug	
15	1001187076	1	Terminal Ring	
16	1001160509	1	Connector	
17	1001160510	1	Terminal	
18	1001175267	1	Seal	
19	1001116812	1	Connector	
20	4460944	2	Terminal	
21	4460466	1	Plug	
22	91554019	1	Lock, Connector	
23	4460539	1	Connector	
24	4460944	2	Terminal	
25	4460466	1	Plug	
26	77363244	1	Wedge Lock	
27	1001116812	1	Connector	
28	4460944	2	Terminal	
29	4460466	1	Plug	
30	91554019	1	Lock, Connector	
31	4461262	1	Connector	
32	1001107854	3	Terminal	
33	1001104498	3	Seal	
34	4460891	1	Connector	
35	4460465	2	Terminal	
36	80604018	1	Wedge Lock	
37	4460891	1	Connector	
38	4460465	2	Terminal	
39	80604018	1	Wedge Lock	
40	4460884	1	Connector	
41	80604021	1	Lock, Connector	
42	4460465	4	Terminal	
43	4460970	1	Connector	
44	4460464	4	Terminal	
45	4460941	1	Terminal	
46	4460466	6	Plug	
47	80604015	1	Lock, Connector	
48	4460933	1	Connector	
49	4460942	10	Terminal	

## SECTION 10 - ELECTRICAL

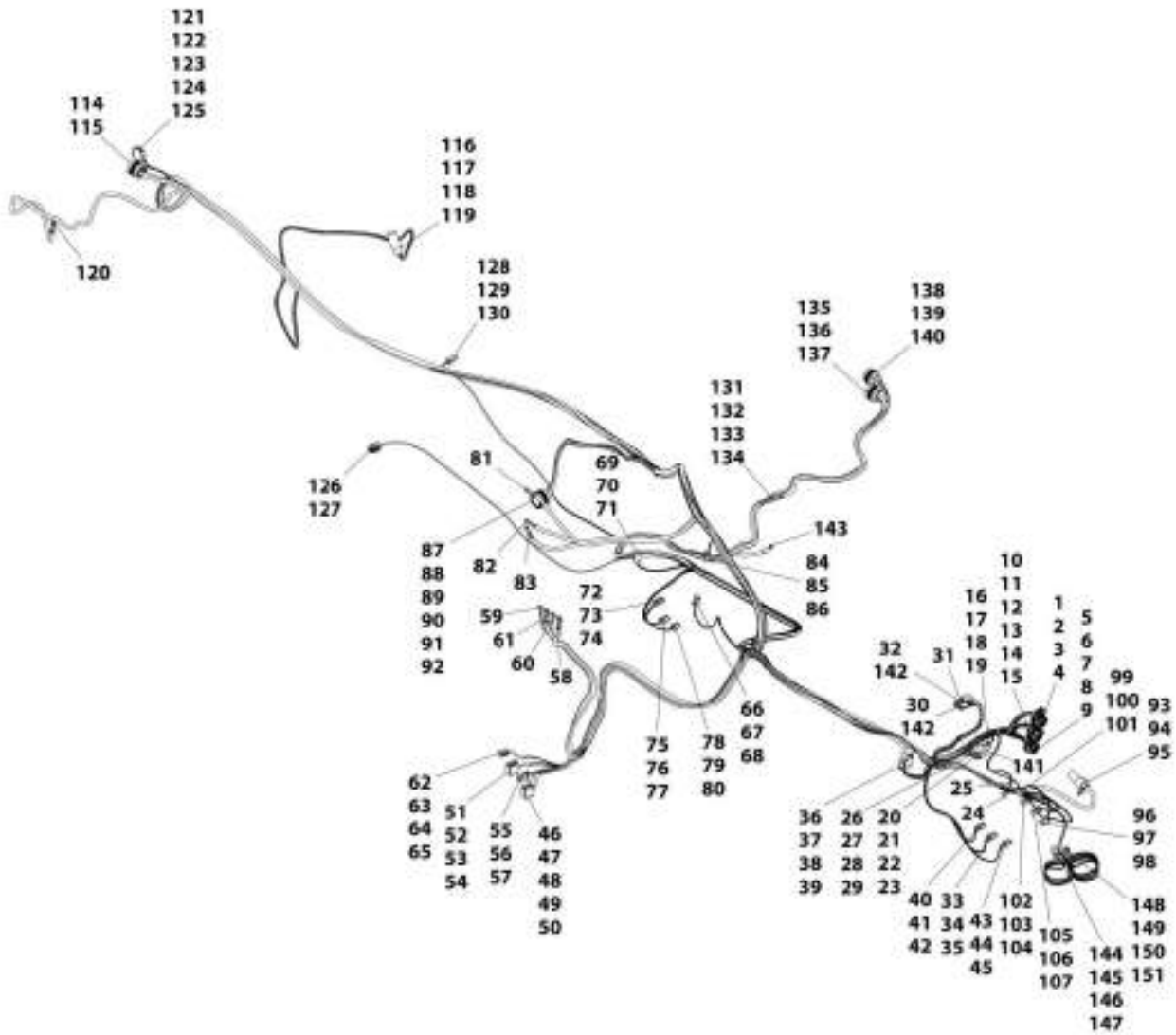
ITEM	PART NUMBER	QTY	DESCRIPTION	REV
50	4460466	2	Plug	
51	80604016	1	Wedge Lock	
52	1001121726	1	Connector	
53	1001116728	3	Terminal	
54	1001116727	2	Plug	
55	1001175265	2	Seal	
56	4460458	1	Seal	
57	4460930	1	Connector	
58	4460465	2	Terminal	
59	4460466	6	Plug	
60	8220525	1	Lock, Connector	
61	4460884	1	Connector	
62	80604021	1	Lock, Connector	
63	4460465	4	Terminal	
64	4460466	2	Plug	
65	4461018	1	Connector	
66	4460509	1	Terminal	
67	4461118	1	Connector	
68	1001107854	2	Terminal	
69	1001116763	2	Seal	
70	4460891	1	Connector	
71	4460465	2	Terminal	
72	80604018	1	Wedge Lock	
73	4460891	1	Connector	
74	4460465	2	Terminal	
75	80604018	1	Wedge Lock	
76	4460891	1	Connector	
77	4460465	2	Terminal	
78	80604018	1	Wedge Lock	
79	4460891	1	Connector	
80	4460465	2	Terminal	
81	80604018	1	Wedge Lock	
82	4460891	1	Connector	
83	4460465	2	Terminal	
84	80604018	1	Wedge Lock	
85	4460891	1	Connector	
86	4460465	2	Terminal	
87	80604018	1	Wedge Lock	
88	4460891	1	Connector	
89	4460465	2	Terminal	
90	80604018	1	Wedge Lock	
91	4460891	1	Connector	
92	4460465	2	Terminal	
93	80604018	1	Wedge Lock	
94	1001165311	1	Connector	
95	91013191	2	Terminal	





# SECTION 10 - ELECTRICAL

FIGURE 10-50. FRONT FRAME HARNESS (Prior to SN 0160080792)



ART\_1001165359-2

## SECTION 10 - ELECTRICAL

**FIGURE 10-50. FRONT FRAME HARNESS (Prior to SN 0160080792)**

ITEM	PART NUMBER	QTY	DESCRIPTION	REV
	1001165359	Ref	Front Frame Harness	J
1	1001161957	1	Connector	
2	1001161097	19	Terminal	
3	1001161100	5	Plug	
4	1001161101	8	Plug	
5	1001160500	1	Connector	
6	1001161097	9	Terminal	
7	1001161099	7	Terminal	
8	1001161100	15	Plug	
9	1001161101	1	Plug	
10	1001161963	1	Connector	
11	1001161097	21	Terminal	
12	1001161099	5	Terminal	
13	1001161098	1	Terminal	
14	1001161100	19	Plug	
15	1001161101	2	Plug	
16	1001116812	1	Connector	
17	4460944	2	Terminal	
18	91554019	1	Lock, Connector	
19	4460466	1	Plug	
20	4460539	1	Connector	
21	4460944	2	Terminal	
22	77363244	1	Wedge Lock	
23	4460466	1	Plug	
24	1001187073	1	Terminal Ring	
25	8220051	1	Female Blade Coupler	
26	1001116812	1	Connector	
27	4460944	2	Terminal	
28	91554019	1	Lock, Connector	
29	4460466	1	Plug	
30	1001187079	1	Terminal Ring	
31	1001187079	1	Terminal Ring	
32	1001187080	1	Terminal Ring	
33	4460891	1	Connector	
34	4460465	2	Terminal	
35	80604018	1	Wedge Lock	
36	4460933	1	Connector	
37	4460942	10	Terminal	
38	4460466	2	Plug	
39	80604016	1	Wedge Lock	
40	4460891	1	Connector	
41	4460465	2	Terminal	
42	80604018	1	Wedge Lock	
43	4460891	1	Connector	
44	4460465	2	Terminal	
45	80604018	1	Wedge Lock	
46	4460836	1	Connector	
47	4460942	1	Terminal	
48	4460465	10	Terminal	
49	4460466	1	Plug	

## SECTION 10 - ELECTRICAL

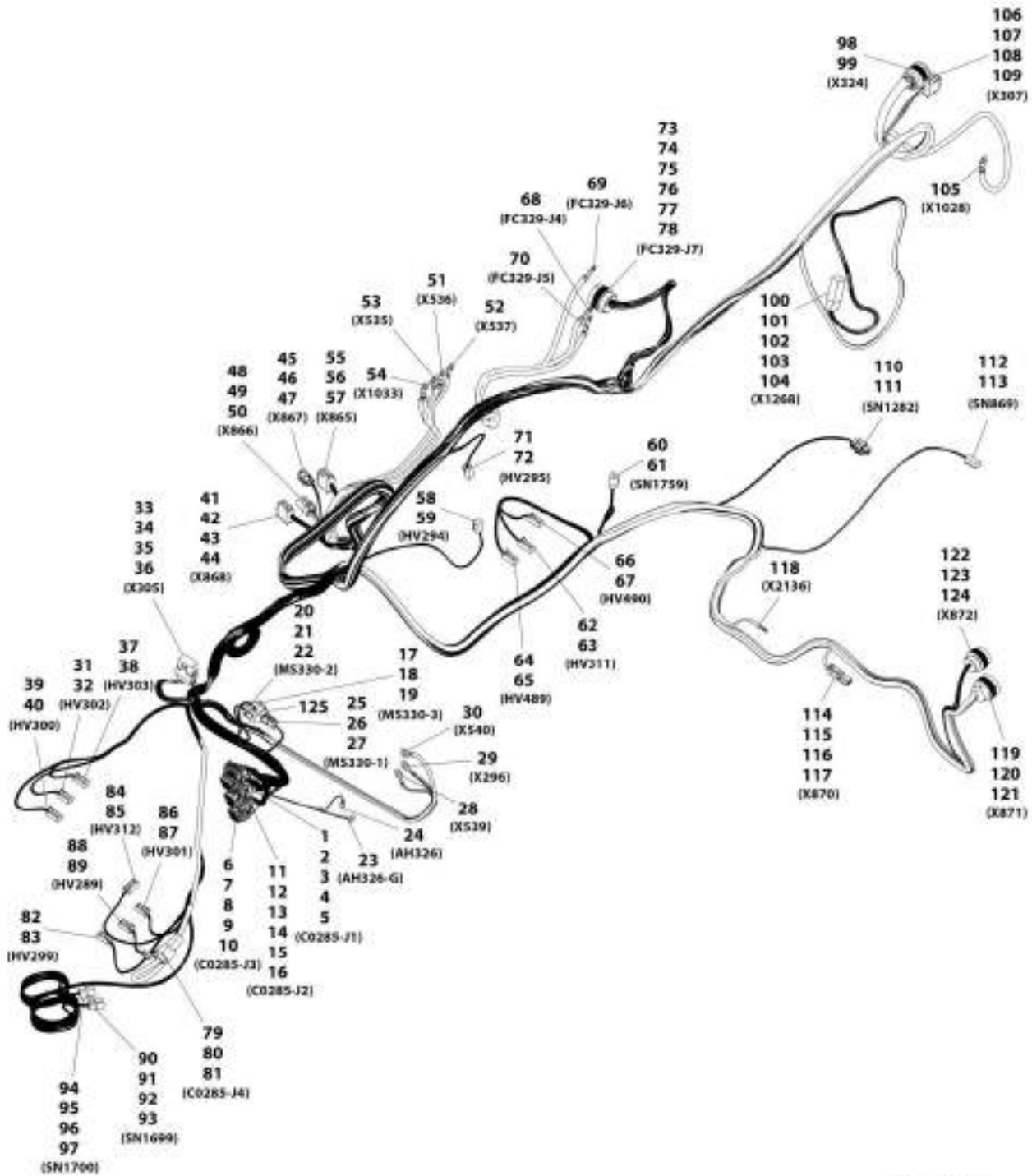
ITEM	PART NUMBER	QTY	DESCRIPTION	REV
50	80604016	1	Wedge Lock	
51	4460933	1	Connector	
52	4460465	7	Terminal	
53	4460466	5	Plug	
54	80604016	1	Wedge Lock	
55	1001116810	1	Connector	
56	4460509	1	Terminal	
57	1001150611	3	Terminal	
58	1001128127	2	Terminal Ring	
59	1001187080	1	Terminal Ring	
60	1001187079	1	Terminal Ring	
61	1001128127	1	Terminal Ring	
62	1001116812	1	Connector	
63	4460465	2	Terminal	
64	4460466	1	Plug	
65	91554019	1	Wedge Lock	
66	4460891	1	Connector	
67	4460465	2	Terminal	
68	80604018	1	Wedge Lock	
69	4460539	1	Connector	
70	4460465	3	Terminal	
71	77363244	1	Wedge Lock	
72	4460891	1	Connector	
73	4460465	2	Terminal	
74	80604018	1	Wedge Lock	
75	4460891	1	Connector	
76	4460465	2	Terminal	
77	80604018	1	Wedge Lock	
78	4460891	1	Connector	
79	4460465	2	Terminal	
80	80604018	1	Wedge Lock	
81	1001187075	1	Terminal Ring	
82	1001187075	1	Terminal Ring	
83	1001187075	1	Terminal Ring	
84	4460891	1	Connector	
85	4460465	2	Terminal	
86	80604018	1	Wedge Lock	
87	1001165309	1	Connector	
88	4460465	7	Terminal	
89	4460942	3	Terminal	
90	4460509	3	Terminal	
91	1001150611	3	Terminal	
92	4460466	3	Plug	
93	1001160509	1	Connector	
94	1001160510	1	Terminal	
95	1001175267	1	Seal	
96	4460891	1	Connector	
97	4460465	2	Terminal	
98	80604018	1	Wedge Lock	
99	4460891	1	Connector	
100	4460465	2	Terminal	

## SECTION 10 - ELECTRICAL

ITEM	PART NUMBER	QTY	DESCRIPTION	REV
101	80604018	1	Wedge Lock	
102	4460891	1	Connector	
103	4460465	2	Terminal	
104	80604018	1	Wedge Lock	
105	4460891	1	Connector	
106	4460465	2	Terminal	
107	80604018	1	Wedge Lock	
114	1001165310	1	Connector	
115	91013192	2	Terminal	
116	4460894	1	Connector	
117	4460942	4	Terminal	
118	4460465	2	Terminal	
119	80604023	1	Wedge Lock	
120	1001187076	1	Terminal Ring	
121	4460933	1	Connector	
122	4460465	3	Terminal	
123	4460942	2	Terminal	
124	4460466	7	Plug	
125	80604016	1	Wedge Lock	
126	1001116950	1	Connector	
127	4460465	2	Terminal	
128	4460891	1	Connector	
129	4460465	2	Terminal	
130	80604018	1	Wedge Lock	
131	4460891	1	Connector	
132	80604018	1	Wedge Lock	
133	4460942	1	Terminal	
134	4460466	1	Plug	
135	1001118323	1	Connector	
136	4460942	4	Terminal	
137	91013192	2	Terminal	
138	4461015	1	Connector	
139	4460465	7	Terminal	
140	4460466	7	Plug	
141	4460945	1	Connector, 3 Way	
142	1001187080	2	Terminal Ring	
143	8220116	1	Terminal Ring	
144	4460539	1	Connector	
145	4460465	3	Terminal	
146	4460466	1	Plug	
147	77363244	1	Wedge Lock	
148	4460539	1	Connector	
149	4460465	3	Terminal	
150	4460466	1	Plug	
151	77363244	1	Wedge Lock	

# SECTION 10 - ELECTRICAL

## FIGURE 10-51. FRONT FRAME HARNESS (SN 0160080792 to Present)



AWT\_1001221727-A

## SECTION 10 - ELECTRICAL

**FIGURE 10-51. FRONT FRAME HARNESS (SN 0160080792 to Present)**

ITEM	PART NUMBER	QTY	DESCRIPTION	REV
	1001221727	Ref	Front Frame Harness	A
1	1001161957	1	Connector	
2	1001161097	21	Terminal	
3	1001161099	1	Terminal	
4	1001161100	3	Plug	
5	1001161101	7	Plug	
6	1001160500	1	Connector	
7	1001161097	9	Terminal	
8	1001161099	7	Terminal	
9	1001161100	15	Plug	
10	1001161101	1	Plug	
11	1001161963	1	Connector	
12	1001161097	21	Terminal	
13	1001161099	5	Terminal	
14	1001161098	1	Terminal	
15	1001161100	17	Plug	
16	1001161101	2	Plug	
17	1001116812	1	Connector	
18	4460944	2	Terminal	
19	4460466	1	Plug	
20	4460539	1	Connector	
21	4460944	2	Terminal	
22	4460466	1	Plug	
23	1001187073	1	Terminal Ring	
24	8220051	1	Terminal Ring	
25	1001116812	1	Connector	
26	4460944	2	Terminal	
27	4460466	1	Plug	
28	1001187080	1	Terminal Ring	
29	1001187079	1	Terminal Ring	
30	1001187080	1	Terminal Ring	
31	4460891	1	Connector	
32	4460465	2	Terminal	
33	4460933	1	Connector	
34	4460970	1	Terminal	
35	4460942	10	Terminal	
36	4460466	3	Plug	
37	4460891	1	Connector	
38	4460465	2	Terminal	
39	4460891	1	Connector	
40	4460465	2	Terminal	
41	4460836	1	Connector	
42	4460942	1	Terminal	
43	4460465	10	Terminal	
44	4460466	1	Plug	
45	4460933	1	Connector	
46	4460465	8	Terminal	
47	4460466	4	Plug	
48	1001116810	1	Connector	
49	1001150611	3	Terminal	

## SECTION 10 - ELECTRICAL

ITEM	PART NUMBER	QTY	DESCRIPTION	REV
50	4460509	1	Terminal	
51	1001128127	1	Terminal Ring	
52	1001187080	1	Terminal Ring	
53	1001187079	1	Terminal Ring	
54	1001128127	1	Terminal Ring	
55	1001116812	1	Connector	
56	4460465	2	Terminal	
57	4460466	1	Plug	
58	4460891	1	Connector	
59	4460465	2	Terminal	
60	4460539	1	Connector	
61	4460465	3	Terminal	
62	4460891	1	Connector	
63	4460465	2	Terminal	
64	4460891	1	Connector	
65	4460465	2	Terminal	
66	4460891	1	Connector	
67	4460465	2	Terminal	
68	1001187075	1	Terminal Ring	
69	1001187075	1	Terminal Ring	
70	1001187075	1	Terminal Ring	
71	4460891	1	Connector	
72	4460465	2	Terminal	
73	1001165309	1	Connector	
74	4460465	7	Terminal	
75	4460942	2	Terminal	
76	4460509	3	Terminal	
77	1001150611	3	Terminal	
78	4460466	3	Plug	
79	1001160509	1	Connector	
80	1001160510	1	Terminal	
81	1001175267	2	Seal	
82	4460891	1	Connector	
83	4460465	2	Terminal	
84	4460891	1	Connector	
85	4460465	2	Terminal	
86	4460891	1	Connector	
87	4460465	2	Terminal	
88	4460891	1	Connector	
89	4460465	2	Terminal	
90	4460539	1	Connector	
91	4460536	1	Terminal	
92	4460465	3	Terminal	
93	4460466	1	Plug	
94	4460539	1	Connector	
95	4460536	1	Terminal	
96	4460465	3	Terminal	
97	4460466	1	Plug	
98	1001165310	1	Connector	
99	91013192	2	Terminal	
100	4460894	1	Connector	

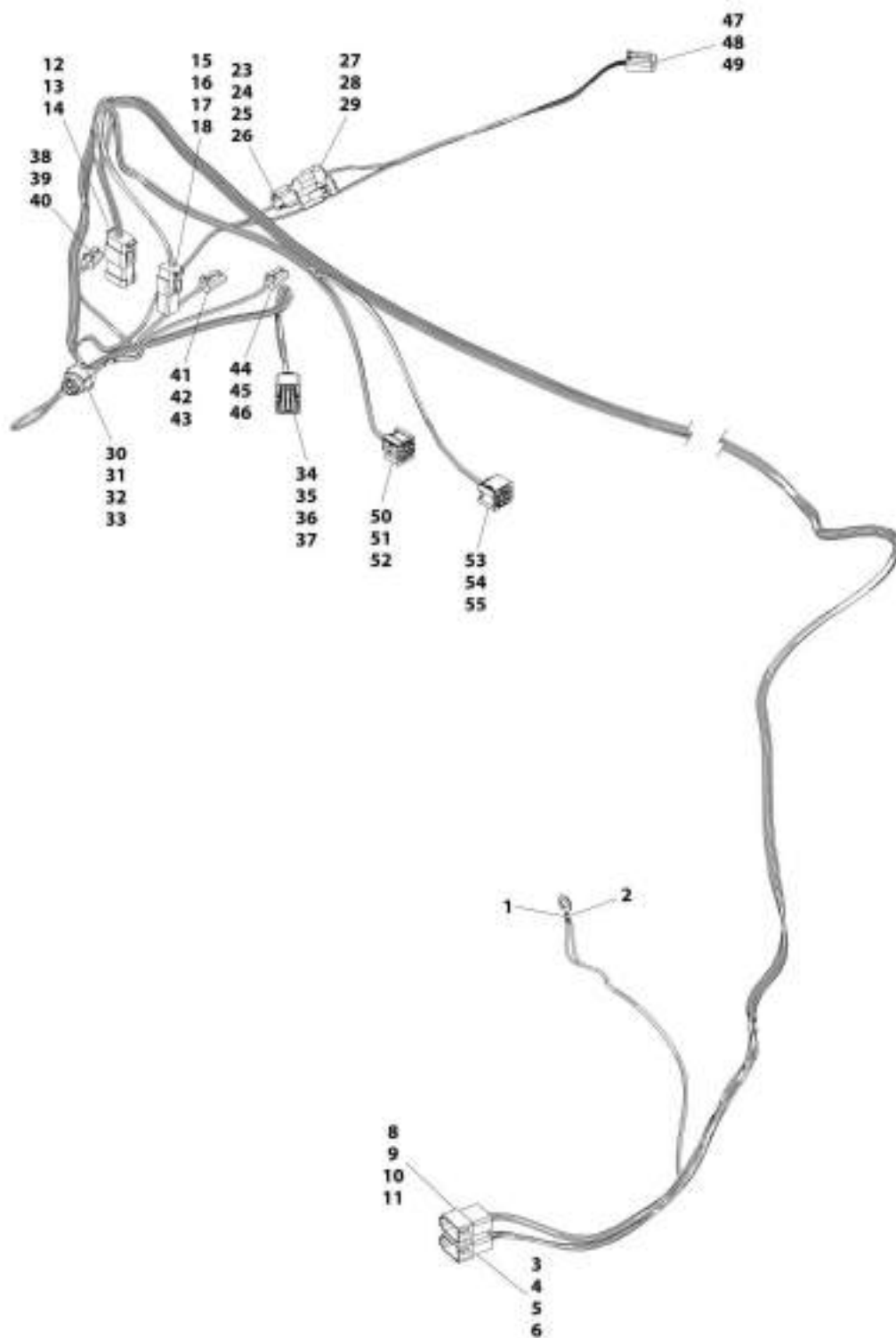


## SECTION 10 - ELECTRICAL

ITEM	PART NUMBER	QTY	DESCRIPTION	REV
101	4460899	1	Terminal	
102	4460942	4	Terminal	
103	4460465	2	Terminal	
104	4460466	1	Plug	
105	1001187076	1	Terminal Ring	
106	4460933	1	Connector	
107	4460942	2	Terminal	
108	4460465	3	Terminal	
109	4460466	7	Plug	
110	1001116950	1	Connector	
111	4460465	2	Terminal	
112	4460891	1	Connector	
113	4460465	2	Terminal	
114	4460891	1	Connector	
115	4460897	1	Terminal	
116	4460942	1	Terminal	
117	4460466	1	Plug	
118	8220116	1	Terminal Ring	
119	1001118323	1	Connector	
120	4460942	4	Terminal	
121	91013192	2	Terminal	
122	4461015	1	Connector	
123	4460465	7	Terminal	
124	4460466	7	Plug	
125	4460945	1	Connector, 3 Way	

# SECTION 10 - ELECTRICAL

## FIGURE 10-52. ENGINE CHASSIS HARNESS



AWT\_1001168952.H

## SECTION 10 - ELECTRICAL

### FIGURE 10-52. ENGINE CHASSIS HARNESS

ITEM	PART NUMBER	QTY	DESCRIPTION	REV
	1001168952	Ref	Engine Chassis Harness	H
1	1001187077	1	Ring, Terminal	
2	1001187077	1	Ring, Terminal	
3	1001152742	1	Connector	
4	80363179	1	Lock, Connector	
5	4460464	10	Terminal	
6	4460466	2	Plug	
8	4460982	1	Connector	
9	80363179	1	Lock, Connector	
10	4460464	11	Terminal	
11	4460466	1	Plug	
12	4460930	1	Connector	
13	8220525	1	Lock, Connector	
14	4460465	8	Terminal	
15	4460894	1	Connector	
16	91504107	1	Lock, Connector	
17	4460465	4	Terminal	
18	4460466	2	Plug	
23	1001116812	1	Connector	
24	91554019	1	Lock, Connector	
25	4460944	2	Terminal	
26	4460466	1	Plug	
27	4460539	1	Connector	
28	4460944	2	Terminal	
29	4460466	1	Plug	
30	1001167620	1	Connector	
31	1001176004	2	Terminal	
32	1001176002	2	Seal, Terminal	
33	1001167624	2	Plug	
34	1001165194	1	Connector	
35	1001166703	10	Terminal	
36	1001126393	10	Seal, Terminal	
37	1001126391	2	Plug	
38	4460891	1	Connector	
39	80604018	1	Lock, Connector	
40	4460465	2	Terminal	
41	4460891	1	Connector	
42	80604018	1	Lock, Connector	
43	4460465	2	Terminal	
44	4460891	1	Connector	
45	80604018	1	Lock, Connector	
46	4460465	2	Terminal	
47	4460884	1	Connector	
48	80604021	1	Lock, Connector	
49	4460465	4	Terminal	
50	1001176935	1	Connector	
51	1001166704	4	Terminal	
52	1001137578	4	Seal, Terminal	
53	1001167528	1	Connector	
54	1001166704	4	Terminal	

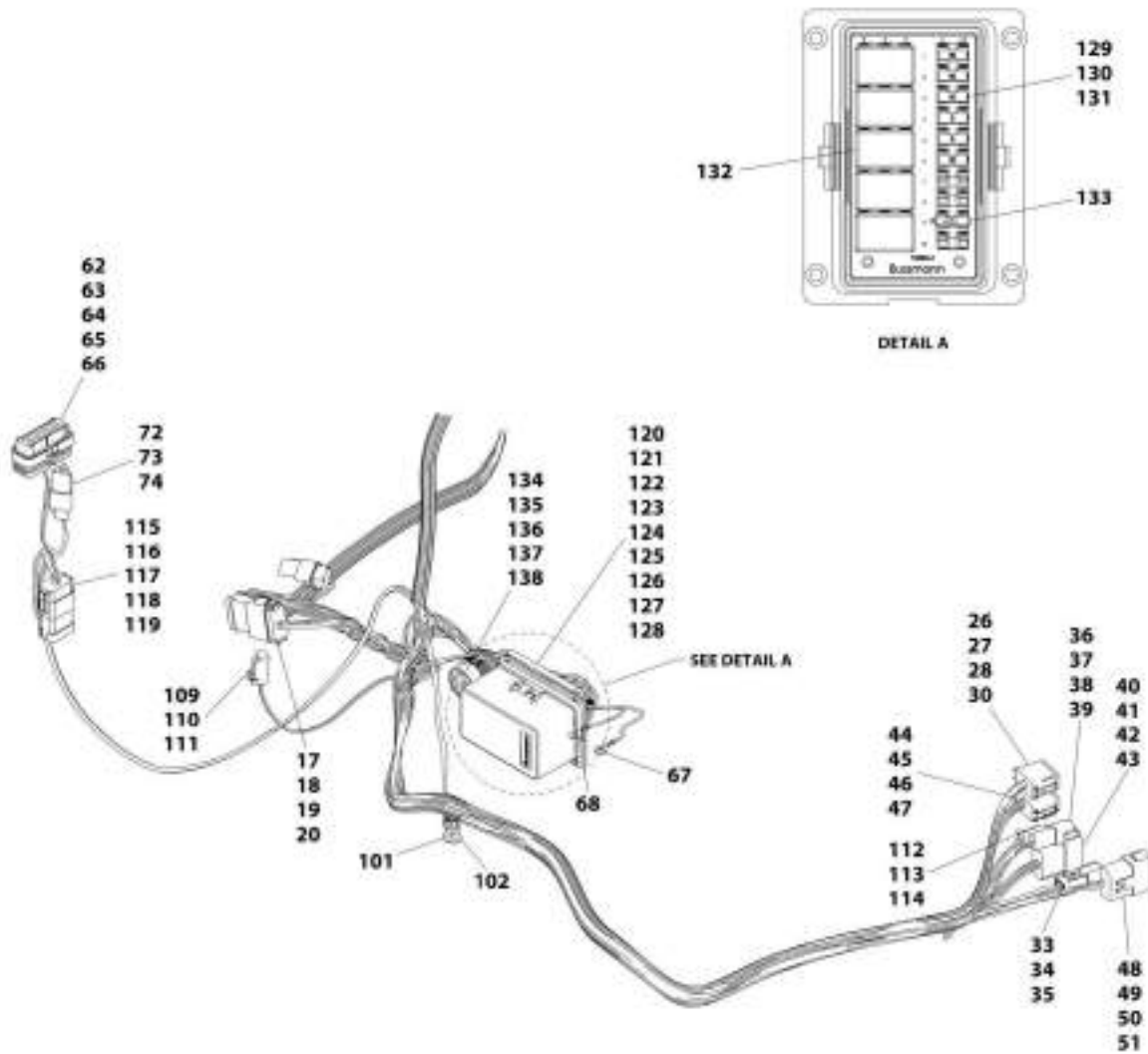
## SECTION 10 - ELECTRICAL

ITEM	PART NUMBER	QTY	DESCRIPTION	REV
55	1001137578	4	Seal, Terminal	



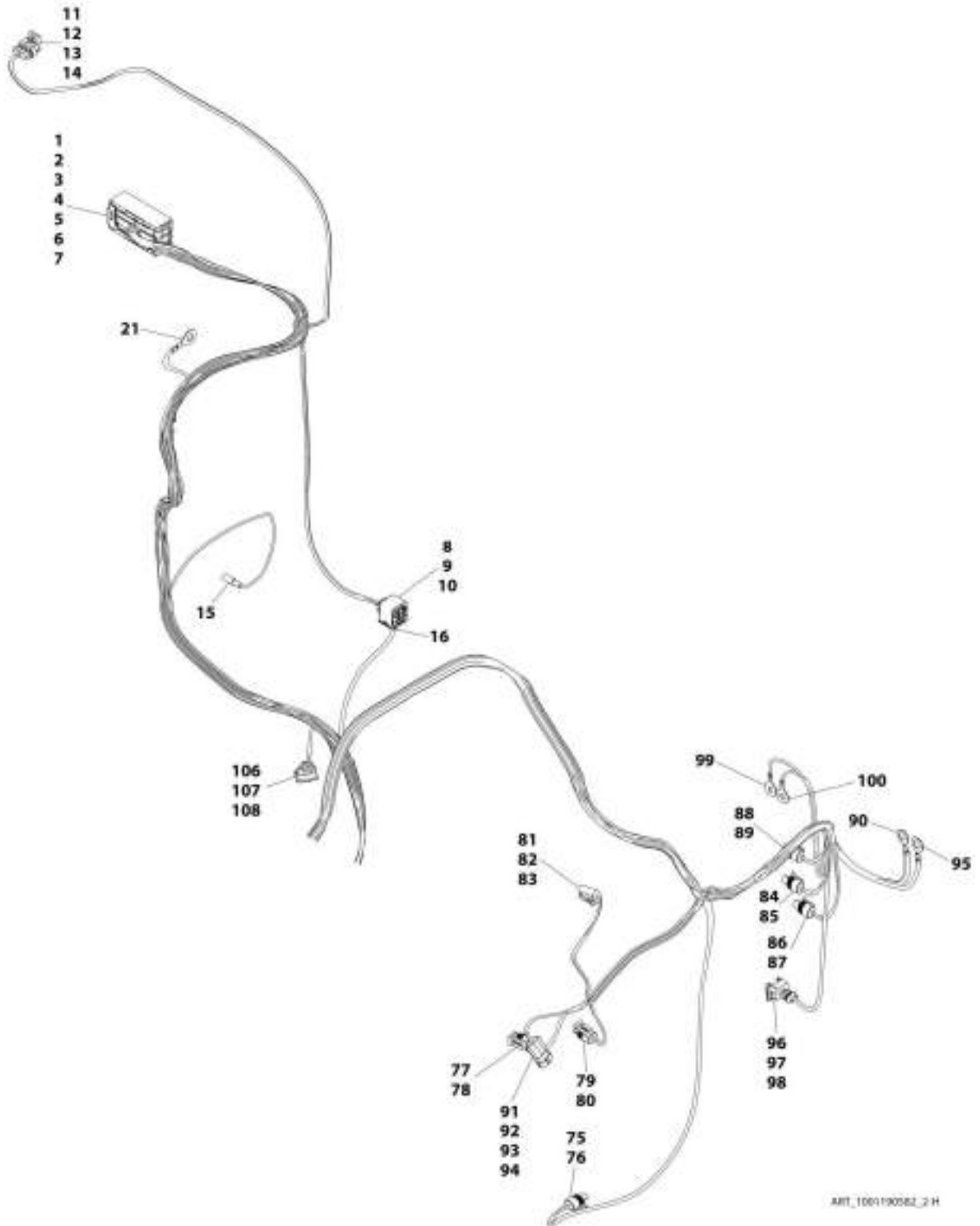
# SECTION 10 - ELECTRICAL

FIGURE 10-53. ENGINE HARNESS (ULS) (Prior to SN 0160080792)



AWT\_1001190582\_1-H

# SECTION 10 - ELECTRICAL



ART\_100190562\_2.H

## SECTION 10 - ELECTRICAL

**FIGURE 10-53. ENGINE HARNESS (ULS) (Prior to SN 0160080792)**

ITEM	PART NUMBER	QTY	DESCRIPTION	REV
	1001190582	Ref	Engine Harness (if equipped for ULS)	H
1	1001167641	1	Connector	
2	1001167648	9	Terminal	
3	1001167649	30	Terminal	
4	1001167650	59	Plug	
5	1001167643	1	Cover	
6	1001167644	1	Lock, Connector	
7	1001167647	1	Boot, Rubber Connector	
8	1001176935	1	Connector	
9	1001166704	4	Terminal	
10	4461006	4	Seal	
11	1001125027	1	Connector	
12	70026217	1	Lock, Connector	
13	8220124	3	Terminal	
14	4460608	3	Seal	
15	1001117125	1	Terminal, Snap Plug	
16	1001197407	1	Ring, Terminal	
17	4460933	1	Connector	
18	4460465	8	Terminal	
19	4460466	4	Plug	
20	80604016	1	Lock, Connector	
21	1001187070	1	Ring, Terminal	
26	4460934	1	Connector	
27	80604016	1	Lock, Connector	
28	4460465	10	Terminal	
30	4460466	2	Plug	
33	1001116811	1	Connector	
34	4460508	3	Terminal	
35	1001150610	1	Terminal	
36	1001144147	1	Connector	
37	91554022	1	Lock, Connector	
38	4460464	2	Terminal	
39	4460466	1	Plug	
40	4460950	1	Connector	
41	80363179	1	Lock, Connector	
42	4460464	9	Terminal	
43	4460466	3	Plug	
44	4460935	1	Connector	
45	80604016	1	Lock, Connector	
46	4460465	11	Terminal	
47	4460466	1	Plug	
48	4460970	1	Connector	
49	80604015	1	Lock, Connector	
50	4460464	7	Terminal	
51	4460466	5	Plug	
62	1001125083	1	Connector	
63	1001195782	7	Plug	
64	1001195781	15	Plug	
65	1001125085	1	Terminal	
66	1001125089	1	Terminal	



## SECTION 10 - ELECTRICAL

ITEM	PART NUMBER	QTY	DESCRIPTION	REV
67	1001187070	1	Ring, Terminal	
68	1001187070	1	Ring, Terminal	
72	4461095	1	Connector	
73	4460944	2	Terminal	
74	4460466	1	Plug	
75	4460955	1	Connector	
76	1001116748	2	Terminal	
77	4460955	1	Connector	
78	1001116748	2	Terminal	
79	4460955	1	Connector	
80	1001116748	2	Terminal	
81	4460891	1	Connector	
82	80604018	1	Lock, Connector	
83	4460465	2	Terminal	
84	4460955	1	Connector	
85	1001116748	2	Terminal	
86	4460955	1	Connector	
87	1001116748	2	Terminal	
88	4460955	1	Connector	
89	1001116748	2	Terminal	
90	1001187080	1	Ring, Terminal	
91	1001117073	1	Connector	
92	70022741	1	Lock, Connector	
93	1001116749	2	Terminal	
94	4460608	2	Seal	
95	1001187079	1	Ring, Terminal	
96	1001190322	1	Connector	
97	4461005	2	Terminal	
98	4461054	2	Seal	
99	1001207171	1	Ring, Terminal	
100	1001207171	1	Ring, Terminal	
101	8220108	1	Connector, Female	
102	8220108	1	Connector, Female	
106	1001126487	1	Connector	
107	1001167656	2	Terminal	
108	1001167657	2	Seal	
109	4460891	1	Connector	
110	4460465	2	Terminal	
111	80604018	1	Lock, Connector	
112	4460891	1	Connector	
113	4460465	2	Terminal	
114	80604018	1	Lock, Connector	
115	4460930	1	Connector	
116	80604025	1	Lock, Connector	
117	4460465	6	Terminal	
118	4460466	2	Plug	
119	4460984	1	Bussbar	
120	1001167616	1	Connector	
121	1001190921	1	Seal, Foam Fuse Box	
122	8220098	3	Terminal	
123	4460789	9	Seal	

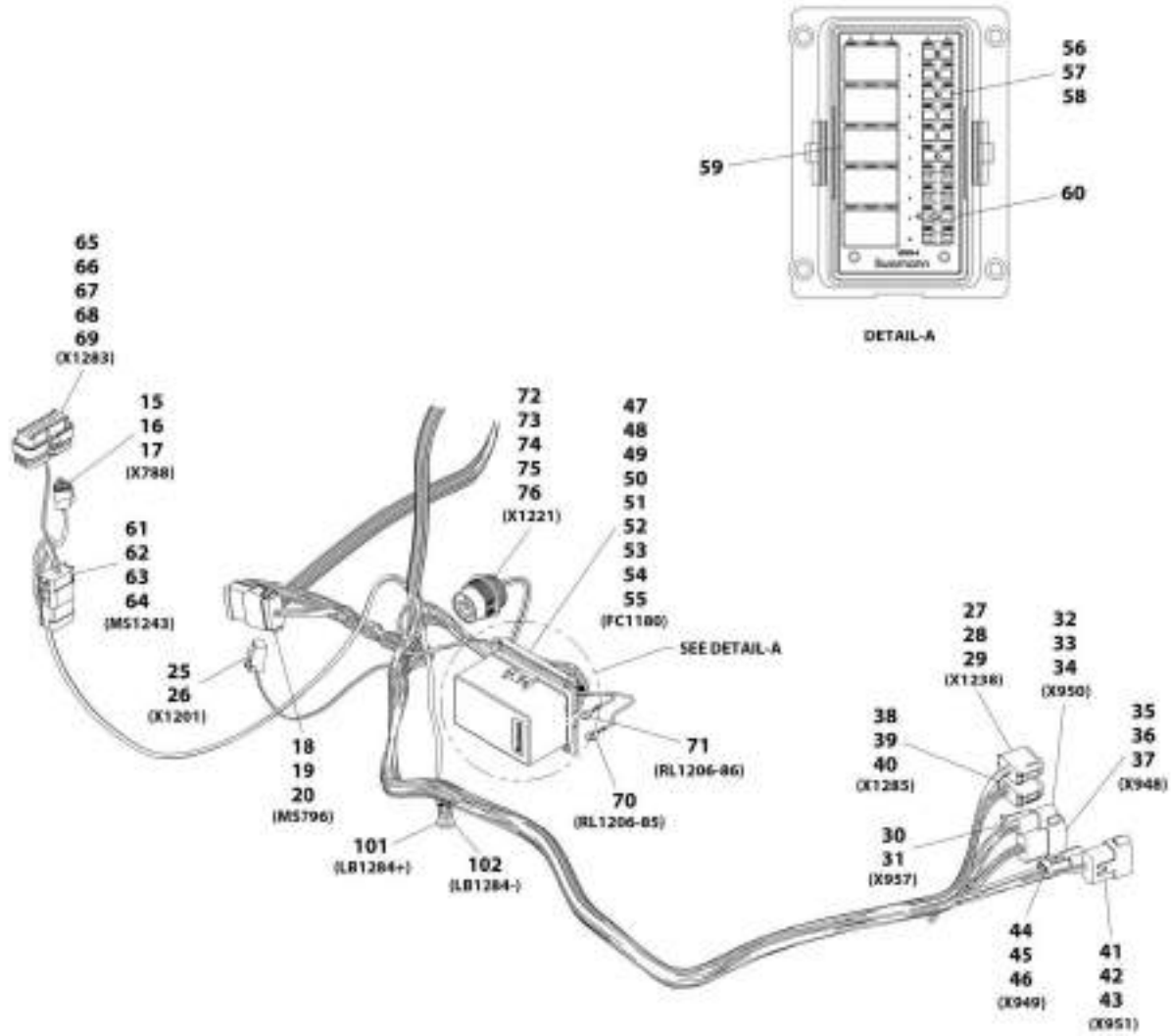
## SECTION 10 - ELECTRICAL

ITEM	PART NUMBER	QTY	DESCRIPTION	REV
124	8220097	29	Terminal	
125	4460458	23	Seal	
126	4460748	11	Plug	
127	1001116725	2	Terminal	
128	80963067	2	Plug	
129	8229244	2	Fuse, 15amp	
130	80983191	2	Fuse, 10amp	
131	8229242	2	Fuse, 5amp	
132	1001205172	5	Relay, 35amp	
133	1001177597	1	Diode, 6amp	
134	1001112612	1	Connector	
135	4469464	4	Terminal	
136	4460466	5	Plug	
137	4460497	1	Nut	
138	4460496	1	Lockwasher	



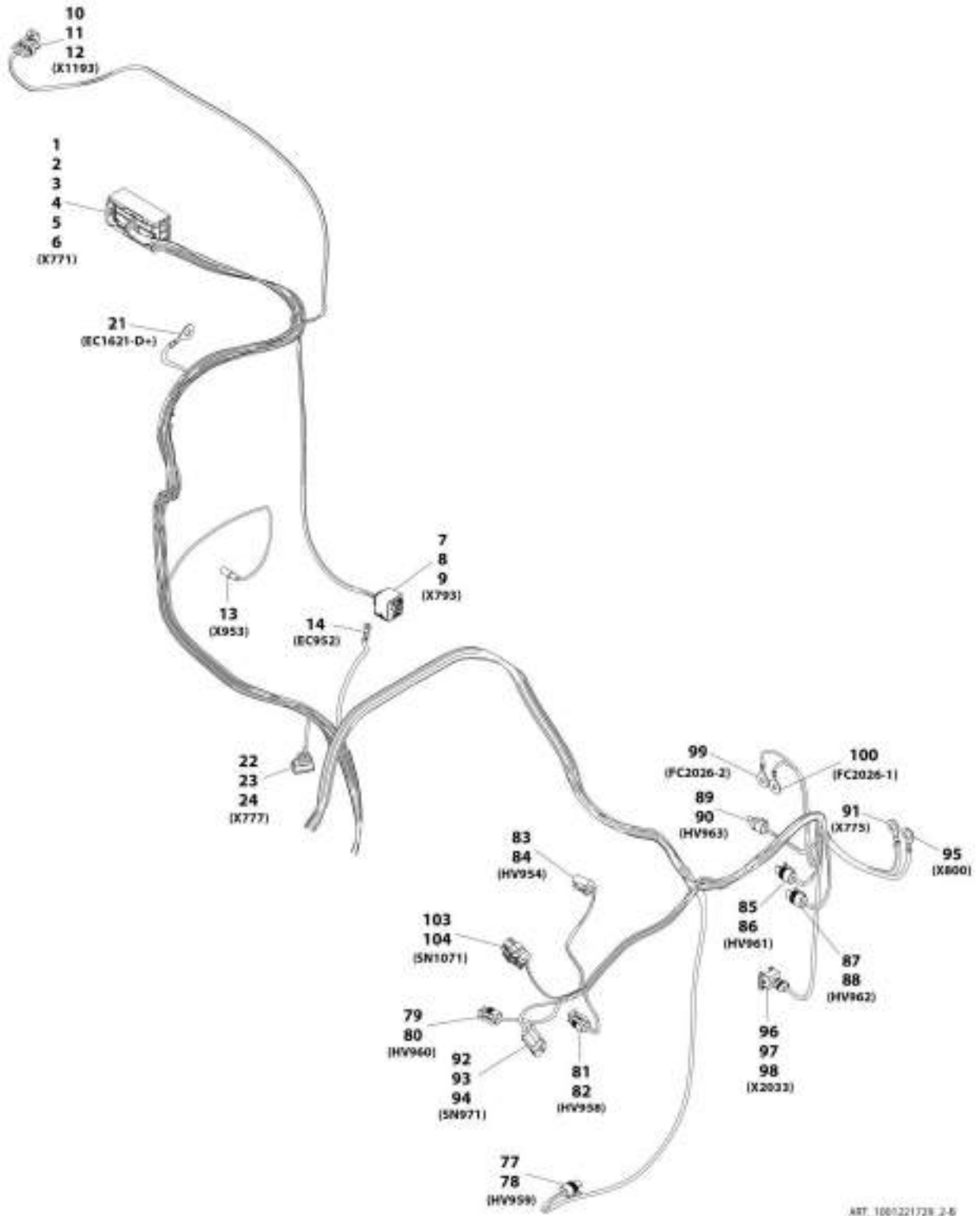
# SECTION 10 - ELECTRICAL

FIGURE 10-54. ENGINE HARNESS (ULS) (SN 0160080792 to Present)



ART. 1001221.729\_1-B

# SECTION 10 - ELECTRICAL



# SECTION 10 - ELECTRICAL

**FIGURE 10-54. ENGINE HARNESS (ULS) (SN 0160080792 to Present)**

ITEM	PART NUMBER	QTY	DESCRIPTION	REV
	1001221729	Ref	Engine Harness (if equipped for ULS)	B
1	1001167641	1	Connector	
2	1001167648	9	Terminal	
3	1001167649	30	Terminal	
4	1001167650	59	Plug	
5	1001167643	1	Cover	
6	1001167647	1	Boot, Rubber Connector	
7	1001176935	1	Connector	
8	1001166704	4	Terminal	
9	4461006	4	Seal	
10	1001125027	1	Connector	
11	8220124	3	Terminal	
12	4460608	3	Seal	
13	1001117125	1	Terminal, Snap Plug	
14	1001197407	1	Ring, Terminal	
15	4461095	1	Connector	
16	4460944	2	Terminal	
17	4460466	1	Plug	
18	4460933	1	Connector	
19	4460465	8	Terminal	
20	4460466	4	Plug	
21	1001187070	1	Ring, Terminal	
22	1001126487	1	Connector	
23	1001167656	2	Terminal	
24	1001167657	2	Seal	
25	4460891	1	Connector	
26	4460465	2	Terminal	
27	4460934	1	Connector	
28	4460465	10	Terminal	
29	4460466	2	Plug	
30	4460891	1	Connector	
31	4460465	2	Terminal	
32	1001144147	1	Connector	
33	4460464	2	Terminal	
34	4460466	1	Plug	
35	4460950	1	Connector	
36	4460464	9	Terminal	
37	4460466	3	Plug	
38	4460935	1	Connector	
39	4460465	11	Terminal	
40	4460466	1	Plug	
41	4460970	1	Connector	
42	4460464	8	Terminal	
43	4460466	4	Plug	
44	1001116811	1	Connector	
45	4460508	3	Terminal	
46	1001150610	1	Terminal	
47	1001167616	1	Connector	
48	1001190921	1	Seal, Foam Fuse Box	
49	8220098	3	Terminal	

## SECTION 10 - ELECTRICAL

ITEM	PART NUMBER	QTY	DESCRIPTION	REV
50	4460789	9	Seal	
51	8220097	29	Terminal	
52	4460458	23	Seal	
53	4460748	11	Plug	
54	1001116725	2	Terminal	
55	80963067	2	Plug	
56	8229244	2	Fuse, 15amp	
57	80983191	2	Fuse, 10amp	
58	8229242	2	Fuse, 5amp	
59	1001205172	5	Relay, 35amp	
60	1001177597	1	Diode, 6amp	
61	4460930	1	Connector	
62	4460465	6	Terminal	
63	4460466	2	Plug	
64	4460984	1	Bussbar	
65	1001125083	1	Connector	
66	1001195782	7	Plug	
67	1001195781	14	Plug	
68	1001125085	2	Terminal	
69	1001125089	1	Terminal	
70	1001187070	1	Ring, Terminal	
71	1001187070	1	Ring, Terminal	
72	1001112612	1	Connector	
73	4469464	4	Terminal	
74	4460466	5	Plug	
75	4460497	1	Nut	
76	4460496	1	Lockwasher	
77	4460955	1	Connector	
78	1001116748	2	Terminal	
79	4460955	1	Connector	
80	1001116748	2	Terminal	
81	4460955	1	Connector	
82	1001116748	2	Terminal	
83	4460891	1	Connector	
84	4460465	2	Terminal	
85	4460955	1	Connector	
86	1001116748	2	Terminal	
87	4460955	1	Connector	
88	1001116748	2	Terminal	
89	4460955	1	Connector	
90	1001116748	2	Terminal	
91	1001187080	1	Ring, Terminal	
92	1001117073	1	Connector	
93	1001116749	2	Terminal	
94	4460608	2	Seal	
95	1001187079	1	Ring, Terminal	
96	1001190322	1	Connector	
97	4461005	2	Terminal	
98	4461054	2	Seal	
99	1001207171	1	Ring, Terminal	
100	1001207171	1	Ring, Terminal	

## SECTION 10 - ELECTRICAL

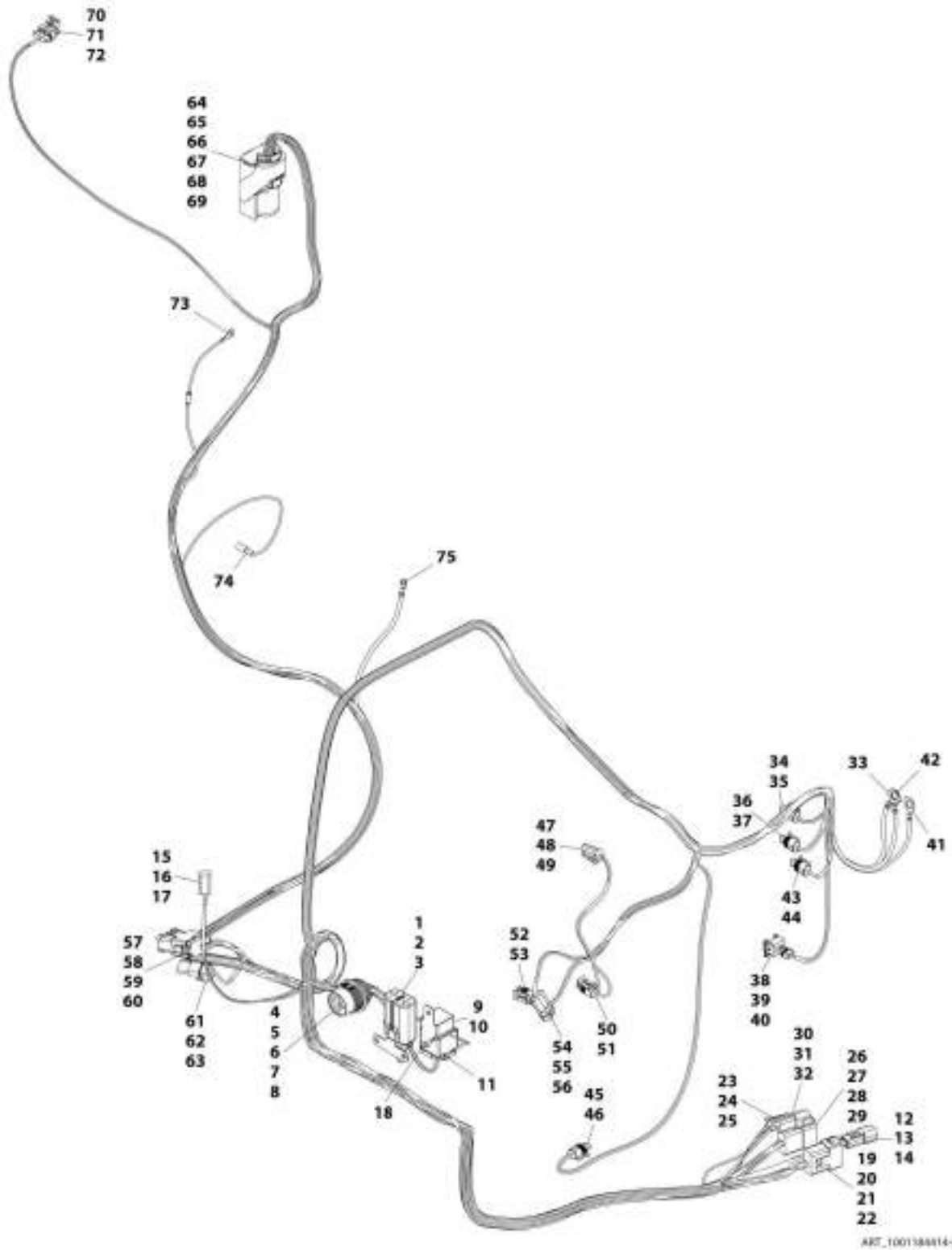
ITEM	PART NUMBER	QTY	DESCRIPTION	REV
101	8220108	1	Connector, Female	
102	8220108	1	Connector, Female	
103	1001116950	1	Connector	
104	4460465	2	Terminal	





# SECTION 10 - ELECTRICAL

FIGURE 10-55. ENGINE HARNESS (LS) (Prior to SN 0160080792)



ART\_100138A14-4

## SECTION 10 - ELECTRICAL

**FIGURE 10-55. ENGINE HARNESS (LS) (Prior to SN 0160080792)**

ITEM	PART NUMBER	QTY	DESCRIPTION	REV
	1001184414	Ref	Engine Harness (if equipped for LS)	I
1	1001184551	1	Connector	
2	1001116728	8	Terminal	
3	1001175265	8	Seal	
4	1001112612	1	Connector	
5	4460464	4	Terminal	
6	4460466	5	Plug	
7	4460497	1	Nut	
8	4460496	1	Washer, Lock	
9	1001145707	1	Connector	
10	1001116732	4	Terminal	
11	1001187070	1	Ring, Terminal	
12	1001116811	1	Connector	
13	4460508	3	Terminal	
14	1001150610	1	Terminal	
15	4460891	1	Connector	
16	4460465	2	Terminal	
17	80604018	1	Lock, Connector	
18	1001187070	1	Ring, Terminal	
19	4460970	1	Connector	
20	4460464	7	Terminal	
21	4460466	5	Plug	
22	80604015	1	Lock, Connector	
23	4460891	1	Connector	
24	4460465	2	Terminal	
25	80604018	1	Lock, Connector	
26	4460950	1	Connector	
27	4460464	9	Terminal	
28	4460466	3	Plug	
29	80604015	1	Lock, Connector	
30	1001144147	1	Connector	
31	4460464	2	Terminal	
32	4460466	1	Plug	
33	1001187079	1	Ring, Terminal	
34	4460955	1	Connector	
35	1001116748	2	Terminal	
36	4460955	1	Connector	
37	1001116748	2	Terminal	
38	1001190322	1	Connector	
39	4461005	2	Terminal	
40	4461054	2	Seal	
41	1001187078	1	Ring, Terminal	
42	1001187079	1	Ring, Terminal	
43	4460955	1	Connector	
44	1001116748	2	Terminal	
45	4460955	1	Connector	
46	1001116748	2	Terminal	
47	4460891	1	Connector	
48	4460465	2	Terminal	
49	80604018	1	Lock, Connector	

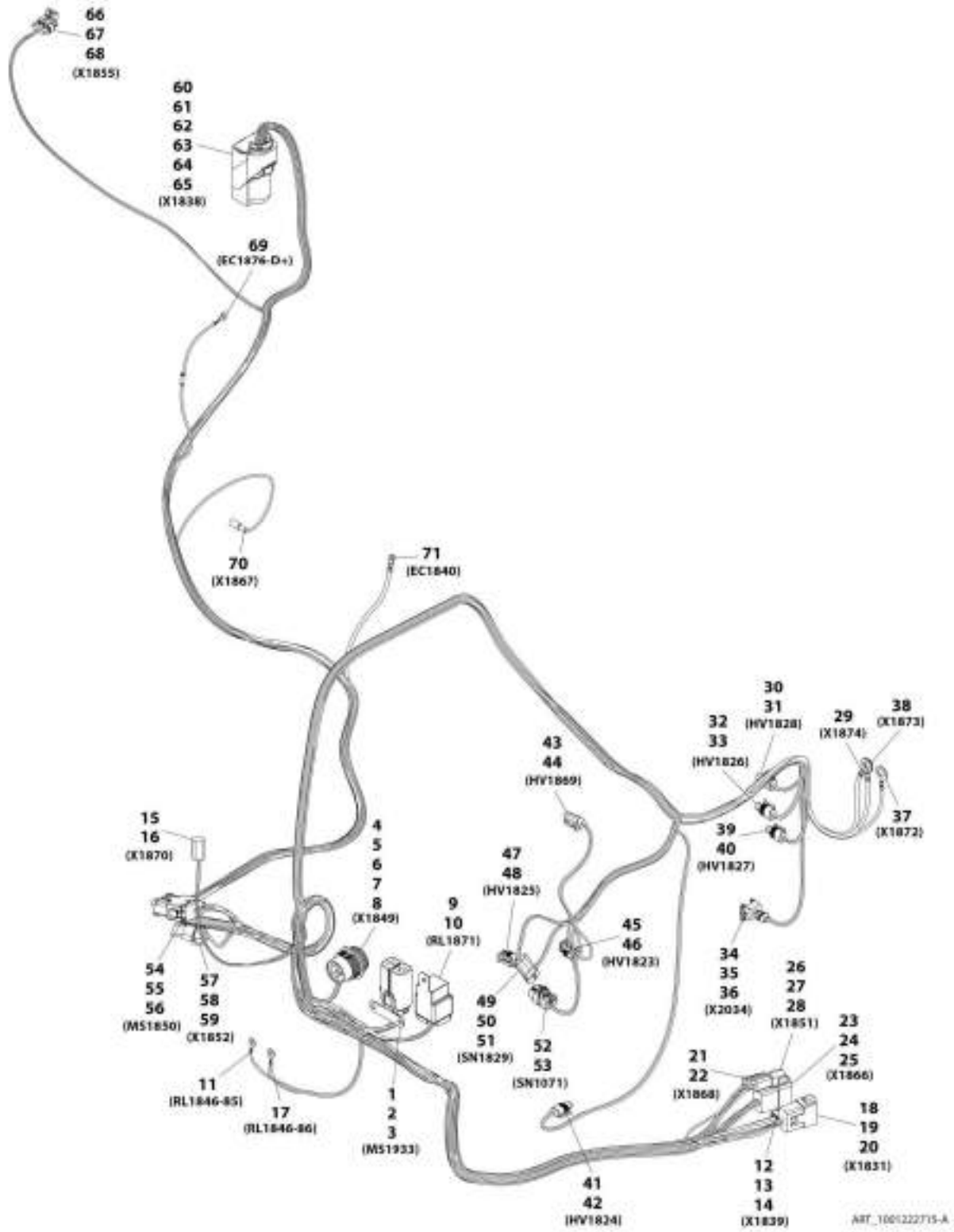
## SECTION 10 - ELECTRICAL

ITEM	PART NUMBER	QTY	DESCRIPTION	REV
50	4460955	1	Connector	
51	1001116748	2	Terminal	
52	4460955	1	Connector	
53	1001116748	2	Terminal	
54	1001117073	1	Connector	
55	1001116749	2	Terminal	
56	4460608	2	Seal	
57	4460933	1	Connector	
58	4460465	8	Terminal	
59	4460466	4	Plug	
60	80604016	1	Lock, Connector	
61	4461095	1	Connector	
62	4460943	2	Terminal	
63	4460466	1	Plug	
64	1001126349	1	Connector	
65	1001185824	6	Terminal	
66	1001185823	10	Terminal	
67	1001126353	6	Seal	
68	1001126357	4	Plug	
69	1001126356	73	Plug	
70	1001125027	1	Connector	
71	8220124	3	Terminal	
72	4460608	3	Seal	
73	1001187070	1	Ring, Terminal	
74	1001117125	1	Terminal, Snap Plug	
75	1001197407	1	Ring, Terminal	



# SECTION 10 - ELECTRICAL

## FIGURE 10-56. ENGINE HARNESS (LS) (SN 0160080792 to Present)



## SECTION 10 - ELECTRICAL

**FIGURE 10-56. ENGINE HARNESS (LS) (SN 0160080792 to Present)**

ITEM	PART NUMBER	QTY	DESCRIPTION	REV
	1001222715	Ref	Engine Harness (LS)	A
1	1001184551	1	Connector	
2	1001116728	8	Terminal	
3	1001175265	8	Seal	
4	1001112612	1	Connector	
5	4460464	4	Terminal	
6	4460466	5	Plug	
7	4460497	1	Nut	
8	4460496	1	Washer	
9	1001145707	1	Connector	
10	1001116732	4	Terminal	
11	1001187070	1	Ring, Terminal	
12	1001116811	1	Connector	
13	4460508	3	Terminal	
14	1001150610	1	Terminal	
15	4460891	1	Connector	
16	4460465	2	Terminal	
17	1001187070	1	Ring, Terminal	
18	4460970	1	Connector	
19	4460464	8	Terminal	
20	4460466	4	Plug	
21	4460891	1	Connector	
22	4460465	2	Terminal	
23	4460950	1	Connector	
24	4460464	9	Terminal	
25	4460466	3	Plug	
26	1001144147	1	Connector	
27	4460464	2	Terminal	
28	4460466	1	Plug	
29	1001187079	1	Ring, Terminal	
30	4460955	1	Connector	
31	1001116748	2	Terminal	
32	4460955	1	Connector	
33	1001116748	2	Terminal	
34	1001190322	1	Connector	
35	4461005	2	Terminal	
36	4461054	2	Seal	
37	1001187078	1	Ring, Terminal	
38	1001187079	1	Ring, Terminal	
39	4460955	1	Connector	
40	1001116748	2	Terminal	
41	4460955	1	Connector	
42	1001116748	2	Terminal	
43	4460891	1	Connector	
44	4460465	2	Terminal	
45	4460955	1	Connector	
46	1001116748	2	Terminal	
47	4460955	1	Connector	
48	1001116748	2	Terminal	
49	1001117073	1	Connector	

## SECTION 10 - ELECTRICAL

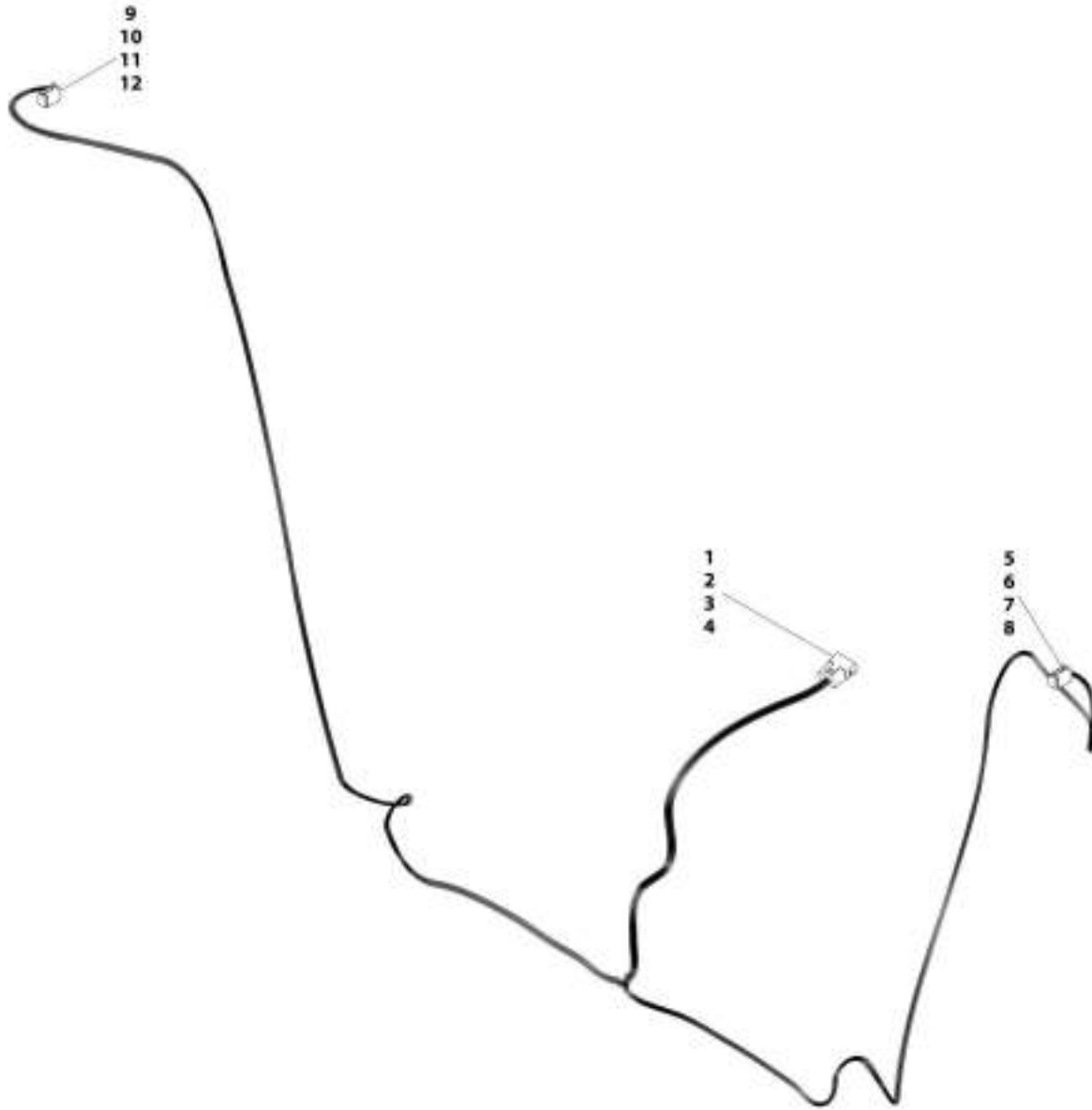
ITEM	PART NUMBER	QTY	DESCRIPTION	REV
50	1001116749	2	Terminal	
51	4460608	2	Seal	
52	1001116950	1	Connector	
53	4460465	2	Terminal	
54	4460933	1	Connector	
55	4460465	8	Terminal	
56	4460466	4	Plug	
57	4461095	1	Connector	
58	4460943	2	Terminal	
59	4460466	1	Plug	
60	1001126349	1	Connector	
61	1001185824	6	Terminal	
62	1001185823	11	Terminal	
63	1001126353	6	Seal	
64	1001126357	4	Plug	
65	1001126356	73	Plug	
66	1001125027	1	Connector	
67	8220124	3	Terminal	
68	4460608	3	Seal	
69	1001197721	1	Connector	
70	1001187070	1	Ring, Terminal	
71	1001117125	1	Terminal, Snap Plug	
72	1001197407	1	Ring, Terminal	





# SECTION 10 - ELECTRICAL

## FIGURE 10-57. FRONT FRAME HEADLIGHT HARNESS



ARE\_1001165360-D

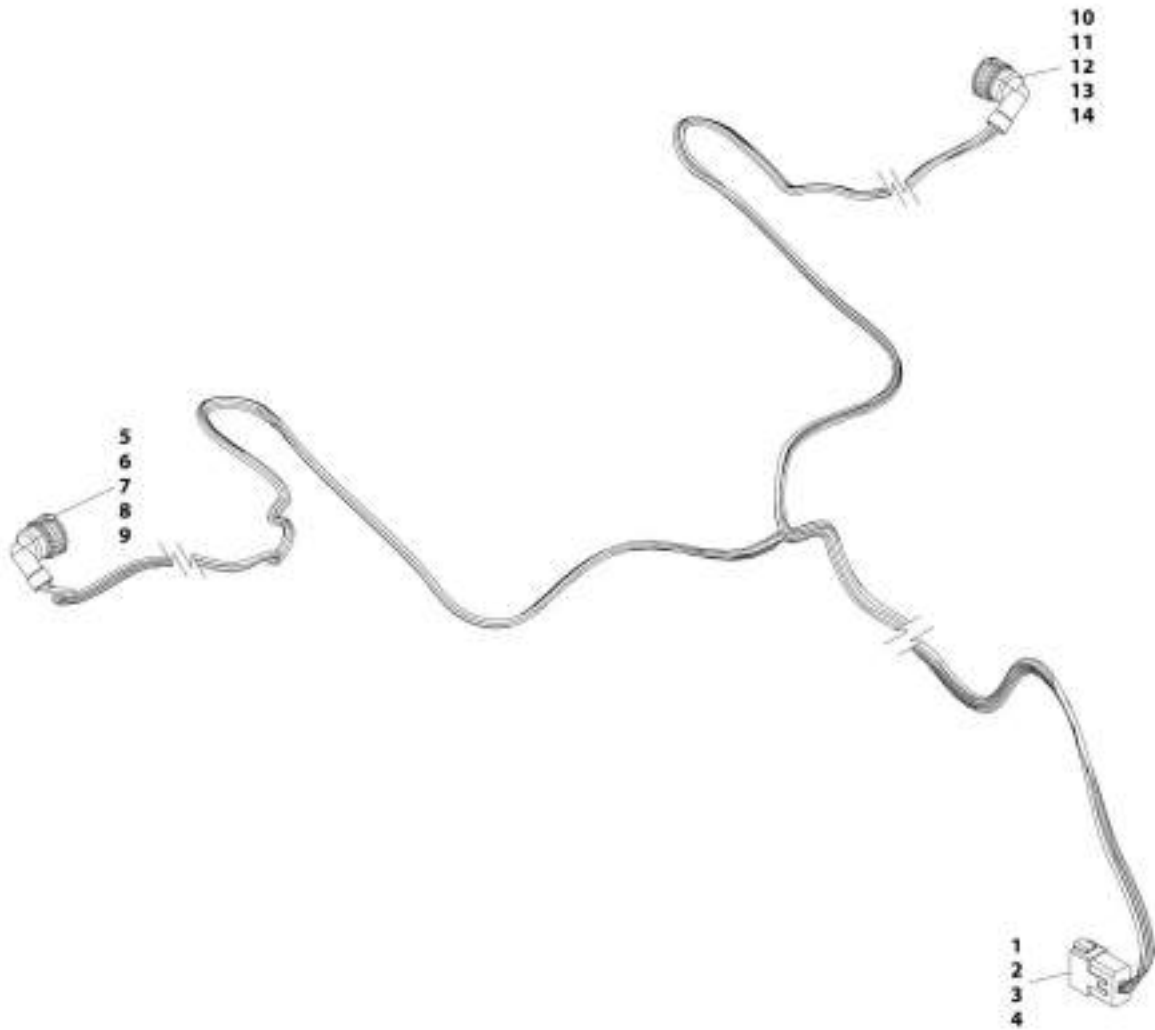
## SECTION 10 - ELECTRICAL

### FIGURE 10-57. FRONT FRAME HEADLIGHT HARNESS

ITEM	PART NUMBER	QTY	DESCRIPTION	REV
	1001165360	Ref	Front Frame Headlight Harness	D
1	4460970	1	Connector	
2	80363179	1	Lock, Connector	
3	4460941	10	Terminal	
4	4460466	2	Plug	
5	4460894	1	Connector	
6	91504107	1	Lock, Connector	
7	4460942	5	Terminal	
8	4460466	1	Plug	
9	4460894	1	Connector	
10	91504107	1	Lock, Connector	
11	4460942	5	Terminal	
12	4460466	1	Plug	

# SECTION 10 - ELECTRICAL

## FIGURE 10-58. TAIL LIGHTS HARNESS



ART\_1001163594-E

## SECTION 10 - ELECTRICAL

### FIGURE 10-58. TAIL LIGHTS HARNESS

ITEM	PART NUMBER	QTY	DESCRIPTION	REV
	1001165594	Ref	Tail Lights Harness	E
1	4460970	1	Connector	
2	80363179	1	Connector Lock	
3	4460941	10	Terminal	
4	4460466	2	Plug	
5	1001116996	1	Connector	
6	7028639	1	Cap	
7	1001118392	5	Terminal	
8	828905	5	Terminal Seal	
9	1001116696	2	Plug	
10	1001116996	1	Connector	
11	7028639	1	Cap	
12	1001118392	5	Terminal	
13	828905	5	Terminal Seal	
14	1001116696	2	Plug	

# SECTION 10 - ELECTRICAL

## FIGURE 10-59. REVERSE SENSOR HARNESS



AWT\_300175774-C

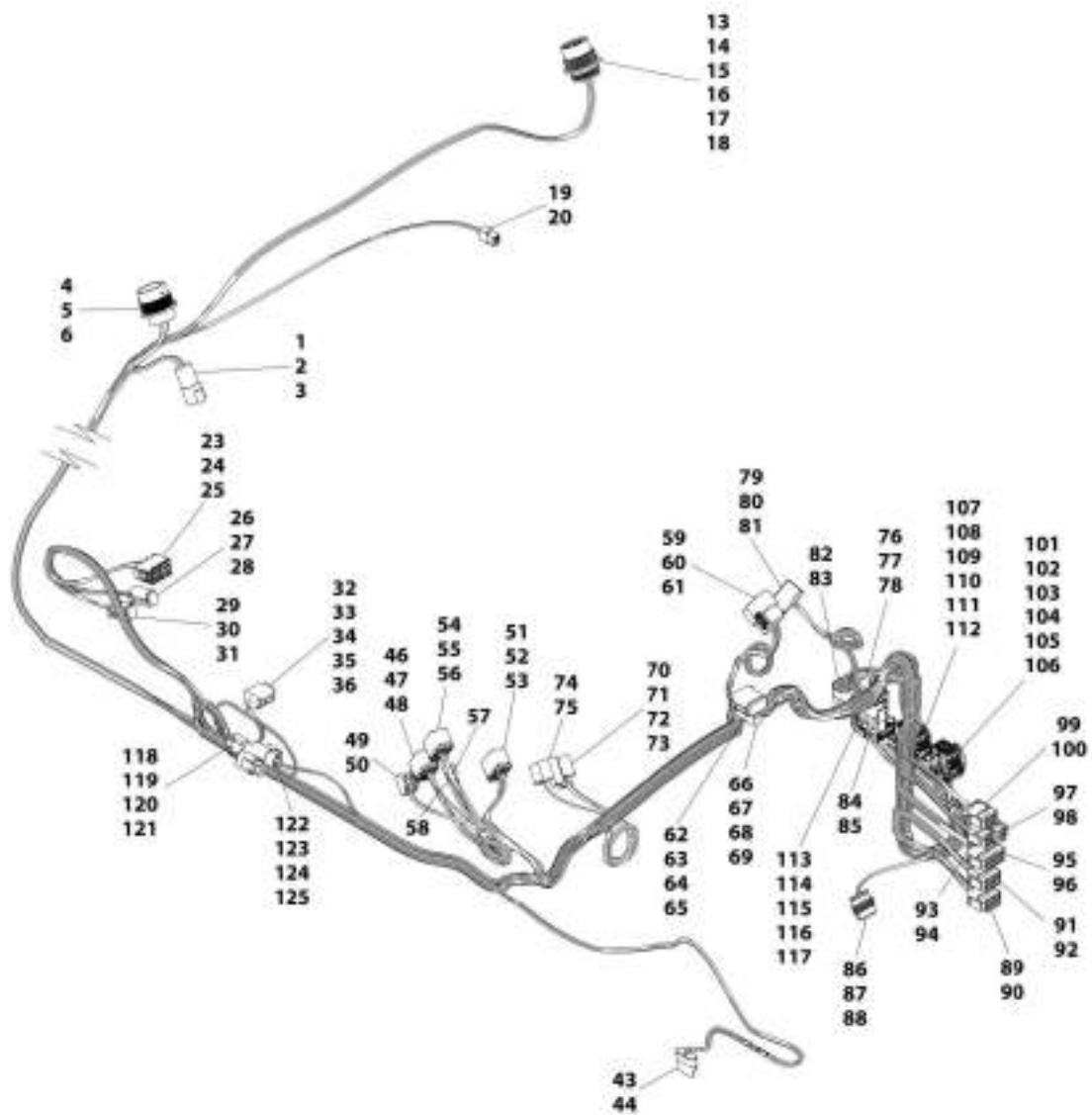
## SECTION 10 - ELECTRICAL

### FIGURE 10-59. REVERSE SENSOR HARNESS

ITEM	PART NUMBER	QTY	DESCRIPTION	REV
	1001175776	Ref	Reverse Sensor Harness	C
1	4460932	1	Connector	
2	4460464	4	Terminal	
3	1001175733	1	Connector	

# SECTION 10 - ELECTRICAL

## FIGURE 10-60. CAB HARNESS



ART\_1001106451-C



# SECTION 10 - ELECTRICAL

## FIGURE 10-60. CAB HARNESS

ITEM	PART NUMBER	QTY	DESCRIPTION	REV
	1001196451	Ref	Cab Harness	C
1	4460932	1	Connector	
2	80604020	1	Lock, Connector	
3	4460941	4	Terminal	
4	1001201081	1	Connector	
5	4460941	6	Terminal	
6	4460466	8	Plug	
13	1001112612	1	Connector	
14	4460497	1	Nut	
15	4460496	1	Washer, Lock	
16	4460464	3	Terminal	
17	4460943	2	Terminal	
18	4460466	4	Plug	
19	1001116991	1	Connector	
20	1001118384	2	Terminal	
23	1001117081	1	Connector	
24	1001118384	4	Terminal	
25	1001116723	2	Terminal	
26	4460884	1	Connector	
27	80604021	1	Lock, Connector	
28	4460465	4	Terminal	
29	4460884	1	Connector	
30	80604021	1	Lock, Connector	
31	4460465	4	Terminal	
32	4460894	1	Connector	
33	80604023	1	Lock, Connector	
34	4460465	3	Terminal	
35	4460944	2	Terminal	
36	4460466	1	Plug	
43	1001117064	1	Connector	
44	91554014	6	Terminal	
46	1001117081	1	Connector	
47	1001116723	6	Terminal	
48	1001118384	1	Terminal	
49	1001118684	1	Connector	
50	1001116754	2	Terminal	
51	1001117081	1	Connector	
52	1001118384	5	Terminal	
53	1001116723	6	Terminal	
54	1001117081	1	Connector	
55	1001118384	2	Terminal	
56	1001116723	4	Terminal	
57	8220051	1	Terminal, Female Blade	
58	8220051	1	Terminal, Female Blade	
59	1001162886	1	Connector	
60	1001162887	7	Terminal	
61	1001163340	13	Plug	
62	4460933	1	Connector	
63	80604016	1	Lock, Connector	
64	4460465	9	Terminal	

## SECTION 10 - ELECTRICAL

ITEM	PART NUMBER	QTY	DESCRIPTION	REV
65	4460466	3	Plug	
66	4460897	1	Connector	
67	80604017	1	Lock, Connector	
68	4460464	1	Terminal	
69	4460466	1	Plug	
70	1001118685	1	Connector	
71	1001116723	2	Terminal	
72	1001118383	1	Terminal	
73	1001118384	1	Terminal	
74	1001117121	1	Connector	
75	1001184841	1	Terminal	
76	4460930	1	Connector	
77	80604025	1	Lock, Connector	
78	4460465	8	Terminal	
79	1001117081	1	Connector	
80	1001118384	2	Terminal	
81	1001116723	4	Terminal	
82	4460343	1	Connector	
83	4460268	8	Terminal	
84	4460434	1	Connector	
85	4460268	14	Terminal	
86	1001103012	1	Connector	
87	1001116697	2	Terminal	
88	1001116698	2	Plug	
89	4460343	1	Connector	
90	4460267	10	Terminal	
91	4460343	1	Connector	
92	4460268	9	Terminal	
93	4460225	1	Connector	
94	4460268	5	Terminal	
95	4460434	1	Connector	
96	4460268	10	Terminal	
97	4460225	1	Connector	
98	4460267	3	Terminal	
99	4460265	1	Connector	
100	4460268	5	Terminal	
101	1001160498	1	Connector	
102	1001161095	22	Terminal	
103	1001161098	5	Terminal	
104	1001161099	1	Terminal	
105	1001161100	2	Plug	
106	1001161101	2	Plug	
107	1001160502	1	Connector	
108	1001161095	17	Terminal	
109	1001161098	5	Terminal	
110	1001161099	1	Terminal	
111	1001161100	23	Plug	
112	1001161101	2	Plug	
113	1001161959	1	Connector	
114	1001161095	6	Terminal	
115	1001161098	1	Terminal	

## SECTION 10 - ELECTRICAL

ITEM	PART NUMBER	QTY	DESCRIPTION	REV
116	1001161100	18	Plug	
117	1001161101	7	Plug	
118	1001116812	1	Connector	
119	4460944	2	Terminal	
120	4460466	1	Plug	
121	91554019	1	Lock, Connector	
122	4460539	1	Connector	
123	4460944	2	Terminal	
124	4460466	1	Plug	
125	77363244	1	Lock, Connector	



## SECTION 10 - ELECTRICAL

### FIGURE 10-61. OPTION 1 CAB HARNESS

ITEM	PART NUMBER	QTY	DESCRIPTION	REV
	1001163371	Ref	Option 1 Cab Harness	F
1	4460343	1	Connector	
2	4460268	10	Terminal	
3	4460906	1	Terminal	
4	1001117081	1	Connector	
5	1001116723	6	Terminal	
6	1001118384	1	Terminal	
7	1001116999	1	Connector	
8	1001116700	4	Terminal	
9	1001116991	1	Connector	
10	1001118384	2	Terminal	
11	4460343	1	Connector	
12	4460267	6	Terminal	
13	4460225	1	Connector	
14	4460267	5	Terminal	
15	4460705	1	Terminal	
16	1001173411	1	Connector	
17	1001116716	4	Terminal	
18	1001104519	3	Terminal	
19	1001117081	1	Connector	
20	1001118384	2	Terminal	
21	1001116723	4	Terminal	
22	4460708	1	Connector	
23	4460267	14	Terminal	
24	4460836	1	Connector	
25	4460942	3	Terminal	
26	4460465	8	Terminal	
27	1001157890	1	Terminal	
28	80604016	1	Lock, Connector	
29	1001117081	1	Connector	
30	1001118384	4	Terminal	
31	1001116723	6	Terminal	
32	1001117081	1	Connector	
33	1001118384	3	Terminal	
34	1001116723	4	Terminal	
35	1001117081	1	Connector	
36	1001118384	2	Terminal	
37	1001116723	4	Terminal	
38	1001117081	1	Connector	
39	1001118384	2	Terminal	
40	1001116723	4	Terminal	
41	1001117081	1	Connector	
42	1001116723	8	Terminal	
43	1001118384	2	Terminal	
44	1001117079	1	Connector	
45	1001116723	6	Terminal	
46	1001118384	2	Terminal	
47	1001117081	1	Connector	
48	1001118384	4	Terminal	
49	8220051	1	Female Blade Coupler	

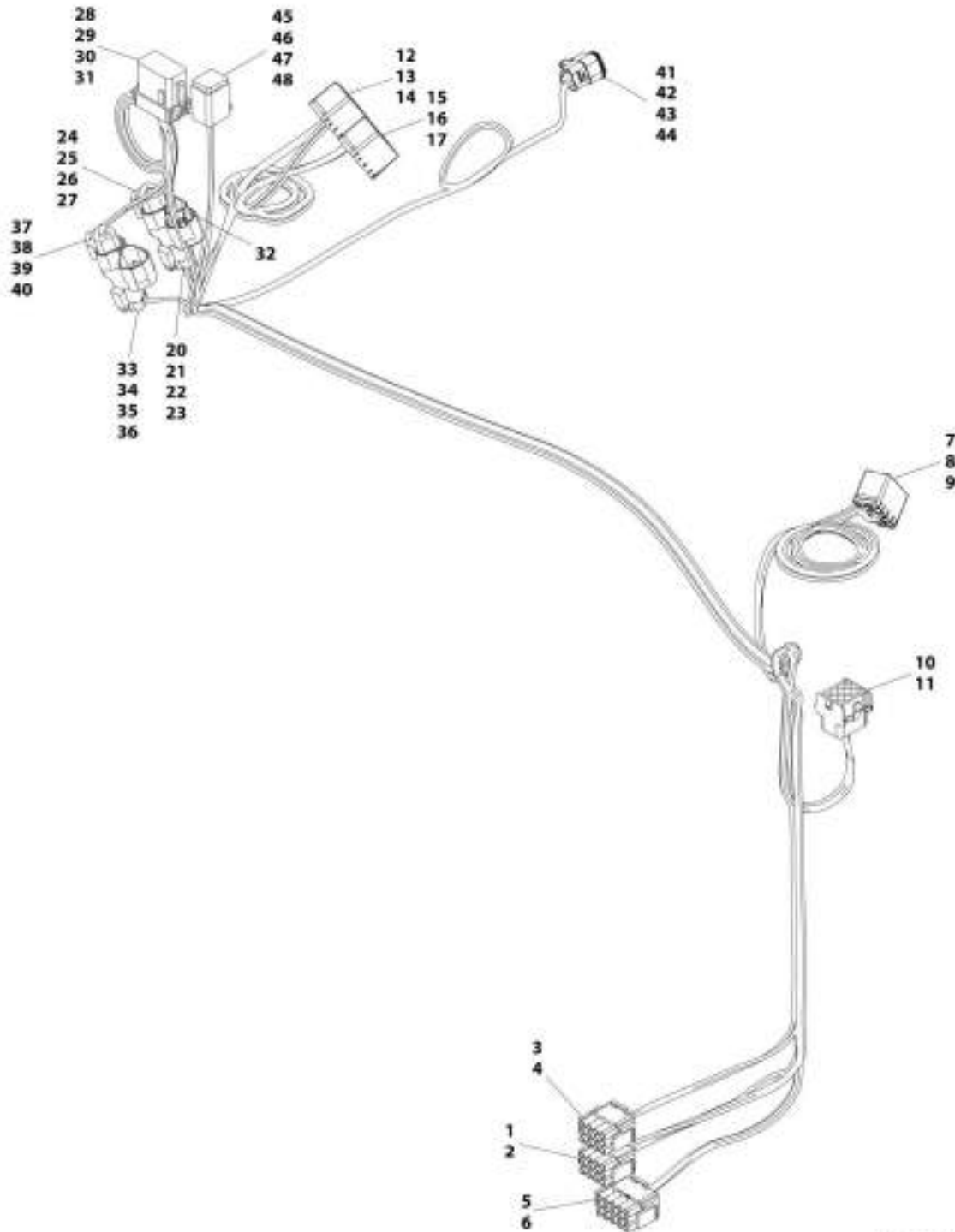
## SECTION 10 - ELECTRICAL

ITEM	PART NUMBER	QTY	DESCRIPTION	REV
50	8220051	1	Female Blade Coupler	
51	8220051	1	Female Blade Coupler	
52	8220051	1	Female Blade Coupler	
53	8220051	1	Female Blade Coupler	
54	8220051	1	Female Blade Coupler	
55	8220051	1	Female Blade Coupler	
56	1001116997	1	Connector	
57	1001118384	4	Terminal	
58	1001116723	1	Terminal	
59	4460994	1	Connector	
60	1001118384	2	Terminal	
61	4460994	1	Connector	
62	1001118384	1	Terminal	
63	1001116723	2	Terminal	
64	4460884	1	Connector	
65	4460942	4	Terminal	
66	80604021	1	Lock, Connector	
67	4460932	1	Connector	
68	4460941	4	Terminal	
69	80604021	1	Lock, Connector	
70	1001116986	1	Connector	
71	1001118384	4	Terminal	
72	1001116986	1	Connector	
73	1001118384	4	Terminal	
74	4461115	1	Connector	
75	1001116747	2	Terminal	
76	4461115	1	Connector	
77	1001116747	2	Terminal	
78	4461115	1	Connector	
79	1001116747	2	Terminal	
80	4461115	1	Connector	
81	1001116747	2	Terminal	
82	4460343	1	Connector	
83	4460268	12	Terminal	
84	4460367	1	Connector	
85	4460267	12	Terminal	



# SECTION 10 - ELECTRICAL

## FIGURE 10-62. OPTION 2 CAB HARNESS



AWT\_3001163372-E



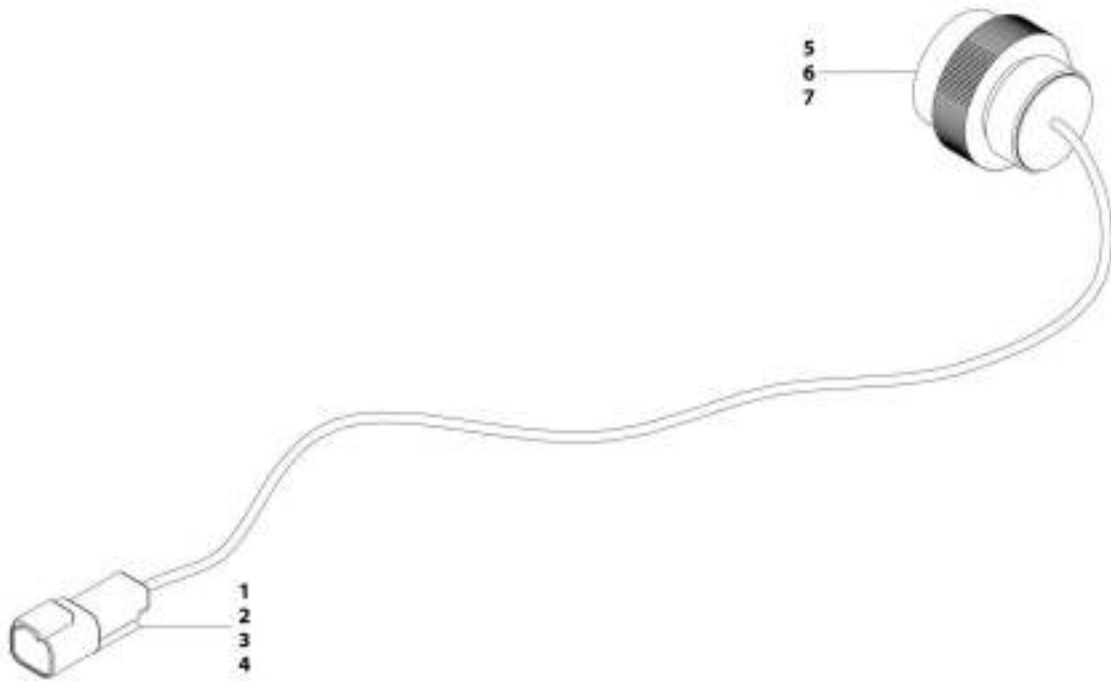
## SECTION 10 - ELECTRICAL

### FIGURE 10-62. OPTION 2 CAB HARNESS

ITEM	PART NUMBER	QTY	DESCRIPTION	REV
	1001163372	Ref	Option 2 Cab Harness	E
1	4460343	1	Connector	
2	4460268	5	Terminal	
3	4460343	1	Connector	
4	4460267	2	Terminal	
5	4460434	1	Connector	
6	4460268	4	Terminal	
7	1001117081	1	Connector	
8	1001116723	6	Terminal	
9	1001118384	1	Terminal	
10	4460367	1	Connector	
11	4460267	6	Terminal	
12	1001117081	1	Connector	
13	1001118384	2	Terminal	
14	1001116723	4	Terminal	
15	1001117081	1	Connector	
16	1001118384	3	Terminal	
17	1001116723	2	Terminal	
20	1001116812	1	Connector	
21	4460944	2	Terminal	
22	4460466	1	Plug	
23	91554019	1	Lock, Connector	
24	4460539	1	Connector	
25	77363244	1	Wedge Lock	
26	4460466	1	Plug	
27	4460944	2	Terminal	
28	1001176333	1	Connector	
29	4460944	4	Terminal	
30	4460466	11	Plug	
31	4460465	3	Terminal	
32	1001116815	1	Connector	
33	1001116812	1	Connector	
34	4460944	2	Terminal	
35	4460466	1	Plug	
36	91554019	1	Lock, Connector	
37	4460539	1	Connector	
38	77363244	1	Wedge Lock	
39	4460466	1	Plug	
40	4460944	2	Terminal	
41	1001116812	1	Connector	
42	4460944	2	Terminal	
43	4460466	1	Plug	
44	91554019	1	Lock, Connector	
45	4460930	1	Connector	
46	4460466	6	Plug	
47	4460465	2	Terminal	
48	80604025	1	Lock, Connector	

# SECTION 10 - ELECTRICAL

## FIGURE 10-63. CAB OPTION HARNESS



APR\_1001181573-B

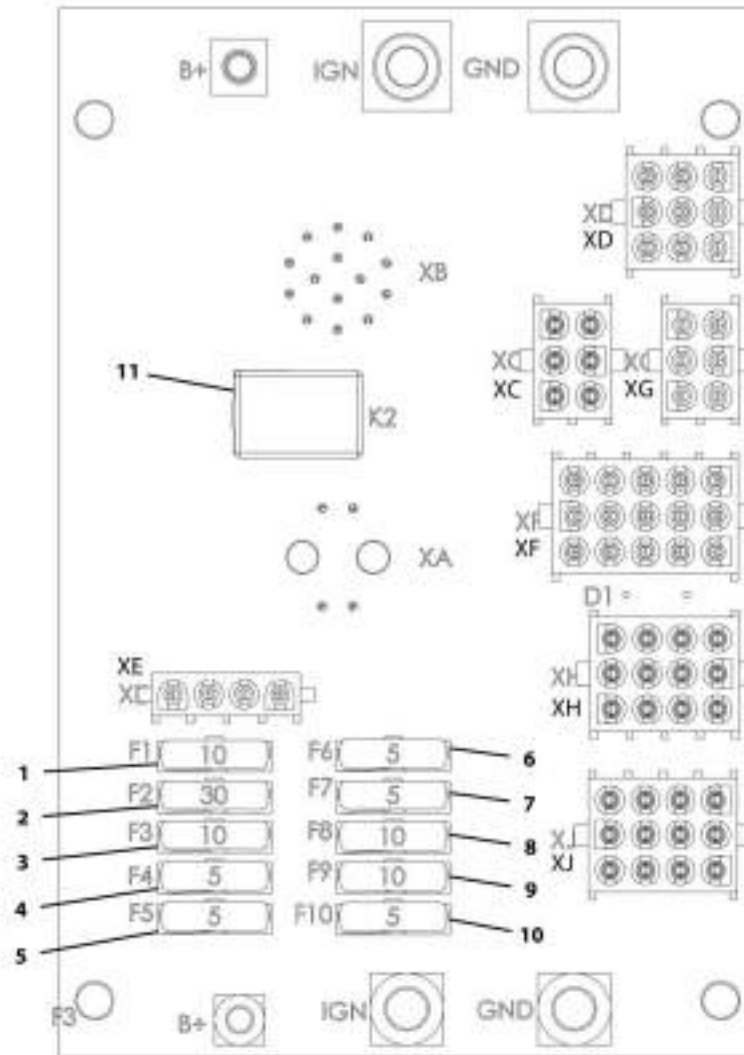
# SECTION 10 - ELECTRICAL

## FIGURE 10-63. CAB OPTION HARNESS

ITEM	PART NUMBER	QTY	DESCRIPTION	REV
	1001181573	Ref	Cab Option Harness	B
1	4460897	1	Connector	
2	4460941	1	Terminal	
3	4460466	1	Seal	
4	80604017	1	Wedge Lock	
5	4461015	1	Connector	
6	4460466	13	Plug	
7	4460942	1	Terminal	

# SECTION 10 - ELECTRICAL

FIGURE 10-64. STANDARD ELECTRICAL BOARD ASSEMBLY



ART\_100161769-C

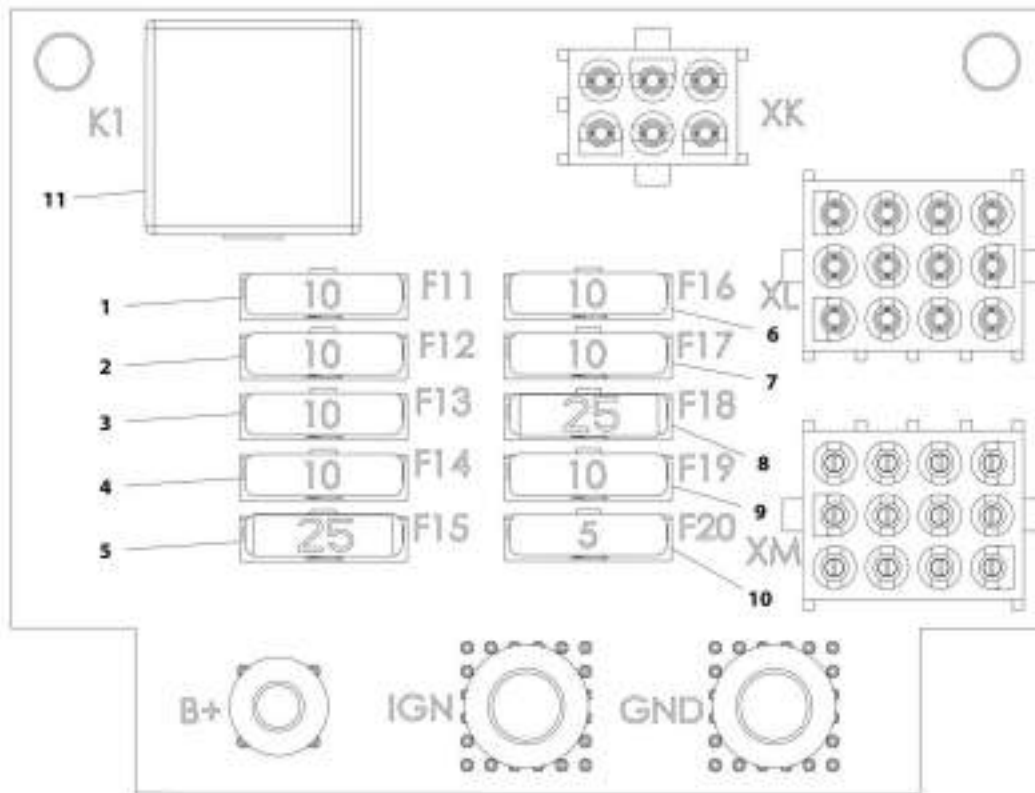
## SECTION 10 - ELECTRICAL

**FIGURE 10-64. STANDARD ELECTRICAL BOARD ASSEMBLY**

ITEM	PART NUMBER	QTY	DESCRIPTION	REV
	1001161769	Ref	Standard Electrical Board Assembly	C
1	80983191	1	Fuse, 10amp	
2	8229245	1	Fuse, 30amp	
3	80983191	1	FUSE, 10amp	
4	8229242	1	Fuse, 5amp	
5	8229242	1	Fuse, 5amp	
6	8229242	1	Fuse, 5amp	
7	8229242	1	Fuse, 5amp	
8	80983191	1	Fuse, 10amp	
9	80983191	1	Fuse, 10amp	
10	8229242	1	Fuse, 5amp	
11	70026292	1	Relay, Micro, 35amp	

# SECTION 10 - ELECTRICAL

## FIGURE 10-65. OPTION 1 ELECTRICAL BOARD ASSEMBLY



ART\_100198177D/C

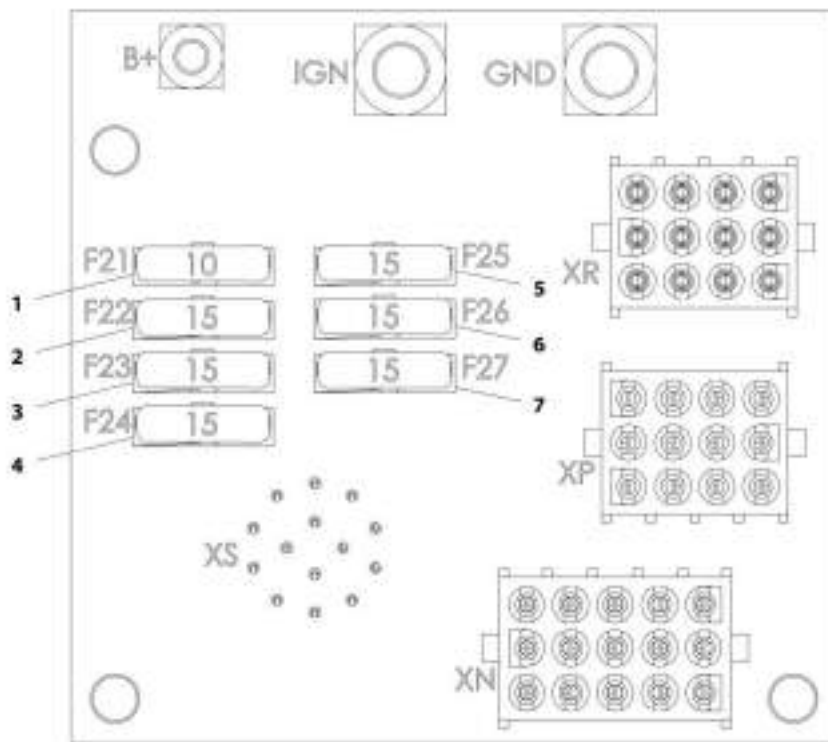
## SECTION 10 - ELECTRICAL

### FIGURE 10-65. OPTION 1 ELECTRICAL BOARD ASSEMBLY

ITEM	PART NUMBER	QTY	DESCRIPTION	REV
	1001161770	Ref	Option 1 Electrical Board Assembly	C
1	80983191	1	Fuse, 10amp	
2	80983191	1	Fuse, 10amp	
3	80983191	1	Fuse, 10amp	
4	80983191	1	Fuse, 10amp	
5	8229247	1	Fuse, 25amp	
6	80983191	1	Fuse, 10amp	
7	80983191	1	Fuse, 10amp	
8	8229247	1	Fuse, 25amp	
9	80983191	1	Fuse, 10amp	
10	8229242	1	Fuse, 5amp	
11	70026293	1	Relay, Mini, 50amp	

# SECTION 10 - ELECTRICAL

FIGURE 10-66. OPTION 2 ELECTRICAL BOARD ASSEMBLY



ART\_300191771-8



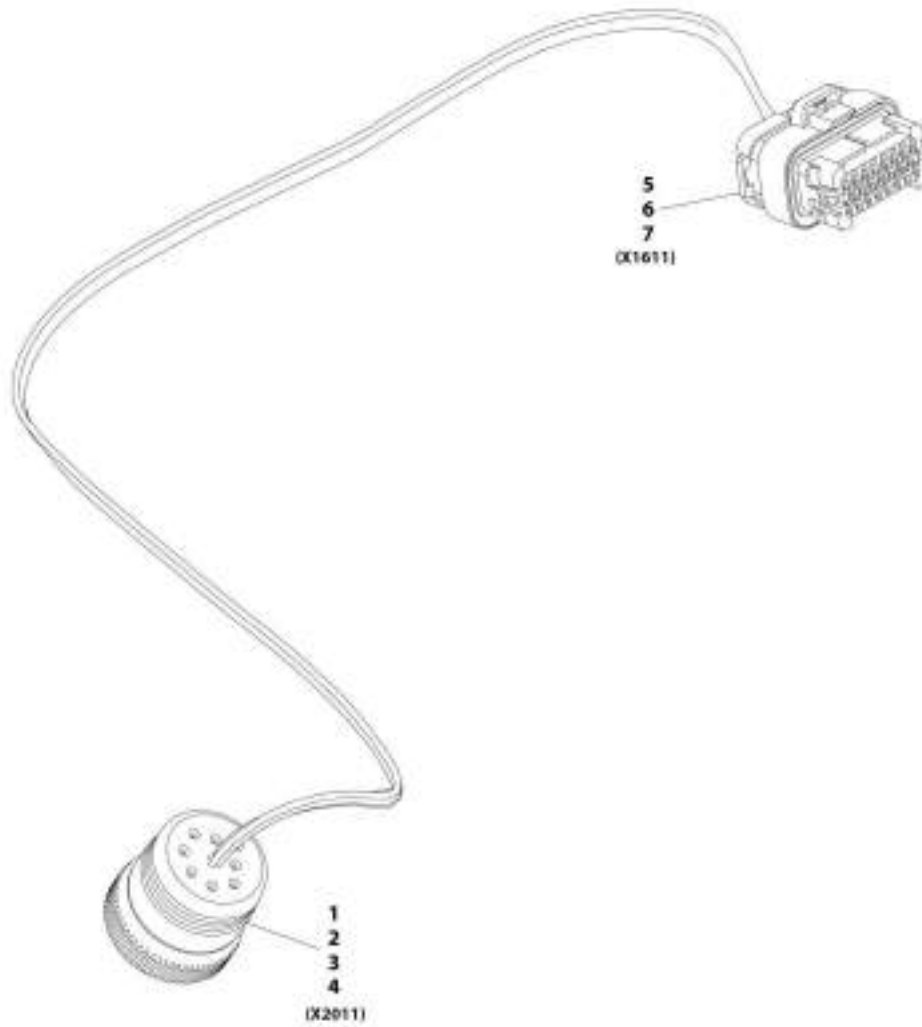
## SECTION 10 - ELECTRICAL

### FIGURE 10-66. OPTION 2 ELECTRICAL BOARD ASSEMBLY

ITEM	PART NUMBER	QTY	DESCRIPTION	REV
	1001161771	Ref	Option 2 Electrical Board Assembly	B
1	80983191	1	Fuse, 10amp	
2	8229244	1	Fuse, 15amp	
3	8229244	1	Fuse, 15amp	
4	8229244	1	Fuse, 15amp	
5	8229244	1	Fuse, 15amp	
6	8229244	1	Fuse, 15amp	
7	8229244	1	Fuse, 15amp	

# SECTION 10 - ELECTRICAL

FIGURE 10-67. CLEARSKY HARNESS (Prior to SN 0160082543)



ART. 1001196452-A

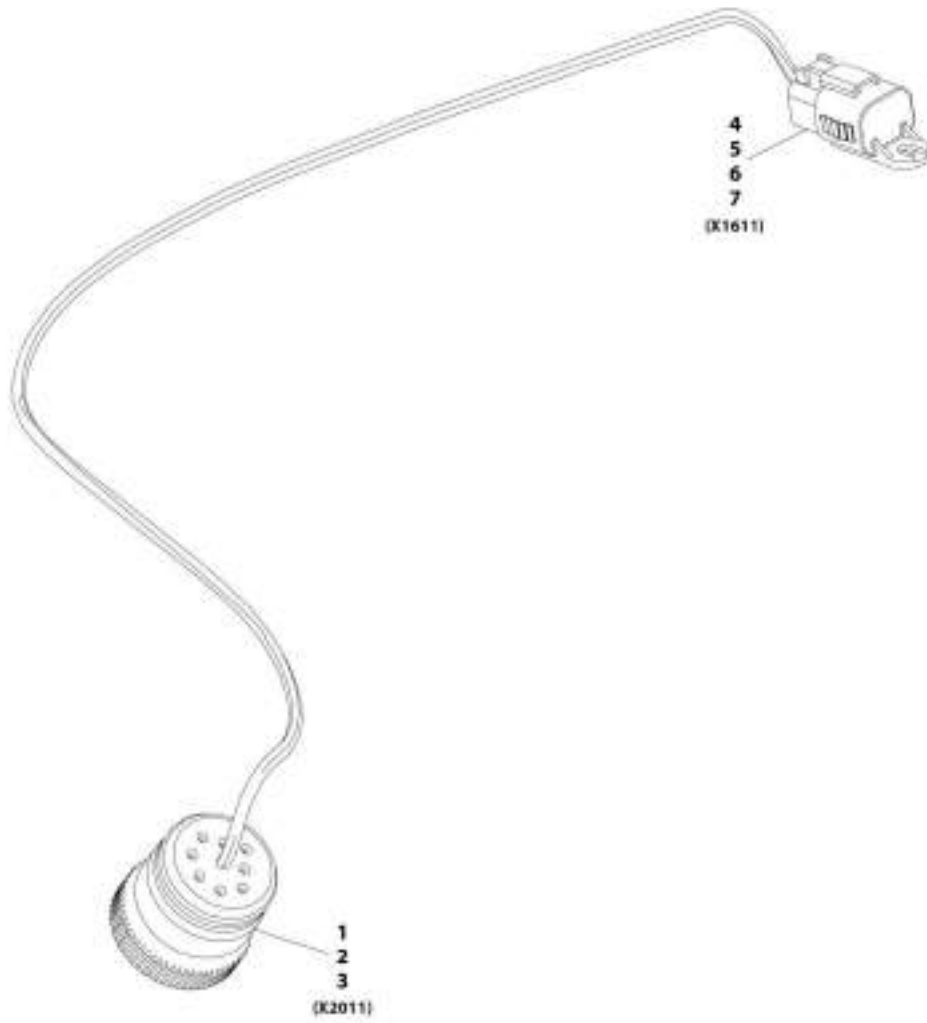
## SECTION 10 - ELECTRICAL

**FIGURE 10-67. CLEARSKY HARNESS (Prior to SN 0160082543)**

ITEM	PART NUMBER	QTY	DESCRIPTION	REV
	1001196452	Ref	Clearsky Harness	A
1	1001112796	1	Connector	
2	4460465	3	Terminal	
3	4460944	2	Terminal	
4	4460466	4	Plug	
5	1001116994	1	Connector	
6	4460871	5	Terminal	
7	4460905	18	Plug	

# SECTION 10 - ELECTRICAL

## FIGURE 10-68. TELEMATICS READY HARNESS



ARC\_1001196200-A

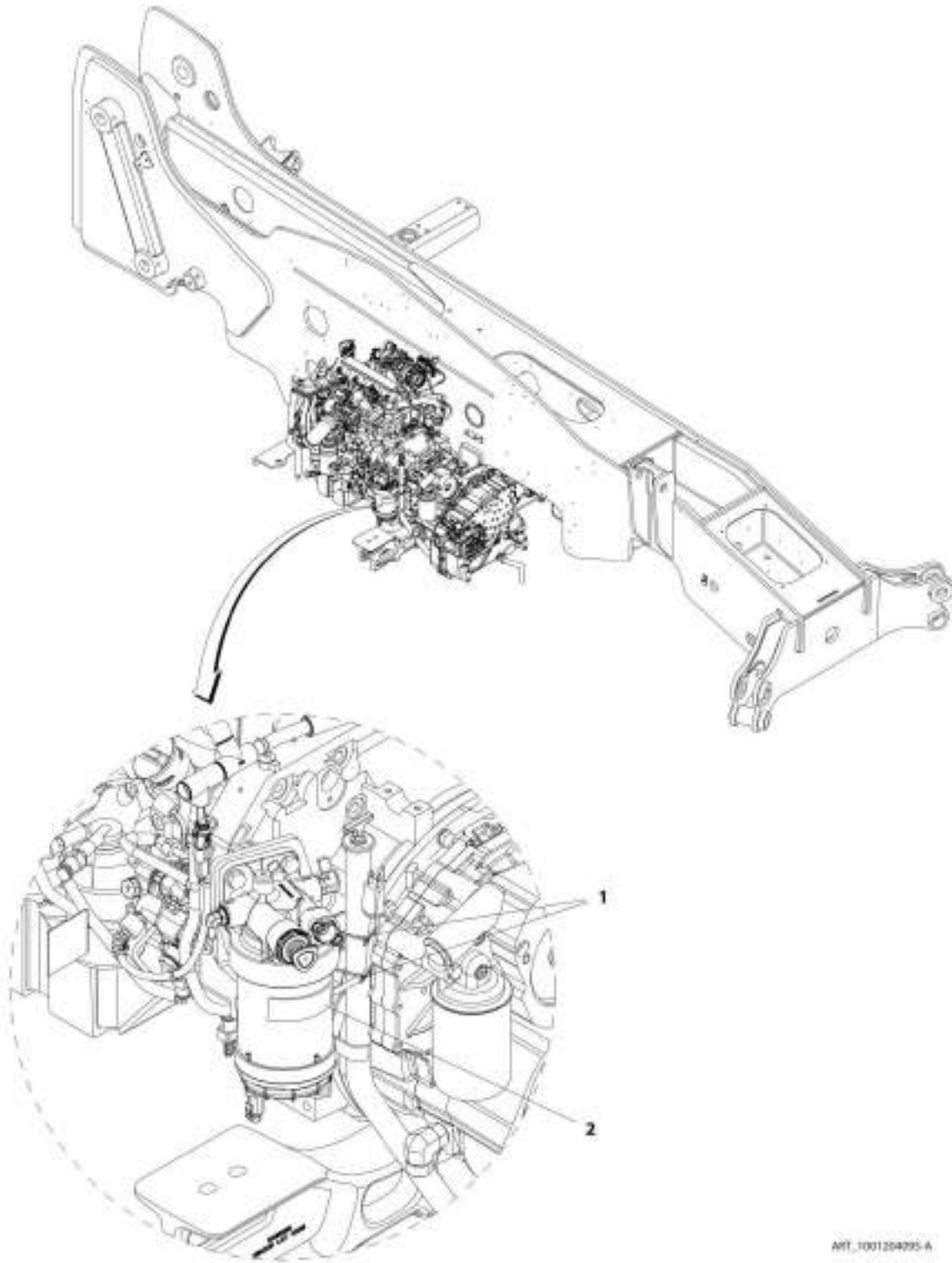
## SECTION 10 - ELECTRICAL

### FIGURE 10-68. TELEMATICS READY HARNESS

ITEM	PART NUMBER	QTY	DESCRIPTION	REV
	1001196289	Ref	Telematics Ready Harness	A
1	1001112796	1	Connector	
2	4460465	3	Terminal	
3	4460466	6	Plug	
4	4460884	1	Connector	
5	4460465	3	Terminal	
6	4460466	1	Plug	
7	80604021	1	Lock, Connector	

# SECTION 10 - ELECTRICAL

## FIGURE 10-69. FUEL FILTER HEATER INSTALLATION



ART\_1001204095-A

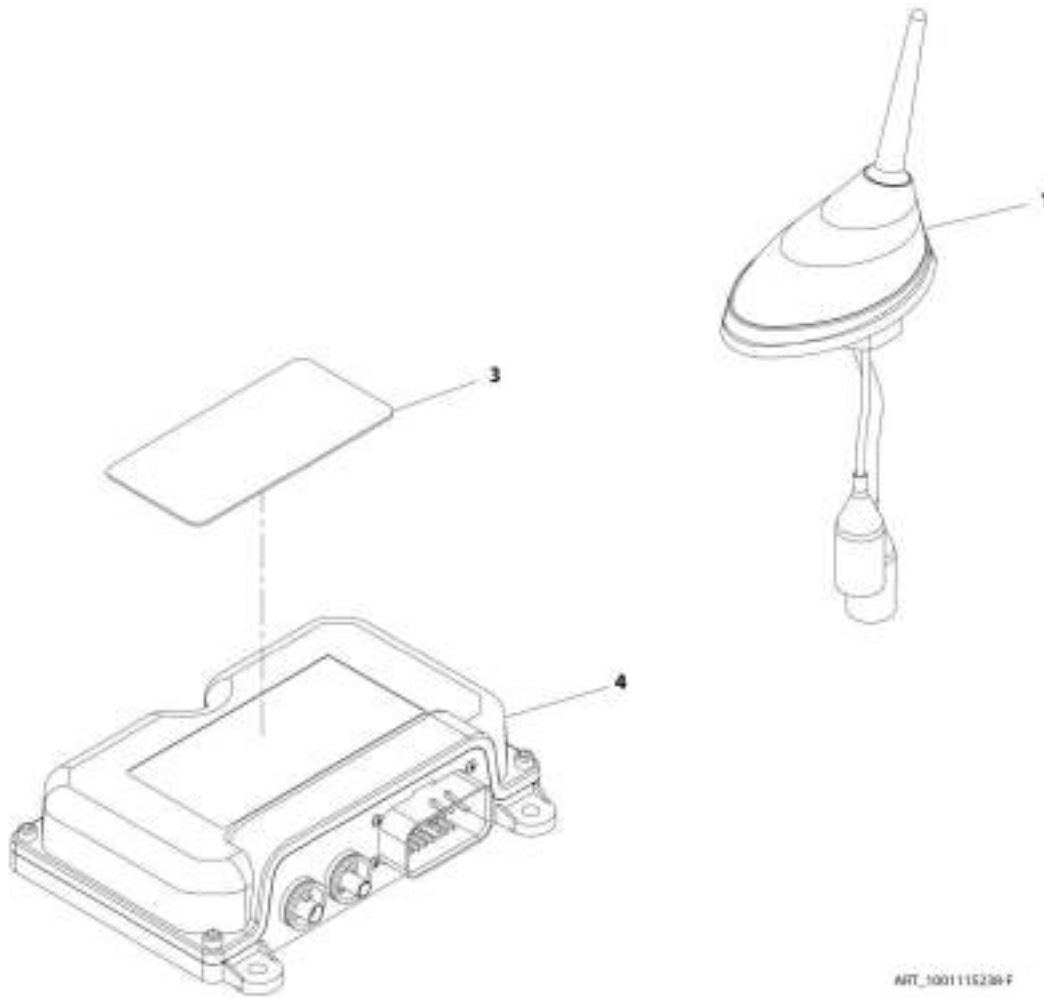
## SECTION 10 - ELECTRICAL

### FIGURE 10-69. FUEL FILTER HEATER INSTALLATION

ITEM	PART NUMBER	QTY	DESCRIPTION	REV
	1001204095	Ref	Fuel Filter Heater Installation	A
1	4240099	2	Tie, Wire	
2	1001202498	1	Fuel Filter Head Heater	

# SECTION 10 - ELECTRICAL

FIGURE 10-70. CLEARSKY CONTROLLER (US) (Prior to SN 0160082543)



ART\_1001115280-F



## SECTION 10 - ELECTRICAL

**FIGURE 10-70. CLEARSKY CONTROLLER (US) (Prior to SN 0160082543)**

ITEM	PART NUMBER	QTY	DESCRIPTION	REV
	1001115238	Ref	Clearsky Controller (US) (If equipped)	F
1	1001100443	1	Antenna	
2	1001140321	1	Software	
3	1001140322	1	Decal	
4	1001151032	1	Controller	

# SECTION 10 - ELECTRICAL

## FIGURE 10-71. ROOF PIGTAIL HARNESS



4RT\_1001202132-A

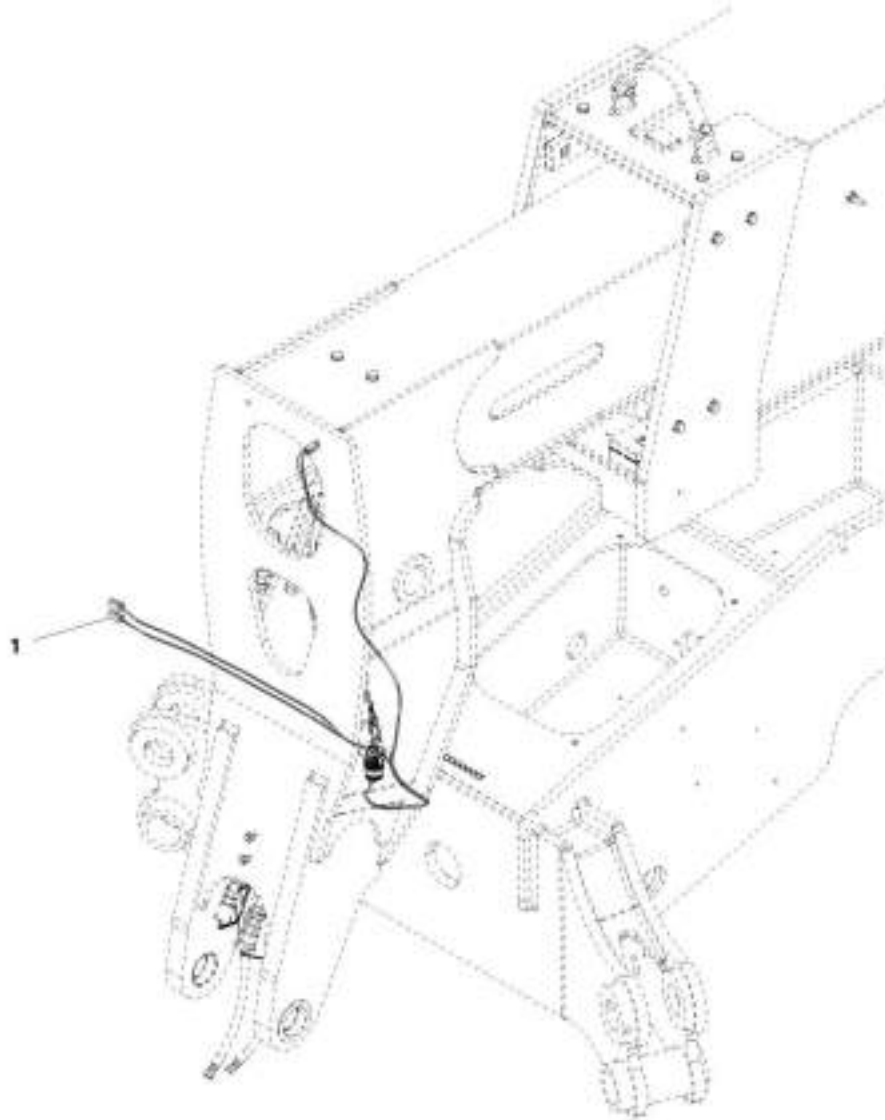
## SECTION 10 - ELECTRICAL

### FIGURE 10-71. ROOF PIGTAIL HARNESS

ITEM	PART NUMBER	QTY	DESCRIPTION	REV
	1001202132	Ref	Roof Pigtail Harness	A
1	1001201080	1	Connector	
2	4460942	6	Terminal	
3	4460466	8	Plug	
4	4460884	1	Connector	
5	4460942	4	Terminal	
6	80604021	1	Wedge Lock	
7	4460994	1	Connector	
8	1001118384	1	Terminal	

# SECTION 10 - ELECTRICAL

FIGURE 10-72. BOOM AUXILIARY ELECTRIC HARNESS INSTALLATION



ARE\_100160799-A

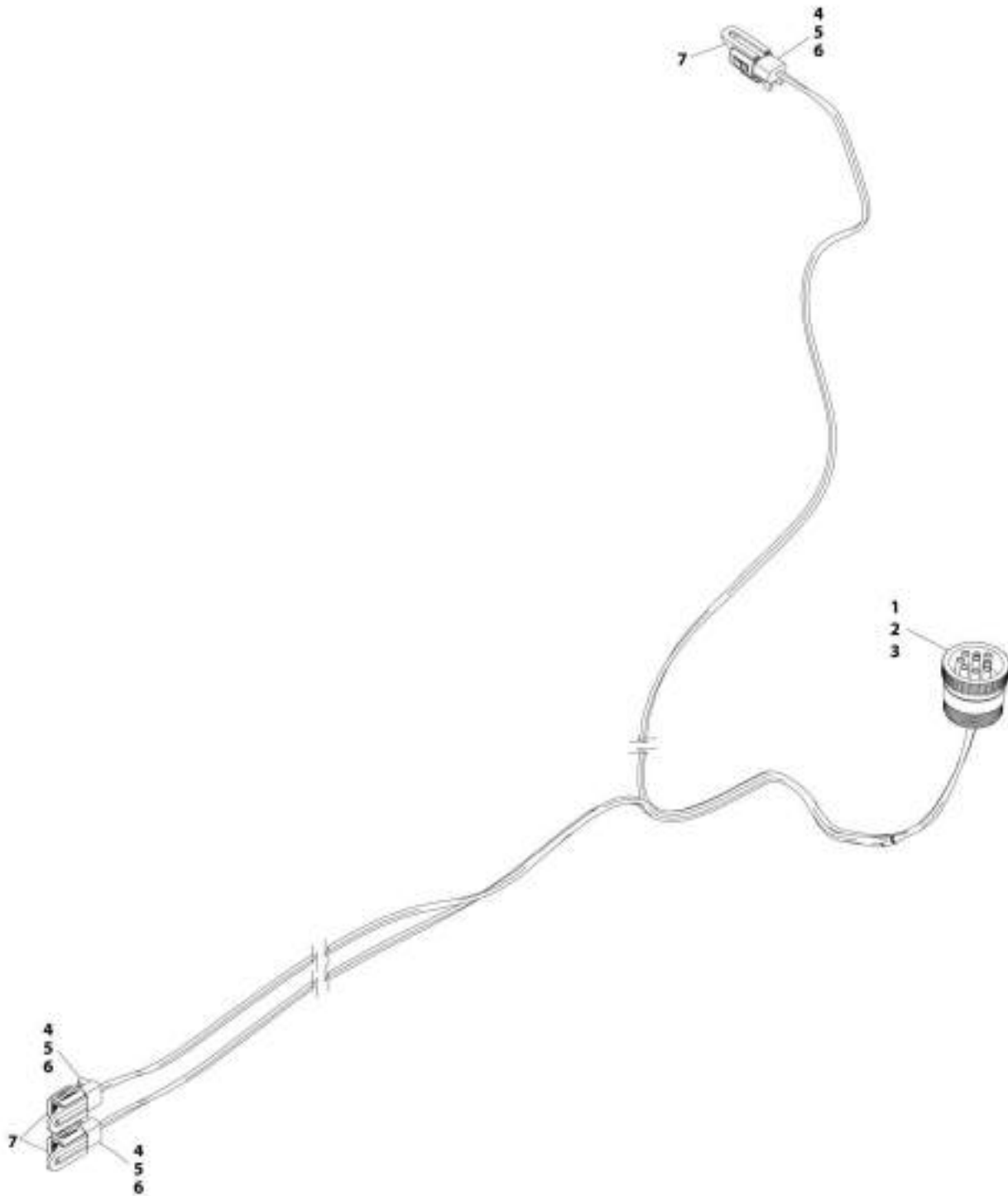
## SECTION 10 - ELECTRICAL

**FIGURE 10-72. BOOM AUXILIARY ELECTRIC HARNESS INSTALLATION**

ITEM	PART NUMBER	QTY	DESCRIPTION	REV
1	1001167799 1001167695	Ref 1	Boom Auxiliary Electric Harness Installation Harness, Platform (See Separate Breakdown in this Section)	A

# SECTION 10 - ELECTRICAL

## FIGURE 10-73. PLATFORM HARNESS



AWT\_1001107005-C

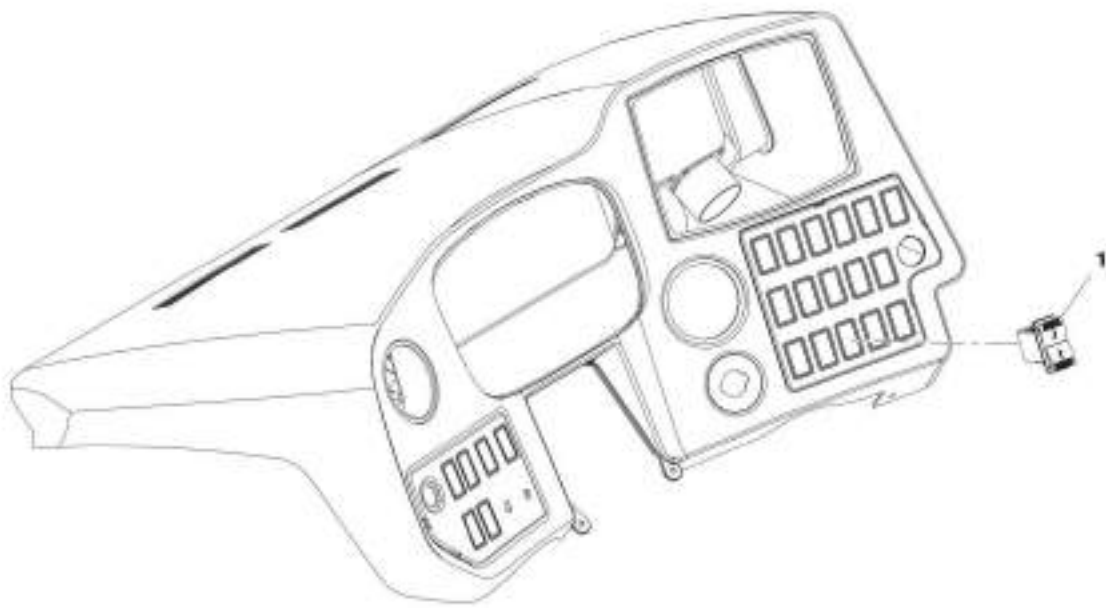
## SECTION 10 - ELECTRICAL

### FIGURE 10-73. PLATFORM HARNESS

ITEM	PART NUMBER	QTY	DESCRIPTION	REV
	1001167695	Ref	Platform Harness	C
1	1001112796	1	Connector	
2	4460466	5	Terminal	
3	4460465	4	Terminal	
4	4460891	3	Connector, (includes rear seal)	
5	4460465	2	Terminal	
6	80604018	3	Lock, Connector	
7	1001155806	3	Cap, Dust	

# SECTION 10 - ELECTRICAL

## FIGURE 10-74. USB CHARGER INSTALLATION



ART\_1001200152-A



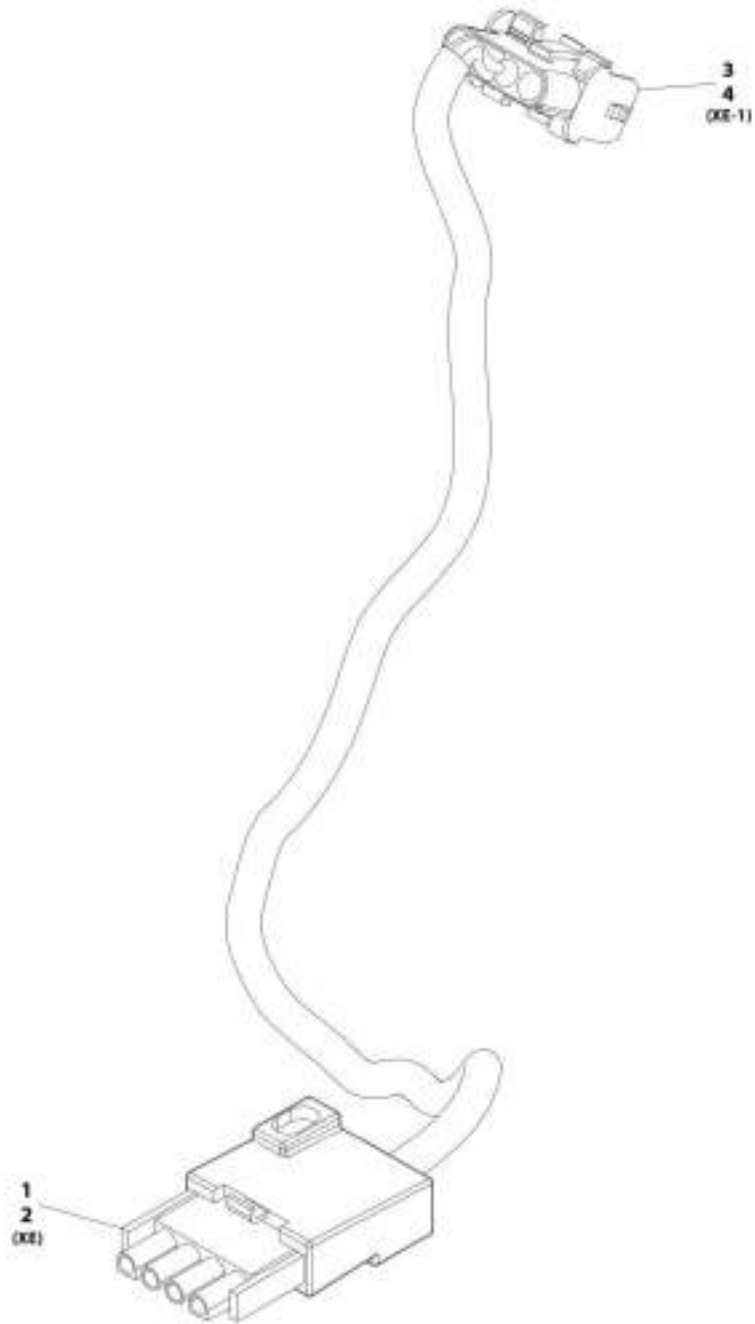
## SECTION 10 - ELECTRICAL

### FIGURE 10-74. USB CHARGER INSTALLATION

ITEM	PART NUMBER	QTY	DESCRIPTION	REV
1	1001200152	Ref	USB Charger Installation	A
	1001174712	1	USB Charger Assembly	

# SECTION 10 - ELECTRICAL

## FIGURE 10-75. COMMUNICATION ANALYZER HARNESS



ART\_1001213968-A

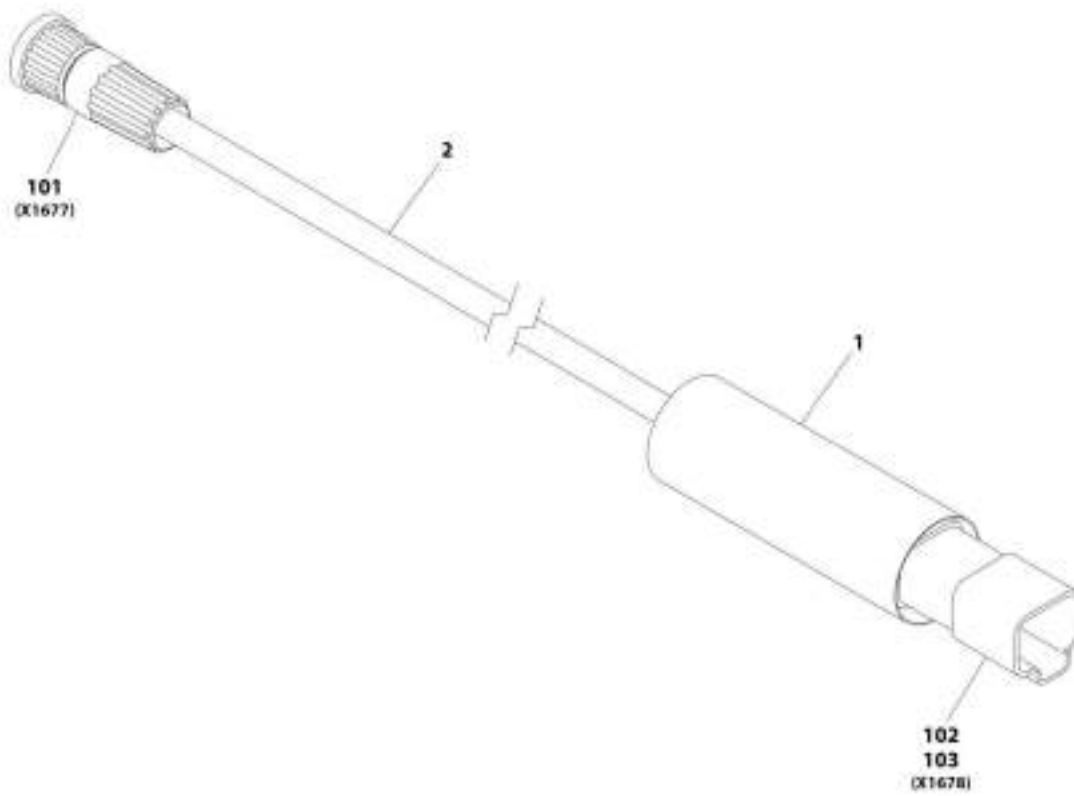
## SECTION 10 - ELECTRICAL

### FIGURE 10-75. COMMUNICATION ANALYZER HARNESS

ITEM	PART NUMBER	QTY	DESCRIPTION	REV
	1001213988	Ref	Communication Analyzer Harness	A
1	4460321	1	Connector	
2	4460268	4	Terminal	
3	4460761	1	Connector	
4	4460267	4	Terminal	

# SECTION 10 - ELECTRICAL

## FIGURE 10-76. TELEMATICS HARNESS



ART\_300122/096-A

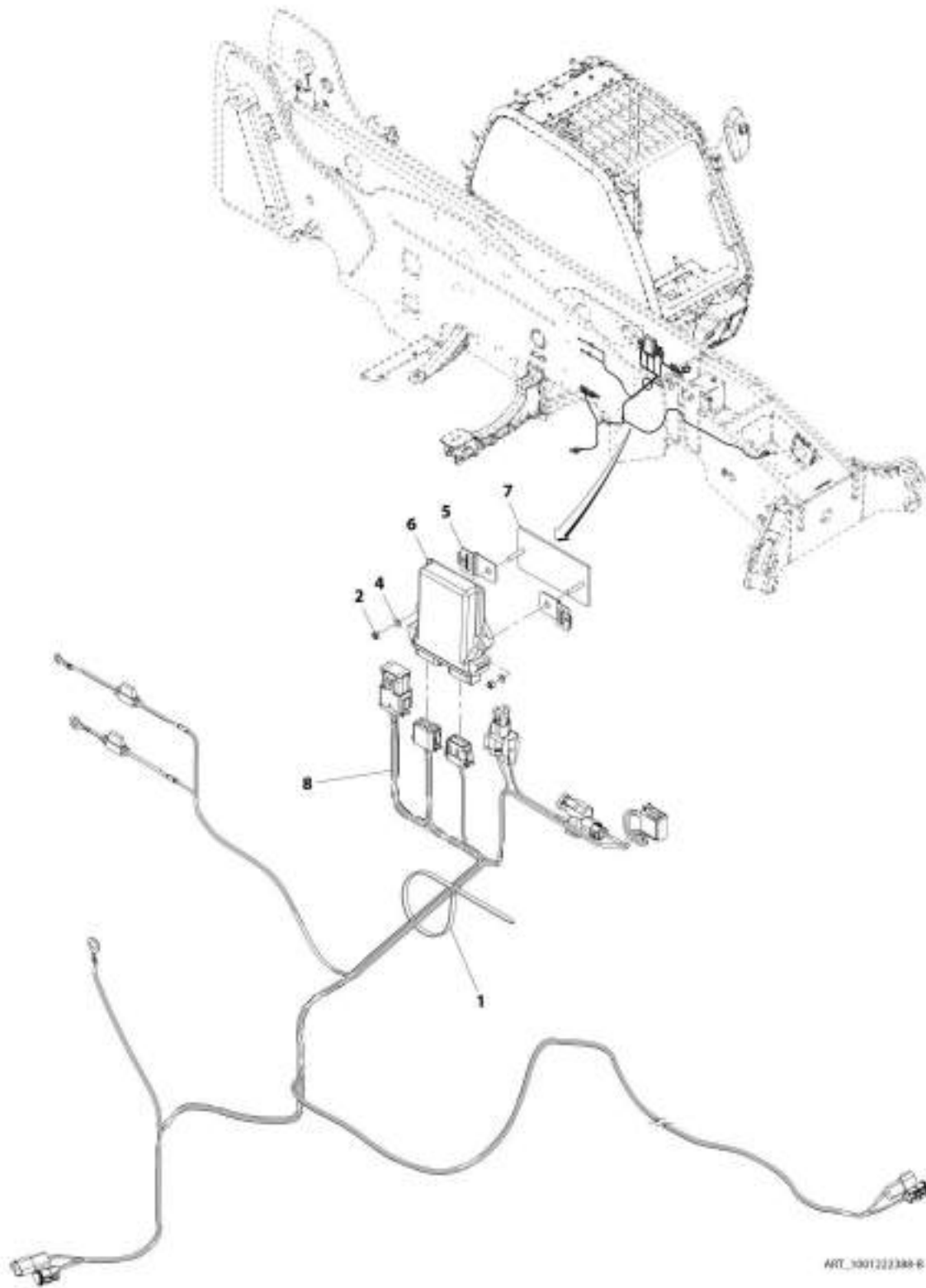
## SECTION 10 - ELECTRICAL

### FIGURE 10-76. TELEMATICS HARNESS

ITEM	PART NUMBER	QTY	DESCRIPTION	REV
	1001227066	Ref	Telematics Harness	A
1	1001226400	0.33 ft	Insulate, Heat Shrink	
2	1001227068	3.3 ft	Cable	
101	1001227266	1	Connector	
102	1001129407	1	Connector	
103	4460464	4	Terminal	

# SECTION 10 - ELECTRICAL

FIGURE 10-77. CANBUS TELEMATICS INSTALLATION (SN 0160082543 to Present)



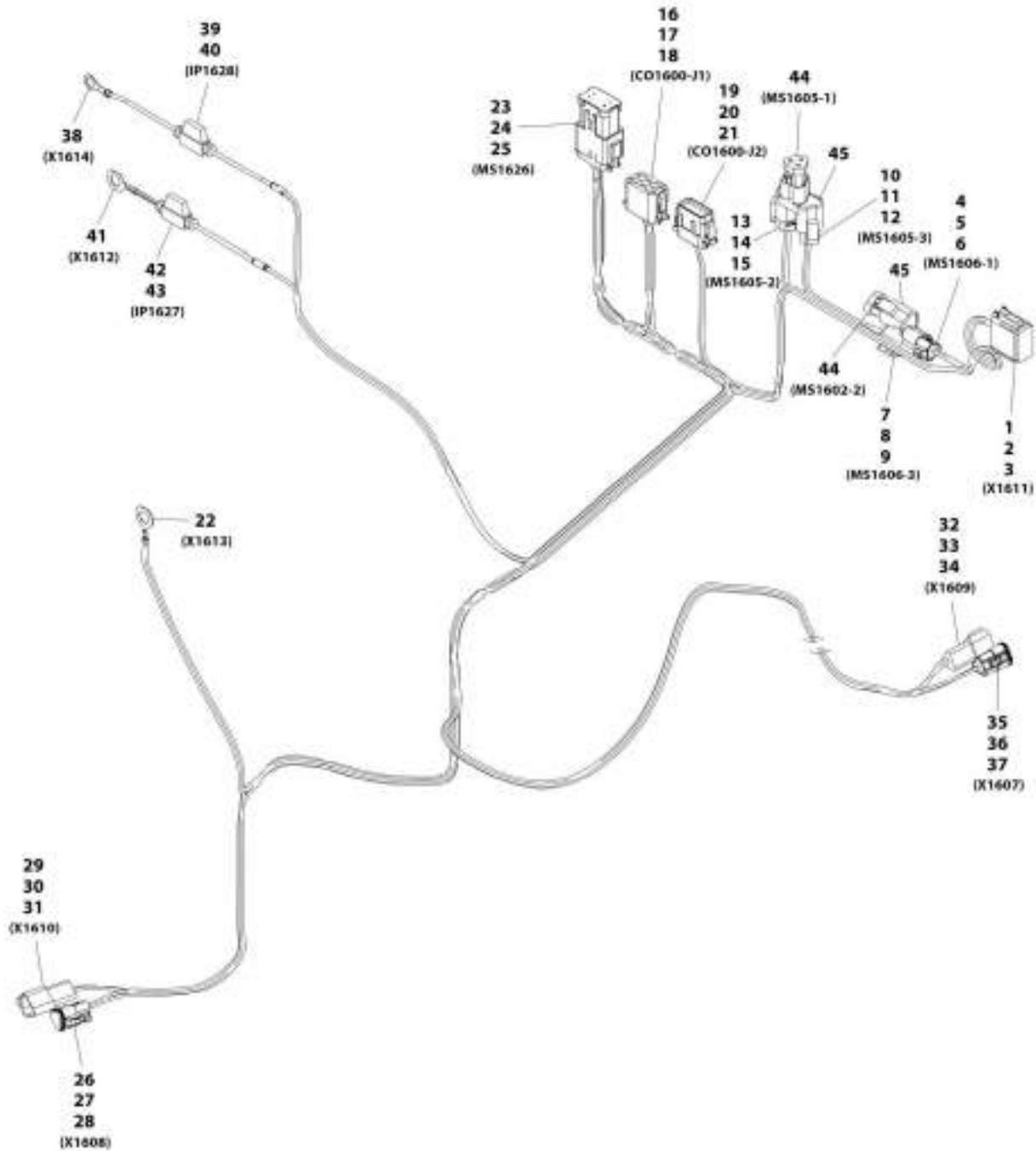
## SECTION 10 - ELECTRICAL

**FIGURE 10-77. CANBUS TELEMATICS INSTALLATION (SN 0160082543 to Present)**

ITEM	PART NUMBER	QTY	DESCRIPTION	REV
	1001222388	Ref	Canbus Telematics Installation	B
1	1062255	AR	Tie, Strap	
2	3290505	2	Nut, Lock M5X0.8	
4	4811600	2	Washer, M5	
5	1001153749	2	Clip, Deutch DT	
6	1001229458	1	Controller, Gateway (See Separate Breakdown in this section)	
7	1001219082	1	Bracket, Control Mount	
8	1001225259	1	Harness, Telematics (See Separate Breakdown in this section)	

# SECTION 10 - ELECTRICAL

## FIGURE 10-78. TELEMATICS HARNESS (SN 0160082543 to Present)



ART\_1001225259-E



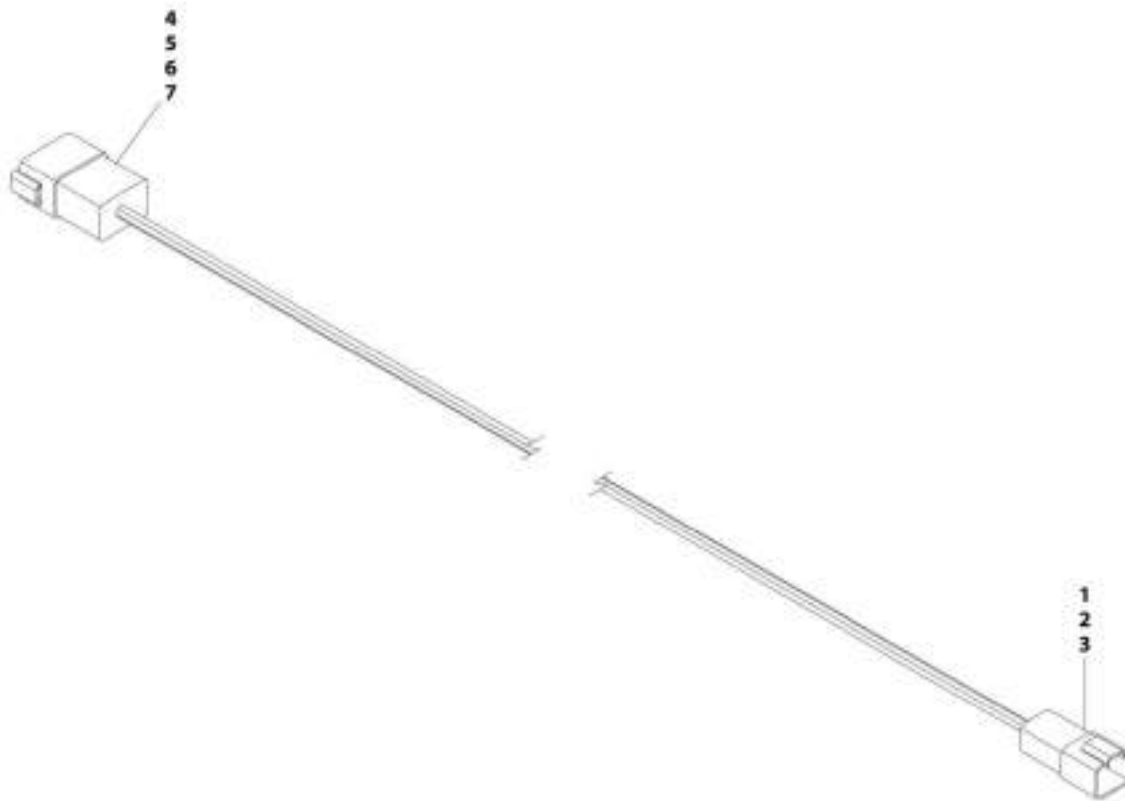
## SECTION 10 - ELECTRICAL

**FIGURE 10-78. TELEMATICS HARNESS (SN 0160082543 to Present)**

ITEM	PART NUMBER	QTY	DESCRIPTION	REV
	1001225259	Ref	Telematics Harness	B
1	4460933	1	Connector	
2	4460465	5	Terminal	
3	4460466	7	Plug	
4	1001116812	1	Connector	
5	4460465	2	Terminal	
6	4460466	1	Plug	
7	4460539	1	Connector	
8	4460465	2	Terminal	
9	4460466	1	Plug	
10	4460539	1	Connector	
11	4460465	2	Terminal	
12	4460466	1	Plug	
13	1001116812	1	Connector	
14	4460465	2	Terminal	
15	4460466	1	Plug	
16	1001116774	1	Connector	
17	4460518	6	Plug	
18	1001126008	6	Terminal	
19	1001116808	1	Connector	
20	4460518	10	Plug	
21	1001126008	2	Terminal	
22	1001187081	1	Connector	
23	4460933	1	Connector	
24	1001200206	1	Connector, DT 12 Pin 4X3 Buss	
25	4460465	13	Terminal	
26	1001116812	1	Connector	
27	4460465	2	Terminal	
28	4460466	1	Plug	
29	1001144147	1	Connector	
30	4460464	2	Terminal	
31	4460466	1	Plug	
32	1001144147	1	Connector	
33	4460464	2	Terminal	
34	4460466	1	Plug	
35	1001116812	1	Connector	
36	4460465	2	Terminal	
37	4460466	1	Plug	
38	4460670	1	Connector	
39	2400060	1	Connector	
40	8229242	1	Terminal	
41	1001187078	1	Connector	
42	2400060	1	Connector	
43	8229242	1	Terminal	
44	1001116815	2	Connector, 3 Pin	
45	4460945	2	Terminal, 3 Way "T" Receptacle	

# SECTION 10 - ELECTRICAL

FIGURE 10-79. TELEMATICS INSTALLATION, UNITED RENTALS



ART\_0001195428-A

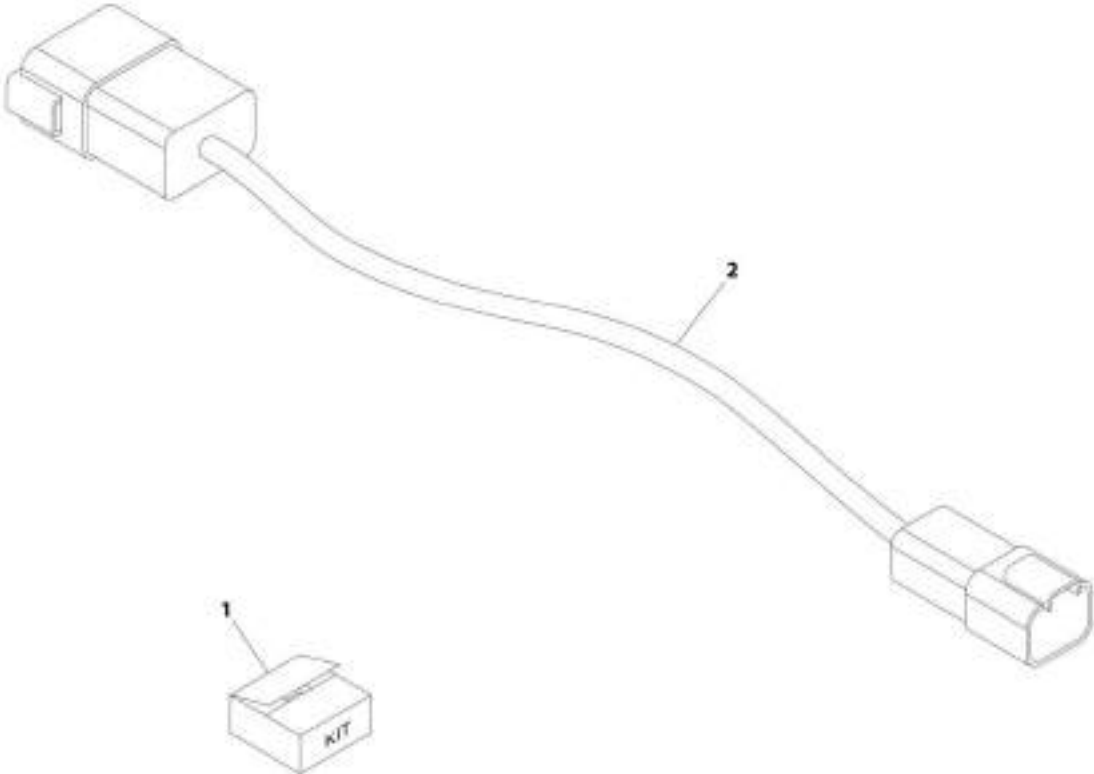
## SECTION 10 - ELECTRICAL

### FIGURE 10-79. TELEMATICS INSTALLATION, UNITED RENTALS

ITEM	PART NUMBER	QTY	DESCRIPTION	REV
	1001195424	Ref	Telematics Installation, United Rentals	A
1	4460932	1	Connector	
2	80604020	1	Lock Connector	
3	4460464	4	Terminal	
4	4460931	1	Connector	
5	80604022	1	Lock Connector	
6	4460464	4	Terminal	
7	4460466	4	Plug	

**SECTION 10 - ELECTRICAL**

**FIGURE 10-80. TELEMATICS INSTALLATION, UNITED RENTALS**



ART\_100195610-A

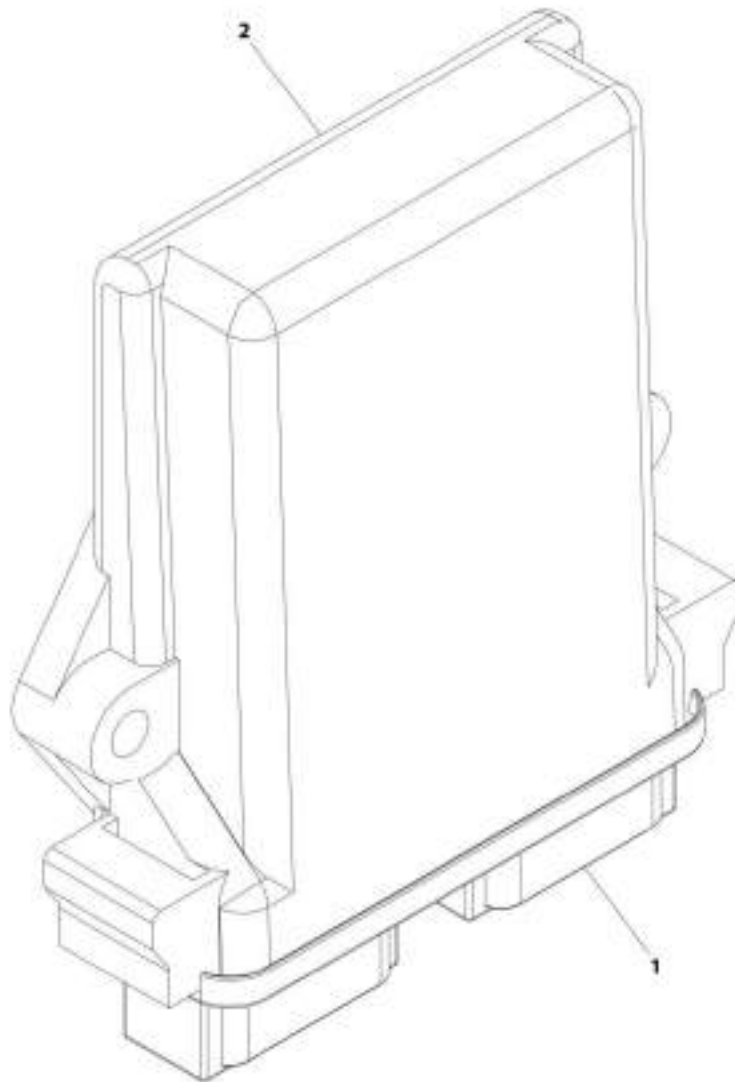
## SECTION 10 - ELECTRICAL

**FIGURE 10-80. TELEMATICS INSTALLATION, UNITED RENTALS**

ITEM	PART NUMBER	QTY	DESCRIPTION	REV
	1001195610	Ref	Telematics Installation, United Rentals	A
1	N.S.S.	1	Telematics Kit	
2	1001195423	1	Harness, Jumper	

# SECTION 10 - ELECTRICAL

## FIGURE 10-81. GATEWAY CONTROLLER



ART. 101225439 B

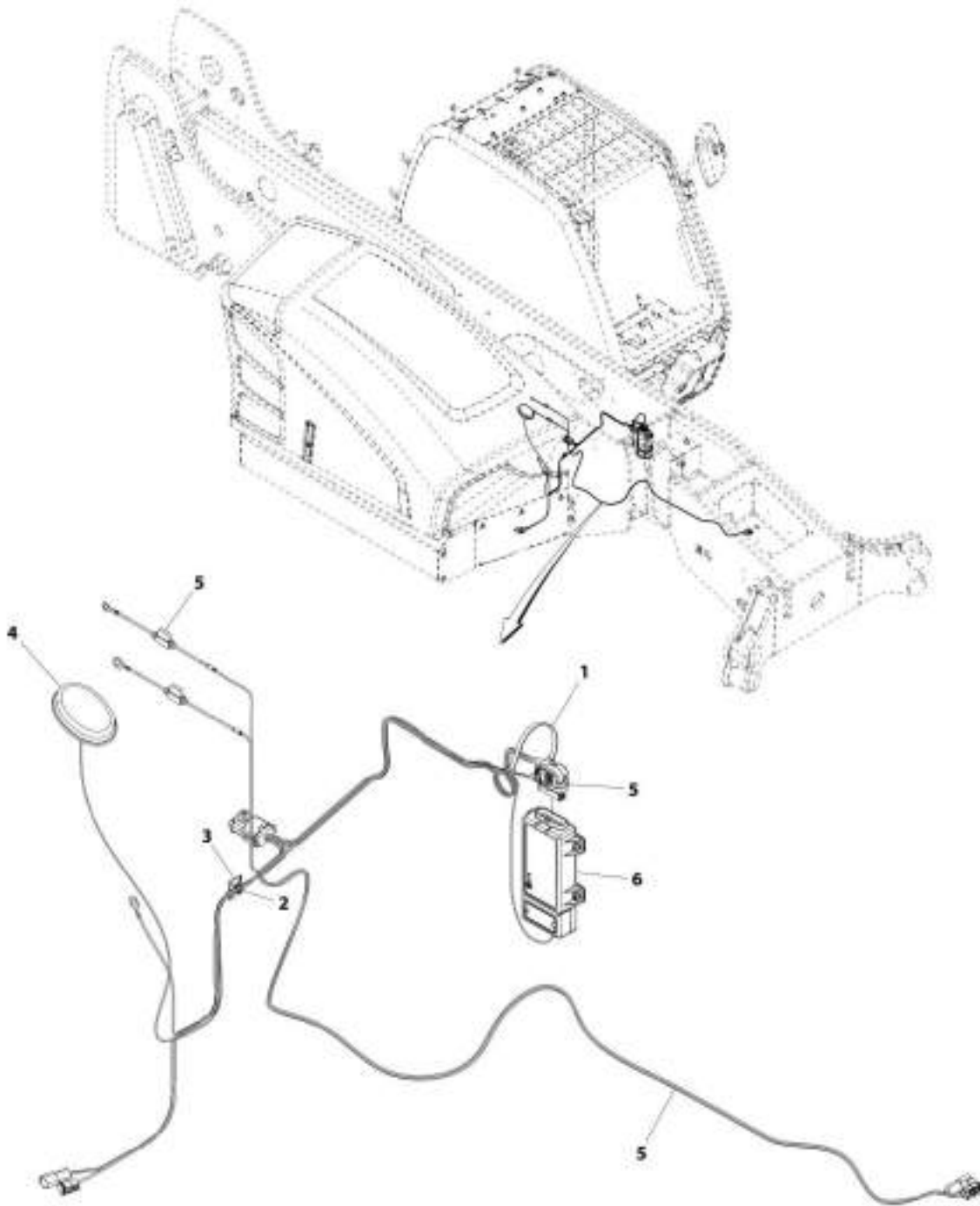
## SECTION 10 - ELECTRICAL

### FIGURE 10-81. GATEWAY CONTROLLER

ITEM	PART NUMBER	QTY	DESCRIPTION	REV
	1001229458	Ref	Gateway Controller	B
1	1001100828	1	PC Board	
2	1001100829	1	Box, Circuit Card	
3	1001229457	1	Software, Gateway (not shown)	

# SECTION 10 - ELECTRICAL

FIGURE 10-82. TELEMATICS CANBUS INSTALLATION (CLEARSKY 2)



ART\_1001221040-A



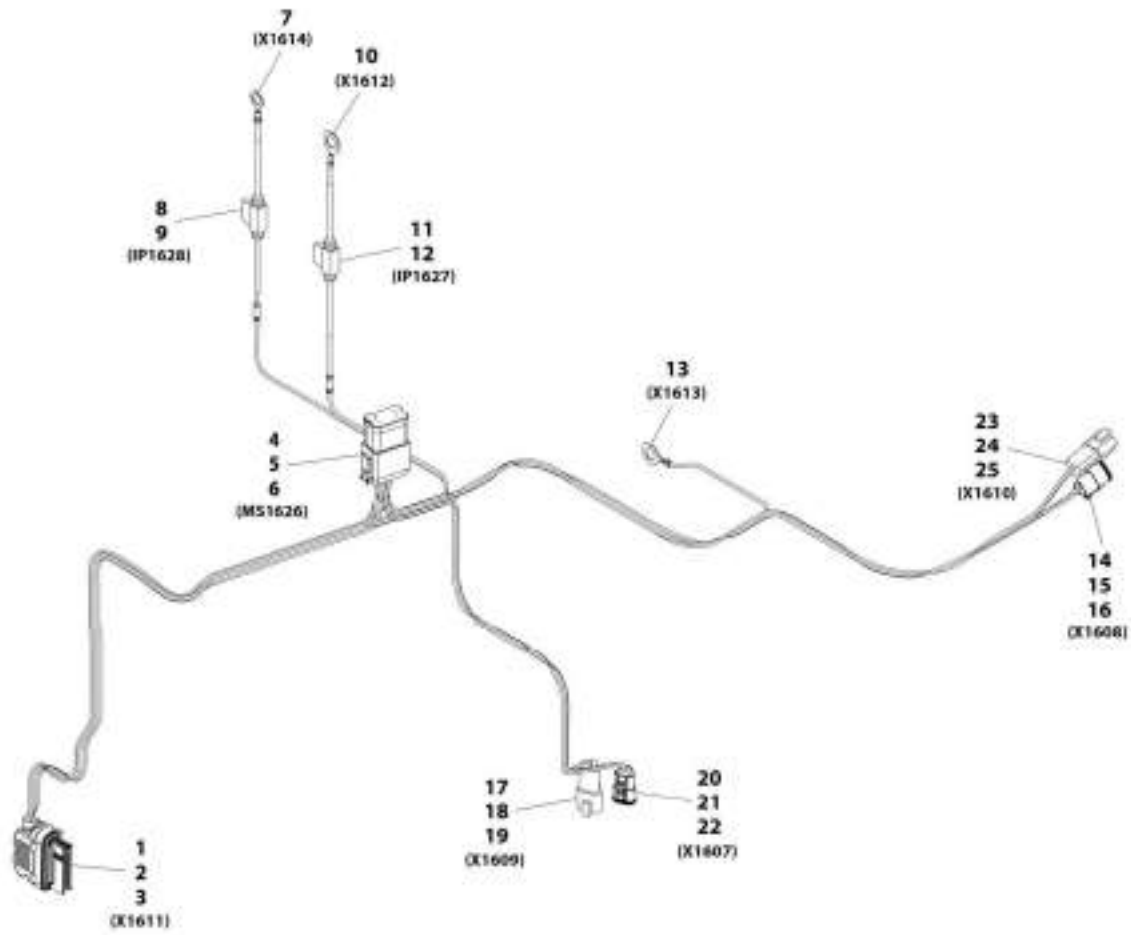
## SECTION 10 - ELECTRICAL

**FIGURE 10-82. TELEMATICS CANBUS INSTALLATION (CLEARSKY 2)**

ITEM	PART NUMBER	QTY	DESCRIPTION	REV
	1001221941	Ref	Telematics Canbus Installation (Clearsky 2)	A
1	1062255	AR	Tie, Strap	
2	4240032	AR	Tie, Strap	
3	4460234	AR	Cable, Tie Mount	
4	1001226799	1	Antenna	
5	1001227297	1	Harness, 4ward Telematics (Clearsky 2) (See Separate Breakdown in this section)	
6	1001229955	1	Module	

# SECTION 10 - ELECTRICAL

## FIGURE 10-83. TELEMATICS HARNESS (CLEARSKY 2)



MIT\_1001227297-8

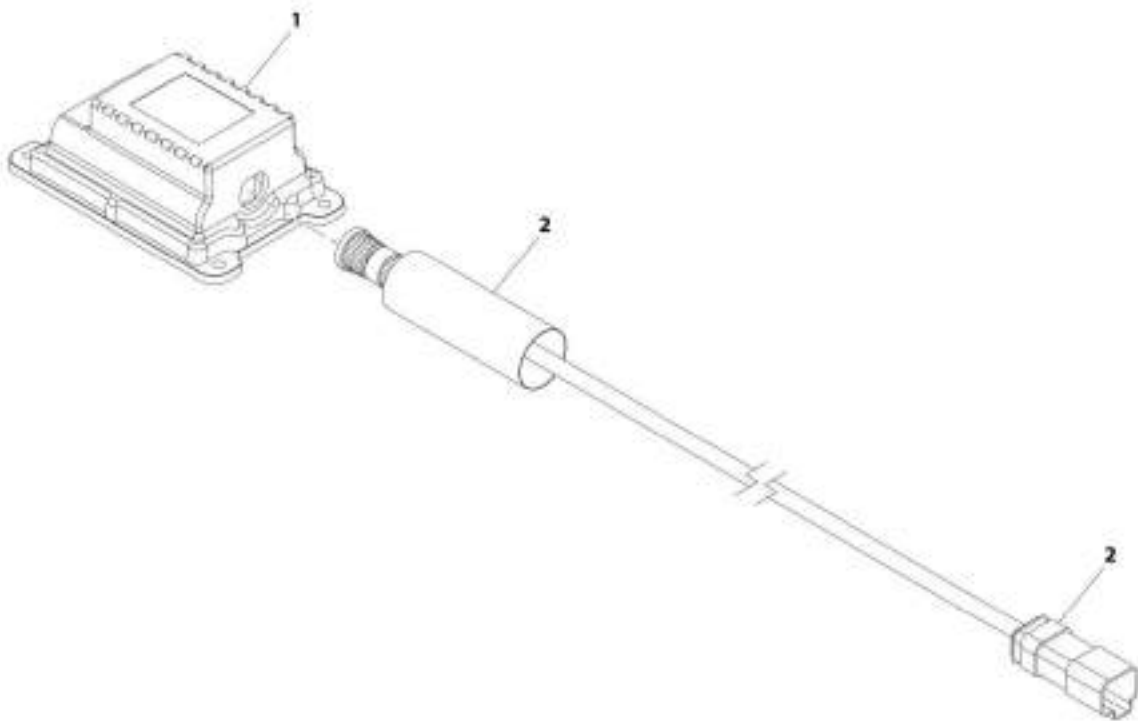
## SECTION 10 - ELECTRICAL

**FIGURE 10-83. TELEMATICS HARNESS (CLEARSKY 2)**

ITEM	PART NUMBER	QTY	DESCRIPTION	REV
	1001227297	Ref	4ward Telematic, Harness (Clearsky 2)	B
1	1001226636	1	Connector	
2	1001226637	7	Terminal	
3	1001116731	17	Plug	
4	4460933	1	Connector	
5	4460465	12	Terminal	
6	1001200206	1	Connector, DT 12 Pin 4X3 Buss	
7	4460670	1	Connector	
8	2400060	1	Connector	
9	8229242	1	Fuse, 5amp	
10	1001187078	1	Connector	
11	2400060	1	Connector	
12	8229242	1	Fuse, 5amp	
13	1001187081	1	Connector	
14	1001116812	1	Connector	
15	4460465	2	Terminal	
16	4460466	1	Plug	
17	1001144147	1	Connector	
18	4460464	2	Terminal	
19	4460466	1	Plug	
20	1001116812	1	Connector	
21	4460465	2	Terminal	
22	4460466	1	Plug	
23	1001144147	1	Connector	
24	4460464	2	Terminal	
25	4460466	1	Plug	

# SECTION 10 - ELECTRICAL

## FIGURE 10-84. CLEARSKY INSTALLATION 3-WIRE



ART\_100229107-C

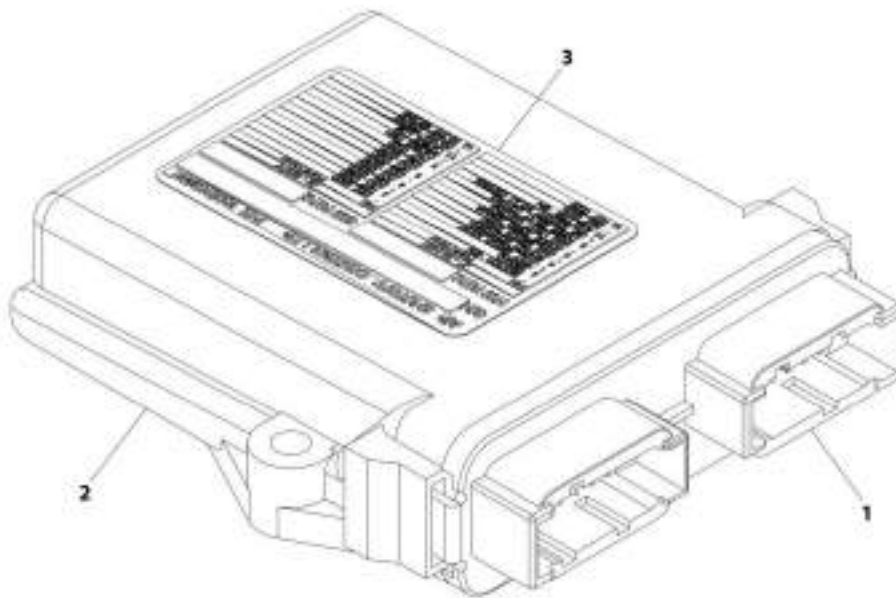
## SECTION 10 - ELECTRICAL

### FIGURE 10-84. CLEARSKY INSTALLATION 3-WIRE

ITEM	PART NUMBER	QTY	DESCRIPTION	REV
1	1001229107	Ref	Clearsky Installation 3-Wire	B
	1001226328	1	Module, 3W TCU	
	1001227066	Ref	Telematics Harness (See Separate Breakdown in this Section)	

# SECTION 10 - ELECTRICAL

## FIGURE 10-85. CONTROL ACCESSORY



ART\_1001203101-C

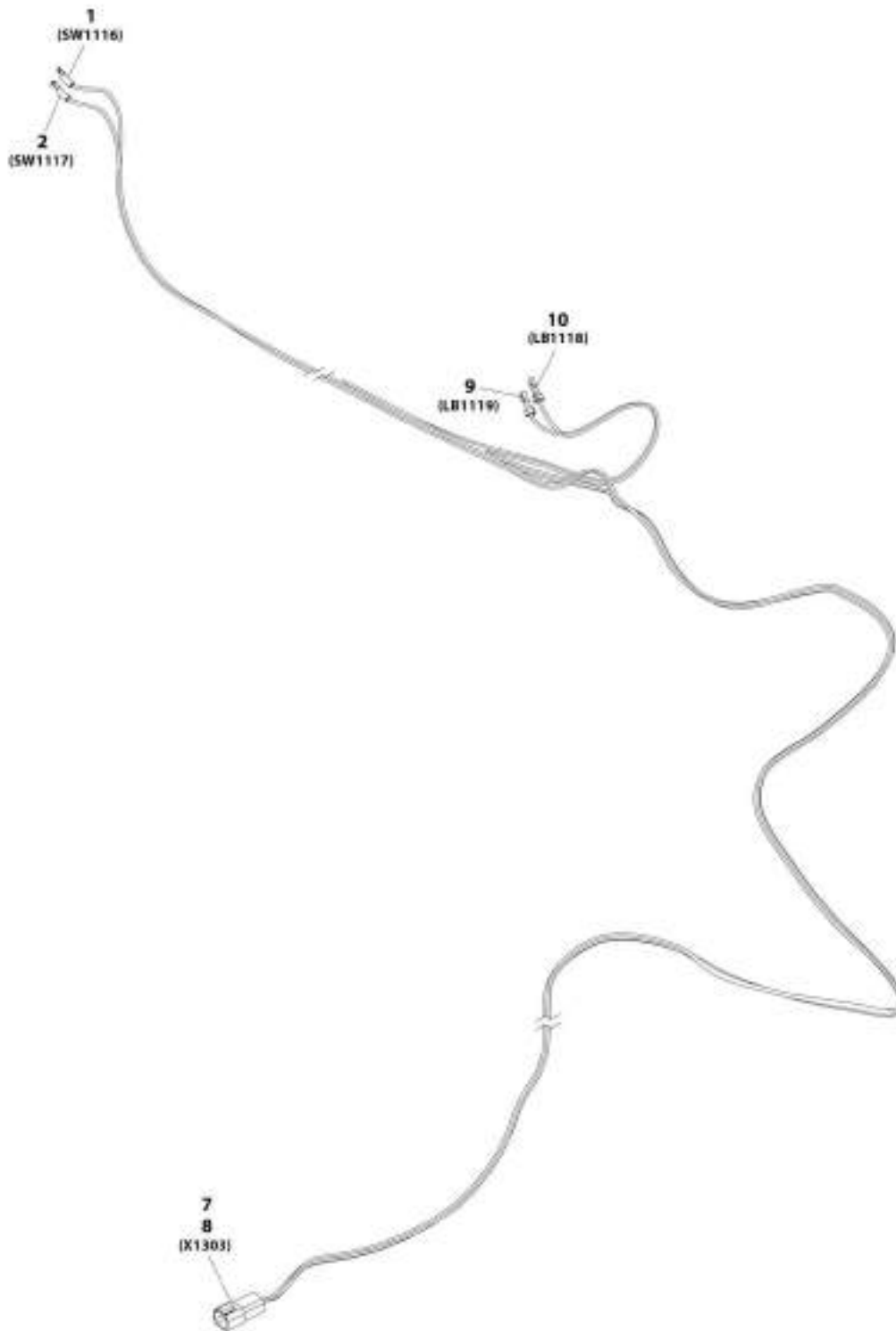
## SECTION 10 - ELECTRICAL

### FIGURE 10-85. CONTROL ACCESSORY

ITEM	PART NUMBER	QTY	DESCRIPTION	REV
	1001203181	Ref	Control Accessory	C
1	1001215630	1	PC Board	
2	0861493	1	Box, Circuit Card	
3	1001215631	1	Decal	
4	1001215632	1	Software (not shown)	

# SECTION 10 - ELECTRICAL

## FIGURE 10-86. CAB AIR SHUT OFF VALVE HARNESS



ART\_1001231407-C



## SECTION 10 - ELECTRICAL

### FIGURE 10-86. CAB AIR SHUT OFF VALVE HARNESS

ITEM	PART NUMBER	QTY	DESCRIPTION	REV
	1001231407	Ref	Cab Air Shut Off Valve Harness	C
1	8220035	1	Connector	
2	8220035	1	Connector	
7	4460932	1	Connector	
8	4460464	4	Terminal	
9	8220108	1	Connector	
10	8220108	1	Connector	



## SECTION 10 - ELECTRICAL

### FIGURE 10-87. ENGINE AIR SHUT OFF VALVE HARNESS

ITEM	PART NUMBER	QTY	DESCRIPTION	REV
	1001231483	Ref	Engine Air Shut Off Valve Harness	C
1	1001187079	1	Connector	
2	1001231397	1	Connector	
3	8229235	1	Fuse, 20amp	
4	1001231401	2	Terminal	
5	1001230402	2	Seal	
10	1001187078	1	Connector	
11	1001231397	1	Connector	
12	8229261	1	Fuse, 20amp	
13	1001231400	2	Terminal	
14	1001230403	2	Seal	
15	1001116812	1	Connector	
16	4460465	2	Terminal	
17	4460466	1	Plug	
18	4460884	1	Connector	
19	4460465	4	Terminal	
20	1001187079	1	Connector	
21	1001144147	1	Connector	
22	4460464	2	Terminal	
23	4460466	1	Plug	
24	1001116812	1	Connector	
25	4460465	2	Terminal	
26	4460466	1	Plug	
27	1001116812	1	Connector	
28	4460465	2	Terminal	
29	4460466	1	Plug	
30	4460539	1	Connector	
31	4460465	2	Terminal	
32	4460466	1	Plug	
33	1001116815	1	Connector, 3 Pin	
34	4460945	1	Terminal, 3 Way "T" Receptacle	
35	4460891	1	Connector	
36	1001157890	2	Terminal	
37	4460742	1	Connector	
38	4460475	2	Terminal	
39	4460458	2	Plug	
40	1001116774	1	Connector	
41	4460518	8	Plug	
42	1001126008	4	Terminal	
43	1001116808	1	Connector	
44	1001126008	9	Terminal	
45	4460518	3	Plug	
46	4460761	1	Connector	
47	4460321	1	Terminal	
48	1001118378	4	Terminal	
49	4460809	4	Plug	
50	1001143551	1	Seal	
51	1001218358	1	Lanyard Rope	
52	1001231398	1	Connector	
53	1001231400	4	Terminal	

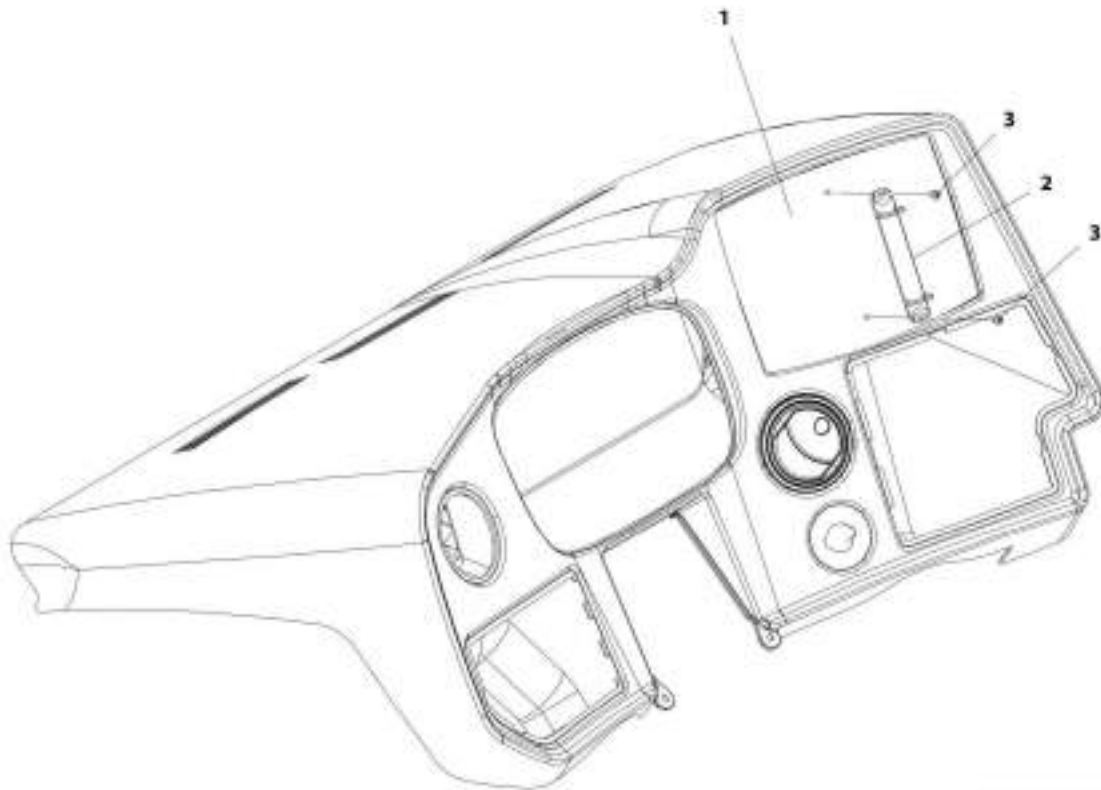
## SECTION 10 - ELECTRICAL

ITEM	PART NUMBER	QTY	DESCRIPTION	REV
54	1001231404	4	Seal	
55	1001231406	1	Plug	
56	1001231398	1	Connector	
57	1001231401	2	Terminal	
58	1001231402	2	Seal	
59	1001231400	2	Terminal	
60	1001231404	2	Seal	
61	1001231406	1	Plug	
62	1001231397	1	Connector	
63	8229234	1	Fuse, 20amp	
64	1001231400	2	Terminal	
65	1001230403	1	Seal	
66	1001230404	1	Seal	

**SECTION 11 - DECALS**

# SECTION 11 - DECALS

## FIGURE 11-1. CAPACITY CHART HOLDER



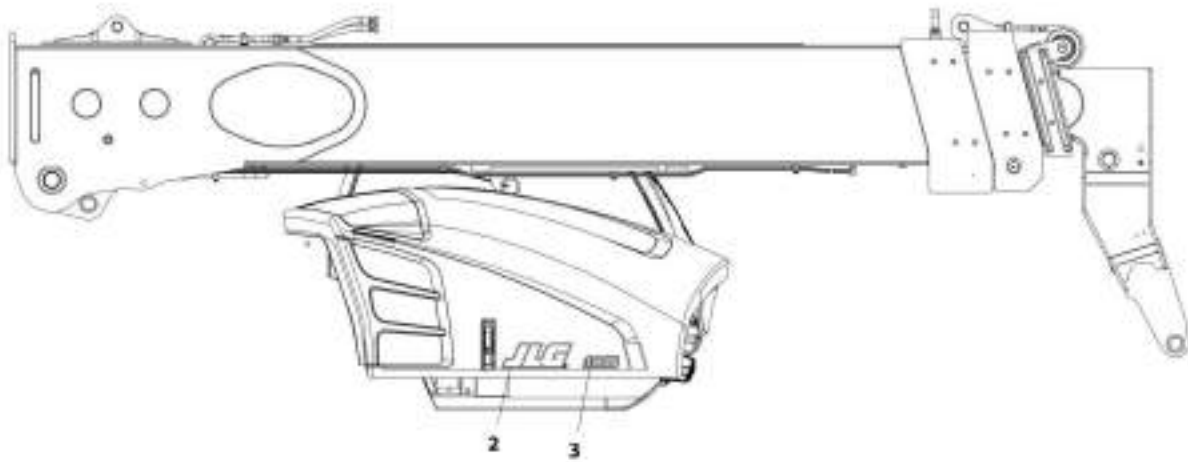
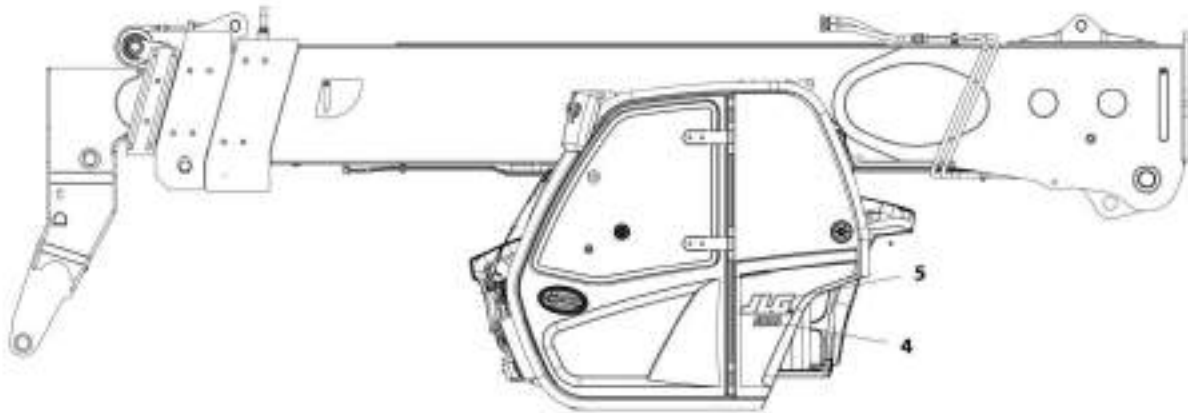
ART\_1001178700-A

FIGURE 11-1. CAPACITY CHART HOLDER

ITEM	PART NUMBER	QTY	DESCRIPTION	REV
	1001178706	Ref	Capacity Chart Holder	A
1	1001179297	1	Load Chart, Bezel	
2	1001005960	1	Holder	
3	7029486	2	Screw	

# SECTION 11 - DECALS

## FIGURE 11-2. DECAL INSTALLATION - 1055



ART\_1001100420-0



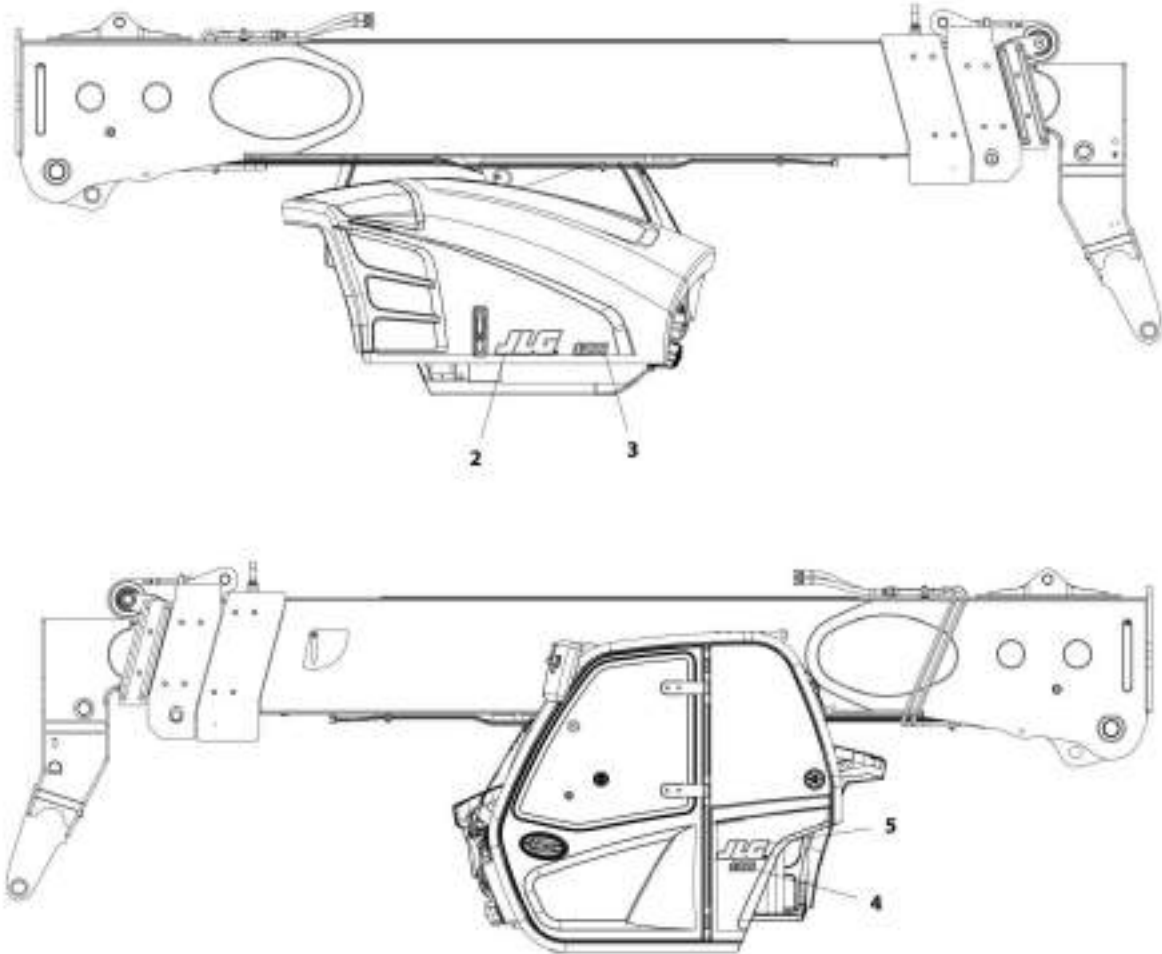
## SECTION 11 - DECALS

### FIGURE 11-2. DECAL INSTALLATION - 1055

ITEM	PART NUMBER	QTY	DESCRIPTION	REV
	1001160626	Ref	Decal Installation - 1055	D
2	1001160775	1	Decal, JLG 5 Black	
3	1001169654	1	Decal, JLG 1055 Hood	
4	1001169671	1	Decal, JLG 1055 Cab	
5	1001169674	1	Decal, JLG M100X285	

# SECTION 11 - DECALS

## FIGURE 11-3. DECAL INSTALLATION - 1255



ART\_100160625-D

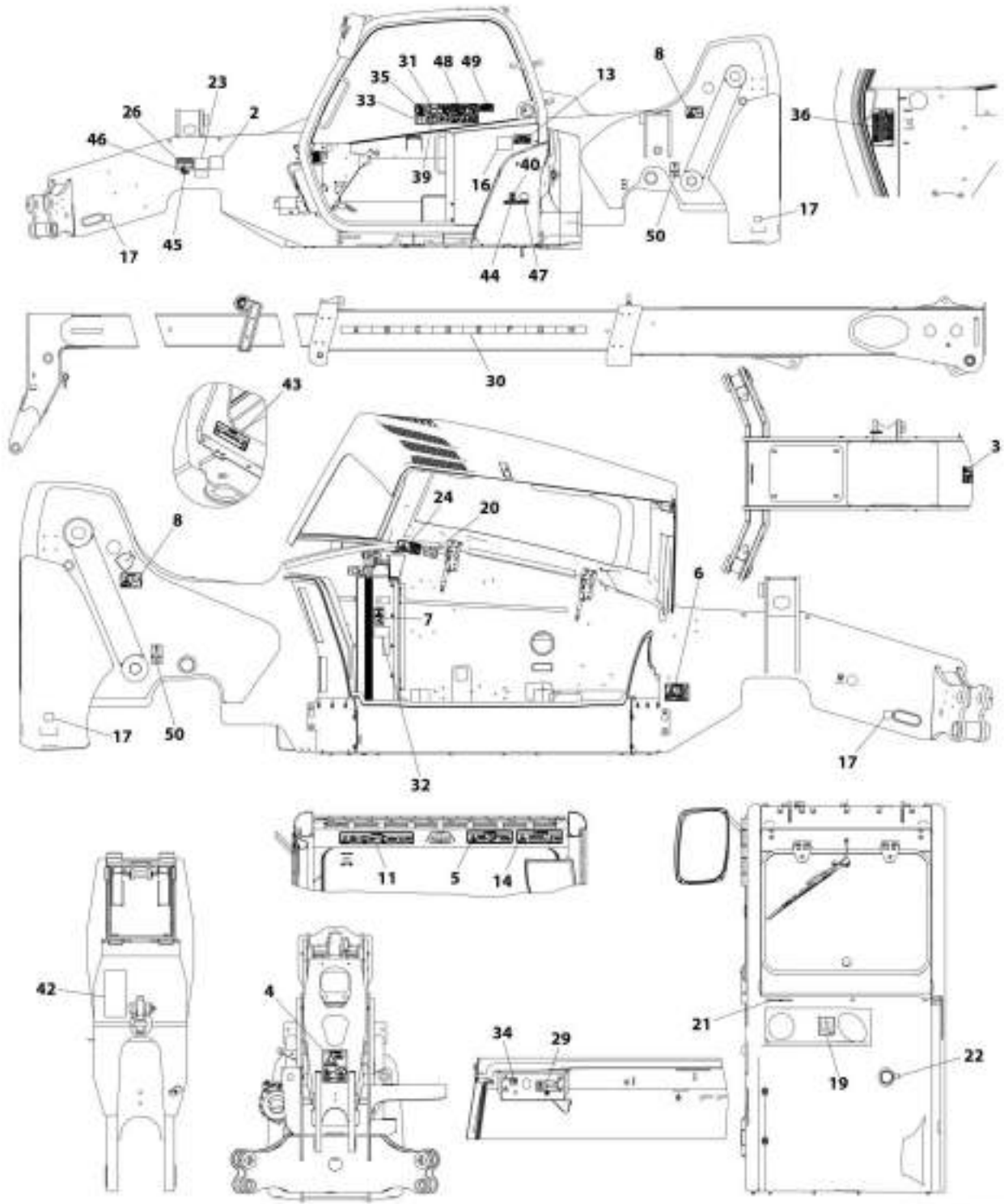
## SECTION 11 - DECALS

### FIGURE 11-3. DECAL INSTALLATION - 1255

ITEM	PART NUMBER	QTY	DESCRIPTION	REV
	1001160625	Ref	Decal Installation - 1255	D
2	1001160775	1	Decal, JLG 5 Black	
3	1001169624	1	Decal, JLG 1255 Hood	
4	1001169670	1	Decal, JLG 1255 Cab	
5	1001169674	1	Decal, JLG M100X285	

# SECTION 11 - DECALS

## FIGURE 11-4. DECAL INSTALLATION (ENGLISH)



ART\_1001100673-0

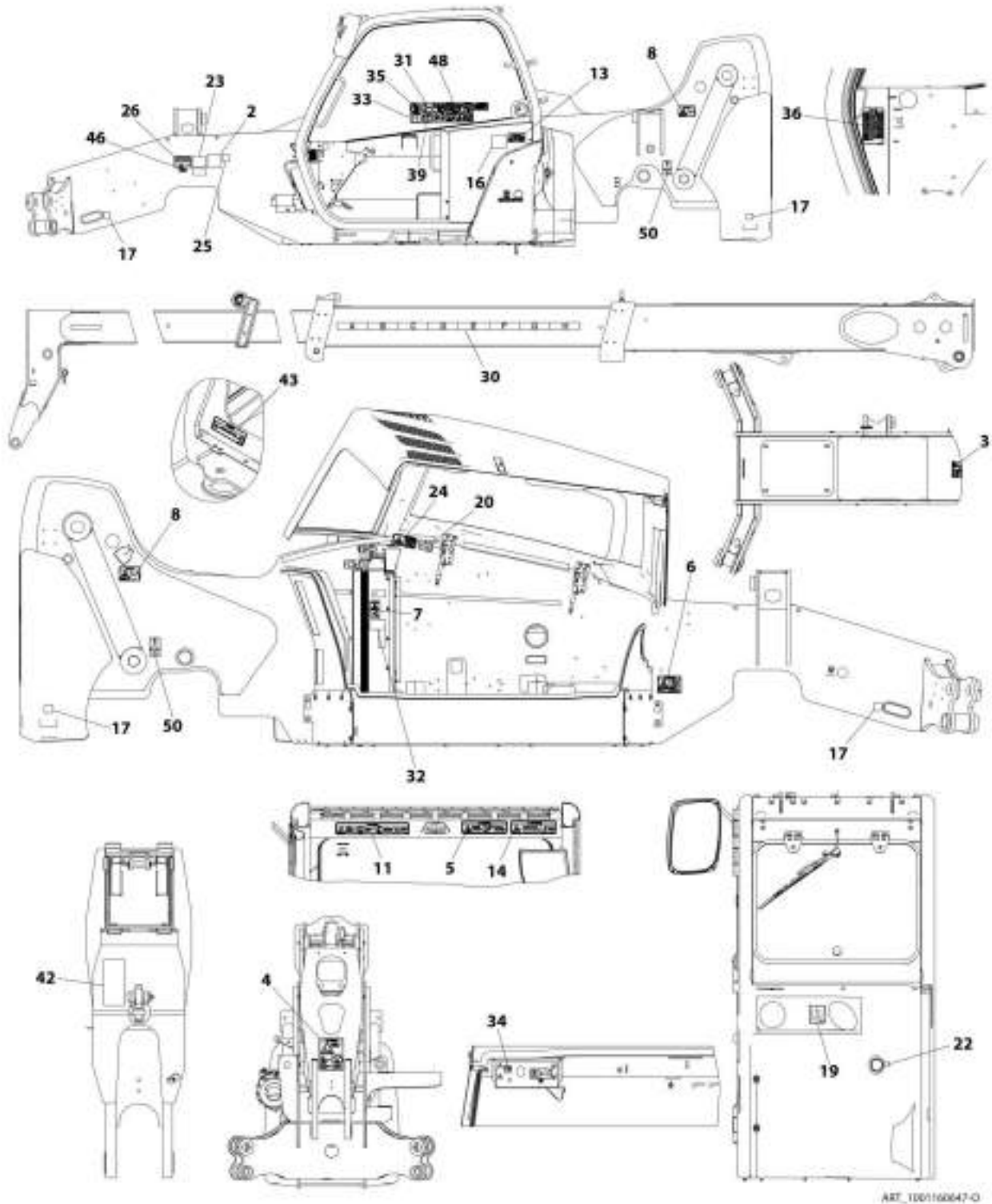
## SECTION 11 - DECALS

**FIGURE 11-4. DECAL INSTALLATION (ENGLISH)**

ITEM	PART NUMBER	QTY	DESCRIPTION	REV
	1001160673	Ref	Decal Installation (ENGLISH)	O
2	1702631	1	Decal, Bar Code	
3	1706296	1	Decal, Battery Warning	
4	1001195849	1	Decal, Carry Personnel	
5	1706299	1	Decal, Contacting Power Lines Warning	
6	1706300	1	Decal, Ether Warning	
7	1706301	1	Decal, Keep Clear of Rotating Parts Warning	
8	1706302	2	Decal, Pinch Point Boom Holes	
11	1706306	1	Decal, Tip Over Warning	
13	1706768	1	Decal, Vehicle Roll Away	
14	1706850	1	Decal, Crush Hazard Warning	
16	3251813	1	Decal, USA	
17	4109801	4	Decal, Tie Down Point	
19	1001094708	1	Decal, Hydraulic Oil	
20	1001109053	1	Decal, Coolant Fill	
21	1001218704	1	Decal, Ultra Low Sulfur Diesel	
22	1001130323	1	Decal, Oil Level	
23	1001131271	1	Decal, Patent	
24	1001139578	1	Decal, Hot Fluid Warning	
26	N.S.S.	1	Decal, Nameplate	
29	1001195855	1	Decal, Battery Disconnect	
30	1001171277	1	Decal, Boom Extend	
31	1001172035	1	Decal, No Weld or Drill	
32	1001172037	1	Decal, 130HP	
33	1001181537	1	Decal, Outrigger Switches	
34	1001184632	1	Decal, Battery Positive	
35	1001188372	1	Decal, Sway	
36	1001191229	1	Decal, Fuse Panel	
39	1001200101	1	Decal, Manual	
40	1001196806	1	Decal, Diesel Exhaust Fluid	
42	1001207217	1	Decal, Danger Swinging Load <b>(SN 0160075710 to Present)</b>	
43	1001218659	1	Decal, Brake Fluid Spec	
44	1001219212	1	Decal, DEF Fluid	
45	1001223453	1	Decal, ICES	
46	1001009178	4	Decal, Track Metal	
47	1001230310	1	Decal, DEF Tank Service	
48	1707078	1	Decal, Warning/Danger Cab	
49	1001231801	1	Decal, Warning Prop 65 Diesel	
50	1001222650	2	Decal, Axle Lift	

# SECTION 11 - DECALS

## FIGURE 11-5. DECAL INSTALLATION (ISO)



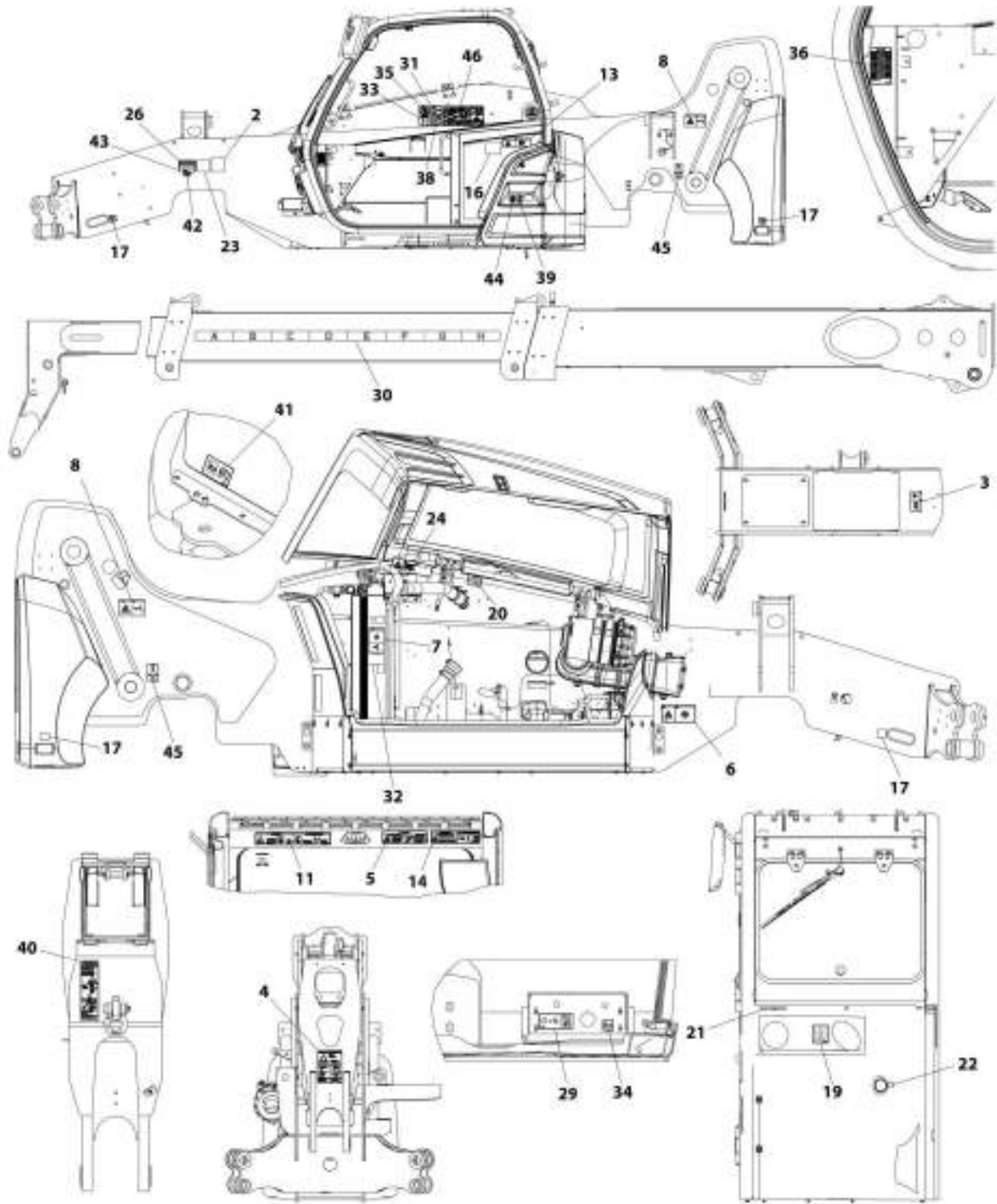
## SECTION 11 - DECALS

**FIGURE 11-5. DECAL INSTALLATION (ISO)**

ITEM	PART NUMBER	QTY	DESCRIPTION	REV
	1001160647	Ref	Decal Installation (ISO)	O
2	1702631	1	Decal, Bar Code	
3	1706281	1	Decal, Battery Warning	
4	1706282	1	Decal, Carry Personnel	
5	1706284	1	Decal, Contacting Power Lines Warning	
6	1706098	1	Decal, Ether Warning	
7	1706285	1	Decal, Moving Parts	
8	1706292	2	Decal, Pinch Point Boom Holes	
11	1706288	1	Decal, Tip Over Warning	
13	1001092878	1	Decal, No Riders	
14	1001092877	1	Decal, Crush Hazard Warning	
16	3251813	1	Decal, USA	
17	4109801	4	Decal, Tie Down Point	
19	1001094708	1	Decal, Hydraulic Oil	
20	1001109053	1	Decal, Coolant Fill	
22	1001130323	1	Decal, Oil Level	
23	1001131271	1	Decal, Patent	
24	1001139942	1	Decal, Hot Fluid Warning	
25	1001143852	1	Decal, LRC EPA	
26	N.S.S.	1	Decal, Nameplate	
30	1001171277	1	Decal, Boom Extend	
31	1001172035	1	Decal, No Weld or Drill	
32	1001172037	1	Decal, 130HP	
33	1001181537	1	Decal, Outrigger Switches	
34	1001184632	1	Decal, Battery Positive	
35	1001188372	1	Decal, Sway	
36	1001191229	1	Decal, Fuse Panel	
39	1001200101	1	Decal, Manual	
42	1001207218	1	Decal, Danger Swinging Load <b>(SN 0160075710 to Present)</b>	
43	1001219211	1	Decal, Brake Fluid Spec (not shown)	
46	1001009178	4	Decal, Track Metal	
48	1001101895	1	Decal, Warning	
50	1001222650	2	Decal, Axle Lift	

# SECTION 11 - DECALS

## FIGURE 11-6. DECAL INSTALLATION (ENGLISH/FRENCH)



ART\_1001102062-O



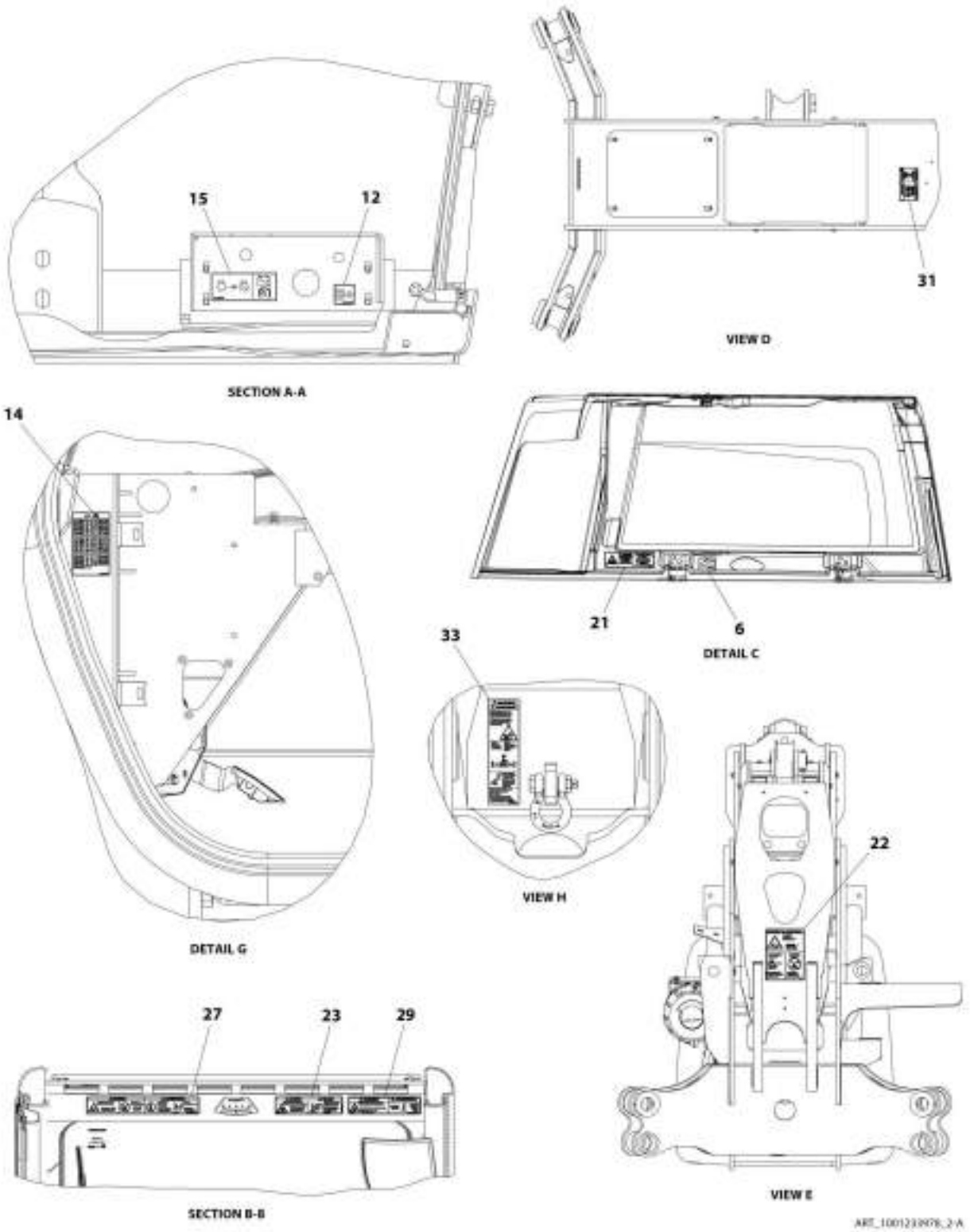
## SECTION 11 - DECALS

**FIGURE 11-6. DECAL INSTALLATION (ENGLISH/FRENCH)**

ITEM	PART NUMBER	QTY	DESCRIPTION	REV
	1001160667	Ref	Decal Installation (ENGLISH/FRENCH)	O
2	1702631	1	Decal, Bar Code	
3	1001163174	1	Decal, Battery Warning	
4	1001195851	1	Decal, Carry Personnel	
5	1001163210	1	Decal, Electrocutation Hazard	
6	1001163212	1	Decal, Warning No Either	
7	1001163222	1	Decal, Moving Parts	
8	1001163223	2	Decal, Pinch Point	
11	1001163285	1	Decal, Warning Tip Over	
13	1001163300	1	Decal, No Riders	
14	1001163304	1	Decal, Warning Crushing Hazard	
16	3251813	1	Decal, USA	
17	4109801	4	Decal, Tie Down Point	
19	1001094708	1	Decal, Hydraulic Oil	
20	1001109053	1	Decal, Coolant Fill	
21	1001163355	1	Decal, Ultra Low Sulfur Diesel	
22	1001130323	1	Decal, Oil Level	
23	1001131271	1	Decal, Patent, Telehandlers	
24	1001163323	1	Decal, Warning Hot Fluid	
26	N.S.S.	1	Decal, Nameplate, Serial Number	
29	1001195855	1	Decal, Battery Disconnect	
30	1001171277	1	Decal, Boom Extend	
31	1001172035	1	Decal, No Weld or Drill	
32	1001172037	1	Decal, MCO, 130HP	
33	1001181537	1	Decal, Outrigger Switches	
34	1001184632	1	Decal, Battery Positive	
35	1001188372	1	Decal, Sway	
36	1001191229	1	Decal, Fuse Panel	
37	1001191487	1	Decal, Fuse Panel (not shown)	
38	1001200101	1	Decal, Manual	
39	1001196806	1	Decal, Diesel Exhaust Fluid	
40	1001209625	1	Decal, Danger Swinging Load <b>(SN 0160075710 to Present)</b>	
41	1001219211	1	Decal, Brake Fluid Spec	
42	1001223453	1	Decal, ICES	
43	1001009178	4	Decal, Track Metal	
44	1001230311	1	Decal, Tank Service	
45	1001222650	2	Decal, Axle Lift	
46	1001233558	1	Decal, Warning/Danger Cab	



# SECTION 11 - DECALS



ART\_1001238978\_2-A

## SECTION 11 - DECALS

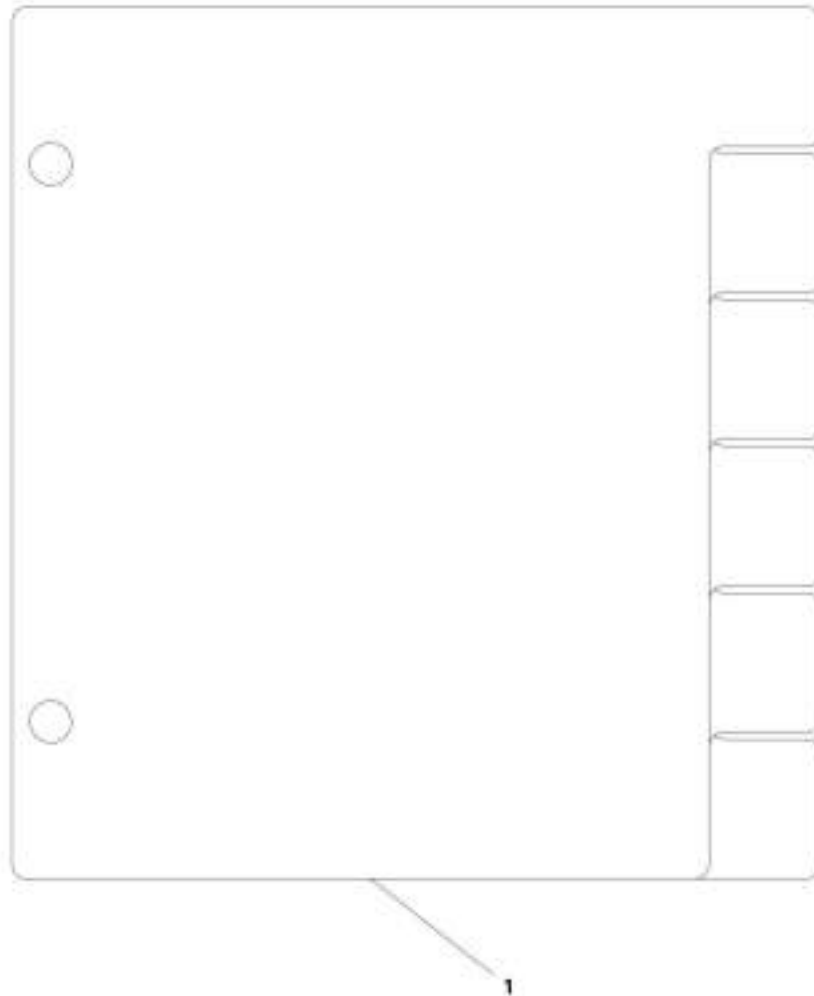
FIGURE 11-7. DECAL INSTALLATION (ENGLISH/SPANISH)

ITEM	PART NUMBER	QTY	DESCRIPTION	REV
	1001233978	Ref	Decal Installation (English/Spanish)	A
1	1702631	1	Decal, Bar Code	
2	3251813	1	Decal, USA	
3	4109801	4	Decal, Tie Down Point	
4	1001009178	4	Decal, Track Metal	
5	1001094708	1	Decal, Hydraulic Oil	
6	1001109053	1	Decal, Coolant Fill	
7	1001130323	1	Decal, Oil Level	
8	1001131271	1	Decal, Patent, Telehandlers	
9	1001171277	1	Decal, Boom Extend	
10	1001172035	1	Decal, No Weld or Drill	
11	1001181537	1	Decal, Outrigger Switches	
12	1001184632	1	Decal, Battery Positive	
13	1001188372	1	Decal, Sway	
14	1001191229	1	Decal, Fuse Panel	
15	1001195855	1	Decal, Battery Disconnect	
16	1001196806	1	Decal, Diesel Exhaust Fluid	
17	1001200101	1	Decal, Manual	
18	1001219211	1	Decal, Brake Fluid Spec	
19	1001222650	1	Decal, Axle Lift	
20	1001229575	1	SN Plate	
21	1001235805	1	Decal, Warning Hot Fluid	
22	1001235796	1	Decal, Carry Personal	
23	1001235797	1	Decal, Electrocutation Hazard	
24	1001235798	1	Decal, Warning No Ether	
25	1001235799	1	Decal, Moving Parts	
26	1001235800	1	Decal, Pinch Point	
27	1001235801	1	Decal, Warning Tip Over	
28	1001235802	1	Decal, No Riding	
29	1001235803	1	Decal, Warning Crushing Hazard	
30	1001235804	1	Decal, Ultra Low Sulfur Diesel	
31	1001235794	1	Decal, Battery Warning	
32	1001235806	1	Decal, MCO 130HP	
33	1001235807	1	Decal, Danger Swinging Load	
34	1001235808	1	Decal, Spanish JLG DEF Tank Service	
35	1001235809	1	Decal, Warning Cab	



# SECTION 11 - DECALS

FIGURE 11-8. CAPACITY CHART (ANSI) - 1055 (Prior to SN 0160075710)



ART\_1001208803-C

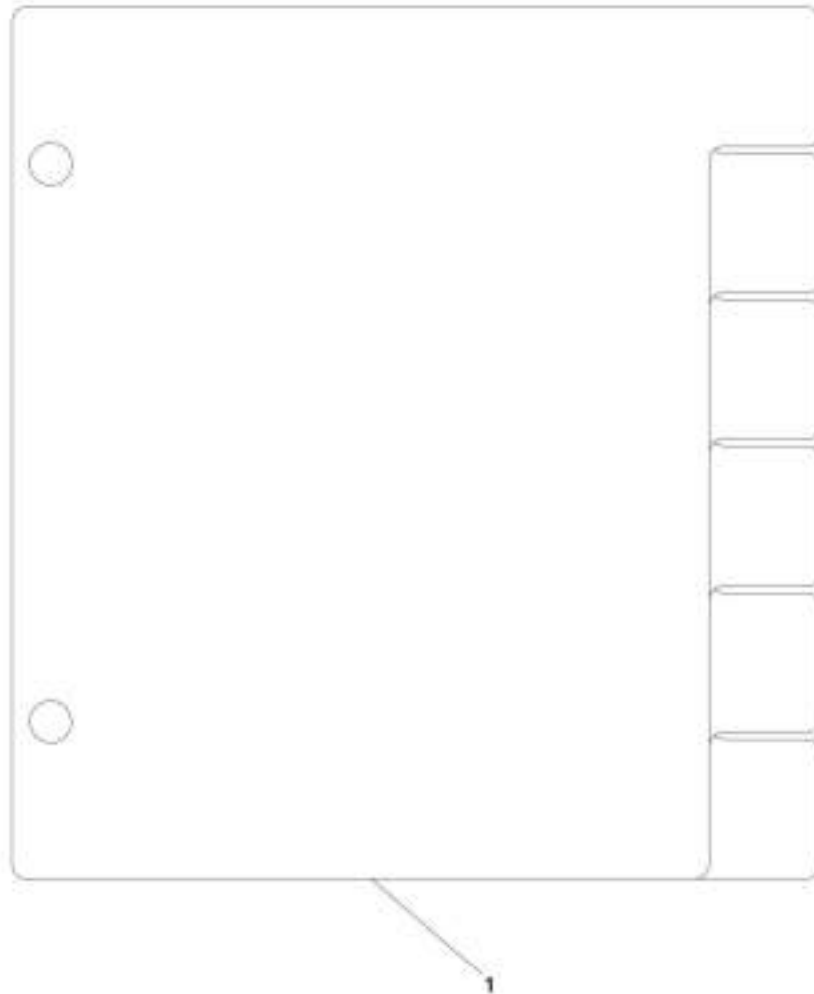
## SECTION 11 - DECALS

**FIGURE 11-8. CAPACITY CHART (ANSI) - 1055 (Prior to SN 0160075710)**

ITEM	PART NUMBER	QTY	DESCRIPTION	REV
1	1001160610	NLA	Capacity Chart (ANSI) - 1055 (No longer available, use 1001208863 for replacement)	D
1	1001208863	1	Capacity Chart (ANSI) - 1055	C

# SECTION 11 - DECALS

FIGURE 11-9. CAPACITY CHART (ANSI) - 1055 (SN 0160075710 through 0160081279)



ART\_1001211156-C



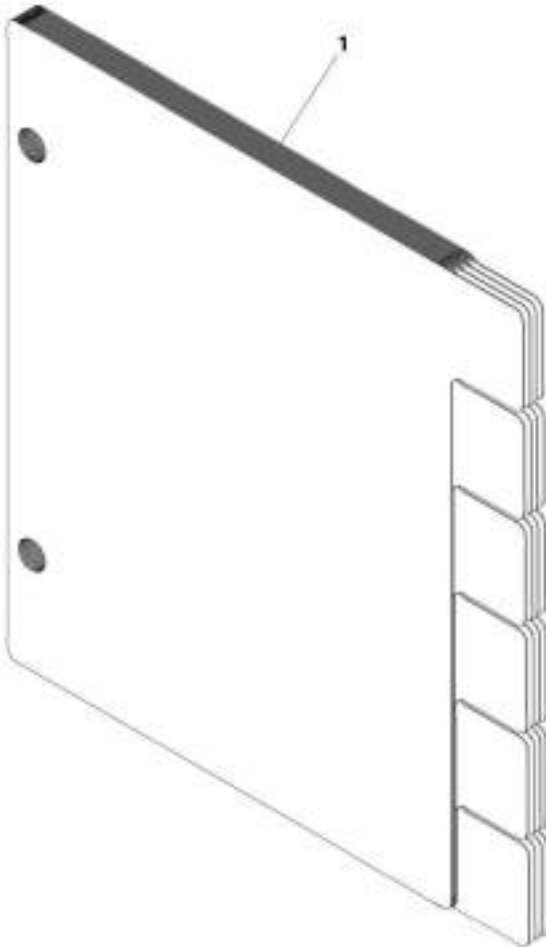
## SECTION 11 - DECALS

**FIGURE 11-9. CAPACITY CHART (ANSI) - 1055 (SN 0160075710 through 0160081279)**

ITEM	PART NUMBER	QTY	DESCRIPTION	REV
1	1001211156	1	Capacity Chart (ANSI) - 1055	C

**SECTION 11 - DECALS**

**FIGURE 11-10. CAPACITY CHART (ANSI) - 1055 (SN 0160081279 to Present)**



ART\_1901211156-F

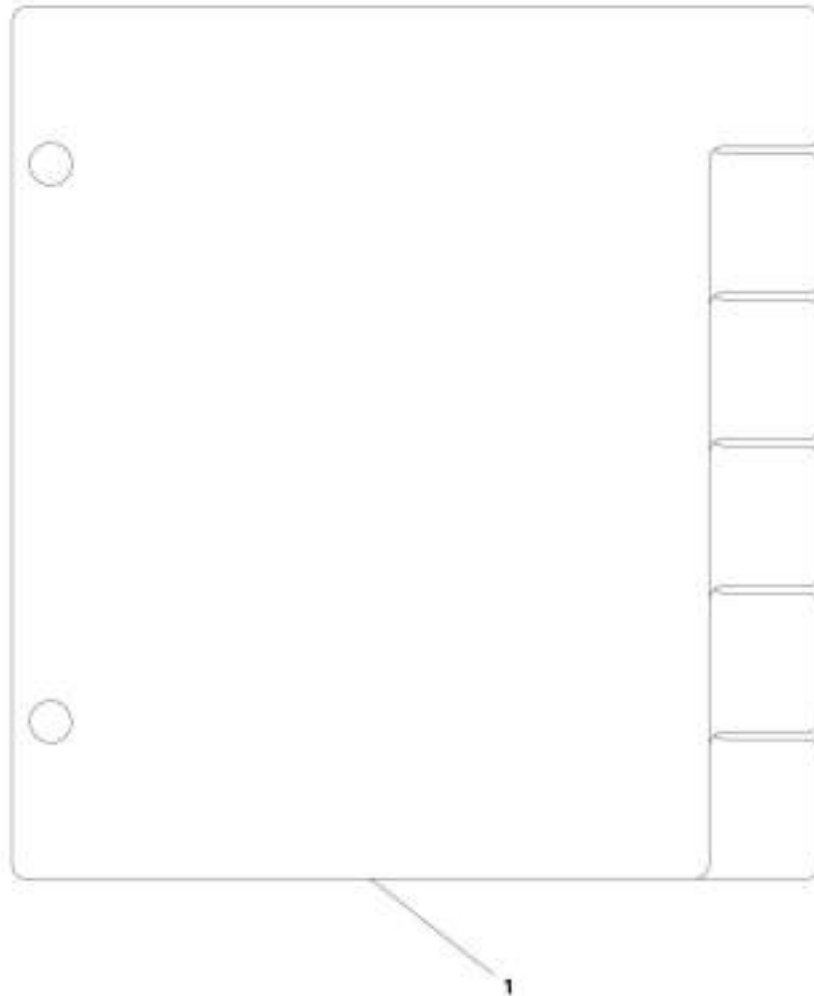
## SECTION 11 - DECALS

**FIGURE 11-10. CAPACITY CHART (ANSI) - 1055 (SN 0160081279 to Present)**

ITEM	PART NUMBER	QTY	DESCRIPTION	REV
1	1001211156	1	Capacity Chart (ANSI) - 1055	F

# SECTION 11 - DECALS

FIGURE 11-11. CAPACITY CHART (ANSI) - 1255 (Prior to SN 0160075710)



ART\_1001208865-C

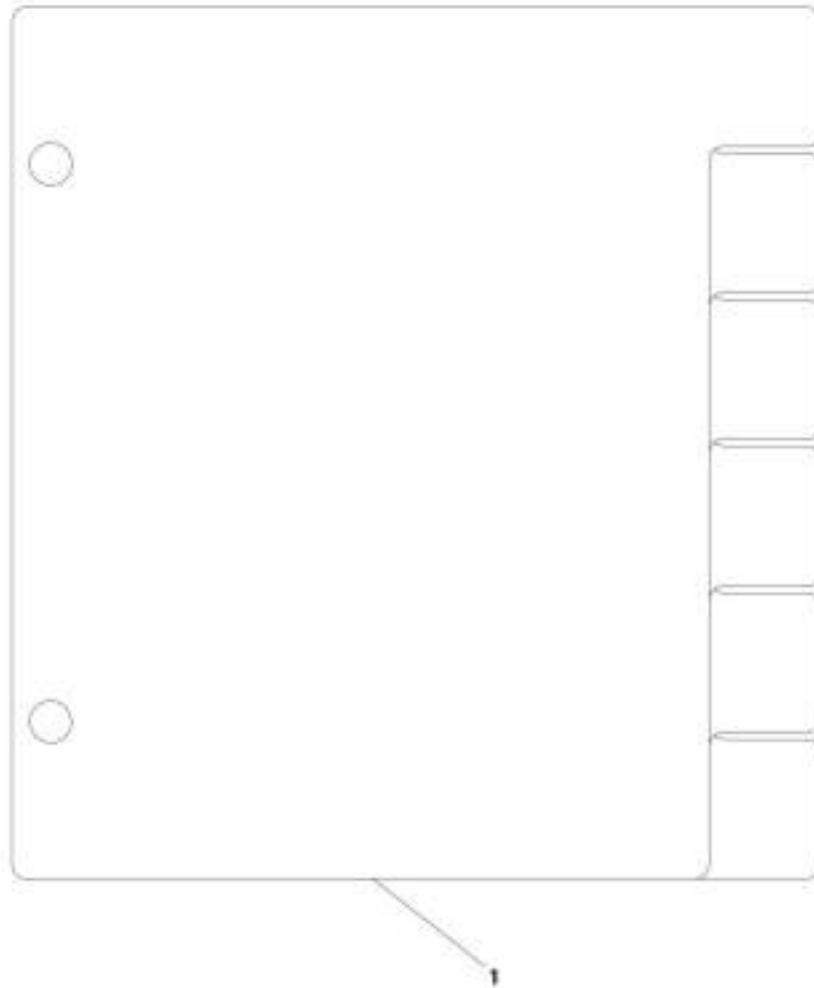
## SECTION 11 - DECALS

**FIGURE 11-11. CAPACITY CHART (ANSI) - 1255 (Prior to SN 0160075710)**

ITEM	PART NUMBER	QTY	DESCRIPTION	REV
1	1001160609	NLA	Capacity Chart (ANSI) - 1255 (No longer available, use 1001208865 for replacement)	D
1	1001208865	1	Capacity Chart (ANSI) - 1255	C

# SECTION 11 - DECALS

FIGURE 11-12. CAPACITY CHART (ANSI) - 1255 (SN 0160075710 through 0160081279)



ART\_1001211153-C

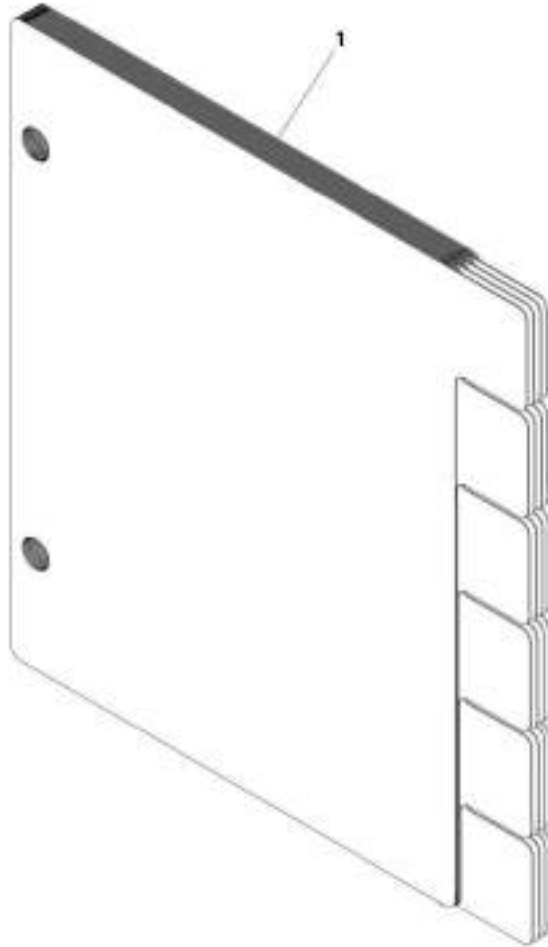
## SECTION 11 - DECALS

**FIGURE 11-12. CAPACITY CHART (ANSI) - 1255 (SN 0160075710 through 0160081279)**

ITEM	PART NUMBER	QTY	DESCRIPTION	REV
1	1001211153	1	Capacity Chart (ANSI) - 1255	C

# SECTION 11 - DECALS

FIGURE 11-13. CAPACITY CHART (ANSI) - 1255 (SN 0160081279 to Present)



ART\_1001211153-F



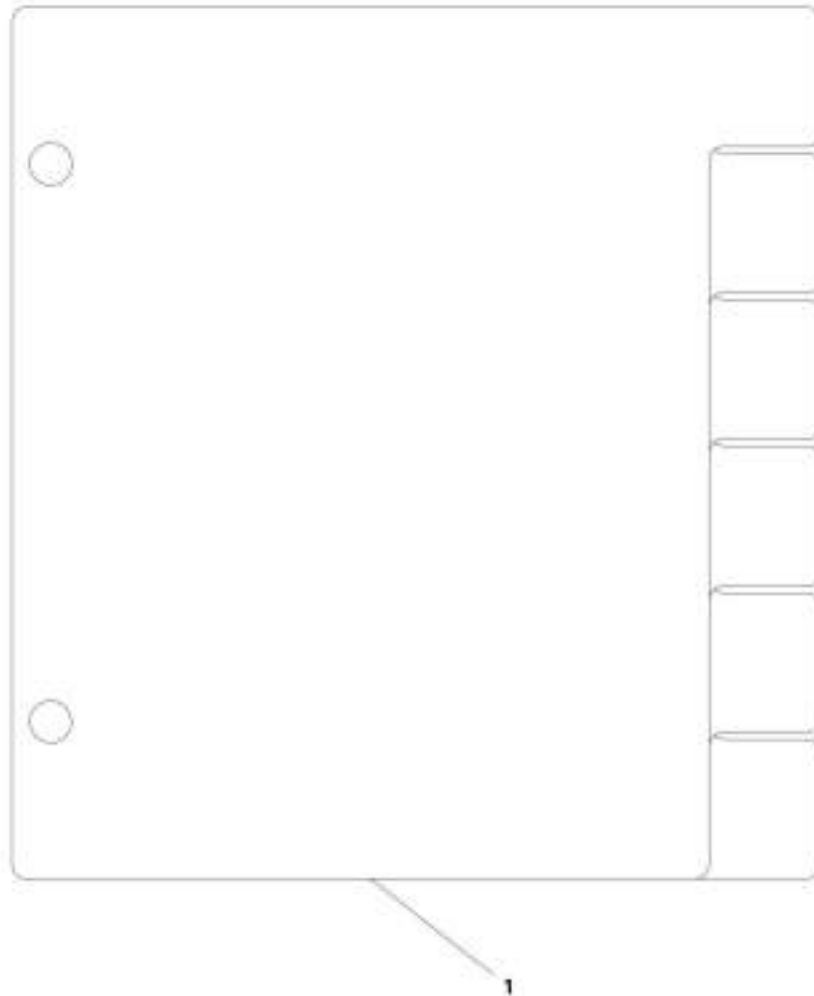
## SECTION 11 - DECALS

FIGURE 11-13. CAPACITY CHART (ANSI) - 1255 (SN 0160081279 to Present)

ITEM	PART NUMBER	QTY	DESCRIPTION	REV
1	1001211153	1	Capacity Chart (ANSI) - 1255	F

# SECTION 11 - DECALS

FIGURE 11-14. CAPACITY CHART (METRIC) - 1055 (Prior to SN 0160075710)



ART\_1001208864-C

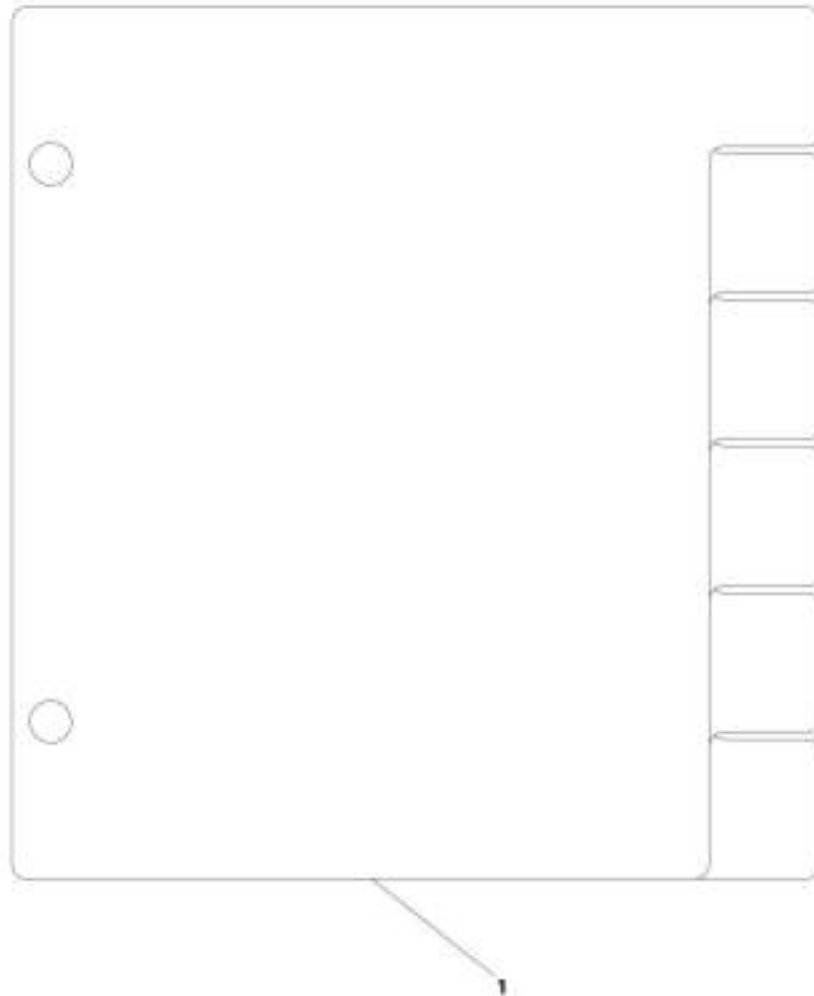
## SECTION 11 - DECALS

**FIGURE 11-14. CAPACITY CHART (METRIC) - 1055 (Prior to SN 0160075710)**

ITEM	PART NUMBER	QTY	DESCRIPTION	REV
1	1001160618	NLA	Capacity Chart (Metric) - 1055 (No longer available, use 1001208864 for replacement)	D
1	1001208864	1	Capacity Chart (Metric) - 1055	C

# SECTION 11 - DECALS

FIGURE 11-15. CAPACITY CHART (METRIC) - 1055 (SN 0160075710 through 0160081279)



ART. 1001211157 D.

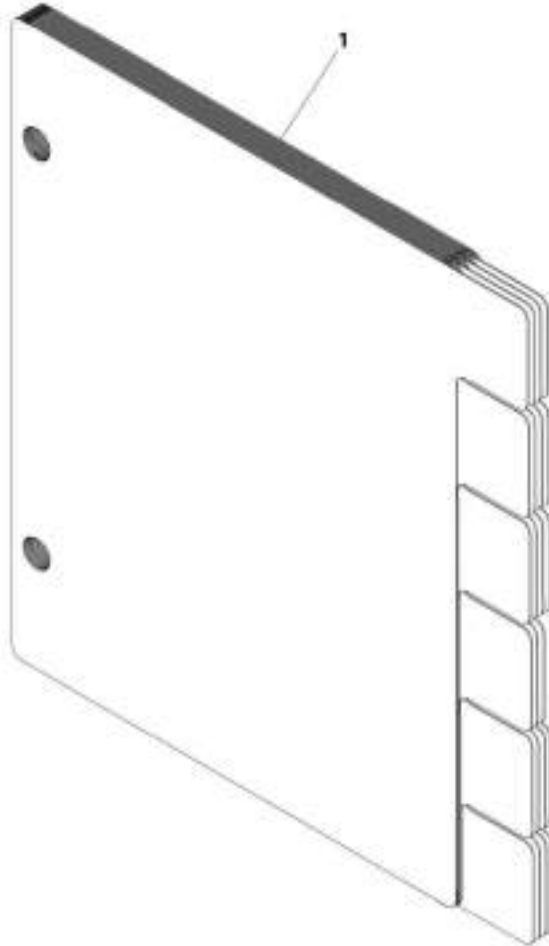
## SECTION 11 - DECALS

**FIGURE 11-15. CAPACITY CHART (METRIC) - 1055 (SN 0160075710 through 0160081279)**

ITEM	PART NUMBER	QTY	DESCRIPTION	REV
1	1001211157	1	Capacity Chart (Metric) - 1055	D

## SECTION 11 - DECALS

FIGURE 11-16. CAPACITY CHART (METRIC) - 1055 (SN 0160081279 to Present)



ART\_100121152.F

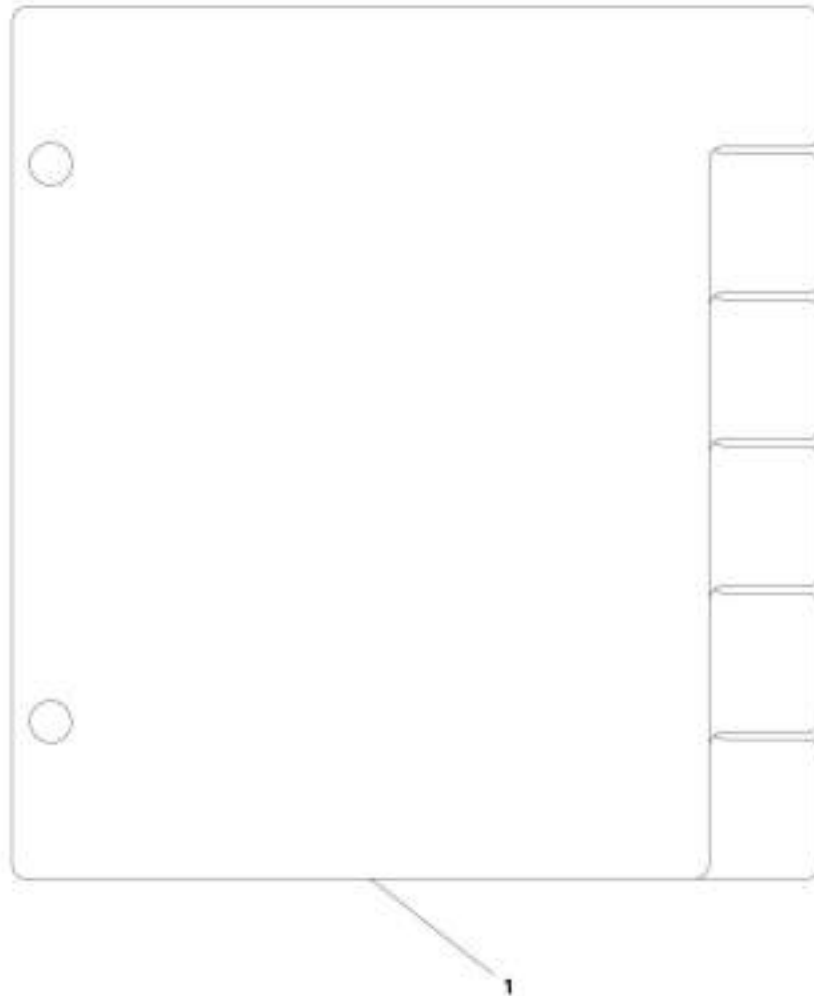
## SECTION 11 - DECALS

**FIGURE 11-16. CAPACITY CHART (METRIC) - 1055 (SN 0160081279 to Present)**

ITEM	PART NUMBER	QTY	DESCRIPTION	REV
1	1001211157	1	Capacity Chart (Metric) - 1055	F

# SECTION 11 - DECALS

FIGURE 11-17. CAPACITY CHART (METRIC) - 1255 (Prior to SN 0160075710)



ART\_1001208890-C



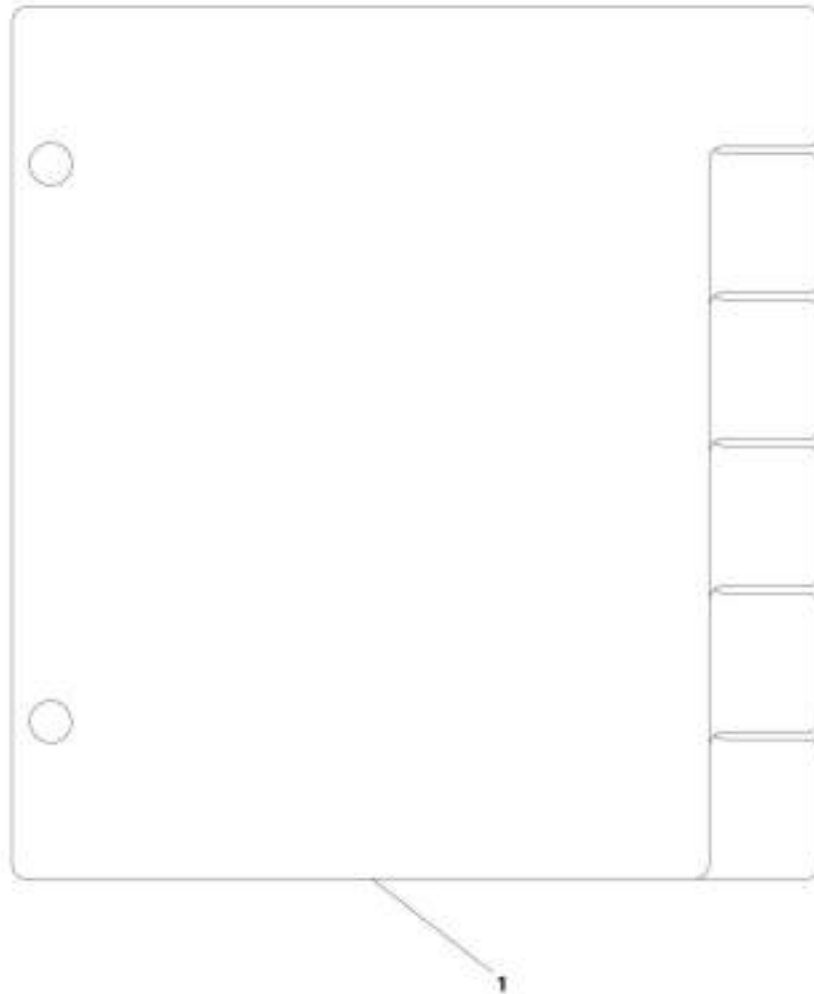
## SECTION 11 - DECALS

**FIGURE 11-17. CAPACITY CHART (METRIC) - 1255 (Prior to SN 0160075710)**

ITEM	PART NUMBER	QTY	DESCRIPTION	REV
1	1001160617	NLA	Capacity Chart (Metric) - 1255 (No longer available, use 1001208866 for replacement)	D
1	1001208866	1	Capacity Chart (Metric) - 1255	C

# SECTION 11 - DECALS

FIGURE 11-18. CAPACITY CHART (METRIC) - 1255 (SN 0160075710 through 0160081279)



AMT\_100121135-D

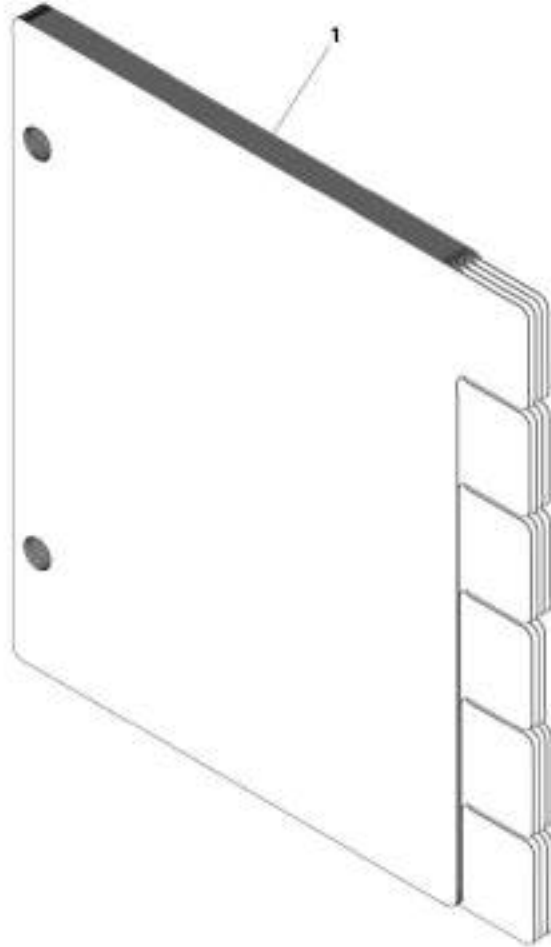
## SECTION 11 - DECALS

**FIGURE 11-18. CAPACITY CHART (METRIC) - 1255 (SN 0160075710 through 0160081279)**

ITEM	PART NUMBER	QTY	DESCRIPTION	REV
1	1001211155	1	Capacity Chart (Metric) - 1255	D

## SECTION 11 - DECALS

FIGURE 11-19. CAPACITY CHART (METRIC) - 1255 (SN 0160081279 to Present)



AMT\_100121135 F

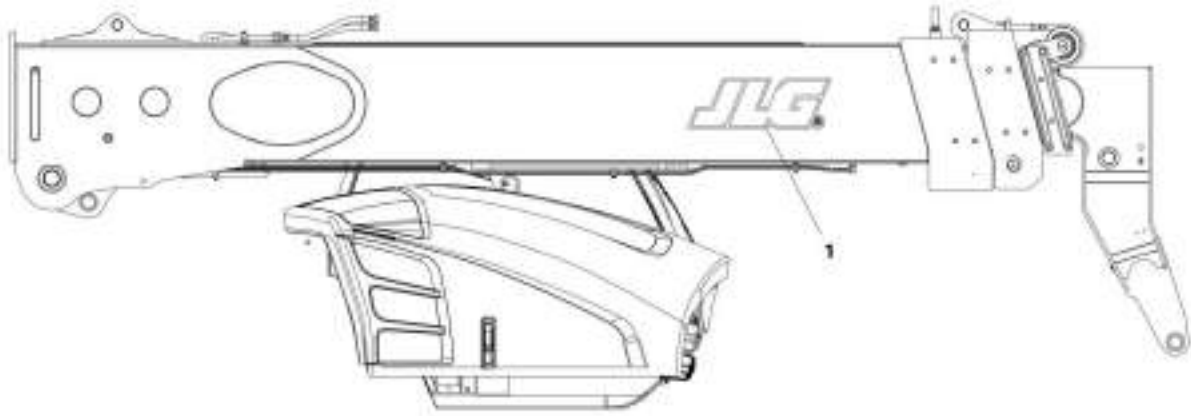
## SECTION 11 - DECALS

**FIGURE 11-19. CAPACITY CHART (METRIC) - 1255 (SN 0160081279 to Present)**

ITEM	PART NUMBER	QTY	DESCRIPTION	REV
1	1001211155	1	Capacity Chart (Metric) - 1255	F

# SECTION 11 - DECALS

## FIGURE 11-20. DECAL INSTALLATION



ART\_1001288720-A

## SECTION 11 - DECALS

FIGURE 11-20. DECAL INSTALLATION

ITEM	PART NUMBER	QTY	DESCRIPTION	REV
1	1001200720 1001159728	Ref 1	Decal Installation Decal, JLG Logo	A

# SECTION 11 - DECALS

FIGURE 11-21. REVERSE SENSOR SYSTEM DECAL (ENGLISH)





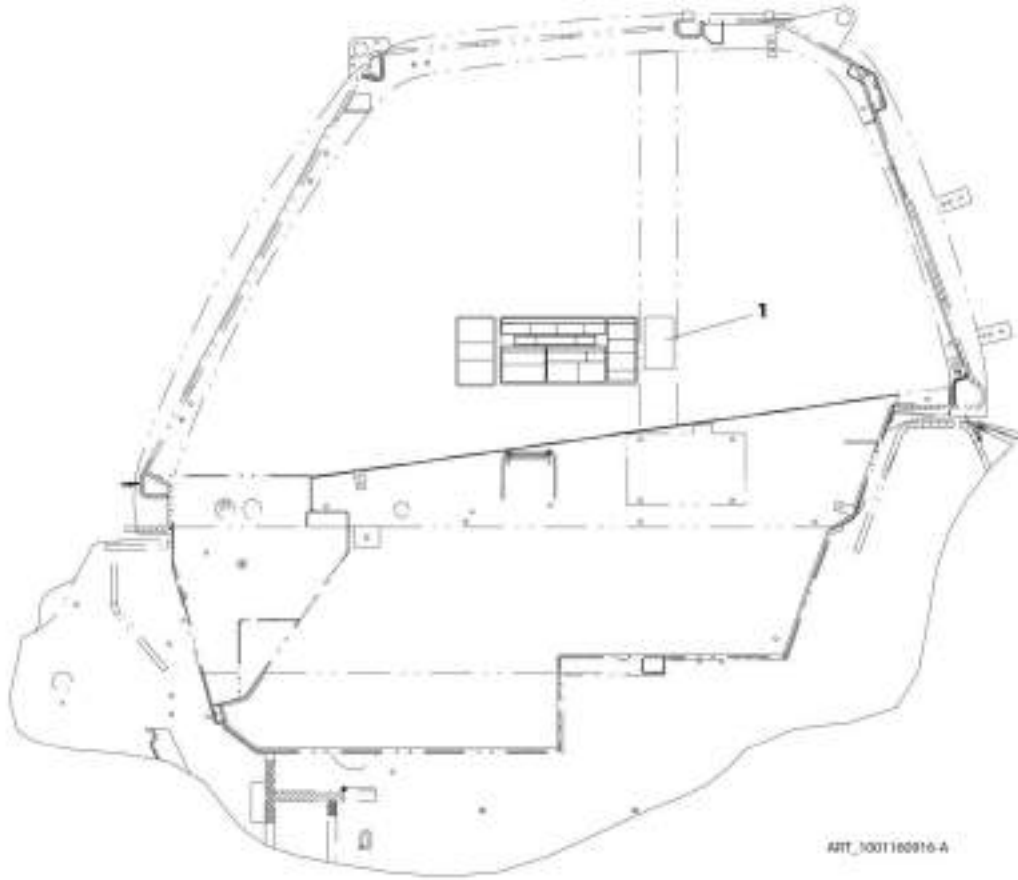
## SECTION 11 - DECALS

**FIGURE 11-21. REVERSE SENSOR SYSTEM DECAL (ENGLISH)**

ITEM	PART NUMBER	QTY	DESCRIPTION	REV
1	1001160072	1	Reverse Sensor System Decal (English)	A

# SECTION 11 - DECALS

FIGURE 11-22. REVERSE SENSOR SYSTEM DECAL (ISO)



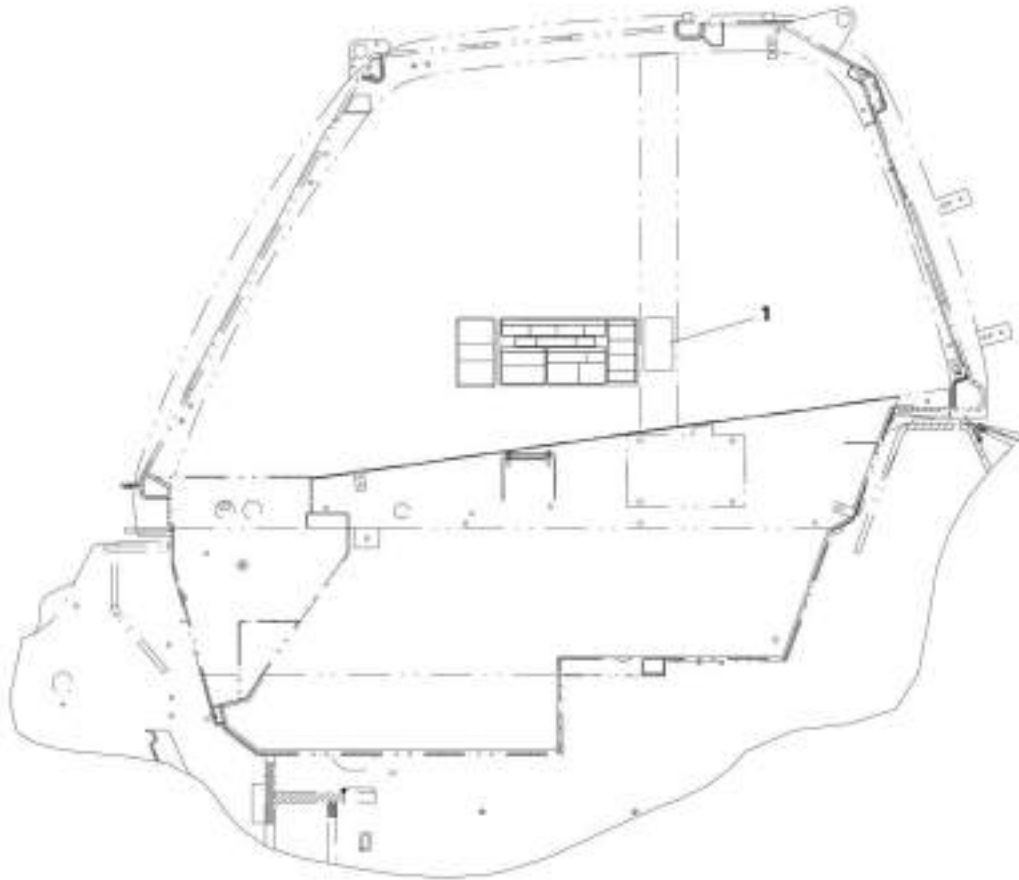
## SECTION 11 - DECALS

**FIGURE 11-22. REVERSE SENSOR SYSTEM DECAL (ISO)**

ITEM	PART NUMBER	QTY	DESCRIPTION	REV
1	1001160916	1	Reverse Sensor System Decal (ISO)	A

## SECTION 11 - DECALS

FIGURE 11-23. REVERSE SENSOR SYSTEM DECAL (ENGLISH/FRENCH)



ART\_1001160945-A

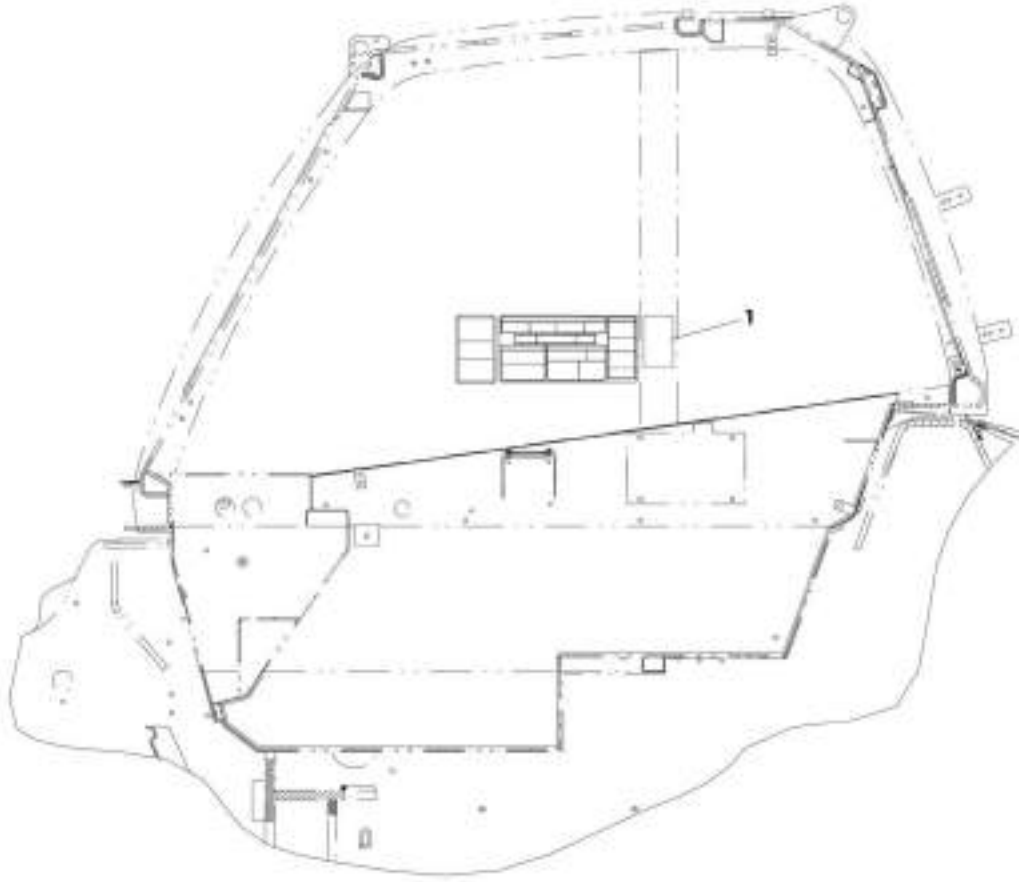
## SECTION 11 - DECALS

**FIGURE 11-23. REVERSE SENSOR SYSTEM DECAL (ENGLISH/FRENCH)**

ITEM	PART NUMBER	QTY	DESCRIPTION	REV
1	1001160945	1	Reverse Sensor System Decal (ENGLISH/FRENCH)	A

## SECTION 11 - DECALS

FIGURE 11-24. REVERSE SENSOR SYSTEM DECAL (ENGLISH/SPANISH)



ART\_1001217046-A

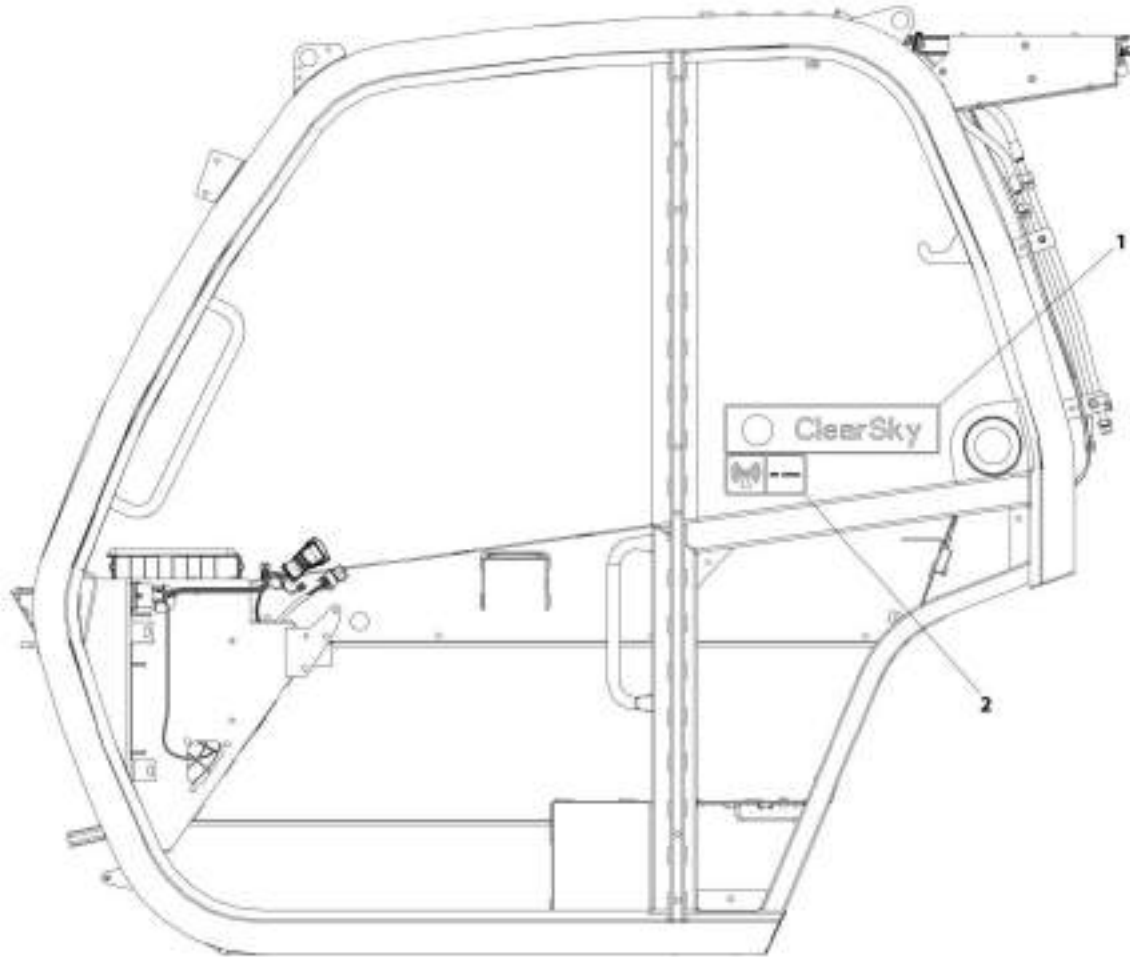
## SECTION 11 - DECALS

**FIGURE 11-24. REVERSE SENSOR SYSTEM DECAL (ENGLISH/SPANISH)**

ITEM	PART NUMBER	QTY	DESCRIPTION	REV
1	1001237846	Ref	Reverse Sensor System Decal (ENGLISH/SPANISH)	A

# SECTION 11 - DECALS

## FIGURE 11-25. CLEARSKY DECAL INSTALLATION



ART\_100123907-A



## SECTION 11 - DECALS

### FIGURE 11-25. CLEARSKY DECAL INSTALLATION

ITEM	PART NUMBER	QTY	DESCRIPTION	REV
	1001229707	Ref	Clearsky Decal Installation	A
1	1001116208	1	Clearsky Decal	
2	1001120989	1	Radio Frequency Decal	



## **SECTION 12 - RECOMMENDED SPARE PARTS**

## **SECTION 12 - RECOMMENDED SPARE PARTS**

# SECTION 12 - RECOMMENDED SPARE PARTS

FIGURE 12-1. RECOMMENDED SPARE PARTS

ITEM	PART NUMBER	QTY	DESCRIPTION	REV
		Ref	<b>Boom</b>	
	1001162469	8	Pad, Wear	
	1001165171	22	Pad, Wear	
	1001165172	6	Pad, Wear	
	1001165173	6	Pad, Wear	
	1001165175	4	Pad, Wear	
	1001170549	2	Hose	
	1001173934	1	Hose	
	1001173935	1	Hose	
	1001163034	AR	Spacer	
	1001163038	AR	Spacer	
	1001163105	AR	Spacer	
	1001163108	AR	Spacer	
	1001163112	AR	Spacer	
	1001163113	AR	Spacer	
	1001163114	AR	Spacer	
	1001165367	AR	Spacer	
	1001170627	AR	Spacer	
	1001163103	AR	Shim	
	1001163104	AR	Shim	
		Ref	<b>Engine and Attaching Parts</b>	
	1001199740	1	Kit, (Service) T4F 1055/1255 1000 HR Filter	
	1001199739	1	Kit, (Service) T4F 1055/1255 250 HR Filter	
	70026234	1	Element, Fuel Filter	
	70026237	1	Filter, Oil	
	70026229	1	Fan Belt, V-Ribbed	
	1001175269	1	Fan, Cooling	
	70025850	1	Filter, Cylindrical Air Primary	
	70025851	1	Filter, Cylindrical Air Secondary	
	70026248	1	Kit, Def Filter	
		Ref	<b>Drivetrain</b>	
	1319726	1	Filter, Transmission Oil	
	1001163698	1	Switch, FNR 4 Speed	
		Ref	<b>Cab</b>	
	1001172546	1	Filter, HVAC Fresh Air	
	1001172553	1	Filter, HVAC Air Recirculation	
	1001141281	1	Blade, Wiper	
	4807718	1	Blade, Rear Wiper	
	1001141313	1	Blade, Roof Wiper	
		Ref	<b>Hydraulic Components</b>	
	70026291	1	Kit, Seal, Lift Cylinder - 1055	
	70026425	1	Kit, Seal, Lift Cylinder - 1255	
	1001162126	1	Kit, Seal, Tilt Cylinder - 1055	
	1001162144	1	Kit, Seal, Tilt Cylinder - 1255	
	70026340	1	Kit, Seal, Compensation Cylinder - 1055	
	70026343	1	Kit, Seal, Compensation Cylinder - 1255	
	70026253	1	Kit, Seal, Frame Level Cylinder	
	70026309	1	Kit, Seal, Outrigger Cylinder	

## SECTION 12 - RECOMMENDED SPARE PARTS

ITEM	PART NUMBER	QTY	DESCRIPTION	REV
	70026253	1	Kit, Seal, Rear Axle Stabilizer Cylinder	
	1001162168	1	Kit, Seal, Extend/Retract Cylinder	
	1001162660	1	Filter, Hydraulic	
	1001162662	1	Filter, Breather	
		Ref	<b>Electrical</b>	
	0400075	1	Battery, 12V Group 31	
	70022765	1	Key, Ignition	



**PART NUMBER INDEX**

# PART NUMBER INDEX

0100011....147, 149, 151, 159, 161, 163	0711214... 67, 69, 73, 75, 77	0761210 ... 291, 335, 337, 988, 992	1001091716...1053, 1055
01043892.....361	0711215 ... 67, 69, 71, 73, 75, 77	0761214 ..... 41, 121, 125, 127, 445, 831	1001091951..... 105, 109
0400075..... 1037, 1245	0711216... 63, 65, 67, 69, 71, 73	0761215 ..... 39, 821	1001092391.....251
0440321 .....865	0711217 ... 63, 65, 67, 69, 71, 73, 111	0761218 ..... 291, 293	1001092481.....211
0498748.....627	0711218.... 63, 65, 71, 73	0770814 ..... 759	1001092482.....211
0641405.....217	0711219.... 67, 69, 71, 73	0771210 ... 67, 69, 71, 73, 293	1001092877.....1199
0641510.....255	0711220 ..... 67, 69	0771212 ..... 75, 77	1001092878.....1199
0641610.....129	0711221 ..... 73	0781016 ..... 285	1001093171.....225
0641612.... 147, 149, 151, 159, 161, 163	0711222 ..... 63, 65	0791605 ..... 309	1001093564..... 1043
0641812..... 818	0711223 ..... 67, 69	0860520 ..... 217	1001094134.....229
0642032.... 133, 135, 137, 139, 141, 143, 145, 147, 149, 151, 159, 161, 163	0711224 ..... 71, 73	0861493 ..... 1183	1001094136.....229
0651607..... 129	0711226 ..... 71, 73	0930020 ..... 219	1001094708.. 1197, 1199, 1201, 1204
0681810.... 147, 149, 151, 159, 161, 163	0711227 ..... 67, 69	1001001568 ..... 869	1001095336..... 1003
0700408.....753, 1017	0711228 ..... 109	1001002946 ..... 671, 673	1001095418.....167
070061023, 25, 276, 280, 351, 719, 733, 735, 984, 995, 997, 1049, 1051, 1057, 1059, 1061, 1063	0711229 ..... 27	1001002947 ..... 671, 673	1001095650..... 125, 127, 617, 625, 729, 731, 753
0700614....255, 688, 733, 735	0711626 ..... 27	1001002953 ..... 671, 673	1001095738.....503
0700616....810, 829, 831, 1071	0711629 ..... 27, 107	1001002957 ..... 671, 673	1001095744.....503
0700618..... 1007, 1027	0711630 ..... 107, 119	1001003043 ..... 617	1001095804... 1009, 1011
0700812.....561	0712020 ..... 571	1001003227 ..... 31	1001095810.....217
070081423, 25, 313, 826, 829, 943, 995, 997	0712022 ..... 571	1001003301 ..... 943	1001096019.....215
0700815..... 810	0712027 ..... 569	1001003427 ..... 287, 289	1001096020.....215
0700816....309, 315, 317, 815, 818, 859	0712042 ..... 45, 47	1001003590 ..... 835	1001096021.....213
0700817.....810, 826	0712442 ..... 833, 835	1001004640 ..... 761, 763	1001096023.....213
0700818....839, 857, 984	0741610... 147, 149, 151, 159, 161, 163	1001005368 ..... 625	1001096024.....215
0700819.....1035	0760304 ..... 773	1001005960 ..... 1191	1001096025.....213
0700820....577, 579, 581, 761, 815	0760405 ..... 1031	1001006731 ..... 681	1001096162.....211, 213, 215, 217
0700821..... 826	0760507 ..... 287, 289	1001007056 ..... 871	1001096365.....671, 673
0700822.....826, 984	0760512 ..... 613	1001008540 ..... 995, 997	1001096679.....879
0700823.....841	0760605... 299, 343, 627, 753, 755	1001008559 ..... 276, 280, 999, 1001, 1031, 1053	1001097053.....457
0700824.....761, 763	0760606 ..... 23, 25	1001008575 ..... 41	1001097110.....235
0700826.....343	0760607 ... 280, 335, 337, 361, 627, 1031	1001008687 ..... 563	1001097202.....573
0700827 .....353, 359	0760608 ... 111, 325, 573, 603, 613, 745, 753, 755, 761, 763, 995, 997	1001008742 ..... 613	1001097205.....225
0701014...29, 31, 49, 327, 818, 988, 992	0760615 ..... 1035	1001008857 ..... 671, 673	1001097244.....731
070101623, 25, 327, 793, 795, 829, 831	0760807 ..... 351, 1027	1001008923 .. 1069, 1071	1001097412.....60
0701017.....329, 331	0760808 ... 601, 719, 721, 733, 735, 1027, 1031, 1073, 1075	1001008988 ..... 627	1001097540..23, 25, 663, 665, 667, 669
0701018....291, 293, 319, 321	0760810. 31, 56, 60, 327, 329, 577, 581, 611, 675, 685, 688, 721, 753, 755, 818, 826, 1057	1001008999 ..... 31	1001097586.....617
0701020..... 41, 291, 293	0760812... 331, 343, 359, 555, 575, 673, 1017	1001009163 ..... 457, 943	1001097587.....371, 407
0701027.....311	0760815 ..... 29, 327, 343, 671, 673, 810, 826, 984	1001009178. 1197, 1199, 1201, 1204	1001097588.....299, 301
0701215.....285	0760823 ..... 39, 339	1001010646 ..... 681	1001097810.....810, 873
0701216.....27, 283, 789	0761007.999, 1001, 1027	1001010647 ..... 681	1001098762..... 1043
0701220.....27	0761010 ... 23, 25, 31, 33, 35, 299, 301, 319, 321, 457, 563, 761, 810, 826, 984, 995, 997, 999, 1001, 1027	1001010648 ..... 681	1001098769..... 113
0701226.....757	0761012... 291, 293, 319, 321, 355, 761, 763, 815, 826, 831, 1053, 1055	1001010649 ..... 681	1001098828...71, 73, 111
0701227 .....27		1001010650 ..... 681	1001099113..... 147, 149, 151, 159, 161, 163
0701229.....43		1001025750 ..... 335, 337	1001099115..... 147, 149, 151, 159, 161, 163
0701232.....43		1001025753 .... 999, 1001	1001099170..... 599
0711015.....457		1001028308 ..... 810	1001099351.....187
0711027 .....833, 835		1001047062 ..... 627	1001099457.....233
		1001080375 ..... 831	1001099901.....191
		1001080996 ..... 831	1001099902.....189
		1001081152 ..... 753	1001100443.....1153
		1001090063 ..... 147, 149, 151, 159, 161, 163	1001100822.....205
		1001090064 ..... 147, 149, 151, 159, 161, 163	1001100823.....207
		1001090140 .... 147, 149, 151, 159, 161, 163	1001100824.....209
		1001090336 ..... 611	1001100828.....1175
		1001090343 ..... 613, 715, 717	1001100829.....1175
		1001091573 ..... 1073	1001100967.....185
		1001091715 .. 1053, 1055	1001101085.....675, 677
			1001101458..... 125, 127
			1001101808..... 1049



## PART NUMBER INDEX

1001101867 ... 67, 71, 73, 99	1001116763... 1081, 1088	1001126349... 1116, 1120	1001147340 ..... 810
1001101895 ..... 1199	1001116774... 1169, 1187	1001126353... 1116, 1120	1001147449 ..... 652, 656, 660
1001101956 ..... 149	1001116808... 1169, 1187	1001126356... 1116, 1120	1001147623 ..... 85, 91
1001102378 ..... 147, 149, 151, 159, 161, 163	1001116810... 1092, 1095	1001126357... 1116, 1120	1001148557 ..... 644, 652
1001102502 .. 1009, 1011	1001116811.. 1104, 1110, 1115, 1119	1001126391 ..... 1099	1001149160 ..... 23, 25
1001102509 ..... 875	1001116812.. 1083, 1087, 1091, 1092, 1095,	1001126393 ..... 1099	1001149278 ..... 652, 656, 660
1001102813 ..... 217, 255	1096, 1099, 1131, 1137, 1169, 1179, 1187	1001126487... 1105, 1110	1001150610 . 1104, 1110, 1115, 1119
1001103012 ..... 1130	1001116815.. 1137, 1169, 1187	1001126837 ..... 1005	1001150611 . 1092, 1095, 1096
1001103156 ..... 1005	1001116950.. 1093, 1097, 1112, 1120	1001128127... 1092, 1096	1001151032 ..... 1153
1001103182 ..... 167	1001116986 ..... 1134	1001128144 ..... 309	1001151101 ..... 551
1001103564 ..... 1079	1001116991... 1129, 1133	1001128341 ..... 309	1001151102 ..... 551
1001103637 ..... 211	1001116994 ..... 1147	1001128478 ..... 457, 943	1001151108 ..... 551
1001103730 ..... 213	1001116996 ..... 1125	1001128594 ..... 271, 273	1001151561 ..... 133, 137, 141, 143
1001103736 ..... 215	1001116997 ..... 1134	1001128890 ..... 263	1001152415 ..... 529, 531
1001104029 ..... 826	1001116999 ..... 1133	1001129407 ..... 1165	1001152416 ..... 529, 533
1001104477 ..... 869, 947	1001117021... 1081, 1084	1001130220 ..... 23, 25	1001152430 ..... 529
1001104498 .. 1084, 1087	1001117064 ..... 1129	1001130323.. 1197, 1199, 1201, 1204	1001152729 ..... 699
1001104519 ..... 1133	1001117073.. 1105, 1111, 1116, 1119	1001131177 ..... 1027	1001152742 ..... 1099
1001104654 .. 1009, 1011	1001117079 ..... 1133	1001131271.. 1197, 1199, 1201, 1204	1001152908 ..... 691, 693, 695
1001104685 ..... 351	1001117081.. 1129, 1130, 1133, 1137	1001132168 ..... 33, 35	1001152915 ..... 615
1001104992 ..... 169	1001117121 ..... 1130	1001133072 ..... 147, 149, 151, 159, 161, 163	1001152934 ..... 615
1001105441 ..... 123	1001117125.. 1104, 1110, 1116, 1120	1001133534 ..... 285	1001152947 ..... 591, 615
1001105886 ..... 1045	1001117308 ..... 995, 997	1001134274 ..... 1005	1001153748 ..... 787, 949
1001107192 ..... 627	1001118323... 1093, 1097	1001136975 ..... 276, 280	1001153749 ..... 1167
1001107854 . 1081, 1084, 1087, 1088	1001118378 ..... 1187	1001137512 ..... 253	1001154227 ..... 343, 345
1001108668 ..... 196	1001118383 ..... 1130	1001137578... 1099, 1100	1001154365 ..... 589, 597, 615
1001109053 . 1197, 1199, 1201, 1204	1001118384.. 1129, 1130, 1133, 1134, 1137, 1155	1001138348 ..... 303, 305	1001154419 ..... 615
1001110544 ..... 773	1001118392 ..... 1125	1001139551 ..... 717	1001154511 ..... 267, 271
1001110704 ..... 167	1001118684 ..... 1129	1001139552 ..... 715	1001154711 ..... 583, 587
1001111076 ..... 745	1001118685 ..... 1130	1001139568 ..... 625	1001154721 ..... 587, 591, 595
1001111147 ..... 745	1001120163 ..... 871, 927	1001139578 ..... 1197	1001154790 ..... 269, 273
1001111190 ..... 167	1001120178 ..... 521, 537	1001139942 ..... 1199	1001154984 ..... 583
1001111317 ..... 591, 615, 671	1001120179 ..... 521, 537	1001140321 ..... 1153	1001155020 ..... 652, 656
1001112612 . 1077, 1106, 1111, 1115, 1119, 1129	1001120914 ..... 147, 149, 151, 159, 161, 163	1001140322 ..... 1153	1001155261 ..... 327
1001112796 . 1147, 1149, 1159	1001120915 ..... 147, 149, 151, 159, 161, 163	1001141246 ..... 671, 673	1001155307 ..... 763
1001112902 ..... 23, 25	1001120989 ..... 733, 735, 1241	1001141281 ..... 611, 1244	1001155439J ..... 19
1001114495 ..... 303, 305	1001121103 ..... 519, 521	1001141311 ..... 717	1001155446 ..... 567, 569
1001114803 ..... 291, 293	1001121105 ..... 535, 537	1001141312 ..... 715	1001155447 ..... 585, 611
1001115238 ..... 1153	1001121109 ..... 519	1001141313 ..... 717, 1244	1001155486 ..... 717
1001116208 ..... 733, 735, 1241	1001121726... 1084, 1088	1001141400 ..... 276, 280	1001155540 ..... 291, 293
1001116696 ..... 1125	1001121955 ..... 309	1001142247 ..... 222	1001155796 ..... 719
1001116697 ..... 1130	1001122453 ..... 901, 903, 907, 923, 925	1001142790 ..... 165	1001155800 ..... 719
1001116698 ..... 1130	1001125027.. 1104, 1110, 1116, 1120	1001143200 ..... 593, 639	1001155806 ..... 1159
1001116700 ..... 1133	1001125083... 1104, 1111	1001143551 ..... 1187	1001156227 ..... 885, 889
1001116716 ..... 1133	1001125085... 1104, 1111	1001143692 ..... 123	1001156265 ..... 761, 763
1001116723 . 1129, 1130, 1133, 1134, 1137	1001125089... 1104, 1111	1001143852 ..... 1199	1001157036 ..... 861, 923
1001116725 .. 1106, 1111	1001125117 ..... 63, 65, 67, 69, 71, 73, 75, 77, 831	1001143857 ..... 761, 763	1001157359 ..... 905, 907
1001116727 .. 1084, 1088	1001125137 ..... 901, 903, 907, 923	1001144147.. 1104, 1110, 1115, 1119, 1169, 1179, 1187	1001157360 ..... 899, 901
1001116728 . 1079, 1084, 1088, 1115, 1119	1001125410 ..... 535	1001144147.. 1104, 1110, 1115, 1119, 1169, 1179, 1187	1001157481 ..... 625
1001116731 ..... 1179	1001125784 ..... 1077	1001145539 ..... 688	1001157487 ..... 625
1001116732 .. 1115, 1119	1001126008... 1169, 1187	1001145707... 1115, 1119	1001157663 ..... 353, 359
1001116747 .. 1081, 1134		1001146084 ..... 133	1001157890 .. 1133, 1187
1001116748 . 1105, 1111, 1115, 1116, 1119		1001146086 ..... 137	1001157891 ..... 1077
1001116749 . 1105, 1111, 1116, 1120		1001146088 ..... 141	1001157919 ..... 773
1001116754 ..... 1129		1001146159 ..... 133, 137, 141, 143	1001157972 ..... 805, 807, 953
		1001146160 ..... 133, 137, 141, 143, 263	1001158146 ..... 1009
		1001146588 ..... 276, 280, 733, 741, 999, 1001, 1007, 1015, 1033, 1035, 1053, 1055	1001158527 ..... 763, 961
		1001147072 ..... 457	1001158620 ..... 837, 921

# PART NUMBER INDEX

1001159028.....749, 751	1001160500 . 1083, 1087, 1091, 1095	1001161418 ..... 367, 369	1001162129.....901, 907, 923
1001159347.....291, 293, 295	1001160502 ..... 1130	1001161419 ..... 367, 405	1001162130.....901, 907, 923
1001159604.....107	1001160503 ..... 577, 581	1001161420 ..... 369, 371	1001162131.....901, 907, 923
1001159605.....109	1001160506 ..... 579	1001161421 ..... 369, 873	1001162132.....901
1001159609.....79	1001160508 ..... 583, 585, 601	1001161423 ..... 405, 407	1001162133.....901
1001159611.....67, 69	1001160509 . 1083, 1087, 1092, 1096	1001161424 ..... 405, 875	1001162134.....901, 907, 923
1001159612.....73	1001160609 ..... 1213	1001161499 ..... 583, 585, 749	1001162141.....907
1001159613.....71, 73	1001160610 ..... 1207	1001161527 ..... 813	1001162142.....907
1001159728.....1231	1001160617 ..... 1225	1001161528 ..... 813	1001162144.....907, 909, 1244
1001159734...1053, 1055	1001160618 ..... 1219	1001161535 ..... 810	1001162145.....907
1001159735.....715	1001160625 ..... 1195	1001161538 ..... 591	1001162146.....907
1001159736.....717	1001160626 ..... 1193	1001161564 ..... 43	1001162148.....907
1001159738...1073, 1075	1001160647 ..... 1199	1001161664 ..... 267, 269, 457	1001162152.....907
1001159739...1065, 1067	1001160667 ..... 1201	1001161672 ..... 761, 763	1001162153.....907
1001159745.....843, 845, 847, 849	1001160669 ..... 833	1001161732 ..... 979, 981, 984	1001162158.....901
1001159746.....1021	1001160673 ..... 1197	1001161733 ..... 761, 763	1001162159.....901, 907, 923
1001159753...1009, 1011	1001160679 ..... 835	1001161769 .. 1007, 1141	1001162166.....923
1001159760.....782, 803	1001160705 ..... 782	1001161770 .. 1015, 1143	1001162168.....923, 925, 1245
1001159845..1057, 1059, 1061, 1063	1001160710 ..... 23	1001161771 .. 1013, 1145	1001162169.....923
1001159846..1057, 1059, 1061, 1063	1001160711 ..... 1037	1001161773 ..... 929	1001162170.....923
1001159847.....803, 807	1001160720 ..... 887	1001161780 ..... 782, 818	1001162171.....923
1001159849...1009, 1011	1001160721 ..... 885	1001161797 ..... 818	1001162176.....923
1001159881.....327	1001160735 ..... 37	1001161813 ..... 901	1001162177.....923
1001159882.....327	1001160775 .. 1193, 1195	1001161814 ..... 901, 907	1001162212.....333
1001159925.....685, 688	1001160802 ..... 371, 373	1001161816 ..... 901	1001162239.....29, 31
1001159943.....103	1001160803 ..... 407, 409	1001161824 ..... 907	1001162240J.....31
1001159947.....103, 105	1001160888 ..... 27	1001161828 ..... 923	1001162249.....1007
1001159957 ..... 60	1001160914 ..... 111	1001161830 ..... 923	1001162253.....984
1001159958.....56	1001160916 ..... 1235	1001161854 ..... 644, 648, 652, 656, 660	1001162256.....984
1001159966.....60, 65	1001160927 .. 1037, 1043	1001161855 ..... 644, 648, 652, 656, 660	1001162262.....77
1001159967.....56, 63	1001160928 ..... 1043	1001161858 ..... 685, 691, 693	1001162281.....327, 329
1001159970J.....65	1001160945 ..... 1237	1001161865 ..... 699	1001162286.....69
1001159971J.....63	1001161054 ..... 67, 69	1001161896 ..... 761, 763	1001162376.....73
1001160013.....60, 69	1001161055 ..... 71, 73	1001161897 ..... 761, 763	1001162469...63, 65, 67, 69, 1244
1001160014.....56, 67	1001161068 ..... 660	1001161898 ..... 761, 763	1001162547.....843, 847
1001160023.....60, 73	1001161069 ..... 641	1001161909 ..... 810	1001162548.....791, 951
1001160024.....56, 71	1001161095 ..... 1130	1001161910 ..... 810	1001162597.....327
1001160032.....60, 77	1001161097 . 1083, 1087, 1091, 1095	1001161912 ..... 818	1001162628.....287
1001160033.....56, 75	1001161098 . 1091, 1095, 1130	1001161920 ..... 303, 305	1001162660.....943, 945, 1245
1001160042.....688	1001161099 . 1083, 1087, 1091, 1095, 1130	1001161934 ..... 753	1001162661.....945
1001160043.....685	1001161100 . 1083, 1087, 1091, 1095, 1130, 1131	1001161957 . 1083, 1087, 1091, 1095	1001162662.....943, 1245
1001160072.....1233	1001161101 . 1083, 1087, 1091, 1095, 1130, 1131	1001161959 ..... 1130	1001162663.....945
1001160116.....27	1001161251 ..... 644, 648, 652, 656, 660	1001161963 . 1083, 1087, 1091, 1095	1001162667.....945
1001160122.....771	1001161304 ..... 785, 787	1001161972 ..... 810	1001162670.....782, 821
1001160168...1021, 1023	1001161306 ..... 782, 785	1001161973 ..... 810	1001162674.....821, 823
1001160176.....115	1001161308 ..... 782, 789	1001161974 ..... 810	1001162765.....943
1001160177.....117	1001161310 ..... 782, 793	1001161975 ..... 810	1001162789.....585, 613
1001160253.....29	1001161316 ..... 782, 801	1001161976 ..... 810	1001162855.....753, 757
1001160255.....49	1001161317 ..... 801, 805	1001161977 ..... 818	1001162886.....1129
1001160260.....1053	1001161321 ..... 793, 797	1001161978 ..... 818	1001162887.....1129
1001160326.....688	1001161340 ..... 810	1001162069 ..... 810	1001162920.....753, 755
1001160387.....267	1001161343 ..... 810	1001162076 ..... 857, 885, 887	1001162922.....753, 755
1001160396.....269	1001161344 ..... 813	1001162124 ..... 901	1001162953.....688, 709
1001160397.....291	1001161346 ..... 813	1001162126 ..... 901, 903, 1244	1001162979.....763
1001160402.....293	1001161351 ..... 782, 810	1001162127 ..... 901	1001162988.....267, 319
1001160409.....327	1001161352 ..... 782, 813	1001162128 ..... 901	1001163034...63, 65, 67, 69, 71, 73, 75, 77, 1244
1001160417.....329			1001163038.71, 73, 1244
1001160420.....313			
1001160426.....353			
1001160438.....979			
1001160496.....577			
1001160498.....1130			

## PART NUMBER INDEX

1001163040 ..... 859, 917	1001163619..... 73	1001165046.....56, 81	1001166416 ..... 303, 305
1001163066 ..... 39, 287	1001163637..... 309	1001165047.....56, 91	1001166430 ..... 299, 301
1001163067 ..... 41, 943	1001163638..... 71, 75, 77	1001165048.....56, 60, 85	1001166449 ..... 315, 317
1001163082 ..... 291, 293, 297	1001163639..... 727	1001165066..... 644, 652	1001166450 ..... 315
1001163103 ... 63, 65, 67, 69, 71, 73, 75, 77, 1244	1001163693..... 71, 75, 77	1001165067 ..... 644, 652	1001166451 ..... 315, 317
1001163104 67, 69, 1244	1001163695..... 777	1001165080..... 589, 597, 627	1001166455 ..... 63, 65
1001163105 ... 71, 73, 75, 77, 1244	1001163698.. 1009, 1011, 1244	1001165171....63, 65, 67, 69, 71, 73, 75, 77, 1244	1001166565 ..... 319, 321, 323
1001163107 ..... 71	1001163723..... 297	1001165172....71, 73, 75, 77, 1244	1001166634 ..... 633, 671, 673
1001163108 ... 67, 71, 73, 75, 77, 1244	1001163765..... 445, 447	1001165173....67, 69, 71, 73, 75, 77, 1244	1001166698 ..... 33
1001163112 ... 63, 65, 67, 69, 1244	1001163841.... 81, 85, 87, 91	1001165175..67, 69, 1244	1001166703 ..... 1099
1001163113 63, 65, 1244	1001163842..... 83, 89, 93	1001165186..... 671	1001166704 . 1099, 1104, 1110
1001163114 67, 69, 1244	1001163880..... 79	1001165187..... 671	1001166716 ..... 321
1001163127 ..... 979, 995	1001163881..... 56, 60, 79	1001165187..... 671	1001166754 ..... 569
1001163133 ..... 349	1001163900..... 67	1001165194..... 1099	1001166755 ..... 569
1001163134 ..... 351	1001163903..... 71	1001165269..... 613	1001166763 ..... 1015
1001163151 ..... 745	1001163908..... 75	1001165270..... 613	1001166764 ..... 1013
1001163170 ..... 745	1001163987..... 443, 445	1001165275..... 671, 673	1001166925 ..... 303
1001163174 ..... 1201	1001164036..... 837, 885, 887	1001165276..... 633	1001166975 ..... 105
1001163210 ..... 1201	1001164039.... 81, 83, 85, 87, 89, 91, 93	1001165292..... 89	1001166993 ..... 303
1001163212 ..... 1201	1001164287..... 979, 999	1001165293..... 83	1001167001 ..... 771
1001163222 ..... 1201	1001164402.... 984, 1003	1001165294..... 93	1001167010 ..... 103, 107
1001163223 ..... 1201	1001164404..... 327	1001165295..... 60, 89	1001167011 ..... 103, 109
1001163227 27, 267, 269	1001164404..... 327	1001165296..... 60, 83	1001167015 ..... 641
1001163228 ..... 267, 315	1001164436..... 43	1001165297..... 60, 93	1001167017 ..... 1017
1001163230 ..... 267, 269, 311	1001164454..... 43	1001165309... 1092, 1096	1001167025 ..... 95, 97
1001163231 ..... 267, 276	1001164498..... 675	1001165310... 1093, 1096	1001167026 ..... 97
1001163232 ..... 267, 333	1001164567..... 123	1001165311... 1083, 1088	1001167027 ..... 69, 97
1001163233 ... 267, 1027	1001164571..... 115, 123	1001165351..... 613	1001167078 ..... 291, 293, 309
1001163235 ..... 267, 283	1001164615..... 675	1001165359.... 999, 1001, 1091	1001167167 ..... 327
1001163238 ..... 269, 317	1001164655..... 601	1001165360.. 1053, 1055, 1123	1001167168 ..... 327
1001163239 ..... 269, 321	1001164726..... 627	1001165367.... 71, 73, 75, 77, 1244	1001167186 ..... 313
1001163241 ..... 269, 280	1001164837..... 327	1001165407..... 613	1001167266 ..... 709, 713
1001163242 ... 269, 1031	1001164838..... 327	1001165409..... 47	1001167281 ..... 943
1001163245 ..... 291, 299	1001164845..... 117, 865	1001165416..... 613	1001167357 ..... 353, 359
1001163246 ..... 291, 303	1001164846..... 865	1001165421..... 45	1001167491 ..... 56, 60
1001163247 ..... 291, 293, 307	1001164858..... 865	1001165455..... 613	1001167528 ..... 1099
1001163248 ..... 293, 301	1001164859..... 865	1001165458..... 613	1001167608 . 1069, 1071, 1079
1001163249 ..... 293, 305	1001164860..... 865	1001165459..... 671	1001167616 .. 1105, 1110
1001163253 ..... 327, 335	1001164863..... 829, 831	1001165483..... 87	1001167620 ..... 1099
1001163254 ..... 353, 355, 359	1001164864..... 829, 831	1001165484..... 56, 60	1001167624 ..... 1099
1001163255 ..... 979, 988	1001164869..... 831, 869	1001165486.... 83, 89, 93	1001167641 .. 1104, 1110
1001163267 ..... 901, 903, 907, 909	1001164870..... 831	1001165487..... 89	1001167643 .. 1104, 1110
1001163285 ..... 1201	1001164871..... 119	1001165493..... 83	1001167644 ..... 1104
1001163300 ..... 1201	1001164873..... 831	1001165496..... 93	1001167646 ..... 1027
1001163304 ..... 1201	1001164881..... 121	1001165590.... 81, 85, 87, 91	1001167647 .. 1104, 1110
1001163323 ..... 1201	1001164884..... 115, 117	1001165594.. 1053, 1055, 1125	1001167648 .. 1104, 1110
1001163340 ..... 1129	1001164885..... 115, 117	1001165637..... 611	1001167649 .. 1104, 1110
1001163355 ..... 1201	1001164888..... 107	1001165699..... 1007	1001167650 .. 1105, 1110
1001163371 .. 1015, 1133	1001164889..... 109	1001165739..... 81	1001167656 .. 1105, 1110
1001163372 .. 1013, 1137	1001164941.... 999, 1001, 1083	1001165827..... 1051	1001167657 .. 1105, 1110
1001163376 ..... 923	1001164948..... 829, 831	1001165847 ..... 839	1001167695 .. 1157, 1159
1001163414 ..... 147, 149, 151, 159, 161, 163, 963	1001164964..... 341	1001166091..... 695, 697, 703, 705	1001167697 ..... 833, 835
1001163540 ..... 901, 907, 923	1001164966..... 339, 341	1001166092..... 695, 697, 703, 705	1001167761 ..... 115, 117, 119
1001163546 ..... 327	1001164967..... 341	1001166092..... 695, 697, 703, 705	1001167762 ..... 115, 117, 121
1001163577 ..... 859, 885, 887	1001164971..... 833, 835	1001166223..... 789, 791	1001167781 ..... 829
	1001164972..... 833, 835	1001166323... 1023, 1077	1001167787 ..... 831
	1001165022..... 637	1001166385..... 745	1001167799 ..... 1157
	1001165022J..... 633	1001166397 ..... 810	1001167806 ..... 113
	1001165036..... 87		1001167810 .. 1065, 1069
	1001165040..... 81		1001167822 ..... 1057
	1001165042..... 91		
	1001165043..... 85		
	1001165045..... 56, 87		

# PART NUMBER INDEX

1001167823.....1061	1001169605..... 644, 648, 652, 656, 660	1001170603 ..... 589, 597, 639	1001172551..... 691, 693, 699, 701, 707
1001167937.....631	1001169612..... 847	1001170615 ..... 449, 451	1001172552..... 691, 699
1001167958.....627, 631	1001169613..... 843, 845, 847, 849	1001170624 .... 999, 1001	1001172553..... 685, 688, 1244
1001167969.....335	1001169614..... 843, 847, 851	1001170627 ... 67, 69, 71, 73, 1244	1001172587.....287
1001167970.....335	1001169624..... 1195	1001170645 ..... 23, 25	1001172591.....303, 305
1001167971.....335	1001169653..... 829	1001170665 ..... 23, 25	1001172606..... 644, 648
1001167979.....660	1001169654..... 1193	1001170717 ..... 641	1001172608..... 644, 648
1001168030.....291, 293	1001169670..... 1195	1001170722 .... 267, 1033	1001172638.....25
1001168031.....1017	1001169671..... 1193	1001170740 ..... 988	1001172755..... 276, 280
1001168054.....813	1001169674 .. 1193, 1195	1001170741 ..... 988	1001172774.....581
1001168142.....761, 763	1001169676 ..... 843	1001170749 ..... 988	1001172953.....299
1001168151.....761, 763	1001169680..... 843, 845	1001170816 ..... 988, 992	1001172997.....111
1001168178.....557	1001169682..... 367, 443	1001170944 ..... 671, 673	1001173000.....111
1001168182.....559	1001169751 ..... 765	1001170993 ..... 605	1001173257.....579
1001168261.....555, 557	1001169763 ..... 769	1001171001 ..... 56, 60	1001173298.....627
1001168262.....555, 559	1001169772 ..... 851	1001171037 ..... 637	1001173411.....1133
1001168264.....555, 557, 559, 575	1001169817 ..... 984	1001171153 ..... 37, 39	1001173414.....585, 589
1001168272.....339	1001169825 ..... 995	1001171154 ..... 37, 41	1001173419.....585
1001168281.....43	1001169830..... 813, 818	1001171162 ..... 1073	1001173441.....663
1001168285.....95	1001169867..... 287, 289	1001171178 ..... 63, 65	1001173446.....818
1001168286.....67, 95	1001169881..... 627, 633	1001171179 ..... 41	1001173450.....818
1001168327.....688	1001169883..... 637	1001171182 ..... 625	1001173451.....818
1001168330.....688	1001169885..... 637	1001171183 ..... 625	1001173452.....291, 293
1001168331.....688	1001169965..... 291, 293	1001171242 ..... 555	1001173457.....291, 293
1001168456.....688	1001170071 ..... 39	1001171277 . 1197, 1199, 1201, 1204	1001173468.....23, 25
1001168479.....984, 1005	1001170072 ..... 39	1001171330 ..... 861, 885, 887	1001173469.....663
1001168482.....1005	1001170105 ..... 287	1001171634 ..... 637	1001173546.....291, 293
1001168560.....327	1001170171..... 457, 459	1001171756 ..... 613	1001173571..... 691, 693, 699, 701
1001168597.....839	1001170215 ..... 988	1001171767 ..... 605	1001173576.....111
1001168598.....861	1001170231..... 753, 755	1001171772 ..... 23, 25	1001173678.....111
1001168599.....857	1001170287..... 843, 845, 847, 849	1001171808 ..... 113	1001173679.....111
1001168629.....833, 835	1001170308..... 327, 343	1001171874 ..... 753, 755	1001173688.....111
1001168635.....327, 329	1001170320..... 988, 992	1001171885 ..... 29	1001173689.....111
1001168638.....327, 339	1001170325..... 665	1001171889 ..... 567	1001173690.....111
1001168760.....23, 25	1001170326..... 607	1001171890 ..... 567, 571	1001173691.....111
1001168761.....25	1001170366..... 583, 585, 603	1001171898 ..... 571	1001173692.....111
1001168771.....315	1001170374 ..... 593	1001171903 ..... 571	1001173693.....111
1001168795.....27	1001170495..... 587, 593, 595	1001171962 ..... 1017	1001173728.....111
1001168797.....27	1001170500..... 589, 597, 617	1001171991 ..... 865	1001173739.....111
1001168822.....333	1001170502..... 617, 625	1001172035 . 1197, 1199, 1201, 1204	1001173740.....111
1001168834.....29, 33	1001170504..... 648, 656, 660	1001172037 . 1197, 1199, 1201	1001173849.....1009
1001168952.....999, 1099	1001170506..... 644, 648, 652, 656, 660	1001172088 ..... 753, 755	1001173926.....75, 77
1001169151.....688, 1081	1001170509..... 443, 449	1001172094 ..... 753, 755	1001173934.....881, 1244
1001169155.....315, 317	1001170515..... 675	1001172146 ..... 41	1001173935.....881, 1244
1001169173.....291, 293	1001170518..... 644, 648, 652, 656, 660	1001172147 ..... 41	1001173953.....826
1001169174.....291, 293	1001170519..... 660	1001172153 ..... 865	1001173954.....826
1001169207.....307	1001170524 ..... 367	1001172154 ..... 865	1001173955.....826
1001169265.....31	1001170530..... 443, 453	1001172178 ..... 287, 289	1001173965.....644, 648, 652, 656, 660
1001169268.....769	1001170536..... 826	1001172193 ..... 591, 615, 633	1001174100.....826
1001169354.....765, 767	1001170537..... 826	1001172401 ..... 583, 585, 609	1001174145.....826
1001169355.....767	1001170538..... 826	1001172495 ..... 1043	1001174295.....627, 635
1001169365.....999, 1001	1001170539..... 826	1001172496 ..... 1043	1001174320.....615
1001169367.....767	1001170540..... 826	1001172536 ..... 1019	1001174321.....671, 673
1001169376.....815	1001170541..... 826	1001172546 ..... 1244	1001174329...56, 60, 826
1001169378.....815	1001170549..... 826, 1244	1001172547 ..... 685, 688, 691, 699	1001174338.....818
1001169393.....307	1001170566..... 999, 1001	1001172550 ..... 685, 688, 691, 699	1001174356.....291, 293
1001169409.....333	1001170601J ..... 627		1001174359.....733
1001169410.....333			1001174368.....733
1001169454.....39			1001174372.....733, 735
1001169461.....41			1001174478.....43, 773
1001169602.....39			1001174712.....1161
1001169603.....644, 648, 652, 656, 660			1001174741.....719
1001169604.....652, 656, 660			1001174788.....43

## PART NUMBER INDEX

1001174795 .....	341	1001179592.....	665	1001184294.....	695, 697, 703, 705	1001187335 .....	573
1001174796 ..	1073, 1075	1001179601.....	957	1001184295.....	695, 697, 703, 705	1001187623 .....	992
1001174800 .....	719	1001179853.....	667	1001184296.....	695, 697, 703, 705	1001187624 .....	992
1001174801 .....	719	1001179907.....	1033	1001184297.....	695, 697, 703, 705	1001188048 .....	573
1001174832 .....	305	1001179968.....	329, 331	1001184306.....	707	1001188102 .....	1053
1001175033 .....	881	1001179972.....	329	1001184307.....	707	1001188103 .....	1053
1001175201 .....	339	1001179973.....	331	1001184309.....	707	1001188275 .....	699, 701, 703
1001175226 .....	615	1001180076.....	269, 285	1001184310.....	707	1001188303 .....	688, 699, 701
1001175227 .....	633	1001180078.....	285	1001184403.....	711	1001188372 .....	1197, 1199, 1201, 1204
1001175265 ..	1084, 1088, 1115, 1119	1001180226.....	331	1001184404.....	711	1001188390 .....	179, 183
1001175267 ..	1083, 1087, 1092, 1096	1001180227.....	331	1001184405.....	711	1001188403 .....	981, 992
1001175269 .....	311, 1244	1001180242.....	269, 1035	1001184406.....	711	1001188577 .....	695, 697, 703, 705
1001175347 .....	818	1001180263.....	579, 581	1001184414.....	1115	1001188578 .....	695, 697, 703, 705
1001175470 .....	607	1001180306.....	818	1001184427.....	703, 705	1001188590 .....	685, 688
1001175471 .....	603, 605	1001180542.....	299, 301	1001184439.....	627	1001188592 .....	703, 705
1001175477 .....	627	1001180553.....	299, 301	1001184452.....	885, 911	1001188594 .....	695, 697, 703, 705
1001175733 .....	1127	1001180682.....	1047	1001184453.....	887, 913	1001188602 .....	695, 697, 703, 705
1001175776 ..	1019, 1127	1001180683.....	1047	1001184484.....	1005	1001188603 .....	695, 697, 703, 705
1001175903 .....	652, 656, 660	1001181128.....	995, 997	1001184551.....	1115, 1119	1001188604 .....	695, 697, 703, 705
1001175904 .....	644, 648	1001181327.....	1065	1001184632.....	1197, 1199, 1201, 1204	1001188603 .....	695, 697, 703, 705
1001176002 .....	1099	1001181411.....	625	1001184801.....	635	1001188604 .....	695, 697, 703, 705
1001176004 .....	1099	1001181531.....	1009, 1011	1001184814.....	753	1001188610 .....	695, 697, 703, 705
1001176121 .....	603, 607	1001181537.....	1197, 1199, 1201, 1204	1001184835.....	1027	1001188610 .....	695, 697, 703, 705
1001176164 .....	715	1001181543.....	771	1001184841.....	1130	1001188612 .....	695, 697, 703, 705
1001176228 .....	269	1001181573.....	1013, 1139	1001184975.....	652, 656	1001188614 .....	695, 697, 703, 705
1001176272 .....	593, 639	1001181625.....	299, 301	1001185179.....	644, 648, 652, 656	1001188618 .....	703, 705
1001176273 .....	593, 639	1001181815.....	329	1001185494.....	1021	1001188619 .....	703, 705
1001176317 .....	719	1001181920.....	593, 639	1001185498.....	317	1001188637 .....	815
1001176333 .....	1137	1001181921.....	593, 639	1001185633.....	721	1001188720 .....	695, 697, 703, 705
1001176338 .....	1047	1001181961.....	1037	1001185722.....	735	1001188725 .....	695, 697, 703, 705
1001176490J .....	47	1001182011.....	299, 301	1001185823.....	1116, 1120	1001188728 .....	703, 705
1001176492J .....	45	1001182012.....	299, 301	1001185824.....	1116, 1120	1001188729 .....	695, 697, 703, 705
1001176515 .....	193	1001182094.....	283	1001185844.....	721	1001188733 .....	695, 697, 703, 705
1001176626 .....	593, 639	1001182123.....	593, 639	1001185846.....	721	1001188778 .....	1005
1001176650 .....	327, 329	1001182139.....	593, 639	1001185889.....	981, 997	1001188782 .....	1005
1001176935 ..	1099, 1104, 1110	1001182279.....	823, 955	1001186225.....	457	1001188787 .....	1005
1001176945 .....	327	1001182328.....	721	1001186342.....	276, 280	1001188817 .....	703, 705
1001177597 ..	1106, 1111	1001182506.....	810	1001186418.....	818	1001188818 .....	703, 705
1001177702 .....	805, 807	1001182671.....	775	1001186565.....	1057, 1061	1001189023 .....	703, 705
1001177704 .....	810	1001182805.....	981	1001186567.....	1057, 1061	1001189025 .....	695, 697, 703, 705
1001178060 .....	829, 831	1001182807.....	981, 1001	1001186603.....	735	1001189046 .....	1027
1001178123 .....	613	1001182951.....	153	1001186705.....	355	1001189048 .....	703, 705
1001178170 .....	688	1001182952.....	155	1001186843.....	818	1001189054 .....	703, 705
1001178213 .....	633	1001182953.....	157	1001186898.....	319, 321	1001189211 .....	179, 181
1001178670 .....	761	1001183046.....	75, 77	1001187070.....	1104, 1105, 1110, 1111, 1115, 1116, 1119, 1120	1001189498 .....	729
1001178706 .....	1191	1001183112.....	1053	1001187073.....	1091, 1095	1001189658 .....	667
1001178729 .....	563	1001183177.....	319	1001187075.....	1092, 1096	1001189876 ..	1009, 1011
1001178783 .....	1047	1001183243.....	789	1001187076.....	1087, 1093, 1097	1001189888 .....	901, 903, 907, 909
1001178791 .....	339	1001183759.....	327	1001187077.....	1099	1001189980 .....	707
1001178792 .....	56, 60	1001183827.....	325	1001187078.....	1115, 1119, 1169, 1179, 1187	1001189997 .....	1019
1001178826 .....	725	1001183829.....	325	1001187079.....	1091, 1092, 1095, 1096, 1105, 1111, 1115, 1119, 1187	1001190179 .....	1039
1001178933 .....	1007	1001183831.....	319, 321	1001188080.....	1083, 1091, 1092, 1093, 1095, 1096, 1105, 1111		
1001179008 .....	619, 621, 623, 725	1001183835.....	319, 321, 325	1001188081.....	1083, 1091, 1092, 1093, 1095, 1096, 1105, 1111		
1001179009 .....	619, 621, 623, 725	1001183836.....	327	1001188082.....	1083, 1091, 1092, 1093, 1095, 1096, 1105, 1111		
1001179080 .....	709	1001183888.....	1057	1001188083.....	1083, 1091, 1092, 1093, 1095, 1096, 1105, 1111		
1001179081 .....	709	1001183890.....	1057	1001188084.....	1083, 1091, 1092, 1093, 1095, 1096, 1105, 1111		
1001179130 .....	709, 711	1001184017.....	355	1001188085.....	1083, 1091, 1092, 1093, 1095, 1096, 1105, 1111		
1001179297 .....	1191	1001184052.....	315	1001188086.....	1083, 1091, 1092, 1093, 1095, 1096, 1105, 1111		
1001179369 .....	857, 915	1001184076.....	31	1001188087.....	1083, 1091, 1092, 1093, 1095, 1096, 1105, 1111		
1001179376 .....	305	1001184205.....	859	1001188088.....	1083, 1091, 1092, 1093, 1095, 1096, 1105, 1111		
1001179548 .....	23	1001184275.....	695, 697, 703, 705	1001188089.....	1083, 1091, 1092, 1093, 1095, 1096, 1105, 1111		
		1001184278.....	695, 697, 703, 705	1001188090.....	1083, 1091, 1092, 1093, 1095, 1096, 1105, 1111		
		1001184280.....	703, 705	1001188091.....	1083, 1091, 1092, 1093, 1095, 1096, 1105, 1111		

# PART NUMBER INDEX

1001190322..1105, 1111, 1115, 1119	1001193794 ..... 143	1001197407 . 1104, 1110, 1116, 1120	1001202623.....923
1001190347 .....644, 648	1001193993 ..... 995, 997	1001197600 ..... 959	1001202786.....555, 575
1001190413 .....644, 652	1001194245 ..... 782, 815	1001197709 ..... 525, 527	1001202846.....810
1001190582 .....1104	1001194282 ..... 761	1001197715 ..... 523, 527	1001202847.....810
1001190585 .....988	1001194534 ..... 319, 321	1001197716 ..... 523, 525	1001202908....999, 1001, 1087
1001190589 .....644, 648, 652, 656	1001194978 ..... 357	1001197721 ..... 1120	1001202986.....276, 280, 999, 1001, 1031
1001190670..1039, 1041, 1043	1001194981 ..... 943	1001198291 ..... 523	1001203067.....813
1001190671..1039, 1041, 1045	1001195082 ..... 255	1001198321 ..... 995, 997	1001203181.....363, 1183
1001190881 .....843, 845, 847, 849	1001195089 ..... 1035	1001198355 ..... 255	1001203225.....1011
1001190921...1105, 1110	1001195342 ..... 713	1001198893 ..... 1075	1001203232.....255
1001190980.....280	1001195343 ..... 713	1001199099 ..... 995, 997	1001203503.....255
1001191091 .....635	1001195345 ..... 713	1001199179 ..... 815	1001203640..1059, 1063, 1071
1001191229..1197, 1199, 1201, 1204	1001195346 ..... 713	1001199640 ..... 775	1001203932.....29
1001191348 .....329	1001195369 ..... 731	1001199645 ..... 343	1001203933.....29
1001191486 .....1027	1001195385 ..... 713	1001199670 ..... 343	1001203934.....29
1001191487 .....1201	1001195423 ..... 1173	1001199739 ..... 1244	1001204032.....363, 975
1001191603 .....49	1001195424 ..... 1171	1001199740 ..... 1244	1001204045.....75, 77
1001191617 .....644, 648, 652, 656	1001195437 ..... 713	1001199750 ..... 810	1001204060.....1063
1001191635 .....49	1001195438 ..... 713	1001199822 ..... 337	1001204066.....673
1001192006 .....729	1001195518 ..... 27	1001199823 ..... 337	1001204086.....31
1001192042 .....810	1001195610 ..... 1173	1001199824 ..... 337	1001204095...1039, 1151
1001192074 .....729	1001195634 ..... 761	1001199825 ..... 327, 337	1001204115.....673
1001192098 .....818	1001195781..1104, 1111	1001199915 ..... 671	1001204120.....673
1001192142 .....995, 997	1001195782..1104, 1111	1001200080 ..... 810	1001204152.....813
1001192309 .....627	1001195849 ..... 1197	1001200082 ....999, 1001	1001204153.....813
1001192393 .....1049	1001195851 ..... 1201	1001200101 .1197, 1199, 1201, 1204	1001204154.....813
1001192394 .....1051	1001195855 .1197, 1201, 1204	1001200102 ..... 988, 992	1001204225.....755
1001192435 .....843, 845, 847, 849	1001195878 ..... 591, 615	1001200152 ..... 1161	1001204444...1059, 1063
1001192463 .....669	1001195883 ..... 1075	1001200206 ..1169, 1179	1001204445...1059, 1063
1001192464 .....669	1001195923 ..... 271	1001200239 ..... 285	1001204486.....31
1001192468 .....1035	1001195970 ..... 203	1001200538 ..... 1059	1001204528.....1059
1001192471 .....1035	1001195972 ..... 573	1001200539 ..... 1063	1001204530.....1059
1001192597 .....887, 893	1001196076 ..... 675	1001200555 ..... 351	1001204709.....725
1001192643 .....629	1001196100 ..... 1055	1001200713 ..... 671	1001205172...1106, 1111
1001192644 .....631	1001196289 ....737, 1149	1001200720 ..... 1231	1001205254.....992
1001192646 .....627	1001196354 ..... 335	1001200989 ...71, 73, 75, 77	1001205255.....992
1001192711 .....255	1001196404 ..... 31	1001201080 ..... 1155	1001205402.....599
1001192720 .....255	1001196421 ..... 335	1001201081 ..... 1129	1001205532.....673
1001192736 .....255	1001196422 ..... 31	1001201162 ..... 737	1001205756.....810
1001192755 .....629	1001196426J ..... 31	1001201331 ..... 613	1001206019.....283
1001192766 .....627, 629	1001196440 ....280, 335, 337	1001201646 ..... 23, 25	1001206248...67, 69, 71, 73
1001192836 .....563	1001196451 ..1007, 1129	1001201755 ..... 791	1001206332.....359
1001192875 .....255	1001196452 ....733, 735, 1147	1001201904 ..... 557, 559	1001206448.....359
1001192876 .....255	1001196454 ..... 887, 905	1001201905 ..... 557, 559	1001206588.....276, 280
1001192877 .....255	1001196455 ..... 885, 899	1001201921 ..... 815	1001206746.....25
1001193026 .....353, 359	1001196491 ..... 355	1001201922 ..... 815	1001206980.....363
1001193210 .....633	1001196608 ..... 791	1001202132 ....741, 1155	1001207171...1105, 1111
1001193295 .....731	1001196806 .1197, 1201, 1204	1001202133 ..... 741	1001207217 ..... 1197
1001193525 .....255	1001197027 ..... 675, 679	1001202134 ..... 739	1001207218 ..... 1199
1001193540 .....255	1001197138 ....753, 755, 757	1001202138 ..... 739	1001207282.....287, 289
1001193729 .....255	1001197139 ....753, 755, 759	1001202247 ..... 363	1001207287.....1069
1001193771 .....815	1001197151 ..... 865, 871	1001202303 ..... 826	1001207291J.....43
1001193775 .....847, 849	1001197217 ..... 723	1001202454 ..... 1011	1001207292.....43
1001193777 .....815	1001197218 ..... 723	1001202487 ..... 363	1001207299.....23, 25
1001193778 .....815	1001197219 ..... 723	1001202491 ..... 363	1001207557.....287, 289
1001193779 .....815	1001197259 ..... 723	1001202498 ..... 1151	1001207606.....227
1001193780 .....815	1001197282 ..... 727	1001202512 ..... 555, 575	1001207939.....107
1001193781 .....815	1001197299 ..... 276, 280	1001202513 ..... 555	1001208050.....56, 60
1001193782 .....815	1001197339 ..... 29	1001202519 ..... 737	1001208106.....571
		1001202526 ..... 333	1001208192.....743
		1001202617 ..... 737	1001208308.....644, 648, 652, 656, 660
		1001202620 ..... 1017	1001208338.....555
		1001202621 ..... 1017	
		1001202622 ..... 1017	

## PART NUMBER INDEX

1001208765 ..... 867, 887, 895	1001214654..... 919	1001226636..... 1179	1001232148 ..... 125
1001208766 ..... 863, 885	1001215476..... 363	1001226637 ..... 1179	1001232299 ..... 125, 127
1001208863 ..... 1207	1001215531..... 673	1001226799..... 1177	1001232339 ..... 125
1001208864 ..... 1219	1001215630..... 1183	1001226812..... 941	1001232355 ..... 247
1001208865 ..... 1213	1001215631..... 1183	1001227056..... 845, 849, 855	1001232439 ..... 361
1001208866 ..... 1225	1001215632..... 1183	1001227066... 1165, 1181	1001232440 ..... 361
1001208881 ..... 810	1001215778..... 683	1001227068 ..... 1165	1001232500 ..... 263
1001209387 ..... 33, 35	1001215941..... 363	1001227077 ..... 363	1001232556 ..... 361
1001209388 ..... 31	1001217467..... 283	1001227186..... 615	1001232587 ..... 129
1001209463 ..... 745	1001217623..... 1073	1001227187..... 633	1001232624 ..... 361
1001209625 ..... 1201	1001218255..... 200	1001227188 ..... 633	1001232751 ... 361, 1039
1001209899 ..... 593, 639	1001218341..... 45, 47	1001227188 ..... 633	1001233383 ..... 159
1001210707 ..... 41	1001218358..... 1187	1001227266 ..... 1165	1001233384 ..... 161
1001210780 ..... 879	1001218529..... 685, 688	1001227297... 1177, 1179	1001233385 ..... 163
1001210782 ..... 571	1001218542..... 685, 688	1001227379..... 241	1001233558 ..... 1201
1001210801 ..... 879	1001218659..... 1197	1001227382 ..... 243	1001233919 ..... 826, 881
1001210803 ..... 761, 879	1001218704..... 1197	1001227802..... 627	1001233978 ..... 1204
1001210934 ..... 761	1001218996..... 685, 688	1001227964..... 363	1001234137 ..... 127
1001211041 ..... 743	1001219076..... 648, 656, 660	1001228067 ..... 861, 925	1001234254 ..... 127
1001211153 .. 1215, 1217	1001219082..... 363, 1167	1001228068..... 905, 909	1001234455 ..... 35
1001211155 .. 1227, 1229	1001219211.. 1199, 1201, 1204	1001228069..... 899, 903	1001235100 ..... 289
1001211156 .. 1209, 1211	1001219212..... 1197	1001228132..... 697, 705	1001235794 ..... 1204
1001211157 .. 1221, 1223	1001219220..... 593, 639	1001228140 ..... 697, 705	1001235796 ..... 1204
1001211357 ..... 1047	1001219864..... 648, 656	1001228141 ..... 697, 705	1001235797 ..... 1204
1001211428 ..... 289	1001219865..... 648, 656	1001228147 ..... 697, 705	1001235798 ..... 1204
1001211429 ..... 289	1001220540..... 569	1001228273..... 363	1001235799 ..... 1204
1001211432 ..... 39, 289	1001220552J..... 21	1001228643..... 363	1001235800 ..... 1204
1001211516 ..... 145	1001220760..... 457	1001228861 ..... 845, 849, 853	1001235801 ..... 1204
1001211607 ..... 863, 891	1001220817..... 1055	1001228872..... 333	1001235802 ..... 1204
1001211608 ..... 867, 895, 897	1001220947..... 733	1001228989... 1059, 1063	1001235804 ..... 1204
1001211627 ..... 829, 831	1001221052..... 693, 697	1001229107..... 1181	1001235805 ..... 1204
1001211628 ..... 829, 831	1001221054..... 701, 705	1001229235..... 561	1001235806 ..... 1204
1001211693 ..... 1007	1001221056..... 693, 701	1001229457 ..... 1175	1001235807 ..... 1204
1001211747 ..... 289	1001221057..... 697, 705	1001229458... 1167, 1175	1001235808 ..... 1204
1001211907 ..... 644, 648, 652, 656, 660	1001221058..... 697, 705	1001229540..... 667	1001235809 ..... 1204
1001211913 ..... 45, 47	1001221059..... 685, 688	1001229541 ..... 669	1001235963 ..... 29, 35
1001211944 ..... 1041	1001221228..... 1055	1001229550 ..... 667	1001236542 ..... 575
1001212011 ..... 635	1001221228..... 1055	1001229551 ..... 669	1001237845 ..... 623
1001212047 ..... 619	1001221295..... 685, 688	1001229575..... 1204	1001237846 ..... 1239
1001212048 ..... 621	1001221504..... 553	1001229707 ..... 1241	1001237852 ..... 623
1001212049 ..... 619	1001221727... 999, 1001, 1095	1001229955 ..... 1177	1001239539 ..... 363
1001212050 ..... 621	1001221729..... 1110	1001230163..... 635	1024044 ..... 829, 831
1001212369 ..... 611	1001221941..... 1177	1001230239..... 263	1060379 ..... 217
1001212470 .. 1009, 1011	1001222388..... 1167	1001230241 ..... 263	1060626 ..... 1043, 1045
1001213065 ..... 885, 887, 919	1001222609..... 771	1001230310 ..... 1197	1062255 ... 359, 818, 988, 992, 1027, 1031, 1167, 1177
1001213126J ..... 31	1001222650.. 1197, 1199, 1201, 1204	1001230311 ..... 1201	10700681 ..... 229
1001213200J ..... 553	1001222715..... 1119	1001230402..... 1187	10705034 ..... 173, 175
1001213210 ..... 343, 347	1001222741..... 673	1001230403... 1187, 1188	10713707 ..... 984
1001213331 ..... 673	1001223265..... 648, 656	1001230599..... 1067	10719267 ..... 317
1001213791 ..... 627	1001223453... 1197, 1201	1001230623... 1067, 1071	10725554 ..... 377, 413
1001213988 .. 1007, 1163	1001225259... 1167, 1169	1001230713J ..... 561, 563	10731709.. 469, 491, 495
1001214092 ..... 611	1001225467..... 810	1001231221 ..... 125, 127, 129	10731744 ..... 471
1001214156 ..... 719	1001225751..... 782, 795	1001231244 ..... 563	10731845 .. 477, 479, 483
1001214220 ..... 755	1001225752..... 795, 799	1001231397... 1187, 1188	10731959 ..... 517
1001214326 ..... 583, 585, 599	1001226035..... 841	1001231398... 1187, 1188	10732071 ..... 491
1001214331 ..... 583, 595	1001226328..... 1181	1001231400... 1187, 1188	10732072 ..... 491
1001214332 ..... 585, 597	1001226362..... 841	1001231401... 1187, 1188	10732095 ..... 489
1001214468 ..... 810	1001226363..... 849	1001231402 ..... 1188	10837928 ..... 931, 941
1001214480 ..... 761, 763	1001226364..... 845	1001231404 ..... 1188	10837929. 933, 935, 937, 939, 941
1001214481 ..... 761, 763	1001226397..... 815	1001231406 ..... 1188	10837937. 933, 935, 937, 939, 941
1001214535 ..... 721	1001226398..... 853	1001231407 ..... 363, 1185	1170021 ..... 135
1001214653 ..... 919	1001226400..... 1165	1001231483..... 363, 1187	1170024 ..... 139
	1001226405..... 815	1001231692 ..... 263	
	1001226406..... 815	1001231801 ..... 1197	

# PART NUMBER INDEX

1170054.....147	1701509.....217	2160018 .... 67, 69, 71, 73	3290601.... 111, 255, 276,
1170057.....151	1702631 ..... 1197, 1199,	2170108 ..... 805, 807	280, 351, 361, 688,
120034.1007, 1013, 1015	1201, 1204	2170110 ..... 797, 799	719, 733, 735, 753,
1316794.....169	1702773 .... 211, 213, 215	2170204 ..... 841	755, 801, 803, 995,
1319229.....463	1704277 ..... 217	2170208 ..... 761, 763	997, 999, 1001, 1005,
1319436.....511	1704885 .... 211, 213, 215	2170210 ..... 841	1007, 1031, 1057,
1319558.....467	1706098 ..... 1199	2170212 ..... 307	1059, 1061, 1069, 1071
1319563.....467	1706281 ..... 1199	2170216 ..... 297	3290605 33, 35, 644, 648,
1319571....469, 471, 487,	1706282 ..... 1199	2170306 ..... 799, 835	652, 656, 660, 988,
501, 511	1706284 ..... 1199	2170308 ..... 815	992, 1005
1319576.....487	1706285 ..... 1199	2170316 ..... 297	3290607..... 1053, 1055
1319590.....469	1706288 ..... 1199	2170806 ..... 873, 875	3290801.... 315, 317, 327,
1319593....473, 475, 477,	1706292 ..... 1199	2171112 ..... 815	359, 627, 749, 984
479, 481, 483	1706296 ..... 1197	2171210 ..... 815	3290805....759, 761, 826,
1319594....473, 475, 477,	1706299 ..... 1197	2171308 ..... 829	829, 984
479, 481, 483	1706300 ..... 1197	2172106 ... 147, 149, 151,	3290806..... 625
1319595....473, 475, 477,	1706301 ..... 1197	159, 161, 163, 799	3291001....291, 293, 319,
479, 483	1706302 ..... 255, 1197	2172108 ..... 869	321, 327, 329, 826,
1319596....477, 479, 483	1706306 ..... 1197	2180467 ..... 309	988, 992
1319600....473, 475, 477,	1706768 ..... 1197	2180849 ..... 829, 831	3291005.... 113, 829, 831,
479, 481, 483	1706850 ..... 1197	2200223 ..... 293, 349	833, 835, 988, 992
1319601....473, 475, 477,	1706892 ..... 211	2200224 ..... 299, 301	3291201.63, 65, 125, 127
479, 481, 483	1707078 ..... 1197	2220218 ..... 285	3291205..43, 71, 73, 109,
1319602....473, 475, 477,	1784861 ..... 125, 127	2220237 ..... 291, 293	445, 757
479, 481, 483	2080040 ..... 217	2220239 ..... 879, 943	3291605.... 105, 107, 109,
1319605....477, 479, 483	2080078 ..... 625	2220240 ..... 943	119
1319607.....477	2080086 ..... 591, 615	2220242 ..... 297	3292001..... 571
1319608.....477, 487	2080087 ..... 591, 615	2220415 ..... 167	3300240.... 133, 135, 137,
1319614.....479	2080092 ..... 603	2220473 ..... 167	139, 141, 143, 145,
1319615....473, 475, 479,	2110406 ... 791, 797, 799	2220478 ..... 818	147, 149, 151, 159,
483	2110408 ..... 805, 807	2220609 ..... 167	161, 163
1319617.....473, 475	2110606 ... 147, 149, 151,	2220628 ..... 167	3311405..... 217
1319618.....473, 475	159, 161, 163, 177,	2220810 ..... 285	3311502..... 255
1319620.....473, 475	791, 799, 805, 807	2220883 ... 901, 903, 907,	3311505..... 675
1319621.....473, 475	2110806 ..... 797	919, 959	3311508..... 1043
1319622.....473, 475	2110808 .... 43, 147, 149,	2220886 ..... 919, 957	3311605..... 129
1319623.....473, 475	151, 159, 161, 163,	2340037 ..... 231	3331615..... 27
1319624.....473, 475	787, 805, 807, 873	2340038 ..... 179, 239	3332011..... 569
1319625.....473, 475	2110810 ... 791, 869, 899,	2340039 ..... 249	3332411..... 56, 60
1319626.....473, 475	905	2340045 ..... 237	3333011..... 60
1319627.....473, 475	2111010 ... 791, 797, 799,	2400060 ..... 1169, 1179	3340843..... 129
1319628.....473, 475	805, 807, 879	24921332 ..... 327, 329	3391410..... 255
1319629.....473, 475	2111212 ..... 861	2600281 ..... 217	3421453..... 217
1319630.....473, 475	2111616 ... 797, 799, 943	2716143 ..... 200	3423242.... 137, 139, 149,
1319631.....473, 475	2130404 ... 761, 763, 853	2717160 ..... 173, 175	161
1319632.....473, 475	2130406 .... 805, 807, 833	2717161 ..... 173, 175	3423275.... 133, 135, 147,
1319635.....483	2130604 ..... 841, 853	2717162 ..... 173, 175	159
1319636....473, 475, 483	2130606 ... 173, 175, 177,	2717283 ..... 173, 175	3423276.... 141, 143, 145,
1319638.....473, 475	797, 799, 835	2717287 ..... 167	151, 163, 167
1319647.....517	2130608 .... 173, 175, 805	2920206 ..... 1057, 1061	3423307.... 147, 149, 151,
1319648.....517	2130806 ..... 835	2920207 ..... 1053, 1055	159, 161, 163
1319683.....491	2130808 ... 761, 763, 791	2920208 ..... 1053, 1055	3440620..... 263
1319684.....491	2130810 .... 297, 899, 905	2940074 ..... 217	3520072..... 217
1319685.....491	2131008 ..... 851, 853	3020043 ... 901, 907, 923	3520186..... 49
1319686.....491	2131010 ... 297, 851, 853	31200160 ..... 211	3575947..... 311
1319687.....491	2131210 ... 457, 797, 799,	31200386 ..... 215	3740080..... 363
1319688.....491	839	31200387 ..... 213	3760170..... 217
1319689.....491	2131212 ... 307, 839, 841,	31200388 ..... 213	3760348..... 753, 755
1319694.....491	851, 853	3251813 ..... 1197, 1199,	3760493..... 79
1319719.....495	2131616 ..... 297, 791	1201, 1204	3790151..... 363, 923
1319726.....499, 1244	2144605 ..... 873, 875	3290401 .685, 688, 1017,	3790152..... 363
1320748.....513, 515	2150404 ... 823, 869, 871	1031	3790228..... 818
1320754.....513, 515	2150808 ..... 787, 875	3290405 ..... 629, 1005	3820020..... 217
1321094.....271, 273	2160016 ... 43, 63, 65, 67,	3290501 361, 1007, 1013,	3841203.... 147, 149, 151,
1321329.....826	69, 71, 73, 107, 109,	1015, 1019	159, 161, 163
1322039.....271, 273	119, 833, 835, 901,	3290505 ... 111, 363, 826,	3900379 23, 25, 663, 665,
1322040.....271, 273	903, 907	1167	667, 669



# PART NUMBER INDEX

4000015 ..... 1005	1129, 1130, 1133,	4460932.....1079, 1127,	660, 826, 1019, 1027,
4010508002 ..... 648, 656,	1137, 1147, 1149,	1129, 1134, 1171, 1185	1167
660	1159, 1169, 1179, 1187	4460933.....1083, 1087,	4811602 ..... 660
4010510 ..... 771	4460466 ..... 1077, 1079,	1091, 1092, 1093,	4811602001 ..... 648, 656,
4010510002 ..... 644, 652	1083, 1084, 1087,	1095, 1097, 1104,	660
4010608002 ..... 627, 644,	1088, 1091, 1092,	1110, 1116, 1120,	4811700 ... 23, 25, 33, 35,
648, 652, 656, 660,	1093, 1095, 1096,	1129, 1169, 1179	111, 255, 276, 280,
675, 719, 729, 745	1097, 1099, 1104,	4460934.....1104, 1110	325, 343, 351, 361,
4010610002 ..... 641, 644,	1105, 1106, 1110,	4460935.....1104, 1110	573, 591, 613, 615,
648, 652, 656, 660,	1111, 1115, 1116,	4460941.....1081, 1083,	627, 641, 644, 652,
719, 1005	1119, 1120, 1123,	1087, 1123, 1125,	660, 675, 688, 719,
4010612002 ..... 633	1125, 1129, 1130,	1129, 1134, 1139	729, 733, 735, 745,
4031205 ..... 1017	1131, 1137, 1139,	4460942.....1087, 1091,	753, 755, 801, 803,
4031607 . 660, 943, 1009,	1147, 1149, 1155,	1092, 1093, 1095,	984, 988, 992, 995,
1011	1159, 1169, 1171,	1096, 1097, 1123,	997, 1007, 1027, 1031,
4031608 ... 361, 644, 652,	1179, 1187	1133, 1134, 1139, 1155	1035, 1053, 1055,
660, 826, 1027	4460475 ..... 1187	4460943.....1077, 1116,	1057, 1059, 1061,
4031608001 ..... 648, 656,	4460496 ..... 1007, 1013,	1120, 1129	1063, 1069, 1071
660	1106, 1111, 1115,	4460944.....1083, 1087,	4811700001 ..... 648, 656,
4031908 ..... 826	1119, 1129	1091, 1095, 1099,	660
4031910 ..... 579, 581	4460497 ..... 1007, 1013,	1105, 1110, 1129,	4811702 ... 351, 573, 603,
4031912 ..... 785	1077, 1106, 1111,	1131, 1137, 1147	644, 652, 719, 753,
4031917 ..... 861	1115, 1119, 1129	4460945.....1084, 1093,	755, 761, 763, 1049,
4031918 ..... 831	4460508 ..... 1077, 1104,	1097, 1169, 1187	1051
4031920 .... 837, 843, 847	1110, 1115, 1119	4460950.....1104, 1110,	4811702001 ..... 627, 633,
4031921 ..... 845, 849	4460509 ..... 1084, 1088,	1115, 1119	648, 656, 660, 771
4060919 ..... 810, 813	1092, 1096	4460955.....1105, 1111,	4811900 . 39, 56, 60, 309,
4105262 ..... 113	4460518 ..... 1169, 1187	1115, 1116, 1119	327, 329, 331, 339,
4109801 ..... 1197, 1199,	4460536 ..... 1096	4460970.....1083, 1087,	343, 351, 353, 359,
1201, 1204	4460539 ..... 1083, 1087,	1095, 1104, 1110,	561, 577, 579, 581,
4110422 ... 185, 187, 189,	1091, 1092, 1093,	1115, 1119, 1123, 1125	601, 611, 627, 671,
191, 263	1095, 1096, 1099,	4460982.....1099	673, 675, 688, 721,
4110473 ..... 173, 175	1131, 1137, 1169, 1187	4460984.....1105, 1111	733, 735, 749, 753,
4240018 ..... 813	4460608 ..... 1104, 1105,	4460994.....1134, 1155	755, 761, 763, 810,
4240032 ..... 1177	1110, 1111, 1116, 1120	4461005.....1105, 1111,	815, 818, 826, 829,
4240033 ..... 741	4460670 ..... 1169, 1179	1115, 1119	839, 841, 857, 859,
4240099 ... 810, 813, 815,	4460705 ..... 1133	4461006.....1104, 1110	943, 984, 995, 997,
1045, 1151	4460708 ..... 1133	4461015.....1093, 1097,	1017, 1027, 1031,
4360658 ..... 753	4460742 ..... 1187	1139	1057, 1073, 1075
4460225 ..... 1130, 1133	4460748 ..... 1106, 1111	4461017.....1077	4811902 ... 23, 25, 29, 31,
4460234 ..... 1177	4460761 ..... 1163, 1187	4461018.....1084, 1088	313, 315, 317, 685,
4460265 ..... 1130	4460789 ..... 1081, 1105,	4461054.....1105, 1111,	688, 719, 721
4460267 ..... 1130, 1133,	1111	1115, 1119	4812000 ... 23, 25, 29, 33,
1134, 1137, 1163	4460809 ..... 1187	4461095.....1105, 1110,	35, 41, 49, 113, 291,
4460268 ..... 1130, 1133,	4460836 ..... 1091, 1095,	1116, 1120	293, 299, 301, 311,
1134, 1137, 1163	1133	4461115.....1079, 1134	319, 321, 327, 329,
4460321 ..... 1163, 1187	4460871 ..... 1147	4461118.....1081, 1088	331, 355, 457, 563,
4460343 ..... 1130, 1133,	4460884 ..... 1084, 1087,	4461174.....1073, 1075	761, 763, 793, 795,
1134, 1137	1088, 1099, 1129,	4461262.....1084, 1087	810, 815, 826, 829,
4460367 ..... 1134, 1137	1134, 1149, 1155, 1187	4469464.....1106, 1111	831, 833, 835, 984,
4460434 ..... 1130, 1137	4460891 ..... 1083, 1084,	4520482.....545	988, 992, 995, 997,
4460458 ..... 1079, 1084,	1087, 1088, 1091,	4520519.....539	999, 1001, 1027, 1053,
1088, 1106, 1111, 1187	1092, 1093, 1095,	4520527.....541, 543	1055
4460464 ..... 1077, 1079,	1096, 1097, 1099,	4641192.....879	481200229, 31, 291, 293,
1081, 1083, 1087,	1105, 1110, 1111,	4641501.....177, 971	319, 321
1099, 1104, 1110,	1115, 1119, 1159, 1187	4641502.....173, 175, 177	4812100 ... 27, 39, 41, 43,
1115, 1119, 1127,	4460894 ..... 1084, 1093,	4711400.....217	71, 73, 109, 283, 285,
1129, 1130, 1165,	1096, 1099, 1123, 1129	471678.....613	445, 757, 789, 988, 992
1169, 1171, 1179,	4460897 ..... 1097, 1130,	4740003.....121	4812102 ..... 39, 291, 293,
1185, 1187	1139	4740274.....291, 293	555, 575
4460465 ..... 1083, 1084,	4460899 ..... 1081, 1097	4740532.....821	4812300 ..... 27, 105, 107,
1087, 1088, 1091,	4460905 ..... 1147	4761800.....818	109
1092, 1093, 1095,	4460906 ..... 1133	4807718.....715, 1244	4812500 ..... 569, 571
1096, 1097, 1099,	4460930 ..... 1084, 1088,	4811400....685, 688, 753,	4812700 ..... 56, 60
1104, 1105, 1110,	1099, 1105, 1111,	1017, 1031	4831400 .... 685, 688, 753
1111, 1112, 1115,	1130, 1137	4811600....111, 361, 363,	4831600 .. 361, 943, 1027
1116, 1119, 1120,	4460931 ..... 1077, 1171	644, 648, 652, 656,	

# PART NUMBER INDEX

4831700.....280, 335, 337, 719, 733, 735	70021348..... 157	70022529 ..... 185, 187	70023009..... 196, 201
4831900.....313, 685, 688, 753, 755	70021349.. 157, 185, 187	70022530 ..... 169	70023010..... 196, 257
4832000.....291, 293, 818	70021351 ..... 157	70022564 ..... 917, 919	70023014..... 196, 200
4832100.....291, 293	70021358 ..... 219	70022634 ..... 271, 273	70023015..... 197
4846452.....217	70021359 ..... 219	70022741 ..... 1105	70023016... 196, 200, 201
4891800..... 147, 149, 151, 159, 161, 163	70021360 ..... 219	70022765 ..... 1009, 1011, 1245	70023040..... 677
4892600.....371, 407	70021361 ..... 219	70022814 ..... 415	70023086..... 911, 913
5201010.....1005	70021362 ..... 219	70022931 ..... 196, 257	70023327..... 953
5201210.....865	70021363 ..... 157, 965	70022932 .. 196, 200, 257	70023369..... 917, 919
5220600..... 1061, 1063	70021364 ..... 219	70022933 ..... 200	70023379..... 917, 919
5220800..... 1037, 1043	70021365 ..... 219	70022934 ..... 196, 200	70023404..... 469, 511
5240800.....67, 69, 71, 73	70021366 ..... 219	70022935 ..... 197, 200	70023469..... 377, 413
5242400.....255, 833, 835	70021367 ..... 169, 219	70022936 ..... 196, 200	70023474..... 509
5250608.....713	70021382 ..... 169	70022937 ..... 197, 200	70023475..... 511
5250814.....23, 25, 1033	70021387 ..... 185, 219	70022938 ..... 200	70023476..... 511
5271609.....1019	70021391 ..... 219	70022939 ..... 197, 200	70023489..... 423
5271808.....67, 69, 71, 73	70021392 ..... 219	70022940 ..... 200	70023490..... 387, 423
6604662..... 167	70021393 ..... 219, 973	70022941 ..... 200	70023491..... 387, 423
70000656.....491	70021399 ..... 219	70022942 ..... 197, 200	70023493..... 423
70002219.....963	70021415 ..... 185, 187	70022943 ..... 200	70023494..... 377, 413
70002224.....963	70021429 ..... 169	70022944 ..... 200	70023496..... 387
70002386.....957	70021440 . 181, 183, 193, 965, 973	70022945 ..... 200	70023502..... 507
70002963.....951	70021444 ..... 965, 973	70022946 ..... 197, 200	70023736..... 271, 273
70002975.....951	70021446 ..... 965, 973	70022947 ..... 200	70023800..... 511
70002976.....951	70021447 ..... 965, 973	70022948 ..... 200	70023801..... 511
70003788.....957, 959	70021448 ..... 965, 973	70022949 ..... 197, 200	70023885..... 471, 503
70003849.....963	70021451 ..... 965, 973	70022950 ..... 197, 200	70023890..... 677
70004654.....953	70021452 ..... 965, 973	70022951 ..... 200	70023925... 197, 201, 261
70005014.....911, 913	70021462 ..... 965	70022952 ..... 197	70023928..... 971
70005075.....957	70021464 ..... 965, 973	70022957 ..... 196, 201	70023929..... 971
70020002.. 157, 169, 181, 183	70021465 ..... 973	70022960 ..... 196, 201	70023933..... 271
70020004..... 169	70021466 ..... 973	70022966 ..... 200	70024004..... 387
70020015..... 169	70021526 ..... 487	70022969 ..... 196, 201	70024005..... 377, 387
70020017..... 169	70021531 ..... 947	70022970 ..... 196, 201	70024016..... 271, 273
70020025..... 169	70021606 ..... 417	70022971 ..... 200	70024020..... 963
70020026..... 169	70021607 ..... 417	70022972 ..... 200	70024059..... 185, 187
70020027..... 169	70021609 ..... 417	70022973 ..... 200	70024060..... 187
70020028.. 157, 169, 181, 183	70021610 ..... 417	70022974 ..... 200	70024061..... 187
70020029..... 169	70021611 ..... 417	70022975 ..... 200	70024062..... 193
70020438.. 893, 897, 915, 921	70021612 ..... 417	70022976 ..... 200	70024089..... 157
70020476.....921	70021613 ..... 417	70022977 ..... 200	70024091..... 157
70020555.....225, 227	70021614 ..... 383, 419	70022978 ..... 200	70024093..... 157
70020562.....219	70021867 ..... 955	70022979 ..... 200	70024094..... 157
70020764.....947	70021920 ..... 471	70022980 ..... 197, 200	70024095..... 157
70020796..... 1057, 1061, 1069	70021921 ..... 185, 187	70022982 ..... 200	70024123..... 165, 222
70020867.....949, 953	70021935 ..... 185, 187	70022984 ..... 196, 201	70024129..... 877, 967
70020868.....953	70021977 ..... 185, 187	70022985 ..... 196, 201	70024130..... 877
70020928.....677	70021978 ..... 185, 187	70022987 ..... 196, 201	70024146.. 379, 391, 415, 433
70021177.. 375, 379, 411, 415	70021979 ..... 185, 187	70022988 ..... 200	70024147... 391, 425, 433
70021208.....953	70021980 ..... 219	70022990 ..... 197, 200	70024186..... 955
70021209.....953	70021981 ..... 219	70022992 ..... 196, 201	70024188..... 955
70021213.....953	70021982 ..... 219	70022993 ..... 196, 201	70024189..... 955
70021227.....481	70022008 ..... 941	70022994 ..... 196, 201	70024202..... 941
70021228.....481	70022010 .. 935, 937, 941	70022995 ..... 196, 201	70024210..... 381, 417
70021268.....481	70022012 ..... 931, 941	70022996 ..... 222	70024213..... 381
70021269.....481	70022013. 933, 935, 937, 939, 941	70022997 ..... 165	70024215..... 381
70021340..... 1053, 1055	70022014. 933, 935, 937, 939, 941	70022998 ..... 197, 200	70024216..... 417
70021341..... 1053, 1055	70022028 ..... 185, 187	70022999 ..... 200	70024262..... 963
70021342..... 187, 219	70022075. 473, 475, 477, 479, 481, 483	70023000 ..... 200, 222	70024306..... 253
	70022140 ..... 377, 413	70023001 ..... 200	70024307..... 253
	70022147 ..... 953	70023003 ..... 196, 201	70024407..... 955
	70022527 .. 185, 187, 219	70023004 ..... 196, 259	70024408..... 955
	70022528 ..... 185, 187	70023005 ..... 197, 259	70024414..... 955
		70023006 ..... 197, 259	70024415..... 955
		70023007 ..... 197, 259	70024416..... 955
		70023008 .. 196, 201, 259	70024535..... 165

## PART NUMBER INDEX

70024536	165	70026220	271	70026306	917	70026435	915
70024537	165	70026222	273	70026307	917	70026436	915
70024538	165, 222	70026223	271	70026308	917, 919	70026440	957, 959
70024539	165	70026224	271, 273	70026309	917, 919, 1244	70026441	957
70024540	165	70026225	271, 273	70026310	951	70026442	957, 959
70024541	165	70026226	271, 273	70026311	951	70026443	957, 959
70024542	165	70026228	271, 273	70026312	951	70026444	957, 959
70024543	165	70026229	271, 273, 1244	70026313	951	70026445	957, 959
70024544	165	70026230	271, 273	70026314	951	70026446	957, 959
70024545	165	70026231	271, 273	70026315	951, 957	70026447	957
70024546	165	70026232	271, 273	70026333	951	70026453	271
70024550	165, 222	70026233	271, 273	70026334	951	70026470	222
70024551	165	70026234	271, 273, 1244	70026336	911, 913	70026471	222
70024552	165	70026235	271, 273	70026337	911	70026472	222
70024553	165	70026236	271	70026338	911	70026473	222
70024554	165	70026237	271, 273, 1244	70026339	911	70026476	222
70024555	165	70026238	379, 415	70026340	911, 1244	70026478	877
70024734	967	70026241	271, 273	70026341	913	70026481	222
70024848	381	70026244	345, 347	70026342	913	70026482	222
70024849	381	70026245	345, 347	70026343	913, 1244	70026491	889, 891
70024851	379	70026246	345	70026347	222	70026495	967
70024895	497	70026247	345, 347	70026353	295	70026497	967
70025335	375, 411	70026248	345, 347, 1244	70026354	295	70026499	967
70025336	413	70026249	915, 921	70026355	295	70026500	967
70025337	423	70026250	921	70026356	295	70026501	222, 967
70025338	423	70026251	915	70026357	295	70026502	967
70025339	387, 423	70026252	921	70026358	295	70026503	967
70025341	415	70026253	915, 921, 1244, 1245	70026359	295	70026505	967
70025353	200	70026255	377	70026360	295	70026506	967
70025561	379, 415	70026256	379	70026369	933, 935, 937, 939, 941	70026515	467
70025606	963	70026259	415	70026370	931, 941	70026516	467, 469, 471, 503
70025619	911, 913	70026260	379, 401, 415, 427	70026371	931	70026517	469, 491, 495
70025816	751	70026261	379, 403, 415, 429, 921	70026372	931	70026518	469
70025817	751	70026262	381	70026373	931, 941	70026519	471
70025850	323, 1244	70026263	381	70026374	931, 941	70026520	471
70025851	323, 1244	70026264	381	70026375	929, 941	70026521	471
70025856	757	70026265	385, 397, 421, 437	70026376	931, 941	70026527	473, 475, 477, 479, 481, 483
70025887	377, 413	70026266	385, 399, 421, 439	70026377	933, 935, 937, 939, 941	70026528	473, 475, 477, 479, 481, 483
70025897	955	70026267	427	70026378	933, 935, 937, 939, 941	70026529	473, 475, 477, 479, 481, 483
70025959	963	70026268	429	70026379	931	70026530	477
70026002	379	70026281	889	70026380	933, 935, 937, 939, 941	70026531	479
70026030	413, 423	70026282	889, 891	70026381	933, 935, 937, 939, 941	70026532	481
70026056	963	70026283	889, 891	70026382	931	70026535	483
70026057	963	70026284	889, 891	70026383	933, 935, 937, 939, 941	70026536	485, 509, 511
70026058	963	70026285	889, 891	70026384	929, 931	70026538	489
70026059	963	70026286	889	70026385	929, 933	70026539	489
70026060	963	70026287	889	70026386	929, 935	70026544	489, 491
70026061	963	70026288	889, 891	70026387	929, 937, 941	70026546	491
70026062	963	70026291	889, 891, 1244	70026388	929, 939	70026547	491
70026066	379, 415	70026292	1141	70026389	929, 941	70026548	491
70026082	295	70026293	1143	70026395	323	70026549	491
70026154	913	70026294	1003	70026396	323	70026554	491
70026155	913	70026295	1003	70026401	961	70026555	491
70026156	913	70026296	1003	70026421	893, 897	70026556	491
70026157	911, 913	70026297	1003	70026422	893, 897	70026559	505
70026158	911, 913	70026299	917	70026423	893, 897	70026561	491
70026159	911, 913	70026300	917, 919	70026424	893, 897	70026568	953
70026163	911	70026301	917, 919	70026425	893, 897, 1244	70026569	953
70026164	911	70026302	917, 919	70026426	893	70026570	953
70026211	927	70026303	917, 919	70026432	757	70026571	953
70026212	927	70026304	917, 919	70026433	757	70026572	955
70026213	927	70026305	917, 919			70026582	949
70026214	927					70026583	955
70026215	927						
70026217	1104						

# PART NUMBER INDEX

70026584.....341	70027034 ..... 679	70050504 . 933, 935, 937, 939, 941	7026792.....471, 495
70026585.....222	70027035 ..... 679	70050507 . 931, 933, 935, 937, 939, 941	7026793.....495
70026586.....222	70027096 ..... 931	70050508 . 931, 933, 935, 937, 939, 941	7026794.....471, 495
70026587.....222, 967	70027097 . 933, 935, 937, 939	7010543 ..... 951	7026798.....677, 679
70026588.....222	70027098 ..... 939, 941	7012510 ..... 957, 959	7026799.....677
70026589.....222, 877	70027130 ..... 941	7012941 ..... 951	7026900.....677
70026590.....222	70027281 ..... 273	7012953 ..... 951	7026901.....677
70026591.....222	70027283 ..... 181, 183	7017406 ..... 951, 957	7026902.....677
70026592.....222	70027641 ..... 169	7017410 ..... 951	7026905.....677
70026593.....222	70027642 ..... 169	7021653 ..... 951	7026906.....677
70026594.....222	70027643 ..... 169	7022390 ..... 855	7027254.....501
70026595.....222	70027644 ..... 169	7022399 ..... 957, 959	7027255.....501
70026596.....222	70027645 ..... 169	7024808 ..... 957, 959	7027267.....481
70026597.....222	70027705 ..... 347	7024844 ..... 957	7027269.....513
70026598.....222	70027706 ..... 347	7024939 ..... 955	7027270.....513
70026599.....222	70027758 ..... 919	7024943 ..... 955	7027271.....515
70026600.....222	70027951 ..... 201	7024944 ..... 955	7027272.....515
70026601.....222	70028279 ..... 897	7024953 ..... 955	7027273.....517
70026602.....222	70028281 ..... 855	7024954 ..... 955	7028639.....1125
70026603.....222	70028450 ..... 271	7026490 ..... 383, 419	7028714.....379, 415
70026604.....222	70028451 ..... 959	7026577 ..... 511	7028715.....379, 415
70026605.....222	70028453 ..... 855	7026578 ..... 511	7028716.....379, 415
70026606.....222	70028456 ..... 157	7026744 ..... 463	7028733....379, 389, 415, 431
70026607.....222	70028478 ..... 941	7026745 ..... 463	7029127.....383, 419
70026608.....222	70028479 ..... 941	7026746 ..... 465	7029267.....489, 491
70026609.....222	70028480 ..... 941	7026747 ..... 467	7029288.....375, 411
70026610.....967	70028481 ..... 941	7026748 ..... 467	7029290....397, 399, 437, 439
70026611.....967	70028482 ..... 941	7026749 ..... 467	7029300.....415
70026612.....877	70028483 ..... 941	7026750 ..... 469	7029306.....411
70026613.....877	70028484 ..... 941	7026751 ..... 469	7029307.....375, 411
70026614.....877	70028486 ..... 181, 183	7026752 ..... 469	7029309.....379
70026615.....877	70028514 ..... 975	7026753 ..... 471	7029317....393, 425, 435
70026616.....877	70028515 ..... 975	7026754 ..... 471	7029486.....641, 1191
70026617.....877	70028516 ..... 975	7026755 ..... 471	7029520.....225
70026618.....877	70028517 ..... 975	7026756 ..... 471	7029521.....225
70026619.....877	70028519 ..... 181, 183	7026757 ..... 473	7029692.....187, 219
70026620.....877	70028520 ..... 181, 183	7026758 ... 473, 475, 477, 479, 481, 483	7029703.....157, 169
70026621.....877	70028521 ..... 181, 183	7026759 ... 473, 475, 477, 479, 481, 483	7029711.....157
70026698.....185	70028522 ..... 181, 183	7026760 ... 473, 475, 477, 479, 481, 483	7029714.....219
70026699.....193	70028523 ..... 181, 183	7026761 ... 473, 475, 477, 479, 481, 483	7029734.....381, 417
70026700.....157	70028524 ..... 181, 183	7026762 ..... 475	7029735.....381, 417
70026702.....157	70028525 ..... 181, 183	7026765 ..... 481	7029743....379, 393, 415, 425, 435
70026703.....157	70028526 ..... 181, 183	7026766 ..... 481	7029789.....381
70026704.....157	70028527 ..... 181, 183	7026769 ... 481, 487, 513, 515	7029849....473, 475, 477, 479, 481, 483
70026745.....227	70028528 ..... 181, 183	7026771 ..... 487	7029850....473, 475, 477, 479, 481, 483
70026746.....227	70028529 ..... 181, 183	7026772 ..... 487	7029852....473, 475, 477, 479, 481, 483
70026747.....193	70028530 ..... 181, 183	7026773 ..... 487	7029969.....1053, 1055
70026770.....969	70028531 ..... 181, 183	7026774 ..... 487	7029970.....1053, 1055
70026771.....969	70028546 ..... 1081	7026775 ..... 487	7029971.....1053, 1055
70026772...181, 183, 969	70028759 ..... 925	7026776 ..... 489	7029972.....471
70026773.....969	70028760 ..... 925	7026780 ..... 489	7029973.....469
70026774.....969	70028761 ..... 925	7026781 ..... 489	7029996.....169
70026775.....969	70028772 ..... 909	7026782 ..... 493	7029997.....169
70026800.....273	70028773 ..... 909	7026783 ..... 493	7062922.....167
70026801.....273	70028774 ..... 909	7026784 ..... 493	7110702.....167
70026944.....193	70028775 ..... 909, 925	7026787 ..... 491	7110712.....167
70026946.....193	70029028 ..... 203	7026788 ..... 491	7110722.....167
70026948.....193	70029031 ..... 903	7026789 ..... 491	7114032.....99
70026949.....193	70029032 ..... 903	7026791 ..... 495	7117502.....99
70027009.....185	70029033 ..... 903		7139918.....173, 175
70027024.....679	70041616 ..... 271, 273		7150580.....453, 455
70027025.....679	70041617 ..... 271, 273		
70027026.....679	70041619 ..... 271, 273		
70027028.....679	70041620 ..... 271, 273		
70027030.....679	70050472 ..... 931, 941		
70027032.....679	70050481 ..... 929, 941		
70027033.....679			

# PART NUMBER INDEX

7300435 ..... 27	80604021 ..... 1084, 1087, 1088, 1099, 1129, 1134, 1149, 1155	8405101 ..... 299, 301	90200003. 133, 135, 137, 139, 141, 143, 145, 147, 149, 151, 159, 161, 163, 167, 173, 175
7301295 ..... 171, 173	80604022 ..... 1171	8405201 ..... 299, 301, 652, 656, 660	90451058 ..... 173, 175
7301408 ..... 171, 245	80604023 ..... 1093, 1129	8405202 ..... 299, 301	90554016. 181, 183, 185, 187, 193, 219, 227
7301568 ..... 171, 175	80604025 ..... 1105, 1130, 1137	8405209 ..... 818	90554017 ..... 157, 219
77133136 ..... 826	806253 ..... 561	8405212 ..... 303, 305, 363	90554018 ..... 219
77133137 ..... 810, 826	806264 ..... 561	8405305 ..... 303, 305, 363	90554019 ..... 181, 183
77133139 ..... 826	80634004 ..... 955	8405402 ..... 315, 319, 321	90554020.. 169, 185, 187
77133140 ..... 810, 826	8065062 ..... 167	8406102 ..... 355	90554021 ..... 169
77133168 ..... 810	80673025 ..... 810	8406105 ..... 826, 988, 992	90554024 ..... 169
77363244 ..... 1083, 1087, 1091, 1092, 1093, 1131, 1137	80933113 ..... 821	8406112 ..... 276, 280	90554025 ..... 169
8000759 ..... 625	80933367 ..... 315, 317	8406201.. 351, 999, 1001, 1027, 1031	90554026 ..... 169
8000803 ..... 627	80963067 ..... 1106, 1111	8410009 ..... 333, 351, 685, 688, 810	90554027 ..... 169
8004398 ..... 625	80983191 ..... 1106, 1111, 1141, 1143, 1145	8410011 ..... 315, 317	90554033 ..... 193
8005870 ..... 585	82033995 ..... 333, 351	8410013 ..... 299, 301, 333	90554034 ..... 193
8008175 ..... 375	8220035 ..... 1185	8410019 ..... 299	90554035 ..... 169
80204002 ..... 375, 411	8220051 ..... 1091, 1095, 1129, 1133, 1134	8420053 ..... 147, 149, 151, 157, 159, 161, 163, 165, 167, 173, 175, 181, 183, 185, 200	90554038 ..... 157
80204005. 375, 395, 411, 441	8220097 ..... 1106, 1111	8420055 ..... 147, 149, 151, 157, 159, 161, 163, 165, 167, 173, 175, 181, 183, 185, 200	90554039 ..... 169
80204033 ..... 377, 413	8220098 ..... 1105, 1110	8424217 ..... 823	90554040 ..... 169
80204035 ..... 377, 413	8220108 ..... 1105, 1112, 1185	8424233 ..... 818	90554042. 157, 169, 185, 187
80204043 ..... 377, 413	8220116 ..... 1093, 1097	8430032 ..... 791, 835	90554043 ..... 169
80204048 ..... 377, 413	8220124 ..... 1104, 1110, 1116, 1120	8430033 ..... 791	90554044 ..... 169
80204060 ..... 381	8220525 ..... 1084, 1088, 1099	8430034 ..... 285	90554045. 157, 169, 965, 973
80204065 ..... 389, 431	8229234 ..... 1188	8466306 ..... 609	90554054 ..... 185, 187
80204071 ..... 379, 415	8229235 ..... 1187	8526203 ..... 537, 541, 543, 547, 549	90554056 ..... 169
80204076 ..... 379, 415	8229242 ..... 1106, 1111, 1141, 1143, 1169, 1179	8530030 ..... 818	90554062 ..... 187, 219
80204108 ..... 381	8229244 ..... 1003, 1106, 1111, 1145	8546407 ..... 818	90554065 ..... 157, 219
80204117. 381, 397, 399, 417, 437, 439	8229245 ..... 1003, 1141	8580315 ..... 167	90554067 ..... 169
80204143 ..... 383, 419	8229247 ..... 1003, 1143	8584001 ..... 167	90554070 ..... 169
80204144 ..... 383, 419	8229261 ..... 1187	8584003 ..... 737	90554076 ..... 187, 219
80204281 ..... 381, 417	8275212 ..... 327	8630003 ..... 173, 175	90554080 ..... 225
80233218 ..... 813	8278020 ..... 291, 293	8642207 ..... 167	91013191 ..... 1083, 1088
80304227 ..... 481	828905 ..... 1125	86683122 ..... 361	91013192 ..... 1093, 1096, 1097
80304394 .. 471, 487, 495	8303634 ..... 167, 173, 175	86883127 ..... 327	91041596 ..... 69, 73
80304405 ..... 467	8303658 ..... 173, 175	8750016 ..... 810	91043084 ..... 547, 549
80334277 ..... 955	8303715 ..... 167	8750024 ..... 815	91043125.. 197, 829, 831
8034697 ... 931, 933, 935, 937, 939, 941	8305624 ..... 173, 175	8750025 ..... 815	91043126.. 197, 829, 831
8035382 ..... 941	8305643 ..... 167, 173, 175	8750029 ..... 810	91053419 ..... 363
8035779 ..... 455	8305919 ... 325, 603, 644, 648, 652, 656, 660, 719, 1049, 1051	8769132 ..... 167	91083106 ..... 818
8036190 ..... 477, 479	8307904 ..... 167	8769153 ..... 810, 829, 831	91083385. 531, 533, 541, 543
80363179 ..... 1084, 1099, 1104, 1123, 1125	8307918 ..... 167	8770016 ..... 167	91355037 ..... 545, 547
80363195 ..... 601	8310160 ..... 167	8770120 ..... 813	91355038 ..... 545, 549
8036433 ..... 455	8310161 ..... 167	8770215 ..... 863, 867, 895	91403119 ..... 101
8036528 ..... 489, 491	8310302 ..... 173, 175	8780039 ..... 531, 533	91403193 ..... 367
8036529 ..... 489	8310435 ..... 173, 175	8786514 ..... 521, 525, 527, 537, 547, 549	91403413. 147, 149, 151, 157, 159, 161, 163, 165, 167, 173, 175, 181, 183, 185, 197, 200, 222, 829, 831
8036733 ..... 969	8310559 ..... 635	8841322 ..... 503	91403414. 147, 149, 151, 157, 159, 161, 163, 165, 167, 173, 175, 181, 183, 185, 197, 200, 222, 829, 831
8036847 ..... 469, 471	8310620 ..... 45, 47	88581157 ..... 56, 60	91403448 ..... 263
8037130 ..... 929	8310686 ... 327, 329, 785, 818, 1017	8866348 ..... 51	91403530 ..... 129
8037140 ..... 927	83683298 ..... 51	88671001.. 147, 149, 151, 159, 161, 163	91413025 ..... 315, 317
80604015 ..... 1087, 1104, 1115	83683300 ..... 51	8880218-OM ..... 445, 449, 453	91473206. 525, 527, 547, 549
80604016 ..... 1083, 1088, 1091, 1092, 1093, 1104, 1116, 1129, 1133	8380008 ..... 185	8881800 ..... 826	91474035 ..... 447, 451
80604017 ..... 1130, 1139	8405006 ..... 810, 813	8881802 ..... 335, 337	
80604018 ..... 1083, 1084, 1087, 1088, 1091, 1092, 1093, 1099, 1105, 1115, 1159	8405007 ..... 457, 818	8887145 ..... 901, 903, 907	
80604020 ..... 1079, 1129, 1171	8405009 ... 299, 301, 339, 753, 755	8990147 ..... 729	

## PART NUMBER INDEX

91474512.....375, 411	91514101 ..... 375, 411	91514152 ..... 381	91554014..... 1129
91474524.....379	91514111 . 401, 403, 427, 429	91514154 ..... 381, 417	91554019..... 1083, 1087, 1091, 1092, 1099, 1131, 1137
91503106..... 1077	91514112 ..... 379, 415	91514158 ..... 381	91554022..... 1104
91504107..... 1099, 1123	91514117 ..... 389, 431	91514159 ..... 381, 417	91561240..... 865
91513266.....555, 575	91514118 ..... 555, 575	91514161 ..... 381, 417	91563025..... 101
91514081.....379, 415	91514123 . 377, 379, 413, 415	91514165 ..... 381, 417	91563026..... 101
91514082.....379, 415	91514130 ..... 377, 413	91514174 ..... 379, 415	91563250.. 531, 533, 541, 543
91514083.....379	91514131 ..... 377, 413	91514175 .. 391, 425, 433	91564003..... 169
91514084.....379	91514133 ..... 377, 413	91514177 .. 391, 425, 433	91565005..... 69, 73, 101
91514087..375, 379, 411, 415	91514134 ..... 377, 413	91514178 ..... 379, 425	91565039..... 539, 543
91514089..375, 379, 381, 411	91514133 ..... 377, 413	91514179 ..... 379, 415	91565040..... 539, 541
91514090..397, 399, 437, 439	91514134 ..... 377, 413	91514180 ..... 379, 415	H000071 ..... 951
91514095.....379, 415	91514143 ..... 387	91514181 ..... 379, 415	N.S.S. .... 157, 965
91514098.....375, 411	91514146 ..... 395, 441	91514183 ..... 379, 415	
91514099..379, 397, 399, 415, 437, 439	91514147 ..... 395, 441	91514184 .. 393, 425, 435	
	91514148 ..... 395, 441	91514185 .. 393, 425, 435	
	91514149 . 379, 395, 415, 441	91514186 .. 393, 425, 435	
	91514151 ..... 381	91514188 ..... 379, 415	
		91514189 ..... 379, 415	





31211032



An Oshkosh Corporation Company

**Corporate Office**  
**JLG Industries, Inc.**  
**1 JLG Drive**  
**McConnellsburg, PA 17233-9533 USA**  
☎ **(717) 485-5161 (Corporate)**  
☎ **(877) 554-5438 (Customer Support)**  
☎ **(717) 485-6417**

**Visit our website for JLG Worldwide Locations.**  
**[www.jlg.com](http://www.jlg.com)**