



Illustrated Parts Manual

Models

642

742

943

1043

642: SN 0160070489 through 0160080898

742: Prior to SN 0160084796

943 & 1043: Prior to SN 0160084858 excluding 0160083719, 0160083720 & 0160084650

31211111

September 28, 2018 - Rev M



EFFECTIVITY PAGE

September 24, 2015 - A - Original Issue of Manual
November 19, 2015 - B - Revised Manual
February 25, 2016 - C - Revised Manual
May 24, 2016 - D - Revised Manual
August 23, 2016 - E - Revised Manual
November 30, 2016 - F - Revised Manual
March 1, 2017 - G - Revised Manual
April 28, 2017 - H - Revised Manual
September 15, 2017 - I - Revised Manual
November 21, 2017 - J - Revised Manual
January 19, 2018 - K - Revised Manual
June 19, 2018 - L - Revised Manual
September 28, 2018 - M - Revised Manual

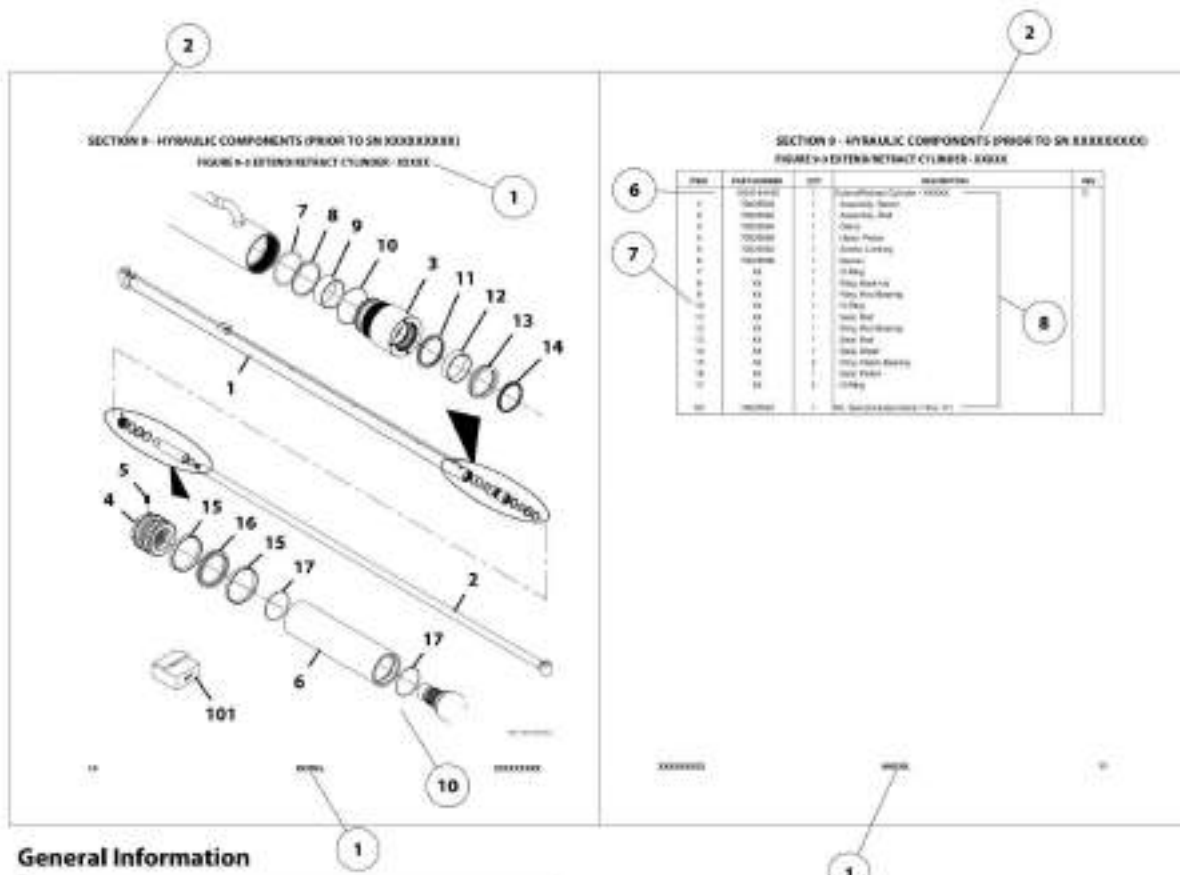
Machine Configuration



Two configurations of each machine are included in this manual. Determine if machine is equipped with Ultra Low Sulfur Fuel Decal (1).

If equipped with the Ultra Low Sulfur decal, all specific references to this machine configuration will be referred to as Ultra Low Sulfur (ULS) from this point forward.

If not equipped with the Ultra Low Sulfur decal, all specific references to this machine configuration will be referred to as Low Sulfur (LS) from this point forward.



General Information

1. MACHINE IDENTIFICATION

Machines are identified by model and in some cases a combination of model, serial number (S/N) or regional standard (e.g. ANSI, CE, CSA, AUS). Components may also be identified by S/N or manufacturer. Common components that may be identified by these characteristics are attachments, engine, transmission and hydraulic components.

2. PARTS MANUAL ORGANIZATION

Product information in this manual is organized under section titles. Frame, Engine and Electrical are a few examples. Each section is organized by Figure and page number. The information within the Figure is then organized by item number, part number, description and corresponding illustration(s).

3. TABLE OF CONTENTS

A table of contents (TOC) is found toward the beginning of the manual. Figure number, description and page number are provided for quick reference to the page containing the related information.

4. RECOMMENDED SPARE PARTS

The Recommended Spare Parts, located near the end of the manual, references most frequently used maintenance parts.

5. PARTS NUMBER INDEX

A numerical index listing all part numbers and the corresponding page number(s) appears at the back of the manual.

6. NON-SERVICED PARTS

In some instances it is necessary to display non-serviced parts, assemblies or installations. In the case of assemblies and installations there will be a Ref in the QTY column and a note after the item description stating what is available for service within. In the case of parts that are not available for service within assemblies or components there will be a NSS (Not Sold Separately) listed in the part number column of the manual.

7. PARTS LIST ITEM NUMBERS

Numbers shown in the Item column correspond to numbers used in the associated illustration(s). Item numbers which are missing from sequence and are not shown in the illustration(s) are not used on that page.

8. INDENTED PART DESCRIPTION

An indented part description is included in the item under which it is indented.

9. ABBREVIATIONS AND SYMBOLS

| | |
|-------|---|
| AC | Alternating Current |
| A/C | Air Conditioning |
| ADE | Advanced Design Electronics |
| AG | Agriculture |
| AAMP | Amperage |
| ANSI | American National Standards Institute |
| AR | As Required |
| ASSY | Assembly |
| AUS | Australia |
| AUX | Auxiliary |
| AWG | American Wire Gauge |
| CAC | Charge Air Cooler |
| CE | European Conformity |
| CM | Centimeter |
| CONST | Construction |
| CSA | Canadian Standards Association |
| DEF | Diesel Exhaust Fluid |
| DIA | Diameter |
| DC | Direct Current |
| DTZ | Decentralized Transmission Zeros |
| ECU | Electronic Control Unit |
| EMS | Emergency Stop |
| FNR | Forward Neutral Reverse |
| FT | Foot |
| GA | Gauge |
| GR | Grade |
| HBP | High Boom Pivot |
| HHP | High Horse Power |
| HOC | Hydraulic Oil Cooler |
| HVAC | Heating, Ventilating, and Air Conditioning |
| ID | Inside Diameter |
| IN | Inch |
| ISO | International Organization for Standards |
| ITSDF | Industrial Truck Standards Development Foundation |
| JK | Joint Industry Council |
| KG | Kilogram |
| KW | Kilowatt |
| L | Liter |

| | |
|----------------|---------------------------------------|
| LB | Pound |
| LBP | Low Boom Pivot |
| LCD | Liquid Crystal Display |
| LED | Light Emitting Diode |
| LH | Left Hand |
| LHD | Left Hand Drive |
| LHP | Low Horse Power |
| LMIS | Load Management Indicator System |
| LS | Low Sulfur |
| LSI | Load Stability Indicator |
| LSS | Load Sensing System |
| M ³ | Cubic Meter |
| MA | Milliamp |
| M(m) | Metric/Meter |
| MM | Millimeter |
| N | Newton |
| NACD | North America Construction Division |
| NLA | No Longer Available |
| NSS | Not Sold Separately |
| OD | Outside Diameter |
| ORB | O-Ring Boss |
| ORFS | O-Ring Face Seal |
| OZ | Ounce |
| PR | Ply Rating |
| QT | Quart |
| QTY | Quantity |
| REF | Reference |
| REV | Revision |
| RH | Right Hand |
| RHD | Right Hand Drive |
| RHOC | Remote Hydraulic Oil Cooler |
| RUS | Russia |
| SAE | Society of Automotive Engineers |
| SAHR | Spring Applied Hydraulically Released |
| SN | Serial Number |
| SPD | Speed |
| TLLJ | Torque Lock Up |
| UGM | Universal Ground Module |

10. ILLUSTRATION REFERENCE LETTERS

When necessary, illustrations may contain reference letters that are intended to track information from one point to another in the illustration such as harnesses and hoses or any other information that has been separated in the illustration.

Note: Due to continuous product improvements, JLG Industries, Inc. reserves the right to make specification changes without prior notification. Contact JLG Industries, Inc. for updated information.

TABLE OF CONTENTS

| | |
|--|-----|
| SECTION 1 - FRAME AND ATTACHING PARTS..... | 19 |
| FIGURE 1-1. FRAME (NO OUTRIGGERS) (642) (Prior to SN 0160079247)..... | 20 |
| FIGURE 1-2. FRAME (NO OUTRIGGERS) (642, 742) (642 SN 0160079247 to Present)..... | 22 |
| FIGURE 1-3. FRAME (OUTRIGGERS) (642) (Prior to SN 0160079165)..... | 24 |
| FIGURE 1-4. FRAME (OUTRIGGERS) (642) (SN 0160079165 to Present)..... | 26 |
| FIGURE 1-5. FRAME (NO OUTRIGGERS) (943) (Prior to SN 0160079253)..... | 28 |
| FIGURE 1-6. FRAME (NO OUTRIGGERS) (943) (SN 0160079253 to Present)..... | 30 |
| FIGURE 1-7. FRAME (OUTRIGGERS) (1043) (Prior to SN 0160079247)..... | 32 |
| FIGURE 1-8. FRAME (OUTRIGGERS) (1043) (SN 0160079247 to Present)..... | 34 |
| FIGURE 1-9. ENGINE ENCLOSURE INSTALLATION..... | 36 |
| FIGURE 1-10. ENGINE ENCLOSURE COVER INSTALLATION..... | 38 |
| FIGURE 1-11. HOOD ASSEMBLY..... | 40 |
| FIGURE 1-12. HOOD ASSEMBLY..... | 42 |
| FIGURE 1-13. COVER INSTALLATION (NO OUTRIGGERS) (ULS)..... | 44 |
| FIGURE 1-14. COVER INSTALLATION (OUTRIGGERS) (ULS) (642, 1043)..... | 46 |
| FIGURE 1-15. COVER INSTALLATION (NO OUTRIGGERS), 74HP (LS) (642, 742, 943)..... | 48 |
| FIGURE 1-16. COVER INSTALLATION (OUTRIGGERS) (LS) (642, 1043)..... | 50 |
| FIGURE 1-17. COUNTERWEIGHT INSTALLATION (642) (Prior to SN 0160078403)..... | 52 |
| FIGURE 1-18. COUNTERWEIGHT INSTALLATION (642, 742) (642 SN 0160078403 to Present)..... | 54 |
| FIGURE 1-19. COUNTERWEIGHT INSTALLATION (943, 1043)..... | 56 |
| FIGURE 1-20. TANK INSTALLATION..... | 58 |
| FIGURE 1-21. FUEL TANK INSTALLATION..... | 60 |
| FIGURE 1-22. HYDRAULIC TANK INSTALLATION..... | 62 |
| FIGURE 1-23. FUEL CAP ASSEMBLY..... | 64 |
| FIGURE 1-24. OUTRIGGERS INSTALLATION (642, 1043)..... | 66 |
| FIGURE 1-25. OUTRIGGER CYLINDER INSTALLATION (642, 1043) (Prior to SN 0160078786)..... | 68 |
| FIGURE 1-26. MIRROR INSTALLATION..... | 70 |
| FIGURE 1-27. BOOM PROP INSTALLATION (ANSI)..... | 72 |
| FIGURE 1-28. BOOM PROP INSTALLATION (CANADA)..... | 74 |
| FIGURE 1-29. BOOM PROP BRACKET..... | 76 |
| SECTION 2 - BOOM..... | 79 |
| FIGURE 2-1. BOOM ASSEMBLY (642, 742)..... | 80 |
| FIGURE 2-2. BOOM ASSEMBLY (943, 1043)..... | 82 |
| FIGURE 2-3. FIRST BOOM SECTION ASSEMBLY (642, 742)..... | 84 |
| FIGURE 2-4. FIRST BOOM SECTION ASSEMBLY (943, 1043)..... | 86 |
| FIGURE 2-5. SECOND BOOM SECTION ASSEMBLY (642, 742)..... | 88 |
| FIGURE 2-6. SECOND BOOM SECTION ASSEMBLY (943, 1043)..... | 90 |
| FIGURE 2-7. THIRD BOOM ASSEMBLY (642, 742)..... | 92 |
| FIGURE 2-8. THIRD BOOM SECTION ASSEMBLY (943, 1043)..... | 94 |
| FIGURE 2-9. RETRACT CHAIN INSTALLATION..... | 96 |
| FIGURE 2-10. EXTEND CHAIN INSTALLATION (642, 742)..... | 98 |
| FIGURE 2-11. EXTEND CHAIN INSTALLATION (943, 1043)..... | 100 |
| FIGURE 2-12. PINS INSTALLATION (642, 742)..... | 102 |
| FIGURE 2-13. PINS INSTALLATION (943, 1043)..... | 104 |
| FIGURE 2-14. CHAIN SHEAVE ASSEMBLY..... | 106 |
| FIGURE 2-15. RETRACT CHAIN SHEAVE..... | 108 |
| FIGURE 2-16. EXTEND CHAIN ROLLER..... | 110 |
| FIGURE 2-17. HOSE BRACKET INSTALLATION (642, 742)..... | 112 |
| FIGURE 2-18. HOSE BRACKET INSTALLATION (943, 1043)..... | 114 |
| FIGURE 2-19. BOOM PINNING INSTALLATION (642, 742)..... | 116 |
| FIGURE 2-20. BOOM PINNING INSTALLATION (943, 1043)..... | 118 |
| FIGURE 2-21. LIFT CYLINDER PINS INSTALLATION (642, 742)..... | 120 |
| FIGURE 2-22. LIFT CYLINDER PINS INSTALLATION (943, 1043)..... | 122 |
| FIGURE 2-23. COMPENSATION CYLINDER PINS INSTALLATION (642, 742)..... | 124 |
| FIGURE 2-24. COMPENSATION CYLINDER PINS INSTALLATION (943, 1043)..... | 126 |
| FIGURE 2-25. BOOM PIVOT PIN INSTALLATION (642, 742)..... | 128 |
| FIGURE 2-26. BOOM PIVOT PIN INSTALLATION (943, 1043)..... | 130 |
| FIGURE 2-27. MANUAL QUICK COUPLER INSTALLATION..... | 132 |
| FIGURE 2-28. HYDRAULIC QUICK COUPLER INSTALLATION..... | 134 |
| FIGURE 2-29. BOOM PIN INSTALLATION..... | 136 |
| FIGURE 2-30. TILT CYLINDER PIN INSTALLATION..... | 138 |
| FIGURE 2-31. BOOM ANGLE INDICATOR INSTALLATION..... | 140 |
| FIGURE 2-32. BOOM BRUSHES INSTALLATION (642, 742)..... | 142 |

TABLE OF CONTENTS

| | |
|--|-----|
| FIGURE 2-33. BOOM BRUSHES INSTALLATION (943, 1043)..... | 144 |
| FIGURE 2-34. QUICK COUPLER ASSEMBLY..... | 146 |
| SECTION 3 - ATTACHMENTS..... | 149 |
| FIGURE 3-1. CARRIAGE ASSEMBLY (50 INCH) (Prior to SN 0160075708)..... | 150 |
| FIGURE 3-2. CARRIAGE ASSEMBLY (50 INCH) (SN 0160075708 to Present)..... | 152 |
| FIGURE 3-3. CARRIAGE ASSEMBLY (60 INCH) (Prior to SN 0160075708)..... | 154 |
| FIGURE 3-4. CARRIAGE ASSEMBLY (60 INCH) (SN 0160075708 to Present)..... | 156 |
| FIGURE 3-5. CARRIAGE ASSEMBLY (72 INCH) (Prior to SN 0160075708)..... | 158 |
| FIGURE 3-6. CARRIAGE ASSEMBLY (72 INCH) (SN 0160075708 to Present)..... | 160 |
| FIGURE 3-7. SIDE TILT CARRIAGE ASSEMBLY (50 INCH)..... | 162 |
| FIGURE 3-8. SIDE TILT CARRIAGE ASSEMBLY (50 INCH)..... | 164 |
| FIGURE 3-9. SIDE TILT CARRIAGE ASSEMBLY (60 INCH)..... | 166 |
| FIGURE 3-10. SIDE TILT CARRIAGE ASSEMBLY (60 INCH)..... | 168 |
| FIGURE 3-11. SIDE TILT CARRIAGE ASSEMBLY (72 INCH)..... | 170 |
| FIGURE 3-12. SIDE TILT CARRIAGE ASSEMBLY (72 INCH)..... | 172 |
| FIGURE 3-13. 90 SWING CARRIAGE ASSEMBLY (72 INCH)..... | 174 |
| FIGURE 3-14. SIDE SHIFT CARRIAGE ASSEMBLY (50 INCH)..... | 176 |
| FIGURE 3-15. DUAL FORK POSITIONING CARRIAGE (50 INCH) (Prior to SN 0160082569)..... | 178 |
| FIGURE 3-16. DUAL FORK POSITIONING CARRIAGE (50 INCH) (SN 0160082569 to Present)..... | 180 |
| FIGURE 3-17. DUAL FORK CARRIAGE ASSEMBLY (50 INCH)..... | 182 |
| FIGURE 3-18. DUAL FORK CARRIAGE VALVE ASSEMBLY..... | 184 |
| FIGURE 3-19. FORK - PALLET (2.36X4X48)..... | 186 |
| FIGURE 3-20. FORK - PALLET (2.36X5X48)..... | 188 |
| FIGURE 3-21. FORK - PALLET (2.4X4X48) (742)..... | 190 |
| FIGURE 3-22. FORK - PALLET (2.4X4X60) (742)..... | 192 |
| FIGURE 3-23. FORK - PALLET (2X7X60)..... | 194 |
| FIGURE 3-24. FORK - PALLET (2.36X6X60)..... | 196 |
| FIGURE 3-25. FORK - PALLET (2.36X6X72)..... | 198 |
| FIGURE 3-26. FORK - PALLET (2.36X5X72)..... | 200 |
| FIGURE 3-27. CUBING FORK..... | 202 |
| FIGURE 3-28. FORK CLAMPS INSTALL..... | 204 |
| FIGURE 3-29. FORK EXTENSION (90 INCH)..... | 206 |
| FIGURE 3-30. FORK MOUNTED BUCKET (60 INCH)..... | 208 |
| FIGURE 3-31. BUCKET (72 INCH)..... | 210 |
| FIGURE 3-32. BUCKET (96 INCH)..... | 212 |
| FIGURE 3-33. BUCKET (102 INCH)..... | 214 |
| FIGURE 3-34. GRAPPLE BUCKET..... | 216 |
| FIGURE 3-35. TRUSS BOOM (12 FOOT)..... | 218 |
| FIGURE 3-36. TRUSS BOOM (15 FOOT)..... | 220 |
| FIGURE 3-37. ADJUSTABLE TRUSS BOOM..... | 222 |
| FIGURE 3-38. TRUSS BOOM ASSEMBLY (3 FOOT WITH WINCH)..... | 224 |
| FIGURE 3-39. TRUSS BOOM (12 FOOT WITH WINCH)..... | 226 |
| FIGURE 3-40. FORK MOUNTED HOOK..... | 228 |
| FIGURE 3-41. COUPLER MOUNTED HOOK..... | 230 |
| FIGURE 3-42. MAST (8 FOOT)..... | 232 |
| FIGURE 3-43. SIDE TILT ELECTRIC MAST (8 FOOT) (Prior to SN 0160075205, Excluding 0160074738, 0160074745 and 0160074938)..... | 236 |
| FIGURE 3-44. SIDE TILT ELECTRIC MAST (8 FOOT) (SN 0160075205 to Present, Including 0160074738, 0160074745 and 0160074938)..... | 242 |
| FIGURE 3-45. FORK MOUNTED PLATFORM (ASME)..... | 246 |
| FIGURE 3-46. FORK MOUNTED PLATFORM (ISO)..... | 248 |
| FIGURE 3-47. FORK MOUNTED PLATFORM (FRENCH)..... | 250 |
| FIGURE 3-48. FORK MOUNTED PLATFORM ASSEMBLY..... | 252 |
| FIGURE 3-49. SWEEPER ASSEMBLY..... | 254 |
| FIGURE 3-50. TRASH HOPPER INSTALLATION..... | 256 |
| FIGURE 3-51. PO CHECK VALVE..... | 258 |
| FIGURE 3-52. MAIN LIFT CYLINDER..... | 260 |
| FIGURE 3-53. KIT DECAL..... | 262 |
| FIGURE 3-54. ADJUSTABLE TRUSS BOOM INSTALLATION (FORK MOUNTED)..... | 264 |
| SECTION 4 - ENGINE AND ATTACHING PARTS..... | 267 |
| FIGURE 4-1. ENGINE INSTALLATION, 110HP (ULS)..... | 268 |
| FIGURE 4-2. ENGINE INSTALLATION, 74HP (ULS) (742, 943)..... | 270 |
| FIGURE 4-3. ENGINE INSTALLATION, 110HP (LS)..... | 272 |

TABLE OF CONTENTS

| | |
|---|-----|
| FIGURE 4-4. ENGINE MOUNTING INSTALLATION | 274 |
| FIGURE 4-5. ENGINE, QSF 3.8L, (110HP) (ULS) | 276 |
| FIGURE 4-6. ENGINE, 74HP (ULS)..... | 278 |
| FIGURE 4-7. ENGINE, 110HP (LS)..... | 280 |
| FIGURE 4-8. FAN INSTALLATION | 282 |
| FIGURE 4-9. PRIMARY FUEL FILTER INSTALLATION (ULS) | 284 |
| FIGURE 4-10. PRIMARY FUEL FILTER INSTALLATION (LS) | 286 |
| FIGURE 4-11. FAN INSTALLATION, 74HP (ULS) (742, 943)..... | 288 |
| FIGURE 4-12. AIR CLEANER LINES INSTALLATION (ULS) | 290 |
| FIGURE 4-13. AIR INTAKE LINES INSTALLATION (LS)..... | 292 |
| FIGURE 4-14. AIR CLEANER INSTALLATION (ULS) | 294 |
| FIGURE 4-15. AIR CLEANER INSTALLATION (LS)..... | 296 |
| FIGURE 4-16. AIR CLEANER ASSEMBLY (ULS)..... | 298 |
| FIGURE 4-17. AIR CLEANER ASSEMBLY (LS) | 300 |
| FIGURE 4-18. AIR INTAKE DUCT INSTALLATION..... | 302 |
| FIGURE 4-19. DEF LINES INSTALLATION | 304 |
| FIGURE 4-20. FUEL LINES INSTALLATION (ULS)..... | 306 |
| FIGURE 4-21. FUEL LINES INSTALLATION (LS) | 310 |
| FIGURE 4-22. COOLING PACKAGE INSTALLATION (ULS) | 314 |
| FIGURE 4-23. COOLING PACKAGE INSTALLATION (LS) | 316 |
| FIGURE 4-24. RADIATOR COOLING PACKAGE | 318 |
| FIGURE 4-25. HOC LINES INSTALLATION | 320 |
| FIGURE 4-26. COOLANT LINES INSTALLATION (ULS)..... | 322 |
| FIGURE 4-27. COOLANT LINES INSTALLATION (LS) | 324 |
| FIGURE 4-28. CAC LINES INSTALLATION (ULS) | 326 |
| FIGURE 4-29. CAC LINES INSTALLATION (LS)..... | 328 |
| FIGURE 4-30. TOC LINES INSTALLATION..... | 330 |
| FIGURE 4-31. SURGE TANK INSTALLATION | 332 |
| FIGURE 4-32. FAN GUARD INSTALLATION | 334 |
| FIGURE 4-33. EXHAUST INSTALLATION, 110HP (ULS) | 336 |
| FIGURE 4-34. EXHAUST INSTALLATION, 74HP (ULS) (742, 943)..... | 338 |
| FIGURE 4-35. EXHAUST INSTALLATION, 110HP (LS)..... | 340 |
| FIGURE 4-36. ENGINE PARTS INSTALLATION (NO HEATER)..... | 342 |
| FIGURE 4-37. ENGINE PARTS INSTALLATION (HEATER) | 344 |
| FIGURE 4-38. A/C PUMP INSTALLATION (ULS) | 346 |
| FIGURE 4-39. A/C PUMP INSTALLATION (LS)..... | 348 |
| FIGURE 4-40. FUEL TANK ASSEMBLY (Prior to SN 0160075554) | 350 |
| FIGURE 4-41. FUEL TANK ASSEMBLY (SN 0160075554 to Present)..... | 352 |
| FIGURE 4-42. DEF TANK INSTALLATION..... | 354 |
| FIGURE 4-43. DEF TANK ASSEMBLY | 356 |
| FIGURE 4-44. DEF PUMP AND CONTROL INSTALLATION | 358 |
| FIGURE 4-45. DEF PUMP LINES INSTALLATION..... | 360 |
| FIGURE 4-46. MUFFLER INSTALLATION (LS)..... | 362 |
| FIGURE 4-47. A/C LINES INSTALLATION | 364 |
| FIGURE 4-48. UREA PUMP (Prior to SN 0160077185)..... | 366 |
| FIGURE 4-49. UREA PUMP (SN 0160077185 to Present) | 368 |
| FIGURE 4-50. HEATER BREATHER (ULS - 110HP)..... | 370 |
| FIGURE 4-51. HEATER BREATHER (ULS - 74HP)..... | 372 |
| FIGURE 4-52. AIR INTAKE SHUT OFF VALVE INSTALLATION | 374 |
| | |
| SECTION 5 - DRIVE TRAIN | 377 |
| | |
| FIGURE 5-1. DRIVETRAIN INSTALLATION (642, 742)..... | 378 |
| FIGURE 5-2. DRIVETRAIN INSTALLATION, 74HP (742)..... | 380 |
| FIGURE 5-3. DRIVETRAIN INSTALLATION, 74HP (943)..... | 382 |
| FIGURE 5-4. DRIVETRAIN INSTALLATION (943, 1043)..... | 384 |
| FIGURE 5-5. FRONT AXLE INSTALLATION (642, 742)..... | 386 |
| FIGURE 5-6. FRONT AXLE INSTALLATION, 74HP (742)..... | 388 |
| FIGURE 5-7. FRONT AXLE INSTALLATION, 74HP (943)..... | 390 |
| FIGURE 5-8. FRONT AXLE INSTALLATION (943, 1043)..... | 392 |
| FIGURE 5-9. REAR AXLE INSTALLATION (642, 742) | 394 |
| FIGURE 5-10. REAR AXLE INSTALLATION, 74HP (742) | 396 |
| FIGURE 5-11. REAR AXLE INSTALLATION, 74HP (943) | 398 |
| FIGURE 5-12. REAR AXLE INSTALLATION (943, 1043) | 400 |
| FIGURE 5-13. DRIVE SHAFTS INSTALLATION (642, 742) | 402 |
| FIGURE 5-14. DRIVE SHAFTS INSTALLATION (943, 1043) | 404 |
| FIGURE 5-15. FRONT AXLE MOUNTING INSTALLATION (642, 742) | 406 |

TABLE OF CONTENTS

| | |
|---|-----|
| FIGURE 5-16. FRONT AXLE MOUNTING INSTALLATION, 74HP (742)..... | 408 |
| FIGURE 5-17. FRONT AXLE MOUNTING INSTALLATION, 74HP (943)..... | 410 |
| FIGURE 5-18. FRONT AXLE MOUNTING INSTALLATION (943, 1043)..... | 412 |
| FIGURE 5-19. FRONT AXLE LINES INSTALLATION (642, 742)..... | 414 |
| FIGURE 5-20. FRONT AXLE LINES INSTALLATION (943, 1043)..... | 416 |
| FIGURE 5-21. REAR AXLE MOUNTING INSTALLATION (642, 742)..... | 418 |
| FIGURE 5-22. REAR AXLE MOUNTING INSTALLATION, 74HP (742)..... | 420 |
| FIGURE 5-23. REAR AXLE MOUNTING INSTALLATION, 74HP (943)..... | 422 |
| FIGURE 5-24. REAR AXLE MOUNTING INSTALLATION (943, 1043)..... | 424 |
| FIGURE 5-25. REAR AXLE LINES INSTALLATION (642, 742)..... | 426 |
| FIGURE 5-26. REAR AXLE LINES INSTALLATION (943, 1043)..... | 428 |
| FIGURE 5-27. FRONT DRIVE SHAFT INSTALLATION (642, 742)..... | 430 |
| FIGURE 5-28. FRONT DRIVE SHAFT INSTALLATION (943, 1043)..... | 432 |
| FIGURE 5-29. REAR DRIVE SHAFT INSTALLATION..... | 434 |
| FIGURE 5-30. FRONT AXLE (642, 742)..... | 436 |
| FIGURE 5-31. FRONT AXLE, CENTRAL HOUSING (642, 742)..... | 438 |
| FIGURE 5-32. FRONT AXLE, DIFFERENTIAL (642, 742)..... | 440 |
| FIGURE 5-33. FRONT AXLE, HUB REDUCTION (642, 742)..... | 442 |
| FIGURE 5-34. FRONT AXLE, BRAKES (642, 742)..... | 444 |
| FIGURE 5-35. FRONT AXLE, STEERING (642, 742)..... | 446 |
| FIGURE 5-36. FRONT AXLE, TRUNION (642, 742)..... | 448 |
| FIGURE 5-37. FRONT AXLE, DIFFERENTIAL (642, 742)..... | 450 |
| FIGURE 5-38. FRONT AXLE, REDUCTION BUSHING (642, 742)..... | 452 |
| FIGURE 5-39. FRONT AXLE, PLANET GEAR CARRIER (642, 742)..... | 454 |
| FIGURE 5-40. FRONT AXLE, RING GEAR SUPPORT (642, 742)..... | 456 |
| FIGURE 5-41. FRONT AXLE, PLANET GEAR (642, 742)..... | 458 |
| FIGURE 5-42. FRONT AXLE, TRUNION KIT (642, 742)..... | 460 |
| FIGURE 5-43. FRONT AXLE, 74HP (742)..... | 462 |
| FIGURE 5-44. FRONT AXLE, CENTRAL HOUSING 74HP (742)..... | 464 |
| FIGURE 5-45. FRONT AXLE, DIFFERENTIAL 74HP (742)..... | 466 |
| FIGURE 5-46. FRONT AXLE, HUB REDUCTION 74HP (742)..... | 468 |
| FIGURE 5-47. FRONT AXLE, BRAKES 74HP (742)..... | 472 |
| FIGURE 5-48. FRONT AXLE, STEERING 74HP (742)..... | 474 |
| FIGURE 5-49. FRONT AXLE, TRUNION 74HP (742)..... | 476 |
| FIGURE 5-50. FRONT AXLE, 74HP (943)..... | 478 |
| FIGURE 5-51. FRONT AXLE, CENTRAL HOUSING 74HP (943)..... | 480 |
| FIGURE 5-52. FRONT AXLE, DIFFERENTIAL 74HP (943)..... | 482 |
| FIGURE 5-53. FRONT AXLE, HUB REDUCTION 74HP (943)..... | 484 |
| FIGURE 5-54. FRONT AXLE, BRAKES 74HP (943)..... | 488 |
| FIGURE 5-55. FRONT AXLE, STEERING 74HP (943)..... | 490 |
| FIGURE 5-56. FRONT AXLE, TRUNION 74HP (943)..... | 492 |
| FIGURE 5-57. FRONT AXLE (943, 1043)..... | 494 |
| FIGURE 5-58. FRONT AXLE, BRAKES (943, 1043)..... | 496 |
| FIGURE 5-59. FRONT AXLE, CENTRAL HOUSING (943, 1043)..... | 498 |
| FIGURE 5-60. FRONT AXLE, DIFFERENTIAL (943, 1043)..... | 500 |
| FIGURE 5-61. FRONT AXLE, HUB REDUCTION (943, 1043)..... | 502 |
| FIGURE 5-62. FRONT AXLE, STEERING (943, 1043)..... | 504 |
| FIGURE 5-63. FRONT AXLE, TRUNION (943, 1043)..... | 506 |
| FIGURE 5-64. FRONT AXLE, DIFFERENTIAL KIT (943, 1043)..... | 508 |
| FIGURE 5-65. FRONT AXLE, PLANET GEAR CARRIER (943, 1043)..... | 510 |
| FIGURE 5-66. FRONT AXLE, RING GEAR SUPPORT (943, 1043)..... | 512 |
| FIGURE 5-67. FRONT AXLE, PLANET GEAR CARRIER (943, 1043)..... | 514 |
| FIGURE 5-68. FRONT AXLE, SUPPORT (943, 1043)..... | 516 |
| FIGURE 5-69. REAR AXLE (642, 742)..... | 518 |
| FIGURE 5-70. REAR AXLE, CENTRAL HOUSING (642, 742)..... | 520 |
| FIGURE 5-71. REAR AXLE, DIFFERENTIAL (642, 742)..... | 522 |
| FIGURE 5-72. REAR AXLE, HUB REDUCTION (642, 742)..... | 524 |
| FIGURE 5-73. REAR AXLE, BRAKES (642, 742)..... | 526 |
| FIGURE 5-74. REAR AXLE, STEERING (642, 742)..... | 528 |
| FIGURE 5-75. REAR AXLE, TRUNION (642, 742)..... | 530 |
| FIGURE 5-76. REAR AXLE, DIFFERENTIAL KIT (642, 742)..... | 532 |
| FIGURE 5-77. REAR AXLE, REDUCTION BUSHING (642, 742)..... | 534 |
| FIGURE 5-78. REAR AXLE, PLANET GEAR CARRIER KIT (642, 742)..... | 536 |
| FIGURE 5-79. REAR AXLE, RING GEAR SUPPORT KIT (642, 742)..... | 538 |
| FIGURE 5-80. REAR AXLE, PLANET GEAR KIT (642, 742)..... | 540 |
| FIGURE 5-81. REAR AXLE, PISTON KIT (642, 742)..... | 542 |
| FIGURE 5-82. REAR AXLE, SUPPORT KIT (642, 742)..... | 544 |

TABLE OF CONTENTS

| | |
|---|-----|
| FIGURE 5-83. REAR AXLE, 74HP (742)..... | 546 |
| FIGURE 5-84. REAR AXLE, CENTRAL HOUSING 74HP (742) | 548 |
| FIGURE 5-85. REAR AXLE, DIFFERENTIAL 74HP (742) | 550 |
| FIGURE 5-86. REAR AXLE, HUB REDUCTION 74HP (742)..... | 552 |
| FIGURE 5-87. REAR AXLE, BRAKES 74HP (742) | 556 |
| FIGURE 5-88. REAR AXLE, STEERING 74HP (742) | 558 |
| FIGURE 5-89. REAR AXLE, TRUNION 74HP (742) | 560 |
| FIGURE 5-90. REAR AXLE, 74HP (943)..... | 562 |
| FIGURE 5-91. REAR AXLE, CENTRAL HOUSING 74HP (943) | 564 |
| FIGURE 5-92. REAR AXLE, DIFFERENTIAL 74HP (943) | 566 |
| FIGURE 5-93. REAR AXLE, HUB REDUCTION 74HP (943)..... | 568 |
| FIGURE 5-94. REAR AXLE, BRAKES 74HP (943) | 572 |
| FIGURE 5-95. REAR AXLE, STEERING 74HP (943) | 574 |
| FIGURE 5-96. REAR AXLE, TRUNION 74HP (943) | 576 |
| FIGURE 5-97. REAR AXLE (943, 1043)..... | 578 |
| FIGURE 5-98. REAR AXLE, BRAKES (943, 1043) | 580 |
| FIGURE 5-99. REAR AXLE, CENTRAL HOUSING (943, 1043) | 582 |
| FIGURE 5-100. REAR AXLE, DIFFERENTIAL (943, 1043) | 584 |
| FIGURE 5-101. REAR AXLE, HUB REDUCTION (943, 1043)..... | 586 |
| FIGURE 5-102. REAR AXLE, STEERING (943, 1043) | 588 |
| FIGURE 5-103. REAR AXLE, TRUNION (943, 1043) | 590 |
| FIGURE 5-104. REAR AXLE, DIFFERENTIAL KIT (943, 1043)..... | 592 |
| FIGURE 5-105. REAR AXLE, PLANET GEAR CARRIER (943, 1043)..... | 594 |
| FIGURE 5-106. REAR AXLE, PLANET GEAR CARRIER (943, 1043)..... | 596 |
| FIGURE 5-107. REAR AXLE, SUPPORT (943, 1043) | 598 |
| FIGURE 5-108. REAR AXLE, RING GEAR SUPPORT (943, 1043) | 600 |
| FIGURE 5-109. TRANSMISSION INSTALLATION, (LS)..... | 602 |
| FIGURE 5-110. TRANSMISSION INSTALLATION, (ULS) | 604 |
| FIGURE 5-111. POWERSHIFT TRANSMISSION | 606 |
| FIGURE 5-112. TRANSMISSION, ENGINE CONNECTION | 610 |
| FIGURE 5-113. TRANSMISSION, CONVERTER | 612 |
| FIGURE 5-114. TRANSMISSION, INPUT | 614 |
| FIGURE 5-115. TRANSMISSION, HOUSING GROUP 1 | 616 |
| FIGURE 5-116. TRANSMISSION, HOUSING GROUP 2 | 618 |
| FIGURE 5-117. TRANSMISSION, CLUTCH GROUP 1 | 620 |
| FIGURE 5-118. TRANSMISSION, CLUTCH GROUP 2 | 622 |
| FIGURE 5-119. TRANSMISSION, COUPLING GROUP 1 | 624 |
| FIGURE 5-120. TRANSMISSION, COUPLING GROUP 2 | 626 |
| FIGURE 5-121. TRANSMISSION, COUPLING GROUP 3 | 628 |
| FIGURE 5-122. TRANSMISSION, COUPLING GROUP 4 | 630 |
| FIGURE 5-123. TRANSMISSION, OUTPUT | 632 |
| FIGURE 5-124. TRANSMISSION, POWER TAKE-OFF | 634 |
| FIGURE 5-125. TRANSMISSION, CONTROL UNIT | 636 |
| FIGURE 5-126. TRANSMISSION, SHIFT SYSTEM..... | 638 |
| FIGURE 5-127. TRANSMISSION, PRESSURE REGULATOR | 640 |
| FIGURE 5-128. TRANSMISSION, PRESSURE OIL PUMP | 642 |
| FIGURE 5-129. TRANSMISSION, INDUCTIVE TRANSMITTER | 644 |
| FIGURE 5-130. TRANSMISSION, FILTER | 646 |
| FIGURE 5-131. TRANSMISSION, ACCESSORIES GROUP 1 | 648 |
| FIGURE 5-132. TRANSMISSION, PERIPHERALS GROUP 1..... | 650 |
| FIGURE 5-133. TRANSMISSION, ACCESSORIES GROUP 2..... | 652 |
| FIGURE 5-134. TRANSMISSION, TRANSFER BOX | 654 |
| FIGURE 5-135. TRANSMISSION, TRANSFER BOX HOUSING 1 | 656 |
| FIGURE 5-136. TRANSMISSION, TRANSFER BOX HOUSING 2 | 658 |
| FIGURE 5-137. TRANSMISSION, TRANSFER BOX HOUSING INPUT..... | 660 |
| FIGURE 5-138. TRANSMISSION, TRANSFER BOX HOUSING OUTPUT 1 | 662 |
| FIGURE 5-139. TRANSMISSION, TRANSFER BOX HOUSING OUTPUT 2..... | 664 |
| FIGURE 5-140. TIRE/WHEEL SET 370/75-28 - AIR (642, 742, 943)..... | 666 |
| FIGURE 5-141. TIRE/WHEEL ASSEMBLY 370/75-28 - AIR (642, 742, 943) | 668 |
| FIGURE 5-142. TIRE/WHEEL SET 370/75-28 - FOAM (642, 742, 943) | 670 |
| FIGURE 5-143. TIRE/WHEEL SET 400/75-28 - AIR (1043)..... | 672 |
| FIGURE 5-144. TIRE/WHEEL ASSEMBLY 400/75-28 - AIR (1043) | 674 |
| FIGURE 5-145. TIRE/WHEEL SET 400/75-28 - FOAM (1043) | 676 |
| FIGURE 5-146. TIRE/WHEEL SET 13-24 16PR - AIR (642, 742)..... | 678 |
| FIGURE 5-147. TIRE/WHEEL RIGHT ASSEMBLY 13-24 16PR - AIR (642, 742) | 680 |
| FIGURE 5-148. TIRE/WHEEL LEFT ASSEMBLY 13-24 16PR - AIR (642, 742)..... | 682 |
| FIGURE 5-149. TIRE/WHEEL SET 14-24 16PR - AIR (943, 1043)..... | 684 |

TABLE OF CONTENTS

| | |
|---|-----|
| FIGURE 5-150. TIRE/WHEEL RIGHT ASSEMBLY 14-24 16PR - AIR (943, 1043)..... | 686 |
| FIGURE 5-151. TIRE/WHEEL LEFT ASSEMBLY 14-24 16PR - AIR (943, 1043)..... | 688 |
| FIGURE 5-152. TIRE/WHEEL SET 13-24 12PR - FOAM (642, 742)..... | 690 |
| FIGURE 5-153. TIRE/WHEEL SET 14-24 12PR - FOAM (943, 1043)..... | 692 |
| FIGURE 5-154. TIRE/WHEEL SET 13-24 - SOLID (642, 742, 943) (742 Prior to SN 0160083905, Excluding 0160083721; 943 Prior to SN 0160083750)..... | 694 |
| FIGURE 5-155. TIRE/WHEEL SET 14-24 - SOLID (1043) (Prior to SN 0160084074)..... | 696 |
| FIGURE 5-156. TIRE/WHEEL SET 315/95-28 - SOLID (742, 943)..... | 698 |
| FIGURE 5-157. TIRE/WHEEL SET 360/85-28 - SOLID (1043)..... | 700 |
| FIGURE 5-158. TIRE/WHEEL SET 370/75-28 - PNEUMATIC NON MARKING (943, 1043)..... | 702 |
| FIGURE 5-159. TIRE/WHEEL SET 370/75-28 - FOAM NON MARKING (943, 1043)..... | 704 |
| FIGURE 5-160. TIRE/WHEEL ASSEMBLY 370/75-28 - PNEUMATIC NON MARKING (943, 1043)..... | 706 |
| FIGURE 5-161. TIRE/WHEEL ASSEMBLY 370/75-28 - FOAM NON MARKING (943, 1043)..... | 708 |
| FIGURE 5-162. TIRE/WHEEL SET 400/75-28 - PNEUMATIC NON MARKING (943, 1043)..... | 710 |
| FIGURE 5-163. TIRE/WHEEL SET 400/75-28 - FOAM NON MARKING (943, 1043)..... | 712 |
| FIGURE 5-164. TIRE/WHEEL ASSEMBLY 400/75-28 - PNEUMATIC NON MARKING (943, 1043)..... | 714 |
| FIGURE 5-165. TIRE/WHEEL ASSEMBLY 400/75-28 - FOAM NON MARKING (943, 1043)..... | 716 |
| FIGURE 5-166. FENDER INSTALLATION..... | 718 |
| FIGURE 5-167. RH FENDER ASSEMBLY (Prior to SN 0160073783)..... | 720 |
| FIGURE 5-168. LH FENDER ASSEMBLY (Prior to SN 0160073783)..... | 722 |
| FIGURE 5-169. WHEEL CHOCK INSTALLATION..... | 724 |
| FIGURE 5-170. TOOLBOX INSTALLATION..... | 726 |
| | |
| SECTION 6 - CAB..... | 729 |
| | |
| FIGURE 6-1. CAB MOUNTING..... | 730 |
| FIGURE 6-2. CAB MOUNT INSTALLATION..... | 732 |
| FIGURE 6-3. FRONT CAB OUTRIGGER INSTALLATION..... | 734 |
| FIGURE 6-4. CAB FENDER INSTALLATION..... | 736 |
| FIGURE 6-5. CAB FENDER INSTALLATION (742) (IF EQUIPPED)..... | 738 |
| FIGURE 6-6. OROPS CAB INSTALLATION..... | 740 |
| FIGURE 6-7. EROPS CAB INSTALLATION..... | 742 |
| FIGURE 6-8. OPEN CAB INSTALLATION..... | 744 |
| FIGURE 6-9. ENCLOSED CAB INSTALLATION (SN 0160079247 to Present)..... | 746 |
| FIGURE 6-10. OPEN CAB ASSEMBLY..... | 748 |
| FIGURE 6-11. OPEN CAB PLUG GROUP..... | 750 |
| FIGURE 6-12. CAB (SN 0160079247 to Present)..... | 752 |
| FIGURE 6-13. ENCLOSED CAB ASSEMBLY..... | 754 |
| FIGURE 6-14. REAR WINDOW INSTALLATION..... | 756 |
| FIGURE 6-15. REAR WINDOW INSTALLATION (WO/WIPER) (ANSI)..... | 758 |
| FIGURE 6-16. REAR WINDOW INSTALLATION (WO/WIPER) (ISO)..... | 760 |
| FIGURE 6-17. REAR WINDOW INSTALLATION (WO/WIPER) (ENG/SPAN)..... | 762 |
| FIGURE 6-18. REAR WINDOW ASSEMBLY..... | 764 |
| FIGURE 6-19. DOOR INSTALLATION..... | 766 |
| FIGURE 6-20. DOOR UPPER GLASS ASSEMBLY (642 Prior to SN 0160077281; 943 Prior to SN 0160077094; 1043 Prior to SN 0160077011)..... | 768 |
| FIGURE 6-21. DOOR UPPER GLASS ASSEMBLY (642 SN 0160077281 to Present; 943 SN 0160077094 to Present; 1043 SN 0160077011 to Present)..... | 770 |
| FIGURE 6-22. CAB LATCH ASSEMBLY..... | 772 |
| FIGURE 6-23. CAB DOOR TRIGGER ASSEMBLY..... | 774 |
| FIGURE 6-24. DOOR ASSEMBLY..... | 776 |
| FIGURE 6-25. CAB DOOR..... | 778 |
| FIGURE 6-26. DOOR STRAP INSTALLATION..... | 780 |
| FIGURE 6-27. ENCLOSED CAB PLUG GROUP..... | 782 |
| FIGURE 6-28. MIRROR INSTALLATION..... | 784 |
| FIGURE 6-29. FRONT COVER INSTALLATION..... | 786 |
| FIGURE 6-30. FILTER TRAY PANEL..... | 788 |
| FIGURE 6-31. FRONT DUCT COVER..... | 790 |
| FIGURE 6-32. LEVEL INDICATOR INSTALLATION..... | 792 |
| FIGURE 6-33. SEAT INSTALLATION..... | 794 |
| FIGURE 6-34. SEAT..... | 796 |
| FIGURE 6-35. SEAT BELT INSTALLATION (642, 742, 943, 1043) (742 Prior to SN 0160085525, Excluding 0160084900; 943 Prior to SN 0160085525, Excluding 0160084900; 1043 Prior to SN 0160085525, Excluding 0160084900; Excluding 0160085188, 0160085189, 0160085188, 0160085189, 0160085188 and 0160085189)..... | 798 |
| FIGURE 6-36. SEAT BELT INSTALLATION (3 INCH) (742, 943, 1043) (SN 0160085525 to Present, Including 0160084900, 0160085188 and 0160085189)..... | 800 |
| FIGURE 6-37. HEATER INSTALLATION..... | 802 |

TABLE OF CONTENTS

| | |
|--|-----|
| FIGURE 6-38. HEATER ASSEMBLY (Prior to SN 0160077679) | 804 |
| FIGURE 6-39. HEATER ASSEMBLY (SN 0160077679 to Present)..... | 806 |
| FIGURE 6-40. HEATER | 808 |
| FIGURE 6-41. HEATER | 810 |
| FIGURE 6-42. HEATER AND A/C INSTALLATION..... | 812 |
| FIGURE 6-43. HEATER AND A/C ASSEMBLY (Prior to SN 0160077679) | 816 |
| FIGURE 6-44. HEATER AND A/C ASSEMBLY (SN 0160077679 to Present) | 818 |
| FIGURE 6-45. HEATER AND A/C | 820 |
| FIGURE 6-46. HEATER AND A/C | 822 |
| FIGURE 6-47. HVAC CAB ACTUATOR | 824 |
| FIGURE 6-48. CAB CONDENSER ASSEMBLY..... | 826 |
| FIGURE 6-49. A/C RECEIVER DRIER..... | 828 |
| FIGURE 6-50. CONDENSER | 830 |
| FIGURE 6-51. FRONT WIPER INSTALLATION..... | 832 |
| FIGURE 6-52. REAR WIPER INSTALLATION | 834 |
| FIGURE 6-53. ROOF WIPER INSTALLATION | 836 |
| FIGURE 6-54. HEADLINER INSTALLATION | 838 |
| FIGURE 6-55. OPEN CAB TRIM INSTALLATION (Prior to SN 0160081650)..... | 840 |
| FIGURE 6-56. OPEN CAB TRIM INSTALLATION (SN 0160081650 to Present)..... | 844 |
| FIGURE 6-57. ENCLOSED CAB TRIM INSTALLATION (Prior to SN 0160081650) | 848 |
| FIGURE 6-58. ENCLOSED CAB TRIM INSTALLATION (SN 0160081650 to Present) | 852 |
| FIGURE 6-59. LONG CAB ROOF CAPPING INSTALLATION..... | 856 |
| FIGURE 6-60. SHORT CAB ROOF CAPPING INSTALLATION | 858 |
| FIGURE 6-61. OPEN CAB FRONT COVER INSTALLATION | 860 |
| FIGURE 6-62. ENCLOSED CAB FRONT COVER INSTALLATION..... | 862 |
| FIGURE 6-63. NON SKID TAPE INSTALLATION | 864 |
| FIGURE 6-64. EXTERNAL WINDOW RELEASE INSTALLATION..... | 866 |
| FIGURE 6-65. WASHER TANK INSTALLATION | 868 |
| FIGURE 6-66. SCREEN GUARDS INSTALLATION | 870 |
| FIGURE 6-67. TOP SCREEN GUARD INSTALLATION | 872 |
| FIGURE 6-68. FRONT SCREEN GUARD INSTALLATION | 874 |
| FIGURE 6-69. ROOF PIGTAIL CAP INSTALLATION | 876 |
| FIGURE 6-70. ROOF PIGTAIL INSTALLATION..... | 878 |
| FIGURE 6-71. RETRACTABLE SUNSCREEN INSTALLATION | 880 |
| FIGURE 6-72. NO SUNBLIND INSTALLATION | 882 |
| | |
| SECTION 7 - CONTROLS | 885 |
| | |
| FIGURE 7-1. BRAKE PEDAL INSTALLATION (642, 742) | 886 |
| FIGURE 7-2. BRAKE PEDAL INSTALLATION (943, 1043) | 888 |
| FIGURE 7-3. BRAKE PEDAL (642, 742)..... | 890 |
| FIGURE 7-4. BRAKE PEDAL (943, 1043)..... | 892 |
| FIGURE 7-5. BRAKE PEDAL PLATE | 894 |
| FIGURE 7-6. ACCELERATOR PEDAL INSTALLATION | 896 |
| FIGURE 7-7. ACCELERATOR PEDAL | 898 |
| FIGURE 7-8. STEERING COLUMN INSTALLATION (642, 742) | 900 |
| FIGURE 7-9. STEERING COLUMN INSTALLATION (EMERGENCY STEERING) (642, 742)..... | 902 |
| FIGURE 7-10. STEERING COLUMN INSTALLATION (943, 1043)..... | 904 |
| FIGURE 7-11. STEERING COLUMN INSTALLATION (EMERGENCY STEERING) (943, 1043)..... | 906 |
| FIGURE 7-12. STEERING WHEEL INSTALLATION..... | 908 |
| FIGURE 7-13. STEERING WHEEL..... | 910 |
| FIGURE 7-14. HORN BUTTON INSTALLATION | 912 |
| FIGURE 7-15. JOYSTICK INSTALLATION (AUX, DECLUTCH) | 914 |
| FIGURE 7-16. COLUMN CLAMP INSTALLATION..... | 916 |
| FIGURE 7-17. WIPER-TURN SWITCH..... | 918 |
| FIGURE 7-18. OUTRIGGER SWITCHES INSTALLATION | 920 |
| FIGURE 7-19. JOYSTICK | 922 |
| | |
| SECTION 8 - HYDRAULIC CIRCUITS..... | 925 |
| | |
| FIGURE 8-1. MAIN HYDRAULIC INSTALLATION (NO OUTRIGGERS) (642,742)..... | 926 |
| FIGURE 8-2. MAIN HYDRAULIC INSTALLATION (NO OUTRIGGERS) (110HP) (742) (SN 0160084432 to Present) | 928 |
| FIGURE 8-3. MAIN HYDRAULIC INSTALLATION (OUTRIGGERS) (642) | 930 |
| FIGURE 8-4. MAIN HYDRAULIC INSTALLATION (OUTRIGGERS 74HP) (742) | 932 |
| FIGURE 8-5. MAIN HYDRAULIC INSTALLATION (NO OUTRIGGERS) (943) (Prior to SN 0160081535) | 934 |
| FIGURE 8-6. MAIN HYDRAULIC INSTALLATION (NO OUTRIGGERS) (943) (SN 0160081535 to Present) | 936 |

TABLE OF CONTENTS

| | |
|---|------|
| FIGURE 8-7. MAIN HYDRAULIC INSTALLATION, EMERGENCY STEERING (NO OUTRIGGERS) (943) (Prior to SN 0160081535) | 938 |
| FIGURE 8-8. MAIN HYDRAULIC INSTALLATION, EMERGENCY STEERING (NO OUTRIGGERS) (943) (SN 0160081535 to Present)..... | 940 |
| FIGURE 8-9. MAIN HYDRAULIC INSTALLATION (OUTRIGGERS) (1043) (Prior to SN 0160081535) | 942 |
| FIGURE 8-10. MAIN HYDRAULIC INSTALLATION (OUTRIGGERS) (1043) (SN 0160081535 to Present) | 944 |
| FIGURE 8-11. MAIN HYDRAULIC INSTALLATION (EMERGENCY STEERING NO OUTRIGGERS) (642, 742) | 946 |
| FIGURE 8-12. MAIN HYDRAULIC INSTALLATION (EMERGENCY STEERING WITH OUTRIGGERS) (642) | 948 |
| FIGURE 8-13. MAIN HYDRAULIC INSTALLATION, EMERGENCY STEERING (OUTRIGGERS) (1043) (Prior to SN 0160081535) | 950 |
| FIGURE 8-14. MAIN HYDRAULIC INSTALLATION, EMERGENCY STEERING (OUTRIGGERS) (1043) (SN 0160081535 to Present)..... | 952 |
| FIGURE 8-15. MAIN HYDRAULIC INSTALLATION - 74HP (EMERGENCY STEERING NO OUTRIGGERS) (742) | 954 |
| FIGURE 8-16. VALVE INSTALLATION (NO OUTRIGGERS) (642, 742)..... | 956 |
| FIGURE 8-17. VALVE INSTALLATION (OUTRIGGERS) (642)..... | 958 |
| FIGURE 8-18. VALVE INSTALLATION (NO OUTRIGGERS) (943) (Prior to SN 0160081535) | 960 |
| FIGURE 8-19. VALVE INSTALLATION (742, 943) (943 SN 0160081535 to Present)..... | 962 |
| FIGURE 8-20. VALVE INSTALLATION (OUTRIGGERS) (1043) (Prior to SN 0160081535) | 964 |
| FIGURE 8-21. VALVE INSTALLATION (OUTRIGGERS) (1043) (SN 0160081535 to Present) | 966 |
| FIGURE 8-22. PISTON PUMP INSTALLATION (642, 742) | 968 |
| FIGURE 8-23. PISTON PUMP INSTALLATION (742, 943, 1043) | 970 |
| FIGURE 8-24. HYDRAULIC LINES INSTALLATION (110HP) (642, 742)..... | 972 |
| FIGURE 8-25. HYDRAULIC LINES INSTALLATION (74HP) (742) | 976 |
| FIGURE 8-26. HYDRAULIC LINES INSTALLATION (110HP) (943, 1043) (Prior to SN 0160081535)..... | 980 |
| FIGURE 8-27. HYDRAULIC LINES INSTALLATION (74HP) (943, 1043) (SN 0160081535 to Present) | 984 |
| FIGURE 8-28. FRAME LEVEL HYDRAULICS INSTALLATION (NO OUTRIGGERS) (642, 742) | 988 |
| FIGURE 8-29. FRAME LEVEL HYDRAULICS INSTALLATION (OUTRIGGERS) (642)..... | 990 |
| FIGURE 8-30. FRAME LEVEL HYDRAULICS INSTALLATION (NO OUTRIGGERS) (742, 943) | 992 |
| FIGURE 8-31. FRAME LEVEL HYDRAULICS INSTALLATION (OUTRIGGERS) (943, 1043)..... | 994 |
| FIGURE 8-32. CAB HYDRAULIC INSTALLATION (OUTRIGGERS) (642) | 996 |
| FIGURE 8-33. CAB HYDRAULIC INSTALLATION (OUTRIGGERS) (742) | 998 |
| FIGURE 8-34. CAB HYDRAULIC INSTALLATION (NO OUTRIGGERS) (642, 742) | 1000 |
| FIGURE 8-35. CAB HYDRAULIC INSTALLATION (943, 1043)..... | 1002 |
| FIGURE 8-36. CAB HYDRAULIC INSTALLATION EMERGENCY STEERING (642, 742)..... | 1004 |
| FIGURE 8-37. CAB HYDRAULIC INSTALLATION, EMERGENCY STEERING (943, 1043)..... | 1006 |
| FIGURE 8-38. BOOM HYDRAULIC INSTALLATION (642, 742) | 1008 |
| FIGURE 8-39. BOOM HYDRAULIC INSTALLATION, EMERGENCY STEERING (742, 943, 1043) | 1010 |
| FIGURE 8-40. MAIN HYDRAULIC VALVES INSTALLATION (943, 1043) (Prior to SN 0160081535)..... | 1012 |
| FIGURE 8-41. MAIN HYDRAULIC VALVES INSTALLATION (742, 943, 1043) | 1014 |
| FIGURE 8-42. MAIN CONTROL VALVE INSTALLATION (642, 742)..... | 1016 |
| FIGURE 8-43. MAIN CONTROL VALVE INSTALLATION (943, 1043) (Prior to SN 0160081535) | 1018 |
| FIGURE 8-44. MAIN CONTROL VALVE INSTALLATION (742, 943, 1043) | 1020 |
| FIGURE 8-45. MAIN CONTROL VALVE ASSEMBLY (642) | 1022 |
| FIGURE 8-46. MAIN CONTROL VALVE ASSEMBLY (943, 1043) (Prior to SN 0160081535) | 1024 |
| FIGURE 8-47. MAIN CONTROL VALVE ASSEMBLY (742, 943, 1043)..... | 1026 |
| FIGURE 8-48. STEERING SELECT AND FRAME LEVEL VALVE INSTALLATION | 1028 |
| FIGURE 8-49. PARK BRAKE INSTALLATION | 1030 |
| FIGURE 8-50. PARK BRAKE VALVE ASSEMBLY | 1032 |
| FIGURE 8-51. PISTON PUMP ASSEMBLY (642, 742) | 1034 |
| FIGURE 8-52. PISTON PUMP ASSEMBLY (943, 1043) | 1036 |
| FIGURE 8-53. FRAME LEVEL INSTALLATION (642, 742) | 1038 |
| FIGURE 8-54. FRAME LEVEL INSTALLATION (943, 1043) | 1040 |
| FIGURE 8-55. FRAME LEVEL AND OUTRIGGER VALVE INSTALLATION | 1042 |
| FIGURE 8-56. FRAME LEVEL AND OUTRIGGER VALVE ASSEMBLY | 1044 |
| FIGURE 8-57. FRAME LEVEL VALVE ASSEMBLY | 1046 |
| FIGURE 8-58. STEERING SELECT VALVE MOUNTING INSTALLATION | 1048 |
| FIGURE 8-59. STEERING SELECT VALVE INSTALLATION | 1050 |
| FIGURE 8-60. STEERING SELECT VALVE ASSEMBLY | 1052 |
| FIGURE 8-61. REAR AXLE STABILIZER INSTALLATION (642, 742) | 1054 |
| FIGURE 8-62. REAR AXLE STABILIZER INSTALLATION (943, 1043) | 1056 |
| FIGURE 8-63. COUNTERBALANCE VALVE INSTALLATION (LIFT - NON PGLS NO RIDE CONTROL) (642, 943, 1043) | 1058 |
| FIGURE 8-64. COUNTERBALANCE VALVE INSTALLATION (LIFT - PGLS NO RIDE CONTROL) (742 (74HP), 943, 1043) .. | 1060 |
| FIGURE 8-65. COUNTERBALANCE VALVE INSTALLATION (LIFT - PGLS NO RIDE CONTROL 110HP) (742) | 1062 |
| FIGURE 8-66. COUNTERBALANCE VALVE INSTALLATION (LIFT - PGLS RIDE CONTROL 74HP) (742)..... | 1064 |
| FIGURE 8-67. COUNTERBALANCE VALVE INSTALLATION (LIFT - PGLS RIDE CONTROL 110HP) (742)..... | 1066 |
| FIGURE 8-68. COUNTERBALANCE VALVE HYDRAULIC LINES (LIFT - RIDE CONTROL) (742, 943, 1043)..... | 1068 |
| FIGURE 8-69. COUNTERBALANCE VALVE INSTALLATION (LIFT- RIDE CONTROL) (642)..... | 1070 |

TABLE OF CONTENTS

| | |
|---|-------------|
| FIGURE 8-70. COUNTERBALANCE VALVE INSTALLATION (LIFT - RIDE CONTROL) (943, 1043) (Prior to SN 0160081007) | 1072 |
| FIGURE 8-71. COUNTERBALANCE VALVE INSTALLATION (LIFT - RIDE CONTROL) (943, 1043) (SN 0160081007 to Present) | 1074 |
| FIGURE 8-72. COUNTERBALANCE VALVE HYDRAULIC LINES (LIFT - RIDE CONTROL) (943, 1043) | 1076 |
| FIGURE 8-73. COUNTERBALANCE VALVE HYDRAULIC LINES (LIFT - RIDE CONTROL) (642) | 1078 |
| FIGURE 8-74. BOOM HYDRAULIC TUBES INSTALLATION (642, 742) | 1080 |
| FIGURE 8-75. BOOM HYDRAULIC TUBES INSTALLATION (943, 1043) | 1082 |
| FIGURE 8-76. BOOM AUXILIARY HYDRAULICS INSTALLATION (642, 742) | 1084 |
| FIGURE 8-77. BOOM AUXILIARY HYDRAULICS INSTALLATION (943, 1043) | 1086 |
| FIGURE 8-78. BOOM AUXILIARY HYDRAULICS (HYDRAULIC COUPLER) (642, 742) | 1088 |
| FIGURE 8-79. BOOM AUXILIARY HYDRAULICS (HYDRAULIC COUPLER) (943, 1043) | 1090 |
| FIGURE 8-80. BOOM AUXILIARY HYDRAULICS (SIDE MOUNTED) (742) | 1092 |
| FIGURE 8-81. BOOM AUXILIARY HYDRAULICS (SIDE MOUNTED) (943, 1043) | 1094 |
| FIGURE 8-82. QUICK COUPLER VALVE ASSEMBLY (642, 742) | 1096 |
| FIGURE 8-83. QUICK COUPLER VALVE ASSEMBLY (943, 1043) | 1098 |
| FIGURE 8-84. HYDRAULIC QUICK COUPLER ASSEMBLY | 1100 |
| FIGURE 8-85. QUICK COUPLER CYLINDER ASSEMBLY (Prior to SN 0160073806) | 1102 |
| FIGURE 8-86. QUICK COUPLER CYLINDER ASSEMBLY (SN 0160073806 to Present) | 1104 |
| FIGURE 8-87. BOOM ANGLE SENSOR INSTALLATION | 1106 |
| FIGURE 8-88. PRIORITY FUNCTION MANIFOLD INSTALLATION | 1108 |
| FIGURE 8-89. PRIORITY FUNCTION MANIFOLD VALVE ASSEMBLY | 1110 |
| FIGURE 8-90. EMERGENCY STEERING MANIFOLD | 1112 |
| FIGURE 8-91. INTGRATED RECOVERY VALVE (LIFT - RIDE CONTROL) (742) | 1114 |
| SECTION 9 - HYDRAULIC COMPONENTS | 1117 |
| FIGURE 9-1. CYLINDER GROUP INSTALLATION (642, 742) | 1118 |
| FIGURE 9-2. CYLINDER GROUP INSTALLATION - 74HP (742) | 1120 |
| FIGURE 9-3. CYLINDER GROUP INSTALLATION (943, 1043) (Prior to SN 0160081535) | 1122 |
| FIGURE 9-4. CYLINDER GROUP INSTALLATION (943, 1043) (SN 0160081535 to Present) | 1124 |
| FIGURE 9-5. LIFT CYLINDER (642, 742) | 1126 |
| FIGURE 9-6. LIFT CYLINDER (642, 742) | 1128 |
| FIGURE 9-7. LIFT CYLINDER (943, 1043) (Prior to SN 0160074518) | 1130 |
| FIGURE 9-8. LIFT CYLINDER (943, 1043) | 1132 |
| FIGURE 9-9. LIFT CYLINDER (943, 1043) (SN 0160074518 to Present) | 1134 |
| FIGURE 9-10. TILT CYLINDER ASSEMBLY (642, 742) | 1136 |
| FIGURE 9-11. TILT CYLINDER ASSEMBLY (943, 1043) | 1138 |
| FIGURE 9-12. TILT CYLINDER (642, 742) | 1140 |
| FIGURE 9-13. TILT CYLINDER (642, 742) | 1142 |
| FIGURE 9-14. TILT CYLINDER (943, 1043) (Prior to SN 0160085980) | 1144 |
| FIGURE 9-15. TILT CYLINDER (943, 1043) (SN 0160085980 to Present) | 1146 |
| FIGURE 9-16. COMPENSATION CYLINDER (642, 742) | 1148 |
| FIGURE 9-17. COMPENSATION CYLINDER (742) | 1150 |
| FIGURE 9-18. COMPENSATION CYLINDER (943, 1043) | 1152 |
| FIGURE 9-19. FRAME LEVEL CYLINDER INSTALLATION | 1154 |
| FIGURE 9-20. FRAME LEVEL CYLINDER | 1156 |
| FIGURE 9-21. EXTEND/RETRACT CYLINDER ASSEMBLY (642) (Prior to SN 0160080899) | 1158 |
| FIGURE 9-22. EXTEND/RETRACT CYLINDER ASSEMBLY (642, 742) (SN 0160080899 to Present) | 1160 |
| FIGURE 9-23. EXTEND/RETRACT CYLINDER ASSEMBLY (943, 1043) (Prior to SN 0160081535) | 1162 |
| FIGURE 9-24. EXTEND/RETRACT CYLINDER ASSEMBLY (943, 1043) (SN 0160081535 to Present) | 1164 |
| FIGURE 9-25. EXTEND/RETRACT CYLINDER (642, 742) (Prior to SN 0160084897) | 1166 |
| FIGURE 9-26. EXTEND/RETRACT CYLINDER (642, 742) (SN 0160084897 to Present) | 1168 |
| FIGURE 9-27. EXTEND/RETRACT CYLINDER (742) | 1170 |
| FIGURE 9-28. EXTEND/RETRACT CYLINDER (943, 1043) | 1172 |
| FIGURE 9-29. REAR AXLE STABILIZER CYLINDER INSTALLATION | 1174 |
| FIGURE 9-30. REAR AXLE STABILITY CYLINDER | 1176 |
| FIGURE 9-31. OUTRIGGER CYLINDER (642, 1043) (Prior to SN 0160078786) | 1178 |
| FIGURE 9-32. OUTRIGGER CYLINDER (642, 1043) (SN 0160078786 to Present) | 1180 |
| FIGURE 9-33. SIDE TILT CYLINDER | 1182 |
| FIGURE 9-34. REAR AXLE STABILIZER VALVE (Prior to SN 0160080899) | 1184 |
| FIGURE 9-35. REAR AXLE STABILIZER VALVE (SN 0160080899 to Present) | 1186 |
| FIGURE 9-36. MAIN CONTROL VALVE (642) | 1188 |
| FIGURE 9-37. MAIN CONTROL VALVE (943, 1043) (Prior to SN 0160081535) | 1190 |
| FIGURE 9-38. MAIN CONTROL VALVE - INLET SECTION (943, 1043) | 1192 |
| FIGURE 9-39. MAIN CONTROL VALVE - SPOOL SECTION (943, 1043) | 1194 |
| FIGURE 9-40. MAIN CONTROL VALVE - SPOOL SECTION (943, 1043) | 1196 |

TABLE OF CONTENTS

| | |
|--|------|
| FIGURE 9-41. MAIN CONTROL VALVE - SPOOL SECTION (943, 1043) | 1198 |
| FIGURE 9-42. MAIN CONTROL VALVE - SPOOL SECTION (943, 1043) | 1200 |
| FIGURE 9-43. MAIN CONTROL VALVE (742, 943, 1043) | 1202 |
| FIGURE 9-44. GEAR PUMP (642, 742) | 1204 |
| FIGURE 9-45. PISTON PUMP (943, 1043) | 1206 |
| FIGURE 9-46. STEERING ORBITAL VALVE (642, 742) | 1208 |
| FIGURE 9-47. STEERING ORBITAL VALVE (943, 1043) | 1210 |
| FIGURE 9-48. STEER SELECT VALVE | 1212 |
| FIGURE 9-49. PARK BRAKE VALVE | 1214 |
| FIGURE 9-50. FRAME LEVEL VALVE | 1216 |
| FIGURE 9-51. FRAME LEVEL AND OUTRIGGER VALVE | 1218 |
| FIGURE 9-52. QUICK COUPLER VALVE | 1220 |
| FIGURE 9-53. HYDRAULIC TANK | 1222 |
| FIGURE 9-54. PRIORITY MANIFOLD VALVE | 1224 |
| FIGURE 9-55. QUICK COUPLER CYLINDER | 1226 |
| FIGURE 9-56. SWING CARRIAGE CYLINDER | 1228 |
| FIGURE 9-57. GRAPPLE BUCKET CYLINDER | 1230 |
| FIGURE 9-58. SIDE SHIFT CARRIAGE CYLINDER | 1232 |
| FIGURE 9-59. AIR SHUT OFF VALVE | 1234 |
| | |
| SECTION 10 - ELECTRICAL | 1237 |
| | |
| FIGURE 10-1. MAIN ELECTRICAL INSTALLATION (ULS) (642, 742) | 1238 |
| FIGURE 10-2. MAIN ELECTRICAL INSTALLATION (ULS) (943, 1043) | 1240 |
| FIGURE 10-3. MAIN ELECTRICAL INSTALLATION (ULS) (74 HP) (742, 943, 1043) | 1242 |
| FIGURE 10-4. MAIN ELECTRICAL INSTALLATION (LS) (642, 742) | 1244 |
| FIGURE 10-5. MAIN ELECTRICAL INSTALLATION (LS) (943, 1043) | 1246 |
| FIGURE 10-6. ELECTRICAL FRAME INSTALLATION | 1248 |
| FIGURE 10-7. POWER DISTRIBUTION ELECTRICAL BOX | 1250 |
| FIGURE 10-8. ENGINE BAY WIRING INSTALLATION (ULS) | 1252 |
| FIGURE 10-9. ENGINE BAY WIRING INSTALLATION (74HP) (ULS) | 1254 |
| FIGURE 10-10. ENGINE BAY WIRING INSTALLATION (LS) | 1256 |
| FIGURE 10-11. FRAME WIRING INSTALLATION (ULS) (642, 742) | 1258 |
| FIGURE 10-12. FRAME WIRING INSTALLATION (ULS) (742, 943, 1043) | 1260 |
| FIGURE 10-13. FRAME WIRING INSTALLATION (ULS) (943, 1043) | 1262 |
| FIGURE 10-14. FRAME WIRING INSTALLATION (LS) (642, 742) | 1264 |
| FIGURE 10-15. FRAME WIRING INSTALLATION (LS) (943, 1043) | 1266 |
| FIGURE 10-16. ENGINE BAY ELECTRICAL INSTALLATION (742, 943, 1043 - ULS 74 HP) (642, 743, 943, 1043 - LS) | 1268 |
| FIGURE 10-17. ENGINE BAY ELECTRICAL INSTALLATION (642 - ULS) (742, 943, 1043 - ULS 110HP) | 1270 |
| FIGURE 10-18. ENGINE WIRING INSTALLATION (ULS) | 1272 |
| FIGURE 10-19. ENGINE WIRING INSTALLATION, 74HP (ULS) (742, 943) | 1276 |
| FIGURE 10-20. ENGINE WIRING INSTALLATION (LS) | 1278 |
| FIGURE 10-21. ENGINE ECU INSTALLATION | 1282 |
| FIGURE 10-22. ENGINE ECM INSTALLATION (LS) | 1284 |
| FIGURE 10-23. BOOM AUXILIARY ELECTRIC INSTALLATION | 1286 |
| FIGURE 10-24. BOOM AUXILIARY ELECTRIC HARNESS INSTALLATION | 1288 |
| FIGURE 10-25. BATTERY INSTALLATION (642, 742) | 1290 |
| FIGURE 10-26. BATTERY INSTALLATION (742, 943, 1043) | 1292 |
| FIGURE 10-27. ARCTIC COLD WEATHER PACKAGE INSTALLATION (ULS - 110HP) | 1294 |
| FIGURE 10-28. ARCTIC COLD WEATHER PACKAGE INSTALLATION (ULS - 74HP) | 1296 |
| FIGURE 10-29. ARCTIC COLD WEATHER PACKAGE INSTALLATION (LS) | 1298 |
| FIGURE 10-30. FUEL FILTER HEATER INSTALLATION | 1300 |
| FIGURE 10-31. ARCTIC BATTERIES INSTALLATION | 1302 |
| FIGURE 10-32. HYDRAULIC TANK HEATER INSTALLATION | 1304 |
| FIGURE 10-33. BACKUP ALARM INSTALLATION (120 DB) | 1306 |
| FIGURE 10-34. BACKUP ALARM INSTALLATION (97 DB) | 1308 |
| FIGURE 10-35. WHITE NOISE BACKUP ALARM INSTALLATION | 1310 |
| FIGURE 10-36. CAB ELECTRICAL INSTALLATION | 1312 |
| FIGURE 10-37. DASH ELECTRICAL INSTALLATION (ULS) | 1314 |
| FIGURE 10-38. DASH ELECTRICAL INSTALLATION (LS) | 1316 |
| FIGURE 10-39. SWITCH LIGHT INSTALLATION | 1318 |
| FIGURE 10-40. USB CHARGER INSTALLATION | 1320 |
| FIGURE 10-41. OPEN CAB ELECTRICAL INSTALLATION WITH OPTIONS | 1322 |
| FIGURE 10-42. HIGH END DISPLAY INSTALLATION | 1324 |
| FIGURE 10-43. ENCLOSED CAB ELECTRICAL INSTALLATION WITH OPTIONS | 1326 |
| FIGURE 10-44. REVERSE CAMERA INSTALLATION | 1328 |
| FIGURE 10-45. REVERSE SENSOR INSTALLATION | 1330 |

TABLE OF CONTENTS

| | |
|--|------|
| FIGURE 10-46. CLEARSKY INSTALLATION (LONG ROOF CAP) (Prior to SN 0160082365, Including 0160081891, 0160081892, 0160081893, 0160082021, 0160082022 and 0160082054) | 1332 |
| FIGURE 10-47. CLEARSKY INSTALLATION (SHORT ROOF CAP) (Prior to SN 0160082365, Including 0160081891, 0160081892, 0160081893, 0160082021, 0160082022 and 0160082054) | 1334 |
| FIGURE 10-48. TELEMATICS READY INSTALLATION | 1336 |
| FIGURE 10-49. CLEARSKY CONTROLLER (Prior to SN 0160082365, Including 0160081891, 0160081892, 0160081893, 0160082021, 0160082022 and 0160082054) | 1338 |
| FIGURE 10-50. ROAD LIGHTS INSTALLATION (NO OUTRIGGERS) (Prior to SN 0160079247) | 1340 |
| FIGURE 10-51. ROAD LIGHTS INSTALLATION (NO OUTRIGGERS) (SN 0160079247 to Present) | 1342 |
| FIGURE 10-52. ROAD LIGHTS INSTALLATION (OUTRIGGERS) (Prior to SN 0160079247) | 1344 |
| FIGURE 10-53. ROAD LIGHTS INSTALLATION (OUTRIGGERS) (SN 0160079247 to Present) | 1346 |
| FIGURE 10-54. CAB WORKLIGHTS INSTALLATION (NO A/C) | 1348 |
| FIGURE 10-55. CAB LED WORK LIGHTS INSTALLATION (NO A/C) | 1350 |
| FIGURE 10-56. CAB WORKLIGHTS INSTALLATION (A/C) | 1352 |
| FIGURE 10-57. CAB LED WORK LIGHTS INSTALLATION (A/C) | 1354 |
| FIGURE 10-58. BOOM WORK LIGHTS INSTALLATION | 1356 |
| FIGURE 10-59. BOOM WORK LIGHTS INSTALLATION (LED) | 1358 |
| FIGURE 10-60. BOOM LIGHTS INSTALLATION | 1360 |
| FIGURE 10-61. BOOM LED LIGHTS INSTALLATION | 1362 |
| FIGURE 10-62. A/C OPTION HARNESS | 1364 |
| FIGURE 10-63. BEACON INSTALLATION | 1366 |
| FIGURE 10-64. LED BEACON INSTALLATION | 1368 |
| FIGURE 10-65. OUTRIGGER HARNESS | 1370 |
| FIGURE 10-66. RIDE CONTROL CB VALVE HARNESS INSTALLATION (LIFT) (642, 742) | 1372 |
| FIGURE 10-67. RIDE CONTROL CB VALVE HARNESS INSTALLATION (LIFT) (943, 1043) | 1374 |
| FIGURE 10-68. RIDE CONTROL CB VALVE HARNESS (LIFT) | 1376 |
| FIGURE 10-69. FRONT FRAME HARNESS (Prior to SN 0160080782) | 1378 |
| FIGURE 10-70. FRONT FRAME HARNESS (742, 943, 1043) (SN 0160080782 to Present) | 1382 |
| FIGURE 10-71. REAR FRAME HARNESS (642, 742) | 1388 |
| FIGURE 10-72. REAR FRAME HARNESS (742, 943, 1043) | 1392 |
| FIGURE 10-73. ENGINE CHASSIS HARNESS (ULS) | 1396 |
| FIGURE 10-74. ENGINE HARNESS (ULS) (Prior to SN 0160080782) | 1400 |
| FIGURE 10-75. ENGINE HARNESS (ULS) (SN 0160080782 to Present) | 1406 |
| FIGURE 10-76. ENGINE HARNESS, 74HP (ULS) (943) | 1412 |
| FIGURE 10-77. ENGINE HARNESS (LS) (Prior to SN 0160080782) | 1416 |
| FIGURE 10-78. ENGINE HARNESS (LS) (SN 0160080782 to Present) | 1420 |
| FIGURE 10-79. TBAP HARNESS | 1424 |
| FIGURE 10-80. BOOM ELECTRICAL HARNESS INSTALLATION | 1426 |
| FIGURE 10-81. BOOM HARNESS | 1428 |
| FIGURE 10-82. PLATFORM HARNESS | 1430 |
| FIGURE 10-83. CAB HARNESS | 1432 |
| FIGURE 10-84. FRONT FRAME HEADLIGHT HARNESS | 1436 |
| FIGURE 10-85. HBP TAIL LIGHTS HARNESS | 1438 |
| FIGURE 10-86. CLEARSKY HARNESS (Prior to SN 0160082365, Including 0160081891, 0160081892, 0160081893, 0160082021, 0160082022 and 0160082054) | 1440 |
| FIGURE 10-87. BOOM WORKLIGHT HARNESS (Prior to SN 0160076255, Excluding 0160076040, 0160076041 and 0160076042) | 1442 |
| FIGURE 10-88. BOOM WORKLIGHTS HARNESS (SN 0160076255 to Present, Including 0160076040, 0160076041 and 0160076042) | 1444 |
| FIGURE 10-89. REVERSE SENSOR HARNESS | 1446 |
| FIGURE 10-90. TELEMATICS INSTALLATION, UNITED RENTALS | 1448 |
| FIGURE 10-91. OPTION 1 CAB HARNESS | 1450 |
| FIGURE 10-92. ROOF PIGTAIL HARNESS | 1454 |
| FIGURE 10-93. OPTION 2 CAB HARNESS | 1456 |
| FIGURE 10-94. OPTION 2 ELECTRICAL BOARD ASSEMBLY | 1458 |
| FIGURE 10-95. CAB OPTION HARNESS | 1460 |
| FIGURE 10-96. TELEMATICS READY HARNESS | 1462 |
| FIGURE 10-97. STANDARD ELECTRICAL BOARD ASSEMBLY | 1464 |
| FIGURE 10-98. OPTION 1 ELECTRICAL BOARD ASSEMBLY | 1466 |
| FIGURE 10-99. CUMMUNICATION ANALYZER CABLE | 1468 |
| FIGURE 10-100. TELEMATICS HARNESS | 1470 |
| FIGURE 10-101. CUSTOMER SUPPLIED TELEMATICS CANBUS (SN 0160082365 to Present, Excluding 0160081891, 0160081892, 0160081893, 0160082021, 0160082022 and 0160082054) | 1472 |
| FIGURE 10-102. TELEMATICS HARNESS (SN 0160082365 to Present, Excluding 0160081891, 0160081892, 0160081893, 0160082021, 0160082022 and 0160082054) | 1474 |
| FIGURE 10-103. TELEMATICS INSTALLATION, UNITED RENTALS | 1476 |
| FIGURE 10-104. GATEWAY CONTROLLER | 1478 |

TABLE OF CONTENTS

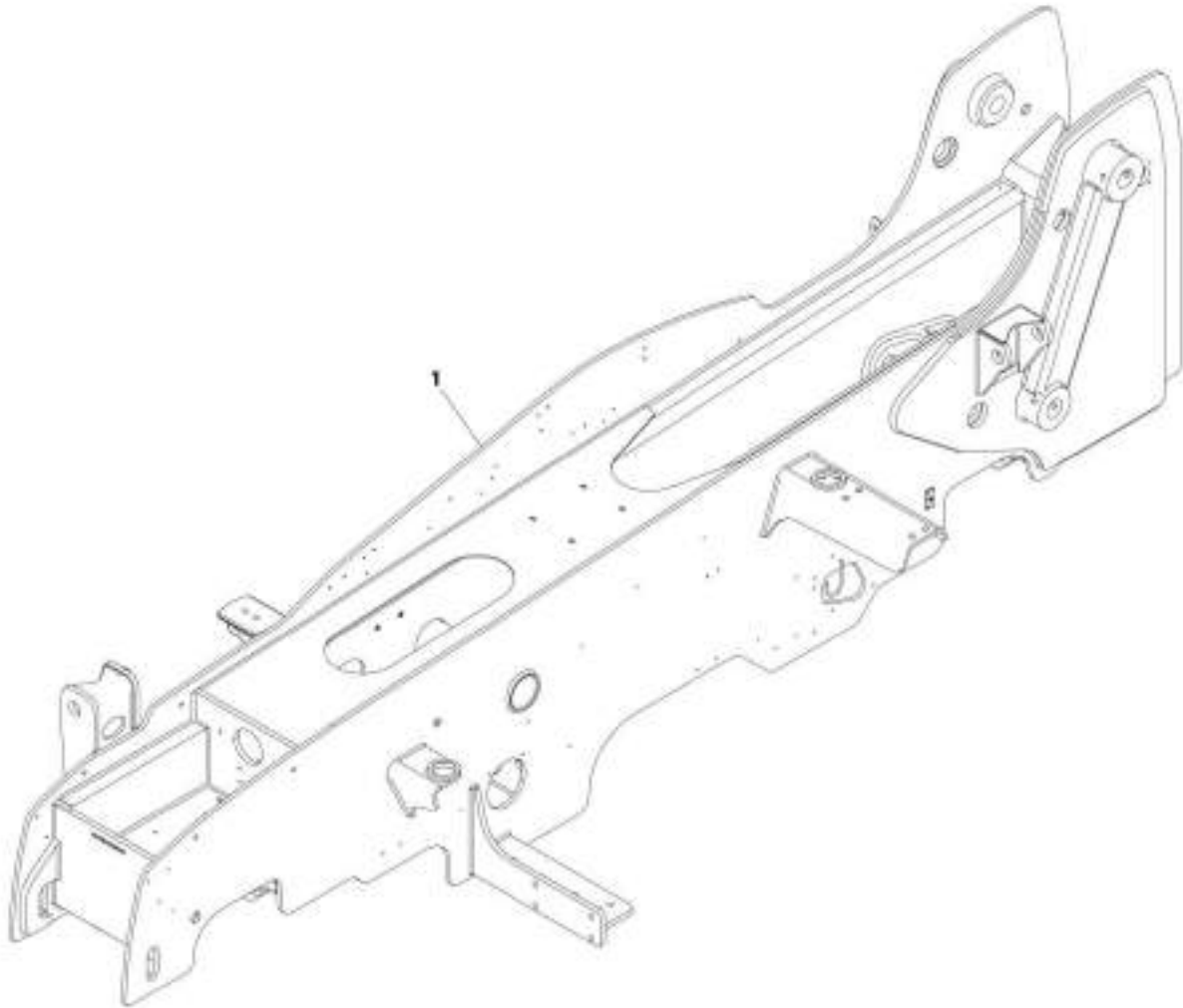
| | |
|---|----------|
| FIGURE 10-105. TELEMATICS CANBUS INSTALLATION (CLEARSKY 2) (ANSI)..... | 1480 |
| FIGURE 10-106. TELEMATICS CANBUS INSTALLATION (CLEARSKY 2) (CE)..... | 1482 |
| FIGURE 10-107. TELEMATICS HARNESS (CLEARSKY 2)..... | 1484 |
| FIGURE 10-108. CLEARSKY INSTALLATION 3-WIRE (ANSI)..... | 1486 |
| FIGURE 10-109. CLEARSKY INSTALLATION 3-WIRE (CE)..... | 1488 |
| FIGURE 10-110. CONTROL ACCESSORY..... | 1490 |
| FIGURE 10-111. CAB AIR SHUT OFF VALVE HARNESS..... | 1492 |
| FIGURE 10-112. ENGINE AIR SHUT OFF VALVE HARNESS..... | 1494 |
| SECTION 11 - DECALS..... | 1497 |
| FIGURE 11-1. CAPACITY CHART HOLDER..... | 1498 |
| FIGURE 11-2. BRAND AND MODEL DECAL INSTALLATION (642)..... | 1500 |
| FIGURE 11-3. BRAND AND MODEL DECAL INSTALLATION (742)..... | 1502 |
| FIGURE 11-4. BRAND AND MODEL DECAL INSTALLATION (943)..... | 1504 |
| FIGURE 11-5. BRAND AND MODEL DECAL INSTALLATION (1043)..... | 1506 |
| FIGURE 11-6. DECAL INSTALLATION (ANSI)..... | 1508 |
| FIGURE 11-7. DECAL INSTALLATION (ANSI) (742, 943)..... | 1512 |
| FIGURE 11-8. DECAL INSTALLATION (ISO)..... | 1516 |
| FIGURE 11-9. DECAL INSTALLATION (ISO) (742, 943)..... | 1520 |
| FIGURE 11-10. DECAL INSTALLATION (CSA ENGLISH/FRENCH) (642, 742)..... | 1524 |
| FIGURE 11-11. DECAL INSTALLATION (CSA ENGLISH/FRENCH) (742, 943)..... | 1528 |
| FIGURE 11-12. DECAL INSTALLATION (ENGLISH/SPANISH)..... | 1532 |
| FIGURE 11-13. CAPACITY CHART BOOKLET (ANSI) (NO OUTRIGGERS) (642) (Prior to SN 0160075708)..... | 1536 |
| FIGURE 11-14. CAPACITY CHART BOOKLET (ANSI) (NO OUTRIGGERS) (642) (SN 0160075708 to Present)..... | 1538 |
| FIGURE 11-15. CAPACITY CHART BOOKLET (ANSI) (OUTRIGGERS) (642) (SN 0160075708 to Present)..... | 1540 |
| FIGURE 11-16. CAPACITY CHART BOOKLET (ISO) (NO OUTRIGGERS) (642) (SN 0160075708 to Present)..... | 1542 |
| FIGURE 11-17. CAPACITY CHART BOOKLET (ISO) (OUTRIGGERS) (642) (SN 0160075708 to Present)..... | 1544 |
| FIGURE 11-18. CAPACITY CHART BOOKLET (ANSI) (742)..... | 1546 |
| FIGURE 11-19. CAPACITY CHART BOOKLET (ISO) (742)..... | 1548 |
| FIGURE 11-20. CAPACITY CHART BOOKLET (ANSI) (943) (Prior to SN 0160075708)..... | 1550 |
| FIGURE 11-21. CAPACITY CHART BOOKLET (ANSI) (943) (SN 0160075708 through 0160081272)..... | 1552 |
| FIGURE 11-22. CAPACITY CHART BOOKLET (ANSI) (943) (SN 0160081272 to Present)..... | 1554 |
| FIGURE 11-23. CAPACITY CHART BOOKLET (ISO) (943) (SN 0160075708 through 0160081272)..... | 1556 |
| FIGURE 11-24. CAPACITY CHART BOOKLET (ISO) (943) (SN 0160081272 to Present)..... | 1558 |
| FIGURE 11-25. CAPACITY CHART BOOKLET (ANSI) (OUTRIGGERS) (1043) (Prior to SN 0160075708)..... | 1560 |
| FIGURE 11-26. CAPACITY CHART BOOKLET (ANSI) (OUTRIGGERS) (1043) (SN 0160075708 through 0160081272)..... | 1562 |
| FIGURE 11-27. CAPACITY CHART BOOKLET (ANSI) (OUTRIGGERS) (1043) (SN 0160081272 to Present)..... | 1564 |
| FIGURE 11-28. CAPACITY CHART BOOKLET (ISO) (OUTRIGGERS) (1043) (SN 0160075708 through 0160081272)..... | 1566 |
| FIGURE 11-29. CAPACITY CHART BOOKLET (ISO) (OUTRIGGERS) (1043) (SN 0160081272 to Present)..... | 1568 |
| FIGURE 11-30. REVERSE SENSOR SYSTEM DECAL (ENGLISH)..... | 1570 |
| FIGURE 11-31. REVERSE SENSOR SYSTEM DECAL (ISO)..... | 1572 |
| FIGURE 11-32. REVERSE SENSOR SYSTEM DECAL (ENGLISH/FRENCH)..... | 1574 |
| FIGURE 11-33. REVERSE SENSOR SYSTEM DECAL (ENGLISH/SPANISH)..... | 1576 |
| FIGURE 11-34. DECAL INSTALLATION (642)..... | 1578 |
| FIGURE 11-35. DECAL INSTALLATION (943, 1043)..... | 1580 |
| FIGURE 11-36. CLEARSKY DECAL INSTALLATION..... | 1582 |
| FIGURE 11-37. DECAL INSTALLATION (742, 943, 1043) (110 HP - ENGLISH/SPANISH)..... | 1584 |
| FIGURE 11-38. DECAL INSTALLATION (742, 943) (74 HP - ENGLISH/SPANISH)..... | 1588 |
| SECTION 12 - RECOMMENDED SPARE PARTS..... | 1591 |
| FIGURE 12-1. RECOMMENDED SPARE PARTS..... | 1592 |
| PART NUMBER INDEX..... | 1595 |

SECTION 1 - FRAME AND ATTACHING PARTS

SECTION 1 - FRAME AND ATTACHING PARTS

SECTION 1 - FRAME AND ATTACHING PARTS

FIGURE 1-1. FRAME (NO OUTRIGGERS) (642) (Prior to SN 0160079247)



ART_1001599831-P

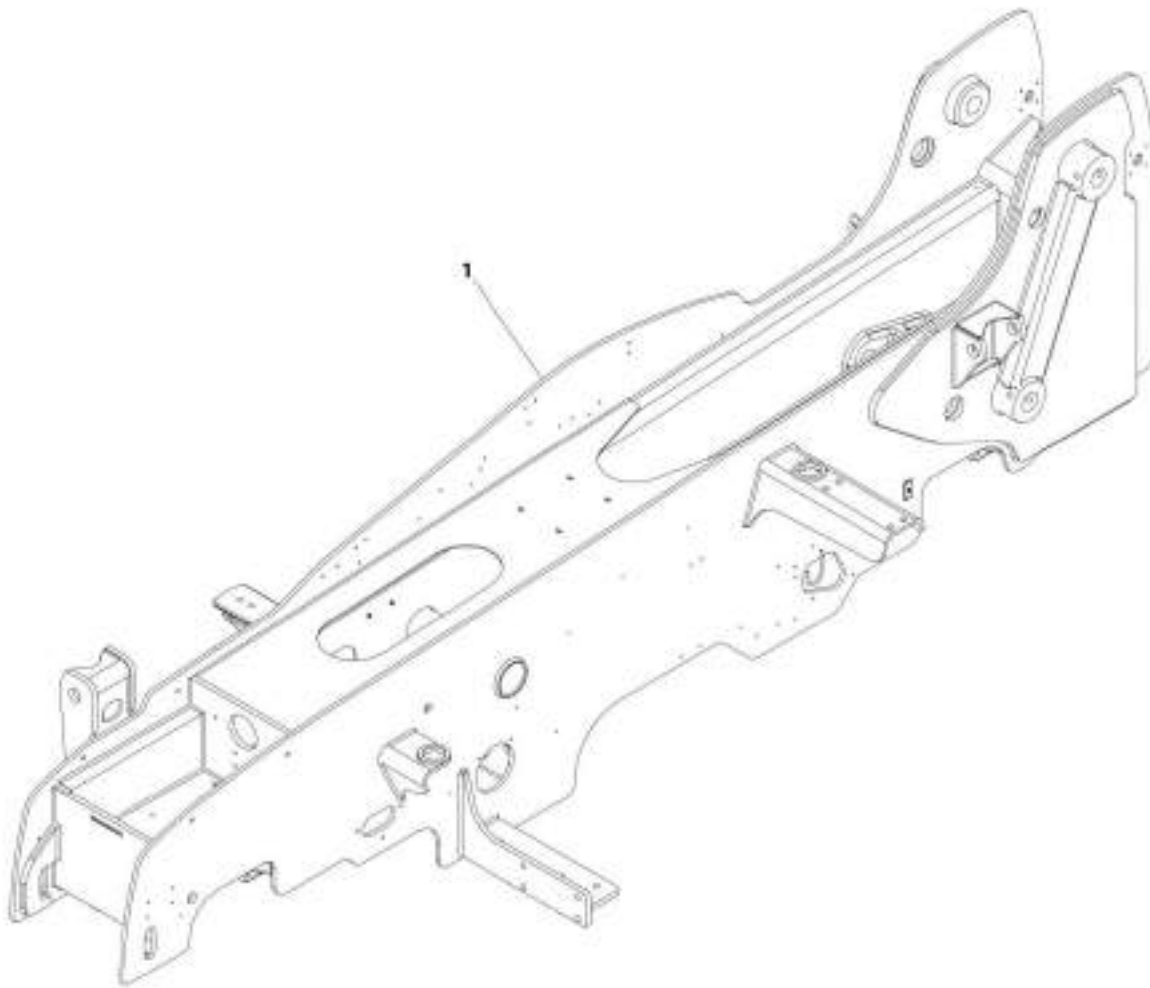
SECTION 1 - FRAME AND ATTACHING PARTS

FIGURE 1-1. FRAME (NO OUTRIGGERS) (642) (Prior to SN 0160079247)

| ITEM | PART NUMBER | QTY | DESCRIPTION | REV |
|------|-------------|-----|-----------------------------|-----|
| 1 | 1001159982J | 1 | Frame (No Outriggers) (642) | P |

SECTION 1 - FRAME AND ATTACHING PARTS

FIGURE 1-2. FRAME (NO OUTRIGGERS) (642, 742) (642 SN 0160079247 to Present)



ART_1001220531-C

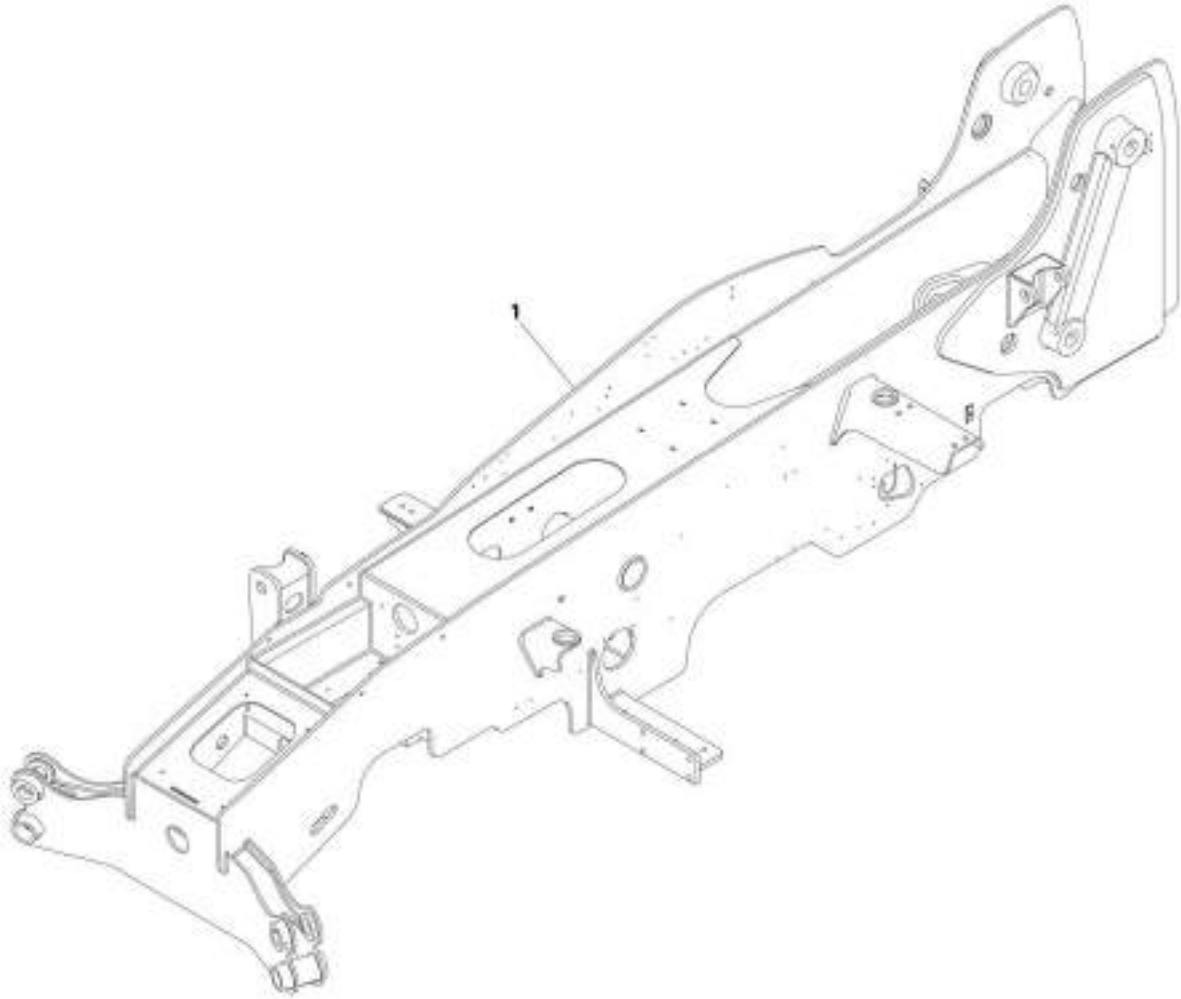
SECTION 1 - FRAME AND ATTACHING PARTS

FIGURE 1-2. FRAME (NO OUTRIGGERS) (642, 742) (642 SN 0160079247 to Present)

| ITEM | PART NUMBER | QTY | DESCRIPTION | REV |
|------|-------------|-----|----------------------------------|-----|
| 1 | 1001220553J | 1 | Frame (No Outriggers) (642, 742) | C |

SECTION 1 - FRAME AND ATTACHING PARTS

FIGURE 1-3. FRAME (OUTRIGGERS) (642) (Prior to SN 0160079165)



ART_10011626531-5

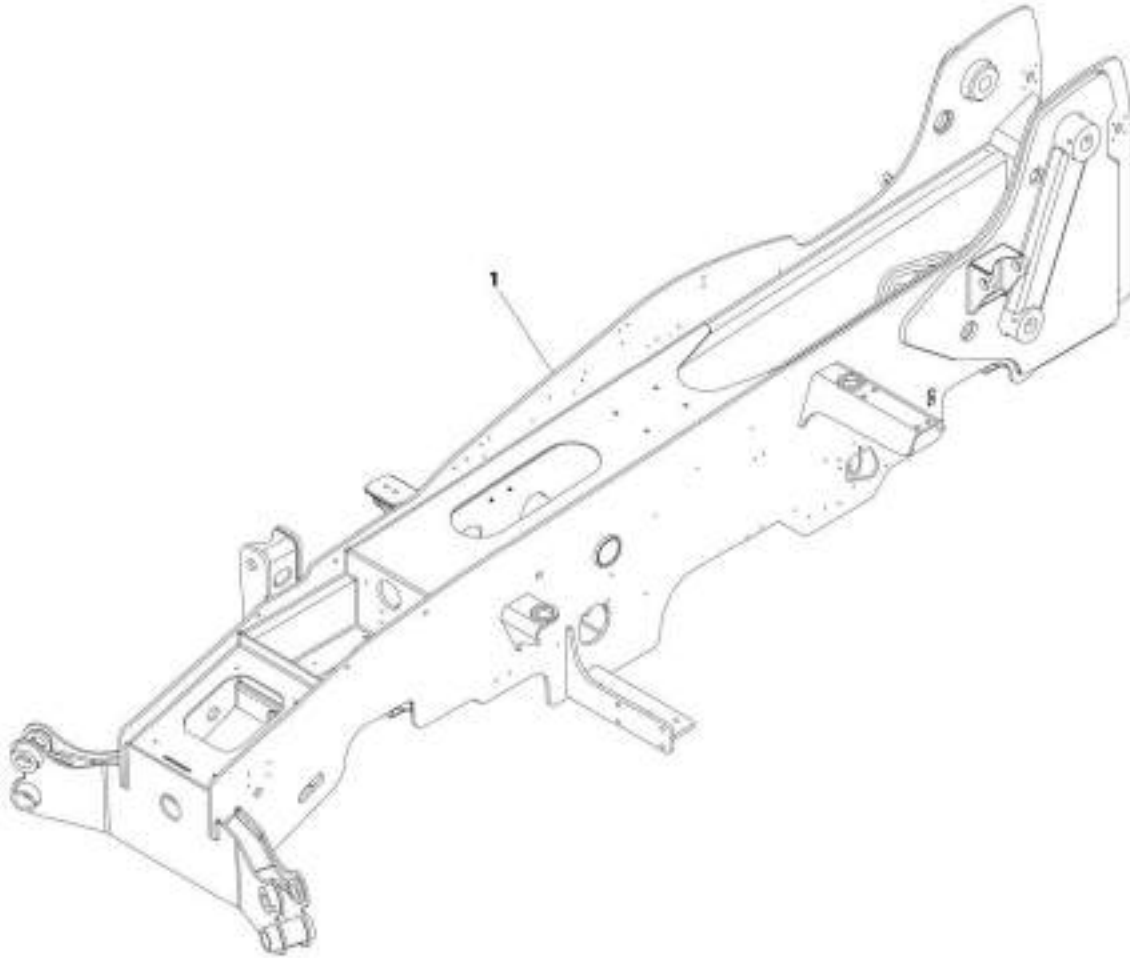
SECTION 1 - FRAME AND ATTACHING PARTS

FIGURE 1-3. FRAME (OUTRIGGERS) (642) (Prior to SN 0160079165)

| ITEM | PART NUMBER | QTY | DESCRIPTION | REV |
|------|-------------|-----|--------------------------|-----|
| 1 | 1001162653J | 1 | Frame (Outriggers) (642) | S |

SECTION 1 - FRAME AND ATTACHING PARTS

FIGURE 1-4. FRAME (OUTRIGGERS) (642) (SN 0160079165 to Present)



ART_1001220554-8

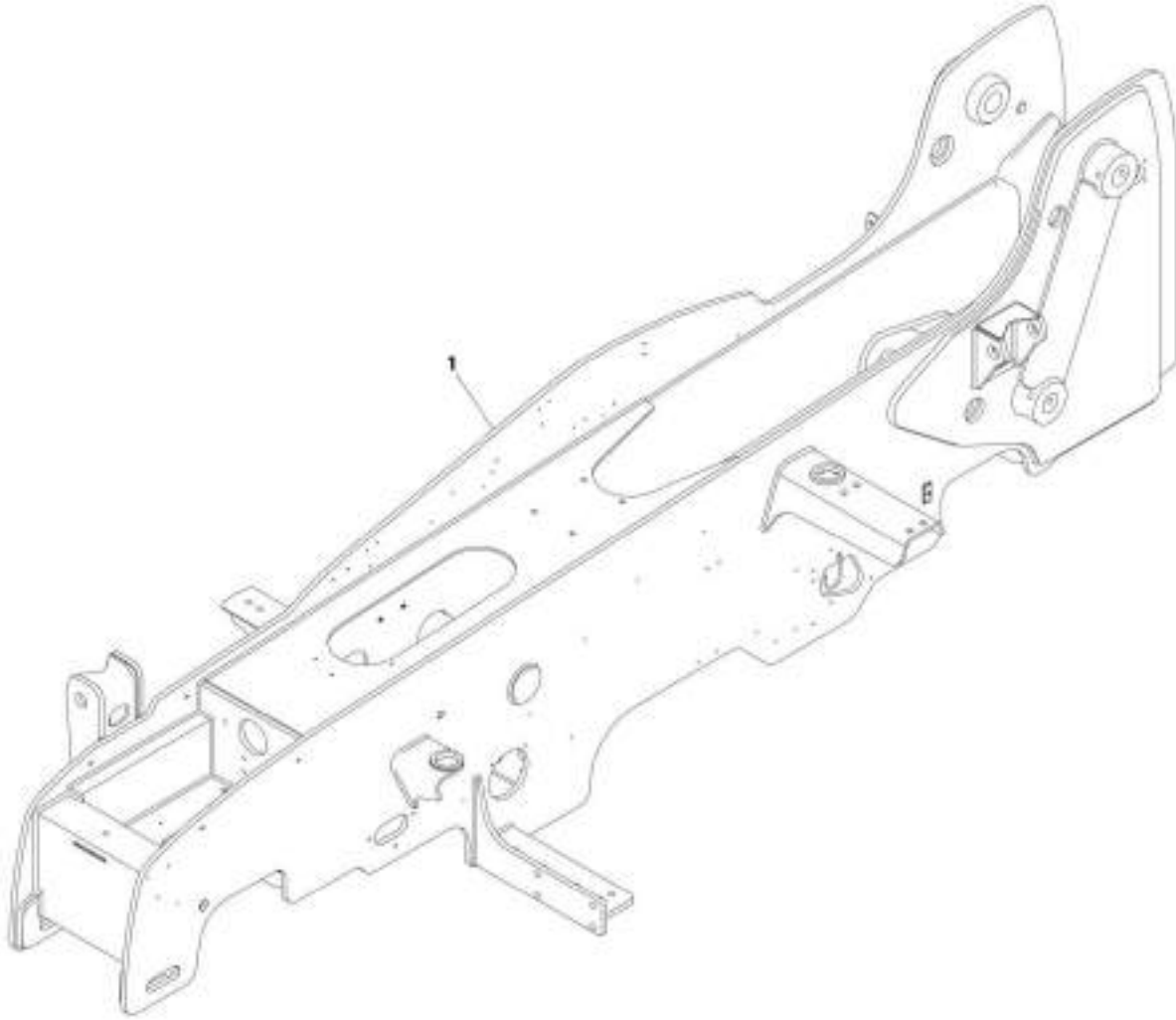
SECTION 1 - FRAME AND ATTACHING PARTS

FIGURE 1-4. FRAME (OUTRIGGERS) (642) (SN 0160079165 to Present)

| ITEM | PART NUMBER | QTY | DESCRIPTION | REV |
|------|-------------|-----|--------------------------|-----|
| 1 | 1001220554J | 1 | Frame (Outriggers) (642) | B |

SECTION 1 - FRAME AND ATTACHING PARTS

FIGURE 1-5. FRAME (NO OUTRIGGERS) (943) (Prior to SN 0160079253)



ART_100162054-J-N

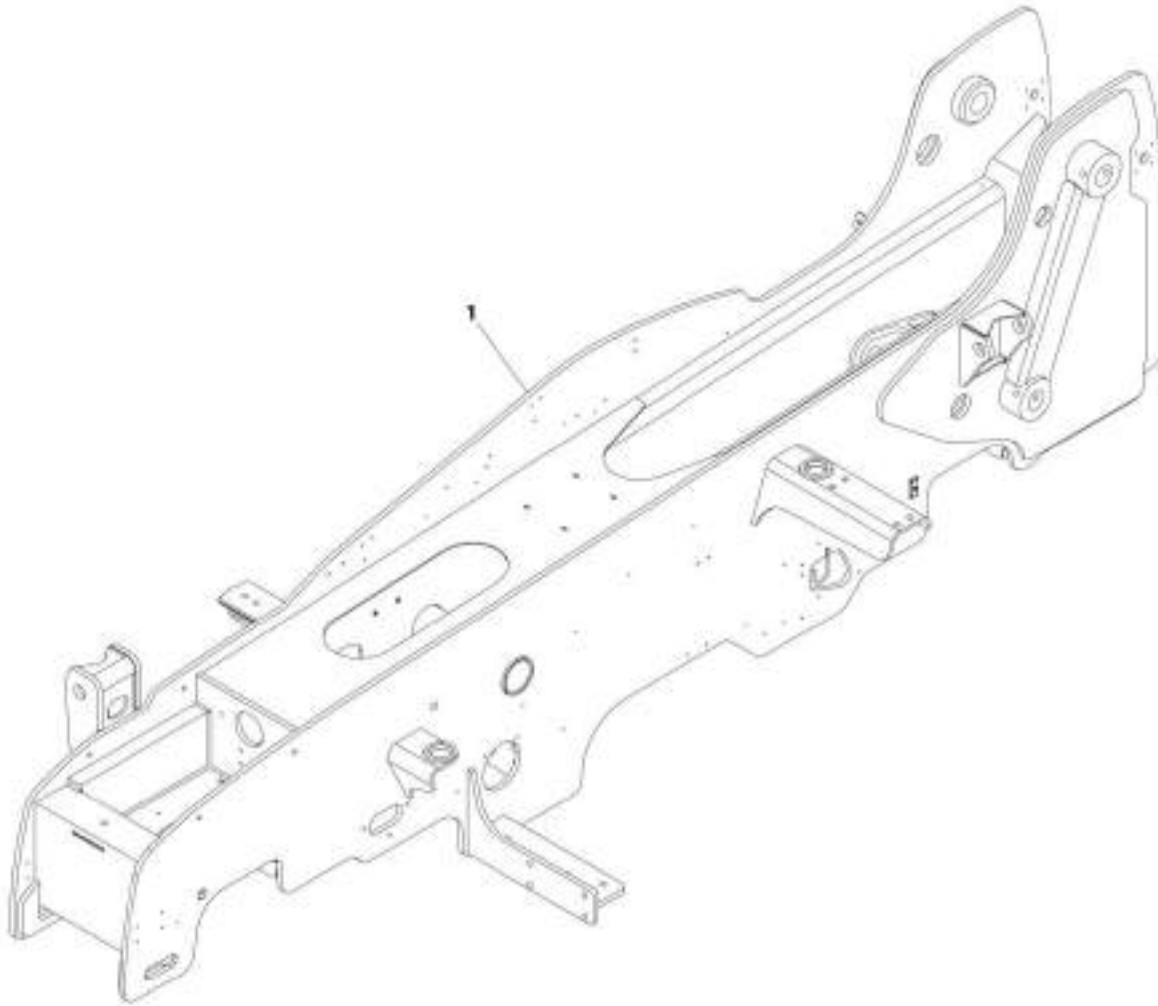
SECTION 1 - FRAME AND ATTACHING PARTS

FIGURE 1-5. FRAME (NO OUTRIGGERS) (943) (Prior to SN 0160079253)

| ITEM | PART NUMBER | QTY | DESCRIPTION | REV |
|------|-------------|-----|-----------------------------|-----|
| 1 | 1001162654J | 1 | Frame (No Outriggers) (943) | N |

SECTION 1 - FRAME AND ATTACHING PARTS

FIGURE 1-6. FRAME (NO OUTRIGGERS) (943) (SN 0160079253 to Present)



ART_10012255961-B

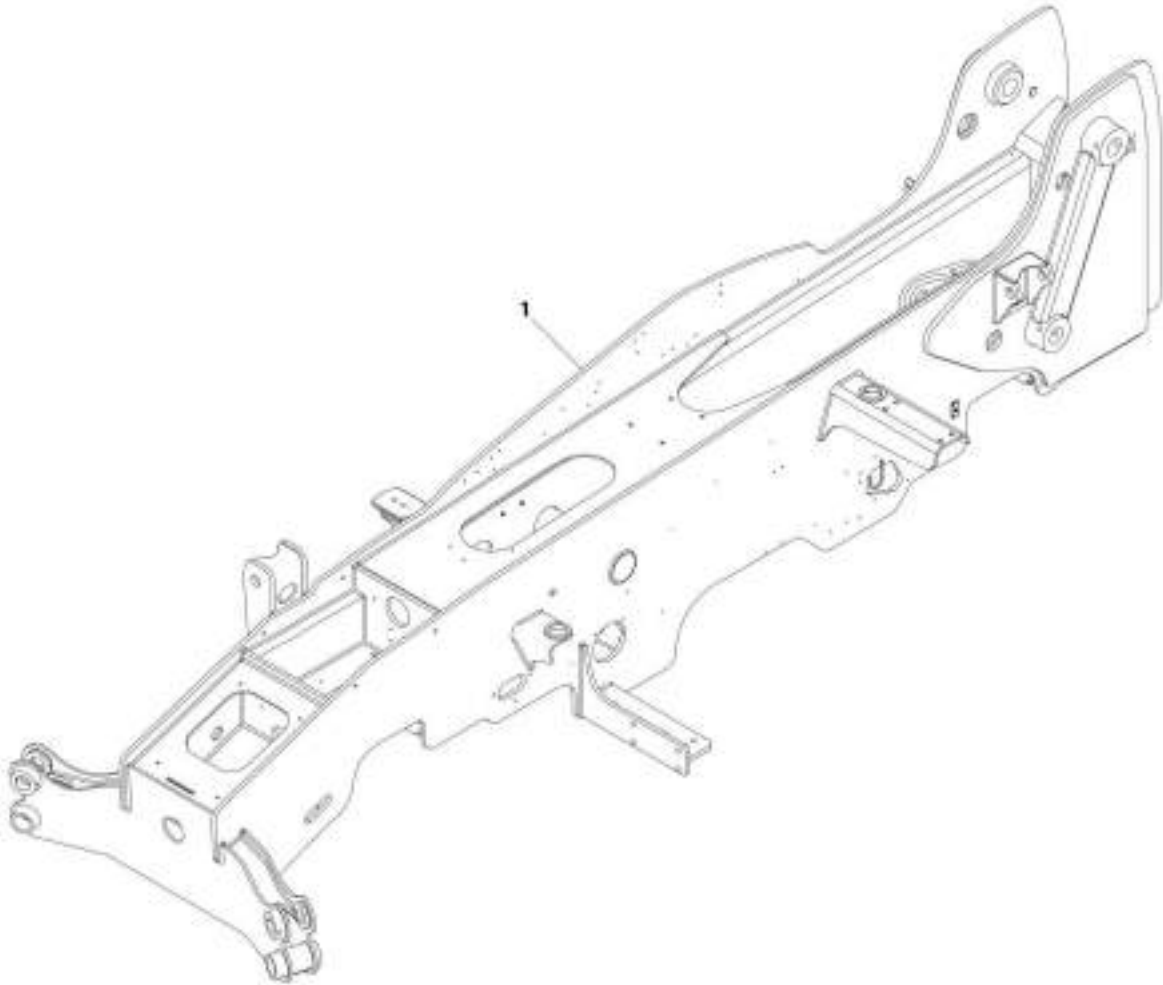
SECTION 1 - FRAME AND ATTACHING PARTS

FIGURE 1-6. FRAME (NO OUTRIGGERS) (943) (SN 0160079253 to Present)

| ITEM | PART NUMBER | QTY | DESCRIPTION | REV |
|------|-------------|-----|-----------------------------|-----|
| 1 | 1001220556J | 1 | Frame (No Outriggers) (943) | B |

SECTION 1 - FRAME AND ATTACHING PARTS

FIGURE 1-7. FRAME (OUTRIGGERS) (1043) (Prior to SN 0160079247)



ART_100158800-N

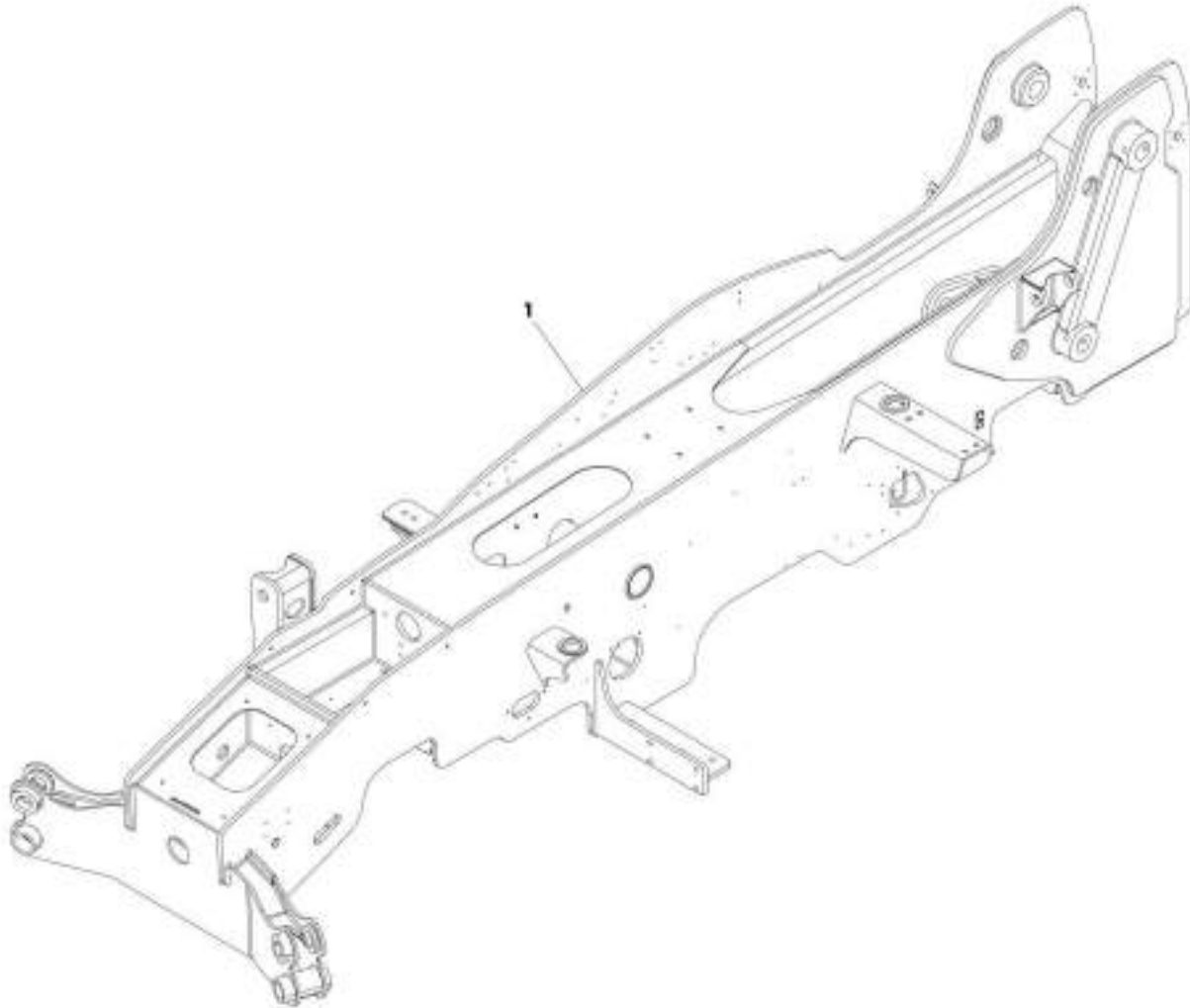
SECTION 1 - FRAME AND ATTACHING PARTS

FIGURE 1-7. FRAME (OUTRIGGERS) (1043) (Prior to SN 0160079247)

| ITEM | PART NUMBER | QTY | DESCRIPTION | REV |
|------|-------------|-----|--------------------|-----|
| 1 | 1001158909J | 1 | Frame (Outriggers) | N |

SECTION 1 - FRAME AND ATTACHING PARTS

FIGURE 1-8. FRAME (OUTRIGGERS) (1043) (SN 0160079247 to Present)



ART_10012385571-8

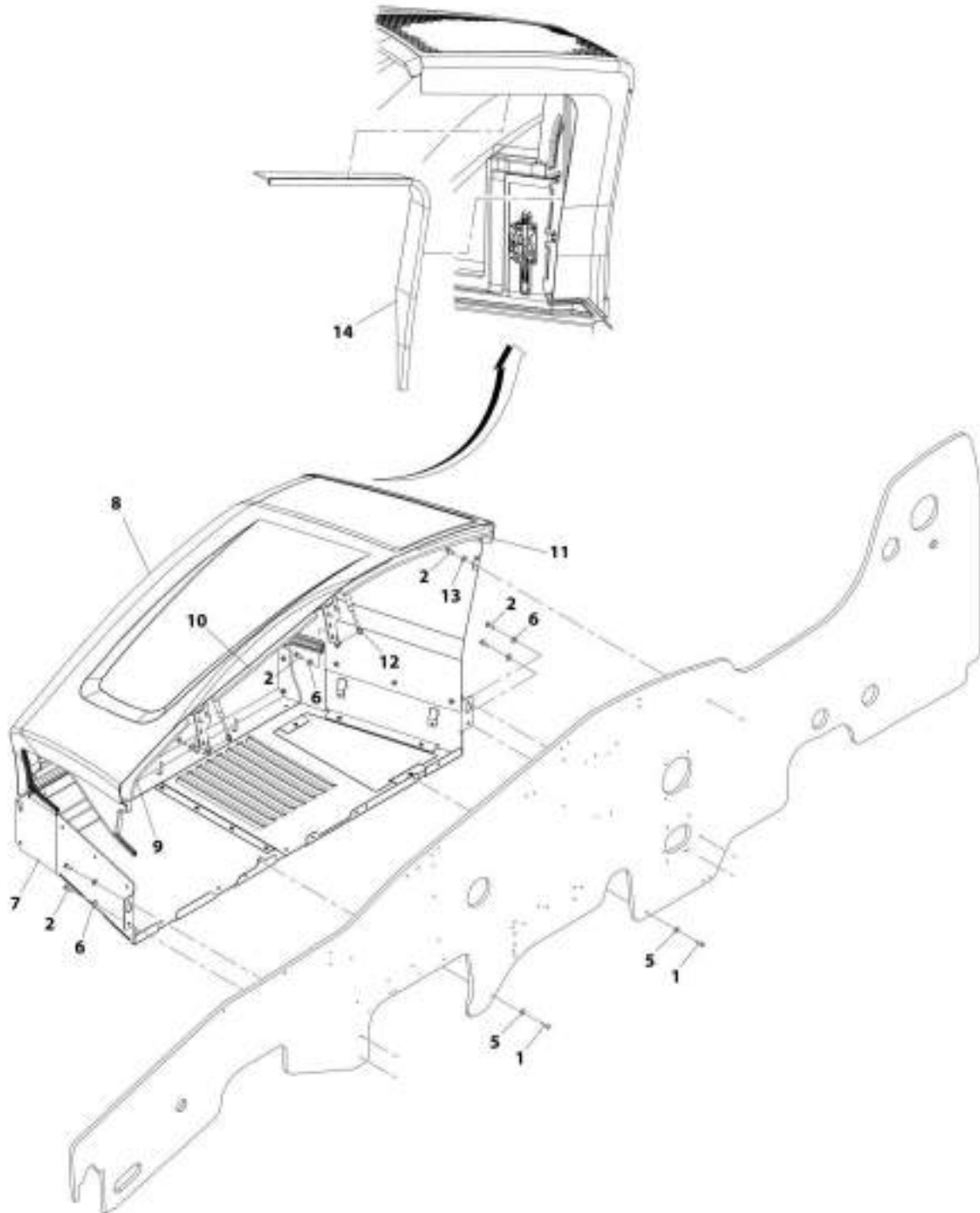
SECTION 1 - FRAME AND ATTACHING PARTS

FIGURE 1-8. FRAME (OUTRIGGERS) (1043) (SN 0160079247 to Present)

| ITEM | PART NUMBER | QTY | DESCRIPTION | REV |
|------|-------------|-----|------------------------------|-----|
| 1 | 1001220557J | 1 | Frame (No Outriggers) (1043) | B |

SECTION 1 - FRAME AND ATTACHING PARTS

FIGURE 1-9. ENGINE ENCLOSURE INSTALLATION



AWT_1001190253-1

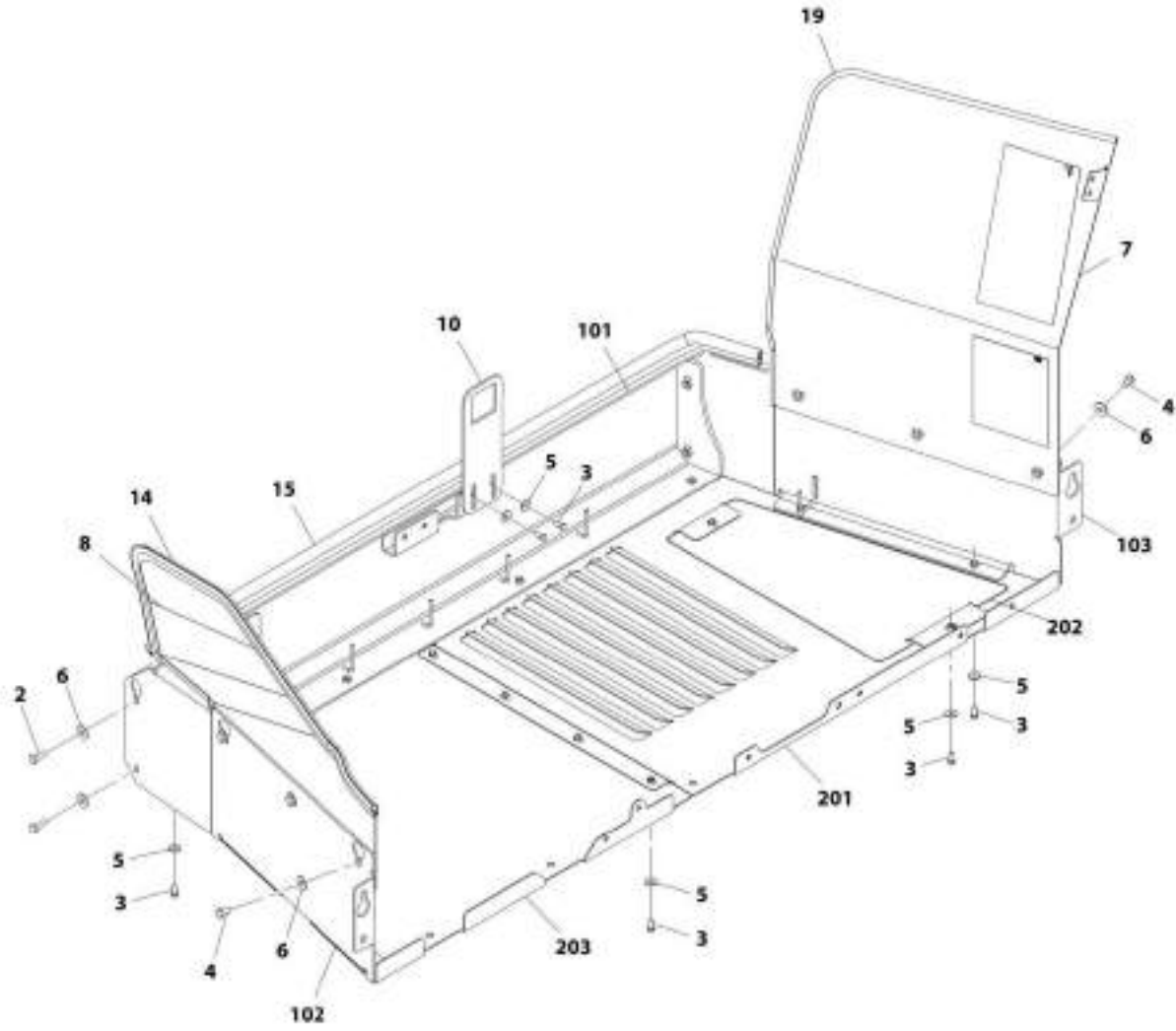
SECTION 1 - FRAME AND ATTACHING PARTS

FIGURE 1-9. ENGINE ENCLOSURE INSTALLATION

| ITEM | PART NUMBER | QTY | DESCRIPTION | REV |
|------|-------------|-----|---|-----|
| | 1001160253 | Ref | Engine Enclosure Installation | 1 |
| 1 | 0760815 | 2 | Bolt, M8X35 | |
| 2 | 0701014 | 11 | Bolt, M10X30 | |
| 5 | 4811902 | 2 | Washer, M8 | |
| 6 | 4812002 | 10 | Washer, M10 | |
| 7 | 1001162239 | Ref | Installation, Engine Enclosure Cover, (See ENGINE ENCLOSURE COVER INSTALLATION for Breakdown) | |
| 8 | 1001168834 | NLA | Assembly, Hood (no longer available, use 1001235963 for replacement) | |
| 8 | 1001235963 | Ref | Assembly, Hood (See HOOD ASSEMBLY for Breakdown) | |
| 9 | 1001203932 | 1 | Seal | |
| 10 | 1001203933 | 1 | Seal | |
| 11 | 1001203934 | 1 | Seal | |
| 12 | 1001171885 | 2 | Spring, Gas | |
| 13 | 4812000 | 1 | Washer, M10 | |
| 14 | 1001197339 | 1 | Trim, Lock Seal | |

SECTION 1 - FRAME AND ATTACHING PARTS

FIGURE 1-10. ENGINE ENCLOSURE COVER INSTALLATION



ART_100160230-L

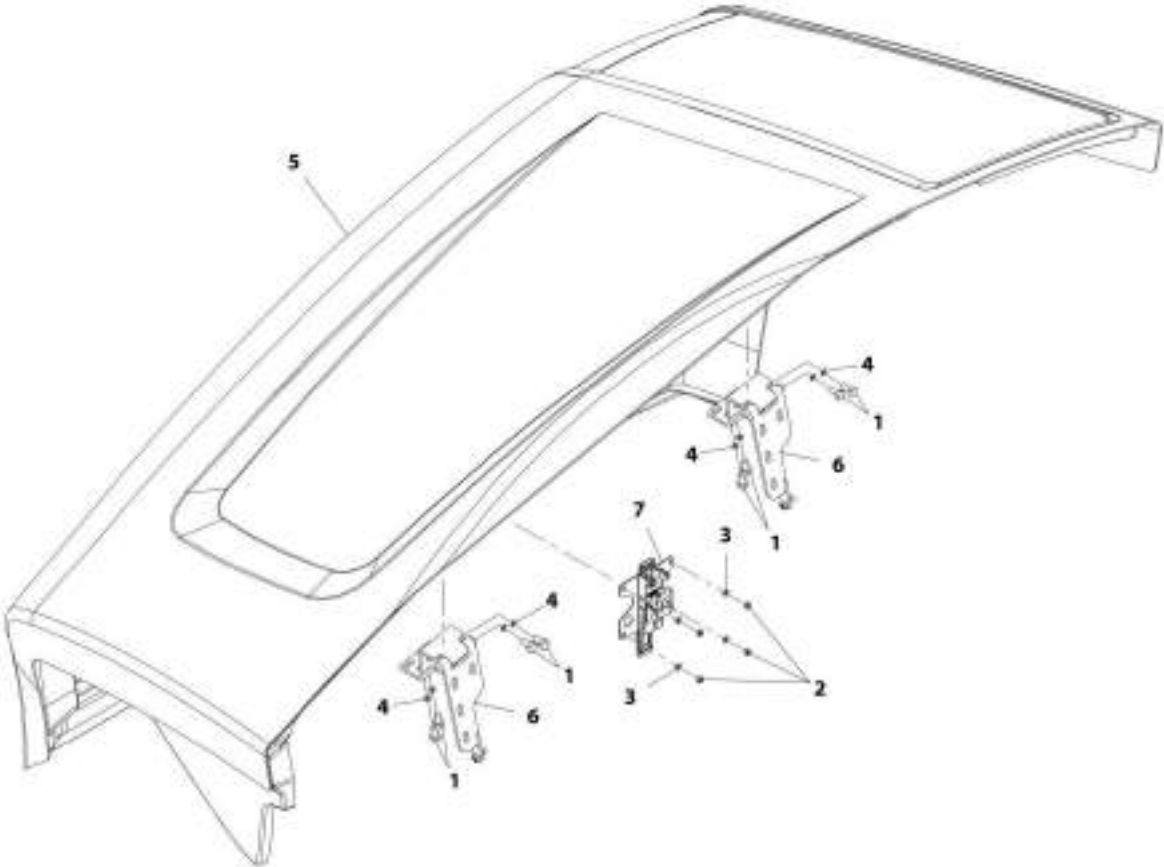
SECTION 1 - FRAME AND ATTACHING PARTS

FIGURE 1-10. ENGINE ENCLOSURE COVER INSTALLATION

| ITEM | PART NUMBER | QTY | DESCRIPTION | REV |
|------|-------------|---------|-------------------------------------|-----|
| | 1001162239 | Ref | Engine Enclosure Cover Installation | L |
| 2 | 0701014 | 4 | Bolt, M10X30 | |
| 3 | 0760810 | 16 | Bolt, M8X20 | |
| 4 | 0761010 | 6 | Bolt, M10X20 | |
| 5 | 4811902 | 16 | Washer, M8 | |
| 6 | 4812002 | 10 | Washer, M10 | |
| 7 | 1001204086 | 1 | Plate, Rear Cover | |
| 8 | 1001184076 | 1 | Panel, Front Cover | |
| 10 | 1001209388 | 1 | Latch, Hood | |
| 14 | 1001003227 | 1375 mm | Seal | |
| 15 | 1001204486 | 1795 mm | Seal | |
| 19 | 1001008999 | 1345 mm | Trim, Edge | |
| 101 | 1001162240J | 1 | Panel, Side Skirt | |
| 102 | 1001213126J | 1 | Panel, Front Skirt | |
| 103 | 1001196426J | 1 | Panel, Rear Skirt | |
| 201 | 1001196422 | 1 | Panel, Bottom Cover | |
| 202 | 1001169265 | 1 | Panel, Access | |
| 203 | 1001196404 | 1 | Panel, Engine Pod | |

SECTION 1 - FRAME AND ATTACHING PARTS

FIGURE 1-11. HOOD ASSEMBLY



ART_100108034-K

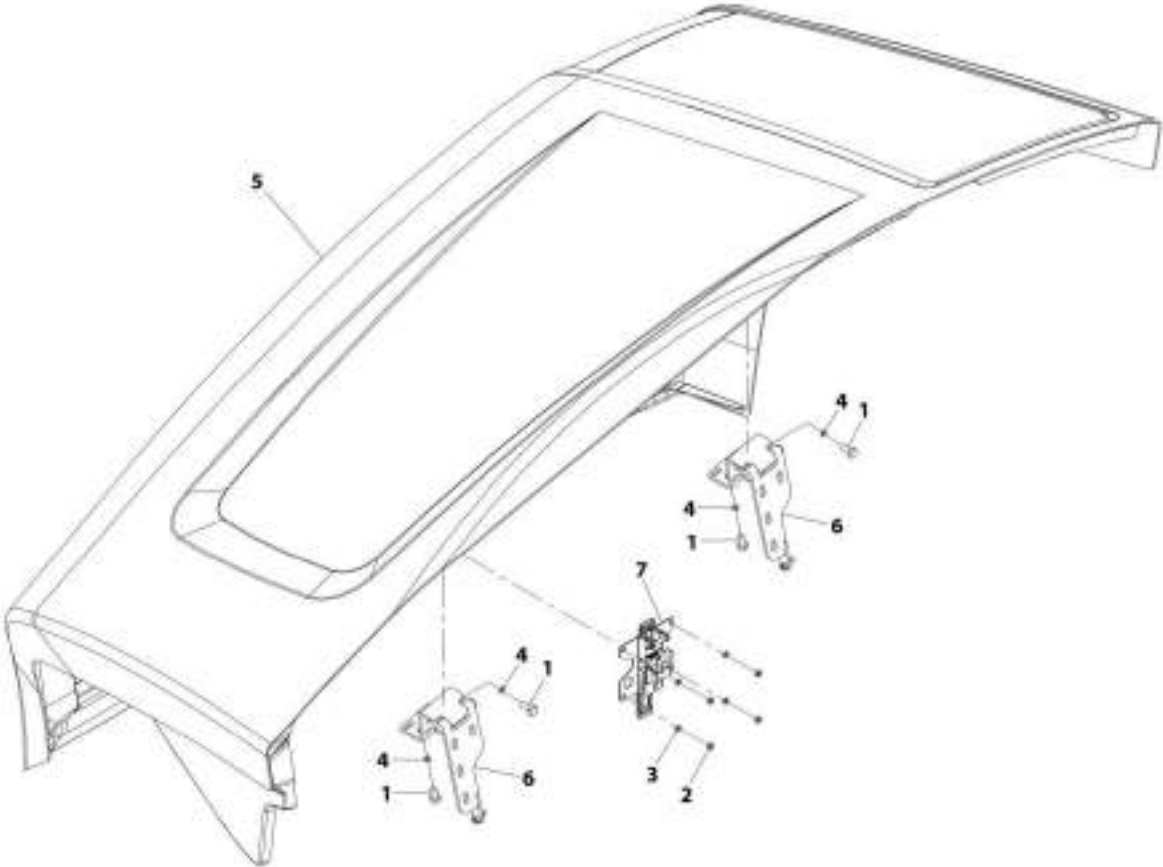
SECTION 1 - FRAME AND ATTACHING PARTS

FIGURE 1-11. HOOD ASSEMBLY

| ITEM | PART NUMBER | QTY | DESCRIPTION | REV |
|------|-------------|-----|---|-----|
| | 1001168834 | NLA | Hood Assembly (no longer available, use items 1 thru 7 for service or 1001235963 for replacement) | K |
| 1 | 0761010 | 8 | Bolt, M10X20 | |
| 2 | 3290605 | 4 | Nut, Lock M6X1 | |
| 3 | 4811700 | 4 | Washer, M6 | |
| 4 | 4812000 | 8 | Washer, M10 | |
| 5 | 1001166698 | 1 | Hood | |
| 6 | 1001209387 | 2 | Hinge, Hood | |
| 7 | 1001132168 | 1 | Latch, Hood | |

SECTION 1 - FRAME AND ATTACHING PARTS

FIGURE 1-12. HOOD ASSEMBLY



ART_1001255903-B

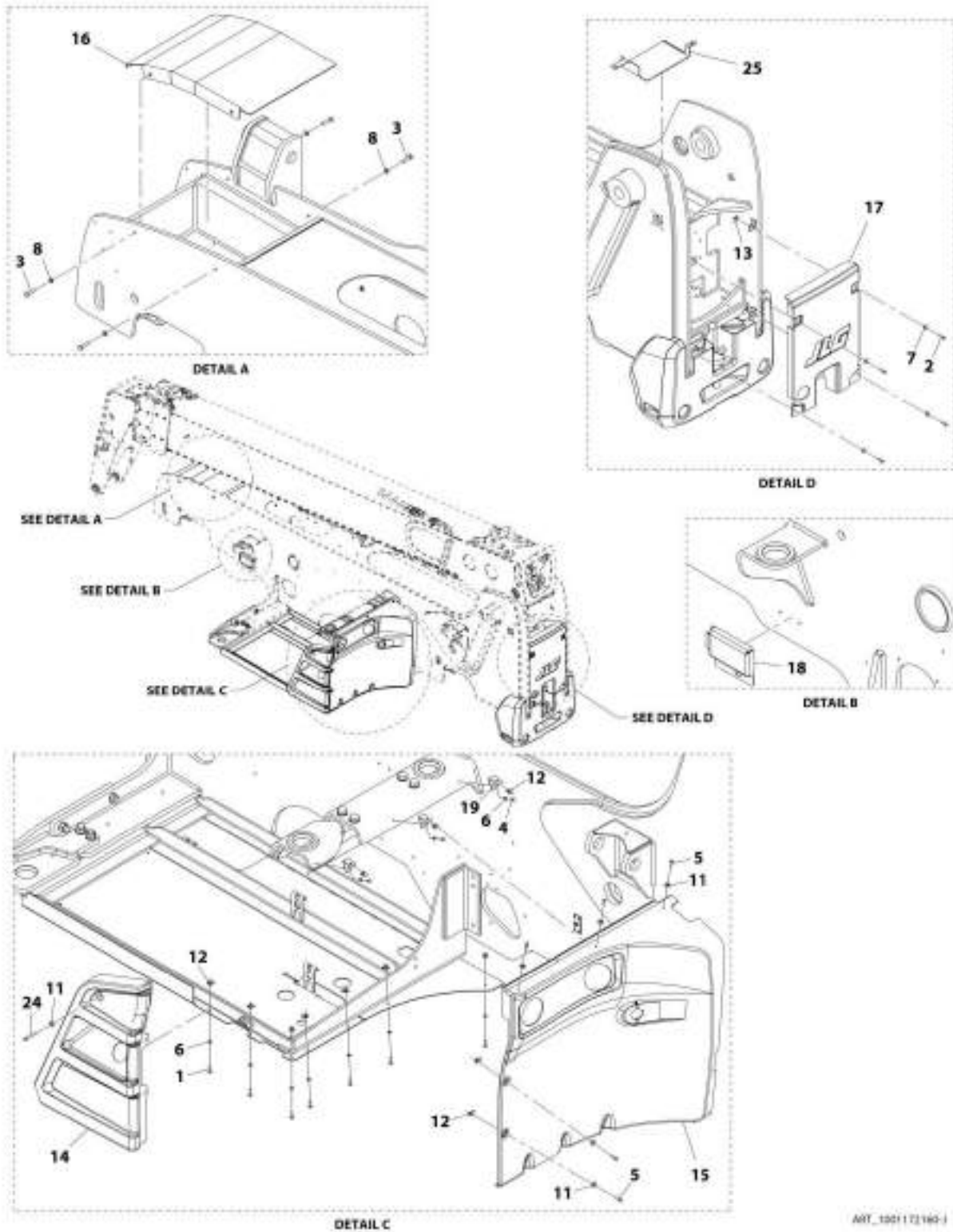
SECTION 1 - FRAME AND ATTACHING PARTS

FIGURE 1-12. HOOD ASSEMBLY

| ITEM | PART NUMBER | QTY | DESCRIPTION | REV |
|------|-------------|-----|----------------|-----|
| | 1001235963 | Ref | Hood Assembly | B |
| 1 | 0761010 | 8 | Bolt, M10X20 | |
| 2 | 3290605 | 4 | Nut, Lock M6X1 | |
| 3 | 4811700 | 4 | Washer, M6 | |
| 4 | 4812000 | 8 | Washer, M10 | |
| 5 | 1001234455 | 1 | Hood | |
| 6 | 1001209387 | 2 | Hinge, Hood | |
| 7 | 1001132168 | 1 | Latch, Hood | |

SECTION 1 - FRAME AND ATTACHING PARTS

FIGURE 1-13. COVER INSTALLATION (NO OUTRIGGERS) (ULS)



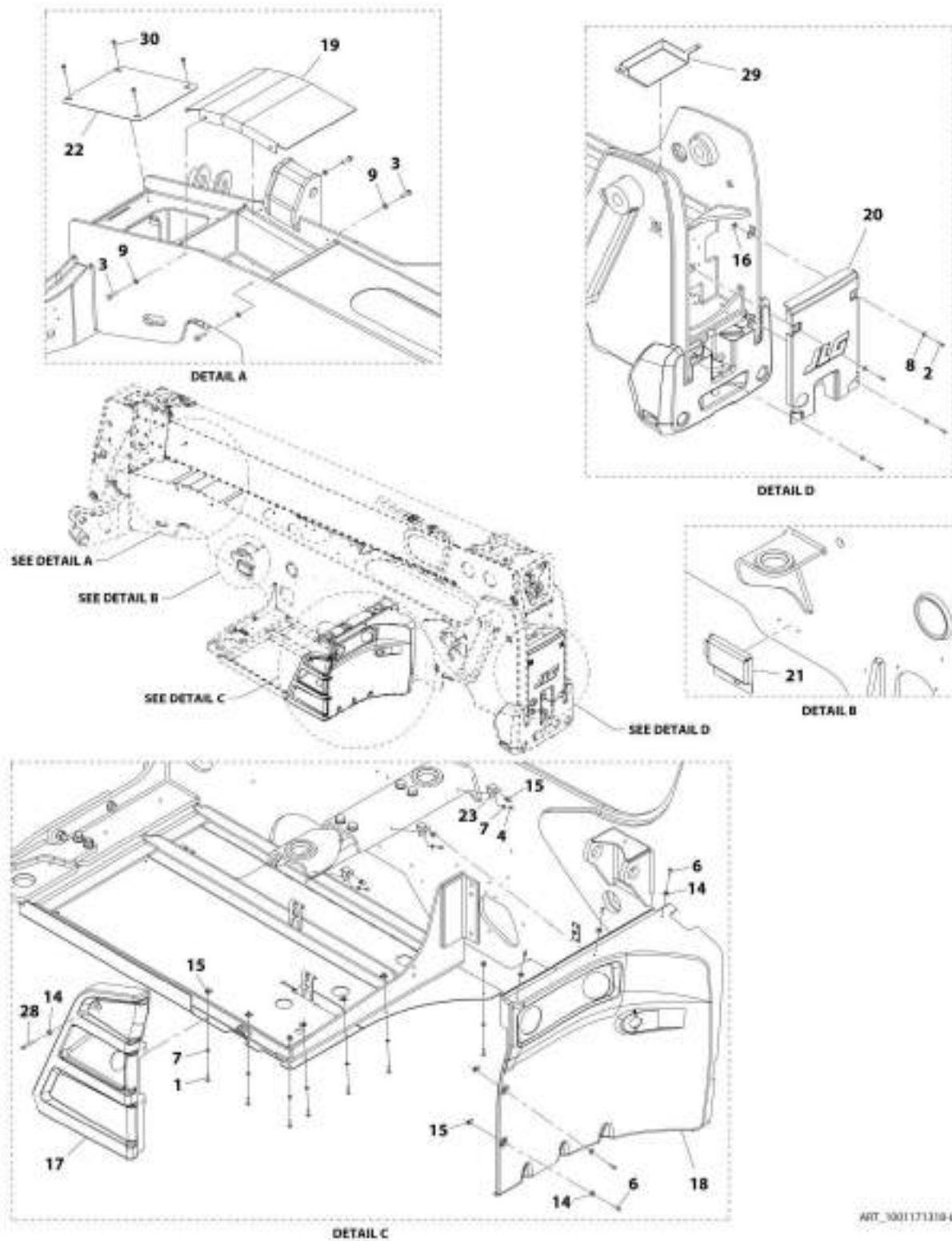
SECTION 1 - FRAME AND ATTACHING PARTS

FIGURE 1-13. COVER INSTALLATION (NO OUTRIGGERS) (ULS)

| ITEM | PART NUMBER | QTY | DESCRIPTION | REV |
|------|-------------|-----|---|-----|
| | 1001172160 | Ref | Cover Installation (No Outriggers) (ULS) | J |
| 1 | 0700610 | 7 | Bolt, M6X20 | |
| 2 | 0700814 | 4 | Bolt, M8X30 | |
| 3 | 0701016 | 4 | Bolt, M10X40 | |
| 4 | 0760606 | 3 | Bolt, M6X12 | |
| 5 | 3900379 | 5 | Screw, M6-1X25 Grade 10.9 | |
| 6 | 4811700 | 10 | Washer, M6 | |
| 7 | 4811902 | 4 | Washer, M8 | |
| 8 | 4812000 | 4 | Washer, M10 | |
| 11 | 1001097540 | 6 | Washer, M6 | |
| 12 | 1001130220 | 12 | Nut, M6 | |
| 13 | 1001149160 | 4 | Nut, M8 | |
| 14 | 1001168760 | 1 | Cover, Side Tank | |
| 15 | 1001168761 | 1 | Cover, Rear Tank | |
| 16 | 1001170323 | 1 | Shield, Battery (Prior to SN 0160076465) | |
| 16 | 1001207343 | 1 | Shield, Battery (SN 0160076465 to Present) | |
| 17 | 1001170645 | 1 | Cover | |
| 18 | 1001201646 | 1 | Shield, Inspection Port | |
| 19 | 1001171772 | 3 | Bracket | |
| 24 | 1001112902 | 1 | Screw, M6 | |
| 25 | 1001204488 | 1 | Cover, Rear Frame Module | |

SECTION 1 - FRAME AND ATTACHING PARTS

FIGURE 1-14. COVER INSTALLATION (OUTRIGGERS) (ULS) (642, 1043)



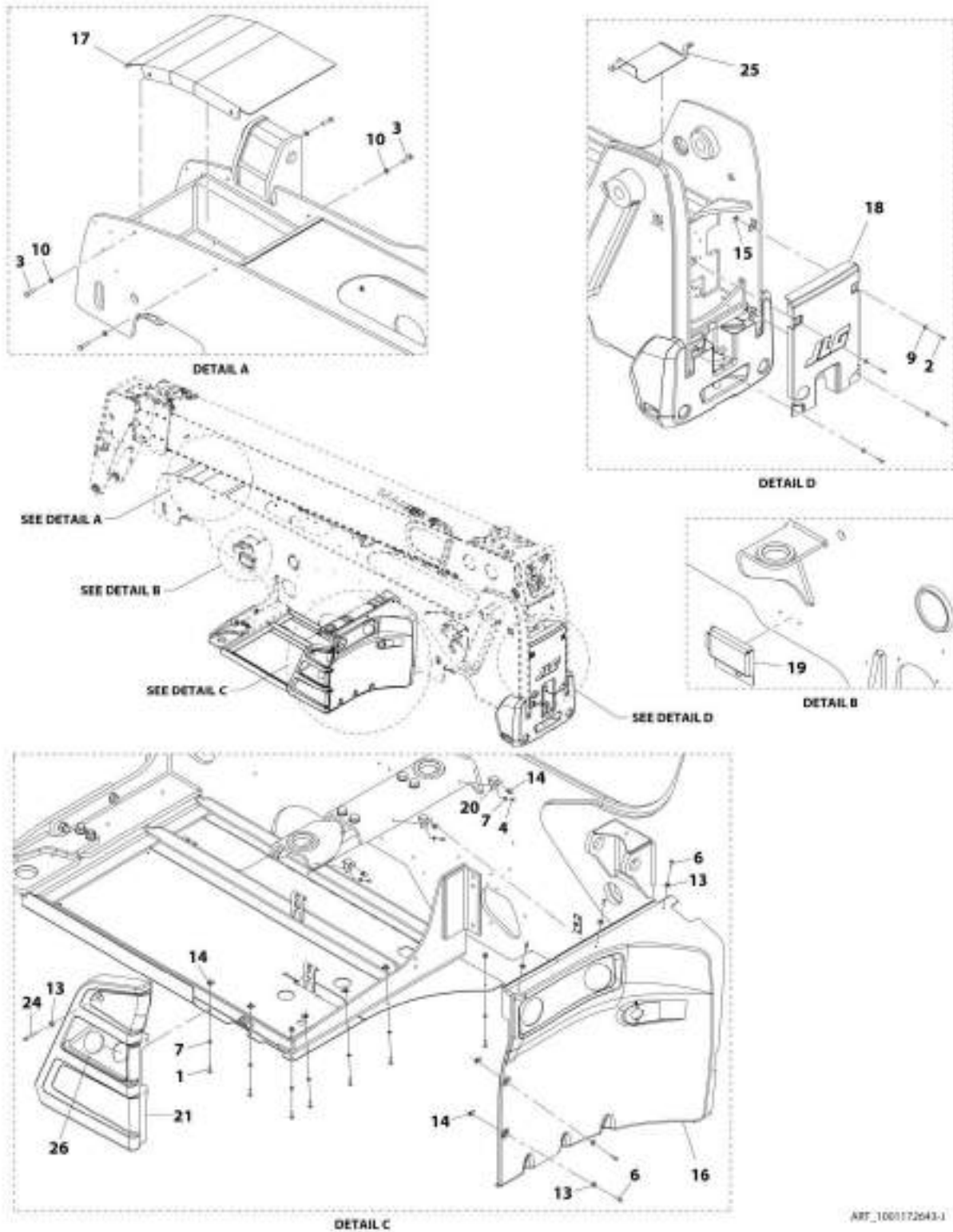
SECTION 1 - FRAME AND ATTACHING PARTS

FIGURE 1-14. COVER INSTALLATION (OUTRIGGERS) (ULS) (642, 1043)

| ITEM | PART NUMBER | QTY | DESCRIPTION | REV |
|------|-------------|-----|---|-----|
| | 1001171318 | Ref | Cover Installation (Outriggers) (ULS) (642, 1043) | L |
| 1 | 0700610 | 7 | Bolt, M6X20 | |
| 2 | 0700814 | 4 | Bolt, M8X30 | |
| 3 | 0701016 | 4 | Bolt, M10X40 | |
| 4 | 0760606 | 3 | Bolt, M6X12 | |
| 6 | 3900379 | 5 | Screw, M6-1X25 | |
| 7 | 4811700 | 10 | Washer, M6 | |
| 8 | 4811902 | 4 | Washer, M8 | |
| 9 | 4812000 | 4 | Washer, M10 | |
| 14 | 1001097540 | 6 | Washer, M6 | |
| 15 | 1001130220 | 12 | Nut, M6 | |
| 16 | 1001149160 | 4 | Nut, M8 | |
| 17 | 1001168760 | 1 | Cover, Side Tank | |
| 18 | 1001168761 | 1 | Cover, Rear Tank | |
| 19 | 1001170323 | 1 | Shield, Battery (Prior to SN 0160076465) | |
| 19 | 1001207343 | 1 | Shield, Battery (SN 0160076465 to Present) | |
| 20 | 1001170645 | 1 | Cover | |
| 21 | 1001201646 | 1 | Shield, Inspection Port | |
| 22 | 1001170665 | 1 | Plate, Valve Cover | |
| 23 | 1001171772 | 3 | Plate, Angle Bracket | |
| 28 | 1001112902 | 1 | Screw, M6 | |
| 29 | 1001204488 | 1 | Cover, Rear Frame Module | |
| 30 | 5250814 | 4 | Bolt, M8X30 | |

SECTION 1 - FRAME AND ATTACHING PARTS

FIGURE 1-15. COVER INSTALLATION (NO OUTRIGGERS), 74HP (LS) (642, 742, 943)



ART_1001172643-1

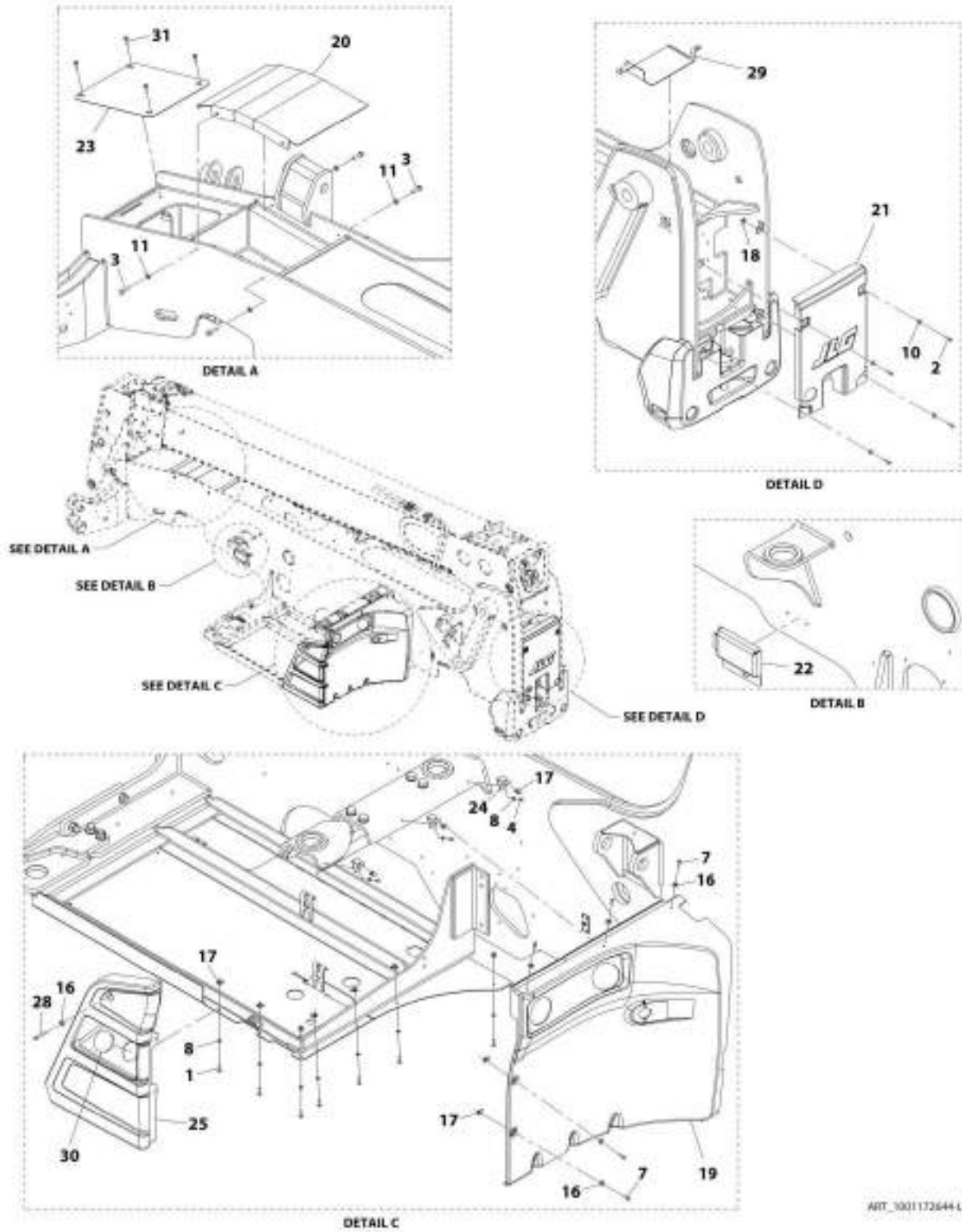
SECTION 1 - FRAME AND ATTACHING PARTS

FIGURE 1-15. COVER INSTALLATION (NO OUTRIGGERS), 74HP (LS) (642, 742, 943)

| ITEM | PART NUMBER | QTY | DESCRIPTION | REV |
|------|-------------|-----|---|-----|
| | 1001172643 | Ref | Cover Installation (No Outriggers), 74HP (LS) (642, 742, 943) | J |
| 1 | 0700610 | 7 | Bolt, M6X20 | |
| 2 | 0700814 | 4 | Bolt, M8X30 | |
| 3 | 0701016 | 4 | Bolt, M10X40 | |
| 4 | 0760606 | 3 | Bolt, M6X12 | |
| 6 | 3900379 | 5 | Screw, M6-1X25 | |
| 7 | 4811700 | 10 | Washer, M6 | |
| 9 | 4811902 | 4 | Washer, M8 | |
| 10 | 4812000 | 4 | Washer, M10 | |
| 13 | 1001097540 | 6 | Washer, M6 | |
| 14 | 1001130220 | 12 | Nut, M6 | |
| 15 | 1001149160 | 4 | Nut, M8 | |
| 16 | 1001168761 | 1 | Cover, Rear Tank | |
| 17 | 1001170323 | 1 | Shield, Battery (Prior to SN 0160076465) | |
| 17 | 1001207343 | 1 | Shield, Battery (SN 0160076465 to Present) | |
| 18 | 1001170645 | 1 | Cover | |
| 19 | 1001201646 | 1 | Shield, Inspection Port | |
| 20 | 1001171772 | 3 | Bracket | |
| 21 | 1001168760 | 1 | Cover, Side Tank | |
| 24 | 1001112902 | 1 | Screw, M6 | |
| 25 | 1001204488 | 1 | Cover, Rear Frame Module | |
| 26 | 1001206746 | 1 | Cap, Side Tank Cover | |

SECTION 1 - FRAME AND ATTACHING PARTS

FIGURE 1-16. COVER INSTALLATION (OUTRIGGERS) (LS) (642, 1043)



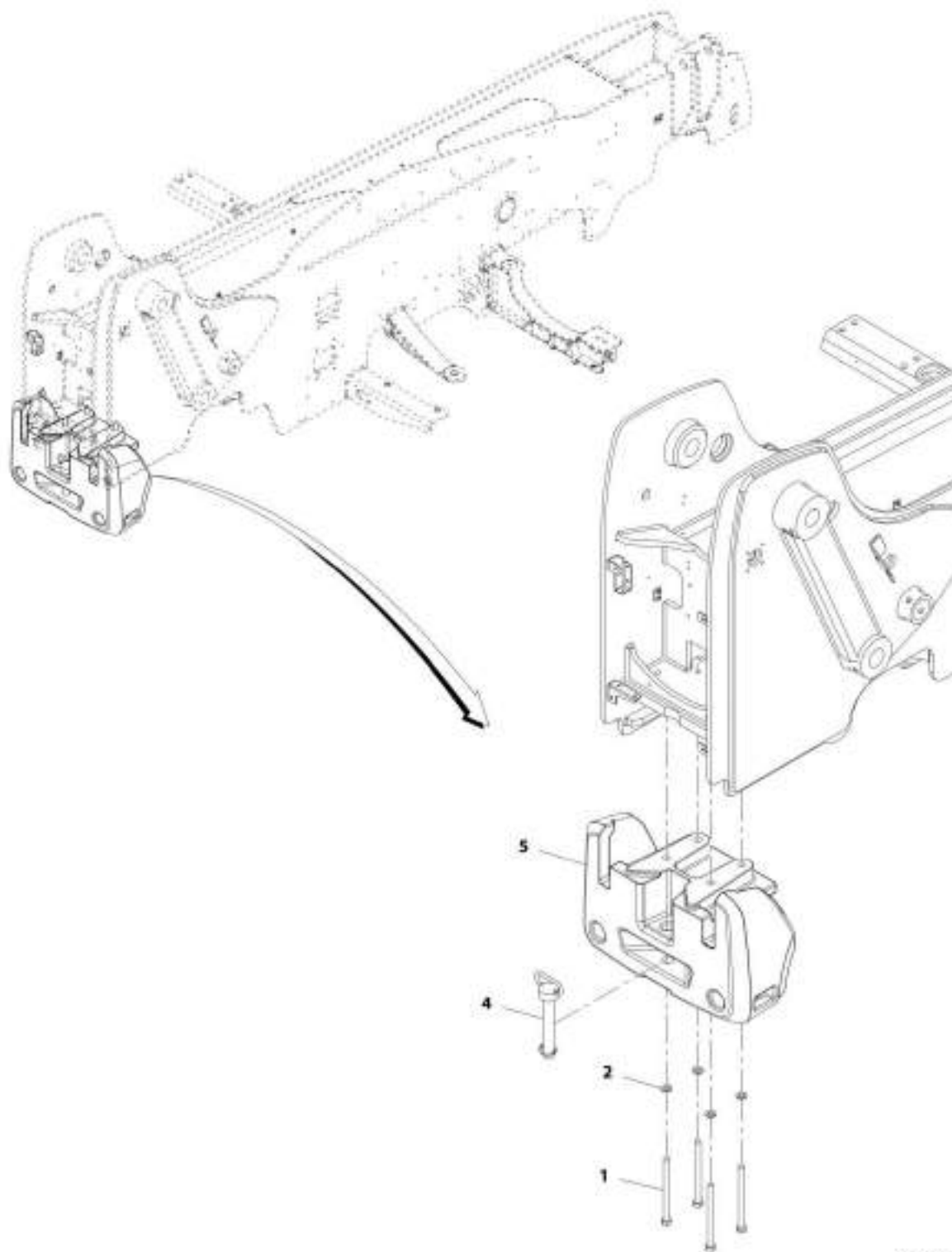
SECTION 1 - FRAME AND ATTACHING PARTS

FIGURE 1-16. COVER INSTALLATION (OUTRIGGERS) (LS) (642, 1043)

| ITEM | PART NUMBER | QTY | DESCRIPTION | REV |
|------|-------------|-----|---|-----|
| | 1001172644 | Ref | Cover Installation (Outriggers) (LS) (642, 1043) | L |
| 1 | 0700610 | 7 | Bolt, M6X20 | |
| 2 | 0700814 | 4 | Bolt, M8X30 | |
| 3 | 0701016 | 4 | Bolt, M10X40 | |
| 4 | 0760606 | 3 | Bolt, M6X12 | |
| 7 | 3900379 | 5 | Screw, M6-1X25 | |
| 8 | 4811700 | 10 | Washer, M6 | |
| 10 | 4811902 | 4 | Washer, M8 | |
| 11 | 4812000 | 4 | Washer, M10 | |
| 16 | 1001097540 | 6 | Washer, M6 | |
| 17 | 1001130220 | 12 | Nut, M6 | |
| 18 | 1001149160 | 4 | Nut, M8 | |
| 19 | 1001168761 | 1 | Cover, Rear Tank | |
| 20 | 1001170323 | 1 | Shield, Battery (Prior to SN 0160076465) | |
| 20 | 1001207343 | 1 | Shield, Battery (SN 0160076465 to Present) | |
| 21 | 1001170645 | 1 | Cover | |
| 22 | 1001201646 | 1 | Shield, Inspection Port | |
| 23 | 1001170665 | 1 | Plate, Valve Cover | |
| 24 | 1001171772 | 3 | Plate, Angle Bracket | |
| 25 | 1001168760 | 1 | Cover, Side Tank | |
| 28 | 1001112902 | 1 | Screw, M6 | |
| 29 | 1001204488 | 1 | Cover, Rear Frame Module | |
| 30 | 1001206746 | 1 | Cap, Side Tank Cover | |
| 31 | 5250814 | 4 | Bolt, M8X30 | |

SECTION 1 - FRAME AND ATTACHING PARTS

FIGURE 1-17. COUNTERWEIGHT INSTALLATION (642) (Prior to SN 0160078403)



ART_1001178103-D

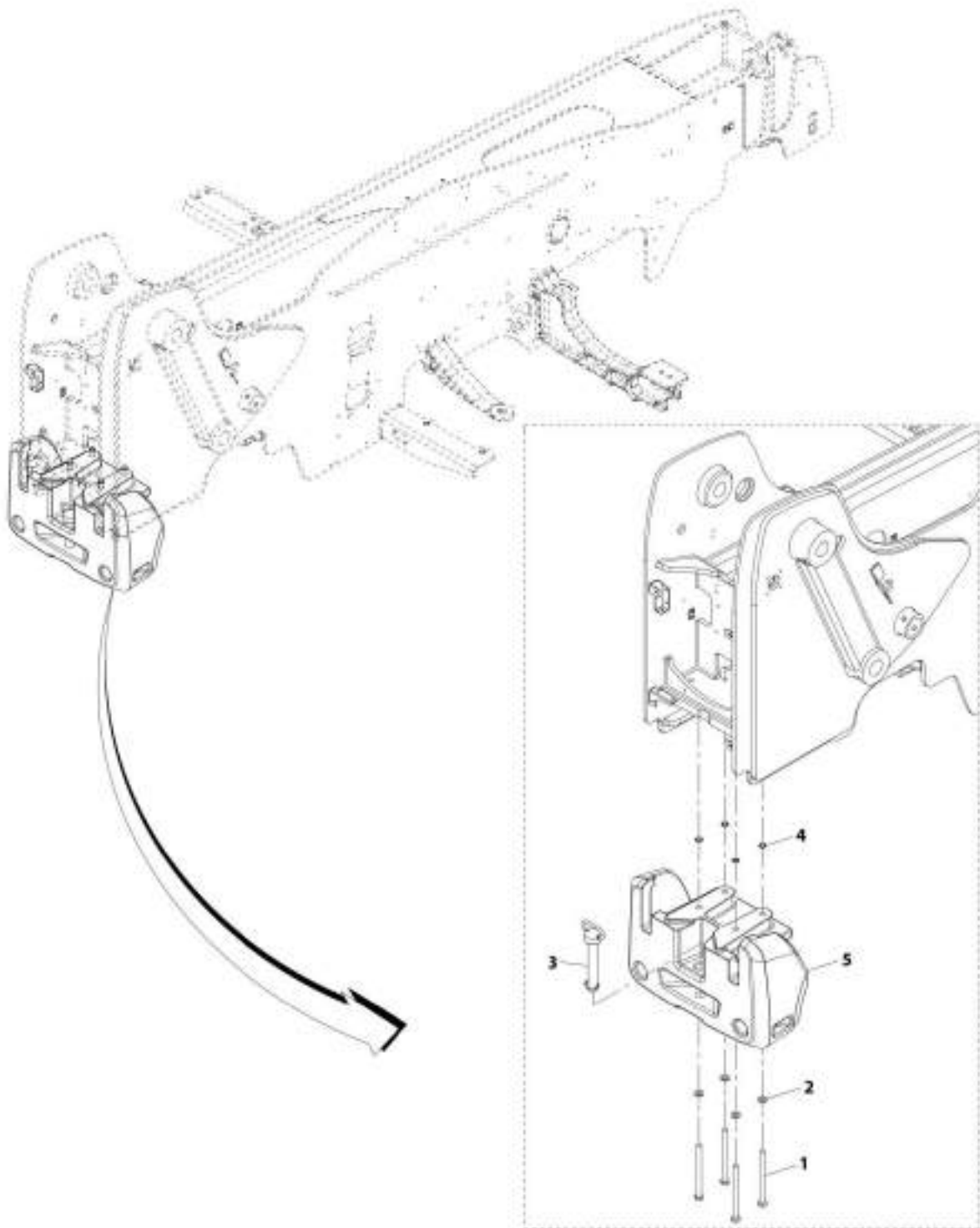
SECTION 1 - FRAME AND ATTACHING PARTS

FIGURE 1-17. COUNTERWEIGHT INSTALLATION (642) (Prior to SN 0160078403)

| ITEM | PART NUMBER | QTY | DESCRIPTION | REV |
|------|-------------|-----|----------------------------------|-----|
| | 1001176183 | Ref | Counterweight Installation (642) | D |
| 1 | 0712042 | 4 | Bolt, M20X250 Grade 10.9 | |
| 2 | 8310620 | 4 | Washer, M20 | |
| 4 | 1001211913 | 1 | Pin, Hitch | |
| 5 | 1001177653J | 1 | Counterweight | |

SECTION 1 - FRAME AND ATTACHING PARTS

FIGURE 1-18. COUNTERWEIGHT INSTALLATION (642, 742) (642 SN 0160078403 to Present)



REF_1001219483-4

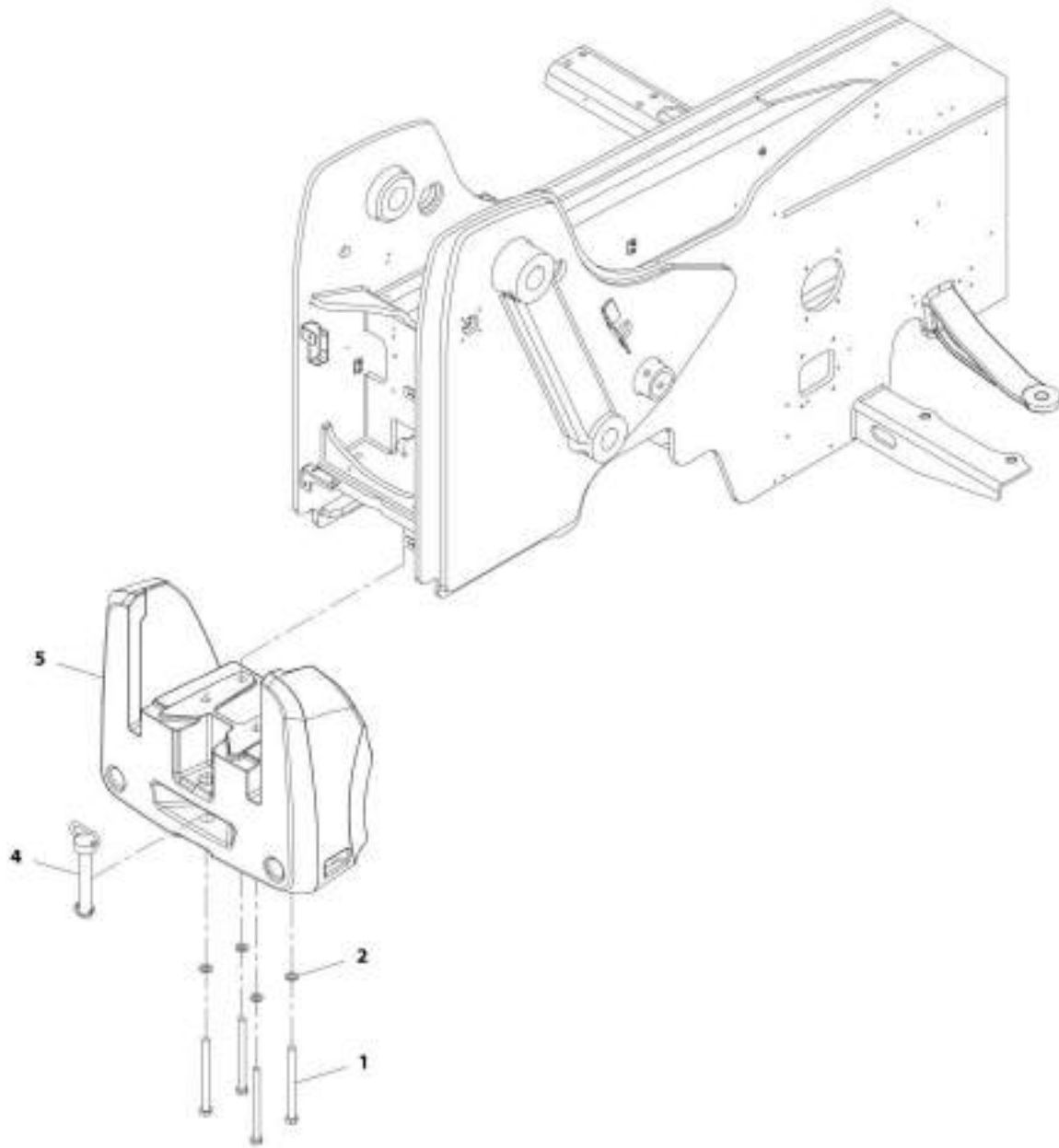
SECTION 1 - FRAME AND ATTACHING PARTS

FIGURE 1-18. COUNTERWEIGHT INSTALLATION (642, 742) (642 SN 0160078403 to Present)

| ITEM | PART NUMBER | QTY | DESCRIPTION | REV |
|------|-------------|-----|---------------------------------------|-----|
| | 1001218487 | Ref | Counterweight Installation (642, 742) | A |
| 1 | 0712042 | 4 | Bolt, M20X250 Grade 10.9 | |
| 2 | 8310620 | 4 | Washer, M20 | |
| 3 | 1001211913 | 1 | Pin, Hitch | |
| 4 | 1001218341 | 4 | Washer | |
| 5 | 1001177653J | 1 | Counterweight | |

SECTION 1 - FRAME AND ATTACHING PARTS

FIGURE 1-19. COUNTERWEIGHT INSTALLATION (943, 1043)



ART_1001175368-D

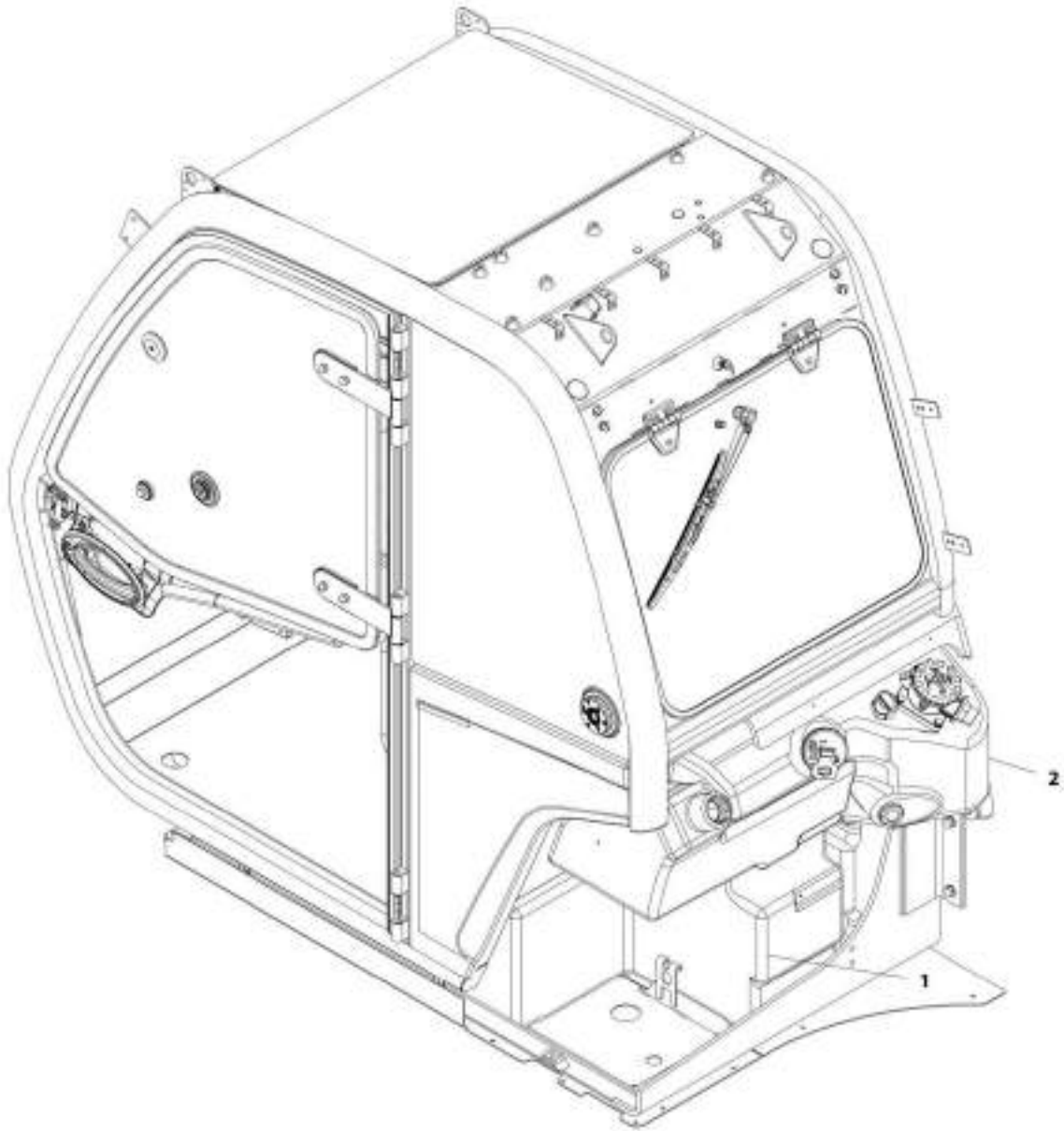
SECTION 1 - FRAME AND ATTACHING PARTS

FIGURE 1-19. COUNTERWEIGHT INSTALLATION (943, 1043)

| ITEM | PART NUMBER | QTY | DESCRIPTION | REV |
|------|-------------|-----|--|-----|
| | 1001175368 | Ref | Counterweight Installation (943, 1043) | D |
| 1 | 0712042 | 4 | Bolt, M20X250 Grade 10.9 | |
| 2 | 8310620 | 4 | Washer, M20 | |
| 4 | 1001211913 | 1 | Pin, Hitch | |
| 5 | 1001177654J | 1 | Counterweight | |

SECTION 1 - FRAME AND ATTACHING PARTS

FIGURE 1-20. TANK INSTALLATION



ART_1001160735-A

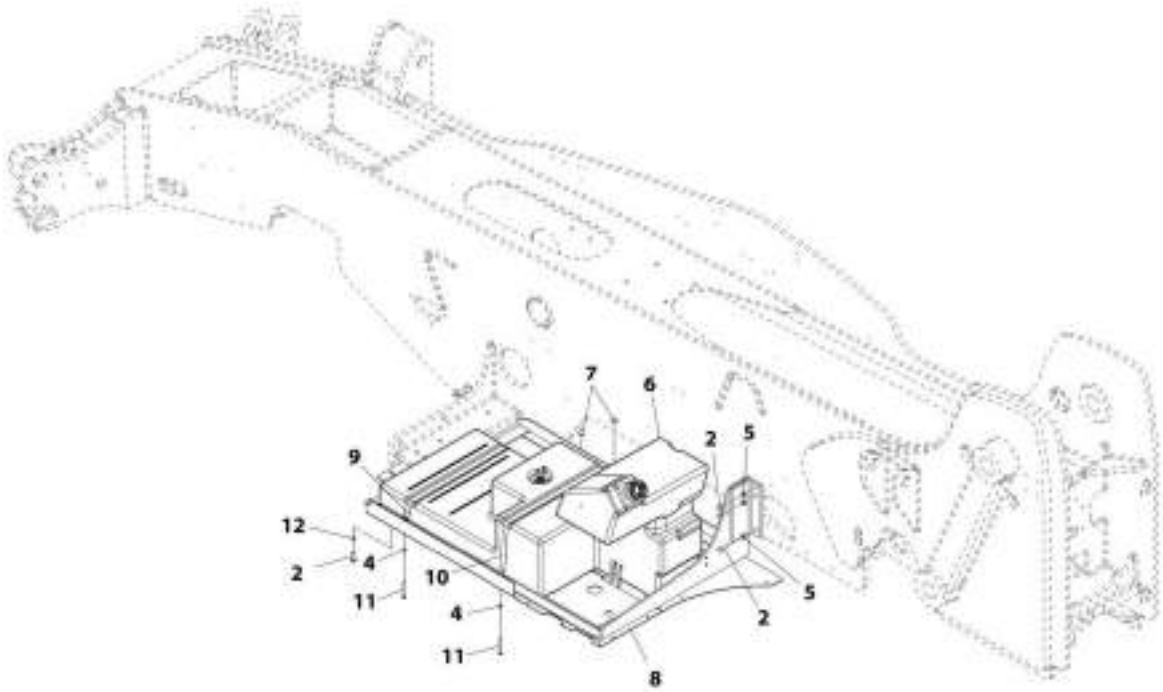
SECTION 1 - FRAME AND ATTACHING PARTS

FIGURE 1-20. TANK INSTALLATION

| ITEM | PART NUMBER | QTY | DESCRIPTION | REV |
|------|-------------|-----|--|-----|
| 1 | 1001160735 | Ref | Tank Installation | A |
| | 1001171153 | Ref | Installation, Fuel Tank (See FUEL TANK INSTALLATION for Breakdown) | |
| 2 | 1001171154 | Ref | Installation, Hydraulic Tank (See HYDRAULIC TANK INSTALLATION for Breakdown) | |

SECTION 1 - FRAME AND ATTACHING PARTS

FIGURE 1-21. FUEL TANK INSTALLATION



ART_1001171133-H

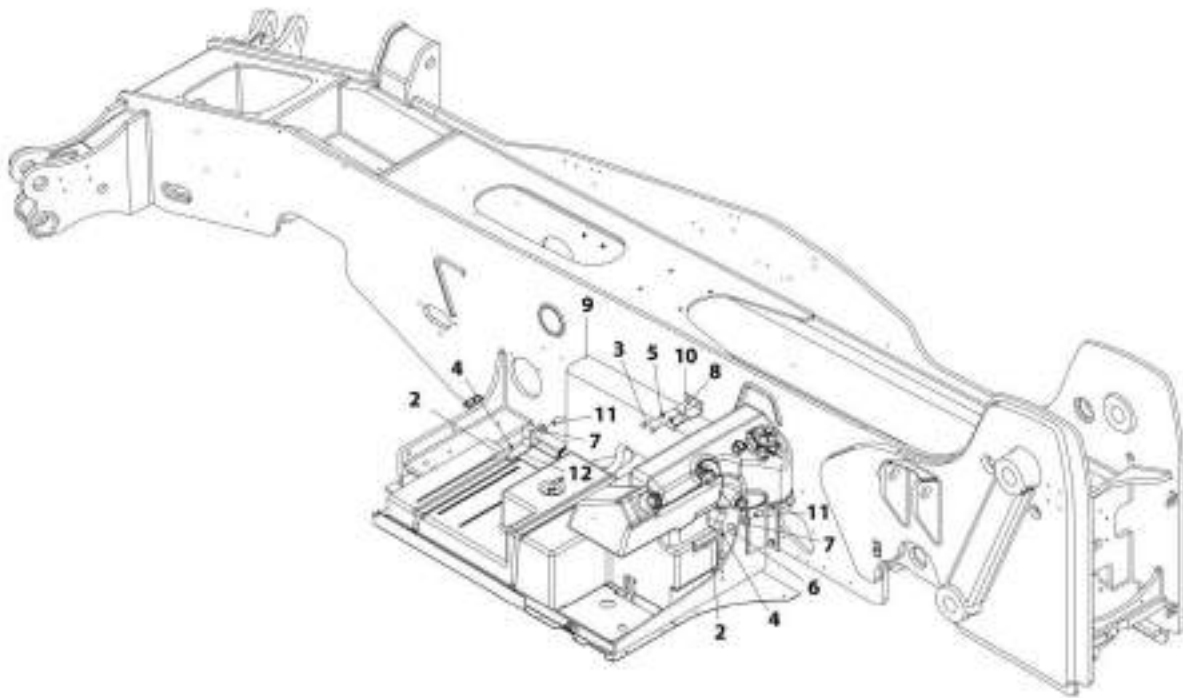
SECTION 1 - FRAME AND ATTACHING PARTS

FIGURE 1-21. FUEL TANK INSTALLATION

| ITEM | PART NUMBER | QTY | DESCRIPTION | REV |
|------|-------------|-----|---|-----|
| | 1001171153 | Ref | Fuel Tank Installation | H |
| 2 | 0761215 | 6 | Bolt, M12X35 | |
| 4 | 4811900 | 2 | Washer, M8 | |
| 5 | 4812100 | 3 | Washer, M12 | |
| 6 | 1001163066 | 1 | Tank, Fuel (See ENGINE AND ATTACHING PARTS SECTION for Breakdown) (Prior to SN 0160075554) | |
| 6 | 1001211432 | 1 | Tank, Fuel (See ENGINE AND ATTACHING PARTS SECTION for Breakdown) (SN 0160075554 to Present) | |
| 7 | 1001169454 | 4 | Mount, Buffer | |
| 8 | 1001169602 | 1 | Support, Tank Plate | |
| 9 | 1001170071 | 1 | Strap, Tank | |
| 10 | 1001170072 | 1 | Strap, Tank | |
| 11 | 0760823 | 2 | Bolt, M8X75 | |
| 12 | 4812102 | 3 | Washer, M12 | |

SECTION 1 - FRAME AND ATTACHING PARTS

FIGURE 1-22. HYDRAULIC TANK INSTALLATION



ART_3001171154-E

SECTION 1 - FRAME AND ATTACHING PARTS

FIGURE 1-22. HYDRAULIC TANK INSTALLATION

| ITEM | PART NUMBER | QTY | DESCRIPTION | REV |
|------|-------------|-----|---|-----|
| | 1001171154 | Ref | Hydraulic Tank Installation | E |
| 2 | 0701020 | 2 | Bolt, M10X60 | |
| 3 | 0761214 | 2 | Bolt, M12X30 | |
| 4 | 4812000 | 2 | Washer, M10 | |
| 5 | 4812100 | 2 | Washer, M12 | |
| 6 | 1001172147 | 1 | Washer, M10 | |
| 7 | 1001172146 | 2 | Washer, Rubber | |
| 8 | 1001008575 | 1 | Bumper, Conical | |
| 9 | 1001163067 | Ref | Tank, Hydraulic (See HYDRAULIC COMPONENT SECTION for Breakdown) | |
| 10 | 1001169461 | 1 | Bracket | |
| 11 | 1001171179 | 2 | Spacer | |
| 12 | 1001210707 | 1 | Bracket | |

SECTION 1 - FRAME AND ATTACHING PARTS

FIGURE 1-23. FUEL CAP ASSEMBLY



ART_1001184970-A

SECTION 1 - FRAME AND ATTACHING PARTS

FIGURE 1-23. FUEL CAP ASSEMBLY

| ITEM | PART NUMBER | QTY | DESCRIPTION | REV |
|------|-------------|-----|-------------------|-----|
| 1 | 1001194978 | 1 | Fuel Cap Assembly | A |

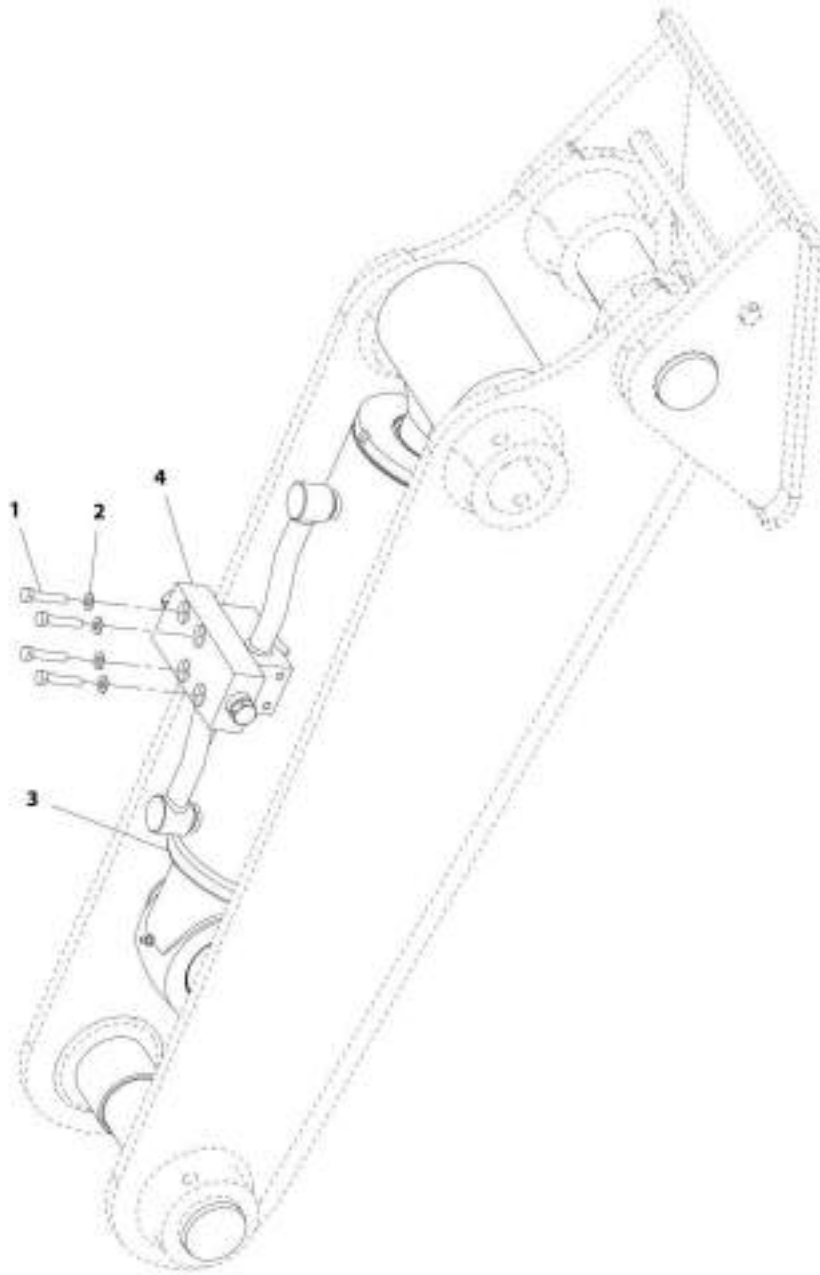
SECTION 1 - FRAME AND ATTACHING PARTS

FIGURE 1-24. OUTRIGGERS INSTALLATION (642, 1043)

| ITEM | PART NUMBER | QTY | DESCRIPTION | REV |
|------|-------------|-----|--|-----|
| | 1001168644 | Ref | Outriggers Installation (642, 1043) | 1 |
| 1 | 0701229 | 6 | Bolt, M12X120 | |
| 2 | 0701230 | 2 | Bolt, M12X130 | |
| 4 | 2110808 | 4 | Fitting, Straight ORFS | |
| 5 | 2160016 | 4 | Fitting, Grease | |
| 6 | 3291205 | 8 | Nut, Lock M12X1.75 Grade 8 | |
| 7 | 4812100 | 16 | Washer, M12 | |
| 8 | 1001161564 | 2 | Weldment, Outrigger Pad | |
| 9 | 1001163577 | 2 | Installation, Outrigger Cylinder (See OUTRIGGER CYLINDER INSTALLATION for Breakdown) (Prior to SN 0160078786) | |
| 9 | 1001213065 | 2 | Outrigger Cylinder (See OUTRIGGER CYLINDER for Breakdown) (SN 0160078786 to Present) | |
| 10 | 1001164436 | 4 | Pin, Outrigger | |
| 11 | 1001207292 | 2 | Pin, Outrigger | |
| 12 | 1001164454 | 2 | Pin, Cylinder Base | |
| 13 | 1001168281 | 4 | Bearing, Outrigger | |
| 14 | 1001172822 | 1 | Harness, Outrigger (See ELECTRICAL SECTION for Breakdown) | |
| 15 | 1001174478 | 1 | Installation, Outrigger Switches (See CONTROLS SECTION for Breakdown) | |
| 16 | 1001207291J | 2 | Bracket, Outrigger Leg Weldment | |
| 18 | 1001181537 | 1 | Decal, Outrigger Switched | |
| 22 | 1001202986 | 2 | Strap, Cable Tie | |
| 23 | 1001008559 | 2 | Strap | |

SECTION 1 - FRAME AND ATTACHING PARTS

FIGURE 1-25. OUTRIGGER CYLINDER INSTALLATION (642, 1043) (Prior to SN 0160078786)



MIT_3001163577-D

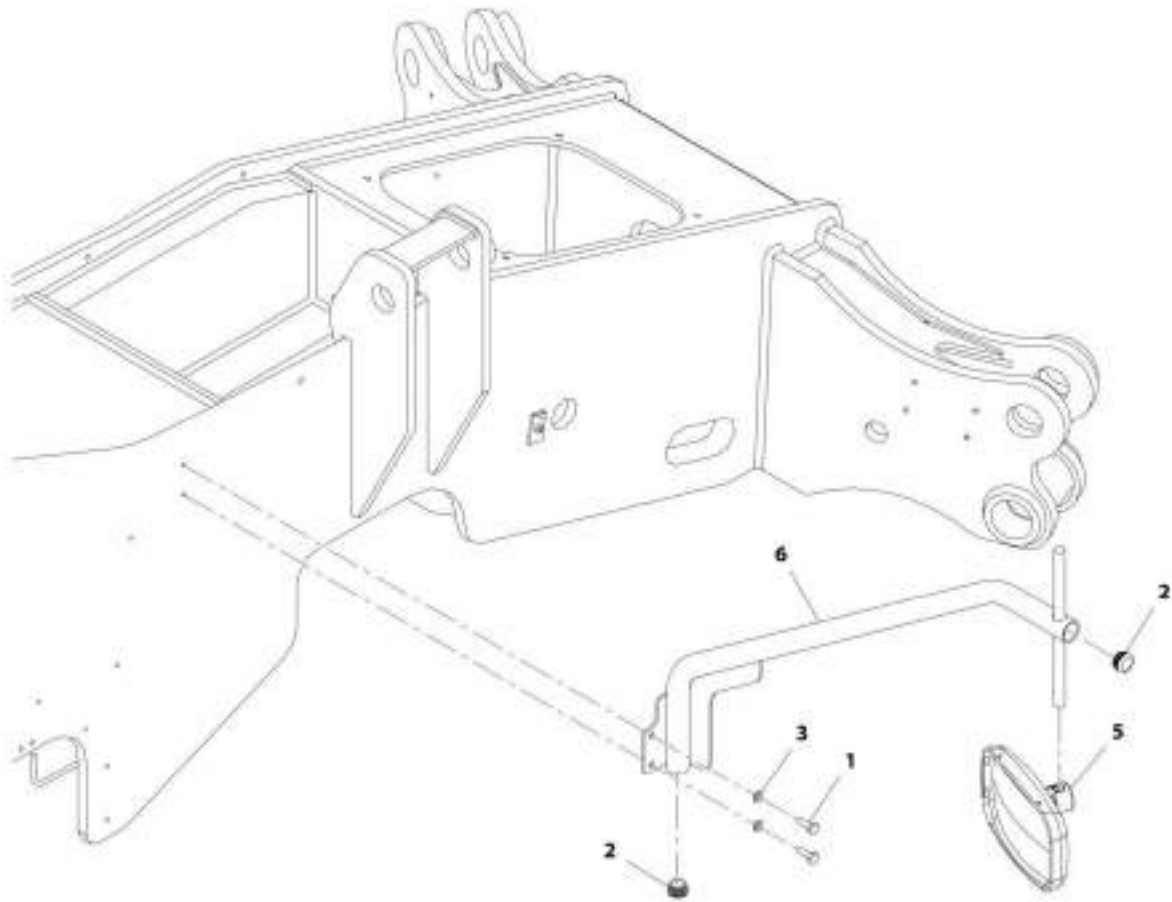
SECTION 1 - FRAME AND ATTACHING PARTS

FIGURE 1-25. OUTRIGGER CYLINDER INSTALLATION (642, 1043) (Prior to SN 0160078786)

| ITEM | PART NUMBER | QTY | DESCRIPTION | REV |
|------|-------------|-----|--|-----|
| | 1001163577 | Ref | Outrigger Cylinder Installation (642, 1043) | D |
| 1 | 0700816 | 4 | Bolt, M8X40 | |
| 2 | 4811900 | 4 | Washer, M8 | |
| 3 | 1001163040 | 1 | Cylinder, Outrigger (See HYDRAULIC COMPONENTS SECTION for Breakdown) | |
| 4 | 1001184205 | 1 | Valve | |

SECTION 1 - FRAME AND ATTACHING PARTS

FIGURE 1-26. MIRROR INSTALLATION



AMF_100160218-C

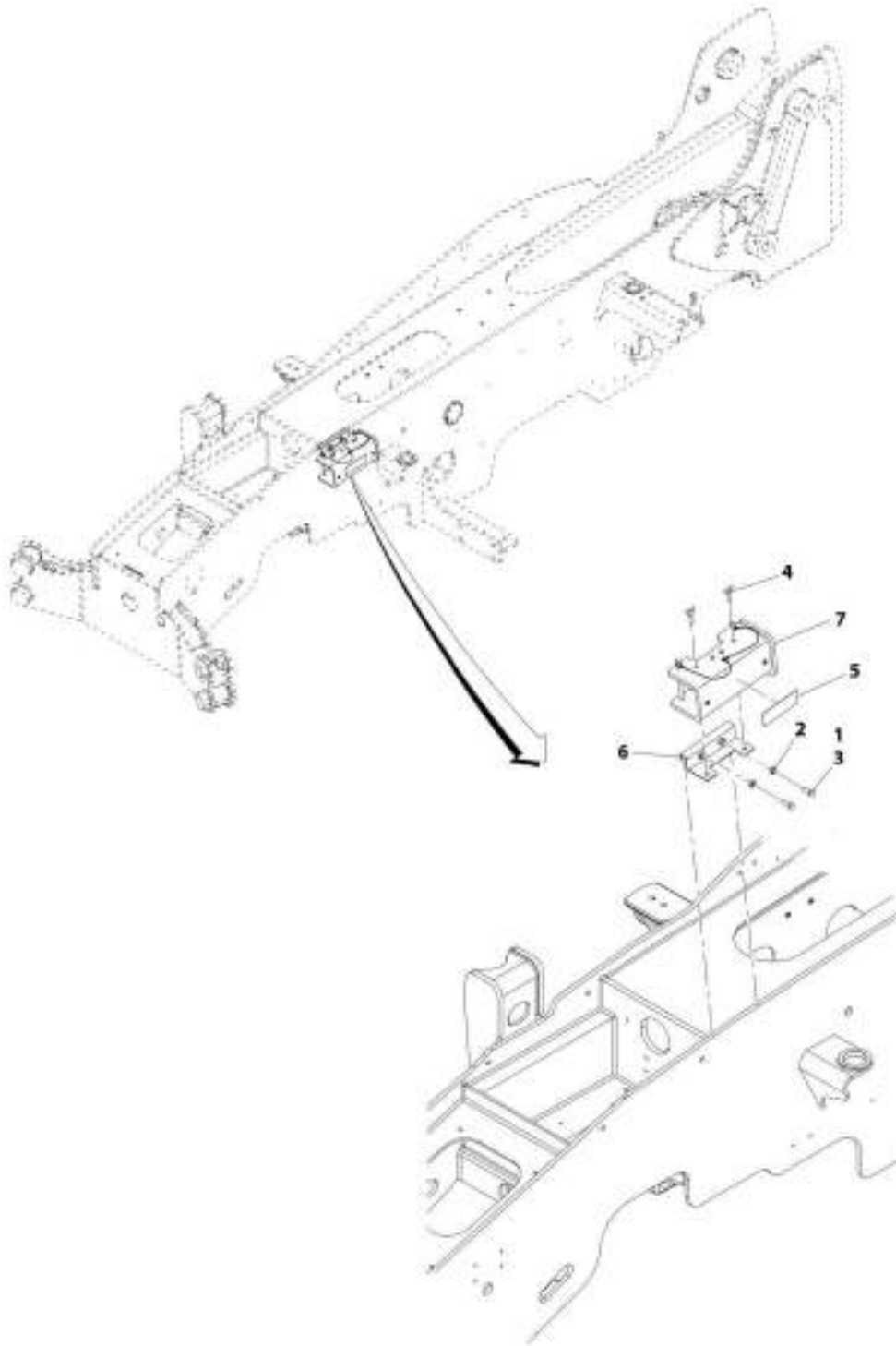
SECTION 1 - FRAME AND ATTACHING PARTS

FIGURE 1-26. MIRROR INSTALLATION

| ITEM | PART NUMBER | QTY | DESCRIPTION | REV |
|------|-------------|-----|---------------------|-----|
| | 1001160255 | Ref | Mirror Installation | D |
| 1 | 0701014 | 2 | Bolt, M10X30 GR8.8 | |
| 2 | 3520186 | 2 | Plug, 1-1/4 | |
| 3 | 4812000 | 2 | Washer, M10 | |
| 5 | 1001191635 | 1 | Convex Mirror | |
| 6 | 1001191603 | 1 | Bracket, Mirror | |

SECTION 1 - FRAME AND ATTACHING PARTS

FIGURE 1-27. BOOM PROP INSTALLATION (ANSI)



ART_1001232338-A

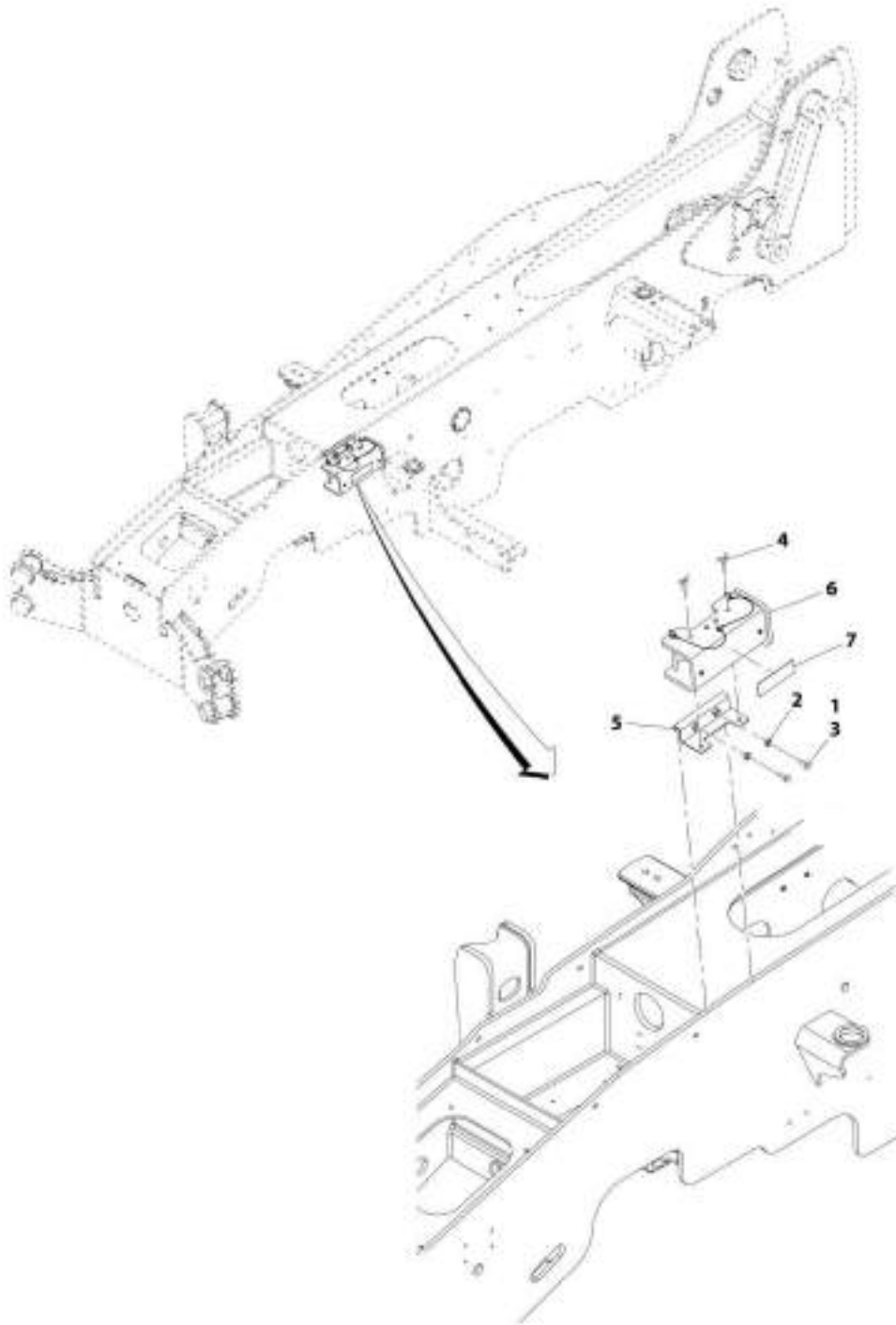
SECTION 1 - FRAME AND ATTACHING PARTS

FIGURE 1-27. BOOM PROP INSTALLATION (ANSI)

| ITEM | PART NUMBER | QTY | DESCRIPTION | REV |
|------|-------------|-----|---|-----|
| | 1001232338 | Ref | Boom Prop Installation (ANSI) | A |
| 1 | 0761214 | 2 | Bolt, M12X30 | |
| 2 | 3291201 | 2 | Nut, M12X1.75 | |
| 3 | 1001095650 | AR | Compound, Locking | |
| 4 | 1001101458 | 2 | Wing Bolt, M8X40 | |
| 5 | 1001232147 | 1 | Decal, Warning | |
| 6 | 1001232299 | 1 | Bracket, Mount | |
| 7 | 1001232336 | Ref | Bracket, Boom Prop (See Separate Breakdown in this Section) | |

SECTION 1 - FRAME AND ATTACHING PARTS

FIGURE 1-28. BOOM PROP INSTALLATION (CANADA)



ART_1001204130-A

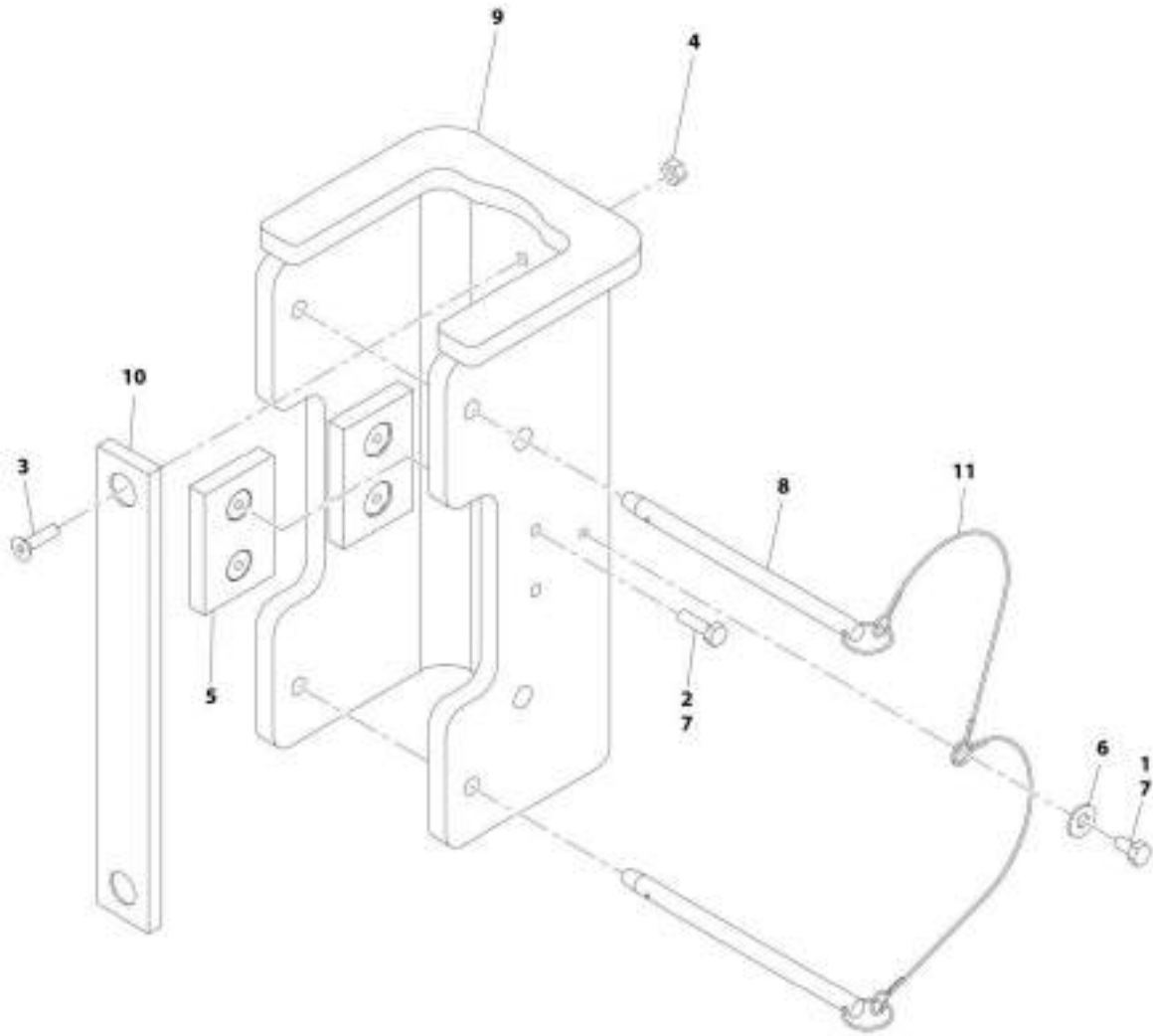
SECTION 1 - FRAME AND ATTACHING PARTS

FIGURE 1-28. BOOM PROP INSTALLATION (CANADA)

| ITEM | PART NUMBER | QTY | DESCRIPTION | REV |
|------|-------------|-----|---|-----|
| | 1001234139 | Ref | Boom Prop Installation (Canada) | A |
| 1 | 0761214 | 2 | Bolt, M12X30 | |
| 2 | 3291201 | 2 | Nut, M12X1.75 | |
| 3 | 1001095650 | AR | Compound, Locking | |
| 4 | 1001101458 | 2 | Wing Bolt, M8X40 | |
| 5 | 1001232299 | 1 | Bracket, Mount | |
| 6 | 1001232336 | Ref | Bracket, Boom Prop (See Separate Breakdown in this Section) | |
| 7 | 1001234253 | 1 | Decal, Warning | |

SECTION 1 - FRAME AND ATTACHING PARTS

FIGURE 1-29. BOOM PROP BRACKET



ART_100125233M-A

SECTION 1 - FRAME AND ATTACHING PARTS

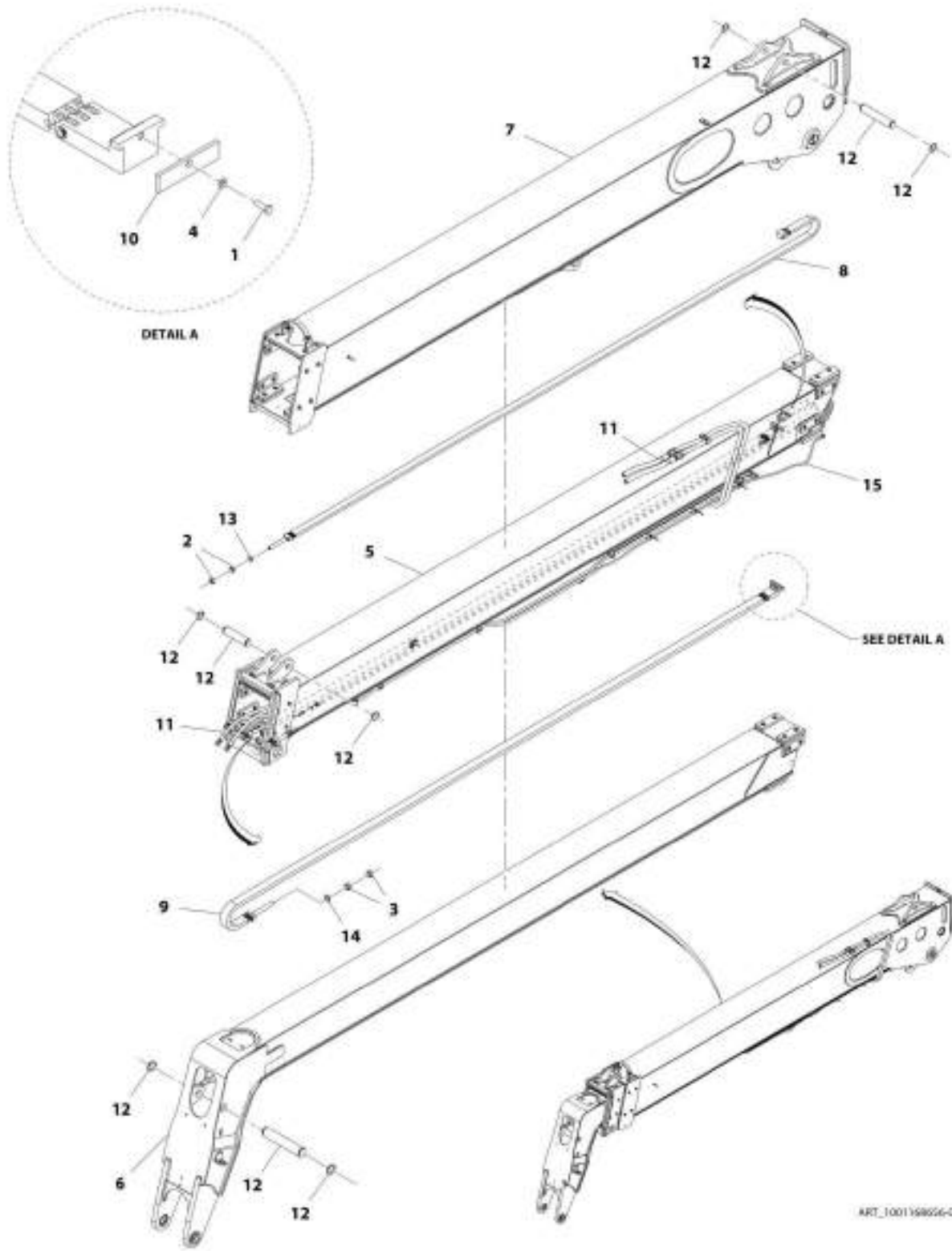
FIGURE 1-29. BOOM PROP BRACKET

| ITEM | PART NUMBER | QTY | DESCRIPTION | REV |
|------|-------------|-----|--------------------|-----|
| | 1001232336 | Ref | Boom Prop Bracket | A |
| 1 | 0641404 | 1 | Bolt, 1/4-20X1/2 | |
| 2 | 0641407 | 4 | Bolt, 1/4-20X7/8 | |
| 3 | 0741408 | 2 | Bolt, 1/4-20 | |
| 4 | 3311405 | 2 | Nut, Lock 1/4-20 | |
| 5 | 3340829 | 2 | Pad, Wear | |
| 6 | 4751400 | 1 | Washer | |
| 7 | 1001095650 | AR | Compound, Locking | |
| 8 | 1001164019 | 2 | Pin, Ball Locking | |
| 9 | 1001232588 | 1 | Bracket | |
| 10 | 4679000268 | 1 | Pad, Wear | |
| 11 | 1001164183 | 2 | Lanyard, Boom Prop | |

SECTION 2 - BOOM

SECTION 2 - BOOM

FIGURE 2-1. BOOM ASSEMBLY (642, 742)



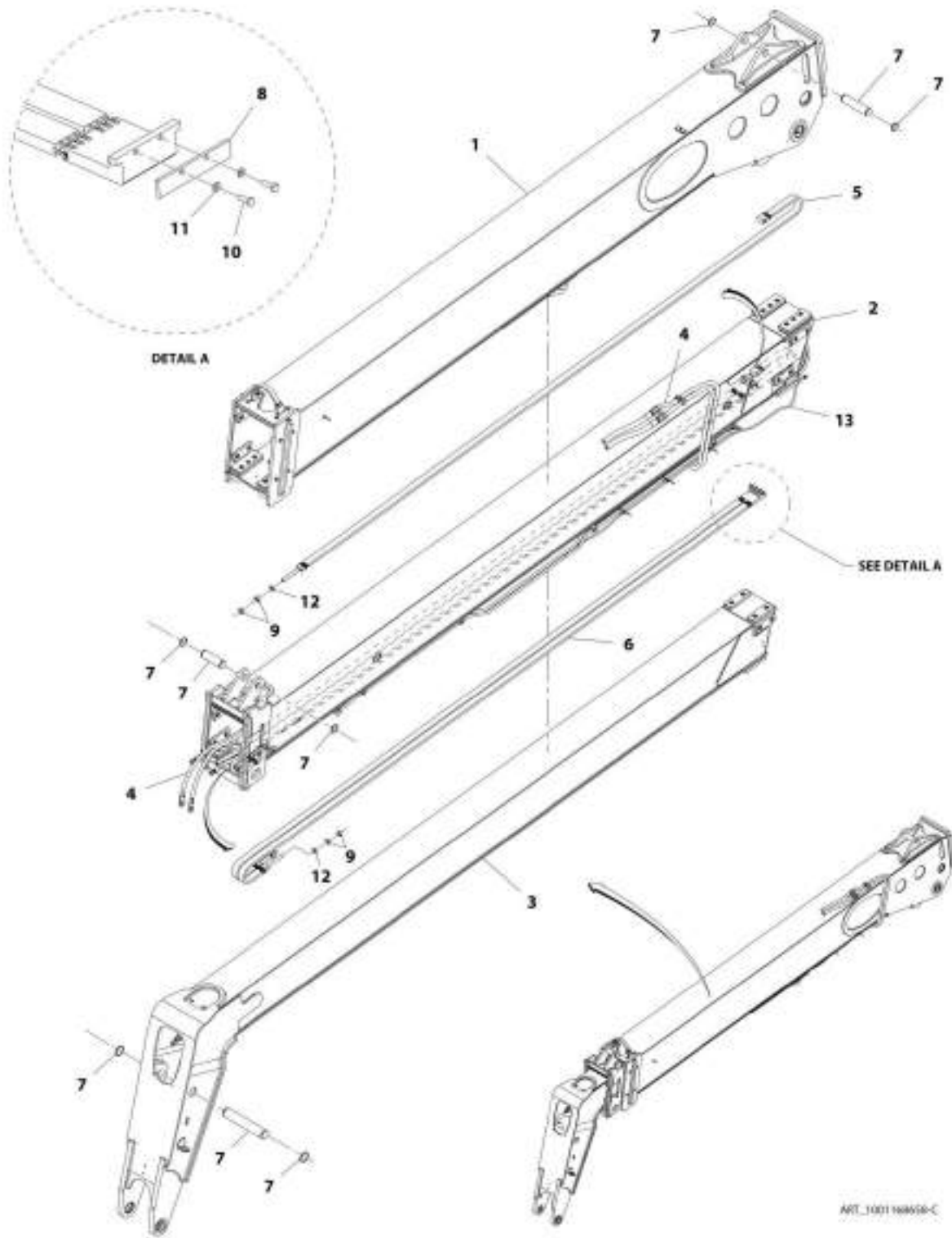
SECTION 2 - BOOM

FIGURE 2-1. BOOM ASSEMBLY (642, 742)

| ITEM | PART NUMBER | QTY | DESCRIPTION | REV |
|------|-------------|-----|--|-----|
| | 1001168656 | 1 | Boom Assembly (642, 742) | C |
| 1 | 0700610 | 1 | Bolt, M6X20 | |
| 2 | 3332011 | 2 | Nut, M20X2.5 | |
| 3 | 3332411 | 2 | Nut, M24X3 | |
| 4 | 4811700 | 1 | Washer, M6 | |
| 5 | 1001168574 | 1 | Assembly, Second Boom Section (642, 742) (See SECOND BOOM SECTION ASSEMBLY (642, 742) for Breakdown) | |
| 6 | 1001168735 | 1 | Assembly, Third Boom Section (642, 742) (See THIRD BOOM SECTION ASSEMBLY (642, 742) for Breakdown) | |
| 7 | 1001168963 | 1 | Assembly, First Boom Section (642, 742) (See FIRST BOOM SECTION ASSEMBLY (642, 742) for Breakdown) | |
| 8 | 1001169278 | Ref | Installation, Retract Chain (See RETRACT CHAIN INSTALLATION for Breakdown) | |
| 9 | 1001169326 | Ref | Installation, Extend Chain (642, 742) (See EXTEND CHAIN INSTALLATION (642, 742) for Breakdown) | |
| 10 | 1001171451 | 1 | Plate, Clevis | |
| 11 | 1001173470 | Ref | Installation, Boom Hydraulic Tubes (See HYDRAULIC CIRCUITS SECTION for Breakdown) | |
| 12 | 1001173542 | Ref | Installation, Pins (642, 742) (See PINS INSTALLATION (642, 742) for Breakdown) | |
| 13 | 4812500 | 1 | Washer, M20 | |
| 14 | 4812700 | 1 | Washer, M24 | |
| 15 | 1001186859 | 1 | Hose | |

SECTION 2 - BOOM

FIGURE 2-2. BOOM ASSEMBLY (943, 1043)



ART_1001188V08-C

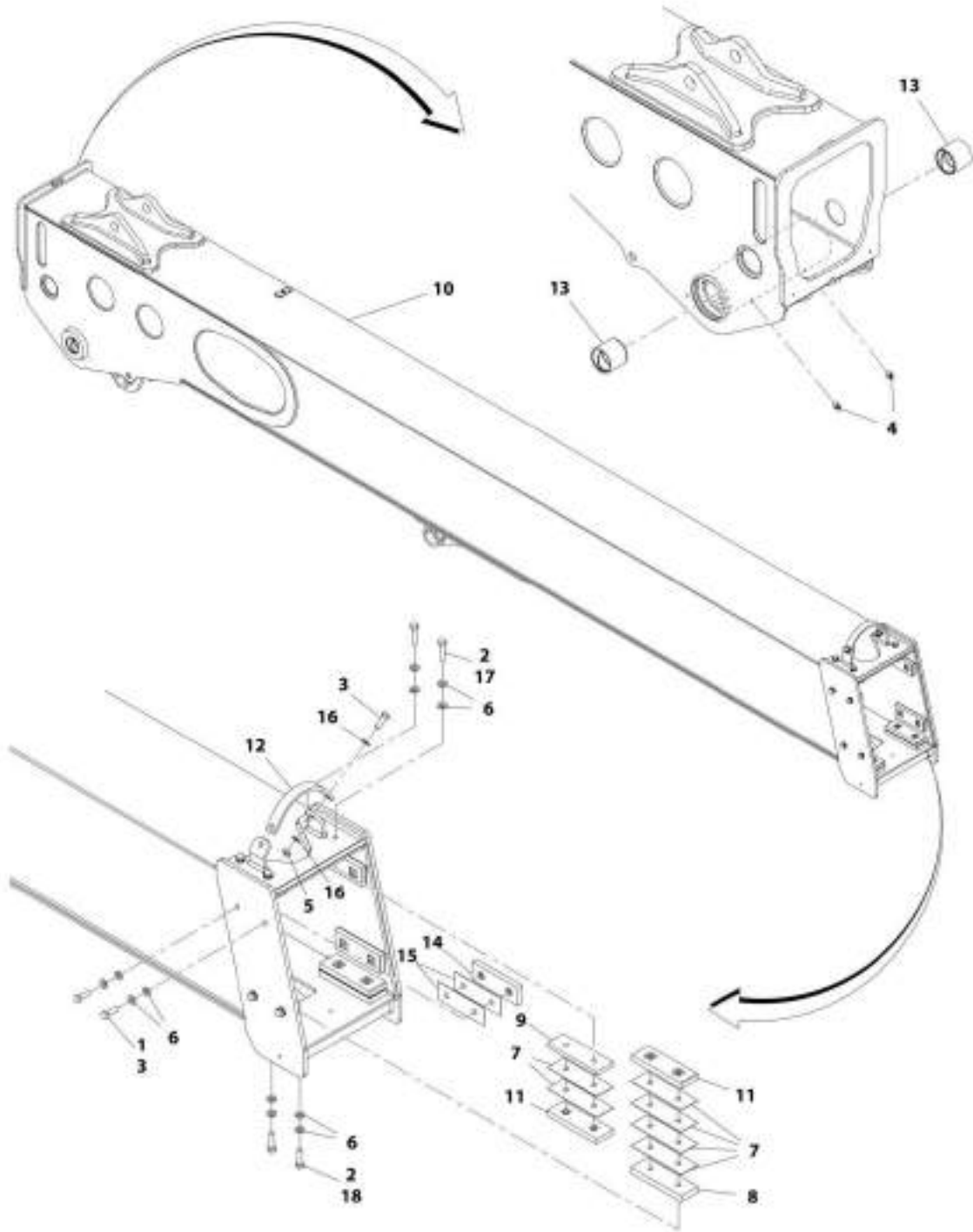
SECTION 2 - BOOM

FIGURE 2-2. BOOM ASSEMBLY (943, 1043)

| ITEM | PART NUMBER | QTY | DESCRIPTION | REV |
|------|-------------|-----|--|-----|
| | 1001168658 | 1 | Boom Assembly (943, 1043) | C |
| 1 | 1001168341 | 1 | Assembly, First Boom Section (943, 1043) (See FIRST BOOM SECTION ASSEMBLY (943, 1043) for Breakdown) | |
| 2 | 1001168546 | 1 | Assembly, Second Boom Section (943, 1043) (See SECOND BOOM SECTION ASSEMBLY (943, 1043) for Breakdown) | |
| 3 | 1001168602 | 1 | Assembly, Third Boom Section (943, 1043) (See THIRD BOOM SECTION ASSEMBLY (943, 1043) for Breakdown) | |
| 4 | 1001173471 | Ref | Installation, Boom Hydraulic Tubes (See HYDRAULIC CIRCUITS SECTION for Breakdown) | |
| 5 | 1001169278 | Ref | Installation, Retract Chain (See RETRACT CHAIN INSTALLATION for Breakdown) | |
| 6 | 1001169281 | Ref | Installation, Extend Chain (943, 1043) (See EXTEND CHAIN INSTALLATION (943, 1043) for Breakdown) | |
| 7 | 1001173541 | Ref | Installation, Pins (943, 1043) (See PINS INSTALLATION (943, 1043) for Breakdown) | |
| 8 | 1001171450 | 1 | Plate, Clevis | |
| 9 | 3332011 | 6 | Nut, M20X2.5 | |
| 10 | 0700610 | 2 | Bolt, M6X20 | |
| 11 | 4811700 | 2 | Washer, M6 | |
| 12 | 4812500 | 3 | Washer, M20 | |
| 13 | 1001186859 | 1 | Hose | |

SECTION 2 - BOOM

FIGURE 2-3. FIRST BOOM SECTION ASSEMBLY (642, 742)



ART_1001168963-F

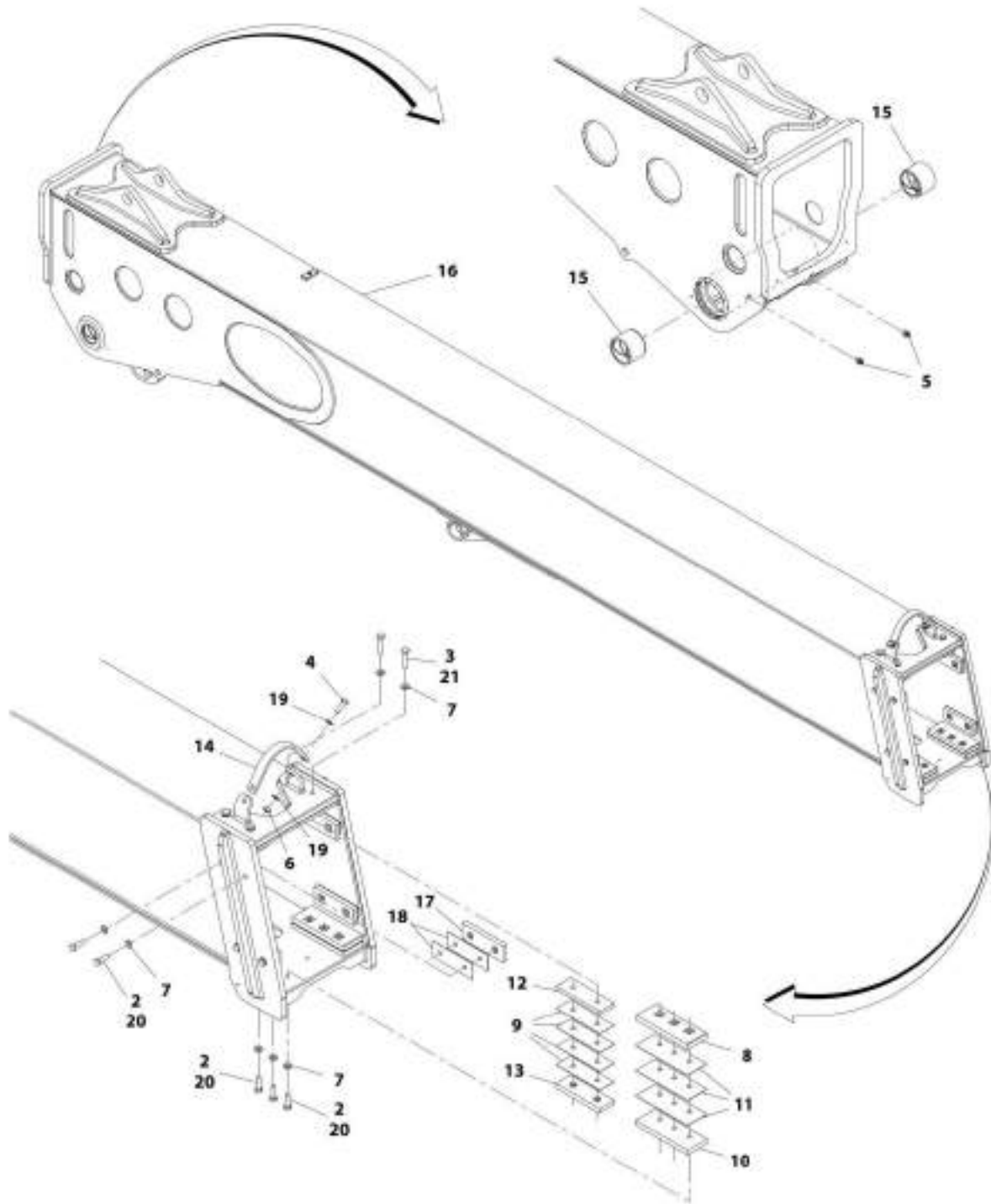
SECTION 2 - BOOM

FIGURE 2-3. FIRST BOOM SECTION ASSEMBLY (642, 742)

| ITEM | PART NUMBER | QTY | DESCRIPTION | REV |
|------|-------------|-----|--|-----|
| | 1001168963 | Ref | First Boom Section Assembly (642, 742) | F |
| 1 | 0711214 | AR | Bolt, M12X30 | |
| 2 | 0711217 | 4 | Bolt, M12X45 | |
| 3 | 0711215 | 10 | Bolt, M12X35 | |
| 4 | 2160016 | 2 | Fitting, Grease | |
| 5 | 3291201 | 2 | Nut, M12X1.75 Grade 8 | |
| 6 | 1001125117 | AR | Washer, M12 | |
| 7 | 1001163034 | AR | Plate, Spacer | |
| 8 | 1001163038 | 2 | Plate, Spacer | |
| 9 | 1001163136 | 2 | Plate, Stop | |
| 10 | 1001168964J | 1 | Boom, First | |
| 11 | 1001165171 | 4 | Pad | |
| 12 | 1001168987 | 1 | Strap | |
| 13 | 1001188246 | 2 | Bearing, Boom Pivot | |
| 14 | 1001165172 | 4 | Pad | |
| 15 | 1001165367 | AR | Plate, Spacer | |
| 16 | 4812100 | 4 | Washer, M12 | |
| 17 | 0711218 | 4 | Bolt, 12X50 Grade 10.9 | |
| 18 | 0711216 | AR | Bolt, M12X40 Grade 10.9 | |

SECTION 2 - BOOM

FIGURE 2-4. FIRST BOOM SECTION ASSEMBLY (943, 1043)



AKF_1001166341-D

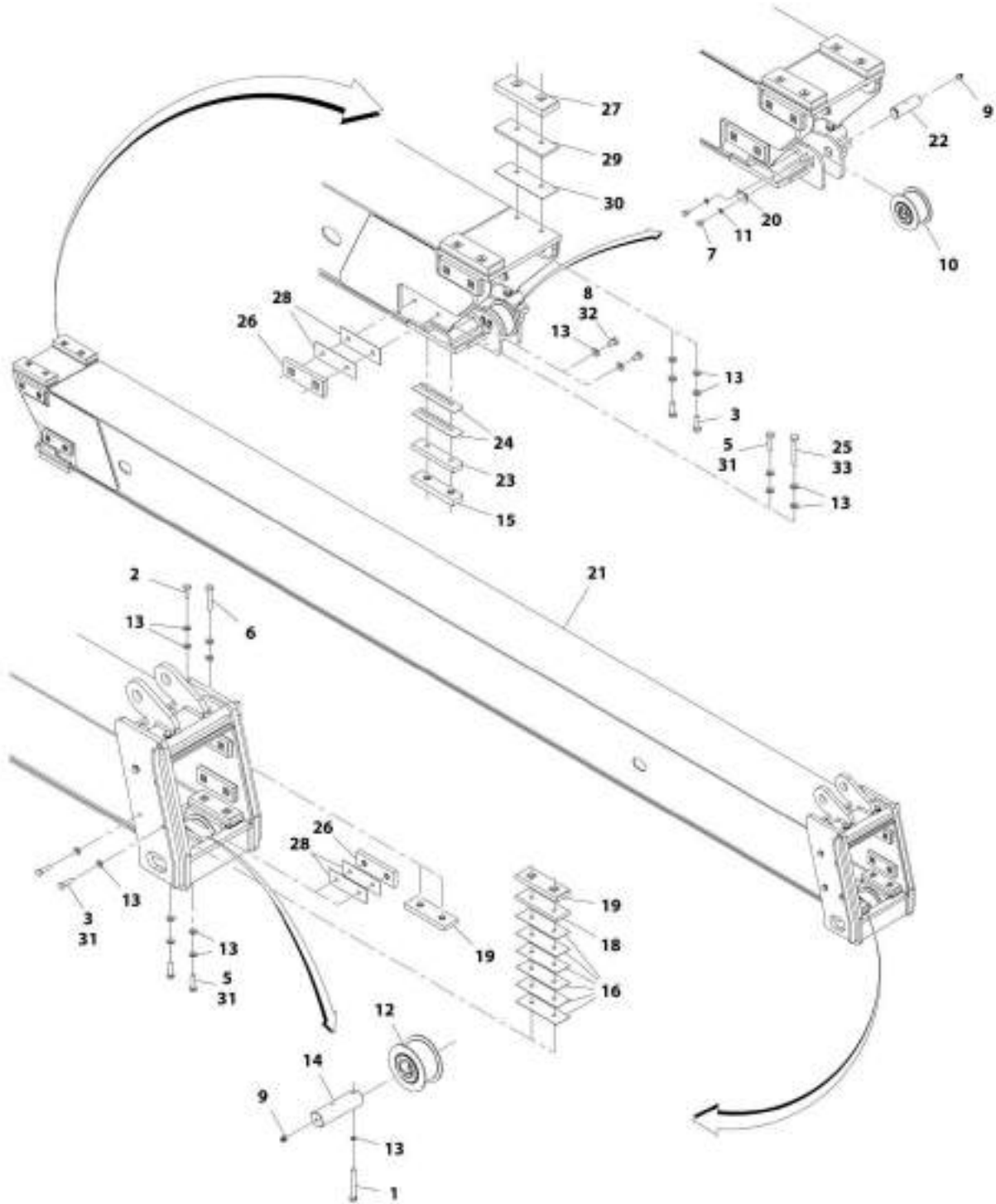
SECTION 2 - BOOM

FIGURE 2-4. FIRST BOOM SECTION ASSEMBLY (943, 1043)

| ITEM | PART NUMBER | QTY | DESCRIPTION | REV |
|------|-------------|-----|---|-----|
| | 1001168341 | Ref | First Boom Section Assembly (943, 1043) | D |
| 2 | 0711216 | 14 | Bolt, M12X40 Grade 10.9 | |
| 3 | 0711219 | 4 | Bolt, M12X55 Grade 10.9 | |
| 4 | 0711215 | 2 | Bolt, M12X35 | |
| 5 | 2160016 | 2 | Fitting, Grease | |
| 6 | 3291201 | 2 | Nut, M12X1.75 Grade 8 | |
| 7 | 1001125117 | AR | Washer, M12 | |
| 8 | 1001162469 | 2 | Pad | |
| 9 | 1001163034 | AR | Plate, Spacer | |
| 10 | 1001189714 | 2 | Plate, Stop | |
| 11 | 1001163112 | AR | Plate, Spacer | |
| 12 | 1001163136 | 2 | Plate, Stop | |
| 13 | 1001165171 | 2 | Pad | |
| 14 | 1001168368 | 1 | Strap | |
| 15 | 1001188244 | 2 | Bearing, Boom Pivot | |
| 16 | 1001168342J | 1 | Boom, First | |
| 17 | 1001165172 | 4 | Pad | |
| 18 | 1001165367 | AR | Plate, Spacer | |
| 19 | 4812100 | 4 | Washer, M12 | |
| 20 | 0711217 | AR | Bolt, M12X45 | |
| 21 | 0711220 | AR | Bolt, M12-1.75X60 Grade 10.9 | |

SECTION 2 - BOOM

FIGURE 2-5. SECOND BOOM SECTION ASSEMBLY (642, 742)



ART_100106834-E

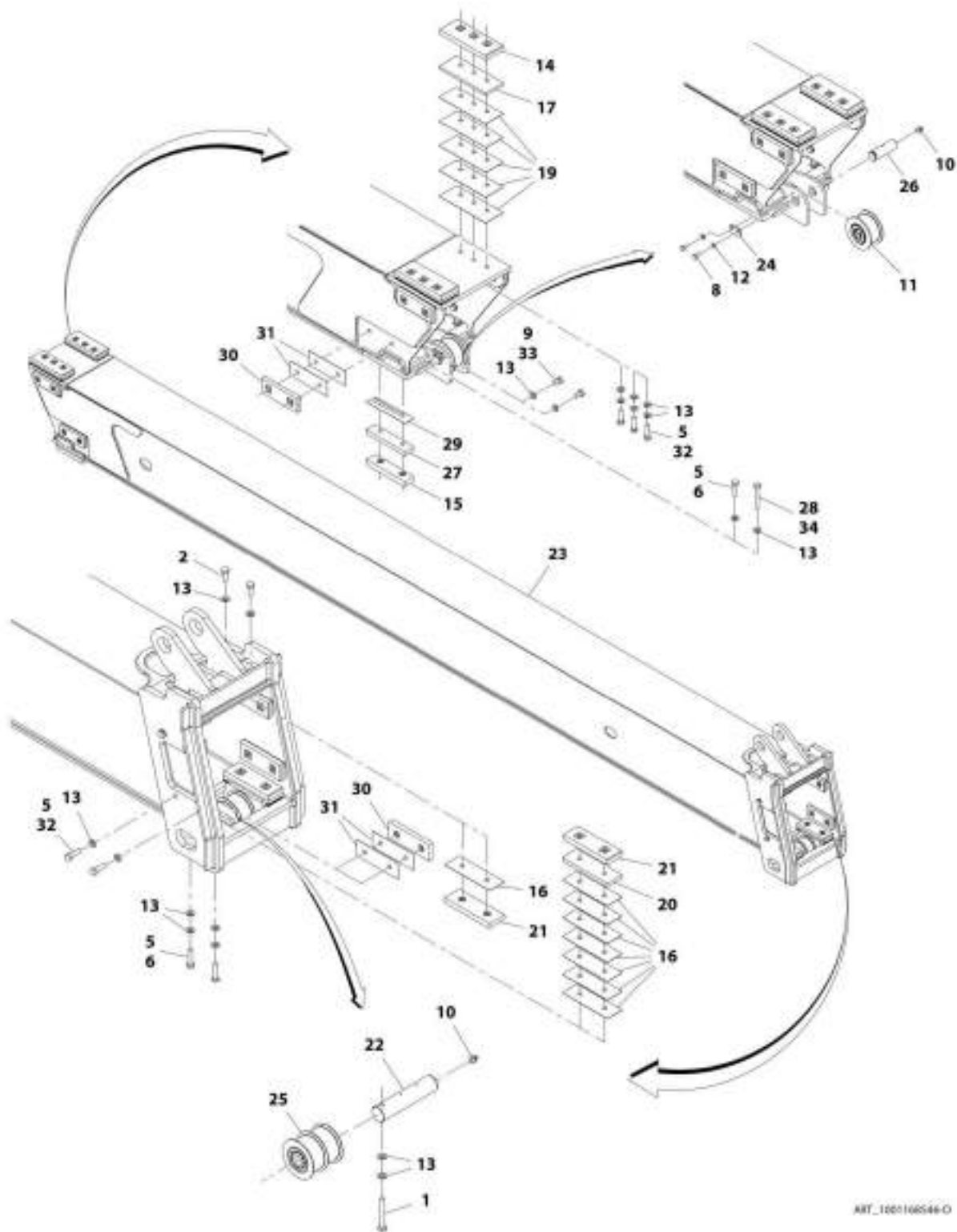
SECTION 2 - BOOM

FIGURE 2-5. SECOND BOOM SECTION ASSEMBLY (642, 742)

| ITEM | PART NUMBER | QTY | DESCRIPTION | REV |
|------|-------------|-----|--|-----|
| | 1001168574 | Ref | Second Boom Section Assembly (642, 742) | E |
| 1 | 0701227 | 1 | Bolt, M12X100 | |
| 2 | 0711215 | 2 | Bolt, M12X35 Grade 10.9 | |
| 3 | 0711216 | 12 | Bolt, M12X40 Grade 10.9 | |
| 5 | 0711218 | 6 | Bolt, M12X50 Grade 10.9 | |
| 6 | 0711224 | 2 | Bolt, M12X80 Grade 10.9 | |
| 7 | 0760807 | 2 | Bolt, M8X14 | |
| 8 | 0771210 | 8 | Bolt, M12X20 Grade 10.9 | |
| 9 | 2160016 | 2 | Fitting, Grease | |
| 10 | 7138986 | 1 | Sheave, Retract Chain (See RETRACT CHAIN SHEAVE for Breakdown) | |
| 11 | 4811900 | 2 | Washer, M8 | |
| 12 | 1001101867 | 1 | Assembly, Chain Sheave (See CHAIN SHEAVE ASSEMBLY for Breakdown) | |
| 13 | 1001125117 | AR | Washer, M12 | |
| 14 | 1001161055 | 1 | Pin | |
| 15 | 1001163029 | 2 | Pad | |
| 16 | 1001163034 | AR | Plate, Spacer | |
| 18 | 1001163136 | 2 | Plate, Stop | |
| 19 | 1001165171 | 4 | Pad | |
| 20 | 1001168561 | 1 | Bracket | |
| 21 | 1001168575 | 1 | Boom, Second | |
| 22 | 1001168587 | 1 | Pin, Boom Chain Pulley | |
| 23 | 1001189492 | 2 | Plate, Stop | |
| 24 | 1001189793 | AR | Shim | |
| 25 | 0711226 | 2 | Bolt, M12X90 Grade 10.9 | |
| 26 | 1001165172 | 8 | Pad | |
| 27 | 1001165173 | 2 | Pad | |
| 28 | 1001165367 | AR | Plate, Spacer | |
| 29 | 1001190187 | 2 | Plate, Stop | |
| 30 | 1001163108 | AR | Plate, Spacer | |
| 31 | 0711217 | AR | Bolt, M12X45 | |
| 32 | 0771212 | AR | Bolt, M12X25 | |
| 33 | 0711225 | AR | Bolt, M12X85 | |

SECTION 2 - BOOM

FIGURE 2-6. SECOND BOOM SECTION ASSEMBLY (943, 1043)



ART_100106544-0

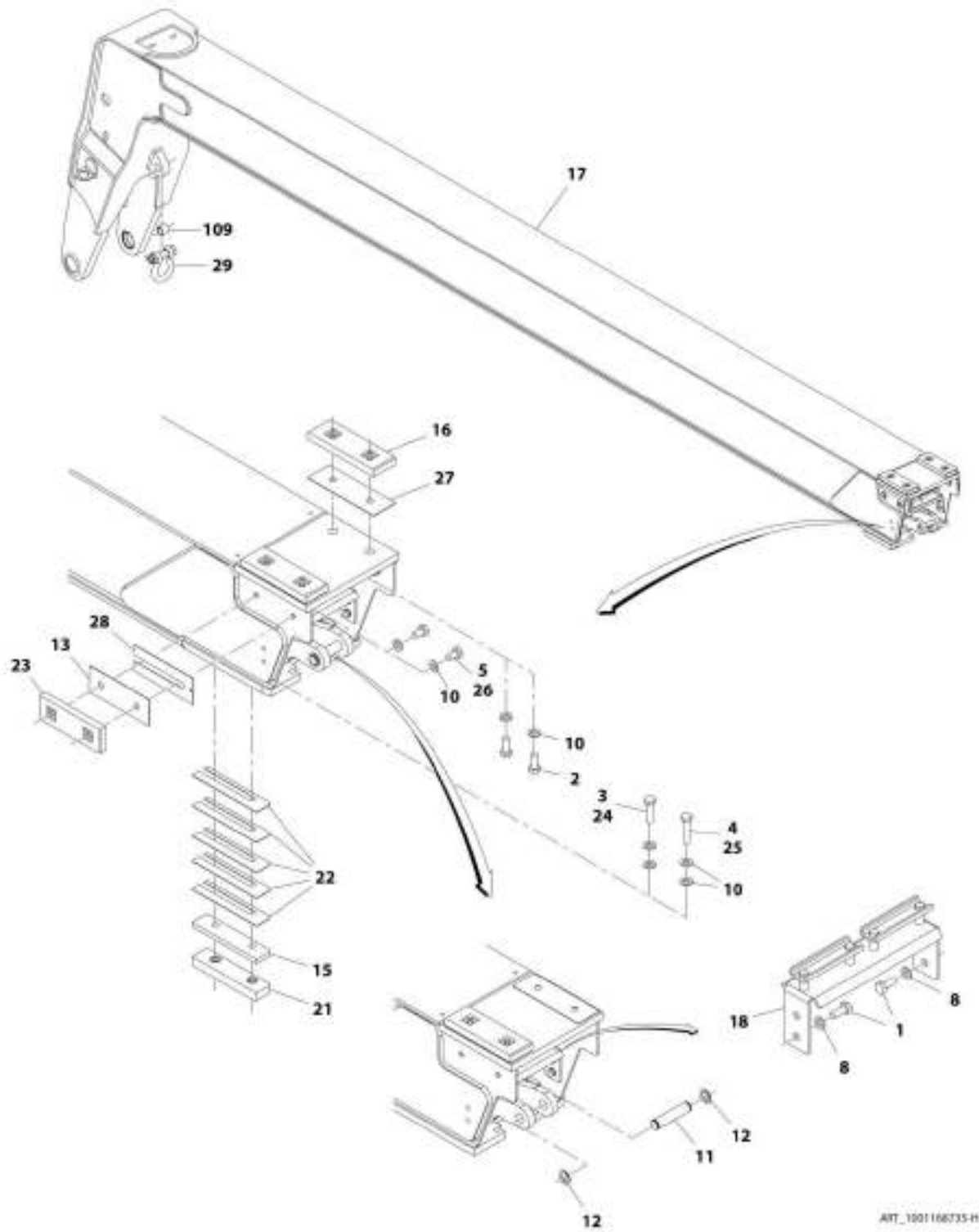
SECTION 2 - BOOM

FIGURE 2-6. SECOND BOOM SECTION ASSEMBLY (943, 1043)

| ITEM | PART NUMBER | QTY | DESCRIPTION | REV |
|------|-------------|-----|--|-----|
| | 1001168546 | Ref | Second Boom Section Assembly (943, 1043) | D |
| 1 | 0701226 | 1 | Bolt, M12X90 Grade 10.9 | |
| 2 | 0711214 | 4 | Bolt, M12X30 Grade 10.9 | |
| 5 | 0711217 | 8 | Bolt, M12X45 | |
| 6 | 0711218 | 4 | Bolt, M12X50 Grade 10.9 | |
| 8 | 0770807 | 2 | Bolt, M8X14 Grade 10.9 | |
| 9 | 0771210 | 8 | Bolt, M12X20 Grade 10.9 | |
| 10 | 2160016 | 2 | Fitting, Grease | |
| 11 | 7138986 | 1 | Sheave, Retract Chain (See RETRACT CHAIN SHEAVE for Breakdown) | |
| 12 | 4811900 | 2 | Washer, M8 | |
| 13 | 1001125117 | AR | Washer, M12 | |
| 14 | 1001162469 | 2 | Pad | |
| 15 | 1001163029 | 2 | Pad | |
| 16 | 1001163034 | AR | Plate, Spacer | |
| 17 | 1001163035 | 2 | Plate, Stop | |
| 19 | 1001163112 | AR | Plate, Spacer | |
| 20 | 1001163136 | 2 | Plate, Stop | |
| 21 | 1001165171 | 4 | Pad | |
| 22 | 1001167493 | 1 | Pin | |
| 23 | 1001168547 | 1 | Boom, Second | |
| 24 | 1001168561 | 1 | Bracket | |
| 25 | 1001168567 | 1 | Roller, Extend Chain (See EXTEND CHAIN ROLLER for Breakdown) | |
| 26 | 1001168587 | 1 | Pin, Boom Chain Pulley | |
| 27 | 1001189492 | 2 | Plate, Stop | |
| 28 | 0711225 | 2 | Bolt, M12X85 Grade 10.9 | |
| 29 | 1001189793 | AR | Shim | |
| 30 | 1001165172 | 8 | Pad | |
| 31 | 1001165367 | AR | Plate, Spacer | |
| 32 | 0711216 | 8 | Bolt, M12X40 Grade 10.9 | |
| 33 | 0771212 | AR | Bolt, M12X25 Grade 10.9 | |
| 34 | 0711226 | AR | Bolt, M12X90 Grade 10.9 | |

SECTION 2 - BOOM

FIGURE 2-7. THIRD BOOM ASSEMBLY (642, 742)



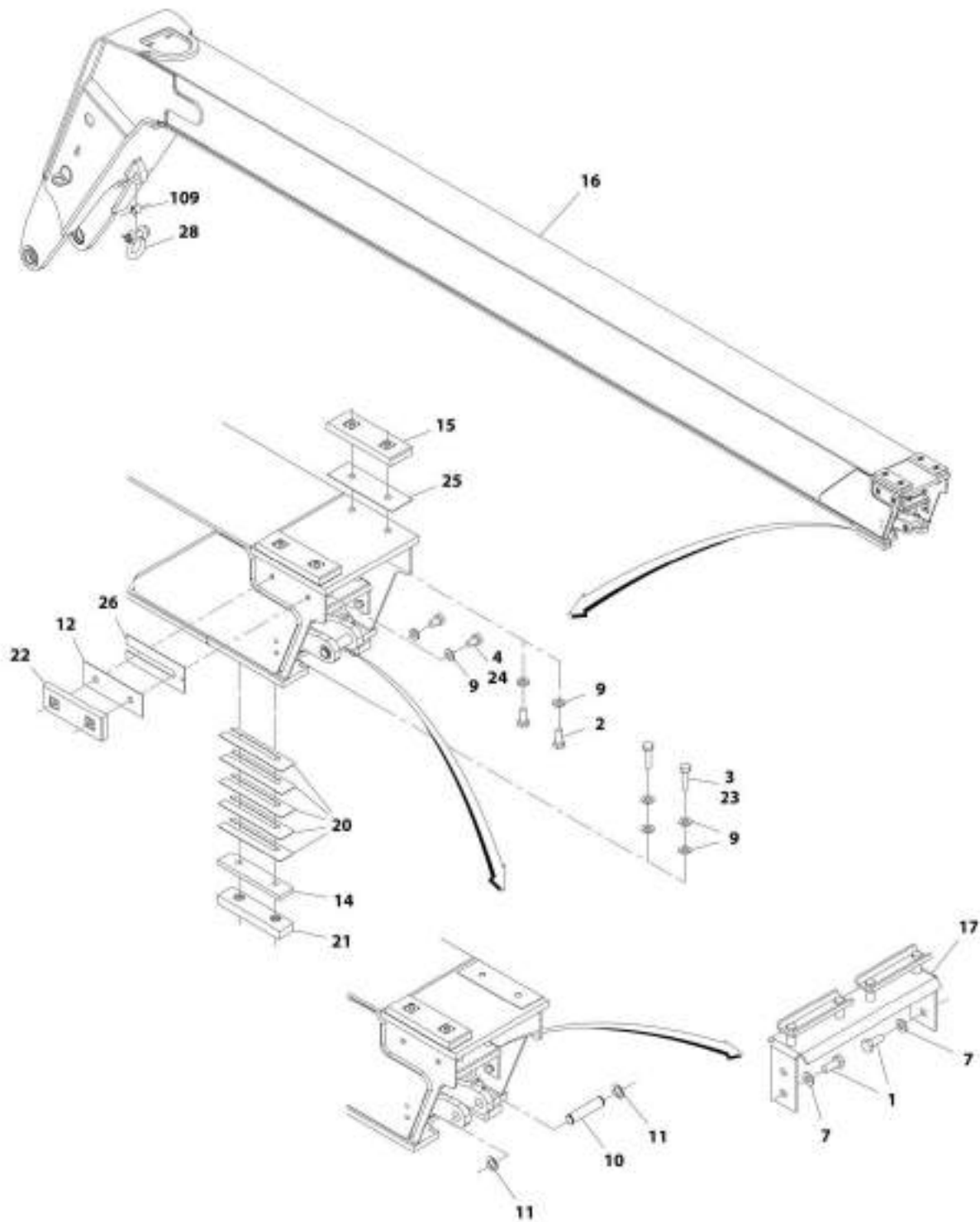
SECTION 2 - BOOM

FIGURE 2-7. THIRD BOOM ASSEMBLY (642, 742)

| ITEM | PART NUMBER | QTY | DESCRIPTION | REV |
|------|-------------|-----|--|-----|
| | 1001168735 | Ref | Third Boom Section Assembly (642, 742) | H |
| 1 | 0760810 | 4 | Bolt, M8X20 | |
| 2 | 0711214 | 4 | Bolt, M12X30 Grade 10.9 | |
| 3 | 0711217 | 2 | Bolt, M12X45 | |
| 4 | 0711219 | 2 | Bolt, M12X55 Grade 10.9 | |
| 5 | 0771210 | 4 | Bolt, M12X20 Grade 10.9 | |
| 8 | 4811900 | 4 | Washer, M8 | |
| 10 | 1001125117 | AR | Washer, M12 | |
| 11 | 1001163712 | 1 | Pin | |
| 12 | 1001163704 | 2 | Ring, M15 | |
| 13 | 1001165367 | AR | Plate, Spacer | |
| 15 | 1001168589 | 2 | Plate, Stop | |
| 16 | 1001165171 | 2 | Pad | |
| 17 | 1001168736 | 1 | Boom, Third Section | |
| 18 | 1001168755 | Ref | Installation, Hose Bracket (642, 742) (See HOSE BRACKET INSTALLATION (642, 742) for Breakdown) | |
| 21 | 1001163029 | 2 | Pad | |
| 22 | 1001189793 | AR | Shim | |
| 23 | 1001165172 | 2 | Pad | |
| 24 | 0711216 | AR | Bolt, M12X40 Grade 10.9 | |
| 25 | 0711218 | AR | Bolt, M12X50 Grade 10.9 | |
| 26 | 0771212 | AR | Bolt, M12X25 Grade 10.9 | |
| 27 | 1001163034 | AR | Plate, Spacer | |
| 28 | 1001200989 | AR | Plate, Shim | |
| 29 | 1001204045 | 1 | Clevis (SN 0160075708 to Present) | |
| 109 | 1001204047 | 1 | Sleeve (SN 0160075708 to Present) | |

SECTION 2 - BOOM

FIGURE 2-8. THIRD BOOM SECTION ASSEMBLY (943, 1043)



AFT_1001088001.H

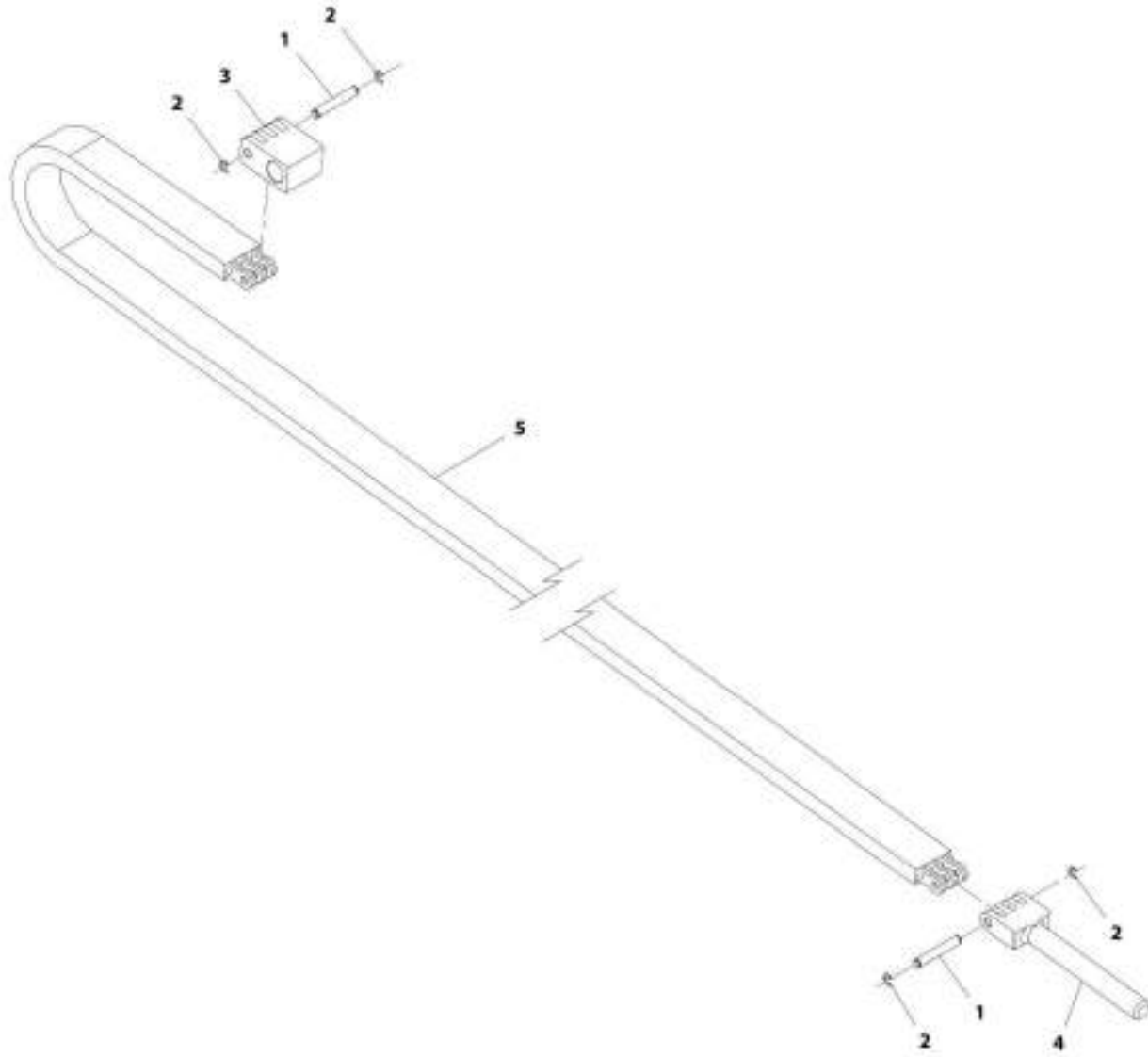
SECTION 2 - BOOM

FIGURE 2-8. THIRD BOOM SECTION ASSEMBLY (943, 1043)

| ITEM | PART NUMBER | QTY | DESCRIPTION | REV |
|------|-------------|-----|--|-----|
| | 1001168602 | 1 | Third Boom Section Assembly (943, 1043) | H |
| 1 | 0760810 | 4 | Bolt, M8X20 | |
| 2 | 0711214 | 4 | Bolt, M12X30 Grade 10.9 | |
| 3 | 0711217 | 4 | Bolt, M12X45 | |
| 4 | 0771210 | 4 | Bolt, M12X20 Grade 10.9 | |
| 7 | 4811900 | 4 | Washer, M8 | |
| 9 | 1001125117 | AR | Washer, M12 | |
| 10 | 1001163712 | 1 | Pin | |
| 11 | 1001163704 | 2 | Ring, M15 | |
| 12 | 1001165367 | AR | Plate, Spacer | |
| 14 | 1001168589 | 2 | Plate, Stop | |
| 15 | 1001165171 | 2 | Pad | |
| 16 | 1001168603 | 1 | Boom, Third | |
| 17 | 1001168630 | Ref | Installation, Hose Bracket (943, 1043) (See HOSE BRACKET INSTALLATION (943, 1043) for Breakdown) | |
| 20 | 1001189793 | AR | Shim | |
| 21 | 1001163029 | 2 | Pad | |
| 22 | 1001165172 | 2 | Pad | |
| 23 | 0711216 | AR | Bolt, M12X40 Grade 10.9 | |
| 24 | 0771212 | AR | Bolt, M12X25 Grade 10.9 | |
| 25 | 1001163034 | AR | Plate, Spacer | |
| 26 | 1001200989 | AR | Plate, Shim | |
| 28 | 1001204045 | 1 | Clevis (SN 0160075708 to Present) | |
| 109 | 1001204047 | 1 | Sleeve (SN 0160075708 to Present) | |

SECTION 2 - BOOM

FIGURE 2-9. RETRACT CHAIN INSTALLATION



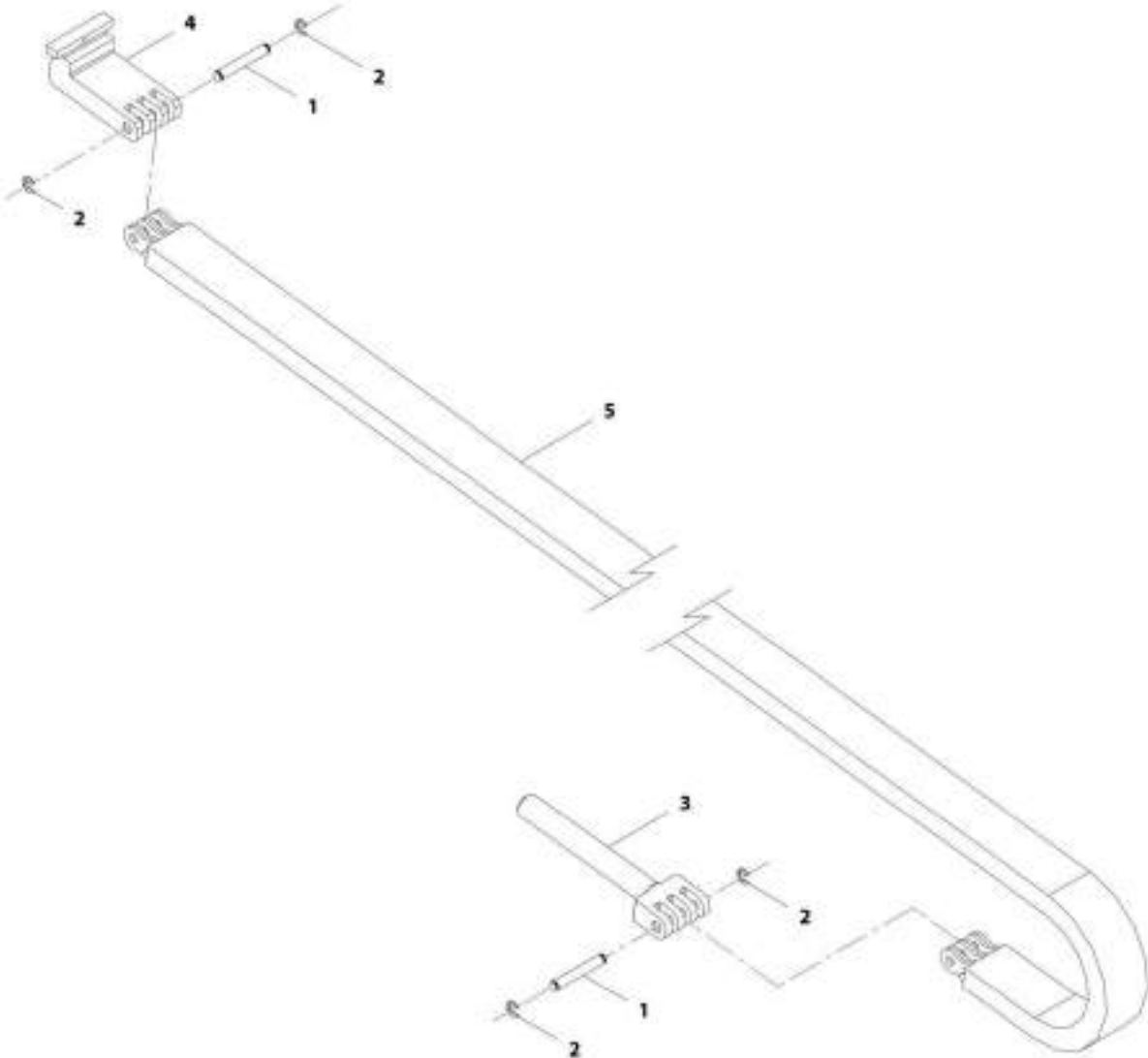
ABT_1001168278-B

FIGURE 2-9. RETRACT CHAIN INSTALLATION

| ITEM | PART NUMBER | QTY | DESCRIPTION | REV |
|------|-------------|-----|----------------------------|-----|
| | 1001169278 | Ref | Retract Chain Installation | B |
| 1 | 1001187785 | 2 | Pin, Clevis | |
| 2 | 1001166163 | 4 | Ring, External M6 | |
| 3 | 1001166233 | 1 | Clevis, Chain | |
| 4 | 1001166235 | 1 | Clevis, Chain | |
| 5 | 1001169279 | 1 | Chain, Retract | |

SECTION 2 - BOOM

FIGURE 2-10. EXTEND CHAIN INSTALLATION (642, 742)



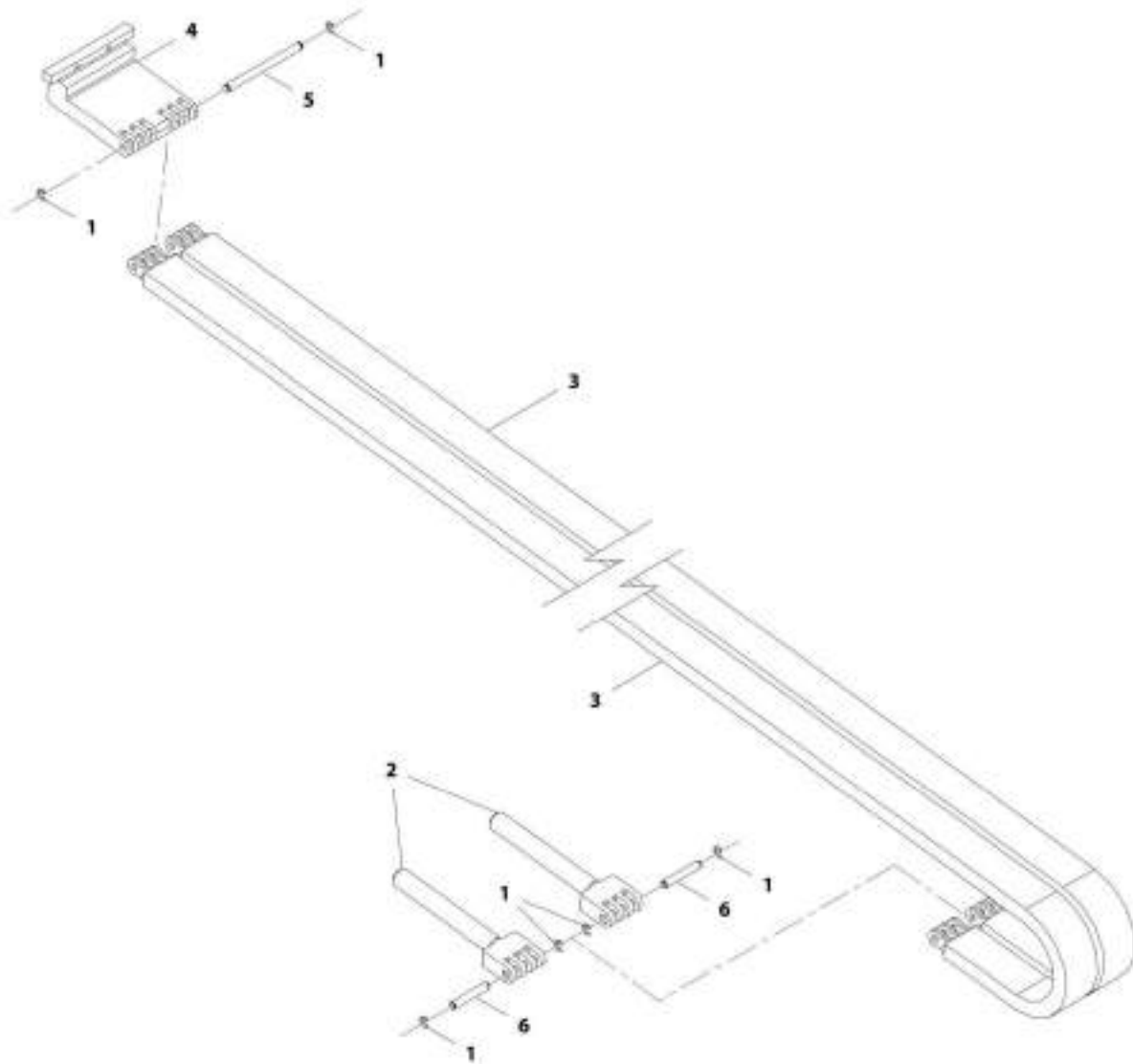
ART_302169320-A

FIGURE 2-10. EXTEND CHAIN INSTALLATION (642, 742)

| ITEM | PART NUMBER | QTY | DESCRIPTION | REV |
|-------------|--------------------|------------|--------------------------------------|------------|
| | 1001169326 | Ref | Extend Chain Installation (642, 742) | A |
| 1 | 1001163841 | 2 | Pin, Clevis | |
| 2 | 1001164039 | 4 | Ring, External M8 | |
| 3 | 1001165590 | 1 | Clevis, Chain | |
| 4 | 1001165739 | 1 | Clevis, Chain | |
| 5 | 1001169327 | 1 | Chain, Extend | |

SECTION 2 - BOOM

FIGURE 2-11. EXTEND CHAIN INSTALLATION (943, 1043)



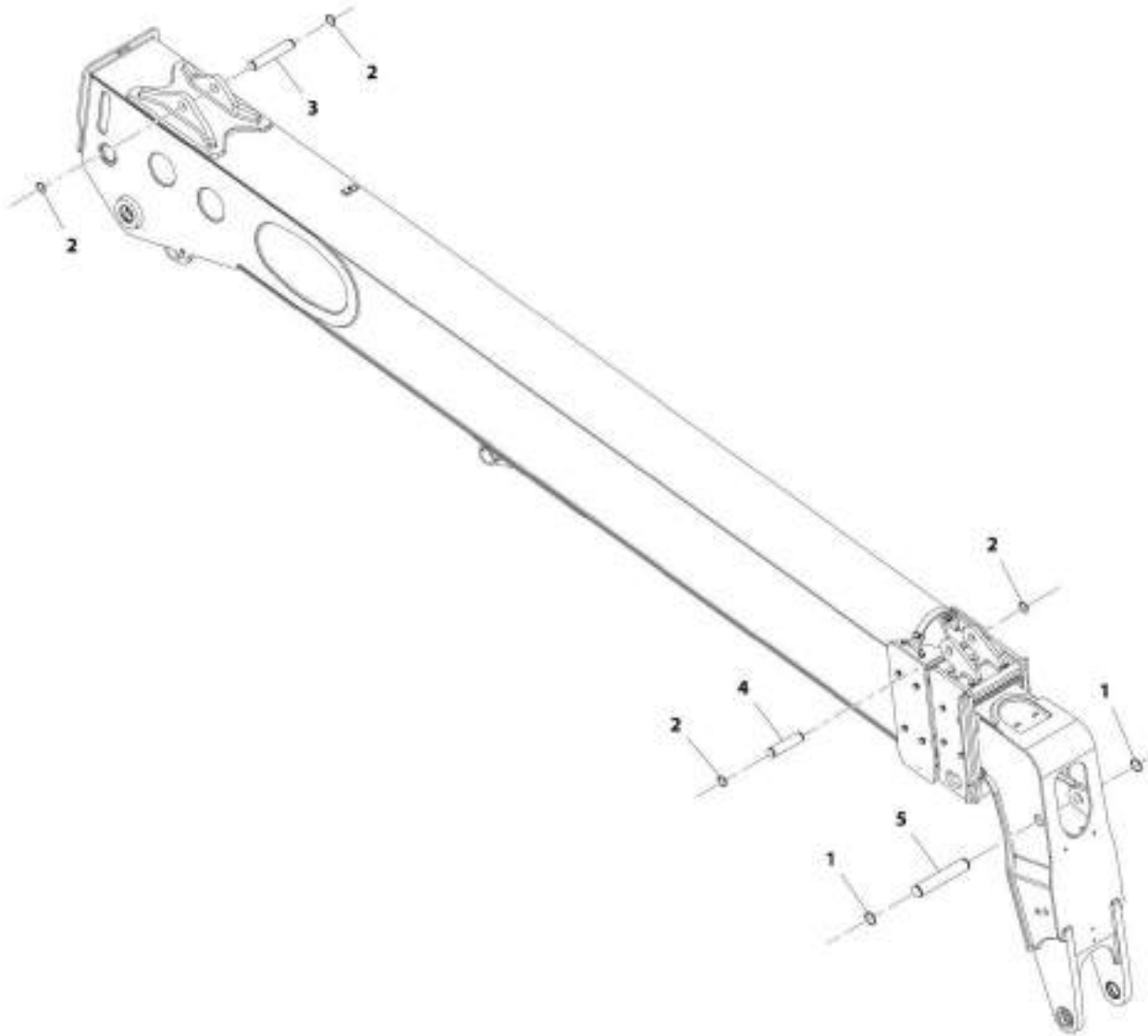
ART_100189281-8

FIGURE 2-11. EXTEND CHAIN INSTALLATION (943, 1043)

| ITEM | PART NUMBER | QTY | DESCRIPTION | REV |
|------|-------------|-----|---------------------------------------|-----|
| | 1001169281 | Ref | Extend Chain Installation (943, 1043) | B |
| 1 | 1001166163 | 6 | Ring, External M6 | |
| 2 | 1001166235 | 2 | Clevis, Chain | |
| 3 | 1001169279 | 2 | Chain, Retract | |
| 4 | 1001169373 | 1 | Clevis, Dual | |
| 5 | 1001169379 | 1 | Pin, Clevis | |
| 6 | 1001187785 | 2 | Pin, Clevis | |

SECTION 2 - BOOM

FIGURE 2-12. PINS INSTALLATION (642, 742)



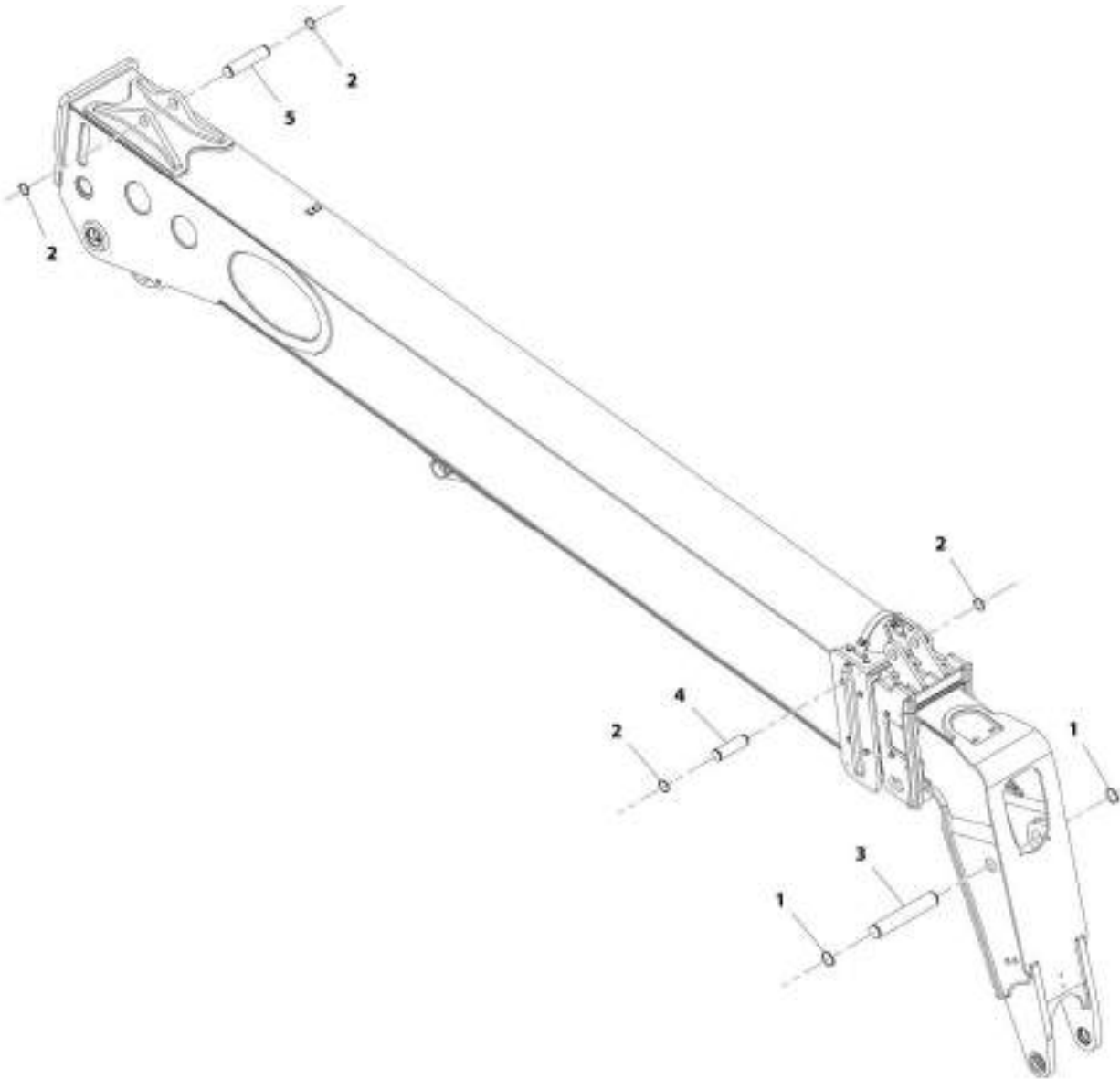
AWT_1001173542-B

FIGURE 2-12. PINS INSTALLATION (642, 742)

| ITEM | PART NUMBER | QTY | DESCRIPTION | REV |
|------|-------------|-----|------------------------------|-----|
| | 1001173542 | Ref | Pins Installation (642, 742) | B |
| 1 | 3760493 | 2 | Ring, Retaining M5 | |
| 2 | 3760491 | 4 | Ring, Retaining M40 | |
| 3 | 1001173543 | 1 | Pin | |
| 4 | 1001173544 | 1 | Pin | |
| 5 | 1001174726 | 1 | Pin, Tilt Cylinder | |

SECTION 2 - BOOM

FIGURE 2-13. PINS INSTALLATION (943, 1043)



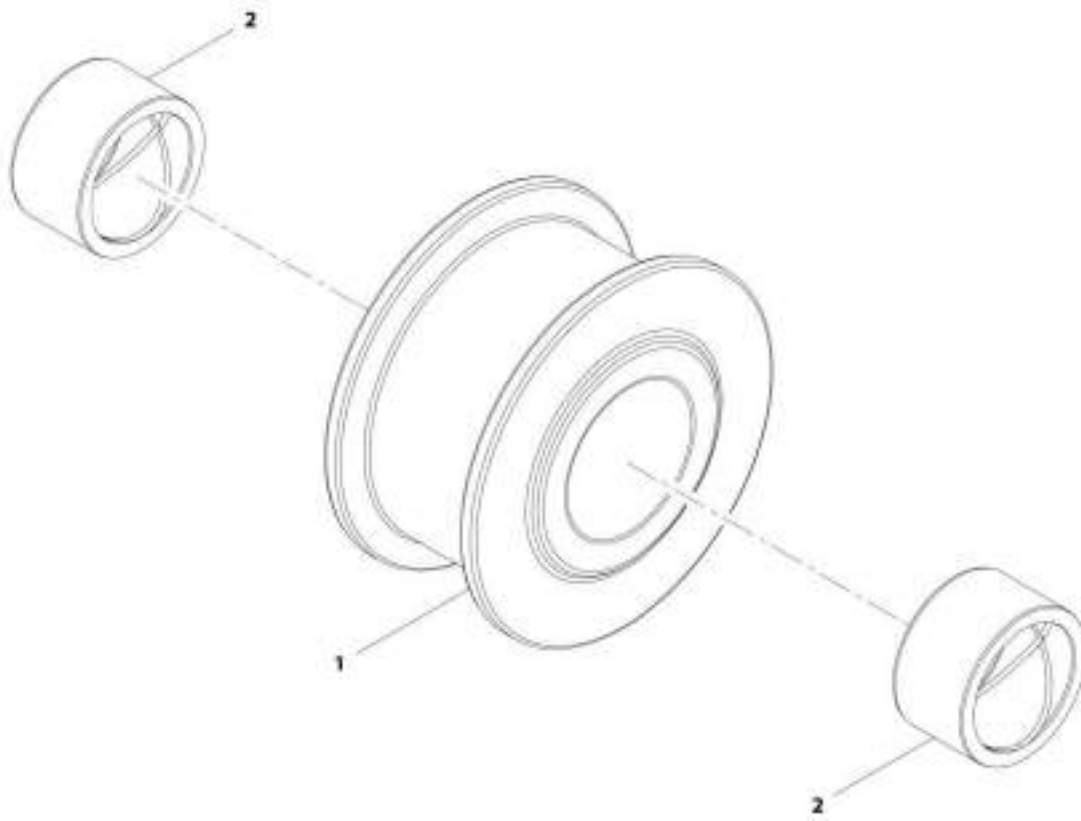
ART_100175043-0

FIGURE 2-13. PINS INSTALLATION (943, 1043)

| ITEM | PART NUMBER | QTY | DESCRIPTION | REV |
|------|-------------|-----|-------------------------------|-----|
| | 1001173541 | Ref | Pins Installation (943, 1043) | B |
| 1 | 3760463 | 2 | Ring, Retaining M60 | |
| 2 | 3760493 | 4 | Ring, Retaining M50 | |
| 3 | 1001173538 | 1 | Pin, Tilt Cylinder | |
| 4 | 1001173539 | 1 | Pin | |
| 5 | 1001173540 | 1 | Pin | |

SECTION 2 - BOOM

FIGURE 2-14. CHAIN SHEAVE ASSEMBLY



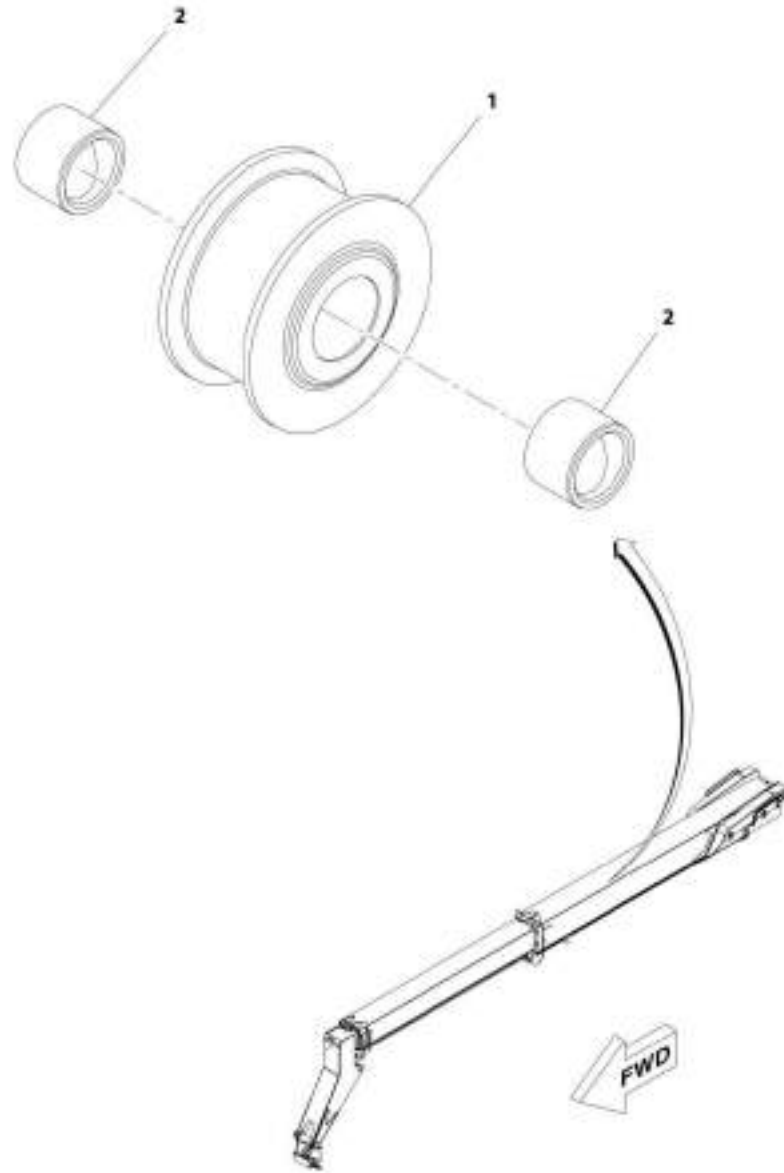
ART_1001101867-A

FIGURE 2-14. CHAIN SHEAVE ASSEMBLY

| ITEM | PART NUMBER | QTY | DESCRIPTION | REV |
|-------------|--------------------|------------|-----------------------|------------|
| | 1001101867 | Ref | Chain Sheave Assembly | A |
| 1 | 7114032 | 1 | Sheave, Chain | |
| 2 | 7117502 | 2 | Bushing, Sheave Chain | |

SECTION 2 - BOOM

FIGURE 2-15. RETRACT CHAIN SHEAVE



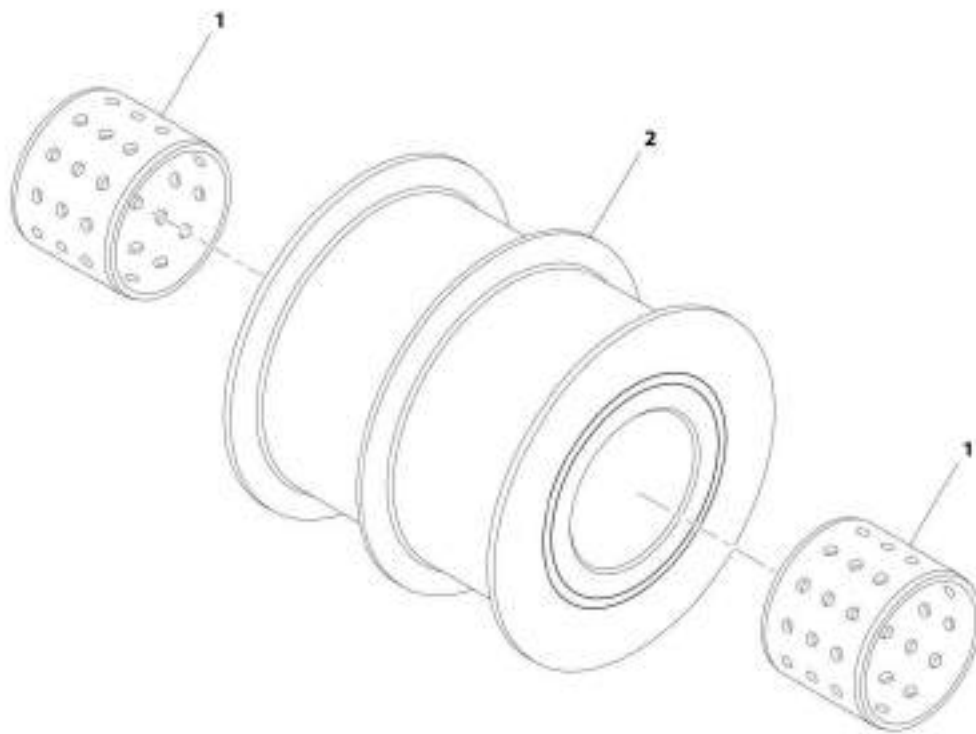
ART_713096-C

FIGURE 2-15. RETRACT CHAIN SHEAVE

| ITEM | PART NUMBER | QTY | DESCRIPTION | REV |
|-------------|--------------------|------------|-------------------------------|------------|
| | 7138986 | Ref | Retract Chain Sheave | C |
| 1 | 7138978 | 1 | Sheave, Retract Chain | |
| 2 | 7138979 | 2 | Bushing, Sheave Retract Chain | |

SECTION 2 - BOOM

FIGURE 2-16. EXTEND CHAIN ROLLER



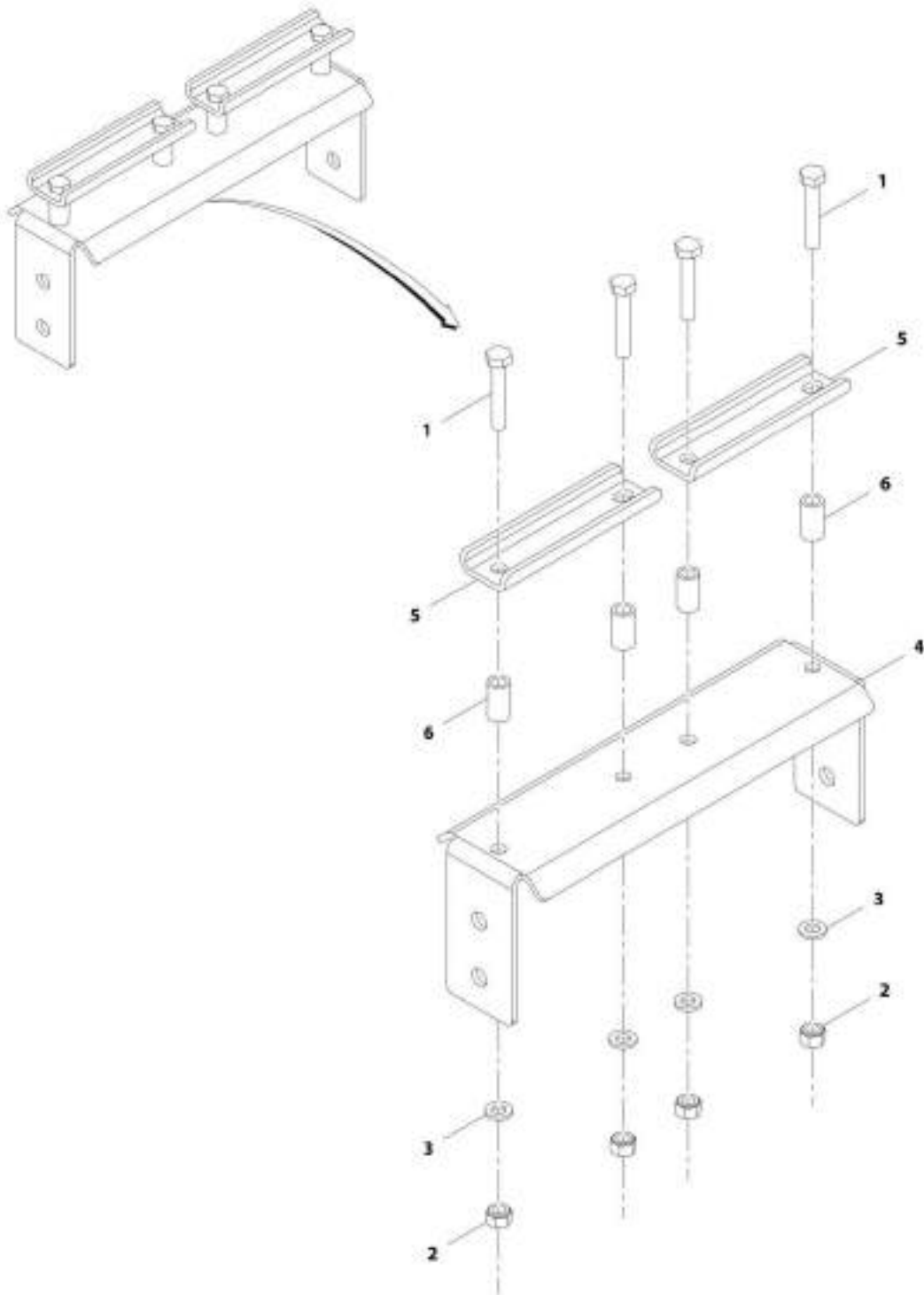
ART_1001168567-C

FIGURE 2-16. EXTEND CHAIN ROLLER

| ITEM | PART NUMBER | QTY | DESCRIPTION | REV |
|-------------|--------------------|------------|----------------------|------------|
| | 1001168567 | Ref | Extend Chain Roller | C |
| 1 | 0440296 | 2 | Bearing | |
| 2 | 1001168831 | 1 | Roller, Extend Chain | |

SECTION 2 - BOOM

FIGURE 2-17. HOSE BRACKET INSTALLATION (642, 742)



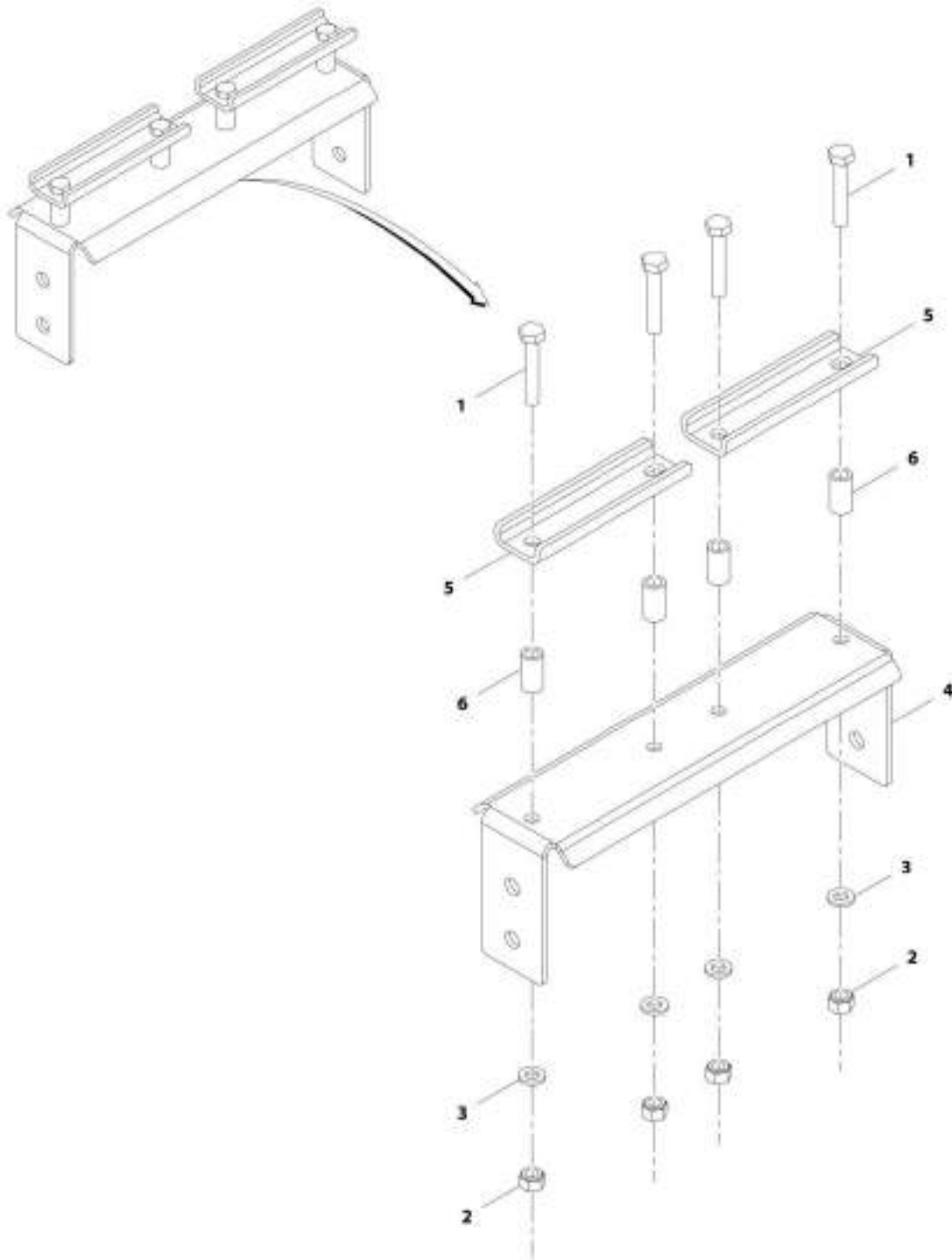
ART_100166755-0

FIGURE 2-17. HOSE BRACKET INSTALLATION (642, 742)

| ITEM | PART NUMBER | QTY | DESCRIPTION | REV |
|------|-------------|-----|--------------------------------------|-----|
| | 1001168755 | Ref | Hose Bracket Installation (642, 742) | B |
| 1 | 0760615 | 4 | Bolt, M6X35 | |
| 2 | 3290605 | 4 | Nut, Lock M6X1 GR8 | |
| 3 | 4811700 | 4 | Washer, M6 | |
| 4 | 1001168757 | 1 | Bracket | |
| 5 | 1001169209 | 2 | Plate | |
| 6 | 1001169214 | 4 | Spacer | |

SECTION 2 - BOOM

FIGURE 2-18. HOSE BRACKET INSTALLATION (943, 1043)



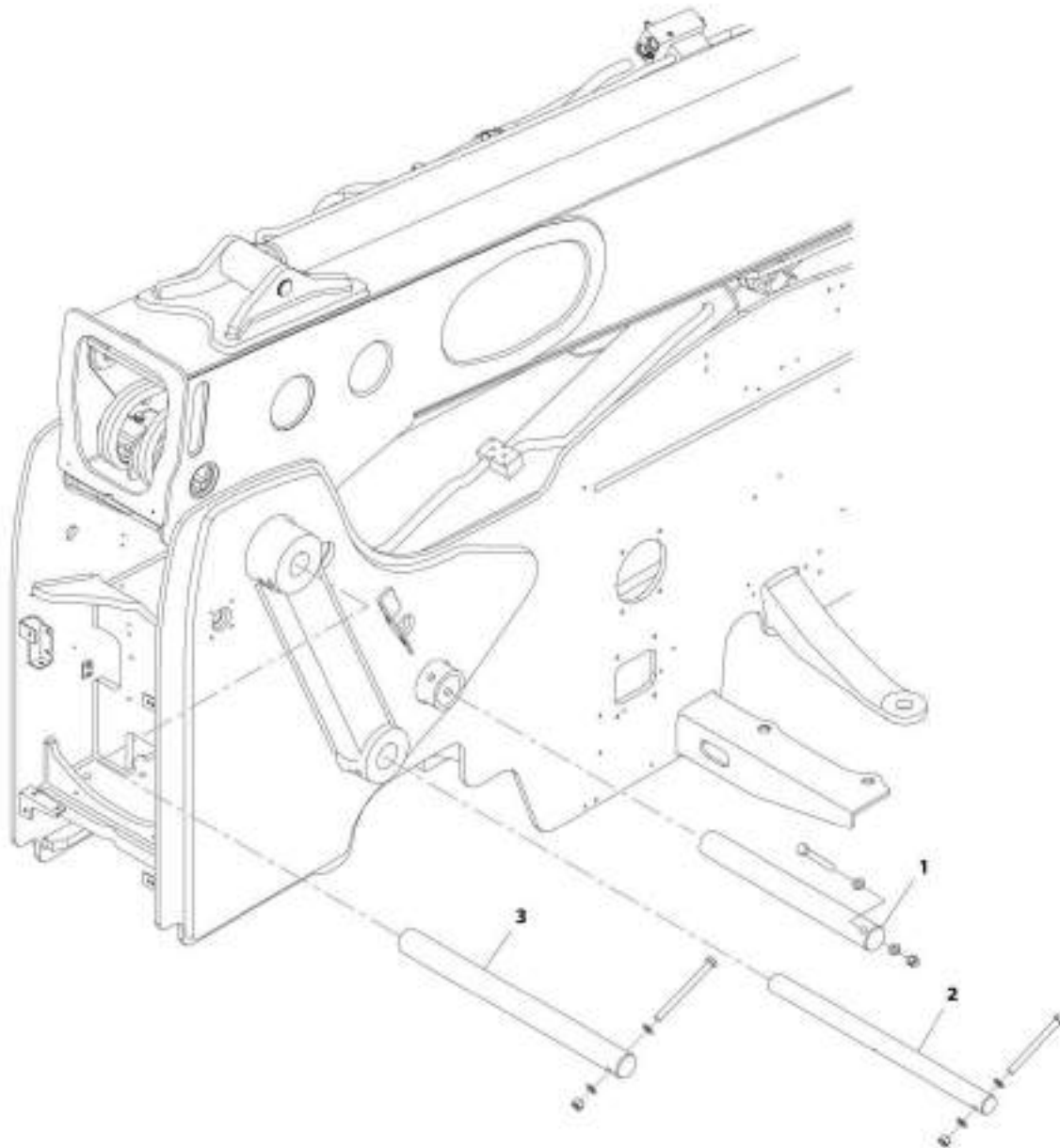
ART_100168630-01

FIGURE 2-18. HOSE BRACKET INSTALLATION (943, 1043)

| ITEM | PART NUMBER | QTY | DESCRIPTION | REV |
|------|-------------|-----|---------------------------------------|-----|
| | 1001168630 | Ref | Hose Bracket Installation (943, 1043) | B |
| 1 | 0760615 | 4 | Bolt, M6X35 | |
| 2 | 3290605 | 4 | Nut, Lock M6X1 Grade 8 | |
| 3 | 4811700 | 4 | Washer, M6 | |
| 4 | 1001168632 | 1 | Bracket | |
| 5 | 1001169209 | 2 | Plate | |
| 6 | 1001169214 | 4 | Spacer | |

SECTION 2 - BOOM

FIGURE 2-19. BOOM PINNING INSTALLATION (642, 742)



ART_300116624-B

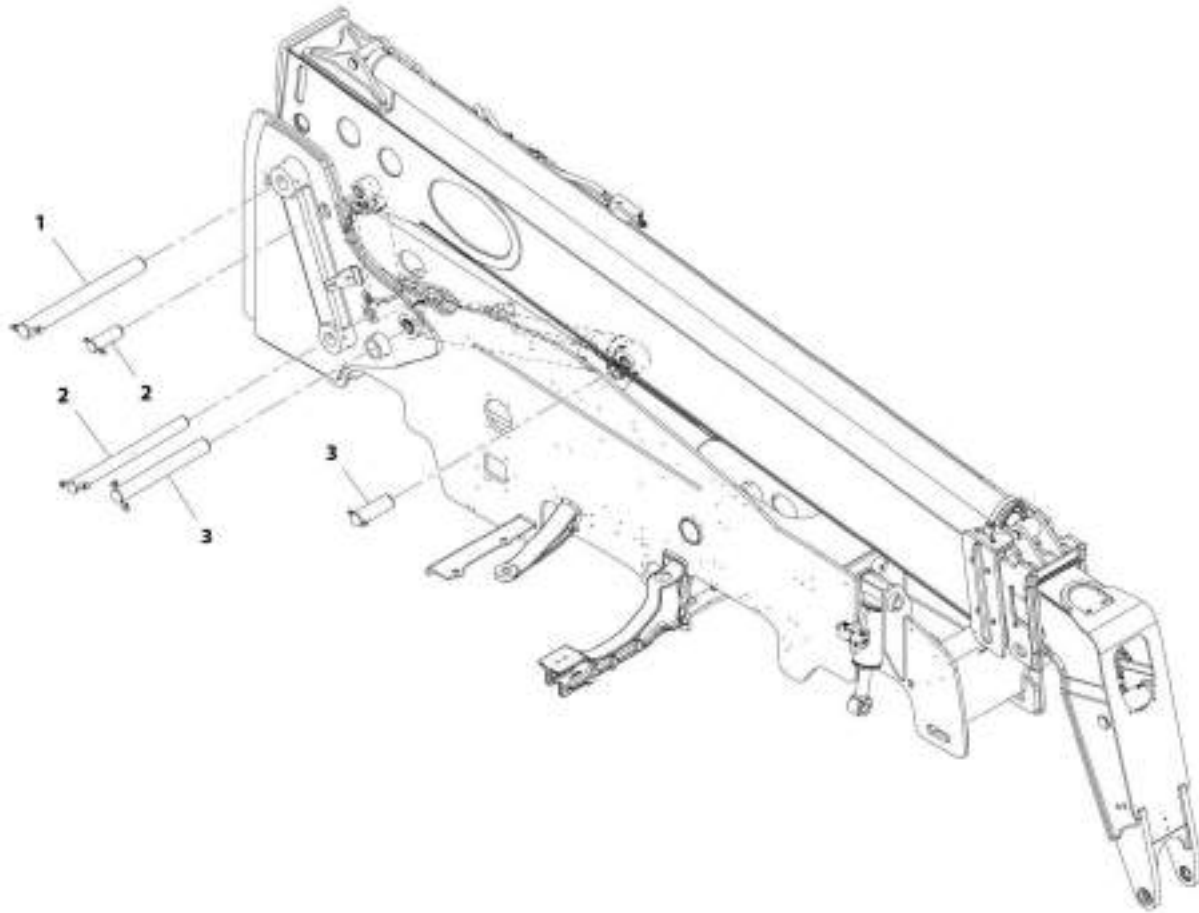
SECTION 2 - BOOM

FIGURE 2-19. BOOM PINNING INSTALLATION (642, 742)

| ITEM | PART NUMBER | QTY | DESCRIPTION | REV |
|------|-------------|-----|--|-----|
| 1 | 1001168634 | Ref | Boom Pinning Installation (642, 742) | B |
| | 1001173111 | Ref | Installation, Lift Cylinder Pins (642, 742) (See LIFT CYLINDER PINS INSTALLATION (642, 742) for Breakdown) | |
| 2 | 1001173114 | Ref | Installation, Compensation Cylinder Pins (642, 742) (See COMPENSATION CYLINDER PINS INSTALLATION (642, 742) for Breakdown) | |
| 3 | 1001173117 | Ref | Installation, Boom Pivot Pin (642, 742) (See BOOM PIVOT PIN INSTALLATION (642, 742) for Breakdown) | |

SECTION 2 - BOOM

FIGURE 2-20. BOOM PINNING INSTALLATION (943, 1043)



ART_3301168406-E

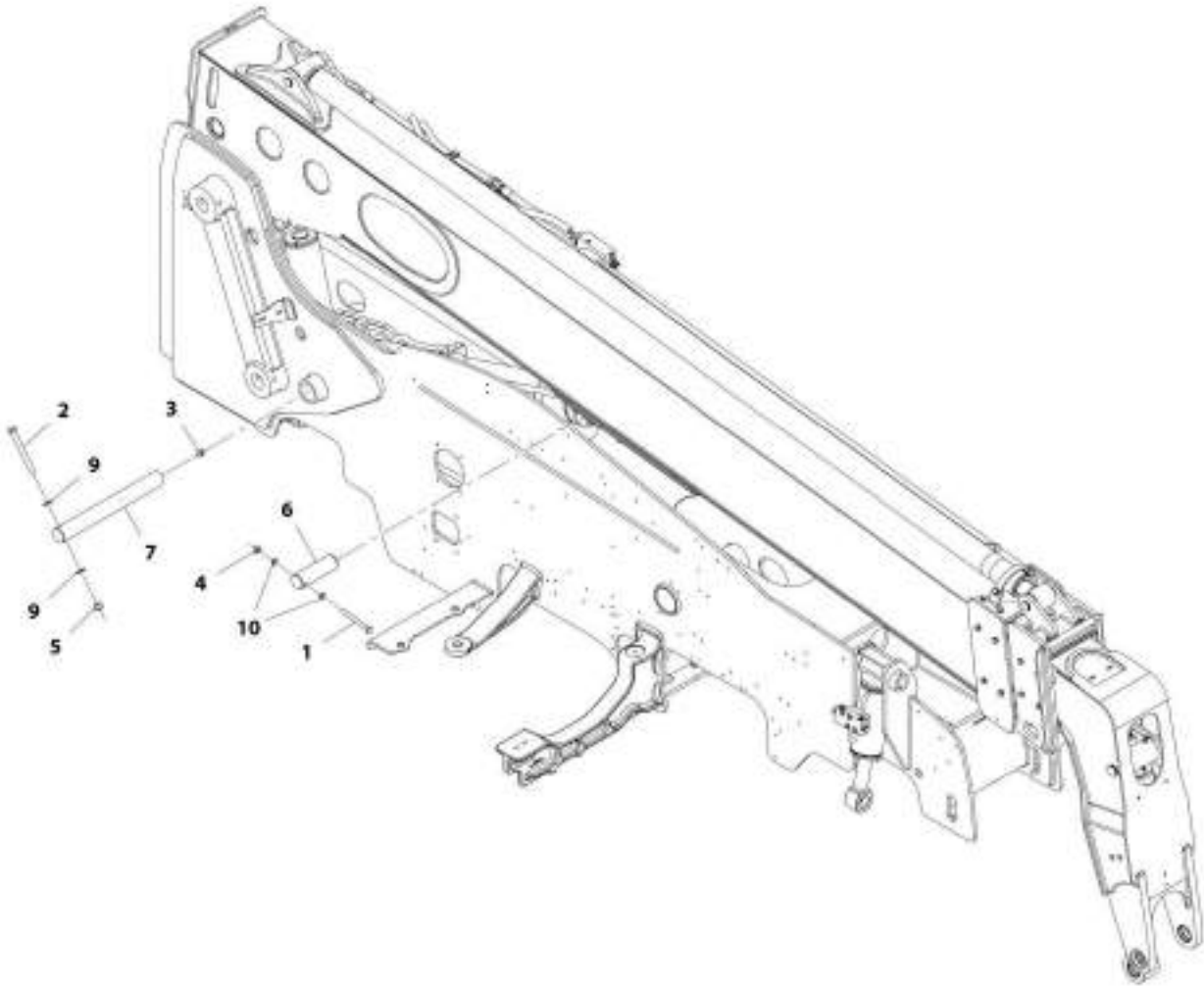
SECTION 2 - BOOM

FIGURE 2-20. BOOM PINNING INSTALLATION (943, 1043)

| ITEM | PART NUMBER | QTY | DESCRIPTION | REV |
|------|-------------|-----|--|-----|
| 1 | 1001168486 | Ref | Boom Pinning Installation (943, 1043) | B |
| | 1001172344 | Ref | Installation, Boom Pivot Pin (See BOOM PIVOT PIN INSTALLATION (943, 1043) for Breakdown) | |
| 2 | 1001172345 | Ref | Installation, Compensation Cylinder Pins (See COMPENSATION CYLINDER PINS INSTALLATION (943, 1043) for Breakdown) | |
| 3 | 1001172346 | Ref | Installation, Lift Cylinder Pins (See LIFT CYLINDER PINS INSTALLATION (943, 1043) for Breakdown) | |

SECTION 2 - BOOM

FIGURE 2-21. LIFT CYLINDER PINS INSTALLATION (642, 742)



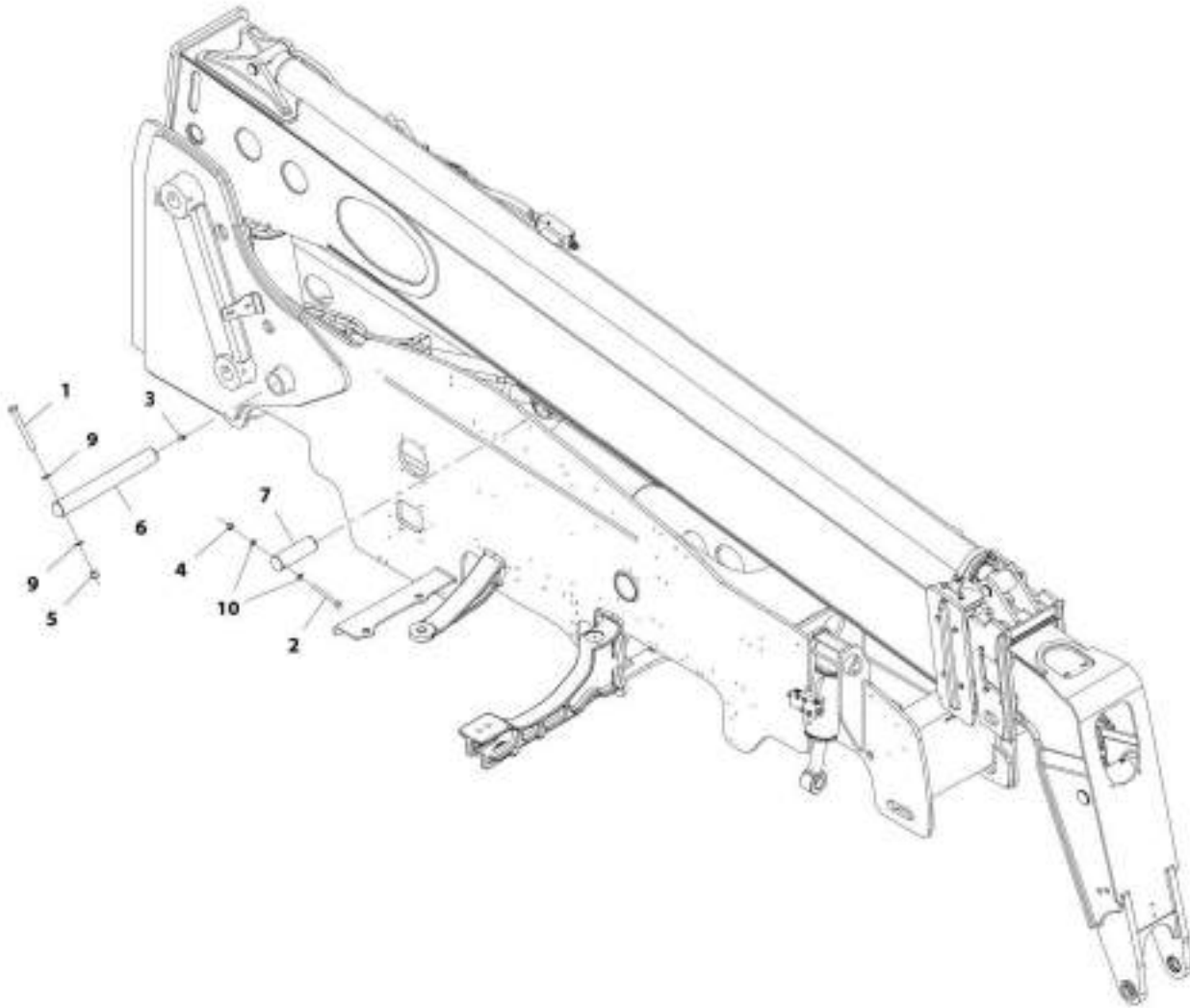
ART_3001173111-F

FIGURE 2-21. LIFT CYLINDER PINS INSTALLATION (642, 742)

| ITEM | PART NUMBER | QTY | DESCRIPTION | REV |
|------|-------------|-----|--|-----|
| | 1001173111 | Ref | Lift Cylinder Pins Installation (642, 742) | F |
| 1 | 0711228 | 1 | Bolt, M12X110 | |
| 2 | 0711631 | 1 | Bolt, M16X140 | |
| 3 | 2160016 | 1 | Fitting, Grease | |
| 4 | 3291205 | 1 | Nut, Lock M12X1.75 Grade 8 | |
| 5 | 3291605 | 1 | Nut, Lock M16X2 Grade 8 | |
| 6 | 1001205336 | 1 | Pin, Cylinder | |
| 7 | 1001173113 | 1 | Pin, Cylinder | |
| 9 | 4812300 | 2 | Washer, M16 | |
| 10 | 4812100 | 2 | Washer, M12 | |

SECTION 2 - BOOM

FIGURE 2-22. LIFT CYLINDER PINS INSTALLATION (943, 1043)



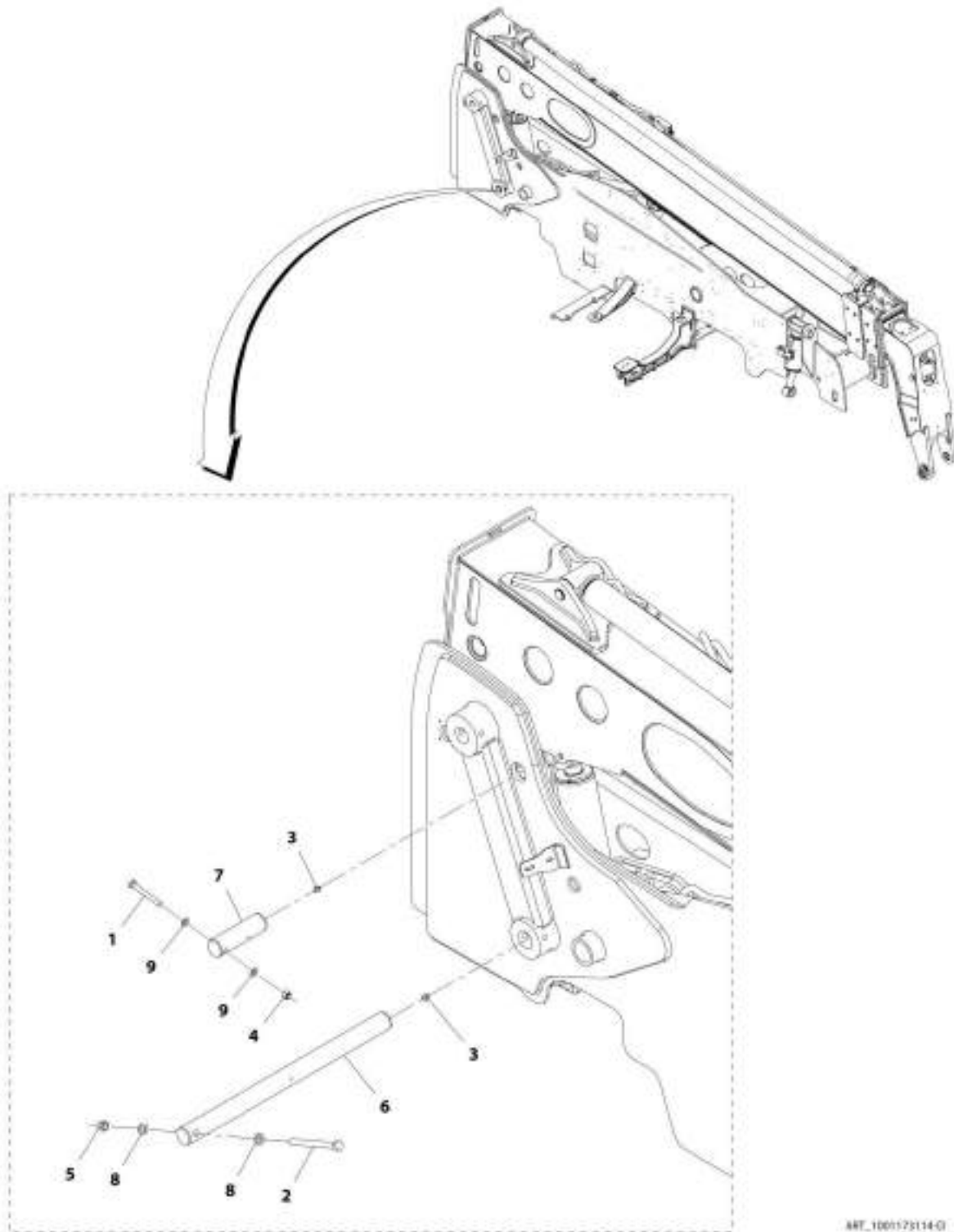
ART_100172946-G

FIGURE 2-22. LIFT CYLINDER PINS INSTALLATION (943, 1043)

| ITEM | PART NUMBER | QTY | DESCRIPTION | REV |
|-------------|--------------------|------------|---|------------|
| | 1001172346 | Ref | Lift Cylinder Pins Installation (943, 1043) | G |
| 1 | 0711631 | 1 | Bolt, M16X140 | |
| 2 | 0711228 | 1 | Bolt, M12X110 | |
| 3 | 2160016 | 1 | Fitting, Grease | |
| 4 | 3291205 | 1 | Nut, Lock M12X1.75 Grade 8 | |
| 5 | 3291605 | 1 | Nut, Lock M16X2 Grade 8 | |
| 6 | 1001172350 | 1 | Pin, Cylinder | |
| 7 | 1001205335 | 1 | Pin, Cylinder | |
| 9 | 4812300 | 2 | Washer, M16 | |
| 10 | 4812100 | 2 | Washer, M12 | |

SECTION 2 - BOOM

FIGURE 2-23. COMPENSATION CYLINDER PINS INSTALLATION (642, 742)



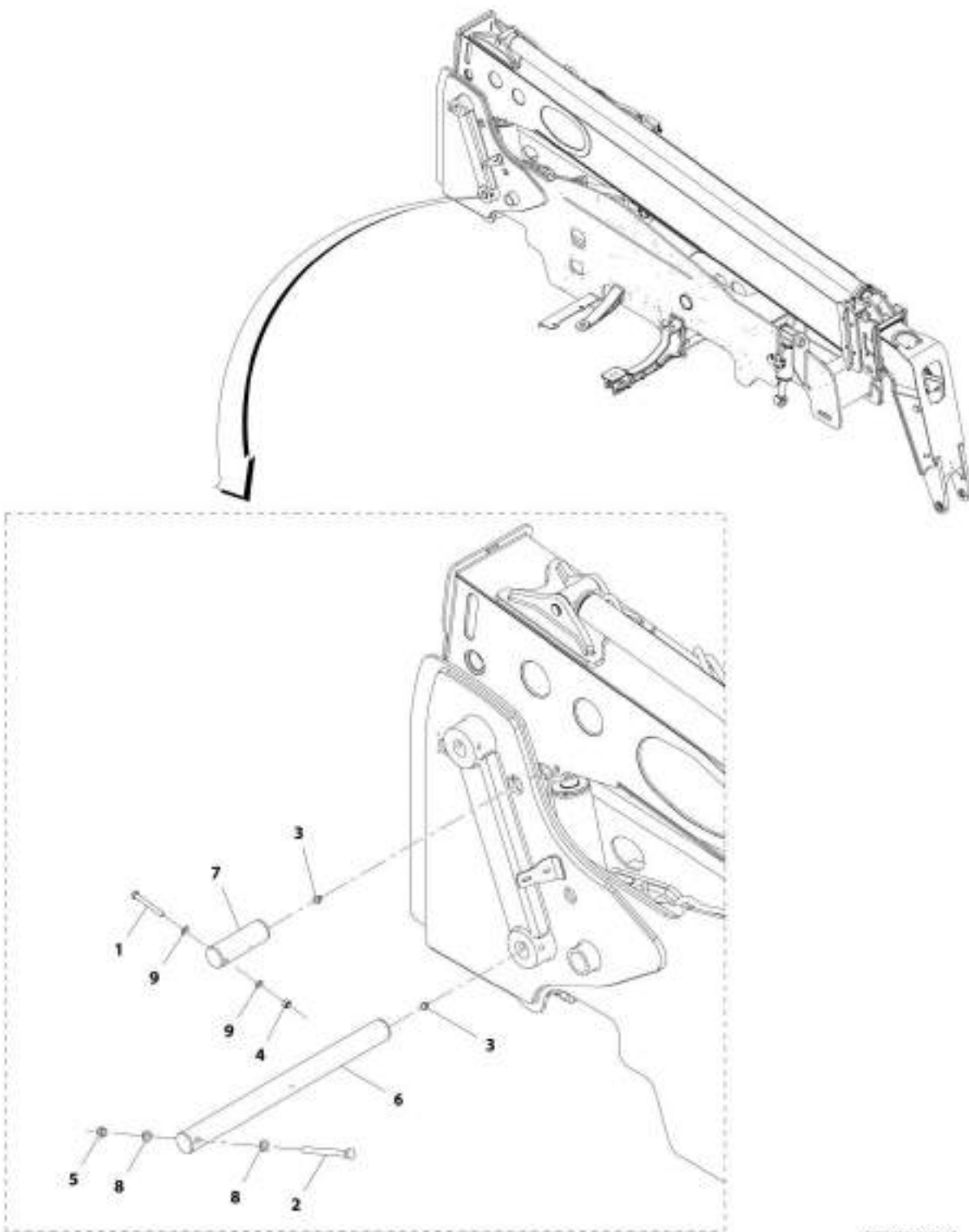
ART_100175114-G

FIGURE 2-23. COMPENSATION CYLINDER PINS INSTALLATION (642, 742)

| ITEM | PART NUMBER | QTY | DESCRIPTION | REV |
|------|-------------|-----|--|-----|
| | 1001173114 | Ref | Compensation Cylinder Pins Installation (642, 742) | D |
| 1 | 0711227 | 1 | Bolt, M12X100 Grade 10.9 | |
| 2 | 0711635 | 1 | Bolt, M16X180 Grade 10.9 | |
| 3 | 2160016 | 2 | Fitting, Grease | |
| 4 | 3291205 | 1 | Nut, Lock M12X1.75 Grade 8 | |
| 5 | 3291605 | 1 | Nut, Lock M16X2 Grade 8 | |
| 6 | 1001173115 | 1 | Pin, Cylinder Base | |
| 7 | 1001173116 | 1 | Pin, Cylinder End | |
| 8 | 4812300 | 2 | Washer, M16 | |
| 9 | 4812100 | 2 | Washer, M12 | |

SECTION 2 - BOOM

FIGURE 2-24. COMPENSATION CYLINDER PINS INSTALLATION (943, 1043)



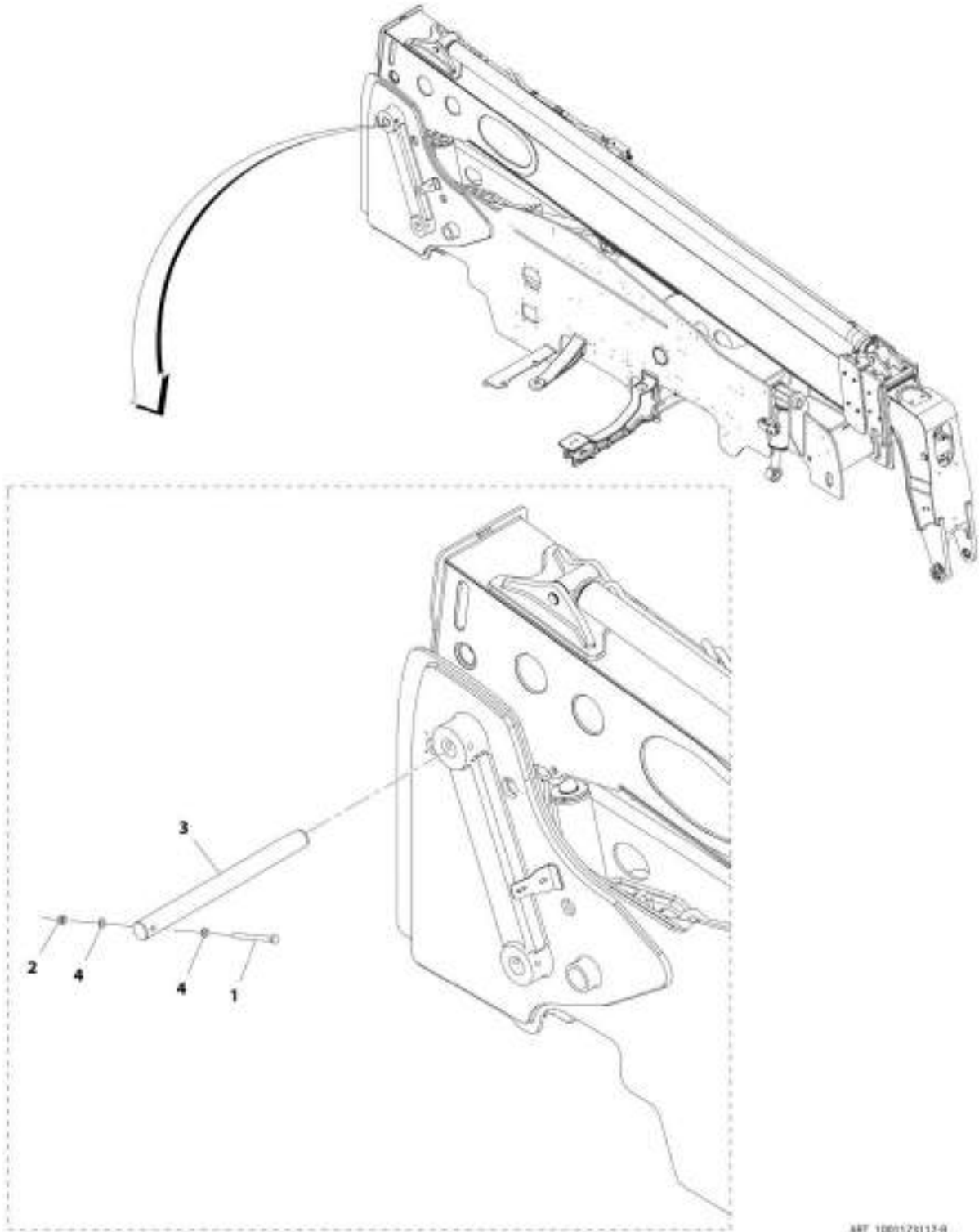
ABT_1001172345-0

FIGURE 2-24. COMPENSATION CYLINDER PINS INSTALLATION (943, 1043)

| ITEM | PART NUMBER | QTY | DESCRIPTION | REV |
|-------------|--------------------|------------|---|------------|
| | 1001172345 | Ref | Compensation Cylinder Pins Installation (943, 1043) | D |
| 1 | 0711229 | 1 | Bolt, M12X120 Grade 10.9 | |
| 2 | 0711635 | 1 | Bolt, M16X180 Grade 10.9 | |
| 3 | 2160016 | 2 | Fitting, Grease | |
| 4 | 3291205 | 1 | Nut, Lock M12X1.75 Grade 8 | |
| 5 | 3291605 | 1 | Nut, Lock M16X2 Grade 8 | |
| 6 | 1001172352 | 1 | Pin, Cylinder Base | |
| 7 | 1001172353 | 1 | Pin, Cylinder End | |
| 8 | 4812300 | 2 | Washer, M16 | |
| 9 | 4812100 | 2 | Washer, M12 | |

SECTION 2 - BOOM

FIGURE 2-25. BOOM PIVOT PIN INSTALLATION (642, 742)



ART_100125113-0

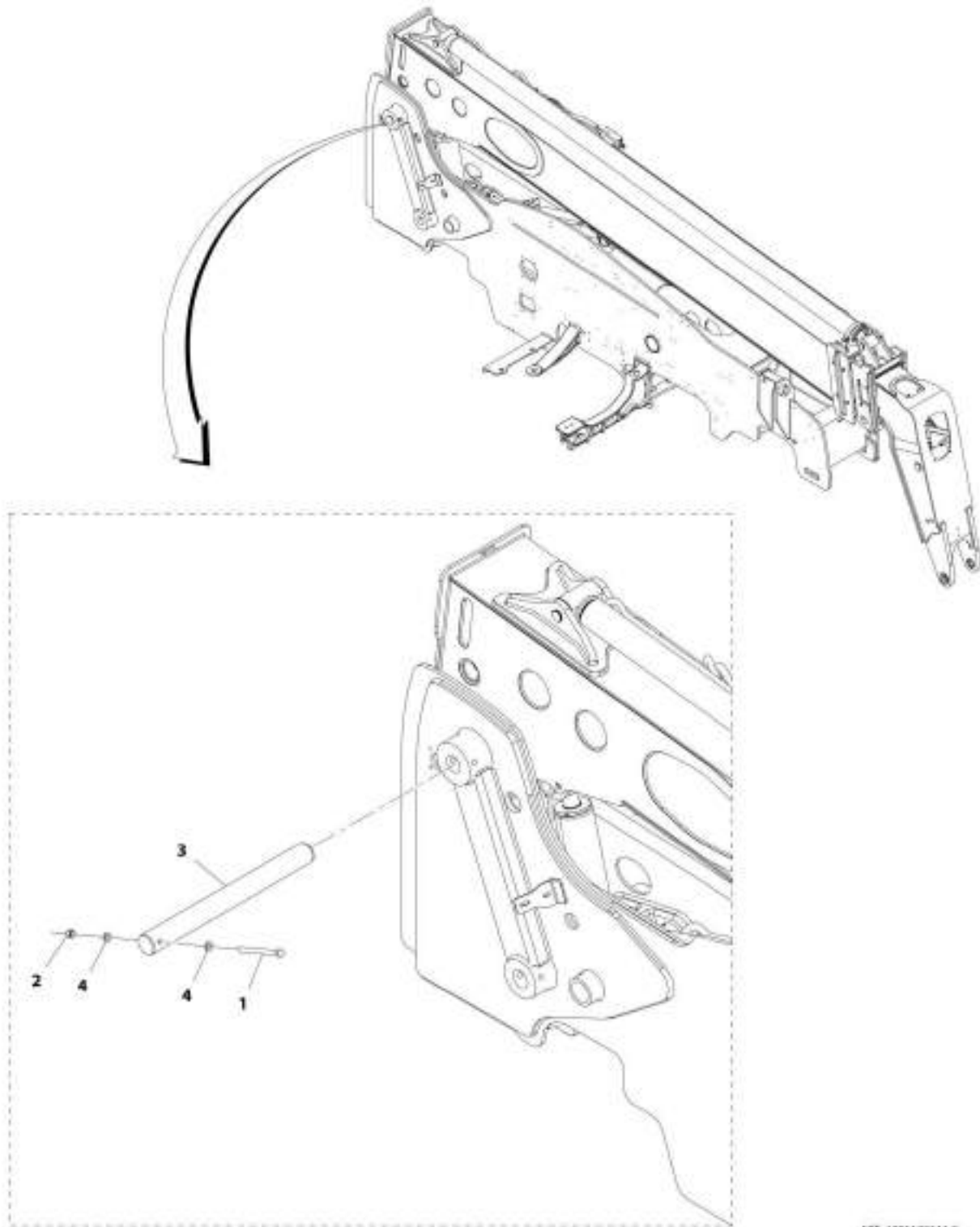
SECTION 2 - BOOM

FIGURE 2-25. BOOM PIVOT PIN INSTALLATION (642, 742)

| ITEM | PART NUMBER | QTY | DESCRIPTION | REV |
|------|-------------|-----|--|-----|
| | 1001173117 | Ref | Boom Pivot Pin Installation (642, 742) | B |
| 1 | 1001091951 | 1 | Bolt, M16X200 | |
| 2 | 3291605 | 1 | Nut, Lock M16X2 Grade 8 | |
| 3 | 1001173118 | 1 | Pin | |
| 4 | 4812300 | 2 | Washer, M16 | |

SECTION 2 - BOOM

FIGURE 2-26. BOOM PIVOT PIN INSTALLATION (943, 1043)



ART_100172344-C

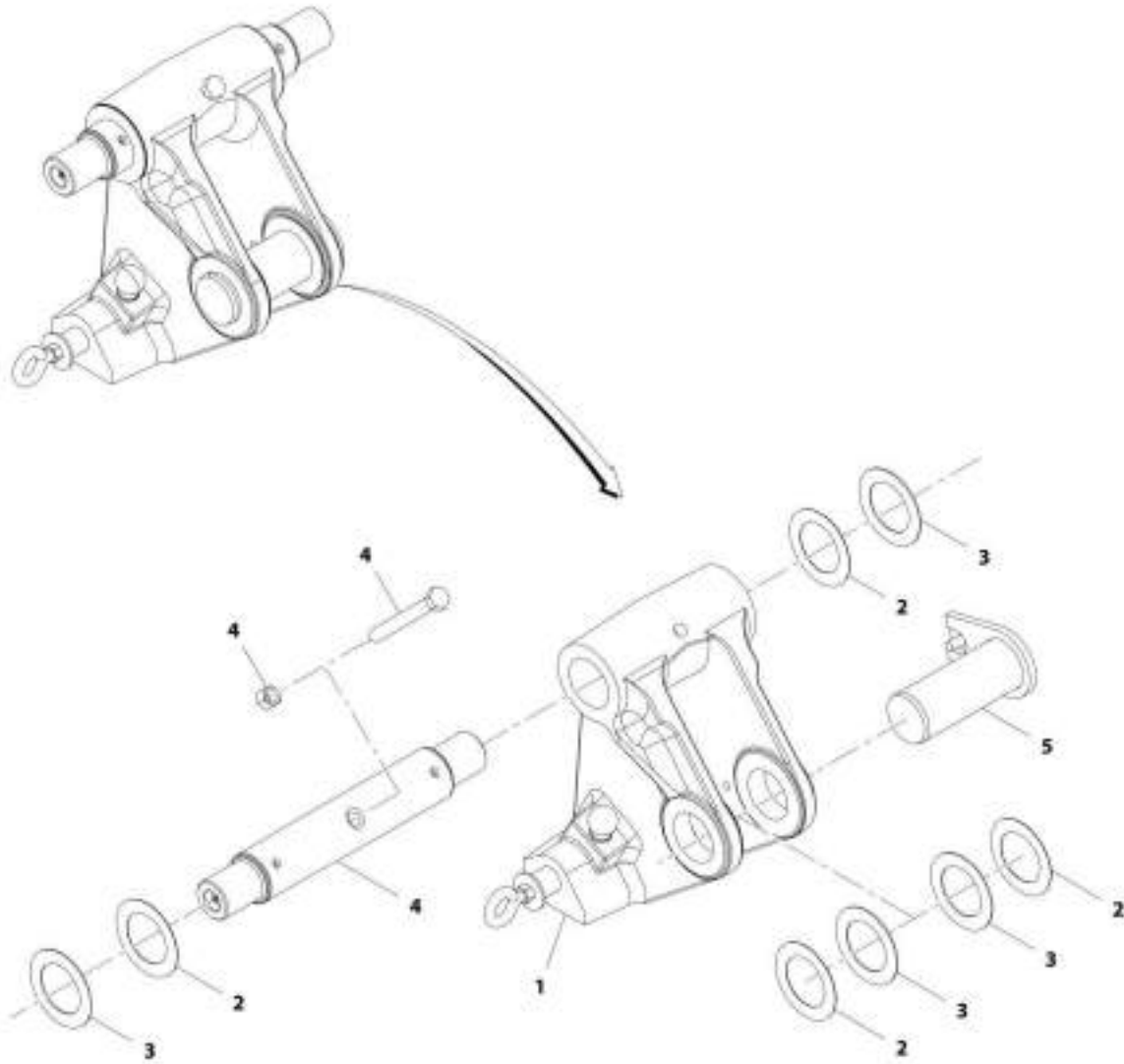
SECTION 2 - BOOM

FIGURE 2-26. BOOM PIVOT PIN INSTALLATION (943, 1043)

| ITEM | PART NUMBER | QTY | DESCRIPTION | REV |
|------|-------------|-----|---|-----|
| | 1001172344 | Ref | Boom Pivot Pin Installation (943, 1043) | C |
| 1 | 1001091951 | 1 | Bolt, M16X200 | |
| 2 | 3291605 | 1 | Nut, Lock M16X2 Grade 8 | |
| 3 | 1001166975 | 1 | Pin | |
| 4 | 4812300 | 2 | Washer, M16 | |

SECTION 2 - BOOM

FIGURE 2-27. MANUAL QUICK COUPLER INSTALLATION



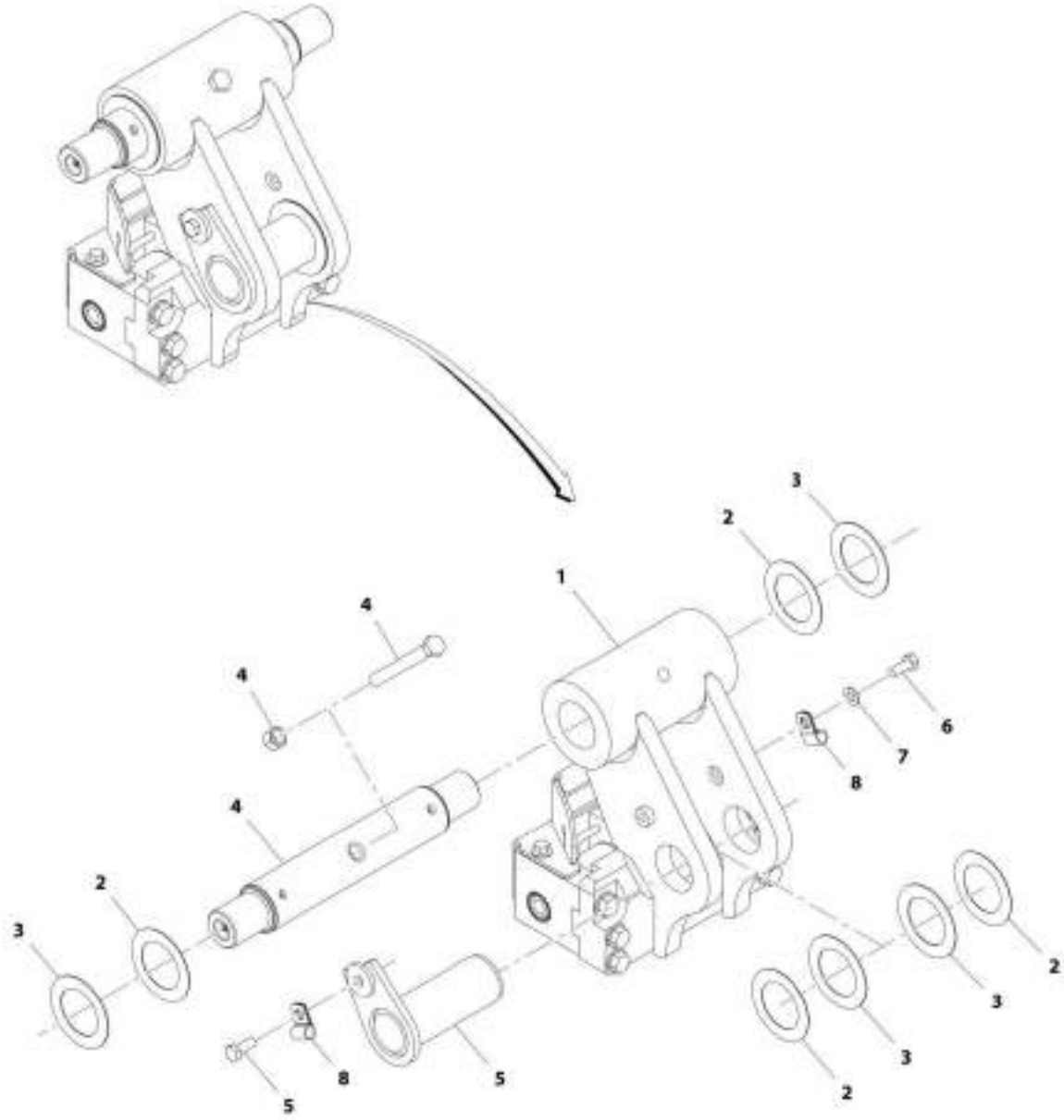
ART_1001170635-A

FIGURE 2-27. MANUAL QUICK COUPLER INSTALLATION

| ITEM | PART NUMBER | QTY | DESCRIPTION | REV |
|-------------|--------------------|------------|--|------------|
| | 1001170628 | Ref | Manual Quick Coupler Installation | A |
| 1 | 1001171764 | 1 | Coupling, Quick Connect, (See Separate Breakdown in this Section) | |
| 2 | 1001164884 | AR | Shim | |
| 3 | 1001164885 | AR | Shim | |
| 4 | 1001167761 | Ref | Installation, Boom Pin (See BOOM PIN INSTALLATION for Breakdown) | |
| 5 | 1001167762 | Ref | Installation, Tilt Cylinder Pin (See TILT CYLINDER PIN INSTALLATION for Breakdown) | |

SECTION 2 - BOOM

FIGURE 2-28. HYDRAULIC QUICK COUPLER INSTALLATION



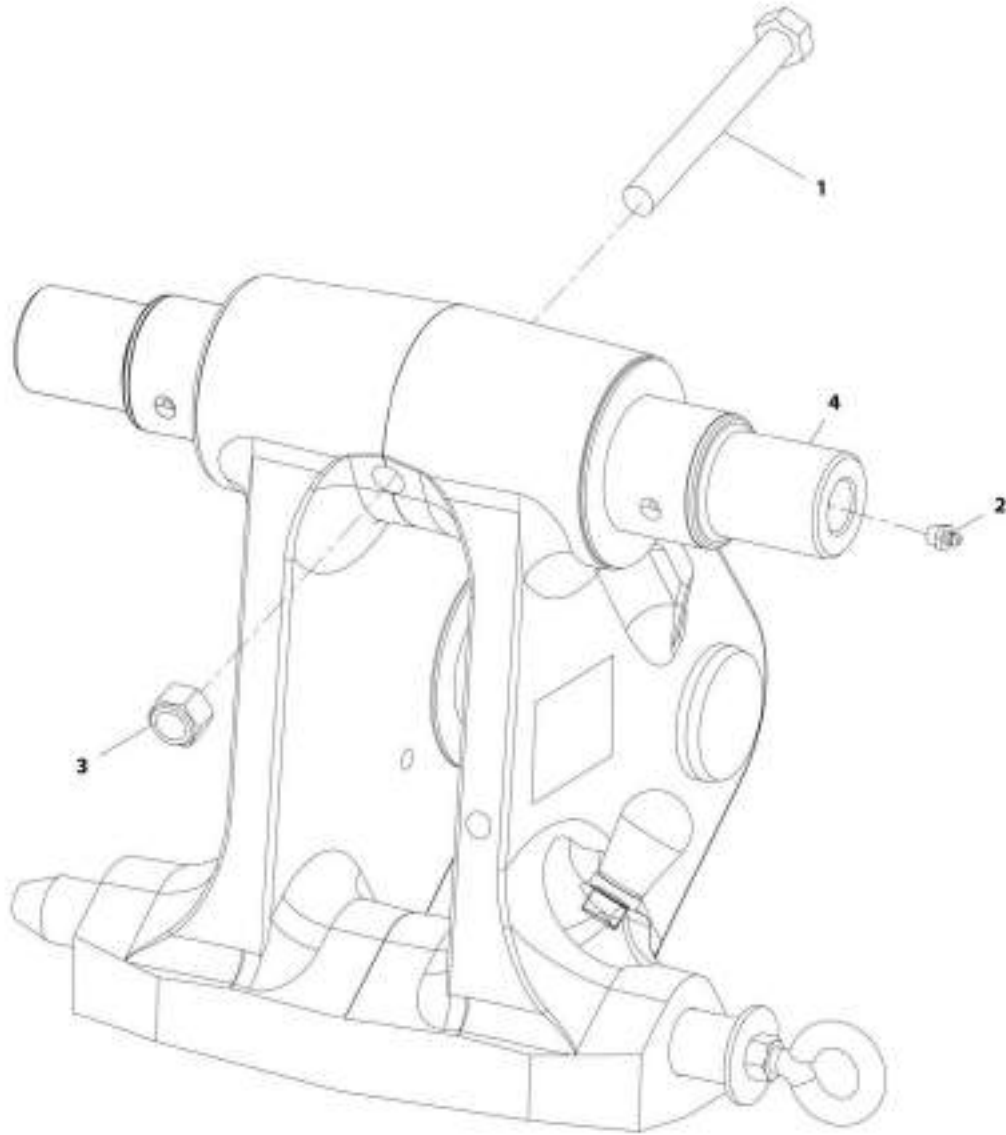
ART_1001170651-B

FIGURE 2-28. HYDRAULIC QUICK COUPLER INSTALLATION

| ITEM | PART NUMBER | QTY | DESCRIPTION | REV |
|------|-------------|-----|--|-----|
| | 1001170631 | Ref | Hydraulic Quick Coupler Installation | B |
| 1 | 1001172134 | 1 | Assembly, Hydraulic Quick Coupler (See HYDRAULIC CIRCUITS SECTION for Breakdown) | |
| 2 | 1001164884 | AR | Shim | |
| 3 | 1001164885 | AR | Shim | |
| 4 | 1001167761 | Ref | Installation, Boom Pin (See BOOM PIN INSTALLATION for Breakdown) | |
| 5 | 1001167762 | Ref | Installation, Tilt Cylinder Pin (See TILT CYLINDER PIN INSTALLATION for Breakdown) | |
| 6 | 0761214 | 1 | Capscrew, M12X30 | |
| 7 | 4812100 | 1 | Washer, M12 | |
| 8 | 1001080996 | 2 | Clamp | |

SECTION 2 - BOOM

FIGURE 2-29. BOOM PIN INSTALLATION



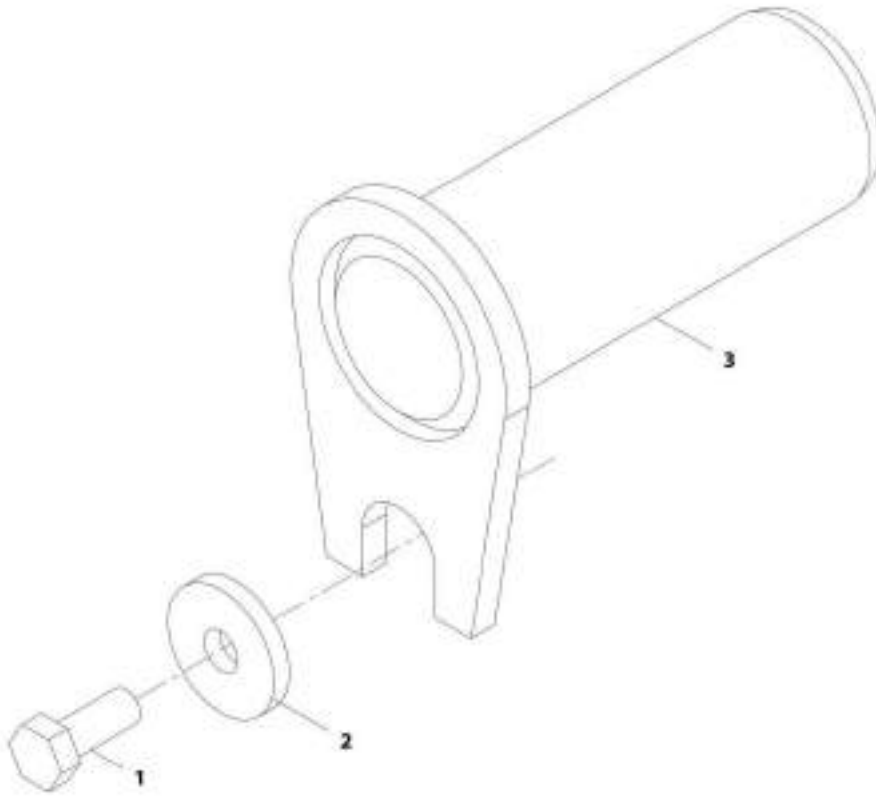
ART_100110761-B

FIGURE 2-29. BOOM PIN INSTALLATION

| ITEM | PART NUMBER | QTY | DESCRIPTION | REV |
|-------------|--------------------|------------|-----------------------|------------|
| | 1001167761 | Ref | Boom Pin Installation | B |
| 1 | 0711631 | 1 | Bolt, M16X140 | |
| 2 | 2160016 | 2 | Fitting, Straight | |
| 3 | 3291605 | 1 | Nut, Lock M16X2 | |
| 4 | 1001164871 | 1 | Pin | |

SECTION 2 - BOOM

FIGURE 2-30. TILT CYLINDER PIN INSTALLATION



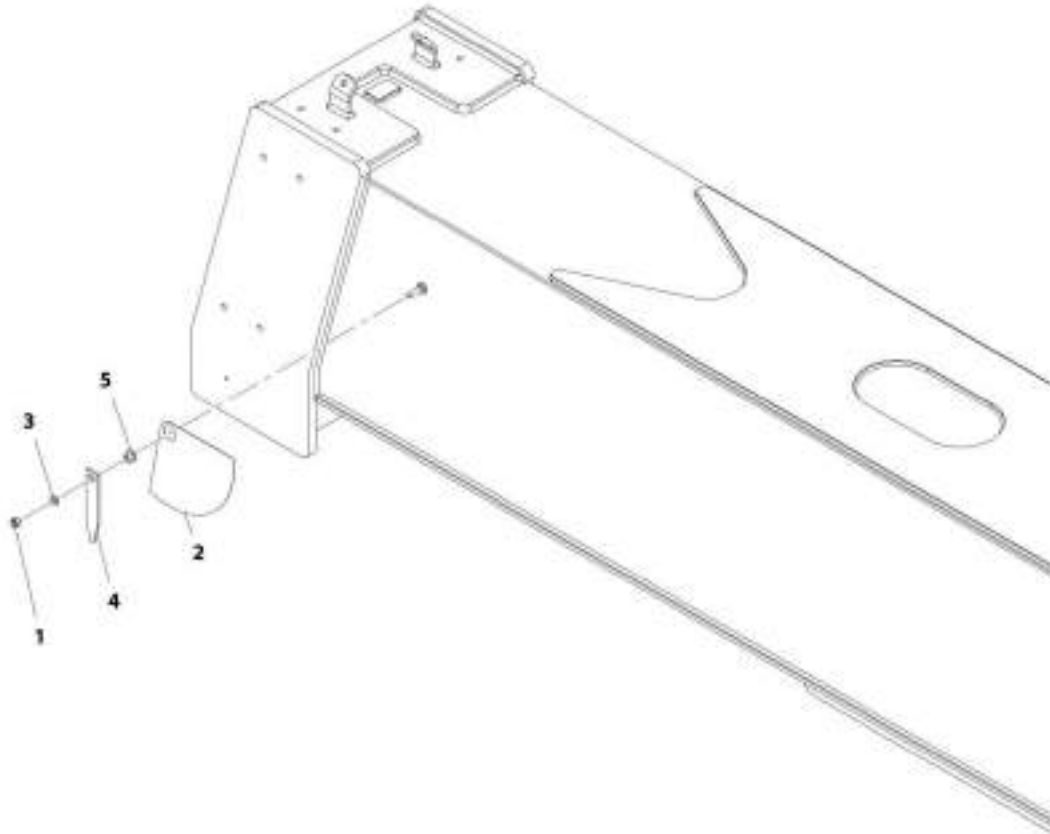
ART_10013670G-A

FIGURE 2-30. TILT CYLINDER PIN INSTALLATION

| ITEM | PART NUMBER | QTY | DESCRIPTION | REV |
|-------------|--------------------|------------|--------------------------------|------------|
| | 1001167762 | Ref | Tilt Cylinder Pin Installation | A |
| 1 | 0761214 | 1 | Bolt, M12X30 | |
| 2 | 4740003 | 1 | Washer | |
| 3 | 1001164881 | 1 | Pin | |

SECTION 2 - BOOM

FIGURE 2-31. BOOM ANGLE INDICATOR INSTALLATION



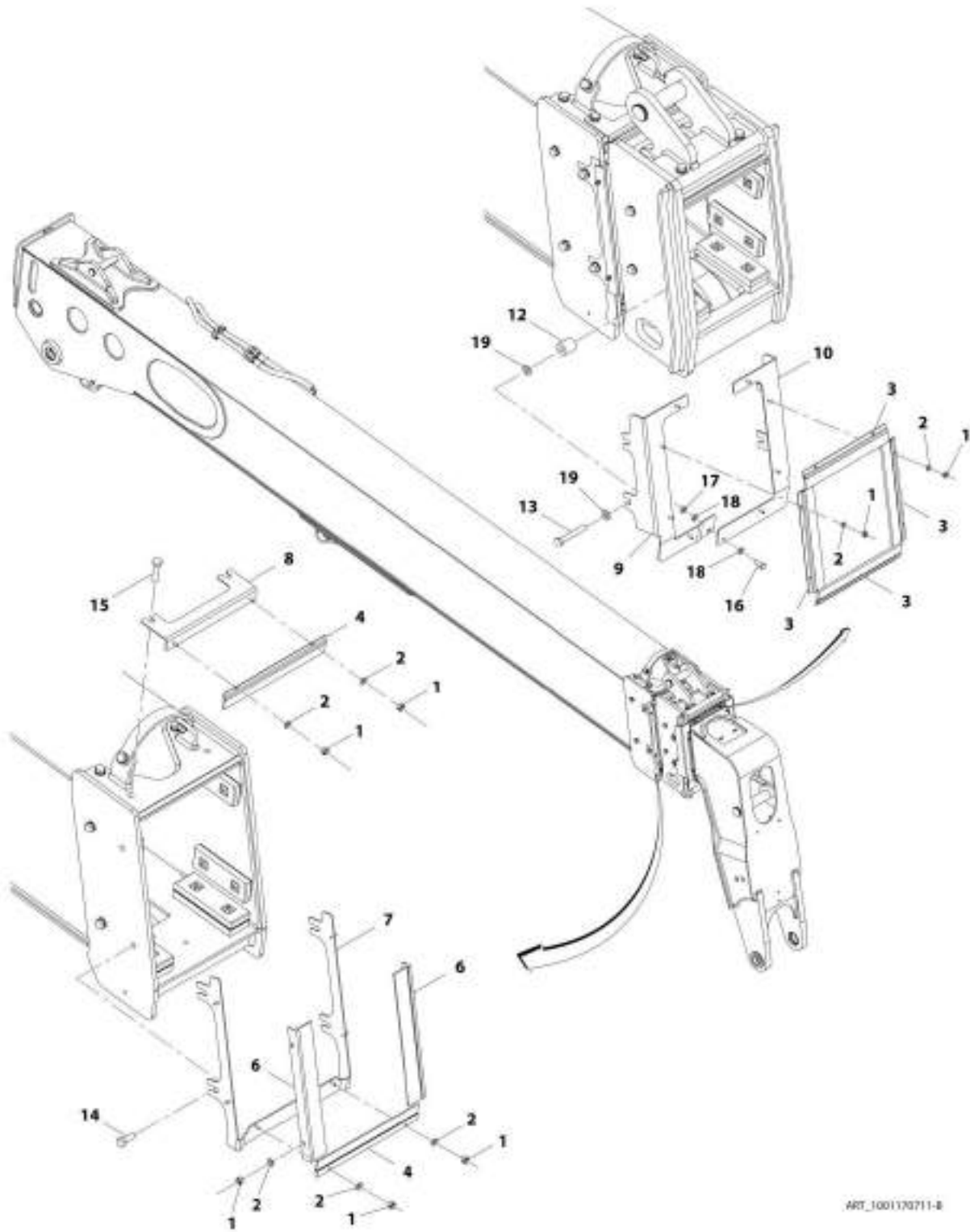
AIT_100167806-B

FIGURE 2-31. BOOM ANGLE INDICATOR INSTALLATION

| ITEM | PART NUMBER | QTY | DESCRIPTION | REV |
|------|-------------|-----|-----------------------------------|-----|
| | 1001167806 | Ref | Boom Angle Indicator Installation | B |
| 1 | 3291005 | 1 | Nut, Lock M10X1.5 Grade 8 | |
| 2 | 4105262 | 1 | Decal, Boom Angle Indicator | |
| 3 | 4812000 | 1 | Washer, M10 | |
| 4 | 1001098769 | 1 | Plate | |
| 5 | 1001171808 | 1 | Spacer | |

SECTION 2 - BOOM

FIGURE 2-32. BOOM BRUSHES INSTALLATION (642, 742)



ART_1001170711-8

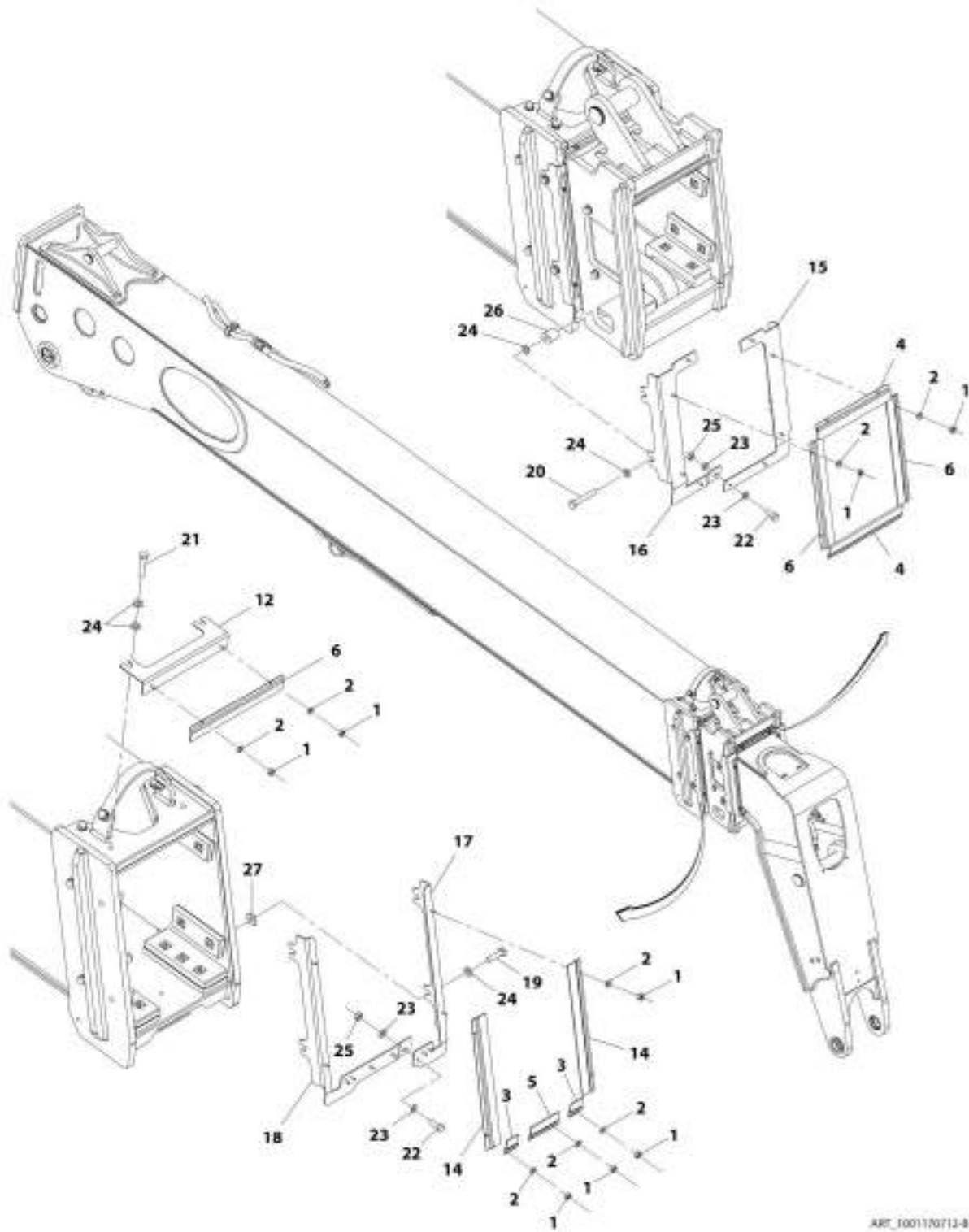
SECTION 2 - BOOM

FIGURE 2-32. BOOM BRUSHES INSTALLATION (642, 742)

| ITEM | PART NUMBER | QTY | DESCRIPTION | REV |
|------|-------------|-----|--------------------------------------|-----|
| | 1001170711 | Ref | Boom Brushes Installation (642, 742) | B |
| 1 | 3290505 | 16 | Nut, Lock M5X0.8 Grade 8 | |
| 2 | 4811600 | 16 | Washer, M5 | |
| 3 | 1001172995 | 4 | Brush, Boom | |
| 4 | 1001172997 | 2 | Brush, Boom | |
| 6 | 1001172999 | 2 | Brush, Boom | |
| 7 | 1001175485 | 1 | Bracket, Boom Brush | |
| 8 | 1001175486 | 1 | Bracket, Boom Brush | |
| 9 | 1001196931 | 1 | Bracket, Boom Brush | |
| 10 | 1001196929 | 1 | Bracket, Boom Brush | |
| 12 | 1001193577 | 4 | Spacer | |
| 13 | 0701224 | 4 | Bolt, M12X80 | |
| 14 | 0711215 | 4 | Bolt, M12X35 Grade 10.9 | |
| 15 | 0711218 | 2 | Bolt, M12X50 Grade 10.9 | |
| 16 | 0760608 | 1 | Bolt, M6X16 | |
| 17 | 3290601 | 1 | Nut, M6X1 | |
| 18 | 4811700 | 2 | Washer, M6 | |
| 19 | 1001125117 | 4 | Washer, M12 | |

SECTION 2 - BOOM

FIGURE 2-33. BOOM BRUSHES INSTALLATION (943, 1043)



ART_10011/0712-B

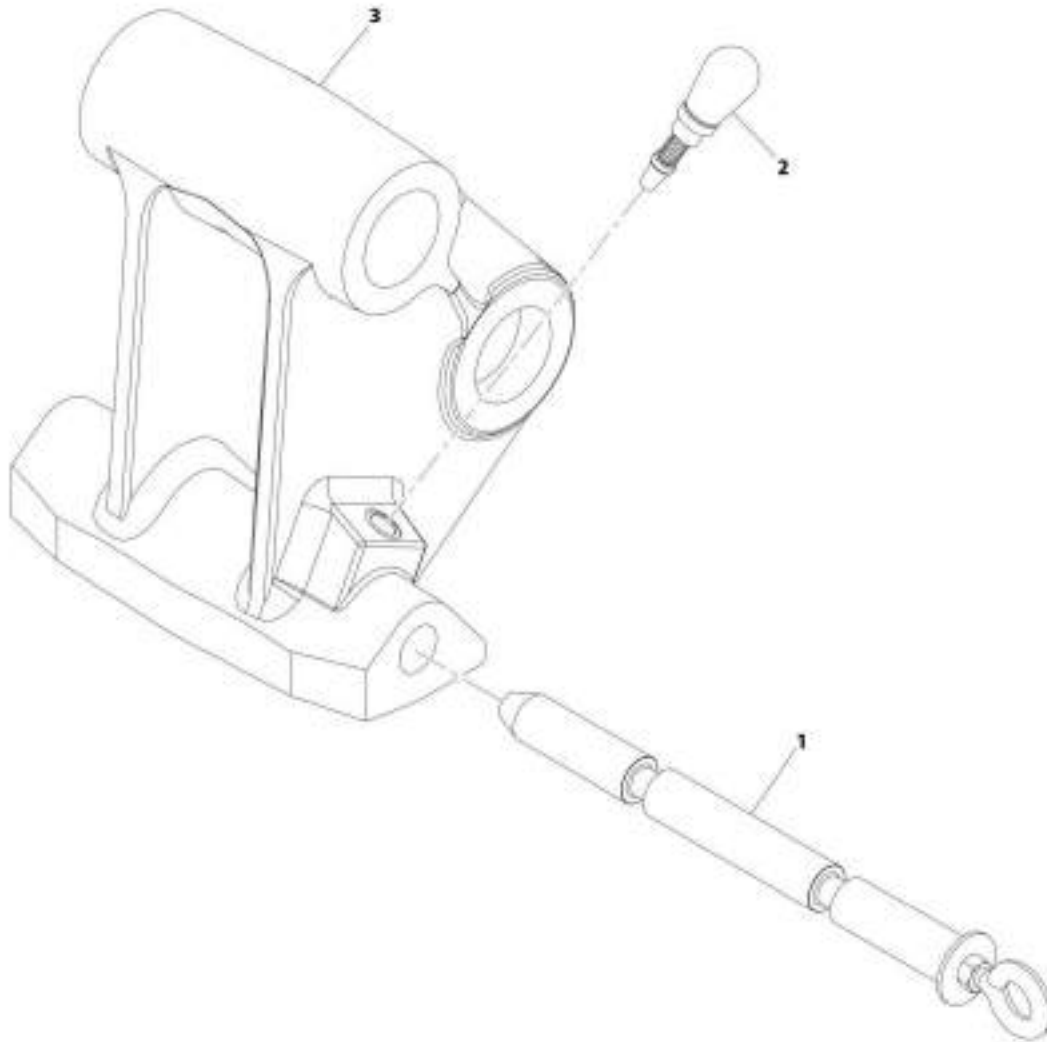
SECTION 2 - BOOM

FIGURE 2-33. BOOM BRUSHES INSTALLATION (943, 1043)

| ITEM | PART NUMBER | QTY | DESCRIPTION | REV |
|------|-------------|-----|---------------------------------------|-----|
| | 1001170712 | Ref | Boom Brushes Installation (943, 1043) | B |
| 1 | 3290505 | 20 | Nut, Lock M5X0.8 Grade 8 | |
| 2 | 4811600 | 20 | Washer, M5 | |
| 3 | 1001172994 | 2 | Brush, Boom | |
| 4 | 1001172995 | 2 | Brush, Boom | |
| 5 | 1001172996 | 1 | Brush, Boom | |
| 6 | 1001172997 | 3 | Brush, Boom | |
| 12 | 1001175683 | 1 | Bracket, Boom Brush | |
| 14 | 1001173739 | 2 | Brush, Boom | |
| 15 | 1001193578 | 1 | Bracket, Boom Brush | |
| 16 | 1001193579 | 1 | Bracket, Boom Brush | |
| 17 | 1001194785 | 1 | Bracket, Boom Brush | |
| 18 | 1001194787 | 1 | Bracket, Boom Brush | |
| 19 | 0701217 | 4 | Bolt, M12X45 | |
| 20 | 0701224 | 4 | Bolt, M12X80 | |
| 21 | 0711220 | 2 | Bolt, M12-1.75X60 Grade 10.9 | |
| 22 | 0760608 | 2 | Bolt, M6X16 | |
| 23 | 4811700 | 4 | Washer, M6 | |
| 24 | 1001125117 | 16 | Washer, M12 | |
| 25 | 3290601 | 2 | Nut, M6X1 | |
| 26 | 1001193577 | 4 | Spacer | |
| 27 | 1001194789 | 4 | Plate | |

SECTION 2 - BOOM

FIGURE 2-34. QUICK COUPLER ASSEMBLY



ART_1001171264-A

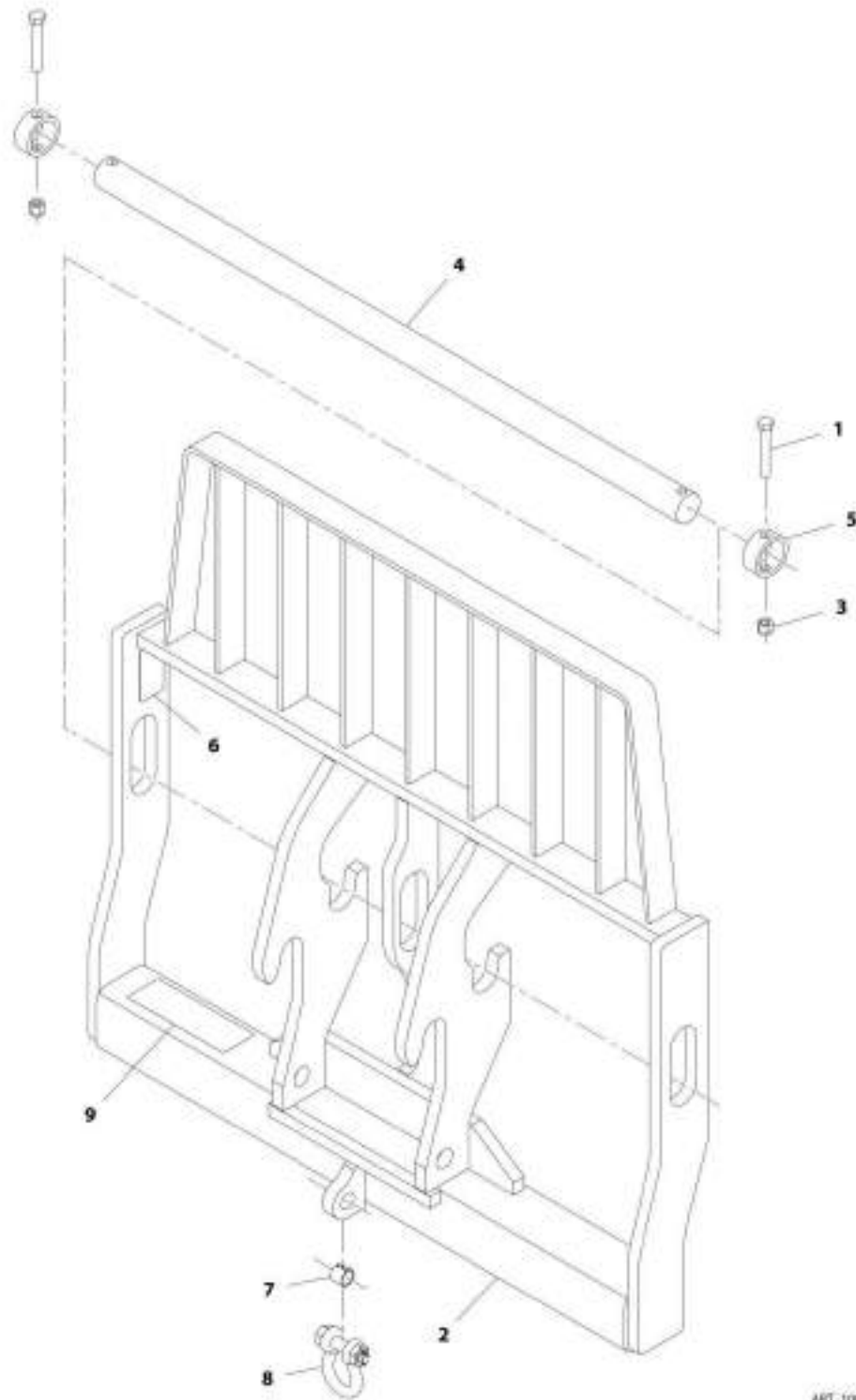
FIGURE 2-34. QUICK COUPLER ASSEMBLY

| ITEM | PART NUMBER | QTY | DESCRIPTION | REV |
|-------------|--------------------|------------|-------------------------|------------|
| | 1001171764 | Ref | Quick Coupler Assembly | A |
| 1 | 1001105441 | 1 | Pin | |
| 2 | 1001143692 | 1 | Pin, Poppin | |
| 3 | 1001164567 | 1 | Coupling, Quick Connect | |

SECTION 3 - ATTACHMENTS

SECTION 3 - ATTACHMENTS

FIGURE 3-1. CARRIAGE ASSEMBLY (50 INCH) (Prior to SN 0160075708)



ART_1001149000-0

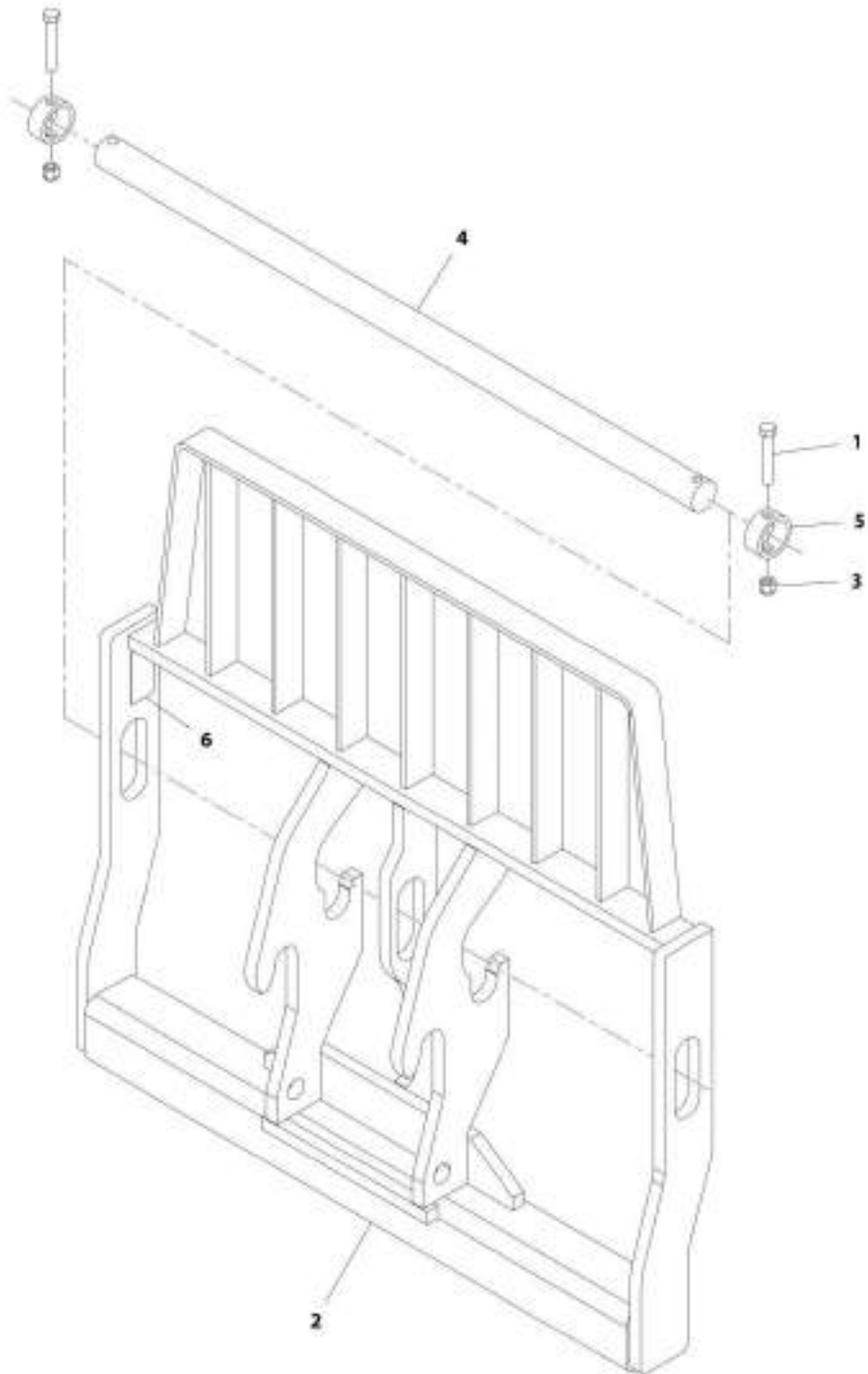
SECTION 3 - ATTACHMENTS

FIGURE 3-1. CARRIAGE ASSEMBLY (50 INCH) (Prior to SN 0160075708)

| ITEM | PART NUMBER | QTY | DESCRIPTION | REV |
|------|-------------|-----|------------------------------|-----|
| | 1001146084 | 1 | Carriage Assembly (50 Inch) | D |
| 1 | 0642032 | 2 | Bolt, 5/8-11X4 | |
| 2 | N.S.S. | 1 | Weldment, Carriage | |
| 3 | 3300240 | 2 | Nut, Lock 5/8-11 | |
| 4 | 3423275 | 1 | Pin, Fork | |
| 5 | 90200003 | 2 | Collar, Fork Pin | |
| 6 | N.S.S. | 1 | S/N Plate | |
| 7 | 1001146159 | 1 | Sleeve, Insert | |
| 8 | 1001146160 | 1 | Shackle | |
| 9 | 1001151561 | 1 | Decal, Danger Swinging Loads | |

SECTION 3 - ATTACHMENTS

FIGURE 3-2. CARRIAGE ASSEMBLY (50 INCH) (SN 0160075708 to Present)



AWT_11/0021-F

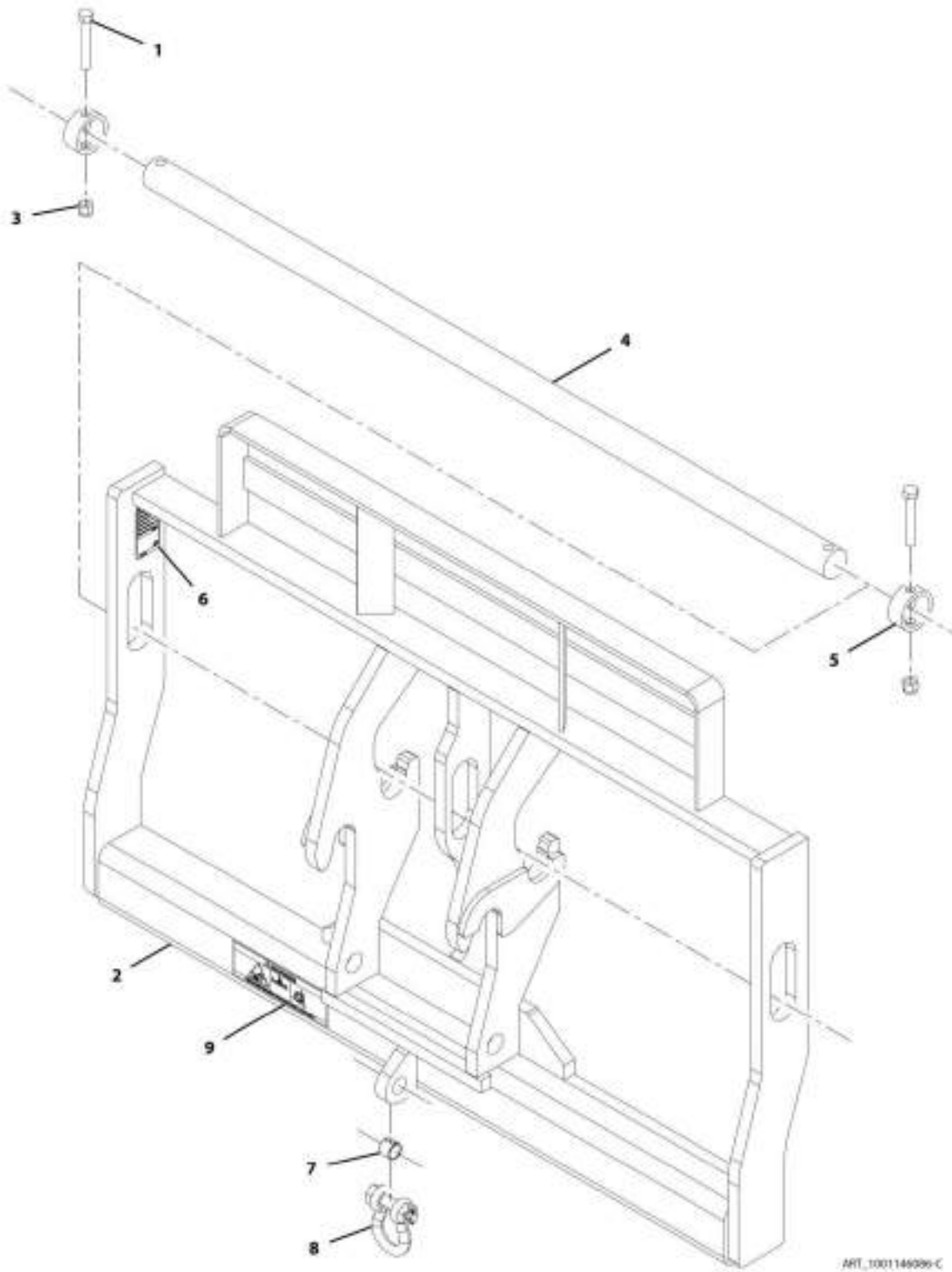
SECTION 3 - ATTACHMENTS

FIGURE 3-2. CARRIAGE ASSEMBLY (50 INCH) (SN 0160075708 to Present)

| ITEM | PART NUMBER | QTY | DESCRIPTION | REV |
|------|-------------|-----|-----------------------------|-----|
| | 1170021 | Ref | Carriage Assembly (50 Inch) | F |
| 1 | 0642032 | 2 | Bolt, 5/8-11X4 | |
| 2 | N.S.S. | 1 | Weldment, Carriage | |
| 3 | 3300240 | 2 | Nut, Lock 5/8-11 | |
| 4 | 3423275 | 1 | Pin, Fork | |
| 5 | 90200003 | 2 | Collar, Fork Pin | |
| 6 | N.S.S. | 1 | S/N Plate | |

SECTION 3 - ATTACHMENTS

FIGURE 3-3. CARRIAGE ASSEMBLY (60 INCH) (Prior to SN 0160075708)



ART_1001146096-C

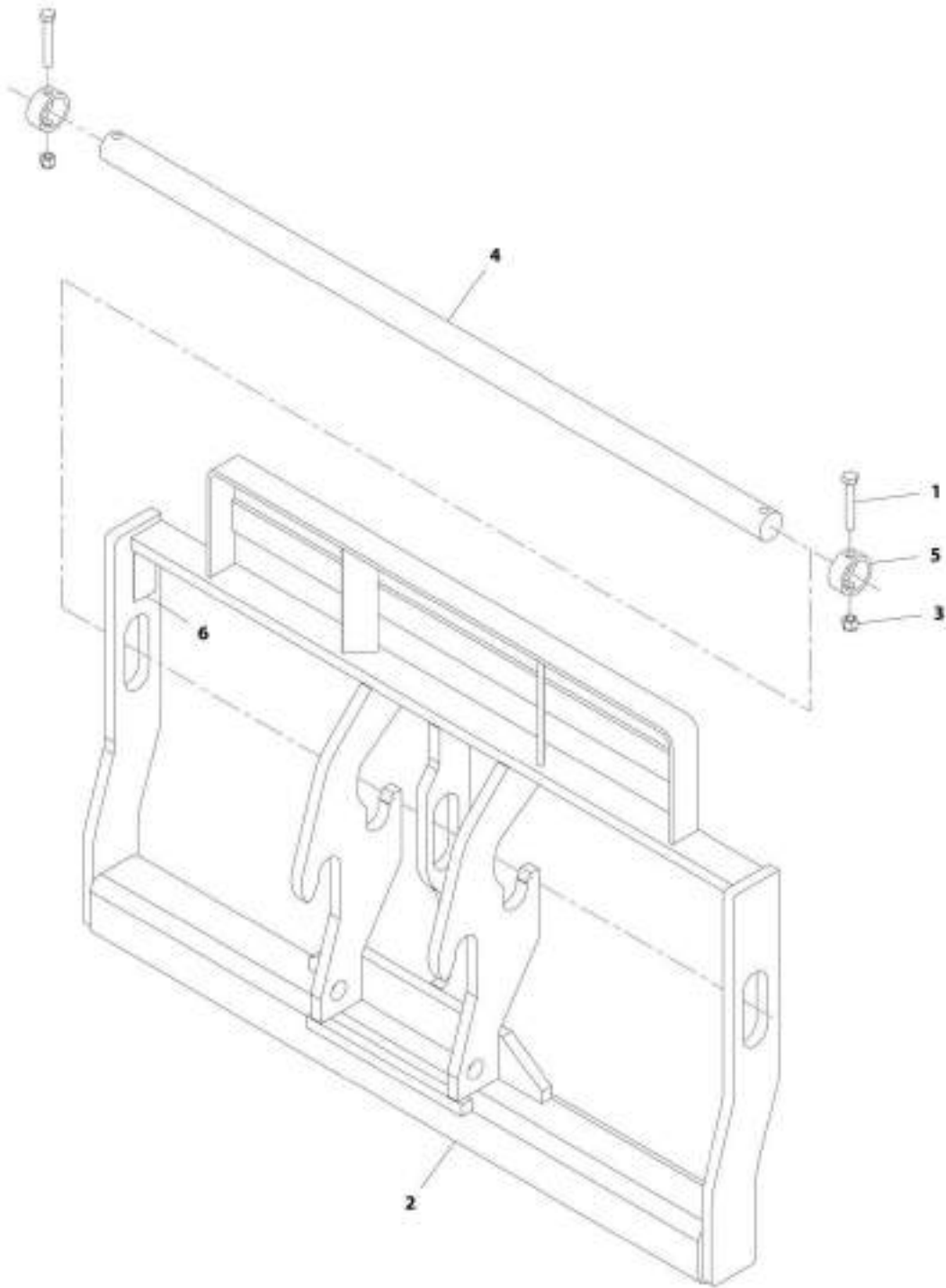
SECTION 3 - ATTACHMENTS

FIGURE 3-3. CARRIAGE ASSEMBLY (60 INCH) (Prior to SN 0160075708)

| ITEM | PART NUMBER | QTY | DESCRIPTION | REV |
|------|-------------|-----|------------------------------|-----|
| | 1001146086 | 1 | Carriage Assembly (60 Inch) | C |
| 1 | 0642032 | 2 | Bolt, 5/8-11X4 | |
| 2 | N.S.S. | 1 | Weldment, Carriage | |
| 3 | 3300240 | 2 | Nut, Lock 5/8-11 | |
| 4 | 3423242 | 1 | Pin, Fork | |
| 5 | 90200003 | 2 | Collar, Fork Pin | |
| 6 | N.S.S. | 1 | S/N Plate | |
| 7 | 1001146159 | 1 | Sleeve, Insert | |
| 8 | 1001146160 | 1 | Shackle, Bolt 3/4 | |
| 9 | 1001151561 | 1 | Decal, Danger Swinging Loads | |

SECTION 3 - ATTACHMENTS

FIGURE 3-4. CARRIAGE ASSEMBLY (60 INCH) (SN 0160075708 to Present)



ART_1170014-F

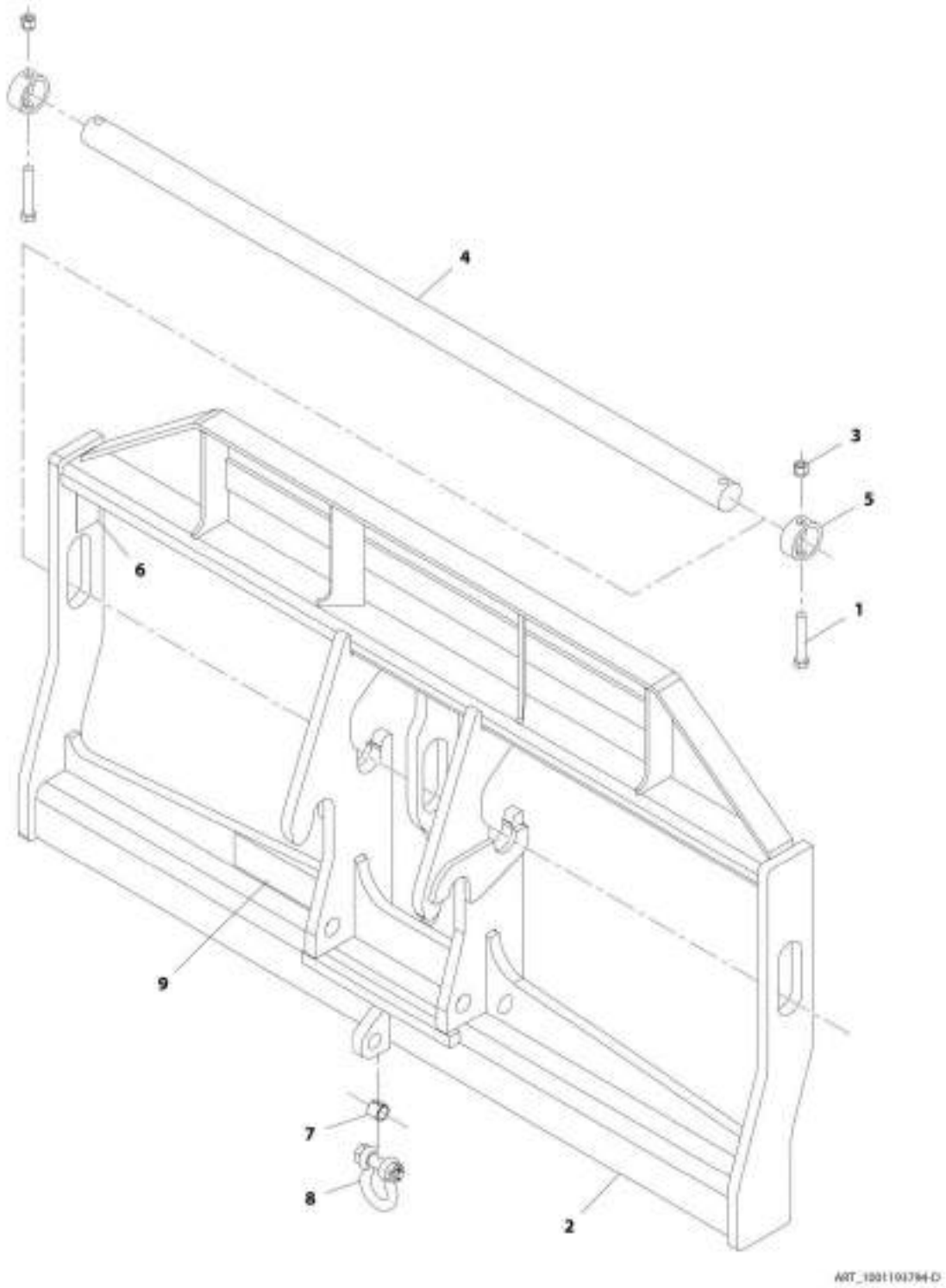
SECTION 3 - ATTACHMENTS

FIGURE 3-4. CARRIAGE ASSEMBLY (60 INCH) (SN 0160075708 to Present)

| ITEM | PART NUMBER | QTY | DESCRIPTION | REV |
|------|-------------|-----|-----------------------------|-----|
| | 1170024 | Ref | Carriage Assembly (60 Inch) | F |
| 1 | 0642032 | 2 | Bolt, 5/8-11X4 | |
| 2 | N.S.S. | 1 | Weldment, Carriage | |
| 3 | 3300240 | 2 | Nut, Lock 5/8-11 | |
| 4 | 3423242 | 1 | Pin, Fork | |
| 5 | 90200003 | 2 | Collar, Fork Pin | |
| 6 | N.S.S. | 1 | S/N Plate | |

SECTION 3 - ATTACHMENTS

FIGURE 3-5. CARRIAGE ASSEMBLY (72 INCH) (Prior to SN 0160075708)



MT_1001007M-D

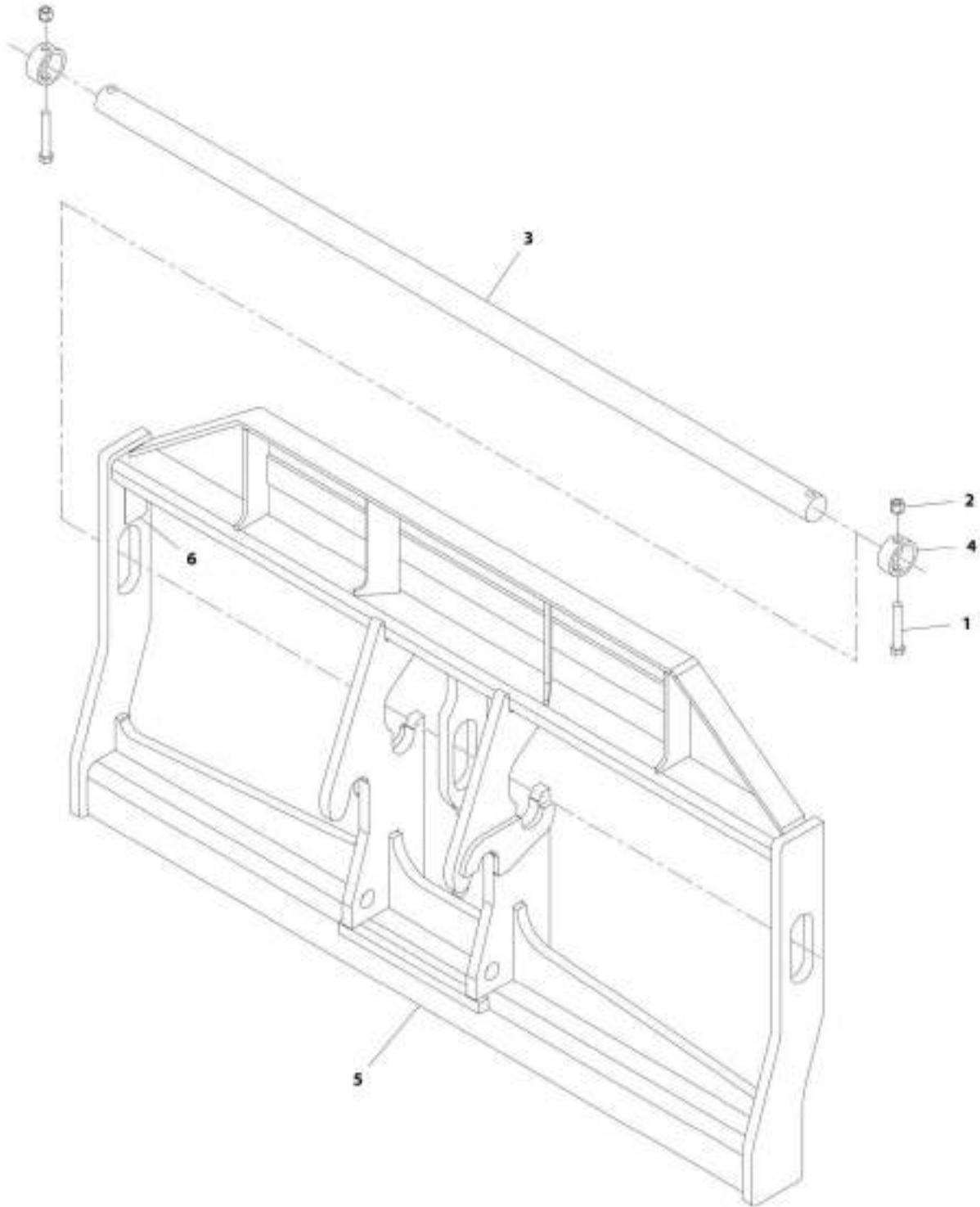
SECTION 3 - ATTACHMENTS

FIGURE 3-5. CARRIAGE ASSEMBLY (72 INCH) (Prior to SN 0160075708)

| ITEM | PART NUMBER | QTY | DESCRIPTION | REV |
|------|-------------|-----|------------------------------|-----|
| | 1001193794 | Ref | Carriage Assembly (72 Inch) | D |
| 1 | 0642032 | 2 | Bolt, 5/8-11X4 | |
| 2 | N.S.S. | 1 | Weldment, Carriage | |
| 3 | 3300240 | 2 | Nut, Lock 5/8-11 | |
| 4 | 3423276 | 1 | Pin, Fork | |
| 5 | 90200003 | 2 | Collar, Fork Pin | |
| 6 | N.S.S. | 1 | S/N Plate | |
| 7 | 1001146159 | 1 | Sleeve, Insert | |
| 8 | 1001146160 | 1 | Shackle, Bolt 3/4 | |
| 9 | 1001151561 | 1 | Decal, Danger Swinging Loads | |

SECTION 3 - ATTACHMENTS

FIGURE 3-6. CARRIAGE ASSEMBLY (72 INCH) (SN 0160075708 to Present)



ARC_100/211E16-A

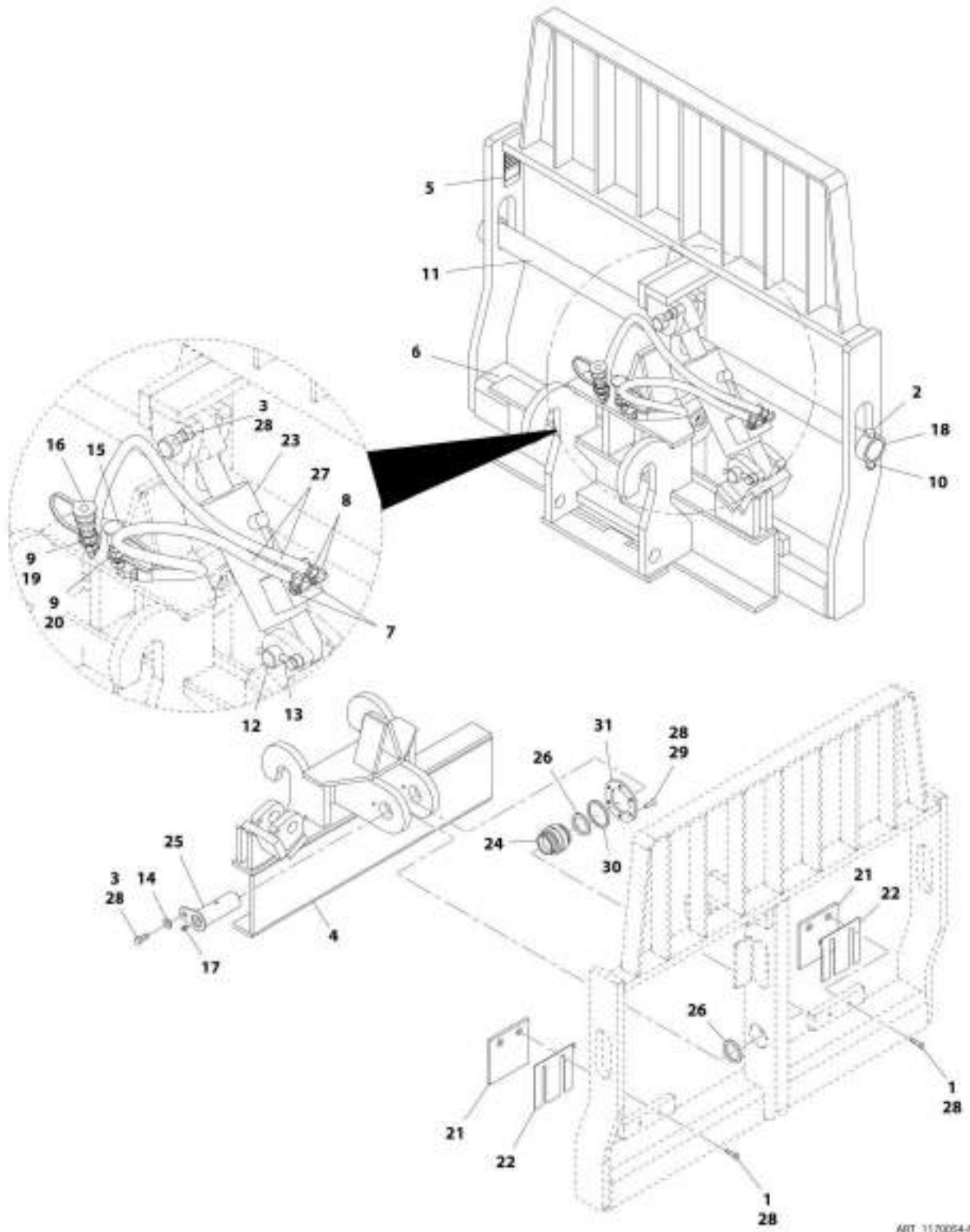
SECTION 3 - ATTACHMENTS

FIGURE 3-6. CARRIAGE ASSEMBLY (72 INCH) (SN 0160075708 to Present)

| ITEM | PART NUMBER | QTY | DESCRIPTION | REV |
|------|-------------|-----|-----------------------------|-----|
| | 1001211516 | Ref | Carriage Assembly (72 Inch) | A |
| 1 | 0642032 | 2 | Bolt, 5/8-11X4 | |
| 2 | 3300240 | 2 | Nut, Lock 5/8-11 | |
| 3 | 3423276 | 1 | Pin, Fork | |
| 4 | 90200003 | 2 | Collar, Fork Pin | |
| 5 | N.S.S. | 1 | Weldment, Carriage | |
| 6 | N.S.S. | 1 | S/N Plate | |

SECTION 3 - ATTACHMENTS

FIGURE 3-7. SIDE TILT CARRIAGE ASSEMBLY (50 INCH)



ART_1170054-M

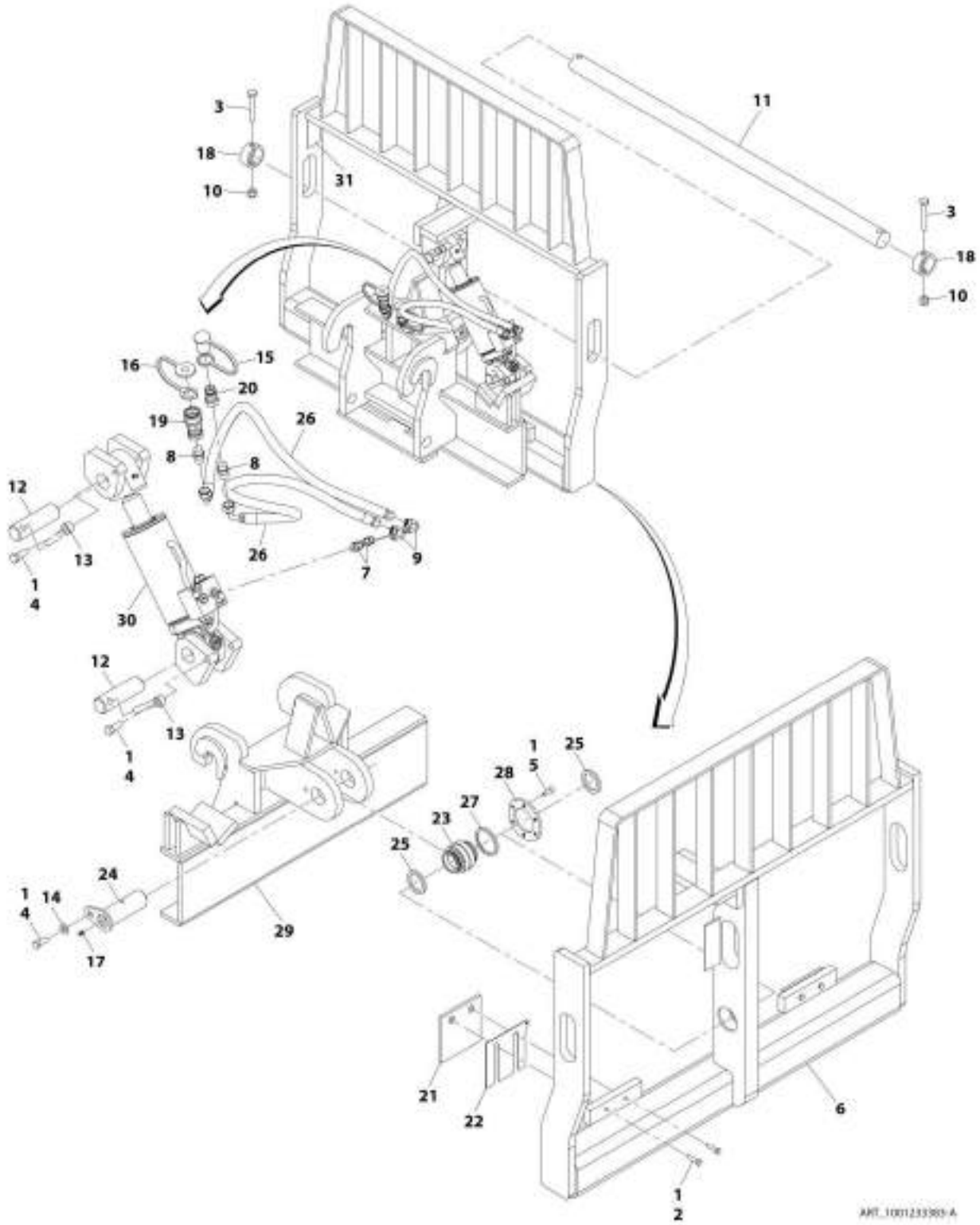
SECTION 3 - ATTACHMENTS

FIGURE 3-7. SIDE TILT CARRIAGE ASSEMBLY (50 INCH)

| ITEM | PART NUMBER | QTY | DESCRIPTION | REV |
|------|-------------|-----|--|-----|
| | 1170054 | Ref | Side Tilt Carriage Assembly (50 Inch) - 642 | M |
| | 1170054 | NLA | Side Tilt Carriage Assembly (50 Inch) - 742, 943, 1043 (no longer available, see items 1 through 31 for service or 1001233383 for replacement) | M |
| 1 | 0641612 | 4 | Bolt, 3/8-16X1-1/2 | |
| 2 | 0642032 | 2 | Bolt, 5/8-11X4 | |
| 3 | 0681810 | 3 | Bolt, 1/2-13X1-1/4 | |
| 4 | 1001133072 | 1 | Carriage, Base Pivot | |
| 5 | N.S.S. | 1 | S/N Plate | |
| 6 | N.S.S. | 1 | Carriage, Side Tilt | |
| 7 | 2110606 | 2 | Adapter, Straight | |
| 8 | 2172106 | 2 | Adapter, 90 | |
| 9 | 2110808 | 2 | Adapter, Straight | |
| 10 | 3300240 | 2 | Nut, Lock 5/8-11 | |
| 11 | 3423275 | 1 | Pin, Fork | |
| 12 | 3423307 | 2 | Pin, Side Tilt Cylinder | |
| 13 | 3841203 | 2 | Keeper, Rod | |
| 14 | 4891800 | 1 | Washer, 1/2 | |
| 15 | 8420053 | 1 | Cap, Dust | |
| 16 | 8420055 | 1 | Plug, Dust | |
| 17 | 88671001 | 1 | Fitting, Grease | |
| 18 | 90200003 | 2 | Collar, Fork Pin | |
| 19 | 91403413 | 1 | Adapter | |
| 20 | 91403414 | 1 | Adapter | |
| 21 | 1001090063 | 2 | Pad, Wear | |
| 22 | 1001090064 | AR | Shim, Wear Pad | |
| 23 | 1001163414 | 1 | Cylinder, Side Tilt (See HYDRAULIC COMPONENTS SECTION for Breakdown) | |
| 24 | 1001090140 | 1 | Bearing, Side Tilt Spherical | |
| 25 | 1001099113 | 1 | Pin, Side Tilt Frame Pivot | |
| 26 | 1001099115 | 2 | Sleeve, Tilt Bearing Spacer | |
| 27 | 1001102378 | 2 | Hose | |
| 28 | 0100011 | AR | Compound, Locking | |
| 29 | 0741610 | 6 | Screw, 3/8-16X1-1/4 | |
| 30 | 1001120914 | 1 | Shim, Bearing Retainer | |
| 31 | 1001120915 | 1 | Plate, Bearing Retainer | |

SECTION 3 - ATTACHMENTS

FIGURE 3-8. SIDE TILT CARRIAGE ASSEMBLY (50 INCH)



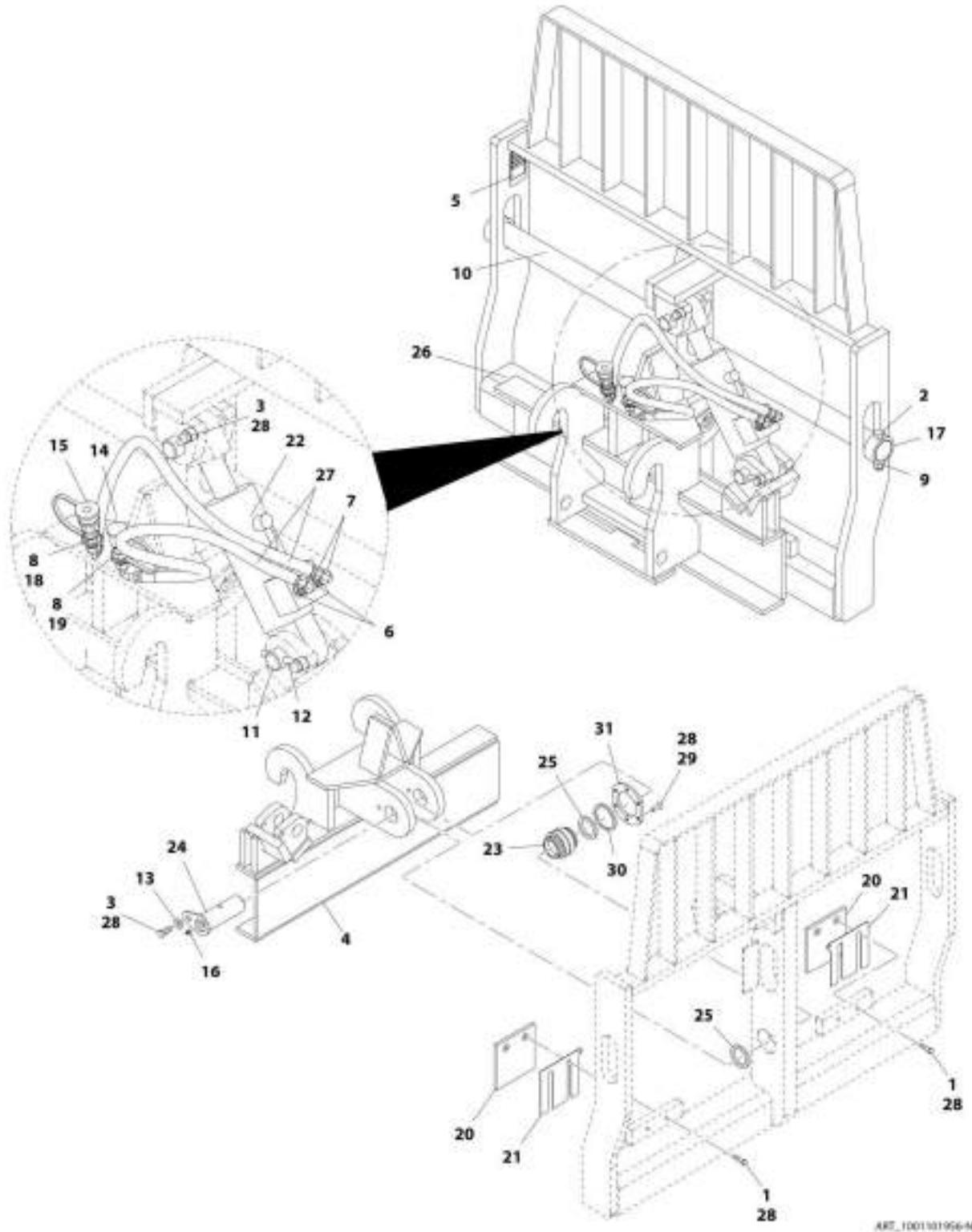
SECTION 3 - ATTACHMENTS

FIGURE 3-8. SIDE TILT CARRIAGE ASSEMBLY (50 INCH)

| ITEM | PART NUMBER | QTY | DESCRIPTION | REV |
|------|-------------|-----|--|-----|
| | 1001233383 | Ref | Side Tilt Carriage Assembly (50 Inch) - 742, 943, 1043 | A |
| 1 | 0100011 | AR | Compound, Locking | |
| 2 | 0641612 | 4 | Bolt, 3/8-16X1-1/2 | |
| 3 | 0642032 | 2 | Bolt, 5/8-11X4 | |
| 4 | 0681810 | 3 | Bolt, 1/2-13X1-1/4 | |
| 5 | 0741610 | 6 | Screw, 3/8-16X1-1/4 | |
| 6 | N.S.S. | 1 | Carriage, Side Tilt | |
| 7 | 2110606 | 2 | Adapter, Straight | |
| 8 | 2110808 | 2 | Adapter, Straight | |
| 9 | 2172106 | 2 | Adapter, 90 | |
| 10 | 3300240 | 2 | Nut, Lock 5/8-11 | |
| 11 | 3423275 | 1 | Pin, Fork | |
| 12 | 3423307 | 2 | Pin, Side Tilt Cylinder | |
| 13 | 3841203 | 2 | Keeper, Rod | |
| 14 | 4891800 | 1 | Washer, 1/2 | |
| 15 | 8420053 | 1 | Cap, Dust | |
| 16 | 8420055 | 1 | Plug, Dust | |
| 17 | 88671001 | 1 | Fitting, Grease | |
| 18 | 90200003 | 2 | Collar, Fork Pin | |
| 19 | 91403413 | 1 | Adapter | |
| 20 | 91403414 | 1 | Adapter | |
| 21 | 1001090063 | 2 | Pad, Wear | |
| 22 | 1001090064 | AR | Shim, Wear Pad | |
| 23 | 1001090140 | 1 | Bearing, Side Tilt Spherical | |
| 24 | 1001099113 | 1 | Pin, Side Tilt Frame Pivot | |
| 25 | 1001099115 | 2 | Sleeve, Tilt Bearing Spacer | |
| 26 | 1001102378 | 2 | Hose | |
| 27 | 1001120914 | 1 | Shim, Bearing Retainer | |
| 28 | 1001120915 | 1 | Plate, Bearing Retainer | |
| 29 | 1001133072 | 1 | Carriage, Base Pivot | |
| 30 | 1001163414 | 1 | Cylinder, Side Tilt (See HYDRAULIC COMPONENTS SECTION for Breakdown) | |
| 31 | N.S.S. | 1 | S/N Plate | |

SECTION 3 - ATTACHMENTS

FIGURE 3-9. SIDE TILT CARRIAGE ASSEMBLY (60 INCH)



ART_1001301906-N

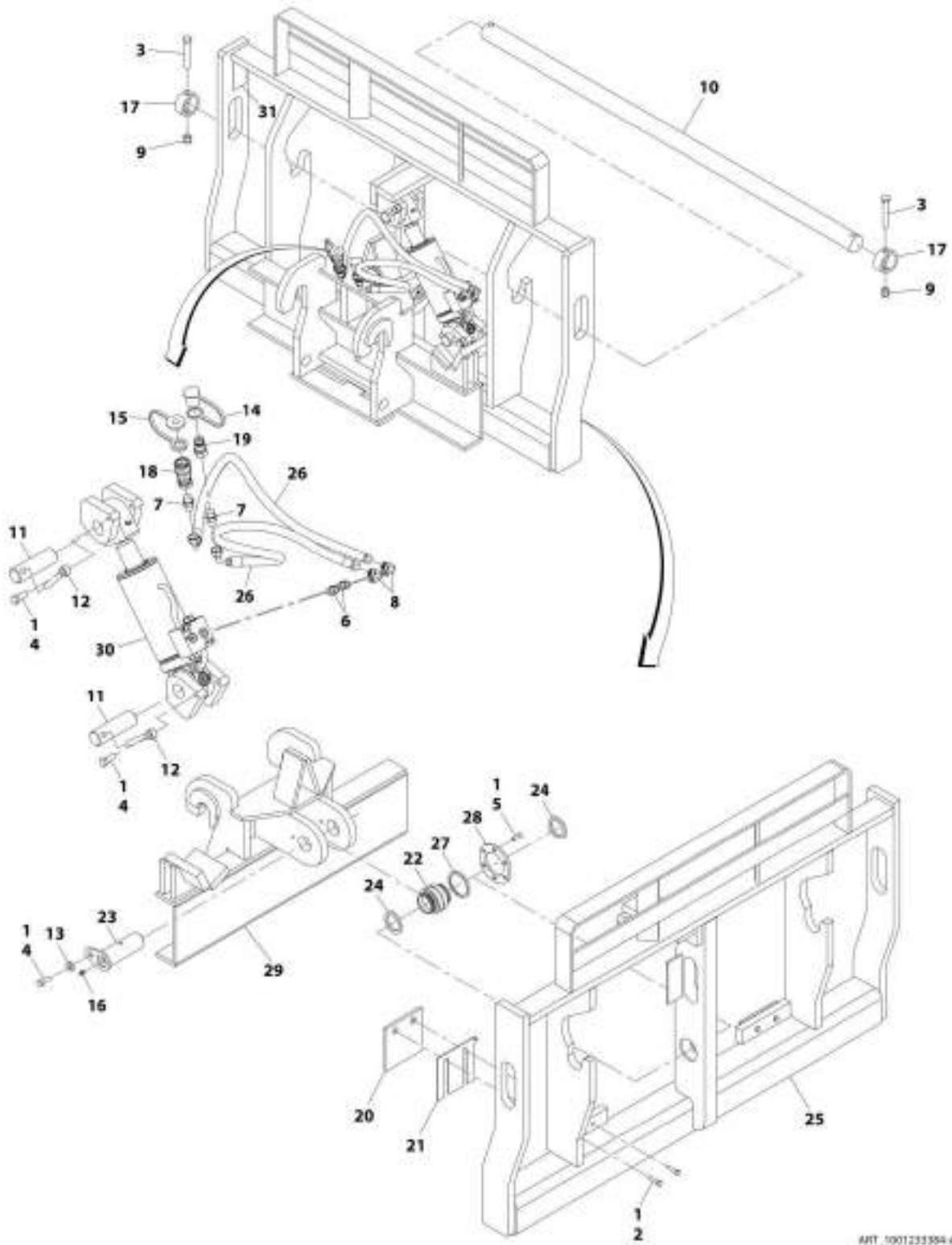
SECTION 3 - ATTACHMENTS

FIGURE 3-9. SIDE TILT CARRIAGE ASSEMBLY (60 INCH)

| ITEM | PART NUMBER | QTY | DESCRIPTION | REV |
|------|-------------|-----|--|-----|
| | 1001101956 | Ref | Side Tilt Carriage Assembly (60 Inch) - 642 | N |
| | 1001101956 | NLA | Side Tilt Carriage Assembly (60 Inch) - 742, 943, 1043 (no longer available, see items 1 through 31 for service or 1001233384 for replacement) | N |
| 1 | 0641612 | 4 | Bolt, 3/8-16X1-1/2 | |
| 2 | 0642032 | 2 | Bolt, 5/8-11X4 | |
| 3 | 0681810 | 3 | Bolt, 1/2-13X1-1/4 | |
| 4 | 1001133072 | 1 | Carriage, Base Pivot | |
| 5 | N.S.S. | 1 | S/N Plate | |
| 6 | 2110606 | 2 | Adapter, Straight | |
| 7 | 2172106 | 2 | Adapter, 90 | |
| 8 | 2110808 | 2 | Adapter, Straight | |
| 9 | 3300240 | 2 | Nut, Lock 5/8-11 | |
| 10 | 3423242 | 1 | Pin, Fork | |
| 11 | 3423307 | 2 | Pin, Side Tilt Cylinder | |
| 12 | 3841203 | 2 | Keeper, Rod | |
| 13 | 4891800 | 1 | Washer, 1/2 | |
| 14 | 8420053 | 1 | Cap, Dust | |
| 15 | 8420055 | 1 | Plug, Dust | |
| 16 | 88671001 | 1 | Fitting, Grease | |
| 17 | 90200003 | 2 | Collar, Fork Pin | |
| 18 | 91403413 | 1 | Adapter | |
| 19 | 91403414 | 1 | Adapter | |
| 20 | 1001090063 | 2 | Pad, Wear | |
| 21 | 1001090064 | AR | Shim, Wear Pad | |
| 22 | 1001163414 | 1 | Cylinder, Side Tilt (See HYDRAULIC COMPONENTS SECTION for Breakdown) | |
| 23 | 1001090140 | 1 | Bearing, Side Tilt Spherical | |
| 24 | 1001099113 | 1 | Pin, Side Tilt Frame Pivot | |
| 25 | 1001099115 | 2 | Sleeve, Tilt Bearing Spacer | |
| 26 | N.S.S. | 1 | Carriage, Side Tilt | |
| 27 | 1001102378 | 2 | Hose | |
| 28 | 0100011 | AR | Compound, Locking | |
| 29 | 0741610 | 6 | Screw, 3/8-16X1-1/4 | |
| 30 | 1001120914 | 1 | Shim, Bearing Retainer | |
| 31 | 1001120915 | 1 | Plate, Bearing Retainer | |

SECTION 3 - ATTACHMENTS

FIGURE 3-10. SIDE TILT CARRIAGE ASSEMBLY (60 INCH)



MIT_1001233394-A

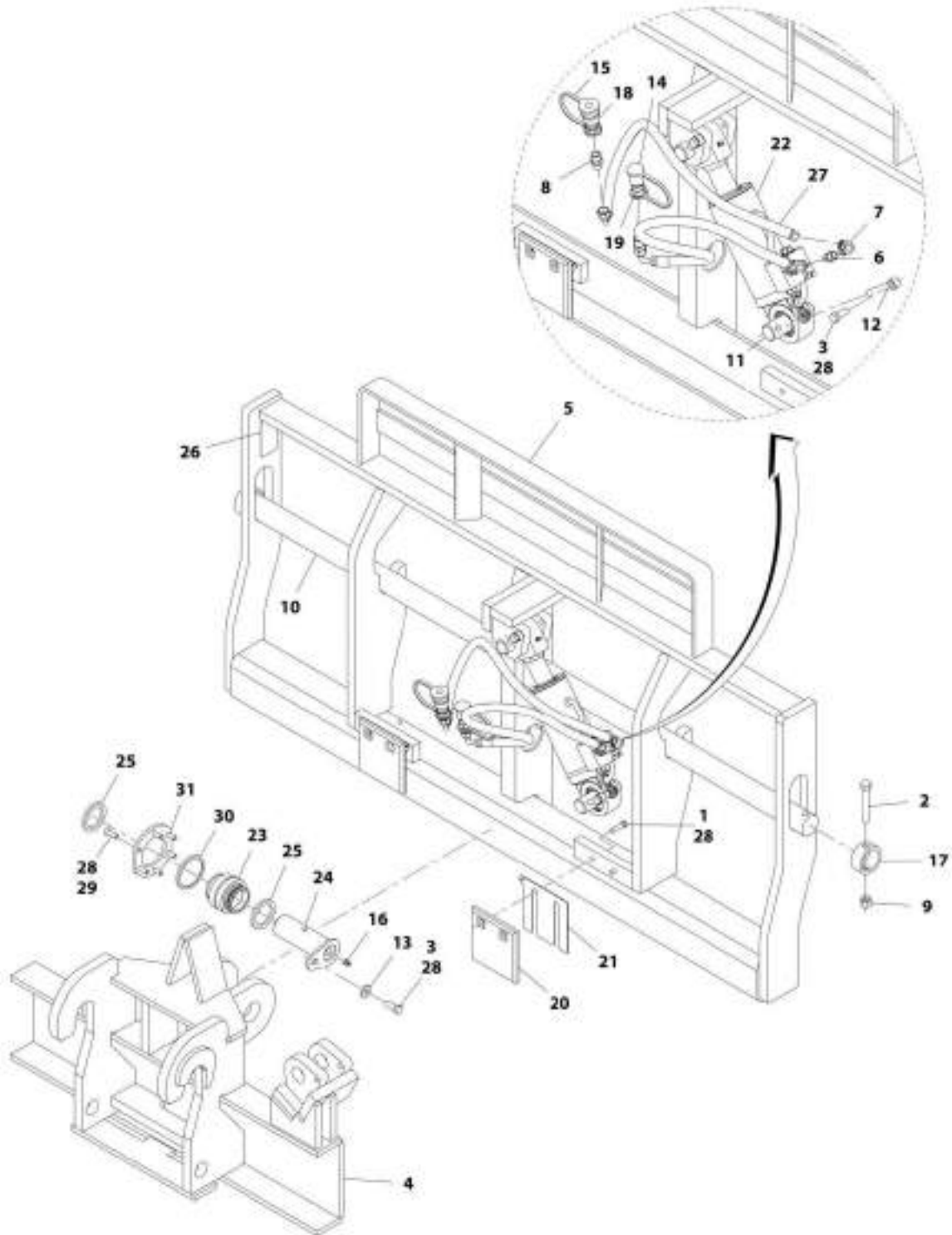
SECTION 3 - ATTACHMENTS

FIGURE 3-10. SIDE TILT CARRIAGE ASSEMBLY (60 INCH)

| ITEM | PART NUMBER | QTY | DESCRIPTION | REV |
|------|-------------|-----|--|-----|
| | 1001233384 | Ref | Side Tilt Carriage Assembly (60 Inch) - 742, 943, 1043 | A |
| 1 | 0100011 | AR | Compound, Locking | |
| 2 | 0641612 | 4 | Bolt, 3/8-16X1-1/2 | |
| 3 | 0642032 | 2 | Bolt, 5/8-11X4 | |
| 4 | 0681810 | 3 | Bolt, 1/2-13X1-1/4 | |
| 5 | 0741610 | 6 | Screw, 3/8-16X1-1/4 | |
| 6 | 2110606 | 2 | Adapter, Straight | |
| 7 | 2110808 | 2 | Adapter, Straight | |
| 8 | 2172106 | 2 | Adapter, 90 | |
| 9 | 3300240 | 2 | Nut, Lock 5/8-11 | |
| 10 | 3423242 | 1 | Pin, Fork | |
| 11 | 3423307 | 2 | Pin, Side Tilt Cylinder | |
| 12 | 3841203 | 2 | Keeper, Rod | |
| 13 | 4891800 | 1 | Washer, 1/2 | |
| 14 | 8420053 | 1 | Cap, Dust | |
| 15 | 8420055 | 1 | Plug, Dust | |
| 16 | 88671001 | 1 | Fitting, Grease | |
| 17 | 90200003 | 2 | Collar, Fork Pin | |
| 18 | 91403413 | 1 | Adapter | |
| 19 | 91403414 | 1 | Adapter | |
| 20 | 1001090063 | 2 | Pad, Wear | |
| 21 | 1001090064 | AR | Shim, Wear Pad | |
| 22 | 1001090140 | 1 | Bearing, Side Tilt Spherical | |
| 23 | 1001099113 | 1 | Pin, Side Tilt Frame Pivot | |
| 24 | 1001099115 | 2 | Sleeve, Tilt Bearing Spacer | |
| 25 | N.S.S. | 1 | Carriage, Side Tilt | |
| 26 | 1001102378 | 2 | Hose | |
| 27 | 1001120914 | 1 | Shim, Bearing Retainer | |
| 28 | 1001120915 | 1 | Plate, Bearing Retainer | |
| 29 | 1001133072 | 1 | Carriage, Base Pivot | |
| 30 | 1001163414 | 1 | Cylinder, Side Tilt (See HYDRAULIC COMPONENTS SECTION for Breakdown) | |
| 31 | N.S.S. | 1 | S/N Plate | |

SECTION 3 - ATTACHMENTS

FIGURE 3-11. SIDE TILT CARRIAGE ASSEMBLY (72 INCH)



ART_1179057-M

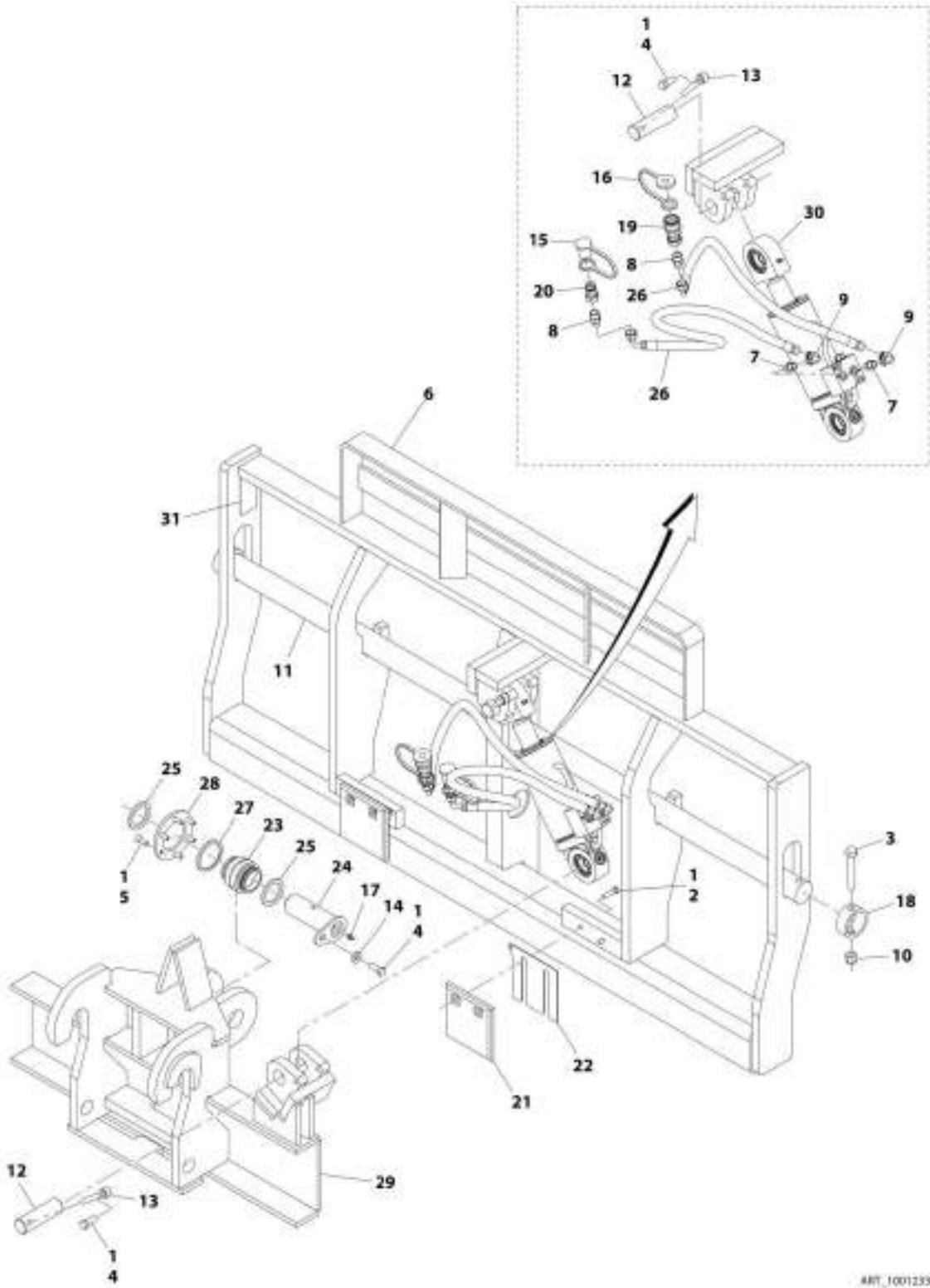
SECTION 3 - ATTACHMENTS

FIGURE 3-11. SIDE TILT CARRIAGE ASSEMBLY (72 INCH)

| ITEM | PART NUMBER | QTY | DESCRIPTION | REV |
|------|-------------|-----|--|-----|
| | 1170057 | Ref | Side Tilt Carriage Assembly (72 Inch) - 642 | M |
| | 1170057 | NLA | Side Tilt Carriage Assembly (72 Inch) - 742, 943, 1043 (no longer available, see items 1 through 31 for service or 1001233385 for replacement) | M |
| 1 | 0641612 | 4 | Bolt, 3/8-16X1 1/2 | |
| 2 | 0642032 | 2 | Bolt, 5/8-11X4 | |
| 3 | 0681810 | 3 | Bolt, 1/2-13X1 1/4 Grade 8 | |
| 4 | 1001133072 | 1 | Pivot, Carriage | |
| 5 | 1170051 | 1 | Carriage | |
| 6 | 2110606 | 2 | Fitting, Straight ORFS | |
| 7 | 2172106 | 2 | Fitting, 90 ORFS | |
| 8 | 2110808 | 2 | Fitting, Straight ORFS | |
| 9 | 3300240 | 2 | Nut, Locking 5/8-11 | |
| 10 | 3423276 | 1 | Pin | |
| 11 | 3423307 | 2 | Pin | |
| 12 | 3841203 | 2 | Keeper | |
| 13 | 4891800 | 1 | Flatwasher | |
| 14 | 8420053 | 1 | Cap | |
| 15 | 8420055 | 1 | Plug | |
| 16 | 88671001 | 1 | Fitting, Grease | |
| 17 | 90200003 | 2 | Collar | |
| 18 | 91403413 | 1 | Fitting | |
| 19 | 91403414 | 1 | Fitting | |
| 20 | 1001090063 | 2 | Pad | |
| 21 | 1001090064 | AR | Shim | |
| 22 | 1001163414 | 1 | Cylinder, Side Tilt (See HYDRAULIC COMPONENTS SECTION for Breakdown) | |
| 23 | 1001090140 | 1 | Bearing | |
| 24 | 1001099113 | 1 | Pin | |
| 25 | 1001099115 | 2 | Sleeve | |
| 26 | 1001161197 | 1 | Plate | |
| 27 | 1001102378 | 2 | Hose, .38X39.00 6X8-90 ORFS | |
| 28 | 0100011 | AR | Compound, Locking | |
| 29 | 0741610 | 6 | Screw, 3/8-16X1.25 | |
| 30 | 1001120914 | 1 | Shim | |
| 31 | 1001120915 | 1 | Plate | |

SECTION 3 - ATTACHMENTS

FIGURE 3-12. SIDE TILT CARRIAGE ASSEMBLY (72 INCH)



ART_1001233985-A

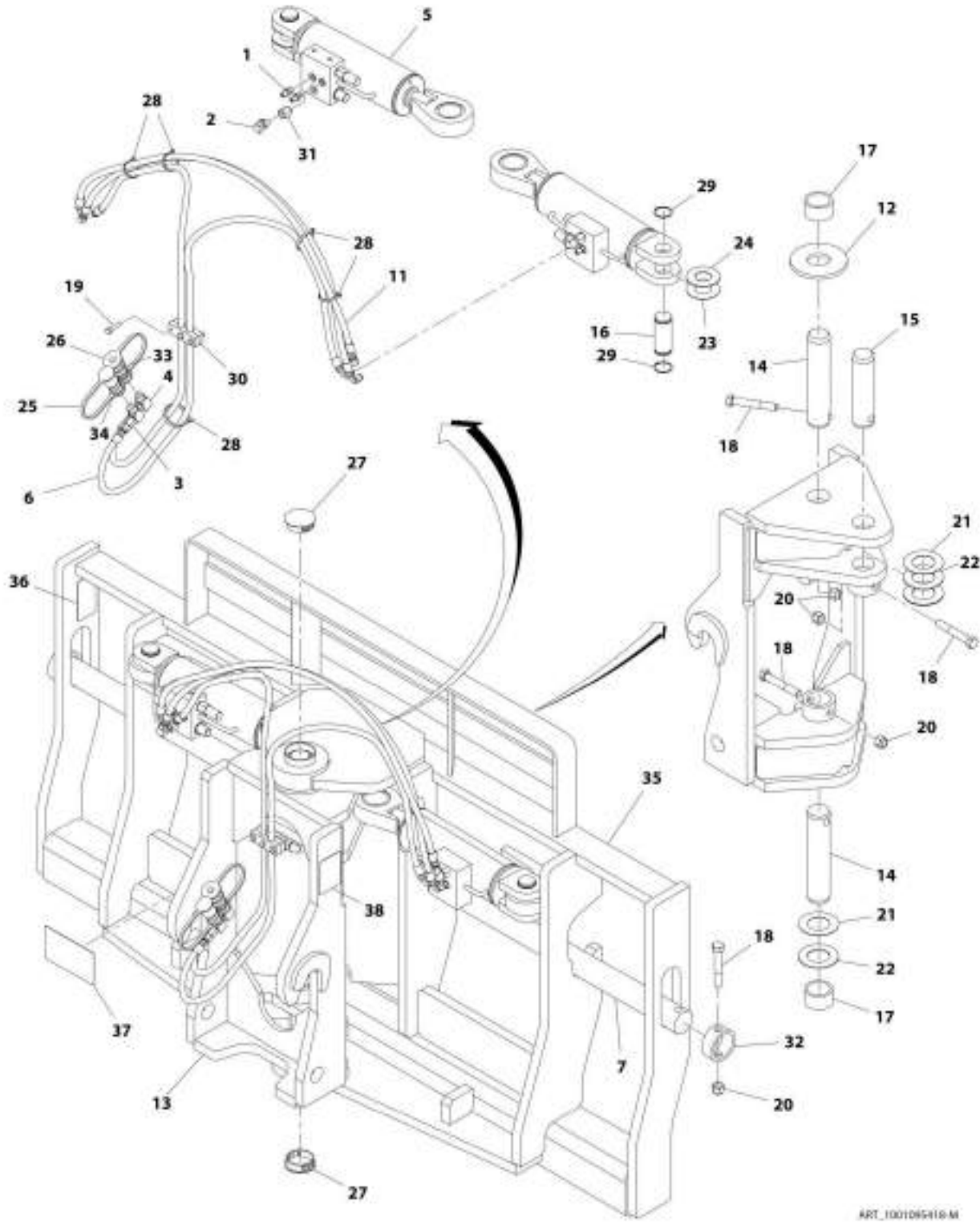
SECTION 3 - ATTACHMENTS

FIGURE 3-12. SIDE TILT CARRIAGE ASSEMBLY (72 INCH)

| ITEM | PART NUMBER | QTY | DESCRIPTION | REV |
|------|-------------|-----|--|-----|
| | 1001233385 | Ref | Side Tilt Carriage Assembly (72 Inch) - 742, 943, 1043 | A |
| 1 | 0100011 | AR | Compound, Locking | |
| 2 | 0641612 | 4 | Bolt, 3/8-16X1-1/2 | |
| 3 | 0642032 | 2 | Bolt, 5/8-11X4 | |
| 4 | 0681810 | 3 | Bolt, 1/2-13X1-1/4 | |
| 5 | 0741610 | 6 | Screw, 3/8-16X1-1/4 | |
| 6 | N.S.S. | 1 | Carriage, Side Tilt | |
| 7 | 2110606 | 2 | Adapter, Straight | |
| 8 | 2110808 | 2 | Adapter, Straight | |
| 9 | 2172106 | 2 | Adapter, 90 | |
| 10 | 3300240 | 2 | Nut, Lock 5/8-11 | |
| 11 | 3423276 | 1 | Pin, Fork | |
| 12 | 3423307 | 2 | Pin, Side Tilt Cylinder | |
| 13 | 3841203 | 2 | Keeper, Rod | |
| 14 | 4891800 | 1 | Washer, 1/2 | |
| 15 | 8420053 | 1 | Cap, Dust | |
| 16 | 8420055 | 1 | Plug, Dust | |
| 17 | 88671001 | 1 | Fitting, Grease | |
| 18 | 90200003 | 2 | Collar, Fork Pin | |
| 19 | 91403413 | 1 | Adapter | |
| 20 | 91403414 | 1 | Adapter | |
| 21 | 1001090063 | 2 | Pad, Wear | |
| 22 | 1001090064 | AR | Shim, Wear Pad | |
| 23 | 1001090140 | 1 | Bearing, Side Tilt Spherical | |
| 24 | 1001099113 | 1 | Pin, Side Tilt Frame Pivot | |
| 25 | 1001099115 | 2 | Sleeve, Tilt Bearing Spacer | |
| 26 | 1001102378 | 2 | Hose | |
| 27 | 1001120914 | 1 | Shim, Bearing Retainer | |
| 28 | 1001120915 | 1 | Plate, Bearing Retainer | |
| 29 | 1001133072 | 1 | Carriage, Base Pivot | |
| 30 | 1001163414 | 1 | Cylinder, Side Tilt (See HYDRAULIC COMPONENTS SECTION for Breakdown) | |
| 31 | N.S.S. | 1 | S/N Plate | |

SECTION 3 - ATTACHMENTS

FIGURE 3-13. 90 SWING CARRIAGE ASSEMBLY (72 INCH)



ART_100106418-M

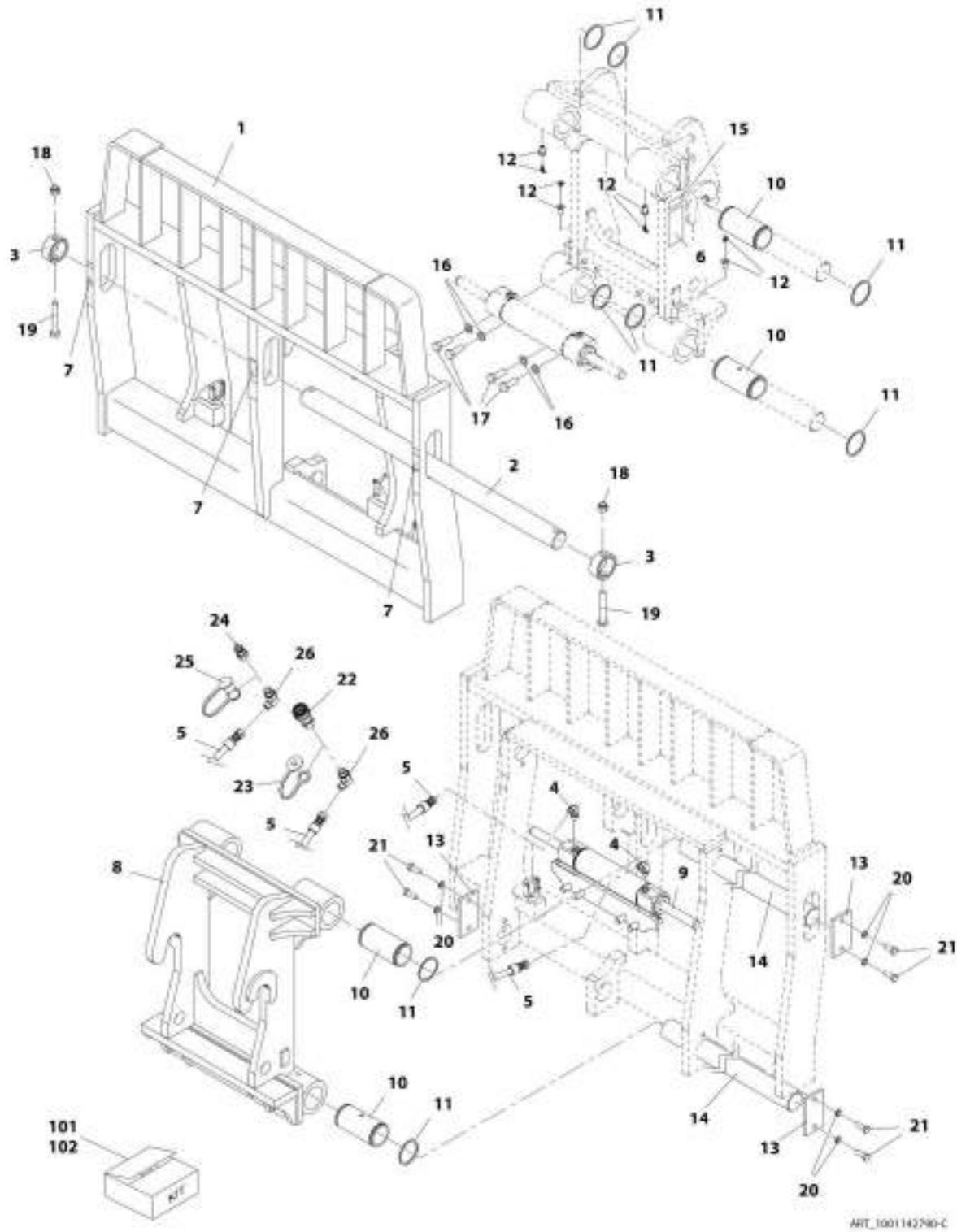
SECTION 3 - ATTACHMENTS

FIGURE 3-13. 90 SWING CARRIAGE ASSEMBLY (72 INCH)

| ITEM | PART NUMBER | QTY | DESCRIPTION | REV |
|------|-------------|-----|--|-----|
| | 1001095418 | 1 | 90 Swing Carriage Assembly (72 Inch) | M |
| 1 | 2220415 | 4 | Fitting, Straight ORFS | |
| 2 | 2220473 | 2 | Fitting, 90 ORFS | |
| 3 | 2220609 | 2 | Connector | |
| 4 | 2220628 | 2 | Fitting, 90 ORFS | |
| 5 | 1001103182 | 2 | Swing Carriage Cylinder (See Separate Breakdown in HYDRAULIC COMPONENTS Section) | |
| 6 | 2717287 | 2 | Hose | |
| 7 | 3423276 | 1 | Pin | |
| 11 | 6604662 | 2 | Hose | |
| 12 | 7062922 | 1 | Washer | |
| 13 | N.S.S. | 1 | Pivot | |
| 14 | 7110702 | 2 | Pin | |
| 15 | 7110712 | 1 | Pin | |
| 16 | 7110722 | 2 | Pin | |
| 17 | 8065062 | 2 | Bushing | |
| 18 | 8303634 | 5 | Screw, .625-11X4 | |
| 19 | 8303715 | 3 | Screw, .312-18X1.500 | |
| 20 | 8305643 | 5 | Nut, Lock .625-11 | |
| 21 | 8307904 | AR | Washer | |
| 22 | 8307918 | AR | Washer | |
| 23 | 8310160 | AR | Washer | |
| 24 | 8310161 | AR | Washer | |
| 25 | 8420053 | 1 | Cap | |
| 26 | 8420055 | 1 | Plug | |
| 27 | 8580315 | 2 | Plug | |
| 28 | 8584001 | 5 | Tie Wrap | |
| 29 | 8642207 | 4 | Retaining Ring | |
| 30 | 8769132 | 2 | Clamp | |
| 31 | 8770016 | 2 | Fitting, Straight ORFS | |
| 32 | 90200003 | 2 | Collar | |
| 33 | 91403413 | 1 | Fitting, Straight ORFS | |
| 34 | 91403414 | 1 | Fitting, Straight | |
| 35 | N.S.S. | 1 | Carriage | |
| 36 | N.S.S. | 1 | Plate | |
| 37 | 1001110704 | 1 | Decal, Warning Crushing Hazard | |
| 38 | 1001111190 | 2 | Decal, Warning | |

SECTION 3 - ATTACHMENTS

FIGURE 3-14. SIDE SHIFT CARRIAGE ASSEMBLY (50 INCH)



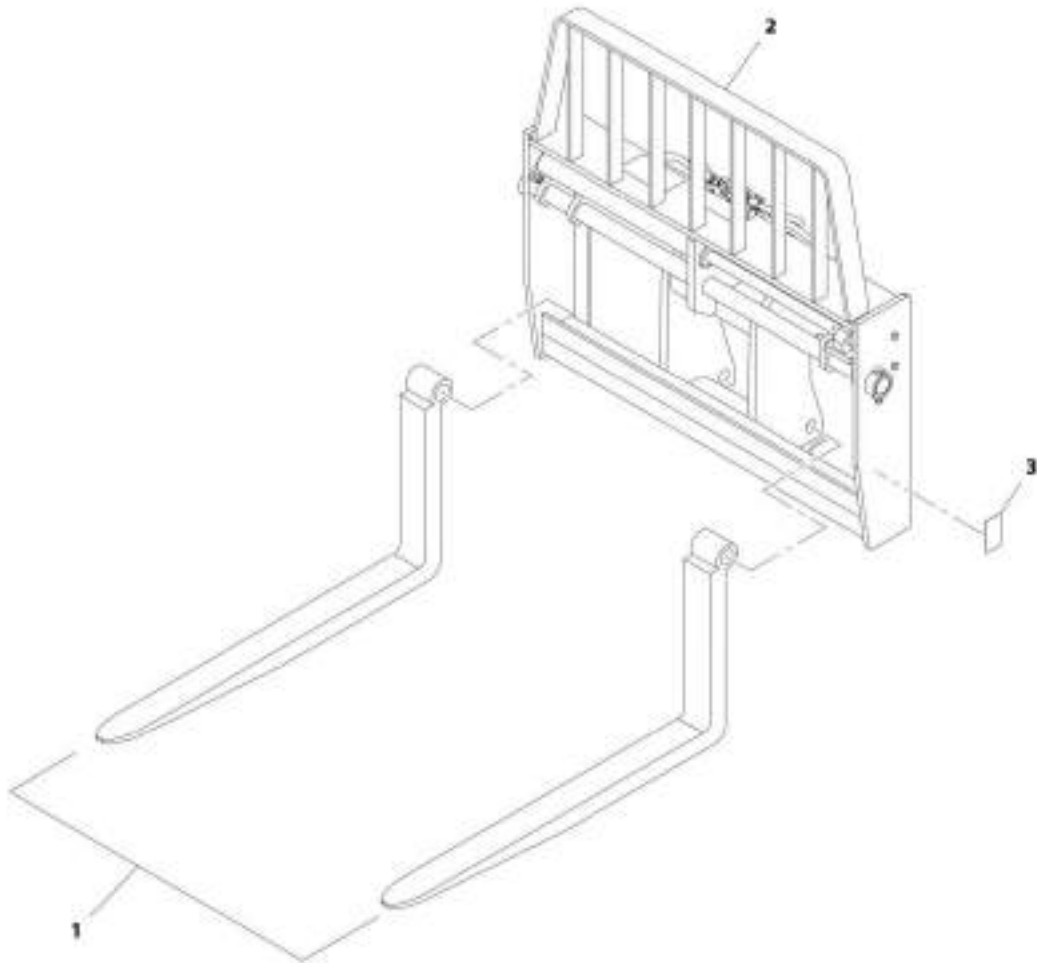
SECTION 3 - ATTACHMENTS

FIGURE 3-14. SIDE SHIFT CARRIAGE ASSEMBLY (50 INCH)

| ITEM | PART NUMBER | QTY | DESCRIPTION | REV |
|------|-------------|-----|--|-----|
| | 1001142790 | 1 | Side Shift Carriage Assembly (50 Inch) | C |
| 1 | N.S.S. | 1 | Weldment | |
| 2 | 70024535 | 1 | Shaft | |
| 3 | 70024536 | 2 | Collar | |
| 4 | 70024123 | 2 | Adapter, 90 (includes O-Ring) | |
| 5 | 70024537 | 2 | Hose | |
| 6 | N.S.S. | 1 | S/N Plate | |
| 7 | 70024538 | 3 | Decal, Warning | |
| 8 | N.S.S. | 1 | Weldment | |
| 9 | 70024539 | 1 | Cylinder, Side Shift Carriage (50 Inch) (See HYDRAULIC COMPONENTS SECTION for Breakdown) | |
| 10 | 70024540 | 4 | Bushing | |
| 11 | 70024541 | 8 | Circlip | |
| 12 | 70024542 | 4 | Fitting, Grease | |
| 13 | 70024543 | 4 | Retainer | |
| 14 | 70024544 | 2 | Shaft | |
| 15 | N.S.S. | 1 | S/N Plate | |
| 16 | 70024551 | 4 | Washer, Lock 16 | |
| 17 | 70024552 | 4 | Bolt, M16X45 | |
| 18 | 70024553 | 2 | Nut, Hex M16 | |
| 19 | 70024554 | 2 | Bolt, M16X100 | |
| 20 | 70022997 | 8 | Washer, Lock 12 | |
| 21 | 70024555 | 8 | Bolt, M12X35 | |
| 22 | 91403413 | 1 | Adapter, Female Quick Disconnect | |
| 23 | 8420055 | 1 | Plug, Dust | |
| 24 | 91403414 | 1 | Adapter, Male Quick Disconnect | |
| 25 | 8420053 | 1 | Cap, Dust | |
| 26 | 70024550 | 2 | Adapter, 90 (includes O-Ring) | |
| 101 | 70024545 | 1 | Kit, Hydraulic Repair (includes items 5 & 22 thru 26) | |
| 102 | 70024546 | 1 | Kit, Retainer (includes items 13, 20 & 21) | |

SECTION 3 - ATTACHMENTS

FIGURE 3-15. DUAL FORK POSITIONING CARRIAGE (50 INCH) (Prior to SN 0160082569)



ART_1301295-G

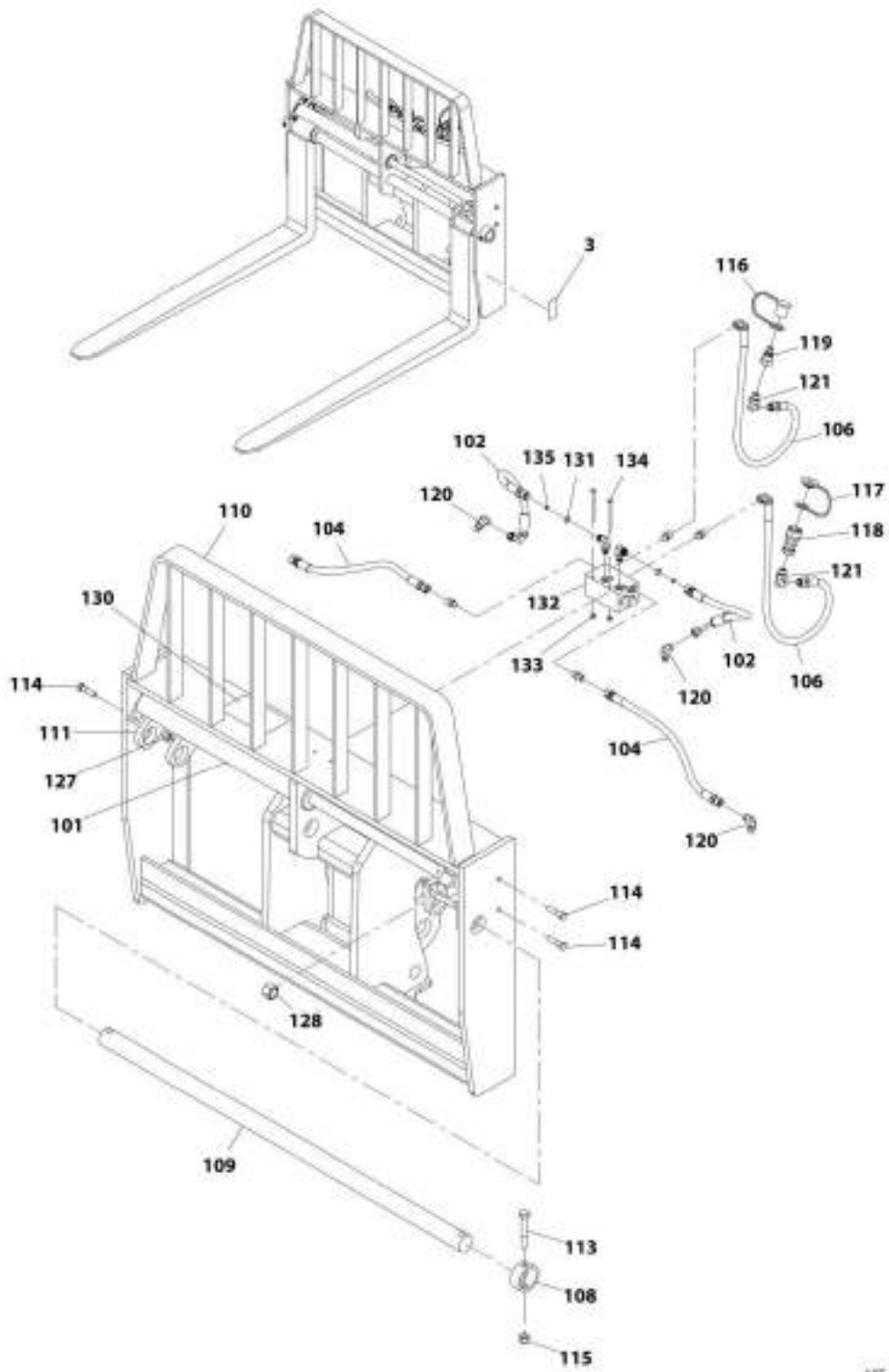
SECTION 3 - ATTACHMENTS

FIGURE 3-15. DUAL FORK POSITIONING CARRIAGE (50 INCH) (Prior to SN 0160082569)

| ITEM | PART NUMBER | QTY | DESCRIPTION | REV |
|------|-------------|-----|--|-----|
| | 7301295 | Ref | Dual Fork Carriage (50 Inch) | G |
| 1 | 7301408 | 2 | Fork, Pallet | |
| 2 | 7301568 | 1 | Assembly, Dual Fork Carriage Part List, (See Separate Breakdown in this Section) | |
| 3 | N.S.S. | 1 | S/N Plate | |

SECTION 3 - ATTACHMENTS

FIGURE 3-16. DUAL FORK POSITIONING CARRIAGE (50 INCH) (SN 0160082569 to Present)



ART_7361295-H

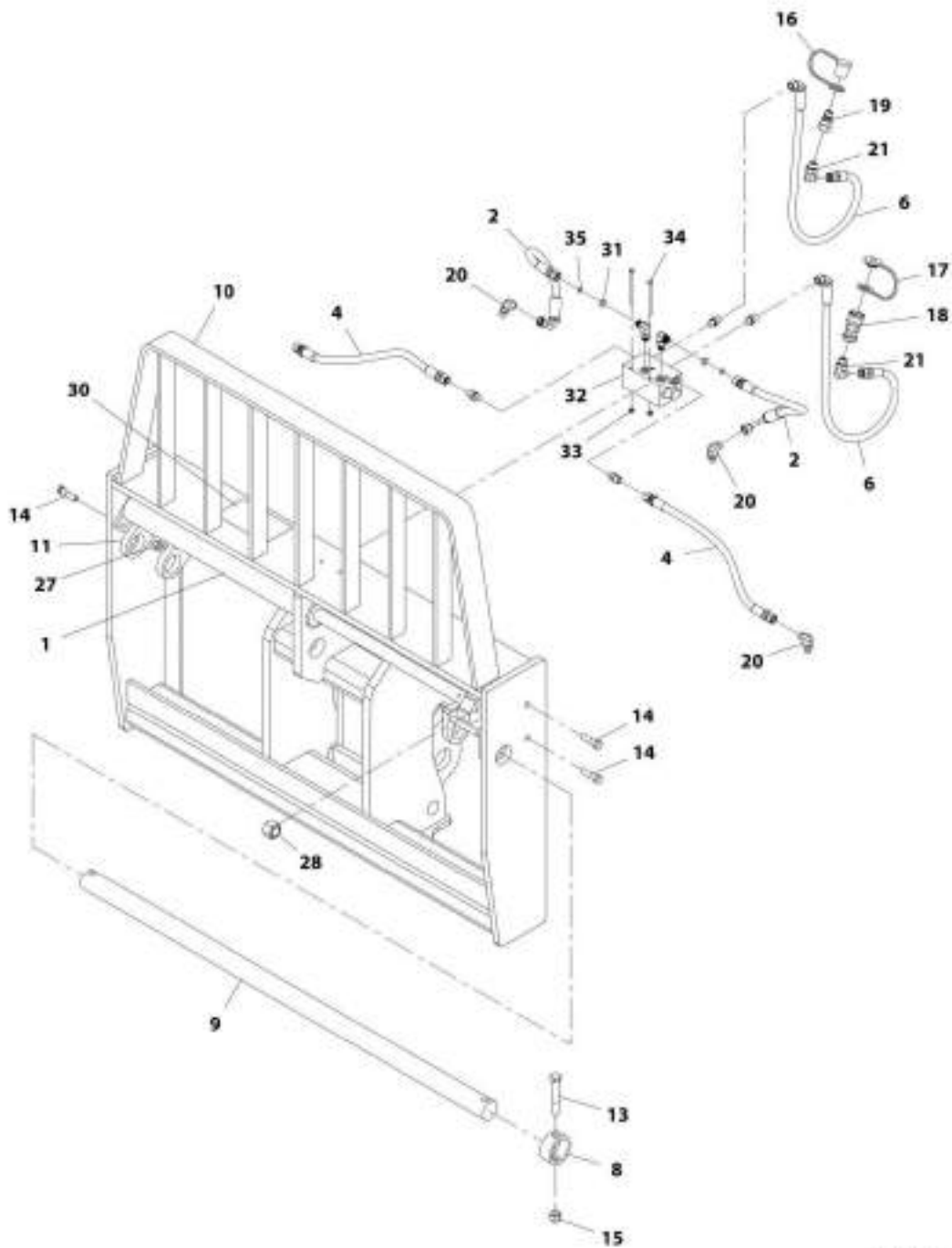
SECTION 3 - ATTACHMENTS

FIGURE 3-16. DUAL FORK POSITIONING CARRIAGE (50 INCH) (SN 0160082569 to Present)

| ITEM | PART NUMBER | QTY | DESCRIPTION | REV |
|------|-------------|-----|---|-----|
| | 7301295 | Ref | Dual Fork Carriage (50 Inch) | H |
| 3 | N.S.S. | 1 | S/N Plate | |
| 101 | 2717283 | 2 | Cylinder, Fork Positioning | |
| 102 | 2717160 | 2 | Hose | |
| 104 | 2717161 | 2 | Hose | |
| 106 | 2717162 | 2 | Hose | |
| 108 | 90200003 | 2 | Collar, Fork Pin | |
| 109 | 90451058 | 1 | Shaft, Fork | |
| 110 | N.S.S. | 1 | Weldment, Carriage | |
| 111 | N.S.S. | 2 | Weldment, Fork Adapter | |
| 113 | 8303634 | 2 | Bolt, 5/8-11X4 | |
| 114 | 8303658 | 4 | Bolt, 1/2-13X2 | |
| 115 | 8305643 | 2 | Nut, Lock 5/8-11 | |
| 116 | 8420053 | 1 | Cap, Dust | |
| 117 | 8420055 | 1 | Plug, Dust | |
| 118 | 91403413 | 1 | Adapter, Quick Disconnect | |
| 119 | 91403414 | 1 | Adapter, Quick Disconnect | |
| 120 | 2130606 | 4 | Adapter, 90 Straight | |
| 121 | 2130608 | 2 | Adapter, 90 Straight | |
| 127 | 8310302 | 4 | Nut, Lock 1/2-13 | |
| 128 | 10705034 | 2 | Nut, Lock 1-14 | |
| 130 | 4110473 | 1 | Decal, Warning Route Hoses | |
| 131 | 7139918 | 2 | Disk, Orifice | |
| 132 | 4641502 | 1 | Assembly, Dual Fork Carriage Valve (See Separate Breakdown in this Section) | |
| 133 | 8305624 | 2 | Nut, Lock 1/4-20 | |
| 134 | 8310435 | 2 | Bolt, 1/4-20X3-3/4 | |
| 135 | 8630003 | 2 | O-Ring | |

SECTION 3 - ATTACHMENTS

FIGURE 3-17. DUAL FORK CARRIAGE ASSEMBLY (50 INCH)



WIT 7501568 J

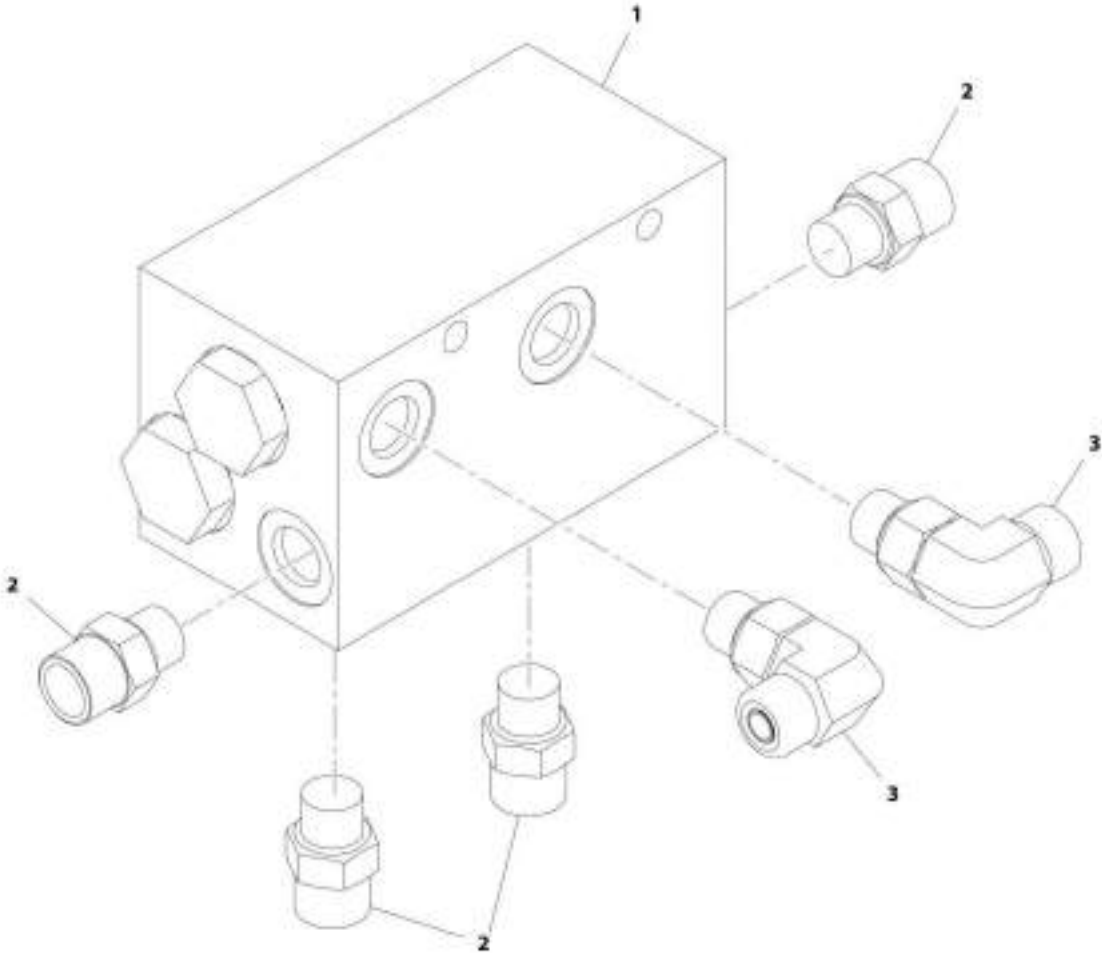
SECTION 3 - ATTACHMENTS

FIGURE 3-17. DUAL FORK CARRIAGE ASSEMBLY (50 INCH)

| ITEM | PART NUMBER | QTY | DESCRIPTION | REV |
|------|-------------|-----|---|-----|
| | 7301568 | Ref | Dual Fork Carriage Assembly (50 Inch) | J |
| 1 | 2717283 | 2 | Cylinder, Fork Positioning | |
| 2 | 2717160 | 2 | Hose | |
| 4 | 2717161 | 2 | Hose | |
| 6 | 2717162 | 2 | Hose | |
| 8 | 90200003 | 2 | Collar, Fork Pin | |
| 9 | 90451058 | 1 | Shaft, Fork | |
| 10 | NSS | 1 | Weldment, Carriage | |
| 11 | NSS | 1 | Weldment, Fork Adapter | |
| 13 | 8303634 | 2 | Bolt, 5/8-11X4 | |
| 14 | 8303658 | 4 | Bolt, 1/2-13X2 | |
| 15 | 8305643 | 2 | Nut, Lock 5/8-11 | |
| 16 | 8420053 | 1 | Cap, Dust | |
| 17 | 8420055 | 1 | Plug, Dust | |
| 18 | 91403413 | 1 | Adapter, Quick Disconnect | |
| 19 | 91403414 | 1 | Adapter, Quick Disconnect | |
| 20 | 2130606 | 4 | Adapter, 90 Straight | |
| 21 | 2130608 | 2 | Adapter, 90 Straight | |
| 27 | 8310302 | 4 | Nut, Lock 1/2-13 | |
| 28 | 10705034 | 2 | Nut, Lock 1-14 | |
| 30 | 4110473 | 1 | Decal, Warning Route Hoses | |
| 31 | 7139918 | 2 | Disk, Orifice | |
| 32 | 4641502 | 1 | Assembly, Dual Fork Carriage Valve (See Separate Breakdown in this Section) | |
| 33 | 8305624 | 2 | Nut, Lock 1/4-20 | |
| 34 | 8310435 | 2 | Bolt, 1/4-20X3-3/4 | |
| 35 | 8630003 | 2 | O-Ring | |

SECTION 3 - ATTACHMENTS

FIGURE 3-18. DUAL FORK CARRIAGE VALVE ASSEMBLY



ART. 4641502-B

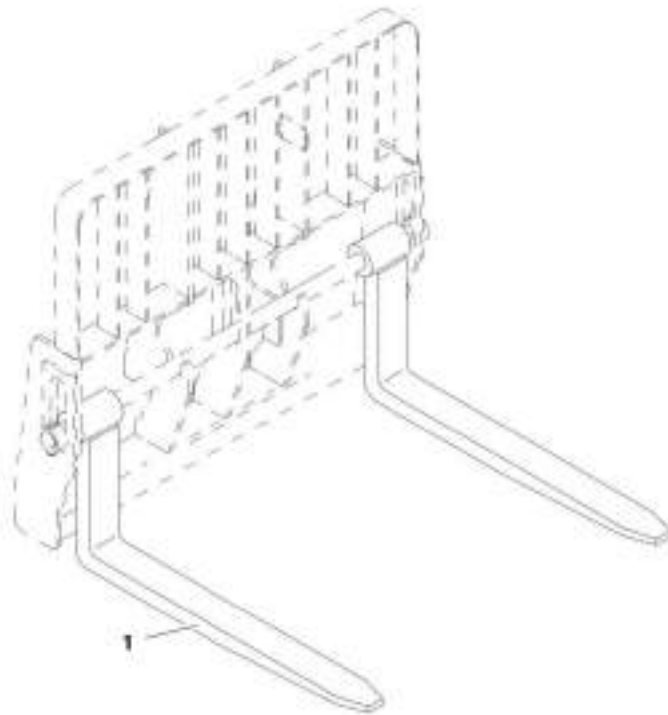
SECTION 3 - ATTACHMENTS

FIGURE 3-18. DUAL FORK CARRIAGE VALVE ASSEMBLY

| ITEM | PART NUMBER | QTY | DESCRIPTION | REV |
|------|-------------|-----|-----------------------------------|-----|
| | 4641502 | Ref | Dual Fork Carriage Valve Assembly | B |
| 1 | 4641501 | 1 | Valve, Flow Divider | |
| 2 | 2110606 | 4 | Adapter, Straight | |
| 3 | 2130606 | 2 | Adapter, 90 | |

SECTION 3 - ATTACHMENTS

FIGURE 3-19. FORK - PALLET (2.36X4X48)



ART_3340045_0

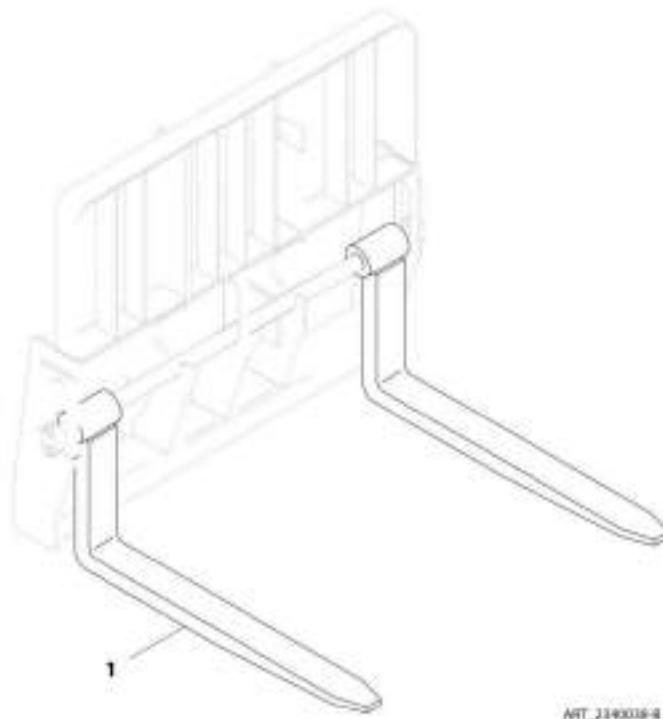
SECTION 3 - ATTACHMENTS

FIGURE 3-19. FORK - PALLET (2.36X4X48)

| ITEM | PART NUMBER | QTY | DESCRIPTION | REV |
|------|-----------------|----------|---|-----|
| N1 | 2340045 Note | 2 Ref | Fork - Pallet (2.36X4X48) FORKS RATED LESS THAN THE ATTACHMENT OR MACHINE'S CAPACITY DECREASES CAPACITY OF THE ATTACHMENT OR MACHINE TO THAT OF THE FORKS. FORKS RATED MORE THAN THE ATTACHMENT OR MACHINE'S CAPACITY DO NOT INCREASE ATTACHMENT OR MACHINE'S CAPACITY. | B |
| N2 | Note | Ref | PLEASE CONSULT JLG PARTS DEPARTMENT TO DETERMINE THE CORRECT FORKS APPLICABLE TO YOUR SPECIFIC CARRIASE ASSEMBLY AND APPLICATION. | |

SECTION 3 - ATTACHMENTS

FIGURE 3-20. FORK - PALLET (2.36X5X48)



ART_3140036-4

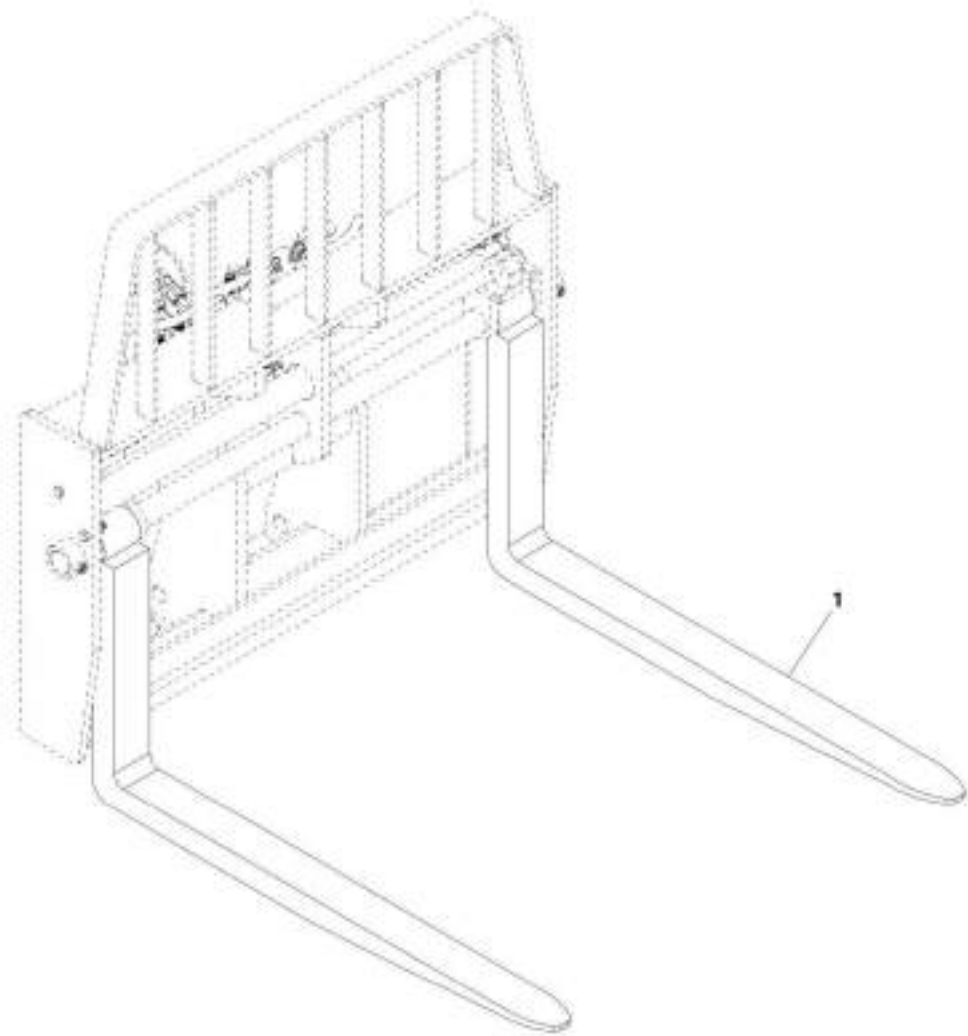
SECTION 3 - ATTACHMENTS

FIGURE 3-20. FORK - PALLET (2.36X5X48)

| ITEM | PART NUMBER | QTY | DESCRIPTION | REV |
|------|-----------------|----------|---|-----|
| N1 | 2340038 Note | 2 Ref | Fork - Pallet (2.36X5X48) FORKS RATED LESS THAN THE ATTACHMENT OR MACHINE'S CAPACITY DECREASES CAPACITY OF THE ATTACHMENT OR MACHINE TO THAT OF THE FORKS. FORKS RATED MORE THAN THE ATTACHMENT OR MACHINE'S CAPACITY DO NOT INCREASE ATTACHMENT OR MACHINE'S CAPACITY. | B |
| N2 | Note | Ref | PLEASE CONSULT JLG PARTS DEPARTMENT TO DETERMINE THE CORRECT FORKS APPLICABLE TO YOUR SPECIFIC CARRIASE ASSEMBLY AND APPLICATION. | |

SECTION 3 - ATTACHMENTS

FIGURE 3-21. FORK - PALLET (2.4X4X48) (742)



REF_7301400-D

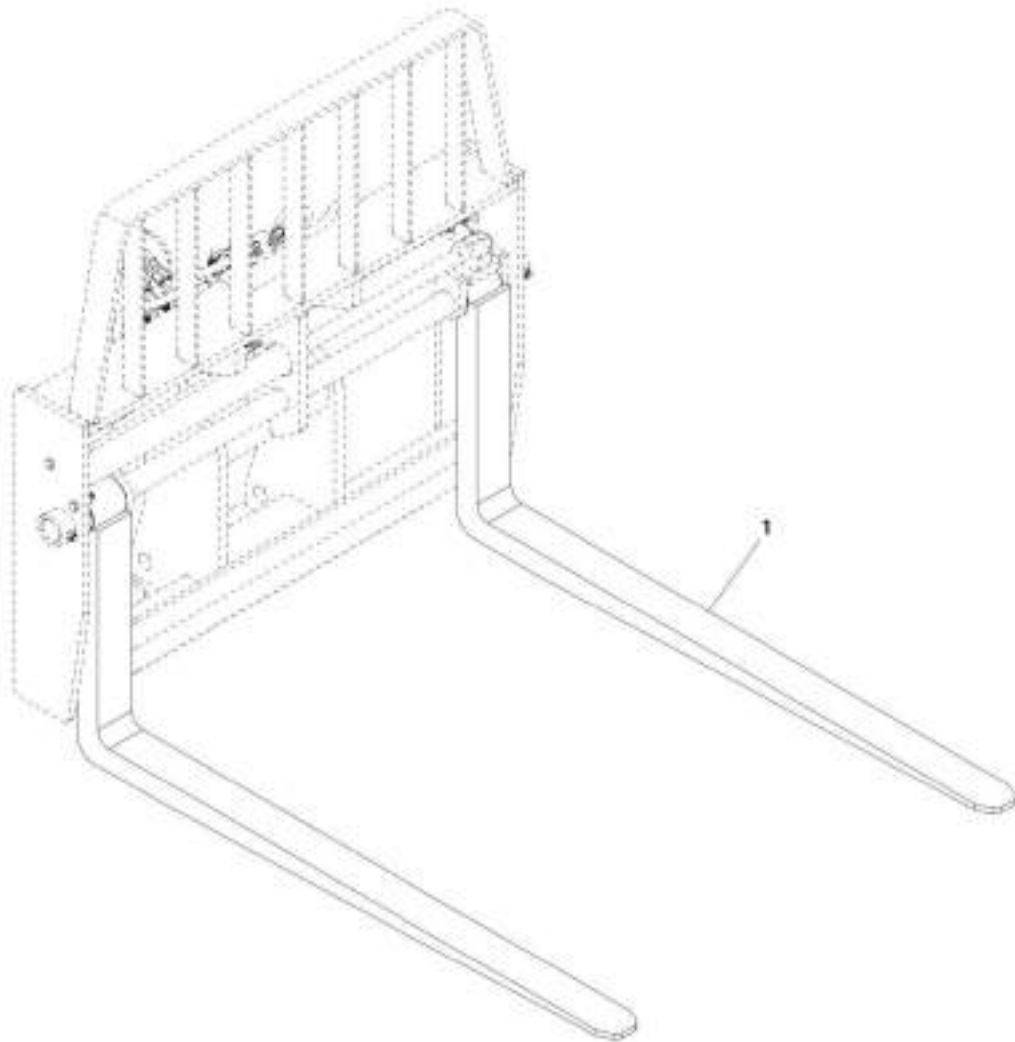
SECTION 3 - ATTACHMENTS

FIGURE 3-21. FORK - PALLET (2.4X4X48) (742)

| ITEM | PART NUMBER | QTY | DESCRIPTION | REV |
|------|-----------------|----------|--|-----|
| N1 | 7301408 Note | 2 Ref | Fork - Pallet (2.4X4X48) FORKS RATED LESS THAN THE ATTACHMENT OR MACHINE'S CAPACITY DECREASES CAPACITY OF THE ATTACHMENT OR MACHINE TO THAT OF THE FORKS. FORKS RATED MORE THAN THE ATTACHMENT OR MACHINE'S CAPACITY DO NOT INCREASE ATTACHMENT OR MACHINE'S CAPACITY. | D |
| N2 | Note | Ref | PLEASE CONSULT JLG PARTS DEPARTMENT TO DETERMINE THE CORRECT FORKS APPLICABLE TO YOUR SPECIFIC CARRIASE ASSEMBLY AND APPLICATION. | |

SECTION 3 - ATTACHMENTS

FIGURE 3-22. FORK - PALLET (2.4X4X60) (742)



ART_1001227370-A

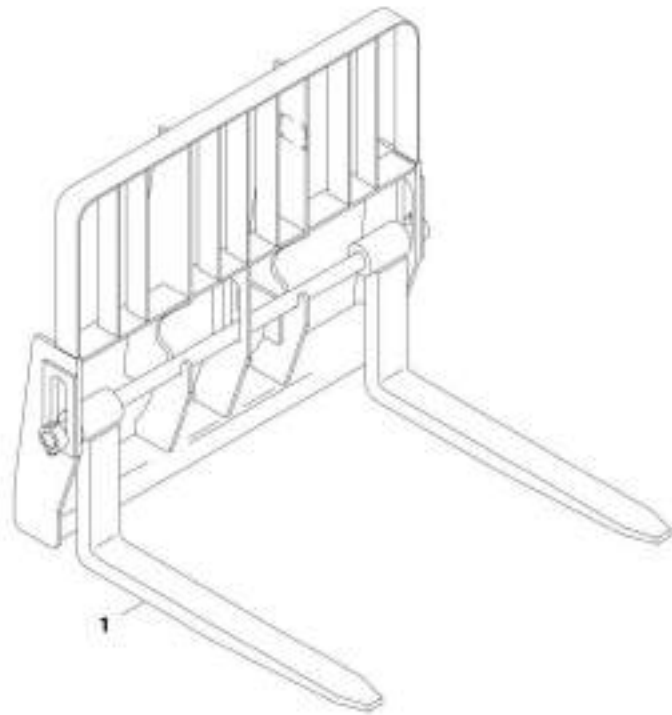
SECTION 3 - ATTACHMENTS

FIGURE 3-22. FORK - PALLET (2.4X4X60) (742)

| ITEM | PART NUMBER | QTY | DESCRIPTION | REV |
|------|--------------------|----------|--|-----|
| N1 | 1001227379 Note | 2 Ref | Fork - Pallet (2.4X4X60) FORKS RATED LESS THAN THE ATTACHMENT OR MACHINE'S CAPACITY DECREASES CAPACITY OF THE ATTACHMENT OR MACHINE TO THAT OF THE FORKS. FORKS RATED MORE THAN THE ATTACHMENT OR MACHINE'S CAPACITY DO NOT INCREASE ATTACHMENT OR MACHINE'S CAPACITY. | A |
| N2 | Note | Ref | PLEASE CONSULT JLG PARTS DEPARTMENT TO DETERMINE THE CORRECT FORKS APPLICABLE TO YOUR SPECIFIC CARRIASE ASSEMBLY AND APPLICATION. | |

SECTION 3 - ATTACHMENTS

FIGURE 3-23. FORK - PALLET (2X7X60)



ART_1001097110-A

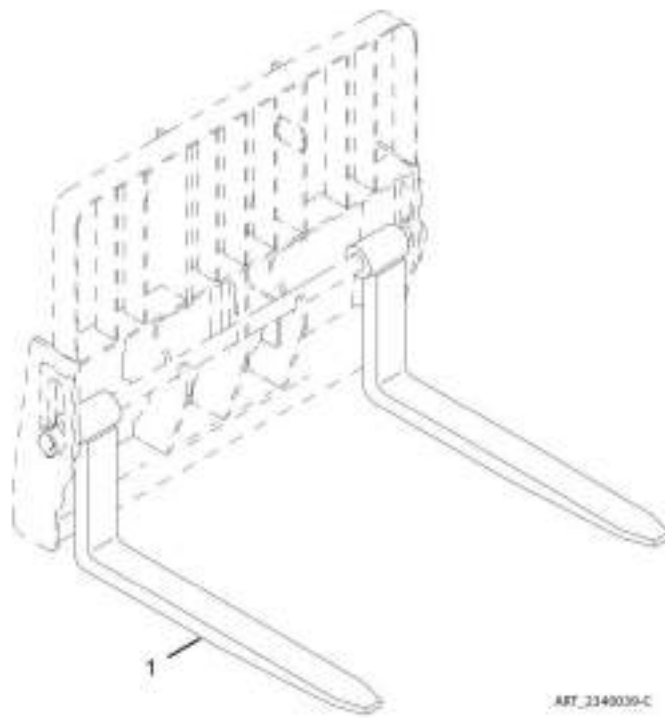
SECTION 3 - ATTACHMENTS

FIGURE 3-23. FORK - PALLET (2X7X60)

| ITEM | PART NUMBER | QTY | DESCRIPTION | REV |
|------|-------------|-----|------------------------|-----|
| 1 | 1001097110 | 2 | Fork - Pallet (2X7X60) | A |

SECTION 3 - ATTACHMENTS

FIGURE 3-24. FORK - PALLET (2.36X6X60)



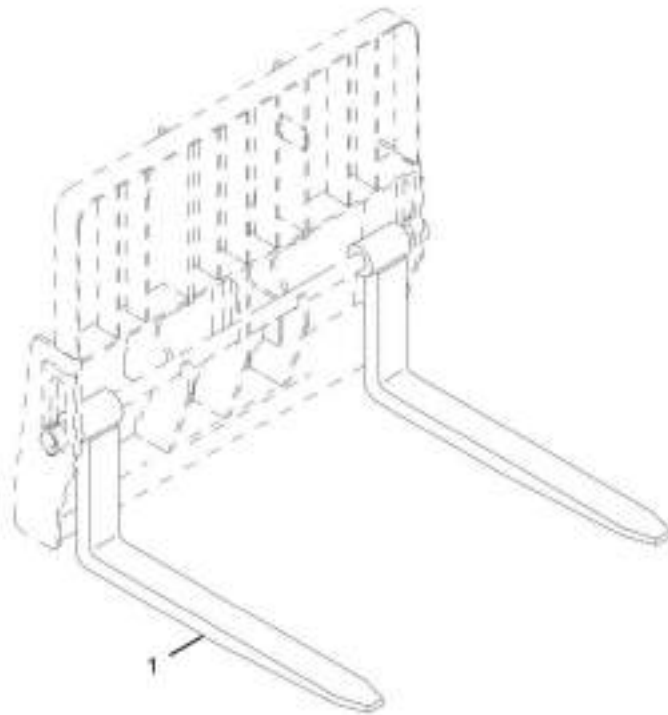
SECTION 3 - ATTACHMENTS

FIGURE 3-24. FORK - PALLET (2.36X6X60)

| ITEM | PART NUMBER | QTY | DESCRIPTION | REV |
|------|-----------------|----------|---|-----|
| N1 | 2340039 Note | 2 Ref | Fork - Pallet (2.36X6X60) FORKS RATED LESS THAN THE ATTACHMENT OR MACHINE'S CAPACITY DECREASES CAPACITY OF THE ATTACHMENT OR MACHINE TO THAT OF THE FORKS. FORKS RATED MORE THAN THE ATTACHMENT OR MACHINE'S CAPACITY DO NOT INCREASE ATTACHMENT OR MACHINE'S CAPACITY. | C |
| N2 | Note | Ref | PLEASE CONSULT JLG PARTS DEPARTMENT TO DETERMINE THE CORRECT FORKS APPLICABLE TO YOUR SPECIFIC CARRIASE ASSEMBLY AND APPLICATION. | |

SECTION 3 - ATTACHMENTS

FIGURE 3-25. FORK - PALLET (2.36X6X72)



ART_1001092391_3

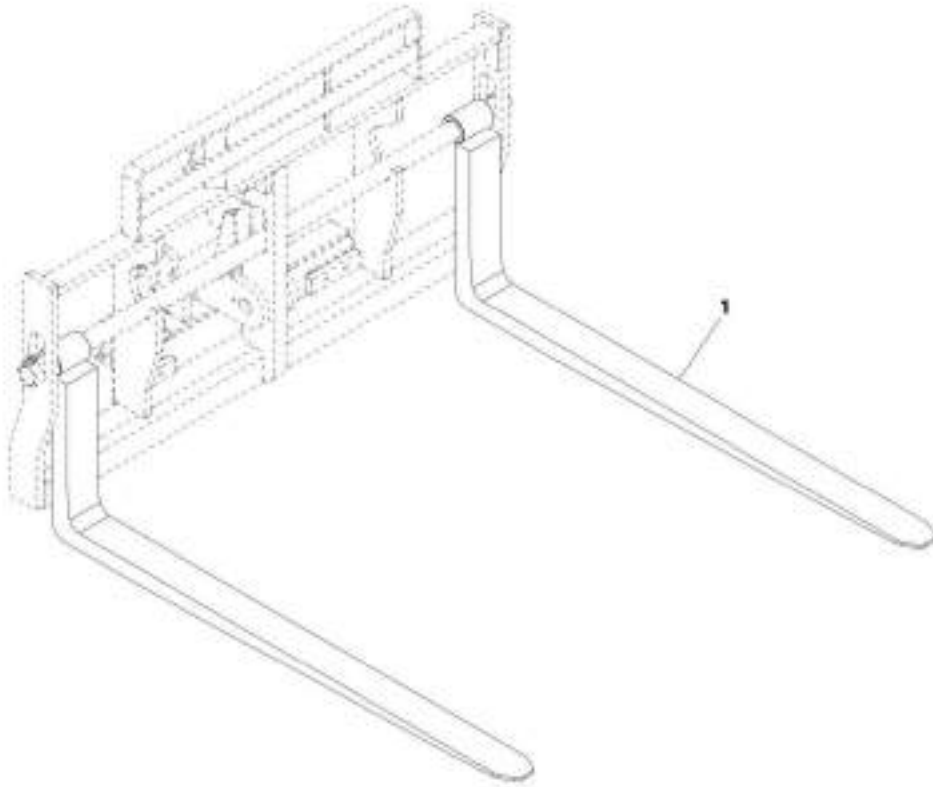
SECTION 3 - ATTACHMENTS

FIGURE 3-25. FORK - PALLET (2.36X6X72)

| ITEM | PART NUMBER | QTY | DESCRIPTION | REV |
|------|--------------------|----------|---|-----|
| N1 | 1001092391 Note | 2 Ref | Fork - Pallet (2.36X6X72) FORKS RATED LESS THAN THE ATTACHMENT OR MACHINE'S CAPACITY DECREASES CAPACITY OF THE ATTACHMENT OR MACHINE TO THAT OF THE FORKS. FORKS RATED MORE THAN THE ATTACHMENT OR MACHINE'S CAPACITY DO NOT INCREASE ATTACHMENT OR MACHINE'S CAPACITY. | B |
| N2 | Note | Ref | PLEASE CONSULT JLG PARTS DEPARTMENT TO DETERMINE THE CORRECT FORKS APPLICABLE TO YOUR SPECIFIC CARRIASE ASSEMBLY AND APPLICATION. | |

SECTION 3 - ATTACHMENTS

FIGURE 3-26. FORK - PALLET (2.36X5X72)



ART_1001252555-A

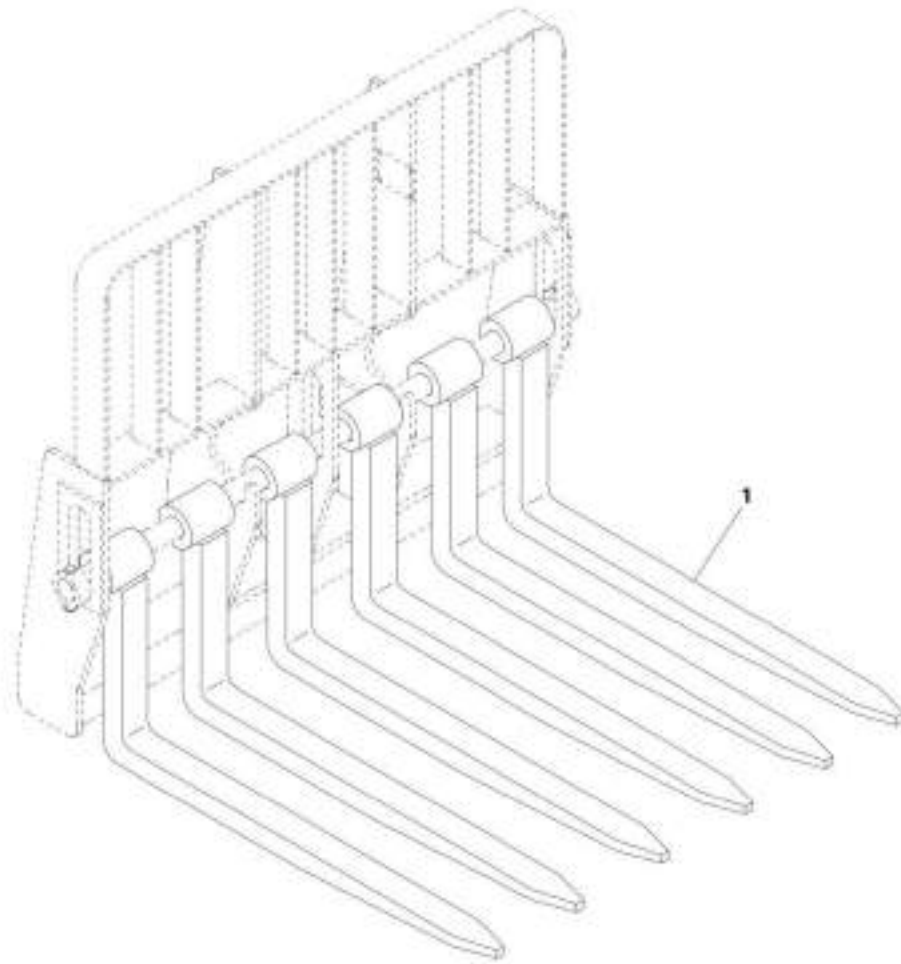
SECTION 3 - ATTACHMENTS

FIGURE 3-26. FORK - PALLET (2.36X5X72)

| ITEM | PART NUMBER | QTY | DESCRIPTION | REV |
|------|------------------------|----------|---|-----|
| N1 | 1001232355 See Note | 2 Ref | Fork - Pallet (2.36X5X72) FORKS RATED LESS THAN THE ATTACHMENT OR MACHINE'S CAPACITY DECREASES CAPACITY OF THE ATTACHMENT OR MACHINE TO THAT OF THE FORKS. FORKS RATED MORE THAN THE ATTACHMENT OR MACHINE'S CAPACITY DO NOT INCREASE ATTACHMENT OR MACHINE'S CAPACITY. | A |
| N2 | See Note | Ref | PLEASE CONSULT JLG PARTS DEPARTMENT TO DETERMINE THE CORRECT FORKS APPLICABLE TO YOUR SPECIFIC CARRIASE ASSEMBLY AND APPLICATION. | |

SECTION 3 - ATTACHMENTS

FIGURE 3-27. CUBING FORK



MT_234807-A

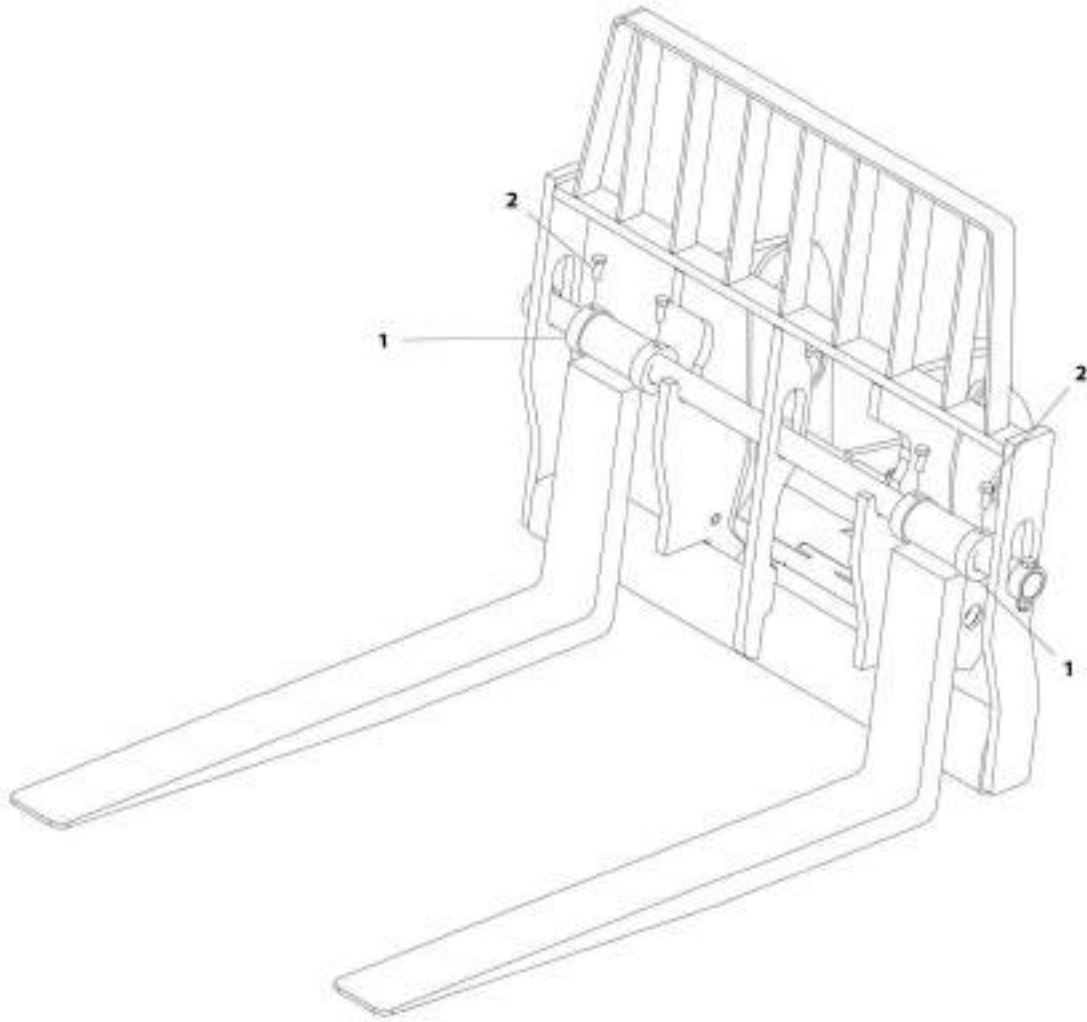
SECTION 3 - ATTACHMENTS

FIGURE 3-27. CUBING FORK

| ITEM | PART NUMBER | QTY | DESCRIPTION | REV |
|------|-----------------|----------|---|-----|
| N1 | 2340037 Note | 6 Ref | Cubing Fork FORKS RATED LESS THAN THE ATTACHMENT OR MACHINE'S CAPACITY DECREASES CAPACITY OF THE ATTACHMENT OR MACHINE TO THAT OF THE FORKS. FORKS RATED MORE THAN THE ATTACHMENT OR MACHINE'S CAPACITY DO NOT INCREASE ATTACHMENT OR MACHINE'S CAPACITY. | A |
| N2 | Note | Ref | PLEASE CONSULT JLG PARTS DEPARTMENT TO DETERMINE THE CORRECT FORKS APPLICABLE TO YOUR SPECIFIC CARRIASE ASSEMBLY AND APPLICATION. | |

SECTION 3 - ATTACHMENTS

FIGURE 3-28. FORK CLAMPS INSTALL



ART_1001094134-A

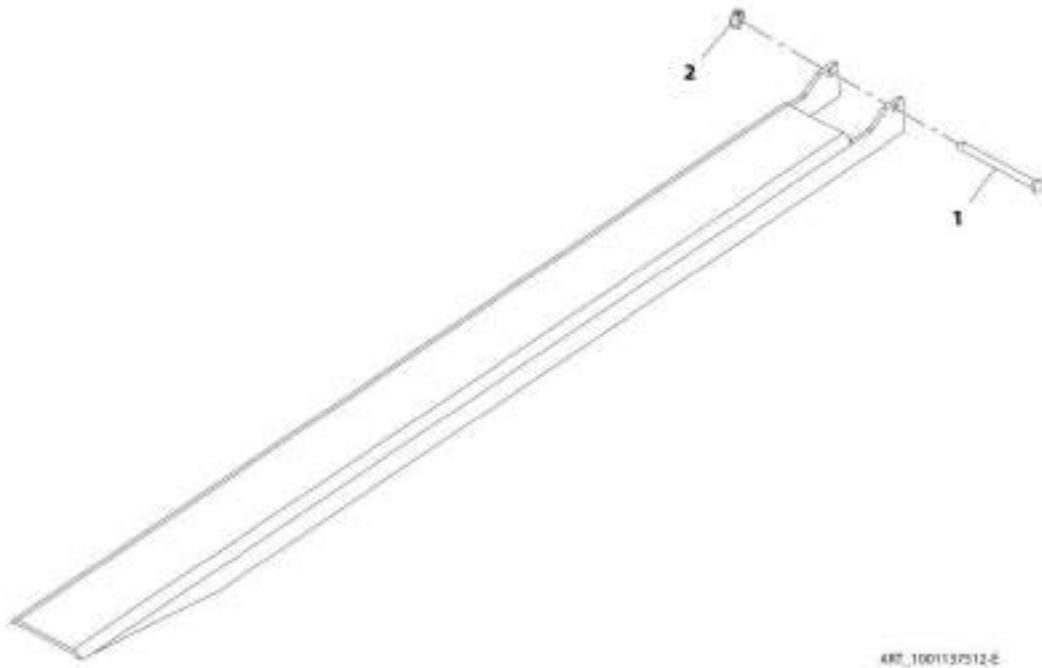
SECTION 3 - ATTACHMENTS

FIGURE 3-28. FORK CLAMPS INSTALL

| ITEM | PART NUMBER | QTY | DESCRIPTION | REV |
|------|-------------|-----|--------------------------|-----|
| | 1001094134 | Ref | Fork Clamps Installation | A |
| 1 | 1001094136 | 4 | Clamp, Fork | |
| 2 | 10700681 | 4 | Bolt, 0.625-18X1.5 | |

SECTION 3 - ATTACHMENTS

FIGURE 3-29. FORK EXTENSION (90 INCH)



ART_1001137512-E

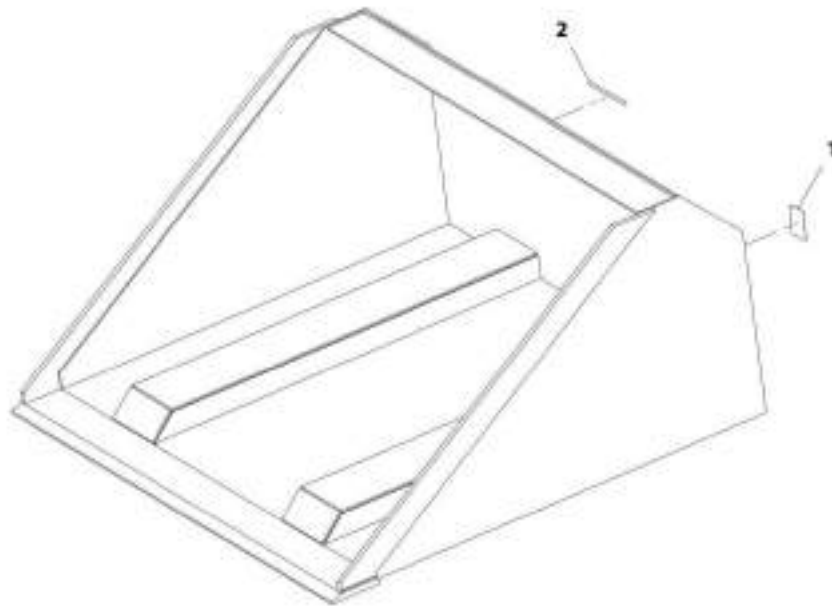
SECTION 3 - ATTACHMENTS

FIGURE 3-29. FORK EXTENSION (90 INCH)

| ITEM | PART NUMBER | QTY | DESCRIPTION | REV |
|------|-------------|-----|--------------------------|-----|
| | 1001137512 | 1 | Fork Extension (90 Inch) | E |
| 1 | 70024306 | 1 | Pin | |
| 2 | 70024307 | 1 | Clip | |

SECTION 3 - ATTACHMENTS

FIGURE 3-30. FORK MOUNTED BUCKET (60 INCH)



ART_100119009-0

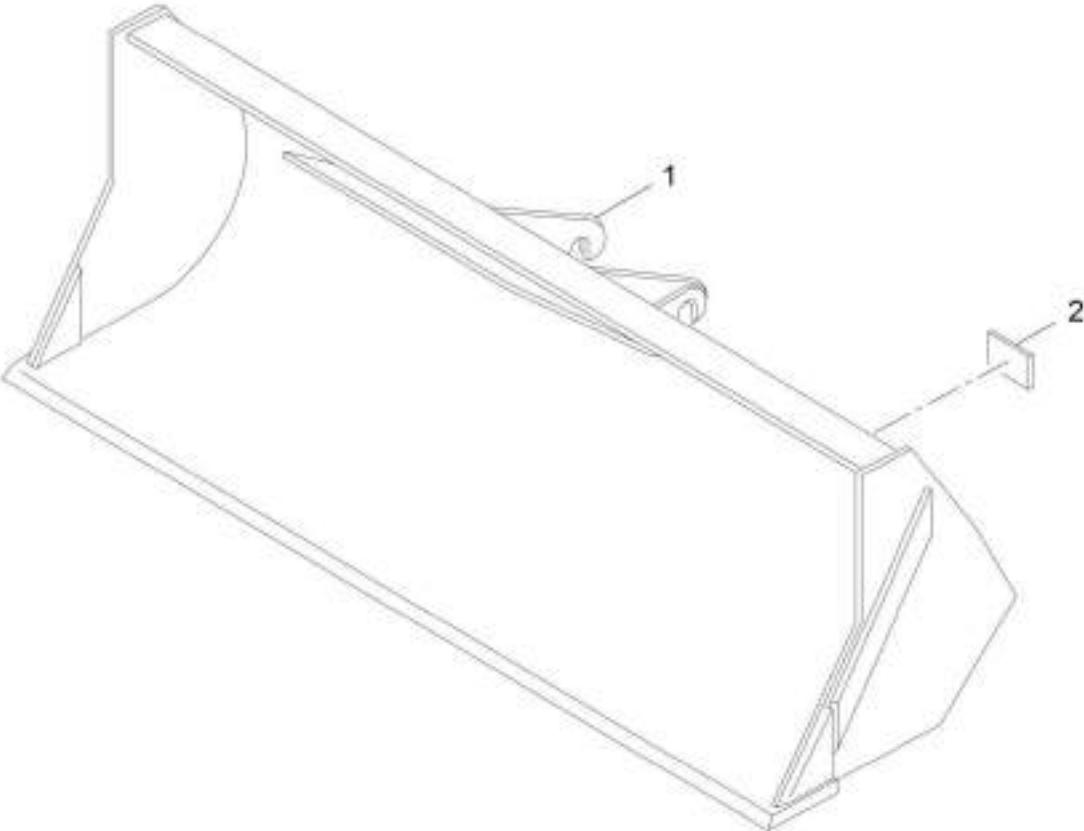
SECTION 3 - ATTACHMENTS

FIGURE 3-30. FORK MOUNTED BUCKET (60 INCH)

| ITEM | PART NUMBER | QTY | DESCRIPTION | REV |
|------|-------------|-----|-------------------------------|-----|
| 1 | 1001195970 | 1 | Fork Mounted Bucket (60 Inch) | B |
| | N.S.S. | 1 | S/N Plate | |

SECTION 3 - ATTACHMENTS

FIGURE 3-31. BUCKET (72 INCH)



ART 1001100822 ©

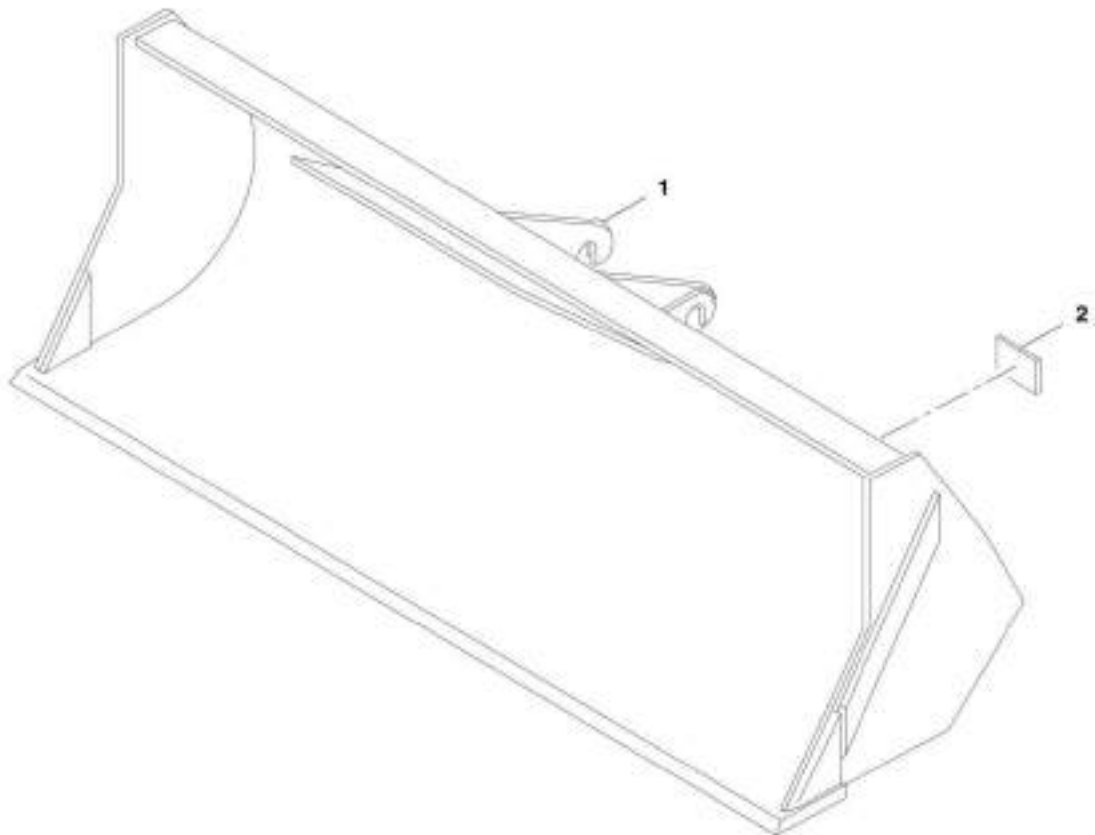
SECTION 3 - ATTACHMENTS

FIGURE 3-31. BUCKET (72 INCH)

| ITEM | PART NUMBER | QTY | DESCRIPTION | REV |
|------|-------------|-----|------------------|-----|
| 1 | 1001100822 | 1 | Bucket (72 Inch) | C |
| 2 | N.S.S. | 1 | S/N Plate | |

SECTION 3 - ATTACHMENTS

FIGURE 3-32. BUCKET (96 INCH)



ART_1981106023-C

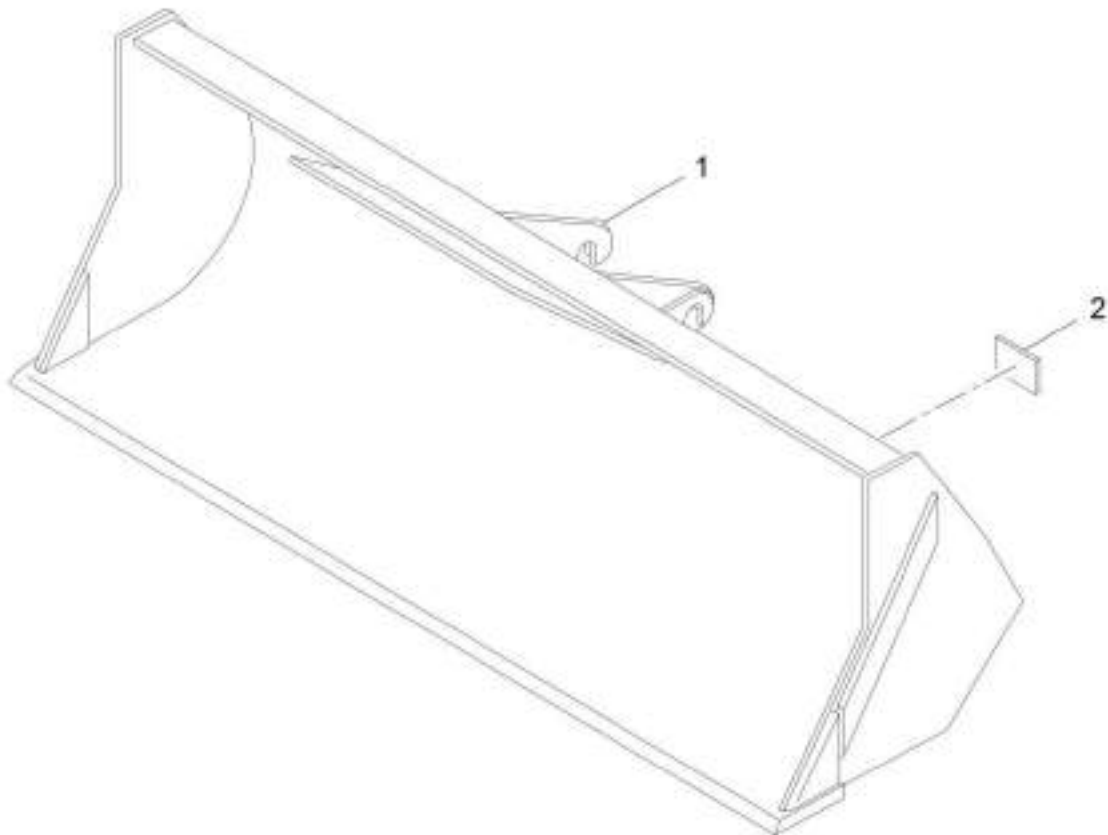
SECTION 3 - ATTACHMENTS

FIGURE 3-32. BUCKET (96 INCH)

| ITEM | PART NUMBER | QTY | DESCRIPTION | REV |
|------|-------------|-----|------------------|-----|
| 1 | 1001100823 | 1 | Bucket (96 Inch) | C |
| 2 | N.S.S. | 1 | S/N Plate | |

SECTION 3 - ATTACHMENTS

FIGURE 3-33. BUCKET (102 INCH)



ART_1001100024-C

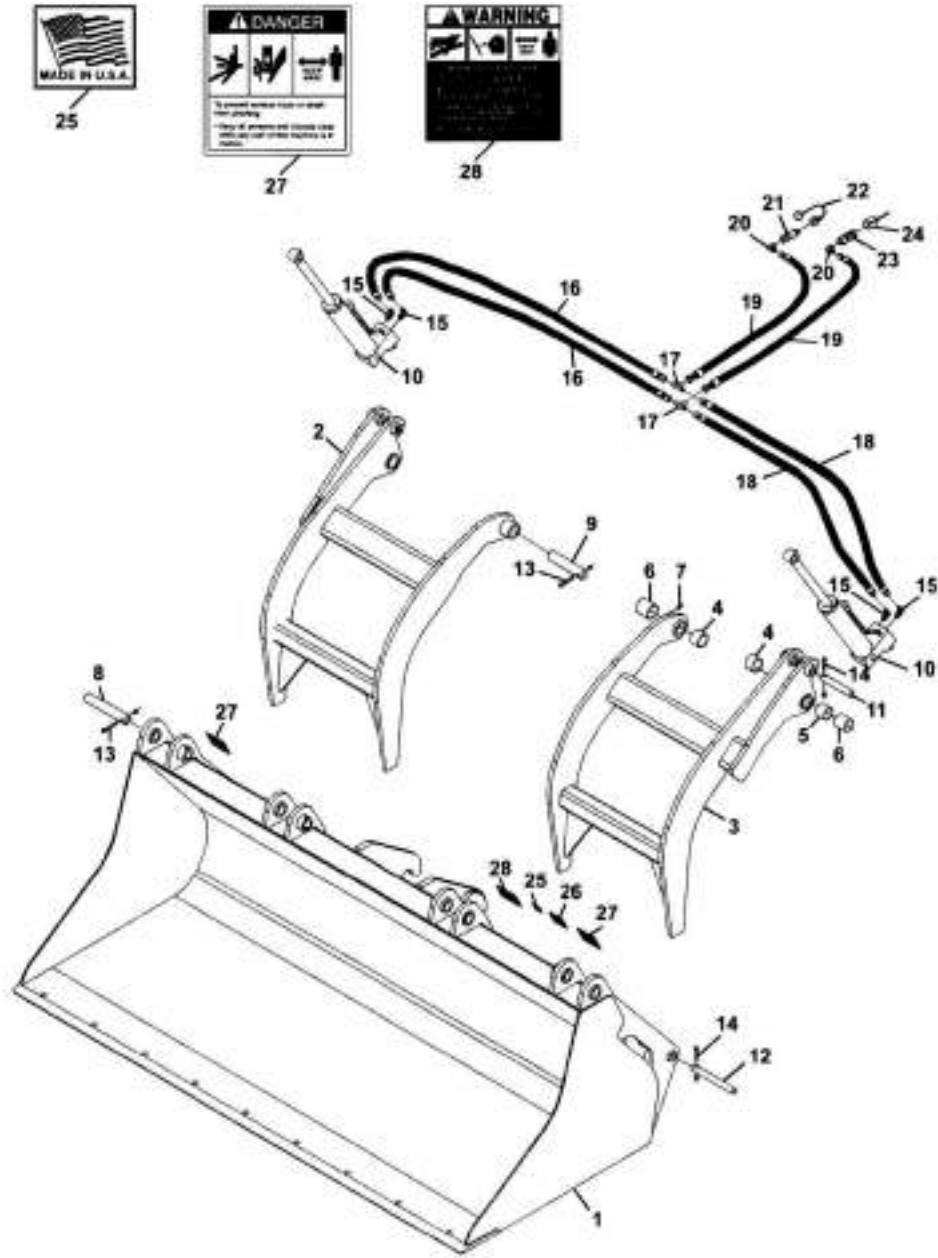
SECTION 3 - ATTACHMENTS

FIGURE 3-33. BUCKET (102 INCH)

| ITEM | PART NUMBER | QTY | DESCRIPTION | REV |
|------|-------------|-----|-------------------|-----|
| 1 | 1001100824 | 1 | Bucket (102 Inch) | C |
| 2 | N.S.S. | 1 | S/N Plate | |

SECTION 3 - ATTACHMENTS

FIGURE 3-34. GRAPPLE BUCKET



A8T_0630025-H

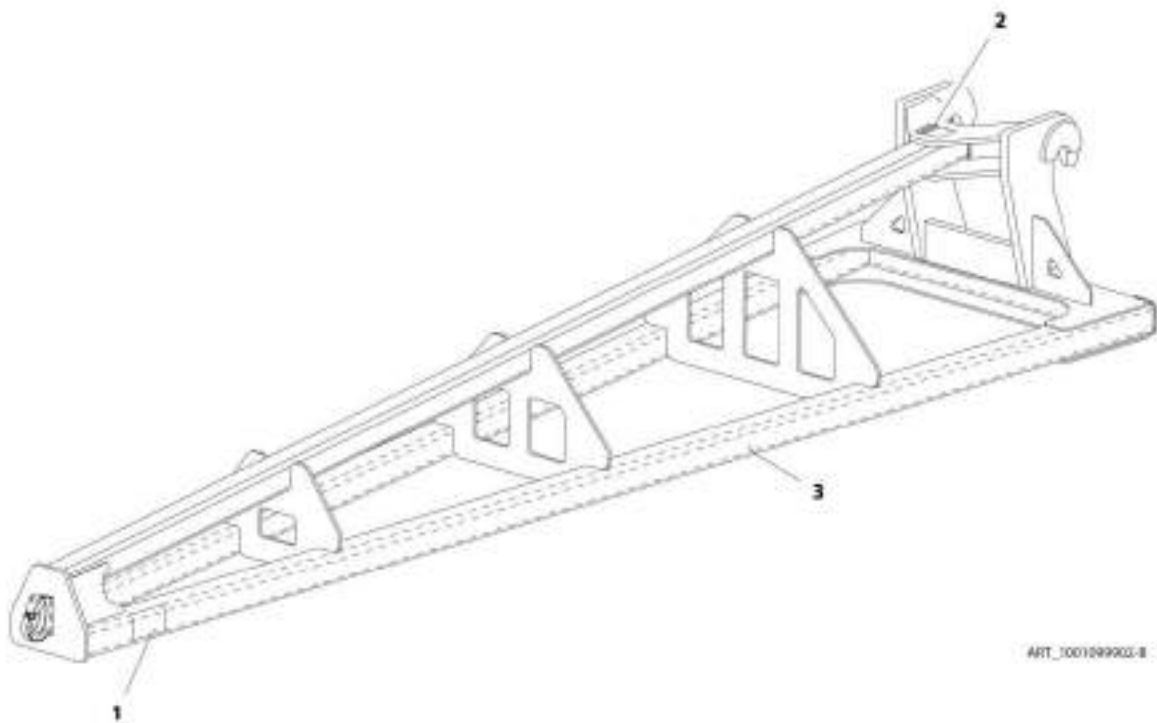
SECTION 3 - ATTACHMENTS

FIGURE 3-34. GRAPPLE BUCKET

| ITEM | PART NUMBER | QTY | DESCRIPTION | REV |
|------|-------------|-----|---|-----|
| | 0930020 | 1 | Grapple Bucket | H |
| 1 | N.S.S. | 1 | Bucket | |
| 1 | 70021387 | 4 | Clamp, Hose | |
| 2 | 70021391 | 1 | Hook, RH Grapple | |
| 3 | 70021392 | 1 | Hook, LH Grapple | |
| 4 | 70021358 | 4 | Bushing | |
| 5 | 70021359 | 2 | Spacer | |
| 6 | 70021360 | 4 | Bushing | |
| 7 | 7029714 | 4 | Fitting, Grease | |
| 8 | 70021361 | 2 | Pin, Outer Pivot | |
| 9 | 70021362 | 2 | Pin, Inner Pivot | |
| 10 | 70021393 | 2 | Cylinder, Grapple Bucket (See HYDRAULIC COMPONENTS for Breakdown) | |
| 11 | 70021364 | 2 | Pin, Cylinder (base end) | |
| 12 | 70021365 | 2 | Pin, Cylinder (rod end) | |
| 13 | 70021366 | 4 | Bolt, 3/8X2-3/4 | |
| 13 | 70021367 | 4 | Nut, Lock 3/8 | |
| 14 | 70021399 | 4 | Bolt, 3/8X2-1/4 | |
| 14 | 70021367 | 4 | Nut, Lock 3/8 | |
| 15 | 90554065 | 4 | Elbow, 90 | |
| 16 | 70021980 | 2 | Hose | |
| 17 | 70020562 | 2 | Fitting, Tee | |
| 18 | 70021981 | 2 | Hose | |
| 19 | 70021982 | 2 | Hose | |
| 20 | 70022527 | 2 | Elbow, 90 | |
| 21 | 7029692 | 1 | Quick Coupler, Male | |
| 22 | 90554062 | 1 | Cover, Dust | |
| 23 | 70021342 | 1 | Quick Coupler, Female | |
| 24 | 90554076 | 1 | Cover, Dust | |
| 25 | 90554016 | 1 | Decal, Made in USA | |
| 26 | N.S.S. | 1 | S/N Plate | |
| 27 | 90554017 | 2 | Decal, Danger Pinch Point | |
| 28 | 90554018 | 1 | Decal, Warning High Pressure | |

SECTION 3 - ATTACHMENTS

FIGURE 3-35. TRUSS BOOM (12 FOOT)



ART_100109903-B

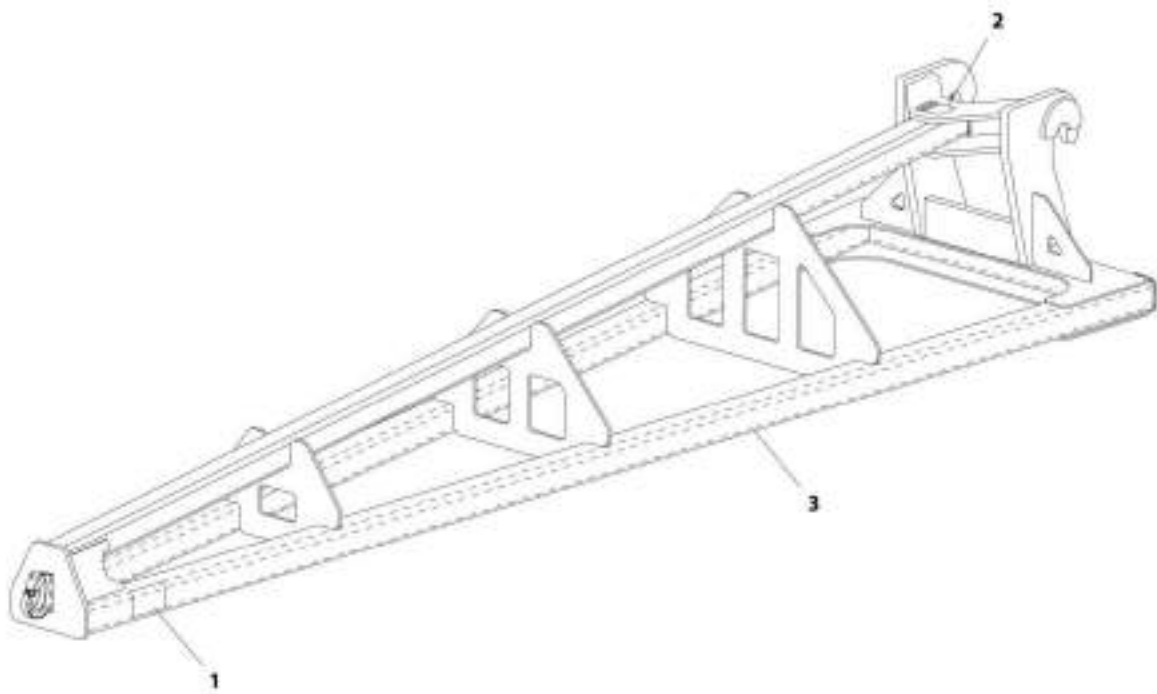
SECTION 3 - ATTACHMENTS

FIGURE 3-35. TRUSS BOOM (12 FOOT)

| ITEM | PART NUMBER | QTY | DESCRIPTION | REV |
|------|-------------|-----|------------------------------|-----|
| | 1001099902 | 1 | Truss Boom (12 Foot) | B |
| 1 | 4110422 | 2 | Decal, Danger Swinging Loads | |
| 2 | N.S.S. | 1 | S/N Plate | |
| 3 | N.S.S. | 1 | Boom, Truss | |

SECTION 3 - ATTACHMENTS

FIGURE 3-36. TRUSS BOOM (15 FOOT)



ART. 10109901-C

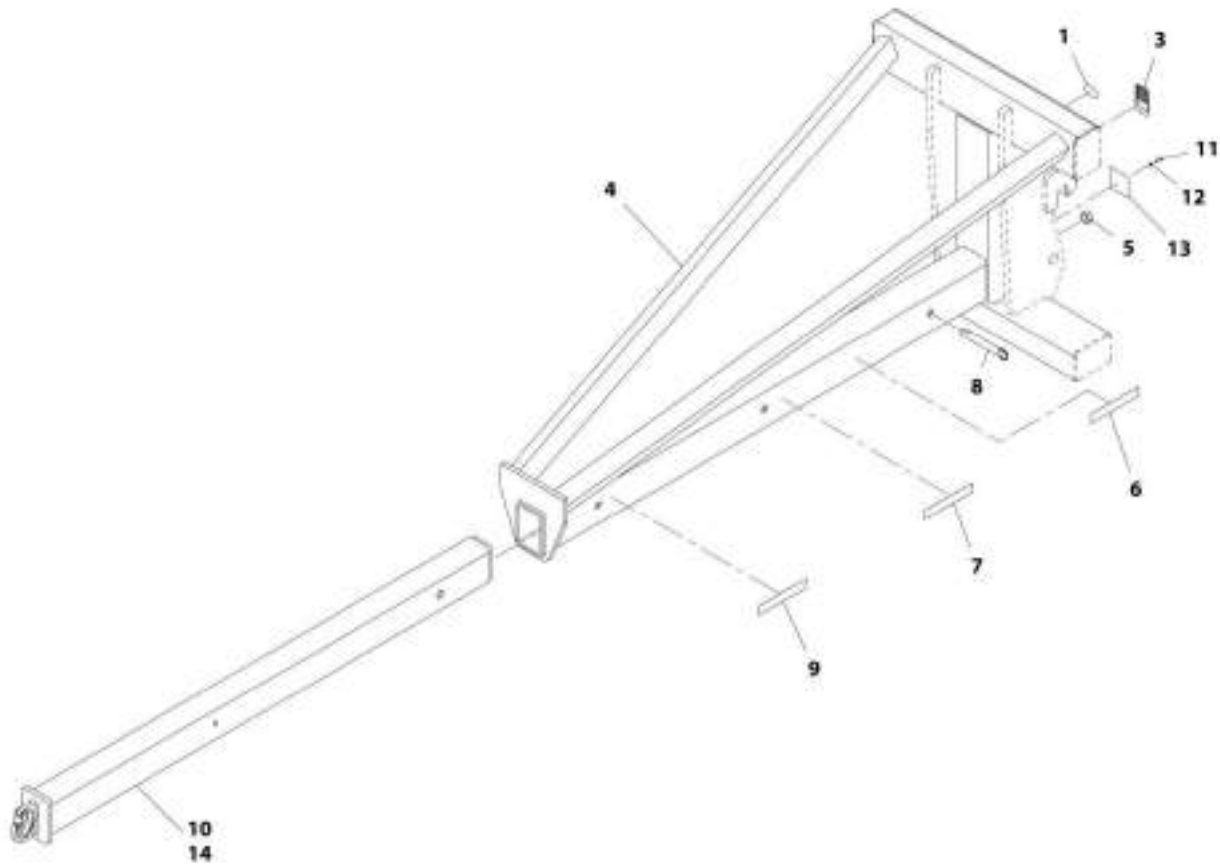
SECTION 3 - ATTACHMENTS

FIGURE 3-36. TRUSS BOOM (15 FOOT)

| ITEM | PART NUMBER | QTY | DESCRIPTION | REV |
|------|-------------|-----|------------------------------|-----|
| | 1001099901 | 1 | Truss Boom (15 Foot) | C |
| 1 | 4110422 | 2 | Decal, Danger Swinging Loads | |
| 2 | N.S.S. | 1 | S/N Plate | |
| 3 | N.S.S. | 1 | Boom, Truss | |

SECTION 3 - ATTACHMENTS

FIGURE 3-37. ADJUSTABLE TRUSS BOOM



ATT_1001176515-B

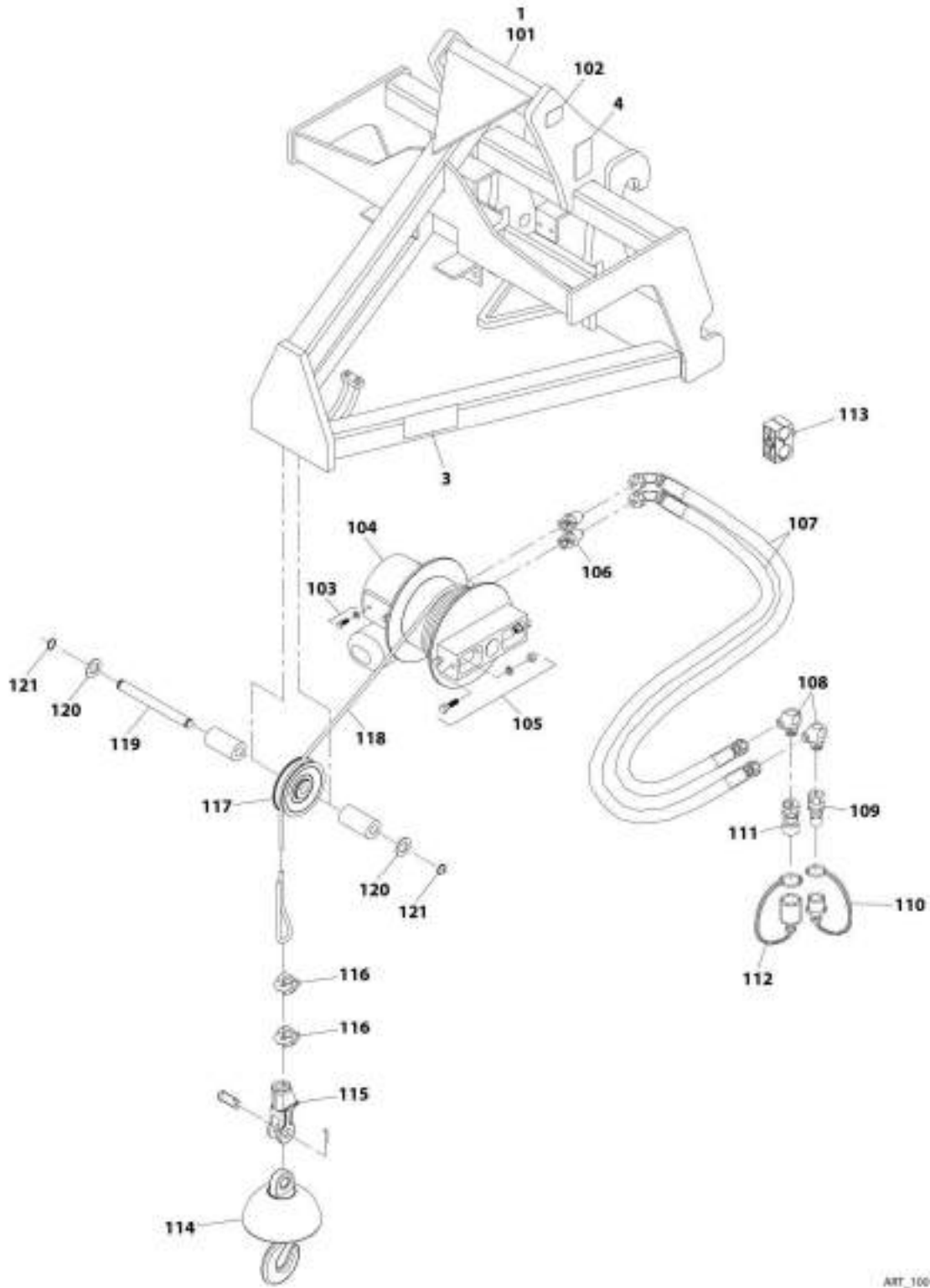
SECTION 3 - ATTACHMENTS

FIGURE 3-37. ADJUSTABLE TRUSS BOOM

| ITEM | PART NUMBER | QTY | DESCRIPTION | REV |
|------|-------------|-----|--------------------------|-----|
| | 1001176515 | 1 | Adjustable Truss Boom | B |
| 1 | 90554016 | 1 | Decal, Made in USA | |
| 3 | N.S.S. | 1 | S/N Plate | |
| 4 | N.S.S. | 1 | Truss Boom, Adjustable | |
| 5 | 70021440 | 1 | Nut, Lock | |
| 6 | 70024062 | 2 | Decal, 4000 lbs cap | |
| 7 | 70026944 | 2 | Decal, 3000 lbs cap | |
| 8 | 70026946 | 1 | Pin | |
| 9 | 70026699 | 2 | Decal, 2000 lbs cap | |
| 10 | 70026747 | 1 | Stop Rod, Boom Extension | |
| 11 | 90554033 | 1 | Bolt, 3/4X1/4 | |
| 12 | 90554034 | 1 | Washer, Lock 1/4 | |
| 13 | 70026948 | 1 | Plate, Stop | |
| 14 | 70026949 | 1 | Boom, Telescopic | |

SECTION 3 - ATTACHMENTS

FIGURE 3-38. TRUSS BOOM ASSEMBLY (3 FOOT WITH WINCH)



ART_300100967-C

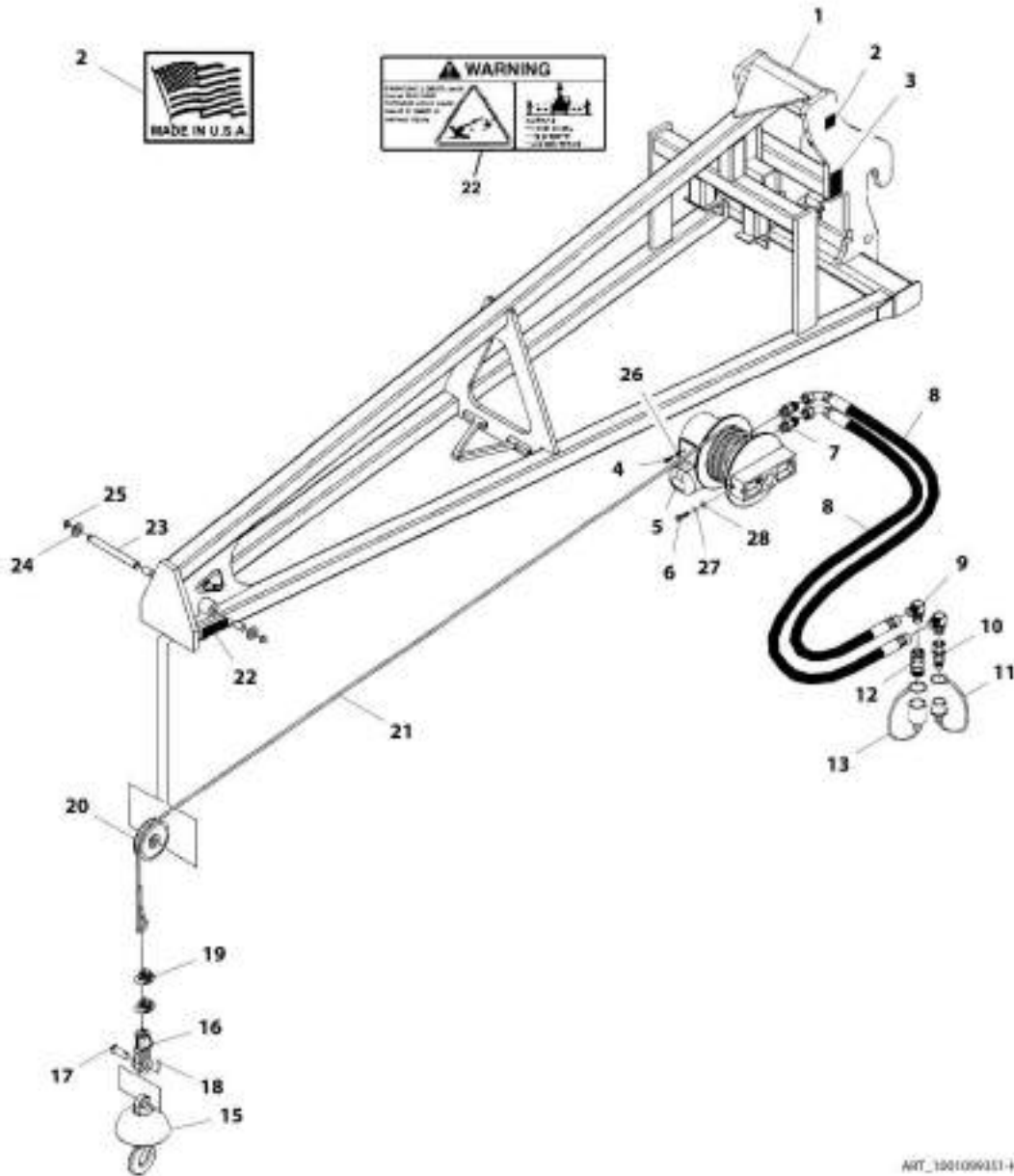
SECTION 3 - ATTACHMENTS

FIGURE 3-38. TRUSS BOOM ASSEMBLY (3 FOOT WITH WINCH)

| ITEM | PART NUMBER | QTY | DESCRIPTION | REV |
|------|-------------|-----|--|-----|
| | 1001100967 | Ref | Truss Boom Assembly (3 Foot with Winch) (includes items 1, 3, 4 & 101 thru 121) | C |
| 1 | 8380008 | NLA | Truss Boom (3 Foot with Winch) (no longer available, use 1001100967 for replacement) | |
| 3 | 4110422 | 2 | Decal, Danger Swinging Loads | |
| 4 | N.S.S. | 1 | S/N Plate | |
| 101 | N.S.S. | 1 | Truss Boom Frame | |
| 102 | 90554016 | 1 | Decal | |
| 103 | 70021349 | 4 | Bolt | |
| 103 | 90554042 | 4 | Washer | |
| 104 | 70021921 | 1 | Winch, Truss Boom | |
| 105 | 70024059 | 4 | Bolt | |
| 105 | 90554054 | 4 | Nut | |
| 105 | 90554020 | 4 | Washer | |
| 106 | 70021415 | 2 | Fitting | |
| 107 | 70021977 | 2 | Hose | |
| 108 | 70022527 | 2 | Fitting, 90 | |
| 109 | 91403414 | 1 | Hydraulic Coupler, Male | |
| 110 | 8420053 | 1 | Cap Dust, Male | |
| 111 | 91403413 | 1 | Hydraulic Coupler, Female | |
| 112 | 8420055 | 1 | Plug Dust, Female | |
| 113 | 70021387 | 1 | Clamp | |
| 114 | 70021978 | 1 | Ball Swivel Safety Hook | |
| 115 | 70021979 | 1 | Assembly, Socket | |
| 116 | 70022528 | 2 | Clamp | |
| 117 | 70021935 | 1 | Pulley | |
| 118 | 70022028 | 1 | Cable | |
| 119 | 70022529 | 1 | Pin | |
| 120 | 70027009 | 2 | Washer | |
| 121 | 70026698 | 2 | Ring, Snap | |

SECTION 3 - ATTACHMENTS

FIGURE 3-39. TRUSS BOOM (12 FOOT WITH WINCH)



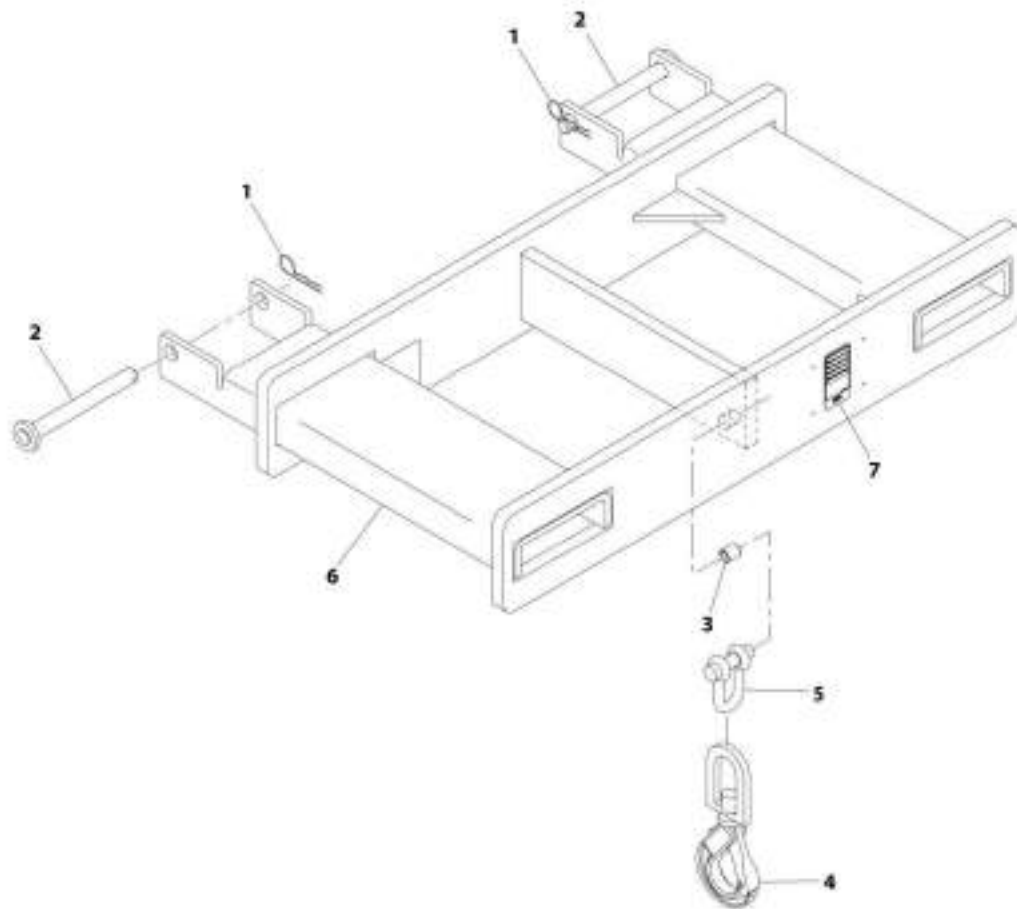
SECTION 3 - ATTACHMENTS

FIGURE 3-39. TRUSS BOOM (12 FOOT WITH WINCH)

| ITEM | PART NUMBER | QTY | DESCRIPTION | REV |
|------|-------------|-----|--|-----|
| | 1001099351 | 1 | Truss Boom (12 Foot with Winch) | H |
| 1 | N.S.S. | 1 | Frame, Truss Boom | |
| 2 | 90554016 | 1 | Decal, Made in USA | |
| 3 | N.S.S. | 1 | S/N Plate | |
| 4 | 70021349 | 4 | Bolt, 3/8X1 | |
| 5 | 70021921 | 1 | Motor, Truss Boom Winch | |
| 6 | 70024059 | 2 | Bolt, 1/2X1-3/4 | |
| 7 | 70021415 | 2 | Connector | |
| 8 | 70021977 | 2 | Hose | |
| 9 | 70022527 | 2 | Elbow, 90 | |
| 10 | 7029692 | 1 | Quick Coupler, Male | |
| 11 | 90554062 | 1 | Cap, Dust | |
| 12 | 70021342 | 1 | Quick Coupler, Female | |
| 13 | 90554076 | 1 | Cover, Dust | |
| 15 | 70021978 | 1 | Ball Swivel with Safety Hook | |
| 16 | 70021979 | 1 | Assembly, Socket (includes items 17 thru 18) | |
| 17 | N.S.S. | 1 | Pin | |
| 18 | N.S.S. | 1 | Pin, Cotter | |
| 19 | 70022528 | 2 | Clamp | |
| 20 | 70021935 | 1 | Pulley | |
| 21 | 70022028 | 1 | Cable | |
| 22 | 4110422 | 2 | Decal, Warning Swinging Loads | |
| 23 | 70022529 | 1 | Pin | |
| 24 | 70024060 | 2 | Washer | |
| 25 | 70024061 | 2 | Ring, Snap | |
| 26 | 90554042 | 4 | Washer, Lock 3/8 | |
| 27 | 90554020 | 2 | Washer, Lock 1/2 | |
| 28 | 90554054 | 2 | Nut, 1/2 | |

SECTION 3 - ATTACHMENTS

FIGURE 3-40. FORK MOUNTED HOOK



AJIT_1001997200-H

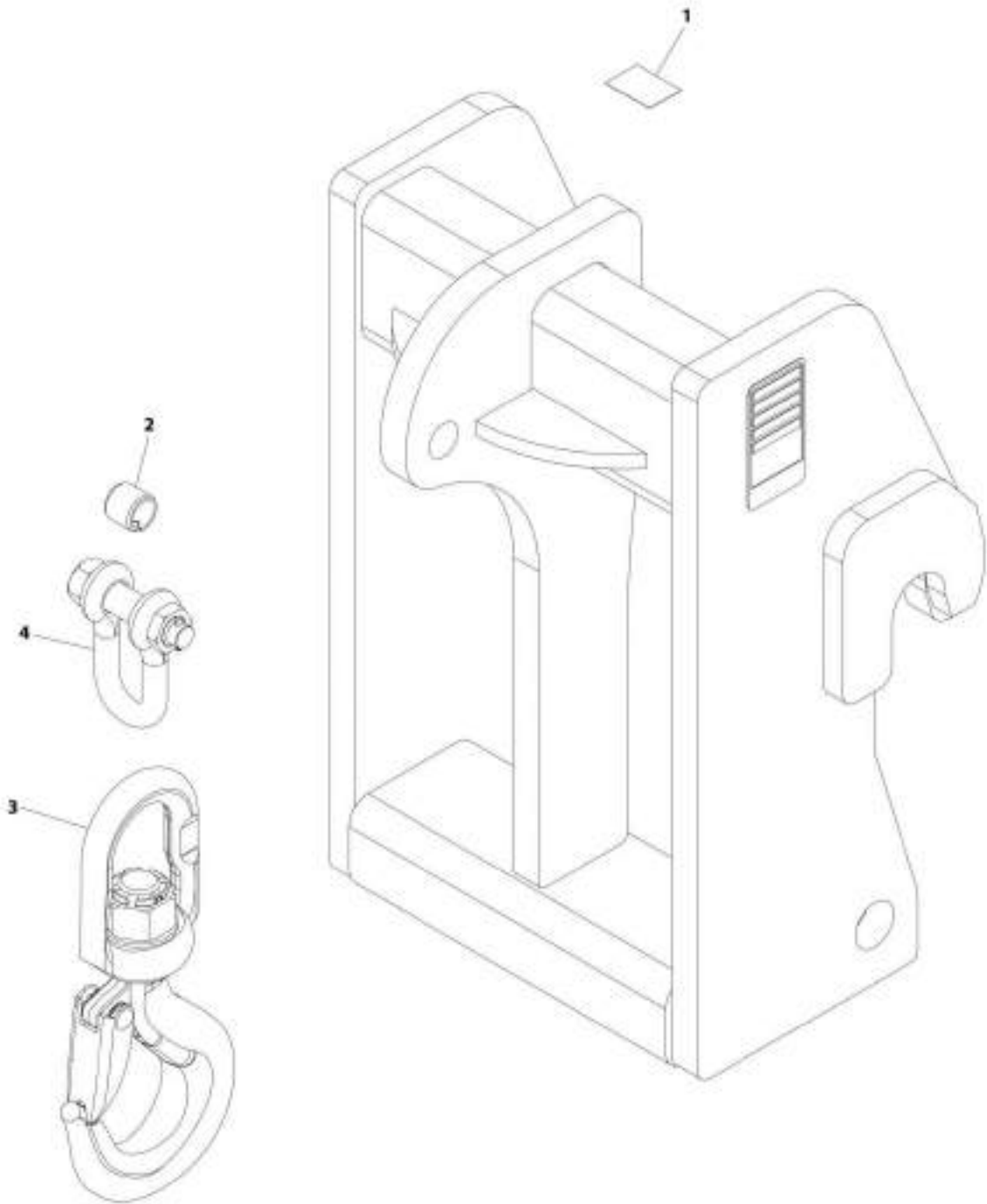
SECTION 3 - ATTACHMENTS

FIGURE 3-40. FORK MOUNTED HOOK

| ITEM | PART NUMBER | QTY | DESCRIPTION | REV |
|------|-------------|-----|-------------------|-----|
| | 1001097205 | 1 | Fork Mounted Hook | H |
| 1 | 7029520 | 2 | Pin, Cotter | |
| 2 | 1001093171 | 2 | Pin | |
| 3 | 70020555 | 1 | Bushing | |
| 4 | 90554080 | 1 | Hook | |
| 5 | 7029521 | 1 | Shackle | |
| 6 | N.S.S. | 1 | Weldment, Hook | |
| 7 | N.S.S. | 1 | S/N Plate | |

SECTION 3 - ATTACHMENTS

FIGURE 3-41. COUPLER MOUNTED HOOK



ART_1001207606-8

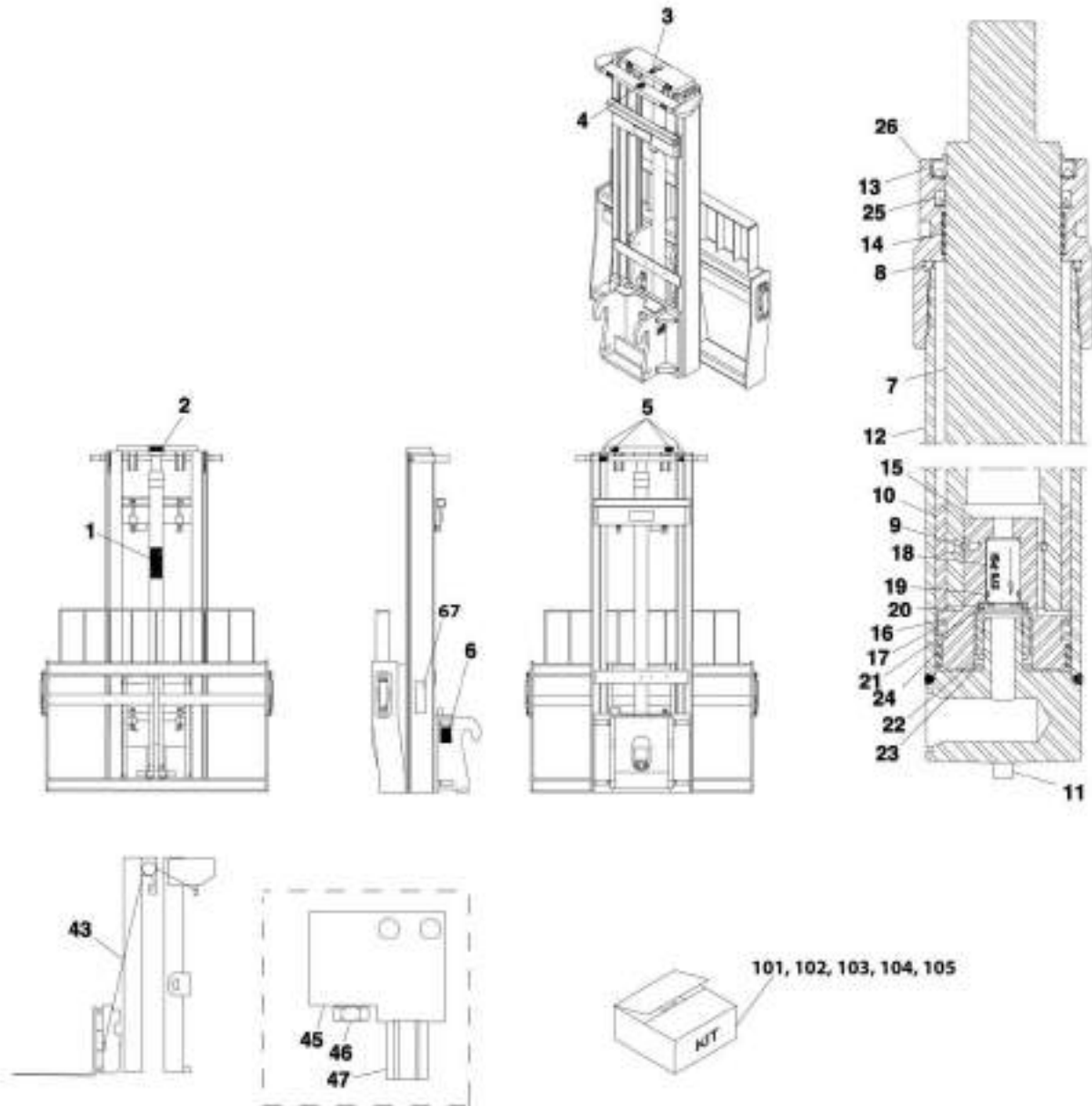
SECTION 3 - ATTACHMENTS

FIGURE 3-41. COUPLER MOUNTED HOOK

| ITEM | PART NUMBER | QTY | DESCRIPTION | REV |
|------|-------------|-----|----------------------|-----|
| | 1001207606 | Ref | Coupler Mounted Hook | B |
| 1 | 90554016 | 1 | Decal | |
| 2 | 70020555 | 1 | Bushing | |
| 3 | 70026745 | 1 | Hook Swivel | |
| 4 | 70026746 | 1 | Shackle Chain | |

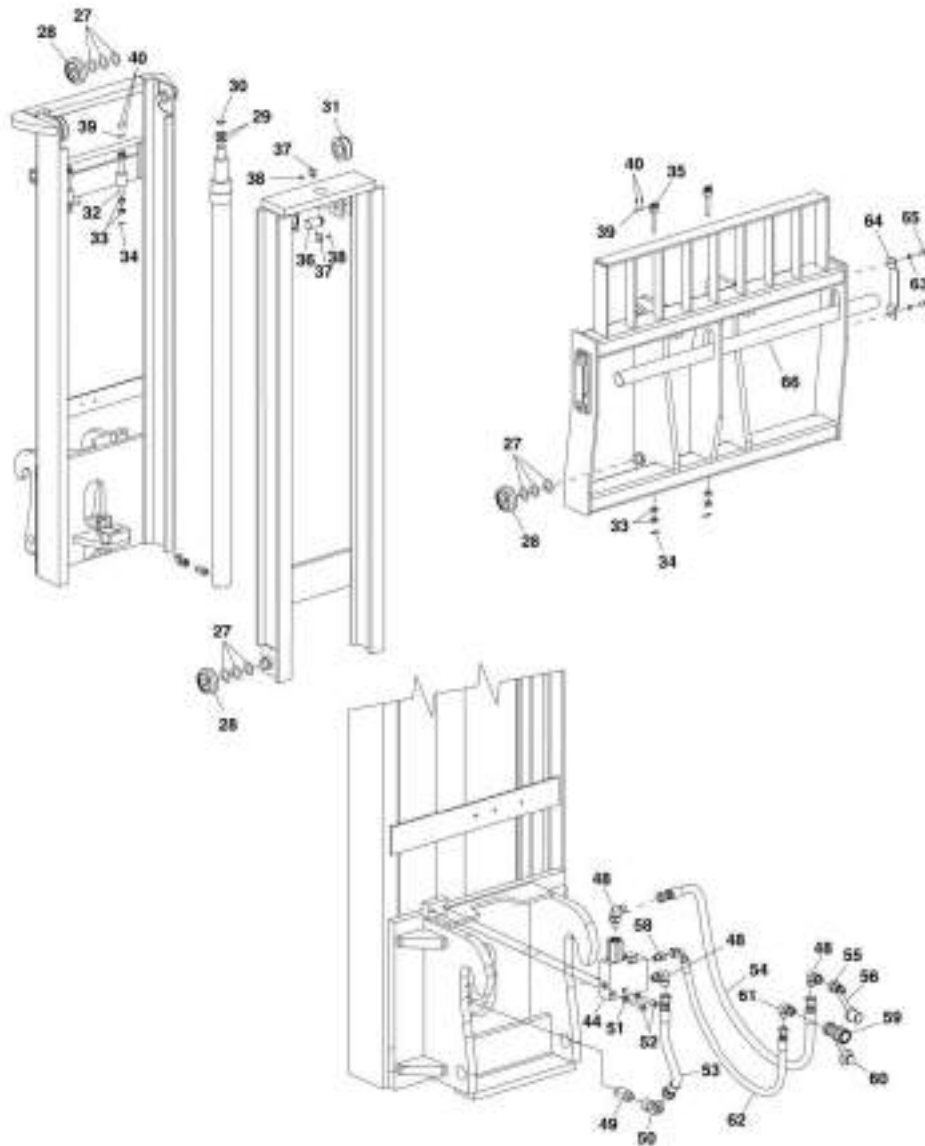
SECTION 3 - ATTACHMENTS

FIGURE 3-42. MAST (8 FOOT)



ART_100110866E_1-C

SECTION 3 - ATTACHMENTS



ART_1001108668_2-C

SECTION 3 - ATTACHMENTS

FIGURE 3-42. MAST (8 FOOT)

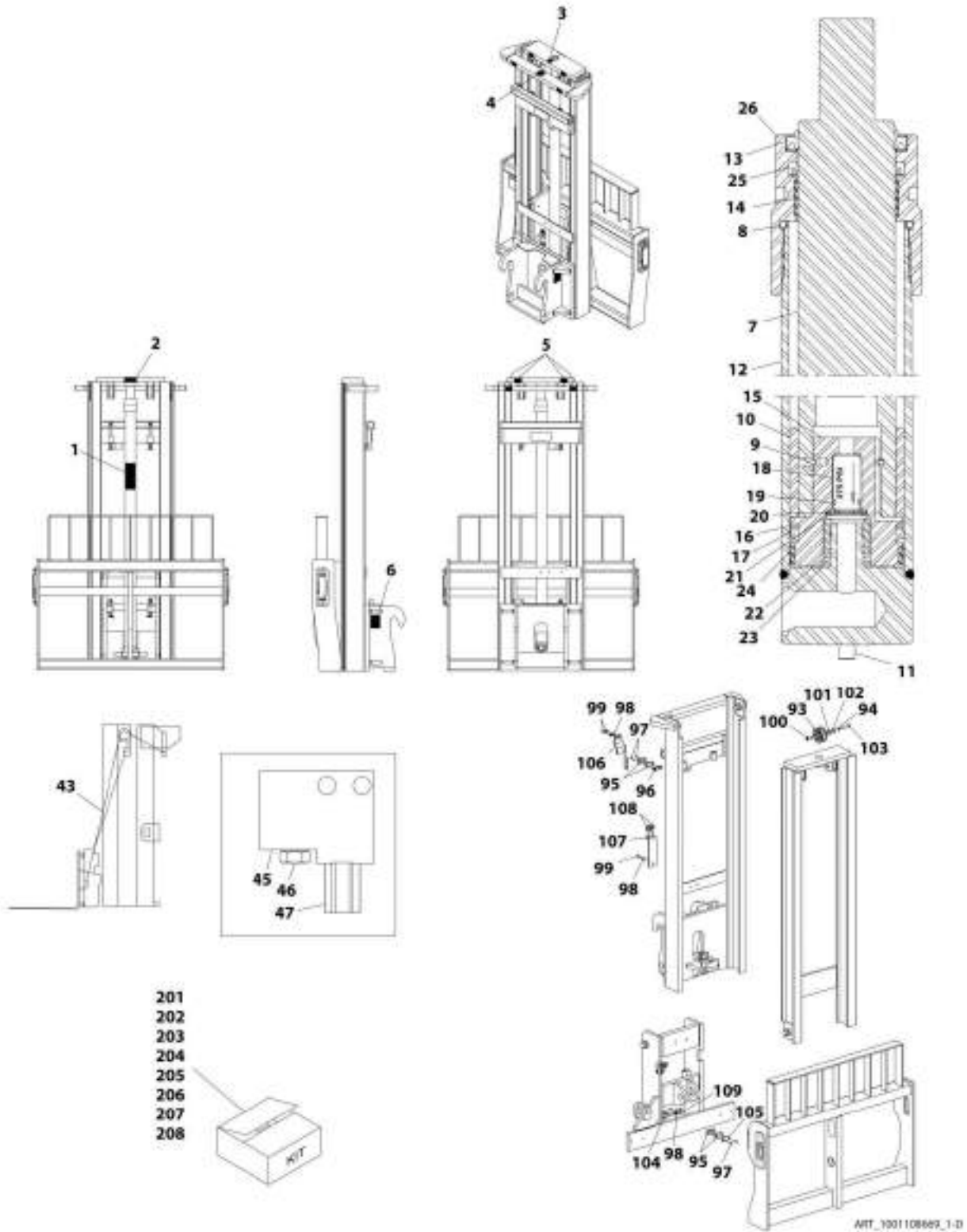
| ITEM | PART NUMBER | QTY | DESCRIPTION | REV |
|------|-------------|-----|---|-----|
| | 1001108668 | 1 | Mast (8 Foot) | C |
| 1 | Kit | 1 | Decal, Warning | |
| 2 | Kit | 1 | Decal, Warning | |
| 3 | Kit | 1 | Decal, No Step | |
| 4 | Kit | 1 | Decal, No Step | |
| 5 | Kit | 4 | Decal, Hands Off | |
| 6 | Kit | 1 | Decal, Hose Routing | |
| | 70023008 | 1 | Cylinder, Main Lift (includes items 7 thru 26) | |
| 7 | N.S.S. | 1 | Rod/Plunger | |
| 8 | Kit | 1 | O-Ring | |
| 9 | Kit | 1 | Wire, Pull | |
| 10 | N.S.S. | 1 | Spacer | |
| 11 | N.S.S. | 2 | Pin, Roll | |
| 12 | N.S.S. | 1 | Barrel | |
| 13 | Kit | 1 | Wiper | |
| 14 | Kit | 1 | Bushing | |
| 15 | N.S.S. | 1 | Barrel | |
| 16 | Kit | 1 | Ring, Nylon | |
| 17 | Kit | 1 | Seal, Piston | |
| 18 | Kit | 1 | Valve, Check | |
| 19 | Kit | 1 | O-Ring | |
| 20 | Kit | 1 | Washer | |
| 21 | Kit | 1 | Circlip | |
| 22 | N.S.S. | 1 | Sleeve | |
| 23 | Kit | 1 | Ring, Retaining | |
| 24 | Kit | 1 | Ring, Wear | |
| 25 | Kit | 1 | Seal, Rod | |
| 26 | 70023004 | 1 | Retainer/Gland | |
| 27 | 70023014 | 24 | Shim | |
| 28 | 70022987 | 8 | Bearing, Ball | |
| 29 | Kit | 2 | Washer, Shim | |
| 30 | 70023016 | 1 | Ring, Snap | |
| 31 | 70022969 | 2 | Assembly, Sheave | |
| 32 | 70022960 | 2 | Anchor, Chain | |
| 33 | 70022957 | 8 | Nut, 5/8-18 | |
| 34 | 70022993 | 4 | Pin, Cotter | |
| 35 | 70022995 | 2 | Anchor, Chain | |
| 36 | 70022984 | 1 | Shaft, Sheave | |
| 37 | 70022970 | 2 | Bar, Retainer | |
| 38 | 70023003 | 2 | Capscrew | |
| 39 | 70022994 | 4 | Pin, Chain Anchor | |
| 40 | 70022992 | 8 | Pin, Cotter | |
| 41 | 70022985 | 1 | Shaft, Sheave | |
| 43 | 70023009 | 2 | Chain, Lift | |
| 44 | 70022932 | 1 | Assembly, PO Check Valve (includes items 45, 46 & 47) | |
| 45 | N.S.S. | 1 | Manifold | |
| 46 | 70022931 | 1 | Cartridge, PO Check Valve | |
| 47 | 70023010 | 1 | Check, PO | |
| 48 | 70022934 | 3 | Fitting, 90 | |
| 49 | 70022936 | 1 | Limitter, Flow | |

SECTION 3 - ATTACHMENTS

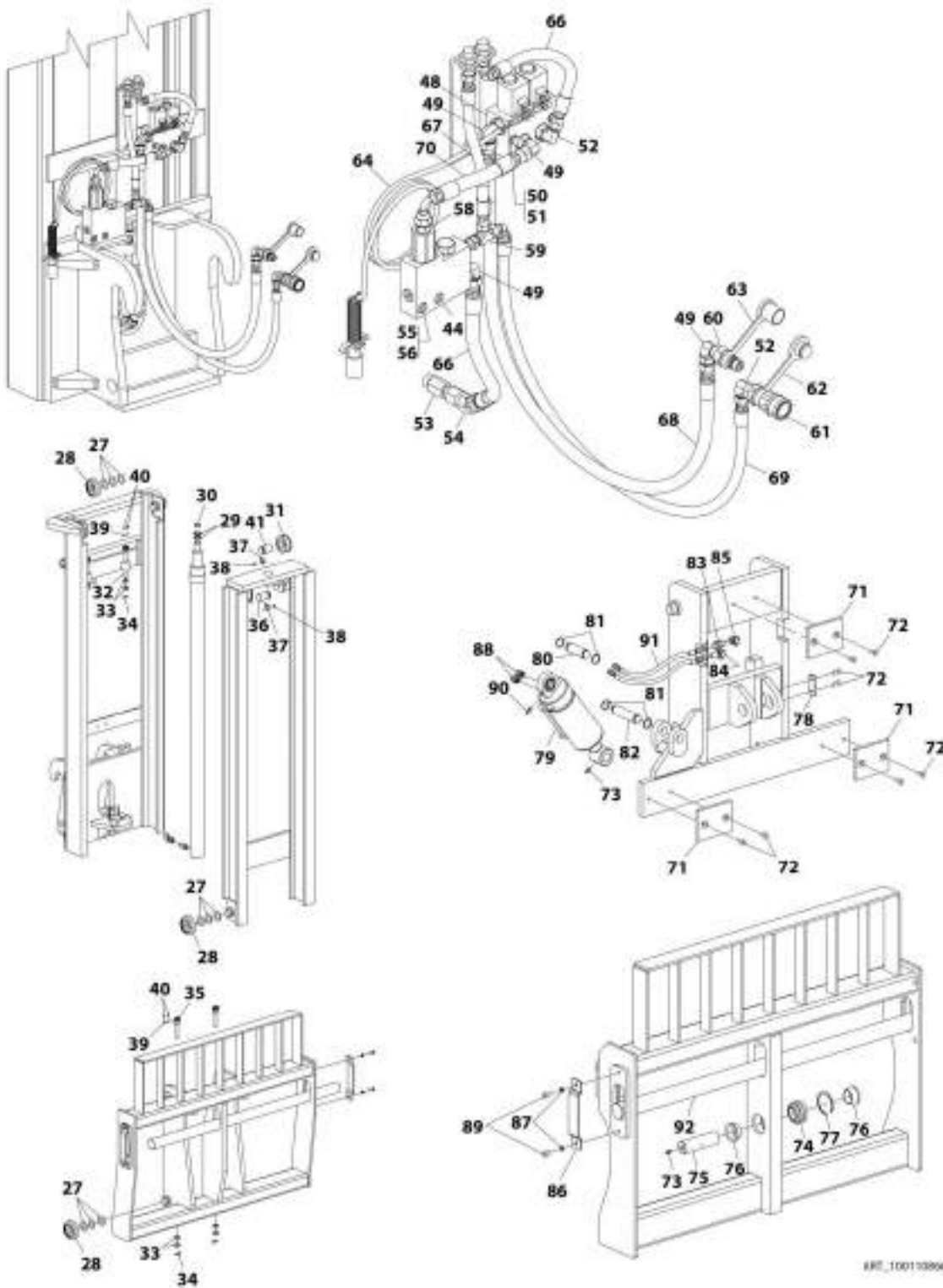
| ITEM | PART NUMBER | QTY | DESCRIPTION | REV |
|------|-------------|-----|---|-----|
| 50 | 70022937 | 1 | Fitting, 45 | |
| 51 | 70022949 | 2 | Washer, Lock M10 | |
| 52 | 70022950 | 2 | Bolt | |
| 53 | 70022942 | 1 | Hose | |
| 54 | 70022952 | 1 | Hose | |
| 55 | 91403414 | 1 | Adapter, Male Quick Disconnect | |
| 56 | 91043126 | 1 | Cap, Dust | |
| 58 | 70022939 | 1 | Fitting, Straight | |
| 59 | 91403413 | 1 | Adapter, Female Quick Disconnect | |
| 60 | 91043125 | 1 | Plug, Dust | |
| 61 | 70022935 | 1 | Elbow, Straight Thread | |
| 62 | 70022946 | 1 | Hose | |
| 63 | 70022949 | 4 | Washer, Lock M10 | |
| 64 | 70022980 | 2 | Keeper, Fork Pin | |
| 65 | 70022998 | 4 | Screw, M10X20 | |
| 66 | 70022990 | 1 | Pin, Fork | |
| 67 | N.S.S. | 1 | S/N Plate | |
| 101 | 70023925 | 1 | Kit, Decal (includes items 1 thru 6) | |
| 102 | 70023005 | 1 | Seal Kit, Main Lift Cylinder (includes items 8, 9, 13, 14, 16, 17, 19, 21 & 23 thru 25) | |
| 103 | 70023006 | 1 | Kit, Check Valve (includes items 18 thru 21 & 23) | |
| 104 | 70023007 | 1 | Kit, Shim | |
| 105 | 70023015 | 1 | Kit, Mast Common Parts (includes items 27 thru 41) | |

SECTION 3 - ATTACHMENTS

FIGURE 3-43. SIDE TILT ELECTRIC MAST (8 FOOT) (Prior to SN 0160075205, Excluding 0160074738, 0160074745 and 0160074938)



SECTION 3 - ATTACHMENTS



REF_100108666_2-D

SECTION 3 - ATTACHMENTS

FIGURE 3-43. SIDE TILT ELECTRIC MAST (8 FOOT) (Prior to SN 0160075205, Excluding 0160074738, 0160074745 and 0160074938)

| ITEM | PART NUMBER | QTY | DESCRIPTION | REV |
|------|-------------|-----|---|-----|
| | 1001108669 | 1 | Side Tilt Electric Mast (8 Foot) | D |
| 1 | Kit | 1 | Decal, Warning | |
| 2 | Kit | 1 | Decal, Warning | |
| 3 | Kit | 1 | Decal, No Step | |
| 4 | Kit | 1 | Decal, No Step | |
| 5 | Kit | 4 | Decal, Hands Off | |
| 6 | 1001111190 | 2 | Decal, Hose Routing | |
| | 70023008 | 1 | Cylinder, Main Lift | |
| 7 | N.S.S. | 1 | Rod/Plunger | |
| 8 | Kit | 1 | O-Ring | |
| 9 | Kit | 1 | Wire, Pull | |
| 10 | N.S.S. | 1 | Spacer | |
| 11 | N.S.S. | 2 | Pin, Roll | |
| 12 | N.S.S. | 1 | Barrel | |
| 13 | Kit | 1 | Wiper | |
| 14 | Kit | 1 | Bushing | |
| 15 | N.S.S. | 1 | Piston | |
| 16 | Kit | 1 | Ring, Nylon | |
| 17 | Kit | 1 | Seal, Piston | |
| 18 | Kit | 1 | Valve, Check | |
| 19 | Kit | 1 | O-Ring | |
| 20 | Kit | 1 | Washer | |
| 21 | Kit | 1 | Circlip | |
| 22 | N.S.S. | 1 | Sleeve | |
| 23 | Kit | 1 | Ring, Retaining | |
| 24 | Kit | 1 | Ring, Wear | |
| 25 | Kit | 1 | Seal, Rod | |
| 26 | 70023004 | 1 | Retainer/Gland | |
| 27 | 70023014 | 24 | Shim | |
| 28 | 70022987 | 8 | Bearing, Ball | |
| 29 | Kit | 2 | Shim, Washer | |
| 30 | 70023016 | 1 | Ring, Snap | |
| 31 | 70022969 | 2 | Assembly, Sheave | |
| 32 | 70022960 | 2 | Anchor, Chain | |
| 33 | 70022957 | 8 | Nut, 5/8-18 | |
| 34 | 70022993 | 4 | Pin, Cotter | |
| 35 | 70022995 | 2 | Anchor, Chain | |
| 36 | 70022984 | 1 | Shaft, Sheave | |
| 37 | 70022970 | 2 | Bar, Retainer | |
| 38 | 70023003 | 2 | Capscrew | |
| 39 | 70022994 | 4 | Pin, Chain Anchor | |
| 40 | 70022992 | 8 | Pin, Cotter | |
| 41 | 70022985 | 1 | Shaft, Sheave | |
| 43 | 70023009 | 2 | Chain, Lift | |
| 44 | 70022932 | 1 | Assembly, PO Check Valve (includes items 45, 46 & 47) | |
| 45 | N.S.S. | 1 | Manifold | |
| 46 | 70022931 | 1 | Cartridge, PO Check Valve | |
| 47 | 70023010 | 1 | Check, PO | |
| 48 | 70022933 | 1 | Solenoid, Valve Bank | |

SECTION 3 - ATTACHMENTS

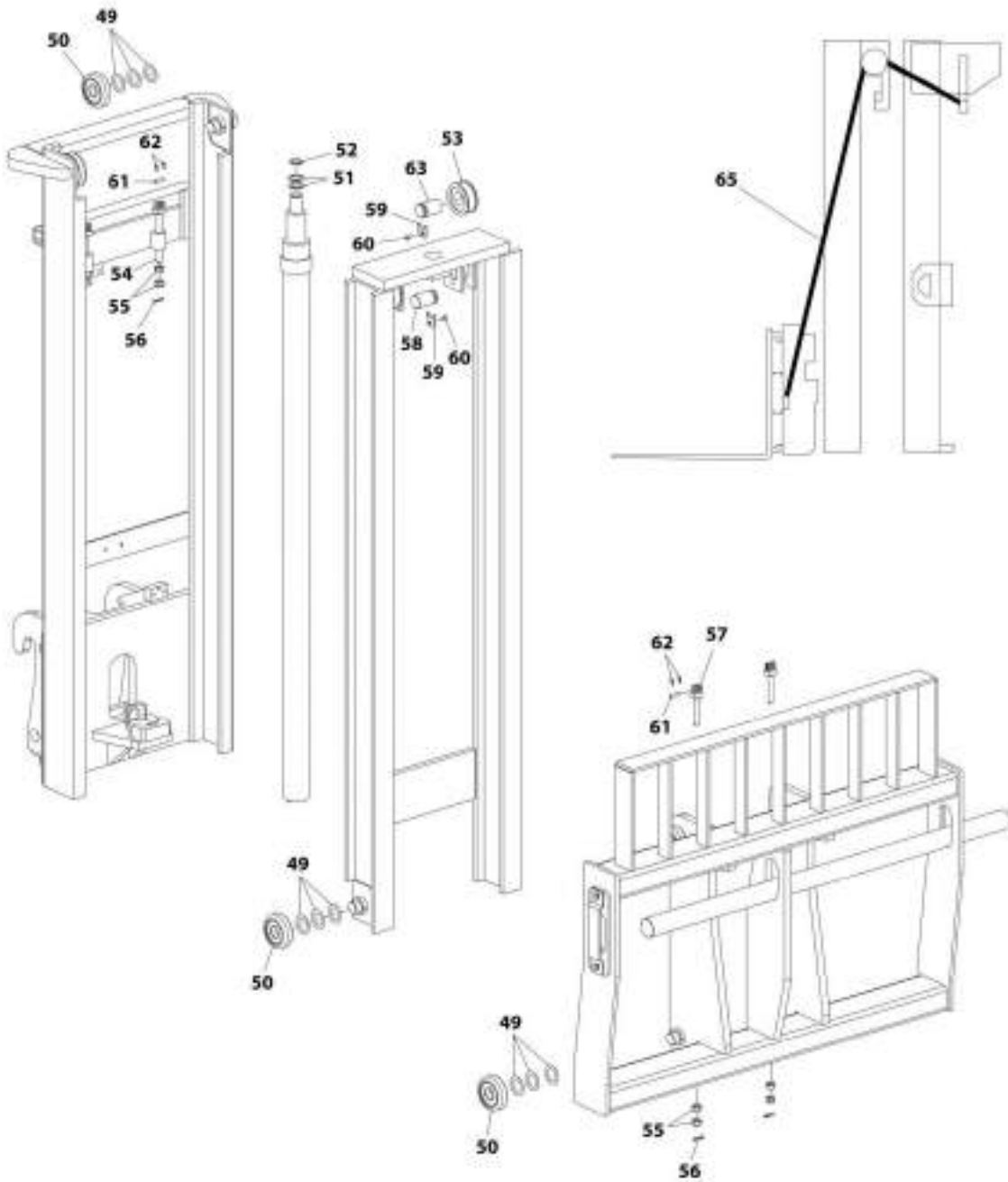
| ITEM | PART NUMBER | QTY | DESCRIPTION | REV |
|------|-------------|-----|----------------------------------|-----|
| 49 | 70022934 | 4 | Fitting, 90 | |
| 50 | 70022948 | 2 | Washer, Lock M8 | |
| 51 | 70022951 | 2 | Capscrew | |
| 52 | 70022935 | 2 | Elbow, Straight Thread | |
| 53 | 70022936 | 1 | Limiter, Flow | |
| 54 | 70022937 | 1 | Fitting, 45 | |
| 55 | 70022949 | 2 | Washer, Lock M10 | |
| 56 | 70022950 | 2 | Capscrew | |
| 57 | 70022938 | 1 | Fitting, Straight | |
| 58 | 70022939 | 1 | Fitting, Straight | |
| 59 | 70022940 | 1 | Fitting, Tee | |
| 60 | 91403414 | 1 | Adapter, Male Quick Disconnect | |
| 61 | 91403413 | 1 | Adapter, Female Quick Disconnect | |
| 62 | 91043125 | 1 | Plug, Dust | |
| 63 | 91043126 | 1 | Cap, Dust | |
| 64 | 70022941 | 1 | Harness | |
| 65 | 70022942 | 1 | Hose, (not shown) | |
| 66 | 70022943 | 1 | Hose | |
| 67 | 70022944 | 1 | Hose | |
| 68 | 70022945 | 1 | Hose | |
| 69 | 70022946 | 1 | Hose | |
| 70 | 70022947 | 1 | Hose | |
| 71 | 70022972 | 3 | Pad, Wear | |
| 72 | 70022971 | 8 | Capscrew | |
| 73 | 70023001 | 2 | Fitting, Grease | |
| 74 | 70022975 | 1 | Bearing | |
| 75 | 70022973 | 1 | Shaft, Pivot | |
| 76 | 70022974 | 2 | Spacer, Beveled | |
| 77 | 70022988 | 1 | Ring, Retaining | |
| 78 | 70022976 | 1 | Plate, Retainer | |
| 79 | 2716143 | 1 | Cylinder, Tilt | |
| 80 | 70022977 | 1 | Pin | |
| 81 | 70023016 | 4 | Ring, Snap | |
| 82 | 70022978 | 1 | Pin | |
| 83 | 70023000 | 1 | Bulkhead Union, With Locknut | |
| 84 | 70022999 | 1 | Elbow, Bulkhead Union | |
| 85 | 70022982 | 1 | Elbow, Straight | |
| 86 | 70022980 | 2 | Keeper, Fork Pin | |
| 87 | 70022949 | 4 | Washer, Lock M10 | |
| 88 | 70022991 | 2 | Elbow, 90 | |
| 89 | 70022998 | 4 | Capscrew | |
| 90 | 70022966 | 1 | Fitting, Grease | |
| 91 | 70022979 | 2 | Hose | |
| 92 | 70022990 | 1 | Pin, Fork | |
| 93 | 70022965 | 1 | Sheave | |
| 94 | 70022997 | 1 | Washer, Lock M12 | |
| 95 | 70022967 | 4 | Clamp, Hose | |
| 96 | 70022962 | 1 | Assembly, Bar | |
| 97 | 70023002 | 4 | Capscrew | |
| 98 | 70022949 | 5 | Washer, Lock M10 | |
| 99 | 70022958 | 3 | Capscrew | |

SECTION 3 - ATTACHMENTS

| ITEM | PART NUMBER | QTY | DESCRIPTION | REV |
|------|-------------|-----|--|-----|
| 100 | 70022961 | 1 | Shaft | |
| 101 | 70022959 | 1 | Washer | |
| 102 | 70022989 | 1 | Ring, Retaining | |
| 103 | 70022964 | 1 | Capscrew | |
| 104 | 70022981 | 1 | Bracket, IHR | |
| 105 | 70022968 | 1 | Bar, Hose Clamp | |
| 106 | 70023011 | 1 | Bracket, IHR | |
| 107 | 70022983 | 1 | Bracket, Termination | |
| 108 | 70023000 | 2 | Bulkhead Union, With Locknut | |
| 109 | 70022996 | 3 | Capscrew | |
| 110 | 70022963 | 2 | Hose, (not shown) | |
| 201 | 70023925 | 1 | Kit, Decal (includes items 1 thru 6) | |
| 202 | 70023005 | 1 | Seal Kit, Main Lift Cylinder, (includes items 8, 9, 13, 14, 16, 17, 19, 21, 23, 24 & 25) | |
| 203 | 70023006 | 1 | Kit, Check Valve (includes items 18, 19, 20, 21 & 23) | |
| 204 | 70023007 | 1 | Kit, Shim | |
| 205 | 70023015 | 1 | Kit, Mast Common Parts (includes items 27 thru 42) | |
| 206 | 8035831 | 1 | Seal Kit, Tilt Cylinder | |
| 207 | 70023013 | 1 | Kit, IHR Common Parts, (includes items 93 thru 109) | |
| 208 | 70022986 | 1 | Kit, IHR (includes items 93 thru 110) | |

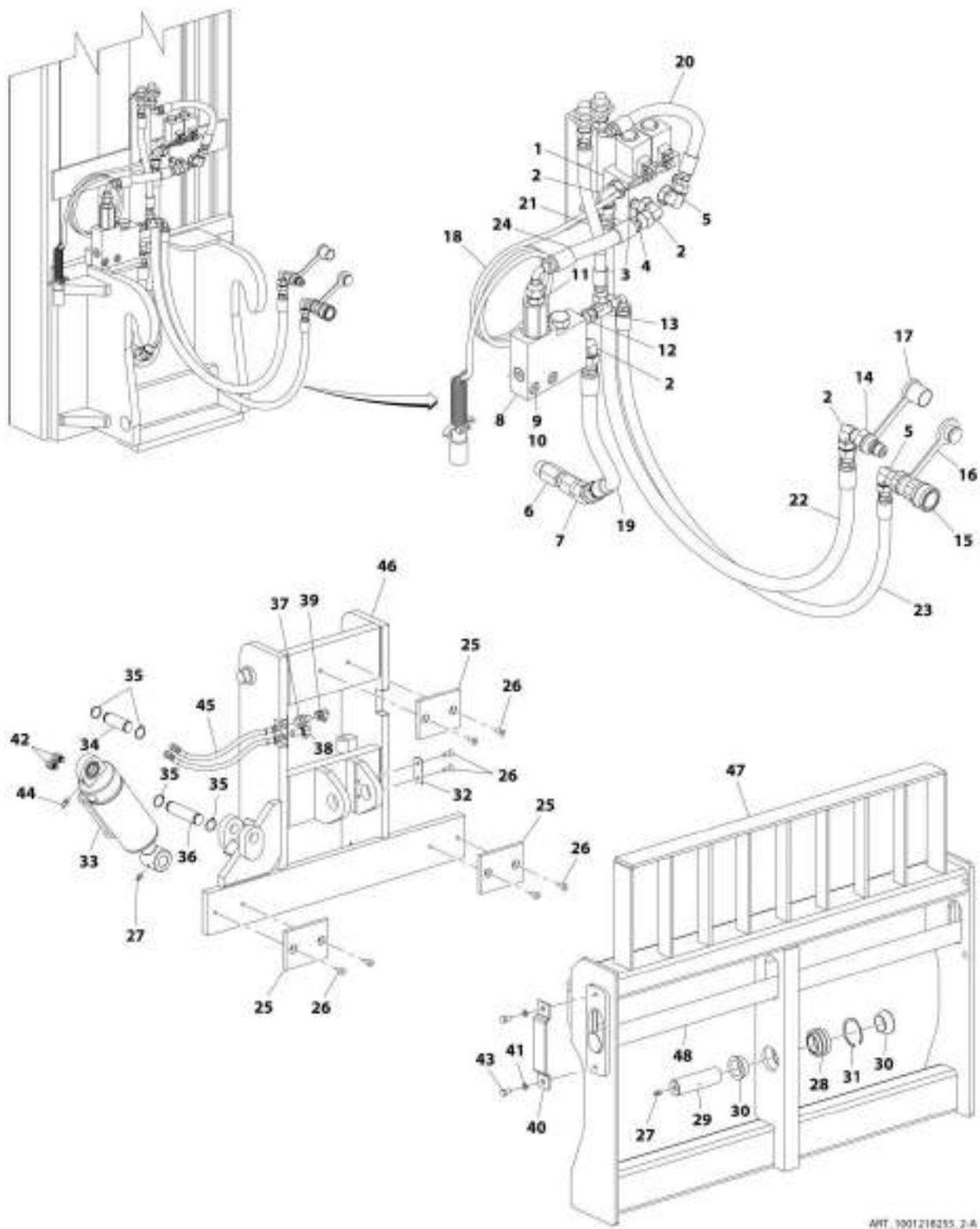
SECTION 3 - ATTACHMENTS

FIGURE 3-44. SIDE TILT ELECTRIC MAST (8 FOOT) (SN 0160075205 to Present, Including 0160074738, 0160074745 and 0160074938)



AIT_1001218255_Y-A

SECTION 3 - ATTACHMENTS



AWT_1001218255_3-A

SECTION 3 - ATTACHMENTS

FIGURE 3-44. SIDE TILT ELECTRIC MAST (8 FOOT) (SN 0160075205 to Present, Including 0160074738, 0160074745 and 0160074938)

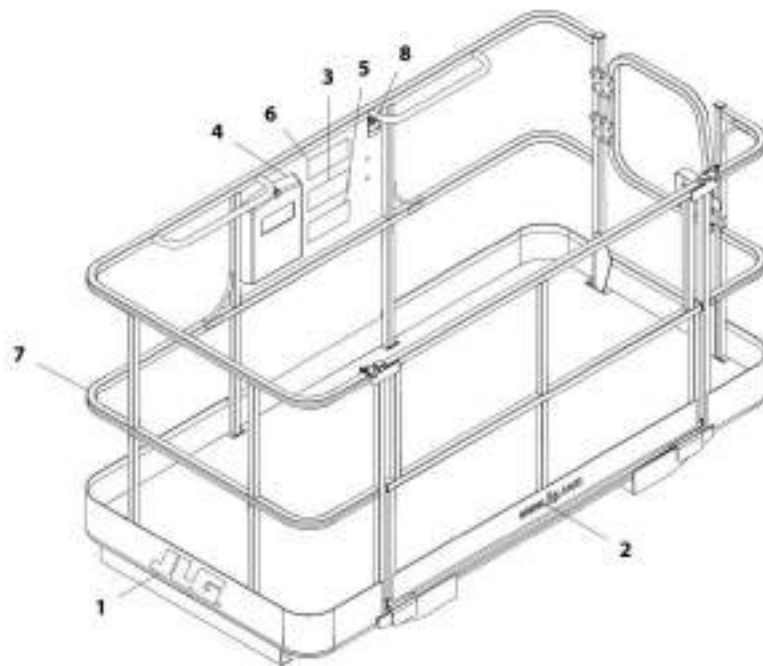
| ITEM | PART NUMBER | QTY | DESCRIPTION | REV |
|------|-------------|-----|----------------------------------|-----|
| | 1001218255 | Ref | Side Tilt Electric Mast (8 Foot) | A |
| 1 | 70022933 | 1 | Solenoid Valve Bank | |
| 2 | 70022934 | 4 | Fitting, 90 | |
| 3 | 70022948 | 2 | Washer, Lock M8 | |
| 4 | 70022951 | 2 | Screw, M8X60 | |
| 5 | 70022935 | 2 | Elbow, Straight Thread | |
| 6 | 70022936 | 1 | Limiter, Flow | |
| 7 | 70022937 | 1 | Fitting, 45 | |
| 8 | 70022932 | 1 | Assembly, PO Check Valve | |
| 9 | 70022949 | 2 | Washer, Lock M10 | |
| 10 | 70022950 | 2 | Bolt | |
| 11 | 70022938 | 1 | Fitting, Straight | |
| 12 | 70022939 | 1 | Fitting, Straight | |
| 13 | 70022940 | 1 | Tee Fitting | |
| 14 | 91403414 | 1 | Adapter, Male Quick Disconnect | |
| 15 | 91403413 | 1 | Adapter, Female Quick Disconnect | |
| 16 | 8420055 | 1 | Cover, Dust | |
| 17 | 8420053 | 1 | Cover, Dust | |
| 18 | 70022941 | 1 | Harness | |
| 19 | 70022942 | 1 | Hose | |
| 20 | 70022943 | 1 | Hose | |
| 21 | 70022944 | 1 | Hose | |
| 22 | 70022945 | 1 | Hose | |
| 23 | 70022946 | 1 | Hose | |
| 24 | 70022947 | 1 | Hose | |
| 25 | 70022972 | 3 | Wear Pad | |
| 26 | 70022971 | 8 | Capscrew, Flat Head | |
| 27 | 70023001 | 2 | Grease Fitting | |
| 28 | 70022975 | 1 | Spherical Bearing | |
| 29 | 70022973 | 1 | Pivot Shaft | |
| 30 | 70022974 | 2 | Beveled Spacer | |
| 31 | 70022988 | 1 | Ring, Retaining | |
| 32 | 70022976 | 1 | Retainer Plate | |
| 33 | 2716143 | 1 | Tilt Cylinder | |
| 34 | 70022977 | 1 | Pin | |
| 35 | 70023016 | 4 | Ring, Snap | |
| 36 | 70022978 | 1 | Pin | |
| 37 | 70023000 | 1 | Fitting | |
| 38 | 70022999 | 1 | Elbow | |
| 39 | 70022982 | 1 | Elbow, Straight Thread | |
| 40 | 70022980 | 2 | Keeper, Fork Pin | |
| 41 | 70022949 | 4 | Washer, Lock M10 | |
| 42 | 70022939 | 2 | Fitting, Straight | |
| 43 | 70022998 | 4 | Screw, M10X20 | |
| 44 | 70022966 | 1 | Grease Fitting 30 | |
| 45 | 70022979 | 2 | Hose | |
| 46 | 70025353 | 1 | Spine Weldment | |
| 47 | N.S.S. | 1 | Front Frame Weldment | |
| 48 | 70022990 | 1 | Pin, Fork | |

SECTION 3 - ATTACHMENTS

| ITEM | PART NUMBER | QTY | DESCRIPTION | REV |
|------|-------------|-----|--|-----|
| 49 | 70023014 | 24 | Shim | |
| 50 | 70022987 | 8 | Bearing, Ball | |
| 51 | 70027951 | 2 | Washer, Shim | |
| 52 | 70023016 | 1 | Ring, Snap | |
| 53 | 70022969 | 2 | Assembly, Sheave | |
| 54 | 70022960 | 2 | Anchor, Chain | |
| 55 | 70022957 | 8 | Nut, 5/8-18 | |
| 56 | 70022993 | 4 | Pin, Cotter | |
| 57 | 70022995 | 2 | Anchor, Chain | |
| 58 | 70022984 | 1 | Shaft, Sheave | |
| 59 | 70022970 | 2 | Bar, Retainer | |
| 60 | 70023003 | 2 | Capscrew | |
| 61 | 70022994 | 4 | Pin, Chain Anchor | |
| 62 | 70022992 | 8 | Pin, Cotter | |
| 63 | 70022985 | 1 | Shaft, Sheave | |
| 64 | 70023925 | 1 | Kit, Decal (not shown) (See Separate Breakdown in this Section) | |
| 65 | 70023009 | 2 | Chain, Lift | |
| 66 | 70023008 | 1 | Cylinder, Main Lift (not shown) (See Separate Breakdown in this Section) | |

SECTION 3 - ATTACHMENTS

FIGURE 3-45. FORK MOUNTED PLATFORM (ASME)



ART_3001103437-F

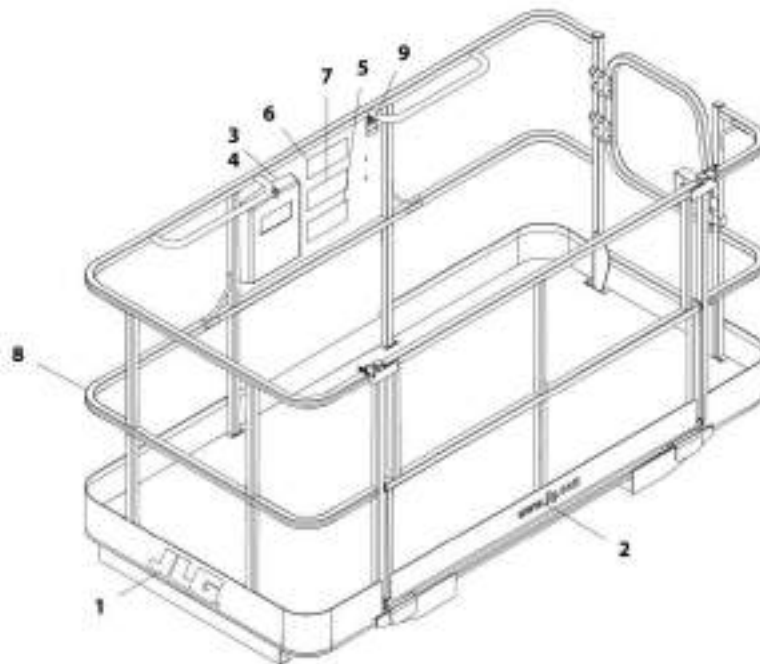
SECTION 3 - ATTACHMENTS

FIGURE 3-45. FORK MOUNTED PLATFORM (ASME)

| ITEM | PART NUMBER | QTY | DESCRIPTION | REV |
|------|-------------|-----|---|-----|
| | 1001103637 | 1 | Fork Mounted Platform (ASME) | F |
| 1 | 1702773 | 2 | Decal, JLG | |
| 2 | 1704885 | 1 | Decal, Website | |
| 3 | 1706892 | 1 | Decal, Platform Warning | |
| 4 | 31200160 | 1 | Manual, Personnel Work Platform Operation and Safety | |
| 5 | 1001092481 | 1 | Decal, Warning Attachment | |
| 6 | 1001092482 | 1 | Decal, Platform Capacity | |
| 7 | 1001096162 | 1 | Platform, Fork Mounted (See FORK MOUNTED PLATFORM ASSEMBLY for Breakdown) | |
| 8 | N.S.S. | 1 | S/N Plate | |

SECTION 3 - ATTACHMENTS

FIGURE 3-46. FORK MOUNTED PLATFORM (ISO)



ART_1001030738-F

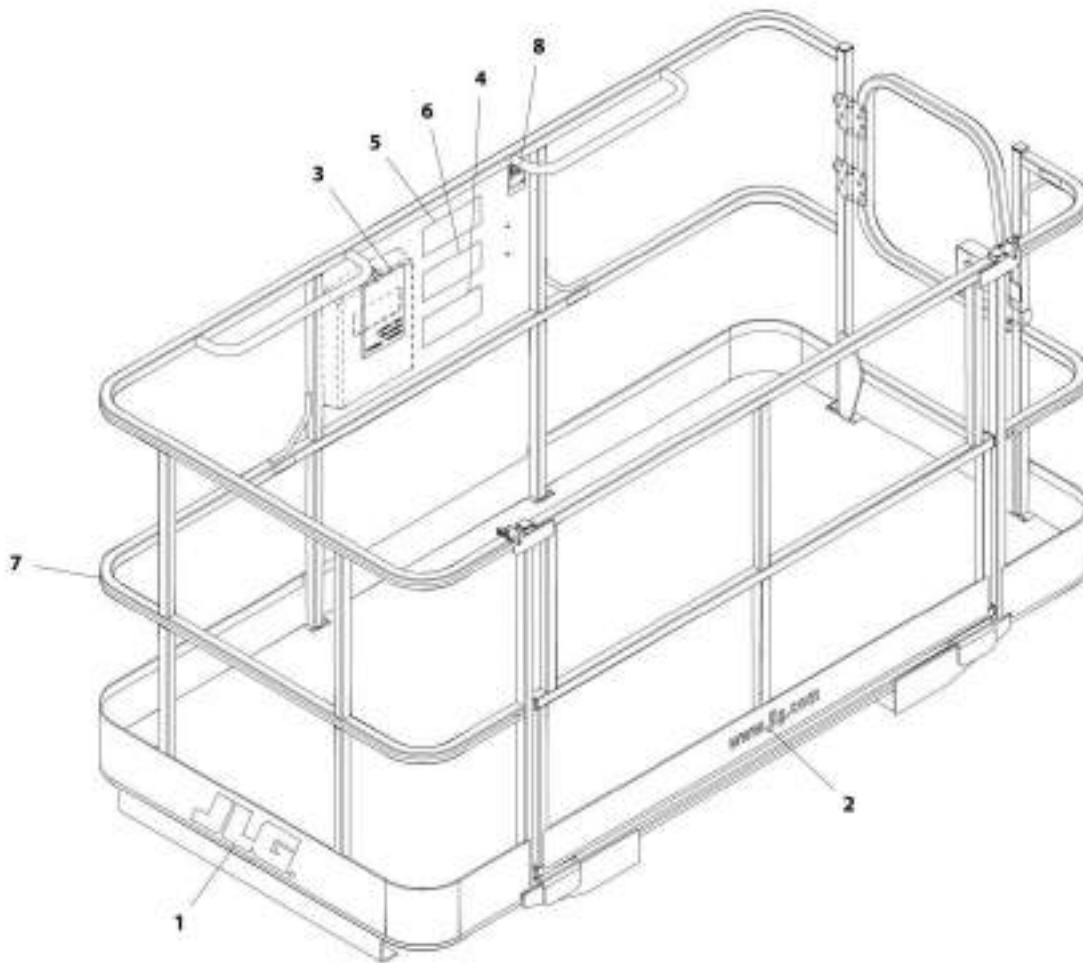
SECTION 3 - ATTACHMENTS

FIGURE 3-46. FORK MOUNTED PLATFORM (ISO)

| ITEM | PART NUMBER | QTY | DESCRIPTION | REV |
|------|-------------|-----|---|-----|
| | 1001103730 | 1 | Fork Mounted Platform (ISO) | F |
| 1 | 1702773 | 2 | Decal, JLG | |
| 2 | 1704885 | 1 | Decal, Website | |
| 3 | 31200387 | 1 | Manual, Personnel Work Platform Operation and Safety (Spanish) | |
| 4 | 31200388 | 1 | Manual, Personnel Work Platform Operation and Safety (Portuguese) | |
| 5 | 1001096021 | 1 | Decal, Warning Attachment (ISO) | |
| 6 | 1001096023 | 1 | Decal, Platform Capacity (ISO) | |
| 7 | 1001096025 | 1 | Decal, Platform Warning (ISO) | |
| 8 | 1001096162 | 1 | Platform, Fork Mounted (See FORK MOUNTED PLATFORM ASSEMBLY for Breakdown) | |
| 9 | N.S.S. | 1 | S/N Plate | |

SECTION 3 - ATTACHMENTS

FIGURE 3-47. FORK MOUNTED PLATFORM (FRENCH)



ART_3001103790-F

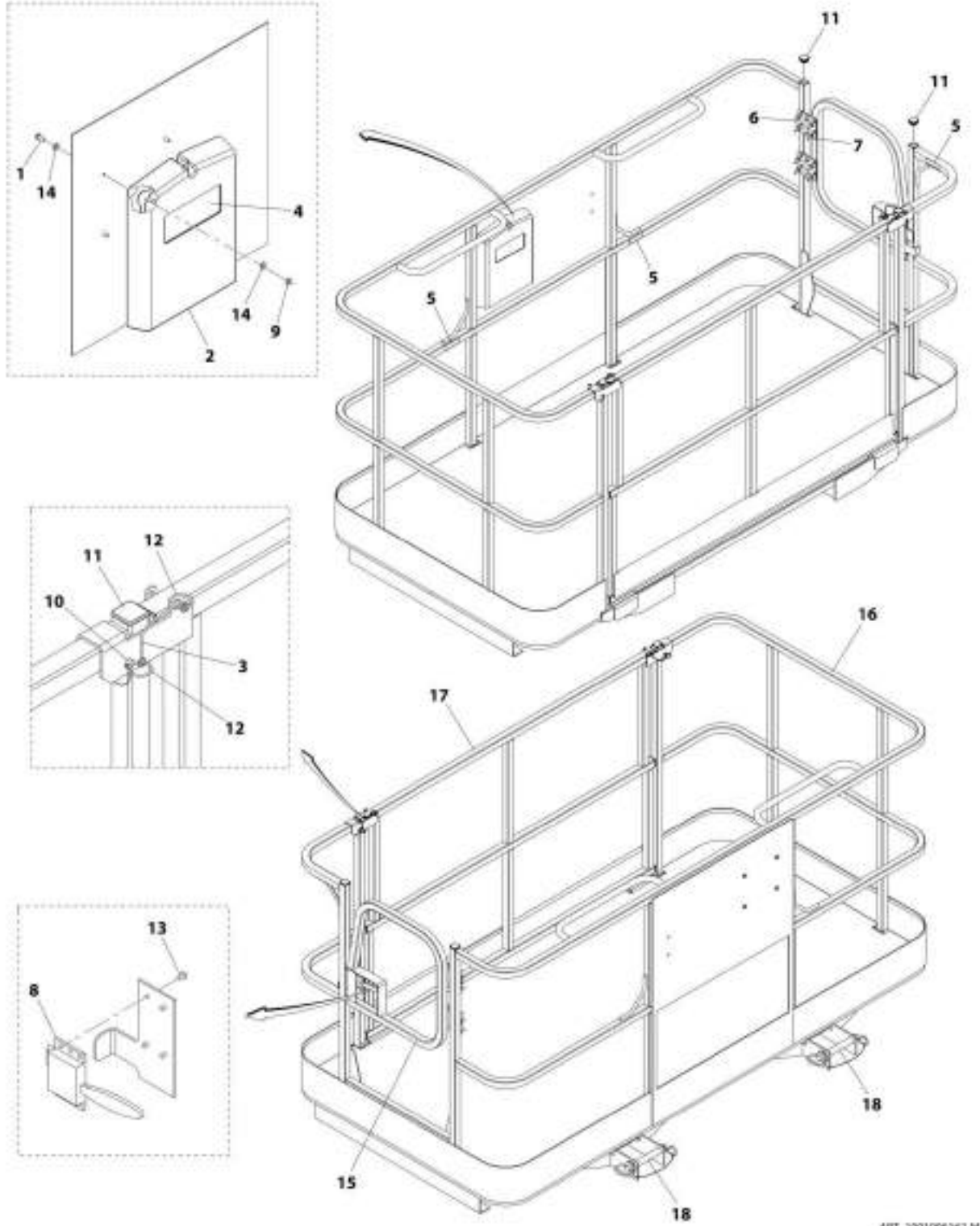
SECTION 3 - ATTACHMENTS

FIGURE 3-47. FORK MOUNTED PLATFORM (FRENCH)

| ITEM | PART NUMBER | QTY | DESCRIPTION | REV |
|------|-------------|-----|---|-----|
| | 1001103736 | 1 | Fork Mounted Platform (FRENCH) | F |
| 1 | 1702773 | 2 | Decal, JLG | |
| 2 | 1704885 | 1 | Decal, Website | |
| 3 | 31200386 | 1 | Manual, Personnel Work Platform Operation and Safety (French) | |
| 4 | 1001096019 | 1 | Decal, Warning Attachment (French) | |
| 5 | 1001096020 | 1 | Decal, Platform Capacity (French) | |
| 6 | 1001096024 | 1 | Decal, Platform Warning (French) | |
| 7 | 1001096162 | 1 | Platform, Fork Mounted (See FORK MOUNTED PLATFORM ASSEMBLY for Breakdown) | |
| 8 | N.S.S. | 1 | S/N Plate | |

SECTION 3 - ATTACHMENTS

FIGURE 3-48. FORK MOUNTED PLATFORM ASSEMBLY



MIT_1001096182-M

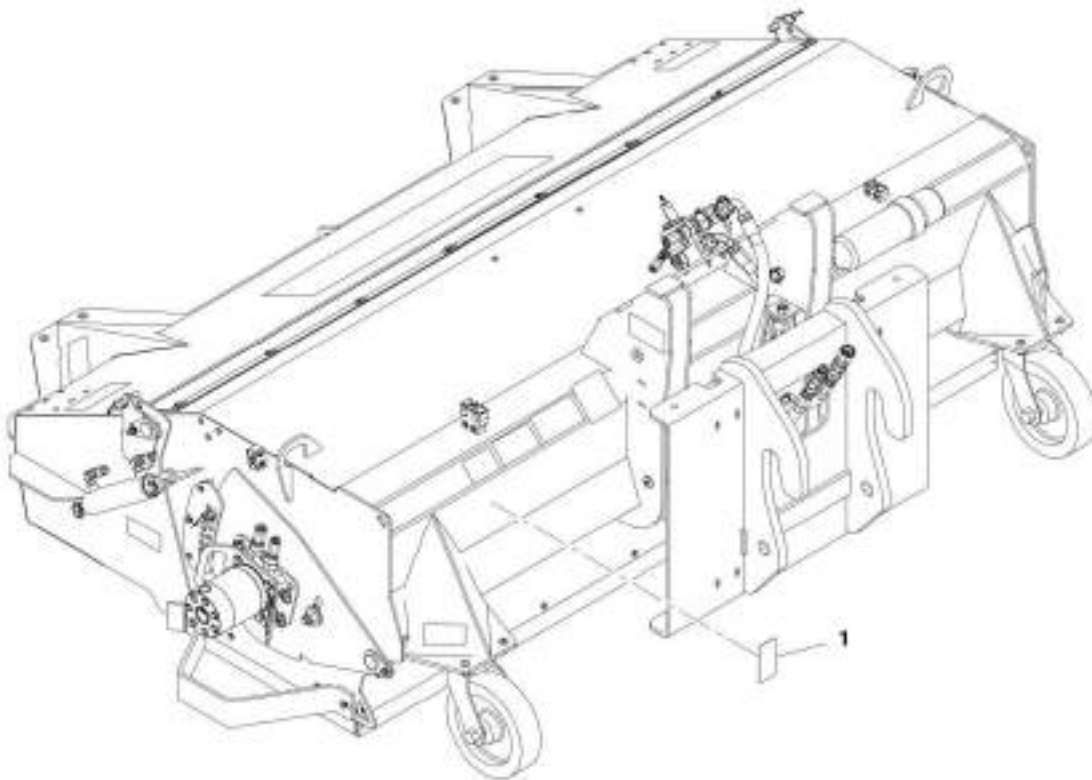
SECTION 3 - ATTACHMENTS

FIGURE 3-48. FORK MOUNTED PLATFORM ASSEMBLY

| ITEM | PART NUMBER | QTY | DESCRIPTION | REV |
|------|-------------|-----|--------------------------------|-----|
| | 1001096162 | Ref | Fork Mounted Platform Assembly | M |
| 1 | 0641405 | 4 | Bolt, 1/4-20X5/8 | |
| 2 | 0860520 | 1 | Box, Manual Storage | |
| 3 | 1060379 | 2 | Cable, Lanyard | |
| 4 | 1701509 | 1 | Decal, Manual | |
| 5 | 1704277 | 3 | Decal, Lanyard Attach | |
| 6 | 2080040 | 16 | Fastener | |
| 7 | 2600281 | 2 | Hinge | |
| 8 | 2940074 | 1 | Latch | |
| 9 | 3311405 | 4 | Nut, Lock 1/4-20 | |
| 10 | 3421453 | 2 | Pin | |
| 11 | 3520072 | 10 | Plug | |
| 12 | 3760170 | 4 | Ring | |
| 13 | 3820020 | 4 | Rivet | |
| 14 | 4711400 | 8 | Washer, 1/4 | |
| 15 | 1001144629J | 1 | Weldment, Gate | |
| 16 | N.S.S. | 1 | Platform, Fork Mounted | |
| 17 | 1001095810 | 1 | Weldment, Gate | |
| 18 | 1001102813 | 2 | Pin, Hitch | |

SECTION 3 - ATTACHMENTS

FIGURE 3-49. SWEEPER ASSEMBLY



ART_1001202904-B

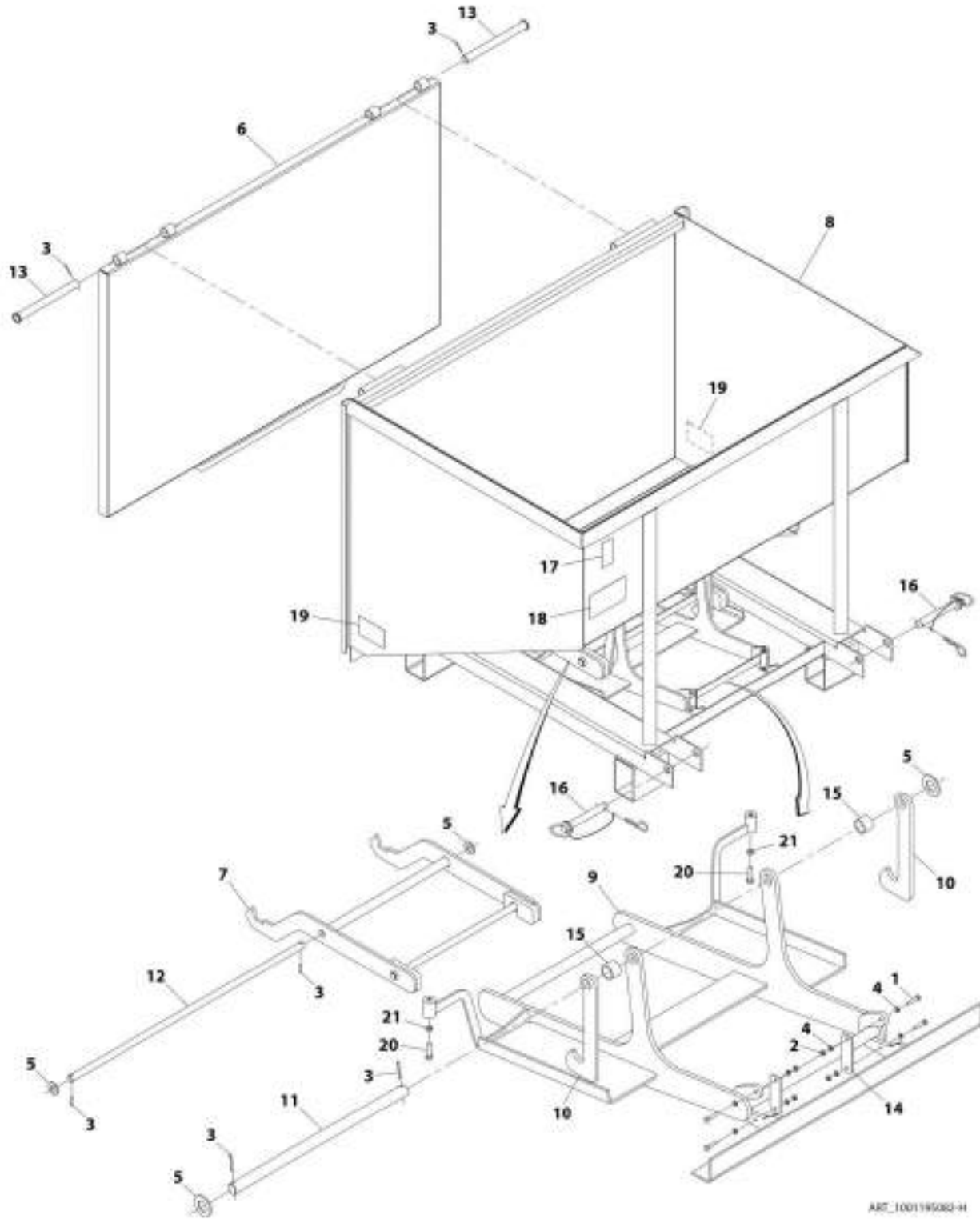
SECTION 3 - ATTACHMENTS

FIGURE 3-49. SWEEPER ASSEMBLY

| ITEM | PART NUMBER | QTY | DESCRIPTION | REV |
|------|----------------------|----------|-------------------------------|-----|
| 1 | 1001202904 N.S.S. | Ref 1 | Sweeper Assembly S/N Plate | B |

SECTION 3 - ATTACHMENTS

FIGURE 3-50. TRASH HOPPER INSTALLATION



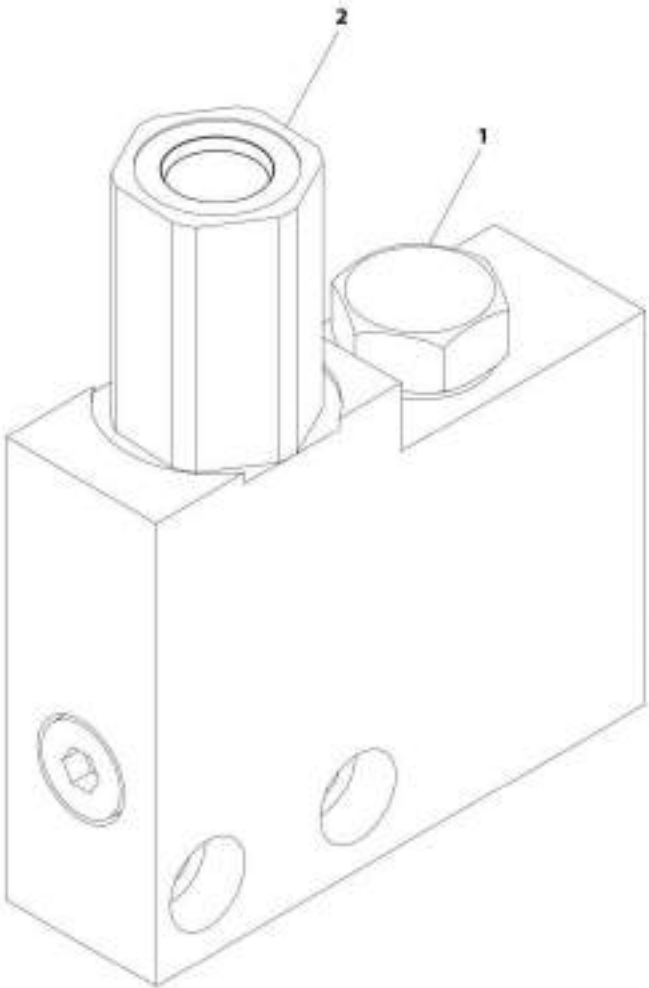
SECTION 3 - ATTACHMENTS

FIGURE 3-50. TRASH HOPPER INSTALLATION

| ITEM | PART NUMBER | QTY | DESCRIPTION | REV |
|------|-------------|-----|-------------------------------|-----|
| | 1001195082 | Ref | Trash Hopper Installation | H |
| 1 | 0700614 | 4 | Bolt, M6X30 | |
| 2 | 3290601 | 4 | Nut, M6X1 Grade 8 | |
| 3 | 3391410 | 6 | Pin | |
| 4 | 4811700 | 8 | Washer, M6 | |
| 5 | 5242400 | 4 | Washer, M24 | |
| 6 | 1001192711 | 1 | Door Assembly | |
| 7 | 1001192720 | 1 | Hook Assembly | |
| 8 | N.S.S. | 1 | Weldment, Trash Hopper | |
| 9 | 1001192875 | 1 | Tray Assembly | |
| 10 | 1001192876 | 2 | Arm, Swing | |
| 11 | 1001192877 | 1 | Rod, Swing | |
| 12 | 1001193525 | 1 | Bar | |
| 13 | 1001193540 | 2 | Pin | |
| 14 | 1001193729 | 2 | Plate | |
| 15 | 1001198355 | 2 | Spacer | |
| 16 | 1001102813 | 2 | Pin | |
| 17 | N.S.S. | 1 | S/N Plate | |
| 18 | 1001203503 | 1 | Decal, Trash Hopper Operation | |
| 19 | 1706302 | 2 | Decal, Pinch Point | |
| 20 | 0641510 | 2 | Screw, 5/16-18X14/4 | |
| 21 | 3311502 | 2 | Nut, 5/16-18 | |

SECTION 3 - ATTACHMENTS

FIGURE 3-51. PO CHECK VALVE



ART_10022932-A

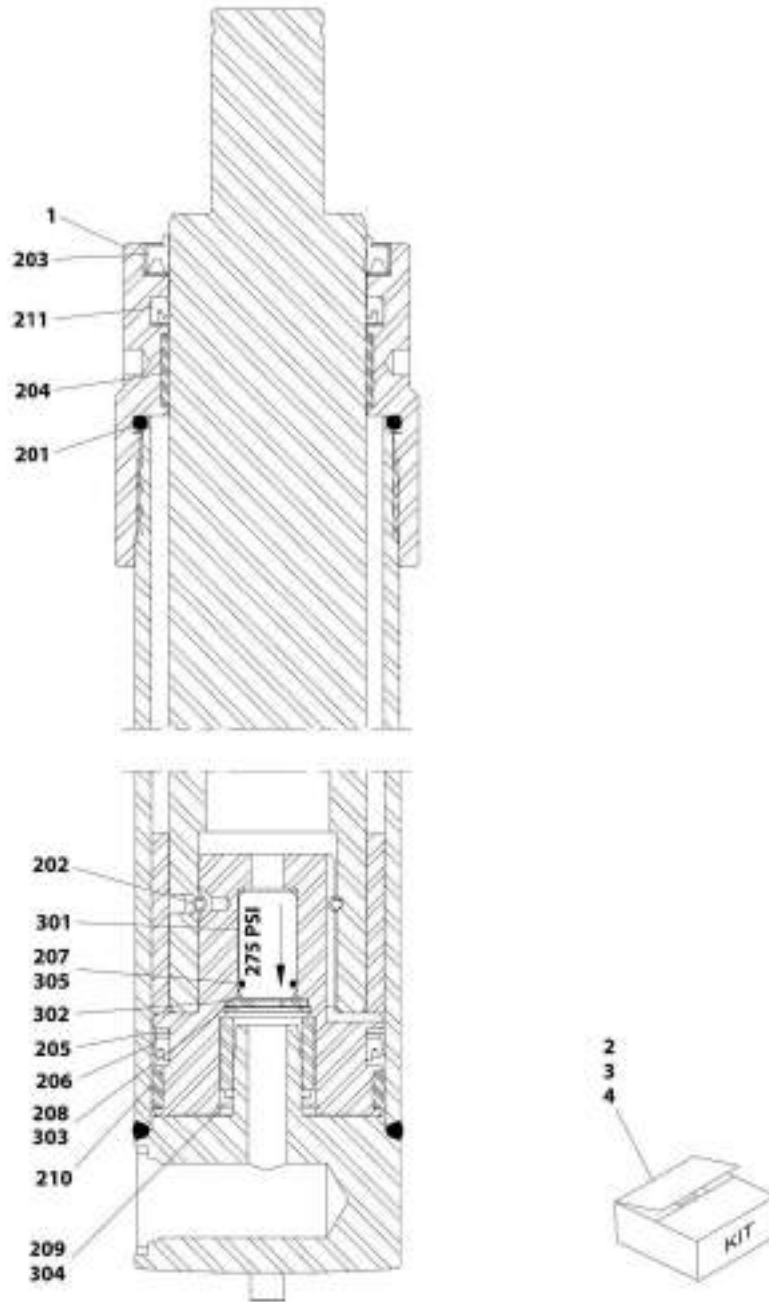
SECTION 3 - ATTACHMENTS

FIGURE 3-51. PO CHECK VALVE

| ITEM | PART NUMBER | QTY | DESCRIPTION | REV |
|------|-------------|-----|---------------------------|-----|
| | 70022932 | Ref | PO Check Valve | A |
| 1 | 70022931 | 1 | Cartridge, PO Check Valve | |
| 2 | 70023010 | 1 | Check, PO | |

SECTION 3 - ATTACHMENTS

FIGURE 3-52. MAIN LIFT CYLINDER



ART. 70023000-A

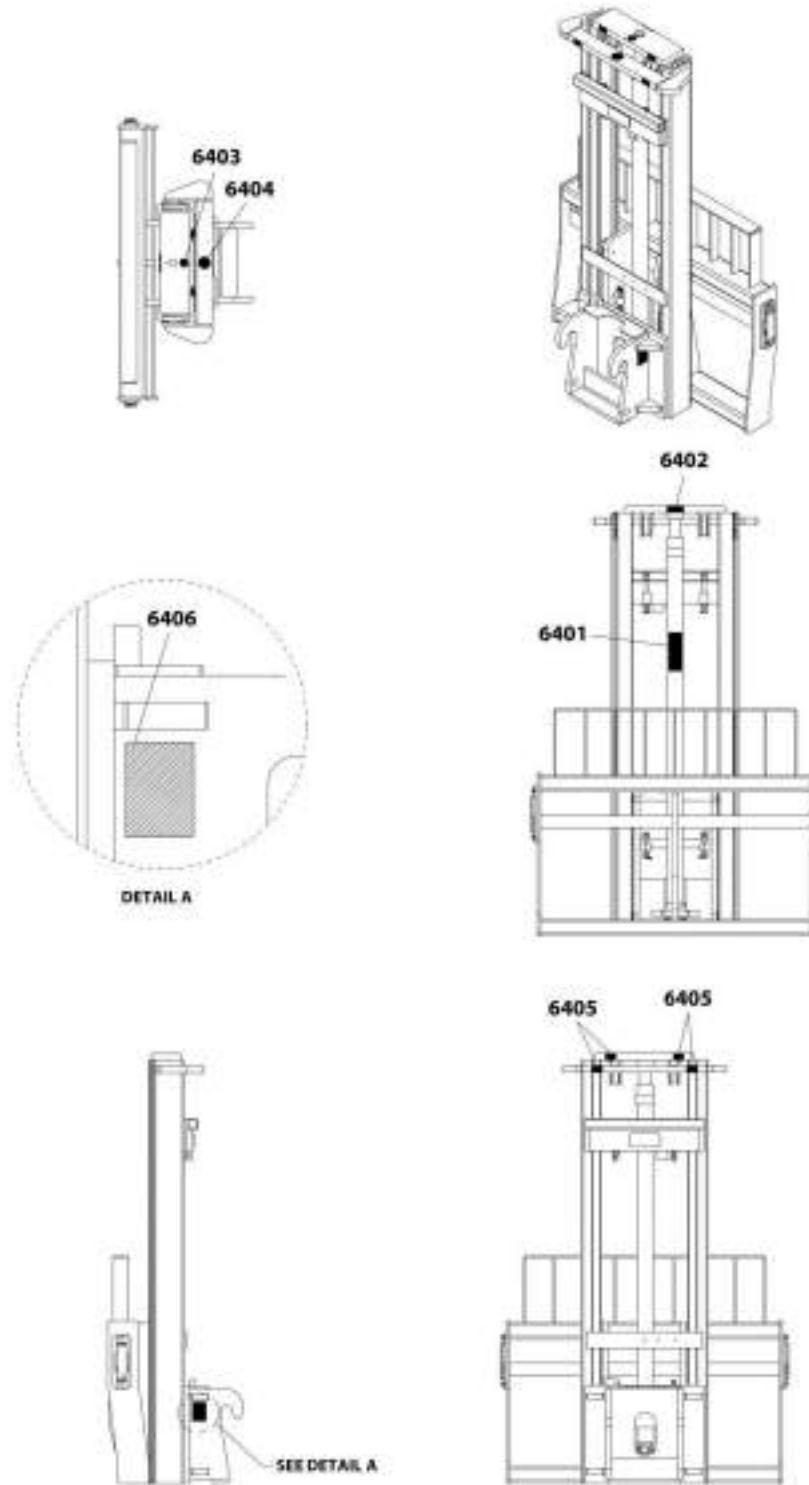
SECTION 3 - ATTACHMENTS

FIGURE 3-52. MAIN LIFT CYLINDER

| ITEM | PART NUMBER | QTY | DESCRIPTION | REV |
|------|-------------|-----|------------------------------|-----|
| | 70023008 | Ref | Main Lift Cylinder | A |
| 1 | 70023004 | 1 | Retainer/Gland | |
| 2 | 70023005 | 1 | Seal Kit, Main Lift Cylinder | |
| 201 | Kit | 1 | O-Ring | |
| 202 | Kit | 1 | Wire, Pull | |
| 203 | Kit | 1 | Wiper | |
| 204 | Kit | 1 | Bushing | |
| 205 | Kit | 1 | Ring, Nylon | |
| 206 | Kit | 1 | Seal, Piston | |
| 207 | Kit | 1 | O-Ring | |
| 208 | Kit | 1 | Circlip | |
| 209 | Kit | 1 | Ring, Retaining | |
| 210 | Kit | 1 | Ring, Wear | |
| 211 | Kit | 1 | Seal, Rod | |
| 3 | 70023006 | 1 | Kit, Check Valve | |
| 301 | Kit | 1 | Valve, Check | |
| 302 | Kit | 1 | Washer | |
| 303 | Kit | 1 | Circlip | |
| 304 | Kit | 1 | Ring, Retaining | |
| 304 | Kit | 1 | O-Ring | |
| 4 | 70023007 | 1 | Kit, Shim | |

SECTION 3 - ATTACHMENTS

FIGURE 3-53. KIT DECAL



ART_7062902-A

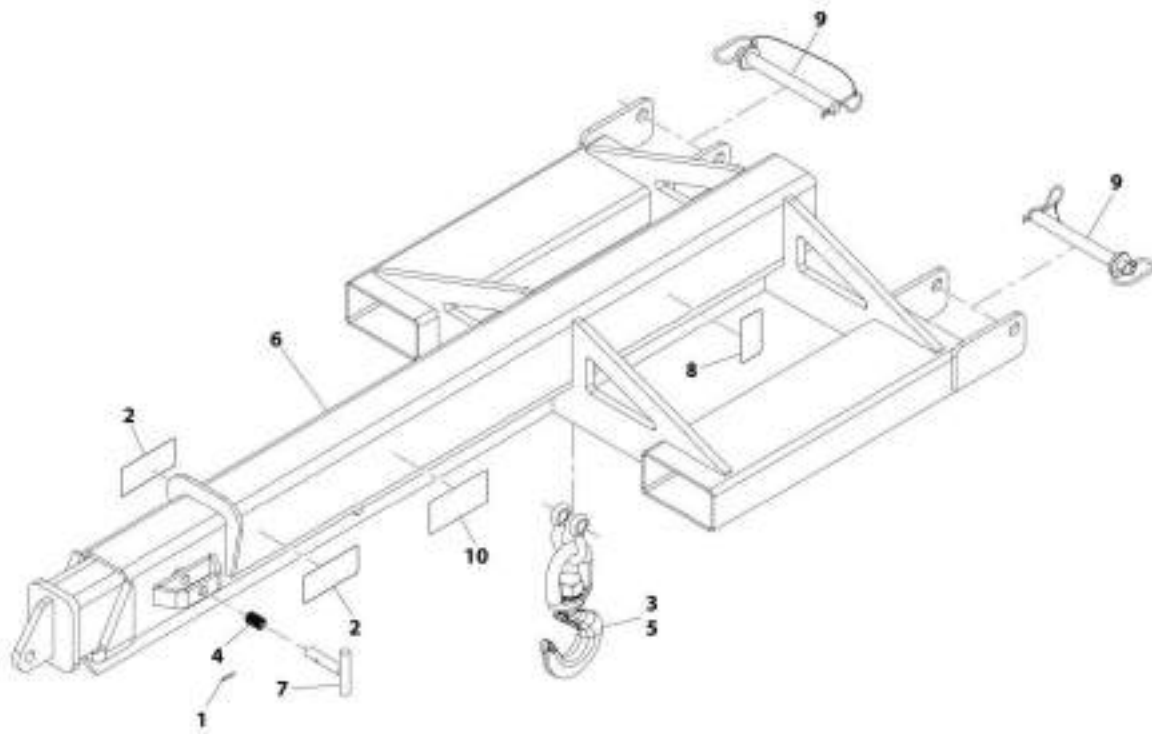
SECTION 3 - ATTACHMENTS

FIGURE 3-53. KIT DECAL

| ITEM | PART NUMBER | QTY | DESCRIPTION | REV |
|------|-------------|-----|---------------------|-----|
| | 70023925 | Ref | Kit, Decal | A |
| 6401 | Kit | 1 | Decal, Warning | |
| 6402 | Kit | 1 | Decal, Warning | |
| 6403 | Kit | 1 | Decal, No Step | |
| 6404 | Kit | 1 | Decal, No Step | |
| 6405 | Kit | 4 | Decal, Hands Off | |
| 6406 | Kit | 2 | Decal, Hose Routing | |

SECTION 3 - ATTACHMENTS

FIGURE 3-54. ADJUSTABLE TRUSS BOOM INSTALLATION (FORK MOUNTED)



MIT_1001230241-P

SECTION 3 - ATTACHMENTS

FIGURE 3-54. ADJUSTABLE TRUSS BOOM INSTALLATION (FORK MOUNTED)

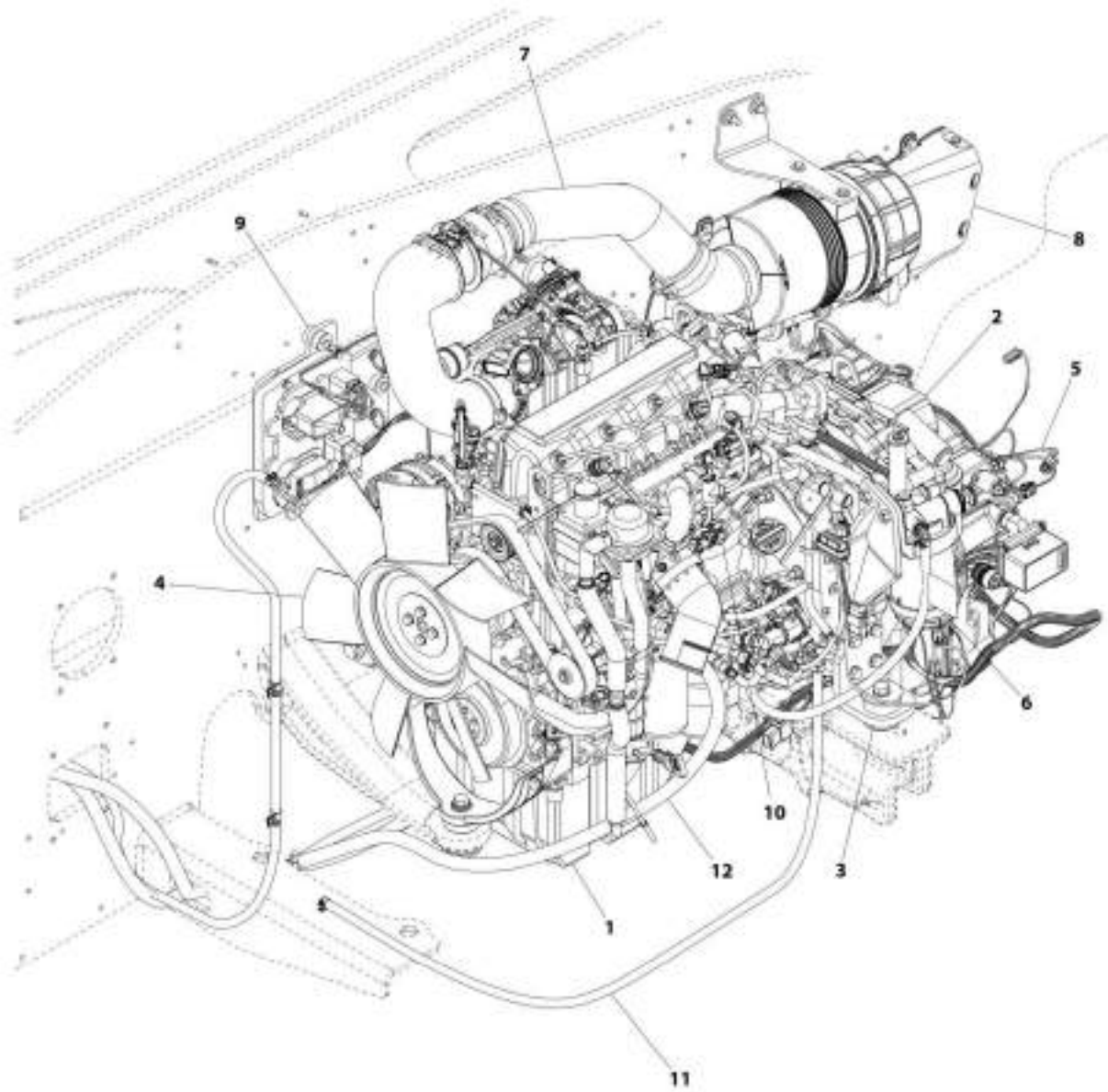
| ITEM | PART NUMBER | QTY | DESCRIPTION | REV |
|------|-------------|-----|---|-----|
| | 1001230241 | Ref | Adjustable Truss Boom Installation (Fork Mounted) | F |
| 1 | 3440620 | 1 | Pin | |
| 2 | 4110422 | 2 | Decal, Danger Swinging Loads | |
| 3 | 91403448 | 1 | Hook, Swivel | |
| 4 | 1001128890 | 1 | Spring | |
| 5 | 1001146160 | 1 | Shackle | |
| 6 | N.S.S. | 1 | Truss Boom, Adjustable | |
| 7 | 1001230239 | 1 | Pin | |
| 8 | N.S.S. | 1 | Plate, Serial Number | |
| 9 | 1001231692 | 2 | Pin | |
| 10 | 1001232500 | 1 | Decal, Load Capacities | |

SECTION 4 - ENGINE AND ATTACHING PARTS

SECTION 4 - ENGINE AND ATTACHING PARTS

SECTION 4 - ENGINE AND ATTACHING PARTS

FIGURE 4-1. ENGINE INSTALLATION, 110HP (ULS)



ARC_1001169009-H

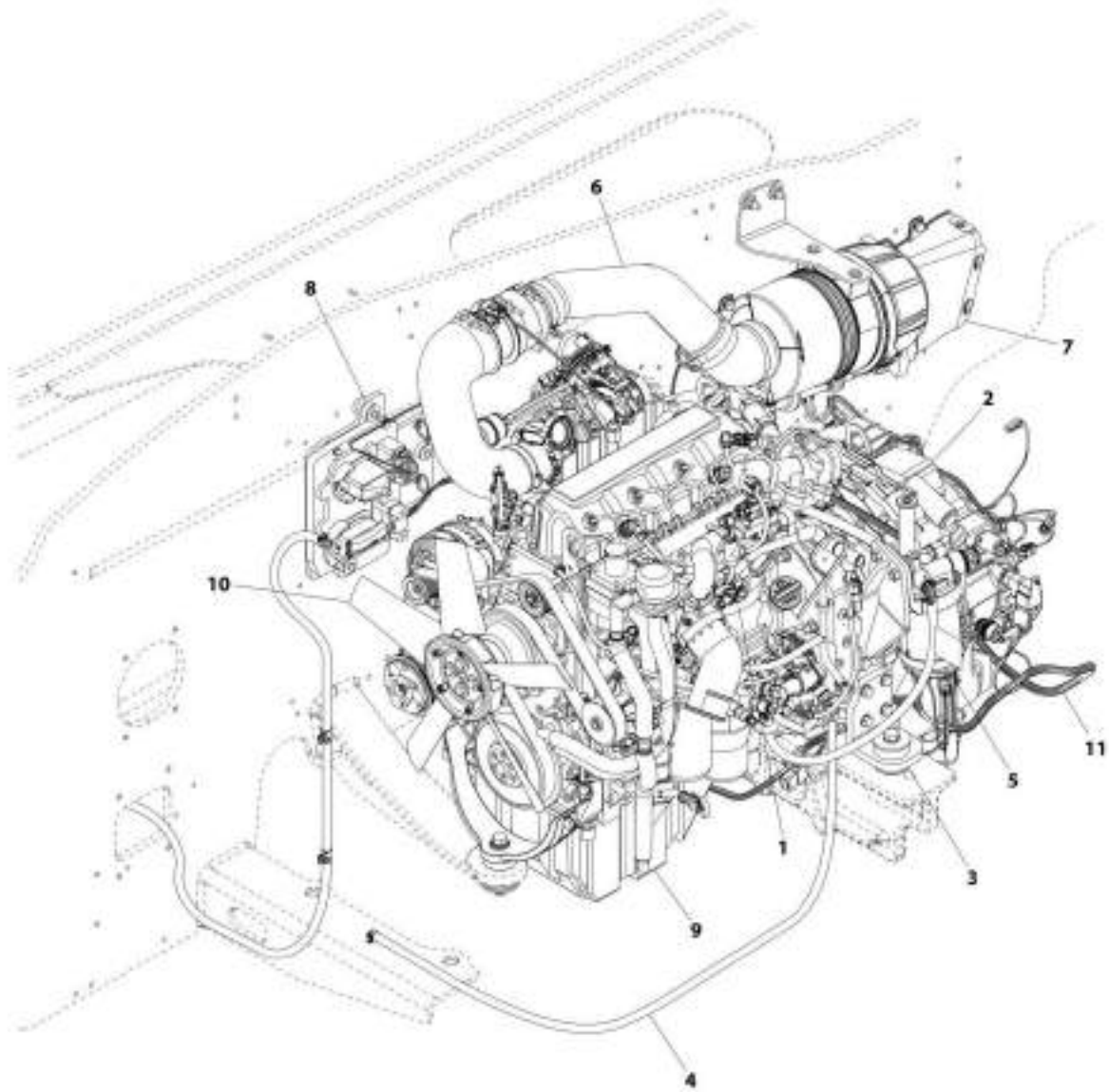
SECTION 4 - ENGINE AND ATTACHING PARTS

FIGURE 4-1. ENGINE INSTALLATION, 110HP (ULS)

| ITEM | PART NUMBER | QTY | DESCRIPTION | REV |
|------|-------------|-----|--|-----|
| | 1001169009 | Ref | ENGINE INSTALLATION, 110HP (ULS) | H |
| 1 | 1001154511 | Ref | Engine, 110HP (ULS) (See Engine, 110HP (ULS) for Breakdown) | |
| 2 | 1001161664 | Ref | Installation, Transmission (See DRIVETRAIN SECTION for Breakdown) | |
| 3 | 1001163227 | Ref | Installation, Engine Mounting (See ENGINE MOUNTING INSTALLATION for Breakdown) | |
| 4 | 1001163230 | Ref | Installation, Fan (See FAN INSTALLATION for Breakdown) | |
| 5 | 1001163233 | Ref | Installation, Engine Wiring (ULS) (See ELECTRICAL SECTION for Breakdown) | |
| 6 | 1001163235 | Ref | Installation, Primary Fuel Filter (See PRIMARY FUEL FILTER INSTALLATION for Breakdown) | |
| 7 | 1001169011 | Ref | Installation, Air Cleaner Lines (See AIR CLEANER LINES INSTALLATION for Breakdown) | |
| 8 | 1001169012 | Ref | Installation, Air Cleaner (See AIR CLEANER INSTALLATION for Breakdown) | |
| 9 | 1001194286 | Ref | Installation, Engine ECU (See ELECTRICAL SECTION for Breakdown) | |
| 10 | 1062255 | 1 | Strap, Tie | |
| 11 | 1001163231 | Ref | Installation, Fuel Lines (See Separate Breakdown in this Section) | |
| 12 | 1001163232 | Ref | Installation, DEF Lines (See Separate Breakdown in this Section) | |

SECTION 4 - ENGINE AND ATTACHING PARTS

FIGURE 4-2. ENGINE INSTALLATION, 74HP (ULS) (742, 943)



ART_9001025230-6

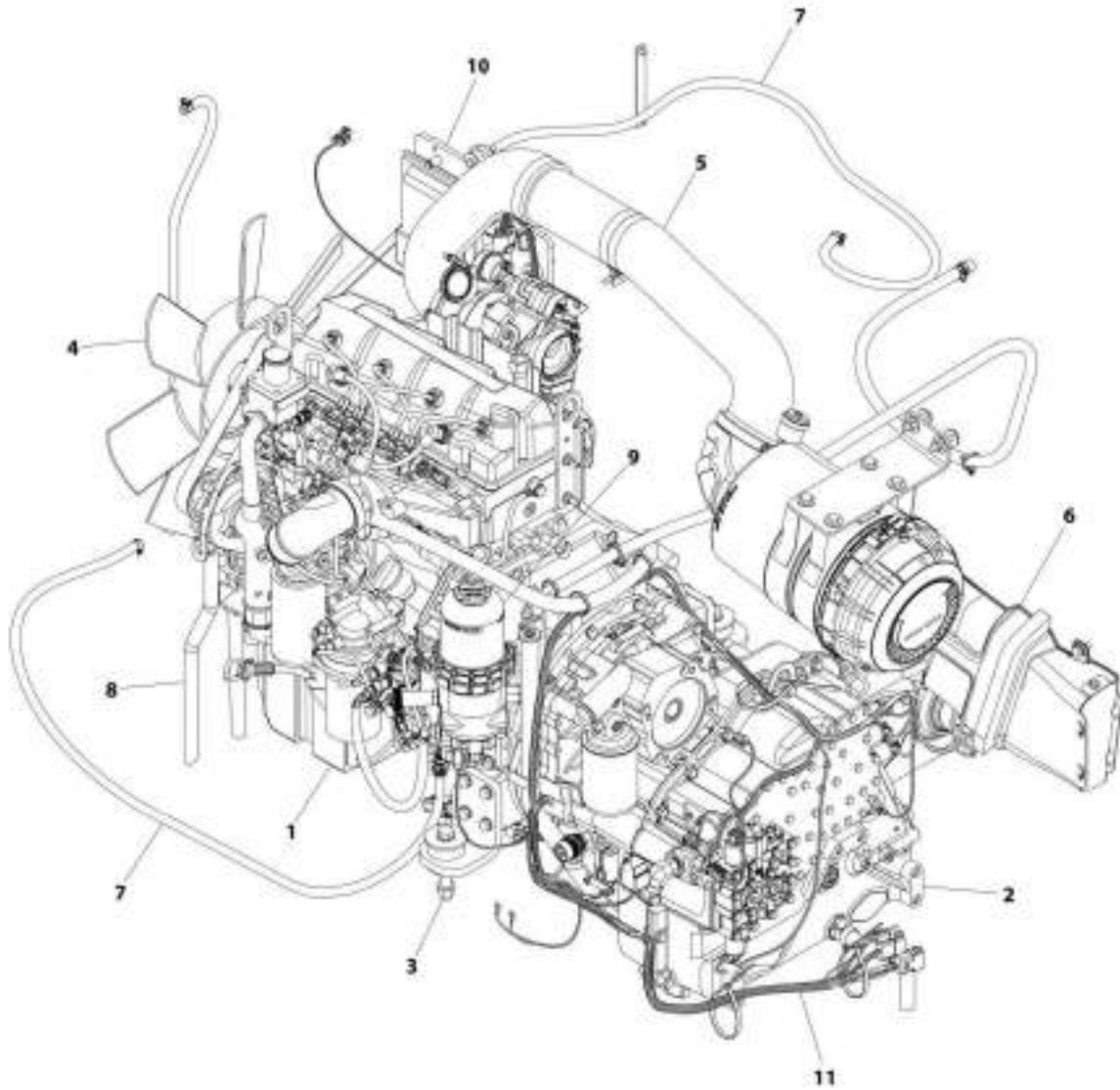
SECTION 4 - ENGINE AND ATTACHING PARTS

FIGURE 4-2. ENGINE INSTALLATION, 74HP (ULS) (742, 943)

| ITEM | PART NUMBER | QTY | DESCRIPTION | REV |
|------|-------------|-----|---|-----|
| | 1001225230 | Ref | Engine Installation, 74HP (ULS) (742, 943) | B |
| 1 | 1062255 | 1 | Strap, Tie | |
| 2 | 1001227962 | Ref | Installation, Transmission (742, 943) (See Separate Breakdown in DRIVETRAIN Section) | |
| 3 | 1001163227 | Ref | Installation, Engine Mounting (See Separate Breakdown in this Section) | |
| 4 | 1001163231 | Ref | Installation, Fuel Lines (See Separate Breakdown in this Section) | |
| 5 | 1001163235 | Ref | Installation, Primary Fuel Filter (See Separate Breakdown in this Section) | |
| 6 | 1001169011 | Ref | Installation, Air Cleaner Lines (See Separate Breakdown in this Section) | |
| 7 | 1001169012 | Ref | Installation, Air Cleaner (See Separate Breakdown in this Section) | |
| 8 | 1001194286 | Ref | Installation, Engine ECU (See Separate Breakdown in ELECTRICAL Section) | |
| 9 | 1001196665 | Ref | Engine, 74HP (742, 943) (See Separate Breakdown in this Section) | |
| 10 | 1001225231 | Ref | Installation, Fan (742, 943) (See Separate Breakdown in this Section) | |
| 11 | 1001225232 | Ref | Installation, Engine Wiring (742, 943) (See Separate Breakdown in ELECTRICAL Section) | |

SECTION 4 - ENGINE AND ATTACHING PARTS

FIGURE 4-3. ENGINE INSTALLATION, 110HP (LS)



ART_100190390-D

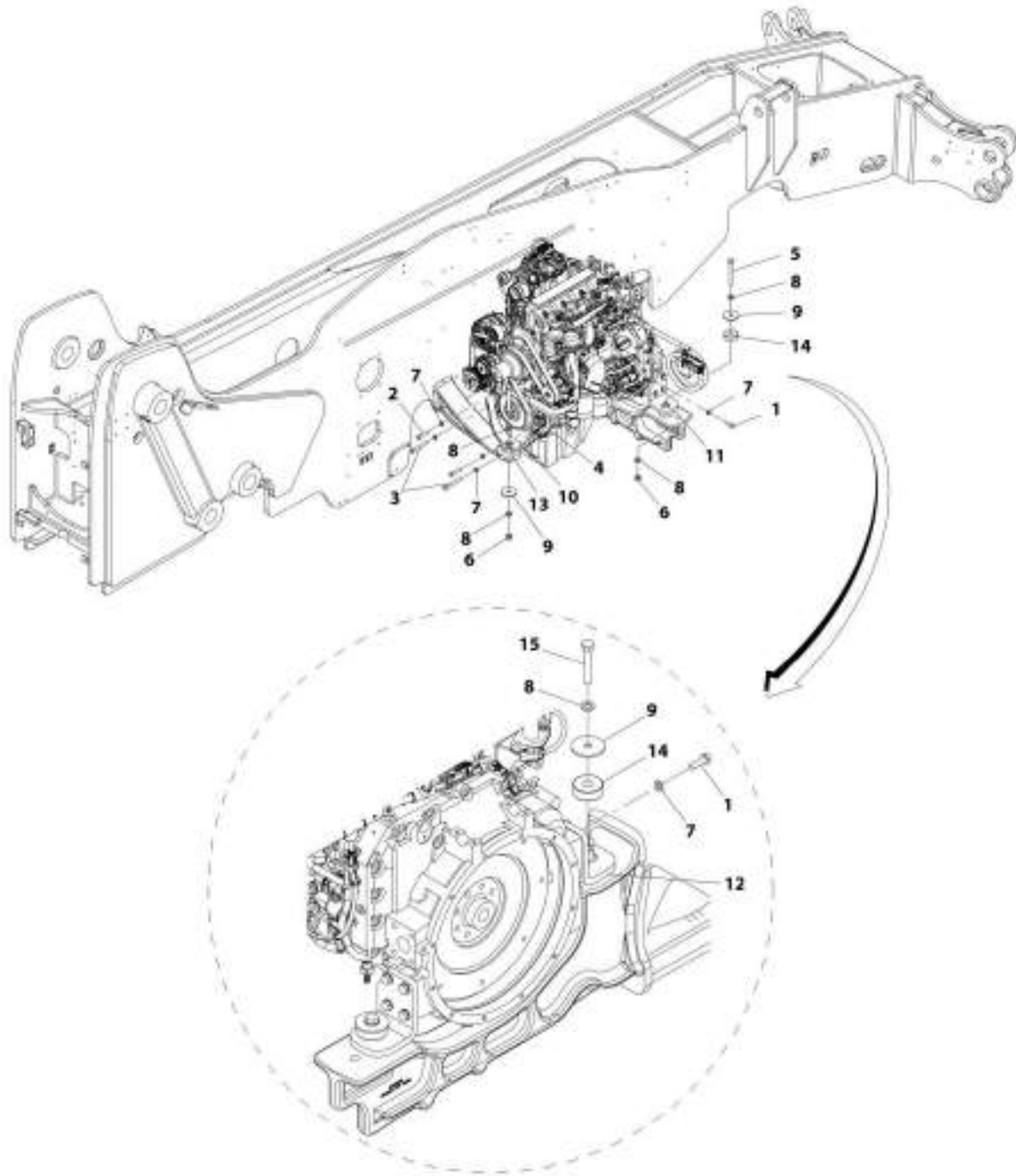
SECTION 4 - ENGINE AND ATTACHING PARTS

FIGURE 4-3. ENGINE INSTALLATION, 110HP (LS)

| ITEM | PART NUMBER | QTY | DESCRIPTION | REV |
|------|-------------|-----|--|-----|
| | 1001160396 | Ref | ENGINE INSTALLATION, 110HP (LS) | D |
| 1 | 1001154790 | Ref | Engine, 110HP (LS) (See ENGINE 110HP (LS) for Breakdown) | |
| 2 | 1001161664 | Ref | Installation, Transmission (See DRIVETRAIN SECTION for Breakdown) | |
| 3 | 1001163227 | Ref | Installation, Engine Mounting (See ENGINE MOUNTING INSTALLATION for Breakdown) | |
| 4 | 1001163230 | Ref | Installation, Fan (See FAN INSTALLATION for Breakdown) | |
| 5 | 1001163238 | Ref | Installation, Air Intake Lines (LS) (See AIR INTAKE LINES INSTALLATION (LS) for Breakdown) | |
| 6 | 1001163239 | Ref | Installation, Air Cleaner (LS) (See AIR CLEANER INSTALLATION (LS) for Breakdown) | |
| 7 | 1001163241 | Ref | Installation, Fuel Lines (LS) (See FUEL LINES INSTALLATION (LS) for Breakdown) | |
| 8 | 1001176228 | 1 | Hose, 3.8L | |
| 9 | 1001180076 | Ref | Installation, Primary Fuel Filter (LS) (See PRIMARY FUEL FILTER INSTALLATION (LS) for Breakdown) | |
| 10 | 1001180242 | Ref | Installation, Engine ECM (LS) (See ELECTRICAL SECTION for Breakdown) | |
| 11 | 1001163242 | Ref | Installation, Engine Wiring (LS) (See ELECTRICAL SECTION for Breakdown) | |

SECTION 4 - ENGINE AND ATTACHING PARTS

FIGURE 4-4. ENGINE MOUNTING INSTALLATION



AHT_1001163327-H

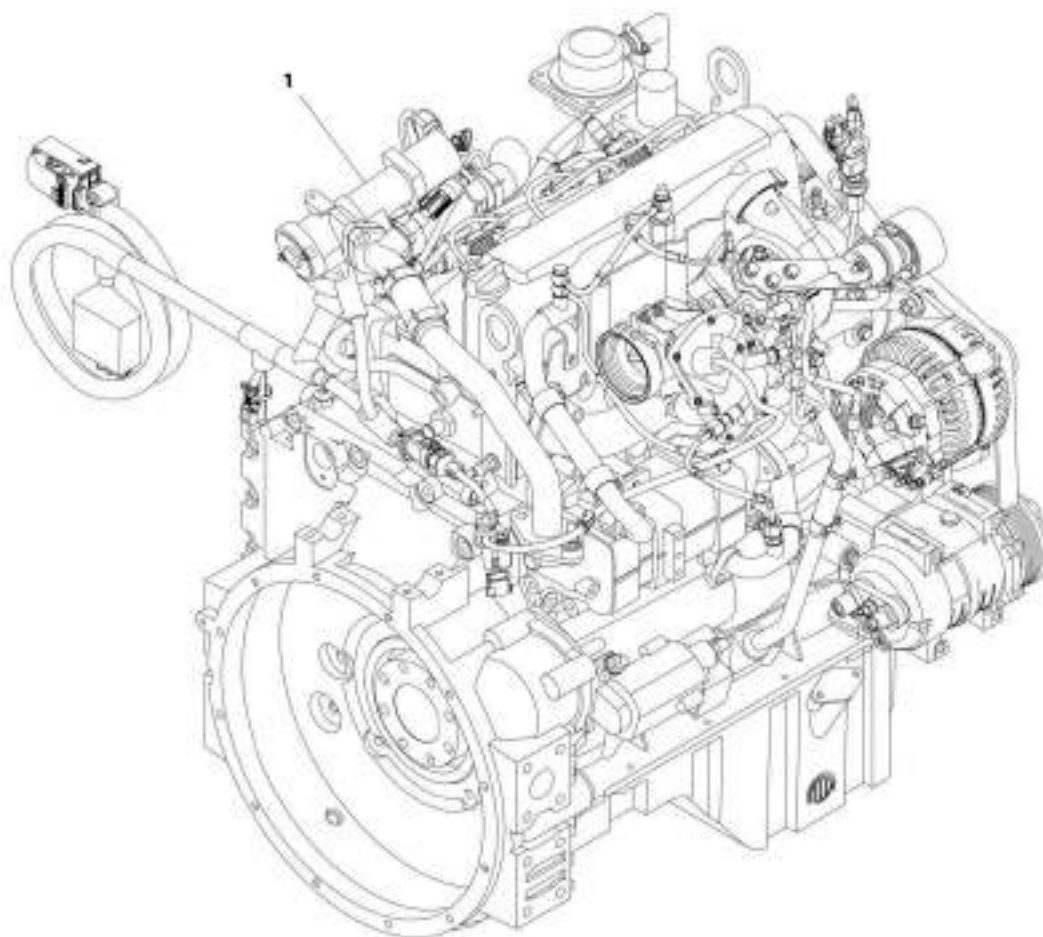
SECTION 4 - ENGINE AND ATTACHING PARTS

FIGURE 4-4. ENGINE MOUNTING INSTALLATION

| ITEM | PART NUMBER | QTY | DESCRIPTION | REV |
|------|-------------|-----|------------------------------|-----|
| | 1001163227 | Ref | Engine Mounting Installation | H |
| 1 | 0701216 | 8 | Bolt, M12X40 | |
| 2 | 0701220 | 2 | Bolt, M12X60 | |
| 3 | 0701227 | 2 | Bolt, M12X100 | |
| 4 | 0711629 | 1 | Bolt, M16x120 | |
| 5 | 0711630 | 1 | Bolt, M16X130 | |
| 6 | 3331615 | 2 | Nut, M16 | |
| 7 | 4812100 | 12 | Washer, M12 | |
| 8 | 4812300 | 5 | Washer, M16 | |
| 9 | 7300435 | 3 | Washer | |
| 10 | 1001160116 | 1 | Bracket, Engine | |
| 11 | 1001168795 | 1 | Plate, Engine Mount | |
| 12 | 1001168797 | 1 | Plate, Engine Mount | |
| 13 | 1001160888 | 1 | Mount, Isolator Engine | |
| 14 | 1001195518 | 2 | Mount, Isolator Engine | |
| 15 | 0711626 | 1 | Bolt, M16X90 | |

SECTION 4 - ENGINE AND ATTACHING PARTS

FIGURE 4-5. ENGINE, QSF 3.8L, (110HP) (ULS)



ART_1001154011-P

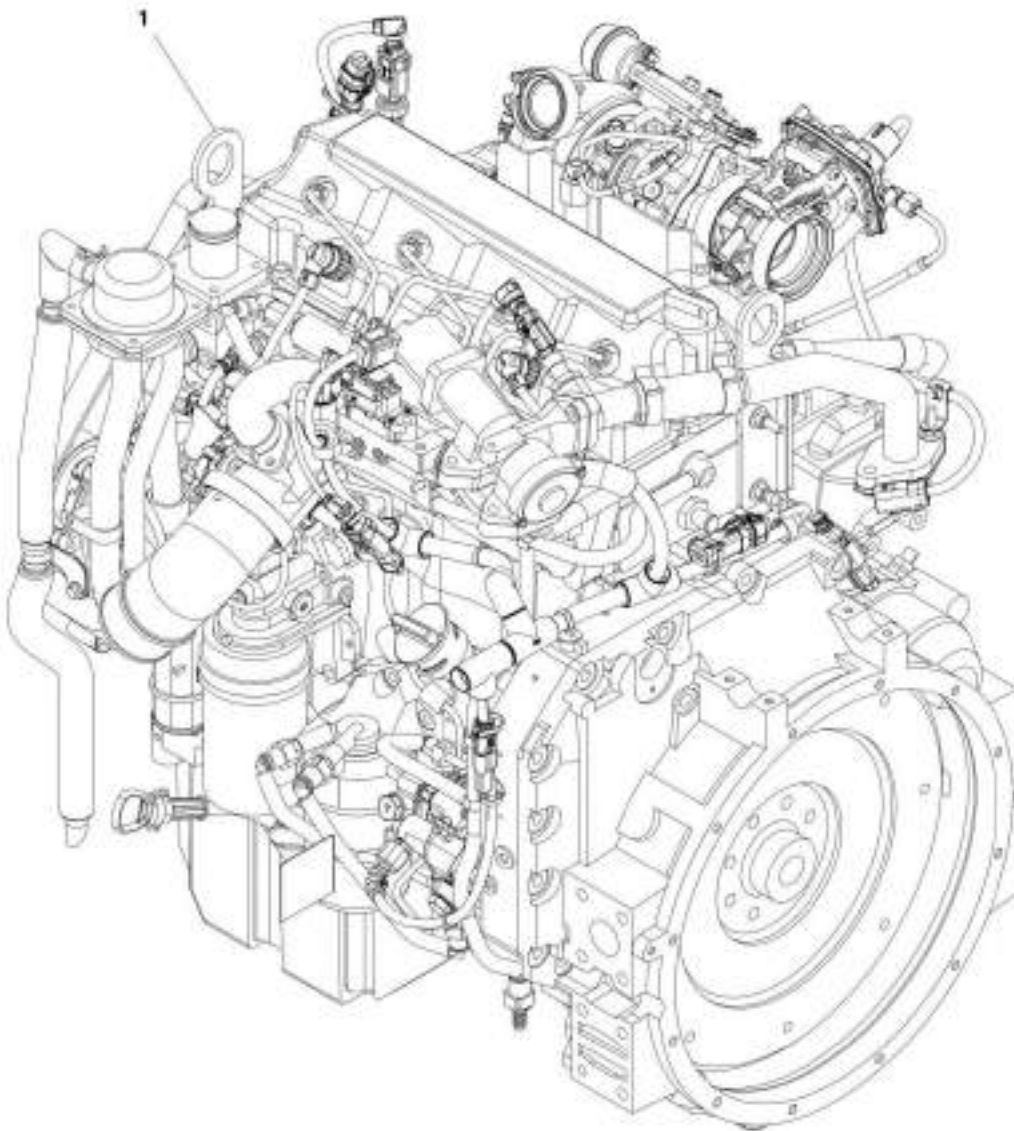
SECTION 4 - ENGINE AND ATTACHING PARTS

FIGURE 4-5. ENGINE, QSF 3.8L, (110HP) (ULS)

| ITEM | PART NUMBER | QTY | DESCRIPTION | REV |
|------|-------------|-----|--|-----|
| | 1001154511 | 1 | Engine, QSF 3.8L (if equipped for ULS) | P |
| | 70026220 | 1 | Assembly, Secondary Fuel Filter (includes shell, seal and cartridge) | |
| | 70026453 | 1 | Cartridge, Fuel Filter | |
| | 70026223 | 1 | Pan, Oil | |
| | 70026224 | 1 | Seal, Oil Pan | |
| | 70026225 | 1 | Plug, Oil Pan | |
| | 70026226 | 1 | Seal, Oil Pan Plug | |
| | 1001128594 | 1 | Starter | |
| | 70026228 | 1 | Filler Cap, Valve Cover | |
| | 70026229 | 1 | Fan Belt, V-Ribbed | |
| | 70026230 | 1 | Support, Fan | |
| | 70026231 | 1 | Pulley, Fan | |
| | 70026232 | 1 | Alternator | |
| | 70026233 | NLA | Assembly, Primary Fuel Filter, (includes filter head, seal and element), (no longer available, use 70028450 for replacement) | |
| | 70028450 | 1 | Assembly, Primary Fuel Filter, (includes filter head, seal and element) | |
| | 70026235 | 1 | Assembly, Dipstick Oil Level | |
| | 70026236 | 1 | Assembly, Block Heater | |
| | 70026241 | 1 | Assembly, Fuel Filter Plug | |
| | 70026237 | 1 | Filter, Oil | |
| | 70023933 | 1 | O-Ring, Oil Pressure Switch | |
| | 70041620 | 2 | Ring, Retaining | |
| | 70041616 | 1 | Bolt | |
| | 70041617 | 1 | Bearing, Ball | |
| | 70041619 | 1 | Retainer, Fan Hub | |
| | 1322039 | 1 | Spacer, Fan Pilot | |
| | 1321094 | 16 | Bolt, Fan Drive | |
| | 70024016 | 1 | Cap, Side Oil Fill | |
| | 70022634 | 1 | Flywheel w/Ring Gear | |
| | 70023736 | 1 | Ring Gear, Flywheel | |
| | 1322040 | 1 | Plug, Flywheel | |

SECTION 4 - ENGINE AND ATTACHING PARTS

FIGURE 4-6. ENGINE, 74HP (ULS)



ART_10011W665-1

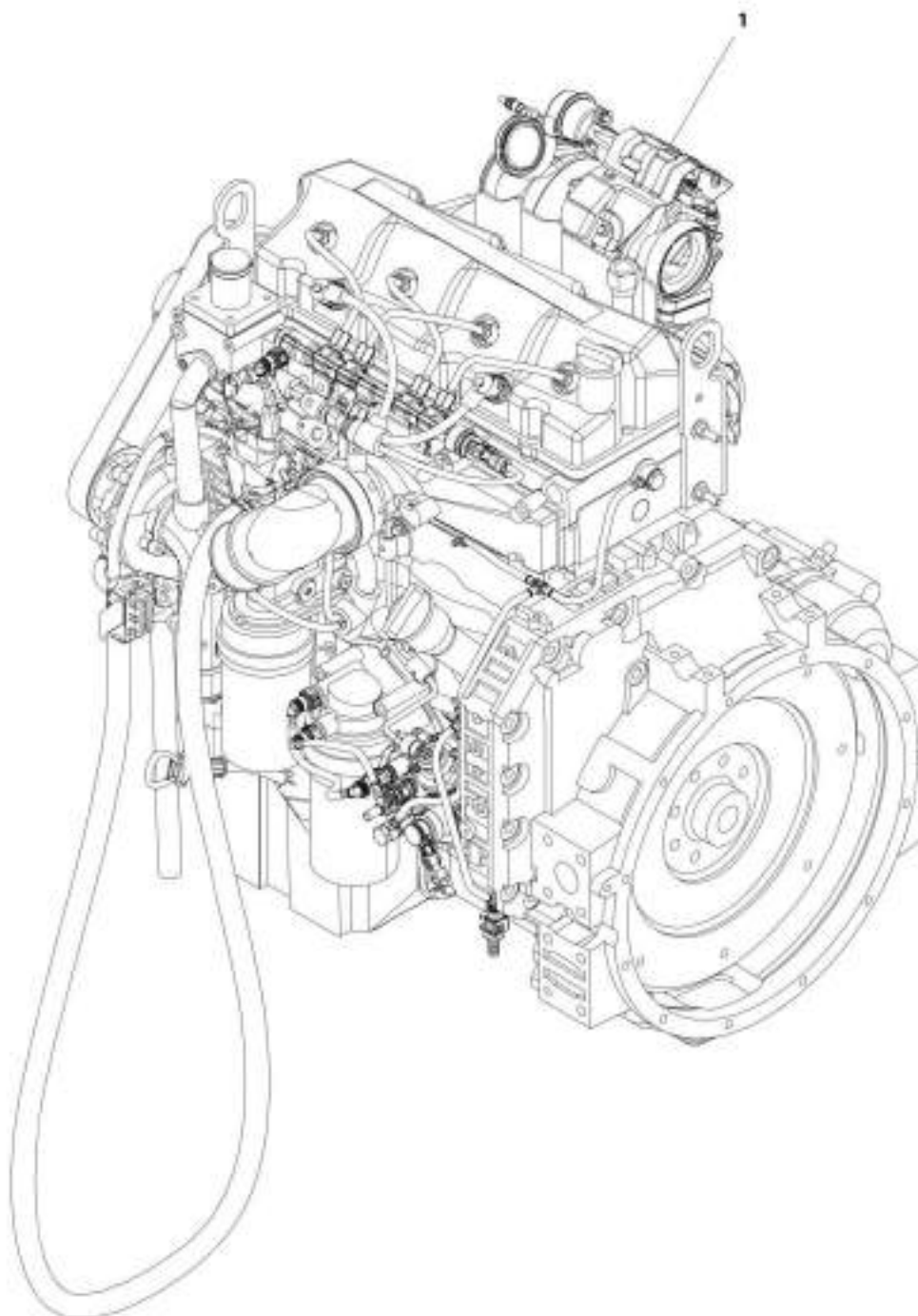
SECTION 4 - ENGINE AND ATTACHING PARTS

FIGURE 4-6. ENGINE, 74HP (ULS)

| ITEM | PART NUMBER | QTY | DESCRIPTION | REV |
|------|-------------|-----|--|-----|
| | 1001196665 | Ref | ENGINE, 74HP (if equipped for ULS) | J |
| | 70026220 | 1 | Assembly, Secondary Fuel Filter (includes filter head, seal and element) | |
| | 70026453 | 1 | Element, Fuel Filter | |
| | 70026221 | 1 | Head, Fuel Filter | |
| | 70026222 | 1 | Assembly, Flywheel Housing | |
| | 70027281 | 1 | Pan, Oil | |
| | 70026224 | 1 | Seal, Oil Pan | |
| | 70026225 | 1 | Plug, Oil Pan | |
| | 70026226 | 1 | Seal, Oil Pan Plug | |
| | 1001128594 | 1 | Starter | |
| | 70026228 | 1 | Filler Cap, Valve Cover | |
| | 70026229 | 1 | Fan Belt, V-Ribbed | |
| | 70026230 | 1 | Support, Fan | |
| | 70026231 | 1 | Pulley, Fan | |
| | 70026232 | 1 | Alternator | |
| | 70026233 | NLA | Assembly, Primary Fuel Filter, (no longer available, use 70028450 for replacement) | |
| | 70028450 | 1 | Assembly, Primary Fuel Filter | |
| | 70026234 | 1 | Element, Fuel Filter | |
| | 70026235 | 1 | Assembly, Dipstick Oil Level | |
| | N.S.S. | 1 | Dipstick, (no longer available, use 70026235 for replacement) | |
| | N.S.S. | 1 | Tube, Dipstick, (no longer available, use 70026235 for replacement) | |
| | 70026241 | 1 | Assembly, Fuel Filter Plug | |
| | 70026237 | 1 | Filter, Oil | |
| | 70023933 | 1 | O-Ring, Oil Pressure Switch | |
| | 70041620 | 2 | Ring, Retaining | |
| | 70041616 | 1 | Bolt | |
| | 70041617 | 1 | Bearing, Ball | |
| | 70041619 | 1 | Retainer, Fan Hub | |
| | 1322039 | 1 | Spacer, Fan Pilot | |
| | 1321094 | 19 | Screw | |
| | 70024016 | 1 | Cap, Side Oil Fill | |
| | 70022634 | 1 | Flywheel w/Ring Gear | |
| | 70023736 | 1 | Ring Gear, Flywheel | |
| | 1322040 | 1 | Plug, Flywheel | |

SECTION 4 - ENGINE AND ATTACHING PARTS

FIGURE 4-7. ENGINE, 110HP (LS)



ART_100156796-1

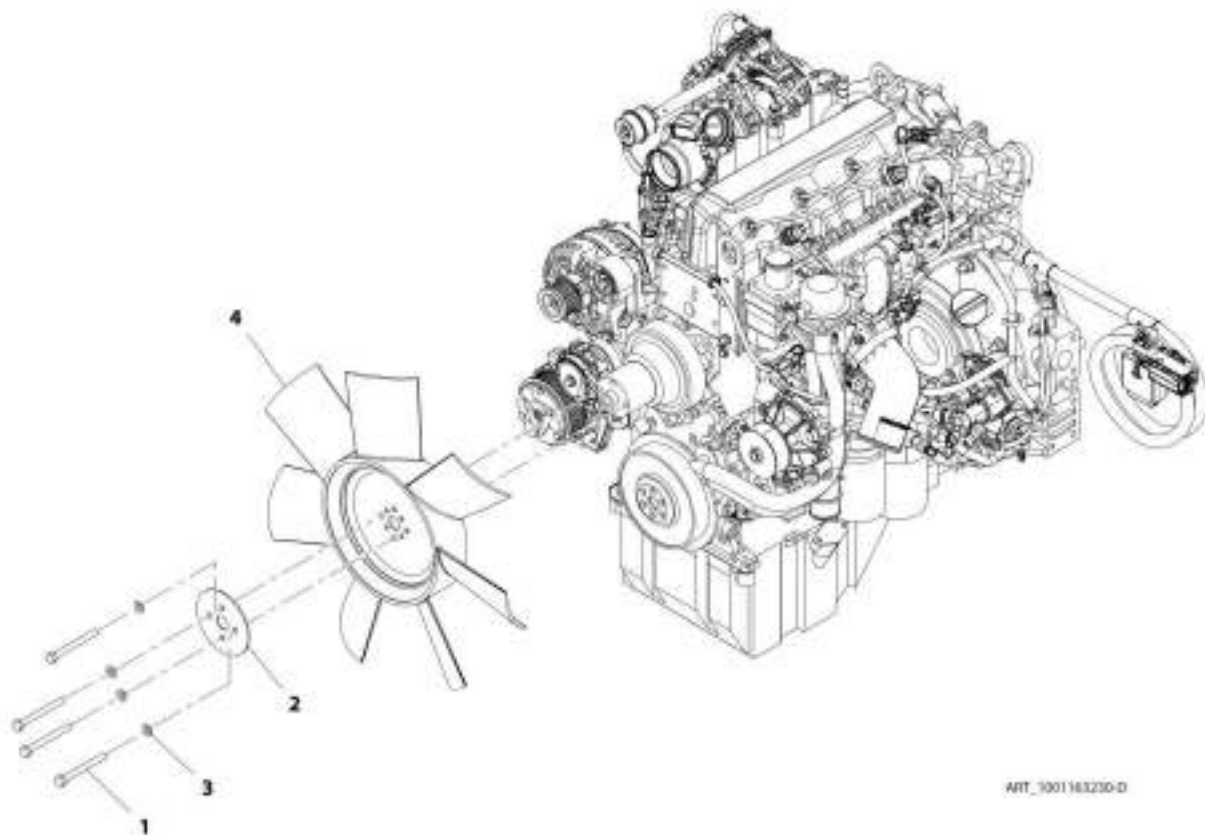
SECTION 4 - ENGINE AND ATTACHING PARTS

FIGURE 4-7. ENGINE, 110HP (LS)

| ITEM | PART NUMBER | QTY | DESCRIPTION | REV |
|------|-------------|-----|-------------------------------|-----|
| | 1001154790 | Ref | 3.8L Engine (LS) | J |
| | 70026800 | 1 | Fuel Filter Assembly | |
| | 70026801 | 1 | Fuel Filter Element | |
| | 70026222 | 1 | Assembly, Flywheel Housing | |
| | 70027281 | 1 | Pan, Oil | |
| | 70026224 | 1 | Seal, Oil Pan | |
| | 70026225 | 1 | Plug, Oil Pan | |
| | 70026226 | 1 | Seal, Oil Pan Plug | |
| | 1001128594 | 1 | Starter | |
| | 70026228 | 1 | Filler Cap, Valve Cover | |
| | 70026229 | 1 | Fan Belt, V-Ribbed | |
| | 70026230 | 1 | Support, Fan | |
| | 70026231 | 1 | Pulley, Fan | |
| | 70026232 | 1 | Alternator | |
| | 70026233 | 1 | Assembly, Primary Fuel Filter | |
| | 70026234 | 1 | Element, Fuel Filter | |
| | 70026235 | 1 | Assembly, Dipstick Oil Level | |
| | 70026241 | 1 | Assembly, Fuel Filter Plug | |
| | 70026237 | 1 | Filter, Oil | |
| | 70041620 | 2 | Ring, Retaining | |
| | 70041616 | 1 | Bolt | |
| | 70041617 | 1 | Bearing, Ball | |
| | 70041619 | 1 | Retainer, Fan Hub | |
| | 1322039 | 1 | Spacer, Fan Pilot | |
| | 1321094 | 17 | Screw | |
| | 70024016 | 1 | Cap, Side Oil Fill | |
| | 70022634 | 1 | Flywheel w/Ring Gear | |
| | 70023736 | 1 | Ring Gear, Flywheel | |
| | 1322040 | 1 | Plug, Flywheel | |

SECTION 4 - ENGINE AND ATTACHING PARTS

FIGURE 4-8. FAN INSTALLATION



MIT_3001183230-D

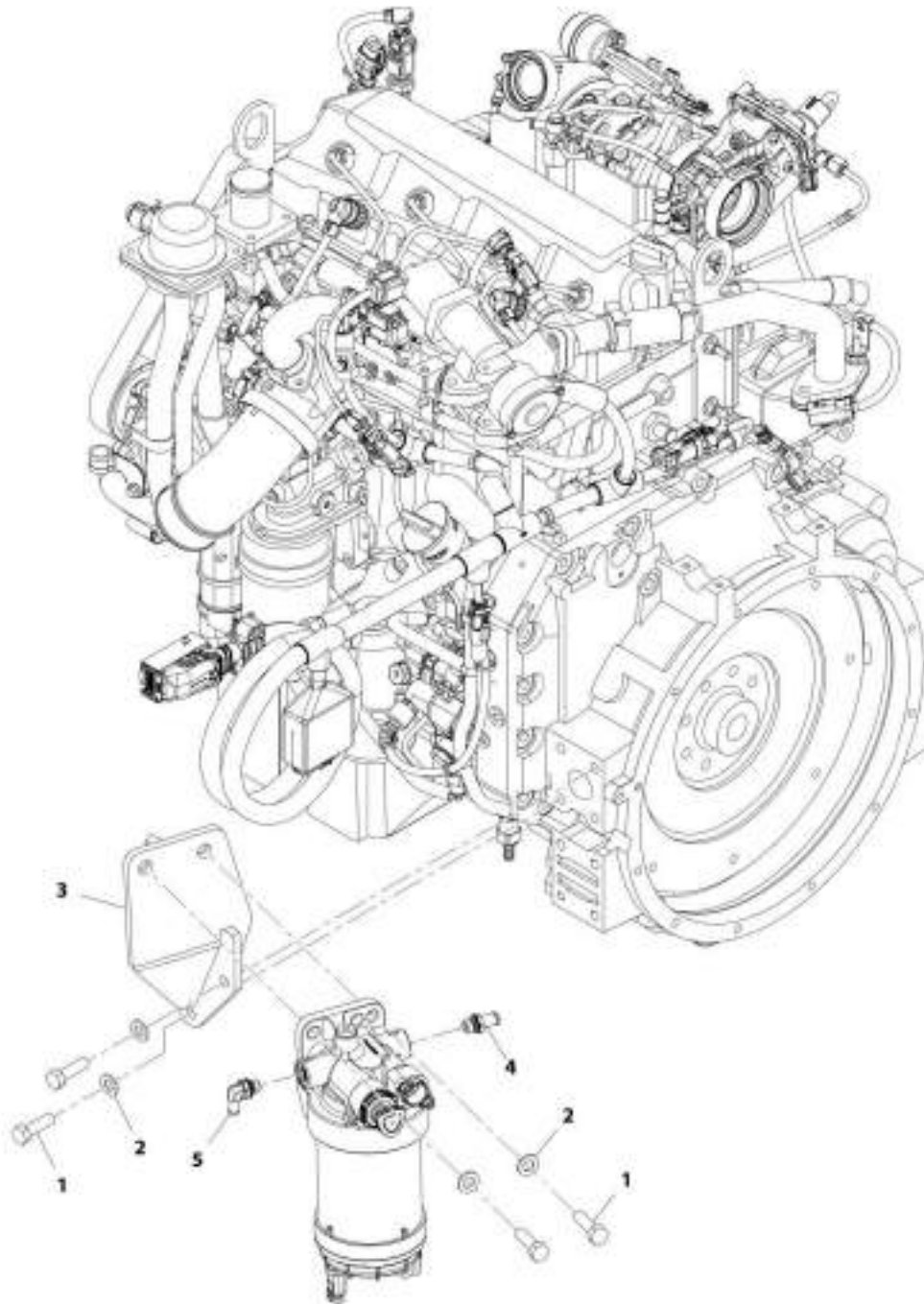
SECTION 4 - ENGINE AND ATTACHING PARTS

FIGURE 4-8. FAN INSTALLATION

| ITEM | PART NUMBER | QTY | DESCRIPTION | REV |
|------|-------------|-----|------------------|-----|
| | 1001163230 | Ref | Fan Installation | D |
| 1 | 0701027 | 4 | Bolt, M10X100 | |
| 2 | 3575947 | 1 | Plate | |
| 3 | 4812000 | 4 | Washer, M10 | |
| 4 | 1001175269 | 1 | Fan, Cooling | |

SECTION 4 - ENGINE AND ATTACHING PARTS

FIGURE 4-9. PRIMARY FUEL FILTER INSTALLATION (ULS)



ART 3001162205-F

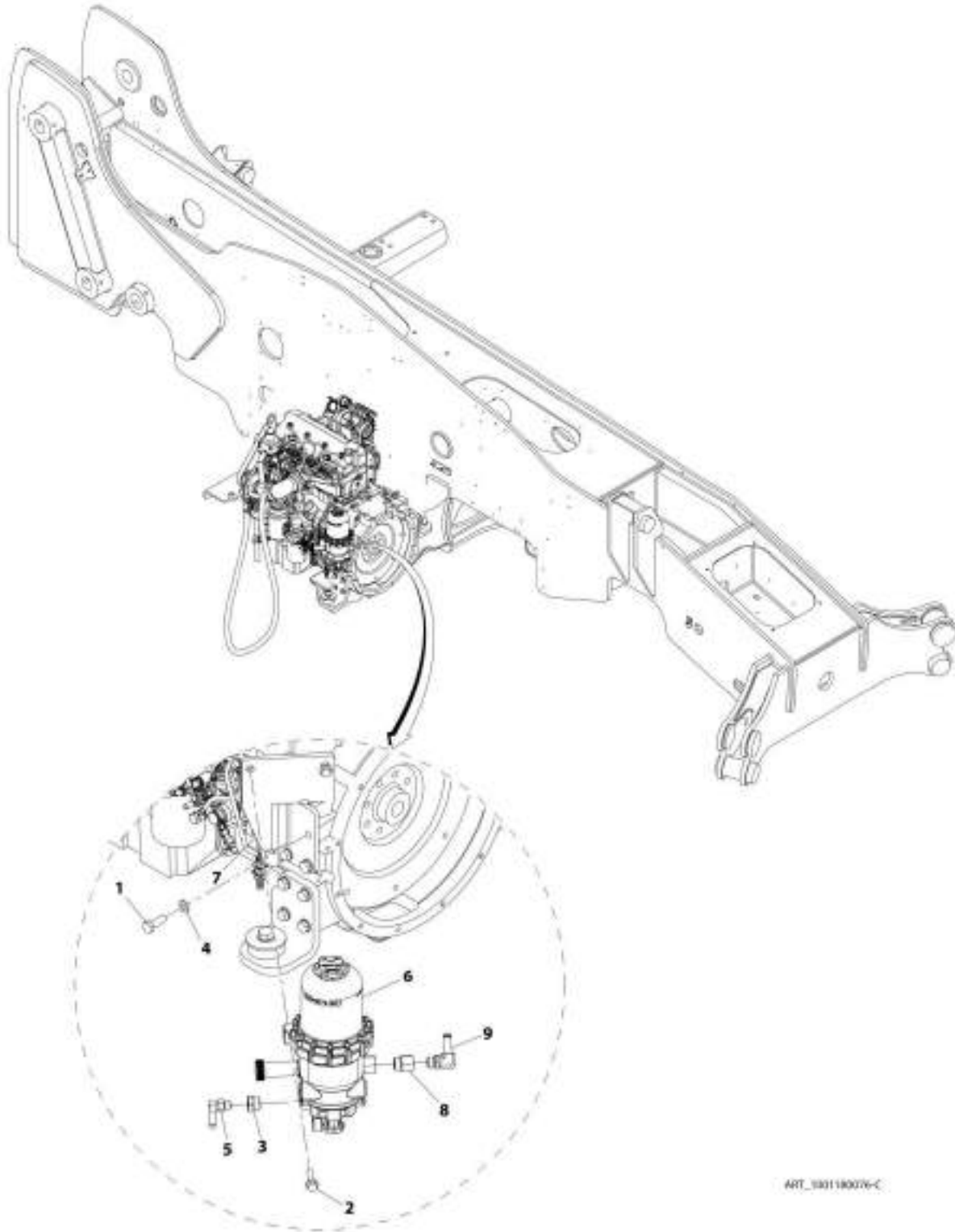
SECTION 4 - ENGINE AND ATTACHING PARTS

FIGURE 4-9. PRIMARY FUEL FILTER INSTALLATION (ULS)

| ITEM | PART NUMBER | QTY | DESCRIPTION | REV |
|------|-------------|-----|----------------------------------|-----|
| | 1001163235 | Ref | Primary Fuel Filter Installation | F |
| 1 | 0701216 | 4 | Bolt, M12X40 | |
| 2 | 4812100 | 4 | Washer, M12 | |
| 3 | 1001206019 | 1 | Bracket, Fuel Filter Mount | |
| 4 | 1001217467 | 1 | Barb, Hose | |
| 5 | 1001182094 | 1 | Hose | |

SECTION 4 - ENGINE AND ATTACHING PARTS

FIGURE 4-10. PRIMARY FUEL FILTER INSTALLATION (LS)



ART_100110076-C

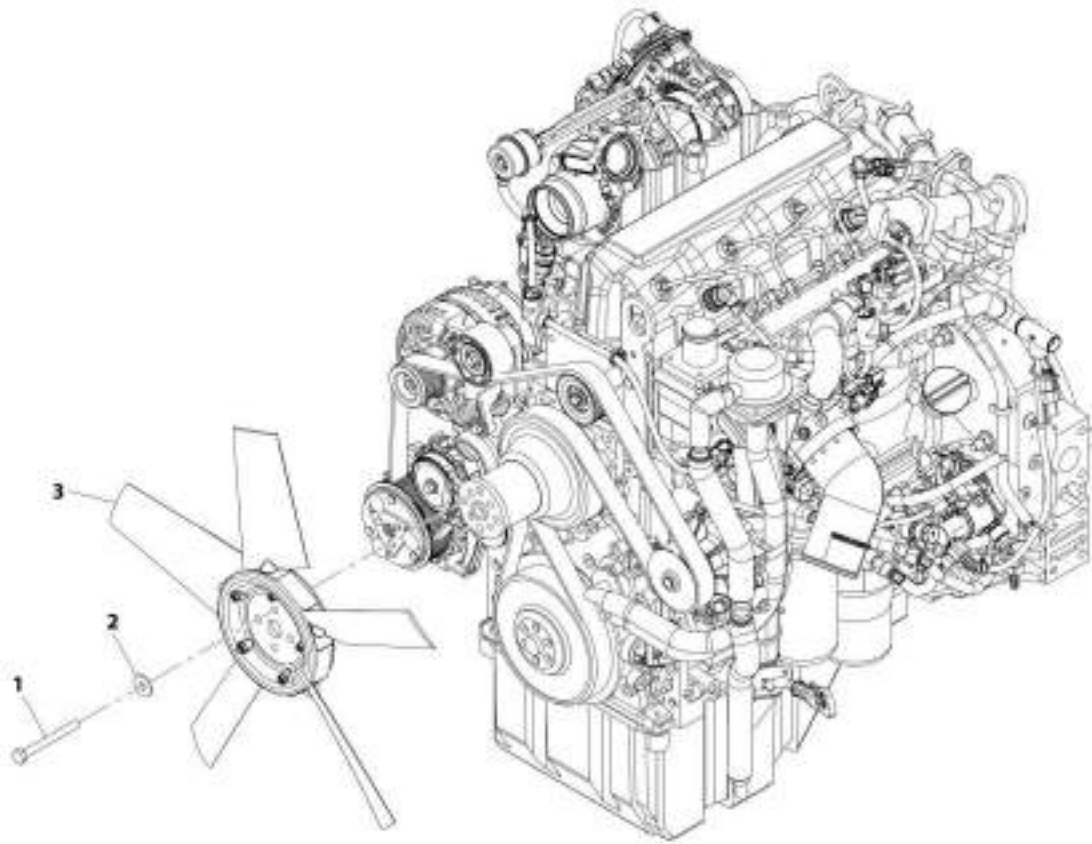
SECTION 4 - ENGINE AND ATTACHING PARTS

FIGURE 4-10. PRIMARY FUEL FILTER INSTALLATION (LS)

| ITEM | PART NUMBER | QTY | DESCRIPTION | REV |
|------|-------------|-----|---------------------------------------|-----|
| | 1001180076 | Ref | Primary Fuel Filter Installation (LS) | C |
| 1 | 0701215 | 3 | Bolt, M12X35 | |
| 2 | 0781016 | 2 | Bolt, M10X40 | |
| 3 | 2220218 | 1 | Fitting, Straight ORFS | |
| 4 | 4812100 | 3 | Washer, M12 | |
| 5 | 8430034 | 1 | Elbow, 90 | |
| 6 | 1001133534 | 1 | Filter, Fuel | |
| 7 | 1001180078 | 1 | Bracket, Fuel Filter Mount | |
| 8 | 2220810 | 1 | Fitting, Straight | |
| 9 | 1001200239 | 1 | Fitting, 90 ORFS | |

SECTION 4 - ENGINE AND ATTACHING PARTS

FIGURE 4-11. FAN INSTALLATION, 74HP (ULS) (742, 943)



MTI_1001225231-A

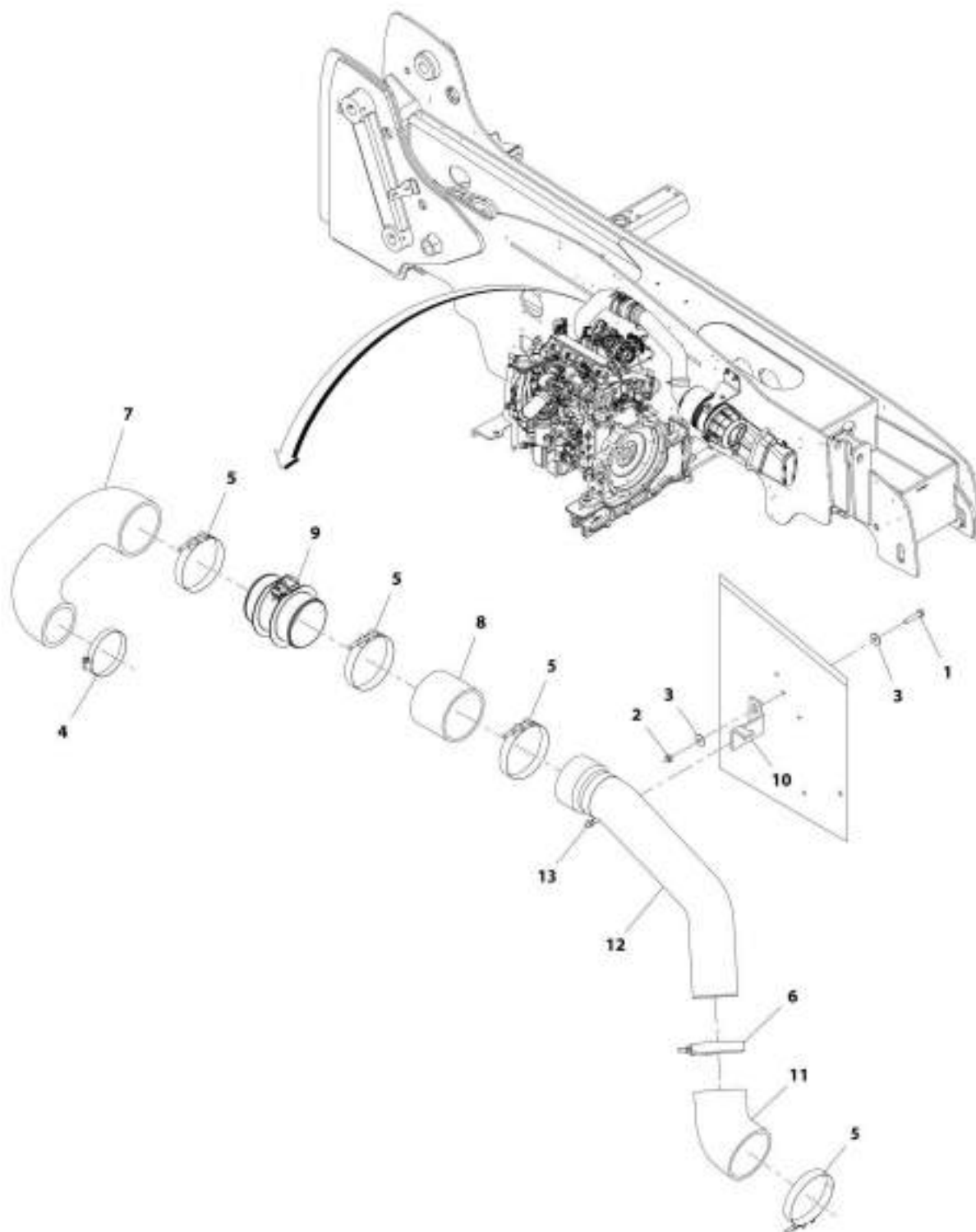
SECTION 4 - ENGINE AND ATTACHING PARTS

FIGURE 4-11. FAN INSTALLATION, 74HP (ULS) (742, 943)

| ITEM | PART NUMBER | QTY | DESCRIPTION | REV |
|------|-------------|-----|-----------------------------------|-----|
| | 1001225231 | Ref | Fan Installation (ULS) (742, 943) | A |
| 1 | 0701027 | 4 | Bolt, M10X100 | |
| 2 | 4812002 | 4 | Washer, M10 | |
| 3 | 1001225982 | 1 | Fan, Cooling | |

SECTION 4 - ENGINE AND ATTACHING PARTS

FIGURE 4-12. AIR CLEANER LINES INSTALLATION (ULS)



ART_1001599011-C

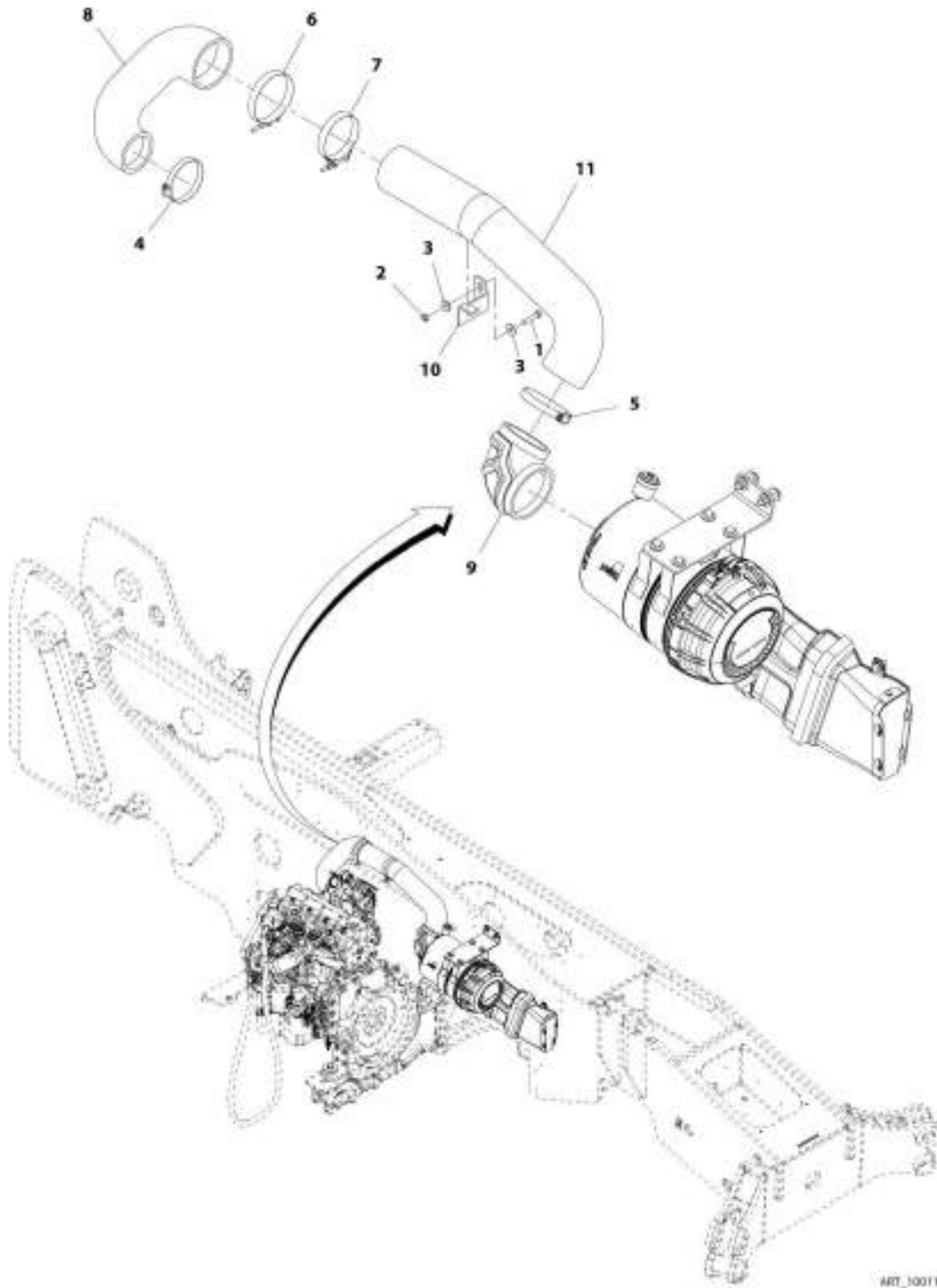
SECTION 4 - ENGINE AND ATTACHING PARTS

FIGURE 4-12. AIR CLEANER LINES INSTALLATION (ULS)

| ITEM | PART NUMBER | QTY | DESCRIPTION | REV |
|------|-------------|-----|--------------------------------|-----|
| | 1001169011 | Ref | Air Cleaner Lines Installation | C |
| 1 | 0700816 | 1 | Bolt, M8X40 | |
| 2 | 3290801 | 1 | Nut, M8X1.25 Grade 8 | |
| 3 | 4811902 | 2 | Washer, M8 | |
| 4 | 8410011 | 1 | Clamp | |
| 5 | 80933367 | 4 | Clamp | |
| 6 | 91413025 | 1 | Clamp | |
| 7 | 1001166449 | 1 | Hose | |
| 8 | 1001166450 | 1 | Hose | |
| 9 | 1001168771 | 1 | Tube | |
| 10 | 1001169155 | 1 | Bracket | |
| 11 | 1001185505 | 1 | Elbow | |
| 12 | 1001185497 | 1 | Tube | |
| 13 | 8410007 | 1 | Clamp, T-Bolt | |

SECTION 4 - ENGINE AND ATTACHING PARTS

FIGURE 4-13. AIR INTAKE LINES INSTALLATION (LS)



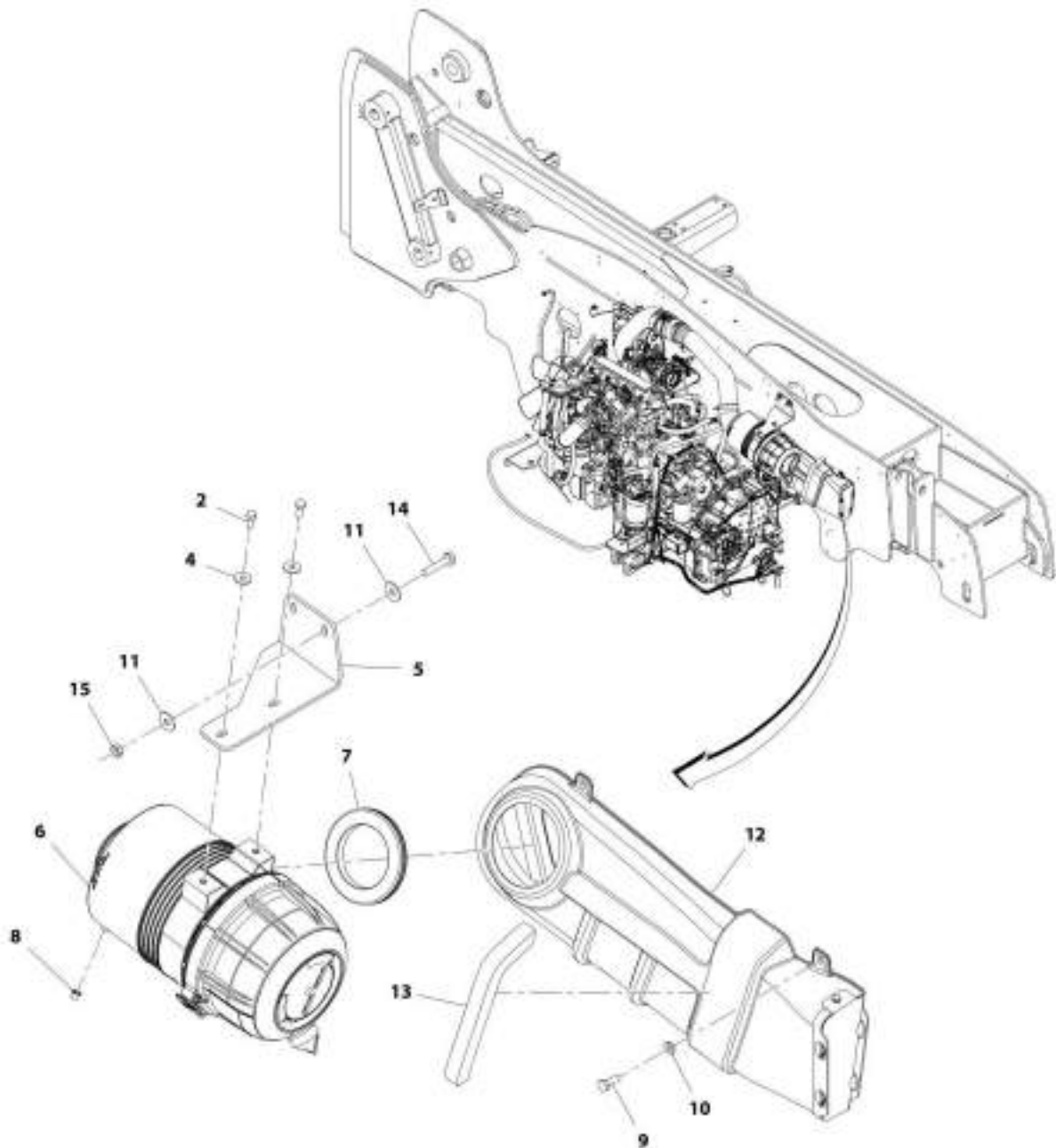
SECTION 4 - ENGINE AND ATTACHING PARTS

FIGURE 4-13. AIR INTAKE LINES INSTALLATION (LS)

| ITEM | PART NUMBER | QTY | DESCRIPTION | REV |
|------|-------------|-----|------------------------------------|-----|
| | 1001163238 | Ref | Air Intake Lines Installation (LS) | C |
| 1 | 0700816 | 1 | Bolt, M8X40 | |
| 2 | 3290801 | 1 | Nut, M8X1.25 Grade 8 | |
| 3 | 4811902 | 2 | Washer, M8 | |
| 4 | 8410011 | 1 | Clamp | |
| 5 | 10719267 | 1 | Clamp | |
| 6 | 80933367 | 1 | Clamp | |
| 7 | 91413025 | 1 | Clamp | |
| 8 | 1001166449 | 1 | Hose | |
| 9 | 1001166451 | 1 | Elbow | |
| 10 | 1001169155 | 1 | Bracket | |
| 11 | 1001185498 | 1 | Tube | |

SECTION 4 - ENGINE AND ATTACHING PARTS

FIGURE 4-14. AIR CLEANER INSTALLATION (ULS)



ART_1001598013-F

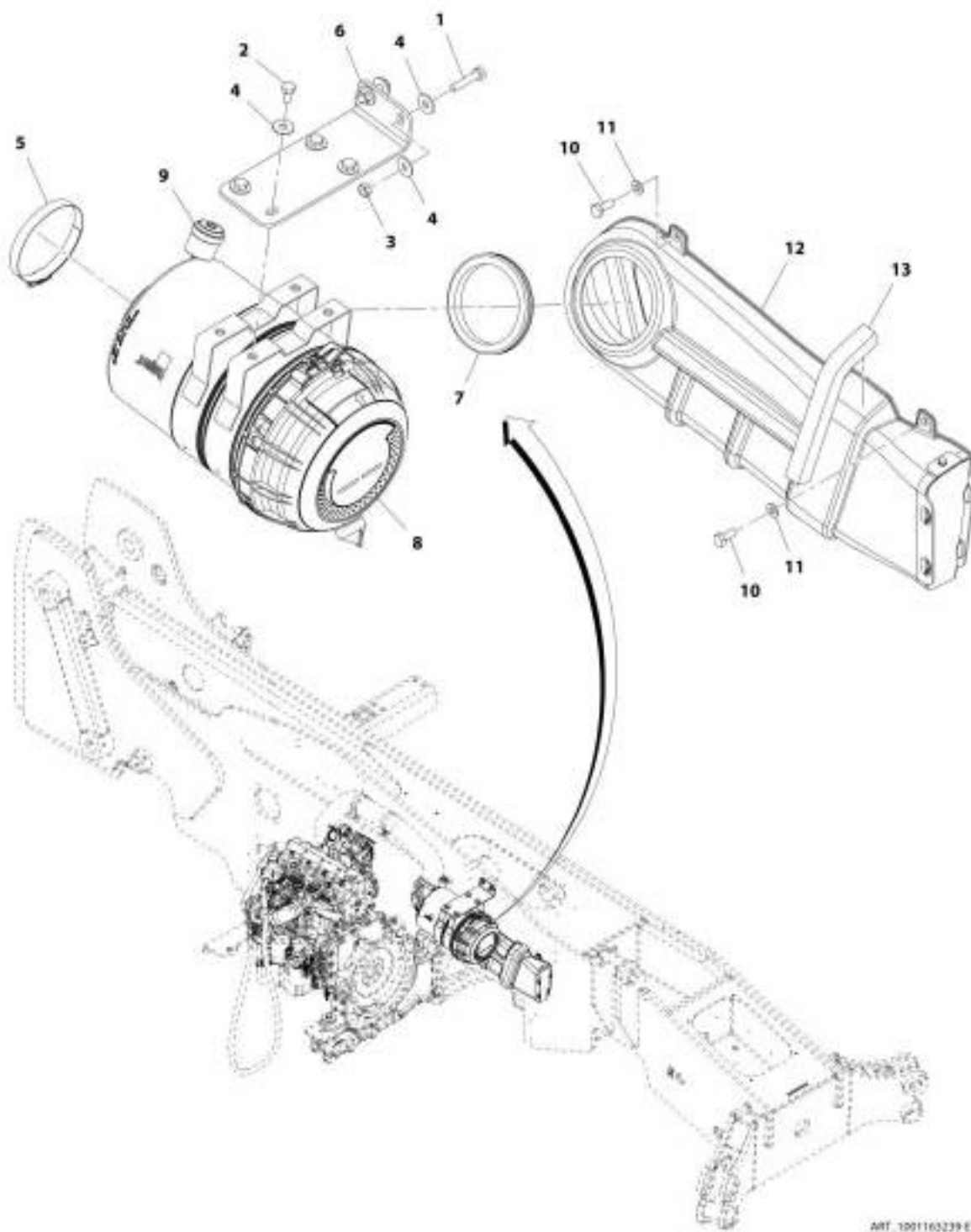
SECTION 4 - ENGINE AND ATTACHING PARTS

FIGURE 4-14. AIR CLEANER INSTALLATION (ULS)

| ITEM | PART NUMBER | QTY | DESCRIPTION | REV |
|------|-------------|-----|--|-----|
| | 1001169012 | Ref | Air Cleaner Installation | F |
| 2 | 0760810 | 2 | Bolt, M8X20 | |
| 4 | 4811902 | 2 | Washer, M8 | |
| 5 | 1001185278 | 1 | Bracket | |
| 6 | 1001166566 | 1 | Filter, Air Cleaner (See AIR CLEANER ASSEMBLY (ULS) for Breakdown) | |
| 7 | 1001183830 | 1 | Grommet, Intake | |
| 8 | 1001183177 | 1 | Cap, Air Cleaner | |
| 9 | 0761012 | 4 | Bolt, M10X25 | |
| 10 | 4812000 | 4 | Washer, M10 | |
| 11 | 4812002 | 4 | Washer, M10 | |
| 12 | 1001183835 | 1 | Installation, Air Intake Duct (See AIR INTAKE DUCT INSTALLATION for Breakdown) | |
| 13 | 1001186898 | 1 | Seal | |
| 14 | 0701018 | 2 | Bolt, M8X50 | |
| 15 | 3291001 | 1 | Nut, M10X1.5 Grade 8 | |

SECTION 4 - ENGINE AND ATTACHING PARTS

FIGURE 4-15. AIR CLEANER INSTALLATION (LS)



ART_1001163239-E

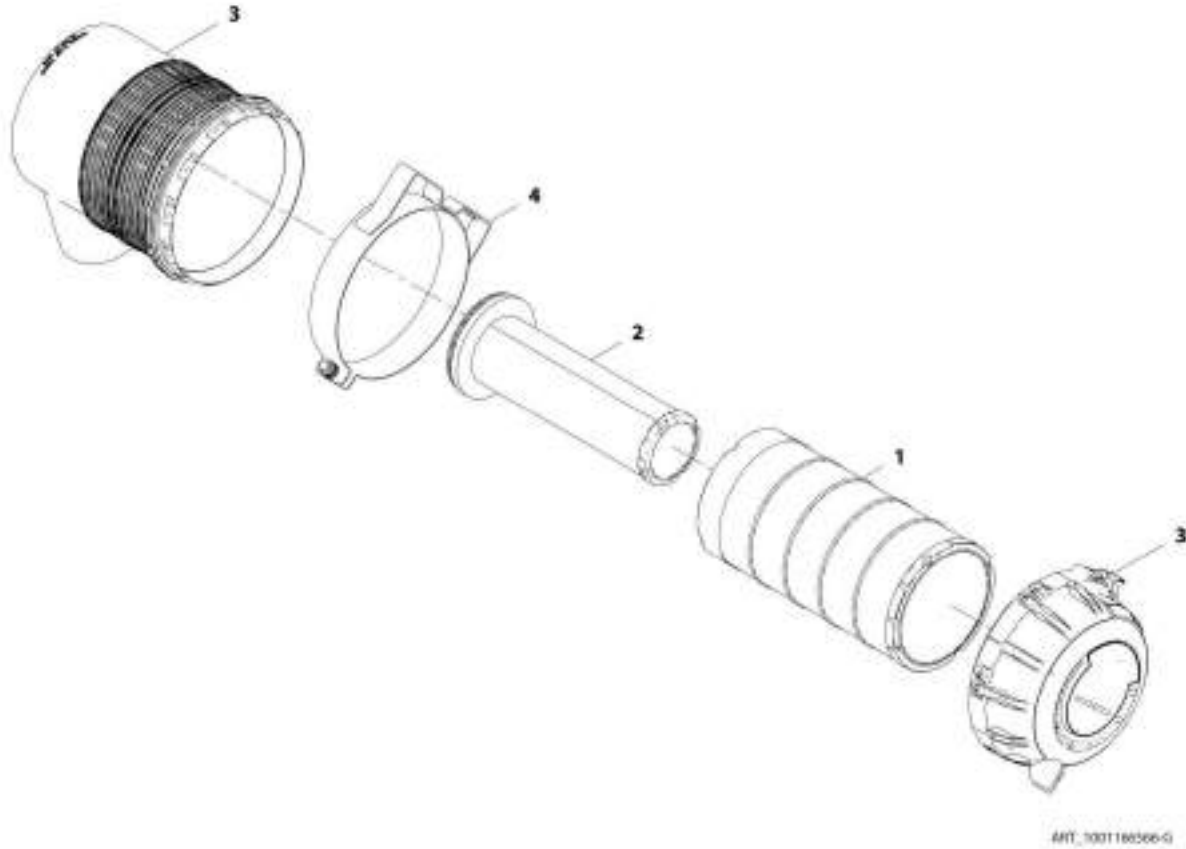
SECTION 4 - ENGINE AND ATTACHING PARTS

FIGURE 4-15. AIR CLEANER INSTALLATION (LS)

| ITEM | PART NUMBER | QTY | DESCRIPTION | REV |
|------|-------------|-----|--|-----|
| | 1001163239 | Ref | Air Cleaner Installation (LS) | E |
| 1 | 0701018 | 2 | Bolt, M10X50 | |
| 2 | 0761010 | 4 | Bolt, M10X20 | |
| 3 | 3291001 | 2 | Nut, M10X1.5 Grade 8 | |
| 4 | 4812002 | 8 | Washer, M10 | |
| 5 | 8405402 | 1 | Clamp | |
| 6 | 1001194534 | 1 | Bracket, Air Cleaner Mount | |
| 7 | 1001183831 | 1 | Grommet | |
| 8 | 1001166565 | 1 | Filter, Air Cleaner (See AIR CLEANER ASSEMBLY (LS) for Breakdown) | |
| 9 | 1001166716 | 1 | Indicator | |
| 10 | 0761012 | 4 | Bolt, M10X25 | |
| 11 | 4812000 | 4 | Washer, M10 | |
| 12 | 1001183835 | 1 | Installation, Duct Air Intake (See AIR INTAKE DUCT INSTALLATION for Breakdown) | |
| 13 | 1001186898 | 1 | Seal, Foam Gasket | |

SECTION 4 - ENGINE AND ATTACHING PARTS

FIGURE 4-16. AIR CLEANER ASSEMBLY (ULS)



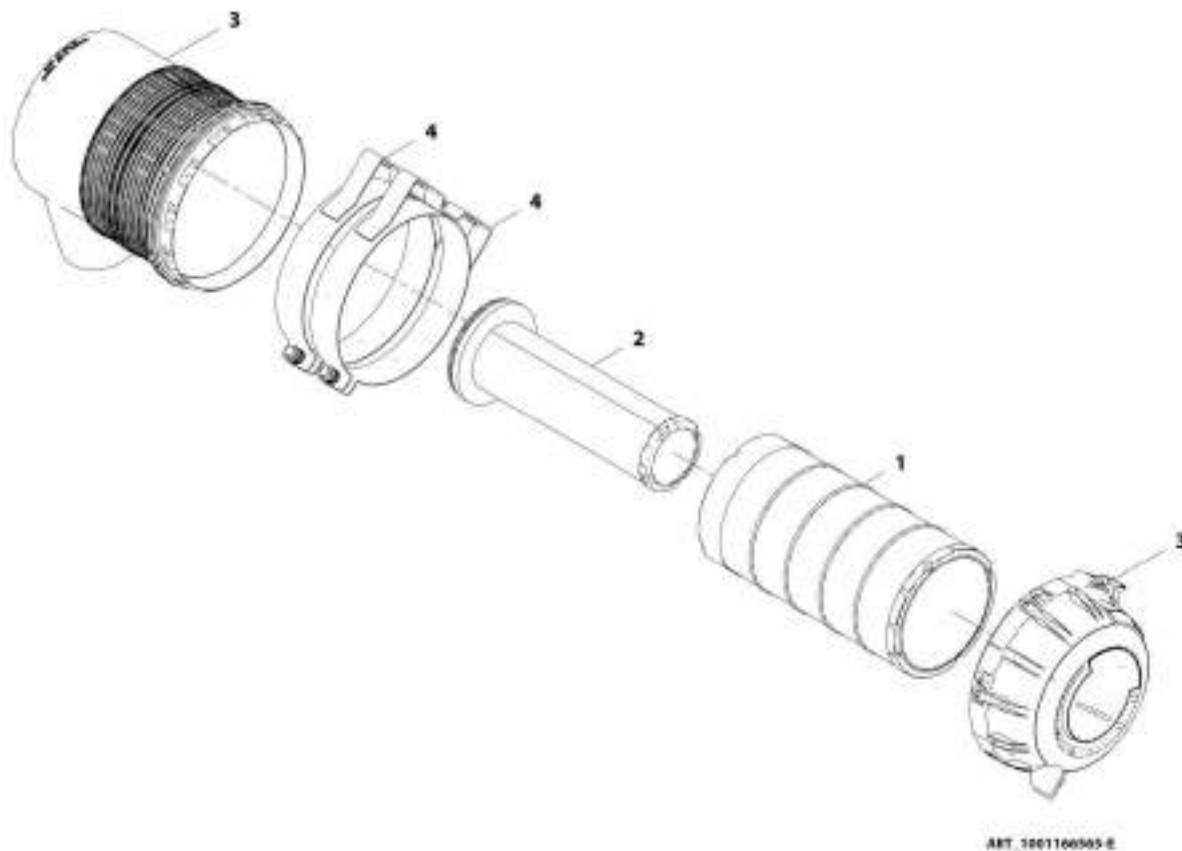
SECTION 4 - ENGINE AND ATTACHING PARTS

FIGURE 4-16. AIR CLEANER ASSEMBLY (ULS)

| ITEM | PART NUMBER | QTY | DESCRIPTION | REV |
|------|-------------|-----|-----------------------------------|-----|
| | 1001166566 | Ref | Air Cleaner Assembly (ULS) | G |
| 1 | 70025852 | 1 | Filter, Air Cylindrical Primary | |
| 2 | 70025853 | 1 | Filter, Air Cylindrical Secondary | |
| 3 | 70026393 | 1 | Cover, Air Cleaner | |
| 4 | 70026394 | 1 | Bracket, Mounting Band | |

SECTION 4 - ENGINE AND ATTACHING PARTS

FIGURE 4-17. AIR CLEANER ASSEMBLY (LS)



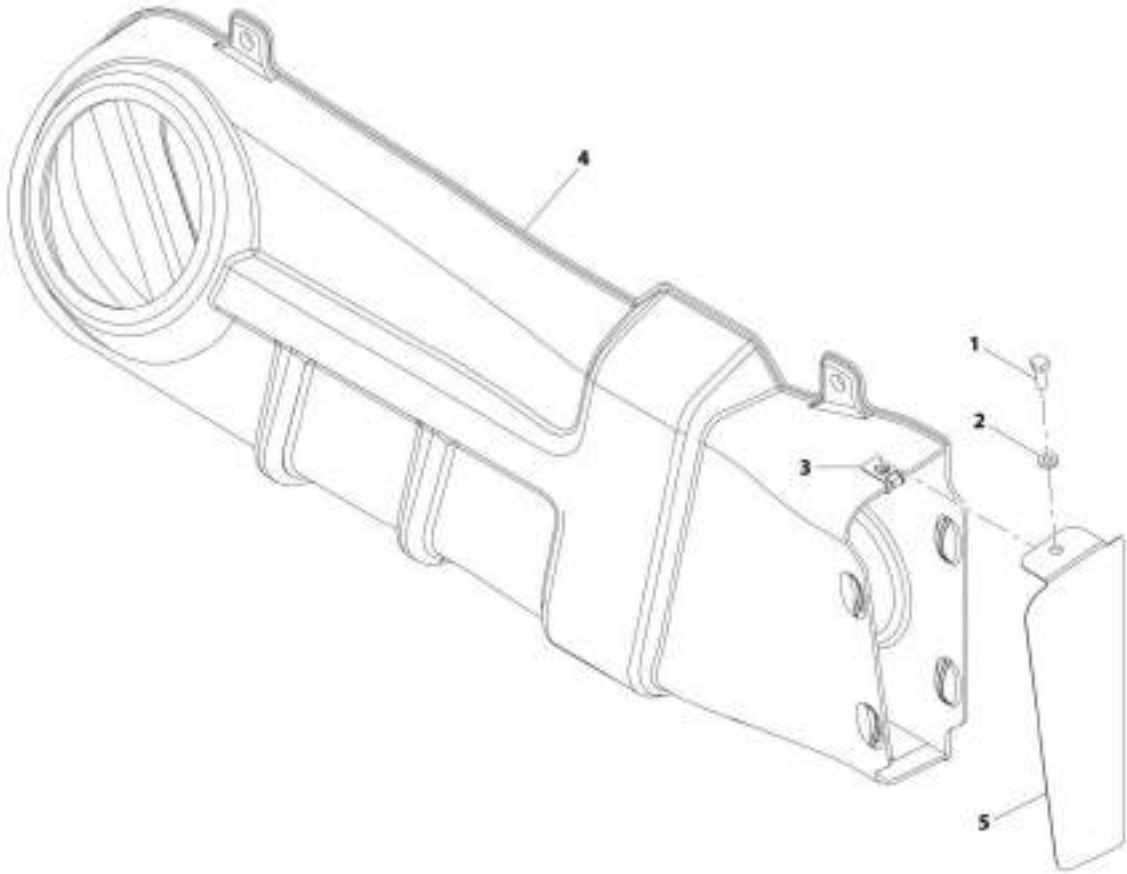
SECTION 4 - ENGINE AND ATTACHING PARTS

FIGURE 4-17. AIR CLEANER ASSEMBLY (LS)

| ITEM | PART NUMBER | QTY | DESCRIPTION | REV |
|------|-------------|-----|-----------------------------------|-----|
| | 1001166565 | Ref | Air Cleaner Assembly (LS) | E |
| 1 | 70025850 | 1 | Filter, Cylindrical Air Primary | |
| 2 | 70025851 | 1 | Filter, Cylindrical Air Secondary | |
| 3 | 70026395 | 1 | Cover, Air Cleaner | |
| 4 | 70026396 | 2 | Bracket, Mounting Band | |

SECTION 4 - ENGINE AND ATTACHING PARTS

FIGURE 4-18. AIR INTAKE DUCT INSTALLATION



ART_1001183825-C

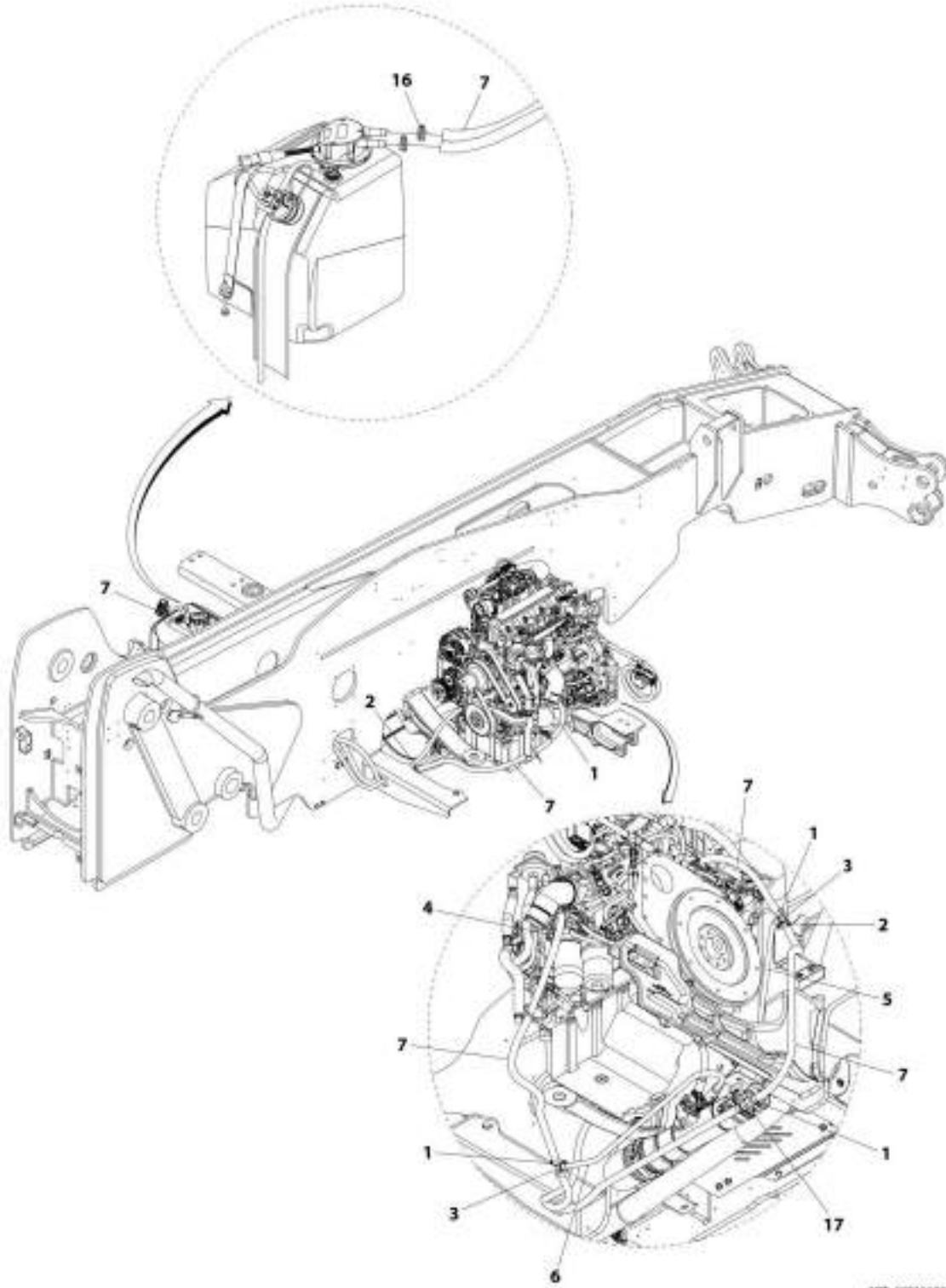
SECTION 4 - ENGINE AND ATTACHING PARTS

FIGURE 4-18. AIR INTAKE DUCT INSTALLATION

| ITEM | PART NUMBER | QTY | DESCRIPTION | REV |
|------|-------------|-----|------------------------------|-----|
| | 1001183835 | Ref | Air Intake Duct Installation | C |
| 1 | 0760608 | 1 | Bolt, M6X16 | |
| 2 | 4811702 | 1 | Washer, M6 | |
| 3 | 8305919 | 1 | Nut | |
| 4 | 1001183827 | 1 | Duct | |
| 5 | 1001183829 | 1 | Plate | |

SECTION 4 - ENGINE AND ATTACHING PARTS

FIGURE 4-19. DEF LINES INSTALLATION



ART_1001163232-I

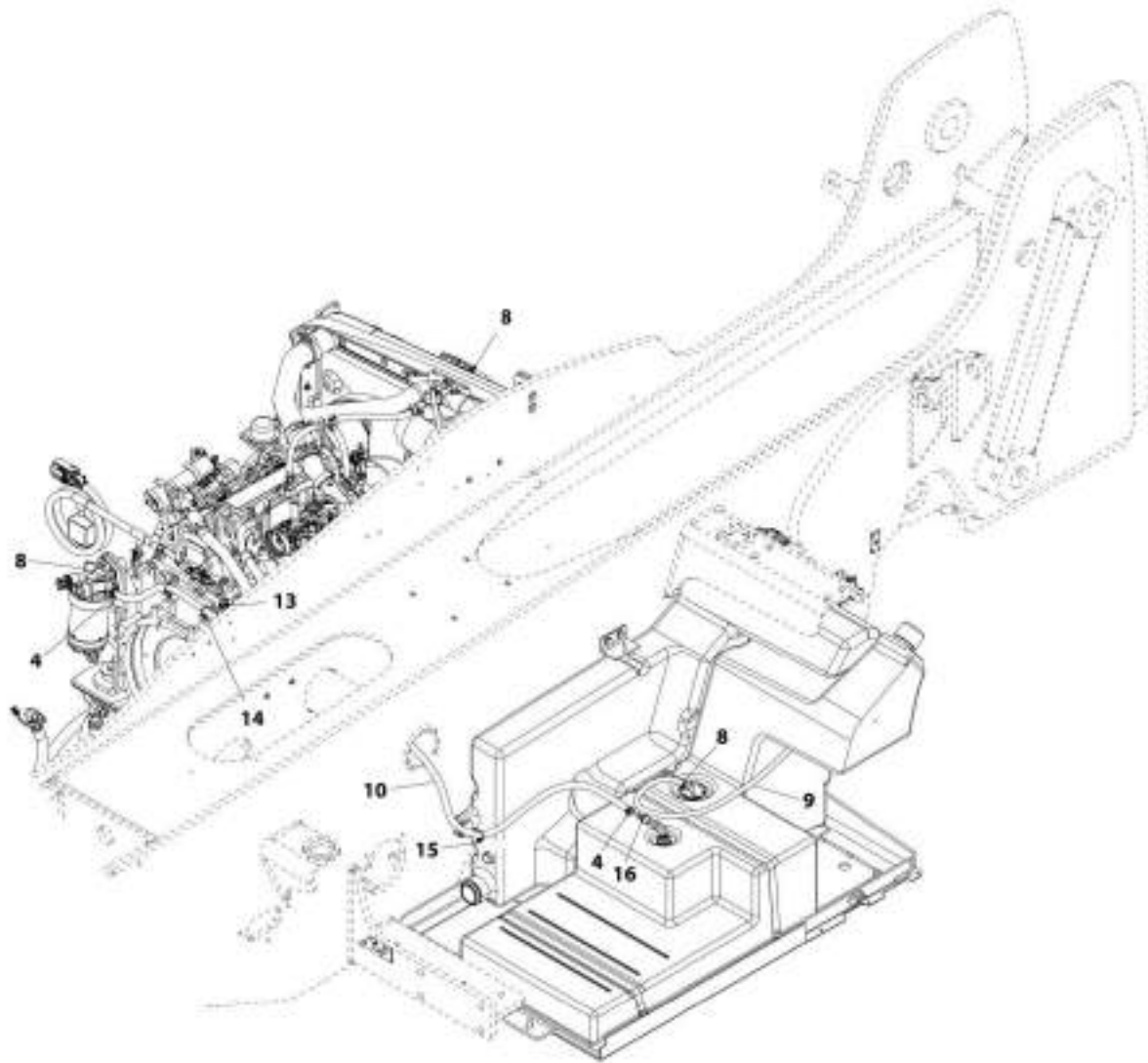
SECTION 4 - ENGINE AND ATTACHING PARTS

FIGURE 4-19. DEF LINES INSTALLATION

| ITEM | PART NUMBER | QTY | DESCRIPTION | REV |
|------|-------------|-------|------------------------|-----|
| | 1001163232 | Ref | DEF Lines Installation | I |
| 1 | 8410009 | 10 | Gear Clamp | |
| 2 | 8410013 | 2 | Gear Clamp | |
| 3 | 1001162212 | 2 | Pipe | |
| 4 | 1001168822 | 1 | Pipe | |
| 5 | 1001169409 | 1 | Hose | |
| 6 | 1001169410 | 1 | Hose | |
| 7 | 82033995 | 6.9 m | Hose | |
| 16 | 1001202526 | 2 | Clamp | |
| 17 | 1001228872 | 1 | Filter | |

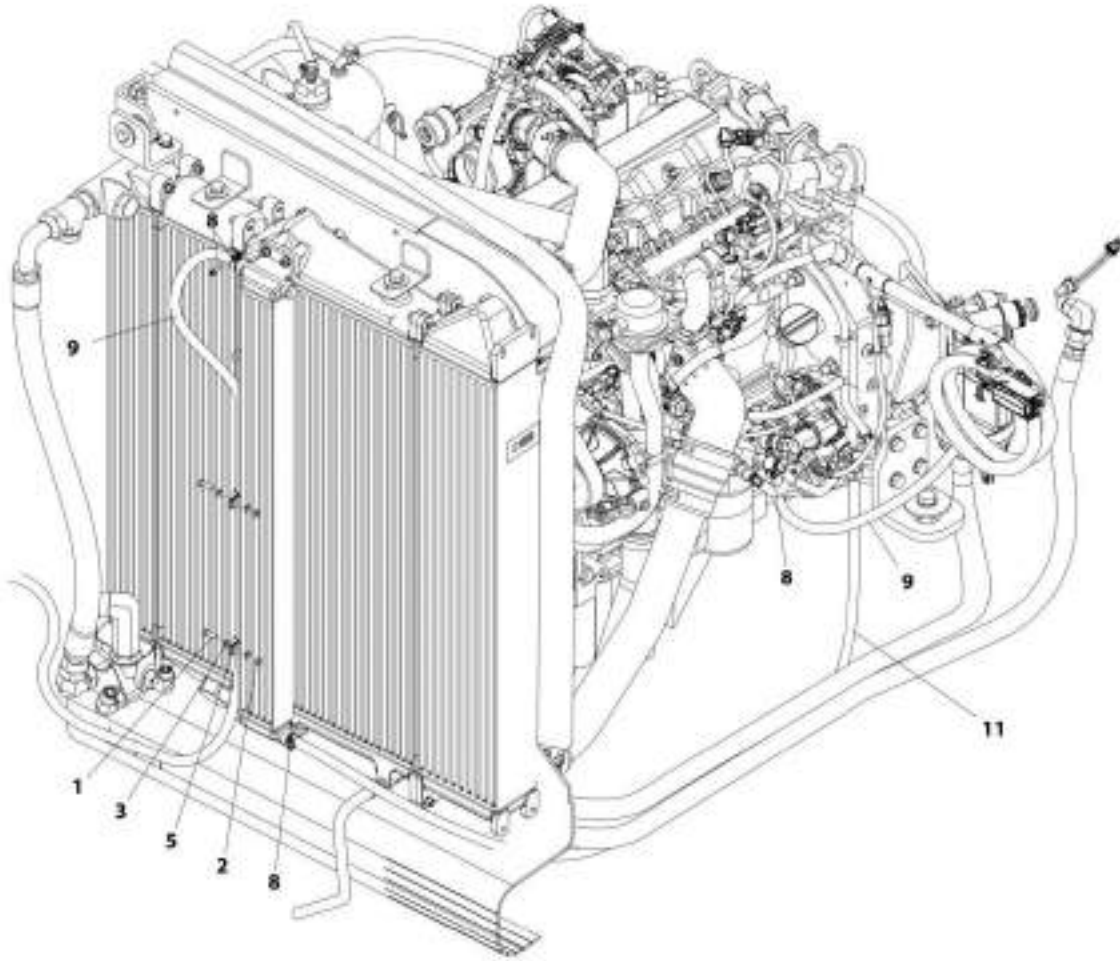
SECTION 4 - ENGINE AND ATTACHING PARTS

FIGURE 4-20. FUEL LINES INSTALLATION (ULS)



ART_1001165231_1-I

SECTION 4 - ENGINE AND ATTACHING PARTS



ART_100163231_2-1

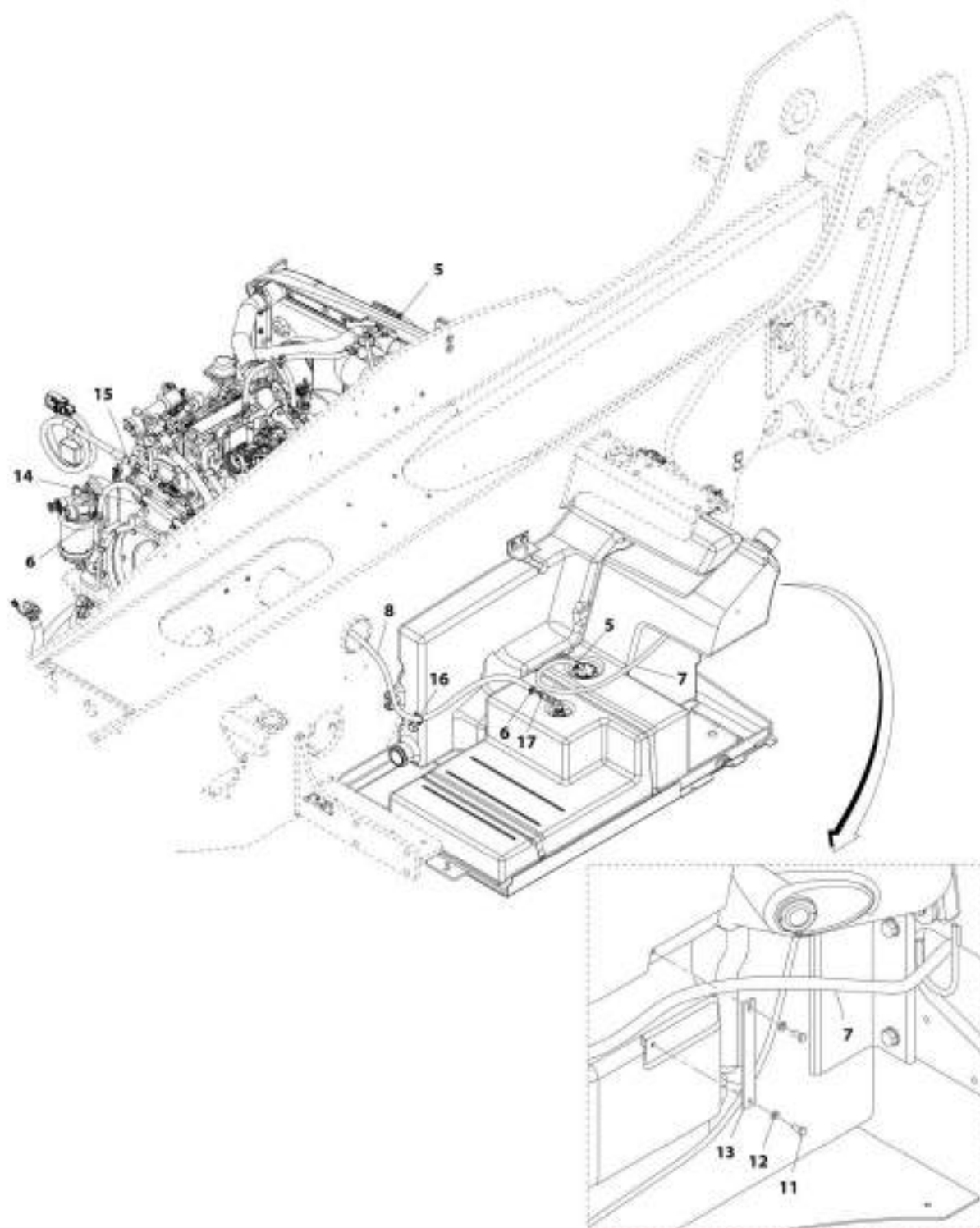
SECTION 4 - ENGINE AND ATTACHING PARTS

FIGURE 4-20. FUEL LINES INSTALLATION (ULS)

| ITEM | PART NUMBER | QTY | DESCRIPTION | REV |
|------|-------------|-------|----------------------------|-----|
| | 1001163231 | Ref | Fuel Lines Installation | I |
| 1 | 0700610 | 2 | Bolt, M6X20 | |
| 2 | 3290601 | 2 | Nut, M6X1 Grade 8 | |
| 3 | 4811700 | 4 | Washer, M6 | |
| 4 | 1001186342 | 2 | Clip, Hose | |
| 5 | 8406112 | 2 | Clip, Tube | |
| 8 | 1001136975 | 5 | Clamp | |
| 9 | 1001141400 | 4.3 m | Hose | |
| 10 | 1001172755 | 2.4 m | Hose | |
| 11 | 1001197299 | 1 | Hose | |
| 13 | 1001008559 | 2 | Strap | |
| 14 | 1001202986 | 2 | Strap, Fir Tree Push Mount | |
| 15 | 1001146588 | 1 | Strap | |
| 16 | 1001206588 | 1 | Fitting | |

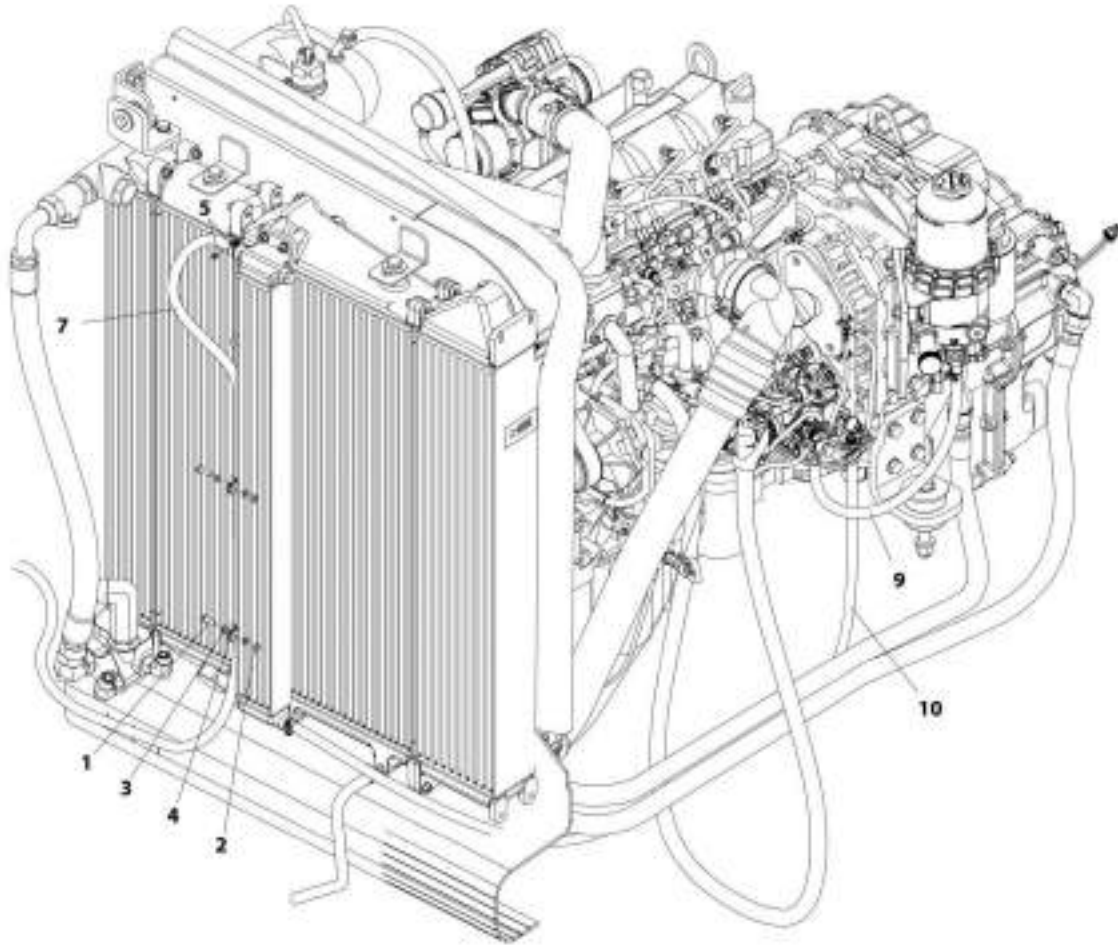
SECTION 4 - ENGINE AND ATTACHING PARTS

FIGURE 4-21. FUEL LINES INSTALLATION (LS)



ART_1001103245_1-6

SECTION 4 - ENGINE AND ATTACHING PARTS



AWT_1001103341_2-G

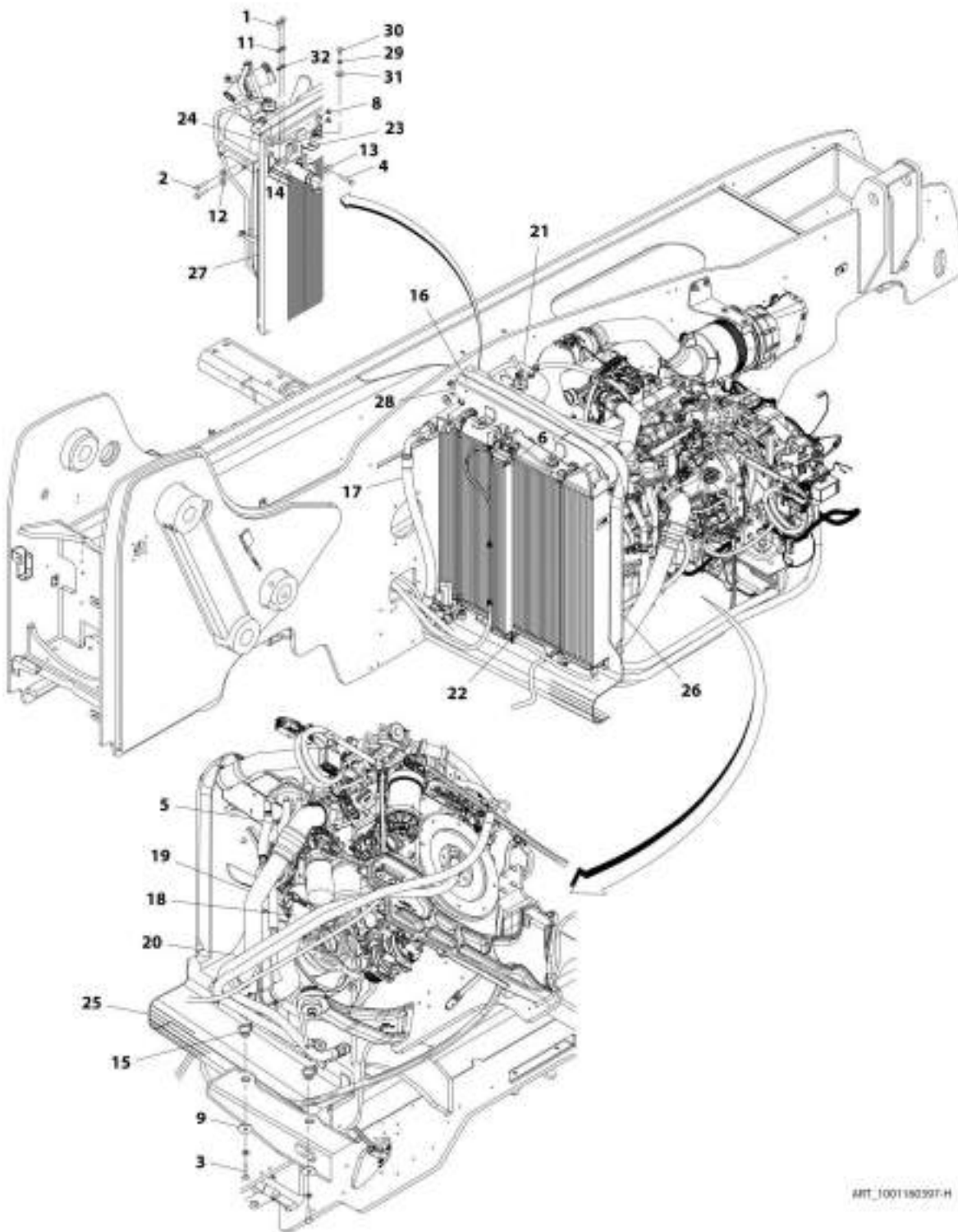
SECTION 4 - ENGINE AND ATTACHING PARTS

FIGURE 4-21. FUEL LINES INSTALLATION (LS)

| ITEM | PART NUMBER | QTY | DESCRIPTION | REV |
|------|-------------|-------|------------------------------|-----|
| | 1001163241 | Ref | Fuel Lines Installation (LS) | G |
| 1 | 0700610 | 2 | Bolt, M6X20 | |
| 2 | 3290601 | 2 | Nut, M6X1 Grade 8 | |
| 3 | 4811700 | 4 | Washer, M6 | |
| 4 | 8406112 | 2 | Clip | |
| 5 | 1001136975 | 4 | Clamp | |
| 6 | 1001186342 | 2 | Clip | |
| 7 | 1001141400 | 3.7 m | Hose | |
| 8 | 1001172755 | 2.4 m | Hose | |
| 9 | 1001190980 | 1 | Hose | |
| 10 | 1001197299 | 1 | Hose | |
| 11 | 0760607 | 2 | Bolt, M6X14 | |
| 12 | 4831700 | 2 | Washer, Lock M6 | |
| 13 | 1001196440 | 1 | Plate, Retainer | |
| 14 | 1001202986 | 2 | Strap, Fir Tree Push Mount | |
| 15 | 1001008559 | 2 | Strap | |
| 16 | 1001146588 | 1 | Strap | |
| 17 | 1001206588 | 1 | Fitting | |

SECTION 4 - ENGINE AND ATTACHING PARTS

FIGURE 4-22. COOLING PACKAGE INSTALLATION (ULS)



MIT_1001180307-H

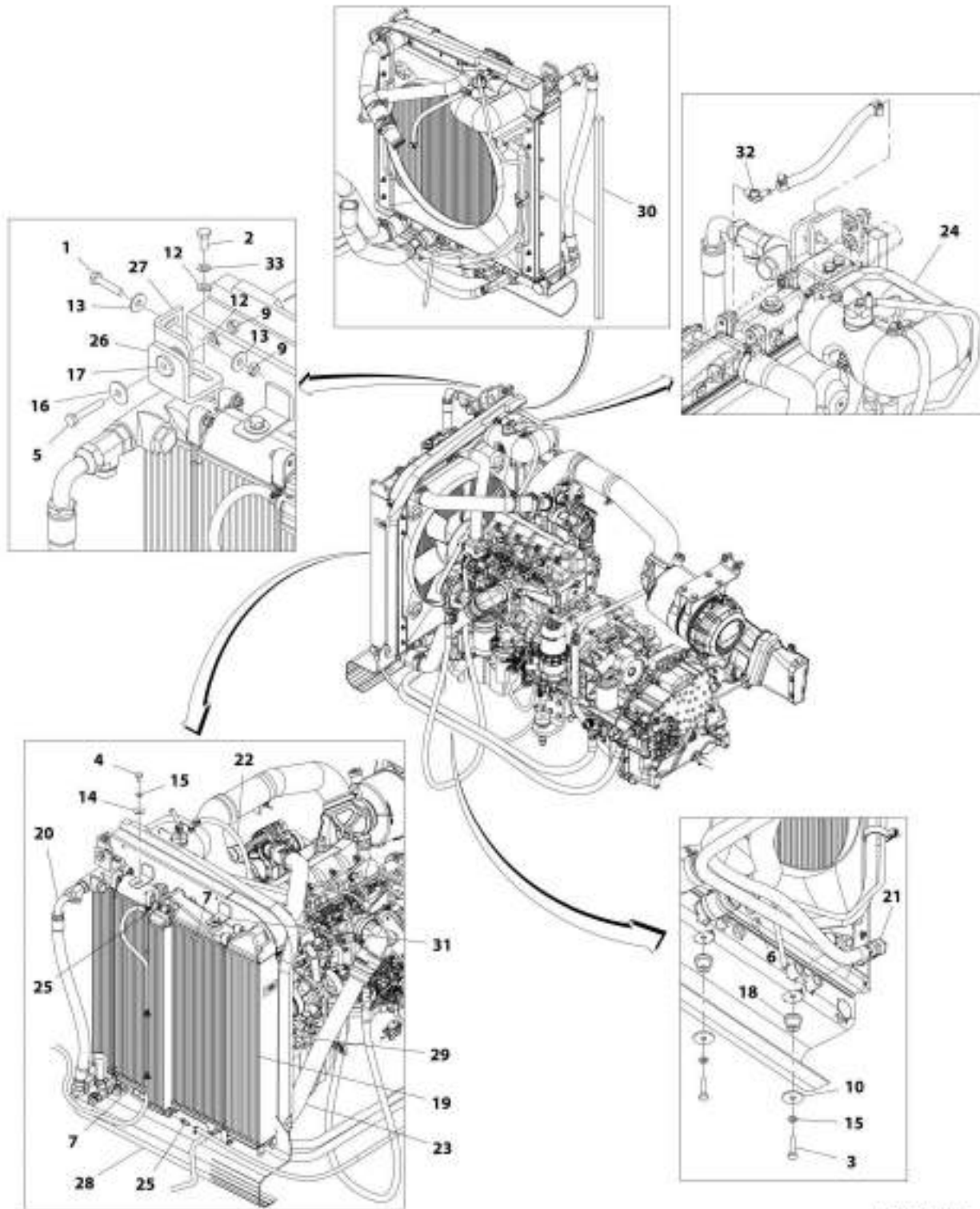
SECTION 4 - ENGINE AND ATTACHING PARTS

FIGURE 4-22. COOLING PACKAGE INSTALLATION (ULS)

| ITEM | PART NUMBER | QTY | DESCRIPTION | REV |
|------|-------------|-----|--|-----|
| | 1001160397 | Ref | Cooling Package Installation (ULS) | H |
| 1 | 0761012 | 2 | Bolt, M10X25 | |
| 2 | 0701018 | 2 | Bolt, M10X50 | |
| 3 | 0761218 | 2 | Bolt, M12X50 | |
| 4 | 0701020 | 1 | Bolt, M10X60 | |
| 5 | 1001174356 | 1 | Barb, Hose | |
| 6 | 2220237 | 2 | Plug | |
| 8 | 3291001 | 3 | Nut, M10X1.5 Grade 8 | |
| 9 | 4740274 | 4 | Washer | |
| 11 | 4812000 | 3 | Washer, M10 | |
| 12 | 4812002 | 4 | Washer, M10 | |
| 13 | 1001155540 | 2 | Washer | |
| 14 | 8278020 | 1 | Mount | |
| 15 | 1001114803 | 2 | Mount | |
| 16 | 1001159347 | Ref | Radiator Cooling Package (See RADIATOR COOLING PACKAGE for Breakdown) | |
| 17 | 1001163082 | Ref | Installation, HOC Lines (See HOC LINES INSTALLATION for Breakdown) | |
| 18 | 1001163245 | Ref | Installation, Coolant Lines (ULS) (See COOLANT LINES INSTALLATION (ULS) for Breakdown) | |
| 19 | 1001163246 | Ref | Installation, CAC Lines (ULS) (See CAC LINES INSTALLATION (ULS) for Breakdown) | |
| 20 | 1001163247 | Ref | Installation, TOC Lines (See TOC LINES INSTALLATION for Breakdown) | |
| 21 | 1001167078 | Ref | Installation, Surge Tank (See SURGE TANK INSTALLATION for Breakdown) | |
| 22 | 1001168030 | 2 | Barb, Hose | |
| 23 | 1001169173 | 1 | Bracket | |
| 24 | 1001169174 | 1 | Bracket | |
| 25 | 1001169965 | 1 | Panel | |
| 26 | 1001173452 | 1 | Seal, Foam Gasket | |
| 27 | 1001173457 | 1 | Seal, Foam Gasket | |
| 28 | 1001173546 | 1 | Bracket | |
| 29 | 4832100 | 4 | Washer, Lock M12 | |
| 30 | 0761210 | 2 | Bolt, M12X20 | |
| 31 | 4812102 | 2 | Washer, M12 | |
| 32 | 4832000 | 2 | Washer, Lock M10 | |

SECTION 4 - ENGINE AND ATTACHING PARTS

FIGURE 4-23. COOLING PACKAGE INSTALLATION (LS)



ART_0001160412-E

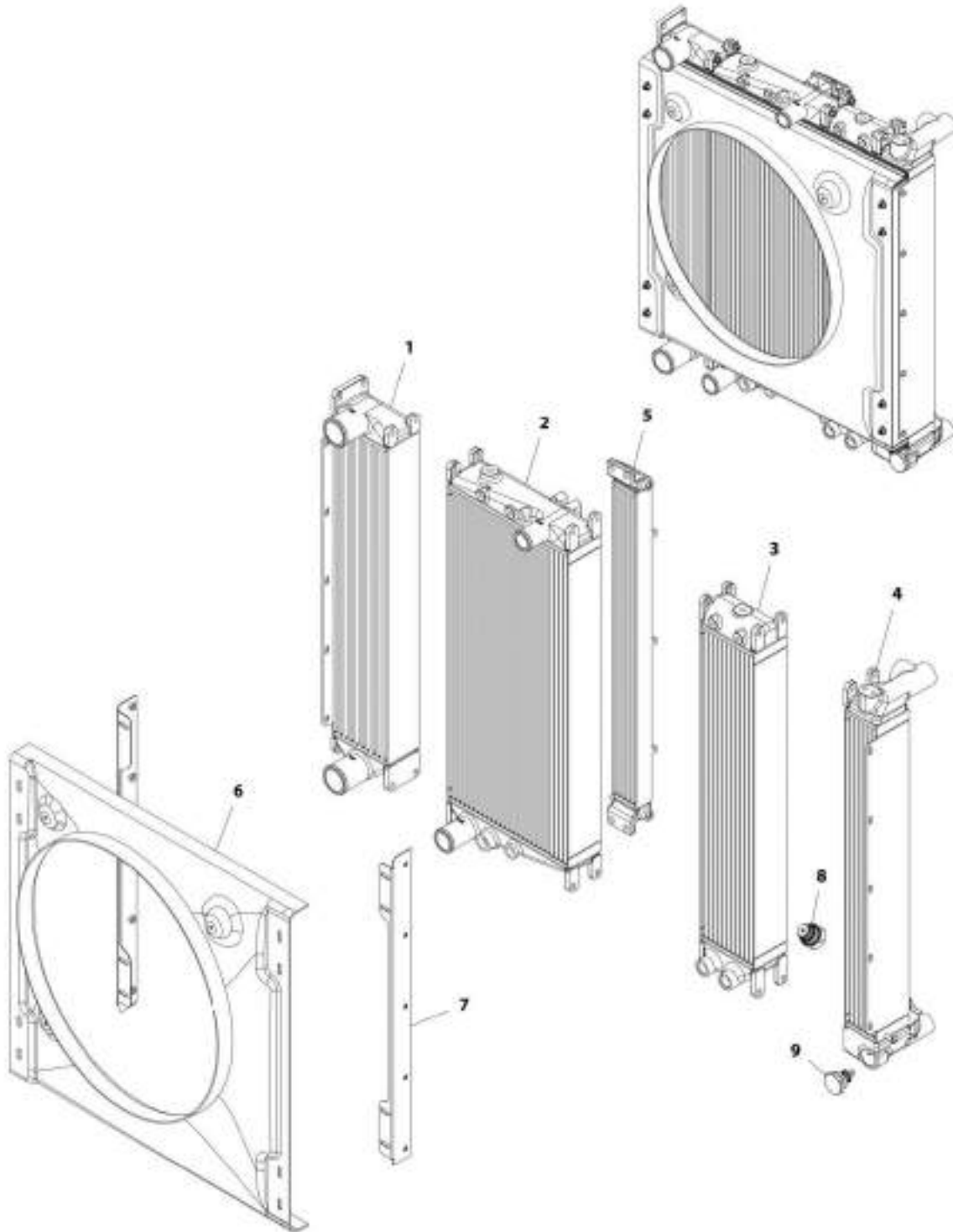
SECTION 4 - ENGINE AND ATTACHING PARTS

FIGURE 4-23. COOLING PACKAGE INSTALLATION (LS)

| ITEM | PART NUMBER | QTY | DESCRIPTION | REV |
|------|-------------|-----|--|-----|
| | 1001160402 | Ref | Cooling Package Installation (LS) | E |
| 1 | 0701018 | 2 | Bolt, M10X50 | |
| 2 | 0761012 | 2 | Bolt, M10X25 | |
| 3 | 0761218 | 2 | Bolt, M12X50 | |
| 4 | 0771210 | 2 | Bolt, M12X20 Grade 10.9 | |
| 5 | 0701020 | 1 | Bolt, M10X60 | |
| 6 | 2200223 | 1 | Plug | |
| 7 | 2220237 | 2 | Plug | |
| 9 | 3291001 | 3 | Nut, M10X1.5 Grade 8 | |
| 10 | 4740274 | 4 | Washer | |
| 12 | 4812000 | 3 | Washer, M10 | |
| 13 | 4812002 | 4 | Washer, M10 | |
| 14 | 4812102 | 2 | Washer, M12 | |
| 15 | 4832100 | 4 | Washer, Lock M12 | |
| 16 | 1001155540 | 2 | Washer | |
| 17 | 8278020 | 1 | Mount | |
| 18 | 1001114803 | 2 | Mount | |
| 19 | 1001159347 | Ref | Radiator Cooling Package (See RADIATOR COOLING PACKAGE for Breakdown) | |
| 20 | 1001163082 | Ref | Installation, HOC Lines (See HOC LINES INSTALLATION for Breakdown) | |
| 21 | 1001163247 | Ref | Installation, TOC Lines (See TOC LINES INSTALLATION for Breakdown) | |
| 22 | 1001163248 | Ref | Installation, Coolant Lines (LS) (See COOLANT LINES INSTALLATION (LS) for Breakdown) | |
| 23 | 1001163249 | Ref | Installation, CAC Lines (LS) (See CAC LINES INSTALLATION (LS) for Breakdown) | |
| 24 | 1001167078 | Ref | Installation, Surge Tank (See SURGE TANK INSTALLATION for Breakdown) | |
| 25 | 1001168030 | 2 | Barb, Hose | |
| 26 | 1001169173 | 1 | Bracket | |
| 27 | 1001169174 | 1 | Bracket | |
| 28 | 1001169965 | 1 | Panel, Air Dam | |
| 29 | 1001173452 | 1 | Gasket | |
| 30 | 1001173457 | 1 | Gasket | |
| 31 | 1001173546 | 1 | Bracket, Air Baffle | |
| 32 | 1001174356 | 1 | Barb, Hose | |
| 33 | 4832000 | 2 | Washer, Lock M10 | |

SECTION 4 - ENGINE AND ATTACHING PARTS

FIGURE 4-24. RADIATOR COOLING PACKAGE



AMP_1001159347-G

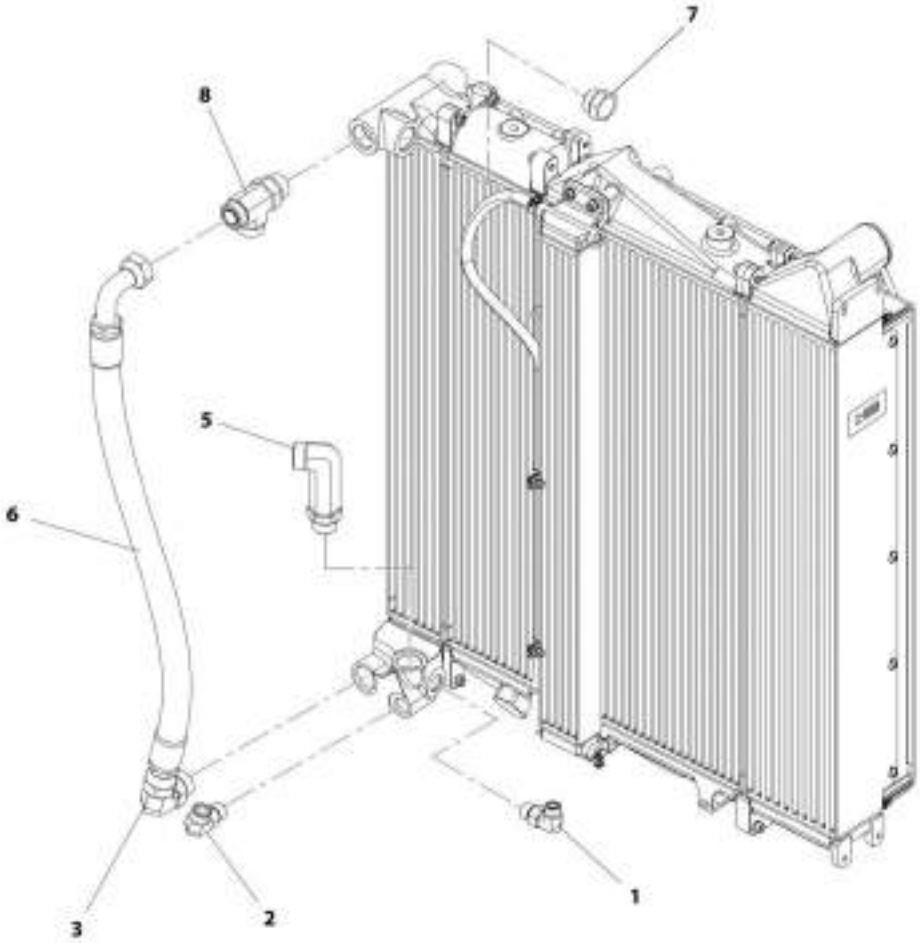
SECTION 4 - ENGINE AND ATTACHING PARTS

FIGURE 4-24. RADIATOR COOLING PACKAGE

| ITEM | PART NUMBER | QTY | DESCRIPTION | REV |
|------|-------------|-----|--------------------------|-----|
| | 1001159347 | Ref | Radiator Cooling Package | G |
| 1 | 70026353 | 1 | Cooler, Air Charge | |
| 2 | 70026354 | 1 | Radiator | |
| 3 | 70026355 | 1 | Cooler, Transmission Oil | |
| 4 | 70026356 | 1 | Cooler, Hydraulic Oil | |
| 5 | 70026357 | 1 | Cooler, Fuel | |
| 6 | 70026358 | 1 | Shroud | |
| 7 | 70026359 | 2 | Bracket, Shroud Mounting | |
| 8 | 70026082 | 1 | Valve, Bypass | |
| 9 | 70026360 | 1 | Valve, Bypass | |

SECTION 4 - ENGINE AND ATTACHING PARTS

FIGURE 4-25. HOC LINES INSTALLATION



ART_100118382-C

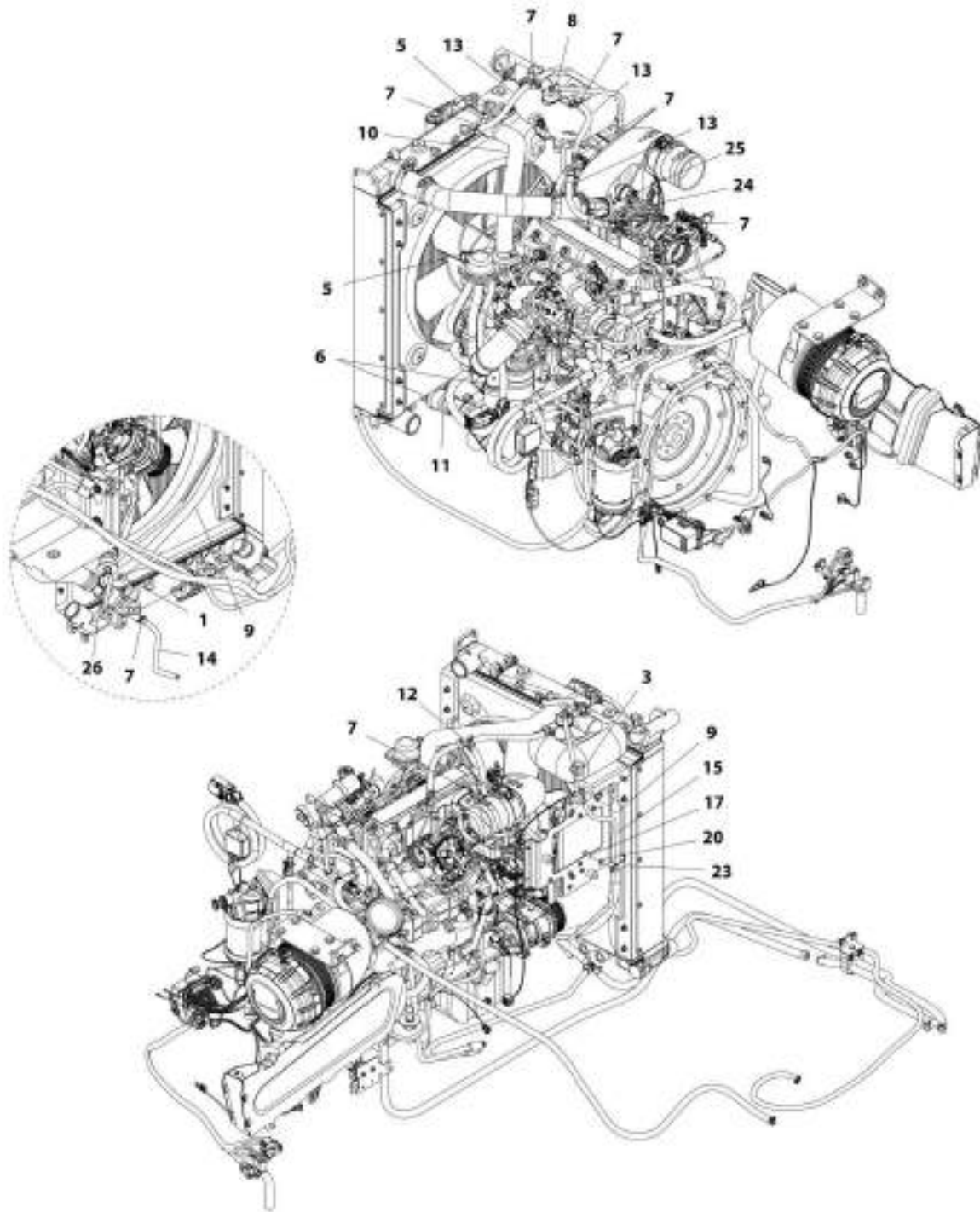
SECTION 4 - ENGINE AND ATTACHING PARTS

FIGURE 4-25. HOC LINES INSTALLATION

| ITEM | PART NUMBER | QTY | DESCRIPTION | REV |
|------|-------------|-----|------------------------|-----|
| | 1001163082 | Ref | HOC Lines Installation | C |
| 1 | 2130810 | 1 | Fitting, ORFS | |
| 2 | 2131010 | 1 | Fitting, ORFS | |
| 3 | 2131616 | 1 | Fitting, ORFS | |
| 5 | 2170216 | 1 | Fitting, ORFS | |
| 6 | 1001163723 | 1 | Hose | |
| 7 | 2220242 | 1 | Fitting | |
| 8 | 2170316 | 1 | Fitting, Tee ORFS | |

SECTION 4 - ENGINE AND ATTACHING PARTS

FIGURE 4-26. COOLANT LINES INSTALLATION (ULS)



ART_1001163245-I

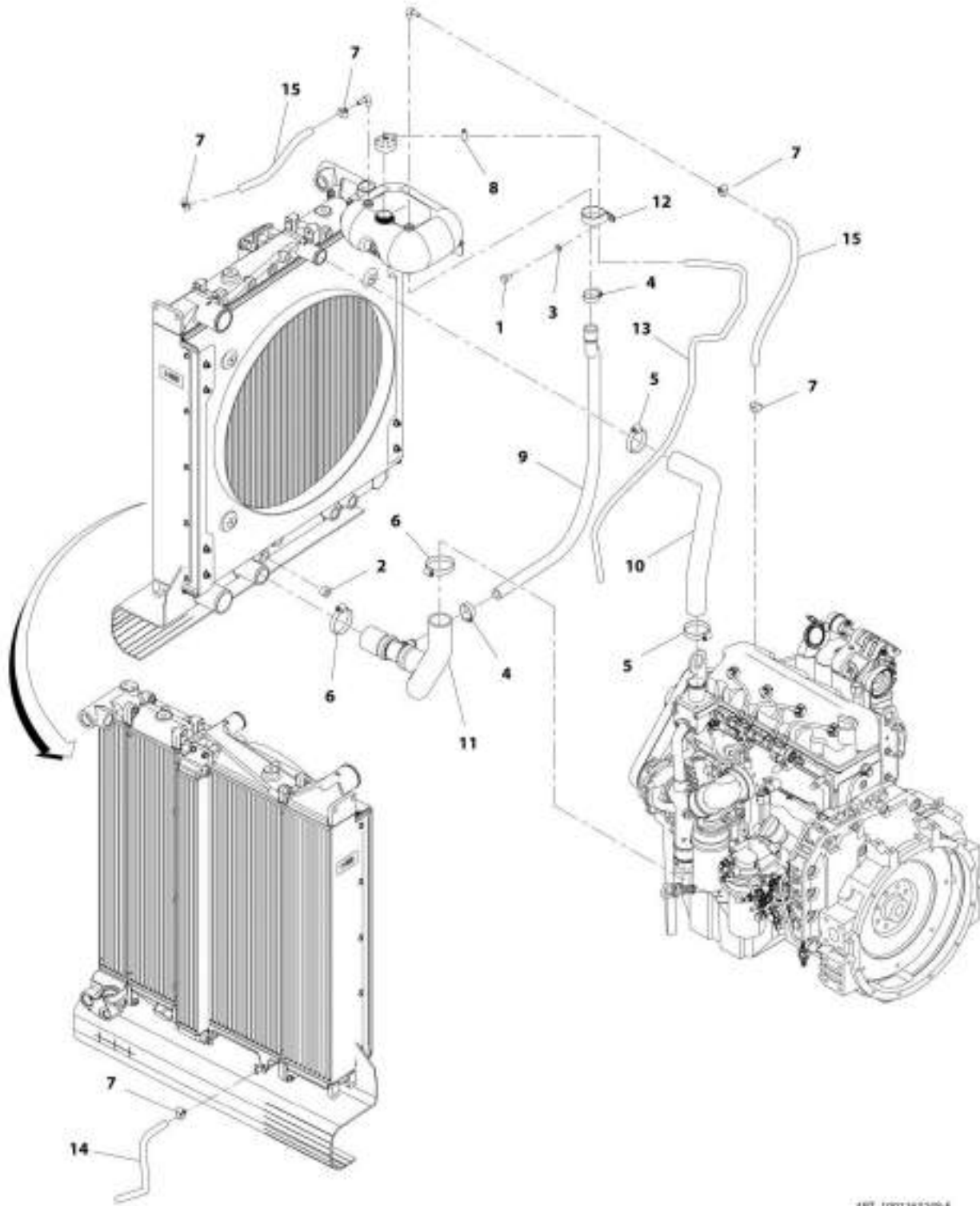
SECTION 4 - ENGINE AND ATTACHING PARTS

FIGURE 4-26. COOLANT LINES INSTALLATION (ULS)

| ITEM | PART NUMBER | QTY | DESCRIPTION | REV |
|------|-------------|---------|----------------------------------|-----|
| | 1001163245 | Ref | Coolant Lines Installation (ULS) | I |
| 1 | 2200224 | 1 | Plug | |
| 3 | 8405101 | 1 | Clamp, Gear | |
| 5 | 8405201 | 2 | Clamp, Gear | |
| 6 | 8405202 | 2 | Clamp, Gear | |
| 7 | 8410013 | 9 | Clamp, Gear | |
| 8 | 8405009 | 1 | Clamp, Gear | |
| 9 | 1001182011 | 1 | Hose | |
| 10 | 1001166430 | 1 | Pipe | |
| 11 | 1001182012 | 1 | Hose | |
| 12 | 1001172953 | 1 | Pipe, Tee | |
| 13 | 1001181625 | 1042 mm | Hose | |
| 14 | 1001180553 | 370 mm | Hose | |
| 15 | 1001180542 | 1680 mm | Hose | |
| 17 | 0761010 | 1 | Bolt, M10X20 | |
| 20 | 4812000 | 1 | Washer, M10 | |
| 23 | 1001097588 | 1 | Clamp | |
| 24 | 8410019 | 1 | Clamp, 7/8 | |
| 25 | 0760605 | 1 | Bolt, 6X10 | |
| 26 | 8405007 | 1 | Clamp, Hose | |

SECTION 4 - ENGINE AND ATTACHING PARTS

FIGURE 4-27. COOLANT LINES INSTALLATION (LS)



ART_1001183240-E

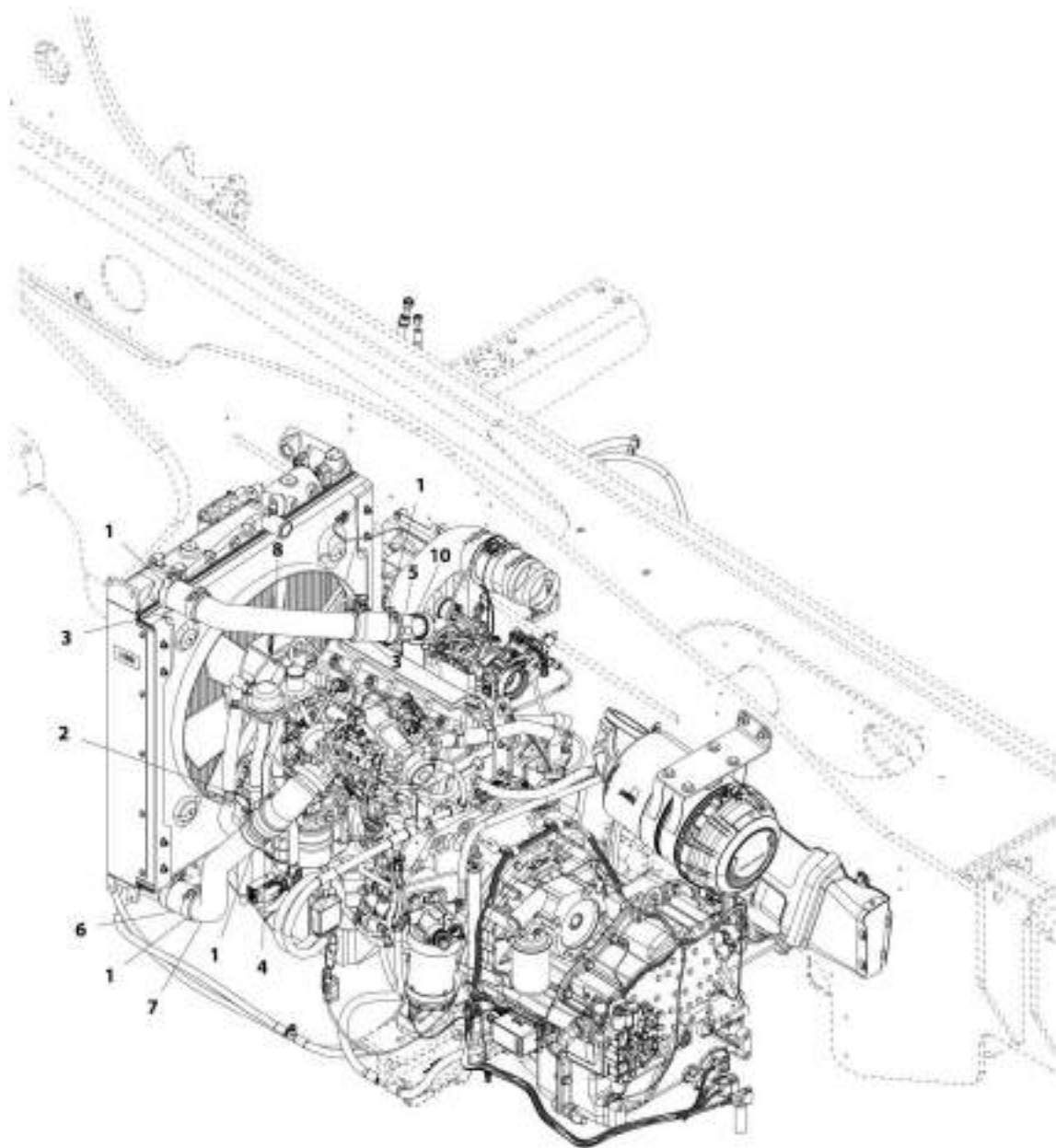
SECTION 4 - ENGINE AND ATTACHING PARTS

FIGURE 4-27. COOLANT LINES INSTALLATION (LS)

| ITEM | PART NUMBER | QTY | DESCRIPTION | REV |
|------|-------------|---------|---------------------------------|-----|
| | 1001163248 | Ref | Coolant Lines Installation (LS) | E |
| 1 | 0761010 | 1 | Bolt, M10X20 | |
| 2 | 2200224 | 1 | Plug | |
| 3 | 4812000 | 1 | Washer, M10 | |
| 4 | 8405101 | 2 | Clamp, Gear | |
| 5 | 8405201 | 2 | Clamp, Gear | |
| 6 | 8405202 | 2 | Clamp, Gear | |
| 7 | 8410013 | 5 | Clamp, Gear | |
| 8 | 8405009 | 1 | Clamp, Gear | |
| 9 | 1001182011 | 1 | Hose | |
| 10 | 1001166430 | 1 | Pipe | |
| 11 | 1001182012 | 1 | Hose | |
| 12 | 1001097588 | 1 | Clamp | |
| 13 | 1001180542 | 1680 mm | Hose | |
| 14 | 1001180553 | 369 mm | Hose | |
| 15 | 1001181625 | 711 mm | Hose | |

SECTION 4 - ENGINE AND ATTACHING PARTS

FIGURE 4-28. CAC LINES INSTALLATION (ULS)



AWT_100163246-F

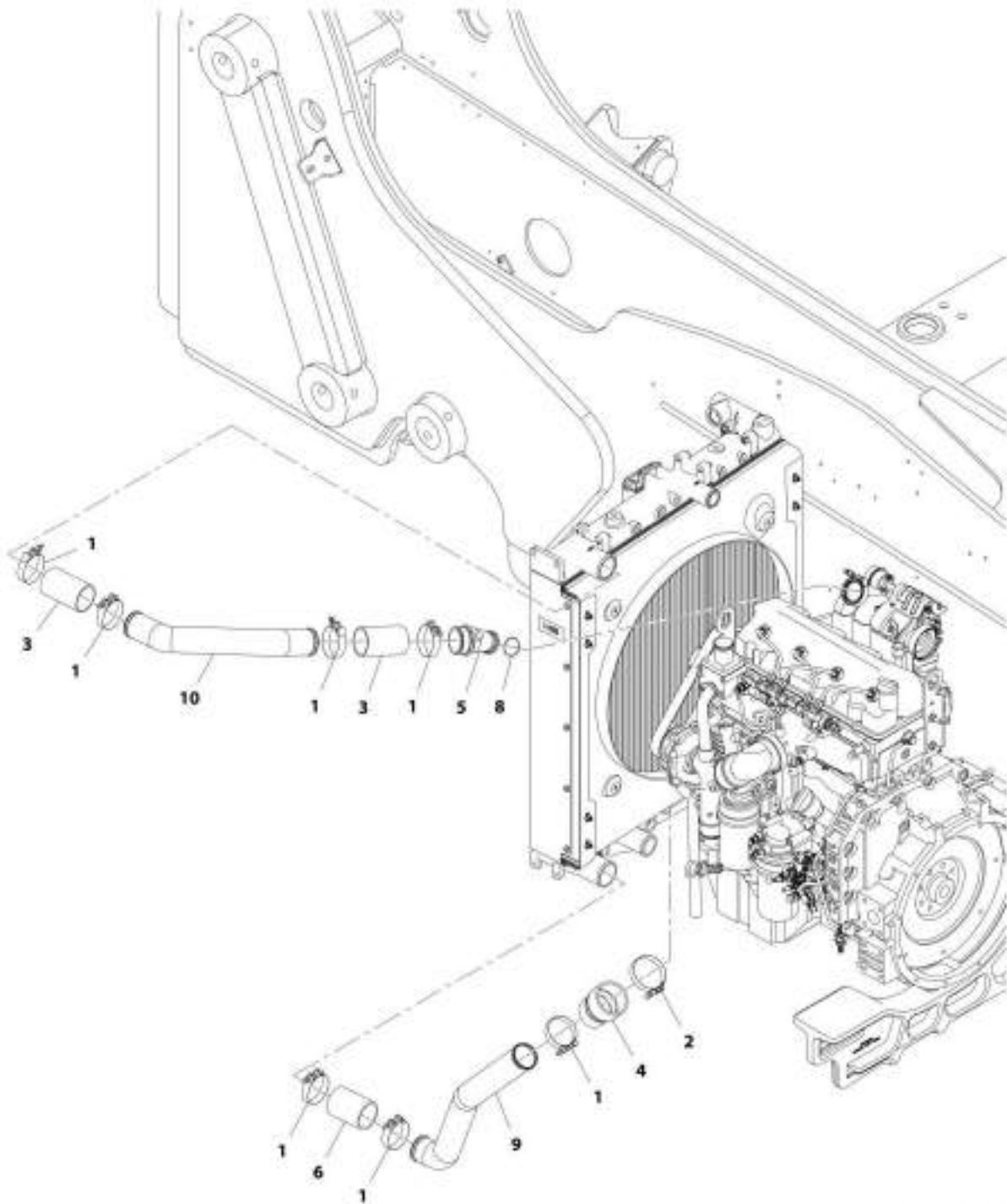
SECTION 4 - ENGINE AND ATTACHING PARTS

FIGURE 4-28. CAC LINES INSTALLATION (ULS)

| ITEM | PART NUMBER | QTY | DESCRIPTION | REV |
|------|-------------|-----|------------------------------|-----|
| | 1001163246 | Ref | CAC Lines Installation (ULS) | F |
| 1 | 8405212 | 7 | Clamp, T-Bolt | |
| 2 | 8405305 | 1 | Clamp, T-Bolt | |
| 3 | 1001114495 | 2 | Hose | |
| 4 | 1001138348 | 1 | Hose | |
| 5 | 1001161920 | 1 | Adapter Mech | |
| 6 | 1001166416 | 1 | Hose | |
| 7 | 1001166925 | 1 | Pipe | |
| 8 | 1001166993 | 1 | Pipe | |
| 10 | 1001172591 | 1 | O-Ring | |

SECTION 4 - ENGINE AND ATTACHING PARTS

FIGURE 4-29. CAC LINES INSTALLATION (LS)



ART_1001465289-C

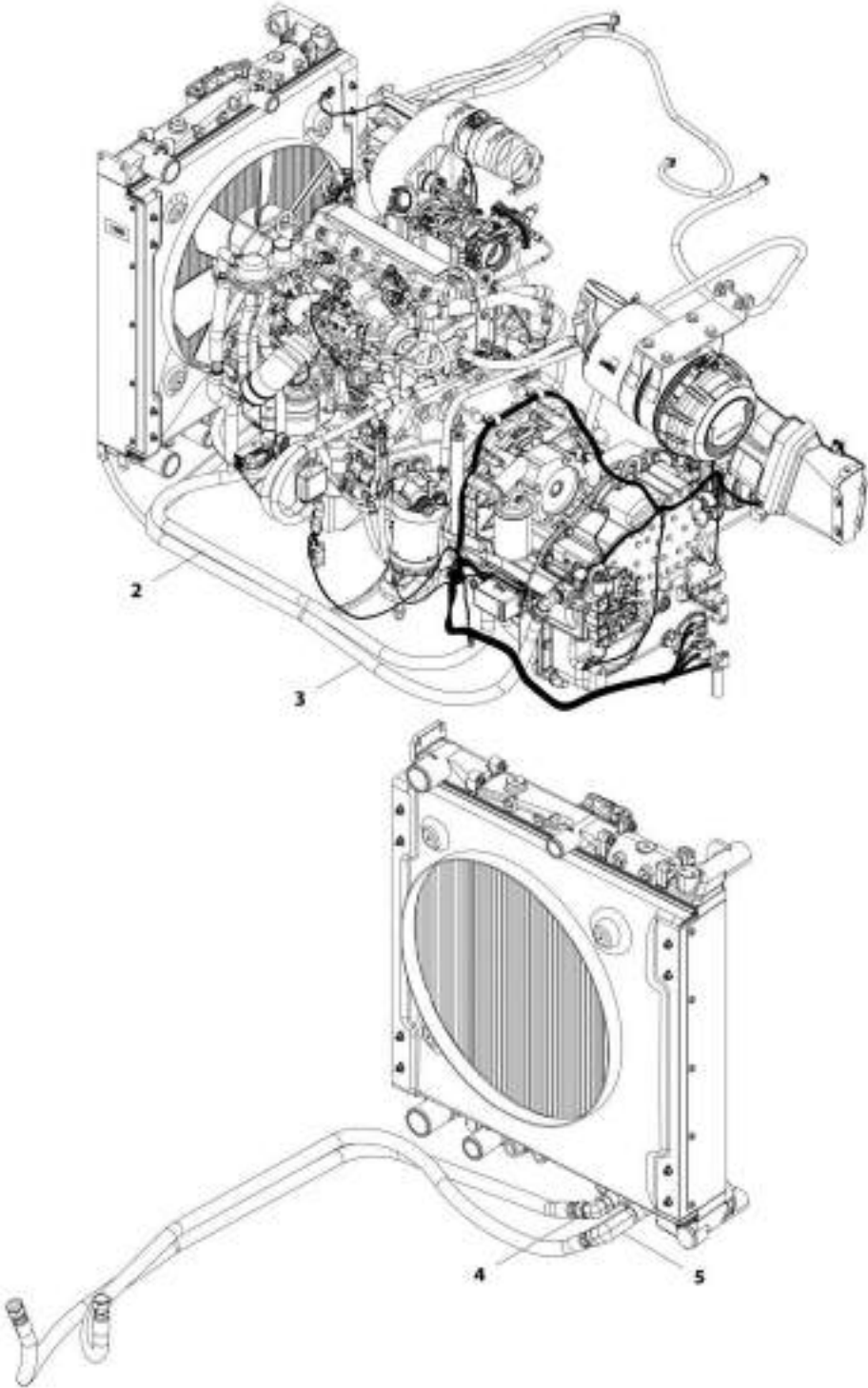
SECTION 4 - ENGINE AND ATTACHING PARTS

FIGURE 4-29. CAC LINES INSTALLATION (LS)

| ITEM | PART NUMBER | QTY | DESCRIPTION | REV |
|------|-------------|-----|-----------------------------|-----|
| | 1001163249 | Ref | CAC Lines Installation (LS) | C |
| 1 | 8405212 | 7 | Clamp, T-Bolt | |
| 2 | 8405305 | 1 | Clamp, T-Bolt | |
| 3 | 1001114495 | 2 | Hose | |
| 4 | 1001138348 | 1 | Hose | |
| 5 | 1001161920 | 1 | Adapter Mech | |
| 6 | 1001166416 | 1 | Hose | |
| 8 | 1001172591 | 1 | O-Ring | |
| 9 | 1001174832 | 1 | Pipe | |
| 10 | 1001179376 | 1 | Pipe | |

SECTION 4 - ENGINE AND ATTACHING PARTS

FIGURE 4-30. TOC LINES INSTALLATION



ART_1001103247-C

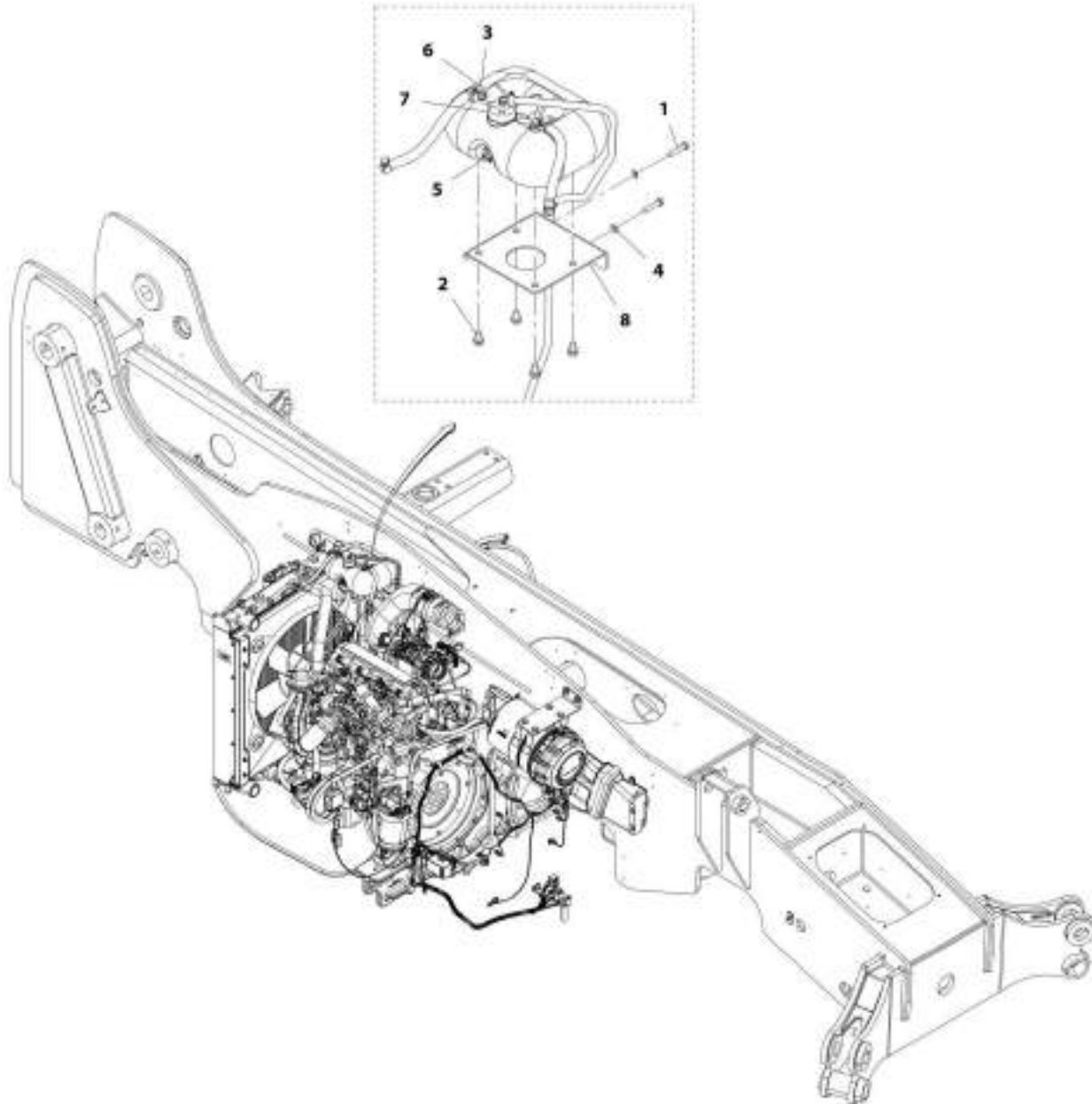
SECTION 4 - ENGINE AND ATTACHING PARTS

FIGURE 4-30. TOC LINES INSTALLATION

| ITEM | PART NUMBER | QTY | DESCRIPTION | REV |
|------|-------------|-----|------------------------|-----|
| | 1001163247 | Ref | TOC Lines Installation | C |
| 2 | 1001169207 | 1 | Hose | |
| 3 | 1001169393 | 1 | Hose | |
| 4 | 2131212 | 1 | Fitting, 90 ORFS | |
| 5 | 2170212 | 1 | Fitting, 90 ORFS | |

SECTION 4 - ENGINE AND ATTACHING PARTS

FIGURE 4-31. SURGE TANK INSTALLATION



ART_1061167028-E

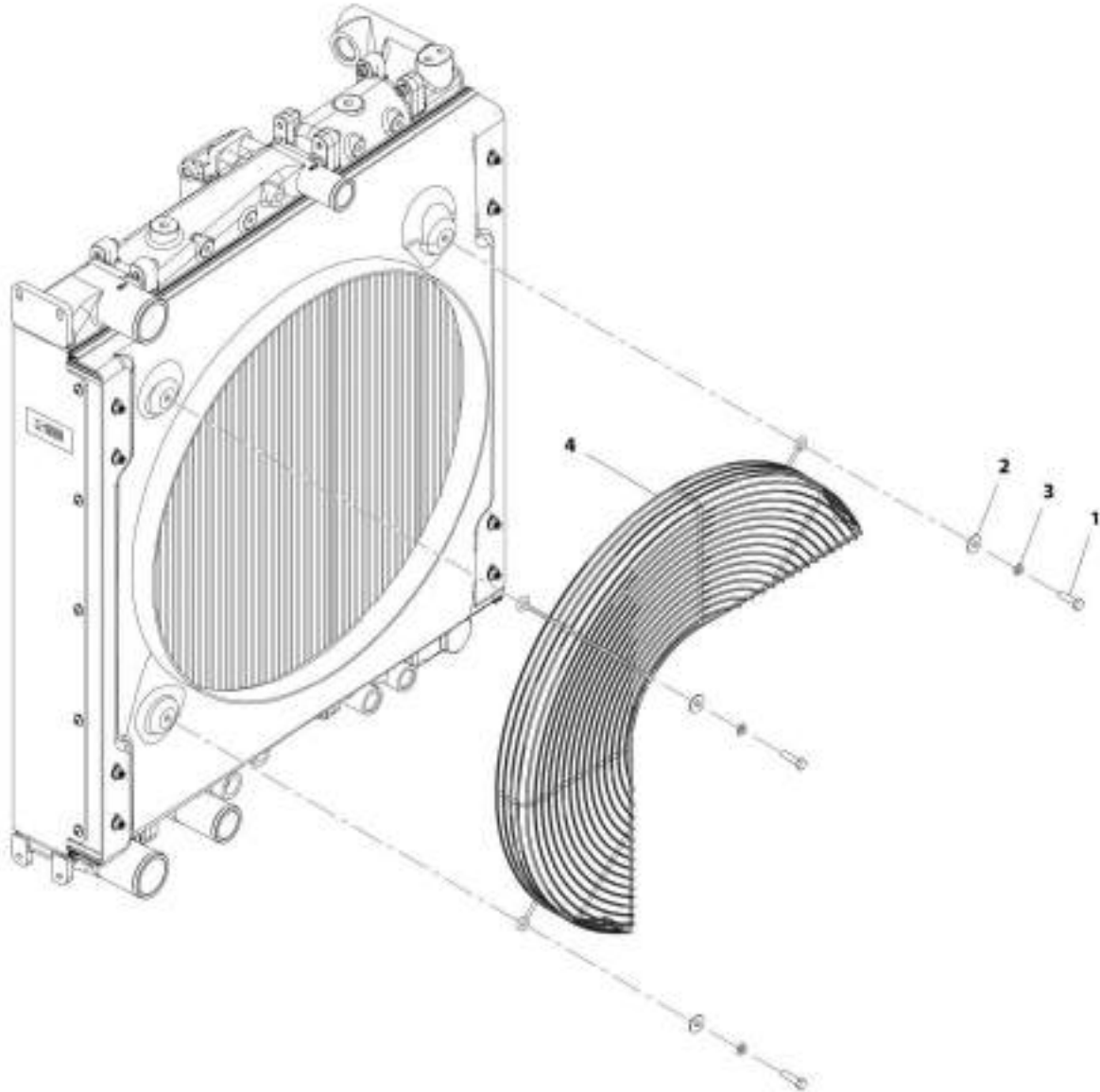
SECTION 4 - ENGINE AND ATTACHING PARTS

FIGURE 4-31. SURGE TANK INSTALLATION

| ITEM | PART NUMBER | QTY | DESCRIPTION | REV |
|------|-------------|-----|-------------------------|-----|
| | 1001167078 | Ref | Surge Tank Installation | E |
| 1 | 0700816 | 2 | Bolt, M8X40 | |
| 2 | 0791605 | 4 | Bolt, M3/8-16X5/8 | |
| 3 | 2180467 | 2 | Fitting | |
| 4 | 4811900 | 2 | Washer, M8 | |
| 5 | 1001121955 | 1 | Sensor, Coolant Level | |
| 6 | 1001128144 | 1 | Tank, Coolant | |
| 7 | 1001128341 | 1 | Cap | |
| 8 | 1001163637 | 1 | Bracket, Coolant Tank | |

SECTION 4 - ENGINE AND ATTACHING PARTS

FIGURE 4-32. FAN GUARD INSTALLATION



ART_1001169420-D

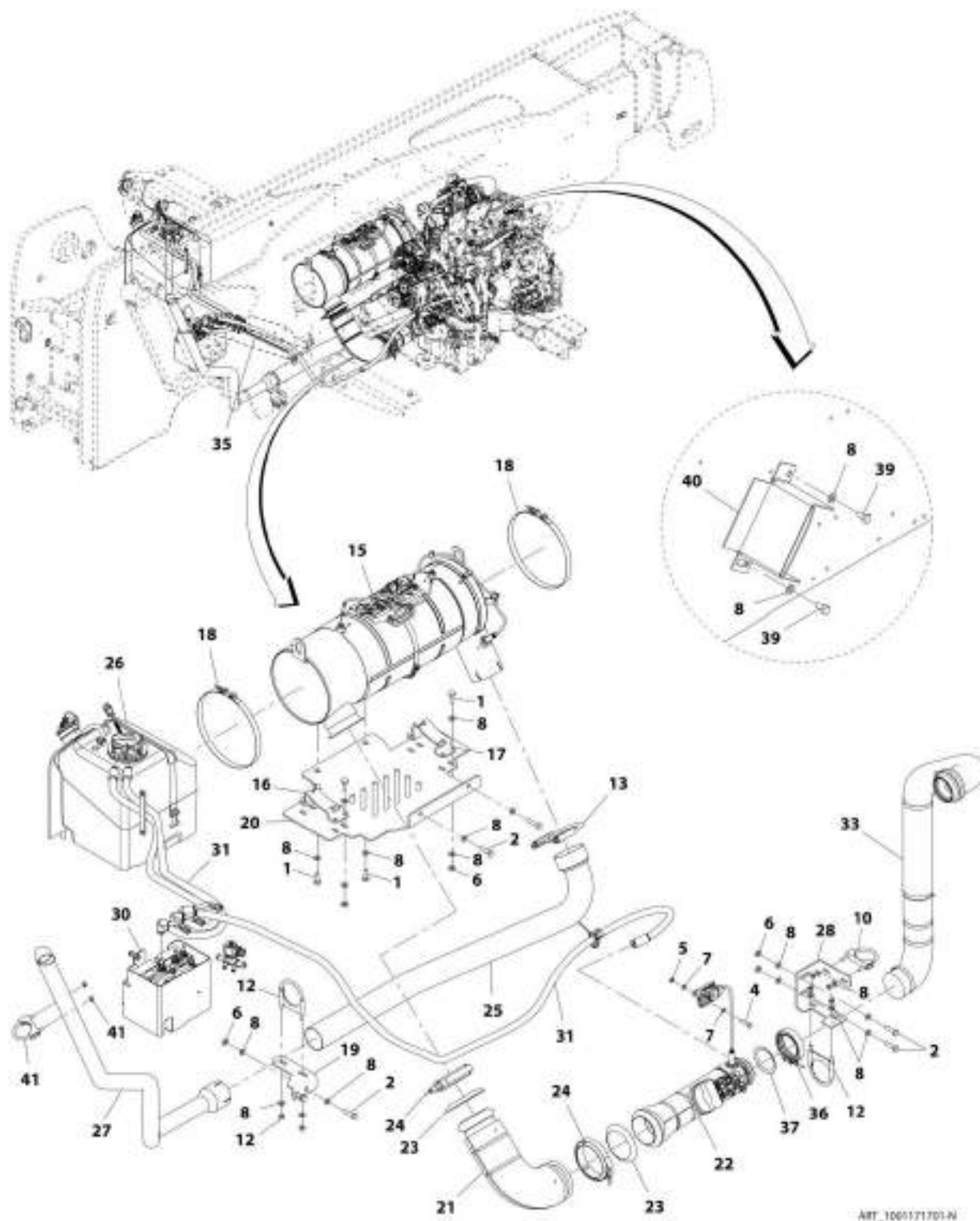
SECTION 4 - ENGINE AND ATTACHING PARTS

FIGURE 4-32. FAN GUARD INSTALLATION

| ITEM | PART NUMBER | QTY | DESCRIPTION | REV |
|------|-------------|-----|------------------------|-----|
| | 1001160420 | Ref | Fan Guard Installation | D |
| 1 | 0700814 | 3 | Bolt, M8X30 | |
| 2 | 4811902 | 3 | Washer, M8 | |
| 3 | 4831900 | 3 | Washer, Lock M8 | |
| 4 | 1001167186 | 1 | Grill | |

SECTION 4 - ENGINE AND ATTACHING PARTS

FIGURE 4-33. EXHAUST INSTALLATION, 110HP (ULS)



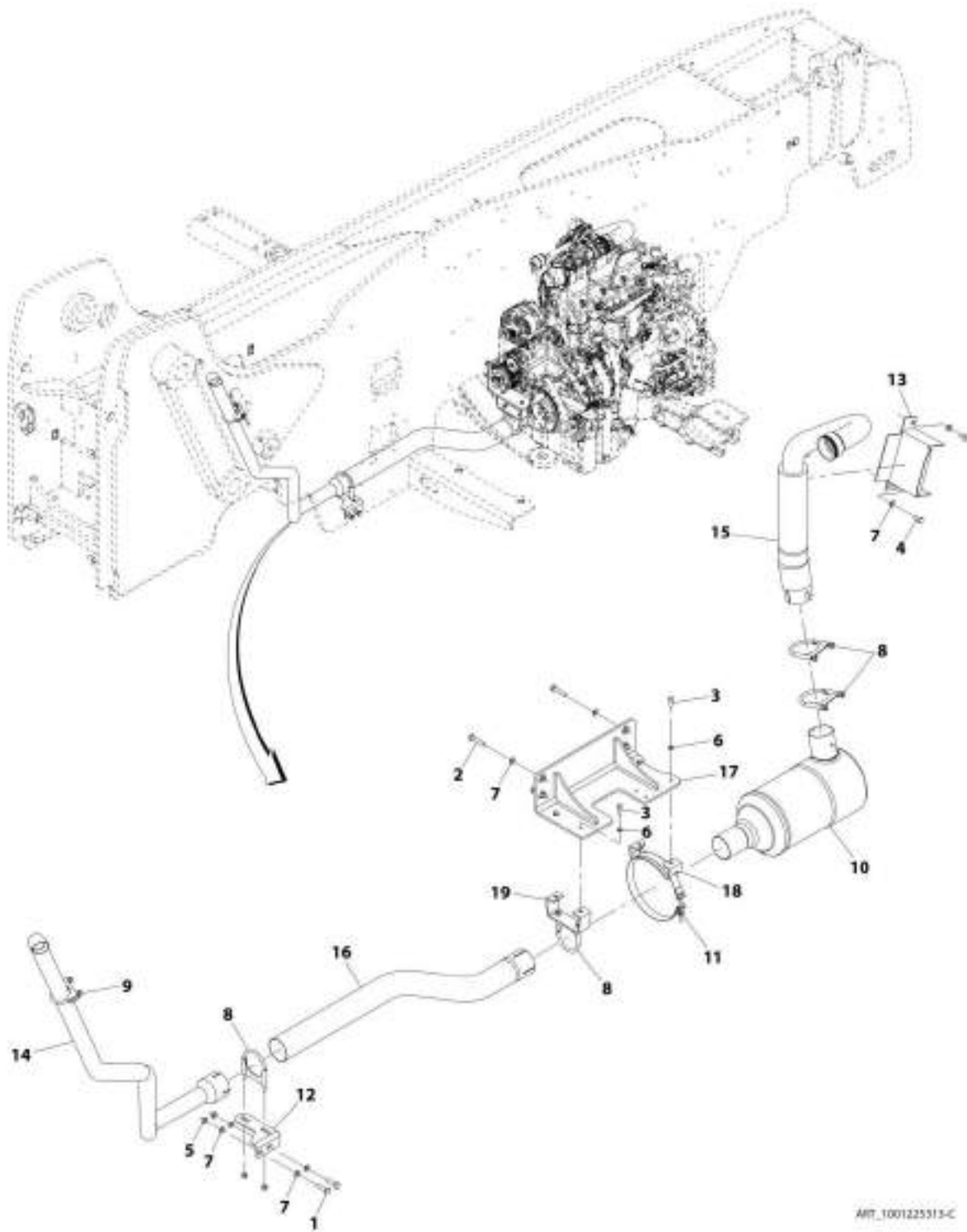
SECTION 4 - ENGINE AND ATTACHING PARTS

FIGURE 4-33. EXHAUST INSTALLATION, 110HP (ULS)

| ITEM | PART NUMBER | QTY | DESCRIPTION | REV |
|------|-------------|--------|--|-----|
| | 1001171701 | 1 | Exhaust Installation (ULS) | N |
| 1 | 0701014 | 10 | Bolt, M10X30 | |
| 2 | 0701016 | 6 | Bolt, M10X40 | |
| 4 | 0760815 | 2 | Bolt, M8X35 | |
| 5 | 3290801 | 2 | Nut, M8X1.25 | |
| 6 | 3291001 | 12 | Nut, M10X1.5 | |
| 7 | 4811900 | 4 | Washer, M8 | |
| 8 | 4812000 | 36 | Washer, M10 | |
| 10 | 8275212 | 1 | Clamp | |
| 12 | 24921332 | 2 | Clamp | |
| 13 | 86883127 | 1 | Clamp | |
| 15 | 1001155261 | 1 | Muffler | |
| 16 | 1001159881 | 1 | Bracket | |
| 17 | 1001159882 | 1 | Bracket | |
| 18 | 1001176945 | 2 | Strap | |
| 19 | 1001162281 | 1 | Support | |
| 20 | 1001162597 | 1 | Bracket | |
| 21 | 1001163546 | 1 | Pipe | |
| 22 | 1001164404 | 1 | Tube, Decomposition Reactor | |
| 23 | 1001164837 | 2 | Gasket | |
| 24 | 1001164838 | 2 | Clamp | |
| 25 | 1001168560 | 1 | Pipe | |
| 26 | 1001168638 | Ref | Installation, DEF Tank (See DEF TANK INSTALLATION for Breakdown) | |
| 27 | 1001171363 | NLA | Pipe, (No longer available, use 1001204144 for replacement) | |
| 27 | 1001204144 | 1 | Pipe | |
| 28 | 1001183836 | 1 | Bracket | |
| 29 | 1001173626 | NLA | Pipe, (not shown) (No longer available, use 1001204144 for replacement) | |
| 30 | 1001174271 | Ref | Installation, DEF Pump and Control (See DEF PUMP AND CONTROL INSTALLATION for Breakdown) | |
| 31 | 1001163253 | Ref | Installation, DEF Pump Lines (See DEF PUMP LINES INSTALLATION for Breakdown) | |
| 33 | 1001183759 | 1 | Pipe | |
| 35 | 90206195 | 490 mm | Trim-Lock | |
| 36 | 1001167167 | 1 | Clamp | |
| 37 | 1001167168 | 1 | Seal | |
| 39 | 0761010 | 2 | Bolt, M10X20 | |
| 40 | 1001179206 | 1 | Bracket | |
| 41 | 86683211 | 1 | Clamp | |

SECTION 4 - ENGINE AND ATTACHING PARTS

FIGURE 4-34. EXHAUST INSTALLATION, 74HP (ULS) (742, 943)



AMT_1001225513-C

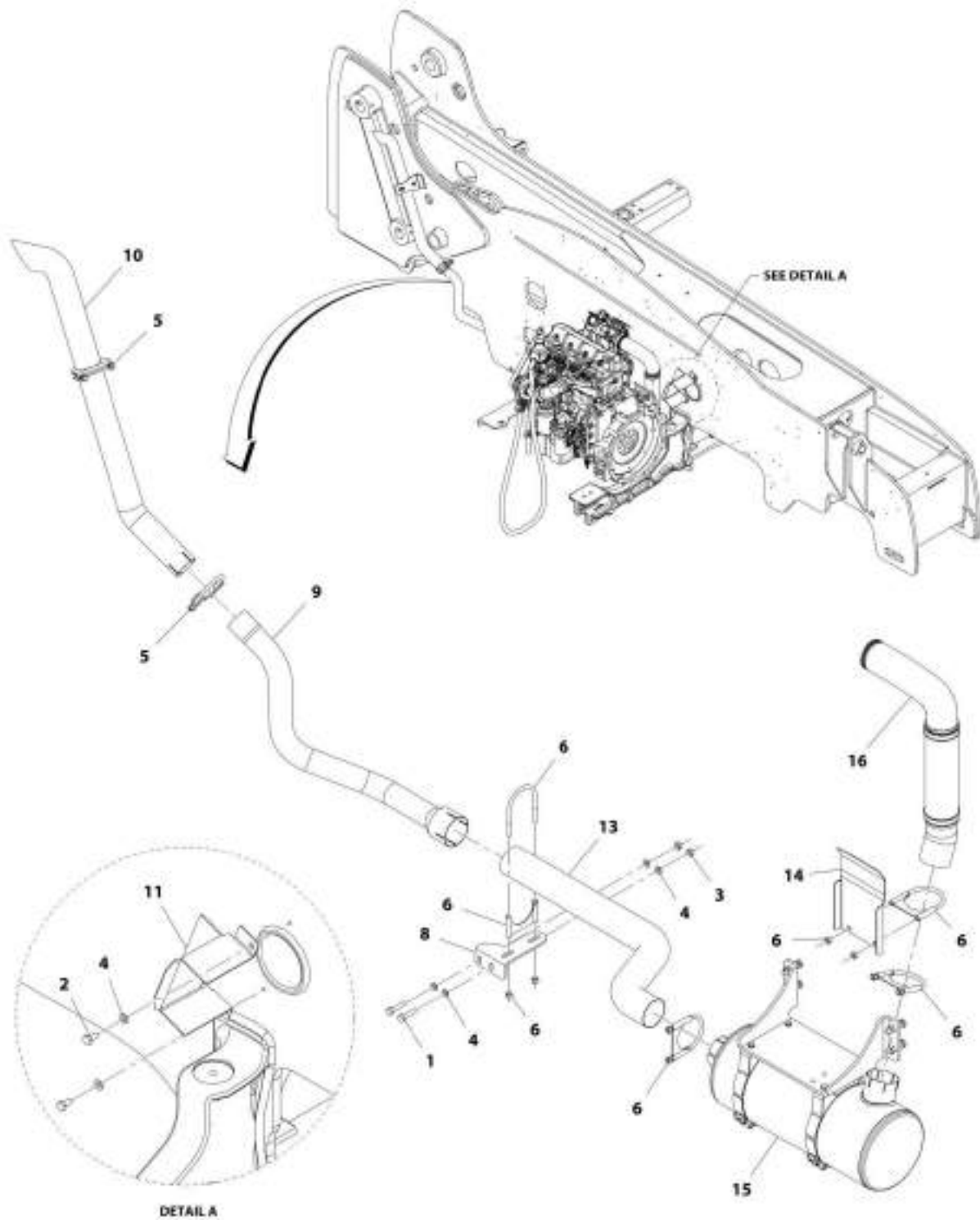
SECTION 4 - ENGINE AND ATTACHING PARTS

FIGURE 4-34. EXHAUST INSTALLATION, 74HP (ULS) (742, 943)

| ITEM | PART NUMBER | QTY | DESCRIPTION | REV |
|------|-------------|-----|-----------------------------------|-----|
| | 1001225313 | Ref | Exhaust Installation (74HP) (ULS) | C |
| 1 | 0701016 | 2 | Bolt, M10X40 | |
| 2 | 0701018 | 4 | Bolt, M10X50 | |
| 3 | 0760812 | 4 | Bolt, M8X25 | |
| 4 | 0761010 | 2 | Screw, M10X20 | |
| 5 | 3291001 | 2 | Nut, M10X1.5 | |
| 6 | 4811900 | 4 | Washer, M8 | |
| 7 | 4812000 | 10 | Washer, M10 | |
| 8 | 24921332 | 4 | Clamp | |
| 9 | 86683211 | 1 | Clamp | |
| 10 | 1001128714 | 1 | Muffler | |
| 11 | 1001128901 | 1 | Strap | |
| 12 | 1001162281 | 1 | Support | |
| 13 | 1001228516 | 1 | Bracket | |
| 14 | 1001204144 | 1 | Pipe | |
| 15 | 1001224030 | 1 | Pipe | |
| 16 | 1001224031 | 1 | Pipe | |
| 17 | 1001227234 | 1 | Bracket | |
| 18 | 1001225126 | 1 | Bracket | |
| 19 | 1001225402 | 1 | Bracket | |

SECTION 4 - ENGINE AND ATTACHING PARTS

FIGURE 4-35. EXHAUST INSTALLATION, 110HP (LS)



AWT_1001168830-E

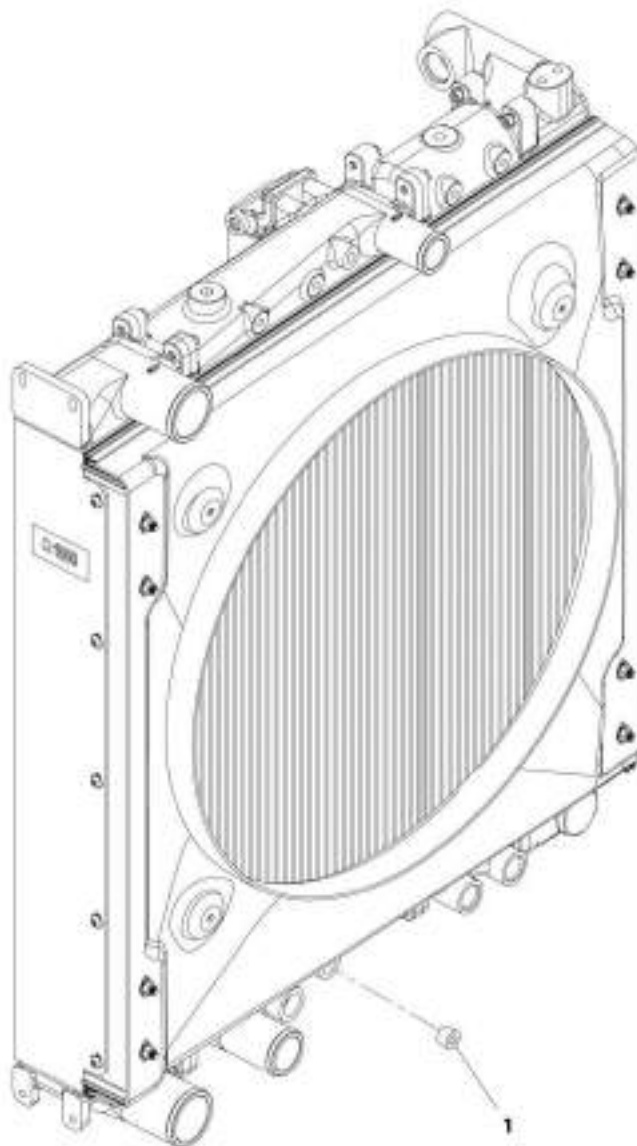
SECTION 4 - ENGINE AND ATTACHING PARTS

FIGURE 4-35. EXHAUST INSTALLATION, 110HP (LS)

| ITEM | PART NUMBER | QTY | DESCRIPTION | REV |
|------|-------------|-----|--|-----|
| | 1001169850 | Ref | Exhaust Installation (LS) | E |
| 1 | 0701017 | 2 | Bolt, M10X45 | |
| 2 | 0761010 | 2 | Bolt, M10X20 | |
| 3 | 3291001 | 2 | Nut, M10X1.5 | |
| 4 | 4812000 | 6 | Washer, M10 | |
| 5 | 8275212 | 2 | Clamp, Exhaust | |
| 6 | 24921332 | 4 | Clamp, Exhaust | |
| 8 | 1001162281 | 1 | Bracket, Exhaust | |
| 9 | 1001208186 | 1 | Pipe, Exhaust | |
| 10 | 1001173626 | 1 | Pipe, Exhaust | |
| 11 | 1001179206 | 1 | Bracket, Heat Shield | |
| 13 | 1001179972 | 1 | Pipe, Exhaust | |
| 14 | 1001181815 | 1 | Plate, Heat Shield | |
| 15 | 1001179968 | 1 | Installation, Muffler (LS) (See MUFFLER INSTALLATION (LS) for Breakdown) | |
| 16 | 1001191348 | 1 | Pipe, Exhaust Flex | |

SECTION 4 - ENGINE AND ATTACHING PARTS

FIGURE 4-36. ENGINE PARTS INSTALLATION (NO HEATER)



ART_1001163133-C

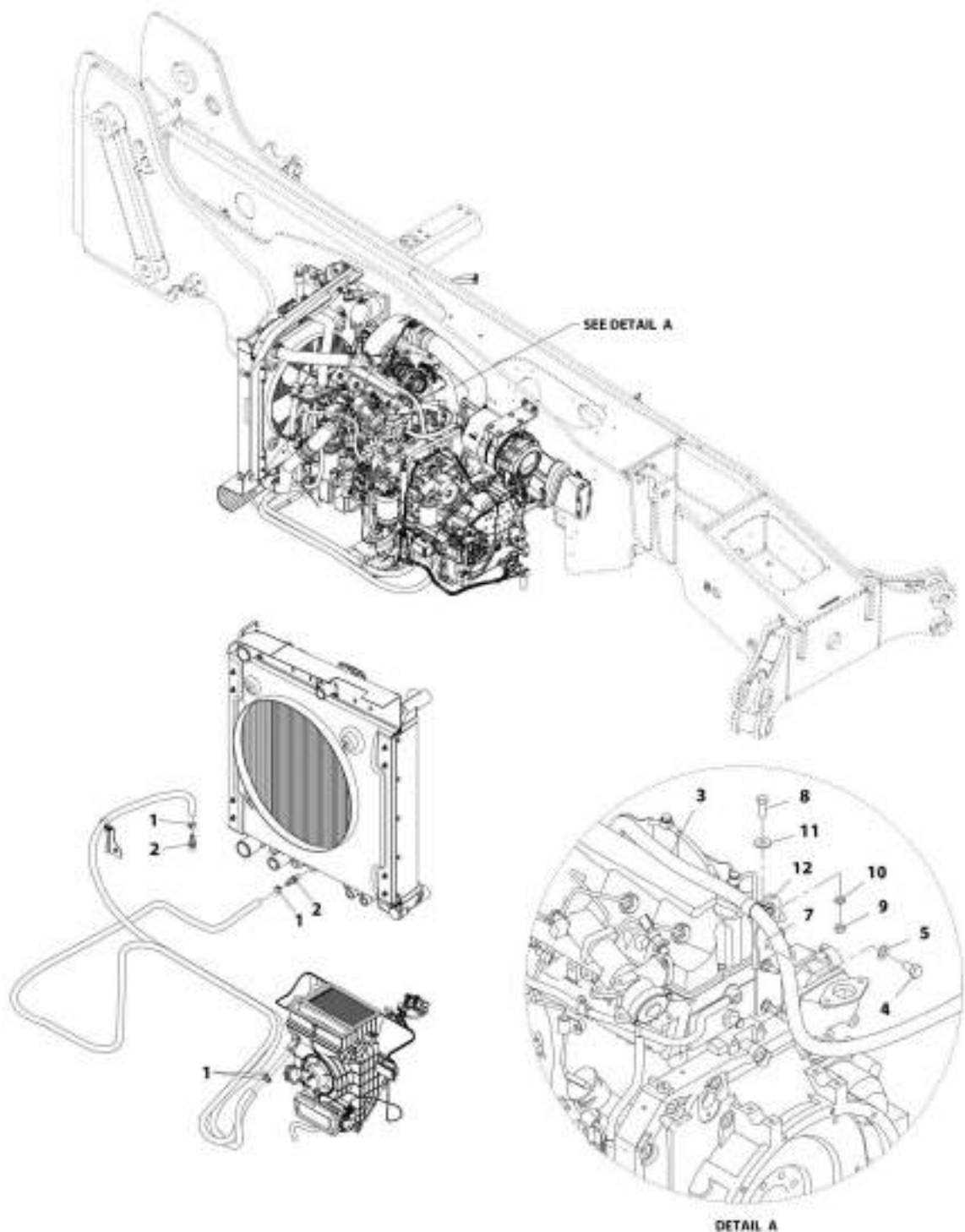
SECTION 4 - ENGINE AND ATTACHING PARTS

FIGURE 4-36. ENGINE PARTS INSTALLATION (NO HEATER)

| ITEM | PART NUMBER | QTY | DESCRIPTION | REV |
|------|-----------------------|----------|---|-----|
| 1 | 1001163133 2200223 | Ref 1 | Engine Parts Installation (No Heater) Plug | C |

SECTION 4 - ENGINE AND ATTACHING PARTS

FIGURE 4-37. ENGINE PARTS INSTALLATION (HEATER)



ART. 3801163134-J

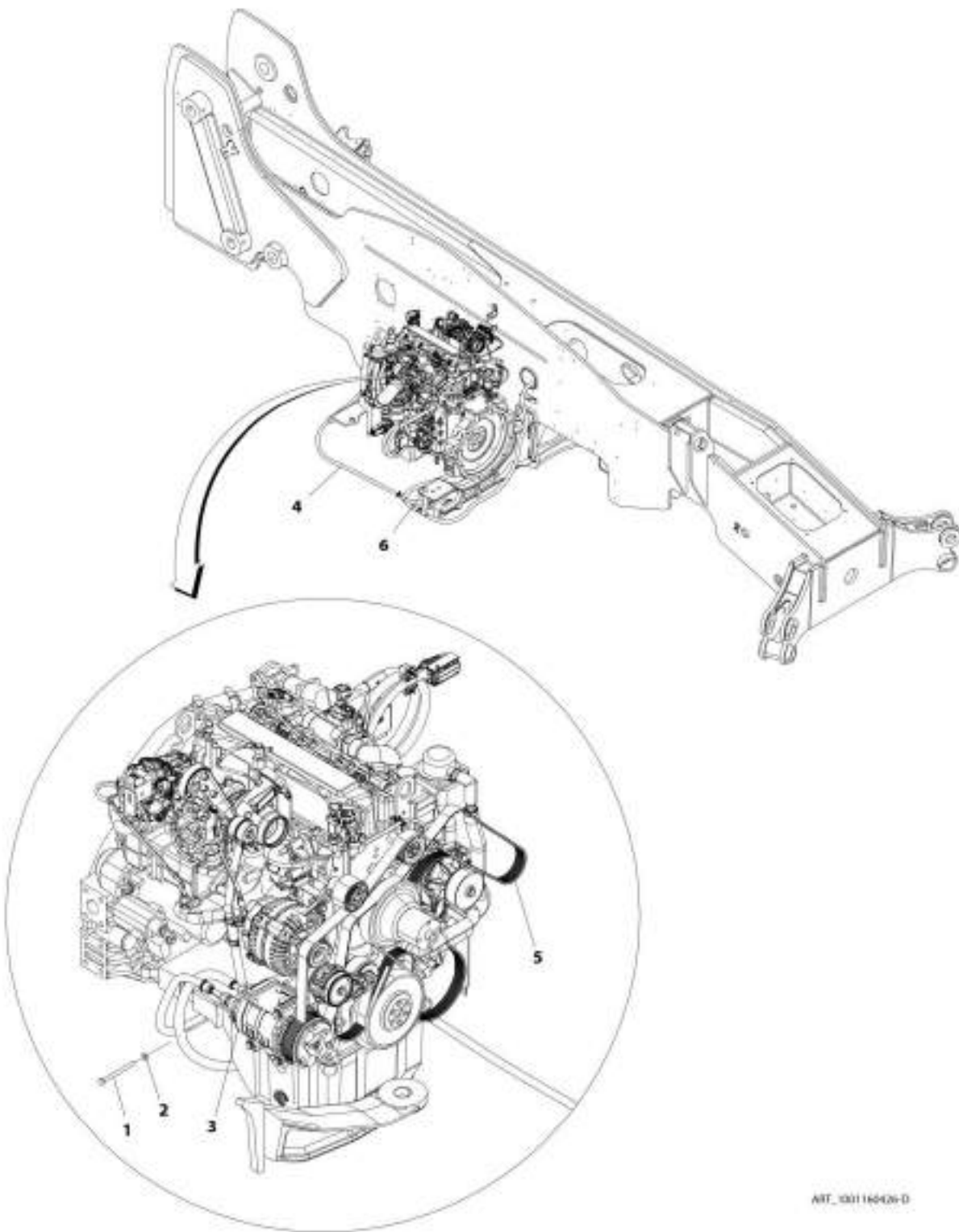
SECTION 4 - ENGINE AND ATTACHING PARTS

FIGURE 4-37. ENGINE PARTS INSTALLATION (HEATER)

| ITEM | PART NUMBER | QTY | DESCRIPTION | REV |
|------|-------------|-----|------------------------------------|-----|
| | 1001163134 | Ref | Engine Parts Installation (Heater) | J |
| 1 | 8410009 | 4 | Clamp, Gear | |
| 2 | 1001104685 | 2 | Pipe | |
| 3 | 82033995 | 7 m | Hose | |
| 4 | 0760807 | 1 | Bolt, M8X14 | |
| 5 | 4811900 | 1 | Washer, M8 | |
| 7 | 1001200555 | 1 | Bracket | |
| 8 | 0700610 | 1 | Bolt, M6X20 | |
| 9 | 3290601 | 1 | Nut, M6X1 | |
| 10 | 4811700 | 1 | Washer, M6 | |
| 11 | 4811702 | 1 | Washer, M6 | |
| 12 | 8406201 | 1 | Clip | |

SECTION 4 - ENGINE AND ATTACHING PARTS

FIGURE 4-38. A/C PUMP INSTALLATION (ULS)



ART_1001165426-D

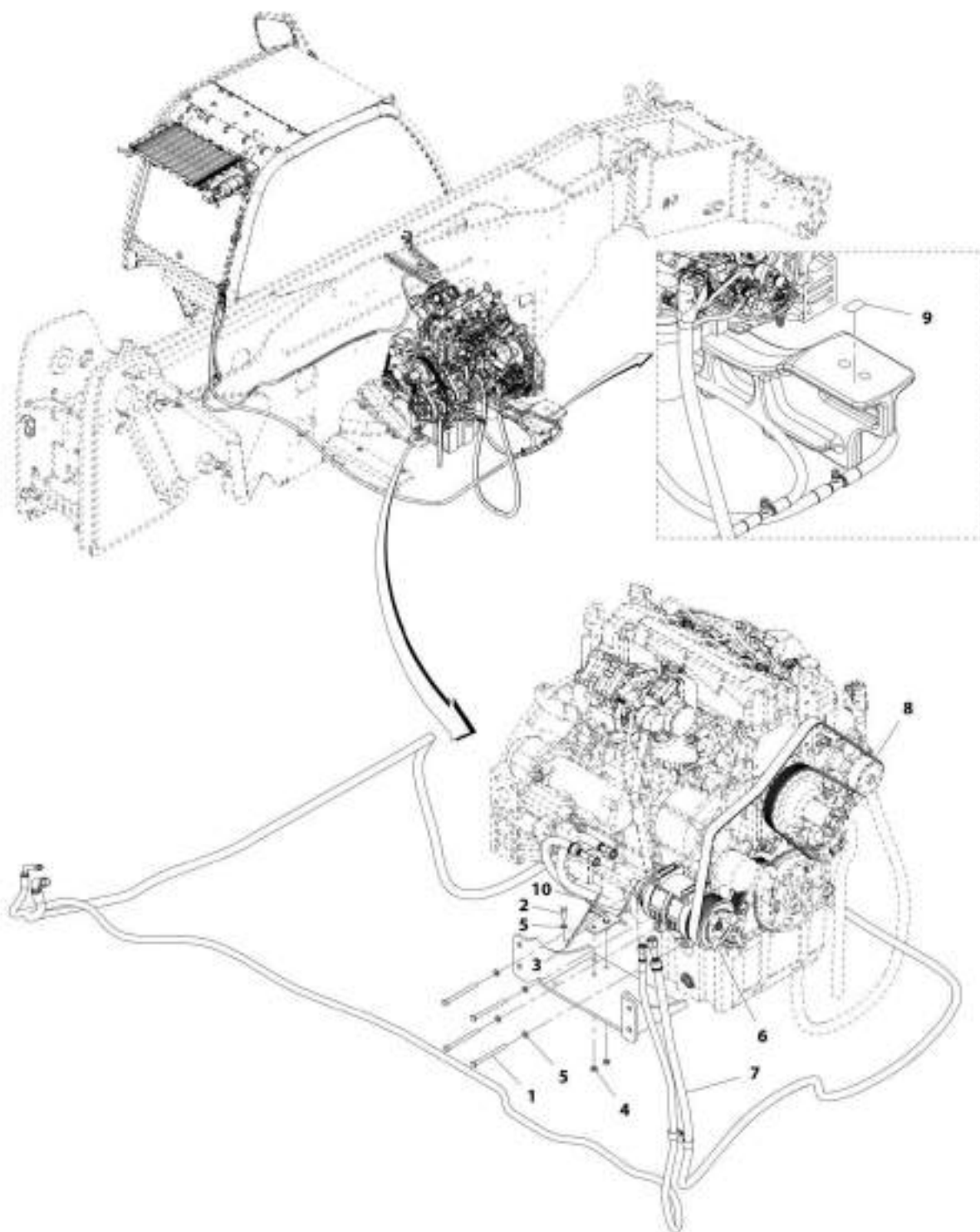
SECTION 4 - ENGINE AND ATTACHING PARTS

FIGURE 4-38. A/C PUMP INSTALLATION (ULS)

| ITEM | PART NUMBER | QTY | DESCRIPTION | REV |
|------|-------------|-----|--|-----|
| | 1001160426 | Ref | A/C Pump Installation (ULS) | D |
| 1 | 0700827 | 4 | Bolt, M8X100 | |
| 2 | 4811900 | 4 | Washer, M8 | |
| 3 | 1001157663 | 1 | Compressor, A/C | |
| 4 | 1001163254 | Ref | Installation, A/C Lines (See A/C LINES INSTALLATION for Breakdown) | |
| 5 | 1001167357 | 1 | Belt | |
| 6 | 1001193026 | 1 | Decal, A/C Refrigerant | |

SECTION 4 - ENGINE AND ATTACHING PARTS

FIGURE 4-39. A/C PUMP INSTALLATION (LS)



ART_1001206440-A

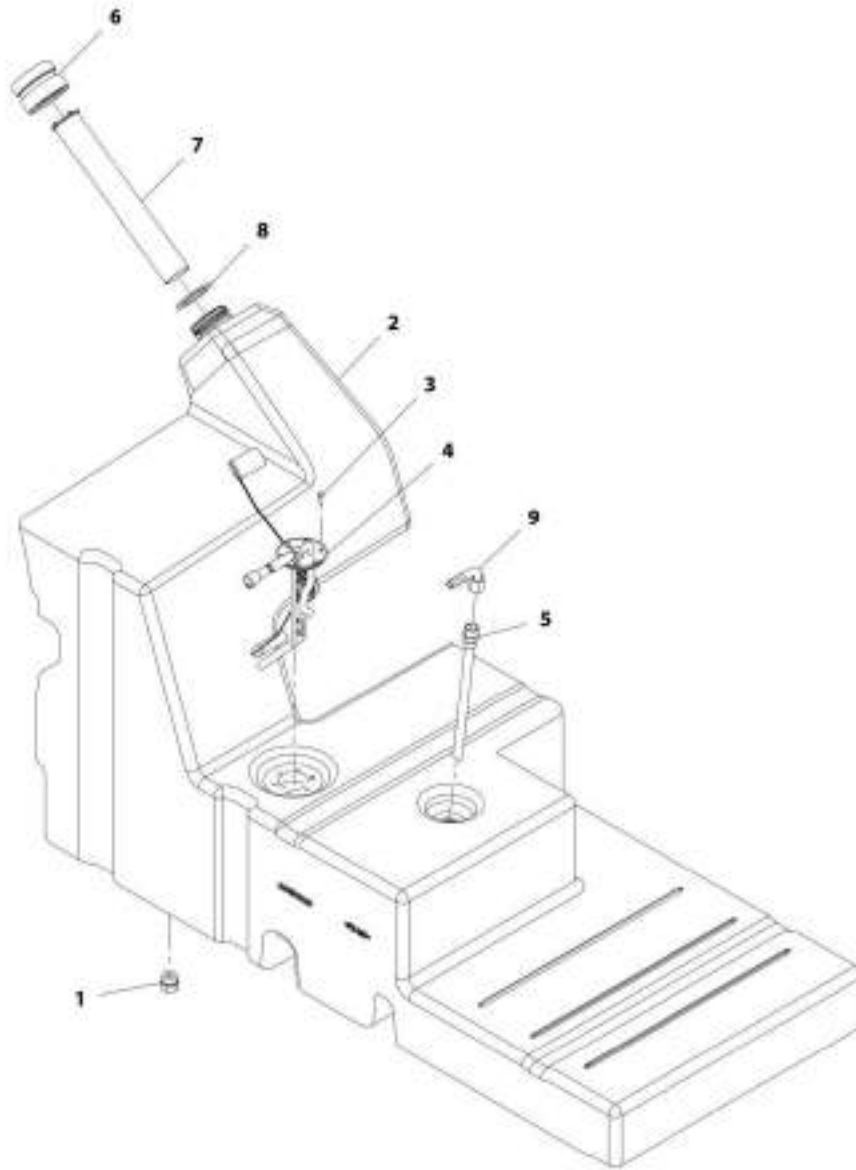
SECTION 4 - ENGINE AND ATTACHING PARTS

FIGURE 4-39. A/C PUMP INSTALLATION (LS)

| ITEM | PART NUMBER | QTY | DESCRIPTION | REV |
|------|-------------|-----|--|-----|
| | 1001206448 | Ref | A/C Pump Installation (LS) | A |
| 1 | 0700827 | 4 | Bolt, M8X100 | |
| 2 | 0760812 | 2 | Bolt, M8X25 | |
| 3 | 1062255 | 1 | Strap, Tie | |
| 4 | 3290801 | 2 | Nut, M8X1.25 Grade 8 | |
| 5 | 4811900 | 6 | Washer, M8 | |
| 6 | 1001157663 | 1 | Compressor, A/C | |
| 7 | 1001163254 | 1 | Installation, A/C Lines (See A/C LINES INSTALLATION for Breakdown) | |
| 8 | 1001167357 | 1 | Belt | |
| 9 | 1001193026 | 1 | Decal, A/C Refrigerant | |
| 10 | 1001206332 | 1 | Bracket | |

SECTION 4 - ENGINE AND ATTACHING PARTS

FIGURE 4-40. FUEL TANK ASSEMBLY (Prior to SN 0160075554)



ART_100163066-K

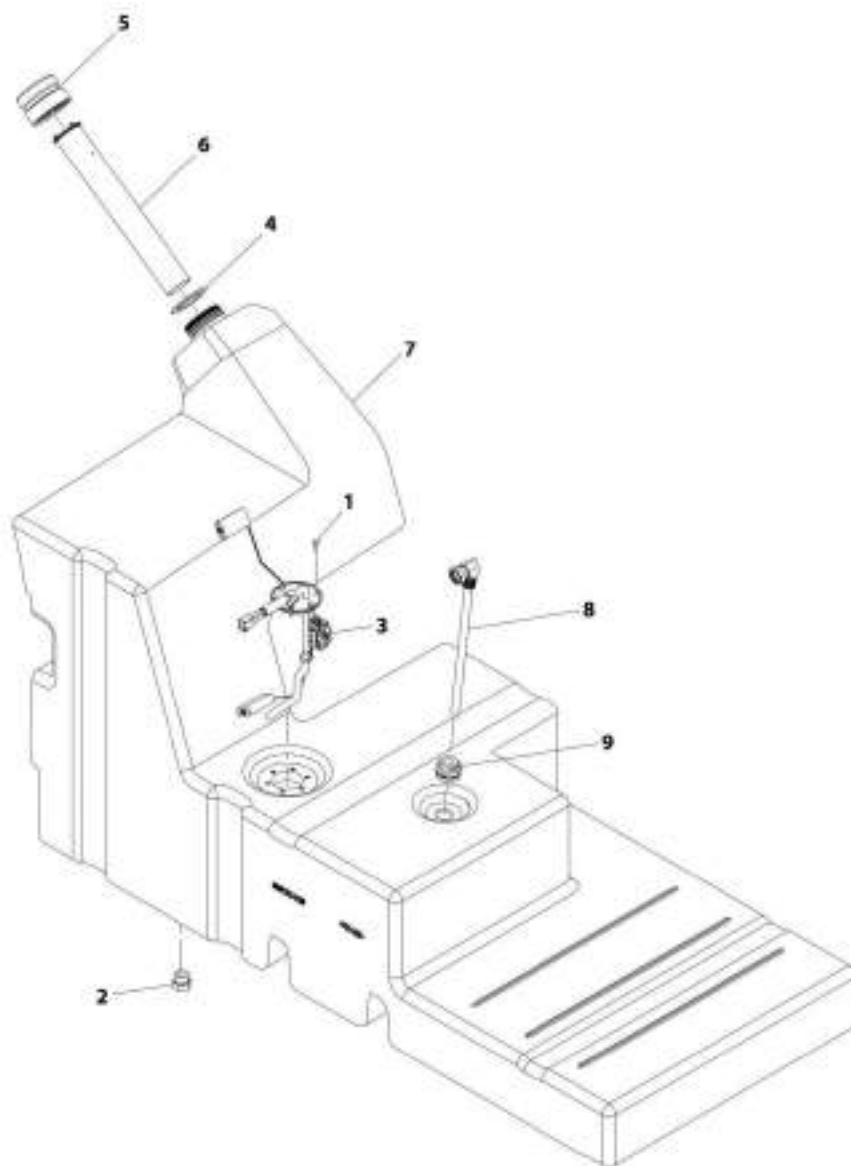
SECTION 4 - ENGINE AND ATTACHING PARTS

FIGURE 4-40. FUEL TANK ASSEMBLY (Prior to SN 0160075554)

| ITEM | PART NUMBER | QTY | DESCRIPTION | REV |
|------|-------------|-----|--------------------|-----|
| | 1001163066 | Ref | Fuel Tank Assembly | K |
| 1 | 1001003427 | 1 | Plug | |
| 2 | 1001162628 | 1 | Tank, Fuel | |
| 3 | 0760507 | 6 | Bolt, M5X14 | |
| 4 | 1001169867 | 1 | Gauge, Fuel Level | |
| 5 | 1001170105 | 1 | Pipe, Fuel Supply | |
| 6 | 1001207282 | 1 | Fitting, Straight | |
| 7 | 1001207557 | 1 | Tube | |
| 8 | 1001172178 | 1 | Gasket | |
| 9 | 1001172587 | 1 | Coupling, ORFS | |

SECTION 4 - ENGINE AND ATTACHING PARTS

FIGURE 4-41. FUEL TANK ASSEMBLY (SN 0160075554 to Present)



ARR_1001211432-F

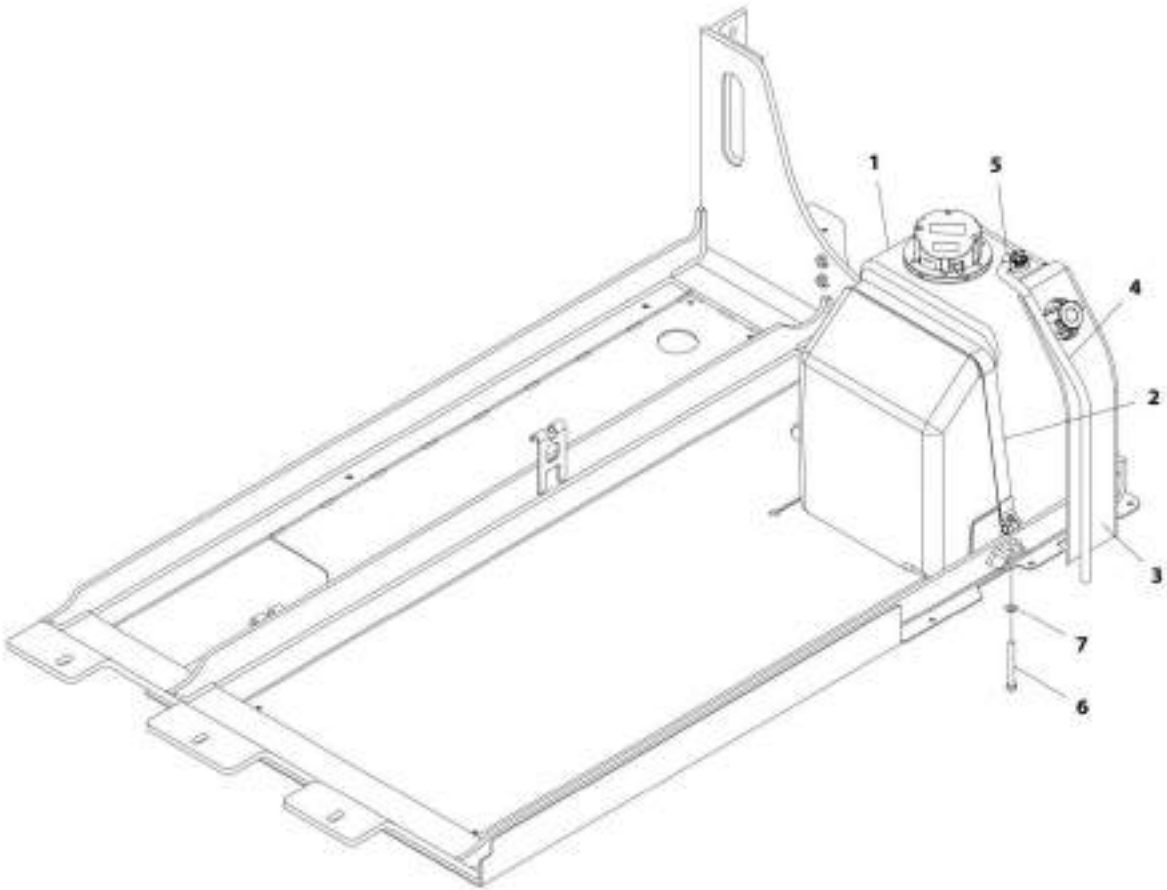
SECTION 4 - ENGINE AND ATTACHING PARTS

FIGURE 4-41. FUEL TANK ASSEMBLY (SN 0160075554 to Present)

| ITEM | PART NUMBER | QTY | DESCRIPTION | REV |
|------|-------------|-----|---|-----|
| | 1001211432 | Ref | Fuel Tank Assembly | F |
| 1 | 0760507 | 6 | Bolt, M5X14 | |
| 2 | 1001003427 | 1 | Plug | |
| 3 | 1001169867 | NLA | Gauge, Fuel Level (no longer available, use 1001235100 for replacement) | |
| 3 | 1001235100 | 1 | Gauge, Fuel Level | |
| 4 | 1001172178 | 1 | Gasket | |
| 5 | 1001207282 | 1 | Adapter, Tank Cap | |
| 6 | 1001207557 | 1 | Pipe, Fuel Tank Drop | |
| 7 | 1001211428 | 1 | Tank, Fuel | |
| 8 | 1001211429 | 1 | Coupling, ORFS | |
| 9 | 1001211747 | 1 | Pipe, Fuel Supply | |

SECTION 4 - ENGINE AND ATTACHING PARTS

FIGURE 4-42. DEF TANK INSTALLATION



ART_3001168930-1

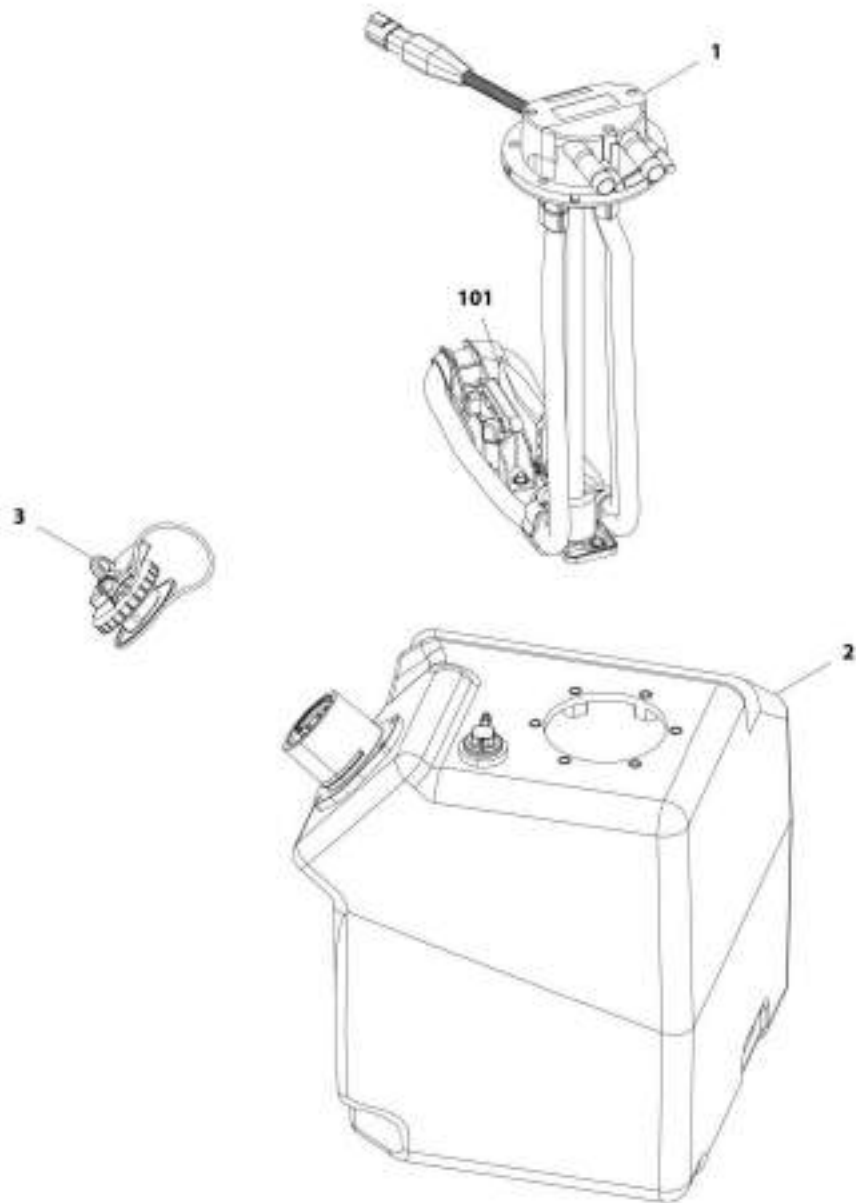
SECTION 4 - ENGINE AND ATTACHING PARTS

FIGURE 4-42. DEF TANK INSTALLATION

| ITEM | PART NUMBER | QTY | DESCRIPTION | REV |
|------|-------------|-------|---|-----|
| | 1001168638 | Ref | DEF Tank Installation | I |
| 1 | 1001164966 | 1 | Tank, DEF (See DEF TANK ASSEMBLY for Breakdown) | |
| 2 | 1001178791 | 1 | Strap, Tank | |
| 3 | 1001168272 | 1 | Sleeve | |
| 4 | 1001175201 | 0.6 m | Hose | |
| 5 | 8405009 | 1 | Clamp, Gear | |
| 6 | 0760823 | 1 | Bolt, M8X75 | |
| 7 | 4811900 | 1 | Washer, M8 | |

SECTION 4 - ENGINE AND ATTACHING PARTS

FIGURE 4-43. DEF TANK ASSEMBLY



ART_1001164906-C

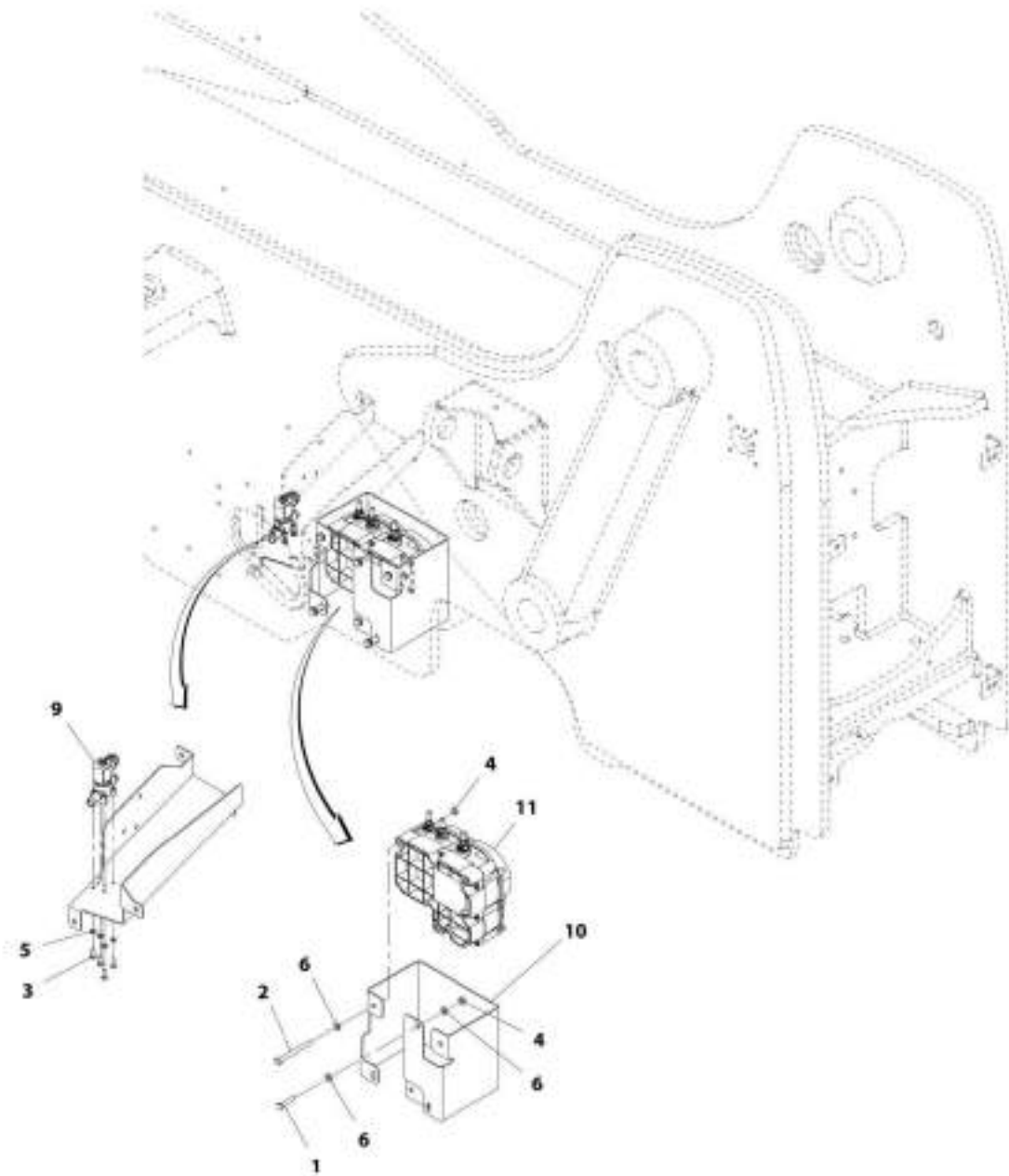
SECTION 4 - ENGINE AND ATTACHING PARTS

FIGURE 4-43. DEF TANK ASSEMBLY

| ITEM | PART NUMBER | QTY | DESCRIPTION | REV |
|------|-------------|-----|--|-----|
| | 1001164966 | Ref | DEF Tank Assembly | E |
| 1 | 1001164964 | 1 | Assembly, DEF Electrical (includes item 101) | |
| 2 | 1001164967 | 1 | Tank | |
| 3 | 1001174795 | 1 | Cap | |
| 101 | 70026584 | 1 | Filter, DEF | |

SECTION 4 - ENGINE AND ATTACHING PARTS

FIGURE 4-44. DEF PUMP AND CONTROL INSTALLATION



ART_1001174273-H

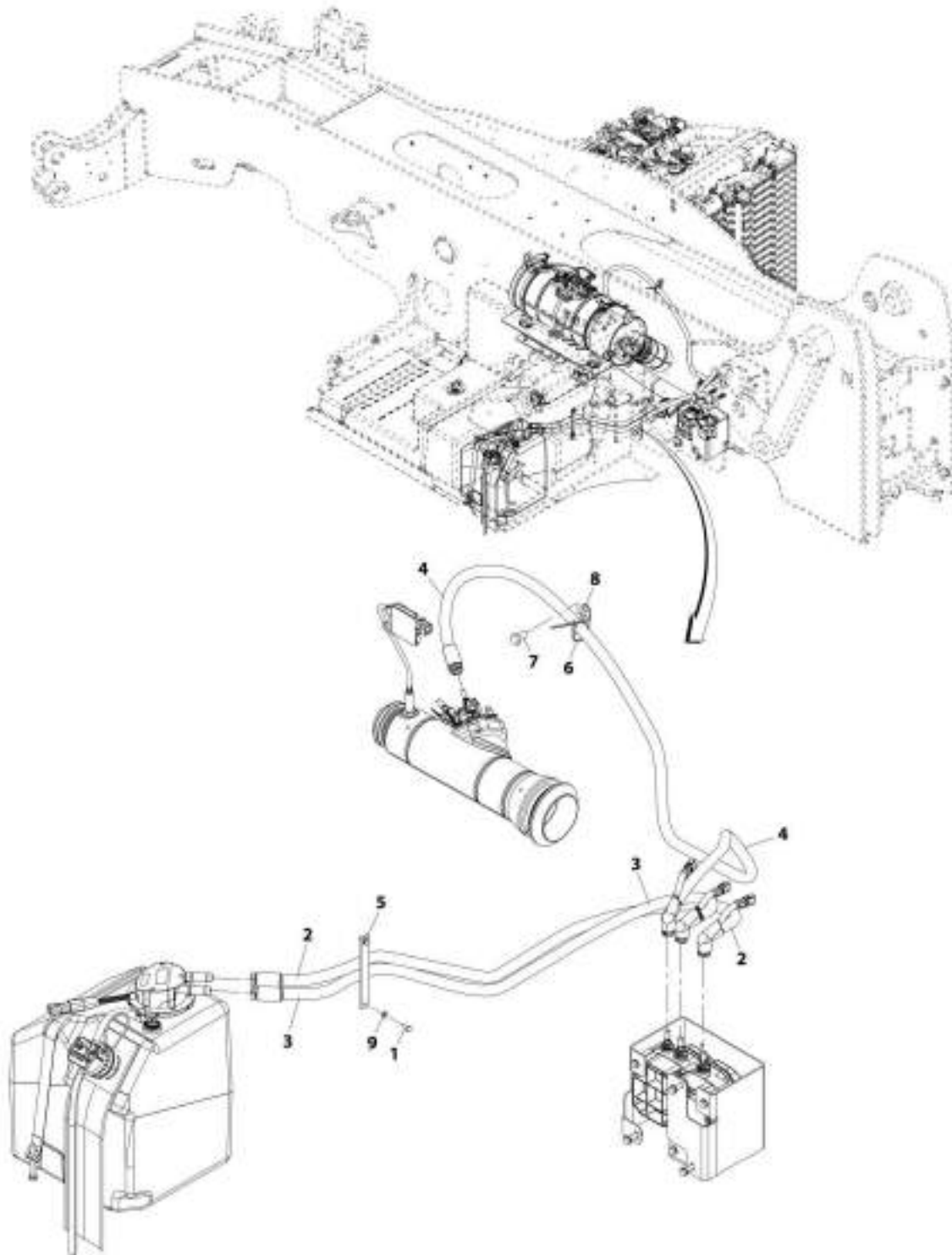
SECTION 4 - ENGINE AND ATTACHING PARTS

FIGURE 4-44. DEF PUMP AND CONTROL INSTALLATION

| ITEM | PART NUMBER | QTY | DESCRIPTION | REV |
|------|-------------|-----|--|-----|
| | 1001174271 | Ref | DEF Pump and Control Installation | H |
| 1 | 0700815 | 3 | Bolt, M8X35 | |
| 2 | 0700826 | 3 | Bolt, M8X90 | |
| 3 | 0760608 | 4 | Bolt, M6X16 | |
| 4 | 3290801 | 5 | Nut, M8X1.25 | |
| 5 | 4811700 | 4 | Washer, M6 | |
| 6 | 4811900 | 8 | Washer, M8 | |
| 9 | 1001199670 | 1 | Valve, DEF Tank Coolant Flow | |
| 10 | 1001191168 | 1 | Bracket | |
| 11 | | Ref | Pump, Urea (See UREA PUMP for Breakdown) | |

SECTION 4 - ENGINE AND ATTACHING PARTS

FIGURE 4-45. DEF PUMP LINES INSTALLATION



ART_10011632E3-G

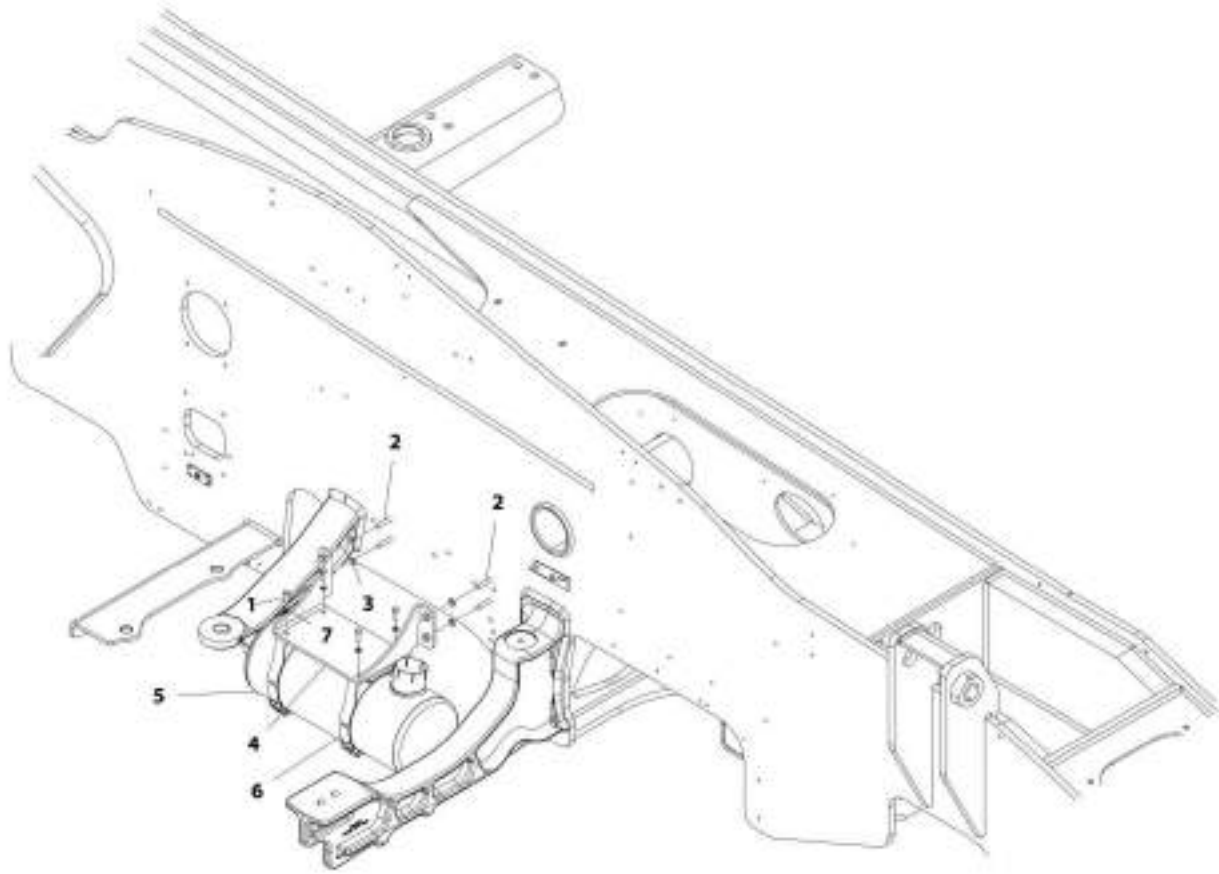
SECTION 4 - ENGINE AND ATTACHING PARTS

FIGURE 4-45. DEF PUMP LINES INSTALLATION

| ITEM | PART NUMBER | QTY | DESCRIPTION | REV |
|------|-------------|-----|-----------------------------|-----|
| | 1001163253 | Ref | DEF Pump Lines Installation | G |
| 1 | 0760607 | 2 | Bolt, M6X14 | |
| 2 | 1001196354 | 1 | Hose | |
| 3 | 1001196421 | 1 | Hose | |
| 4 | 1001167971 | 1 | Hose | |
| 5 | 1001196440 | 1 | Plate, Retainer | |
| 6 | 8881802 | 1 | Strap, Tie | |
| 7 | 0761210 | 1 | Bolt, M12X20 | |
| 8 | 1001025750 | 1 | Clip | |
| 9 | 4831700 | 2 | Washer, Lock M6 | |

SECTION 4 - ENGINE AND ATTACHING PARTS

FIGURE 4-46. MUFFLER INSTALLATION (LS)



ART_1001170668-D

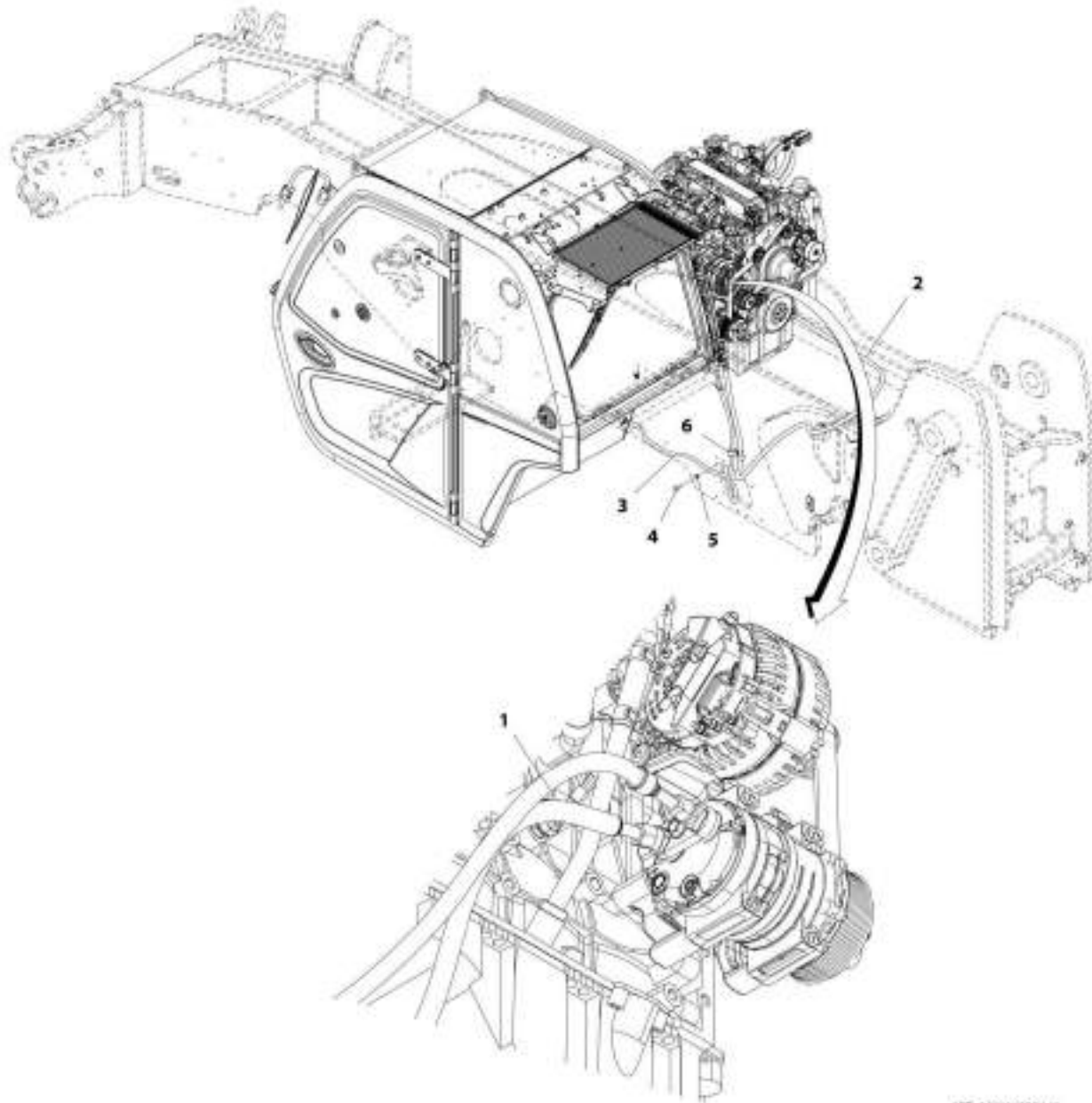
SECTION 4 - ENGINE AND ATTACHING PARTS

FIGURE 4-46. MUFFLER INSTALLATION (LS)

| ITEM | PART NUMBER | QTY | DESCRIPTION | REV |
|------|-------------|-----|---------------------------|-----|
| | 1001179968 | Ref | Muffler Installation (LS) | D |
| 1 | 0760812 | 4 | Bolt, M8X25 | |
| 2 | 0701017 | 4 | Bolt, M10X45 | |
| 3 | 4812000 | 4 | Washer, M10 | |
| 4 | 1001179973 | 1 | Bracket | |
| 5 | 1001180226 | 1 | Muffler | |
| 6 | 1001180227 | 2 | Clamp, Muffler | |
| 7 | 4811900 | 4 | Washer, M8 | |

SECTION 4 - ENGINE AND ATTACHING PARTS

FIGURE 4-47. A/C LINES INSTALLATION



ART_100163254-H

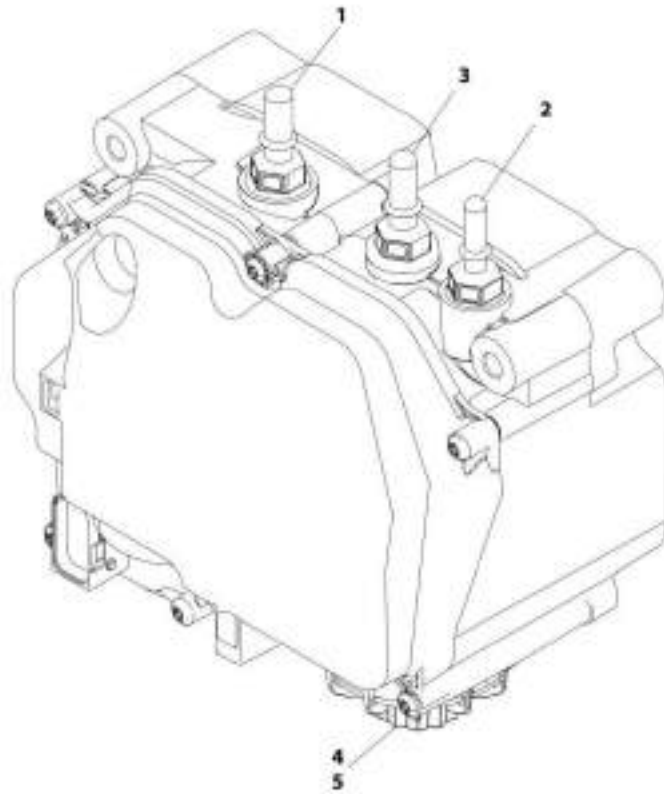
SECTION 4 - ENGINE AND ATTACHING PARTS

FIGURE 4-47. A/C LINES INSTALLATION

| ITEM | PART NUMBER | QTY | DESCRIPTION | REV |
|------|-------------|-----|------------------------|-----|
| | 1001163254 | Ref | A/C Lines Installation | H |
| 1 | 1001196491 | 1 | Hose | |
| 2 | 1001184017 | 1 | Hose | |
| 3 | 1001186705 | 1 | Hose | |
| 4 | 0761012 | 1 | Bolt, M10X25 | |
| 5 | 4812000 | 1 | Washer, M10 | |
| 6 | 8406102 | 2 | Clip | |

SECTION 4 - ENGINE AND ATTACHING PARTS

FIGURE 4-48. UREA PUMP (Prior to SN 0160077185)



AP1_1001154227-C

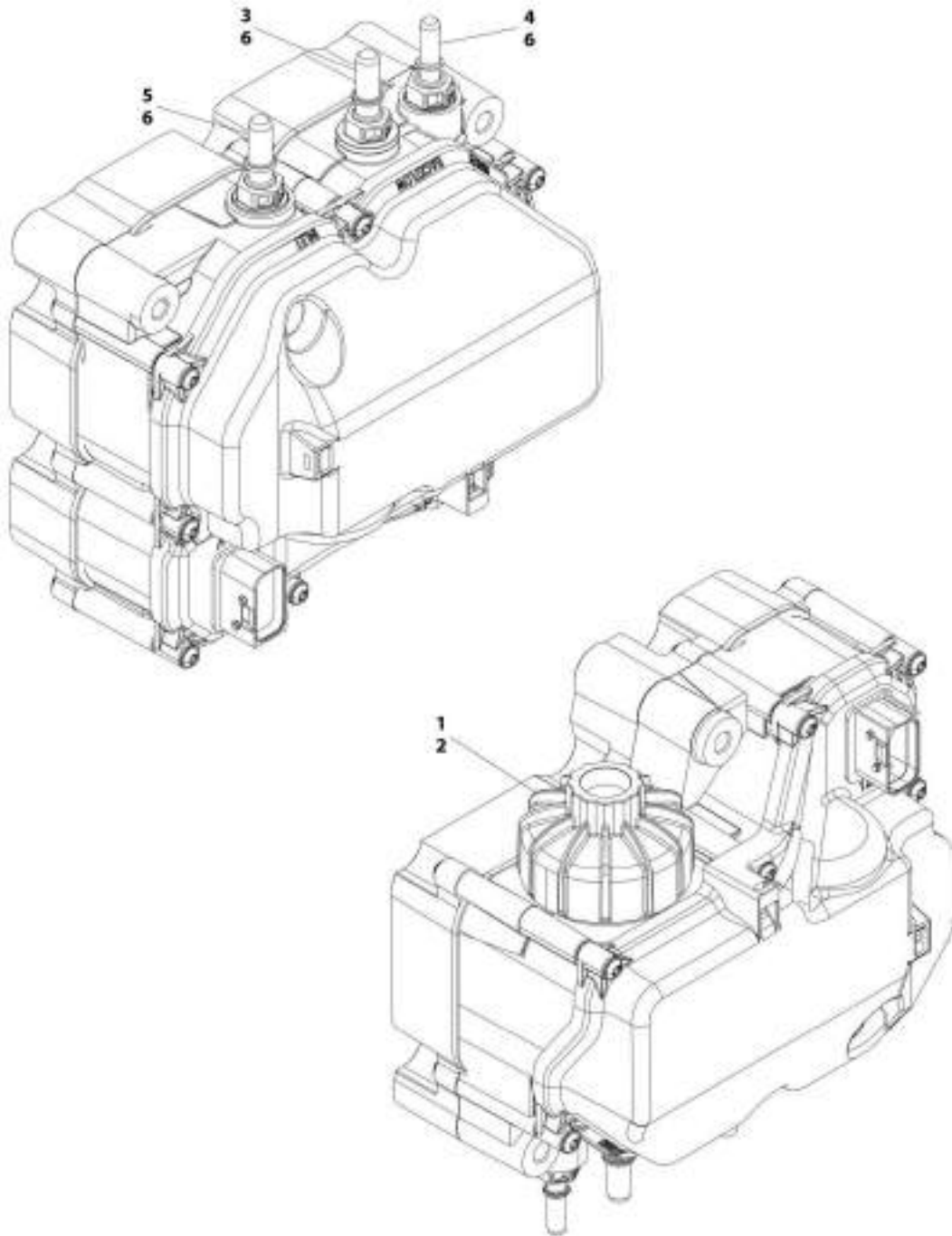
SECTION 4 - ENGINE AND ATTACHING PARTS

FIGURE 4-48. UREA PUMP (Prior to SN 0160077185)

| ITEM | PART NUMBER | QTY | DESCRIPTION | REV |
|------|-------------|-----|----------------------------|-----|
| | 1001154227 | 1 | Urea Pump | C |
| 1 | 70026244 | 1 | Connector, Male (Inlet) | |
| 2 | 70026245 | 1 | Connector, Male (Outlet) | |
| 3 | 70026246 | 1 | Connector, Male (Backflow) | |
| 4 | 70026247 | 1 | Cap, Filter | |
| 5 | 70026248 | 1 | Kit, Filter | |

SECTION 4 - ENGINE AND ATTACHING PARTS

FIGURE 4-49. UREA PUMP (SN 0160077185 to Present)



ART_1001313210-A

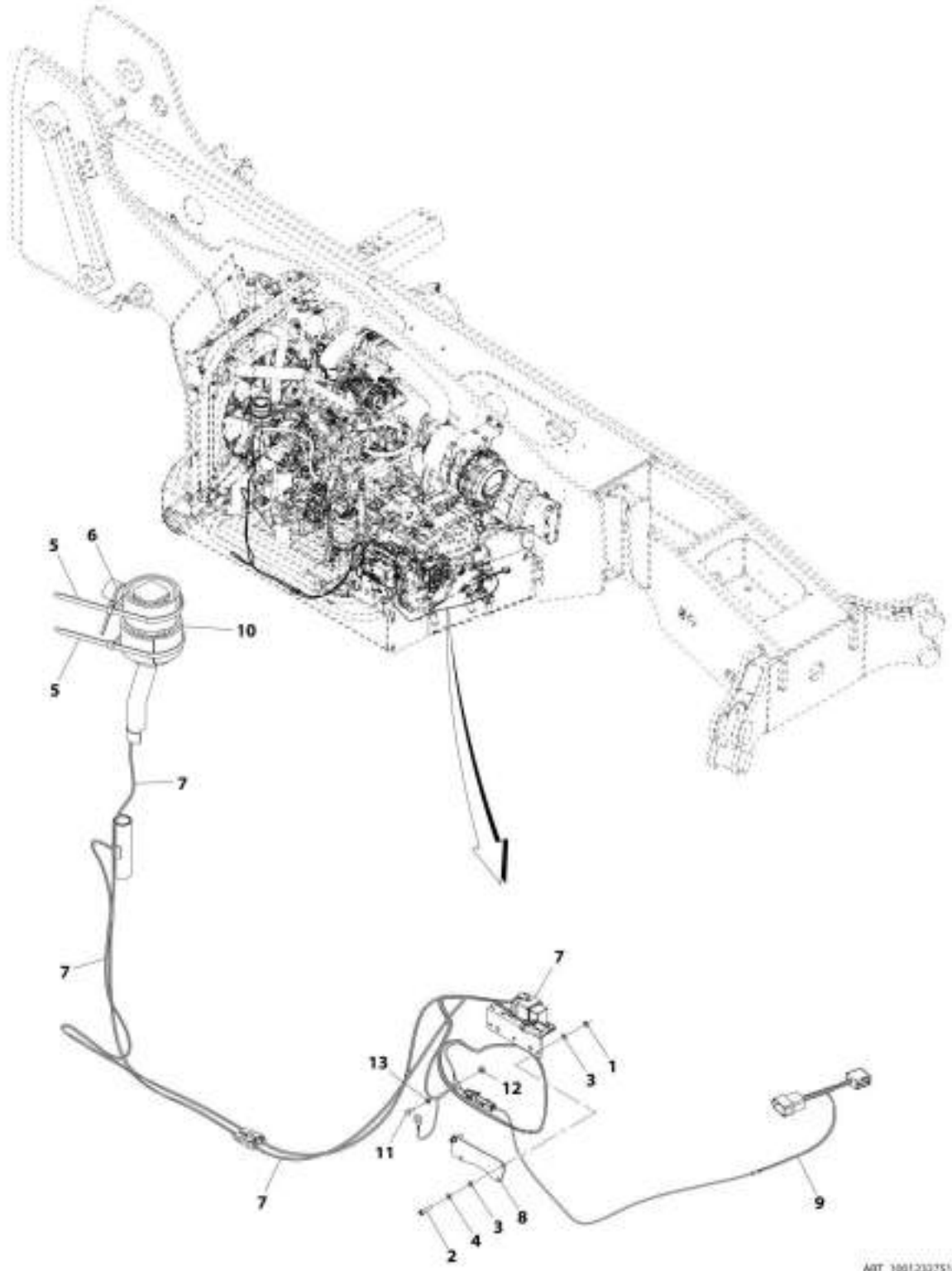
SECTION 4 - ENGINE AND ATTACHING PARTS

FIGURE 4-49. UREA PUMP (SN 0160077185 to Present)

| ITEM | PART NUMBER | QTY | DESCRIPTION | REV |
|------|-------------|-----|----------------------------|-----|
| | 1001213210 | 1 | DEF Module Pump | A |
| 1 | 70026248 | 1 | Kit, Filter | |
| 2 | 70026247 | 1 | Cap, Filter | |
| 3 | 70027705 | 1 | Connector, Male (Backflow) | |
| 4 | 70026245 | 1 | Connector, Male (Outlet) | |
| 5 | 70026244 | 1 | Connector, Male (Inlet) | |
| 6 | 70027706 | 3 | Gasket, Circular (O-Ring) | |

SECTION 4 - ENGINE AND ATTACHING PARTS

FIGURE 4-50. HEATER BREATHER (ULS - 110HP)



ART_1001232751-0

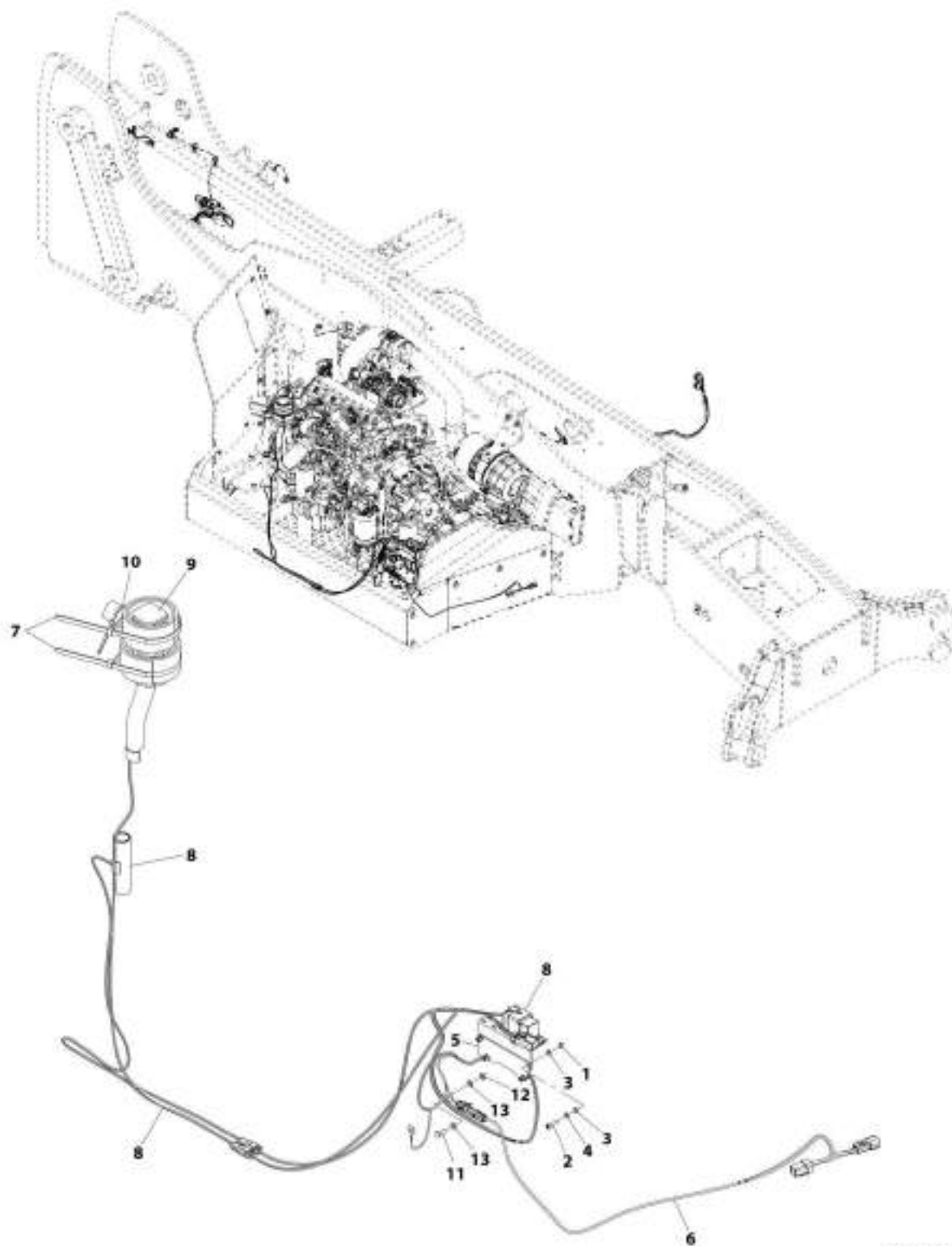
SECTION 4 - ENGINE AND ATTACHING PARTS

FIGURE 4-50. HEATER BREATHER (ULS - 110HP)

| ITEM | PART NUMBER | QTY | DESCRIPTION | REV |
|------|-------------|-----|------------------------------|-----|
| | 1001232751 | Ref | Heater Breather | B |
| 1 | 3290501 | 2 | Nut, M5X0.8 | |
| 2 | 4031608 | 2 | Screw, M5X20 | |
| 3 | 4811600 | 4 | Washer, M5 | |
| 4 | 4831600 | 2 | Washer, Lock M5 | |
| 5 | 01043892 | 2 | Tie wrap, Long | |
| 6 | 86683122 | 1 | Tie wrap, Short | |
| 7 | 1001232439 | 1 | Engine, Cummins Breather Kit | |
| 8 | 1001232440 | 1 | Bracket, Cummins Kit Support | |
| 9 | 1001232556 | 1 | Harness, Cummins Heater Jump | |
| 10 | 1001232624 | 1 | Insulate, Cummins Insulation | |
| 11 | 0760607 | 1 | Bolt, M6X14 | |
| 12 | 3290601 | 1 | Nut, M6X1 | |
| 13 | 4811700 | 2 | Washer, M6 | |

SECTION 4 - ENGINE AND ATTACHING PARTS

FIGURE 4-51. HEATER BREATHER (ULS - 74HP)



ART_1001237208-A

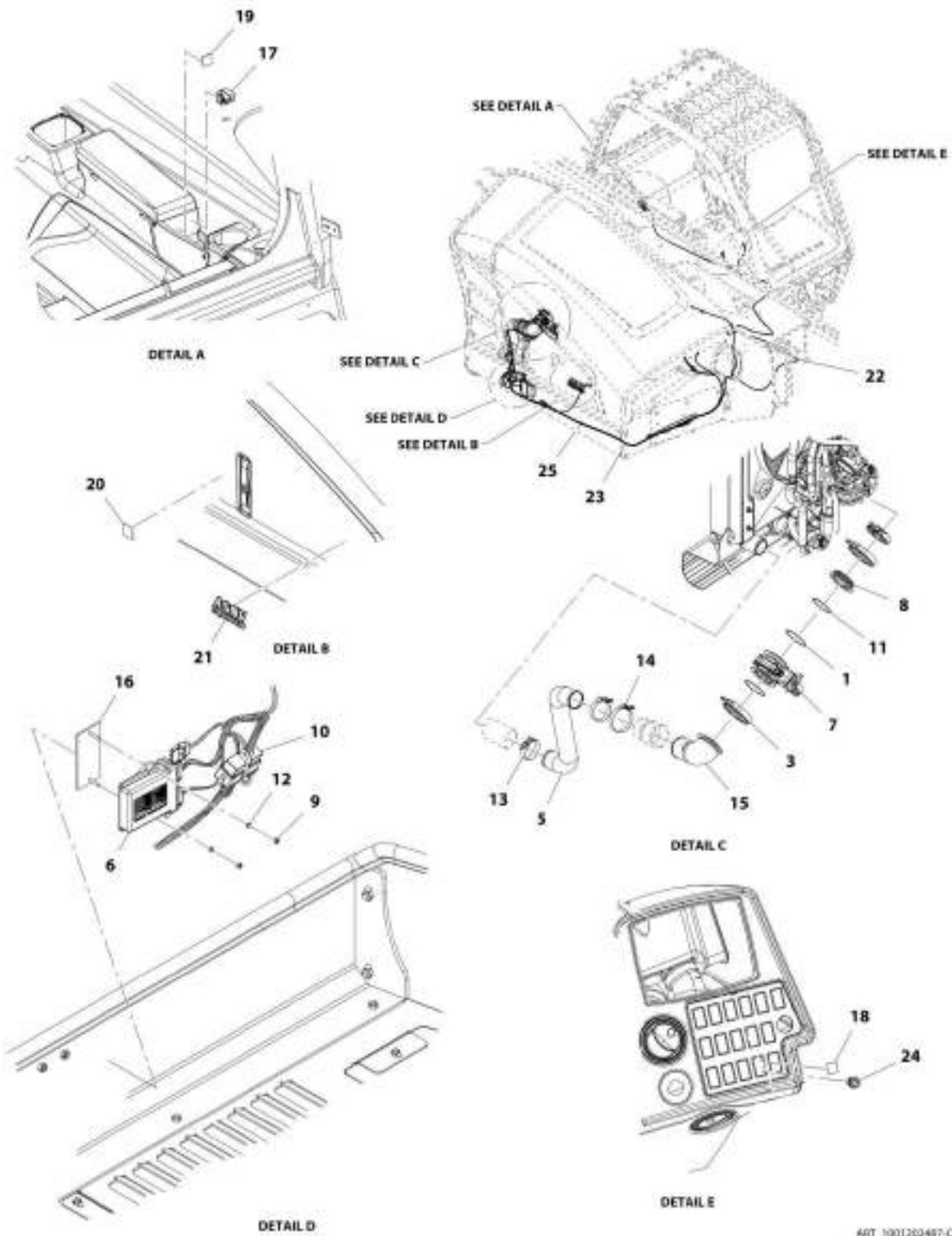
SECTION 4 - ENGINE AND ATTACHING PARTS

FIGURE 4-51. HEATER BREATHER (ULS - 74HP)

| ITEM | PART NUMBER | QTY | DESCRIPTION | REV |
|------|-------------|-----|----------------------------------|-----|
| | 1001237208 | Ref | Heater Breather - 74 HP | A |
| 1 | 3290501 | 4 | Nut, M5X0.8 | |
| 2 | 4031608 | 4 | Screw, M5X20 | |
| 3 | 4811600 | 8 | Washer, M5 | |
| 4 | 4831600 | 4 | Washer, Lock M5 | |
| 5 | 1001232440 | 1 | Bracket | |
| 6 | 1001237171 | 1 | Harness, Cummins Breather Heater | |
| 7 | 01043892 | 2 | Strap, Tie | |
| 8 | 1001232439 | 1 | Engine, Cummins Breather Kit | |
| 9 | 1001232624 | 1 | Insulate, Cummins Insulation | |
| 10 | 86683122 | 1 | Strap, Tie | |
| 11 | 0760607 | 1 | Bolt, M6X1 | |
| 12 | 3290601 | 1 | Nut, M6X1 | |
| 13 | 4811700 | 2 | Washer, M6 | |

SECTION 4 - ENGINE AND ATTACHING PARTS

FIGURE 4-52. AIR INTAKE SHUT OFF VALVE INSTALLATION



ART_1001200487-C

SECTION 4 - ENGINE AND ATTACHING PARTS

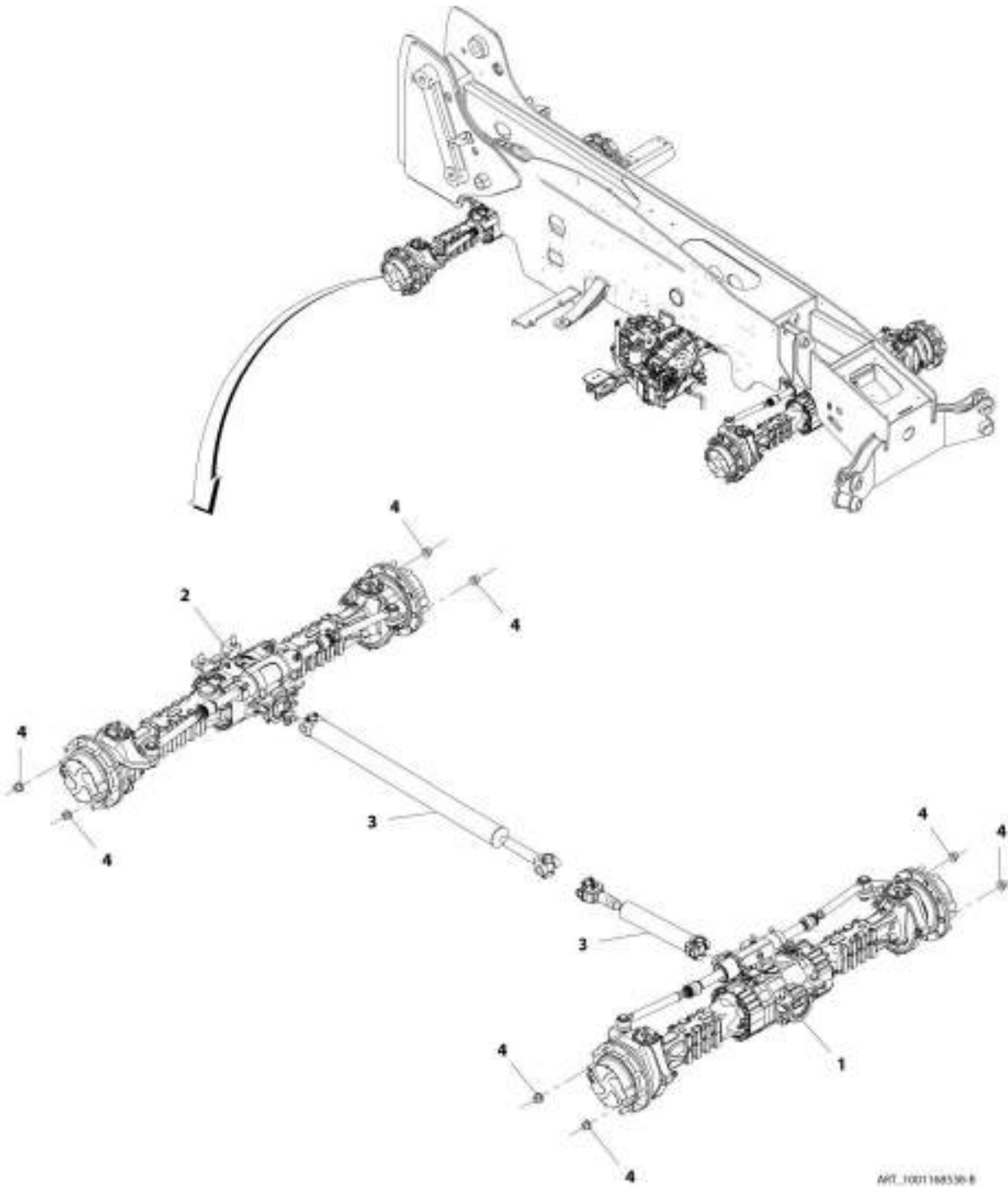
FIGURE 4-52. AIR INTAKE SHUT OFF VALVE INSTALLATION

| ITEM | PART NUMBER | QTY | DESCRIPTION | REV |
|------|-------------|-----|---|-----|
| | 1001202487 | Ref | Air Intake Shut Off Valve Installation | C |
| 1 | 3790152 | 2 | Ring | |
| 3 | 1001202247 | 2 | Clamp | |
| 5 | 1001202491 | 1 | Pipe | |
| 6 | 1001203181 | Ref | Accessory, Control (See Separate Breakdown in Electrical Section) | |
| 7 | 1001204032 | Ref | Valve, Air Shut Off (See Separate Breakdown in Hydraulic Circuits Section) | |
| 8 | 1001206980 | 1 | Plate | |
| 9 | 3290505 | 2 | Nut, Lock M5X0.8 Grade 8 | |
| 10 | 3740080 | 2 | Relay | |
| 11 | 3790151 | 1 | O-Ring | |
| 12 | 4811600 | 2 | Washer, M5 | |
| 13 | 8405212 | 2 | Clamp | |
| 14 | 8405305 | 1 | Clamp | |
| 15 | 1001215476 | 1 | Pipe | |
| 16 | 1001219082 | 1 | Bracket | |
| 17 | 1001215941 | 1 | Switch | |
| 18 | 1001227077 | 1 | Decal, Air Shut Off | |
| 19 | 1001227964 | 1 | Decal, ASOV Test | |
| 20 | 1001228273 | 1 | Decal, Air Shut Off | |
| 21 | 1001228643 | 1 | Decal, ASOV Equipped | |
| 22 | 1001231407 | Ref | Harness, Cab Air Shut Off Valve (See Separate Breakdown in Electrical Section) | |
| 23 | 1001231483 | Ref | Harness, Engine Air Shut Off Valve (See Separate Breakdown in Electrical Section) | |
| 24 | 1001239539 | 1 | Lamp | |
| 25 | 91053419 | AR | Strap, Cable | |

SECTION 5 - DRIVE TRAIN

SECTION 5 - DRIVE TRAIN

FIGURE 5-1. DRIVETRAIN INSTALLATION (642, 742)



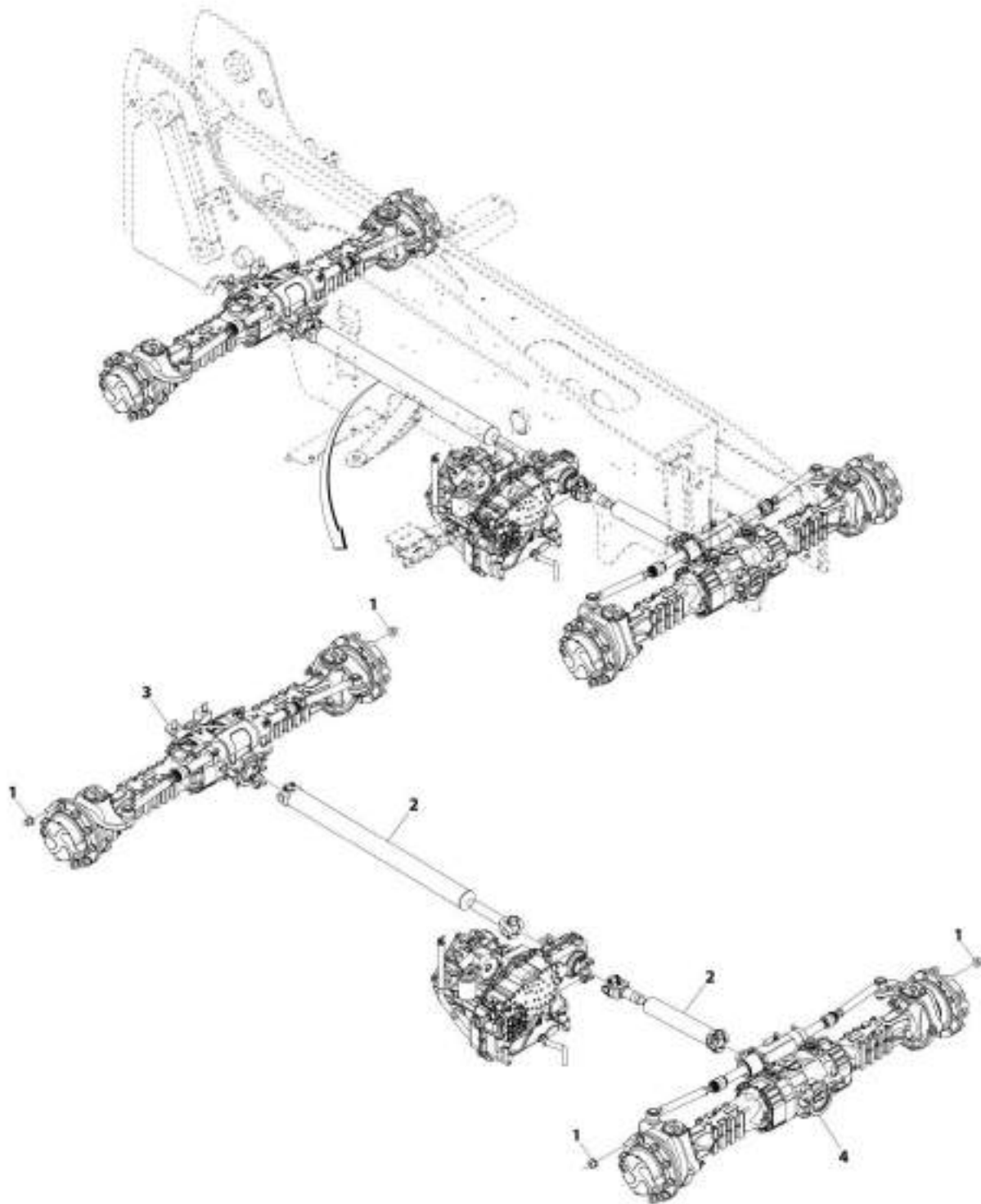
SECTION 5 - DRIVE TRAIN

FIGURE 5-1. DRIVETRAIN INSTALLATION (642, 742)

| ITEM | PART NUMBER | QTY | DESCRIPTION | REV |
|------|-------------|-----|---|-----|
| 1 | 1001168538 | Ref | Drivetrain Installation (642, 742) | B |
| | 1001168530 | Ref | Installation, Front Axle (642, 742) (See FRONT AXLE INSTALLATION (642) for Breakdown) | |
| 2 | 1001168537 | Ref | Installation, Rear Axle (642, 742) (See REAR AXLE INSTALLATION (642) for Breakdown) | |
| 3 | 1001169348 | Ref | Installation, Drive Shafts (642, 742) (See DRIVE SHAFTS INSTALLATION (642) for Breakdown) | |
| 4 | 91403193 | 40 | Nut, Lug M22X1.5 | |

SECTION 5 - DRIVE TRAIN

FIGURE 5-2. DRIVETRAIN INSTALLATION, 74HP (742)



ART_1001225285-A

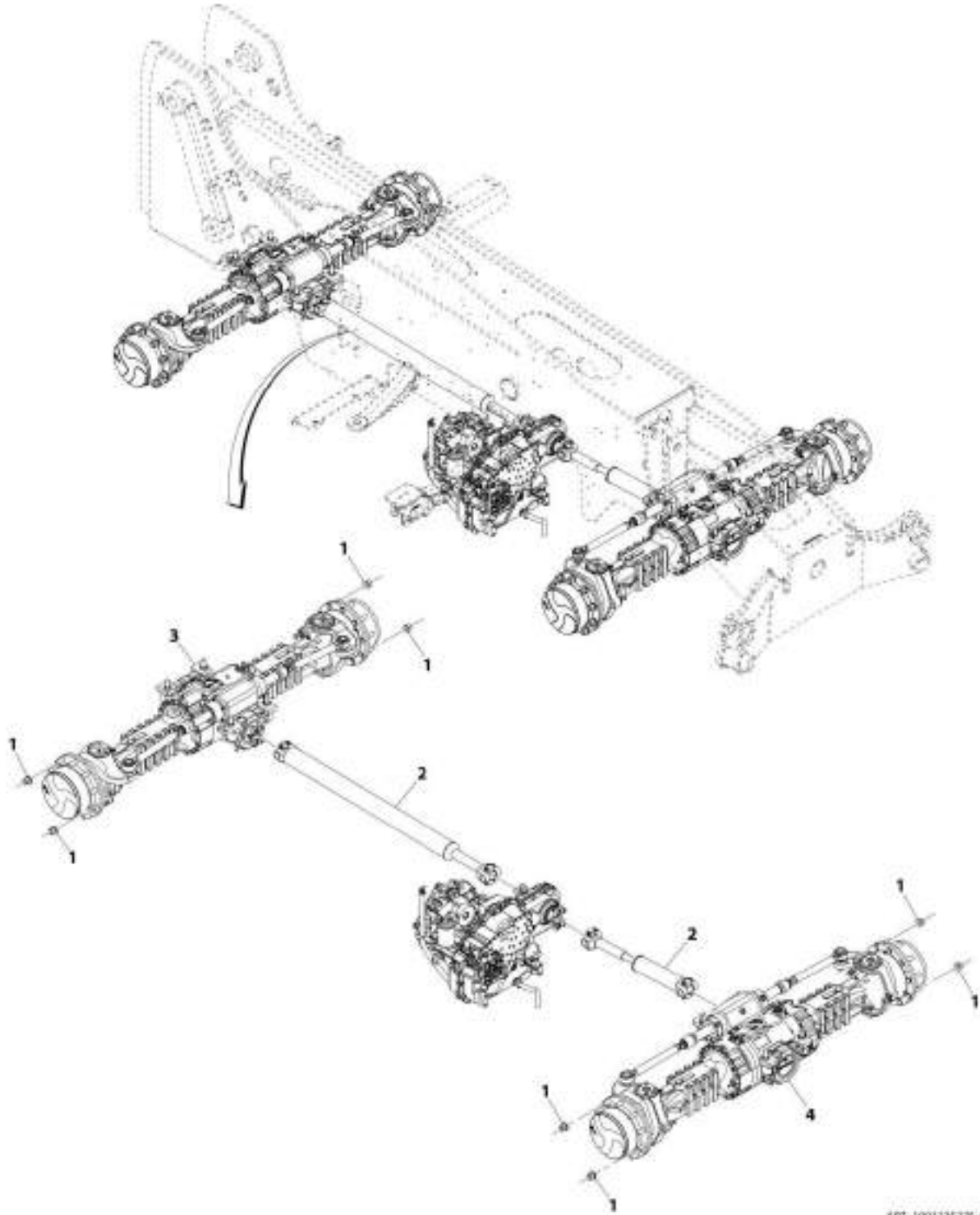
SECTION 5 - DRIVE TRAIN

FIGURE 5-2. DRIVETRAIN INSTALLATION, 74HP (742)

| ITEM | PART NUMBER | QTY | DESCRIPTION | REV |
|------|-------------|-----|---|-----|
| | 1001225285 | Ref | Drivetrain Installation, 74HP (742) | A |
| 1 | 91403193 | 40 | Nut, Lug M22X1.5 | |
| 2 | 1001169348 | Ref | Installation, Drive Shafts (742) (See Separate Breakdown in this Section) | |
| 3 | 1001225282 | Ref | Installation, Rear Axle (742) (See Separate Breakdown in this Section) | |
| 4 | 1001225284 | Ref | Installation, Front Axle (742) (See Separate Breakdown in this Section) | |

SECTION 5 - DRIVE TRAIN

FIGURE 5-3. DRIVETRAIN INSTALLATION, 74HP (943)



ART_100125275-A

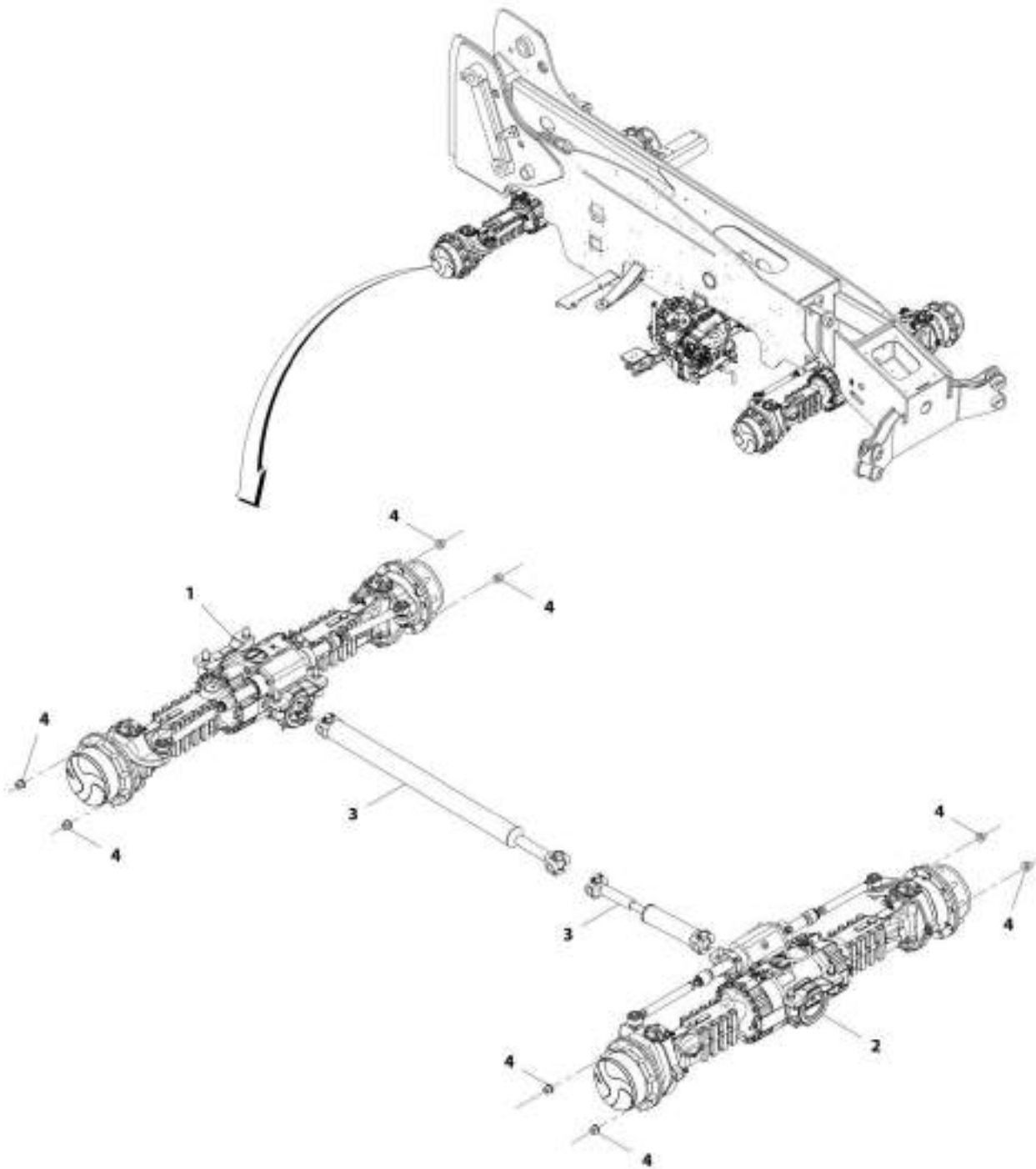
SECTION 5 - DRIVE TRAIN

FIGURE 5-3. DRIVETRAIN INSTALLATION, 74HP (943)

| ITEM | PART NUMBER | QTY | DESCRIPTION | REV |
|------|-------------|-----|---|-----|
| | 1001225275 | Ref | Drivetrain Installation, 74HP (943) | A |
| 1 | 91403193 | 40 | Nut, Lug M22X1.5 | |
| 2 | 1001169350 | Ref | Installation, Drive Shafts (943) (See Separate Breakdown in this Section) | |
| 3 | 1001225272 | Ref | Installation, Rear Axle (943) (See Separate Breakdown in this Section) | |
| 4 | 1001225274 | Ref | Installation, Front Axle (943) (See Separate Breakdown in this Section) | |

SECTION 5 - DRIVE TRAIN

FIGURE 5-4. DRIVETRAIN INSTALLATION (943, 1043)



ART_100160786-0

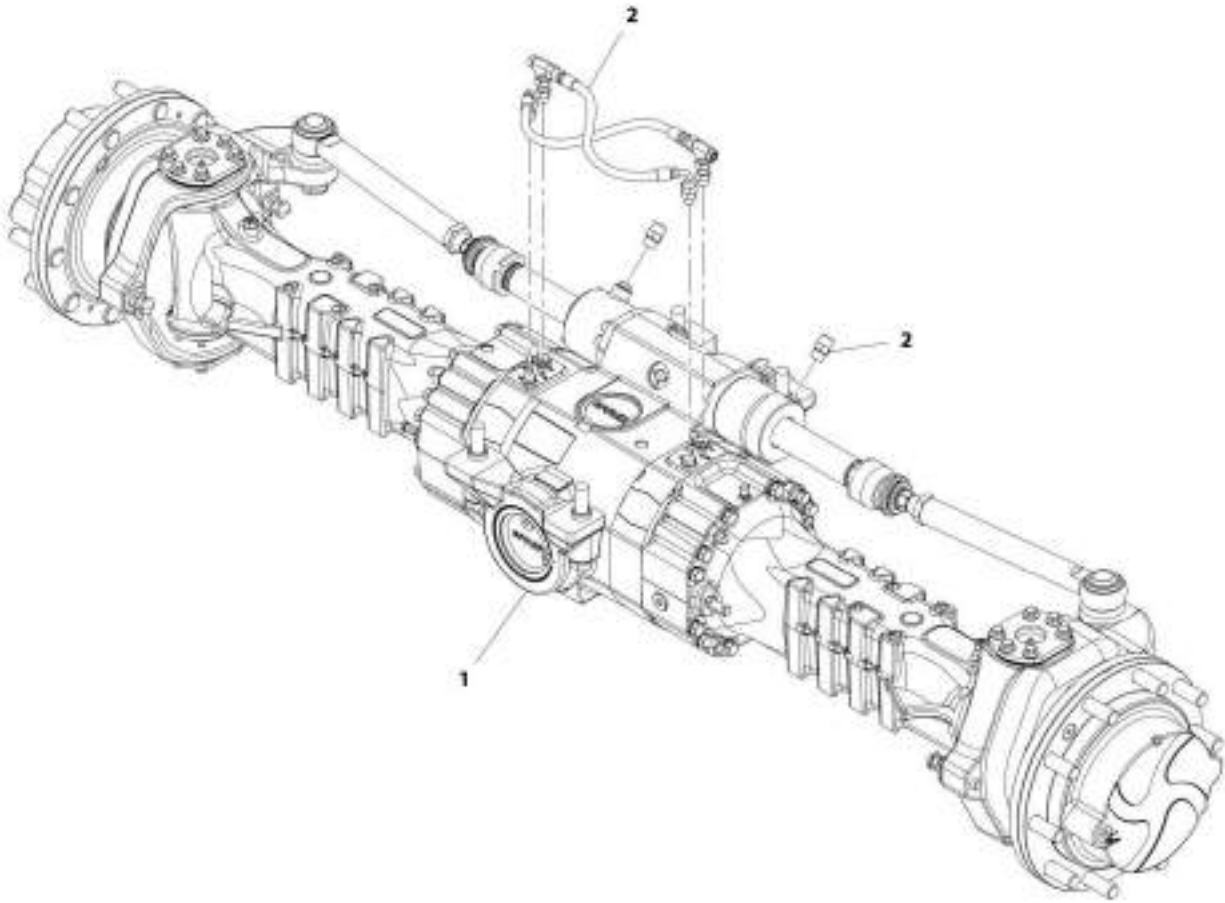
SECTION 5 - DRIVE TRAIN

FIGURE 5-4. DRIVETRAIN INSTALLATION (943, 1043)

| ITEM | PART NUMBER | QTY | DESCRIPTION | REV |
|------|-------------|-----|--|-----|
| 1 | 1001168786 | Ref | Drivetrain Installation (943, 1043) | B |
| | 1001168783 | Ref | Installation, Rear Axle (943, 1043) (See REAR AXLE INSTALLATION (943, 1043) for Breakdown) | |
| 2 | 1001168785 | Ref | Installation, Front Axle (943, 1043) (See FRONT AXLE INSTALLATION (943, 1043) for Breakdown) | |
| 3 | 1001169350 | Ref | Installation, Drive Shafts (943, 1043) (See DRIVE SHAFTS INSTALLATION (943, 1043) for Breakdown) | |
| 4 | 91403193 | 40 | Nut, Lug M22X1.5 | |

SECTION 5 - DRIVE TRAIN

FIGURE 5-5. FRONT AXLE INSTALLATION (642, 742)



ART_100166530-A

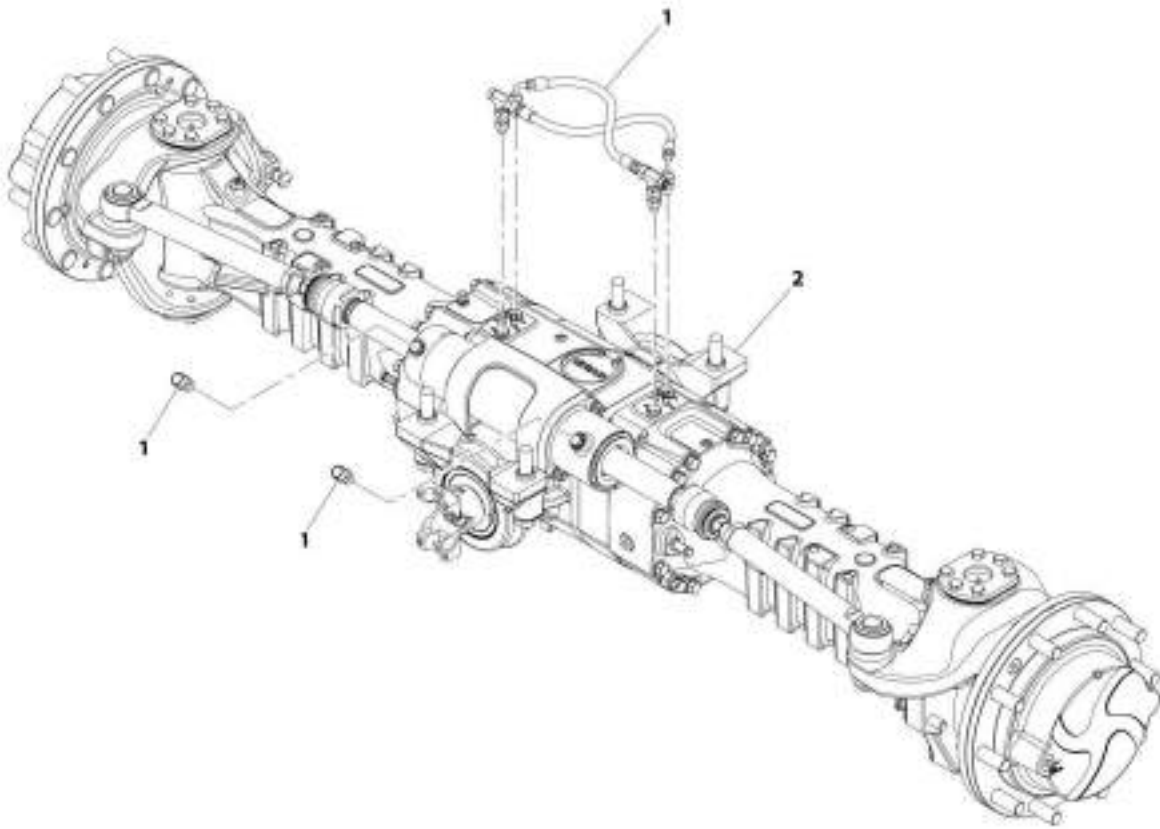
SECTION 5 - DRIVE TRAIN

FIGURE 5-5. FRONT AXLE INSTALLATION (642, 742)

| ITEM | PART NUMBER | QTY | DESCRIPTION | REV |
|------|-------------|-----|---|-----|
| 1 | 1001168530 | Ref | Front Axle Installation (642, 742) | A |
| | 1001168529 | Ref | Installation, Front Axle Mounting (642, 742) (See FRONT AXLE MOUNTING INSTALLATION (642) for Breakdown) | |
| 2 | 1001171860 | Ref | Installation, Front Axle Lines (642, 742) (See FRONT AXLE LINES INSTALLATION for Breakdown) | |

SECTION 5 - DRIVE TRAIN

FIGURE 5-6. FRONT AXLE INSTALLATION, 74HP (742)



ART_1001225284-A

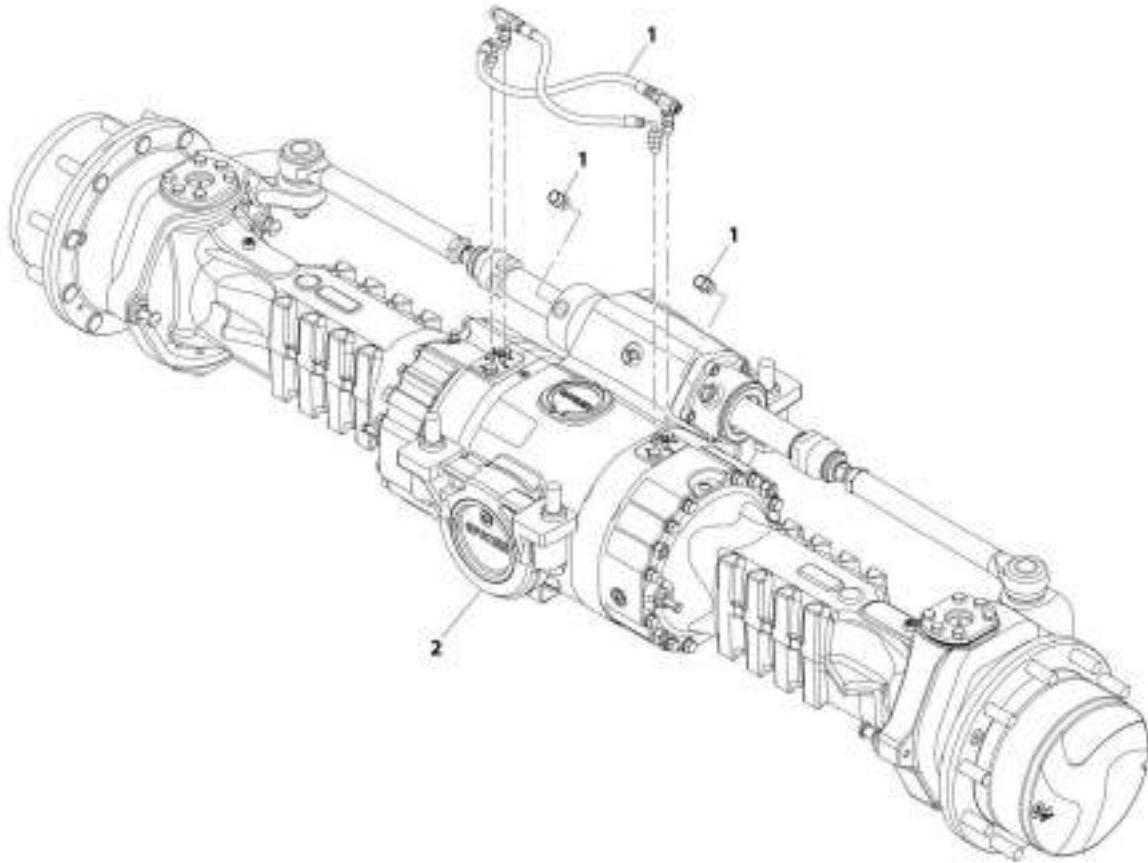
SECTION 5 - DRIVE TRAIN

FIGURE 5-6. FRONT AXLE INSTALLATION, 74HP (742)

| ITEM | PART NUMBER | QTY | DESCRIPTION | REV |
|------|-------------|-----|--|-----|
| 1 | 1001225284 | Ref | Front Axle Installation, 74HP (742) | A |
| | 1001171860 | Ref | Installation, Front Axle Lines (742) (See Separate Breakdown in this Section) | |
| 2 | 1001225283 | Ref | Installation, Front Axle Mounting (742) (See Separate Breakdown in this Section) | |

SECTION 5 - DRIVE TRAIN

FIGURE 5-7. FRONT AXLE INSTALLATION, 74HP (943)



ART_1001225274-A

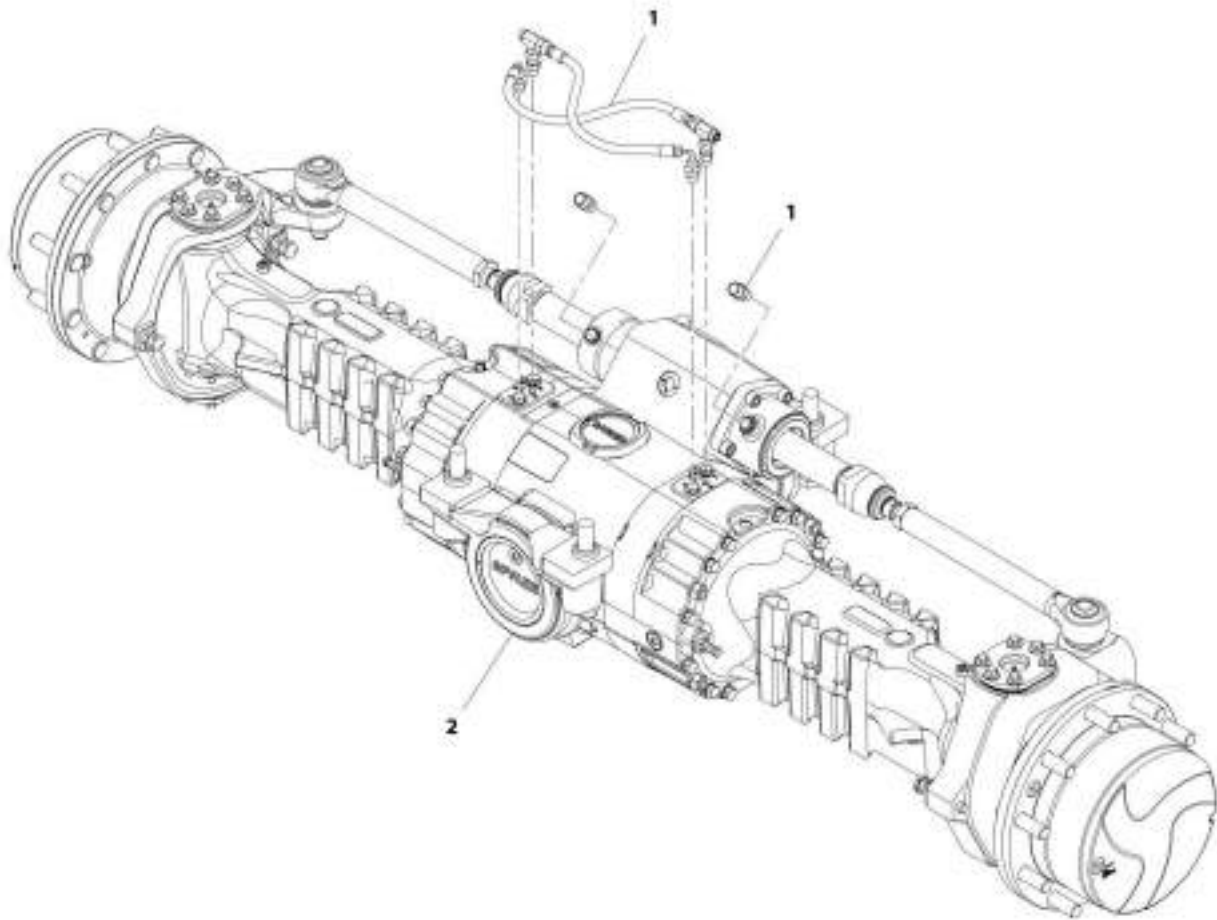
SECTION 5 - DRIVE TRAIN

FIGURE 5-7. FRONT AXLE INSTALLATION, 74HP (943)

| ITEM | PART NUMBER | QTY | DESCRIPTION | REV |
|------|-------------|-----|--|-----|
| 1 | 1001225274 | Ref | Front Axle Installation, 74HP (943) | A |
| | 1001161421 | Ref | Installation, Front Axle Lines (943) (See Separate Breakdown in this Section) | |
| 2 | 1001225273 | Ref | Installation, Front Axle Mounting (943) (See Separate Breakdown in this Section) | |

SECTION 5 - DRIVE TRAIN

FIGURE 5-8. FRONT AXLE INSTALLATION (943, 1043)



MIT_1001168785-A

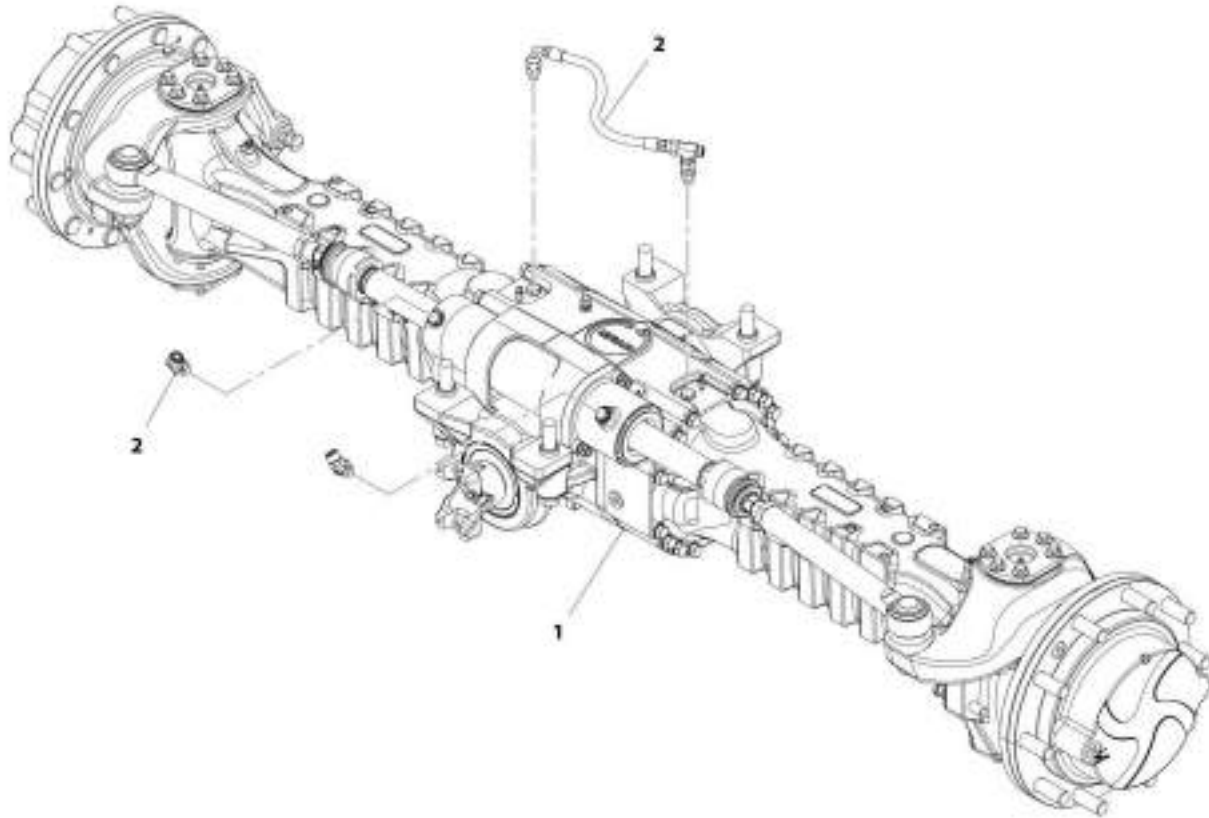
SECTION 5 - DRIVE TRAIN

FIGURE 5-8. FRONT AXLE INSTALLATION (943, 1043)

| ITEM | PART NUMBER | QTY | DESCRIPTION | REV |
|------|-------------|-----|--|-----|
| 1 | 1001168785 | Ref | Front Axle Installation (943, 1043) | A |
| | 1001161421 | Ref | Installation, Front Axle Lines (943, 1043) (See FONT AXLE LINES INSTALLATION (943, 1043) for Breakdown) | |
| 2 | 1001168784 | Ref | Installation, Front Axle Mounting (943, 1043) (See FRONT AXLE MOUNTING INSTALLATION (943, 1043) for Breakdown) | |

SECTION 5 - DRIVE TRAIN

FIGURE 5-9. REAR AXLE INSTALLATION (642, 742)



ART_100108037-A

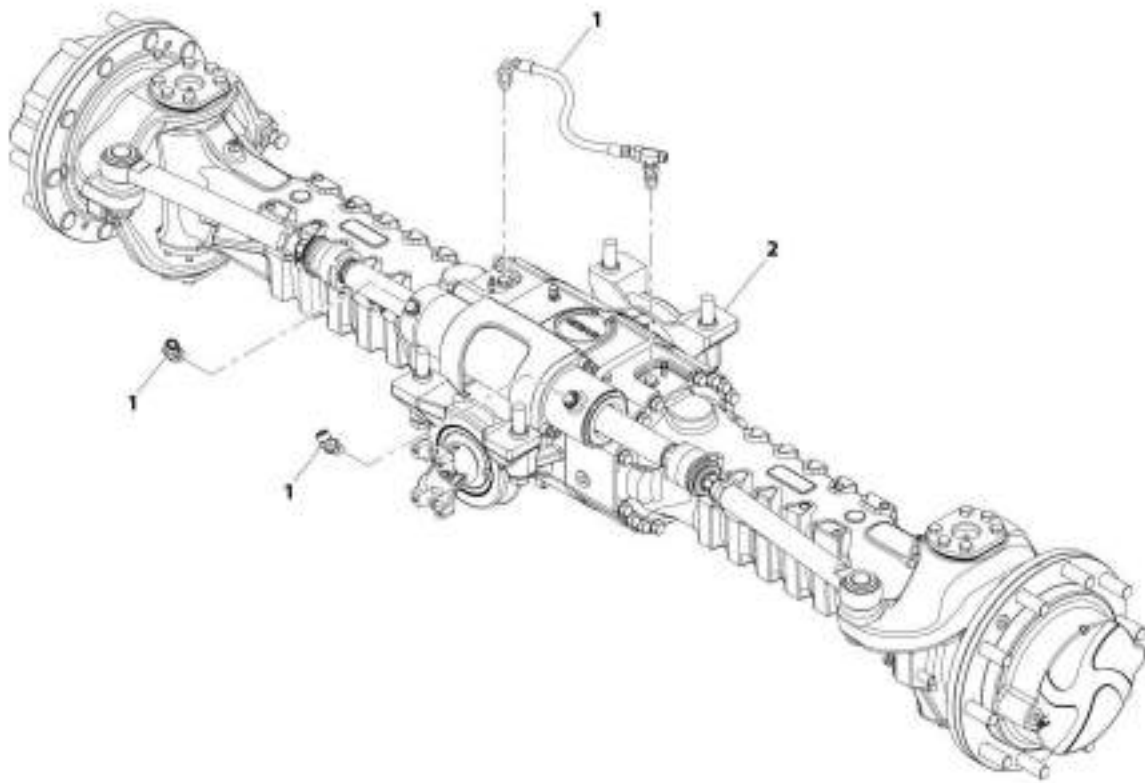
SECTION 5 - DRIVE TRAIN

FIGURE 5-9. REAR AXLE INSTALLATION (642, 742)

| ITEM | PART NUMBER | QTY | DESCRIPTION | REV |
|------|-------------|-----|---|-----|
| 1 | 1001168537 | Ref | Rear Axle Installation (642, 742) | A |
| | 1001168536 | Ref | Installation, Rear Axle Mounting (642, 742) (See REAR AXLE MOUNTING INSTALLATION (642) for Breakdown) | |
| 2 | 1001171863 | Ref | Installation, Rear Axle Lines (642, 742) (See REAR AXLE LINES INSTALLATION (642) for Breakdown) | |

SECTION 5 - DRIVE TRAIN

FIGURE 5-10. REAR AXLE INSTALLATION, 74HP (742)



ART_1001225280_A

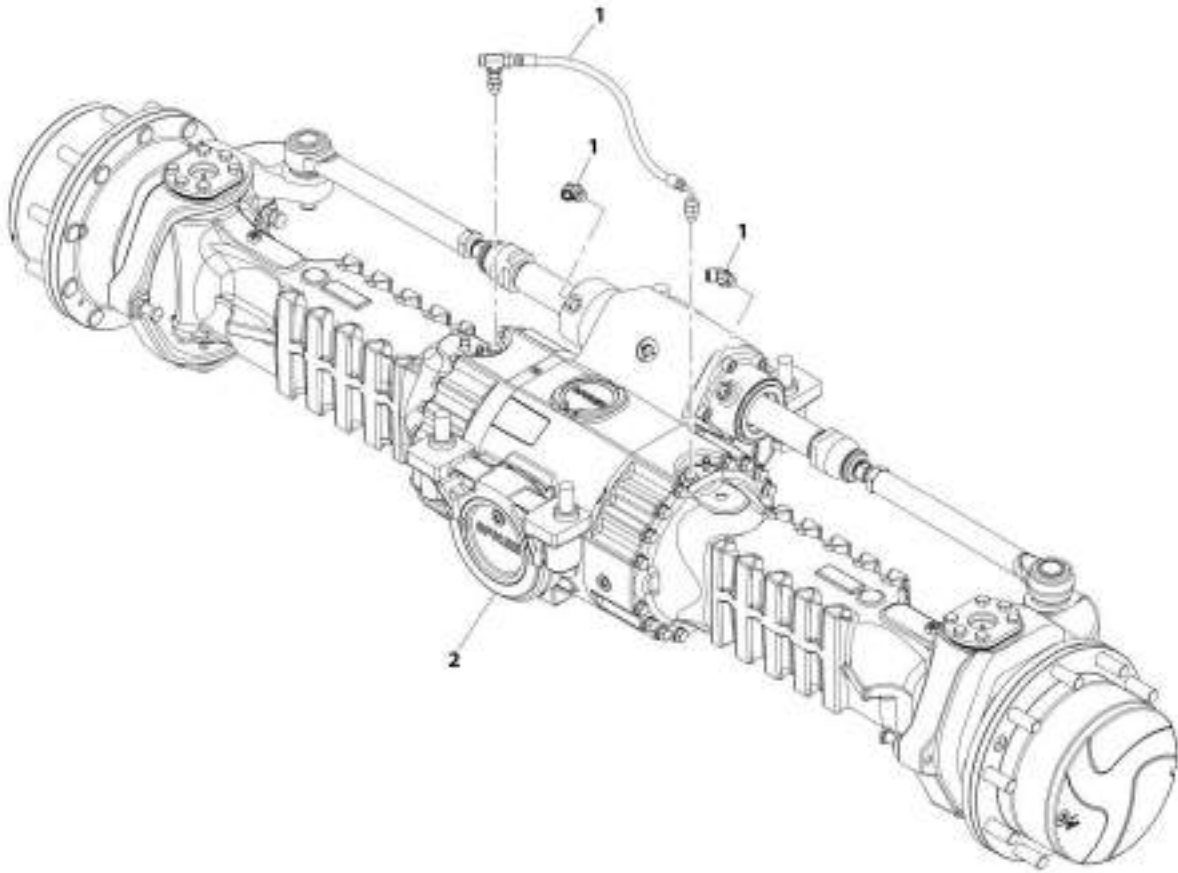
SECTION 5 - DRIVE TRAIN

FIGURE 5-10. REAR AXLE INSTALLATION, 74HP (742)

| ITEM | PART NUMBER | QTY | DESCRIPTION | REV |
|------|-------------|-----|---|-----|
| 1 | 1001225282 | Ref | Rear Axle Installation, 74HP (742) | A |
| | 1001171863 | Ref | Installation, Rear Axle Lines (742) (See Separate Breakdown in this section) | |
| 2 | 1001225281 | Ref | Installation, Rear Axle Mounting (742) (See Separate Breakdown in this section) | |

SECTION 5 - DRIVE TRAIN

FIGURE 5-11. REAR AXLE INSTALLATION, 74HP (943)



ART_1001225373-A

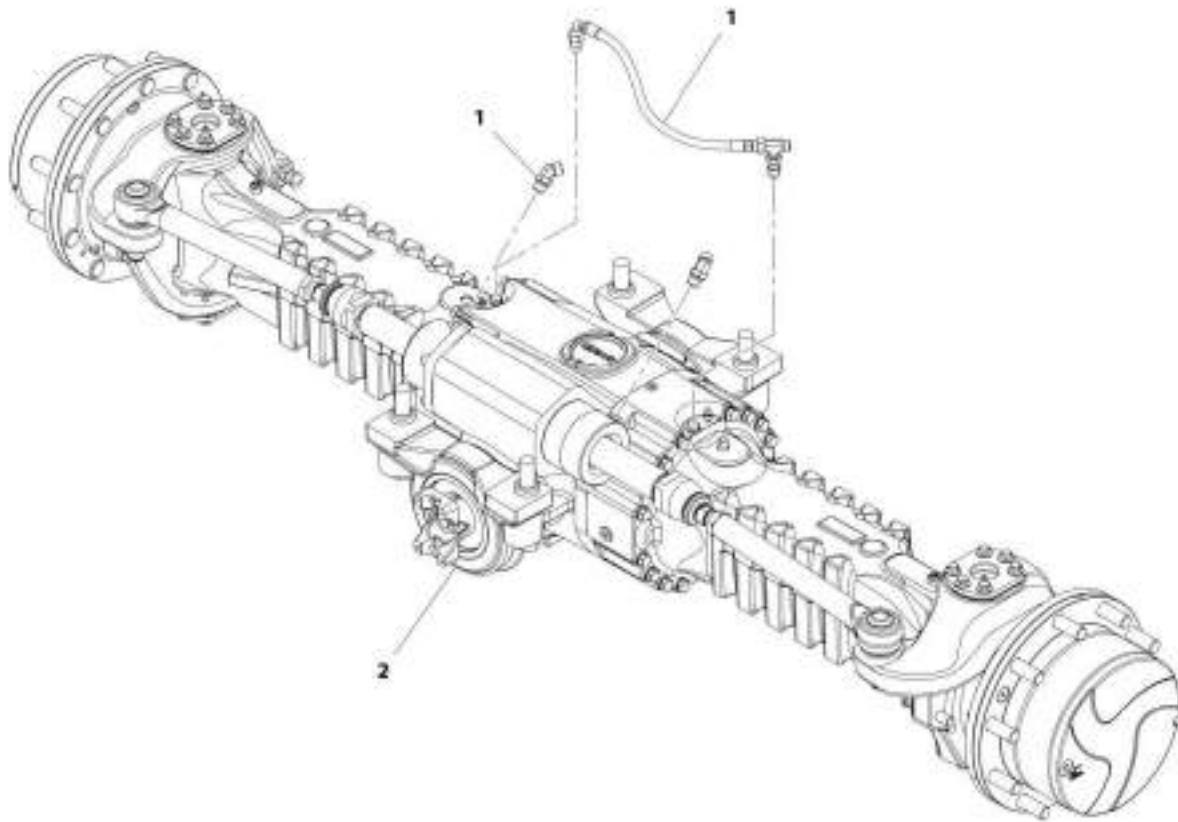
SECTION 5 - DRIVE TRAIN

FIGURE 5-11. REAR AXLE INSTALLATION, 74HP (943)

| ITEM | PART NUMBER | QTY | DESCRIPTION | REV |
|------|-------------|-----|---|-----|
| 1 | 1001225272 | Ref | Rear Axle Installation, 74HP (943) | A |
| | 1001161424 | Ref | Installation, Rear Axle Lines (943) (See Separate Breakdown in this section) | |
| 2 | 1001225271 | Ref | Installation, Rear Axle Mounting (943) (See Separate Breakdown in this section) | |

SECTION 5 - DRIVE TRAIN

FIGURE 5-12. REAR AXLE INSTALLATION (943, 1043)



ART_100198769-A

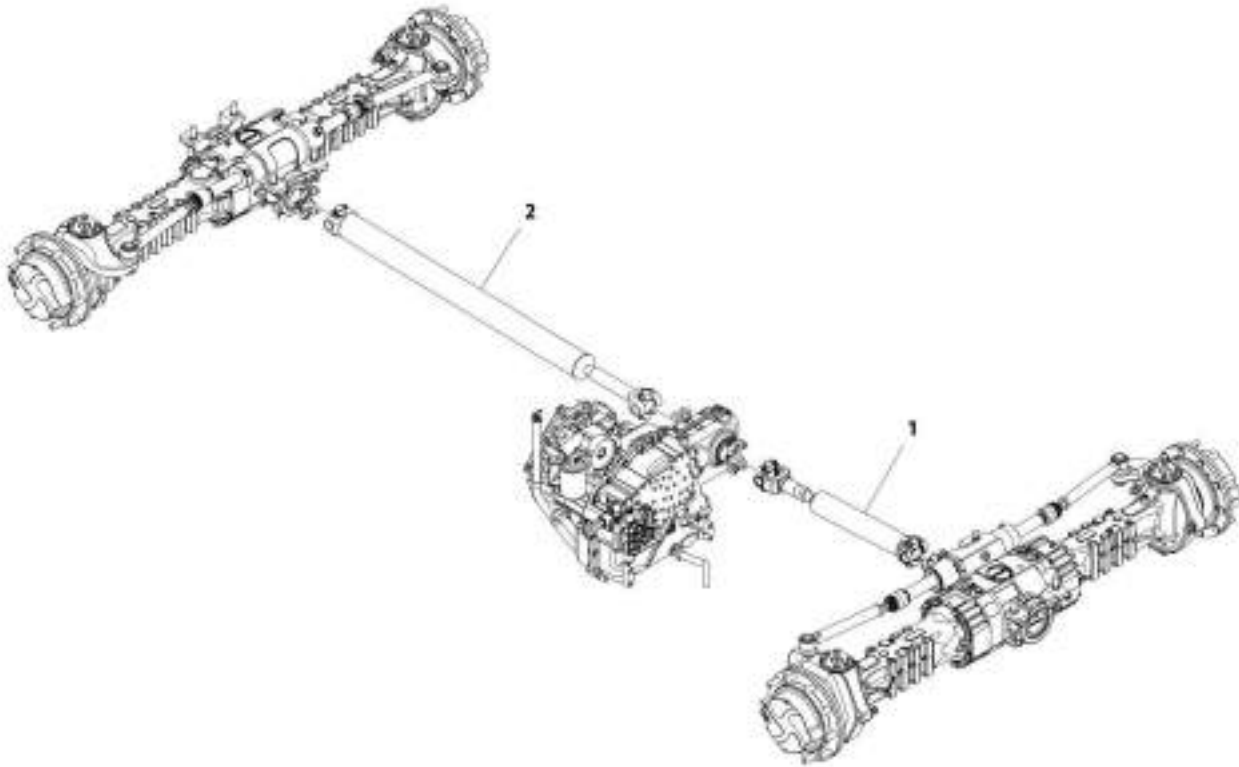
SECTION 5 - DRIVE TRAIN

FIGURE 5-12. REAR AXLE INSTALLATION (943, 1043)

| ITEM | PART NUMBER | QTY | DESCRIPTION | REV |
|------|-------------|-----|--|-----|
| 1 | 1001168783 | Ref | Rear Axle Installation (943, 1043) | A |
| | 1001161424 | Ref | Installation, Rear Axle Lines (943, 1043) (See REAR AXLE LINES INSTALLATION (943, 1043) for Breakdown) | |
| 2 | 1001168782 | Ref | Installation, Rear Axle Mounting (943, 1043) (See REAR AXLE MOUNTING INSTALLATION (943, 1043) for Breakdown) | |

SECTION 5 - DRIVE TRAIN

FIGURE 5-13. DRIVE SHAFTS INSTALLATION (642, 742)



AMT_1001192548-A

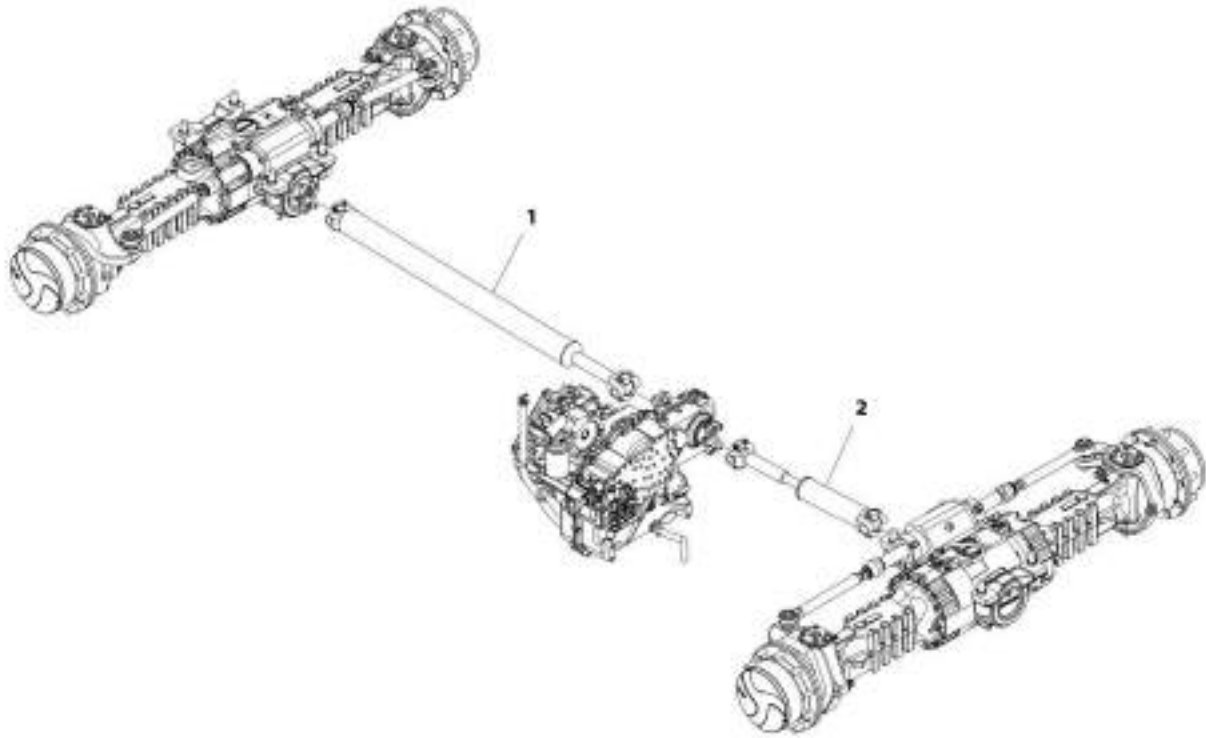
SECTION 5 - DRIVE TRAIN

FIGURE 5-13. DRIVE SHAFTS INSTALLATION (642, 742)

| ITEM | PART NUMBER | QTY | DESCRIPTION | REV |
|------|-------------|-----|---|-----|
| 1 | 1001169348 | Ref | Drive Shafts Installation (642, 742) | A |
| | 1001172836 | Ref | Installation, Front Drive Shaft (642, 742) (See Separate Breakdown in this Section) | |
| 2 | 1001169351 | Ref | Installation, Rear Drive Shaft (See Separate Breakdown in this Section) | |

SECTION 5 - DRIVE TRAIN

FIGURE 5-14. DRIVE SHAFTS INSTALLATION (943, 1043)



ART.1001W9350-A

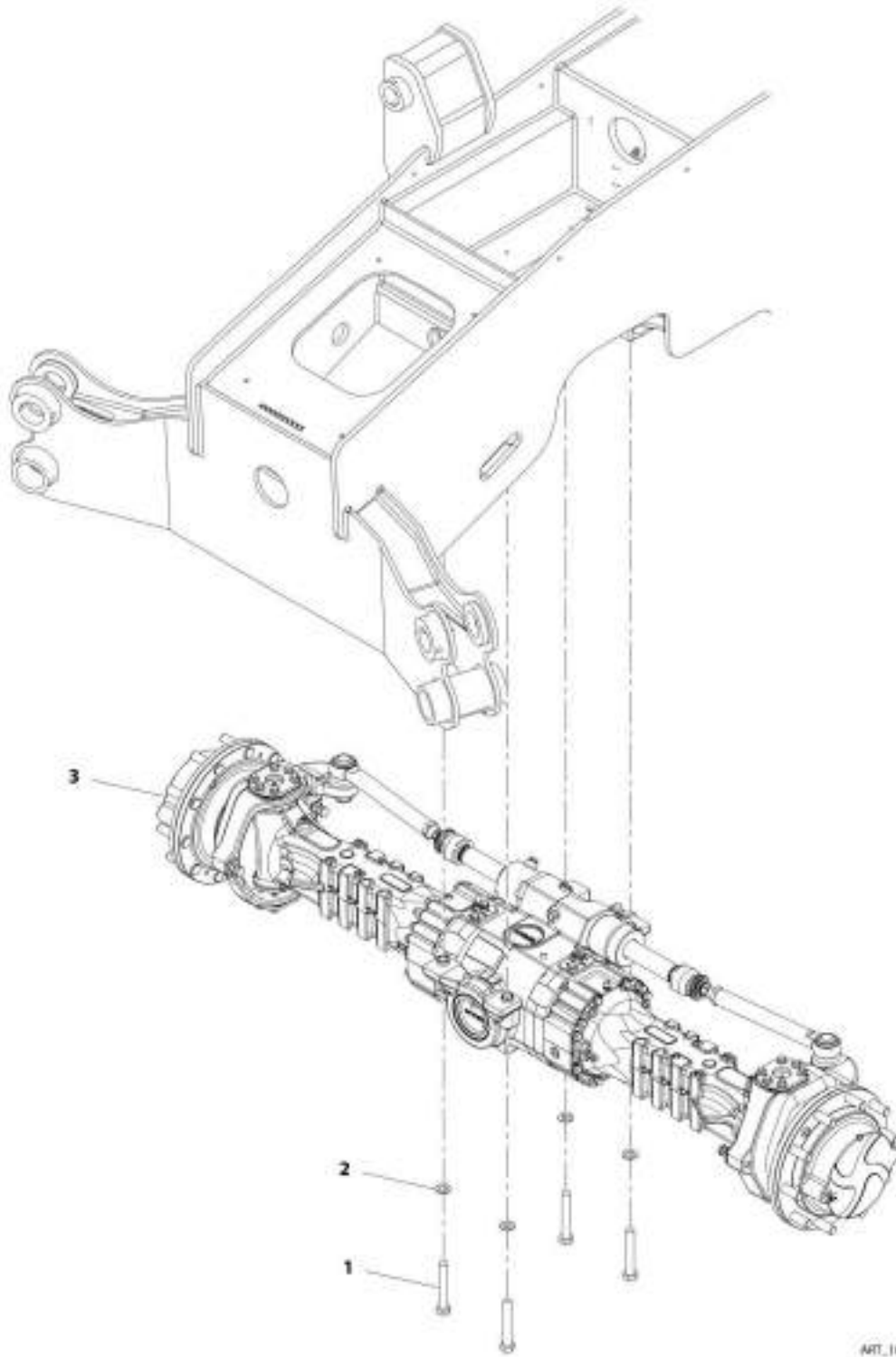
SECTION 5 - DRIVE TRAIN

FIGURE 5-14. DRIVE SHAFTS INSTALLATION (943, 1043)

| ITEM | PART NUMBER | QTY | DESCRIPTION | REV |
|------|-------------|-----|--|-----|
| 1 | 1001169350 | Ref | Drive Shafts Installation (943, 1043) | A |
| | 1001169351 | Ref | Installation, Rear Drive Shaft (See REAR DRIVE SHAFT INSTALLATION for Breakdown) | |
| 2 | 1001172954 | Ref | Installation, Front Drive Shaft (943, 1043) (See FRONT DRIVE SHAFT INSTALLATION (943, 1043) for Breakdown) | |

SECTION 5 - DRIVE TRAIN

FIGURE 5-15. FRONT AXLE MOUNTING INSTALLATION (642, 742)



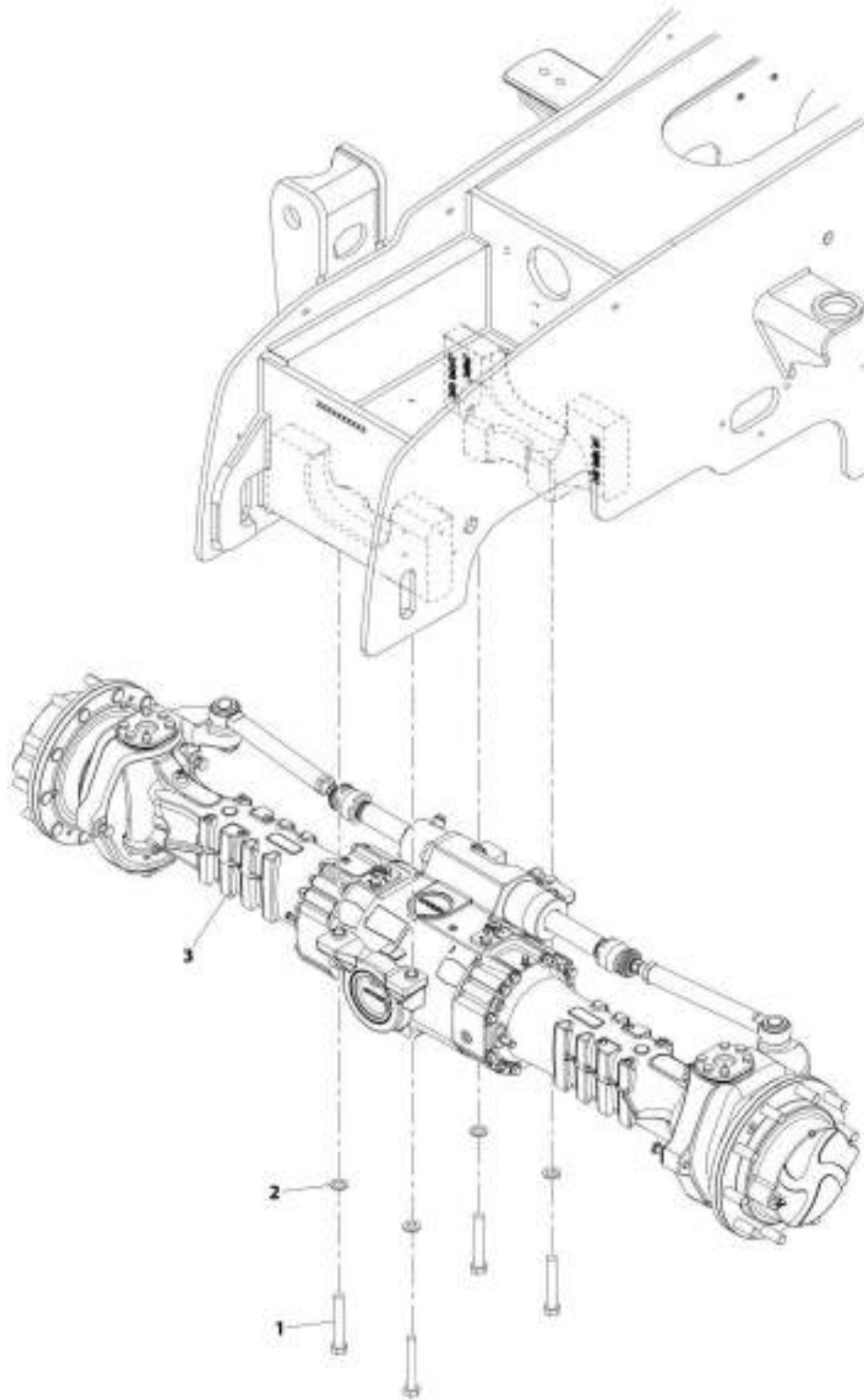
SECTION 5 - DRIVE TRAIN

FIGURE 5-15. FRONT AXLE MOUNTING INSTALLATION (642, 742)

| ITEM | PART NUMBER | QTY | DESCRIPTION | REV |
|------|-------------|-----|---|-----|
| | 1001168529 | Ref | Front Axle Mounting Installation (642, 742) | D |
| 1 | 0712030 | 4 | Bolt, M20X130 | |
| 2 | 8310620 | 4 | Washer, M20 | |
| 3 | 1001165833 | 1 | Axle, Front (642) (See FRONT AXLE (642, 742) for Breakdown) | |

SECTION 5 - DRIVE TRAIN

FIGURE 5-16. FRONT AXLE MOUNTING INSTALLATION, 74HP (742)



AFT_3001225283-A

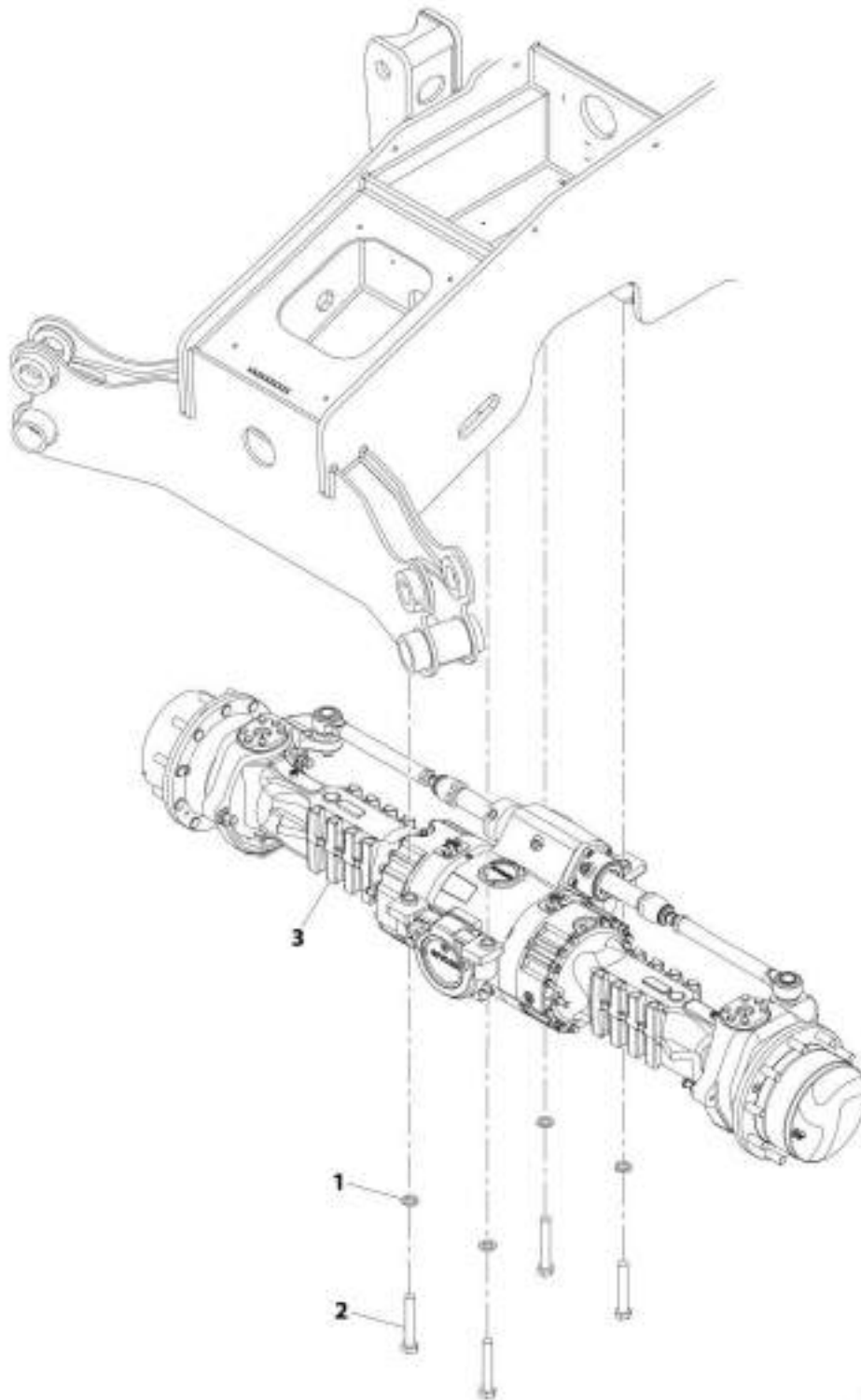
SECTION 5 - DRIVE TRAIN

FIGURE 5-16. FRONT AXLE MOUNTING INSTALLATION, 74HP (742)

| ITEM | PART NUMBER | QTY | DESCRIPTION | REV |
|------|-------------|-----|---|-----|
| | 1001225283 | Ref | Front Axle Mounting Installation, 74HP (742) | A |
| 1 | 0712030 | 4 | Bolt, M20X130 | |
| 2 | 8310620 | 4 | Washer | |
| 3 | 1005182600 | 1 | Axle, Front 74HP (742) (See Separate Breakdown in this Section) | |

SECTION 5 - DRIVE TRAIN

FIGURE 5-17. FRONT AXLE MOUNTING INSTALLATION, 74HP (943)



ART_100123323-A

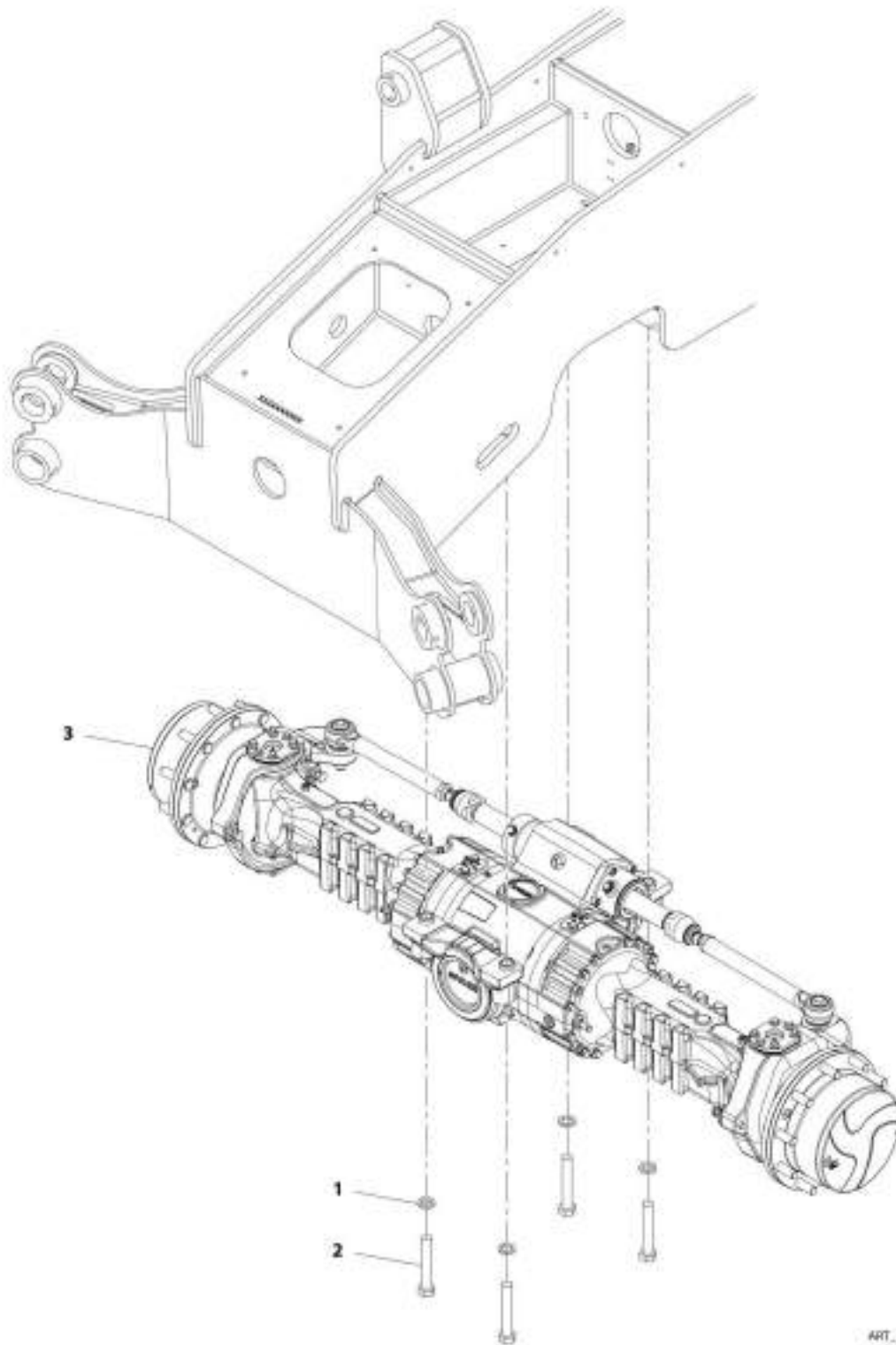
SECTION 5 - DRIVE TRAIN

FIGURE 5-17. FRONT AXLE MOUNTING INSTALLATION, 74HP (943)

| ITEM | PART NUMBER | QTY | DESCRIPTION | REV |
|------|-------------|-----|---|-----|
| | 1001225273 | Ref | Front Axle Mounting Installation, 74HP (943) | A |
| 1 | 4892600 | 4 | Washer | |
| 2 | 1001097587 | 4 | Bolt, M24-3X150 | |
| 3 | 1005198900 | 1 | Axle, Front 74HP (943) (See Separate Breakdown in this Section) | |

SECTION 5 - DRIVE TRAIN

FIGURE 5-18. FRONT AXLE MOUNTING INSTALLATION (943, 1043)



ART_1001168794-C

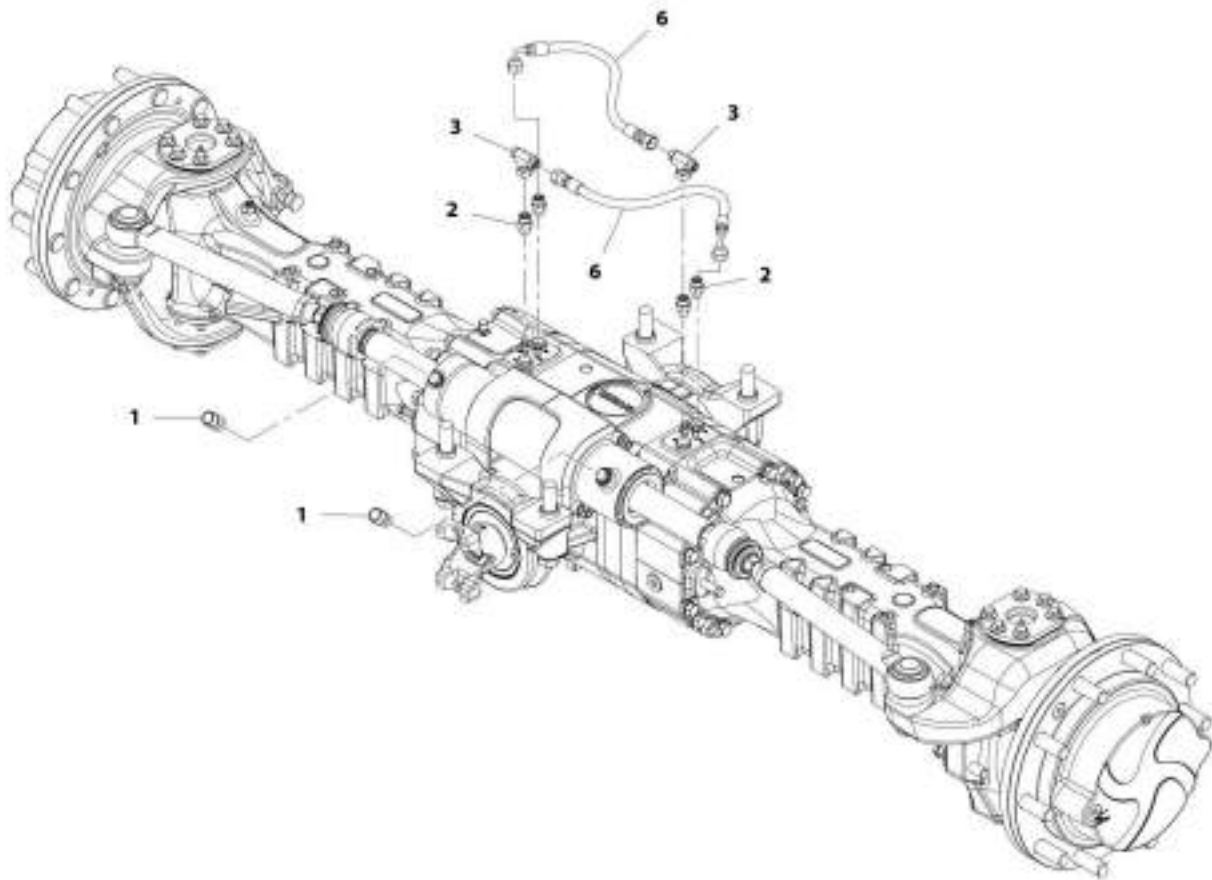
SECTION 5 - DRIVE TRAIN

FIGURE 5-18. FRONT AXLE MOUNTING INSTALLATION (943, 1043)

| ITEM | PART NUMBER | QTY | DESCRIPTION | REV |
|------|-------------|-----|--|-----|
| | 1001168784 | Ref | Front Axle Mounting Installation (943, 1043) | C |
| 1 | 4892600 | 4 | Washer | |
| 2 | 1001097587 | 4 | Bolt, M24-3X150 | |
| 3 | 1001165831 | 1 | Axle, Front (943, 1043) (See FRONT AXLE (943, 1043) for Breakdown) | |

SECTION 5 - DRIVE TRAIN

FIGURE 5-19. FONT AXLE LINES INSTALLATION (642, 742)



ANT_1001171803-D

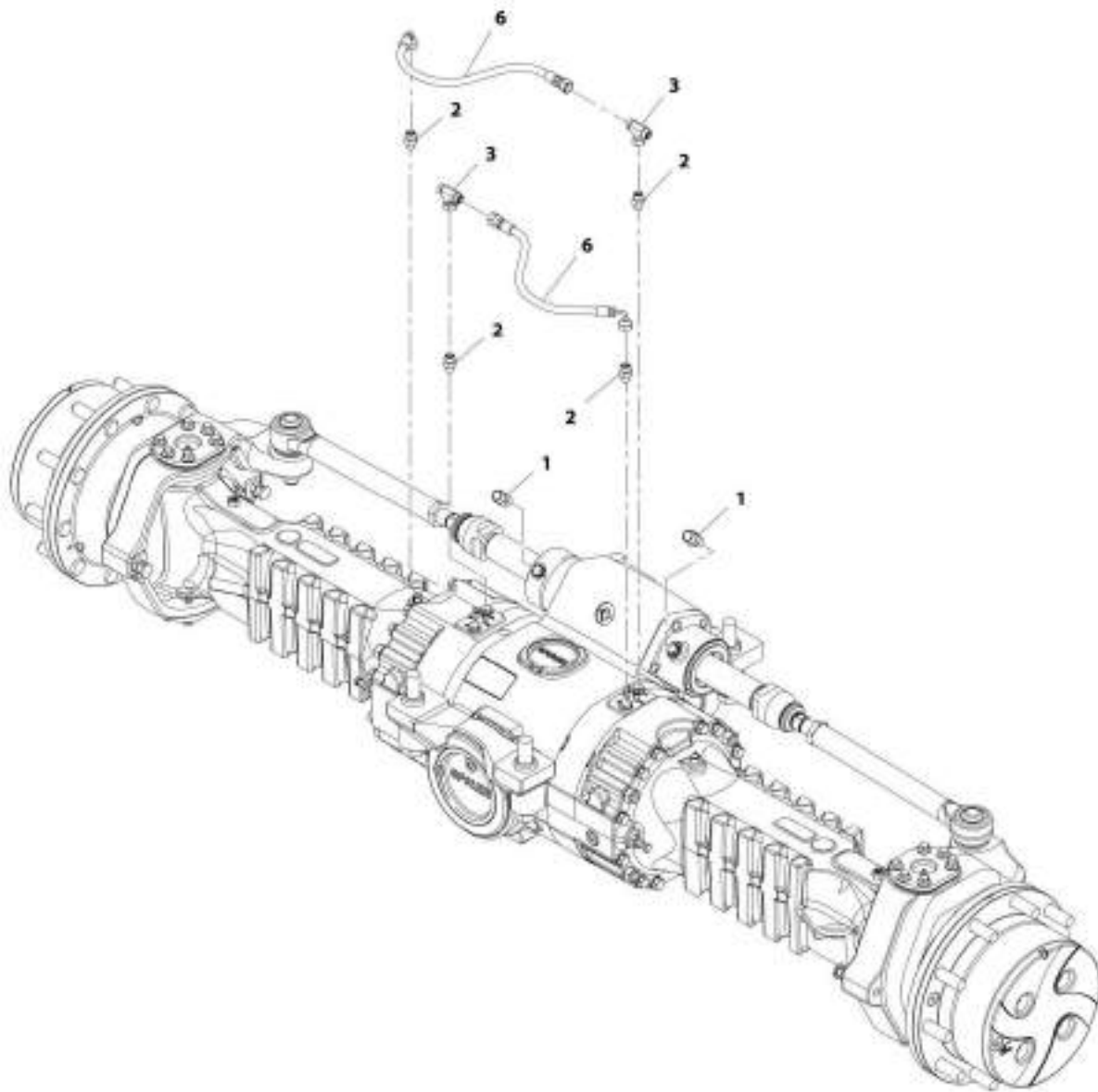
SECTION 5 - DRIVE TRAIN

FIGURE 5-19. FONT AXLE LINES INSTALLATION (642, 742)

| ITEM | PART NUMBER | QTY | DESCRIPTION | REV |
|------|-------------|-----|---|-----|
| | 1001171860 | Ref | Font Axle Lines Installation (642, 742) | D |
| 1 | 2110808 | 2 | Fitting, Straight ORFS | |
| 2 | 2144605 | 4 | Fitting, Straight ORFS | |
| 3 | 2170806 | 2 | Fitting, Tee ORFS | |
| 6 | 1001139375 | 2 | Hose | |

SECTION 5 - DRIVE TRAIN

FIGURE 5-20. FONT AXLE LINES INSTALLATION (943, 1043)



8RT_100161431-C

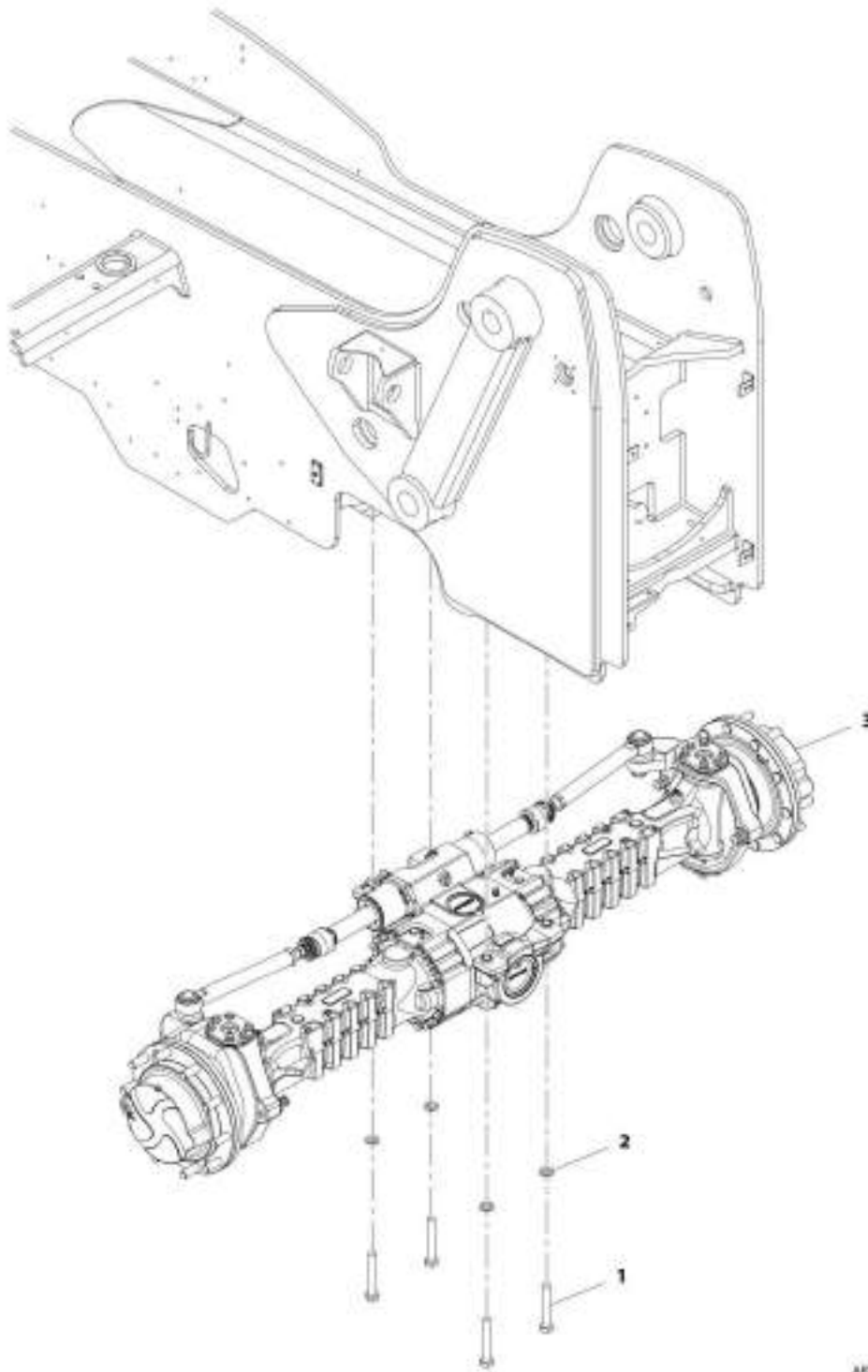
SECTION 5 - DRIVE TRAIN

FIGURE 5-20. FONT AXLE LINES INSTALLATION (943, 1043)

| ITEM | PART NUMBER | QTY | DESCRIPTION | REV |
|------|-------------|-----|--|-----|
| | 1001161421 | Ref | Font Axle Lines Installation (943, 1043) | C |
| 1 | 2110808 | 2 | Fitting, Straight ORFS | |
| 2 | 2144605 | 4 | Fitting, Straight ORFS | |
| 3 | 2170806 | 2 | Fitting, Tee ORFS | |
| 6 | 1001097810 | 2 | Hose | |

SECTION 5 - DRIVE TRAIN

FIGURE 5-21. REAR AXLE MOUNTING INSTALLATION (642, 742)



ART_100116036-D

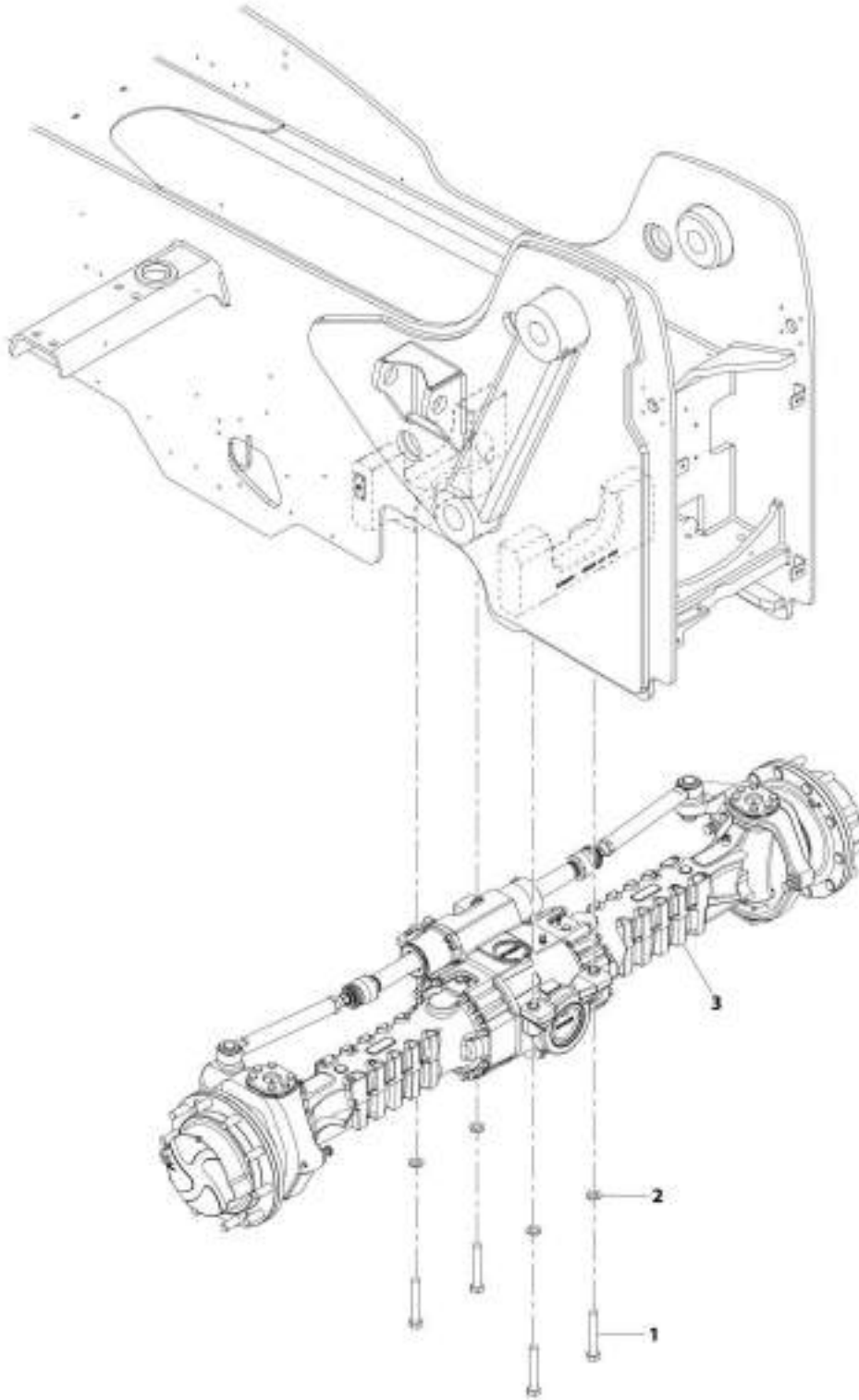
SECTION 5 - DRIVE TRAIN

FIGURE 5-21. REAR AXLE MOUNTING INSTALLATION (642, 742)

| ITEM | PART NUMBER | QTY | DESCRIPTION | REV |
|------|-------------|-----|---|-----|
| | 1001168536 | Ref | Rear Axle Mounting Installation (642, 742) | D |
| 1 | 0712030 | 4 | Bolt, M20X130 | |
| 2 | 8310620 | 4 | Washer, M20 | |
| 3 | 1001165834 | 1 | Axle, Rear (642) (See REAR AXLE (642, 742) for Breakdown) | |

SECTION 5 - DRIVE TRAIN

FIGURE 5-22. REAR AXLE MOUNTING INSTALLATION, 74HP (742)



AWT_1001225181-A

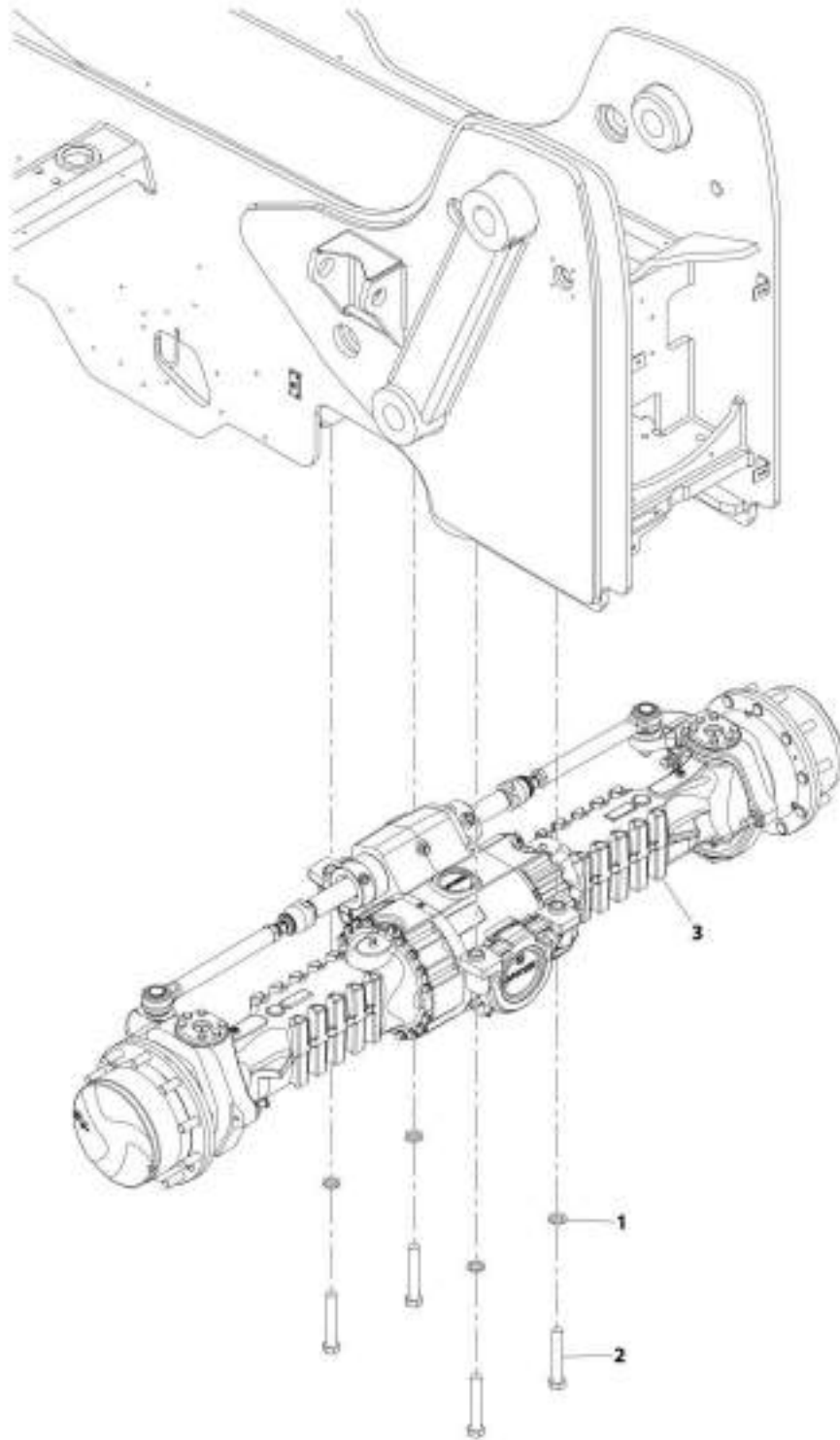
SECTION 5 - DRIVE TRAIN

FIGURE 5-22. REAR AXLE MOUNTING INSTALLATION, 74HP (742)

| ITEM | PART NUMBER | QTY | DESCRIPTION | REV |
|------|-------------|-----|--|-----|
| | 1001225281 | Ref | Rear Axle Mounting Installation, 74HP | A |
| 1 | 0712030 | 4 | Bolt, M20X130 | |
| 2 | 8310620 | 4 | Washer | |
| 3 | 1005183200 | 1 | Axle, Rear 74HP (See Separate Breakdown in this Section) | |

SECTION 5 - DRIVE TRAIN

FIGURE 5-23. REAR AXLE MOUNTING INSTALLATION, 74HP (943)



ART_1001225271-A

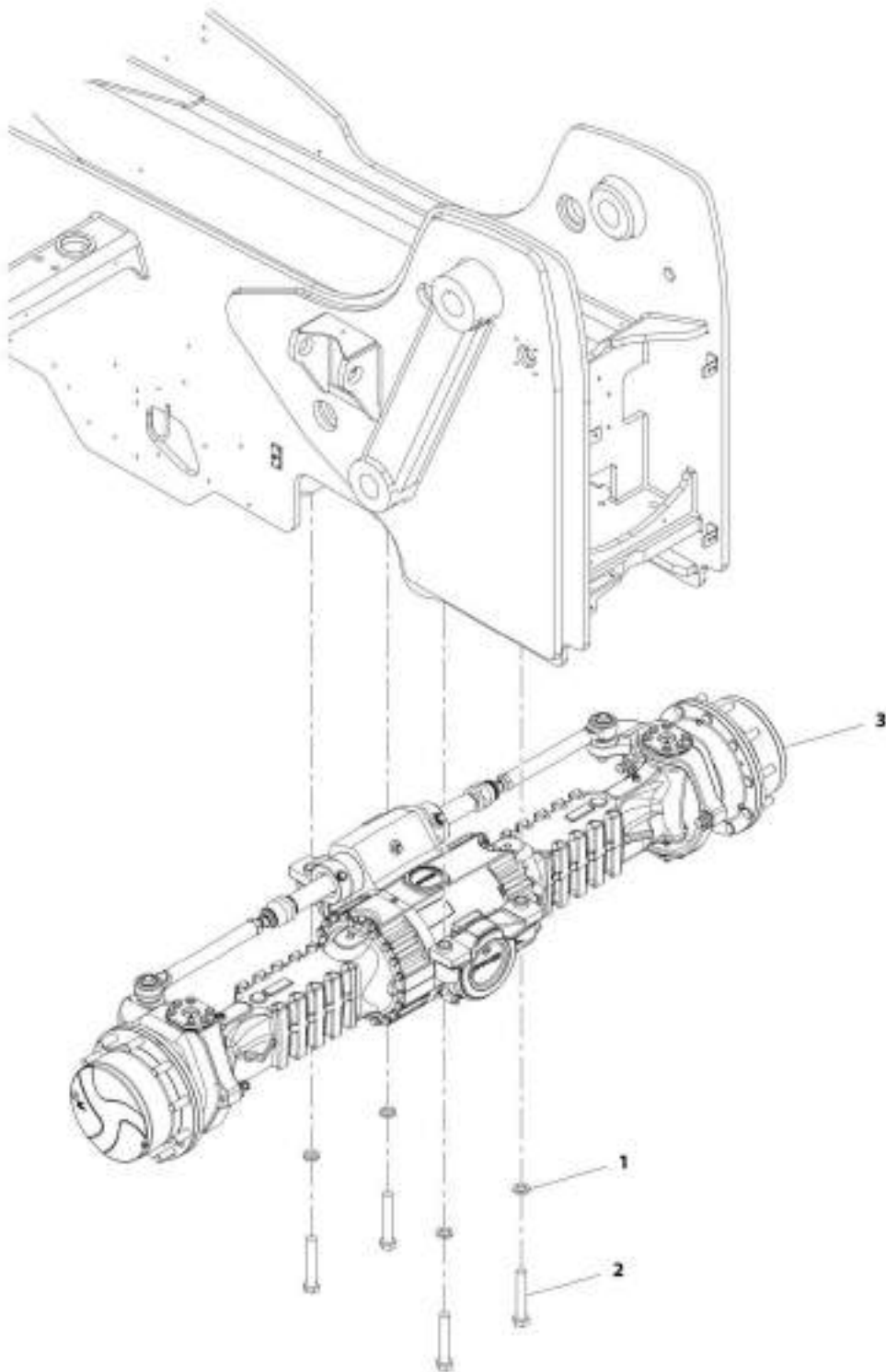
SECTION 5 - DRIVE TRAIN

FIGURE 5-23. REAR AXLE MOUNTING INSTALLATION, 74HP (943)

| ITEM | PART NUMBER | QTY | DESCRIPTION | REV |
|------|-------------|-----|---|-----|
| | 1001225271 | Ref | Rear Axle Mounting Installation, 74HP (943) | A |
| 1 | 4892600 | 4 | Washer | |
| 2 | 1001097587 | 4 | Bolt, M24X150 | |
| 3 | 1005207700 | 1 | Axle, Rear, 74HP (943) (See Separate Breakdown in this Section) | |

SECTION 5 - DRIVE TRAIN

FIGURE 5-24. REAR AXLE MOUNTING INSTALLATION (943, 1043)



ART_100158792-C

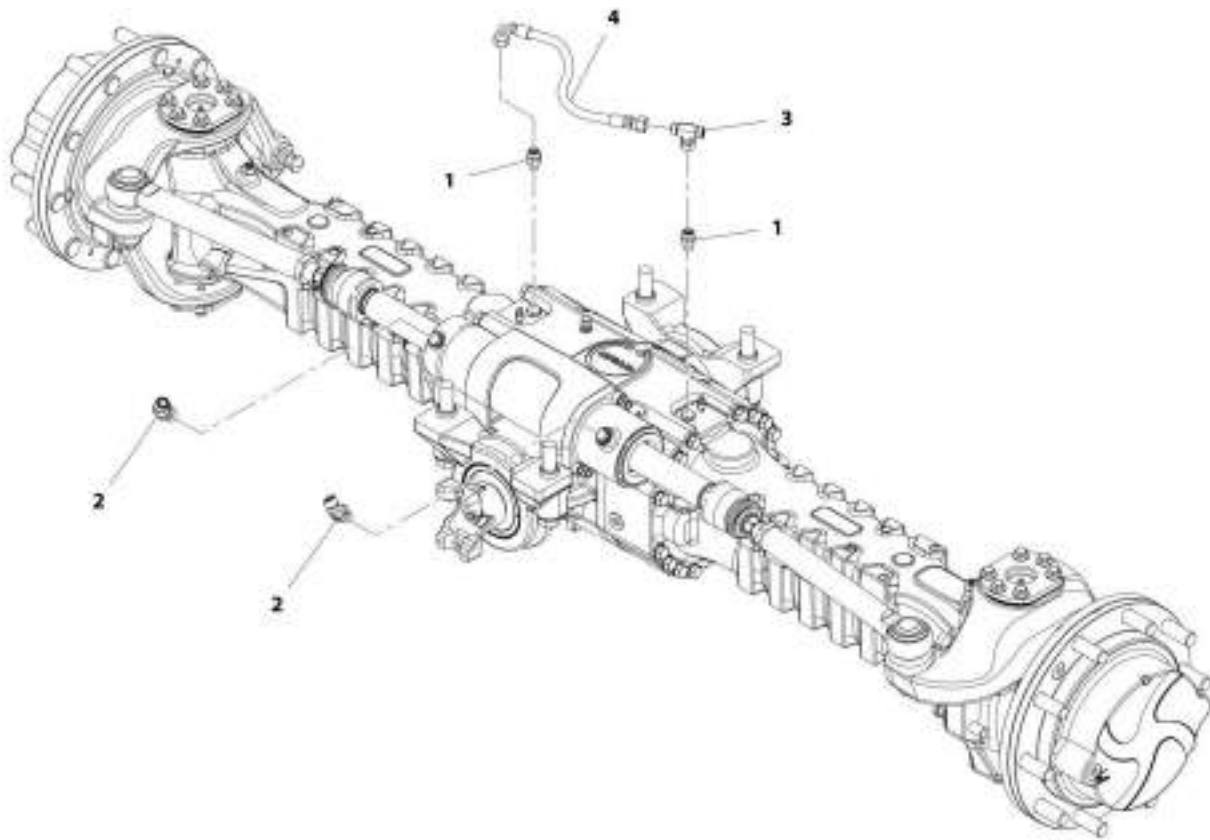
SECTION 5 - DRIVE TRAIN

FIGURE 5-24. REAR AXLE MOUNTING INSTALLATION (943, 1043)

| ITEM | PART NUMBER | QTY | DESCRIPTION | REV |
|------|-------------|-----|--|-----|
| | 1001168782 | Ref | Rear Axle Mounting Installation (943, 1043) | C |
| 1 | 4892600 | 4 | Washer | |
| 2 | 1001097587 | 4 | Bolt, M24X150 | |
| 3 | 1001165832 | 1 | Axle, Rear (943, 1043) (See REAR AXLE (943, 1043) for Breakdown) | |

SECTION 5 - DRIVE TRAIN

FIGURE 5-25. REAR AXLE LINES INSTALLATION (642, 742)



ART 1001175863-D

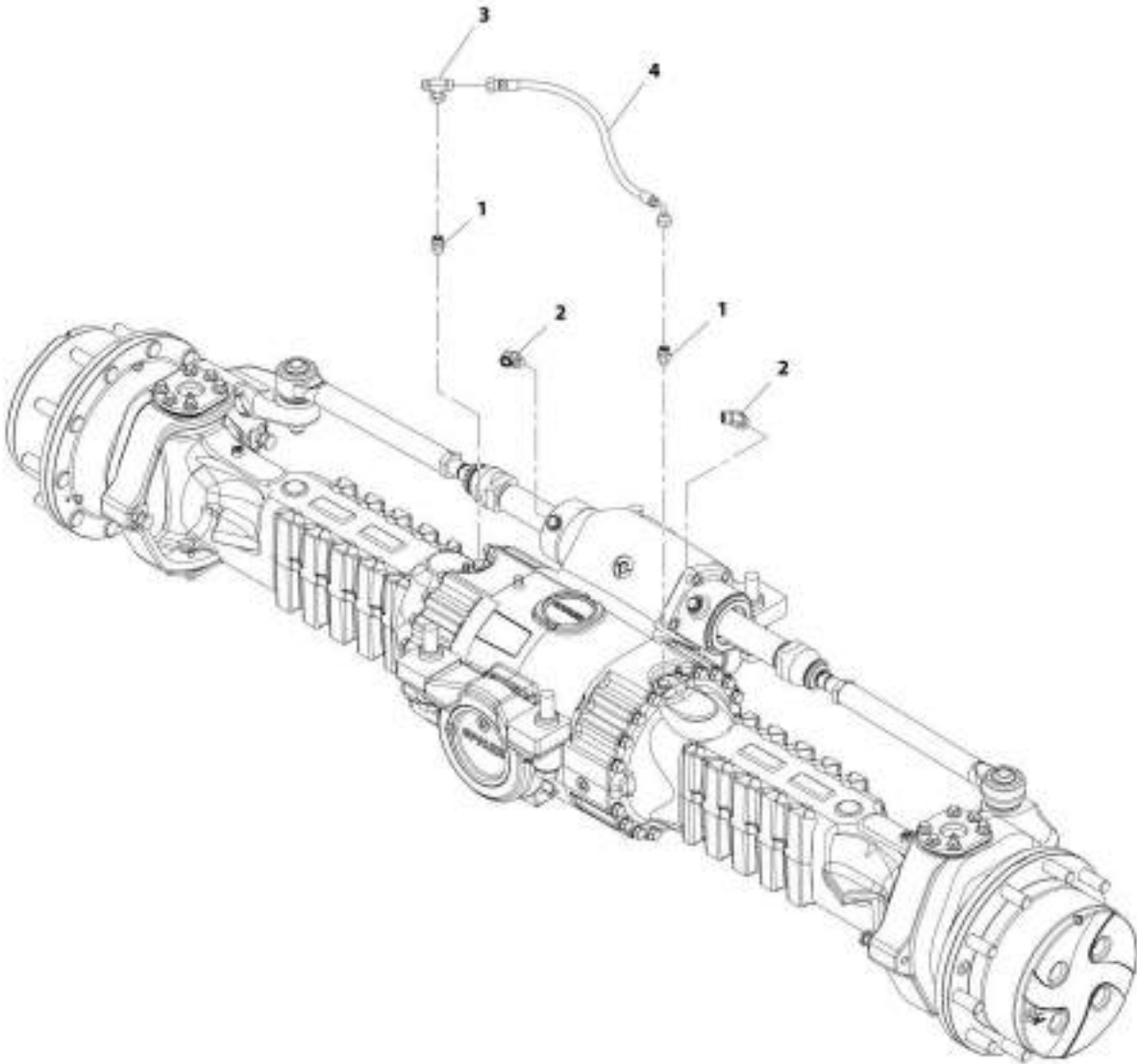
SECTION 5 - DRIVE TRAIN

FIGURE 5-25. REAR AXLE LINES INSTALLATION (642, 742)

| ITEM | PART NUMBER | QTY | DESCRIPTION | REV |
|------|-------------|-----|---|-----|
| | 1001171863 | Ref | Rear Axle Lines Installation (642, 742) | D |
| 1 | 2144605 | 2 | Fitting, Straight ORFS | |
| 2 | 1250808 | 2 | Fitting, 45 ORFS | |
| 3 | 2170806 | 1 | Fitting, Tee ORFS | |
| 4 | 1001139375 | 1 | Hose | |

SECTION 5 - DRIVE TRAIN

FIGURE 5-26. REAR AXLE LINES INSTALLATION (943, 1043)



WRT_1001181-024-C

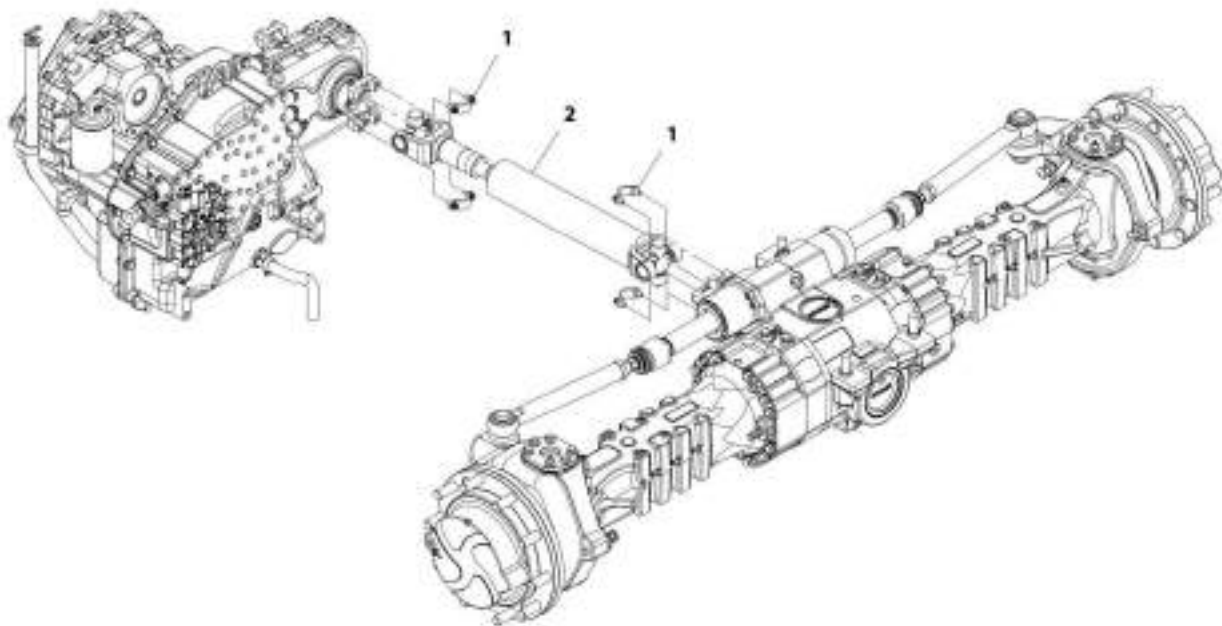
SECTION 5 - DRIVE TRAIN

FIGURE 5-26. REAR AXLE LINES INSTALLATION (943, 1043)

| ITEM | PART NUMBER | QTY | DESCRIPTION | REV |
|------|-------------|-----|--|-----|
| | 1001161424 | Ref | Rear Axle Lines Installation (943, 1043) | C |
| 1 | 2144605 | 2 | Fitting, Straight ORFS | |
| 2 | 2150808 | 2 | Fitting, 45 ORFS | |
| 3 | 2170806 | 1 | Fitting, Tee ORFS | |
| 4 | 1001102509 | 1 | Hose | |

SECTION 5 - DRIVE TRAIN

FIGURE 5-27. FRONT DRIVE SHAFT INSTALLATION (642, 742)



ART_001172836-B

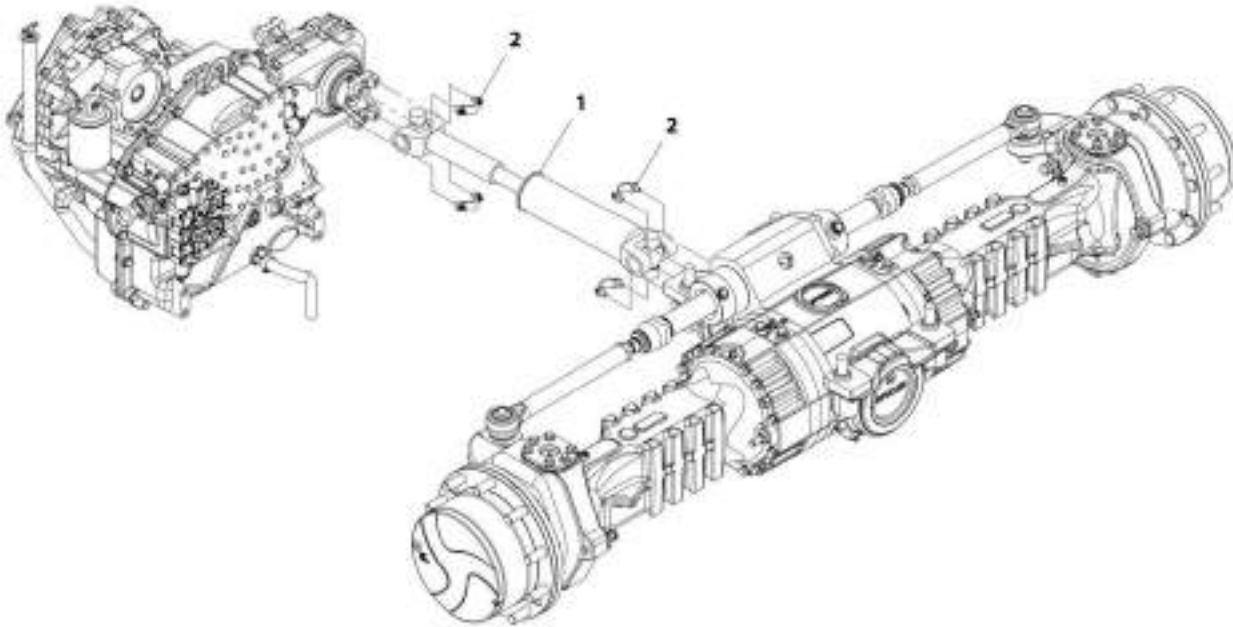
SECTION 5 - DRIVE TRAIN

FIGURE 5-27. FRONT DRIVE SHAFT INSTALLATION (642, 742)

| ITEM | PART NUMBER | QTY | DESCRIPTION | REV |
|------|-------------|-----|---|-----|
| | 1001172836 | Ref | Front Drive Shaft Installation (642, 742) | B |
| 1 | 8880218-OM | 2 | Kit, Strap | |
| 2 | 91473151 | 1 | Drive Shaft, Front (642, 742) | |

SECTION 5 - DRIVE TRAIN

FIGURE 5-28. FRONT DRIVE SHAFT INSTALLATION (943, 1043)



ART_100117285A-A

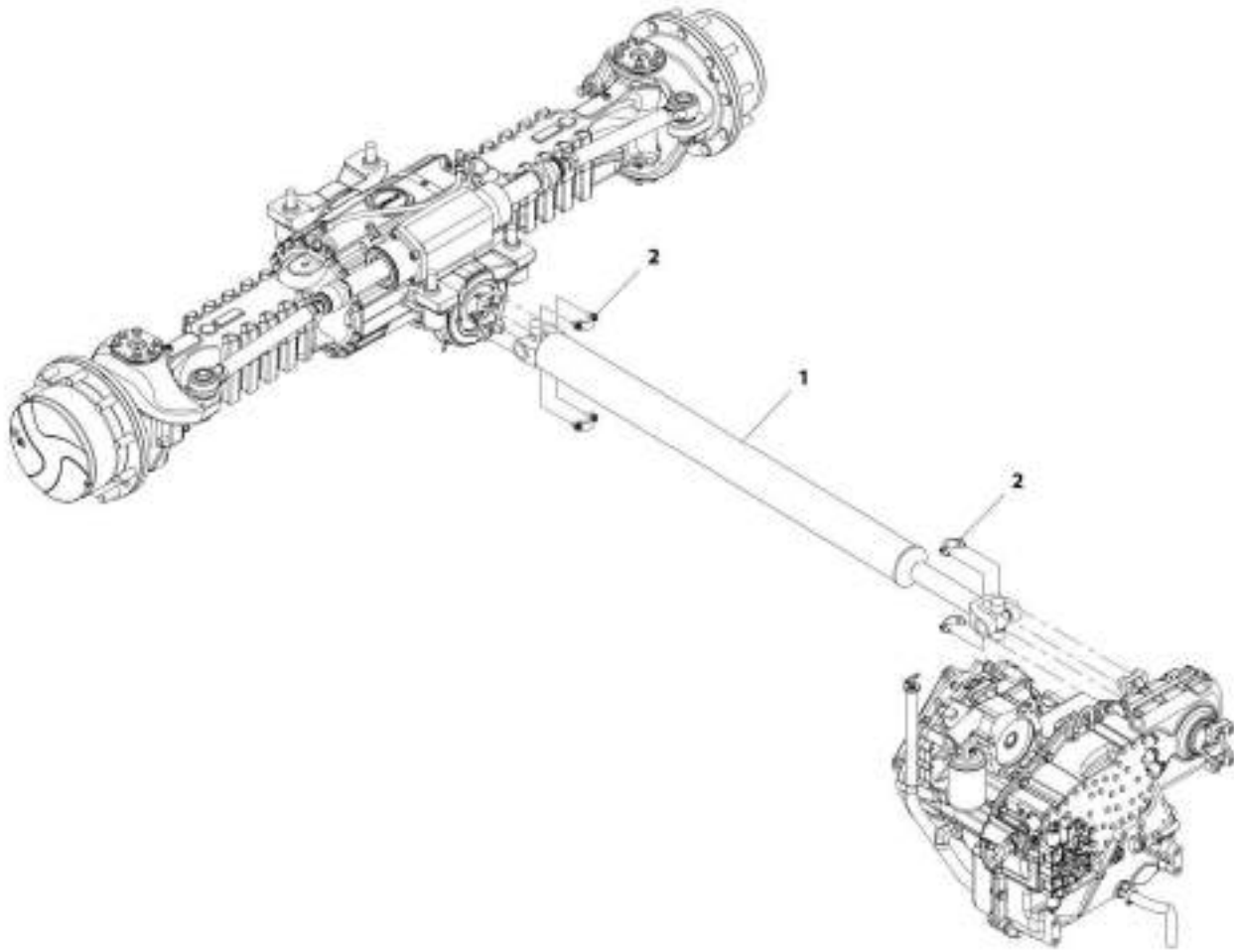
SECTION 5 - DRIVE TRAIN

FIGURE 5-28. FRONT DRIVE SHAFT INSTALLATION (943, 1043)

| ITEM | PART NUMBER | QTY | DESCRIPTION | REV |
|------|-------------|-----|--|-----|
| | 1001172954 | Ref | Front Drive Shaft Installation (943, 1043) | A |
| 1 | 7150580 | 1 | Drive Shaft, Front (943, 1043) | |
| 2 | 8880218-OM | 2 | Kit, Strap | |

SECTION 5 - DRIVE TRAIN

FIGURE 5-29. REAR DRIVE SHAFT INSTALLATION



ART_1001369251-A

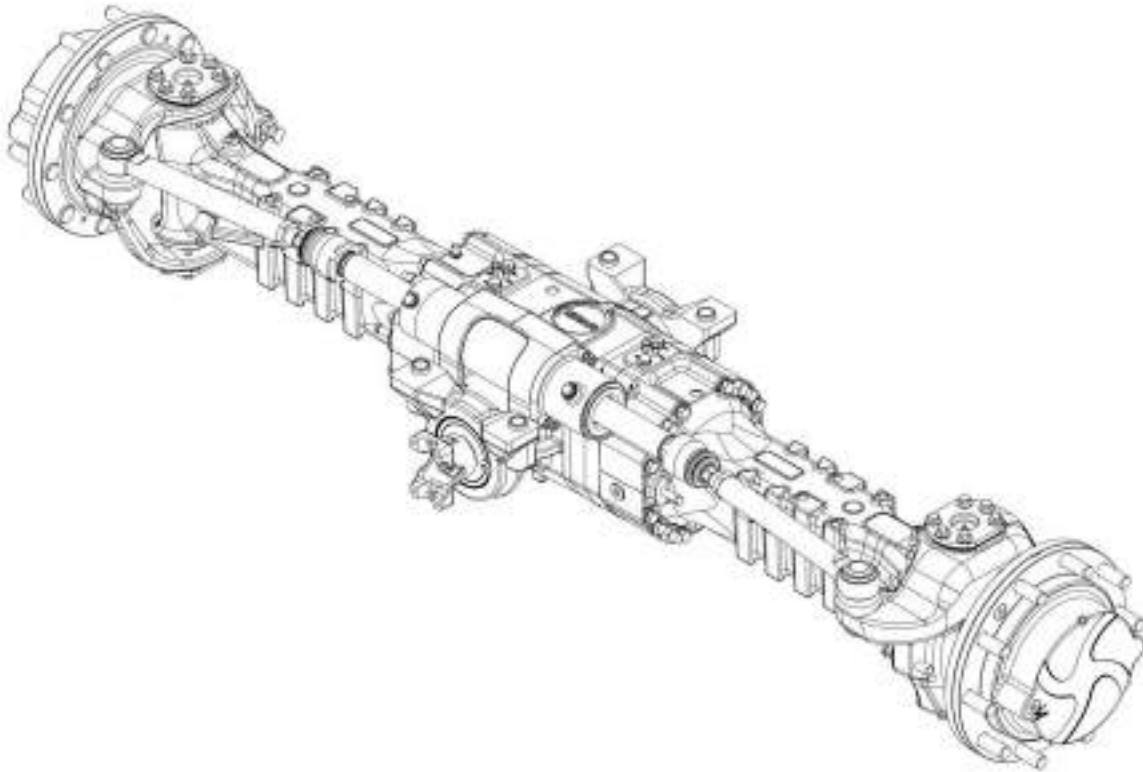
SECTION 5 - DRIVE TRAIN

FIGURE 5-29. REAR DRIVE SHAFT INSTALLATION

| ITEM | PART NUMBER | QTY | DESCRIPTION | REV |
|------|-------------|-----|-------------------------------|-----|
| | 1001169351 | Ref | Rear Drive Shaft Installation | A |
| 1 | 1001170616 | 1 | Drive Shaft, Rear | |
| 2 | 8880218-OM | 2 | Kit, Strap | |

SECTION 5 - DRIVE TRAIN

FIGURE 5-30. FRONT AXLE (642, 742)



ART_100140633-F

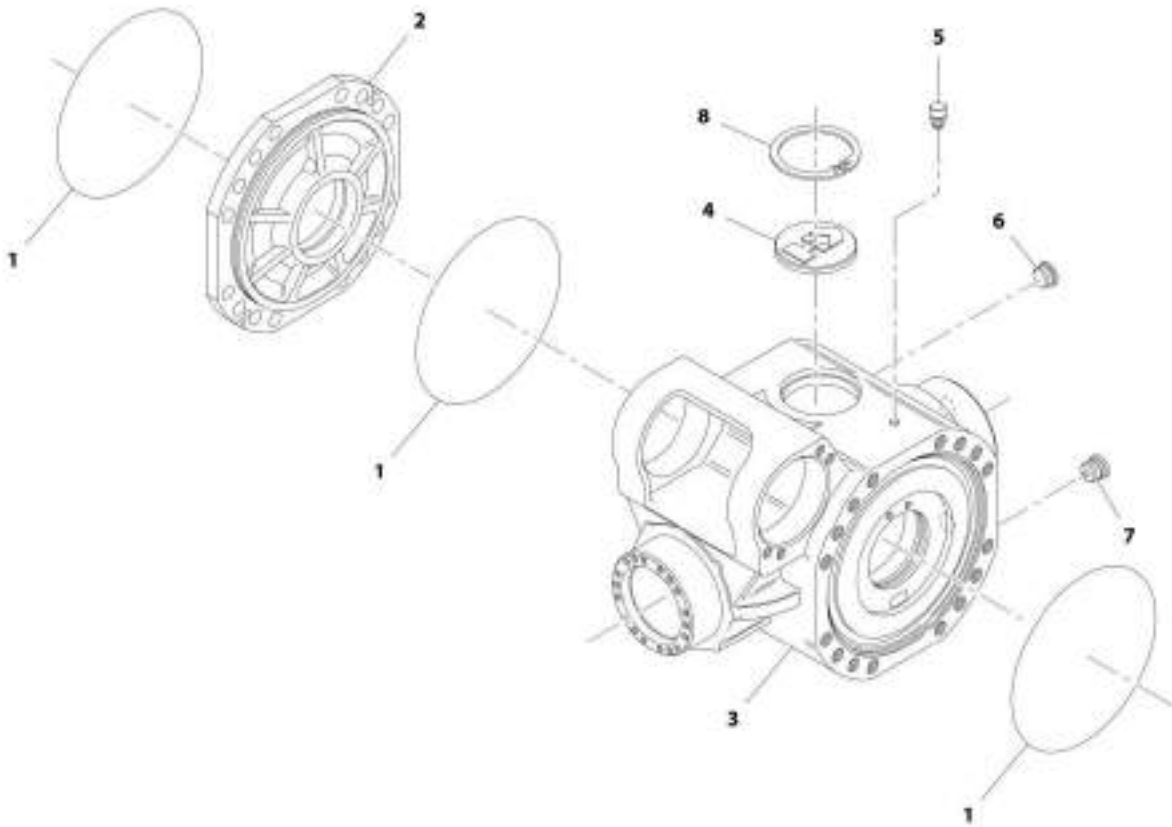
SECTION 5 - DRIVE TRAIN

FIGURE 5-30. FRONT AXLE (642, 742)

| ITEM | PART NUMBER | QTY | DESCRIPTION | REV |
|------|-------------|-----|---|-----|
| | 1001165833 | Ref | Front Axle (642, 742) | F |
| | | Ref | Front Axle, Central Housing (642, 742) (See CENTRAL HOUSING (642, 743) for Breakdown) | |
| | | Ref | Front Axle, Differential (642, 742) (See DIFFERENTIAL (642, 742) for Breakdown) | |
| | | Ref | Front Axle, Hub Reduction (642, 742) (See HUB REDUCTION (642, 742) for Breakdown) | |
| | | Ref | Front Axle, Brakes (642, 742) (See BRAKES (642, 742) for Breakdown) | |
| | | Ref | Front Axle, Steering (642, 742) (See STEERING (642, 742) for Breakdown) | |
| | | Ref | Front Axle, Trunion (642, 742) (See TRUNION (642, 742) for Breakdown) | |

SECTION 5 - DRIVE TRAIN

FIGURE 5-31. FRONT AXLE, CENTRAL HOUSING (642, 742)



ART_100140832_1-F

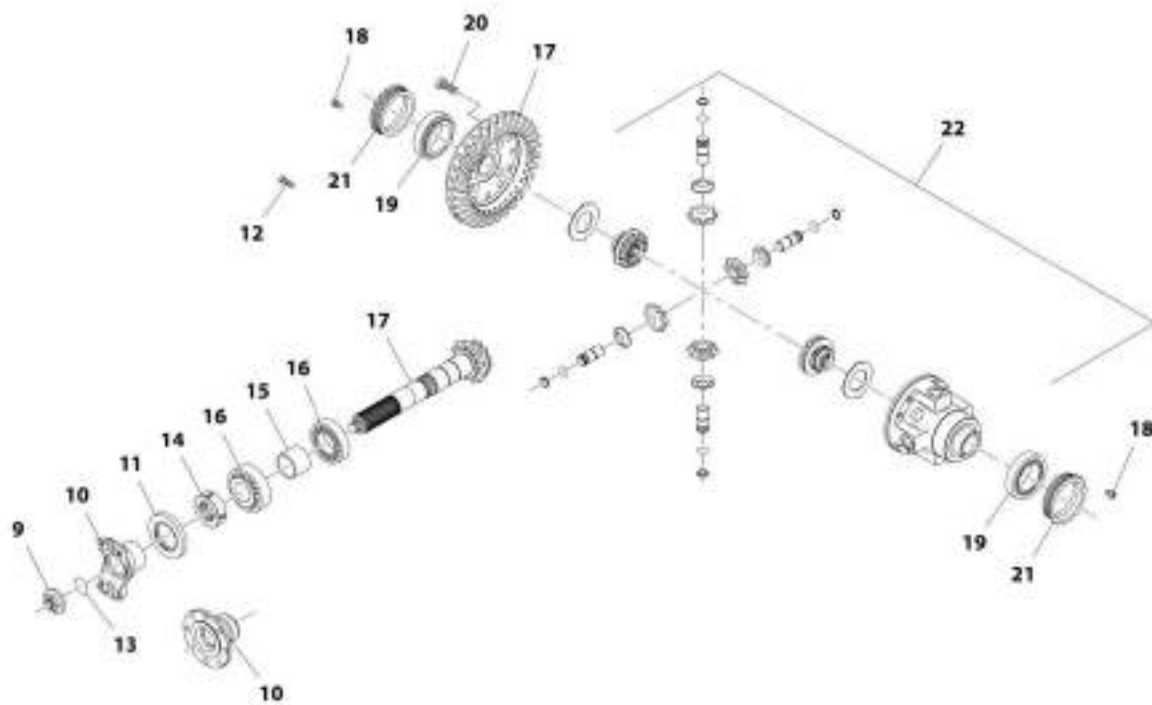
SECTION 5 - DRIVE TRAIN

FIGURE 5-31. FRONT AXLE, CENTRAL HOUSING (642, 742)

| ITEM | PART NUMBER | QTY | DESCRIPTION | REV |
|------|-------------|-----|--------------|-----|
| 1 | 91474507 | 3 | O-Ring | |
| 2 | 70024872 | 1 | Cover | |
| 3 | 70026749 | 1 | Housing | |
| 4 | 91514098 | 1 | Plug | |
| 5 | 91474512 | 1 | Vent | |
| 6 | 91514188 | 1 | Plug | |
| 7 | 91474513 | 1 | Plug, Magnet | |
| 8 | 80204005 | 1 | Circlip | |

SECTION 5 - DRIVE TRAIN

FIGURE 5-32. FRONT AXLE, DIFFERENTIAL (642, 742)



WIT_1001165835_3.P

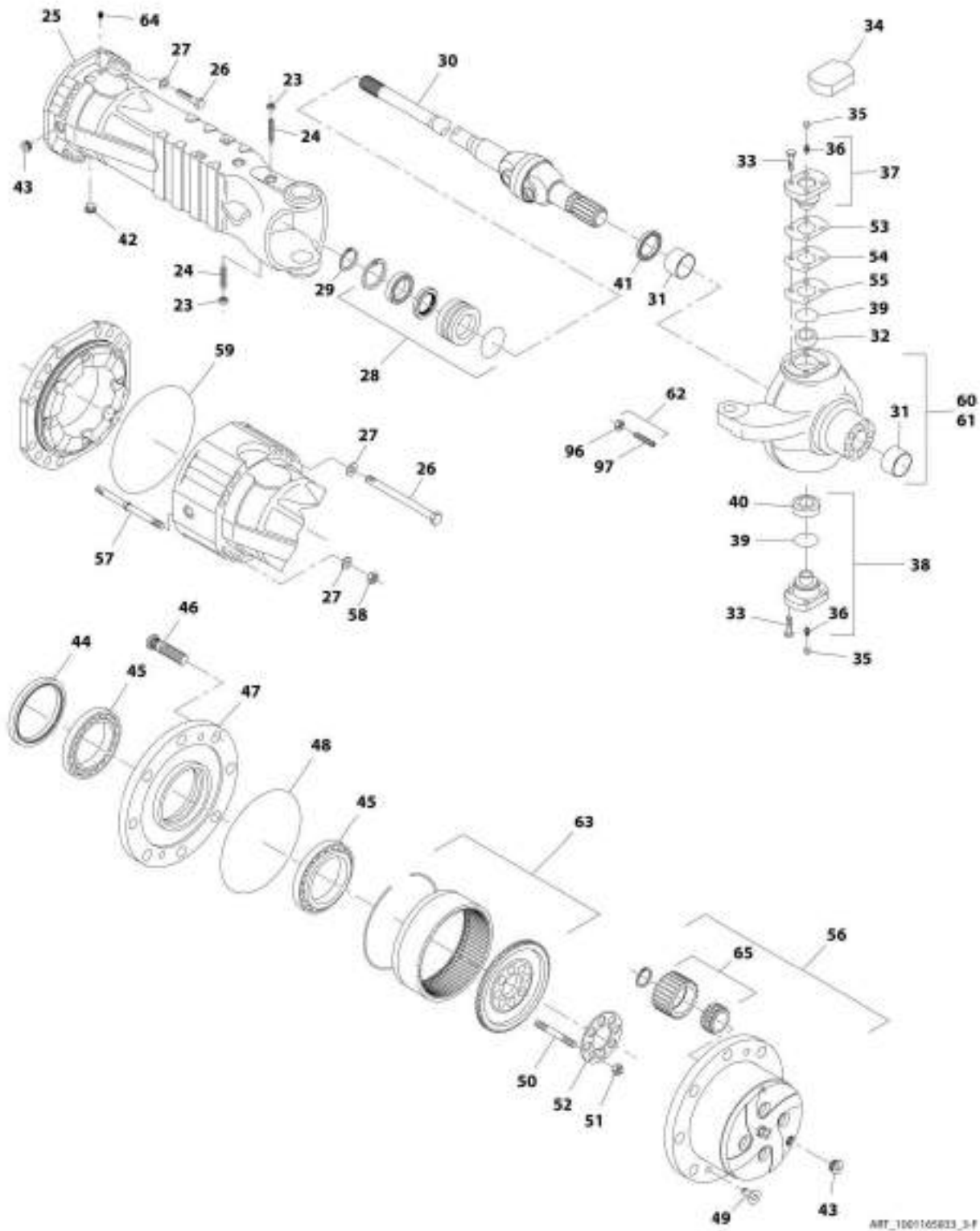
SECTION 5 - DRIVE TRAIN

FIGURE 5-32. FRONT AXLE, DIFFERENTIAL (642, 742)

| ITEM | PART NUMBER | QTY | DESCRIPTION | REV |
|------|-------------|-----|---|-----|
| 9 | 70026631 | 1 | Nut | |
| 10 | 70022797 | 1 | Flange | |
| 11 | 70024522 | 1 | Seal | |
| 12 | 91474591 | 4 | Bolt | |
| 13 | 91474529 | 1 | O-Ring | |
| 14 | 91474533 | 1 | Nut, Ring | |
| 15 | 91474539 | 1 | Spacer | |
| 16 | 3968141 | 2 | Bearing, Taper Roller | |
| 17 | 8007749 | 1 | Bevel Gear Set | |
| 18 | 91514134 | 2 | Bolt | |
| 19 | 70026031 | 2 | Bearing, Taper Roller | |
| 20 | 91514123 | 12 | Bolt | |
| 21 | 91474547 | 2 | Nut, Ring | |
| 22 | 7028710 | 1 | Differential (642, 742) (See DIFFERENTIAL (642, 742) for Breakdown) | |

SECTION 5 - DRIVE TRAIN

FIGURE 5-33. FRONT AXLE, HUB REDUCTION (642, 742)



ART_1001105833_3-F

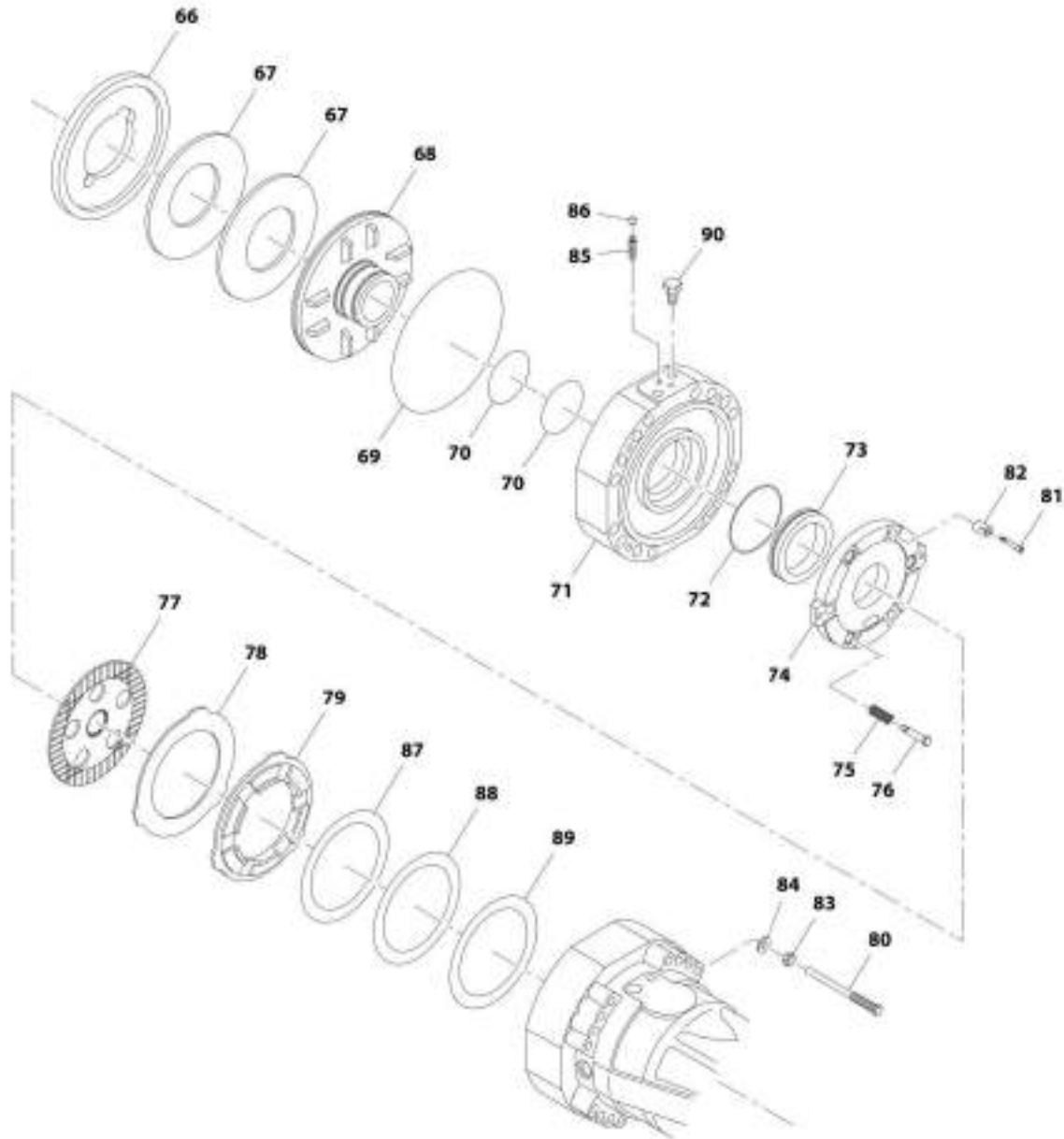
SECTION 5 - DRIVE TRAIN

FIGURE 5-33. FRONT AXLE, HUB REDUCTION (642, 742)

| ITEM | PART NUMBER | QTY | DESCRIPTION | REV |
|------|-------------|-----|---|-----|
| 23 | 91514082 | 2 | Nut | |
| 24 | 91514081 | 2 | Bolt | |
| 25 | 70025011 | 2 | Case, Axle | |
| 26 | 70025012 | 24 | Bolt | |
| 27 | 91514084 | 8 | Washer | |
| 28 | 91514149 | 2 | Bushing, Reduction (See REDUCTION BUSHING (642, 742) for Breakdown) | |
| 29 | 80204071 | 2 | Circlip | |
| 30 | 70026624 | 2 | Joint, Double Universal | |
| 31 | 91514111 | 2 | Bushing, Thrust | |
| 32 | 7028714 | 2 | Bushing | |
| 33 | 70025562 | 24 | Bolt | |
| 34 | 91474524 | 2 | Cover | |
| 35 | 80204117 | 2 | Plug | |
| 36 | 91514099 | 4 | Fitting, Grease | |
| 37 | 91514112 | 2 | Pin, Pivot | |
| 38 | 7028715 | 2 | Pin, Pivot | |
| 39 | 7028716 | 4 | Seal, Dust | |
| 40 | 91514095 | 2 | Bearing | |
| 41 | 70026238 | 2 | Seal | |
| 42 | 91474513 | 2 | Plug | |
| 43 | 91514188 | 4 | Plug | |
| 44 | 7028721 | 2 | Seal | |
| 45 | 91474576 | 4 | Bearing | |
| 46 | 91514183 | 20 | Stud, Wheel | |
| 47 | 7029737 | 2 | Hub, Wheel | |
| 48 | 91474507 | 2 | O-Ring | |
| 49 | 91514189 | 4 | Bolt | |
| 50 | 91474583 | 16 | Stud | |
| 51 | 91474584 | 16 | Nut | |
| 52 | 70026622 | 2 | Plate, Locking | |
| 53 | 91514113 | 2 | Shim | |
| 54 | 91514114 | 2 | Shim | |
| 55 | 91514115 | 2 | Shim | |
| 56 | 7029431 | 2 | Planet Gear Carrier (642, 742) (See PLANET GEAR CARRIER (642, 742) for Breakdown) | |
| 57 | 70025014 | 8 | Stud | |
| 58 | 91514083 | 8 | Nut | |
| 59 | 91514181 | 2 | O-Ring | |
| 60 | 70026626 | 1 | Case, Steering | |
| 61 | 70026627 | 1 | Case, Steering | |
| 62 | 7028733 | 4 | Bolt, Steering Adjust (642, 742) (includes items 45 & 46) | |
| 63 | 70026625 | 2 | Kit, Ring Gear Support (See RING GEAR SUPPORT (642, 742) for Breakdown) | |
| 64 | 80204012 | 2 | Plug | |
| 65 | 70023900 | 8 | Kit, Planet Gear | |
| 96 | 91514117 | 4 | Bolt | |
| 97 | 80204065 | 4 | Nut | |

SECTION 5 - DRIVE TRAIN

FIGURE 5-34. FRONT AXLE, BRAKES (642, 742)



ART_1001105833_4-F

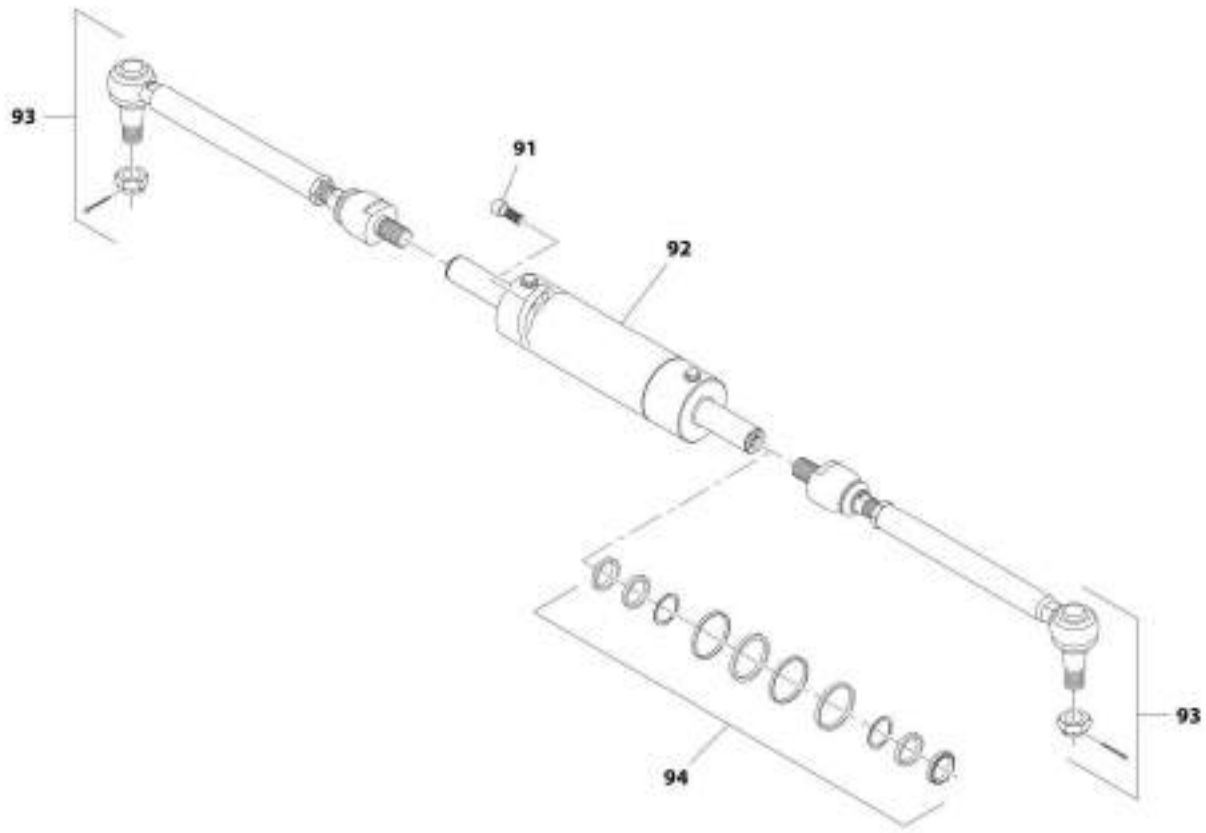
SECTION 5 - DRIVE TRAIN

FIGURE 5-34. FRONT AXLE, BRAKES (642, 742)

| ITEM | PART NUMBER | QTY | DESCRIPTION | REV |
|------|-------------|-----|--------------------------|-----|
| 66 | 7028734 | 1 | Spacer | |
| 67 | 91474559 | 4 | Spring | |
| 68 | 91474560 | 2 | Piston | |
| 69 | 91474561 | 2 | O-Ring | |
| 70 | 70026262 | 4 | Seal | |
| 71 | 7028735 | 2 | Cover | |
| 72 | 70026623 | 2 | Seal | |
| 73 | 91474564 | 2 | Piston | |
| 74 | 91474565 | 2 | Disc, Intermediate Brake | |
| 75 | 91514159 | 6 | Spring | |
| 76 | 70024210 | 6 | Bolt | |
| 77 | 91474568 | 8 | Disc | |
| 78 | 70025823 | 8 | Disc, Intermediate Brake | |
| 79 | 91474570 | 2 | Spacer | |
| 80 | 70024213 | 4 | Bolt, M12X122.5 | |
| 81 | 7029788 | 6 | Bolt | |
| 82 | 91514165 | 6 | Spring | |
| 83 | 80204060 | 4 | Nut | |
| 84 | 80204108 | 4 | Washer, Lock | |
| 85 | 80204281 | 4 | Bolt | |
| 86 | 80204117 | 4 | Plug | |
| 87 | 91474571 | 2 | Shim | |
| 88 | 91474572 | 2 | Shim | |
| 89 | 91474573 | 2 | Shim | |
| 90 | 91514154 | 4 | Bolt | |

SECTION 5 - DRIVE TRAIN

FIGURE 5-35. FRONT AXLE, STEERING (642, 742)



MT_1001105833_3P

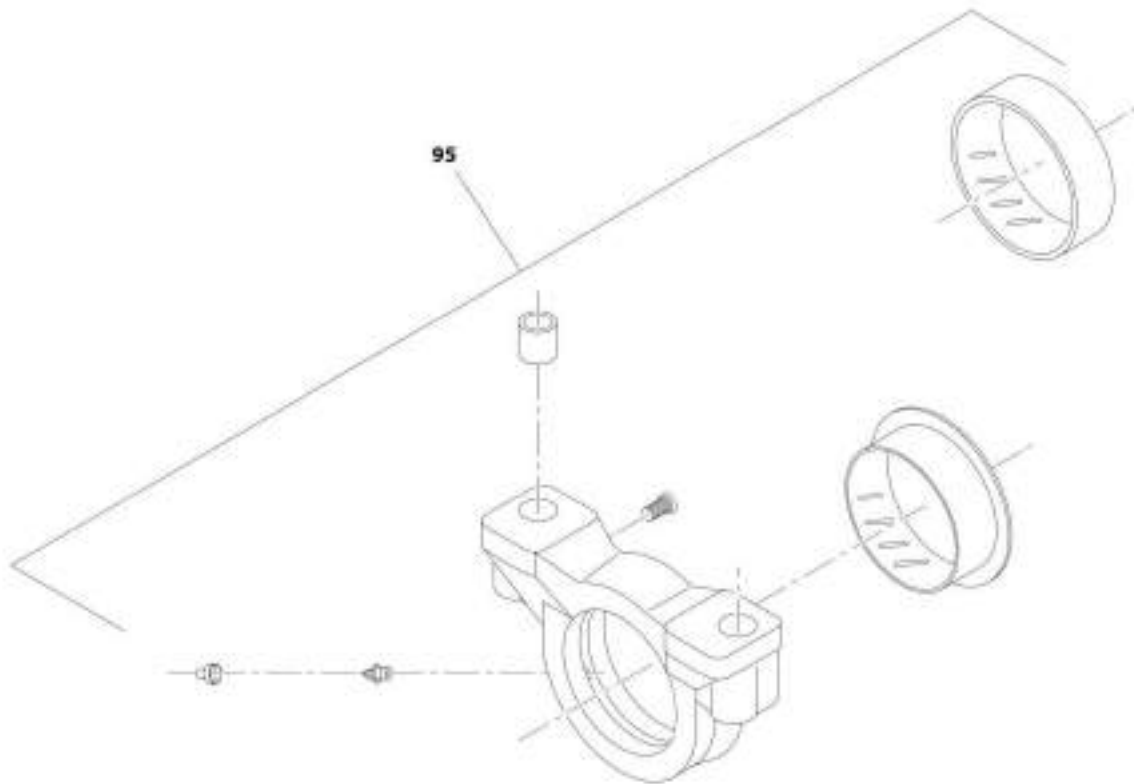
SECTION 5 - DRIVE TRAIN

FIGURE 5-35. FRONT AXLE, STEERING (642, 742)

| ITEM | PART NUMBER | QTY | DESCRIPTION | REV |
|------|-------------|-----|-------------|-----|
| 91 | 91474522 | 4 | Bolt | |
| 92 | 7029528 | 1 | Cylinder | |
| 93 | 70026799 | 2 | Rod, Tie | |
| 94 | 7029529 | 1 | Kit, Seal | |

SECTION 5 - DRIVE TRAIN

FIGURE 5-36. FRONT AXLE, TRUNION (642, 742)



ART_1001165832_6-F

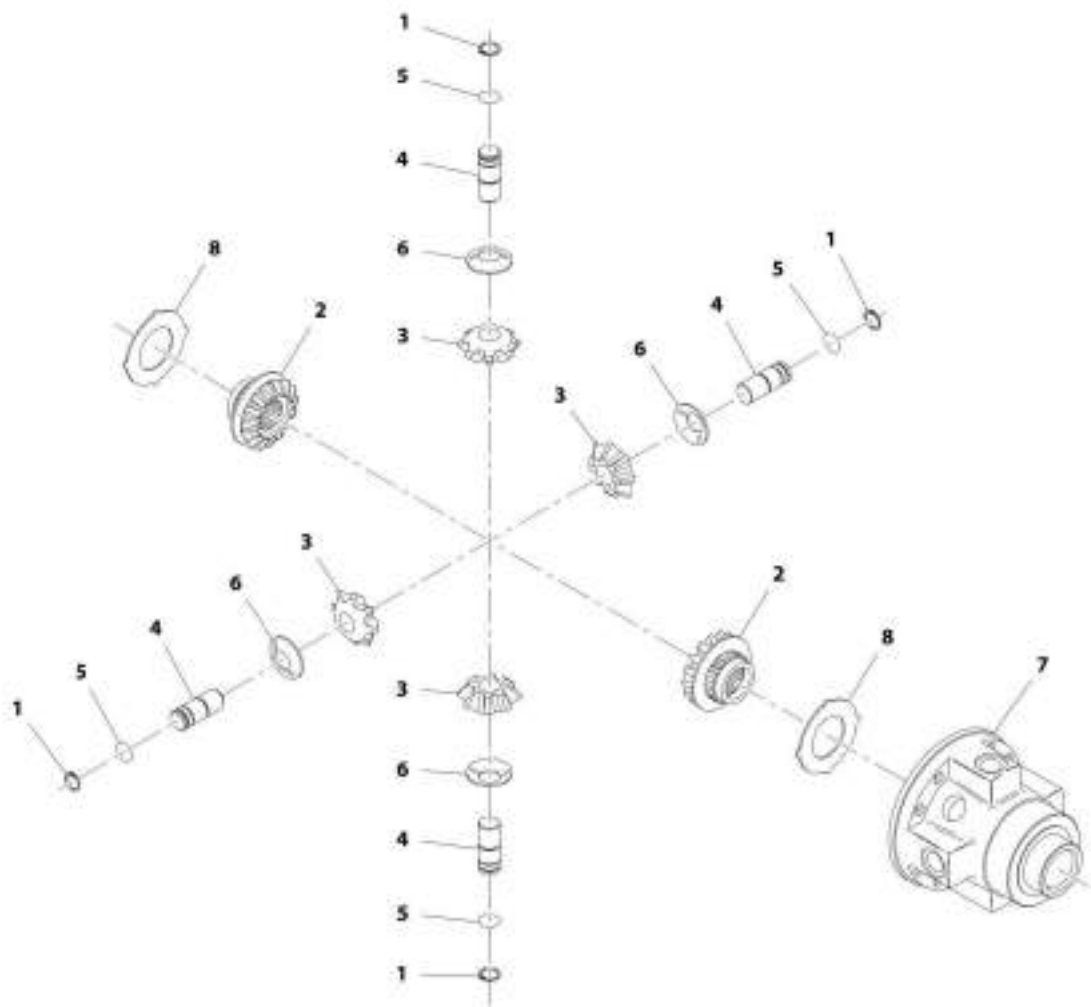
SECTION 5 - DRIVE TRAIN

FIGURE 5-36. FRONT AXLE, TRUNION (642, 742)

| ITEM | PART NUMBER | QTY | DESCRIPTION | REV |
|------|-------------|-----|---|-----|
| 95 | 70026630 | 2 | Trunion (642, 742) (See TRUNION KIT (642, 742) for Breakdown) | |

SECTION 5 - DRIVE TRAIN

FIGURE 5-37. FRONT AXLE, DIFFERENTIAL (642, 742)



AKT_100156803_2-F

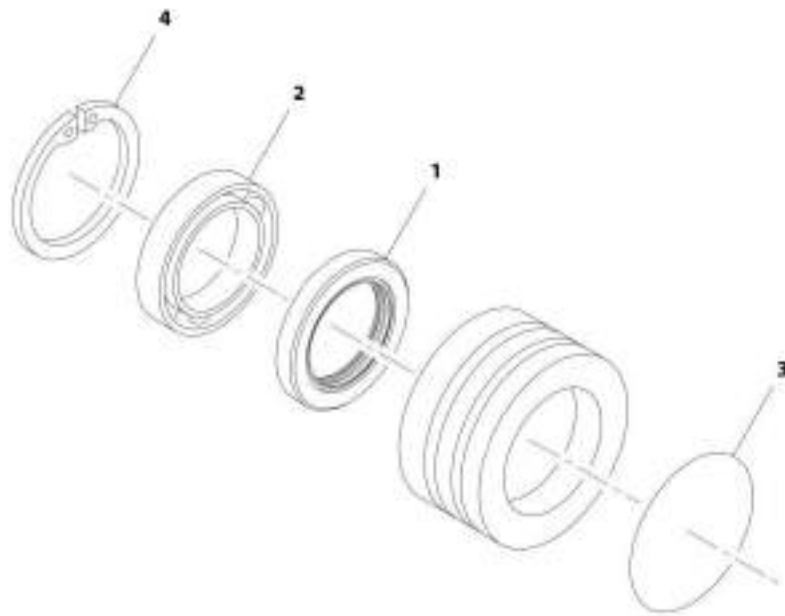
SECTION 5 - DRIVE TRAIN

FIGURE 5-37. FRONT AXLE, DIFFERENTIAL (642, 742)

| ITEM | PART NUMBER | QTY | DESCRIPTION | REV |
|------|-------------|-----|-------------------------|-----|
| | 7028710 | Ref | Differential (642, 742) | |
| 1 | 91474550 | 4 | Circlip | |
| 2 | 91474549 | 2 | Gear, Differential Side | |
| 3 | 7029129 | 4 | Pinion, Differential | |
| 4 | 7029131 | 4 | Pin | |
| 5 | 91474551 | 4 | Circlip | |
| 6 | 91474553 | 4 | Washer, Friction | |
| 7 | 8007751 | 1 | Carrier, Differential | |
| 8 | 8007755 | 1 | Disc | |

SECTION 5 - DRIVE TRAIN

FIGURE 5-38. FRONT AXLE, REDUCTION BUSHING (642, 742)



ART_1001185855_5P

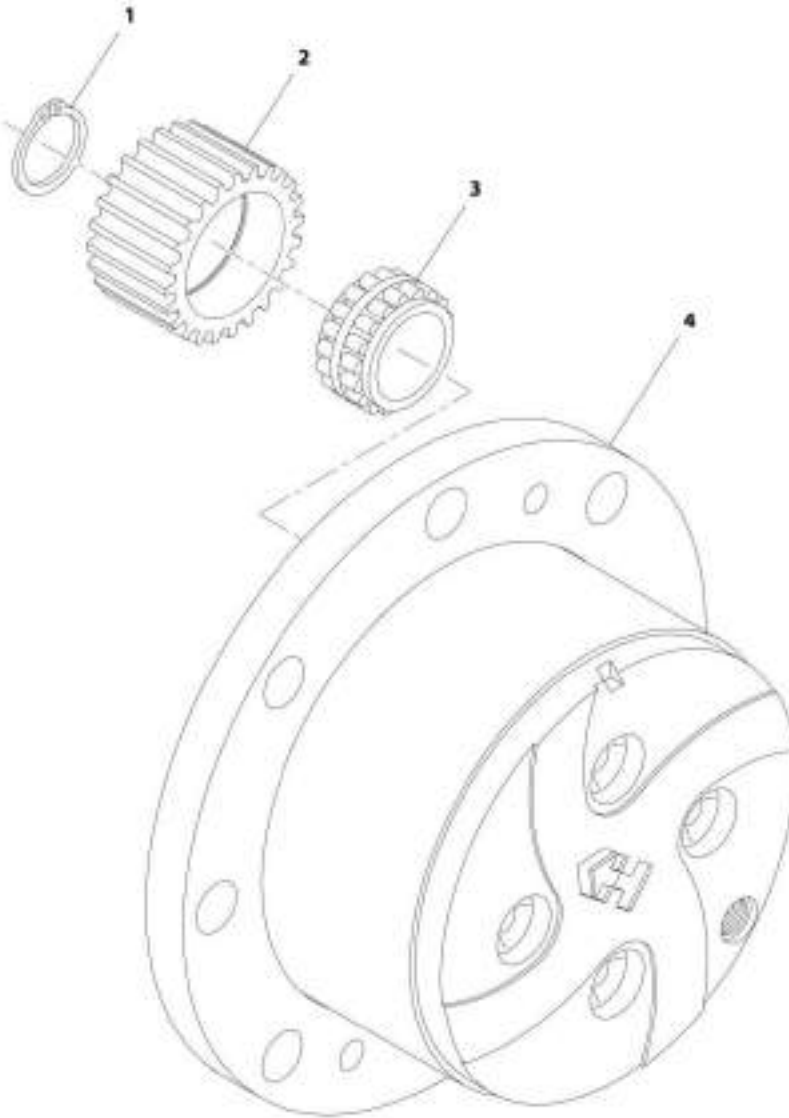
SECTION 5 - DRIVE TRAIN

FIGURE 5-38. FRONT AXLE, REDUCTION BUSHING (642, 742)

| ITEM | PART NUMBER | QTY | DESCRIPTION | REV |
|------|-------------|-----|------------------------------|-----|
| | 91514149 | Ref | Reduction Bushing (642, 742) | |
| 1 | 91514147 | 1 | Seal | |
| 2 | 91514146 | 1 | Bearing, Ball | |
| 3 | 91514148 | 1 | O-Ring | |
| 4 | 80204005 | 1 | Circlip | |

SECTION 5 - DRIVE TRAIN

FIGURE 5-39. FRONT AXLE, PLANET GEAR CARRIER (642, 742)



ART_1001108833_3-F

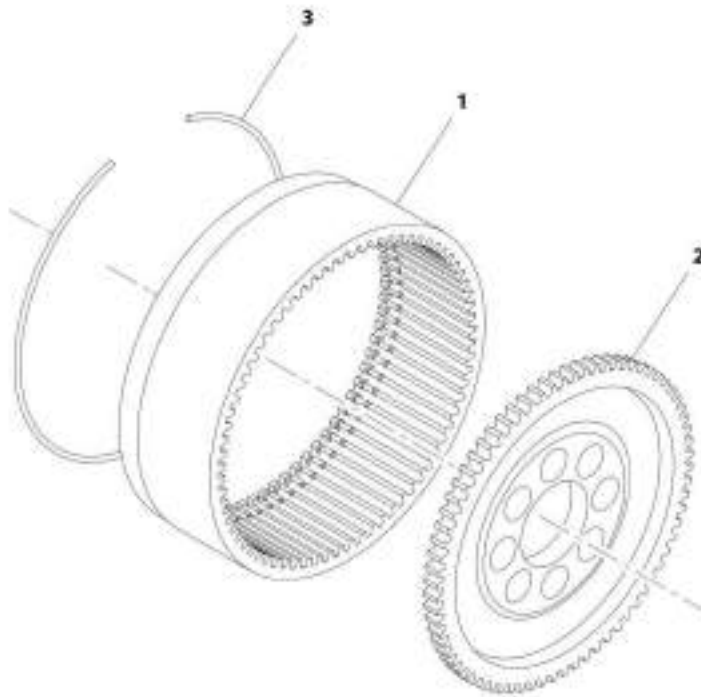
SECTION 5 - DRIVE TRAIN

FIGURE 5-39. FRONT AXLE, PLANET GEAR CARRIER (642, 742)

| ITEM | PART NUMBER | QTY | DESCRIPTION | REV |
|------|-------------|-----|--------------------------------|-----|
| | 7029431 | Ref | Planet Gear Carrier (642, 742) | |
| 1 | 91474585 | 2 | Circlip | |
| 2 | 91474586 | 4 | Gear, Planet | |
| 3 | 91474587 | 4 | Bearing | |
| 4 | 7029286 | 1 | Carrier, Planet Gear | |

SECTION 5 - DRIVE TRAIN

FIGURE 5-40. FRONT AXLE, RING GEAR SUPPORT (642, 742)



ART_100160833_10-F

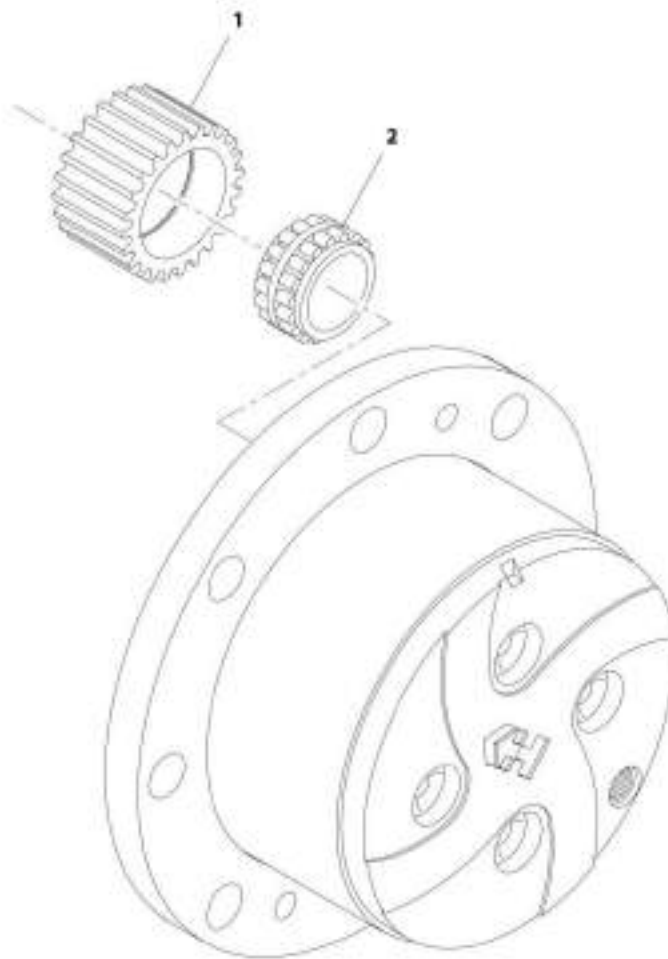
SECTION 5 - DRIVE TRAIN

FIGURE 5-40. FRONT AXLE, RING GEAR SUPPORT (642, 742)

| ITEM | PART NUMBER | QTY | DESCRIPTION | REV |
|------|-------------|-----|------------------------------|-----|
| | 70026625 | Ref | Ring Gear Support (642, 742) | |
| 1 | 91474580 | 1 | Gear, Ring | |
| 2 | 70026798 | 1 | Support, Ring Gear | |
| 3 | 91474579 | 1 | Circlip | |

SECTION 5 - DRIVE TRAIN

FIGURE 5-41. FRONT AXLE, PLANET GEAR (642, 742)



ART. 100105693, 11-F

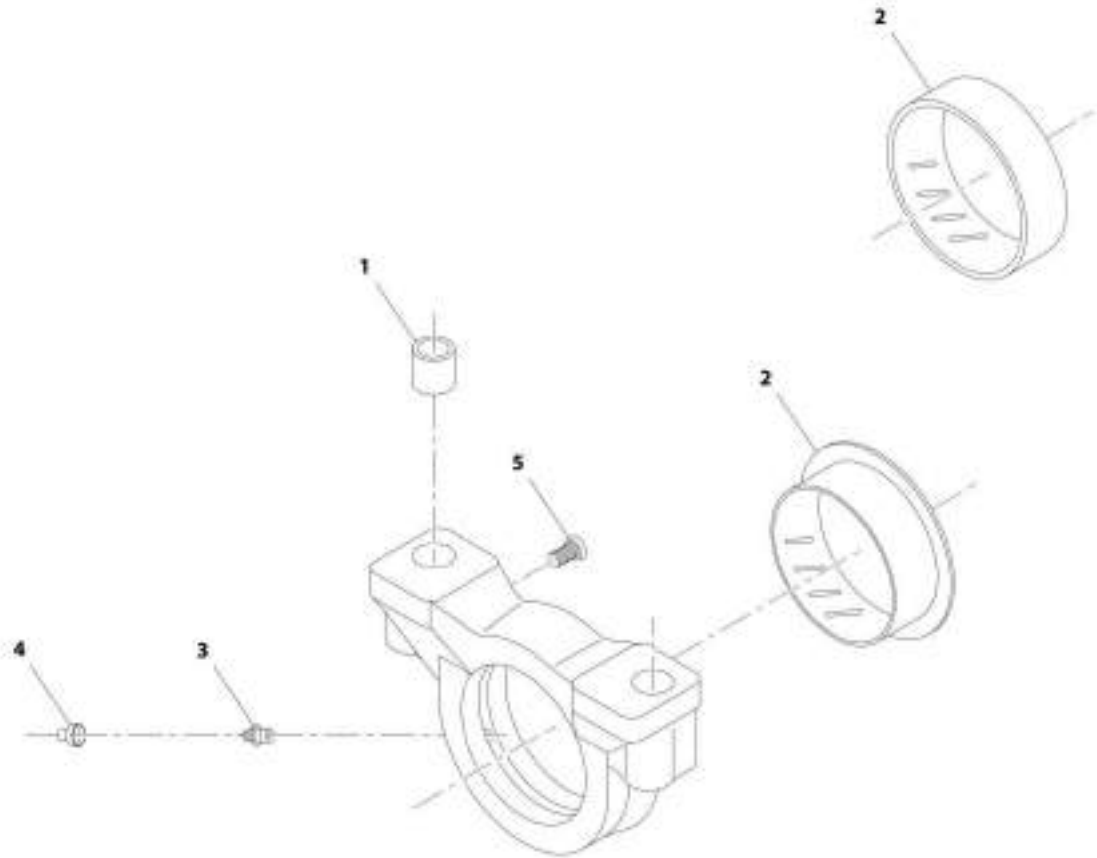
SECTION 5 - DRIVE TRAIN

FIGURE 5-41. FRONT AXLE, PLANET GEAR (642, 742)

| ITEM | PART NUMBER | QTY | DESCRIPTION | REV |
|------|-------------|-----|------------------------|-----|
| | 70023900 | Ref | Planet Gear (642, 742) | |
| 1 | 91474586 | 4 | Gear, Planet | |
| 2 | 91474587 | 4 | Bearing | |

SECTION 5 - DRIVE TRAIN

FIGURE 5-42. FRONT AXLE, TRUNION KIT (642, 742)



ART_1001165833_32-F

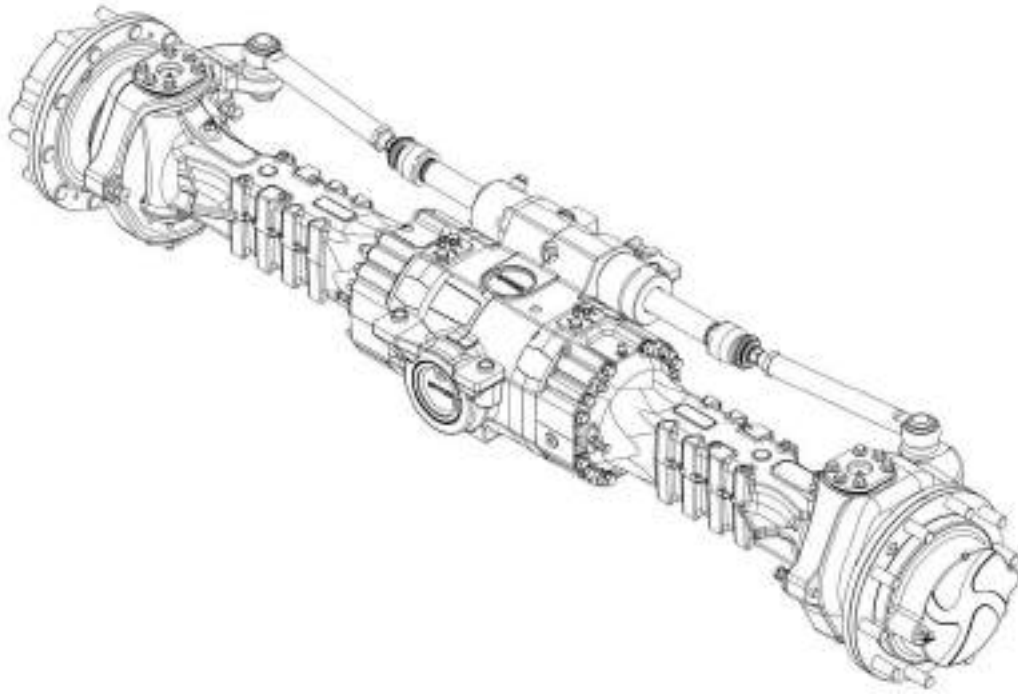
SECTION 5 - DRIVE TRAIN

FIGURE 5-42. FRONT AXLE, TRUNION KIT (642, 742)

| ITEM | PART NUMBER | QTY | DESCRIPTION | REV |
|------|-------------|-----|------------------------|-----|
| | 70026630 | Ref | Trunion Kit (642, 742) | |
| 1 | 91474516 | 2 | Bushing, Reduction | |
| 2 | 91474515 | 1 | Bushing, Thrust | |
| 3 | 91514099 | 1 | Fitting, Grease | |
| 4 | 80204117 | 1 | Plug | |
| 5 | 70025884 | 1 | Bolt | |

SECTION 5 - DRIVE TRAIN

FIGURE 5-43. FRONT AXLE, 74HP (742)



APT_100518200-A

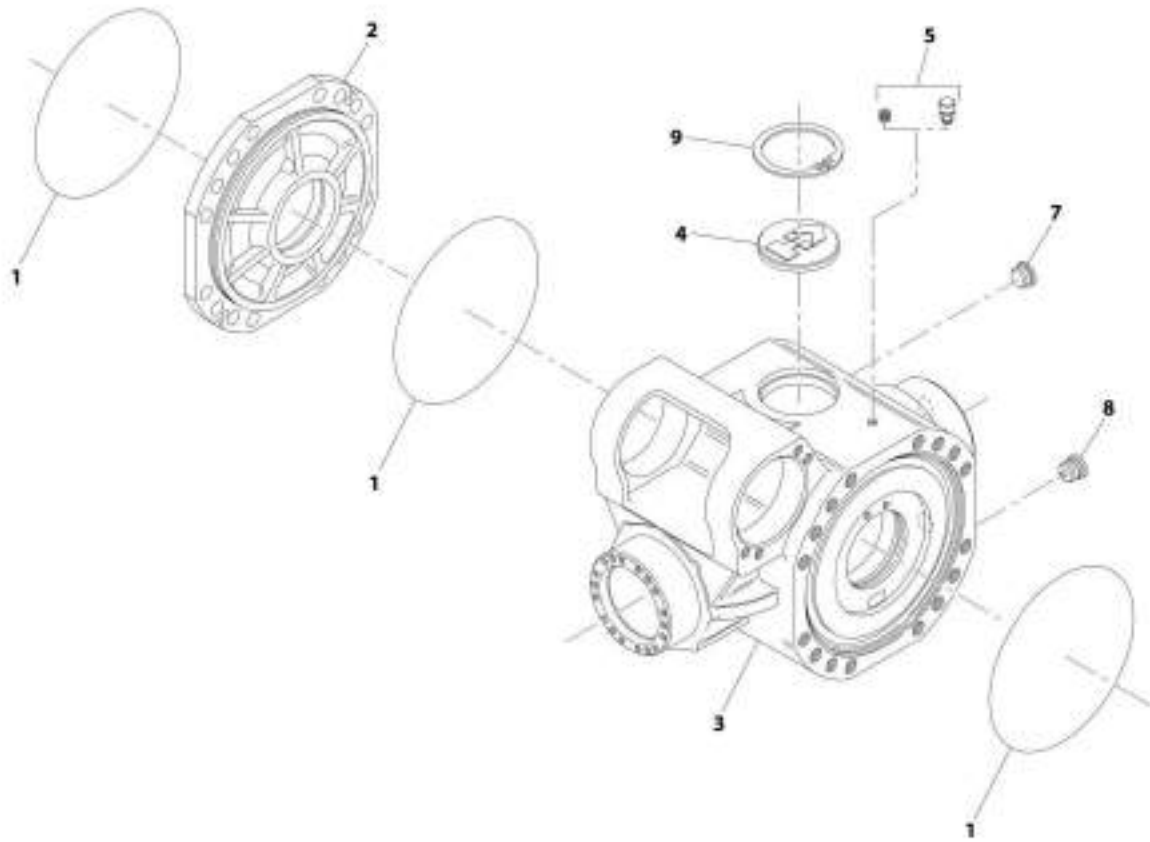
SECTION 5 - DRIVE TRAIN

FIGURE 5-43. FRONT AXLE, 74HP (742)

| ITEM | PART NUMBER | QTY | DESCRIPTION | REV |
|------|-------------|-----|--|-----|
| | 1005182600 | Ref | Front Axle, 74HP | A |
| | | Ref | Front Axle, Central Housing (See Separate Breakdown in this Section) | |
| | | Ref | Front Axle, Differential (See Separate Breakdown in this Section) | |
| | | Ref | Front Axle, Hub Reduction (See Separate Breakdown in this Section) | |
| | | Ref | Front Axle, Brakes (See Separate Breakdown in this Section) | |
| | | Ref | Front Axle, Steering (See Separate Breakdown in this Section) | |
| | | Ref | Front Axle, Trunion (See Separate Breakdown in this Section) | |

SECTION 5 - DRIVE TRAIN

FIGURE 5-44. FRONT AXLE, CENTRAL HOUSING 74HP (742)



ART_1000162000_1-4

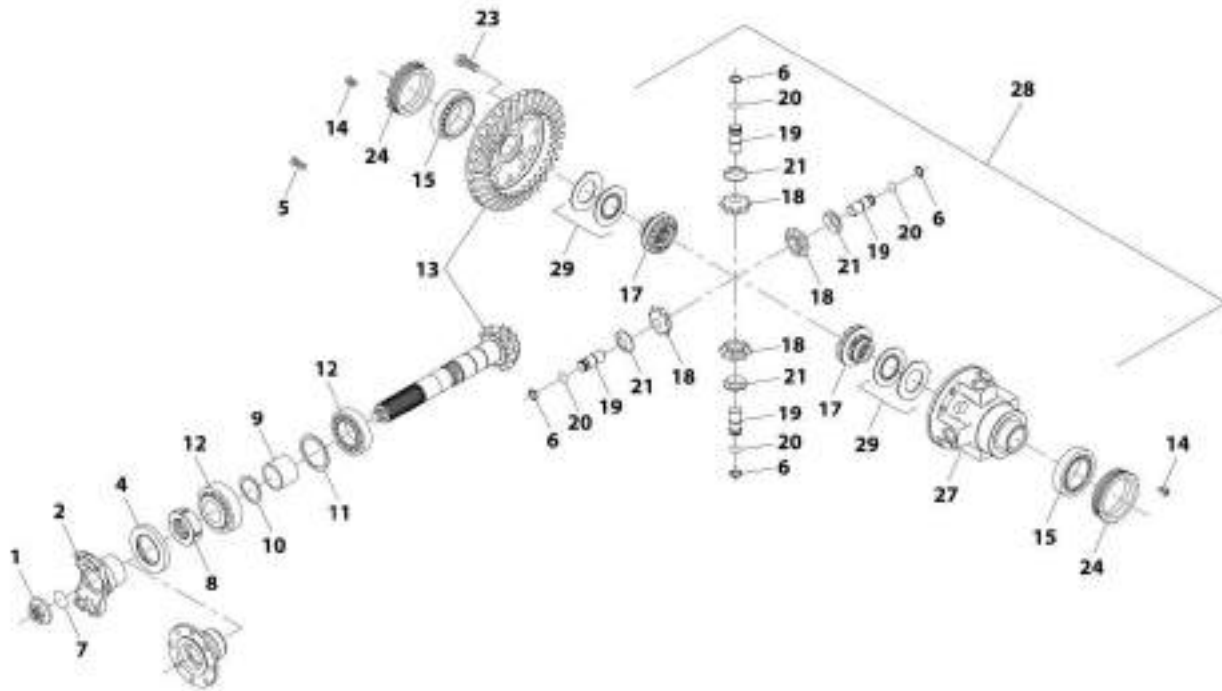
SECTION 5 - DRIVE TRAIN

FIGURE 5-44. FRONT AXLE, CENTRAL HOUSING 74HP (742)

| ITEM | PART NUMBER | QTY | DESCRIPTION | REV |
|------|-------------|-----|-------------|-----|
| 1 | 91474507 | 3 | O-Ring | |
| 2 | 70024872 | 1 | Cover | |
| 3 | 70026749 | 1 | Housing | |
| 4 | 91514098 | 1 | Plug | |
| 5 | 91474512 | 1 | Vent | |
| 7 | 70028387 | 1 | Plug | |
| 8 | 70028469 | 1 | Plug | |
| 9 | 80204005 | 1 | Circlip | |

SECTION 5 - DRIVE TRAIN

FIGURE 5-45. FRONT AXLE, DIFFERENTIAL 74HP (742)



WIT_1005182000_2-A

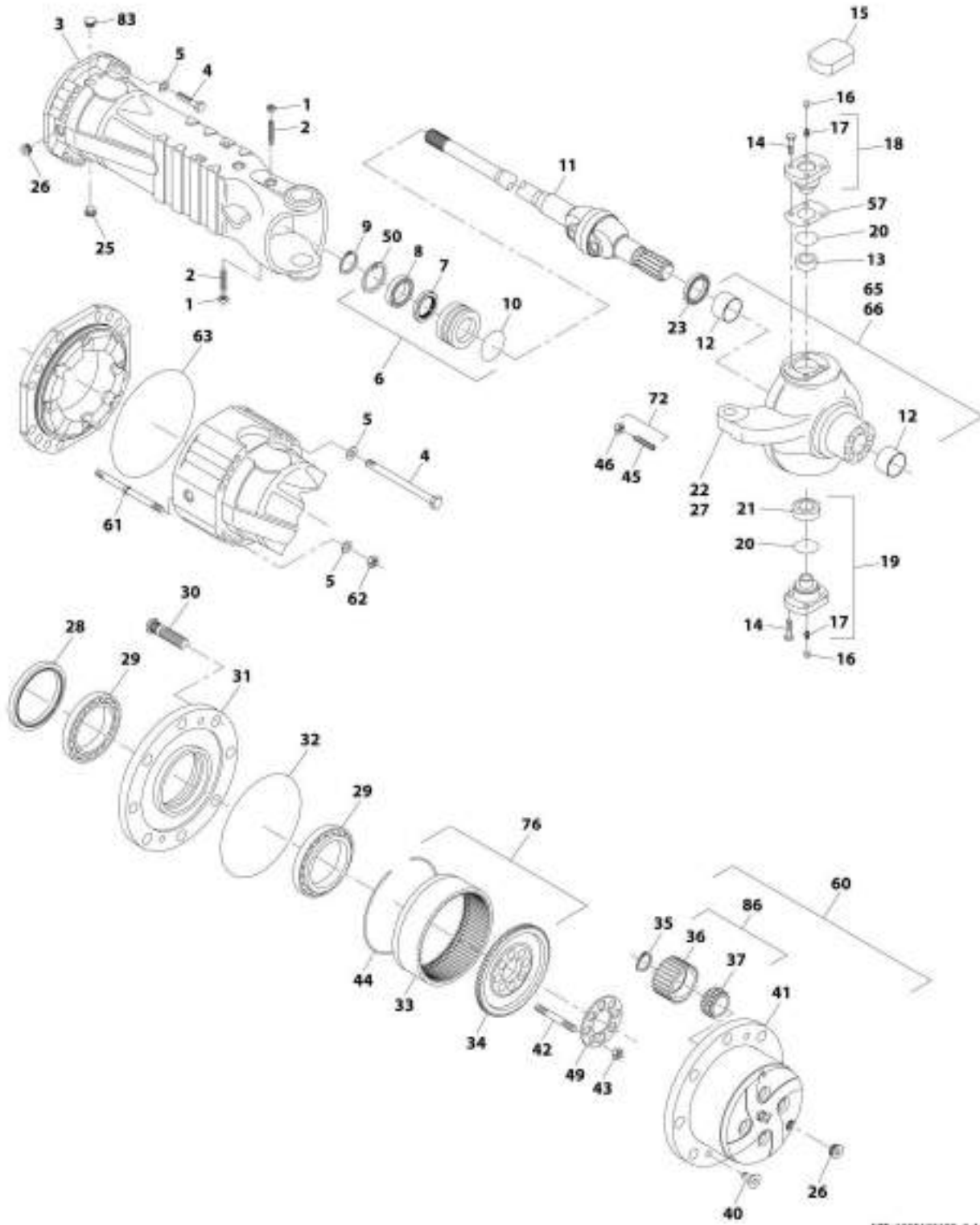
SECTION 5 - DRIVE TRAIN

FIGURE 5-45. FRONT AXLE, DIFFERENTIAL 74HP (742)

| ITEM | PART NUMBER | QTY | DESCRIPTION | REV |
|------|-------------|-----|--|-----|
| 1 | 70026631 | 1 | Nut | |
| 2 | 70022797 | 1 | Flange | |
| 4 | 70024522 | 1 | Seal | |
| 5 | 91474591 | 4 | Bolt | |
| 6 | 91474550 | 4 | Circlip | |
| 7 | 91474529 | 1 | O-Ring | |
| 8 | 91474533 | 1 | Nut, Ring | |
| 9 | 91474539 | 1 | Spacer | |
| 10 | 70025556 | 1 | Kit, Shim | |
| 11 | 70025555 | 1 | Kit, Shim | |
| 12 | 3968141 | 2 | Bearing, Taper Roller | |
| 13 | 91474592 | 1 | Bevel Gear Set | |
| 14 | 91514134 | 2 | Bolt | |
| 15 | 70028471 | 2 | Bearing, Taper Roller | |
| 17 | 91474549 | 2 | Gear, Differential Side | |
| 18 | 7029129 | 4 | Pinion, Differential | |
| 19 | 7029131 | 4 | Pin | |
| 20 | 91474551 | 4 | Circlip | |
| 21 | 91474553 | 4 | Washer, Friction | |
| 23 | 91514123 | 12 | Bolt | |
| 24 | 91474547 | 2 | Nut, Ring | |
| 27 | 8007751 | 1 | Carrier, Differential | |
| 28 | 7028710 | 1 | Differential (includes items 6, 17 thru 21, 26 & 27) | |
| 29 | 8007755 | 1 | Disc | |

SECTION 5 - DRIVE TRAIN

FIGURE 5-46. FRONT AXLE, HUB REDUCTION 74HP (742)



SECTION 5 - DRIVE TRAIN

FIGURE 5-46. FRONT AXLE, HUB REDUCTION 74HP (742)

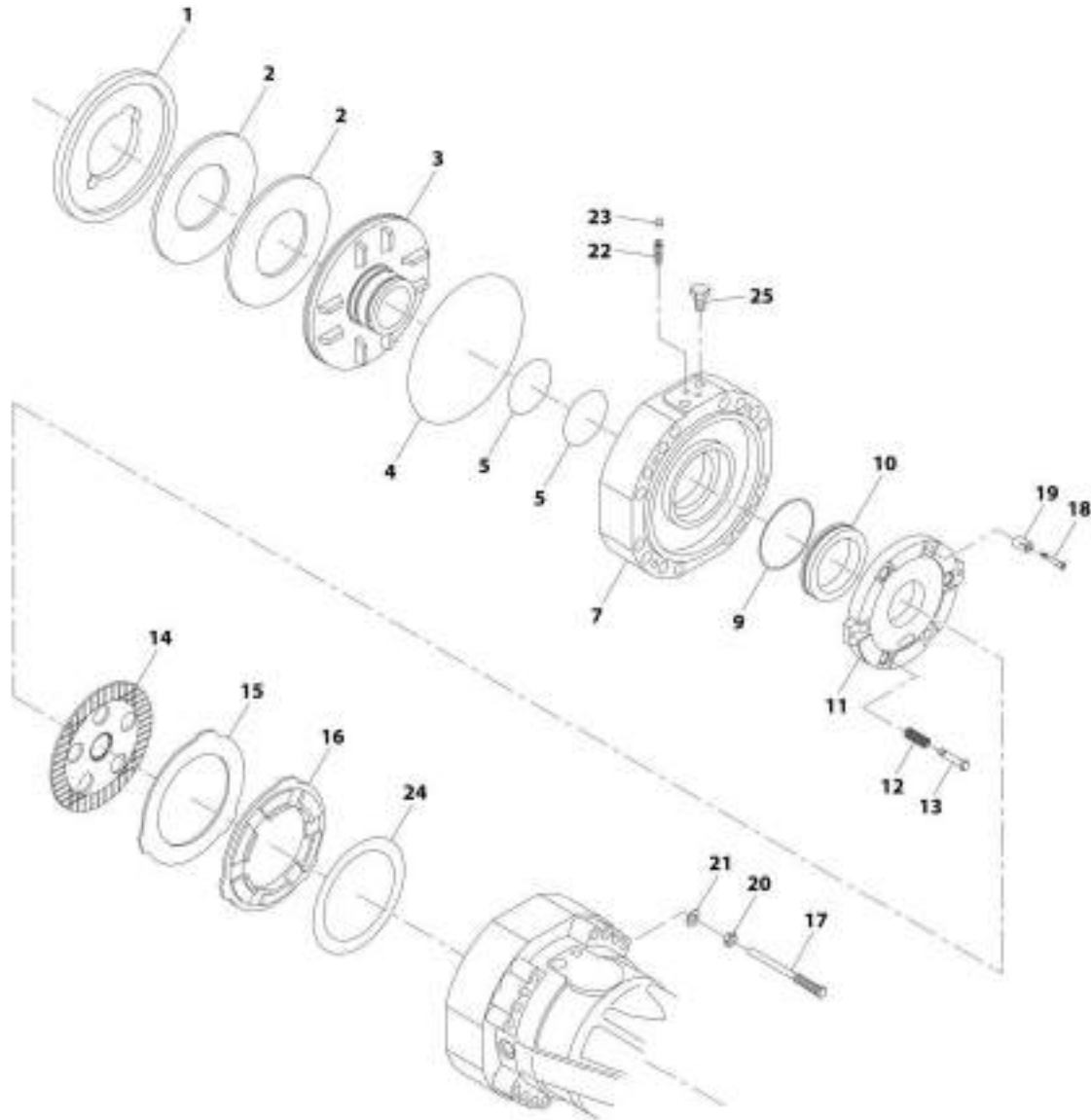
| ITEM | PART NUMBER | QTY | DESCRIPTION | REV |
|------|-------------|-----|---|-----|
| 1 | 91514082 | 2 | Nut | |
| 2 | 91514081 | 2 | Bolt | |
| 3 | 70025011 | 2 | Case, Axle | |
| 4 | 70025012 | 24 | Bolt | |
| 5 | 91514084 | 8 | Washer | |
| 6 | 91514149 | 2 | Reduction Bushing (includes items 7, 8, 10, 50) | |
| 7 | 91514147 | 2 | Seal | |
| 8 | 91514146 | 2 | Ball Bearing | |
| 9 | 80204071 | 2 | Circlip | |
| 10 | 91514148 | 2 | O-Ring | |
| 11 | 70026624 | 2 | Joint, Double Universal | |
| 12 | 91514111 | 2 | Bushing, Thrust | |
| 13 | 7028714 | 2 | Bushing | |
| 14 | 70025562 | 24 | Bolt | |
| 15 | 70028392 | 2 | Cover | |
| 16 | 80204117 | 2 | Plug | |
| 17 | 70024881 | 4 | Fitting, Grease | |
| 18 | 91514112 | 2 | Pivot Pin | |
| 19 | 7028715 | 2 | Pivot Pin | |
| 20 | 7028716 | 4 | Seal, Dust | |
| 21 | 91514095 | 2 | Bearing | |
| 22 | N.S.S. | 1 | Steering Case | |
| 23 | 70026238 | 2 | Seal | |
| 25 | 70028469 | 2 | Plug | |
| 26 | 70028387 | 4 | Plug | |
| 27 | N.S.S. | 1 | Steering Case | |
| 28 | 7028721 | 2 | Seal | |
| 29 | 91474576 | 4 | Bearing | |
| 30 | 91514183 | 20 | Wheel Stud | |
| 31 | 7029737 | 2 | Wheel Hub | |
| 32 | 91474507 | 2 | O-Ring | |
| 33 | 91474580 | 2 | Gear, Ring | |
| 34 | 70026798 | 2 | Support, Ring Gear | |
| 35 | 91474585 | 4 | Circlip | |
| 36 | 70028473 | 8 | Planet Gear | |
| 37 | 70028474 | 8 | Bearing | |
| 40 | 91514189 | 4 | Bolt, Countersunk | |
| 41 | 7029286 | 1 | Carrier, Planet Gear | |
| 42 | 70027315 | 16 | Stud | |
| 43 | 91474584 | 16 | Nut | |
| 44 | 91474579 | 2 | Circlip | |
| 45 | 91514117 | 4 | Bolt | |
| 46 | 80204065 | 4 | Nut | |
| 49 | 70026622 | 2 | Plate, Locking | |
| 50 | 80204005 | 2 | Circlip | |
| 57 | 70025561 | 1 | Kit, Shim | |
| 60 | 7029431 | 2 | Planet Gear Carrier Assembly | |
| 61 | 70025014 | 8 | Stud | |
| 62 | 91514083 | 8 | Nut | |
| 63 | 91514181 | 2 | O-Ring | |

SECTION 5 - DRIVE TRAIN

| ITEM | PART NUMBER | QTY | DESCRIPTION | REV |
|------|-------------|-----|--|-----|
| 65 | 70026626 | 1 | Case, Steering (includes items 22 & 12) | |
| 66 | 70026627 | 1 | Case, Steering (includes items 27 & 12) | |
| 72 | 7028733 | 1 | Bolt, Steering Adjust (includes items 45 & 46) | |
| 76 | 70026625 | 2 | Kit, Ring Gear Support | |
| 83 | 80204012 | 2 | Plug | |
| 86 | 70027114 | 8 | Kit, Planet Gear | |

SECTION 5 - DRIVE TRAIN

FIGURE 5-47. FRONT AXLE, BRAKES 74HP (742)



ART_1005182900_4-A

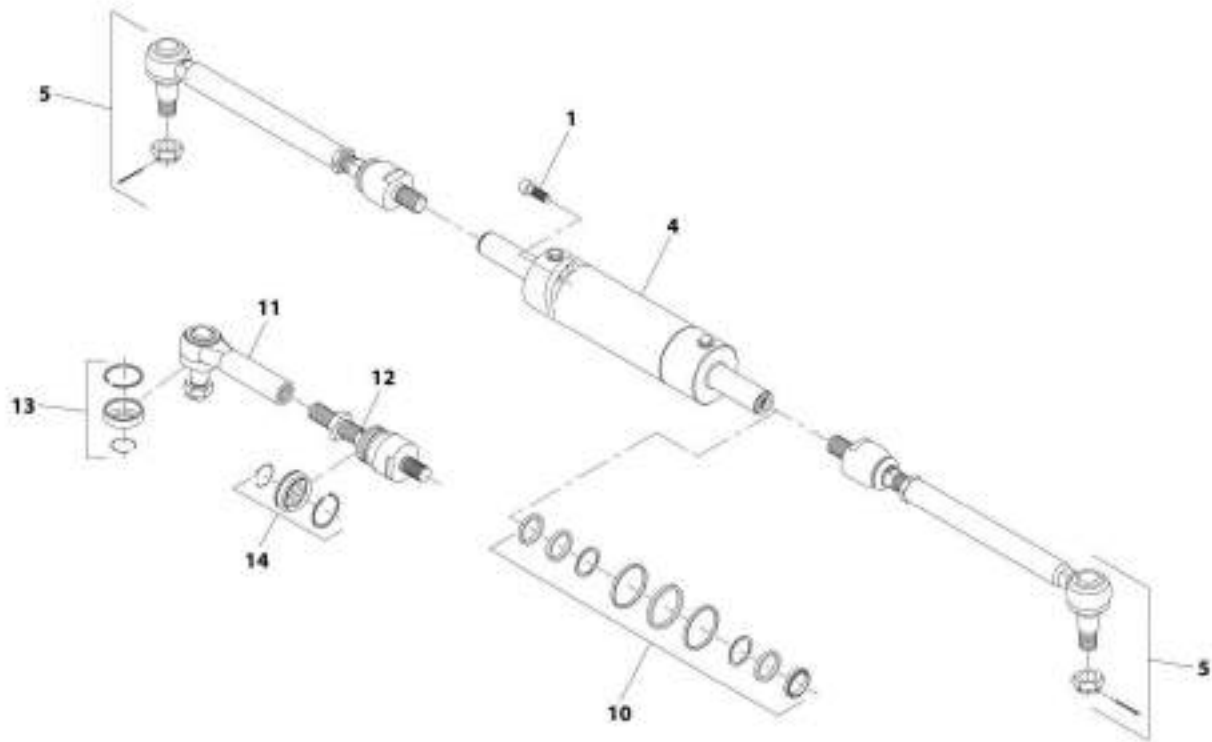
SECTION 5 - DRIVE TRAIN

FIGURE 5-47. FRONT AXLE, BRAKES 74HP (742)

| ITEM | PART NUMBER | QTY | DESCRIPTION | REV |
|------|-------------|-----|--------------------------|-----|
| 1 | 7028734 | 1 | Spacer | |
| 2 | 91474559 | 4 | Spring | |
| 3 | 91474560 | 2 | Piston | |
| 4 | 91474561 | 2 | O-Ring | |
| 5 | 70026262 | 4 | Seal | |
| 7 | 7028735 | 2 | Cover | |
| 9 | 70026623 | 2 | Seal | |
| 10 | 91474564 | 2 | Piston | |
| 11 | 91474565 | 2 | Disc, Intermediate Brake | |
| 12 | 91514159 | 6 | Spring | |
| 13 | 70024210 | 6 | Adjusting Bolt | |
| 14 | 91474568 | 8 | Disc | |
| 15 | 70025823 | 8 | Disc, Intermediate Brake | |
| 16 | 91474570 | 2 | Spacer | |
| 17 | 70024213 | 4 | Bolt | |
| 18 | 7029788 | 6 | Bolt | |
| 19 | 70027317 | 6 | Spring | |
| 20 | 80204060 | 4 | Nut | |
| 21 | 80204108 | 4 | Washer, Lock | |
| 22 | 80204281 | 4 | Bolt | |
| 23 | 80204117 | 4 | Plug | |
| 24 | 70025981 | 1 | Shim Kit | |
| 25 | 91514154 | 4 | Bolt | |

SECTION 5 - DRIVE TRAIN

FIGURE 5-48. FRONT AXLE, STEERING 74HP (742)



ART_1005162900_5-A

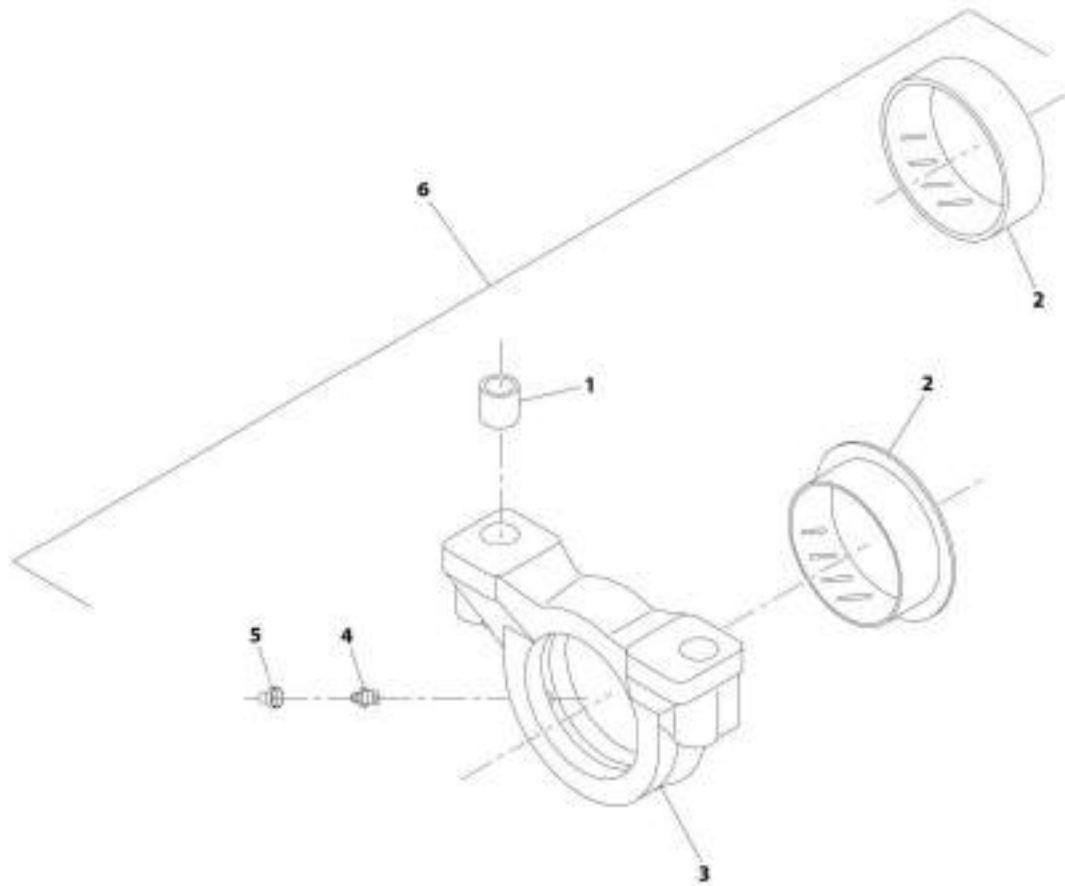
SECTION 5 - DRIVE TRAIN

FIGURE 5-48. FRONT AXLE, STEERING 74HP (742)

| ITEM | PART NUMBER | QTY | DESCRIPTION | REV |
|------|-------------|-----|----------------------------------|-----|
| 1 | 91474522 | 4 | Bolt | |
| 4 | 7029528 | 1 | Cylinder | |
| 5 | 70026799 | 2 | Bar | |
| 10 | 7029529 | 1 | Kit, Seal | |
| 11 | 70028475 | 1 | Joint, 90 | |
| 12 | 70028476 | 1 | Axial Joint | |
| 13 | 70028477 | 1 | Rubber Boot and Locking Ring Kit | |
| 14 | 70028468 | 1 | Rubber Boot and Locking Ring Kit | |

SECTION 5 - DRIVE TRAIN

FIGURE 5-49. FRONT AXLE, TRUNION 74HP (742)



ART_1005182690_6-A

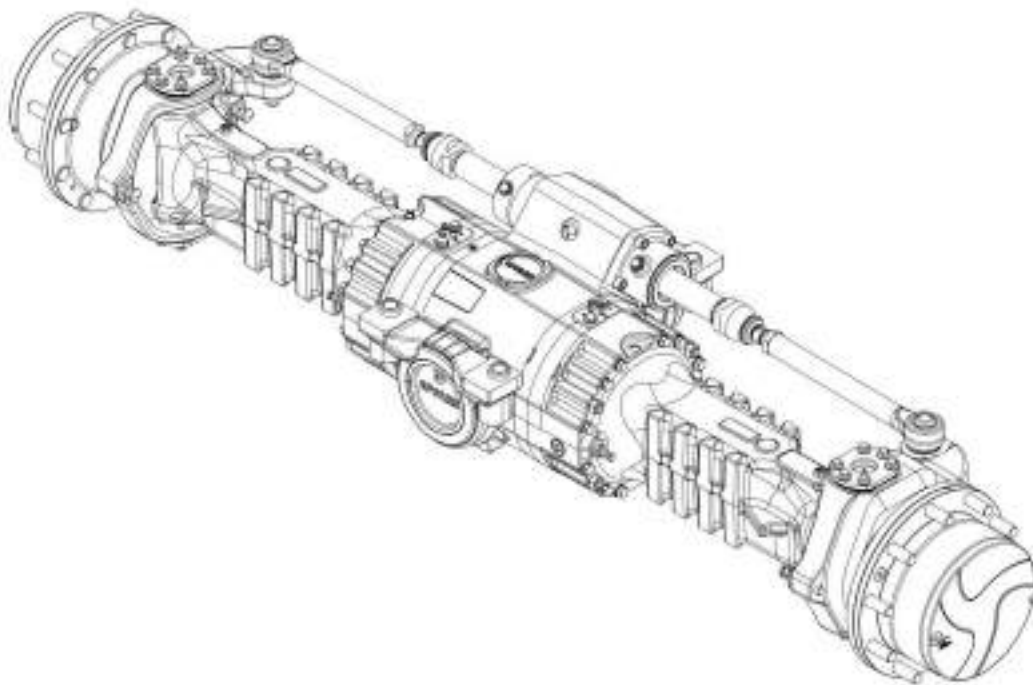
SECTION 5 - DRIVE TRAIN

FIGURE 5-49. FRONT AXLE, TRUNION 74HP (742)

| ITEM | PART NUMBER | QTY | DESCRIPTION | REV |
|------|-------------|-----|--|-----|
| 1 | 91474516 | 4 | Bushing, Reduction | |
| 2 | 91474515 | 2 | Bushing, Thrust | |
| 3 | N.S.S. | 2 | Support | |
| 4 | 70024881 | 2 | Fitting, Grease | |
| 5 | 80204117 | 2 | Plug | |
| 6 | 70026630 | 2 | Kit, Support (includes items 1 thru 5) | |

SECTION 5 - DRIVE TRAIN

FIGURE 5-50. FRONT AXLE, 74HP (943)



AFT_100510600-A

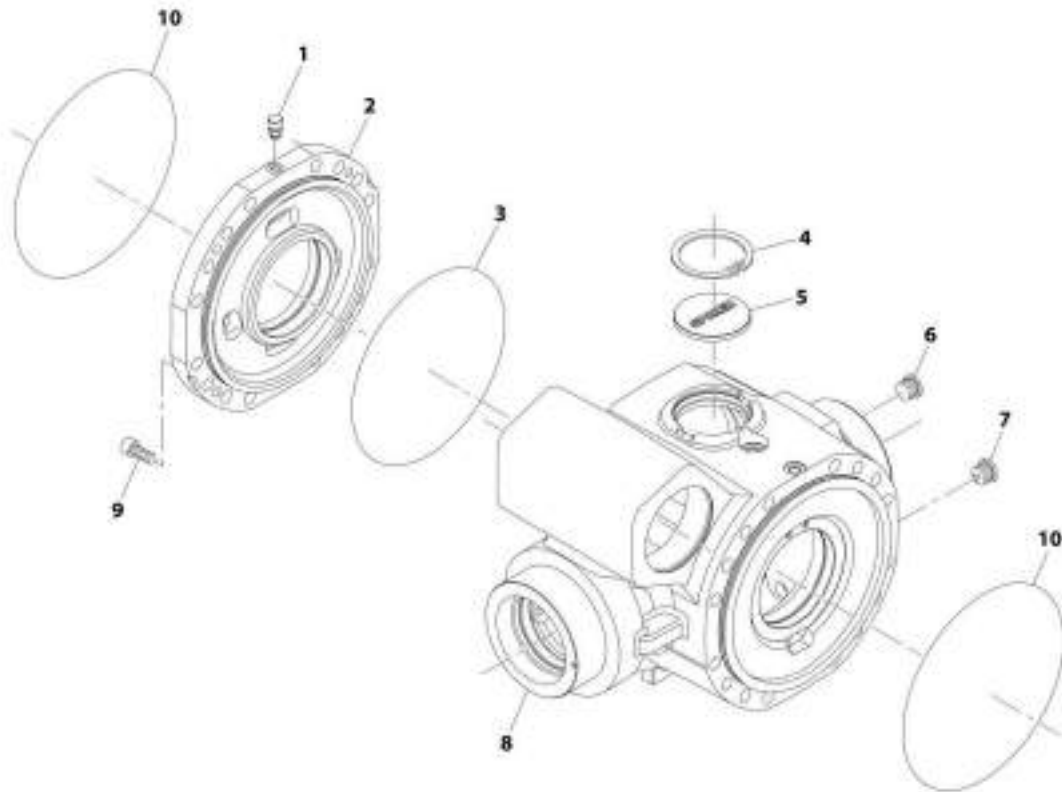
SECTION 5 - DRIVE TRAIN

FIGURE 5-50. FRONT AXLE, 74HP (943)

| ITEM | PART NUMBER | QTY | DESCRIPTION | REV |
|------|-------------|-----|--|-----|
| | 1005198900 | Ref | Front Axle, 74HP (943) | A |
| | | Ref | Front Axle, Central Housing (943) (See Separate Breakdown in this Section) | |
| | | Ref | Front Axle, Differential (943) (See Separate Breakdown in this Section) | |
| | | Ref | Front Axle, Hub Reduction (943) (See Separate Breakdown in this Section) | |
| | | Ref | Front Axle, Brakes (943) (See Separate Breakdown in this Section) | |
| | | Ref | Front Axle, Steering (943) (See Separate Breakdown in this Section) | |
| | | Ref | Front Axle, Trunion (943) (See Separate Breakdown in this Section) | |

SECTION 5 - DRIVE TRAIN

FIGURE 5-51. FRONT AXLE, CENTRAL HOUSING 74HP (943)



ART_1005108900_1-4

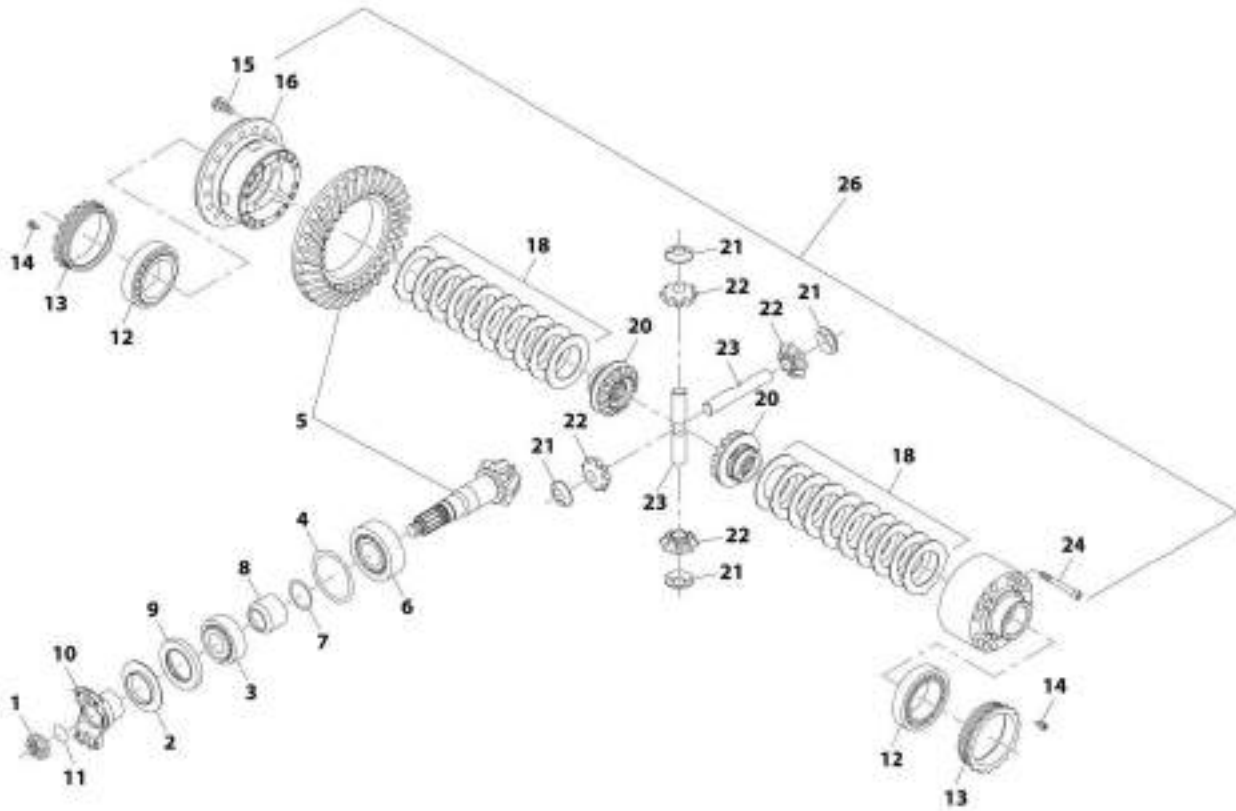
SECTION 5 - DRIVE TRAIN

FIGURE 5-51. FRONT AXLE, CENTRAL HOUSING 74HP (943)

| ITEM | PART NUMBER | QTY | DESCRIPTION | REV |
|------|-------------|-----|---------------------|-----|
| 1 | 70028464 | 1 | Vent | |
| 2 | 7029288 | 1 | Cover, Intermediate | |
| 3 | 80204002 | 1 | O-Ring | |
| 4 | 80204005 | 1 | Circlip | |
| 5 | 91514098 | 1 | Plug | |
| 6 | 70028389 | 1 | Plug | |
| 7 | 70028388 | 1 | Plug | |
| 8 | 70025335 | 1 | Housing | |
| 9 | 91514101 | 4 | Bolt | |
| 10 | 91514089 | 2 | O-Ring | |

SECTION 5 - DRIVE TRAIN

FIGURE 5-52. FRONT AXLE, DIFFERENTIAL 74HP (943)



ART 30316600_2-A

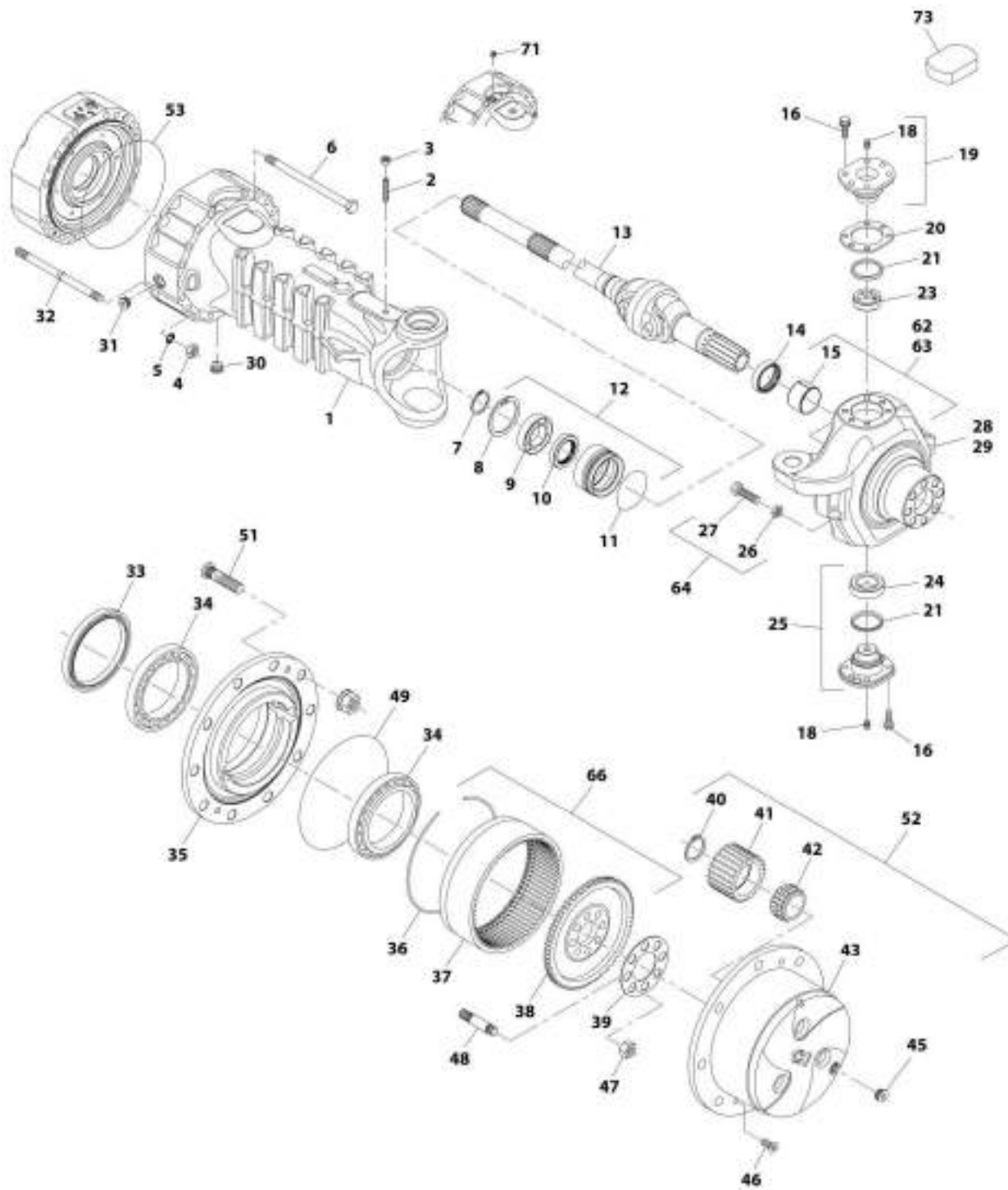
SECTION 5 - DRIVE TRAIN

FIGURE 5-52. FRONT AXLE, DIFFERENTIAL 74HP (943)

| ITEM | PART NUMBER | QTY | DESCRIPTION | REV |
|------|-------------|-----|---|-----|
| 1 | 80204043 | 1 | Nut | |
| 2 | 91514130 | 1 | Plate, Cover | |
| 3 | 80204048 | 1 | Bearing, Taper Roller | |
| 4 | 70023469 | 1 | Shim | |
| 5 | 70028391 | 1 | Bevel Gear Set | |
| 6 | 80204035 | 1 | Bearing, Taper Roller | |
| 7 | 70023494 | 1 | Spacer | |
| 8 | 70022140 | 1 | Spacer | |
| 9 | 70025887 | 1 | Seal | |
| 10 | 91514131 | 1 | Flange | |
| 11 | 10725554 | 1 | O-Ring | |
| 12 | 80204033 | 2 | Bearing, Taper Roller | |
| 13 | 91514133 | 2 | Nut, Ring | |
| 14 | 91514134 | 2 | Bolt | |
| 15 | 70025562 | 16 | Bolt | |
| 16 | 70024004 | 1 | Carrier, Differential | |
| 18 | 70026750 | 2 | Kit, Clutch | |
| 20 | 70025856 | 2 | Gear, Differential Side | |
| 21 | 70027105 | 4 | Washer | |
| 22 | 70025339 | 4 | Pinion, Differential | |
| 23 | 70023490 | 2 | Shaft, Differential | |
| 24 | 91514143 | 15 | Bolt | |
| 26 | 70028390 | 1 | Kit, Differential (includes items 16 thru 24) | |

SECTION 5 - DRIVE TRAIN

FIGURE 5-53. FRONT AXLE, HUB REDUCTION 74HP (943)



SECTION 5 - DRIVE TRAIN

FIGURE 5-53. FRONT AXLE, HUB REDUCTION 74HP (943)

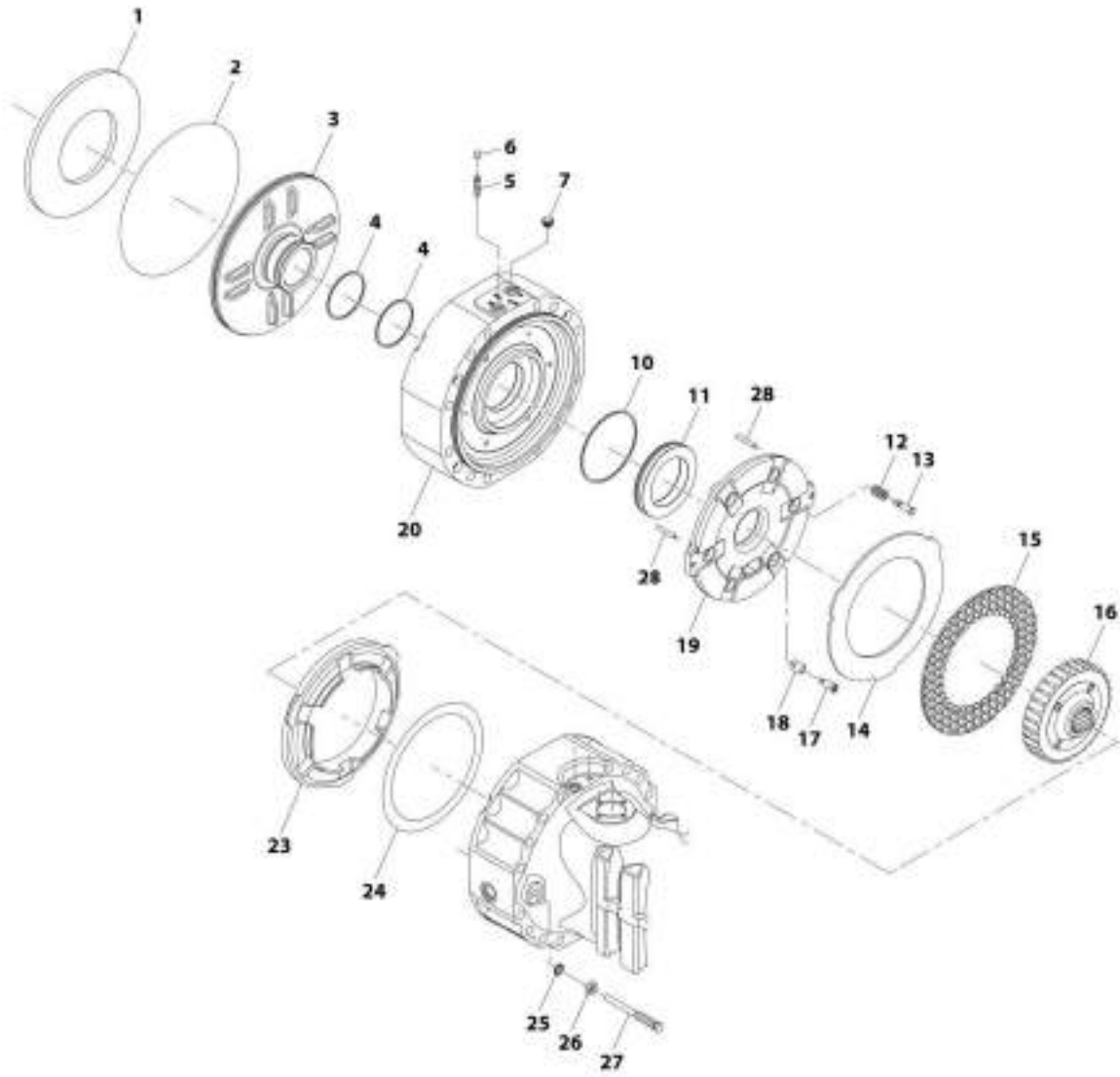
| ITEM | PART NUMBER | QTY | DESCRIPTION | REV |
|------|-------------|-----|--|-----|
| 1 | 70024850 | 2 | Case, Axle | |
| 2 | 91514081 | 2 | Bolt | |
| 3 | 91514082 | 2 | Nut | |
| 4 | 91514083 | 8 | Nut | |
| 5 | 91514084 | 8 | Washer | |
| 6 | 7029309 | 24 | Bolt | |
| 7 | 80204071 | 2 | Circlip | |
| 8 | 80204005 | 2 | Circlip | |
| 9 | 91514146 | 2 | Bearing, Ball | |
| 10 | 91514147 | 2 | Seal | |
| 11 | 91514148 | 2 | O-Ring | |
| 12 | 91514149 | 2 | Reduction Bushing (includes items 8 thru 11) | |
| 13 | 70025855 | 2 | Joint, Double Universal | |
| 14 | 70026238 | 2 | Seal | |
| 15 | 91514111 | 2 | Bushing, Thrust | |
| 16 | 70025562 | 24 | Bolt | |
| 18 | 70024881 | 4 | Fitting, Grease | |
| 19 | 91514112 | 2 | Pin, Pivot | |
| 20 | 70025561 | 1 | Kit, Shim | |
| 21 | 7028716 | 4 | Seal, Dust | |
| 23 | 7028714 | 2 | Bushing | |
| 24 | 91514095 | 2 | Bearing | |
| 25 | 7028715 | 2 | Pin, Pivot | |
| 26 | 80204065 | 4 | Nut | |
| 27 | 91514117 | 4 | Bolt | |
| 28 | N.S.S. | 1 | Case, Steering | |
| 29 | N.S.S. | 1 | Case, Steering | |
| 30 | 70028388 | 2 | Plug | |
| 31 | 70028389 | 2 | Plug | |
| 32 | 70024851 | 8 | Stud | |
| 33 | 70026002 | 2 | Seal | |
| 34 | 80204076 | 4 | Bearing, Taper Roller | |
| 35 | 91514174 | 2 | Hub, Wheel | |
| 36 | 91514175 | 2 | Circlip | |
| 37 | 70024147 | 2 | Gear, Ring | |
| 38 | 91514177 | 2 | Gear, Ring Support | |
| 39 | 91514178 | 2 | Plate, Locking | |
| 40 | 91514184 | 3 | Ring, Snap | |
| 41 | 91514185 | 6 | Gear, Planet | |
| 42 | 91514186 | 6 | Bearing | |
| 43 | 7026731 | 1 | Carrier, Planet Gear | |
| 45 | 70028387 | 2 | Plug | |
| 46 | 91514189 | 4 | Bolt, Countersunk | |
| 47 | 91514179 | 16 | Nut | |
| 48 | 91514180 | 16 | Stud | |
| 49 | 91514181 | 2 | O-Ring | |
| 51 | 91514183 | 20 | Stud, Wheel | |
| 52 | 7029733 | 2 | Carrier, Planet Gear (includes items 40, 41, 43) | |
| 53 | 91514089 | 2 | O-Ring | |
| 62 | 70026239 | 1 | Case, Steering (includes items 15 & 28) | |

SECTION 5 - DRIVE TRAIN

| ITEM | PART NUMBER | QTY | DESCRIPTION | REV |
|------|-------------|-----|--|-----|
| 63 | 70026240 | 1 | Case, Steering (includes items 15 & 29) | |
| 64 | 7028733 | 4 | Bolt, Steering Adjust | |
| 66 | 70024146 | 2 | Kit, Ring Gear Support (includes items 36 thru 38) | |
| 71 | 80204012 | 2 | Plug | |
| 73 | 70028392 | 2 | Cover | |

SECTION 5 - DRIVE TRAIN

FIGURE 5-54. FRONT AXLE, BRAKES 74HP (943)



48T_100019900_4-A

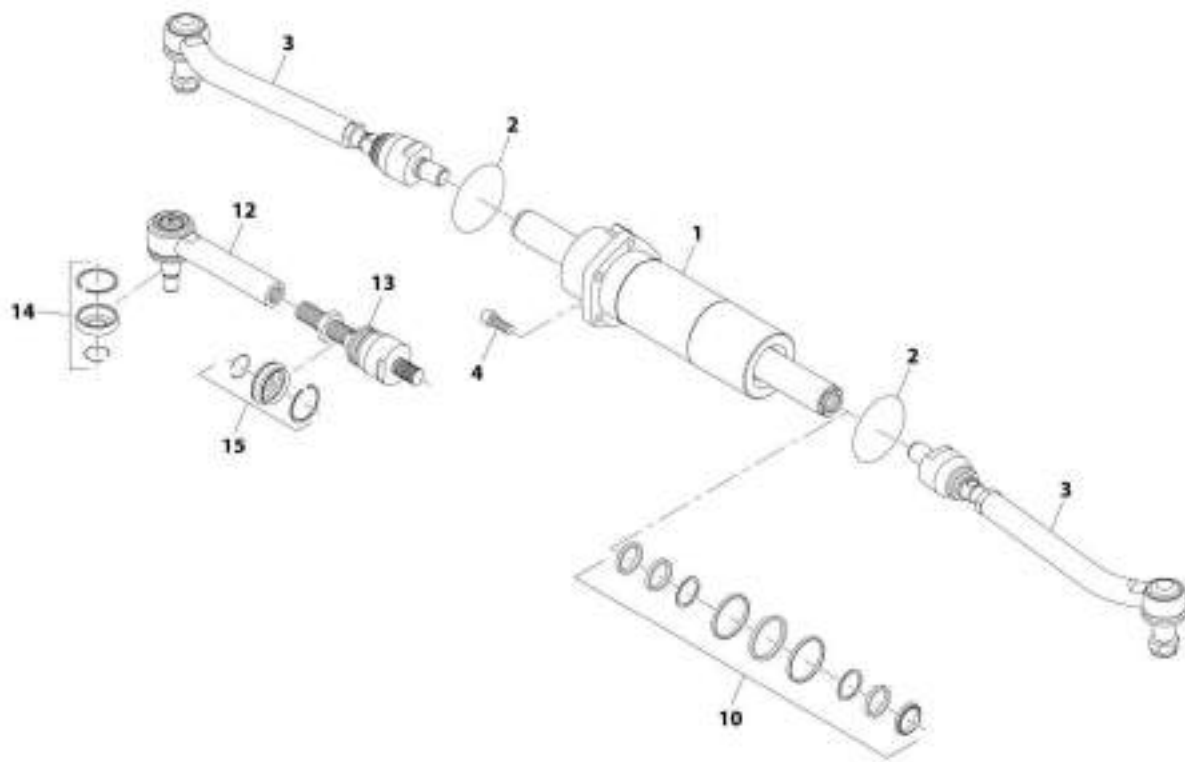
SECTION 5 - DRIVE TRAIN

FIGURE 5-54. FRONT AXLE, BRAKES 74HP (943)

| ITEM | PART NUMBER | QTY | DESCRIPTION | REV |
|------|-------------|-----|--------------------------|-----|
| 1 | 91514151 | 2 | Washer | |
| 2 | 91514089 | 2 | O-Ring | |
| 3 | 70027092 | 2 | Piston | |
| 4 | 70026262 | 4 | Seal | |
| 5 | 80204281 | 4 | Bolt | |
| 6 | 80204117 | 4 | Plug | |
| 7 | 91514154 | 4 | Plug | |
| 10 | 70026263 | 2 | Seal | |
| 11 | 70027796 | 2 | Piston | |
| 12 | 91514159 | 6 | Spring | |
| 13 | 70024210 | 6 | Bolt, Adjusting | |
| 14 | 70027022 | 6 | Disc, Intermediate Brake | |
| 15 | 7029735 | 6 | Disk, Brake | |
| 16 | 7029734 | 2 | Bushing, Reduction | |
| 17 | 7029787 | 6 | Bolt, Adjusting | |
| 18 | 70027317 | 6 | Spring | |
| 19 | 70024849 | 2 | Disc, Intermediate Brake | |
| 20 | 70024848 | 2 | Cover | |
| 23 | 70026264 | 2 | Spacer | |
| 24 | 70025970 | 1 | Shim | |
| 25 | 80204108 | 4 | Washer, Lock | |
| 26 | 80204060 | 4 | Nut | |
| 27 | 70024213 | 4 | Bolt | |
| 28 | 70024215 | 4 | Dowel | |

SECTION 5 - DRIVE TRAIN

FIGURE 5-55. FRONT AXLE, STEERING 74HP (943)



ART,1005188900.5-A

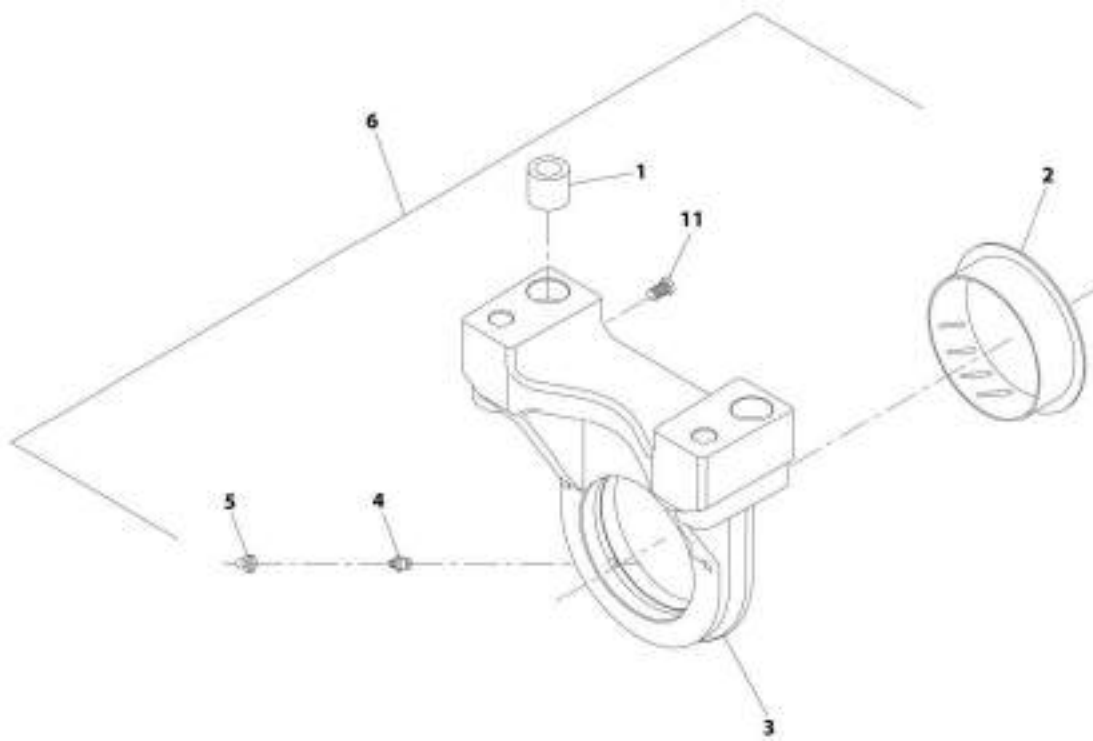
SECTION 5 - DRIVE TRAIN

FIGURE 5-55. FRONT AXLE, STEERING 74HP (943)

| ITEM | PART NUMBER | QTY | DESCRIPTION | REV |
|------|-------------|-----|----------------------------------|-----|
| 1 | 7026490 | 1 | Cylinder | |
| 2 | 80204143 | 2 | O-Ring | |
| 3 | 70026753 | 2 | Rod, Articulated Tie | |
| 3 | 70022773 | 2 | Nut | |
| 4 | 80204144 | 5 | Bolt | |
| 10 | 7029127 | 1 | Kit, Seal | |
| 12 | 70028465 | 1 | Joint, 90 | |
| 13 | 70028466 | 1 | Axial Joint Shaft | |
| 14 | 70028467 | 1 | Rubber Boot and Locking Ring Kit | |
| 15 | 70028468 | 1 | Rubber Boot and Locking Ring Kit | |

SECTION 5 - DRIVE TRAIN

FIGURE 5-56. FRONT AXLE, TRUNION 74HP (943)



AHT_000519800_5-A

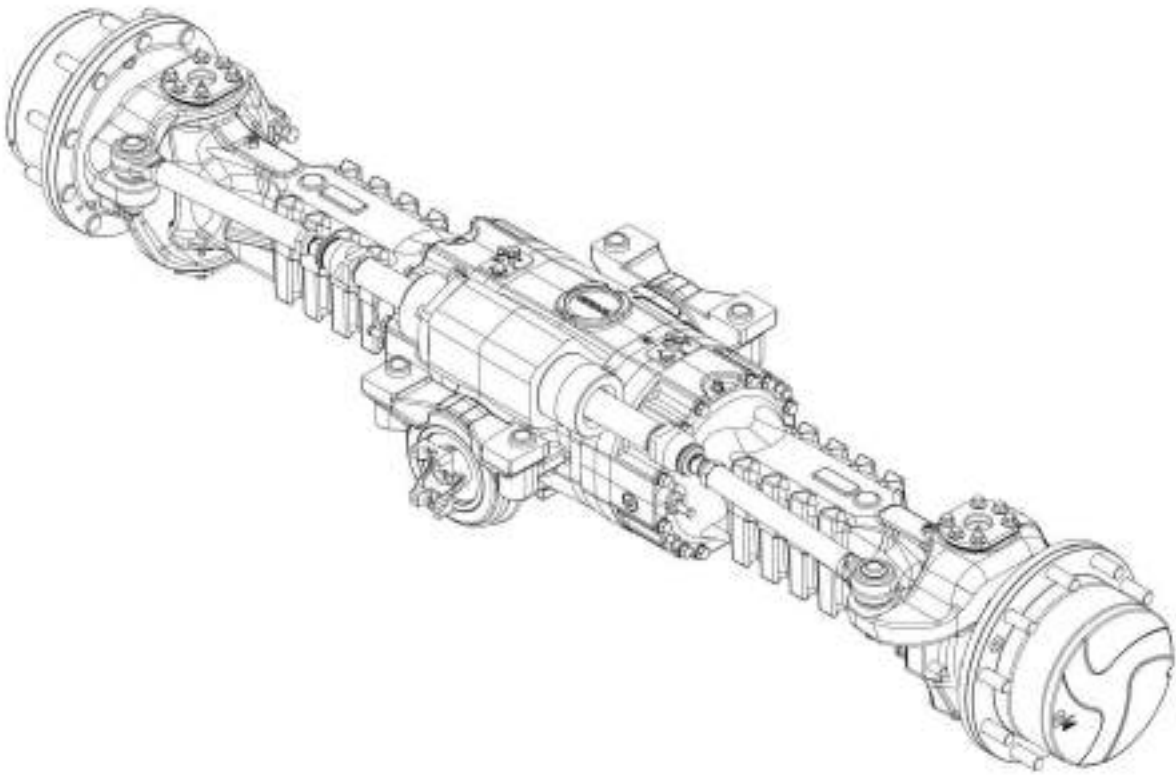
SECTION 5 - DRIVE TRAIN

FIGURE 5-56. FRONT AXLE, TRUNION 74HP (943)

| ITEM | PART NUMBER | QTY | DESCRIPTION | REV |
|------|-------------|-----|--|-----|
| 1 | 7029290 | 4 | Bushing | |
| 2 | 91514090 | 2 | Bushing, Thrust | |
| 3 | N.S.S. | 2 | Support | |
| 4 | 70024881 | 2 | Fitting, Grease | |
| 5 | 80204117 | 2 | Plug | |
| 6 | 70026266 | 2 | Support Assembly (includes items 1 thru 5) | |
| 11 | 70025884 | 2 | Bolt | |

SECTION 5 - DRIVE TRAIN

FIGURE 5-57. FRONT AXLE (943, 1043)



AIT_1001105831-G

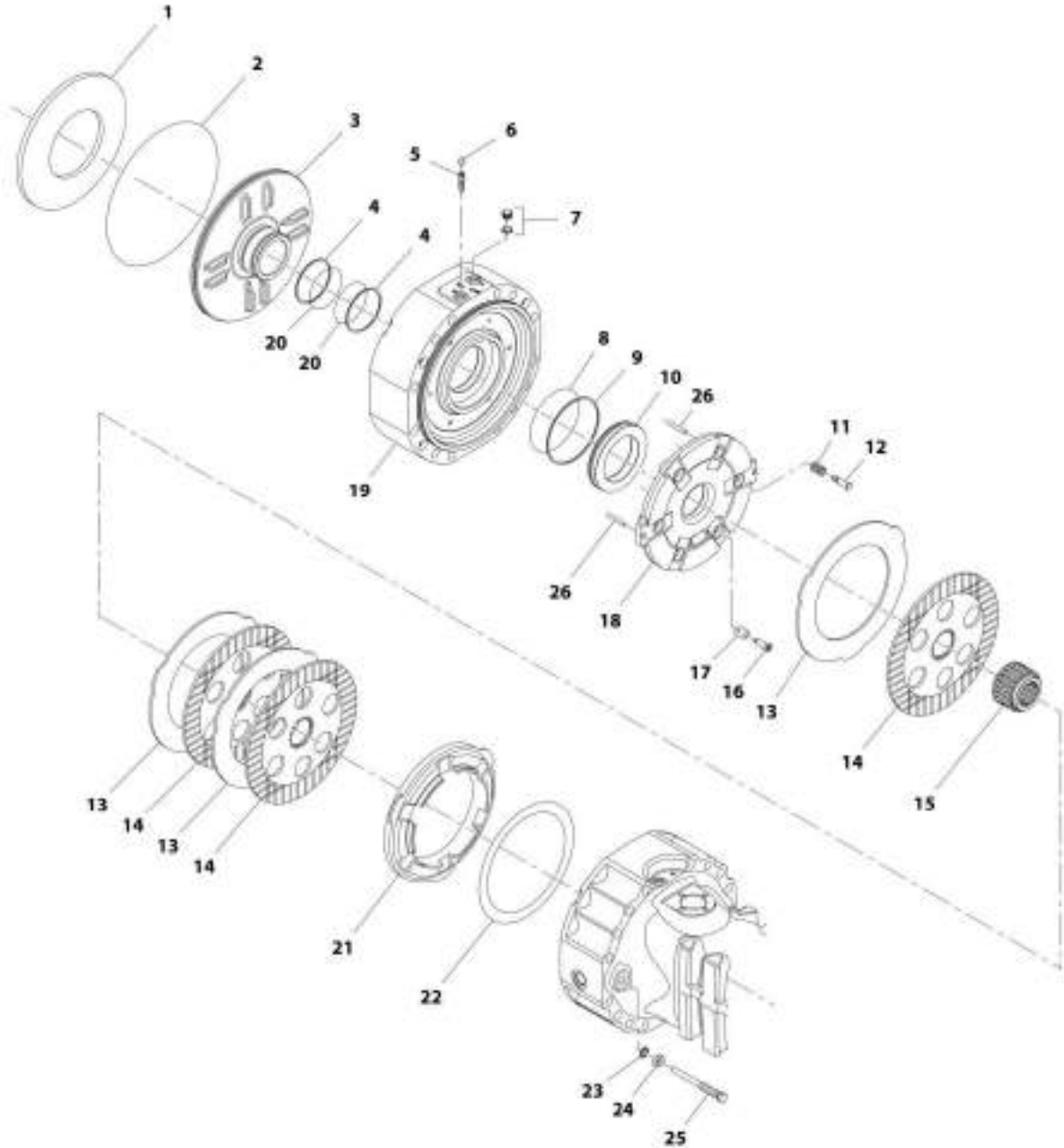
SECTION 5 - DRIVE TRAIN

FIGURE 5-57. FRONT AXLE (943, 1043)

| ITEM | PART NUMBER | QTY | DESCRIPTION | REV |
|------|-------------|-----|---|-----|
| | 1001165831 | Ref | Front Axle (943, 1043) | G |
| | | Ref | Front Axle, Brakes (943, 1043) (See BRAKES (943, 1043) for Breakdown) | |
| | | Ref | Front Axle, Central Housing (943, 1043) (See CENTRAL HOUSING (943, 1043) for Breakdown) | |
| | | Ref | Front Axle, Differential (943, 1043) (See DIFFERENTIAL (943, 1043) for Breakdown) | |
| | | Ref | Front Axle, Hub Reduction (943, 1043) (See HUB REDUCTION (943, 1043) for Breakdown) | |
| | | Ref | Front Axle, Steering (943, 1043) (See STEERING (943, 1043) for Breakdown) | |
| | | Ref | Front Axle, Trunion (943, 1043) (See TRUNION (943, 1043) for Breakdown) | |
| | | Ref | Front Axle, Differential Kit (943, 1043) (See DIFFERENTIAL KIT (943, 1043) for Breakdown) | |
| | | Ref | Front Axle, Planet Gear Carrier (943, 1043) (See PLANET GEAR CARRIER (943, 1043) for Breakdown) | |
| | | Ref | Front Axle, Ring Gear Support (943, 1043) (See RING GEAR SUPPORT (943, 1043) for Breakdown) | |
| | | Ref | Front Axle, Planet Gear Carrier (943, 1043) (See PLANET GEAR CARRIER (943, 1043) for Breakdown) | |
| | | Ref | Front Axle, Support (943, 1043) (See SUPPORT (943, 1043) for Breakdown) | |

SECTION 5 - DRIVE TRAIN

FIGURE 5-58. FRONT AXLE, BRAKES (943, 1043)



ART_1001105891_1-G

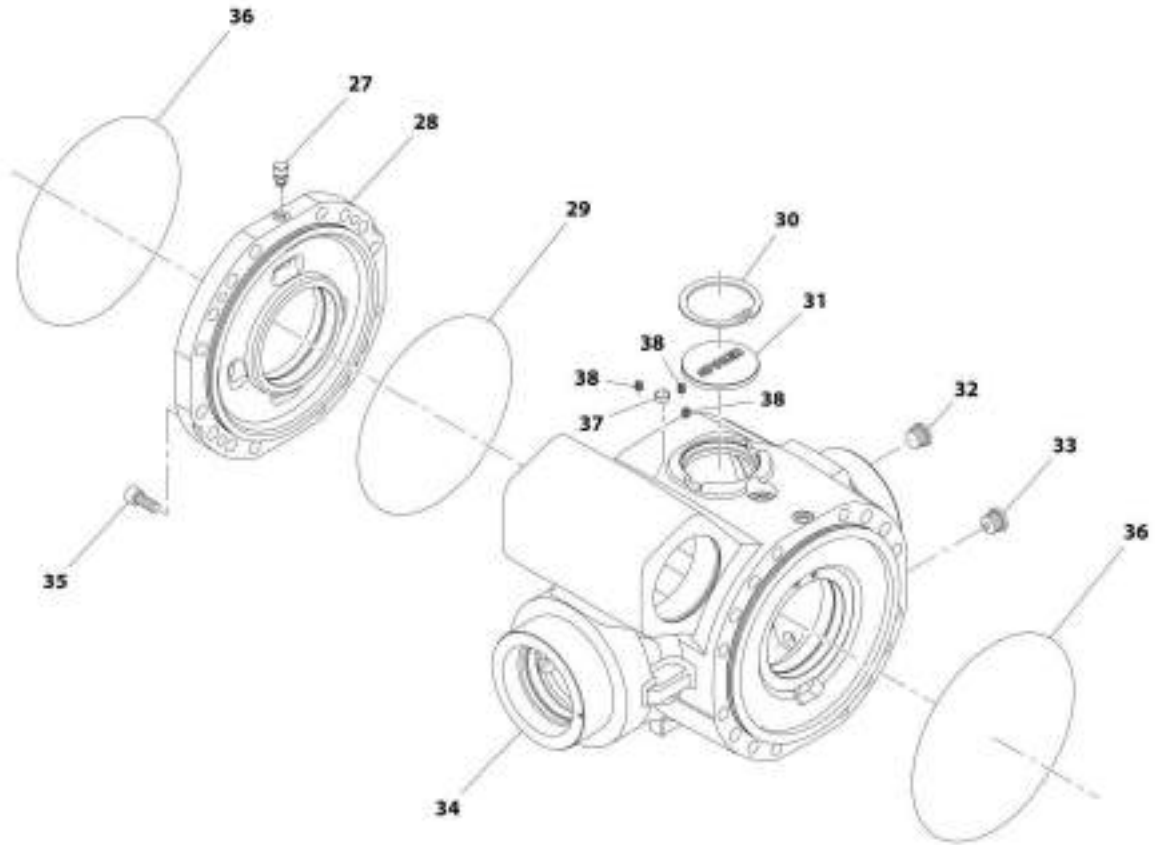
SECTION 5 - DRIVE TRAIN

FIGURE 5-58. FRONT AXLE, BRAKES (943, 1043)

| ITEM | PART NUMBER | QTY | DESCRIPTION | REV |
|------|-------------|-----|--------------------------|-----|
| 1 | 91514151 | 2 | Washer | |
| 2 | 91514089 | 2 | O-Ring | |
| 3 | 91514152 | 2 | Piston | |
| 4 | 91514153 | 4 | Ring, Backup | |
| 5 | 80204281 | 4 | Bolt | |
| 6 | 80204117 | 4 | Plug | |
| 7 | 91514154 | 4 | Plug | |
| 8 | 91514156 | 2 | O-Ring | |
| 9 | 91514157 | 2 | Ring, Backup | |
| 10 | 91514158 | 1 | Piston | |
| 11 | 91514159 | 6 | Spring | |
| 12 | 70024210 | 6 | Adjusting | |
| 13 | 91514161 | 6 | Disc, Intermediate Brake | |
| 14 | 7029735 | 6 | Disc, Brake | |
| 15 | 7029734 | 2 | Bushing, Reduction | |
| 16 | 7029789 | 6 | Bolt | |
| 17 | 91514165 | 6 | Spring | |
| 18 | 70024849 | 2 | Disc, Intermediate Brake | |
| 19 | 70024848 | 2 | Cover | |
| 20 | 91514167 | 4 | O-Ring | |
| 21 | 7029298 | 2 | Spacer | |
| 22 | 70025970 | 1 | Shim | |
| 23 | 80204108 | 4 | Washer, Lock | |
| 24 | 80204060 | 4 | Nut | |
| 25 | 70024213 | 4 | Bolt, M12X122.5 | |
| 26 | 70024215 | 4 | Dowel | |

SECTION 5 - DRIVE TRAIN

FIGURE 5-59. FRONT AXLE, CENTRAL HOUSING (943, 1043)



WIT_3001145001_2-G

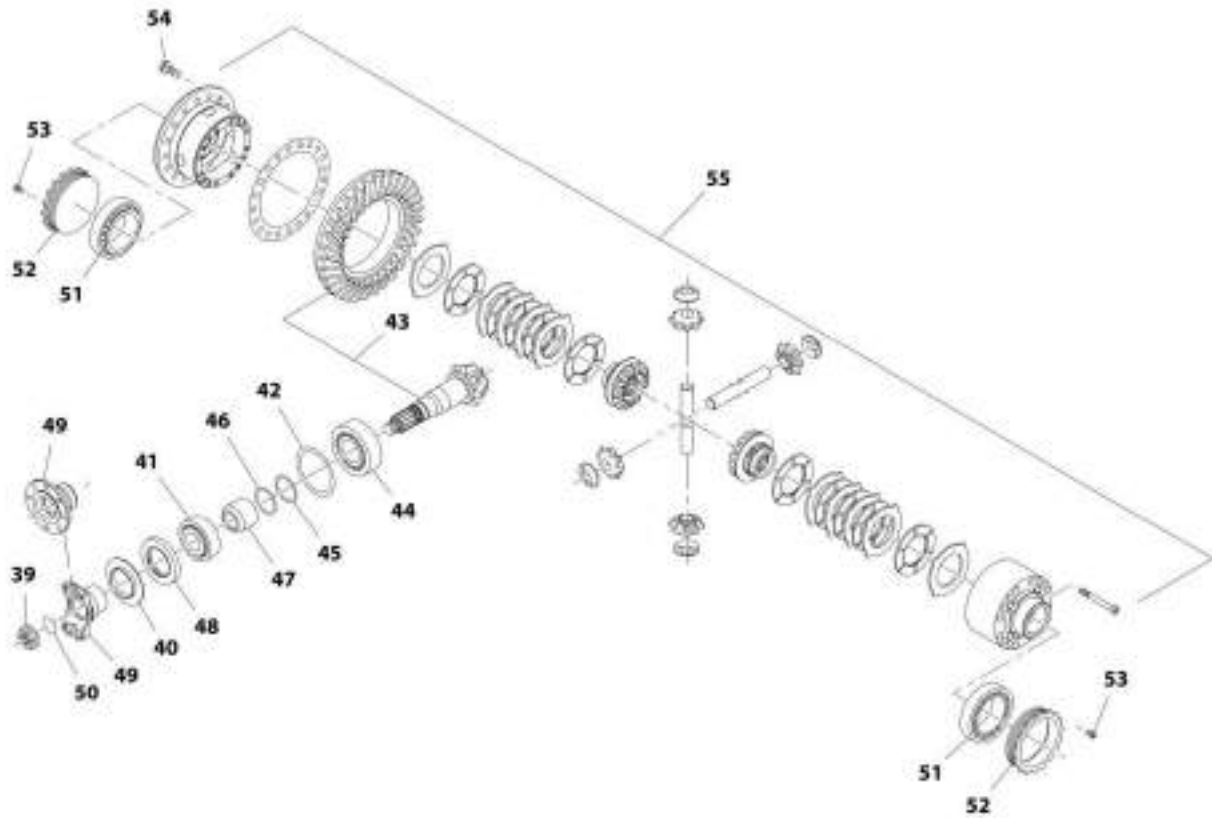
SECTION 5 - DRIVE TRAIN

FIGURE 5-59. FRONT AXLE, CENTRAL HOUSING (943, 1043)

| ITEM | PART NUMBER | QTY | DESCRIPTION | REV |
|------|-------------|-----|---------------------|-----|
| 27 | 91474512 | 1 | Vent | |
| 28 | 7029288 | 1 | Cover, Intermediate | |
| 29 | 80204002 | 1 | O-Ring | |
| 30 | 80204005 | 1 | Circlip | |
| 31 | 91514098 | 1 | Plug | |
| 32 | 91514087 | 1 | Plug | |
| 33 | 70021177 | 1 | Plug | |
| 34 | 70025335 | 1 | Housing | |
| 35 | 91514101 | 4 | Bolt | |
| 36 | 91514089 | 2 | O-Ring | |
| 37 | 7029307 | 1 | Plug | |
| 38 | 8008175 | 3 | Bolt | |

SECTION 5 - DRIVE TRAIN

FIGURE 5-60. FRONT AXLE, DIFFERENTIAL (943, 1043)



ART_1001168831_3-C

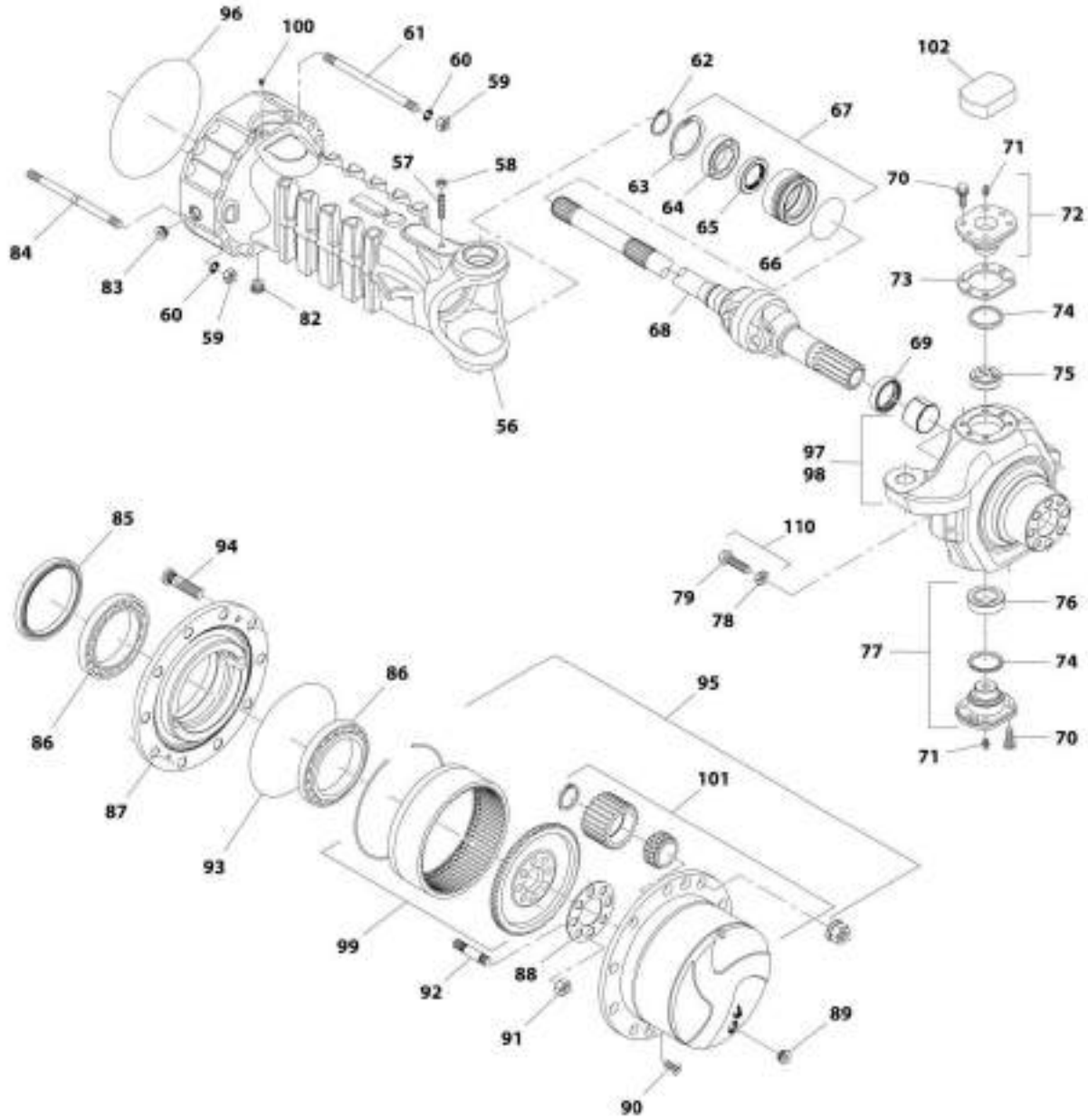
SECTION 5 - DRIVE TRAIN

FIGURE 5-60. FRONT AXLE, DIFFERENTIAL (943, 1043)

| ITEM | PART NUMBER | QTY | DESCRIPTION | REV |
|------|-------------|-----|--|-----|
| 39 | 80204043 | 1 | Nut | |
| 40 | 91514130 | 1 | Plate, Cover | |
| 41 | 80204048 | 1 | Bearing, Tape Roller | |
| 42 | 70023469 | 1 | Shim | |
| 43 | 70026633 | 1 | Gear, Bevel Set | |
| 44 | 80204035 | 1 | Bearing, Tape Roller | |
| 45 | 70026438 | 1 | Kit, Shim | |
| 46 | 70026439 | 1 | Kit, Shim | |
| 47 | 70022140 | 1 | Spacer | |
| 48 | 70025887 | 1 | Seal | |
| 49 | 91514131 | 1 | Flange | |
| 50 | 10725554 | 1 | O-Ring | |
| 51 | 80204033 | 2 | Bearing, Tape Roller | |
| 52 | 91514133 | 2 | Nut, Ring | |
| 53 | 91514134 | 2 | Bolt | |
| 54 | 91514123 | 16 | Bolt | |
| 55 | 70024005 | 1 | Kit, Differential (See DIFFERENTIAL KIT (943, 1043) for Breakdown) | |

SECTION 5 - DRIVE TRAIN

FIGURE 5-61. FRONT AXLE, HUB REDUCTION (943, 1043)



ART_1061165831_4-G

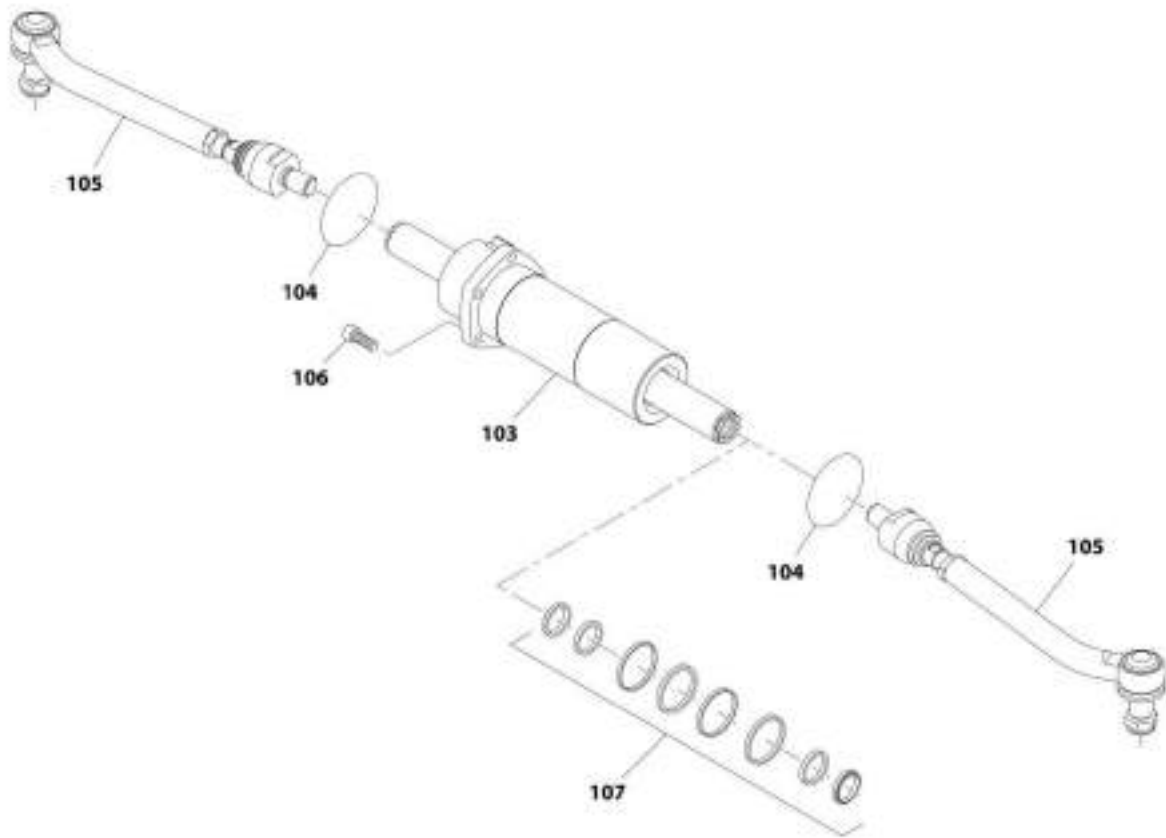
SECTION 5 - DRIVE TRAIN

FIGURE 5-61. FRONT AXLE, HUB REDUCTION (943, 1043)

| ITEM | PART NUMBER | QTY | DESCRIPTION | REV |
|------|-------------|-----|--|-----|
| 57 | 91514081 | 2 | Bolt | |
| 58 | 91514082 | 2 | Nut | |
| 59 | 91514083 | 8 | Nut | |
| 56 | 70024850 | 2 | Case, Axle | |
| 60 | 91514084 | 8 | Washer | |
| 61 | 7029309 | 24 | Bolt | |
| 62 | 80204071 | 2 | Circlip | |
| 63 | 80204005 | 2 | Circlip | |
| 64 | 91514146 | 2 | Ball Bearing | |
| 65 | 91514147 | 2 | Seal | |
| 66 | 91514148 | 2 | O-Ring | |
| 67 | 91514149 | 2 | Bushing, Reduction | |
| 68 | 70025855 | 2 | Joint, Double Universal | |
| 69 | 70026238 | 2 | Seal | |
| 70 | 91514123 | 24 | Bolt | |
| 71 | 91514099 | 4 | Fitting, Grease | |
| 72 | 91514112 | 2 | Pin, Pivot | |
| 73 | 70025561 | 1 | Kit, Shim | |
| 74 | 7028716 | 4 | Seal, Dust | |
| 75 | 7028714 | 2 | Bushing | |
| 76 | 91514095 | 2 | Bearing | |
| 77 | 7028715 | 2 | Pin, Pivot | |
| 78 | 80204065 | 4 | Nut | |
| 79 | 91514117 | 4 | Bolt | |
| 82 | 70021177 | 2 | Plug | |
| 83 | 91514087 | 2 | Plug | |
| 84 | 70024851 | 8 | Stud | |
| 85 | 7029300 | 2 | Seal | |
| 86 | 80204076 | 4 | Bearing, Taper Roller | |
| 87 | 91514174 | 2 | Hub, Wheel | |
| 88 | 91514178 | 1 | Plate, Locking | |
| 89 | 91514188 | 2 | Plug | |
| 90 | 91514189 | 4 | Bolt | |
| 91 | 91514179 | 16 | Nut | |
| 92 | 91514180 | 16 | Stud | |
| 93 | 91514181 | 2 | O-Ring | |
| 94 | 91514183 | 20 | Stud | |
| 95 | 70025972 | 2 | Kit, Planet Gear Carrier (See PLANET GEAR CARRIER (943, 1043) for Breakdown) | |
| 96 | 91514089 | 2 | O-Ring | |
| 97 | 70026239 | 1 | Case, Steering | |
| 98 | 70026240 | 1 | Case, Steering | |
| 99 | 70024146 | 2 | Kit, Ring Gear Support (See RING GEAR SUPPORT (943, 1043) for Breakdown) | |
| 110 | 7028733 | 1 | Bolt, Steering Adjust (943, 1043) (includes items 78 & 79) | |
| 100 | 80204012 | 2 | Plug | |
| 101 | 7029733 | 2 | Kit, Planet Gear Carrier (See PLANET GEAR CARRIER (943, 1043) for Breakdown) | |
| 102 | 91474524 | 2 | Cover | |

SECTION 5 - DRIVE TRAIN

FIGURE 5-62. FRONT AXLE, STEERING (943, 1043)



ART_1001105831_3-0

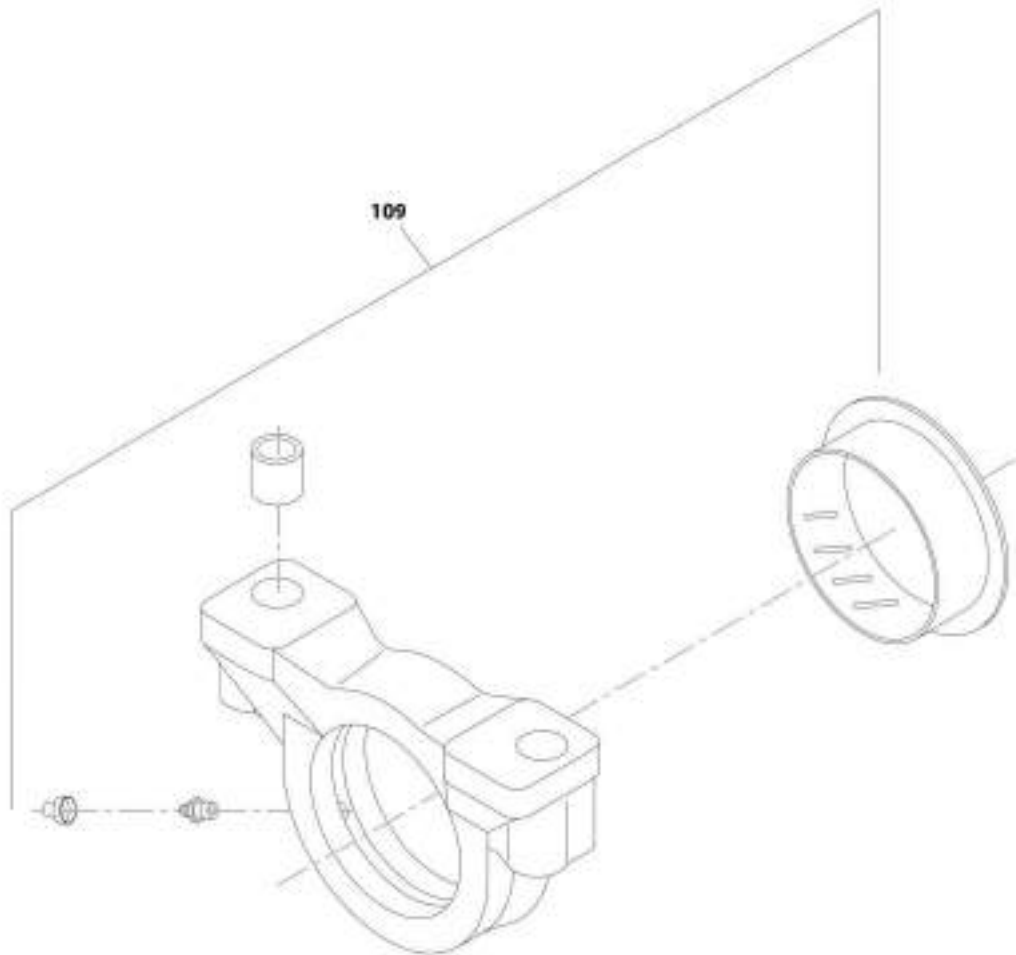
SECTION 5 - DRIVE TRAIN

FIGURE 5-62. FRONT AXLE, STEERING (943, 1043)

| ITEM | PART NUMBER | QTY | DESCRIPTION | REV |
|------|-------------|-----|----------------------|-----|
| 103 | 7026490 | 1 | Cylinder | |
| 104 | 80204143 | 2 | O-Ring | |
| 105 | 70021614 | 2 | Rod, Articulated Tie | |
| 106 | 80204144 | 5 | Bolt | |
| 107 | 7029127 | 1 | Kit, Seal | |

SECTION 5 - DRIVE TRAIN

FIGURE 5-63. FRONT AXLE, TRUNION (943, 1043)



ART_1001165831_5-G

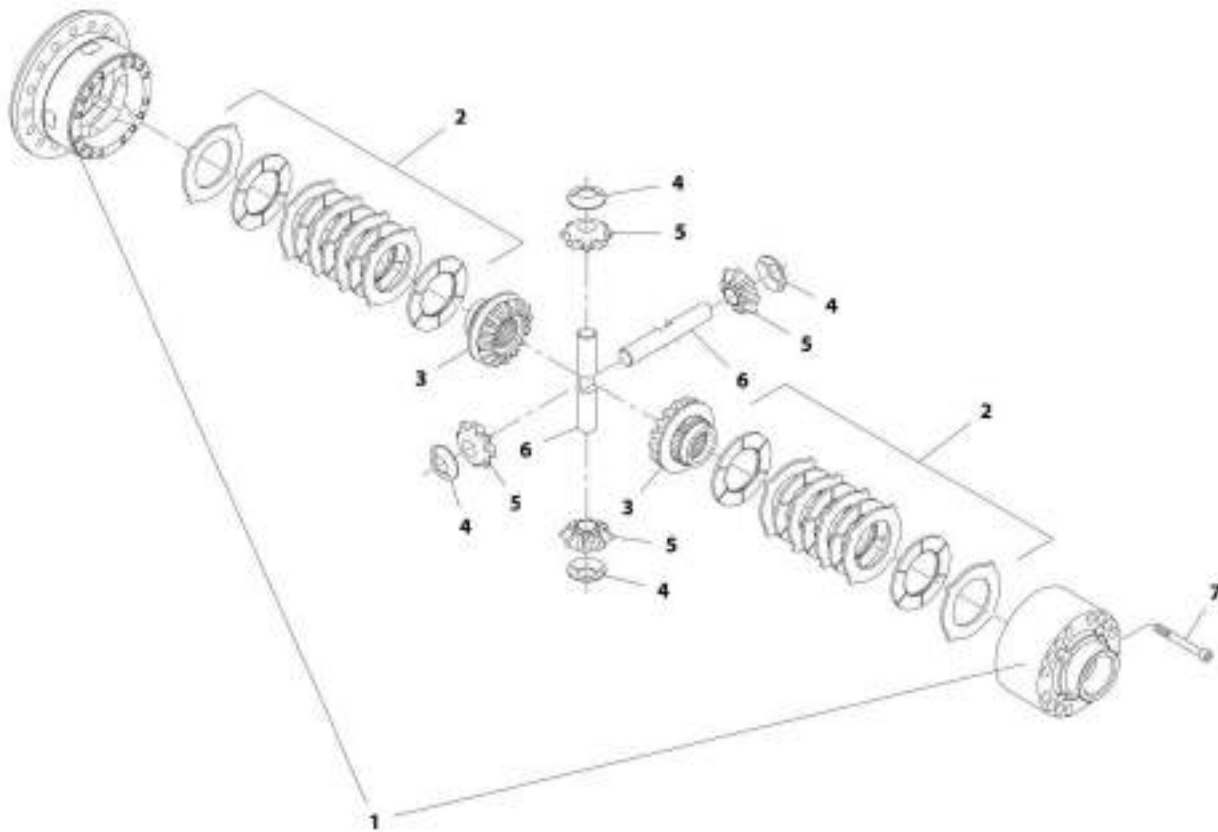
SECTION 5 - DRIVE TRAIN

FIGURE 5-63. FRONT AXLE, TRUNION (943, 1043)

| ITEM | PART NUMBER | QTY | DESCRIPTION | REV |
|------|-------------|-----|---|-----|
| 109 | 70026266 | 2 | Trunion (943, 1043) (See Support (943, 1043) for Breakdown) | |

SECTION 5 - DRIVE TRAIN

FIGURE 5-64. FRONT AXLE, DIFFERENTIAL KIT (943, 1043)



ART_180165821_7-G

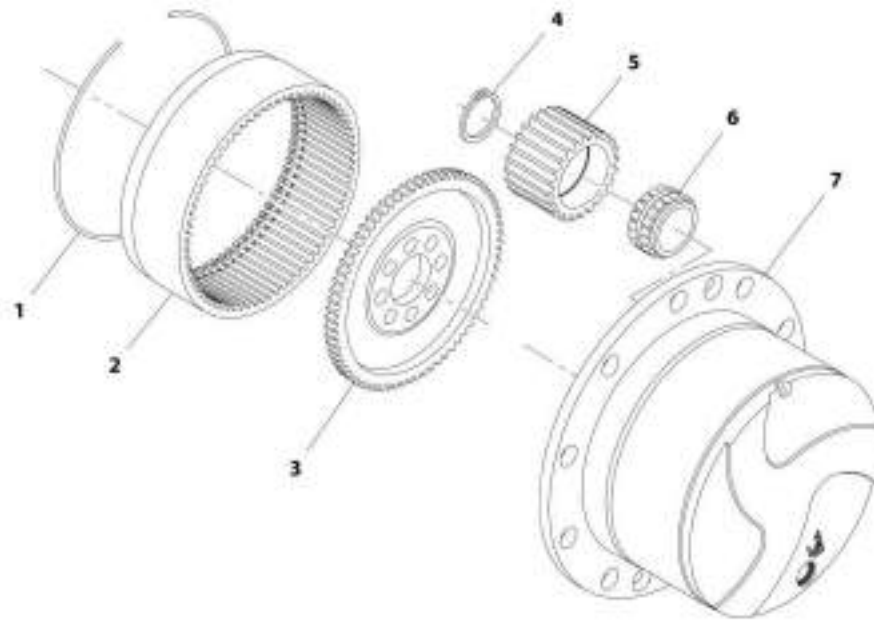
SECTION 5 - DRIVE TRAIN

FIGURE 5-64. FRONT AXLE, DIFFERENTIAL KIT (943, 1043)

| ITEM | PART NUMBER | QTY | DESCRIPTION | REV |
|------|-------------|-----|------------------------------|-----|
| | 70024005 | Ref | Differential Kit (943, 1043) | |
| 1 | 70024004 | 1 | Carrier, Differential | |
| 2 | 70023496 | 2 | Disc, Clutch | |
| 3 | 70025856 | 2 | Gear, Differential Side | |
| 4 | 70023491 | 4 | Washer | |
| 5 | 70025339 | 4 | Pinion, Differential | |
| 6 | 70023490 | 2 | Shaft, Differential | |
| 7 | 91514143 | 1 | Bolt | |

SECTION 5 - DRIVE TRAIN

FIGURE 5-65. FRONT AXLE, PLANET GEAR CARRIER (943, 1043)



ARF_1001162831_B-G

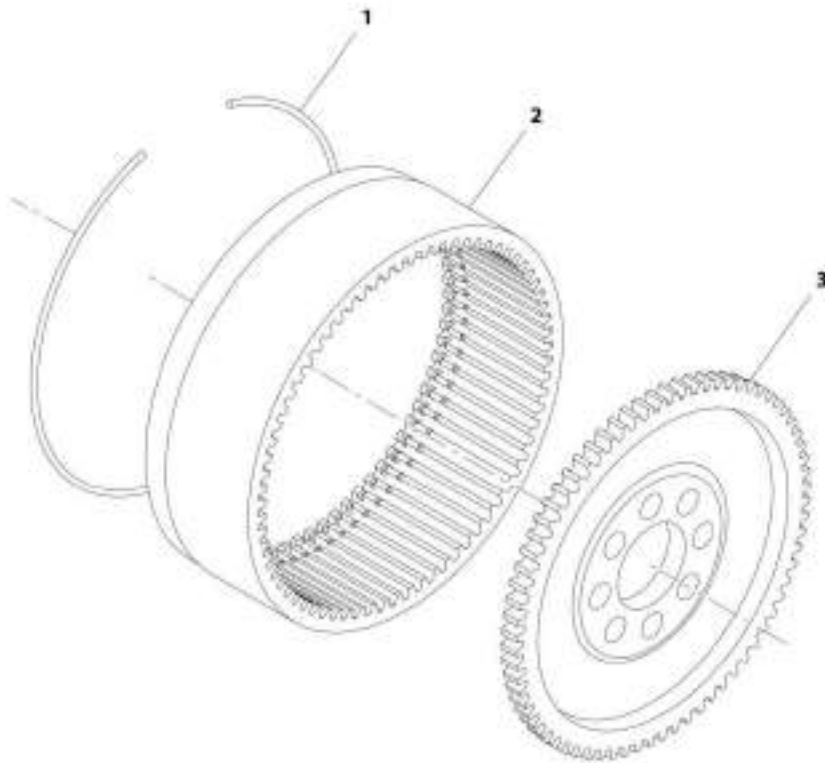
SECTION 5 - DRIVE TRAIN

FIGURE 5-65. FRONT AXLE, PLANET GEAR CARRIER (943, 1043)

| ITEM | PART NUMBER | QTY | DESCRIPTION | REV |
|------|-------------|-----|---------------------------------|-----|
| | 70025972 | Ref | Planet Gear Carrier (943, 1043) | |
| 1 | 91514175 | 1 | Circlip | |
| 2 | 70024147 | 1 | Gear, Ring | |
| 3 | 91514177 | 1 | Gear, Ring Support | |
| 4 | 91514184 | 3 | Ring, Snap | |
| 5 | 91514185 | 3 | Gear, Planet | |
| 6 | 91514186 | 3 | Bearing | |
| 7 | 7026731 | 1 | Carrier, Planet Gear | |

SECTION 5 - DRIVE TRAIN

FIGURE 5-66. FRONT AXLE, RING GEAR SUPPORT (943, 1043)



ART_100190835_9-0

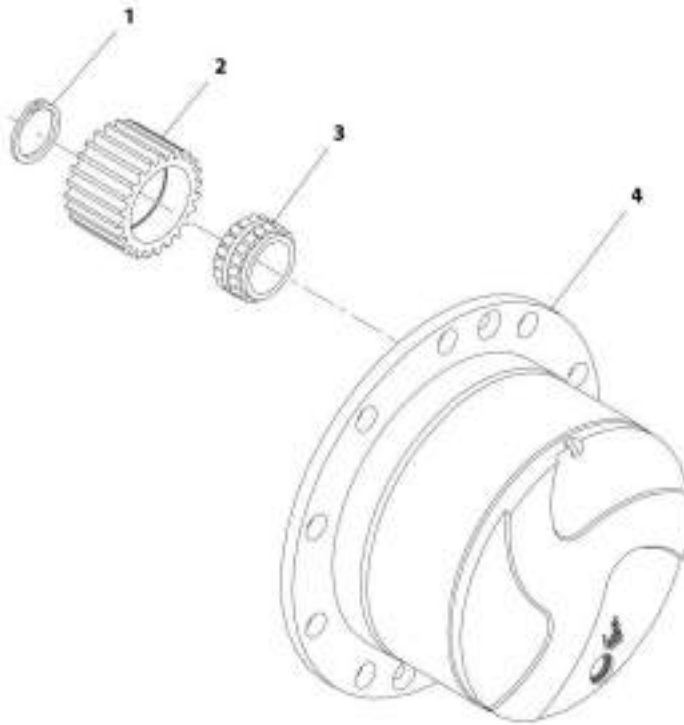
SECTION 5 - DRIVE TRAIN

FIGURE 5-66. FRONT AXLE, RING GEAR SUPPORT (943, 1043)

| ITEM | PART NUMBER | QTY | DESCRIPTION | REV |
|------|-------------|-----|-------------------------------|-----|
| | 70024146 | Ref | Ring Gear Support (943, 1043) | |
| 1 | 91514175 | 1 | Circlip | |
| 2 | 70024147 | 1 | Gear, Ring | |
| 3 | 91514177 | 1 | Gear, Ring Support | |

SECTION 5 - DRIVE TRAIN

FIGURE 5-67. FRONT AXLE, PLANET GEAR CARRIER (943, 1043)



ART_1001105801_10-G

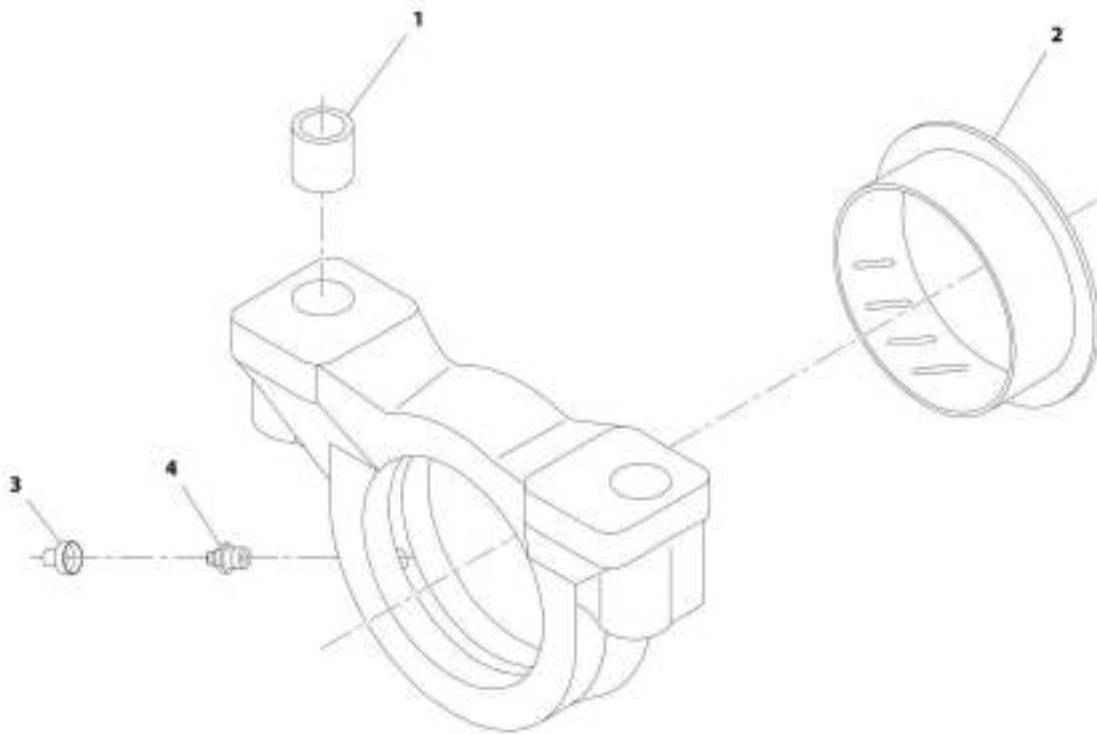
SECTION 5 - DRIVE TRAIN

FIGURE 5-67. FRONT AXLE, PLANET GEAR CARRIER (943, 1043)

| ITEM | PART NUMBER | QTY | DESCRIPTION | REV |
|------|-------------|-----|---------------------------------|-----|
| | 7029733 | Ref | Planet Gear Carrier (943, 1043) | |
| 1 | 91514184 | 3 | Ring, Snap | |
| 2 | 91514185 | 3 | Gear, Planet | |
| 3 | 91514186 | 3 | Bearing | |
| 4 | 7026731 | 1 | Carrier, Planet Gear | |

SECTION 5 - DRIVE TRAIN

FIGURE 5-68. FRONT AXLE, SUPPORT (943, 1043)



WIT_1001105801_31-G

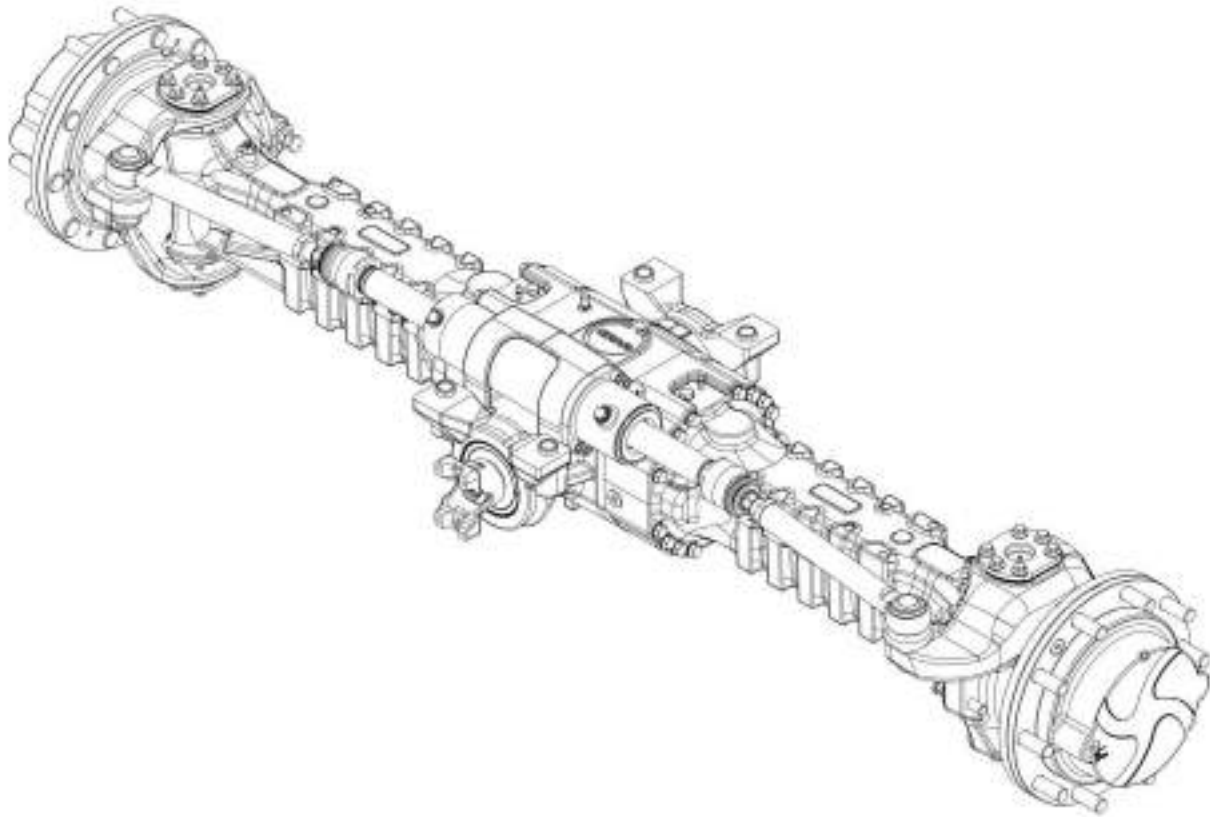
SECTION 5 - DRIVE TRAIN

FIGURE 5-68. FRONT AXLE, SUPPORT (943, 1043)

| ITEM | PART NUMBER | QTY | DESCRIPTION | REV |
|------|-------------|-----|---------------------|-----|
| | 70026266 | Ref | Support (943, 1043) | |
| 1 | 7029290 | 2 | Bushing, Reduction | |
| 2 | 91514090 | 1 | Bushing, Thrust | |
| 3 | 80204117 | 1 | Plug | |
| 4 | 91514099 | 1 | Fitting, Grease | |

SECTION 5 - DRIVE TRAIN

FIGURE 5-69. REAR AXLE (642, 742)



ART_1001165854-F

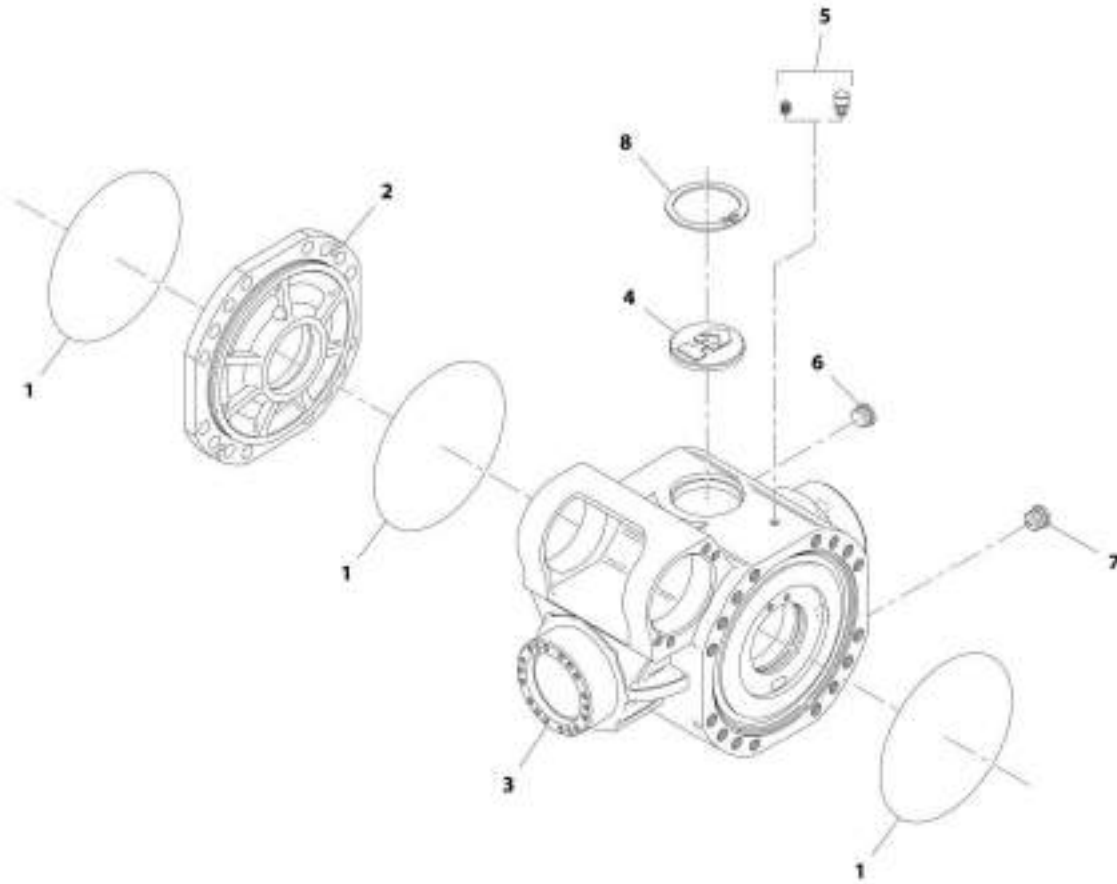
SECTION 5 - DRIVE TRAIN

FIGURE 5-69. REAR AXLE (642, 742)

| ITEM | PART NUMBER | QTY | DESCRIPTION | REV |
|------|-------------|-----|--|-----|
| | 1001165834 | Ref | Rear Axle (642, 742) | F |
| | | Ref | Rear Axle, Central Housing (642, 742) (See REAR AXLE, CENTRAL HOUSING (642, 742) for Breakdown) | |
| | | Ref | Rear Axle, Differential (642, 742) (See REAR AXLE, DIFFERENTIAL (642, 742) for Breakdown) | |
| | | Ref | Rear Axle, Hub Reduction (642, 742) (See REAR AXLE, HUB REDUCTION (642, 742) for Breakdown) | |
| | | Ref | Rear Axle, Brakes (642, 742) (See REAR AXLE, BRAKES (642, 742) for Breakdown) | |
| | | Ref | Rear Axle, Steering (642, 742) (See REAR AXLE, STEERING (642, 742) for Breakdown) | |
| | | Ref | Rear Axle, Trunion (642, 742) (See REAR AXLE, TRUNION (642, 742) for Breakdown) | |

SECTION 5 - DRIVE TRAIN

FIGURE 5-70. REAR AXLE, CENTRAL HOUSING (642, 742)



ART_100165834_1-F

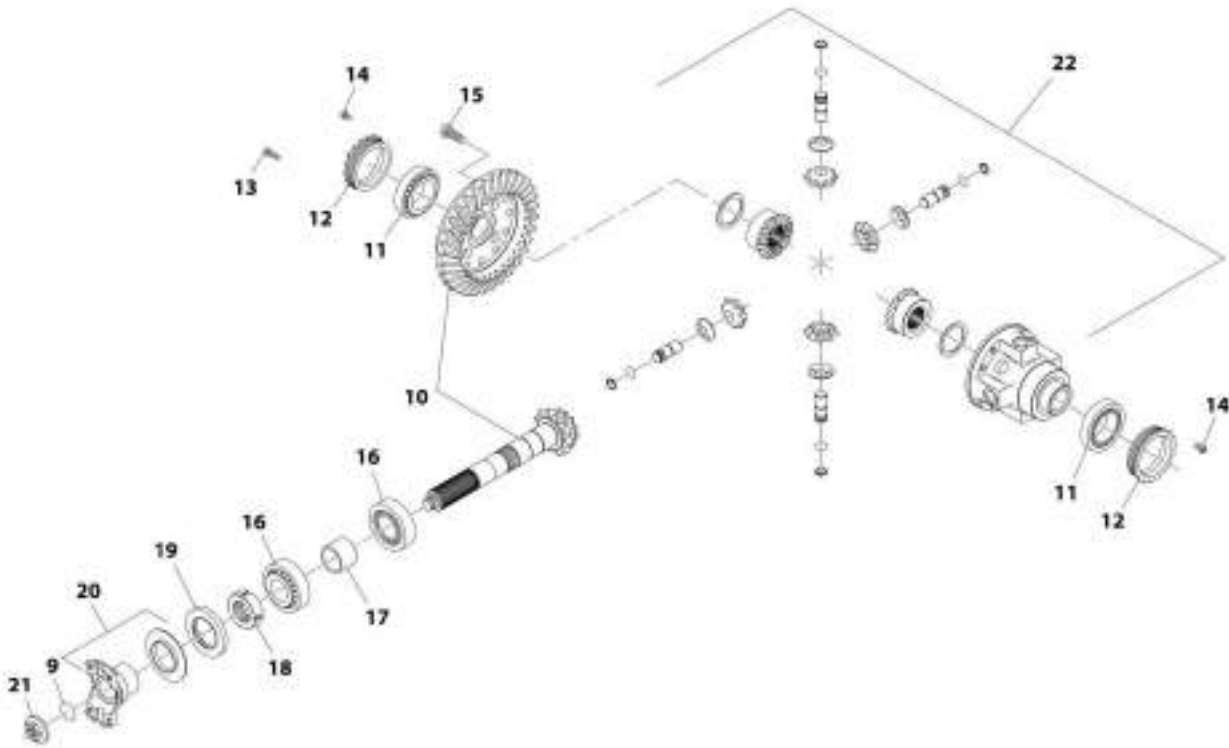
SECTION 5 - DRIVE TRAIN

FIGURE 5-70. REAR AXLE, CENTRAL HOUSING (642, 742)

| ITEM | PART NUMBER | QTY | DESCRIPTION | REV |
|------|-------------|-----|--------------|-----|
| 1 | 91474507 | 3 | O-Ring | |
| 2 | 70024519 | 1 | Cover | |
| 3 | 70026749 | 1 | Housing | |
| 4 | 91514098 | 1 | Plug | |
| 5 | 91474512 | 1 | Vent | |
| 6 | 91514188 | 1 | Plug | |
| 7 | 91474513 | 1 | Plug, Magnet | |
| 8 | 80204005 | 1 | Circlip | |

SECTION 5 - DRIVE TRAIN

FIGURE 5-71. REAR AXLE, DIFFERENTIAL (642, 742)



ART_100116004_2/F

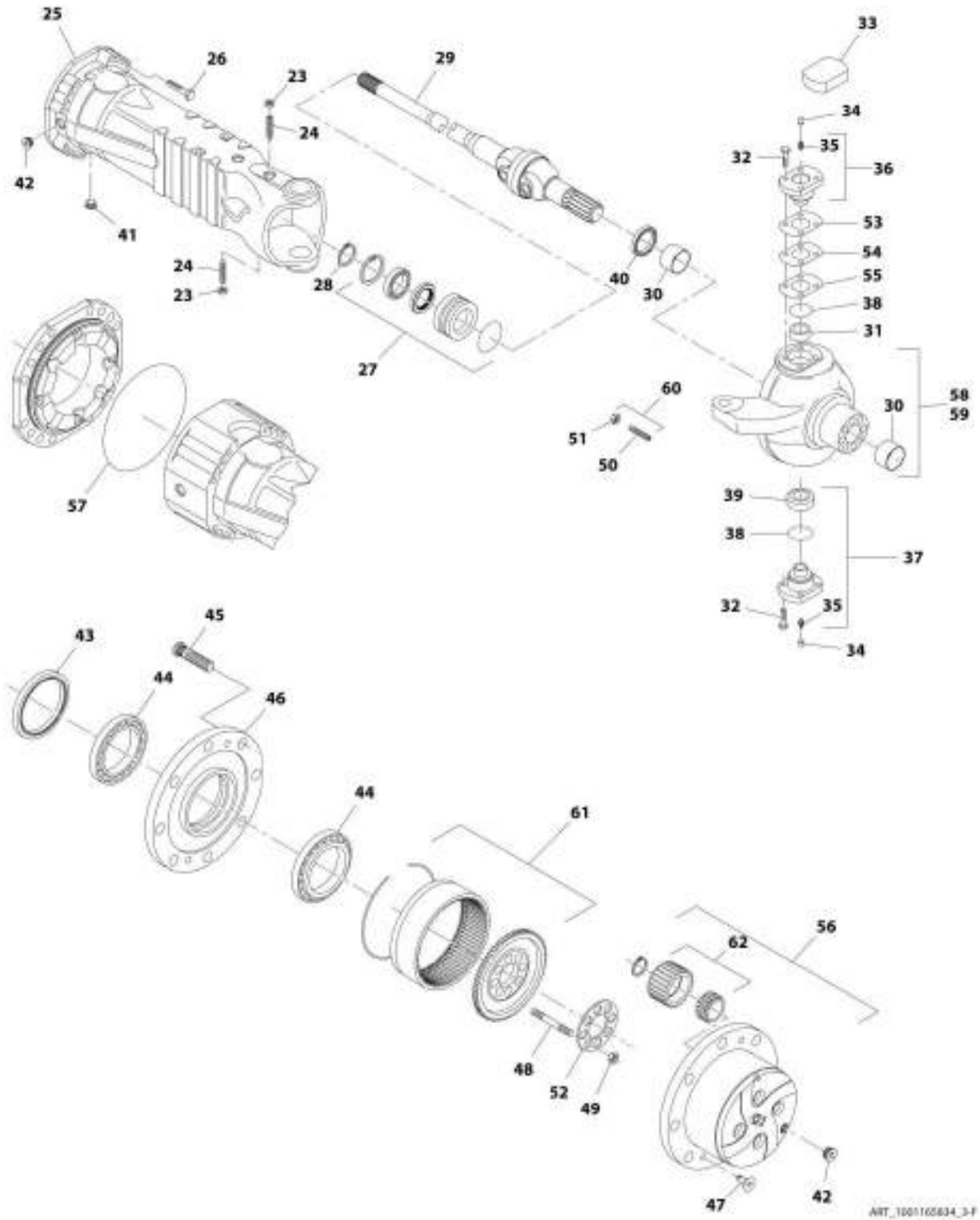
SECTION 5 - DRIVE TRAIN

FIGURE 5-71. REAR AXLE, DIFFERENTIAL (642, 742)

| ITEM | PART NUMBER | QTY | DESCRIPTION | REV |
|------|-------------|-----|--|-----|
| 9 | 91474529 | 1 | O-Ring | |
| 10 | 70026634 | 1 | Bevel Gear Set | |
| 11 | 70026031 | 2 | Bearing, Taper Roller | |
| 12 | 91474547 | 2 | Nut, Ring | |
| 13 | 91474591 | 4 | Bolt | |
| 14 | 91514134 | 2 | Bolt | |
| 15 | 91514123 | 12 | Bolt | |
| 16 | 3968141 | 2 | Bearing, Taper Roller | |
| 17 | 91474539 | 1 | Spacer | |
| 18 | 91474533 | 1 | Nut, Ring | |
| 19 | 70024522 | 1 | Seal | |
| 20 | 70022797 | 1 | FLANGE | |
| 21 | 70026631 | 1 | Nut | |
| 22 | 70021140 | 1 | Kit, Differential (642, 742) (See DIFFERENTIAL KIT (642, 742) for Breakdown) | |

SECTION 5 - DRIVE TRAIN

FIGURE 5-72. REAR AXLE, HUB REDUCTION (642, 742)



ART_1001105834_3-F

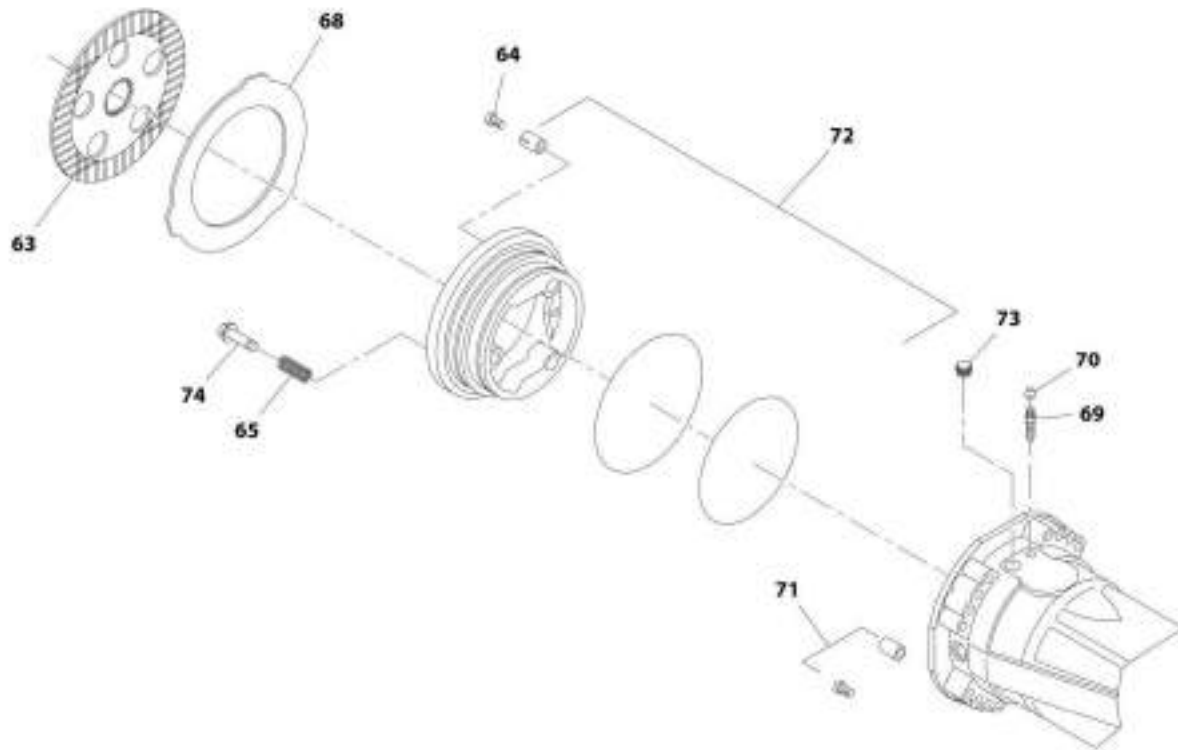
SECTION 5 - DRIVE TRAIN

FIGURE 5-72. REAR AXLE, HUB REDUCTION (642, 742)

| ITEM | PART NUMBER | QTY | DESCRIPTION | REV |
|------|-------------|-----|--|-----|
| 23 | 91514082 | 2 | Nut | |
| 24 | 91514081 | 2 | Bolt | |
| 25 | 70022798 | 2 | Axle Case | |
| 26 | 70022799 | 32 | Bolt | |
| 27 | 91514149 | 2 | Bushing, Reduction (642, 742) (See REDUCTION BUSHING (642, 742) for Breakdown) | |
| 28 | 91514146 | 2 | Circlip | |
| 29 | 70026624 | 2 | Joint, Double Universal | |
| 30 | 91514111 | 2 | Bushing, Thrust | |
| 31 | 7028714 | 2 | Bushing | |
| 32 | 70025562 | 24 | Bolt | |
| 33 | 91474524 | 2 | Cover | |
| 34 | 80204117 | 2 | Plug | |
| 35 | 91514099 | 4 | Grease Fitting | |
| 36 | 91514112 | 2 | Pivot Pin | |
| 37 | 7028715 | 2 | Pivot Pin | |
| 38 | 7028716 | 4 | Dust Excluder | |
| 39 | 91514095 | 2 | Bearing | |
| 40 | 70026238 | 2 | Seal | |
| 41 | 91474513 | 2 | Plug, Magnet | |
| 42 | 91514188 | 4 | Plug | |
| 43 | 7028721 | 2 | Seal | |
| 44 | 91474576 | 4 | Bearing | |
| 45 | 91514183 | 20 | Wheel Stud | |
| 46 | 7029737 | 2 | Wheel Hub | |
| 47 | 91514189 | 4 | Bolt, Countersunk | |
| 48 | 91474583 | 16 | Stud | |
| 49 | 91474584 | 16 | Nut | |
| 50 | 3984312 | 4 | Bolt | |
| 51 | 80204065 | 4 | Nut | |
| 52 | 70026622 | 2 | Plate, Locking | |
| 53 | 91514113 | 2 | Shim | |
| 54 | 91514114 | 2 | Shim | |
| 55 | 91514115 | 2 | Shim | |
| 56 | 7029431 | 2 | Kit, Planet Gear Carrier (642, 742) (See PLANET GEAR CARRIER KIT (642, 742) for Breakdown) | |
| 57 | 91514181 | 2 | O-Ring | |
| 58 | 70026626 | 1 | Case, Steering | |
| 59 | 70026627 | 1 | Case, Steering | |
| 60 | 7028733 | 4 | Bolt, Steering Adjust (642, 742) (includes items 50 & 51) | |
| 61 | 70026625 | 2 | Kit, Ring Gear Support (642, 742) (See RING GEAR SUPPORT KIT (642, 742) for Breakdown) | |
| 62 | 70023900 | 8 | Kit, Planet Gear (642, 742) (See PLANET GEAR KIT (642, 742) for Breakdown) | |

SECTION 5 - DRIVE TRAIN

FIGURE 5-73. REAR AXLE, BRAKES (642, 742)



ART_1001102834_4-F

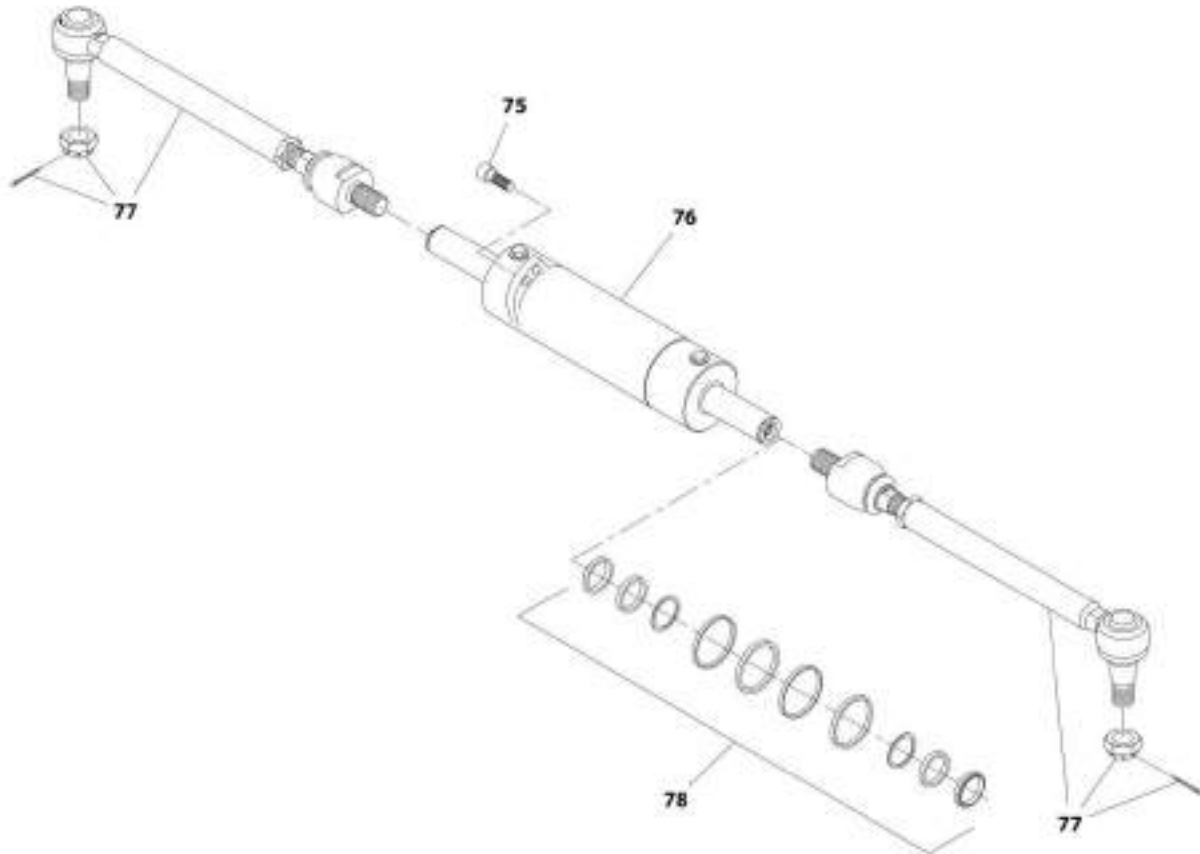
SECTION 5 - DRIVE TRAIN

FIGURE 5-73. REAR AXLE, BRAKES (642, 742)

| ITEM | PART NUMBER | QTY | DESCRIPTION | REV |
|------|-------------|-----|--|-----|
| 63 | 91474568 | 6 | Disc | |
| 64 | 7029786 | 6 | Bolt, Adjusting | |
| 65 | 91514159 | 6 | Spring | |
| 68 | 91474569 | 8 | Disc, Intermediate Brake | |
| 69 | 80204281 | 2 | Bolt, Bleeding | |
| 70 | 80204117 | 2 | Plug | |
| 71 | 70021613 | 2 | Bolt, Pilot | |
| 72 | 70025841 | 2 | Kit, Piston (642, 742) (See PISTON KIT (642, 742) for Breakdown) | |
| 73 | 91514154 | 2 | Bolt | |
| 74 | 70024210 | 6 | Bolt, Adjusting | |

SECTION 5 - DRIVE TRAIN

FIGURE 5-74. REAR AXLE, STEERING (642, 742)



ART_1001365854_5-F

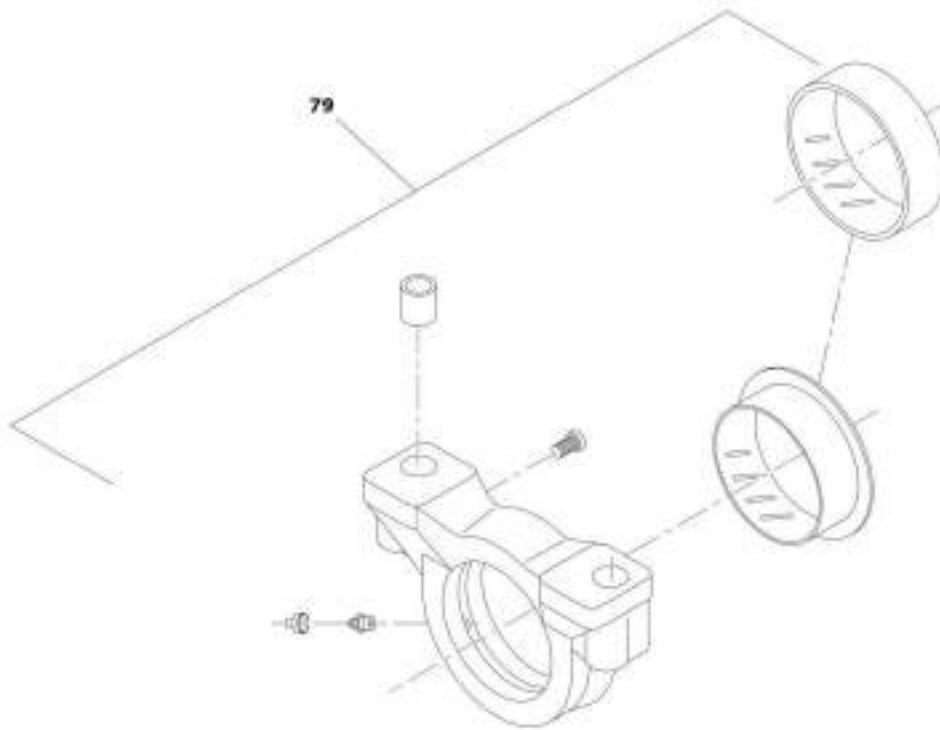
SECTION 5 - DRIVE TRAIN

FIGURE 5-74. REAR AXLE, STEERING (642, 742)

| ITEM | PART NUMBER | QTY | DESCRIPTION | REV |
|------|-------------|-----|-------------|-----|
| 75 | 91474522 | 4 | Bolt | |
| 76 | 7029528 | 1 | Cylinder | |
| 77 | 70026799 | 2 | Bar | |
| 78 | 7029529 | 1 | Seal | |

SECTION 5 - DRIVE TRAIN

FIGURE 5-75. REAR AXLE, TRUNION (642, 742)



ART_1001105834_6-F

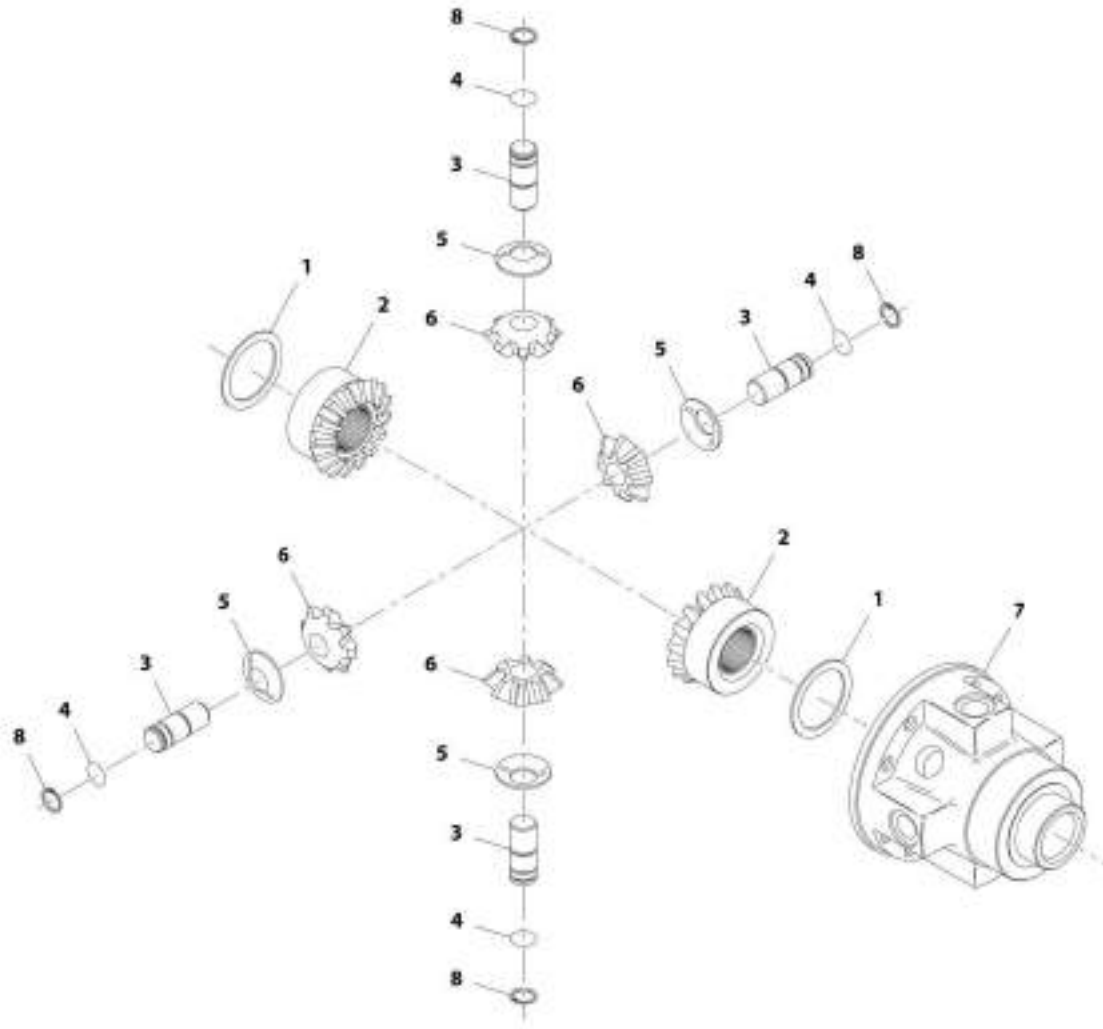
SECTION 5 - DRIVE TRAIN

FIGURE 5-75. REAR AXLE, TRUNION (642, 742)

| ITEM | PART NUMBER | QTY | DESCRIPTION | REV |
|------|-------------|-----|--|-----|
| 79 | 70026630 | 2 | Kit, Support (642, 742) (See SUPPORT KIT (642, 742) for Breakdown) | |

SECTION 5 - DRIVE TRAIN

FIGURE 5-76. REAR AXLE, DIFFERENTIAL KIT (642, 742)



6MT_100185854_7-F

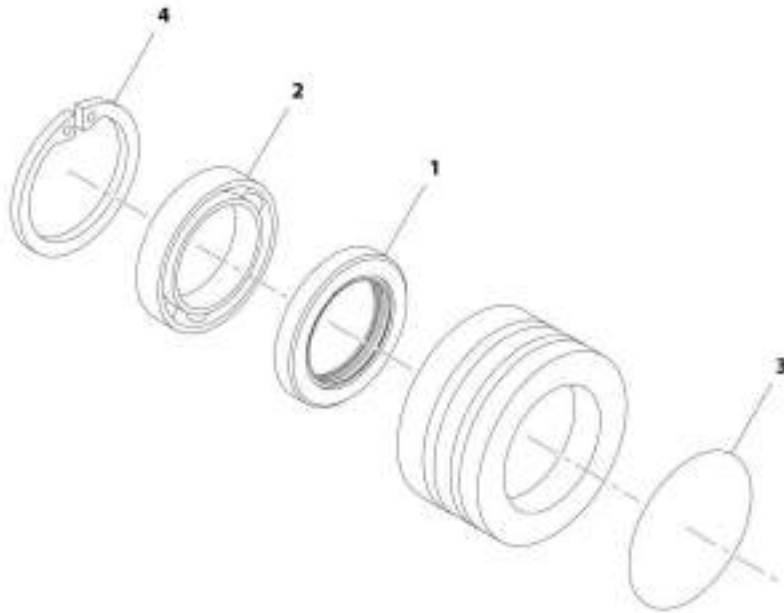
SECTION 5 - DRIVE TRAIN

FIGURE 5-76. REAR AXLE, DIFFERENTIAL KIT (642, 742)

| ITEM | PART NUMBER | QTY | DESCRIPTION | REV |
|------|-------------|-----|-----------------------------|-----|
| | 70021140 | Ref | Differential Kit (642, 742) | |
| 1 | 91474593 | 2 | Washer, Friction | |
| 2 | 70025569 | 2 | Gear, Differential Side | |
| 3 | 7029131 | 4 | Pin | |
| 4 | 91474551 | 4 | Circlip | |
| 5 | 91474553 | 4 | Washer, Friction | |
| 6 | 70025570 | 4 | Pinion, Differential | |
| 7 | 91474595 | 1 | Carrier, Differential | |
| 8 | 91474550 | 4 | Circlip | |

SECTION 5 - DRIVE TRAIN

FIGURE 5-77. REAR AXLE, REDUCTION BUSHING (642, 742)



ART_1001W0814_0-F

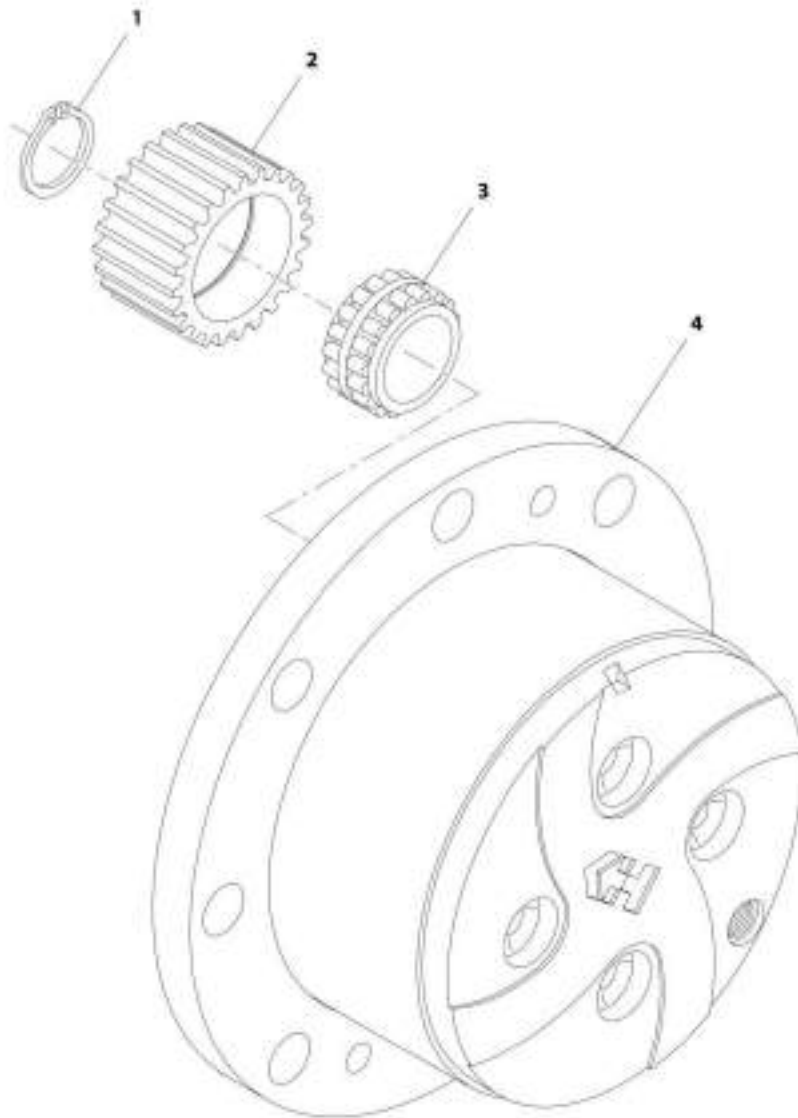
SECTION 5 - DRIVE TRAIN

FIGURE 5-77. REAR AXLE, REDUCTION BUSHING (642, 742)

| ITEM | PART NUMBER | QTY | DESCRIPTION | REV |
|------|-------------|-----|-------------------|-----|
| | 91514149 | Ref | Reduction Bushing | |
| 1 | 91514147 | 1 | Seal | |
| 2 | 91514146 | 1 | Ball Bearing | |
| 3 | 91514148 | 1 | O-Ring | |
| 4 | 80204005 | 1 | Circlip | |

SECTION 5 - DRIVE TRAIN

FIGURE 5-78. REAR AXLE, PLANET GEAR CARRIER KIT (642, 742)



ART_100116834_9-F

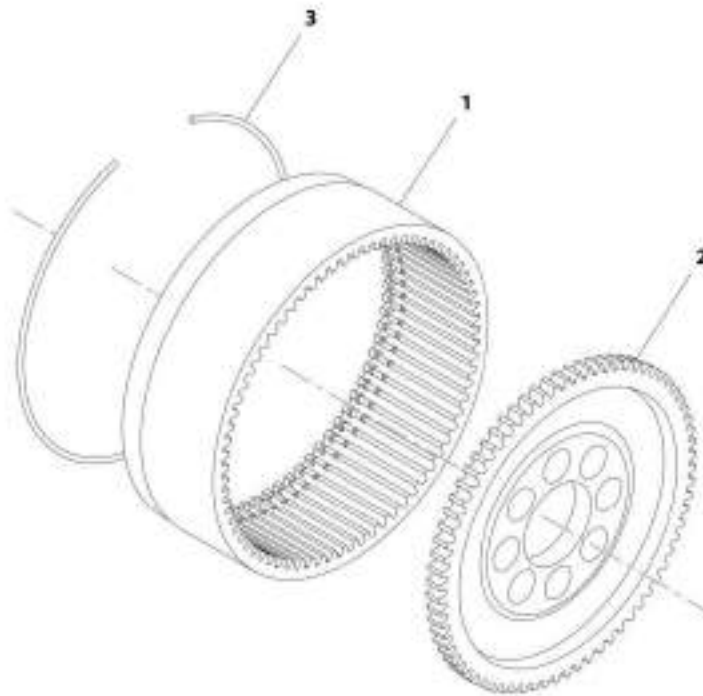
SECTION 5 - DRIVE TRAIN

FIGURE 5-78. REAR AXLE, PLANET GEAR CARRIER KIT (642, 742)

| ITEM | PART NUMBER | QTY | DESCRIPTION | REV |
|------|-------------|-----|------------------------------------|-----|
| | 7029431 | Ref | Planet Gear Carrier Kit (642, 742) | |
| 1 | 91474585 | 1 | Circlip | |
| 2 | 70023900 | 1 | Gear, Planet | |
| 3 | 91474587 | 1 | Bearing | |
| 4 | 7029286 | 1 | Carrier, Planet Gear | |

SECTION 5 - DRIVE TRAIN

FIGURE 5-79. REAR AXLE, RING GEAR SUPPORT KIT (642, 742)



ART_100165834_1D-F

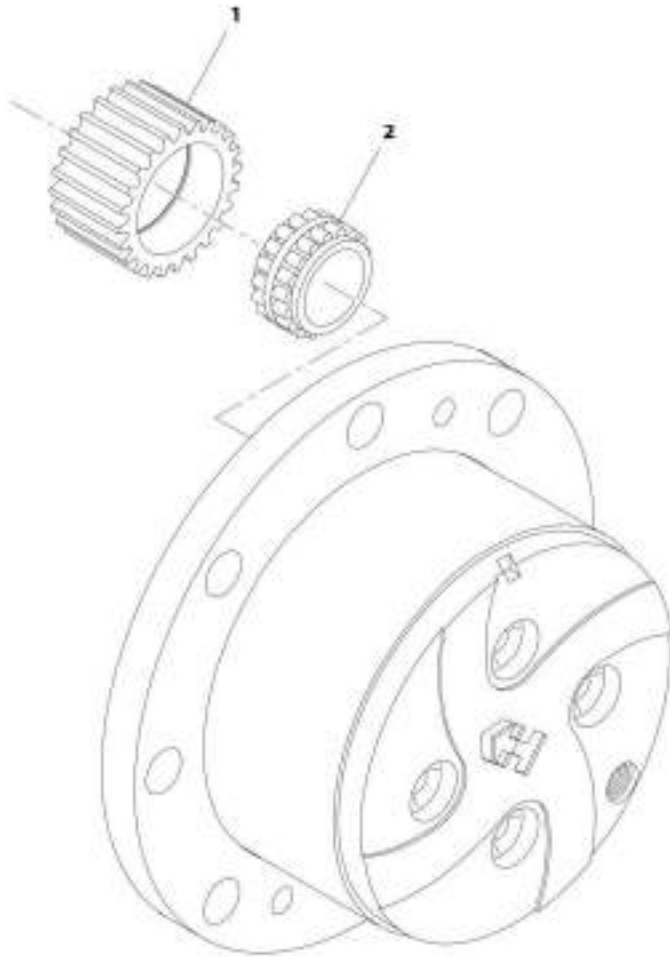
SECTION 5 - DRIVE TRAIN

FIGURE 5-79. REAR AXLE, RING GEAR SUPPORT KIT (642, 742)

| ITEM | PART NUMBER | QTY | DESCRIPTION | REV |
|------|-------------|-----|----------------------------------|-----|
| | 70026625 | Ref | Ring Gear Support Kit (642, 742) | |
| 1 | 91474580 | 1 | Gear, Ring | |
| 2 | 70026798 | 1 | Support, Ring Gear | |
| 3 | 91474579 | 1 | Circlip | |

SECTION 5 - DRIVE TRAIN

FIGURE 5-80. REAR AXLE, PLANET GEAR KIT (642, 742)



ARC_100190804_11-F

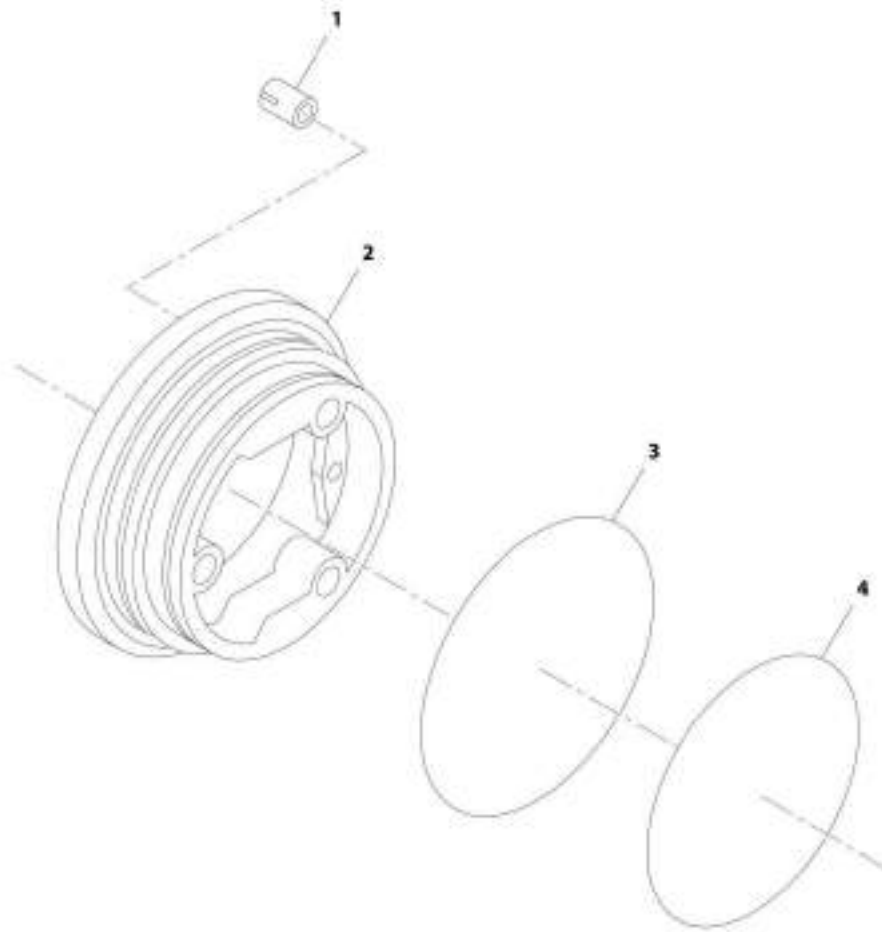
SECTION 5 - DRIVE TRAIN

FIGURE 5-80. REAR AXLE, PLANET GEAR KIT (642, 742)

| ITEM | PART NUMBER | QTY | DESCRIPTION | REV |
|------|-------------|-----|----------------------------|-----|
| | 70023900 | Ref | Planet Gear Kit (642, 742) | |
| 1 | 91474586 | 4 | Gear, Planet | |
| 2 | 91474587 | 4 | Bearing | |

SECTION 5 - DRIVE TRAIN

FIGURE 5-81. REAR AXLE, PISTON KIT (642, 742)



ART_100102804_13-F

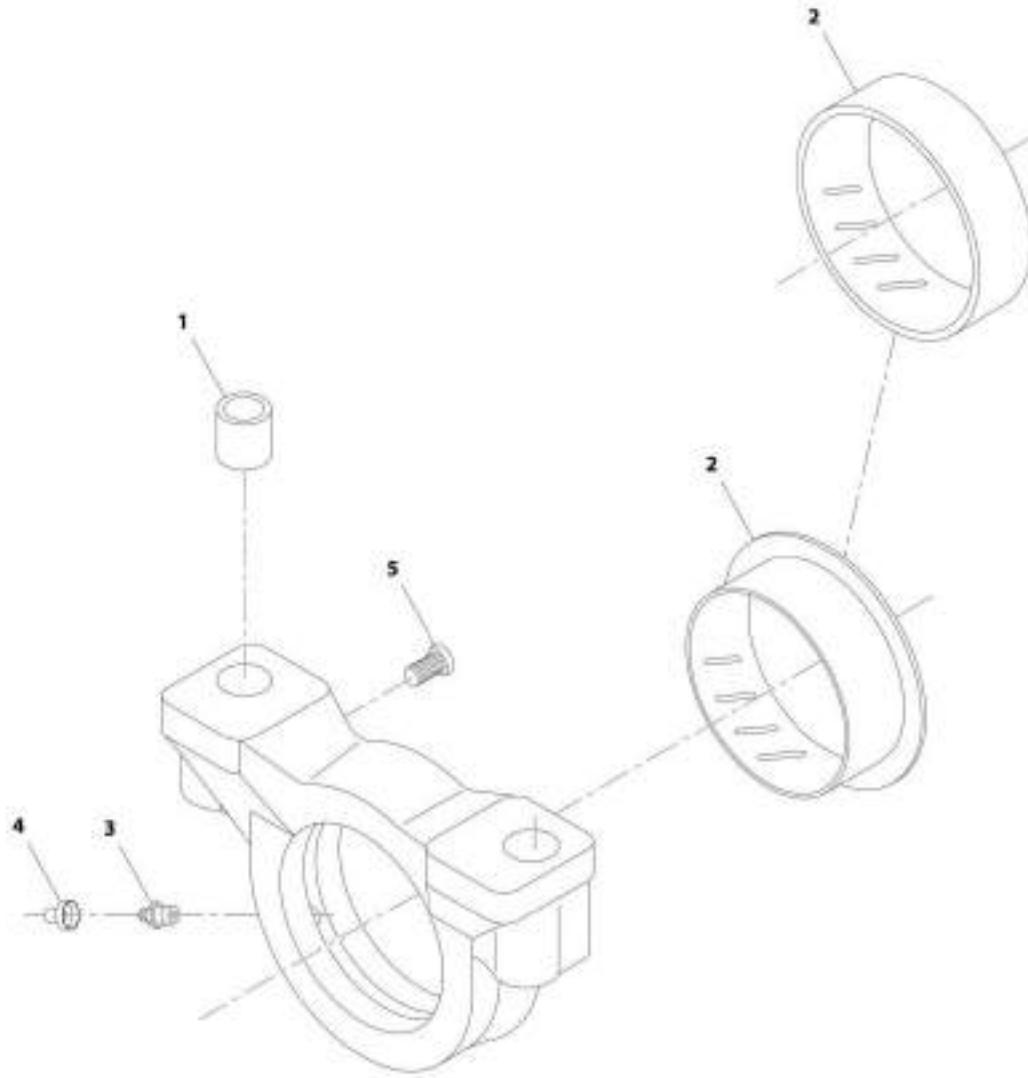
SECTION 5 - DRIVE TRAIN

FIGURE 5-81. REAR AXLE, PISTON KIT (642, 742)

| ITEM | PART NUMBER | QTY | DESCRIPTION | REV |
|------|-------------|-----|-----------------------|-----|
| | 70025841 | Ref | Piston Kit (642, 742) | |
| 1 | 91514165 | 3 | Spring | |
| 2 | NSS | 1 | Piston | |
| 3 | 70025821 | 1 | O-Ring | |
| 4 | 70025822 | 1 | O-Ring | |

SECTION 5 - DRIVE TRAIN

FIGURE 5-82. REAR AXLE, SUPPORT KIT (642, 742)



ARC_100160034_13-F

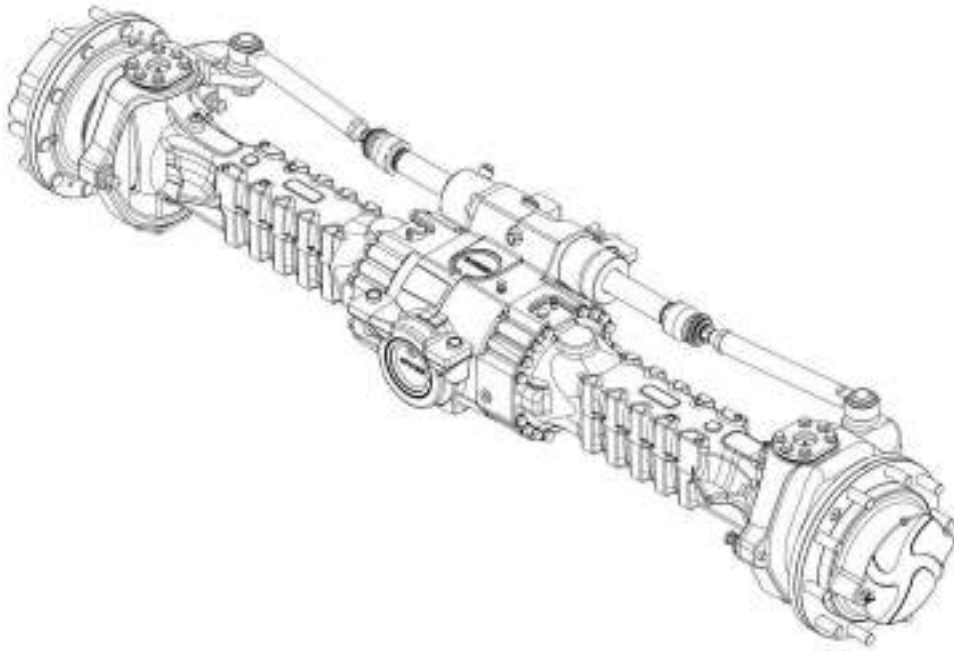
SECTION 5 - DRIVE TRAIN

FIGURE 5-82. REAR AXLE, SUPPORT KIT (642, 742)

| ITEM | PART NUMBER | QTY | DESCRIPTION | REV |
|------|-------------|-----|------------------------|-----|
| | 70026630 | Ref | Support Kit (642, 742) | |
| 1 | 91474516 | 2 | Bushing, Reduction | |
| 2 | 91474515 | 1 | Bushing, Thrust | |
| 3 | 91514099 | 1 | Fitting, Grease | |
| 4 | 80204117 | 1 | Plug | |
| 5 | 70025884 | 1 | Bolt | |

SECTION 5 - DRIVE TRAIN

FIGURE 5-83. REAR AXLE, 74HP (742)



MT_1005185200-A

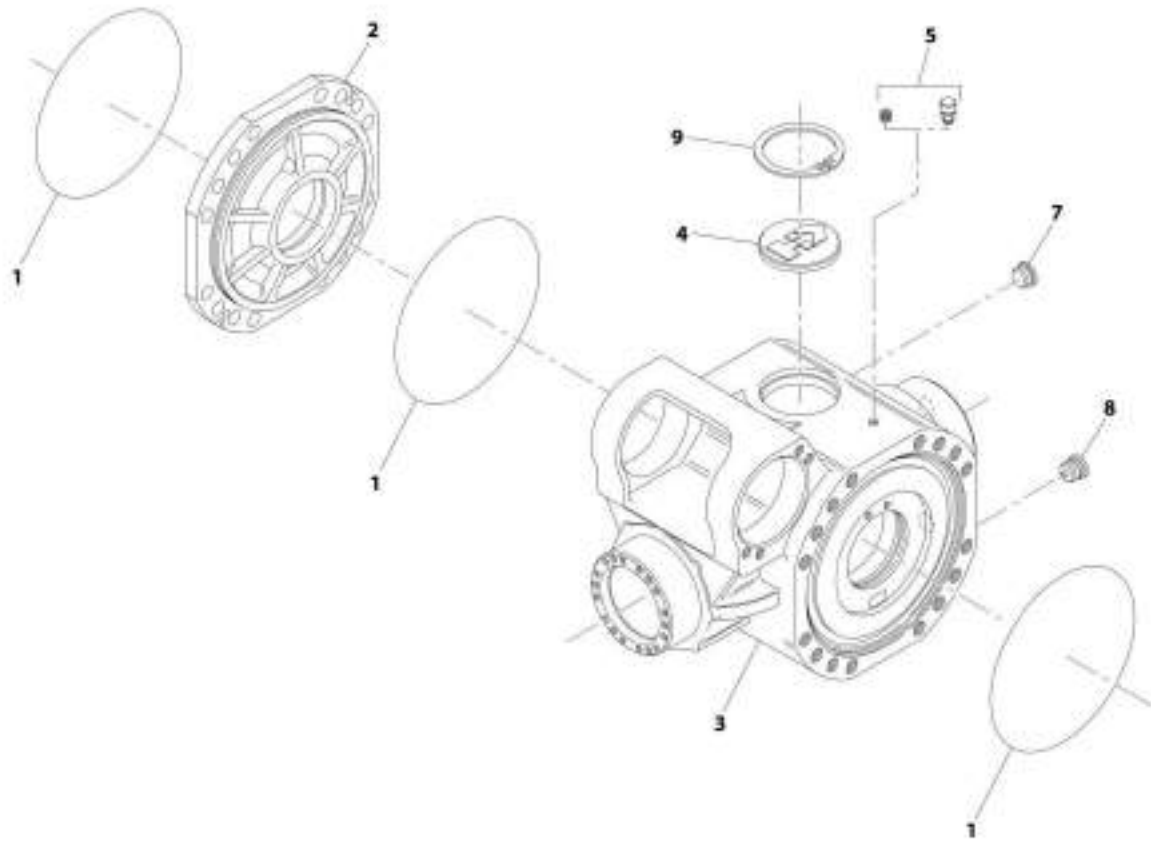
SECTION 5 - DRIVE TRAIN

FIGURE 5-83. REAR AXLE, 74HP (742)

| ITEM | PART NUMBER | QTY | DESCRIPTION | REV |
|------|-------------|-----|---|-----|
| | 1005183200 | Ref | Rear Axle, 74HP (742) | A |
| | | Ref | Rear Axle, Central Housing (742) (See Separate Breakdown in this Section) | |
| | | Ref | Rear Axle, Differential (742) (See Separate Breakdown in this Section) | |
| | | Ref | Rear Axle, Hub Reduction (742) (See Separate Breakdown in this Section) | |
| | | Ref | Rear Axle, Brakes (742) (See Separate Breakdown in this Section) | |
| | | Ref | Rear Axle, Steering (742) (See Separate Breakdown in this Section) | |
| | | Ref | Rear Axle, Trunion (742) (See Separate Breakdown in this Section) | |

SECTION 5 - DRIVE TRAIN

FIGURE 5-84. REAR AXLE, CENTRAL HOUSING 74HP (742)



ART_1000183200_1-4

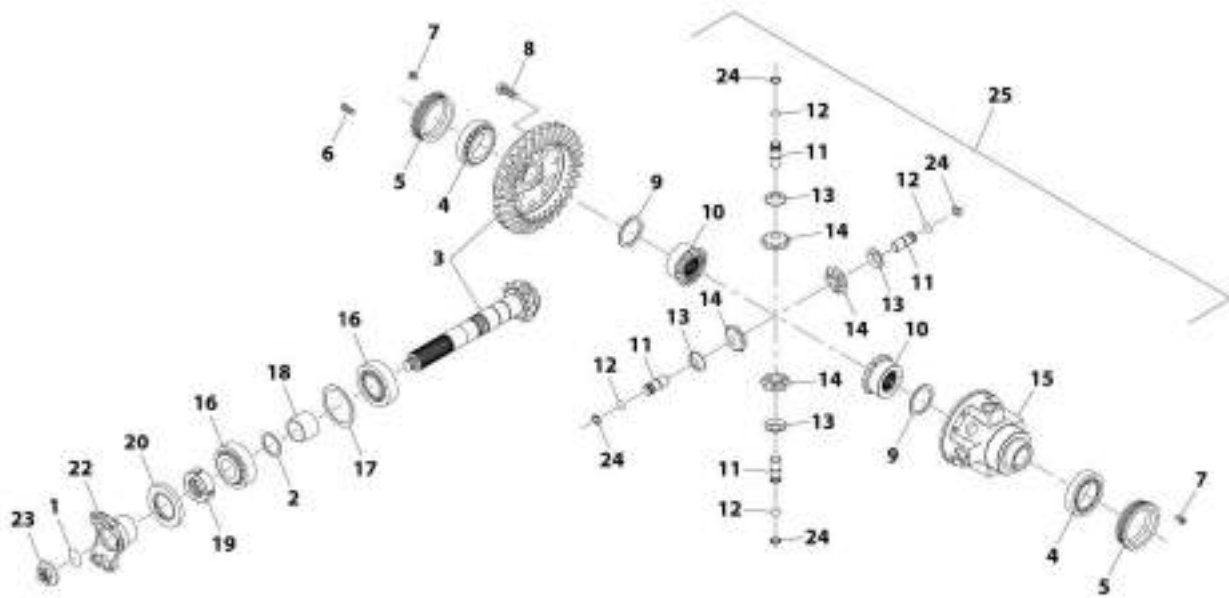
SECTION 5 - DRIVE TRAIN

FIGURE 5-84. REAR AXLE, CENTRAL HOUSING 74HP (742)

| ITEM | PART NUMBER | QTY | DESCRIPTION | REV |
|------|-------------|-----|-------------|-----|
| 1 | 91474507 | 3 | O-Ring | |
| 2 | 70024519 | 1 | Cover | |
| 3 | 70026749 | 1 | Housing | |
| 4 | 91514098 | 1 | Plug | |
| 5 | 91474512 | 1 | Vent | |
| 7 | 70028387 | 1 | Plug | |
| 8 | 70028469 | 1 | Plug | |
| 9 | 80204005 | 1 | Circlip | |

SECTION 5 - DRIVE TRAIN

FIGURE 5-85. REAR AXLE, DIFFERENTIAL 74HP (742)



WRT_1000183200_2-A

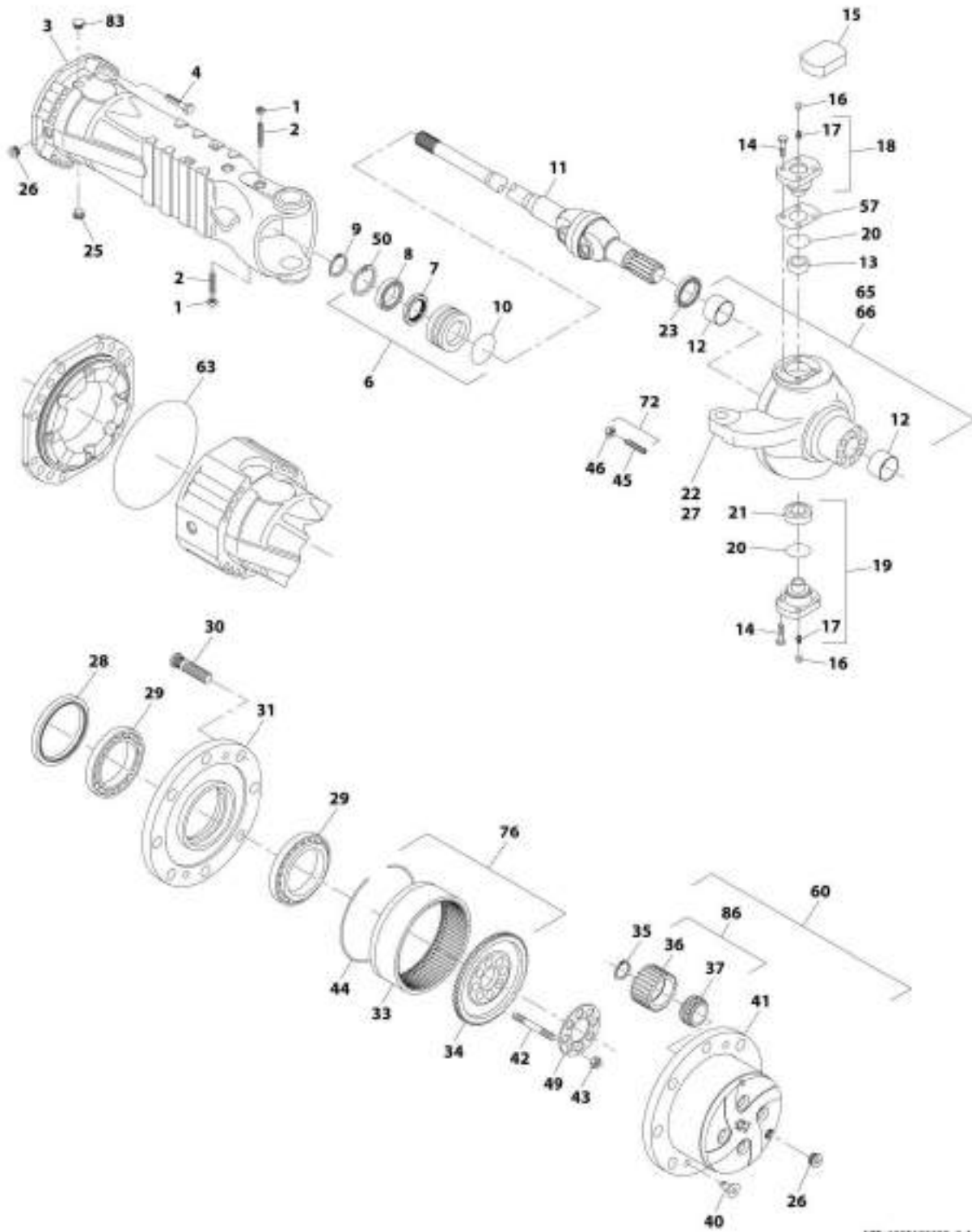
SECTION 5 - DRIVE TRAIN

FIGURE 5-85. REAR AXLE, DIFFERENTIAL 74HP (742)

| ITEM | PART NUMBER | QTY | DESCRIPTION | REV |
|------|-------------|-----|---|-----|
| 1 | 91474529 | 1 | O-Ring | |
| 2 | 70025556 | 1 | Shim Kit | |
| 3 | 70028470 | 1 | Bevel Gear Set | |
| 4 | 70028471 | 2 | Bearing, Taper Roller | |
| 5 | 70028472 | 2 | Nut, Ring | |
| 6 | 91474591 | 4 | Bolt | |
| 7 | 91514134 | 2 | Bolt | |
| 8 | 70025562 | 12 | Bolt | |
| 9 | 91474593 | 2 | Washer, Friction | |
| 10 | 70025569 | 2 | Gear, Differential Side | |
| 11 | 7029131 | 4 | Pin | |
| 12 | 91474551 | 4 | Circlip | |
| 13 | 91474553 | 4 | Washer, Friction | |
| 14 | 70025570 | 4 | Pinion, Differential | |
| 15 | 91474595 | 1 | Carrier, Differential | |
| 16 | 3968141 | 2 | Bearing, Taper Roller | |
| 17 | 70025555 | 1 | Shim Kit | |
| 18 | 91474539 | 1 | Spacer | |
| 19 | 91474533 | 1 | Nut, Ring | |
| 20 | 70024522 | 1 | Seal | |
| 22 | 70022797 | 1 | Flange | |
| 23 | 70026631 | 1 | Nut | |
| 24 | 91474550 | 4 | Circlip | |
| 25 | 70021140 | 1 | Differential (includes items 9 thru 15, 24) | |

SECTION 5 - DRIVE TRAIN

FIGURE 5-86. REAR AXLE, HUB REDUCTION 74HP (742)



ART_1005185200_3-A

SECTION 5 - DRIVE TRAIN

FIGURE 5-86. REAR AXLE, HUB REDUCTION 74HP (742)

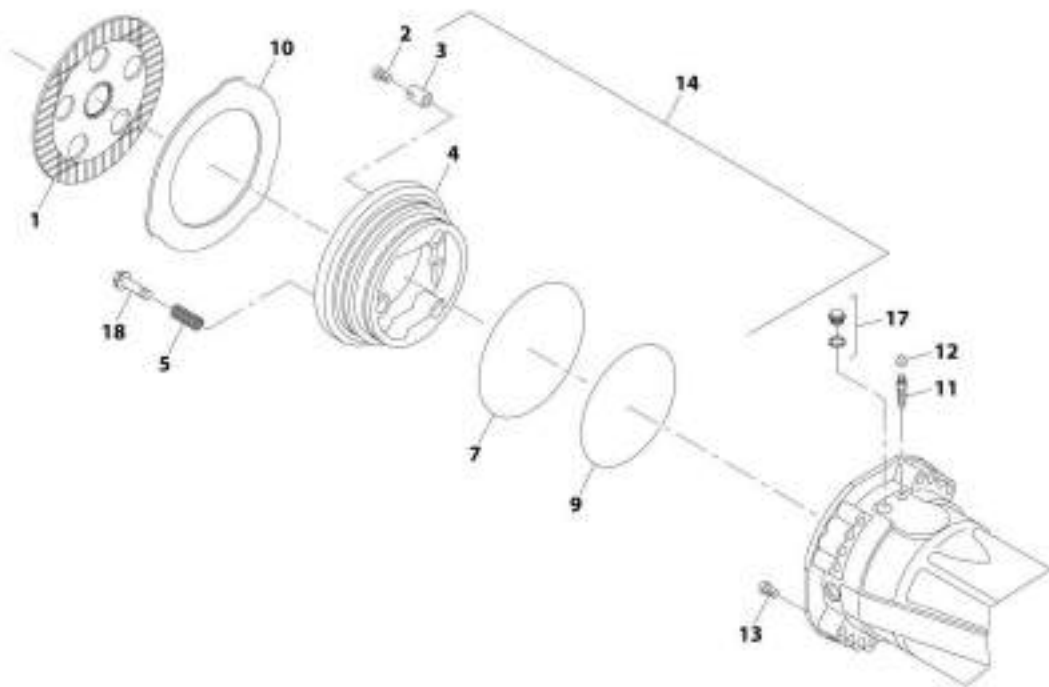
| ITEM | PART NUMBER | QTY | DESCRIPTION | REV |
|------|-------------|-----|--|-----|
| 1 | 91514082 | 2 | Nut | |
| 2 | 91514081 | 2 | Bolt | |
| 3 | 70022798 | 2 | Axle Case | |
| 4 | 70022799 | 32 | Bolt | |
| 6 | 91514149 | 2 | Reduction Bushing (includes items 7, 8, 10 & 50) | |
| 7 | 91514147 | 2 | Seal | |
| 8 | 91514146 | 2 | Ball Bearing | |
| 9 | 80204071 | 2 | Circlip | |
| 10 | 91514148 | 2 | O-Ring | |
| 11 | 70026624 | 2 | Joint, Double Universal | |
| 12 | 91514111 | 2 | Bushing, Thrust | |
| 13 | 7028714 | 2 | Bushing | |
| 14 | 70025562 | 24 | Bolt | |
| 15 | 70028392 | 2 | Cover | |
| 16 | 80204117 | 2 | Plug | |
| 17 | 70024881 | 4 | Fitting, Grease | |
| 18 | 91514112 | 2 | Pivot Pin | |
| 19 | 7028715 | 2 | Pivot Pin | |
| 20 | 7028716 | 4 | Seal, Dust | |
| 21 | 91514095 | 2 | Bearing | |
| 22 | N.S.S. | 1 | Steering Case | |
| 23 | 70026238 | 2 | Seal | |
| 25 | 70028469 | 2 | Plug | |
| 26 | 70028387 | 4 | Plug | |
| 27 | N.S.S. | 1 | Steering Case | |
| 28 | 7028721 | 2 | Seal | |
| 29 | 91474576 | 4 | Bearing | |
| 30 | 91514183 | 20 | Wheel Stud | |
| 31 | 7029737 | 2 | Wheel Hub | |
| 33 | 91474580 | 2 | Ring Gear | |
| 34 | 70026798 | 2 | Support, Ring Gear | |
| 35 | 91474585 | 4 | Circlip | |
| 36 | 70028473 | 8 | Planet Gear | |
| 37 | 70028474 | 8 | Bearing | |
| 40 | 91514189 | 4 | Bolt, Countersunk | |
| 41 | 7029286 | 1 | Carrier, Planet Gear | |
| 42 | 70027315 | 16 | Stud | |
| 43 | 91474584 | 16 | Nut | |
| 44 | 91474579 | 2 | Circlip | |
| 45 | 91514117 | 4 | Bolt | |
| 46 | 80204065 | 4 | Nut | |
| 49 | 70026622 | 2 | Plate, Locking | |
| 50 | 80204005 | 2 | Circlip | |
| 57 | 70025561 | 1 | Shim Kit | |
| 60 | 7029431 | 2 | Planet Gear Carrier | |
| 63 | 91514181 | 2 | O-Ring | |
| 65 | 70026626 | 1 | Case, Steering (includes items 22 & 12) | |
| 66 | 70026627 | 1 | Case, Steering (includes items 27 & 12) | |
| 72 | 7028733 | 4 | Bolt, Steering Adjust (includes items 45 & 46) | |
| 76 | 70026625 | 2 | Kit, Ring Gear Support | |

SECTION 5 - DRIVE TRAIN

| ITEM | PART NUMBER | QTY | DESCRIPTION | REV |
|------|-------------|-----|------------------|-----|
| 83 | 80204012 | 2 | Plug | |
| 86 | 70027114 | 8 | Kit, Planet Gear | |

SECTION 5 - DRIVE TRAIN

FIGURE 5-87. REAR AXLE, BRAKES 74HP (742)



ART,1005183200,4/A

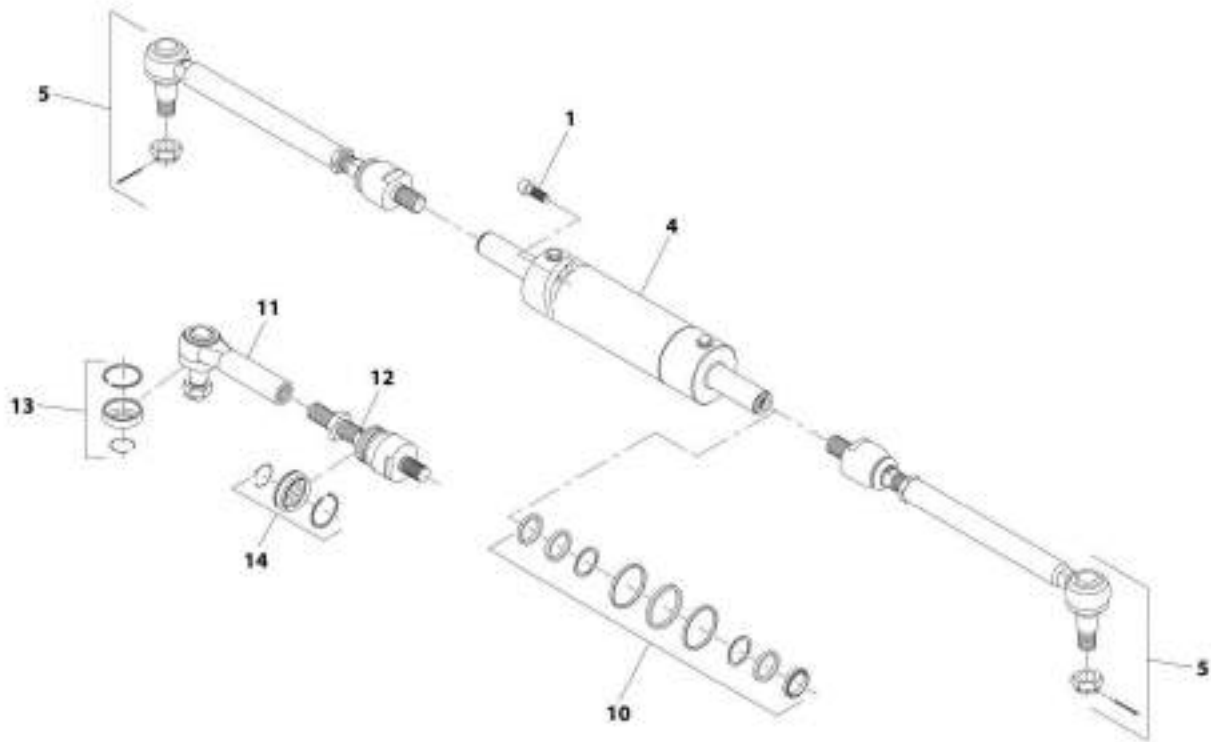
SECTION 5 - DRIVE TRAIN

FIGURE 5-87. REAR AXLE, BRAKES 74HP (742)

| ITEM | PART NUMBER | QTY | DESCRIPTION | REV |
|------|-------------|-----|------------------------------------|-----|
| 1 | 91474568 | 6 | Disc | |
| 2 | 7029786 | 6 | Bolt | |
| 3 | 70027317 | 6 | Spring | |
| 4 | N.S.S. | 2 | Piston | |
| 5 | 91514159 | 6 | Spring | |
| 7 | 70025821 | 2 | O-Ring | |
| 9 | 70025822 | 2 | O-Ring | |
| 10 | 70025823 | 8 | Disc, Intermediate Brake | |
| 11 | 80204281 | 2 | Bolt, Bleeding | |
| 12 | 80204117 | 2 | Plug | |
| 13 | 70021613 | 2 | Bolt | |
| 14 | 70027772 | 2 | Piston (includes items 4, 3, 7, 9) | |
| 17 | 91514154 | 2 | Bolt | |
| 18 | 70024210 | 6 | Bolt | |

SECTION 5 - DRIVE TRAIN

FIGURE 5-88. REAR AXLE, STEERING 74HP (742)



ART_1005183200_5-A

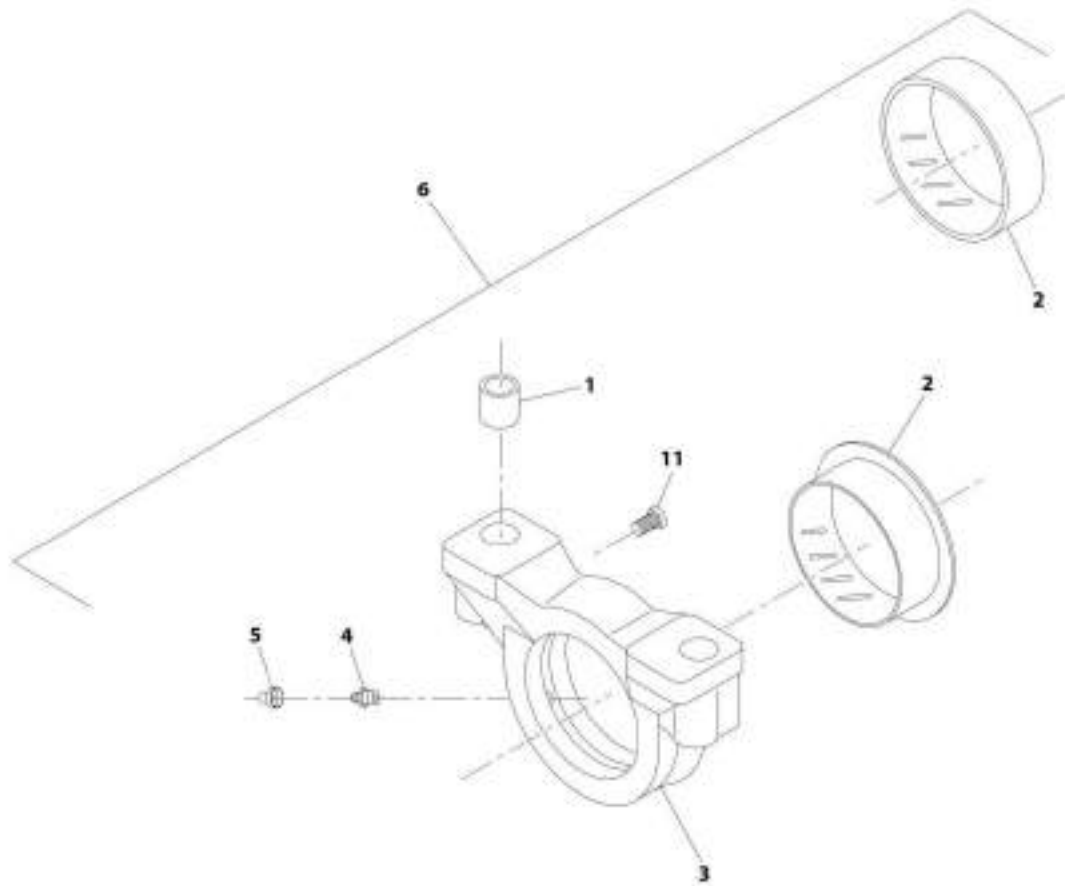
SECTION 5 - DRIVE TRAIN

FIGURE 5-88. REAR AXLE, STEERING 74HP (742)

| ITEM | PART NUMBER | QTY | DESCRIPTION | REV |
|------|-------------|-----|------------------------------|-----|
| 1 | 91474522 | 4 | Bolt | |
| 4 | 7029528 | 1 | Cylinder | |
| 5 | 70026799 | 2 | Bar | |
| 10 | 7029529 | 1 | Seal Kit | |
| 11 | 70028475 | 1 | Joint, 90 | |
| 12 | 70028476 | 1 | Axial Joint | |
| 13 | 70028477 | 1 | Rubber Boot and Locking Ring | |
| 14 | 70028468 | 1 | Rubber Boot and Locking Ring | |

SECTION 5 - DRIVE TRAIN

FIGURE 5-89. REAR AXLE, TRUNION 74HP (742)



AFT_1005185200_0-A

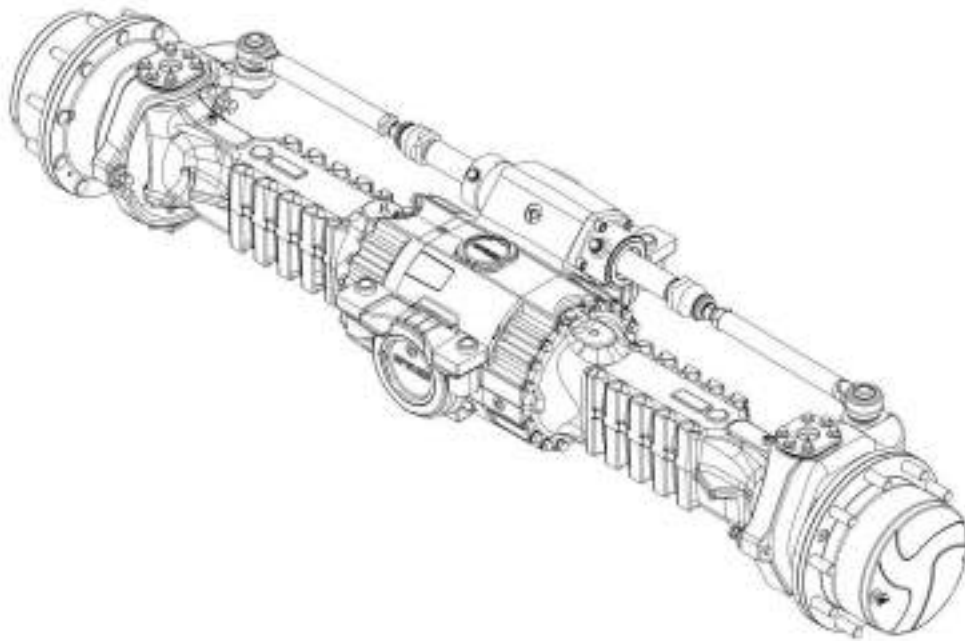
SECTION 5 - DRIVE TRAIN

FIGURE 5-89. REAR AXLE, TRUNION 74HP (742)

| ITEM | PART NUMBER | QTY | DESCRIPTION | REV |
|------|-------------|-----|--|-----|
| 1 | 91474516 | 4 | Bushing, Reduction | |
| 2 | 91474515 | 2 | Bushing, Thrust | |
| 3 | N.S.S. | 2 | Support | |
| 4 | 70024881 | 2 | Fitting, Grease | |
| 5 | 80204117 | 2 | Plug | |
| 6 | 70026630 | 2 | Kit, Support (includes items 1 thru 5, 11) | |
| 11 | 70025884 | 2 | Bolt | |

SECTION 5 - DRIVE TRAIN

FIGURE 5-90. REAR AXLE, 74HP (943)



WTT_1005207700-A

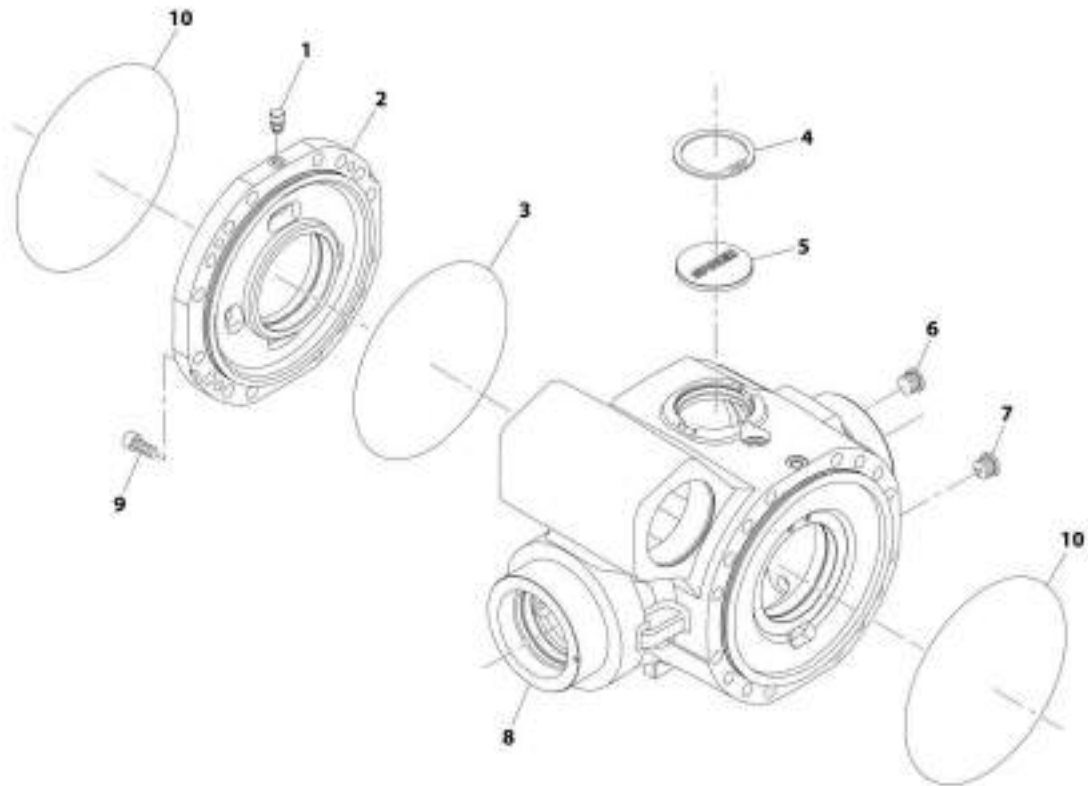
SECTION 5 - DRIVE TRAIN

FIGURE 5-90. REAR AXLE, 74HP (943)

| ITEM | PART NUMBER | QTY | DESCRIPTION | REV |
|------|-------------|-----|---|-----|
| | 1005207700 | Ref | Rear Axle, 74HP (943) | A |
| | | Ref | Rear Axle, Central Housing (943) (See Separate Breakdown in this Section) | |
| | | Ref | Rear Axle, Differential (943) (See Separate Breakdown in this Section) | |
| | | Ref | Rear Axle, Hub Reduction (943) (See Separate Breakdown in this Section) | |
| | | Ref | Rear Axle, Brakes (943) (See Separate Breakdown in this Section) | |
| | | Ref | Rear Axle, Steering (943) (See Separate Breakdown in this Section) | |
| | | Ref | Rear Axle, Trunion (943) (See Separate Breakdown in this Section) | |

SECTION 5 - DRIVE TRAIN

FIGURE 5-91. REAR AXLE, CENTRAL HOUSING 74HP (943)



ART_1005207700_1-6

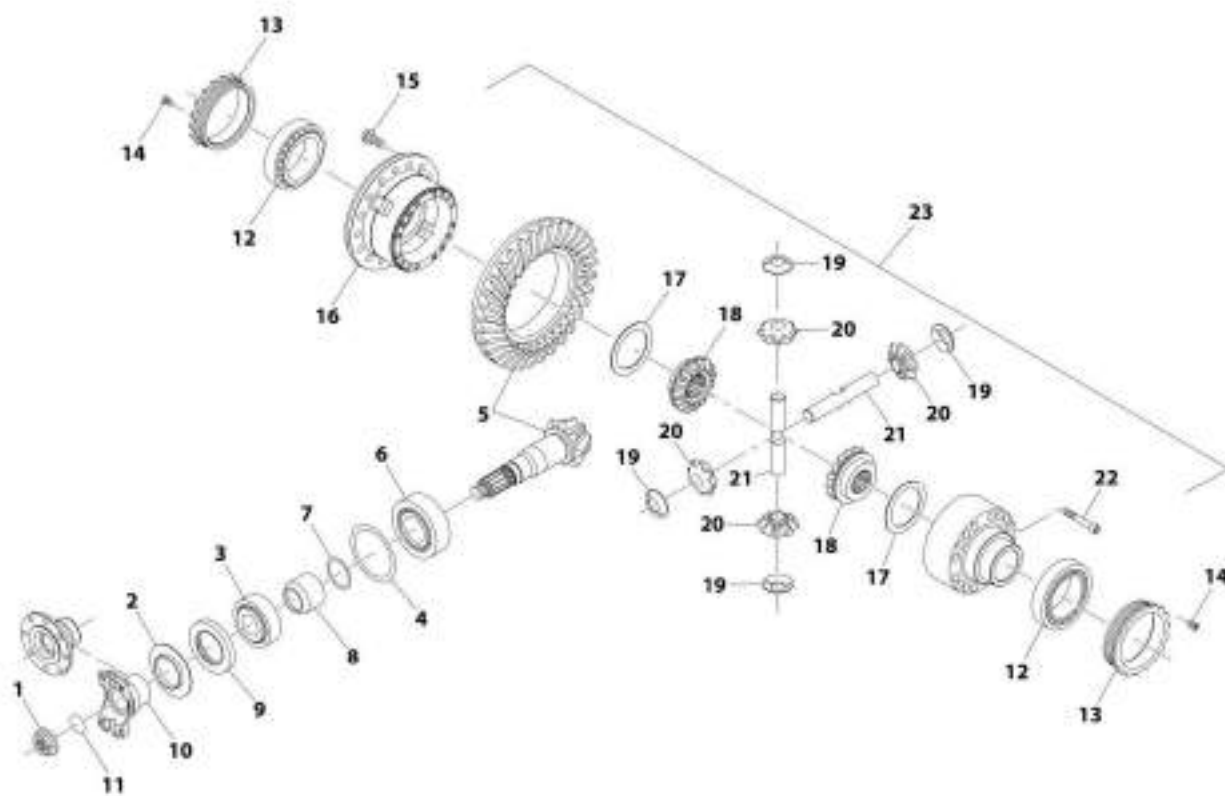
SECTION 5 - DRIVE TRAIN

FIGURE 5-91. REAR AXLE, CENTRAL HOUSING 74HP (943)

| ITEM | PART NUMBER | QTY | DESCRIPTION | REV |
|------|-------------|-----|---------------------|-----|
| 1 | 70028464 | 1 | Vent | |
| 2 | 7029288 | 1 | Cover, Intermediate | |
| 3 | 80204002 | 1 | O-Ring | |
| 4 | 80204005 | 1 | Circlip | |
| 5 | 91514098 | 1 | Plug | |
| 6 | 70028389 | 1 | Plug | |
| 7 | 70028388 | 1 | Plug | |
| 8 | 70025335 | 1 | Housing | |
| 9 | 91514101 | 4 | Bolt | |
| 10 | 91514089 | 2 | O-Ring | |

SECTION 5 - DRIVE TRAIN

FIGURE 5-92. REAR AXLE, DIFFERENTIAL 74HP (943)



ART. 9005267300.2-A

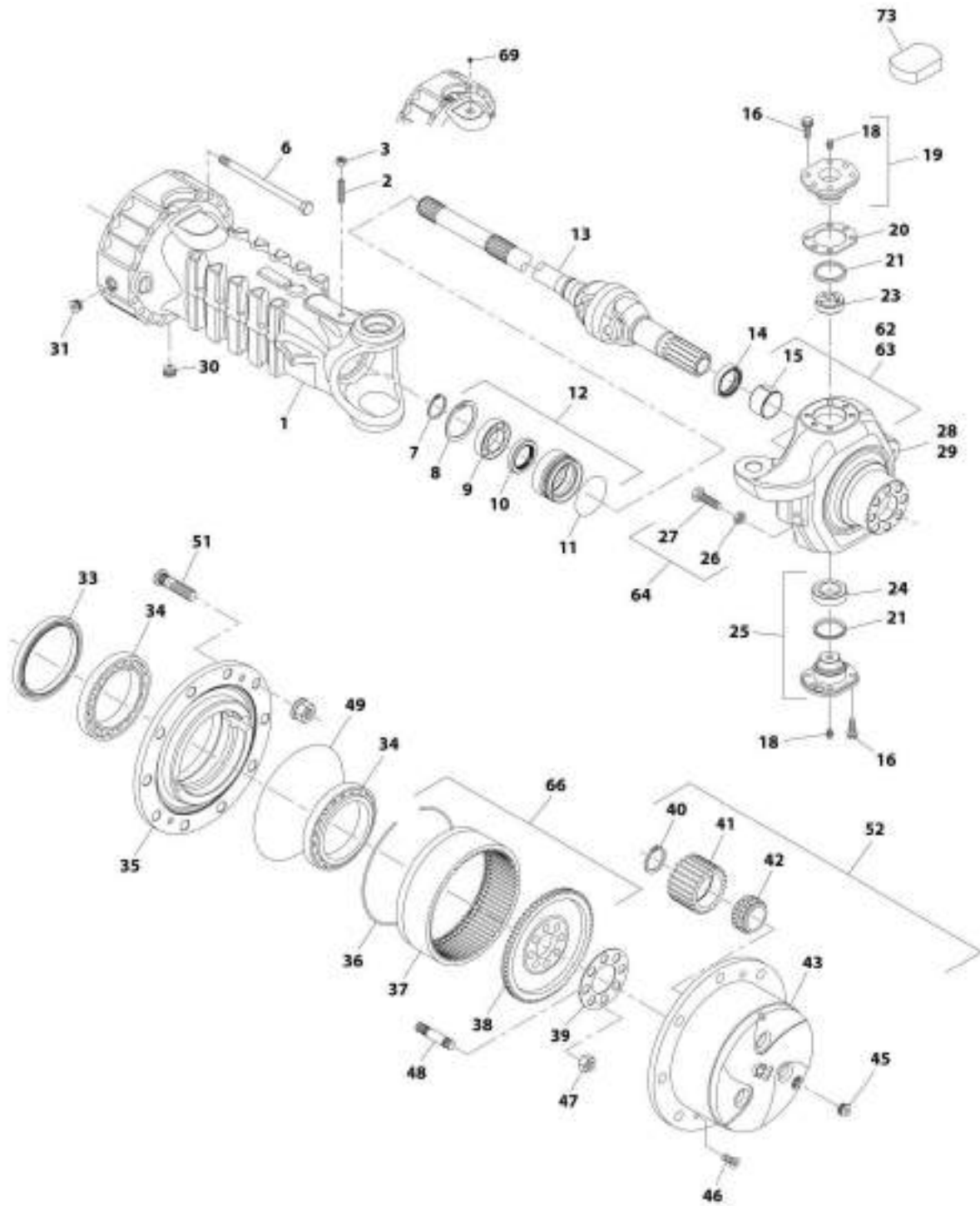
SECTION 5 - DRIVE TRAIN

FIGURE 5-92. REAR AXLE, DIFFERENTIAL 74HP (943)

| ITEM | PART NUMBER | QTY | DESCRIPTION | REV |
|------|-------------|-----|--|-----|
| 1 | 80204043 | 1 | Nut | |
| 2 | 91514130 | 1 | Plate, Cover | |
| 3 | 80204048 | 1 | Bearing, Taper Roller | |
| 4 | 70023469 | 1 | Shim | |
| 5 | 70028399 | 1 | Gear, Bevel Set | |
| 6 | 80204035 | 1 | Bearing, Tape Roller | |
| 7 | 70023494 | 1 | Spacer | |
| 8 | 70022140 | 1 | Spacer | |
| 9 | 70025887 | 1 | Seal | |
| 10 | 91514131 | 1 | Flange | |
| 11 | 10725554 | 1 | O-Ring | |
| 12 | 80204033 | 2 | Bearing, Tape Roller | |
| 13 | 91514133 | 2 | Nut, Ring | |
| 14 | 91514134 | 2 | Bolt | |
| 15 | 70025562 | 16 | Bolt | |
| 16 | 70025337 | 1 | Carrier, Differential | |
| 17 | 70023493 | 2 | Washer | |
| 18 | 70025338 | 2 | Gear, Differential Side | |
| 19 | 70027105 | 4 | Washer | |
| 20 | 70025339 | 4 | Pinion, Differential | |
| 21 | 70023490 | 2 | Shaft, Differential | |
| 22 | 70023489 | 15 | Bolt | |
| 23 | 70028398 | 1 | Differential (includes items 16 thru 22) | |

SECTION 5 - DRIVE TRAIN

FIGURE 5-93. REAR AXLE, HUB REDUCTION 74HP (943)



AHT_1005207700_3-A

SECTION 5 - DRIVE TRAIN

FIGURE 5-93. REAR AXLE, HUB REDUCTION 74HP (943)

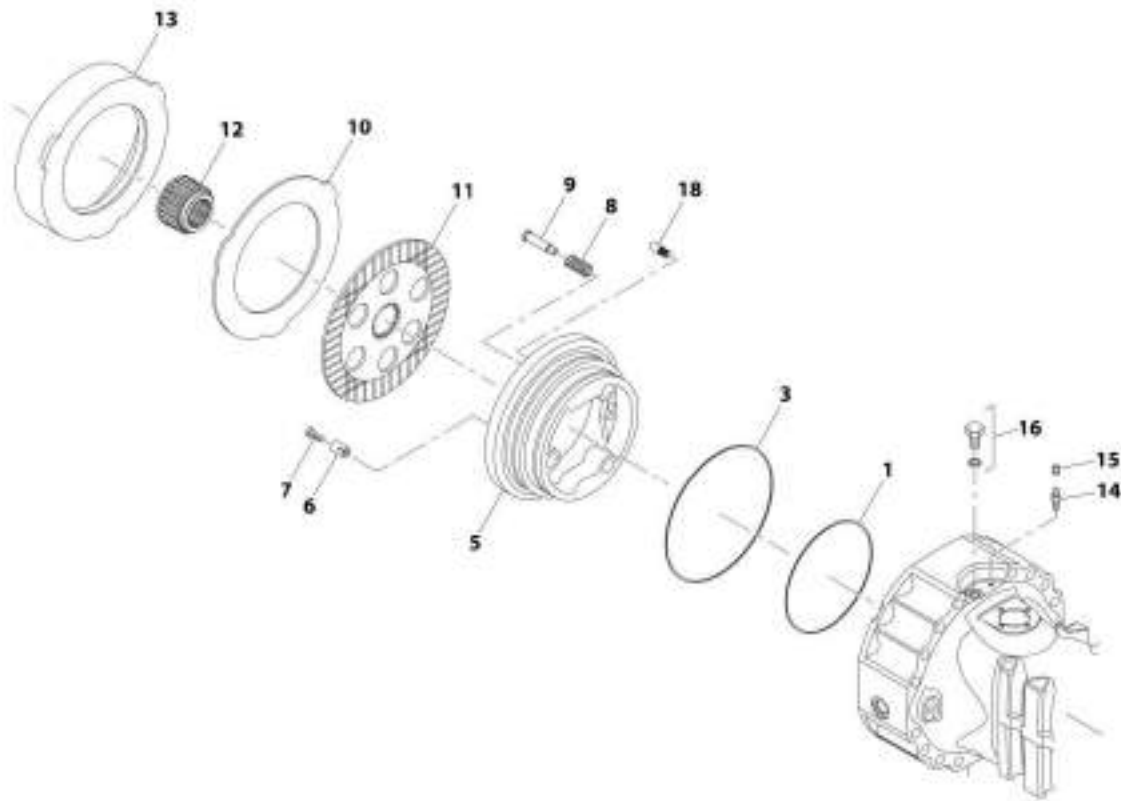
| ITEM | PART NUMBER | QTY | DESCRIPTION | REV |
|------|-------------|-----|--|-----|
| 1 | 70025980 | 2 | Case, Axle | |
| 2 | 91514081 | 2 | Bolt | |
| 3 | 91514082 | 2 | Nut | |
| 6 | 70022814 | 32 | Bolt | |
| 7 | 80204071 | 2 | Circlip | |
| 8 | 80204005 | 2 | Circlip | |
| 9 | 91514146 | 2 | Ball Bearing | |
| 10 | 91514147 | 2 | Seal | |
| 11 | 91514148 | 2 | O-Ring | |
| 12 | 91514149 | 2 | Reduction Bushing (includes items 8 thru 11) | |
| 13 | 70025855 | 2 | Joint, Double Universal | |
| 14 | 70026238 | 2 | Seal | |
| 15 | 91514111 | 2 | Bushing, Thrust | |
| 16 | 70025562 | 24 | Bolt | |
| 18 | 70024881 | 4 | Fitting, Grease | |
| 19 | 91514112 | 2 | Pivot Pin | |
| 20 | 70025561 | 1 | Kit, Shim | |
| 21 | 7028716 | 4 | Seal, Dust | |
| 23 | 7028714 | 2 | Bushing | |
| 24 | 91514095 | 2 | Bearing | |
| 25 | 7028715 | 2 | Pivot Pin | |
| 26 | 80204065 | 4 | Nut | |
| 27 | 91514117 | 4 | Bolt | |
| 28 | N.S.S. | 1 | Case, Steering | |
| 29 | N.S.S. | 1 | Case, Steering | |
| 30 | 70028388 | 2 | Plug | |
| 31 | 70028389 | 2 | Plug | |
| 33 | 70026002 | 2 | Seal | |
| 34 | 80204076 | 4 | Bearing, Taper Roller | |
| 35 | 91514174 | 2 | Hub, Wheel | |
| 36 | 91514175 | 2 | Circlip | |
| 37 | 70024147 | 2 | Gear, Ring | |
| 38 | 91514177 | 2 | Support, Ring Gear | |
| 39 | 91514178 | 2 | Plate, Locking | |
| 40 | 91514184 | 3 | Snap Ring | |
| 41 | 91514185 | 6 | Gear, Planet | |
| 42 | 91514186 | 6 | Bearing | |
| 43 | 7026731 | 1 | Carrier, Planetary Gear | |
| 45 | 70028387 | 2 | Plug | |
| 46 | 91514189 | 4 | Bolt, Countersunk | |
| 47 | 91514179 | 16 | Nut | |
| 48 | 91514180 | 16 | Stud | |
| 49 | 91514181 | 2 | O-Ring | |
| 51 | 91514183 | 20 | Wheel Stud | |
| 52 | 7029733 | 2 | Carrier, Planet Gear (includes items 40 thru 43) | |
| 62 | 70026239 | 1 | Steering Case (includes items 15 & 28) | |
| 63 | 70026240 | 1 | Case, Steering (includes items 15 & 29) | |
| 64 | 7028733 | 4 | Bolt, Steering Adjust | |
| 66 | 70024146 | 2 | Support, Ring Gear (includes items 36 thru 38) | |
| 69 | 80204012 | 2 | Plug | |

SECTION 5 - DRIVE TRAIN

| ITEM | PART NUMBER | QTY | DESCRIPTION | REV |
|------|-------------|-----|-------------|-----|
| 73 | 70028392 | 2 | Cover | |

SECTION 5 - DRIVE TRAIN

FIGURE 5-94. REAR AXLE, BRAKES 74HP (943)



ART_1005207790_4-A

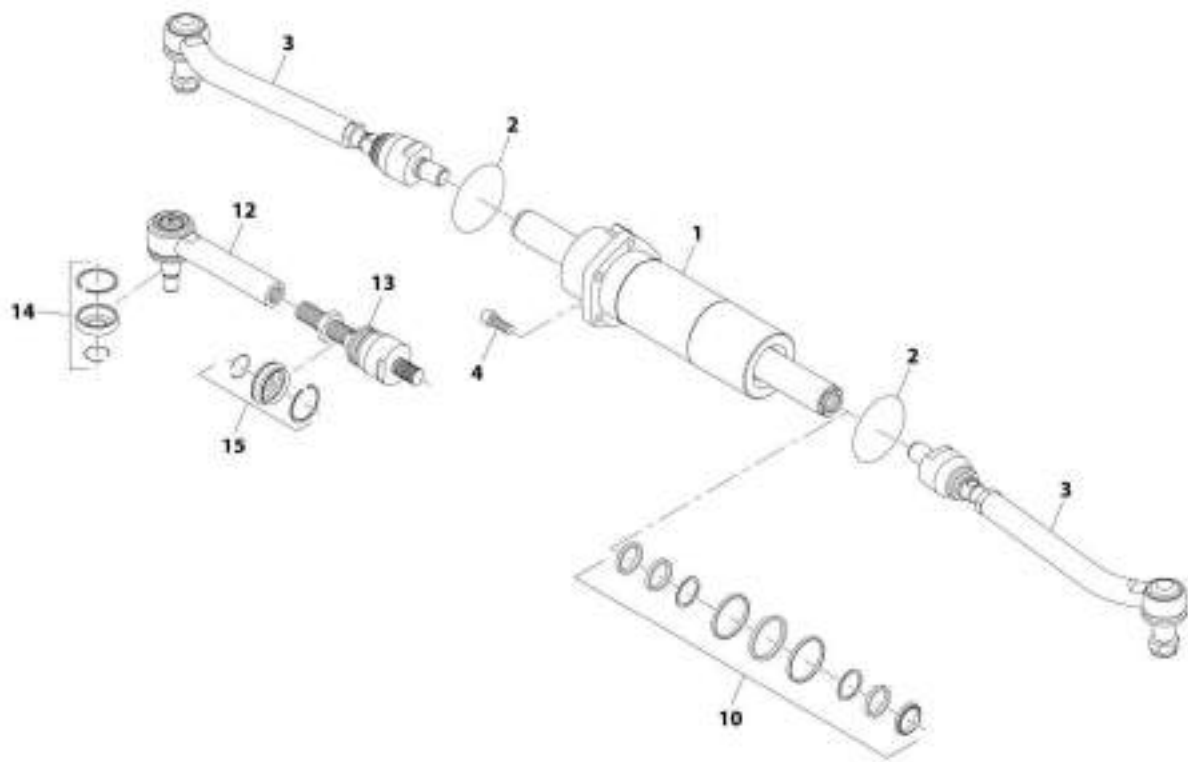
SECTION 5 - DRIVE TRAIN

FIGURE 5-94. REAR AXLE, BRAKES 74HP (943)

| ITEM | PART NUMBER | QTY | DESCRIPTION | REV |
|------|-------------|-----|--------------------------|-----|
| 1 | 70026747 | 2 | Seal | |
| 3 | 70026748 | 2 | Seal | |
| 5 | 70024216 | 2 | Piston | |
| 6 | 70027317 | 6 | Spring | |
| 7 | 7029785 | 6 | Bolt, Adjusting | |
| 8 | 91514159 | 6 | Spring | |
| 9 | 70024210 | 6 | Bolt, Adjusting | |
| 10 | 70027022 | 6 | Disc, Intermediate Brake | |
| 11 | 7029735 | 6 | Disc, Brake | |
| 12 | 7029734 | 2 | Bushing, Reduction | |
| 13 | 70021606 | 2 | Spacer | |
| 14 | 80204281 | 2 | Bolt, Bleeding | |
| 15 | 80204117 | 2 | Plug | |
| 16 | 91514154 | 2 | Bolt | |
| 18 | 70021613 | 2 | Bolt, Pilot | |

SECTION 5 - DRIVE TRAIN

FIGURE 5-95. REAR AXLE, STEERING 74HP (943)



ART,1005207700.5-A

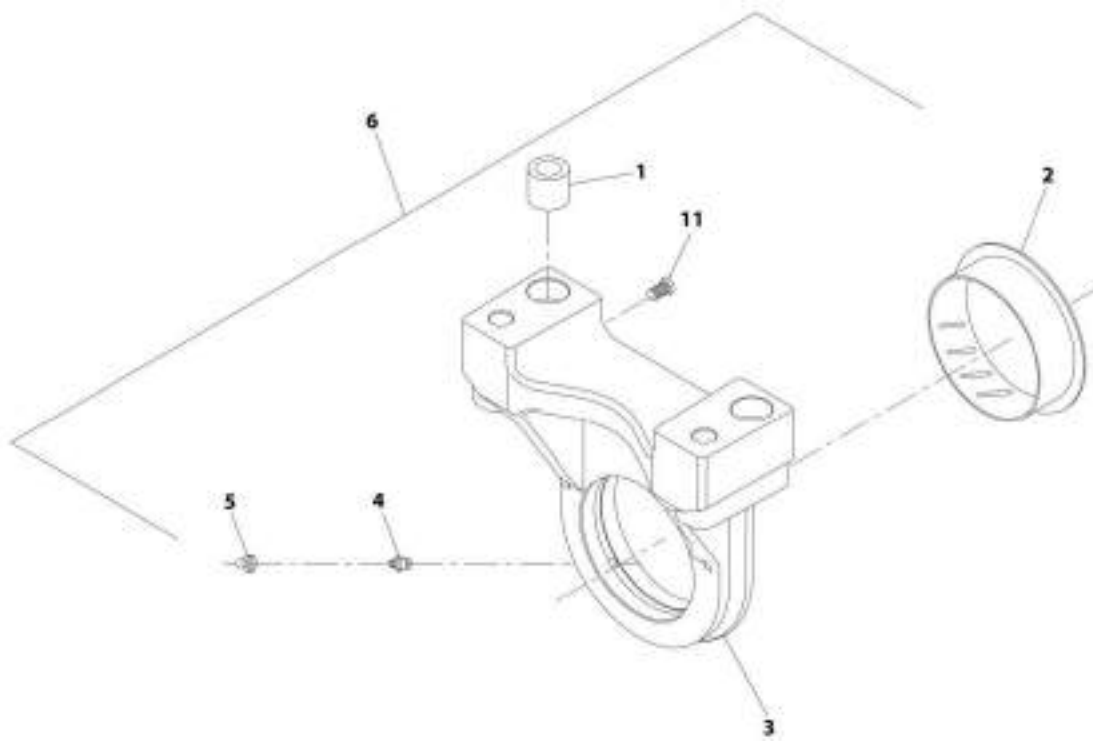
SECTION 5 - DRIVE TRAIN

FIGURE 5-95. REAR AXLE, STEERING 74HP (943)

| ITEM | PART NUMBER | QTY | DESCRIPTION | REV |
|------|-------------|-----|----------------------------------|-----|
| 1 | 7026490 | 1 | Cylinder | |
| 2 | 80204143 | 2 | O-Ring | |
| 3 | 70026753 | 2 | Tie Rod | |
| 3 | 70022773 | 2 | Nut | |
| 4 | 80204144 | 5 | Bolt | |
| 10 | 7029127 | 1 | Seal Kit | |
| 12 | 70028465 | 1 | Joint, 90 | |
| 13 | 70028466 | 1 | Axial Joint Shaft | |
| 14 | 70028467 | 1 | Rubber Boot and Locking Ring Kit | |
| 15 | 70028468 | 1 | Rubber Boot and Locking Ring Kit | |

SECTION 5 - DRIVE TRAIN

FIGURE 5-96. REAR AXLE, TRUNION 74HP (943)



AHT_9005207700_5-A

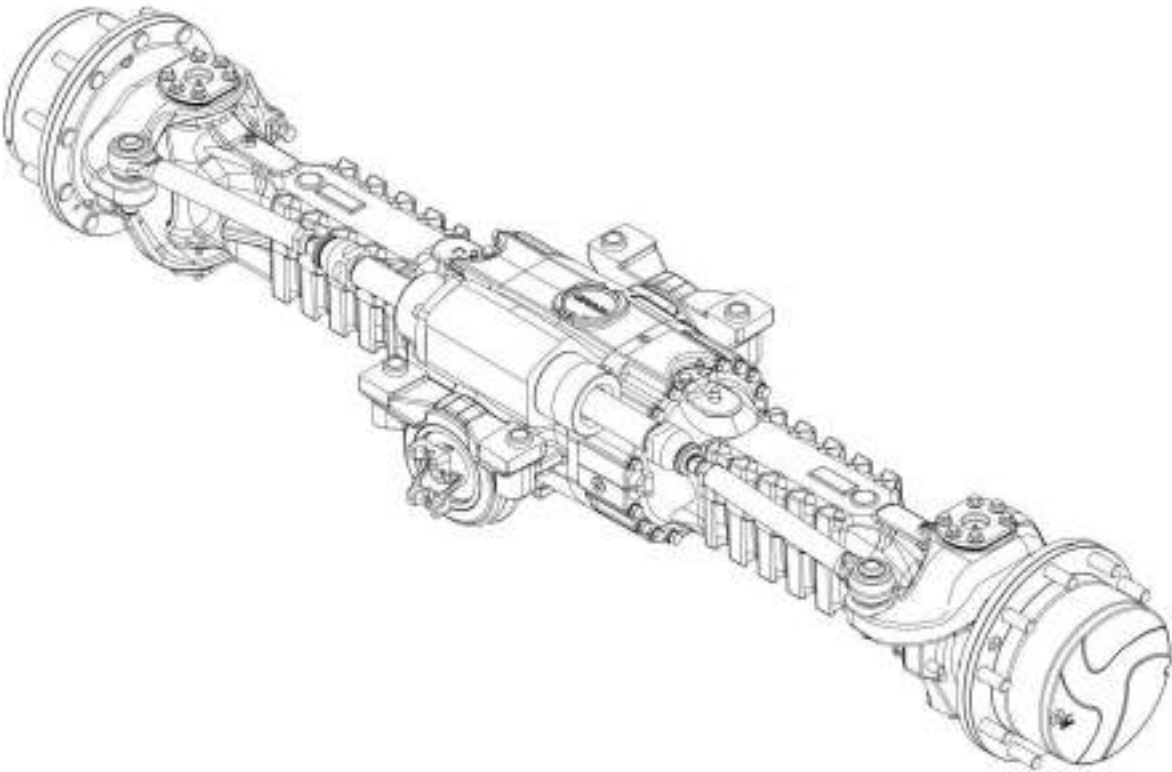
SECTION 5 - DRIVE TRAIN

FIGURE 5-96. REAR AXLE, TRUNION 74HP (943)

| ITEM | PART NUMBER | QTY | DESCRIPTION | REV |
|------|-------------|-----|---|-----|
| 1 | 7029290 | 4 | Bushing | |
| 2 | 91514090 | 2 | Bushing, Thrust | |
| 3 | N.S.S. | 2 | Support | |
| 4 | 70024881 | 2 | Fitting, Grease | |
| 5 | 80204117 | 2 | Plug | |
| 6 | 70026266 | 2 | Support Assembly ((includes items 1 thru 5) | |
| 11 | 70025884 | 2 | Bolt | |

SECTION 5 - DRIVE TRAIN

FIGURE 5-97. REAR AXLE (943, 1043)



ART_100185832-G

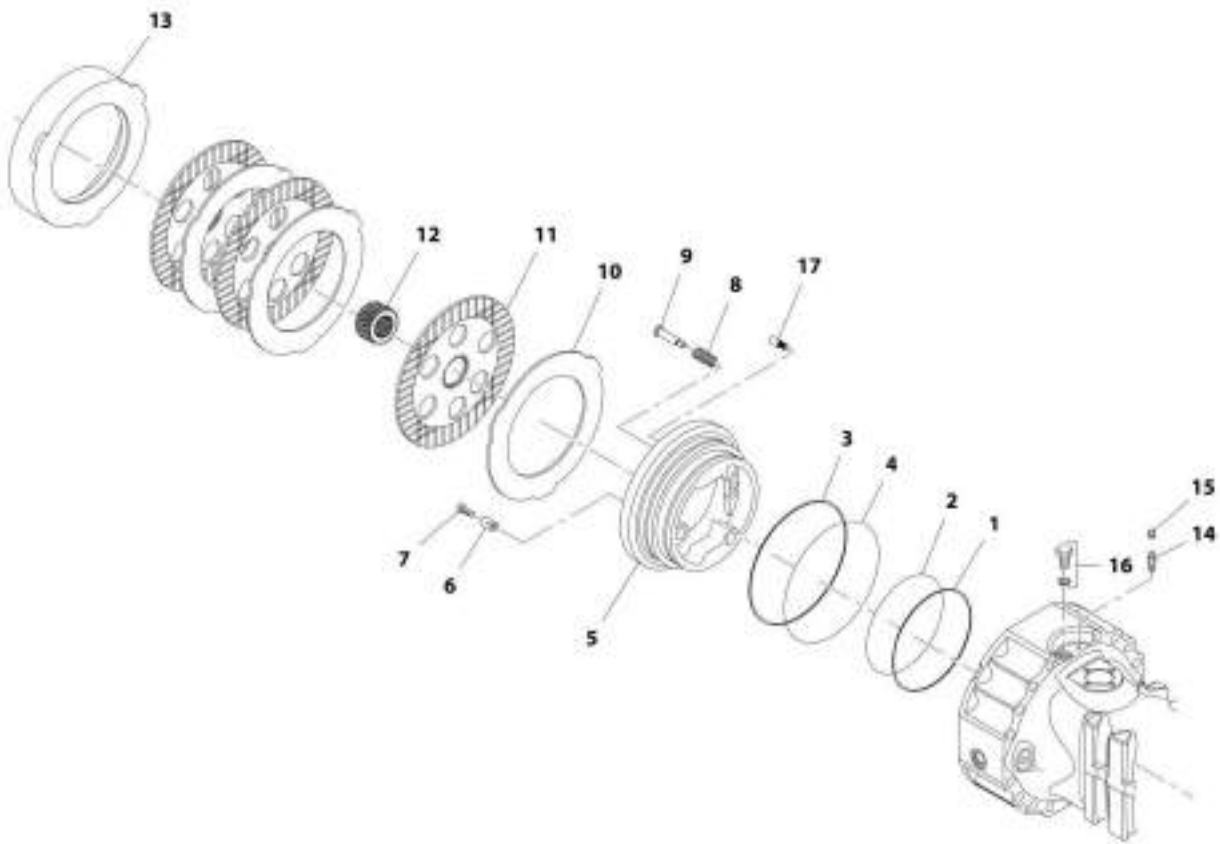
SECTION 5 - DRIVE TRAIN

FIGURE 5-97. REAR AXLE (943, 1043)

| ITEM | PART NUMBER | QTY | DESCRIPTION | REV |
|------|-------------|-----|--|-----|
| | 1001165832 | Ref | Rear Axle (943, 1043) | G |
| | | Ref | Rear Axle, Brakes (943, 1043) (See REAR AXLE, BRAKES (943, 1043) for Breakdown) | |
| | | Ref | Rear Axle, Central Housing (943, 1043) (See REAR AXLE, CENTRAL HOUSING (943, 1043) for Breakdown) | |
| | | Ref | Rear Axle, Differential (943, 1043) (See REAR AXLE, DIFFERENTIAL (943, 1043) for Breakdown) | |
| | | Ref | Rear Axle, Hub Reduction (943, 1043) (See REAR AXLE, HUB REDUCTION (943, 1043) for Breakdown) | |
| | | Ref | Rear Axle, Steering (943, 1043) (See REAR AXLE, STEERING (943, 1043) for Breakdown) | |
| | | Ref | Rear Axle, Trunion (943, 1043) (See REAR AXLE, TRUNION (943, 1043) for Breakdown) | |

SECTION 5 - DRIVE TRAIN

FIGURE 5-98. REAR AXLE, BRAKES (943, 1043)



ART_300165832_1-G

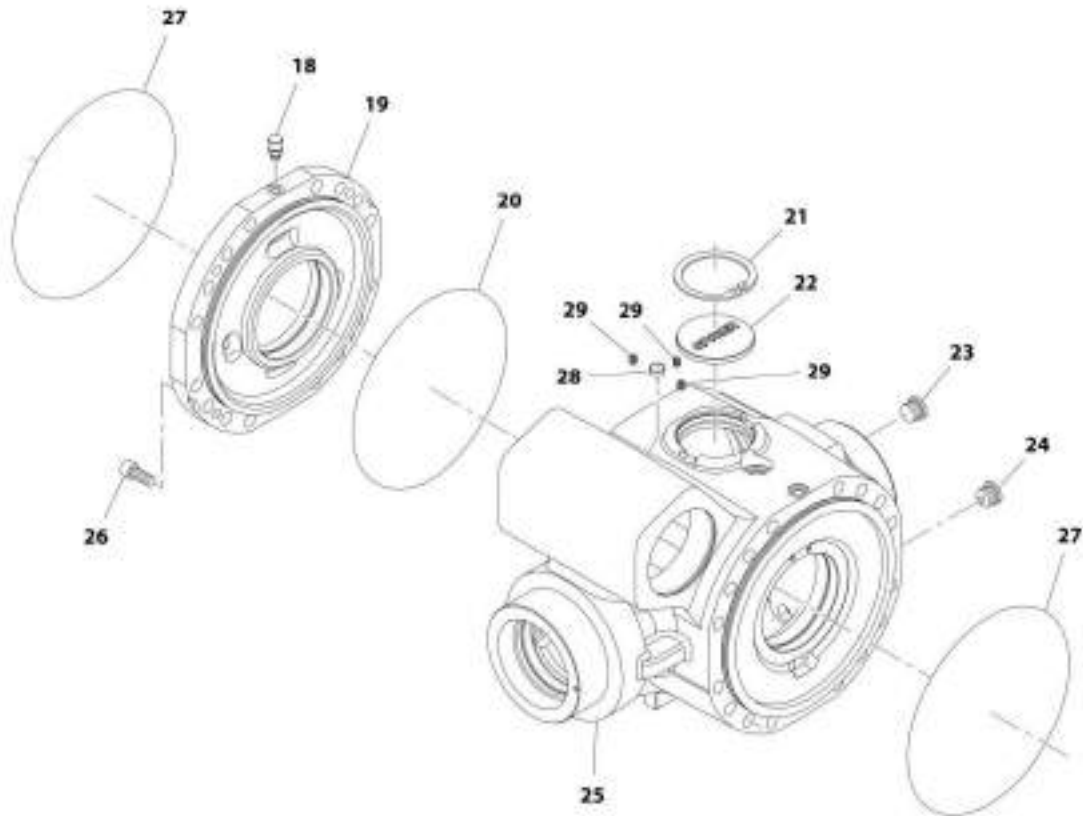
SECTION 5 - DRIVE TRAIN

FIGURE 5-98. REAR AXLE, BRAKES (943, 1043)

| ITEM | PART NUMBER | QTY | DESCRIPTION | REV |
|------|-------------|-----|--------------------------|-----|
| 1 | 70021609 | 2 | Ring, Back-Up | |
| 2 | 70021610 | 2 | O-Ring | |
| 3 | 70021612 | 2 | Ring, Back-Up | |
| 4 | 70021611 | 2 | O-Ring | |
| 5 | 70024216 | 2 | Piston | |
| 6 | 91514165 | 6 | Spring | |
| 7 | 70021607 | 6 | Bolt, Adjusting | |
| 8 | 91514159 | 6 | Spring | |
| 9 | 70024210 | 6 | Bolt, Adjusting | |
| 10 | 91514161 | 6 | Disc, Intermediate Brake | |
| 11 | 7029735 | 6 | Disk, Brake | |
| 12 | 7029734 | 2 | Bushing, Reduction | |
| 13 | 70021606 | 2 | Spacer | |
| 14 | 80204281 | 2 | Bolt, Bleeding | |
| 15 | 80204117 | 2 | Plug | |
| 16 | 91514154 | 2 | Bolt | |
| 17 | 70021613 | 2 | Bolt, Pilot | |

SECTION 5 - DRIVE TRAIN

FIGURE 5-99. REAR AXLE, CENTRAL HOUSING (943, 1043)



MTT_190185832_2-G

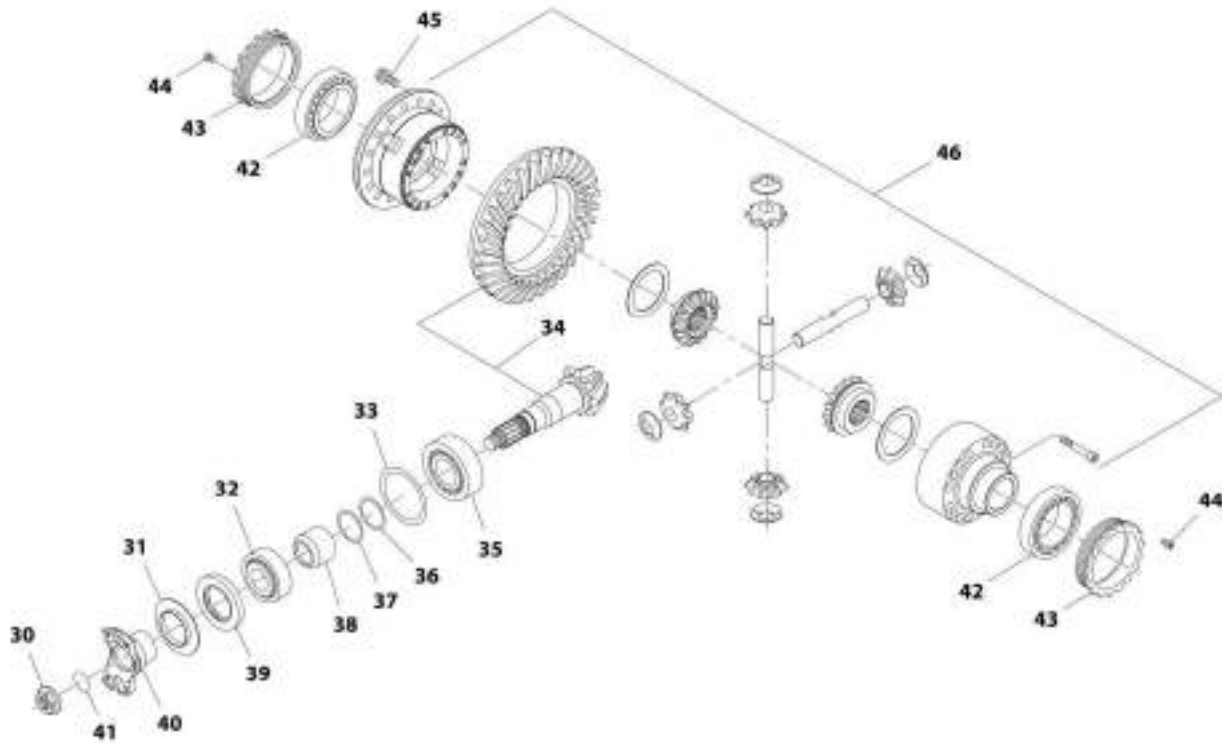
SECTION 5 - DRIVE TRAIN

FIGURE 5-99. REAR AXLE, CENTRAL HOUSING (943, 1043)

| ITEM | PART NUMBER | QTY | DESCRIPTION | REV |
|------|-------------|-----|---------------------|-----|
| 18 | 91474512 | 1 | Vent | |
| 19 | 7029288 | 1 | Cover, Intermediate | |
| 20 | 80204002 | 1 | O-Ring | |
| 21 | 80204005 | 1 | Circlip | |
| 22 | 91514098 | 1 | Plug | |
| 23 | 91514087 | 1 | Plug | |
| 24 | 70021177 | 1 | Plug | |
| 25 | 70025335 | 1 | Housing | |
| 26 | 91514101 | 4 | Bolt | |
| 27 | 91514089 | 2 | O-Ring | |
| 28 | 7029307 | 1 | Plug | |
| 29 | 8008175 | 3 | Bolt | |

SECTION 5 - DRIVE TRAIN

FIGURE 5-100. REAR AXLE, DIFFERENTIAL (943, 1043)



AWT_100116M52_3-0

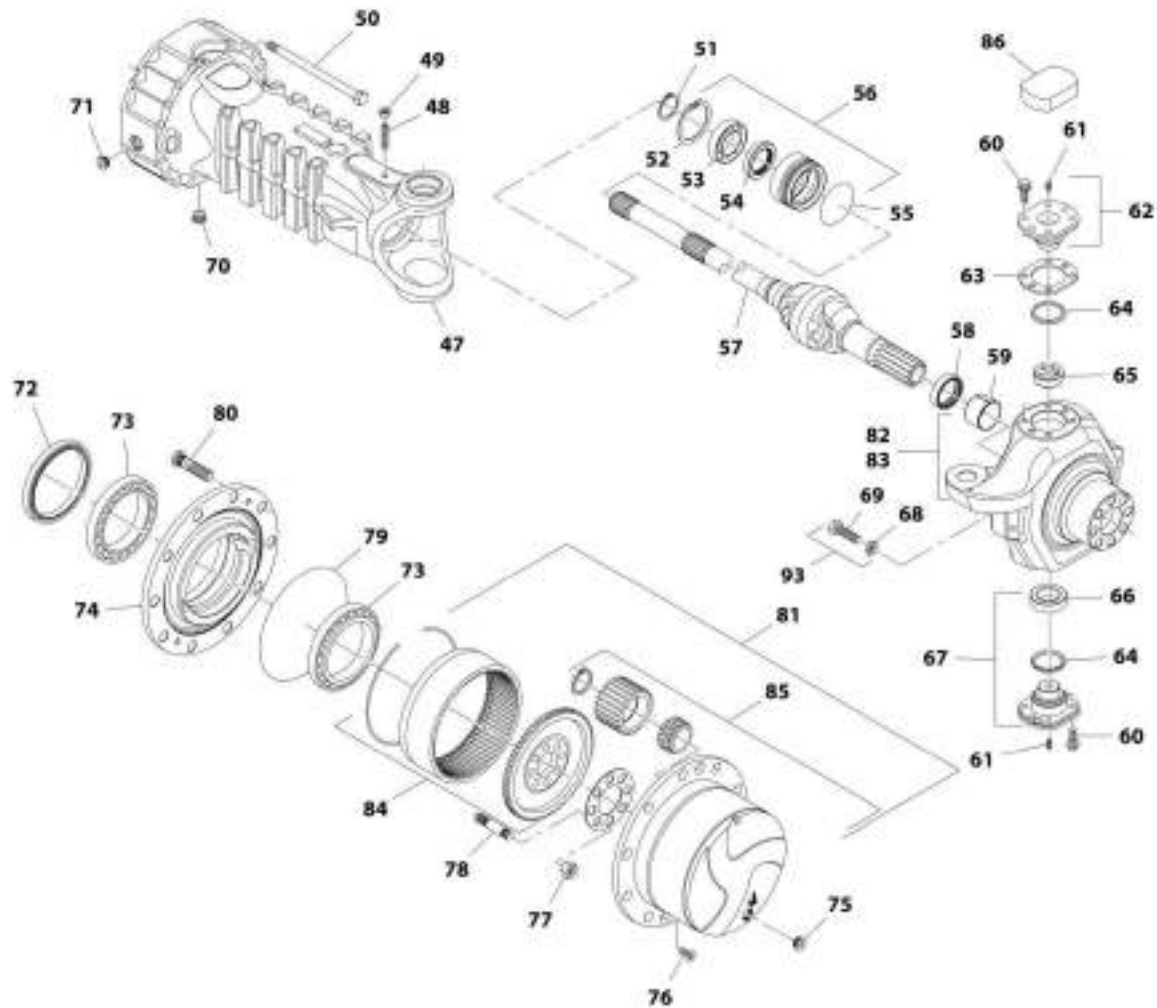
SECTION 5 - DRIVE TRAIN

FIGURE 5-100. REAR AXLE, DIFFERENTIAL (943, 1043)

| ITEM | PART NUMBER | QTY | DESCRIPTION | REV |
|------|-------------|-----|--|-----|
| 30 | 80204043 | 1 | Nut | |
| 31 | 91514130 | 1 | Plate, Cover | |
| 32 | 80204048 | 1 | Bearing, Taper Roller | |
| 33 | 70023469 | 1 | Shim | |
| 34 | 70026632 | 1 | Gear, Bevel Set | |
| 35 | 80204035 | 1 | Bearing, Taper Roller | |
| 36 | 70026438 | 1 | Kit, Shim | |
| 37 | 70026439 | 1 | Kit, Shim | |
| 38 | 70022140 | 1 | Spacer | |
| 39 | 70025887 | 1 | Seal | |
| 40 | 91514131 | 1 | Flange | |
| 41 | 10725554 | 1 | O-Ring | |
| 42 | 80204033 | 2 | Bearing, Taper Roller | |
| 43 | 91514133 | 2 | Nut, Ring | |
| 44 | 91514134 | 2 | Bolt | |
| 45 | 91514123 | 16 | Bolt | |
| 46 | 70026030 | 1 | Kit, Differential (943, 1043) (See DIFFERENTIAL KIT (943, 1043) for Breakdown) | |

SECTION 5 - DRIVE TRAIN

FIGURE 5-101. REAR AXLE, HUB REDUCTION (943, 1043)



ART_1801165832_4-0

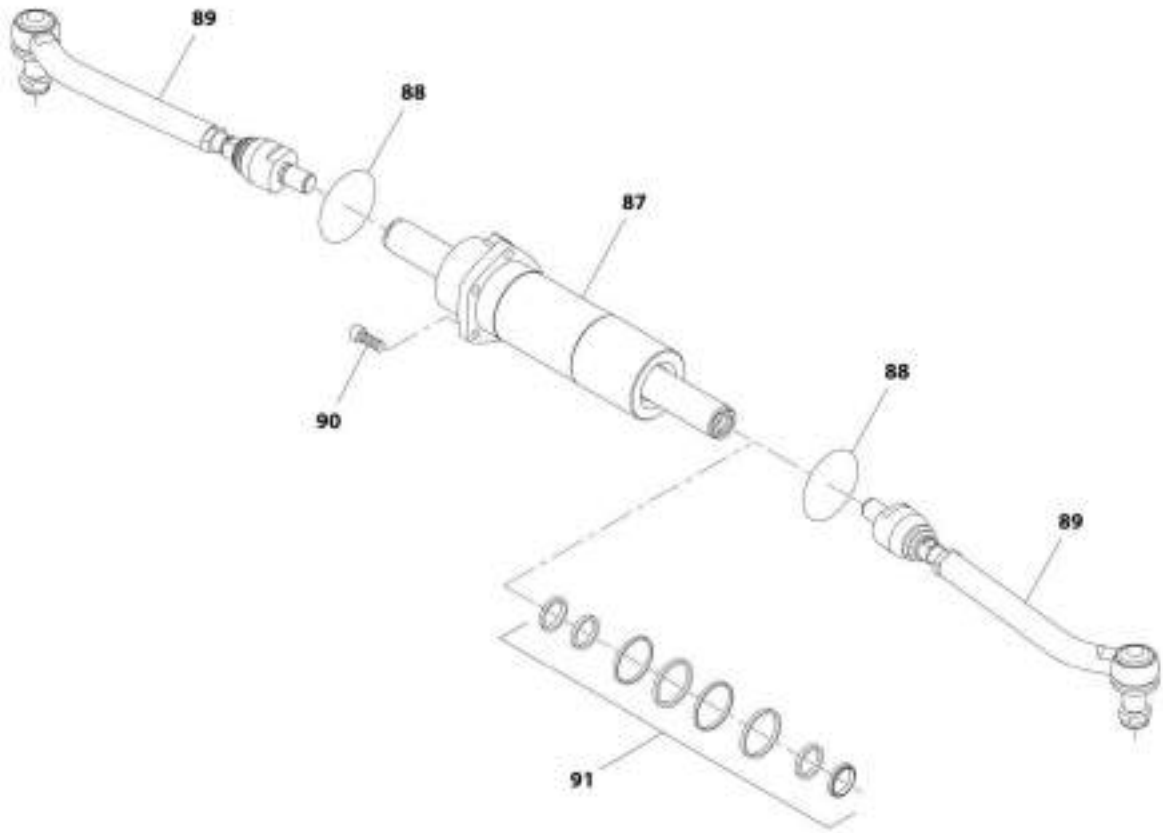
SECTION 5 - DRIVE TRAIN

FIGURE 5-101. REAR AXLE, HUB REDUCTION (943, 1043)

| ITEM | PART NUMBER | QTY | DESCRIPTION | REV |
|------|-------------|-----|--|-----|
| 47 | 70025980 | 2 | Case, Axle | |
| 48 | 91514081 | 2 | Bolt | |
| 49 | 91514082 | 2 | Nut | |
| 50 | 70022814 | 32 | Bolt | |
| 51 | 80204071 | 2 | Circlip | |
| 52 | 80204005 | 2 | Circlip | |
| 53 | 91514146 | 2 | Ball Bearing | |
| 54 | 91514147 | 2 | Seal | |
| 55 | 91514148 | 2 | O-Ring | |
| 56 | 91514149 | 2 | Bushing, Reduction | |
| 57 | 70025855 | 2 | Joint, Double Universal | |
| 58 | 70026238 | 2 | Seal | |
| 59 | 91514111 | 2 | Bushing, Thrust | |
| 60 | 91514123 | 24 | Bolt | |
| 61 | 91514099 | 4 | Fitting, Grease | |
| 62 | 91514112 | 2 | Pin, Pivot | |
| 63 | 70025561 | 1 | Kit, Shim | |
| 64 | 7028716 | 4 | Seal, Dust | |
| 65 | 7028714 | 2 | Bushing | |
| 66 | 91514095 | 2 | Bearing | |
| 67 | 7028715 | 2 | Pin, Pivot | |
| 68 | 80204065 | 4 | Nut | |
| 69 | 91514117 | 4 | Bolt | |
| 70 | 70021177 | 2 | Plug | |
| 71 | 91514087 | 2 | Plug | |
| 72 | 7029300 | 2 | Seal | |
| 73 | 80204076 | 4 | Bearing, Taper Roller | |
| 74 | 91514174 | 2 | Hub, Wheel | |
| 75 | 91514188 | 2 | Plug | |
| 76 | 91514189 | 4 | Bolt, Countersunk | |
| 77 | 91514179 | 16 | Nut | |
| 78 | 91514180 | 16 | Stud | |
| 79 | 91514181 | 2 | O-Ring | |
| 80 | 91514183 | 20 | Stud, Wheel | |
| 81 | 70025972 | 2 | Carrier, Planet Gear (943, 1043) (See PLANET GEAR CARRIER (943, 1043) for Breakdown) | |
| 82 | 70026239 | 1 | Case, Steering | |
| 83 | 70026240 | 1 | Case, Steering | |
| 93 | 7028733 | 4 | Bolt, Steering Adjust (943, 1043) (includes items 68 & 69) | |
| 84 | 70024146 | 2 | Support, Ring Gear (943, 1043) (See RING GEAR SUPPORT (943, 1043) for Breakdown) | |
| 85 | 7029733 | 2 | Carrier, Planet Gear (943, 1043) (See PLANET GEAR CARRIER (943, 1043) for Breakdown) | |
| 86 | 91474524 | 2 | Cover | |

SECTION 5 - DRIVE TRAIN

FIGURE 5-102. REAR AXLE, STEERING (943, 1043)



ART_1001105832_3-0

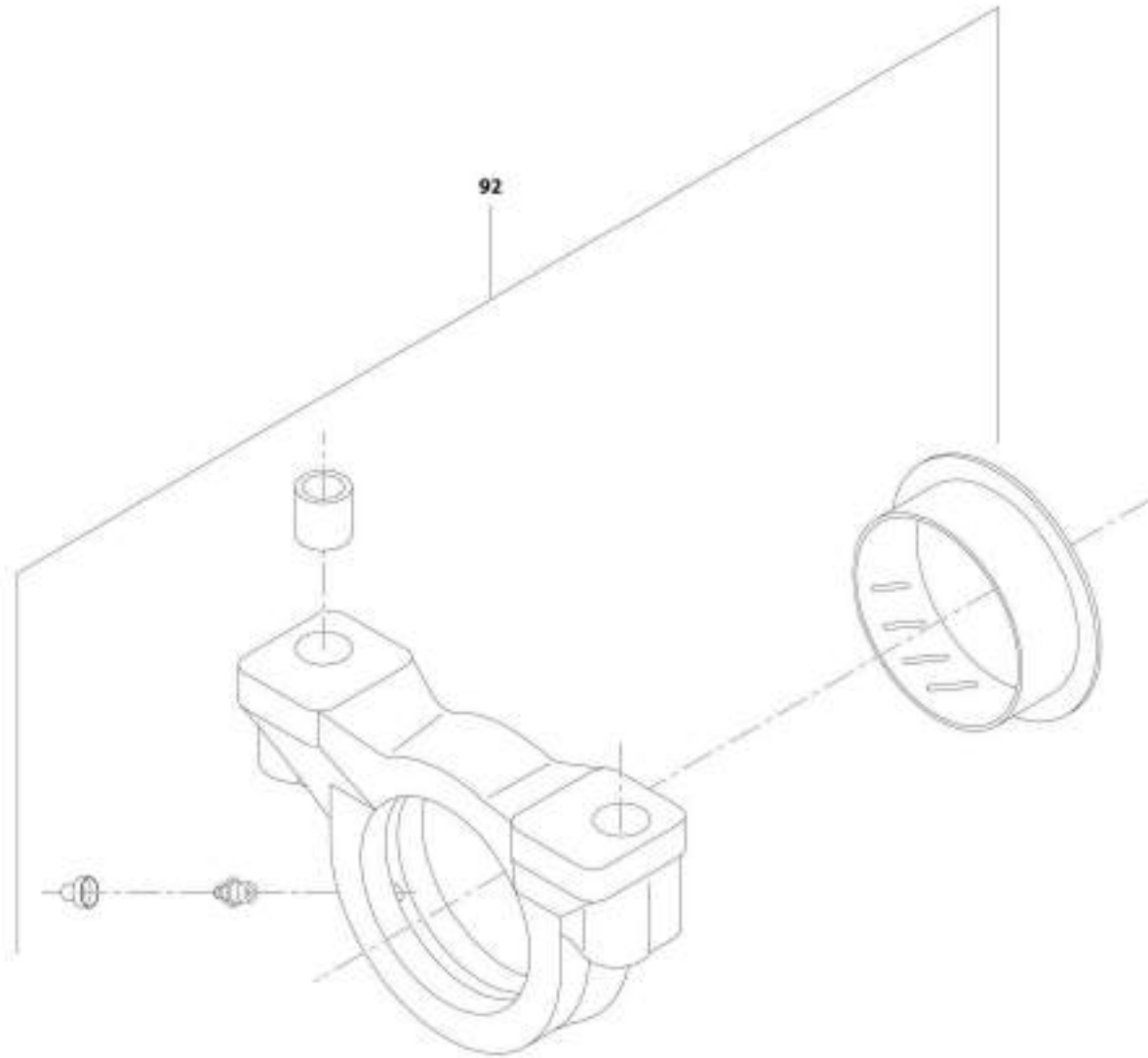
SECTION 5 - DRIVE TRAIN

FIGURE 5-102. REAR AXLE, STEERING (943, 1043)

| ITEM | PART NUMBER | QTY | DESCRIPTION | REV |
|------|-------------|-----|-------------|-----|
| 87 | 7026490 | 1 | Cylinder | |
| 88 | 80204143 | 2 | O-Ring | |
| 89 | 70021614 | 2 | Bar | |
| 90 | 80204144 | 5 | Bolt | |
| 91 | 7029127 | 1 | Kit, Seal | |

SECTION 5 - DRIVE TRAIN

FIGURE 5-103. REAR AXLE, TRUNION (943, 1043)



ART. 100165832_8-G

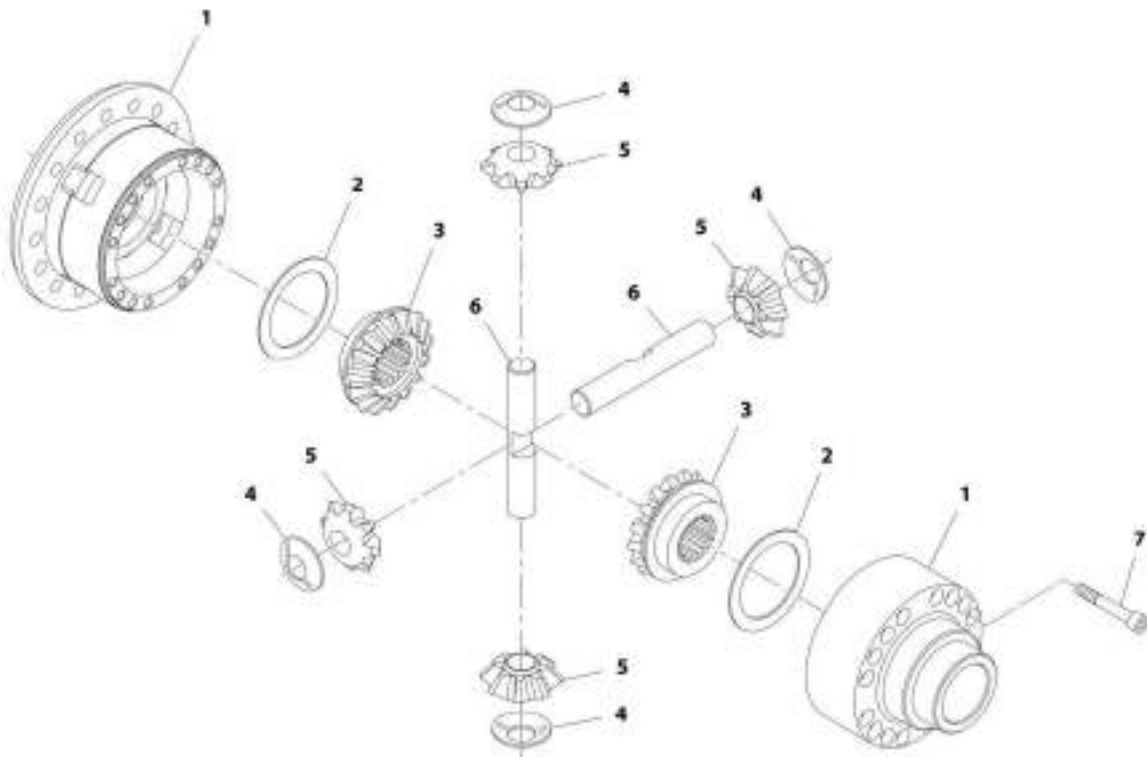
SECTION 5 - DRIVE TRAIN

FIGURE 5-103. REAR AXLE, TRUNION (943, 1043)

| ITEM | PART NUMBER | QTY | DESCRIPTION | REV |
|------|-------------|-----|---|-----|
| 92 | 70026266 | 2 | Support (943, 1043) (See SUPPORT (943, 1043) for Breakdown) | |

SECTION 5 - DRIVE TRAIN

FIGURE 5-104. REAR AXLE, DIFFERENTIAL KIT (943, 1043)



WRT_100165832_7-G

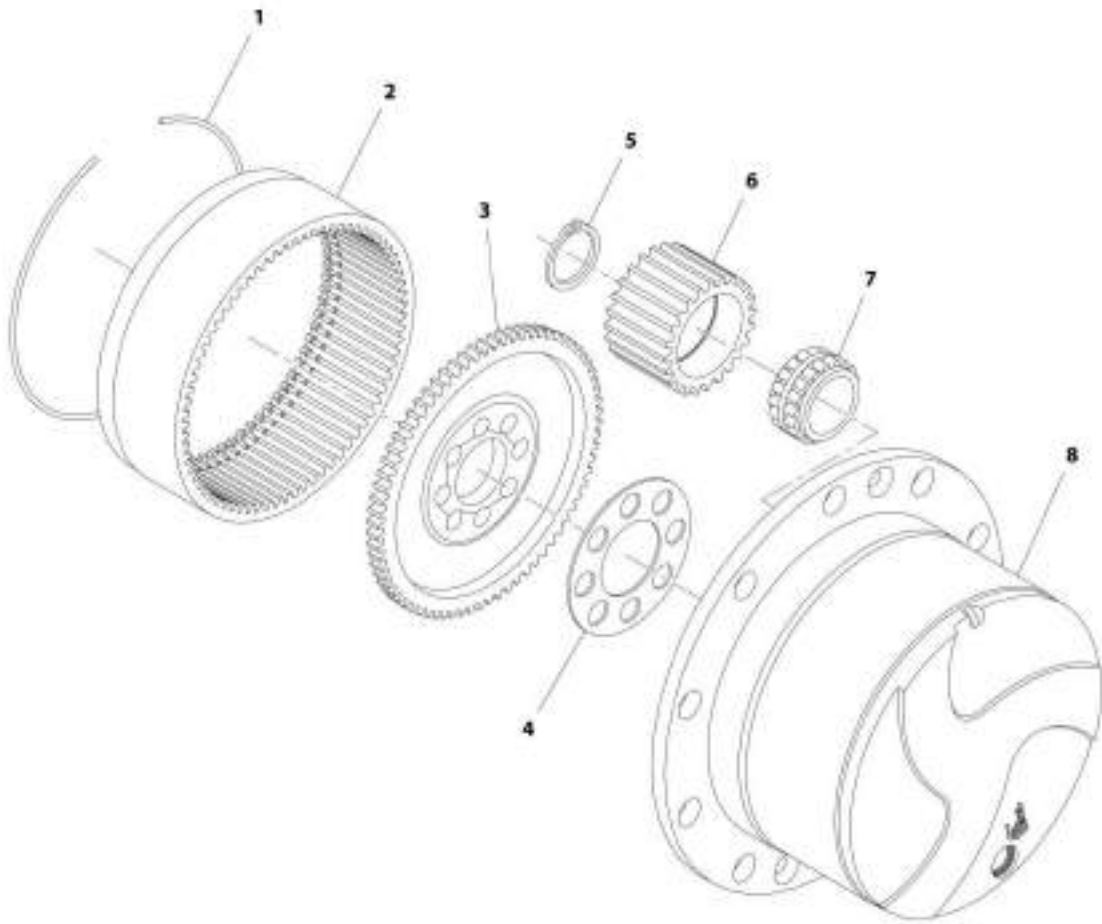
SECTION 5 - DRIVE TRAIN

FIGURE 5-104. REAR AXLE, DIFFERENTIAL KIT (943, 1043)

| ITEM | PART NUMBER | QTY | DESCRIPTION | REV |
|------|-------------|-----|------------------------------|-----|
| | 70026030 | Ref | Differential Kit (943, 1043) | |
| 1 | 70025337 | 1 | Carrier, Differential | |
| 2 | 70023493 | 2 | Washer, Friction | |
| 3 | 70025338 | 2 | Gear, Differential Side | |
| 4 | 70023491 | 4 | Washer, Friction | |
| 5 | 70025339 | 4 | Pinion, Differential | |
| 6 | 70023490 | 2 | Shaft, Differential | |
| 7 | 70023489 | 15 | Bolt | |

SECTION 5 - DRIVE TRAIN

FIGURE 5-105. REAR AXLE, PLANET GEAR CARRIER (943, 1043)



AIT_1001102832_8-G

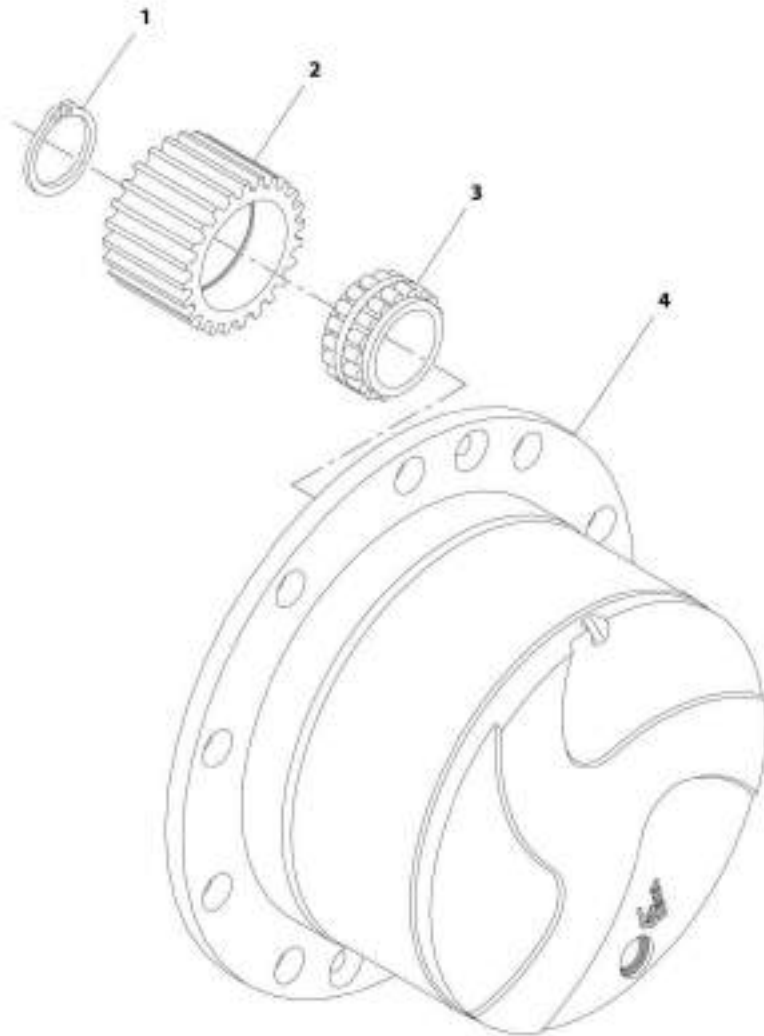
SECTION 5 - DRIVE TRAIN

FIGURE 5-105. REAR AXLE, PLANET GEAR CARRIER (943, 1043)

| ITEM | PART NUMBER | QTY | DESCRIPTION | REV |
|------|-------------|-----|---------------------------------|-----|
| | 70025972 | Ref | Planet Gear Carrier (943, 1043) | |
| 1 | 91514175 | 1 | Circlip | |
| 2 | 70024147 | 1 | Gear, Ring | |
| 3 | 91514177 | 1 | Support, Ring Gear | |
| 4 | 91514178 | 1 | Plate, Locking | |
| 5 | 91514184 | 3 | Circlip | |
| 6 | 91514185 | 3 | Gear, Planet | |
| 7 | 91514186 | 3 | Bearing | |
| 8 | 7026731 | 1 | Carrier, Planetary Gear | |

SECTION 5 - DRIVE TRAIN

FIGURE 5-106. REAR AXLE, PLANET GEAR CARRIER (943, 1043)



ART_1001165832_9-G

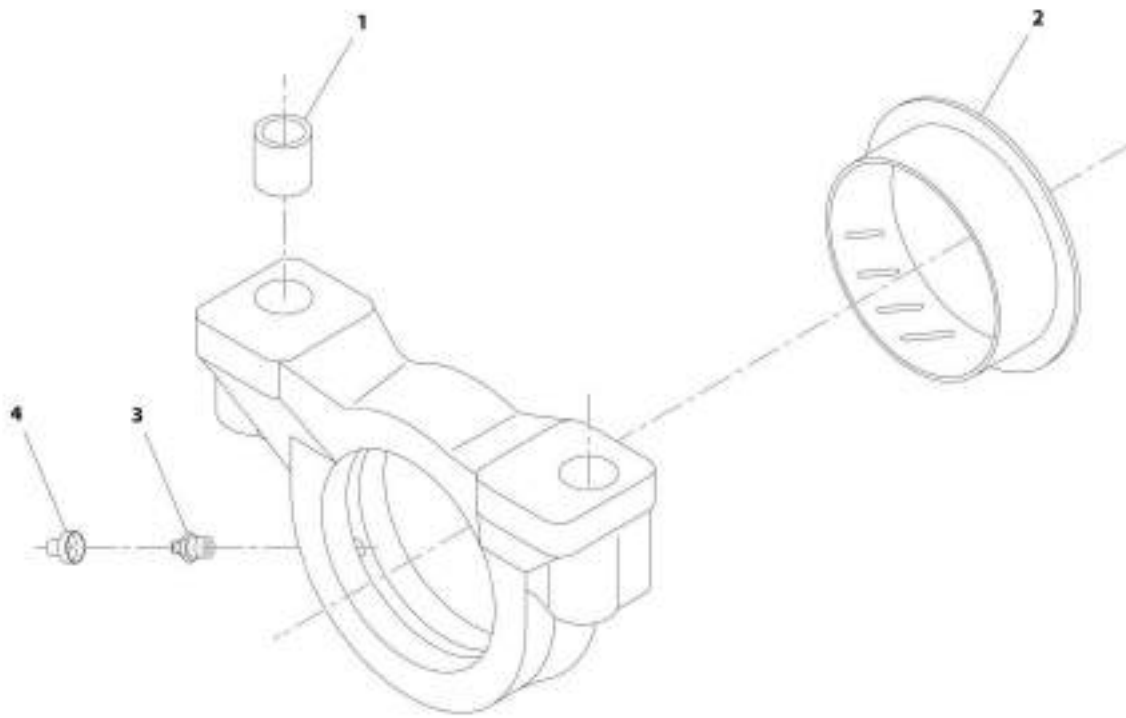
SECTION 5 - DRIVE TRAIN

FIGURE 5-106. REAR AXLE, PLANET GEAR CARRIER (943, 1043)

| ITEM | PART NUMBER | QTY | DESCRIPTION | REV |
|------|-------------|-----|---------------------------------|-----|
| | 7029733 | Ref | Planet Gear Carrier (943, 1043) | |
| 1 | 91514184 | 3 | Circlip | |
| 2 | 91514185 | 3 | Gear, Planet | |
| 3 | 91514186 | 3 | Bearing | |
| 4 | 7026731 | 1 | Carrier, Planet Gear | |

SECTION 5 - DRIVE TRAIN

FIGURE 5-107. REAR AXLE, SUPPORT (943, 1043)



ART_1061165832_10-G

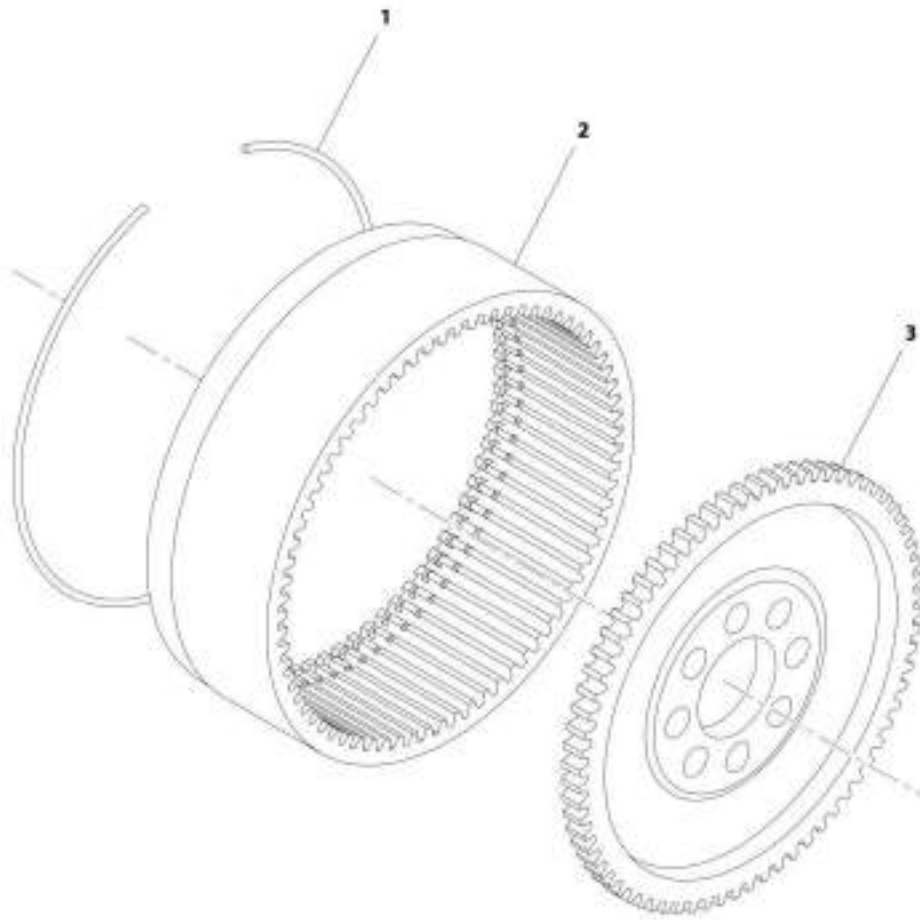
SECTION 5 - DRIVE TRAIN

FIGURE 5-107. REAR AXLE, SUPPORT (943, 1043)

| ITEM | PART NUMBER | QTY | DESCRIPTION | REV |
|------|-------------|-----|---------------------|-----|
| | 70026266 | Ref | Support (943, 1043) | |
| 1 | 7029290 | 2 | Bushing | |
| 2 | 91514090 | 1 | Bushing, Thrust | |
| 3 | 91514099 | 1 | Fitting, Grease | |
| 4 | 80204117 | 1 | Plug | |

SECTION 5 - DRIVE TRAIN

FIGURE 5-108. REAR AXLE, RING GEAR SUPPORT (943, 1043)



ART_10810882_11-G

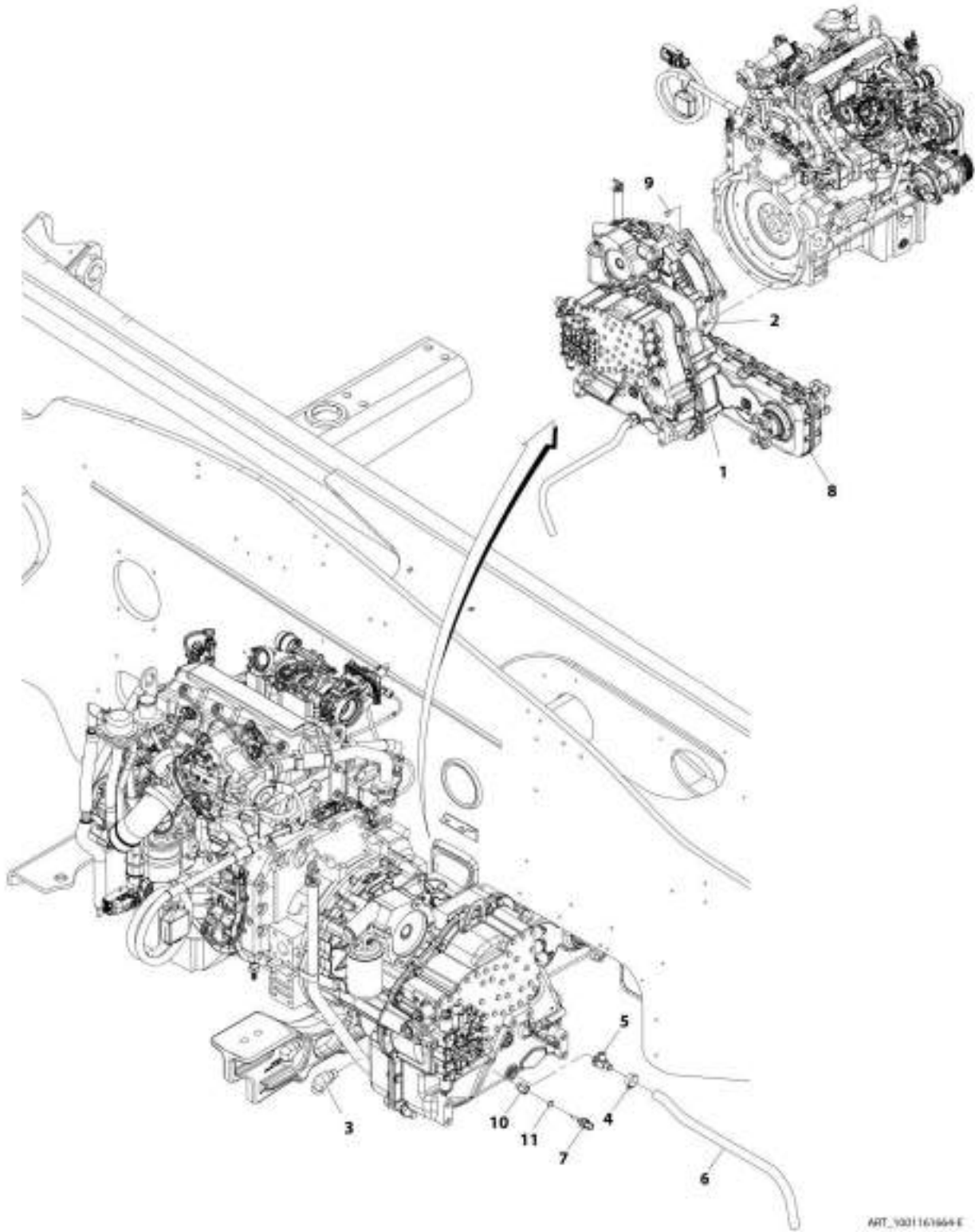
SECTION 5 - DRIVE TRAIN

FIGURE 5-108. REAR AXLE, RING GEAR SUPPORT (943, 1043)

| ITEM | PART NUMBER | QTY | DESCRIPTION | REV |
|------|-------------|-----|-------------------------------|-----|
| | 70024146 | Ref | Ring Gear Support (943, 1043) | |
| 1 | 91514175 | 1 | Circlip | |
| 2 | 70024147 | 1 | Gear, Ring | |
| 3 | 91514177 | 1 | Support, Ring Gear | |

SECTION 5 - DRIVE TRAIN

FIGURE 5-109. TRANSMISSION INSTALLATION, (LS)



ART_1001161864-E

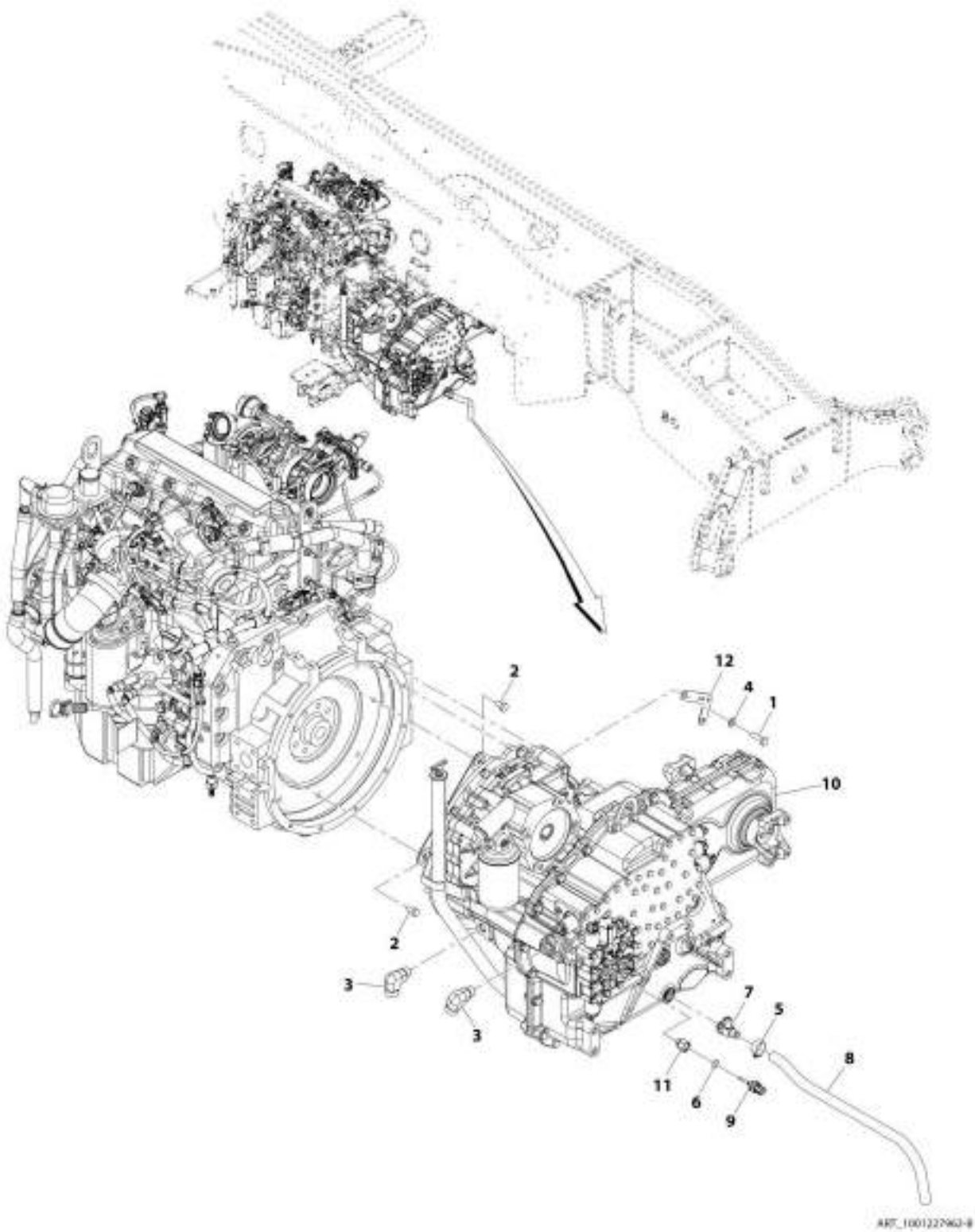
SECTION 5 - DRIVE TRAIN

FIGURE 5-109. TRANSMISSION INSTALLATION, (LS)

| ITEM | PART NUMBER | QTY | DESCRIPTION | REV |
|------|-------------|-----|--|-----|
| | 1001161664 | Ref | Transmission Installation | E |
| 1 | 0711015 | 12 | Screw, M10X35 | |
| 2 | 4812000 | 12 | Washer, M10 | |
| 3 | 2131210 | 2 | Fitting, 90 ORFS | |
| 4 | 8405007 | 1 | Clamp, Hose | |
| 5 | 1001097053 | 1 | Valve, Oil Drain | |
| 6 | 1001186225 | 1 | Hose, Drain | |
| 7 | 1001147072 | 1 | Switch, Oil Temperature (Prior to SN 0160080782) | |
| 7 | 1001128478 | 1 | Switch, Oil Temperature (SN 0160080782 to Present) | |
| 8 | 1001170171 | 1 | Transmission, Powershift (See POWERSHIFT TRANSMISSION for Breakdown) | |
| 9 | 0761010 | 4 | Screw, M10X20 | |
| 10 | 1001220760 | 1 | Adapter (SN 0160080782 to Present) | |
| 11 | 1001009163 | 1 | Seal (SN 0160080782 to Present) | |

SECTION 5 - DRIVE TRAIN

FIGURE 5-110. TRANSMISSION INSTALLATION, (ULS)



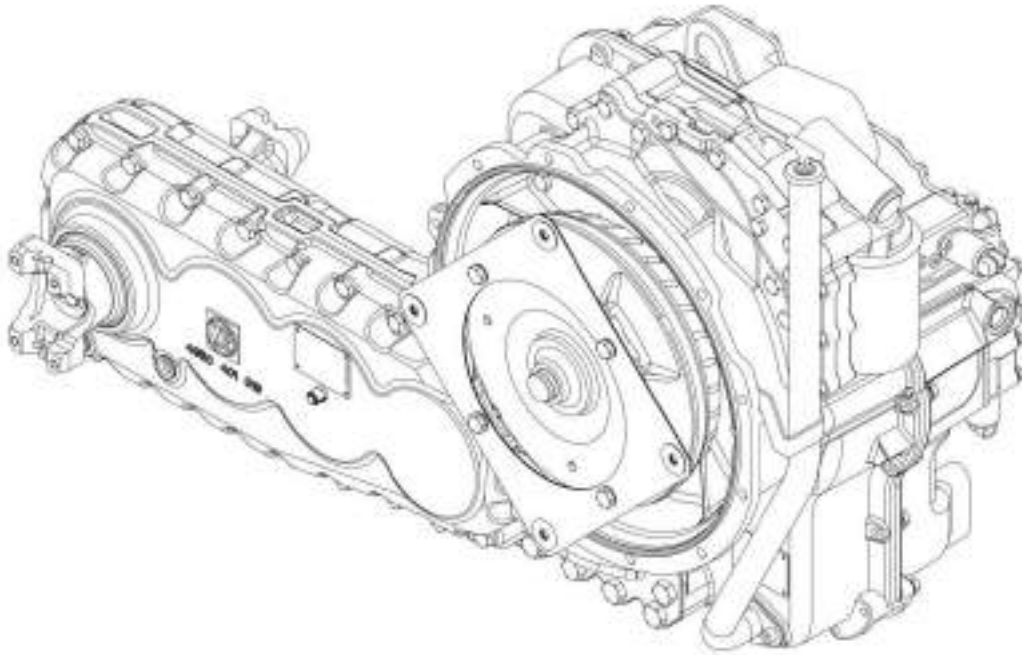
SECTION 5 - DRIVE TRAIN

FIGURE 5-110. TRANSMISSION INSTALLATION, (ULS)

| ITEM | PART NUMBER | QTY | DESCRIPTION | REV |
|------|-------------|-----|---|-----|
| | 1001227962 | Ref | Transmission Installation, 74HP (ULS) (742, 943) | B |
| 1 | 0711015 | 12 | Screw, M10X35 | |
| 2 | 0761010 | 4 | Screw, M10X20 | |
| 3 | 2131210 | 2 | Fitting, 90 ORFS | |
| 4 | 4812000 | 12 | Washer, M10 | |
| 5 | 8405007 | 1 | Clamp, Hose | |
| 6 | 1001009163 | 1 | Seal | |
| 7 | 1001097053 | 1 | Valve, Oil Drain | |
| 8 | 1001186225 | 1 | Hose, Drain | |
| 9 | 1001128478 | 1 | Sensor | |
| 10 | 1001170171 | 1 | Transmission, Powershift (See Separate Breakdown in this Section) | |
| 11 | 1001220760 | 1 | Adapter | |
| 12 | 1001227286 | 2 | Bracket | |

SECTION 5 - DRIVE TRAIN

FIGURE 5-111. POWERSHIFT TRANSMISSION



ARE_108170179_1-C

SECTION 5 - DRIVE TRAIN

FIGURE 5-111. POWERSHIFT TRANSMISSION

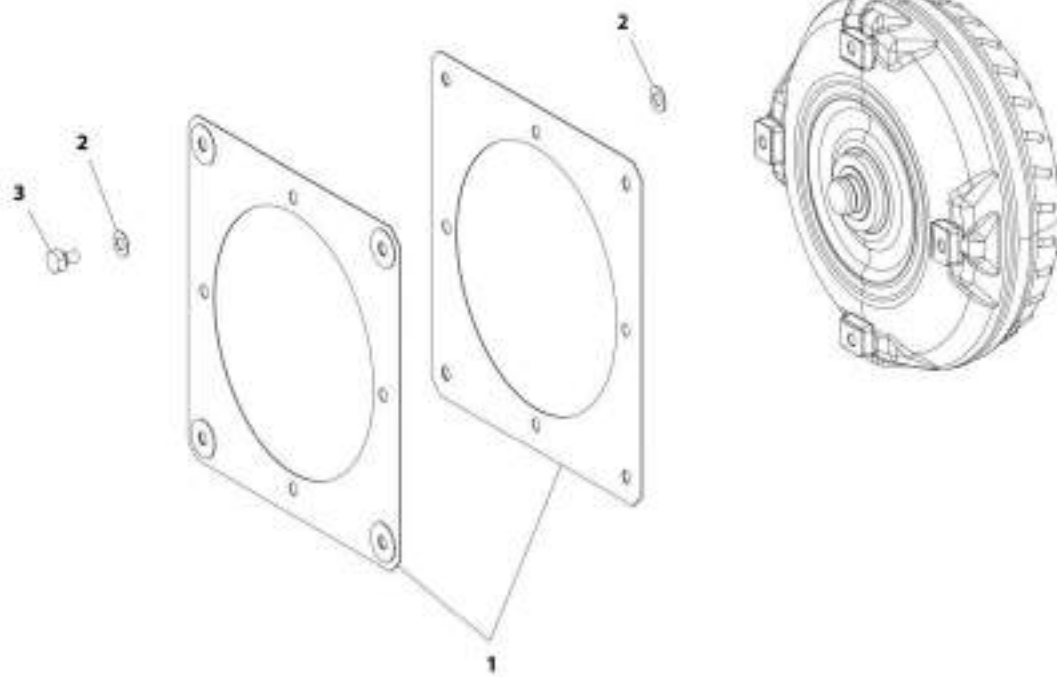
| ITEM | PART NUMBER | QTY | DESCRIPTION | REV |
|------|-------------|-----|---|-----|
| | 1001170171 | Ref | Powershift Transmission | C |
| | | Ref | Transmission, Engine Connection (See TRANSMISSION, ENGINE CONNECTION for Breakdown) | |
| | | Ref | Transmission, Converter (See TRANSMISSION, CONVERTER for Breakdown) | |
| | | Ref | Transmission, Input (See TRANSMISSION, INPUT for Breakdown) | |
| | | Ref | Transmission, Housing Group 1 (See TRANSMISSION, HOUSING GROUP 1 for Breakdown) | |
| | | Ref | Transmission, Housing Group 2 (See TRANSMISSION, HOUSING GROUP 2 for Breakdown) | |
| | | Ref | Transmission, Clutch Group 1 (See TRANSMISSION, CLUTCH GROUP 1 for Breakdown) | |
| | | Ref | Transmission, Clutch Group 2 (See TRANSMISSION, CLUTCH GROUP 2 for Breakdown) | |
| | | Ref | Transmission, Coupling Group 1 (See TRANSMISSION, COUPLING GROUP 1 for Breakdown) | |
| | | Ref | Transmission, Coupling Group 2 (See TRANSMISSION, COUPLING GROUP 2 for Breakdown) | |
| | | Ref | Transmission, Coupling Group 3 (See TRANSMISSION, COUPLING GROUP 3 for Breakdown) | |
| | | Ref | Transmission, Coupling Group 4 (See TRANSMISSION, COUPLING GROUP 4 for Breakdown) | |
| | | Ref | Transmission, Output (See TRANSMISSION, OUTPUT for Breakdown) | |
| | | Ref | Transmission, Power Take-Off (See TRANSMISSION, POWER TAKE-OFF for Breakdown) | |
| | | Ref | Transmission, Control Unit (See TRANSMISSION, CONTROL UNIT for Breakdown) | |
| | | Ref | Transmission, Shift System (See TRANSMISSION, SHIFT SYSTEM for Breakdown) | |
| | | Ref | Transmission, Pressure Regulator (See TRANSMISSION, PRESSURE REGULATOR for Breakdown) | |
| | | Ref | Transmission, Pressure Oil Pump (See TRANSMISSION, PRESSURE OIL PUMP for Breakdown) | |
| | | Ref | Transmission, Inductive Transmitter (See TRANSMISSION, INDUCTIVE TRANSMITTER for Breakdown) | |
| | | Ref | Transmission, Filter (See TRANSMISSION, FILTER for Breakdown) | |
| | | Ref | Transmission, Accessories Group 1 (See TRANSMISSION, ACCESSORIES GROUP 1 for Breakdown) | |
| | | Ref | Transmission, Peripherals Group 1 (See TRANSMISSION, PERIPHERALS GROUP 1 for Breakdown) | |
| | | Ref | Transmission, Peripherals Group 2 (See TRANSMISSION, PERIPHERALS GROUP 2 for Breakdown) | |
| | | Ref | Transmission, Accessories Group 2 (See TRANSMISSION, ACCESSORIES GROUP 2 for Breakdown) | |
| | | Ref | Transmission, Transfer Box (See TRANSMISSION, TRANSFER BOX for Breakdown) | |
| | | Ref | Transmission, Transfer Box Housing 1 (See TRANSMISSION, TRANSFER BOX HOUSING 1 for Breakdown) | |
| | | Ref | Transmission, Transfer Box Housing 2 (See TRANSMISSION, TRANSFER BOX HOUSING 2 for Breakdown) | |
| | | Ref | Transmission, Transfer Box Housing Input (See TRANSMISSION, TRANSFER BOX HOUSING INPUT for Breakdown) | |

SECTION 5 - DRIVE TRAIN

| ITEM | PART NUMBER | QTY | DESCRIPTION | REV |
|------|-------------|-----|---|-----|
| | | Ref | Transmission, Transfer Box Housing Output 1 (See TRANSMISSION, TRANSFER BOX HOUSING OUTPUT 1 for Breakdown) | |
| | | Ref | Transmission, Transfer Box Housing Output 2 (See TRANSMISSION, TRANSFER BOX HOUSING OUTPUT 2 for Breakdown) | |

SECTION 5 - DRIVE TRAIN

FIGURE 5-112. TRANSMISION, ENGINE CONNECTION



ART_100112017L3-C

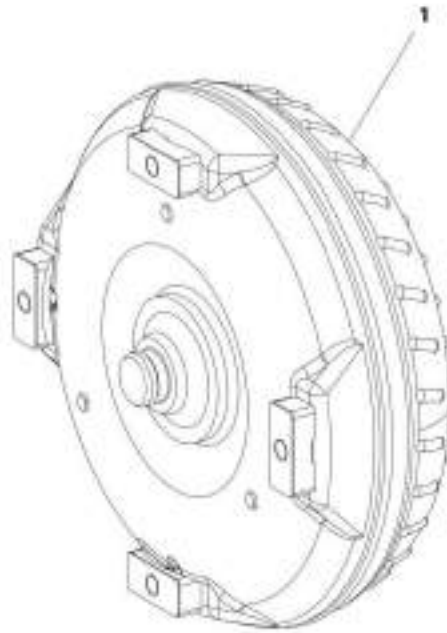
SECTION 5 - DRIVE TRAIN

FIGURE 5-112. TRANSMISION, ENGINE CONNECTION

| ITEM | PART NUMBER | QTY | DESCRIPTION | REV |
|------|-------------|-----|--------------------|-----|
| 1 | 1319229 | 2 | Diaphragm | |
| 2 | 7026745 | 8 | Washer, Thrust M10 | |
| 3 | 7026744 | 4 | Bolt, M10X16 | |

SECTION 5 - DRIVE TRAIN

FIGURE 5-113. TRANSMISSION, CONVERTER



AME_100170171_3-C

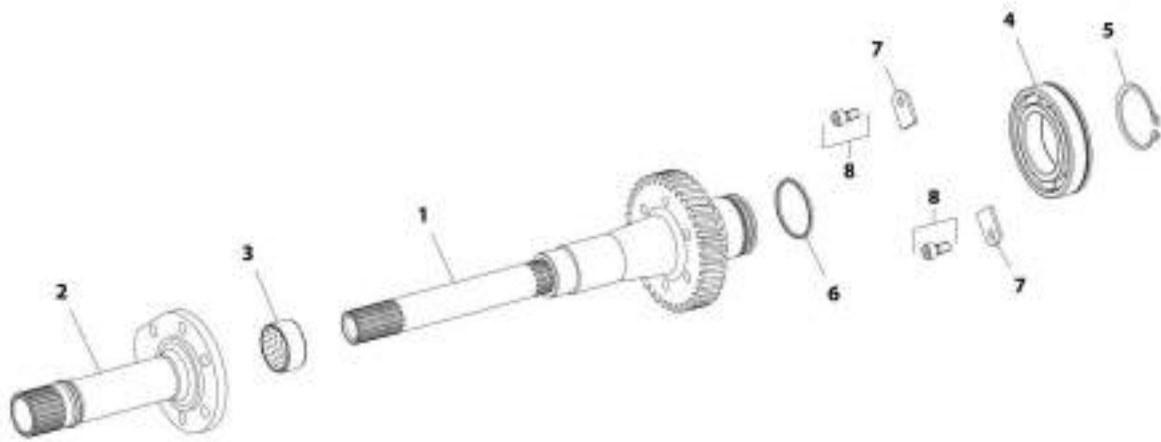
SECTION 5 - DRIVE TRAIN

FIGURE 5-113. TRANSMISSION, CONVERTER

| ITEM | PART NUMBER | QTY | DESCRIPTION | REV |
|------|-------------|-----|-------------------|-----|
| 1 | 7026746 | 1 | Converter, Torque | |

SECTION 5 - DRIVE TRAIN

FIGURE 5-114. TRANSMISSION, INPUT



ART_3801170171_4C

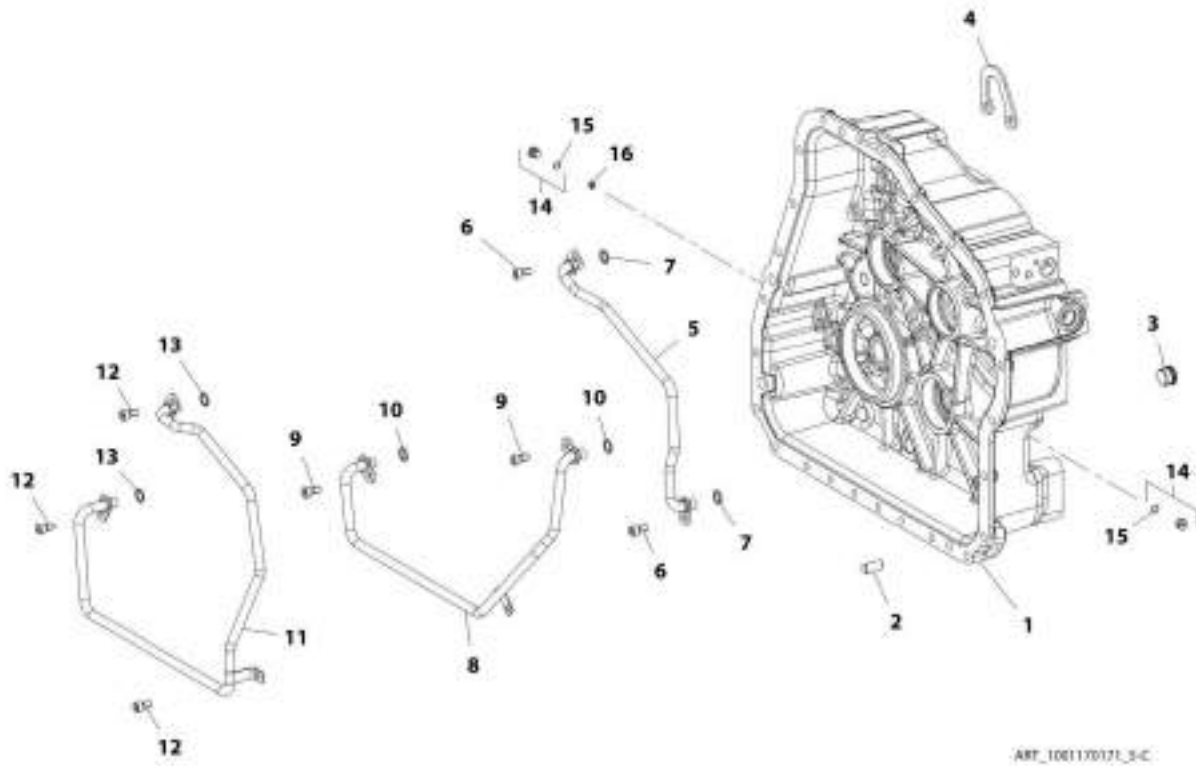
SECTION 5 - DRIVE TRAIN

FIGURE 5-114. TRANSMISSION, INPUT

| ITEM | PART NUMBER | QTY | DESCRIPTION | REV |
|------|-------------|-----|------------------|-----|
| 1 | 7026747 | 1 | Shaft, Turbine | |
| 2 | 7026748 | 1 | Shaft, Stator | |
| 3 | 1319558 | 1 | Bushing, Bearing | |
| 4 | 1319563 | 1 | Bearing, Ball | |
| 5 | 80304405 | 1 | Ring, Retaining | |
| 6 | 7026749 | 1 | Ring, Piston | |
| 7 | 70026515 | 2 | Strap | |
| 8 | 70026516 | 2 | Bolt, M8X16 | |

SECTION 5 - DRIVE TRAIN

FIGURE 5-115. TRANSMISSION, HOUSING GROUP 1



ARF_1061170171_3-C

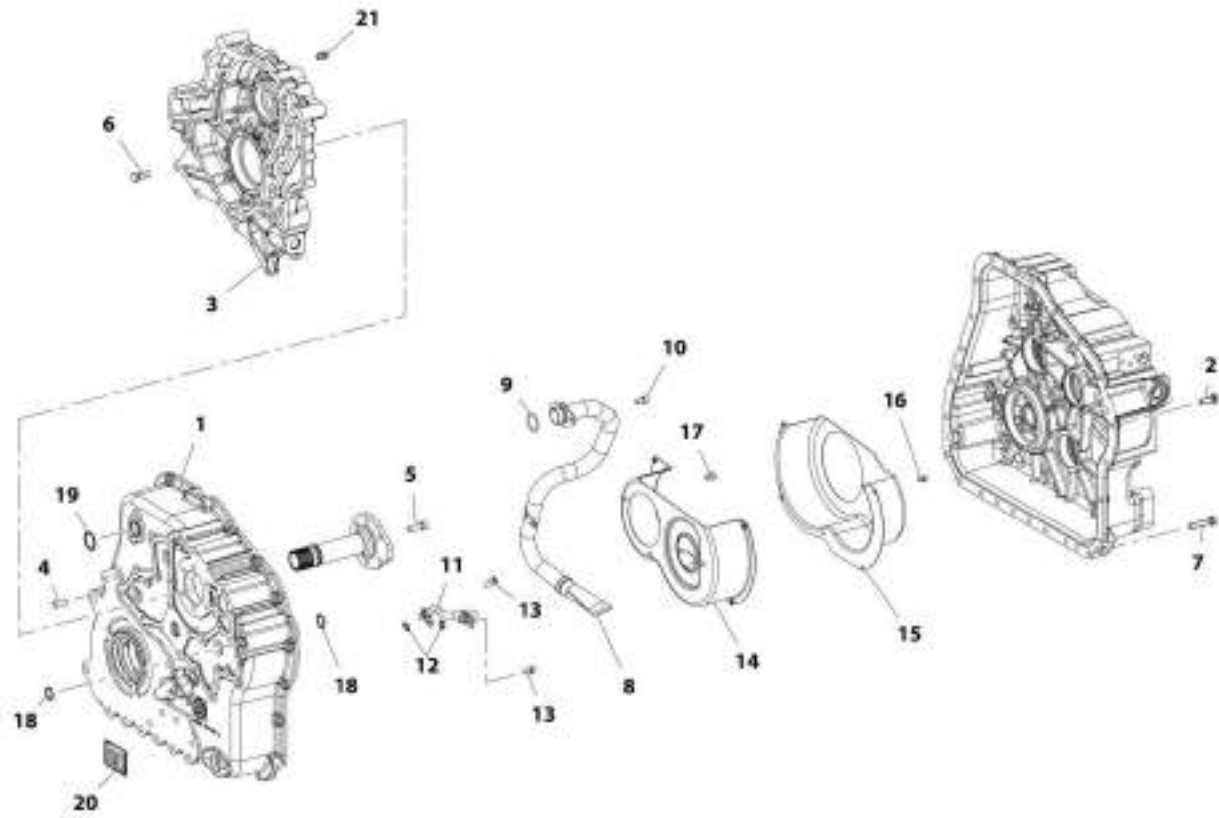
SECTION 5 - DRIVE TRAIN

FIGURE 5-115. TRANSMISSION, HOUSING GROUP 1

| ITEM | PART NUMBER | QTY | DESCRIPTION | REV |
|------|-------------|-----|---------------|-----|
| 1 | 7029973 | 1 | Housing | |
| 2 | 1319571 | 2 | Pin, Dowel | |
| 3 | 70023404 | 1 | Plug | |
| 4 | 1319590 | 1 | Bracket, Lift | |
| 5 | 7026750 | 1 | Pipe | |
| 6 | 70026516 | 2 | Bolt, M8X16 | |
| 7 | 8036847 | 2 | O-Ring | |
| 8 | 7026751 | 1 | Pipe | |
| 9 | 70026516 | 2 | Bolt, M8X16 | |
| 10 | 8036847 | 2 | O-Ring | |
| 11 | 7026752 | 1 | Pipe | |
| 12 | 70026516 | 3 | Bolt, M8X16 | |
| 13 | 8036847 | 2 | O-Ring | |
| 14 | 70026517 | 7 | Plug, Screw | |
| 15 | 10731709 | 7 | O-Ring | |
| 16 | 70026518 | 1 | Nozzle | |

SECTION 5 - DRIVE TRAIN

FIGURE 5-116. TRANSMISSION, HOUSING GROUP 2



ART_1001170171_B-C

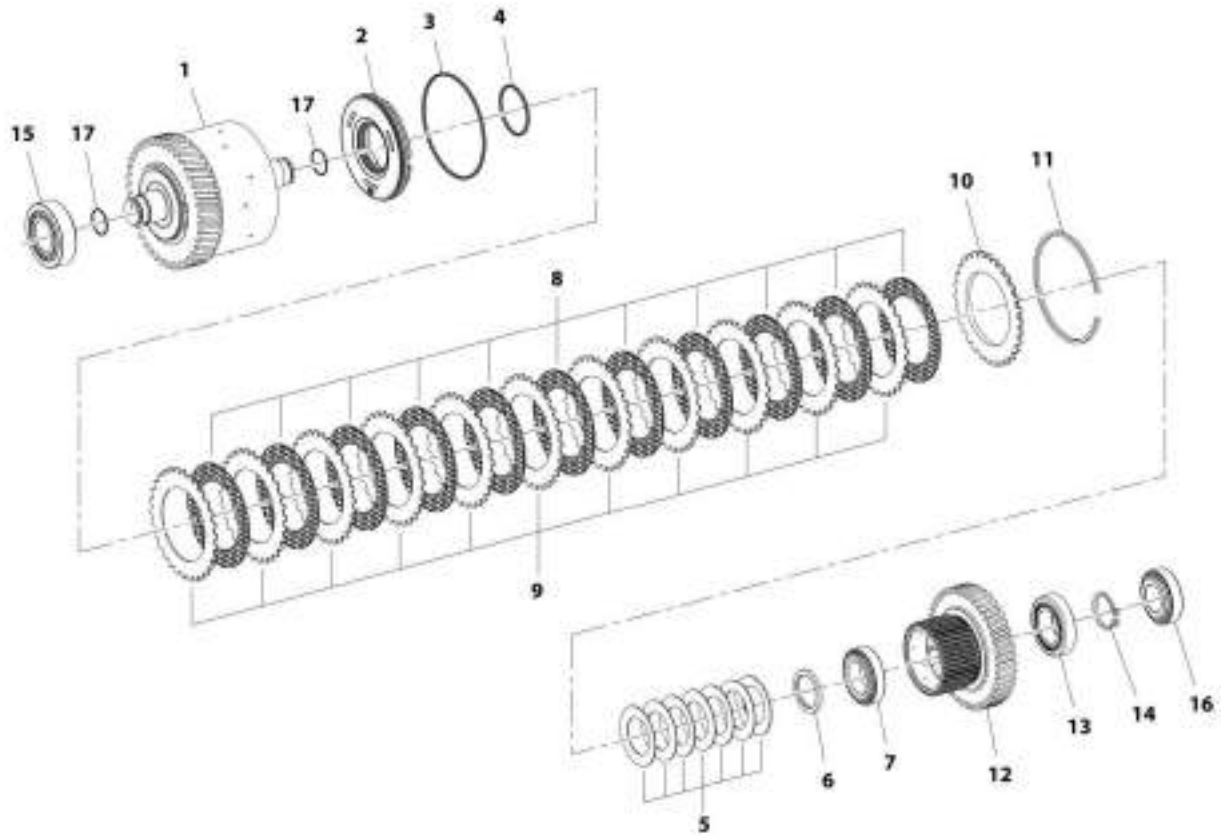
SECTION 5 - DRIVE TRAIN

FIGURE 5-116. TRANSMISSION, HOUSING GROUP 2

| ITEM | PART NUMBER | QTY | DESCRIPTION | REV |
|------|-------------|-----|----------------------|-----|
| 1 | 7029972 | 1 | Housing | |
| 2 | 80304394 | 18 | Bolt, M10X30 | |
| 3 | 70021920 | 1 | Housing, PTO | |
| 4 | 1319571 | 2 | Pin, Dowel | |
| 5 | 70026519 | 6 | Bolt, M10X30 | |
| 6 | 80304394 | 13 | Bolt, M10X30 | |
| 7 | 7026794 | 6 | Bolt, M10X50 | |
| 8 | 7026753 | 1 | Tube, Suction | |
| 9 | 70023885 | 1 | O-Ring | |
| 10 | 70026516 | 2 | Bolt, M8X16 | |
| 11 | 7026754 | 1 | Pipe | |
| 12 | 8036847 | 2 | O-Ring | |
| 13 | 70026516 | 2 | Bolt, M8X16 | |
| 14 | 7026755 | 1 | Sheet, Screen | |
| 15 | 7026756 | 1 | Sheet, Screen | |
| 16 | 70026520 | 5 | Bolt, M6X10 | |
| 17 | 70026521 | 3 | Bolt, M8X12 | |
| 18 | 7026792 | 2 | O-Ring | |
| 19 | 70023885 | 1 | O-Ring | |
| 20 | N.S.S. | 1 | Plate, Serial Number | |
| 21 | 10731744 | 1 | Breather | |

SECTION 5 - DRIVE TRAIN

FIGURE 5-117. TRANSMISSION, CLUTCH GROUP 1



ART_1001170170_7-C

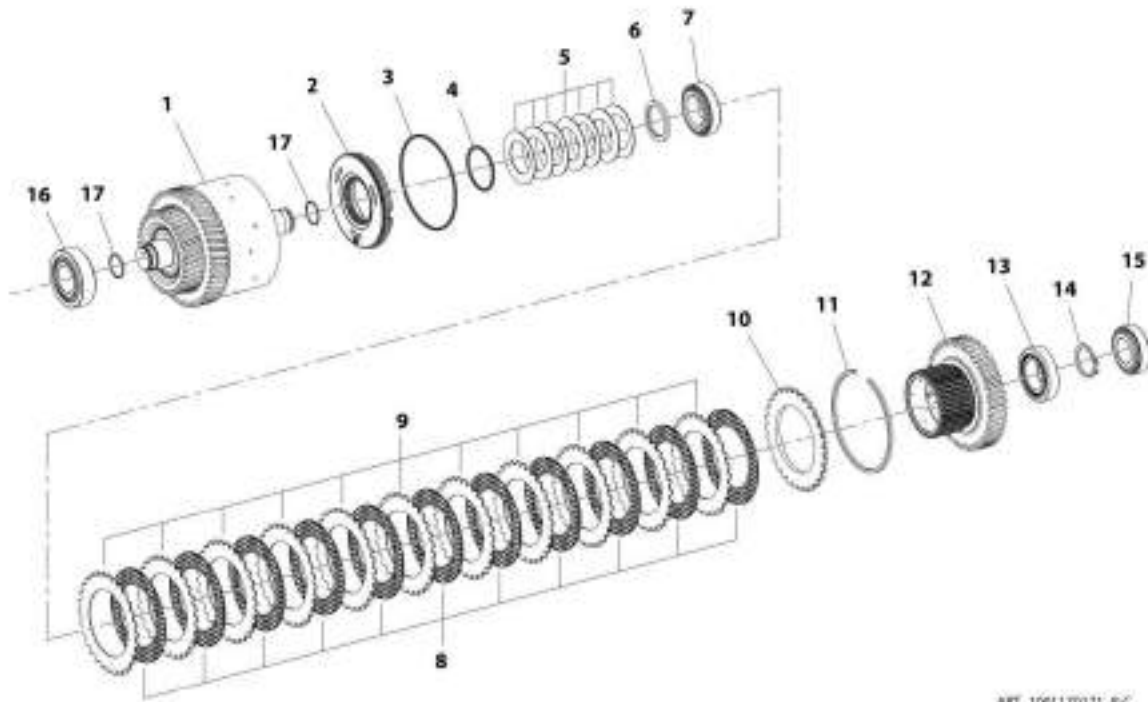
SECTION 5 - DRIVE TRAIN

FIGURE 5-117. TRANSMISSION, CLUTCH GROUP 1

| ITEM | PART NUMBER | QTY | DESCRIPTION | REV |
|------|-------------|-----|----------------------|-----|
| 1 | 7026757 | 1 | Coupling | |
| 2 | 70022075 | 1 | Piston | |
| 3 | 1319594 | 1 | O-Ring | |
| 4 | 1319593 | 1 | O-Ring | |
| 5 | 1319595 | 7 | Spring, Cup | |
| 6 | 1319617 | 1 | Support, Shim | |
| 7 | 1319618 | AR | Bearing, Roller | |
| 8 | 7026758 | 11 | Disc, Friction | |
| 9 | 7026759 | 11 | Disc, Clutch | |
| 10 | 7026760 | 1 | Shim, End | |
| 11 | 70026527 | AR | Ring, Snap 2.00 | |
| 11 | 70026528 | AR | Ring, Snap 2.25 | |
| 11 | 70026529 | AR | Ring, Snap 2.50 | |
| 11 | 7029852 | AR | Ring, Snap 2.75 | |
| 11 | 1319602 | AR | Ring, Snap 3.00 | |
| 11 | 7029849 | AR | Ring, Snap 3.25 | |
| 11 | 1319601 | AR | Ring, Snap 3.50 | |
| 11 | 7029850 | AR | Ring, Snap 3.75 | |
| 11 | 1319600 | AR | Ring, Snap 4.00 | |
| 12 | 1319638 | 1 | Carrier, Inner Disc | |
| 13 | 1319620 | AR | Bearing, Roller | |
| 14 | 1319632 | AR | Ring, Retaining 2.10 | |
| 14 | 1319631 | AR | Ring, Retaining 2.20 | |
| 14 | 1319630 | AR | Ring, Retaining 2.30 | |
| 14 | 1319629 | AR | Ring, Retaining 2.40 | |
| 14 | 1319628 | AR | Ring, Retaining 2.50 | |
| 14 | 1319627 | AR | Ring, Retaining 2.60 | |
| 14 | 1319626 | AR | Ring, Retaining 2.70 | |
| 14 | 1319625 | AR | Ring, Retaining 2.80 | |
| 14 | 1319624 | AR | Ring, Retaining 2.90 | |
| 14 | 1319623 | AR | Ring, Retaining 3.00 | |
| 14 | 1319622 | AR | Ring, Retaining 3.10 | |
| 14 | 1319621 | AR | Ring, Retaining 3.20 | |
| 15 | 1319615 | 1 | Bearing, Roller | |
| 16 | 1319636 | 1 | Bearing, Roller | |
| 17 | 7026761 | 1 | Ring, Piston | |

SECTION 5 - DRIVE TRAIN

FIGURE 5-118. TRANSMISSION, CLUTCH GROUP 2



ART_1001170171_B/C

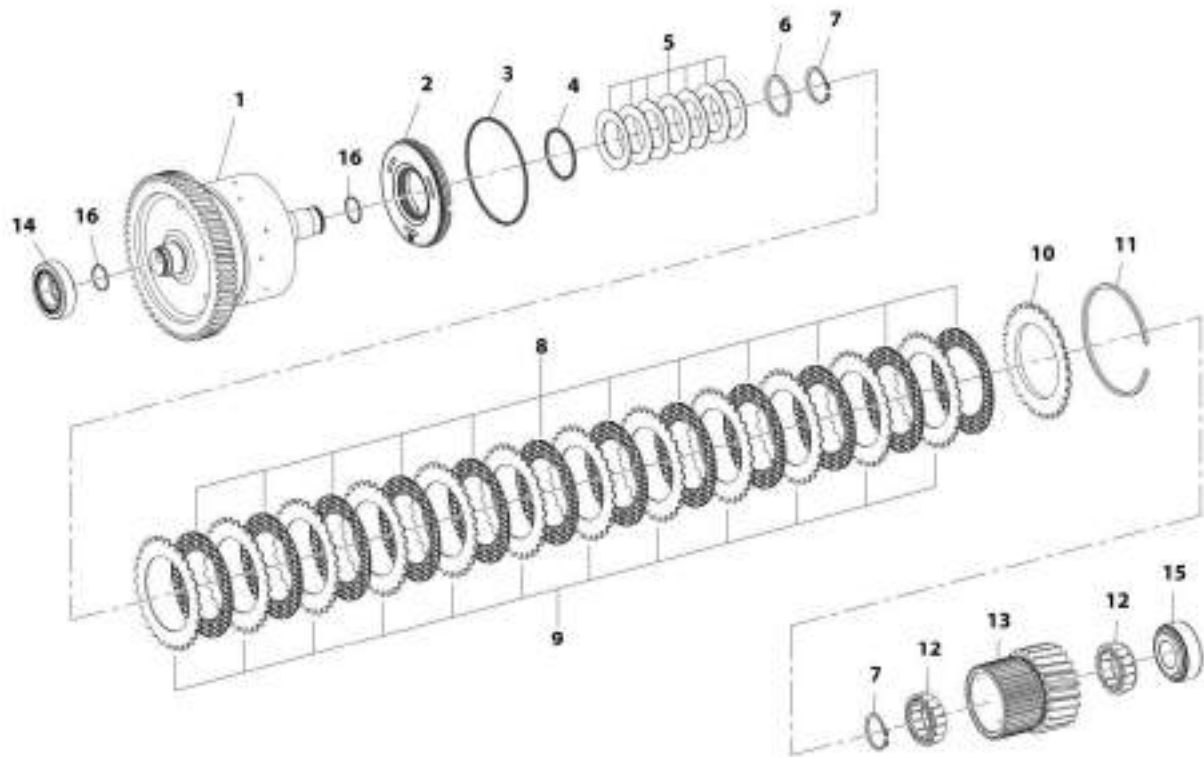
SECTION 5 - DRIVE TRAIN

FIGURE 5-118. TRANSMISSION, CLUTCH GROUP 2

| ITEM | PART NUMBER | QTY | DESCRIPTION | REV |
|------|-------------|-----|----------------------|-----|
| 1 | 7026762 | 1 | Coupling | |
| 2 | 70022075 | 1 | Piston | |
| 3 | 1319594 | 1 | O-Ring | |
| 4 | 1319593 | 1 | O-Ring | |
| 5 | 1319595 | 7 | Spring, Cup | |
| 6 | 1319617 | 1 | Shim, Support | |
| 7 | 1319618 | AR | Bearing, Roller | |
| 8 | 7026758 | 11 | Disc, Friction | |
| 9 | 7026759 | 11 | Disc, Static | |
| 10 | 7026760 | 1 | Shim, End | |
| 11 | 70026527 | AR | Ring, Snap 2.00 | |
| 11 | 70026528 | AR | Ring, Snap 2.25 | |
| 11 | 70026529 | AR | Ring, Snap 2.50 | |
| 11 | 7029852 | AR | Ring, Snap 2.75 | |
| 11 | 1319602 | AR | Ring, Snap 3.00 | |
| 11 | 7029849 | AR | Ring, Snap 3.25 | |
| 11 | 1319601 | AR | Ring, Snap 3.50 | |
| 11 | 7029850 | AR | Ring, Snap 3.75 | |
| 11 | 1319600 | AR | Ring, Snap 4.00 | |
| 12 | 1319638 | 1 | Carrier, Disc | |
| 13 | 1319620 | 1 | Bearing, Roller | |
| 14 | 1319632 | AR | Ring, Retaining 2.10 | |
| 14 | 1319631 | AR | Ring, Retaining 2.20 | |
| 14 | 1319630 | AR | Ring, Retaining 2.30 | |
| 14 | 1319629 | AR | Ring, Retaining 2.40 | |
| 14 | 1319628 | AR | Ring, Retaining 2.50 | |
| 14 | 1319627 | AR | Ring, Retaining 2.60 | |
| 14 | 1319626 | AR | Ring, Retaining 2.70 | |
| 14 | 1319625 | AR | Ring, Retaining 2.80 | |
| 14 | 1319624 | AR | Ring, Retaining 2.90 | |
| 14 | 1319623 | AR | Ring, Retaining 3.00 | |
| 14 | 1319622 | AR | Ring, Retaining 3.10 | |
| 14 | 1319621 | 1 | Ring, Retaining 3.20 | |
| 15 | 1319615 | 1 | Bearing, Roller | |
| 16 | 1319636 | 1 | Bearing, Roller | |
| 17 | 7026761 | 2 | Ring, Piston | |

SECTION 5 - DRIVE TRAIN

FIGURE 5-119. TRANSMISSION, COUPLING GROUP 1



AWT_1001170171_9-C

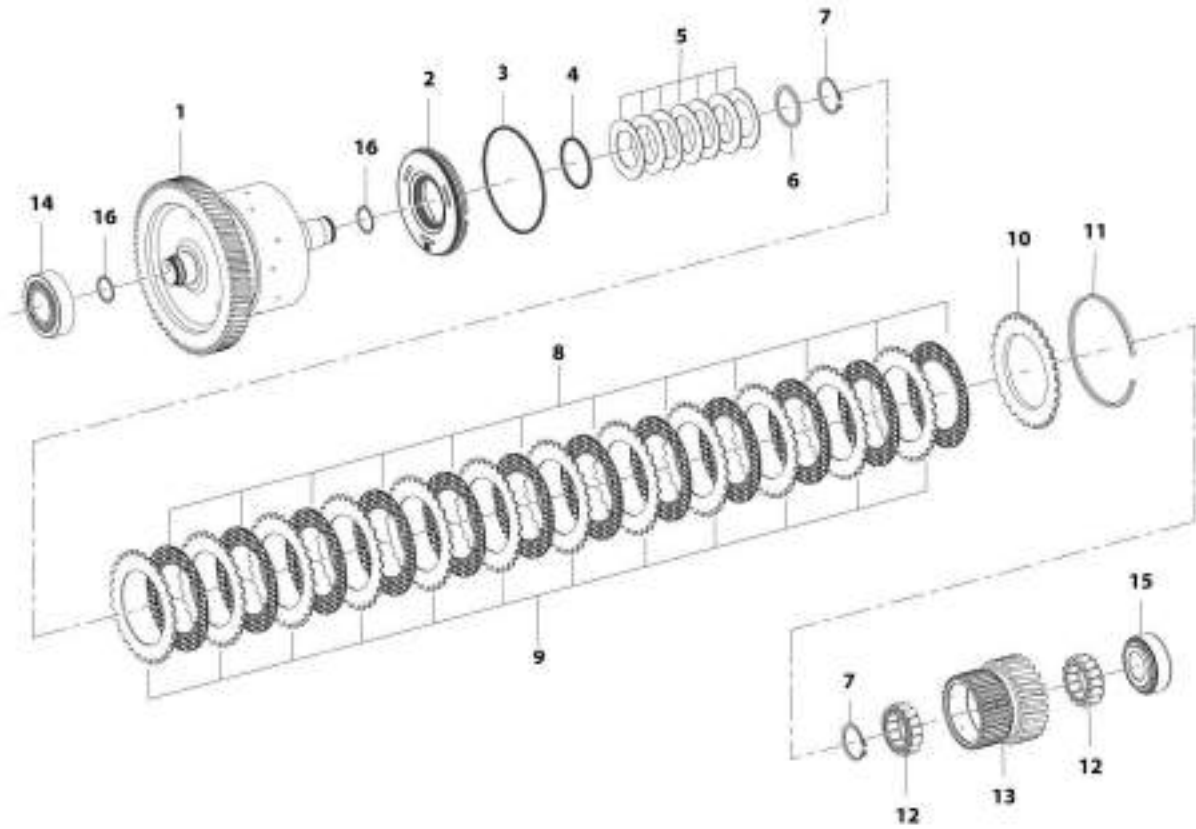
SECTION 5 - DRIVE TRAIN

FIGURE 5-119. TRANSMISSION, COUPLING GROUP 1

| ITEM | PART NUMBER | QTY | DESCRIPTION | REV |
|------|-------------|-----|-----------------|-----|
| 1 | 70026530 | 1 | Coupling | |
| 2 | 70022075 | 1 | Piston | |
| 3 | 1319594 | 1 | O-Ring | |
| 4 | 1319593 | 1 | O-Ring | |
| 5 | 1319595 | 7 | Spring, Cup | |
| 6 | 1319596 | 1 | Shim 2.00 | |
| 7 | 10731845 | 2 | Ring, Retaining | |
| 8 | 7026758 | 1 | Disc, Friction | |
| 9 | 7026759 | 1 | Disc, Clutch | |
| 10 | 7026760 | 1 | Shim, End | |
| 11 | 70026527 | AR | Ring, Snap 2.00 | |
| 11 | 70026528 | AR | Ring, Snap 2.25 | |
| 11 | 70026529 | AR | Ring, Snap 2.50 | |
| 11 | 7029852 | AR | Ring, Snap 2.75 | |
| 11 | 1319602 | AR | Ring, Snap 3.00 | |
| 11 | 7029849 | AR | Ring, Snap 3.25 | |
| 11 | 1319601 | AR | Ring, Snap 3.50 | |
| 11 | 7029850 | AR | Ring, Snap 3.75 | |
| 11 | 1319600 | AR | Ring, Snap 4.00 | |
| 12 | 1319605 | AR | Cage, Roller | |
| 13 | 1319607 | 1 | Carrier, Disc | |
| 14 | 1319608 | 1 | Bearing, Roller | |
| 15 | 8036190 | 1 | Bearing, Roller | |
| 16 | 7026761 | 2 | Ring, Piston | |

SECTION 5 - DRIVE TRAIN

FIGURE 5-120. TRANSMISSION, COUPLING GROUP 2



ART. 300117017L.T0C

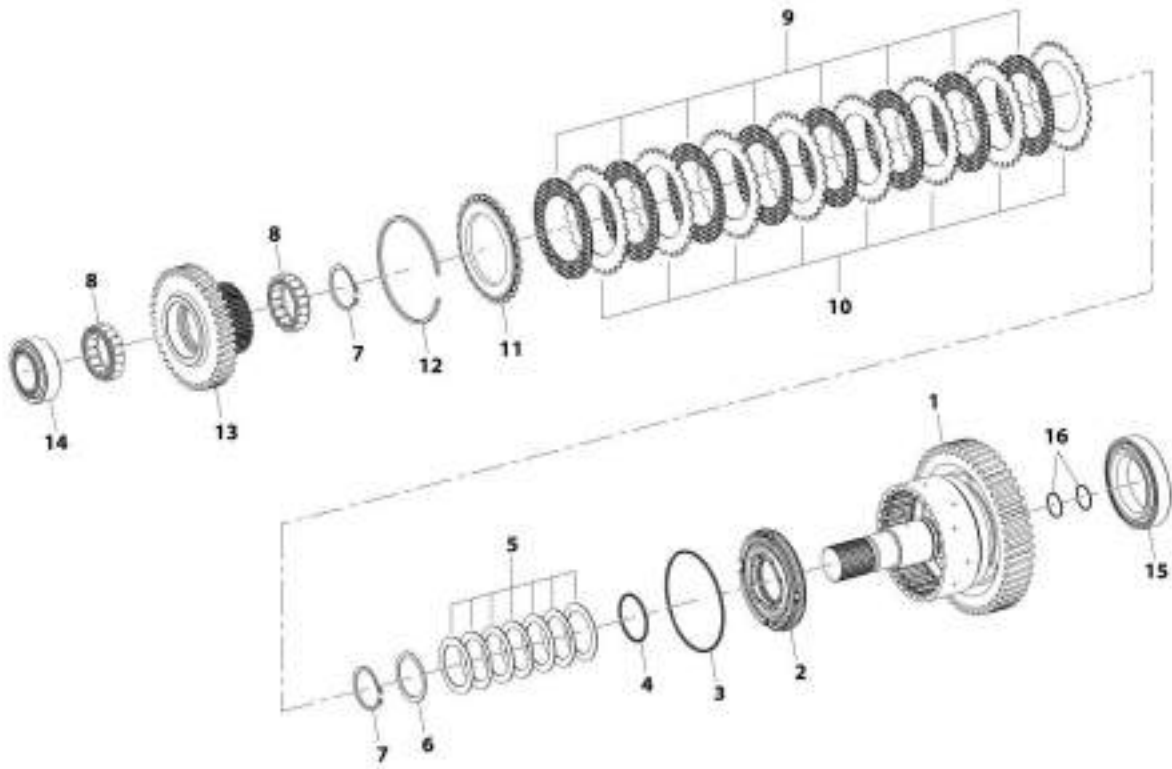
SECTION 5 - DRIVE TRAIN

FIGURE 5-120. TRANSMISSION, COUPLING GROUP 2

| ITEM | PART NUMBER | QTY | DESCRIPTION | REV |
|------|-------------|-----|-----------------|-----|
| 1 | 70026531 | 1 | Coupling | |
| 2 | 70022075 | 1 | Piston | |
| 3 | 1319594 | 1 | O-Ring | |
| 4 | 1319593 | 1 | O-Ring | |
| 5 | 1319595 | 7 | Spring, Cup | |
| 6 | 1319596 | 1 | Shim | |
| 7 | 10731845 | 2 | Ring, Retaining | |
| 8 | 7026758 | 12 | Disc, Friction | |
| 9 | 7026759 | 12 | Disc, Clutch | |
| 10 | 7026760 | 1 | Shim, End | |
| 11 | 70026527 | AR | Ring, Snap 2.00 | |
| 11 | 70026528 | AR | Ring, Snap 2.25 | |
| 11 | 70026529 | AR | Ring, Snap 2.50 | |
| 11 | 7029852 | AR | Ring, Snap 2.75 | |
| 11 | 1319602 | AR | Ring, Snap 3.00 | |
| 11 | 7029849 | AR | Ring, Snap 3.25 | |
| 11 | 1319601 | AR | Ring, Snap 3.50 | |
| 11 | 7029850 | AR | Ring, Snap 3.75 | |
| 11 | 1319600 | AR | Ring, Snap 4.00 | |
| 12 | 1319605 | AR | Bearing, Roller | |
| 13 | 1319614 | 1 | Carrier, Disc | |
| 14 | 1319615 | 1 | Bearing, Roller | |
| 15 | 8036190 | 1 | Bearing, Roller | |
| 16 | 7026761 | 2 | Ring, Piston | |

SECTION 5 - DRIVE TRAIN

FIGURE 5-121. TRANSMISSION, COUPLING GROUP 3



ART_300117012L_11-C

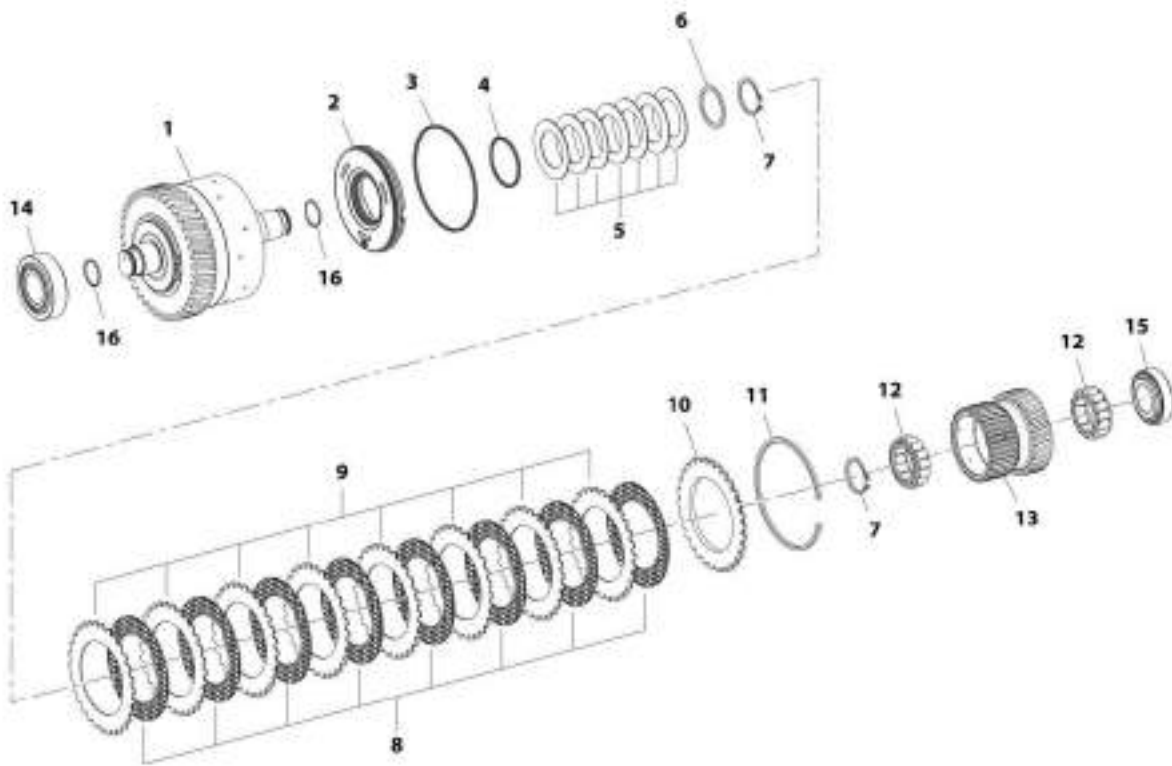
SECTION 5 - DRIVE TRAIN

FIGURE 5-121. TRANSMISSION, COUPLING GROUP 3

| ITEM | PART NUMBER | QTY | DESCRIPTION | REV |
|------|-------------|-----|---------------------|-----|
| 1 | 70026532 | 1 | Coupling | |
| 2 | 70022075 | 1 | Piston | |
| 3 | 1319594 | 1 | O-Ring | |
| 4 | 1319593 | 1 | O-Ring | |
| 5 | 7026765 | 7 | Spring, Cup | |
| 6 | 7026766 | 1 | Washer | |
| 7 | 80304227 | AR | Ring, Retaining | |
| 8 | 70021227 | AR | Ring | |
| 8 | 70021228 | AR | Cage, Roller | |
| 9 | 7026758 | AR | Disc, Friction | |
| 10 | 7026759 | AR | Disc, Clutch | |
| 11 | 7026760 | AR | Shim, End | |
| 12 | 70026527 | AR | Ring, Snap 2.00 | |
| 12 | 70026528 | AR | Ring, Snap 2.25 | |
| 12 | 70026529 | AR | Ring, Snap 2.50 | |
| 12 | 7029852 | AR | Ring, Snap 2.75 | |
| 12 | 1319602 | AR | Ring, Snap 3.00 | |
| 12 | 7029849 | AR | Ring, Snap 3.25 | |
| 12 | 1319601 | AR | Ring, Snap 3.50 | |
| 12 | 7029850 | AR | Ring, Snap 3.75 | |
| 12 | 1319600 | AR | Ring, Snap 4.00 | |
| 13 | 7027267 | 1 | Carrier, Disc | |
| 14 | 70021268 | 1 | Bearing, Outer Ring | |
| 14 | 70021269 | 1 | Bearing, Inner Ring | |
| 15 | 7026769 | AR | Bearing, Roller | |
| 16 | 7026761 | 2 | Ring, Piston | |

SECTION 5 - DRIVE TRAIN

FIGURE 5-122. TRANSMISSION, COUPLING GROUP 4



ART_1001170171_12-C

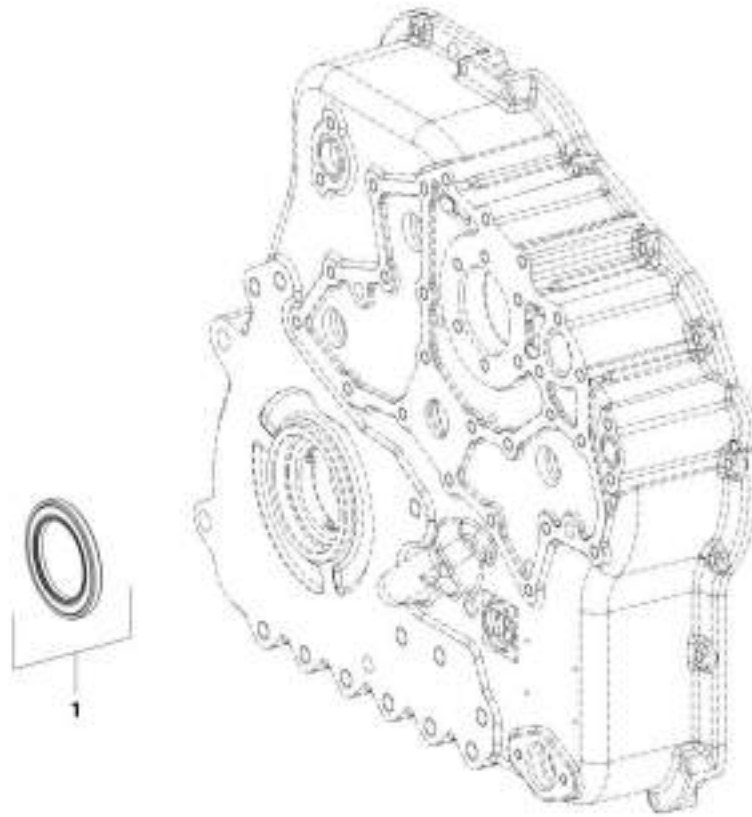
SECTION 5 - DRIVE TRAIN

FIGURE 5-122. TRANSMISSION, COUPLING GROUP 4

| ITEM | PART NUMBER | QTY | DESCRIPTION | REV |
|------|-------------|-----|-----------------|-----|
| 1 | 70026535 | 1 | Coupling | |
| 2 | 70022075 | 1 | Piston | |
| 3 | 1319594 | 1 | O-Ring | |
| 4 | 1319593 | 1 | O-Ring | |
| 5 | 1319595 | 7 | Spring, Cup | |
| 6 | 1319596 | 1 | Shim | |
| 7 | 10731845 | 2 | Ring, Retaining | |
| 8 | 7026758 | 8 | Disc, Friction | |
| 9 | 7026759 | 8 | Disc, Clutch | |
| 10 | 7026760 | 1 | Shim, End | |
| 11 | 70026527 | AR | Ring, Snap 2.00 | |
| 11 | 70026528 | AR | Ring, Snap 2.25 | |
| 11 | 70026529 | AR | Ring, Snap 2.50 | |
| 11 | 7029852 | AR | Ring, Snap 2.75 | |
| 11 | 1319602 | AR | Ring, Snap 3.00 | |
| 11 | 7029849 | AR | Ring, Snap 3.25 | |
| 11 | 1319601 | AR | Ring, Snap 3.5 | |
| 11 | 7029850 | AR | Ring, Snap 3.75 | |
| 11 | 1319600 | AR | Ring, Snap 4.00 | |
| 12 | 1319605 | AR | Bearing, Roller | |
| 13 | 1319635 | 1 | Carrier, Disc | |
| 14 | 1319615 | 1 | Bearing, Roller | |
| 15 | 1319636 | 1 | Bearing, Roller | |
| 16 | 7026761 | 2 | Ring, Piston | |

SECTION 5 - DRIVE TRAIN

FIGURE 5-123. TRANSMISSION, OUTPUT



ART_1001170171_15-C

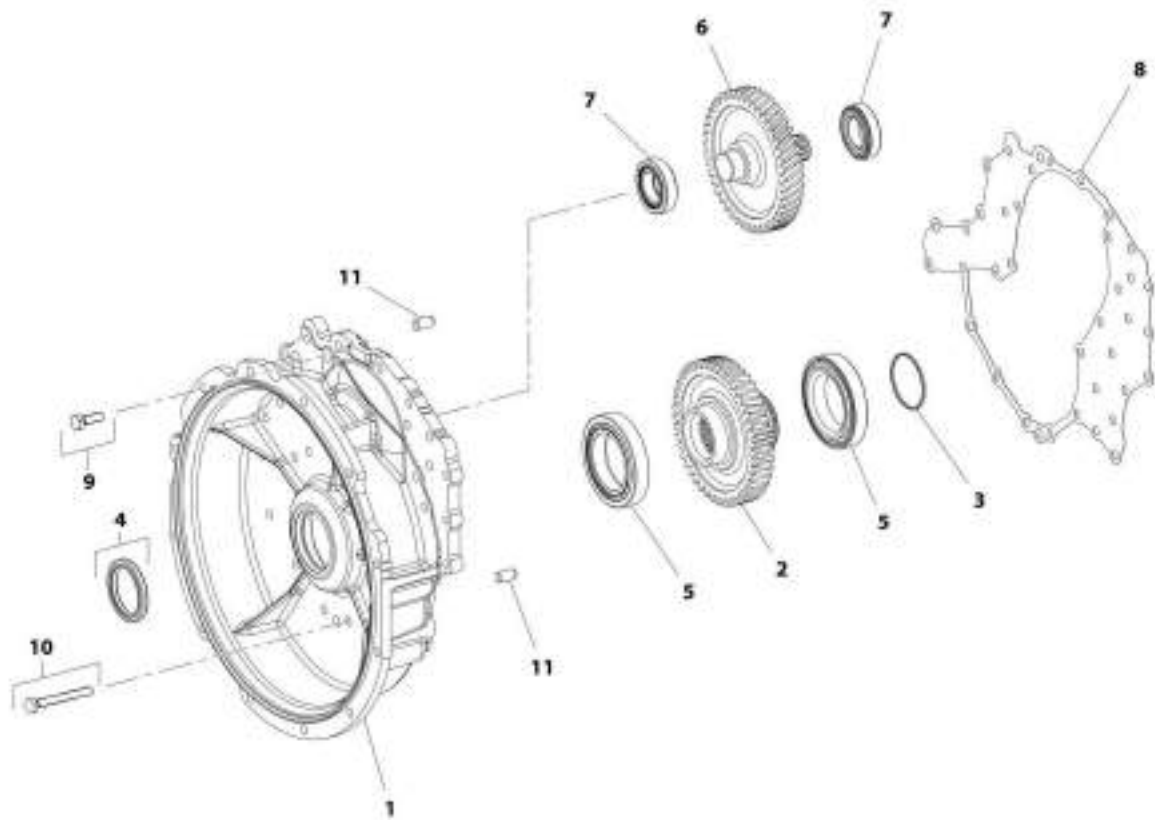
SECTION 5 - DRIVE TRAIN

FIGURE 5-123. TRANSMISSION, OUTPUT

| ITEM | PART NUMBER | QTY | DESCRIPTION | REV |
|------|-------------|-----|-------------|-----|
| 1 | 70026536 | 1 | Seal, Shaft | |

SECTION 5 - DRIVE TRAIN

FIGURE 5-124. TRANSMISSION, POWER TAKE-OFF



ART. 3001170121_14-C

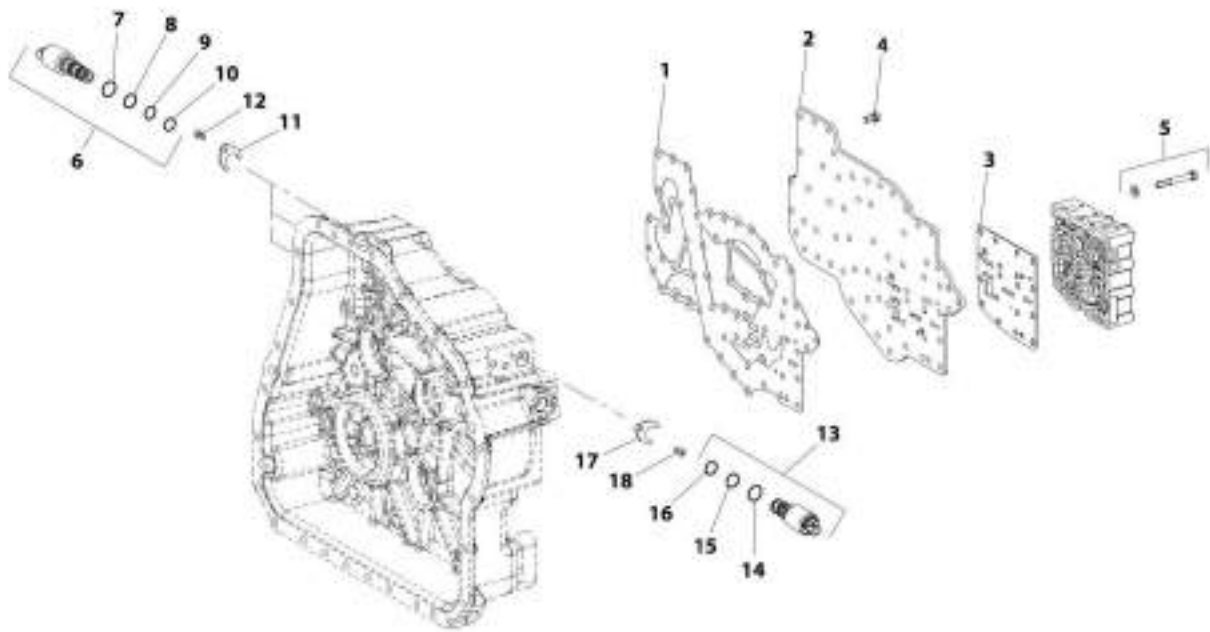
SECTION 5 - DRIVE TRAIN

FIGURE 5-124. TRANSMISSION, POWER TAKE-OFF

| ITEM | PART NUMBER | QTY | DESCRIPTION | REV |
|------|-------------|-----|-----------------|-----|
| 1 | 70021526 | 1 | Housing | |
| 2 | 7026771 | 1 | Shaft | |
| 3 | 7026772 | 1 | Ring, Piston | |
| 4 | 1319576 | 1 | Seal, Shaft | |
| 5 | 7026769 | AR | Bearing, Roller | |
| 6 | 7026773 | 1 | Shaft | |
| 7 | 1319608 | AR | Bearing, Roller | |
| 8 | 7026774 | 1 | Gasket | |
| 9 | 80304394 | 21 | Bolt, M10X30 | |
| 10 | 7026775 | 15 | Bolt, M10X80 | |
| 11 | 1319571 | 2 | Pin | |

SECTION 5 - DRIVE TRAIN

FIGURE 5-125. TRANSMISSION, CONTROL UNIT



ART_300130071_13-C

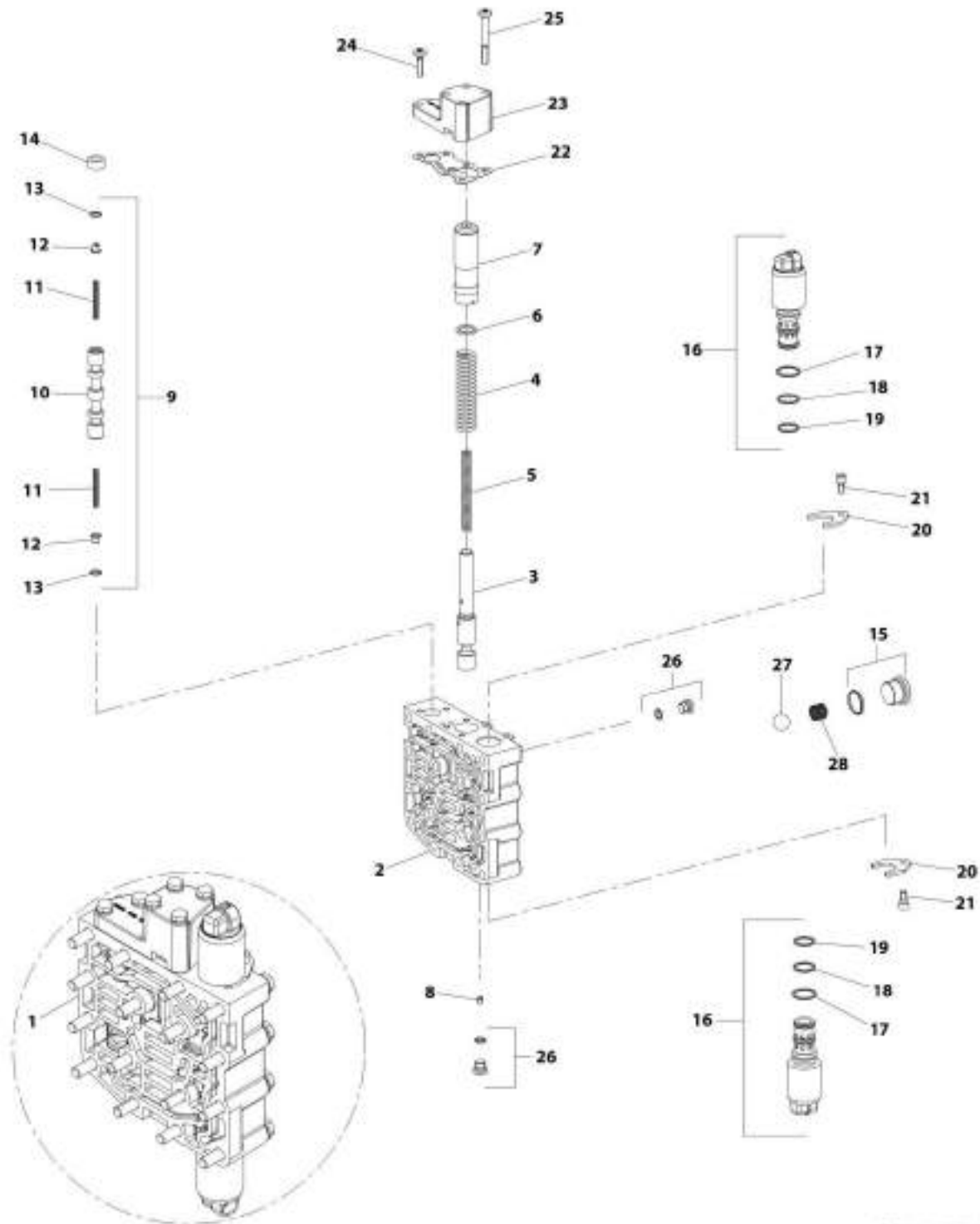
SECTION 5 - DRIVE TRAIN

FIGURE 5-125. TRANSMISSION, CONTROL UNIT

| ITEM | PART NUMBER | QTY | DESCRIPTION | REV |
|------|-------------|-----|---|-----|
| 1 | 7026776 | 1 | Gasket | |
| 2 | 70026538 | 1 | Plate | |
| 3 | 70026539 | 1 | Sheet, Intermediate | |
| 4 | 7026780 | 46 | Bolt, M8X16 | |
| 5 | 7026781 | 16 | Bolt, M8X60 (includes washer) | |
| 5 | 10732095 | 16 | Washer | |
| 6 | 8036529 | 3 | Valve, Solenoid (includes items 7 thru 10) | |
| 7 | N.S.S. | 3 | O-Ring | |
| 8 | N.S.S. | 3 | O-Ring | |
| 9 | N.S.S. | 3 | O-Ring | |
| 10 | N.S.S. | 3 | O-Ring | |
| 11 | 7029267 | 3 | Bracket | |
| 12 | 70026544 | 3 | Bolt, M6X12 | |
| 13 | 8036528 | 1 | Valve, Solenoid (includes items 14 thru 16) | |
| 14 | N.S.S. | 1 | O-Ring | |
| 15 | N.S.S. | 1 | O-Ring | |
| 16 | N.S.S. | 1 | O-Ring | |
| 17 | 7029267 | 1 | Bracket | |
| 18 | 70026544 | 1 | Bolt, M6X12 | |

SECTION 5 - DRIVE TRAIN

FIGURE 5-126. TRANSMISSION, SHIFT SYSTEM



APR_1001170171_38-C

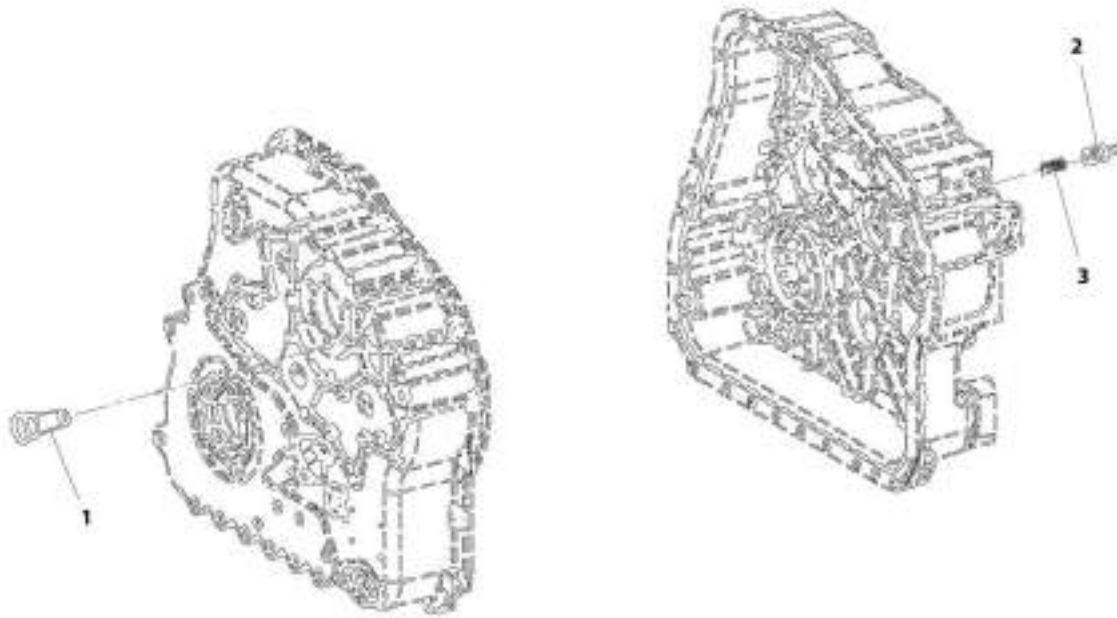
SECTION 5 - DRIVE TRAIN

FIGURE 5-126. TRANSMISSION, SHIFT SYSTEM

| ITEM | PART NUMBER | QTY | DESCRIPTION | REV |
|------|-------------|-----|---|-----|
| 1 | 70026561 | 1 | Assembly, Shift System (includes all items) | |
| 2 | 70026546 | 1 | Housing, Valve | |
| 3 | 70026547 | 1 | Piston, Control | |
| 4 | 1319683 | 1 | Spring | |
| 5 | 1319684 | 1 | Spring | |
| 6 | 1319689 | AR | Washer 0.20 | |
| 6 | 1319688 | AR | Washer, 0.30 | |
| 6 | 1319687 | AR | Washer, 0.50 | |
| 6 | 1319686 | AR | Washer, 1.00 | |
| 6 | 1319685 | AR | Washer, 2.00 | |
| 7 | 70026548 | 1 | Piston | |
| 8 | 70026549 | 1 | Nozzle | |
| 9 | 1319694 | 1 | Assembly, Valve (includes items 10 thru 13) | |
| 10 | N.S.S. | 1 | Piston | |
| 11 | N.S.S. | 2 | Spring, Compression | |
| 12 | N.S.S. | 2 | Sleeve, Spring | |
| 13 | N.S.S. | 2 | Ring, Snap | |
| 14 | 7026787 | 1 | Spacer | |
| 15 | 70026554 | 1 | Plug, Screw (includes O-Ring) | |
| 15 | 70000656 | 1 | O-Ring | |
| 16 | 8036528 | 2 | Valve, Solenoid (includes items 17 thru 19) | |
| 17 | N.S.S. | 2 | O-Ring | |
| 18 | N.S.S. | 2 | O-Ring | |
| 19 | N.S.S. | 2 | O-Ring | |
| 20 | 7029267 | 2 | Bracket | |
| 21 | 70026544 | 2 | Bolt, M6X12 | |
| 22 | 7026788 | 1 | Gasket | |
| 23 | 7026789 | 1 | Cover | |
| 24 | 70026555 | 2 | Screw, Torx M6X23 | |
| 25 | 70026556 | 4 | Screw, Torx M6X52 | |
| 26 | 70026517 | 2 | Plug, Screw (includes O-Ring) | |
| 26 | 10731709 | 2 | O-Ring | |
| 27 | 10732071 | 1 | Ball | |
| 28 | 10732072 | 1 | Spring | |

SECTION 5 - DRIVE TRAIN

FIGURE 5-127. TRANSMISSION, PRESSURE REGULATOR



ART_001170171_17C

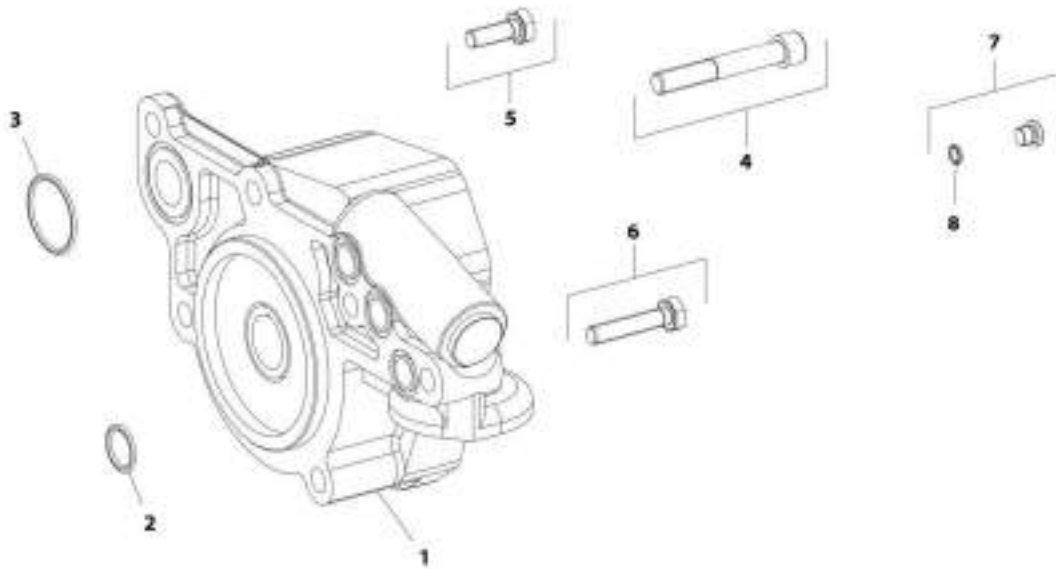
SECTION 5 - DRIVE TRAIN

FIGURE 5-127. TRANSMISSION, PRESSURE REGULATOR

| ITEM | PART NUMBER | QTY | DESCRIPTION | REV |
|------|-------------|-----|-------------|-----|
| 1 | 7026782 | 1 | Valve | |
| 2 | 7026783 | 1 | Piston | |
| 3 | 7026784 | 1 | Spring | |

SECTION 5 - DRIVE TRAIN

FIGURE 5-128. TRANSMISSION, PRESSURE OIL PUMP



WIT_1001120171_18-C

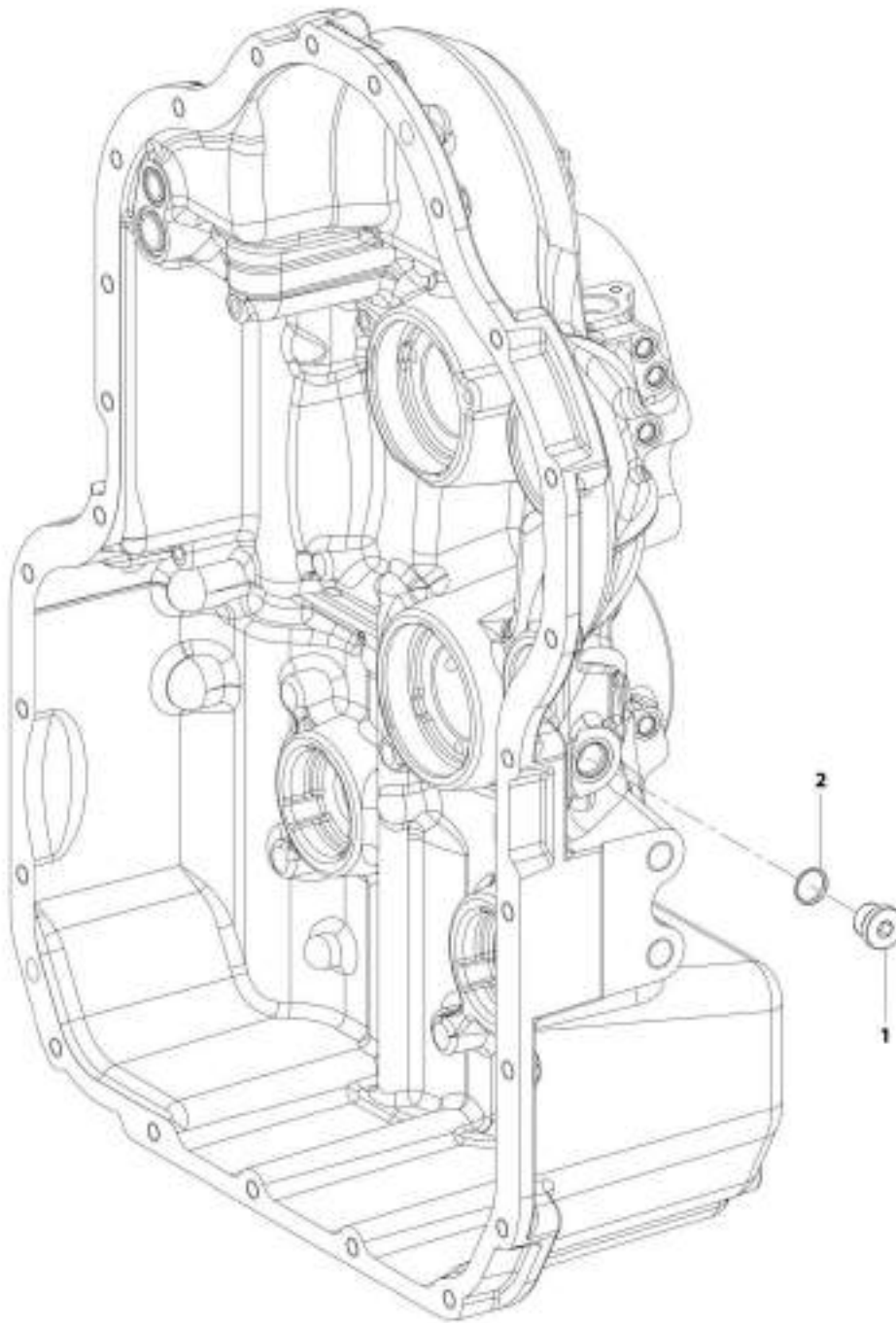
SECTION 5 - DRIVE TRAIN

FIGURE 5-128. TRANSMISSION, PRESSURE OIL PUMP

| ITEM | PART NUMBER | QTY | DESCRIPTION | REV |
|------|-------------|-----|--------------|-----|
| 1 | 7026791 | 1 | Pump | |
| 2 | 7026792 | 3 | O-Ring | |
| 3 | 1319719 | 1 | O-Ring | |
| 4 | 7026793 | 4 | Bolt, M12X80 | |
| 5 | 80304394 | 1 | Bolt, M10X30 | |
| 6 | 7026794 | 1 | Bolt, M10X50 | |
| 7 | 70026517 | 2 | Plug, Screw | |
| 8 | 10731709 | 2 | O-Ring | |

SECTION 5 - DRIVE TRAIN

FIGURE 5-129. TRANSMISSION, INDUCTIVE TRANSMITTER



MIT_1001170171_10-C

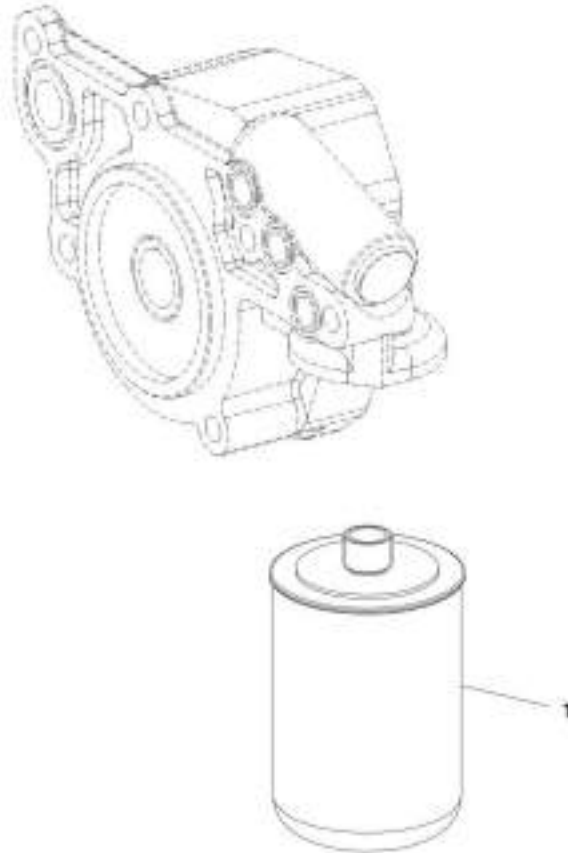
SECTION 5 - DRIVE TRAIN

FIGURE 5-129. TRANSMISSION, INDUCTIVE TRANSMITTER

| ITEM | PART NUMBER | QTY | DESCRIPTION | REV |
|------|-------------|-----|-------------------------------|-----|
| 1 | 70024895 | 1 | Plug, Screw (includes O-Ring) | |
| 2 | N.S.S. | 1 | O-Ring | |

SECTION 5 - DRIVE TRAIN

FIGURE 5-130. TRANSMISSION, FILTER



ART_100110171_20-C

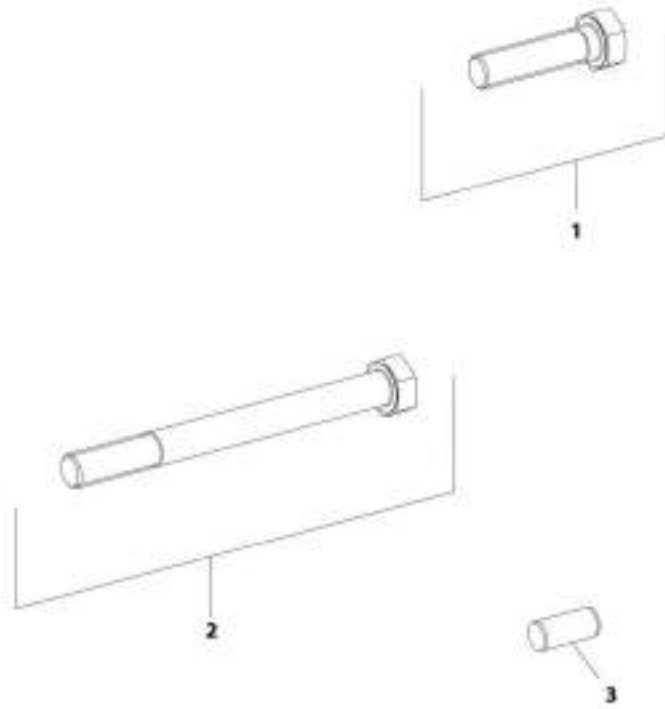
SECTION 5 - DRIVE TRAIN

FIGURE 5-130. TRANSMISSION, FILTER

| ITEM | PART NUMBER | QTY | DESCRIPTION | REV |
|------|-------------|-----|-------------|-----|
| 1 | 1319726 | 1 | Filter | |

SECTION 5 - DRIVE TRAIN

FIGURE 5-131. TRANSMISSION, ACCESSORIES GROUP 1



ART. 3001170171_21-C

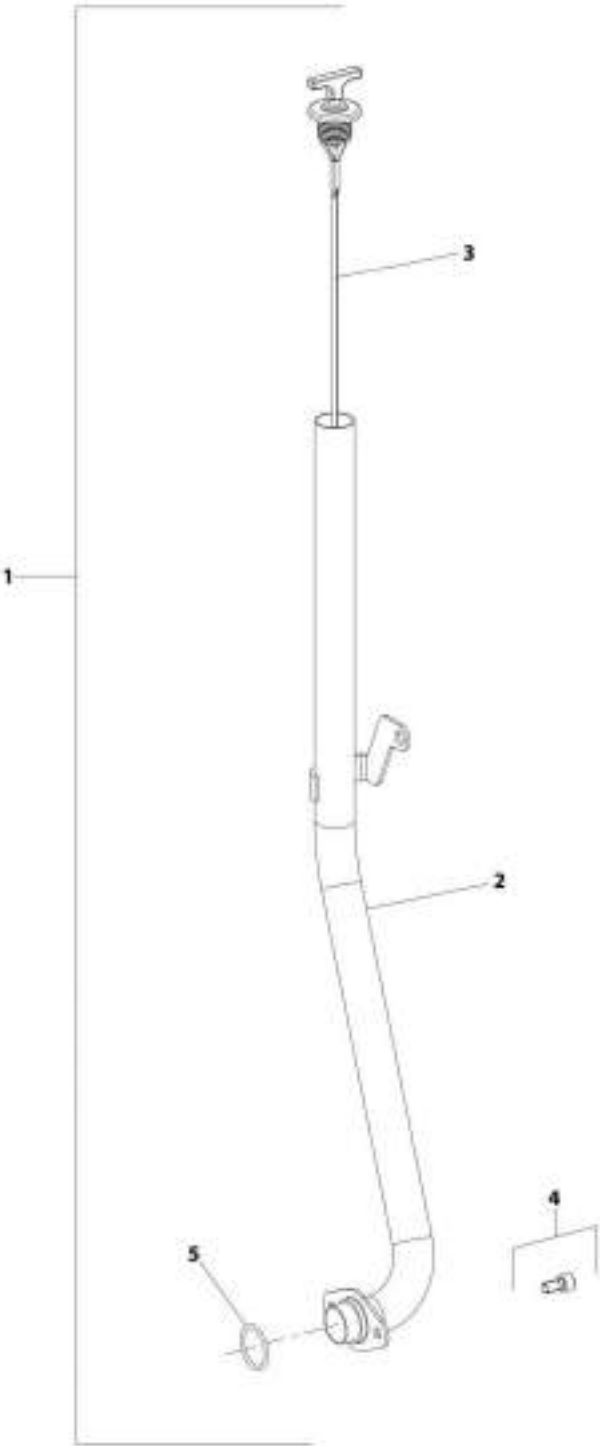
SECTION 5 - DRIVE TRAIN

FIGURE 5-131. TRANSMISSION, ACCESSORIES GROUP 1

| ITEM | PART NUMBER | QTY | DESCRIPTION | REV |
|------|-------------|-----|---------------|-----|
| 1 | 7027254 | 12 | Bolt, M14X55 | |
| 2 | 7027255 | 2 | Bolt, M14X150 | |
| 3 | 1319571 | 1 | Pin | |

SECTION 5 - DRIVE TRAIN

FIGURE 5-132. TRANSMISSION, PERIPHERALS GROUP 1



ART_1001170171_22-C

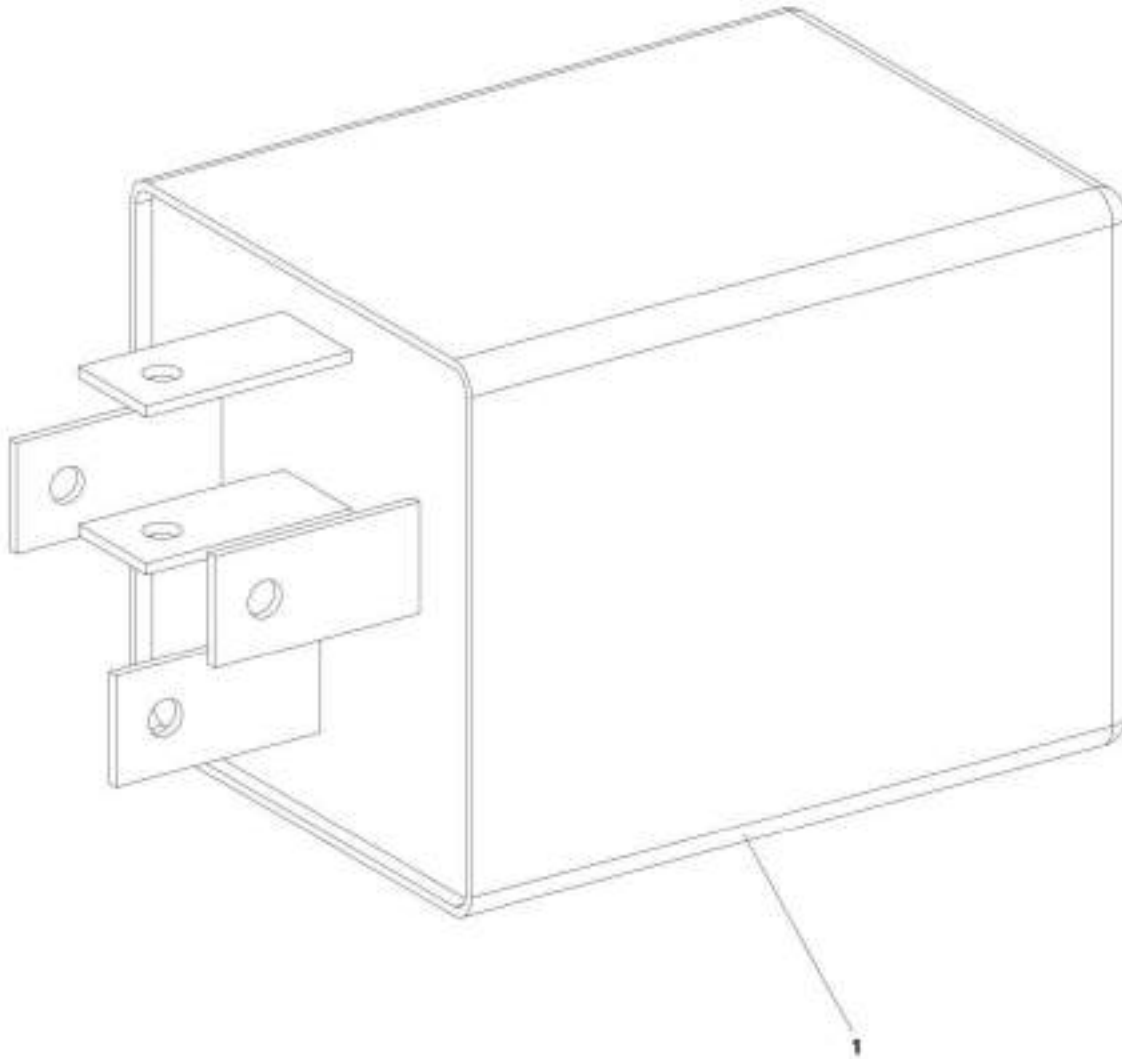
SECTION 5 - DRIVE TRAIN

FIGURE 5-132. TRANSMISSION, PERIPHERALS GROUP 1

| ITEM | PART NUMBER | QTY | DESCRIPTION | REV |
|------|-------------|-----|--|-----|
| 1 | 1001095738 | 1 | Kit, Oil Level Dipstick (includes items 2 & 3) | |
| 2 | 1001095744 | 1 | Tube, Oil Level | |
| 3 | 8841322 | 1 | Dipstick, Oil Level | |
| 4 | 70026516 | 2 | Bolt, M8X16 | |
| 5 | 70023885 | 1 | O-Ring | |

SECTION 5 - DRIVE TRAIN

FIGURE 5-133. TRANSMISSION, ACCESSORIES GROUP 2



ART. 100170171_24 C

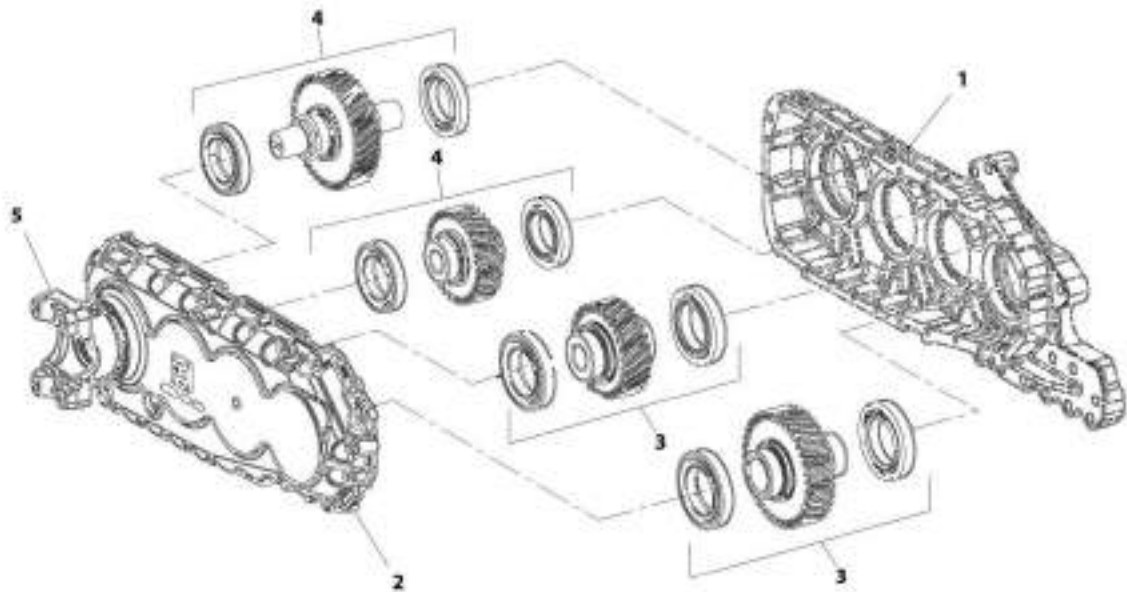
SECTION 5 - DRIVE TRAIN

FIGURE 5-133. TRANSMISSION, ACCESSORIES GROUP 2

| ITEM | PART NUMBER | QTY | DESCRIPTION | REV |
|------|-------------|-----|-------------|-----|
| 1 | 70026559 | 1 | Relay | |

SECTION 5 - DRIVE TRAIN

FIGURE 5-134. TRANSMISSION, TRANSFER BOX



ART_1001170171_25<

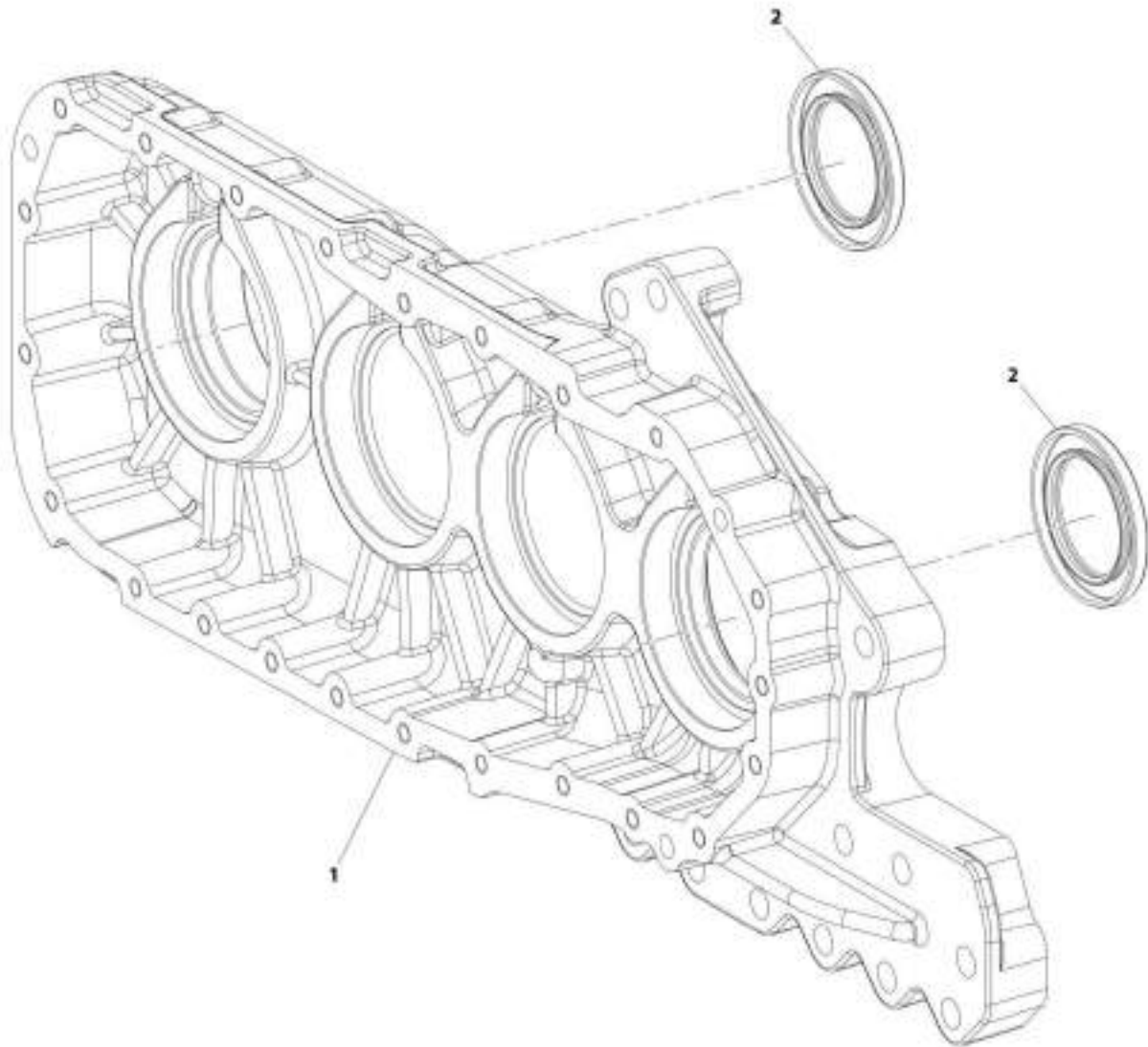
SECTION 5 - DRIVE TRAIN

FIGURE 5-134. TRANSMISSION, TRANSFER BOX

| ITEM | PART NUMBER | QTY | DESCRIPTION | REV |
|------|-------------|-----|--|-----|
| | 70023502 | 1 | Box Transfer (includes all items) | |
| 1 | N.S.S. | Ref | Housing 1, Transfer Box (see TRANSFER BOX HOUSING 1 for Breakdown) | |
| 2 | N.S.S. | Ref | Housing 2, Transfer Box (See TRANSFER BOX HOUSING 2 for Breakdown) | |
| 3 | N.S.S. | Ref | Input, Transfer Box (See TRANSFER BOX INPUT for Breakdown) | |
| 4 | N.S.S. | Ref | Output 1, Transfer Box (See TRANSFER BOX OUTPUT 1 for Breakdown) | |
| 5 | N.S.S. | Ref | Output 2, Transfer Box (See TRANSFER BOX OUTPUT 2 for Breakdown) | |

SECTION 5 - DRIVE TRAIN

FIGURE 5-135. TRANSMISSION, TRANSFER BOX HOUSING 1



ART_1001179171_34-C

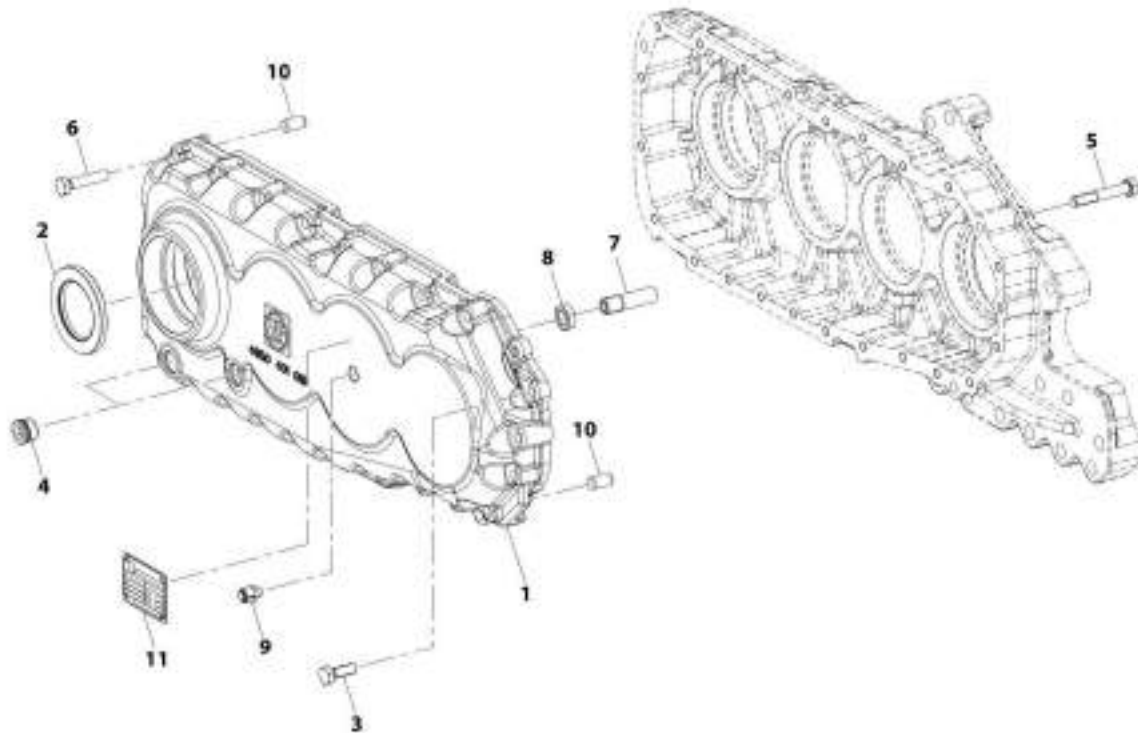
SECTION 5 - DRIVE TRAIN

FIGURE 5-135. TRANSMISSION, TRANSFER BOX HOUSING 1

| ITEM | PART NUMBER | QTY | DESCRIPTION | REV |
|------|-------------|-----|-----------------------|-----|
| 1 | 70023474 | 1 | Housing, Transfer Box | |
| 2 | 70026536 | 2 | Seal, Shaft | |

SECTION 5 - DRIVE TRAIN

FIGURE 5-136. TRANSMISSION, TRANSFER BOX HOUSING 2



ART_1001170171_27-C

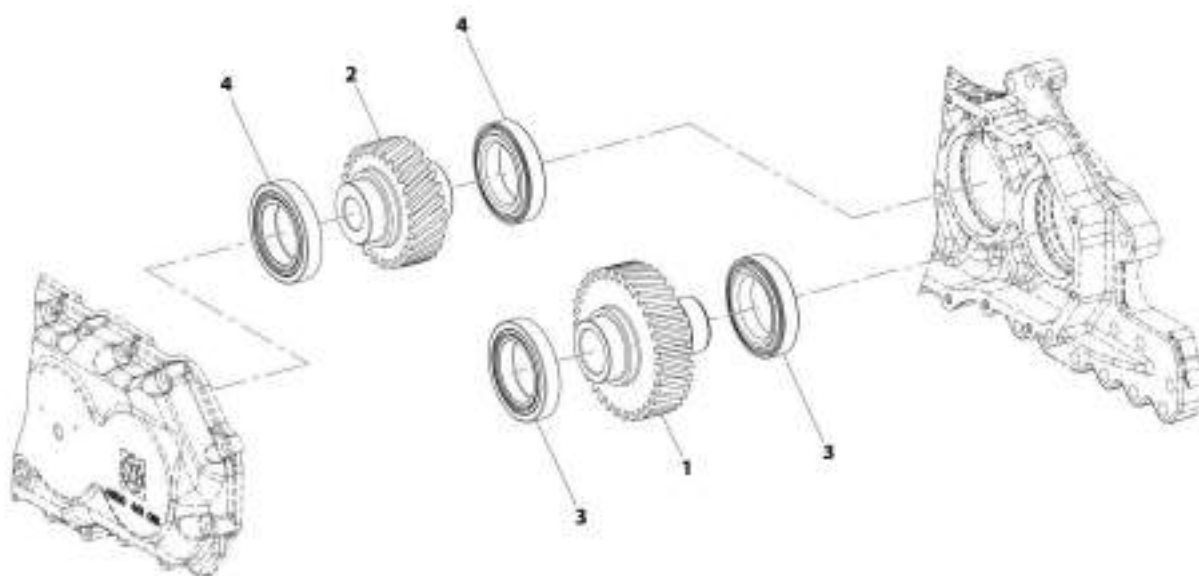
SECTION 5 - DRIVE TRAIN

FIGURE 5-136. TRANSMISSION, TRANSFER BOX HOUSING 2

| ITEM | PART NUMBER | QTY | DESCRIPTION | REV |
|------|-------------|-----|--------------|-----|
| 1 | 70023475 | 1 | Housing | |
| 2 | 70026536 | 1 | Seal, Shaft | |
| 3 | 70023800 | 1 | Bolt, M10X30 | |
| 4 | 70023404 | 2 | Plug | |
| 5 | 70023476 | 1 | Bolt, M10X65 | |
| 6 | 70023801 | 22 | Bolt, M10X50 | |
| 7 | 7026577 | 1 | Sleeve | |
| 8 | 7026578 | 1 | Nut, M16 | |
| 9 | 1319436 | 1 | Breather | |
| 10 | 1319571 | 2 | Pin | |
| 11 | N.S.S. | 1 | S/N Plate | |

SECTION 5 - DRIVE TRAIN

FIGURE 5-137. TRANSMISSION, TRANSFER BOX HOUSING INPUT



ART_1001170171_28-C

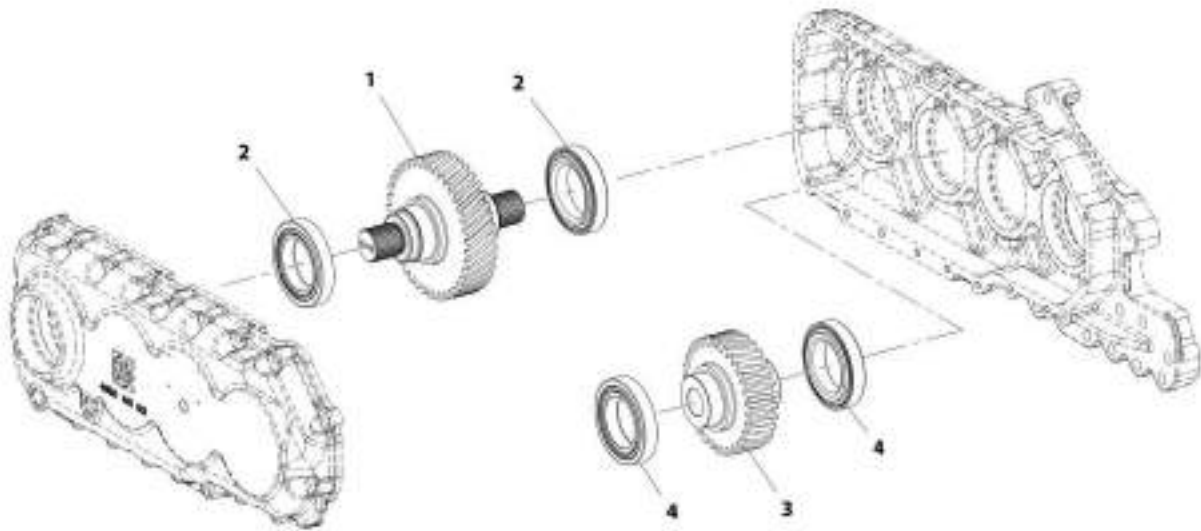
SECTION 5 - DRIVE TRAIN

FIGURE 5-137. TRANSMISSION, TRANSFER BOX HOUSING INPUT

| ITEM | PART NUMBER | QTY | DESCRIPTION | REV |
|------|-------------|-----|----------------------|-----|
| 1 | 7027269 | 1 | Shaft | |
| 2 | 7027270 | 1 | Gear, Idler | |
| 3 | 7026769 | 2 | Bearing, Roller | |
| 4 | 1320748 | 2 | Cup, Tapered Roller | |
| 4 | 1320754 | 2 | Cone, Tapered Roller | |

SECTION 5 - DRIVE TRAIN

FIGURE 5-138. TRANSMISSION, TRANSFER BOX HOUSING OUTPUT 1



ART_1001170171_29-C

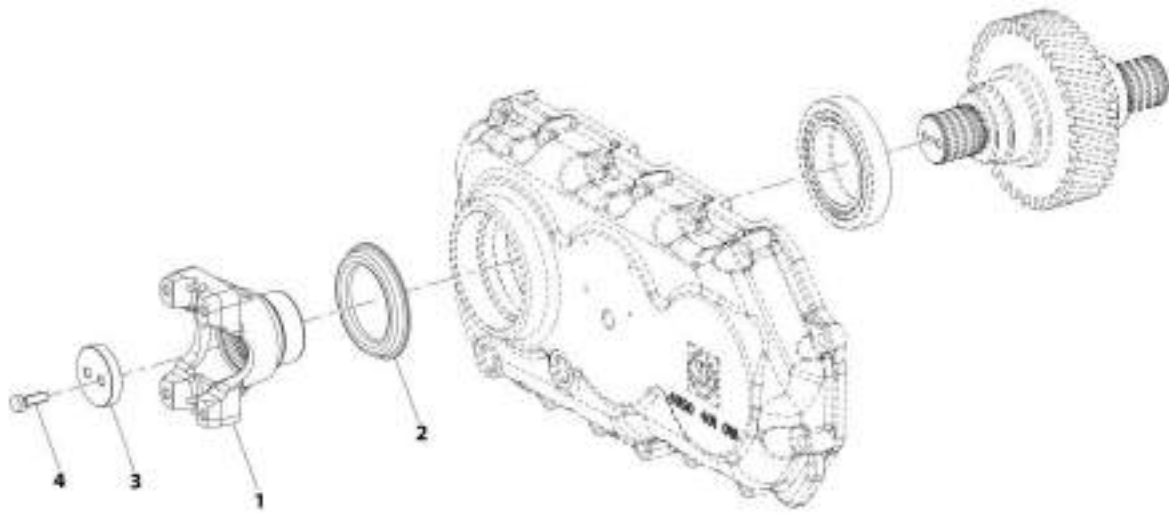
SECTION 5 - DRIVE TRAIN

FIGURE 5-138. TRANSMISSION, TRANSFER BOX HOUSING OUTPUT 1

| ITEM | PART NUMBER | QTY | DESCRIPTION | REV |
|------|-------------|-----|----------------------|-----|
| 1 | 7027271 | 1 | Gear, Output | |
| 2 | 7026769 | 2 | Bearing, Roller | |
| 3 | 7027272 | 1 | Gear, Idler | |
| 4 | 1320748 | 2 | Cup, Tapered Roller | |
| 4 | 1320754 | 2 | Cone, Tapered Roller | |

SECTION 5 - DRIVE TRAIN

FIGURE 5-139. TRANSMISSION, TRANSFER BOX HOUSING OUTPUT 2



ARS_1661170171_30-C

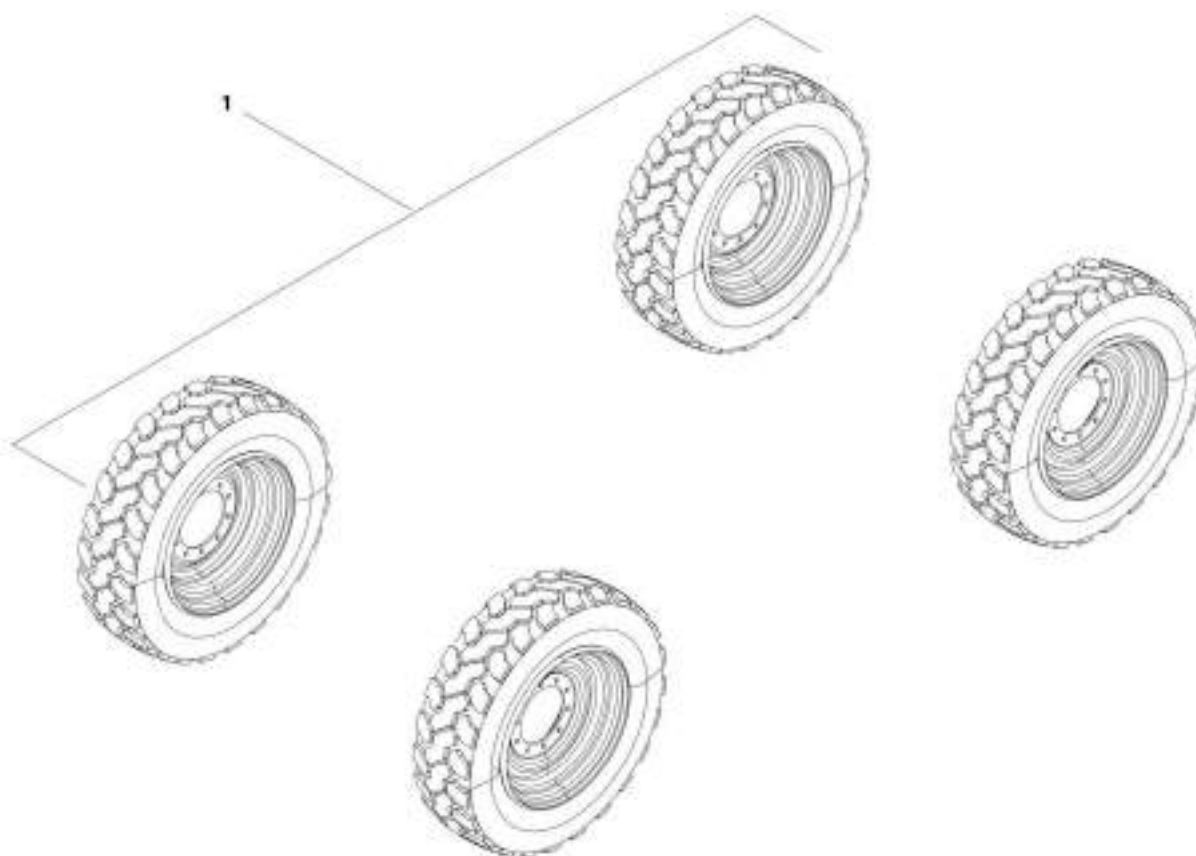
SECTION 5 - DRIVE TRAIN

FIGURE 5-139. TRANSMISSION, TRANSFER BOX HOUSING OUTPUT 2

| ITEM | PART NUMBER | QTY | DESCRIPTION | REV |
|------|-------------|-----|------------------------------|-----|
| 1 | 7027273 | 2 | Flange (one per side) | |
| 2 | 1319647 | 2 | Sheet, Screen (one per side) | |
| 3 | 1319648 | 2 | Washer, (one per side) | |
| 4 | 10731959 | 4 | Bolt, M8X25 (two per side) | |

SECTION 5 - DRIVE TRAIN

FIGURE 5-140. TIRE/WHEEL SET 370/75-28 - AIR (642, 742, 943)



ART_300112096L_8

SECTION 5 - DRIVE TRAIN

FIGURE 5-140. TIRE/WHEEL SET 370/75-28 - AIR (642, 742, 943)

| ITEM | PART NUMBER | QTY | DESCRIPTION | REV |
|------|--------------------------|--------|--|-----|
| 1 | 1001120963 1001100323 | 1 4 | Tire/Wheel Set 370/75-28 - Air (642, 742, 943) Assembly, Tire/Wheel 370/75-28 - Air (642, 742, 943) (See TIRE/WHEEL ASSEMBLY 370/75-28 - AIR (642, 742, 943) for Breakdown) | B |

SECTION 5 - DRIVE TRAIN

FIGURE 5-141. TIRE/WHEEL ASSEMBLY 370/75-28 - AIR (642, 742, 943)



ART_3001100323_D

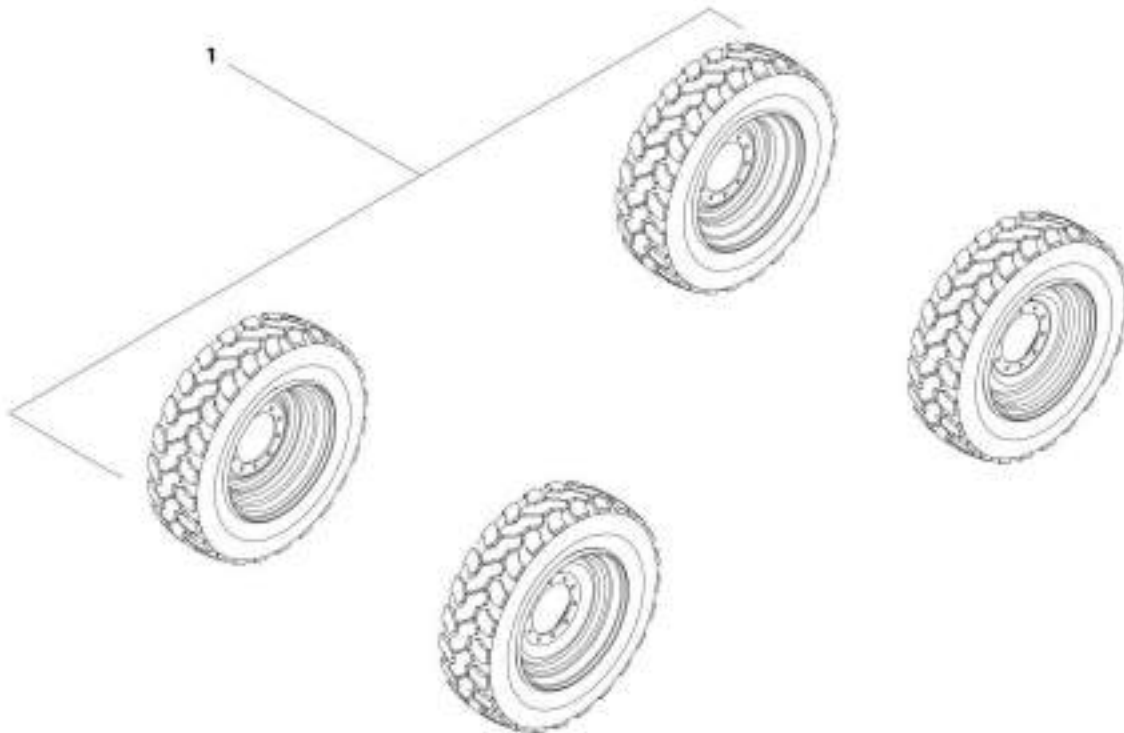
SECTION 5 - DRIVE TRAIN

FIGURE 5-141. TIRE/WHEEL ASSEMBLY 370/75-28 - AIR (642, 742, 943)

| ITEM | PART NUMBER | QTY | DESCRIPTION | REV |
|------|-------------|-----|---|-----|
| | 1001100323 | Ref | Tire/Wheel Assembly 370/75-28 - Air (642, 742, 943) | D |
| 1 | 8786514 | 1 | Valve, Stem | |
| 2 | 1001099976 | 1 | Wheel, 28X11w/.216 Offset | |
| 3 | 1001100284 | 1 | Tire, 370/75-28 | |

SECTION 5 - DRIVE TRAIN

FIGURE 5-142. TIRE/WHEEL SET 370/75-28 - FOAM (642, 742, 943)



ART_3001121519_3

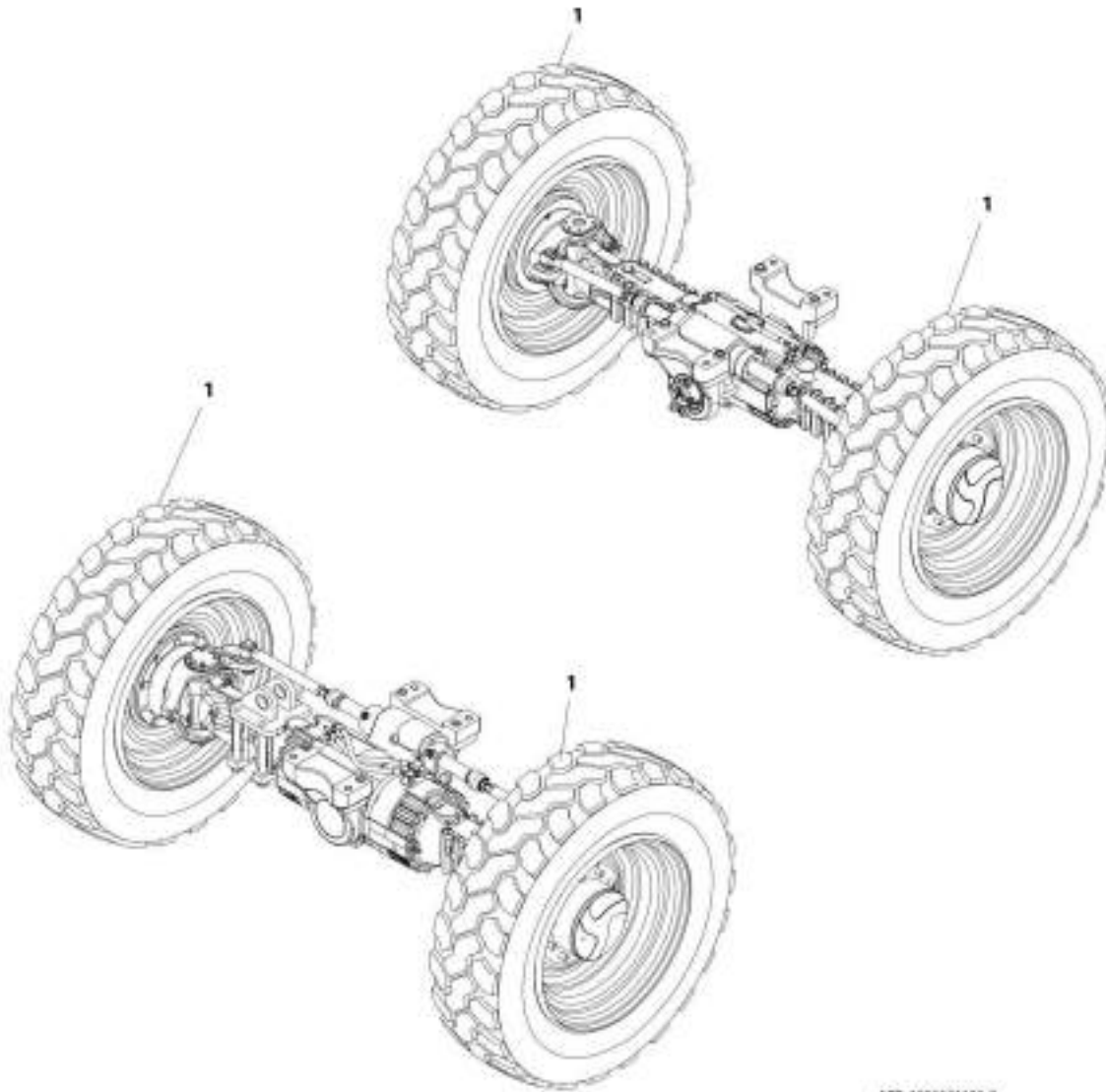
SECTION 5 - DRIVE TRAIN

FIGURE 5-142. TIRE/WHEEL SET 370/75-28 - FOAM (642, 742, 943)

| ITEM | PART NUMBER | QTY | DESCRIPTION | REV |
|------|-------------|-----|---|-----|
| 1 | 1001121519 | 1 | Tire/Wheel Set 370/75-28 - Foam (642, 742, 943) | B |
| | 1001121101 | 4 | Tire/Wheel 370/75-28 Foam (642, 742, 943) | |

SECTION 5 - DRIVE TRAIN

FIGURE 5-143. TIRE/WHEEL SET 400/75-28 - AIR (1043)



ARF_300121108-8

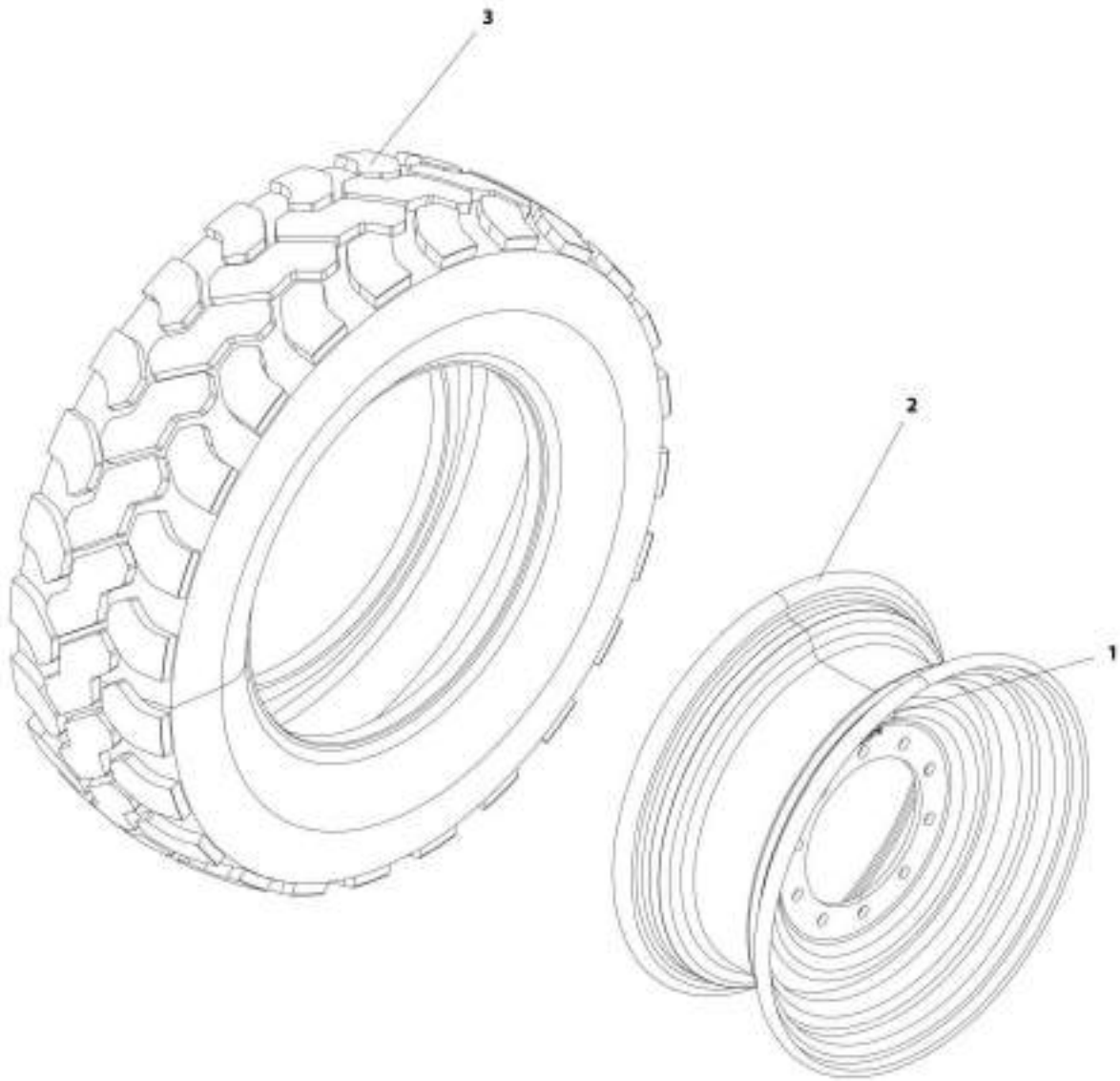
SECTION 5 - DRIVE TRAIN

FIGURE 5-143. TIRE/WHEEL SET 400/75-28 - AIR (1043)

| ITEM | PART NUMBER | QTY | DESCRIPTION | REV |
|------|-------------|-----|--|-----|
| 1 | 1001121109 | 1 | Tire/Wheel Set 400/75-28 - Air (1043) | B |
| | 1001121103 | 4 | Assembly, Tire/Wheel 400/75-28 - Air (1043) (See TIRE/WHEEL ASSEMBLY 400/75-28 - AIR (1043) for Breakdown) | |

SECTION 5 - DRIVE TRAIN

FIGURE 5-144. TIRE/WHEEL ASSEMBLY 400/75-28 - AIR (1043)



ART_100121303-B

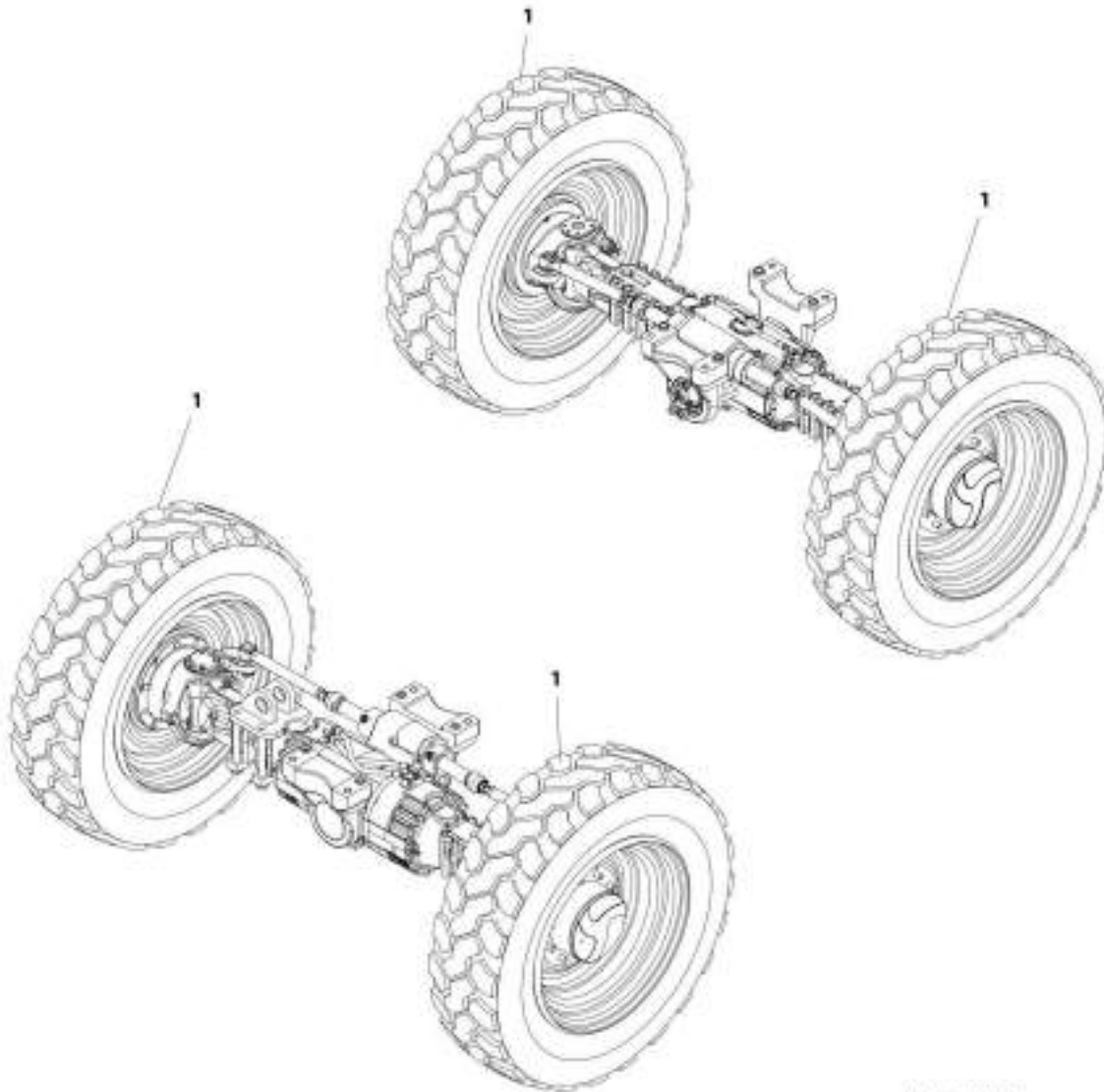
SECTION 5 - DRIVE TRAIN

FIGURE 5-144. TIRE/WHEEL ASSEMBLY 400/75-28 - AIR (1043)

| ITEM | PART NUMBER | QTY | DESCRIPTION | REV |
|------|-------------|-----|--|-----|
| | 1001121103 | Ref | Tire/Wheel Assembly 400/75-28 - Air (1043) | B |
| 1 | 8786514 | 1 | Valve, Stem | |
| 2 | 1001120178 | 1 | Wheel, 28.00x12w/.75 Offset | |
| 3 | 1001120179 | 1 | Tire, 400/75D-28 | |

SECTION 5 - DRIVE TRAIN

FIGURE 5-145. TIRE/WHEEL SET 400/75-28 - FOAM (1043)



ART_1001129410-9

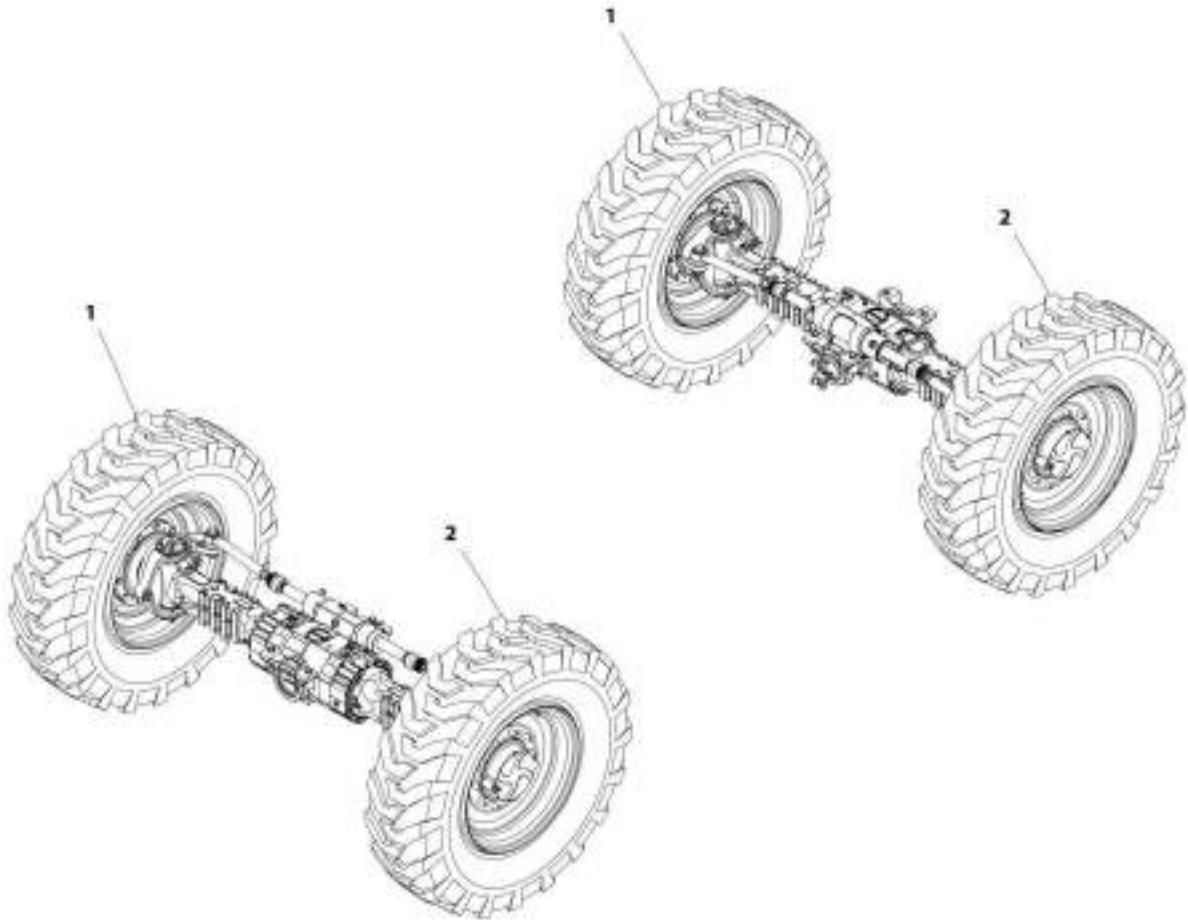
SECTION 5 - DRIVE TRAIN

FIGURE 5-145. TIRE/WHEEL SET 400/75-28 - FOAM (1043)

| ITEM | PART NUMBER | QTY | DESCRIPTION | REV |
|------|-------------|-----|--|-----|
| 1 | 1001125410 | 1 | Tire/Wheel Set 400/75-28 - Foam (1043) | B |
| | 1001121105 | 4 | Tire/Wheel 400/75-28 Foam (1043) | |

SECTION 5 - DRIVE TRAIN

FIGURE 5-146. TIRE/WHEEL SET 13-24 16PR - AIR (642, 742)



ART_1001200131-A

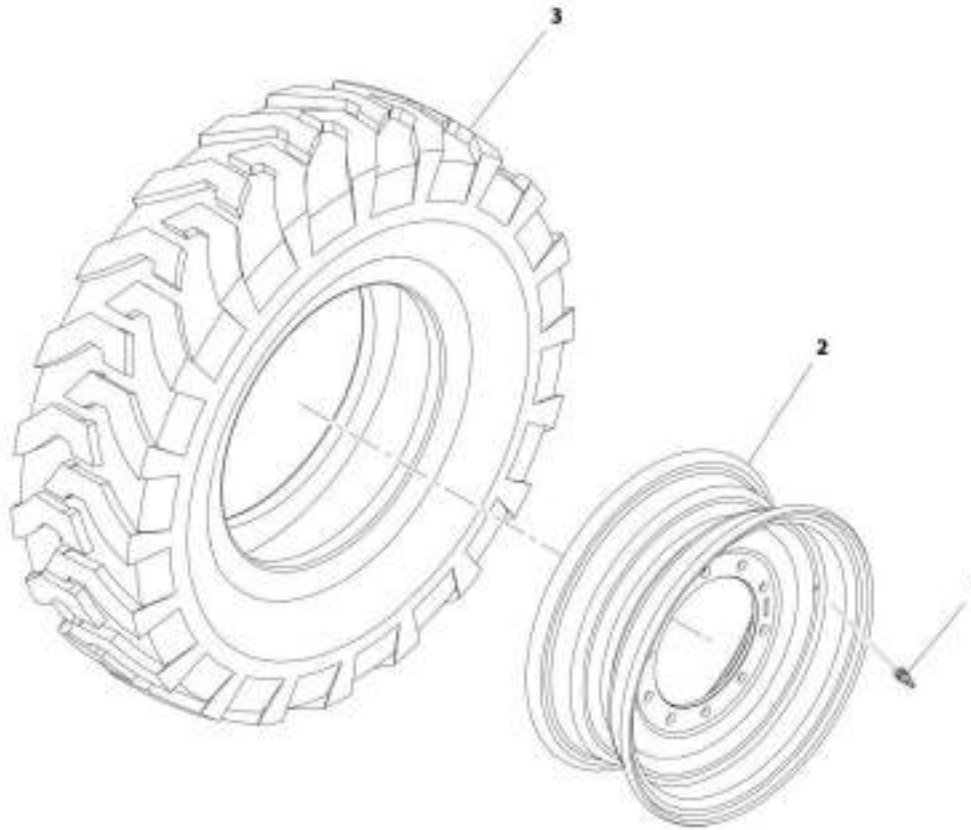
SECTION 5 - DRIVE TRAIN

FIGURE 5-146. TIRE/WHEEL SET 13-24 16PR - AIR (642, 742)

| ITEM | PART NUMBER | QTY | DESCRIPTION | REV |
|------|-------------|-----|--|-----|
| 1 | 1001200151 | 1 | Tire/Wheel Set 13-24 16PR - Air (642, 742) | A |
| | 1001199808 | 2 | Assembly, Tire/Wheel Right 13-24 16PR - Air (642, 742) (See TIRE/WHEEL RIGHT ASSEMBLY 13-24 16PR - AIR (642, 742) for Breakdown) | |
| 2 | 1001199810 | 2 | Assembly, Tire/Wheel Left 13-24 16PR - Air (642, 742) (See TIRE/WHEEL LEFT ASSEMBLY 13-24 16PR - AIR (642, 742) for Breakdown) | |

SECTION 5 - DRIVE TRAIN

FIGURE 5-147. TIRE/WHEEL RIGHT ASSEMBLY 13-24 16PR - AIR (642, 742)



ART. 100119805-A

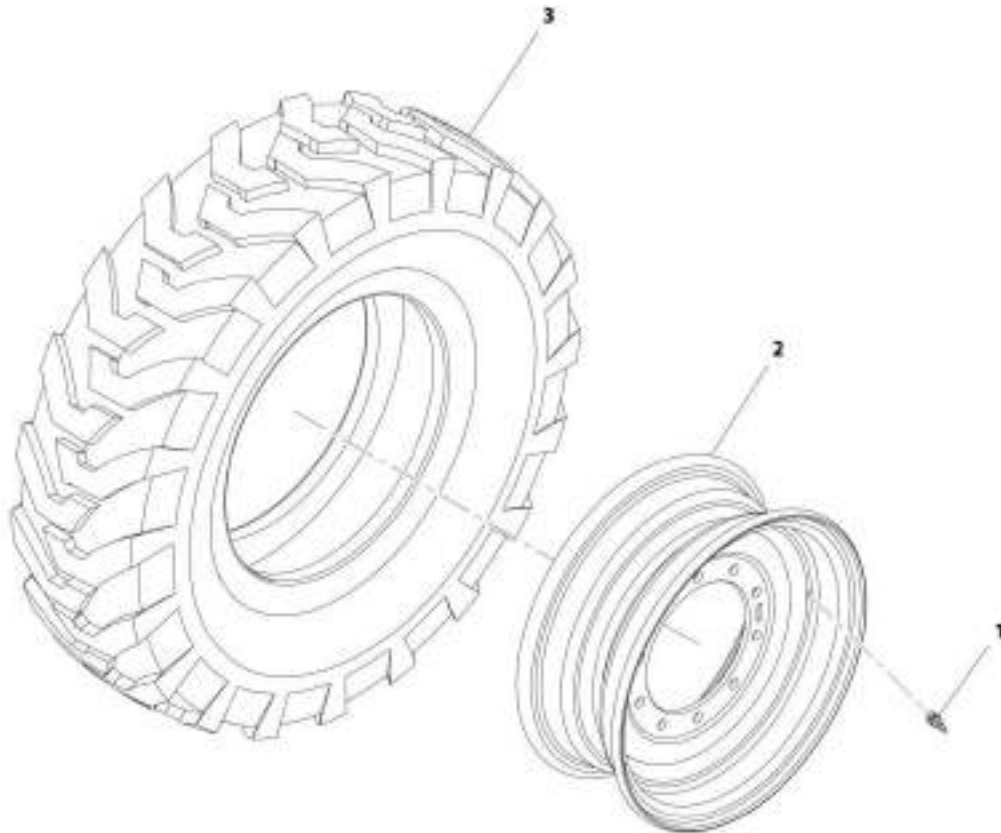
SECTION 5 - DRIVE TRAIN

FIGURE 5-147. TIRE/WHEEL RIGHT ASSEMBLY 13-24 16PR - AIR (642, 742)

| ITEM | PART NUMBER | QTY | DESCRIPTION | REV |
|------|-------------|-----|---|-----|
| | 1001199808 | Ref | Tire/Wheel Right Assembly 13-24 16PR - Air (642, 742) | A |
| 1 | 8786514 | 1 | Valve, Stem | |
| 2 | 91473206 | 1 | Wheel, 24x9.00 GR | |
| 3 | 1001199807 | 1 | Tire, 13.00x24 TG 16 PLY G2, BIAS | |

SECTION 5 - DRIVE TRAIN

FIGURE 5-148. TIRE/WHEEL LEFT ASSEMBLY 13-24 16PR - AIR (642, 742)



ART_1001109810-A

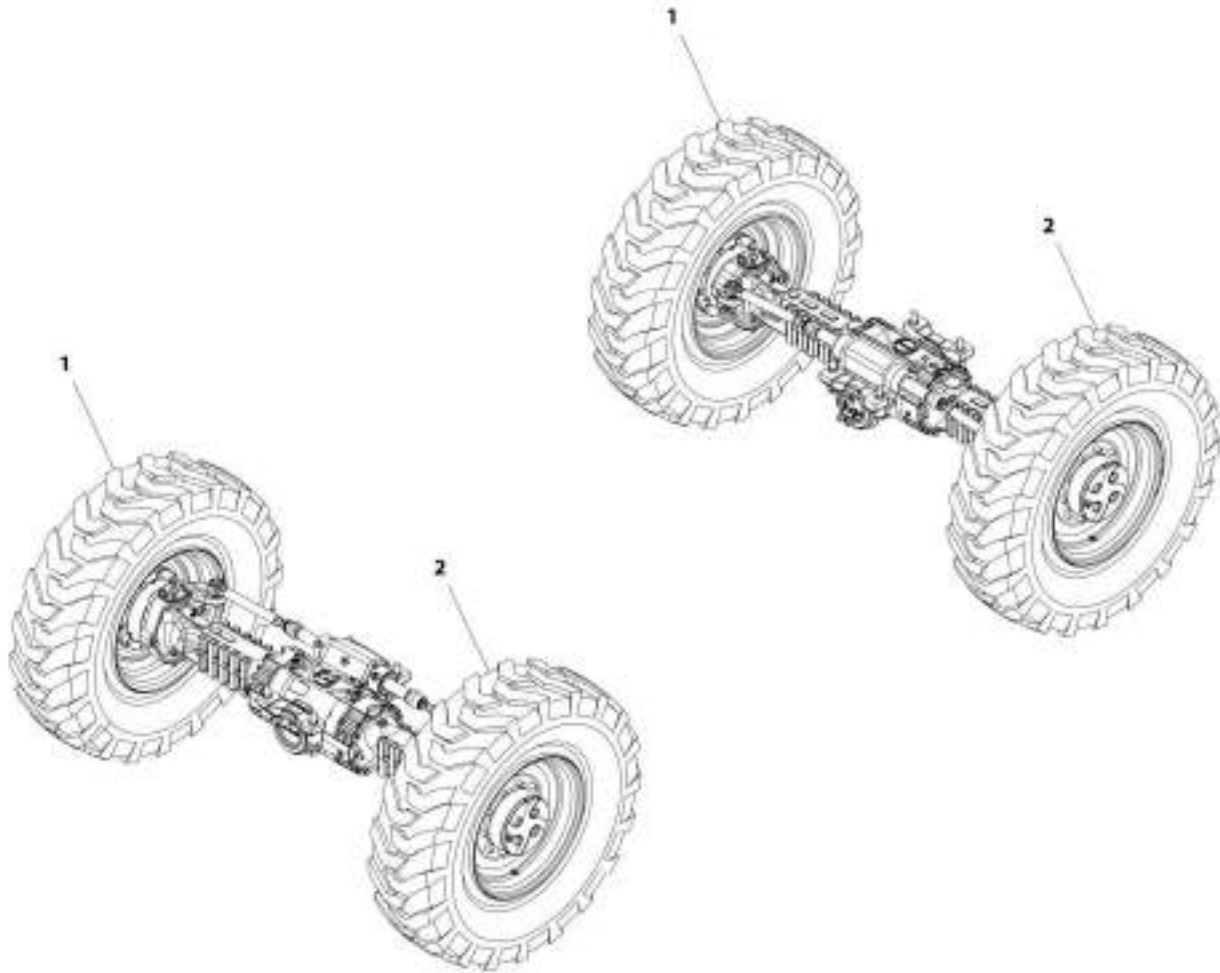
SECTION 5 - DRIVE TRAIN

FIGURE 5-148. TIRE/WHEEL LEFT ASSEMBLY 13-24 16PR - AIR (642, 742)

| ITEM | PART NUMBER | QTY | DESCRIPTION | REV |
|------|-------------|-----|--|-----|
| | 1001199810 | Ref | Tire/Wheel Left Assembly 13-24 16PR - Air (642, 742) | A |
| 1 | 8786514 | 1 | Valve, Stem | |
| 2 | 91473206 | 1 | Wheel, 24x9.00 GR | |
| 3 | 1001199807 | 1 | Tire, 13.00x24 TG 16 PLY G2, BIAS | |

SECTION 5 - DRIVE TRAIN

FIGURE 5-149. TIRE/WHEEL SET 14-24 16PR - AIR (943, 1043)



ART_100190291-A

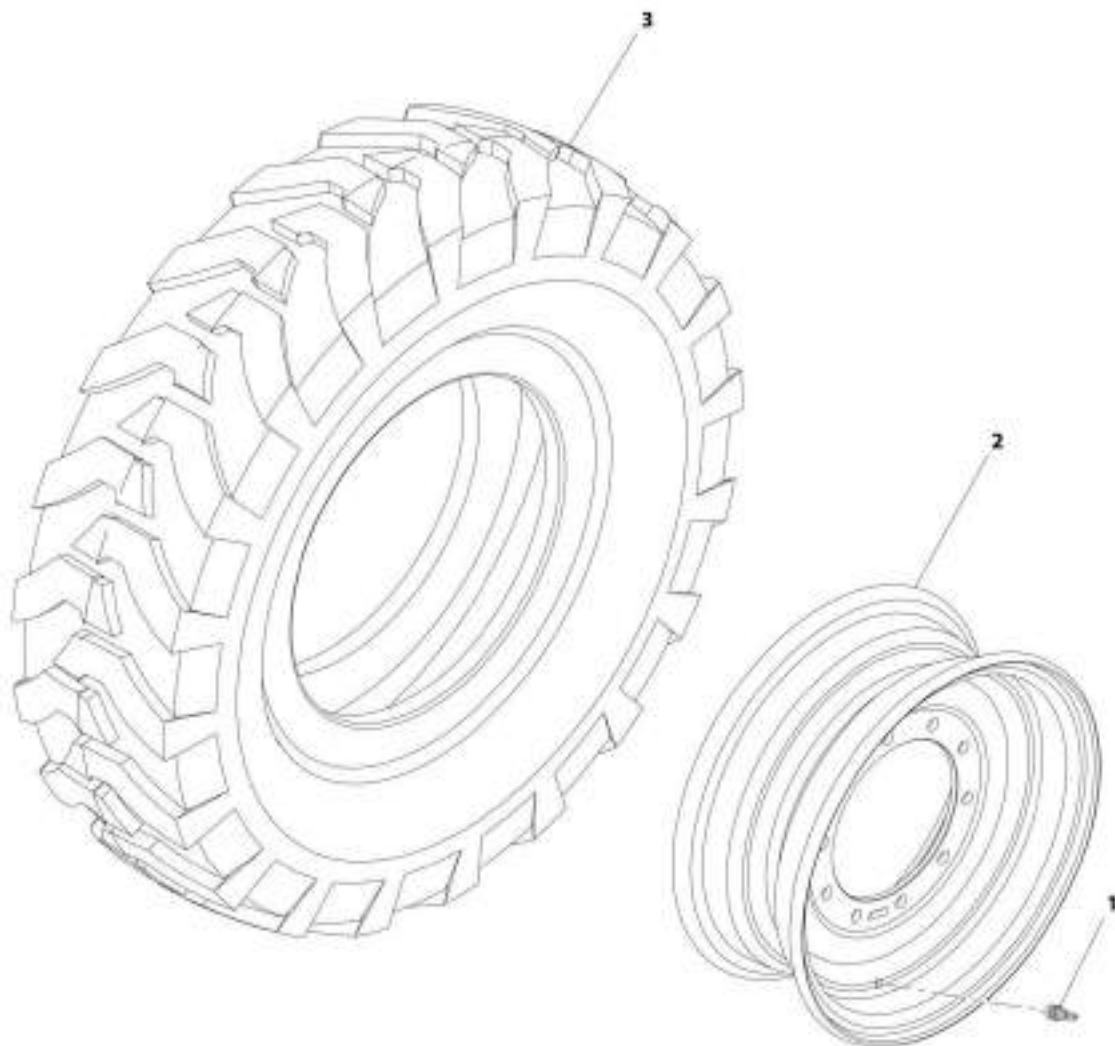
SECTION 5 - DRIVE TRAIN

FIGURE 5-149. TIRE/WHEEL SET 14-24 16PR - AIR (943, 1043)

| ITEM | PART NUMBER | QTY | DESCRIPTION | REV |
|------|-------------|-----|--|-----|
| 1 | 1001198291 | 1 | Tire/Wheel Set 14-24 16PR - Air (943, 1043) | A |
| | 1001197715 | 2 | Assembly, Tire/Wheel Right 14-24 16PR - Air (943, 1043) (See TIRE/WHEEL RIGHT ASSEMBLY 14-24 16PR - AIR (943, 1043) for Breakdown) | |
| 2 | 1001197716 | 2 | Assembly, Tire/Wheel Left 14-24 16PR - Air (943, 1043) (See TIRE/WHEEL LEFT ASSEMBLY 14-24 16PR - AIR (943, 1043) for Breakdown) | |

SECTION 5 - DRIVE TRAIN

FIGURE 5-150. TIRE/WHEEL RIGHT ASSEMBLY 14-24 16PR - AIR (943, 1043)



ART_100107715-0

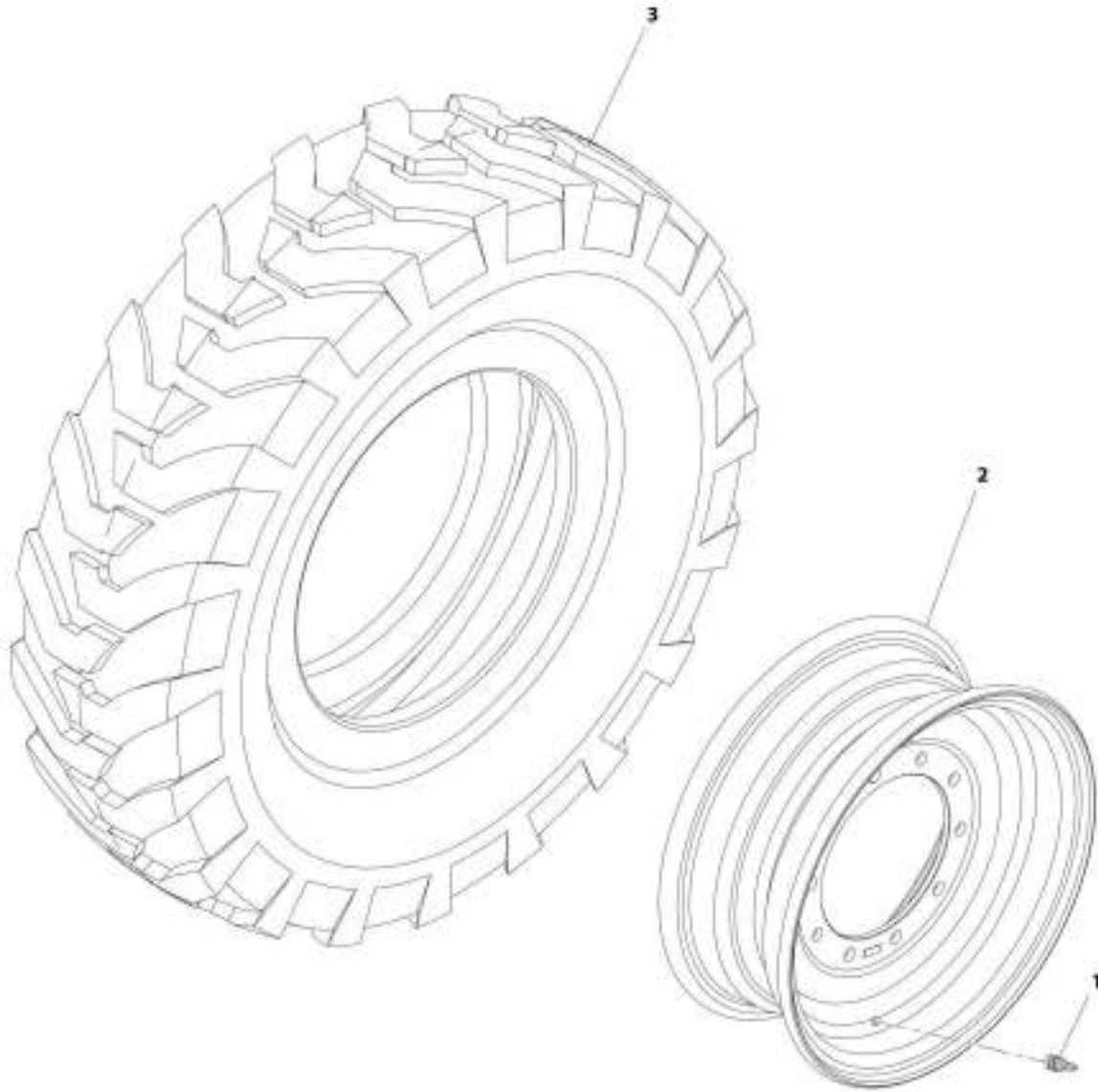
SECTION 5 - DRIVE TRAIN

FIGURE 5-150. TIRE/WHEEL RIGHT ASSEMBLY 14-24 16PR - AIR (943, 1043)

| ITEM | PART NUMBER | QTY | DESCRIPTION | REV |
|------|-------------|-----|--|-----|
| | 1001197715 | Ref | Tire/Wheel Right Assembly 14-24 16PR - Air (943, 1043) | B |
| 1 | 8786514 | 1 | Valve, Stem | |
| 2 | 91473206 | 1 | Wheel, 24x9.00 GR | |
| 3 | 1001197709 | 1 | Tire, 14.00x24 TG 16 PLY BIAS G2 | |

SECTION 5 - DRIVE TRAIN

FIGURE 5-151. TIRE/WHEEL LEFT ASSEMBLY 14-24 16PR - AIR (943, 1043)



ART_100197716-9

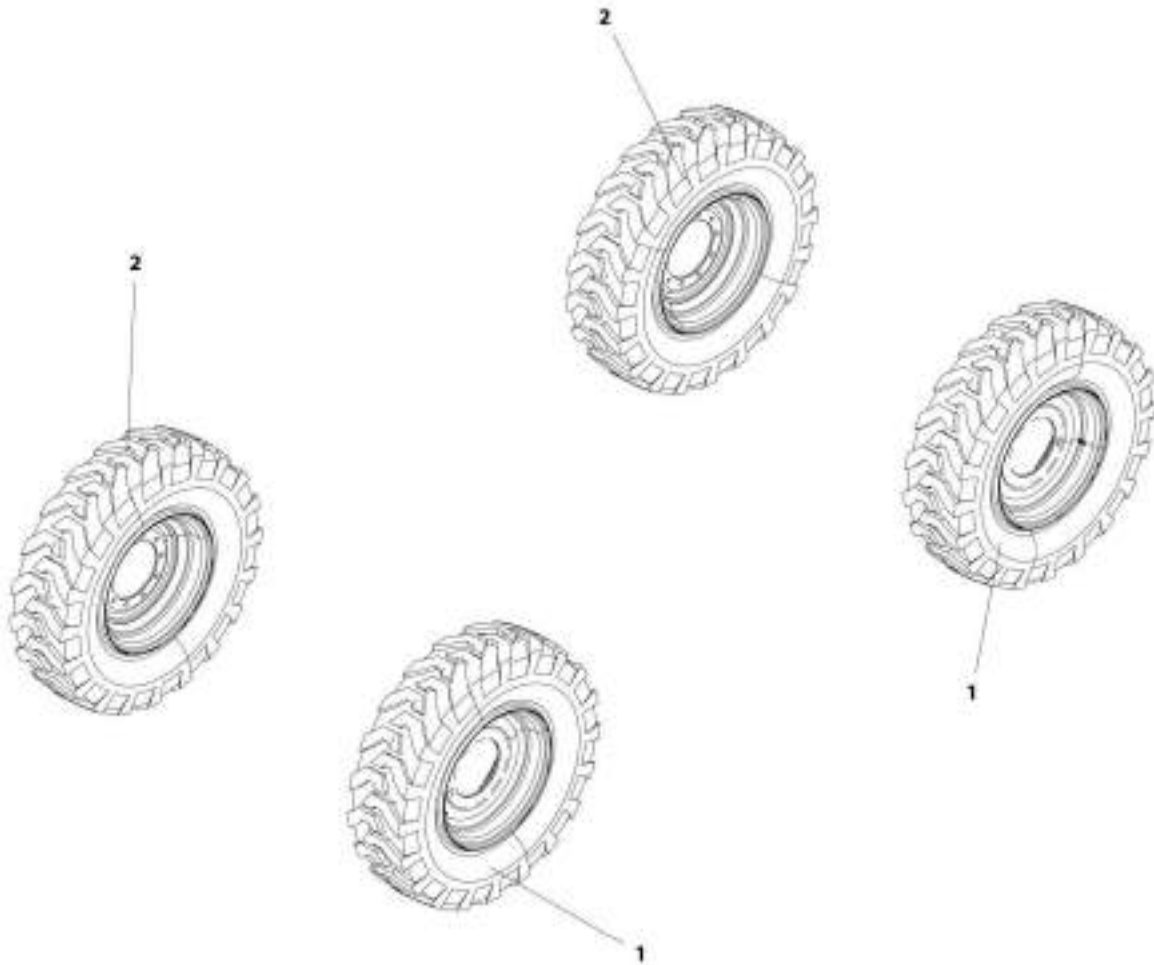
SECTION 5 - DRIVE TRAIN

FIGURE 5-151. TIRE/WHEEL LEFT ASSEMBLY 14-24 16PR - AIR (943, 1043)

| ITEM | PART NUMBER | QTY | DESCRIPTION | REV |
|------|-------------|-----|---|-----|
| | 1001197716 | Ref | Tire/Wheel Left Assembly 14-24 16PR - Air (943, 1043) | B |
| 1 | 8786514 | 1 | Valve, Stem | |
| 2 | 91473206 | 1 | Wheel, 24x9.00 GR | |
| 3 | 1001197709 | 1 | Tire, 14.00x24 TG 16 PLY BIAS G2 | |

SECTION 5 - DRIVE TRAIN

FIGURE 5-152. TIRE/WHEEL SET 13-24 12PR - FOAM (642, 742)



ART_4520174_B

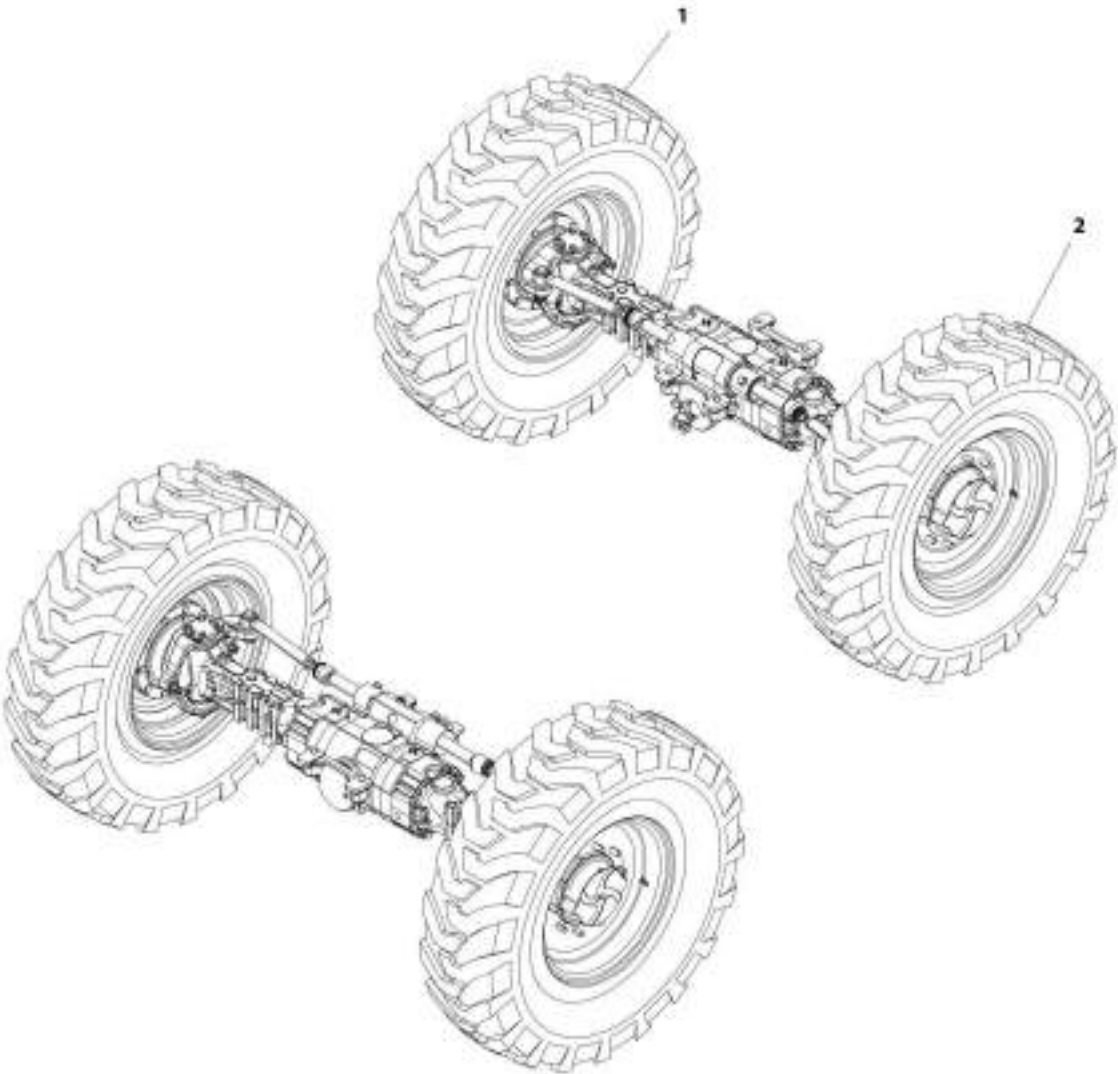
SECTION 5 - DRIVE TRAIN

FIGURE 5-152. TIRE/WHEEL SET 13-24 12PR - FOAM (642, 742)

| ITEM | PART NUMBER | QTY | DESCRIPTION | REV |
|------|-------------|-----|---|-----|
| | 4520370 | 1 | Tire/Wheel Set 13-24 12PR - Foam (642, 742) | B |
| 1 | 91475054 | 2 | Tire/Wheel Right 13-24 G-2 - Foam | |
| 2 | 91475055 | 2 | Tire/Wheel Left 13-24 G-2 - Foam | |

SECTION 5 - DRIVE TRAIN

FIGURE 5-153. TIRE/WHEEL SET 14-24 12PR - FOAM (943, 1043)



ART_4520482-C

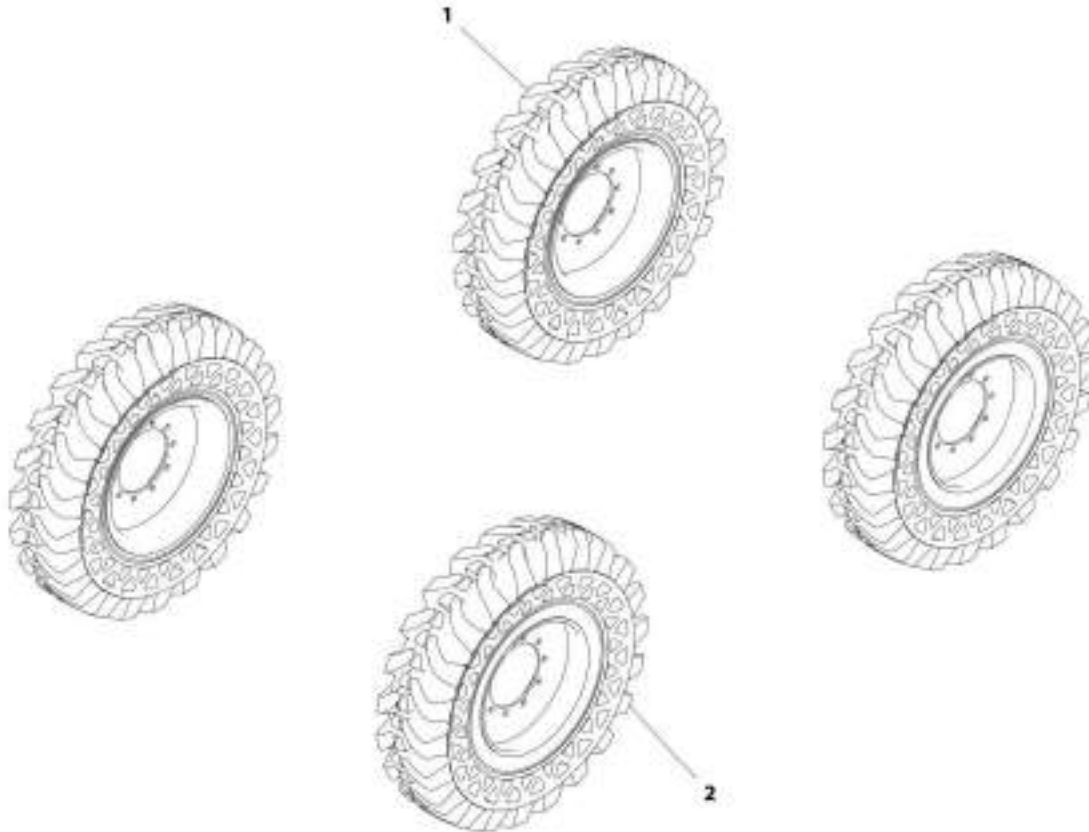
SECTION 5 - DRIVE TRAIN

FIGURE 5-153. TIRE/WHEEL SET 14-24 12PR - FOAM (943, 1043)

| ITEM | PART NUMBER | QTY | DESCRIPTION | REV |
|------|-------------|-----|--|-----|
| | 4520482 | 1 | Tire/Wheel Set 14-24 12PR - Foam (943, 1043) | C |
| 1 | 91355037 | 2 | Tire/Wheel Right 14-24 G-2 - Foam | |
| 2 | 91355038 | 2 | Tire/Wheel Left 14-24 G-2 - Foam | |

SECTION 5 - DRIVE TRAIN

FIGURE 5-154. TIRE/WHEEL SET 13-24 - SOLID (642, 742, 943) (742 Prior to SN 0160083905, Excluding 0160083721; 943 Prior to SN 0160083750)



ART_1001151106-A

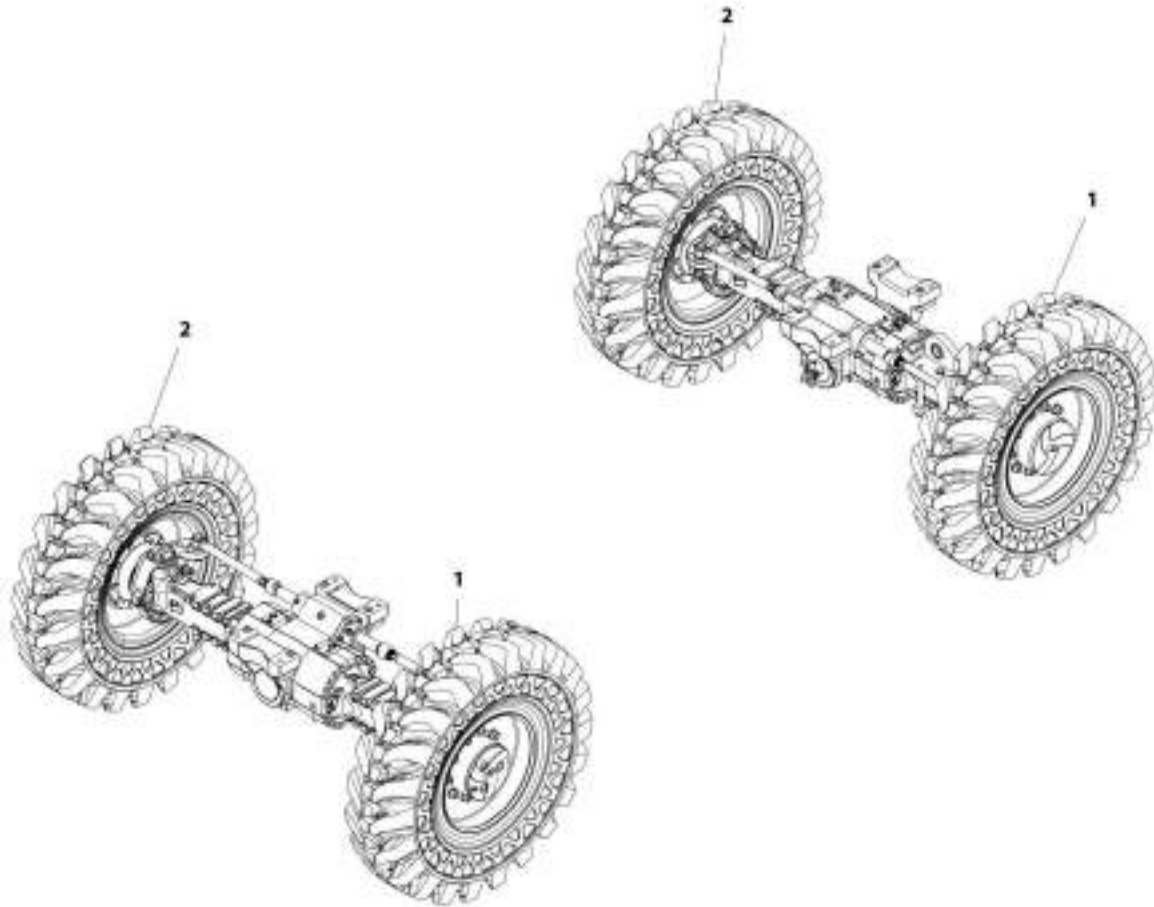
SECTION 5 - DRIVE TRAIN

FIGURE 5-154. TIRE/WHEEL SET 13-24 - SOLID (642, 742, 943) (742 Prior to SN 0160083905, Excluding 0160083721; 943 Prior to SN 0160083750)

| ITEM | PART NUMBER | QTY | DESCRIPTION | REV |
|------|-------------|-----|--|-----|
| | 1001151106 | 1 | Tire/Wheel Set 13-24 - Solid (642, 742, 943) | A |
| 1 | 1001151097 | 2 | Tire/Wheel Left 13-24 .219 - Offset | |
| 2 | 1001151098 | 2 | Tire/Wheel Right 13-24 .219 - Offset | |

SECTION 5 - DRIVE TRAIN

FIGURE 5-155. TIRE/WHEEL SET 14-24 - SOLID (1043) (Prior to SN 0160084074)



ART_1061131108-A

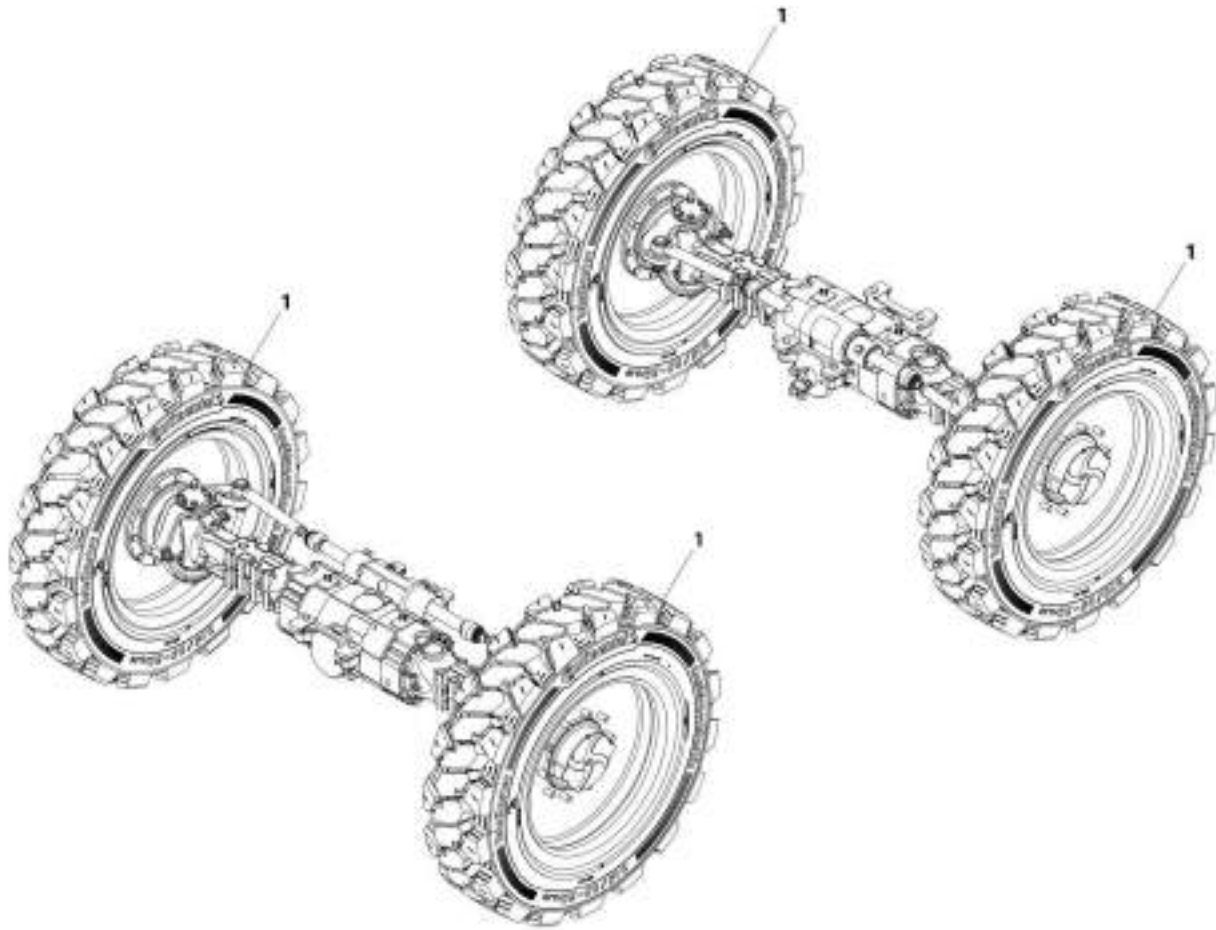
SECTION 5 - DRIVE TRAIN

FIGURE 5-155. TIRE/WHEEL SET 14-24 - SOLID (1043) (Prior to SN 0160084074)

| ITEM | PART NUMBER | QTY | DESCRIPTION | REV |
|------|-------------|-----|--------------------------------------|-----|
| | 1001151108 | 1 | Tire/Wheel Set 14-24 - Solid (1043) | A |
| 1 | 1001151101 | 2 | Tire/Wheel Left 14-24 .219 - Offset | |
| 2 | 1001151102 | 2 | Tire/Wheel Right 14-24 .219 - Offset | |

SECTION 5 - DRIVE TRAIN

FIGURE 5-156. TIRE/WHEEL SET 315/95-28 - SOLID (742, 943)



48T_1001221503-A

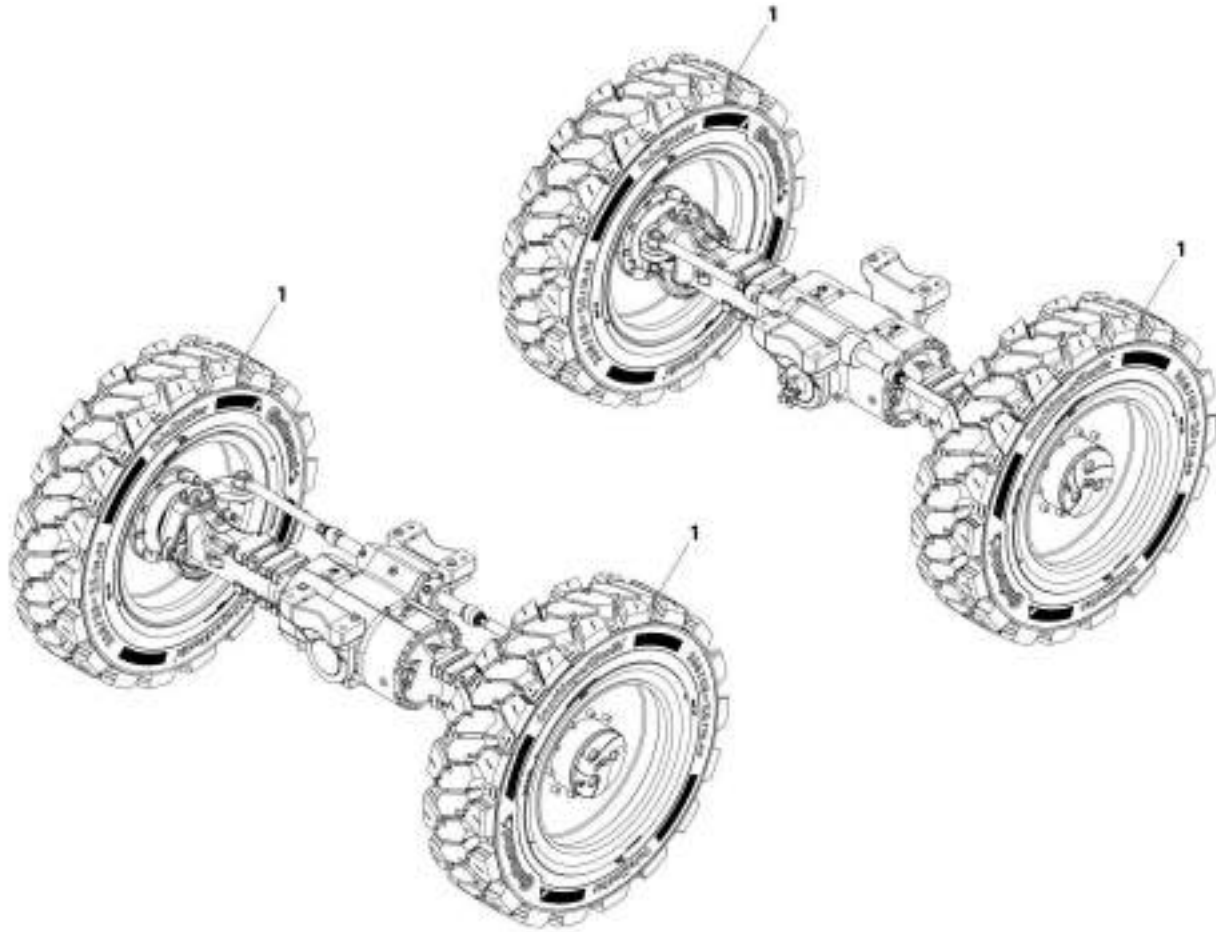
SECTION 5 - DRIVE TRAIN

FIGURE 5-156. TIRE/WHEEL SET 315/95-28 - SOLID (742, 943)

| ITEM | PART NUMBER | QTY | DESCRIPTION | REV |
|------|-------------|-----|---|-----|
| 1 | 1001221503 | 1 | Tire/Wheel Set 315/95-28 - Solid (742, 943) | A |
| | 1001213199J | 4 | Tire/Wheel Solid 315/95-28/8.50 - 8M Offset | |

SECTION 5 - DRIVE TRAIN

FIGURE 5-157. TIRE/WHEEL SET 360/85-28 - SOLID (1043)



ART_1001221504-A

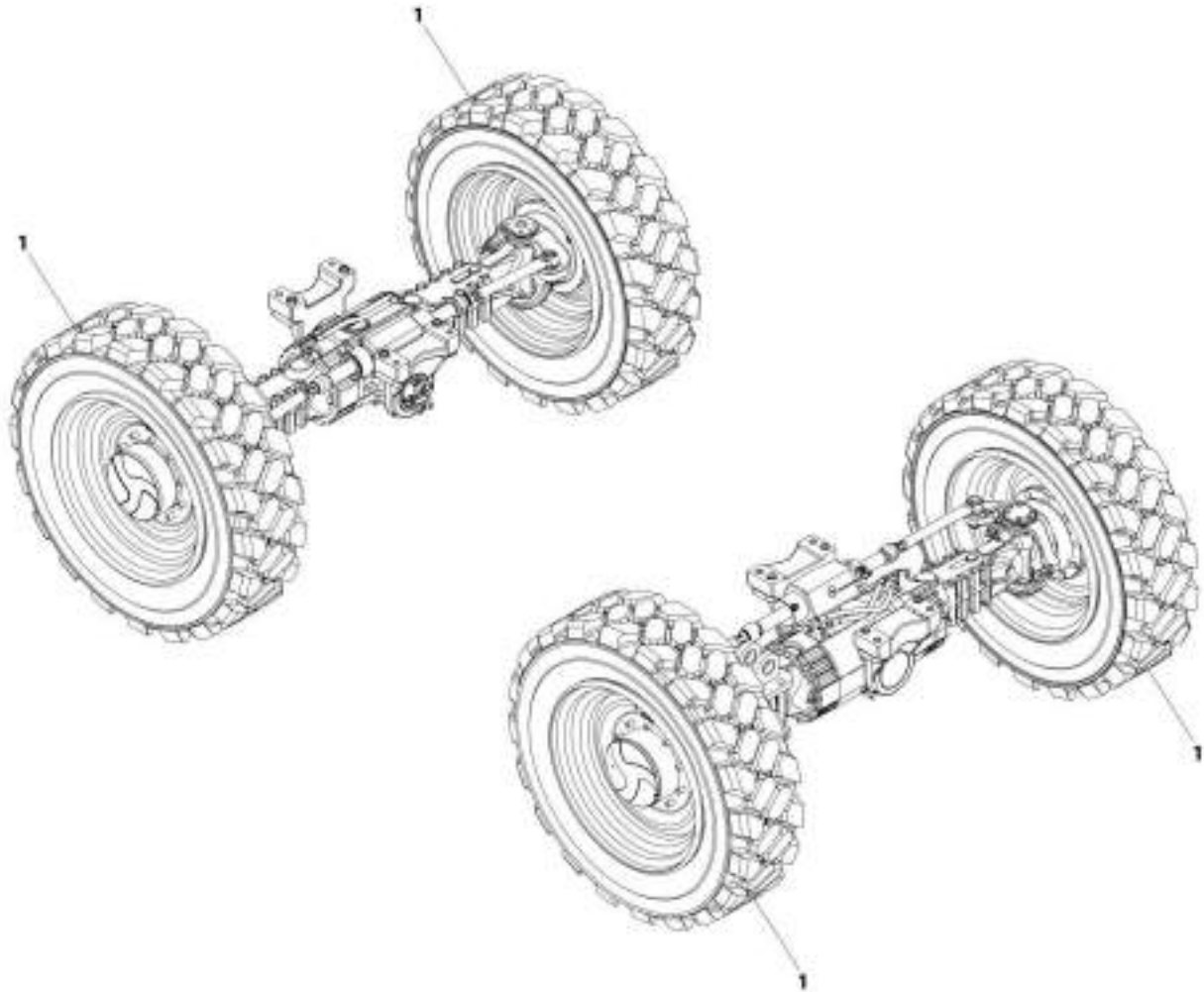
SECTION 5 - DRIVE TRAIN

FIGURE 5-157. TIRE/WHEEL SET 360/85-28 - SOLID (1043)

| ITEM | PART NUMBER | QTY | DESCRIPTION | REV |
|------|-------------|-----|---|-----|
| 1 | 1001221504 | 1 | Tire/Wheel Set 360/85-28 - Solid (1043) | A |
| | 1001213200J | 4 | Tire/Wheel Solid 360/85-28/10 - 1M Offset | |

SECTION 5 - DRIVE TRAIN

FIGURE 5-158. TIRE/WHEEL SET 370/75-28 - PNEUMATIC NON MARKING (943, 1043)



MIT_1001241845-A

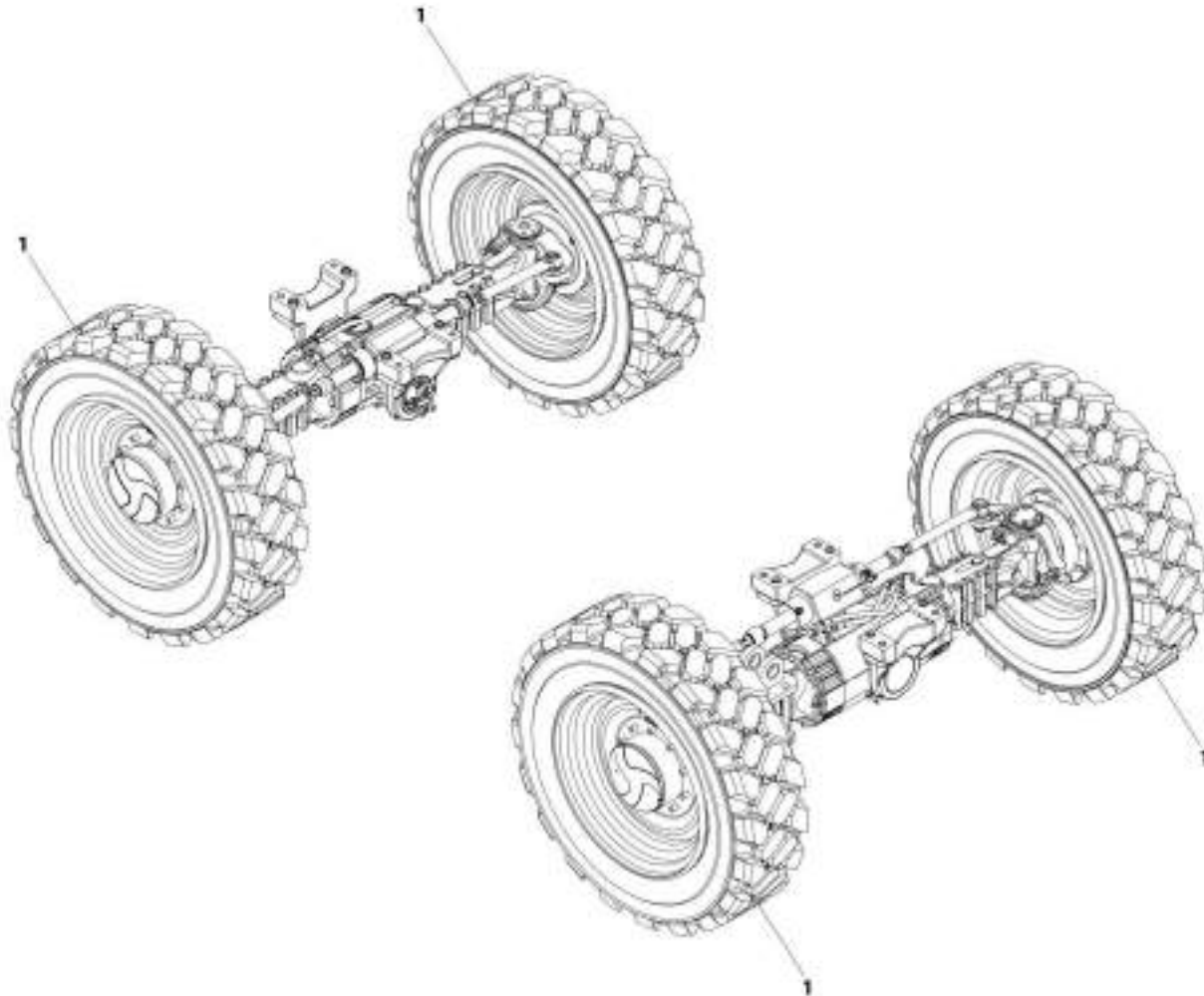
SECTION 5 - DRIVE TRAIN

FIGURE 5-158. TIRE/WHEEL SET 370/75-28 - PNEUMATIC NON MARKING (943, 1043)

| ITEM | PART NUMBER | QTY | DESCRIPTION | REV |
|------|--------------------------|----------|---|-----|
| 1 | 1001241846 1001241839 | Ref 4 | Tire Set, 370/75-28 - Pneumatic Non Marking Assembly, Tire and Wheel (See TIRE AND WHEEL ASSEMBLY, 370/75-28 PNEUMATIC for Breakdown) | A |

SECTION 5 - DRIVE TRAIN

FIGURE 5-159. TIRE/WHEEL SET 370/75-28 - FOAM NON MARKING (943, 1043)



MIT_1001241847-A

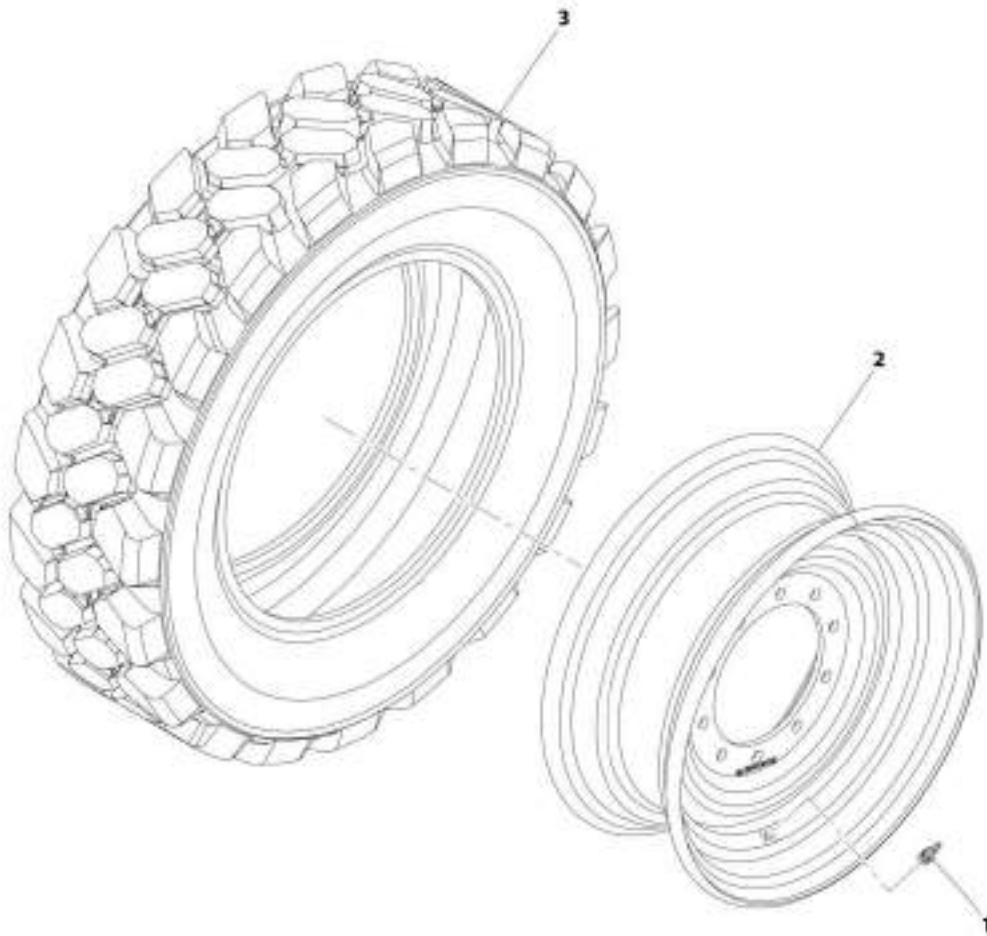
SECTION 5 - DRIVE TRAIN

FIGURE 5-159. TIRE/WHEEL SET 370/75-28 - FOAM NON MARKING (943, 1043)

| ITEM | PART NUMBER | QTY | DESCRIPTION | REV |
|------|-------------|-----|--|-----|
| 1 | 1001241847 | Ref | Tire/Wheel Set, 370/75-28 - Foam Non-Marking | A |
| | 1001241840 | 4 | Tire and Wheel, 370/75-28 - Foam Non-Marking | |

SECTION 5 - DRIVE TRAIN

FIGURE 5-160. TIRE/WHEEL ASSEMBLY 370/75-28 - PNEUMATIC NON MARKING (943, 1043)



WIT_1001241899-A

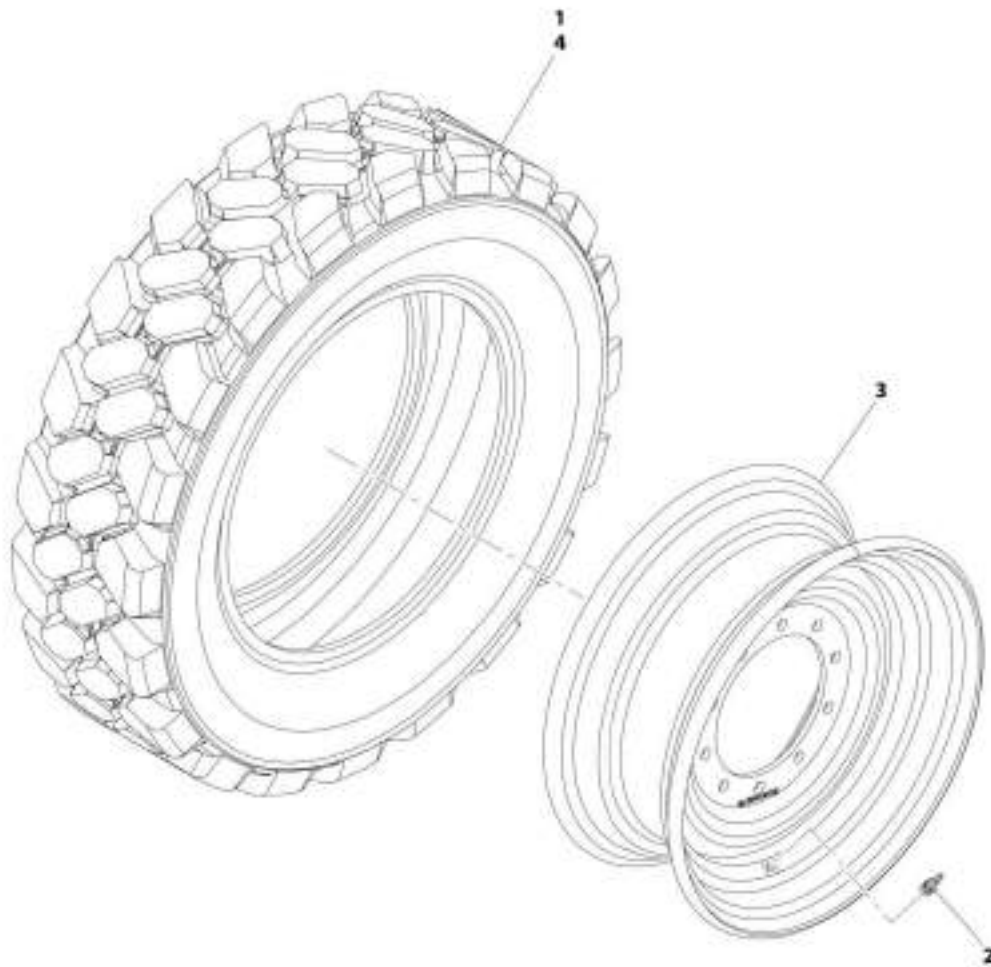
SECTION 5 - DRIVE TRAIN

FIGURE 5-160. TIRE/WHEEL ASSEMBLY 370/75-28 - PNEUMATIC NON MARKING (943, 1043)

| ITEM | PART NUMBER | QTY | DESCRIPTION | REV |
|------|-------------|-----|--|-----|
| | 1001241839 | Ref | Tire/Wheel Assembly, 370/75-28 - Pneumatic Non-Marking | A |
| 1 | 8786514 | 1 | Valve, Stem | |
| 2 | 1001099976 | 1 | Wheel, 28X11.00 | |
| 3 | 1001241838 | 1 | Tire, 370/75-28 Non-Marking | |

SECTION 5 - DRIVE TRAIN

FIGURE 5-161. TIRE/WHEEL ASSEMBLY 370/75-28 - FOAM NON MARKING (943, 1043)



WIT_1001241940-A

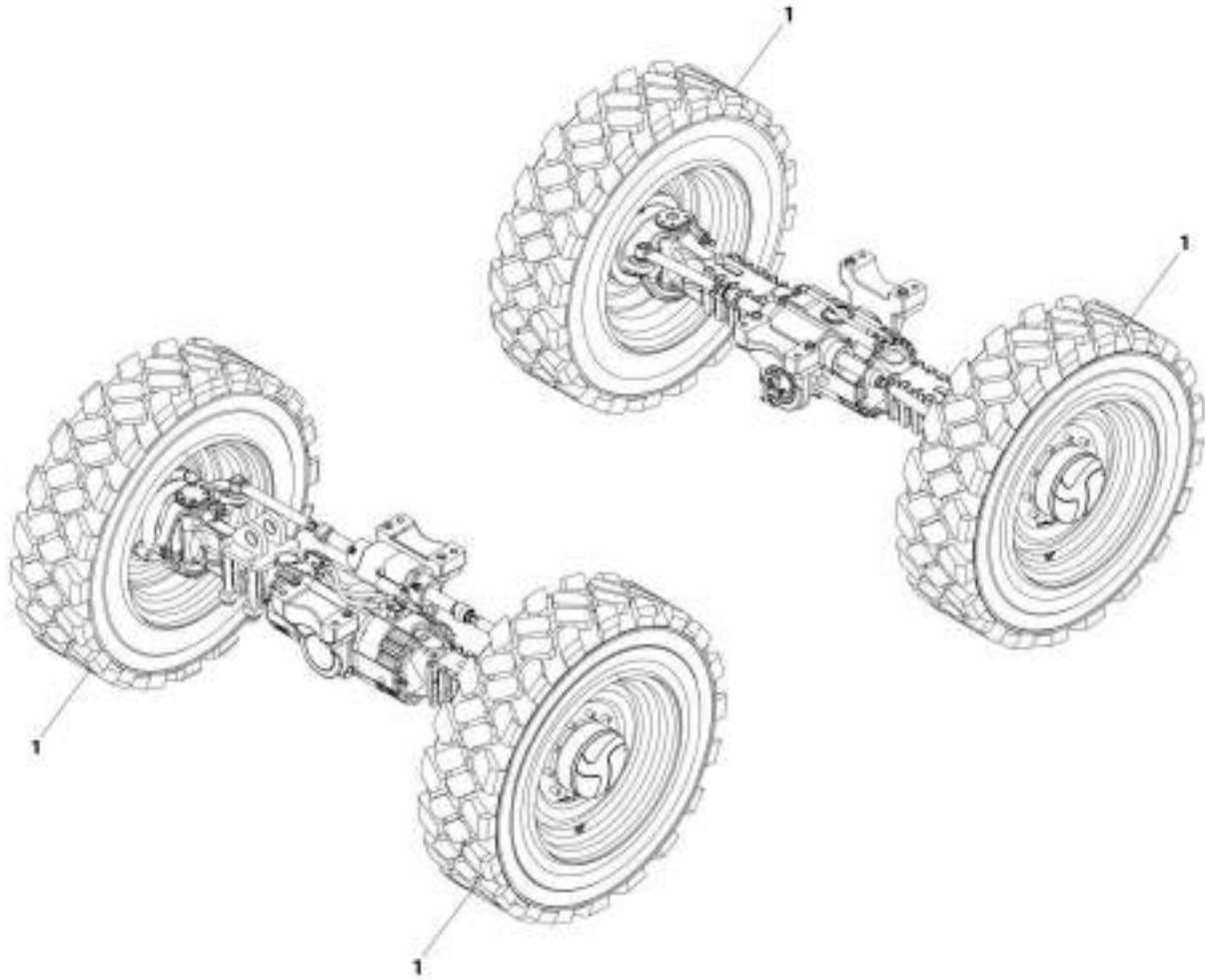
SECTION 5 - DRIVE TRAIN

FIGURE 5-161. TIRE/WHEEL ASSEMBLY 370/75-28 - FOAM NON MARKING (943, 1043)

| ITEM | PART NUMBER | QTY | DESCRIPTION | REV |
|------|-------------|--------|---|-----|
| | 1001241840 | Ref | Tire/Wheel Set 370/75-28 - Foam Non Marking (943, 1043) | A |
| 1 | 8526203 | 465 lb | Foam Fill, Ballast Flat proof | |
| 2 | 8786514 | 1 | Valve | |
| 3 | 1001099976 | 1 | Wheel, 28X11/W .216 Offset | |
| 4 | 1001241838 | 1 | Tire, 370/75-28, Non Marking | |

SECTION 5 - DRIVE TRAIN

FIGURE 5-162. TIRE/WHEEL SET 400/75-28 - PNEUMATIC NON MARKING (943, 1043)



ART_1001241048-A

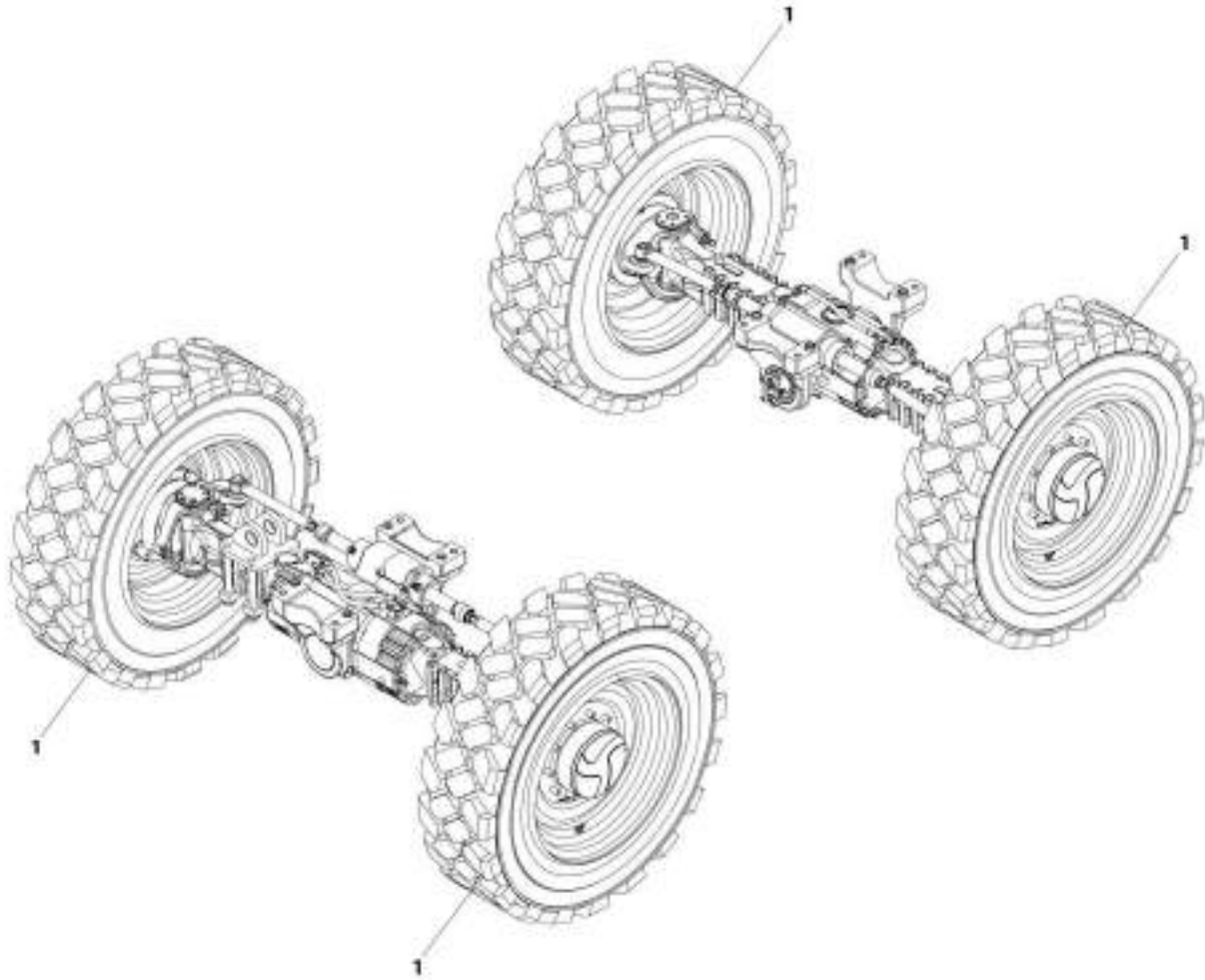
SECTION 5 - DRIVE TRAIN

FIGURE 5-162. TIRE/WHEEL SET 400/75-28 - PNEUMATIC NON MARKING (943, 1043)

| ITEM | PART NUMBER | QTY | DESCRIPTION | REV |
|------|--------------------------|----------|--|-----|
| 1 | 1001241848 1001241841 | Ref 4 | Tire/Wheel Set 400/75-28 - Pneumatic Non Marking(943, 1043) Tire/Wheel Pneumatic Non-Marking 400/75-28 (See Separate Breakdown in this Section) | A |

SECTION 5 - DRIVE TRAIN

FIGURE 5-163. TIRE/WHEEL SET 400/75-28 - FOAM NON MARKING (943, 1043)



ART_1001241049-A

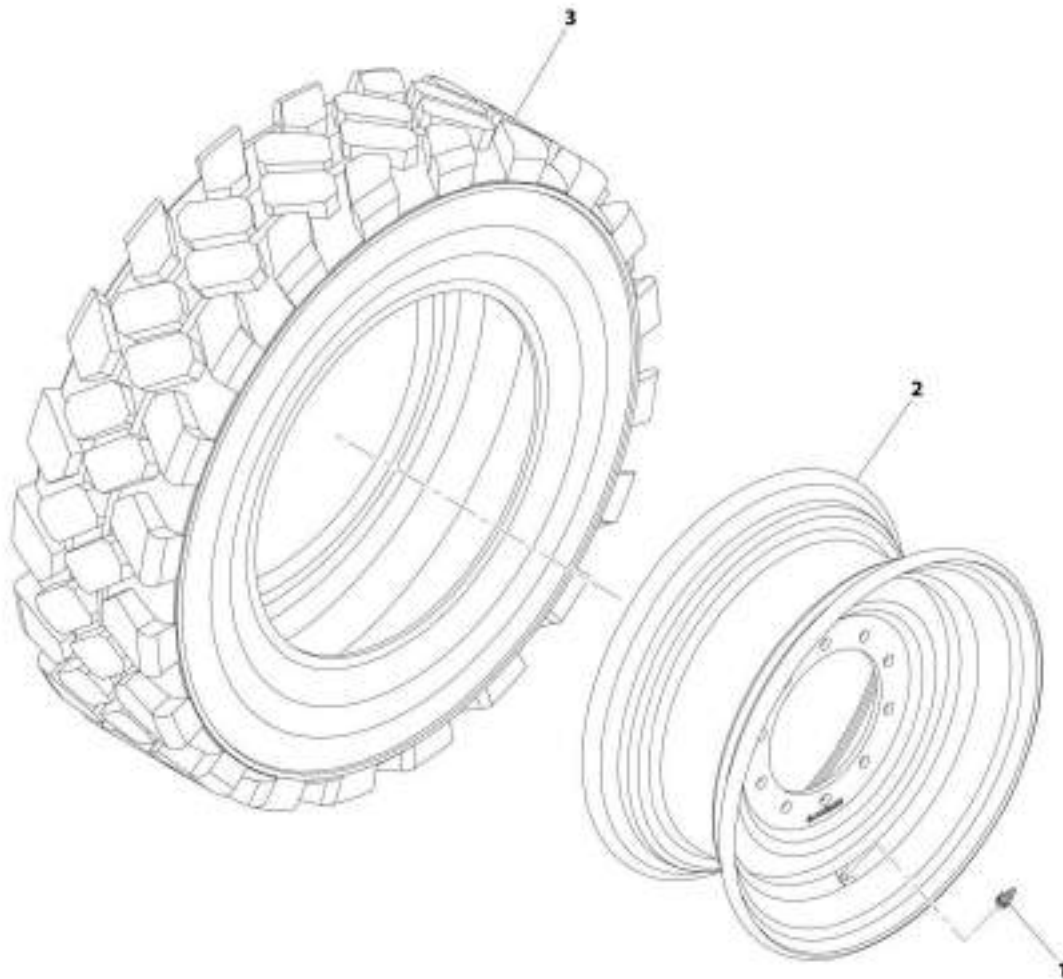
SECTION 5 - DRIVE TRAIN

FIGURE 5-163. TIRE/WHEEL SET 400/75-28 - FOAM NON MARKING (943, 1043)

| ITEM | PART NUMBER | QTY | DESCRIPTION | REV |
|------|--------------------------|----------|---|-----|
| 1 | 1001241849 1001241842 | Ref 4 | Tire/Wheel Set 400/75-28 - Foam Non Marking (943, 1043) Tire/Wheel Foam Non Marking 400/75-28 (See Separate Breakdown in this Section) | A |

SECTION 5 - DRIVE TRAIN

FIGURE 5-164. TIRE/WHEEL ASSEMBLY 400/75-28 - PNEUMATIC NON MARKING (943, 1043)



ART_1001241041-A

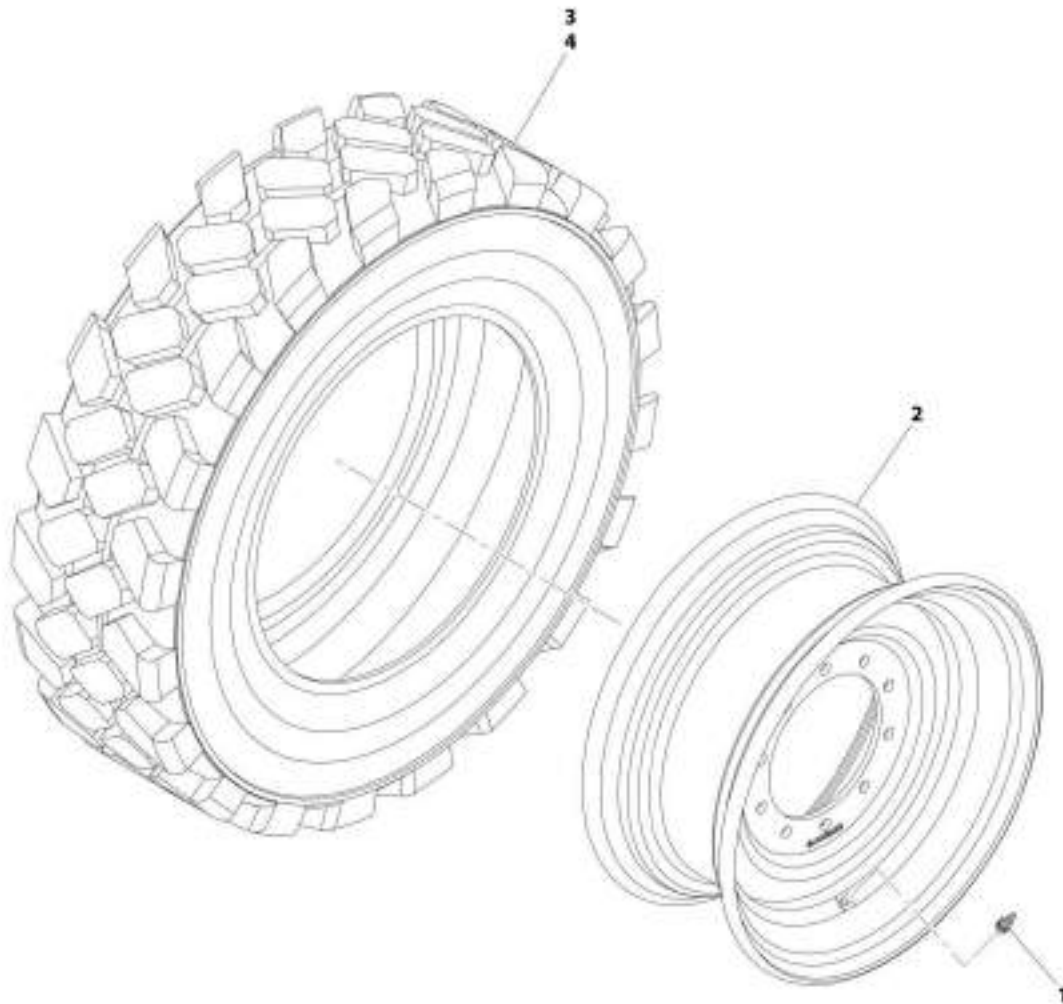
SECTION 5 - DRIVE TRAIN

FIGURE 5-164. TIRE/WHEEL ASSEMBLY 400/75-28 - PNEUMATIC NON MARKING (943, 1043)

| ITEM | PART NUMBER | QTY | DESCRIPTION | REV |
|------|-------------|-----|--|-----|
| | 1001241841 | Ref | Tire/Wheel Set 400/75-28 - Pneumatic Non Marking (943, 1043) | A |
| 1 | 8786514 | 1 | Valve | |
| 2 | 1001120178 | 1 | Wheel, 28X12/W .75 Offset | |
| 3 | 1001241837 | 1 | Tire, 400/75-28, Non Marking | |

SECTION 5 - DRIVE TRAIN

FIGURE 5-165. TIRE/WHEEL ASSEMBLY 400/75-28 - FOAM NON MARKING (943, 1043)



ART_1001241942-A

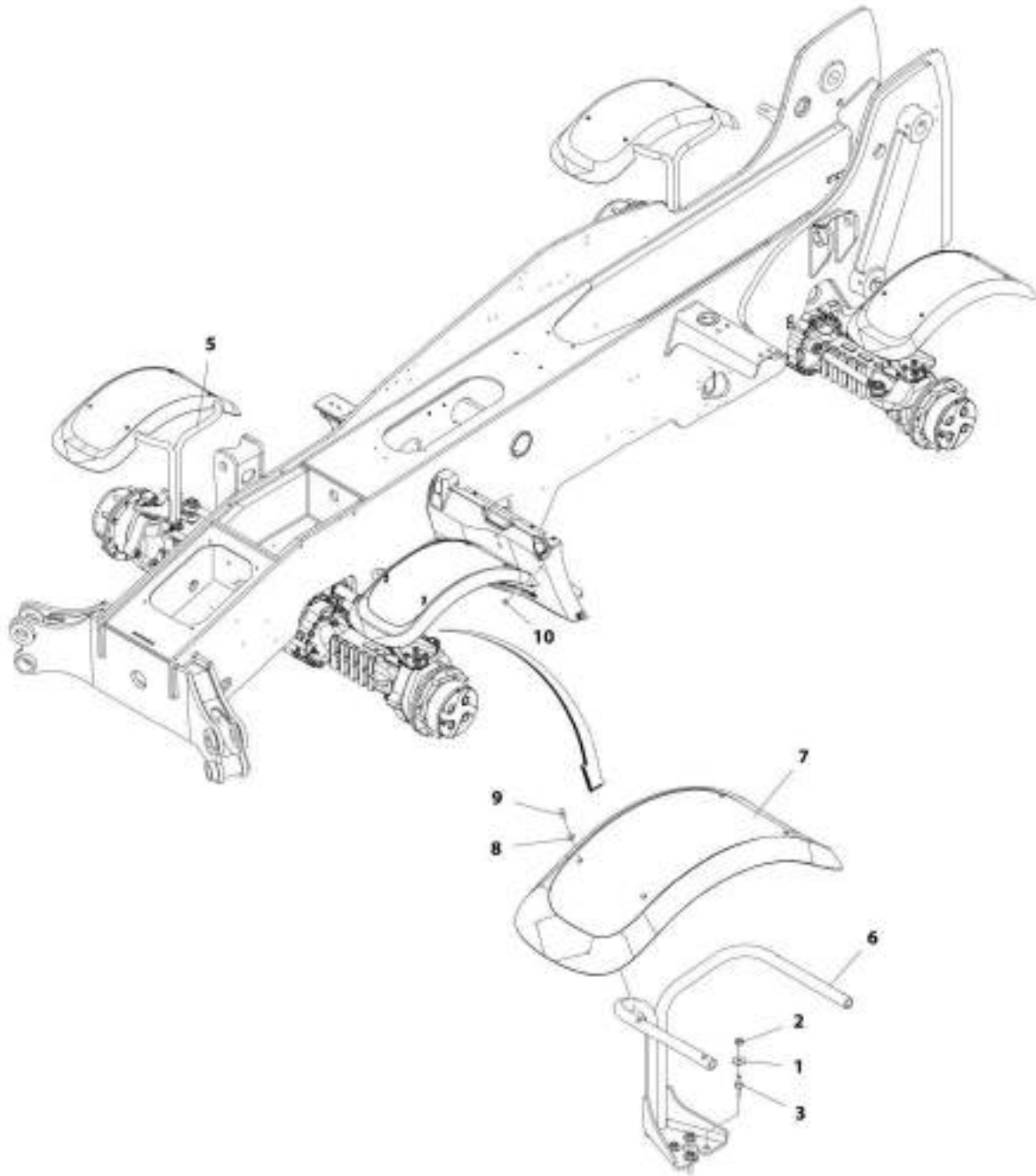
SECTION 5 - DRIVE TRAIN

FIGURE 5-165. TIRE/WHEEL ASSEMBLY 400/75-28 - FOAM NON MARKING (943, 1043)

| ITEM | PART NUMBER | QTY | DESCRIPTION | REV |
|------|-------------|--------|---|-----|
| | 1001241842 | Ref | Tire/Wheel Set 400/75-28 - Foam Non Marking (943, 1043) | A |
| 1 | 8786514 | 1 | Valve | |
| 2 | 1001120178 | 1 | Wheel, 28X12/W .75 Offset | |
| 3 | 1001241837 | 1 | Tire, 400/75-28, Non Marking | |
| 4 | 8526203 | 570 lb | Foam Fill | |

SECTION 5 - DRIVE TRAIN

FIGURE 5-166. FENDER INSTALLATION



ART_1001171262-E

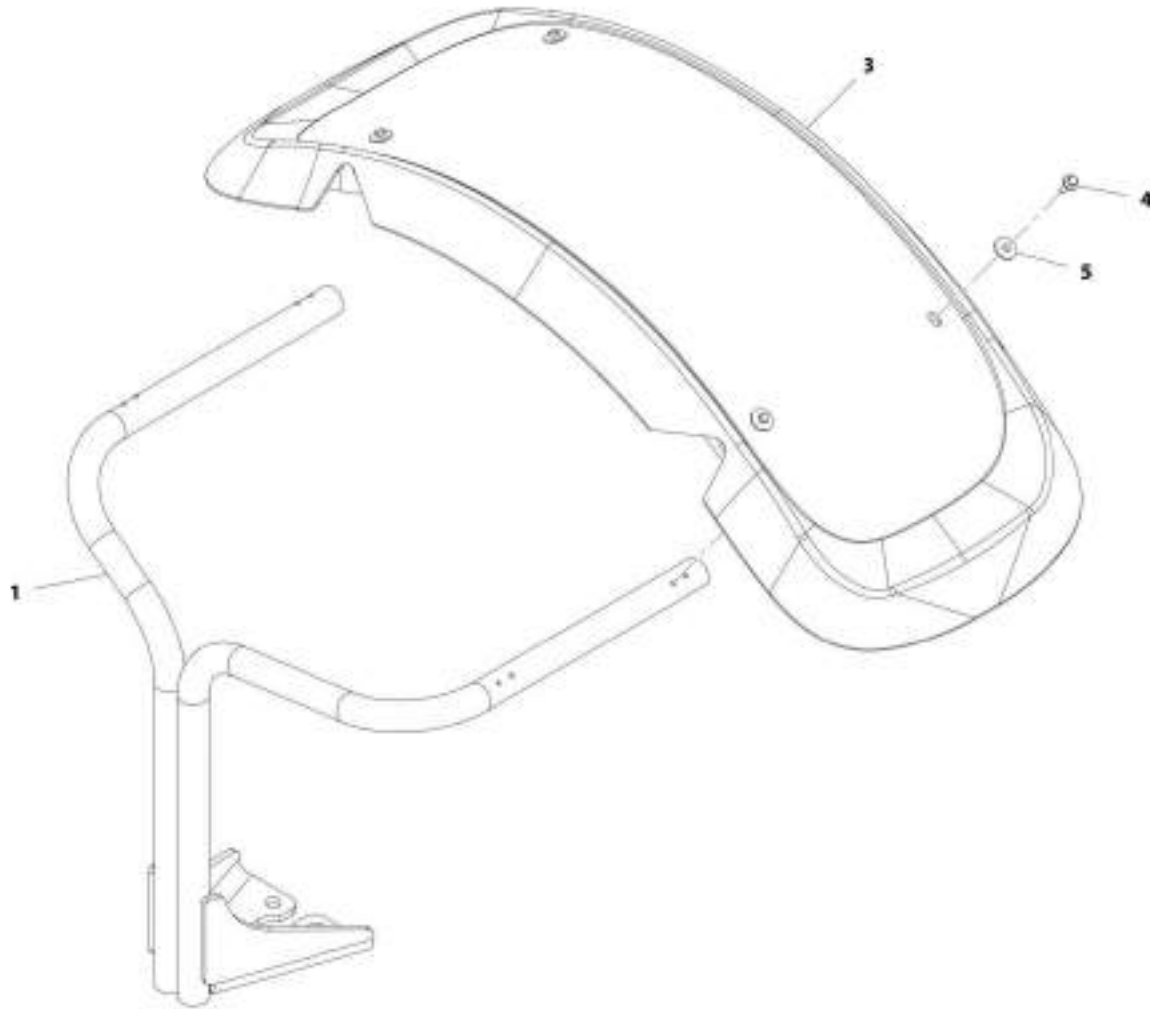
SECTION 5 - DRIVE TRAIN

FIGURE 5-166. FENDER INSTALLATION

| ITEM | PART NUMBER | QTY | DESCRIPTION | REV |
|------|-------------|-----|--|-----|
| | 1001171242 | 1 | Fender Installation | E |
| 1 | 4812102 | 16 | Washer, M12 | |
| 2 | 91513266 | 16 | Nut, M12X1.25 | |
| 3 | 91514118 | 16 | Stud, Fender | |
| 5 | 1001168261 | 2 | Assembly, RH Fender (See RH FENDER ASSEMBLY for Breakdown) (Prior to SN 0160073783) | |
| 5 | 1001202513 | 2 | RH Bracket (SN 0160073783 to Present) | |
| 6 | 1001168262 | 2 | Assembly, LH Fender (See LH FENDER ASSEMBLY for Breakdown) (Prior to SN 0160073783) | |
| 6 | 1001202512 | 2 | LH Bracket (SN 0160073783 to Present) | |
| 7 | 1001168264 | 4 | Fender (SN 0160073783 to Present) | |
| 8 | 1001202786 | 16 | Washer (SN 0160073783 to Present) | |
| 9 | 0760812 | 16 | Screw, M8X25 (SN 0160073783 to Present) | |
| 10 | 1001208338 | 4 | Plug (SN 0160073783 to Present) | |

SECTION 5 - DRIVE TRAIN

FIGURE 5-167. RH FENDER ASSEMBLY (Prior to SN 0160073783)



ART_1001160261-E

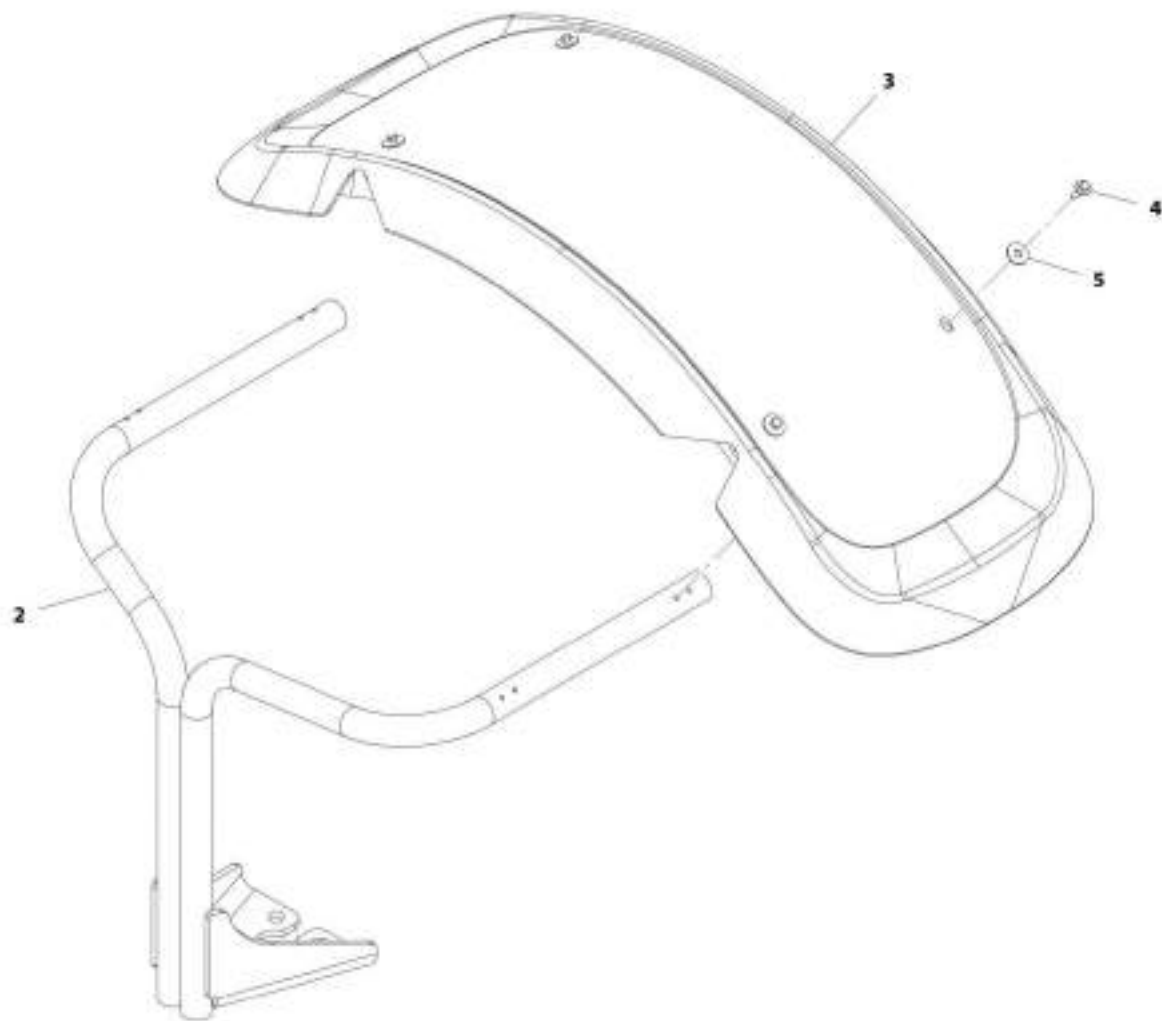
SECTION 5 - DRIVE TRAIN

FIGURE 5-167. RH FENDER ASSEMBLY (Prior to SN 0160073783)

| ITEM | PART NUMBER | QTY | DESCRIPTION | REV |
|------|-------------|-----|--------------------|-----|
| | 1001168261 | Ref | RH Fender Assembly | E |
| 1 | 1001168178 | 1 | Bracket | |
| 3 | 1001168264 | 1 | Fender | |
| 4 | 1001201904 | 4 | Screw | |
| 5 | 1001201905 | 4 | Washer | |

SECTION 5 - DRIVE TRAIN

FIGURE 5-168. LH FENDER ASSEMBLY (Prior to SN 0160073783)



REF_100154023-E

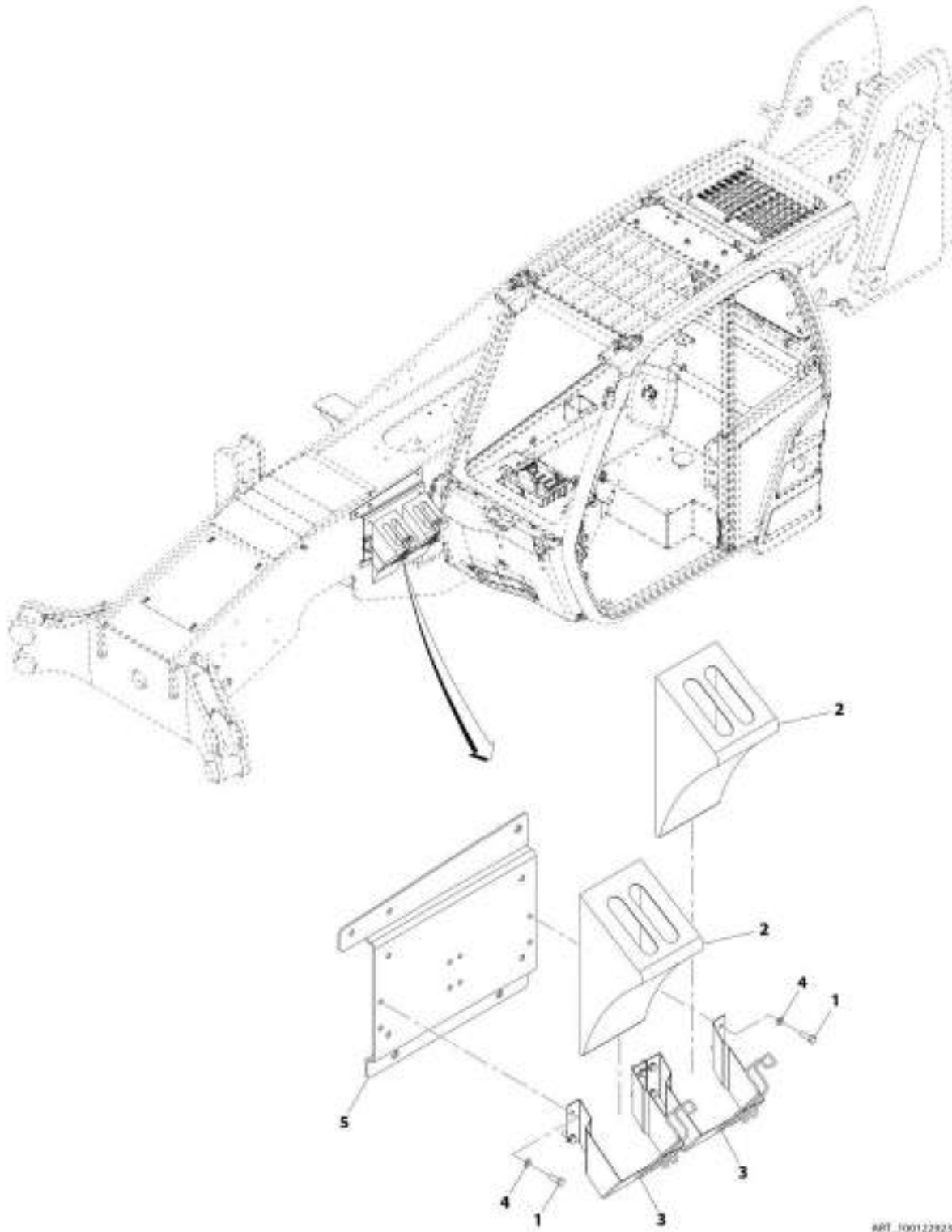
SECTION 5 - DRIVE TRAIN

FIGURE 5-168. LH FENDER ASSEMBLY (Prior to SN 0160073783)

| ITEM | PART NUMBER | QTY | DESCRIPTION | REV |
|------|-------------|-----|--------------------|-----|
| | 1001168262 | Ref | LH Fender Assembly | E |
| 2 | 1001168182 | 1 | Bracket | |
| 3 | 1001168264 | 1 | Fender | |
| 4 | 1001201904 | 4 | Screw | |
| 5 | 1001201905 | 4 | Washer | |

SECTION 5 - DRIVE TRAIN

FIGURE 5-169. WHEEL CHOCK INSTALLATION



MRT_1001228235-A

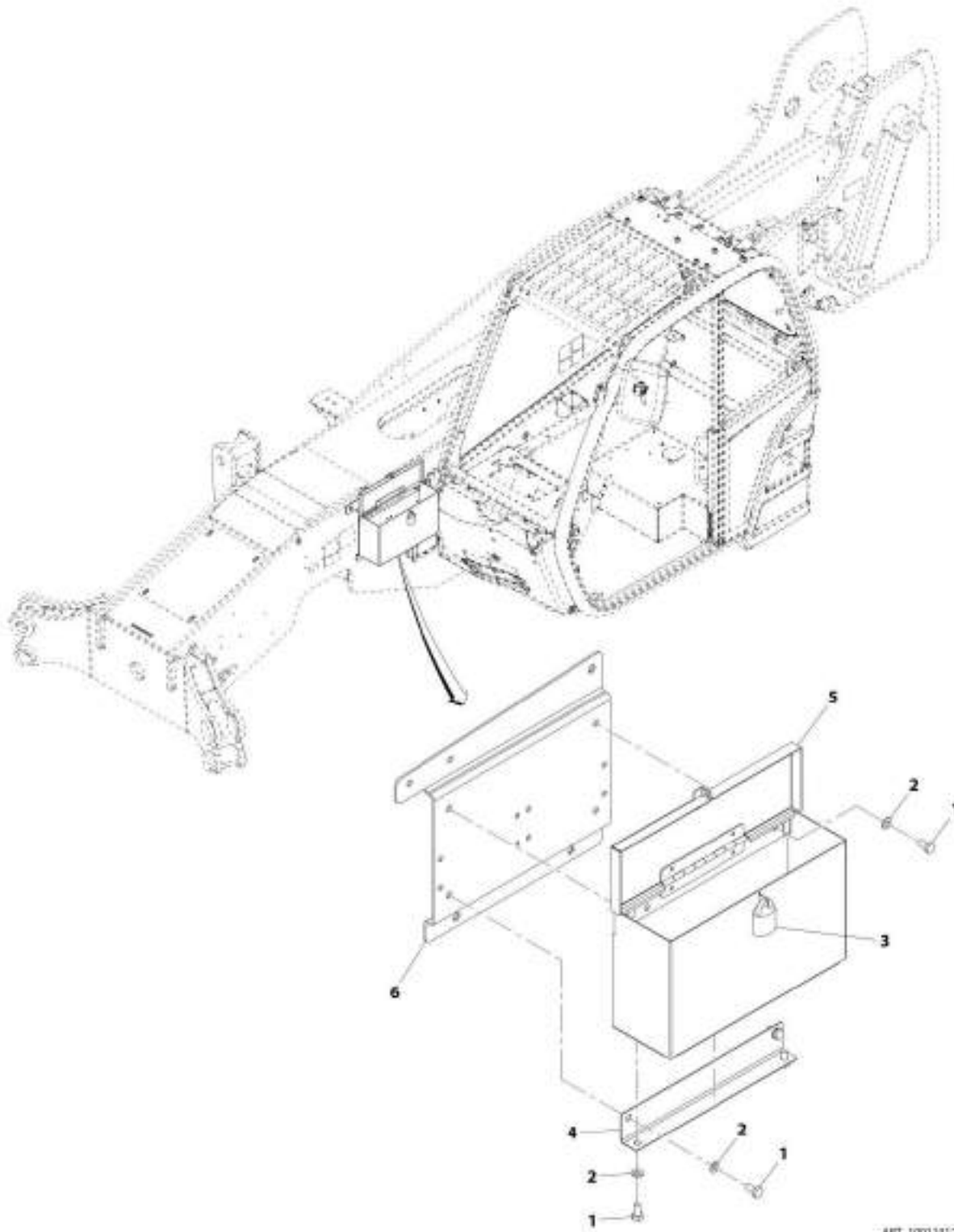
SECTION 5 - DRIVE TRAIN

FIGURE 5-169. WHEEL CHOCK INSTALLATION

| ITEM | PART NUMBER | QTY | DESCRIPTION | REV |
|------|-------------|-----|--|-----|
| | 1001229235 | Ref | Wheel Chock Installation (If equipped) | A |
| 1 | 0700812 | 8 | Screw, 8X25 LG | |
| 2 | 806253 | 2 | Wedge | |
| 3 | 806264 | 2 | Holder | |
| 4 | 4811900 | 8 | Washer, 8mm | |
| 5 | 1001230713J | 1 | Bracket | |

SECTION 5 - DRIVE TRAIN

FIGURE 5-170. TOOLBOX INSTALLATION



AMT_1001231244-A

SECTION 5 - DRIVE TRAIN

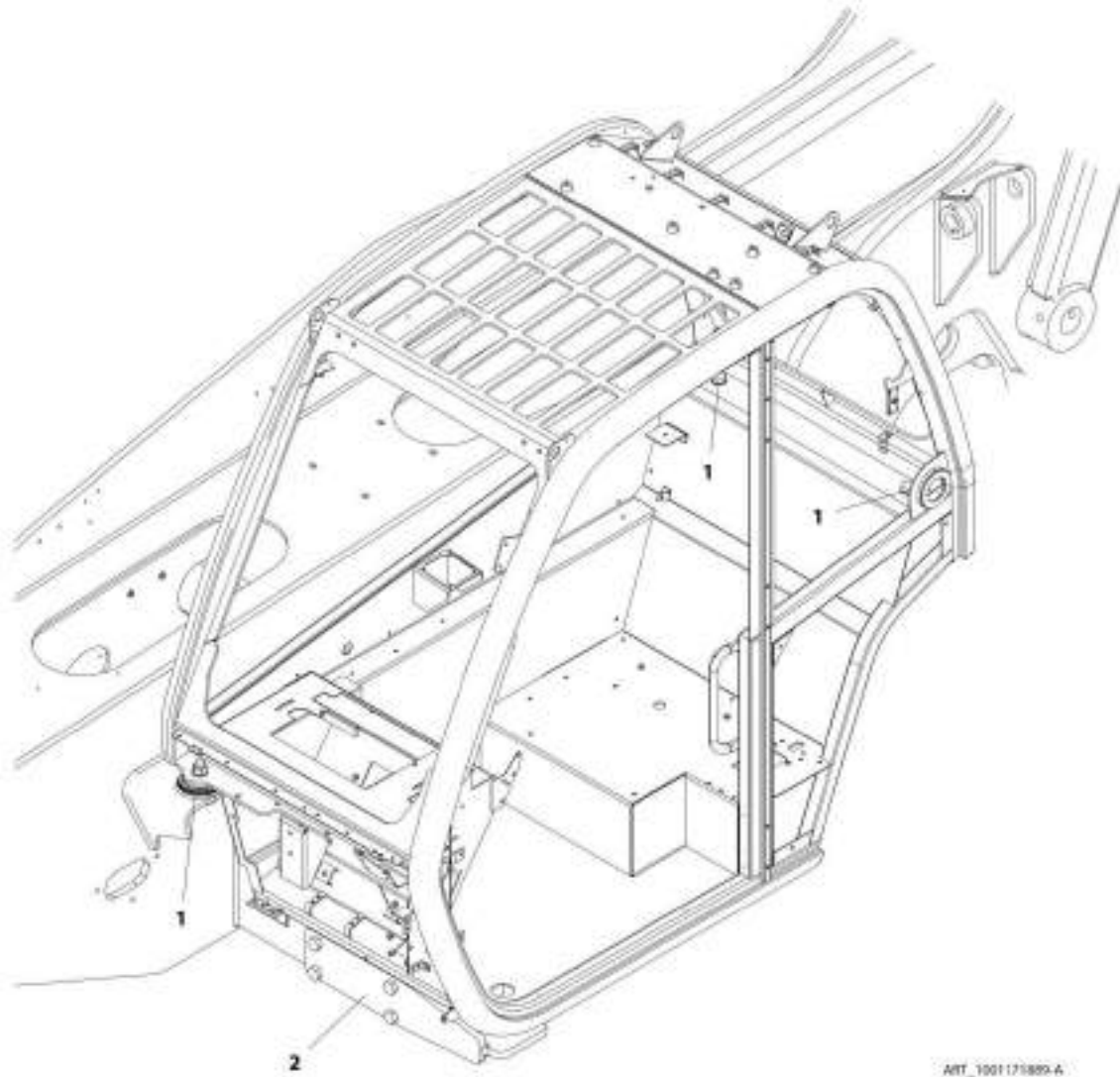
FIGURE 5-170. TOOLBOX INSTALLATION

| ITEM | PART NUMBER | QTY | DESCRIPTION | REV |
|------|-------------|-----|------------------------------------|-----|
| | 1001231244 | Ref | ToolBox Installation (If equipped) | A |
| 1 | 0761010 | 6 | Bolt, M10X20 | |
| 2 | 4812000 | 6 | Washer, M10 | |
| 3 | 1001008687 | 1 | Padlock | |
| 4 | 1001178729 | 1 | Bracket | |
| 5 | 1001192836 | 1 | Box | |
| 6 | 1001230713J | 1 | Bracket | |

SECTION 6 - CAB

SECTION 6 - CAB

FIGURE 6-1. CAB MOUNTING



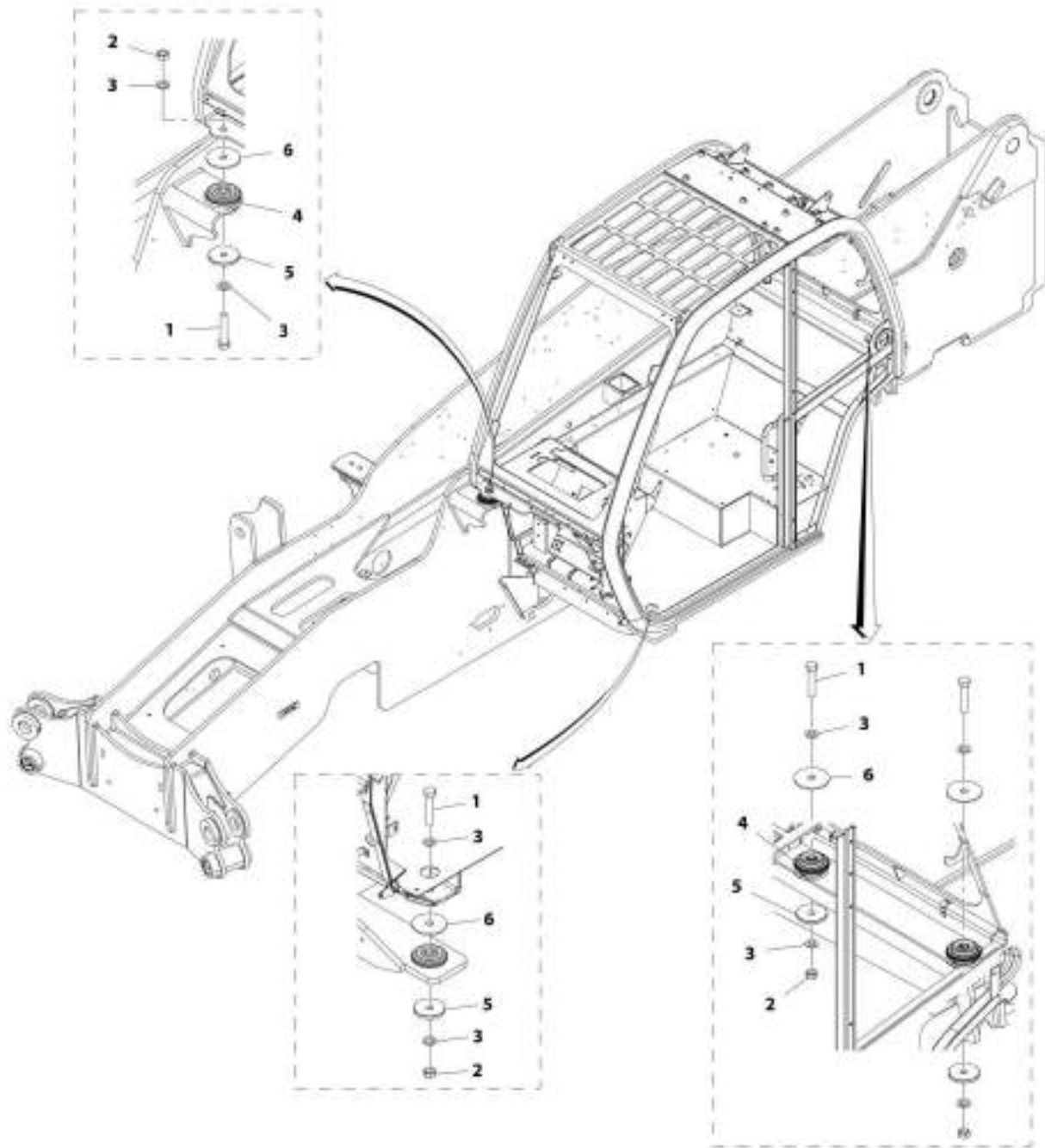
ART_1001173889-A

FIGURE 6-1. CAB MOUNTING

| ITEM | PART NUMBER | QTY | DESCRIPTION | REV |
|-------------|--------------------|------------|--|------------|
| 1 | 1001171889 | 1 | Cab Mounting | A |
| | 1001155446 | 1 | Installation, Cab Mounts (See CAB MOUNT INSTALLATION for Breakdown) | |
| 2 | 1001171890 | 1 | Installation, Front Cab Outrigger (See FRONT CAB OUTRIGGER INSTALLATION for Breakdown) | |

SECTION 6 - CAB

FIGURE 6-2. CAB MOUNT INSTALLATION



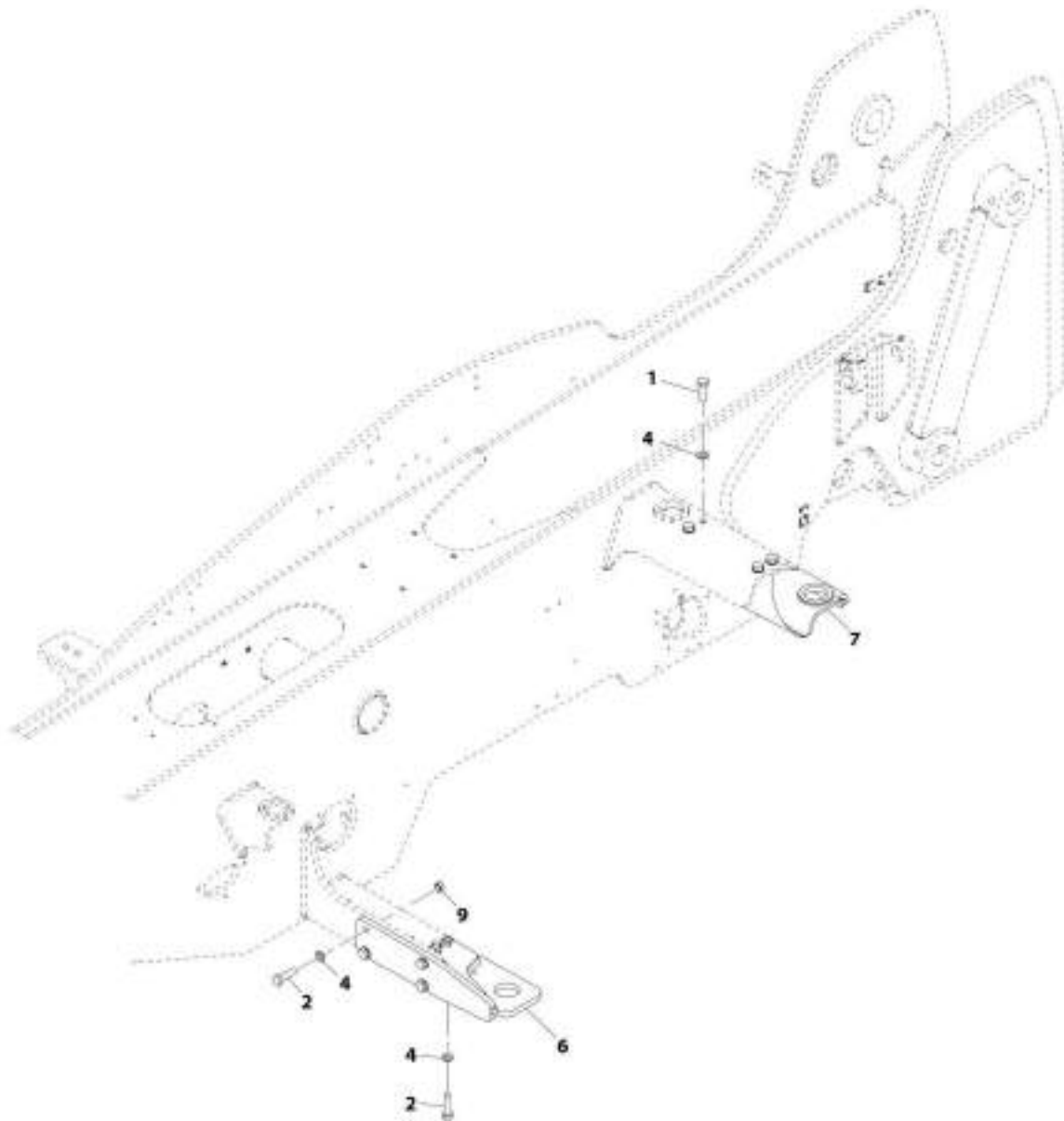
ART_100155446-E

FIGURE 6-2. CAB MOUNT INSTALLATION

| ITEM | PART NUMBER | QTY | DESCRIPTION | REV |
|------|-------------|-----|------------------------|-----|
| | 1001155446 | Ref | Cab Mount Installation | E |
| 1 | 0712027 | 4 | Bolt, M20X100 | |
| 2 | 3332011 | 4 | Nut, M20X2.5 | |
| 3 | 4812500 | 8 | Washer, M20 | |
| 4 | 1001166754 | 4 | Mount, Cab Isolation | |
| 5 | 1001166755 | 4 | Washer, Cab Rebound | |
| 6 | 1001220540 | 4 | Washer | |

SECTION 6 - CAB

FIGURE 6-3. FRONT CAB OUTRIGGER INSTALLATION



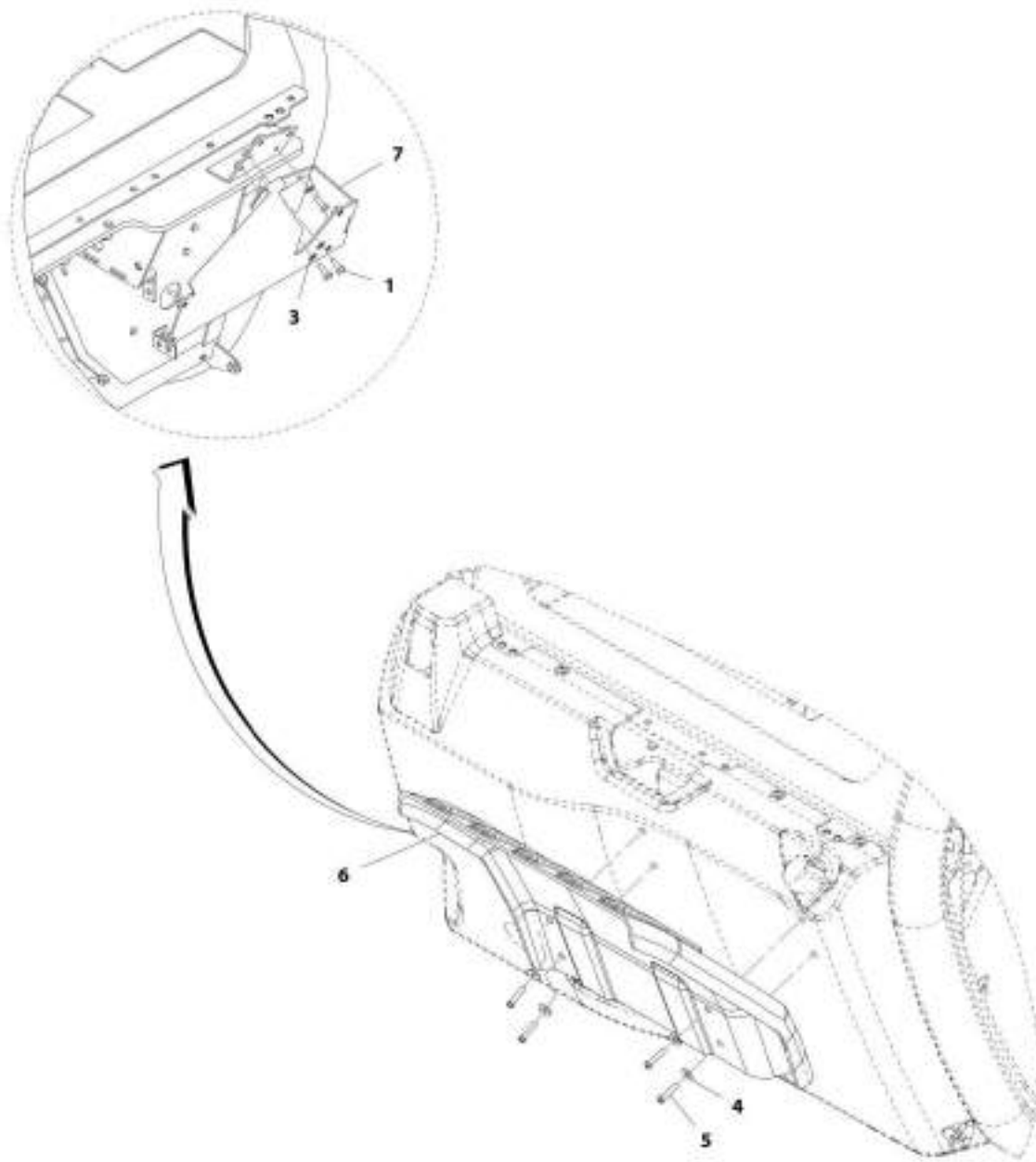
ART_1001171890-E

FIGURE 6-3. FRONT CAB OUTRIGGER INSTALLATION

| ITEM | PART NUMBER | QTY | DESCRIPTION | REV |
|------|-------------|-----|---|-----|
| | 1001171890 | Ref | Front Cab Outrigger Installation | E |
| 1 | 0712020 | 4 | Bolt, M20X60 | |
| 2 | 0712022 | 6 | Bolt, M20X70 | |
| 4 | 4812500 | 10 | Washer, M20 | |
| 6 | 1001171898 | NLA | Bracket, Front Lower Cab, (no longer available, use 1001208106 for replacement) | |
| 6 | 1001208106 | 1 | Bracket, Front Lower Cab | |
| 7 | 1001171903 | NLA | Bracket, Rear Cab Mount, (no longer available, use 1001210782 for replacement) | |
| 7 | 1001210782 | 1 | Bracket, Rear Cab Mount | |
| 9 | 3292001 | 4 | Hex Nut, M20X2.5 | |

SECTION 6 - CAB

FIGURE 6-4. CAB FENDER INSTALLATION



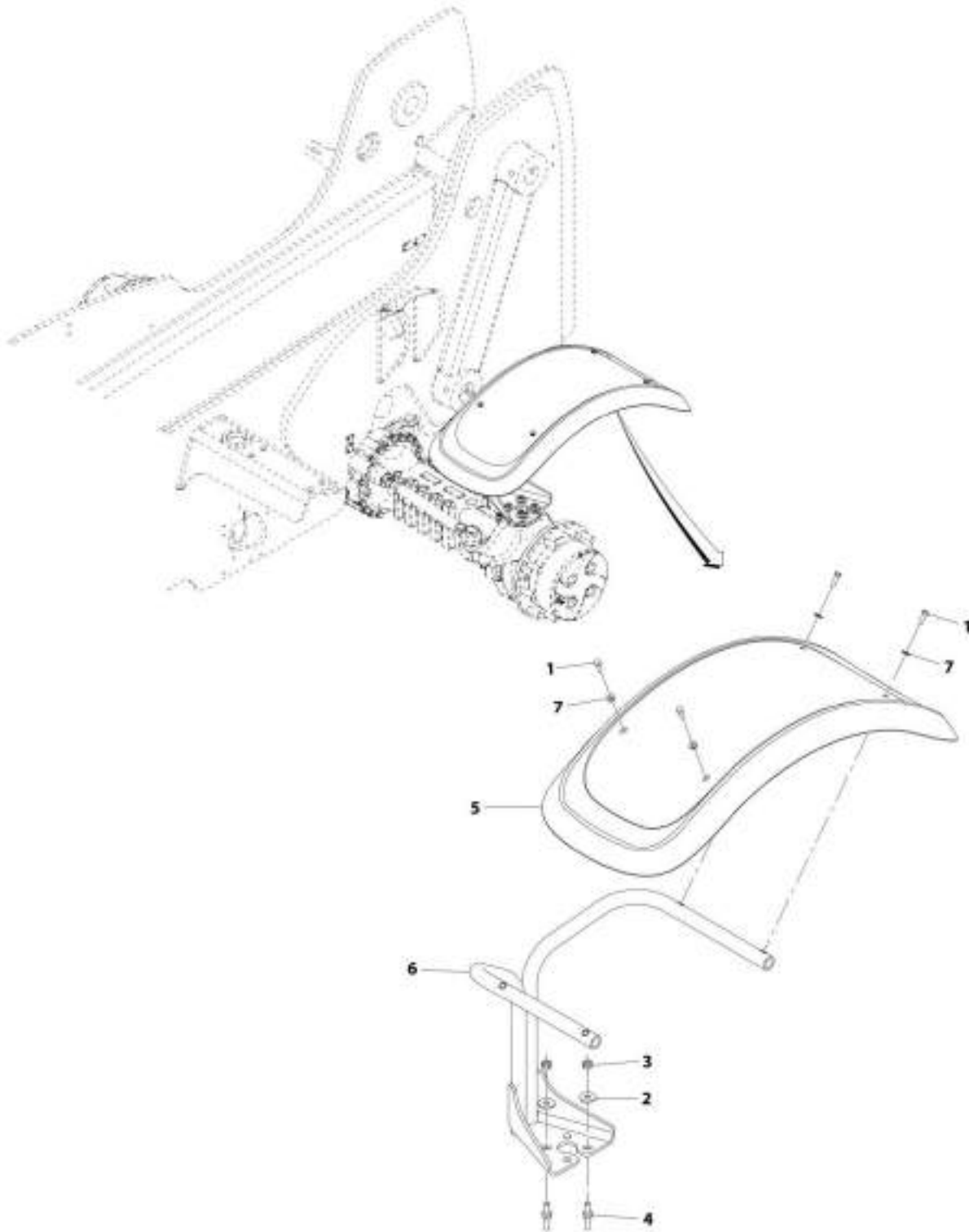
ART_1001185972-C

FIGURE 6-4. CAB FENDER INSTALLATION

| ITEM | PART NUMBER | QTY | DESCRIPTION | REV |
|------|-------------|-----|-------------------------|-----|
| | 1001195972 | 1 | Cab Fender Installation | C |
| 1 | 0760608 | 3 | Bolt, M6X16 | |
| 3 | 4811700 | 3 | Washer, M6 | |
| 4 | 4811702 | 4 | Washer, M6 | |
| 5 | 1001097202 | 4 | Screw, M6X30 | |
| 6 | 1001187335 | 1 | Fender, Front | |
| 7 | 1001188048 | 1 | Plate | |

SECTION 6 - CAB

FIGURE 6-5. CAB FENDER INSTALLATION (742) (IF EQUIPPED)



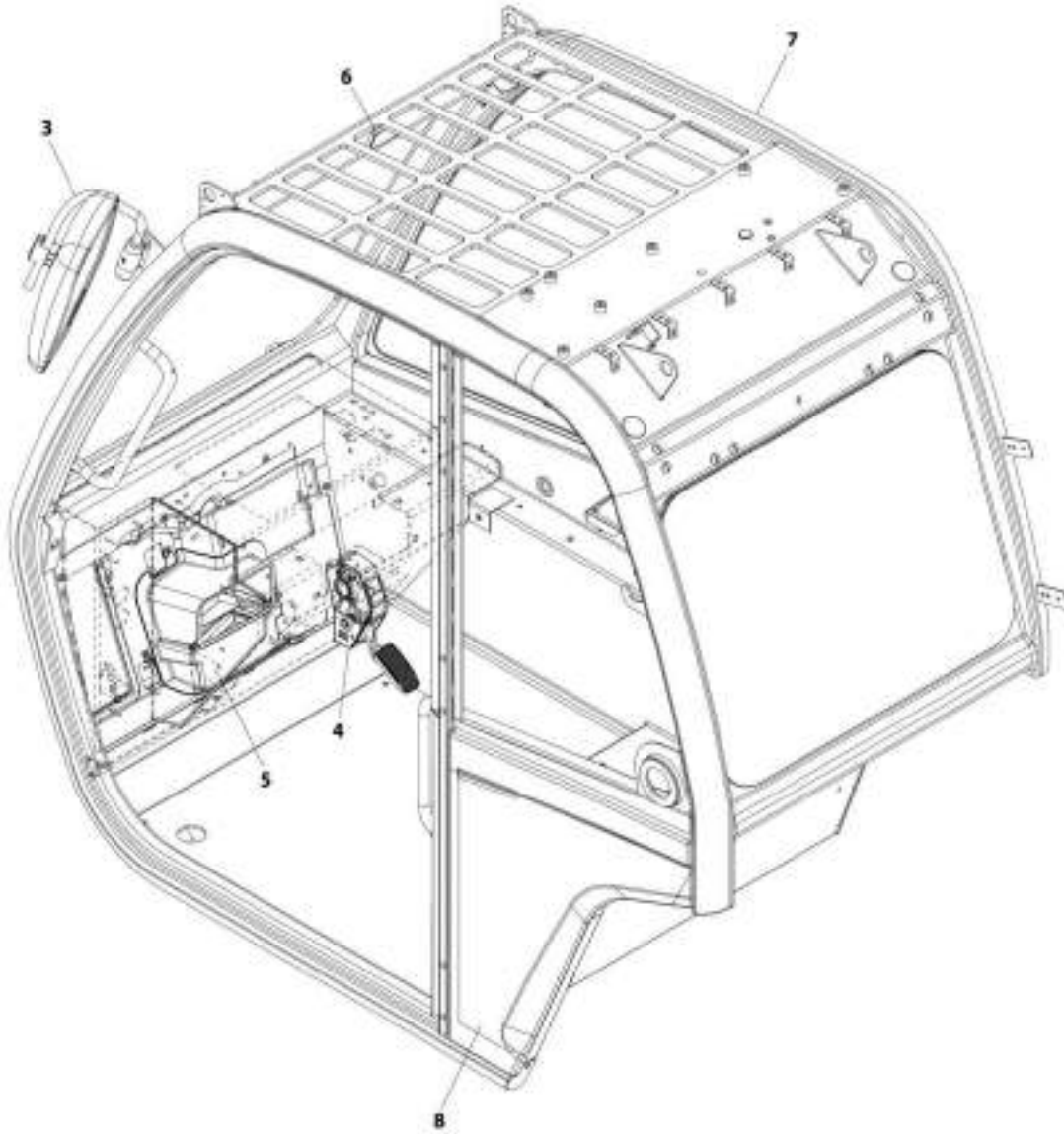
ARE_1001236042-A

FIGURE 6-5. CAB FENDER INSTALLATION (742) (IF EQUIPPED)

| ITEM | PART NUMBER | QTY | DESCRIPTION | REV |
|------|-------------|-----|--|-----|
| | 1001236542 | Ref | Cab Fender Installation Rear (LH) - 742, 943, 1043 (if equipped) | A |
| 1 | 0760812 | 4 | Bolt, M8X25 | |
| 2 | 4812102 | 4 | Washer, M12 | |
| 3 | 91513266 | 4 | Nut, M12X1.25 | |
| 4 | 91514118 | 4 | Stud, Fender | |
| 5 | 1001168264 | 1 | Plastic, Fender | |
| 6 | 1001202512 | 1 | LH Bracket | |
| 7 | 1001202786 | 4 | Washer | |

SECTION 6 - CAB

FIGURE 6-6. OROPS CAB INSTALLATION



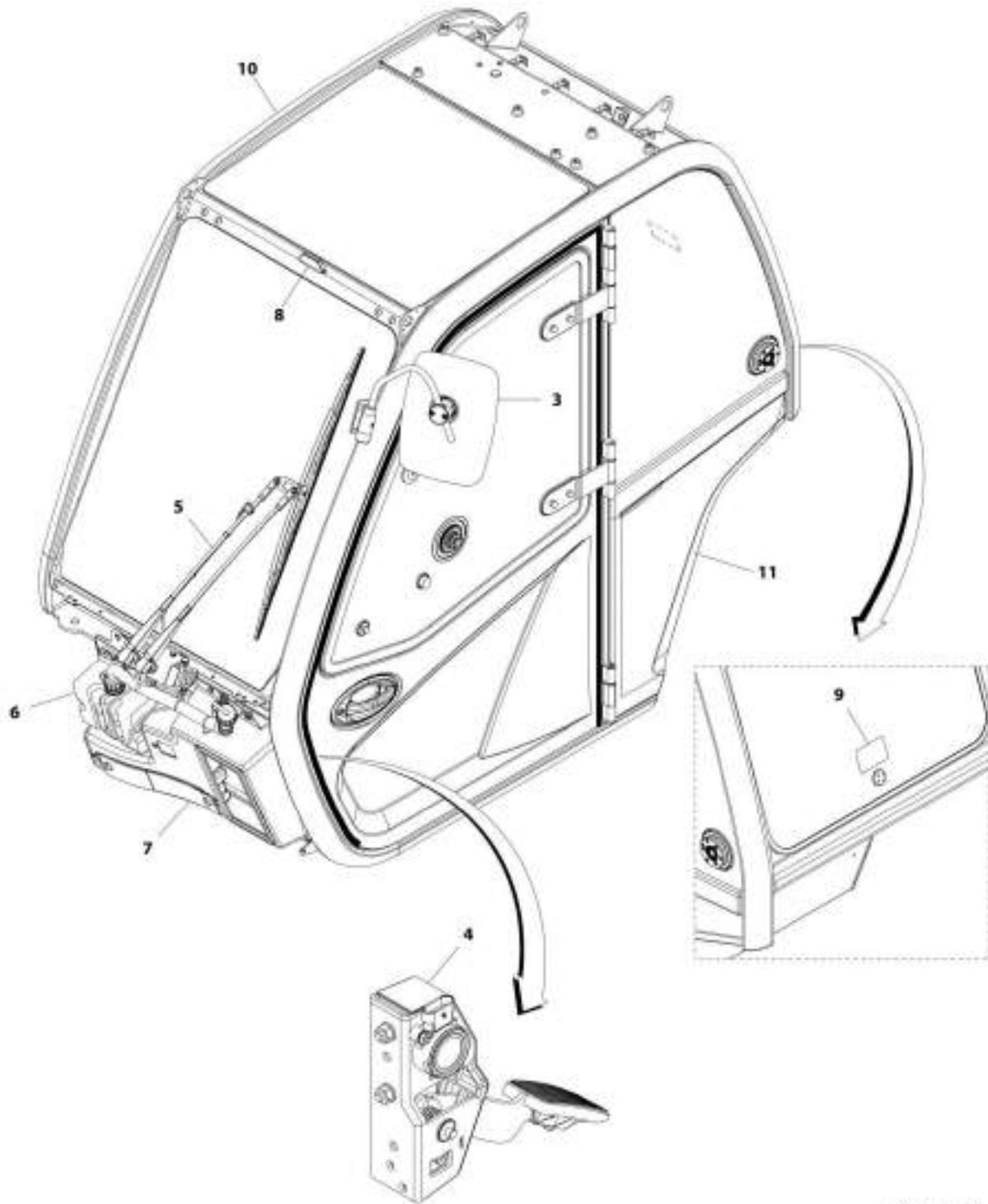
ART_100134884-G

FIGURE 6-6. OROPS CAB INSTALLATION

| ITEM | PART NUMBER | QTY | DESCRIPTION | REV |
|------|-------------|-----|--|-----|
| | 1001154984 | Ref | OROPS Cab Installation | G |
| 3 | 1001160508 | Ref | Installation, Mirror (See Separate Breakdown in this Section) | |
| 4 | 1001161499 | Ref | Installation, Accelerator Pedal (See Separate Breakdown in CONTROLS Section) | |
| 5 | 1001170366 | Ref | Installation, Front Cover (See Separate Breakdown in this Section) | |
| 6 | 1001172401 | Ref | Installation, Level Indicator (See Separate Breakdown in this Section) | |
| 7 | 1001214326 | Ref | Cab, (See Separate Breakdown in this Section) (SN 0160079247 to Present) | |
| 8 | 1001214331 | Ref | Installation, Open Cab, (See Separate Breakdown in this Section) (SN 0160079247 to Present) | |

SECTION 6 - CAB

FIGURE 6-7. EROPS CAB INSTALLATION



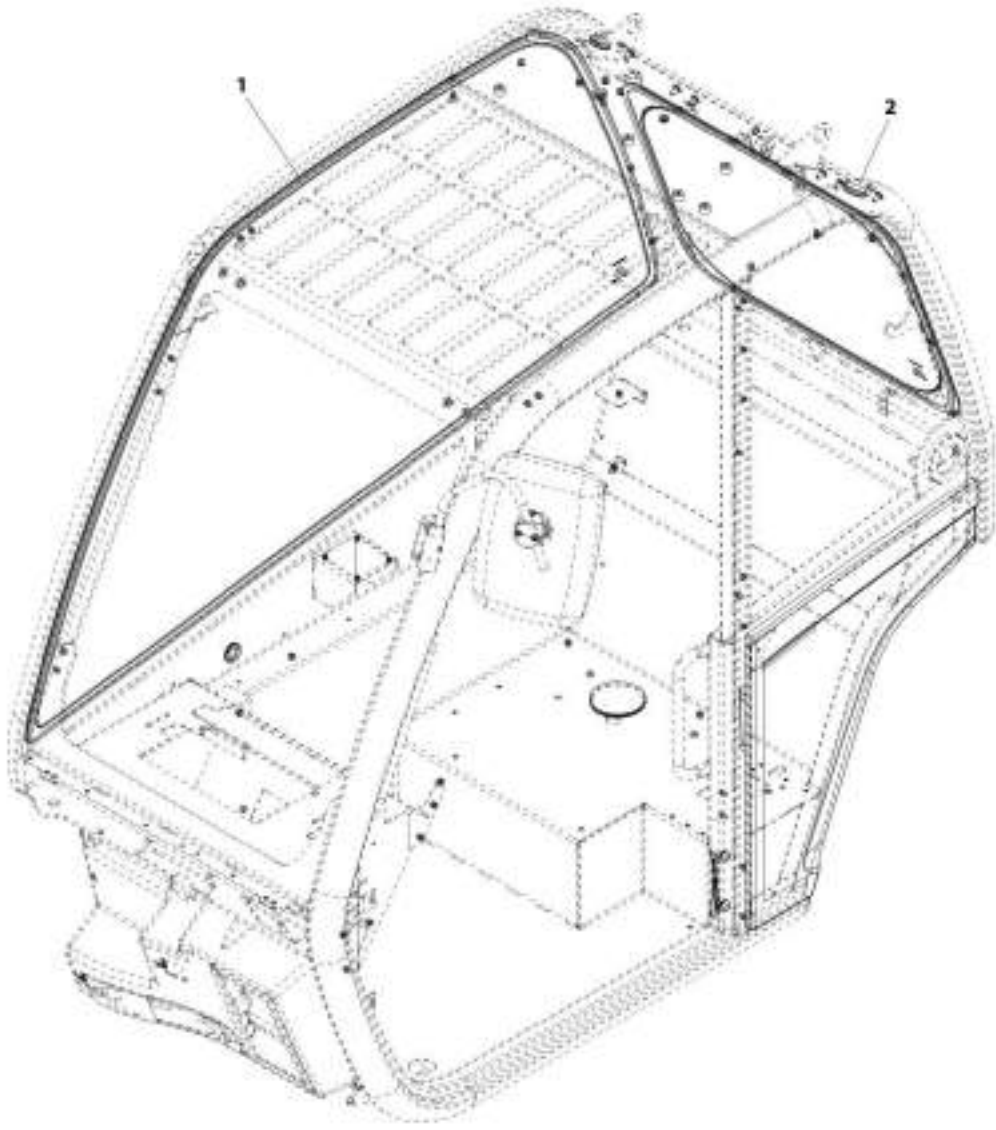
ART_1001173419-I

FIGURE 6-7. EROPS CAB INSTALLATION

| ITEM | PART NUMBER | QTY | DESCRIPTION | REV |
|------|-------------|-----|---|-----|
| | 1001173419 | Ref | EROPS Cab Installation | I |
| 3 | 1001160508 | Ref | Installation, Mirror (See Separate Breakdown in this Section) | |
| 4 | 1001161499 | Ref | Installation, Accelerator Pedal (See Separate Breakdown in CONTROLS Section) | |
| 5 | 1001155447 | Ref | Installation, Front Wiper (See Separate Breakdown in this Section) | |
| 6 | 1001162789 | Ref | Installation, Washer Tank (See Separate Breakdown in this Section) | |
| 7 | 1001170366 | Ref | Installation, Front Cover (See Separate Breakdown in this Section) | |
| 8 | 1001172401 | Ref | Installation, Level Indicator (See Separate Breakdown in this Section) | |
| 9 | 1001204598 | 1 | Decal, Emergency Exit | |
| 10 | 1001214326 | Ref | Cab, (See Separate Breakdown in this Section) (SN 0160079247 to Present) | |
| 11 | 1001214332 | Ref | Installation, Enclosed Cab (See Separate Breakdown in this Section) (SN 0160079247 to Present) | |

SECTION 6 - CAB

FIGURE 6-8. OPEN CAB INSTALLATION



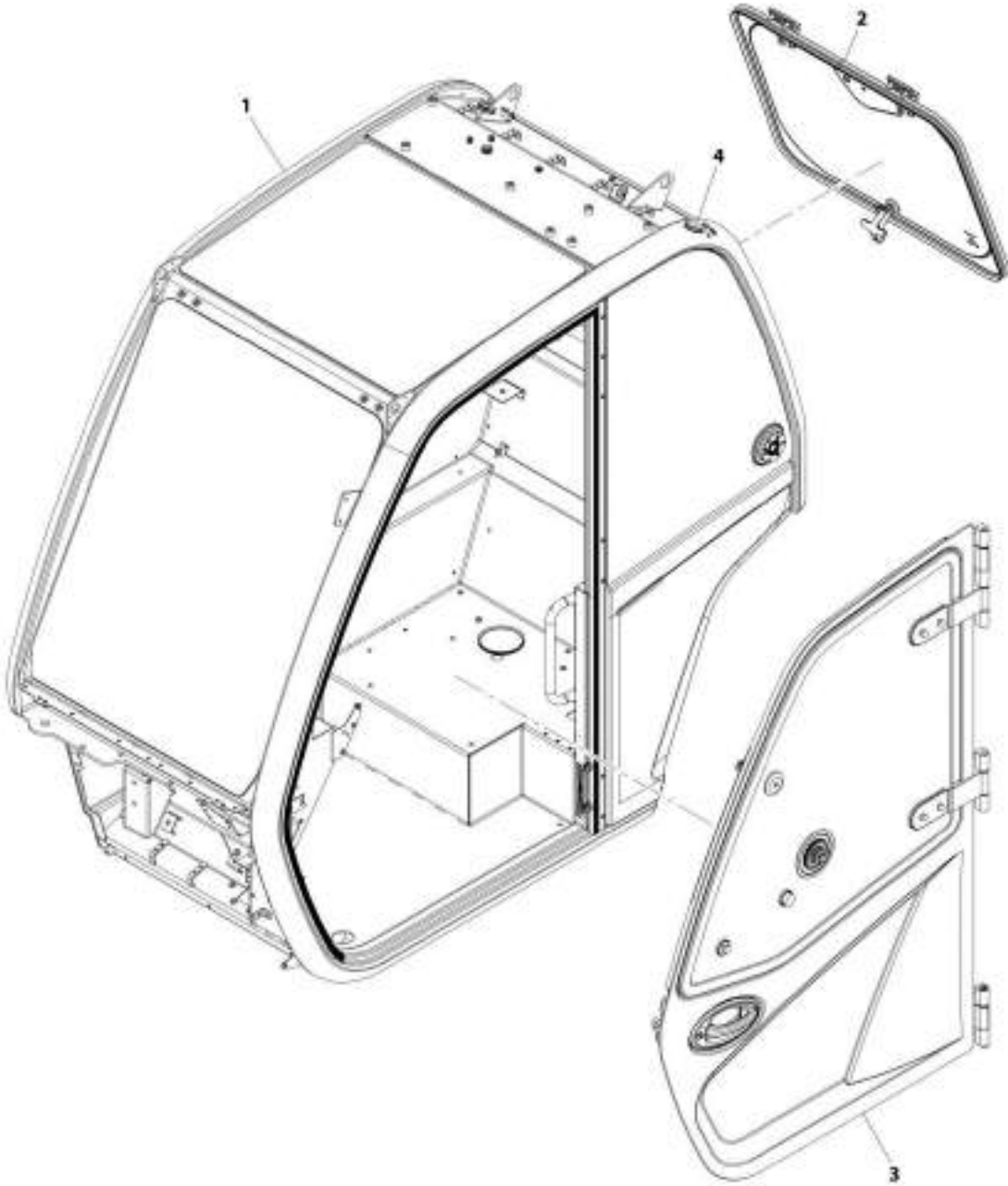
AWT_1001214331-D

FIGURE 6-8. OPEN CAB INSTALLATION

| ITEM | PART NUMBER | QTY | DESCRIPTION | REV |
|-------------|--------------------|------------|---|------------|
| | 1001214331 | Ref | Open Cab Installation | D |
| 1 | 1001154721 | 1 | Assembly, Open Cab (See Separate Breakdown in this Section) | |
| 2 | 1001170495 | 1 | Group, Open Cab Plug (See Separate Breakdown in this Section) | |

SECTION 6 - CAB

FIGURE 6-9. ENCLOSED CAB INSTALLATION (SN 0160079247 to Present)



AWT_1001214332-F

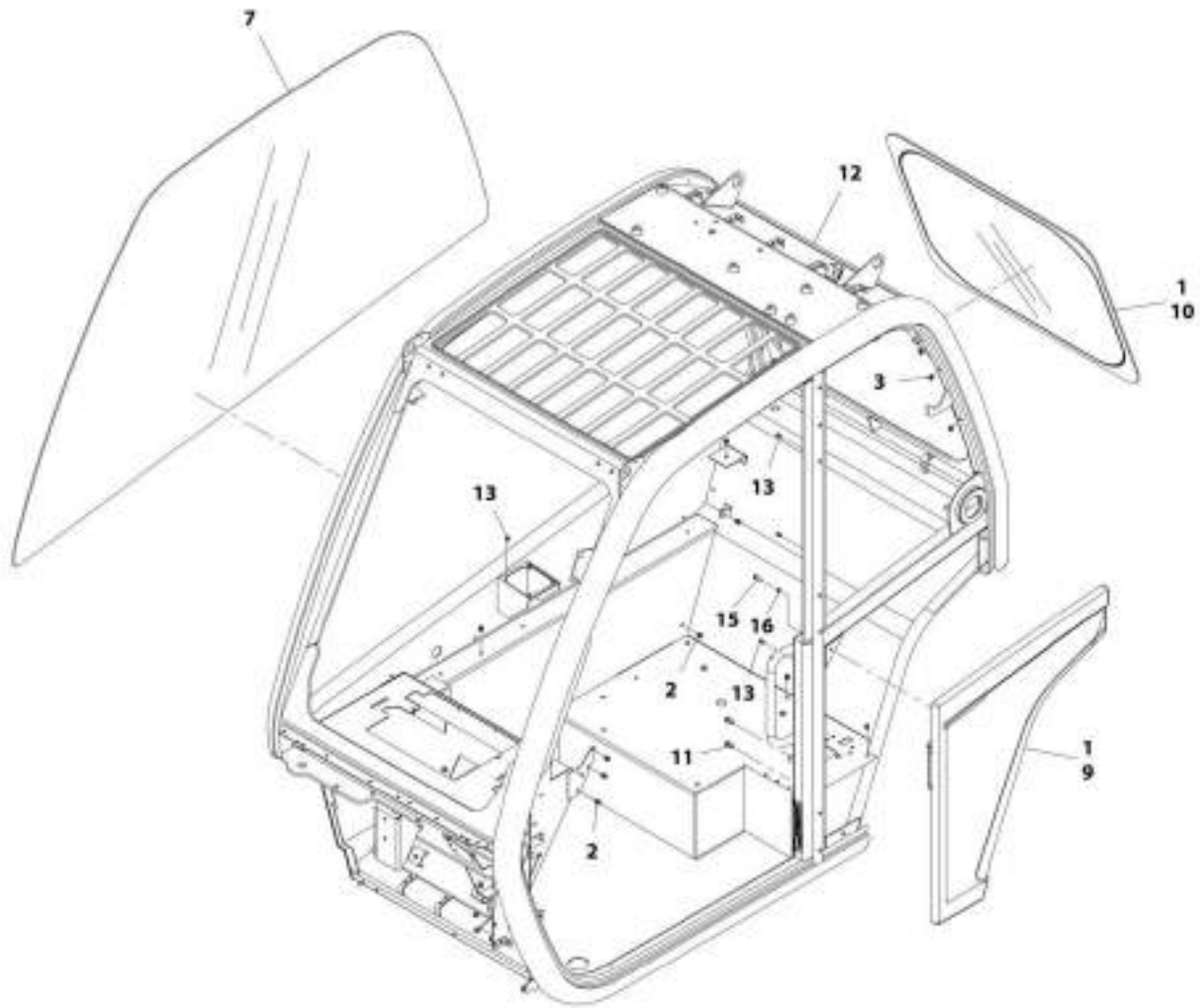
SECTION 6 - CAB

FIGURE 6-9. ENCLOSED CAB INSTALLATION (SN 0160079247 to Present)

| ITEM | PART NUMBER | QTY | DESCRIPTION | REV |
|------|-------------|-----|--|-----|
| 1 | 1001214332 | Ref | Enclosed Cab Installation | F |
| | 1001154365 | 1 | Assembly, Enclosed Cab (See Separate Breakdown in this Section) | |
| 2 | 1001170500 | 1 | Installation, Rear Window (See Separate Breakdown in this Section) | |
| 3 | 1001165080 | 1 | Installation, Door (See Separate Breakdown in this Section) | |
| 4 | 1001170603 | 1 | Group, Enclosed Cab Plug (See Separate Breakdown in this Section) | |

SECTION 6 - CAB

FIGURE 6-10. OPEN CAB ASSEMBLY



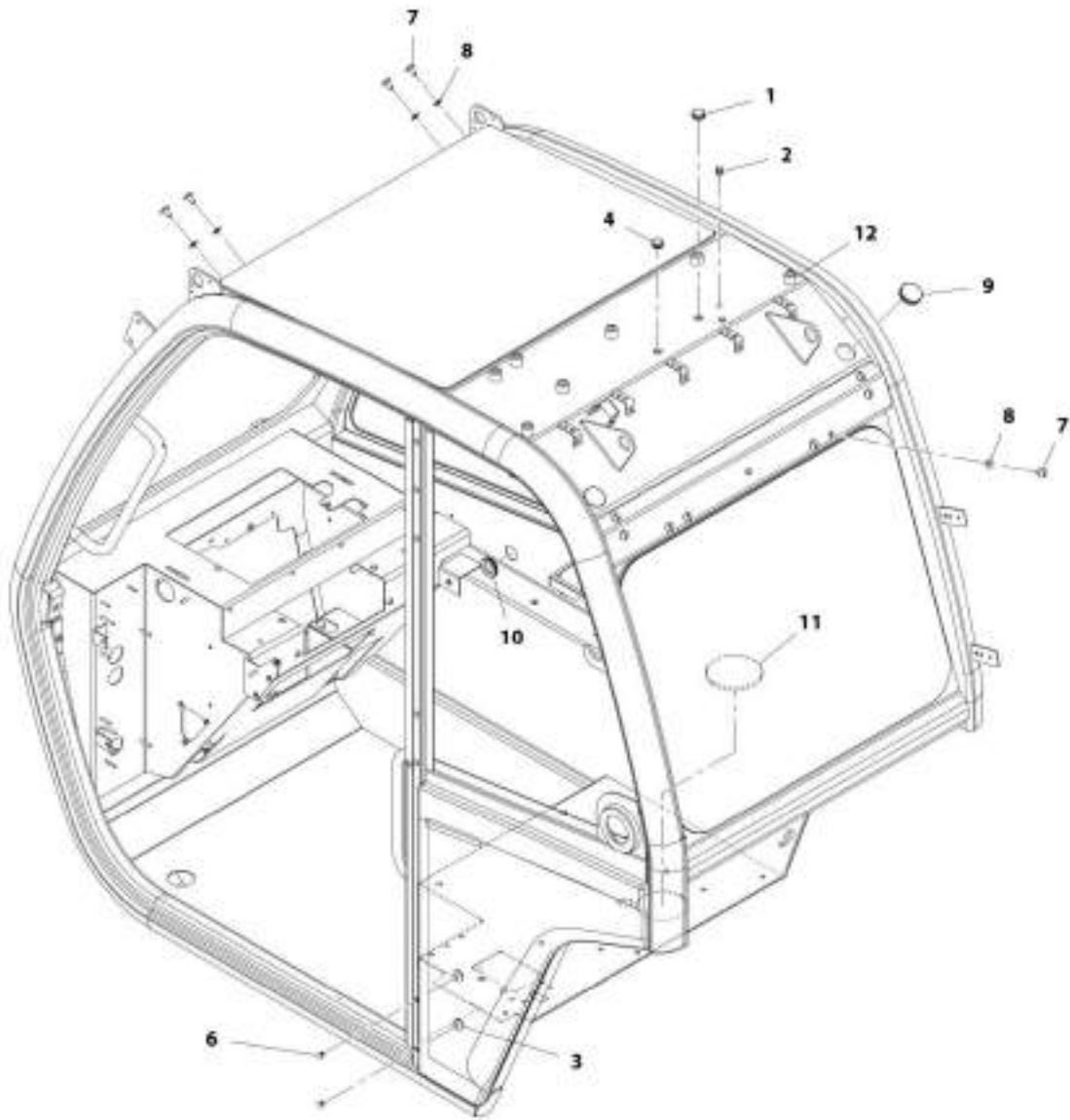
ART_1001154721-I

FIGURE 6-10. OPEN CAB ASSEMBLY

| ITEM | PART NUMBER | QTY | DESCRIPTION | REV |
|------|-------------|-----|---|-----|
| | 1001154721 | Ref | Open Cab Assembly | 1 |
| 1 | 1001111317 | AR | Compound, Locking | |
| 2 | 2080086 | 17 | Rivnut, M6X1 | |
| 3 | 2080087 | 16 | Rivnut, M8X1.25 | |
| 7 | 1001152947 | 1 | Glass, RH Screen | |
| 9 | N.S.S. | 1 | Panel, Cab Quarter | |
| 10 | 1001161538 | 1 | Glass, Rear Window | |
| 11 | 1001172193 | 2 | Rivnut, M5X0.8 | |
| 12 | N.S.S. | 1 | Weldment, Cab (Prior to SN 0160079247) | |
| 13 | 1001195878 | 7 | Rivnut, M5X0.8 | |
| 15 | N.S.S. | 3 | Screw | |
| 16 | 4811700 | 3 | Washer, M6 | |

SECTION 6 - CAB

FIGURE 6-11. OPEN CAB PLUG GROUP



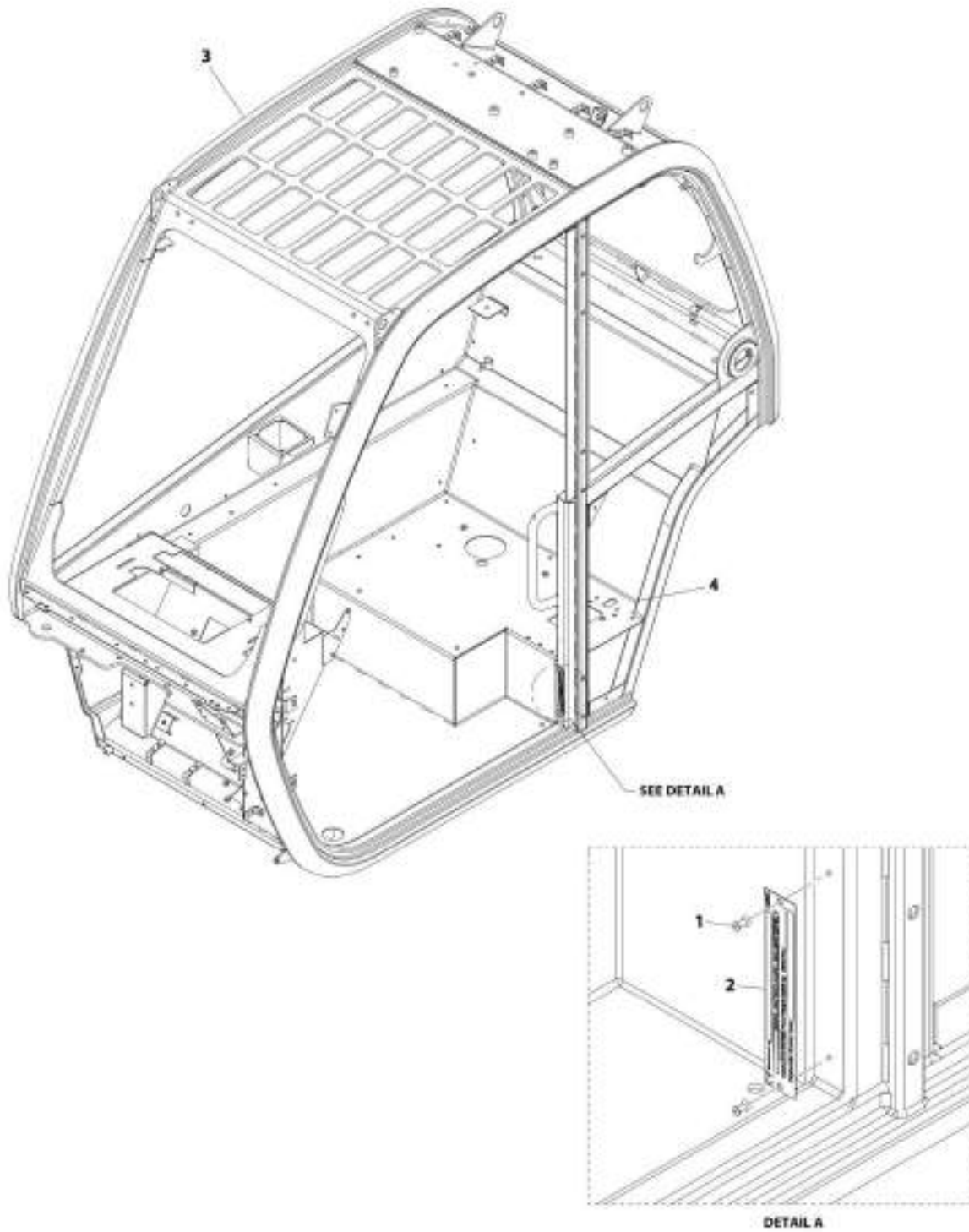
ART_1001170495-E

FIGURE 6-11. OPEN CAB PLUG GROUP

| ITEM | PART NUMBER | QTY | DESCRIPTION | REV |
|------|-------------|-----|---------------------|-----|
| | 1001170495 | Ref | Open Cab Plug Group | E |
| 1 | 1001176273 | 1 | Plug | |
| 2 | 1001176272 | 3 | Plug | |
| 3 | 1001143200 | 2 | Plug | |
| 4 | 1001176626 | 1 | Plug | |
| 6 | 1001170374 | 7 | Plug | |
| 7 | 1001181920 | 12 | Screw, M8X16 | |
| 8 | 1001181921 | 12 | Washer, Rubber M8 | |
| 9 | 1001182123 | 2 | Plug | |
| 10 | 1001182139 | 1 | Plug | |
| 11 | 1001209899 | 1 | Plug | |
| 12 | 1001219220 | 7 | Plug | |

SECTION 6 - CAB

FIGURE 6-12. CAB (SN 0160079247 to Present)



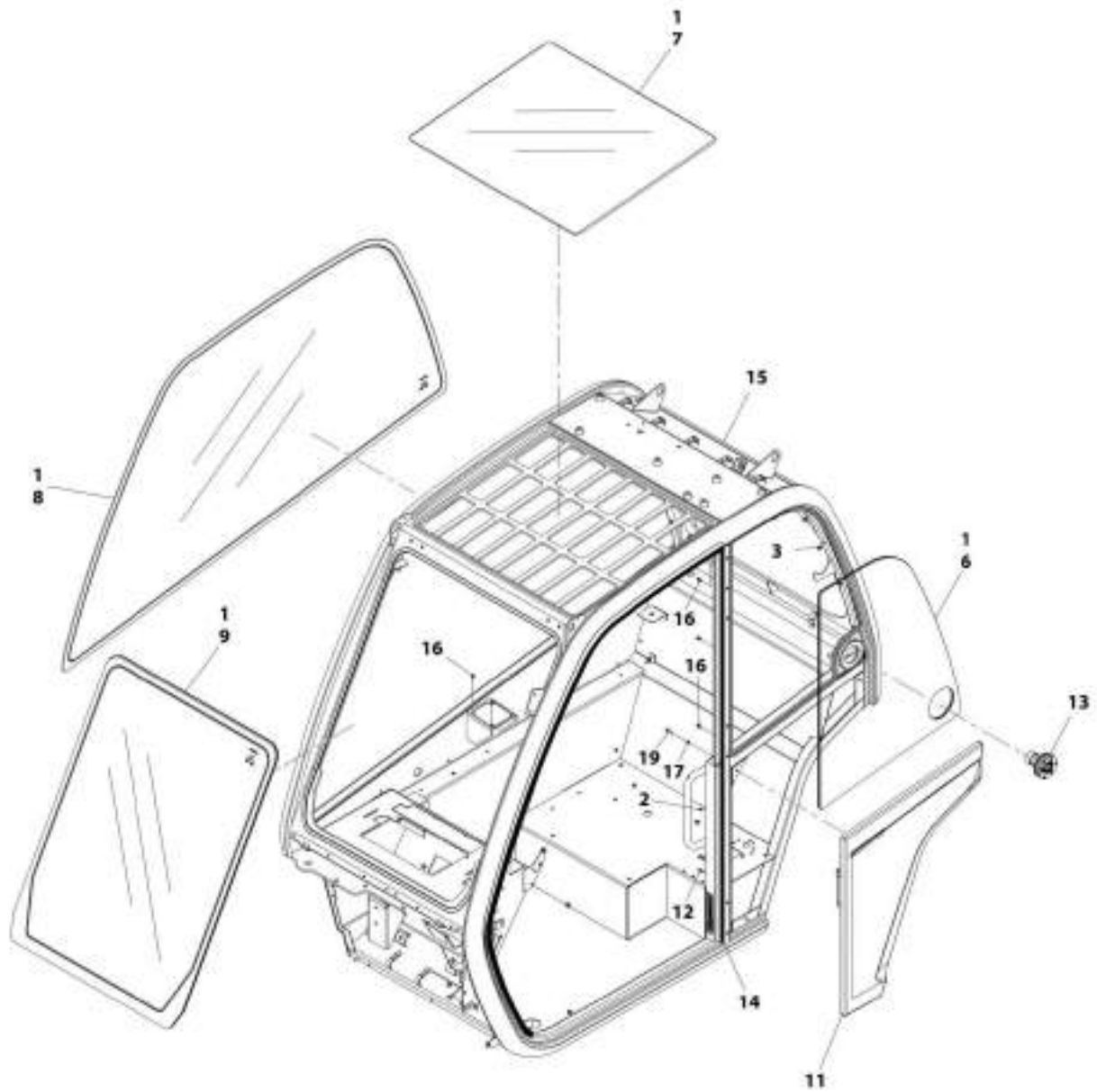
ART_1001214326-D

FIGURE 6-12. CAB (SN 0160079247 to Present)

| ITEM | PART NUMBER | QTY | DESCRIPTION | REV |
|------|-------------|-----|----------------|-----|
| | 1001214326 | Ref | Cab | D |
| 1 | 1001099170 | 2 | Rivet, 4 | |
| 2 | N.S.S. | 1 | S/N Plate, Cab | |
| 3 | N.S.S. | 1 | Weldment | |
| 4 | 1001205402 | AR | Sealant | |

SECTION 6 - CAB

FIGURE 6-13. ENCLOSED CAB ASSEMBLY



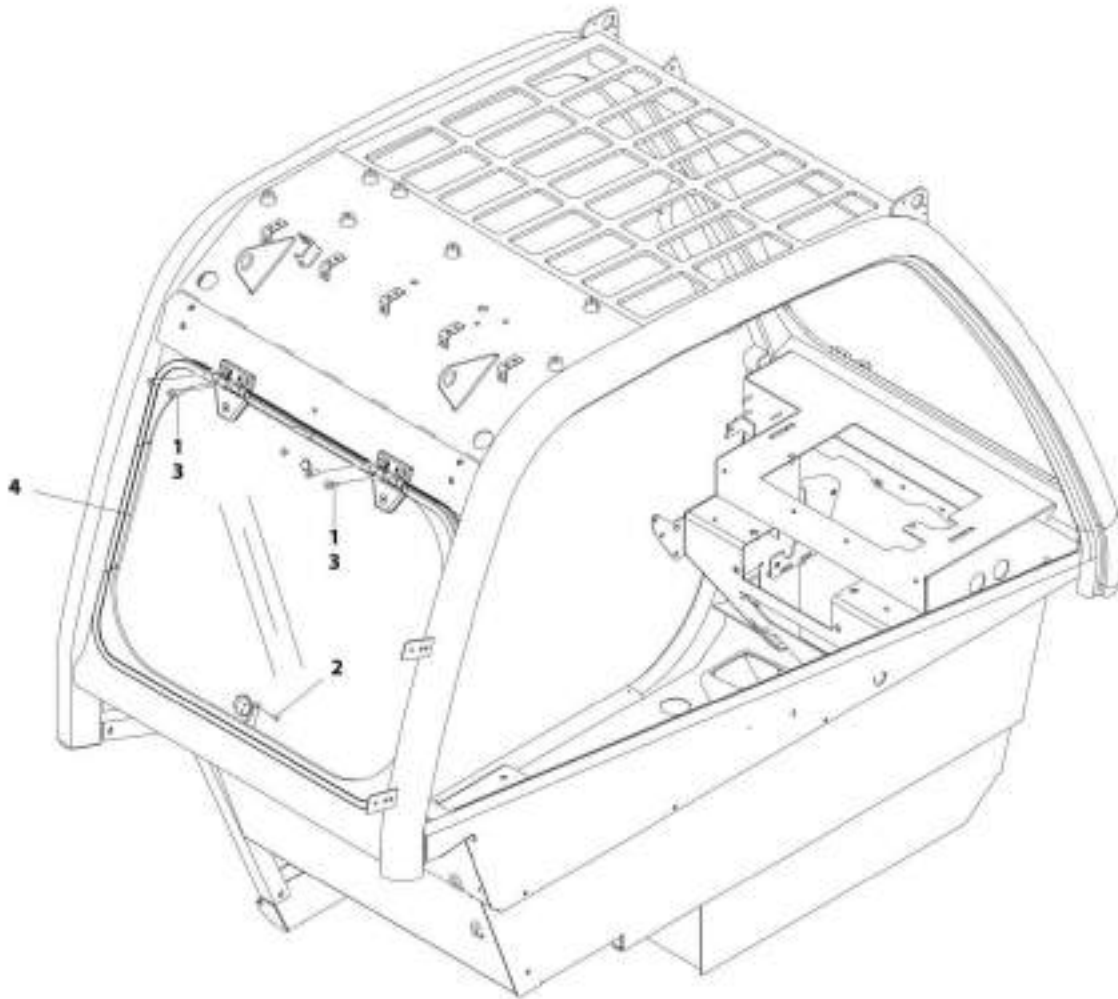
ART_1001154302-2

FIGURE 6-13. ENCLOSED CAB ASSEMBLY

| ITEM | PART NUMBER | QTY | DESCRIPTION | REV |
|------|-------------|-----|---|-----|
| | 1001154365 | Ref | Enclosed Cab Assembly | J |
| 1 | 1001111317 | AR | Compound, Locking | |
| 2 | 2080086 | 17 | Rivnut, M6X1 | |
| 3 | 2080087 | 16 | Rivnut, M8X1.25 | |
| 6 | 1001152915 | 1 | Glass, LH Screen | |
| 7 | 1001152934 | 1 | Glass, Roof | |
| 8 | 1001152947 | 1 | Glass, RH Screen | |
| 9 | 1001154419 | 1 | Glass, Front | |
| 11 | N.S.S. | 1 | Panel, Cab Quarter | |
| 12 | 1001172193 | 2 | Rivnut, M5X0.8 | |
| 13 | 1001174320 | 1 | Latch, Top Window | |
| 14 | 1001175226 | NLA | Seal, Cab Door, (no longer available, use 1001227186 for replacement) | |
| 14 | 1001227186 | 1 | Seal, Cab Door | |
| 15 | N.S.S. | 1 | Weldment, Cab (Prior to SN 0160079247) | |
| 16 | 1001195878 | 7 | Rivnut, M5X0.8 | |
| 17 | 4811700 | 3 | Washer, M6 | |
| 19 | N.S.S. | 3 | Screw | |

SECTION 6 - CAB

FIGURE 6-14. REAR WINDOW INSTALLATION



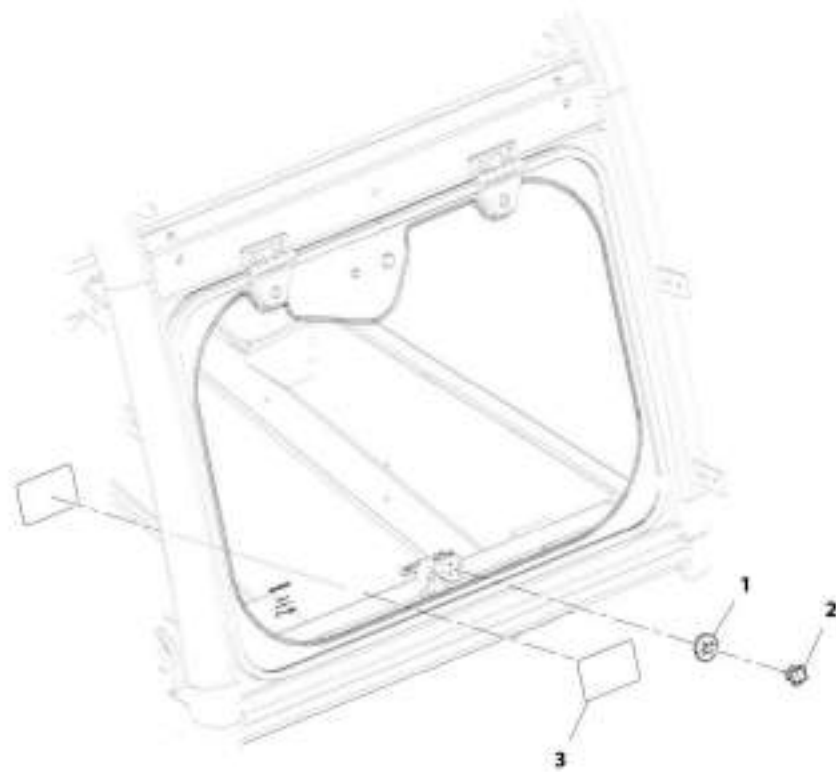
ART_1001170500-C

FIGURE 6-14. REAR WINDOW INSTALLATION

| ITEM | PART NUMBER | QTY | DESCRIPTION | REV |
|------|-------------|-----|---|-----|
| | 1001170500 | Ref | Rear Window Installation | C |
| 1 | 1001095650 | AR | Compound, Locking | |
| 2 | 1001003043 | 1 | Pin, Spring | |
| 3 | 1001097586 | 4 | Bolt, M8-1.25X25 | |
| 4 | 1001170502 | 1 | Window, Rear (See REAR WINDOW ASSEMBLY for Breakdown) | |

SECTION 6 - CAB

FIGURE 6-15. REAR WINDOW INSTALLATION (WOWIPER) (ANSI)



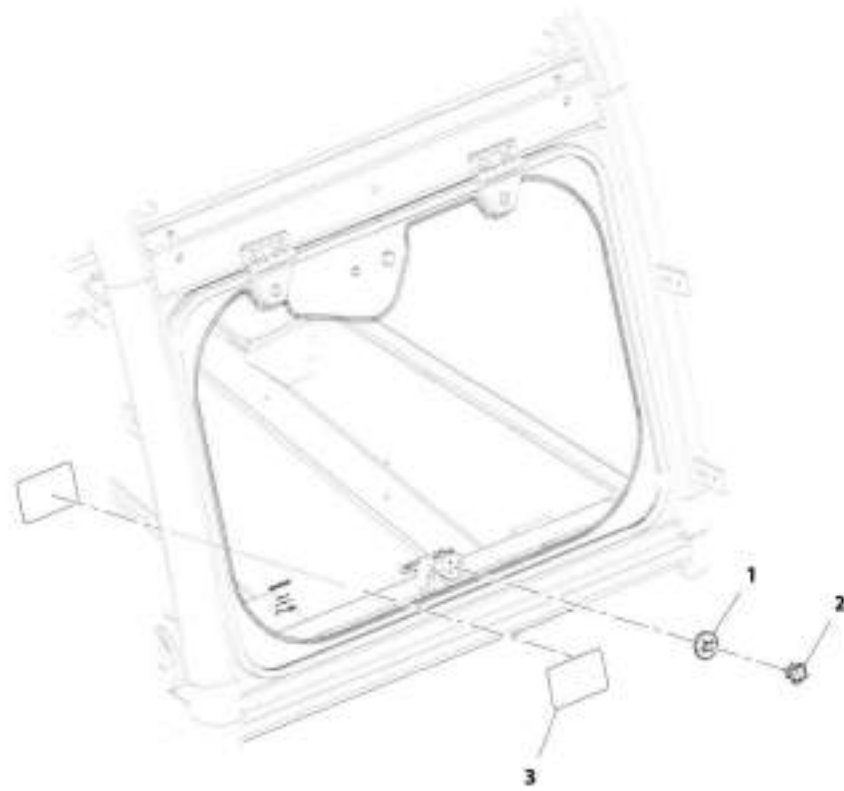
ART_1001212047-A

FIGURE 6-15. REAR WINDOW INSTALLATION (WO/WIPER) (ANSI)

| ITEM | PART NUMBER | QTY | DESCRIPTION | REV |
|-------------|--------------------|------------|--|------------|
| | 1001212047 | Ref | Rear Window Installation (WO/Wiper) (ANSI) | A |
| 1 | 1001179008 | 1 | Cap, Latch Window | |
| 2 | 1001179009 | 1 | Cap, Knob M6 | |
| 3 | 1001212049 | 2 | Decal, Emergency Exit | |

SECTION 6 - CAB

FIGURE 6-16. REAR WINDOW INSTALLATION (WO/WIPER) (ISO)



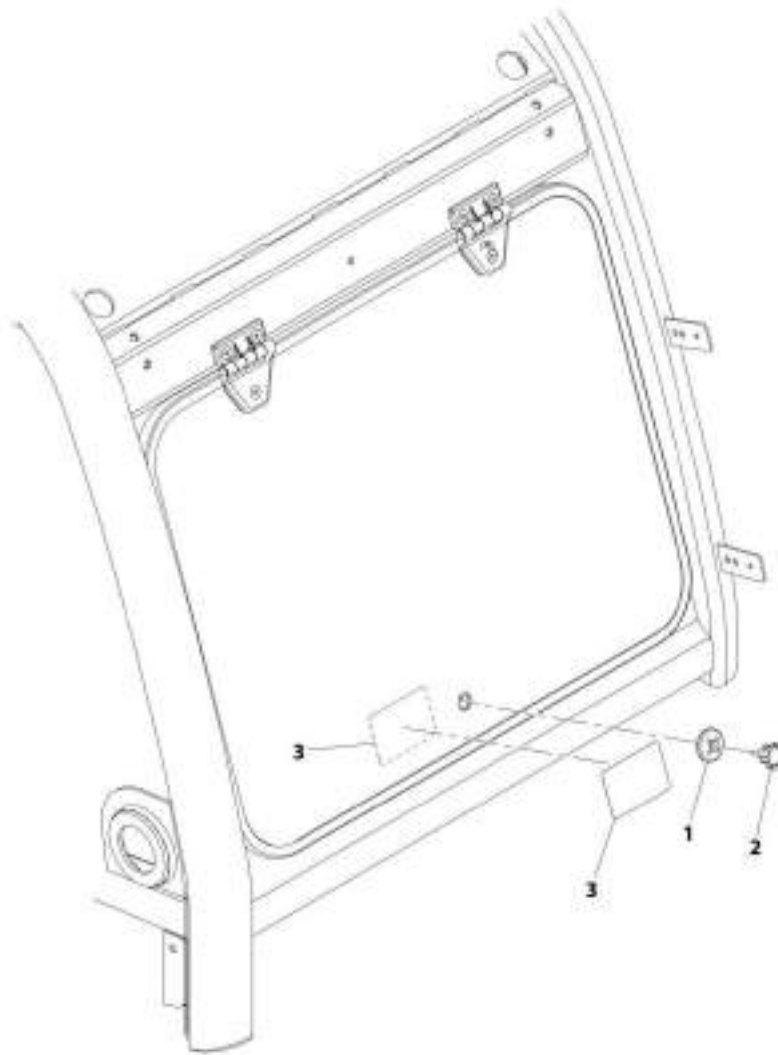
ART_1801212548-A

FIGURE 6-16. REAR WINDOW INSTALLATION (WO/WIPER) (ISO)

| ITEM | PART NUMBER | QTY | DESCRIPTION | REV |
|-------------|--------------------|------------|---|------------|
| | 1001212048 | Ref | Rear Window Installation (WO/Wiper) (ISO) | A |
| 1 | 1001179008 | 1 | Cap, Latch Window | |
| 2 | 1001179009 | 1 | Cap, Knob M6 | |
| 3 | 1001212050 | 2 | Decal, Emergency Exit | |

SECTION 6 - CAB

FIGURE 6-17. REAR WINDOW INSTALLATION (WO/WIPER) (ENG/SPAN)



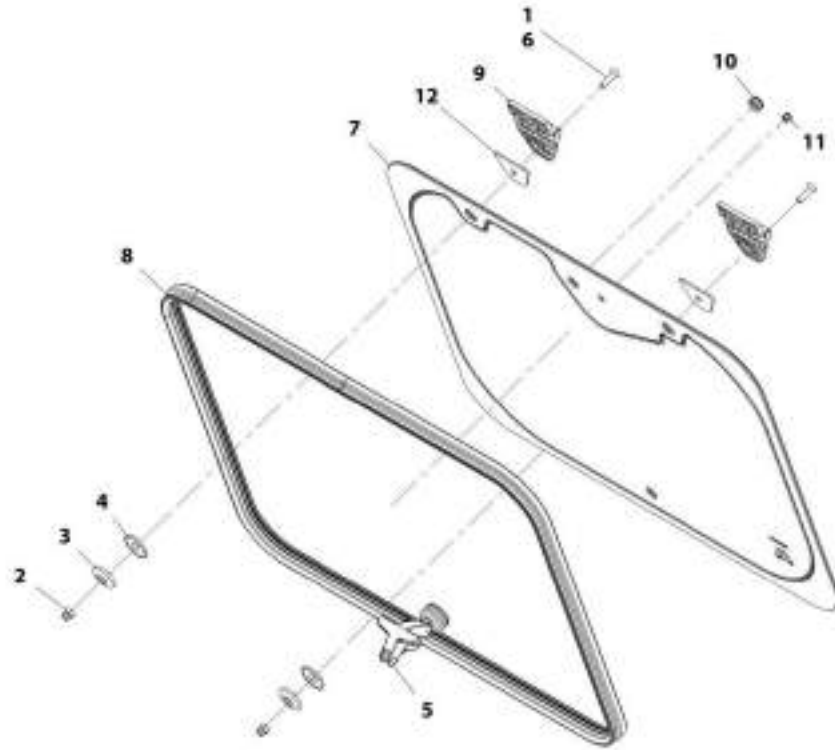
ART_1001207852-K

FIGURE 6-17. REAR WINDOW INSTALLATION (WO/WIPER) (ENG/SPAN)

| ITEM | PART NUMBER | QTY | DESCRIPTION | REV |
|-------------|--------------------|------------|--|------------|
| | 1001237852 | Ref | Rear Window Installation (WO/Wiper) (ENG/SPAN) | A |
| 1 | 1001179008 | 1 | Cap, Latch Window | |
| 2 | 1001179009 | 1 | Cap, Knob M6 | |
| 3 | 1001237845 | 2 | Decal, Emergency Exit | |

SECTION 6 - CAB

FIGURE 6-18. REAR WINDOW ASSEMBLY



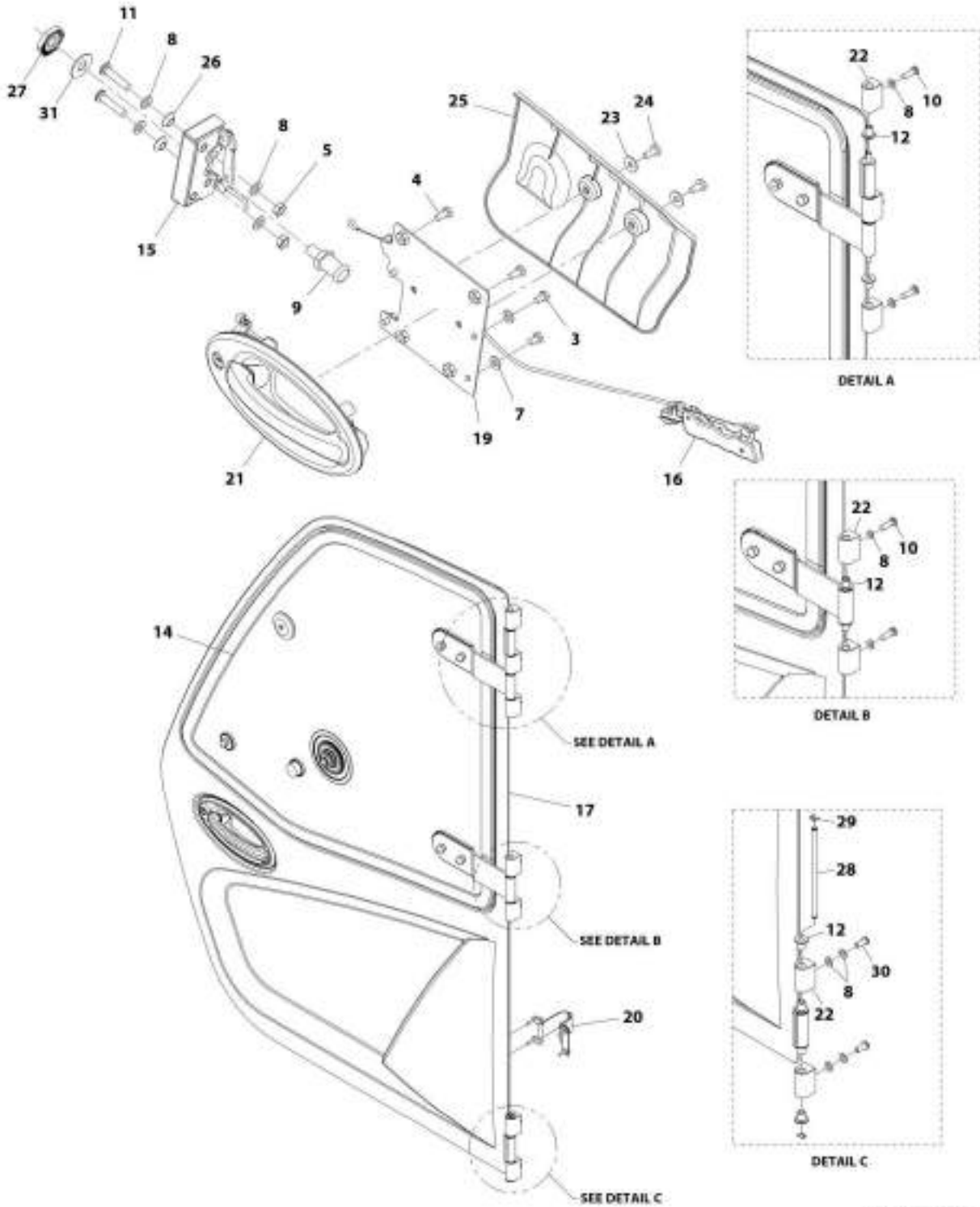
ART_1001170502-C

FIGURE 6-18. REAR WINDOW ASSEMBLY

| ITEM | PART NUMBER | QTY | DESCRIPTION | REV |
|------|-------------|-----|---------------------------|-----|
| | 1001170502 | Ref | Rear Window Assembly | C |
| 1 | 1001095650 | AR | Compound, Locking | |
| 2 | 3290806 | 2 | Nut, M8X1.25 Grade 8 | |
| 3 | 8000759 | 2 | Spacer | |
| 4 | 8004398 | 2 | Washer | |
| 5 | 1001005368 | 1 | Latch, Window | |
| 6 | 2080078 | 2 | Fastener, M8X30 | |
| 7 | 1001157481 | 1 | Glass, Rear Window | |
| 8 | 1001157487 | 1 | Seal | |
| 9 | 1001139568 | 2 | Hinge | |
| 10 | 1001171182 | 1 | Grommet | |
| 11 | 1001171183 | 1 | Grommet | |
| 12 | 1001181411 | 2 | Gasket, Rear Window Hinge | |

SECTION 6 - CAB

FIGURE 6-19. DOOR INSTALLATION



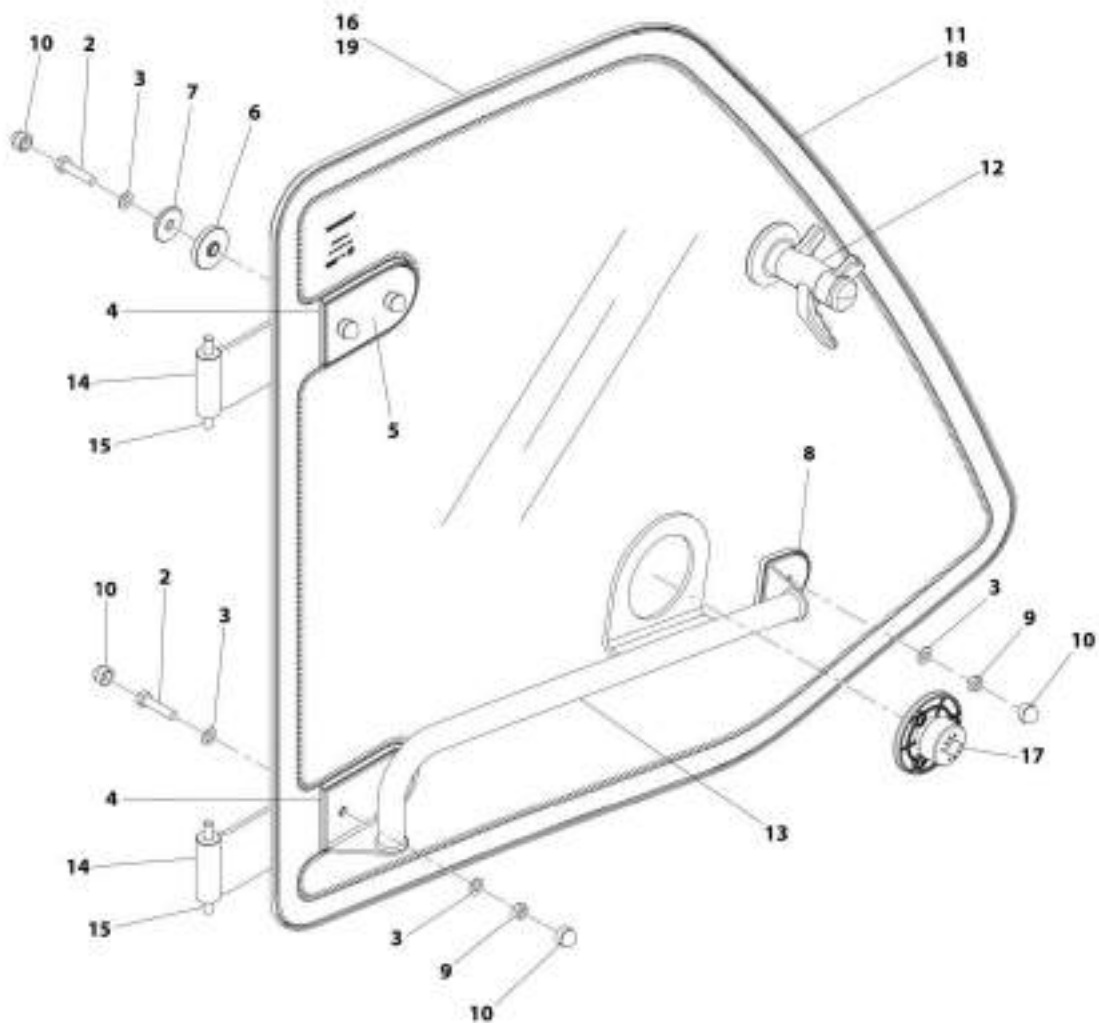
ART_1001185080-M

FIGURE 6-19. DOOR INSTALLATION

| ITEM | PART NUMBER | QTY | DESCRIPTION | REV |
|------|-------------|-----|---|-----|
| | 1001165080 | Ref | Door Installation | M |
| 3 | 0760605 | 4 | Bolt, M6X10 | |
| 4 | 0760607 | 4 | Bolt, M6X14 | |
| 5 | 3290801 | 2 | Nut, M8X1.25 Grade 8 | |
| 7 | 4811700 | 4 | Washer, M6 | |
| 8 | 4811900 | 13 | Washer, M8 | |
| 9 | 8000803 | 1 | Pin, Door Striker | |
| 10 | 1001008988 | 5 | Screw M8X25 | |
| 11 | 1001047062 | 2 | Screw, M8X35 | |
| 12 | 1001107192 | 10 | Sleeve, Hinge | |
| 14 | | Ref | Assembly, Door Upper Glass (See Separate Breakdown in this Section) | |
| 15 | 1001192766 | 1 | Assembly, Cab Latch (See Separate Breakdown in this Section) | |
| 16 | 1001167958 | 1 | Assembly, Cab Door Trigger (See Separate Breakdown in this Section) | |
| 17 | 1001169881 | 1 | Assembly, Door (See Separate Breakdown in this Section) | |
| 19 | 1001173298 | 1 | Bracket | |
| 20 | 1001174295 | 1 | Installation, Door Strap (See Separate Breakdown in this Section) | |
| 21 | 1001192646 | 1 | Handle, Exterior Door | |
| 22 | 1001170601J | 7 | Lug, Hinge | |
| 23 | 4811702001 | 2 | Washer, M6 | |
| 24 | 4010608002 | 2 | Screw, Posi-Drive, M6X16 | |
| 25 | 1001175477 | 1 | Cover, Cab Door Interior | |
| 26 | 1001184439 | 2 | Bushing | |
| 27 | 1001192309 | 1 | Nut, M12X1 | |
| 28 | 1001213791 | 1 | Pin, Hinge | |
| 29 | 0498748 | 1 | Clip, Snap Ring | |
| 30 | 1001164726 | 1 | Bolt, M8X20 | |
| 31 | 1001227802 | 1 | Washer, Striker | |

SECTION 6 - CAB

FIGURE 6-20. DOOR UPPER GLASS ASSEMBLY (642 Prior to SN 0160077281; 943 Prior to SN 0160077094; 1043 Prior to SN 0160077011)



ART_3001165186-F

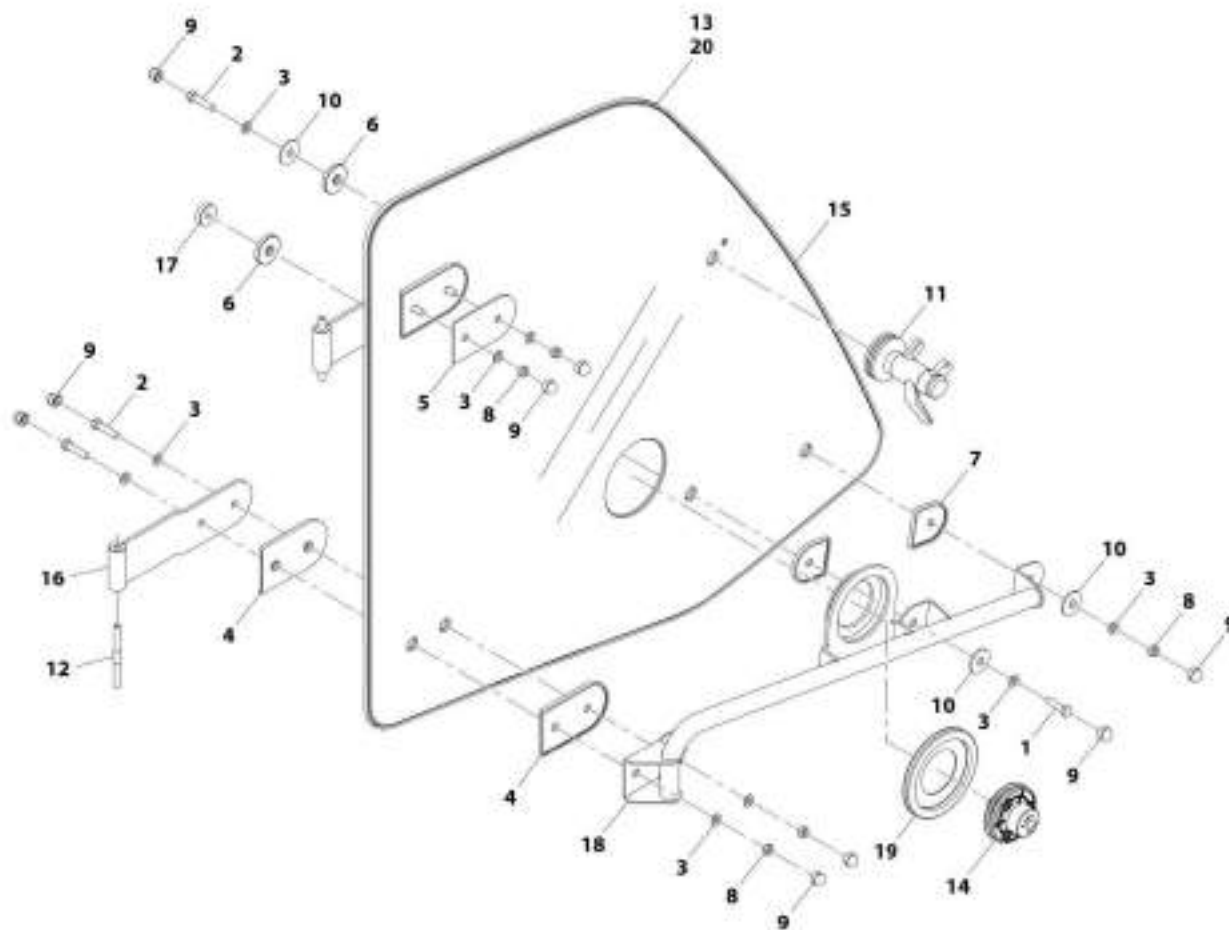
SECTION 6 - CAB

FIGURE 6-20. DOOR UPPER GLASS ASSEMBLY (642 Prior to SN 0160077281; 943 Prior to SN 0160077094; 1043 Prior to SN 0160077011)

| ITEM | PART NUMBER | QTY | DESCRIPTION | REV |
|------|-------------|-----|---------------------------|-----|
| | 1001165186 | Ref | Door Upper Glass Assembly | F |
| 2 | 0760815 | 5 | Bolt, M8X35 | |
| 3 | 4811900 | 10 | Washer, M8 | |
| 4 | 1001002946 | 4 | Mount, Hinge | |
| 5 | 1001002947 | 1 | Mount, Hinge | |
| 6 | 1001002953 | 1 | Mount, Hinge | |
| 7 | 1001141246 | 1 | Mount, Rubber | |
| 8 | 1001002957 | 1 | Mount, Latch | |
| 9 | 1001008857 | 5 | Nut, Lock | |
| 10 | 1001096365 | 10 | Cap, M8 | |
| 11 | 1001165187 | 1 | Glass, Window | |
| 12 | 1001165275 | 1 | Latch, Window | |
| 13 | 1001199915 | 1 | Handle | |
| 14 | 1001165459 | 2 | Hinge | |
| 15 | 1001166634 | 2 | Pin, Hinge | |
| 16 | 1001170944 | 1 | Panel, Window Surround | |
| 17 | 1001174321 | 1 | Striker, Top Window | |
| 18 | 1001111317 | AR | Adhesive, Window Sealant | |
| 19 | 1001200713 | AR | Adhesive, Window Surround | |

SECTION 6 - CAB

FIGURE 6-21. DOOR UPPER GLASS ASSEMBLY (642 SN 0160077281 to Present; 943 SN 0160077094 to Present; 1043 SN 0160077011 to Present)



ART_1001205512-E

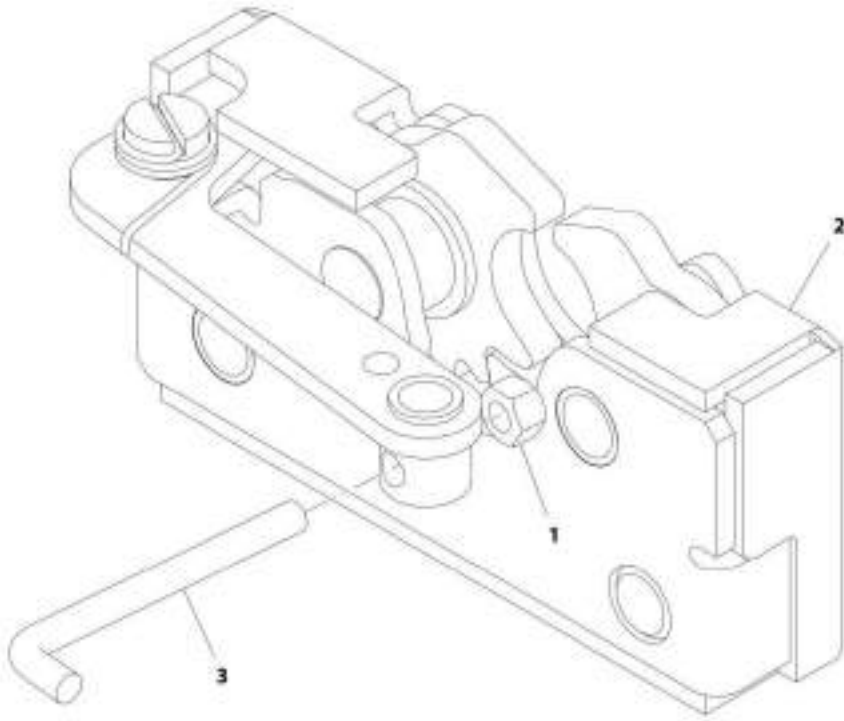
SECTION 6 - CAB

FIGURE 6-21. DOOR UPPER GLASS ASSEMBLY (642 SN 0160077281 to Present; 943 SN 0160077094 to Present; 1043 SN 0160077011 to Present)

| ITEM | PART NUMBER | QTY | DESCRIPTION | REV |
|------|-------------|-----|---------------------------|-----|
| | 1001205532 | Ref | Door Upper Glass Assembly | E |
| 1 | 0760812 | 1 | Bolt, M8X25 | |
| 2 | 0760815 | 5 | Bolt, M8X35 | |
| 3 | 4811900 | 11 | Washer, M8 | |
| 4 | 1001002946 | 4 | Mount, Hinge | |
| 5 | 1001002947 | 1 | Mount, Hinge | |
| 6 | 1001002953 | 2 | Mount, Rubber | |
| 7 | 1001002957 | 2 | Mount, Latch | |
| 8 | 1001008857 | 5 | Nut, Lock | |
| 9 | 1001096365 | 11 | Cap, M8 | |
| 10 | 1001141246 | 3 | Mount, Handle | |
| 11 | 1001165275 | 1 | Latch, Window | |
| 12 | 1001166634 | 2 | Pin, Hinge | |
| 13 | 1001170944 | 1 | Panel, Window Surround | |
| 14 | 1001174321 | 1 | Striker, Top Window | |
| 15 | 1001204066 | 1 | Glass, Window | |
| 16 | 1001204115 | 2 | Hinge, Assembly | |
| 17 | 1001222741 | 1 | Buffer, Cab | |
| 18 | 1001204120 | 1 | Handle | |
| 19 | 1001213331 | 1 | Gasket, Back Window | |
| 20 | 1001215531 | AR | Adhesive | |

SECTION 6 - CAB

FIGURE 6-22. CAB LATCH ASSEMBLY



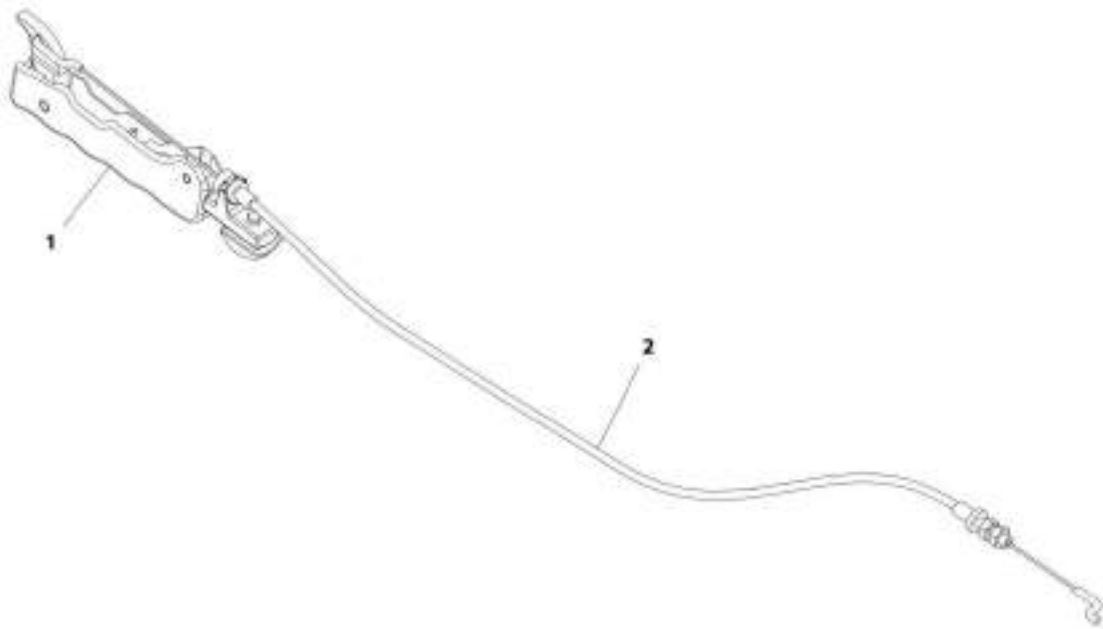
ART_1001182766-A

FIGURE 6-22. CAB LATCH ASSEMBLY

| ITEM | PART NUMBER | QTY | DESCRIPTION | REV |
|------|-------------|-----|--------------------------|-----|
| | 1001192766 | Ref | Cab Latch Assembly | A |
| 1 | 3290405 | 1 | Nut, Lock M4X0.7 Grade 8 | |
| 2 | 1001192643 | 1 | Latch | |
| 3 | 1001192755 | 1 | Link, Door Handle | |

SECTION 6 - CAB

FIGURE 6-23. CAB DOOR TRIGGER ASSEMBLY



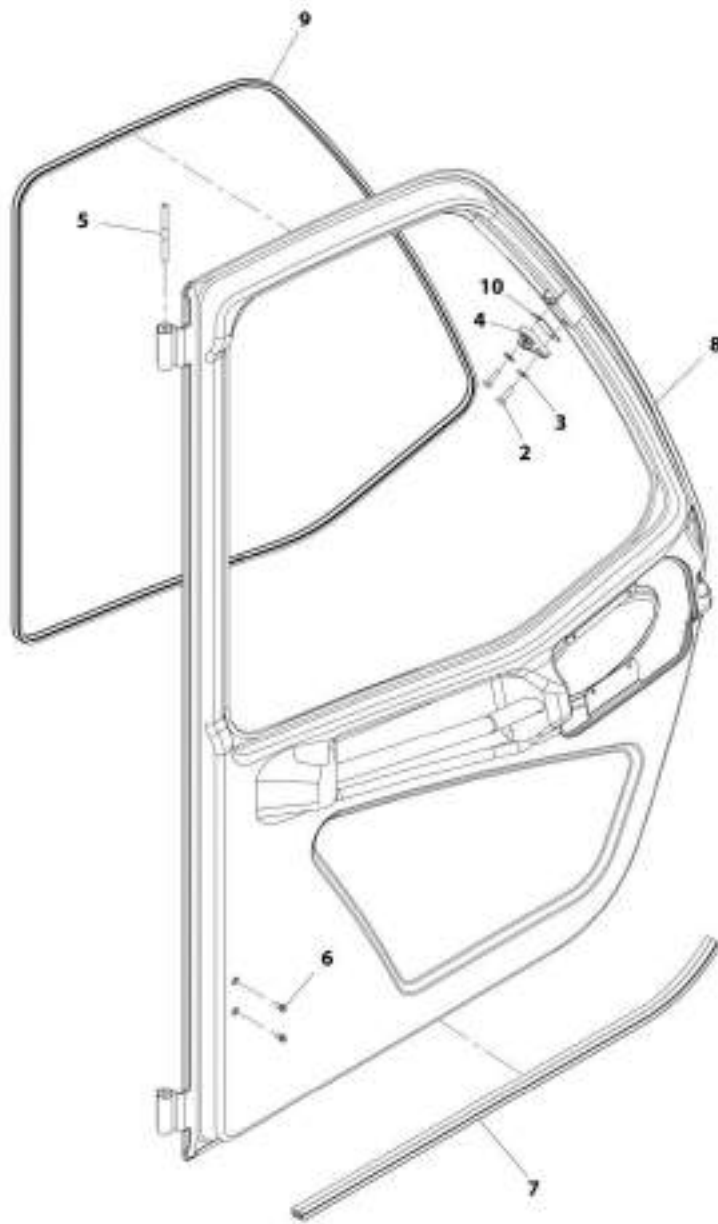
ART_1001107958-E

FIGURE 6-23. CAB DOOR TRIGGER ASSEMBLY

| ITEM | PART NUMBER | QTY | DESCRIPTION | REV |
|-------------|--------------------|------------|-------------------------------|------------|
| | 1001167958 | Ref | Cab Door Trigger Assembly | E |
| 1 | 1001167937 | 1 | Trigger, Cab Interior Release | |
| 2 | 1001192644 | 1 | Cable, Cab Latch Release | |

SECTION 6 - CAB

FIGURE 6-24. DOOR ASSEMBLY



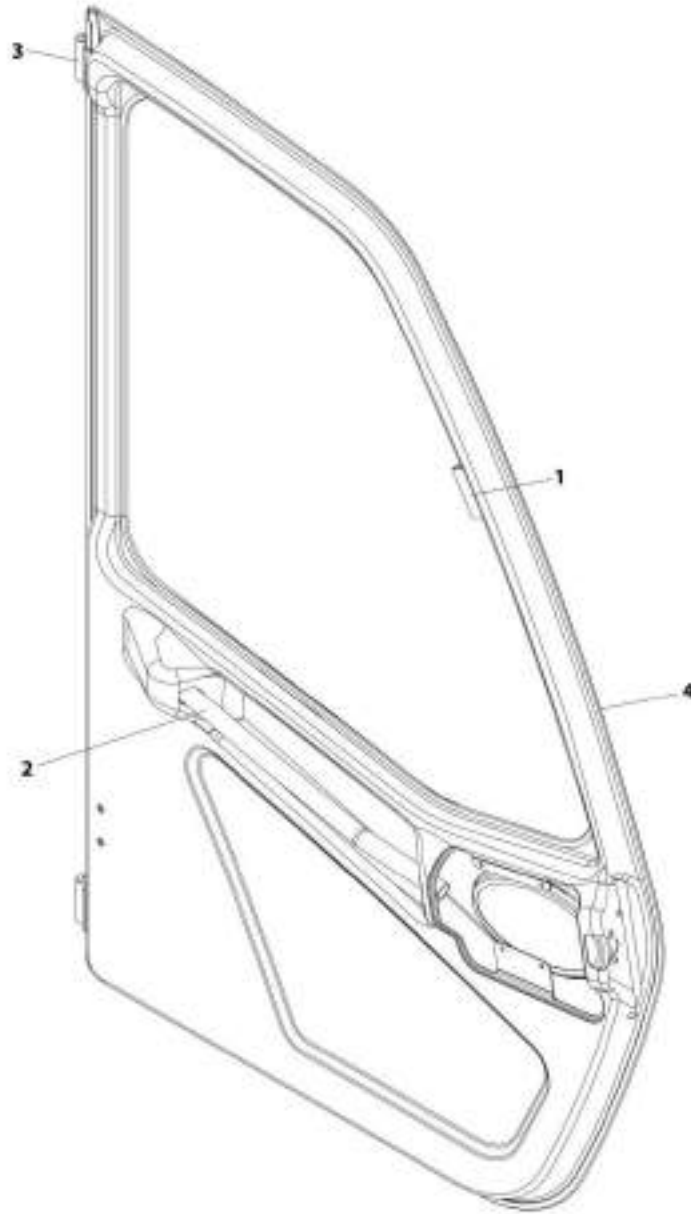
ART_100159081-J

FIGURE 6-24. DOOR ASSEMBLY

| ITEM | PART NUMBER | QTY | DESCRIPTION | REV |
|------|-------------|-----|--|-----|
| | 1001169881 | Ref | Door Assembly | J |
| 2 | 4010612002 | 2 | Screw, Posi-Drive, M6X25 | |
| 3 | 4811702001 | 2 | Washer, M6 | |
| 4 | 1001165276 | 1 | Plate, Window Latch Striker | |
| 5 | 1001166634 | 1 | Pin, Hinge | |
| 6 | 1001172193 | 2 | Rivnut, M5X0.8 | |
| 7 | 1001175227 | NLA | Seal, Cab Door, (no longer available, use 1001227188 for replacement) | |
| 7 | 1001227188 | 1 | Seal, Cab Door | |
| 8 | 1001165022J | 1 | Door, Cab (See Separate Breakdown in this Section) | |
| 9 | 1001178213 | NLA | Seal, Cab Door Window, (no longer available, use 1001227187 for replacement) | |
| 9 | 1001227187 | 1 | Seal, Cab Door Window | |
| 10 | 1001193210 | AR | Shim, Window Latch | |

SECTION 6 - CAB

FIGURE 6-25. CAB DOOR



ART_1001165022-E

FIGURE 6-25. CAB DOOR

| ITEM | PART NUMBER | QTY | DESCRIPTION | REV |
|------|-------------|-----|-----------------------|-----|
| | 1001165022 | Ref | Cab Door | E |
| 1 | 1001169883 | 1 | Bracket, Window Latch | |
| 2 | 1001169885 | 1 | Handle, Interior Door | |
| 3 | 1001171037 | 1 | Plate, Hinge | |
| 4 | 1001171634 | 1 | Frame, Door | |

SECTION 6 - CAB

FIGURE 6-26. DOOR STRAP INSTALLATION

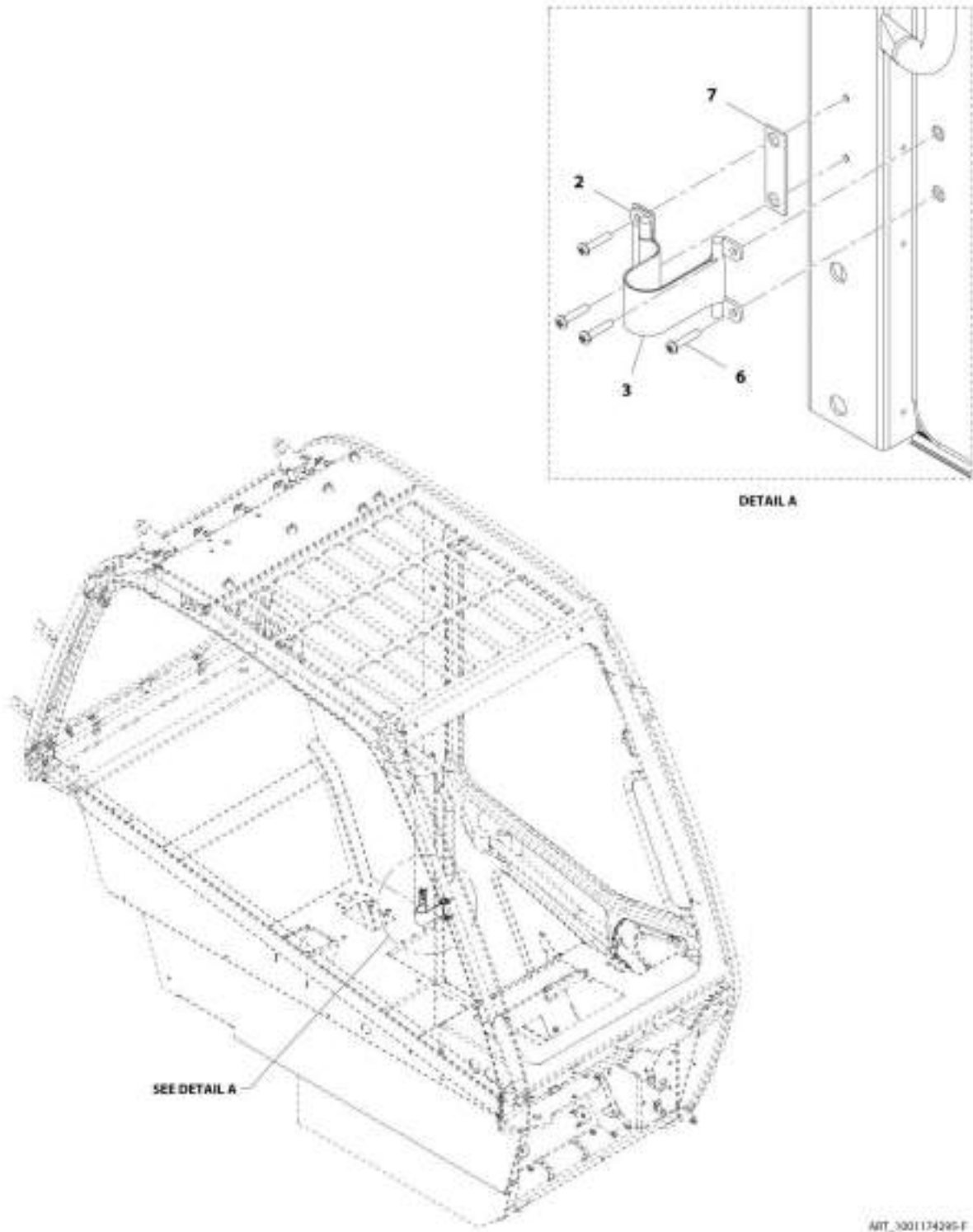
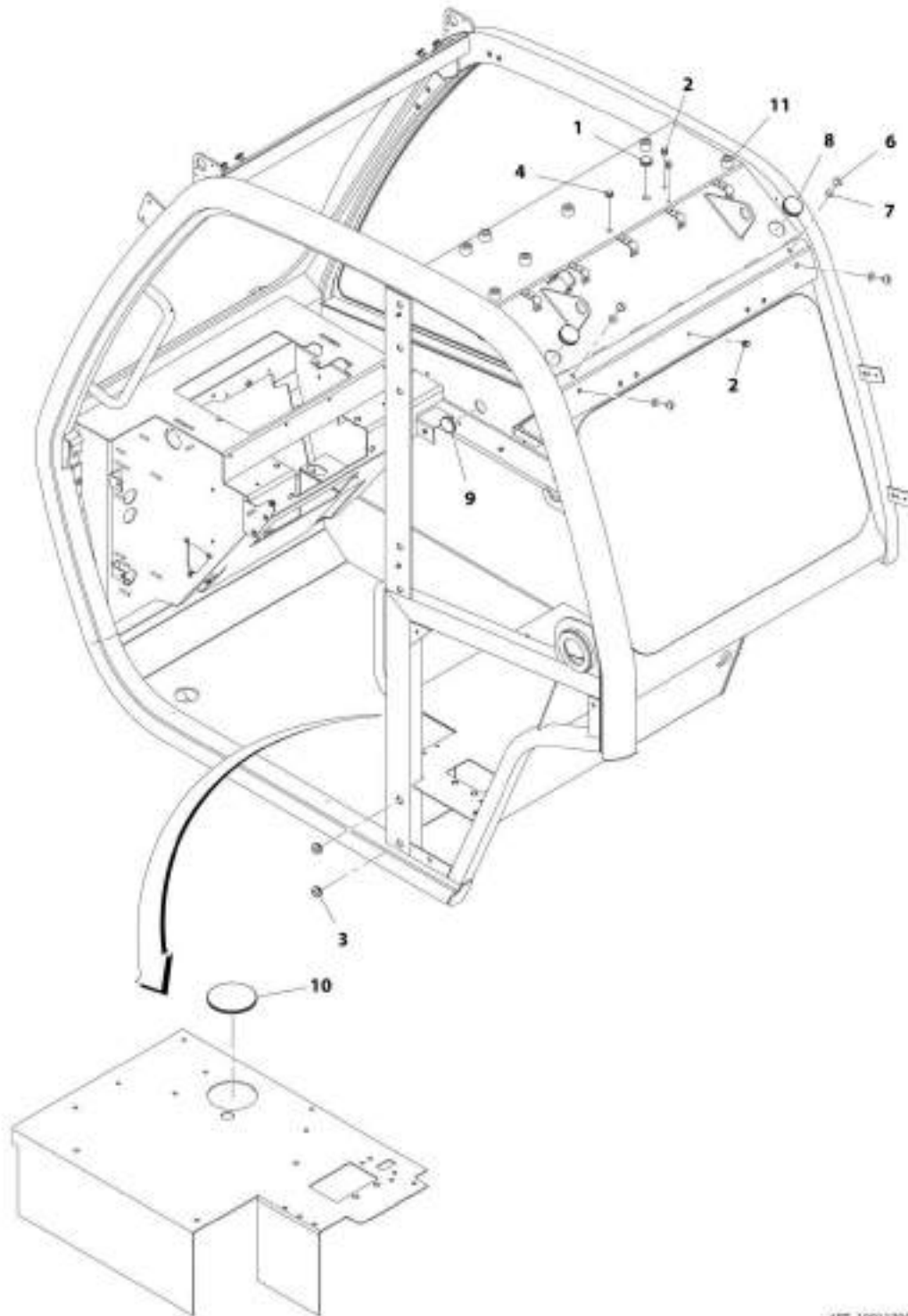


FIGURE 6-26. DOOR STRAP INSTALLATION

| ITEM | PART NUMBER | QTY | DESCRIPTION | REV |
|------|-------------|-----|--|-----|
| | 1001174295 | Ref | Door Strap Installation | F |
| 2 | 1001230163 | 2 | Bracket, Door Strap Holder | |
| 3 | 1001184801 | NLA | Strap, Door Hold Open, (no longer available, use 1001212011 for replacement) | |
| 3 | 1001212011 | 1 | Strap, Door Hold Open | |
| 6 | 8310559 | 4 | Screw | |
| 7 | 1001191091 | 1 | Plate, Cab Door Strap | |

SECTION 6 - CAB

FIGURE 6-27. ENCLOSED CAB PLUG GROUP



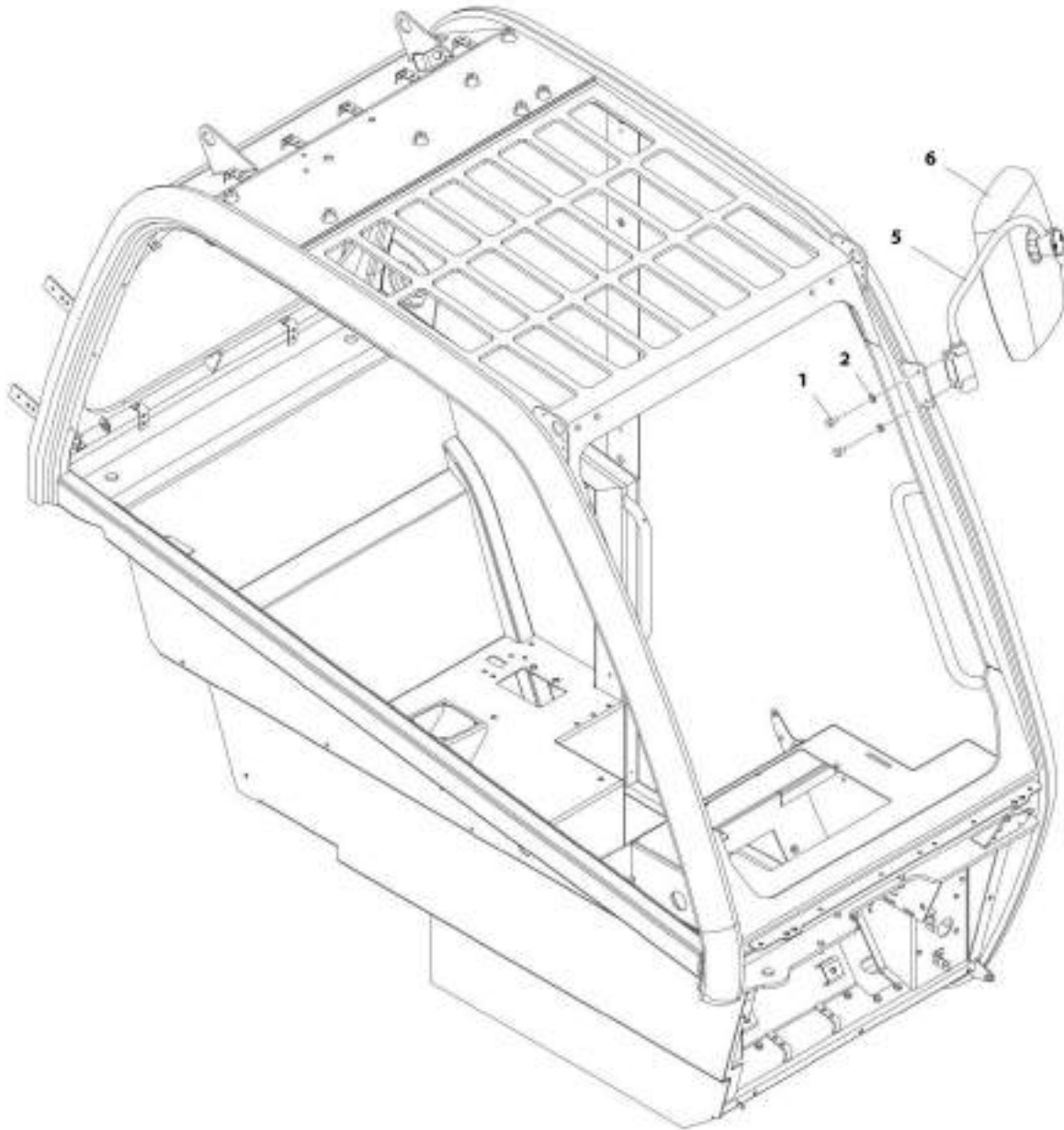
ABT_1001170603-E

FIGURE 6-27. ENCLOSED CAB PLUG GROUP

| ITEM | PART NUMBER | QTY | DESCRIPTION | REV |
|------|-------------|-----|-------------------------|-----|
| | 1001170603 | Ref | Enclosed Cab Plug Group | E |
| 1 | 1001176273 | 1 | Plug | |
| 2 | 1001176272 | 3 | Plug | |
| 3 | 1001143200 | 2 | Plug | |
| 4 | 1001176626 | 1 | Plug | |
| 6 | 1001181920 | 8 | Screw, M8X16 | |
| 7 | 1001181921 | 8 | Washer, Rubber M8 | |
| 8 | 1001182123 | 2 | Plug | |
| 9 | 1001182139 | 1 | Plug | |
| 10 | 1001209899 | 1 | Plug | |
| 11 | 1001219220 | 7 | Plug | |

SECTION 6 - CAB

FIGURE 6-28. MIRROR INSTALLATION



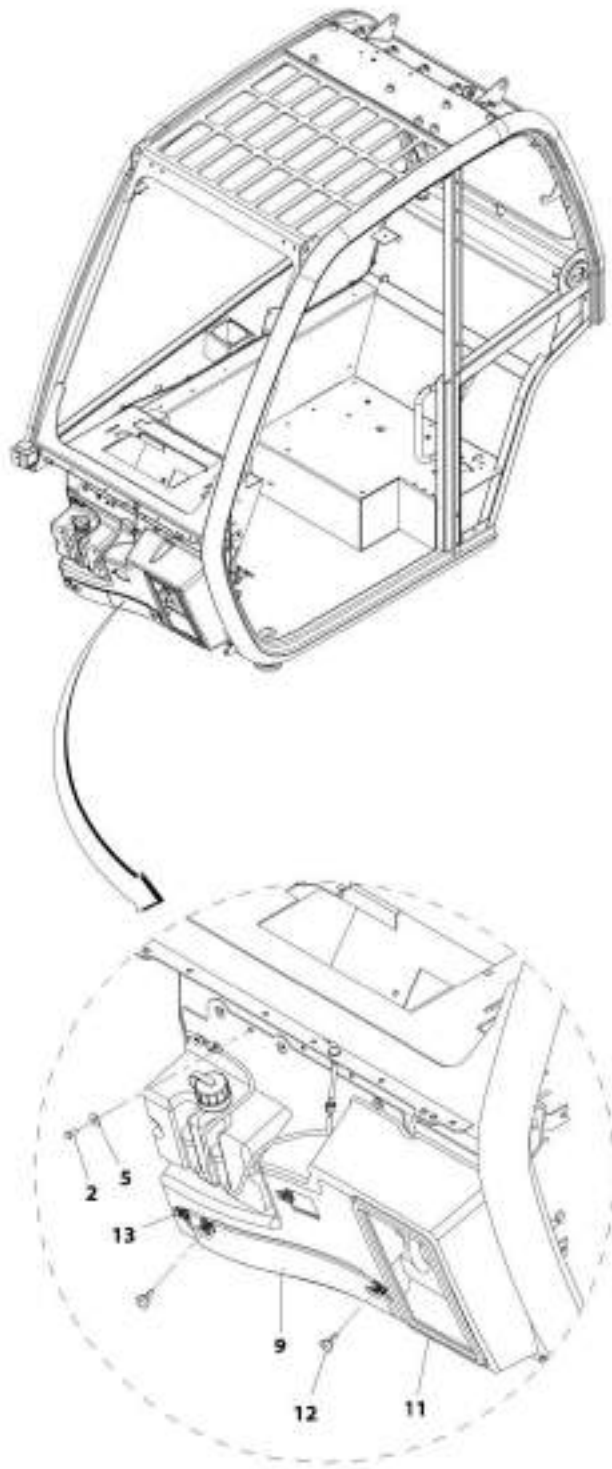
AWT_1001160509 E

FIGURE 6-28. MIRROR INSTALLATION

| ITEM | PART NUMBER | QTY | DESCRIPTION | REV |
|------|-------------|-----|-------------------------|-----|
| | 1001160508 | Ref | Mirror Installation | E |
| 1 | 0760808 | 2 | Bolt, M8X16 | |
| 2 | 4811900 | 2 | Washer, M8 | |
| 5 | 1001164655 | 1 | Bracket, Mirror | |
| 6 | 80363195 | 1 | Assembly, Convex Mirror | |

SECTION 6 - CAB

FIGURE 6-29. FRONT COVER INSTALLATION



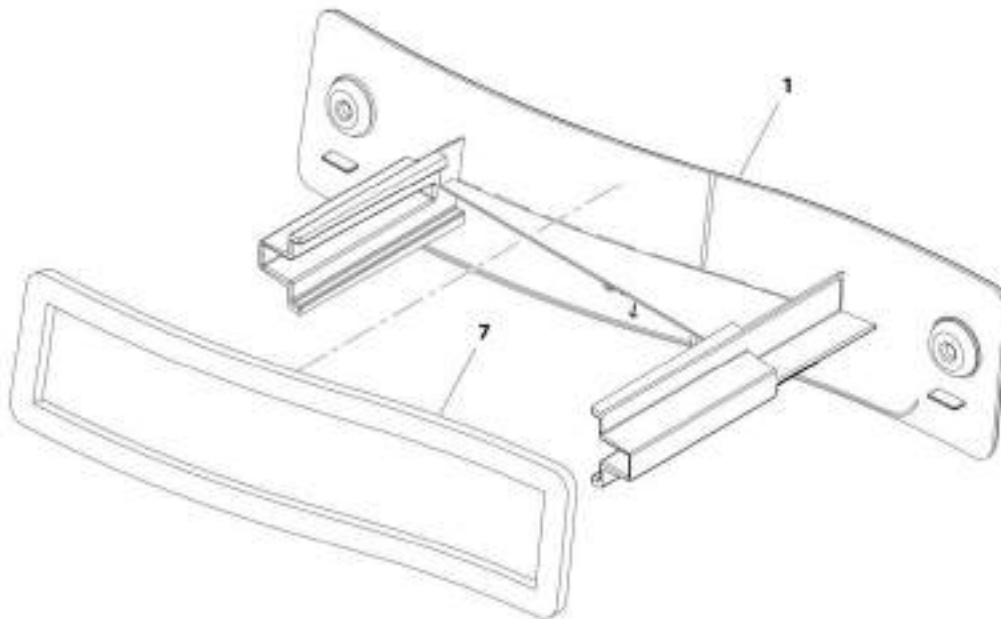
ART_100170M6-G

FIGURE 6-29. FRONT COVER INSTALLATION

| ITEM | PART NUMBER | QTY | DESCRIPTION | REV |
|------|-------------|-----|--|-----|
| | 1001170366 | Ref | Front Cover Installation | G |
| 2 | 0760608 | 7 | Bolt, M6X16 | |
| 5 | 4811702 | 7 | Washer, M6 | |
| 9 | 1001175471 | 1 | Assembly, Filter Tray Panel (See FILTER TRAY PANEL for Breakdown) | |
| 11 | 1001176121 | 1 | Assembly, Front Duct Cover (See FRONT DUCT COVER ASSEMBLY for Breakdown) | |
| 12 | 2080092 | 2 | Thumb Screw, M6X16 | |
| 13 | 8305919 | 4 | Nut, M6 | |

SECTION 6 - CAB

FIGURE 6-30. FILTER TRAY PANEL



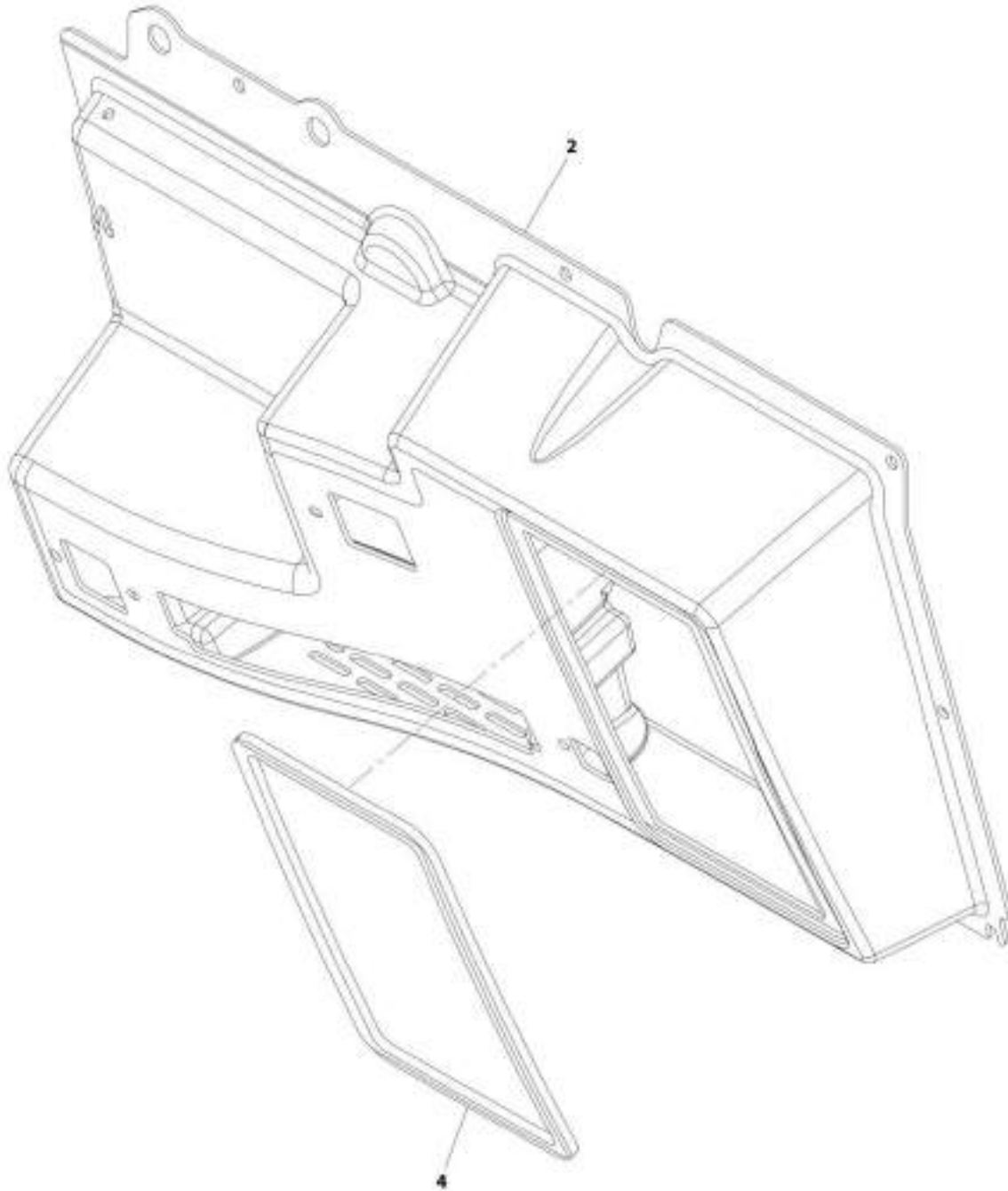
ARIT_1001175471-D

FIGURE 6-30. FILTER TRAY PANEL

| ITEM | PART NUMBER | QTY | DESCRIPTION | REV |
|-------------|--------------------|------------|-----------------------|------------|
| | 1001175471 | Ref | Filter Tray Assembly | D |
| 1 | 1001170993 | 1 | Panel, Front Inlet | |
| 7 | 1001171767 | 1 | Cab, Front Panel Seal | |

SECTION 6 - CAB

FIGURE 6-31. FRONT DUCT COVER



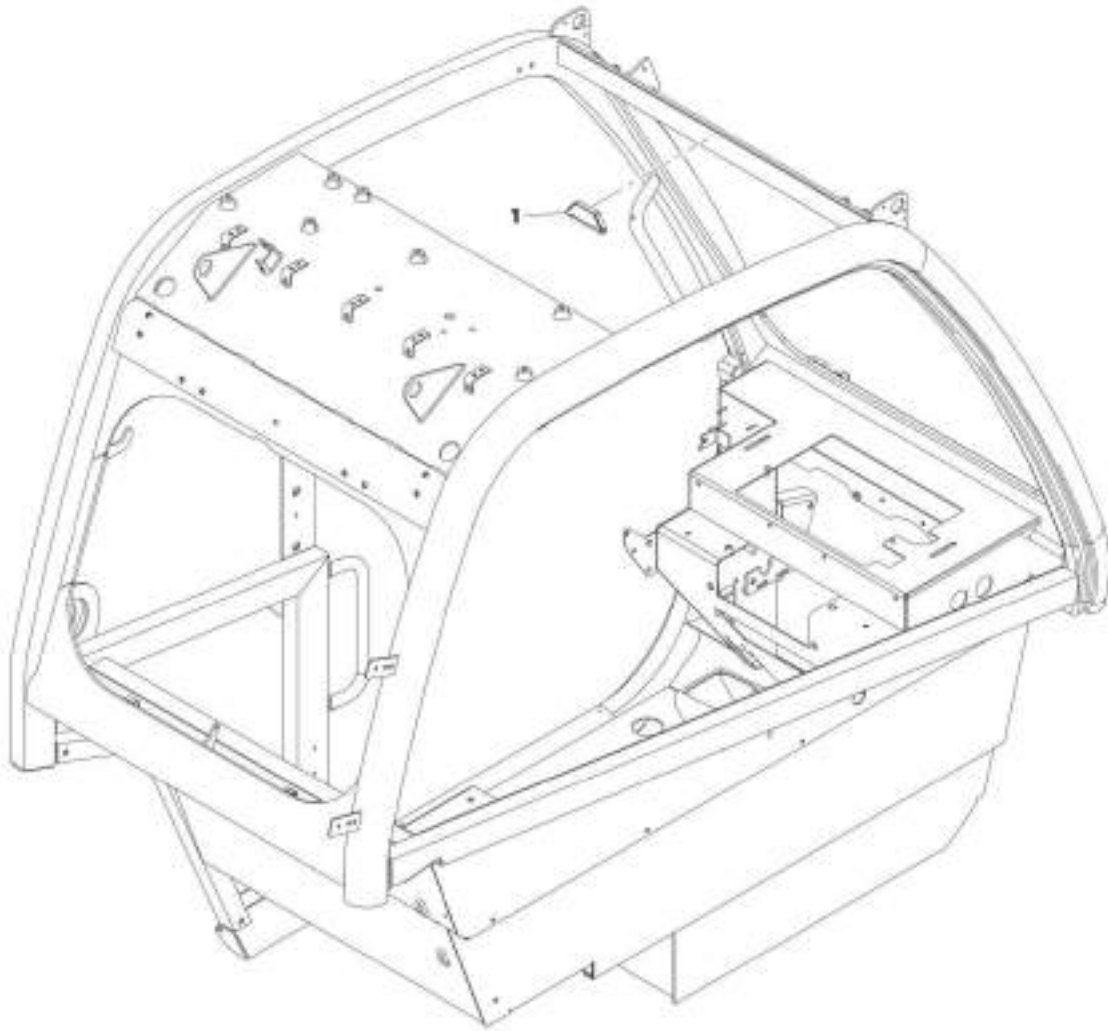
ART_3001176121-G

FIGURE 6-31. FRONT DUCT COVER

| ITEM | PART NUMBER | QTY | DESCRIPTION | REV |
|-------------|--------------------|------------|-----------------------|------------|
| | 1001176121 | Ref | Font Duct Cover | G |
| 2 | 1001170326 | 1 | Cover, Front | |
| 4 | 1001175470 | 1 | Seal, Front Cab Panel | |

SECTION 6 - CAB

FIGURE 6-32. LEVEL INDICATOR INSTALLATION



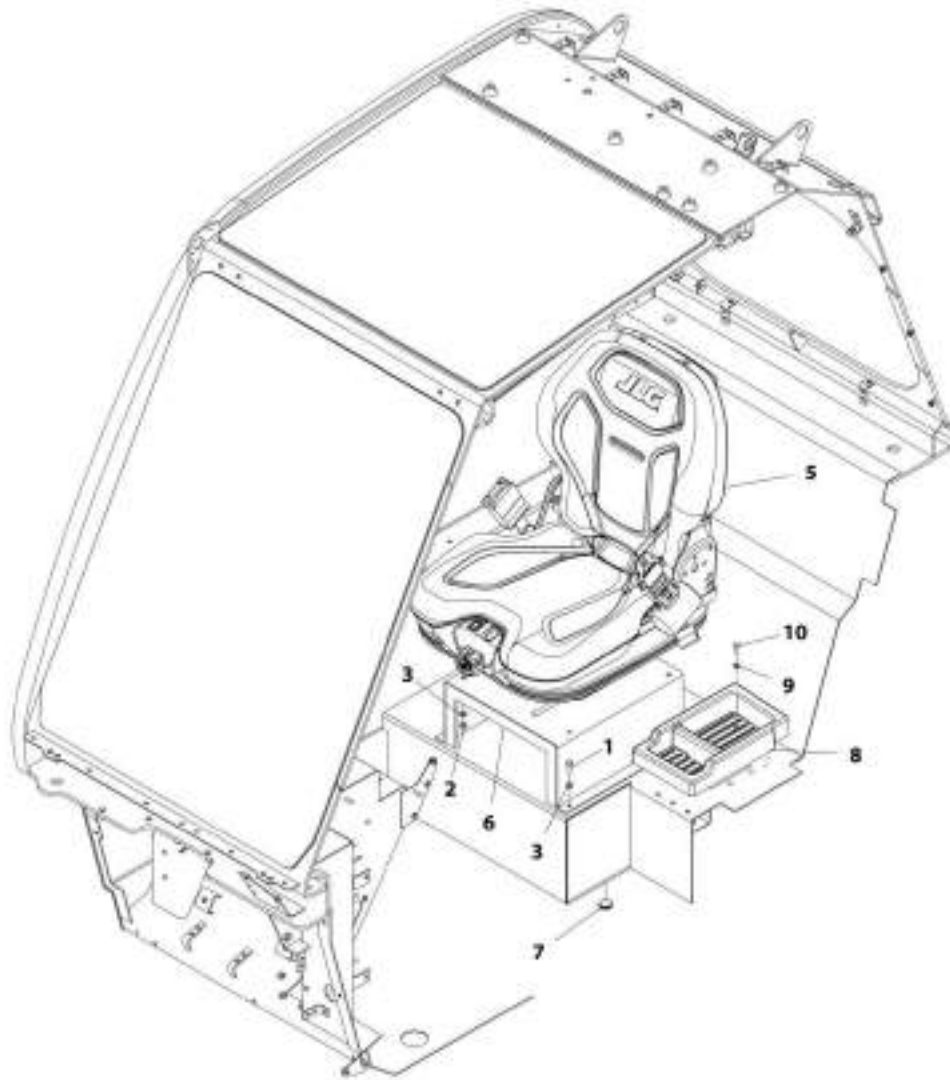
ART_100172401-C

FIGURE 6-32. LEVEL INDICATOR INSTALLATION

| ITEM | PART NUMBER | QTY | DESCRIPTION | REV |
|------|-----------------------|----------|---|-----|
| 1 | 1001172401 8466306 | Ref 1 | Level Indicator Installation Gauge, Tilt Angle | C |

SECTION 6 - CAB

FIGURE 6-33. SEAT INSTALLATION



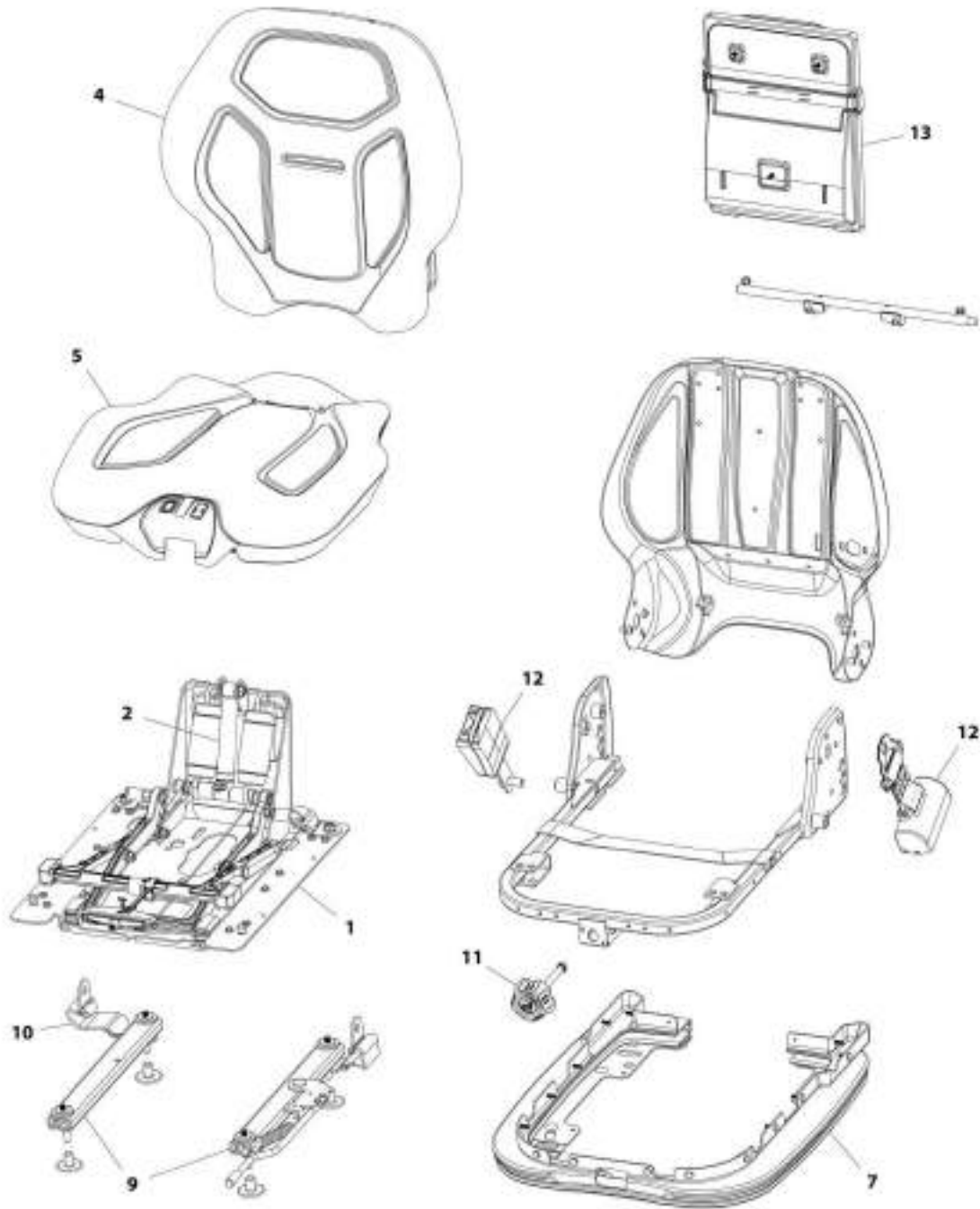
ART_10011M615-G

FIGURE 6-33. SEAT INSTALLATION

| ITEM | PART NUMBER | QTY | DESCRIPTION | REV |
|------|-------------|-----|--------------------------------|-----|
| | 1001164615 | Ref | Seat Installation | G |
| 1 | 0760810 | 4 | Bolt, M8X20 | |
| 2 | 3311505 | 4 | Nut, Lock 5/16-18 | |
| 3 | 4811900 | 8 | Washer, M8 | |
| 5 | 1001197027 | 1 | Seat, (See SEAT for Breakdown) | |
| 6 | 1001164498 | 1 | Plinth, Seat | |
| 7 | 1001196076 | 1 | Plug | |
| 8 | 1001170515 | 1 | Insert, Storage Tray | |
| 9 | 4811700 | 1 | Washer, M6 | |
| 10 | 4010608002 | 1 | Screw, Posi-Drive, M6X16 | |

SECTION 6 - CAB

FIGURE 6-34. SEAT



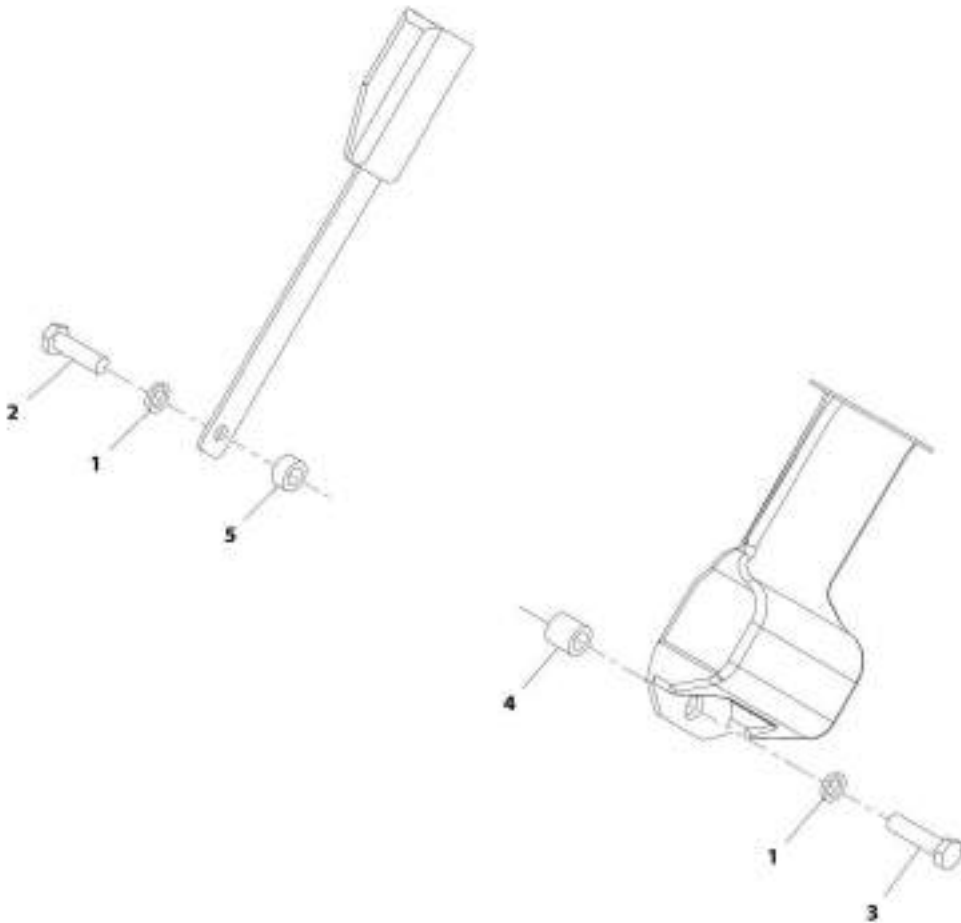
ART_1000107007-D

FIGURE 6-34. SEAT

| ITEM | PART NUMBER | QTY | DESCRIPTION | REV |
|------|-------------|-----|----------------------------|-----|
| | 1001197027 | 1 | Seat | D |
| 1 | 70027024 | 1 | Suspension Assembly Kit | |
| 2 | 70027025 | 1 | Spring Saddle Assembly Kit | |
| 4 | 70027026 | 1 | Back Cushion Kit | |
| 5 | 70027028 | 1 | Seat Cushion Assembly Kit | |
| 7 | 70027030 | 1 | Boot Kit | |
| 9 | 7026798 | 1 | Adjuster Kit | |
| 10 | 70027032 | 1 | Tether strap | |
| 11 | 70027033 | 1 | Weight adjust knob kit | |
| 12 | 70027034 | 2 | Seat belt kit | |
| 13 | 70027035 | 1 | Document box kit | |

SECTION 6 - CAB

FIGURE 6-35. SEAT BELT INSTALLATION (642, 742, 943, 1043) (742 Prior to SN 0160085525, Excluding 0160084900; 943 Prior to SN 0160085525, Excluding 0160084900; 1043 Prior to SN 0160085525, Excluding 0160084900; Excluding 0160085188, 0160085189, 0160085188, 0160085189, 0160085188 and 0160085189)



ARC_1001006731-0

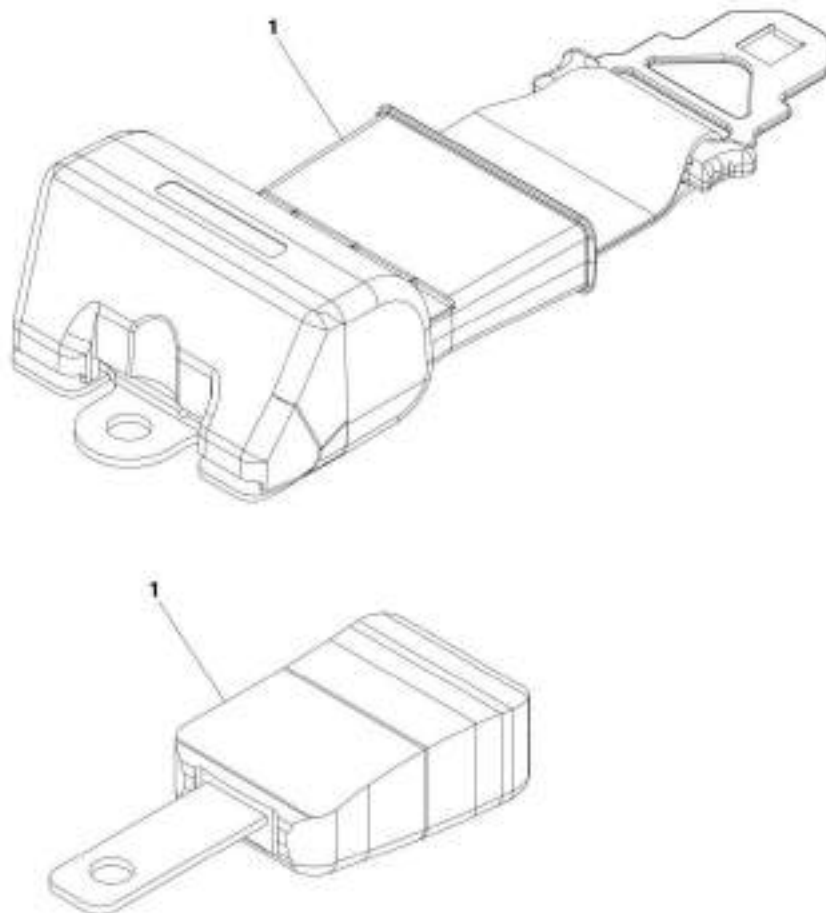
SECTION 6 - CAB

FIGURE 6-35. SEAT BELT INSTALLATION (642, 742, 943, 1043) (742 Prior to SN 0160085525, Excluding 0160084900; 943 Prior to SN 0160085525, Excluding 0160084900; 1043 Prior to SN 0160085525, Excluding 0160084900; Excluding 0160085188, 0160085189, 0160085188, 0160085189, 0160085188 and 0160085189)

| ITEM | PART NUMBER | QTY | DESCRIPTION | REV |
|------|-------------|-----|------------------------|-----|
| | 1001006731 | 1 | Seat Belt Installation | B |
| 1 | 1001010646 | 2 | Washer | |
| 2 | 1001010647 | 1 | Bolt | |
| 3 | 1001010648 | 1 | Bolt | |
| 4 | 1001010649 | 1 | Spacer, Shim | |
| 5 | 1001010650 | 1 | Spacer, Shim | |

SECTION 6 - CAB

FIGURE 6-36. SEAT BELT INSTALLATION (3 INCH) (742, 943, 1043) (SN 0160085525 to Present, Including 0160084900, 0160085188 and 0160085189)



ART_1001215778-B

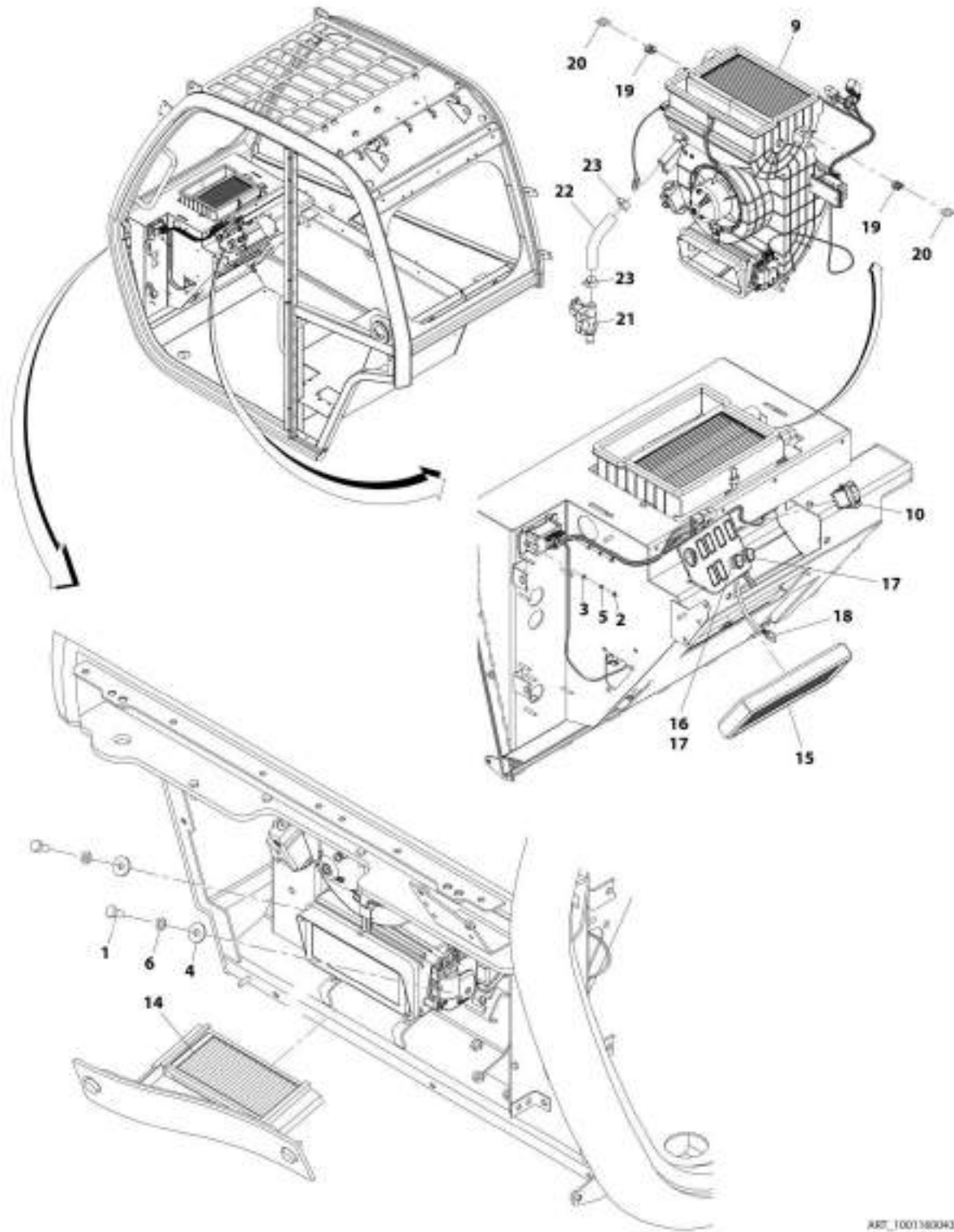
SECTION 6 - CAB

FIGURE 6-36. SEAT BELT INSTALLATION (3 INCH) (742, 943, 1043) (SN 0160085525 to Present, Including 0160084900, 0160085188 and 0160085189)

| ITEM | PART NUMBER | QTY | DESCRIPTION | REV |
|------|-------------|-----|---------------------------------|-----|
| | 1001215778 | Ref | Seat Belt Installation (3 Inch) | B |

SECTION 6 - CAB

FIGURE 6-37. HEATER INSTALLATION



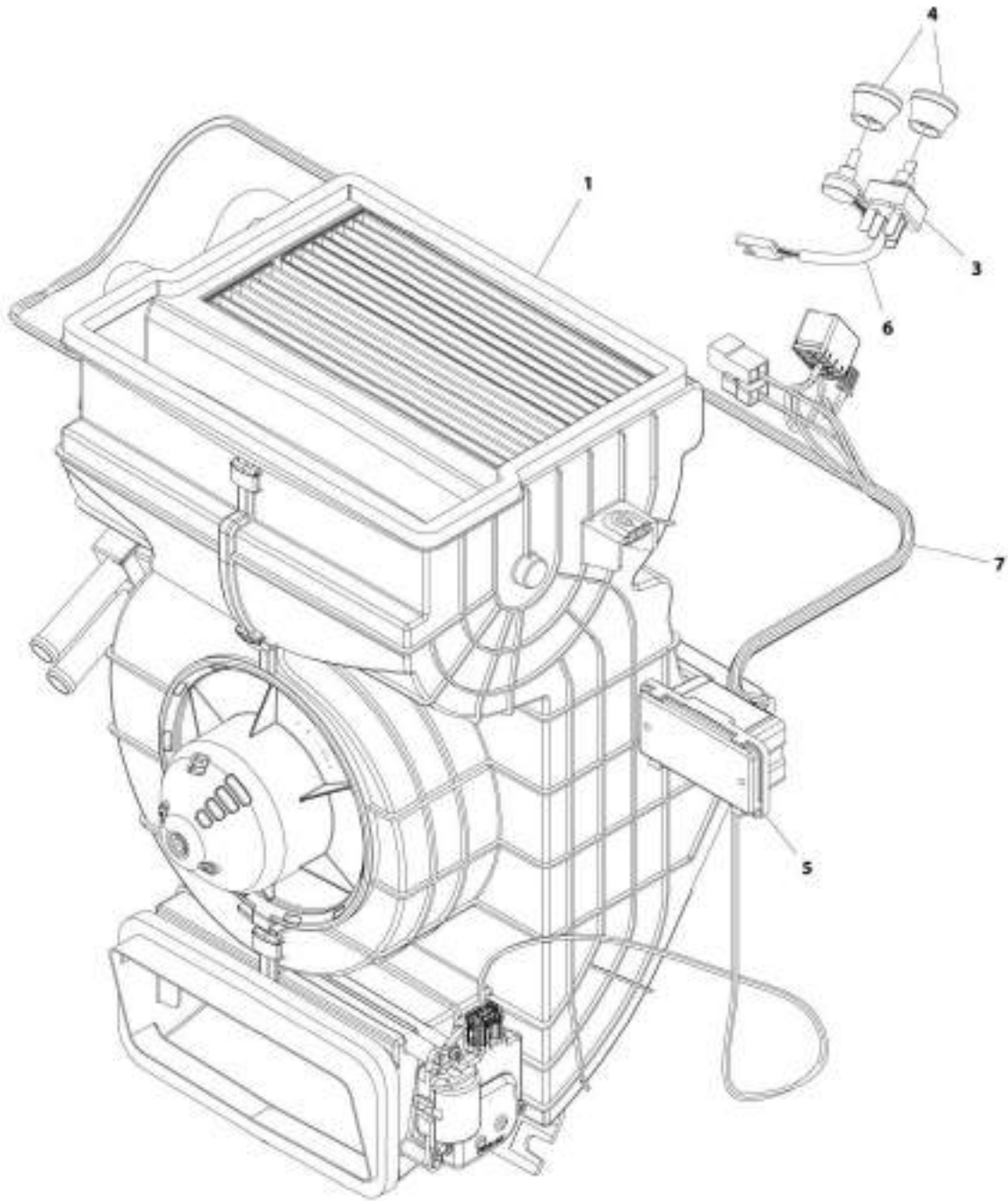
ART_1001580043-E

FIGURE 6-37. HEATER INSTALLATION

| ITEM | PART NUMBER | QTY | DESCRIPTION | REV |
|------|-------------|-----|---|-----|
| | 1001160043 | Ref | Heater Installation | K |
| 1 | 0760810 | 2 | Bolt, M8X20 | |
| 2 | 3290401 | 2 | Nut, M4X0.7 | |
| 3 | 4811400 | 2 | Washer, M4 | |
| 4 | 4811902 | 2 | Washer, M8 | |
| 5 | 4831400 | 2 | Washer, Lock M4 | |
| 6 | 4831900 | 2 | Washer, M8 | |
| 9 | 1001161858 | 1 | Assembly, Heater (See Separate Breakdown in this Section) | |
| 10 | 1001159925 | 1 | Switch, HVAC Recycle | |
| 14 | 1001218996 | 1 | Filter, HVAC Fresh Air | |
| 15 | 1001172553 | 1 | Filter, HVAC Recirculation Air | |
| 16 | 1001172547 | 1 | Switch, HVAC Rotary 3 Speed | |
| 17 | 1001172550 | 2 | Knob, HVAC Control | |
| 18 | 1001218529 | 1 | Cable, HVAC | |
| 19 | 1001188590 | 2 | Grommet, Cable Passage | |
| 20 | 1001218542 | 2 | Shim, HVAC Damper | |
| 21 | 1001221059 | 1 | Valve, Water | |
| 22 | 1001221295 | 1 | Hose | |
| 23 | 8410009 | 2 | Clamp, Gear | |

SECTION 6 - CAB

FIGURE 6-38. HEATER ASSEMBLY (Prior to SN 0160077679)



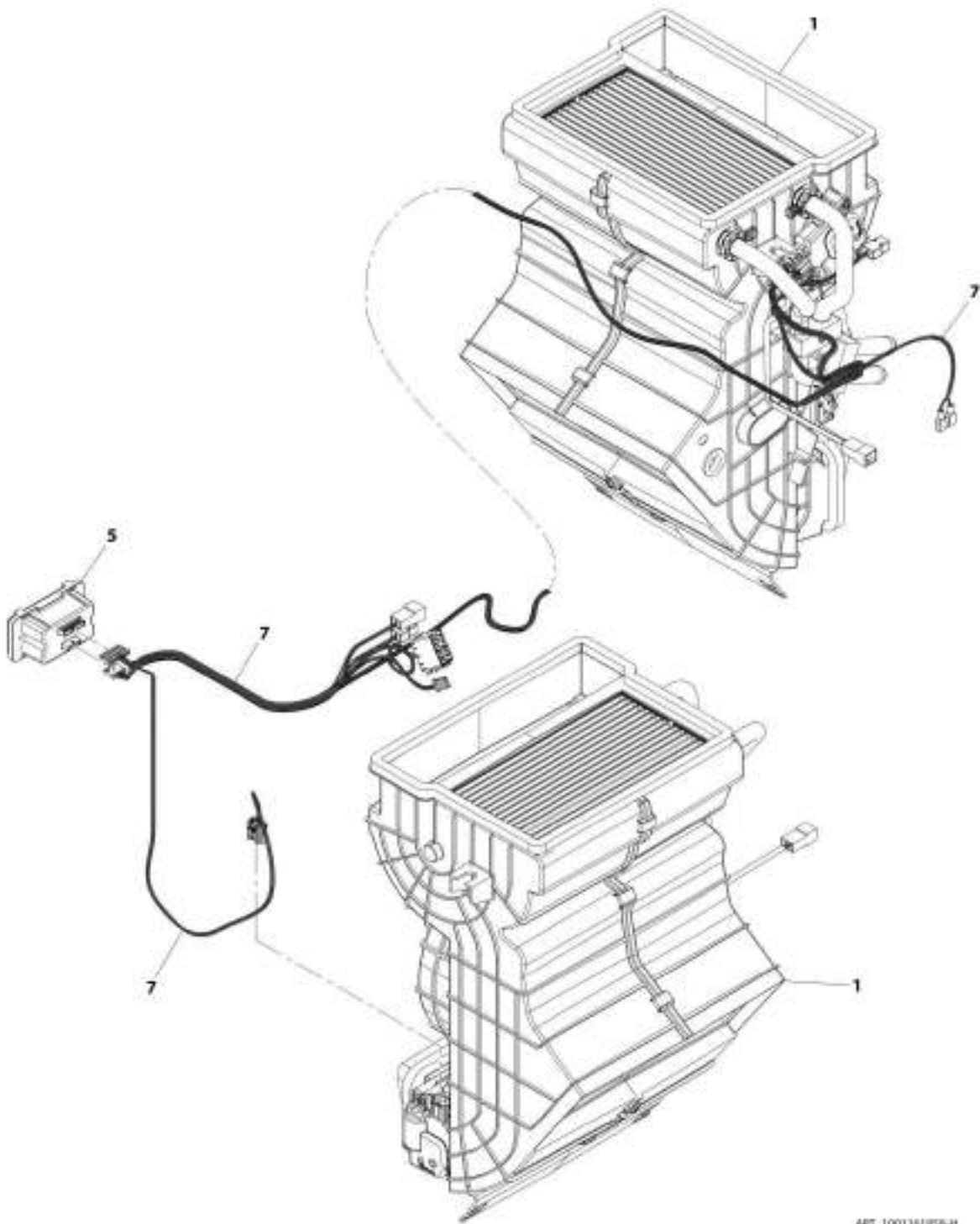
ART_100161058-E

FIGURE 6-38. HEATER ASSEMBLY (Prior to SN 0160077679)

| ITEM | PART NUMBER | QTY | DESCRIPTION | REV |
|------|-------------|-----|--|-----|
| | 1001161858 | Ref | Heater Assembly | E |
| 1 | 1001152908 | 1 | Heater, Cab (See HEATER for Breakdown) | |
| 3 | 1001172547 | 1 | Switch, HVAC Rotary 3 Speed | |
| 4 | 1001172550 | 2 | Knob, HVAC Control | |
| 5 | 1001172551 | 1 | Actuator, HVAC Cab (See HVAC CAB ACTUATOR for Breakdown) | |
| 6 | 1001172552 | 1 | Cable, HVAC | |
| 7 | 1001173571 | 1 | Harness, HVAC Actuators (See Electrical Section for Breakdown) | |

SECTION 6 - CAB

FIGURE 6-39. HEATER ASSEMBLY (SN 0160077679 to Present)



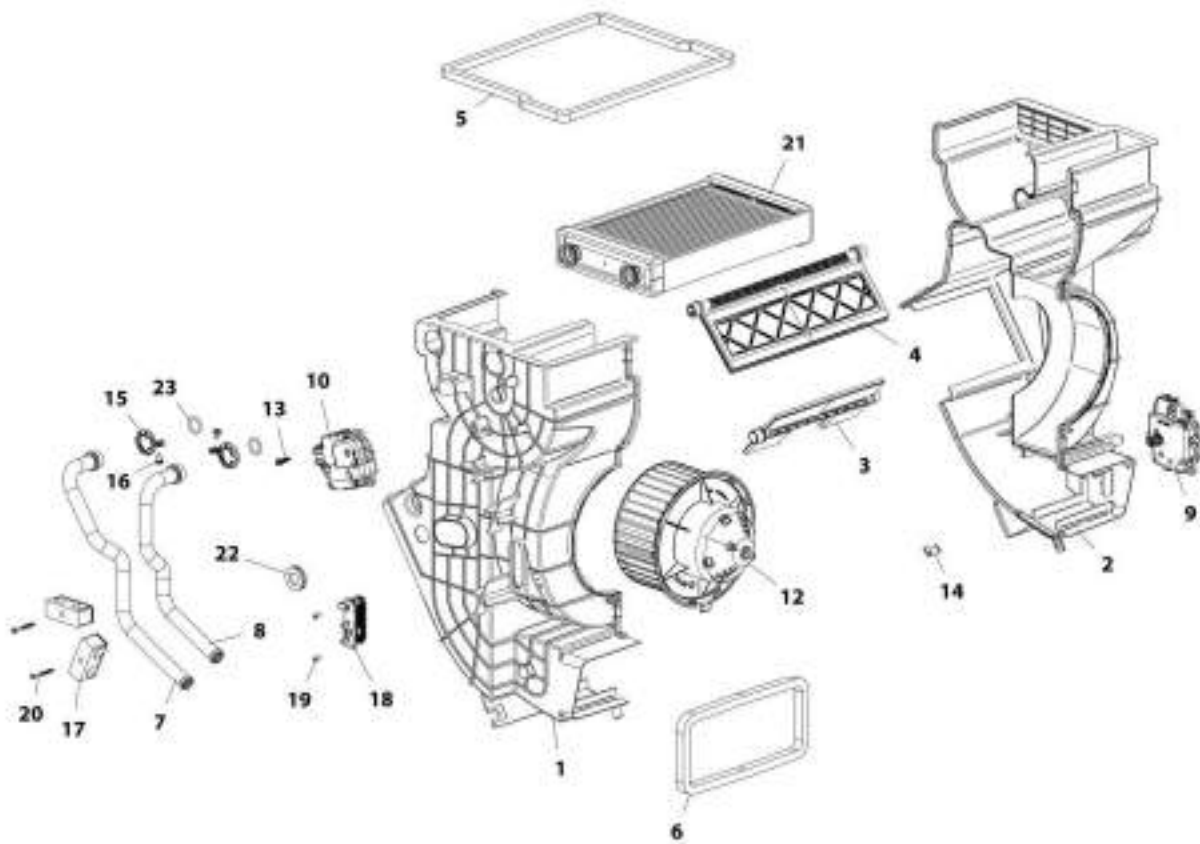
ARC_1001181056-H

SECTION 6 - CAB**FIGURE 6-39. HEATER ASSEMBLY (SN 0160077679 to Present)**

| ITEM | PART NUMBER | QTY | DESCRIPTION | REV |
|-------------|--------------------|------------|---|------------|
| | 1001161858 | Ref | Heater Assembly | H |
| 1 | 1001152908 | Ref | Heater, Cab (See Separate Breakdown in this Section), (no longer available, use 1001221052 for replacement) | |
| 1 | 1001221052 | 1 | Heater, Cab (See Separate Breakdown in this Section) | |
| 5 | 1001172551 | 1 | Actuator, HVAC Cab (See HVAC CAB ACUATOR for Breakdown) | |
| 7 | 1001173571 | Ref | Harness, HVAC Actuator, (no longer available, use 1001221056 for replacement) | |
| 7 | 1001221056 | 1 | Harness, HVAC Actuator | |

SECTION 6 - CAB

FIGURE 6-40. HEATER



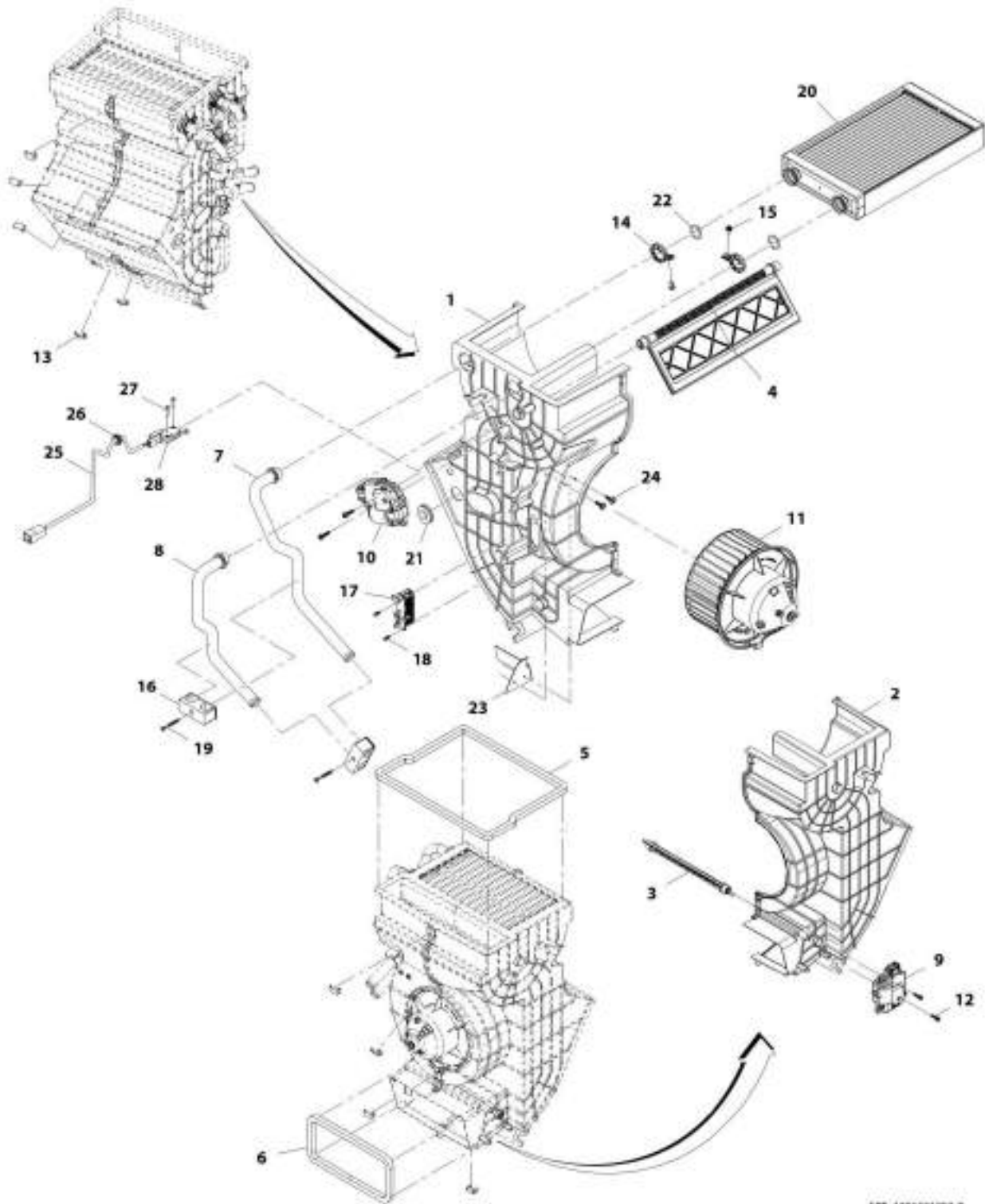
ART_1001152908-E

FIGURE 6-40. HEATER

| ITEM | PART NUMBER | QTY | DESCRIPTION | REV |
|------|-------------|-----|---|-----|
| | 1001152908 | Ref | Heater, (no longer available, see items 1 through 23 for service or use 1001221052 for replacement) | E |
| 1 | 1001166091 | 1 | Housing, RH | |
| 2 | 1001166092 | 1 | Housing, LH | |
| 3 | 1001184275 | 1 | Flap, Recirculation with Foam | |
| 4 | 1001184278 | 1 | Flap, Mixing with Foam | |
| 5 | 1001184294 | 1 | Foam, Air Outlet | |
| 6 | 1001184295 | 1 | Foam, Air Inlet | |
| 7 | 1001184296 | 1 | Pipe, Water | |
| 8 | 1001184297 | 1 | Pipe, Water | |
| 9 | 1001188577 | 1 | Actuator, Fresh/Recirculation Air | |
| 10 | 1001188578 | 1 | Actuator, Hot/Cold | |
| 12 | 1001188594 | 1 | Fan, 12V | |
| 13 | 1001188602 | 4 | Screw | |
| 14 | 1001188603 | 9 | Clamp | |
| 15 | 1001188604 | 2 | Clamp | |
| 16 | 1001188610 | 2 | Screw | |
| 17 | 1001188612 | 2 | Clamp | |
| 18 | 1001188614 | 1 | Resistor | |
| 19 | 1001188720 | 2 | Screw | |
| 20 | 1001188725 | 2 | Screw | |
| 21 | 1001188729 | 1 | Radiator, Heater Core | |
| 22 | 1001188733 | 1 | Grommet | |
| 23 | 1001189025 | 2 | O-Ring | |

SECTION 6 - CAB

FIGURE 6-41. HEATER



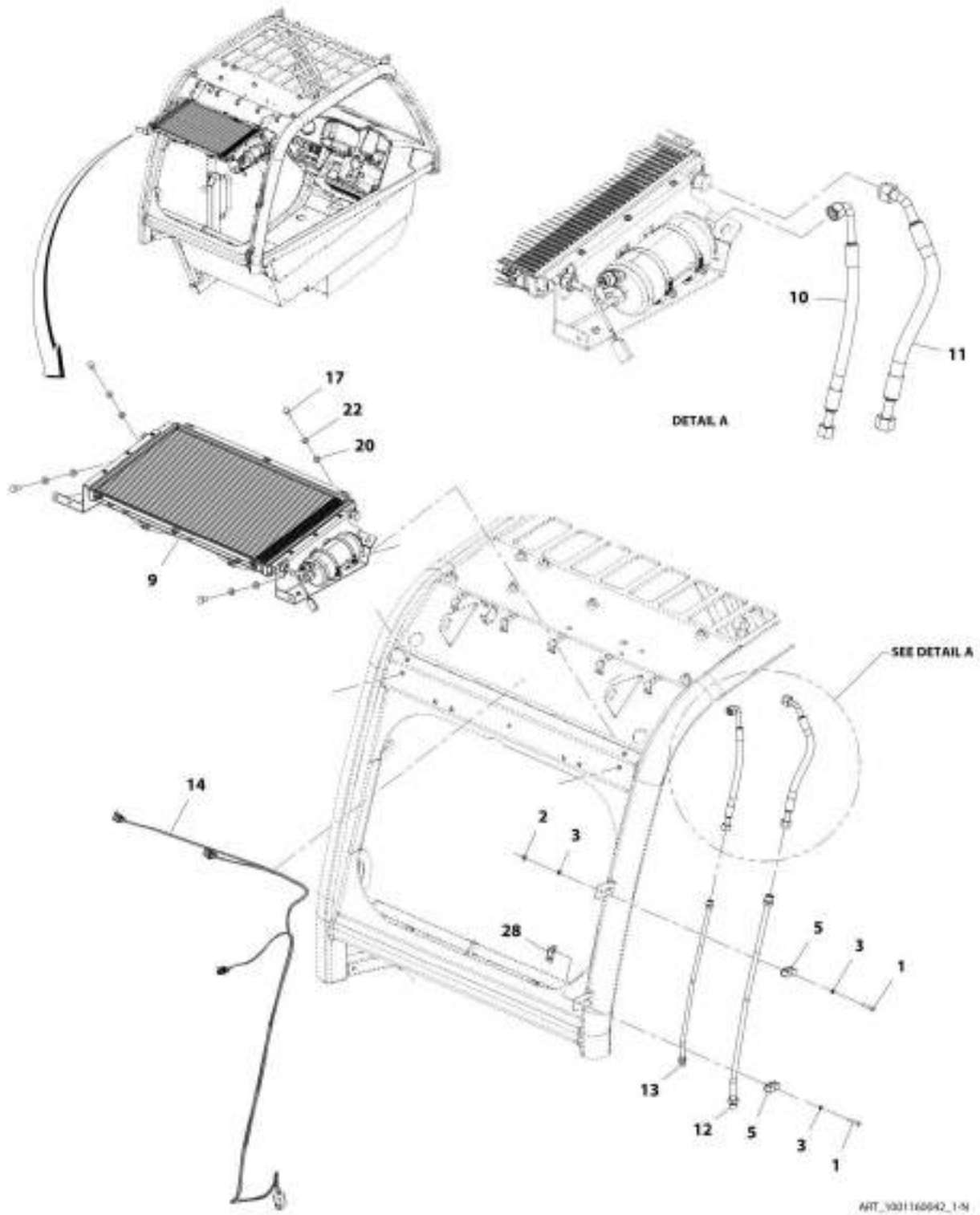
ART_1001221053-B

FIGURE 6-41. HEATER

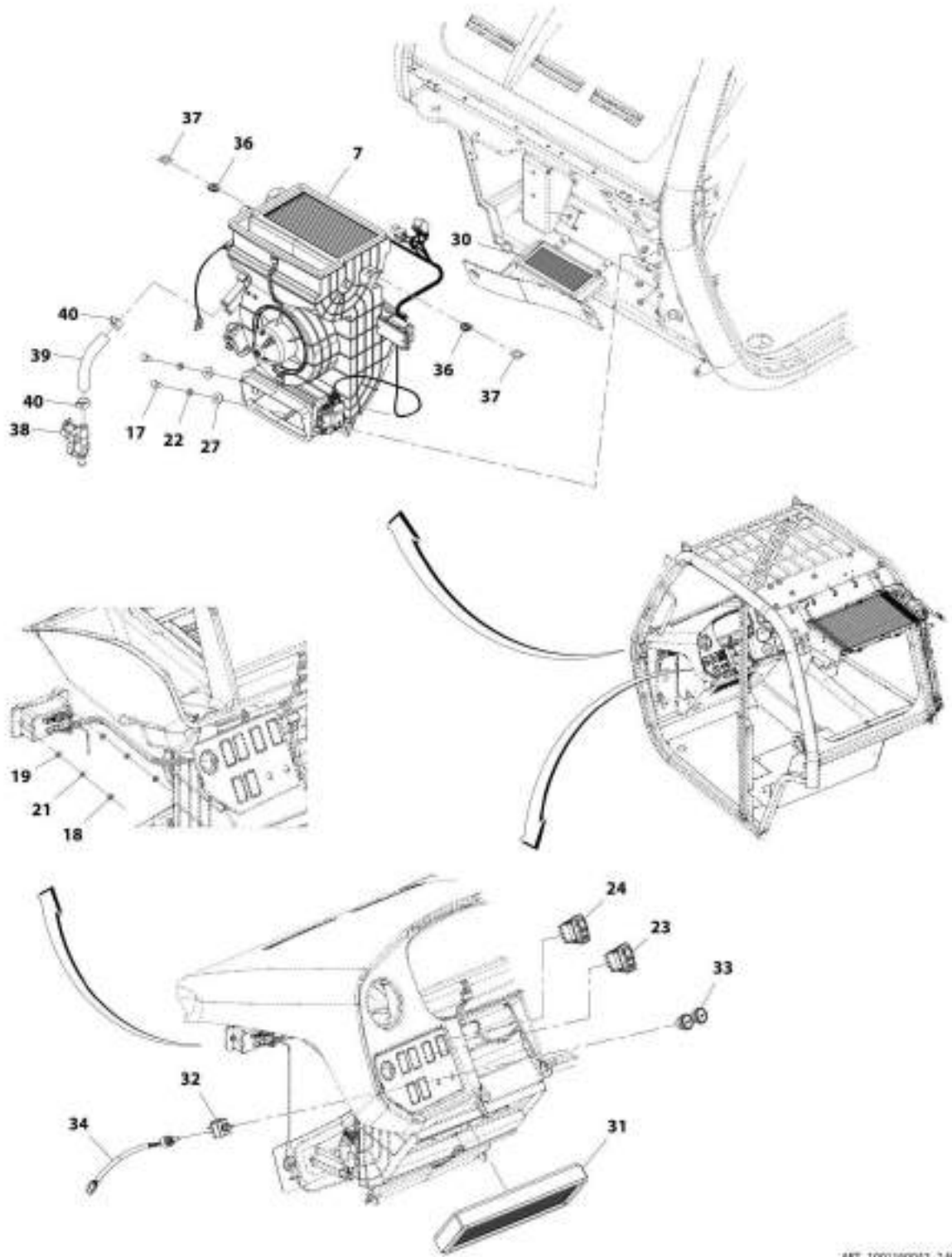
| ITEM | PART NUMBER | QTY | DESCRIPTION | REV |
|------|-------------|-----|-----------------------------------|-----|
| | 1001221052 | Ref | Heater | B |
| 1 | 1001166091 | 1 | Housing, RH | |
| 2 | 1001166092 | 1 | Housing, LH | |
| 3 | 1001184275 | 1 | Flap, Recirculation with Foam | |
| 4 | 1001184278 | 1 | Flap, Mixing with Foam | |
| 5 | 1001184294 | 1 | Foam, Air Outlet | |
| 6 | 1001184295 | 1 | Foam, Air Inlet | |
| 7 | 1001184296 | 1 | Pipe, Water | |
| 8 | 1001184297 | 1 | Pipe, Water | |
| 9 | 1001188577 | 1 | Actuator, Fresh/Recirculation Air | |
| 10 | 1001188578 | 1 | Actuator, Hot/Cold | |
| 11 | 1001188594 | 1 | Fan, 12V | |
| 12 | 1001188602 | 4 | Screw | |
| 13 | 1001188603 | 9 | Clamp | |
| 14 | 1001188604 | 2 | Clamp | |
| 15 | 1001188610 | 2 | Screw | |
| 16 | 1001188612 | 2 | Clamp | |
| 17 | 1001188614 | 1 | Resistor | |
| 18 | 1001188720 | 2 | Screw | |
| 19 | 1001188725 | 2 | Screw | |
| 20 | 1001188729 | 1 | Radiator, Heater Core | |
| 21 | 1001188733 | 1 | Grommet | |
| 22 | 1001189025 | 2 | O-Ring | |
| 23 | 1001221057 | 1 | Baffle, Plate | |
| 24 | 1001221058 | 2 | Screw | |
| 25 | 1001228132 | 1 | Harness | |
| 26 | 1001228140 | 1 | Grommet | |
| 27 | 1001228141 | 2 | Screw | |
| 28 | 1001228147 | 1 | Sensor | |

SECTION 6 - CAB

FIGURE 6-42. HEATER AND A/C INSTALLATION



SECTION 6 - CAB



AKF_100160042_2-R

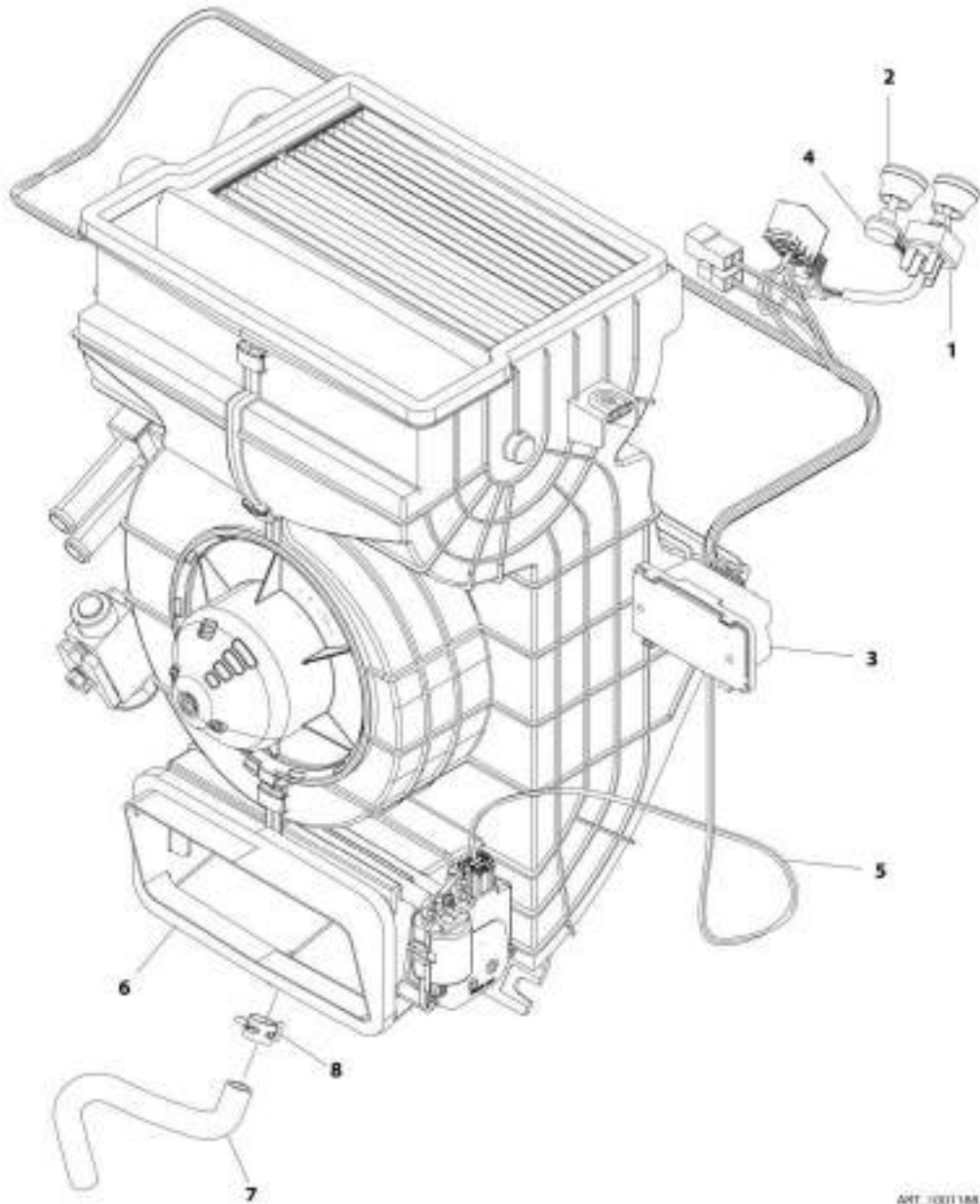
SECTION 6 - CAB

FIGURE 6-42. HEATER AND A/C INSTALLATION

| ITEM | PART NUMBER | QTY | DESCRIPTION | REV |
|------|-------------|-----|--|-----|
| | 1001160042 | Ref | Heater and A/C Installation | N |
| 1 | 0700614 | 2 | Bolt, M6X30 | |
| 2 | 3290601 | 1 | Nut, M6X1 | |
| 3 | 4811700 | 3 | Washer, M6 | |
| 5 | 1001145539 | 2 | Support, Pipe | |
| 7 | 1001188303 | 1 | Assembly, Heater and A/C (See HEATER AND A/C ASSEMBLY for Breakdown) | |
| 9 | 1001162953 | 1 | Assembly, Cab Condenser (See CAB CONDENSER ASSEMBLY for Breakdown) | |
| 10 | 1001168327 | 1 | Hose | |
| 11 | 1001168330 | 1 | Hose | |
| 12 | 1001168331 | 1 | Tube | |
| 13 | 1001168456 | 1 | Tube | |
| 14 | 1001169151 | 1 | Harness, A/C Option (See ELECTRICAL SECTION for Breakdown) | |
| 17 | 0760810 | 6 | Bolt, M8X20 GR8.8 | |
| 18 | 3290401 | 2 | Nut, M4X0.7 Grade 8 | |
| 19 | 4811400 | 2 | Washer, M4 | |
| 20 | 4811900 | 4 | Washer, M8 | |
| 21 | 4831400 | 2 | Washer, Lock M4 | |
| 22 | 4831900 | 6 | Washer, Lock M8 | |
| 23 | 1001159925 | 1 | Switch, HVAC Recycle | |
| 24 | 1001160326 | 1 | Switch, HVAC On/Off | |
| 27 | 4811902 | 2 | Washer, M8 | |
| 28 | 1001178170 | 1 | Bracket | |
| 30 | 1001218996 | 1 | Filter, HVAC Fresh Air | |
| 31 | 1001172553 | 1 | Filter, HVAC Air Recirculation | |
| 32 | 1001172547 | 1 | Switch, HVAC Rotary 3 Speed | |
| 33 | 1001172550 | 2 | Knob, HVAC Control | |
| 34 | 1001218529 | 1 | Cable, HVAC | |
| 36 | 1001188590 | 2 | Grommet, Cable Passage | |
| 37 | 1001218542 | 2 | Shim, HVAC Damper | |
| 38 | 1001221059 | 1 | Valve, Water | |
| 39 | 1001221295 | 1 | Hose | |
| 40 | 8410009 | 2 | Clamp, Gear | |

SECTION 6 - CAB

FIGURE 6-43. HEATER AND A/C ASSEMBLY (Prior to SN 0160077679)



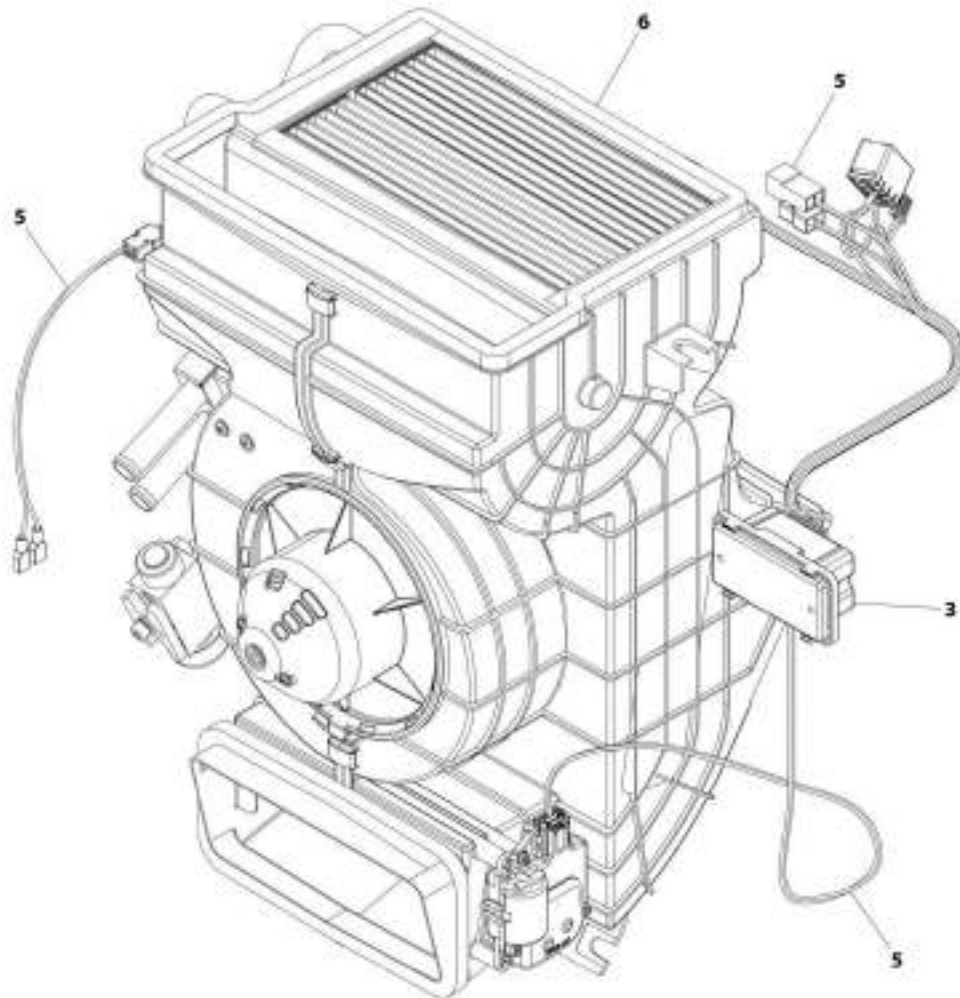
ART_1001188305-B

SECTION 6 - CAB**FIGURE 6-43. HEATER AND A/C ASSEMBLY (Prior to SN 0160077679)**

| ITEM | PART NUMBER | QTY | DESCRIPTION | REV |
|-------------|--------------------|------------|--|------------|
| | 1001188303 | Ref | Heater and A/C Assembly | B |
| 1 | 1001172547 | 1 | Switch, HVAC Rotary 3 Speed | |
| 2 | 1001172550 | 2 | Knob, HVAC Control | |
| 3 | 1001172551 | 1 | Actuator, HVAC Cab (See HVAC Cab Actuator for Breakdown) | |
| 4 | 1001172552 | 1 | Cable, HVAC | |
| 5 | 1001173571 | 1 | Harness, HVAC Actuators (See Electrical Section for Breakdown) | |
| 6 | 1001188275 | 1 | Cab, Heater and AC (See HEATER AND A/C for Breakdown) | |
| 7 | 1001161865 | 1 | Hose | |
| 8 | 1001152729 | 1 | Clamp | |

SECTION 6 - CAB

FIGURE 6-44. HEATER AND A/C ASSEMBLY (SN 0160077679 to Present)



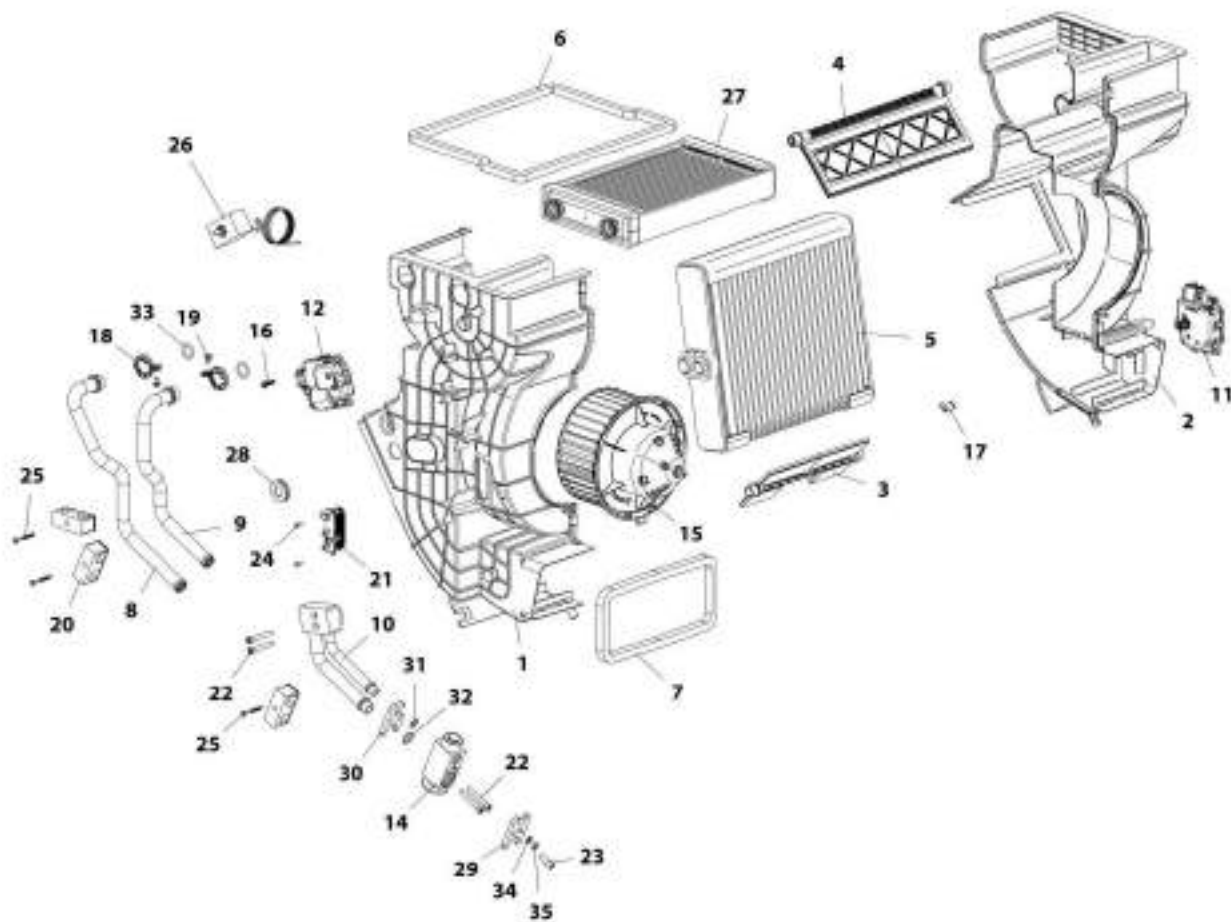
ART_1001188303-G

FIGURE 6-44. HEATER AND A/C ASSEMBLY (SN 0160077679 to Present)

| ITEM | PART NUMBER | QTY | DESCRIPTION | REV |
|------|-------------|-----|--|-----|
| | 1001188303 | Ref | Heater and A/C Assembly | G |
| 3 | 1001172551 | 1 | Actuator, HVAC Cab (See HVAC Cab Actuator for Breakdown) | |
| 5 | 1001173571 | Ref | Harness, HVAC Actuator, (no longer available, use 1001221056 for replacement) | |
| 5 | 1001221056 | 1 | Harness, HVAC Actuator | |
| 6 | 1001188275 | Ref | Heater and A/C (See Separate Breakdown in this Section), (no longer available, use 1001221054 for replacement) | |
| 6 | 1001221054 | 1 | Heater and A/C (See Separate Breakdown in this Section) | |

SECTION 6 - CAB

FIGURE 6-45. HEATER AND A/C



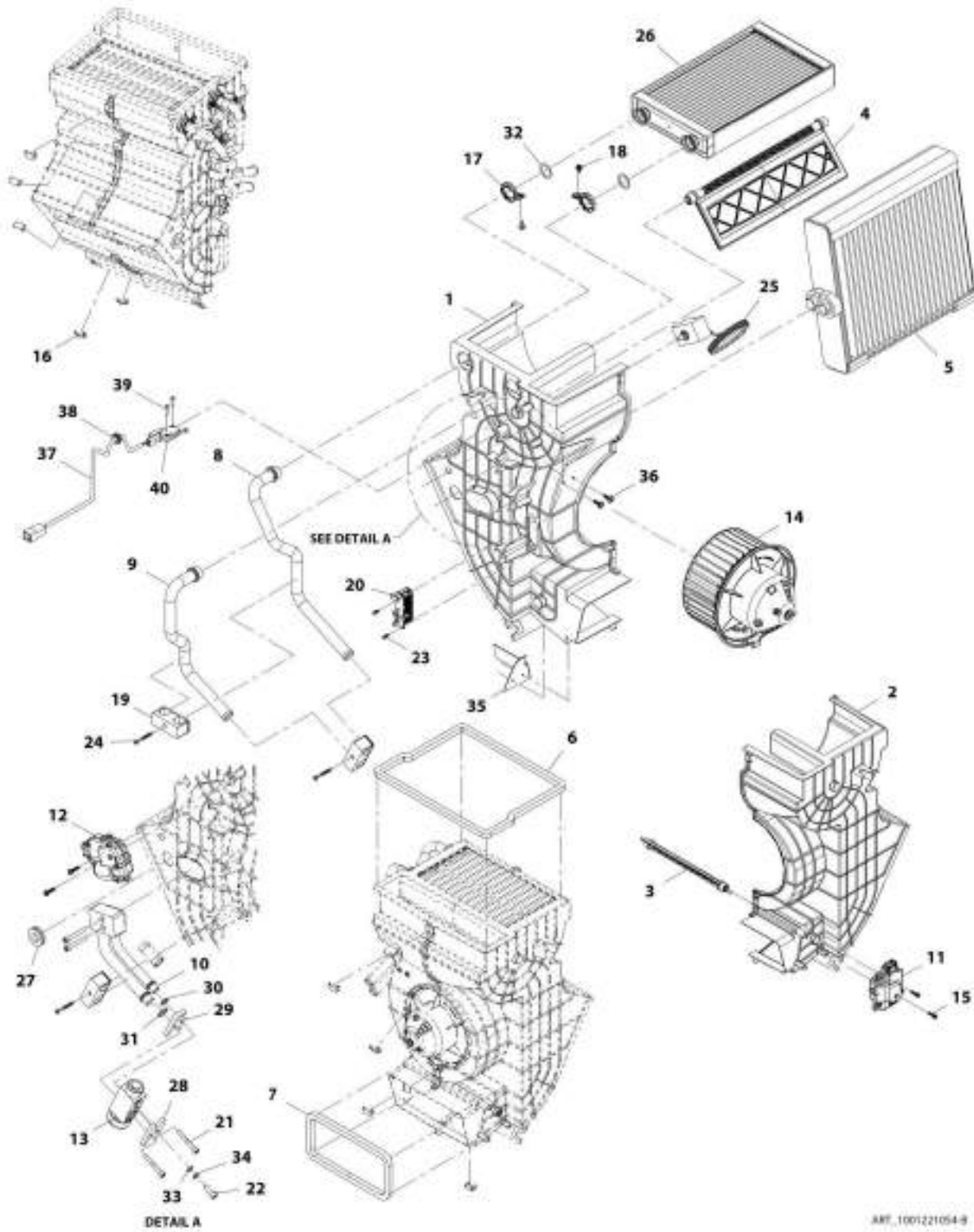
ART_1001180275-D

FIGURE 6-45. HEATER AND A/C

| ITEM | PART NUMBER | QTY | DESCRIPTION | REV |
|------|-------------|-----|---|-----|
| | 1001188275 | Ref | Heater and A/C, (no longer available, see items 1 through 35 for service or use 1001221054 for replacement) | D |
| 1 | 1001166091 | 1 | Housing, HVAC RH | |
| 2 | 1001166092 | 1 | Housing, HVAC LH | |
| 3 | 1001184275 | 1 | Foam, Heater Flap | |
| 4 | 1001184278 | 1 | Foam, Heater Mixing Flap | |
| 5 | 1001184280 | 1 | Evaporator, Heater | |
| 6 | 1001184294 | 1 | Seal, Heater Foam | |
| 7 | 1001184295 | 1 | Seal, Air Inlet Foam | |
| 8 | 1001184296 | 1 | Pipe, Heater Water | |
| 9 | 1001184297 | 1 | Pipe, Heater Water | |
| 10 | 1001184427 | 1 | Pipe, Heater | |
| 11 | 1001188577 | 1 | Actuator, Fresh/Recirculation Air | |
| 12 | 1001188578 | 1 | Actuator, Hot/Cold Mixing | |
| 14 | 1001188592 | 1 | Valve, HVAC Expansion | |
| 15 | 1001188594 | 1 | Fan, HVAC Centrifugal 12V | |
| 16 | 1001188602 | 4 | Screw, M4 | |
| 17 | 1001188603 | 9 | Clamp, HVAC Case | |
| 18 | 1001188604 | 2 | Clamp, HVAC Pipe | |
| 19 | 1001188610 | 2 | Screw, M4X0.7 | |
| 20 | 1001188612 | 3 | Clamp, Pipe | |
| 21 | 1001188614 | 1 | Resistor | |
| 22 | 1001188618 | 4 | Screw, M5 | |
| 23 | 1001188619 | 1 | Screw, M6 | |
| 24 | 1001188720 | 2 | Screw, M2.9X9.5 | |
| 25 | 1001188725 | 3 | Screw, M4X35 | |
| 26 | 1001188728 | 1 | Sensor, HVAC Thermostat | |
| 27 | 1001188729 | 1 | Radiator, Heater Core | |
| 28 | 1001188733 | 1 | Grommet | |
| 29 | 1001188817 | 1 | Clamp, Hose | |
| 30 | 1001188818 | 1 | Clamp, HVAC EVAP/Valve | |
| 31 | 1001189023 | 1 | O-Ring | |
| 32 | 1001189024 | 1 | O-Ring | |
| 33 | 1001189025 | 2 | O-Ring | |
| 34 | 1001189048 | 1 | Washer | |
| 35 | 1001189054 | 1 | Washer, Spring | |

SECTION 6 - CAB

FIGURE 6-46. HEATER AND A/C



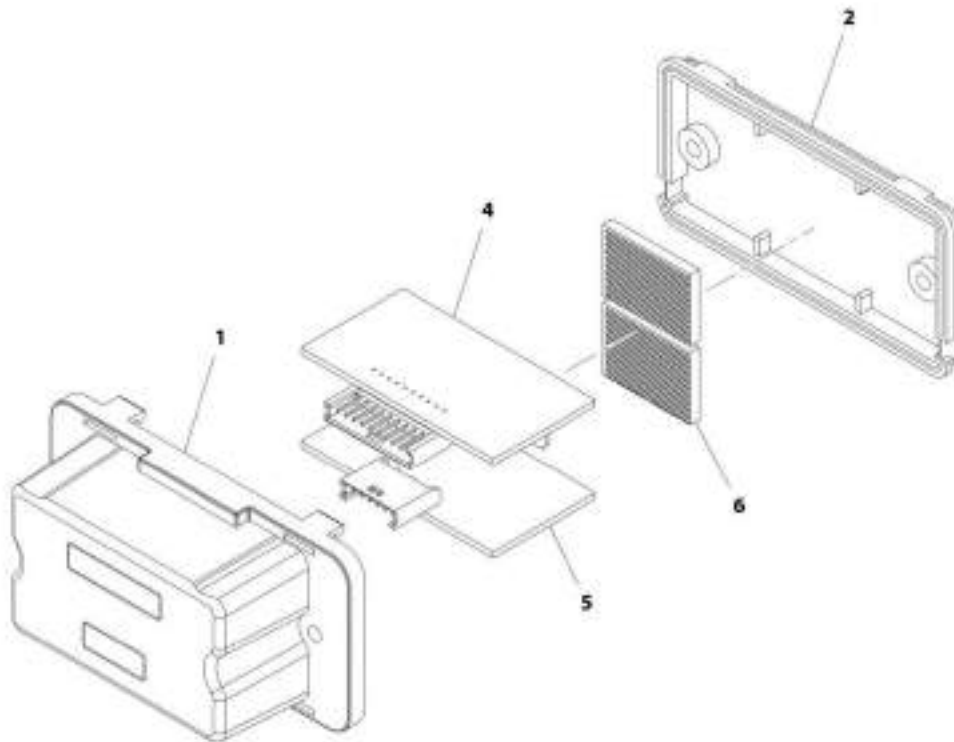
ART. 1001221054-9

FIGURE 6-46. HEATER AND A/C

| ITEM | PART NUMBER | QTY | DESCRIPTION | REV |
|------|-------------|-----|-----------------------------------|-----|
| | 1001221054 | Ref | Heater and A/C | B |
| 1 | 1001166091 | 1 | Housing, HVAC RH | |
| 2 | 1001166092 | 1 | Housing, HVAC LH | |
| 3 | 1001184275 | 1 | Foam, Heater Flap | |
| 4 | 1001184278 | 1 | Foam, Heater Mixing Flap | |
| 5 | 1001184280 | 1 | Evaporator, Heater | |
| 6 | 1001184294 | 1 | Seal, Heater Foam | |
| 7 | 1001184295 | 1 | Seal, Air Inlet Foam | |
| 8 | 1001184296 | 1 | Pipe, Heater Water | |
| 9 | 1001184297 | 1 | Pipe, Heater Water | |
| 10 | 1001184427 | 1 | Pipe, Heater | |
| 11 | 1001188577 | 1 | Actuator, Fresh/Recirculation Air | |
| 12 | 1001188578 | 1 | Actuator, Hot/Cold Mixing | |
| 13 | 1001188592 | 1 | Valve, HVAC Expansion | |
| 14 | 1001188594 | 1 | Fan, HVAC Centrifugal 12V | |
| 15 | 1001188602 | 4 | Screw, 4mm | |
| 16 | 1001188603 | 9 | Clamp, HVAC Case | |
| 17 | 1001188604 | 2 | Clamp, HVAC Pipe | |
| 18 | 1001188610 | 2 | Screw, M4X0.7 | |
| 19 | 1001188612 | 3 | Clamp, Pipe | |
| 20 | 1001188614 | 1 | Resistor | |
| 21 | 1001188618 | 4 | Screw, M5 | |
| 22 | 1001188619 | 1 | Screw, M6 | |
| 23 | 1001188720 | 2 | Screw, M2.9X9.5 | |
| 24 | 1001188725 | 3 | Screw, M4X35 | |
| 25 | 1001188728 | 1 | Sensor, HVAC Thermostat | |
| 26 | 1001188729 | 1 | Radiator, Heater Core | |
| 27 | 1001188733 | 1 | Grommet | |
| 28 | 1001188817 | 1 | Clamp, Hose | |
| 29 | 1001188818 | 1 | Clamp, HVAC EVAP/Valve | |
| 30 | 1001189023 | 1 | O-Ring | |
| 31 | 1001189024 | 1 | O-Ring | |
| 32 | 1001189025 | 2 | O-Ring | |
| 33 | 1001189048 | 1 | Washer | |
| 34 | 1001189054 | 1 | Washer, Spring | |
| 35 | 1001221057 | 1 | Baffle, Plate | |
| 36 | 1001221058 | 2 | Screw | |
| 37 | 1001228132 | 1 | Harness | |
| 38 | 1001228140 | 1 | Grommet | |
| 39 | 1001228141 | 2 | Screw | |
| 40 | 1001228147 | 1 | Sensor | |

SECTION 6 - CAB

FIGURE 6-47. HVAC CAB ACTUATOR



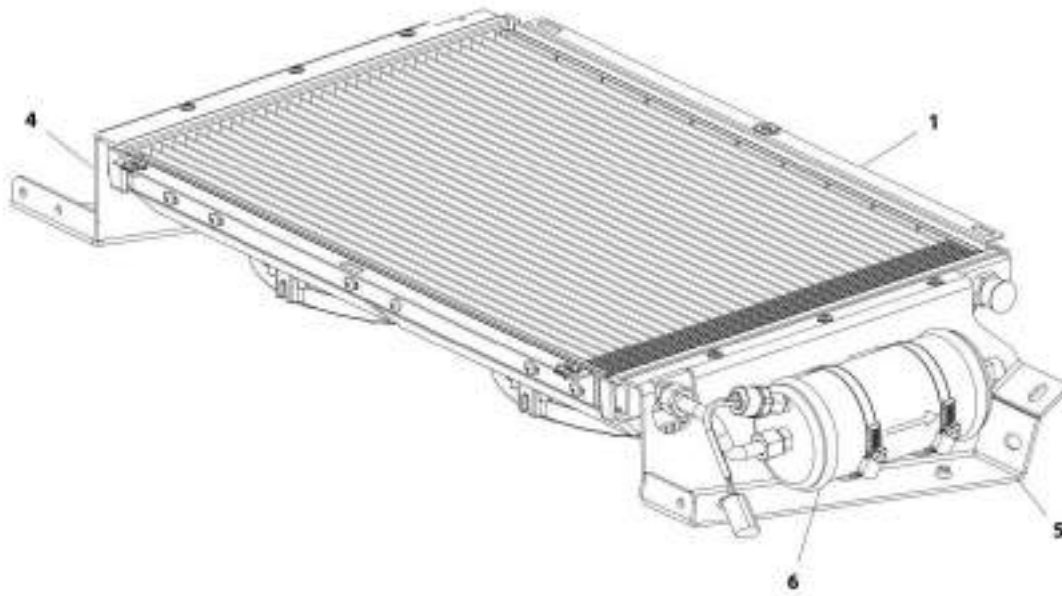
ART_1001172551-C

FIGURE 6-47. HVAC CAB ACTUATOR

| ITEM | PART NUMBER | QTY | DESCRIPTION | REV |
|------|-------------|-----|----------------------------------|-----|
| | 1001172551 | Ref | HVAC Cab Actuator | C |
| 1 | 1001184306 | 1 | Box, Heater Controller | |
| 2 | 1001184307 | 1 | Base, Heater Controller Box | |
| 4 | 1001184309 | 1 | Board, Heater Control | |
| 5 | 1001184310 | 1 | Board, Heater Control | |
| 6 | 1001189980 | 2 | Insulator, Heater Controller Box | |

SECTION 6 - CAB

FIGURE 6-48. CAB CONDENSER ASSEMBLY



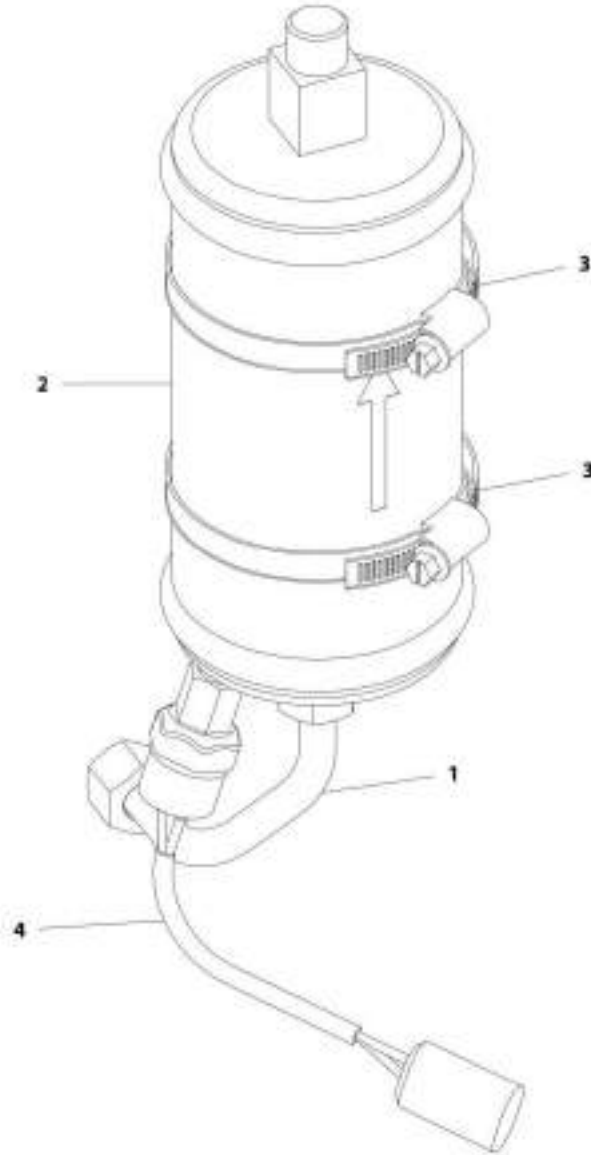
ART_3001162953-F

FIGURE 6-48. CAB CONDENSER ASSEMBLY

| ITEM | PART NUMBER | QTY | DESCRIPTION | REV |
|------|-------------|-----|--|-----|
| | 1001162953 | Ref | Cab Condenser Assembly | F |
| 1 | 1001167266 | 1 | Condenser (See CONDENSER for Breakdown) | |
| 4 | 1001179080 | 1 | Bracket | |
| 5 | 1001179081 | 1 | Bracket | |
| 6 | 1001179130 | 1 | Drier, A/C Receiver (See A/C RECEIVER DRIER for Breakdown) | |

SECTION 6 - CAB

FIGURE 6-49. A/C RECEIVER DRIER



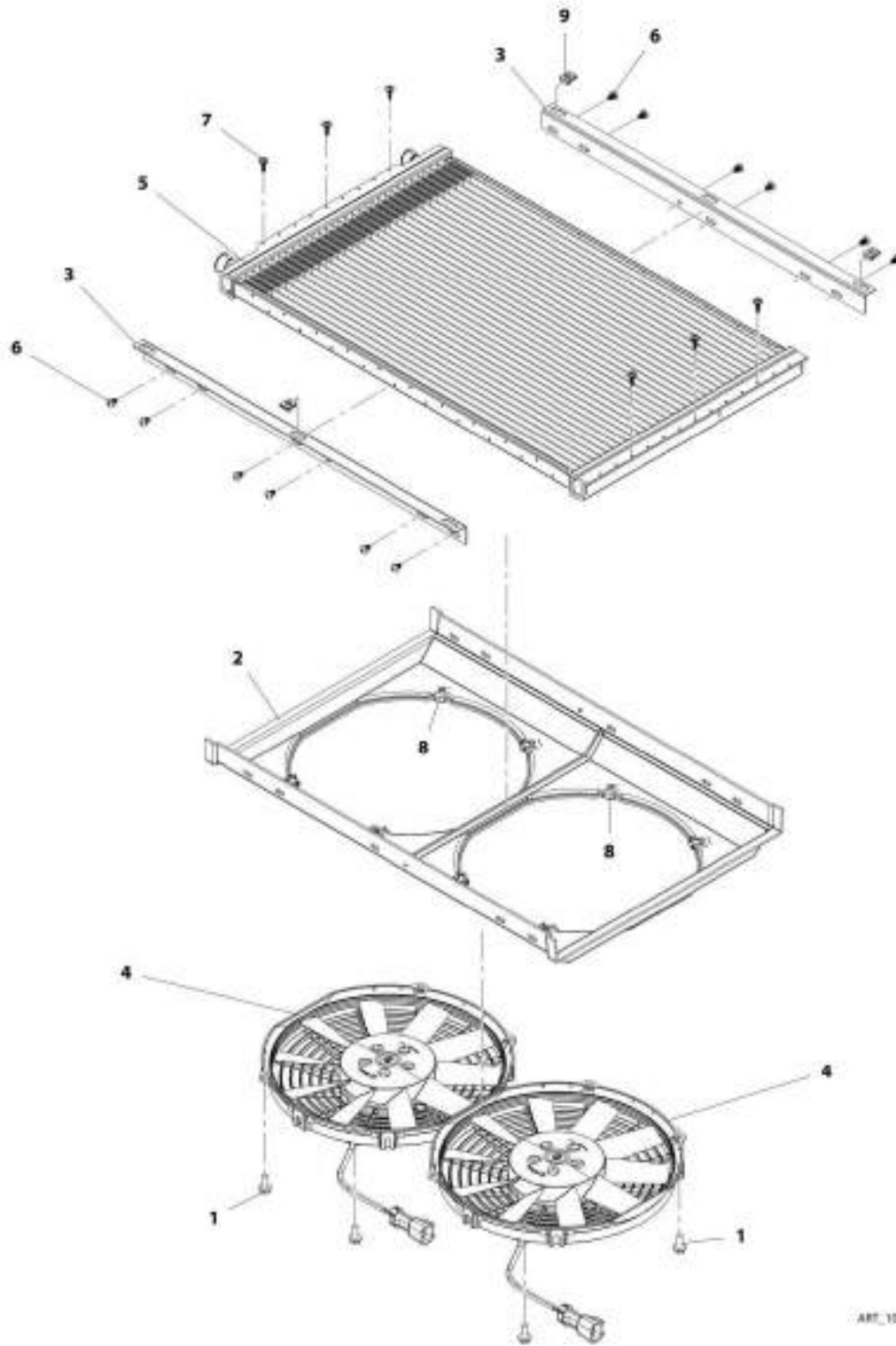
ART_100179130-B

FIGURE 6-49. A/C RECEIVER DRIER

| ITEM | PART NUMBER | QTY | DESCRIPTION | REV |
|------|-------------|-----|------------------------|-----|
| | 1001179130 | Ref | A/C Receiver Drier | B |
| 1 | 1001184403 | 1 | Tube, Heater | |
| 2 | 1001184404 | 1 | Receiver, Heater Drier | |
| 3 | 1001184405 | 2 | Clamp | |
| 4 | 1001184406 | 1 | Connector, Heater | |

SECTION 6 - CAB

FIGURE 6-50. CONDENSER



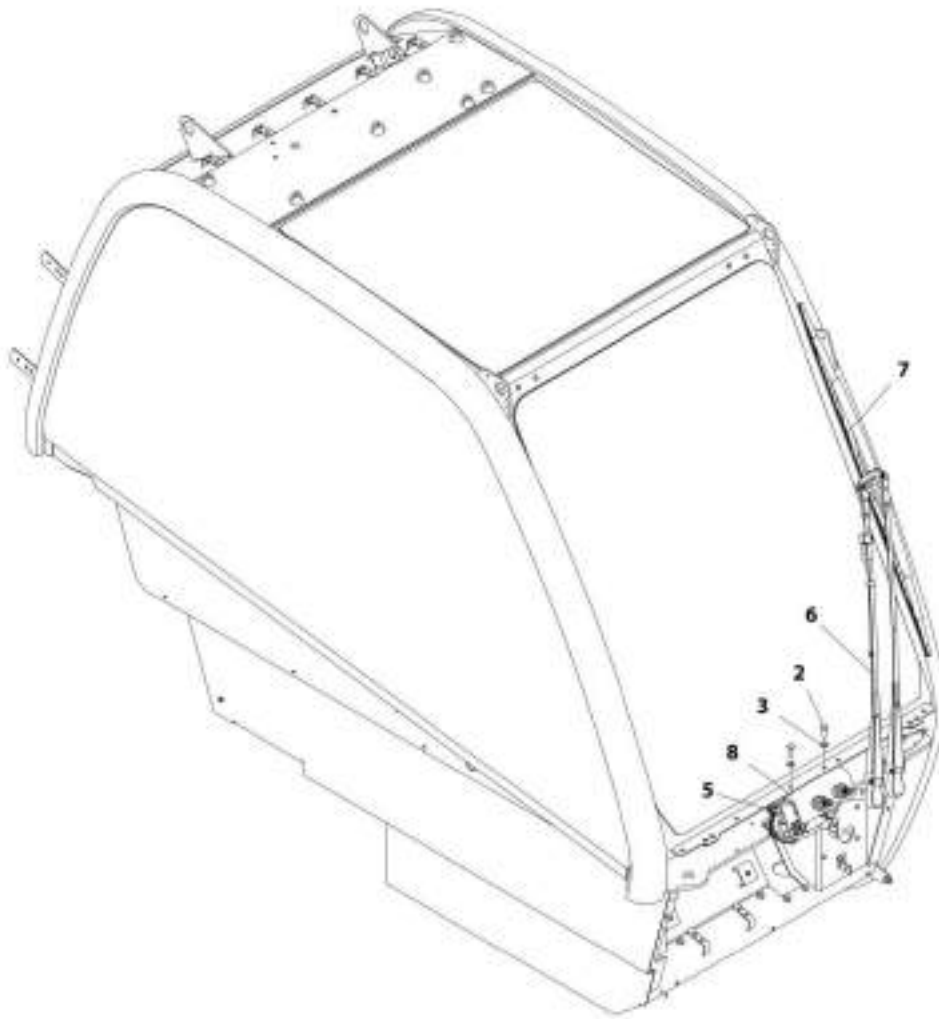
ART. 1001107200 C

FIGURE 6-50. CONDENSER

| ITEM | PART NUMBER | QTY | DESCRIPTION | REV |
|------|-------------|-----|------------------------------|-----|
| | 1001167266 | Ref | Condenser | C |
| 1 | 5250608 | 8 | Bolt, M6X16 | |
| 2 | 1001195342 | 1 | Bracket, Condenser Fan Mount | |
| 3 | 1001195343 | 2 | Support, Condenser | |
| 4 | 1001195345 | 2 | Fan, Condenser | |
| 5 | 1001195346 | 1 | Condenser | |
| 6 | 1001195385 | 12 | Screw, M3.9X9.5 | |
| 7 | 1001195386 | 6 | Screw, M4.2X16 | |
| 8 | 1001195437 | 8 | Clip, M6X1 | |
| 9 | 1001195438 | 3 | Clip, M6X1 | |

SECTION 6 - CAB

FIGURE 6-51. FRONT WIPER INSTALLATION



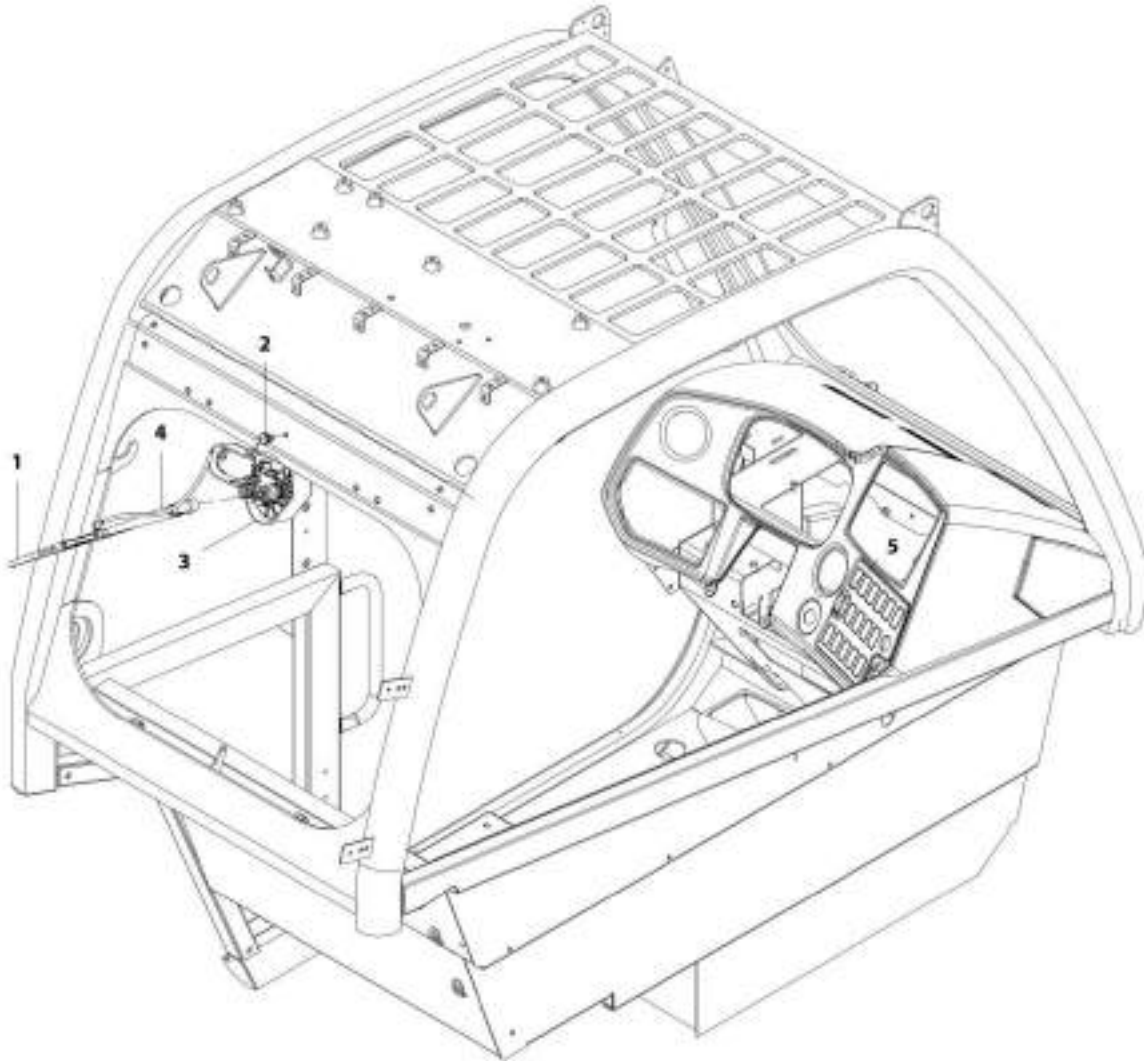
ART_9001155447-G

FIGURE 6-51. FRONT WIPER INSTALLATION

| ITEM | PART NUMBER | QTY | DESCRIPTION | REV |
|------|-------------|-----|---|-----|
| | 1001155447 | Ref | Front Wiper Installation | G |
| 2 | 0760810 | 2 | Bolt, M8X20 | |
| 3 | 4811900 | 2 | Washer, M8 | |
| 5 | 1001090336 | 1 | Motor, Front Wiper, (Prior to SN 0160076912) | |
| 5 | 1001214092 | 1 | Motor, Front Wiper, (SN 0160076912 to Present) | |
| 6 | 1001212369 | 1 | Blade, Front Arm Wiper | |
| 7 | 1001141281 | 1 | Blade, Wiper | |
| 8 | 1001165637 | 1 | Bracket | |

SECTION 6 - CAB

FIGURE 6-52. REAR WIPER INSTALLATION



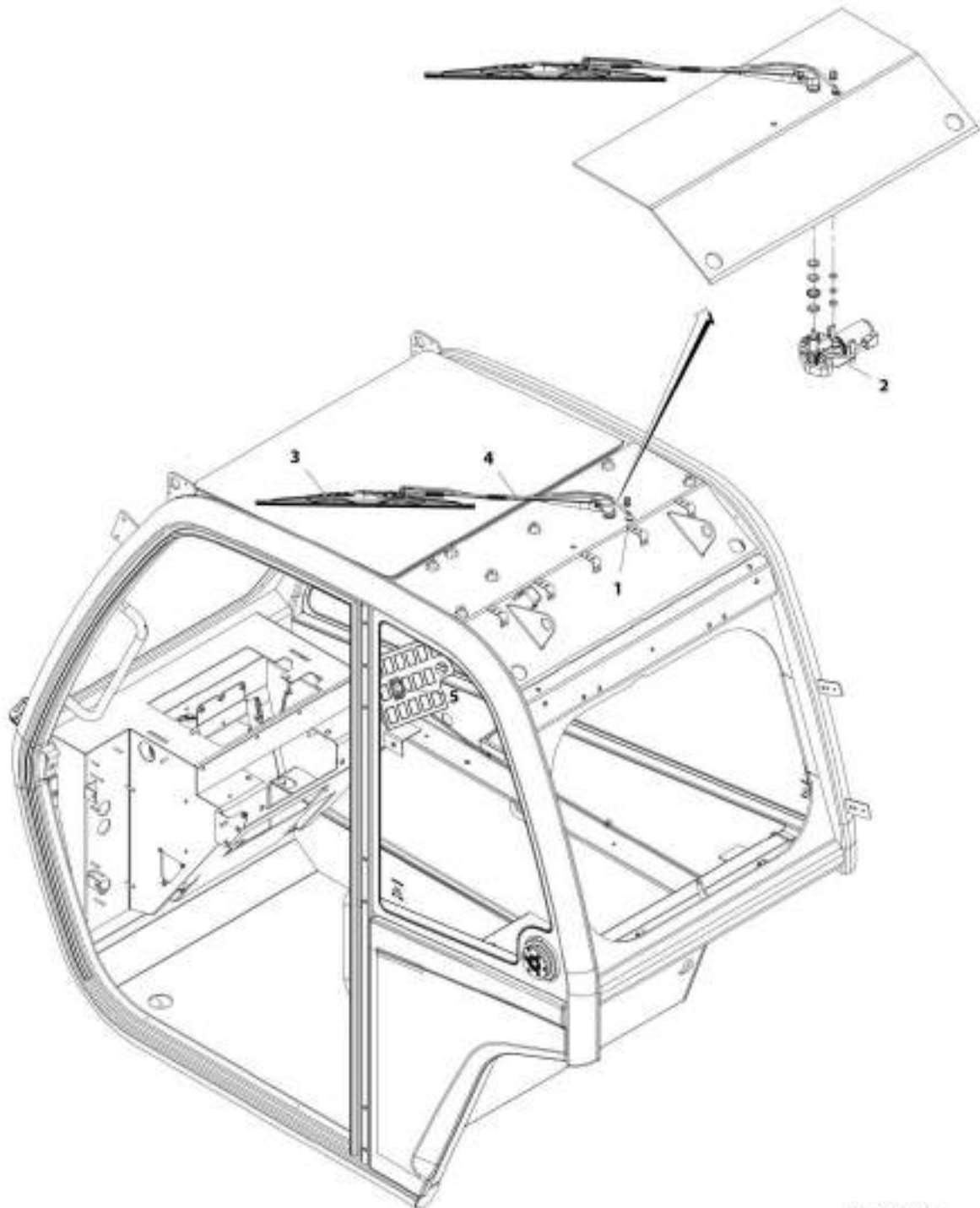
ART_100176164-B

FIGURE 6-52. REAR WIPER INSTALLATION

| ITEM | PART NUMBER | QTY | DESCRIPTION | REV |
|------|-------------|-----|------------------------------|-----|
| | 1001176164 | 1 | Rear Wiper Installation | B |
| 1 | 4807718 | 1 | Blade, Wiper | |
| 2 | 1001090343 | 1 | Connector | |
| 3 | 1001139552 | 1 | Motor, Rear Wiper Window | |
| 4 | 1001141312 | 1 | Arm, Rear Window Wiper Blade | |
| 5 | 1001159735 | 1 | Switch, Rear Wiper | |

SECTION 6 - CAB

FIGURE 6-53. ROOF WIPER INSTALLATION



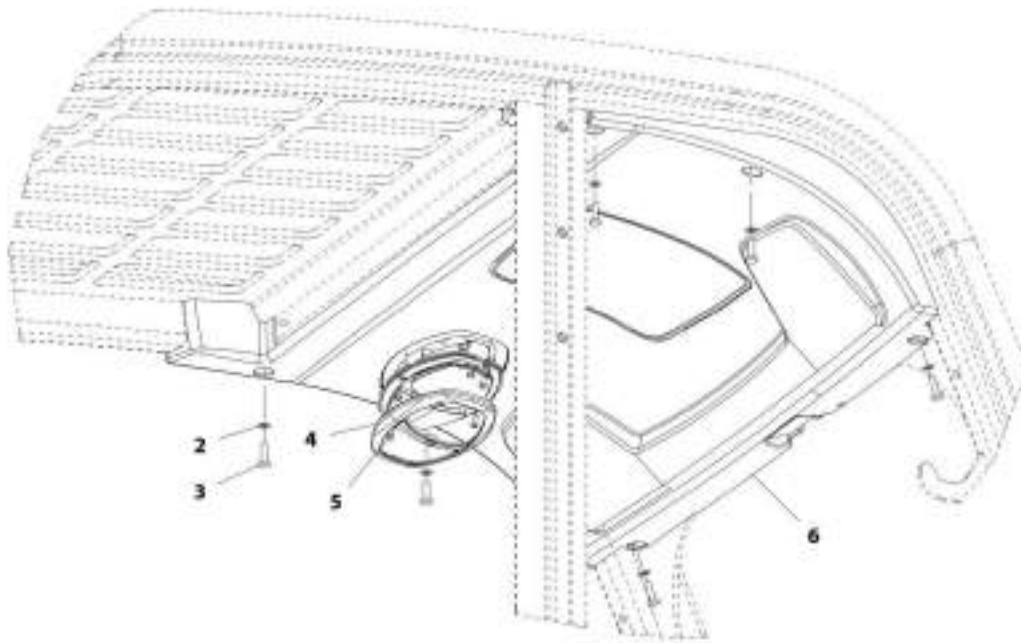
ART_100155486-B

FIGURE 6-53. ROOF WIPER INSTALLATION

| ITEM | PART NUMBER | QTY | DESCRIPTION | REV |
|------|-------------|-----|-------------------------|-----|
| | 1001155486 | 1 | Roof Wiper Installation | B |
| 1 | 1001090343 | 1 | Connector | |
| 2 | 1001139551 | 1 | Motor, Roof Wiper | |
| 3 | 1001141313 | 1 | Blade, Roof Wiper | |
| 4 | 1001141311 | 1 | Arm, Roof Wiper Blade | |
| 5 | 1001159736 | 1 | Switch, Roof Wiper | |

SECTION 6 - CAB

FIGURE 6-54. HEADLINER INSTALLATION



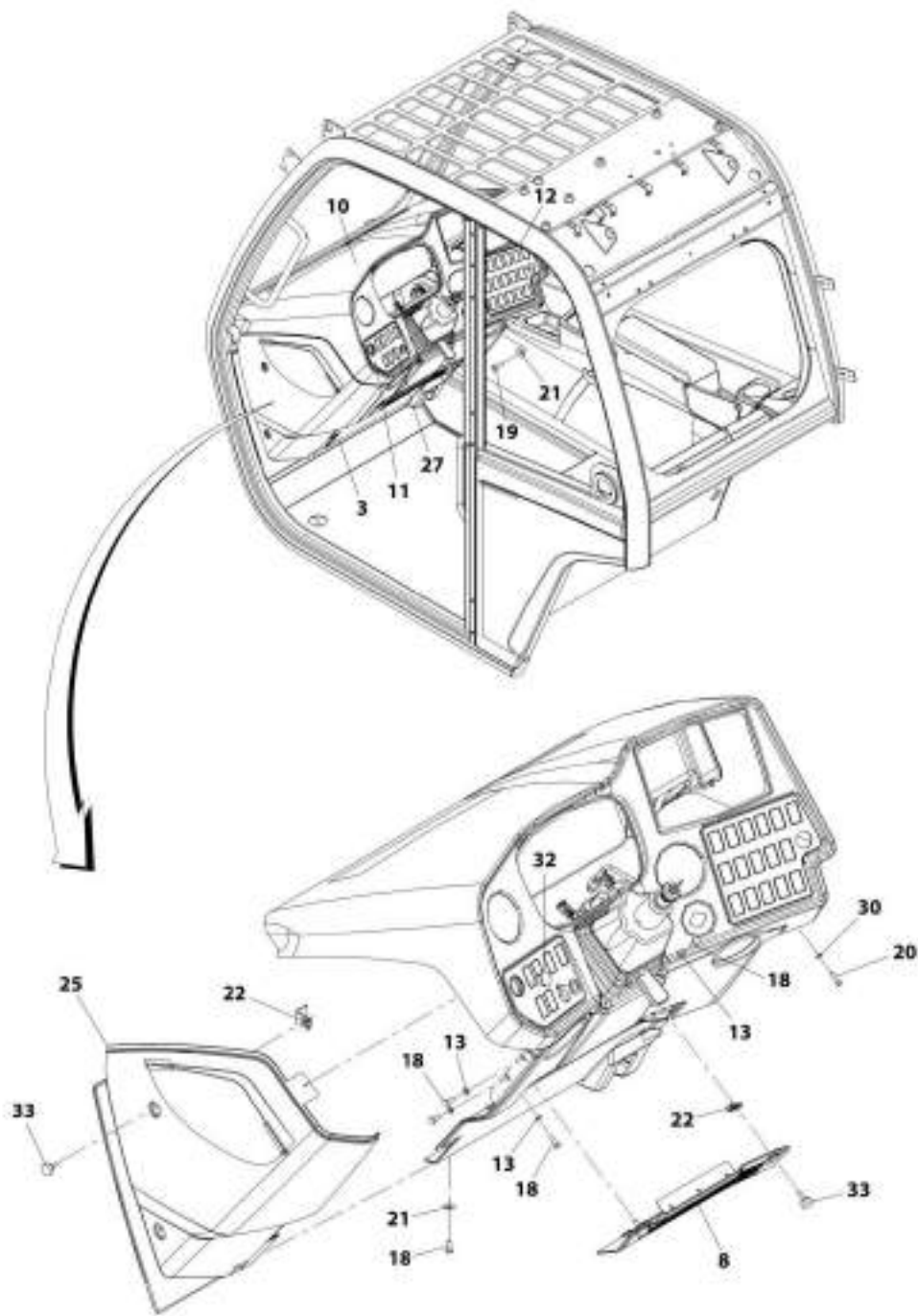
ART. 1001170317-D

FIGURE 6-54. HEADLINER INSTALLATION

| ITEM | PART NUMBER | QTY | DESCRIPTION | REV |
|------|-------------|-----|------------------------|-----|
| | 1001170717 | 1 | Headliner Installation | D |
| 2 | 4811700 | 6 | Washer, M6 | |
| 3 | 4010610002 | 6 | Screw, M6X20 | |
| 4 | 1001167015 | 1 | Lamp | |
| 5 | 7029486 | 4 | Screw | |
| 6 | 1001161069 | 1 | Panel, Headliner | |

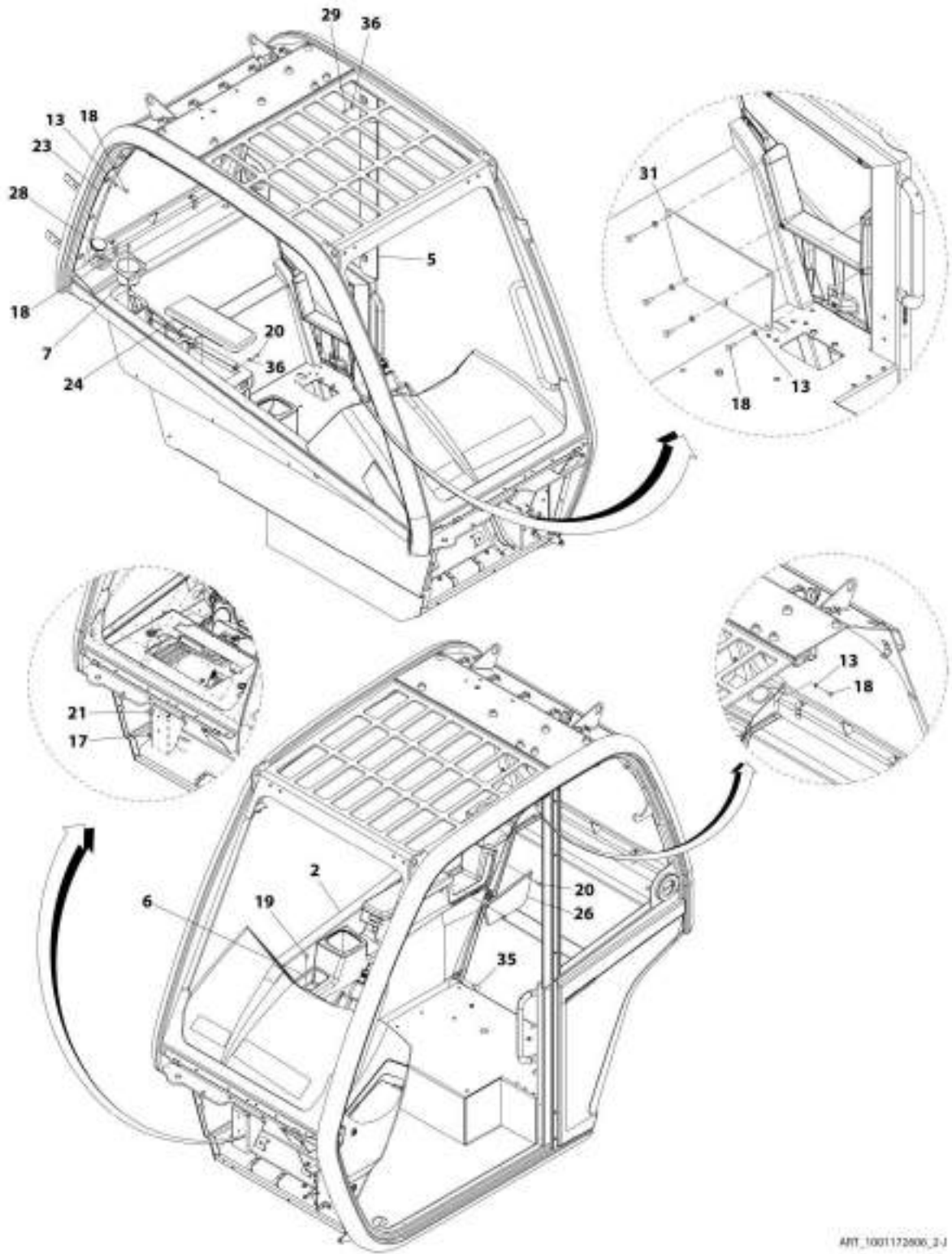
SECTION 6 - CAB

FIGURE 6-55. OPEN CAB TRIM INSTALLATION (Prior to SN 0160081650)



AWT_1001172006_1-1

SECTION 6 - CAB



ART_1001172800_2-1

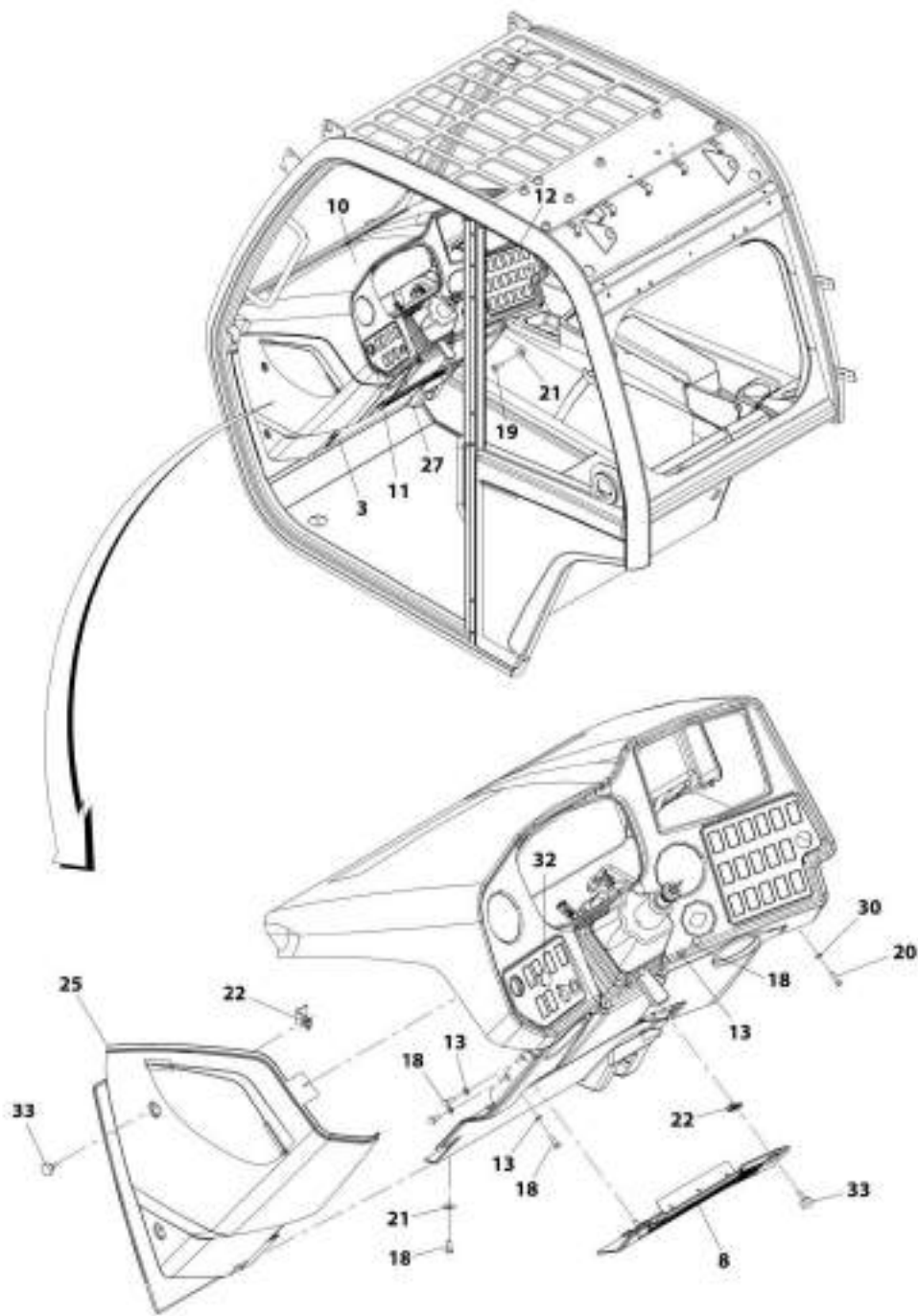
SECTION 6 - CAB

FIGURE 6-55. OPEN CAB TRIM INSTALLATION (Prior to SN 0160081650)

| ITEM | PART NUMBER | QTY | DESCRIPTION | REV |
|------|-------------|-----|-----------------------------------|-----|
| | 1001172606 | Ref | Open Cab Trim Installation | F |
| 2 | 1001169605 | 1 | Cover, Side | |
| 3 | 1001175904 | 1 | Panel, Lower Dash | |
| 5 | 1001161251 | 1 | Panel, Cover | |
| 6 | 1001169603 | 1 | Panel, Trinket Tray | |
| 7 | 1001170518 | 1 | Holder, Cup | |
| 8 | 1001170506 | 1 | Panel, Recirculation Grille Cover | |
| 10 | 1001172608 | 1 | Panel, Dash | |
| 11 | 1001165066 | 1 | Plate, LH Switch | |
| 12 | 1001165067 | 1 | Plate, RH Switch | |
| 13 | 4811700 | 14 | Washer, M6 | |
| 17 | 3290605 | 2 | Nut, Lock M6X1 Grade 8 | |
| 18 | 4010608002 | 19 | Screw, Posi-Drive M6X16 GR4.8 | |
| 19 | 4010610002 | 1 | Screw, Posi-Drive M6X20 GR4.8 | |
| 20 | 4031608 | 5 | Screw, M5X20 | |
| 21 | 4811702 | 6 | Washer, M6 | |
| 22 | 8305919 | 2 | Nut, M6 | |
| 23 | 1001191617 | 1 | Panel, Cover | |
| 24 | 1001161854 | 1 | Armrest | |
| 25 | 1001161855 | 1 | Panel, LH Dash | |
| 26 | 1001173965 | 1 | Bezel, RH | |
| 27 | 1001190347 | 1 | Decal, No HVAC | |
| 28 | 1001190413 | 1 | Plug | |
| 29 | 4010510002 | 2 | Screw, Posi-Drive M5X20 | |
| 30 | 4811600 | 3 | Washer, M5 | |
| 31 | 1001185179 | 1 | Cover, LH Rear Panel | |
| 32 | 1001190589 | 1 | Blanking Plug | |
| 33 | 1001208308 | 2 | Thumb Screw, M6X15 | |
| 34 | 1001148557 | 2 | Washer | |
| 35 | 1001211907 | 1 | Screw | |

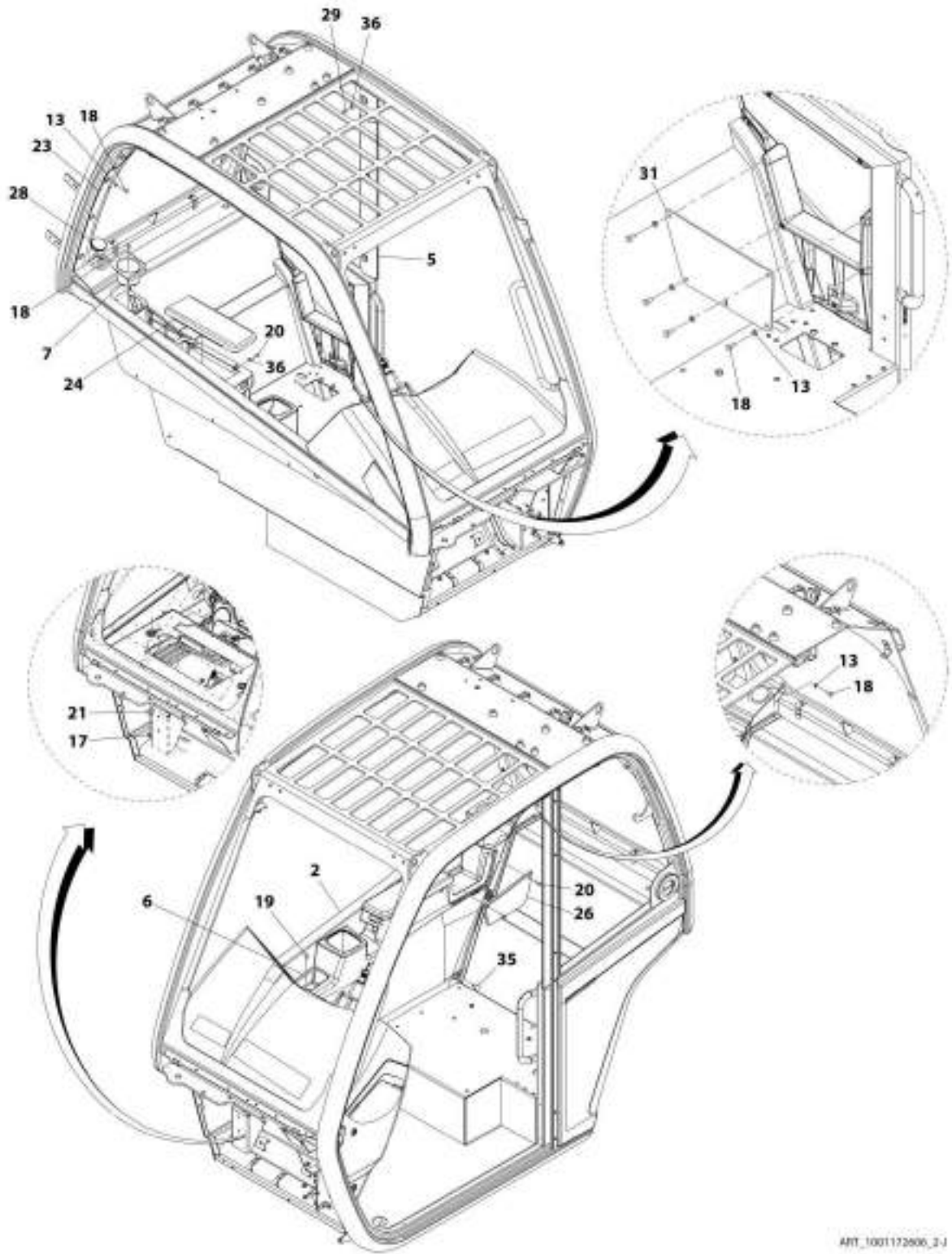
SECTION 6 - CAB

FIGURE 6-56. OPEN CAB TRIM INSTALLATION (SN 0160081650 to Present)



ART_1001172606_1-0

SECTION 6 - CAB



ART_1001172606_2-1

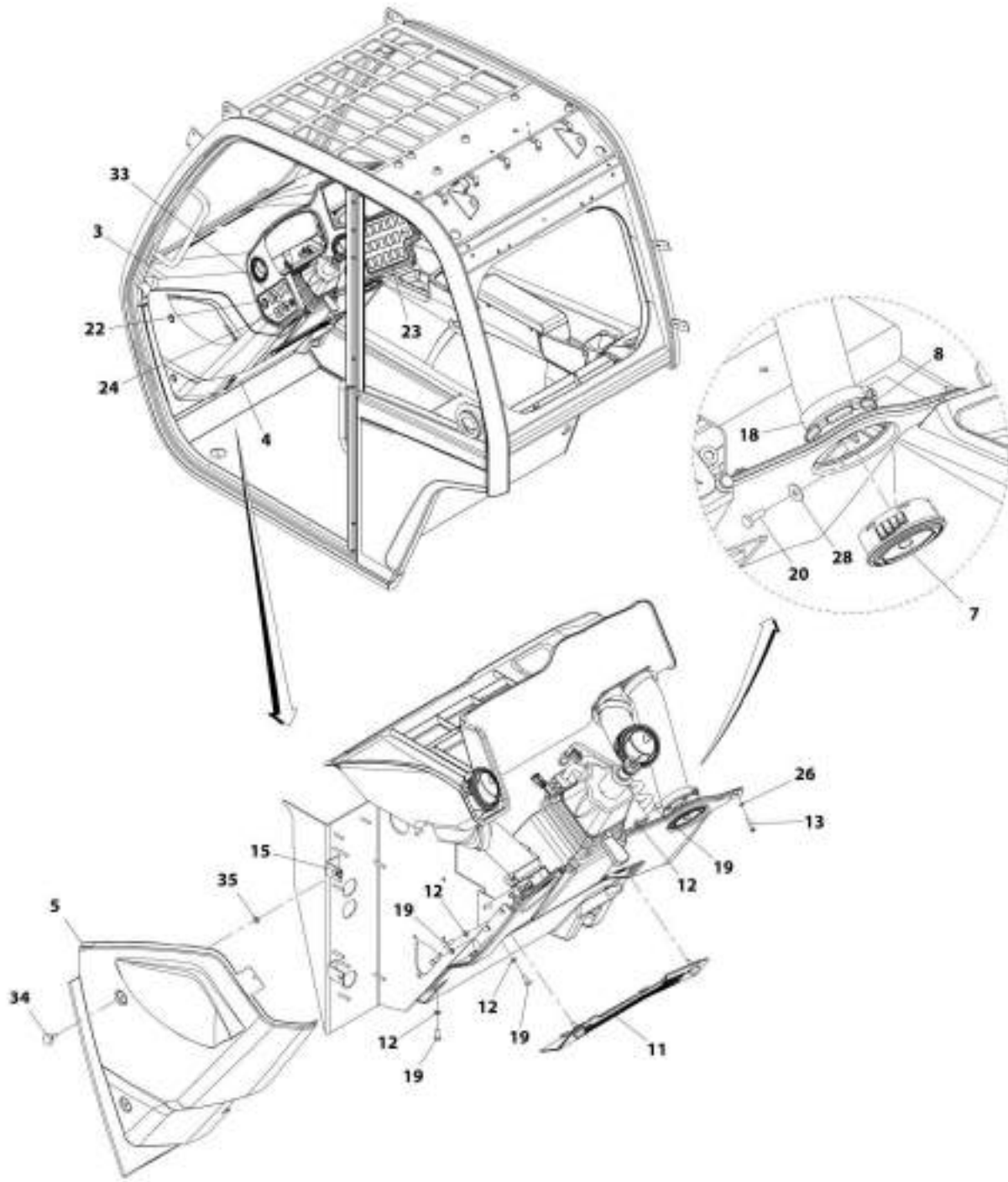
SECTION 6 - CAB

FIGURE 6-56. OPEN CAB TRIM INSTALLATION (SN 0160081650 to Present)

| ITEM | PART NUMBER | QTY | DESCRIPTION | REV |
|------|-------------|-----|---|-----|
| | 1001172606 | Ref | Open Cab Trim Installation | J |
| 2 | 1001169605 | 1 | Cover, Side | |
| 3 | 1001175904 | 1 | Panel, Lower Dash | |
| 5 | 1001161251 | NLA | Panel, Cover (no longer available, use 1001219076 for replacement) | |
| 5 | 1001219076 | 1 | Panel, Cover | |
| 6 | 1001169603 | 1 | Panel, Trinket Tray | |
| 7 | 1001170518 | 1 | Holder, Cup | |
| 8 | 1001170506 | NLA | Panel, Recirculation Grille Cover (no longer available, use 1001170504 for replacement) | |
| 8 | 1001170504 | 1 | Panel, Recirculation Grille Cover | |
| 10 | 1001172608 | 1 | Panel, Dash | |
| 11 | 1001219864 | 1 | Plate, LH Switch | |
| 12 | 1001219865 | 1 | Plate, RH Switch | |
| 13 | 4811700001 | 14 | Washer, M6 | |
| 17 | 3290605 | 2 | Nut, Lock M6X1 Grade 8 | |
| 18 | 4010608002 | 18 | Screw, Posi-Drive M6X16 GR4.8 | |
| 19 | 4010610002 | 2 | Screw, Posi-Drive M6X20 GR4.8 | |
| 20 | 4031608001 | 5 | Screw, M5X20 | |
| 21 | 4811702001 | 6 | Washer, M6 | |
| 22 | 8305919 | 4 | Nut, M6 | |
| 23 | 1001191617 | 1 | Panel, Cover | |
| 24 | 1001161854 | 1 | Armrest | |
| 25 | 1001161855 | 1 | Panel, LH Dash | |
| 26 | 1001173965 | 1 | Bezel, RH | |
| 27 | 1001190347 | 1 | Decal, No HVAC | |
| 28 | 1001223265 | 1 | Plug | |
| 29 | 4010508002 | 3 | Screw, Posi-Drive M5X16 | |
| 30 | 4811600 | 1 | Washer, M5 | |
| 31 | 1001185179 | 1 | Cover, LH Rear Panel | |
| 32 | 1001190589 | 1 | Blanking Plug | |
| 33 | 1001208308 | 4 | Screw, M6X15 | |
| 35 | 1001211907 | 1 | Screw | |
| 36 | 4811602001 | 5 | Washer, M5 | |

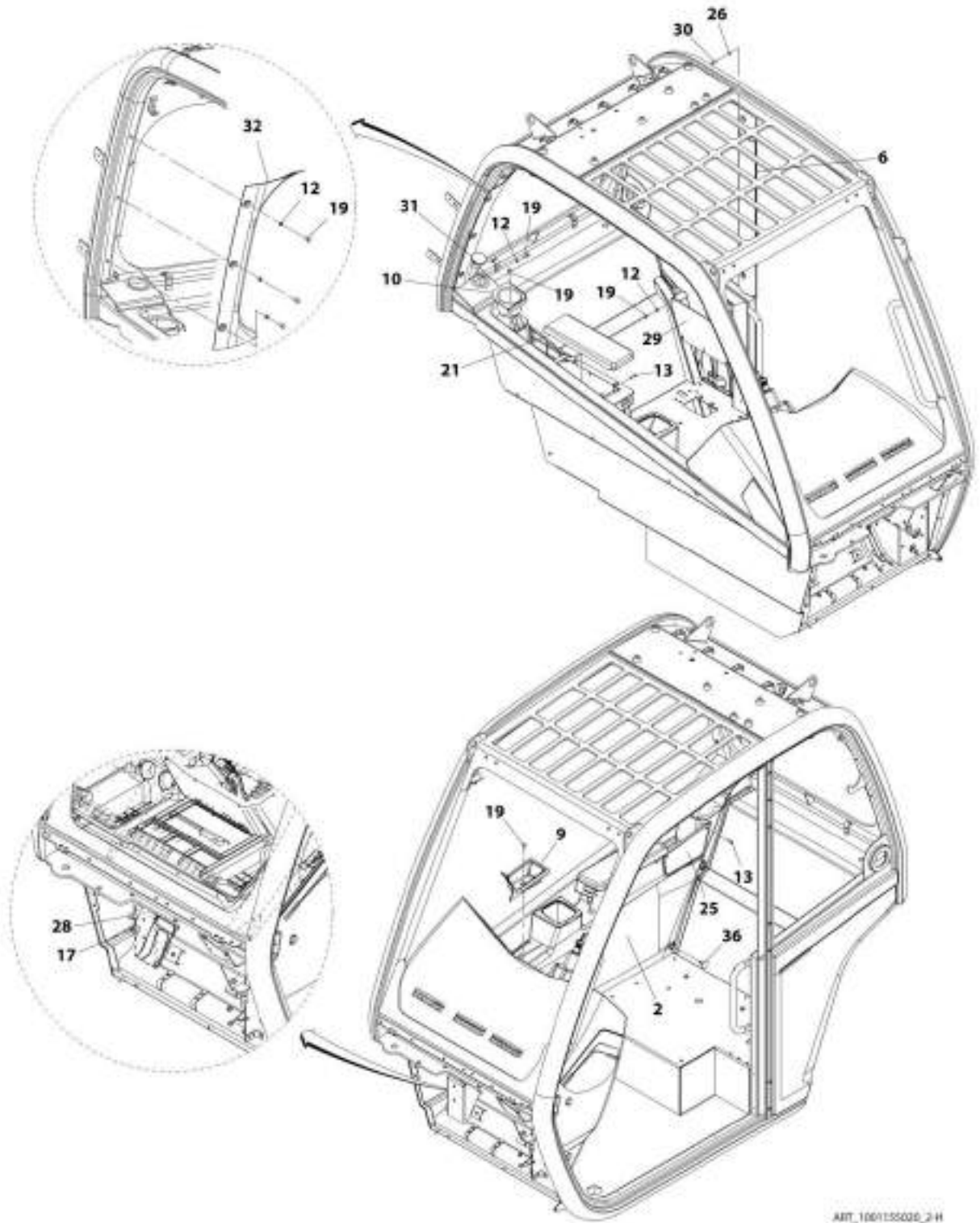
SECTION 6 - CAB

FIGURE 6-57. ENCLOSED CAB TRIM INSTALLATION (Prior to SN 0160081650)



APR_1001155020_1-H

SECTION 6 - CAB



ART. 1001155025_2-H

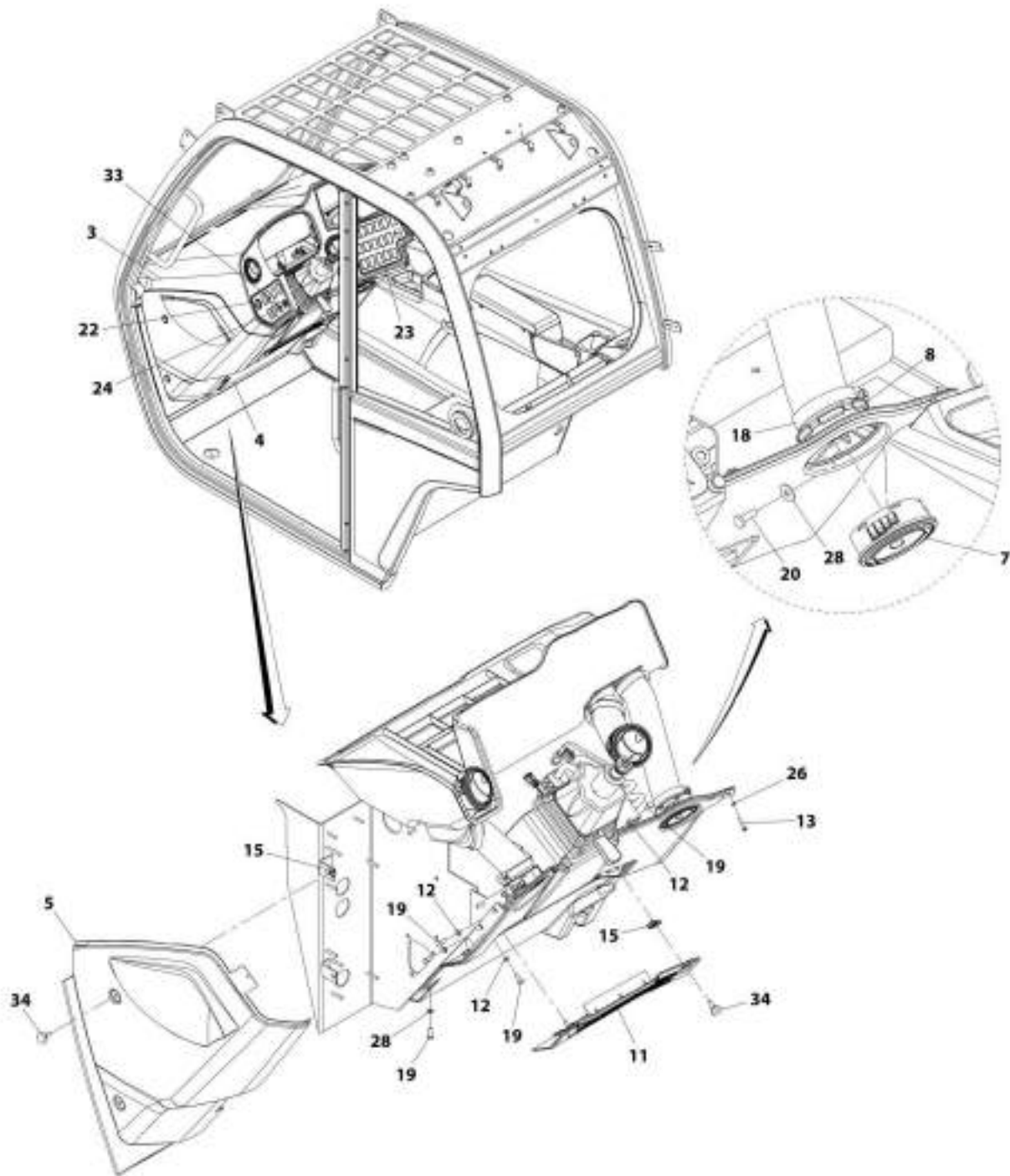
SECTION 6 - CAB

FIGURE 6-57. ENCLOSED CAB TRIM INSTALLATION (Prior to SN 0160081650)

| ITEM | PART NUMBER | QTY | DESCRIPTION | REV |
|------|-------------|-----|-----------------------------------|-----|
| | 1001155020 | 1 | Enclosed Cab Trim Installation | H |
| 2 | 1001169605 | 1 | Cover, Side | |
| 3 | 1001169604 | 1 | Cover, Dash | |
| 4 | 1001175903 | 1 | Panel, Lower Dash | |
| 5 | 1001161855 | 1 | Panel, Cover | |
| 6 | 1001161251 | 1 | Panel, Cover | |
| 7 | 1001147449 | 2 | Vent, Air | |
| 8 | 1001149278 | 2 | Vent, Connector | |
| 9 | 1001169603 | 1 | Panel, Trinket Tray | |
| 10 | 1001170518 | 1 | Holder, Cup | |
| 11 | 1001170506 | 1 | Panel, Recirculation Grille Cover | |
| 12 | 4811700 | 16 | Washer, M6 | |
| 13 | 4031608 | 5 | Bolt, M5X20 | |
| 15 | 8305919 | 2 | Nut, M6 | |
| 17 | 3290605 | 2 | Nut, Lock M6X1 Grade 8 | |
| 18 | 8405201 | 2 | Clamp, Gear | |
| 19 | 4010608002 | 19 | Screw, Posi-Drive M6X16 GR4.8 | |
| 20 | 4010610002 | 1 | Screw, Posi-Drive M6X20 GR4.8 | |
| 21 | 1001161854 | 1 | Armrest | |
| 22 | 1001165066 | 1 | Plate, LH Switch | |
| 23 | 1001165067 | 1 | Plate, RH Switch | |
| 24 | 1001184975 | 1 | Decal, HVAC | |
| 25 | 1001173965 | 1 | Bezel, RH | |
| 26 | 4811600 | 3 | Washer, M5 | |
| 28 | 4811702 | 4 | Washer, M6 | |
| 29 | 1001185179 | 1 | Panel, LH Rear Cover | |
| 30 | 4010510002 | 2 | Screw, Posi-Drive M5X20 GR4.8 | |
| 31 | 1001190413 | 1 | Plug | |
| 32 | 1001191617 | 1 | Panel, RH C Post | |
| 33 | 1001190589 | 1 | Blanking Plug | |
| 34 | 1001208308 | 2 | Thumb Screw, M6X15 | |
| 35 | 1001148557 | 2 | Washer | |
| 36 | 1001211907 | 1 | Screw | |

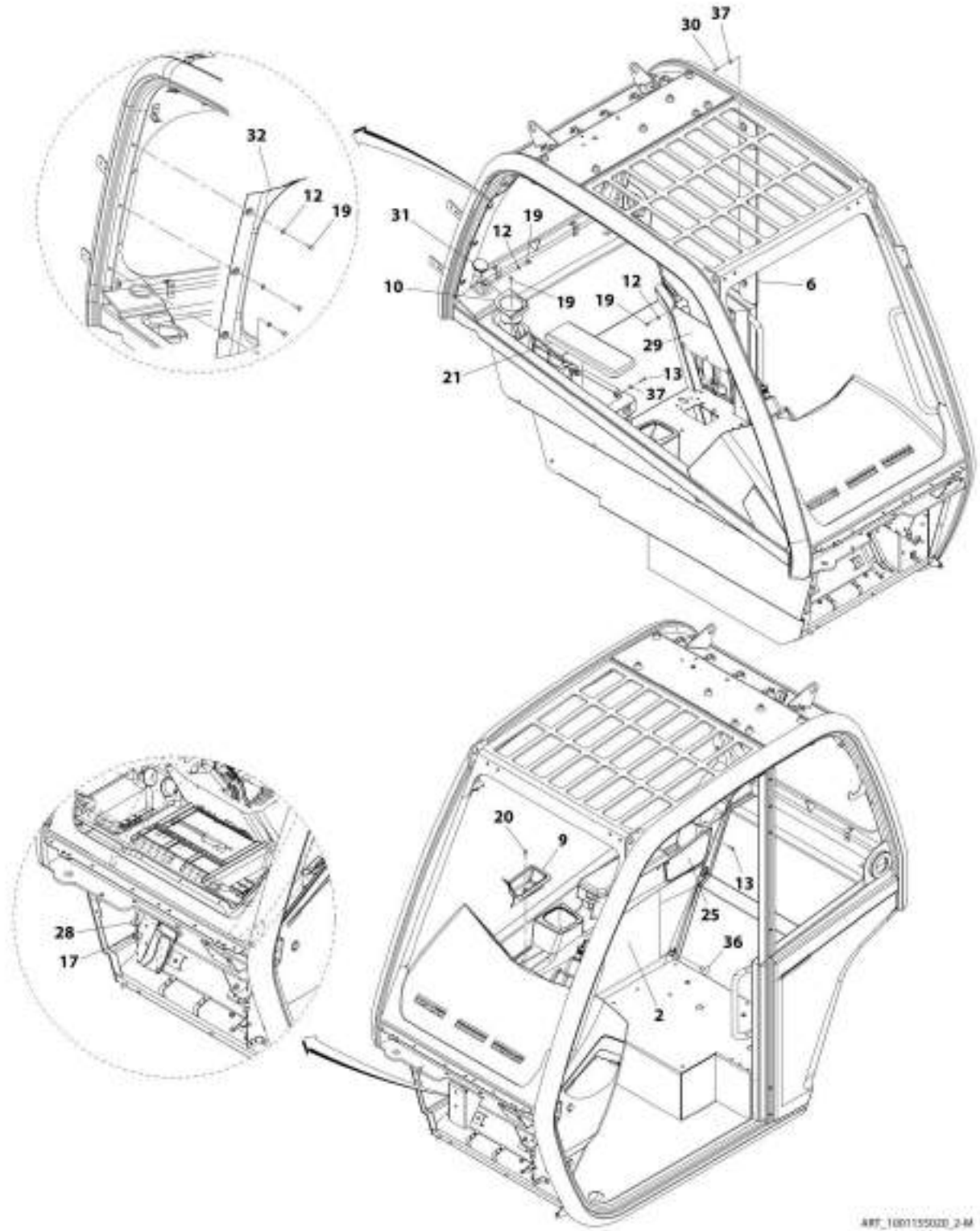
SECTION 6 - CAB

FIGURE 6-58. ENCLOSED CAB TRIM INSTALLATION (SN 0160081650 to Present)



APR_1001155020_1-0A

SECTION 6 - CAB



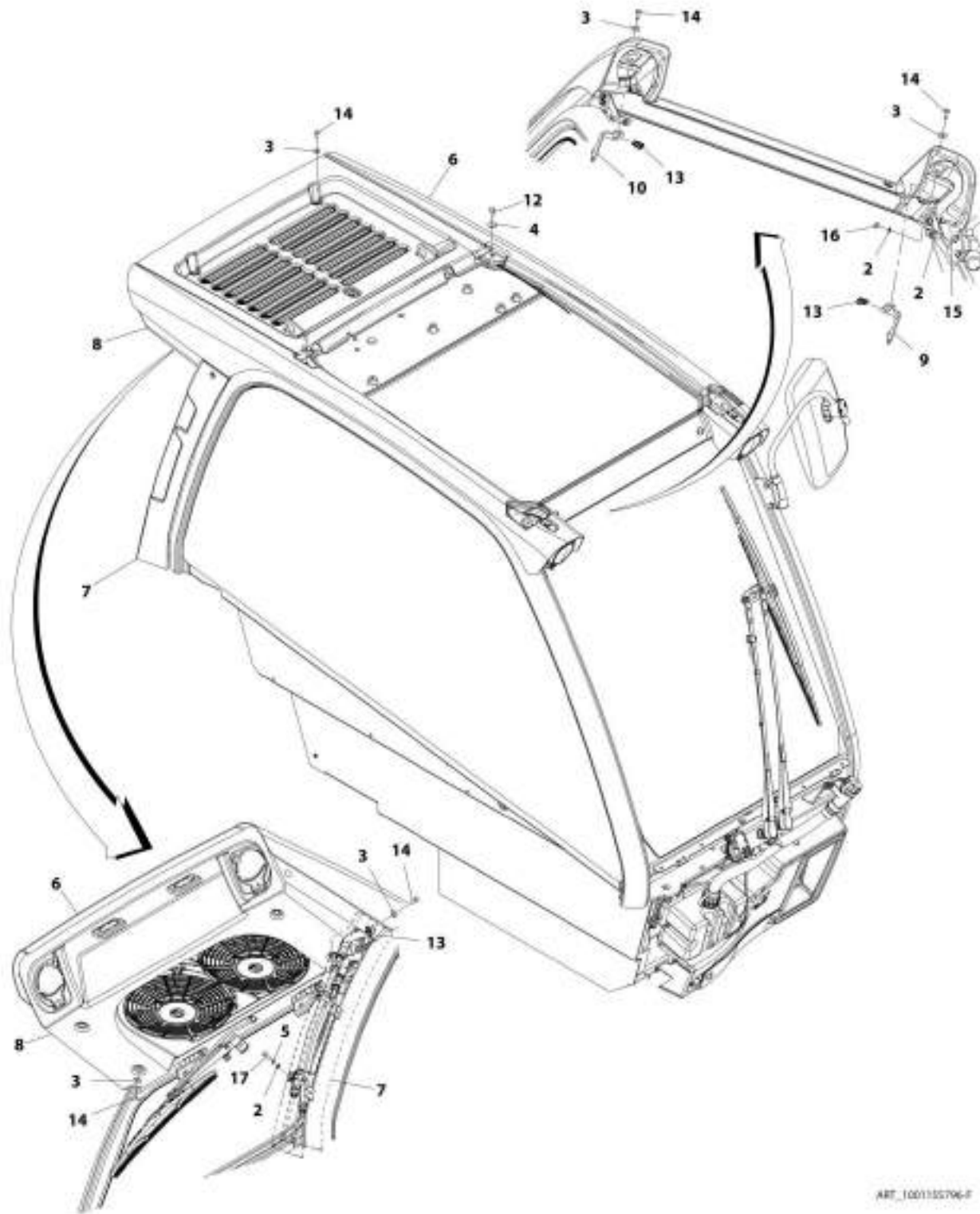
SECTION 6 - CAB

FIGURE 6-58. ENCLOSED CAB TRIM INSTALLATION (SN 0160081650 to Present)

| ITEM | PART NUMBER | QTY | DESCRIPTION | REV |
|------|-------------|-----|---|-----|
| | 1001155020 | Ref | Enclosed Cab Trim Installation | M |
| 2 | 1001169605 | 1 | Cover, Side | |
| 3 | 1001169604 | 1 | Cover, Dash | |
| 4 | 1001175903 | 1 | Panel, Lower Dash | |
| 5 | 1001161855 | 1 | Panel, Dash LH | |
| 6 | 1001161251 | NLA | Panel, Cover (no longer available, use 1001219076 for replacement) | |
| 6 | 1001219076 | 1 | Panel, Cover | |
| 7 | 1001147449 | 2 | Vent, Air | |
| 8 | 1001149278 | 2 | Vent, Connector | |
| 9 | 1001169603 | 1 | Panel, Trinket Tray | |
| 10 | 1001170518 | 1 | Holder, Cup | |
| 11 | 1001170506 | NLA | Panel, Recirculation Grille Cover (no longer available, use 1001170504 for replacement) | |
| 11 | 1001170504 | 1 | Panel, Recirculation Grille Cover | |
| 12 | 4811700001 | 14 | Washer, M6 | |
| 13 | 4031608001 | 5 | Bolt, M5X20 | |
| 15 | 8305919 | 4 | Nut, M6 | |
| 17 | 3290605 | 2 | Nut, Lock M6X1 | |
| 18 | 8405201 | 2 | Clamp, Gear | |
| 19 | 4010608002 | 18 | Screw, Posi-Drive M6X16 GR4.8 | |
| 20 | 4010610002 | 2 | Screw, Posi-Drive M6X20 GR4.8 | |
| 21 | 1001161854 | 1 | Armrest | |
| 22 | 1001219864 | 1 | Plate, LH Switch | |
| 23 | 1001219865 | 1 | Plate, RH Switch | |
| 24 | 1001184975 | 1 | Decal, HVAC | |
| 25 | 1001173965 | 1 | Bezel, RH | |
| 26 | 4811600 | 1 | Washer, M5 | |
| 28 | 4811702001 | 6 | Washer, M6 | |
| 29 | 1001185179 | 1 | Panel, LH Rear Cover | |
| 30 | 4010508002 | 3 | Screw, Posi-Drive M5X16 | |
| 31 | 1001223265 | 1 | Plug | |
| 32 | 1001191617 | 1 | Panel, Cover | |
| 33 | 1001190589 | 1 | Blanking Plug | |
| 34 | 1001208308 | 4 | Screw, M6X15 | |
| 36 | 1001211907 | 1 | Screw | |
| 37 | 4811602001 | 5 | Washer, M5 | |

SECTION 6 - CAB

FIGURE 6-59. LONG CAB ROOF CAPPING INSTALLATION



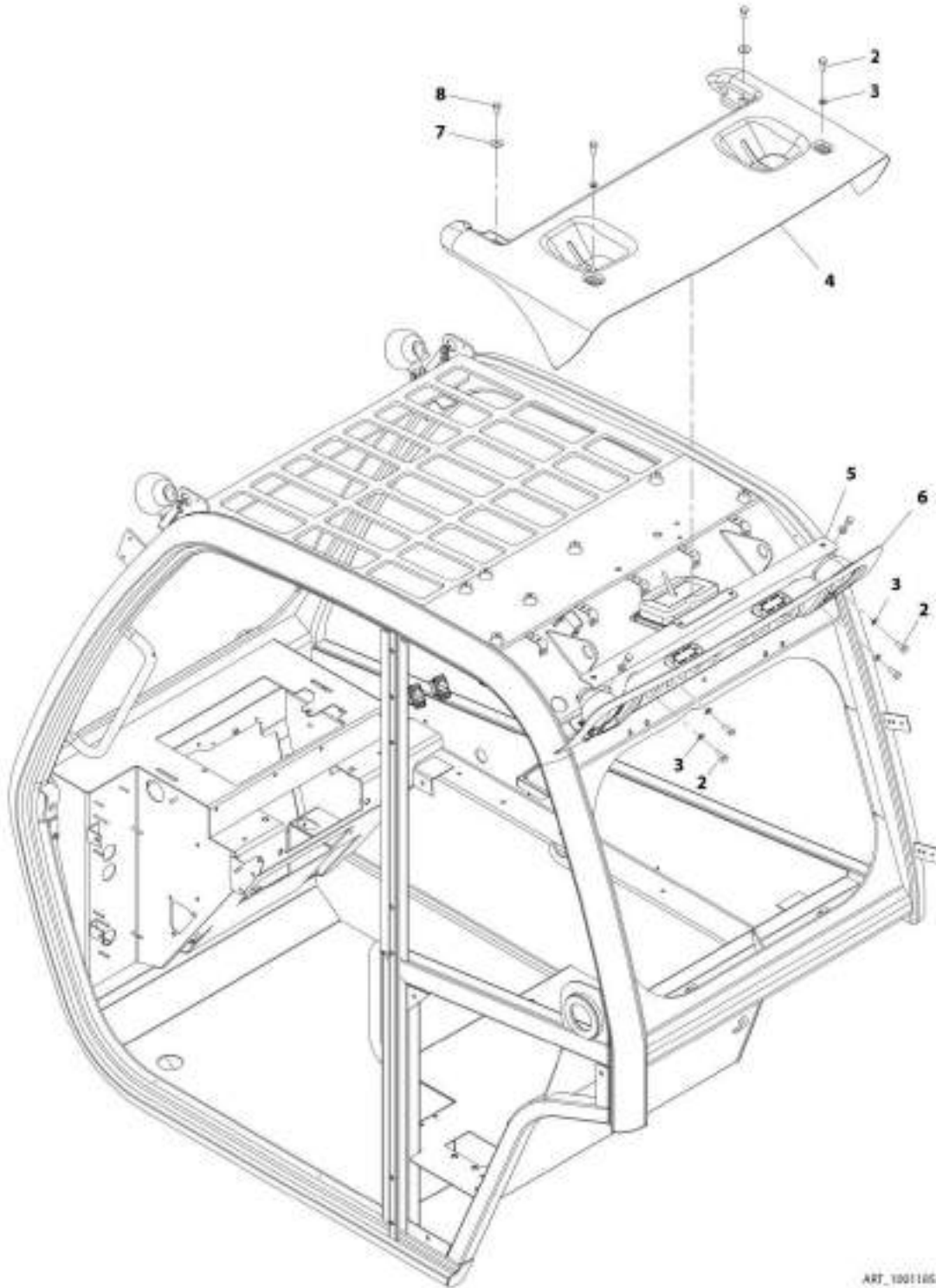
ART_100135706-F

FIGURE 6-59. LONG CAB ROOF CAPPING INSTALLATION

| ITEM | PART NUMBER | QTY | DESCRIPTION | REV |
|------|-------------|-----|--|-----|
| | 1001155796 | 1 | Long Cab Roof Capping Installation | F |
| 2 | 4811700 | 9 | Washer, M6 | |
| 3 | 4811702 | 10 | Washer, M6 | |
| 4 | 4811902 | 2 | Washer, M8 | |
| 5 | 4831700 | 1 | Washer, Lock M6 | |
| 6 | 1001155800 | 1 | Cover, Upper Roof Cap | |
| 7 | 1001174741 | 1 | Cover | |
| 8 | 1001176317 | NLA | Cover, Lower Roof Cap, (no longer available, use 1001214156 for replacement) | |
| 8 | 1001214156 | 1 | Cover, Lower Roof Cap | |
| 9 | 1001174800 | 1 | Bracket, Roof Cap | |
| 10 | 1001174801 | 1 | Bracket, Roof Cap | |
| 12 | 0760808 | 2 | Hex HD Capscrew, M8X16, GR8.8 | |
| 13 | 8305919 | 3 | Nut, M6X1 | |
| 14 | 4010610002 | 10 | Screw, Posi-Drive M6X20 | |
| 15 | 0700610 | 4 | Bolt, M6X20 | |
| 16 | 3290601 | 4 | Nut, M6X1 | |
| 17 | 4010608002 | 1 | Screw, M6X16 | |

SECTION 6 - CAB

FIGURE 6-60. SHORT CAB ROOF CAPPING INSTALLATION



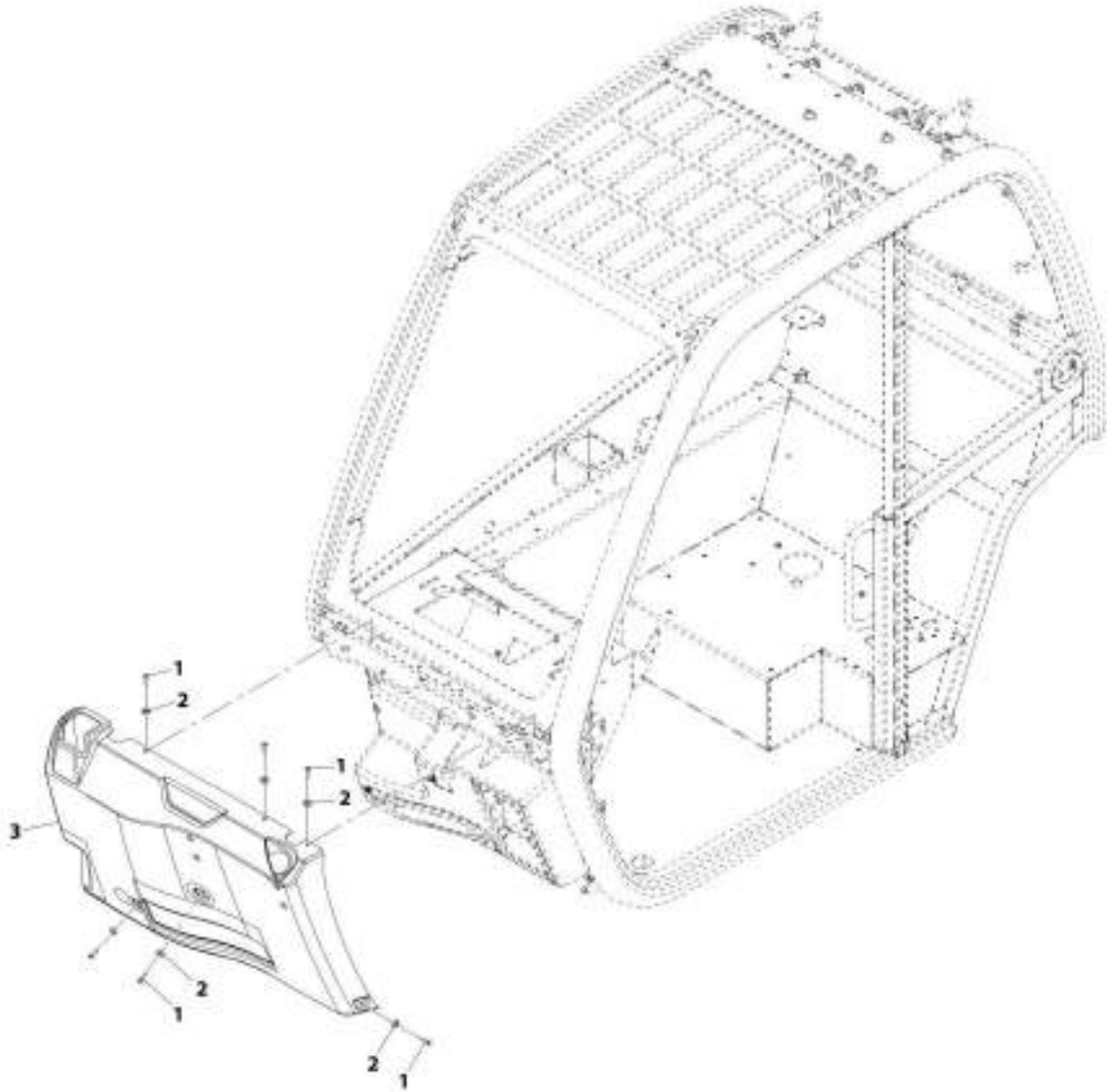
ART_1001105845-D

FIGURE 6-60. SHORT CAB ROOF CAPPING INSTALLATION

| ITEM | PART NUMBER | QTY | DESCRIPTION | REV |
|------|-------------|-----|--|-----|
| | 1001185846 | 1 | Short Cab Roof Capping Installation | D |
| 2 | 0760810 | 8 | Bolt, M8X20 | |
| 3 | 4811900 | 8 | Washer, M8 | |
| 4 | 1001182328 | 1 | Cover, Short Upper Roof Cap | |
| 5 | 1001185633 | 1 | Bracket, Roof Cap Mount | |
| 6 | 1001185844 | NLA | Cover, Short Lower Roof Cap, (no longer available, use 1001214535 for replacement) | |
| 6 | 1001214535 | 1 | Cover, Short Lower Roof Cap | |
| 7 | 4811902 | 2 | Washer, M8 | |
| 8 | 0760808 | 2 | Bolt, M8X16 | |

SECTION 6 - CAB

FIGURE 6-61. OPEN CAB FRONT COVER INSTALLATION



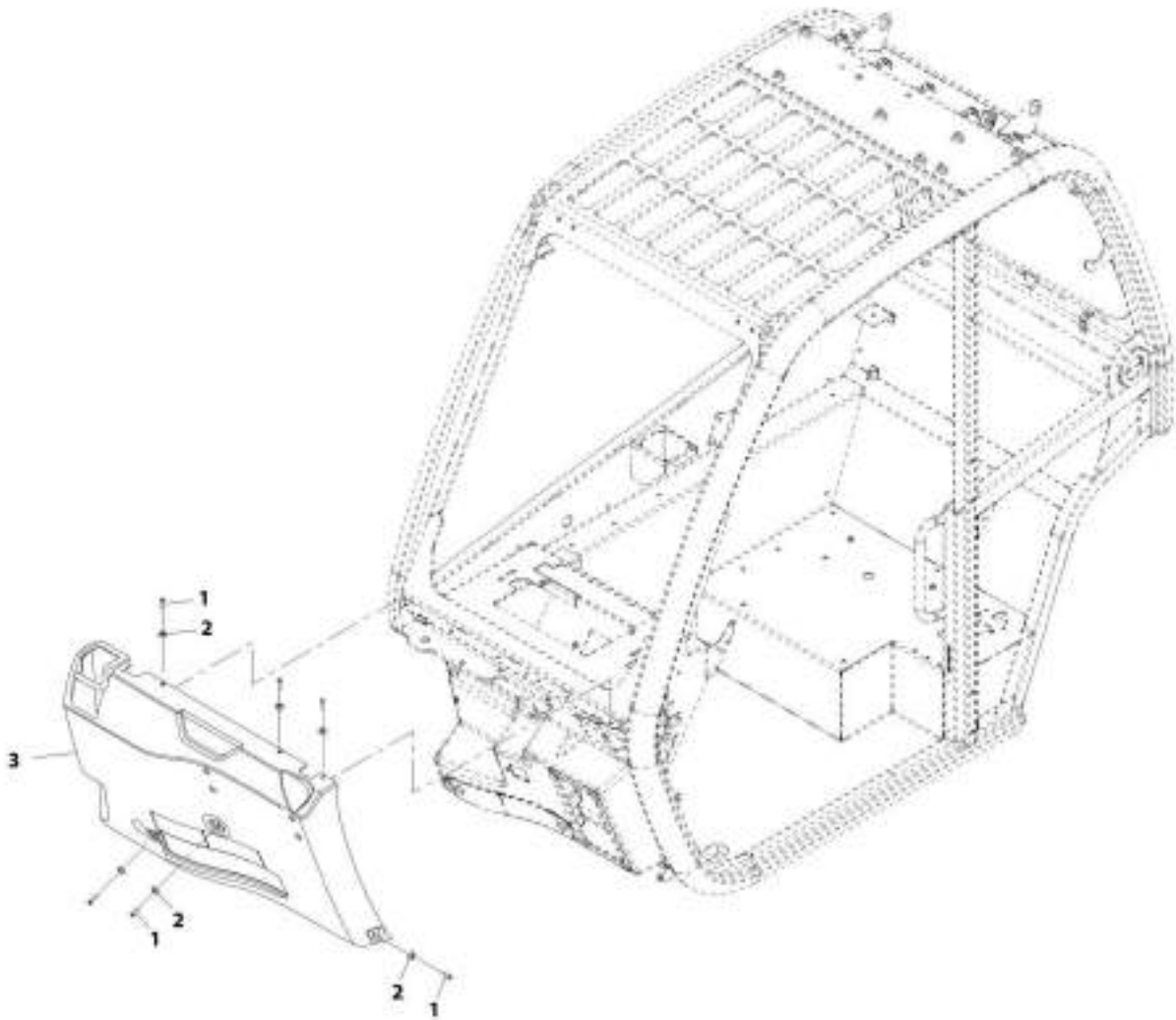
ART_3001228530-A

FIGURE 6-61. OPEN CAB FRONT COVER INSTALLATION

| ITEM | PART NUMBER | QTY | DESCRIPTION | REV |
|------|-------------|-----|--|-----|
| | 1001179853 | Ref | Open Cab Front Cover with Cab Fender Installation, (no longer available, use 1001229550 for replacement) | G |
| | 1001229550 | Ref | Open Cab Front Cover with Cab Fender Installation | A |
| 1 | 3900379 | 6 | Screw, M6X25 | |
| 2 | 1001097540 | 6 | Washer, M6 | |
| 3 | 1001189658 | Ref | Cover, (no longer available, use 1001229540 for replacement) | |
| 3 | 1001229540 | 1 | Cover | |

SECTION 6 - CAB

FIGURE 6-62. ENCLOSED CAB FRONT COVER INSTALLATION



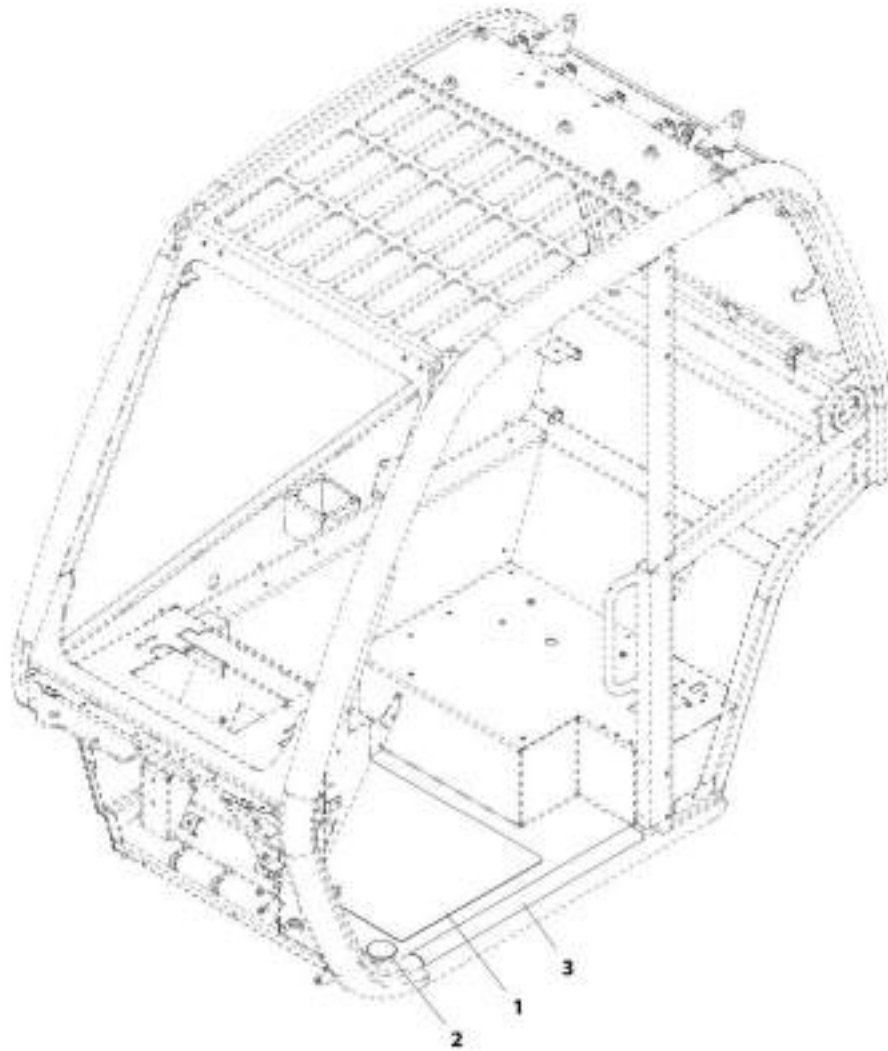
WIT_1001228551-A

FIGURE 6-62. ENCLOSED CAB FRONT COVER INSTALLATION

| ITEM | PART NUMBER | QTY | DESCRIPTION | REV |
|-------------|--------------------|------------|--|------------|
| | 1001192463 | Ref | Enclosed Cab Front Cover with Cab Fender Installation, (no longer available, use 1001229551 for replacement) | E |
| | 1001229551 | Ref | Enclosed Cab Front Cover with Cab Fender Installation | A |
| 1 | 3900379 | 6 | Screw, M6X25 | |
| 2 | 1001097540 | 6 | Washer, M6 | |
| 3 | 1001192464 | Ref | Cover, (no longer available, use 1001229541 for replacement) | |
| 3 | 1001229541 | 1 | Cover | |

SECTION 6 - CAB

FIGURE 6-63. NON SKID TAPE INSTALLATION



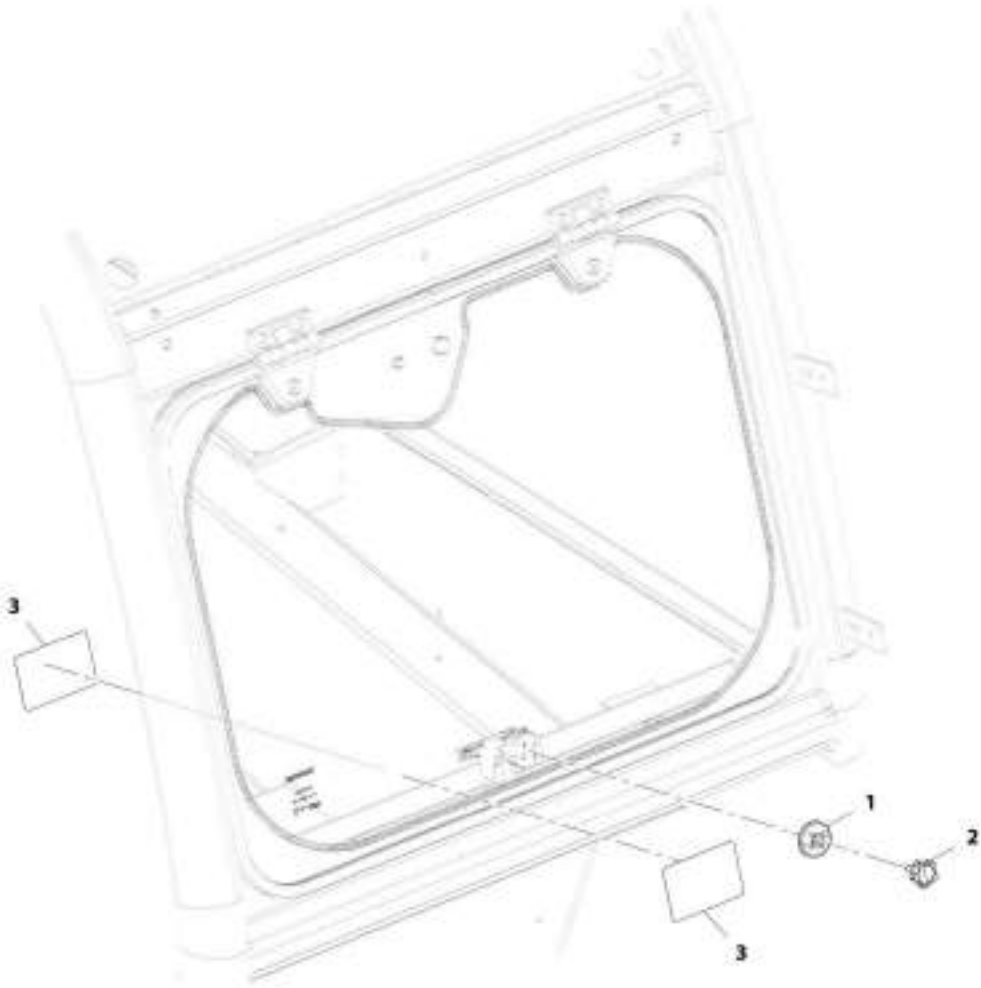
ART_1001103219-B

FIGURE 6-63. NON SKID TAPE INSTALLATION

| ITEM | PART NUMBER | QTY | DESCRIPTION | REV |
|-------------|--------------------|------------|----------------------------|------------|
| | 1001197219 | 1 | Non Skid Tape Installation | B |
| 1 | 1001197217 | 1 | Tape, Non Skid Floor | |
| 2 | 1001197218 | 1 | Grommet | |
| 3 | 1001197259 | 1 | Tape, Non Skid Frame | |

SECTION 6 - CAB

FIGURE 6-64. EXTERNAL WINDOW RELEASE INSTALLATION



ART_100117826-C

FIGURE 6-64. EXTERNAL WINDOW RELEASE INSTALLATION

| ITEM | PART NUMBER | QTY | DESCRIPTION | REV |
|-------------|--------------------|------------|--------------------------------------|------------|
| | 1001178826 | Ref | External Window Release Installation | C |
| 1 | 1001179008 | 1 | Cap, Latch Window | |
| 2 | 1001179009 | 1 | Knob | |
| 3 | 1001204709 | 2 | Decal, Emergency Exit EN/FR | |

SECTION 6 - CAB

FIGURE 6-65. WASHER TANK INSTALLATION

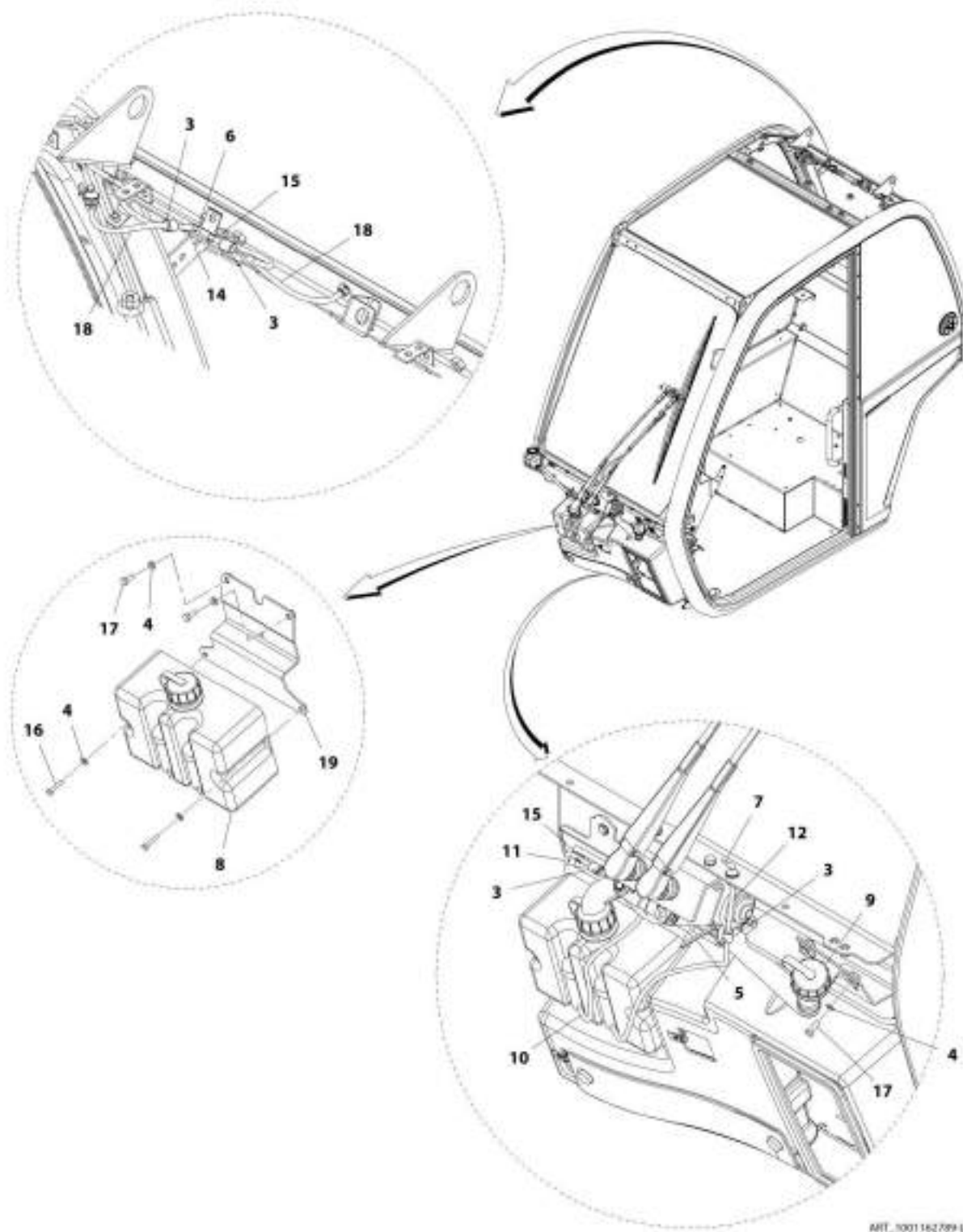
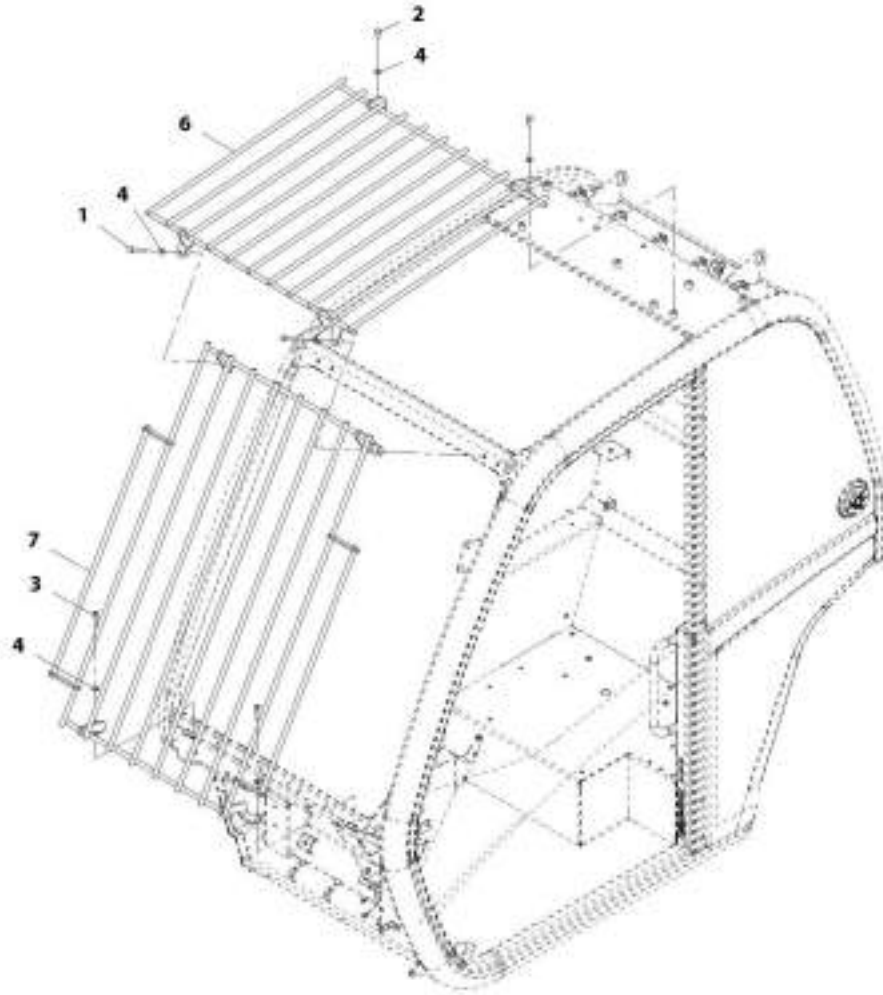


FIGURE 6-65. WASHER TANK INSTALLATION

| ITEM | PART NUMBER | QTY | DESCRIPTION | REV |
|------|-------------|-----|--------------------------|-----|
| | 1001162789 | Ref | Washer Tank Installation | L |
| 3 | 1001201331 | 4 | Valve, Check | |
| 4 | 4811700 | 6 | Washer, M6 | |
| 5 | 471678 | 2 | Strap, Cable | |
| 6 | 1001008742 | 1 | Coupling, Tee | |
| 7 | 1001090343 | 1 | Connector | |
| 8 | 1001165269 | 1 | Bottle, Washer | |
| 9 | 1001165270 | 1 | Hose, Washer Filler | |
| 10 | 1001165351 | 2 | Hose | |
| 11 | 1001165407 | 1 | Hose | |
| 12 | 1001165416 | 1 | Hose | |
| 14 | 1001165455 | 2 | Hose | |
| 15 | 1001165458 | 16 | Hose | |
| 16 | 0760512 | 2 | Bolt M5X25 | |
| 17 | 0760608 | 4 | Bolt, M6X16 | |
| 18 | 1001178123 | 2 | Hose | |
| 19 | 1001171756 | 1 | Bracket | |

SECTION 6 - CAB

FIGURE 6-66. SCREEN GUARDS INSTALLATION



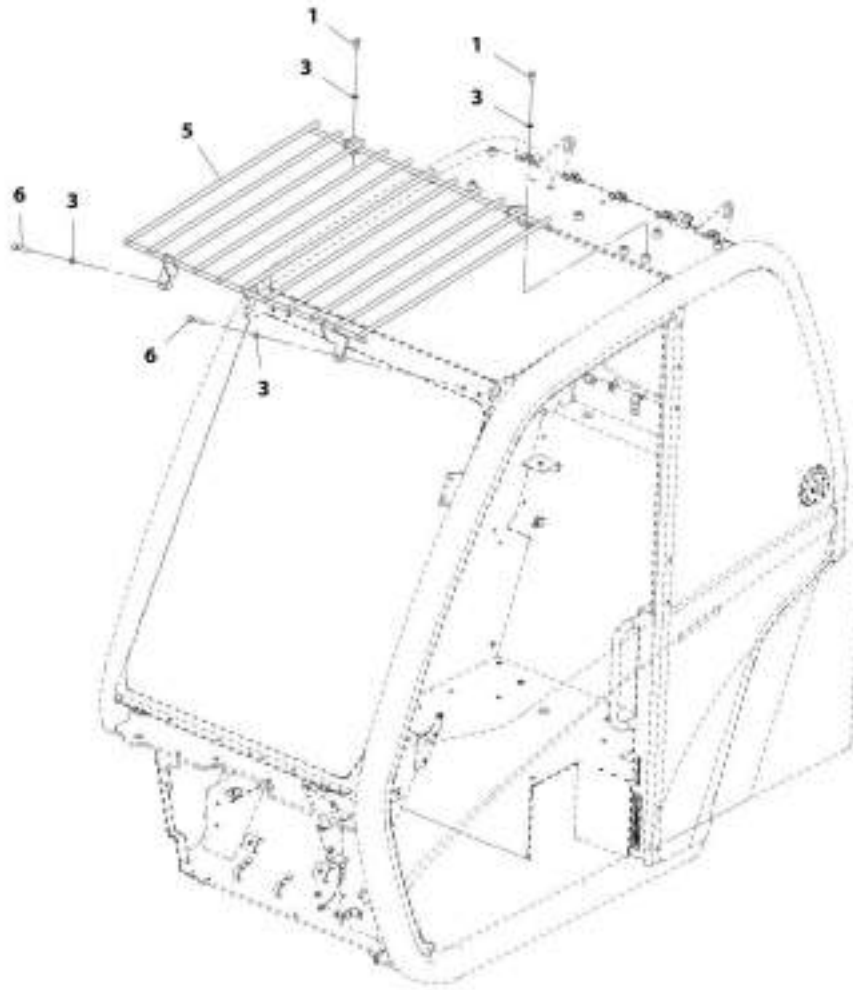
AWT_1001122794-F

FIGURE 6-66. SCREEN GUARDS INSTALLATION

| ITEM | PART NUMBER | QTY | DESCRIPTION | REV |
|------|-------------|-----|----------------------------|-----|
| | 1001172774 | Ref | Screen Guards Installation | F |
| 1 | 0700820 | 2 | Bolt, M8X60 | |
| 2 | 0760810 | 2 | Bolt, M8X20 | |
| 3 | 4031910 | 2 | Bolt, M8X30 | |
| 4 | 4811900 | 6 | Washer, M8 | |
| 6 | 1001160503 | 1 | Top Screen Guard | |
| 7 | 1001180263 | 1 | Front Screen Guard | |

SECTION 6 - CAB

FIGURE 6-67. TOP SCREEN GUARD INSTALLATION



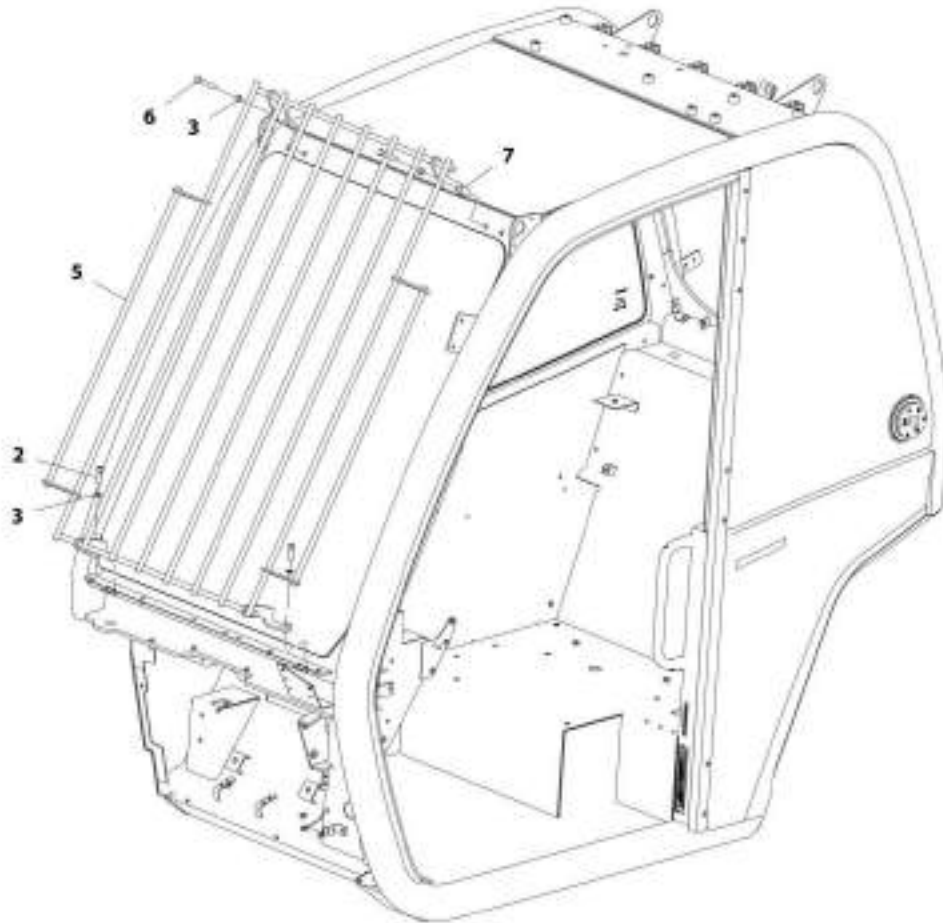
ART_1001100496-F

FIGURE 6-67. TOP SCREEN GUARD INSTALLATION

| ITEM | PART NUMBER | QTY | DESCRIPTION | REV |
|-------------|--------------------|------------|-------------------------------|------------|
| | 1001160496 | Ref | Top Screen Guard Installation | F |
| 1 | 0760810 | 2 | Bolt, M8X20 | |
| 3 | 4811900 | 4 | Washer, M8 | |
| 5 | 1001160503 | 1 | Top Screen Guard | |
| 6 | 0700820 | 2 | Bolt, M8X60 | |

SECTION 6 - CAB

FIGURE 6-68. FRONT SCREEN GUARD INSTALLATION



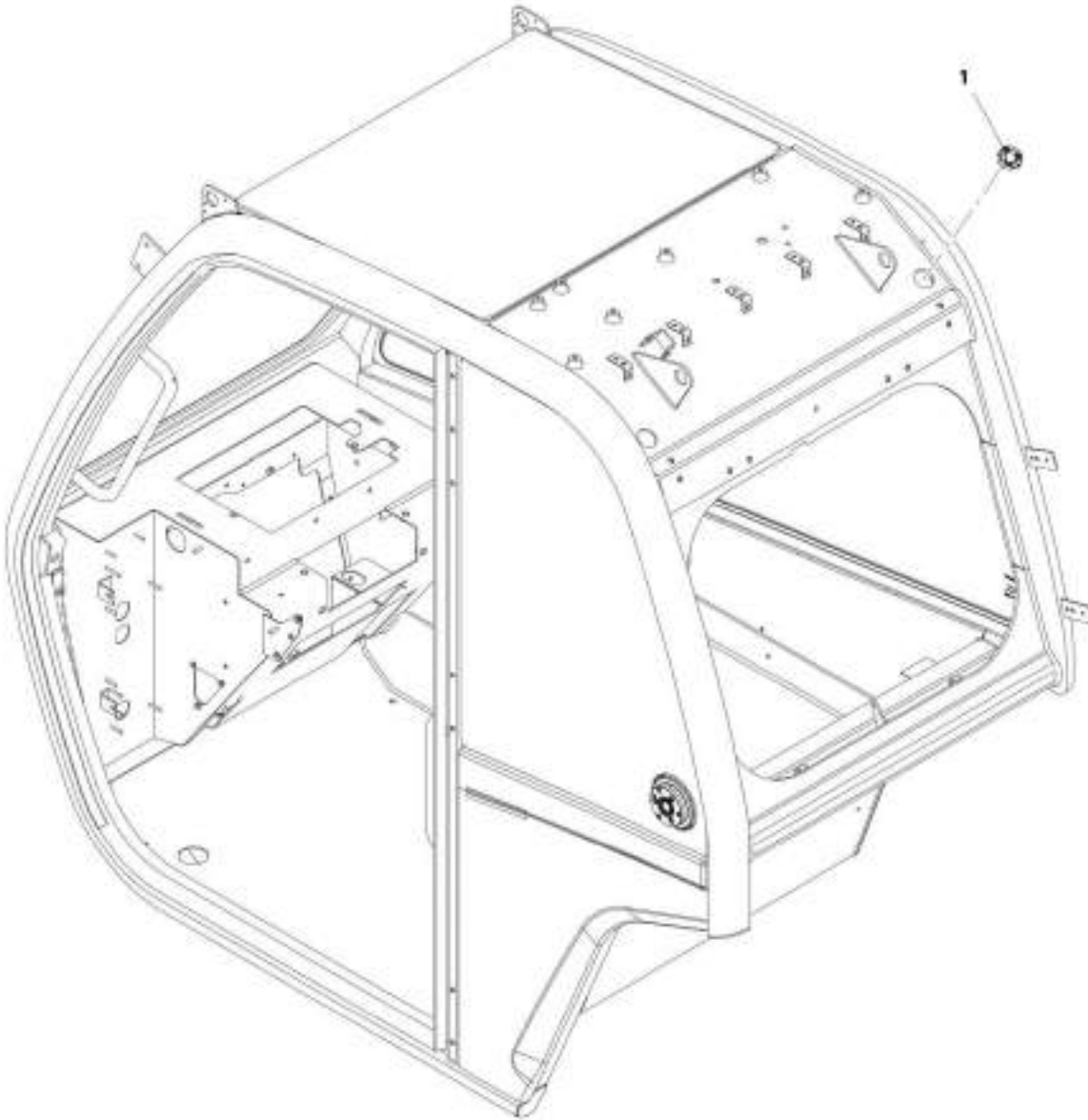
ART_1001590106-G

FIGURE 6-68. FRONT SCREEN GUARD INSTALLATION

| ITEM | PART NUMBER | QTY | DESCRIPTION | REV |
|------|-------------|-----|---------------------------------|-----|
| | 1001160506 | Ref | Front Screen Guard Installation | G |
| 2 | 4031910 | 2 | Bolt, M8X30 | |
| 3 | 4811900 | 4 | Washer, M8 | |
| 5 | 1001180263 | 1 | Front Screen Guard | |
| 6 | 0700820 | 2 | Bolt, M8X60 | |
| 7 | 1001173257 | 2 | Spacer | |

SECTION 6 - CAB

FIGURE 6-69. ROOF PIGTAIL CAP INSTALLATION



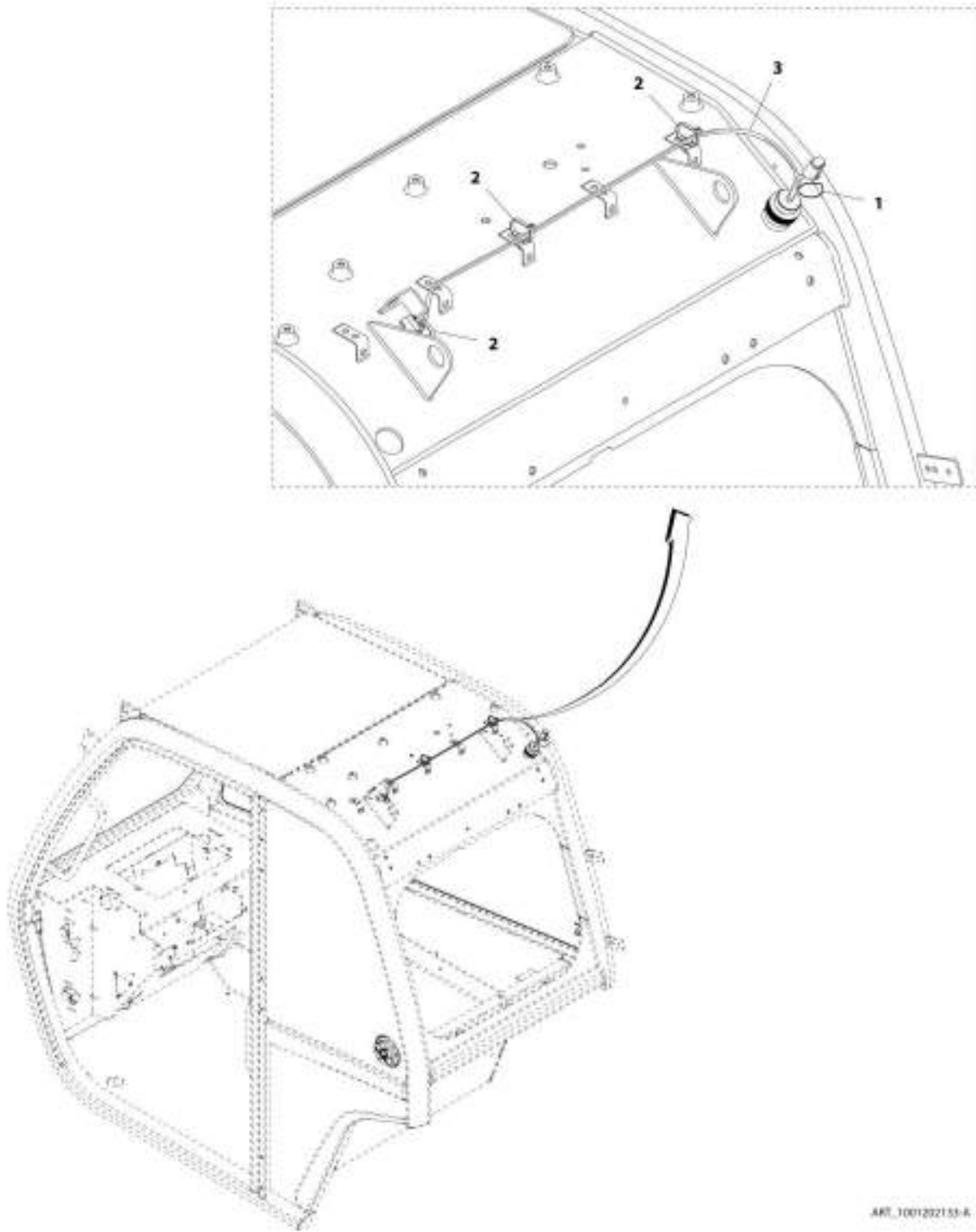
ART_1001202130-A

FIGURE 6-69. ROOF PIGTAIL CAP INSTALLATION

| ITEM | PART NUMBER | QTY | DESCRIPTION | REV |
|-------------|--------------------------|------------|--|------------|
| 1 | 1001202138 1001202134 | Ref 1 | Roof Pigtail Cap Installation Cap, Deutsch Dust | A |

SECTION 6 - CAB

FIGURE 6-70. ROOF PIGTAIL INSTALLATION



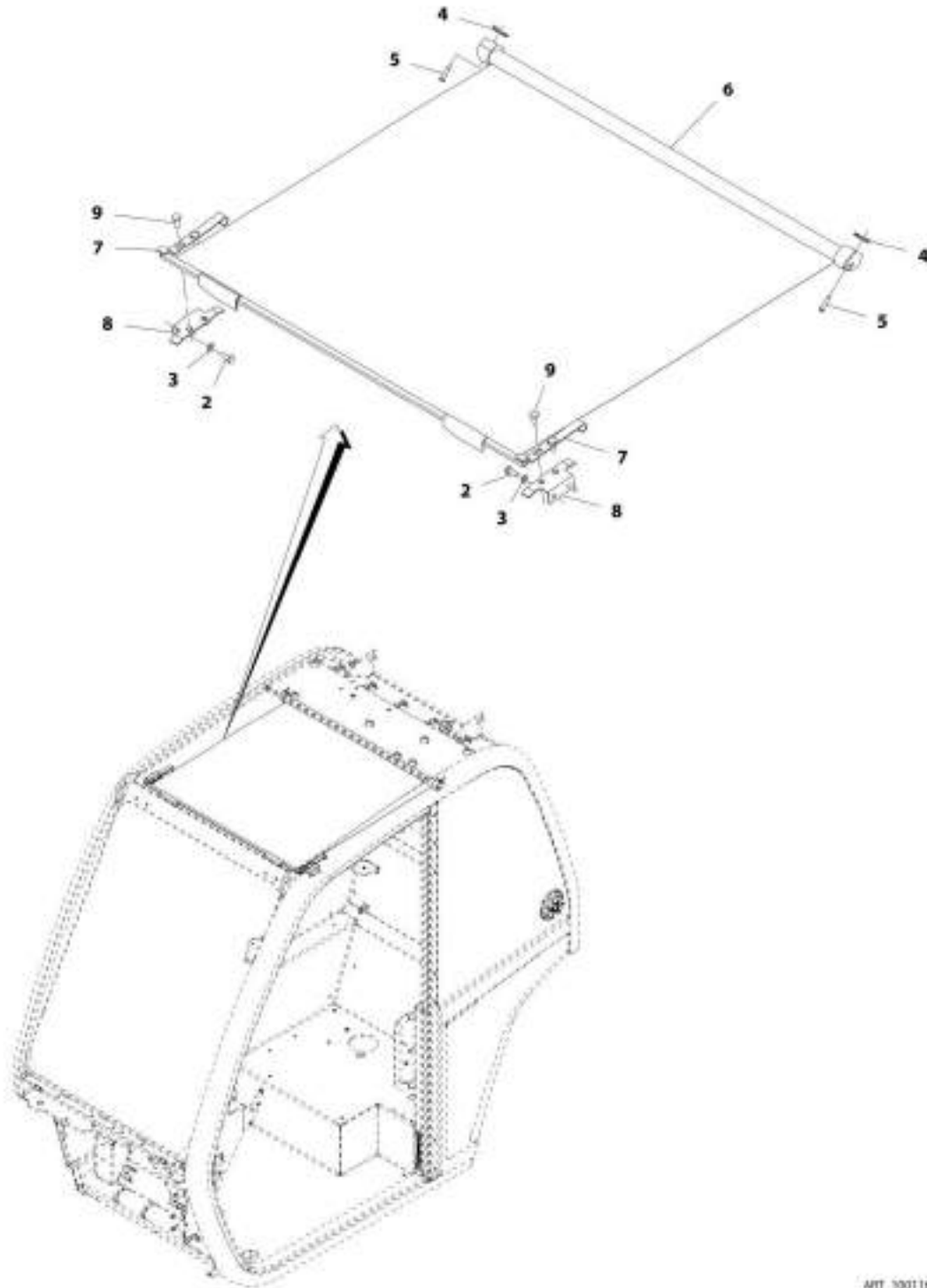
ART_1001202153-R

FIGURE 6-70. ROOF PIGTAIL INSTALLATION

| ITEM | PART NUMBER | QTY | DESCRIPTION | REV |
|------|-------------|-----|--|-----|
| | 1001202133 | Ref | Roof Pigtail Installation | A |
| 1 | 4240033 | 1 | Cable Tie | |
| 2 | 1001146588 | 3 | Strap | |
| 3 | 1001202132 | 1 | Harness, Roof Pigtail (See ELECTRICAL SECTION for Breakdown) | |

SECTION 6 - CAB

FIGURE 6-71. RETRACTABLE SUNSCREEN INSTALLATION



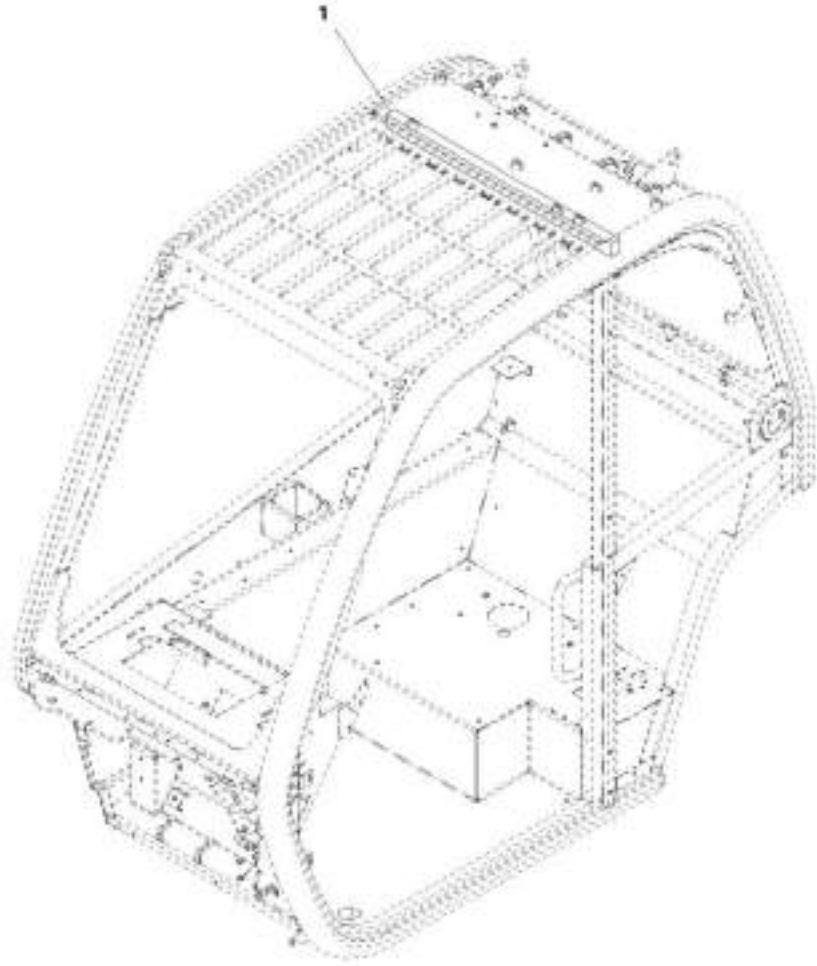
MIT_5001163151-G

FIGURE 6-71. RETRACTABLE SUNSCREEN INSTALLATION

| ITEM | PART NUMBER | QTY | DESCRIPTION | REV |
|------|-------------|-----|------------------------------------|-----|
| | 1001163151 | Ref | Retractable Sunscreen Installation | G |
| 2 | 0760608 | 4 | Bolt, M6X16 | |
| 3 | 4811700 | 4 | Washer, M6 | |
| 4 | 1001111076 | 2 | Nut | |
| 5 | 1001111147 | 2 | Screw | |
| 6 | 1001163170 | 1 | Cab, Screen Blind | |
| 7 | 1001209463 | 2 | Bracket, Sunscreen Mount | |
| 8 | 1001166385 | 2 | Bracket | |
| 9 | 4010608002 | 4 | Screw, M6X16 | |

SECTION 6 - CAB

FIGURE 6-72. NO SUNBLIND INSTALLATION



ART_1001231041-A

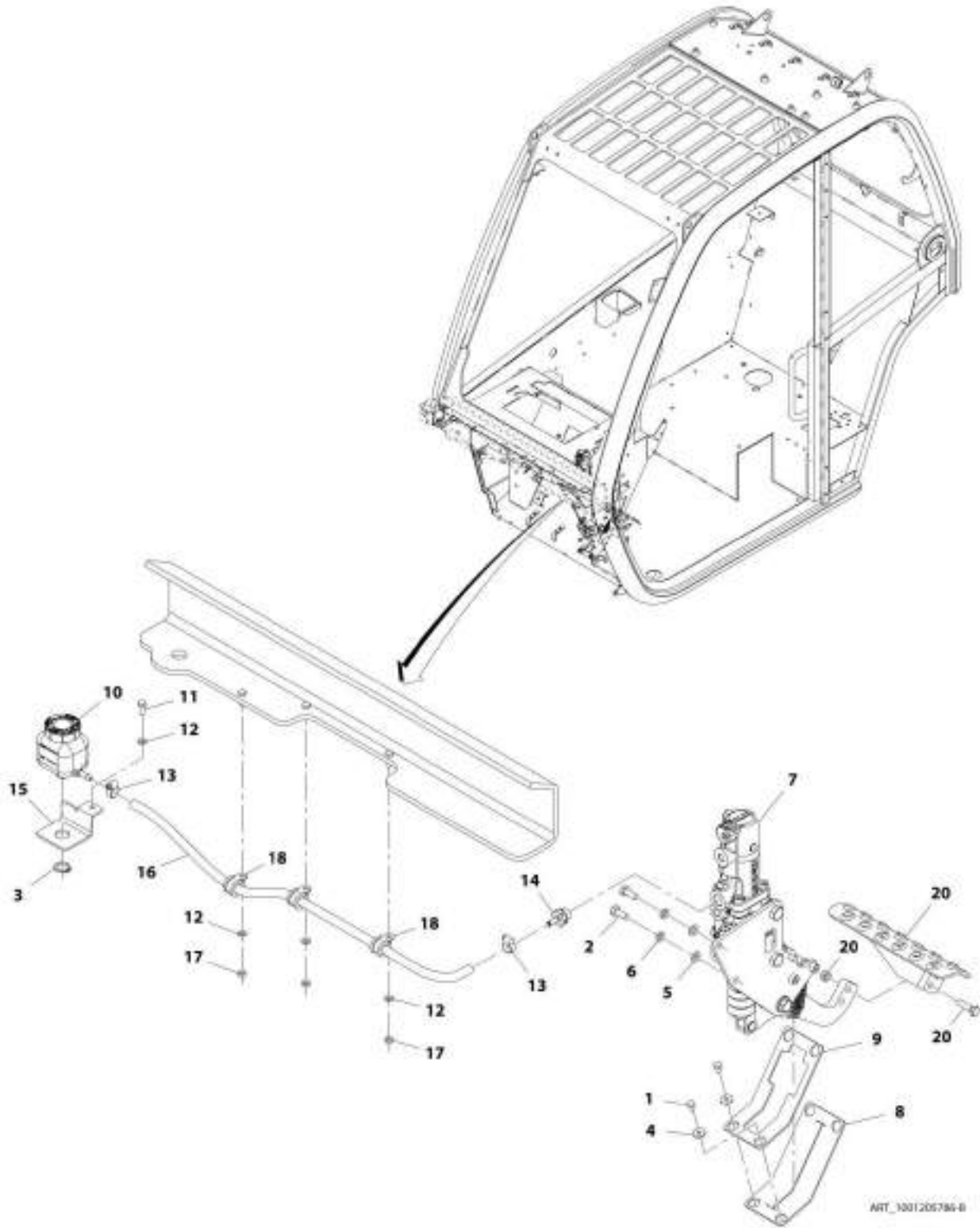
FIGURE 6-72. NO SUNBLIND INSTALLATION

| ITEM | PART NUMBER | QTY | DESCRIPTION | REV |
|-------------|--------------------------|------------|--|------------|
| 1 | 1001211041 1001208192 | Ref 1 | No Sunblind Installation Seal, Foam | A |

SECTION 7 - CONTROLS

SECTION 7 - CONTROLS

FIGURE 7-1. BRAKE PEDAL INSTALLATION (642, 742)



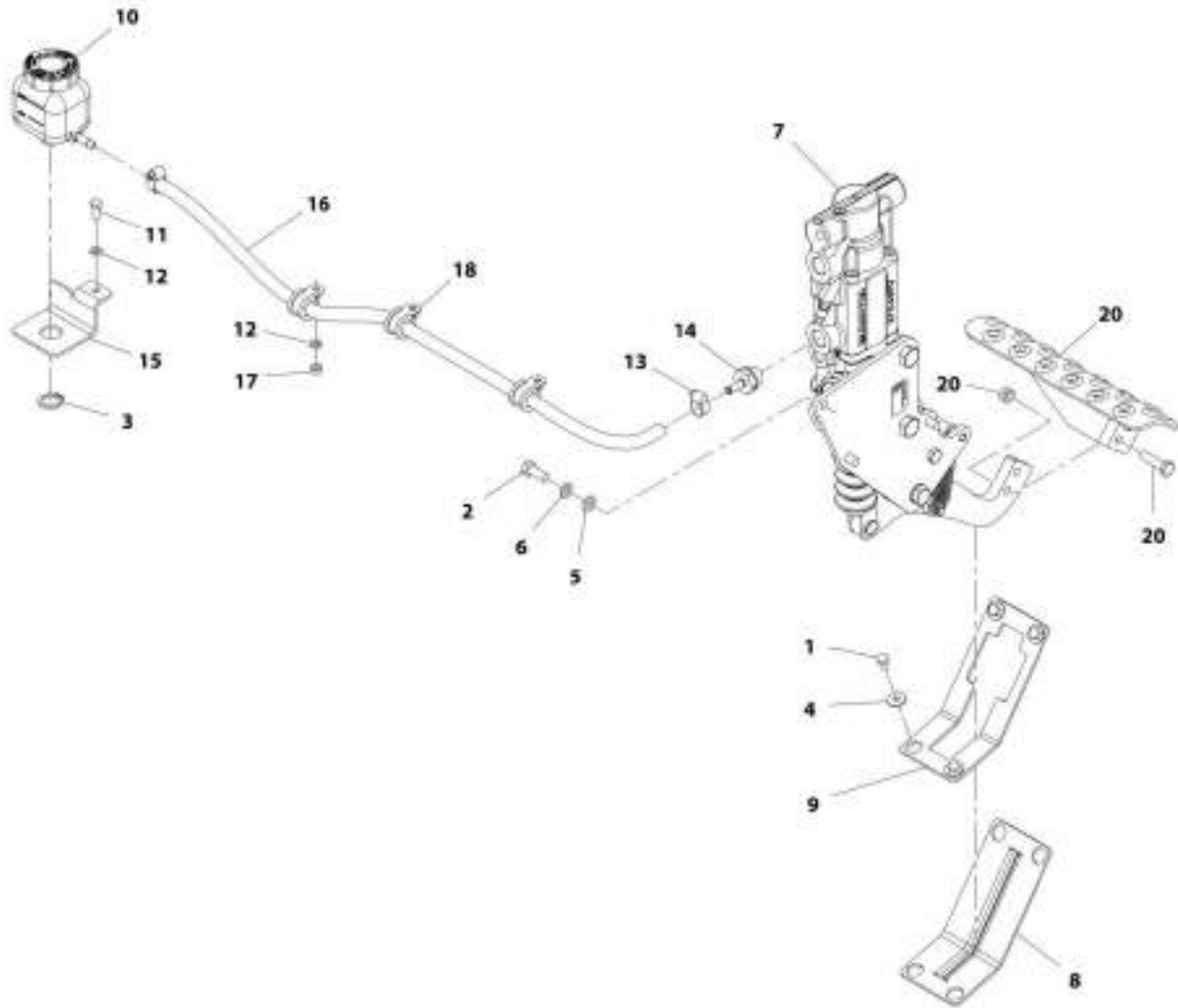
SECTION 7 - CONTROLS

FIGURE 7-1. BRAKE PEDAL INSTALLATION (642, 742)

| ITEM | PART NUMBER | QTY | DESCRIPTION | REV |
|------|-------------|-----|--|-----|
| | 1001205786 | Ref | Brake Pedal Installation (642, 742) | B |
| 1 | 0760605 | 4 | Bolt, M6X10 | |
| 2 | 0760810 | 3 | Bolt, M8X20 | |
| 3 | 3760348 | 1 | Ring, Retaining | |
| 4 | 4811702 | 4 | Washer, M6 | |
| 5 | 4811900 | 3 | Washer, M8 | |
| 6 | 4831900 | 3 | Washer, Lock M8 | |
| 7 | 1001197137 | 1 | Pedal, Brake (642, 742) (See BRAKE PEDAL (642, 742) for Breakdown) | |
| 8 | 1001162920 | 1 | Gasket, Brake Pedal | |
| 9 | 1001162922 | 1 | Plate | |
| 10 | 1001214220 | 1 | Reservoir, Brake | |
| 11 | 0760608 | 1 | Bolt, M6X16 | |
| 12 | 4811700 | 4 | Washer, M6 | |
| 13 | 8405009 | 2 | Clamp, Gear | |
| 14 | 1001171874 | 1 | Fitting, Straight | |
| 15 | 1001172088 | 1 | Bracket, Brake Reservoir | |
| 16 | 1001172094 | 1 | Hose, Brake Reservoir | |
| 17 | 3290601 | 3 | Nut, M6X1 | |
| 18 | 1001170231 | 3 | Clip, M6X15 | |
| 20 | 1001197139 | 1 | Plate, Brake Pedal (See BRAKE PEDAL PLATE for Breakdown) | |

SECTION 7 - CONTROLS

FIGURE 7-2. BRAKE PEDAL INSTALLATION (943, 1043)



ART_1001204225-C

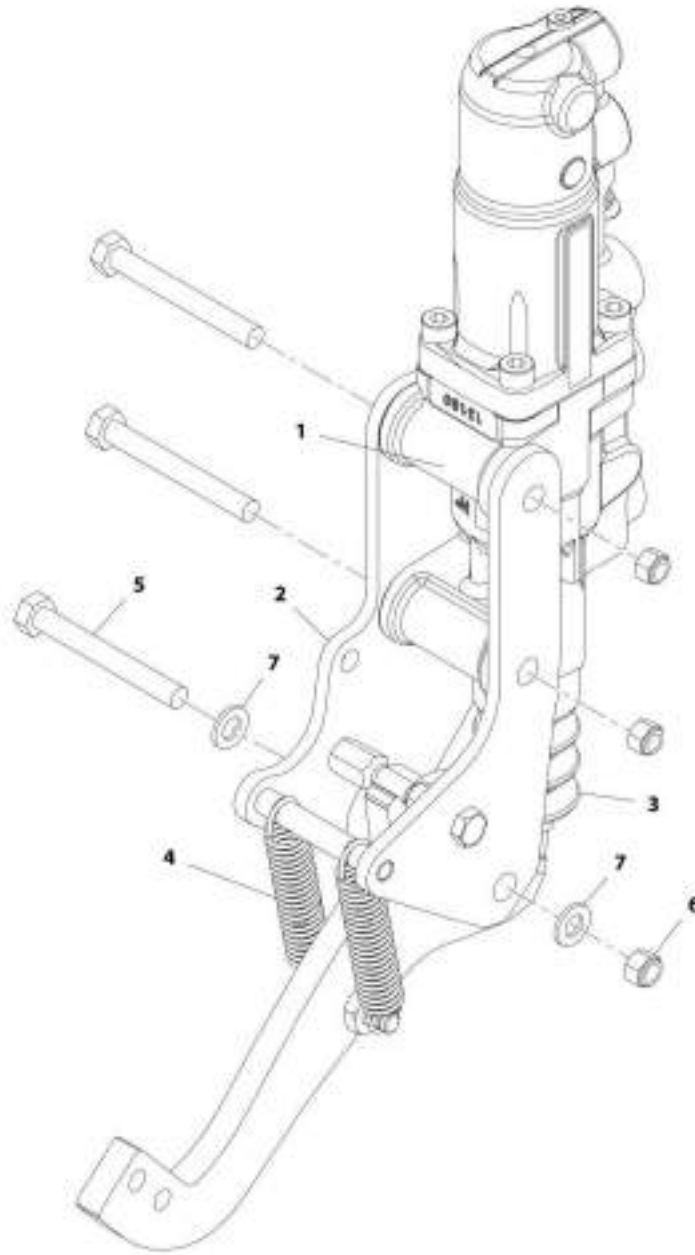
SECTION 7 - CONTROLS

FIGURE 7-2. BRAKE PEDAL INSTALLATION (943, 1043)

| ITEM | PART NUMBER | QTY | DESCRIPTION | REV |
|------|-------------|-----|--|-----|
| | 1001204225 | Ref | Brake Pedal Installation (943, 1043) | C |
| 1 | 0760605 | 4 | Bolt, M6X10 | |
| 2 | 0760810 | 3 | Bolt, M8X20 | |
| 3 | 3760348 | 1 | Ring, Retaining | |
| 4 | 4811702 | 4 | Washer, M6 | |
| 5 | 4811900 | 3 | Washer, M8 | |
| 6 | 4831900 | 3 | Washer, Lock M8 | |
| 7 | 1001197138 | 1 | Pedal, Brake (943, 1043) (See BRAKE PEDAL (943, 1043) for Breakdown) | |
| 8 | 1001162920 | 1 | Gasket, Brake Pedal | |
| 9 | 1001162922 | 1 | Plate | |
| 10 | 1001214220 | 1 | Reservoir, Brake | |
| 11 | 0760608 | 1 | Bolt, M6X16 | |
| 12 | 4811700 | 4 | Washer, M6 | |
| 13 | 8405009 | 2 | Clamp, Gear | |
| 14 | 1001171874 | 1 | Fitting, Hose Barb | |
| 15 | 1001172088 | 1 | Bracket, Brake Reservoir | |
| 16 | 1001172094 | 1 | Hose, Brake Reservoir | |
| 17 | 3290601 | 3 | Nut, M6X1 | |
| 18 | 1001170231 | 3 | Clip, M6X15 | |
| 20 | 1001197139 | 1 | Plate, Brake Pedal (642, 943, 1043) (See BRAKE PEDAL PLATE (642, 943, 1043) for Breakdown) | |

SECTION 7 - CONTROLS

FIGURE 7-3. BRAKE PEDAL (642, 742)



ART_100192133-8

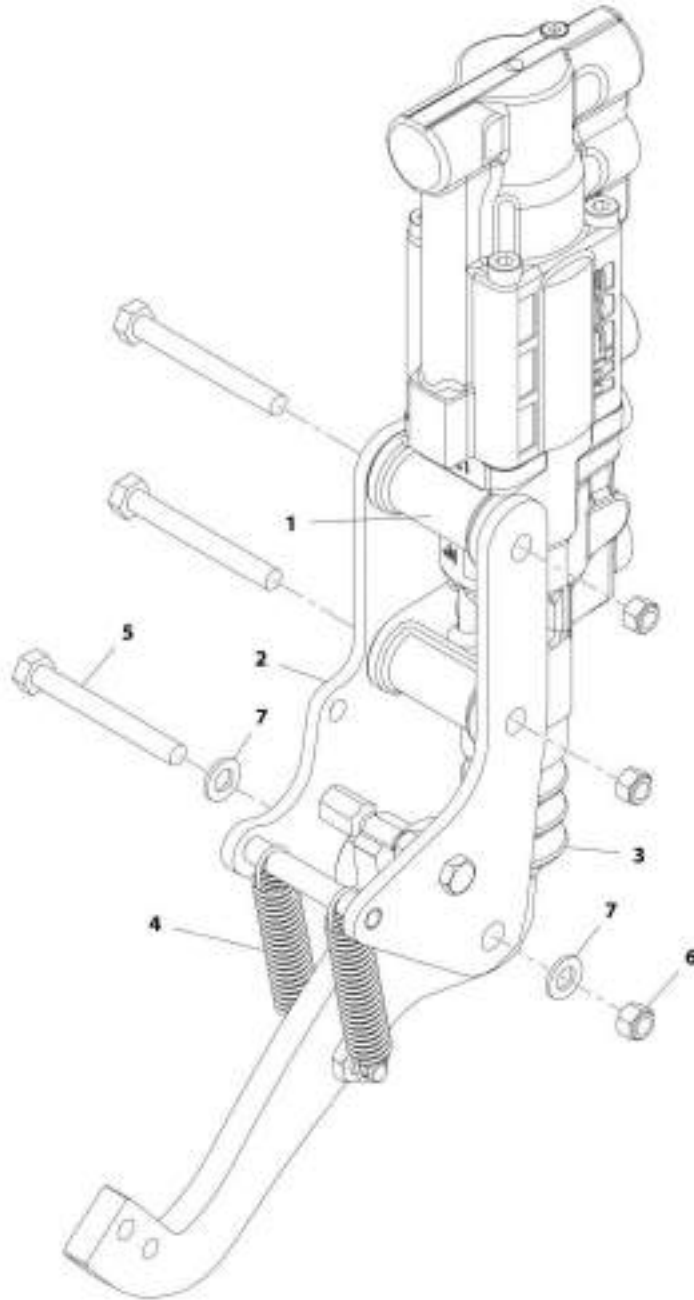
SECTION 7 - CONTROLS

FIGURE 7-3. BRAKE PEDAL (642, 742)

| ITEM | PART NUMBER | QTY | DESCRIPTION | REV |
|------|-------------|-----|--------------------|-----|
| | 1001197137 | Ref | Brake Pedal (642) | B |
| 1 | 70026537 | 1 | Cylinder, Master | |
| 2 | 70026433 | 1 | Support | |
| 3 | 70025859 | 1 | Cover, Dust | |
| 4 | 70025860 | 2 | Spring, Return | |
| 5 | 0701226 | 3 | Bolt, M12X90 | |
| 6 | 3291205 | 3 | Nut, Lock M12X1.75 | |
| 7 | 4812100 | 2 | Washer, M12 | |

SECTION 7 - CONTROLS

FIGURE 7-4. BRAKE PEDAL (943, 1043)



ART_1031197138-D

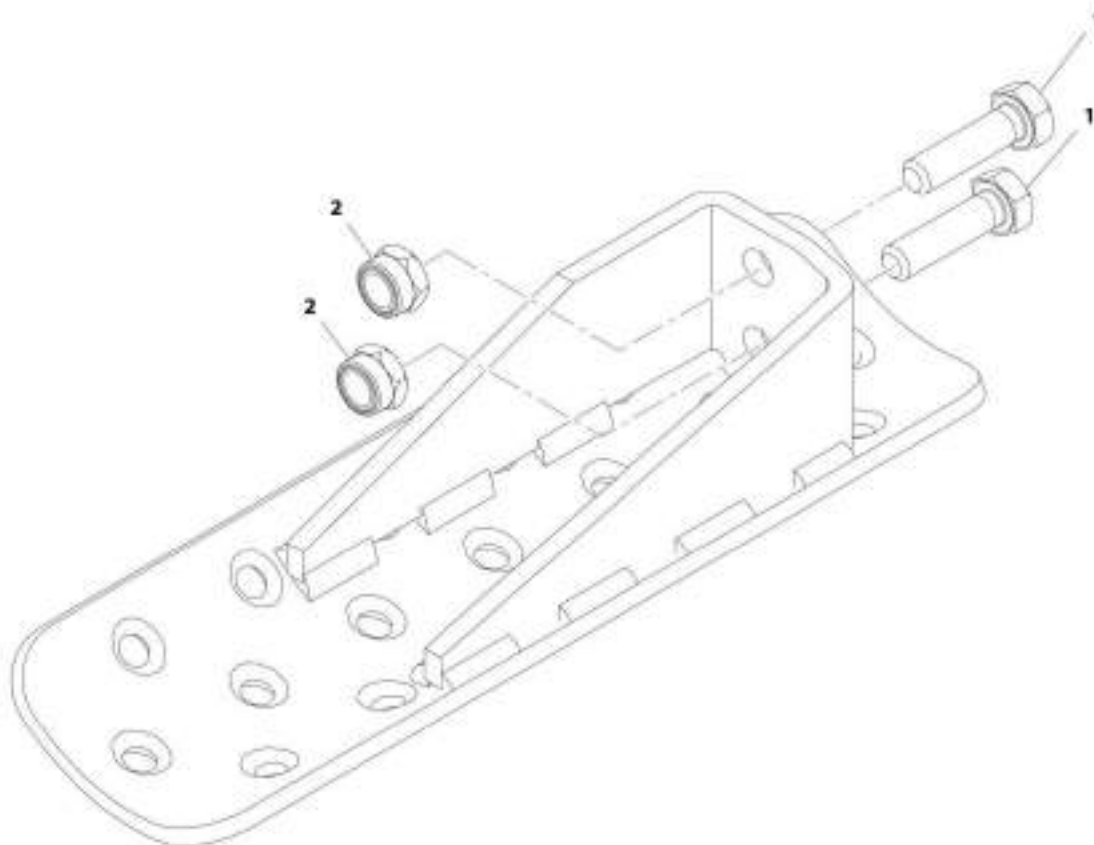
SECTION 7 - CONTROLS

FIGURE 7-4. BRAKE PEDAL (943, 1043)

| ITEM | PART NUMBER | QTY | DESCRIPTION | REV |
|------|-------------|-----|-------------------------|-----|
| | 1001197138 | Ref | Brake Pedal (943, 1043) | D |
| 1 | 70026432 | 1 | Cylinder, Master | |
| 2 | 70026433 | 1 | Support | |
| 3 | 70025859 | 1 | Cover, Dust | |
| 4 | 70025860 | 2 | Spring, Return | |
| 5 | 0701226 | 3 | Bolt, M12X90 | |
| 6 | 3291205 | 3 | Nut, Lock M12X1.75 | |
| 7 | 4812100 | 2 | Washer, M12 | |

SECTION 7 - CONTROLS

FIGURE 7-5. BRAKE PEDAL PLATE



ART_1001197136-A

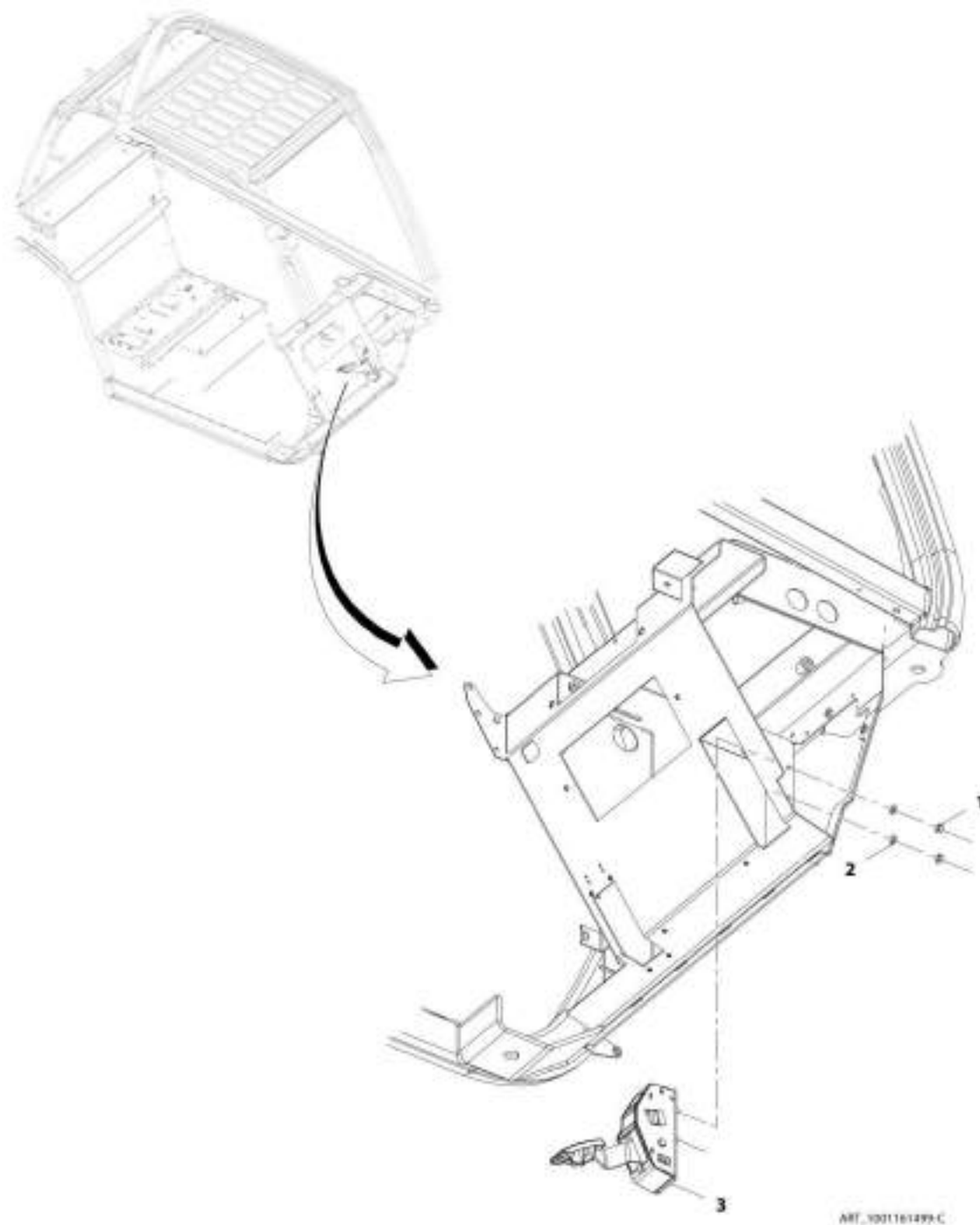
SECTION 7 - CONTROLS

FIGURE 7-5. BRAKE PEDAL PLATE

| ITEM | PART NUMBER | QTY | DESCRIPTION | REV |
|------|-------------|-----|---------------------------|-----|
| | 1001197139 | Ref | Brake Pedal Plate | A |
| 1 | 0770814 | 2 | Bolt, M8X30 | |
| 2 | 3290805 | 2 | Nut, Lock M8X1.25 Grade 8 | |

SECTION 7 - CONTROLS

FIGURE 7-6. ACCELERATOR PEDAL INSTALLATION



ART. 1001161499-C

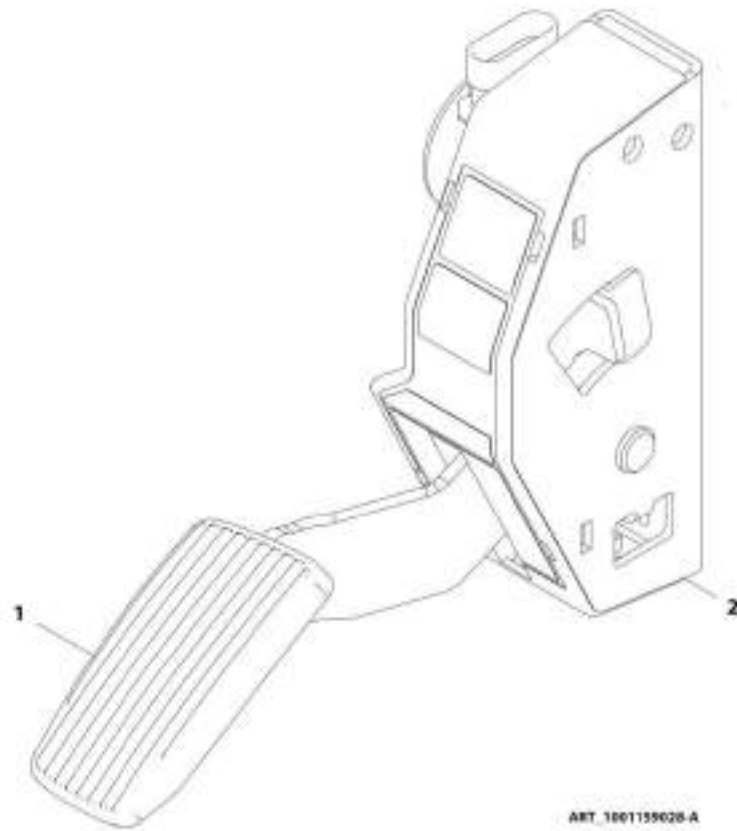
SECTION 7 - CONTROLS

FIGURE 7-6. ACCELERATOR PEDAL INSTALLATION

| ITEM | PART NUMBER | QTY | DESCRIPTION | REV |
|------|-------------|-----|--|-----|
| | 1001161499 | Ref | Accelerator Pedal Installation | C |
| 1 | 3290801 | 2 | Nut, M8X1.25 | |
| 2 | 4811900 | 2 | Washer, M8 | |
| 3 | 1001159028 | 1 | Pedal, Accelerator (See ACCELERATOR PEDAL for Breakdown) | |

SECTION 7 - CONTROLS

FIGURE 7-7. ACCELERATOR PEDAL



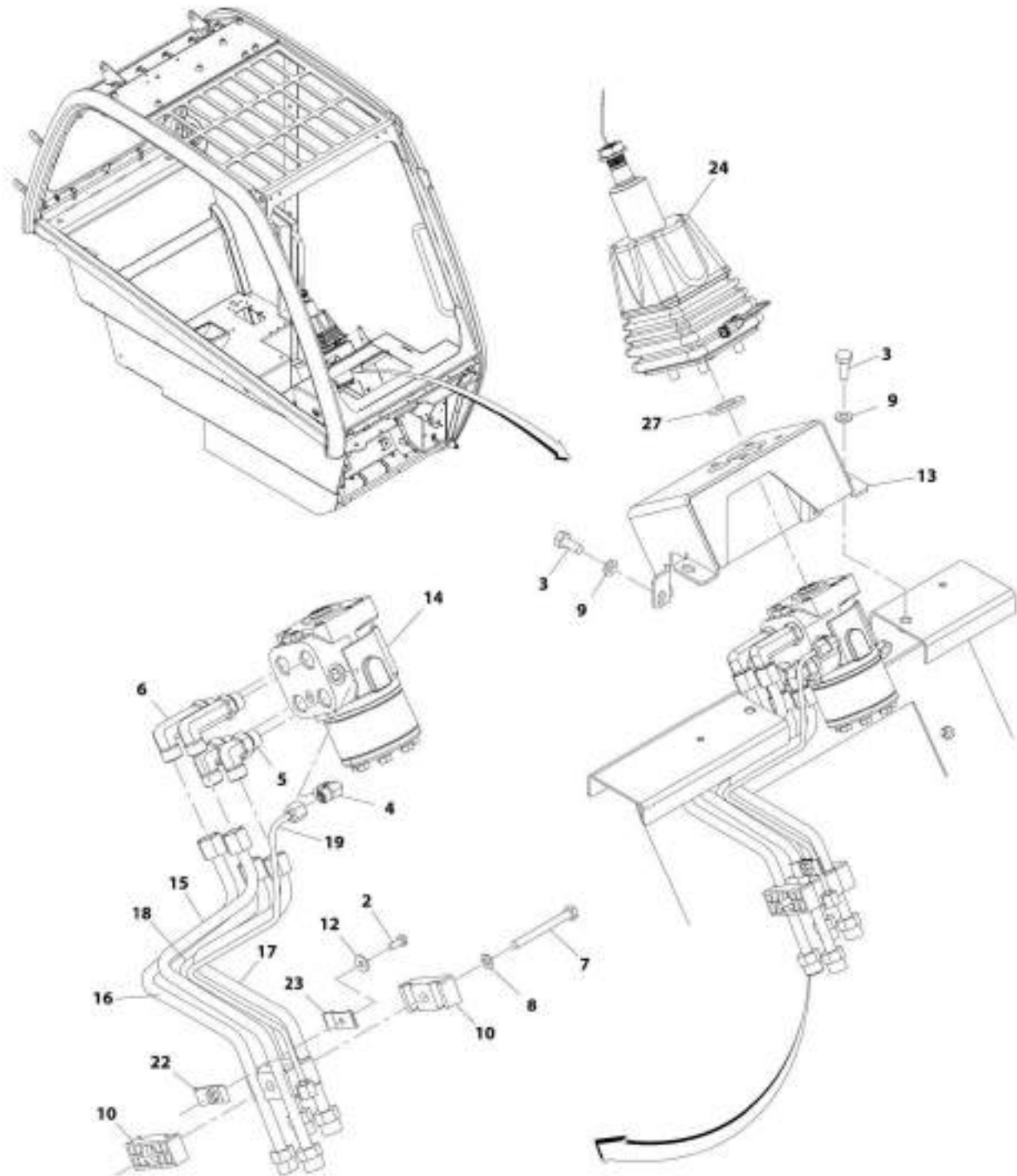
SECTION 7 - CONTROLS

FIGURE 7-7. ACCELERATOR PEDAL

| ITEM | PART NUMBER | QTY | DESCRIPTION | REV |
|------|-------------|-----|-------------------|-----|
| | 1001159028 | Ref | Accelerator Pedal | A |
| 1 | 70025816 | 1 | Pad, Rubber | |
| 2 | 70025817 | 1 | Cover, Rubber | |

SECTION 7 - CONTROLS

FIGURE 7-8. STEERING COLUMN INSTALLATION (642, 742)



ART_100162707-G

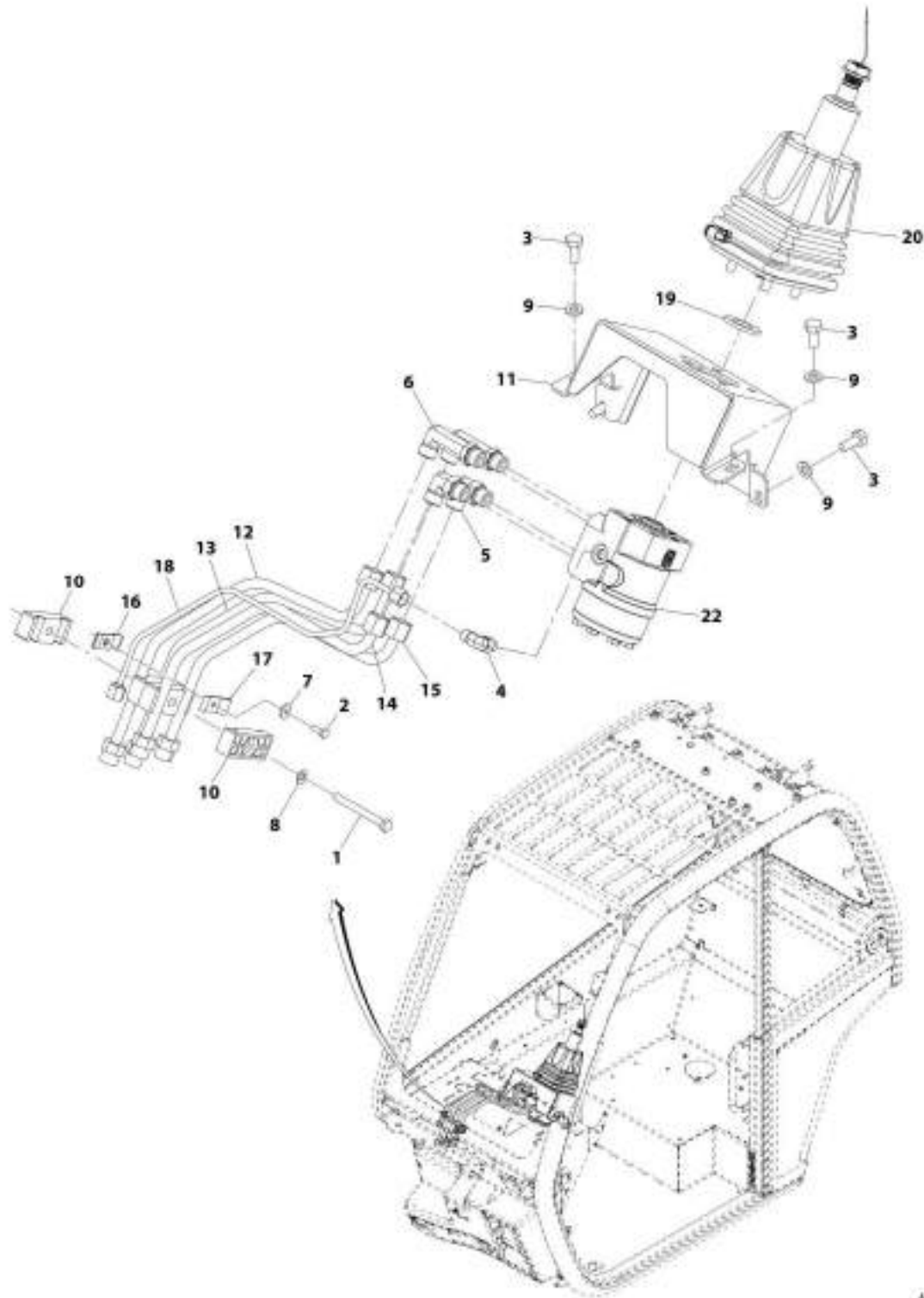
SECTION 7 - CONTROLS

FIGURE 7-8. STEERING COLUMN INSTALLATION (642, 742)

| ITEM | PART NUMBER | QTY | DESCRIPTION | REV |
|------|-------------|-----|--|-----|
| | 1001162707 | Ref | Steering Column Installation (642, 742) | G |
| 2 | 0760608 | 1 | Bolt, M6X16 | |
| 3 | 0761012 | 8 | Bolt, M10X25 | |
| 4 | 2130404 | 1 | Fitting, 90 ORFS | |
| 5 | 2130808 | 2 | Fitting, 90 ORFS | |
| 6 | 2170208 | 2 | Fitting, 90 ORFS | |
| 7 | 0700824 | 1 | Bolt, M8X80 | |
| 8 | 4811900 | 1 | Washer, M8 | |
| 9 | 4812000 | 8 | Washer, M10 | |
| 10 | 1001004640 | 4 | Clamp | |
| 11 | 1001110490 | 4 | Fitting, Straight ORFS, (not shown) (Prior to SN 0160079247) | |
| 12 | 4811702 | 1 | Washer, M6 | |
| 13 | 1001156265 | 1 | Plate | |
| 14 | 1001160599 | 1 | Valve, Steering Unit (See HYDRAULIC COMPONENTS SECTION for Breakdown) | |
| 15 | 1001161672 | 1 | Pipe | |
| 16 | 1001161896 | 1 | Pipe | |
| 17 | 1001161897 | 1 | Pipe | |
| 18 | 1001161898 | 1 | Pipe | |
| 19 | 1001162979 | 1 | Pipe | |
| 22 | 1001168142 | 1 | Bracket | |
| 23 | 1001168151 | 1 | Bracket | |
| 24 | 1001161733 | NLA | Column, Steering (no longer available, see 1001214481 for replacement) | |
| 24 | 1001214481 | 1 | Column, Steering | |
| 27 | 1001214480 | 1 | Washer | |

SECTION 7 - CONTROLS

FIGURE 7-9. STEERING COLUMN INSTALLATION (EMERGENCY STEERING) (642, 742)



ART_5001221994-A

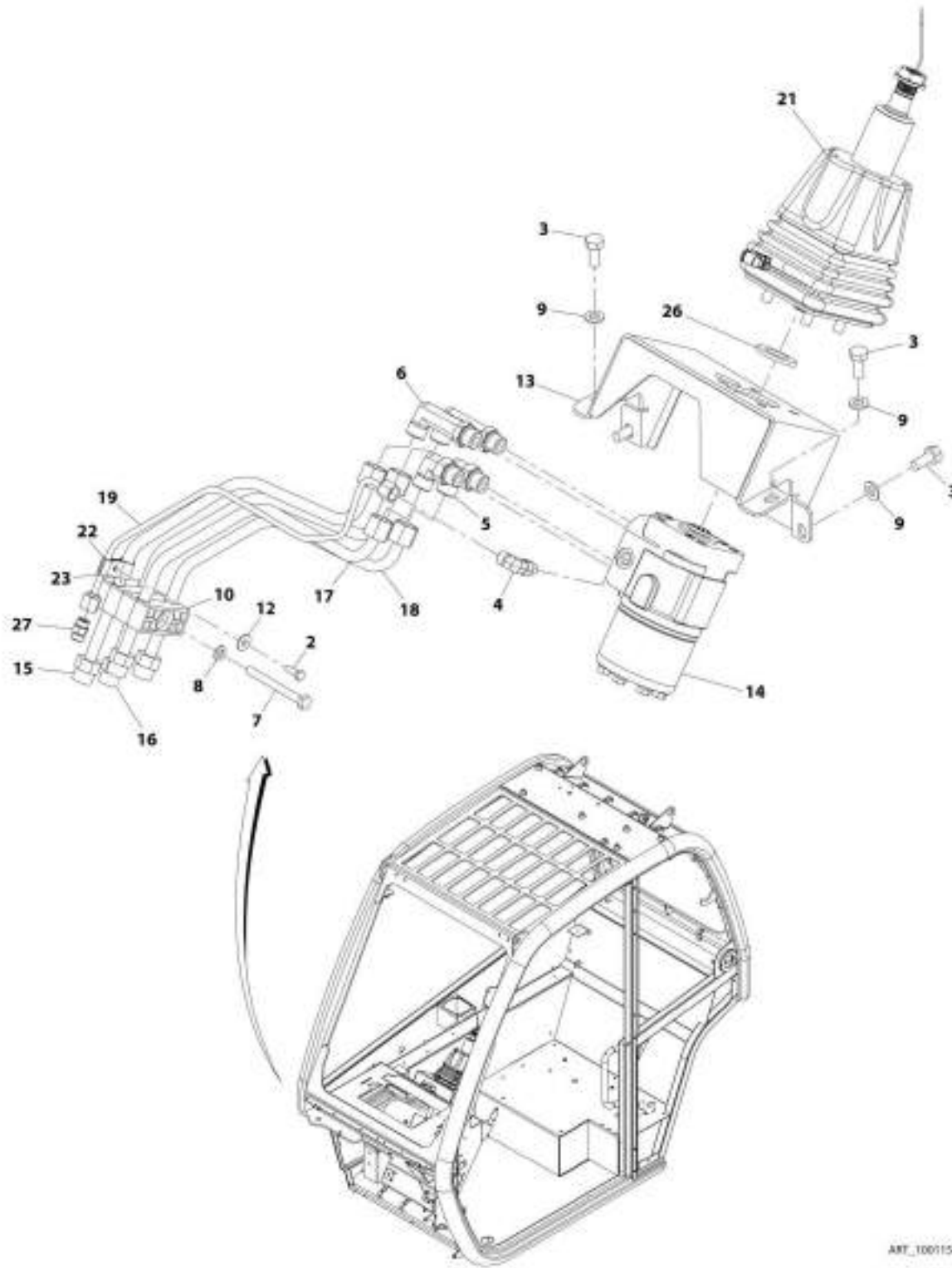
SECTION 7 - CONTROLS

FIGURE 7-9. STEERING COLUMN INSTALLATION (EMERGENCY STEERING) (642, 742)

| ITEM | PART NUMBER | QTY | DESCRIPTION | REV |
|------|-------------|-----|--|-----|
| | 1001221994 | Ref | Steering Column Installation (Emergency Steering) (642, 742) | A |
| 1 | 0700824 | 1 | Bolt, M8X80 | |
| 2 | 0760608 | 1 | Bolt, M6X16 | |
| 3 | 0761012 | 8 | Bolt, M10X25 | |
| 4 | 2130404 | 1 | Fitting, 90 ORFS | |
| 5 | 2130808 | 2 | Fitting, 90 ORFS | |
| 6 | 2170208 | 2 | Fitting, 90 ORFS | |
| 7 | 4811702 | 1 | Washer, M6 | |
| 8 | 4811900 | 1 | Washer, M8 | |
| 9 | 4812000 | 8 | Washer, M10 | |
| 10 | 1001004640 | 4 | Clamp | |
| 11 | 1001156265 | 1 | Cab, Steering Column Support | |
| 12 | 1001161672 | 1 | Pipe | |
| 13 | 1001161896 | 1 | Pipe | |
| 14 | 1001161897 | 1 | Pipe | |
| 15 | 1001161898 | 1 | Pipe | |
| 16 | 1001168142 | 1 | Bracket | |
| 17 | 1001168151 | 1 | Bracket | |
| 18 | 1001194282 | 1 | Pipe | |
| 19 | 1001214480 | 1 | Washer | |
| 20 | 1001214481 | 1 | Column, Steering | |
| 22 | 1001219396 | 1 | Valve, Steering Unit | |

SECTION 7 - CONTROLS

FIGURE 7-10. STEERING COLUMN INSTALLATION (943, 1043)



ART_1001155307-0

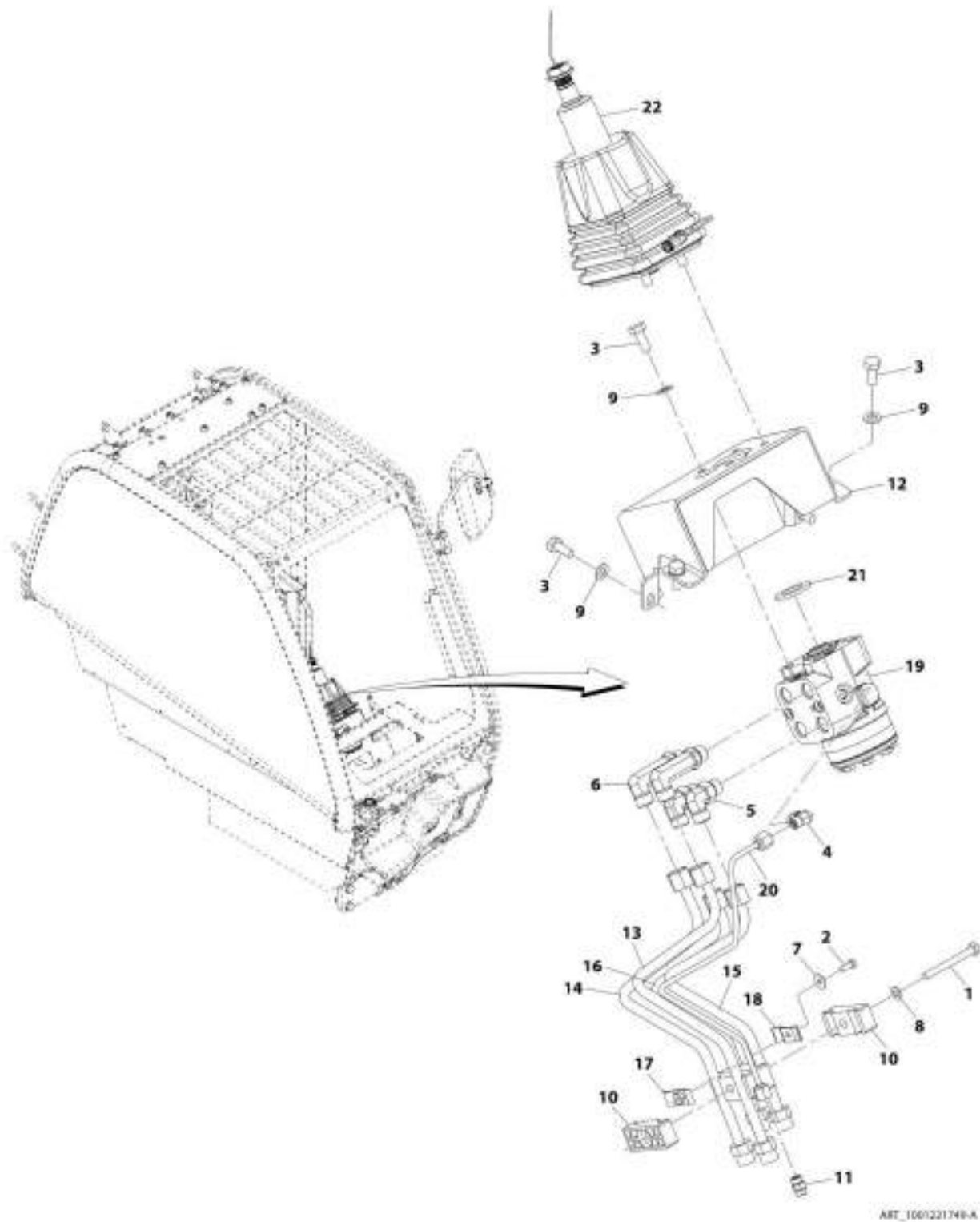
SECTION 7 - CONTROLS

FIGURE 7-10. STEERING COLUMN INSTALLATION (943, 1043)

| ITEM | PART NUMBER | QTY | DESCRIPTION | REV |
|------|-------------|-----|--|-----|
| | 1001155307 | 1 | Steering Column Installation (943, 1043) | F |
| 2 | 0760608 | 1 | Bolt, M6X16 | |
| 3 | 0761012 | 8 | Bolt, M10X25 | |
| 4 | 2130404 | 1 | Fitting, 90 ORFS | |
| 5 | 2130808 | 2 | Fitting, 90 ORFS | |
| 6 | 2170208 | 2 | Fitting, 90 ORFS | |
| 7 | 0700824 | 1 | Bolt, M8X80 | |
| 8 | 4811900 | 1 | Washer, M8 | |
| 9 | 4812000 | 8 | Washer, M10 | |
| 10 | 1001004640 | 4 | Clamp | |
| 12 | 4811702 | 1 | Washer, M6 | |
| 13 | 1001156265 | 1 | Cab, Steering Column Support | |
| 14 | 1001158527 | 1 | Valve, Steering (See HYDRAULIC COMPONENTS SECTION for Breakdown) | |
| 15 | 1001161672 | 1 | Pipe | |
| 16 | 1001161896 | 1 | Pipe | |
| 17 | 1001161897 | 1 | Pipe | |
| 18 | 1001161898 | 1 | Pipe | |
| 19 | 1001162979 | 1 | Pipe | |
| 21 | 1001161733 | NLA | Column, Steering (no longer available, see 1001214481 for replacement) | |
| 21 | 1001214481 | 1 | Column, Steering | |
| 22 | 1001168142 | 1 | Bracket | |
| 23 | 1001168151 | 1 | Bracket | |
| 26 | 1001214480 | 1 | Washer | |
| 27 | 1001143857 | 1 | Adaptor | |

SECTION 7 - CONTROLS

FIGURE 7-11. STEERING COLUMN INSTALLATION (EMERGENCY STEERING) (943, 1043)



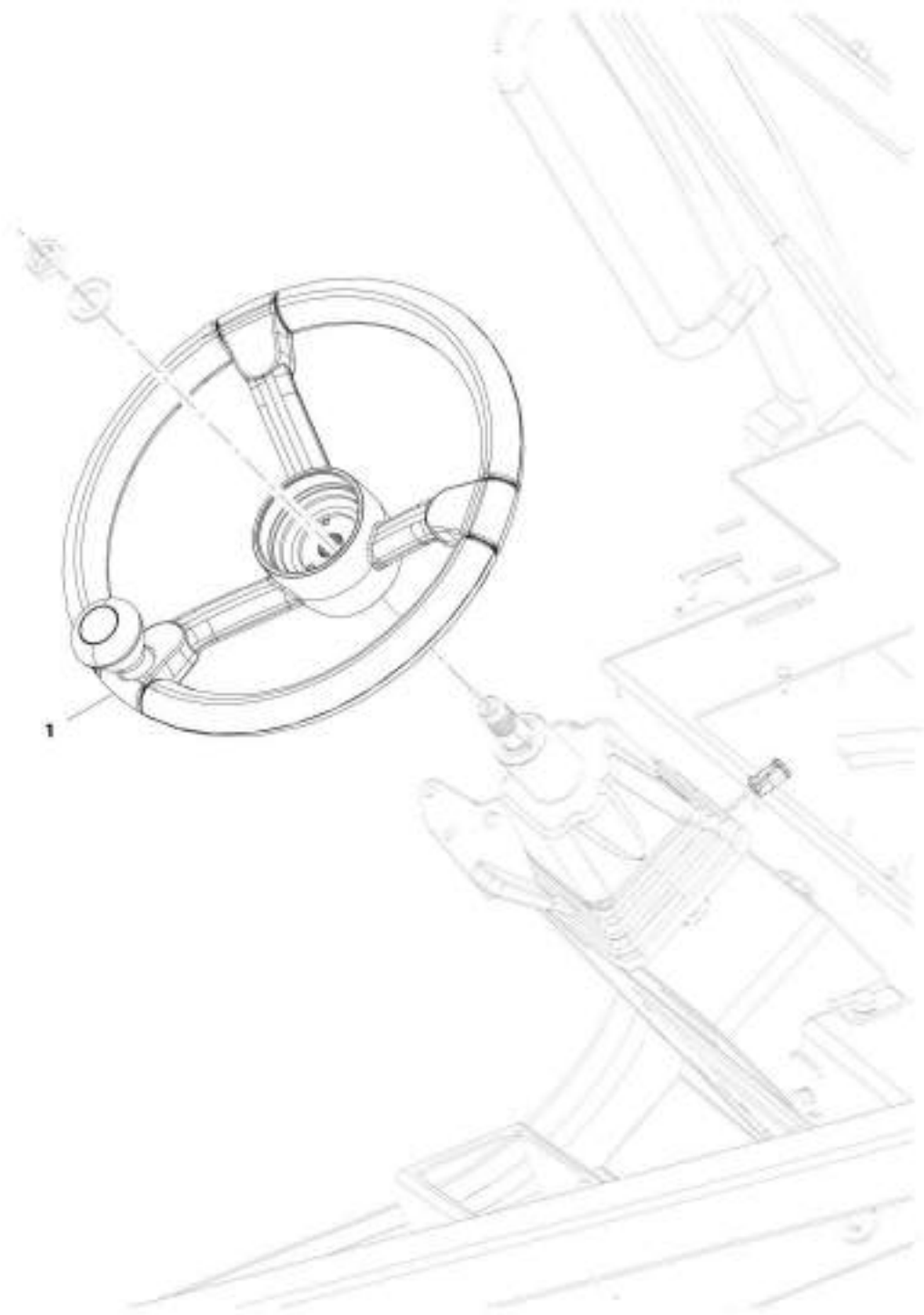
SECTION 7 - CONTROLS

FIGURE 7-11. STEERING COLUMN INSTALLATION (EMERGENCY STEERING) (943, 1043)

| ITEM | PART NUMBER | QTY | DESCRIPTION | REV |
|------|-------------|-----|--|-----|
| | 1001221749 | Ref | Emergency Steering Column Installation (943, 1043) | A |
| 1 | 0700824 | 1 | Bolt, M8X80 | |
| 2 | 0760608 | 1 | Bolt, M6X16 | |
| 3 | 0761012 | 8 | Bolt, M10X25 | |
| 4 | 2130404 | 1 | Fitting, 90 ORFS | |
| 5 | 2130808 | 2 | Fitting, 90 ORFS | |
| 6 | 2170208 | 2 | Fitting, 90 ORFS | |
| 7 | 4811702 | 1 | Washer, M6 | |
| 8 | 4811900 | 1 | Washer, M8 | |
| 9 | 4812000 | 8 | Washer, M10 | |
| 10 | 1001004640 | 4 | Clamp | |
| 11 | 1001143857 | 1 | Adapter | |
| 12 | 1001156265 | 1 | Cab, Steering Column Support | |
| 13 | 1001161672 | 1 | Pipe | |
| 14 | 1001161896 | 1 | Pipe | |
| 15 | 1001161897 | 1 | Pipe | |
| 16 | 1001161898 | 1 | Pipe | |
| 17 | 1001168142 | 1 | Bracket | |
| 18 | 1001168151 | 1 | Bracket | |
| 19 | 1001178670 | 1 | Valve, Steering | |
| 20 | 1001194282 | 1 | Pipe | |
| 21 | 1001214480 | 1 | Washer | |
| 22 | 1001214481 | 1 | Column, Steering | |

SECTION 7 - CONTROLS

FIGURE 7-12. STEERING WHEEL INSTALLATION



ART_100168751-C

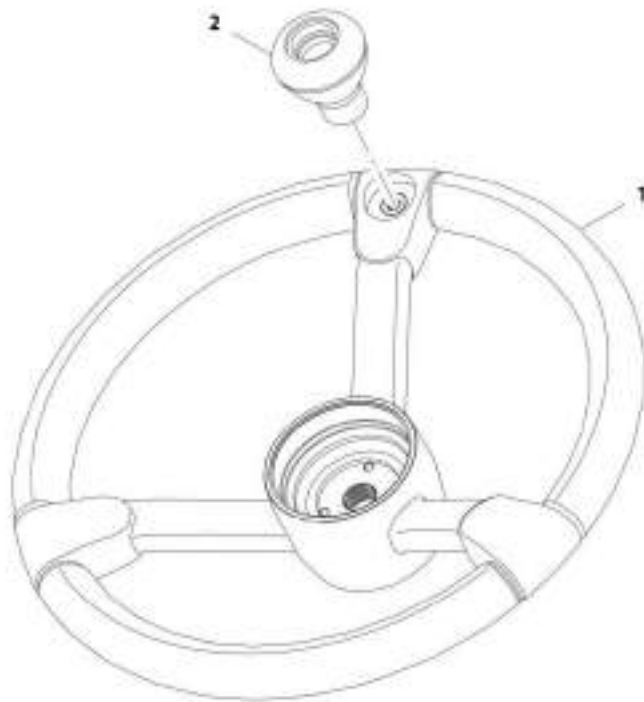
SECTION 7 - CONTROLS

FIGURE 7-12. STEERING WHEEL INSTALLATION

| ITEM | PART NUMBER | QTY | DESCRIPTION | REV |
|------|-------------|-----|--|-----|
| 1 | 1001169751 | 1 | Steering Wheel Installation | C |
| | 1001169354 | 1 | Wheel, Steering (See STEERING WHEEL for Breakdown) | |

SECTION 7 - CONTROLS

FIGURE 7-13. STEERING WHEEL



ART_1001169354-D

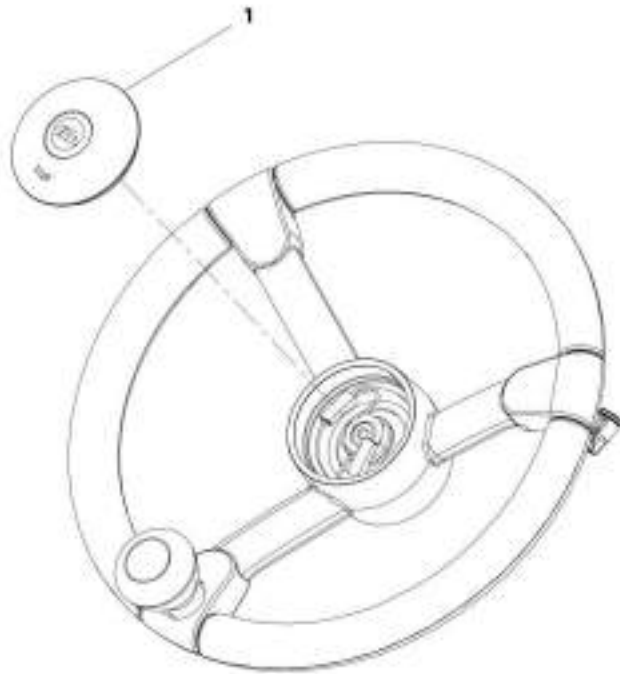
SECTION 7 - CONTROLS

FIGURE 7-13. STEERING WHEEL

| ITEM | PART NUMBER | QTY | DESCRIPTION | REV |
|------|-------------|-----|-----------------------|-----|
| | 1001169354 | Ref | Steering Wheel | D |
| 1 | 1001169367 | 1 | Wheel, Steering | |
| 2 | 1001169355 | 1 | Handle, Steer Spinner | |

SECTION 7 - CONTROLS

FIGURE 7-14. HORN BUTTON INSTALLATION



887_100160763-A

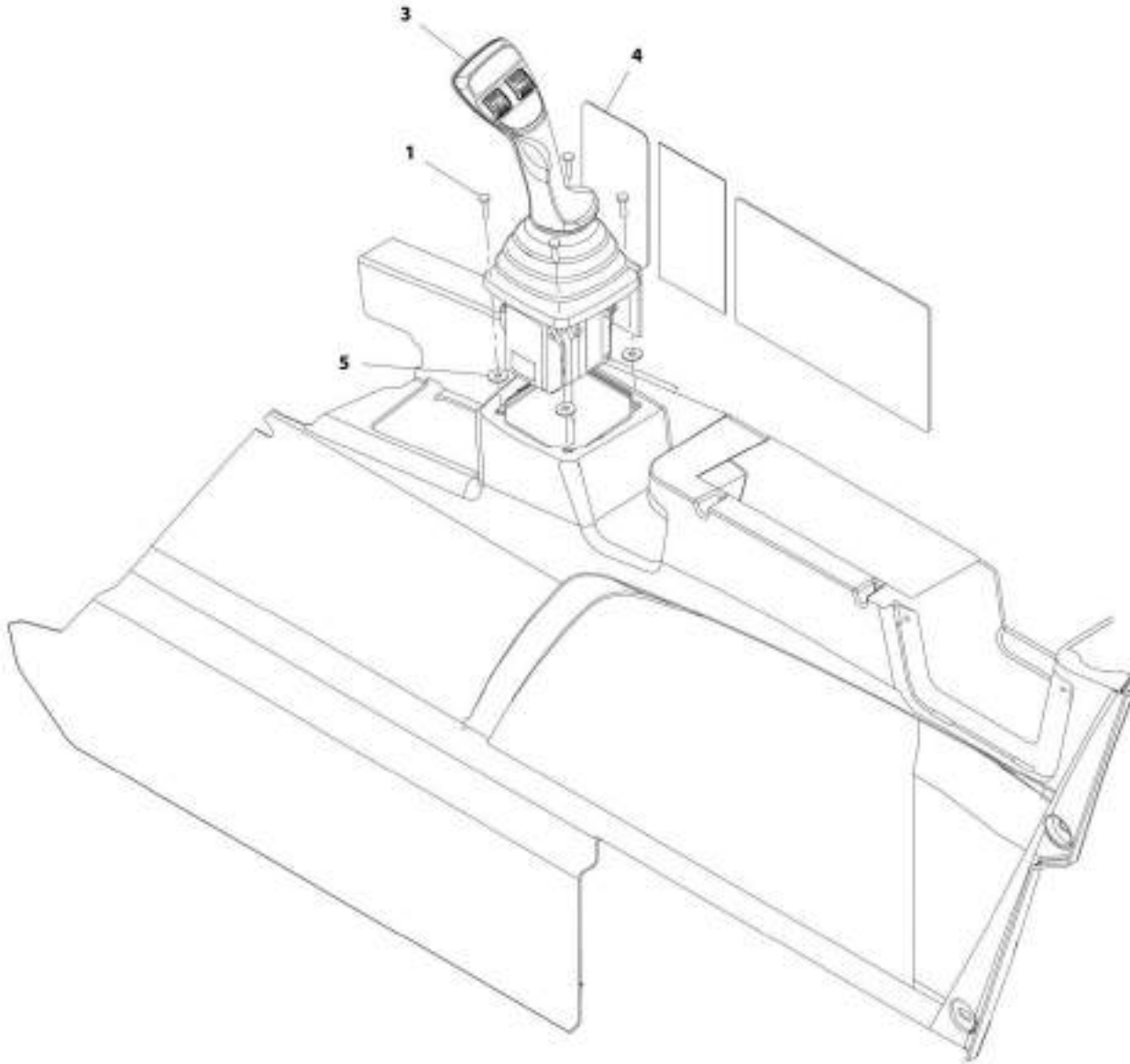
SECTION 7 - CONTROLS

FIGURE 7-14. HORN BUTTON INSTALLATION

| ITEM | PART NUMBER | QTY | DESCRIPTION | REV |
|------|-------------|-----|--------------------------|-----|
| 1 | 1001169763 | 1 | Horn Button Installation | A |
| | 1001169268 | 1 | Button, Horn | |

SECTION 7 - CONTROLS

FIGURE 7-15. JOYSTICK INSTALLATION (AUX, DECLUTCH)



ART_1001167001-E

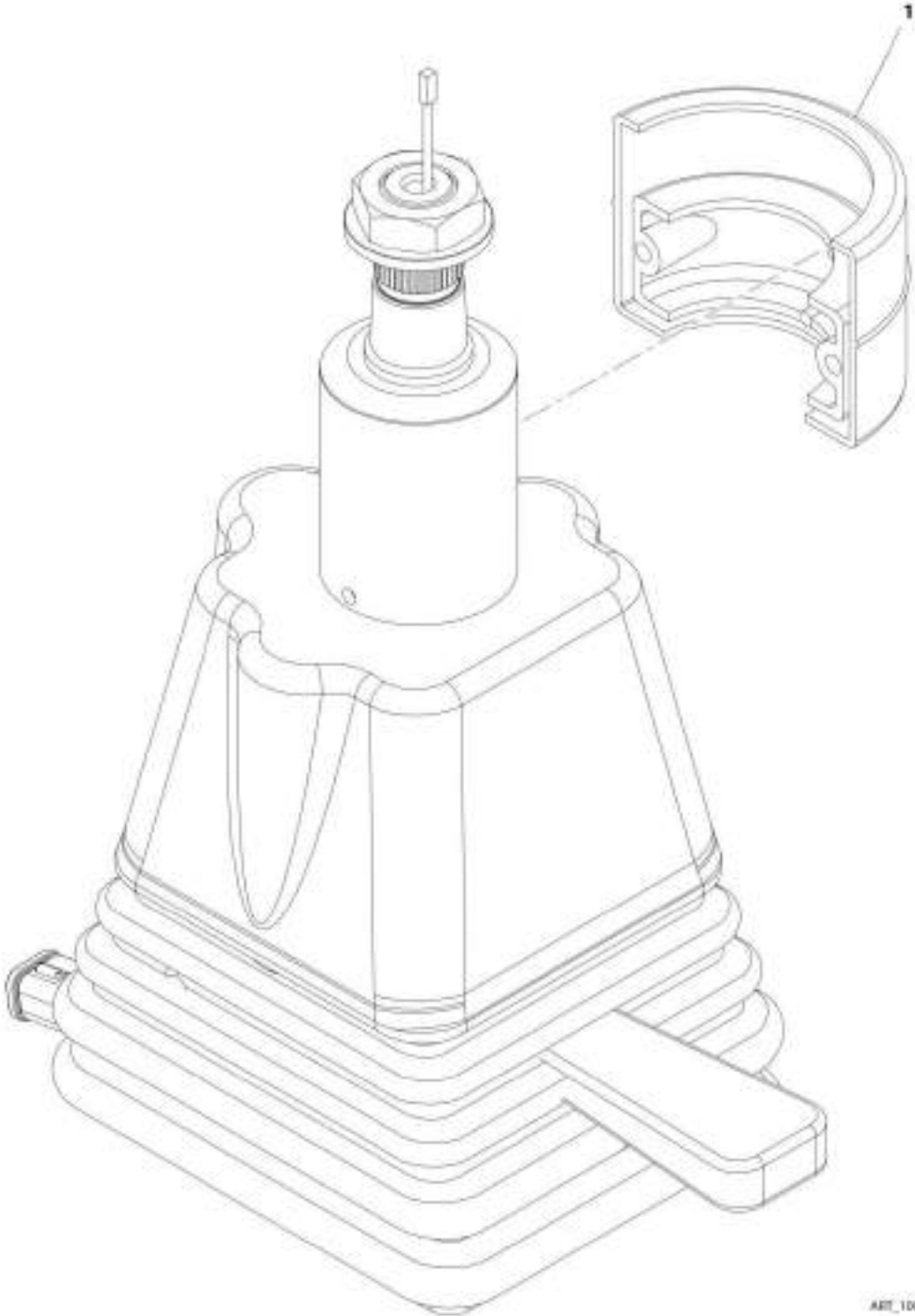
SECTION 7 - CONTROLS

FIGURE 7-15. JOYSTICK INSTALLATION (AUX, DECLUTCH)

| ITEM | PART NUMBER | QTY | DESCRIPTION | REV |
|------|-------------|-----|---|-----|
| | 1001167001 | 1 | Joystick Installation (Aux, Declutch) | E |
| 1 | 4010510 | 4 | Screw, Pan HD M5X20 | |
| 3 | | Ref | Joystick (See Separate Breakdown in this Section) | |
| 4 | 1001181543 | 1 | Decal Joystick | |
| 5 | 4811702001 | AR | Washer, M6 | |

SECTION 7 - CONTROLS

FIGURE 7-16. COLUMN CLAMP INSTALLATION



ARE_1001162671-C

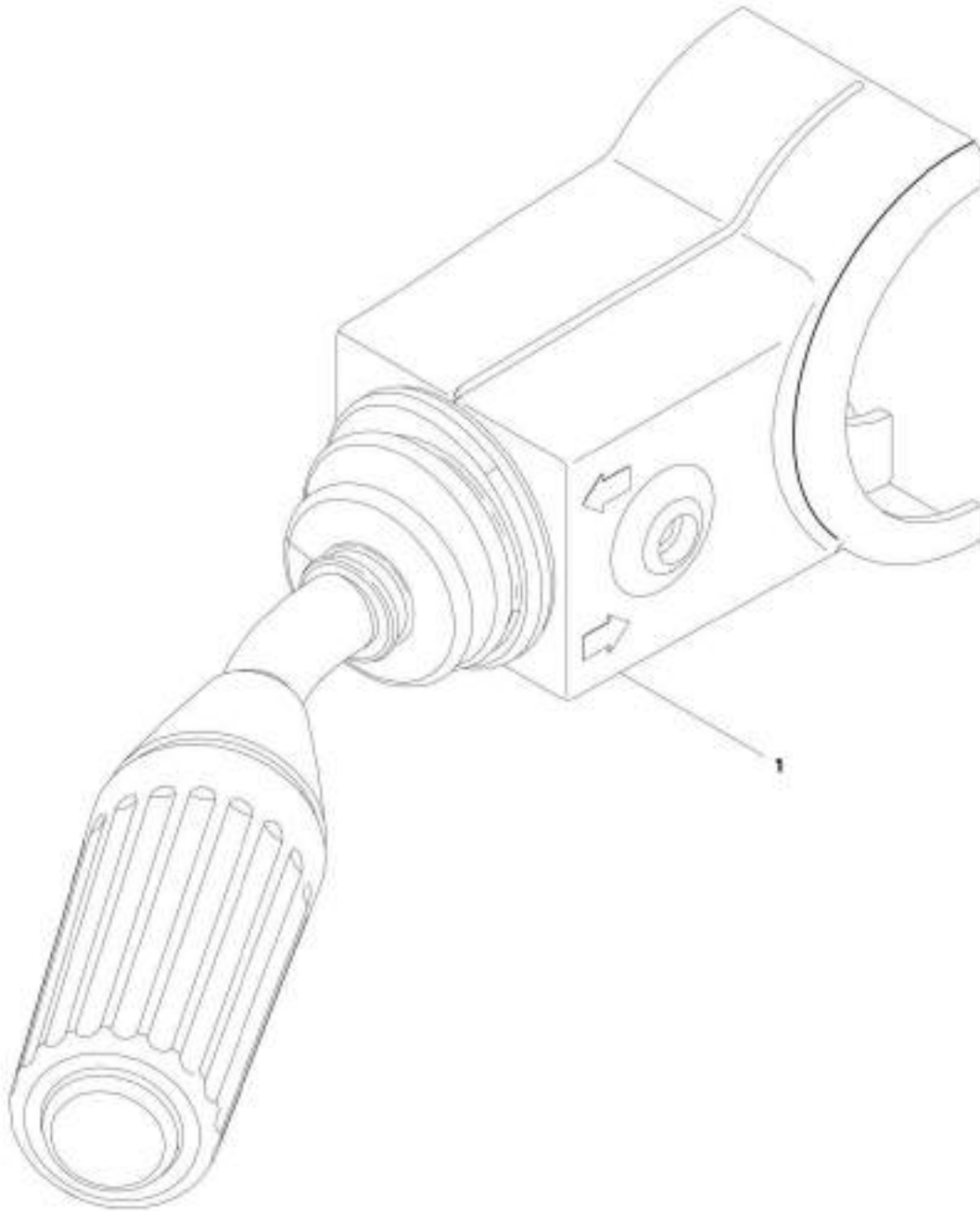
SECTION 7 - CONTROLS

FIGURE 7-16. COLUMN CLAMP INSTALLATION

| ITEM | PART NUMBER | QTY | DESCRIPTION | REV |
|------|-------------|-----|---------------------------|-----|
| 1 | 1001182671 | 1 | Column Clamp Installation | C |
| | 1001199640 | 1 | Clamp | |

SECTION 7 - CONTROLS

FIGURE 7-17. WIPER-TURN SWITCH



ART_1001103655-A

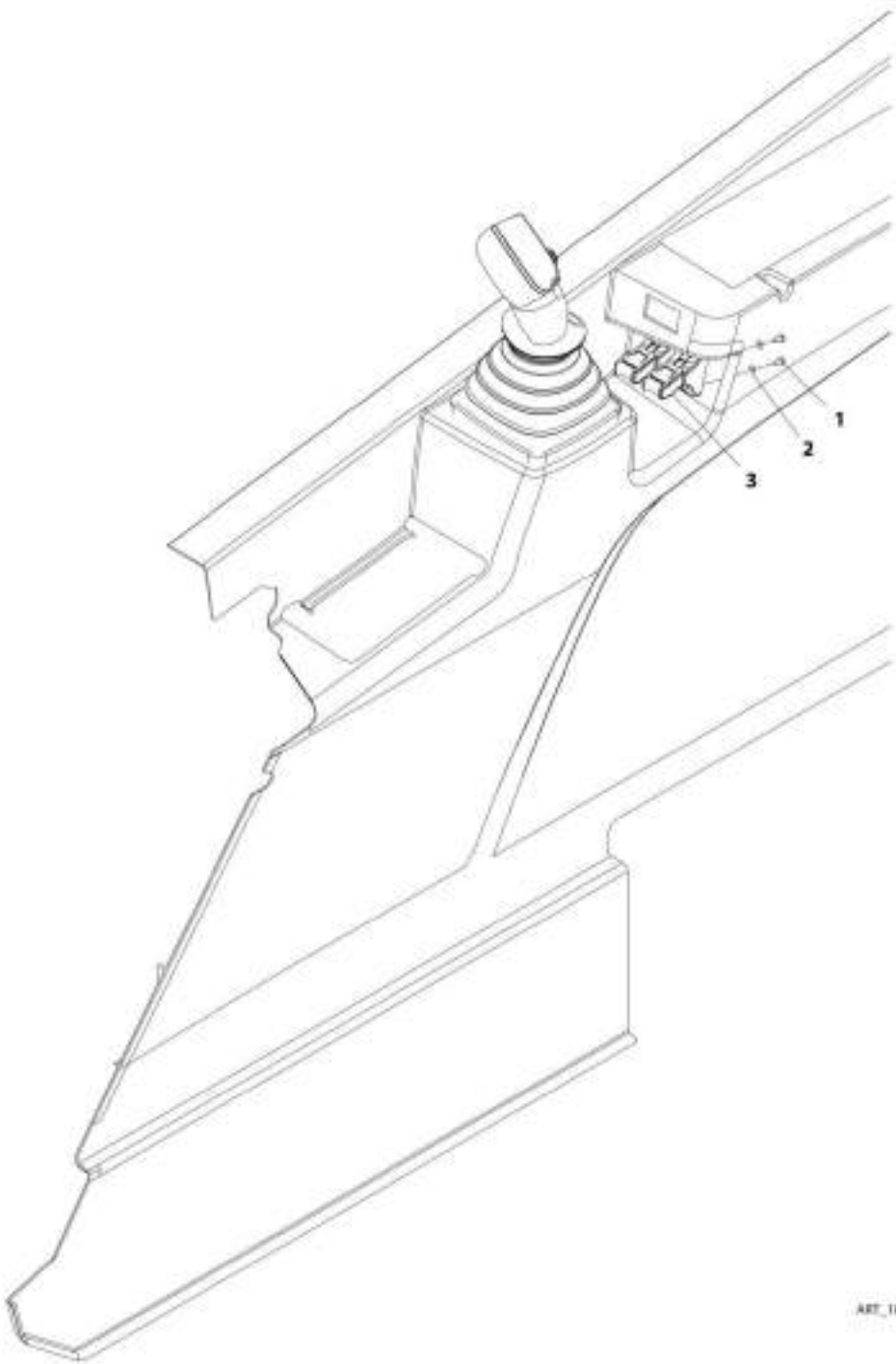
SECTION 7 - CONTROLS

FIGURE 7-17. WIPER-TURN SWITCH

| ITEM | PART NUMBER | QTY | DESCRIPTION | REV |
|------|-------------|-----|-------------------|-----|
| | 1001163695 | 1 | Wiper-Turn Switch | A |

SECTION 7 - CONTROLS

FIGURE 7-18. OUTRIGGER SWITCHES INSTALLATION



ART_100124478-B

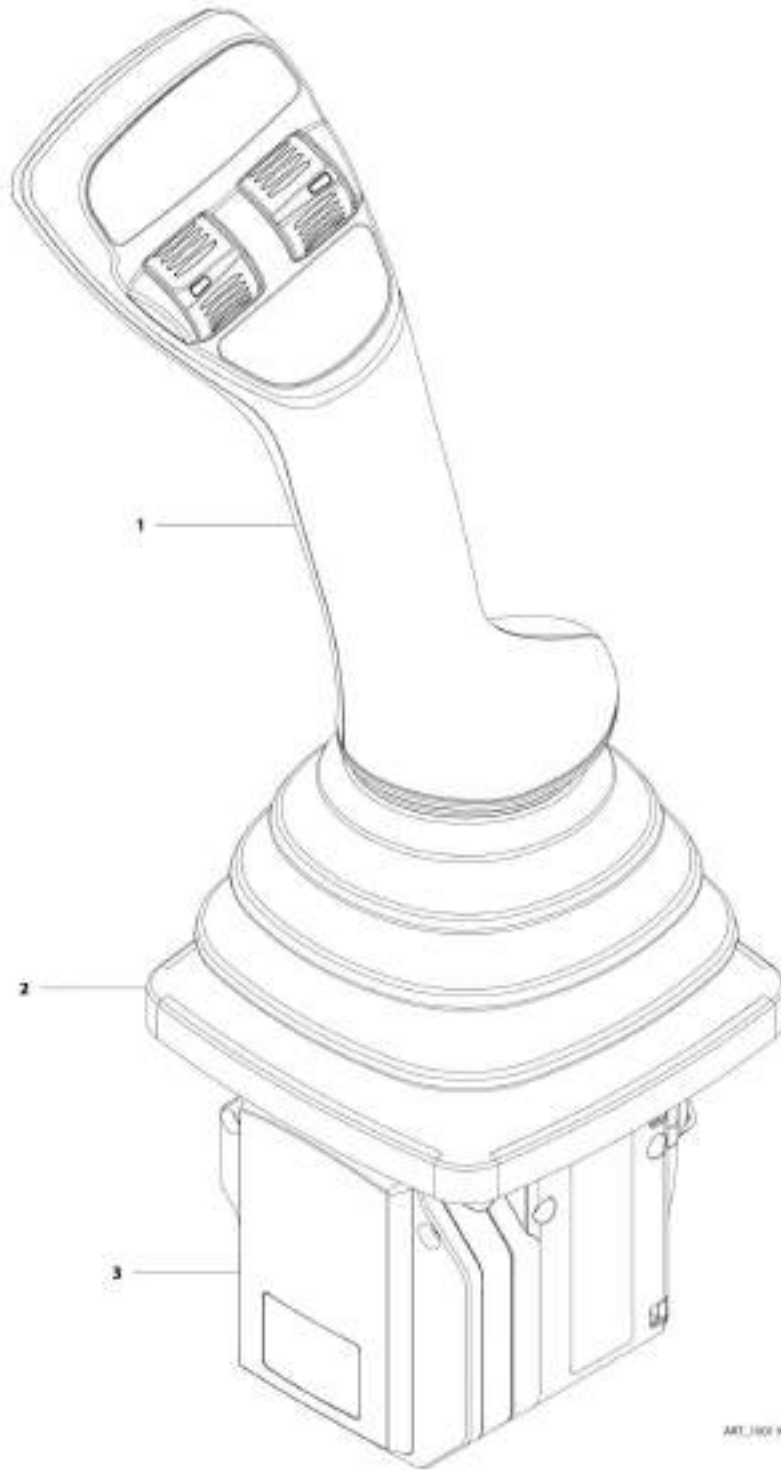
SECTION 7 - CONTROLS

FIGURE 7-18. OUTRIGGER SWITCHES INSTALLATION

| ITEM | PART NUMBER | QTY | DESCRIPTION | REV |
|------|-------------|-----|---------------------------------|-----|
| | 1001174478 | Ref | Outrigger Switches Installation | B |
| 1 | 0760304 | 4 | Bolt, M3X8 GR8.8 | |
| 2 | 1001110544 | 4 | Washer, M3 | |
| 3 | 1001157919 | 2 | Control, Fingertip Joystick | |

SECTION 7 - CONTROLS

FIGURE 7-19. JOYSTICK



ART. 1001 000000

SECTION 7 - CONTROLS

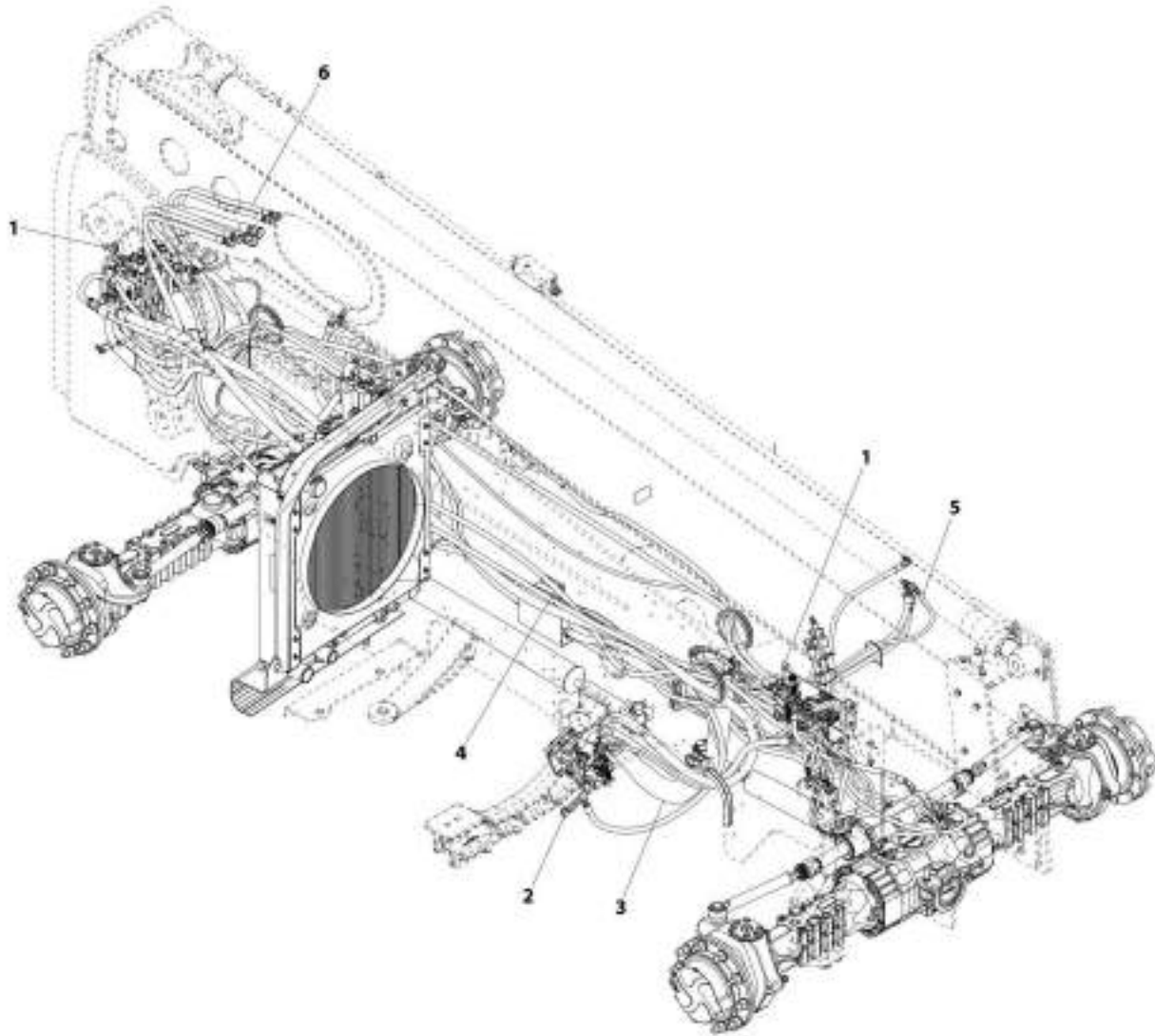
FIGURE 7-19. JOYSTICK

| ITEM | PART NUMBER | QTY | DESCRIPTION | REV |
|------|-------------|-----|---|-----|
| | 1001160122 | NLA | Joystick, (no longer available, use 1001222609 for replacement) | F |
| | 1001222609 | Ref | Joystick | A |
| 1 | 70026257 | 1 | Handle, Joystick | |
| 2 | 70025844 | 1 | Gaiter | |
| 3 | 70026258 | 1 | Base, Joystick | |

SECTION 8 - HYDRAULIC CIRCUITS

SECTION 8 - HYDRAULIC CIRCUITS

FIGURE 8-1. MAIN HYDRAULIC INSTALLATION (NO OUTRIGGERS) (642,742)



ART_1001100430-C

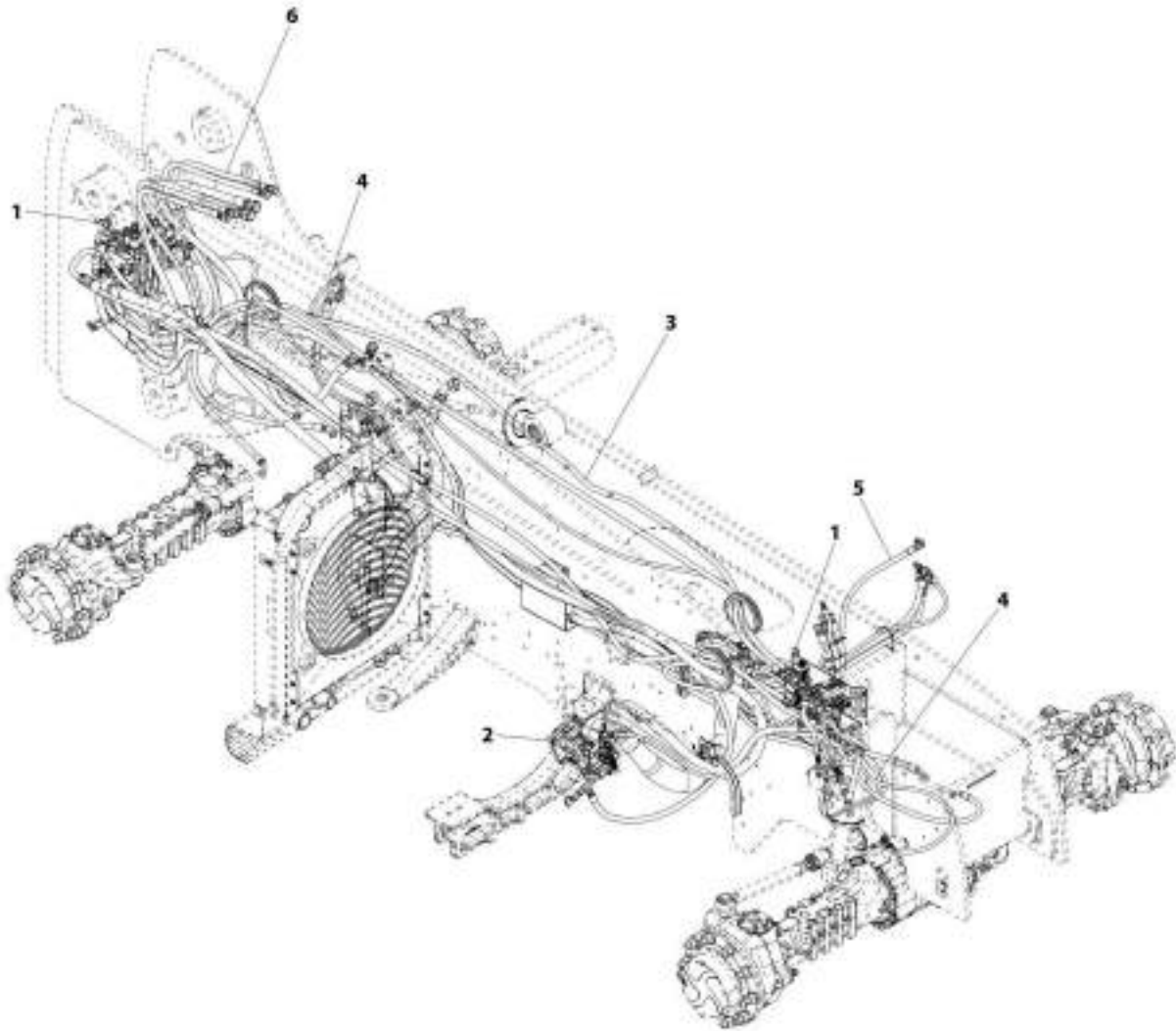
SECTION 8 - HYDRAULIC CIRCUITS

FIGURE 8-1. MAIN HYDRAULIC INSTALLATION (NO OUTRIGGERS) (642,742)

| ITEM | PART NUMBER | QTY | DESCRIPTION | REV |
|------|-------------|-----|--|-----|
| 1 | 1001168430 | Ref | Main Hydraulic Installation (No Outriggers) (642, 742 (110HP)) | C |
| | 1001169910 | Ref | Installation, Valve (No Outriggers) (642, 742) (See Separate Breakdown in this Section) | |
| 2 | 1001169915 | Ref | Installation, Pump (642, 742) (See Separate Breakdown in this Section) | |
| 3 | 1001171208 | Ref | Installation, Hydraulic Lines (110HP) (642, 742) (See Separate Breakdown in this Section) | |
| 4 | 1001171209 | Ref | Installation, Frame Level Hydraulics (No Outriggers) (642, 742) (See Separate Breakdown in this Section) | |
| 5 | 1001175933 | Ref | Installation, Cab Hydraulic (642, 742) (See Separate Breakdown in this Section) | |
| 6 | 1001189995 | Ref | Installation, Boom Hydraulic (642, 742) (See Separate Breakdown in this Section) | |

SECTION 8 - HYDRAULIC CIRCUITS

FIGURE 8-2. MAIN HYDRAULIC INSTALLATION (NO OUTRIGGERS) (110HP) (742) (SN 0160084432 to Present)



ARE_100132256-A

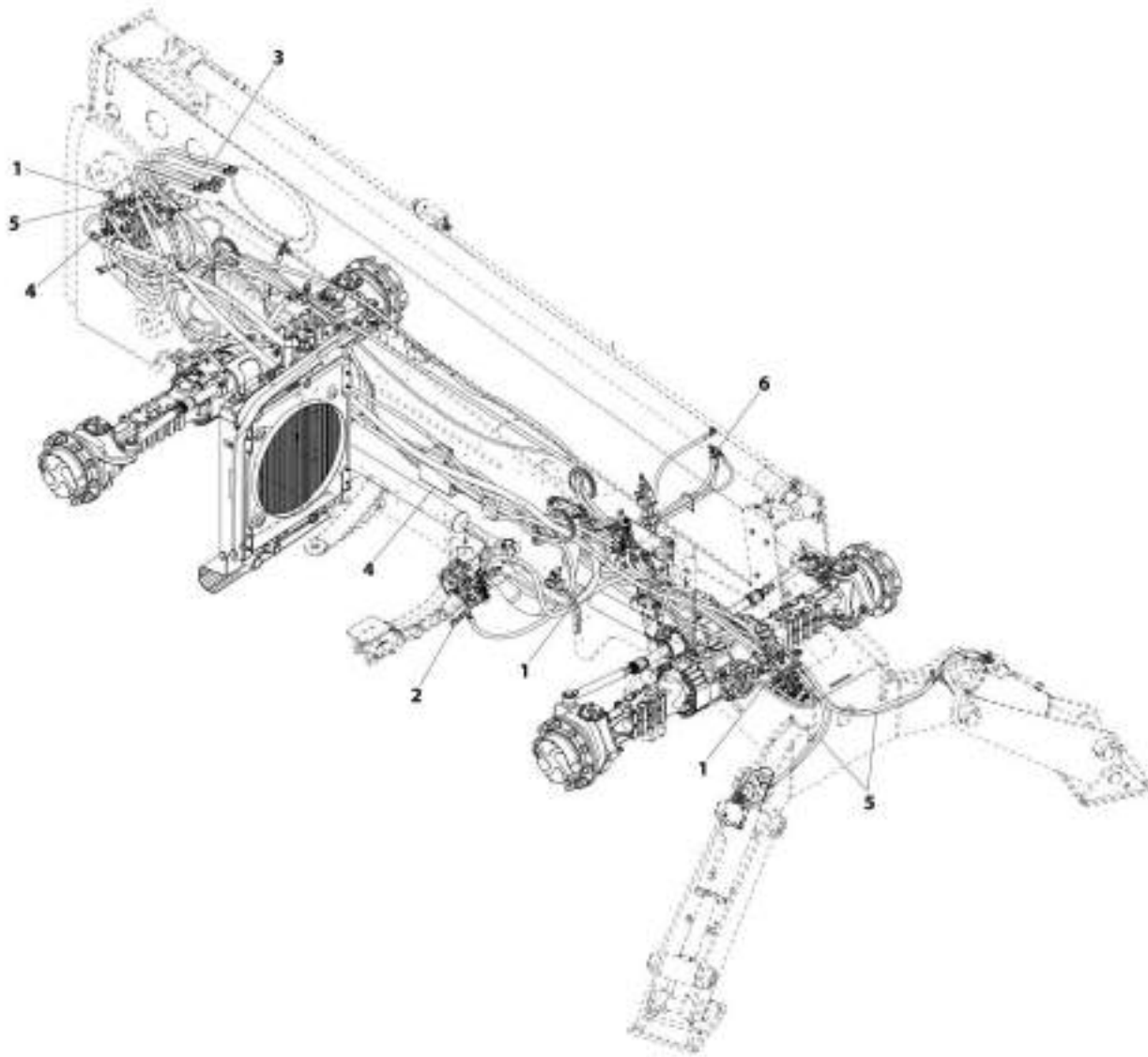
SECTION 8 - HYDRAULIC CIRCUITS

FIGURE 8-2. MAIN HYDRAULIC INSTALLATION (NO OUTRIGGERS) (110HP) (742) (SN 0160084432 to Present)

| ITEM | PART NUMBER | QTY | DESCRIPTION | REV |
|------|--------------------------|------------|--|-----|
| 1 | 1001232290 1001169910 | Ref Ref | Main Hydraulic Installation (No Outriggers) (110HP) (742) Installation, Valve (No Outriggers) (642, 742) (See Separate Breakdown in this Section) | A |
| 2 | 1001169915 | Ref | Installation, Pump (642, 742) (See Separate Breakdown in this Section) | |
| 3 | 1001171208 | Ref | Installation, Hydraulic Lines (110HP) (642, 742) (See Separate Breakdown in this Section) | |
| 4 | 1001171209 | Ref | Installation, Frame Level Hydraulics (No Outriggers) (642, 742) (See Separate Breakdown in this Section) | |
| 5 | 1001175933 | Ref | Installation, Cab Hydraulic (642, 742) (See Separate Breakdown in this Section) | |
| 6 | 1001189995 | Ref | Installation, Boom Hydraulic (642, 742) (See Separate Breakdown in this Section) | |

SECTION 8 - HYDRAULIC CIRCUITS

FIGURE 8-3. MAIN HYDRAULIC INSTALLATION (OUTRIGGERS) (642)



ART_1001700454-C

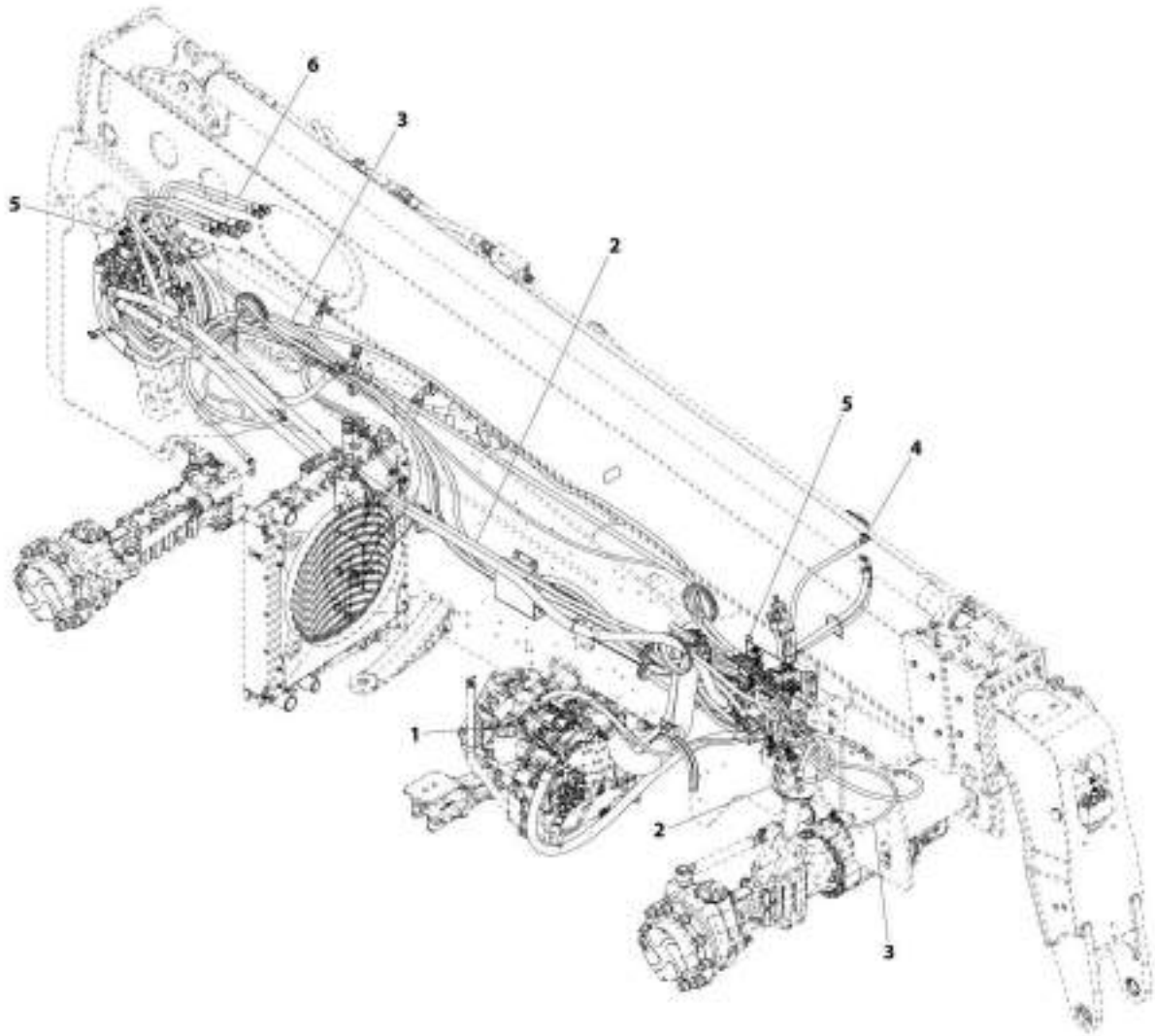
SECTION 8 - HYDRAULIC CIRCUITS

FIGURE 8-3. MAIN HYDRAULIC INSTALLATION (OUTRIGGERS) (642)

| ITEM | PART NUMBER | QTY | DESCRIPTION | REV |
|------|-------------|-----|--|-----|
| 1 | 1001168454 | Ref | Main Hydraulic Installation (Outriggers) (642) | C |
| | 1001169912 | Ref | Installation, Valve (Outriggers) (642) (See Separate Breakdown in this Section) | |
| 2 | 1001169915 | Ref | Installation, Piston Pump (642, 742) (See Separate Breakdown in this Section) | |
| 3 | 1001189995 | Ref | Installation, Boom Hydraulic (642, 742) (See Separate Breakdown in this Section) | |
| 4 | 1001171208 | Ref | Installation, Hydraulic Lines (110HP) (642, 742) (See Separate Breakdown in this Section) | |
| 5 | 1001171211 | Ref | Installation, Frame Level Hydraulics (Outriggers) (642) (See Separate Breakdown in this Section) | |
| 6 | 1001175933 | Ref | Installation, Cab Hydraulic (642, 742) (See Separate Breakdown in this Section) | |

SECTION 8 - HYDRAULIC CIRCUITS

FIGURE 8-4. MAIN HYDRAULIC INSTALLATION (OUTRIGGERS 74HP) (742)



AHT_1001225190-A

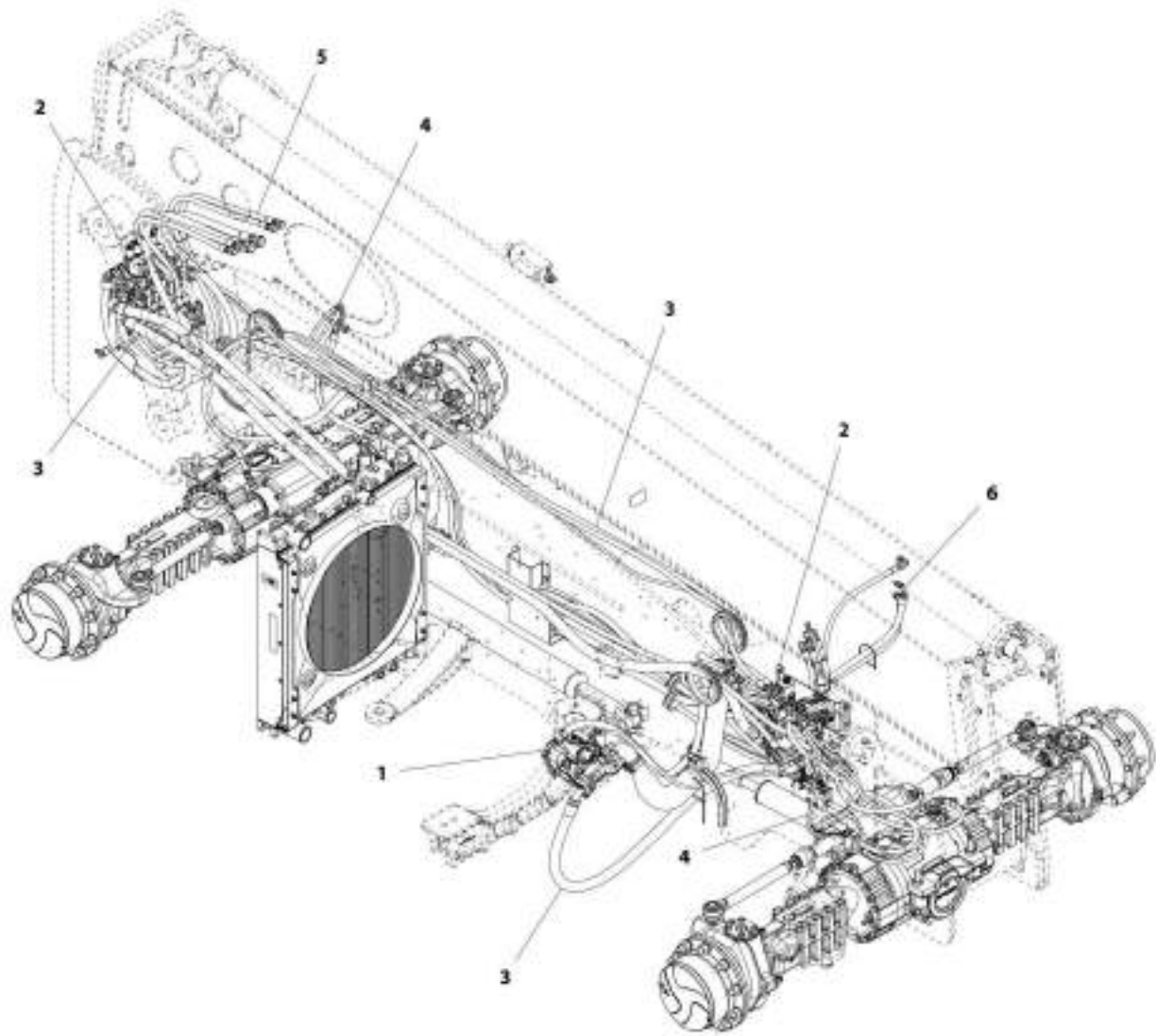
SECTION 8 - HYDRAULIC CIRCUITS

FIGURE 8-4. MAIN HYDRAULIC INSTALLATION (OUTRIGGERS 74HP) (742)

| ITEM | PART NUMBER | QTY | DESCRIPTION | REV |
|------|-------------|-----|--|-----|
| 1 | 1001225198 | Ref | Main Hydraulic Installation (Outriggers 74HP) (742) | A |
| | 1001162670 | Ref | Installation, Piston Pump (742, 943, 1043) (See Separate Breakdown in this Section) | |
| 2 | 1001168468 | Ref | Installation, Frame Level Hydraulics (742, 943) (See Separate Breakdown in this Section) | |
| 3 | 1001225200 | Ref | Installation, Hydraulic Lines (74HP) (742) (See Separate Breakdown in this Section) | |
| 4 | 1001225202 | Ref | Installation, Cab Hydraulics (742) (See Separate Breakdown in this Section) | |
| 5 | 1001225748 | Ref | Installation, Valve (742) (See Separate Breakdown in this Section) | |
| 6 | 1001170100 | Ref | Installation, Boom Hydraulic (742, 943, 1043) (See Separate Breakdown in this Section) | |

SECTION 8 - HYDRAULIC CIRCUITS

FIGURE 8-5. MAIN HYDRAULIC INSTALLATION (NO OUTRIGGERS) (943) (Prior to SN 0160081535)



ART_1001167313-0

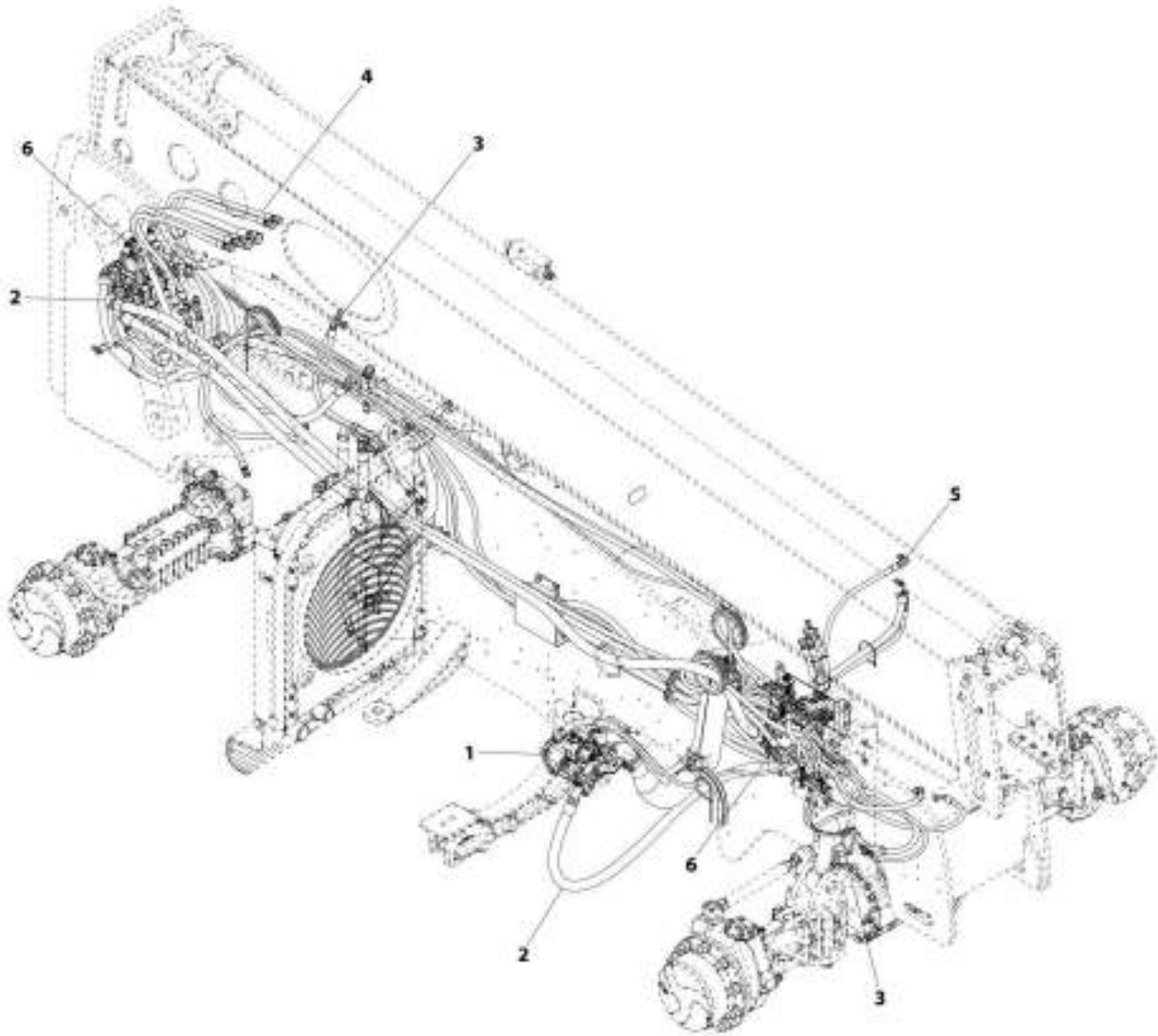
SECTION 8 - HYDRAULIC CIRCUITS

FIGURE 8-5. MAIN HYDRAULIC INSTALLATION (NO OUTRIGGERS) (943) (Prior to SN 0160081535)

| ITEM | PART NUMBER | QTY | DESCRIPTION | REV |
|------|-------------|-----|--|-----|
| 1 | 1001167313 | Ref | Main Hydraulic Installation (No Outriggers) (943) | B |
| | 1001162670 | Ref | Installation, Piston Pump (742, 943, 1043) (See PISTON PUMP INSTALLATION (742, 943, 1043) for Breakdown) | |
| 2 | 1001168460 | Ref | Installation, Valve (No Outriggers) (943) (See VALVE INSTALLATION (NO OUTRIGGERS) (943, 1043) for Breakdown) | |
| 3 | 1001168467 | Ref | Installation, Hydraulic Lines (110HP) (943, 1043) (See MAIN HYDRAULICS INSTALLATION (943, 1043) for Breakdown) | |
| 4 | 1001168468 | Ref | Installation, Frame Level Hydraulics (742, 943) (See FRAME LEVEL HYDRAULICS INSTALLATION (742, 943) for Breakdown) | |
| 5 | 1001170100 | Ref | Installation, Boom Hydraulic (742, 943, 1043) (See BOOM HYDRAULIC INSTALLATION (742, 943, 1043) for Breakdown) | |
| 6 | 1001175789 | Ref | Installation, Cab Hydraulic (943, 1043) (See CAB HYDRAULIC INSTALLATION (943, 1043) for Breakdown) | |

SECTION 8 - HYDRAULIC CIRCUITS

FIGURE 8-6. MAIN HYDRAULIC INSTALLATION (NO OUTRIGGERS) (943) (SN 0160081535 to Present)



MHT_3001227385-A

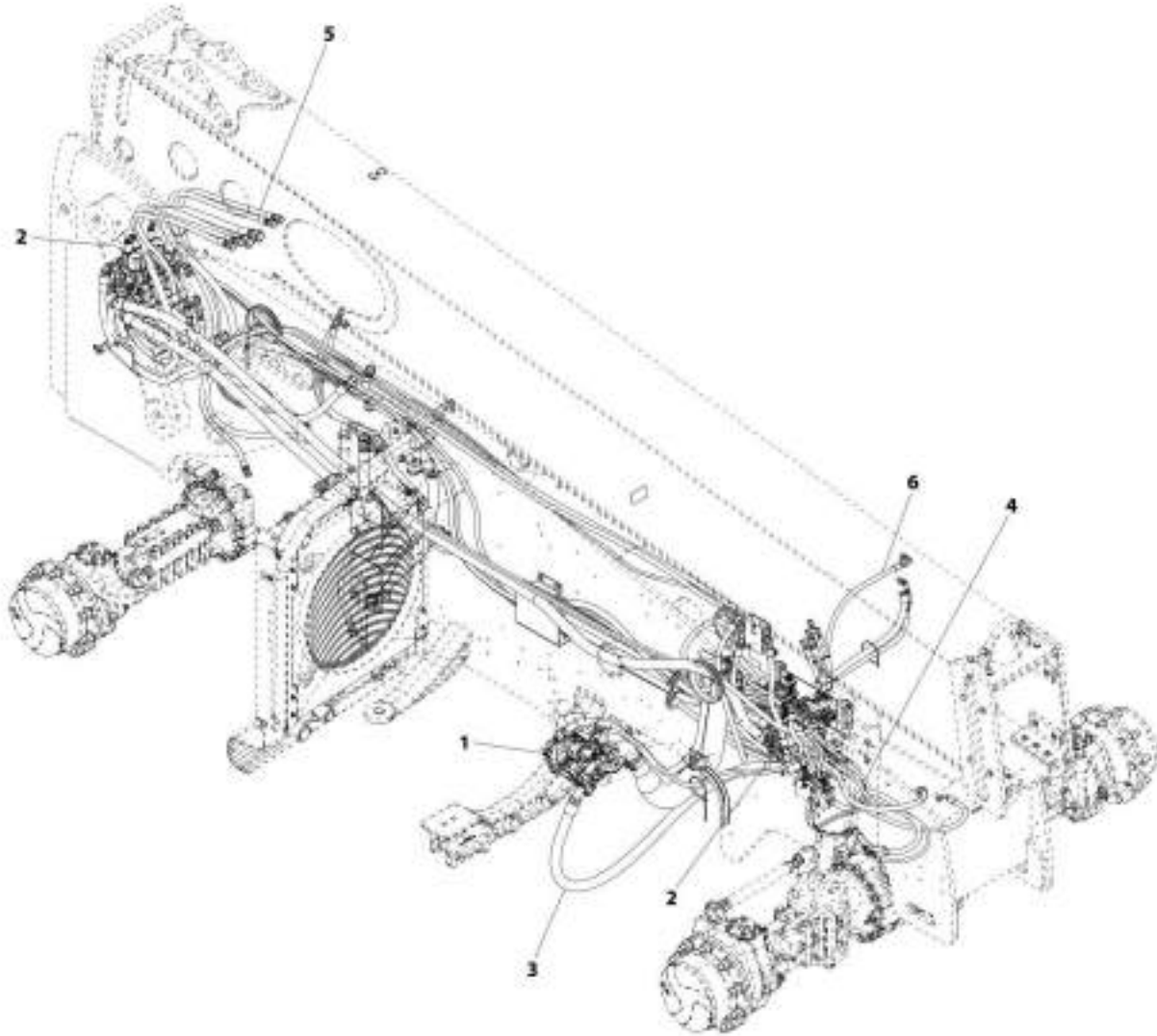
SECTION 8 - HYDRAULIC CIRCUITS

FIGURE 8-6. MAIN HYDRAULIC INSTALLATION (NO OUTRIGGERS) (943) (SN 0160081535 to Present)

| ITEM | PART NUMBER | QTY | DESCRIPTION | REV |
|------|--------------------------|------------|---|-----|
| 1 | 1001227385 1001162670 | Ref Ref | Main Hydraulic Installation (No Outriggers) (943) Installation, Piston Pump (943, 1043) (See Separate Breakdown in this Section) | A |
| 2 | 1001227497 | Ref | Installation, Hydraulic Lines (74HP) (943, 1043) (See Separate Breakdown in this Section) | |
| 3 | 1001168468 | Ref | Installation, Frame Level Hydraulics (742, 943) (See Separate Breakdown in this Section) | |
| 4 | 1001170100 | Ref | Installation, Boom Hydraulic (943, 1043) (See Separate Breakdown in this Section) | |
| 5 | 1001175789 | Ref | Installation, Cab Hydraulic (943, 1043) (See Separate Breakdown in this Section) | |
| 6 | 1001225748 | Ref | Installation, Valve (742, 943) (See Separate Breakdown in this Section) | |

SECTION 8 - HYDRAULIC CIRCUITS

FIGURE 8-7. MAIN HYDRAULIC INSTALLATION, EMERGENCY STEERING (NO OUTRIGGERS) (943)
(Prior to SN 0160081535)



ART_1001336576-A

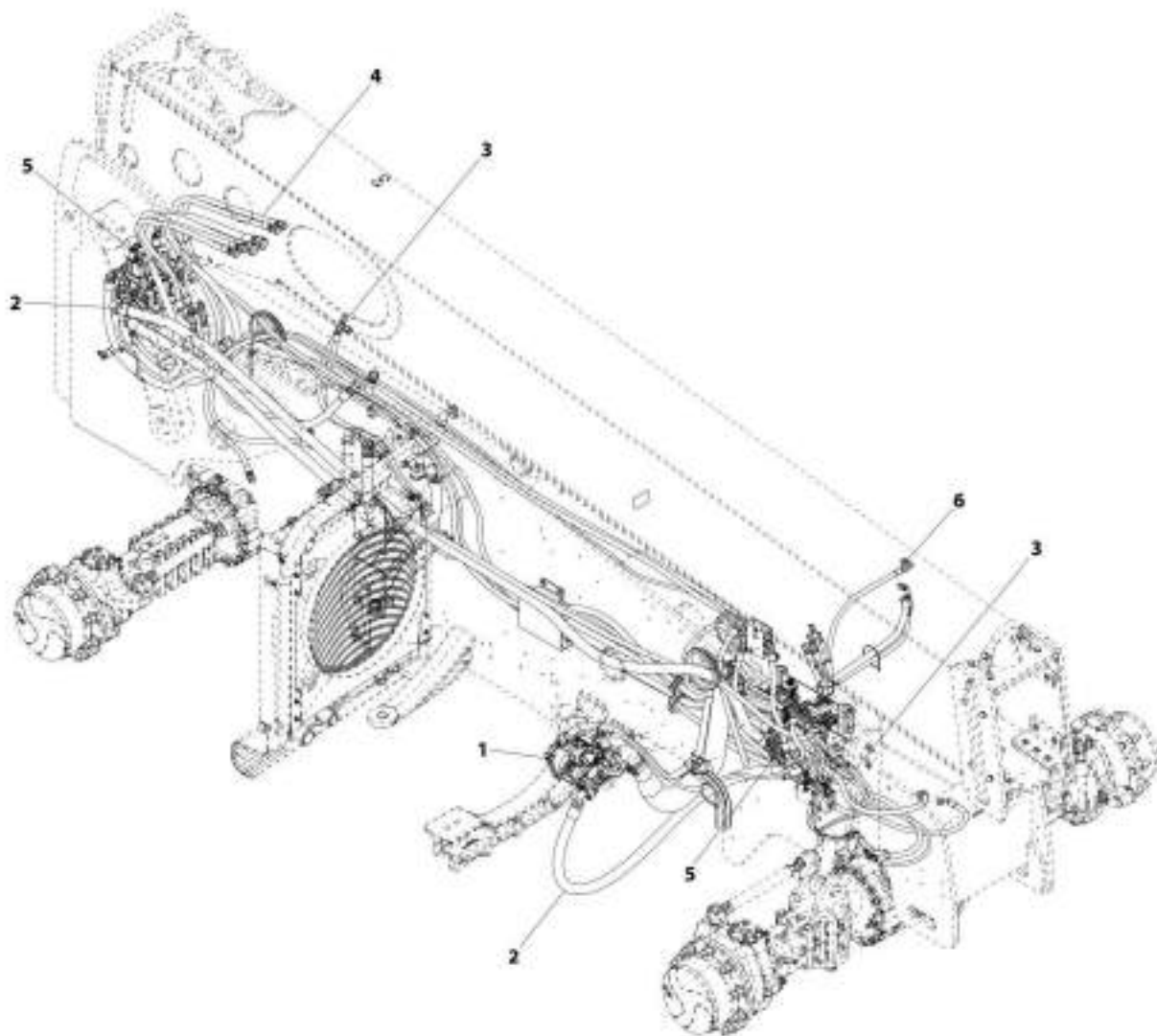
SECTION 8 - HYDRAULIC CIRCUITS

**FIGURE 8-7. MAIN HYDRAULIC INSTALLATION, EMERGENCY STEERING (NO OUTRIGGERS) (943)
(Prior to SN 0160081535)**

| ITEM | PART NUMBER | QTY | DESCRIPTION | REV |
|------|-------------|-----|--|-----|
| | 1001226576 | Ref | Main Hydraulic Installation, Emergency Steering (No Outriggers) (943) | A |
| 1 | 1001162670 | Ref | Installation, Piston Pump (See Separate Breakdown in this Section) | |
| 2 | 1001168460 | Ref | Installation, Valve (No Outriggers) (943) (See Separate Breakdown in this Section) | |
| 3 | 1001168467 | Ref | Installation, Hydraulic Lines (110HP) (943, 1043) (See Separate Breakdown in this Section) | |
| 4 | 1001168468 | Ref | Installation, Frame Level Hydraulics (742, 943) (See Separate Breakdown in this Section) | |
| 5 | 1001170100 | Ref | Installation, Boom Hydraulic (943, 1043) (See Separate Breakdown in this Section) | |
| 6 | 1001226575 | Ref | Installation, Cab Hydraulic, Emergency Steering (943, 1043) (See Separate Breakdown in this Section) | |

SECTION 8 - HYDRAULIC CIRCUITS

FIGURE 8-8. MAIN HYDRAULIC INSTALLATION, EMERGENCY STEERING (NO OUTRIGGERS) (943)
(SN 0160081535 to Present)



ART_1001227387-A

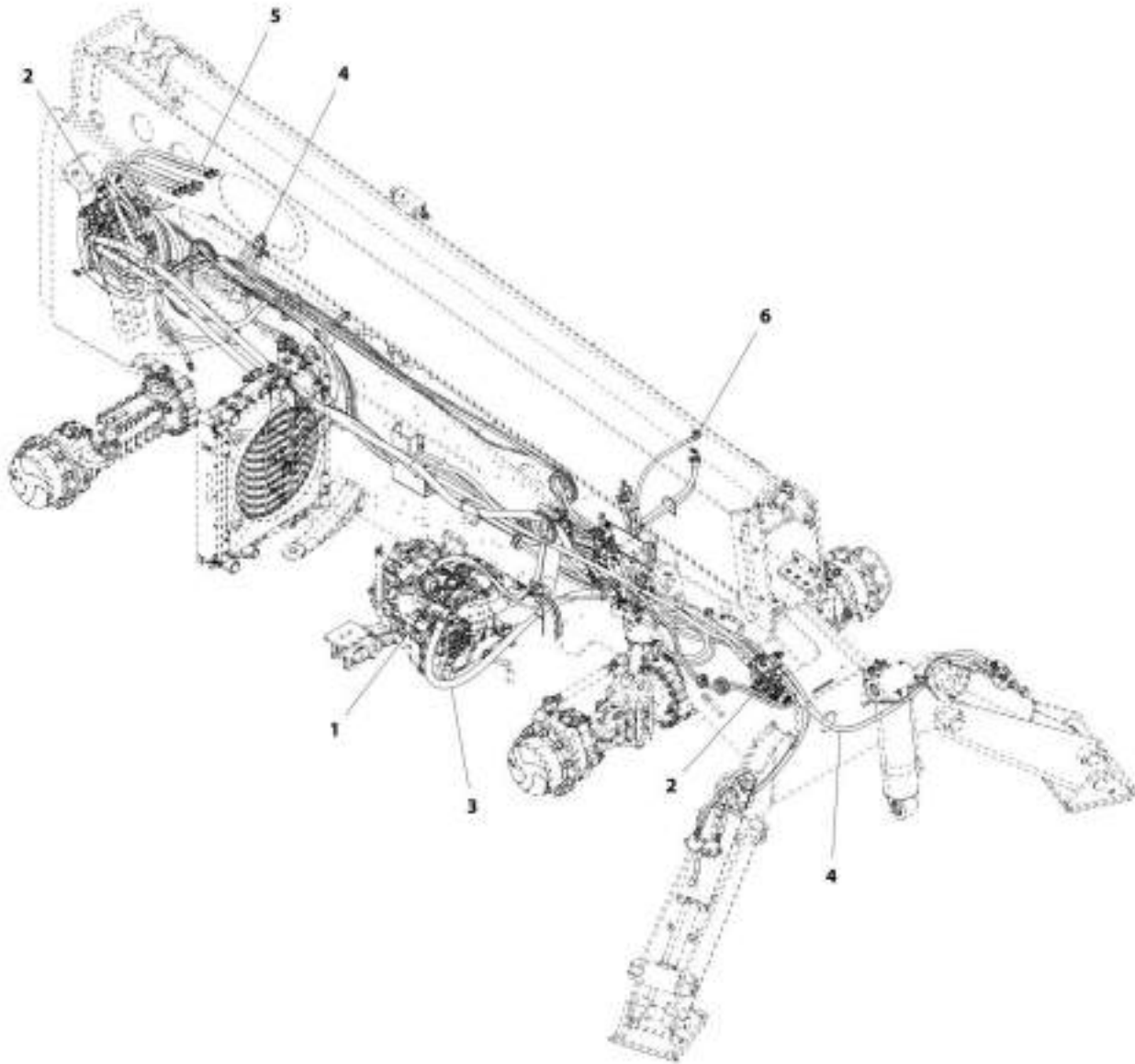
SECTION 8 - HYDRAULIC CIRCUITS

**FIGURE 8-8. MAIN HYDRAULIC INSTALLATION, EMERGENCY STEERING (NO OUTRIGGERS) (943)
(SN 0160081535 to Present)**

| ITEM | PART NUMBER | QTY | DESCRIPTION | REV |
|------|-------------|-----|--|-----|
| | 1001227387 | Ref | Main Hydraulic Installation, Emergency Steering (No Outriggers) (943) | A |
| 1 | 1001162670 | Ref | Installation, Piston Pump (See Separate Breakdown in this Section) | |
| 2 | 1001227497 | Ref | Installation, Hydraulic Lines (74HP) (943, 1043) (See Separate Breakdown in this Section) | |
| 3 | 1001168468 | Ref | Installation, Frame Level Hydraulics (742, 943) (See Separate Breakdown in this Section) | |
| 4 | 1001170100 | Ref | Installation, Boom Hydraulic (943, 1043) (See Separate Breakdown in this Section) | |
| 5 | 1001225748 | Ref | Installation, Valve (742) (See Separate Breakdown in this Section) | |
| 6 | 1001226575 | Ref | Installation, Cab Hydraulic, Emergency Steering (943, 1043) (See Separate Breakdown in this Section) | |

SECTION 8 - HYDRAULIC CIRCUITS

FIGURE 8-9. MAIN HYDRAULIC INSTALLATION (OUTRIGGERS) (1043) (Prior to SN 0160081535)



ART_1001167314-8

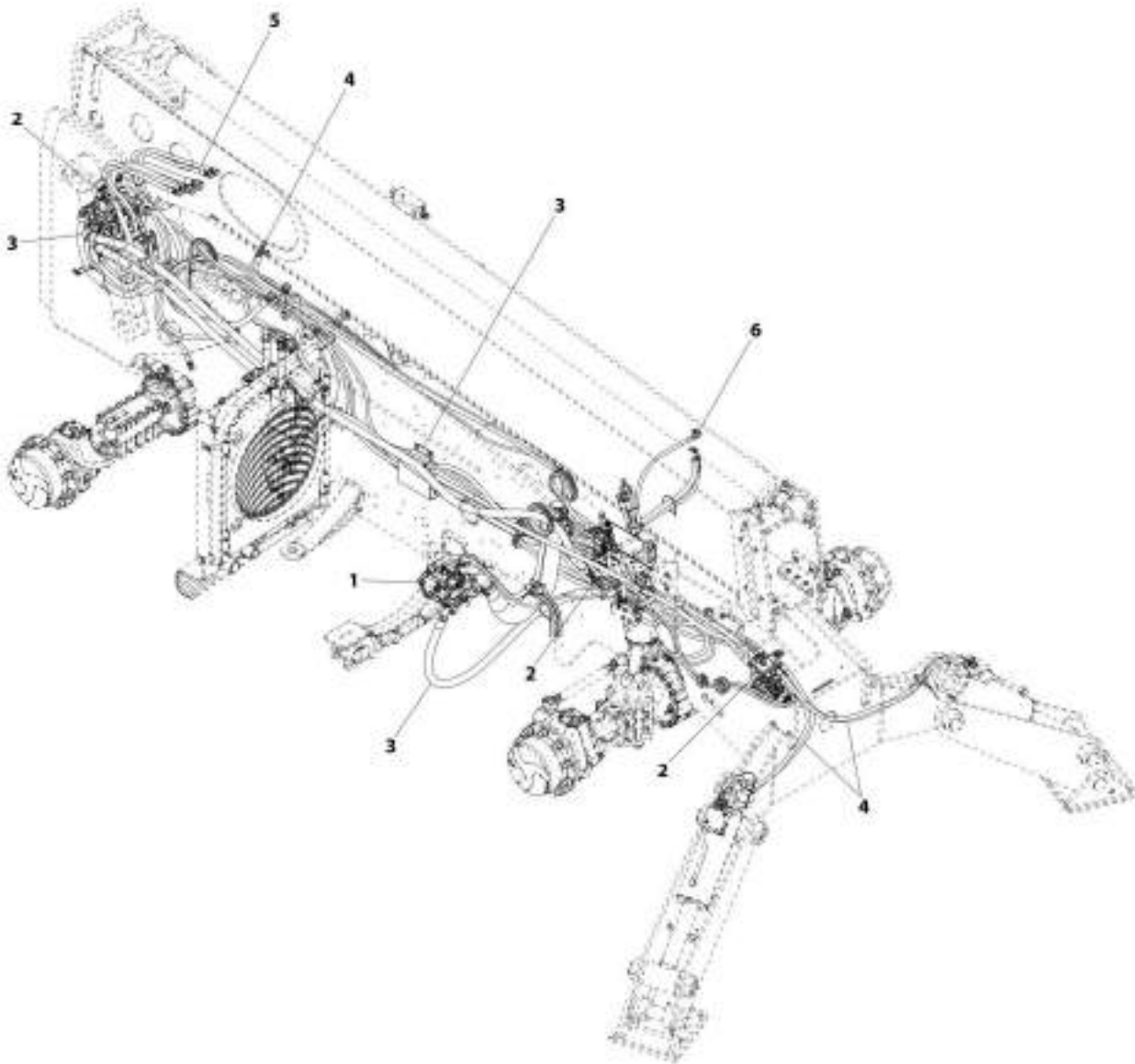
SECTION 8 - HYDRAULIC CIRCUITS

FIGURE 8-9. MAIN HYDRAULIC INSTALLATION (OUTRIGGERS) (1043) (Prior to SN 0160081535)

| ITEM | PART NUMBER | QTY | DESCRIPTION | REV |
|------|-------------|-----|--|-----|
| 1 | 1001167314 | Ref | Main Hydraulic Installation (Outriggers) (1043) | B |
| | 1001162670 | Ref | Installation, Piston Pump (742, 943, 1043) (See PISTON PUMP INSTALLATION (742, 943, 1043) for Breakdown) | |
| 2 | 1001168462 | Ref | Installation, Valve (See VALVE INSTALLATION WITH OUTRIGGERS (1043) for Breakdown) | |
| 3 | 1001168467 | Ref | Installation, Hydraulic Lines (110HP) (943, 1043) (See Separate Breakdown in this Section) | |
| 4 | 1001168469 | Ref | Installation, Frame Level Hydraulics (1043) (See FRAME LEVEL HYDRAULICS INSTALLATION WITH OUTRIGGERS (1043) for Breakdown) | |
| 5 | 1001170100 | Ref | Installation, Boom Hydraulic (742, 943, 1043) (See BOOM HYDRAULIC INSTALLATION (742, 943, 1043) for Breakdown) | |
| 6 | 1001175789 | Ref | Installation, Cab Hydraulics (943, 1043) (See CAB HYDRAULIC INSTALLATION (943, 1043) for Breakdown) | |

SECTION 8 - HYDRAULIC CIRCUITS

FIGURE 8-10. MAIN HYDRAULIC INSTALLATION (OUTRIGGERS) (1043) (SN 0160081535 to Present)



ART_1001237186-A

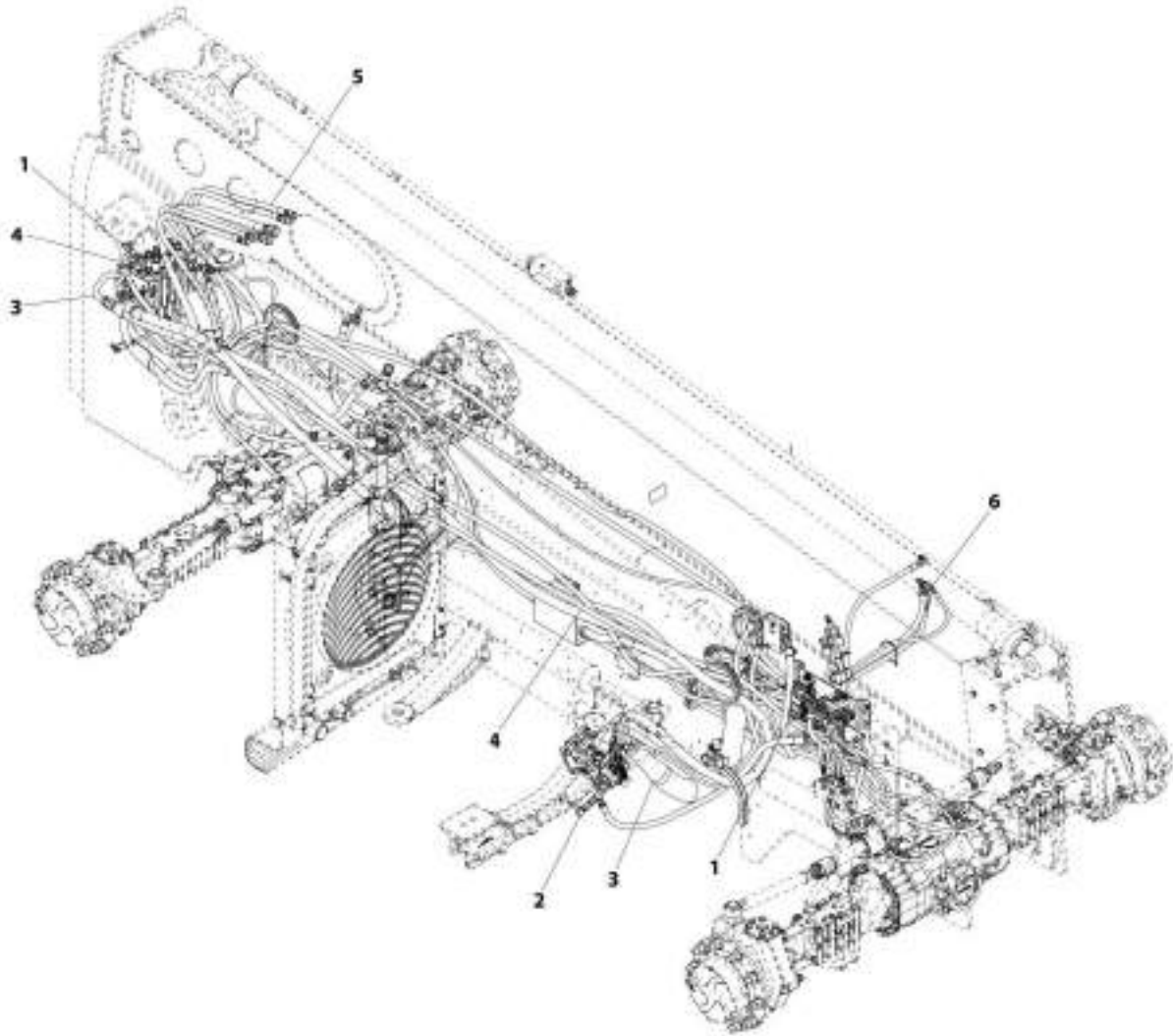
SECTION 8 - HYDRAULIC CIRCUITS

FIGURE 8-10. MAIN HYDRAULIC INSTALLATION (OUTRIGGERS) (1043) (SN 0160081535 to Present)

| ITEM | PART NUMBER | QTY | DESCRIPTION | REV |
|------|-------------|-----|--|-----|
| 1 | 1001227386 | Ref | Main Hydraulic Installation (Outriggers) (1043) | A |
| | 1001162670 | Ref | Installation, Piston Pump (See Separate Breakdown in this Section) | |
| 2 | 1001225749 | Ref | Installation, Valve (See Separate Breakdown in this Section) | |
| 3 | 1001227497 | Ref | Installation, Main Hydraulics (943, 1043) (See Separate Breakdown in this Section) | |
| 4 | 1001168469 | Ref | Installation, Frame Level Hydraulics (1043) (See Separate Breakdown in this Section) | |
| 5 | 1001170100 | Ref | Installation, Boom Hydraulic (742, 943, 1043) (See Separate Breakdown in this Section) | |
| 6 | 1001175789 | Ref | Installation, Cab Hydraulics (943, 1043) (See Separate Breakdown in this Section) | |

SECTION 8 - HYDRAULIC CIRCUITS

FIGURE 8-11. MAIN HYDRAULIC INSTALLATION (EMERGENCY STEERING NO OUTRIGGERS) (642, 742)



ART_3001236273-A

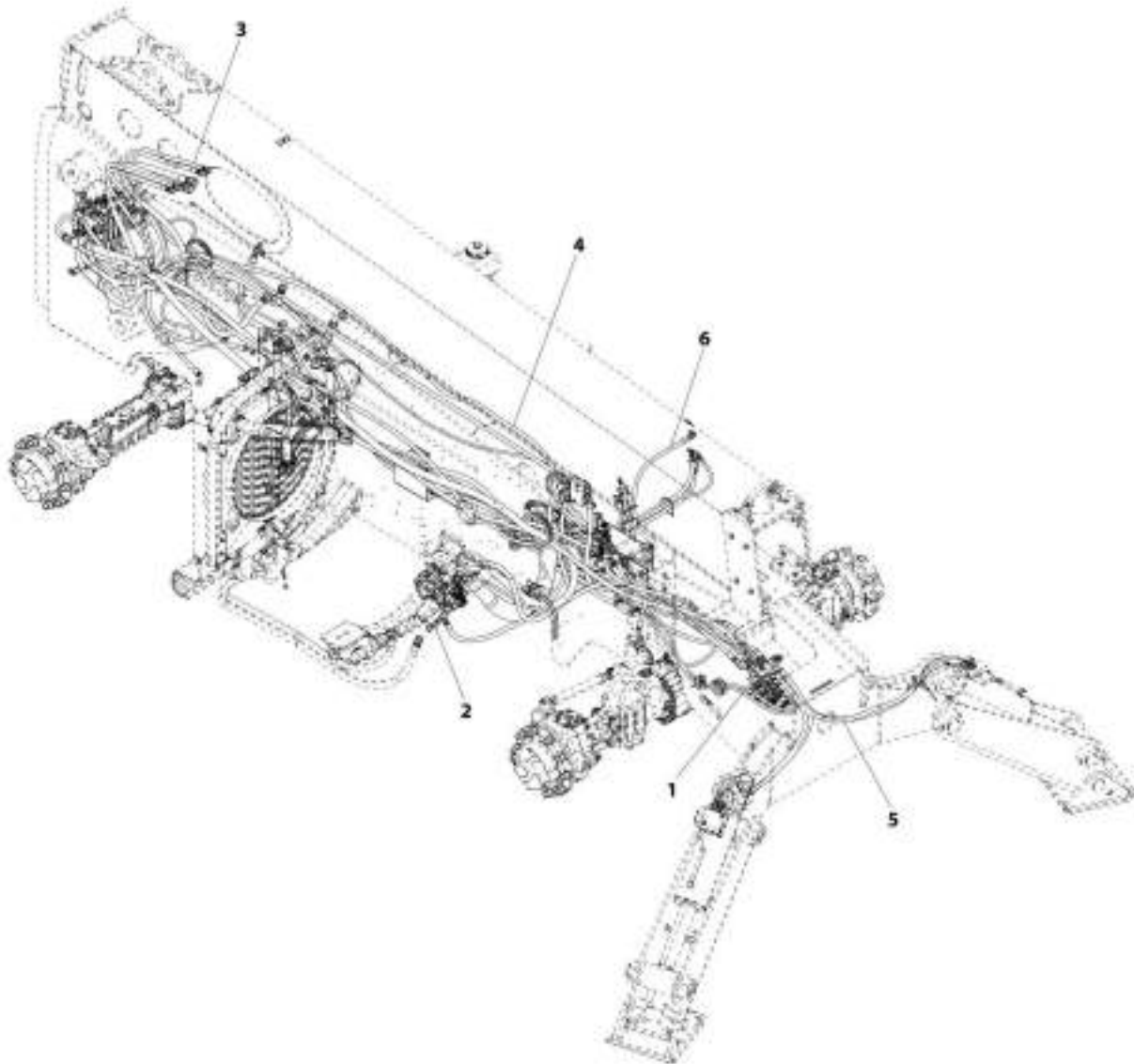
SECTION 8 - HYDRAULIC CIRCUITS

FIGURE 8-11. MAIN HYDRAULIC INSTALLATION (EMERGENCY STEERING NO OUTRIGGERS) (642, 742)

| ITEM | PART NUMBER | QTY | DESCRIPTION | REV |
|------|-------------|-----|--|-----|
| | 1001226272 | Ref | Main Hydraulic Installation (Emergency Steering No Outriggers) (642, 742) | A |
| 1 | 1001169910 | Ref | Installation, Valve (No Outriggers) (642, 742) (See Separate Breakdown in this Section) | |
| 2 | 1001169915 | Ref | Installation, Pump (642, 742) (See Separate Breakdown in this Section) | |
| 3 | 1001171208 | Ref | Installation, Hydraulic Lines (110HP) (642, 742) (See Separate Breakdown in this Section) | |
| 4 | 1001171209 | Ref | Installation, Frame Level Hydraulics (No Outriggers) (642, 742) (See Separate Breakdown in this Section) | |
| 5 | 1001189995 | Ref | Installation, Boom Hydraulic (642, 742) (See Separate Breakdown in this Section) | |
| 6 | 1001226271 | Ref | Installation, Cab Hydraulic (Emergency Steering) (642, 742) (See Separate Breakdown in this Section) | |

SECTION 8 - HYDRAULIC CIRCUITS

FIGURE 8-12. MAIN HYDRAULIC INSTALLATION (EMERGENCY STEERING WITH OUTRIGGERS)
(642)



ART_1001226273-A

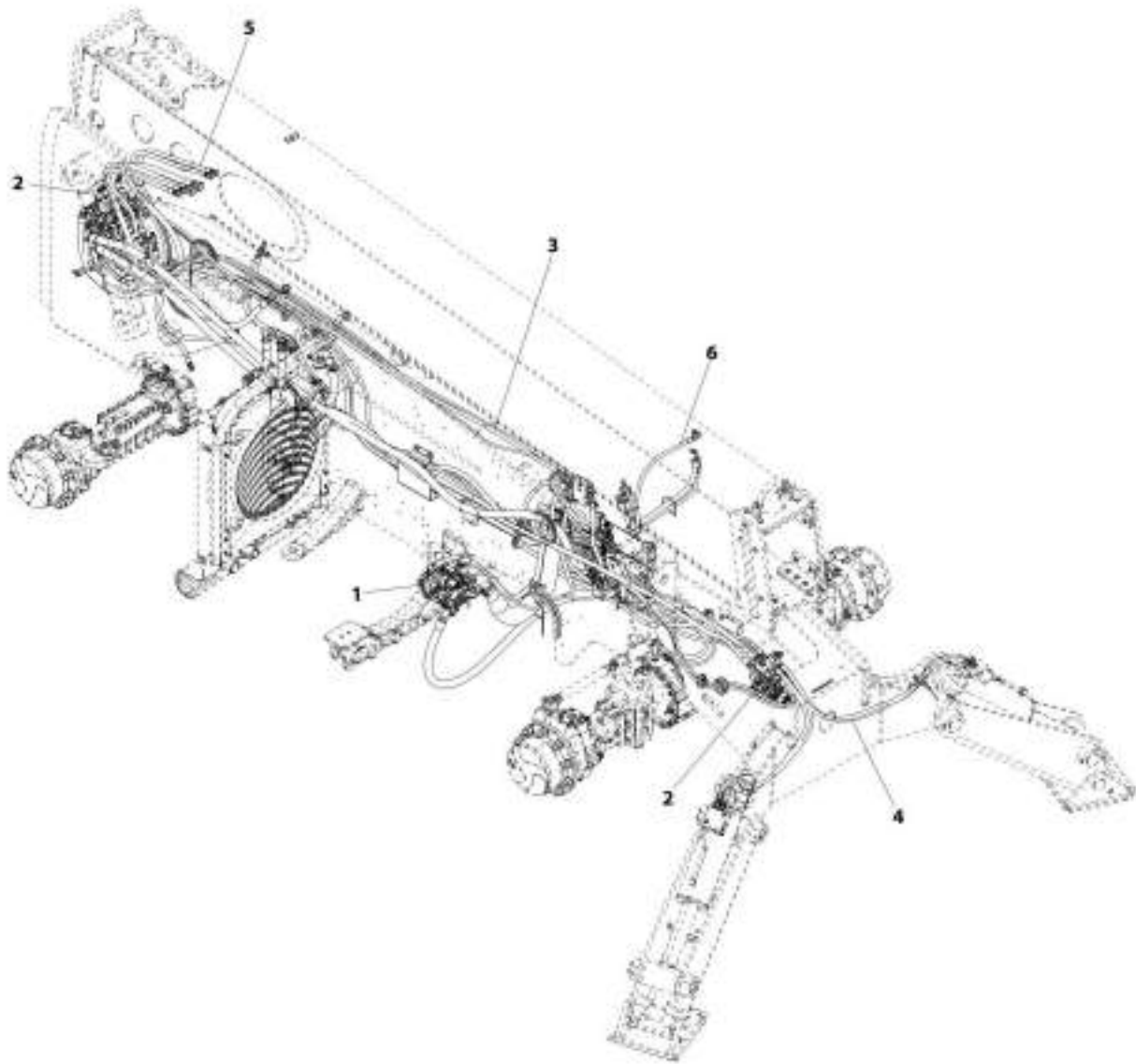
SECTION 8 - HYDRAULIC CIRCUITS

**FIGURE 8-12. MAIN HYDRAULIC INSTALLATION (EMERGENCY STEERING WITH OUTRIGGERS)
(642)**

| ITEM | PART NUMBER | QTY | DESCRIPTION | REV |
|------|-------------|-----|--|-----|
| | 1001226273 | Ref | Main Hydraulic Installation (Emergency Steering with Outriggers) (642) | A |
| 1 | 1001169912 | Ref | Installation, Valve (Outriggers) (642) (See Separate Breakdown in this Section) | |
| 2 | 1001169915 | Ref | Installation, Pump (642, 742) (See Separate Breakdown in this Section) | |
| 3 | 1001189995 | Ref | Installation, Boom Hydraulic (642, 742) (See Separate Breakdown in this Section) | |
| 4 | 1001171208 | Ref | Installation, Hydraulic Lines (110HP) (642, 742) (See Separate Breakdown in this Section) | |
| 5 | 1001171211 | Ref | Installation, Frame Level Hydraulics (Outriggers) (642) (See Separate Breakdown in this Section) | |
| 6 | 1001226271 | Ref | Installation, Cab Hydraulic (Emergency Steering) (642) (See Separate Breakdown in this Section) | |

SECTION 8 - HYDRAULIC CIRCUITS

FIGURE 8-13. MAIN HYDRAULIC INSTALLATION, EMERGENCY STEERING (OUTRIGGERS) (1043)
(Prior to SN 0160081535)



ART_1001226577-A

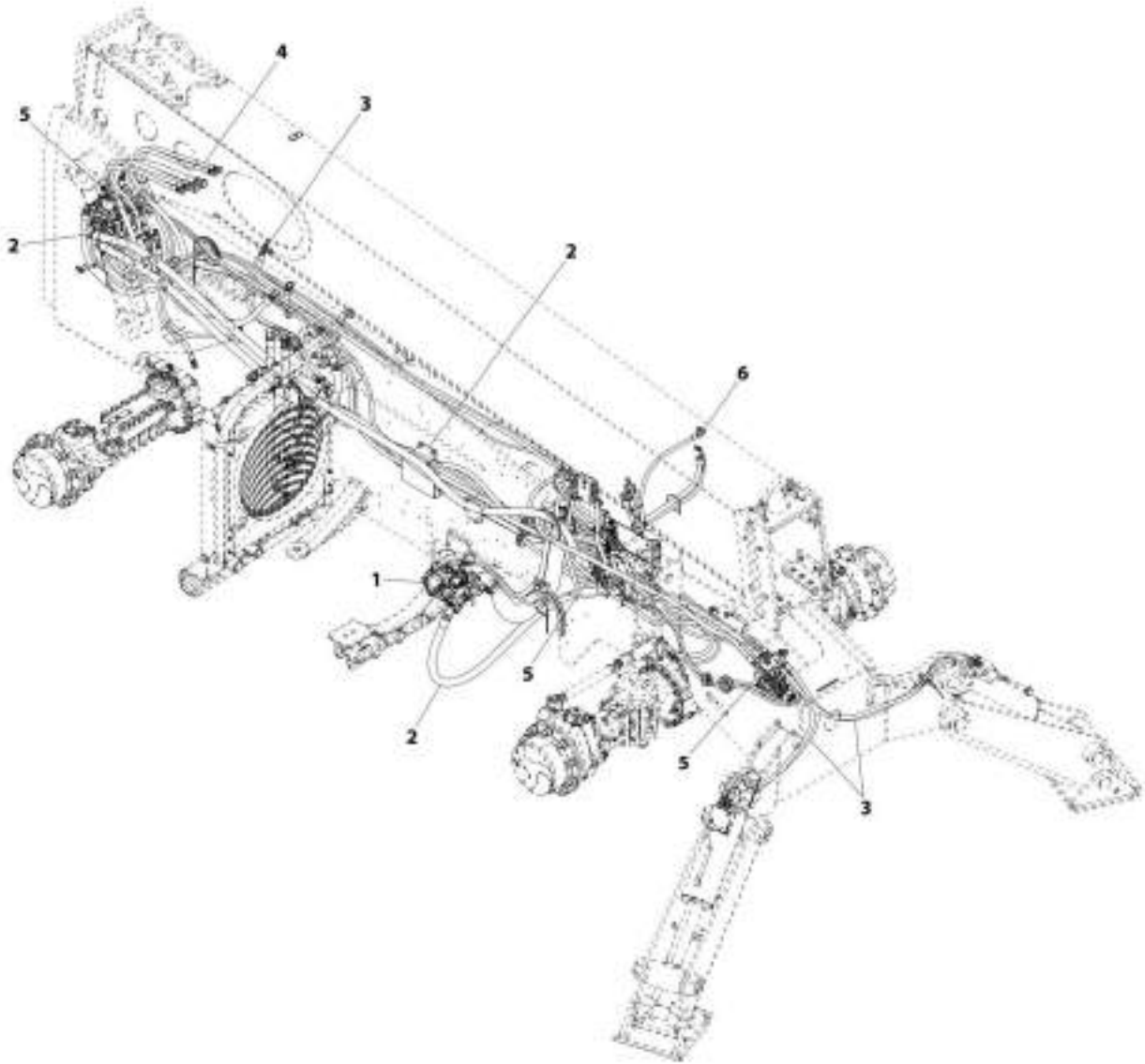
SECTION 8 - HYDRAULIC CIRCUITS

**FIGURE 8-13. MAIN HYDRAULIC INSTALLATION, EMERGENCY STEERING (OUTRIGGERS) (1043)
(Prior to SN 0160081535)**

| ITEM | PART NUMBER | QTY | DESCRIPTION | REV |
|------|-------------|-----|--|-----|
| 1 | 1001226577 | Ref | Main Hydraulic Installation, Secondary Steering (Outriggers) (1043) | A |
| | 1001162670 | Ref | Installation, Piston Pump (See Separate Breakdown in this Section) | |
| 2 | 1001168462 | Ref | Installation, Valve (Outriggers) (1043) (See Separate Breakdown in this Section) | |
| 3 | 1001168467 | Ref | Installation, Hydraulic Lines (110HP) (943, 1043) (See Separate Breakdown in this Section) | |
| 4 | 1001168469 | Ref | Installation, Frame Level Hydraulics (Outriggers) (1043) (See Separate Breakdown in this Section) | |
| 5 | 1001170100 | Ref | Installation, Boom Hydraulic (742, 943, 1043) (See Separate Breakdown in this Section) | |
| 6 | 1001226575 | Ref | Installation, Cab Hydraulic, Emergency Steering (943, 1043) (See Separate Breakdown in this Section) | |

SECTION 8 - HYDRAULIC CIRCUITS

FIGURE 8-14. MAIN HYDRAULIC INSTALLATION, EMERGENCY STEERING (OUTRIGGERS) (1043)
(SN 0160081535 to Present)



AFT_1001227388-A

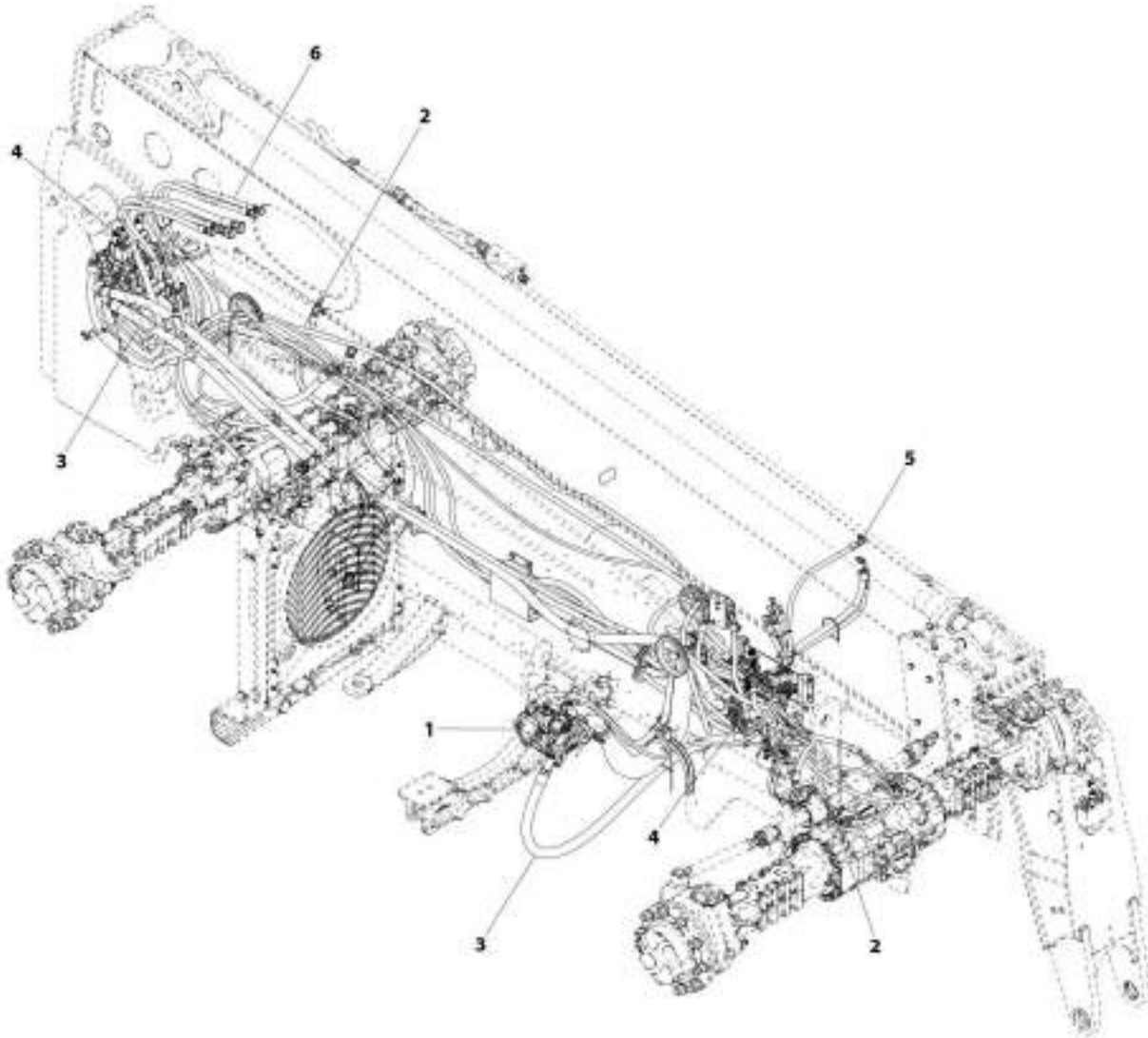
SECTION 8 - HYDRAULIC CIRCUITS

**FIGURE 8-14. MAIN HYDRAULIC INSTALLATION, EMERGENCY STEERING (OUTRIGGERS) (1043)
(SN 0160081535 to Present)**

| ITEM | PART NUMBER | QTY | DESCRIPTION | REV |
|------|-------------|-----|--|-----|
| 1 | 1001227388 | Ref | Main Hydraulic Installation, Emergency Steering (Outriggers) (1043) | A |
| | 1001162670 | Ref | Installation, Piston Pump (See Separate Breakdown in this Section) | |
| 2 | 1001227497 | Ref | Installation, Hydraulic Lines (74HP) (943, 1043) (See Separate Breakdown in this Section) | |
| 3 | 1001168469 | Ref | Installation, Frame Level Hydraulics (Outriggers) (1043) (See Separate Breakdown in this Section) | |
| 4 | 1001170100 | Ref | Installation, Boom Hydraulic (742, 943, 1043) (See Separate Breakdown in this Section) | |
| 5 | 1001225749 | Ref | Installation, Valve (See Separate Breakdown in this Section) | |
| 6 | 1001226575 | Ref | Installation, Cab Hydraulic, Emergency Steering (943, 1043) (See Separate Breakdown in this Section) | |

SECTION 8 - HYDRAULIC CIRCUITS

FIGURE 8-15. MAIN HYDRAULIC INSTALLATION - 74HP (EMERGENCY STEERING NO OUTRIGGERS) (742)



ART_1001228919-B

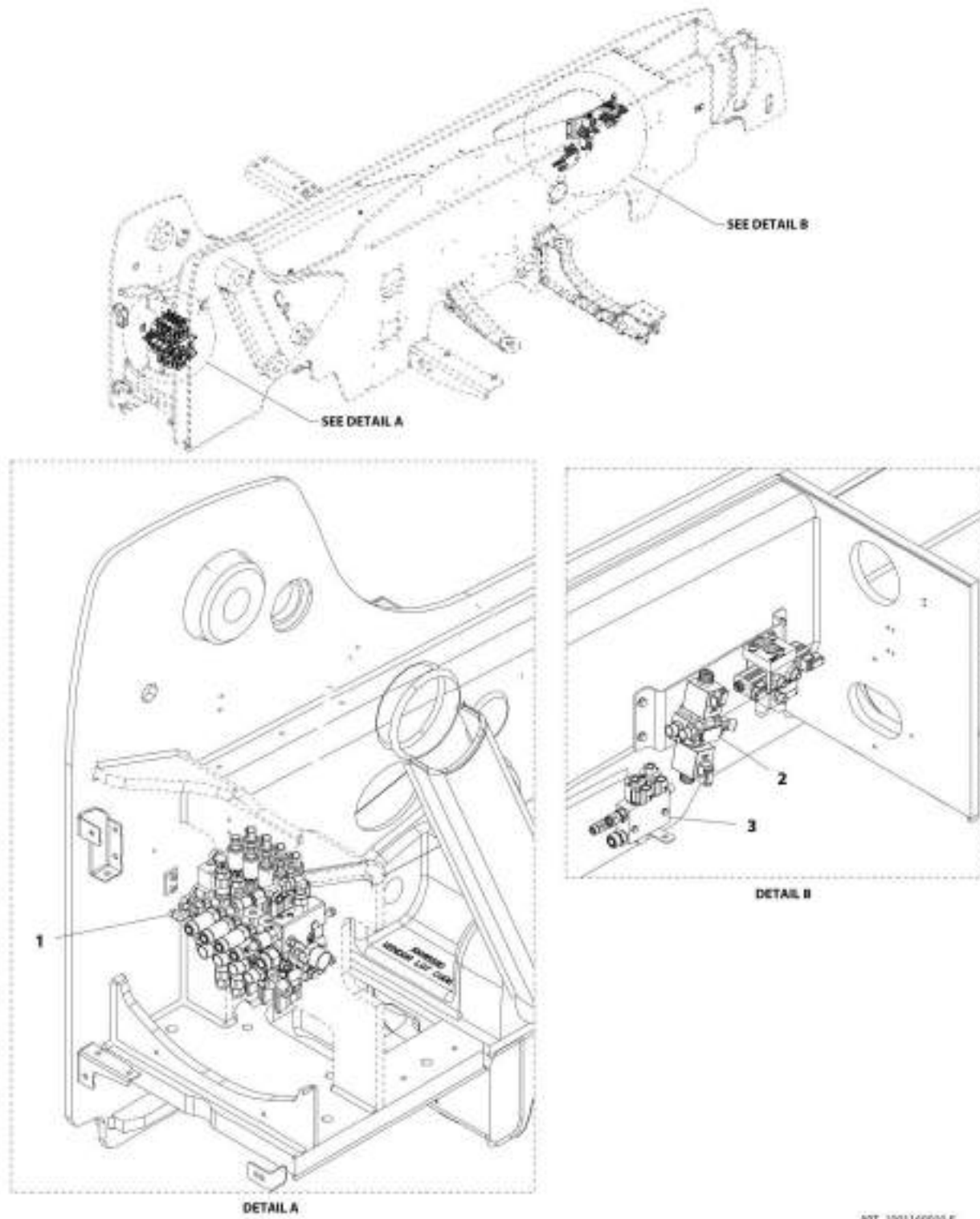
SECTION 8 - HYDRAULIC CIRCUITS

FIGURE 8-15. MAIN HYDRAULIC INSTALLATION - 74HP (EMERGENCY STEERING NO OUTRIGGERS) (742)

| ITEM | PART NUMBER | QTY | DESCRIPTION | REV |
|------|-------------|-----|--|-----|
| | 1001226919 | Ref | Main Hydraulic Installation - 74HP (Emergency Steering No Outriggers) (742) | B |
| 1 | 1001162670 | Ref | Installation, Piston Pump (742, 943, 1043) (See Separate Breakdown in this Section) | |
| 2 | 1001168468 | Ref | Installation, Frame Level Hydraulics (742, 943) (See FRAME LEVEL HYDRAULICS INSTALLATION (742, 943) for Breakdown) | |
| 3 | 1001225200 | Ref | Installation, Hydraulic Lines (74HP) (742) (See Separate Breakdown in this Section) | |
| 4 | 1001225748 | Ref | Installation, Valve (742) (See Separate Breakdown in this Section) | |
| 5 | 1001226920 | Ref | Installation, Hoses Cab Hydraulics (See Separate Breakdown in this Section) | |
| 6 | 1001170100 | Ref | Installation, Boom Hydraulic (742, 943, 1043) (See Separate Breakdown in this Section) | |

SECTION 8 - HYDRAULIC CIRCUITS

FIGURE 8-16. VALVE INSTALLATION (NO OUTRIGGERS) (642, 742)



ART_1001000/03-E

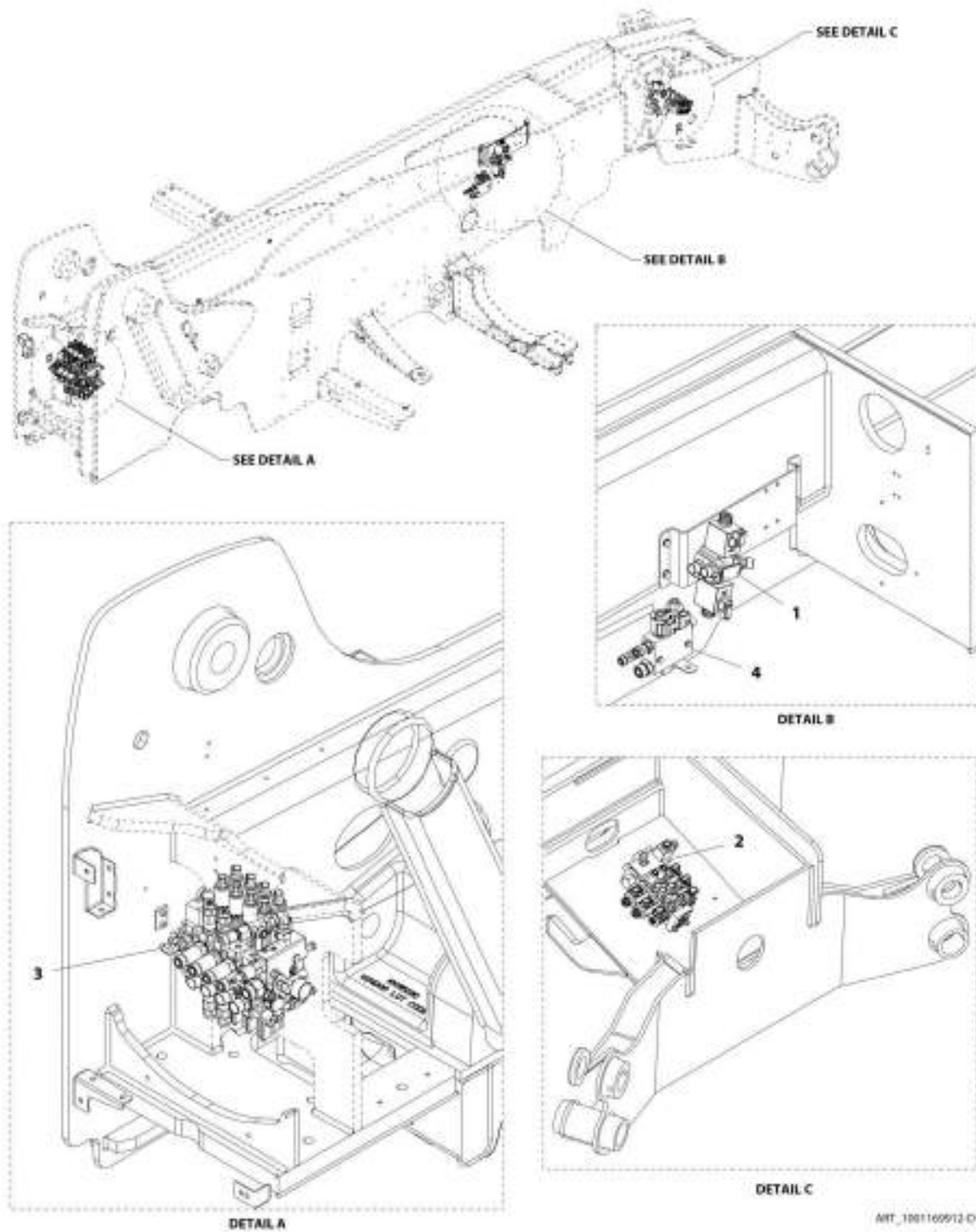
SECTION 8 - HYDRAULIC CIRCUITS

FIGURE 8-16. VALVE INSTALLATION (NO OUTRIGGERS) (642, 742)

| ITEM | PART NUMBER | QTY | DESCRIPTION | REV |
|------|-------------|-----|--|-----|
| 1 | 1001169910 | Ref | Valve Installation (No Outriggers) (642, 742) | E |
| | 1001169346 | Ref | Installation, Main Control Valve (642, 742) (See Separate Breakdown in this Section) | |
| 2 | 1001168465 | Ref | Installation, Steering Select and Frame Level Valve (See Separate Breakdown in this Section) | |
| 3 | 1001172370 | Ref | Installation, Park Brake (See Separate Breakdown in this Section) | |

SECTION 8 - HYDRAULIC CIRCUITS

FIGURE 8-17. VALVE INSTALLATION (OUTRIGGERS) (642)



ART_1001169912-D

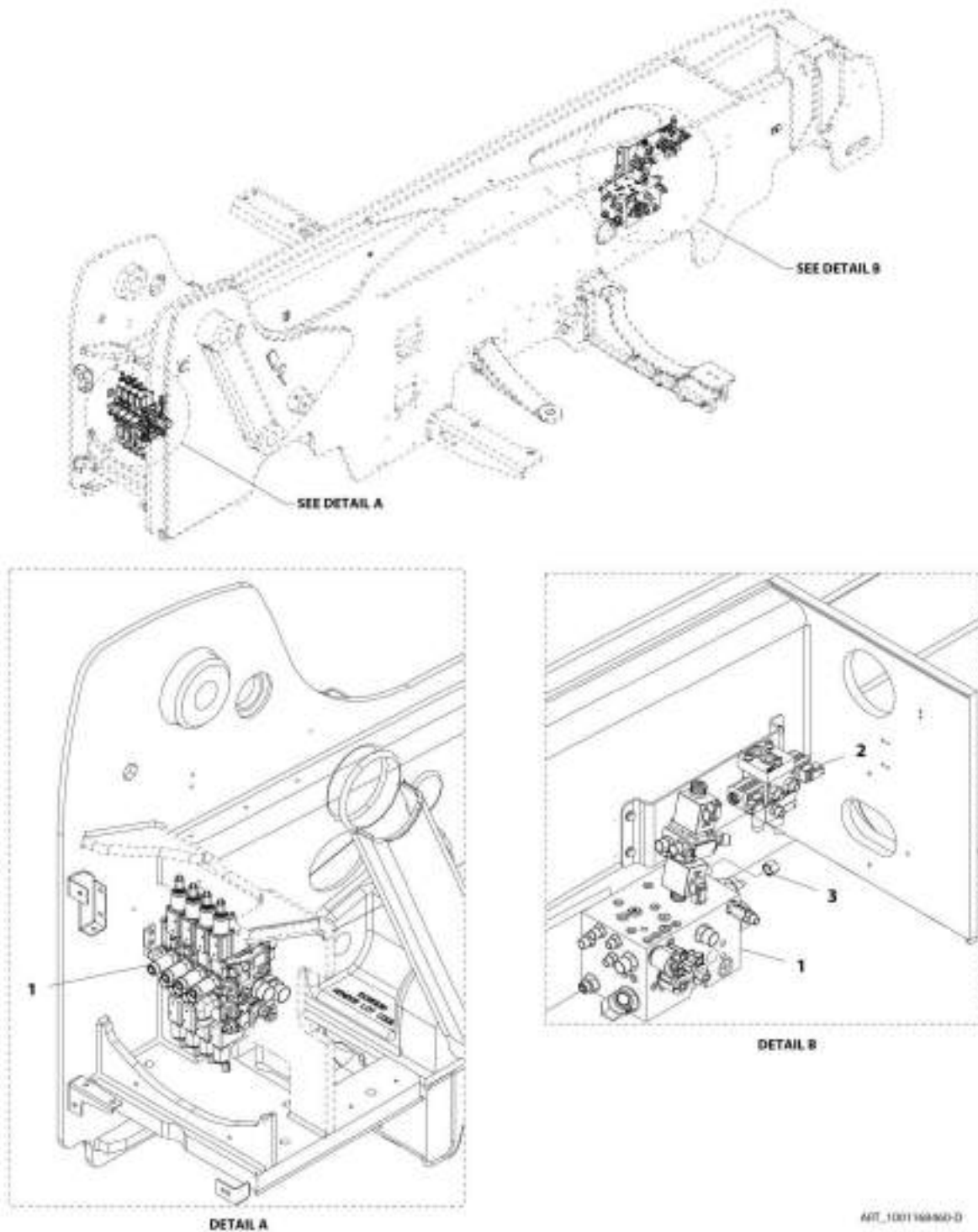
SECTION 8 - HYDRAULIC CIRCUITS

FIGURE 8-17. VALVE INSTALLATION (OUTRIGGERS) (642)

| ITEM | PART NUMBER | QTY | DESCRIPTION | REV |
|------|-------------|-----|---|-----|
| 1 | 1001169912 | Ref | Valve Installation (Outriggers) (642) | D |
| | 1001168464 | Ref | Installation, Steering Select Valve Mounting (See STEERING SELECT VALVE MOUNTING INSTALLATION for Breakdown) | |
| 2 | 1001159760 | Ref | Installation, Frame Level and Outtrigger Valve (See FRAME LEVEL AND OUTRIGGER VALVE INSTALLATION for Breakdown) | |
| 3 | 1001169346 | Ref | Installation, Main Control Valve (642, 742) (See Separate Breakdown in this Section) | |
| 4 | 1001172370 | Ref | Installation, Park Brake (See PARK BRAKE INSTALLATION for Breakdown) | |

SECTION 8 - HYDRAULIC CIRCUITS

FIGURE 8-18. VALVE INSTALLATION (NO OUTRIGGERS) (943) (Prior to SN 0160081535)



ART_100166960-D

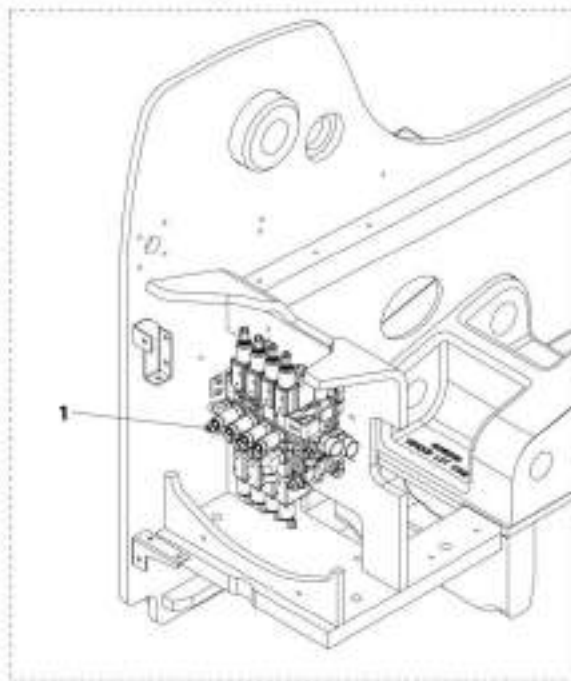
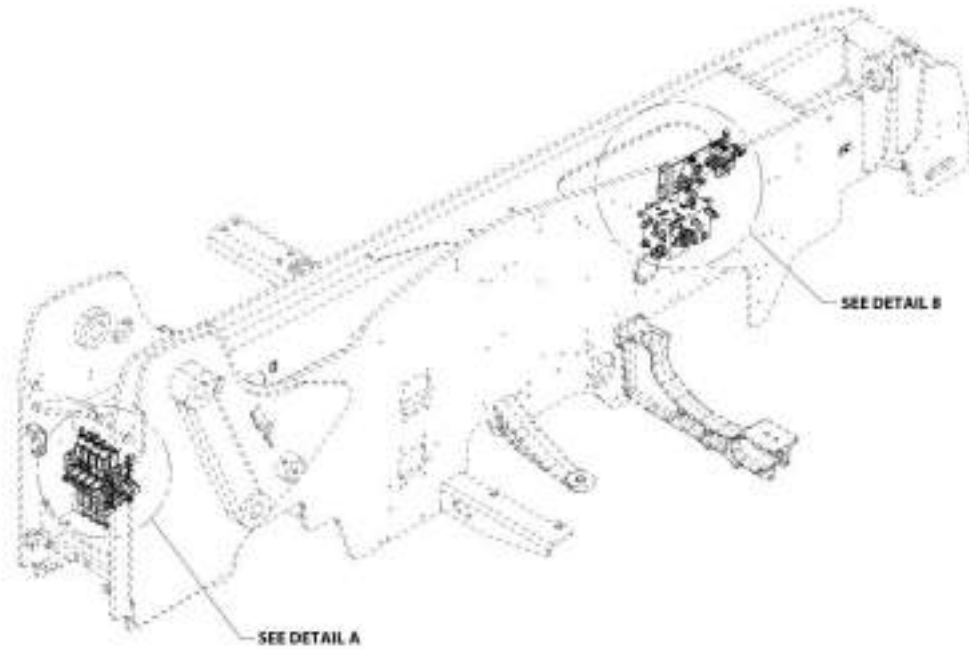
SECTION 8 - HYDRAULIC CIRCUITS

FIGURE 8-18. VALVE INSTALLATION (NO OUTRIGGERS) (943) (Prior to SN 0160081535)

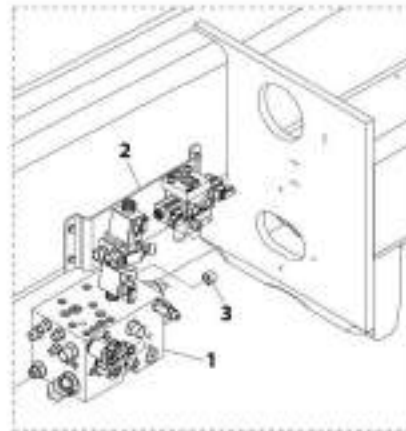
| ITEM | PART NUMBER | QTY | DESCRIPTION | REV |
|------|-------------|-----|--|-----|
| 1 | 1001168460 | Ref | Valve Installation (No Outriggers) (943) | D |
| | 1001168463 | Ref | Installation, Main Control Valve (943, 1043) (See Main Control Valve Installation (943, 1043) | |
| 2 | 1001168465 | Ref | Installation, Steering Select and Frame Level Valve (See STEERING SELECT AND FRAME LEVEL VALVE INSTALLATION for Breakdown) | |
| 3 | 2170906 | 1 | Fitting, ORFS | |

SECTION 8 - HYDRAULIC CIRCUITS

FIGURE 8-19. VALVE INSTALLATION (742, 943) (943 SN 0160081535 to Present)



DETAIL A



DETAIL B

AWT_1001225748-A

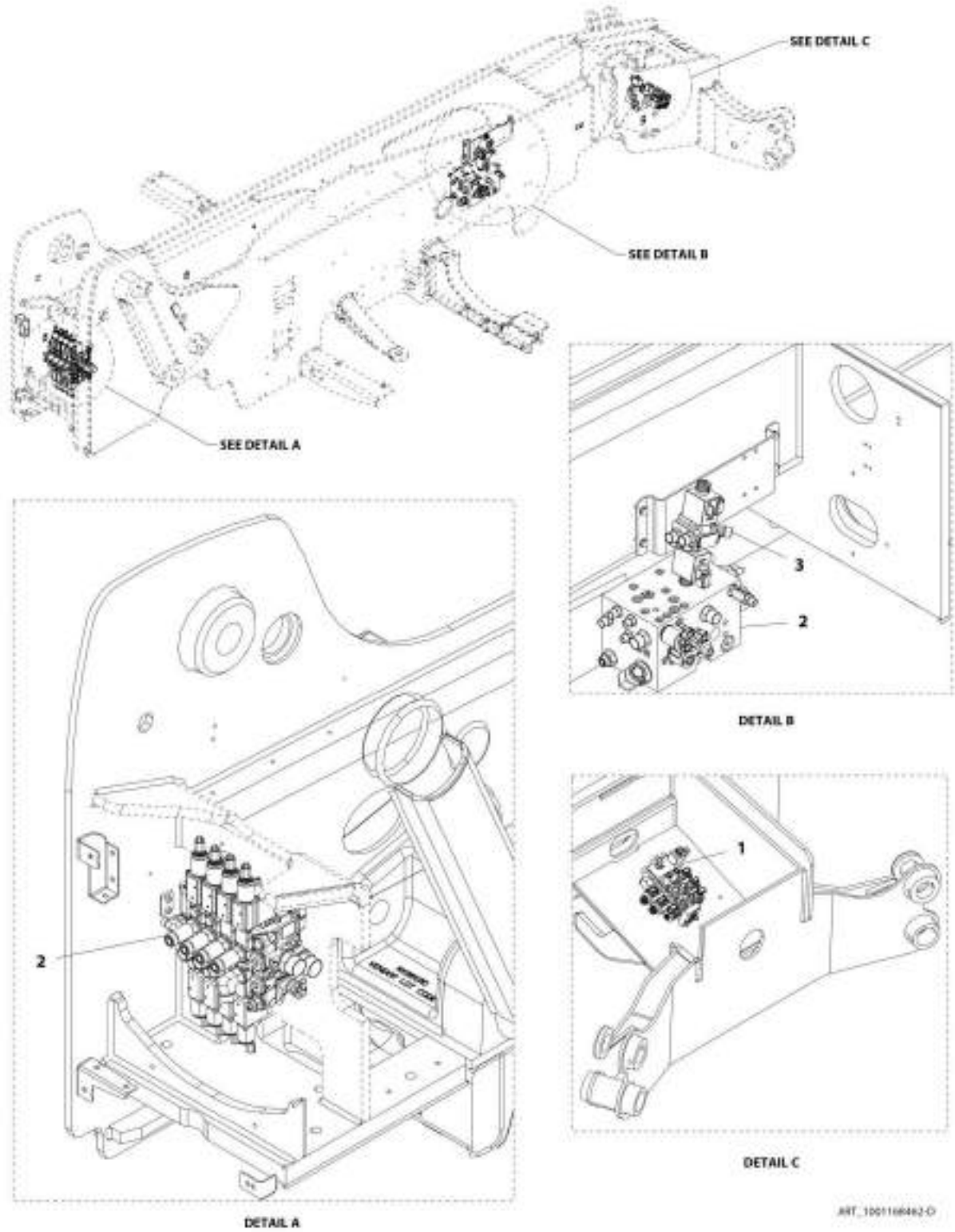
SECTION 8 - HYDRAULIC CIRCUITS

FIGURE 8-19. VALVE INSTALLATION (742, 943) (943 SN 0160081535 to Present)

| ITEM | PART NUMBER | QTY | DESCRIPTION | REV |
|------|-------------|-----|--|-----|
| 1 | 1001225748 | Ref | Valve Installation (742, 943) | A |
| | 1001225750 | Ref | Installation, Main Control Valve (742, 943, 1043) (See Separate Breakdown in this Section) | |
| 2 | 1001168465 | Ref | Installation, Steering Select and Frame Level Valve (See Separate Breakdown in this Section) | |
| 3 | 2170906 | 1 | Fitting, ORFS | |

SECTION 8 - HYDRAULIC CIRCUITS

FIGURE 8-20. VALVE INSTALLATION (OUTRIGGERS) (1043) (Prior to SN 0160081535)



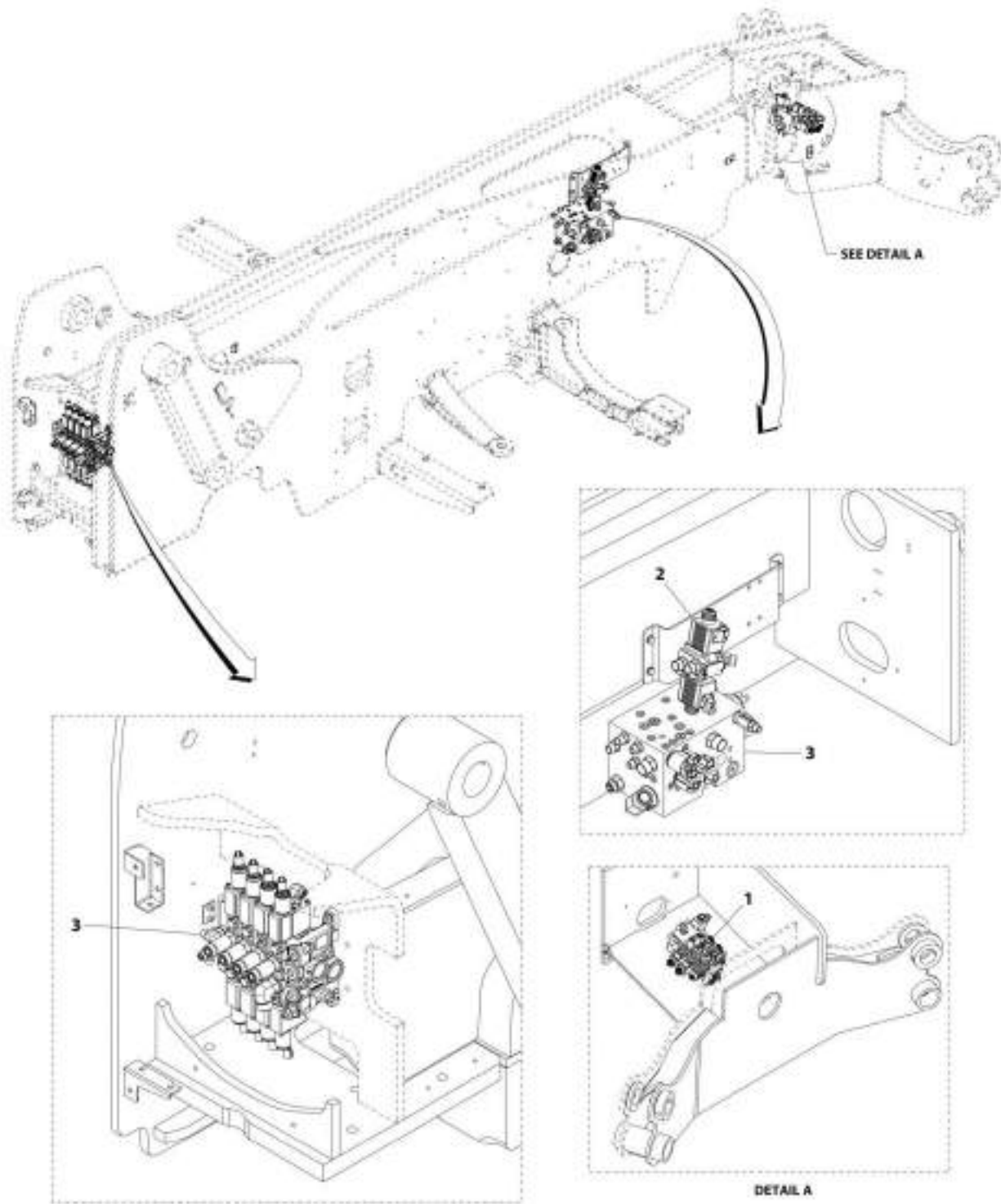
SECTION 8 - HYDRAULIC CIRCUITS

FIGURE 8-20. VALVE INSTALLATION (OUTRIGGERS) (1043) (Prior to SN 0160081535)

| ITEM | PART NUMBER | QTY | DESCRIPTION | REV |
|------|-------------|-----|--|-----|
| 1 | 1001168462 | Ref | Valve Installation (Outriggers) (1043) | D |
| | 1001159760 | Ref | Installation, Frame Level and Outrigger Valve (See FRAME LEVEL AND OUTRIGGER VALVE INSTALLATION for Breakdown) | |
| 2 | 1001168463 | Ref | Installation, Main Control Valve (943, 1043) (See MAIN CONTROL VALVE INSTALLATION (943, 1043) for Breakdown) | |
| 3 | 1001168464 | Ref | Installation, Steering Select Valve Mounting (See STEERING SELECT VALVE MOUNTING INSTALLATION for Breakdown) | |

SECTION 8 - HYDRAULIC CIRCUITS

FIGURE 8-21. VALVE INSTALLATION (OUTRIGGERS) (1043) (SN 0160081535 to Present)



WIT_1001225749-A

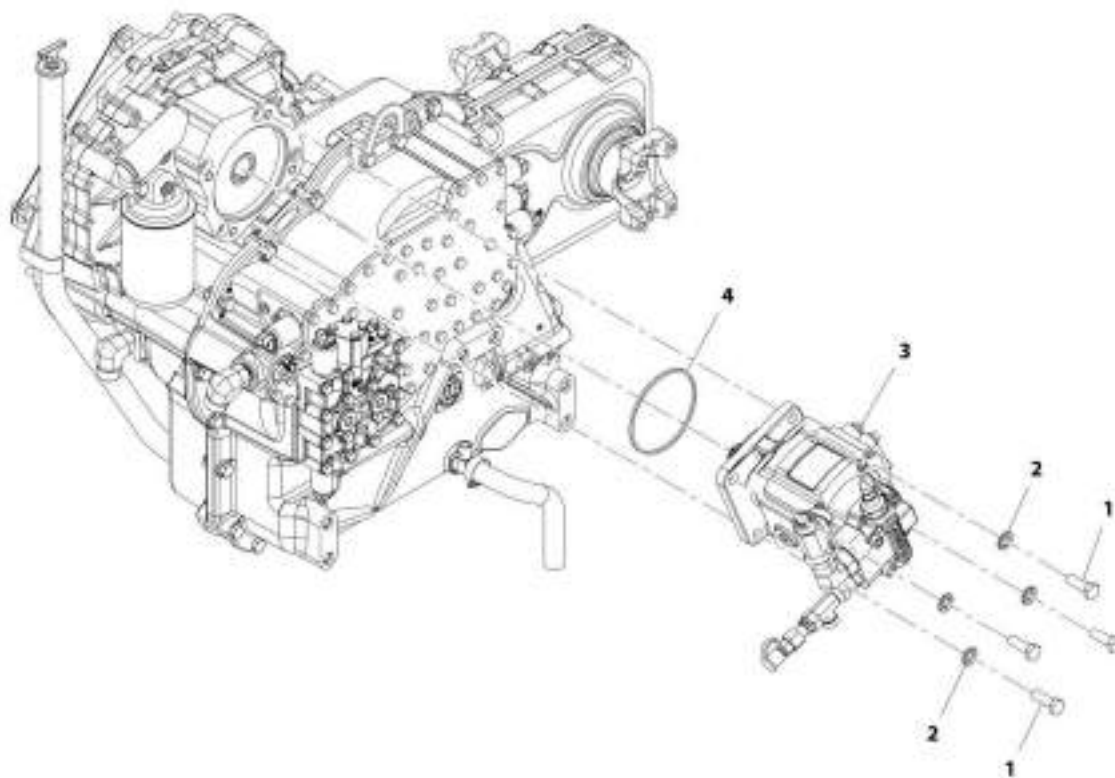
SECTION 8 - HYDRAULIC CIRCUITS

FIGURE 8-21. VALVE INSTALLATION (OUTRIGGERS) (1043) (SN 0160081535 to Present)

| ITEM | PART NUMBER | QTY | DESCRIPTION | REV |
|------|-------------|-----|--|-----|
| 1 | 1001225749 | Ref | Valve Installation (Outriggers) (1043) | A |
| | 1001159760 | Ref | Installation, Frame Level and Outrigger Valve (See Separate Breakdown in this Section) | |
| 2 | 1001168464 | Ref | Installation, Steering Select Valve Mounting (See Separate Breakdown in this Section) | |
| 3 | 1001225750 | Ref | Installation, Main Control Valve (742, 943, 1043) (See Separate Breakdown in this Section) | |

SECTION 8 - HYDRAULIC CIRCUITS

FIGURE 8-22. PISTON PUMP INSTALLATION (642, 742)



ART_1001W9915-C

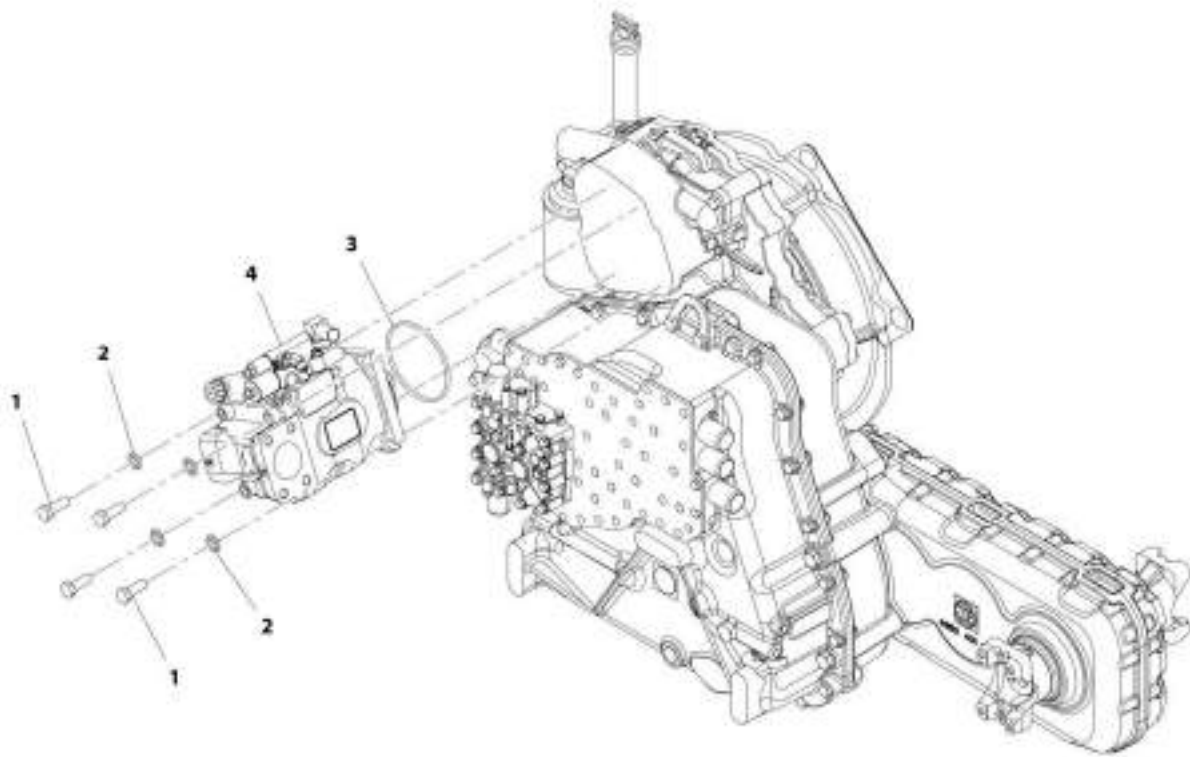
SECTION 8 - HYDRAULIC CIRCUITS

FIGURE 8-22. PISTON PUMP INSTALLATION (642, 742)

| ITEM | PART NUMBER | QTY | DESCRIPTION | REV |
|------|-------------|-----|--|-----|
| | 1001169915 | Ref | Piston Pump Installation (642, 742) | C |
| 1 | 0761215 | 4 | Bolt, M12X35 | |
| 2 | 4740532 | 4 | Washer | |
| 3 | 1001171097 | 1 | Assembly, Piston Pump (See Separate Breakdown in this Section) | |
| 4 | 80933113 | 1 | O-Ring | |

SECTION 8 - HYDRAULIC CIRCUITS

FIGURE 8-23. PISTON PUMP INSTALLATION (742, 943, 1043)



ART_100102670-C

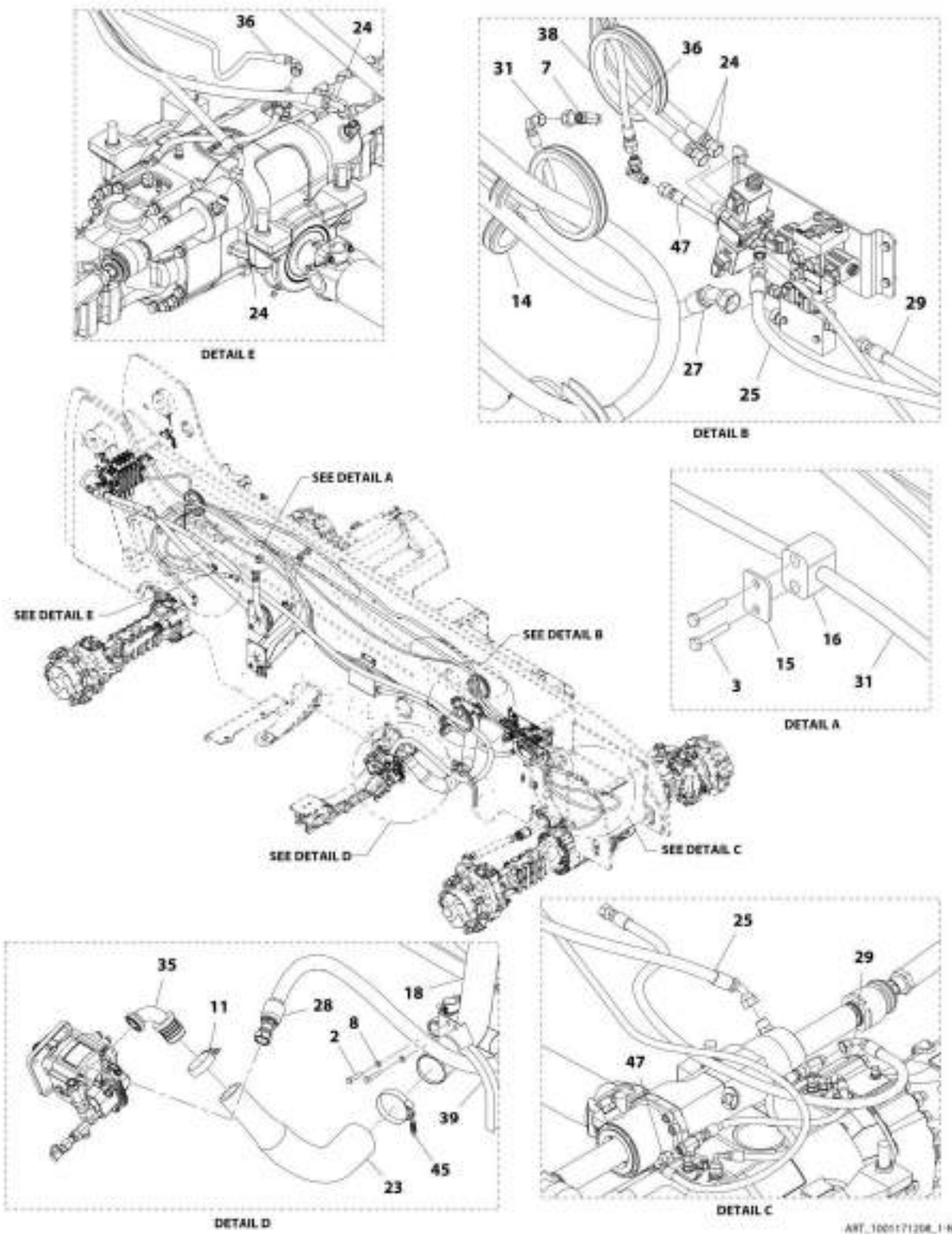
SECTION 8 - HYDRAULIC CIRCUITS

FIGURE 8-23. PISTON PUMP INSTALLATION (742, 943, 1043)

| ITEM | PART NUMBER | QTY | DESCRIPTION | REV |
|------|-------------|-----|--|-----|
| | 1001162670 | Ref | Piston Pump Installation (742, 943, 1043) | C |
| 1 | 0761215 | 4 | Bolt, M12X35 | |
| 2 | 4740532 | 4 | Washer | |
| 3 | 80933113 | 1 | O-Ring | |
| 4 | 1001162674 | 1 | Assembly, Piston Pump (See PISTON PUMP ASSEMBLY (943, 1043) for Breakdown) | |

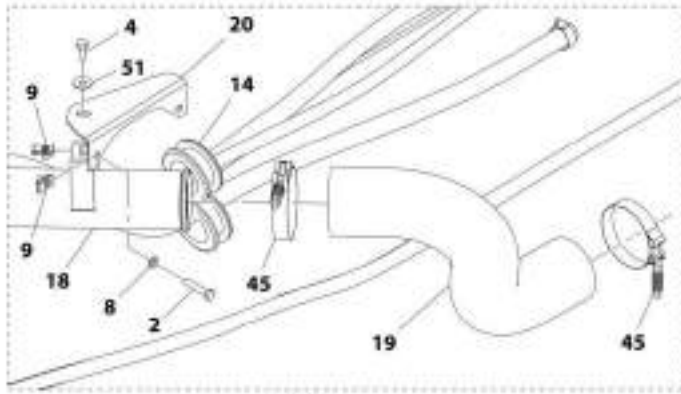
SECTION 8 - HYDRAULIC CIRCUITS

FIGURE 8-24. HYDRAULIC LINES INSTALLATION (110HP) (642, 742)

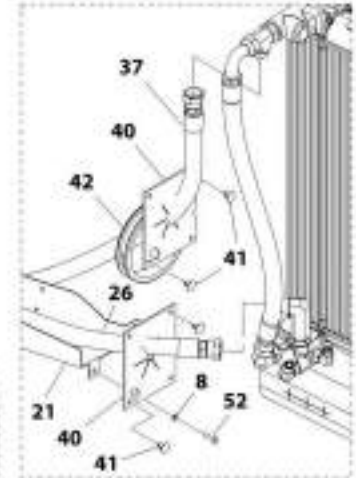


ART_100171204_1-H

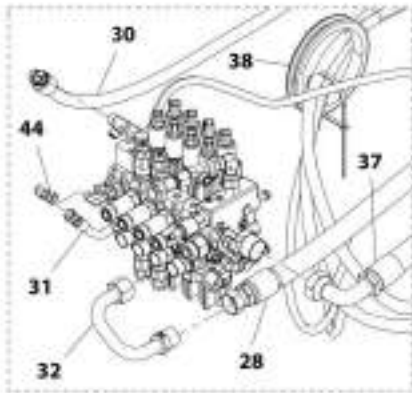
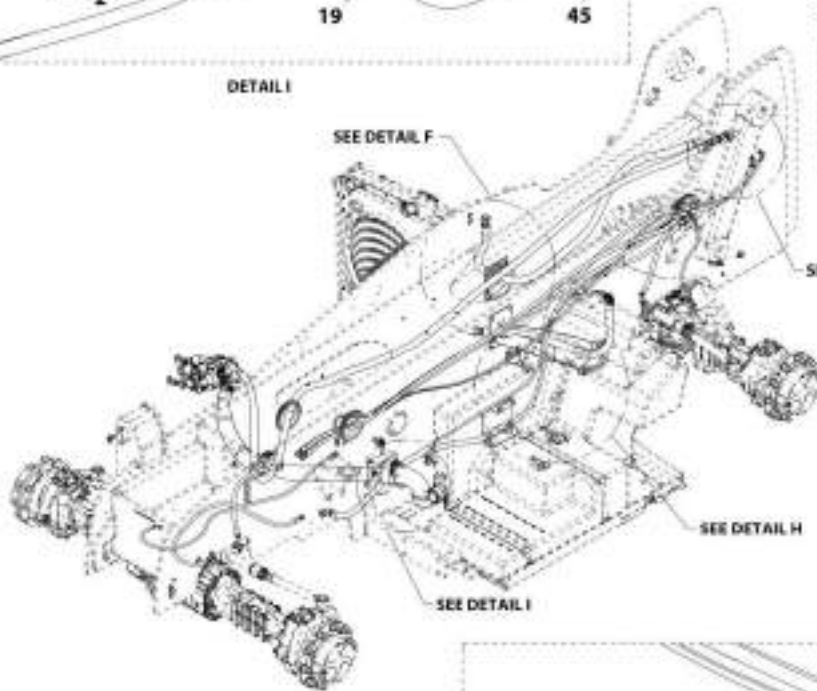
SECTION 8 - HYDRAULIC CIRCUITS



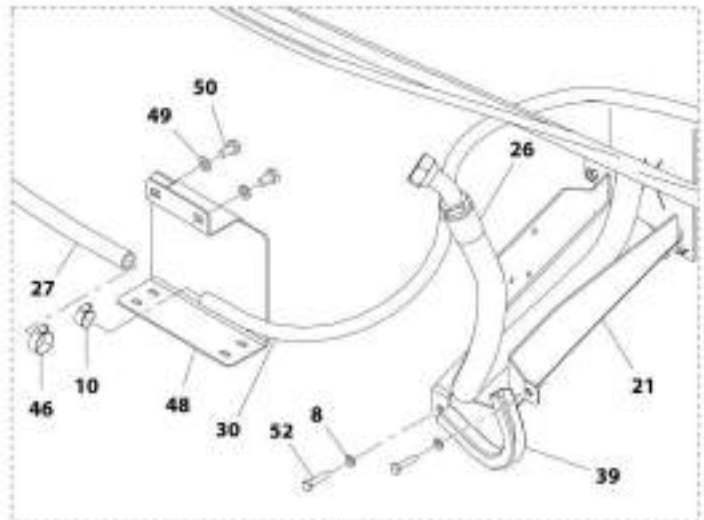
DETAIL I



DETAIL F



DETAIL G



DETAIL H

ART_1001171208_2-N

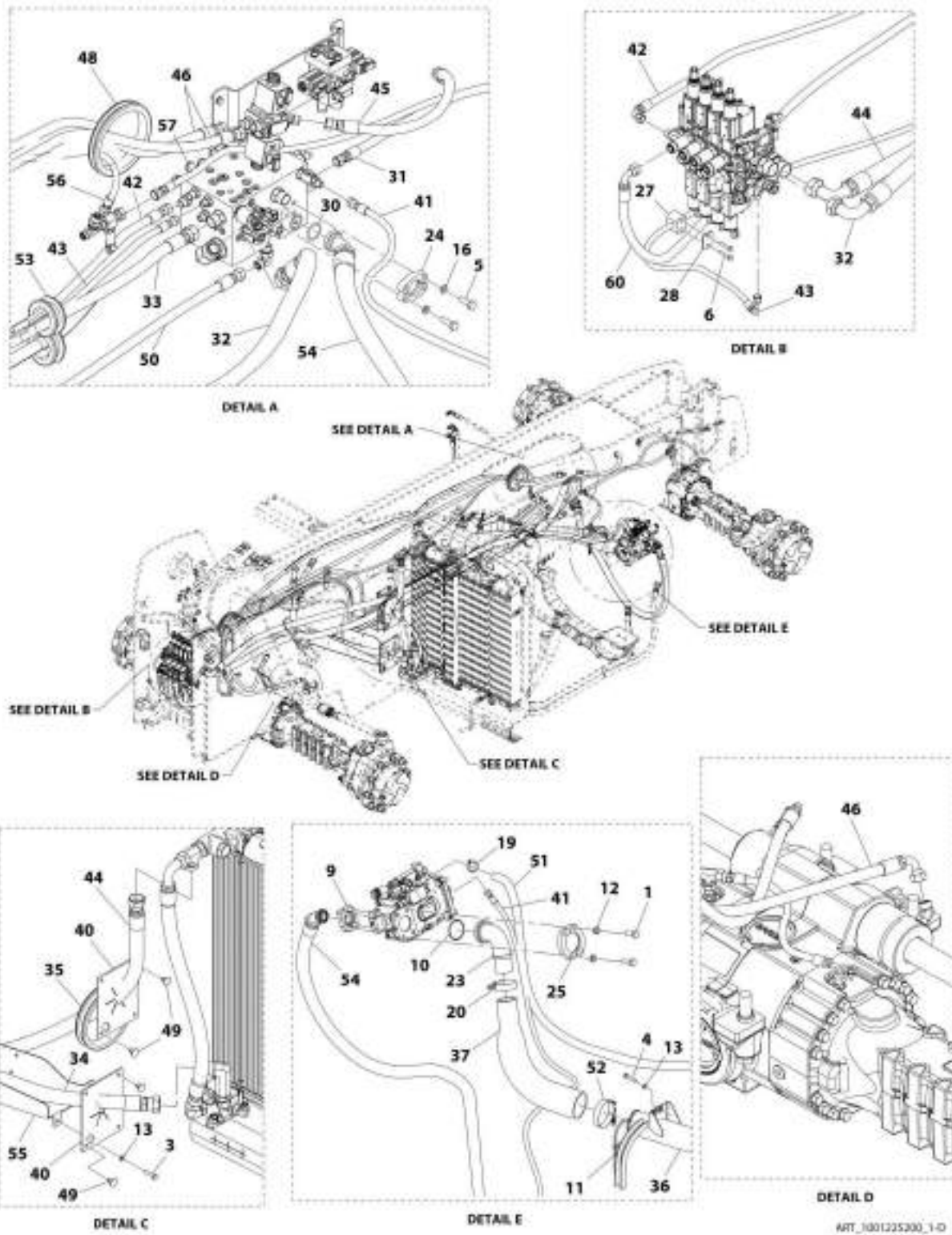
SECTION 8 - HYDRAULIC CIRCUITS

FIGURE 8-24. HYDRAULIC LINES INSTALLATION (110HP) (642, 742)

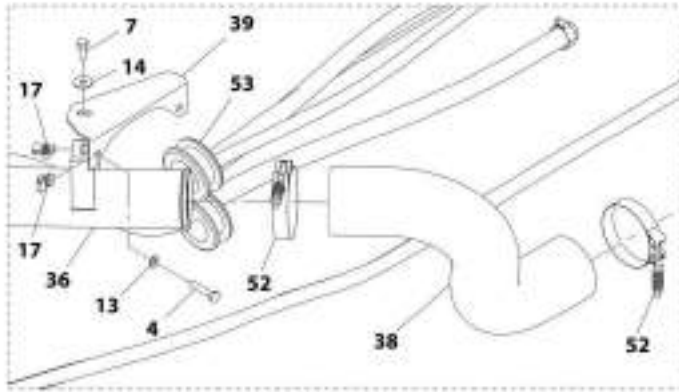
| ITEM | PART NUMBER | QTY | DESCRIPTION | REV |
|------|-------------|--------|---|-----|
| | 1001171208 | Ref | Hydraulic Lines Installation (110HP) (642, 742) | N |
| 2 | 0700816 | 4 | Bolt, M8X40 | |
| 3 | 0760615 | 2 | Bolt, M6X35 | |
| 4 | 0760810 | 1 | Bolt, M8X20 | |
| 7 | 2221225 | 1 | Fitting, Tee | |
| 8 | 4811900 | 8 | Washer | |
| 9 | 8310686 | 3 | Nut, M8X12.5 | |
| 10 | 8405006 | 1 | Clamp, Gear | |
| 11 | 8405209 | 1 | Clamp, T-Bolt | |
| 14 | 1001188971 | 2 | Grommet | |
| 15 | 8769146 | 1 | Cover, Plate | |
| 16 | 8750030 | 1 | Clamp, Set | |
| 18 | 1001173446 | 1 | Pipe | |
| 19 | 1001173451 | 1 | Hose | |
| 20 | 1001174338 | 1 | Bracket | |
| 21 | 1001199750 | 1 | Channel | |
| 23 | 1001175057 | 1 | Hose | |
| 24 | 1001177273 | 2 | Hose | |
| 25 | 1001177248 | 1 | Hose | |
| 26 | 1001161978 | 1 | Hose | |
| 27 | 1001187872 | 1 | Hose | |
| 28 | 1001175997 | 1 | Hose | |
| 29 | 1001176043 | 1 | Hose | |
| 30 | 1001176050 | 1 | Hose (Prior to SN 0160084432) | |
| 30 | 1001231874 | 1 | Hose (SN 0160084432 to Present) | |
| 31 | 1001176124 | 1 | Hose | |
| 32 | 1001176139 | 1 | Pipe | |
| 35 | 1001176548 | 1 | Fitting, 90 | |
| 36 | 1001202847 | 1 | Hose | |
| 37 | 1001175699 | 1 | Hose | |
| 38 | 1001177704 | 3 | Grommet | |
| 39 | 4060918 | 467 mm | Trim | |
| 40 | 1001175347 | 2 | Grommet | |
| 41 | 1001180306 | 8 | Screw | |
| 42 | 1001169830 | 1 | Grommet | |
| 44 | 2172104 | 1 | Fitting, 90 ORFS | |
| 45 | 1001186843 | 3 | Clamp, T-Bolt | |
| 46 | 8405007 | 1 | Clamp, Gear | |
| 47 | 1001203502 | 1 | Hose | |
| 48 | 1001208881 | 1 | Bracket | |
| 49 | 4812000 | 2 | Washer, M10 | |
| 50 | 0761010 | 2 | Bolt, M10X20 | |
| 51 | 4811902 | 1 | Washer, M8 | |
| 52 | 0700815 | 4 | Bolt, M8X35 | |

SECTION 8 - HYDRAULIC CIRCUITS

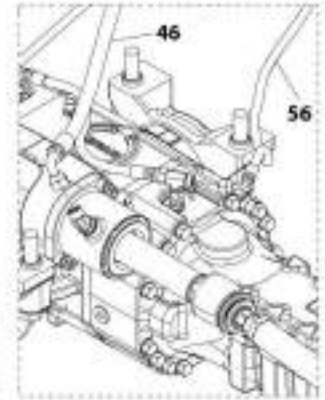
FIGURE 8-25. HYDRAULIC LINES INSTALLATION (74HP) (742)



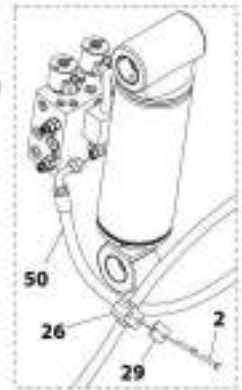
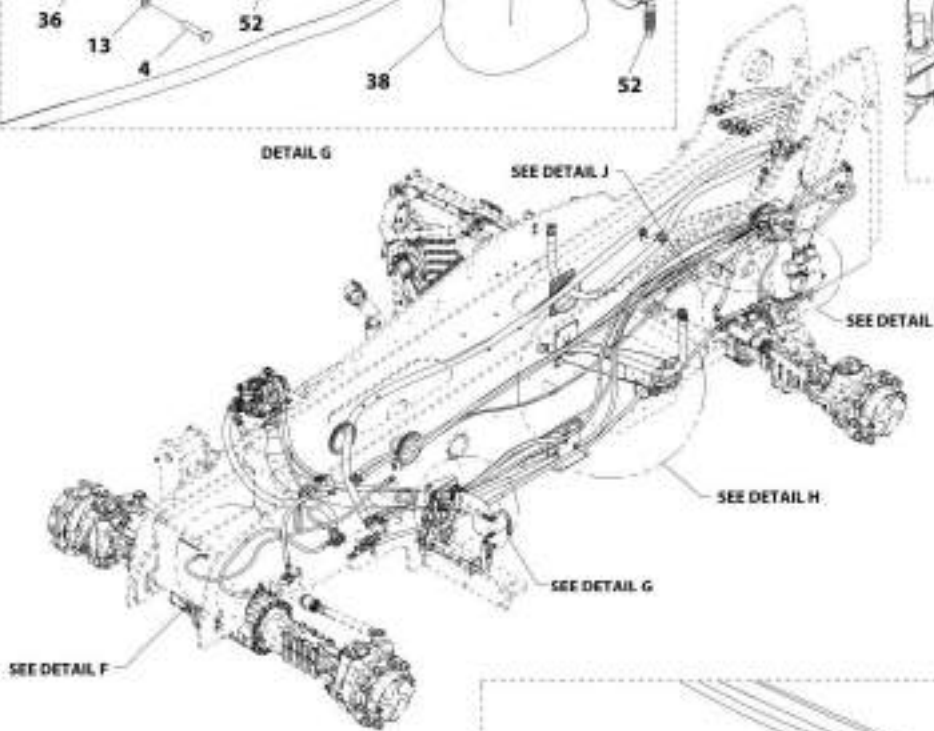
SECTION 8 - HYDRAULIC CIRCUITS



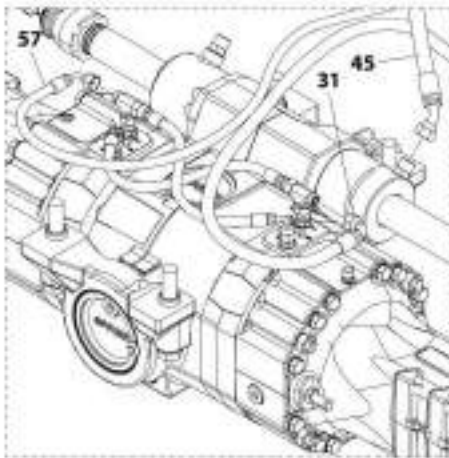
DETAIL G



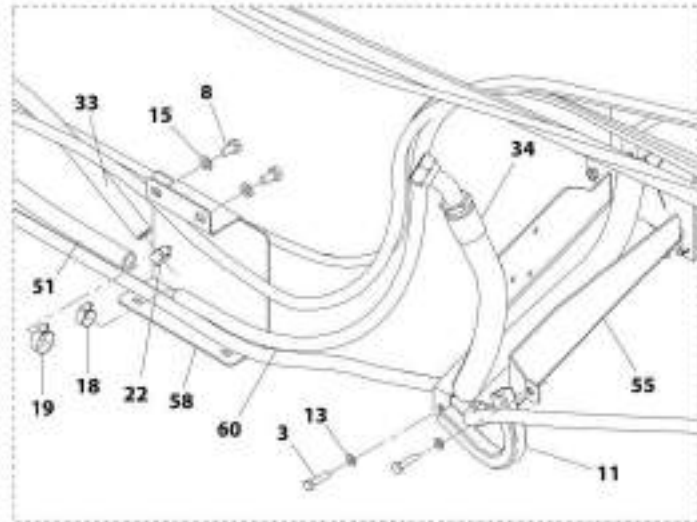
DETAIL J



DETAIL I



DETAIL F



DETAIL H

ART_1001225200_3-D

SECTION 8 - HYDRAULIC CIRCUITS

FIGURE 8-25. HYDRAULIC LINES INSTALLATION (74HP) (742)

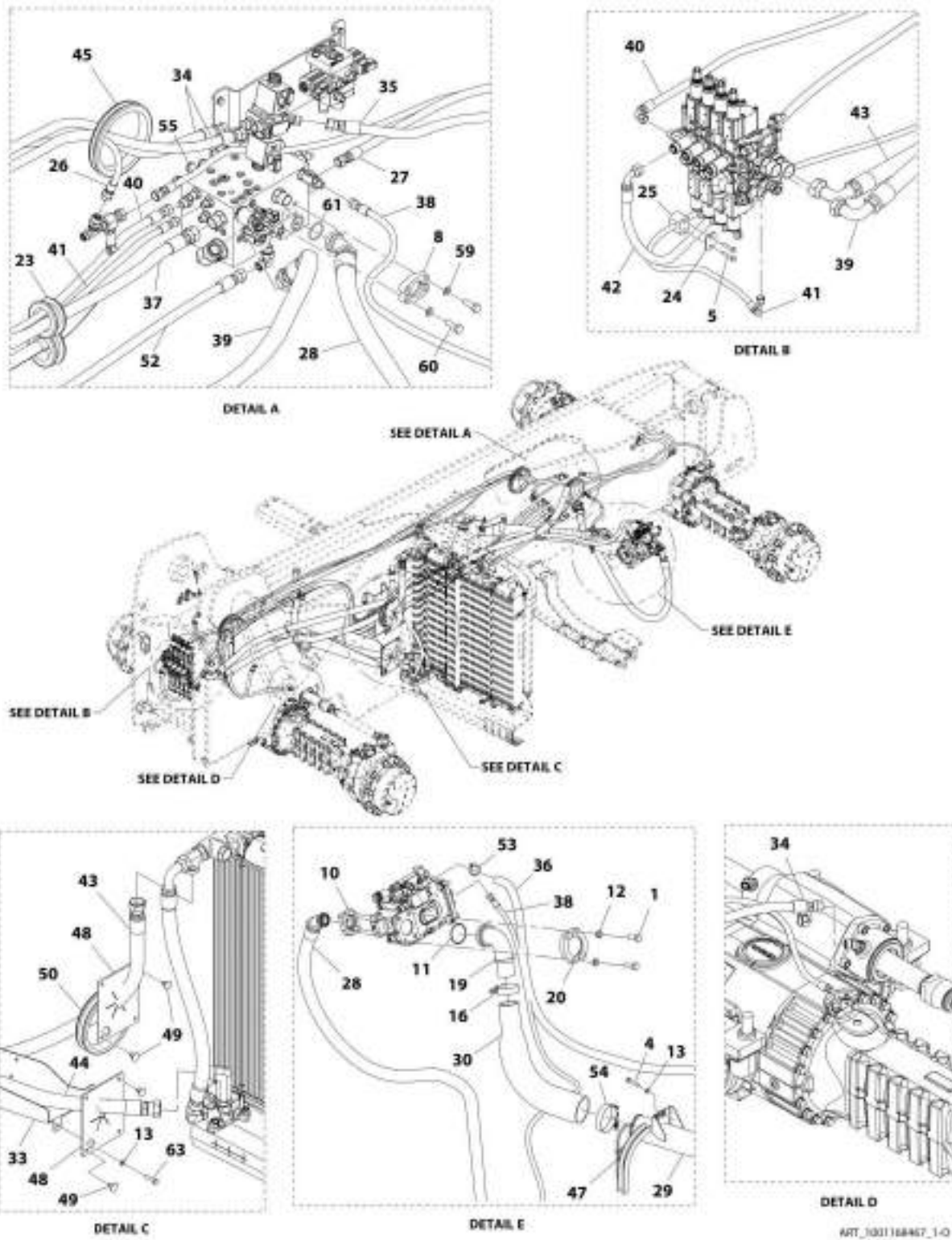
| ITEM | PART NUMBER | QTY | DESCRIPTION | REV |
|------|-------------|--------|---|-----|
| | 1001225200 | Ref | Hydraulic Lines Installation (74HP) (742) | D |
| 1 | 0641812 | 4 | Bolt, 1/2-13X1 | |
| 2 | 0700616 | 2 | Bolt, M6X40 | |
| 3 | 0700815 | 4 | Bolt, M8X35 | |
| 4 | 0700816 | 4 | Bolt, M8X40 | |
| 5 | 0701014 | 4 | Bolt, M10X30 | |
| 6 | 0760615 | 4 | Bolt, M6X35 | |
| 7 | 0760810 | 1 | Bolt, M8X20 | |
| 8 | 0761010 | 2 | Bolt, M10X20 | |
| 9 | 2220478 | 1 | Kit, Flange | |
| 10 | 3790228 | 1 | O-Ring | |
| 11 | 4060919 | 467 mm | Trim | |
| 12 | 4761800 | 4 | Washer, Lock 1/2 | |
| 13 | 4811900 | 8 | Washer, M8 | |
| 14 | 4811902 | 1 | Washer, M8 | |
| 15 | 4812000 | 2 | Washer, M10 | |
| 16 | 4832000 | 4 | Washer, Lock M10 | |
| 17 | 8310686 | 3 | Nut, Retainer M8X12.5 | |
| 18 | 8405006 | 1 | Clamp, Gear | |
| 19 | 8405007 | 2 | Clamp, Gear | |
| 20 | 8405209 | 1 | Clamp, T-Bolt | |
| 22 | 8410009 | 1 | Clamp, Gear | |
| 23 | 8424233 | 1 | Elbow, 90 | |
| 24 | 8530030 | 2 | Flange | |
| 25 | 8546407 | 2 | Flange, Half | |
| 26 | 8750029 | 1 | Clamp, Hose | |
| 27 | 8750030 | 2 | Clamp, Hose | |
| 28 | 8769146 | 2 | Plate, Cover | |
| 29 | 8769153 | 1 | Plate, Cover | |
| 30 | 91083106 | 1 | O-Ring | |
| 31 | 1001161535 | 1 | Hose | |
| 32 | 1001161972 | 1 | Hose | |
| 33 | 1001161976 | 1 | Hose | |
| 34 | 1001161978 | 1 | Hose | |
| 35 | 1001169830 | 1 | Grommet | |
| 36 | 1001173446 | 1 | Pipe | |
| 37 | 1001173450 | 1 | Hose | |
| 38 | 1001173451 | 1 | Hose | |
| 39 | 1001174338 | 1 | Bracket | |
| 40 | 1001175347 | 2 | Grommet | |
| 41 | 1001175694 | 1 | Hose | |
| 42 | 1001175696 | 1 | Hose | |
| 43 | 1001175697 | 1 | Hose | |
| 44 | 1001175699 | 1 | Hose | |
| 45 | 1001177248 | 1 | Hose | |
| 46 | 1001177273 | 2 | Hose | |
| 48 | 1001177704 | 3 | Grommet | |
| 49 | 1001180306 | 8 | Screw | |
| 50 | 1001182506 | 1 | Hose | |
| 51 | 1001186418 | 1 | Hose | |

SECTION 8 - HYDRAULIC CIRCUITS

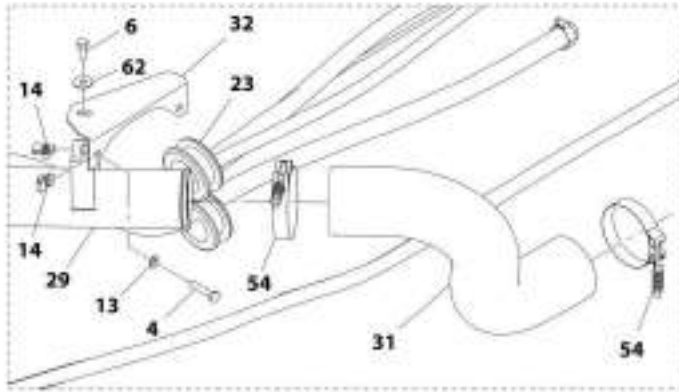
| ITEM | PART NUMBER | QTY | DESCRIPTION | REV |
|------|-------------|-----|---------------|-----|
| 52 | 1001186843 | 3 | Clamp, T-Bolt | |
| 53 | 1001188971 | 2 | Grommet | |
| 54 | 1001192098 | 1 | Hose | |
| 55 | 1001199750 | 1 | Channel | |
| 56 | 1001202847 | 1 | Hose | |
| 57 | 1001203502 | 1 | Hose | |
| 58 | 1001208881 | 1 | Bracket | |
| 60 | 1001225467 | 1 | Hose | |

SECTION 8 - HYDRAULIC CIRCUITS

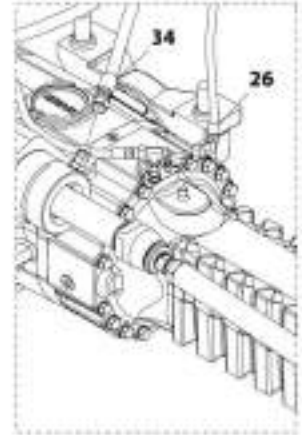
FIGURE 8-26. HYDRAULIC LINES INSTALLATION (110HP) (943, 1043) (Prior to SN 0160081535)



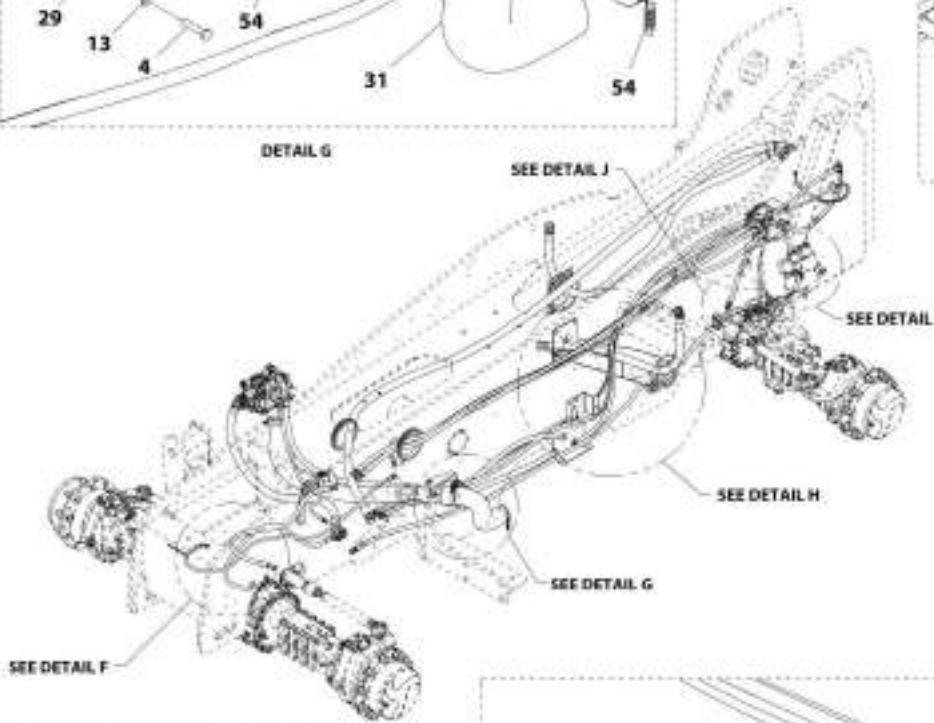
SECTION 8 - HYDRAULIC CIRCUITS



DETAIL G



DETAIL J



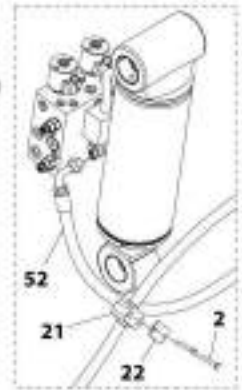
SEE DETAIL F

SEE DETAIL J

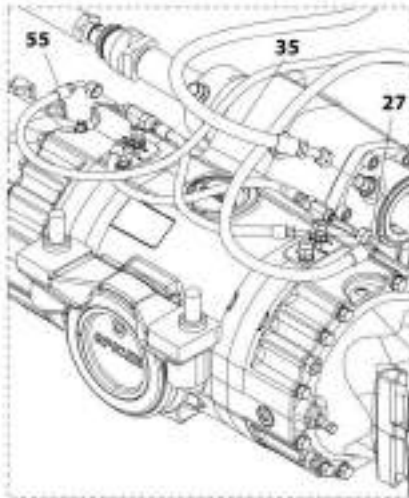
SEE DETAIL I

SEE DETAIL H

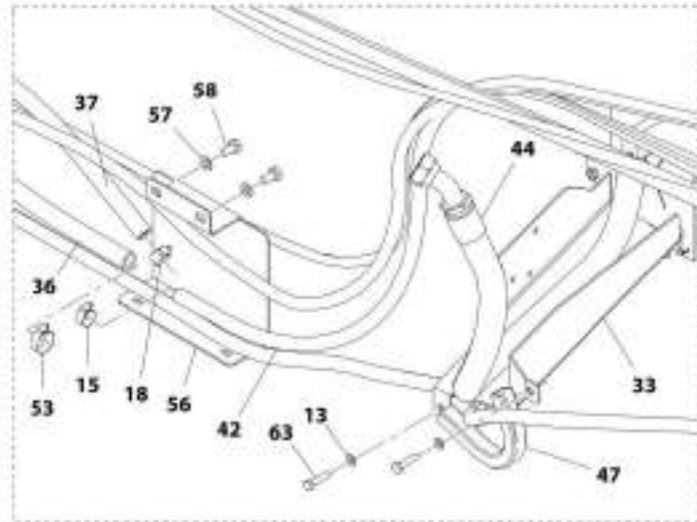
SEE DETAIL G



DETAIL I



DETAIL F



DETAIL H

ART_1001188407_3-O

SECTION 8 - HYDRAULIC CIRCUITS

FIGURE 8-26. HYDRAULIC LINES INSTALLATION (110HP) (943, 1043) (Prior to SN 0160081535)

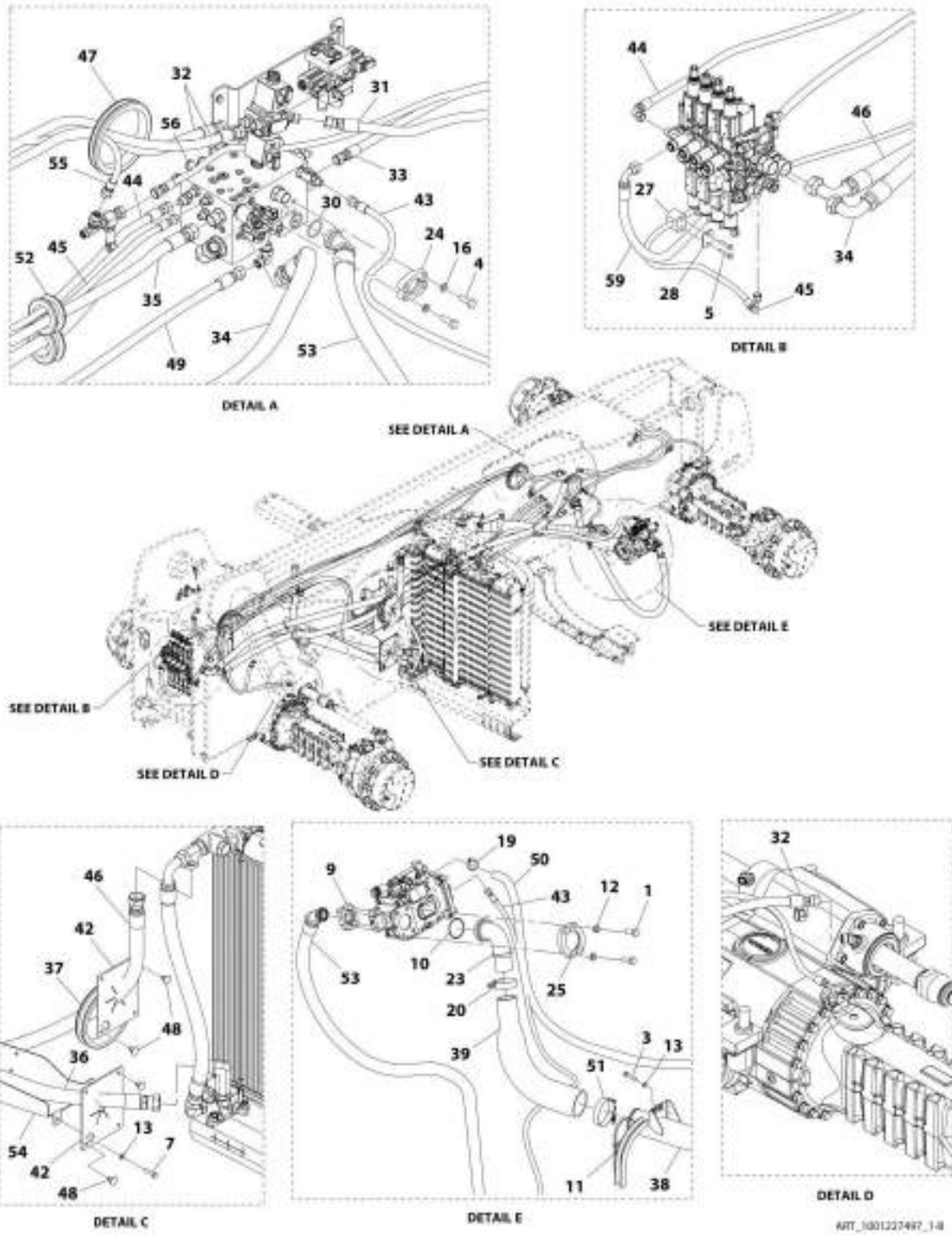
| ITEM | PART NUMBER | QTY | DESCRIPTION | REV |
|------|-------------|--------|--|-----|
| | 1001168467 | Ref | Hydraulic Lines Installation (110HP) (943, 1043) | O |
| 1 | 0641812 | 4 | Bolt, 1/2-13X1 | |
| 2 | 0700616 | 2 | Bolt, M6X40 | |
| 4 | 0700816 | 4 | Bolt, M8X40 | |
| 5 | 0760615 | 4 | Bolt, M6X35 | |
| 6 | 0760810 | 1 | Bolt, M8X20 | |
| 8 | 8530030 | 2 | Flange | |
| 10 | 2220478 | 1 | Kit, Flange | |
| 11 | 3790228 | 1 | O-Ring | |
| 12 | 4761800 | 4 | Washer, Lock 1/2 | |
| 13 | 4811900 | 8 | Washer, M8 | |
| 14 | 8310686 | 3 | Nut, Retainer M8X12.5 | |
| 15 | 8405006 | 1 | Clamp, Gear | |
| 16 | 8405209 | 1 | Clamp, T-Bolt | |
| 18 | 8410009 | 1 | Clamp, Gear | |
| 19 | 8424233 | 1 | Elbow, 90 | |
| 20 | 8546407 | 2 | Flange, Half | |
| 21 | 8750029 | 1 | Clamp, Hose | |
| 22 | 8769153 | 1 | Plate, Cover | |
| 23 | 1001188971 | 2 | Grommet | |
| 24 | 8769146 | 2 | Plate, Cover | |
| 25 | 8750030 | 2 | Clamp, Hose | |
| 26 | 1001202847 | 1 | Hose | |
| 27 | 1001161535 | 1 | Hose | |
| 28 | 1001192098 | 1 | Hose | |
| 29 | 1001173446 | 1 | Pipe | |
| 30 | 1001173450 | 1 | Hose | |
| 31 | 1001173451 | 1 | Hose | |
| 32 | 1001174338 | 1 | Bracket | |
| 33 | 1001199750 | 1 | Channel | |
| 34 | 1001161343 | 2 | Hose | |
| 35 | 1001161340 | 1 | Hose | |
| 36 | 1001186418 | 1 | Hose | |
| 37 | 1001161976 | 1 | Hose | |
| 38 | 1001175694 | 1 | Hose | |
| 39 | 1001161972 | 1 | Hose | |
| 40 | 1001175696 | 1 | Hose | |
| 41 | 1001175697 | 1 | Hose | |
| 42 | 1001175698 | 1 | Hose | |
| 43 | 1001175699 | 1 | Hose | |
| 44 | 1001161978 | 1 | Hose | |
| 45 | 1001177704 | 3 | Grommet | |
| 47 | 4060919 | 467 mm | Trim | |
| 48 | 1001175347 | 2 | Grommet | |
| 49 | 1001180306 | 8 | Screw | |
| 50 | 1001169830 | 1 | Grommet | |
| 52 | 1001182506 | 1 | Hose | |
| 53 | 8405007 | 2 | Clamp, Hose | |
| 54 | 1001186843 | 3 | Clamp, T-Bolt | |
| 55 | 1001203502 | 1 | Hose | |

SECTION 8 - HYDRAULIC CIRCUITS

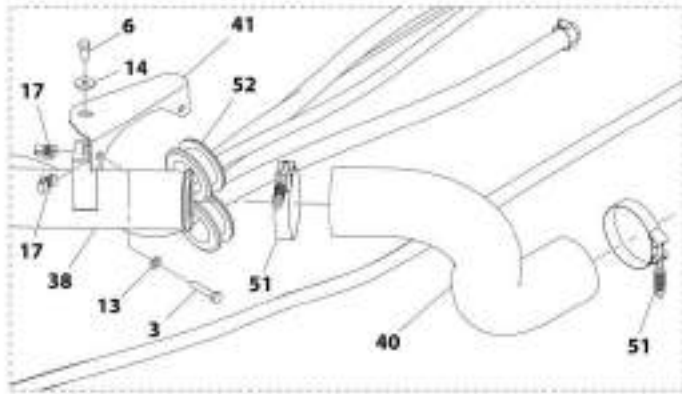
| ITEM | PART NUMBER | QTY | DESCRIPTION | REV |
|------|-------------|-----|------------------|-----|
| 56 | 1001208881 | 1 | Bracket | |
| 57 | 4812000 | 2 | Washer, M10 | |
| 58 | 0761010 | 2 | Bolt, M10X20 | |
| 59 | 4832000 | 4 | Washer, Lock M10 | |
| 60 | 0701014 | 4 | Bolt, M10X30 | |
| 61 | 91083106 | 1 | O-Ring | |
| 62 | 4811902 | 1 | Washer, M8 | |
| 63 | 0700815 | 4 | Bolt, M8X35 | |

SECTION 8 - HYDRAULIC CIRCUITS

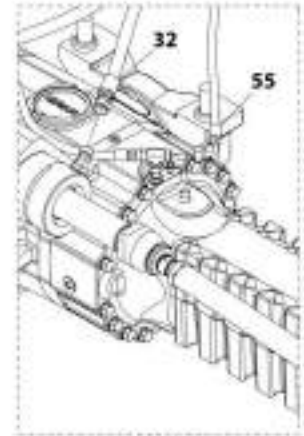
FIGURE 8-27. HYDRAULIC LINES INSTALLATION (74HP) (943, 1043) (SN 0160081535 to Present)



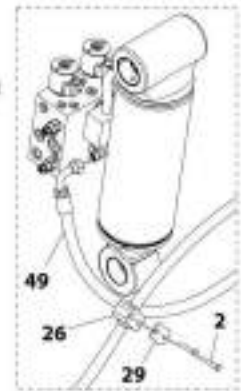
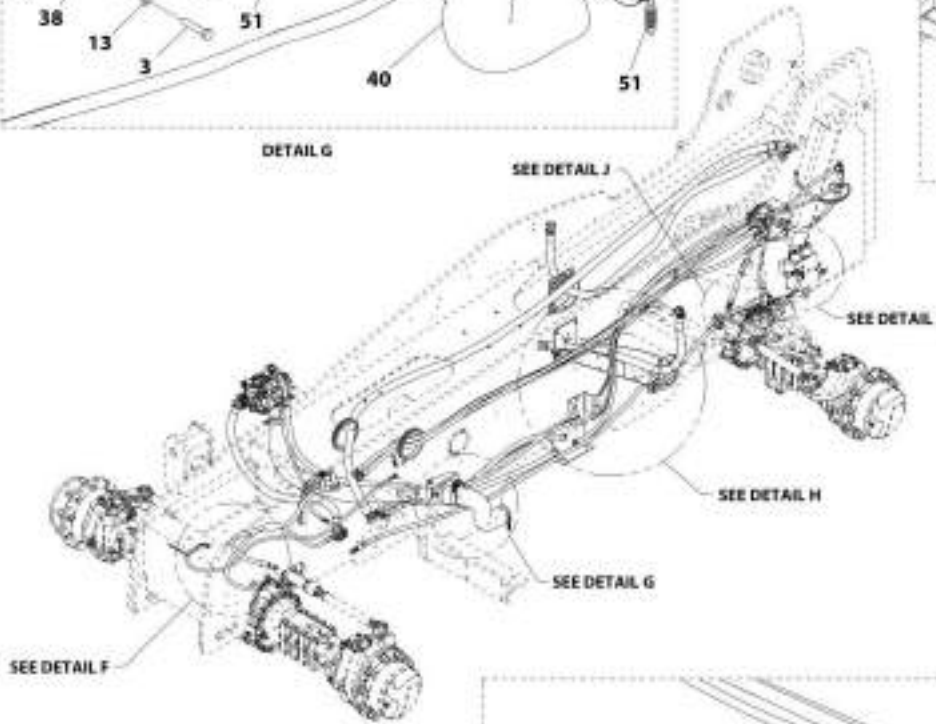
SECTION 8 - HYDRAULIC CIRCUITS



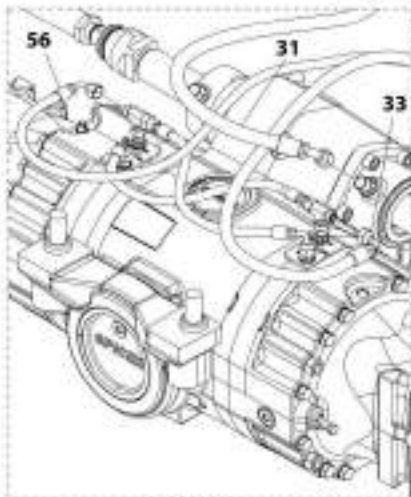
DETAIL G



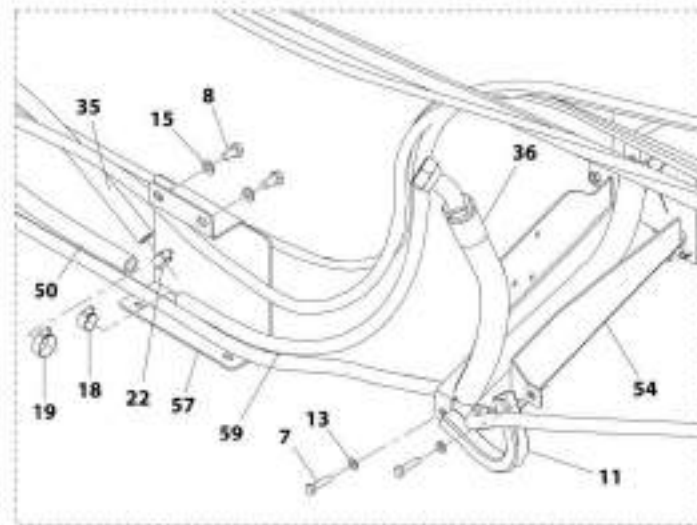
DETAIL J



DETAIL I



DETAIL F



DETAIL H

ART_1001220487_2-8

SECTION 8 - HYDRAULIC CIRCUITS

FIGURE 8-27. HYDRAULIC LINES INSTALLATION (74HP) (943, 1043) (SN 0160081535 to Present)

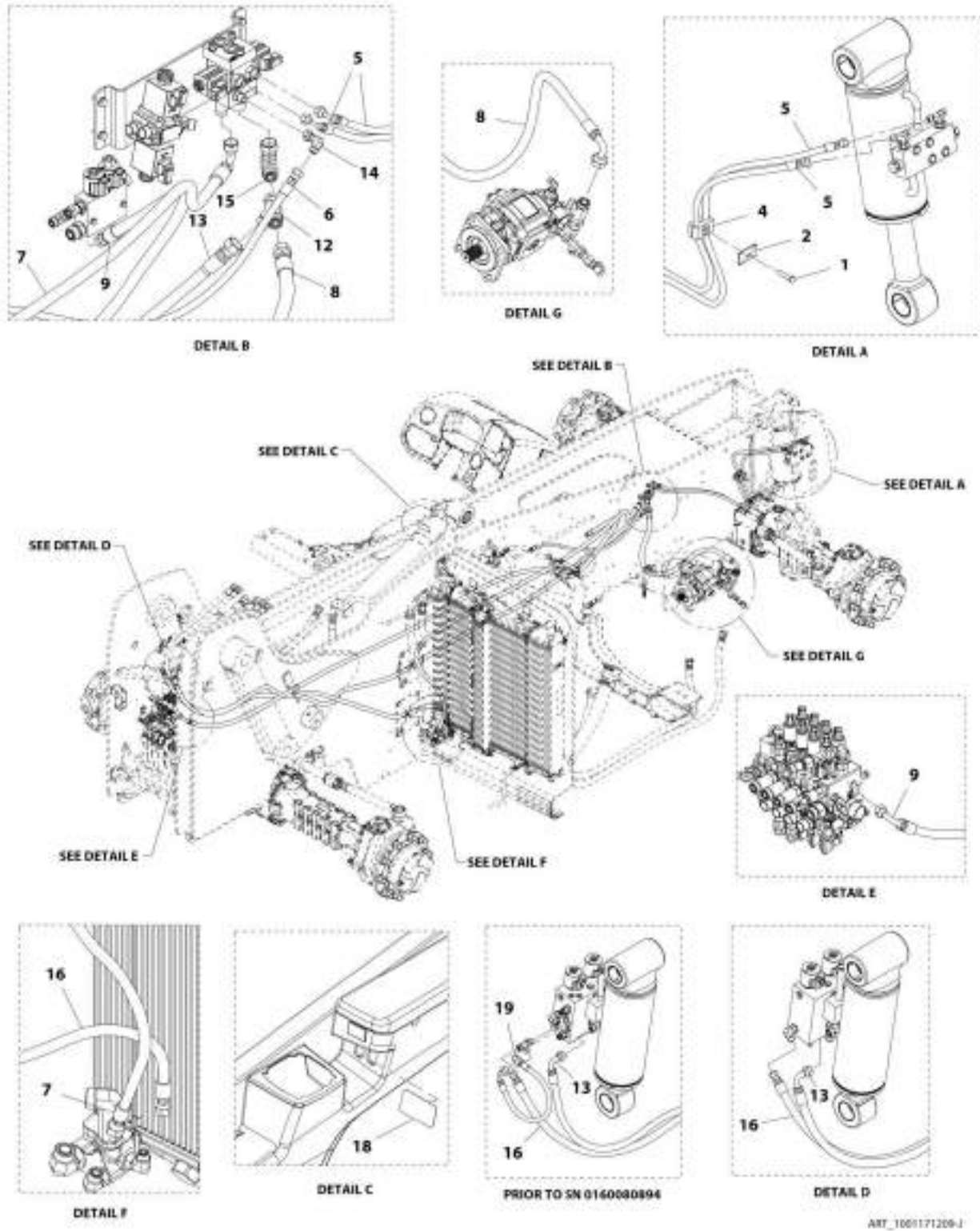
| ITEM | PART NUMBER | QTY | DESCRIPTION | REV |
|------|-------------|--------|---|-----|
| | 1001227497 | Ref | Hydraulic Lines Installation (74HP) (943, 1043) | B |
| 1 | 0641812 | 4 | Bolt, 1/2-13X1 | |
| 2 | 0700616 | 2 | Bolt, M6X40 | |
| 3 | 0700816 | 4 | Bolt, M8X40 | |
| 4 | 0701014 | 4 | Bolt, M10X30 | |
| 5 | 0760615 | 4 | Bolt, M6X35 | |
| 6 | 0760810 | 1 | Bolt, M8X20 | |
| 7 | 0760815 | 4 | Bolt, M8X35 | |
| 8 | 0761010 | 2 | Bolt, M10X20 | |
| 9 | 2220478 | 1 | Kit, Flange | |
| 10 | 3790228 | 1 | O-Ring | |
| 11 | 4060919 | 467 mm | Trim | |
| 12 | 4761800 | 4 | Washer, Lock 1/2 | |
| 13 | 4811900 | 8 | Washer, M8 | |
| 14 | 4811902 | 1 | Washer, M8 | |
| 15 | 4812000 | 2 | Washer, M10 | |
| 16 | 4832000 | 4 | Washer, Lock M10 | |
| 17 | 8310686 | 3 | Nut, Retainer M8X12.5 | |
| 18 | 8405006 | 1 | Clamp, Gear | |
| 19 | 8405007 | 2 | Clamp, Hose | |
| 20 | 8405209 | 1 | Clamp, T-Bolt | |
| 22 | 8410009 | 1 | Clamp, Gear | |
| 23 | 8424233 | 1 | Elbow, 90 | |
| 24 | 8530030 | 2 | Flange | |
| 25 | 8546407 | 2 | Flange, Half | |
| 26 | 8750029 | 1 | Clamp, Hose | |
| 27 | 8750030 | 2 | Clamp, Hose | |
| 28 | 8769146 | 2 | Plate, Cover | |
| 29 | 8769153 | 1 | Plate, Cover | |
| 30 | 91083106 | 1 | O-Ring | |
| 31 | 1001161340 | 1 | Hose | |
| 32 | 1001161343 | 2 | Hose | |
| 33 | 1001161535 | 1 | Hose | |
| 34 | 1001161972 | 1 | Hose | |
| 35 | 1001161976 | 1 | Hose | |
| 36 | 1001161978 | 1 | Hose | |
| 37 | 1001169830 | 1 | Grommet | |
| 38 | 1001173446 | 1 | Pipe | |
| 39 | 1001173450 | 1 | Hose | |
| 40 | 1001173451 | 1 | Hose | |
| 41 | 1001174338 | 1 | Bracket | |
| 42 | 1001175347 | 2 | Grommet | |
| 43 | 1001175694 | 1 | Hose | |
| 44 | 1001175696 | 1 | Hose | |
| 45 | 1001175697 | 1 | Hose | |
| 46 | 1001175699 | 1 | Hose | |
| 47 | 1001177704 | 3 | Grommet | |
| 48 | 1001180306 | 8 | Screw | |
| 49 | 1001182506 | 1 | Hose | |
| 50 | 1001186418 | 1 | Hose | |

SECTION 8 - HYDRAULIC CIRCUITS

| ITEM | PART NUMBER | QTY | DESCRIPTION | REV |
|------|-------------|-----|---------------|-----|
| 51 | 1001186843 | 3 | Clamp, T-Bolt | |
| 52 | 1001188971 | 2 | Grommet | |
| 53 | 1001192098 | 1 | Hose | |
| 54 | 1001199750 | 1 | Channel | |
| 55 | 1001202847 | 1 | Hose | |
| 56 | 1001203502 | 1 | Hose | |
| 57 | 1001208881 | 1 | Bracket | |
| 59 | 1001225467 | 1 | Hose | |

SECTION 8 - HYDRAULIC CIRCUITS

FIGURE 8-28. FRAME LEVEL HYDRAULICS INSTALLATION (NO OUTRIGGERS) (642, 742)



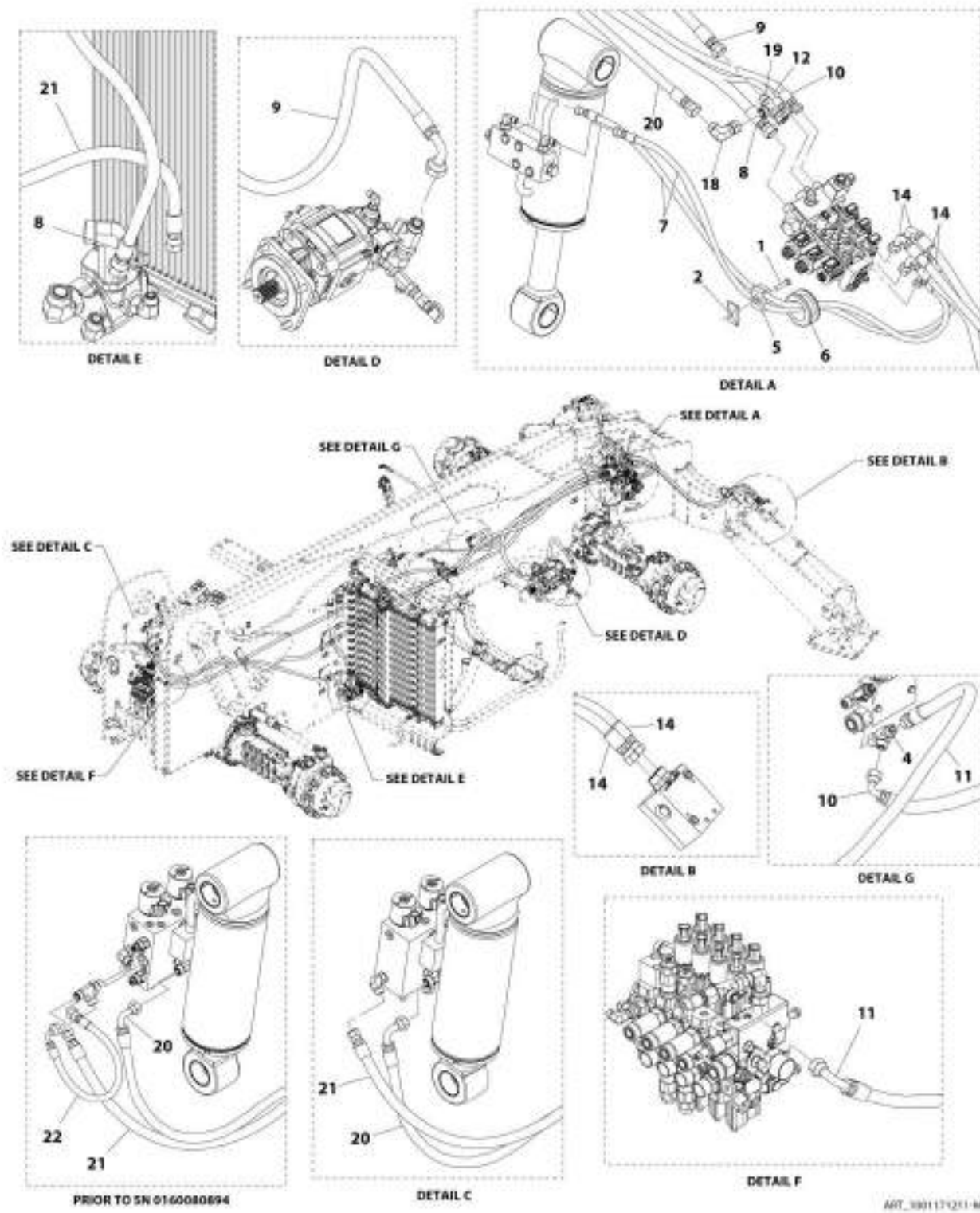
SECTION 8 - HYDRAULIC CIRCUITS

FIGURE 8-28. FRAME LEVEL HYDRAULICS INSTALLATION (NO OUTRIGGERS) (642, 742)

| ITEM | PART NUMBER | QTY | DESCRIPTION | REV |
|------|-------------|-----|--|-----|
| | 1001171209 | Ref | Frame Level Hydraulics Installation (No Outriggers) (642, 742) | J |
| 1 | 0760815 | 1 | Bolt, M8X35 | |
| 2 | 1321752 | 1 | Clamp | |
| 4 | 77133168 | 1 | Clamp | |
| 5 | 1001162069 | 2 | Hose | |
| 6 | 1001176145 | 1 | Hose | |
| 7 | 1001175704 | 1 | Hose | |
| 8 | 1001176150 | 1 | Hose | |
| 9 | 1001188281 | 1 | Hose | |
| 12 | 2170710 | 1 | Fitting, Tee ORFS | |
| 13 | 1001185357 | 1 | Hose | |
| 14 | 2172104 | 1 | Fitting, 90 ORFS | |
| 15 | 2172110 | 1 | Fitting, 90 ORFS | |
| 16 | 1001192042 | 1 | Hose | |
| 18 | 1670836 | 1 | Cover, Boom | |
| 19 | 1001097810 | 1 | Hose (Prior to SN 0160080894) | |

SECTION 8 - HYDRAULIC CIRCUITS

FIGURE 8-29. FRAME LEVEL HYDRAULICS INSTALLATION (OUTRIGGERS) (642)



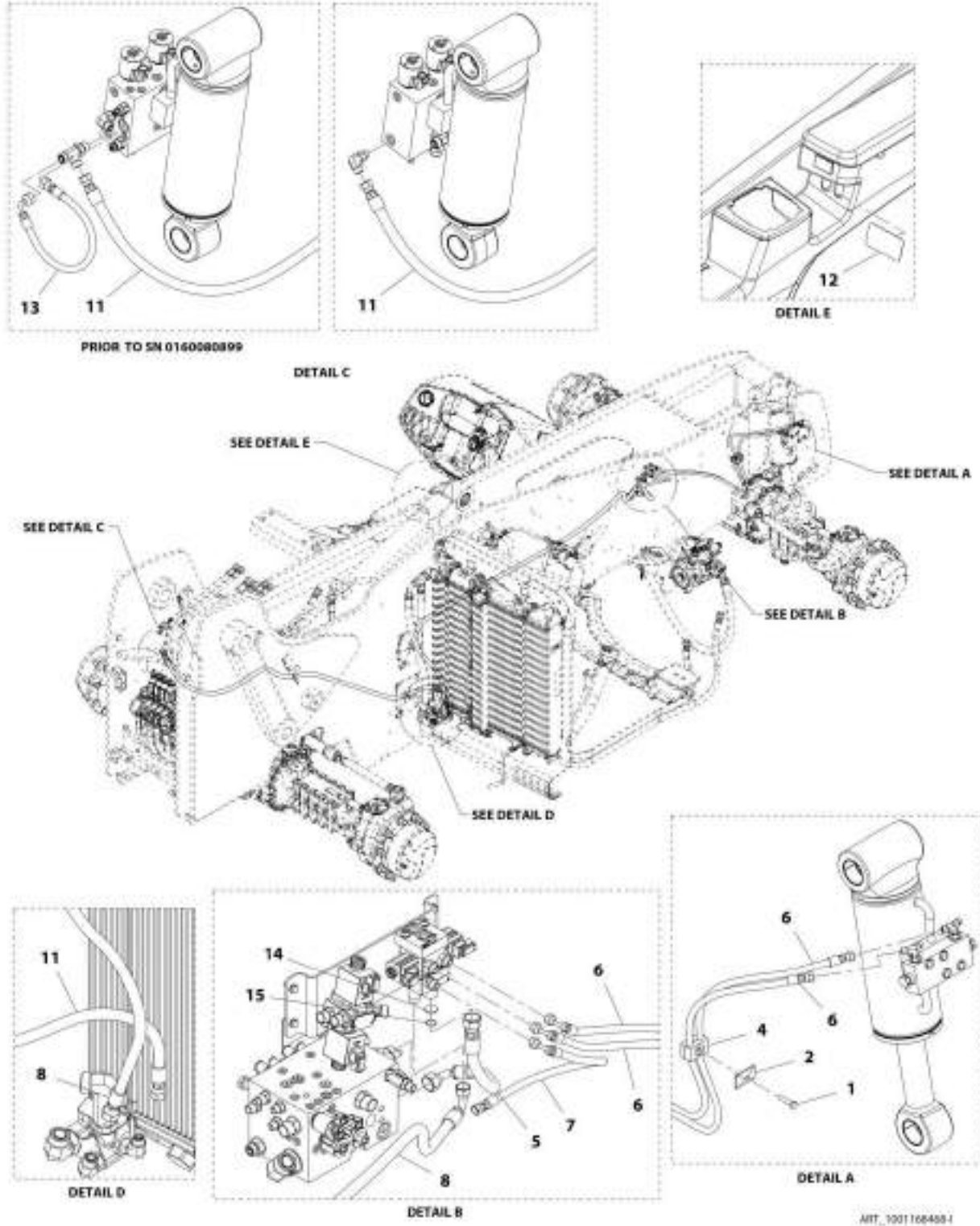
SECTION 8 - HYDRAULIC CIRCUITS

FIGURE 8-29. FRAME LEVEL HYDRAULICS INSTALLATION (OUTRIGGERS) (642)

| ITEM | PART NUMBER | QTY | DESCRIPTION | REV |
|------|-------------|-----|--|-----|
| | 1001171211 | Ref | Frame Level Hydraulics Installation (Outriggers) (642) | M |
| 1 | 0760815 | 1 | Bolt, M8X35 | |
| 2 | 1321752 | 1 | Clamp | |
| 4 | 2170706 | 1 | Fitting, Tee ORFS | |
| 5 | 77133168 | 1 | Clamp | |
| 6 | 1001028308 | 1 | Grommet | |
| 7 | 1001175570 | 2 | Hose | |
| 8 | 1001175814 | 1 | Hose | |
| 9 | 1001176165 | 1 | Hose | |
| 10 | 1001176167 | 1 | Hose | |
| 11 | 1001188281 | 1 | Hose | |
| 12 | 1001176169 | 1 | Hose | |
| 14 | 1001200080 | 4 | Hose (Prior to SN 0160078786) | |
| 14 | 1001214468 | 4 | Hose (SN 0160078786 to Present) | |
| 18 | 2172110 | 1 | Fitting, 90 ORFS | |
| 19 | 2170710 | 1 | Fitting, Tee ORFS | |
| 20 | 1001185470 | 1 | Hose | |
| 21 | 1001192042 | 1 | Hose | |
| 22 | 1001097810 | 1 | Hose (Prior to SN 0160080894) | |

SECTION 8 - HYDRAULIC CIRCUITS

FIGURE 8-30. FRAME LEVEL HYDRAULICS INSTALLATION (NO OUTRIGGERS) (742, 943)



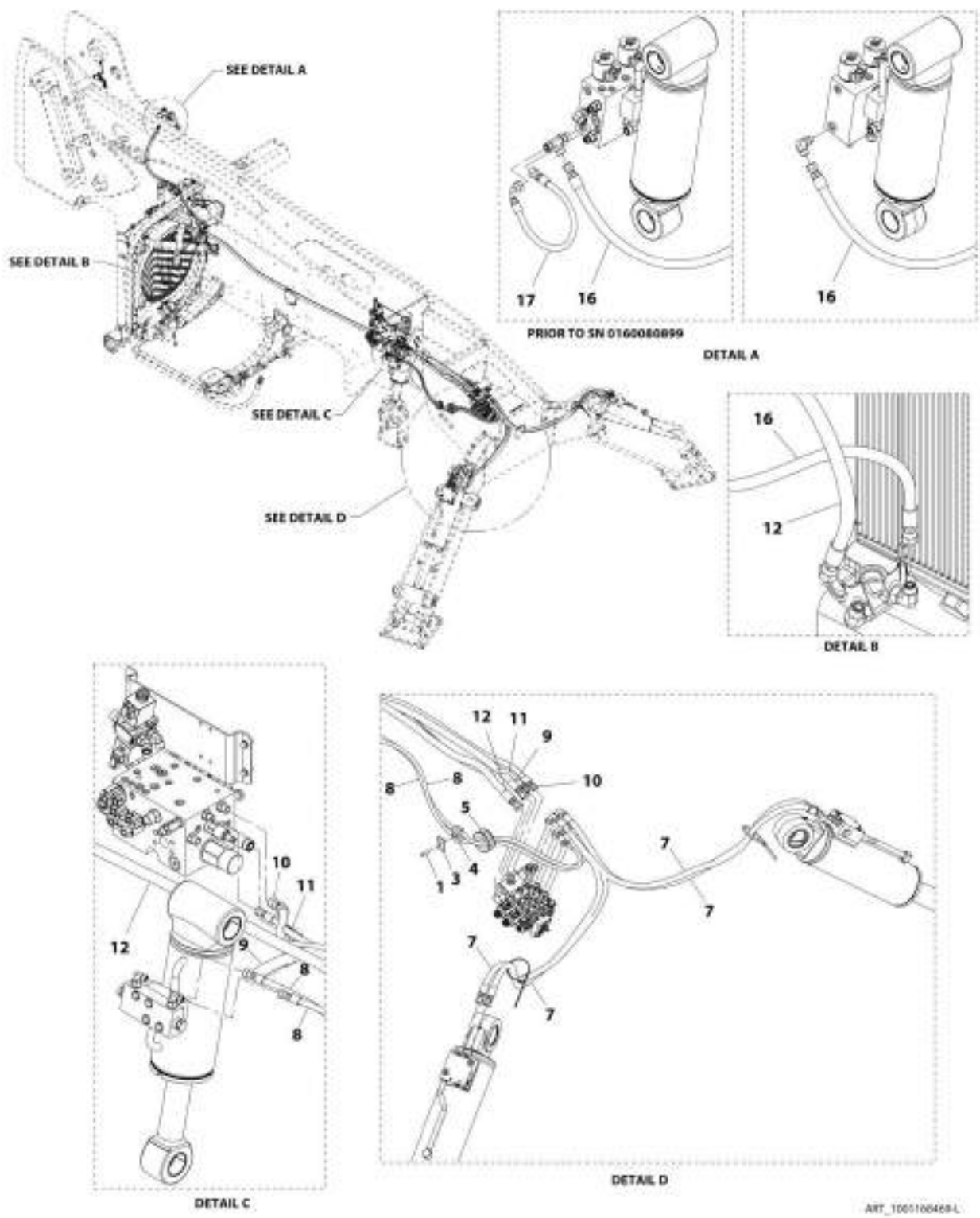
SECTION 8 - HYDRAULIC CIRCUITS

FIGURE 8-30. FRAME LEVEL HYDRAULICS INSTALLATION (NO OUTRIGGERS) (742, 943)

| ITEM | PART NUMBER | QTY | DESCRIPTION | REV |
|------|-------------|-----|--|-----|
| | 1001168468 | Ref | Frame Level Hydraulics Installation (No Outriggers) (742, 943) | I |
| 1 | 0760815 | 1 | Bolt, M8X35 | |
| 2 | 1321752 | 1 | Clamp | |
| 4 | 77133168 | 1 | Clamp | |
| 5 | 1001204090 | 1 | Hose | |
| 6 | 1001162069 | 2 | Hose | |
| 7 | 1001175703 | 1 | Hose | |
| 8 | 1001175704 | 1 | Hose | |
| 11 | 1001192042 | 1 | Hose | |
| 12 | 1670836 | 1 | Cover, Boom | |
| 13 | 1001097810 | 1 | Hose (Prior to SN 0160080899) | |
| 14 | 1001207296 | 1 | Disc, Orifice | |
| 15 | 8630005 | 1 | O-Ring | |

SECTION 8 - HYDRAULIC CIRCUITS

FIGURE 8-31. FRAME LEVEL HYDRAULICS INSTALLATION (OUTRIGGERS) (943, 1043)



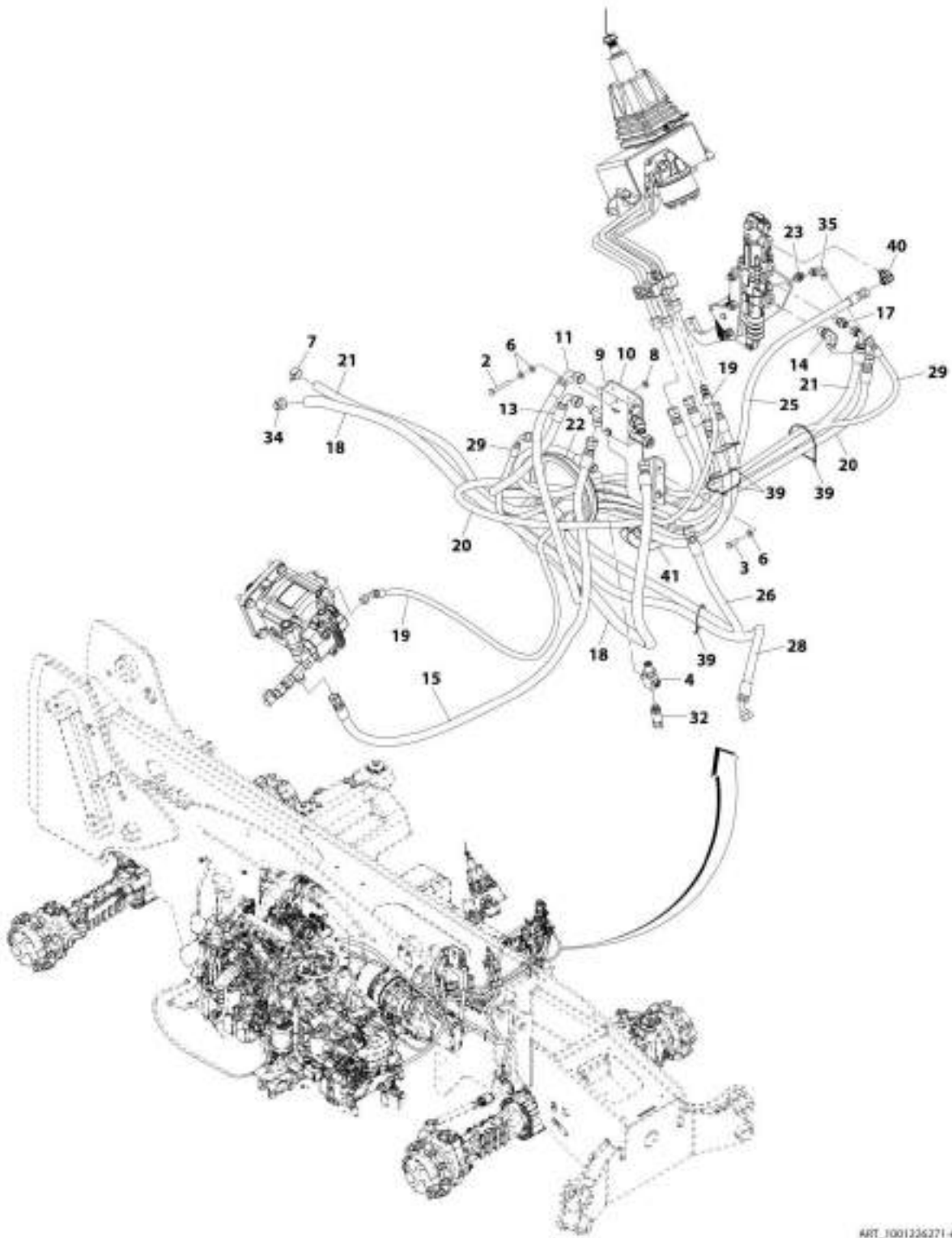
SECTION 8 - HYDRAULIC CIRCUITS

FIGURE 8-31. FRAME LEVEL HYDRAULICS INSTALLATION (OUTRIGGERS) (943, 1043)

| ITEM | PART NUMBER | QTY | DESCRIPTION | REV |
|------|-------------|-----|--|-----|
| | 1001168469 | Ref | Frame Level Hydraulics Installation (Outriggers) (943, 1043) | L |
| 1 | 0760815 | 1 | Bolt, M8X35 | |
| 3 | 1321752 | 1 | Clamp | |
| 4 | 77133168 | 1 | Clamp | |
| 5 | 1001028308 | 1 | Grommet | |
| 7 | 1001200080 | 4 | Hose (Prior to SN 0160078786) | |
| 7 | 1001214468 | 4 | Hose (SN 0160078786 to Present) | |
| 8 | 1001175570 | 2 | Hose | |
| 9 | 1001175705 | 1 | Hose | |
| 10 | 1001175706 | 1 | Hose | |
| 11 | 1001175707 | 1 | Hose | |
| 12 | 1001175814 | 1 | Hose | |
| 16 | 1001192042 | 1 | Hose | |
| 17 | 1001097810 | 1 | Hose (Prior to SN 0160080899) | |

SECTION 8 - HYDRAULIC CIRCUITS

FIGURE 8-32. CAB HYDRAULIC INSTALLATION (OUTRIGGERS) (642)



ART_1001236271-W

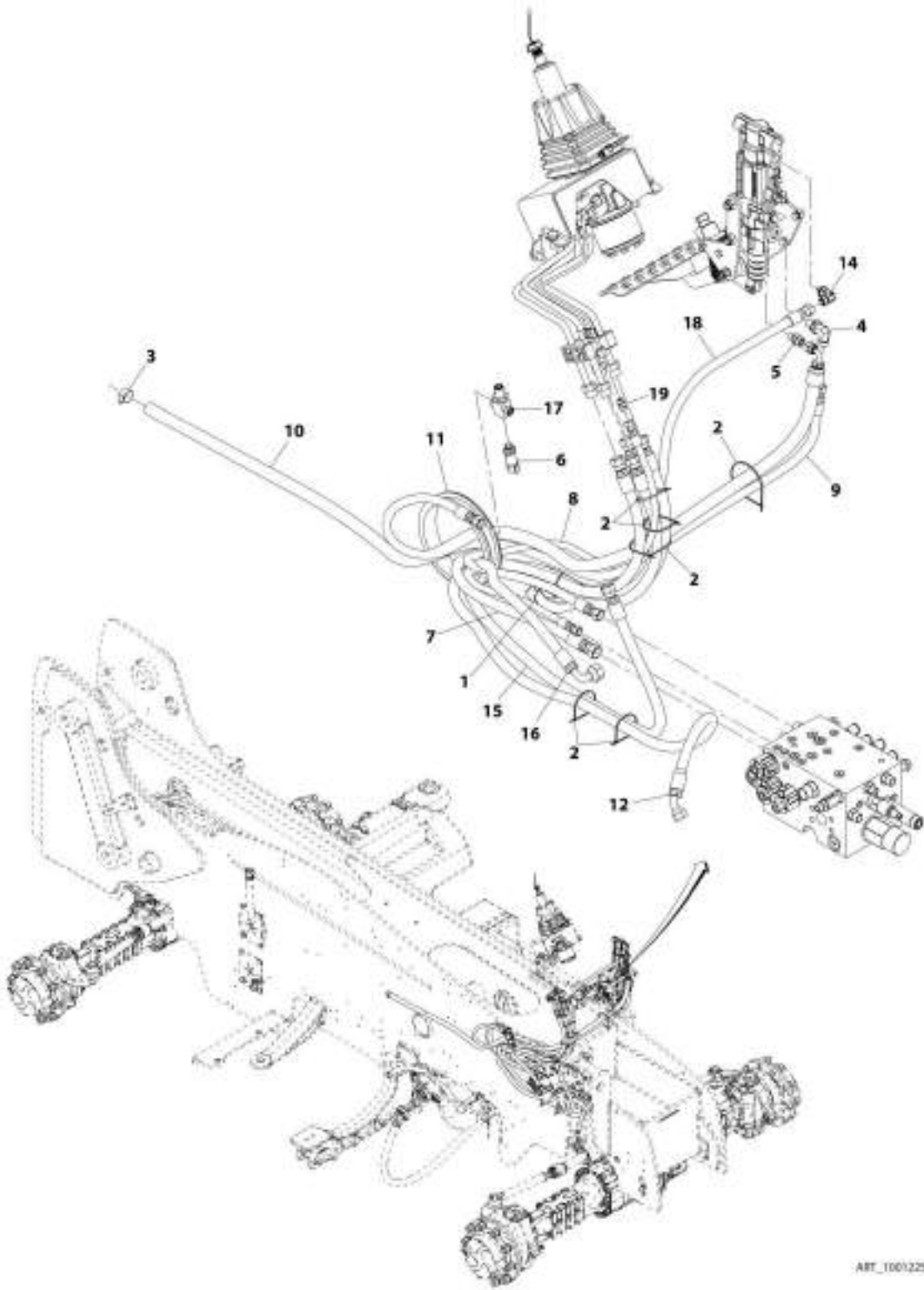
SECTION 8 - HYDRAULIC CIRCUITS

FIGURE 8-32. CAB HYDRAULIC INSTALLATION (OUTRIGGERS) (642)

| ITEM | PART NUMBER | QTY | DESCRIPTION | REV |
|------|-------------|--------|---|-----|
| | 1001226271 | Ref | Cab Hydraulic Installation (Emergency Steering) (642) | A |
| 2 | 0700819 | 2 | Bolt, M8X55 | |
| 3 | 0760812 | 2 | Bolt, M8X25 | |
| 4 | 1001205756 | 1 | Adapter | |
| 6 | 4811900 | 6 | Washer, M8 | |
| 7 | 8405006 | 1 | Clamp, Gear | |
| 8 | 3290801 | 2 | Nut, M8X1.25 | |
| 9 | 1001219191 | 1 | Install, Emergency Steering Manifold (See Separate Breakdown in this Section) | |
| 10 | 1001221520 | 1 | Bracket | |
| 11 | 1001221527 | 1 | Hose | |
| 13 | 1001222090 | 1 | Hose | |
| 14 | 8770120 | 1 | Fitting, 90 ORFS | |
| 15 | 1001222132 | 1 | Hose | |
| 17 | 80233218 | 1 | Fitting, Straight ORFS | |
| 18 | 1001222158 | 1 | Hose | |
| 19 | 1001209710 | 1 | Hose | |
| 20 | 1001186912 | 1 | Hose | |
| 21 | 1001161528 | 1 | Hose | |
| 22 | 1001169830 | 1 | Grommet | |
| 23 | 1001184418 | 1 | Valve, Check | |
| 25 | 1001222088 | 1 | Hose | |
| 26 | 1001204152 | 1 | Hose | |
| 28 | 1001177256 | 1 | Hose | |
| 29 | 1001175934 | 1 | Hose | |
| 32 | 1001147340 | 1 | Sensor, Pressure Transducer | |
| 34 | 8410009 | 1 | Gear Clamp | |
| 35 | 2172104 | 1 | Fitting, 90 ORFS | |
| 39 | 4240099 | AR | Tie, Wire | |
| 40 | 1001202962 | 1 | Fitting, 90 ORFS | |
| 41 | 4060919 | 230 mm | Trim, Hose Protection | |

SECTION 8 - HYDRAULIC CIRCUITS

FIGURE 8-33. CAB HYDRAULIC INSTALLATION (OUTRIGGERS) (742)



ART_1001225200-C

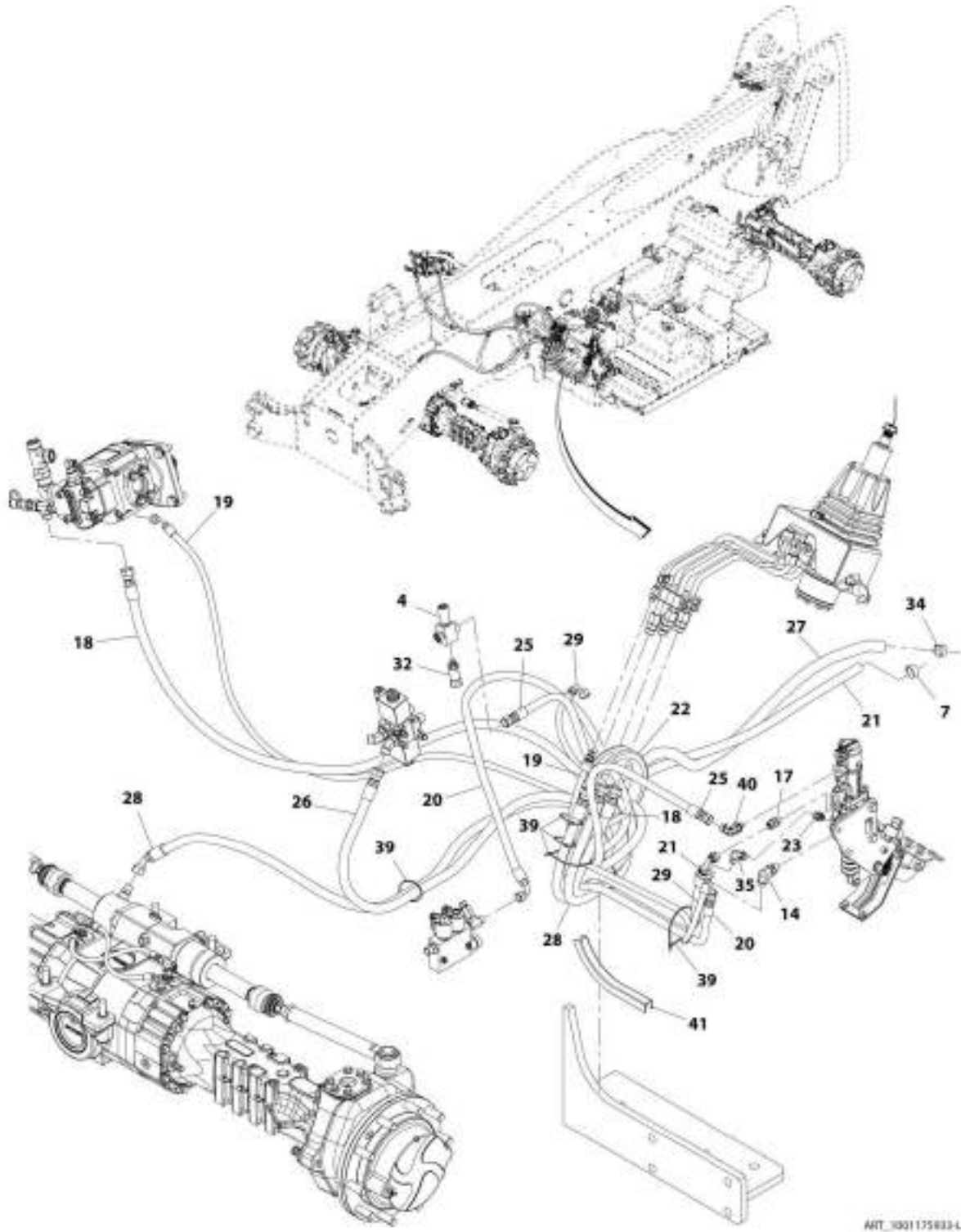
SECTION 8 - HYDRAULIC CIRCUITS

FIGURE 8-33. CAB HYDRAULIC INSTALLATION (OUTRIGGERS) (742)

| ITEM | PART NUMBER | QTY | DESCRIPTION | REV |
|------|-------------|--------|----------------------------------|-----|
| | 1001225202 | Ref | Cab Hydraulic Installation (742) | C |
| 1 | 4060919 | 230 mm | Trim, Hose Protection | |
| 2 | 4240099 | AR | Strap, Tie | |
| 3 | 8405006 | 1 | Clamp, Gear | |
| 4 | 8770120 | 1 | Fitting, 90 ORFS | |
| 5 | 80233218 | 1 | Fitting, Straight ORFS | |
| 6 | 1001147340 | 1 | Sensor, Pressure Transducer | |
| 7 | 1001161344 | 1 | Hose | |
| 8 | 1001161346 | 1 | Hose | |
| 9 | 1001161527 | 1 | Hose | |
| 10 | 1001161528 | 1 | Hose | |
| 11 | 1001169830 | 1 | Grommet | |
| 12 | 1001177256 | 1 | Hose | |
| 14 | 1001202962 | 1 | Fitting, 90 ORFS | |
| 15 | 1001204152 | 1 | Hose | |
| 16 | 1001204154 | 1 | Hose | |
| 17 | 1001205756 | 1 | Adapter | |
| 18 | 1001222088 | 1 | Hose | |
| 19 | 1001143857 | 1 | Fitting, Straight ORFS | |

SECTION 8 - HYDRAULIC CIRCUITS

FIGURE 8-34. CAB HYDRAULIC INSTALLATION (NO OUTRIGGERS) (642, 742)



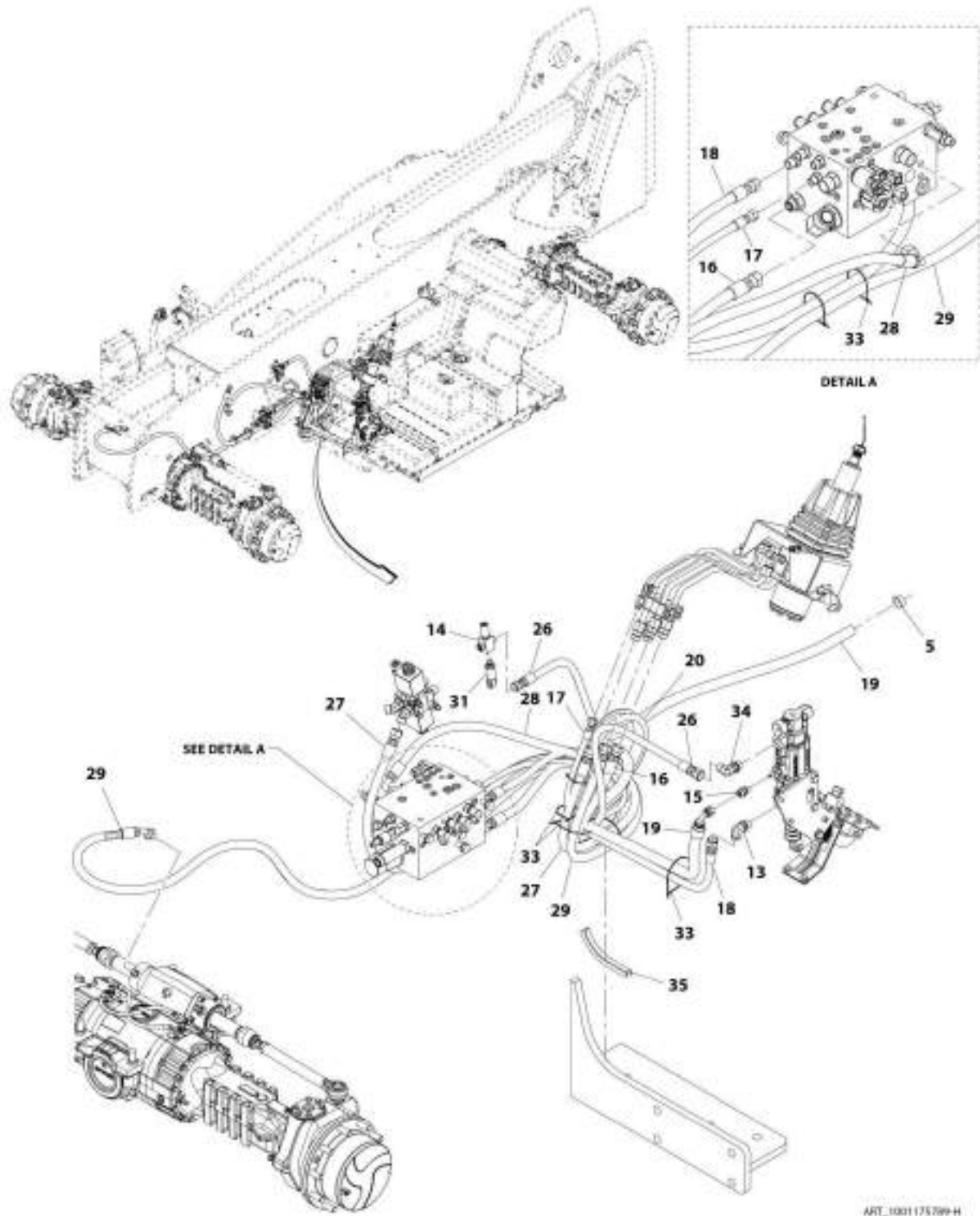
SECTION 8 - HYDRAULIC CIRCUITS

FIGURE 8-34. CAB HYDRAULIC INSTALLATION (NO OUTRIGGERS) (642, 742)

| ITEM | PART NUMBER | QTY | DESCRIPTION | REV |
|------|-------------|--------|---|-----|
| | 1001175933 | Ref | Cab Hydraulic Installation (642, 742) | L |
| 4 | 1001205756 | 1 | Adapter | |
| 7 | 8405006 | 1 | Clamp, Gear | |
| 14 | 8770120 | 1 | Fitting, 90 ORFS | |
| 17 | 80233218 | 1 | Fitting, Straight ORFS | |
| 18 | 1001188438 | 1 | Hose | |
| 19 | 1001188439 | NLA | Hose, (no longer available, use 1001209710 for replacement) | |
| 19 | 1001209710 | 1 | Hose | |
| 20 | 1001186912 | 1 | Hose | |
| 21 | 1001161528 | 1 | Hose | |
| 22 | 1001169830 | 1 | Grommet | |
| 23 | 1001184418 | 1 | Valve, Check | |
| 25 | 1001202959 | 1 | Hose (Prior to SN 0160079247) | |
| 25 | 1001222088 | 1 | Hose (SN 0160079247 to Present) | |
| 26 | 1001204152 | 1 | Hose | |
| 27 | 1001187850 | 1 | Hose | |
| 28 | 1001177256 | 1 | Hose | |
| 29 | 1001175934 | 1 | Hose | |
| 32 | 1001147340 | 1 | Sensor, Pressure Transducer | |
| 34 | 8410009 | 1 | Clamp, Gear | |
| 35 | 2172104 | 1 | Fitting, 90 ORFS | |
| 39 | 4240099 | AR | Strap, Tie | |
| 40 | 1001202962 | 1 | Fitting, 90 ORFS | |
| 41 | 4060919 | 230 mm | Trim, Hose Protection | |

SECTION 8 - HYDRAULIC CIRCUITS

FIGURE 8-35. CAB HYDRAULIC INSTALLATION (943, 1043)



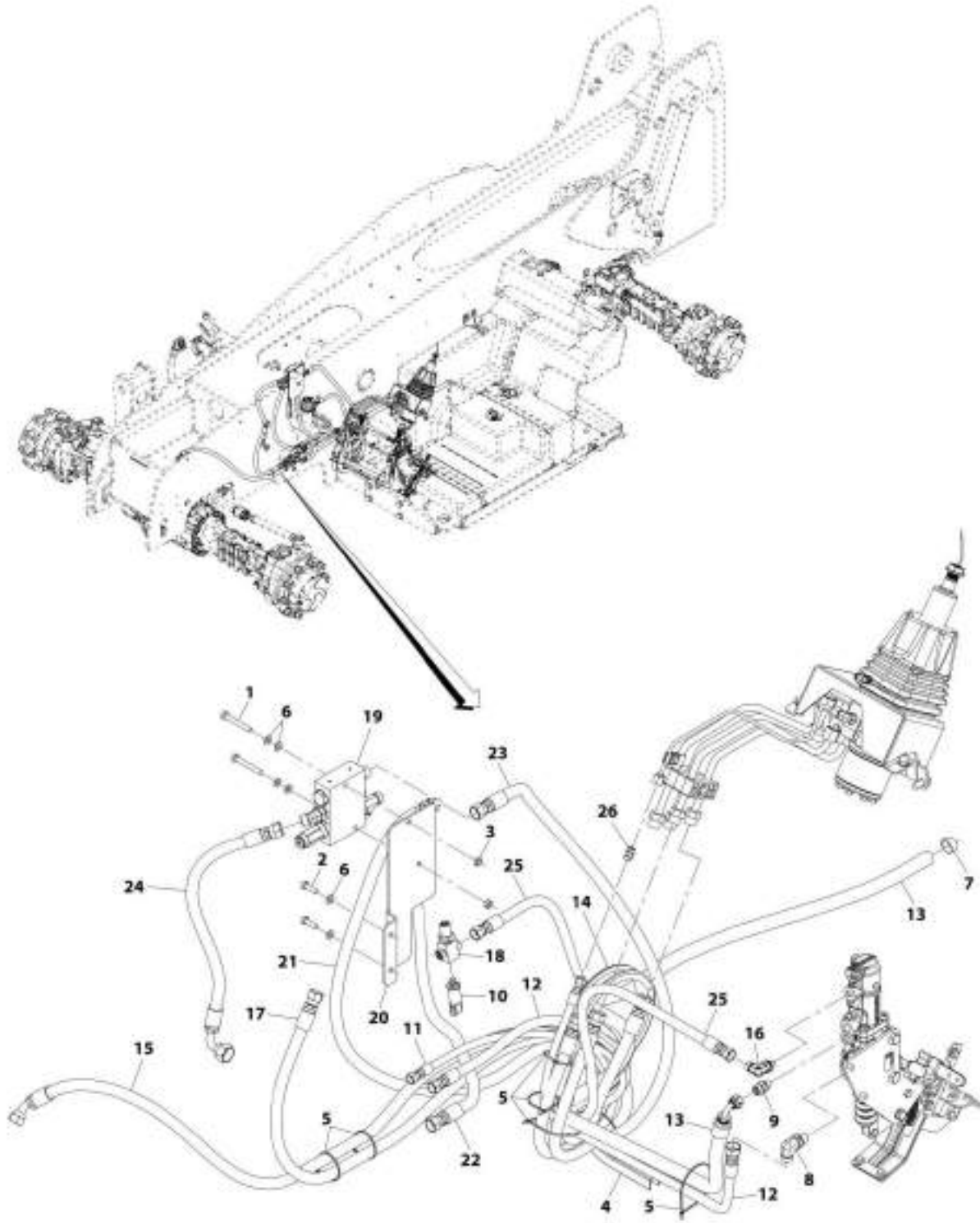
SECTION 8 - HYDRAULIC CIRCUITS

FIGURE 8-35. CAB HYDRAULIC INSTALLATION (943, 1043)

| ITEM | PART NUMBER | QTY | DESCRIPTION | REV |
|------|-------------|--------|--|-----|
| | 1001175789 | Ref | Cab Hydraulic Installation (943, 1043) | H |
| 5 | 8405006 | 1 | Clamp, Gear | |
| 13 | 8770120 | 1 | Fitting, 90 ORFS | |
| 14 | 1001205756 | 1 | Adapter | |
| 15 | 80233218 | 1 | Fitting, Straight ORFS | |
| 16 | 1001161344 | 1 | Hose | |
| 17 | 1001161346 | 1 | Hose | |
| 18 | 1001161527 | 1 | Hose | |
| 19 | 1001161528 | 1 | Hose | |
| 20 | 1001169830 | 1 | Grommet | |
| 26 | 1001203067 | 1 | Hose | |
| 27 | 1001204152 | 1 | Hose | |
| 28 | 1001204154 | 1 | Hose | |
| 29 | 1001175713 | 1 | Hose | |
| 31 | 1001147340 | 1 | Sensor, Pressure Transducer | |
| 33 | 4240099 | AR | Tie, Wire | |
| 34 | 1001168054 | 1 | Fitting, 90 ORFS | |
| 35 | 4060919 | 230 mm | Trim, Hose Protection | |

SECTION 8 - HYDRAULIC CIRCUITS

FIGURE 8-36. CAB HYDRAULIC INSTALLATION EMERGENCY STEERING (642, 742)



ART_1001226920-B

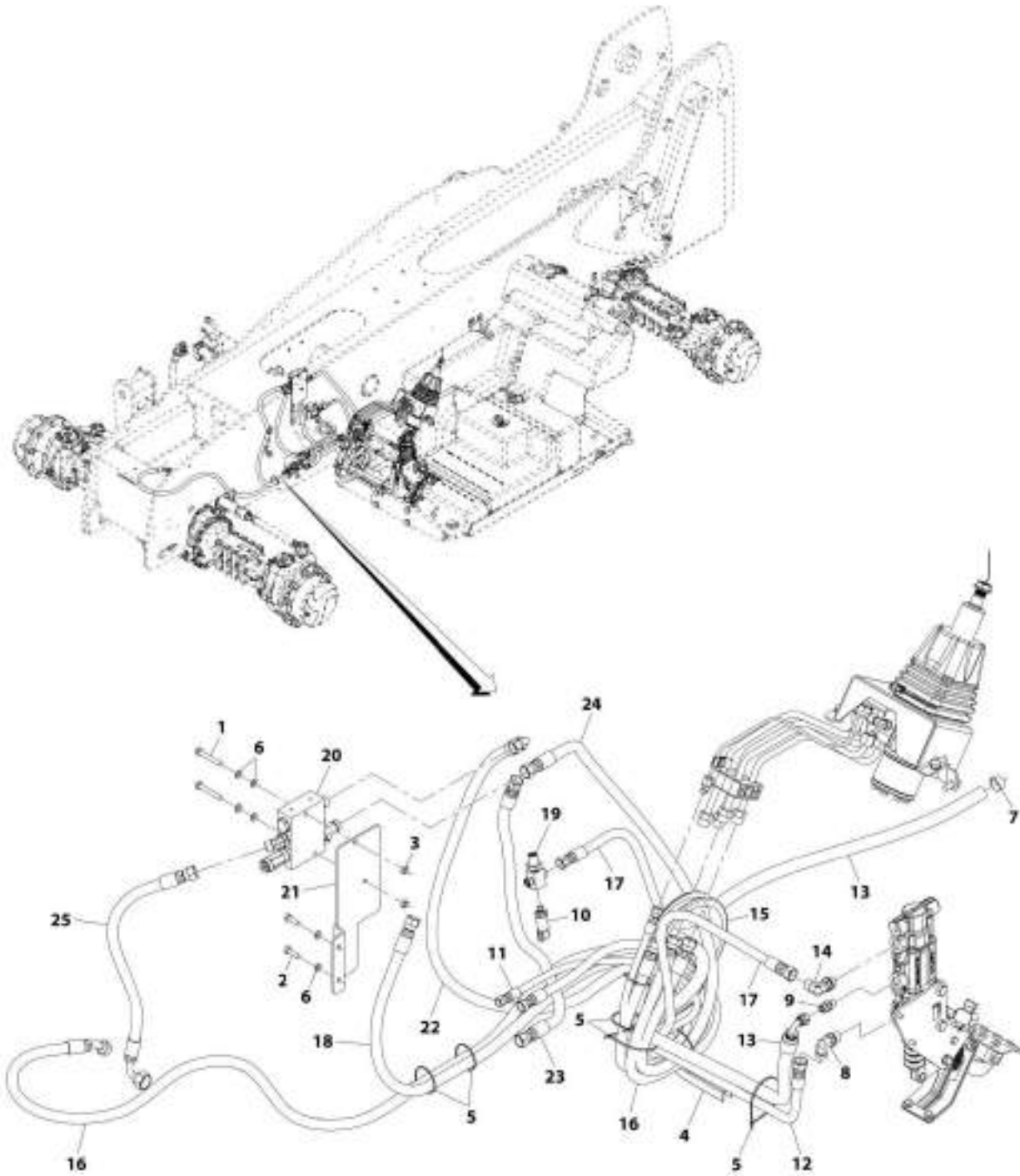
SECTION 8 - HYDRAULIC CIRCUITS

FIGURE 8-36. CAB HYDRAULIC INSTALLATION EMERGENCY STEERING (642, 742)

| ITEM | PART NUMBER | QTY | DESCRIPTION | REV |
|------|-------------|--------|--|-----|
| | 1001226920 | Ref | Cab Hydraulic Installation Emergency Steering (642, 742) | B |
| 1 | 0700820 | 2 | Bolt, M8X60 | |
| 2 | 0760812 | 2 | Bolt, M8X25 | |
| 3 | 3290801 | 2 | Nut, M8X1.25 | |
| 4 | 4060919 | 230 mm | Trim, Hose Protection | |
| 5 | 4240099 | AR | Tie, Wire | |
| 6 | 4811900 | 6 | Washer, M8 | |
| 7 | 8405006 | 1 | Clamp, Gear | |
| 8 | 8770120 | 1 | Fitting, 90 ORFS | |
| 9 | 80233218 | 1 | Fitting, Straight ORFS | |
| 10 | 1001147340 | 1 | Sensor, Pressure Transducer | |
| 11 | 1001161346 | 1 | Hose | |
| 12 | 1001161527 | 1 | Hose | |
| 13 | 1001161528 | 1 | Hose | |
| 14 | 1001169830 | 1 | Grommet | |
| 15 | 1001177256 | 1 | Hose | |
| 16 | 1001202962 | 1 | Fitting, 90 ORFS | |
| 17 | 1001204152 | 1 | Hose | |
| 18 | 1001205756 | 1 | Adapter | |
| 19 | 1001219191 | 1 | Installation, Emergency Steering Manifold (See Separate Breakdown in this Section) | |
| 20 | 1001221520 | 1 | Bracket | |
| 21 | 1001221527 | 1 | Hose | |
| 22 | 1001221741 | 1 | Hose | |
| 23 | 1001221742 | 1 | Hose | |
| 24 | 1001221744 | 1 | Hose | |
| 25 | 1001222088 | 1 | Hose | |
| 26 | 1001143857 | 1 | Fitting, Straight ORFS | |

SECTION 8 - HYDRAULIC CIRCUITS

FIGURE 8-37. CAB HYDRAULIC INSTALLATION, EMERGENCY STEERING (943, 1043)



ART_1001206075-A

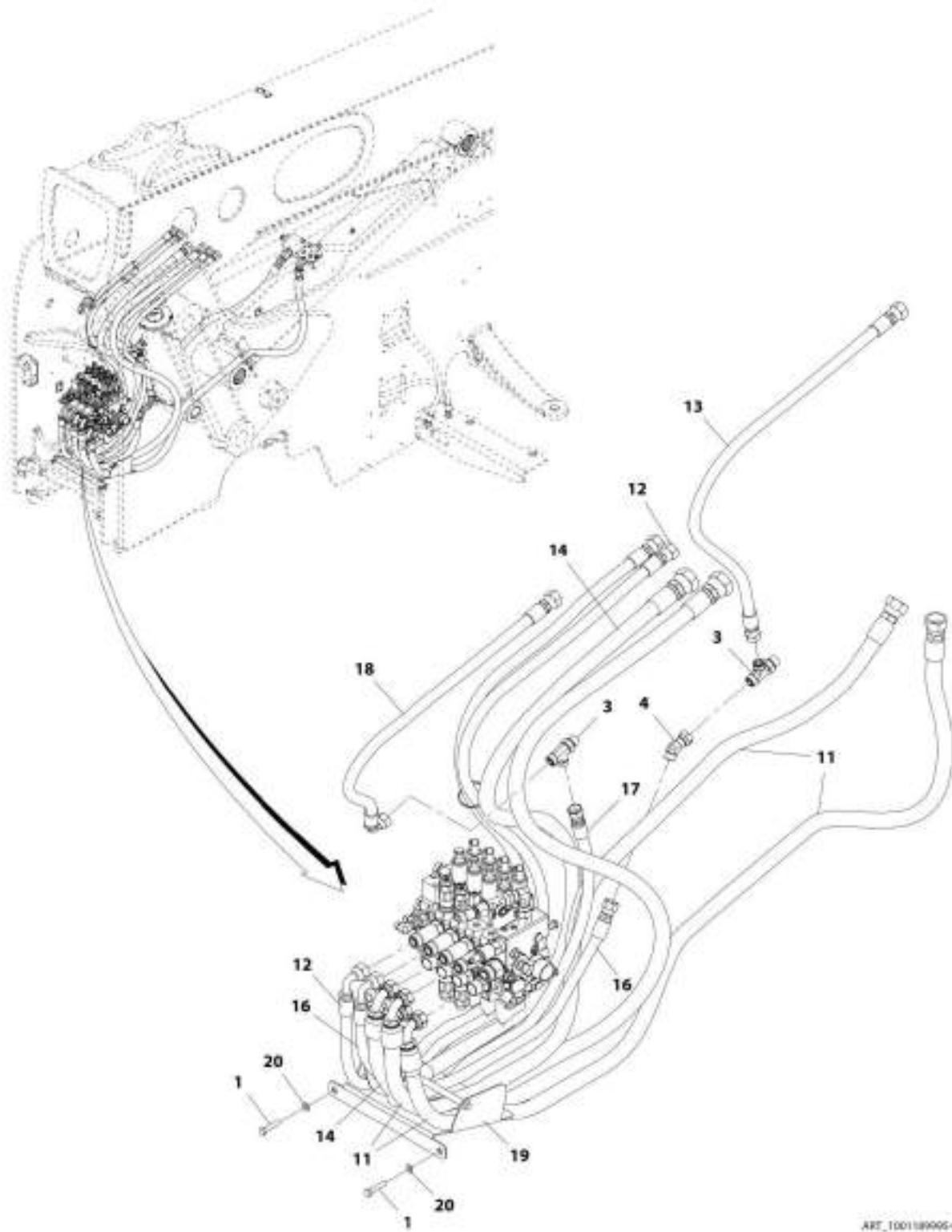
SECTION 8 - HYDRAULIC CIRCUITS

FIGURE 8-37. CAB HYDRAULIC INSTALLATION, EMERGENCY STEERING (943, 1043)

| ITEM | PART NUMBER | QTY | DESCRIPTION | REV |
|------|-------------|--------|---|-----|
| | 1001226575 | Ref | Cab Hydraulic Installation, Emergency Steering (Outriggers) (943, 1043) | A |
| 1 | 0700819 | 2 | Bolt, M8X55 | |
| 2 | 0760812 | 2 | Bolt, M8X25 | |
| 3 | 3290801 | 2 | Nut, M8X1.25 | |
| 4 | 4060919 | 230 mm | Trim, Hose Protection | |
| 5 | 4240099 | AR | Tie, Wire | |
| 6 | 4811900 | 6 | Washer, M8 | |
| 7 | 8405006 | 1 | Clamp, Gear | |
| 8 | 8770120 | 1 | Fitting, 90 ORFS | |
| 9 | 80233218 | 1 | Fitting, Straight ORFS | |
| 10 | 1001147340 | 1 | Sensor, Pressure Transducer | |
| 11 | 1001161346 | 1 | Hose | |
| 12 | 1001161527 | 1 | Hose | |
| 13 | 1001161528 | 1 | Hose | |
| 14 | 1001168054 | 1 | Fitting, 90 ORFS | |
| 15 | 1001169830 | 1 | Grommet | |
| 16 | 1001175713 | 1 | Hose | |
| 17 | 1001203067 | 1 | Hose | |
| 18 | 1001204152 | 1 | Hose | |
| 19 | 1001205756 | 1 | Adapter | |
| 20 | 1001219191 | 1 | Emergency Steering Manifold Installation (See Separate Breakdown in HYDRAULIC COMPONENTS Section) | |
| 21 | 1001221520 | 1 | Bracket, Emergency Steer Manifold | |
| 22 | 1001221527 | 1 | Hose | |
| 23 | 1001221741 | 1 | Hose | |
| 24 | 1001221742 | 1 | Hose | |
| 25 | 1001221744 | 1 | Hose | |

SECTION 8 - HYDRAULIC CIRCUITS

FIGURE 8-38. BOOM HYDRAULIC INSTALLATION (642, 742)



ART_1001189005-D

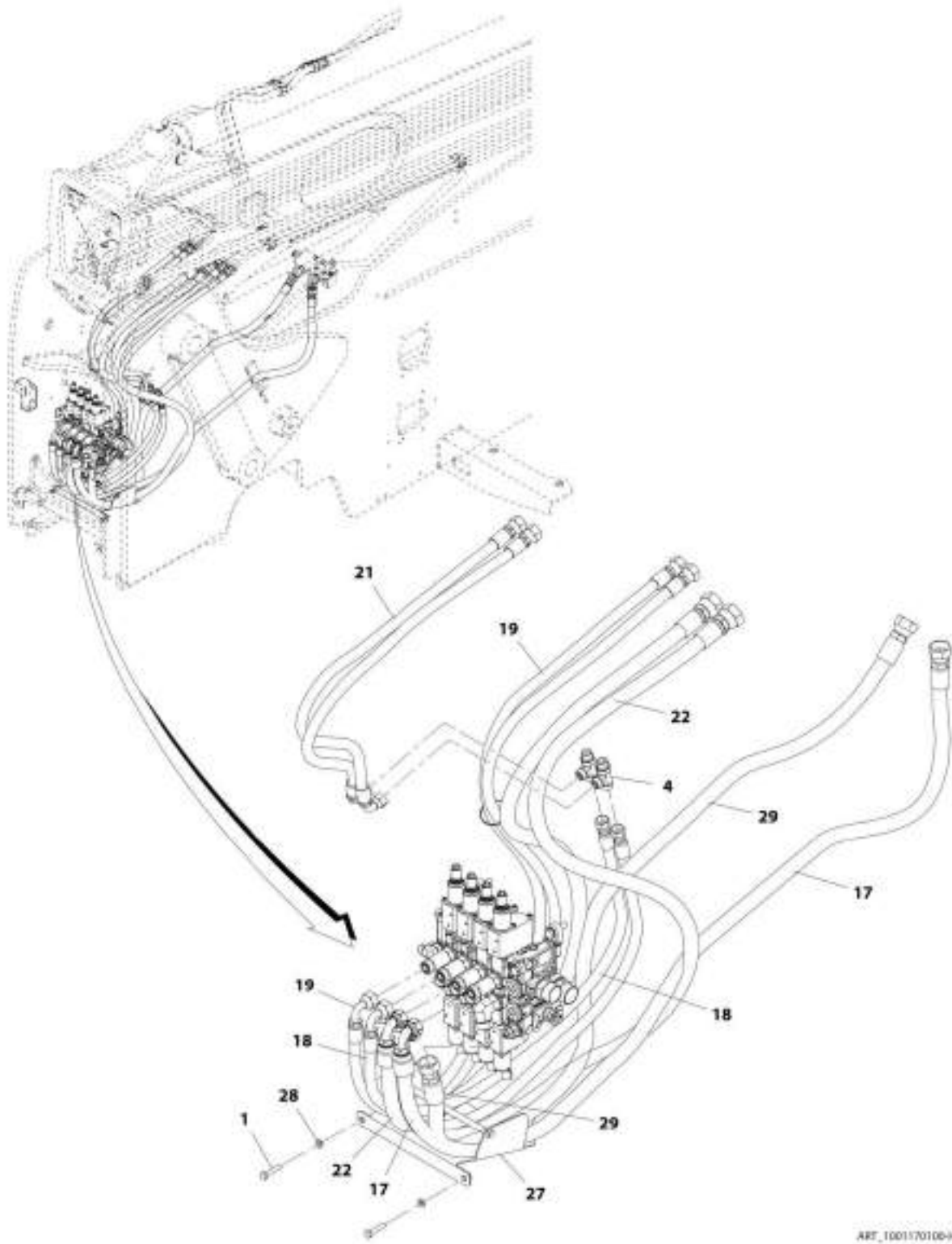
SECTION 8 - HYDRAULIC CIRCUITS

FIGURE 8-38. BOOM HYDRAULIC INSTALLATION (642, 742)

| ITEM | PART NUMBER | QTY | DESCRIPTION | REV |
|------|-------------|-----|--|-----|
| | 1001189995 | Ref | Boom Hydraulic Installation (642, 742) | D |
| 1 | 0700816 | 2 | Bolt, M8X40 | |
| 3 | 2170308 | 2 | Fitting, Tee ORFS | |
| 4 | 2221231 | 1 | Fitting, 45 ORFS | |
| 11 | 1001169375 | 2 | Hose | |
| 12 | 1001169378 | 2 | Hose | |
| 13 | 1001203963 | 1 | Hose | |
| 14 | 1001169376 | 2 | Hose | |
| 16 | 1001203944 | 1 | Hose | |
| 17 | 1001203954 | 1 | Hose | |
| 18 | 1001203967 | 1 | Hose | |
| 19 | 1001193771 | 1 | Channel, Boom Hose | |
| 20 | 4811900 | 2 | Washer, M8 | |

SECTION 8 - HYDRAULIC CIRCUITS

FIGURE 8-39. BOOM HYDRAULIC INSTALLATION, EMERGENCY STEERING (742, 943, 1043)



ART_1001170100-H

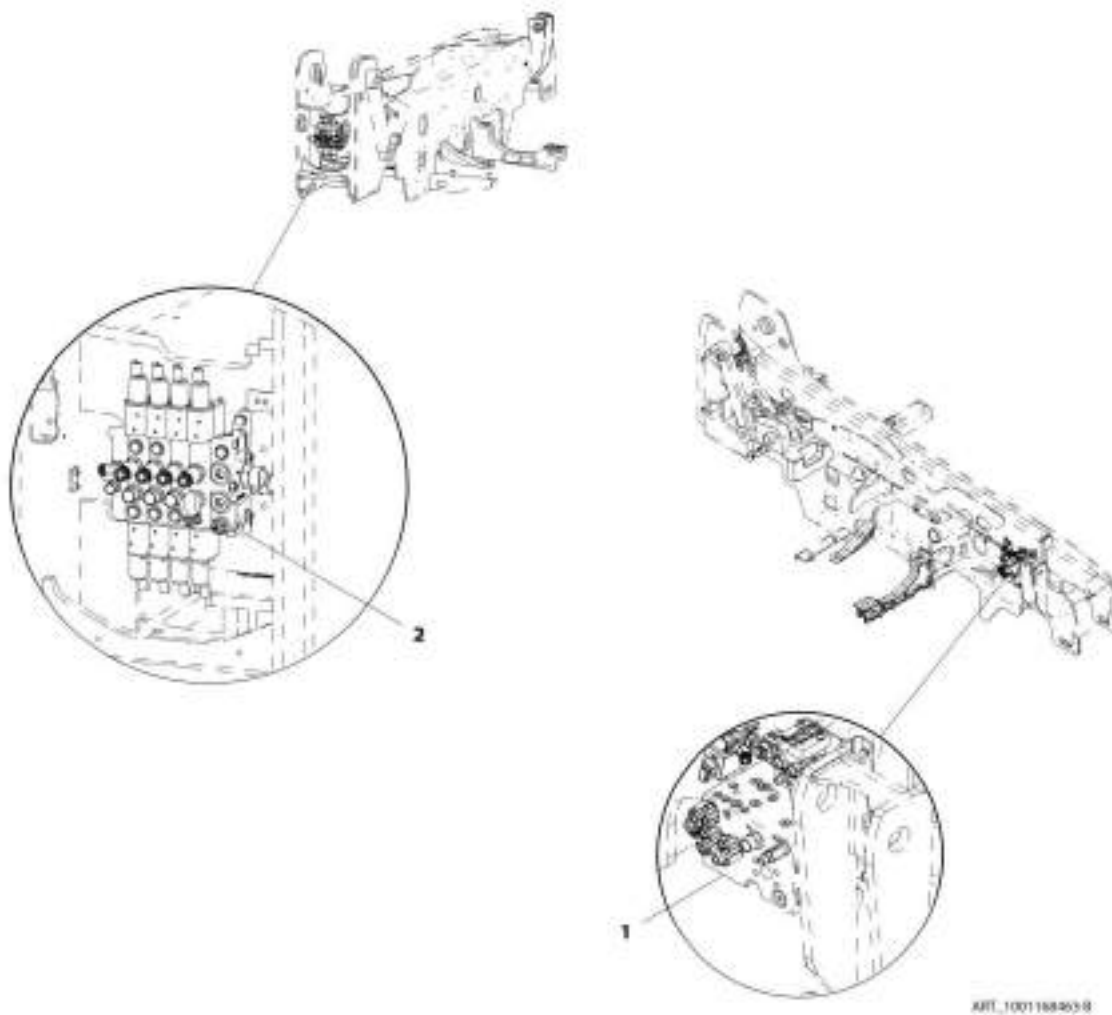
SECTION 8 - HYDRAULIC CIRCUITS

FIGURE 8-39. BOOM HYDRAULIC INSTALLATION, EMERGENCY STEERING (742, 943, 1043)

| ITEM | PART NUMBER | QTY | DESCRIPTION | REV |
|------|-------------|-----|--|-----|
| | 1001170100 | Ref | Boom Hydraulic Installation, Emergency Steering (742, 943, 1043) | H |
| 1 | 0700816 | 2 | Bolt, M8X40 | |
| 4 | 2170308 | 2 | Fitting, Tee ORFS | |
| 17 | 1001169375 | 1 | Hose | |
| 18 | 1001188637 | 2 | Hose | |
| 19 | 1001169378 | 2 | Hose | |
| 21 | 1001175718 | 1 | Hose | |
| 22 | 1001169376 | 2 | Hose | |
| 27 | 1001193771 | 1 | Channel, Boom Hose | |
| 28 | 4811900 | 2 | Washer, M8 | |
| 29 | 1001195217 | 1 | Hose | |

SECTION 8 - HYDRAULIC CIRCUITS

FIGURE 8-40. MAIN HYDRAULIC VALVES INSTALLATION (943, 1043) (Prior to SN 0160081535)



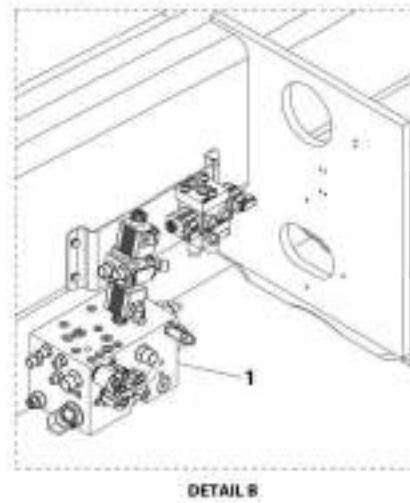
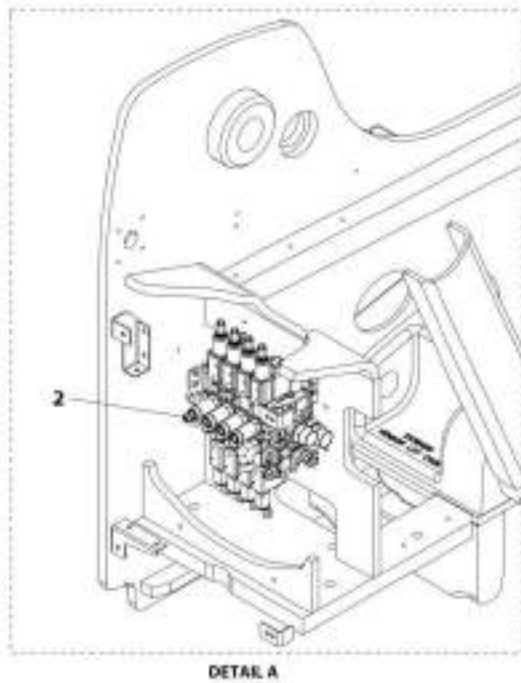
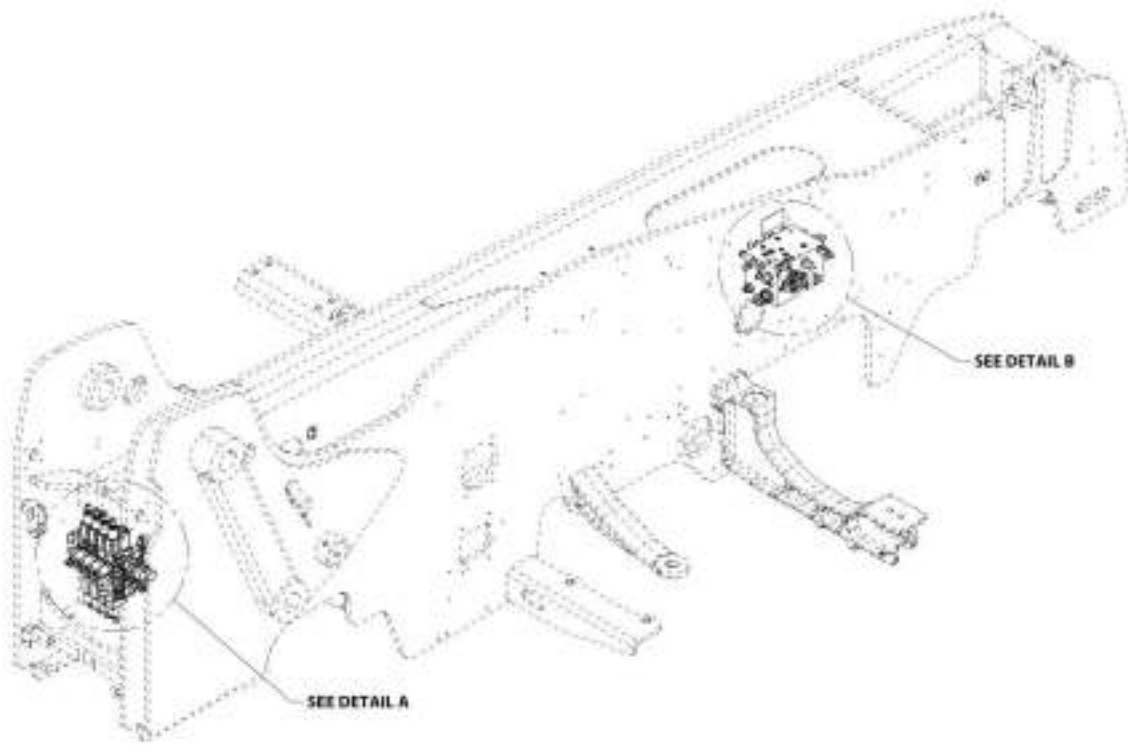
SECTION 8 - HYDRAULIC CIRCUITS

FIGURE 8-40. MAIN HYDRAULIC VALVES INSTALLATION (943, 1043) (Prior to SN 0160081535)

| ITEM | PART NUMBER | QTY | DESCRIPTION | REV |
|------|-------------|-----|---|-----|
| 1 | 1001168463 | Ref | Main Hydraulic Valves Installation (943, 1043) | B |
| | 1001161308 | Ref | Installation, Priority Manifold Valve (See PRIORITY FUNCTION MANIFOLD INSTALLATION for Breakdown) | |
| 2 | 1001161310 | Ref | Installation, Main Control Valve (See MAIN CONTROL VALVE INSTALLATION (943, 1043) for Breakdown) | |

SECTION 8 - HYDRAULIC CIRCUITS

FIGURE 8-41. MAIN HYDRAULIC VALVES INSTALLATION (742, 943, 1043)



ART_1001235750-A

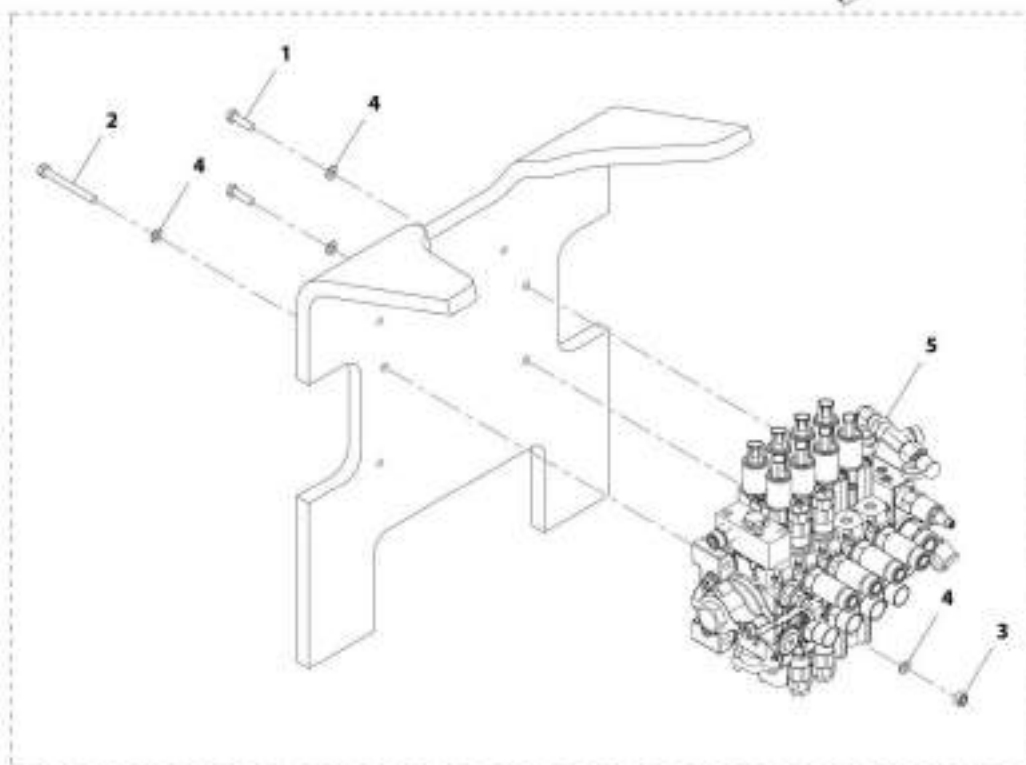
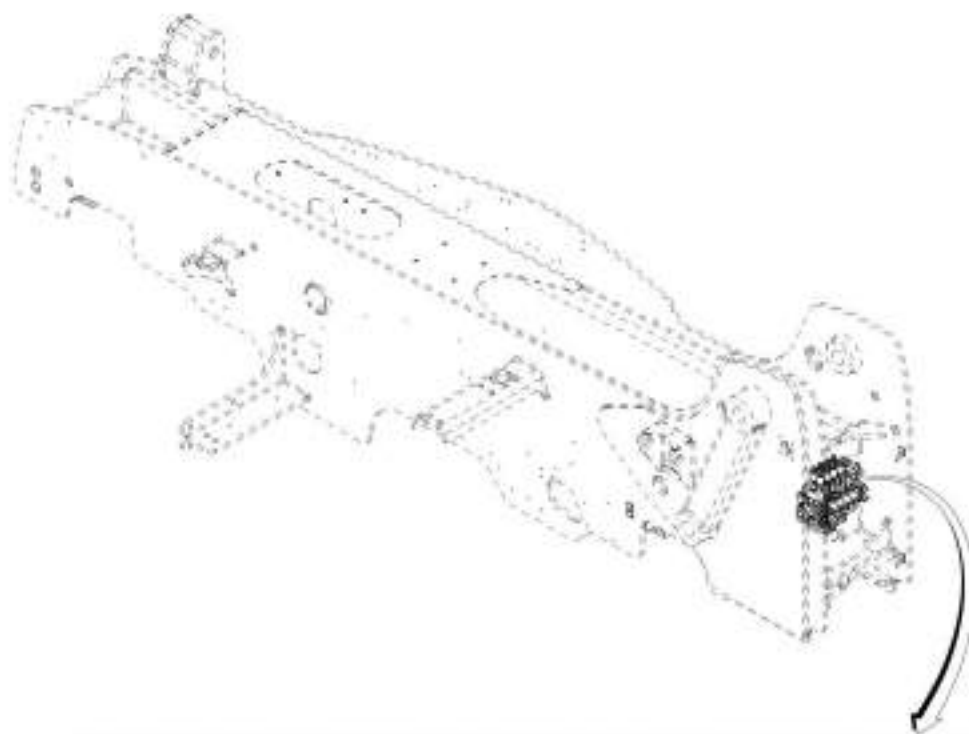
SECTION 8 - HYDRAULIC CIRCUITS

FIGURE 8-41. MAIN HYDRAULIC VALVES INSTALLATION (742, 943, 1043)

| ITEM | PART NUMBER | QTY | DESCRIPTION | REV |
|------|-------------|-----|--|-----|
| 1 | 1001225750 | Ref | Main Hydraulic Valves Installation (742, 943, 1043) | A |
| | 1001161308 | Ref | Installation, Priority Manifold Valve (See Separate Breakdown in this Section) | |
| 2 | 1001225751 | Ref | Installation, Main Control Valve (See Separate Breakdown in this Section) | |

SECTION 8 - HYDRAULIC CIRCUITS

FIGURE 8-42. MAIN CONTROL VALVE INSTALLATION (642, 742)



ART_3001160340-C

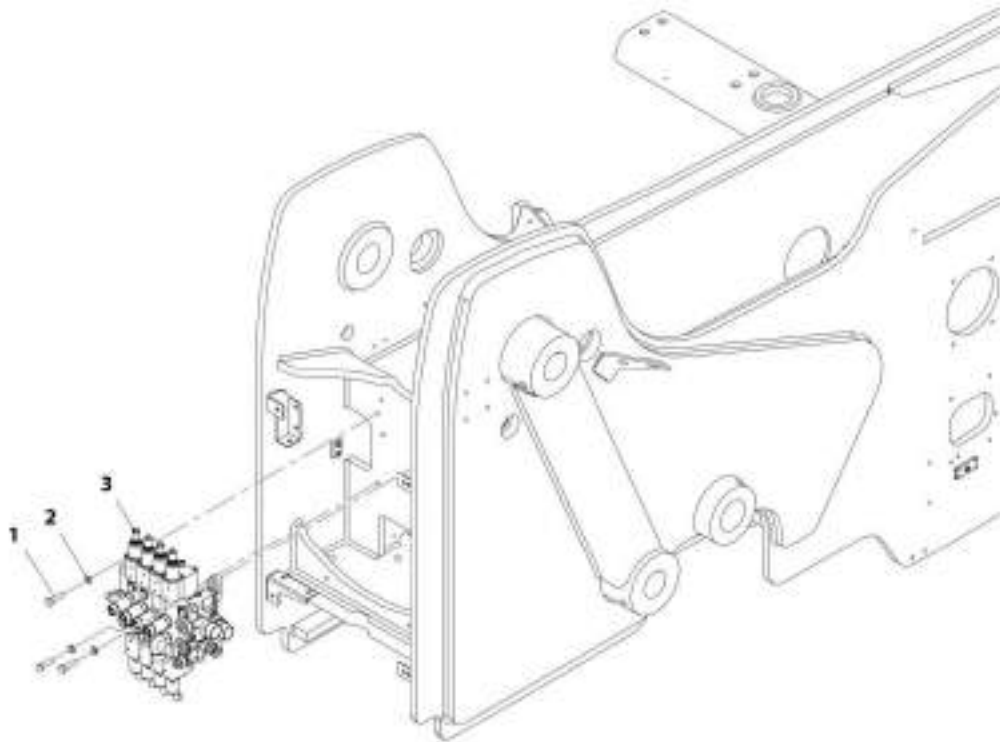
SECTION 8 - HYDRAULIC CIRCUITS

FIGURE 8-42. MAIN CONTROL VALVE INSTALLATION (642, 742)

| ITEM | PART NUMBER | QTY | DESCRIPTION | REV |
|------|-------------|-----|--|-----|
| | 1001169346 | Ref | Main Control Valve Installation (642, 742) | C |
| 1 | 0700814 | 2 | Bolt, M8X30 | |
| 2 | 0700824 | 1 | Bolt, M8X80 | |
| 3 | 3290805 | 1 | Nut, Lock M8X1.25 Grade 8 | |
| 4 | 4811900 | 4 | Washer, M8 | |
| 5 | 1001169349 | 1 | Assembly, Main Control Valve (See MAIN CONTROL VALVE ASSEMBLY for Breakdown) | |

SECTION 8 - HYDRAULIC CIRCUITS

FIGURE 8-43. MAIN CONTROL VALVE INSTALLATION (943, 1043) (Prior to SN 0160081535)



MT_330190310-E

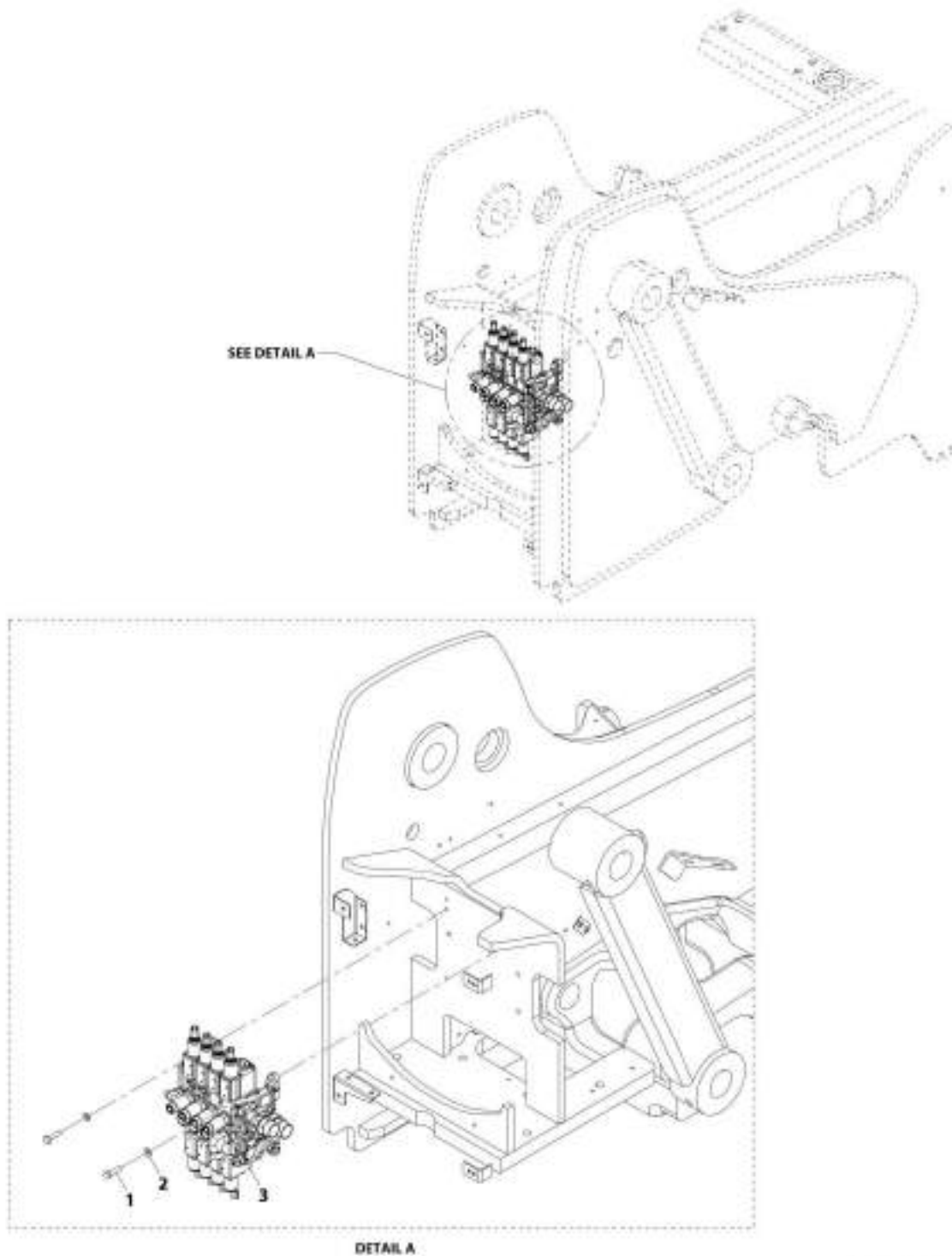
SECTION 8 - HYDRAULIC CIRCUITS

FIGURE 8-43. MAIN CONTROL VALVE INSTALLATION (943, 1043) (Prior to SN 0160081535)

| ITEM | PART NUMBER | QTY | DESCRIPTION | REV |
|------|-------------|-----|---|-----|
| | 1001161310 | Ref | Main Control Valve Installation (943, 1043) | E |
| 1 | 0701016 | 3 | Bolt, M10X40 | |
| 2 | 4812000 | 3 | Washer, M10 | |
| 3 | 1001161321 | 1 | Assembly, Main Control Valve Assembly (943, 1043) (See MAIN CONTROL VALVE ASSEMBLY (943, 1043) for Breakdown) | |

SECTION 8 - HYDRAULIC CIRCUITS

FIGURE 8-44. MAIN CONTROL VALVE INSTALLATION (742, 943, 1043)



ART_1001225751-A

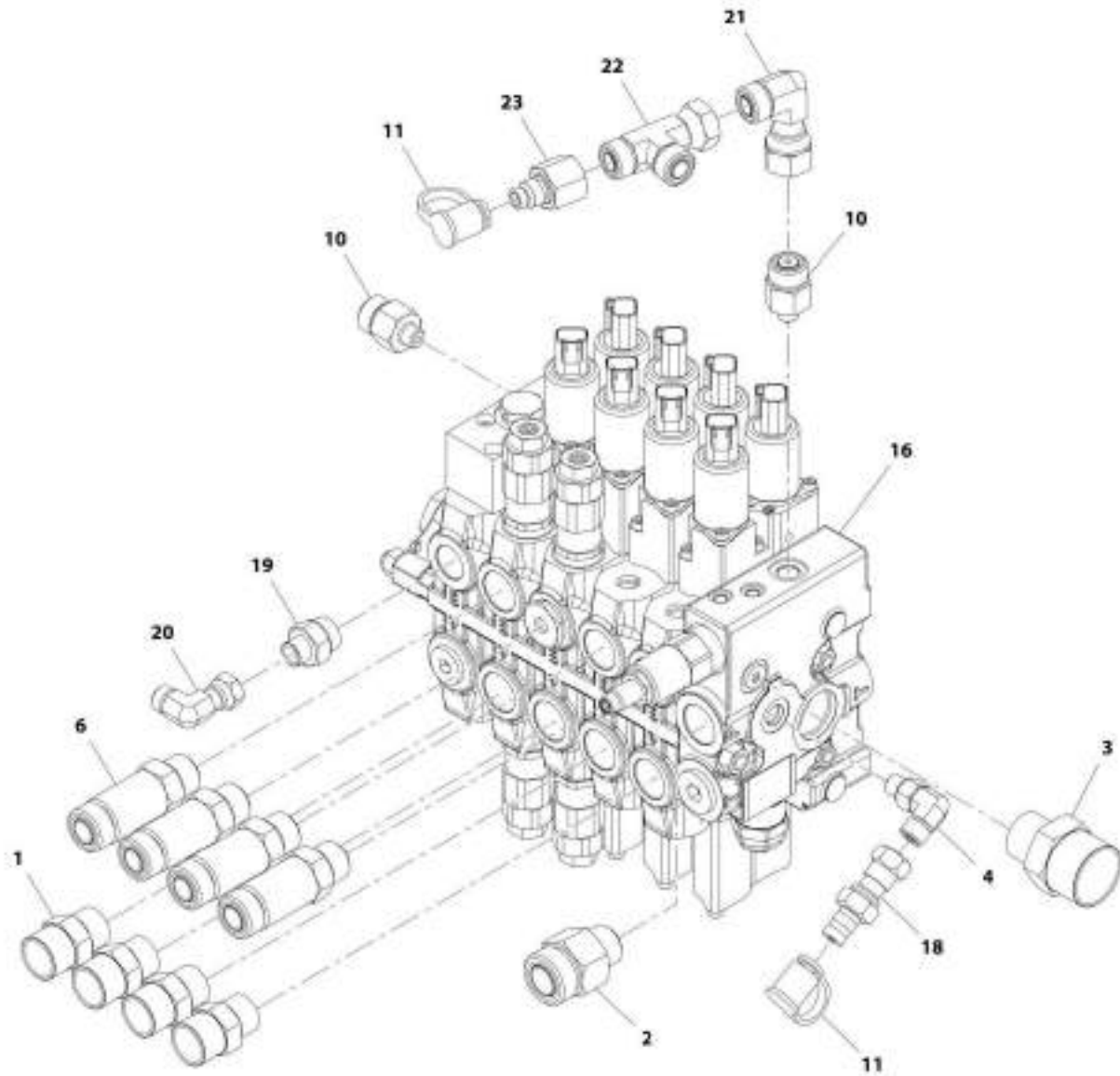
SECTION 8 - HYDRAULIC CIRCUITS

FIGURE 8-44. MAIN CONTROL VALVE INSTALLATION (742, 943, 1043)

| ITEM | PART NUMBER | QTY | DESCRIPTION | REV |
|------|-------------|-----|---|-----|
| | 1001225751 | Ref | Main Control Valve Installation (742, 943, 1043) | A |
| 1 | 0701016 | 3 | Bolt, M10X40 | |
| 2 | 4812000 | 3 | Washer, M10 | |
| 3 | 1001225752 | 1 | Assembly, Main Control Valve Assembly (742, 943, 1043) (See Separate Breakdown in this Section) | |

SECTION 8 - HYDRAULIC CIRCUITS

FIGURE 8-45. MAIN CONTROL VALVE ASSEMBLY (642)



ART_1001168349-G

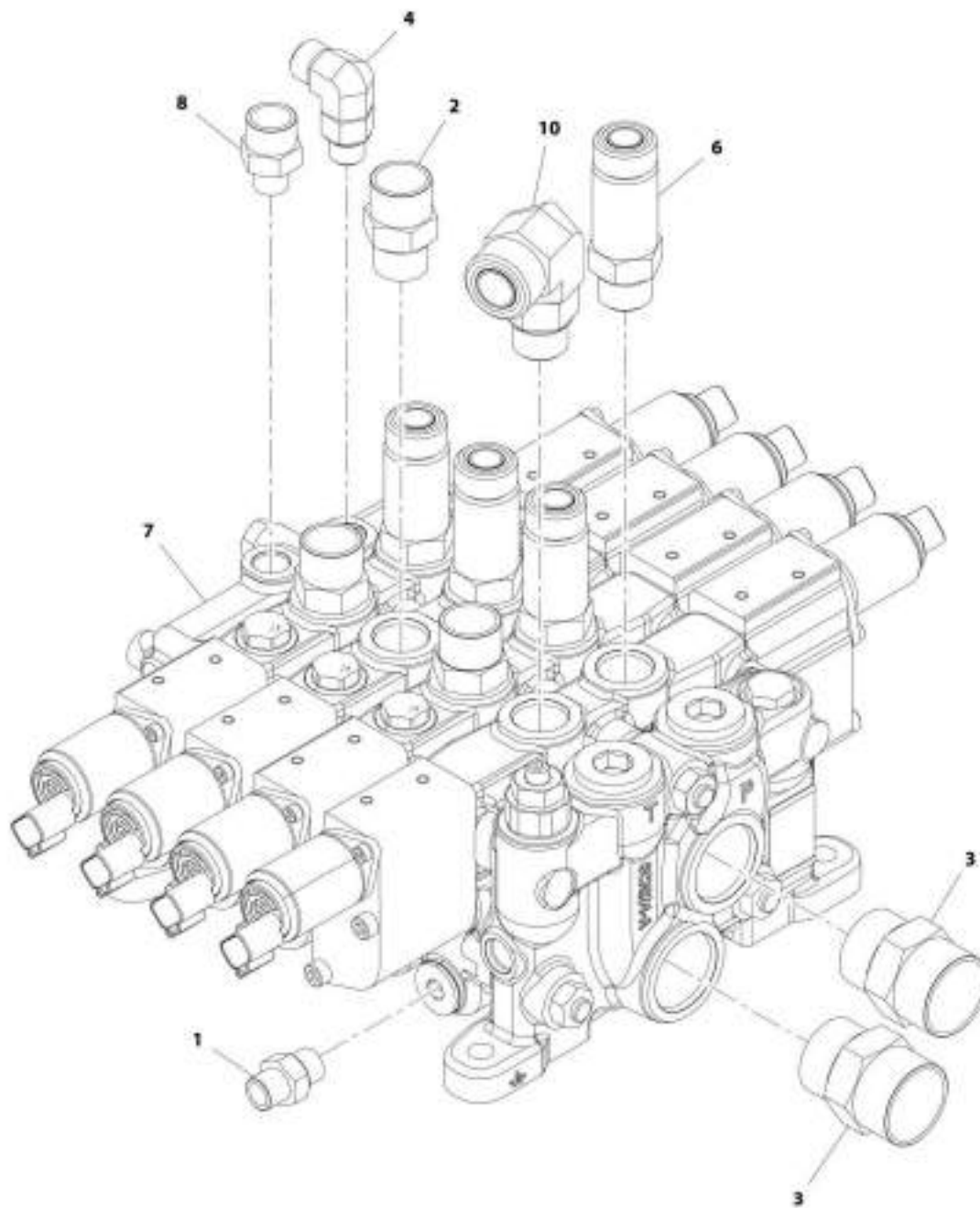
SECTION 8 - HYDRAULIC CIRCUITS

FIGURE 8-45. MAIN CONTROL VALVE ASSEMBLY (642)

| ITEM | PART NUMBER | QTY | DESCRIPTION | REV |
|------|-------------|-----|--|-----|
| | 1001169349 | Ref | Main Control Valve Assembly (642) | G |
| 1 | 2111010 | 4 | Fitting, Straight ORFS | |
| 2 | 2111210 | 1 | Fitting, Straight ORFS | |
| 3 | 2111612 | 1 | Fitting, Straight ORFS | |
| 4 | 2130404 | 1 | Fitting, 90 ORFS | |
| 6 | 2170110 | 4 | Fitting, Straight ORFS | |
| 10 | 2221233 | 2 | Fitting, Straight ORFS | |
| 11 | 8430032 | 2 | Plug | |
| 16 | 1001166765 | 1 | Valve, Main Control (See HYDRAULIC COMPONENTS SECTION for Breakdown) | |
| 18 | 2221229 | 1 | Fitting, Straight ORFS | |
| 19 | 2110408 | 1 | Fitting, Straight ORFS | |
| 20 | 2172104 | 1 | Fitting, 90 ORFS | |
| 21 | 2172108 | 1 | Fitting, 90 ORFS | |
| 22 | 2170708 | 1 | Fitting, Tee ORFS | |
| 23 | 8430082 | 1 | Fitting, Straight ORFS | |

SECTION 8 - HYDRAULIC CIRCUITS

FIGURE 8-46. MAIN CONTROL VALVE ASSEMBLY (943, 1043) (Prior to SN 0160081535)



ART_1001161325-H

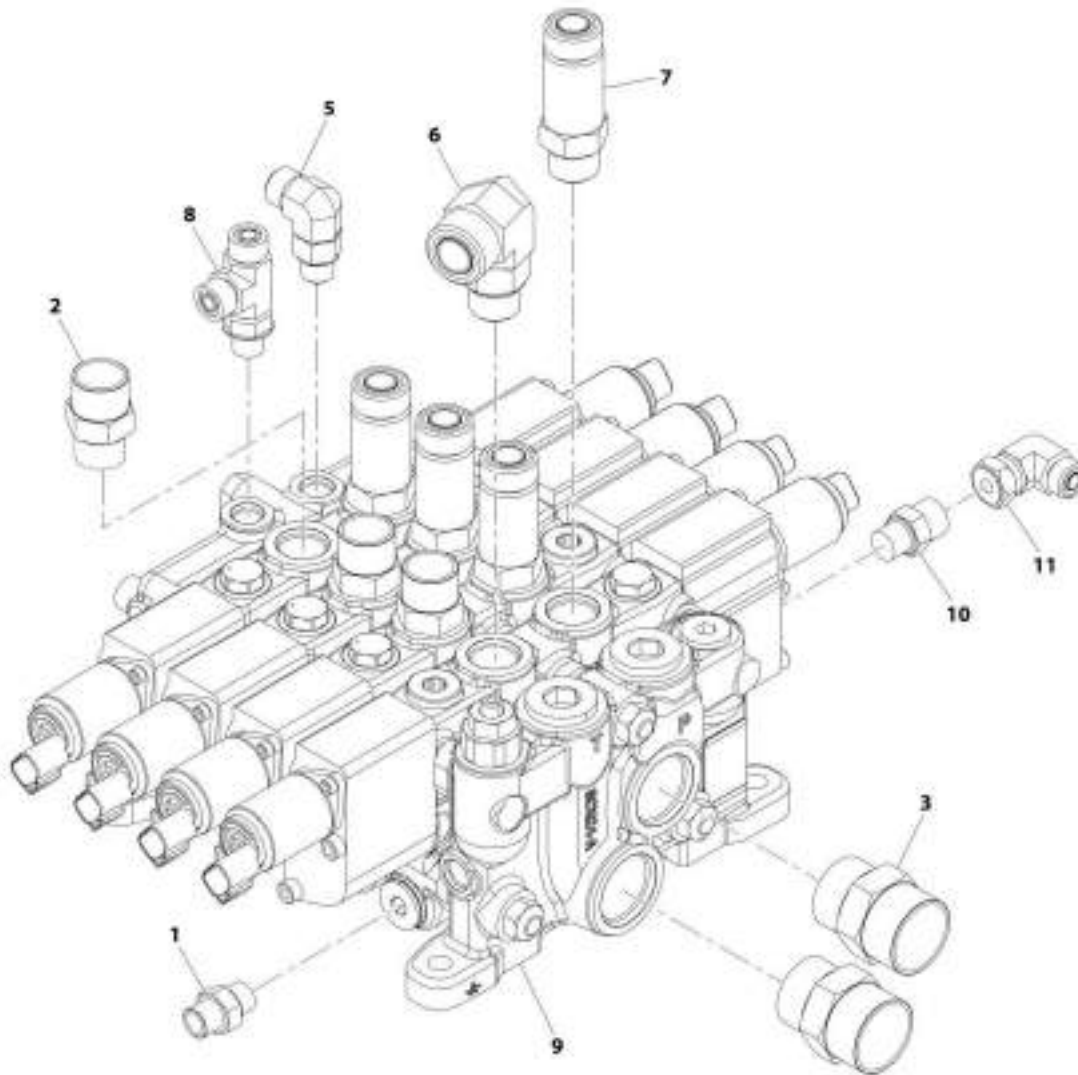
SECTION 8 - HYDRAULIC CIRCUITS

FIGURE 8-46. MAIN CONTROL VALVE ASSEMBLY (943, 1043) (Prior to SN 0160081535)

| ITEM | PART NUMBER | QTY | DESCRIPTION | REV |
|------|-------------|-----|--|-----|
| | 1001161321 | Ref | Main Control Valve Assembly (943, 1043) | H |
| 1 | 2110406 | 1 | Fitting, Straight ORFS | |
| 2 | 2111010 | 3 | Fitting, Straight ORFS | |
| 3 | 2111616 | 2 | Fitting, Straight ORFS | |
| 4 | 2130606 | 1 | Fitting, 90 ORFS | |
| 6 | 2170110 | 4 | Fitting, Straight ORFS | |
| 7 | | Ref | Valve, Main Control (See HYDRAULIC COMPONENTS for Breakdown) | |
| 8 | 2110806 | 1 | Fitting, Straight ORFS | |
| 10 | 2131210 | 1 | Fitting, 90 ORFS | |

SECTION 8 - HYDRAULIC CIRCUITS

FIGURE 8-47. MAIN CONTROL VALVE ASSEMBLY (742, 943, 1043)



ART. 1001225752-C

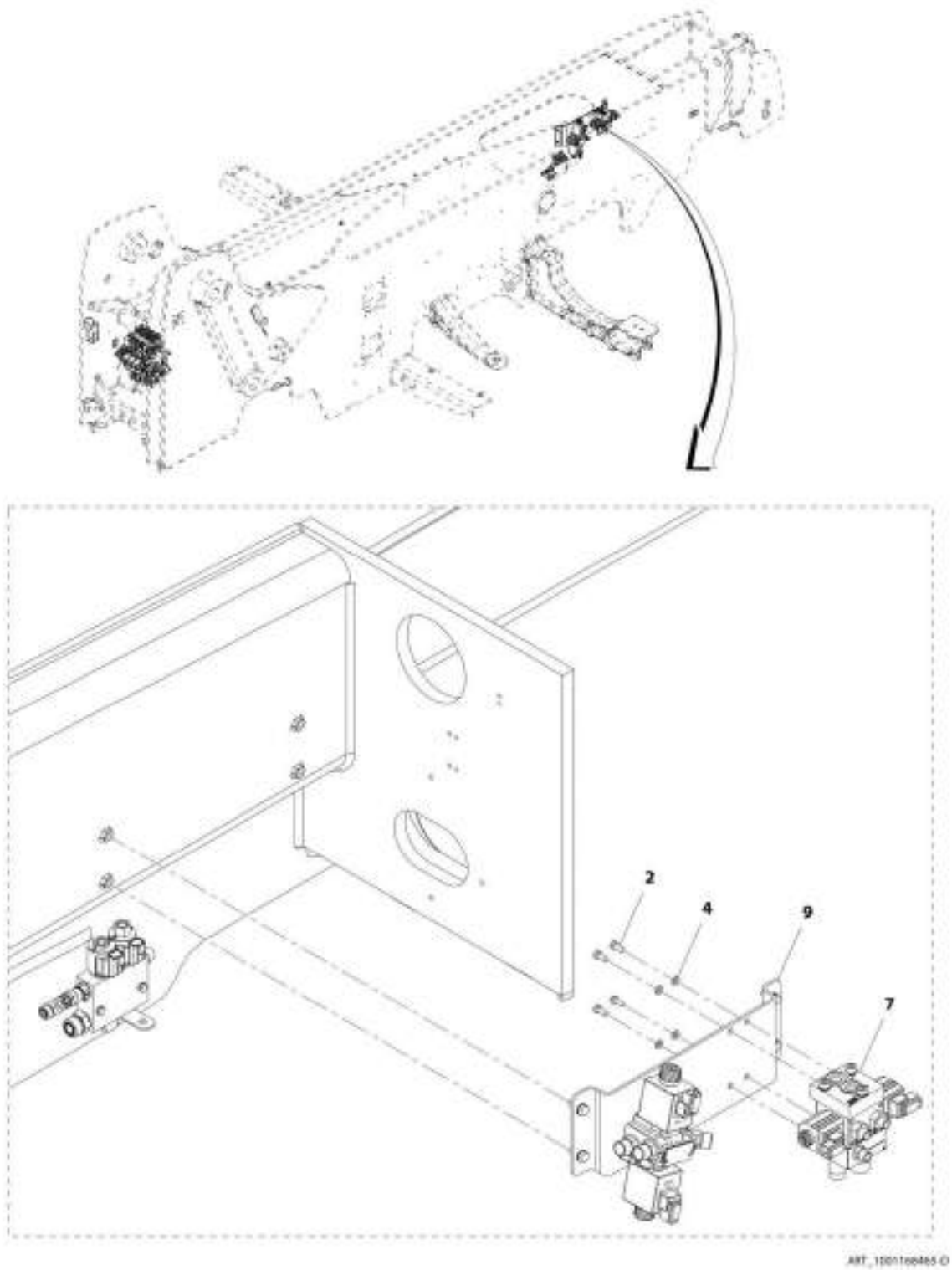
SECTION 8 - HYDRAULIC CIRCUITS

FIGURE 8-47. MAIN CONTROL VALVE ASSEMBLY (742, 943, 1043)

| ITEM | PART NUMBER | QTY | DESCRIPTION | REV |
|------|-------------|-----|--|-----|
| | 1001225752 | Ref | Main Control Valve Assembly (742, 943, 1043) | C |
| 1 | 2110406 | 1 | Fitting, Straight ORFS | |
| 2 | 2111010 | 3 | Fitting, Straight ORFS | |
| 3 | 2111616 | 2 | Fitting, Straight ORFS | |
| 5 | 2130606 | 1 | Fitting, 90 ORFS | |
| 6 | 2131210 | 1 | Fitting, 90 ORFS | |
| 7 | 2170110 | 4 | Fitting, Straight ORFS | |
| 8 | 2170306 | 1 | Fitting, Tee ORFS | |
| 9 | | Ref | Valve, Main Control (See Separate Breakdown in HYDRAULIC COMPONENTS Section) | |
| 10 | 2110606 | 1 | Fitting, Straight ORFS | |
| 11 | 2172106 | 1 | Adapter, 90 | |

SECTION 8 - HYDRAULIC CIRCUITS

FIGURE 8-48. STEERING SELECT AND FRAME LEVEL VALVE INSTALLATION



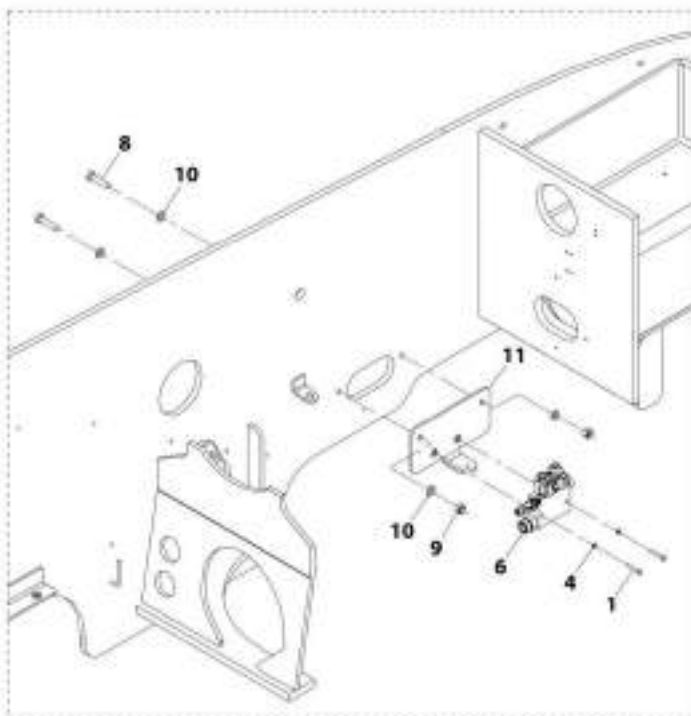
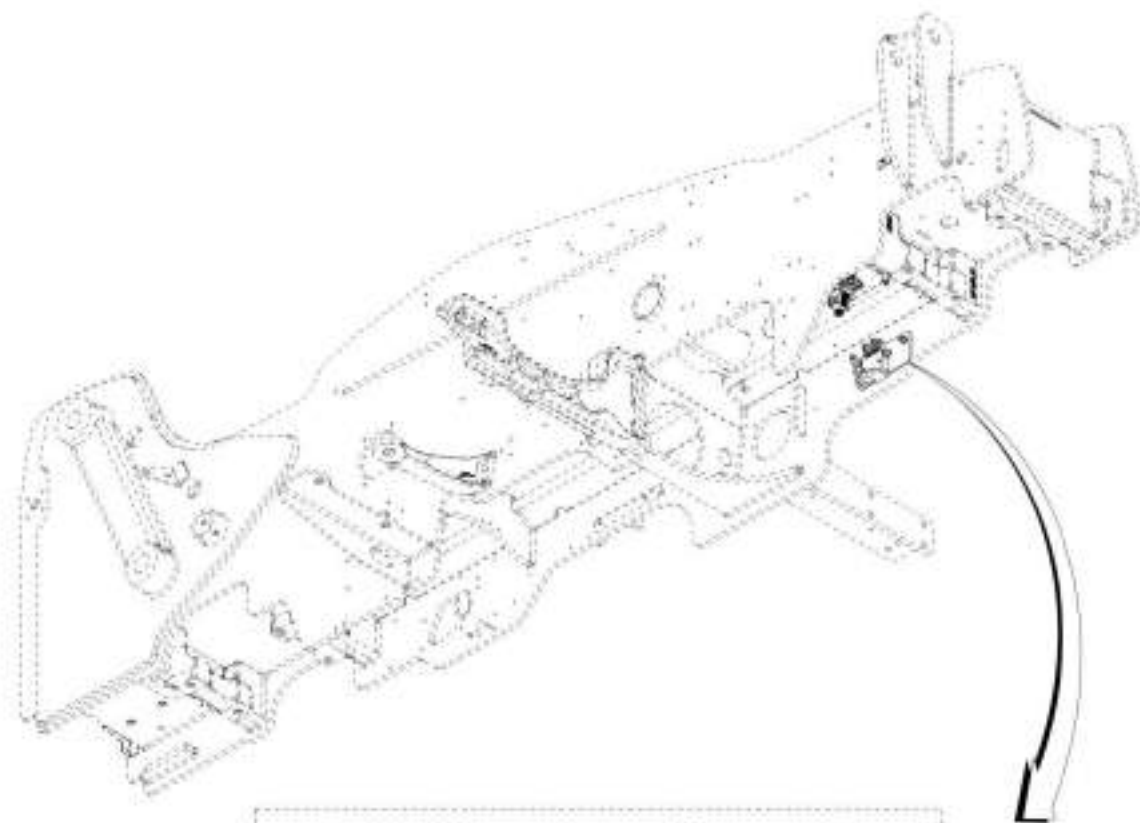
SECTION 8 - HYDRAULIC CIRCUITS

FIGURE 8-48. STEERING SELECT AND FRAME LEVEL VALVE INSTALLATION

| ITEM | PART NUMBER | QTY | DESCRIPTION | REV |
|------|-------------|-----|--|-----|
| | 1001168465 | Ref | Steering Select and Frame Level Valve Installation | D |
| 2 | 0760607 | 4 | Bolt, M6X14 | |
| 4 | 4811700 | 4 | Washer, M6 | |
| 7 | 1001169087 | 1 | Assembly, Frame Level Valve (See FRAME LEVEL VALVE ASSEMBLY for Breakdown) | |
| 9 | 1001168464 | Ref | Installation, Steering Select Valve Mounting (See STEERING SELECT VALVE MOUNTING INSTALLATION for Breakdown) | |

SECTION 8 - HYDRAULIC CIRCUITS

FIGURE 8-49. PARK BRAKE INSTALLATION



ART_100172370-E

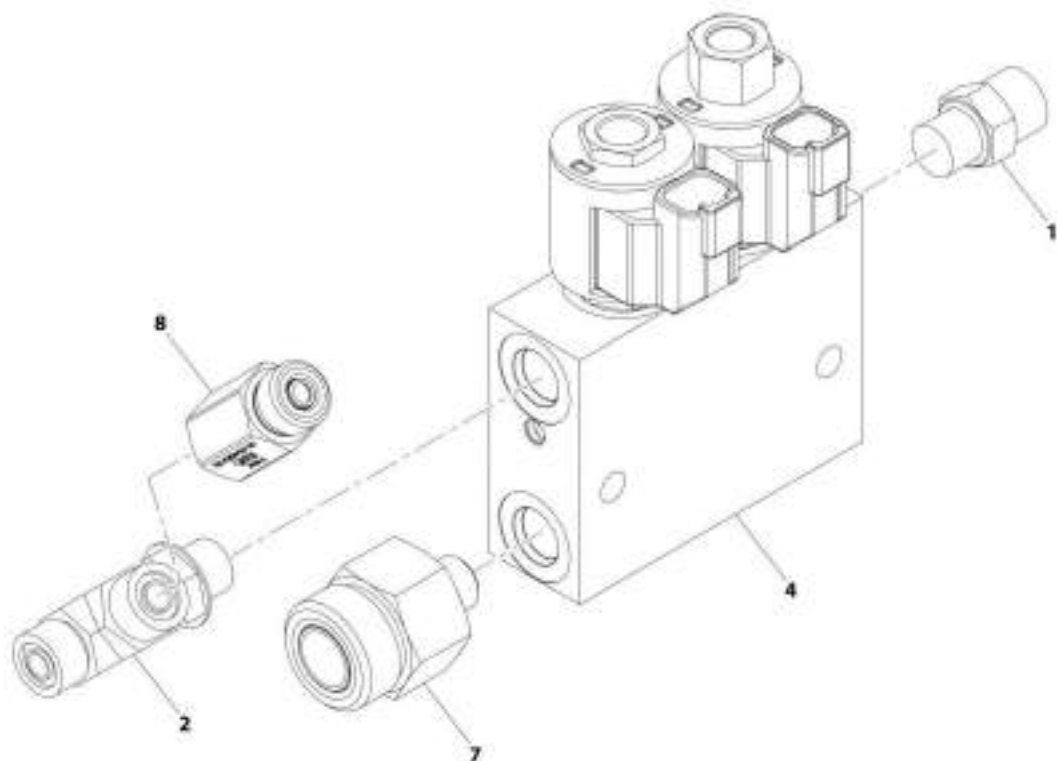
SECTION 8 - HYDRAULIC CIRCUITS

FIGURE 8-49. PARK BRAKE INSTALLATION

| ITEM | PART NUMBER | QTY | DESCRIPTION | REV |
|------|-------------|-----|--|-----|
| | 1001172370 | Ref | Park Brake Installation | E |
| 1 | 0700616 | 2 | Bolt, M6X40 | |
| 4 | 4811700 | 2 | Washer, M6 | |
| 6 | 1001170561 | 1 | Installation, Park Brake Valve (See PARK BRAKE VALVE ASSEMBLY for Breakdown) | |
| 8 | 0761218 | 2 | Bolt, M12X50 | |
| 9 | 3291205 | 2 | Nut, Lock M12X1.75 Grade 8 | |
| 10 | 4812100 | 4 | Washer, M12 | |
| 11 | 1001225995 | 1 | Bracket Assembly | |

SECTION 8 - HYDRAULIC CIRCUITS

FIGURE 8-50. PARK BRAKE VALVE ASSEMBLY



ART_1001170561-F

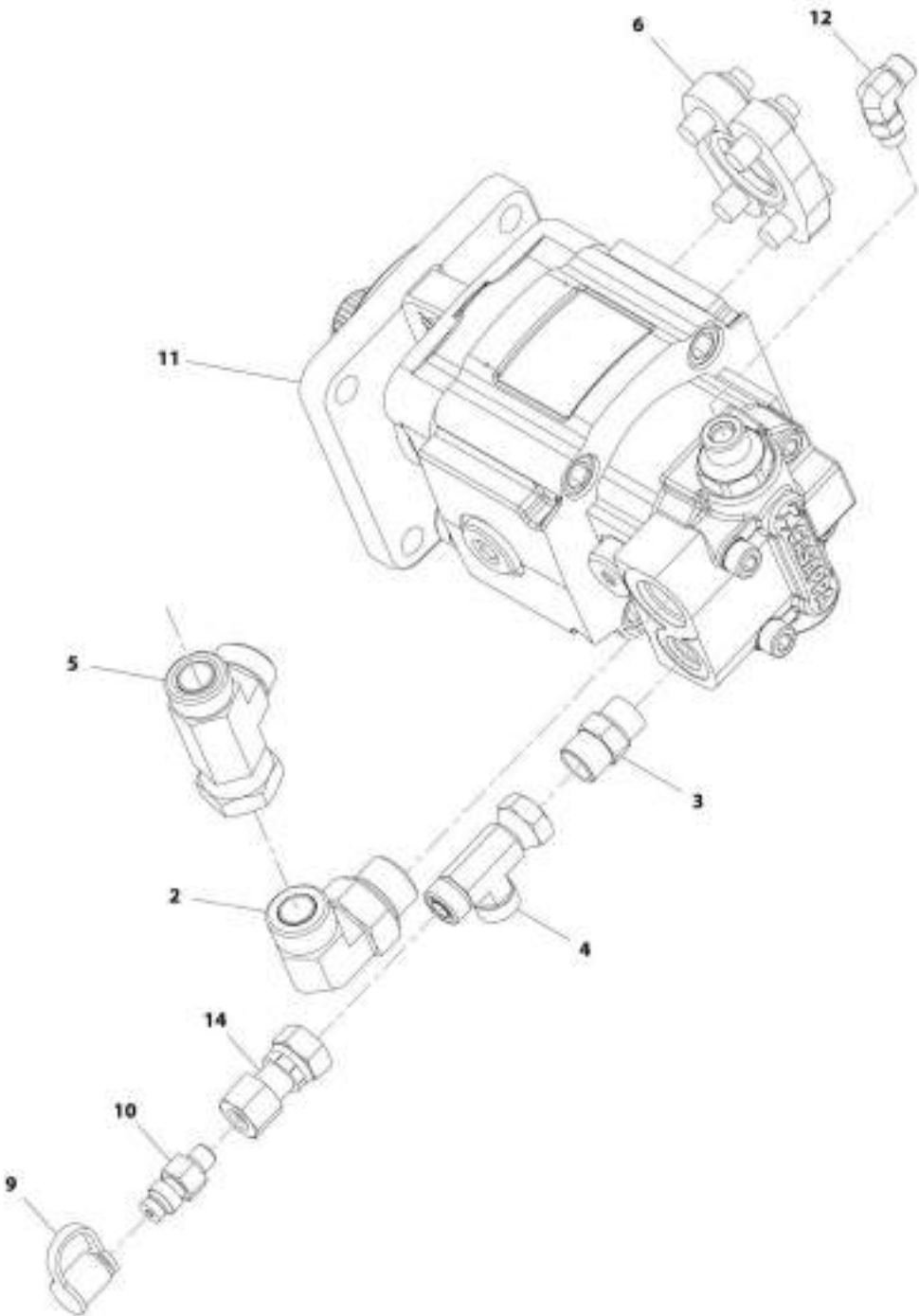
SECTION 8 - HYDRAULIC CIRCUITS

FIGURE 8-50. PARK BRAKE VALVE ASSEMBLY

| ITEM | PART NUMBER | QTY | DESCRIPTION | REV |
|------|-------------|-----|--|-----|
| | 1001170561 | Ref | Park Brake Valve Assembly | F |
| 1 | 2110606 | 1 | Fitting, Straight ORFS | |
| 2 | 2170306 | 1 | Fitting, Tee ORFS | |
| 4 | 1001164652 | 1 | Valve, Park Brake (See HYDRAULIC COMPONENTS SECTION for Breakdown) | |
| 7 | 1001207758 | 1 | Fitting, Straight ORFS | |
| 8 | 1001218781 | 1 | Check Valve | |

SECTION 8 - HYDRAULIC CIRCUITS

FIGURE 8-51. PISTON PUMP ASSEMBLY (642, 742)



ABT_3001171097-E

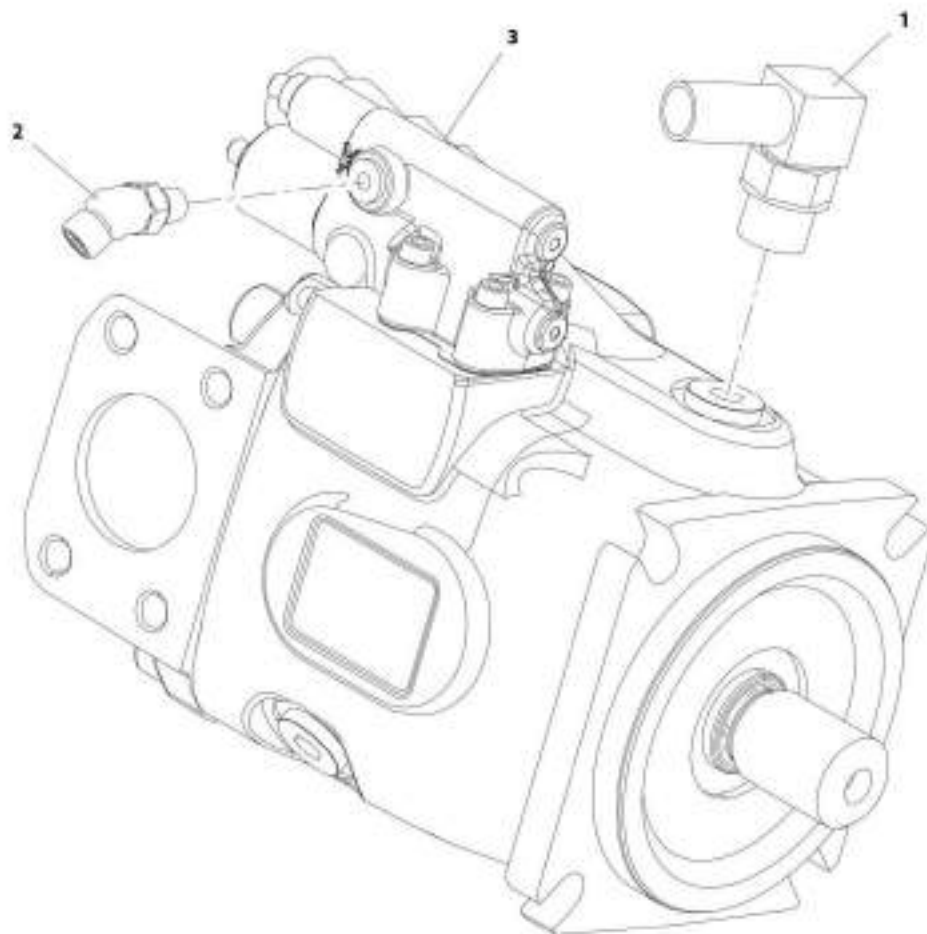
SECTION 8 - HYDRAULIC CIRCUITS

FIGURE 8-51. PISTON PUMP ASSEMBLY (642, 742)

| ITEM | PART NUMBER | QTY | DESCRIPTION | REV |
|------|-------------|-----|---|-----|
| | 1001171097 | Ref | Piston Pump Assembly (642, 742) | E |
| 2 | 2131212 | 1 | Fitting, 90 ORFS | |
| 3 | 2110808 | 1 | Fitting, Straight ORFS | |
| 4 | 2170708 | 1 | Fitting, Tee ORFS | |
| 5 | 2170712 | 1 | Fitting, Tee ORFS | |
| 6 | 2171820 | 1 | Flange | |
| 9 | 8430032 | 1 | Plug | |
| 10 | 8430033 | 1 | Fitting, Straight | |
| 11 | 1001163746 | 1 | Assembly, Pump (See HYDRAULIC COMPONENTS SECTION for Breakdown) | |
| 12 | 2130404 | 1 | Fitting, 90 ORFS | |
| 14 | 1001176529 | 1 | Fitting, Straight ORFS | |

SECTION 8 - HYDRAULIC CIRCUITS

FIGURE 8-52. PISTON PUMP ASSEMBLY (943, 1043)



ART_1001162674-C

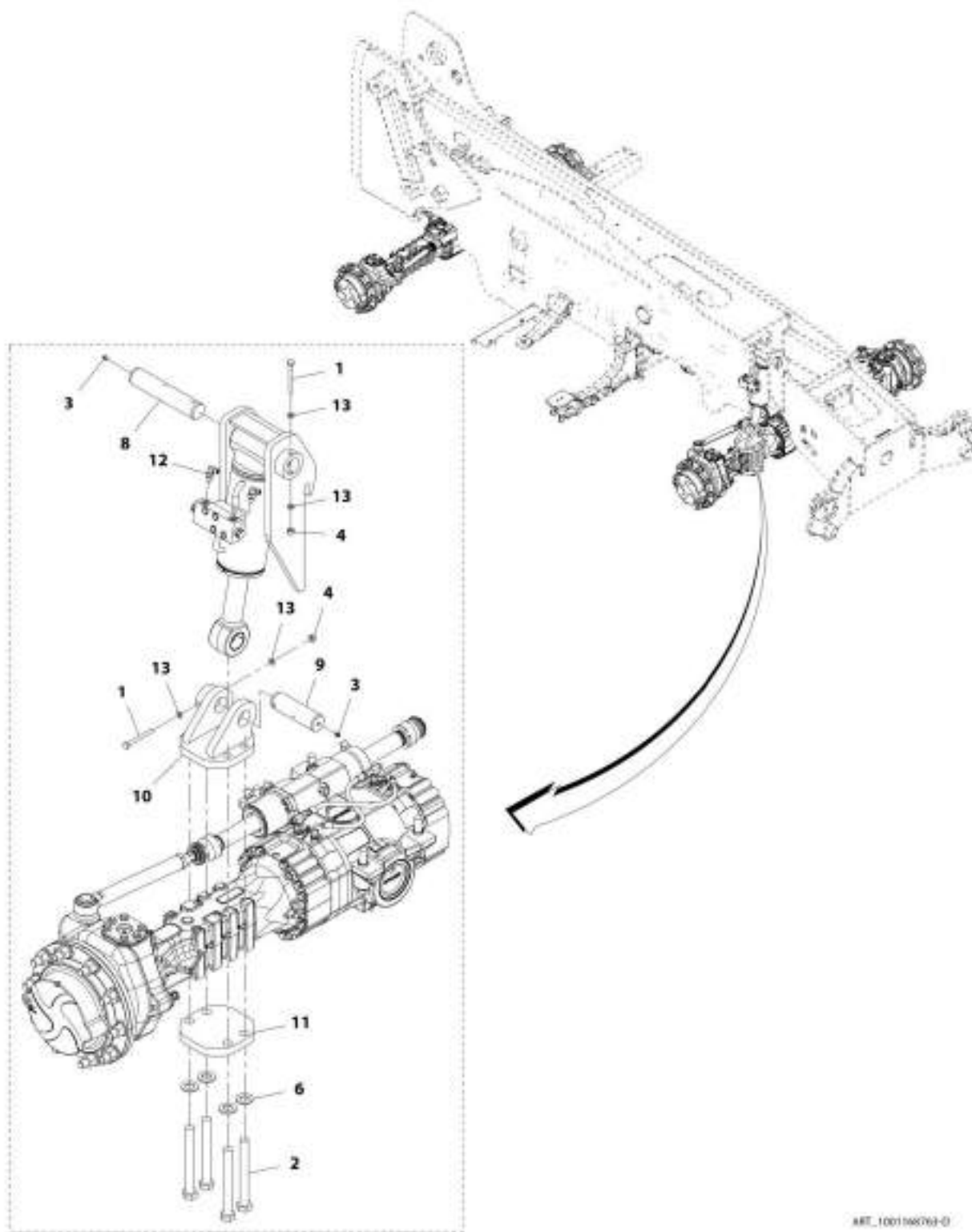
SECTION 8 - HYDRAULIC CIRCUITS

FIGURE 8-52. PISTON PUMP ASSEMBLY (943, 1043)

| ITEM | PART NUMBER | QTY | DESCRIPTION | REV |
|------|-------------|-----|--|-----|
| | 1001162674 | Ref | Piston Pump Assembly (943, 1043) | C |
| 1 | 8424217 | 1 | Elbow, Fitting | |
| 2 | 2150404 | 1 | Fitting, 45 ORFS | |
| 3 | 1001182279 | 1 | Piston Pump (See HYDRAULIC COMPONENTS SECTION for Breakdown) | |

SECTION 8 - HYDRAULIC CIRCUITS

FIGURE 8-53. FRAME LEVEL INSTALLATION (642, 742)



ART_100198763-0

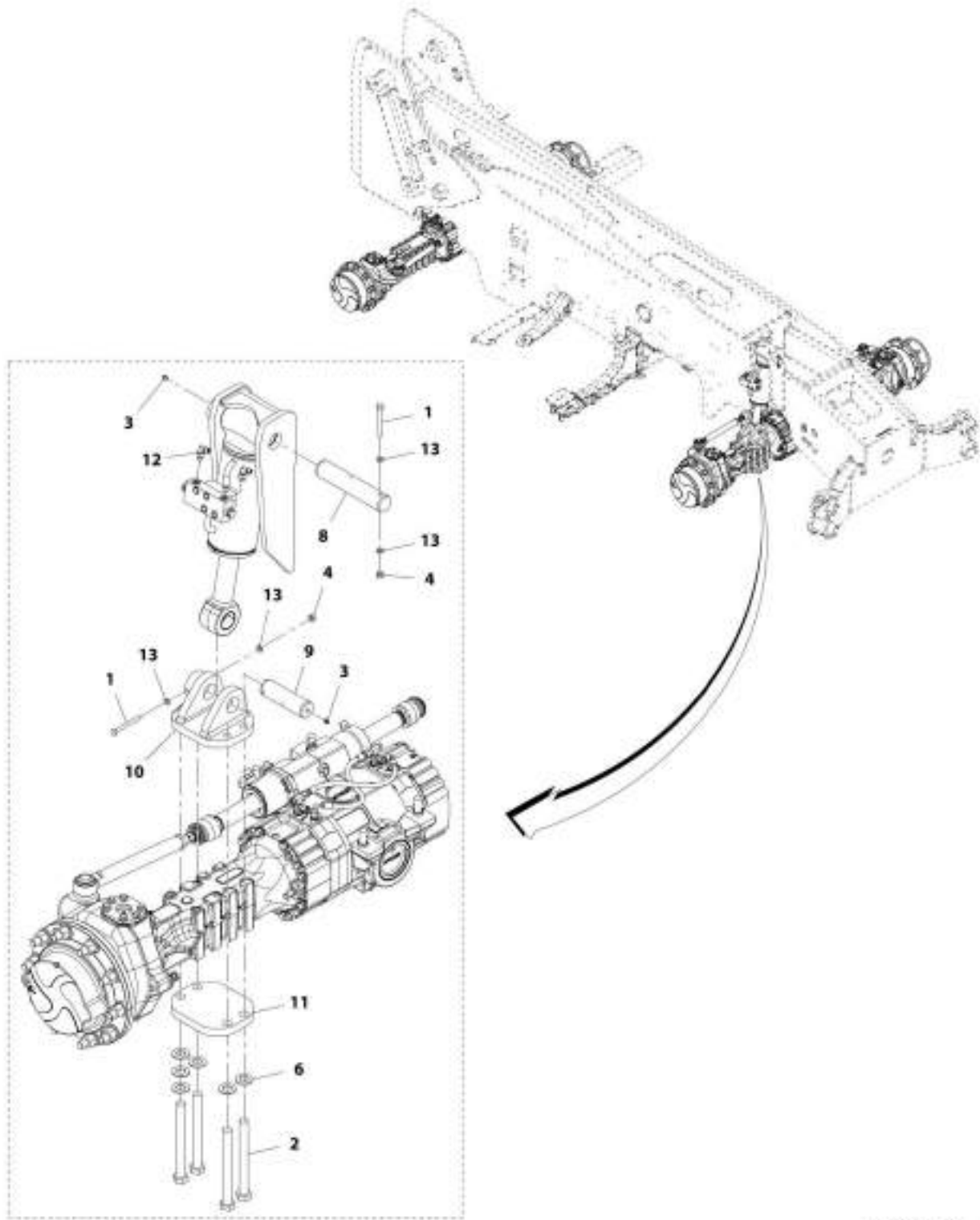
SECTION 8 - HYDRAULIC CIRCUITS

FIGURE 8-53. FRAME LEVEL INSTALLATION (642, 742)

| ITEM | PART NUMBER | QTY | DESCRIPTION | REV |
|------|-------------|-----|-------------------------------------|-----|
| | 1001168763 | Ref | Frame Level Installation (642, 742) | D |
| 1 | 0711027 | 2 | Bolt, M10X100 | |
| 2 | 0712439 | 4 | Bolt, M24X220 | |
| 3 | 2160016 | 2 | Fitting, Grease | |
| 4 | 3291005 | 2 | Nut, Lock M10X1.5 | |
| 6 | 5242400 | 4 | Washer, M24 | |
| 8 | 1001164971 | 1 | Pin | |
| 9 | 1001164972 | 1 | Pin | |
| 10 | 1001182545 | 1 | Bracket | |
| 11 | 1001182908 | 1 | Plate | |
| 12 | 2130406 | 2 | Fitting, 90 ORFS | |
| 13 | 4812000 | 4 | Washer, M10 | |

SECTION 8 - HYDRAULIC CIRCUITS

FIGURE 8-54. FRAME LEVEL INSTALLATION (943, 1043)



ART_1001108764-G

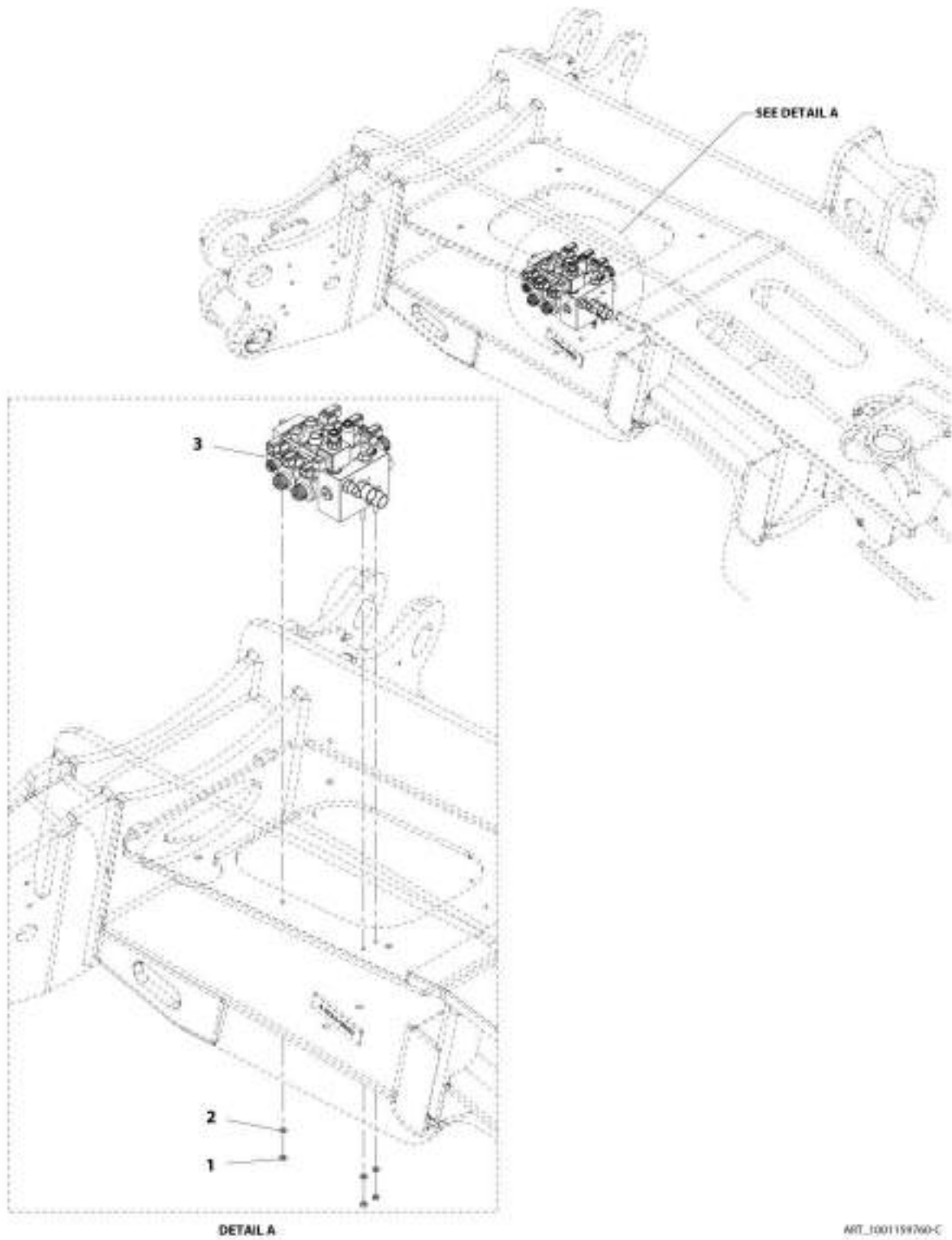
SECTION 8 - HYDRAULIC CIRCUITS

FIGURE 8-54. FRAME LEVEL INSTALLATION (943, 1043)

| ITEM | PART NUMBER | QTY | DESCRIPTION | REV |
|------|-------------|-----|--------------------------------------|-----|
| | 1001168764 | Ref | Frame Level Installation (943, 1043) | G |
| 1 | 0711027 | 2 | Bolt, M10X100 | |
| 2 | 0712442 | 4 | Bolt, M24X250 | |
| 3 | 2160016 | 2 | Fitting, Grease | |
| 4 | 3291005 | 2 | Nut, Lock M10X1.5 | |
| 6 | 5242400 | 6 | Washer, M24 | |
| 8 | 1001164971 | 1 | Pin | |
| 9 | 1001164972 | 1 | Pin | |
| 10 | 1001167697 | 1 | Bracket | |
| 11 | 1001168629 | 1 | Plate | |
| 12 | 2130406 | 2 | Fitting, 90 ORFS | |
| 13 | 4812000 | 4 | Washer, M10 | |

SECTION 8 - HYDRAULIC CIRCUITS

FIGURE 8-55. FRAME LEVEL AND OUTRIGGER VALVE INSTALLATION



ART_1001158760-C

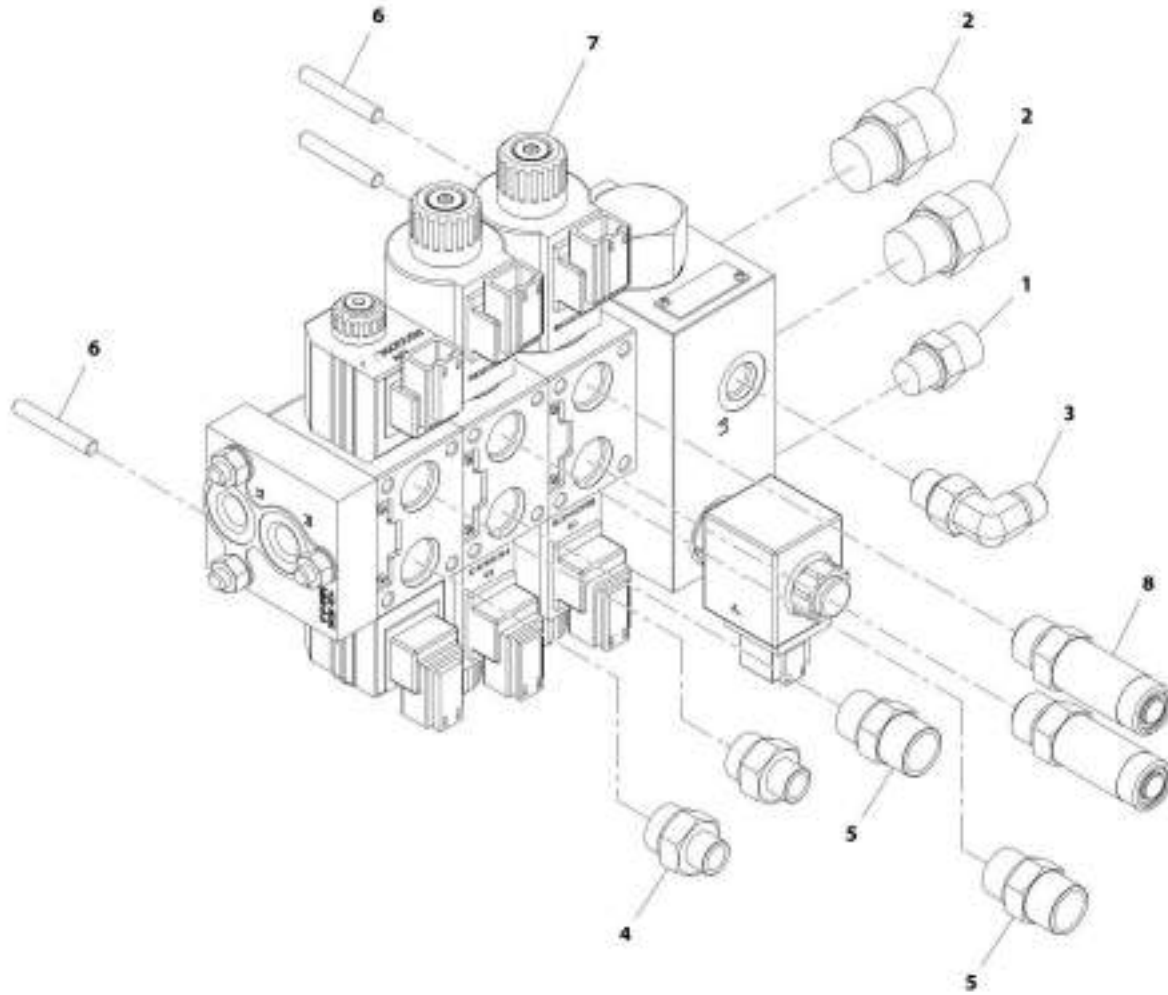
SECTION 8 - HYDRAULIC CIRCUITS

FIGURE 8-55. FRAME LEVEL AND OUTRIGGER VALVE INSTALLATION

| ITEM | PART NUMBER | QTY | DESCRIPTION | REV |
|------|-------------|-----|--|-----|
| | 1001159760 | Ref | Frame Level and Outrigger Valve Installation | C |
| 1 | 3290601 | 3 | Nut, M6X1 | |
| 2 | 4811700 | 3 | Washer, M6 | |
| 3 | 1001159847 | 1 | Assembly, Frame Level and Outrigger Valve (See FRAME LEVEL AND OUTRIGGER VALVE ASSEMBLY for Breakdown) | |

SECTION 8 - HYDRAULIC CIRCUITS

FIGURE 8-56. FRAME LEVEL AND OUTRIGGER VALVE ASSEMBLY



WIT_1001159847-E

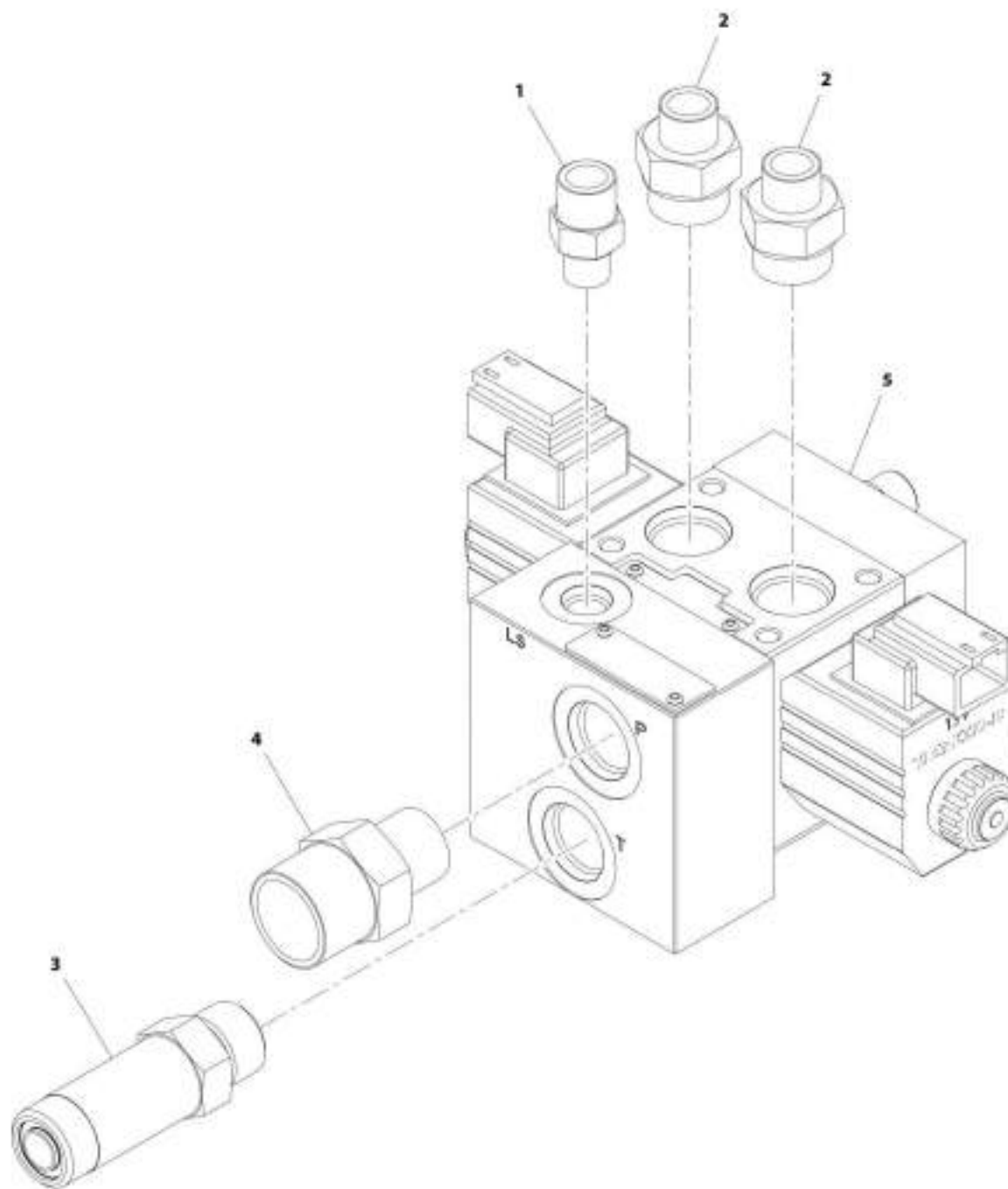
SECTION 8 - HYDRAULIC CIRCUITS

FIGURE 8-56. FRAME LEVEL AND OUTRIGGER VALVE ASSEMBLY

| ITEM | PART NUMBER | QTY | DESCRIPTION | REV |
|------|-------------|-----|---|-----|
| | 1001159847 | 1 | Frame Level and Outrigger Valve Assembly | E |
| 1 | 2110606 | 1 | Fitting, Straight | |
| 2 | 2111010 | 2 | Fitting, Straight ORFS | |
| 3 | 2130406 | 1 | Fitting, 90 ORFS | |
| 4 | 2110408 | 2 | Fitting, Straight ORFS | |
| 5 | 2110808 | 2 | Fitting, Straight ORFS | |
| 6 | 1001177702 | 3 | Stud, M6X40 | |
| 7 | 1001157972 | 1 | Valve, Frame Level and Outrigger (See HYDRAULIC COMPONENTS SECTION for Breakdown) | |
| 8 | 2170108 | 2 | Fitting | |

SECTION 8 - HYDRAULIC CIRCUITS

FIGURE 8-57. FRAME LEVEL VALVE ASSEMBLY



ART_1001169007-E

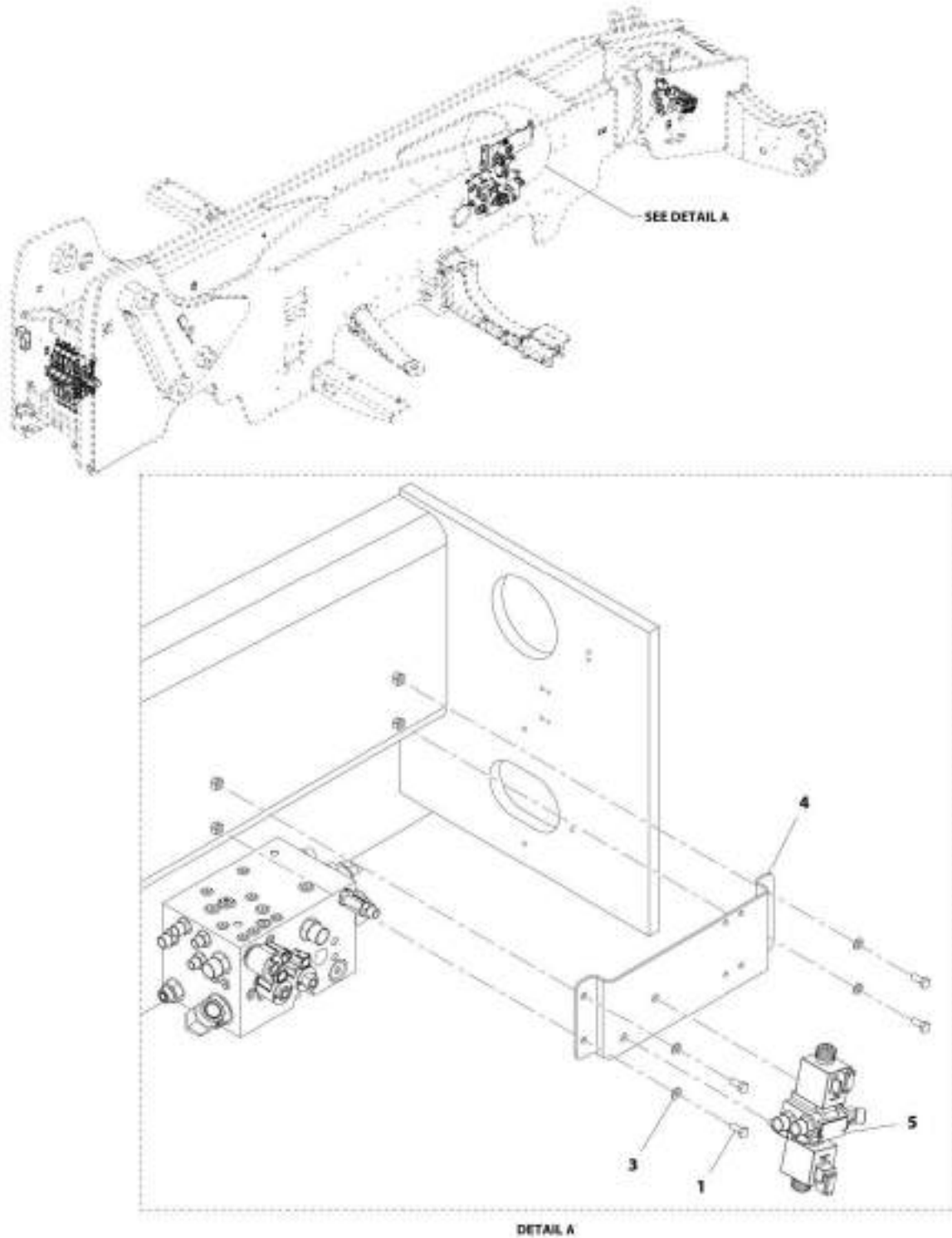
SECTION 8 - HYDRAULIC CIRCUITS

FIGURE 8-57. FRAME LEVEL VALVE ASSEMBLY

| ITEM | PART NUMBER | QTY | DESCRIPTION | REV |
|------|-------------|-----|---|-----|
| | 1001169087 | 1 | Frame Level Valve Assembly | E |
| 1 | 2110404 | 1 | Fitting, Straight ORFS | |
| 2 | 2110408 | 2 | Fitting, Straight ORFS | |
| 3 | 2170108 | 1 | Fitting, Straight ORFS | |
| 4 | 2111008 | 1 | Fitting, Straight ORFS | |
| 5 | 1001162959 | 1 | Valve, Frame Level (See HYDRAULIC COMPONENTS SECTION for Breakdown) | |

SECTION 8 - HYDRAULIC CIRCUITS

FIGURE 8-58. STEERING SELECT VALVE MOUNTING INSTALLATION



APP_100158804-E

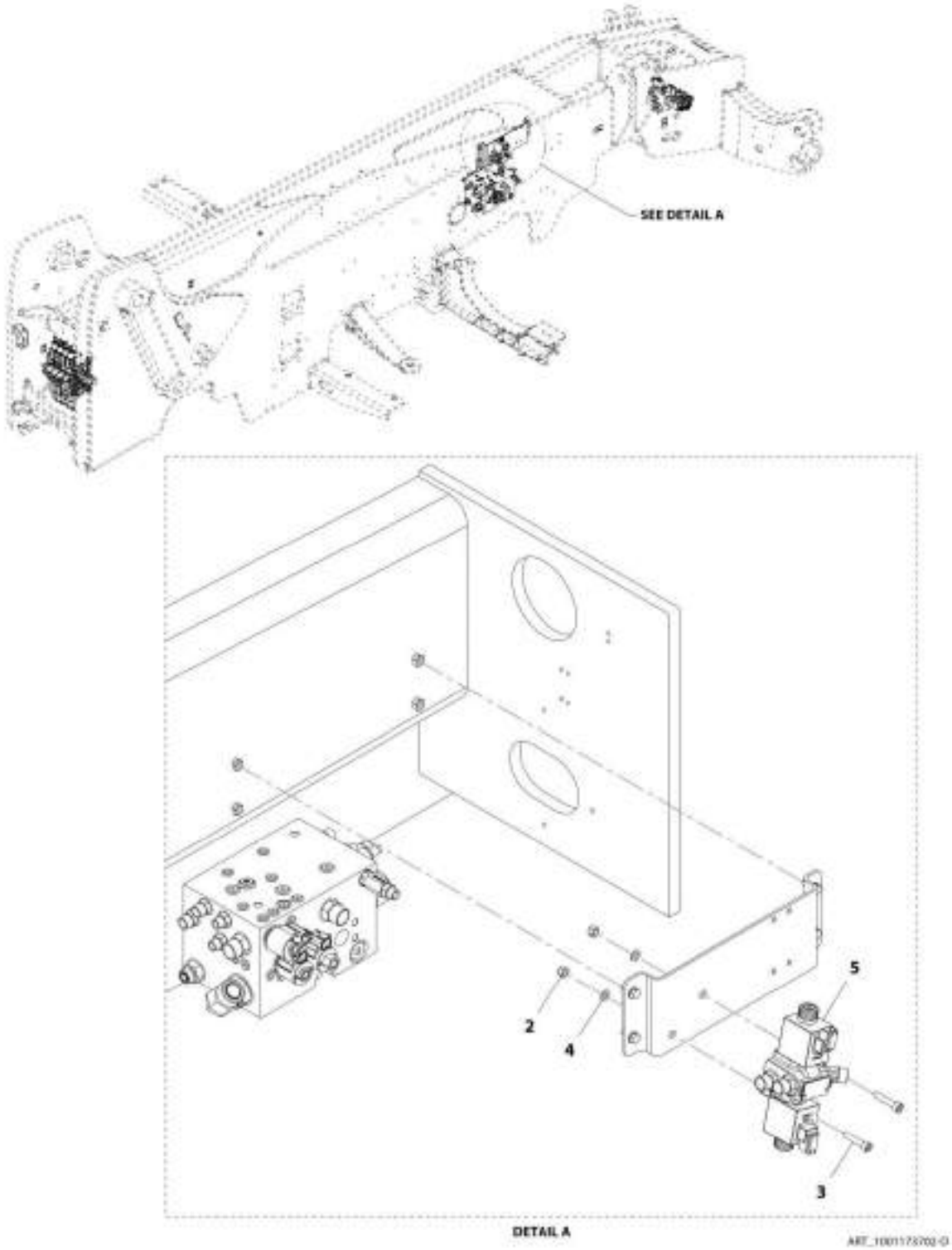
SECTION 8 - HYDRAULIC CIRCUITS

FIGURE 8-58. STEERING SELECT VALVE MOUNTING INSTALLATION

| ITEM | PART NUMBER | QTY | DESCRIPTION | REV |
|------|-------------|-----|--|-----|
| | 1001168464 | Ref | Steering Select Valve Mounting Installation | E |
| 1 | 0760810 | 4 | Bolt, M8X20 | |
| 3 | 4811900 | 4 | Washer, M8 | |
| 4 | 1001167437 | 1 | Bracket | |
| 5 | 1001173702 | Ref | Installation, Steering Select Valve (See STEERING SELECT VALVE INSTALLATION for Breakdown) | |

SECTION 8 - HYDRAULIC CIRCUITS

FIGURE 8-59. STEERING SELECT VALVE INSTALLATION



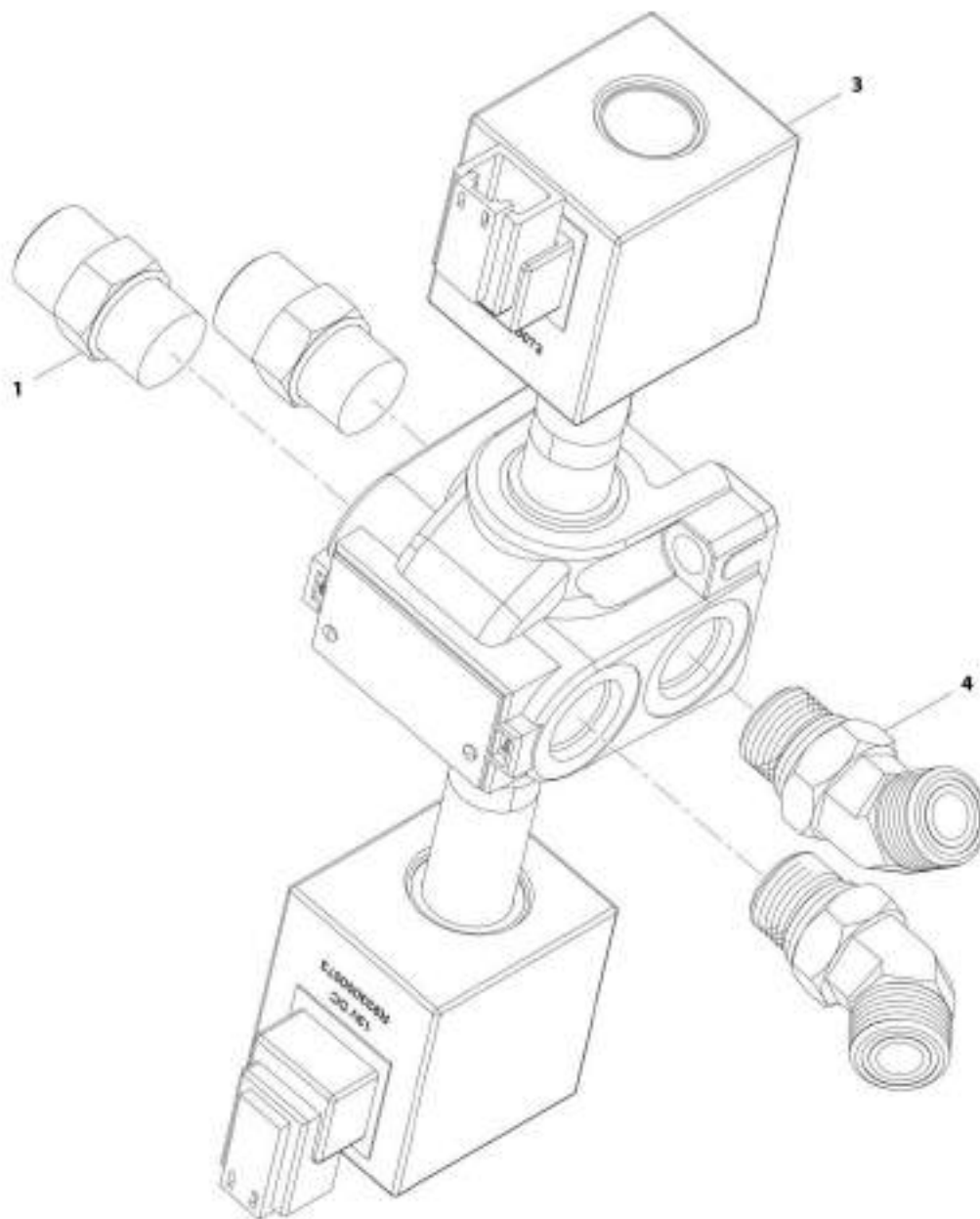
SECTION 8 - HYDRAULIC CIRCUITS

FIGURE 8-59. STEERING SELECT VALVE INSTALLATION

| ITEM | PART NUMBER | QTY | DESCRIPTION | REV |
|------|-------------|-----|--|-----|
| | 1001173702 | Ref | Steering Select Valve Installation | D |
| 2 | 3290805 | 2 | Nut, Lock M8X1.25 | |
| 3 | 4031912 | 2 | Bolt, M8X40 | |
| 4 | 4811900 | 2 | Washer, M8 | |
| 5 | 1001161304 | 1 | Assembly, Valve (See STEERING SELECT VALVE ASSEMBLY for Breakdown) | |

SECTION 8 - HYDRAULIC CIRCUITS

FIGURE 8-60. STEERING SELECT VALVE ASSEMBLY



ART 1001161304-B

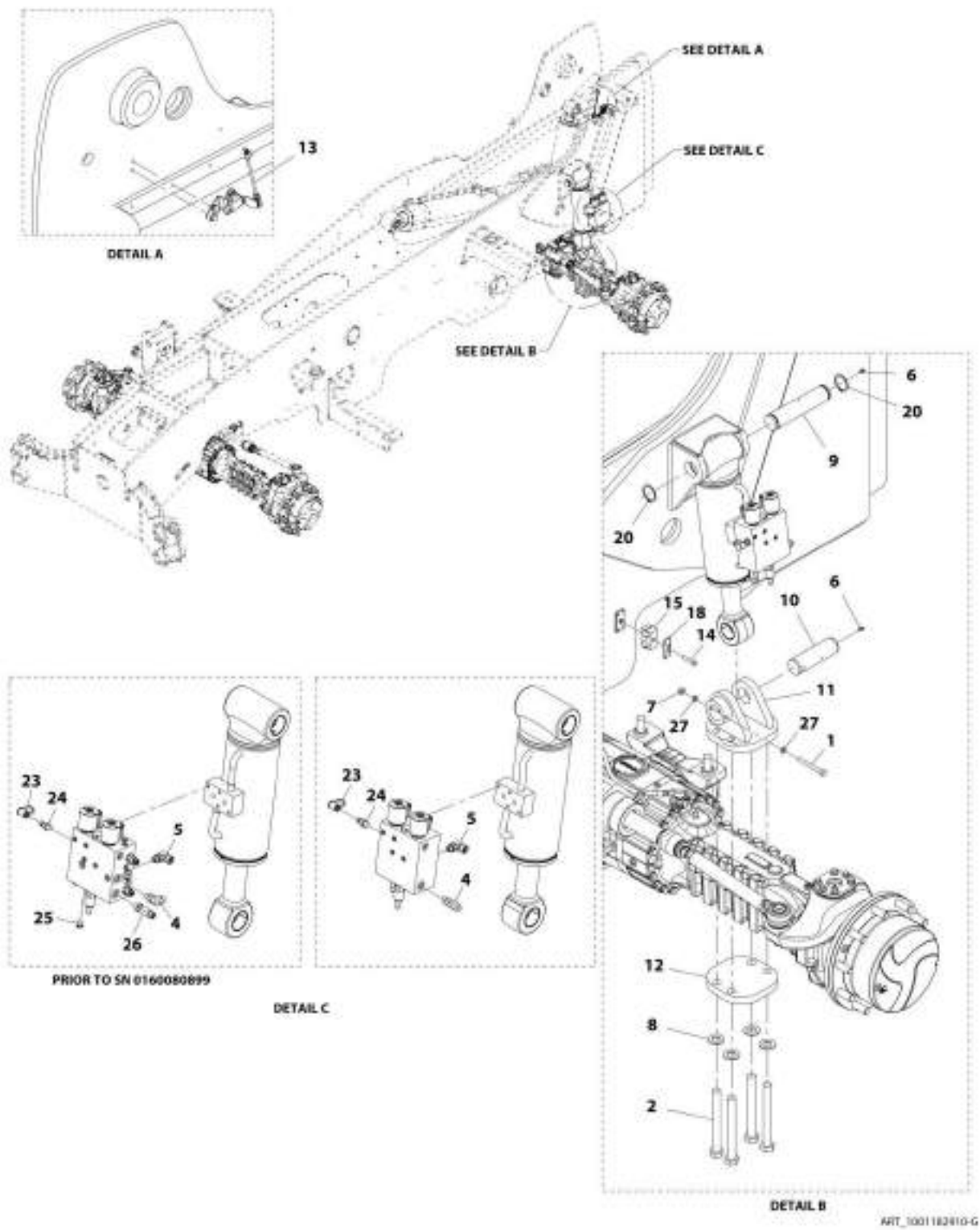
SECTION 8 - HYDRAULIC CIRCUITS

FIGURE 8-60. STEERING SELECT VALVE ASSEMBLY

| ITEM | PART NUMBER | QTY | DESCRIPTION | REV |
|------|-------------|-----|--|-----|
| | 1001161304 | Ref | Steering Select Valve Assembly | B |
| 1 | 2110808 | 2 | Fitting, Straight ORFS | |
| 3 | 1001153748 | 1 | Assembly, Valve (See HYDRAULIC COMPONENTS SECTION for Breakdown) | |
| 4 | 2150808 | 2 | Fitting, 45 ORFS | |

SECTION 8 - HYDRAULIC CIRCUITS

FIGURE 8-61. REAR AXLE STABILIZER INSTALLATION (642, 742)



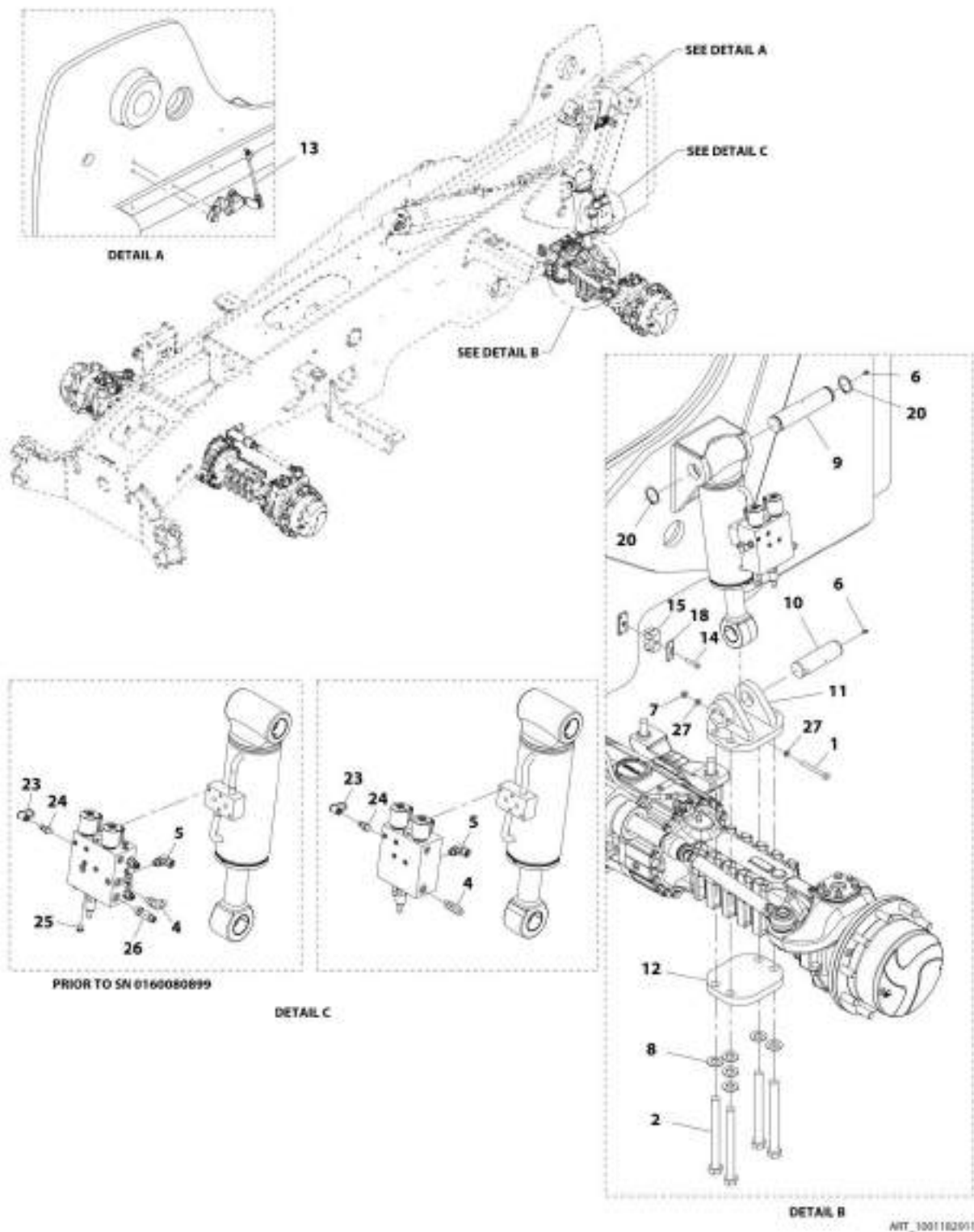
SECTION 8 - HYDRAULIC CIRCUITS

FIGURE 8-61. REAR AXLE STABILIZER INSTALLATION (642, 742)

| ITEM | PART NUMBER | QTY | DESCRIPTION | REV |
|------|-------------|-----|--|-----|
| | 1001182910 | Ref | Rear Axle Stabilizer Installation (642, 742) | G |
| 1 | 0711027 | 1 | Bolt, M10X100 | |
| 2 | 0712439 | 4 | Bolt, M10.9X24 | |
| 4 | 2130606 | 1 | Fitting, 90 ORFS | |
| 5 | 2130806 | 1 | Fitting, 90 ORFS | |
| 6 | 2160016 | 2 | Fitting, Grease | |
| 7 | 3291005 | 1 | Bolt, M10X1.5 | |
| 8 | 5242400 | 4 | Washer, M24 | |
| 9 | 1001192341 | 1 | Pin | |
| 10 | 1001164972 | 1 | Pin | |
| 11 | 1001182903 | 1 | Bracket | |
| 12 | 1001182908 | 1 | Plate | |
| 13 | 1001184056 | 1 | Installation, Boom Angle Sensor (See BOOM ANGLE SENSOR INSTALLATION for Breakdown) | |
| 14 | 0760817 | 1 | Bolt, M8X45 | |
| 15 | 8750016 | 1 | Clamp | |
| 18 | 77133137 | 1 | Plate | |
| 20 | 3760493 | 2 | Ring, Retaining | |
| 23 | 8430032 | 1 | Plug | |
| 24 | 1001003590 | 1 | Fitting, Straight | |
| 25 | 2220885 | 1 | Plug (Prior to SN 0160080899) | |
| 26 | 2170306 | 1 | Fitting, Tee ORFS (Prior to SN 0160080899) | |
| 27 | 4812000 | 2 | Washer, M10 | |

SECTION 8 - HYDRAULIC CIRCUITS

FIGURE 8-62. REAR AXLE STABILIZER INSTALLATION (943, 1043)



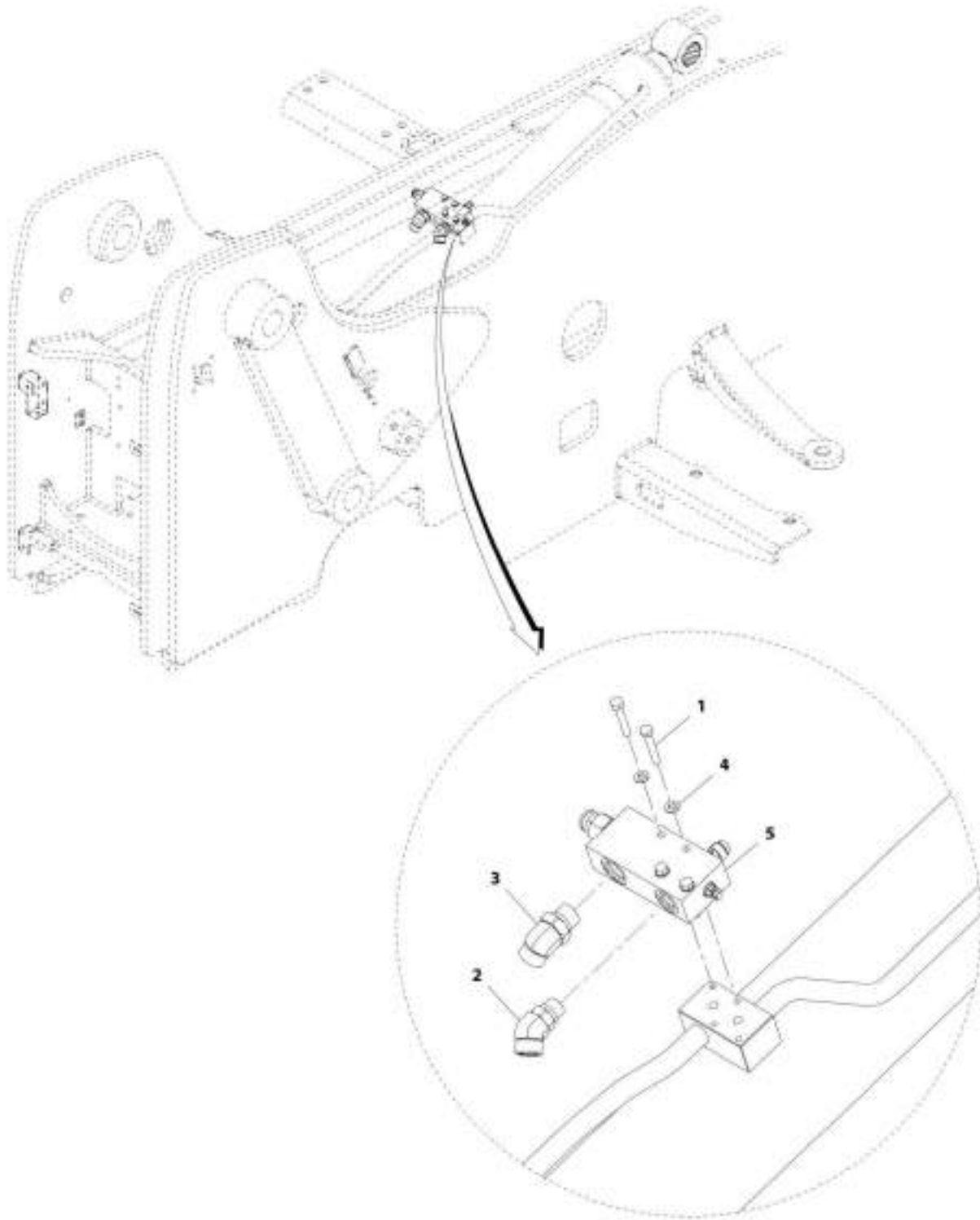
SECTION 8 - HYDRAULIC CIRCUITS

FIGURE 8-62. REAR AXLE STABILIZER INSTALLATION (943, 1043)

| ITEM | PART NUMBER | QTY | DESCRIPTION | REV |
|------|-------------|-----|--|-----|
| | 1001182911 | Ref | Rear Axle Stabilizer Installation (943, 1043) | I |
| 1 | 0711027 | 1 | Bolt, M10X100 | |
| 2 | 0712442 | 4 | Bolt, M24X250 | |
| 4 | 2130606 | 1 | Fitting, 90 ORFS | |
| 5 | 2130806 | 1 | Fitting, 90 ORFS | |
| 6 | 2160016 | 2 | Fitting, Grease | |
| 7 | 3291005 | 1 | Nut, Lock M10X1.5 | |
| 8 | 5242400 | 6 | Washer, M24 | |
| 9 | 1001192341 | 1 | Pin | |
| 10 | 1001164972 | 1 | Pin | |
| 11 | 1001167697 | 1 | Bracket | |
| 12 | 1001168629 | 1 | Plate | |
| 13 | 1001184056 | Ref | Installation, Boom Angle Sensor (See BOOM ANGLE SENSOR INSTALLATION for Breakdown) | |
| 14 | 0760817 | 1 | Bolt, M8X45 | |
| 15 | 8750016 | 1 | Clamp | |
| 18 | 77133137 | 1 | Plate | |
| 20 | 3760493 | 2 | Ring, Retaining | |
| 23 | 8430032 | 1 | Plug | |
| 24 | 1001003590 | 1 | Fitting, Straight | |
| 25 | 2220885 | 1 | Plug (Prior to SN 0160080899) | |
| 26 | 2170306 | 1 | Fitting, Tee ORFS (Prior to SN 0160080899) | |
| 27 | 4812000 | 2 | Washer, M10 | |

SECTION 8 - HYDRAULIC CIRCUITS

FIGURE 8-63. COUNTERBALANCE VALVE INSTALLATION (LIFT - NON PGLS NO RIDE CONTROL)
(642, 943, 1043)



ART_1001175843-C

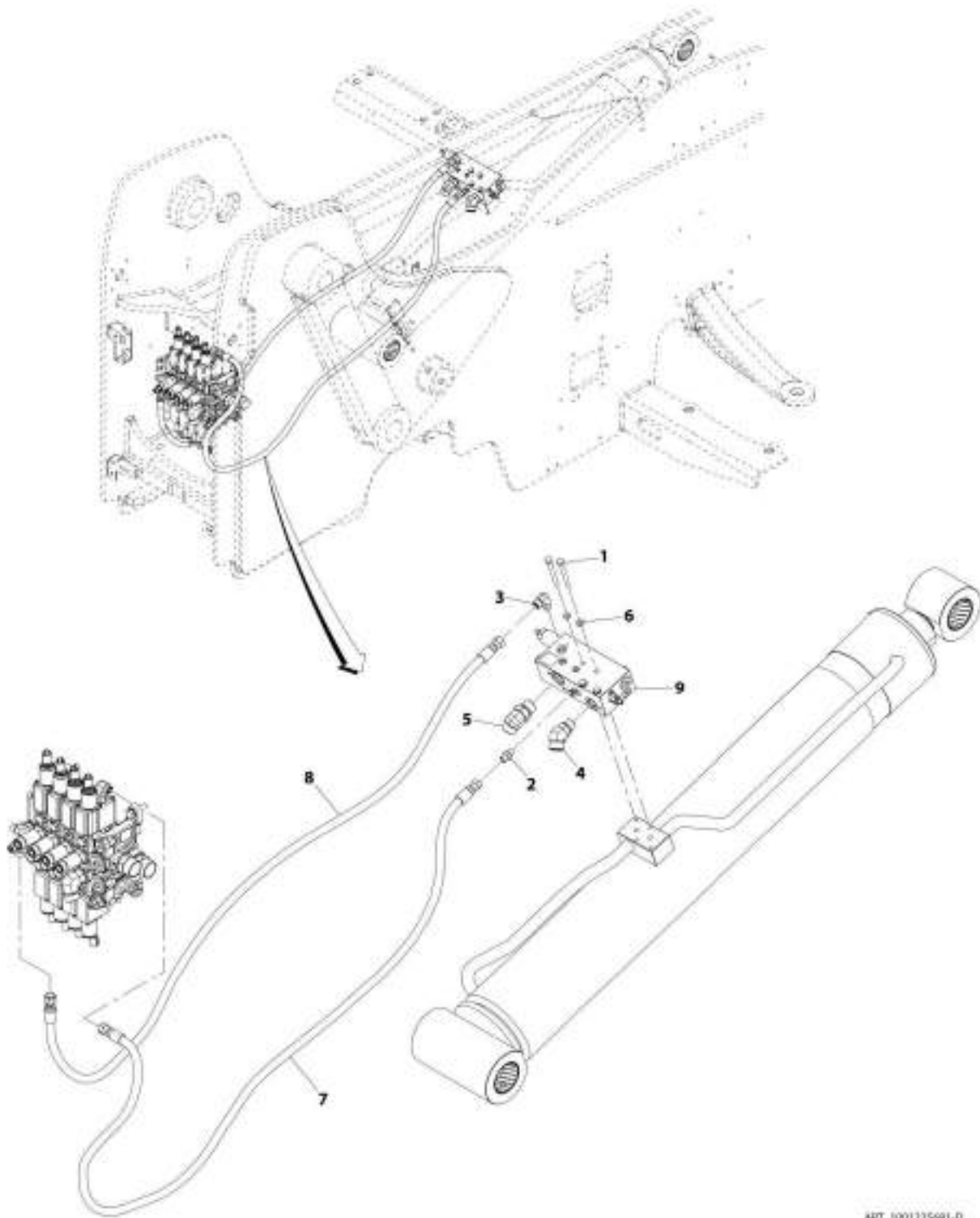
SECTION 8 - HYDRAULIC CIRCUITS

**FIGURE 8-63. COUNTERBALANCE VALVE INSTALLATION (LIFT - NON PGLS NO RIDE CONTROL)
(642, 943, 1043)**

| ITEM | PART NUMBER | QTY | DESCRIPTION | REV |
|------|-------------|-----|--|-----|
| | 1001175843 | Ref | Counterbalance Valve Installation (Lift - No Ride Control) | C |
| 1 | 0700818 | 4 | Bolt, M8X50 | |
| 2 | 2151210 | 1 | Fitting, 45 ORFS | |
| 3 | 2151212 | 1 | Fitting, 45 ORFS | |
| 4 | 4811900 | 4 | Washer, M8 | |
| 5 | 1001168597 | 1 | Valve, Counterbalance | |

SECTION 8 - HYDRAULIC CIRCUITS

FIGURE 8-64. COUNTERBALANCE VALVE INSTALLATION (LIFT - PGLS NO RIDE CONTROL) (742 (74HP), 943, 1043)



ART. 1001225681-D

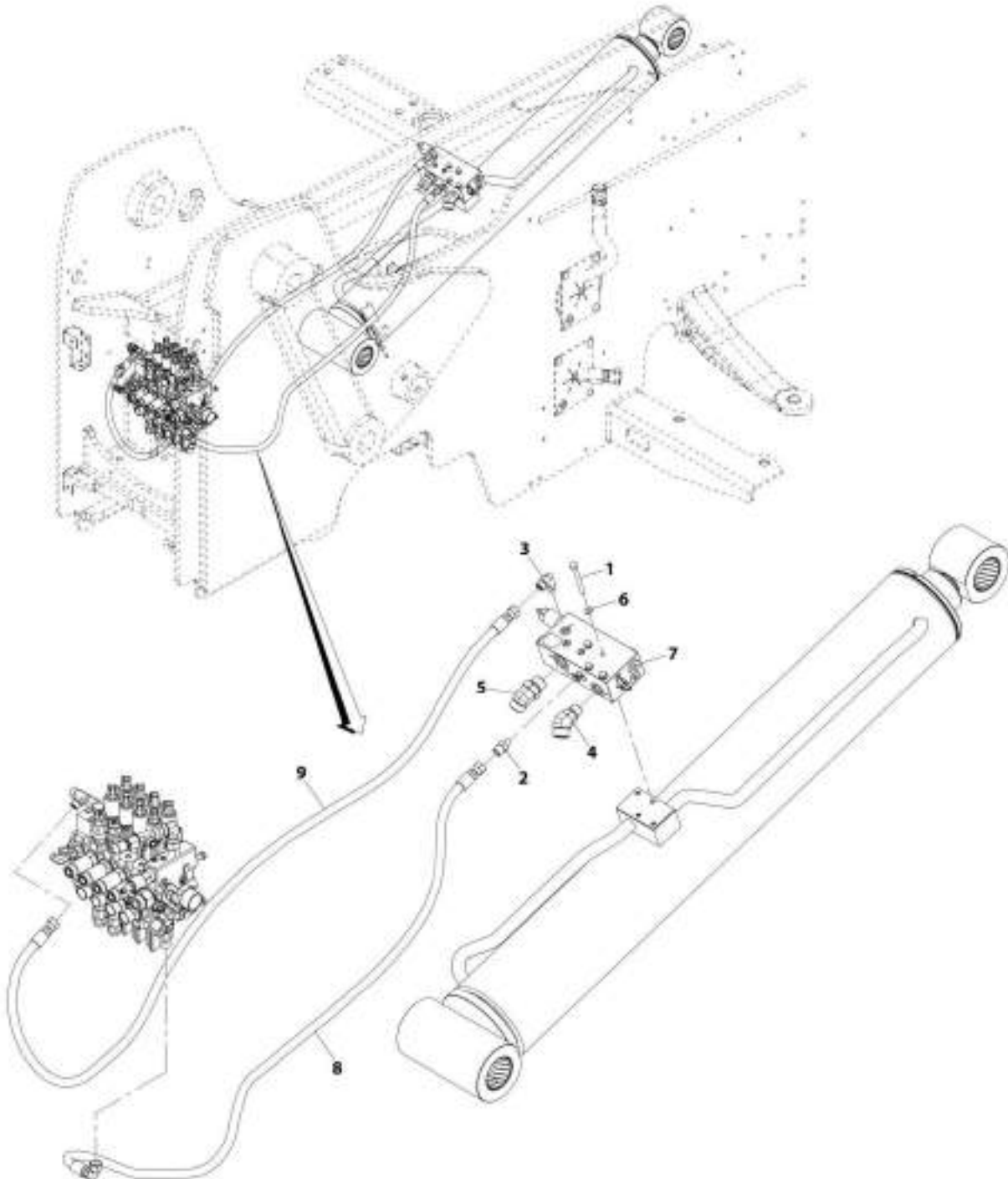
SECTION 8 - HYDRAULIC CIRCUITS

FIGURE 8-64. COUNTERBALANCE VALVE INSTALLATION (LIFT - PGLS NO RIDE CONTROL) (742 (74HP), 943, 1043)

| ITEM | PART NUMBER | QTY | DESCRIPTION | REV |
|------|-------------|-----|--|-----|
| | 1001225681 | Ref | Counterbalance Valve Installation (Lift - PGLS No Ride Control) (742 (74HP), 943, 1043) | D |
| 1 | 0700823 | 4 | Bolt, M8X75 | |
| 2 | 2110404 | 1 | Fitting, Straight ORFS | |
| 3 | 2130604 | 1 | Fitting, 90 ORFS | |
| 4 | 2151210 | 1 | Fitting, 45 ORFS | |
| 5 | 2151212 | 1 | Fitting, 45 ORFS | |
| 6 | 4811900 | 4 | Washer, M8 | |
| 7 | 1001225462 | 1 | Hose | |
| 8 | 1001225464 | 1 | Hose | |
| 9 | 1001226035 | 1 | Valve, Counterbalance (PGLS) | |

SECTION 8 - HYDRAULIC CIRCUITS

FIGURE 8-65. COUNTERBALANCE VALVE INSTALLATION (LIFT - PGLS NO RIDE CONTROL 110HP)
(742)



ART_1001232206-A

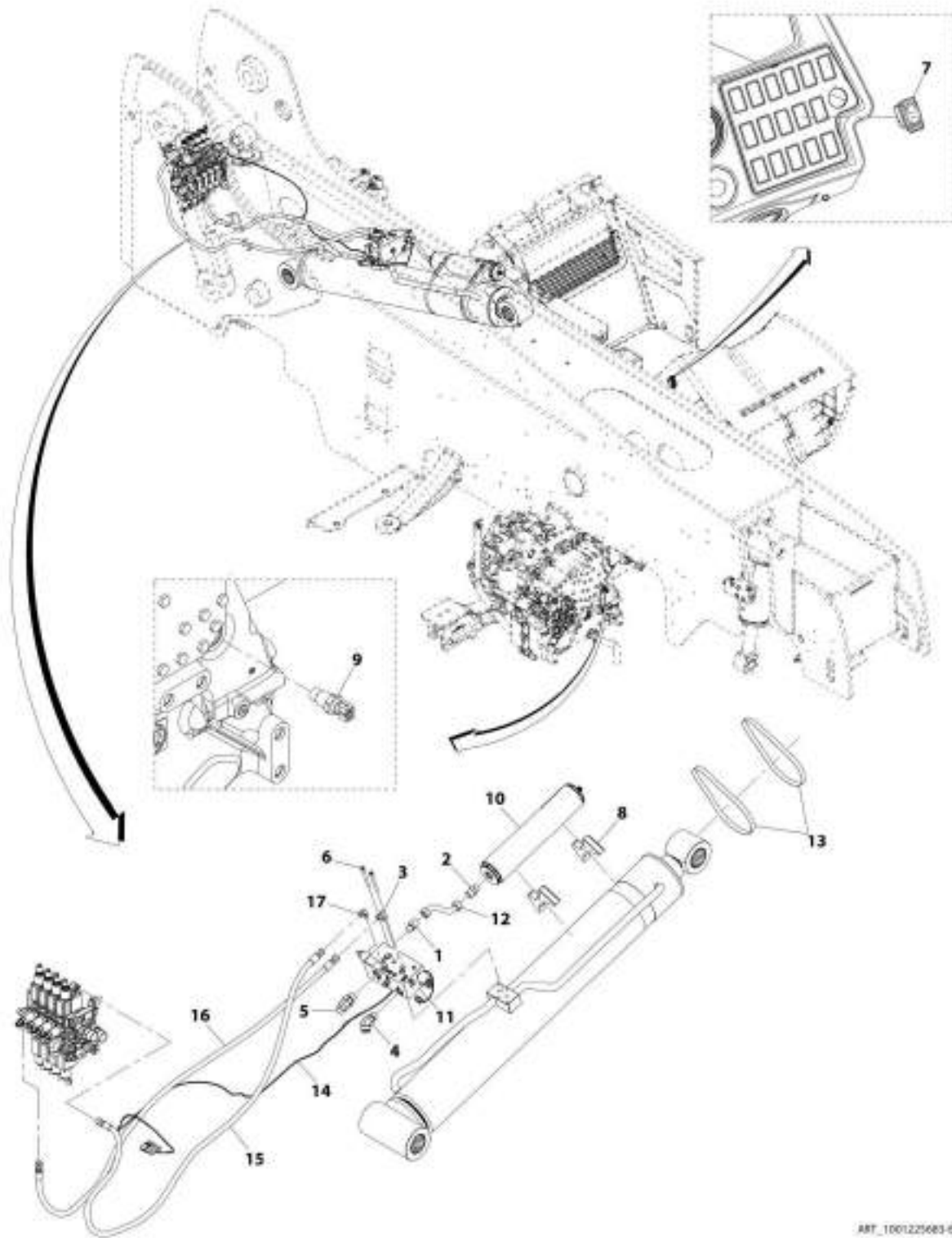
SECTION 8 - HYDRAULIC CIRCUITS

**FIGURE 8-65. COUNTERBALANCE VALVE INSTALLATION (LIFT - PGLS NO RIDE CONTROL 110HP)
(742)**

| ITEM | PART NUMBER | QTY | DESCRIPTION | REV |
|------|-------------|-----|---|-----|
| | 1001232296 | Ref | Counterbalance Valve Installation (Lift - PGLS No Ride Control 110HP) (742) | A |
| 1 | 0700823 | 4 | Bolt, M8X75 | |
| 2 | 2110604 | 1 | Fitting, Straight ORFS | |
| 3 | 2130604 | 1 | Fitting, 90 ORFS | |
| 4 | 2151210 | 1 | Fitting, 45 ORFS | |
| 5 | 2151212 | 1 | Fitting, 45 ORFS | |
| 6 | 4811900 | 4 | Washer, M8 | |
| 7 | 1001226035 | 1 | Valve, Counterbalance (PGLS) | |
| 8 | 1001232294 | 1 | Hose | |
| 9 | 1001232295 | 1 | Hose | |

SECTION 8 - HYDRAULIC CIRCUITS

FIGURE 8-66. COUNTERBALANCE VALVE INSTALLATION (LIFT - PGLS RIDE CONTROL 74HP) (742)



ART_100125683-E

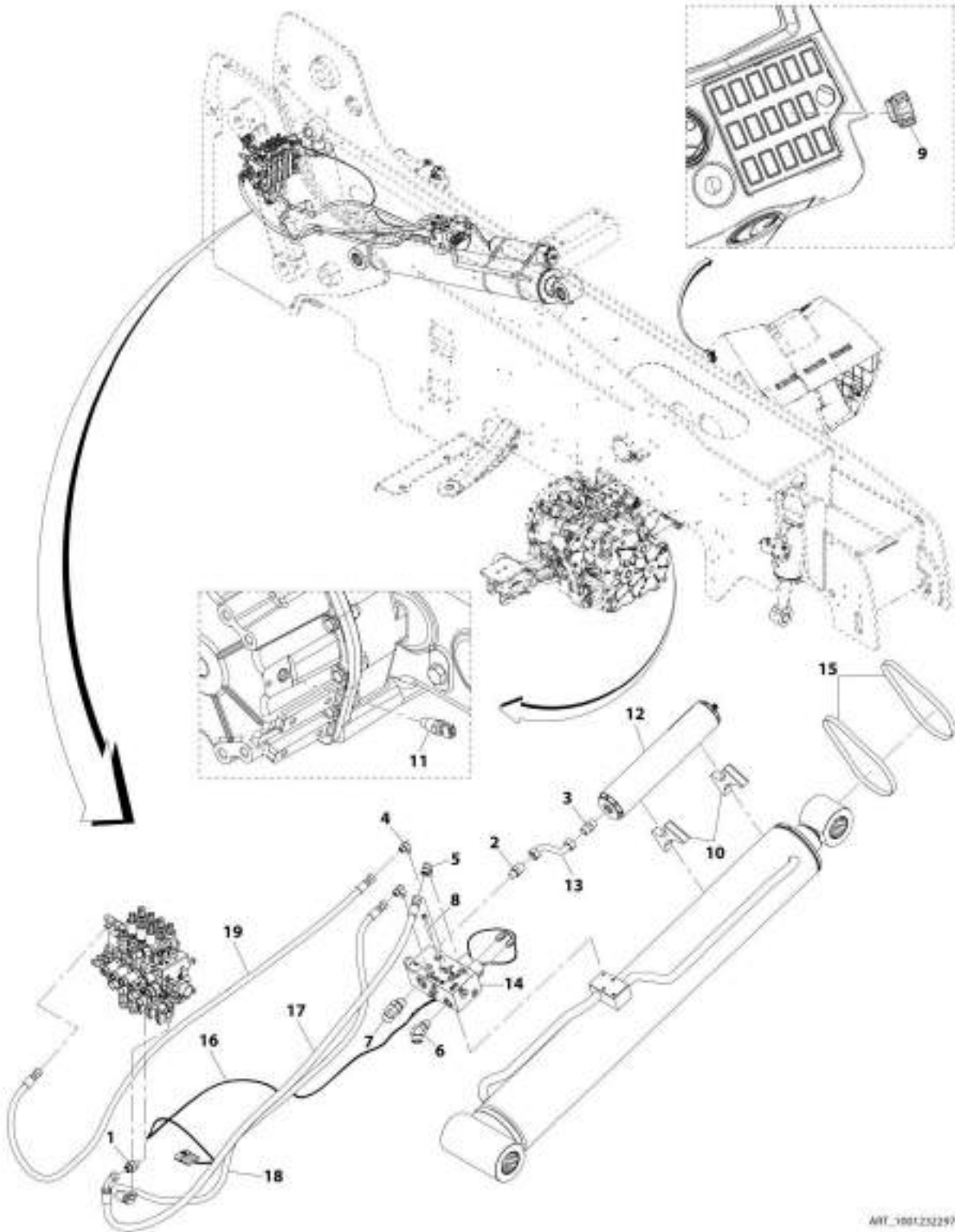
SECTION 8 - HYDRAULIC CIRCUITS

FIGURE 8-66. COUNTERBALANCE VALVE INSTALLATION (LIFT - PGLS RIDE CONTROL 74HP) (742)

| ITEM | PART NUMBER | QTY | DESCRIPTION | REV |
|------|-------------|-----|--|-----|
| | 1001225683 | Ref | Counterbalance Valve Installation (Lift - PGLS Ride Control 74HP) (742) | E |
| 1 | 2111008 | 1 | Fitting, Straight ORFS | |
| 2 | 2111010 | 1 | Fitting, Straight ORFS | |
| 3 | 2130604 | 1 | Fitting, 90 ORFS | |
| 4 | 2151210 | 1 | Fitting, 45 ORFS | |
| 5 | 2151212 | 1 | Fitting, 45 ORFS | |
| 6 | 4031921 | 4 | Bolt, M8X85 | |
| 7 | 1001159745 | 1 | Switch, Boom Ride | |
| 8 | 1001175740 | 2 | Bumper, Cylinder Saddle | |
| 9 | 1001190881 | 1 | Sensor, Speed | |
| 10 | 1001192435 | 1 | Cylinder, Piston | |
| 11 | 1001227056 | 1 | Line, Counterbalance Valve (Lift - Ride Control) (742, 943, 1043) (See Separate Breakdown in this Section) | |
| 12 | 1001227137 | 1 | Pipe, Ride Control | |
| 13 | 1001095396 | 2 | Clamp | |
| 14 | 1001175676 | Ref | Installation, Ride Control CB Valve Harness (Lift) (642, 742) (See Separate Breakdown in Electrical Section) | |
| 15 | 1001225462 | 1 | Hose | |
| 16 | 1001225464 | 1 | Hose | |
| 17 | 2130404 | 1 | Fitting, 90 ORFS | |

SECTION 8 - HYDRAULIC CIRCUITS

FIGURE 8-67. COUNTERBALANCE VALVE INSTALLATION (LIFT - PGLS RIDE CONTROL 110HP)
(742)



ART_1001252297-C

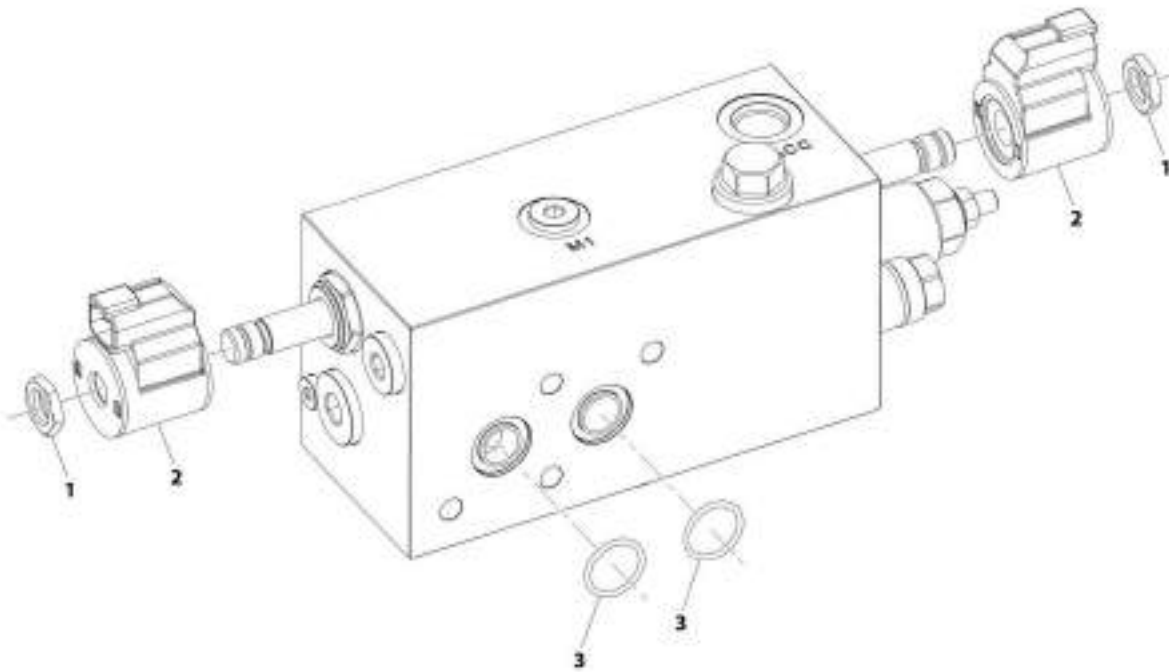
SECTION 8 - HYDRAULIC CIRCUITS

**FIGURE 8-67. COUNTERBALANCE VALVE INSTALLATION (LIFT - PGLS RIDE CONTROL 110HP)
(742)**

| ITEM | PART NUMBER | QTY | DESCRIPTION | REV |
|------|-------------|-----|---|-----|
| | 1001232297 | Ref | Counterbalance Valve Installation (Lift - PGLS Ride Control 110HP) (742) | C |
| 1 | 2110810 | 1 | Fitting, Straight ORFS | |
| 2 | 2111008 | 1 | Fitting, Straight ORFS | |
| 3 | 2111010 | 1 | Fitting, Straight ORFS | |
| 4 | 2130604 | 2 | Fitting, 90 ORFS | |
| 5 | 2130806 | 1 | Fitting, 90 ORFS | |
| 6 | 2151210 | 1 | Fitting, 45 ORFS | |
| 7 | 2151212 | 1 | Fitting, 45 ORFS | |
| 8 | 4031921 | 4 | Bolt, M8X85 | |
| 9 | 1001159745 | 1 | Switch, Boom Ride | |
| 10 | 1001175740 | 2 | Bumper, Cylinder Saddle | |
| 11 | 1001190881 | 1 | Sensor, Speed | |
| 12 | 1001192435 | 1 | Cylinder, Piston | |
| 13 | 1001227137 | 1 | Pipe, Ride Control | |
| 14 | 1001229685 | 1 | Valve, PGLS W/Intgrated Recovery (Lift - Ride Control) (See Separate Breakdown in this Section) | |
| 15 | 1001095396 | 2 | Clamp | |
| 16 | 1001175676 | Ref | Installation, Ride Control CB Valve Harness (Lift) (642, 742) (See Separate Breakdown in Electrical Section) | |
| 17 | 1001207295 | 1 | Hose (Prior to SN 0160089255, Excluding 0160089249 and 0160089251) | |
| 17 | 1001207283 | 1 | Hose (SN 0160089255 to Present, Including 0160089249 and 0160089251) | |
| 18 | 1001232294 | 1 | Hose | |
| 19 | 1001232295 | 1 | Hose | |

SECTION 8 - HYDRAULIC CIRCUITS

FIGURE 8-68. COUNTERBALANCE VALVE HYDRAULIC LINES (LIFT - RIDE CONTROL) (742, 943, 1043)



ART_1001227056-A

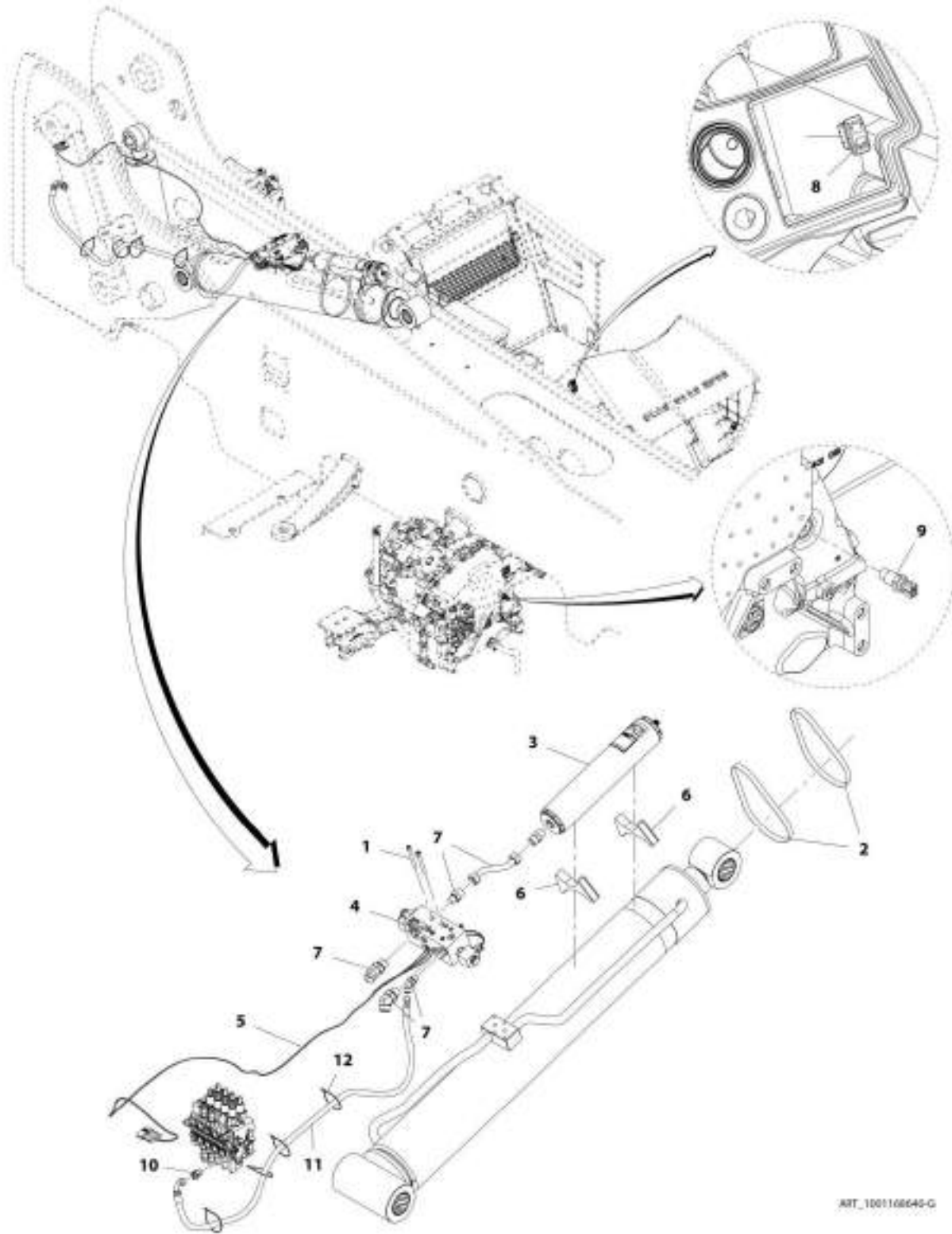
SECTION 8 - HYDRAULIC CIRCUITS

FIGURE 8-68. COUNTERBALANCE VALVE HYDRAULIC LINES (LIFT - RIDE CONTROL) (742, 943, 1043)

| ITEM | PART NUMBER | QTY | DESCRIPTION | REV |
|------|-------------|-----|---|-----|
| | 1001227056 | Ref | Counterbalance Valve Hydraulic Lines (Lift - Ride Control) (742, 943, 1043) | A |
| 1 | 7022390 | 2 | Nut | |
| 2 | 70028281 | 2 | Coil | |
| 3 | 70028453 | 2 | O-Ring | |

SECTION 8 - HYDRAULIC CIRCUITS

FIGURE 8-69. COUNTERBALANCE VALVE INSTALLATION (LIFT- RIDE CONTROL) (642)



ART_100168640-G

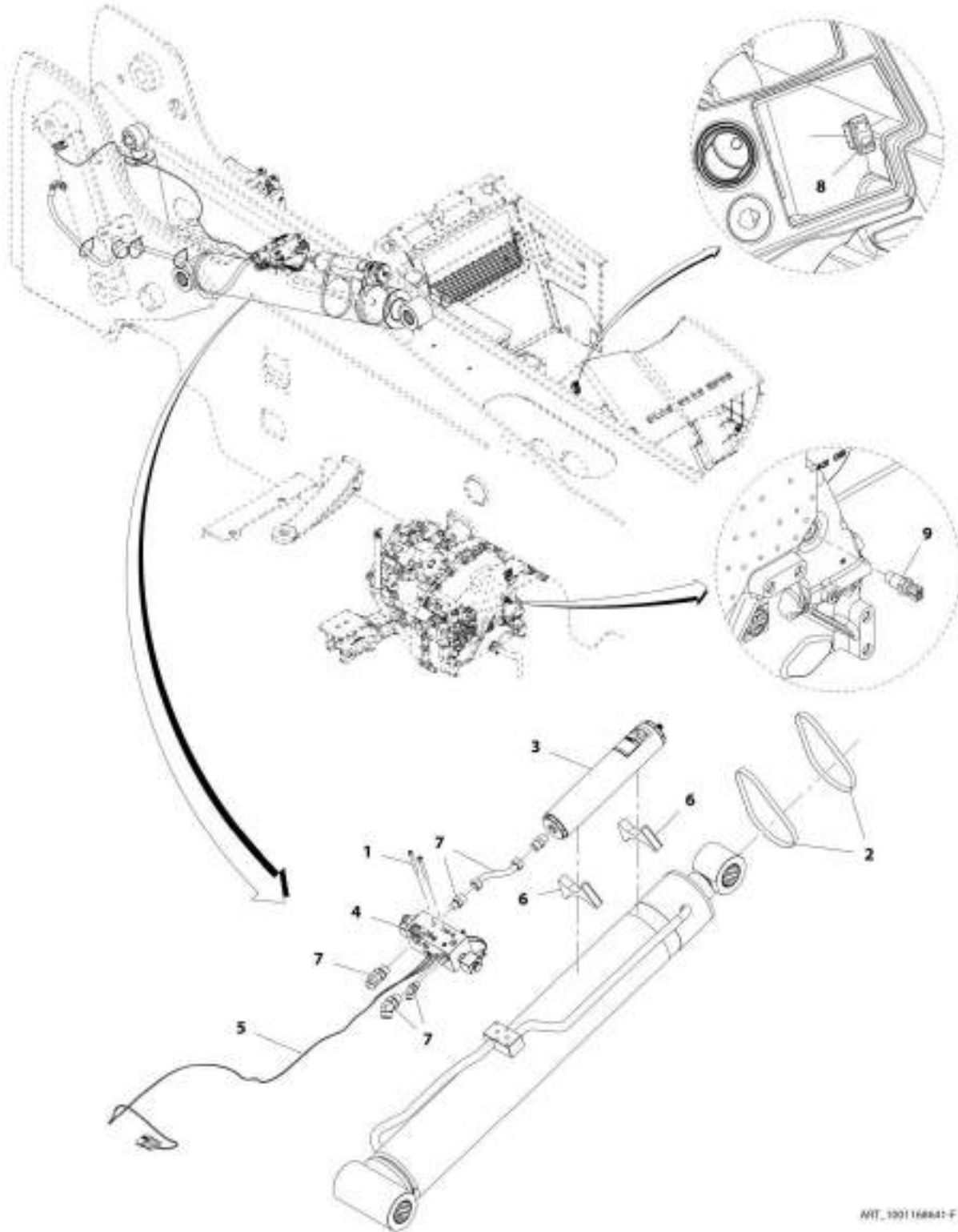
SECTION 8 - HYDRAULIC CIRCUITS

FIGURE 8-69. COUNTERBALANCE VALVE INSTALLATION (LIFT- RIDE CONTROL) (642)

| ITEM | PART NUMBER | QTY | DESCRIPTION | REV |
|------|-------------|-----|--|-----|
| | 1001168640 | Ref | Counterbalance Valve Installation (Lift - Ride Control) (642) | G |
| 1 | 4031920 | 4 | Screw, M8X1.25 | |
| 2 | 1001095396 | 2 | Clamp | |
| 3 | 1001192435 | 1 | Cylinder, Piston | |
| 4 | 1001207286 | 1 | Valve, Ride Control | |
| 5 | 1001175676 | Ref | Installation, Ride Control CB Valve Harness (Lift) (642, 742) (See ELECTRICAL SECTION for Breakdown) | |
| 6 | 1001175740 | 2 | Bumper, Cylinder Saddle | |
| 7 | 1001207688 | Ref | Lines, Counterbalance Valve (Lift - Ride Control) (See COUNTERBALANCE HYDRAULIC LINES (Lift - Ride VALVE Control) (642) for Breakdown) | |
| 8 | 1001159745 | 1 | Switch, Boom Ride | |
| 9 | 1001190881 | 1 | Sensor, Speed | |
| 10 | 2110810 | 1 | Fitting, Straight | |
| 11 | 1001207283 | 1 | Hose | |
| 12 | 4240099 | AR | Wire, Tie | |

SECTION 8 - HYDRAULIC CIRCUITS

FIGURE 8-70. COUNTERBALANCE VALVE INSTALLATION (LIFT - RIDE CONTROL) (943, 1043) (Prior to SN 0160081007)



MIT_1001168641-F

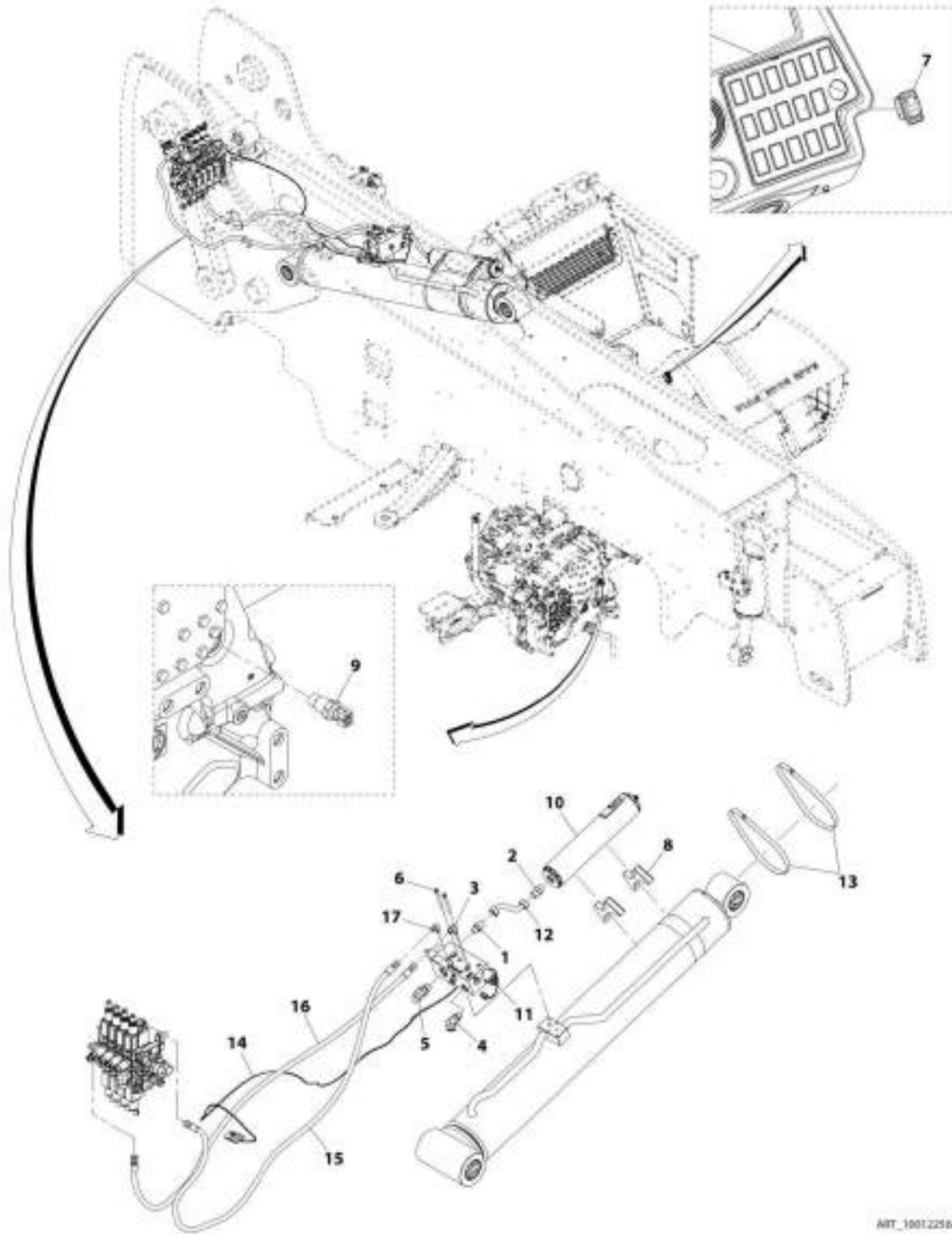
SECTION 8 - HYDRAULIC CIRCUITS

FIGURE 8-70. COUNTERBALANCE VALVE INSTALLATION (LIFT - RIDE CONTROL) (943, 1043) (Prior to SN 0160081007)

| ITEM | PART NUMBER | QTY | DESCRIPTION | REV |
|------|-------------|-----|--|-----|
| | 1001168641 | Ref | Counterbalance Valve Installation (Lift - Ride Control) (943, 1043) | F |
| 1 | 4031920 | 4 | Screw, M8X1.25 | |
| 2 | 1001095396 | 2 | Clamp | |
| 3 | 1001192435 | 1 | Cylinder, Piston | |
| 4 | 1001162547 | 1 | Valve, Ride Control | |
| 5 | 1001175677 | Ref | Installation, Ride Control CB Valve Harness (Lift) (943, 1043) (See ELECTRICAL SECTION for Breakdown) | |
| 6 | 1001175741 | 2 | Bumper, Cylinder Saddle | |
| 7 | 1001175744 | Ref | Lines, Counterbalance Valve Hydraulic (Lift - Ride Control) (See COUNTERBALANCE VALVE HYDRAULIC LINES (LIFT - RIDE CONTROL) for Breakdown) | |
| 8 | 1001159745 | 1 | Switch, Boom Ride | |
| 9 | 1001190881 | 1 | Sensor, Speed | |

SECTION 8 - HYDRAULIC CIRCUITS

FIGURE 8-71. COUNTERBALANCE VALVE INSTALLATION (LIFT - RIDE CONTROL) (943, 1043) (SN 0160081007 to Present)



AWT_1001225682-E

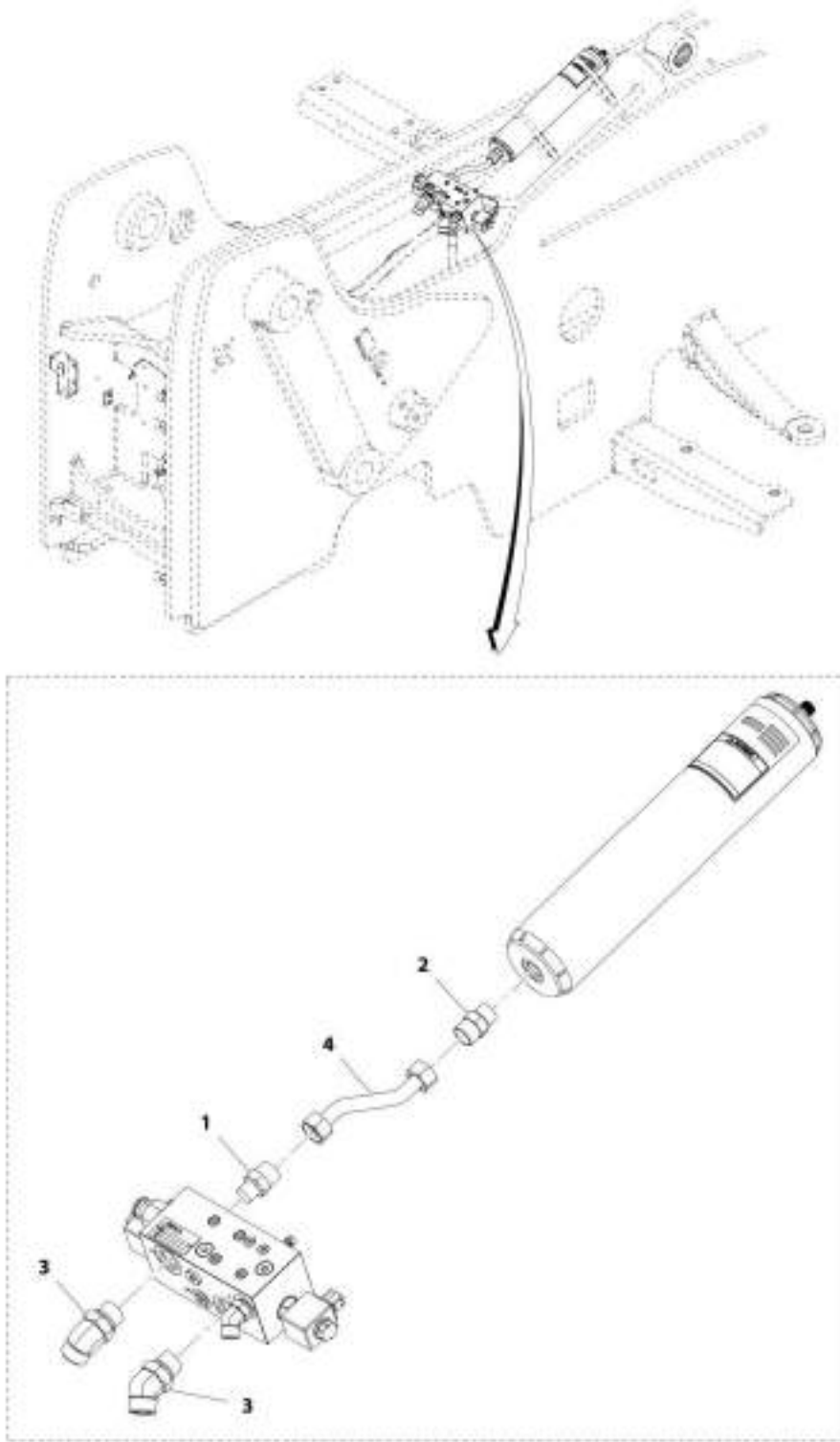
SECTION 8 - HYDRAULIC CIRCUITS

FIGURE 8-71. COUNTERBALANCE VALVE INSTALLATION (LIFT - RIDE CONTROL) (943, 1043) (SN 0160081007 to Present)

| ITEM | PART NUMBER | QTY | DESCRIPTION | REV |
|------|-------------|-----|--|-----|
| | 1001225682 | Ref | Counterbalance Valve Installation (Lift - Ride Control) (943, 1043) | E |
| 1 | 2111008 | 1 | Fitting, Straight ORFS | |
| 2 | 2111010 | 1 | Fitting, Straight ORFS | |
| 3 | 2130604 | 1 | Fitting, 90 ORFS | |
| 4 | 2151210 | 1 | Fitting, 45 ORFS | |
| 5 | 2151212 | 1 | Fitting, 45 ORFS | |
| 6 | 4031921 | 4 | Bolt, M8X85 | |
| 7 | 1001159745 | 1 | Switch, Boom Ride | |
| 8 | 1001175741 | 2 | Bumper, Cylinder Saddle | |
| 9 | 1001190881 | 1 | Sensor, Speed | |
| 10 | 1001192435 | 1 | Cylinder, Piston | |
| 11 | 1001227056 | 1 | Line, Counterbalance Valve (Lift - Ride Control) (742, 943, 1043) (See Separate Breakdown in this Section) | |
| 12 | 1001227137 | 1 | Pipe, Ride Control | |
| 13 | 1001095396 | 2 | Clamp | |
| 14 | 1001175677 | Ref | Installation, Ride Control CB Valve Harness (Lift) (943, 1043) (See Separate Breakdown in Electrical Section) | |
| 15 | 1001225462 | 1 | Hose | |
| 16 | 1001225464 | 1 | Hose | |
| 17 | 2130404 | 1 | Fitting, 90 ORFS | |

SECTION 8 - HYDRAULIC CIRCUITS

FIGURE 8-72. COUNTERBALANCE VALVE HYDRAULIC LINES (LIFT - RIDE CONTROL) (943, 1043)



WIT_3021175744.D

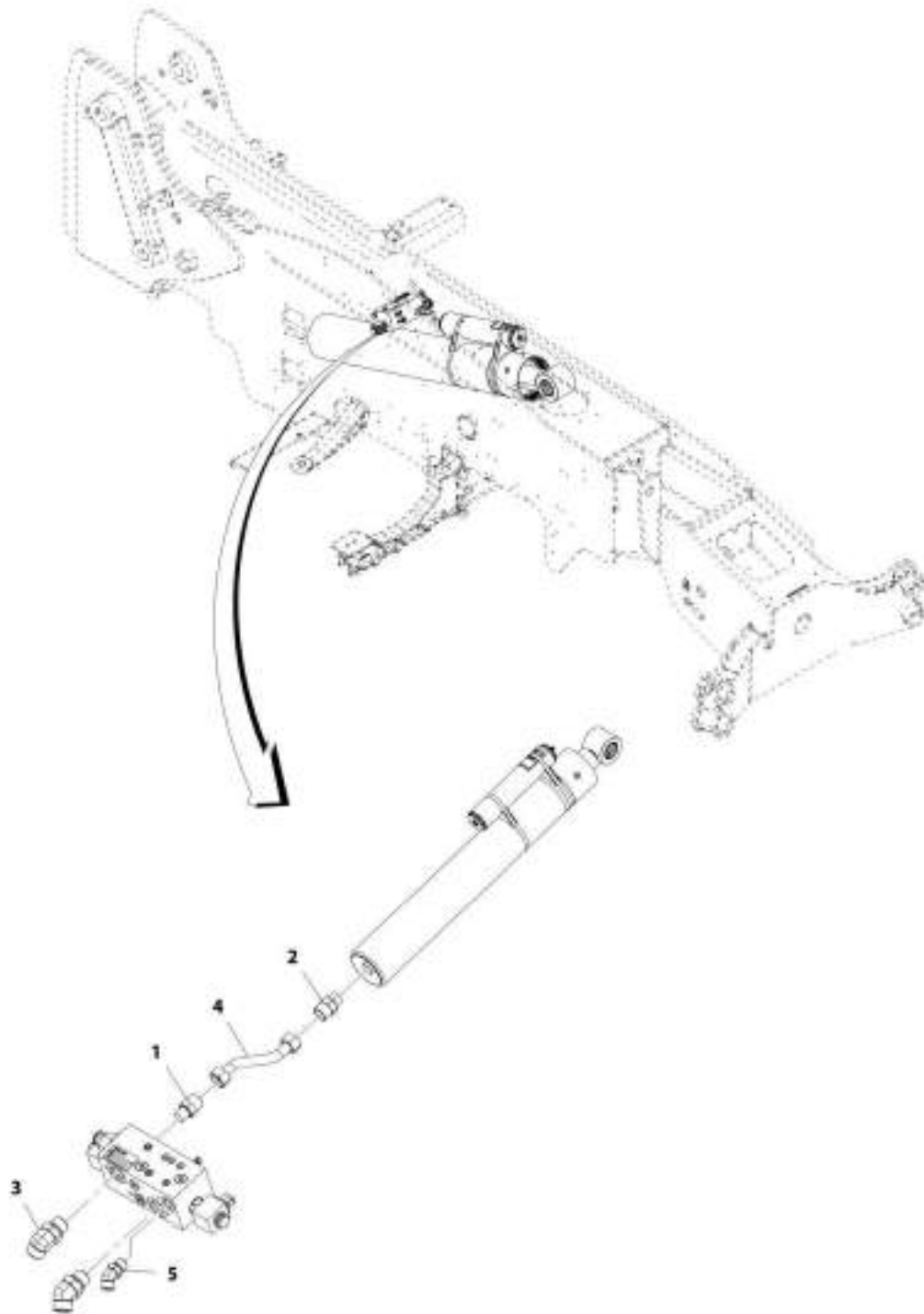
SECTION 8 - HYDRAULIC CIRCUITS

FIGURE 8-72. COUNTERBALANCE VALVE HYDRAULIC LINES (LIFT - RIDE CONTROL) (943, 1043)

| ITEM | PART NUMBER | QTY | DESCRIPTION | REV |
|------|-------------|-----|--|-----|
| | 1001175744 | Ref | Counterbalance Valve Hydraulic Lines (Lift - Ride Control) (943, 1043) | D |
| 1 | 2111008 | 1 | Fitting, Straight ORFS | |
| 2 | 2111010 | 1 | Fitting, Straight ORFS | |
| 3 | 2151212 | 2 | Fitting, 45 ORFS | |
| 4 | 1001175745 | 1 | Pipe | |

SECTION 8 - HYDRAULIC CIRCUITS

FIGURE 8-73. COUNTERBALANCE VALVE HYDRAULIC LINES (LIFT - RIDE CONTROL) (642)



ART_1001207000-A

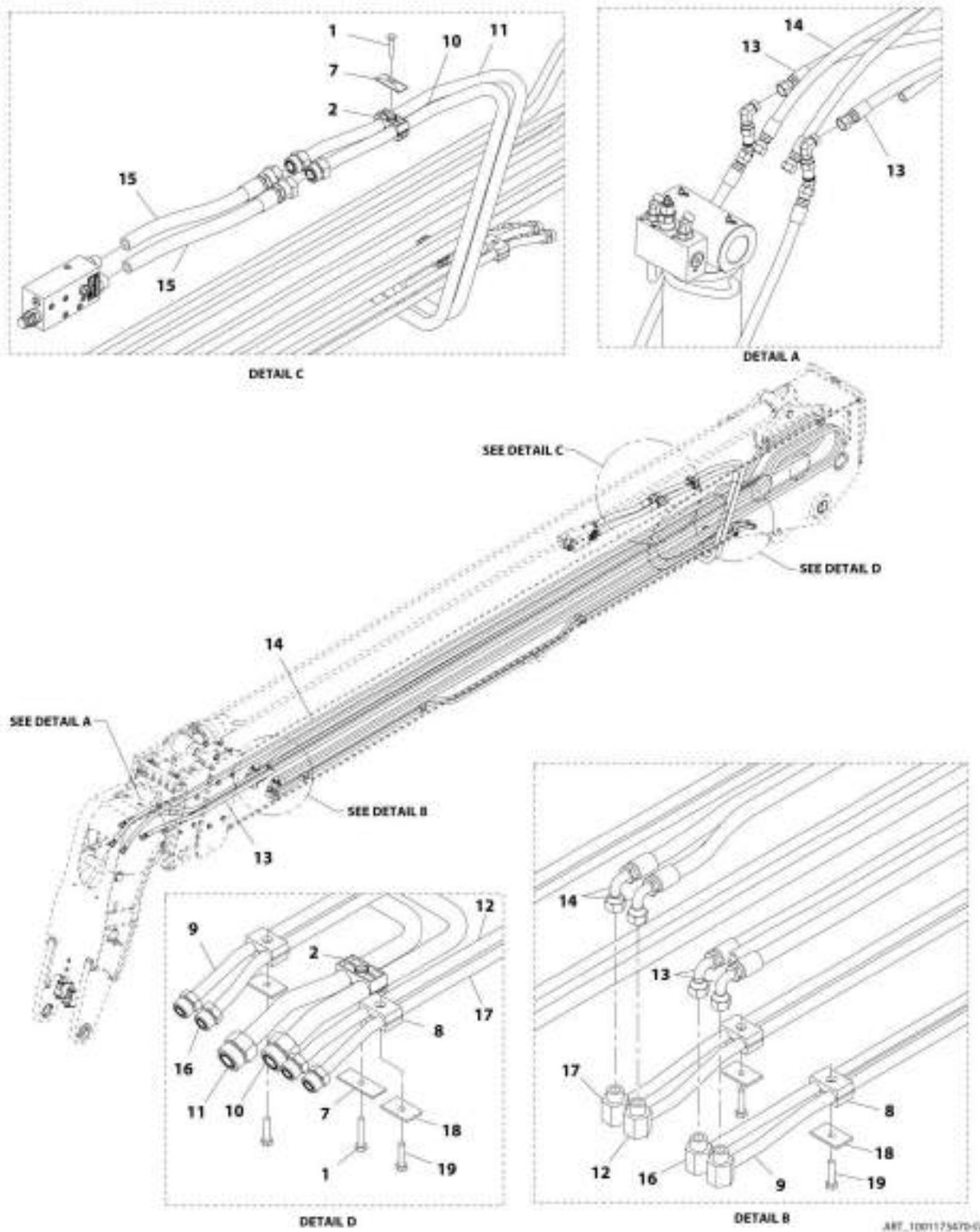
SECTION 8 - HYDRAULIC CIRCUITS

FIGURE 8-73. COUNTERBALANCE VALVE HYDRAULIC LINES (LIFT - RIDE CONTROL) (642)

| ITEM | PART NUMBER | QTY | DESCRIPTION | REV |
|------|-------------|-----|--|-----|
| | 1001207688 | Ref | Counterbalance Valve Hydraulic Lines (Lift - Ride Control) (642) | A |
| 1 | 2111008 | 1 | Fitting, Straight ORFS | |
| 2 | 2111010 | 1 | Fitting, Straight ORFS | |
| 3 | 2151212 | 2 | Fitting, 45 ORFS | |
| 4 | 1001175745 | 1 | Pipe | |
| 5 | 2150808 | 1 | Fitting, 45 ORFS | |

SECTION 8 - HYDRAULIC CIRCUITS

FIGURE 8-74. BOOM HYDRAULIC TUBES INSTALLATION (642, 742)



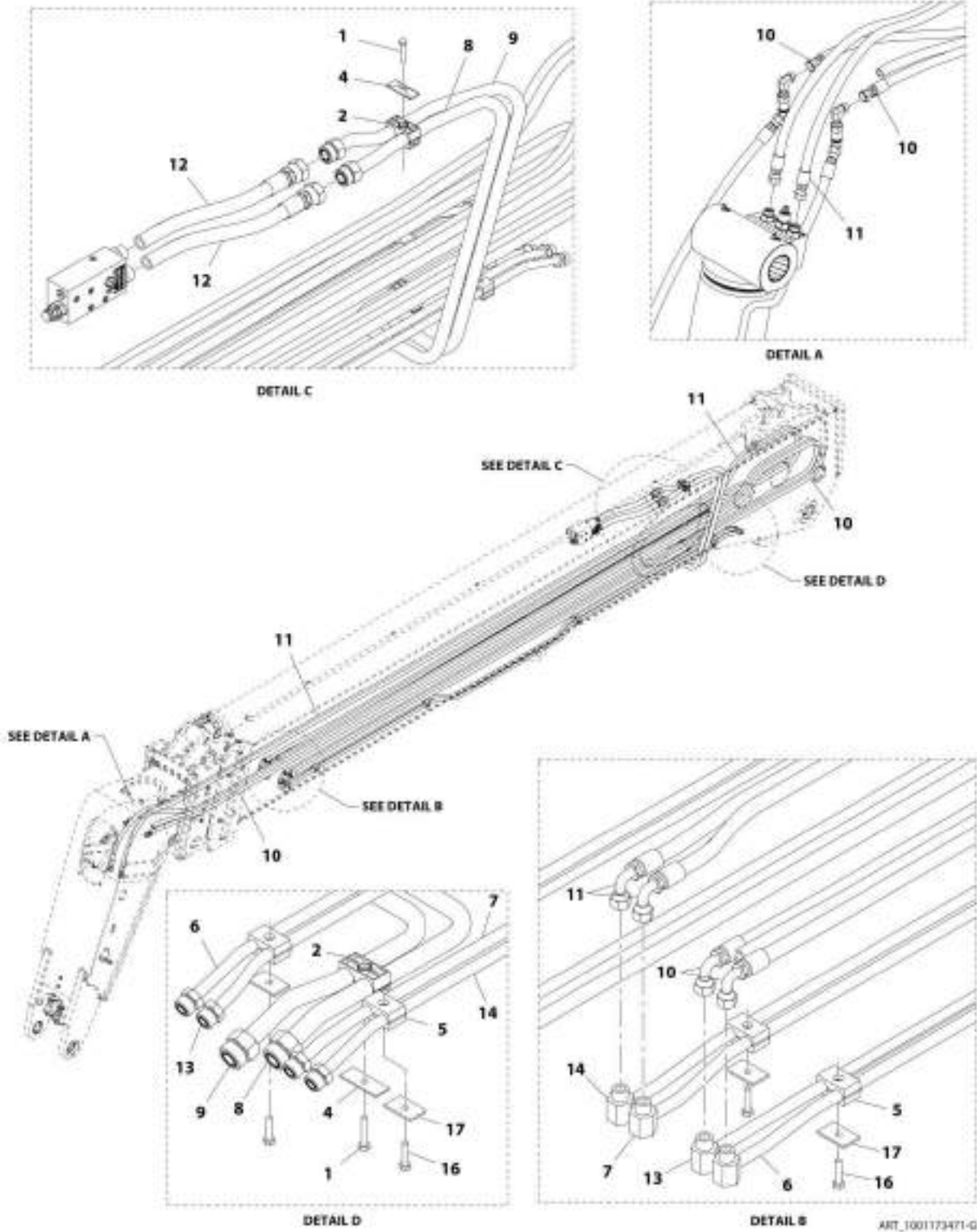
SECTION 8 - HYDRAULIC CIRCUITS

FIGURE 8-74. BOOM HYDRAULIC TUBES INSTALLATION (642, 742)

| ITEM | PART NUMBER | QTY | DESCRIPTION | REV |
|------|-------------|-----|--|-----|
| | 1001173470 | Ref | Boom Hydraulic Tubes Installation (642, 742) | G |
| 1 | 0700817 | 2 | Bolt, M8X45 | |
| 2 | 1321329 | 2 | Clamp | |
| 7 | 77133137 | 2 | Plate, Cover | |
| 8 | 77133139 | 8 | Clamp | |
| 9 | 1001162339 | 1 | Tube | |
| 10 | 1001162343 | 1 | Tube | |
| 11 | 1001162344 | 1 | Tube | |
| 12 | 1001162346 | 1 | Tube | |
| 13 | 1001163072 | 1 | Hose | |
| 14 | 1001163073 | 1 | Hose | |
| 15 | 1001170549 | 2 | Hose | |
| 16 | 1001173956 | 1 | Tube | |
| 17 | 1001173957 | 1 | Tube | |
| 18 | 77133140 | 8 | Plate, Cover | |
| 19 | 0760815 | 8 | Bolt, M8X35 | |

SECTION 8 - HYDRAULIC CIRCUITS

FIGURE 8-75. BOOM HYDRAULIC TUBES INSTALLATION (943, 1043)



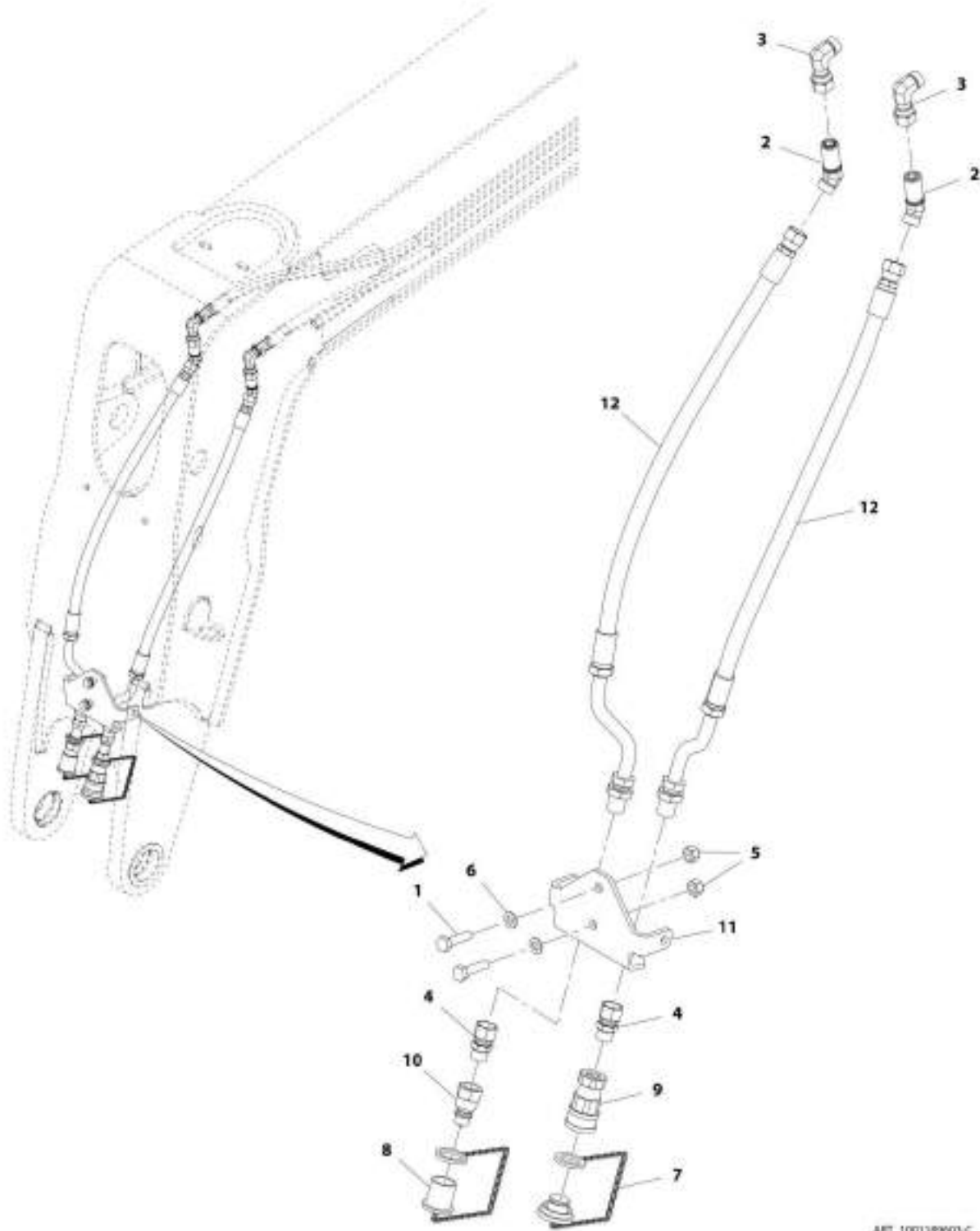
SECTION 8 - HYDRAULIC CIRCUITS

FIGURE 8-75. BOOM HYDRAULIC TUBES INSTALLATION (943, 1043)

| ITEM | PART NUMBER | QTY | DESCRIPTION | REV |
|------|-------------|-----|---|-----|
| | 1001173471 | Ref | Boom Hydraulic Tubes Installation (943, 1043) | G |
| 1 | 0700817 | 2 | Bolt, M8X45 | |
| 2 | 1321329 | 2 | Clamp | |
| 4 | 77133137 | 2 | Plate, Cover | |
| 5 | 77133139 | 8 | Clamp | |
| 6 | 1001162339 | 1 | Tube | |
| 7 | 1001162346 | 1 | Tube | |
| 8 | 1001162365 | 1 | Tube | |
| 9 | 1001162366 | 1 | Tube | |
| 10 | 1001163072 | 1 | Hose | |
| 11 | 1001163073 | 1 | Hose | |
| 12 | 1001170549 | 2 | Hose | |
| 13 | 1001173956 | 1 | Tube | |
| 14 | 1001173957 | 1 | Tube | |
| 16 | 0760815 | 8 | Bolt, M8X35 | |
| 17 | 77133140 | 8 | Plate, Cover | |

SECTION 8 - HYDRAULIC CIRCUITS

FIGURE 8-76. BOOM AUXILIARY HYDRAULICS INSTALLATION (642, 742)



ART_100189903-C

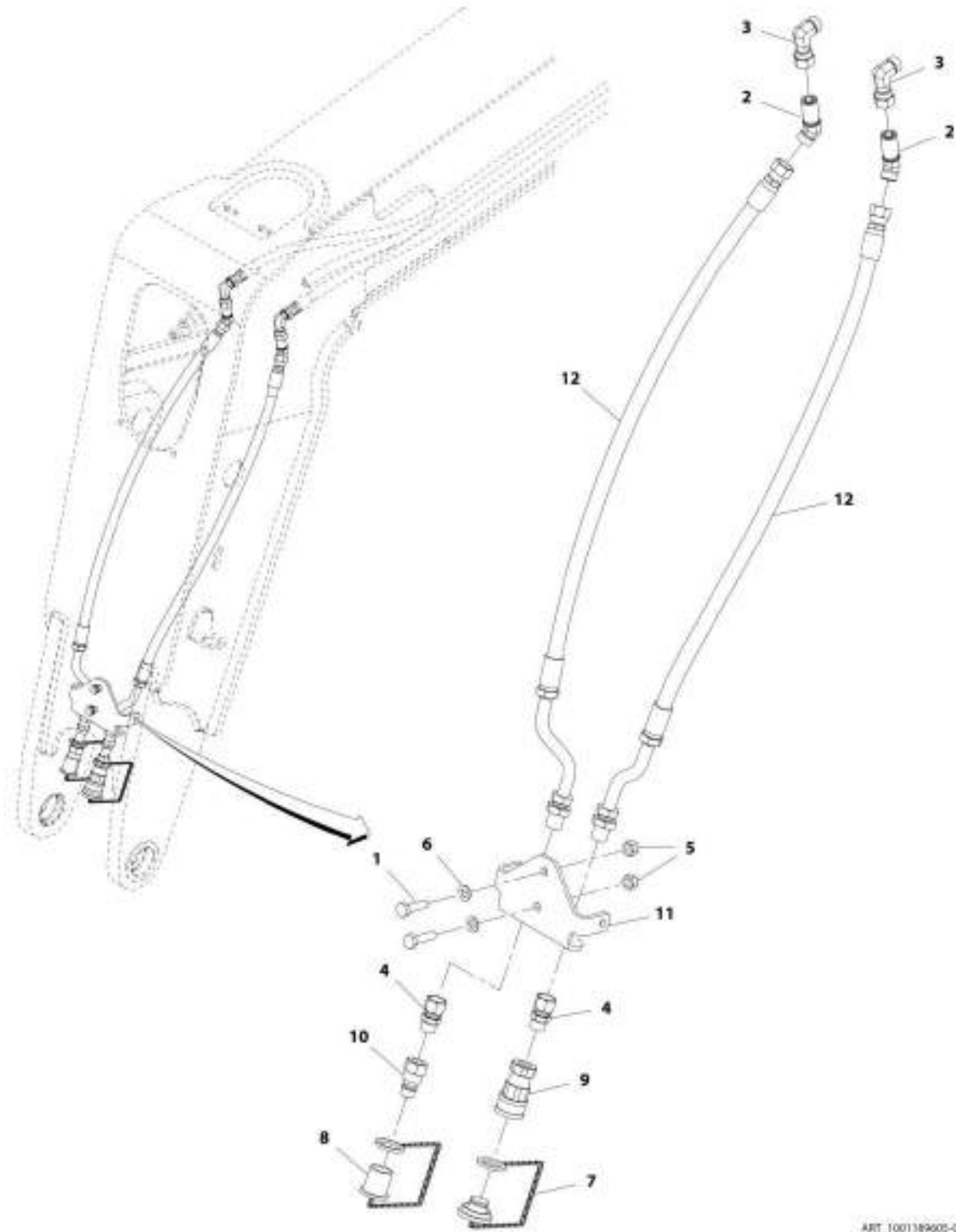
SECTION 8 - HYDRAULIC CIRCUITS

FIGURE 8-76. BOOM AUXILIARY HYDRAULICS INSTALLATION (642, 742)

| ITEM | PART NUMBER | QTY | DESCRIPTION | REV |
|------|-------------|-----|---|-----|
| | 1001189603 | Ref | Boom Auxiliary Hydraulics Installation (642, 742) | C |
| 1 | 0701016 | 2 | Bolt, M10X40 | |
| 2 | 2171308 | 2 | Fitting, 45 ORFS | |
| 3 | 2172108 | 2 | Fitting, 90 ORFS | |
| 4 | 1001210775 | 2 | Fitting, Straight | |
| 5 | 3291005 | 2 | Bolt, M10X1.5 | |
| 6 | 4812000 | 2 | Washer, M10 | |
| 7 | 91043125 | 1 | Plug | |
| 8 | 91043126 | 1 | Cap | |
| 9 | 91403413 | 1 | Fitting, Straight | |
| 10 | 91403414 | 1 | Fitting, Straight | |
| 11 | 1001164948 | 1 | Bracket | |
| 12 | 1001189217 | 2 | Hose | |

SECTION 8 - HYDRAULIC CIRCUITS

FIGURE 8-77. BOOM AUXILIARY HYDRAULICS INSTALLATION (943, 1043)



ART_1001189005-C

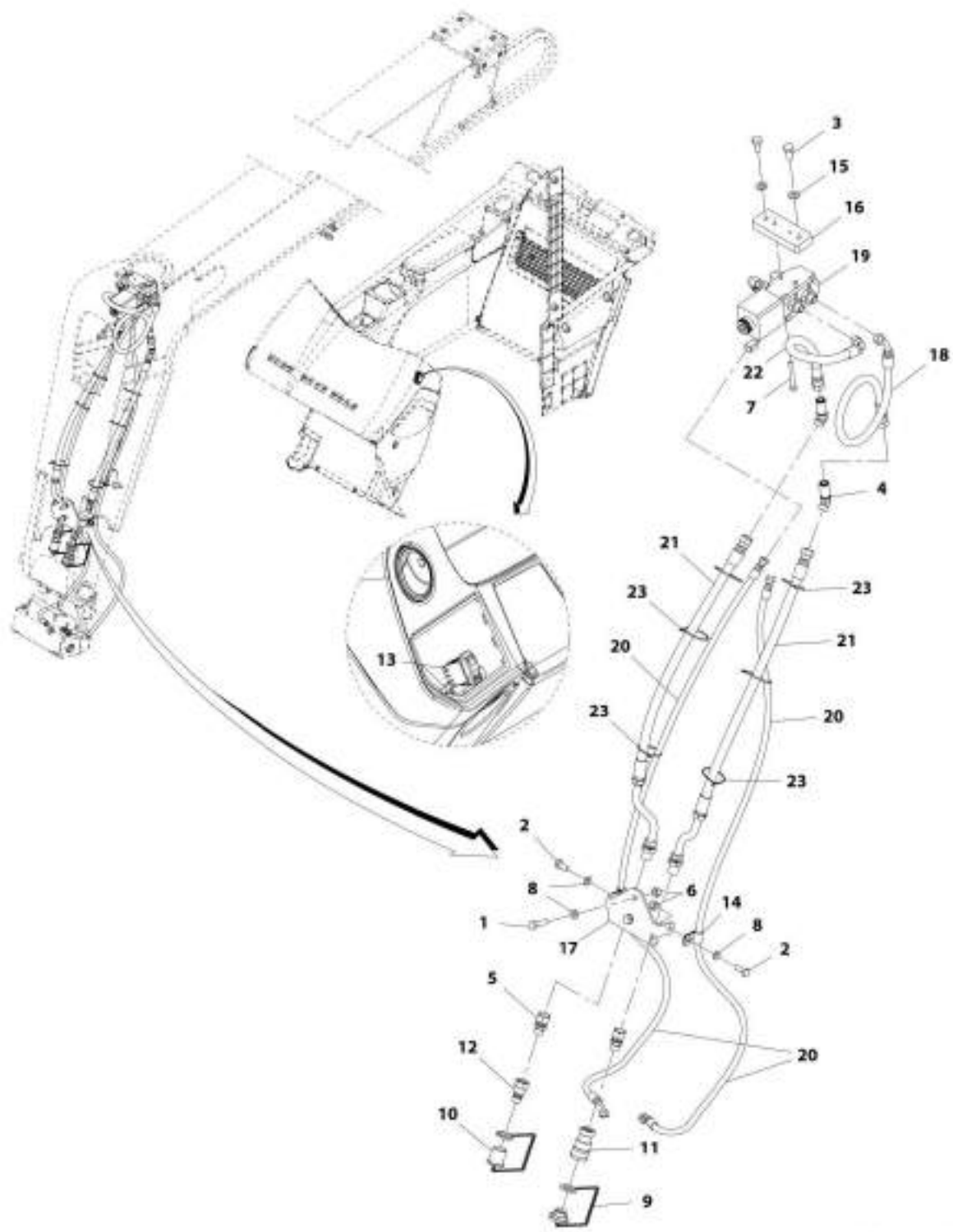
SECTION 8 - HYDRAULIC CIRCUITS

FIGURE 8-77. BOOM AUXILIARY HYDRAULICS INSTALLATION (943, 1043)

| ITEM | PART NUMBER | QTY | DESCRIPTION | REV |
|------|-------------|-----|--|-----|
| | 1001189605 | Ref | Boom Auxiliary Hydraulics Installation (943, 1043) | C |
| 1 | 0701016 | 2 | Bolt, M10X40 | |
| 2 | 2171308 | 2 | Fitting, 45 ORFS | |
| 3 | 2172108 | 2 | Fitting, 90 ORFS | |
| 4 | 1001210775 | 2 | Fitting, Straight | |
| 5 | 3291005 | 2 | Nut, Lock M10X1.5 | |
| 6 | 4812000 | 2 | Washer, M10 | |
| 7 | 91043125 | 1 | Plug | |
| 8 | 91043126 | 1 | Cap | |
| 9 | 91403413 | 1 | Fitting, Straight | |
| 10 | 91403414 | 1 | Fitting, Straight | |
| 11 | 1001164948 | 1 | Bracket | |
| 12 | 1001189224 | 2 | Hose | |

SECTION 8 - HYDRAULIC CIRCUITS

FIGURE 8-78. BOOM AUXILIARY HYDRAULICS (HYDRAULIC COUPLER) (642, 742)



ATT_100188004F

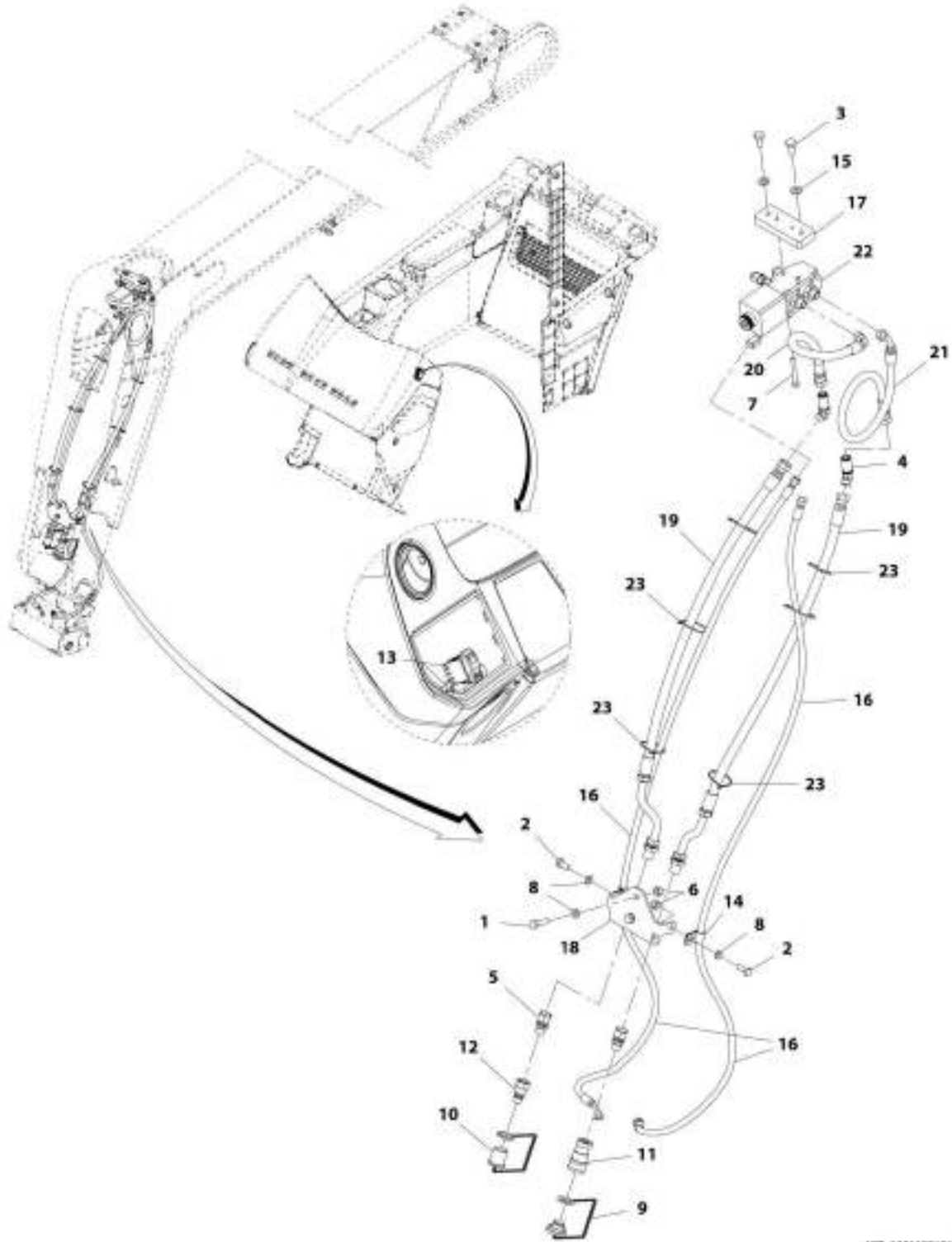
SECTION 8 - HYDRAULIC CIRCUITS

FIGURE 8-78. BOOM AUXILIARY HYDRAULICS (HYDRAULIC COUPLER) (642, 742)

| ITEM | PART NUMBER | QTY | DESCRIPTION | REV |
|------|-------------|-----|--|-----|
| | 1001189604 | Ref | Boom Auxiliary Hydraulics (Hydraulic Coupler) (642, 742) | F |
| 1 | 0701016 | 2 | Bolt, M10X40 | |
| 2 | 0761012 | 2 | Bolt, M10X25 | |
| 3 | 0761212 | 2 | Bolt, M12X25 | |
| 4 | 2171308 | 2 | Fitting, 45 ORFS | |
| 5 | 1001210775 | 2 | Fitting, Straight | |
| 6 | 3291005 | 4 | Nut, Lock M10X1.5 | |
| 7 | 4031918 | 2 | Bolt, M8X70 | |
| 8 | 4812000 | 4 | Washer, M10 | |
| 9 | 91043125 | 1 | Plug | |
| 10 | 91043126 | 1 | Cap | |
| 11 | 91403413 | 1 | Fitting, Straight | |
| 12 | 91403414 | 1 | Fitting, Straight | |
| 13 | 1001080375 | 1 | Switch | |
| 14 | 1001080996 | 2 | Clamp | |
| 15 | 1001125117 | 2 | Washer, M12 | |
| 16 | 1001164870 | 1 | Plate, Valve Attachment | |
| 17 | 1001164948 | 1 | Bracket | |
| 18 | 1001189308 | 1 | Hose | |
| 19 | 1001197182 | 1 | Assembly, Valve Quick Coupler (See QUICK COUPLER VALVE ASSEMBLY (642) for Breakdown) | |
| 20 | 1001210348 | 2 | Hose | |
| 21 | 1001189217 | 2 | Hose | |
| 22 | 1001189299 | 1 | Hose | |
| 23 | 4240099 | 6 | Strap, Tie | |

SECTION 8 - HYDRAULIC CIRCUITS

FIGURE 8-79. BOOM AUXILIARY HYDRAULICS (HYDRAULIC COUPLER) (943, 1043)



MIT_100118906-F

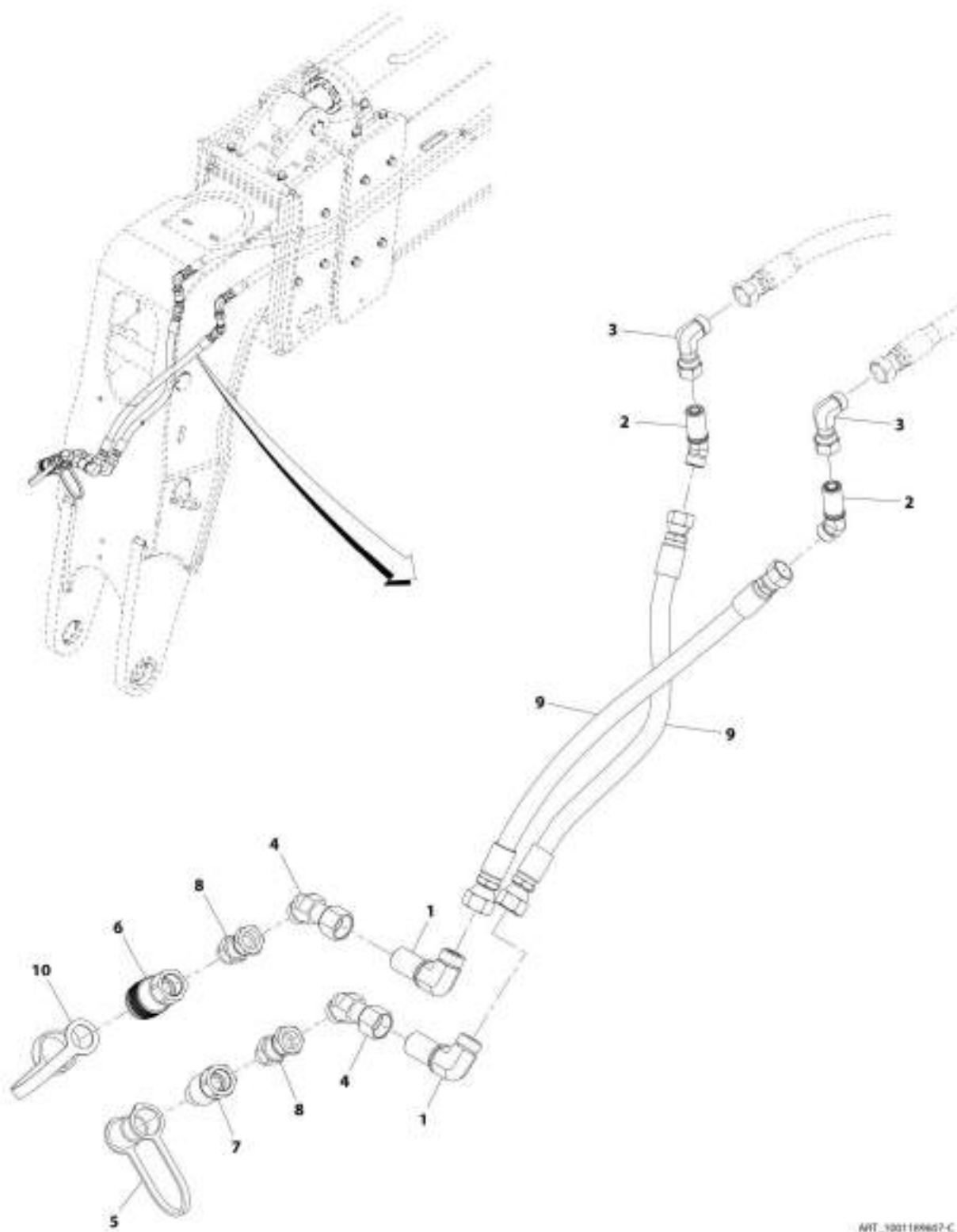
SECTION 8 - HYDRAULIC CIRCUITS

FIGURE 8-79. BOOM AUXILIARY HYDRAULICS (HYDRAULIC COUPLER) (943, 1043)

| ITEM | PART NUMBER | QTY | DESCRIPTION | REV |
|------|-------------|-----|--|-----|
| | 1001189606 | 1 | Boom Auxiliary Hydraulics (Hydraulic Coupler) (943, 1043) | F |
| 1 | 0701016 | 2 | Bolt, M10X40 | |
| 2 | 0761012 | 2 | Bolt, M10X25 | |
| 3 | 0761212 | 2 | Bolt, M12X25 | |
| 4 | 2171308 | 2 | Fitting, 45 ORFS | |
| 5 | 1001210775 | 2 | Fitting, Straight | |
| 6 | 3291005 | 4 | Nut, Lock M10X1.5 | |
| 7 | 4031918 | 2 | Bolt, M8X70 | |
| 8 | 4812000 | 4 | Washer, M10 | |
| 9 | 91043125 | 1 | Plug | |
| 10 | 91043126 | 1 | Cap | |
| 11 | 91403413 | 1 | Fitting, Straight | |
| 12 | 91403414 | 1 | Fitting, Straight | |
| 13 | 1001080375 | 1 | Switch | |
| 14 | 1001080996 | 2 | Clamp | |
| 15 | 1001125117 | 2 | Washer, M12 | |
| 16 | 1001210340 | 2 | Hose | |
| 17 | 1001164870 | 1 | Plate | |
| 18 | 1001164948 | 1 | Bracket | |
| 19 | 1001189224 | 2 | Hose | |
| 20 | 1001189299 | 1 | Hose | |
| 21 | 1001189308 | 1 | Hose | |
| 22 | 1001189663 | 1 | Assembly, Valve Quick Coupler (See QUICK COUPLER VALVE ASSEMBLY (943, 1043) for Breakdown) | |
| 23 | 4240099 | 6 | Strap, Tie | |

SECTION 8 - HYDRAULIC CIRCUITS

FIGURE 8-80. BOOM AUXILIARY HYDRAULICS (SIDE MOUNTED) (742)



ART_1001189807-C

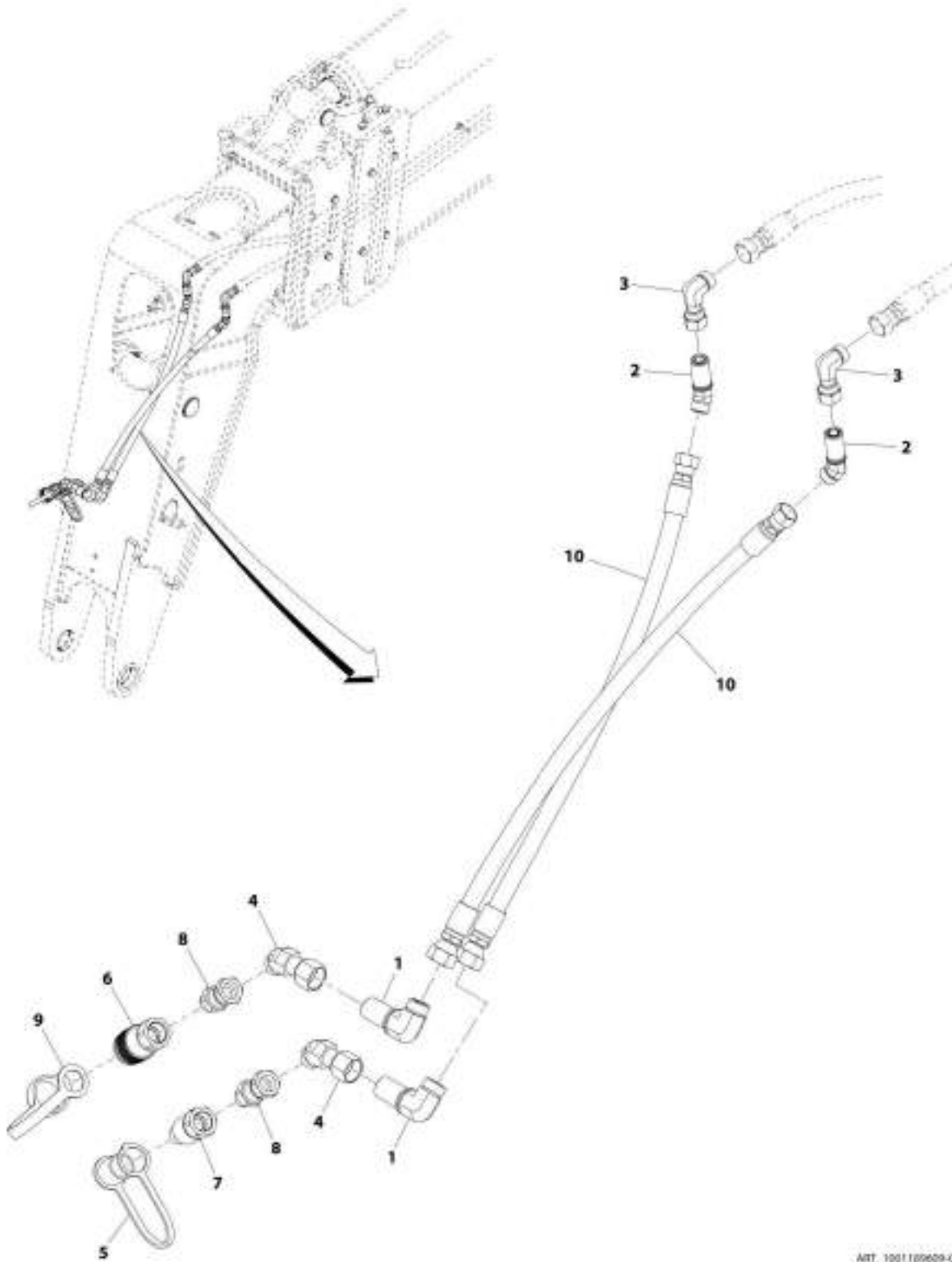
SECTION 8 - HYDRAULIC CIRCUITS

FIGURE 8-80. BOOM AUXILIARY HYDRAULICS (SIDE MOUNTED) (742)

| ITEM | PART NUMBER | QTY | DESCRIPTION | REV |
|------|-------------|-----|--|-----|
| | 1001189607 | Ref | Boom Auxiliary Hydraulics (Side Mounted) (742) | C |
| 1 | 2171210 | 2 | Fitting, 90 | |
| 2 | 2171308 | 2 | Fitting, 45 ORFS | |
| 3 | 2172108 | 2 | Fitting, 90 ORFS | |
| 4 | 2172310 | 2 | Fitting, 45 ORFS | |
| 5 | 8420053 | 1 | Cap, Dust | |
| 6 | 1001001240 | 1 | Coupling, Female Quick Disconnect | |
| 7 | 1001001241 | 1 | Coupling, Male Quick Disconnect | |
| 8 | 1001001556 | 2 | Fitting, Straight ORFS | |
| 9 | 1001189310 | 2 | Hose | |
| 10 | 1001001557 | 1 | Plug, Dust | |

SECTION 8 - HYDRAULIC CIRCUITS

FIGURE 8-81. BOOM AUXILIARY HYDRAULICS (SIDE MOUNTED) (943, 1043)



ART_1001109009-C

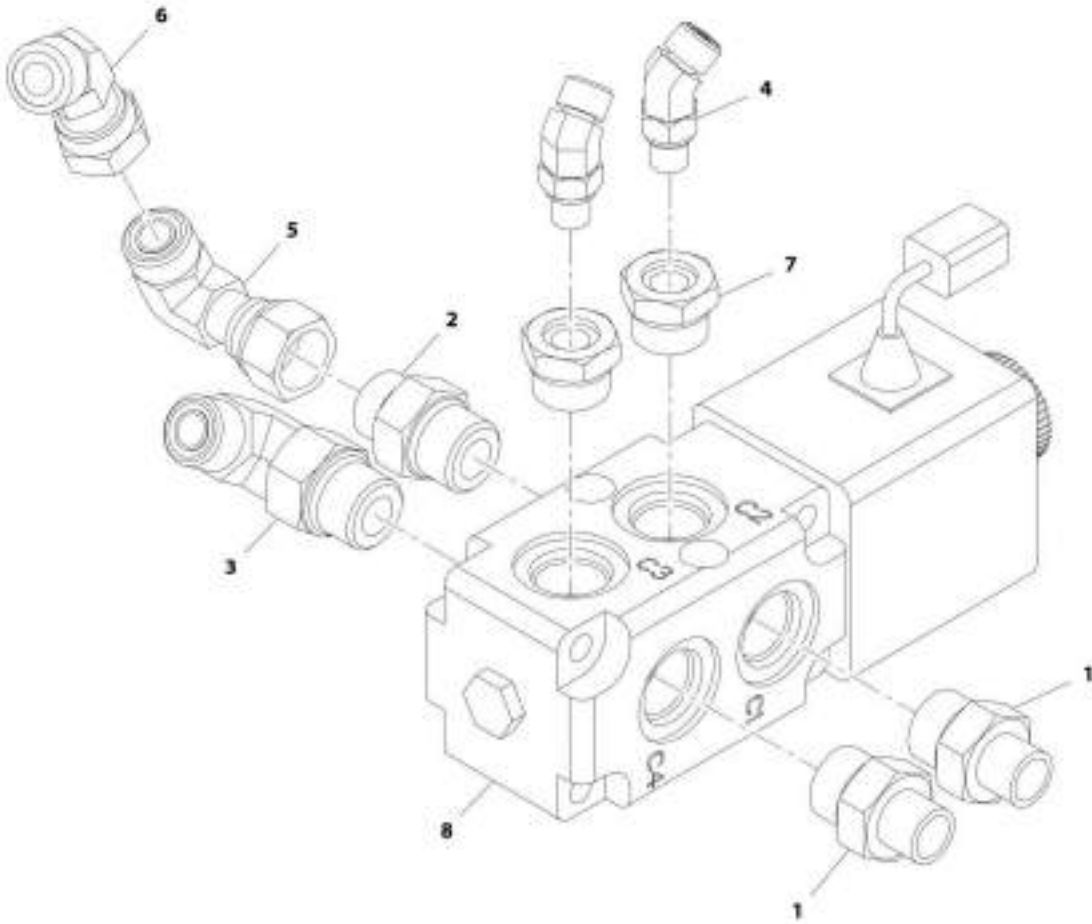
SECTION 8 - HYDRAULIC CIRCUITS

FIGURE 8-81. BOOM AUXILIARY HYDRAULICS (SIDE MOUNTED) (943, 1043)

| ITEM | PART NUMBER | QTY | DESCRIPTION | REV |
|------|-------------|-----|--|-----|
| | 1001189609 | Ref | Boom Auxiliary Hydraulics (Side Mounted) (943, 1043) | C |
| 1 | 2171210 | 2 | Fitting, 90 | |
| 2 | 2171308 | 2 | Fitting, 45 ORFS | |
| 3 | 2172108 | 2 | Fitting, 90 ORFS | |
| 4 | 2172310 | 2 | Fitting, 45 ORFS | |
| 5 | 8420053 | 1 | Cap, Dust | |
| 6 | 1001001240 | 1 | Coupling, Female Quick Disconnect | |
| 7 | 1001001241 | 1 | Coupling, Male Quick Disconnect | |
| 8 | 1001001556 | 2 | Fitting, Straight ORFS | |
| 9 | 1001001557 | 1 | Plug, Dust | |
| 10 | 1001189311 | 2 | Hose | |

SECTION 8 - HYDRAULIC CIRCUITS

FIGURE 8-82. QUICK COUPLER VALVE ASSEMBLY (642, 742)



ART_100107182-B

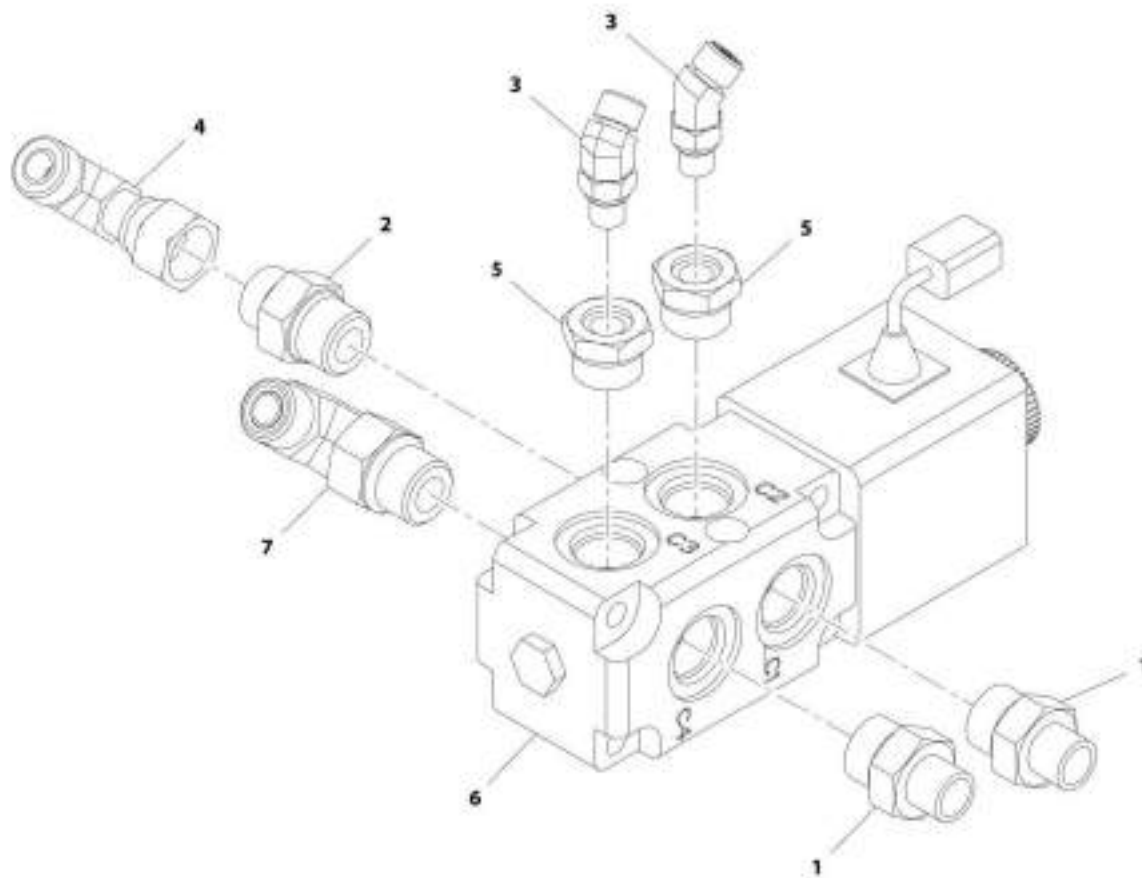
SECTION 8 - HYDRAULIC CIRCUITS

FIGURE 8-82. QUICK COUPLER VALVE ASSEMBLY (642, 742)

| ITEM | PART NUMBER | QTY | DESCRIPTION | REV |
|------|-------------|-----|---|-----|
| | 1001197182 | Ref | Quick Coupler Valve Assembly (642, 742) | B |
| 1 | 2110610 | 2 | Fitting, Straight | |
| 2 | 2110810 | 1 | Fitting, Straight | |
| 3 | 2130810 | 1 | Fitting, 90 ORFS | |
| 4 | 2150404 | 2 | Fitting, 45 ORFS | |
| 5 | 2172108 | 1 | Fitting, 90 ORFS | |
| 6 | 2221231 | 1 | Fitting, 45 ORFS | |
| 7 | 1001001568 | 2 | Reducer | |
| 8 | 1001104477 | 1 | Valve, Quick Coupler (See HYDRAULIC COMPONENTS SECTION for Breakdown) | |

SECTION 8 - HYDRAULIC CIRCUITS

FIGURE 8-83. QUICK COUPLER VALVE ASSEMBLY (943, 1043)



ART.100119963-C

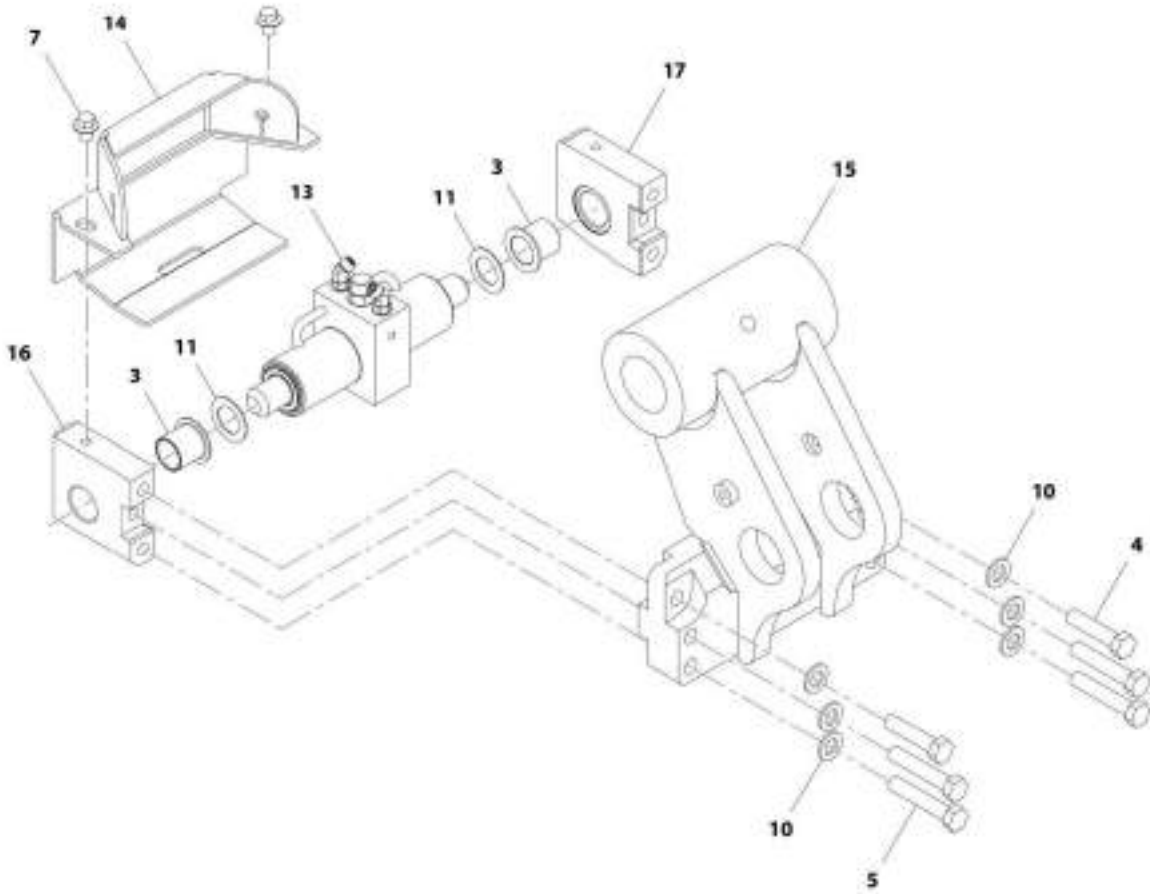
SECTION 8 - HYDRAULIC CIRCUITS

FIGURE 8-83. QUICK COUPLER VALVE ASSEMBLY (943, 1043)

| ITEM | PART NUMBER | QTY | DESCRIPTION | REV |
|------|-------------|-----|---|-----|
| | 1001189663 | Ref | Quick Coupler Valve Assembly (943, 1043) | C |
| 1 | 2110610 | 2 | Fitting, Straight ORFS | |
| 2 | 2110810 | 1 | Fitting, Straight ORFS | |
| 3 | 2150404 | 2 | Fitting, 45 ORFS | |
| 4 | 2172108 | 1 | Fitting, 90 ORFS | |
| 5 | 1001001568 | 2 | Reducer | |
| 6 | 1001104477 | 1 | Valve, Quick Coupler (See HYDRAULIC COMPONENTS SECTION for Breakdown) | |
| 7 | 2130810 | 1 | Fitting, 90 ORFS | |

SECTION 8 - HYDRAULIC CIRCUITS

FIGURE 8-84. HYDRAULIC QUICK COUPLER ASSEMBLY



MT_100112134 D

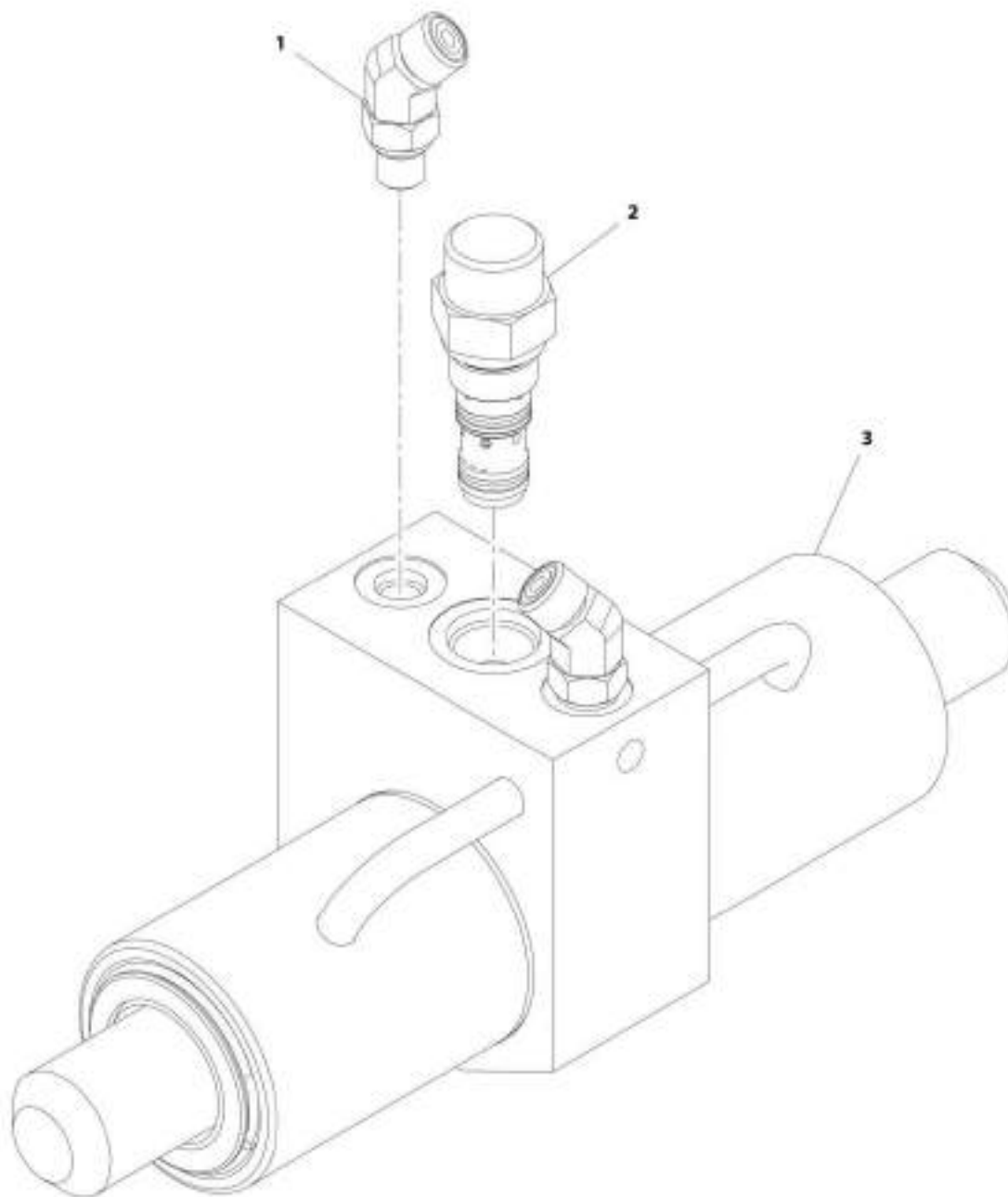
SECTION 8 - HYDRAULIC CIRCUITS

FIGURE 8-84. HYDRAULIC QUICK COUPLER ASSEMBLY

| ITEM | PART NUMBER | QTY | DESCRIPTION | REV |
|------|-------------|-----|--|-----|
| | 1001172134 | Ref | Hydraulic Quick Coupler Assembly | D |
| 3 | 0440321 | 2 | Bearing, Flange | |
| 4 | 1001191503 | 2 | Bolt, M16X1.5X17 GR10.9 | |
| 5 | 1001191505 | 4 | Bolt, M16X1.5X85 GR10.9 | |
| 7 | 0781208 | 2 | Bolt, M12X16 | |
| 10 | 5241600 | 6 | Washer, M16 | |
| 11 | 91561240 | AR | Shim | |
| 13 | 1001197151 | 1 | Cylinder, Quick Coupler (See HYDRAULIC QUICK COUPLER ASSEMBLY for Breakdown) (Prior to SN 0160073806) | |
| 13 | 1001210390 | 1 | Assembly, Quick Coupler Cylinder (See QUICK COUPLER CYLINDER ASSEMBLY for Breakdown) (SN 0160073806 to Present) | |
| 14 | 1001164860 | 1 | Cover | |
| 15 | 1001172075 | 1 | Adapter, Hydraulic Quick Coupler | |
| 16 | 1001172077 | 1 | Plate | |
| 17 | 1001172078 | 1 | Plate | |

SECTION 8 - HYDRAULIC CIRCUITS

FIGURE 8-85. QUICK COUPLER CYLINDER ASSEMBLY (Prior to SN 0160073806)



ART_100197153-B

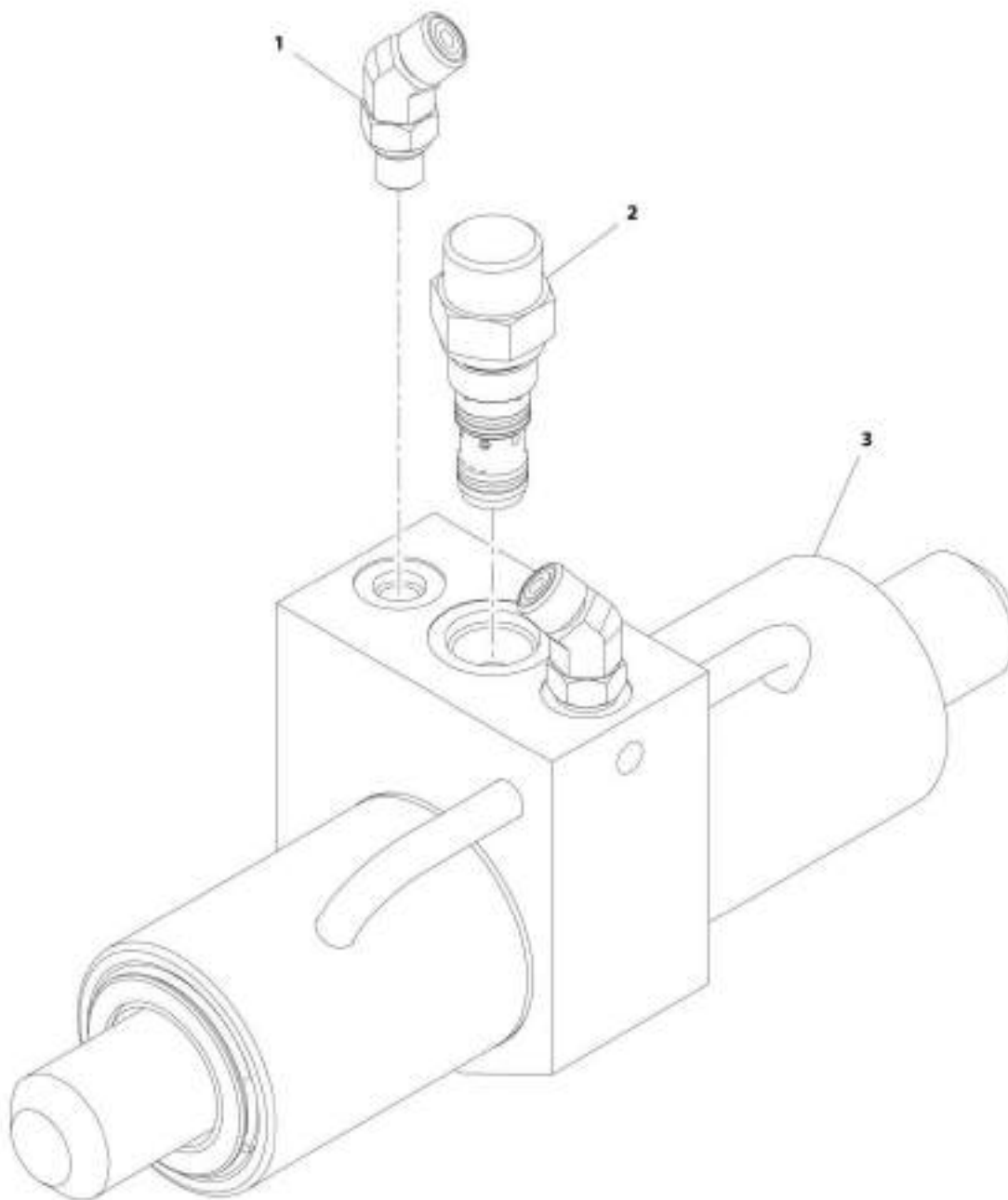
SECTION 8 - HYDRAULIC CIRCUITS

FIGURE 8-85. QUICK COUPLER CYLINDER ASSEMBLY (Prior to SN 0160073806)

| ITEM | PART NUMBER | QTY | DESCRIPTION | REV |
|------|-------------|-----|--|-----|
| | 1001197151 | Ref | Quick Coupler Cylinder Assembly | B |
| 1 | 2150404 | 2 | Fitting, 45 ORFS | |
| 2 | 1001007056 | 1 | Valve, Check | |
| 3 | 1001120163 | 1 | Cylinder, Quick Coupler (See HYDRAULIC COMPONENTS SECTION for Breakdown) | |

SECTION 8 - HYDRAULIC CIRCUITS

FIGURE 8-86. QUICK COUPLER CYLINDER ASSEMBLY (SN 0160073806 to Present)



ART_1001210300-A

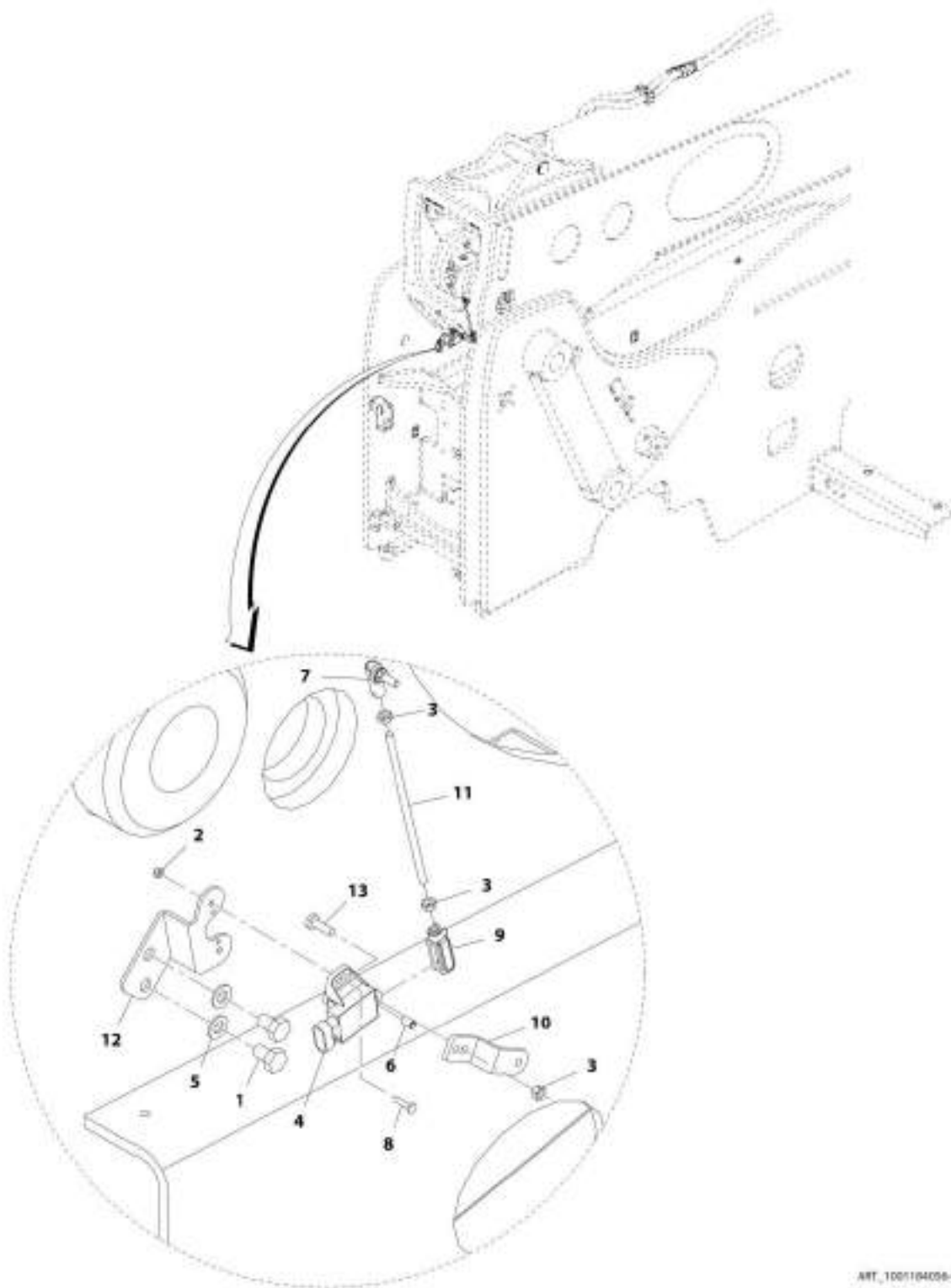
SECTION 8 - HYDRAULIC CIRCUITS

FIGURE 8-86. QUICK COUPLER CYLINDER ASSEMBLY (SN 0160073806 to Present)

| ITEM | PART NUMBER | QTY | DESCRIPTION | REV |
|------|-------------|-----|--|-----|
| | 1001210390 | Ref | Quick Coupler Cylinder Assembly | A |
| 1 | 2150404 | 2 | Fitting, 45 ORFS | |
| 2 | 1001007056 | 1 | Valve, Check | |
| 3 | 1001120163 | 1 | Cylinder, Quick Coupler (See HYDRAULIC COMPONENTS SECTION for Breakdown) | |

SECTION 8 - HYDRAULIC CIRCUITS

FIGURE 8-87. BOOM ANGLE SENSOR INSTALLATION



ART_1001104058-C

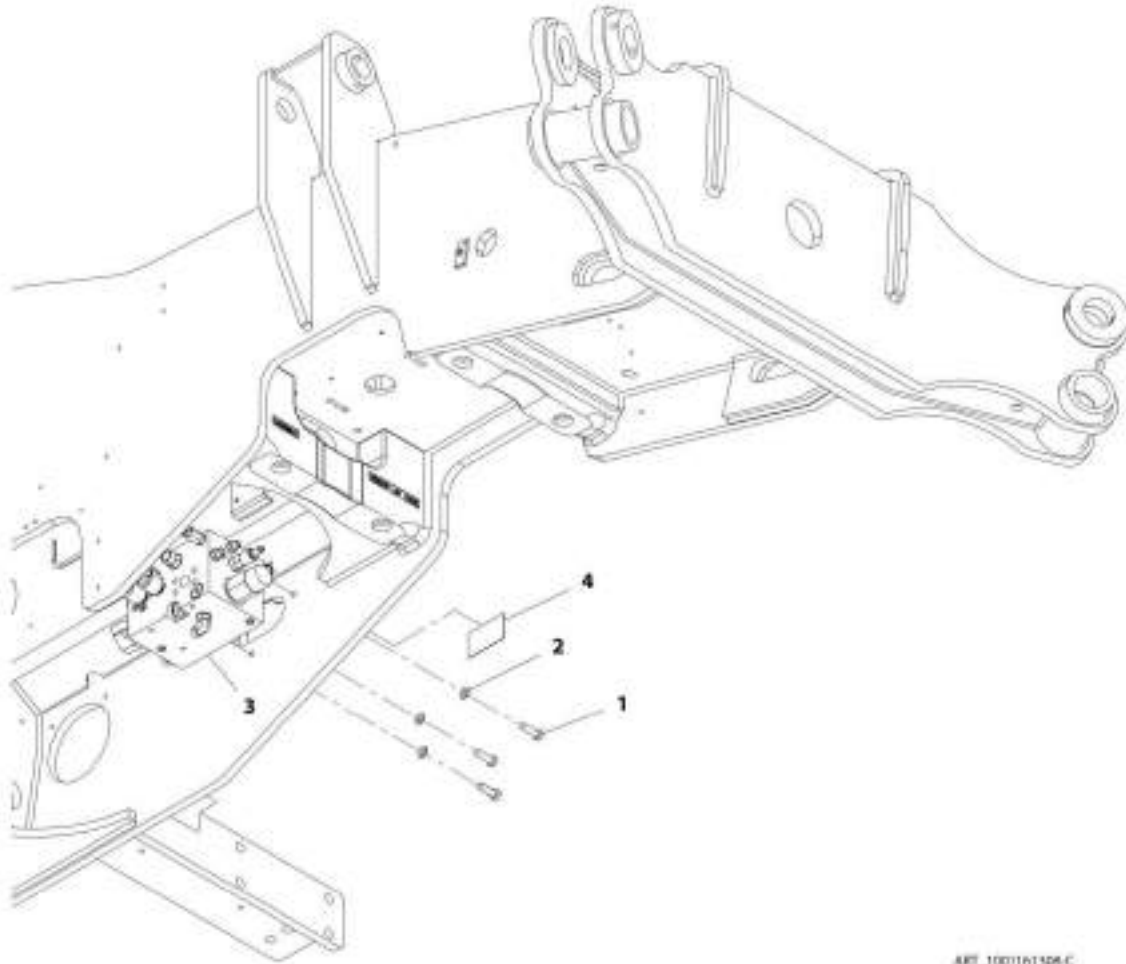
SECTION 8 - HYDRAULIC CIRCUITS

FIGURE 8-87. BOOM ANGLE SENSOR INSTALLATION

| ITEM | PART NUMBER | QTY | DESCRIPTION | REV |
|------|-------------|-----|--------------------------------|-----|
| | 1001184056 | Ref | Boom Angle Sensor Installation | C |
| 1 | 0761008 | 2 | Bolt, M10X16 | |
| 2 | 3290405 | 2 | Nut, Lock M4X0.7 | |
| 3 | 3290601 | 3 | Nut, M6X1 | |
| 4 | 4000015 | 1 | Sensor, Angle | |
| 5 | 4812000 | 2 | Washer, M10 | |
| 6 | 1001103156 | 1 | Pin | |
| 7 | 1001184484 | 1 | Joint, Ball | |
| 8 | 1001126837 | 2 | Screw, M4X16 | |
| 9 | 1001134274 | 1 | Clevis | |
| 10 | 1001188787 | 1 | Link, Boom Angle Sensor | |
| 11 | 1001168482 | 1 | Rod | |
| 12 | 1001211059 | 1 | Bracket, Boom Angle Sensor | |
| 13 | 4010610002 | 1 | Screw, M6X20 | |

SECTION 8 - HYDRAULIC CIRCUITS

FIGURE 8-88. PRIORITY FUNCTION MANIFOLD INSTALLATION



ARE_1001161308-C

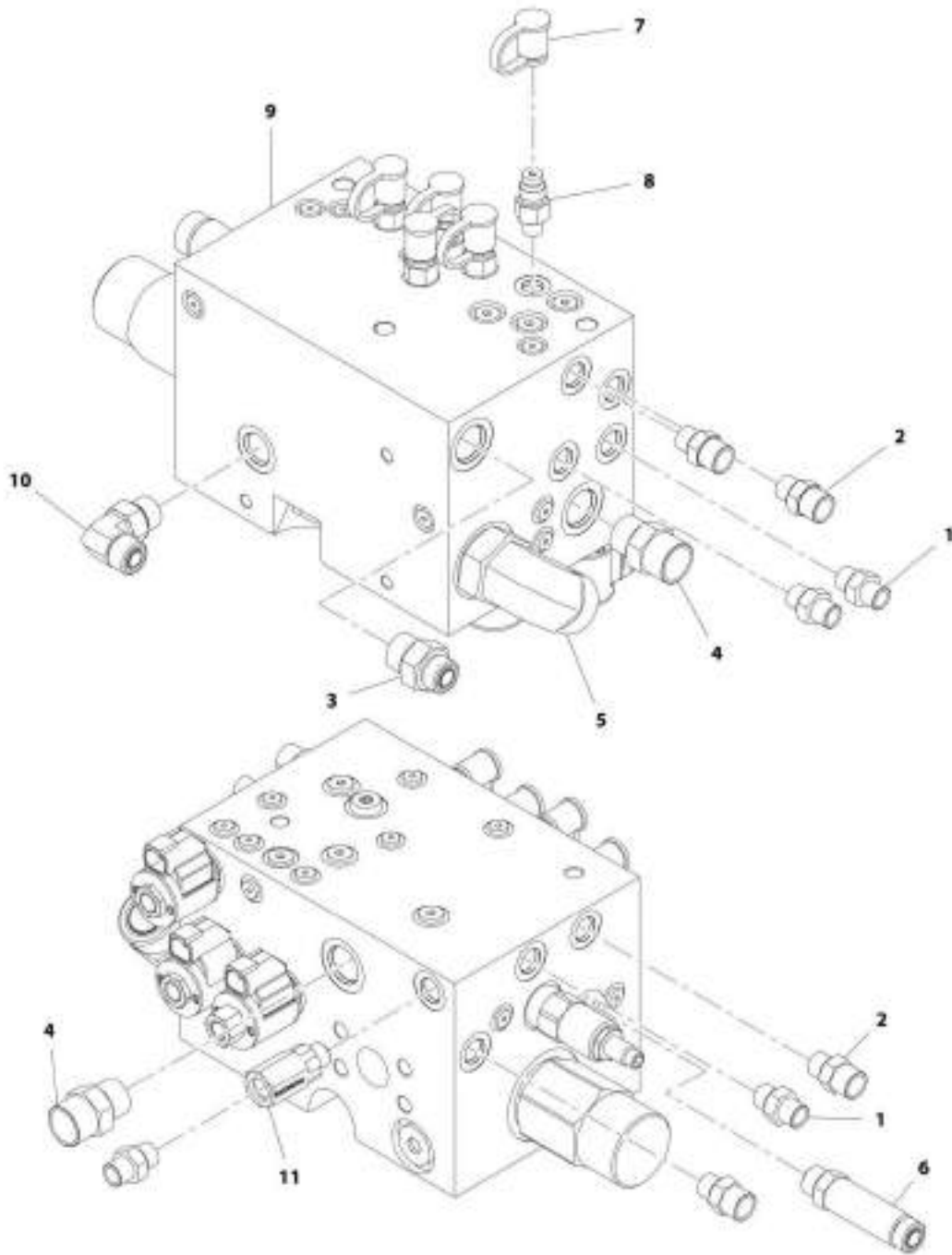
SECTION 8 - HYDRAULIC CIRCUITS

FIGURE 8-88. PRIORITY FUNCTION MANIFOLD INSTALLATION

| ITEM | PART NUMBER | QTY | DESCRIPTION | REV |
|------|-------------|-----|---|-----|
| | 1001161308 | Ref | Priority Function Manifold Installation | C |
| 1 | 0701216 | 3 | Bolt, M12X40 | |
| 2 | 4812100 | 3 | Washer, M12 | |
| 3 | 1001166223 | 1 | Assembly, Priority Manifold Valve (See PRIORITY FUNCTION MANIFOLD VALVE ASSEMBLY for Breakdown) | |
| 4 | 1001183243 | 1 | Decal, Port ID | |

SECTION 8 - HYDRAULIC CIRCUITS

FIGURE 8-89. PRIORITY FUNCTION MANIFOLD VALVE ASSEMBLY



ART_300116423-F

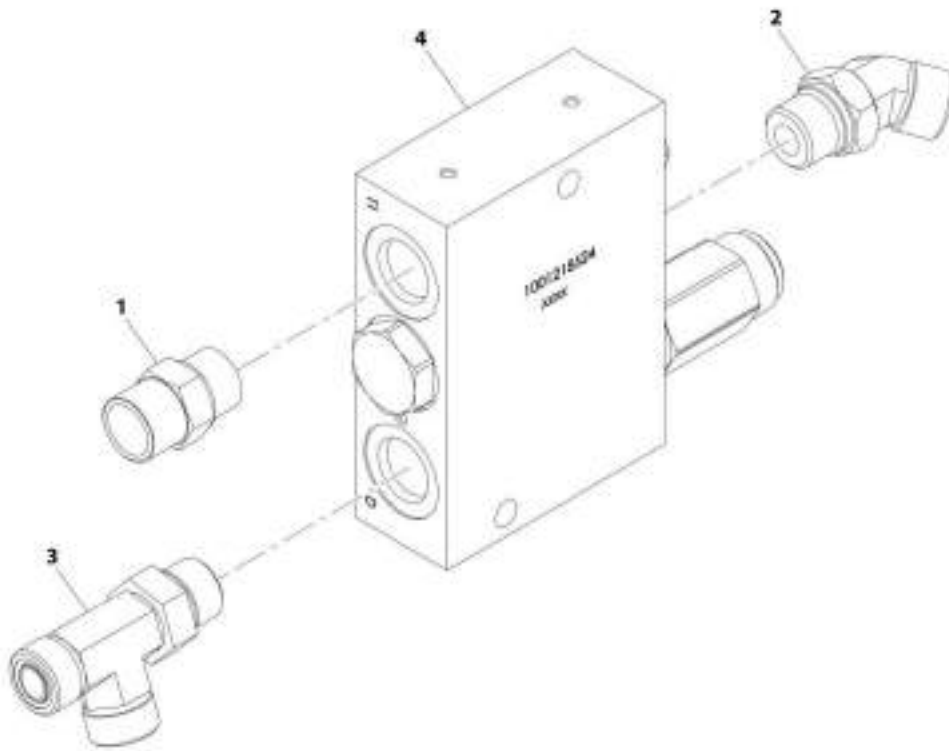
SECTION 8 - HYDRAULIC CIRCUITS

FIGURE 8-89. PRIORITY FUNCTION MANIFOLD VALVE ASSEMBLY

| ITEM | PART NUMBER | QTY | DESCRIPTION | REV |
|------|-------------|-----|---|-----|
| | 1001166223 | Ref | Priority Function Manifold Valve Assembly | F |
| 1 | 2110406 | 4 | Fitting, Straight ORFS | |
| 2 | 2110606 | 4 | Fitting, Straight ORFS | |
| 3 | 2110810 | 1 | Fitting, Straight ORFS | |
| 4 | 2111010 | 2 | Fitting, Straight ORFS | |
| 5 | 2131616 | 1 | Fitting, 90 ORFS | |
| 6 | 1001201755 | 1 | Fitting, Straight ORFS | |
| 7 | 8430032 | 5 | Plug | |
| 8 | 8430033 | 5 | Fitting, Straight | |
| 9 | 1001162548 | 1 | Valve, Priority Manifold (See HYDRAULIC COMPONENTS SECTION for Breakdown) | |
| 10 | 2130808 | 1 | Fitting, 90 ORFS | |
| 11 | 1001196608 | 1 | Valve, Check | |

SECTION 8 - HYDRAULIC CIRCUITS

FIGURE 8-90. EMERGENCY STEERING MANIFOLD



ART_1001219101-A

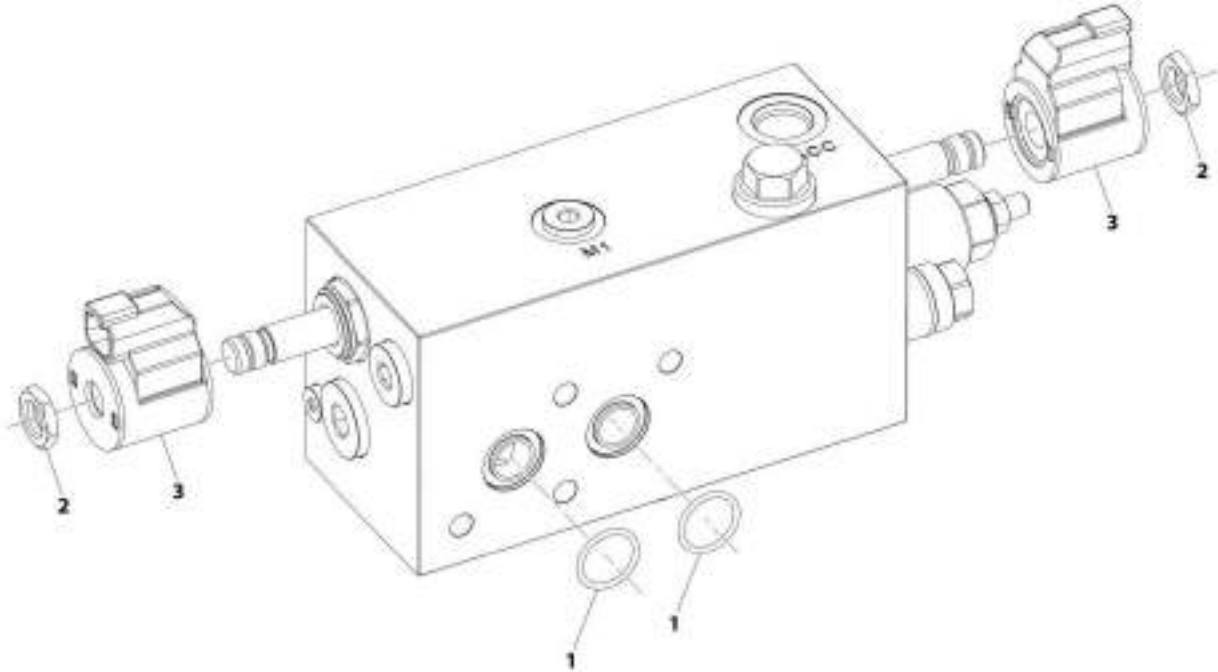
SECTION 8 - HYDRAULIC CIRCUITS

FIGURE 8-90. EMERGENCY STEERING MANIFOLD

| ITEM | PART NUMBER | QTY | DESCRIPTION | REV |
|------|-------------|-----|-----------------------------|-----|
| | 1001219191 | Ref | Emergency Steering Manifold | A |
| 1 | 2110808 | 1 | Fitting, Straight ORFS | |
| 2 | 2150808 | 1 | Fitting, 45 ORFS | |
| 3 | 2170308 | 1 | Fitting, Tee ORFS | |
| 4 | 1001218524 | 1 | Manifold | |

SECTION 8 - HYDRAULIC CIRCUITS

FIGURE 8-91. INTGRATED RECOVERY VALVE (LIFT - RIDE CONTROL) (742)



ART_1001229683-A

SECTION 8 - HYDRAULIC CIRCUITS

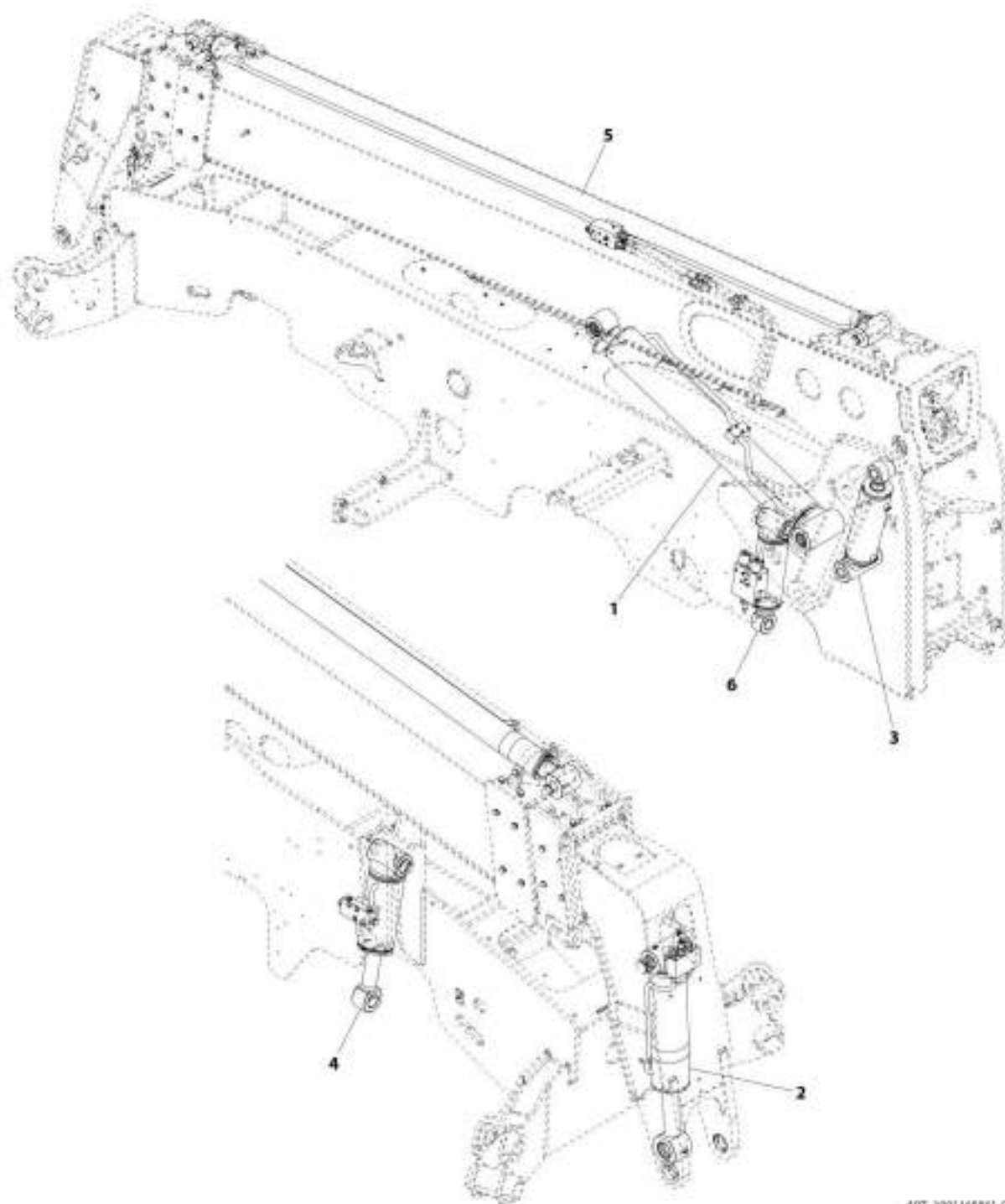
FIGURE 8-91. INTGRATED RECOVERY VALVE (LIFT - RIDE CONTROL) (742)

| ITEM | PART NUMBER | QTY | DESCRIPTION | REV |
|------|-------------|-----|---|-----|
| | 1001229685 | Ref | Integrated Recovery Valve (Lift - Ride Control) (742) | A |
| 1 | 70028453 | 2 | O-ring | |
| 2 | 7022390 | 2 | Nut | |
| 3 | 70028281 | 2 | Coil | |

SECTION 9 - HYDRAULIC COMPONENTS

SECTION 9 - HYDRAULIC COMPONENTS

FIGURE 9-1. CYLINDER GROUP INSTALLATION (642, 742)



ART_300168861-G

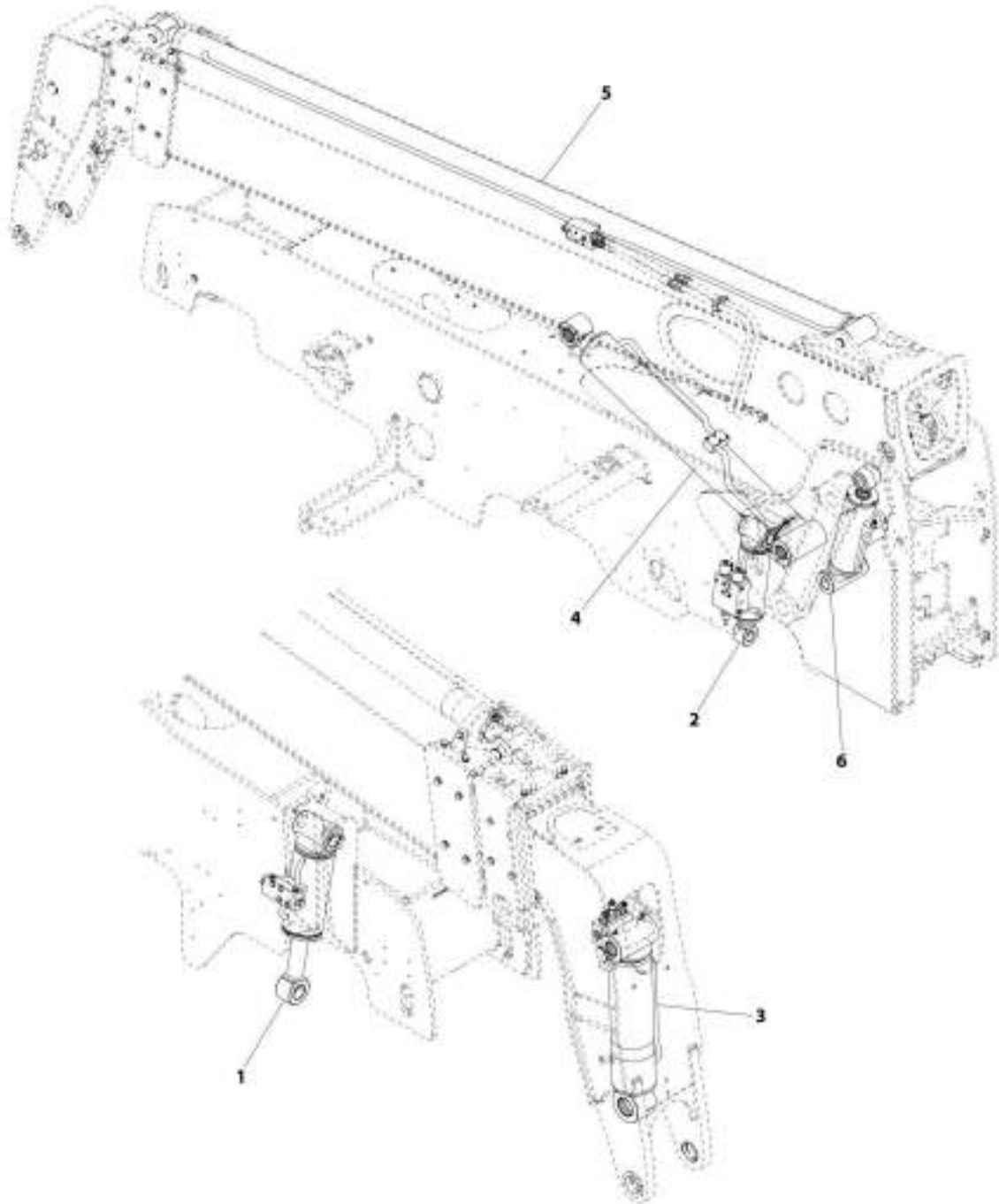
SECTION 9 - HYDRAULIC COMPONENTS

FIGURE 9-1. CYLINDER GROUP INSTALLATION (642, 742)

| ITEM | PART NUMBER | QTY | DESCRIPTION | REV |
|------|-------------|-----|---|-----|
| | 1001168861 | Ref | Cylinder Group Installation (642, 742) | G |
| 1 | 1001204381 | NLA | Cylinder, Lift (no longer available, use 1001228096 for replacement) (See Separate Breakdown in this Section) | |
| 1 | 1001228096 | 1 | Cylinder, Lift (See Separate Breakdown in this Section) | |
| 2 | 1001184714 | 1 | Cylinder, Tilt (See Separate Breakdown in this Section) | |
| 3 | 1001197491 | 1 | Cylinder, Compensation (See Separate Breakdown in this Section) | |
| 4 | 1001162076 | 1 | Cylinder, Frame Level (See Separate Breakdown in this Section) | |
| 5 | | Ref | Cylinder, Extend/Retract (See Separate Breakdown in this Section) | |
| 6 | 1001164036 | 1 | Cylinder, Rear Axle Stabilizer (See Separate Breakdown in this Section) | |

SECTION 9 - HYDRAULIC COMPONENTS

FIGURE 9-2. CYLINDER GROUP INSTALLATION - 74HP (742)



ART_1001226793-C

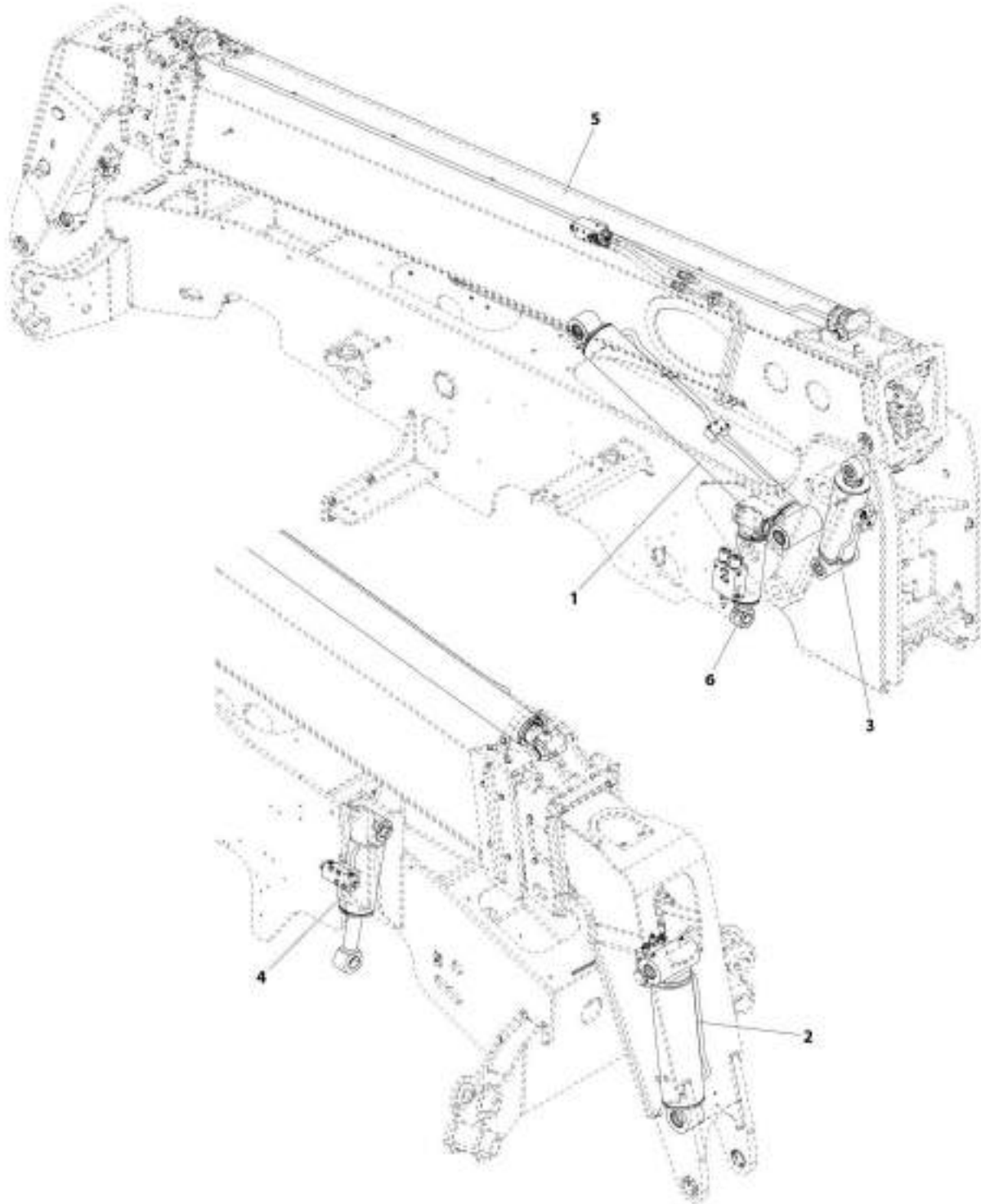
SECTION 9 - HYDRAULIC COMPONENTS

FIGURE 9-2. CYLINDER GROUP INSTALLATION - 74HP (742)

| ITEM | PART NUMBER | QTY | DESCRIPTION | REV |
|------|-------------|-----|---|-----|
| | 1001226793 | Ref | Cylinder Group Installation - 74HP (742) | C |
| 1 | 1001162076 | 1 | Cylinder, Frame Level (See Separate Breakdown in this Section) | |
| 2 | 1001164036 | 1 | Cylinder, Rear Axle Stabilizer (See Separate Breakdown in this Section) | |
| 3 | 1001184714 | 1 | Cylinder, Tilt (See Separate Breakdown in this Section) | |
| 4 | 1001204381 | NLA | Cylinder, Lift (no longer available, use 1001228096 for replacement) (See Separate Breakdown in this Section) | |
| 4 | 1001228096 | 1 | Cylinder, Lift (See Separate Breakdown in this Section) | |
| 5 | 1001226849 | 1 | Cylinder, Extend/Retract (See Separate Breakdown in this Section) | |
| 6 | 1001226670 | 1 | Cylinder, Compensation (See Separate Breakdown in this Section) | |

SECTION 9 - HYDRAULIC COMPONENTS

FIGURE 9-3. CYLINDER GROUP INSTALLATION (943, 1043) (Prior to SN 0160081535)



ART_100160043-F

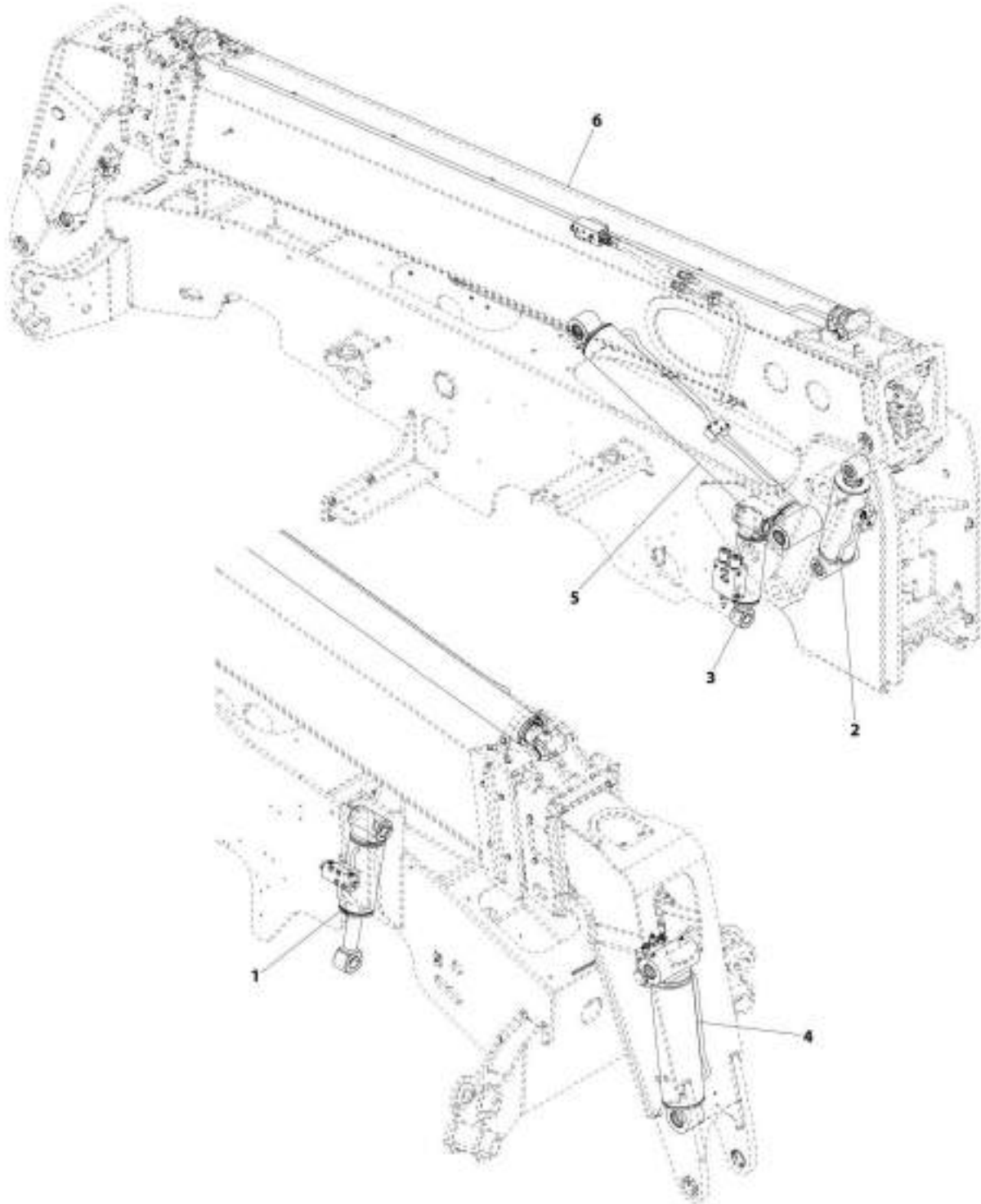
SECTION 9 - HYDRAULIC COMPONENTS

FIGURE 9-3. CYLINDER GROUP INSTALLATION (943, 1043) (Prior to SN 0160081535)

| ITEM | PART NUMBER | QTY | DESCRIPTION | REV |
|------|-------------|-----|---|-----|
| | 1001168840 | Ref | Cylinder Group Installation (943, 1043) | F |
| 1 | 1001162043 | 1 | Cylinder, Lift (See Separate Breakdown in this Section) (Prior to SN 0160074518) | |
| 1 | 1001204380 | NLA | Cylinder, Lift (no longer available, use 1001228095 for replacement) (See Separate Breakdown in this Section) | |
| 1 | 1001228095 | 1 | Cylinder, Lift (See Separate Breakdown in this Section) (SN 0160074518 to Present) | |
| 2 | 1001184640 | 1 | Cylinder, Tilt (943, 1043) (See Separate Breakdown in this Section) | |
| 3 | 1001162600 | 1 | Cylinder, Compensation (943, 1043) (See Separate Breakdown in this Section) | |
| 4 | 1001162076 | 1 | Cylinder, Frame Level (See Separate Breakdown in this Section) | |
| 5 | 1001175262 | 1 | Cylinder, Extend/Retract (943, 1043) (See Separate Breakdown in this Section) | |
| 6 | 1001164036 | 1 | Cylinder, Rear Axle Stabilizer (See Separate Breakdown in this Section) | |

SECTION 9 - HYDRAULIC COMPONENTS

FIGURE 9-4. CYLINDER GROUP INSTALLATION (943, 1043) (SN 0160081535 to Present)



ART_1001227676-0

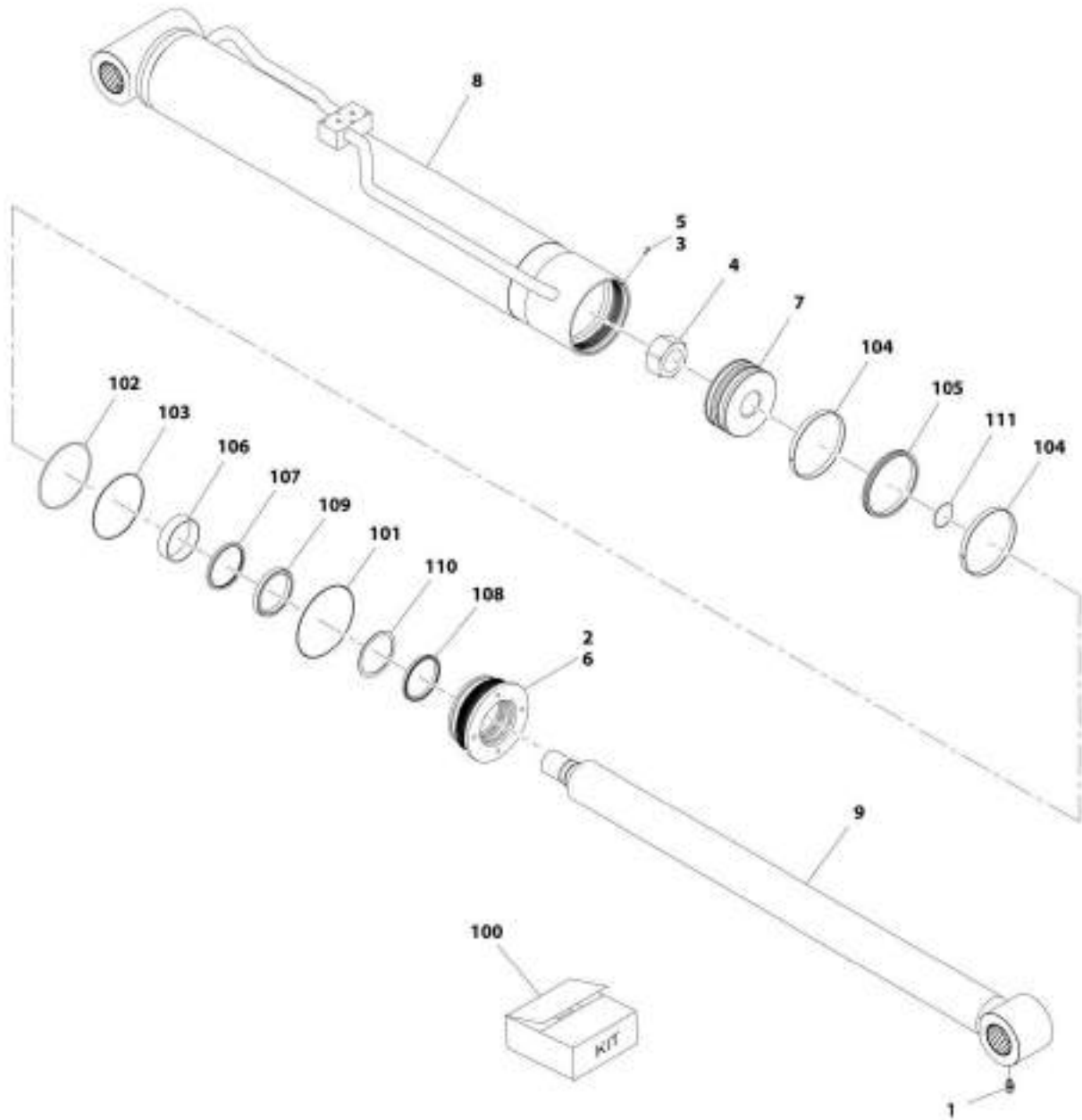
SECTION 9 - HYDRAULIC COMPONENTS

FIGURE 9-4. CYLINDER GROUP INSTALLATION (943, 1043) (SN 0160081535 to Present)

| ITEM | PART NUMBER | QTY | DESCRIPTION | REV |
|------|-------------|-----|---|-----|
| | 1001227676 | Ref | Cylinder Group Installation (943, 1043) | D |
| 1 | 1001162076 | Ref | Cylinder, Frame Level (See Separate Breakdown in this Section) | |
| 2 | 1001162600 | Ref | Cylinder, Compensation (943, 1043) (See Separate Breakdown in this Section) | |
| 3 | 1001164036 | Ref | Cylinder, Rear Axle Stabilizer (See Separate Breakdown in this Section) | |
| 4 | 1001184640 | Ref | Cylinder, Tilt (943, 1043) (See Separate Breakdown in this Section) | |
| 5 | 1001204380 | NLA | Cylinder, Lift (943, 1043) (no longer available, use 1001228095 for replacement) (See Separate Breakdown in this Section) | |
| 5 | 1001228095 | Ref | Cylinder, Lift (943, 1043) See Separate Breakdown in this Section) | |
| 6 | 1001227677 | Ref | Cylinder, Extend/Retract (943, 1043) (See Separate Breakdown in this Section) | |

SECTION 9 - HYDRAULIC COMPONENTS

FIGURE 9-5. LIFT CYLINDER (642, 742)



1001204381-C

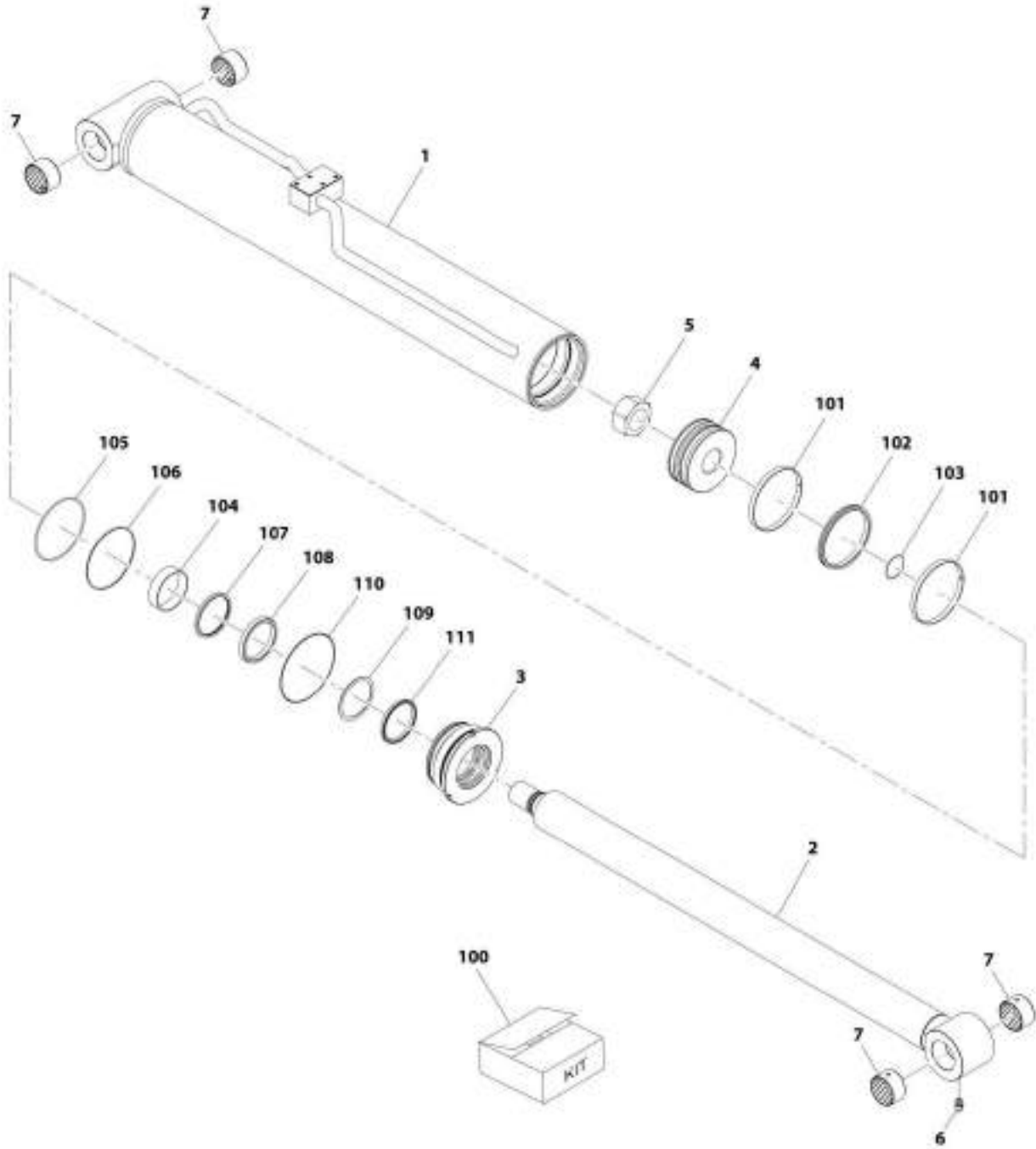
SECTION 9 - HYDRAULIC COMPONENTS

FIGURE 9-5. LIFT CYLINDER (642, 742)

| ITEM | PART NUMBER | QTY | DESCRIPTION | REV |
|------|-------------|-----|---|-----|
| | 1001204381 | NLA | Lift Cylinder (642, 742), (no longer available, use items 1 thru 100 for service or 1001228096 for replacement) | C |
| 1 | 8770215 | 1 | Fitting, 90 | |
| 2 | 3020043 | AR | Lube, Anti-Seize | |
| 3 | 0100011 | AR | Compound, Locking | |
| 4 | 1001122453 | 1 | Nut, Lock | |
| 5 | 1001125137 | 1 | Screw, Self Tapping | |
| 6 | 1001197699 | 1 | Head | |
| 7 | 1001197700 | 1 | Piston | |
| 8 | 1001197695 | 1 | Barrel | |
| 9 | 1001204379 | 1 | Rod | |
| 100 | 1001197918 | 1 | Kit, Seal (includes items 101 thru 111) | |
| 101 | Kit | 1 | O-Ring | |
| 102 | Kit | 1 | O-Ring | |
| 103 | Kit | 1 | Ring, Backup | |
| 104 | Kit | 2 | Ring, Wear | |
| 105 | Kit | 1 | Seal | |
| 106 | Kit | 1 | Ring, Wear | |
| 107 | Kit | 1 | Seal, Buffer | |
| 108 | Kit | 1 | Seal, Wiper | |
| 109 | Kit | 1 | Seal | |
| 110 | Kit | 1 | Ring, Backup | |
| 111 | Kit | 1 | O-Ring | |

SECTION 9 - HYDRAULIC COMPONENTS

FIGURE 9-6. LIFT CYLINDER (642, 742)



ART_1001238096-A

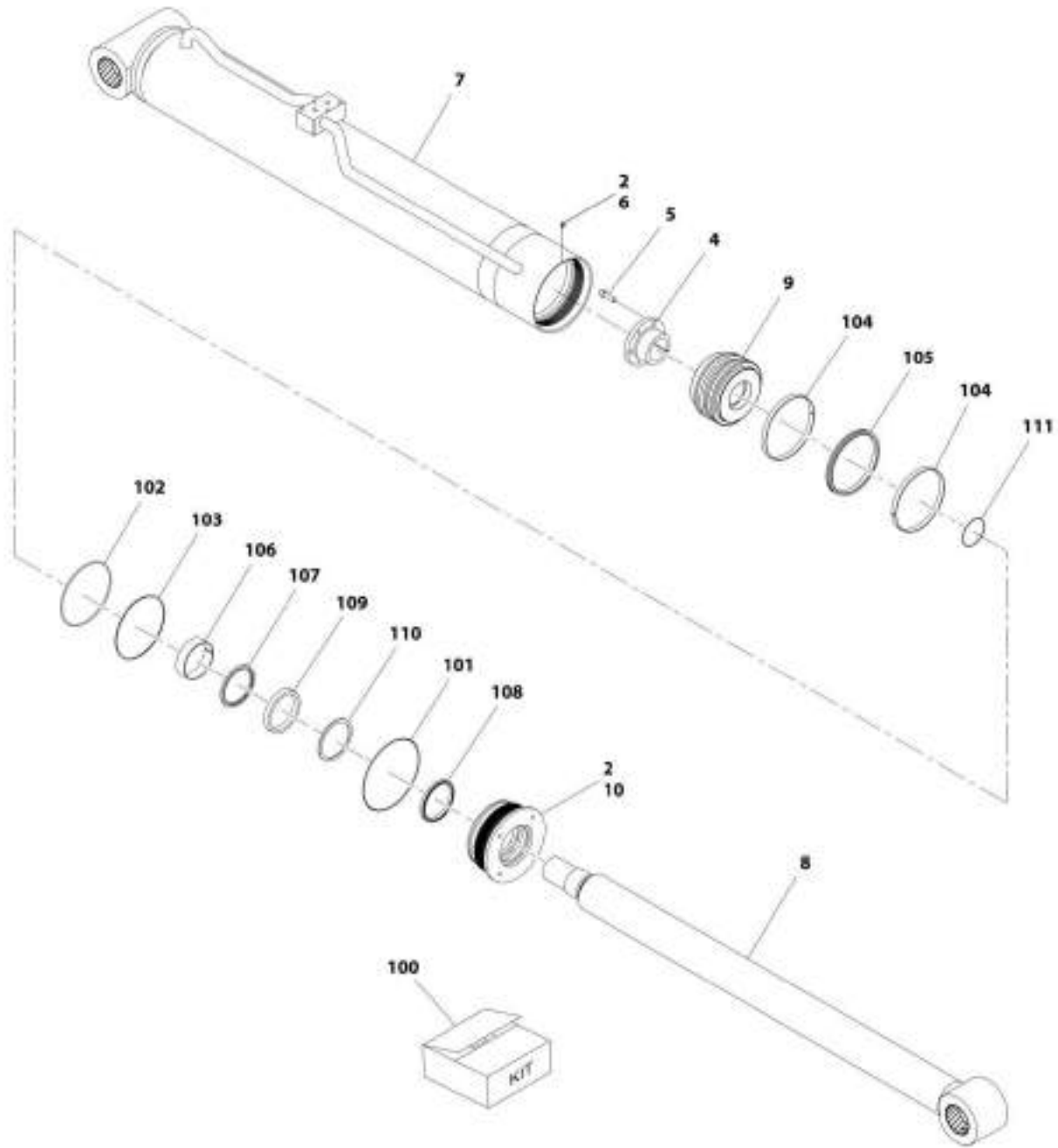
SECTION 9 - HYDRAULIC COMPONENTS

FIGURE 9-6. LIFT CYLINDER (642, 742)

| ITEM | PART NUMBER | QTY | DESCRIPTION | REV |
|------|-------------|-----|---|-----|
| | 1001228096 | Ref | Lift Cylinder | A |
| 1 | N.S.S. | 1 | Barrel | |
| 2 | 70028990 | 1 | Rod | |
| 3 | 70028991 | 1 | Head | |
| 4 | 70028992 | 1 | Piston | |
| 5 | 1001122453 | 1 | Nut, Lock | |
| 6 | 8770215 | 1 | Fitting, 90 | |
| 7 | 1001170138 | 4 | Bush Bearing | |
| 100 | 1001197918 | 1 | Kit, Seal (includes items 101 thru 111) | |
| 101 | Kit | 2 | Bearing | |
| 102 | Kit | 1 | Piston Seal | |
| 103 | Kit | 1 | O-Ring | |
| 104 | Kit | 1 | O-Ring | |
| 105 | Kit | 1 | Ring, Backup | |
| 106 | Kit | 1 | Bearing | |
| 107 | Kit | 1 | Buffer | |
| 108 | Kit | 1 | Rod Seal | |
| 109 | Kit | 1 | Ring, Backup | |
| 110 | Kit | 1 | O-Ring | |
| 111 | Kit | 1 | Wiper | |

SECTION 9 - HYDRAULIC COMPONENTS

FIGURE 9-7. LIFT CYLINDER (943, 1043) (Prior to SN 0160074518)



ART_1001162083-H

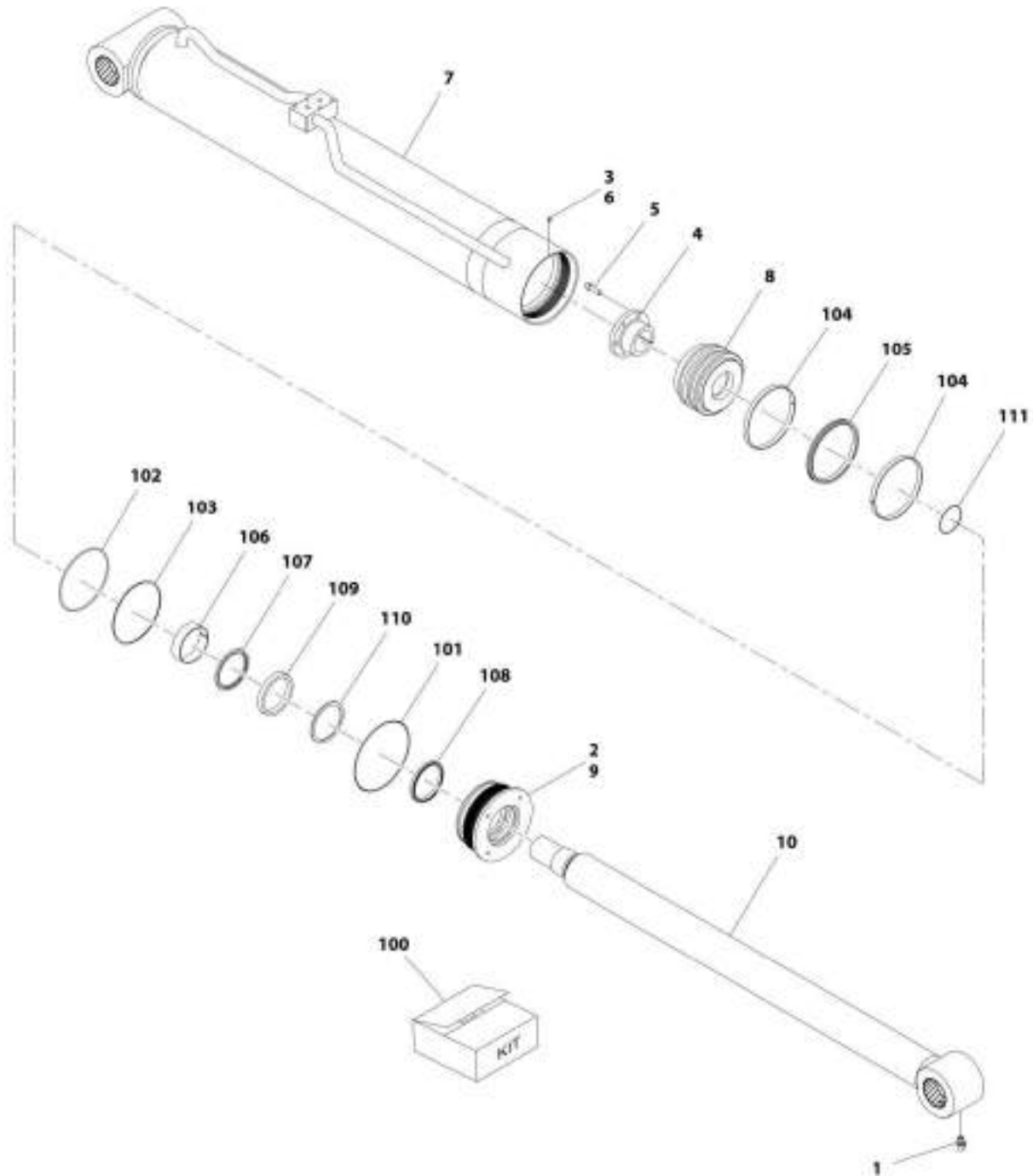
SECTION 9 - HYDRAULIC COMPONENTS

FIGURE 9-7. LIFT CYLINDER (943, 1043) (Prior to SN 0160074518)

| ITEM | PART NUMBER | QTY | DESCRIPTION | REV |
|------|-------------|-----|---|-----|
| | 1001162043 | Ref | Lift Cylinder (943, 1043) | H |
| 2 | 3020043 | AR | Lube, Anti-Seize | |
| 4 | 0961903 | 1 | Bushing, Tapered | |
| 5 | 5272011 | 3 | Bolt, M10X35 | |
| 6 | 1001125137 | 1 | Screw, Self Tapping | |
| 7 | 1001167610 | 1 | Barrel | |
| 8 | 1001167613 | 1 | Rod | |
| 9 | 1001167785 | 1 | Piston | |
| 10 | 1001167788 | 1 | Head | |
| 100 | 1001168661 | 1 | Kit, Seal (includes items 101 thru 111) | |
| 101 | Kit | 1 | O-Ring | |
| 102 | Kit | 1 | O-Ring | |
| 103 | Kit | 1 | Ring, Backup | |
| 104 | Kit | 2 | Ring, Wear | |
| 105 | Kit | 1 | Seal | |
| 106 | Kit | 1 | Ring, Wear | |
| 107 | Kit | 1 | Seal, Buffer | |
| 108 | Kit | 1 | Seal, Wiper | |
| 109 | Kit | 1 | Seal | |
| 110 | Kit | 1 | Ring, Backup | |
| 111 | Kit | 1 | O-Ring | |

SECTION 9 - HYDRAULIC COMPONENTS

FIGURE 9-8. LIFT CYLINDER (943, 1043)



ART_1001294880-C

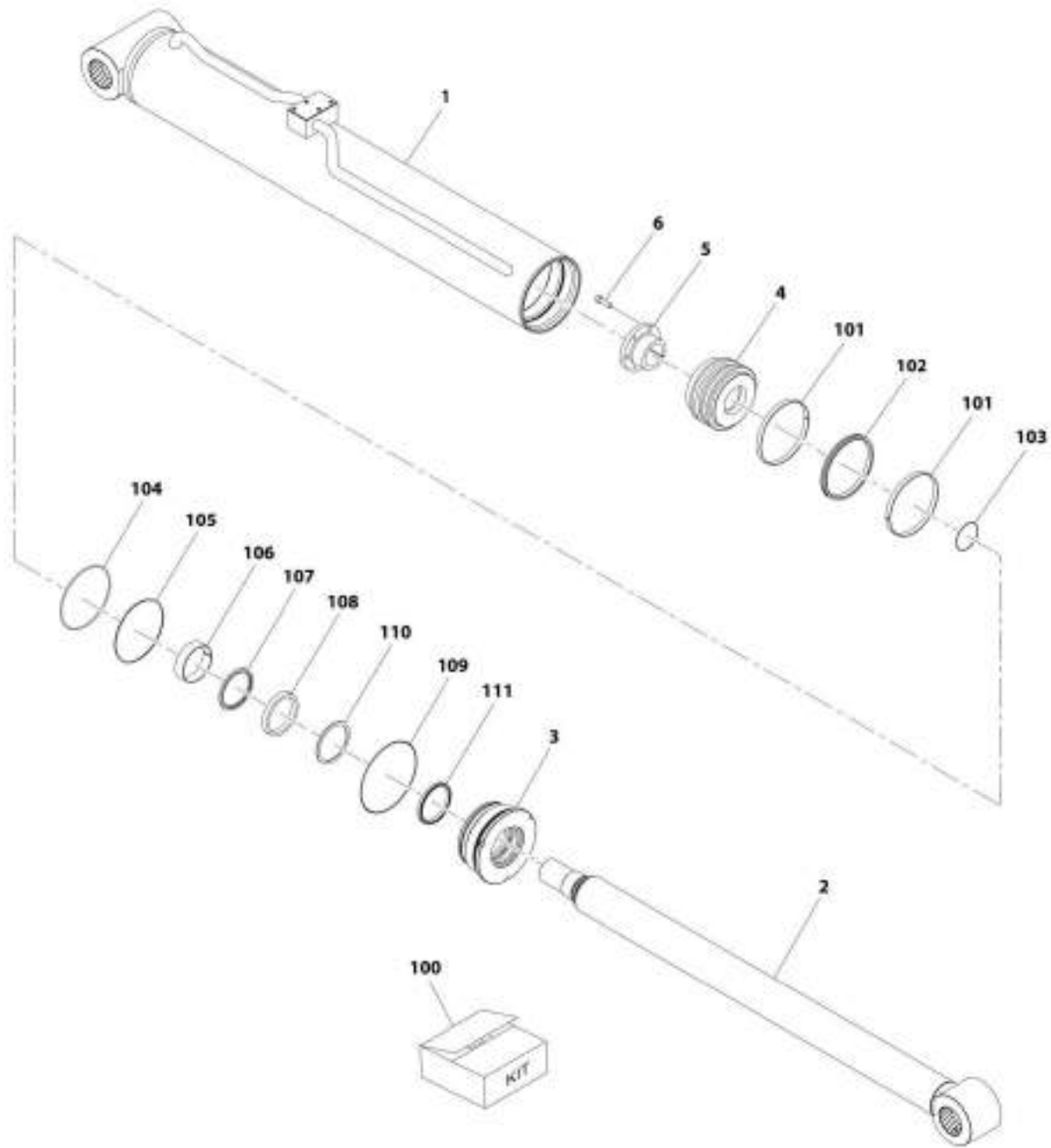
SECTION 9 - HYDRAULIC COMPONENTS

FIGURE 9-8. LIFT CYLINDER (943, 1043)

| ITEM | PART NUMBER | QTY | DESCRIPTION | REV |
|------|-------------|-----|--|-----|
| | 1001204380 | NLA | Lift Cylinder (943, 1043), (no longer available, use items 1 thru 100 for service or 1001228095 for replacement) | C |
| 1 | 8770215 | 1 | Fitting, 90 | |
| 2 | 3020043 | AR | Lube, Anti-Seize | |
| 3 | 0100011 | AR | Compound, Locking | |
| 4 | 0961903 | 1 | Bushing, Tapered | |
| 5 | 5272011 | 3 | Bolt, M10X35 | |
| 6 | 1001125137 | 1 | Screw, Self Tapping | |
| 7 | 1001167610 | 1 | Barrel | |
| 8 | 1001167785 | 1 | Piston | |
| 9 | 1001167788 | 1 | Head | |
| 10 | 1001204378 | 1 | Rod | |
| 100 | 1001168661 | 1 | Kit, Seal (includes items 101 thru 111) | |
| 101 | Kit | 1 | O-Ring | |
| 102 | Kit | 1 | O-Ring | |
| 103 | Kit | 1 | Ring, Backup | |
| 104 | Kit | 2 | Ring, Wear | |
| 105 | Kit | 1 | Seal | |
| 106 | Kit | 1 | Ring, Wear | |
| 107 | Kit | 1 | Seal, Buffer | |
| 108 | Kit | 1 | Seal, Wiper | |
| 109 | Kit | 1 | Seal | |
| 110 | Kit | 1 | Ring, Backup | |
| 111 | Kit | 1 | O-Ring | |

SECTION 9 - HYDRAULIC COMPONENTS

FIGURE 9-9. LIFT CYLINDER (943, 1043) (SN 0160074518 to Present)



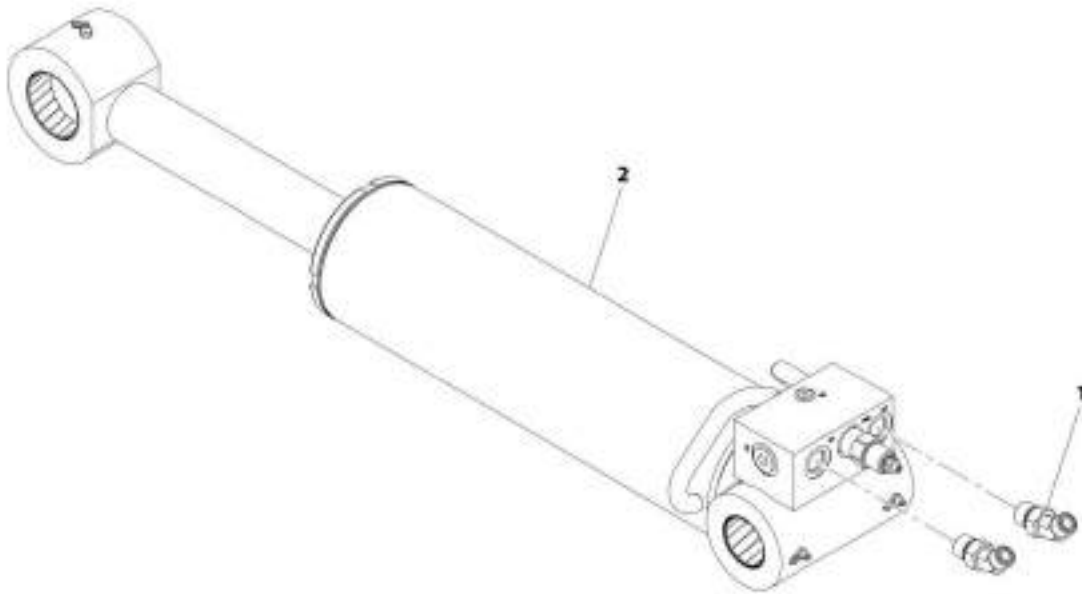
SECTION 9 - HYDRAULIC COMPONENTS

FIGURE 9-9. LIFT CYLINDER (943, 1043) (SN 0160074518 to Present)

| ITEM | PART NUMBER | QTY | DESCRIPTION | REV |
|------|-------------|-----|---|-----|
| | 1001228095 | Ref | Lift Cylinder | A |
| 1 | N.S.S. | 1 | Barrel | |
| 2 | 70028776 | 1 | Rod | |
| 3 | 70028777 | 1 | Rod Guide | |
| 4 | 70028778 | 1 | Piston | |
| 5 | 0961903 | 1 | Bushing, Tapered | |
| 6 | 5272011 | 3 | Bolt, M10X35 | |
| 100 | 1001168661 | 1 | Kit, Seal (includes items 101 thru 111) | |
| 101 | Kit | 2 | Bearing | |
| 102 | Kit | 1 | Piston Seal | |
| 103 | Kit | 1 | O-Ring | |
| 104 | Kit | 1 | O-Ring | |
| 105 | Kit | 1 | Ring, Backup | |
| 106 | Kit | 1 | Bearing | |
| 107 | Kit | 1 | Seal, Buffer | |
| 108 | Kit | 1 | Seal, Rod | |
| 109 | Kit | 1 | O-Ring | |
| 110 | Kit | 1 | Ring, Backup | |
| 111 | Kit | 1 | Wiper | |

SECTION 9 - HYDRAULIC COMPONENTS

FIGURE 9-10. TILT CYLINDER ASSEMBLY (642, 742)



AWT_300184714-E

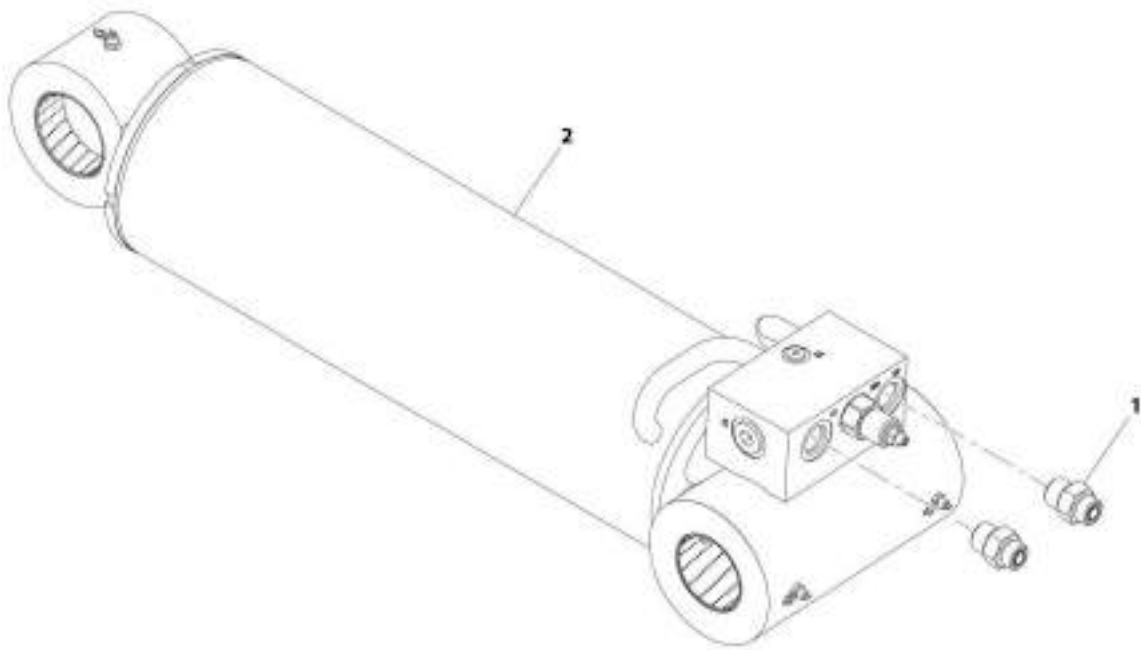
SECTION 9 - HYDRAULIC COMPONENTS

FIGURE 9-10. TILT CYLINDER ASSEMBLY (642, 742)

| ITEM | PART NUMBER | QTY | DESCRIPTION | REV |
|------|-------------|-----|--|-----|
| | 1001184714 | Ref | Tilt Cylinder Assembly (642, 742) | E |
| 1 | 2150810 | 2 | Fitting, 45 ORFS | |
| 2 | 1001197574 | NLA | Tilt Cylinder (no longer available, use 1001228089 for replacement) (See Separate Breakdown in this Section) | |
| 2 | 1001228089 | 1 | Tilt Cylinder (See Separate Breakdown in this Section) | |

SECTION 9 - HYDRAULIC COMPONENTS

FIGURE 9-11. TILT CYLINDER ASSEMBLY (943, 1043)



ART_1001104640.C

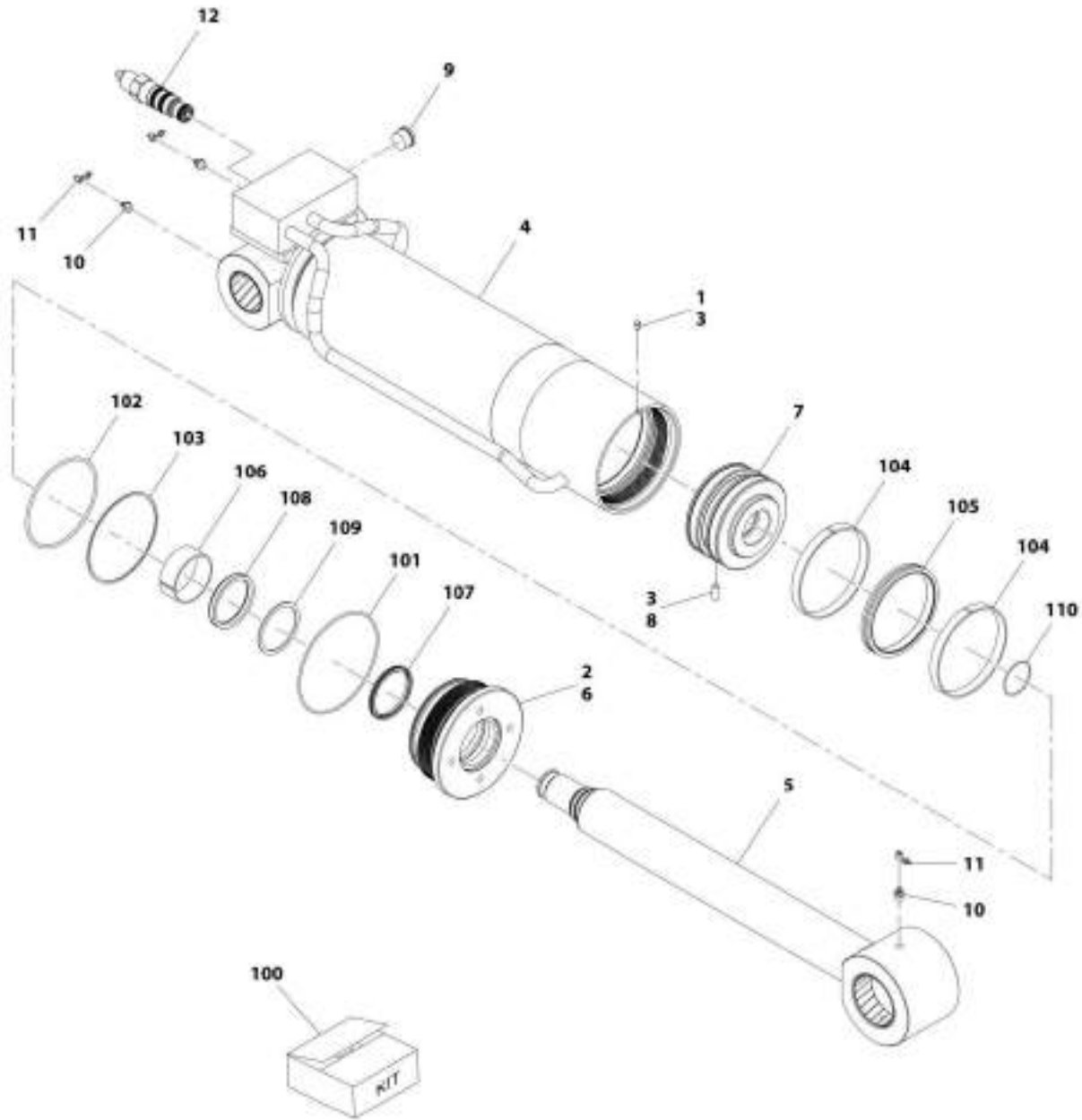
SECTION 9 - HYDRAULIC COMPONENTS

FIGURE 9-11. TILT CYLINDER ASSEMBLY (943, 1043)

| ITEM | PART NUMBER | QTY | DESCRIPTION | REV |
|------|-------------|-----|--|-----|
| | 1001184640 | Ref | Tilt Cylinder Assembly (943, 1043) | C |
| 1 | 2110810 | 2 | Fitting, Straight ORFS | |
| 2 | 1001162599 | Ref | Tilt Cylinder (See TILT CYLINDER (943, 1043) for Breakdown) (Prior to SN 0160085980) | |
| 2 | 1001228073 | Ref | Tilt Cylinder (See TILT CYLINDER (943, 1043) for Breakdown) (SN 0160085980 to Present) | |

SECTION 9 - HYDRAULIC COMPONENTS

FIGURE 9-12. TILT CYLINDER (642, 742)



ART_100110524-C

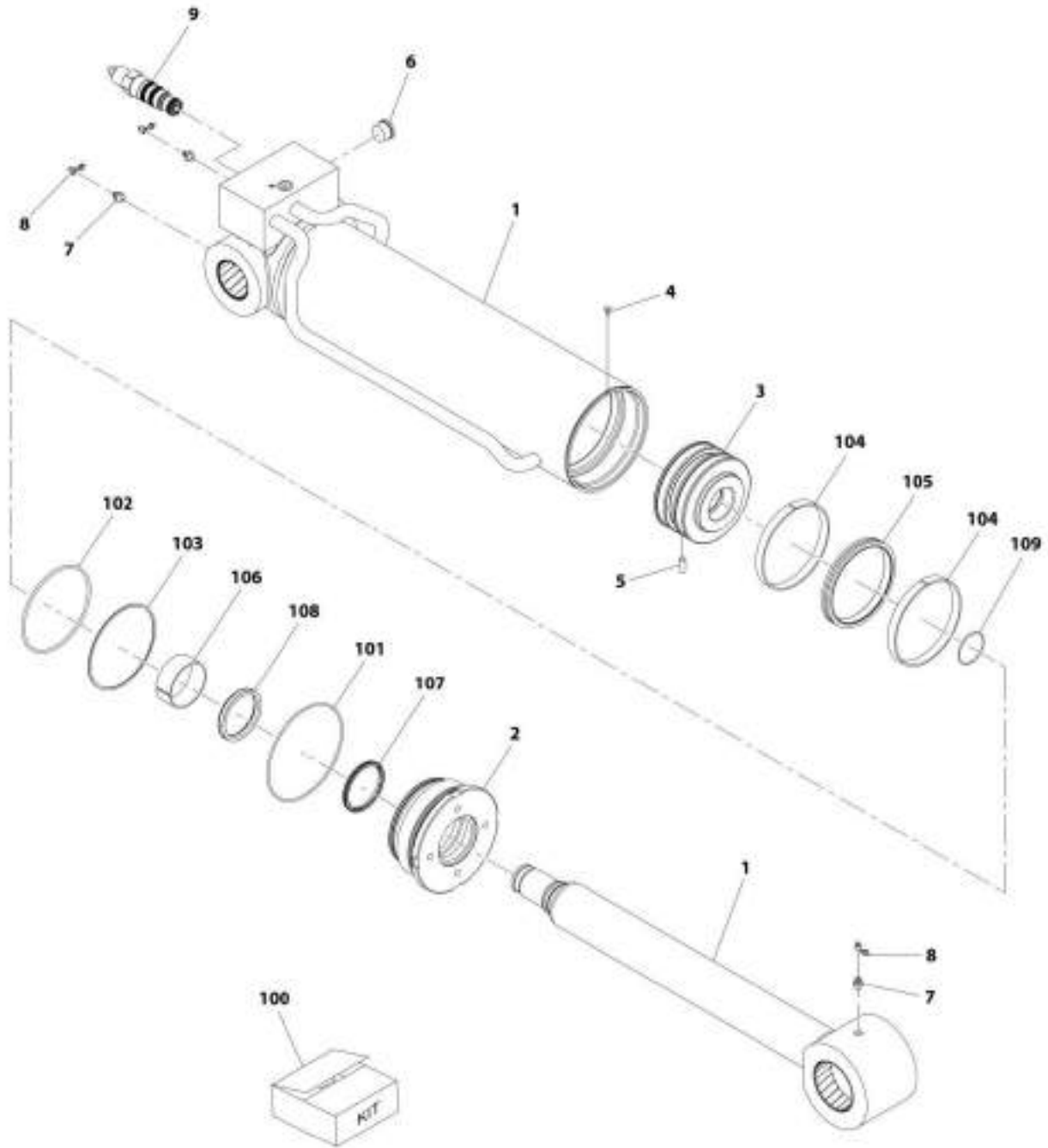
SECTION 9 - HYDRAULIC COMPONENTS

FIGURE 9-12. TILT CYLINDER (642, 742)

| ITEM | PART NUMBER | QTY | DESCRIPTION | REV |
|------|-------------|-----|---|-----|
| | 1001197574 | Ref | Tilt Cylinder (642, 742), (no longer available, use items 1 thru 100 for service or 1001228089 for replacement) | C |
| 1 | 1001125137 | 1 | Screw, Self Tapping | |
| 2 | 3020043 | AR | Lube, Anti-Seize | |
| 3 | 0100011 | AR | Adhesive, Loctite | |
| 4 | 1001197576 | 1 | Barrel | |
| 5 | 1001167727 | 1 | Rod | |
| 6 | 1001197209 | 1 | Cylinder, Head | |
| 7 | 1001197210 | 1 | Cylinder, Piston | |
| 8 | 1001169050 | 1 | Screw, M8X1.25 | |
| 9 | 2220887 | 1 | Plug | |
| 10 | 2160016 | 3 | Fitting, Grease | |
| 11 | 8887145 | 3 | Cap, Grease Fitting | |
| 12 | 1001189888 | 1 | Valve, Counterbalance | |
| 100 | 1001197801 | 1 | Kit, Seal (includes items 101 thru 110) | |
| 101 | Kit | 1 | O-Ring | |
| 102 | Kit | 1 | O-Ring | |
| 103 | Kit | 1 | Ring, Back-Up | |
| 104 | Kit | 2 | Ring, Piston Wear | |
| 105 | Kit | 1 | Seal, Piston Cap | |
| 106 | Kit | 1 | Ring, Wear | |
| 107 | Kit | 1 | Seal, Rod Wiper | |
| 108 | Kit | 1 | Seal, Rod | |
| 109 | Kit | 1 | Ring, Back-Up | |
| 110 | Kit | 1 | O-Ring | |

SECTION 9 - HYDRAULIC COMPONENTS

FIGURE 9-13. TILT CYLINDER (642, 742)



ART_1001228089-A

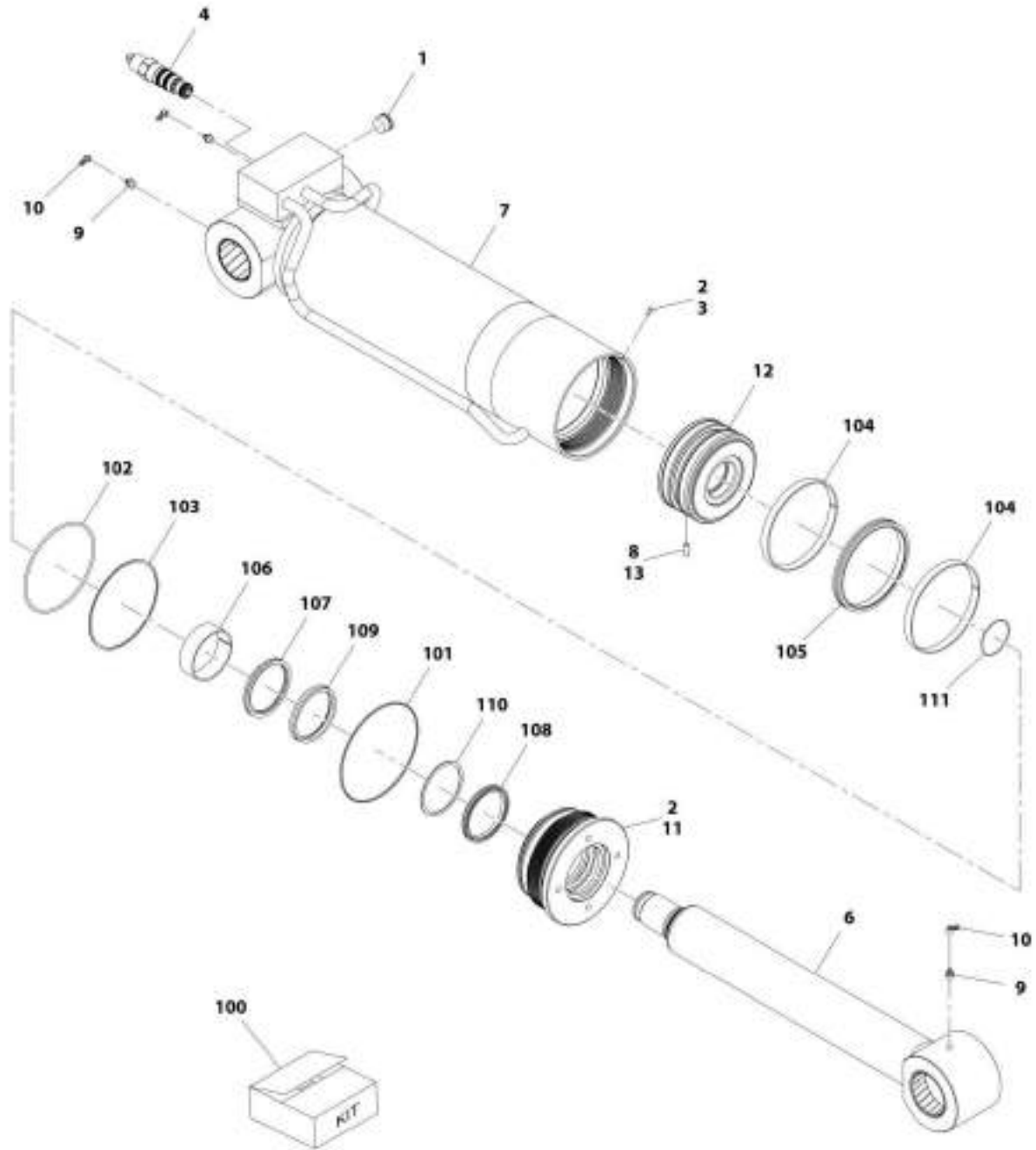
SECTION 9 - HYDRAULIC COMPONENTS

FIGURE 9-13. TILT CYLINDER (642, 742)

| ITEM | PART NUMBER | QTY | DESCRIPTION | REV |
|------|-------------|-----|---|-----|
| | 1001228089 | Ref | Tilt Cylinder | A |
| 1 | 70029042 | 1 | Rod | |
| 2 | 70029043 | 1 | Gland | |
| 3 | 70029044 | 1 | Piston | |
| 4 | 1001125137 | 1 | Screw, Self Tapping | |
| 5 | 1001169050 | 1 | Screw, M8X1.25 | |
| 6 | 2220887 | 1 | Plug | |
| 7 | 2160016 | 3 | Fitting, Grease | |
| 8 | 8887145 | 3 | Cap, Grease Fitting | |
| 9 | 1001189888 | 1 | Valve, Counterbalance | |
| 100 | 1001197801 | 1 | Kit, Seal (includes items 101 thru 109) | |
| 101 | Kit | 1 | O-Ring | |
| 102 | Kit | 1 | O-Ring | |
| 103 | Kit | 1 | Ring, Back-Up | |
| 104 | Kit | 4 | Ring, Piston Wear | |
| 105 | Kit | 1 | Seal, Piston Cap | |
| 106 | Kit | 1 | Ring, Wear | |
| 107 | Kit | 1 | Seal, Rod Wiper | |
| 108 | Kit | 1 | Seal, Rod | |
| 109 | Kit | 1 | O-Ring | |

SECTION 9 - HYDRAULIC COMPONENTS

FIGURE 9-14. TILT CYLINDER (943, 1043) (Prior to SN 0160085980)



ART_003162599-1

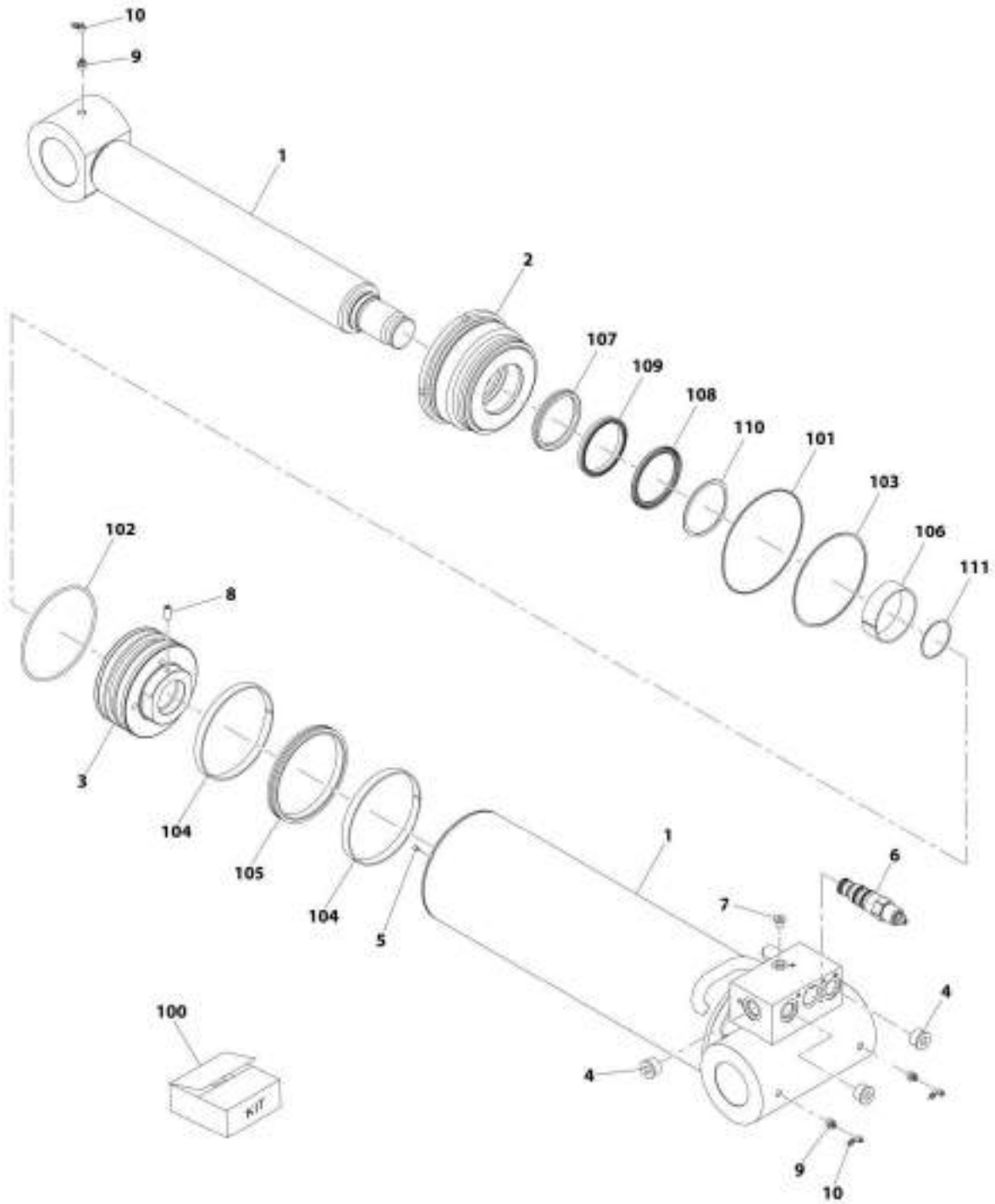
SECTION 9 - HYDRAULIC COMPONENTS

FIGURE 9-14. TILT CYLINDER (943, 1043) (Prior to SN 0160085980)

| ITEM | PART NUMBER | QTY | DESCRIPTION | REV |
|------|-------------|-----|---|-----|
| | 1001162599 | Ref | Tilt Cylinder (943, 1043) | I |
| 1 | 2220887 | 1 | Plug | |
| 2 | 3020043 | AR | Lube, Anti-Seize | |
| 3 | 1001125137 | 1 | Screw, Self Tapping | |
| 4 | 1001189888 | 1 | Valve, Counterbalance | |
| 6 | 1001167929 | 1 | Rod | |
| 7 | 1001167931 | 1 | Barrel | |
| 8 | 1001169050 | 1 | Screw, M8X1.25 | |
| 9 | 2160016 | 3 | Fitting, Grease | |
| 10 | 8887145 | 3 | Cap, Grease Fitting | |
| 11 | 1001169071 | 1 | Cylinder, Head | |
| 12 | 1001169072 | 1 | Cylinder, Piston | |
| 13 | 0100035 | AR | Adhesive, Loctite | |
| 100 | 1001168666 | 1 | Kit, Seal (includes items 101 thru 111) | |
| 101 | Kit | 1 | O-Ring | |
| 102 | Kit | 1 | O-Ring | |
| 103 | Kit | 1 | Ring, Back-Up | |
| 104 | Kit | 2 | Ring, Piston Wear | |
| 105 | Kit | 1 | Seal, Piston Cap | |
| 106 | Kit | 1 | Seal, Wear Rod | |
| 107 | Kit | 1 | Seal, Rod Buffer | |
| 108 | Kit | 1 | Seal, Rod Wiper | |
| 109 | Kit | 1 | Seal, Rod Type B | |
| 110 | Kit | 1 | Ring, Back-Up | |
| 111 | Kit | 1 | O-Ring | |

SECTION 9 - HYDRAULIC COMPONENTS

FIGURE 9-15. TILT CYLINDER (943, 1043) (SN 0160085980 to Present)



MHT_9901228073-A

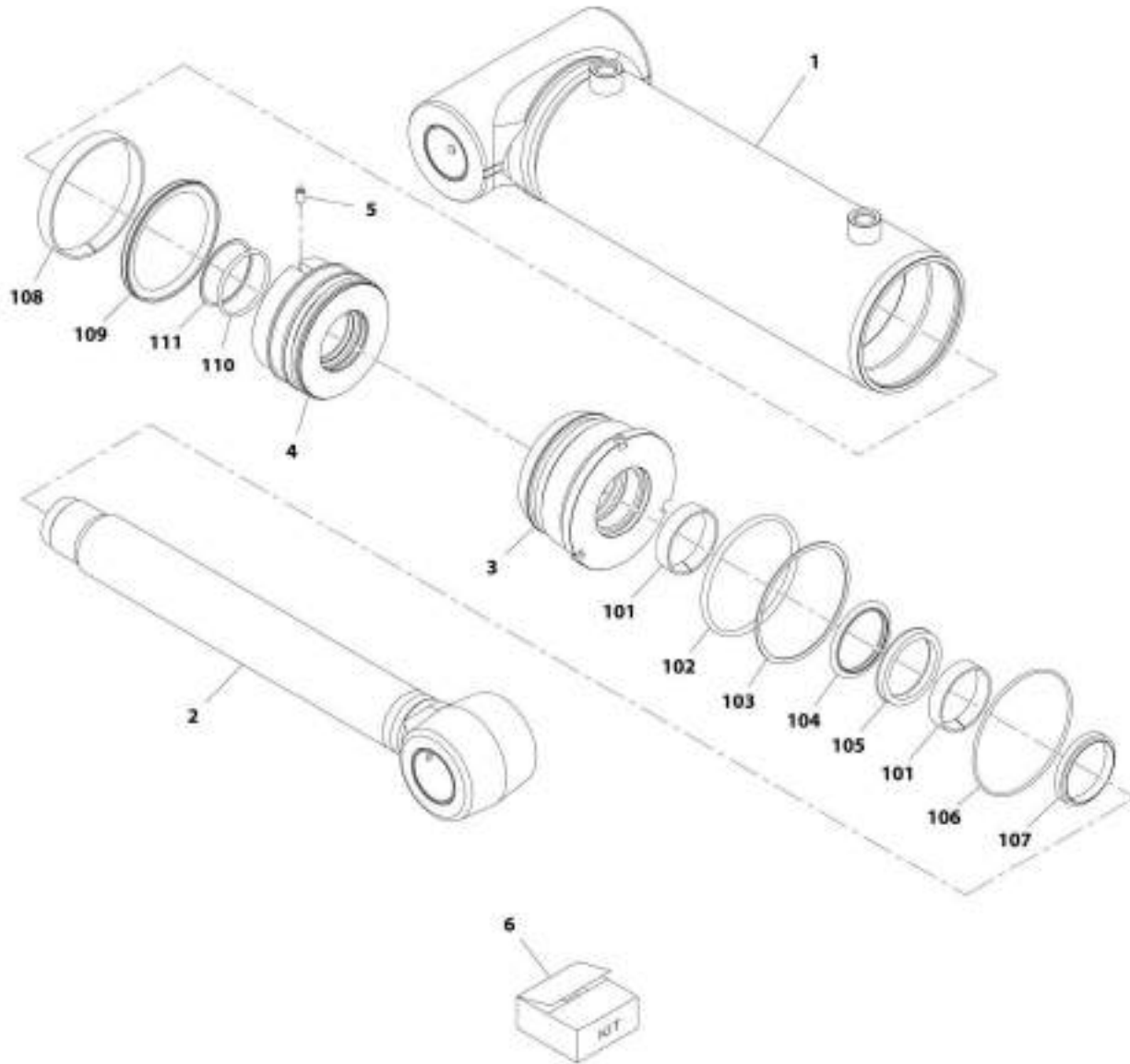
SECTION 9 - HYDRAULIC COMPONENTS

FIGURE 9-15. TILT CYLINDER (943, 1043) (SN 0160085980 to Present)

| ITEM | PART NUMBER | QTY | DESCRIPTION | REV |
|------|-------------|-----|---------------------------|-----|
| | 1001228073 | Ref | Tilt Cylinder (943, 1043) | A |

SECTION 9 - HYDRAULIC COMPONENTS

FIGURE 9-16. COMPENSATION CYLINDER (642, 742)



AWT_1001167991-B

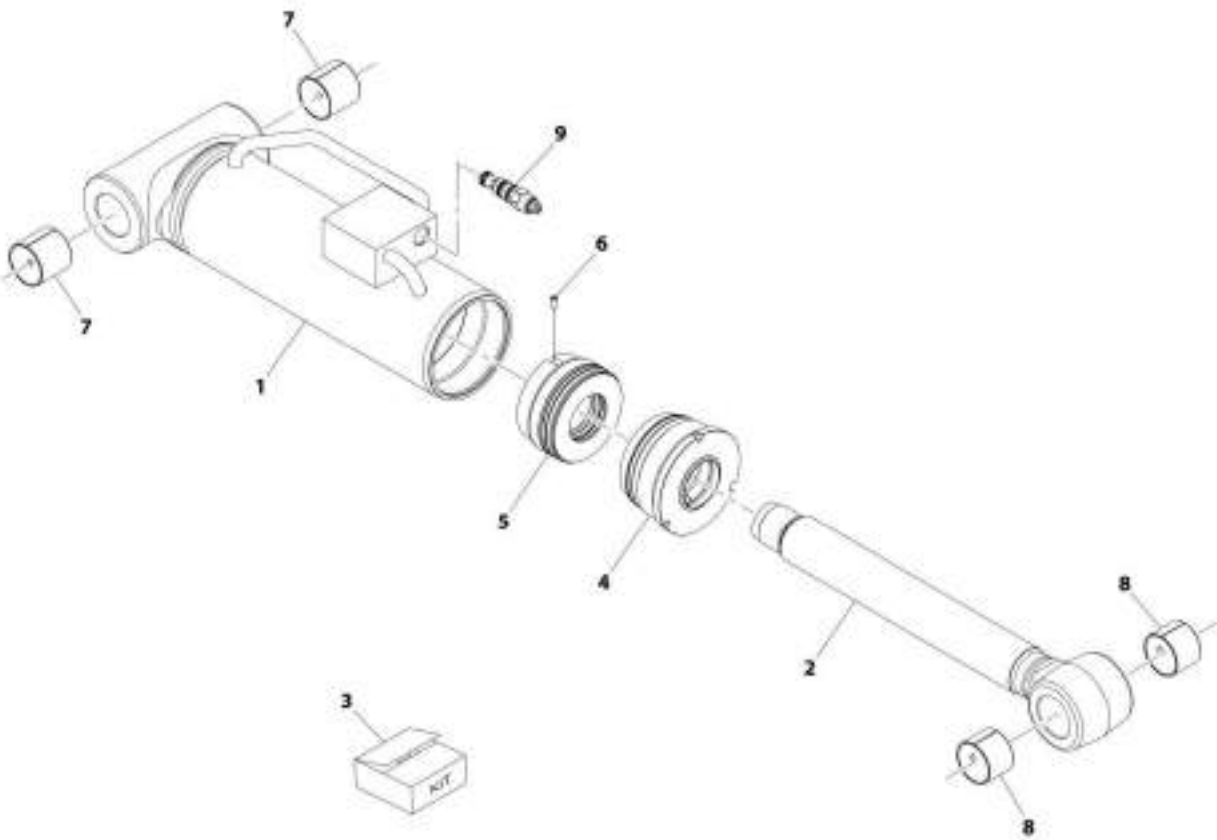
SECTION 9 - HYDRAULIC COMPONENTS

FIGURE 9-16. COMPENSATION CYLINDER (642, 742)

| ITEM | PART NUMBER | QTY | DESCRIPTION | REV |
|------|-------------|-----|---|-----|
| | 1001197491 | Ref | Compensation Cylinder (642, 742) | B |
| 1 | 70026636 | 1 | Body, Assembled | |
| 2 | 70026436 | 1 | Rod | |
| 3 | 70026637 | 1 | Guide, Rod | |
| 4 | 70026638 | 1 | Piston | |
| 5 | 70020438 | 1 | Screw, Piston Locking | |
| 6 | 70026639 | 1 | Kit, Seal (includes items 101 thru 111) | |
| 101 | Kit | 1 | Bearing | |
| 102 | Kit | 2 | O-Ring | |
| 103 | Kit | 1 | Ring, Backup | |
| 104 | Kit | 1 | Buffer | |
| 105 | Kit | 1 | Buffer | |
| 106 | Kit | 1 | O-Ring | |
| 107 | Kit | 1 | Wiper | |
| 108 | Kit | 1 | Bearing | |
| 109 | Kit | 1 | Seal, Piston | |
| 110 | Kit | 1 | O-Ring | |
| 111 | Kit | 2 | Ring, Backup | |

SECTION 9 - HYDRAULIC COMPONENTS

FIGURE 9-17. COMPENSATION CYLINDER (742)



ART_1001226670-A

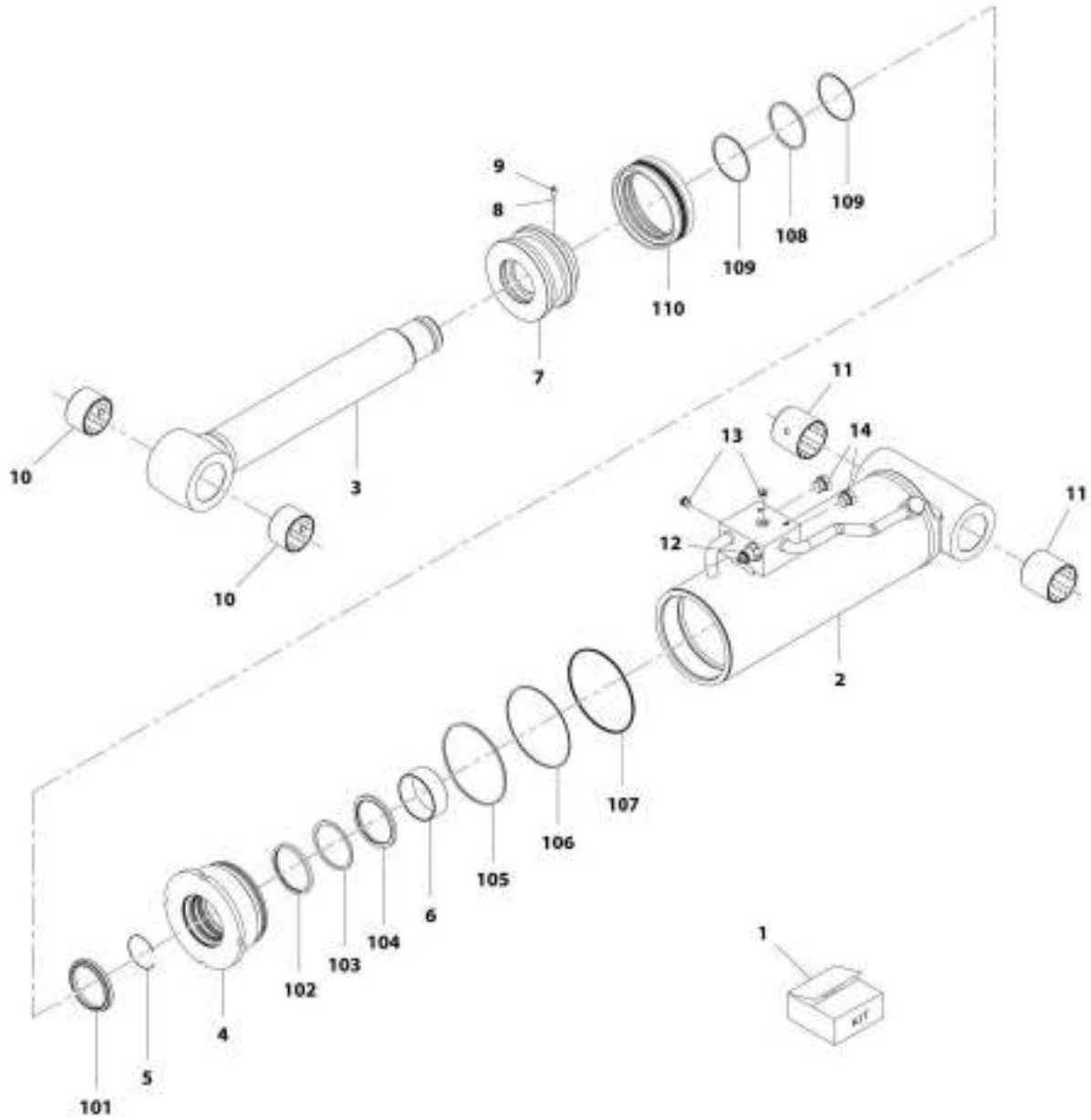
SECTION 9 - HYDRAULIC COMPONENTS

FIGURE 9-17. COMPENSATION CYLINDER (742)

| ITEM | PART NUMBER | QTY | DESCRIPTION | REV |
|------|-------------|-----|-----------------------------|-----|
| | 1001226670 | Ref | Compensation Cylinder (742) | A |
| 1 | N.S.S. | 1 | Barrel Assembly | |
| 2 | 70028643 | 1 | Rod Assembly | |
| 3 | 70026639 | 1 | Seal Kit | |
| 4 | 70026637 | 1 | Rod Guide | |
| 5 | 70026638 | 1 | Piston Assembly | |
| 6 | 70020438 | 1 | Screw | |
| 7 | 70028644 | 2 | Bearing | |
| 8 | 70028645 | 2 | Bearing | |
| 9 | 70028646 | 1 | Valve, Counterbalance | |

SECTION 9 - HYDRAULIC COMPONENTS

FIGURE 9-18. COMPENSATION CYLINDER (943, 1043)



ART_1001182800-F

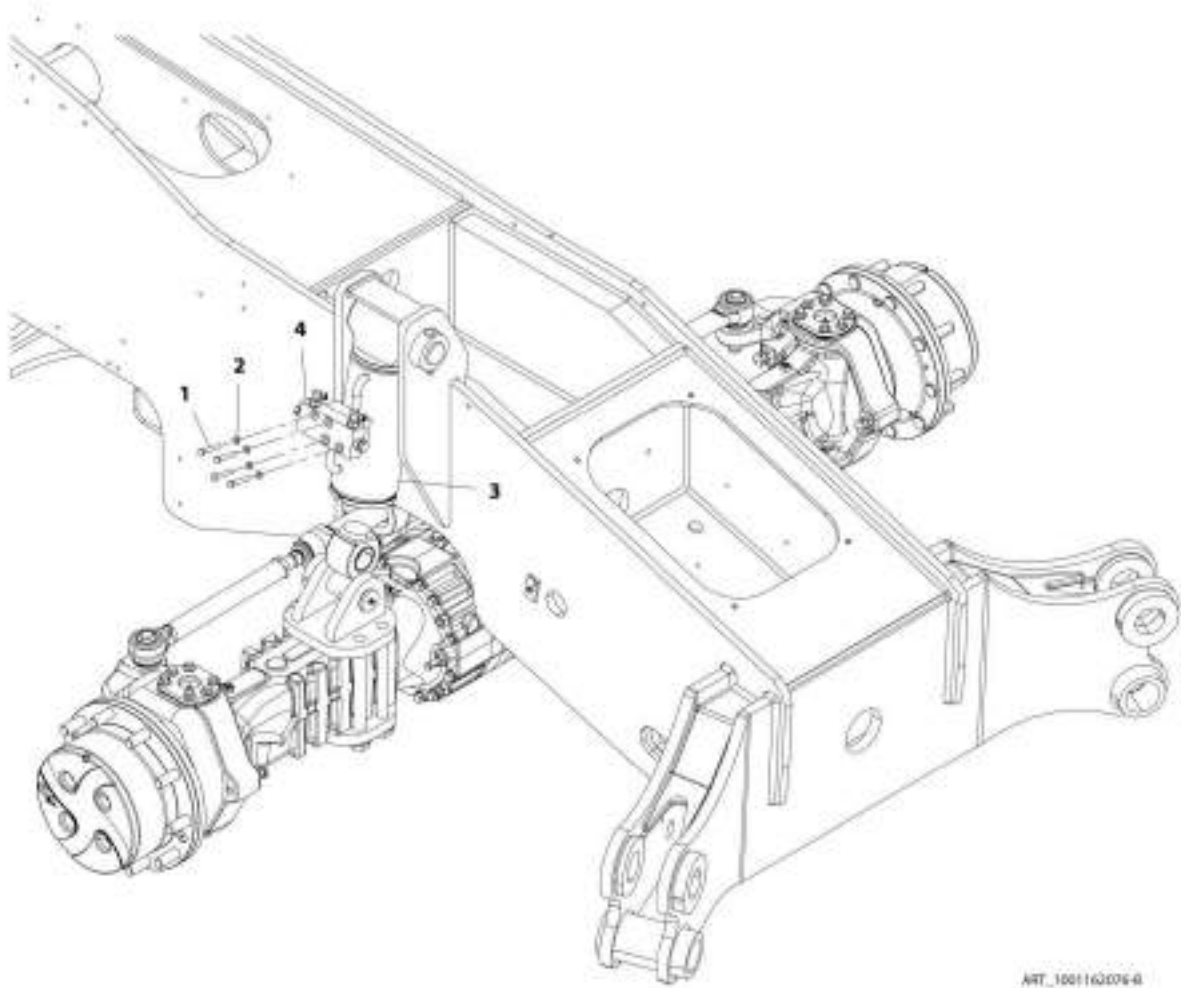
SECTION 9 - HYDRAULIC COMPONENTS

FIGURE 9-18. COMPENSATION CYLINDER (943, 1043)

| ITEM | PART NUMBER | QTY | DESCRIPTION | REV |
|------|-------------|-----|---|-----|
| | 1001162600 | Ref | Compensation Cylinder (943, 1043) | F |
| 1 | 70026550 | 1 | Kit, Seal (includes items 101 thru 110) | |
| 2 | 70026540 | 1 | Barrel | |
| 3 | 70026541 | 1 | Gland | |
| 4 | 70026542 | 1 | Ring, Retaining | |
| 5 | 70023379 | 1 | Ring, Retaining | |
| 6 | 70026302 | 1 | Bearing, Dry | |
| 7 | 70026303 | 1 | Piston | |
| 8 | 70022564 | 1 | Ball, Steel | |
| 9 | 70023369 | 1 | Screw, Set | |
| 10 | 70026543 | 2 | Bearing, Dry | |
| 11 | 70026545 | 2 | Bearing, Dry | |
| 12 | 70026336 | 1 | Valve, Counterbalance | |
| 13 | 70023370 | 2 | Plug, Socket | |
| 14 | 70023372 | 2 | Plug, Hex | |
| 101 | Kit | 1 | Wiper, Dust | |
| 102 | Kit | 1 | Seal, Rod | |
| 103 | Kit | 1 | Ring, Backup | |
| 104 | Kit | 1 | Ring, Buffer | |
| 105 | Kit | 1 | O-Ring | |
| 106 | Kit | 1 | Ring, Backup | |
| 107 | Kit | 1 | O-Ring | |
| 108 | Kit | 1 | O-Ring | |
| 109 | Kit | 2 | Ring, Backup | |
| 110 | Kit | 1 | Seal, Piston | |

SECTION 9 - HYDRAULIC COMPONENTS

FIGURE 9-19. FRAME LEVEL CYLINDER INSTALLATION



ART_1001162076-B

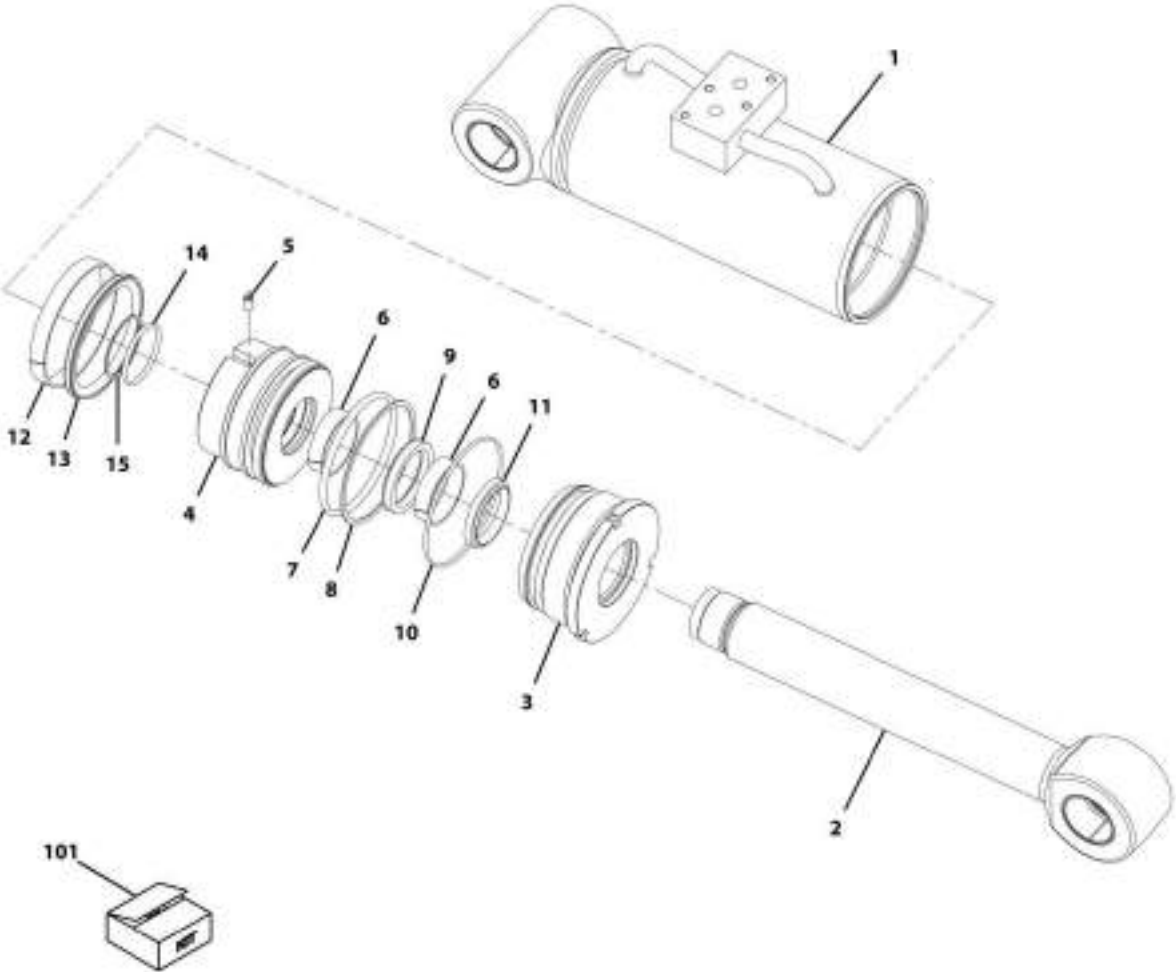
SECTION 9 - HYDRAULIC COMPONENTS

FIGURE 9-19. FRAME LEVEL CYLINDER INSTALLATION

| ITEM | PART NUMBER | QTY | DESCRIPTION | REV |
|------|-------------|-----|--|-----|
| | 1001162076 | Ref | Frame Level Cylinder Installation | B |
| 1 | 0700818 | 4 | Bolt, M8X50 | |
| 2 | 4811900 | 4 | Washer, M8 | |
| 3 | 1001179369 | 1 | Cylinder, Frame Stability (See FRAME LEVEL CYLINDER for Breakdown) | |
| 4 | 1001168599 | 1 | Valve, Counterbalance | |

SECTION 9 - HYDRAULIC COMPONENTS

FIGURE 9-20. FRAME LEVEL CYLINDER



ART_1901179369-A

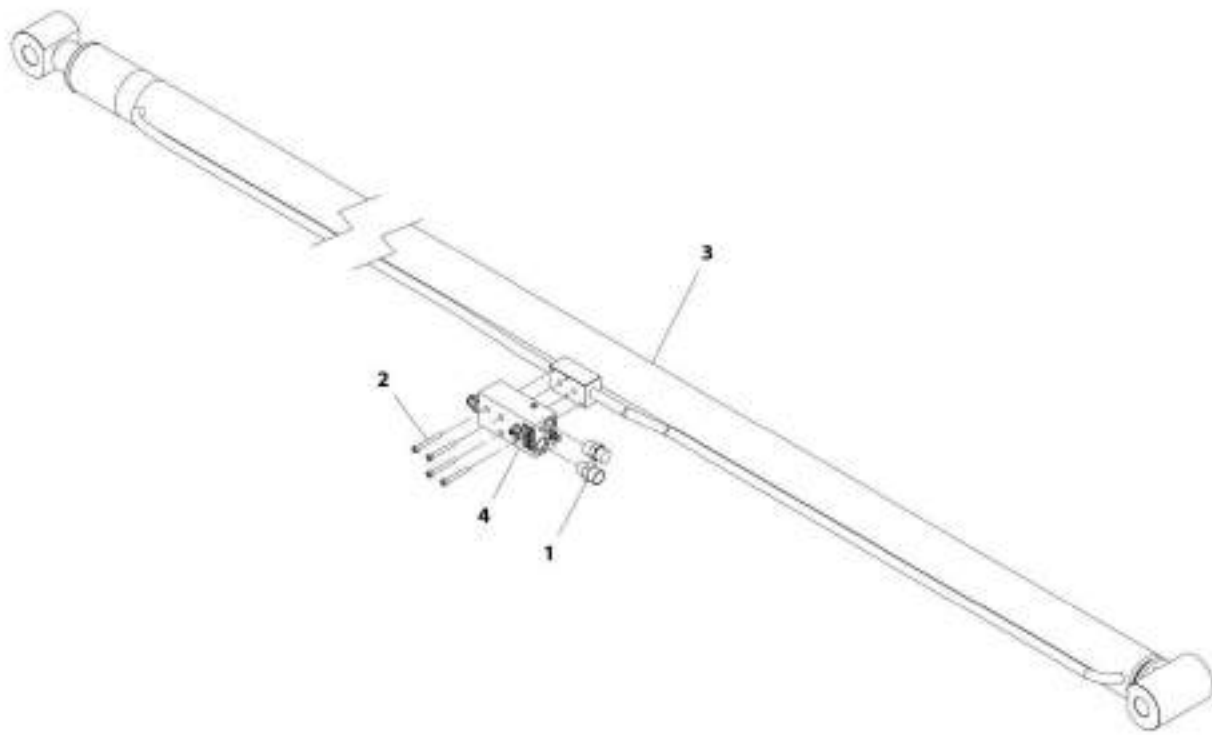
SECTION 9 - HYDRAULIC COMPONENTS

FIGURE 9-20. FRAME LEVEL CYLINDER

| ITEM | PART NUMBER | QTY | DESCRIPTION | REV |
|------|-------------|-----|--------------------------------------|-----|
| | 1001179369 | Ref | Frame Level Cylinder | A |
| 1 | 70026435 | 1 | Barrel | |
| 2 | 70026436 | 1 | Rod | |
| 3 | 70026249 | 1 | Guide, Rod | |
| 4 | 70026251 | 1 | Piston | |
| 5 | 70020438 | 1 | Screw | |
| 6 | Kit | 2 | Bearing | |
| 7 | Kit | 1 | O-Ring | |
| 8 | Kit | 1 | Ring, Backup | |
| 9 | Kit | 1 | Seal, Rod | |
| 10 | Kit | 1 | O-Ring | |
| 11 | Kit | 1 | Wiper | |
| 12 | Kit | 1 | Bearing | |
| 13 | Kit | 1 | Seal, Piston | |
| 14 | Kit | 1 | O-Ring | |
| 15 | Kit | 2 | Ring, Backup | |
| 101 | 70026253 | 1 | Kit, Seal (includes items 6 thru 15) | |

SECTION 9 - HYDRAULIC COMPONENTS

FIGURE 9-21. EXTEND/RETRACT CYLINDER ASSEMBLY (642) (Prior to SN 0160080899)



MTT_901175263-C

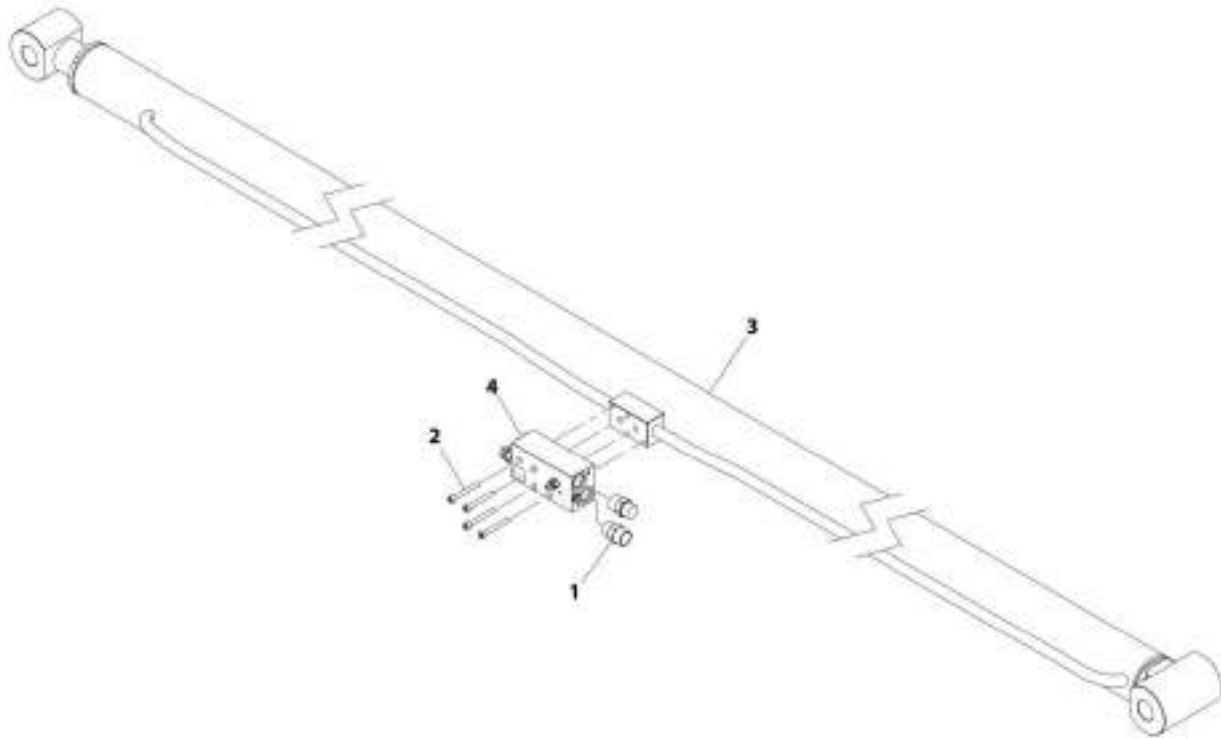
SECTION 9 - HYDRAULIC COMPONENTS

FIGURE 9-21. EXTEND/RETRACT CYLINDER ASSEMBLY (642) (Prior to SN 0160080899)

| ITEM | PART NUMBER | QTY | DESCRIPTION | REV |
|------|-------------|-----|--|-----|
| | 1001175263 | Ref | Extend/Retract Cylinder Assembly (642) | C |
| 1 | 2111212 | 2 | Fitting, Straight ORFS | |
| 2 | 4031917 | 4 | Bolt, M8X65 | |
| 3 | 1001162686 | 1 | Extend/Retract Cylinder, (See EXTEND/RETRACT CYLINDER (642) for Breakdown) | |
| 4 | 1001168598 | 1 | Valve, Counterbalance | |

SECTION 9 - HYDRAULIC COMPONENTS

FIGURE 9-22. EXTEND/RETRACT CYLINDER ASSEMBLY (642, 742) (SN 0160080899 to Present)



AWT_1001210377-C

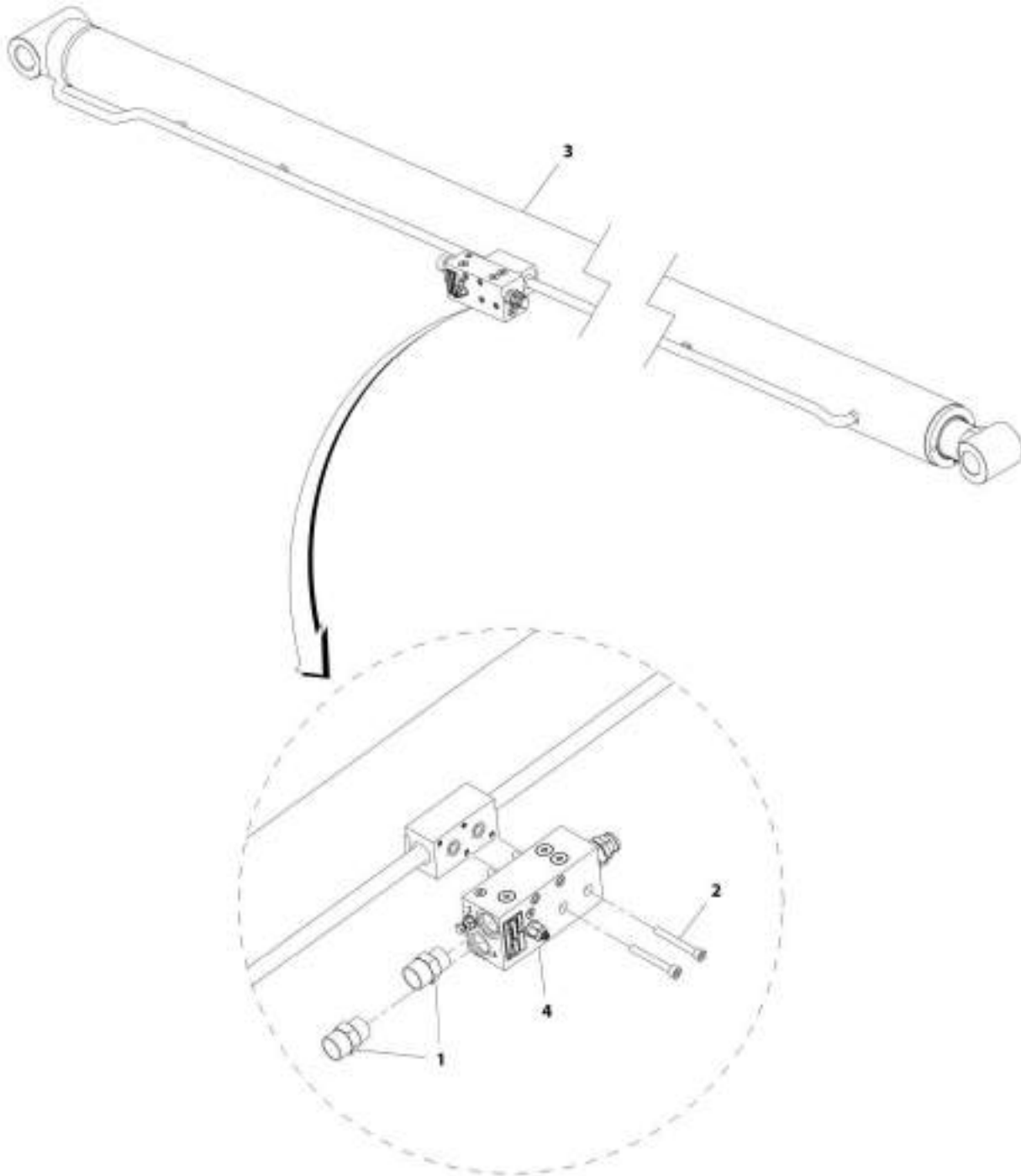
SECTION 9 - HYDRAULIC COMPONENTS

FIGURE 9-22. EXTEND/RETRACT CYLINDER ASSEMBLY (642, 742) (SN 0160080899 to Present)

| ITEM | PART NUMBER | QTY | DESCRIPTION | REV |
|------|-------------|-----|---|-----|
| | 1001218577 | Ref | Extend/Retract Cylinder Assembly (642, 742) | C |
| 1 | 2111212 | 2 | Fitting, Straight ORFS | |
| 2 | 4031917 | 4 | Bolt, M8X65 | |
| 3 | 1001162686 | 1 | Extend/Retract Cylinder (See Separate Breakdown in this Section) (Prior to SN 0160084897) | |
| 3 | 1001228074 | 1 | Extend/Retract Cylinder (See Separate Breakdown in this Section) (SN 0160084897 to Present) | |
| 4 | 1001216522 | 1 | Valve, Counterbalance (Prior to SN 0160084897) | |
| 4 | 1001231065 | 1 | Valve, Counterbalance (includes 2 O-Ring) (SN 0160084897 to Present) | |

SECTION 9 - HYDRAULIC COMPONENTS

FIGURE 9-23. EXTEND/RETRACT CYLINDER ASSEMBLY (943, 1043) (Prior to SN 0160081535)



ART_1001173263-C

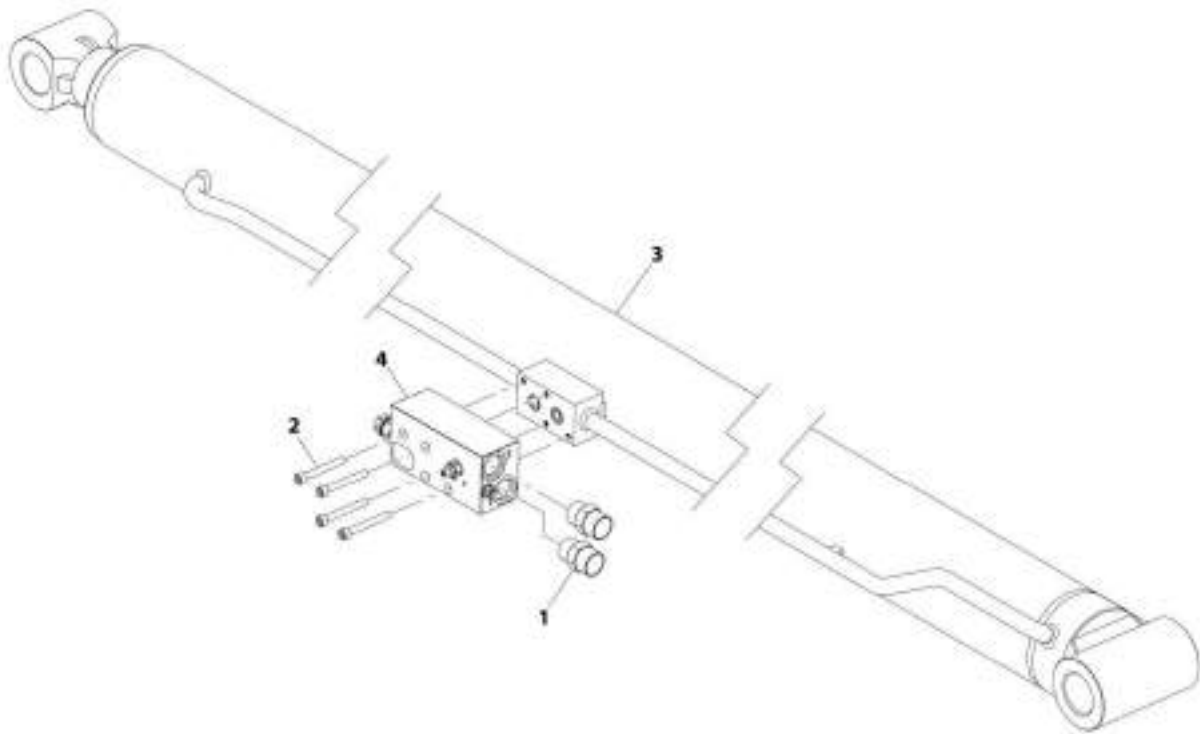
SECTION 9 - HYDRAULIC COMPONENTS

FIGURE 9-23. EXTEND/RETRACT CYLINDER ASSEMBLY (943, 1043) (Prior to SN 0160081535)

| ITEM | PART NUMBER | QTY | DESCRIPTION | REV |
|------|-------------|-----|--|-----|
| | 1001175262 | Ref | Extend/Retract Cylinder Assembly (943, 1043) | C |
| 1 | 2111212 | 2 | Fitting, Straight ORFS | |
| 2 | 4031917 | 4 | Bolt, M8X65 | |
| 3 | 1001162685 | 1 | Extend/Retract Cylinder, (See EXTEND/RETRACT CYLINDER (943, 1043) for Breakdown) | |
| 4 | 1001168598 | 1 | Valve, Counterbalance | |

SECTION 9 - HYDRAULIC COMPONENTS

FIGURE 9-24. EXTEND/RETRACT CYLINDER ASSEMBLY (943, 1043) (SN 0160081535 to Present)



ARC_1001227677-A

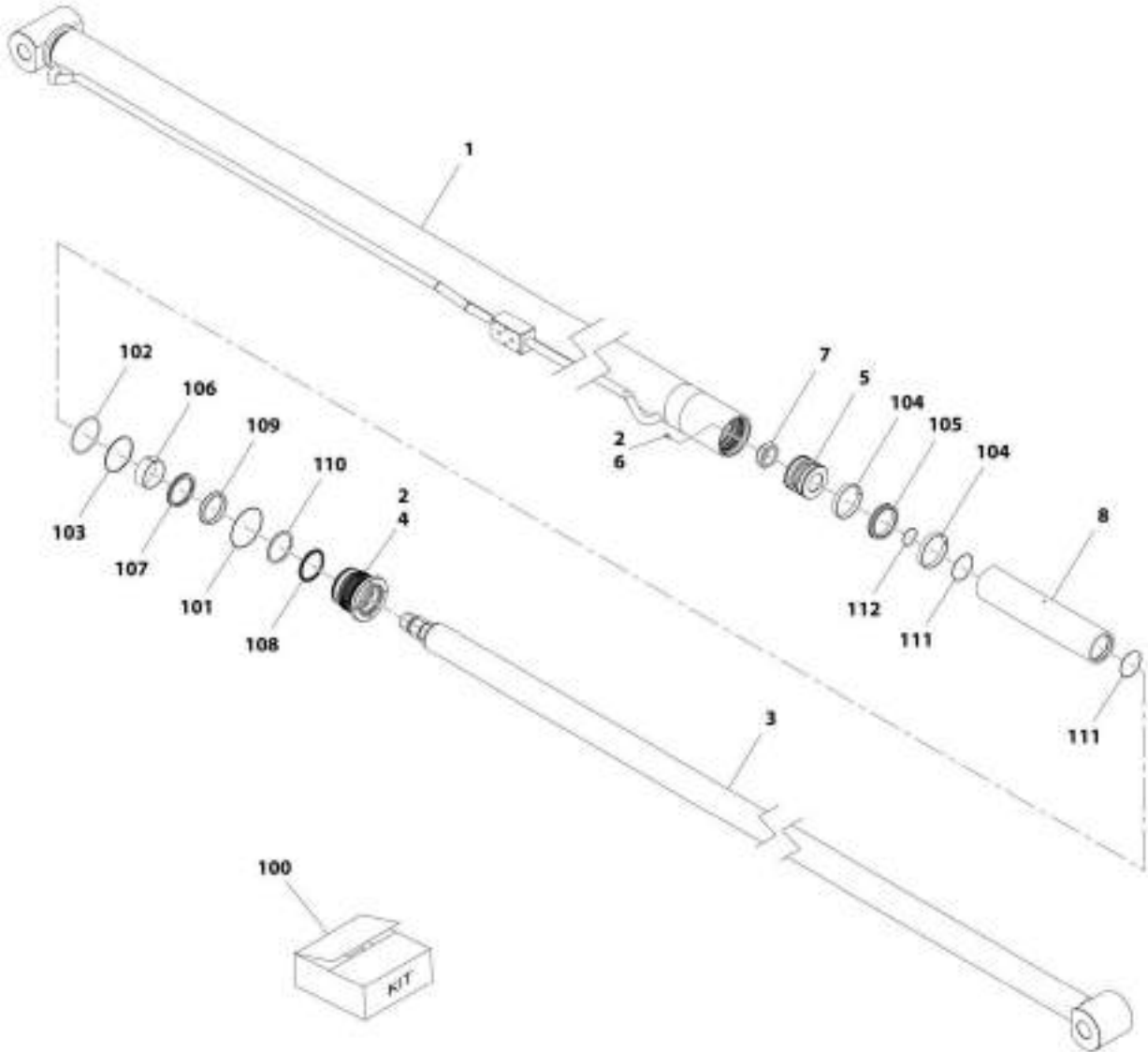
SECTION 9 - HYDRAULIC COMPONENTS

FIGURE 9-24. EXTEND/RETRACT CYLINDER ASSEMBLY (943, 1043) (SN 0160081535 to Present)

| ITEM | PART NUMBER | QTY | DESCRIPTION | REV |
|------|-------------|-----|---|-----|
| | 1001227677 | Ref | Extend/Retract Cylinder Assembly (943, 1043) | A |
| 1 | 2111212 | 2 | Fitting, Straight ORFS | |
| 2 | 4031917 | 4 | Bolt, M8X65 | |
| 3 | 1001162685 | 1 | Extend/Retract Cylinder, (See Separate Breakdown in this Section) | |
| 4 | 1001226876 | 1 | Valve, Counterbalance, (includes 2 O-Ring) | |

SECTION 9 - HYDRAULIC COMPONENTS

FIGURE 9-25. EXTEND/RETRACT CYLINDER (642, 742) (Prior to SN 0160084897)



ART_1001322886-1

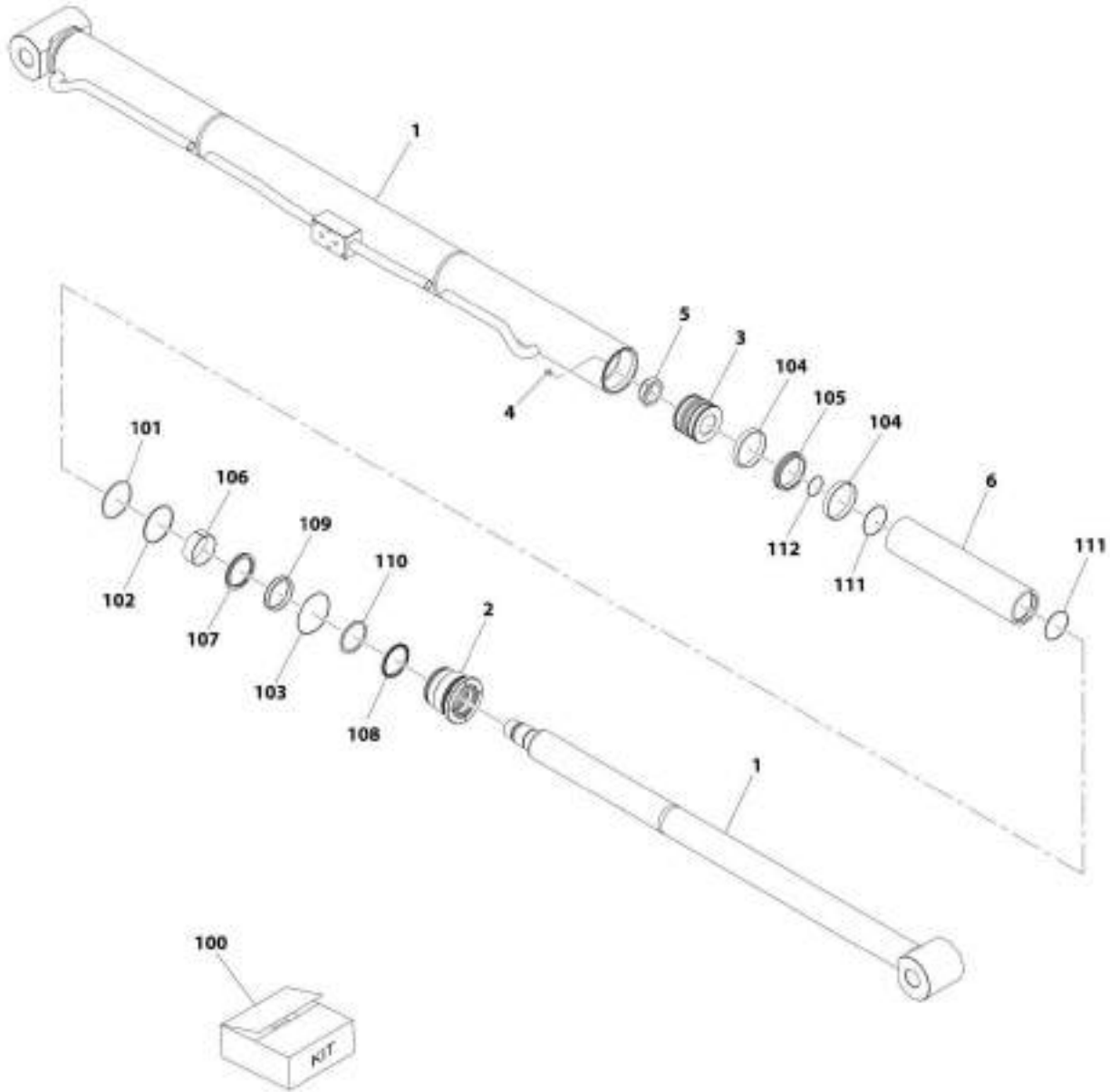
SECTION 9 - HYDRAULIC COMPONENTS

FIGURE 9-25. EXTEND/RETRACT CYLINDER (642, 742) (Prior to SN 0160084897)

| ITEM | PART NUMBER | QTY | DESCRIPTION | REV |
|------|-------------|-----|---|-----|
| | 1001162686 | Ref | Extend/Retract Cylinder (642, 742) | I |
| 1 | 1001167549 | 1 | Barrel | |
| 2 | 3020043 | AR | Lube, Anti-Seize | |
| 3 | 1001167552 | 1 | Rod | |
| 4 | 1001167557 | 1 | Head, Cylinder | |
| 5 | 1001167555 | 1 | Piston, Cylinder | |
| 6 | 1001125137 | 1 | Screw, Self Tapping | |
| 7 | 1001167576 | 1 | Nut, Lock | |
| 8 | 1001168671 | 1 | Sleeve, Spacer | |
| 100 | 1001168668 | 1 | Kit, Seal (includes items 101 thru 112) | |
| 101 | Kit | 1 | O-Ring | |
| 102 | Kit | 1 | O-Ring | |
| 103 | Kit | 1 | Ring, Back-up | |
| 104 | Kit | 2 | Ring, Wear Piston | |
| 105 | Kit | 1 | Seal, Piston Cap-T | |
| 106 | Kit | 1 | Ring, Wear Head | |
| 107 | Kit | 1 | Seal, Rod Buffer | |
| 108 | Kit | 1 | Seal, Rod Wiper | |
| 109 | Kit | 1 | Seal, Rod | |
| 110 | Kit | 1 | Ring, Back-up | |
| 111 | Kit | 2 | O-Ring | |
| 112 | Kit | 1 | O-Ring | |

SECTION 9 - HYDRAULIC COMPONENTS

FIGURE 9-26. EXTEND/RETRACT CYLINDER (642, 742) (SN 0160084897 to Present)



ART_1001228074-A

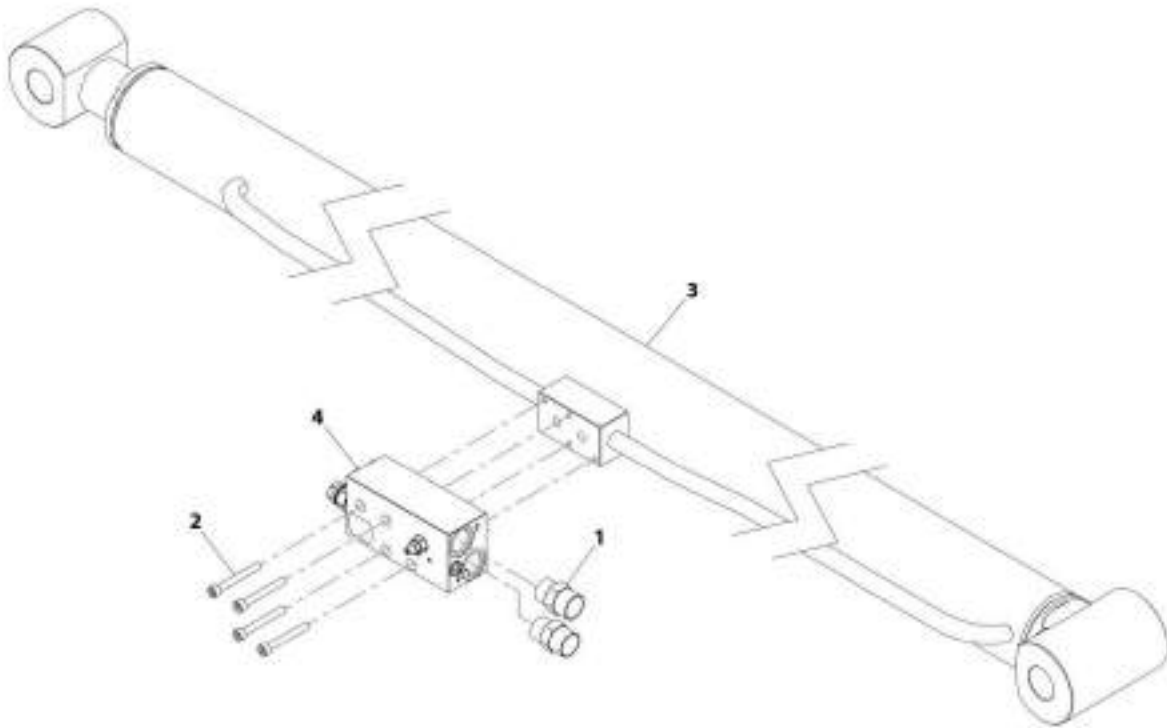
SECTION 9 - HYDRAULIC COMPONENTS

FIGURE 9-26. EXTEND/RETRACT CYLINDER (642, 742) (SN 0160084897 to Present)

| ITEM | PART NUMBER | QTY | DESCRIPTION | REV |
|------|-------------|-----|---|-----|
| | 1001228074 | Ref | Extend/Retract Cylinder (642, 742) | A |
| 1 | 70029039 | 1 | Rod Assembly | |
| 2 | 70029040 | 1 | Gland | |
| 3 | 70029041 | 1 | Piston | |
| 4 | 1001125137 | 1 | Screw, Self Tapping | |
| 5 | 1001167576 | 1 | Locknut | |
| 6 | 1001168671 | 1 | Sleeve, Spacer | |
| 100 | 1001168668 | 1 | Kit, Seal (includes items 101 thru 112) | |
| 101 | Kit | 1 | O-Ring | |
| 102 | Kit | 1 | O-Ring | |
| 103 | Kit | 1 | Back Up Ring | |
| 104 | Kit | 2 | Ring, Wear Piston | |
| 105 | Kit | 1 | Seal, Piston Cap-T | |
| 106 | Kit | 1 | Ring, Wear Head | |
| 107 | Kit | 1 | Seal, Rod Buffer | |
| 108 | Kit | 1 | Seal, Rod Wiper | |
| 109 | Kit | 1 | Seal, Rod Type B | |
| 110 | Kit | 1 | Back Up Ring | |
| 111 | Kit | 2 | O-Ring | |
| 112 | Kit | 1 | O-Ring | |

SECTION 9 - HYDRAULIC COMPONENTS

FIGURE 9-27. EXTEND/RETRACT CYLINDER (742)



MT_100120889-C

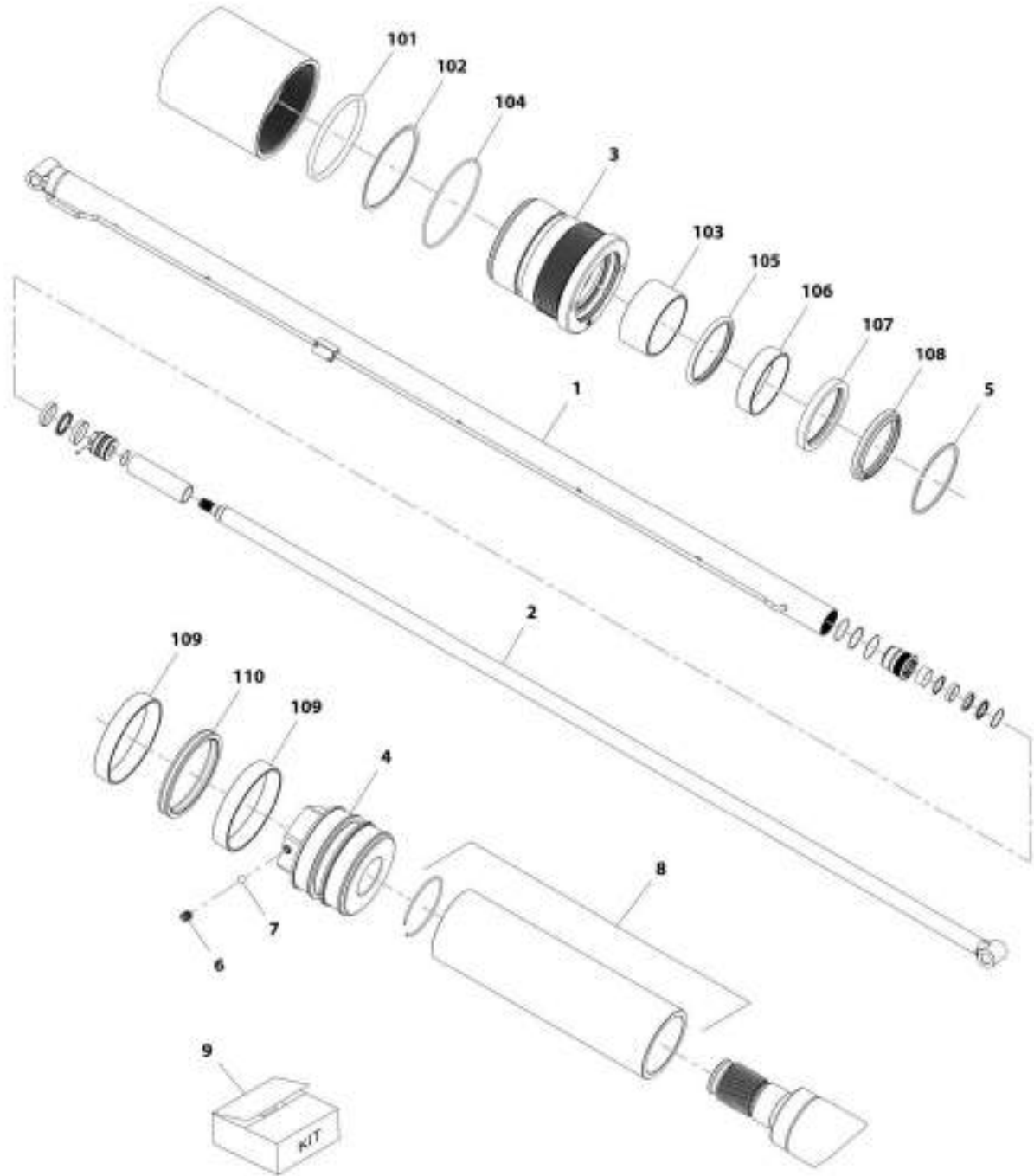
SECTION 9 - HYDRAULIC COMPONENTS

FIGURE 9-27. EXTEND/RETRACT CYLINDER (742)

| ITEM | PART NUMBER | QTY | DESCRIPTION | REV |
|------|-------------|-----|---|-----|
| | 1001226849 | Ref | Extend/Retract Cylinder (742) | C |
| 1 | 2111212 | 2 | Fitting, Straight ORFS | |
| 2 | 4031917 | 4 | Bolt, M8X65 | |
| 3 | 1001162686 | 1 | Extend/Retract Cylinder (See Separate Breakdown in this Section) (Prior to SN 0160084897) | |
| 3 | 1001228074 | 1 | Extend/Retract Cylinder (See Separate Breakdown in this Section) (SN 0160084897 to Present) | |
| 4 | 1001226876 | 1 | Valve, Counterbalance | |

SECTION 9 - HYDRAULIC COMPONENTS

FIGURE 9-28. EXTEND/RETRACT CYLINDER (943, 1043)



ART_100116285-E

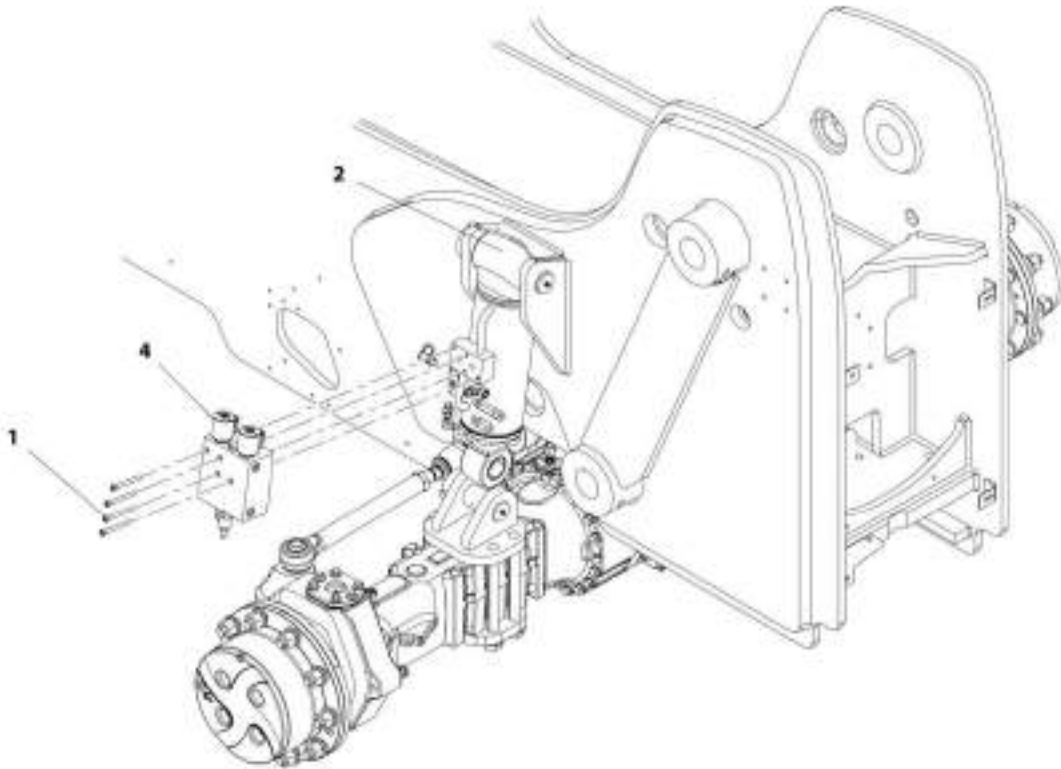
SECTION 9 - HYDRAULIC COMPONENTS

FIGURE 9-28. EXTEND/RETRACT CYLINDER (943, 1043)

| ITEM | PART NUMBER | QTY | DESCRIPTION | REV |
|------|-------------|-----|---|-----|
| | 1001162685 | Ref | Extend/Retract Cylinder (943, 1043) | E |
| 1 | 70026456 | 1 | Barrel | |
| 2 | 70026457 | 1 | Rod | |
| 3 | 70026459 | 1 | Gland | |
| 4 | 70026460 | 1 | Head, Piston | |
| 5 | 70023086 | 1 | Ring, Snap | |
| 6 | 70026461 | 1 | Screw, Set | |
| 7 | 70025614 | 1 | Ball, Steel | |
| 8 | 70026458 | 1 | Spacer | |
| 9 | 70026462 | 1 | Kit, Seal (includes items 101 thru 110) | |
| 101 | Kit | 1 | O-Ring | |
| 102 | Kit | 1 | Ring, Backup | |
| 103 | Kit | 1 | Ring, Bearing | |
| 104 | Kit | 1 | O-Ring | |
| 105 | Kit | 1 | Seal, Rod | |
| 106 | Kit | 1 | Ring, Bearing | |
| 107 | Kit | 1 | Seal, Rod | |
| 108 | Kit | 1 | Seal, Wiper | |
| 109 | Kit | 2 | Ring, Bearing | |
| 110 | Kit | 1 | Seal, Piston | |

SECTION 9 - HYDRAULIC COMPONENTS

FIGURE 9-29. REAR AXLE STABILIZER CYLINDER INSTALLATION



ART_1001194036-E

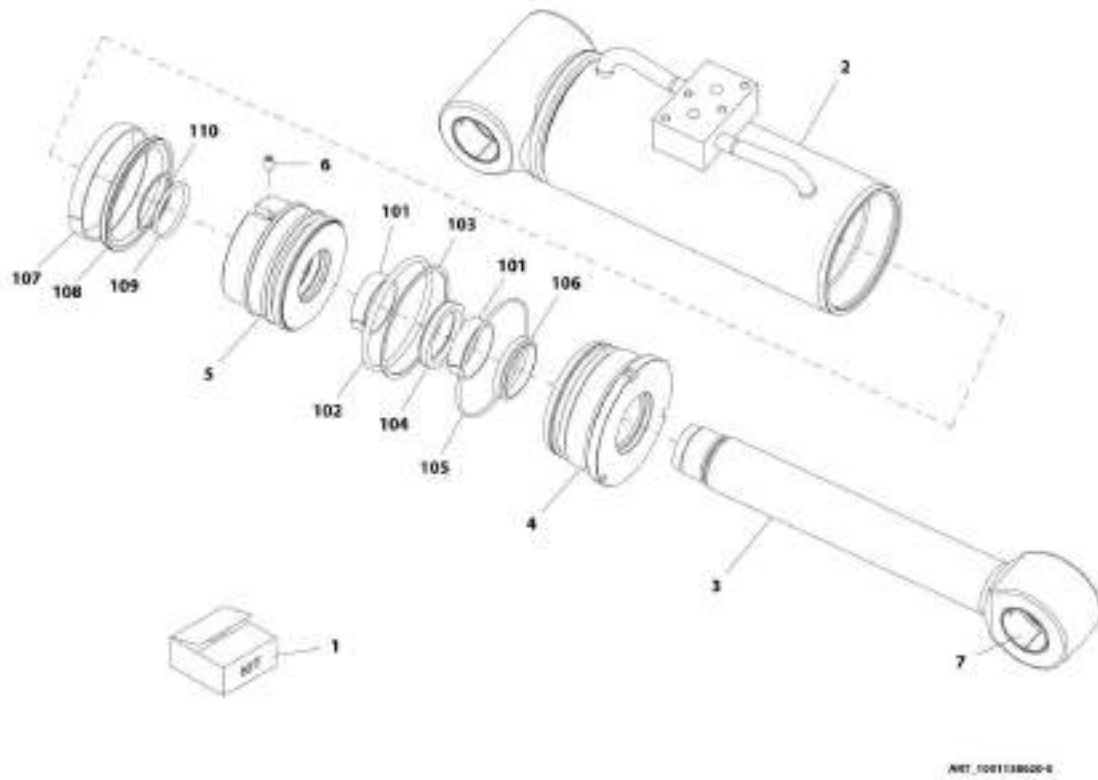
SECTION 9 - HYDRAULIC COMPONENTS

FIGURE 9-29. REAR AXLE STABILIZER CYLINDER INSTALLATION

| ITEM | PART NUMBER | QTY | DESCRIPTION | REV |
|------|-------------|-----|--|-----|
| | 1001164036 | Ref | Rear Axle Stabilizer Cylinder Installation | E |
| 1 | 4031920 | 4 | Screw, M8X1.25 | |
| 2 | 1001158620 | 1 | Cylinder, Frame Stability (See Separate Breakdown in this Section) | |
| 4 | | Ref | Valve (See Separate Breakdown in this Section) | |

SECTION 9 - HYDRAULIC COMPONENTS

FIGURE 9-30. REAR AXLE STABILITY CYLINDER



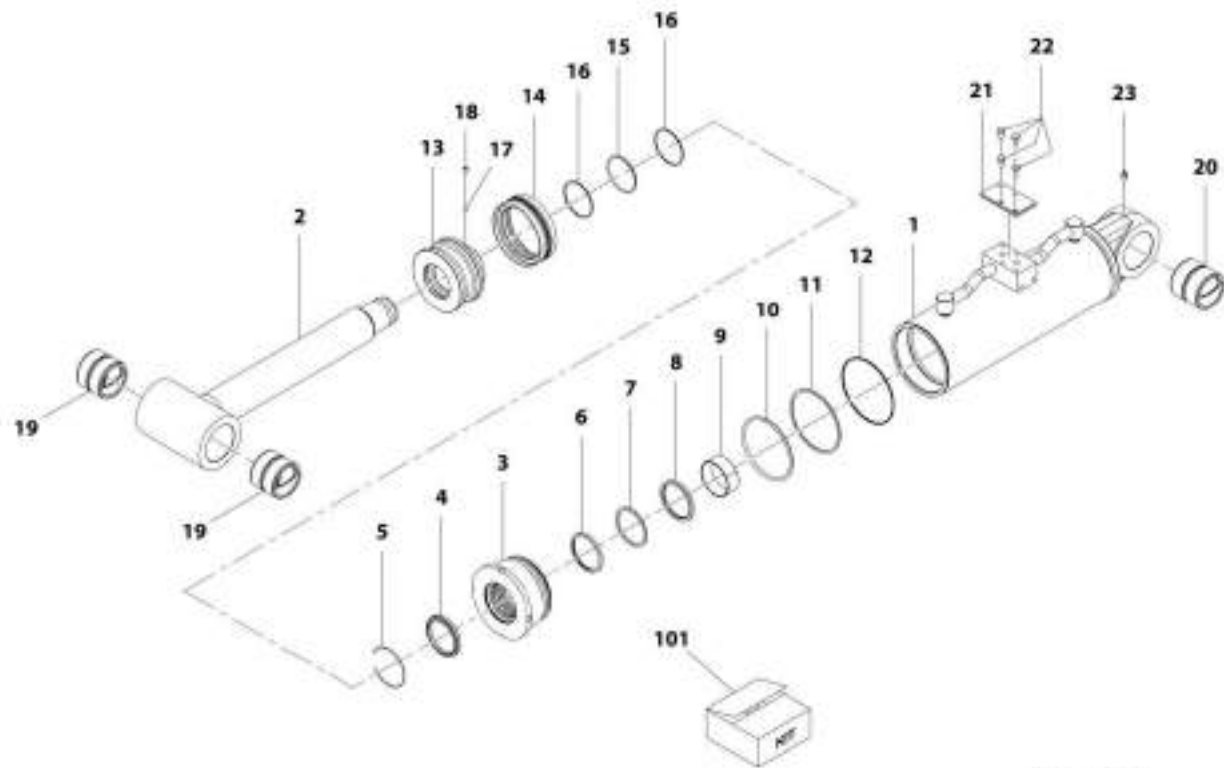
SECTION 9 - HYDRAULIC COMPONENTS

FIGURE 9-30. REAR AXLE STABILITY CYLINDER

| ITEM | PART NUMBER | QTY | DESCRIPTION | REV |
|------|-------------|-----|---|-----|
| | 1001158620 | Ref | Rear Axle Stability Cylinder | E |
| 2 | 70026250 | 1 | Barrel | |
| 3 | 70026252 | 1 | Rod | |
| 4 | 70026249 | 1 | Rod, Guide | |
| 5 | 70026261 | 1 | Piston | |
| 6 | 70020438 | 1 | Screw | |
| 7 | 70020476 | 1 | Bushing | |
| 1 | 70026253 | 1 | Kit, Seal (includes items 101 thru 110) | |
| 101 | Kit | 2 | Bearing | |
| 102 | Kit | 1 | O-Ring | |
| 103 | Kit | 1 | Ring, Back-Up | |
| 104 | Kit | 1 | Seal, Rod | |
| 105 | Kit | 1 | O-Ring | |
| 106 | Kit | 1 | Wiper | |
| 107 | Kit | 1 | Bearing | |
| 108 | Kit | 1 | Seal, Piston | |
| 109 | Kit | 1 | O-Ring | |
| 110 | Kit | 1 | Ring, Back-Up | |

SECTION 9 - HYDRAULIC COMPONENTS

FIGURE 9-31. OUTRIGGER CYLINDER (642, 1043) (Prior to SN 0160078786)



MTT_100160340-D

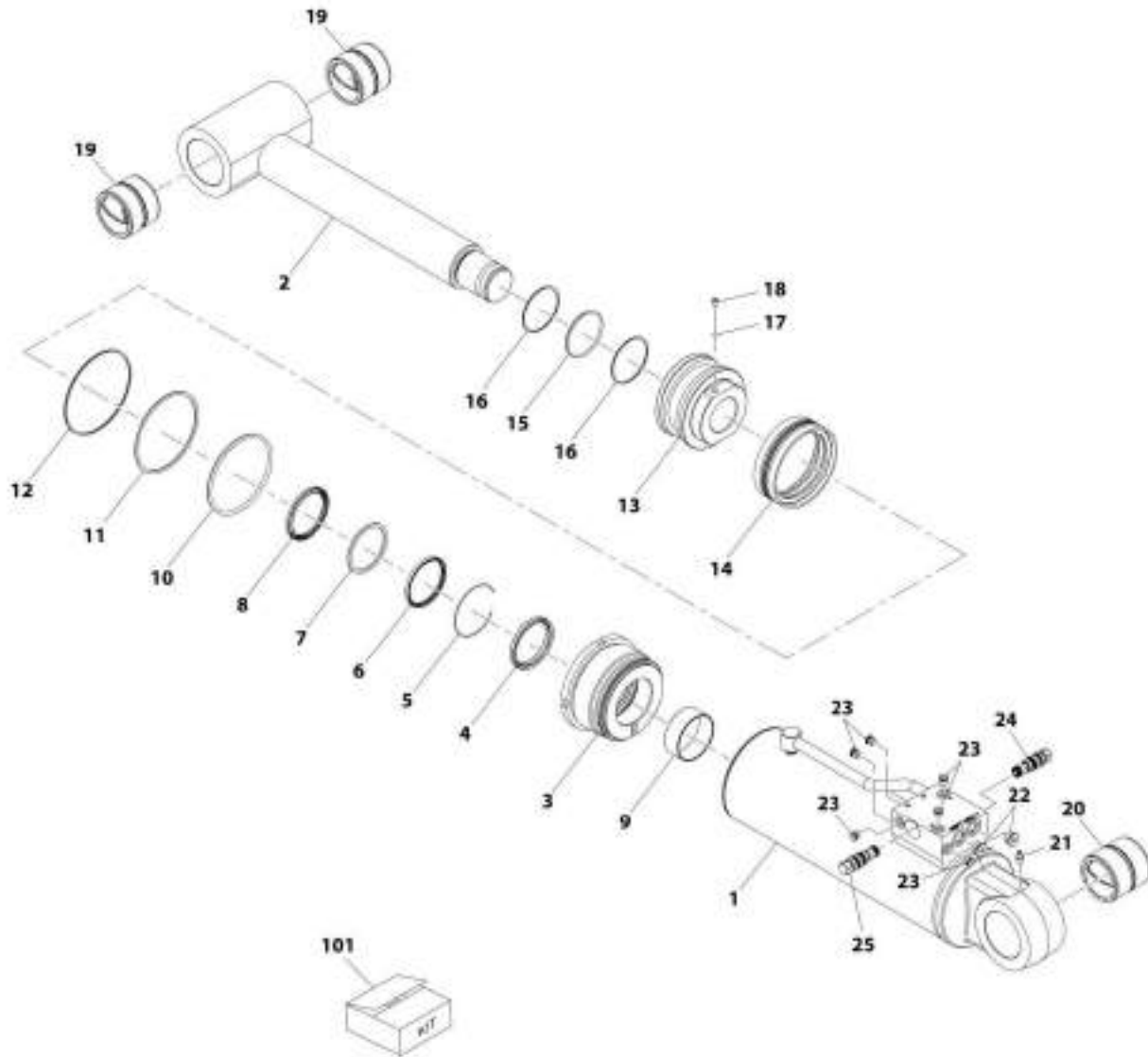
SECTION 9 - HYDRAULIC COMPONENTS

FIGURE 9-31. OUTRIGGER CYLINDER (642, 1043) (Prior to SN 0160078786)

| ITEM | PART NUMBER | QTY | DESCRIPTION | REV |
|------|-------------|-----|--|-----|
| | 1001163040 | Ref | Outrigger Cylinder (642, 1043) | D |
| 1 | 70026299 | 1 | Barrel | |
| 2 | 70026300 | 1 | Rod | |
| 3 | 70026301 | 1 | Gland | |
| 4 | Kit | 1 | Wiper, Dust | |
| 5 | 70023379 | 1 | Ring, Retaining | |
| 6 | Kit | 1 | Seal, Rod | |
| 7 | Kit | 1 | Ring, Back-Up | |
| 8 | Kit | 1 | Ring, Buffer | |
| 9 | 70026302 | 1 | Bearing, Dry | |
| 10 | Kit | 1 | O-Ring | |
| 11 | Kit | 1 | Ring, Back-up | |
| 12 | Kit | 1 | O-Ring | |
| 13 | 70026303 | 1 | Piston | |
| 14 | Kit | 1 | Seal, Piston | |
| 15 | Kit | 1 | O-Ring | |
| 16 | Kit | 2 | Ring, Back-Up | |
| 17 | 70022564 | 1 | Ball, Steel | |
| 18 | 70023369 | 1 | Screw, Set | |
| 19 | 70026304 | 2 | Pin | |
| 20 | 70026305 | 1 | Pin | |
| 21 | 70026306 | 1 | Cover, Dust | |
| 22 | 70026307 | 4 | Bolt | |
| 23 | 70026308 | 1 | Fitting, Grease | |
| 101 | 70026309 | 1 | Kit, Seal (includes items 4, 6 thru 8, 10 thru 12, 14 thru 16) | |

SECTION 9 - HYDRAULIC COMPONENTS

FIGURE 9-32. OUTRIGGER CYLINDER (642, 1043) (SN 0160078786 to Present)



AMT_1001219005-C

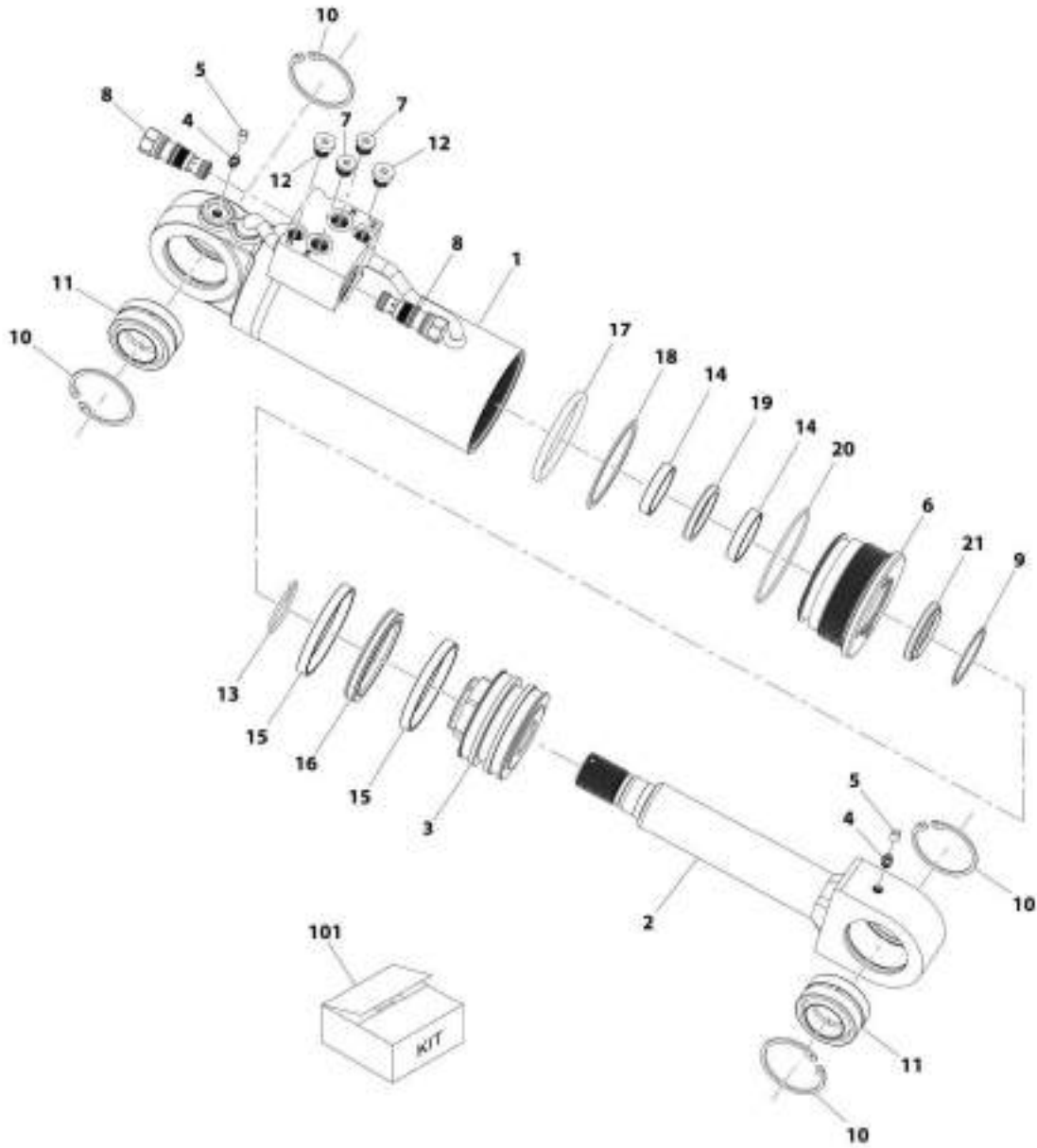
SECTION 9 - HYDRAULIC COMPONENTS

FIGURE 9-32. OUTRIGGER CYLINDER (642, 1043) (SN 0160078786 to Present)

| ITEM | PART NUMBER | QTY | DESCRIPTION | REV |
|------|-------------|-----|--|-----|
| | 1001213065 | Ref | Outrigger Cylinder (642, 1043) | C |
| 1 | 70027758 | 1 | Tube Assembly | |
| 2 | 70026300 | 1 | Rod Assembly | |
| 3 | 70026301 | 1 | Gland | |
| 4 | Kit | 1 | Dust Wiper | |
| 5 | 70023379 | 1 | Retain Ring | |
| 6 | Kit | 1 | Rod Seal | |
| 7 | Kit | 1 | Back-up Ring | |
| 8 | Kit | 1 | Buffer Ring | |
| 9 | 70026302 | 1 | Dry Bearing | |
| 10 | Kit | 1 | O-ring | |
| 11 | Kit | 1 | Back-up Ring | |
| 12 | Kit | 1 | O-ring | |
| 13 | 70026303 | 1 | Piston | |
| 14 | Kit | 1 | Piston Seal | |
| 15 | Kit | 1 | O-ring | |
| 16 | Kit | 2 | Back-up Ring | |
| 17 | 70022564 | 1 | Steel Ball | |
| 18 | 70023369 | 1 | Set Screw | |
| 19 | 70026304 | 2 | Pin Bush | |
| 20 | 70026305 | 1 | Pin Bush | |
| 21 | 70026308 | 1 | Grease Nipple | |
| 22 | 2220886 | 2 | Hex Soc. Plug | |
| 23 | 2220883 | 6 | Hex Soc. Plug | |
| 24 | 1001214653 | 1 | Counter Balance Valve | |
| 25 | 1001214654 | 1 | Counter Balance Valve | |
| 101 | 70026309 | 1 | Kit, Seal (includes items 4, 6, 7, 8, 10, 11, 12 & 14 thru 16) | |

SECTION 9 - HYDRAULIC COMPONENTS

FIGURE 9-33. SIDE TILT CYLINDER



ART_1001103434-A

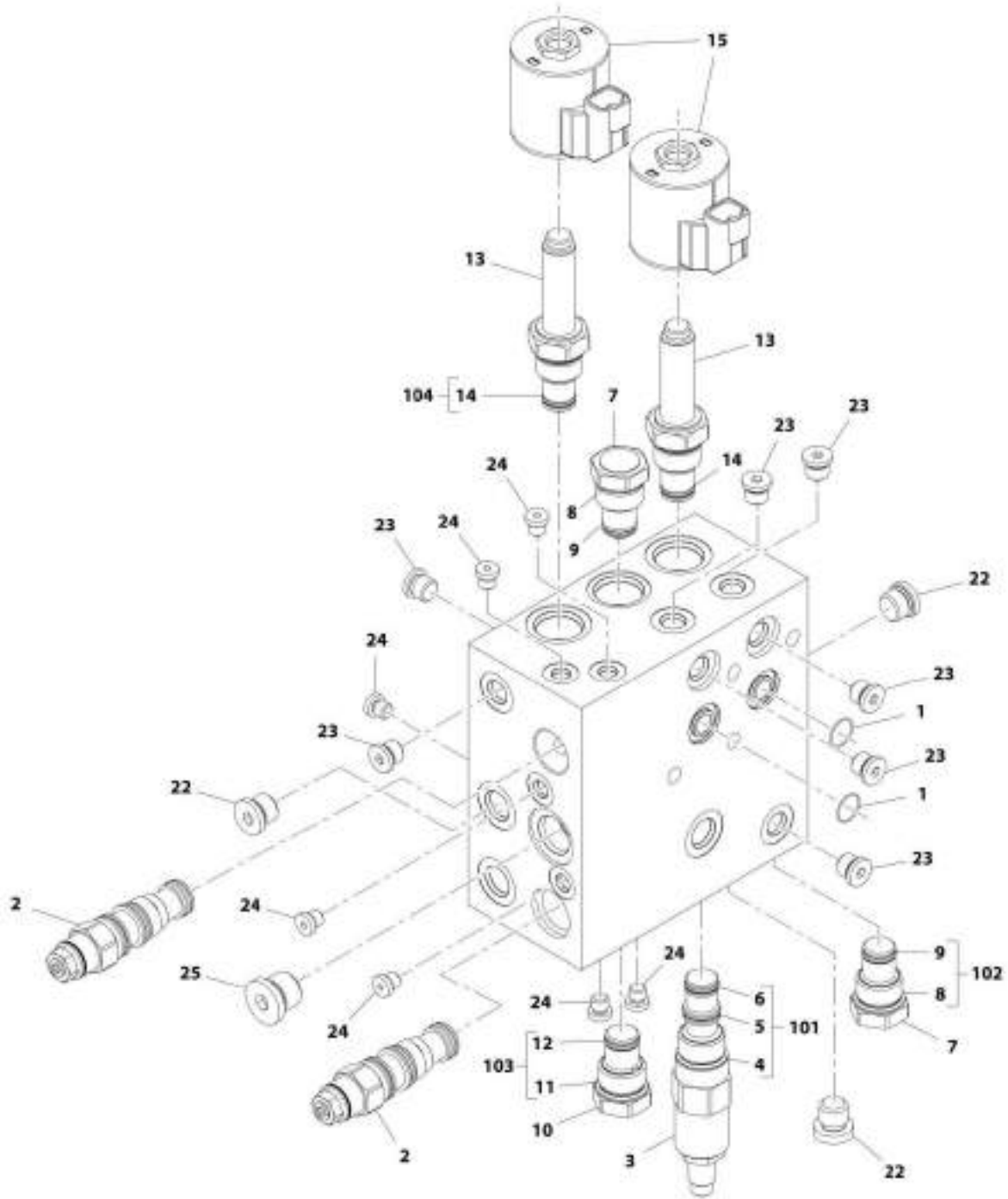
SECTION 9 - HYDRAULIC COMPONENTS

FIGURE 9-33. SIDE TILT CYLINDER

| ITEM | PART NUMBER | QTY | DESCRIPTION | REV |
|------|-------------|-----|---------------------------------------|-----|
| | 1001163414 | Ref | Side Tilt Cylinder | A |
| 1 | 70026056 | 1 | Barrel | |
| 2 | 70026057 | 1 | Rod | |
| 3 | 70026058 | 1 | Head, Piston | |
| 4 | 70025606 | 2 | Nipple, Grease | |
| 5 | 70024020 | 2 | Fitting, Grease | |
| 6 | 70003849 | 1 | Gland | |
| 7 | 70025959 | 2 | Plug | |
| 8 | 70026059 | 2 | Valve, P.O. Check | |
| 9 | 70002219 | 1 | Ring, Internal Snap | |
| 10 | 70026060 | 4 | Ring, Internal Snap | |
| 11 | 70026061 | 2 | Bearing, Spherical | |
| 12 | 70024262 | 2 | Plug | |
| 13 | 70002224 | 1 | Ring, Locking | |
| 14 | Kit | 2 | Ring, Rod Bearing | |
| 15 | Kit | 2 | Ring, Piston Bearing | |
| 16 | Kit | 1 | Seal, Piston | |
| 17 | Kit | 1 | O-Ring | |
| 18 | Kit | 1 | Ring, Back-Up | |
| 19 | Kit | 1 | Seal, Rod | |
| 20 | Kit | 1 | O-Ring | |
| 21 | Kit | 1 | Seal, Wiper | |
| 101 | 70026062 | 1 | Kit, Seal (includes items 14 thru 21) | |

SECTION 9 - HYDRAULIC COMPONENTS

FIGURE 9-34. REAR AXLE STABILIZER VALVE (Prior to SN 0160080899)



ART_100117960-C

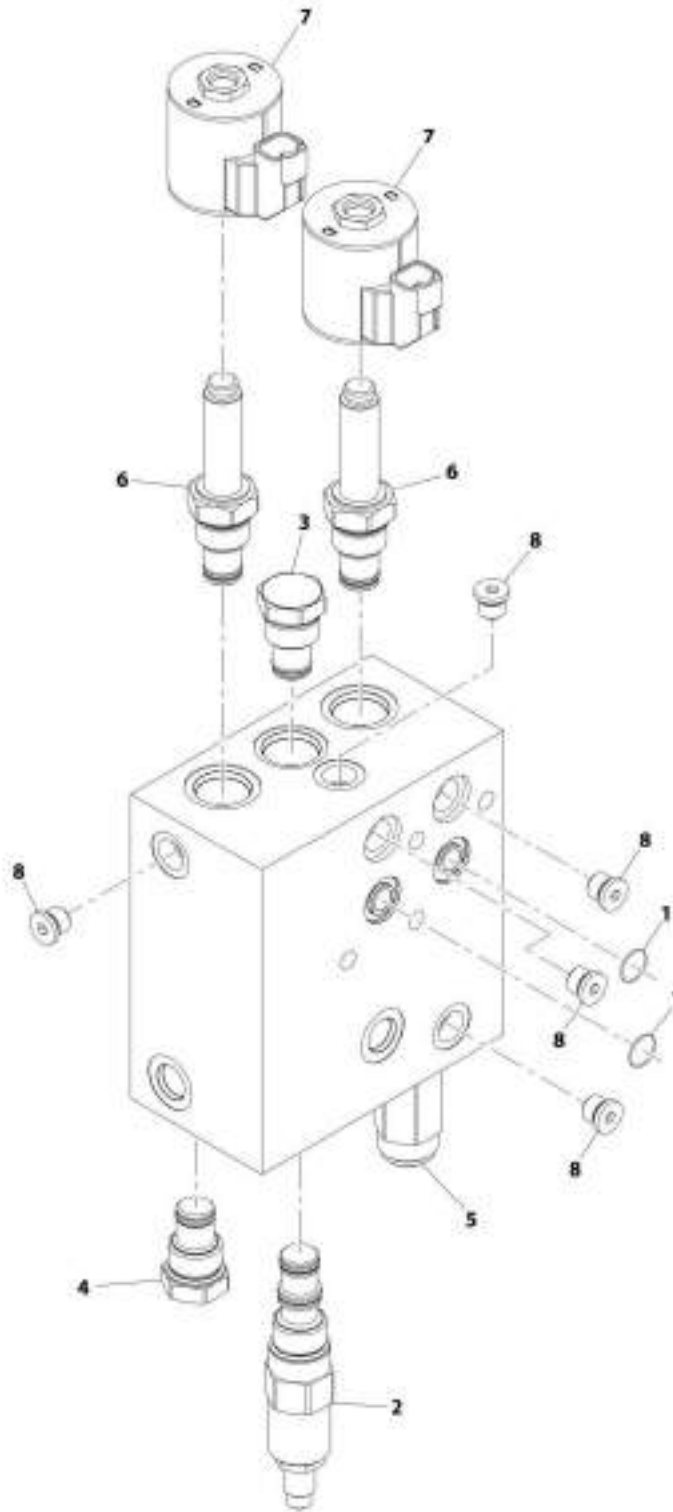
SECTION 9 - HYDRAULIC COMPONENTS

FIGURE 9-34. REAR AXLE STABILIZER VALVE (Prior to SN 0160080899)

| ITEM | PART NUMBER | QTY | DESCRIPTION | REV |
|------|-------------|-----|---|-----|
| | 1001179601 | Ref | Rear Axle Stabilizer Valve | D |
| 1 | 70026440 | 2 | O-Ring | |
| 2 | 70026441 | 2 | Valve | |
| 3 | 70026442 | 1 | Valve | |
| 4 | Kit | 1 | O-Ring | |
| 5 | Kit | 1 | O-Ring | |
| 6 | Kit | 1 | O-Ring | |
| 7 | 70026443 | 2 | Valve | |
| 8 | Kit | 1 | O-Ring | |
| 9 | Kit | 1 | O-Ring | |
| 10 | 70026444 | 1 | Valve | |
| 11 | Kit | 1 | O-Ring | |
| 12 | Kit | 1 | O-Ring | |
| 13 | 70026445 | 2 | Valve | |
| 14 | Kit | 1 | O-Ring | |
| 15 | 70003788 | 2 | Coil | |
| 16 | 70026447 | 1 | Valve (not shown) | |
| 17 | Kit | 1 | O-Ring (not shown) | |
| 18 | Kit | 1 | O-Ring (not shown) | |
| 19 | Kit | 1 | O-Ring (not shown) | |
| 20 | Kit | 1 | O-Ring (not shown) | |
| 21 | 70002386 | 1 | Coil (not shown) | |
| 22 | 7024844 | 3 | Plug | |
| 23 | 7017406 | 7 | Plug | |
| 24 | 70026315 | 1 | Plug | |
| 25 | 2220886 | 1 | Plug | |
| 101 | 7012510 | 1 | Kit, Seal (includes items 4 thru 6) | |
| 102 | 7024808 | 1 | Kit, Seal (includes items 8 & 9) | |
| 103 | 7022399 | 1 | Kit, Seal (includes items 11 & 12) | |
| 104 | 70026446 | 1 | Kit, Seal (includes item 14) | |
| 105 | 70005075 | 1 | Kit, Seal (includes items 17 thru 20) (not shown) | |

SECTION 9 - HYDRAULIC COMPONENTS

FIGURE 9-35. REAR AXLE STABILIZER VALVE (SN 0160080899 to Present)



ARE_100197600-A

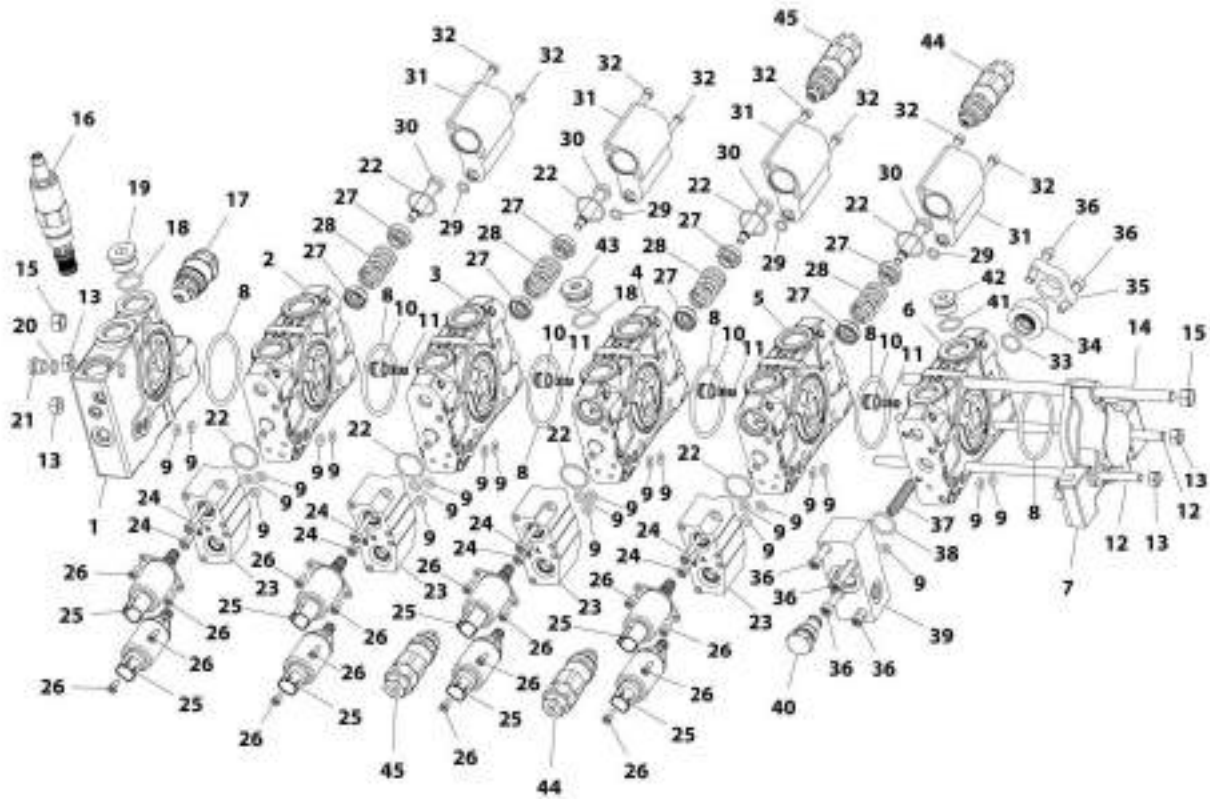
SECTION 9 - HYDRAULIC COMPONENTS

FIGURE 9-35. REAR AXLE STABILIZER VALVE (SN 0160080899 to Present)

| ITEM | PART NUMBER | QTY | DESCRIPTION | REV |
|------|-------------|-----|----------------------------|-----|
| | 1001197600 | Ref | Rear Axle Stabilizer Valve | A |
| 1 | 70026440 | 2 | O-Ring | |
| 2 | 70026442 | 1 | Cartridge Valve | |
| 2 | 7012510 | 1 | Seal Kit | |
| 2 | Kit | 1 | O-Ring | |
| 2 | Kit | 1 | O-Ring | |
| 2 | Kit | 1 | O-Ring | |
| 3 | 70026443 | 1 | Cartridge Valve | |
| 3 | 7024808 | 1 | Seal Kit | |
| 3 | Kit | 1 | O-Ring | |
| 3 | Kit | 1 | O-Ring | |
| 4 | 70026444 | 1 | Cartridge Valve | |
| 4 | 7022399 | 1 | Seal Kit | |
| 4 | Kit | 1 | O-Ring | |
| 4 | Kit | 1 | O-Ring | |
| 5 | 70028451 | 1 | Cartridge Valve | |
| 5 | 7024808 | 1 | Seal Kit | |
| 5 | Kit | 1 | O-Ring | |
| 5 | Kit | 1 | O-Ring | |
| 6 | 70026445 | 2 | Cartridge Valve | |
| 6 | 70026446 | 1 | Seal Kit | |
| 6 | Kit | 1 | O-Ring | |
| 7 | 70003788 | 2 | Coil | |
| 8 | 2220883 | 5 | Plug | |

SECTION 9 - HYDRAULIC COMPONENTS

FIGURE 9-36. MAIN CONTROL VALVE (642)



MTT_5001166755-C

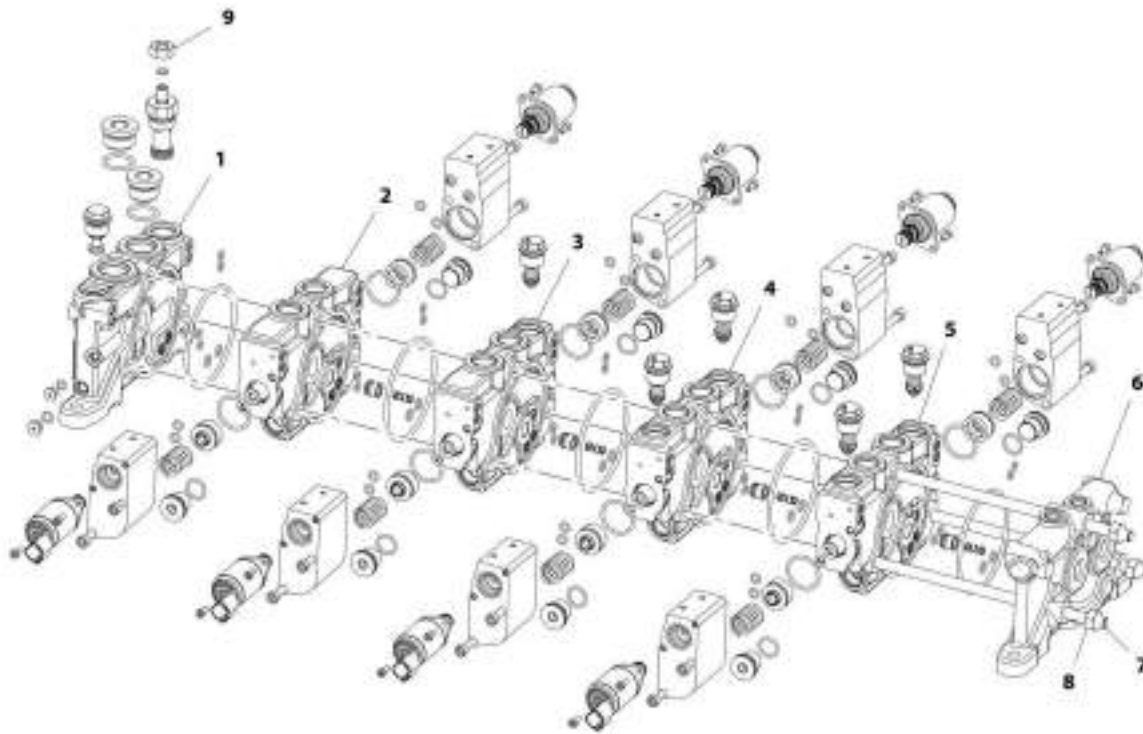
SECTION 9 - HYDRAULIC COMPONENTS

FIGURE 9-36. MAIN CONTROL VALVE (642)

| ITEM | PART NUMBER | QTY | DESCRIPTION | REV |
|------|-------------|-----|--------------------------|-----|
| | 1001166765 | 1 | Main Control Valve (642) | C |
| 1 | 70026640 | 1 | Section, Inlet | |
| 2 | 70026641 | 1 | Section, Spool | |
| 3 | 70026642 | 1 | Section, Spool | |
| 4 | 70026643 | 1 | Section, Spool | |
| 5 | 70026644 | 1 | Section, Spool | |
| 6 | 70026645 | 1 | Section, Spool | |
| 7 | 70026646 | 1 | Section, Outlet | |
| 8 | 10837923 | 6 | O-Ring | |
| 9 | 70026647 | 25 | O-Ring | |
| 10 | 10837929 | 4 | Poppet | |
| 11 | 10837937 | 4 | Spring | |
| 12 | 70026648 | 2 | Rod, Tie | |
| 13 | 8035348 | 4 | Nut | |
| 14 | 70026649 | 1 | Rod, Tie | |
| 15 | 8035346 | 2 | Nut | |
| 16 | 70026650 | 1 | Valve | |
| 17 | 70026651 | 1 | Valve | |
| 18 | 70026652 | 2 | O-Ring | |
| 19 | 70026653 | 1 | Plug | |
| 20 | 70026654 | 1 | O-Ring | |
| 21 | 70026655 | 1 | Plug | |
| 22 | 70026656 | 8 | O-Ring | |
| 23 | 70026657 | 4 | Solenoid | |
| 24 | 70026658 | 8 | Screw | |
| 25 | 70026659 | 8 | Solenoid | |
| 26 | 70022014 | 16 | Bolt | |
| 27 | 70026660 | 8 | Spring, Seat | |
| 28 | 70026661 | 4 | Spring | |
| 29 | 70026662 | 4 | O-Ring | |
| 30 | 70026663 | 4 | Spool | |
| 31 | 70026664 | 4 | Cap, End | |
| 32 | 70026665 | 8 | Screw | |
| 33 | 70026666 | 1 | O-Ring | |
| 34 | 70026667 | 1 | Spool, Cap | |
| 35 | 8035373 | 1 | Plate, Seal | |
| 36 | 8037088 | 6 | Screw | |
| 37 | 70026668 | 1 | Spring | |
| 38 | 70026669 | 1 | O-Ring | |
| 39 | 70026670 | 1 | Cap, End | |
| 40 | 70026671 | 1 | Regulator, Drain | |
| 41 | 70026672 | 1 | O-Ring | |
| 42 | 8035382 | 1 | Plug | |
| 43 | 70026673 | 1 | Plug | |
| 44 | 70026674 | 2 | Valve | |
| 45 | 70026675 | 2 | Valve | |

SECTION 9 - HYDRAULIC COMPONENTS

FIGURE 9-37. MAIN CONTROL VALVE (943, 1043) (Prior to SN 0160081535)



ART_100161773_1/F

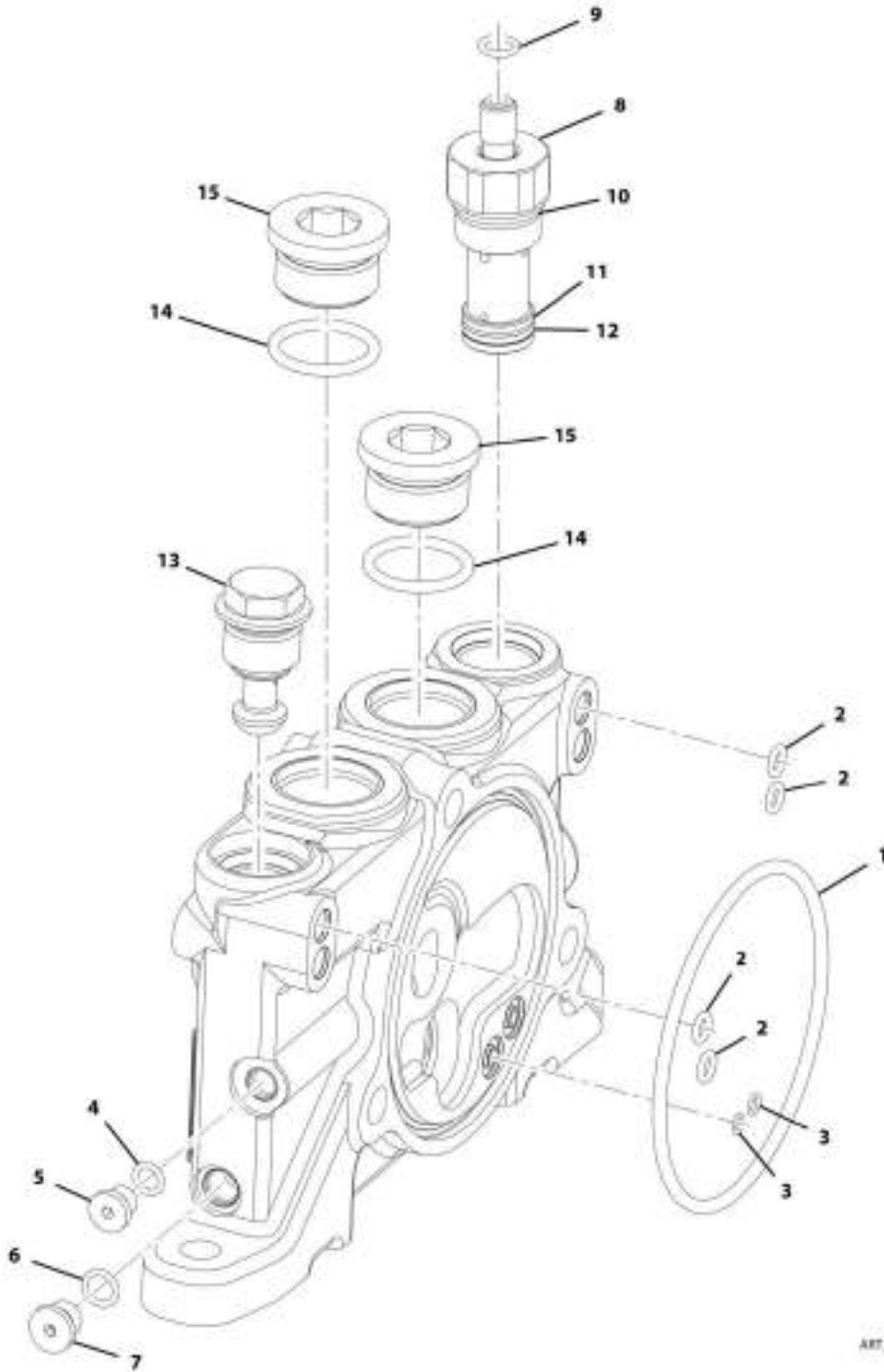
SECTION 9 - HYDRAULIC COMPONENTS

FIGURE 9-37. MAIN CONTROL VALVE (943, 1043) (Prior to SN 0160081535)

| ITEM | PART NUMBER | QTY | DESCRIPTION | REV |
|------|-------------|-----|--|-----|
| | 1001161773 | Ref | Main Control Valve | F |
| 1 | 70026384 | 1 | Section, Inlet (See INLET SECTION for Breakdown) | |
| 2 | 70026385 | 1 | Section, Spool (See SPOOL SECTION for Breakdown) | |
| 3 | 70026386 | 1 | Section, Spool (See SPOOL SECTION for Breakdown) | |
| 4 | 70026387 | 1 | Section, Spool (See SPOOL SECTION for Breakdown) | |
| 5 | 70026388 | 1 | Section, Spool (See SPOOL SECTION for Breakdown) | |
| 6 | 70026389 | 1 | Section, Outlet | |
| 7 | 70026375 | 3 | Rod, Tie | |
| 8 | 70050481 | 6 | Nut | |
| 9 | 8037130 | 1 | Nut | |

SECTION 9 - HYDRAULIC COMPONENTS

FIGURE 9-38. MAIN CONTROL VALVE - INLET SECTION (943, 1043)



ART_100161773_2

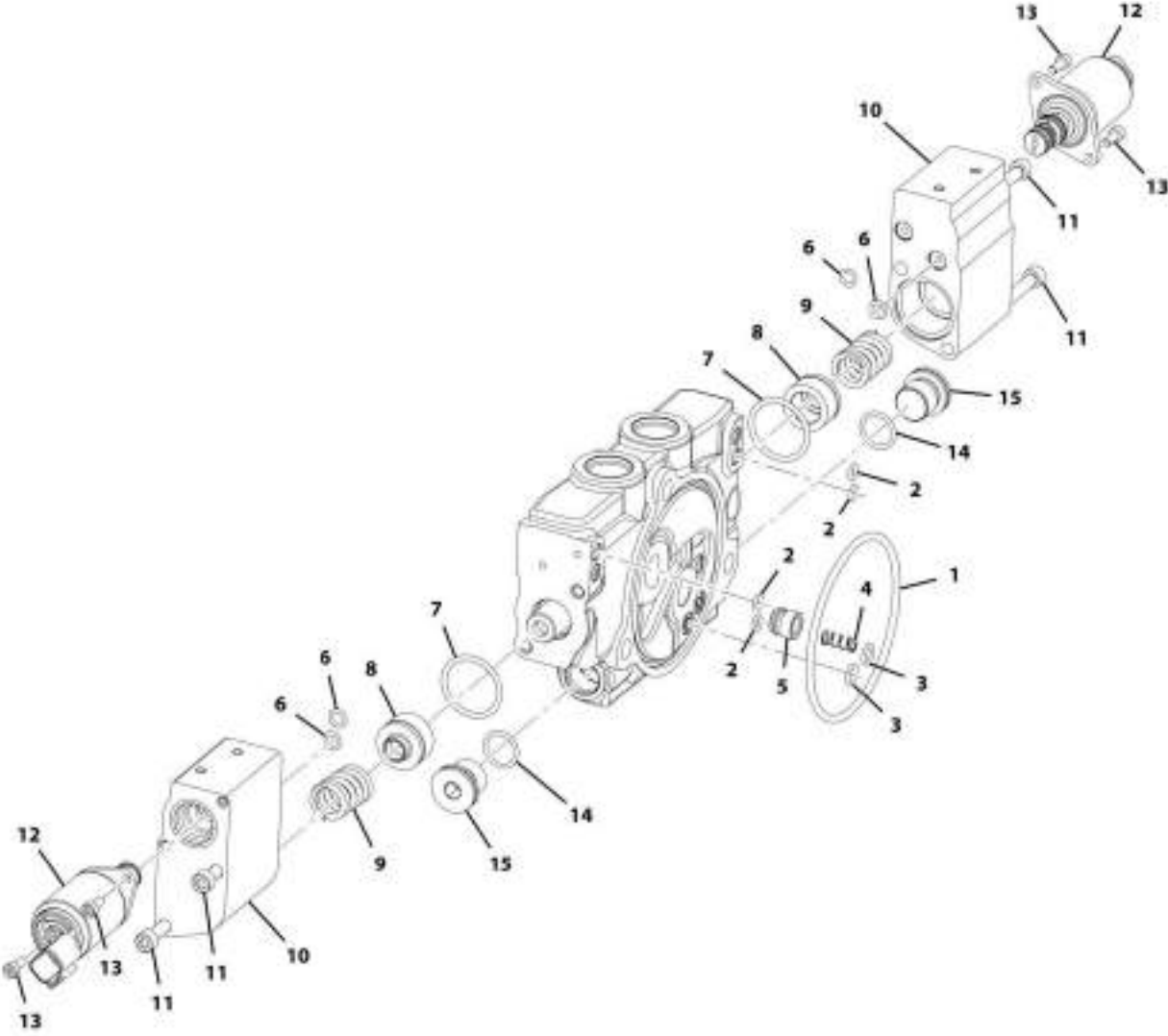
SECTION 9 - HYDRAULIC COMPONENTS

FIGURE 9-38. MAIN CONTROL VALVE - INLET SECTION (943, 1043)

| ITEM | PART NUMBER | QTY | DESCRIPTION | REV |
|------|-------------|-----|------------------------------------|-----|
| | 70026384 | Ref | Main Control Valve - Inlet Section | |
| 1 | 8034697 | 1 | O-Ring | |
| 2 | 70050508 | 4 | O-Ring | |
| 3 | 70050507 | 2 | O-Ring | |
| 4 | 70026372 | 1 | O-Ring | |
| 5 | 70026379 | 1 | Plug | |
| 6 | 70026371 | 1 | O-Ring | |
| 7 | 70026368 | 1 | Plug | |
| 8 | 70022012 | 1 | Regulator | |
| 9 | 70026373 | 1 | O-Ring | |
| 10 | 10837928 | 1 | O-Ring | |
| 11 | 70026376 | 1 | Ring | |
| 12 | 70026370 | 1 | O-Ring | |
| 13 | 70026382 | 1 | Plug | |
| 14 | 70026374 | 2 | O-Ring | |
| 15 | 70050472 | 2 | Plug | |

SECTION 9 - HYDRAULIC COMPONENTS

FIGURE 9-39. MAIN CONTROL VALVE - SPOOL SECTION (943, 1043)



ART_1001161773_3

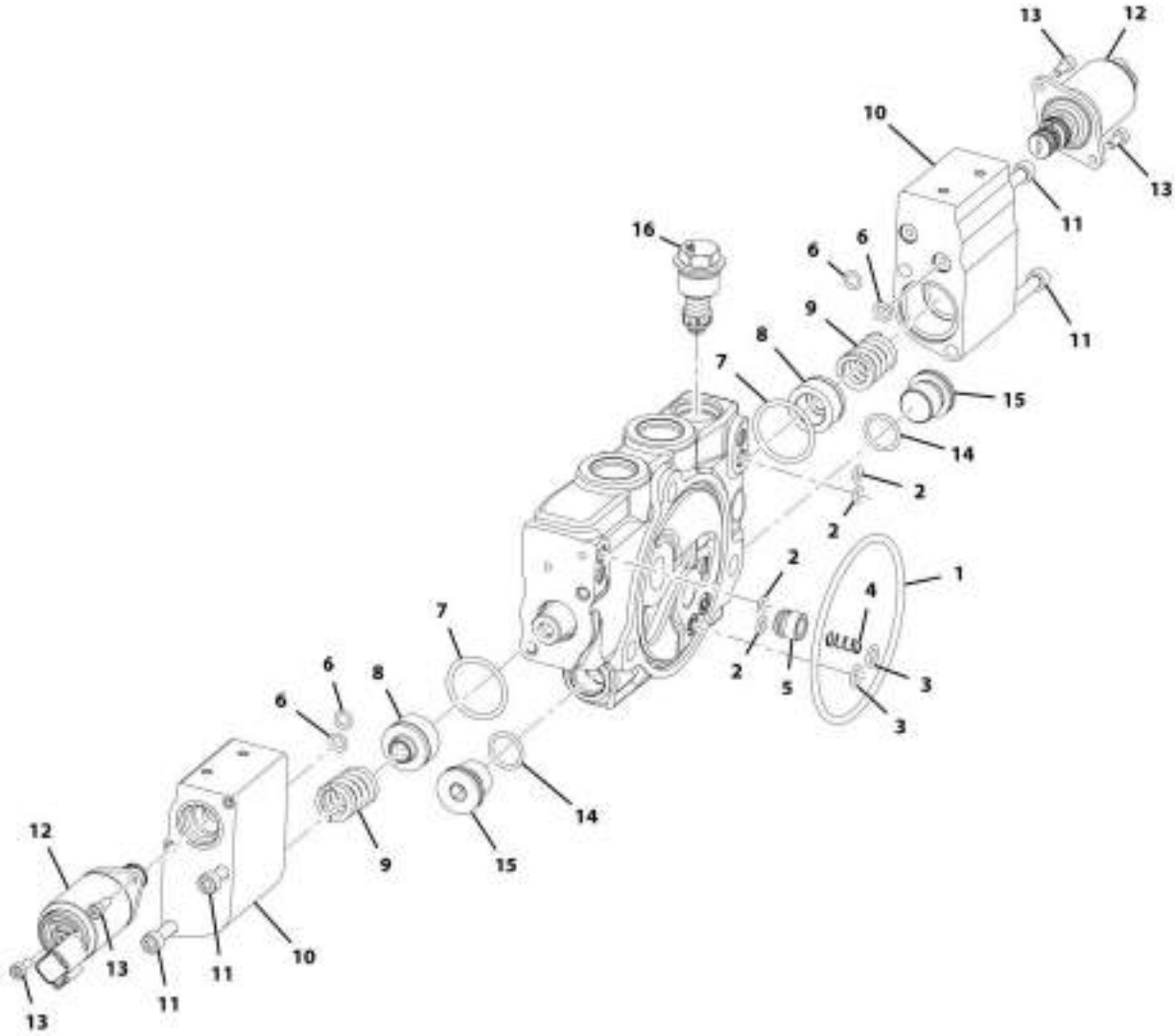
SECTION 9 - HYDRAULIC COMPONENTS

FIGURE 9-39. MAIN CONTROL VALVE - SPOOL SECTION (943, 1043)

| ITEM | PART NUMBER | QTY | DESCRIPTION | REV |
|------|-------------|-----|------------------------------------|-----|
| | 70026385 | Ref | Main Control Valve - Spool Section | |
| 1 | 8034697 | 1 | O-Ring | |
| 2 | 70050508 | 4 | O-Ring | |
| 3 | 70050507 | 2 | O-Ring | |
| 4 | 10837937 | 1 | Spring | |
| 5 | 10837929 | 1 | Poppet | |
| 6 | 70026369 | 4 | O-Ring | |
| 7 | 70026380 | 2 | O-Ring | |
| 8 | 70026378 | 2 | Spring | |
| 9 | 70026377 | 2 | Spring | |
| 10 | 70026381 | 2 | Cap | |
| 11 | 70026383 | 4 | Cap | |
| 12 | 70022013 | 2 | Valve | |
| 13 | 70022014 | 4 | Bolt | |
| 14 | 70022012 | 2 | Regulator | |
| 15 | 70026373 | 2 | O-Ring | |

SECTION 9 - HYDRAULIC COMPONENTS

FIGURE 9-40. MAIN CONTROL VALVE - SPOOL SECTION (943, 1043)



ART_1001W177L_4

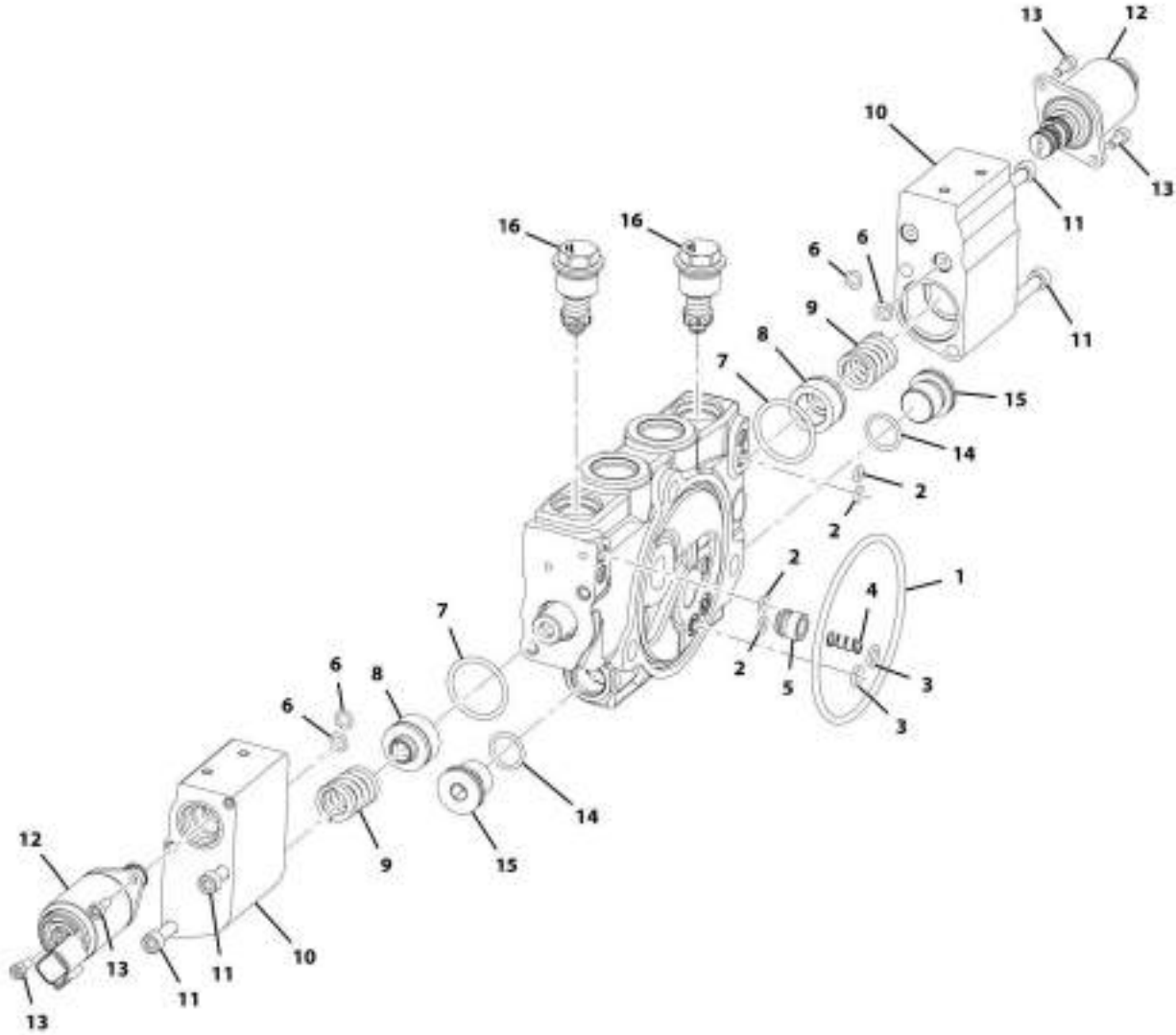
SECTION 9 - HYDRAULIC COMPONENTS

FIGURE 9-40. MAIN CONTROL VALVE - SPOOL SECTION (943, 1043)

| ITEM | PART NUMBER | QTY | DESCRIPTION | REV |
|------|-------------|-----|------------------------------------|-----|
| | 70026386 | Ref | Main Control Valve - Spool Section | |
| 1 | 8034697 | 1 | O-Ring | |
| 2 | 70050508 | 4 | O-Ring | |
| 3 | 70050507 | 2 | O-Ring | |
| 4 | 10837937 | 1 | Spring | |
| 5 | 10837929 | 1 | Poppet | |
| 6 | 70026369 | 4 | O-Ring | |
| 7 | 70026380 | 2 | O-Ring | |
| 8 | 70026378 | 2 | Spring | |
| 9 | 70026377 | 2 | Spring | |
| 10 | 70026381 | 2 | Cap | |
| 11 | 70026383 | 4 | Cap | |
| 12 | 70022013 | 2 | Valve | |
| 13 | 70022014 | 4 | Bolt | |
| 14 | 70022012 | 2 | Regulator | |
| 15 | 70026373 | 2 | O-Ring | |
| 16 | 70022010 | 1 | Valve | |

SECTION 9 - HYDRAULIC COMPONENTS

FIGURE 9-41. MAIN CONTROL VALVE - SPOOL SECTION (943, 1043)



ART_3001161775_5

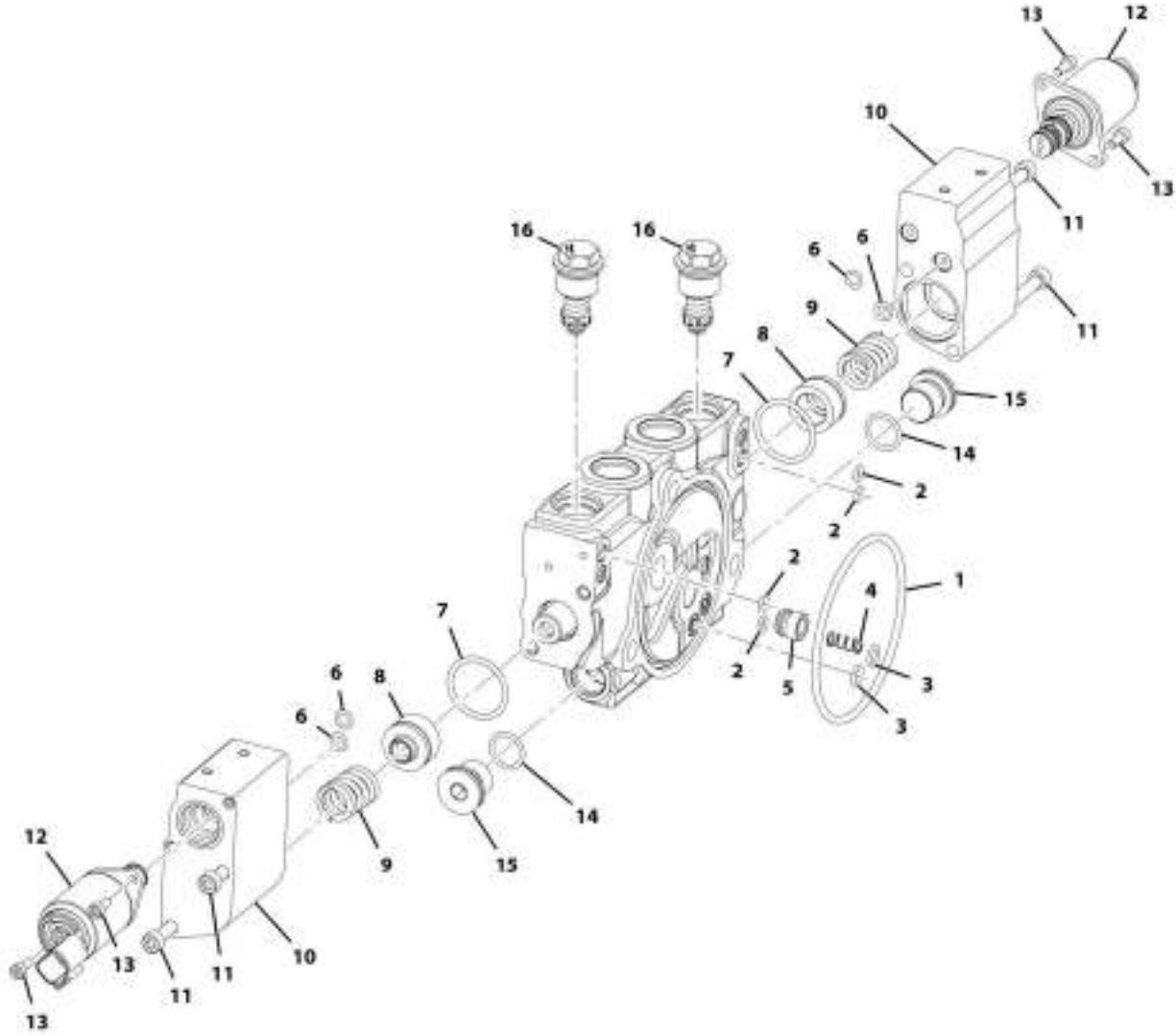
SECTION 9 - HYDRAULIC COMPONENTS

FIGURE 9-41. MAIN CONTROL VALVE - SPOOL SECTION (943, 1043)

| ITEM | PART NUMBER | QTY | DESCRIPTION | REV |
|------|-------------|-----|------------------------------------|-----|
| | 70026387 | Ref | Main Control Valve - Spool Section | |
| 1 | 8034697 | 1 | O-Ring | |
| 2 | 70050508 | 4 | O-Ring | |
| 3 | 70050507 | 2 | O-Ring | |
| 4 | 10837937 | 1 | Spring | |
| 5 | 10837929 | 1 | Poppet | |
| 6 | 70026369 | 4 | O-Ring | |
| 7 | 70026380 | 2 | O-Ring | |
| 8 | 70026378 | 2 | Spring | |
| 9 | 70026377 | 2 | Spring | |
| 10 | 70026381 | 2 | Cap | |
| 11 | 70026383 | 4 | Cap | |
| 12 | 70022013 | 2 | Valve | |
| 13 | 70022014 | 4 | Bolt | |
| 14 | 70022012 | 2 | Regulator | |
| 15 | 70026373 | 2 | O-Ring | |
| 16 | 70022010 | 2 | Valve | |

SECTION 9 - HYDRAULIC COMPONENTS

FIGURE 9-42. MAIN CONTROL VALVE - SPOOL SECTION (943, 1043)



ART_3001161775_8

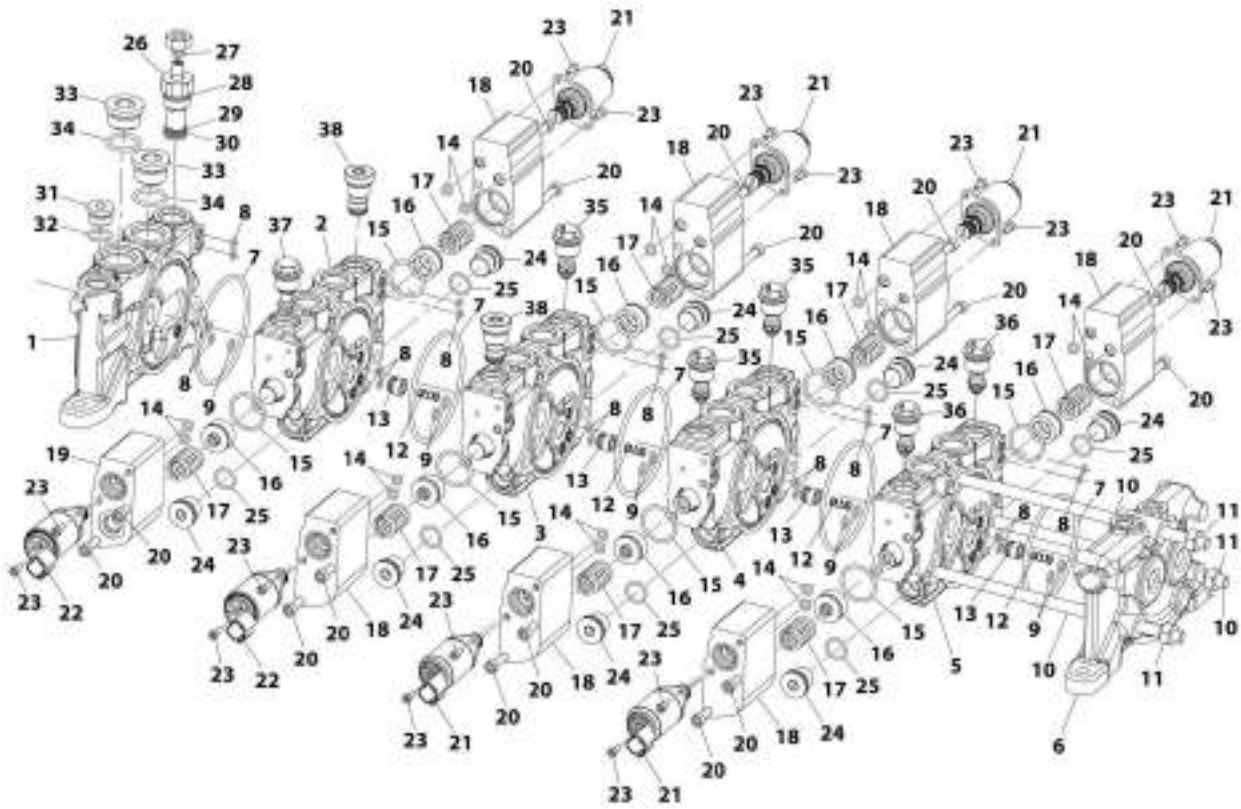
SECTION 9 - HYDRAULIC COMPONENTS

FIGURE 9-42. MAIN CONTROL VALVE - SPOOL SECTION (943, 1043)

| ITEM | PART NUMBER | QTY | DESCRIPTION | REV |
|------|-------------|-----|------------------------------------|-----|
| | 70026388 | Ref | Main Control Valve - Spool Section | |
| 1 | 8034697 | 1 | O-Ring | |
| 2 | 70050508 | 4 | O-Ring | |
| 3 | 70050507 | 2 | O-Ring | |
| 4 | 10837937 | 1 | Spring | |
| 5 | 10837929 | 1 | Poppet | |
| 6 | 70026369 | 4 | O-Ring | |
| 7 | 70026380 | 2 | O-Ring | |
| 8 | 70026378 | 2 | Spring | |
| 9 | 70026377 | 2 | Spring | |
| 10 | 70026381 | 2 | Cap | |
| 11 | 70026383 | 4 | Cap | |
| 12 | 70022013 | 2 | Valve | |
| 13 | 70022014 | 4 | Bolt | |
| 14 | 70022012 | 2 | Regulator | |
| 15 | 70026373 | 2 | O-Ring | |
| 16 | 70025982 | 2 | Valve | |

SECTION 9 - HYDRAULIC COMPONENTS

FIGURE 9-43. MAIN CONTROL VALVE (742, 943, 1043)



AHT_1001226812-D

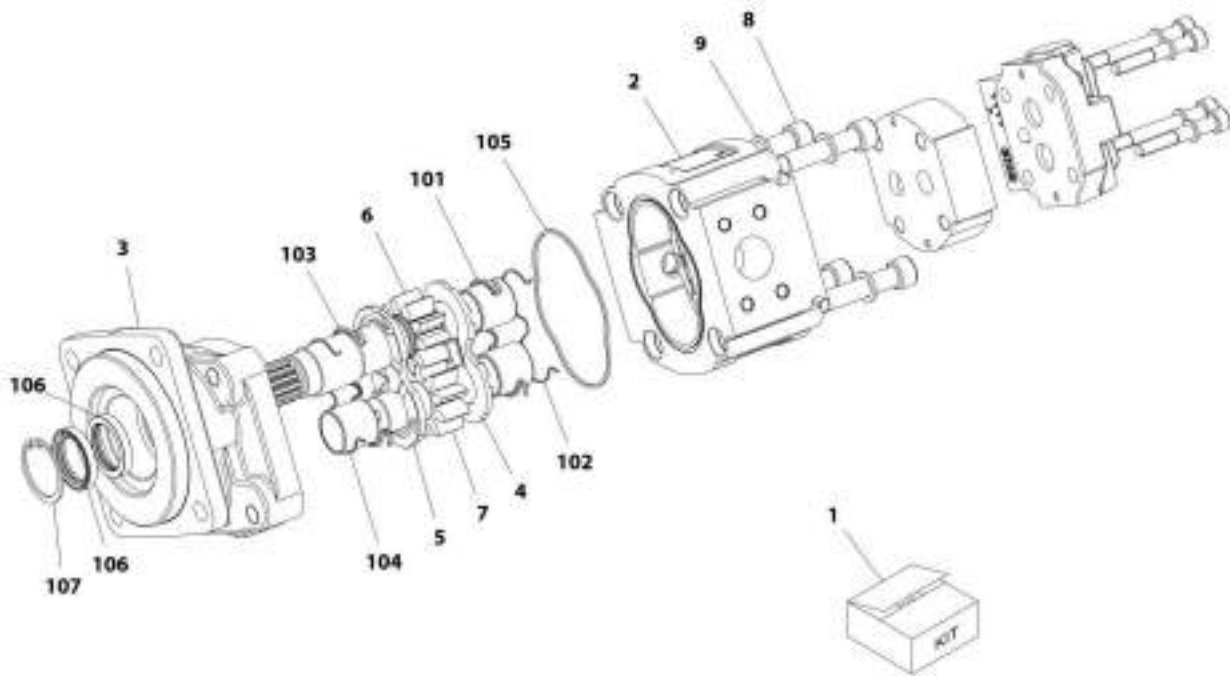
SECTION 9 - HYDRAULIC COMPONENTS

FIGURE 9-43. MAIN CONTROL VALVE (742, 943, 1043)

| ITEM | PART NUMBER | QTY | DESCRIPTION | REV |
|------|-------------|-----|-------------------------------------|-----|
| | 1001226812 | Ref | Main Control Valve (742, 943, 1043) | D |
| 1 | 70028478 | 1 | Section, Inlet | |
| 2 | 70028479 | 1 | Section, Spool | |
| 3 | 70028480 | 1 | Section, Spool | |
| 4 | 70026387 | 1 | Section, Spool | |
| 5 | 70028481 | 1 | Section, Spool | |
| 6 | 70026389 | 1 | Section, Outlet | |
| 7 | 8034697 | 5 | O-Ring | |
| 8 | 70050508 | 20 | O-Ring | |
| 9 | 70050507 | 9 | O-Ring | |
| 10 | 70026375 | 3 | Rod, Tie | |
| 11 | 70050481 | 6 | Nut | |
| 12 | 10837937 | 4 | Spring | |
| 13 | 10837929 | 4 | Poppet | |
| 14 | 70026369 | 16 | O-Ring | |
| 15 | 70026380 | 8 | O-Ring | |
| 16 | 70026378 | 8 | Spring | |
| 17 | 70026377 | 8 | Spring | |
| 18 | 70026381 | 7 | Cap | |
| 19 | 70028482 | 1 | Cap | |
| 20 | 70026383 | 16 | Cap | |
| 21 | 70022013 | 6 | Valve | |
| 22 | 70028483 | 2 | Valve | |
| 23 | 70022014 | 16 | Bolt | |
| 24 | 70050504 | 8 | Plug | |
| 25 | 70027130 | 8 | O-Ring | |
| 26 | 70022012 | 1 | Regulator | |
| 27 | 70026373 | 1 | O-Ring | |
| 28 | 10837928 | 1 | O-Ring | |
| 29 | 70026376 | 1 | Ring | |
| 30 | 70026370 | 1 | O-Ring | |
| 31 | 8035382 | 1 | Plug | |
| 32 | 70024202 | 1 | O-Ring | |
| 33 | 70050472 | 2 | Plug | |
| 34 | 70026374 | 2 | O-Ring | |
| 35 | 70022010 | 3 | Valve | |
| 36 | 70027098 | 2 | Valve | |
| 37 | 70028484 | 1 | Valve | |
| 38 | 70022008 | 2 | Plug | |

SECTION 9 - HYDRAULIC COMPONENTS

FIGURE 9-44. GEAR PUMP (642, 742)



ART_100163746-A

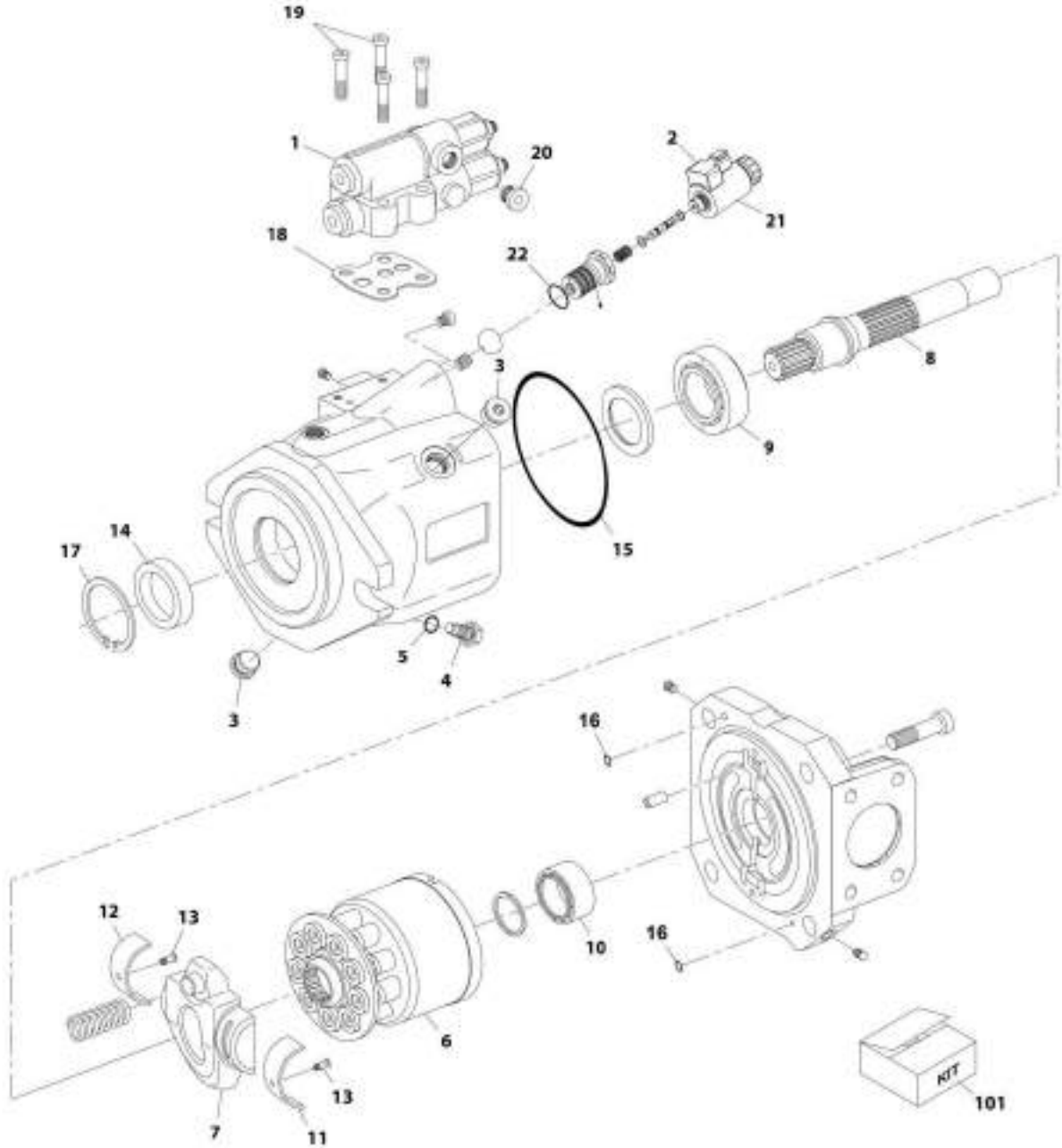
SECTION 9 - HYDRAULIC COMPONENTS

FIGURE 9-44. GEAR PUMP (642, 742)

| ITEM | PART NUMBER | QTY | DESCRIPTION | REV |
|------|-------------|-----|---|-----|
| | 1001163746 | Ref | Gear Pump (642, 742) | A |
| 1 | 70026567 | 1 | Kit, Seal (includes items 101 thru 107) | |
| 2 | 70026507 | 1 | Housing, Pump | |
| 3 | 70026508 | 1 | Cover, Front | |
| 4 | 70026509 | 1 | Plate, Thrust | |
| 5 | 70026566 | 1 | Plate, Thrust Upper | |
| 6 | 70026511 | 1 | Shaft, Drive | |
| 7 | 70026512 | 1 | Shaft, Driven | |
| 8 | 70026513 | 4 | Bolt M14X100 | |
| 9 | 70026493 | 4 | Washer | |
| 101 | Kit | 1 | Seal | |
| 102 | Kit | 1 | Ring | |
| 103 | Kit | 1 | Seal, Upper | |
| 104 | Kit | 1 | Ring | |
| 105 | Kit | 1 | Seal | |
| 106 | Kit | 2 | Seal | |
| 107 | Kit | 1 | Ring | |

SECTION 9 - HYDRAULIC COMPONENTS

FIGURE 9-45. PISTON PUMP (943, 1043)



ART_100168370-B

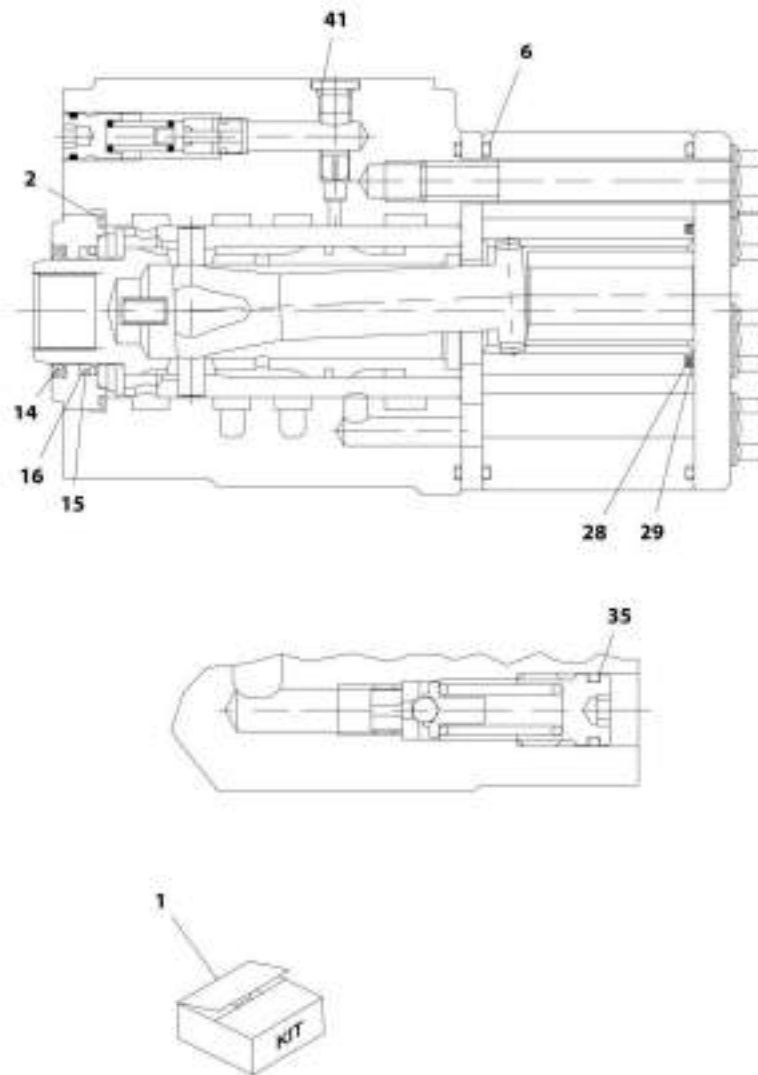
SECTION 9 - HYDRAULIC COMPONENTS

FIGURE 9-45. PISTON PUMP (943, 1043)

| ITEM | PART NUMBER | QTY | DESCRIPTION | REV |
|------|-------------|-----|---|-----|
| | 1001182279 | Ref | Piston Pump (943, 1043) | B |
| 1 | 70026572 | 1 | Valve, Control | |
| 2 | 70024186 | 1 | Valve, Control | |
| 3 | 70024407 | 2 | Plug | |
| 4 | 70024408 | 1 | Screw, Stop | |
| 5 | Kit | 1 | O-Ring | |
| 6 | 70024188 | 1 | Group, Rotary | |
| 7 | 70026583 | 1 | Plate, Swash | |
| 8 | 7024939 | 1 | Shaft, Drive | |
| 9 | 7024943 | 1 | Bearing, Front | |
| 10 | 7024944 | 1 | Bearing, Rear | |
| 11 | 70024414 | 1 | Liner, Bearing | |
| 12 | 70024415 | 1 | Liner, Bearing | |
| 13 | 7024953 | 2 | Screw, M5X16 | |
| 14 | 80634004 | 1 | Seal, Shaft | |
| 15 | Kit | 1 | O-Ring | |
| 16 | Kit | 2 | Sing, Seal | |
| 17 | 80334277 | 1 | Ring, Safety | |
| 18 | 70021867 | 1 | Gasket | |
| 19 | 7024954 | 4 | Screw, M6X30 | |
| 20 | 70024416 | 1 | Plug | |
| 21 | 70025897 | 1 | Solenoid | |
| 22 | Kit | 1 | O-Ring | |
| 101 | 70024189 | 1 | Kit, Seal (includes items 5, 15 thru 16 & 22) | |

SECTION 9 - HYDRAULIC COMPONENTS

FIGURE 9-46. STEERING ORBITAL VALVE (642, 742)



ARE_1001W0599-C

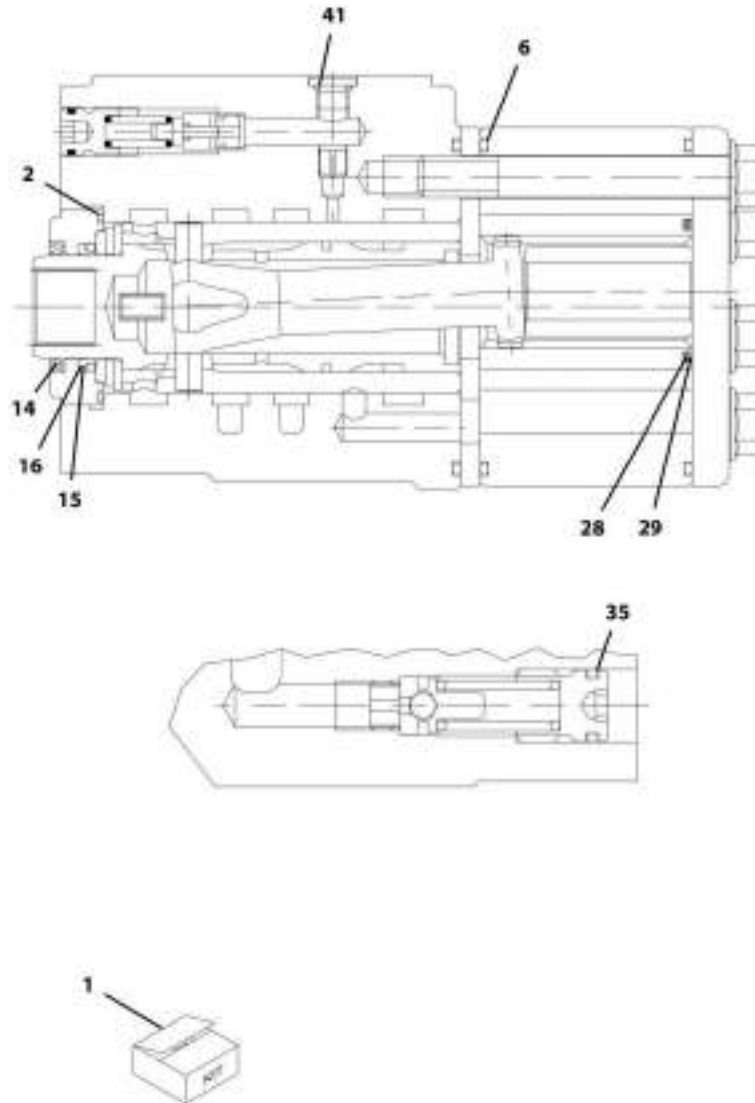
SECTION 9 - HYDRAULIC COMPONENTS

FIGURE 9-46. STEERING ORBITAL VALVE (642, 742)

| ITEM | PART NUMBER | QTY | DESCRIPTION | REV |
|------|-------------|-----|--------------------------------------|-----|
| | 1001160599 | Ref | Steering Orbital Valve | C |
| 1 | 70026401 | 1 | Kit, Seal (includes items 2 thru 41) | |
| 2 | Kit | 1 | O-Ring | |
| 6 | Kit | 3 | O-Ring | |
| 14 | Kit | 1 | Seal, Dust | |
| 15 | Kit | 1 | O-Ring | |
| 16 | Kit | 1 | Seal, Shaft | |
| 28 | Kit | 1 | Washer, Back-Up | |
| 29 | Kit | 1 | Seal, Ring | |
| 35 | Kit | 3 | O-Ring | |
| 41 | Kit | 2 | O-Ring | |

SECTION 9 - HYDRAULIC COMPONENTS

FIGURE 9-47. STEERING ORBITAL VALVE (943, 1043)



ART_1001198527 E

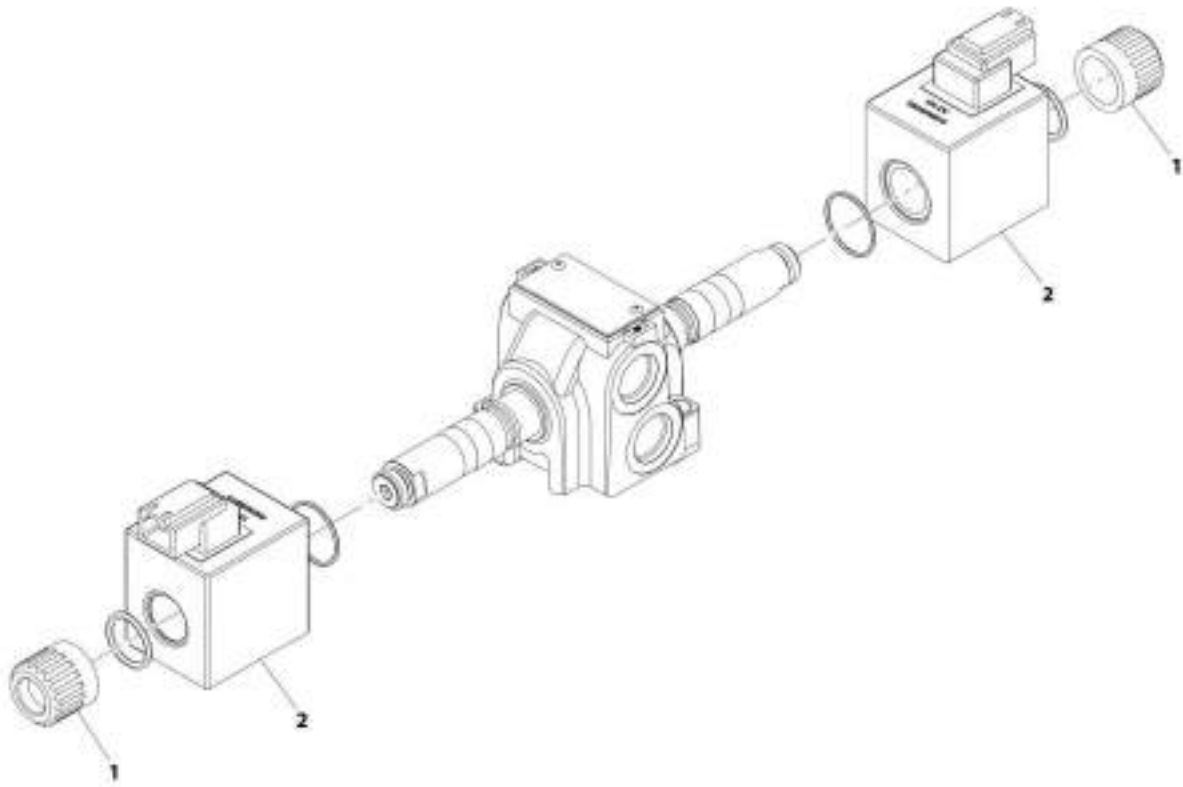
SECTION 9 - HYDRAULIC COMPONENTS

FIGURE 9-47. STEERING ORBITAL VALVE (943, 1043)

| ITEM | PART NUMBER | QTY | DESCRIPTION | REV |
|------|-------------|-----|--------------------------------------|-----|
| | 1001158527 | 1 | Steering Orbital Valve (943, 1043) | E |
| 1 | 70026401 | 1 | Kit, Seal (includes items 2 thru 41) | |
| 2 | Kit | 1 | O-Ring | |
| 6 | Kit | 3 | O-Ring | |
| 14 | Kit | 1 | Seal, Dust | |
| 15 | Kit | 1 | O-Ring | |
| 16 | Kit | 1 | Seal, Shaft | |
| 28 | Kit | 1 | Washer, Back-Up | |
| 29 | Kit | 1 | Seal, Ring | |
| 35 | Kit | 3 | O-Ring | |
| 41 | Kit | 2 | O-Ring | |

SECTION 9 - HYDRAULIC COMPONENTS

FIGURE 9-48. STEER SELECT VALVE



AMF_1001155748-C

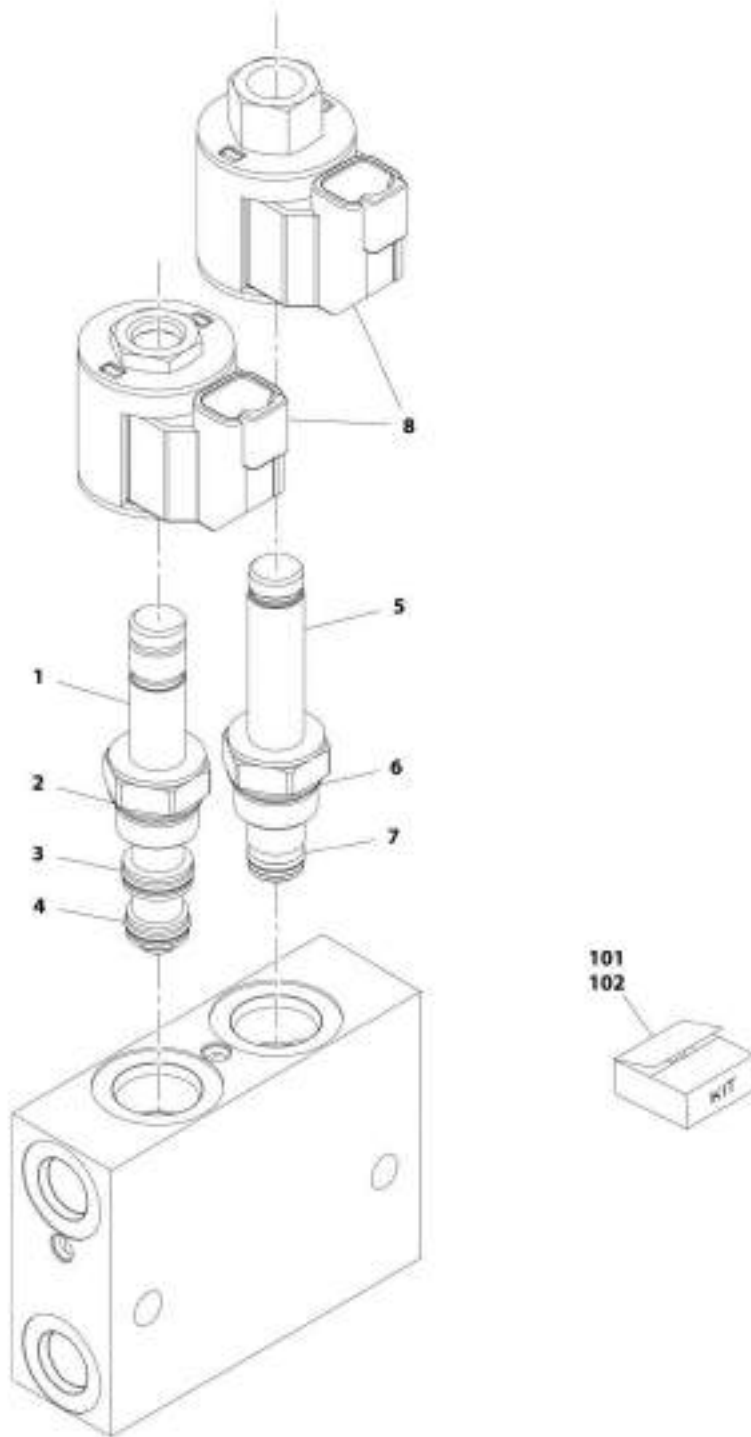
SECTION 9 - HYDRAULIC COMPONENTS

FIGURE 9-48. STEER SELECT VALVE

| ITEM | PART NUMBER | QTY | DESCRIPTION | REV |
|------|-------------|-----|------------------------|-----|
| | 1001153748 | Ref | Steering Select Valve | C |
| 1 | 70020867 | 2 | Kit, Retainer, W/Seals | |
| 2 | 70026582 | 2 | Coil | |

SECTION 9 - HYDRAULIC COMPONENTS

FIGURE 9-49. PARK BRAKE VALVE



WIT_1001164052-A

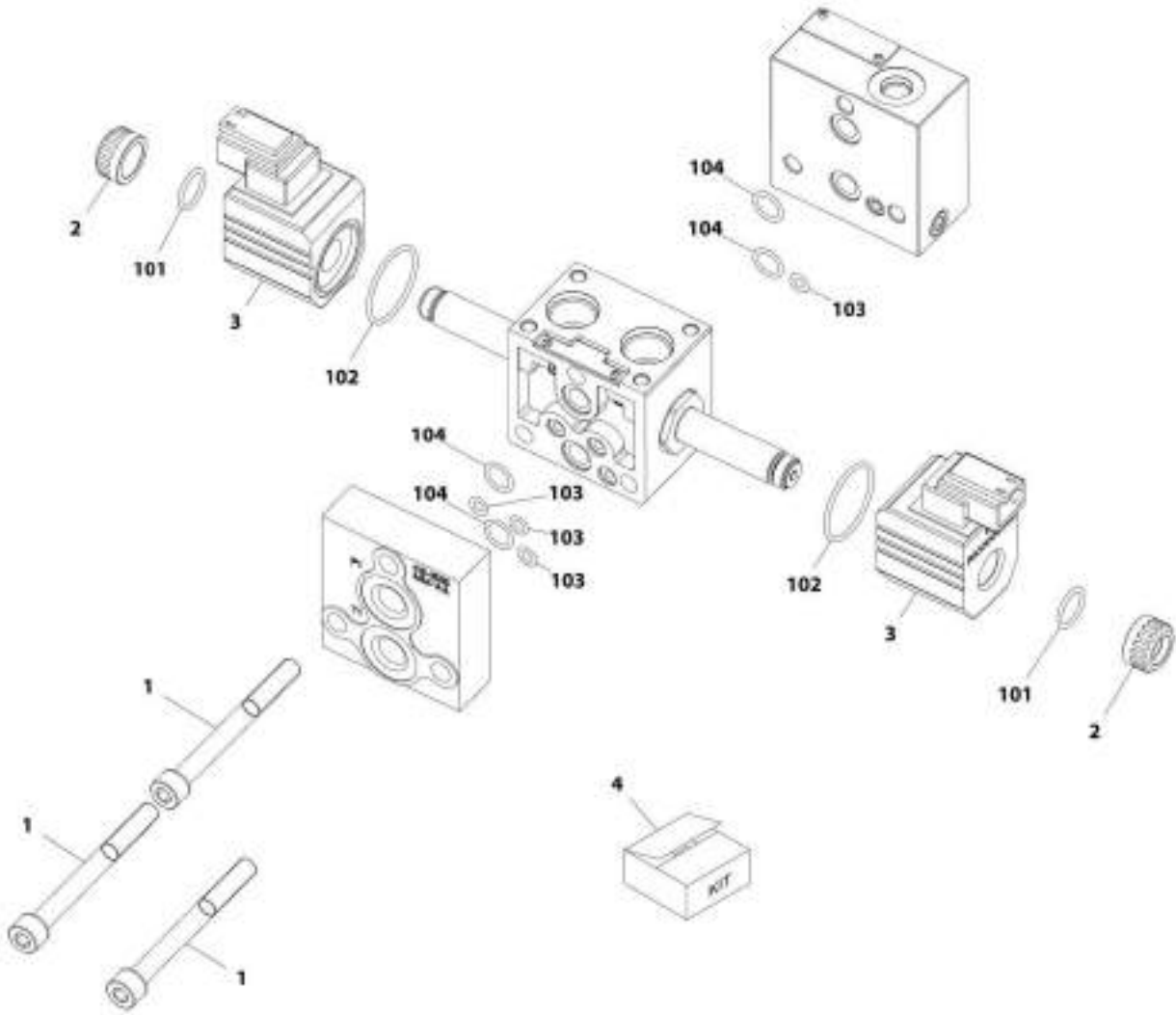
SECTION 9 - HYDRAULIC COMPONENTS

FIGURE 9-49. PARK BRAKE VALVE

| ITEM | PART NUMBER | QTY | DESCRIPTION | REV |
|------|-------------|-----|-------------------------------------|-----|
| | 1001164652 | 1 | Park Brake Valve | A |
| 1 | 7012941 | 1 | Valve | |
| 2 | Kit | 1 | O-Ring | |
| 3 | Kit | 1 | O-Ring | |
| 4 | Kit | 1 | O-Ring | |
| 5 | 7017410 | 1 | Valve | |
| 6 | Kit | 1 | O-Ring | |
| 7 | Kit | 1 | O-Ring | |
| 8 | 70002386 | 2 | Coil | |
| 101 | 7010543 | 1 | Kit, Seal (includes items 2 thru 4) | |
| 102 | 7012967 | 1 | Kit, Seal (includes items 6 thru 7) | |

SECTION 9 - HYDRAULIC COMPONENTS

FIGURE 9-50. FRAME LEVEL VALVE



ART_1001101959-D

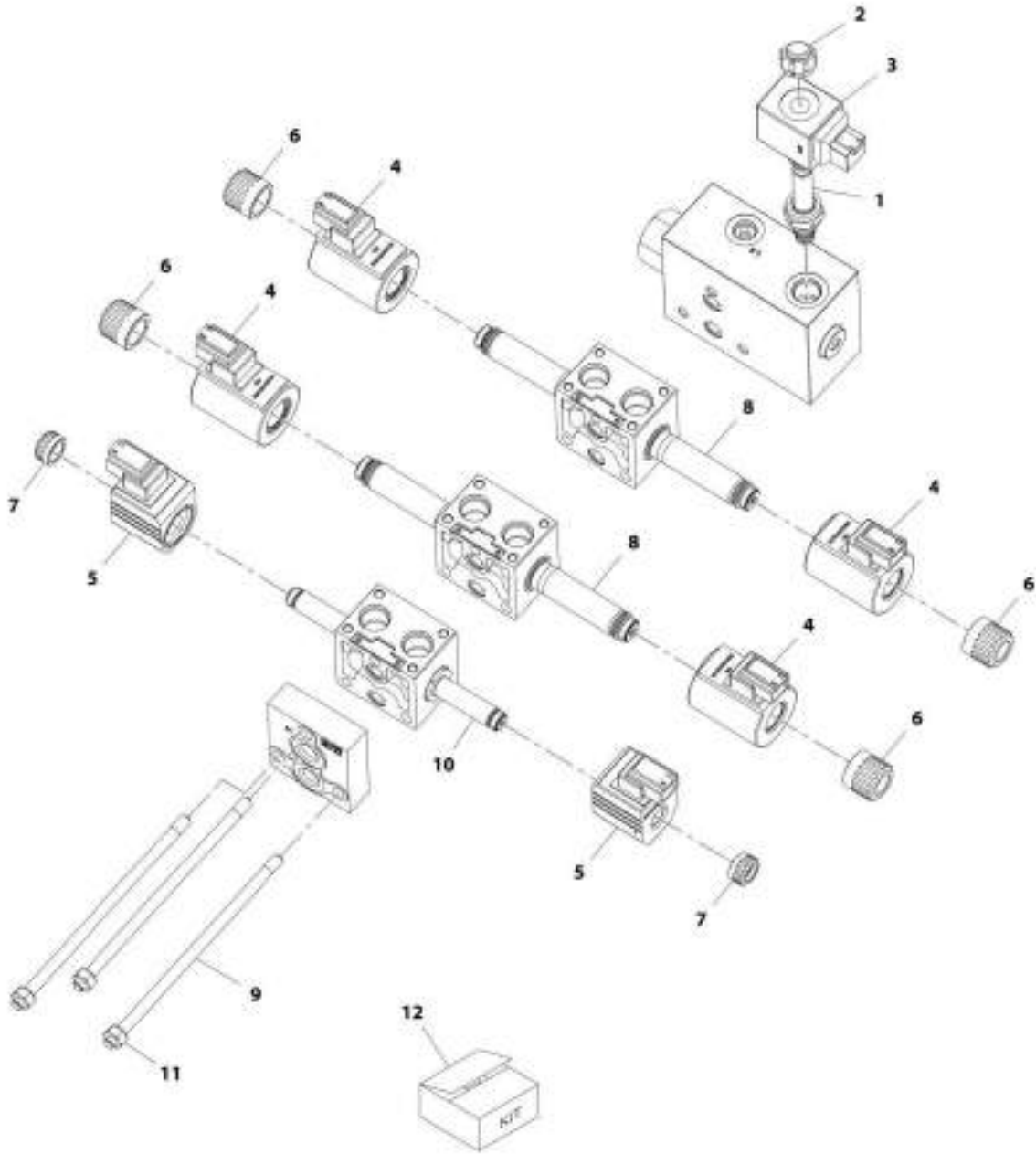
SECTION 9 - HYDRAULIC COMPONENTS

FIGURE 9-50. FRAME LEVEL VALVE

| ITEM | PART NUMBER | QTY | DESCRIPTION | REV |
|------|-------------|-----|---|-----|
| | 1001162959 | Ref | Frame Level Valve | D |
| 1 | 70026685 | 3 | Screw | |
| 2 | 70021209 | 2 | Retainer | |
| 3 | 70021208 | 2 | Coil | |
| 4 | 70026686 | 1 | Kit, Seal (includes items 101 thru 104) | |
| 101 | Kit | 2 | O-Ring | |
| 102 | Kit | 2 | O-Ring | |
| 103 | Kit | 4 | O-Ring | |
| 104 | Kit | 4 | O-Ring | |

SECTION 9 - HYDRAULIC COMPONENTS

FIGURE 9-51. FRAME LEVEL AND OUTRIGGER VALVE



ART_300116792E

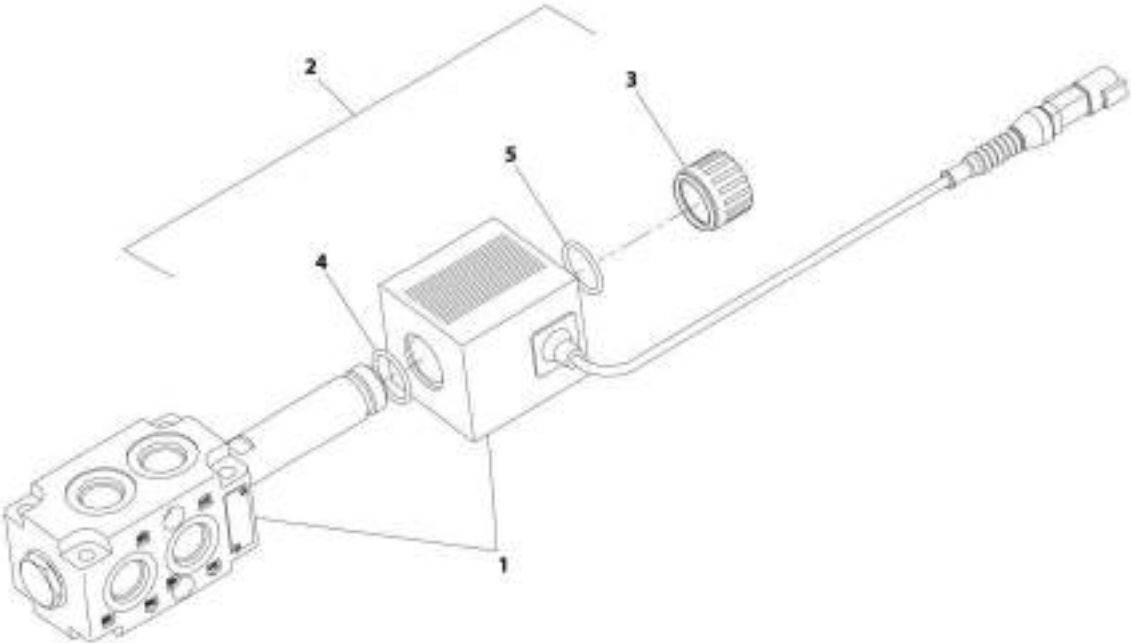
SECTION 9 - HYDRAULIC COMPONENTS

FIGURE 9-51. FRAME LEVEL AND OUTRIGGER VALVE

| ITEM | PART NUMBER | QTY | DESCRIPTION | REV |
|------|-------------|-----|----------------------------------|-----|
| | 1001157972 | Ref | Valve, Frame Level and Outrigger | E |
| 1 | 70023327 | 1 | Solenoid | |
| 2 | 70004654 | 1 | Nut, Coil | |
| 3 | 70022147 | 1 | Coil | |
| 4 | 70020868 | 4 | Coil | |
| 5 | 70021208 | 2 | Coil | |
| 6 | 70020867 | 4 | Kit, Retainer, W/Seals | |
| 7 | 70021209 | 2 | Kit, Retainer, W/Seals | |
| 8 | 70026568 | 2 | Section, Outrigger Valve | |
| 9 | 70026569 | 3 | Rod, Tie | |
| 10 | 70021213 | 1 | Section, Frame Level | |
| 11 | 70026570 | 3 | Nut | |
| 12 | 70026571 | 1 | Kit, Seal | |
| | Kit | 1 | O-Ring | |
| | Kit | 1 | O-Ring | |
| | Kit | 1 | O-Ring | |
| | Kit | 1 | O-Ring | |
| | Kit | 1 | O-Ring | |
| | Kit | 1 | O-Ring | |
| | Kit | 4 | O-Ring | |
| | Kit | 4 | O-Ring | |
| | Kit | 2 | O-Ring | |
| | Kit | 2 | O-Ring | |

SECTION 9 - HYDRAULIC COMPONENTS

FIGURE 9-52. QUICK COUPLER VALVE



ART_1801184477-D

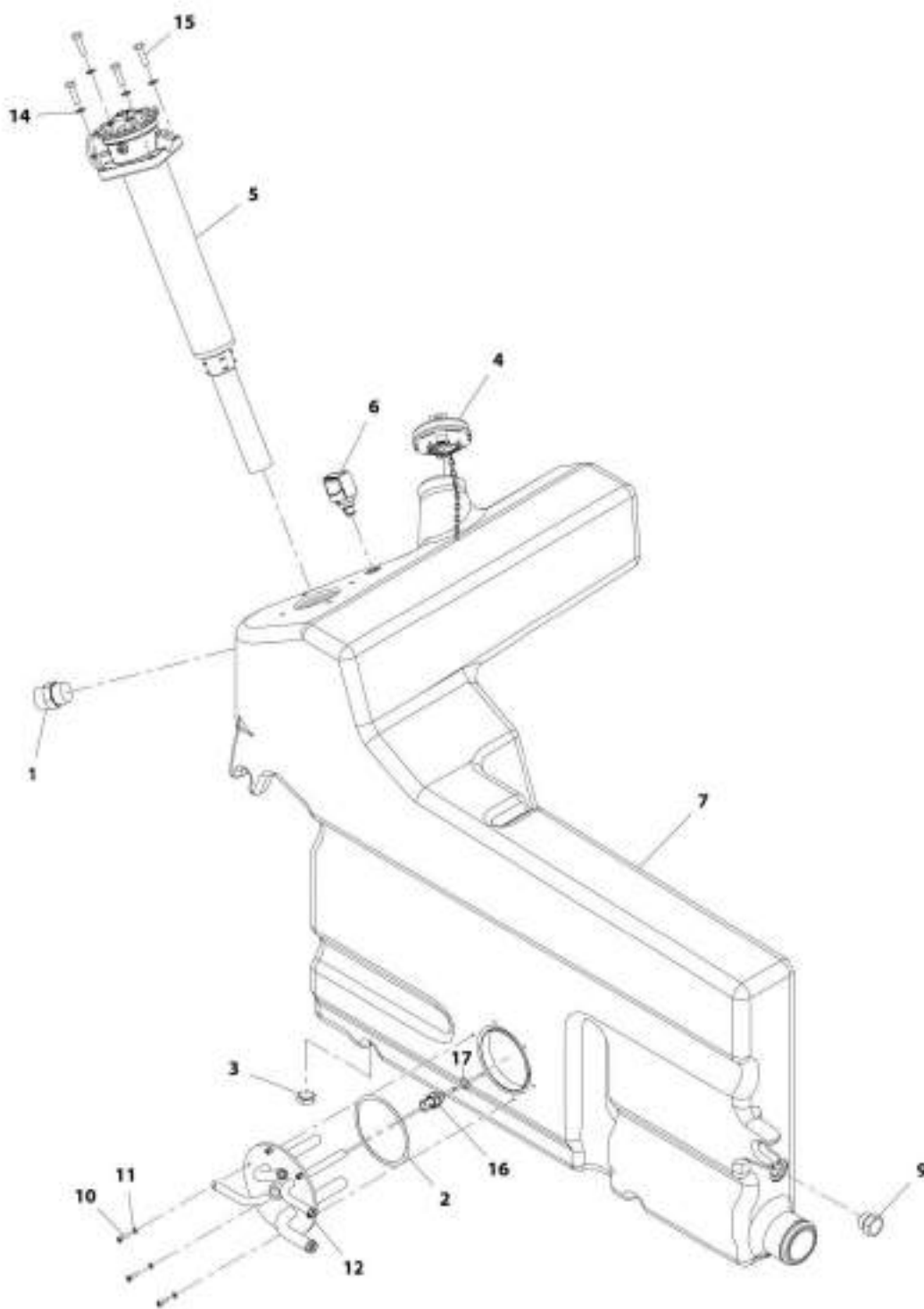
SECTION 9 - HYDRAULIC COMPONENTS

FIGURE 9-52. QUICK COUPLER VALVE

| ITEM | PART NUMBER | QTY | DESCRIPTION | REV |
|------|-------------|-----|---------------------|-----|
| | 1001104477 | Ref | Quick Coupler Valve | D |
| 1 | 70020764 | 1 | Coil | |
| 2 | 70021531 | 1 | Kit, Retainer | |
| 3 | N.S.S. | 1 | Nut | |
| 4 | N.S.S. | 1 | O-Ring | |
| 5 | N.S.S. | 1 | O-Ring | |

SECTION 9 - HYDRAULIC COMPONENTS

FIGURE 9-53. HYDRAULIC TANK



ART_100103067-04

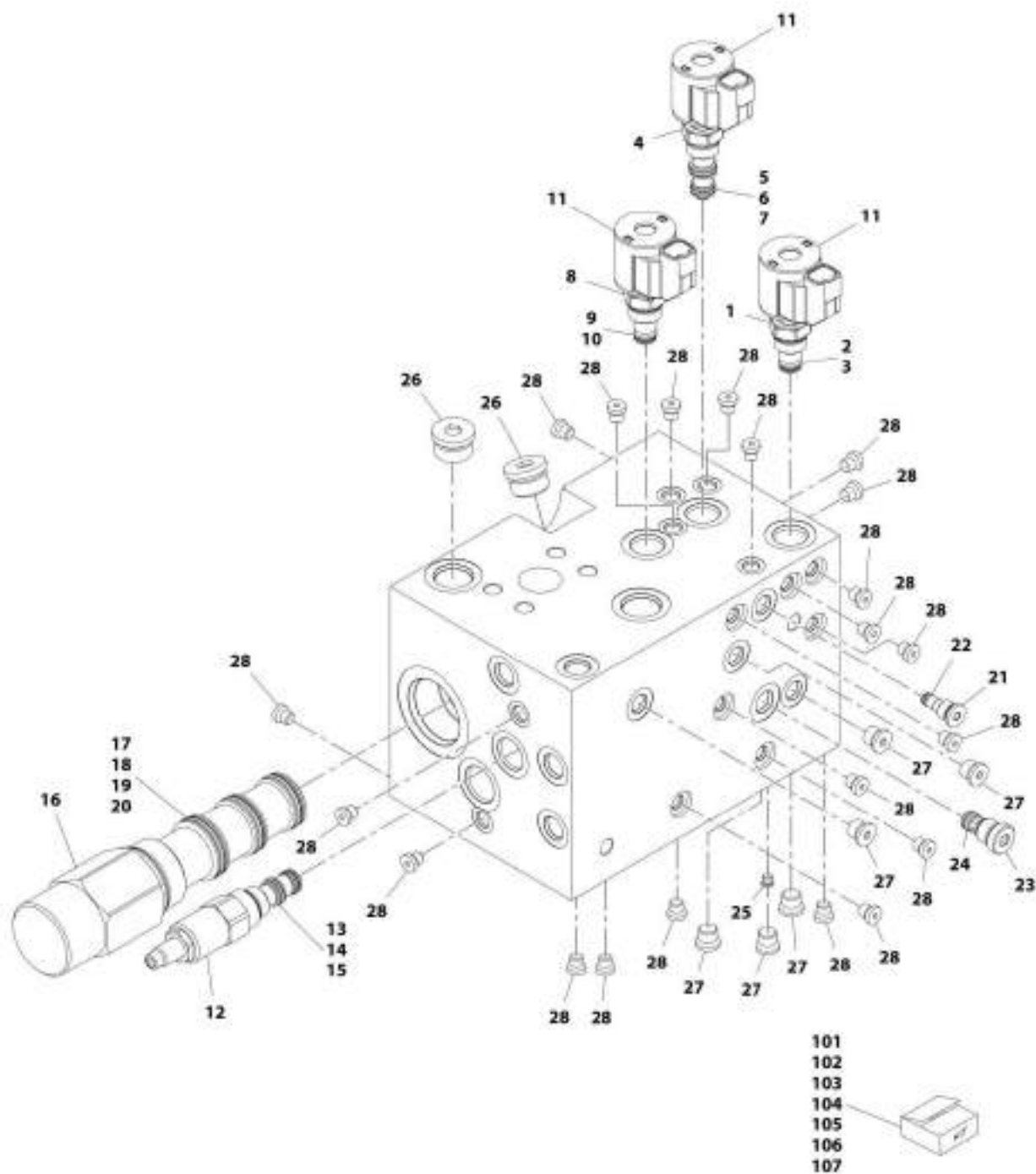
SECTION 9 - HYDRAULIC COMPONENTS

FIGURE 9-53. HYDRAULIC TANK

| ITEM | PART NUMBER | QTY | DESCRIPTION | REV |
|------|-------------|-----|----------------------------|-----|
| | 1001163067 | Ref | Hydraulic Tank | N |
| 1 | 2111616 | 1 | Fitting, Straight ORFS | |
| 2 | 1001003301 | 1 | Seal O-Ring | |
| 3 | 2220239 | 1 | Plug | |
| 4 | 1001194981 | 1 | Cap | |
| 5 | 1001162660 | 1 | Filter | |
| 6 | 1001162662 | 1 | Filter, Breather | |
| 7 | 1001162765 | 1 | Tank | |
| 9 | 2220240 | 1 | Adapter | |
| 10 | 4031607 | 6 | Screw, M5-0.8X16 | |
| 11 | 4831600 | 6 | Washer, Lock M5 | |
| 12 | 1001167281 | 1 | Manifold, Hydraulic Return | |
| 14 | 4811900 | 4 | Washer, M8 | |
| 15 | 0700814 | 4 | Bolt, M8X30 | |
| 16 | 1001128478 | 1 | Sensor | |
| 17 | 1001009163 | 1 | Seal | |

SECTION 9 - HYDRAULIC COMPONENTS

FIGURE 9-54. PRIORITY MANIFOLD VALVE



MIT_1001382546-F

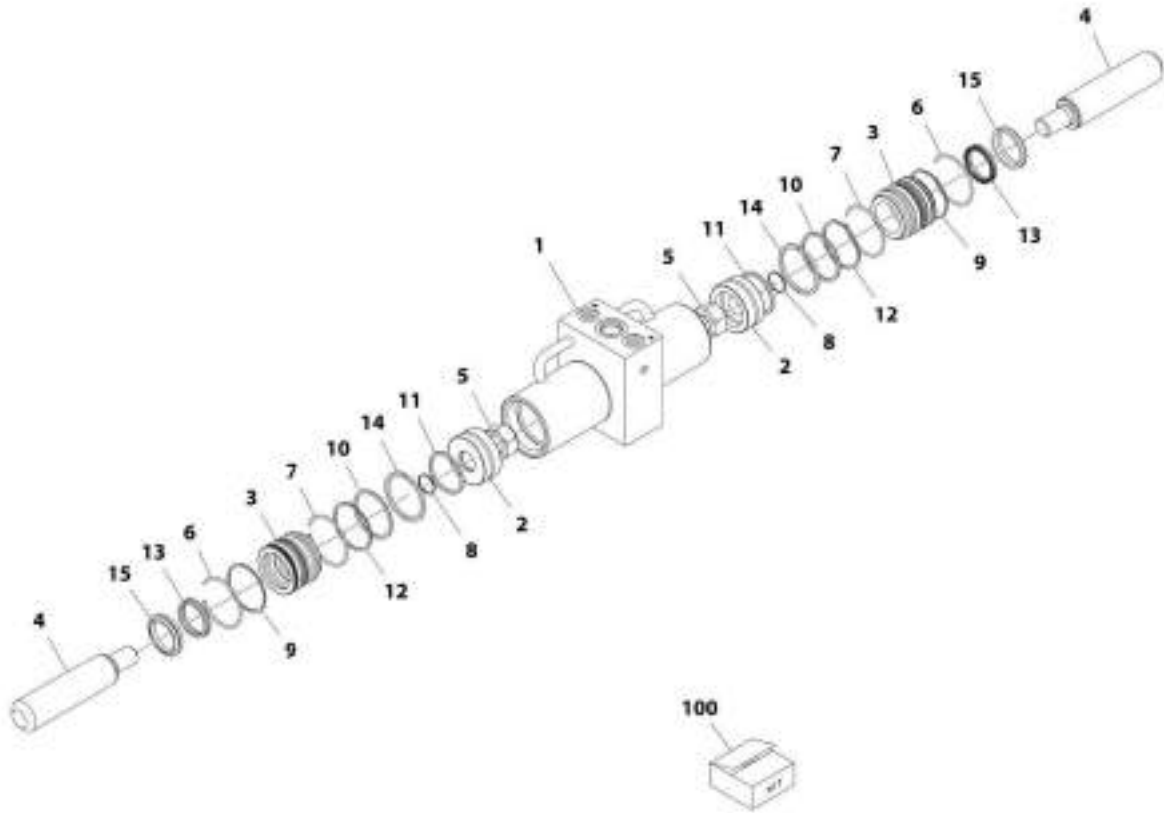
SECTION 9 - HYDRAULIC COMPONENTS

FIGURE 9-54. PRIORITY MANIFOLD VALVE

| ITEM | PART NUMBER | QTY | DESCRIPTION | REV |
|------|-------------|-----|---------------------------------------|-----|
| | 1001162548 | Ref | Priority Manifold Valve | F |
| 1 | H000071 | 1 | Cartridge | |
| 2 | Kit | 1 | Seal | |
| 3 | Kit | 1 | Seal | |
| 4 | 7012941 | 1 | Cartridge | |
| 5 | Kit | 1 | Seal | |
| 6 | Kit | 1 | Seal | |
| 7 | Kit | 1 | Seal | |
| 8 | 7017410 | 1 | Cartridge | |
| 9 | Kit | 1 | Seal | |
| 10 | Kit | 1 | Seal | |
| 11 | 70002963 | 3 | Coil | |
| 12 | 70026310 | 1 | Cartridge | |
| 13 | Kit | 1 | Seal | |
| 14 | Kit | 1 | Seal | |
| 15 | Kit | 1 | Seal | |
| 16 | 70026311 | 1 | Cartridge | |
| 17 | Kit | 1 | Seal | |
| 18 | Kit | 1 | Seal | |
| 19 | Kit | 1 | Seal | |
| 20 | Kit | 1 | Seal | |
| 21 | 70002975 | 1 | Cartridge | |
| 22 | Kit | 1 | Seal | |
| 23 | 70026312 | 1 | Cartridge | |
| 24 | Kit | 1 | Seal | |
| 25 | 70026313 | 1 | Plug | |
| 26 | 70026314 | 2 | Plug | |
| 27 | 7017406 | 6 | Plug | |
| 28 | 70026315 | 21 | Plug | |
| 101 | 7012953 | 1 | Kit, Seal (includes items 2 thru 3) | |
| 102 | 7010543 | 1 | Kit, Seal (includes items 5 thru 7) | |
| 103 | 7012953 | 1 | Kit, Seal (includes items 9 thru 10) | |
| 104 | 7021653 | 1 | Kit, Seal (includes items 13 thru 15) | |
| 105 | 70026333 | 1 | Kit, Seal (includes items 17 thru 20) | |
| 106 | 70002976 | 1 | Kit, Seal (includes items 22) | |
| 107 | 70026334 | 1 | Kit, Seal (includes items 24) | |

SECTION 9 - HYDRAULIC COMPONENTS

FIGURE 9-55. QUICK COUPLER CYLINDER



ART_1001130163-D

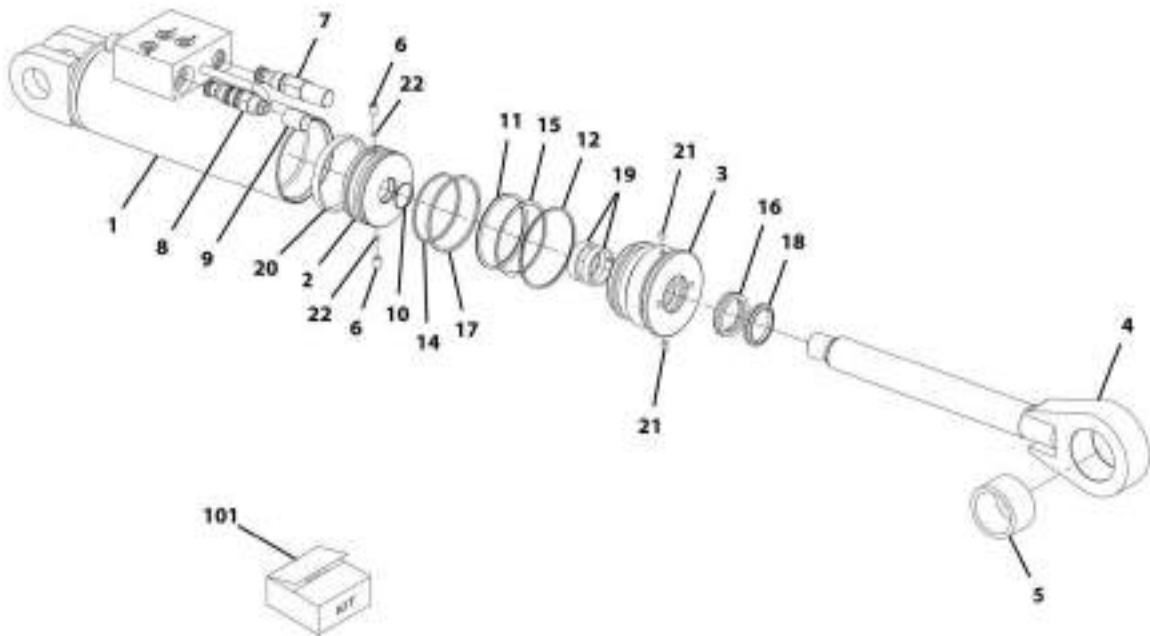
SECTION 9 - HYDRAULIC COMPONENTS

FIGURE 9-55. QUICK COUPLER CYLINDER

| ITEM | PART NUMBER | QTY | DESCRIPTION | REV |
|------|-------------|-----|-------------------------------------|-----|
| | 1001120163 | Ref | Quick Coupler Cylinder | D |
| 1 | 70026211 | 1 | Barrel | |
| 2 | 70026212 | 2 | Piston | |
| 3 | 70026213 | 2 | Head Gland | |
| 4 | 70026214 | 2 | Cylinder Rod | |
| 5 | 8037140 | 2 | Locknut | |
| 6 | Kit | 2 | Round Retaining Ring | |
| 7 | Kit | 2 | Round Retaining Ring | |
| 8 | Kit | 2 | O-Ring | |
| 9 | Kit | 2 | O-Ring | |
| 10 | Kit | 2 | O-Ring | |
| 11 | Kit | 2 | Square Ring | |
| 12 | Kit | 2 | Backup Ring | |
| 13 | Kit | 2 | Rod Seal | |
| 14 | Kit | 2 | Piston Seal | |
| 15 | Kit | 2 | Rod Wiper | |
| 100 | 70026215 | 1 | Seal Kit (includes items 6 thru 15) | |

SECTION 9 - HYDRAULIC COMPONENTS

FIGURE 9-56. SWING CARRIAGE CYLINDER



WIT_3001103/82-B

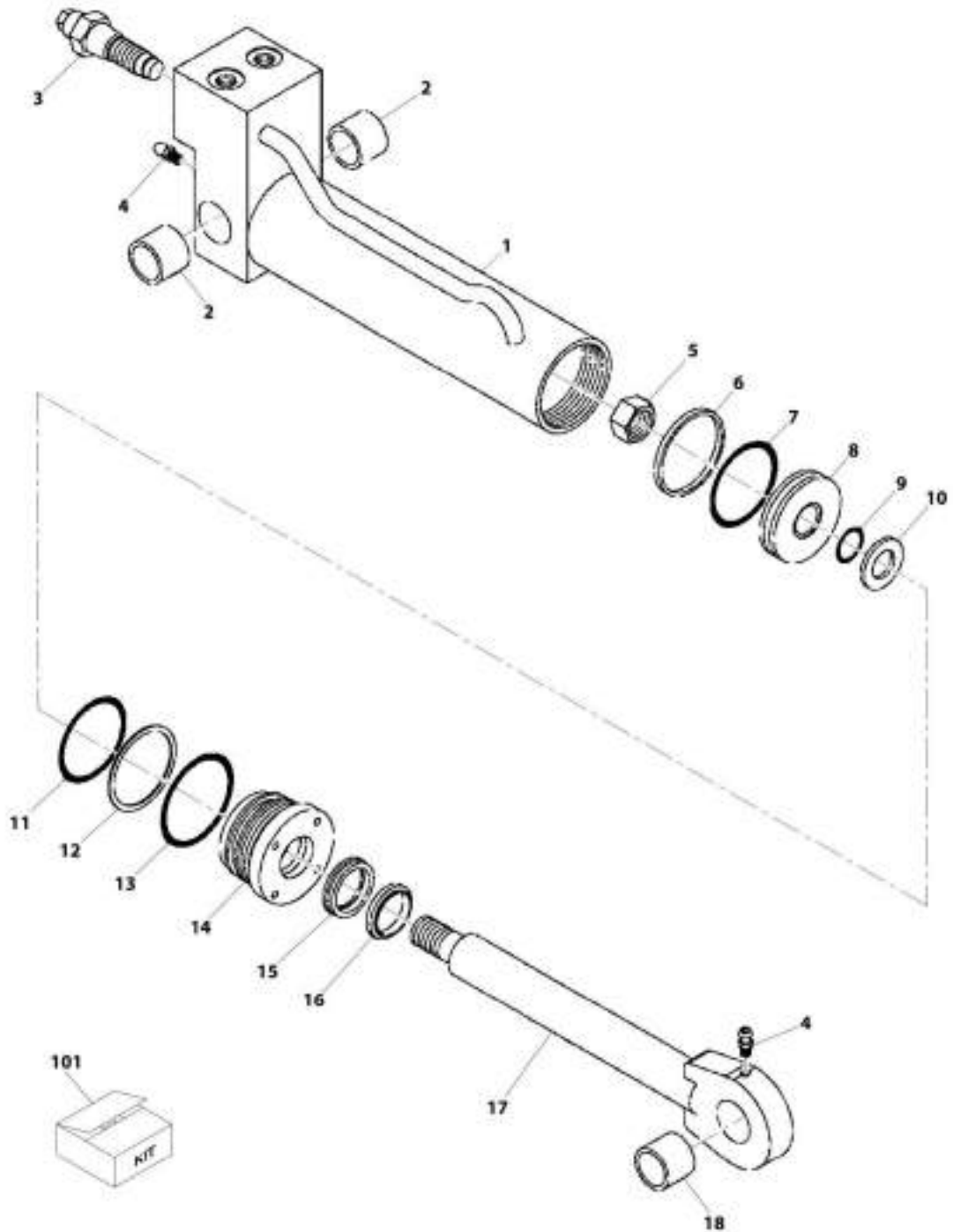
SECTION 9 - HYDRAULIC COMPONENTS

FIGURE 9-56. SWING CARRIAGE CYLINDER

| ITEM | PART NUMBER | QTY | DESCRIPTION | REV |
|------|-------------|-----|---------------------------------------|-----|
| | 1001103182 | Ref | Swing Carriage Cylinder | B |
| 1 | 70022044 | 1 | Assembly, Tube | |
| 2 | 8035863 | 1 | Piston | |
| 3 | 8035862 | 1 | Gland, Head | |
| 4 | 70022045 | 1 | Assembly, Rod | |
| 5 | 70022046 | 1 | Bearing | |
| 6 | 8035536 | 2 | Screw, Set 5/16-18X1/2 | |
| 7 | 70020428 | 1 | Valve, Relief | |
| 7 | 7024574 | 1 | Kit, Seal | |
| 8 | 8033786 | 1 | Valve, Counterbalance | |
| 8 | 8205655 | 1 | Kit, Seal | |
| 11 | Kit | 1 | O-Ring | |
| 12 | Kit | 1 | O-Ring | |
| 13 | Kit | 1 | O-Ring | |
| 14 | Kit | 1 | Ring, Square | |
| 15 | Kit | 1 | Ring, Backup | |
| 16 | Kit | 1 | Seal | |
| 17 | Kit | 1 | Seal, Piston | |
| 18 | Kit | 1 | Wiper, Rod | |
| 19 | Kit | 2 | Wearband | |
| 20 | Kit | 1 | Wearband | |
| 21 | Kit | 2 | Insert | |
| 22 | Kit | 2 | Insert | |
| 101 | 2915023 | 1 | Kit, Seal (includes items 11 thru 22) | |

SECTION 9 - HYDRAULIC COMPONENTS

FIGURE 9-57. GRAPPLE BUCKET CYLINDER



MT_30021393-A

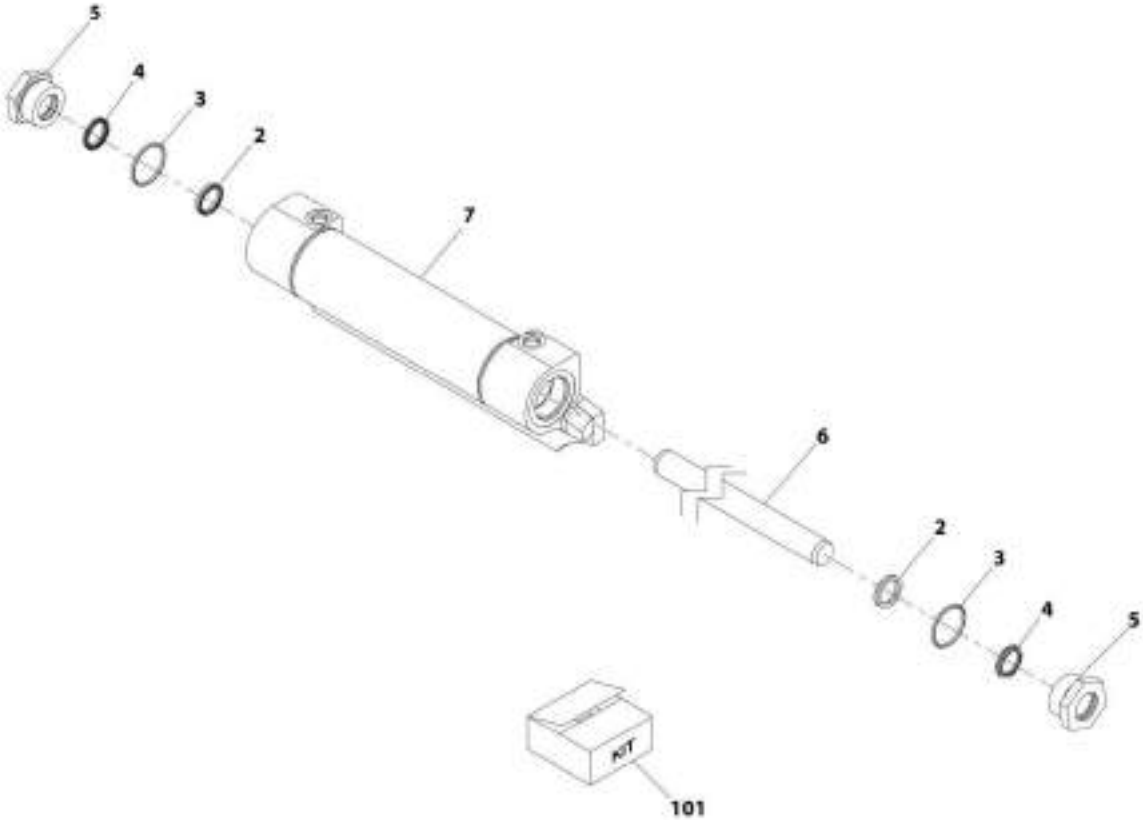
SECTION 9 - HYDRAULIC COMPONENTS

FIGURE 9-57. GRAPPLE BUCKET CYLINDER

| ITEM | PART NUMBER | QTY | DESCRIPTION | REV |
|------|-------------|-----|---|-----|
| | 70021393 | Ref | Grapple Bucket Cylinder | A |
| 1 | 70021465 | 1 | Tube, Cylinder | |
| 2 | 70021448 | 2 | Bushing | |
| 3 | 70021464 | 2 | Cartridge, Valve | |
| 4 | 90554045 | 2 | Fitting, Grease | |
| 5 | 70021440 | 1 | Nut | |
| 6 | Kit | 1 | Ring, Piston | |
| 7 | Kit | 1 | O-Ring | |
| 8 | 70021451 | 1 | Piston | |
| 9 | Kit | 1 | O-Ring | |
| 10 | 70021444 | 1 | Washer | |
| 11 | Kit | 1 | O-Ring | |
| 12 | Kit | 1 | Washer, Back-Up | |
| 13 | Kit | 1 | O-Ring | |
| 14 | 70021446 | 1 | Gland, Cylinder | |
| 15 | Kit | 1 | Seal, Poly-Pak | |
| 16 | Kit | 1 | Wiper, Rod | |
| 17 | 70021466 | 1 | Rod, Piston | |
| 18 | 70021447 | 1 | Bushing | |
| 101 | 70021452 | 1 | Kit, Seal (includes items 6, 7, 9, 11 thru 13, 15 & 16) | |

SECTION 9 - HYDRAULIC COMPONENTS

FIGURE 9-58. SIDE SHIFT CARRIAGE CYLINDER



ART_70024539-B

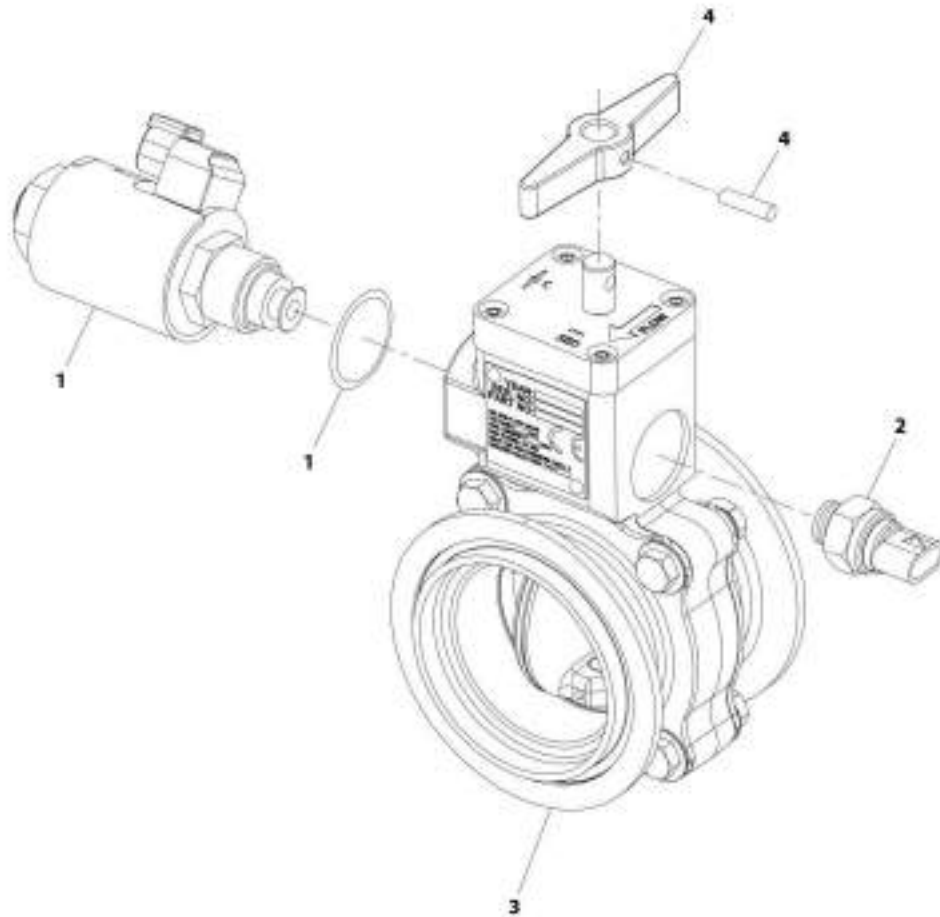
SECTION 9 - HYDRAULIC COMPONENTS

FIGURE 9-58. SIDE SHIFT CARRIAGE CYLINDER

| ITEM | PART NUMBER | QTY | DESCRIPTION | REV |
|------|-------------|-----|----------------------------------|-----|
| | 70024539 | Ref | Side Shift Carriage Cylinder | B |
| 2 | Kit | 2 | Seal, Rod | |
| 3 | 70024547 | 2 | O-Ring | |
| 4 | Kit | 2 | Seal, Rod Wiper | |
| 5 | 70024548 | 2 | Seal, Retainer | |
| 6 | N.S.S. | 1 | Rod | |
| 7 | N.S.S. | 1 | Barrel | |
| 101 | 70024549 | 1 | Kit, Seal (includes items 2 & 4) | |

SECTION 9 - HYDRAULIC COMPONENTS

FIGURE 9-59. AIR SHUT OFF VALVE



ART_1001204603-A

SECTION 9 - HYDRAULIC COMPONENTS

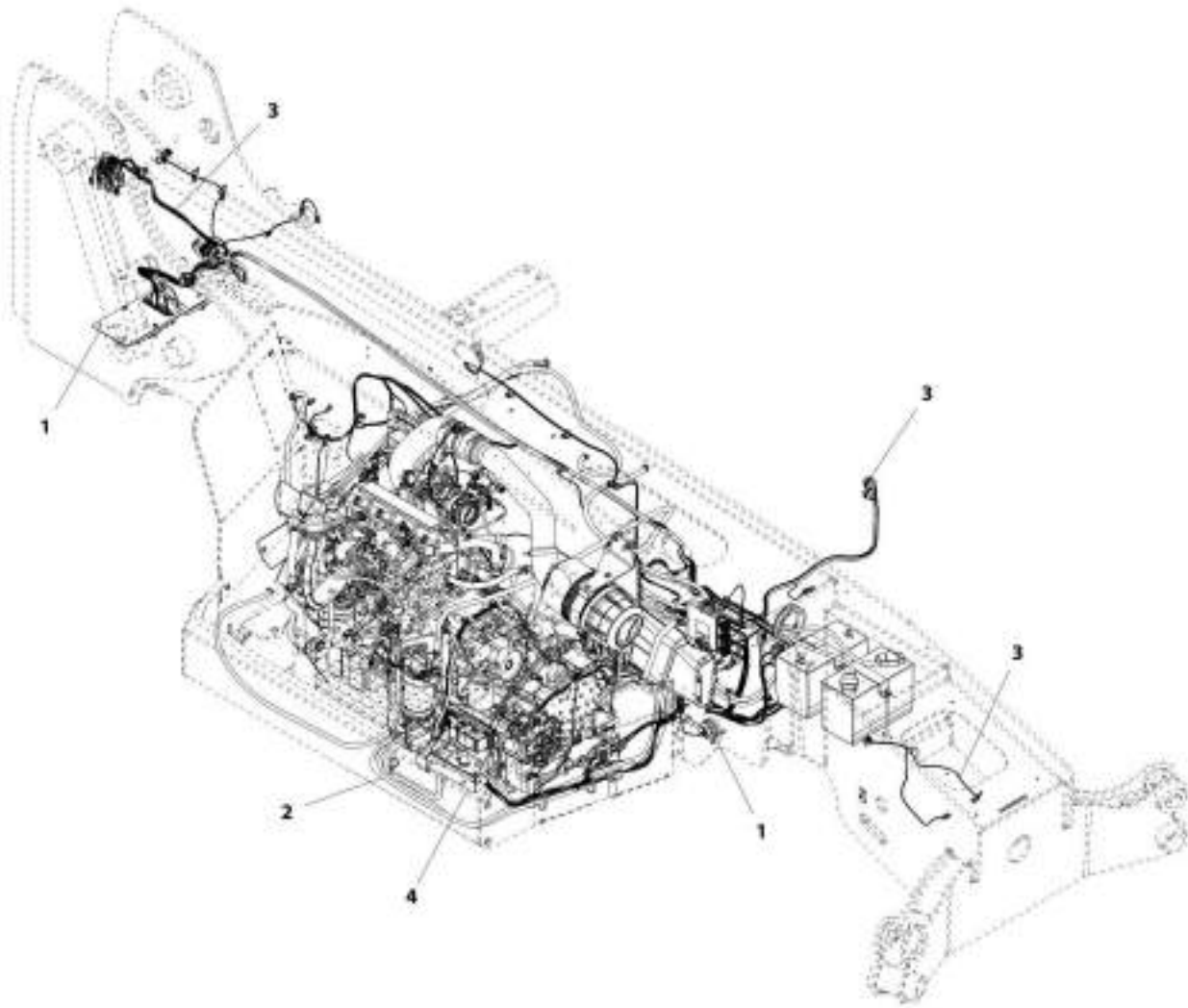
FIGURE 9-59. AIR SHUT OFF VALVE

| ITEM | PART NUMBER | QTY | DESCRIPTION | REV |
|------|-------------|-----|--------------------------|-----|
| | 1001204032 | Ref | Air Shut Off Valve | A |
| 1 | 70028514 | 1 | Kit, Solenoid 12V | |
| | N.S.S. | 1 | Solenoid | |
| | N.S.S. | 1 | Coil, 12V | |
| | N.S.S. | 1 | O-Ring | |
| 2 | 70028515 | 1 | Kit, Switch | |
| | N.S.S. | 1 | Switch, Ball | |
| | N.S.S. | 1 | O-Ring | |
| 3 | 70028516 | 1 | Kit, Flange and Hardware | |
| | N.S.S. | 1 | Flange, Female | |
| | N.S.S. | 1 | Flange, Male | |
| | N.S.S. | 4 | Bolt | |
| | N.S.S. | 8 | Washer | |
| | N.S.S. | 4 | Locknut | |
| 4 | 70028517 | 1 | Handle | |
| | N.S.S. | 1 | Handle, Reset | |
| | N.S.S. | 1 | Pin | |

SECTION 10 - ELECTRICAL

SECTION 10 - ELECTRICAL

FIGURE 10-1. MAIN ELECTRICAL INSTALLATION (ULS) (642, 742)



ART_100173622-C

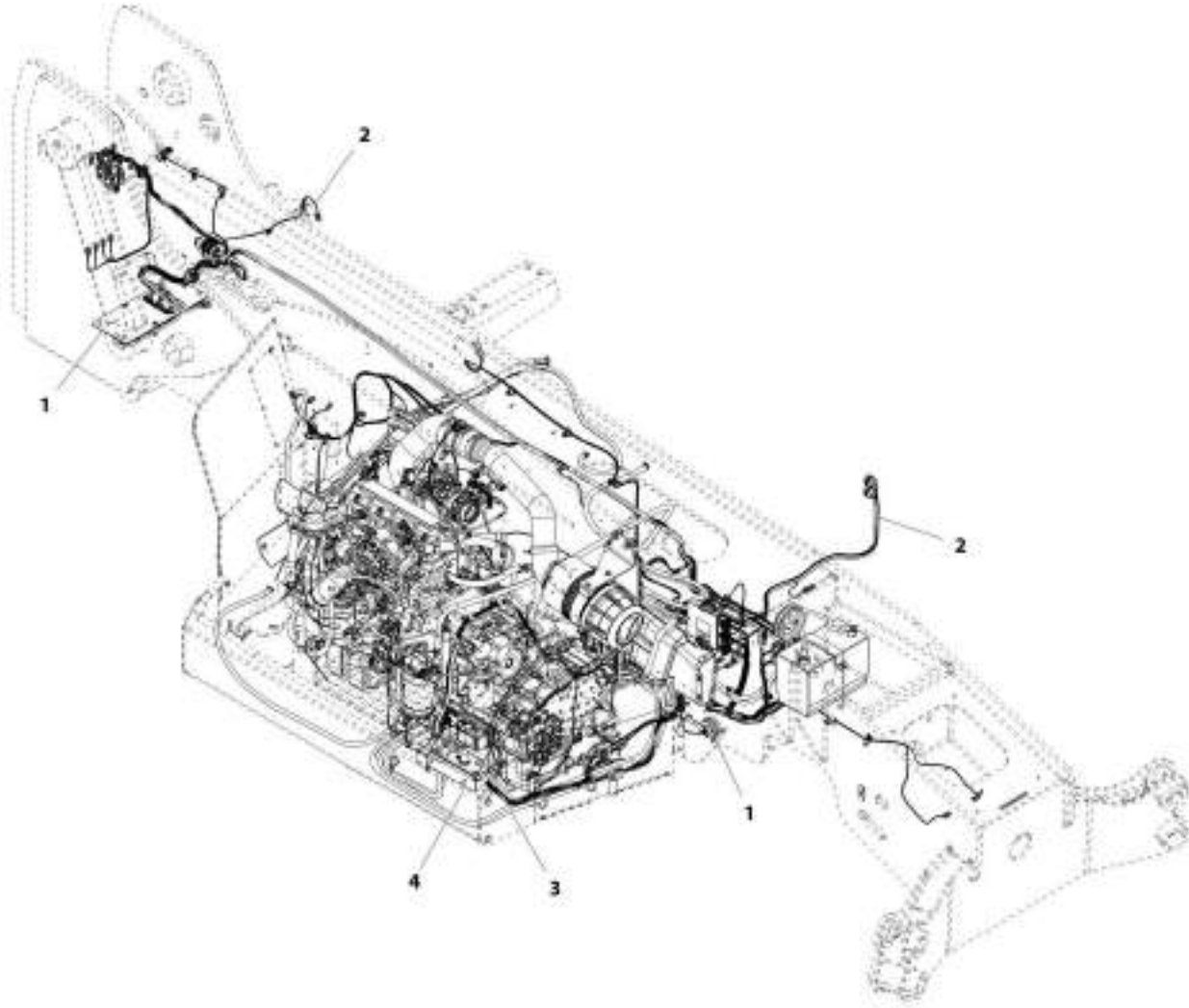
SECTION 10 - ELECTRICAL

FIGURE 10-1. MAIN ELECTRICAL INSTALLATION (ULS) (642, 742)

| ITEM | PART NUMBER | QTY | DESCRIPTION | REV |
|------|-------------|-----|--|-----|
| 1 | 1001173622 | Ref | Main Electrical Installation (ULS) (642, 742) | C |
| | 1001167051 | Ref | Installation, Electrical Frame (See ELECTRICAL FRAME INSTALLATION for Breakdown) | |
| 2 | 1001173531 | Ref | Installation, Engine Bay Wiring (ULS) (See ENGINE BAY WIRING INSTALLATION (ULS) for Breakdown) | |
| 3 | 1001173618 | Ref | Installation, Frame Wiring (ULS) (642, 742) (See FRAME WIRING INSTALLATION (ULS) (642) | |
| 4 | | Ref | Installation, Engine Bay Electrical (See ENGINE BAY ELECTRICAL INSTALLATION for Breakdown) | |

SECTION 10 - ELECTRICAL

FIGURE 10-2. MAIN ELECTRICAL INSTALLATION (ULS) (943, 1043)



AGT_1001160250-C

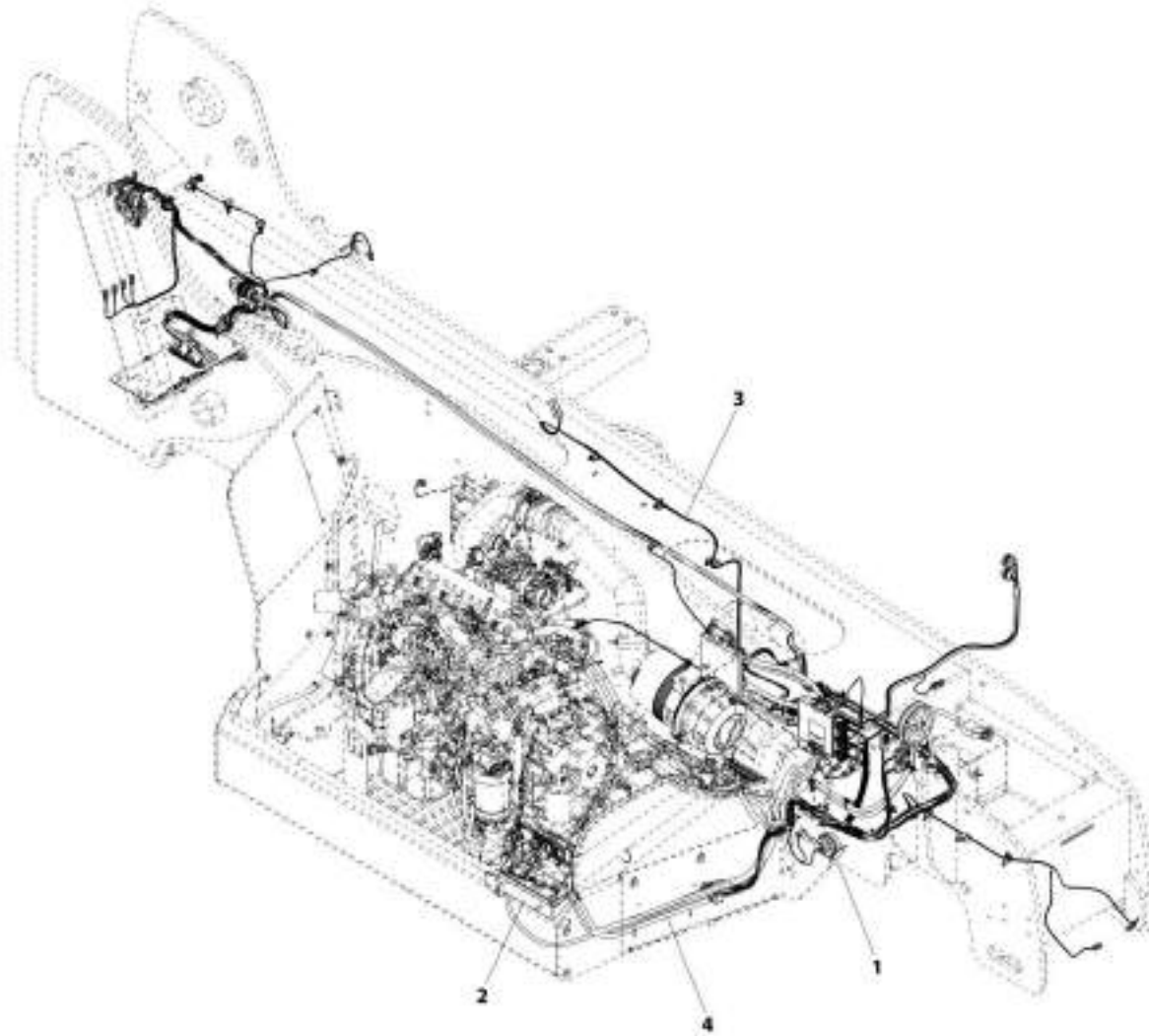
SECTION 10 - ELECTRICAL

FIGURE 10-2. MAIN ELECTRICAL INSTALLATION (ULS) (943, 1043)

| ITEM | PART NUMBER | QTY | DESCRIPTION | REV |
|------|-------------|-----|--|-----|
| 1 | 1001167050 | Ref | Main Electrical Installation (ULS) (943, 1043) | C |
| | 1001167051 | Ref | Installation, Electrical Frame (See ELECTRICAL FRAME INSTALLATION for Breakdown) | |
| 2 | 1001173530 | Ref | Installation, Frame Wiring (ULS) (943, 1043) (See FRAME WIRING INSTALLATION (ULS) (943, 1043) for Breakdown) | |
| 3 | 1001173531 | Ref | Installation, Engine Bay Wiring (ULS) (See ENGINE BAY WIRING INSTALLATION (ULS) for Breakdown) | |
| 4 | | Ref | Installation, Engine Bay Electrical (See ENGINE BAY ELECTRICAL INSTALLATION for Breakdown) | |

SECTION 10 - ELECTRICAL

FIGURE 10-3. MAIN ELECTRICAL INSTALLATION (ULS) (74 HP) (742, 943, 1043)



ART_3001225986-R

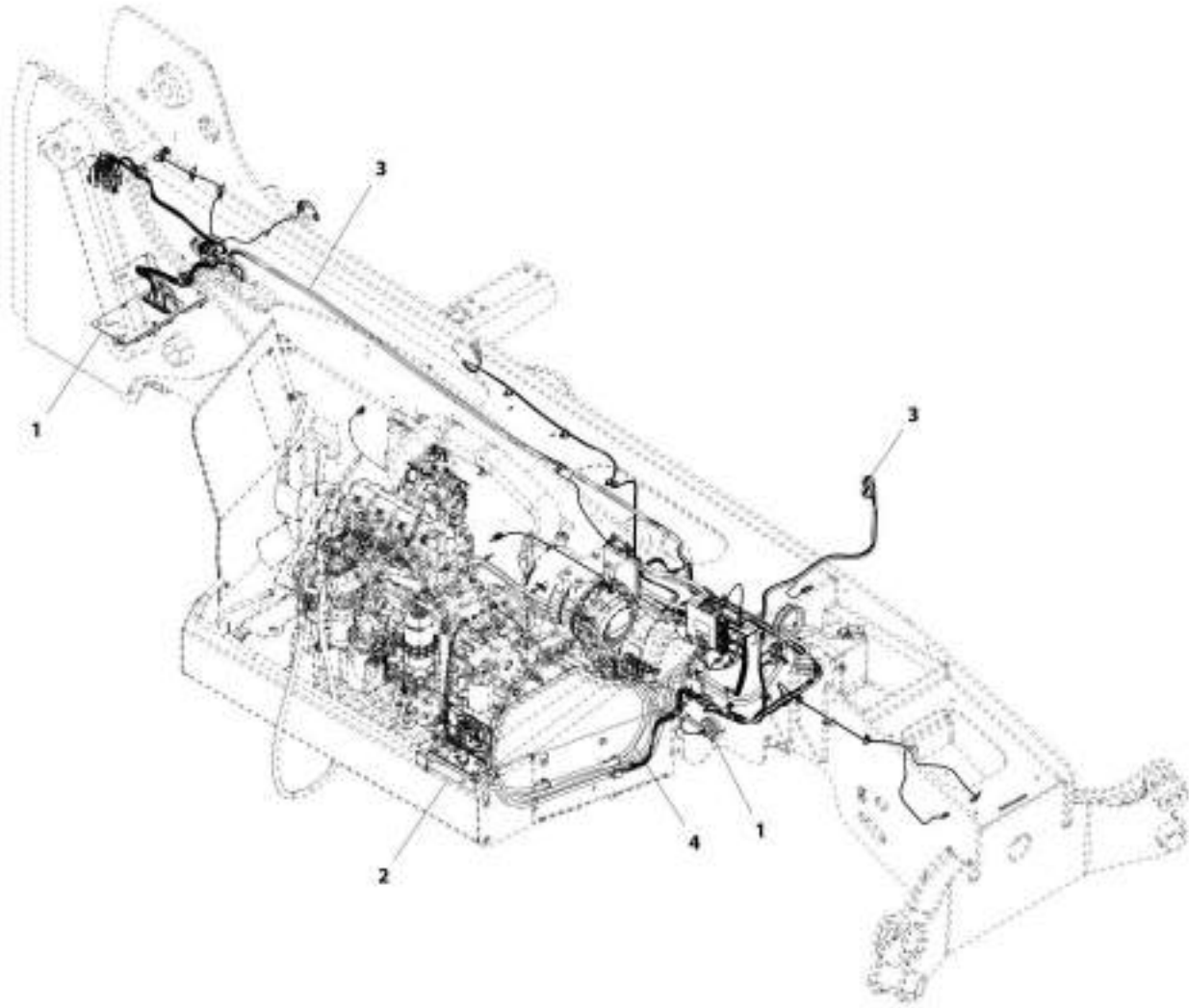
SECTION 10 - ELECTRICAL

FIGURE 10-3. MAIN ELECTRICAL INSTALLATION (ULS) (74 HP) (742, 943, 1043)

| ITEM | PART NUMBER | QTY | DESCRIPTION | REV |
|------|-------------|-----|--|-----|
| 1 | 1001225986 | Ref | Main Electrical Installation (ULS) (74 HP) (742, 943, 1043) | B |
| | 1001167051 | Ref | Installation, Electrical Frame (See Separate Breakdown in this Section) | |
| 2 | 1001173765 | Ref | Installation, Engine Bay Electrical (See Separate Breakdown in this Section) | |
| 3 | 1001225987 | Ref | Installation, Wiring Frame (742, 943, 1043) (See Separate Breakdown in this Section) | |
| 4 | | Ref | Installation, Engine Bay Wiring (See Separate Breakdown in this Section) | |

SECTION 10 - ELECTRICAL

FIGURE 10-4. MAIN ELECTRICAL INSTALLATION (LS) (642, 742)



AWT_1001192.902-A

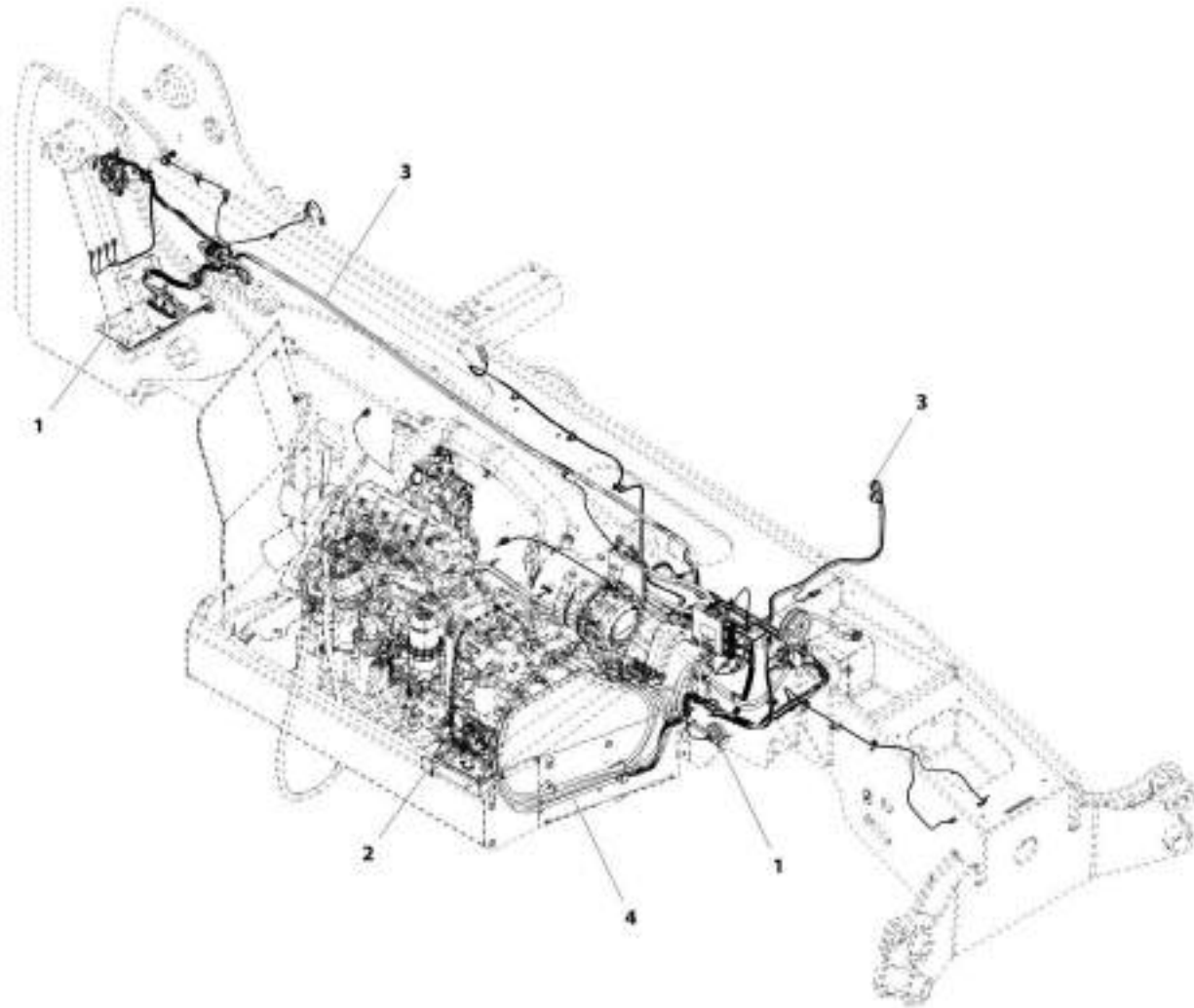
SECTION 10 - ELECTRICAL

FIGURE 10-4. MAIN ELECTRICAL INSTALLATION (LS) (642, 742)

| ITEM | PART NUMBER | QTY | DESCRIPTION | REV |
|------|-------------|-----|---|-----|
| 1 | 1001192302 | Ref | Main Electrical Installation (LS) (642, 742) | A |
| | 1001167051 | Ref | Installation, Electrical Frame (See ELECTRICAL FRAME INSTALLATION for Breakdown) | |
| 2 | 1001173765 | Ref | Installation, Engine Bay Electrical (See ENGINE BAY ELECTRICAL INSTALLATION for Breakdown) | |
| 3 | 1001192304 | Ref | Installation, Frame Wiring (LS) (642, 742) (See FRAME WIRING INSTALLATION (LS) (642) for Breakdown) | |
| 4 | 1001193171 | Ref | Installation, Engine Bay Wiring (See ENGINE BAY WIRING INSTALLATION for Breakdown) | |

SECTION 10 - ELECTRICAL

FIGURE 10-5. MAIN ELECTRICAL INSTALLATION (LS) (943, 1043)



ART_1001103303-A

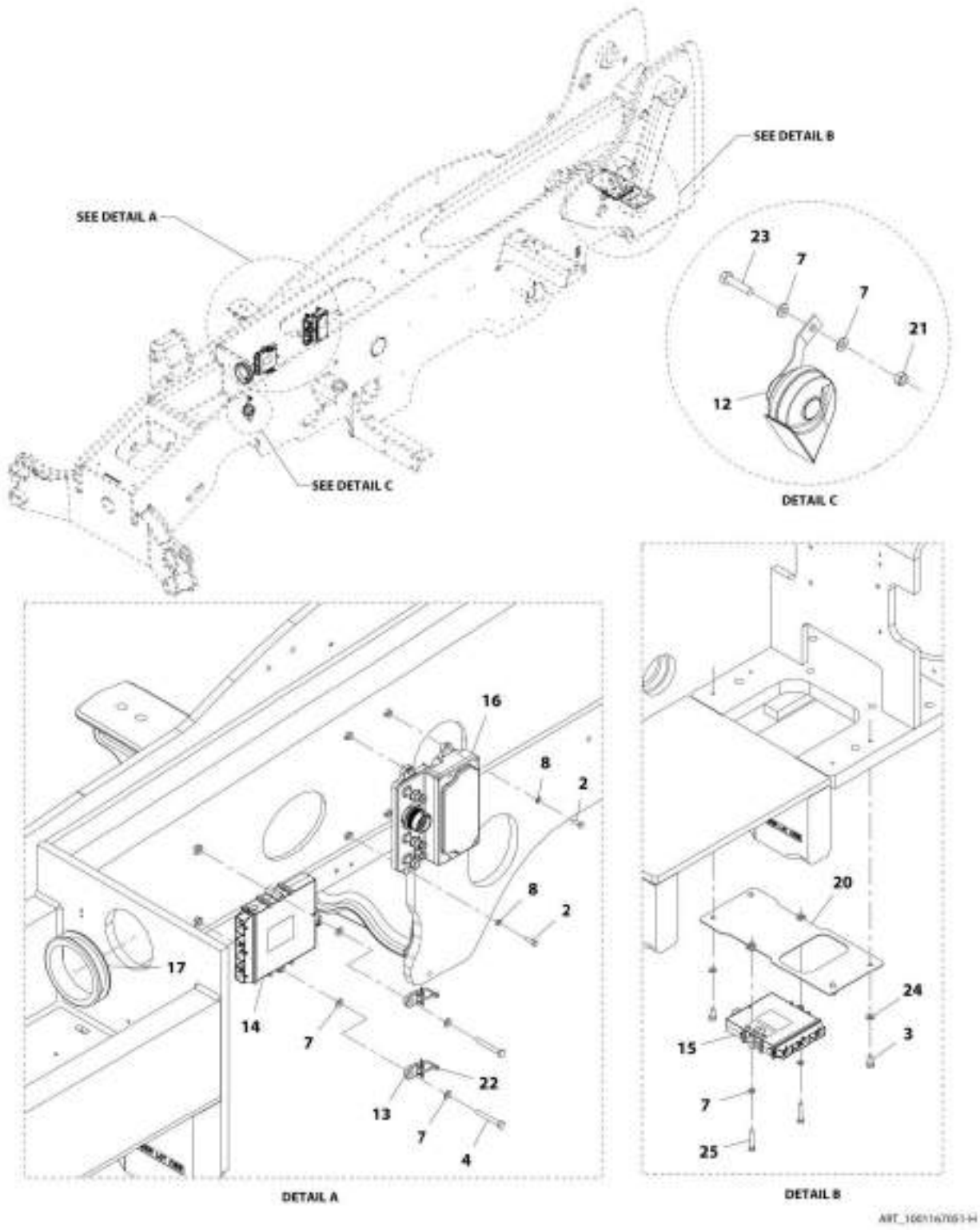
SECTION 10 - ELECTRICAL

FIGURE 10-5. MAIN ELECTRICAL INSTALLATION (LS) (943, 1043)

| ITEM | PART NUMBER | QTY | DESCRIPTION | REV |
|------|-------------|-----|--|-----|
| 1 | 1001192303 | Ref | Main Electrical Installation (LS) (943, 1043) | A |
| | 1001167051 | Ref | Installation, Electrical Frame (See ELECTRICAL FRAME INSTALLATION for Breakdown) | |
| 2 | 1001173765 | Ref | Installation, Engine Bay Electrical (See ENGINE BAY ELECTRICAL INSTALLATION for Breakdown) | |
| 3 | 1001192305 | Ref | Installation, Frame Wiring (LS) (943, 1043) (See FRAME WIRING INSTALLATION (LS) (943, 1043) for Breakdown) | |
| 4 | 1001193171 | Ref | Installation, Engine Bay Wiring (See ENGINE BAY WIRING INSTALLATION for Breakdown) | |

SECTION 10 - ELECTRICAL

FIGURE 10-6. ELECTRICAL FRAME INSTALLATION



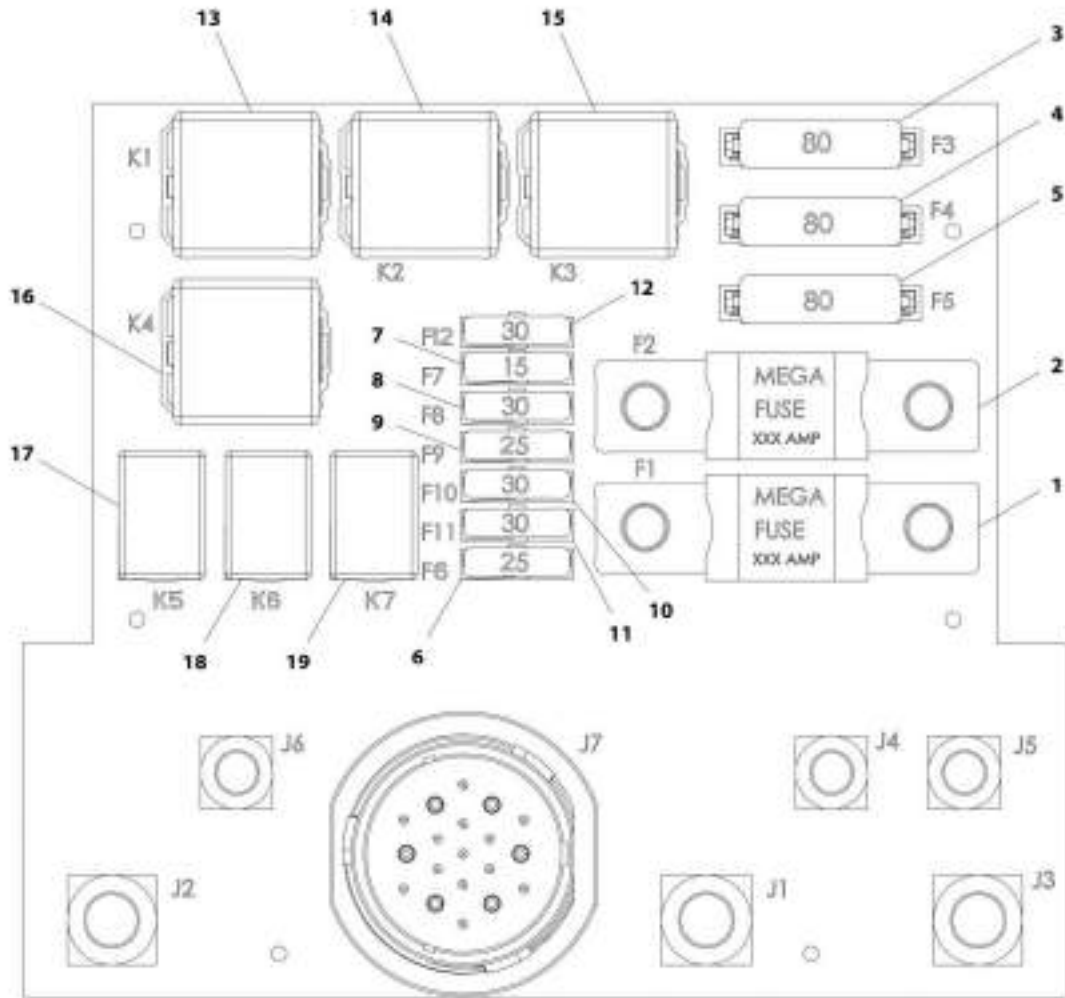
SECTION 10 - ELECTRICAL

FIGURE 10-6. ELECTRICAL FRAME INSTALLATION

| ITEM | PART NUMBER | QTY | DESCRIPTION | REV |
|------|-------------|-----|--|-----|
| | 1001167051 | Ref | Electrical Frame Installation | H |
| 2 | 0700610 | 4 | Bolt, M6 X 20 | |
| 3 | 0761010 | 4 | Bolt, M10 X 20 | |
| 4 | 0700820 | 2 | Bolt, M8 X 60 | |
| 7 | 4811900 | 8 | Washer, M8 | |
| 8 | 4811700 | 4 | Washer, M6 | |
| 12 | 10713707 | 1 | Horn | |
| 13 | 1001169146 | 2 | Mount | |
| 14 | 1001162253 | 1 | Module, Front Frame Control | |
| 15 | 1001162256 | 1 | Module, Rear Frame Control | |
| 16 | 1001164402 | 1 | Box, Power Distribution Electrical (See POWER DISTRIBUTION ELECTRICAL BOX for Breakdown) | |
| 17 | 1001166397 | 1 | Grommet | |
| 20 | 1001210450 | 1 | Plate, Mounting | |
| 21 | 3290801 | 1 | Nut, M8X1.25 | |
| 22 | 1001008559 | 2 | Strap, Cable | |
| 23 | 0760815 | 1 | Bolt, M8X35 | |
| 24 | 4812000 | 4 | Washer, M10 | |
| 25 | 0700818 | 2 | Bolt, M8X50 | |

SECTION 10 - ELECTRICAL

FIGURE 10-7. POWER DISTRIBUTION ELECTRICAL BOX



ART_1001104402.F

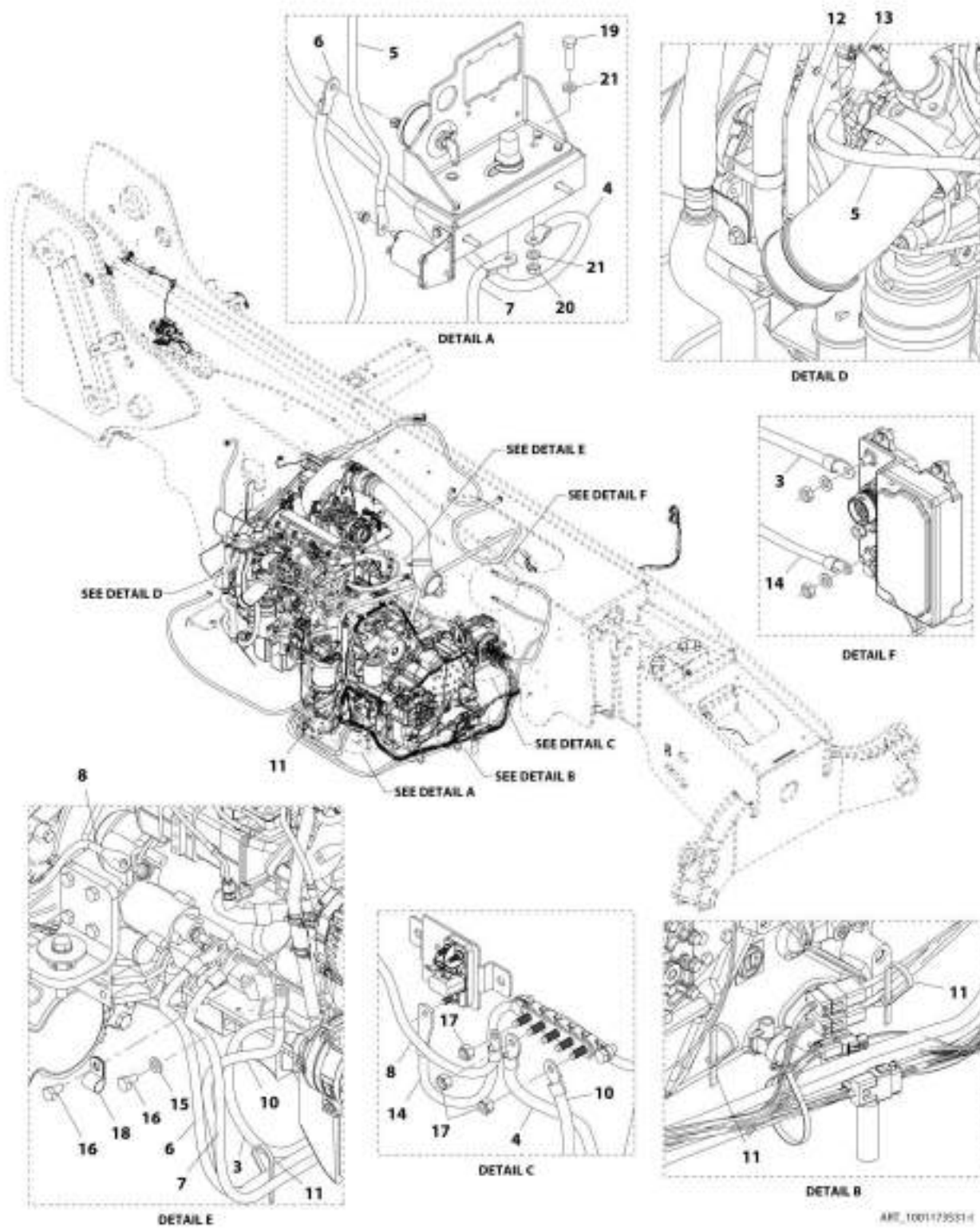
SECTION 10 - ELECTRICAL

FIGURE 10-7. POWER DISTRIBUTION ELECTRICAL BOX

| ITEM | PART NUMBER | QTY | DESCRIPTION | REV |
|------|-------------|-----|-----------------------------------|-----|
| | 1001164402 | Ref | Power Distribution Electrical Box | F |
| 1 | 1001095336 | 1 | Fuse, 150amp | |
| 2 | 70026296 | 1 | Fuse, 200amp | |
| 3 | 70026297 | 1 | Fuse, 80amp | |
| 4 | 70026297 | 1 | Fuse, 80amp | |
| 5 | 70026297 | 1 | Fuse, 80amp | |
| 6 | 8229247 | 1 | Fuse, 25amp | |
| 7 | 8229244 | 1 | Fuse, 15amp | |
| 8 | 8229245 | 1 | Fuse, 30amp | |
| 9 | 8229247 | 1 | Fuse, 25amp | |
| 10 | 8229245 | 1 | Fuse, 30amp | |
| 11 | 8229245 | 1 | Fuse, 30amp | |
| 12 | 8229245 | 1 | Fuse, 30amp | |
| 13 | 70026294 | 1 | Relay, 70amp | |
| 14 | 70026294 | 1 | Relay, 70amp | |
| 15 | 70026294 | 1 | Relay, 70amp | |
| 16 | 70026294 | 1 | Relay, 70amp | |
| 17 | 70026295 | 1 | Relay, 30amp | |
| 18 | 70026295 | 1 | Relay, 30amp | |
| 19 | 70026295 | 1 | Relay, 30amp | |

SECTION 10 - ELECTRICAL

FIGURE 10-8. ENGINE BAY WIRING INSTALLATION (ULS)



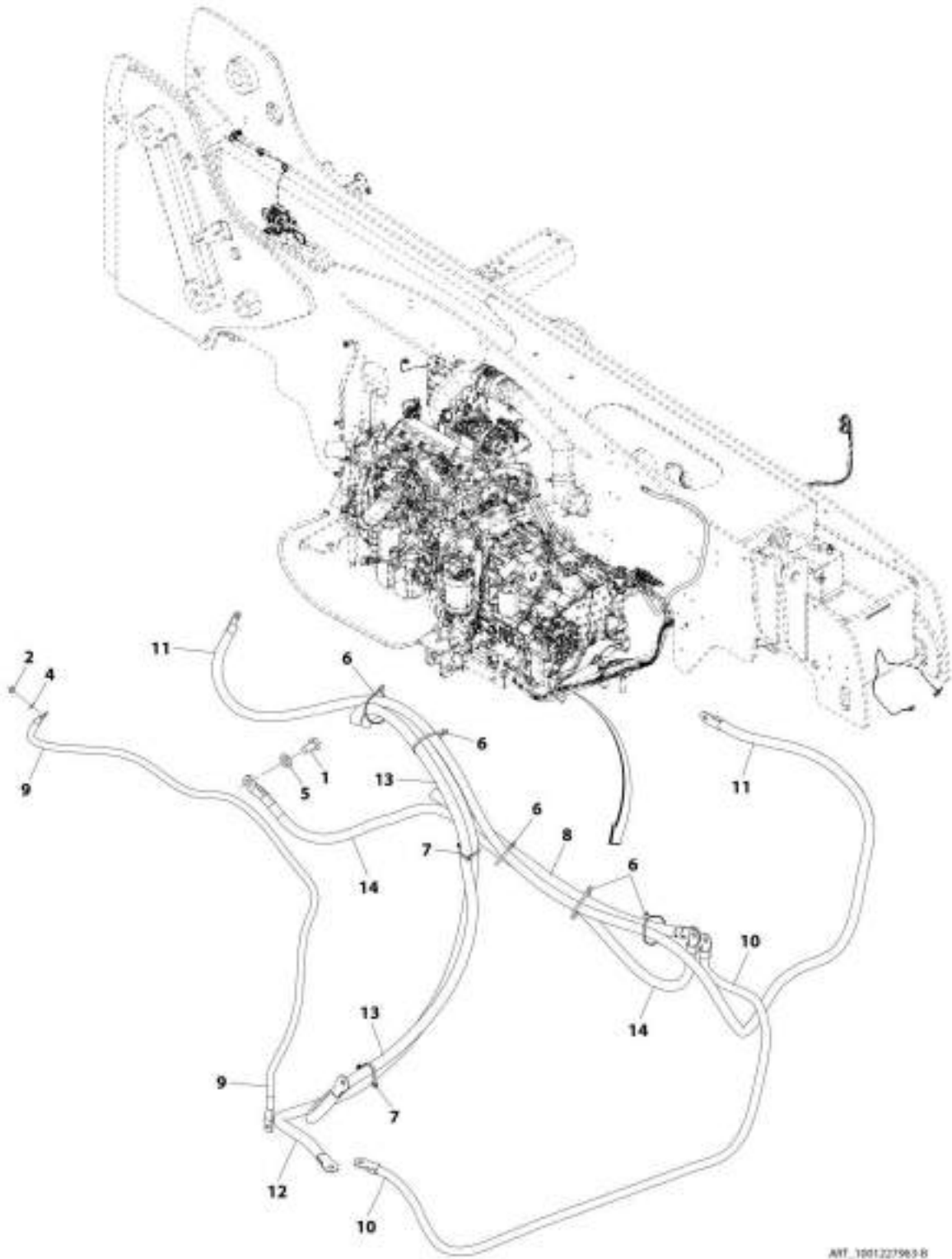
SECTION 10 - ELECTRICAL

FIGURE 10-8. ENGINE BAY WIRING INSTALLATION (ULS)

| ITEM | PART NUMBER | QTY | DESCRIPTION | REV |
|------|-------------|-----|--------------------------------------|-----|
| | 1001173531 | Ref | Engine Bay Wiring Installation (ULS) | 1 |
| 3 | 1001170215 | 1 | Cable, PDM to ALT+ | |
| 4 | 1001200102 | 1 | Cable, Ground Buss to Remote Ground | |
| 5 | 1001170816 | 1 | Cable, Grid Heater | |
| 6 | 1001170740 | 1 | Cable, Starter to Battery Disconnect | |
| 7 | 1001170741 | 1 | Cable, Starter to Remote B+ | |
| 8 | 1001170320 | 1 | Cable, Starter Ground | |
| 10 | 1001170749 | 1 | Cable, Engine Ground | |
| 11 | 1001008559 | 5 | Strap, Cable | |
| 12 | 3290605 | 1 | Nut, Lock M6X1 | |
| 13 | 4811700 | 1 | Washer, M6 | |
| 14 | 1001190585 | 1 | Cable, Glow Plug | |
| 15 | 4812100 | 1 | Washer, M12 | |
| 16 | 0761210 | 2 | Bolt, M12X20 | |
| 17 | 3291005 | 3 | Nut, Lock M10X1.5 | |
| 18 | 8406105 | 1 | Clip, Tube | |
| 19 | 0701016 | 1 | Bolt, M10X40 | |
| 20 | 3291001 | 1 | Nut, M10X1.5 | |
| 21 | 4812000 | 2 | Washer, M10 | |

SECTION 10 - ELECTRICAL

FIGURE 10-9. ENGINE BAY WIRING INSTALLATION (74HP) (ULS)



ART_1001227963-B

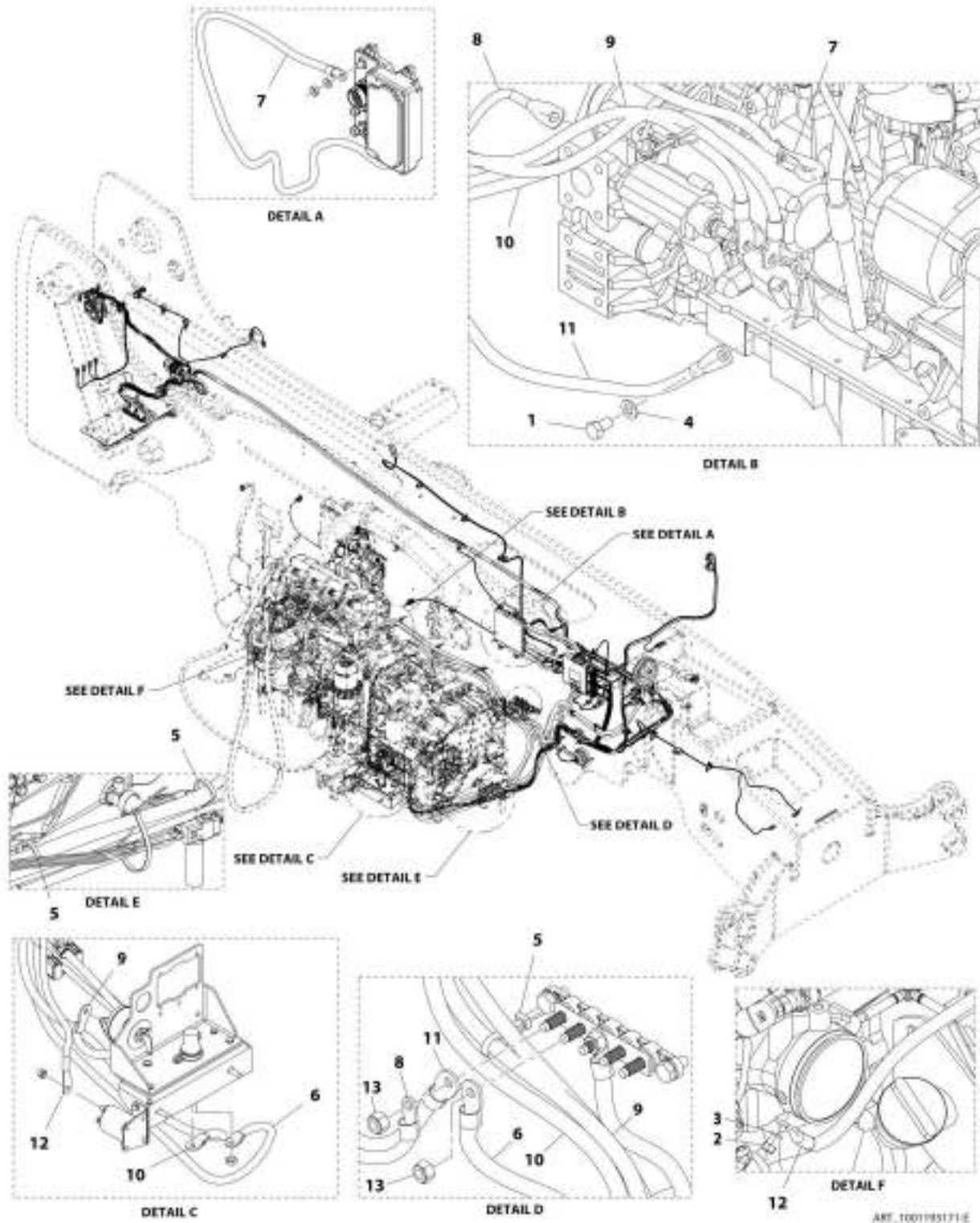
SECTION 10 - ELECTRICAL

FIGURE 10-9. ENGINE BAY WIRING INSTALLATION (74HP) (ULS)

| ITEM | PART NUMBER | QTY | DESCRIPTION | REV |
|------|-------------|-----|--|-----|
| | 1001227963 | Ref | Engine Bay Wiring Installation, 74HP (ULS) | B |
| 1 | 0761210 | 1 | Bolt, M12X20 | |
| 2 | 3290605 | 1 | Nut, Lock M6X1 | |
| 4 | 4811700 | 1 | Washer, M6 | |
| 5 | 4812100 | 1 | Washer, M12 | |
| 6 | 1001008559 | 5 | Strap, Cable | |
| 7 | 1001146588 | 2 | Strap, Cable Tie | |
| 8 | 1001170320 | 1 | Cable, Starter Ground | |
| 9 | 1001170816 | 1 | Cable, Grid Heater | |
| 10 | 1001200102 | 1 | Cable, Ground Buss to Remote Ground | |
| 11 | 1001205254 | 1 | Cable | |
| 12 | 1001228118 | 1 | Cable, Starter to Remote | |
| 13 | 1001228119 | 1 | Cable, Starter to Battery Disconnect | |
| 14 | 1001228490 | 1 | Cable, Engine Ground | |

SECTION 10 - ELECTRICAL

FIGURE 10-10. ENGINE BAY WIRING INSTALLATION (LS)



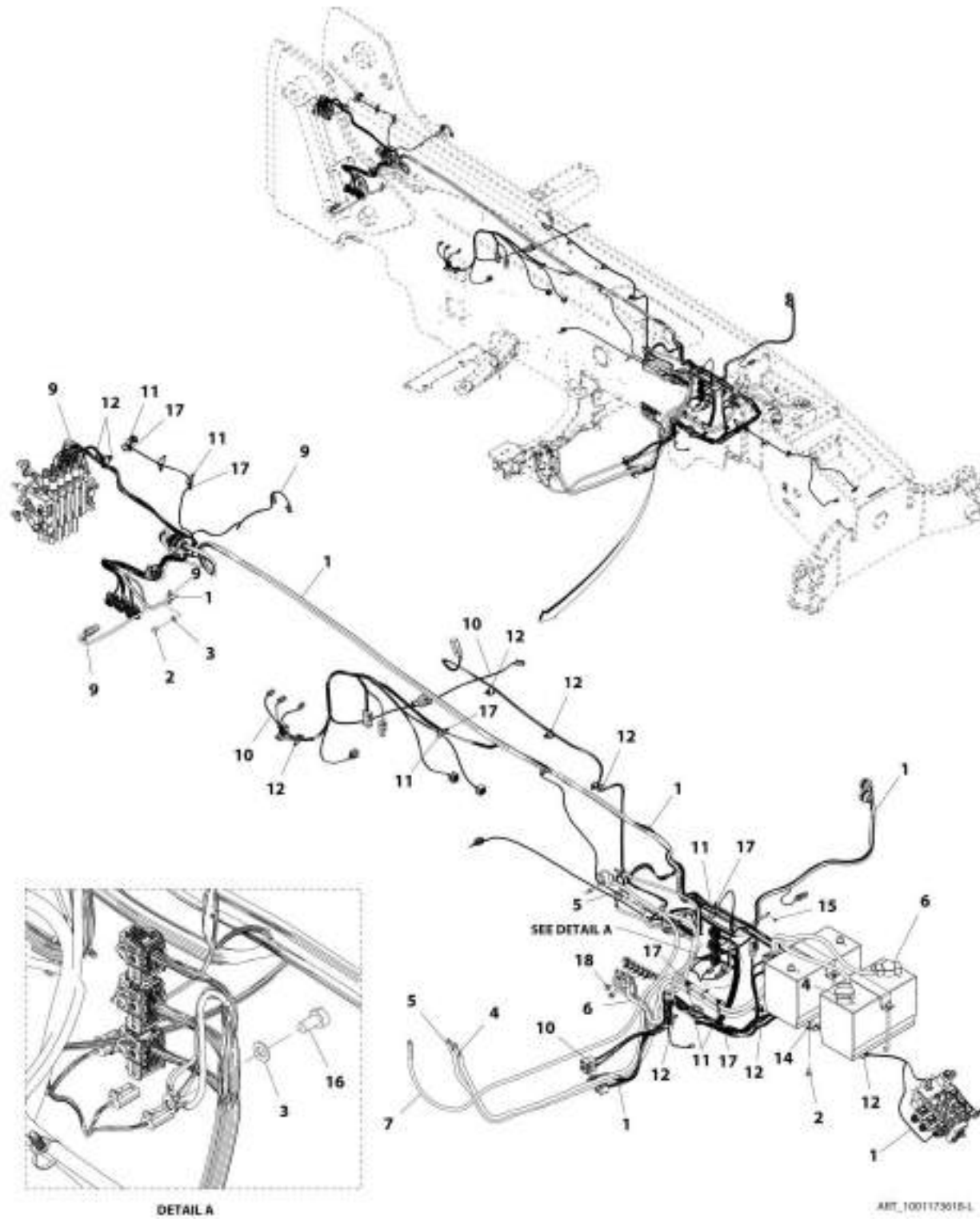
SECTION 10 - ELECTRICAL

FIGURE 10-10. ENGINE BAY WIRING INSTALLATION (LS)

| ITEM | PART NUMBER | QTY | DESCRIPTION | REV |
|------|-------------|-----|--------------------------------------|-----|
| | 1001193171 | Ref | Engine Bay Wiring Installation (LS) | E |
| 1 | 0761210 | 1 | Bolt, M12X20 | |
| 2 | 3290605 | 1 | Nut, Lock M6X1 | |
| 3 | 4811700 | 1 | Washer, M6 | |
| 4 | 4812100 | 1 | Washer, M12 | |
| 5 | 1001008559 | 6 | Strap, Cable | |
| 6 | 1001200102 | 1 | Cable, Ground Buss to Remote Ground | |
| 7 | 1001205254 | 1 | Cable, PDM to Alt+ | |
| 8 | 1001170320 | 1 | Cable, Starter Ground | |
| 9 | 1001187623 | 1 | Cable, Starter to Battery Disconnect | |
| 10 | 1001187624 | 1 | Cable, Starter to Remote B+ | |
| 11 | 1001205255 | 1 | Cable, Engine Ground | |
| 12 | 1001170816 | 1 | Cable, Grid Heater | |
| 13 | 3291005 | 2 | Nut, Lock M10X1.5 | |

SECTION 10 - ELECTRICAL

FIGURE 10-11. FRAME WIRING INSTALLATION (ULS) (642, 742)



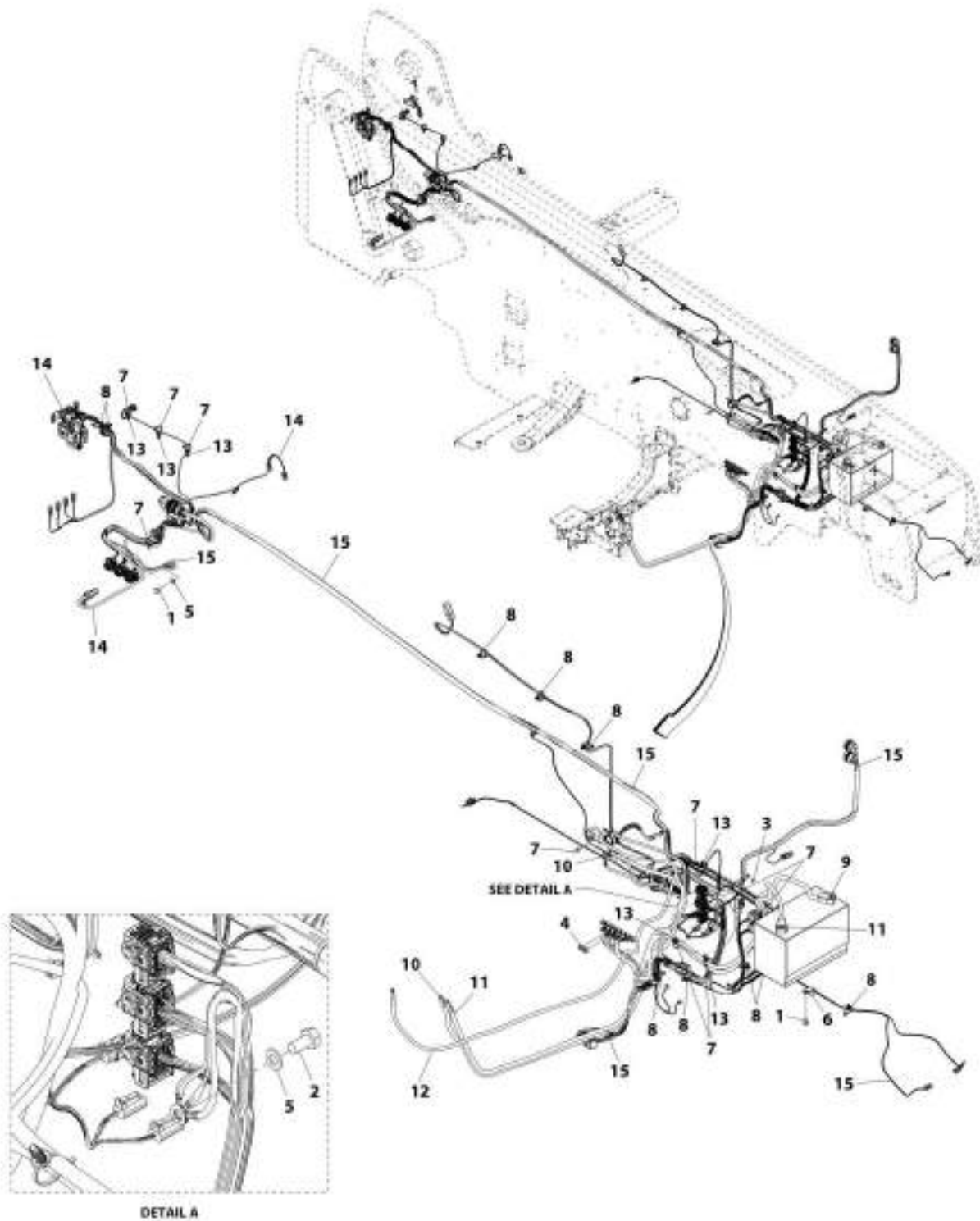
SECTION 10 - ELECTRICAL

FIGURE 10-11. FRAME WIRING INSTALLATION (ULS) (642, 742)

| ITEM | PART NUMBER | QTY | DESCRIPTION | REV |
|------|-------------|-----|--|-----|
| | 1001173618 | Ref | Frame Wiring Installation (ULS) (642, 742) | L |
| 1 | | Ref | Harness, Front Frame (See Separate Breakdown in this Section) | |
| 2 | 0761007 | 2 | Bolt, M10X14 | |
| 3 | 4812000 | 2 | Washer, M10 | |
| 4 | 1001203052 | 1 | Cable, Battery + to Battery Disconnect | |
| 5 | 1001170566 | 1 | Cable, Battery Disconnect to PDM | |
| 6 | 1001203053 | 1 | Cable, Battery Negative | |
| 7 | 1001200082 | 1 | Cable, PDM to Grid Heater | |
| 9 | 1001204351 | 1 | Harness, Rear Frame (See REAR FRAME HARNESS (642, 742) for Breakdown) | |
| 10 | 1001173091 | 1 | Harness, Engine Chassis Harness (ULS) (See ENGINE CHASSIS HARNESS (ULS) for Breakdown) | |
| 11 | 1001008559 | 19 | Strap, Cable | |
| 12 | 1001146588 | 14 | Strap, Cable Tie | |
| 14 | 8406201 | 1 | Clip, Wire and Tube | |
| 15 | 3290601 | 1 | Nut, M6X1 | |
| 16 | 0761010 | 1 | Bolt, M10X20 | |
| 17 | 1001202986 | 9 | Strap, Fir Tree Push Mount | |
| 18 | 3291005 | 2 | Nut, Lock M10X1.5 | |

SECTION 10 - ELECTRICAL

FIGURE 10-12. FRAME WIRING INSTALLATION (ULS) (742, 943, 1043)



ARB_100122987-B

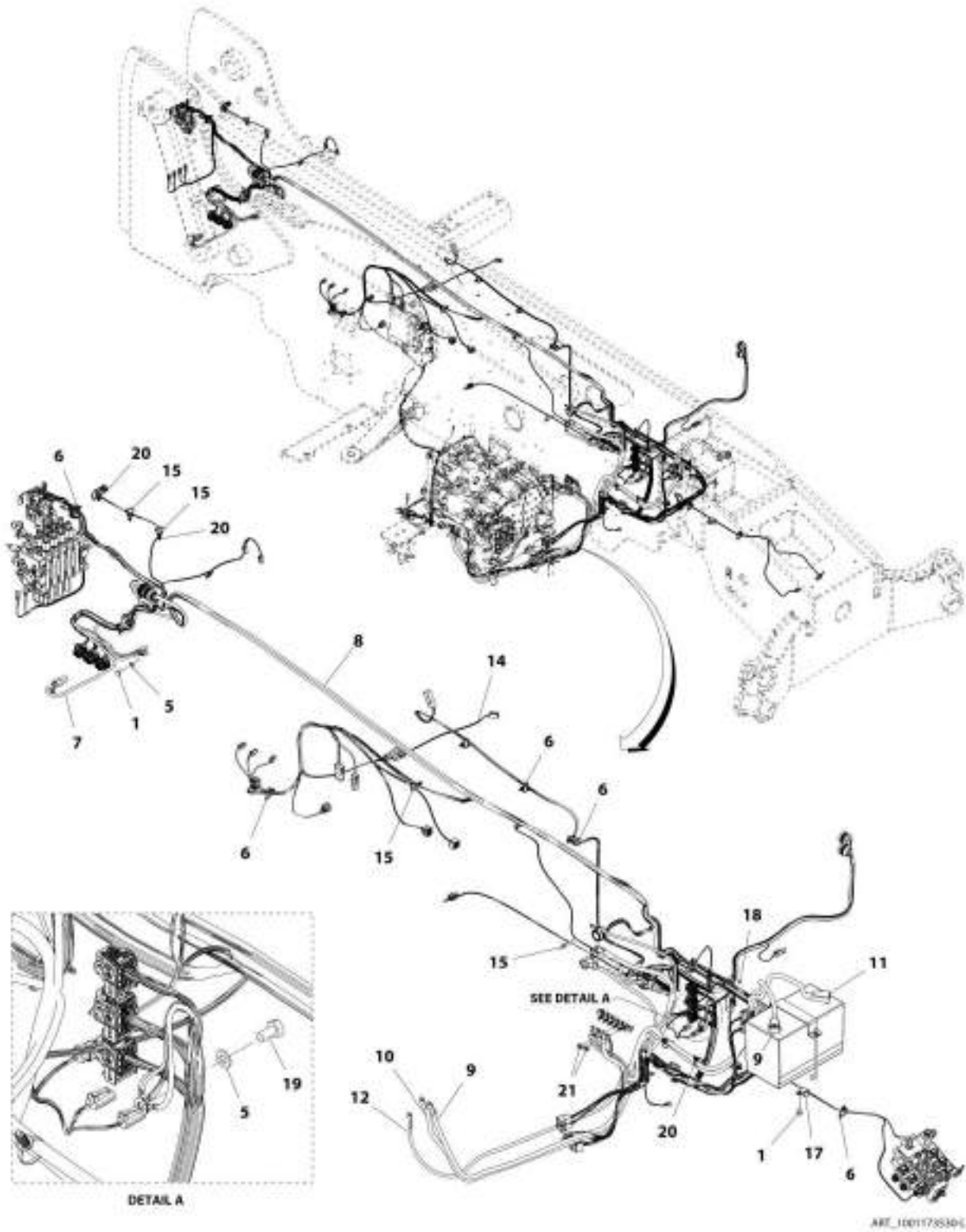
SECTION 10 - ELECTRICAL

FIGURE 10-12. FRAME WIRING INSTALLATION (ULS) (742, 943, 1043)

| ITEM | PART NUMBER | QTY | DESCRIPTION | REV |
|------|-------------|-----|---|-----|
| | 1001225987 | Ref | Frame Wiring Installation (ULS) (742, 943, 1043) | B |
| 1 | 0761007 | 2 | Bolt, M10X14 | |
| 2 | 0761010 | 1 | Bolt, M10X20 | |
| 3 | 3290601 | 1 | Nut, M6X1 | |
| 4 | 3291005 | 5 | Nut, Lock M10X1.5 | |
| 5 | 4812000 | 2 | Washer, M10 | |
| 6 | 8406201 | 1 | Clip, Wire and Tube | |
| 7 | 1001008559 | 19 | Strap, Cable | |
| 8 | 1001146588 | 13 | Strap, Cable Tie | |
| 9 | 1001169365 | 1 | Cable, Battery Negative | |
| 10 | 1001170566 | 1 | Cable, Battery Disconnect to PDM | |
| 11 | 1001170624 | 1 | Cable, Battery + to Battery Disconnect | |
| 12 | 1001200082 | 1 | Cable, PDM to Grid Heater | |
| 13 | 1001202986 | 8 | Strap | |
| 14 | 1001204352 | 1 | Harness, Rear Frame (See Separate Breakdown in this Section) | |
| 15 | 1001221728 | 1 | Harness, Front Frame (See Separate Breakdown in this Section) | |

SECTION 10 - ELECTRICAL

FIGURE 10-13. FRAME WIRING INSTALLATION (ULS) (943, 1043)



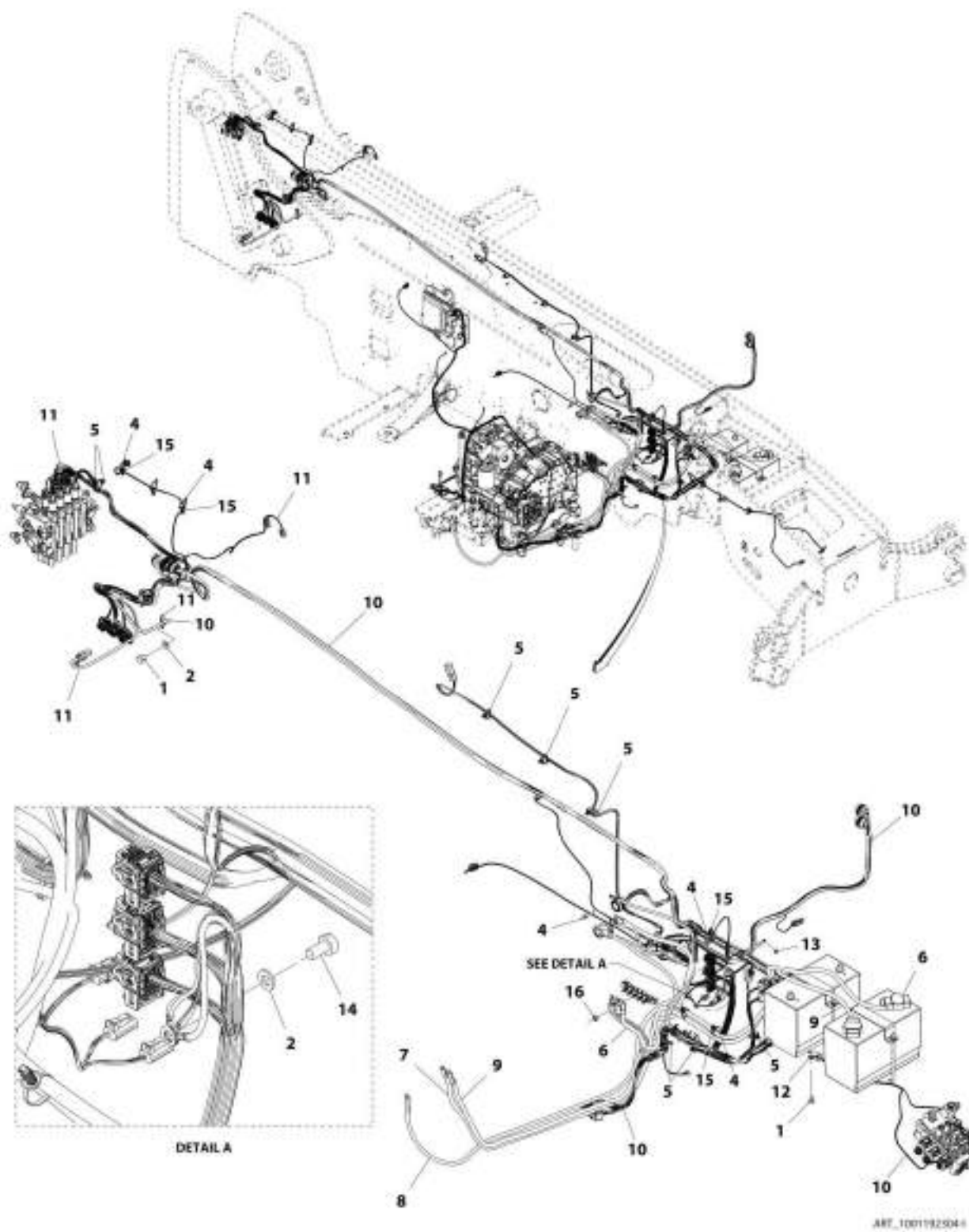
SECTION 10 - ELECTRICAL

FIGURE 10-13. FRAME WIRING INSTALLATION (ULS) (943, 1043)

| ITEM | PART NUMBER | QTY | DESCRIPTION | REV |
|------|-------------|-----|--|-----|
| | 1001173530 | Ref | Frame Wiring Installation (ULS) (943, 1043) | L |
| 1 | 0761007 | 2 | Bolt, M10X14 | |
| 5 | 4812000 | 2 | Washer, M10 | |
| 6 | 1001146588 | 14 | Strap, Fir Tree Cable Tie | |
| 7 | 1001204352 | 1 | Harness, Rear Frame (See REAR FRAME HARNESS (943, 1043) for Breakdown) | |
| 8 | | Ref | Harness, Front Frame (See Separate Breakdown in this Section) | |
| 9 | 1001170624 | 1 | Cable, Battery + to Battery Disconnect | |
| 10 | 1001170566 | 1 | Cable, Battery Disconnect to PDM | |
| 11 | 1001169365 | 1 | Cable, Battery Negative | |
| 12 | 1001200082 | 1 | Cable, PDM to Grid Heater | |
| 14 | 1001173091 | 1 | Harness, Engine Chassis Harness (See ENGINE CHASSIS HARNESS (ULS) for Breakdown) | |
| 15 | 1001008559 | 19 | Strap, Cable | |
| 17 | 8406201 | 1 | Clip, Wire and Tube | |
| 18 | 3290601 | 1 | Nut, M6X1 | |
| 19 | 0761010 | 1 | Bolt, M10X20 | |
| 20 | 1001202986 | 9 | Strap, Fir Tree Push Mount | |
| 21 | 3291005 | 2 | Nut, Lock M10X1.5 | |

SECTION 10 - ELECTRICAL

FIGURE 10-14. FRAME WIRING INSTALLATION (LS) (642, 742)



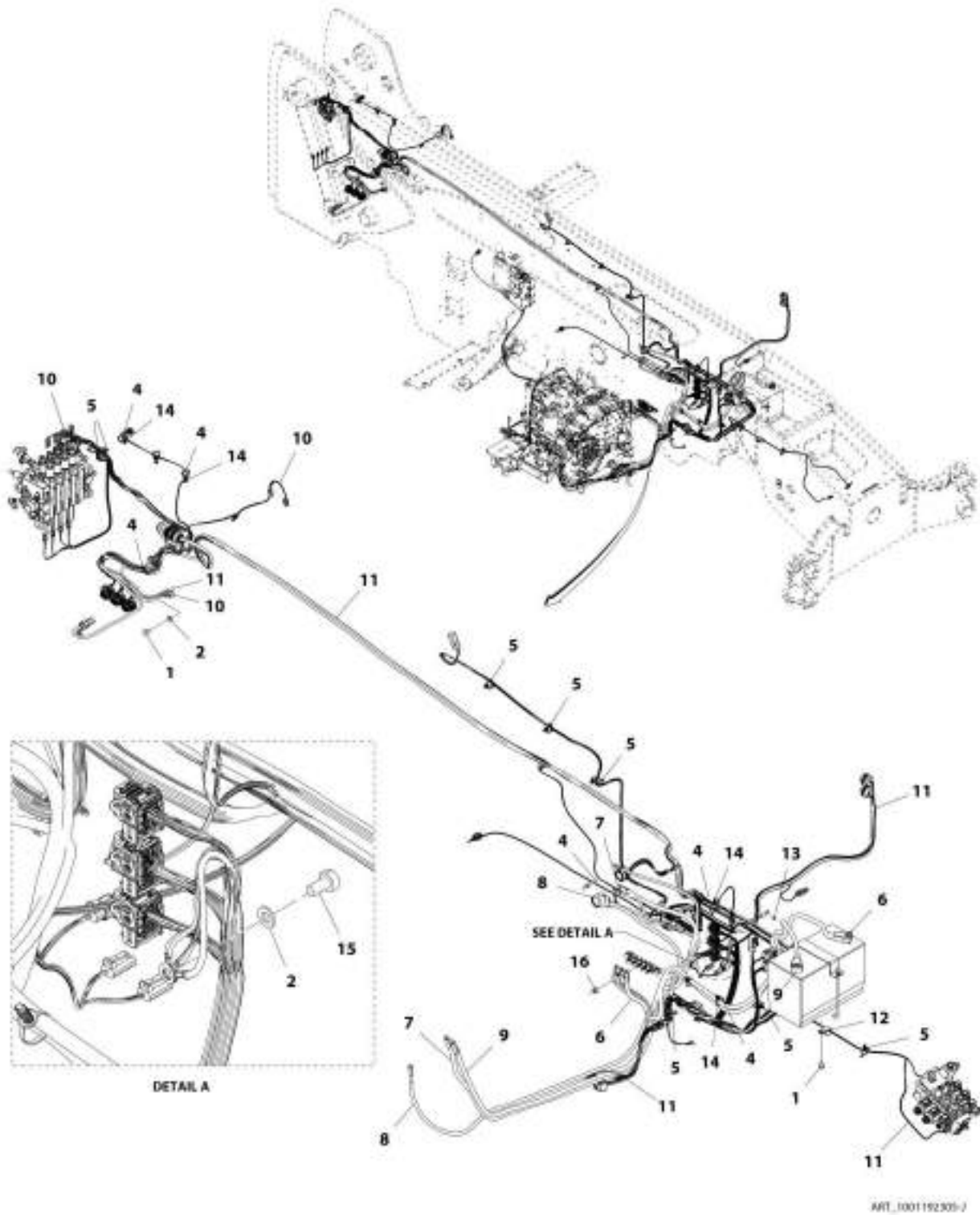
SECTION 10 - ELECTRICAL

FIGURE 10-14. FRAME WIRING INSTALLATION (LS) (642, 742)

| ITEM | PART NUMBER | QTY | DESCRIPTION | REV |
|------|-------------|-----|---|-----|
| | 1001192304 | Ref | Frame Wiring Installation (LS) (642, 742) | I |
| 1 | 0761007 | 2 | Bolt, M10X14 | |
| 2 | 4812000 | 2 | Washer, M10 | |
| 4 | 1001008559 | 19 | Strap, Cable | |
| 5 | 1001146588 | 13 | Strap, Fir Tree Cable Tie | |
| 6 | 1001203053 | 1 | Cable, Battery Negative | |
| 7 | 1001170566 | 1 | Cable, Battery Disconnect to PDM | |
| 8 | 1001200082 | 1 | Cable, PDM to Grid Heater | |
| 9 | 1001203052 | 1 | Cable, Battery + to Battery Disconnect | |
| 10 | | Ref | Harness, Frame (See Separate Breakdown in this Section) | |
| 11 | 1001204351 | 1 | Harness, Rear Frame (See REAR FRAME HARNESS (642, 742) for Breakdown) | |
| 12 | 8406201 | 1 | Clip, Wire and Tube | |
| 13 | 3290601 | 1 | Nut, M6X1 | |
| 14 | 0761010 | 1 | Bolt, M10X20 | |
| 15 | 1001202986 | 8 | Strap, Fir Tree Push Mount | |
| 16 | 3291005 | 1 | Nut, Lock M10X1.5 | |

SECTION 10 - ELECTRICAL

FIGURE 10-15. FRAME WIRING INSTALLATION (LS) (943, 1043)



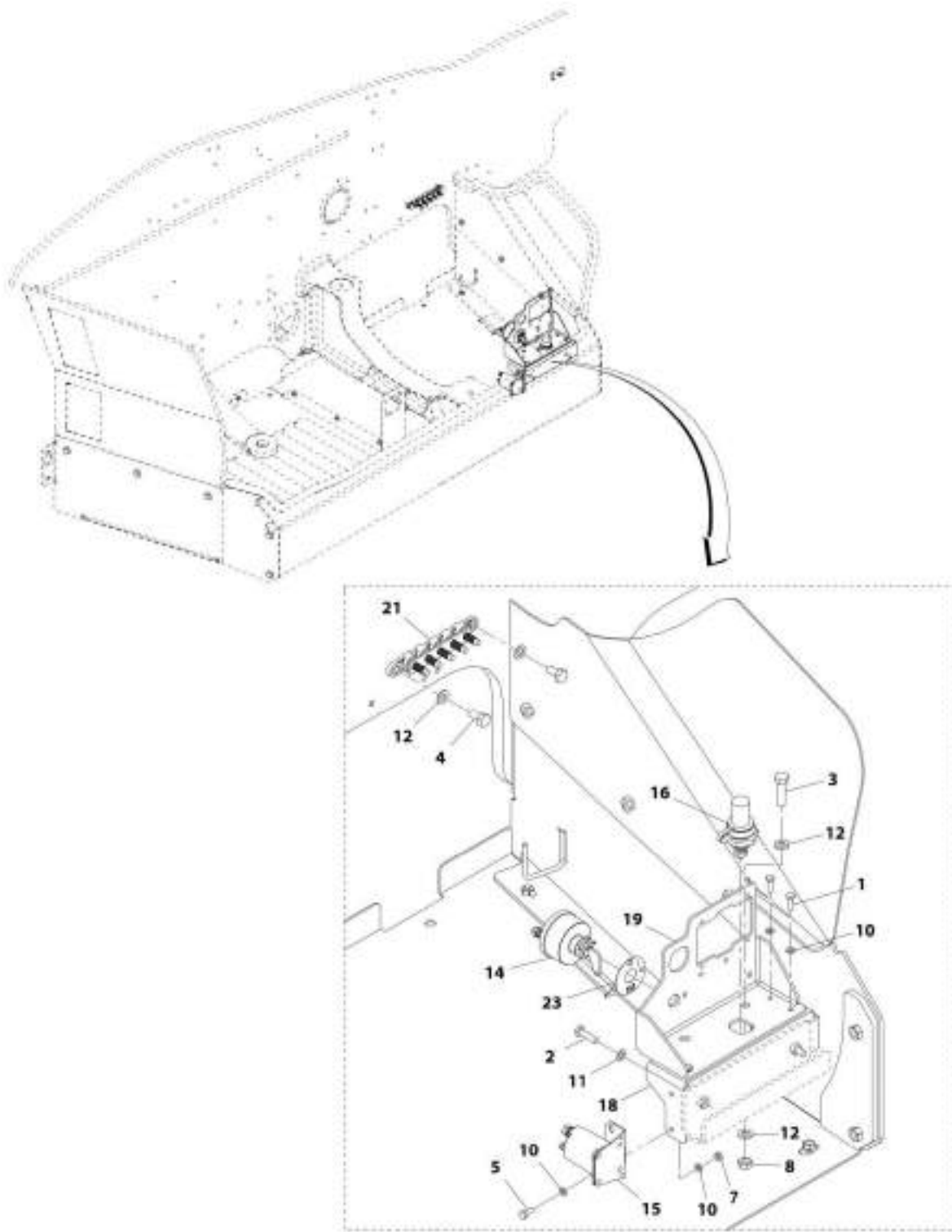
SECTION 10 - ELECTRICAL

FIGURE 10-15. FRAME WIRING INSTALLATION (LS) (943, 1043)

| ITEM | PART NUMBER | QTY | DESCRIPTION | REV |
|------|-------------|-----|--|-----|
| | 1001192305 | Ref | Frame Wiring Installation (LS) (943, 1043) | J |
| 1 | 0761007 | 2 | Bolt, M10X14 | |
| 2 | 4812000 | 2 | Washer, M10 | |
| 4 | 1001008559 | 19 | Strap, Cable | |
| 5 | 1001146588 | 13 | Strap, Fir Tree Cable Tie | |
| 6 | 1001169365 | 1 | Cable, Battery Negative | |
| 7 | 1001170566 | 1 | Cable, Battery Disconnect to PDM | |
| 8 | 1001200082 | 1 | Cable, PDM to Grid Heater | |
| 9 | 1001170624 | 1 | Cable, Battery + to Battery Disconnect | |
| 10 | 1001204352 | 1 | Harness, Rear Frame (See REAR FRAME HARNESS (943, 1043) for Breakdown) | |
| 11 | | Ref | Harness, Front Frame (See Separate Breakdown in this Section) | |
| 12 | 8406201 | 1 | Clip, Wire and Tube | |
| 13 | 3290601 | 1 | Nut, M6X1 | |
| 14 | 1001202986 | 8 | Strap, Fir Tree Push Mount | |
| 15 | 0761010 | 1 | Bolt, M10X20 | |
| 16 | 3291005 | 1 | Nut, Lock M10X1.5 | |

SECTION 10 - ELECTRICAL

FIGURE 10-16. ENGINE BAY ELECTRICAL INSTALLATION (742, 943, 1043 - ULS 74 HP) (642, 743, 943, 1043 - LS)



ART_100175765-I

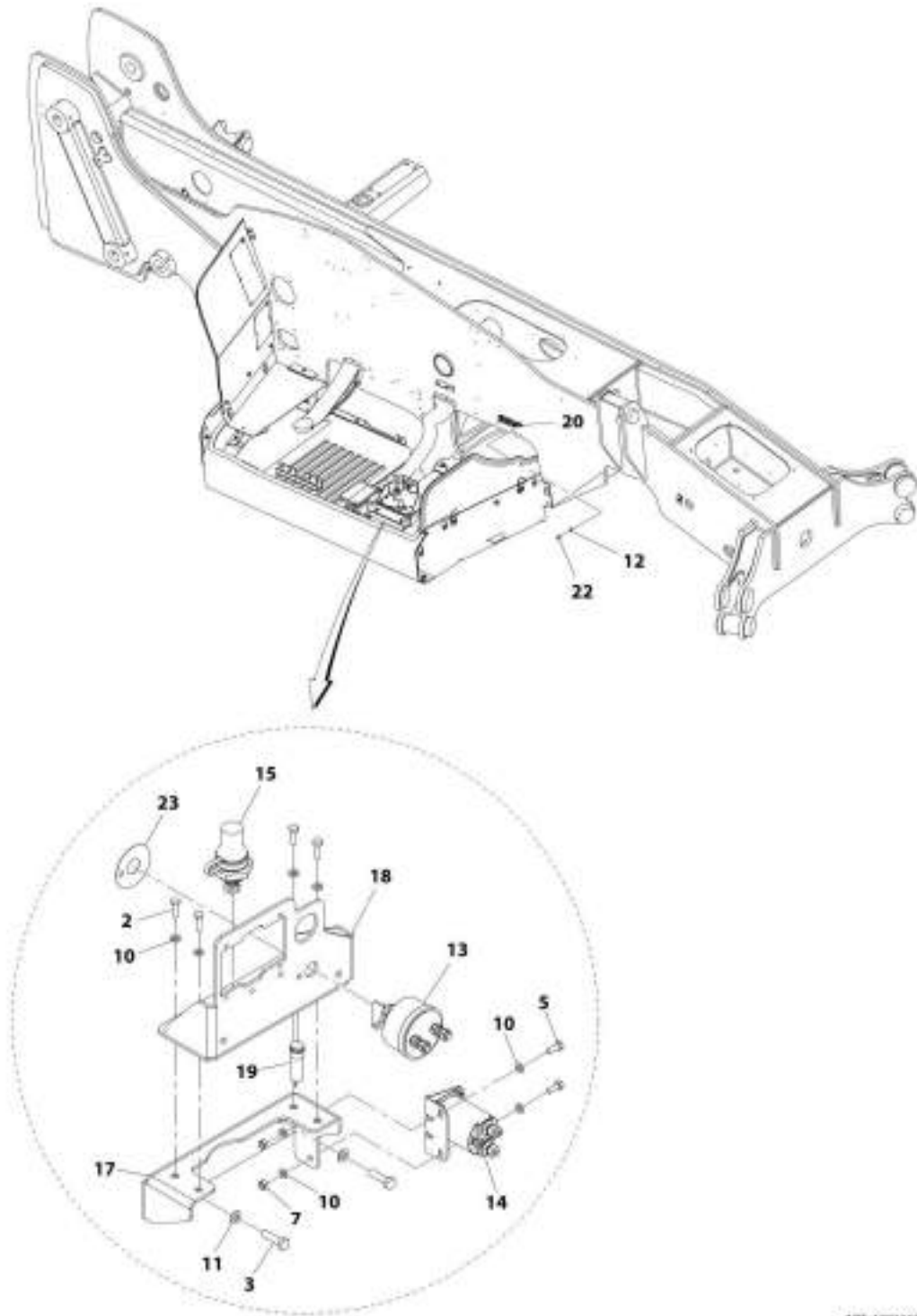
SECTION 10 - ELECTRICAL

FIGURE 10-16. ENGINE BAY ELECTRICAL INSTALLATION (742, 943, 1043 - ULS 74 HP) (642, 743, 943, 1043 - LS)

| ITEM | PART NUMBER | QTY | DESCRIPTION | REV |
|------|-------------|-----|---|-----|
| | 1001173765 | Ref | Engine Bay Electrical Installation | J |
| 1 | 0700610 | 4 | Bolt, M6X20 | |
| 2 | 0700814 | 2 | Bolt, M8X30 | |
| 3 | 0701016 | 1 | Bolt, M10X40 | |
| 4 | 0761010 | 2 | Bolt, M10X20 | |
| 5 | 0760608 | 2 | Bolt, M6X16 | |
| 7 | 3290601 | 2 | Nut, M6X1 | |
| 8 | 3291001 | 1 | Nut, M10X1.5 | |
| 10 | 4811700 | 8 | Washer, M6 | |
| 11 | 4811900 | 2 | Washer, M8 | |
| 12 | 4812000 | 4 | Washer, M10 | |
| 14 | 1001192142 | 1 | Switch, Disconnect | |
| 15 | 1001117308 | 1 | Relay, 200 Amp | |
| 16 | 1001193993 | 1 | Terminal, Battery | |
| 18 | 1001199099 | 1 | Bracket, Engine Power Distribution Lower | |
| 19 | 1001198321 | 1 | Bracket, Engine Power Distribution Center | |
| 21 | 1001181128 | 1 | Bussbar | |
| 23 | 1001008540 | 1 | Plate, Battery | |

SECTION 10 - ELECTRICAL

FIGURE 10-17. ENGINE BAY ELECTRICAL INSTALLATION (642 - ULS) (742, 943, 1043 - ULS 110HP)



MIT_1001183127-I

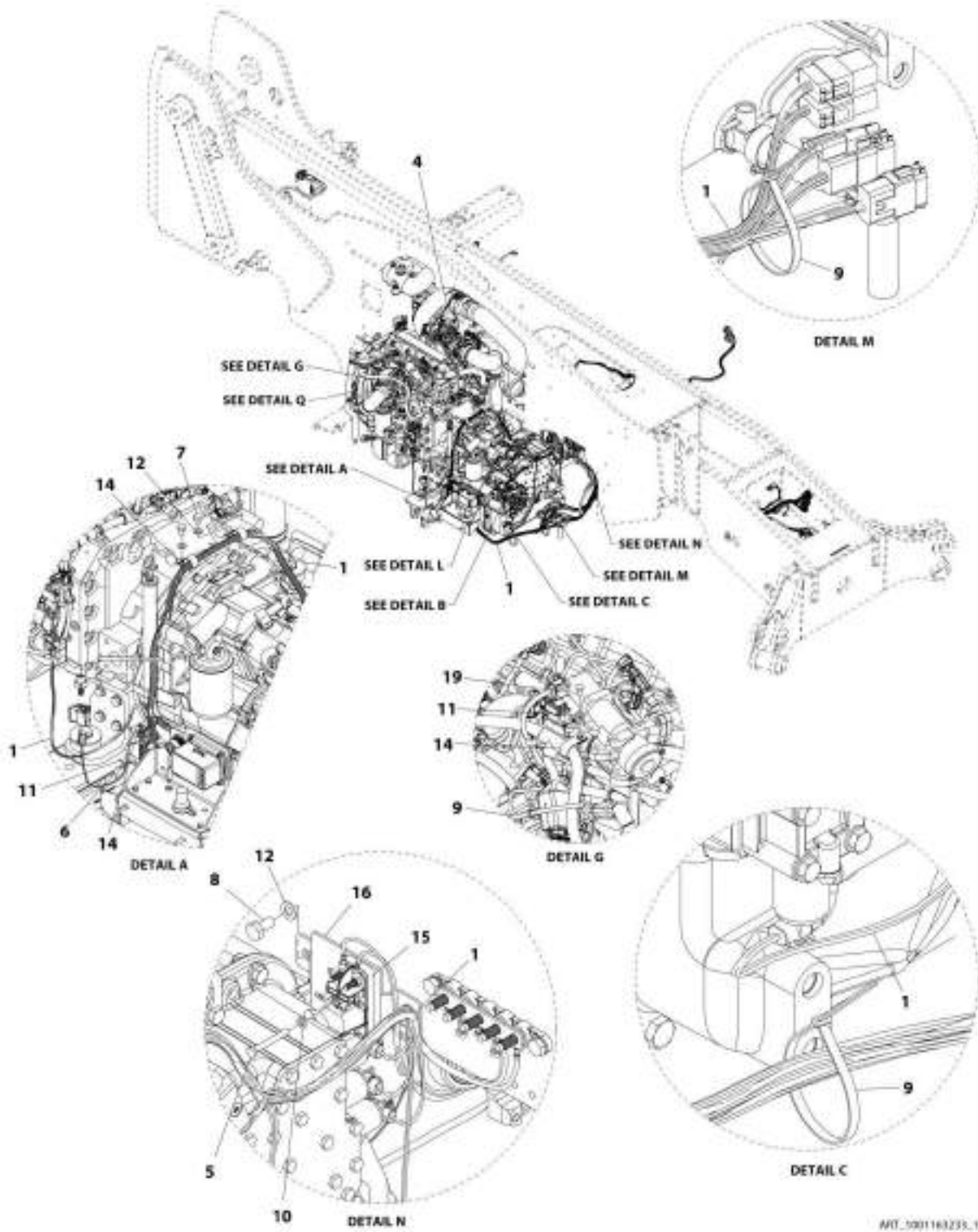
SECTION 10 - ELECTRICAL

FIGURE 10-17. ENGINE BAY ELECTRICAL INSTALLATION (642 - ULS) (742, 943, 1043 - ULS 110HP)

| ITEM | PART NUMBER | QTY | DESCRIPTION | REV |
|------|-------------|-----|--|-----|
| | 1001163127 | Ref | Engine Bay Electrical Installation (if equipped for ULS) | I |
| 2 | 0700610 | 4 | Bolt, M6X20 | |
| 3 | 0700814 | 2 | Bolt, M8X30 | |
| 5 | 0760608 | 2 | Bolt, M6X16 | |
| 7 | 3290601 | 2 | Nut, M6X1 Grade 8 | |
| 10 | 4811700 | 8 | Washer, M6 | |
| 11 | 4811900 | 2 | Washer, M8 | |
| 12 | 4812000 | 2 | Washer, M10 | |
| 13 | 1001192142 | 1 | Switch | |
| 14 | 1001117308 | 1 | Relay | |
| 15 | 1001193993 | 1 | Terminal | |
| 17 | 1001199099 | 1 | Bracket | |
| 18 | 1001198321 | 1 | Bracket | |
| 19 | 1001169825 | 1 | Bulb, LED 12V | |
| 20 | 1001181128 | 1 | Bussbar | |
| 22 | 0761010 | 2 | Bolt, M10X20 | |
| 23 | 1001008540 | 1 | Plate | |

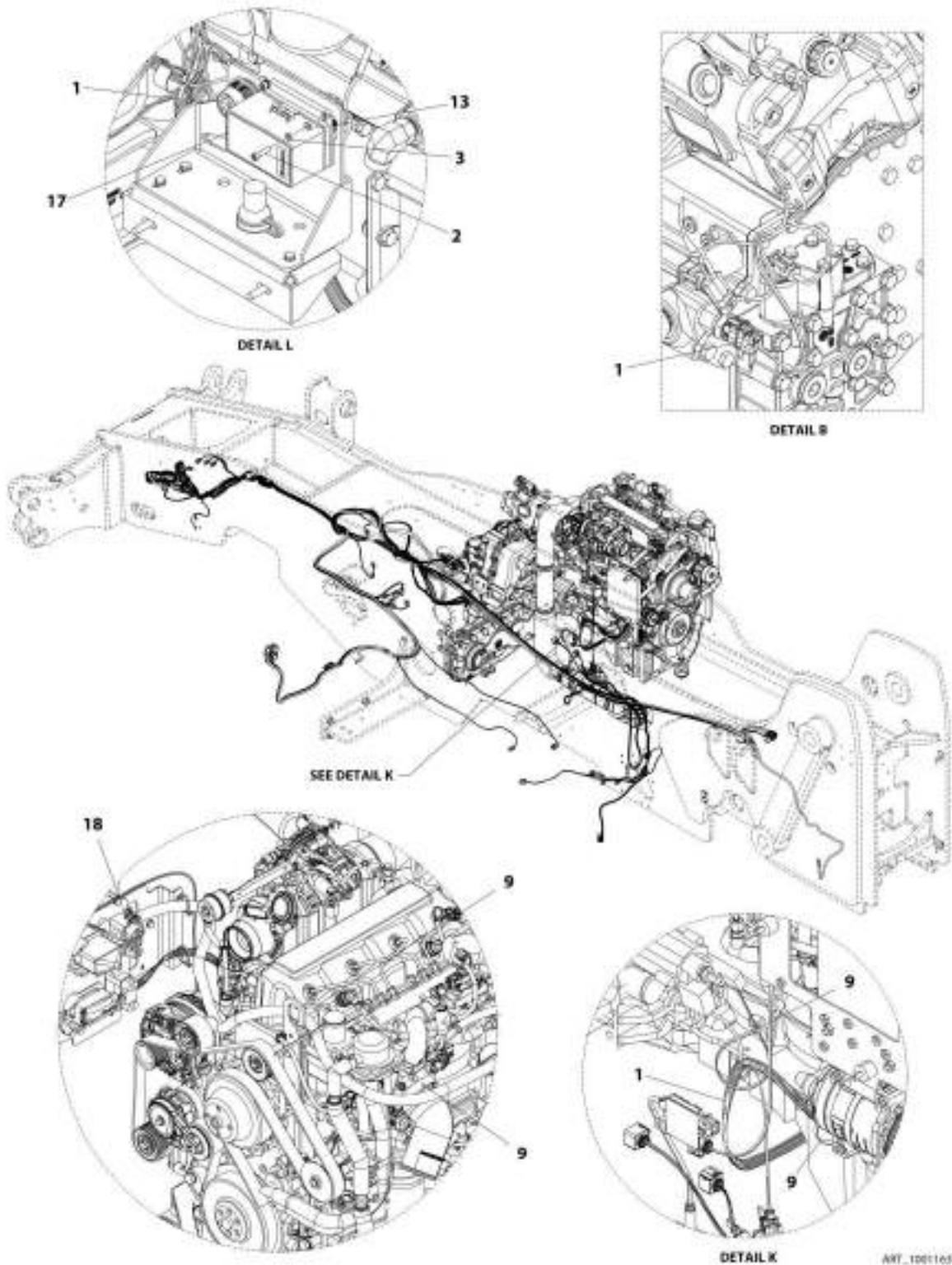
SECTION 10 - ELECTRICAL

FIGURE 10-18. ENGINE WIRING INSTALLATION (ULS)

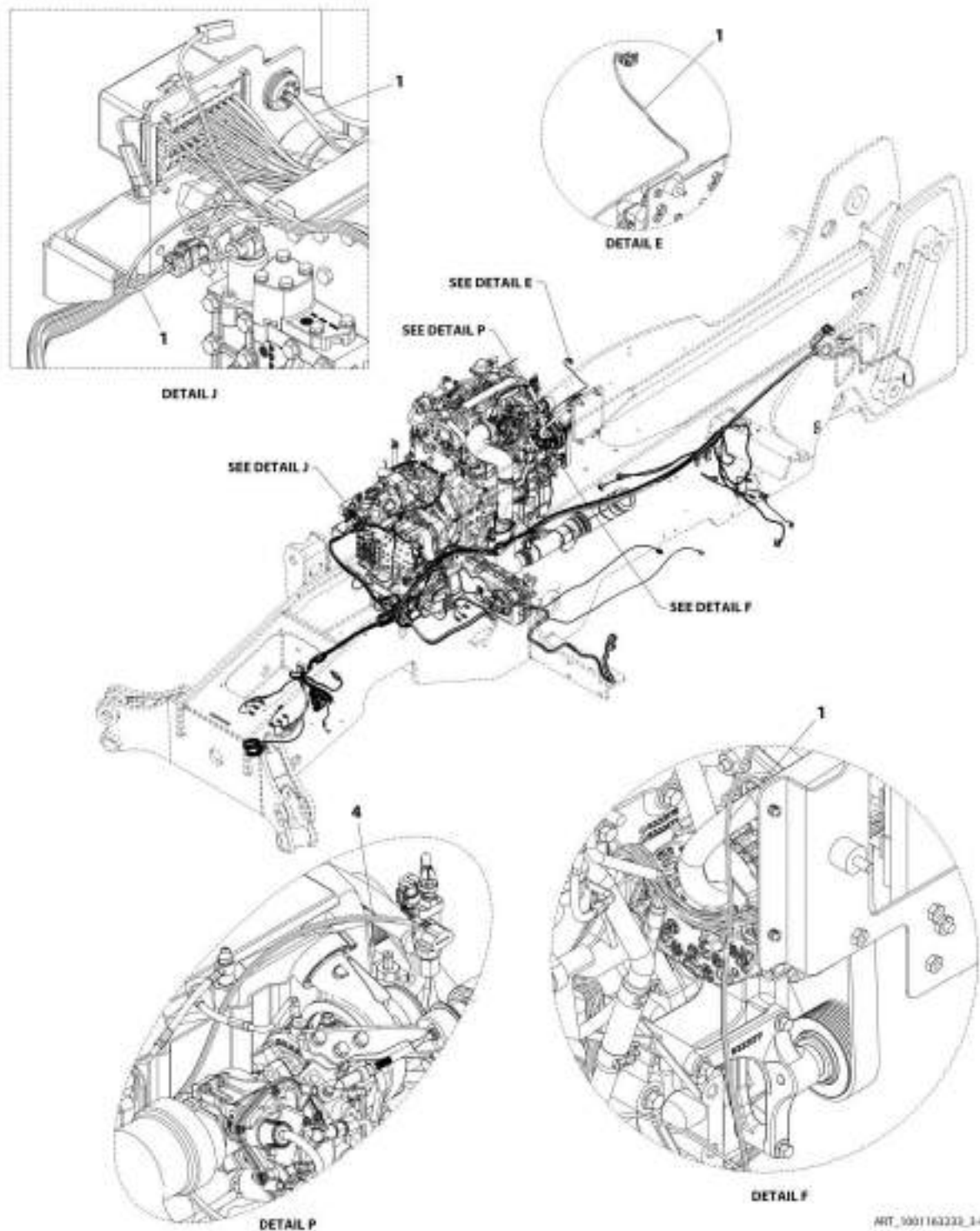


AWT_1001163235_146

SECTION 10 - ELECTRICAL



SECTION 10 - ELECTRICAL



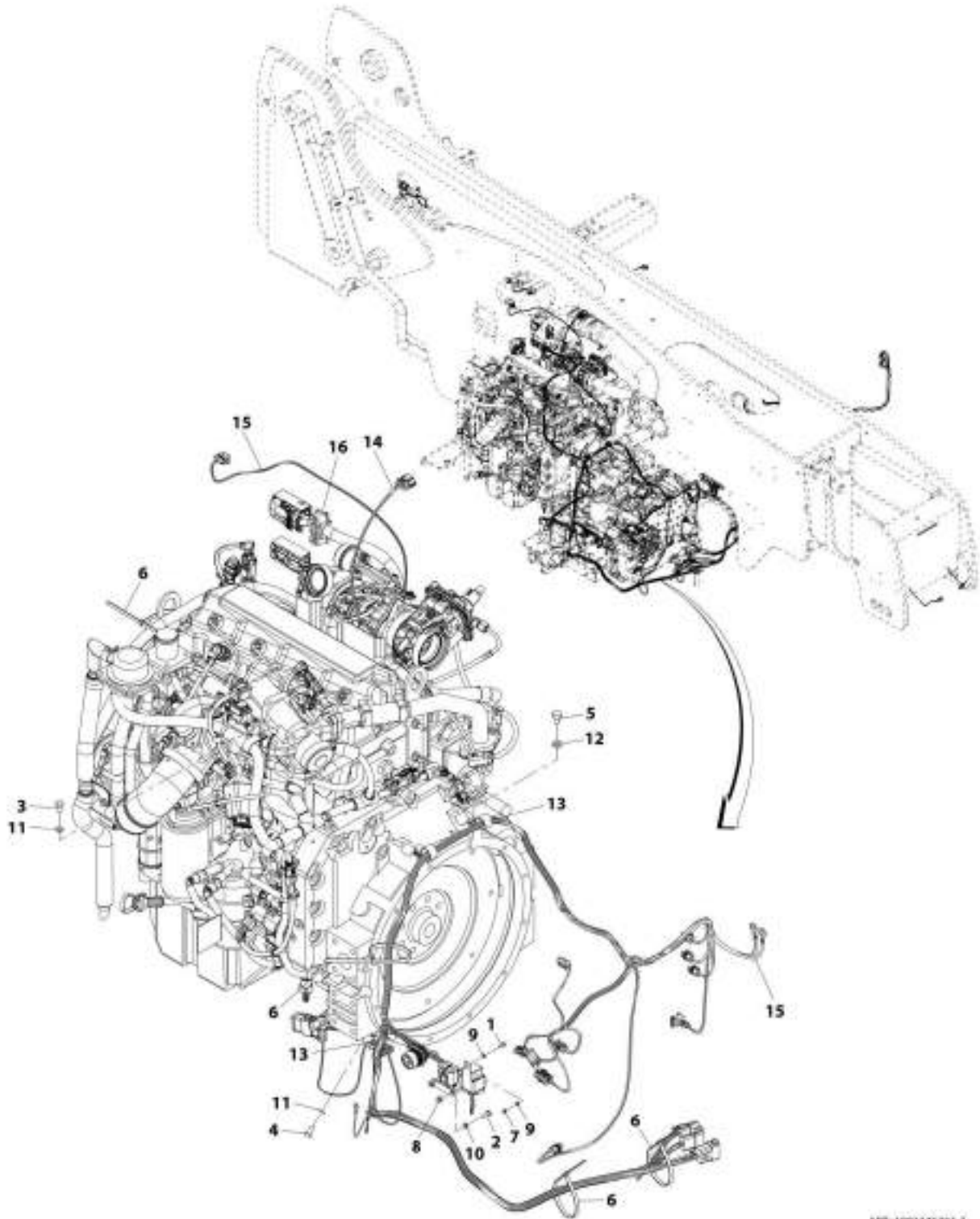
SECTION 10 - ELECTRICAL

FIGURE 10-18. ENGINE WIRING INSTALLATION (ULS)

| ITEM | PART NUMBER | QTY | DESCRIPTION | REV |
|------|-------------|-----|--|-----|
| | 1001163233 | Ref | Engine Wiring Installation (ULS) | K |
| 1 | | Ref | Harness, Engine (ULS) (See Separate Breakdown in this Section) | |
| 2 | 4031608 | 4 | Screw, M5X20 | |
| 3 | 4811600 | 4 | Washer, M5 | |
| 4 | 1001184835 | 1 | Harness, TBAP (See TBAP HARNESS for Breakdown) | |
| 5 | 0700618 | 1 | Bolt, M6X50 | |
| 6 | 0760808 | 1 | Bolt, M8X16 | |
| 7 | 0761007 | 2 | Bolt, M10X14 | |
| 8 | 0761010 | 2 | Bolt, M10X20 | |
| 9 | 1062255 | 8 | Strap, Tie | |
| 10 | 4811700 | 1 | Washer, M6 | |
| 11 | 4811900 | 2 | Washer, M8 | |
| 12 | 4812000 | 4 | Washer, M10 | |
| 13 | 4831600 | 4 | Washer, Lock M5 | |
| 14 | 8406201 | 4 | Clip, Tube | |
| 15 | 1001131177 | 1 | Fuse, Power Module | |
| 16 | 1001189046 | 1 | Bracket | |
| 17 | 1001191486 | 1 | Decal | |
| 18 | 1001167646 | 1 | Connector, Strain Relief | |
| 19 | 0760807 | 1 | Bolt, M8X14 | |

SECTION 10 - ELECTRICAL

FIGURE 10-19. ENGINE WIRING INSTALLATION, 74HP (ULS) (742, 943)



ART_1001225233-A

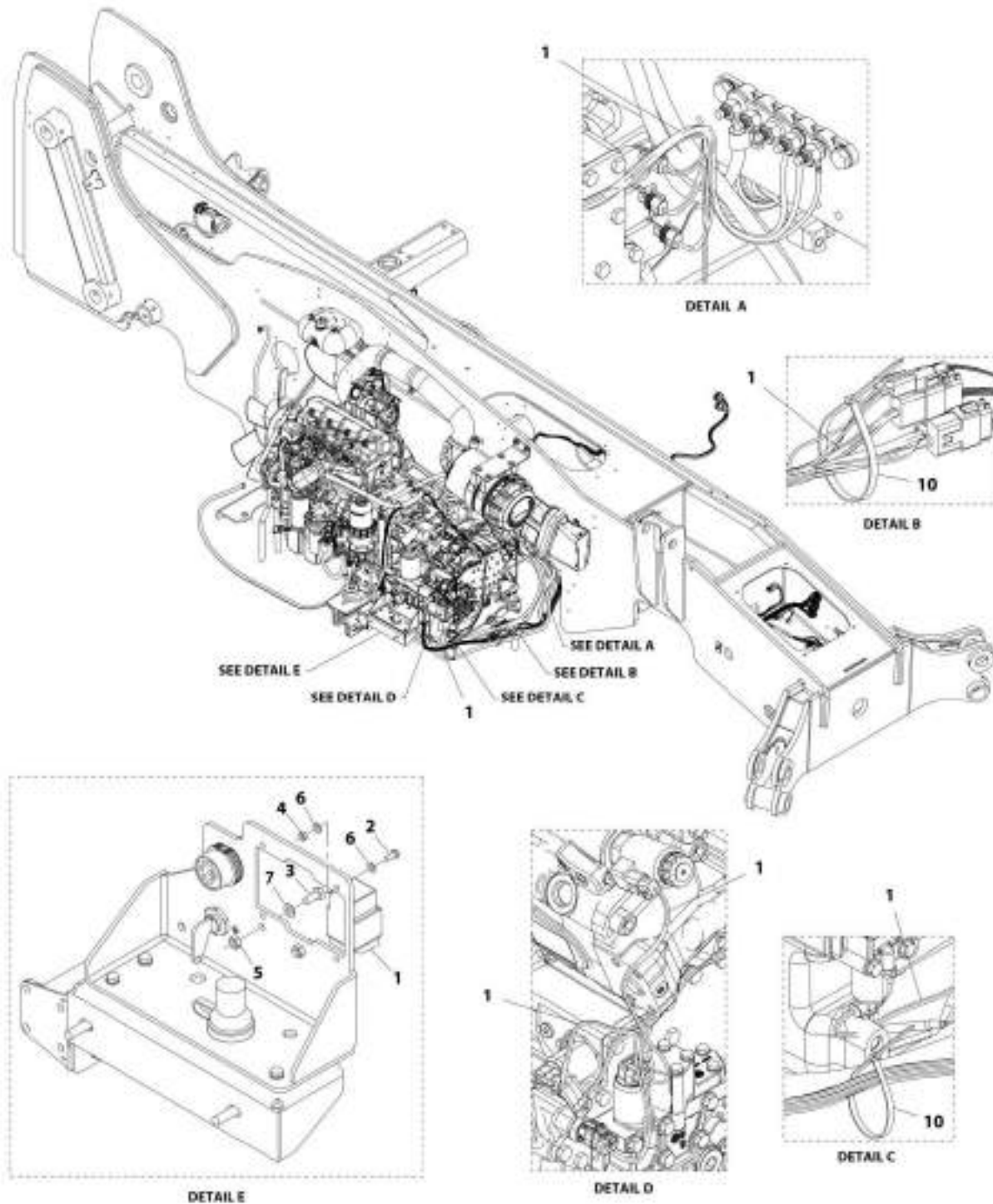
SECTION 10 - ELECTRICAL

FIGURE 10-19. ENGINE WIRING INSTALLATION, 74HP (ULS) (742, 943)

| ITEM | PART NUMBER | QTY | DESCRIPTION | REV |
|------|-------------|-----|--|-----|
| | 1001225232 | Ref | Engine Wiring Installation, 74HP (ULS) (742, 943) | A |
| 1 | 0760405 | 1 | Bolt, M4X10 | |
| 2 | 0760607 | 2 | Bolt, M6X14 | |
| 3 | 0760807 | 1 | Bolt, M8X14 | |
| 4 | 0760808 | 1 | Bolt, M8X16 | |
| 5 | 0761007 | 2 | Bolt, M10X14 | |
| 6 | 1062255 | 8 | Strap, Tie | |
| 7 | 3290401 | 1 | Nut, M4X0.7 | |
| 8 | 3290601 | 2 | Nut, M6X1 Grade 8 | |
| 9 | 4811400 | 2 | Washer, M4 | |
| 10 | 4811700 | 2 | Washer, M6 | |
| 11 | 4811900 | 2 | Washer, M8 | |
| 12 | 4812000 | 2 | Washer, M10 | |
| 13 | 8406201 | 4 | Clip, Wire and Tube | |
| 14 | 1001184835 | 1 | Harness, TBAP (See Separate Breakdown in this Section) | |
| 15 | 1001225067 | 1 | Harness, Engine, Cummins 74HP (See Separate Breakdown in this Section) | |
| 16 | 1001167646 | 1 | Connector, Strain Relief | |

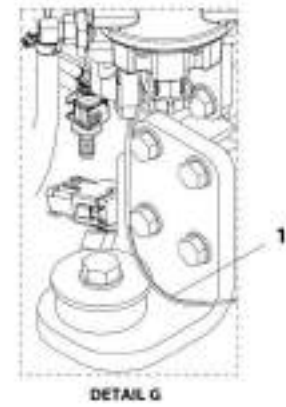
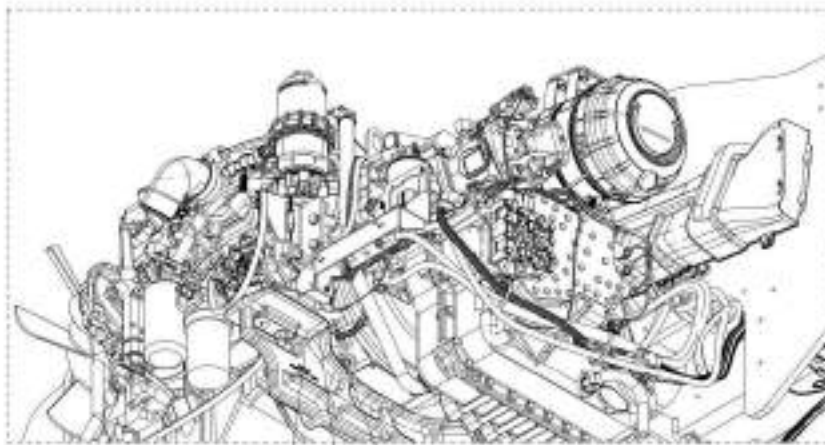
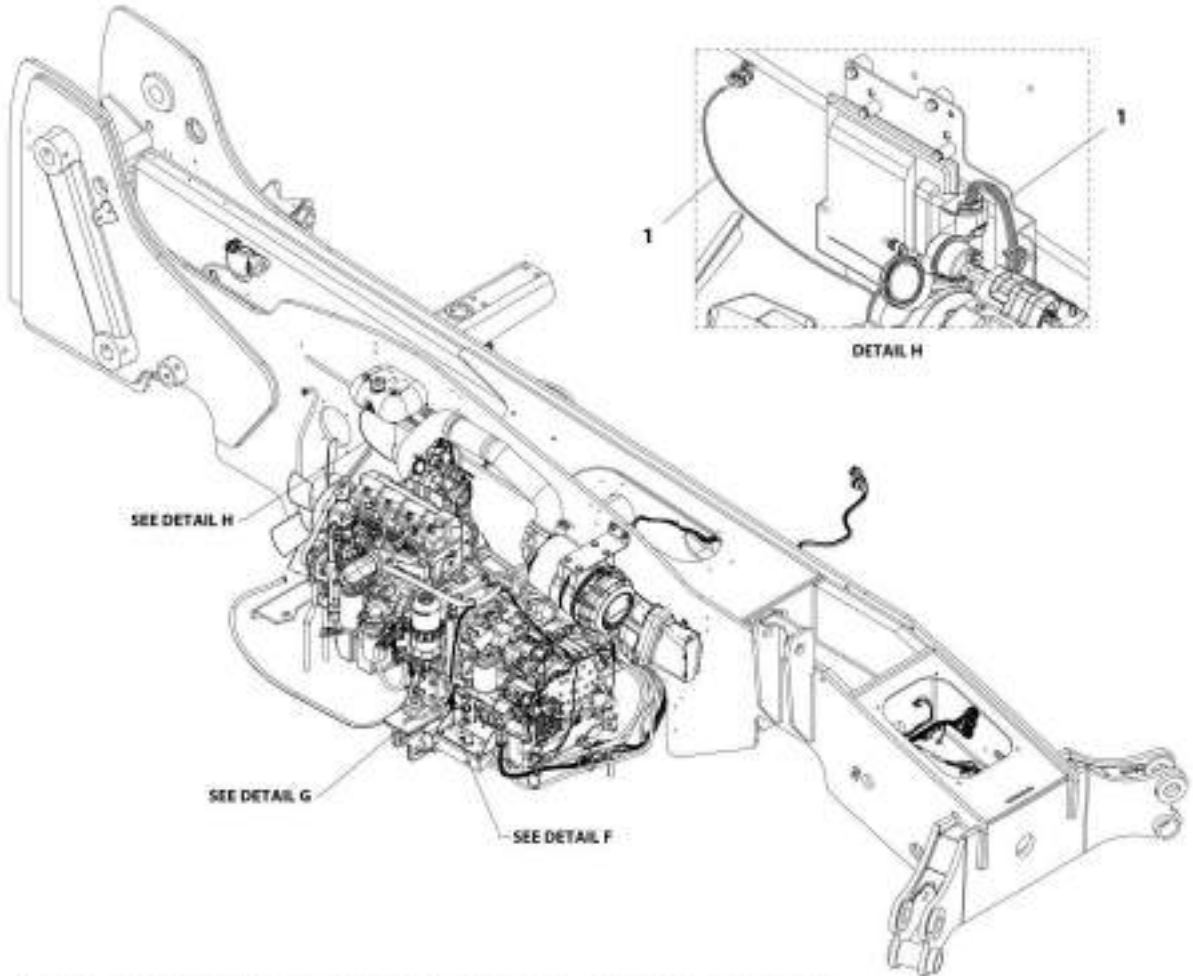
SECTION 10 - ELECTRICAL

FIGURE 10-20. ENGINE WIRING INSTALLATION (LS)



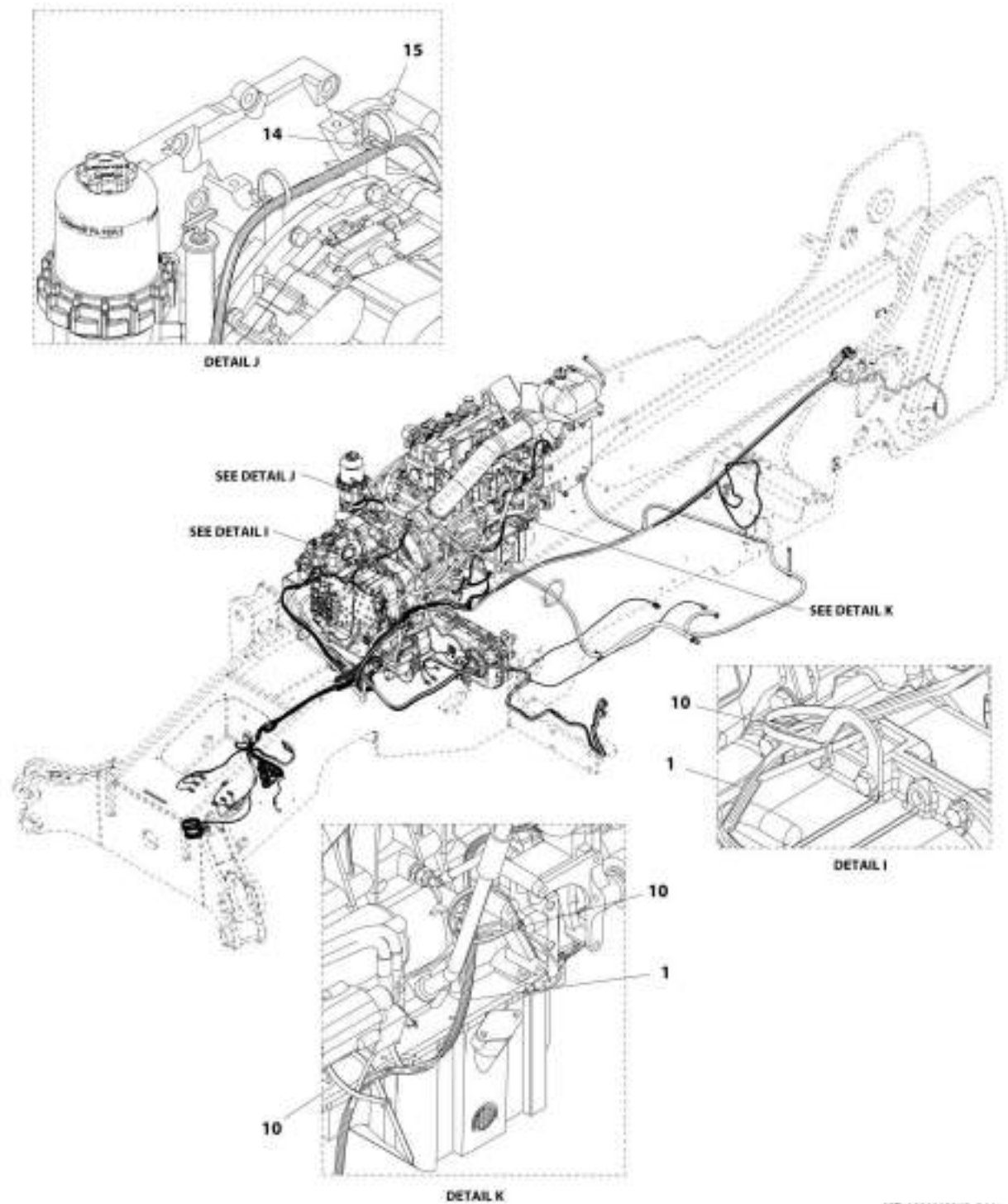
ART_1001163242_I-H

SECTION 10 - ELECTRICAL



ART.1001165242_2-H

SECTION 10 - ELECTRICAL



ART_1001163262_3-H

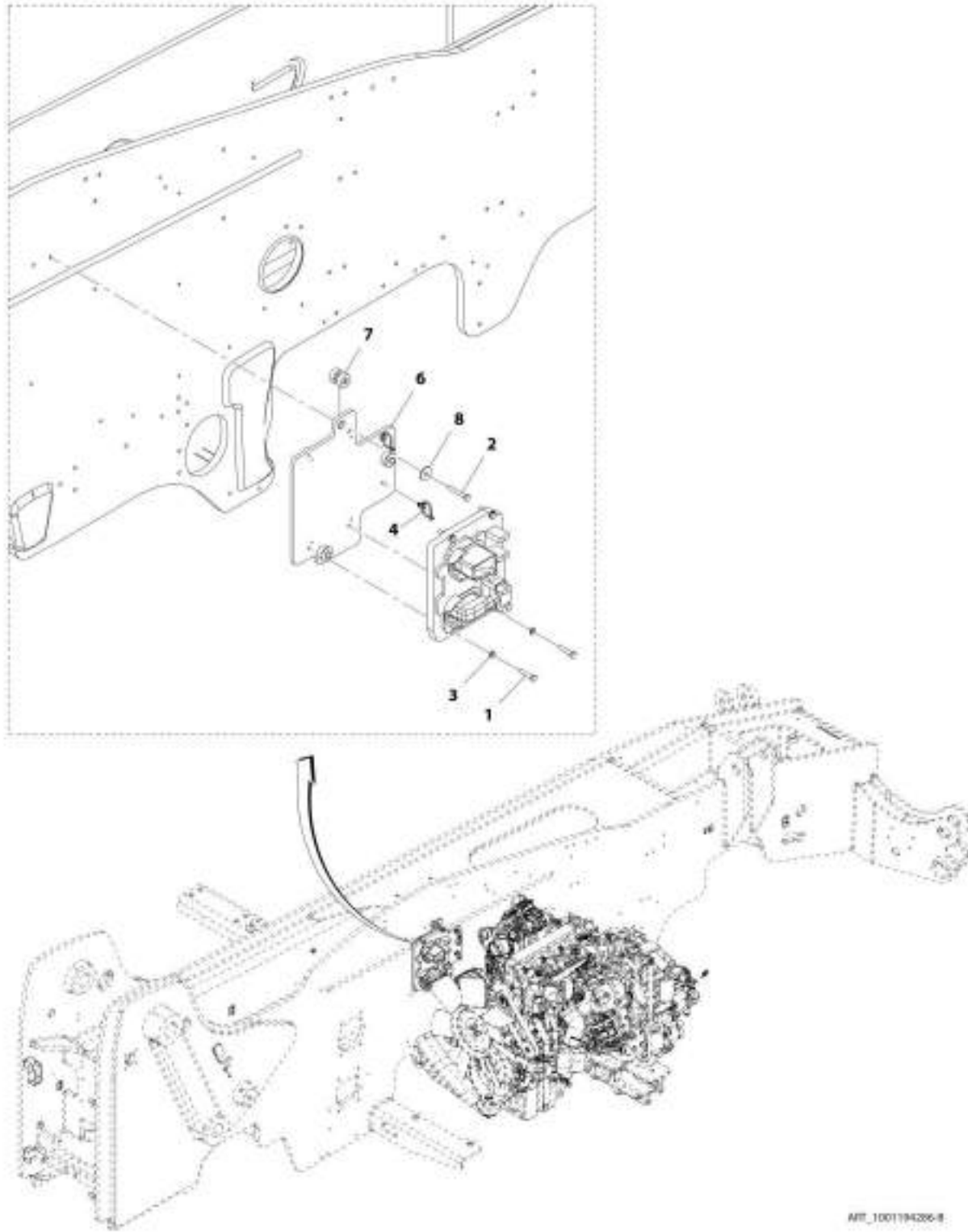
SECTION 10 - ELECTRICAL

FIGURE 10-20. ENGINE WIRING INSTALLATION (LS)

| ITEM | PART NUMBER | QTY | DESCRIPTION | REV |
|------|-------------|-----|---|-----|
| | 1001163242 | Ref | Engine Wiring Installation (LS) | H |
| 1 | | Ref | Harness, Engine (LS) (See Separate Breakdown in this Section) | |
| 2 | 0760405 | 1 | Bolt, M4X10 | |
| 3 | 0760607 | 2 | Bolt, M6X14 | |
| 4 | 3290401 | 1 | Nut, M4X0.7 | |
| 5 | 3290601 | 2 | Nut, M6X1 Grade 8 | |
| 6 | 4811400 | 2 | Washer, M4 | |
| 7 | 4811700 | 2 | Washer, M6 | |
| 8 | 0760808 | 1 | Bolt, M8X16 | |
| 10 | 1062255 | 5 | Strap, Tie | |
| 11 | 4811900 | 1 | Washer, M8 | |
| 13 | 8406201 | 1 | Clip, Tube | |
| 14 | 1001202986 | 2 | Strap, Fir Tree Push Mount | |
| 15 | 1001008559 | 2 | Strap | |

SECTION 10 - ELECTRICAL

FIGURE 10-21. ENGINE ECU INSTALLATION



AME_1001194206-B

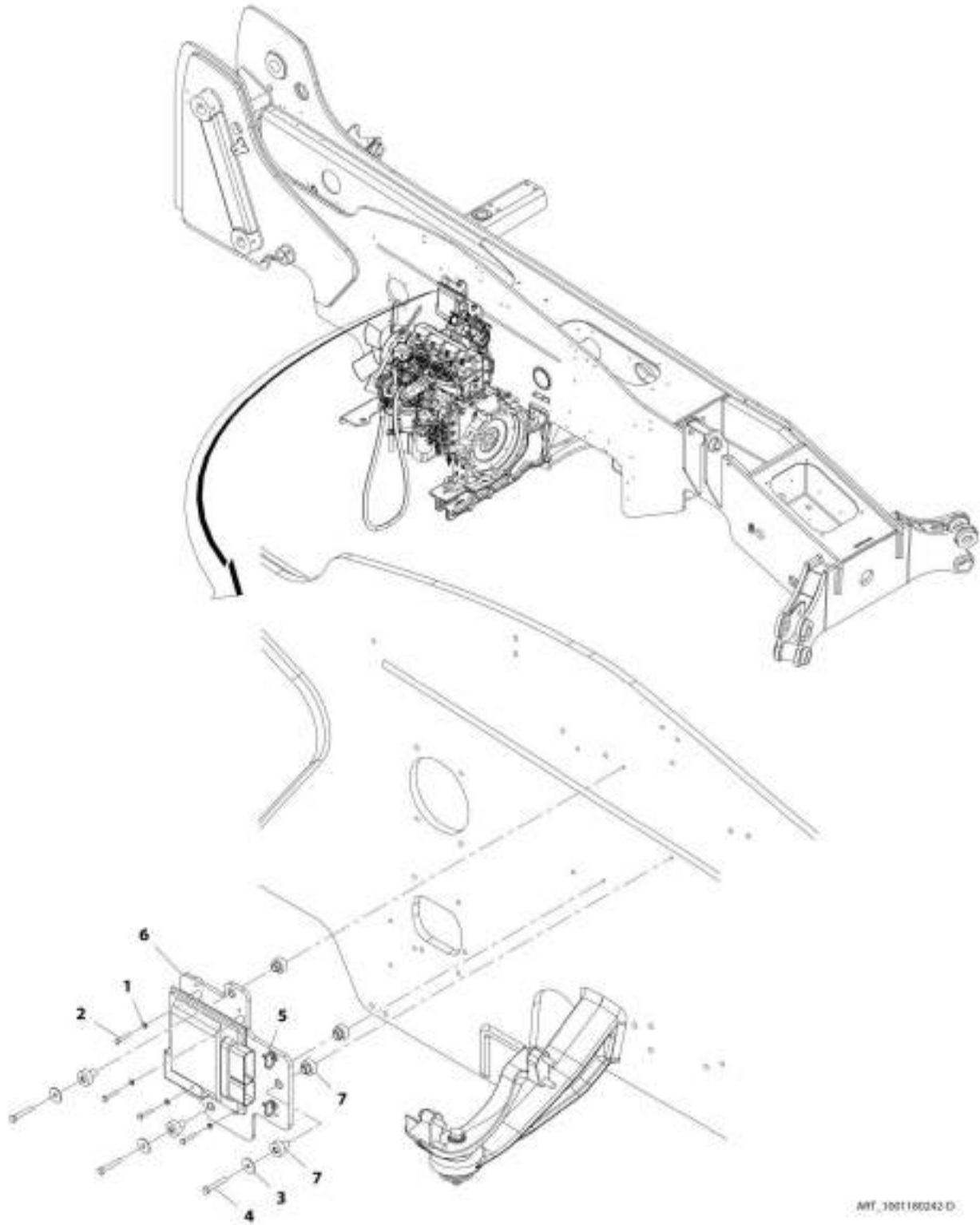
SECTION 10 - ELECTRICAL

FIGURE 10-21. ENGINE ECU INSTALLATION

| ITEM | PART NUMBER | QTY | DESCRIPTION | REV |
|------|-------------|-----|---------------------------|-----|
| | 1001194286 | Ref | Engine ECU Installation | B |
| 1 | 0700816 | 4 | Bolt, M8X40 | |
| 2 | 0700819 | 3 | Bolt, M8X55 | |
| 3 | 4811900 | 4 | Washer, M8 | |
| 4 | 1001146588 | 2 | Strap, Fir Tree Cable Tie | |
| 6 | 1001192468 | 1 | Bracket | |
| 7 | 1001192471 | 3 | Mount, Isolator | |
| 8 | 1001195089 | 3 | Washer | |

SECTION 10 - ELECTRICAL

FIGURE 10-22. ENGINE ECM INSTALLATION (LS)



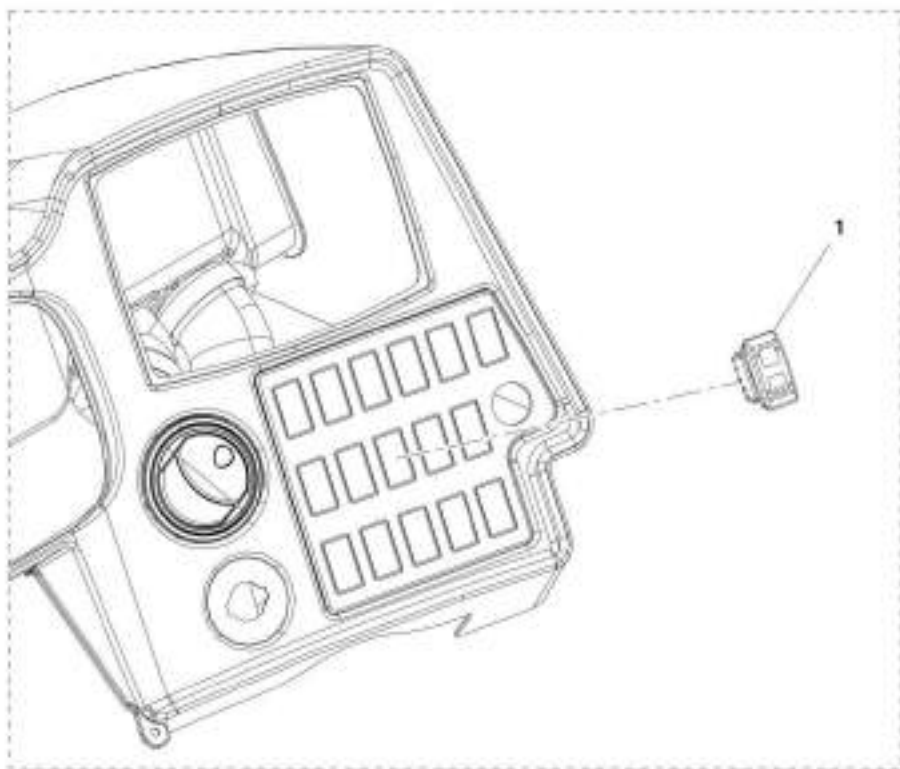
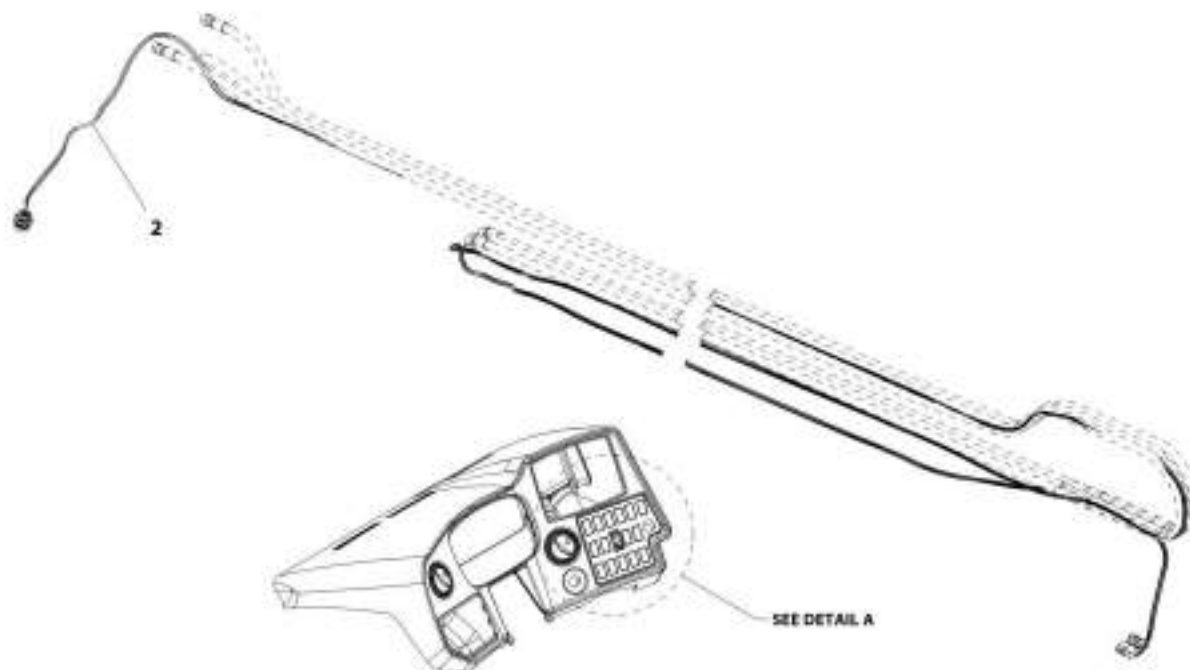
SECTION 10 - ELECTRICAL

FIGURE 10-22. ENGINE ECM INSTALLATION (LS)

| ITEM | PART NUMBER | QTY | DESCRIPTION | REV |
|------|-------------|-----|------------------------------|-----|
| | 1001180242 | Ref | Engine ECM Installation (LS) | D |
| 1 | 4811700 | 4 | Washer, M6 | |
| 2 | 0760615 | 4 | Bolt, M6X35 | |
| 3 | 1001195089 | 3 | Washer | |
| 4 | 0700819 | 3 | Bolt, Grade 8 | |
| 5 | 1001146588 | 2 | Strap | |
| 6 | 1001192468 | 1 | Bracket | |
| 7 | 1001192471 | 3 | Mount, Isolator | |

SECTION 10 - ELECTRICAL

FIGURE 10-23. BOOM AUXILIARY ELECTRIC INSTALLATION



DETAIL A

ART.1991187532-A

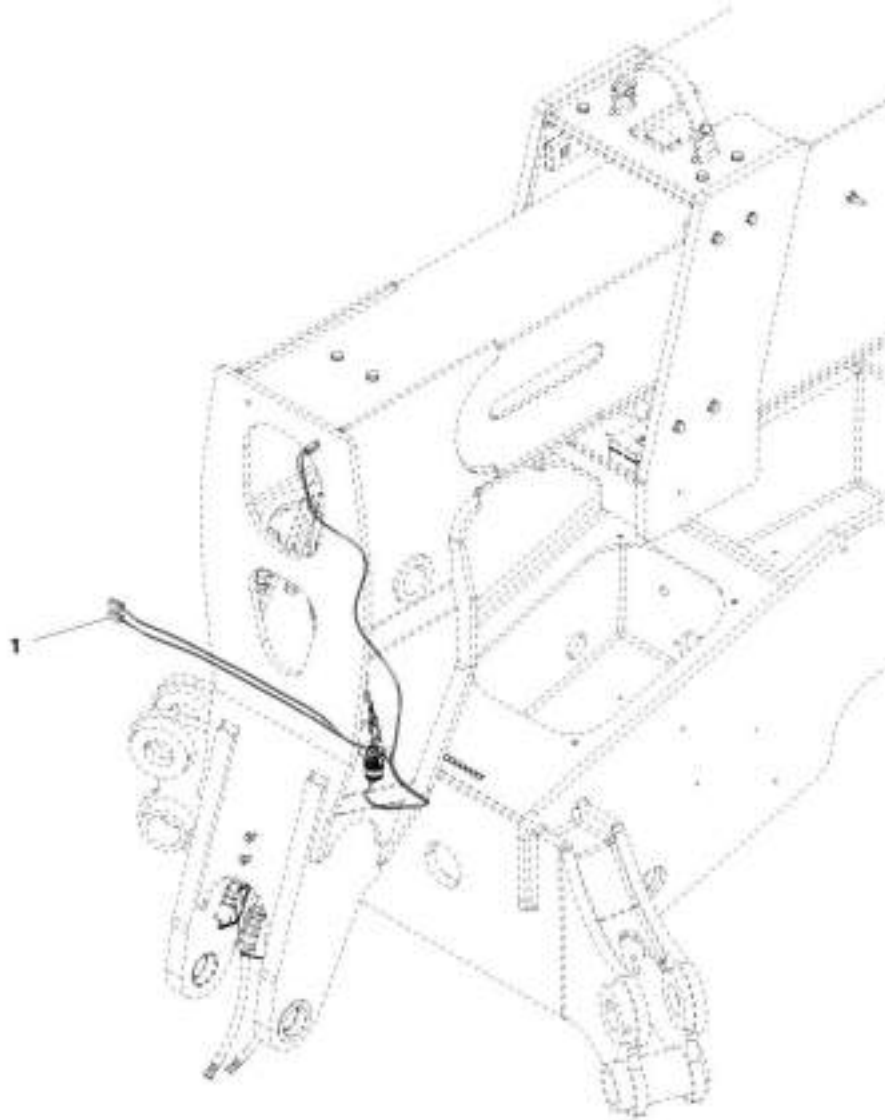
SECTION 10 - ELECTRICAL

FIGURE 10-23. BOOM AUXILIARY ELECTRIC INSTALLATION

| ITEM | PART NUMBER | QTY | DESCRIPTION | REV |
|------|-------------|-----|--|-----|
| | 1001187532 | Ref | Boom Auxiliary Electric Installation | A |
| 1 | 1001159746 | 1 | Switch, Auxiliary Electric | |
| 2 | 1001174426 | 1 | Installation, Boom Electrical Harness (See BOOM ELECTRICAL HARNESS INSTALLATION for Breakdown) | |

SECTION 10 - ELECTRICAL

FIGURE 10-24. BOOM AUXILIARY ELECTRIC HARNESS INSTALLATION



ARE_100160796-A

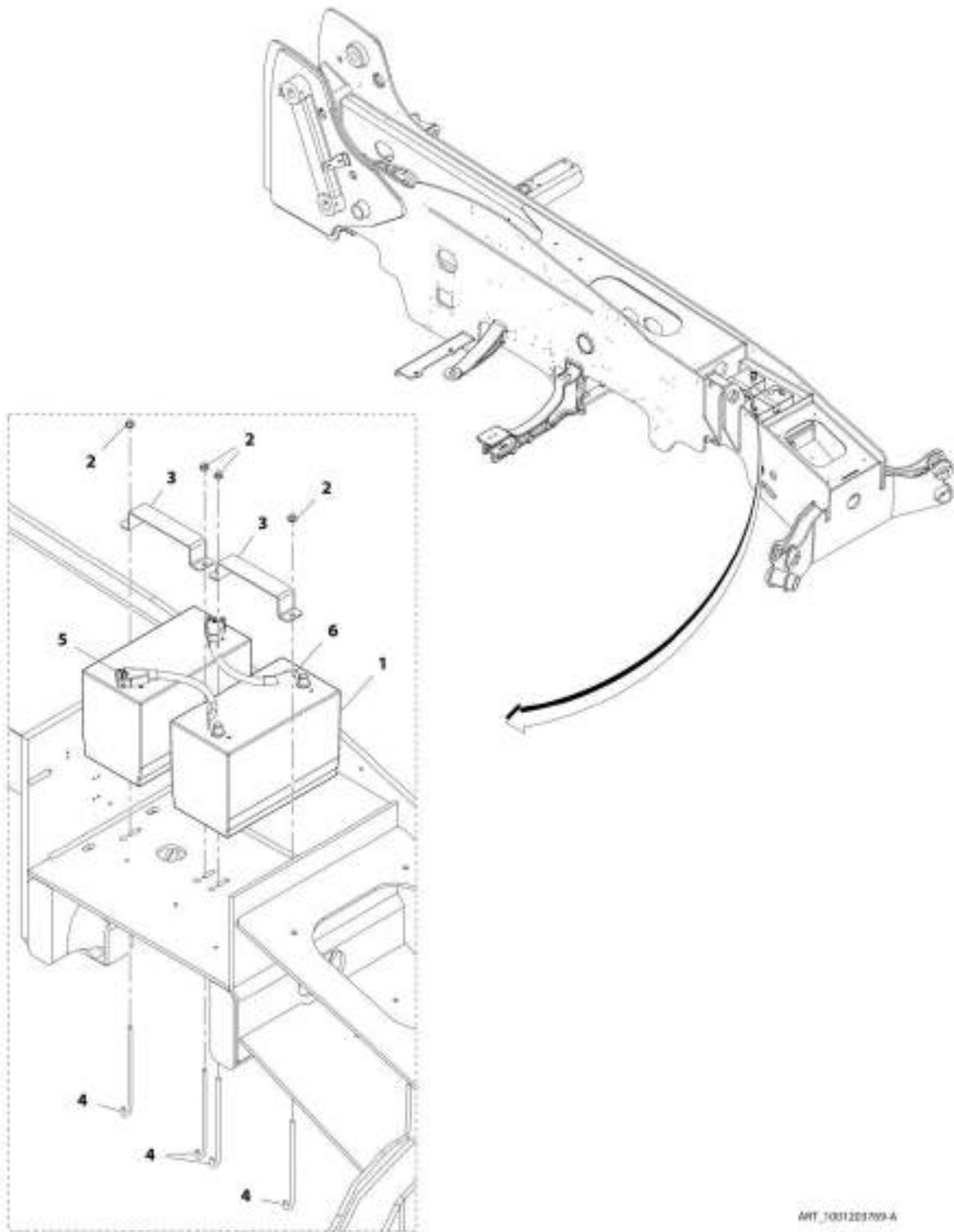
SECTION 10 - ELECTRICAL

FIGURE 10-24. BOOM AUXILIARY ELECTRIC HARNESS INSTALLATION

| ITEM | PART NUMBER | QTY | DESCRIPTION | REV |
|------|--------------------------|----------|--|-----|
| 1 | 1001167799 1001167695 | Ref 1 | Boom Auxiliary Electric Harness Installation Harness, Platform (See PLATFORM HARNESS for Breakdown) | A |

SECTION 10 - ELECTRICAL

FIGURE 10-25. BATTERY INSTALLATION (642, 742)



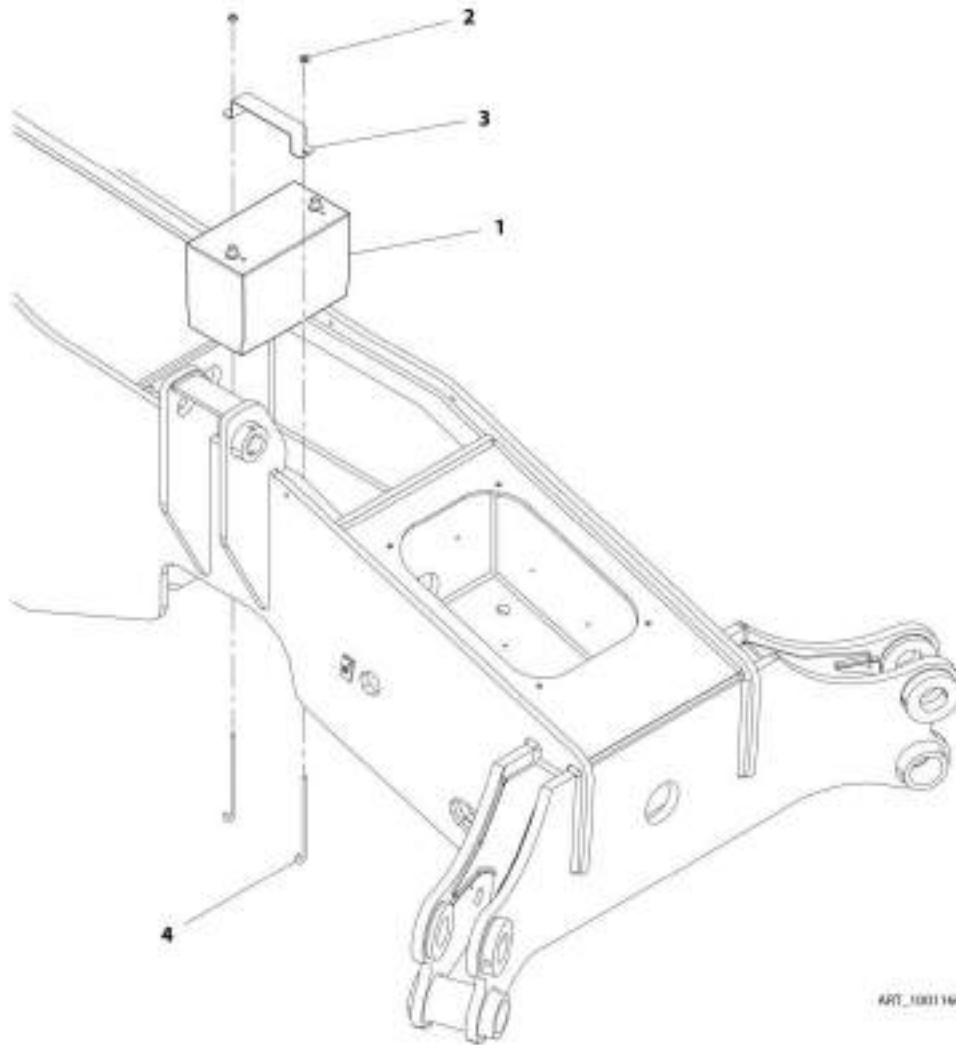
SECTION 10 - ELECTRICAL

FIGURE 10-25. BATTERY INSTALLATION (642, 742)

| ITEM | PART NUMBER | QTY | DESCRIPTION | REV |
|------|-------------|-----|---------------------------------|-----|
| | 1001203769 | Ref | Battery Installation (642, 742) | A |
| 1 | 0400075 | 2 | Battery, 12V | |
| 2 | 5220800 | 4 | Nut, M8 | |
| 3 | 1001160927 | 2 | Plate, Battery Hold Down | |
| 4 | 1001181961 | 4 | J-Bolt | |
| 5 | 1001203557 | 1 | Cable, Positive Battery | |
| 6 | 1001203558 | 1 | Cable, Negative Battery | |

SECTION 10 - ELECTRICAL

FIGURE 10-26. BATTERY INSTALLATION (742, 943, 1043)



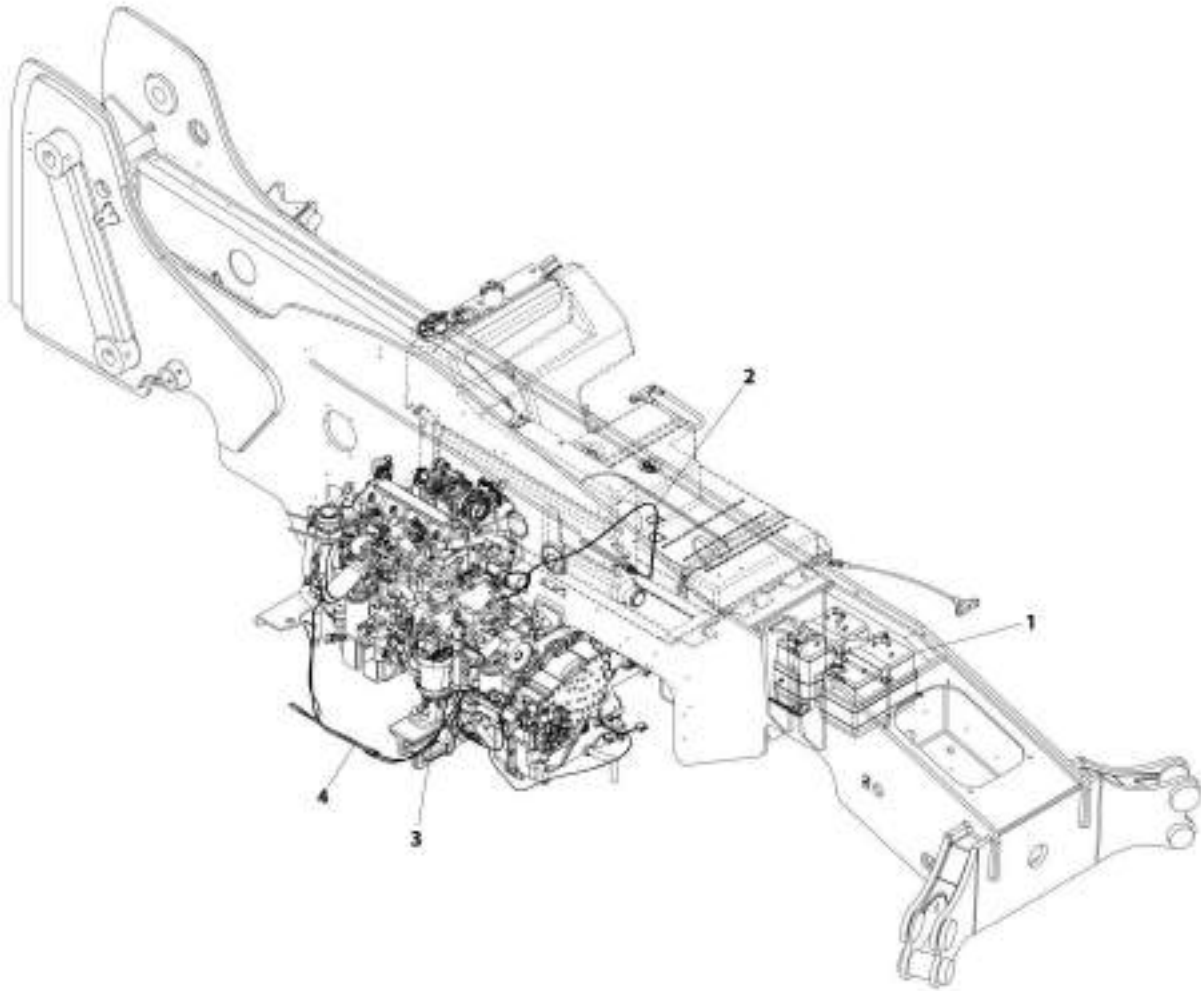
SECTION 10 - ELECTRICAL

FIGURE 10-26. BATTERY INSTALLATION (742, 943, 1043)

| ITEM | PART NUMBER | QTY | DESCRIPTION | REV |
|------|-------------|-----|--|-----|
| | 1001160711 | Ref | Battery Installation, (742, 943, 1043) | C |
| 1 | 0400075 | 1 | Battery, 12V | |
| 2 | 5220800 | 2 | Nut, M8 | |
| 3 | 1001160927 | 1 | Plate, Battery Hold Down | |
| 4 | 1001181961 | 2 | J-Bolt | |

SECTION 10 - ELECTRICAL

FIGURE 10-27. ARCTIC COLD WEATHER PACKAGE INSTALLATION (ULS - 110HP)



AWT_3301190129-D

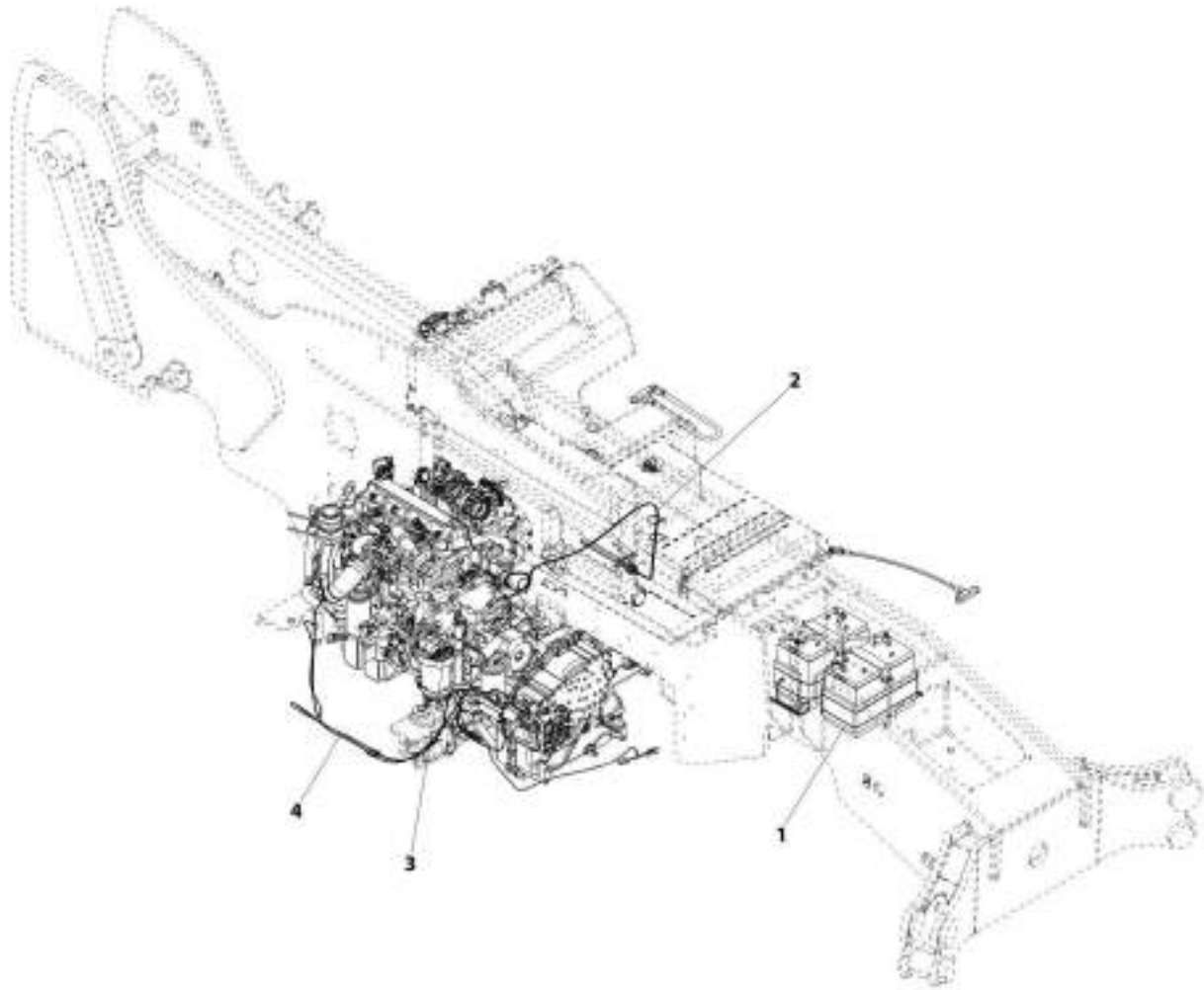
SECTION 10 - ELECTRICAL

FIGURE 10-27. ARCTIC COLD WEATHER PACKAGE INSTALLATION (ULS - 110HP)

| ITEM | PART NUMBER | QTY | DESCRIPTION | REV |
|------|-------------|-----|--|-----|
| 1 | 1001190179 | Ref | Arctic Cold Weather Package Installation | D |
| | 1001190670 | Ref | Installation, Arctic Batteries (See ARCTIC BATTERIES INSTALLATION for Breakdown) | |
| 2 | 1001190671 | Ref | Installation, Tank Heater (See HYDRAULIC TANK HEATER INSTALLATION for Breakdown) | |
| 3 | 1001204095 | Ref | Installation, Tank Heater (See FUEL FILTER HEATER INSTALLATION for Breakdown) | |
| 4 | 1001232751 | Ref | Heater, Breather (See Separate Breakdown in ENGINE AND ATTACHING PARTS Section) | |

SECTION 10 - ELECTRICAL

FIGURE 10-28. ARCTIC COLD WEATHER PACKAGE INSTALLATION (ULS - 74HP)



ARS_1001257209-A

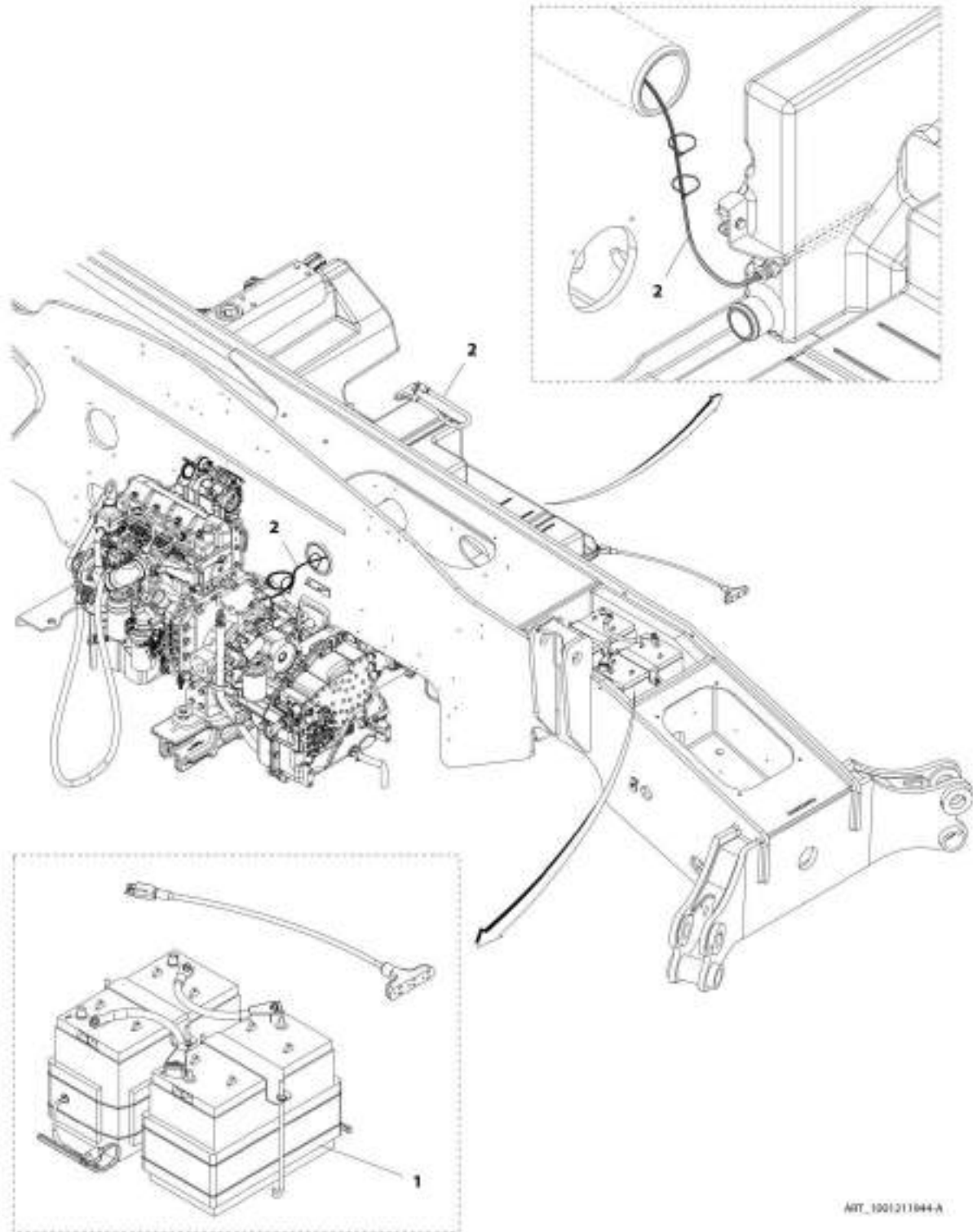
SECTION 10 - ELECTRICAL

FIGURE 10-28. ARCTIC COLD WEATHER PACKAGE INSTALLATION (ULS - 74HP)

| ITEM | PART NUMBER | QTY | DESCRIPTION | REV |
|------|-------------|-----|---|-----|
| 1 | 1001237209 | Ref | Arctic Weather Package Installation - 74 HP (ULS) | A |
| | 1001190670 | Ref | Installation, Arctic Batteries (See Separate Breakdown in this Section) | |
| 2 | 1001190671 | Ref | Installation, Hydraulic Tank Heater (See Separate Breakdown in this Section) | |
| 3 | 1001204095 | Ref | Installation, Fuel Filter Heater (See Separate Breakdown in this Section) | |
| 4 | 1001237208 | Ref | Heater, Breather - 74 HP (See Separate Breakdown in Engine And Attaching Parts Section) | |

SECTION 10 - ELECTRICAL

FIGURE 10-29. ARCTIC COLD WEATHER PACKAGE INSTALLATION (LS)



AWT_1001211044-A

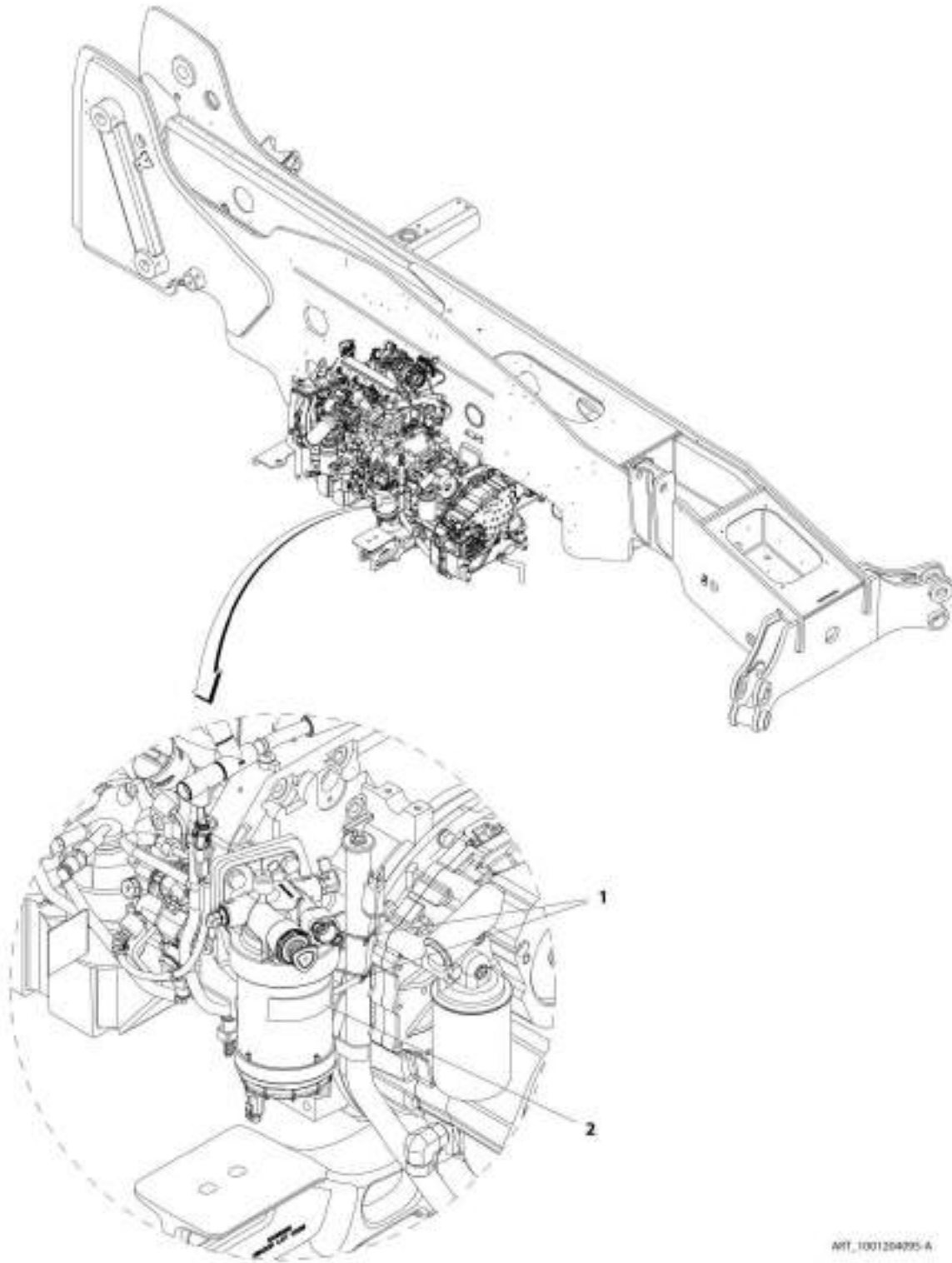
SECTION 10 - ELECTRICAL

FIGURE 10-29. ARCTIC COLD WEATHER PACKAGE INSTALLATION (LS)

| ITEM | PART NUMBER | QTY | DESCRIPTION | REV |
|------|-------------|-----|--|-----|
| 1 | 1001211944 | Ref | Arctic Cold Weather Package Installation (LS) | A |
| | 1001190670 | Ref | Installation, Arctic Batteries (See ARCTIC BATTERIES INSTALLATION for Breakdown) | |
| 2 | 1001190671 | Ref | Installation, Tank Heater (See HYDRAULIC TANK HEATER INSTALLATION for Breakdown) | |

SECTION 10 - ELECTRICAL

FIGURE 10-30. FUEL FILTER HEATER INSTALLATION



ART_1001204095-A

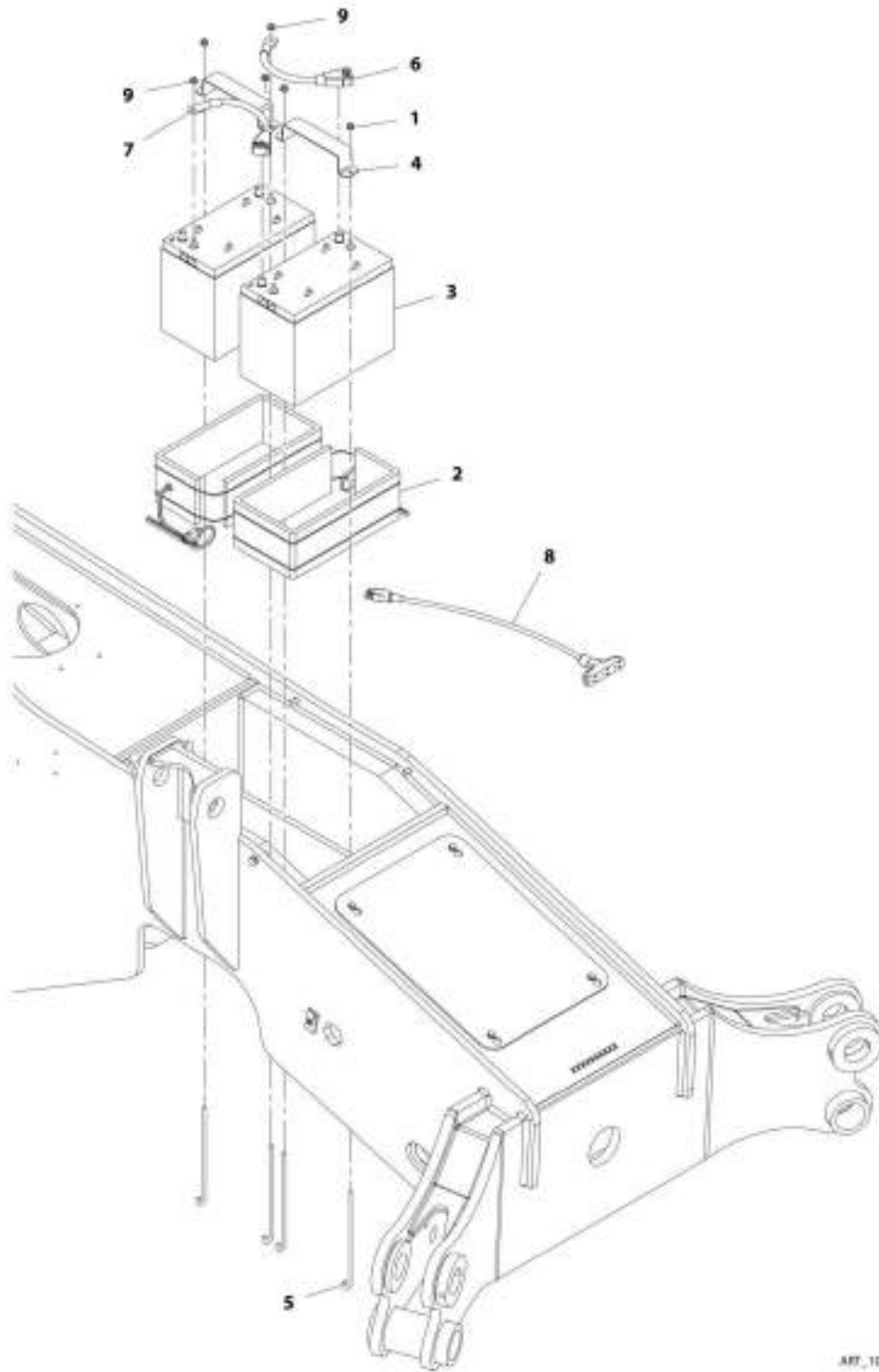
SECTION 10 - ELECTRICAL

FIGURE 10-30. FUEL FILTER HEATER INSTALLATION

| ITEM | PART NUMBER | QTY | DESCRIPTION | REV |
|------|-------------|-----|---------------------------------|-----|
| | 1001204095 | Ref | Fuel Filter Heater Installation | A |
| 1 | 4240099 | 2 | Strap, Tie | |
| 2 | 1001202498 | 1 | Pad, Fuel Filter Heater | |

SECTION 10 - ELECTRICAL

FIGURE 10-31. ARCTIC BATTERIES INSTALLATION



ARF_1001100670-C

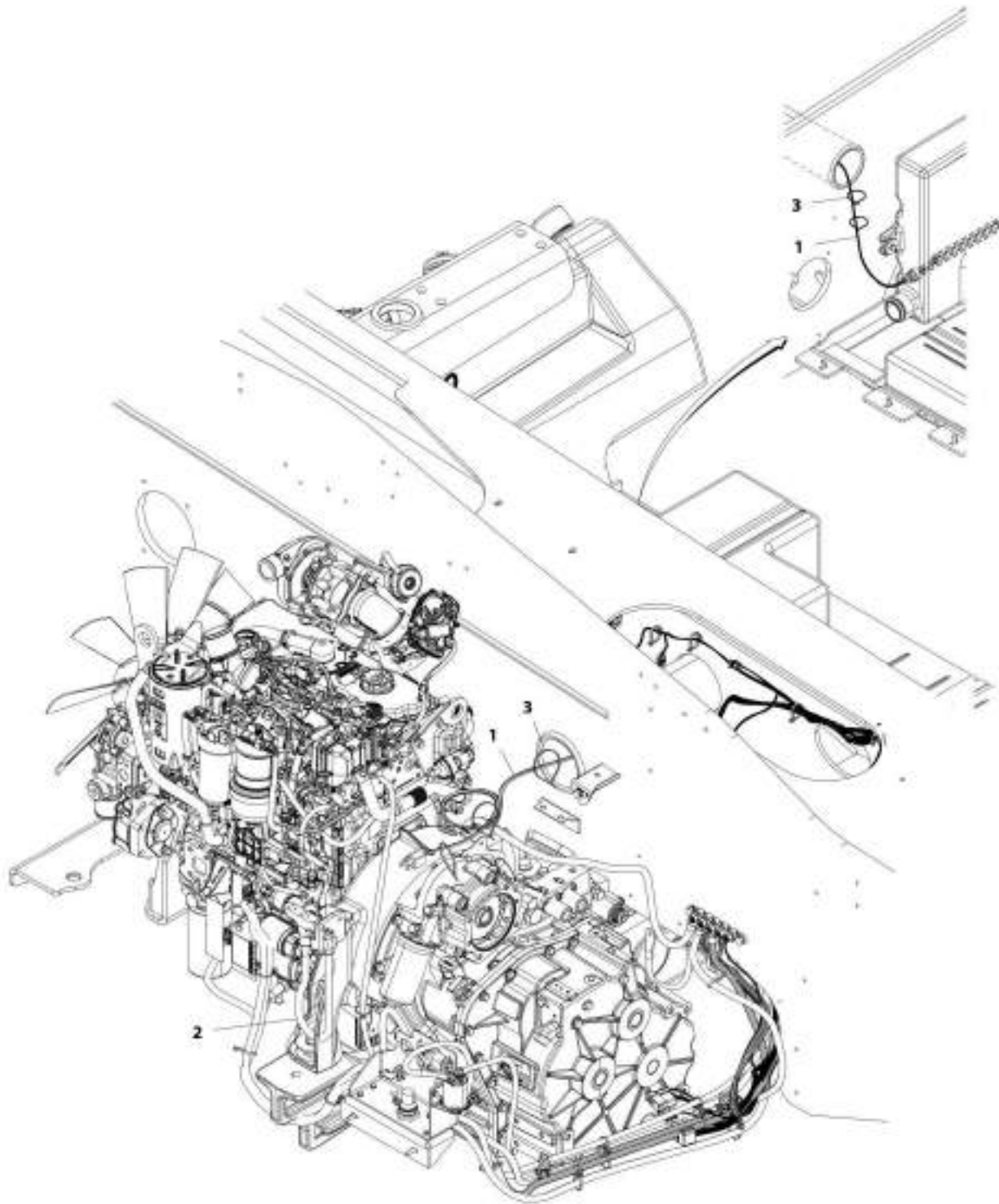
SECTION 10 - ELECTRICAL

FIGURE 10-31. ARCTIC BATTERIES INSTALLATION

| ITEM | PART NUMBER | QTY | DESCRIPTION | REV |
|------|-------------|-----|------------------------------|-----|
| | 1001190670 | Ref | Artic Batteries Installation | C |
| 1 | 5220800 | 4 | Nut, M8 | |
| 2 | 1001093564 | 2 | Heater, Battery | |
| 3 | 1001098762 | 2 | Battery, 12V | |
| 4 | 1001160927 | 2 | Plate, Battery Hold Down | |
| 5 | 1001160928 | 4 | J-Bolt | |
| 6 | 1001172495 | 1 | Cable, Positive | |
| 7 | 1001172496 | 1 | Cable, Negative | |
| 8 | 1060626 | 1 | Cord, 3-Way Extension | |
| 9 | 3311508 | 2 | Nut | |

SECTION 10 - ELECTRICAL

FIGURE 10-32. HYDRAULIC TANK HEATER INSTALLATION



ART_1001190671-0

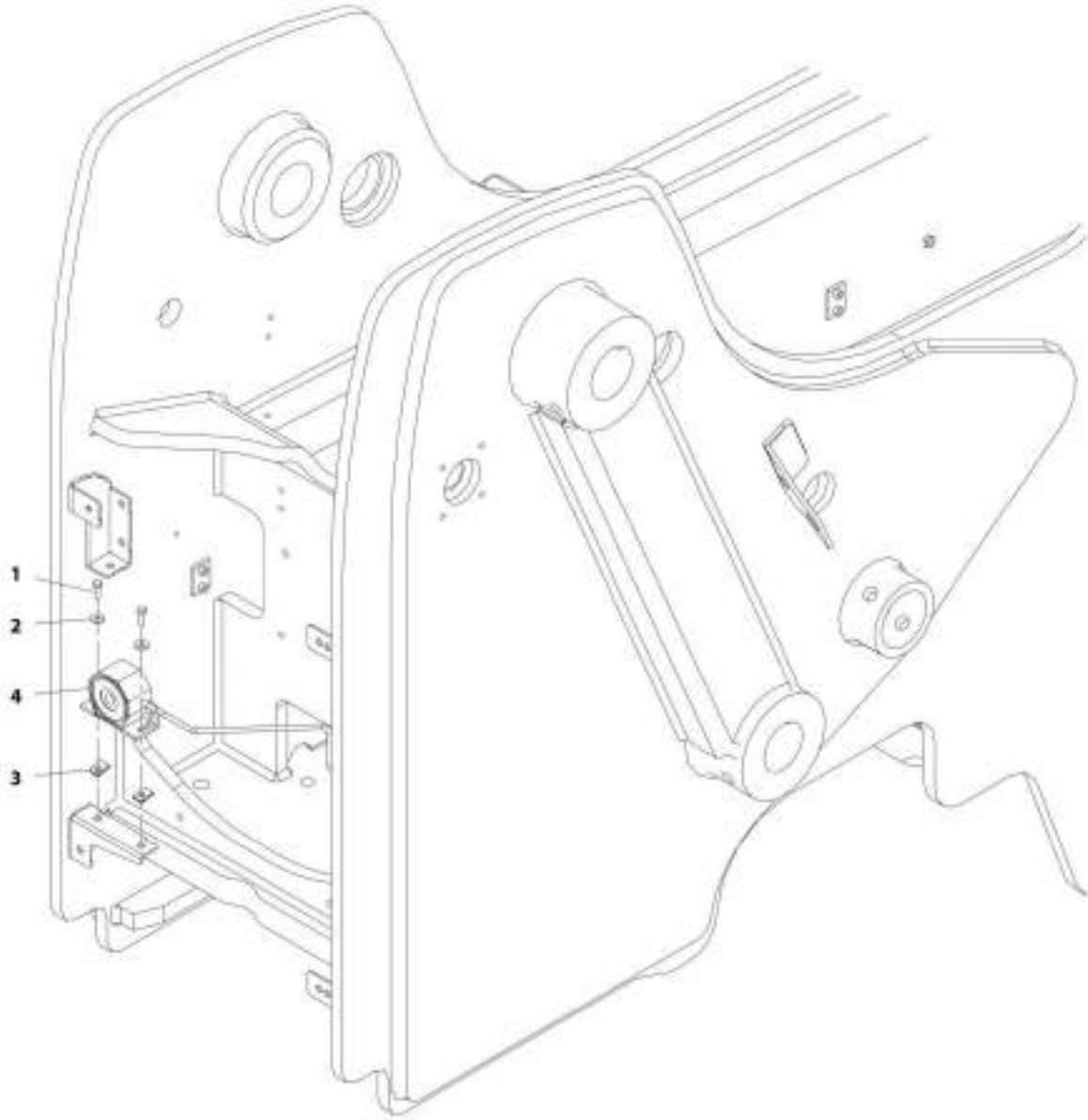
SECTION 10 - ELECTRICAL

FIGURE 10-32. HYDRAULIC TANK HEATER INSTALLATION

| ITEM | PART NUMBER | QTY | DESCRIPTION | REV |
|------|-------------|-----|------------------------------------|-----|
| | 1001190671 | Ref | Hydraulic Tank Heater Installation | B |
| 1 | 1001105886 | 1 | Heater, Immersion | |
| 2 | 1060626 | 1 | Cord, 3-Way Extension | |
| 3 | 4240099 | 5 | Wire, Tie | |

SECTION 10 - ELECTRICAL

FIGURE 10-33. BACKUP ALARM INSTALLATION (120 DB)



AWT_1001104103-B

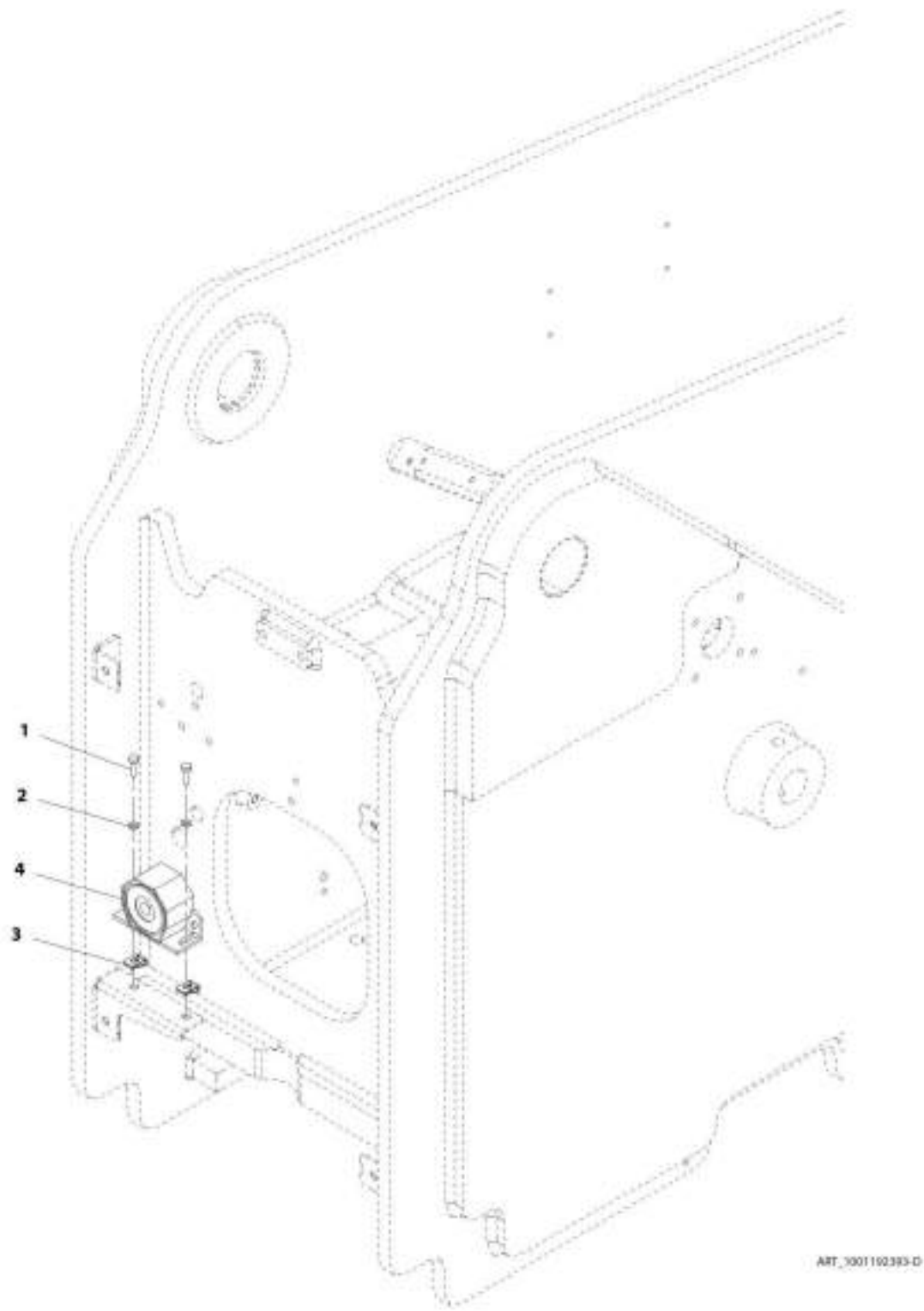
SECTION 10 - ELECTRICAL

FIGURE 10-33. BACKUP ALARM INSTALLATION (120 DB)

| ITEM | PART NUMBER | QTY | DESCRIPTION | REV |
|------|-------------|-----|------------------------------------|-----|
| | 1001199183 | Ref | Backup Alarm Installation (120 dB) | B |
| 1 | 0700610 | 2 | Bolt, M6X20 | |
| 2 | 4811702 | 2 | Washer, M6 | |
| 3 | 1001130220 | 2 | Nut, M6 | |
| 4 | 1001147060 | 1 | Alarm, Backup | |

SECTION 10 - ELECTRICAL

FIGURE 10-34. BACKUP ALARM INSTALLATION (97 DB)



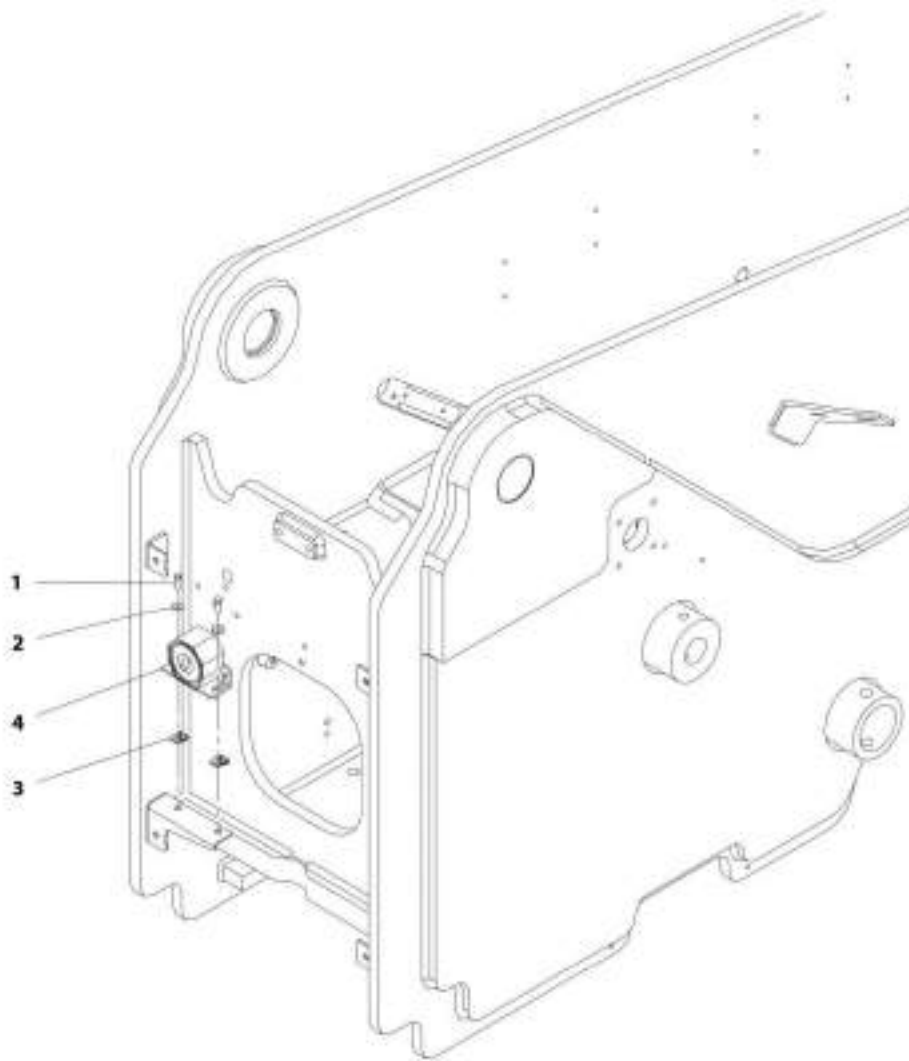
SECTION 10 - ELECTRICAL

FIGURE 10-34. BACKUP ALARM INSTALLATION (97 DB)

| ITEM | PART NUMBER | QTY | DESCRIPTION | REV |
|------|-------------|-----|-----------------------------------|-----|
| | 1001192393 | Ref | Backup Alarm Installation (97 dB) | D |
| 1 | 0700610 | 2 | Bolt, M6X20 | |
| 2 | 4811702 | 2 | Washer, M6 | |
| 3 | 8305919 | 2 | Nut, M6 | |
| 4 | 1001101808 | 1 | Alarm, Backup | |

SECTION 10 - ELECTRICAL

FIGURE 10-35. WHITE NOISE BACKUP ALARM INSTALLATION



ART_100192394-0

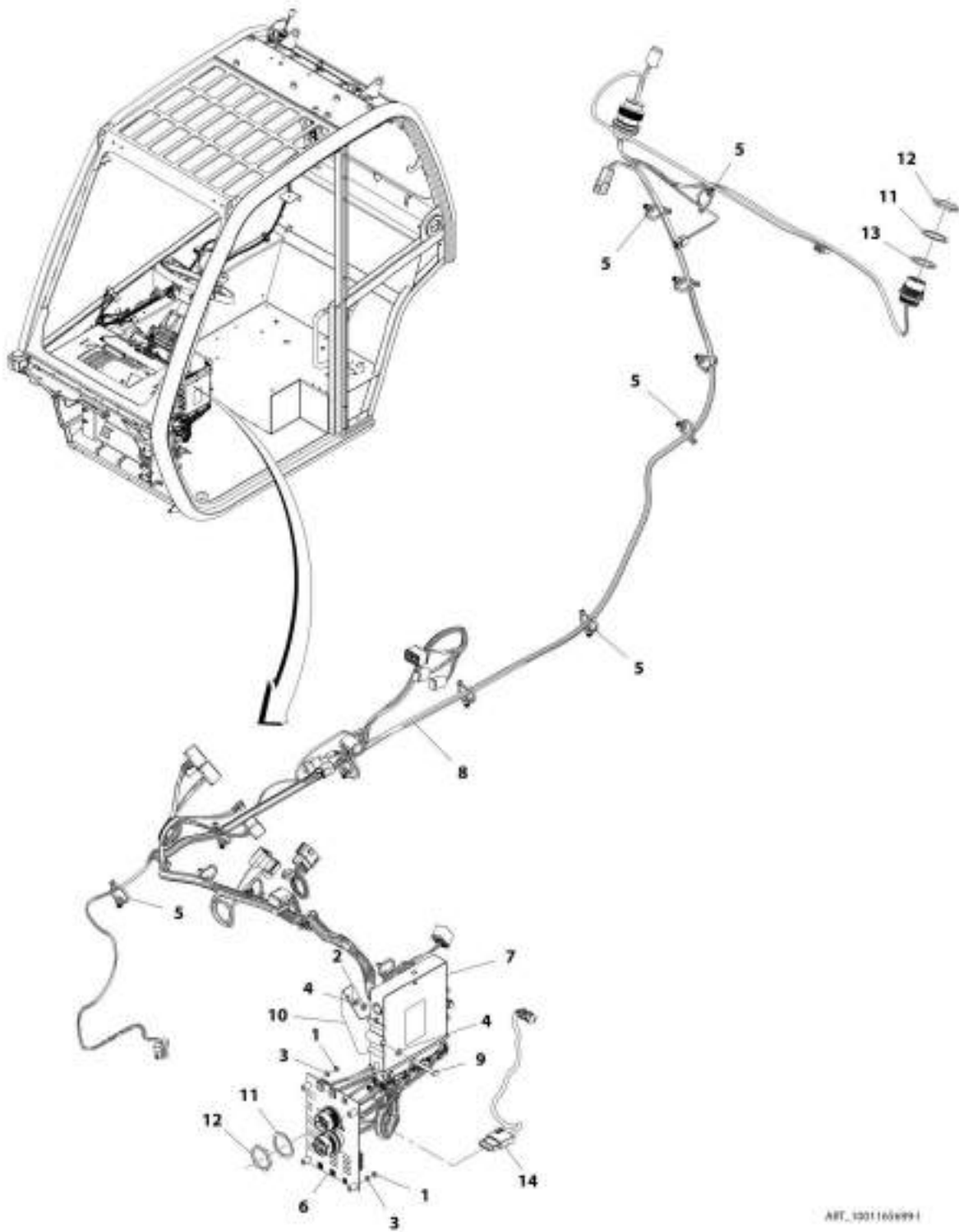
SECTION 10 - ELECTRICAL

FIGURE 10-35. WHITE NOISE BACKUP ALARM INSTALLATION

| ITEM | PART NUMBER | QTY | DESCRIPTION | REV |
|------|-------------|-----|---------------------------------------|-----|
| | 1001192394 | Ref | White Noise Backup Alarm Installation | D |
| 1 | 0700610 | 2 | Bolt, M6X20 | |
| 2 | 4811702 | 2 | Washer, M6 | |
| 3 | 8305919 | 2 | Nut, M6 | |
| 4 | 1001165827 | 1 | Alarm, White Noise Backup | |

SECTION 10 - ELECTRICAL

FIGURE 10-36. CAB ELECTRICAL INSTALLATION



ART_1001100991

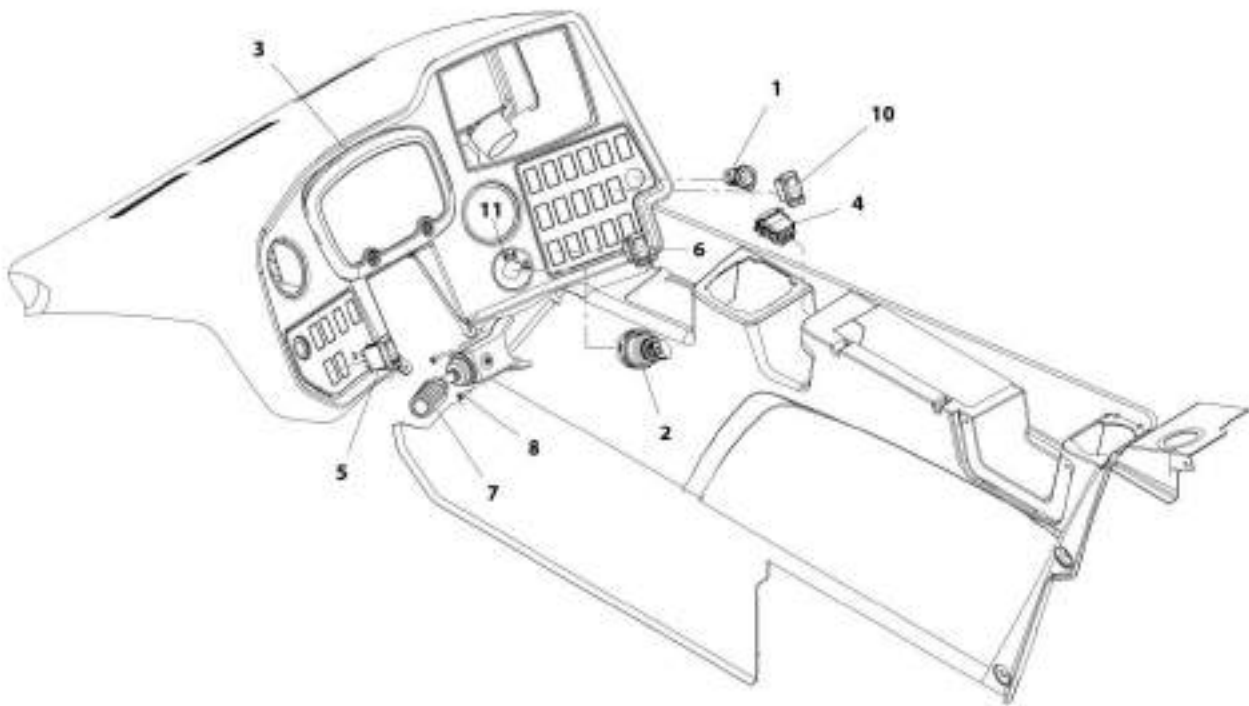
SECTION 10 - ELECTRICAL

FIGURE 10-36. CAB ELECTRICAL INSTALLATION

| ITEM | PART NUMBER | QTY | DESCRIPTION | REV |
|------|-------------|-----|--|-----|
| | 1001165699 | Ref | Cab Electrical Installation | 1 |
| 1 | 3290501 | 3 | Nut, M5X0.8 | |
| 2 | 3290601 | 2 | Nut, M6X1 | |
| 3 | 120034 | 3 | Washer, Plastic | |
| 4 | 4811700 | 4 | Washer, M6 | |
| 5 | 1001146588 | 16 | Strap, Cable Tie | |
| 6 | 1001161769 | 1 | Assembly, Standard Electrical Board (See STANDARD ELECTRICAL BOARD ASSEMBLY for Breakdown) | |
| 7 | 1001162249 | 1 | Module, Cab Control | |
| 8 | 1001196451 | 1 | Harness, Cab (See CAB HARNESS for Breakdown) | |
| 9 | 0700618 | 2 | Bolt, M6X50 | |
| 10 | 1001178933 | 1 | Bracket | |
| 11 | 4460496 | 4 | Washer, Terminal Lock | |
| 12 | 4460497 | 4 | Nut, Terminal | |
| 13 | 1001211693 | 2 | Seal | |
| 14 | 1001213988 | 1 | Cable (See Separate Breakdown in this Section) | |

SECTION 10 - ELECTRICAL

FIGURE 10-37. DASH ELECTRICAL INSTALLATION (ULS)



ARL100175849-G

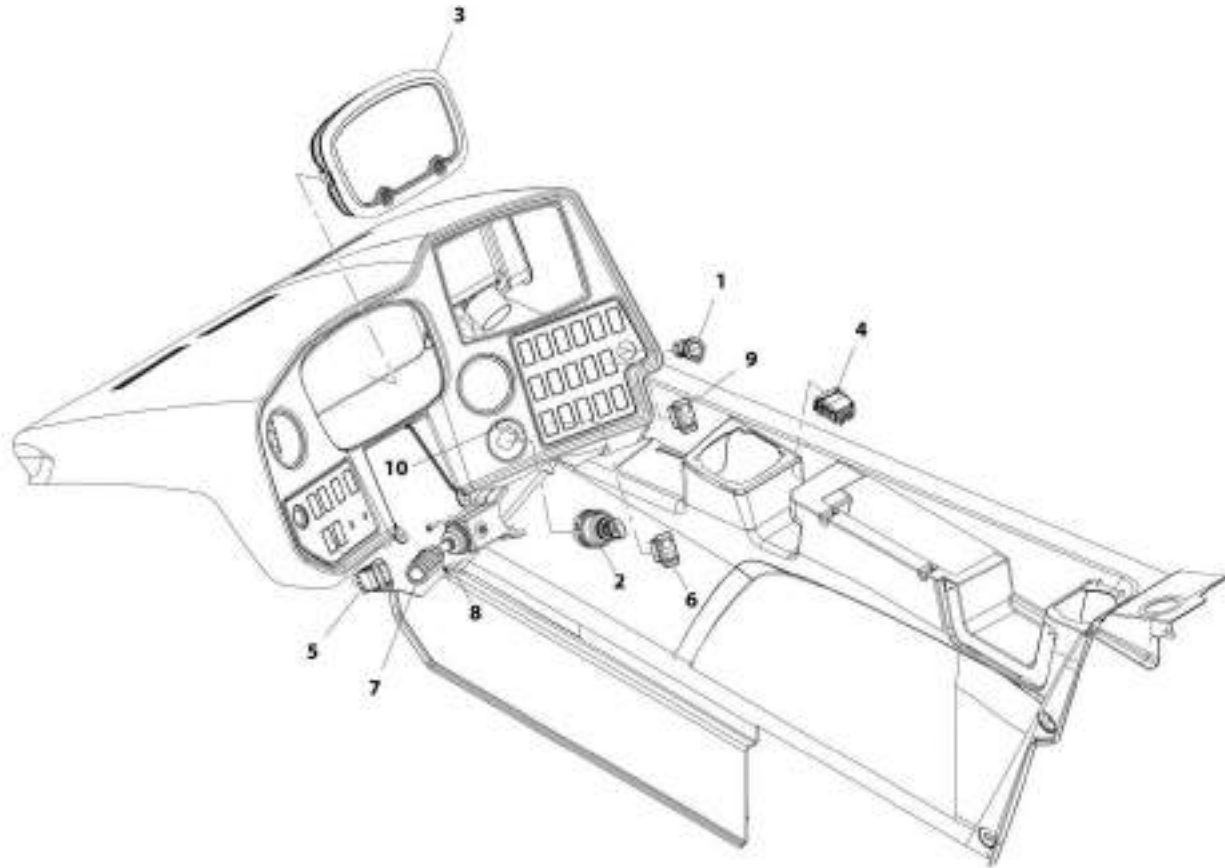
SECTION 10 - ELECTRICAL

FIGURE 10-37. DASH ELECTRICAL INSTALLATION (ULS)

| ITEM | PART NUMBER | QTY | DESCRIPTION | REV |
|------|-------------|-----|---|-----|
| | 1001173849 | Ref | Dash Electrical Installation (ULS) | G |
| 1 | 1001095804 | 1 | Connector, 12V Power Socket | |
| 2 | 1001102502 | 1 | Switch, 4 Position Key | |
| 2 | 70022765 | 1 | Key, Ignition | |
| 3 | 1001158146 | 1 | Cluster, Electrical Gauge | |
| 4 | 1001189876 | 1 | Switch, Frame Level (Prior to SN 0160081650) | |
| 4 | 1001212470 | 1 | Switch, Frame Level (SN 0160081650 to Present) | |
| 5 | 1001159753 | 1 | Switch, Park Brake | |
| 6 | 1001159849 | 1 | Switch, Steer Mode | |
| 7 | 1001163698 | 1 | Switch, FNR 4 Speed | |
| 8 | 4031607 | 2 | Screw, M5-0.8X16 | |
| 10 | 1001104654 | 1 | Switch, AUX | |
| 11 | 1001181531 | 1 | Decal, Ignition Switch | |

SECTION 10 - ELECTRICAL

FIGURE 10-38. DASH ELECTRICAL INSTALLATION (LS)



ART_1001203225-C

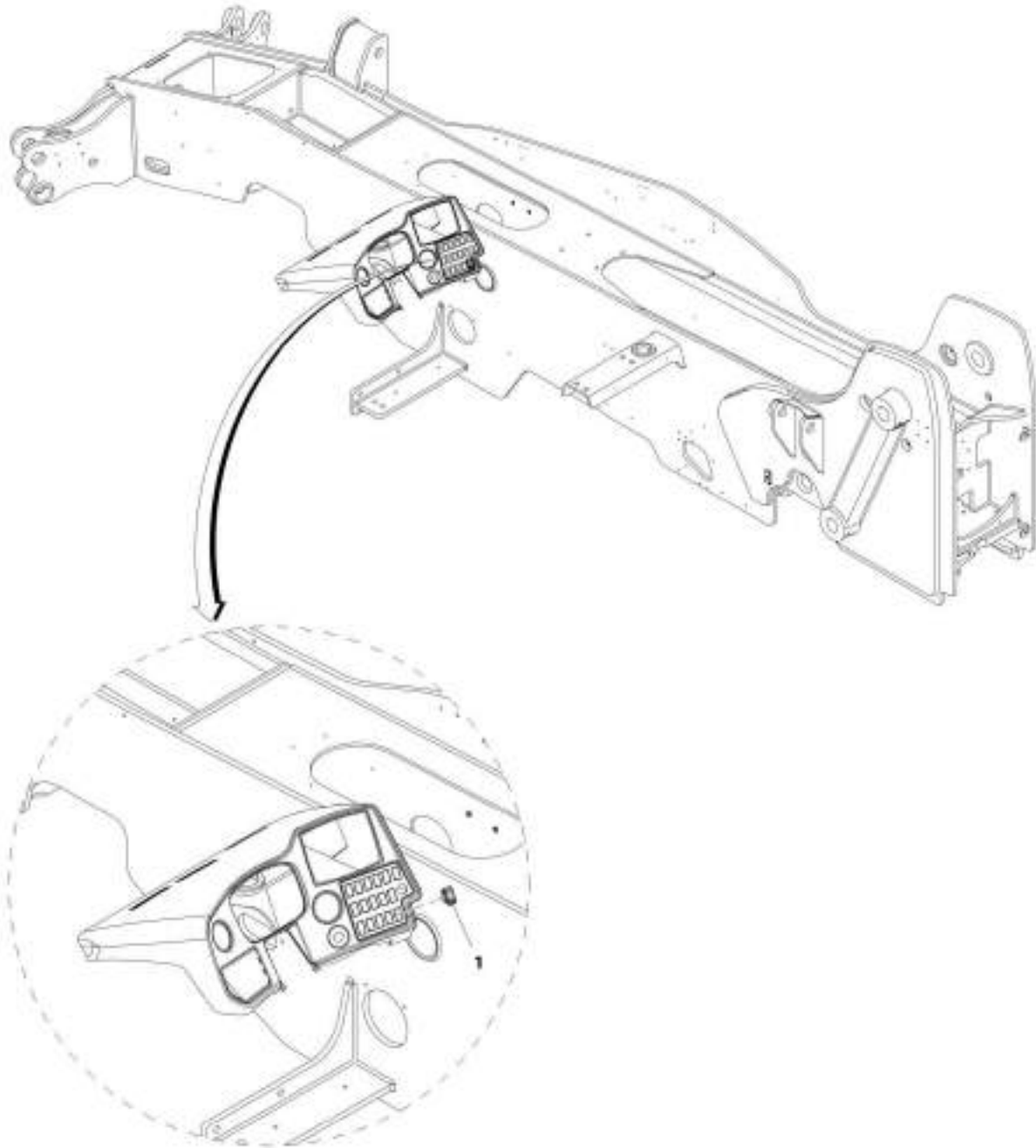
SECTION 10 - ELECTRICAL

FIGURE 10-38. DASH ELECTRICAL INSTALLATION (LS)

| ITEM | PART NUMBER | QTY | DESCRIPTION | REV |
|------|-------------|-----|---|-----|
| | 1001203225 | Ref | Dash Electrical Installation (LS) | C |
| 1 | 1001095804 | 1 | Connector, 12V Power Socket | |
| 2 | 1001102502 | 1 | Switch, 4 Position Key | |
| 2 | 70022765 | 1 | Key, Ignition | |
| 3 | 1001202454 | 1 | Cluster, Electrical Gauge | |
| 4 | 1001189876 | 1 | Switch, Frame Level (Prior to SN 0160081650) | |
| 4 | 1001212470 | 1 | Switch, Frame Level (SN 0160081650 to Present) | |
| 5 | 1001159753 | 1 | Switch, Park Brake | |
| 6 | 1001159849 | 1 | Switch, Steer Mode | |
| 7 | 1001163698 | 1 | Switch, FNR 4 Speed | |
| 8 | 4031607 | 2 | Screw, M5X16 | |
| 9 | 1001104654 | 1 | Switch, AUX | |
| 10 | 1001181531 | 1 | Decal, Ignition Switch | |

SECTION 10 - ELECTRICAL

FIGURE 10-39. SWITCH LIGHT INSTALLATION



ART_100197282-A

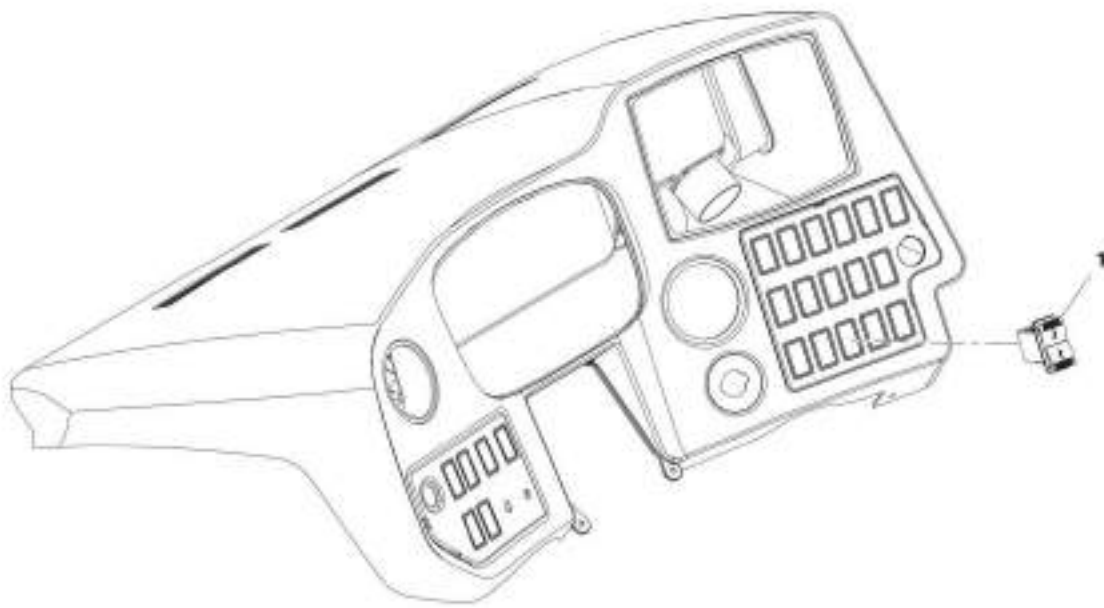
SECTION 10 - ELECTRICAL

FIGURE 10-39. SWITCH LIGHT INSTALLATION

| ITEM | PART NUMBER | QTY | DESCRIPTION | REV |
|------|--------------------------|----------|---|-----|
| 1 | 1001197282 1001163639 | Ref 1 | Switch Light Installation Switch, Driving Lights | A |

SECTION 10 - ELECTRICAL

FIGURE 10-40. USB CHARGER INSTALLATION



ART_1001200152-A

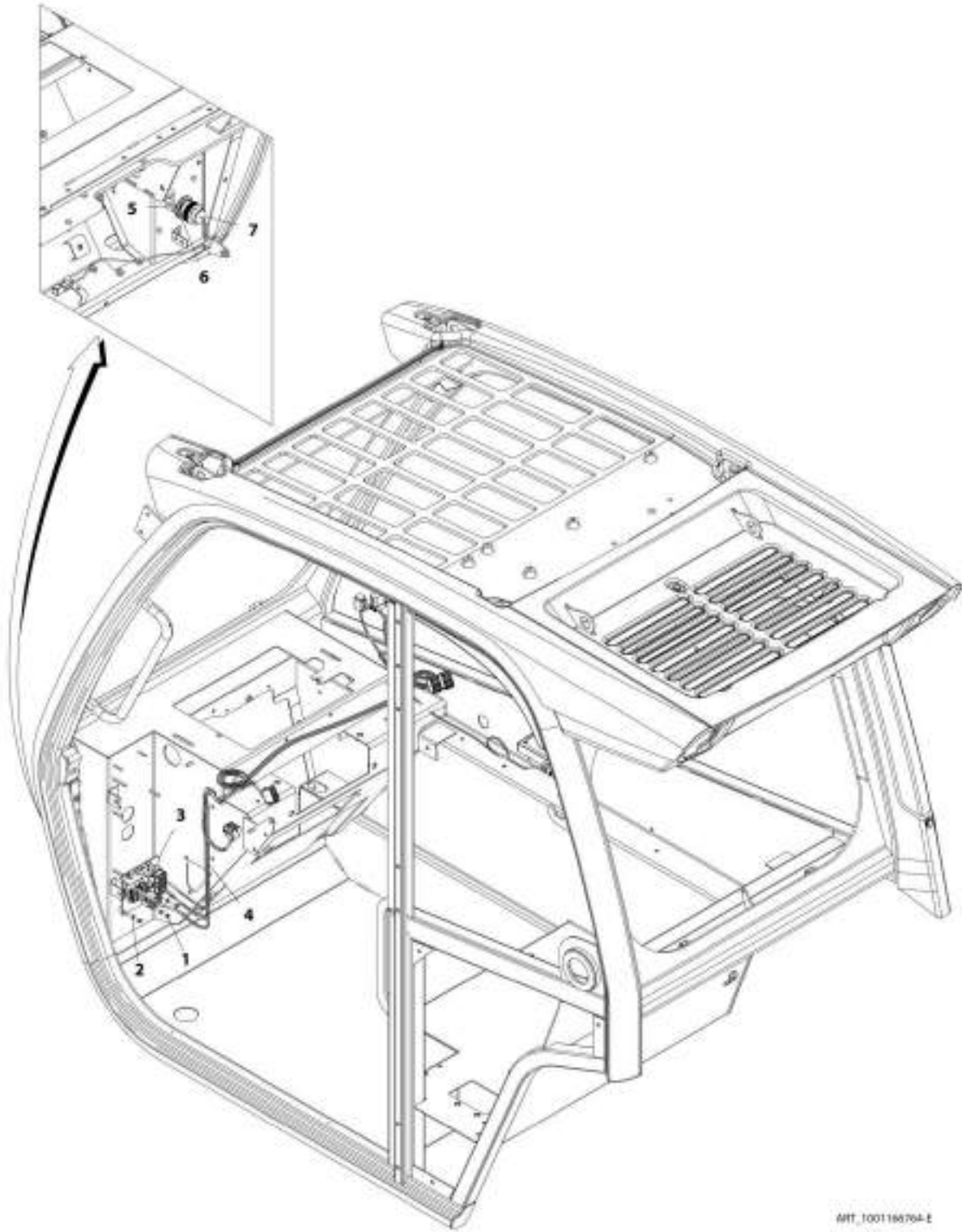
SECTION 10 - ELECTRICAL

FIGURE 10-40. USB CHARGER INSTALLATION

| ITEM | PART NUMBER | QTY | DESCRIPTION | REV |
|------|-------------|-----|--------------------------|-----|
| 1 | 1001200152 | Ref | USB Charger Installation | A |
| | 1001174712 | 1 | USB Charger Assembly | |

SECTION 10 - ELECTRICAL

FIGURE 10-41. OPEN CAB ELECTRICAL INSTALLATION WITH OPTIONS



MTT_1001166704-E

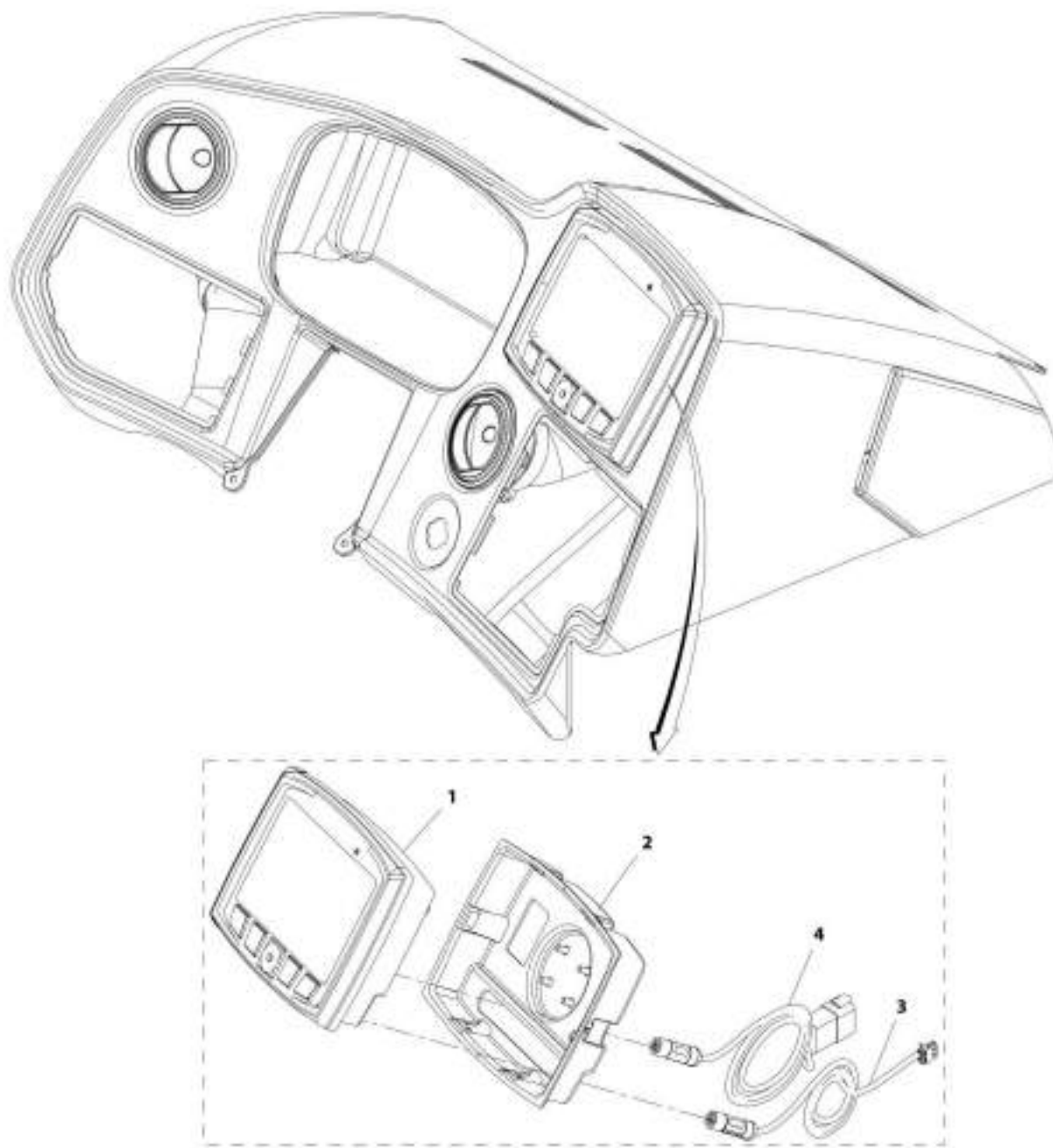
SECTION 10 - ELECTRICAL

FIGURE 10-41. OPEN CAB ELECTRICAL INSTALLATION WITH OPTIONS

| ITEM | PART NUMBER | QTY | DESCRIPTION | REV |
|------|-------------|-----|--|-----|
| | 1001166764 | Ref | Open Cab Electrical Installation with Options | E |
| 1 | 3290501 | 3 | Nut, M5X0.8 | |
| 2 | 120034 | 3 | Washer, Plastic | |
| 3 | 1001161771 | 1 | Assembly, Option 2 Electrical Board (See OPTION 2 ELECTRICAL BOARD ASSEMBLY for Breakdown) | |
| 4 | 1001163372 | 1 | Harness, Option 2 Cab (See OPTION 2 CAB HARNESS for Breakdown) | |
| 5 | 4460496 | 1 | Washer, Terminal Lock | |
| 6 | 4460497 | 1 | Nut, Terminal | |
| 7 | 1001181573 | 1 | Harness, Cab Option (See CAB OPTION HARNESS for Breakdown) | |

SECTION 10 - ELECTRICAL

FIGURE 10-42. HIGH END DISPLAY INSTALLATION



APP_1001170338-0

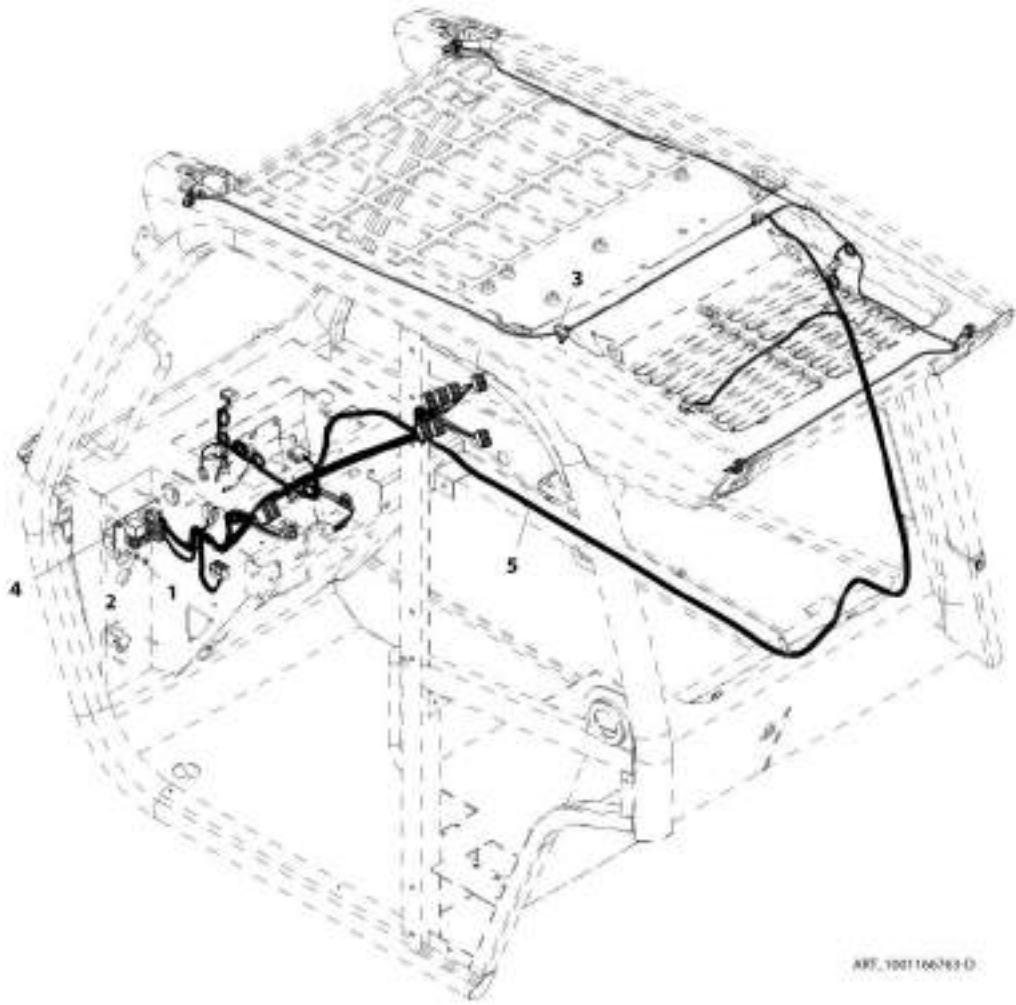
SECTION 10 - ELECTRICAL

FIGURE 10-42. HIGH END DISPLAY INSTALLATION

| ITEM | PART NUMBER | QTY | DESCRIPTION | REV |
|------|-------------|-----|-------------------------------|-----|
| | 1001176338 | Ref | High End Display Installation | B |
| 1 | 1001211357 | 1 | Display | |
| 2 | 1001178783 | 1 | Bezel | |
| 3 | 1001180682 | 1 | Cable | |
| 4 | 1001180683 | 1 | Cable, Video | |

SECTION 10 - ELECTRICAL

FIGURE 10-43. ENCLOSED CAB ELECTRICAL INSTALLATION WITH OPTIONS



ART. 101166783-D

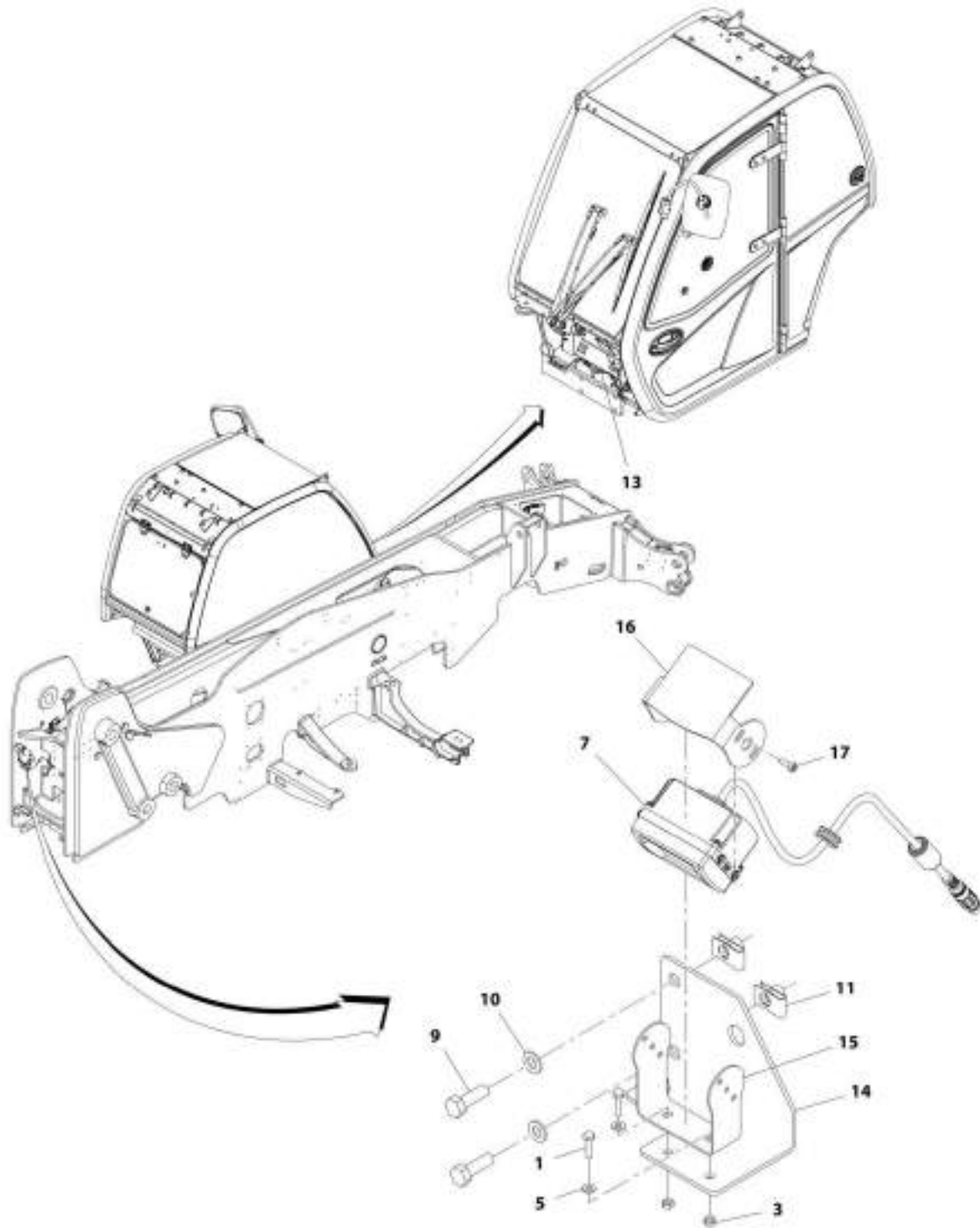
SECTION 10 - ELECTRICAL

FIGURE 10-43. ENCLOSED CAB ELECTRICAL INSTALLATION WITH OPTIONS

| ITEM | PART NUMBER | QTY | DESCRIPTION | REV |
|------|-------------|-----|--|-----|
| | 1001166763 | Ref | Enclosed Cab Electrical Installation with Options | D |
| 1 | 3290501 | 1 | Nut, M5X0.8 | |
| 2 | 120034 | 1 | Washer, Plastic | |
| 3 | 1001146588 | 1 | Strap, Cable Tie | |
| 4 | 1001161770 | 1 | Assembly, Option 1 Electrical Board (See OPTION 1 ELECTRICAL BOARD ASSEMBLY for Breakdown) | |
| 5 | 1001163371 | 1 | Harness, Option 1 Cab (See OPTION 1 CAB HARNESS for Breakdown) | |

SECTION 10 - ELECTRICAL

FIGURE 10-44. REVERSE CAMERA INSTALLATION



ARF_1001108031-E

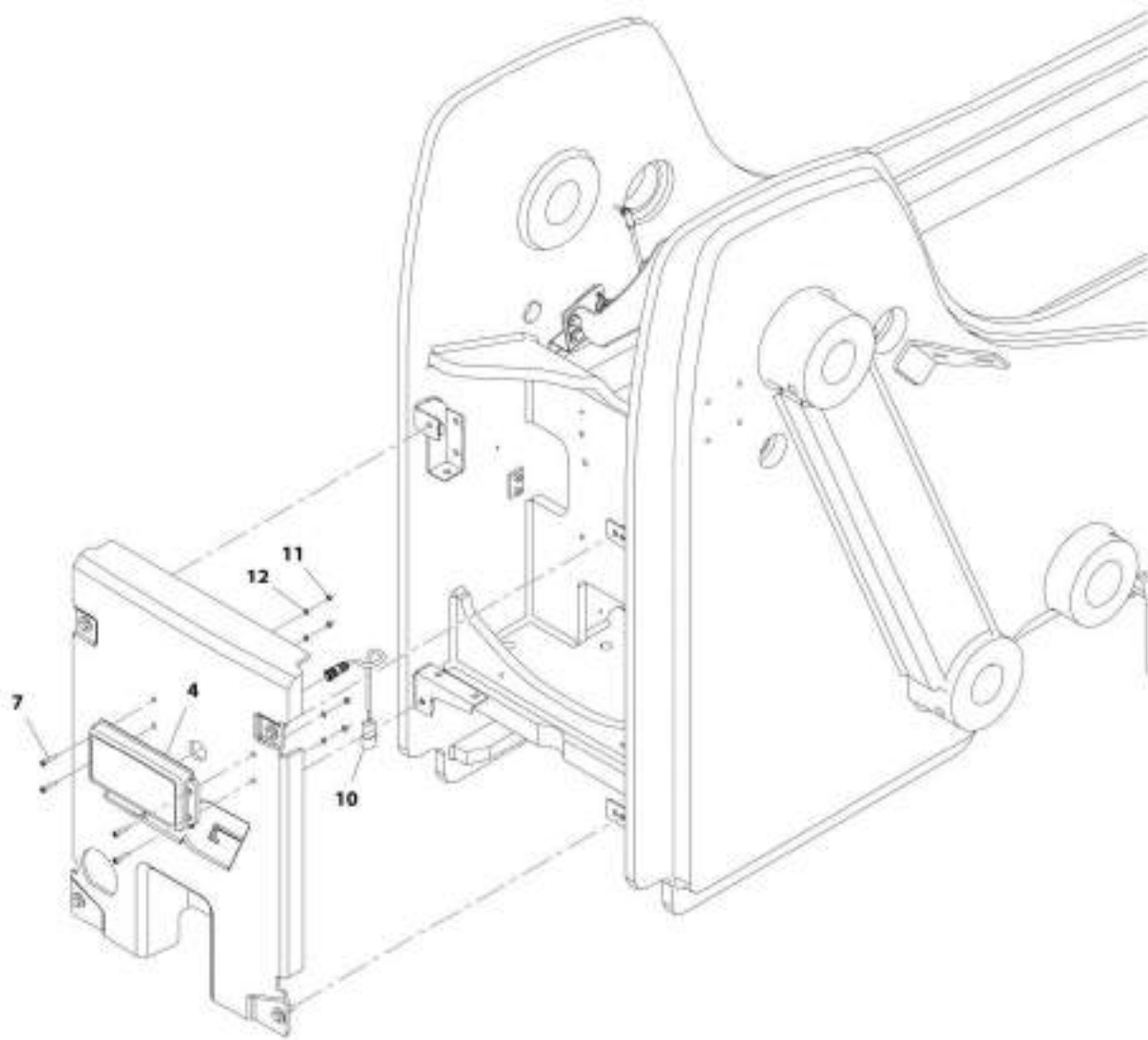
SECTION 10 - ELECTRICAL

FIGURE 10-44. REVERSE CAMERA INSTALLATION

| ITEM | PART NUMBER | QTY | DESCRIPTION | REV |
|------|-------------|-----|-------------------------------|-----|
| | 1001168031 | Ref | Reverse Camera Installation | E |
| 1 | 0700408 | 2 | Bolt, M4X16 | |
| 3 | 3290401 | 2 | Nut, M4X0.7 | |
| 5 | 4811400 | 2 | Washer, M4 | |
| 7 | 1001167017 | 1 | Camera | |
| 9 | 0760812 | 3 | Bolt, M8X25 | |
| 10 | 4811900 | 3 | Washer, M8 | |
| 11 | 8310686 | 3 | Nut, Retainer M8X12.5 | |
| 13 | 1001171962 | 1 | Cable, Reverse Camera | |
| 14 | 1001202620 | 1 | Bracket, Reverse Camera Mount | |
| 15 | 1001202621 | 1 | Bracket, Reverse Camera Mount | |
| 16 | 1001202622 | 1 | Bracket, Reverse Sun Shield | |
| 17 | 4031205 | 4 | Bolt, M3X10 | |

SECTION 10 - ELECTRICAL

FIGURE 10-45. REVERSE SENSOR INSTALLATION



ART_1001172590-H

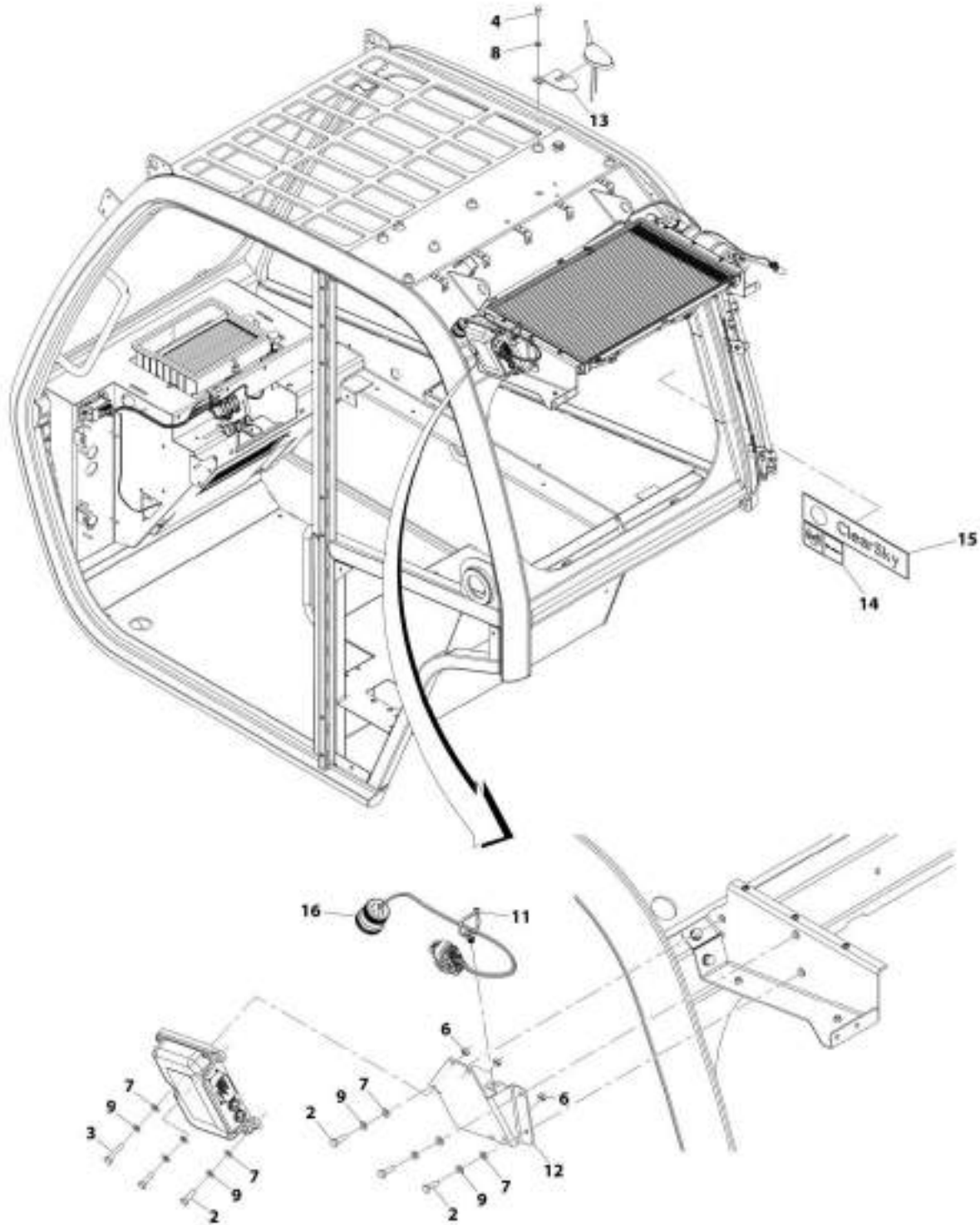
SECTION 10 - ELECTRICAL

FIGURE 10-45. REVERSE SENSOR INSTALLATION

| ITEM | PART NUMBER | QTY | DESCRIPTION | REV |
|------|-------------|-----|--|-----|
| | 1001172536 | Ref | Reverse Sensor Installation | H |
| 4 | 1001189997 | 1 | Sensor, Reverse | |
| 7 | 5271609 | 4 | Screw, M5X25 | |
| 10 | 1001175776 | 1 | Harness, Reverse Sensor (See REVERSE SENSOR HARNESS for Breakdown) | |
| 11 | 3290501 | 4 | Nut, M5X0.8 | |
| 12 | 4811600 | 4 | Washer, M5 | |

SECTION 10 - ELECTRICAL

FIGURE 10-46. CLEARSKY INSTALLATION (LONG ROOF CAP) (Prior to SN 0160082365, Including 0160081891, 0160081892, 0160081893, 0160082021, 0160082022 and 0160082054)



ART_1001174306-G

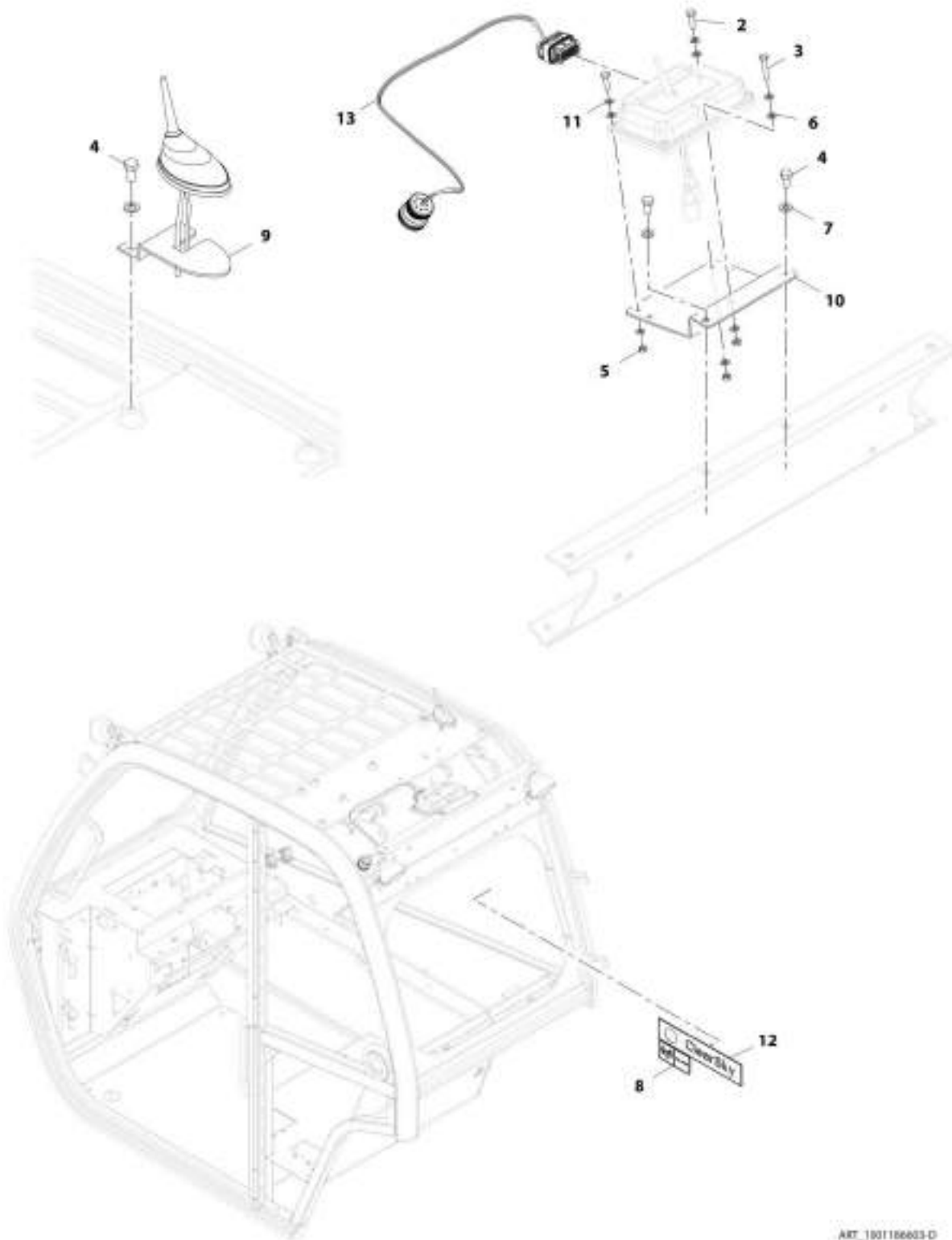
SECTION 10 - ELECTRICAL

FIGURE 10-46. CLEARSKY INSTALLATION (LONG ROOF CAP) (Prior to SN 0160082365, Including 0160081891, 0160081892, 0160081893, 0160082021, 0160082022 and 0160082054)

| ITEM | PART NUMBER | QTY | DESCRIPTION | REV |
|------|-------------|-----|--|-----|
| | 1001174368 | Ref | Clearsky Installation (Long Roof Cap) | G |
| 2 | 0700610 | 5 | Bolt, M6X20 | |
| 3 | 0700614 | 1 | Bolt, M6X30 | |
| 4 | 0760808 | 1 | Bolt, M8X16 | |
| 6 | 3290601 | 3 | Nut, M6X1 | |
| 7 | 4811700 | 6 | Washer, M6 | |
| 8 | 4811900 | 1 | Washer, M8 | |
| 9 | 4831700 | 6 | Washer, Lock M6 | |
| 11 | 1001146588 | 1 | Strap, Cable | |
| 12 | 1001174359 | NLA | Support Bracket, (no longer available, use 1001220947 for replacement) | |
| 12 | 1001220947 | 1 | Support Bracket | |
| 13 | 1001174372 | 1 | Clearsky Ant, Bracket | |
| 14 | 1001120989 | 1 | Decal, Radio Frequency | |
| 15 | 1001116208 | 1 | Decal, Clear Sky | |
| 16 | 1001196452 | 1 | Harness, Clearsky (See Separate Breakdown in this Section) | |

SECTION 10 - ELECTRICAL

FIGURE 10-47. CLEARSKY INSTALLATION (SHORT ROOF CAP) (Prior to SN 0160082365, Including 0160081891, 0160081892, 0160081893, 0160082021, 0160082022 and 0160082054)



ART_100116603-D

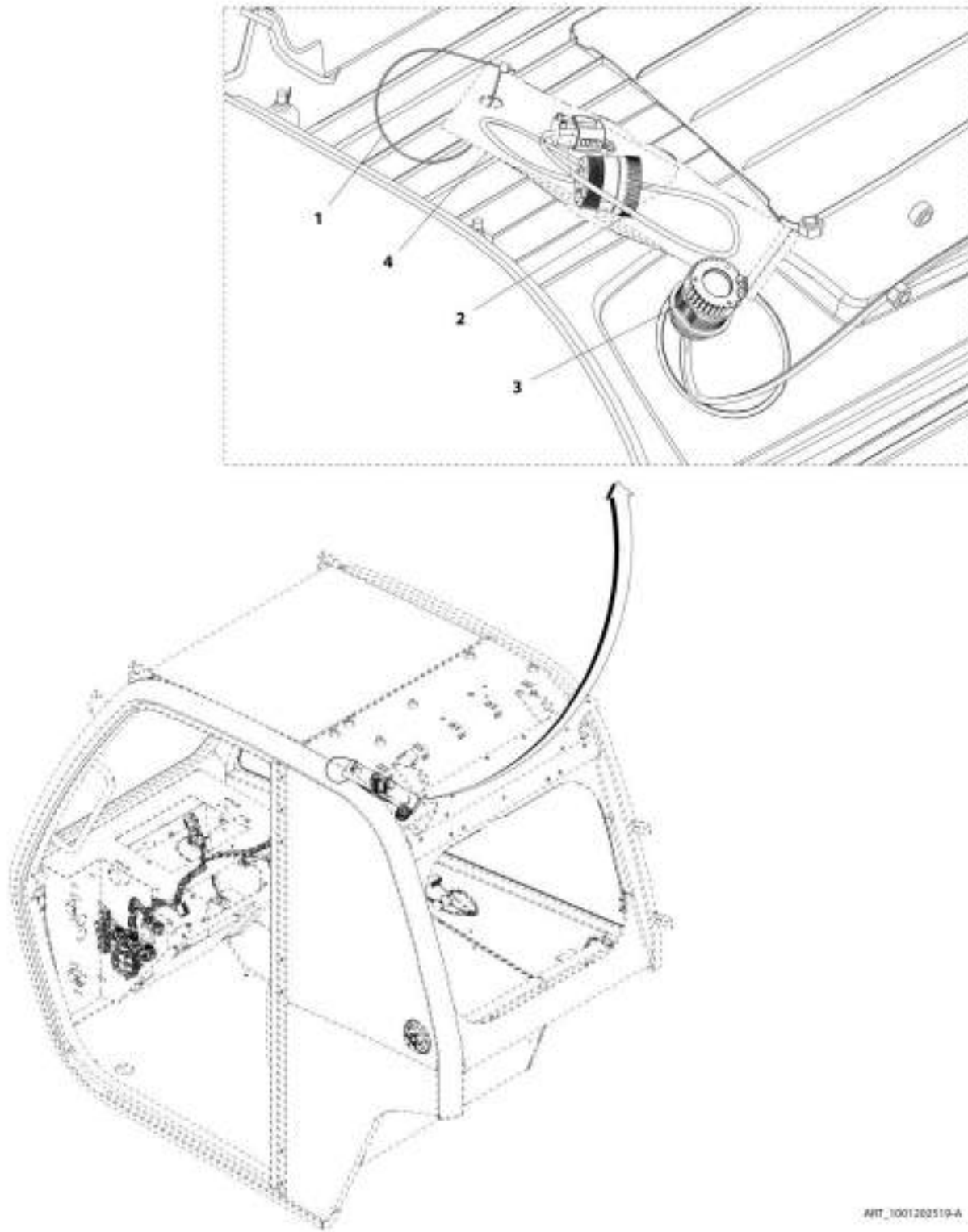
SECTION 10 - ELECTRICAL

FIGURE 10-47. CLEARSKY INSTALLATION (SHORT ROOF CAP) (Prior to SN 0160082365, Including 0160081891, 0160081892, 0160081893, 0160082021, 0160082022 and 0160082054)

| ITEM | PART NUMBER | QTY | DESCRIPTION | REV |
|------|-------------|-----|--|-----|
| | 1001186603 | Ref | Clearsky Installation (Short Roof Cap) | D |
| 2 | 0700610 | 2 | Bolt, M6X20 | |
| 3 | 0700614 | 1 | Bolt, M6X30 | |
| 4 | 0760808 | 3 | Bolt, M8X16 | |
| 5 | 3290601 | 3 | Nut, M6X1 Grade 8 | |
| 6 | 4811700 | 6 | Washer, M6 | |
| 7 | 4811900 | 3 | Washer, M8 | |
| 8 | 1001120989 | 1 | Radio Frequency Decal | |
| 9 | 1001174372 | 1 | Bracket | |
| 10 | 1001185722 | 1 | Bracket, Support | |
| 11 | 4831700 | 3 | Washer, Lock M6 | |
| 12 | 1001116208 | 1 | Clearsky Decal | |
| 13 | 1001196452 | 1 | Harness, Clearsky (See CLEARSKY HARNESS for Breakdown) | |

SECTION 10 - ELECTRICAL

FIGURE 10-48. TELEMATICS READY INSTALLATION



AHT_1001202519-A

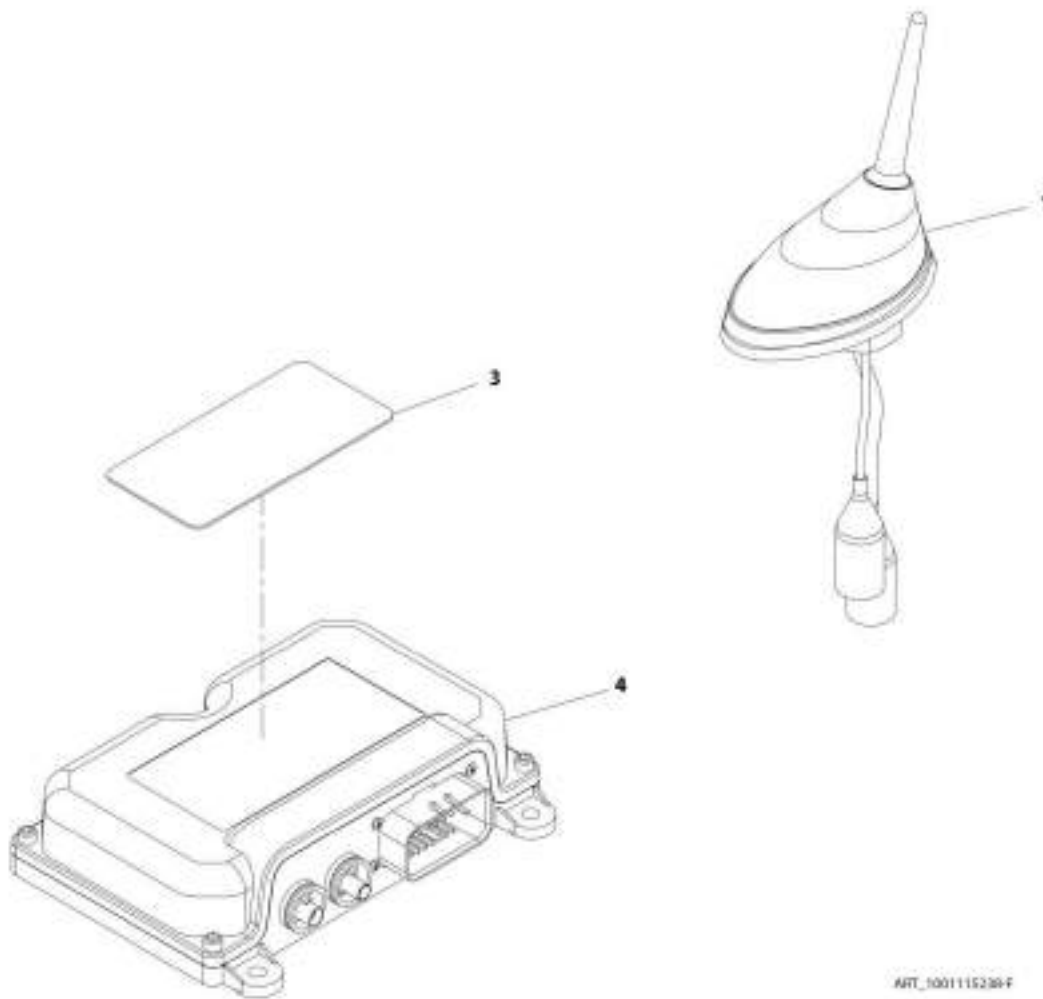
SECTION 10 - ELECTRICAL

FIGURE 10-48. TELEMATICS READY INSTALLATION

| ITEM | PART NUMBER | QTY | DESCRIPTION | REV |
|------|-------------|-----|--|-----|
| | 1001202519 | Ref | Telematics Ready Installation | A |
| 1 | 8584003 | 1 | Tie Strap | |
| 2 | 1001196289 | 1 | Harness, Telematics Ready (See TELEMATICS READY HARNESS for Breakdown) | |
| 3 | 1001201162 | 1 | Cap, Deutsch | |
| 4 | 1001202617 | 1 | Bag | |

SECTION 10 - ELECTRICAL

FIGURE 10-49. CLEARSKY CONTROLLER (Prior to SN 0160082365, Including 0160081891, 0160081892, 0160081893, 0160082021, 0160082022 and 0160082054)



ART_1001115230-F

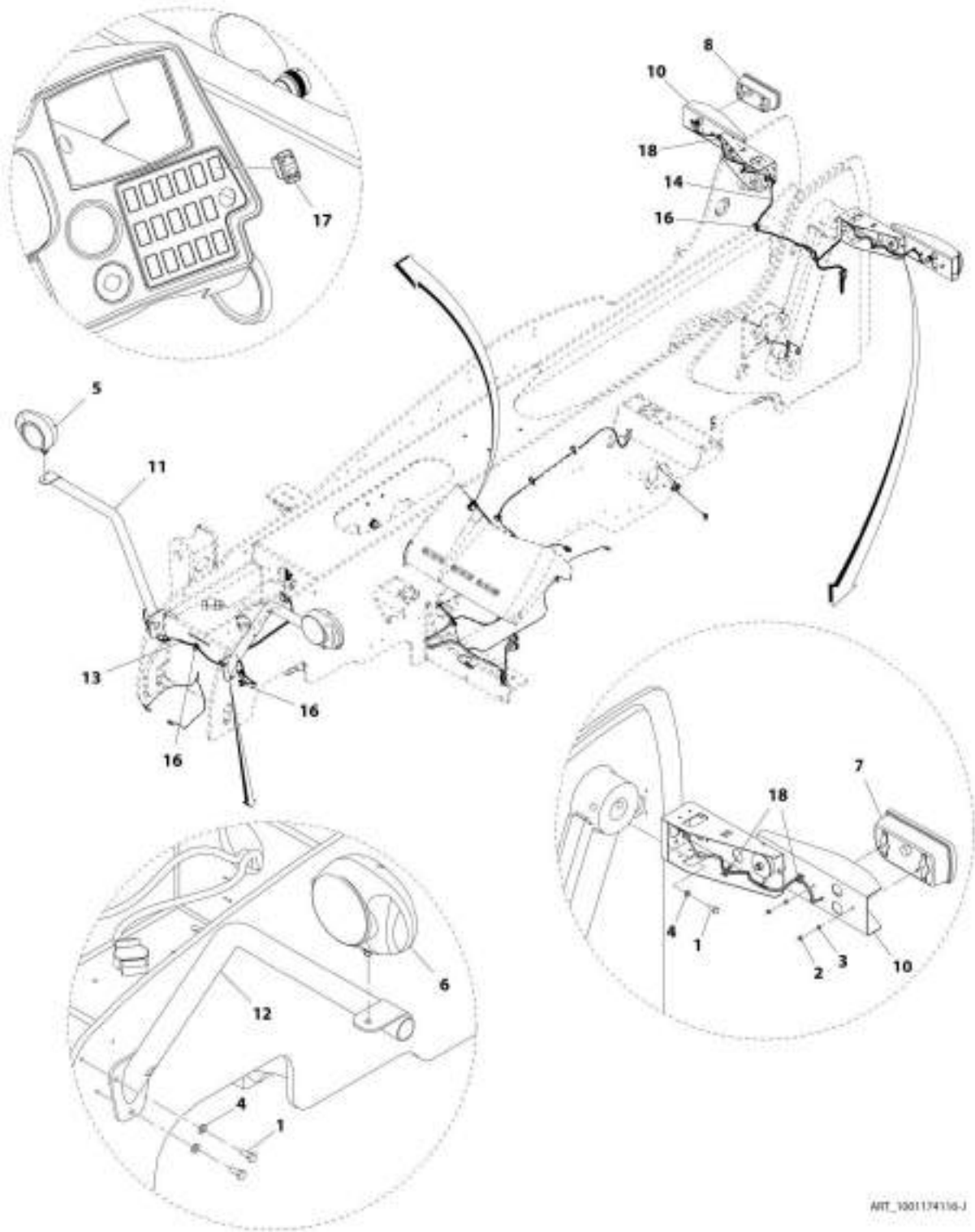
SECTION 10 - ELECTRICAL

FIGURE 10-49. CLEARSKY CONTROLLER (Prior to SN 0160082365, Including 0160081891, 0160081892, 0160081893, 0160082021, 0160082022 and 0160082054)

| ITEM | PART NUMBER | QTY | DESCRIPTION | REV |
|------|-------------|-----|---------------------|-----|
| | 1001115238 | 1 | ClearSky Controller | F |
| 1 | 1001100443 | 1 | Antenna | |
| 3 | 1001140322 | 1 | Decal | |
| 4 | 1001151032 | 1 | Controller | |

SECTION 10 - ELECTRICAL

FIGURE 10-50. ROAD LIGHTS INSTALLATION (NO OUTRIGGERS) (Prior to SN 0160079247)



AWT_1001174116-J

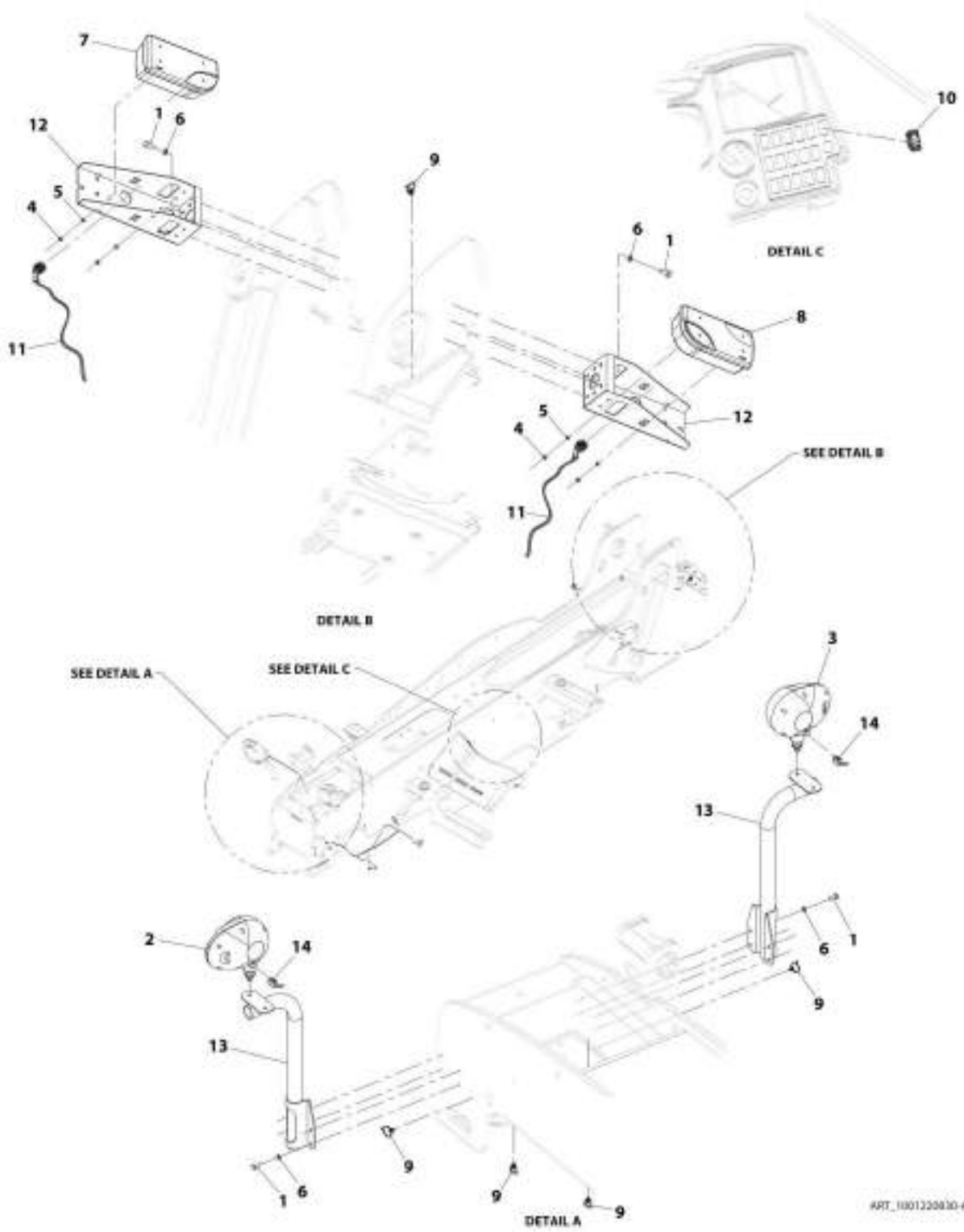
SECTION 10 - ELECTRICAL

FIGURE 10-50. ROAD LIGHTS INSTALLATION (NO OUTRIGGERS) (Prior to SN 0160079247)

| ITEM | PART NUMBER | QTY | DESCRIPTION | REV |
|------|-------------|-----|--|-----|
| | 1001174116 | Ref | Road Lights Installation (No Outriggers) | J |
| 1 | 0761012 | 14 | Bolt, M10X25 | |
| 2 | 3290607 | 4 | Nut, M6X1 | |
| 3 | 4811700 | 4 | Washer, M6 | |
| 4 | 4812000 | 14 | Washer, M10 | |
| 5 | 2920208 | 1 | Light, Driving RH | |
| 6 | 2920207 | 1 | Light, Driving LH | |
| 7 | 1001091715 | 1 | Lamp, Rear LH | |
| 8 | 1001091716 | 1 | Lamp, Rear RH | |
| 10 | 1001183112 | 2 | Bracket | |
| 11 | 1001174120 | 1 | Bracket | |
| 12 | 1001174122 | 1 | Bracket | |
| 13 | 1001165360 | 1 | Harness, Front Frame Headlight (See FRONT FRAME HEADLIGHT HARNESS for Breakdown) | |
| 14 | 1001173092 | 1 | Harness, HBP Tail Lights (See HBP TAIL LIGHTS HARNESS for Breakdown) | |
| 16 | 1001146588 | 5 | Strap, Cable | |
| 17 | 1001159734 | 1 | Switch, Hazard | |
| 18 | 1001008559 | 4 | Strap, Cable | |

SECTION 10 - ELECTRICAL

FIGURE 10-51. ROAD LIGHTS INSTALLATION (NO OUTRIGGERS) (SN 0160079247 to Present)



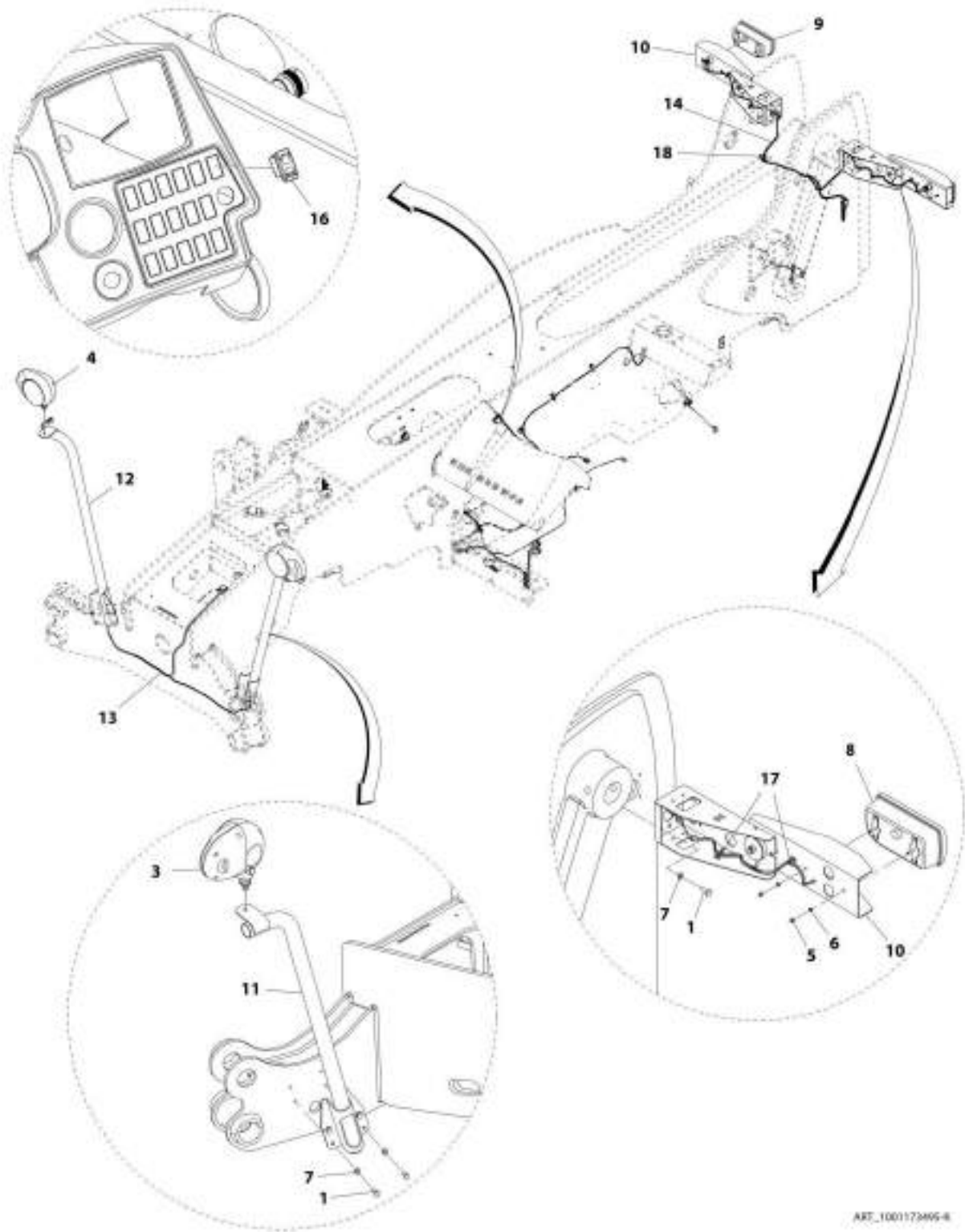
SECTION 10 - ELECTRICAL

FIGURE 10-51. ROAD LIGHTS INSTALLATION (NO OUTRIGGERS) (SN 0160079247 to Present)

| ITEM | PART NUMBER | QTY | DESCRIPTION | REV |
|------|-------------|-----|---|-----|
| | 1001220830 | Ref | Road Lights Installation (No Outriggers) | A |
| 1 | 0761010 | 16 | Bolt, M10X20 | |
| 2 | 2920207 | 1 | Driving Light, LH | |
| 3 | 2920208 | 1 | Driving Light, RH | |
| 4 | 3290607 | 4 | Nut, M6X1 | |
| 5 | 4811700 | 4 | Washer, M6 | |
| 6 | 4812000 | 16 | Washer, M10 | |
| 7 | 1001091715 | 1 | Lamp, Rear LH | |
| 8 | 1001091716 | 1 | Lamp, Rear RH | |
| 9 | 1001146588 | 5 | Strap, Cable | |
| 10 | 1001159734 | 1 | Switch, Hazard | |
| 11 | 1001173092 | 1 | Harness, HBP Tail Lights (See Separate Breakdown in this Section) | |
| 12 | 1001196100 | 2 | Bracket | |
| 13 | 1001220817 | 2 | Bracket | |
| 14 | 1001165360 | 1 | Harness, Front Frame Headlight (See Separate Breakdown in this Section) | |

SECTION 10 - ELECTRICAL

FIGURE 10-52. ROAD LIGHTS INSTALLATION (OUTRIGGERS) (Prior to SN 0160079247)



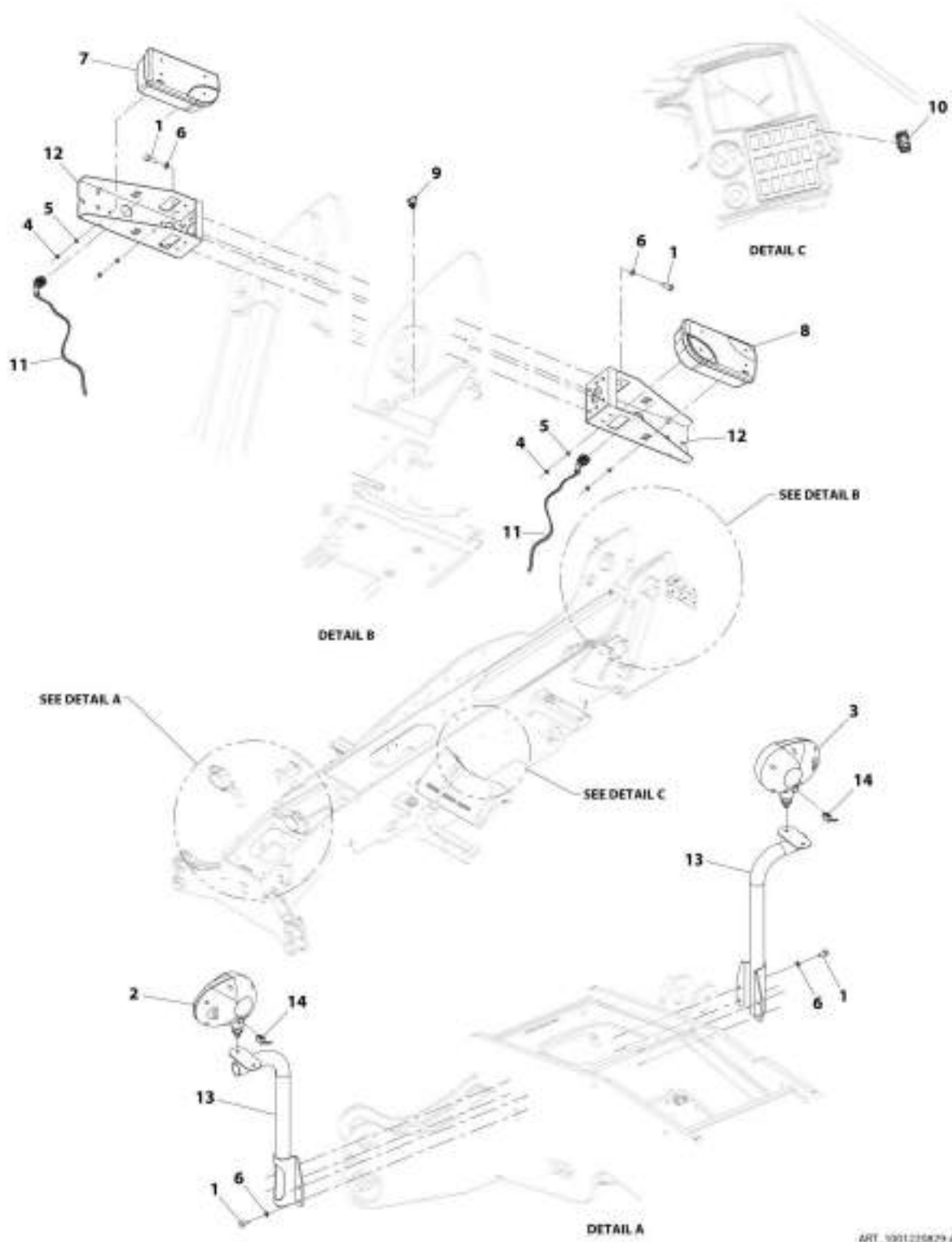
SECTION 10 - ELECTRICAL

FIGURE 10-52. ROAD LIGHTS INSTALLATION (OUTRIGGERS) (Prior to SN 0160079247)

| ITEM | PART NUMBER | QTY | DESCRIPTION | REV |
|------|-------------|-----|--|-----|
| | 1001173495 | Ref | Road Lights Installation (Outriggers) | K |
| 1 | 0761010 | 16 | Bolt, M10X20 | |
| 3 | 2920207 | 1 | Driving Light, LH | |
| 4 | 2920208 | 1 | Driving Light, RH | |
| 5 | 3290607 | 4 | Nut, M6X1 | |
| 6 | 4811700 | 4 | Washer, M6 | |
| 7 | 4812000 | 16 | Washer, M10 | |
| 8 | 1001091715 | 1 | Lamp, Rear LH | |
| 9 | 1001091716 | 1 | Lamp, Rear RH | |
| 10 | 1001183112 | 2 | Bracket | |
| 11 | 1001188556 | 1 | Bracket | |
| 12 | 1001188555 | 1 | Bracket | |
| 13 | 1001165360 | 1 | Harness, Front Frame Headlight (See FRONT FRAME HEADLIGHT HARNESS for Breakdown) | |
| 14 | 1001173092 | 1 | Harness, HBP Tail Lights (See HBP TAIL LIGHTS HARNESS for Breakdown) | |
| 16 | 1001159734 | 1 | Switch, Hazard | |
| 17 | 1001008559 | 4 | Strap, Cable | |
| 18 | 1001146588 | 1 | Strap, Cable | |

SECTION 10 - ELECTRICAL

FIGURE 10-53. ROAD LIGHTS INSTALLATION (OUTRIGGERS) (SN 0160079247 to Present)



ART. 1001225829-A

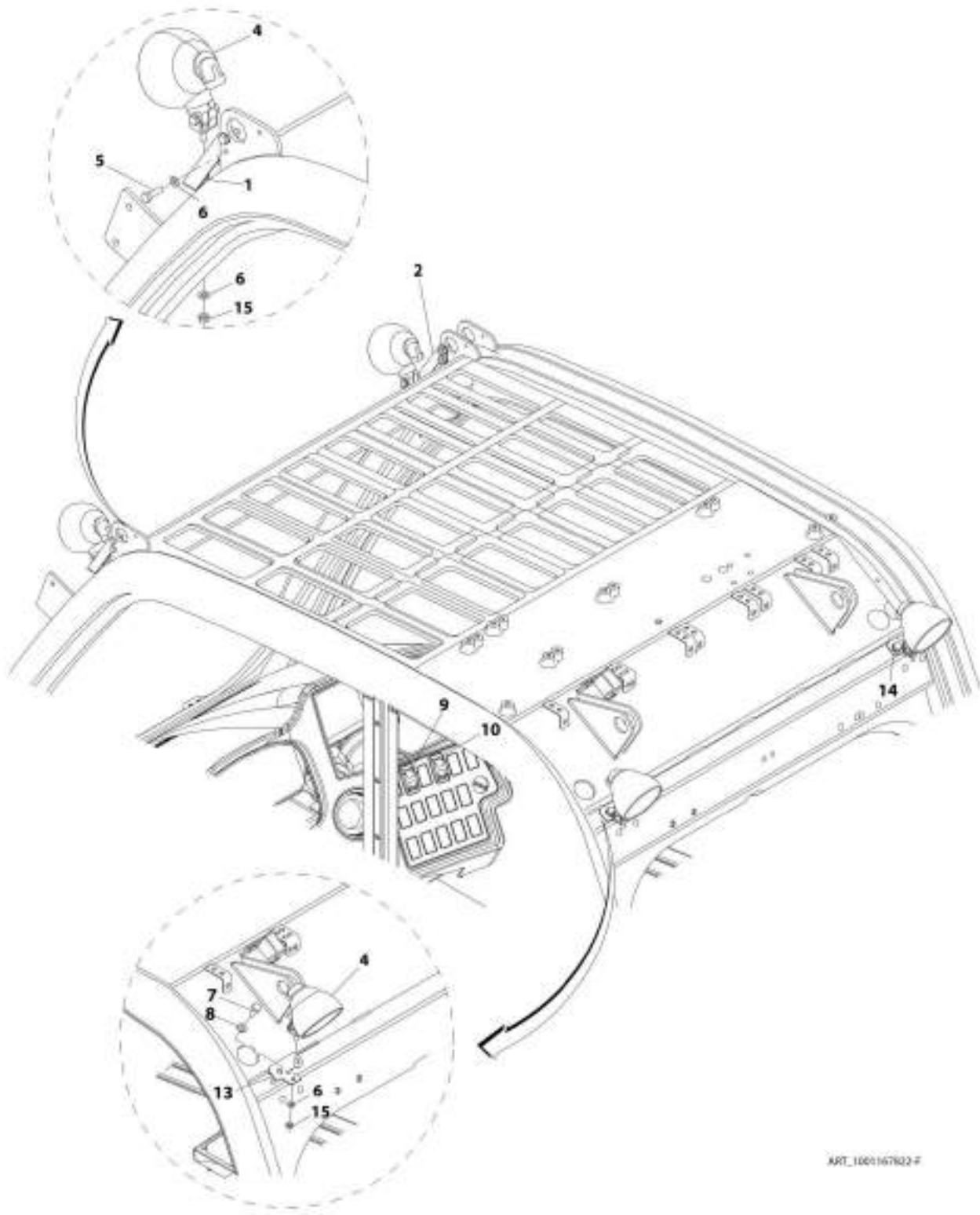
SECTION 10 - ELECTRICAL

FIGURE 10-53. ROAD LIGHTS INSTALLATION (OUTRIGGERS) (SN 0160079247 to Present)

| ITEM | PART NUMBER | QTY | DESCRIPTION | REV |
|------|-------------|-----|---|-----|
| | 1001220829 | Ref | Road Lights Installation (Outriggers) | A |
| 1 | 0761010 | 16 | Bolt, M10X20 | |
| 2 | 2920207 | 1 | Driving Light, LH | |
| 3 | 2920208 | 1 | Driving Light, RH | |
| 4 | 3290607 | 4 | Nut, M6X1 | |
| 5 | 4811700 | 4 | Washer, M6 | |
| 6 | 4812000 | 16 | Washer, M10 | |
| 7 | 1001091715 | 1 | Lamp, Rear LH | |
| 8 | 1001091716 | 1 | Lamp, Rear RH | |
| 9 | 1001146588 | 1 | Strap, Cable | |
| 10 | 1001159734 | 1 | Switch, Hazard | |
| 11 | 1001173092 | 1 | Harness, HBP Tail Lights (See Separate Breakdown in this Section) | |
| 12 | 1001196100 | 2 | Bracket | |
| 13 | 1001220817 | 2 | Bracket | |
| 14 | 1001165360 | 1 | Harness, Front Frame Headlight (See Separate Breakdown in this Section) | |

SECTION 10 - ELECTRICAL

FIGURE 10-54. CAB WORKLIGHTS INSTALLATION (NO A/C)



ART_1001167822-F

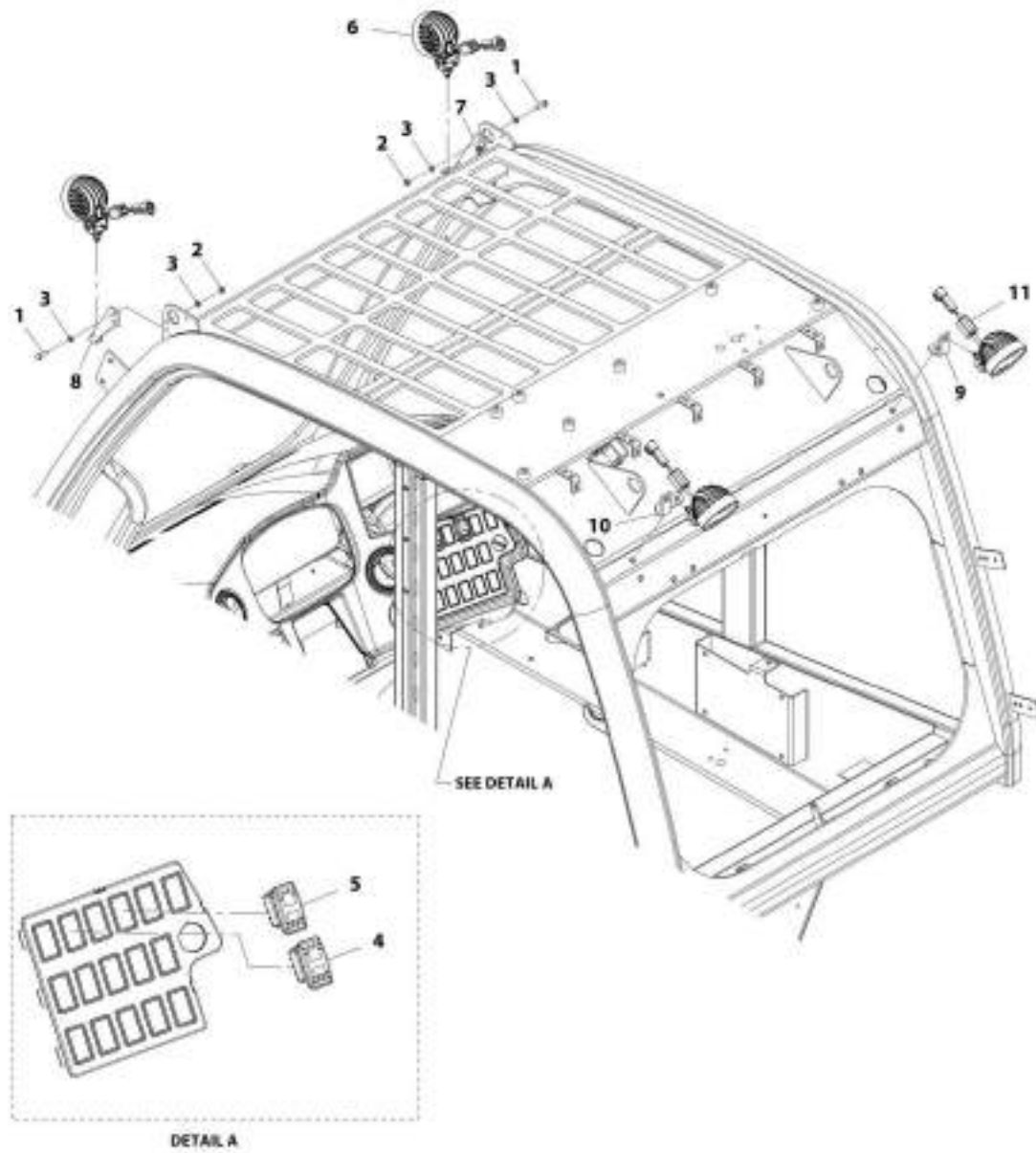
SECTION 10 - ELECTRICAL

FIGURE 10-54. CAB WORKLIGHTS INSTALLATION (NO A/C)

| ITEM | PART NUMBER | QTY | DESCRIPTION | REV |
|------|-------------|-----|--------------------------------------|-----|
| | 1001167822 | Ref | Cab Worklights Installation (No A/C) | F |
| 1 | 1001186567 | 1 | Bracket, Work Light LH | |
| 2 | 1001186565 | 1 | Bracket, Work Light RH | |
| 4 | 2920206 | 4 | Worklight | |
| | 70020796 | 1 | Bulb, 12V-50W | |
| 5 | 0700610 | 4 | Bolt, M6X20 | |
| 6 | 4811700 | 8 | Washer, M6 | |
| 7 | 0760810 | 2 | Bolt, M8X20 | |
| 8 | 4811900 | 2 | Washer, M8 | |
| 9 | 1001159845 | 1 | Switch, Front Worklights | |
| 10 | 1001159846 | 1 | Switch, Rear Worklights | |
| 13 | 1001183888 | 1 | Bracket, Work Light LH | |
| 14 | 1001183890 | 1 | Bracket, Work Light RH | |
| 15 | 3290601 | 1 | Nut, M6X1 | |

SECTION 10 - ELECTRICAL

FIGURE 10-55. CAB LED WORK LIGHTS INSTALLATION (NO A/C)



ART_1001200538-C

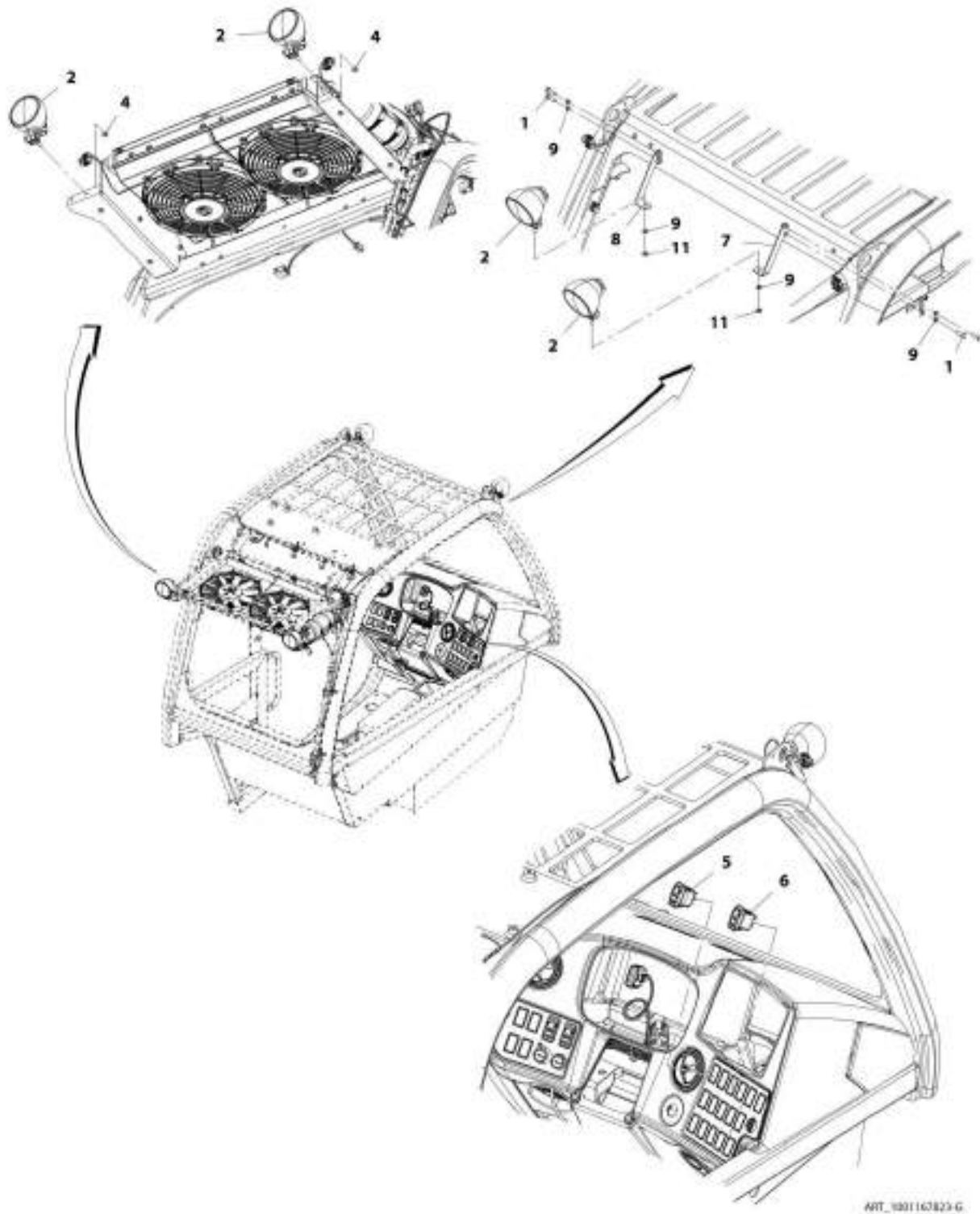
SECTION 10 - ELECTRICAL

FIGURE 10-55. CAB LED WORK LIGHTS INSTALLATION (NO A/C)

| ITEM | PART NUMBER | QTY | DESCRIPTION | REV |
|------|-------------|-----|---|-----|
| | 1001200538 | Ref | Cab LED Work Lights Installation (No A/C) | C |
| 1 | 0700610 | 4 | Bolt, M6X20 | |
| 2 | 3290601 | 4 | Nut, M6X1 | |
| 3 | 4811700 | 8 | Washer, M6 | |
| 4 | 1001159845 | 1 | Switch, Front Work Lights | |
| 5 | 1001159846 | 1 | Switch, Rear Work Lights | |
| 6 | 1001203640 | 4 | Lamp, LED Work Light | |
| 7 | 1001204444 | 1 | Support, LED Work Light RH | |
| 8 | 1001204445 | 1 | Support, LED Work Light LH | |
| 9 | 1001204528 | 1 | Support, LED Work Light RH | |
| 10 | 1001204530 | 1 | Support, LED Work Light LH | |
| 11 | 1001228989 | 4 | Harness | |

SECTION 10 - ELECTRICAL

FIGURE 10-56. CAB WORKLIGHTS INSTALLATION (A/C)



ART_1001163823-G

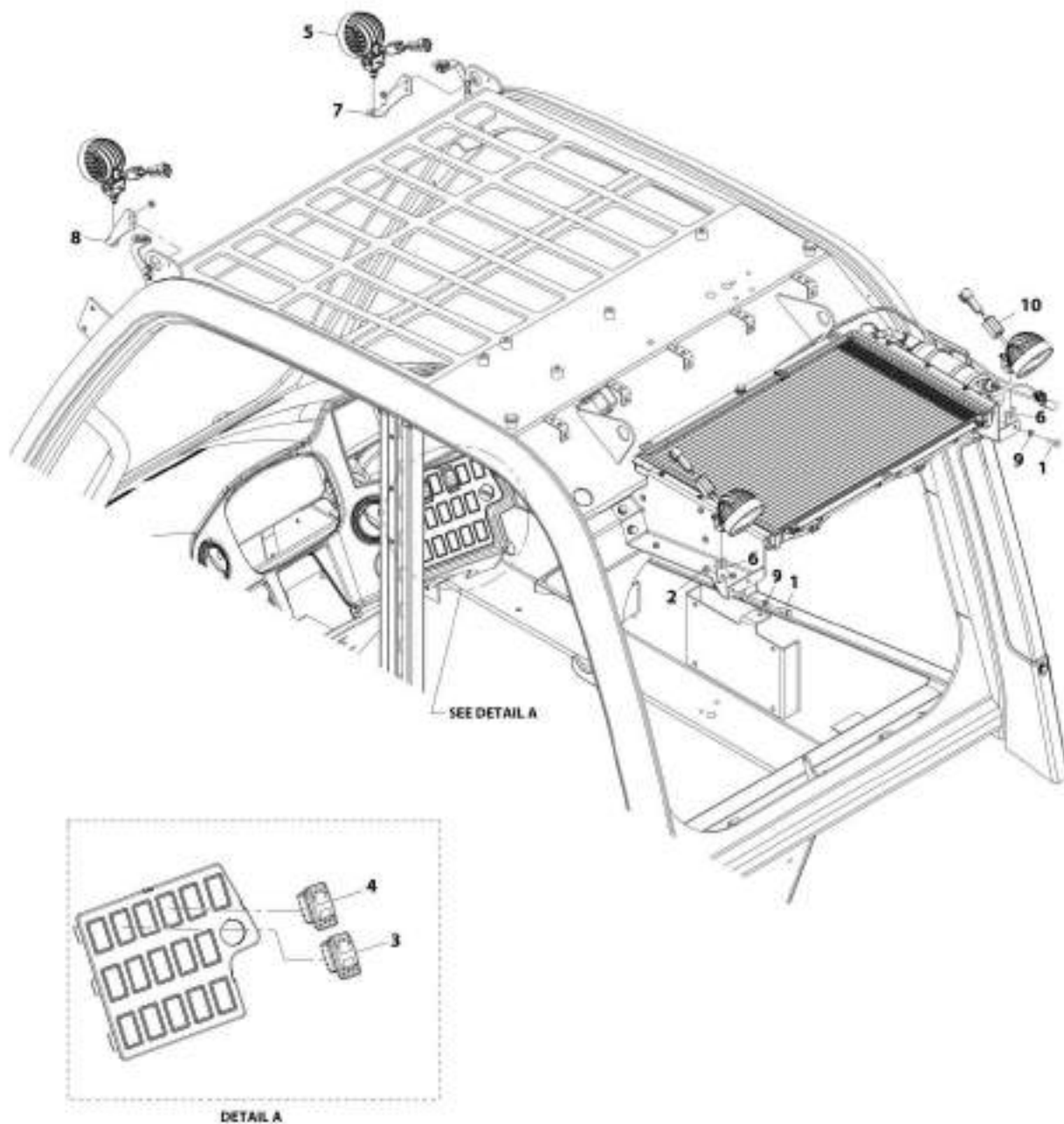
SECTION 10 - ELECTRICAL

FIGURE 10-56. CAB WORKLIGHTS INSTALLATION (A/C)

| ITEM | PART NUMBER | QTY | DESCRIPTION | REV |
|------|-------------|-----|-----------------------------------|-----|
| | 1001167823 | Ref | Cab Worklights Installation (A/C) | G |
| 1 | 0700610 | 4 | Bolt, M6X20 | |
| 2 | 2920206 | 4 | Worklight | |
| | 70020796 | 1 | Bulb, 12V-50W | |
| 4 | 5220600 | 2 | Nut | |
| 5 | 1001159845 | 1 | Switch, Front Worklights | |
| 6 | 1001159846 | 1 | Switch, Rear Worklights | |
| 7 | 1001186567 | 1 | Bracket, Work Light LH | |
| 8 | 1001186565 | 1 | Bracket, Work Light RH | |
| 9 | 4811700 | 6 | Washer, M6 | |
| 11 | 3290601 | 2 | Nut, M6X1 | |

SECTION 10 - ELECTRICAL

FIGURE 10-57. CAB LED WORK LIGHTS INSTALLATION (A/C)



ART_3001200529-C

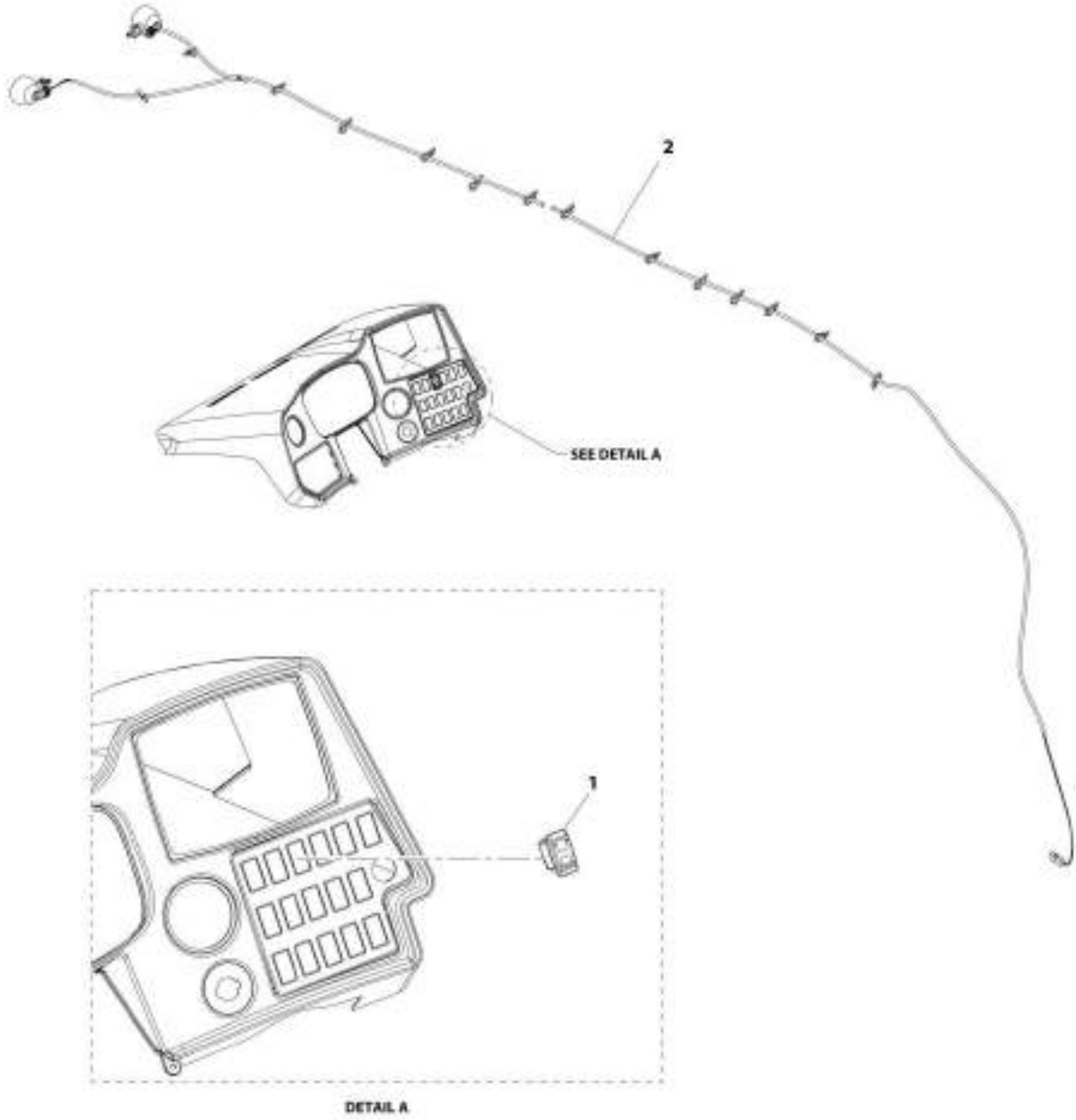
SECTION 10 - ELECTRICAL

FIGURE 10-57. CAB LED WORK LIGHTS INSTALLATION (A/C)

| ITEM | PART NUMBER | QTY | DESCRIPTION | REV |
|------|-------------|-----|--|-----|
| | 1001200539 | Ref | Cab LED Work Lights Installation (A/C) | C |
| 1 | 0700610 | 2 | Bolt, M6X20 | |
| 2 | 5220600 | 2 | Nut | |
| 3 | 1001159845 | 1 | Switch, Front Work Lights | |
| 4 | 1001159846 | 1 | Switch, Rear Work Lights | |
| 5 | 1001203640 | 4 | Lamp, LED Work Light | |
| 6 | 1001204060 | 2 | Bracket, LED Work Light | |
| 7 | 1001204444 | 1 | Support, LED Work Light RH | |
| 8 | 1001204445 | 1 | Support, LED Work Light LH | |
| 9 | 4811700 | 2 | Washer, M6 | |
| 10 | 1001228989 | 4 | Harness | |

SECTION 10 - ELECTRICAL

FIGURE 10-58. BOOM WORK LIGHTS INSTALLATION



ART. 1901192083-C

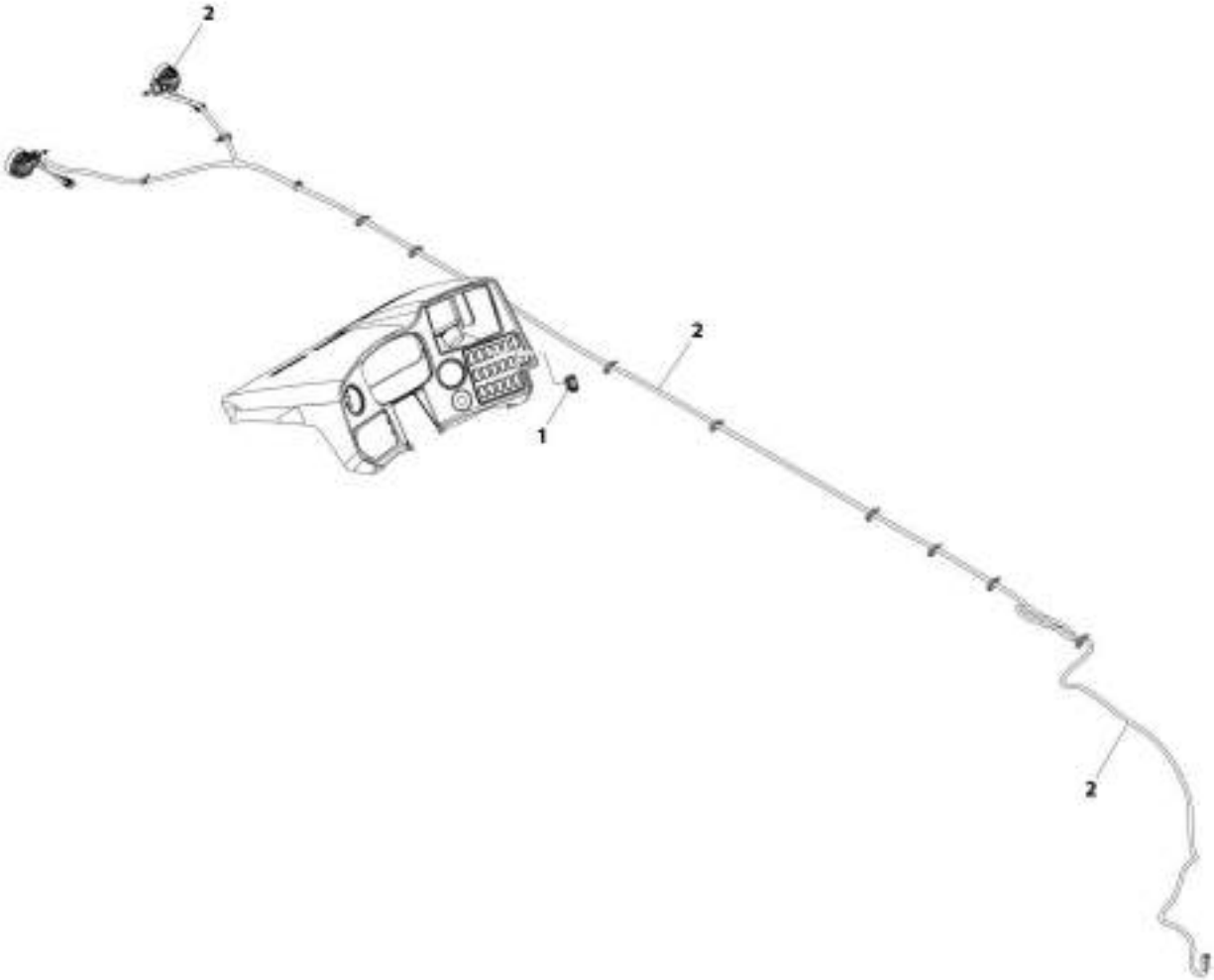
SECTION 10 - ELECTRICAL

FIGURE 10-58. BOOM WORK LIGHTS INSTALLATION

| ITEM | PART NUMBER | QTY | DESCRIPTION | REV |
|------|--------------------------|----------|--|-----|
| 1 | 1001182083 1001163639 | Ref 1 | Boom Work Lights Installation Switch, Driving Lights (Prior to SN 0160076255, Excluding 0160076040, 0160076041 and 0160076042) | C |
| 1 | 1001159739 | 1 | Switch, Driving Lights (SN 0160076255 to Present, Including 0160076040, 0160076041 and 0160076042) | |
| 2 | 1001174932 | Ref | Installation, Boom Work Lights (See BOOM WORK LIGHTS INSTALLATION for Breakdown) | |

SECTION 10 - ELECTRICAL

FIGURE 10-59. BOOM WORK LIGHTS INSTALLATION (LED)



AME_1001280599-A

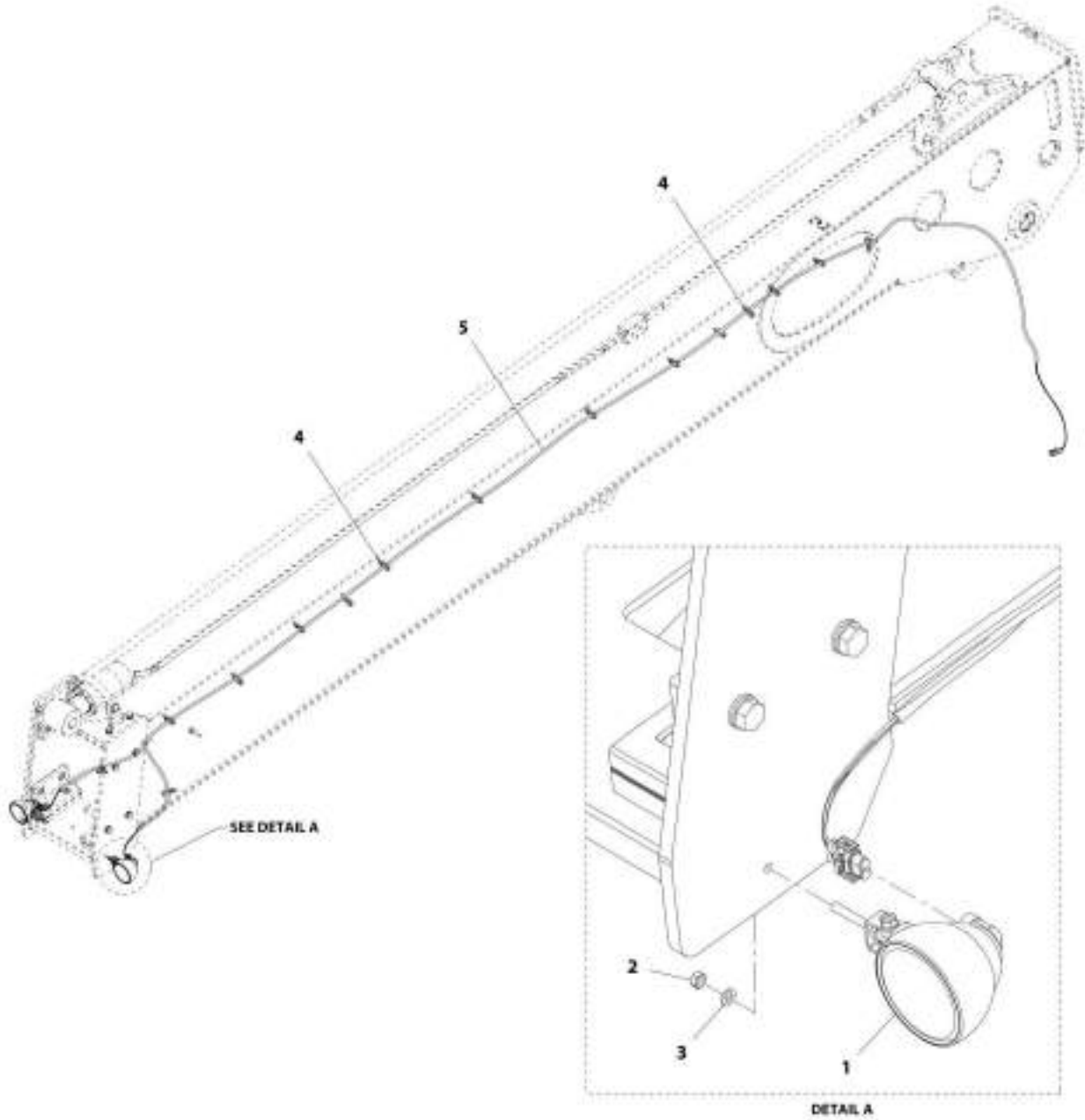
SECTION 10 - ELECTRICAL

FIGURE 10-59. BOOM WORK LIGHTS INSTALLATION (LED)

| ITEM | PART NUMBER | QTY | DESCRIPTION | REV |
|------|-------------|-----|--|-----|
| | 1001230599 | Ref | Boom Work Lights Installation | A |
| 1 | 1001159739 | 1 | Switch, Boom Work Lights | |
| 2 | 1001230623 | 1 | Installation, Boom LED Work Lights, (See Separate Breakdown in this Section) | |

SECTION 10 - ELECTRICAL

FIGURE 10-60. BOOM LIGHTS INSTALLATION



ART_1001174932-E

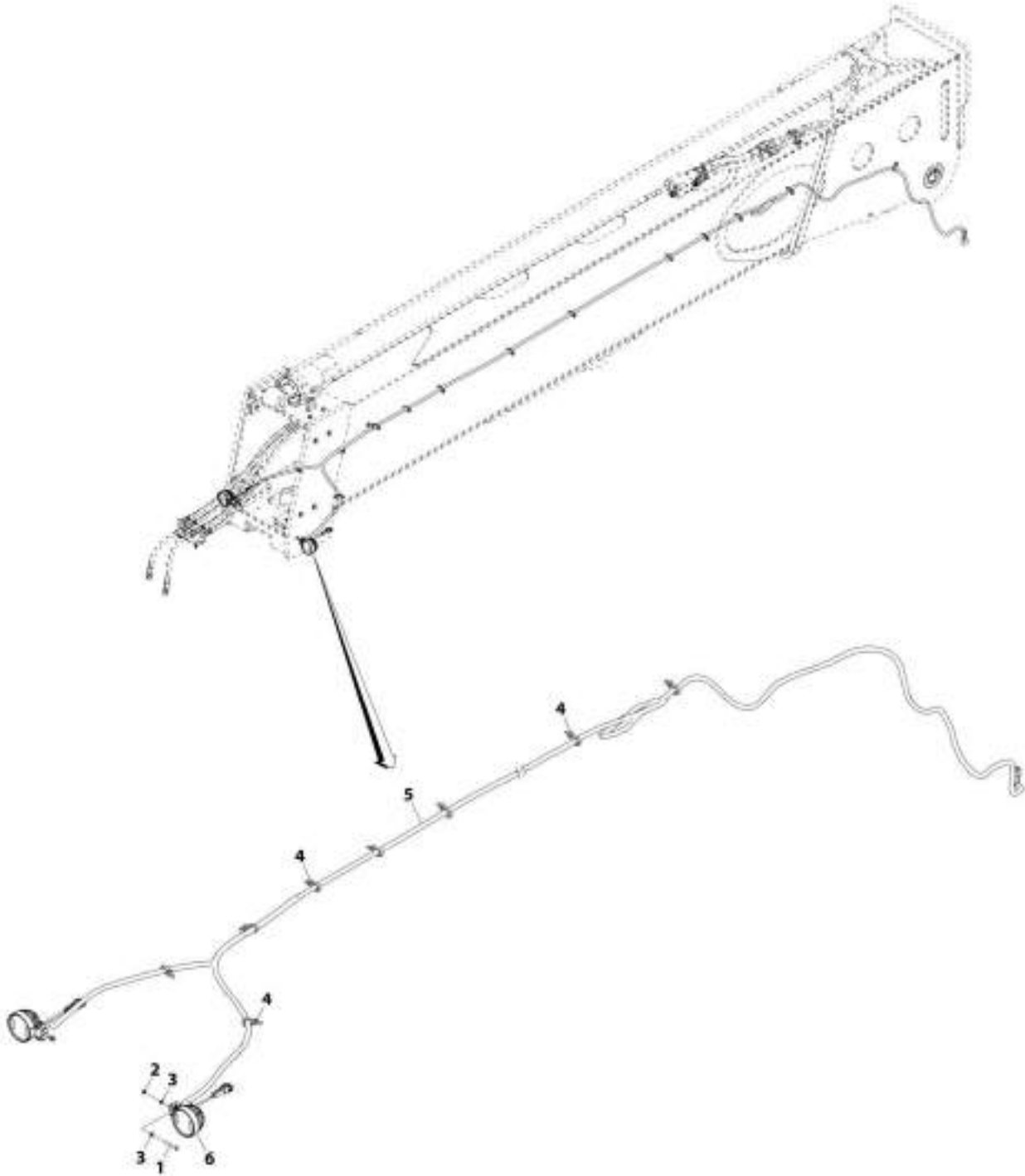
SECTION 10 - ELECTRICAL

FIGURE 10-60. BOOM LIGHTS INSTALLATION

| ITEM | PART NUMBER | QTY | DESCRIPTION | REV |
|------|-------------|-----|---|-----|
| | 1001174932 | Ref | Boom Lights Installation | E |
| 1 | 1001207287 | 2 | Worklight | |
| 2 | 3290601 | 2 | Nut, M6X1 | |
| 3 | 4811700 | 2 | Washer, M6 | |
| 4 | 1001008923 | AR | Strap, Cable | |
| 5 | 1001173523 | 1 | Harness, Boom Worklight (See Separate Breakdown in this Section) (Prior to SN 0160076255, Excluding 0160076040, 0160076041 and 0160076042) | |
| 5 | 1001167608 | 1 | Harness, Boom Worklight (See Separate Breakdown in this Section) (SN 0160076255 to Present, Including 0160076040, 0160076041 and 0160076042) | |

SECTION 10 - ELECTRICAL

FIGURE 10-61. BOOM LED LIGHTS INSTALLATION



AWT_1001230623-A

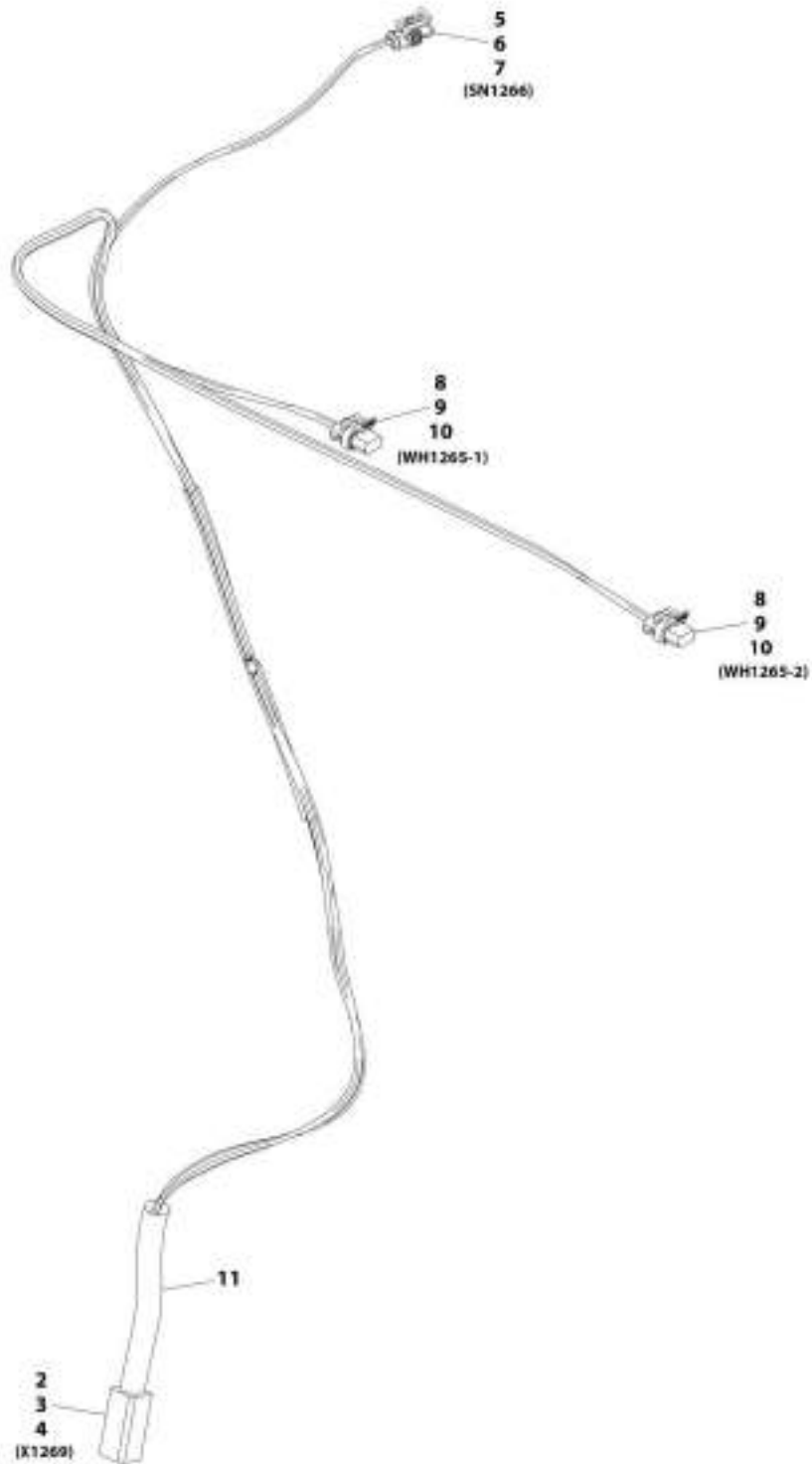
SECTION 10 - ELECTRICAL

FIGURE 10-61. BOOM LED LIGHTS INSTALLATION

| ITEM | PART NUMBER | QTY | DESCRIPTION | REV |
|------|-------------|-----|---|-----|
| | 1001230623 | Ref | Boom LED Lights Installation | A |
| 1 | 0700616 | 2 | Bolt, M6X40 | |
| 2 | 3290601 | 2 | Nut, M6X1 | |
| 3 | 4811700 | 4 | Washer, M6 | |
| 4 | 1001008923 | AR | Strap, Cable | |
| 5 | 1001167608 | 1 | Harness, Boom Worklights (See Separate Breakdown in this Section) | |
| 6 | 1001203640 | 2 | Lamp, LED Work light | |

SECTION 10 - ELECTRICAL

FIGURE 10-62. A/C OPTION HARNESS



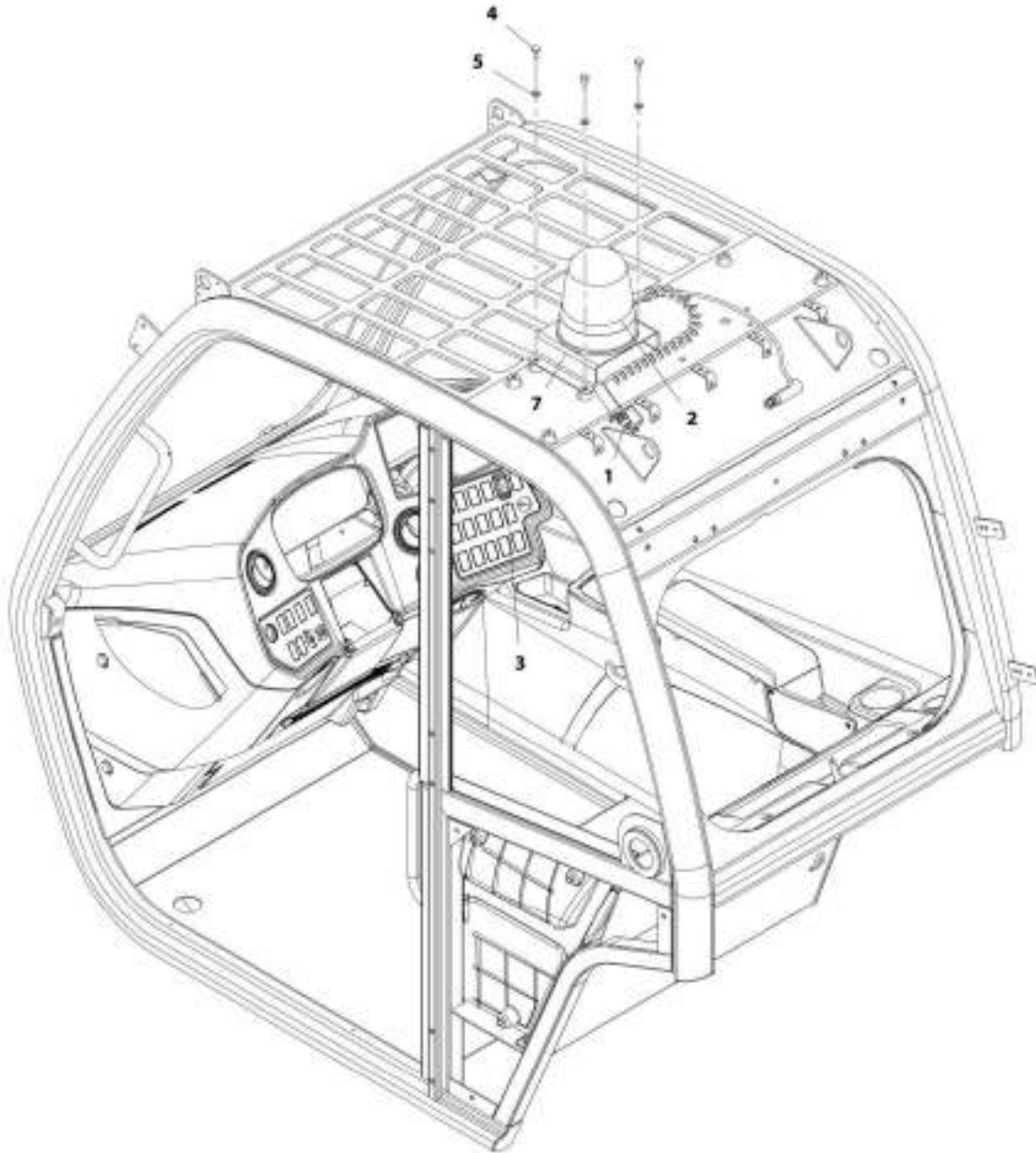
SECTION 10 - ELECTRICAL

FIGURE 10-62. A/C OPTION HARNESS

| ITEM | PART NUMBER | QTY | DESCRIPTION | REV |
|------|-------------|-----|--------------------|-----|
| | 1001169151 | Ref | A/C Option Harness | E |
| 2 | 4460899 | 1 | Connector | |
| 3 | 4460941 | 4 | Terminal | |
| 4 | 4460464 | 2 | Terminal | |
| 5 | 4461118 | 1 | Connector | |
| 6 | 1001107854 | 2 | Terminal | |
| 7 | 1001116763 | 2 | Seal | |
| 8 | 1001117021 | 2 | Connector | |
| 9 | 1001116747 | 4 | Terminal | |
| 10 | 4460789 | 4 | Seal | |
| 11 | 70028546 | 1 | Backshell | |

SECTION 10 - ELECTRICAL

FIGURE 10-63. BEACON INSTALLATION



ART_1001171162-E

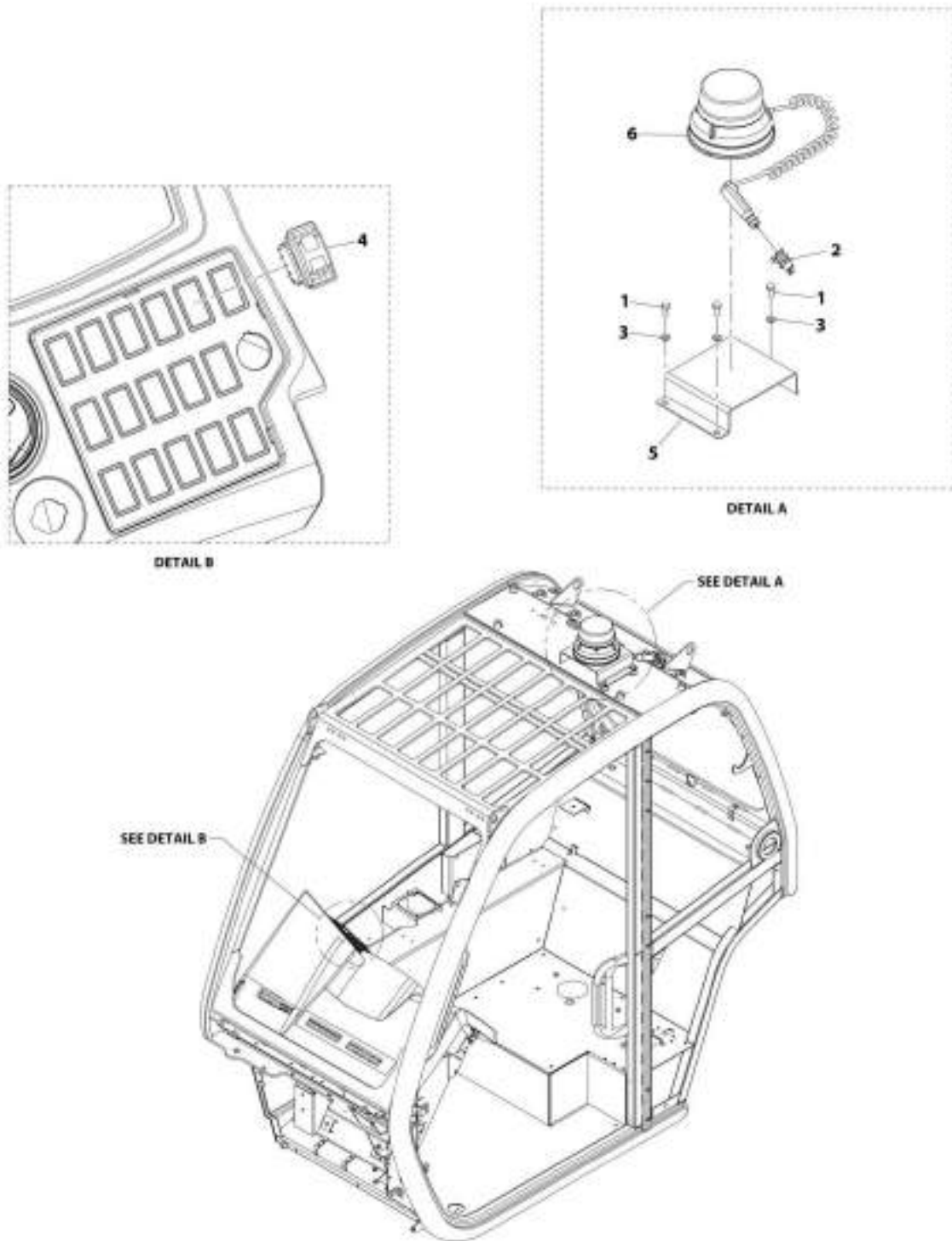
SECTION 10 - ELECTRICAL

FIGURE 10-63. BEACON INSTALLATION

| ITEM | PART NUMBER | QTY | DESCRIPTION | REV |
|------|-------------|-----|---|-----|
| | 1001171162 | Ref | Beacon Installation | E |
| 1 | 4461174 | 1 | Terminal, 12 Volt | |
| 2 | 1001091573 | NLA | Light, Warning, (no longer available, use 1001217623 for replacement) | |
| 2 | 1001217623 | 1 | Light, Warning | |
| 3 | 1001159738 | 1 | Switch, Beacon | |
| 4 | 0760808 | 3 | Bolt, M8X16 | |
| 5 | 4811900 | 3 | Washer, M8 | |
| 7 | 1001174796 | 1 | Bracket, Beacon | |

SECTION 10 - ELECTRICAL

FIGURE 10-64. LED BEACON INSTALLATION



ART_1001095880-A

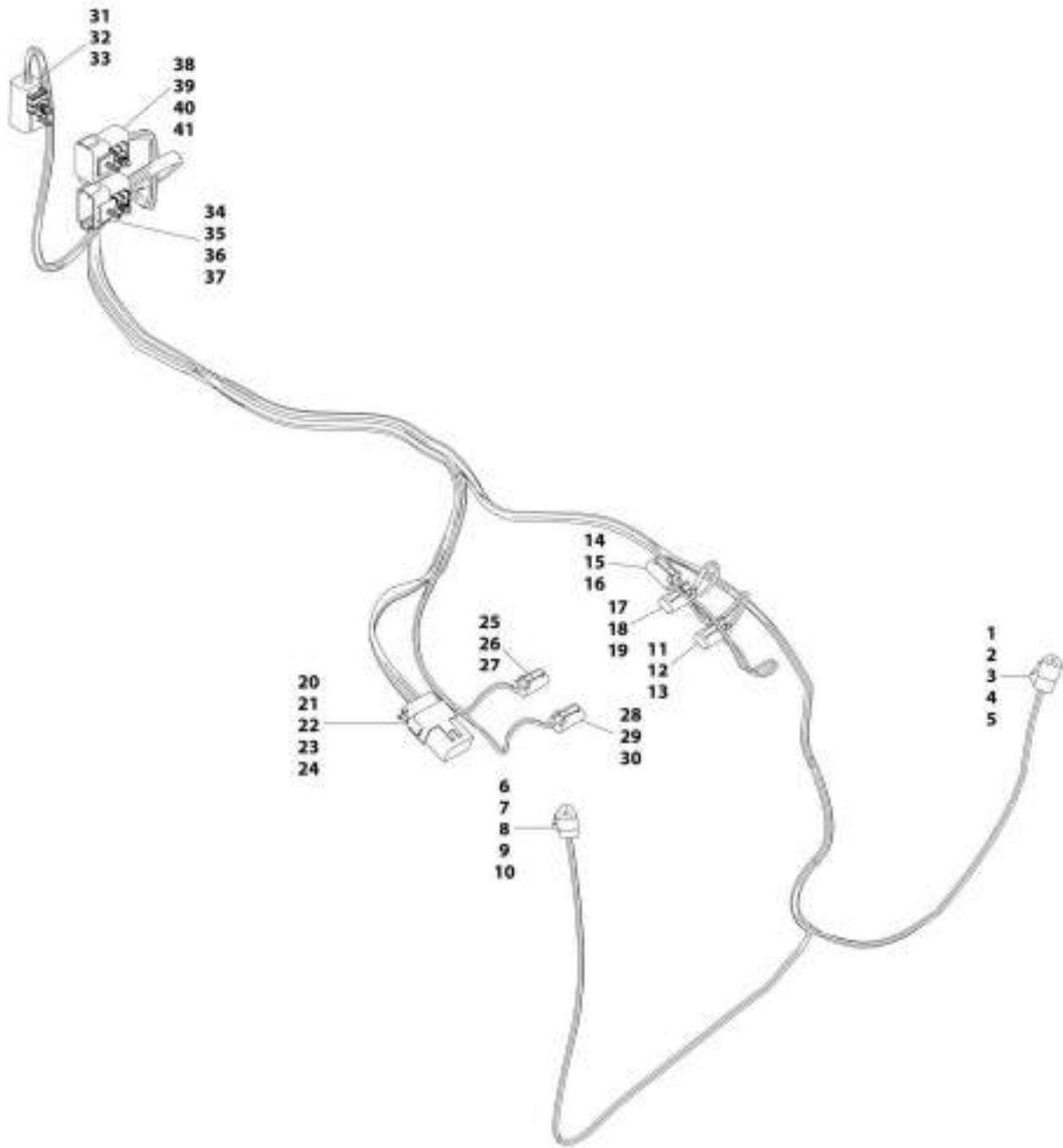
SECTION 10 - ELECTRICAL

FIGURE 10-64. LED BEACON INSTALLATION

| ITEM | PART NUMBER | QTY | DESCRIPTION | REV |
|------|-------------|-----|-------------------------|-----|
| | 1001195883 | Ref | LED Beacon Installation | A |
| 1 | 0760808 | 3 | Bolt, M8X16 | |
| 2 | 4461174 | 1 | Terminal, 12 Volt | |
| 3 | 4811900 | 3 | Washer, M8 | |
| 4 | 1001159738 | 1 | Switch, Beacon | |
| 5 | 1001174796 | 1 | Bracket, Beacon | |
| 6 | 1001198893 | 1 | Light, Warning | |

SECTION 10 - ELECTRICAL

FIGURE 10-65. OUTRIGGER HARNESS



ART_1001172823-E

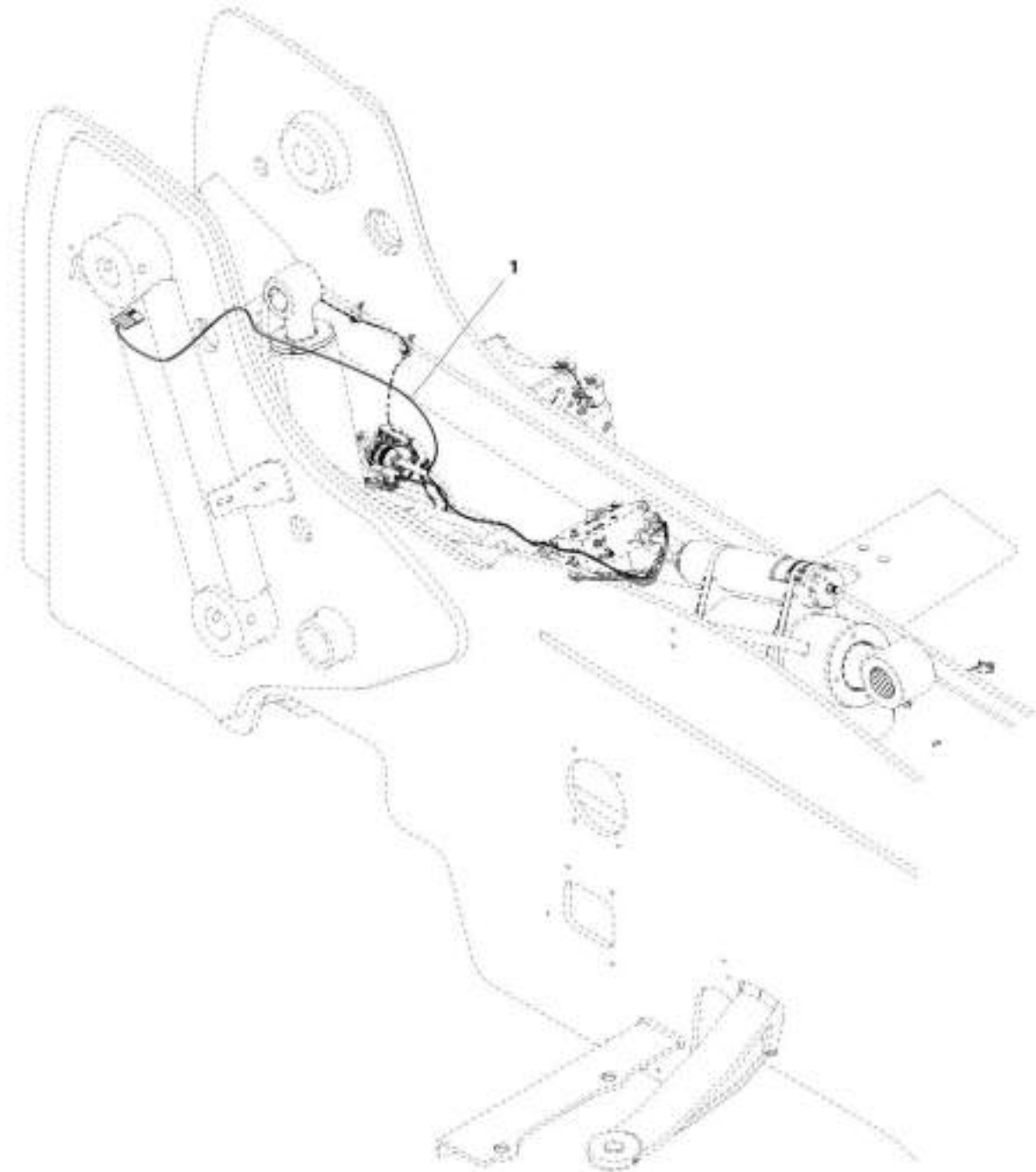
SECTION 10 - ELECTRICAL

FIGURE 10-65. OUTRIGGER HARNESS

| ITEM | PART NUMBER | QTY | DESCRIPTION | REV |
|------|-------------|-----|----------------------|-----|
| | 1001172822 | Ref | Outrigger Harness | E |
| 1 | 4460539 | 1 | Connector | |
| 2 | 77363244 | 1 | Lock, Secondary | |
| 3 | 4460536 | 1 | Terminal, 3 Pin Male | |
| 4 | 4460465 | 3 | Terminal | |
| 5 | 4460466 | 1 | Plug | |
| 6 | 4460539 | 1 | Connector | |
| 7 | 77363244 | 1 | Lock, Secondary | |
| 8 | 4460536 | 1 | Terminal, 3 Pin Male | |
| 9 | 4460465 | 3 | Terminal | |
| 10 | 4460466 | 1 | Plug | |
| 11 | 4460891 | 1 | Connector | |
| 12 | 80604018 | 1 | Lock, Secondary | |
| 13 | 4460465 | 2 | Terminal | |
| 14 | 4460891 | 1 | Connector | |
| 15 | 80604018 | 1 | Lock, Secondary | |
| 16 | 4460465 | 2 | Terminal | |
| 17 | 4460891 | 1 | Connector | |
| 18 | 80604018 | 1 | Lock, Secondary | |
| 19 | 4460465 | 2 | Terminal | |
| 20 | 4460933 | 1 | Connector | |
| 21 | 80604016 | 1 | Lock, Secondary | |
| 22 | 4460970 | 1 | Terminal, Receptacle | |
| 23 | 4460942 | 10 | Terminal | |
| 24 | 4460466 | 2 | Plug | |
| 25 | 4460891 | 1 | Connector | |
| 26 | 80604018 | 1 | Lock, Secondary | |
| 27 | 4460465 | 2 | Terminal | |
| 28 | 4460891 | 1 | Connector | |
| 29 | 80604018 | 1 | Lock, Secondary | |
| 30 | 4460465 | 2 | Terminal | |
| 31 | 4460899 | 1 | Connector | |
| 32 | 80604022 | 1 | Lock, Secondary | |
| 33 | 4460464 | 6 | Terminal | |
| 34 | 4460970 | 1 | Connector | |
| 35 | 80363179 | 1 | Lock, Secondary | |
| 36 | 4460941 | 10 | Terminal | |
| 37 | 4460466 | 2 | Plug | |
| 38 | 4460950 | 1 | Connector | |
| 39 | 80363179 | 1 | Lock, Secondary | |
| 40 | 4460464 | 7 | Terminal | |
| 41 | 4460466 | 5 | Plug | |

SECTION 10 - ELECTRICAL

FIGURE 10-66. RIDE CONTROL CB VALVE HARNESS INSTALLATION (LIFT) (642, 742)



REF. 100117567n-A

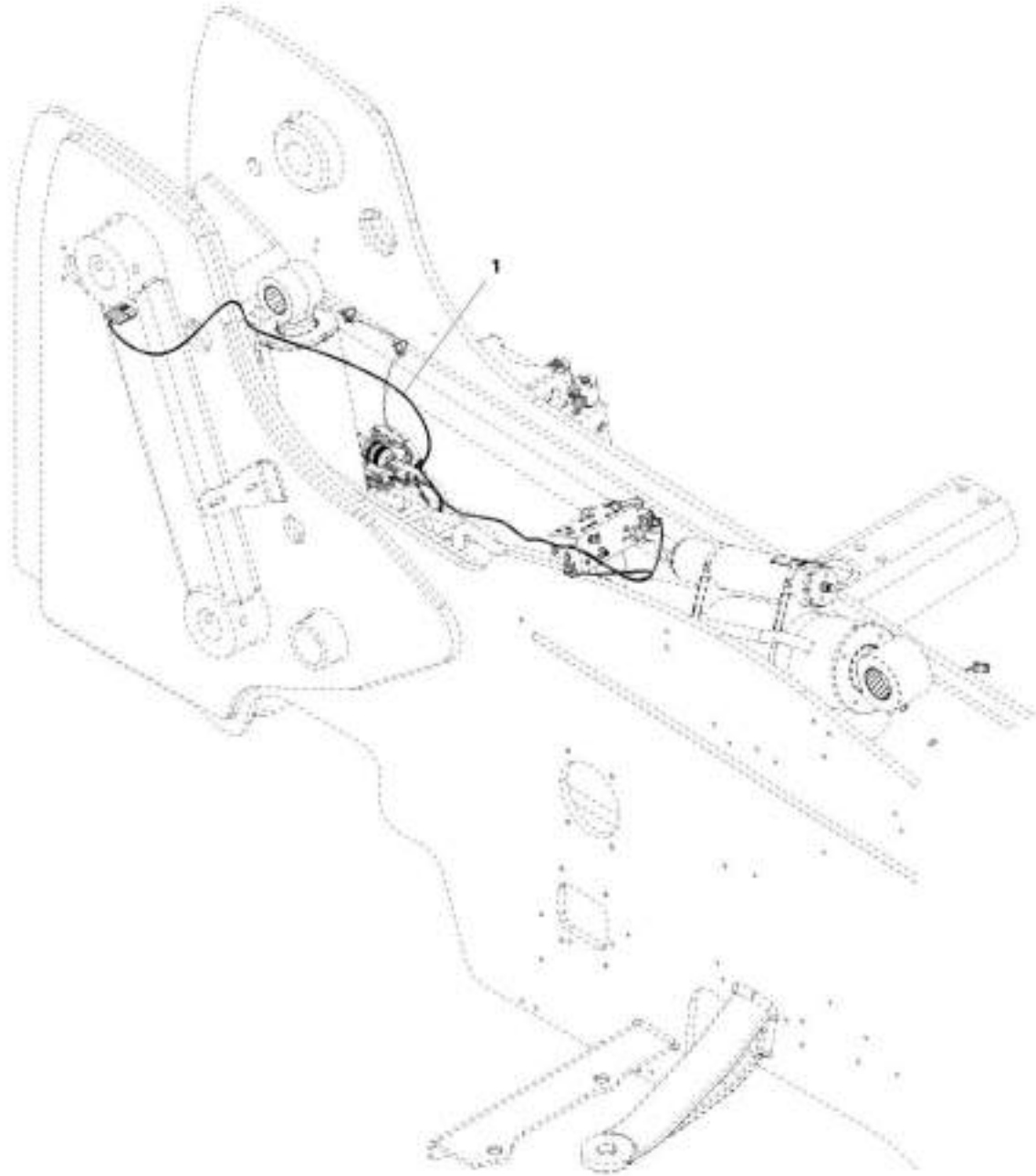
SECTION 10 - ELECTRICAL

FIGURE 10-66. RIDE CONTROL CB VALVE HARNESS INSTALLATION (LIFT) (642, 742)

| ITEM | PART NUMBER | QTY | DESCRIPTION | REV |
|------|--------------------------|----------|--|-----|
| 1 | 1001175676 1001173527 | Ref 1 | Ride Control CB Valve Harness Installation (Lift) (642, 742) Harness, Ride Control CB Valve (Lift), (See RIDE CONTROL CB VALVE HARNESS (LIFT) for Breakdown) | A |

SECTION 10 - ELECTRICAL

FIGURE 10-67. RIDE CONTROL CB VALVE HARNESS INSTALLATION (LIFT) (943, 1043)



INT_100170677-A

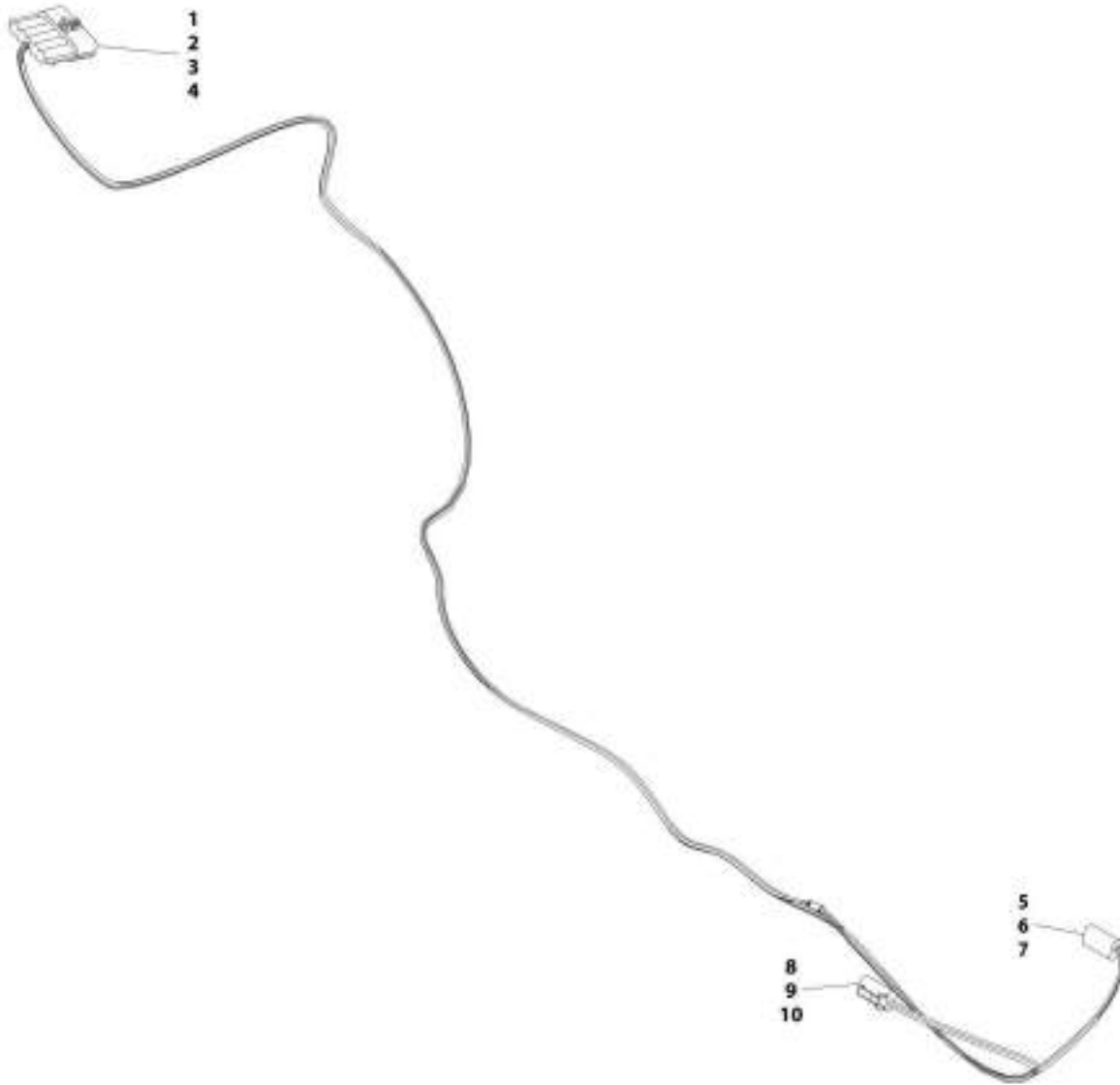
SECTION 10 - ELECTRICAL

FIGURE 10-67. RIDE CONTROL CB VALVE HARNESS INSTALLATION (LIFT) (943, 1043)

| ITEM | PART NUMBER | QTY | DESCRIPTION | REV |
|------|--------------------------|----------|---|-----|
| 1 | 1001175677 1001173527 | Ref 1 | Ride Control CB Valve Harness Installation (943, 1043) Harness, Ride Control CB Valve (See RIDE CONTROL CB VALVE HARNESS for Breakdown) | A |

SECTION 10 - ELECTRICAL

FIGURE 10-68. RIDE CONTROL CB VALVE HARNESS (LIFT)



WHT_1001173527-B

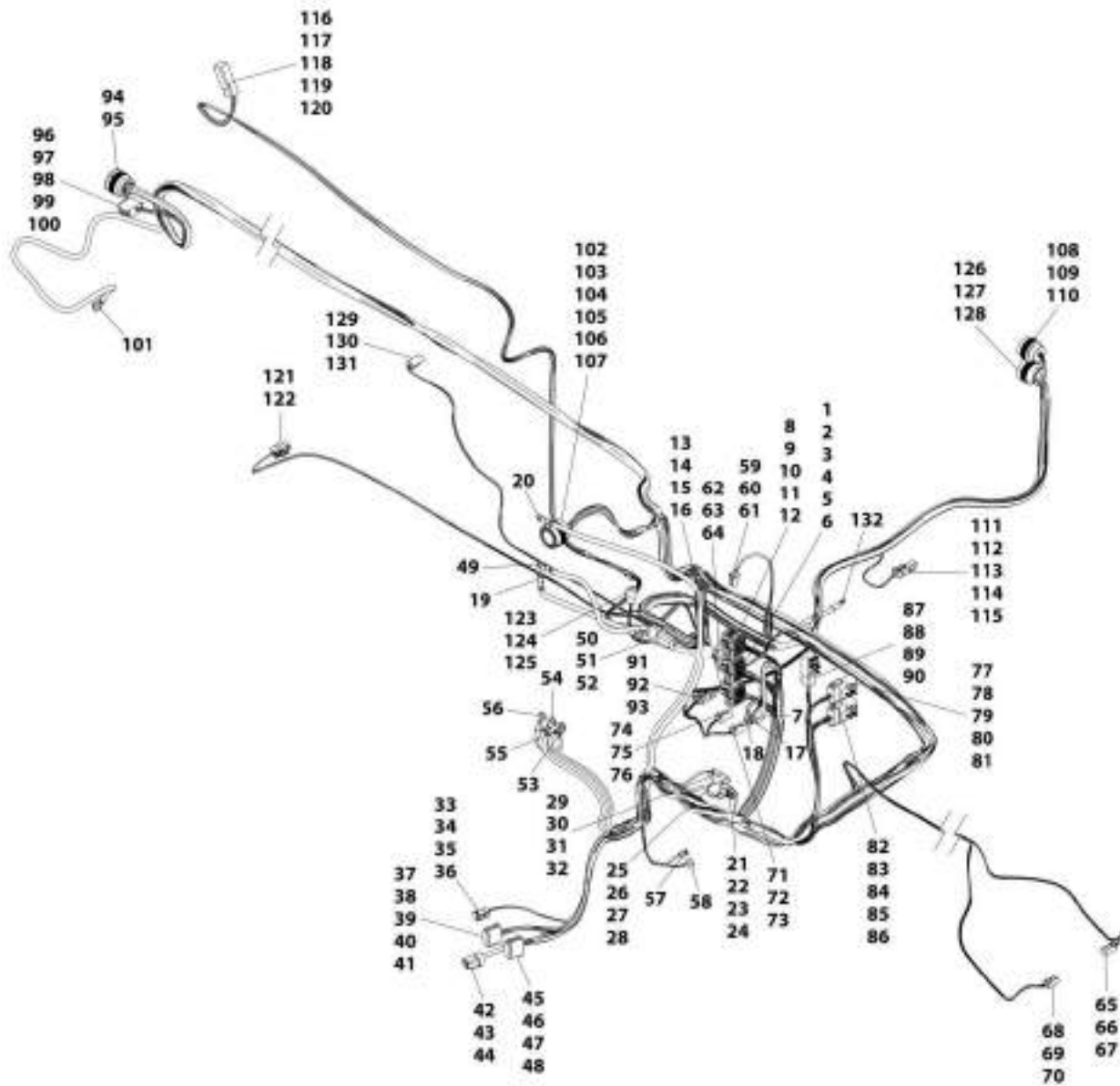
SECTION 10 - ELECTRICAL

FIGURE 10-68. RIDE CONTROL CB VALVE HARNESS (LIFT)

| ITEM | PART NUMBER | QTY | DESCRIPTION | REV |
|------|-------------|-----|-------------------------------|-----|
| | 1001173527 | Ref | Ride Control CB Valve Harness | B |
| 1 | 1001121727 | 1 | Connector | |
| 2 | 1001166727 | 2 | Plug | |
| 3 | 1001116745 | 2 | Terminal | |
| 4 | 1001116729 | 1 | Terminal | |
| 5 | 4460891 | 1 | Connector | |
| 6 | 4460465 | 2 | Terminal | |
| 7 | 80604018 | 1 | Lock, Secondary | |
| 8 | 4460891 | 1 | Connector | |
| 9 | 4460465 | 2 | Terminal | |
| 10 | 80604018 | 1 | Lock, Secondary | |

SECTION 10 - ELECTRICAL

FIGURE 10-69. FRONT FRAME HARNESS (Prior to SN 0160080782)



AMT_1001172484-K

SECTION 10 - ELECTRICAL

FIGURE 10-69. FRONT FRAME HARNESS (Prior to SN 0160080782)

| ITEM | PART NUMBER | QTY | DESCRIPTION | REV |
|------|-------------|-----|---------------------|-----|
| | 1001172484 | Ref | Front Frame Harness | K |
| 1 | 1001161963 | 1 | Connector | |
| 2 | 1001161097 | 21 | Terminal | |
| 3 | 1001161100 | 19 | Plug | |
| 4 | 1001161099 | 5 | Terminal | |
| 5 | 1001161098 | 1 | Terminal | |
| 6 | 1001161101 | 2 | Plug | |
| 7 | 1001187079 | 1 | Terminal, Ring | |
| 8 | 1001160500 | 1 | Connector | |
| 9 | 1001161097 | 9 | Terminal | |
| 10 | 1001161100 | 15 | Plug | |
| 11 | 1001161099 | 7 | Terminal | |
| 12 | 1001161101 | 1 | Plug | |
| 13 | 1001161957 | 1 | Connector | |
| 14 | 1001161100 | 5 | Plug | |
| 15 | 1001161097 | 19 | Terminal | |
| 16 | 1001161101 | 8 | Plug | |
| 17 | 1001187080 | 1 | Terminal, Ring | |
| 18 | 1001187080 | 1 | Terminal, Ring | |
| 19 | 1001187075 | 1 | Terminal, Ring | |
| 20 | 1001187075 | 1 | Terminal, Ring | |
| 21 | 1001116812 | 2 | Connector | |
| 22 | 91554019 | 1 | Lock, Secondary | |
| 23 | 4460944 | 2 | Terminal | |
| 24 | 4460466 | 1 | Plug | |
| 25 | 4460539 | 1 | Connector | |
| 26 | 77363244 | 1 | Lock, Secondary | |
| 27 | 4460944 | 2 | Terminal | |
| 28 | 4460466 | 1 | Plug | |
| 29 | 1001116812 | 2 | Connector | |
| 30 | 91554019 | 1 | Lock, Secondary | |
| 31 | 4460944 | 2 | Terminal | |
| 32 | 4460466 | 1 | Plug | |
| 33 | 1001116812 | 2 | Connector | |
| 34 | 91554019 | 1 | Lock, Secondary | |
| 35 | 4460944 | 2 | Terminal | |
| 36 | 4460466 | 1 | Plug | |
| 37 | 4460836 | 1 | Connector | |
| 38 | 80604016 | 1 | Lock, Secondary | |
| 39 | 4460942 | 1 | Terminal | |
| 40 | 4460465 | 10 | Terminal | |
| 41 | 4460466 | 1 | Plug | |
| 42 | 1001116810 | 1 | Connector | |
| 43 | 4460509 | 3 | Terminal | |
| 44 | 1001150611 | 1 | Plug | |
| 45 | 4460933 | 1 | Connector | |
| 46 | 80604016 | 1 | Lock, Secondary | |
| 47 | 4460465 | 7 | Terminal | |
| 48 | 4460466 | 5 | Plug | |
| 49 | 1001187075 | 2 | Terminal, Ring | |

SECTION 10 - ELECTRICAL

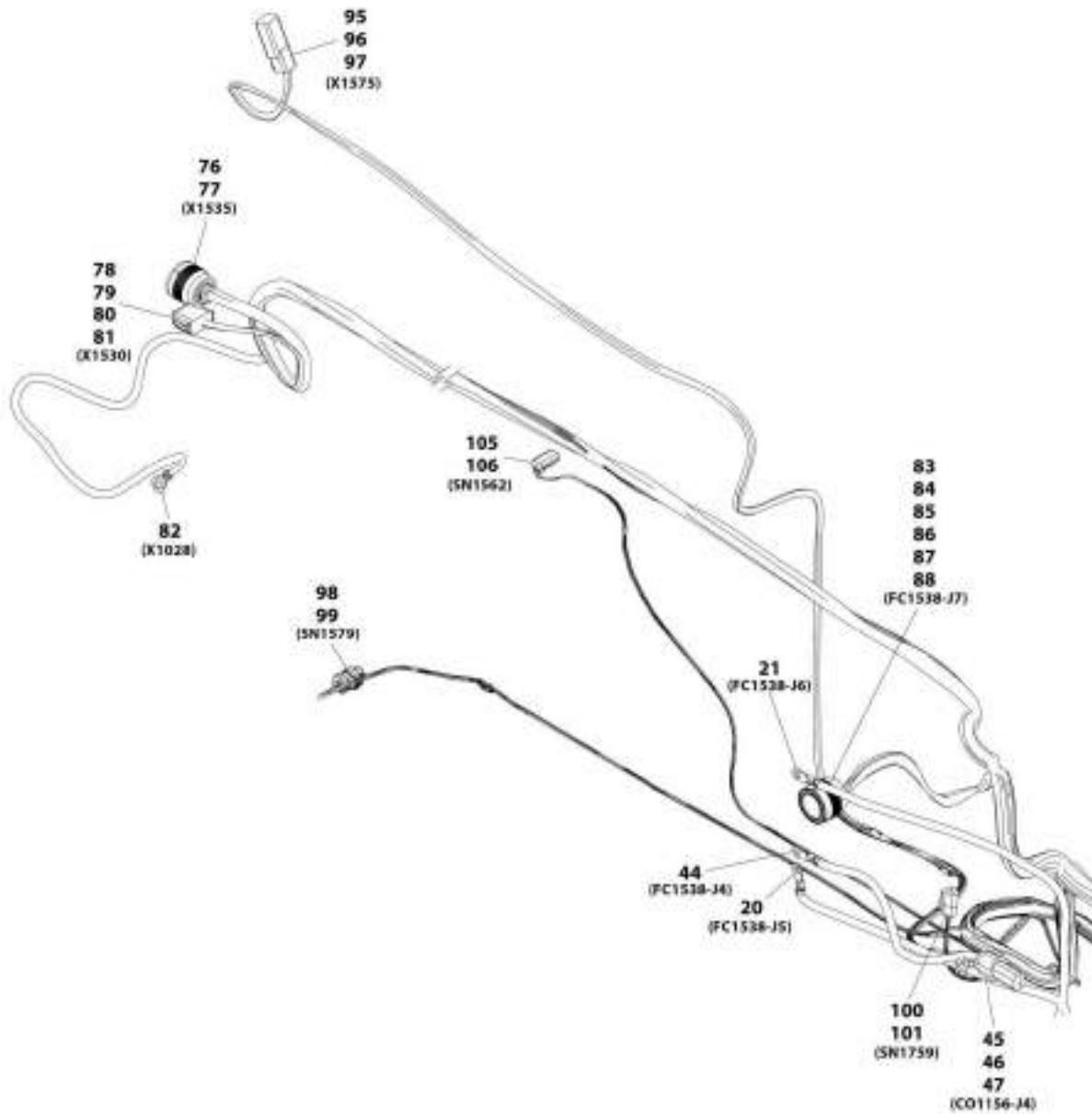
| ITEM | PART NUMBER | QTY | DESCRIPTION | REV |
|------|-------------|-----|--------------------|-----|
| 50 | 1001160509 | 1 | Connector | |
| 51 | 1001160510 | 1 | Terminal | |
| 52 | 1001175267 | 1 | Seal | |
| 53 | 1001187080 | 1 | Terminal, Ring | |
| 54 | 1001128127 | 1 | Terminal, Ring | |
| 55 | 1001187079 | 1 | Terminal, Ring | |
| 56 | 1001128127 | 1 | Terminal, Ring | |
| 57 | 8220051 | 1 | Terminal, Blade | |
| 58 | 1001211775 | 1 | Terminal, Ring | |
| 59 | 4460891 | 1 | Connector | |
| 60 | 80604018 | 1 | Lock, Secondary | |
| 61 | 4460465 | 2 | Terminal | |
| 62 | 4460891 | 1 | Connector | |
| 63 | 80604018 | 1 | Lock, Secondary | |
| 64 | 4460465 | 2 | Terminal | |
| 65 | 4460891 | 1 | Connector | |
| 66 | 80604018 | 1 | Lock, Secondary | |
| 67 | 4460465 | 2 | Terminal | |
| 68 | 4460891 | 1 | Connector | |
| 69 | 80604018 | 1 | Lock, Secondary | |
| 70 | 4460465 | 2 | Terminal | |
| 71 | 4460891 | 1 | Connector | |
| 72 | 80604018 | 1 | Lock, Secondary | |
| 73 | 4460465 | 2 | Terminal | |
| 74 | 4460891 | 1 | Connector | |
| 75 | 80604018 | 1 | Lock, Secondary | |
| 76 | 4460465 | 2 | Terminal | |
| 77 | 4460836 | 1 | Connector | |
| 78 | 80604016 | 1 | Lock, Secondary | |
| 79 | 4460950 | 1 | Housing, Connector | |
| 80 | 4460466 | 5 | Plug | |
| 81 | 4460465 | 7 | Terminal | |
| 82 | 4460933 | 1 | Connector | |
| 83 | 80604016 | 1 | Lock, Secondary | |
| 84 | 4460970 | 1 | Housing, Connector | |
| 85 | 4460466 | 2 | Plug | |
| 86 | 4460942 | 10 | Terminal | |
| 87 | 4460894 | 1 | Connector | |
| 88 | 80604023 | 1 | Lock, Secondary | |
| 89 | 4460899 | 1 | Housing, Connector | |
| 90 | 4460465 | 6 | Terminal | |
| 91 | 4460891 | 1 | Connector | |
| 92 | 80604018 | 1 | Lock, Secondary | |
| 93 | 4460465 | 2 | Terminal | |
| 94 | 1001165310 | 1 | Connector | |
| 95 | 91013192 | 2 | Terminal | |
| 96 | 4460933 | 1 | Connector | |
| 97 | 80604016 | 1 | Lock, Secondary | |
| 98 | 4460465 | 3 | Terminal | |
| 99 | 4460942 | 2 | Terminal | |
| 100 | 4460466 | 7 | Plug | |

SECTION 10 - ELECTRICAL

| ITEM | PART NUMBER | QTY | DESCRIPTION | REV |
|------|-------------|-----|--------------------|-----|
| 101 | 1001187076 | 1 | Terminal, Ring | |
| 102 | 1001165309 | 1 | Connector | |
| 103 | 4460465 | 7 | Terminal | |
| 104 | 4460942 | 3 | Terminal | |
| 105 | 4460509 | 3 | Terminal | |
| 106 | 1001150611 | 3 | Terminal | |
| 107 | 4460466 | 3 | Plug | |
| 108 | 4461015 | 1 | Connector | |
| 109 | 4460465 | 7 | Terminal | |
| 110 | 4460466 | 6 | Plug | |
| 111 | 4460891 | 1 | Connector | |
| 112 | 4460897 | 1 | Housing, Connector | |
| 113 | 80604018 | 1 | Lock, Secondary | |
| 114 | 4460942 | 1 | Terminal | |
| 115 | 4460466 | 1 | Plug | |
| 116 | 4460894 | 1 | Connector | |
| 117 | 80604023 | 1 | Lock, Secondary | |
| 118 | 4460899 | 1 | Housing, Connector | |
| 119 | 4460942 | 4 | Terminal | |
| 120 | 4460465 | 2 | Terminal | |
| 121 | 1001116950 | 1 | Connector | |
| 122 | 4460465 | 2 | Terminal | |
| 123 | 4460539 | 1 | Connector | |
| 124 | 77363244 | 1 | Lock, Secondary | |
| 125 | 4460465 | 3 | Terminal | |
| 126 | 1001118323 | 1 | Connector | |
| 127 | 4460942 | 4 | Terminal | |
| 128 | 91013192 | 2 | Terminal | |
| 129 | 4460891 | 1 | Connector | |
| 130 | 80604018 | 1 | Lock, Secondary | |
| 131 | 4460465 | 2 | Terminal | |
| 132 | 8220116 | 1 | Terminal, Ring | |

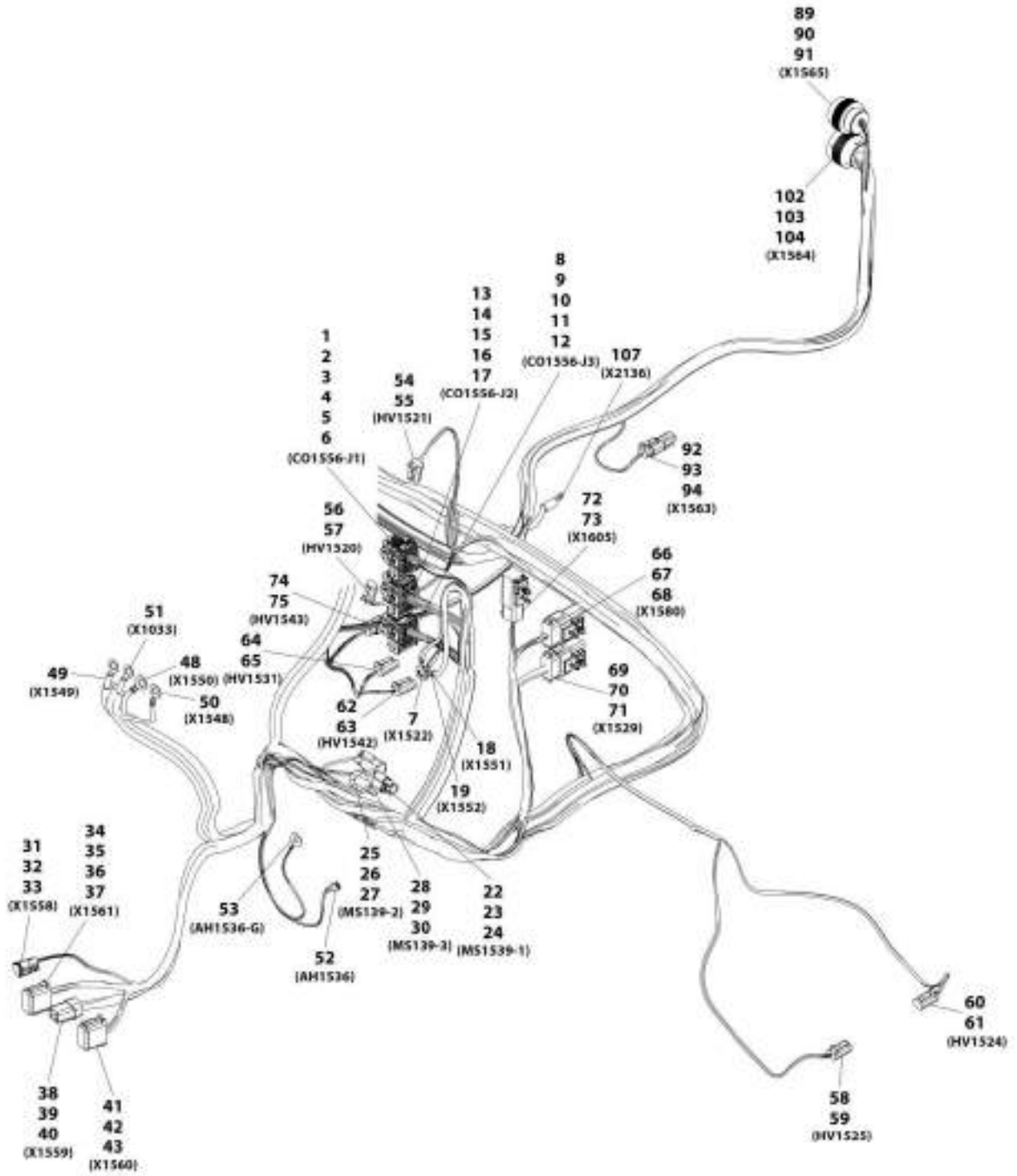
SECTION 10 - ELECTRICAL

FIGURE 10-70. FRONT FRAME HARNESS (742, 943, 1043) (SN 0160080782 to Present)



ART_1001231720_3-A

SECTION 10 - ELECTRICAL



ART_1001221728_2-A

SECTION 10 - ELECTRICAL

FIGURE 10-70. FRONT FRAME HARNESS (742, 943, 1043) (SN 0160080782 to Present)

| ITEM | PART NUMBER | QTY | DESCRIPTION | REV |
|------|-------------|-----|---------------------|-----|
| | 1001221728 | Ref | Front Frame Harness | A |
| 1 | 1001161963 | 1 | Connector | |
| 2 | 1001161097 | 21 | Terminal | |
| 3 | 1001161099 | 5 | Terminal | |
| 4 | 1001161098 | 1 | Terminal | |
| 5 | 1001161100 | 19 | Plug | |
| 6 | 1001161101 | 2 | Plug | |
| 7 | 1001187079 | 1 | Terminal, Ring | |
| 8 | 1001160500 | 1 | Connector | |
| 9 | 1001161097 | 9 | Terminal | |
| 10 | 1001161099 | 7 | Terminal | |
| 11 | 1001161100 | 15 | Plug | |
| 12 | 1001161101 | 1 | Plug | |
| 13 | 1001161957 | 1 | Connector | |
| 14 | 1001161097 | 21 | Terminal | |
| 15 | 1001161099 | 1 | Terminal | |
| 16 | 1001161100 | 3 | Plug | |
| 17 | 1001161101 | 7 | Plug | |
| 18 | 1001187080 | 1 | Terminal, Ring | |
| 19 | 1001187080 | 1 | Terminal, Ring | |
| 20 | 1001187075 | 1 | Terminal, Ring | |
| 21 | 1001187075 | 1 | Terminal, Ring | |
| 22 | 1001116812 | 1 | Connector | |
| 23 | 4460944 | 2 | Terminal | |
| 24 | 4460466 | 1 | Plug | |
| 25 | 4460539 | 1 | Connector | |
| 26 | 4460944 | 2 | Terminal | |
| 27 | 4460466 | 1 | Plug | |
| 28 | 1001116812 | 1 | Connector | |
| 29 | 4460944 | 2 | Terminal | |
| 30 | 4460466 | 1 | Plug | |
| 31 | 1001116812 | 1 | Connector | |
| 32 | 4460465 | 2 | Terminal | |
| 33 | 4460466 | 1 | Plug | |
| 34 | 4460836 | 1 | Connector | |
| 35 | 4460942 | 1 | Terminal | |
| 36 | 4460465 | 10 | Terminal | |
| 37 | 4460466 | 1 | Plug | |
| 38 | 1001116810 | 1 | Connector | |
| 39 | 1001150611 | 3 | Terminal | |
| 40 | 4460509 | 1 | Terminal | |
| 41 | 4460933 | 1 | Connector | |
| 42 | 4460465 | 8 | Terminal | |
| 43 | 4460466 | 4 | Plug | |
| 44 | 1001187075 | 1 | Terminal, Ring | |
| 45 | 1001160509 | 1 | Connector | |
| 46 | 1001160510 | 1 | Terminal | |
| 47 | 1001175267 | 1 | Seal | |
| 48 | 1001187080 | 1 | Terminal, Ring | |
| 49 | 1001128127 | 1 | Terminal, Ring | |

SECTION 10 - ELECTRICAL

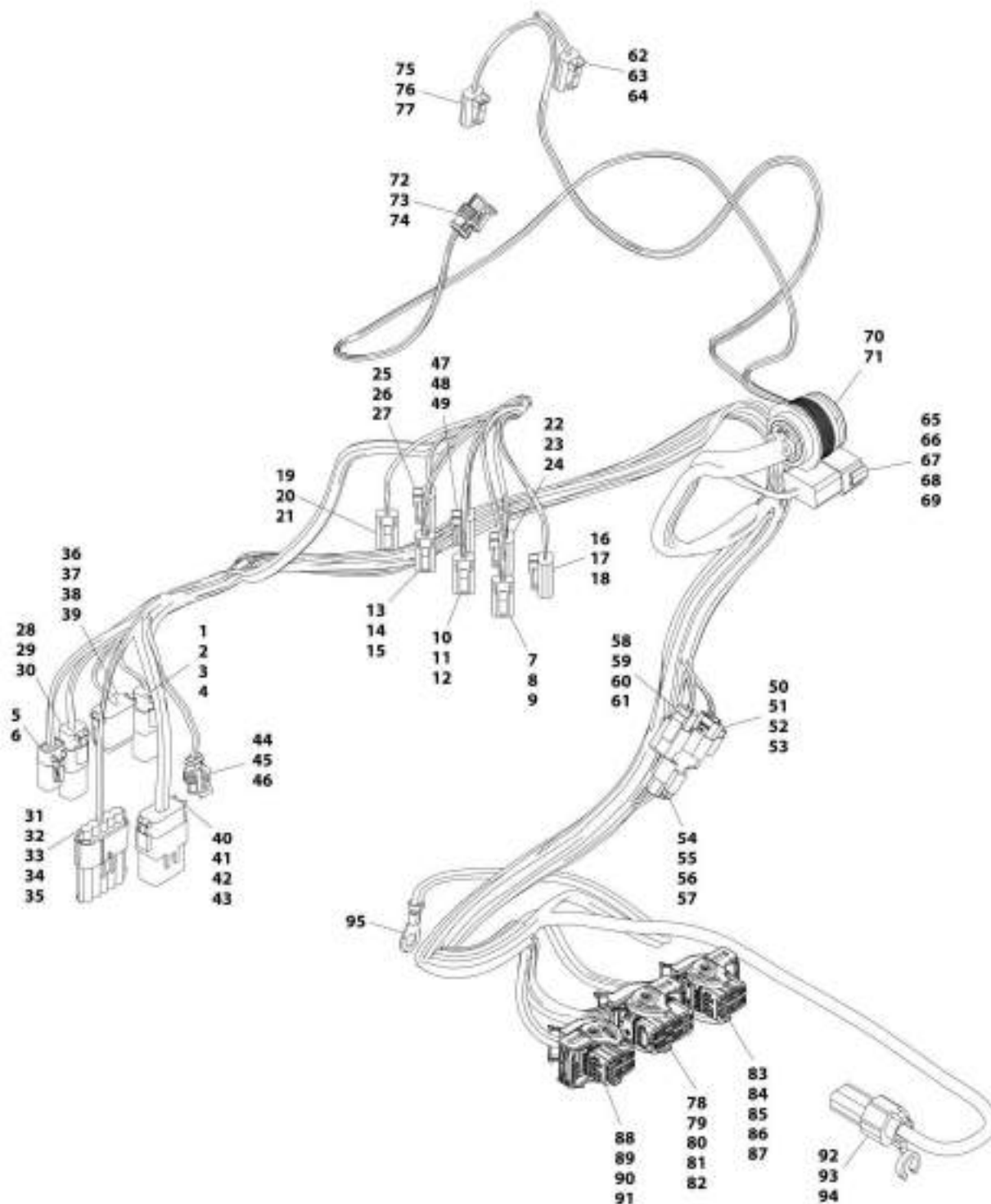
| ITEM | PART NUMBER | QTY | DESCRIPTION | REV |
|------|-------------|-----|-----------------|-----|
| 50 | 1001187079 | 1 | Terminal, Ring | |
| 51 | 1001128127 | 1 | Terminal, Ring | |
| 52 | 8220051 | 1 | Terminal, Blade | |
| 53 | 1001211775 | 1 | Terminal, Ring | |
| 54 | 4460891 | 1 | Connector | |
| 55 | 4460465 | 2 | Terminal | |
| 56 | 4460891 | 1 | Connector | |
| 57 | 4460465 | 2 | Terminal | |
| 58 | 4460891 | 1 | Connector | |
| 59 | 4460465 | 2 | Terminal | |
| 60 | 4460891 | 1 | Connector | |
| 61 | 4460465 | 2 | Terminal | |
| 62 | 4460891 | 1 | Connector | |
| 63 | 4460465 | 2 | Terminal | |
| 64 | 4460891 | 1 | Connector | |
| 65 | 4460465 | 2 | Terminal | |
| 66 | 4460836 | 1 | Connector | |
| 67 | 4460465 | 7 | Terminal | |
| 68 | 4460466 | 5 | Plug | |
| 69 | 4460933 | 1 | Connector | |
| 70 | 4460942 | 10 | Terminal | |
| 71 | 4460466 | 2 | Plug | |
| 72 | 4460894 | 1 | Connector | |
| 73 | 4460465 | 6 | Terminal | |
| 74 | 4460891 | 1 | Connector | |
| 75 | 4460465 | 2 | Terminal | |
| 76 | 1001165310 | 1 | Connector | |
| 77 | 91013192 | 2 | Terminal | |
| 78 | 4460933 | 1 | Connector | |
| 79 | 4460465 | 3 | Terminal | |
| 80 | 4460942 | 2 | Terminal | |
| 81 | 4460466 | 7 | Plug | |
| 82 | 1001187076 | 1 | Terminal, Ring | |
| 83 | 1001165309 | 1 | Connector | |
| 84 | 4460465 | 7 | Terminal | |
| 85 | 4460942 | 3 | Terminal | |
| 86 | 4460509 | 3 | Terminal | |
| 87 | 1001150611 | 3 | Terminal | |
| 88 | 4460466 | 3 | Plug | |
| 89 | 4461015 | 1 | Connector | |
| 90 | 4460465 | 7 | Terminal | |
| 91 | 4460466 | 7 | Plug | |
| 92 | 4460891 | 1 | Connector | |
| 93 | 4460942 | 1 | Terminal | |
| 94 | 4460466 | 1 | Plug | |
| 95 | 4460894 | 1 | Connector | |
| 96 | 4460942 | 4 | Terminal | |
| 97 | 4460465 | 2 | Terminal | |
| 98 | 1001116950 | 1 | Connector | |
| 99 | 4460465 | 2 | Terminal | |
| 100 | 4460539 | 1 | Connector | |

SECTION 10 - ELECTRICAL

| ITEM | PART NUMBER | QTY | DESCRIPTION | REV |
|------|-------------|-----|----------------|-----|
| 101 | 4460465 | 3 | Terminal | |
| 102 | 1001118323 | 1 | Connector | |
| 103 | 4460942 | 4 | Terminal | |
| 104 | 91013192 | 2 | Terminal | |
| 105 | 4460891 | 1 | Connector | |
| 106 | 4460465 | 2 | Terminal | |
| 107 | 8220116 | 1 | Terminal, Ring | |

SECTION 10 - ELECTRICAL

FIGURE 10-71. REAR FRAME HARNESS (642, 742)



ART_1001204351-A

SECTION 10 - ELECTRICAL

FIGURE 10-71. REAR FRAME HARNESS (642, 742)

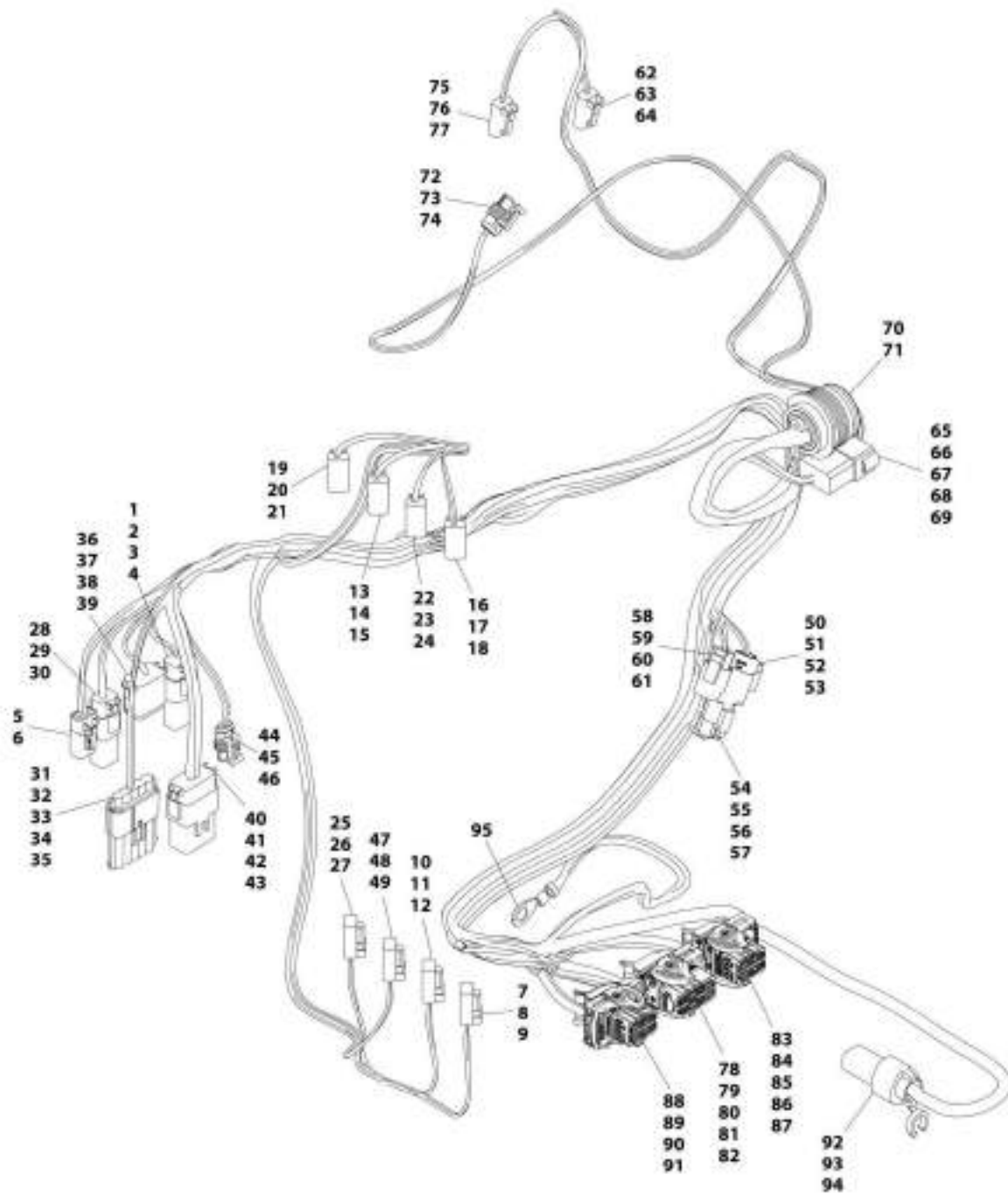
| ITEM | PART NUMBER | QTY | DESCRIPTION | REV |
|------|-------------|-----|-------------------------------|-----|
| | 1001204351 | Ref | Rear Frame Harness (642, 742) | A |
| 1 | 4460884 | 1 | Connector | |
| 2 | 80604021 | 1 | Lock, Connector | |
| 2 | 4460465 | 2 | Terminal | |
| 3 | 4460466 | 2 | Plug | |
| 5 | 4461018 | 1 | Connector | |
| 6 | 4460509 | 2 | Terminal | |
| 7 | 4460891 | 1 | Connector | |
| 8 | 80604018 | 1 | Lock, Connector | |
| 9 | 4460465 | 2 | Terminal | |
| 10 | 4460891 | 1 | Connector | |
| 11 | 80604018 | 1 | Connector | |
| 12 | 4460465 | 2 | Terminal | |
| 13 | 4460891 | 1 | Connector | |
| 14 | 80604018 | 1 | Lock, Connector | |
| 15 | 4460465 | 2 | Terminal | |
| 16 | 4460891 | 1 | Connector | |
| 17 | 80604018 | 1 | Lock, Connector | |
| 18 | 4460465 | 2 | Terminal | |
| 19 | 4460891 | 1 | Connector | |
| 20 | 80604018 | 1 | Lock, Connector | |
| 21 | 4460465 | 2 | Terminal | |
| 22 | 4460891 | 1 | Connector | |
| 23 | 80604018 | 1 | Lock, Connector | |
| 24 | 4460465 | 2 | Terminal | |
| 25 | 4460891 | 1 | Connector | |
| 26 | 80604018 | 1 | Lock, Connector | |
| 27 | 4460465 | 2 | Terminal | |
| 28 | 4460884 | 1 | Connector | |
| 29 | 4460465 | 4 | Terminal | |
| 30 | 80604021 | 1 | Lock, Connector | |
| 31 | 1001121726 | 1 | Connector | |
| 32 | 1001116728 | 3 | Terminal | |
| 33 | 1001175265 | 2 | Seal | |
| 34 | 4460458 | 1 | Seal | |
| 35 | 1001116727 | 2 | Plug | |
| 36 | 4460930 | 1 | Connector | |
| 37 | 8220525 | 1 | Lock, Connector | |
| 38 | 4460465 | 2 | Terminal | |
| 39 | 4460466 | 6 | Plug | |
| 40 | 4460933 | 1 | Connector | |
| 41 | 80604016 | 1 | Connector, Lock | |
| 42 | 4460942 | 10 | Terminal | |
| 43 | 4460466 | 2 | Plug | |
| 44 | 4461118 | 1 | Connector | |
| 45 | 1001107854 | 2 | Terminal | |
| 46 | 1001116763 | 2 | Seal | |
| 47 | 4460891 | 1 | Connector | |
| 48 | 80604018 | 1 | Lock, Connector | |
| 49 | 4460465 | 2 | Terminal | |

SECTION 10 - ELECTRICAL

| ITEM | PART NUMBER | QTY | DESCRIPTION | REV |
|------|-------------|-----|-----------------|-----|
| 50 | 1001116812 | 1 | Connector | |
| 51 | 91554019 | 1 | Lock, Connector | |
| 52 | 4460944 | 2 | Terminal | |
| 53 | 4460466 | 1 | Plug | |
| 54 | 1001116812 | 1 | Connector | |
| 55 | 91554019 | 1 | Lock, Connector | |
| 56 | 4460944 | 2 | Terminal | |
| 57 | 4460466 | 1 | Plug | |
| 58 | 4460539 | 1 | Connector | |
| 59 | 1001146021 | 1 | Seal | |
| 60 | 4460944 | 2 | Terminal | |
| 61 | 4460466 | 1 | Plug | |
| 62 | 4460891 | 1 | Connector | |
| 63 | 80604018 | 1 | Lock, Connector | |
| 64 | 4460465 | 2 | Terminal | |
| 65 | 4460970 | 1 | Connector | |
| 66 | 80363179 | 1 | Lock, Connector | |
| 67 | 4460464 | 4 | Terminal | |
| 68 | 4460941 | 1 | Terminal | |
| 69 | 4460466 | 7 | Plug | |
| 70 | 1001165311 | 1 | Connector | |
| 71 | 91013191 | 2 | Terminal | |
| 72 | 4461262 | 1 | Connector | |
| 73 | 1001107854 | 3 | Terminal | |
| 74 | 1001104498 | 3 | Seal | |
| 75 | 4460891 | 1 | Connector | |
| 76 | 80604018 | 1 | Lock, Connector | |
| 77 | 4460465 | 2 | Terminal | |
| 78 | 1001161963 | 1 | Connector | |
| 79 | 1001161097 | 21 | Terminal | |
| 80 | 1001161099 | 5 | Terminal | |
| 81 | 1001161100 | 19 | Plug | |
| 82 | 1001161101 | 3 | Plug | |
| 83 | 1001160500 | 1 | Connector | |
| 84 | 1001161097 | 2 | Terminal | |
| 85 | 1001161099 | 7 | Terminal | |
| 86 | 1001161100 | 22 | Plug | |
| 87 | 1001161101 | 1 | Plug | |
| 88 | 1001161957 | 1 | Connector | |
| 89 | 1001161097 | 7 | Terminal | |
| 90 | 1001161100 | 17 | Plug | |
| 91 | 1001161101 | 8 | Plug | |
| 92 | 1001160509 | 1 | Connector | |
| 93 | 1001160510 | 1 | Terminal | |
| 94 | 1001175267 | 1 | Seal | |
| 95 | 1001187076 | 1 | Ring, Terminal | |

SECTION 10 - ELECTRICAL

FIGURE 10-72. REAR FRAME HARNESS (742, 943, 1043)



ART_1001394352-A

SECTION 10 - ELECTRICAL

FIGURE 10-72. REAR FRAME HARNESS (742, 943, 1043)

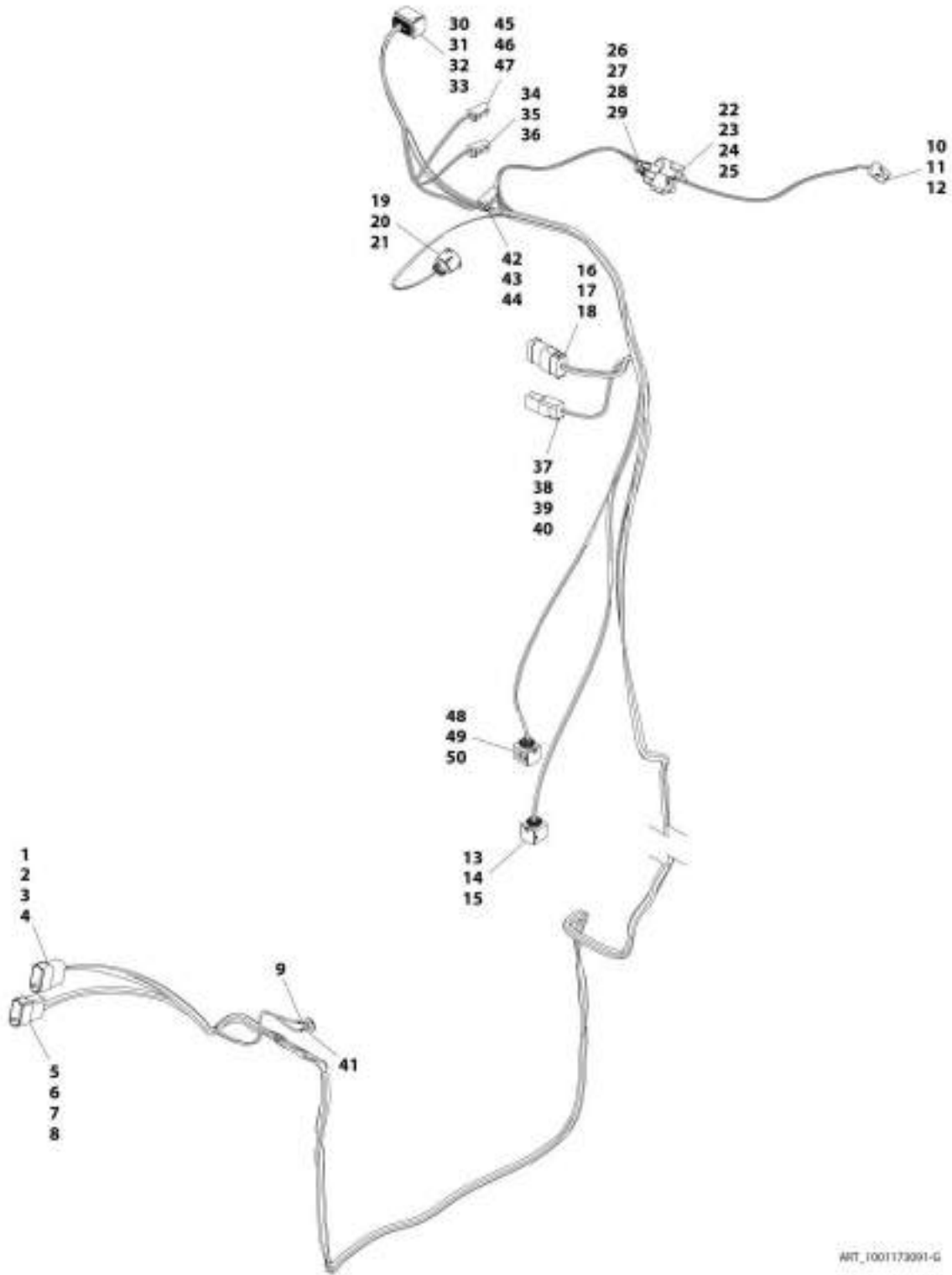
| ITEM | PART NUMBER | QTY | DESCRIPTION | REV |
|------|-------------|-----|-------------------------------------|-----|
| | 1001204352 | Ref | Rear Frame Harness (742, 943, 1043) | A |
| 1 | 4460884 | 1 | Connector | |
| 2 | 80604021 | 1 | Lock, Connector | |
| 2 | 4460465 | 2 | Terminal | |
| 3 | 4460466 | 2 | Plug | |
| 5 | 4461018 | 1 | Connector | |
| 6 | 4460509 | 2 | Terminal | |
| 7 | 4460891 | 1 | Connector | |
| 8 | 80604018 | 1 | Lock, Connector | |
| 9 | 4460465 | 2 | Terminal | |
| 10 | 4460891 | 1 | Connector | |
| 11 | 80604018 | 1 | Connector | |
| 12 | 4460465 | 2 | Terminal | |
| 13 | 4460891 | 1 | Connector | |
| 14 | 80604018 | 1 | Lock, Connector | |
| 15 | 4460465 | 2 | Terminal | |
| 16 | 4460891 | 1 | Connector | |
| 17 | 80604018 | 1 | Lock, Connector | |
| 18 | 4460465 | 2 | Terminal | |
| 19 | 4460891 | 1 | Connector | |
| 20 | 80604018 | 1 | Lock, Connector | |
| 21 | 4460465 | 2 | Terminal | |
| 22 | 4460891 | 1 | Connector | |
| 23 | 80604018 | 1 | Lock, Connector | |
| 24 | 4460465 | 2 | Terminal | |
| 25 | 4460891 | 1 | Connector | |
| 26 | 80604018 | 1 | Lock, Connector | |
| 27 | 4460465 | 2 | Terminal | |
| 28 | 4460884 | 1 | Connector | |
| 29 | 4460465 | 4 | Terminal | |
| 30 | 80604021 | 1 | Lock, Connector | |
| 31 | 1001121726 | 1 | Connector | |
| 32 | 1001116728 | 3 | Terminal | |
| 33 | 1001175265 | 2 | Seal | |
| 34 | 4460458 | 1 | Seal | |
| 35 | 1001116727 | 2 | Plug | |
| 36 | 4460930 | 1 | Connector | |
| 37 | 8220525 | 1 | Lock, Connector | |
| 38 | 4460465 | 2 | Terminal | |
| 39 | 4460466 | 6 | Plug | |
| 40 | 4460933 | 1 | Connector | |
| 41 | 80604016 | 1 | Connector, Lock | |
| 42 | 4460942 | 10 | Terminal | |
| 43 | 4460466 | 2 | Plug | |
| 44 | 4461118 | 1 | Connector | |
| 45 | 1001107854 | 2 | Terminal | |
| 46 | 1001116763 | 2 | Seal | |
| 47 | 4460891 | 1 | Connector | |
| 48 | 80604018 | 1 | Lock, Connector | |
| 49 | 4460465 | 2 | Terminal | |

SECTION 10 - ELECTRICAL

| ITEM | PART NUMBER | QTY | DESCRIPTION | REV |
|------|-------------|-----|-----------------|-----|
| 50 | 1001116812 | 1 | Connector | |
| 51 | 91554019 | 1 | Lock, Connector | |
| 52 | 4460944 | 2 | Terminal | |
| 53 | 4460466 | 1 | Plug | |
| 54 | 1001116812 | 1 | Connector | |
| 55 | 91554019 | 1 | Lock, Connector | |
| 56 | 4460944 | 2 | Terminal | |
| 57 | 4460466 | 1 | Plug | |
| 58 | 4460539 | 1 | Connector | |
| 59 | 1001146021 | 1 | Seal | |
| 60 | 4460944 | 2 | Terminal | |
| 61 | 4460466 | 1 | Plug | |
| 62 | 4460891 | 1 | Connector | |
| 63 | 80604018 | 1 | Lock, Connector | |
| 64 | 4460465 | 2 | Terminal | |
| 65 | 4460970 | 1 | Connector | |
| 66 | 80363179 | 1 | Lock, Connector | |
| 67 | 4460464 | 4 | Terminal | |
| 68 | 4460941 | 1 | Terminal | |
| 69 | 4460466 | 7 | Plug | |
| 70 | 1001165311 | 1 | Connector | |
| 71 | 91013191 | 2 | Terminal | |
| 72 | 4461262 | 1 | Connector | |
| 73 | 1001107854 | 3 | Terminal | |
| 74 | 1001104498 | 3 | Seal | |
| 75 | 4460891 | 1 | Connector | |
| 76 | 80604018 | 1 | Lock, Connector | |
| 77 | 4460465 | 2 | Terminal | |
| 78 | 1001161963 | 1 | Connector | |
| 79 | 1001161097 | 21 | Terminal | |
| 80 | 1001161099 | 5 | Terminal | |
| 81 | 1001161100 | 19 | Plug | |
| 82 | 1001161101 | 3 | Plug | |
| 83 | 1001160500 | 1 | Connector | |
| 84 | 1001161097 | 2 | Terminal | |
| 85 | 1001161099 | 7 | Terminal | |
| 86 | 1001161100 | 22 | Plug | |
| 87 | 1001161101 | 1 | Plug | |
| 88 | 1001161957 | 1 | Connector | |
| 89 | 1001161097 | 7 | Terminal | |
| 90 | 1001161100 | 17 | Plug | |
| 91 | 1001161101 | 8 | Plug | |
| 92 | 1001160509 | 1 | Connector | |
| 93 | 1001160510 | 1 | Terminal | |
| 94 | 1001175267 | 1 | Seal | |
| 95 | 1001187076 | 1 | Ring, Terminal | |

SECTION 10 - ELECTRICAL

FIGURE 10-73. ENGINE CHASSIS HARNESS (ULS)



SECTION 10 - ELECTRICAL

FIGURE 10-73. ENGINE CHASSIS HARNESS (ULS)

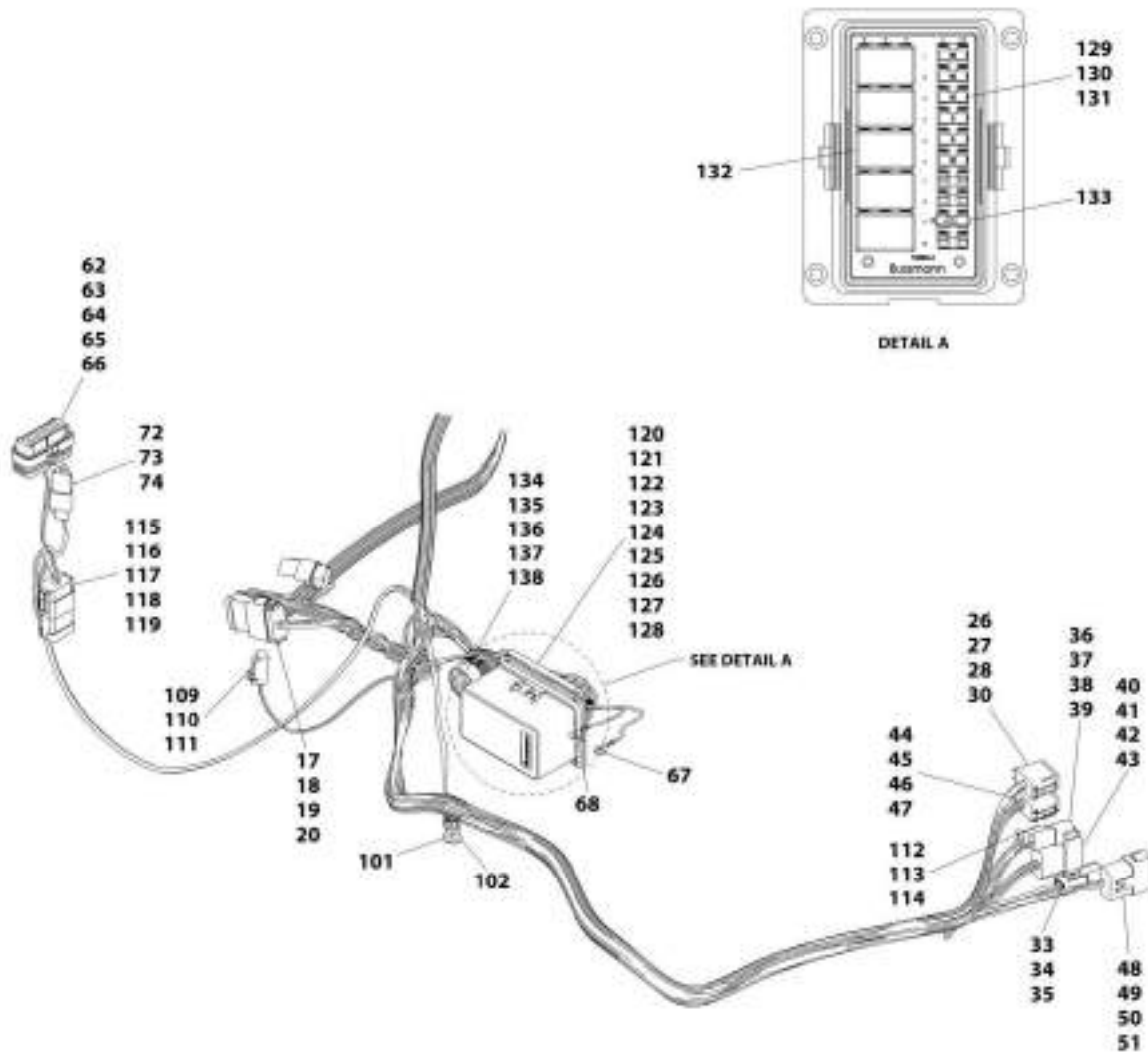
| ITEM | PART NUMBER | QTY | DESCRIPTION | REV |
|------|-------------|-----|------------------------------|-----|
| | 1001173091 | Ref | Engine Chassis Harness (ULS) | G |
| 1 | 4460982 | 1 | Connector | |
| 2 | 80363179 | 1 | Lock, Connector | |
| 3 | 4460464 | 11 | Terminal | |
| 4 | 4460466 | 1 | Plug | |
| 5 | 1001152742 | 1 | Connector | |
| 6 | 80363179 | 1 | Lock, Connector | |
| 7 | 4460464 | 10 | Terminal | |
| 8 | 4460466 | 2 | Plug | |
| 9 | 1001187077 | 1 | Terminal, Ring | |
| 10 | 4460884 | 1 | Connector | |
| 11 | 80604021 | 1 | Lock, Connector | |
| 12 | 4460465 | 4 | Terminal | |
| 13 | 1001167528 | 1 | Connector | |
| 14 | 1001166704 | 4 | Terminal | |
| 15 | 1001137578 | 4 | Seal, Terminal | |
| 16 | 4460930 | 1 | Connector | |
| 17 | 80604025 | 1 | Lock, Connector | |
| 18 | 4460465 | 8 | Terminal | |
| 19 | 1001167620 | 1 | Connector | |
| 20 | 1001176004 | 2 | Terminal | |
| 21 | 1001167624 | 2 | Plug | |
| 22 | 4460539 | 1 | Connector | |
| 23 | 77363244 | 1 | Lock, Connector | |
| 24 | 4460944 | 2 | Terminal | |
| 25 | 4460466 | 1 | Plug | |
| 26 | 1001116812 | 1 | Connector | |
| 27 | 91554019 | 1 | Lock, Connector | |
| 28 | 4460944 | 2 | Terminal | |
| 29 | 4460466 | 1 | Plug | |
| 30 | 1001165194 | 1 | Connector | |
| 31 | 1001166703 | 10 | Terminal | |
| 32 | 1001126393 | 10 | Seal, Terminal | |
| 33 | 1001126391 | 2 | Plug | |
| 34 | 4460891 | 1 | Connector | |
| 35 | 80604018 | 1 | Lock, Connector | |
| 36 | 4460465 | 2 | Terminal | |
| 37 | 4460894 | 1 | Connector | |
| 38 | 91504107 | 1 | Lock, Connector | |
| 39 | 4460465 | 4 | Terminal | |
| 40 | 4460466 | 2 | Plug | |
| 41 | 1001187077 | 1 | Terminal, Ring | |
| 42 | 4460891 | 1 | Connector | |
| 43 | 80604018 | 1 | Lock, Connector | |
| 44 | 4460465 | 2 | Terminal | |
| 45 | 4460891 | 1 | Connector | |
| 46 | 80604018 | 1 | Lock, Connector | |
| 47 | 4460465 | 2 | Terminal | |
| 48 | 1001176935 | 1 | Connector | |
| 49 | 1001166704 | 4 | Terminal | |

SECTION 10 - ELECTRICAL

| ITEM | PART NUMBER | QTY | DESCRIPTION | REV |
|------|-------------|-----|----------------|-----|
| 50 | 1001137578 | 4 | Seal, Terminal | |

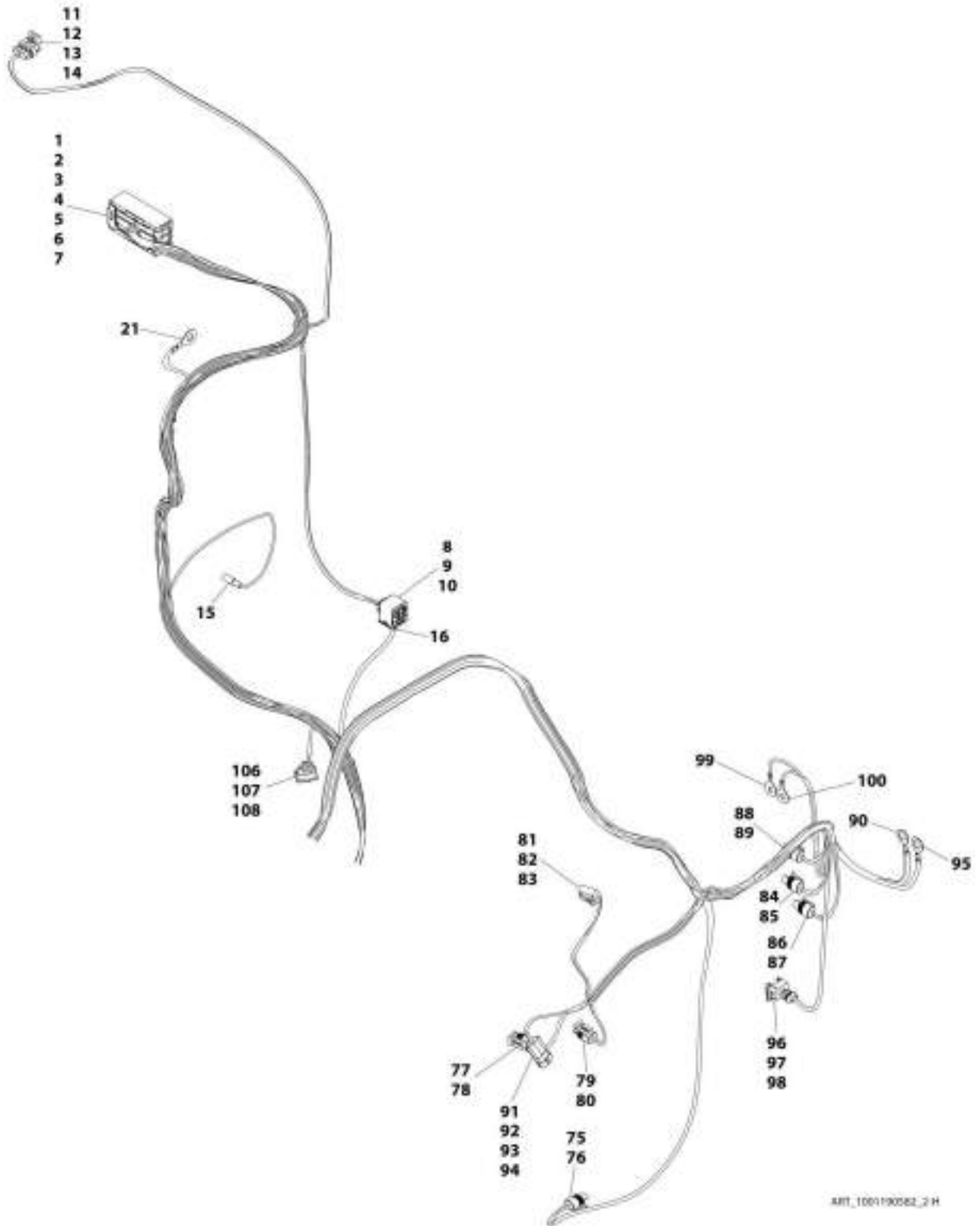
SECTION 10 - ELECTRICAL

FIGURE 10-74. ENGINE HARNESS (ULS) (Prior to SN 0160080782)



AWT_1001190582_1-H

SECTION 10 - ELECTRICAL



SECTION 10 - ELECTRICAL

FIGURE 10-74. ENGINE HARNESS (ULS) (Prior to SN 0160080782)

| ITEM | PART NUMBER | QTY | DESCRIPTION | REV |
|------|-------------|-----|------------------------|-----|
| | 1001190582 | Ref | Engine Harness (ULS) | H |
| 1 | 1001167641 | 1 | Connector | |
| 2 | 1001167648 | 9 | Terminal | |
| 3 | 1001167649 | 30 | Terminal | |
| 4 | 1001167650 | 59 | Plug | |
| 5 | 1001167643 | 1 | Cover | |
| 6 | 1001167644 | 1 | Lock, Connector | |
| 7 | 1001167647 | 1 | Boot, Rubber Connector | |
| 8 | 1001176935 | 1 | Connector | |
| 9 | 1001166704 | 4 | Terminal | |
| 10 | 4461006 | 4 | Seal | |
| 11 | 1001125027 | 1 | Connector | |
| 12 | 70026217 | 1 | Lock, Connector | |
| 13 | 8220124 | 3 | Terminal | |
| 14 | 4460608 | 3 | Seal | |
| 15 | 1001117125 | 1 | Terminal, Snap Plug | |
| 16 | 1001197407 | 1 | Ring, Terminal | |
| 17 | 4460933 | 1 | Connector | |
| 18 | 4460465 | 8 | Terminal | |
| 19 | 4460466 | 4 | Plug | |
| 20 | 80604016 | 1 | Lock, Connector | |
| 21 | 1001187070 | 1 | Ring, Terminal | |
| 26 | 4460934 | 1 | Connector | |
| 27 | 80604016 | 1 | Lock, Connector | |
| 28 | 4460465 | 10 | Terminal | |
| 30 | 4460466 | 2 | Plug | |
| 33 | 1001116811 | 1 | Connector | |
| 34 | 4460508 | 3 | Terminal | |
| 35 | 1001150610 | 1 | Terminal | |
| 36 | 1001144147 | 1 | Connector | |
| 37 | 91554022 | 1 | Lock, Connector | |
| 38 | 4460464 | 2 | Terminal | |
| 39 | 4460466 | 1 | Plug | |
| 40 | 4460950 | 1 | Connector | |
| 41 | 80363179 | 1 | Lock, Connector | |
| 42 | 4460464 | 9 | Terminal | |
| 43 | 4460466 | 3 | Plug | |
| 44 | 4460935 | 1 | Connector | |
| 45 | 80604016 | 1 | Lock, Connector | |
| 46 | 4460465 | 11 | Terminal | |
| 47 | 4460466 | 1 | Plug | |
| 48 | 4460970 | 1 | Connector | |
| 49 | 80604015 | 1 | Lock, Connector | |
| 50 | 4460464 | 7 | Terminal | |
| 51 | 4460466 | 5 | Plug | |
| 62 | 1001125083 | 1 | Connector | |
| 63 | 1001195782 | 7 | Plug | |
| 64 | 1001195781 | 15 | Plug | |
| 65 | 1001125085 | 1 | Terminal | |
| 66 | 1001125089 | 1 | Terminal | |

SECTION 10 - ELECTRICAL

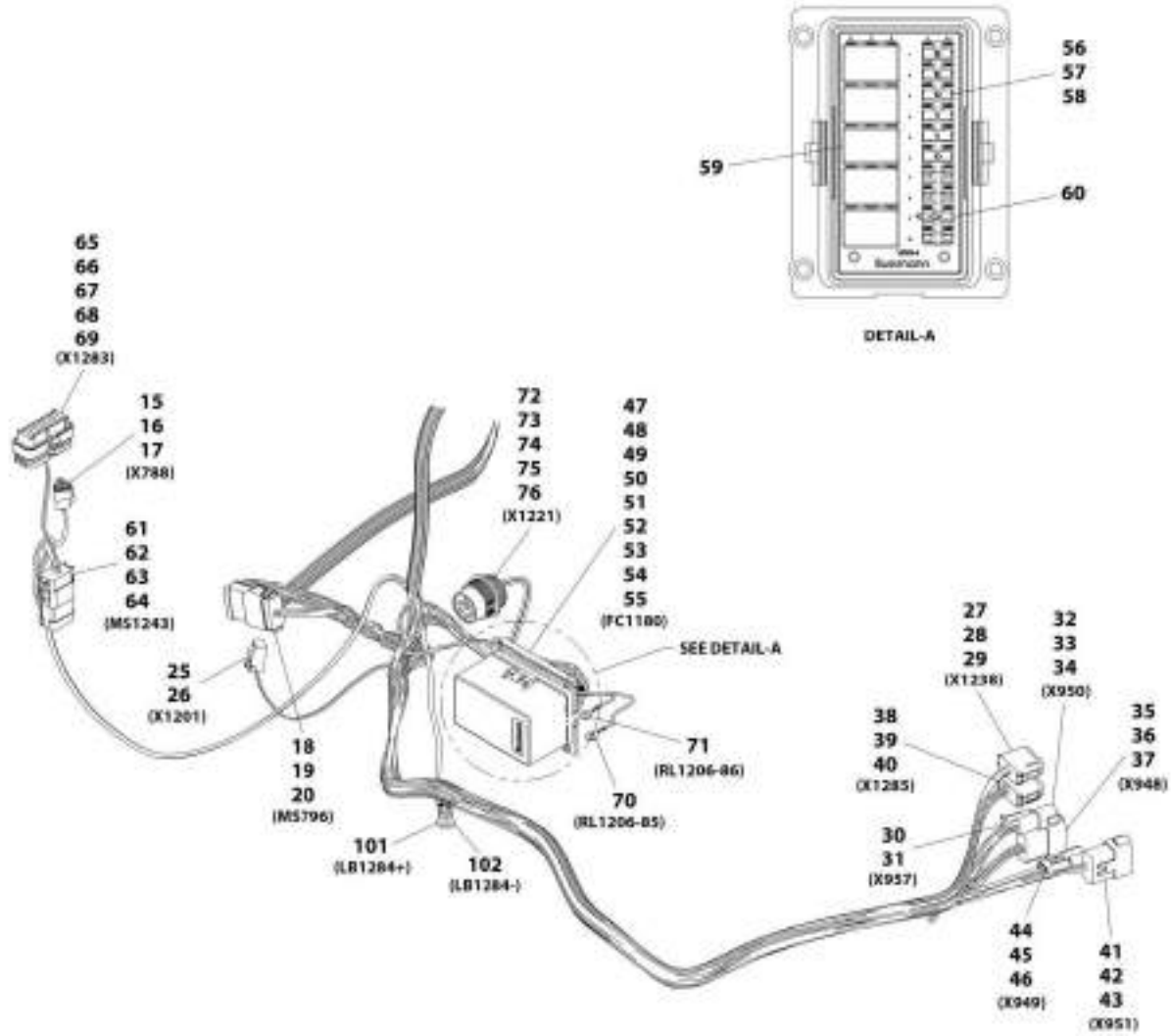
| ITEM | PART NUMBER | QTY | DESCRIPTION | REV |
|------|-------------|-----|---------------------|-----|
| 67 | 1001187070 | 1 | Ring, Terminal | |
| 68 | 1001187070 | 1 | Ring, Terminal | |
| 72 | 4461095 | 1 | Connector | |
| 73 | 4460944 | 2 | Terminal | |
| 74 | 4460466 | 1 | Plug | |
| 75 | 4460955 | 1 | Connector | |
| 76 | 1001116748 | 2 | Terminal | |
| 77 | 4460955 | 1 | Connector | |
| 78 | 1001116748 | 2 | Terminal | |
| 79 | 4460955 | 1 | Connector | |
| 80 | 1001116748 | 2 | Terminal | |
| 81 | 4460891 | 1 | Connector | |
| 82 | 80604018 | 1 | Lock, Connector | |
| 83 | 4460465 | 2 | Terminal | |
| 84 | 4460955 | 1 | Connector | |
| 85 | 1001116748 | 2 | Terminal | |
| 86 | 4460955 | 1 | Connector | |
| 87 | 1001116748 | 2 | Terminal | |
| 88 | 4460955 | 1 | Connector | |
| 89 | 1001116748 | 2 | Terminal | |
| 90 | 1001187080 | 1 | Ring, Terminal | |
| 91 | 1001117073 | 1 | Connector | |
| 92 | 70022741 | 1 | Lock, Connector | |
| 93 | 1001116749 | 2 | Terminal | |
| 94 | 4460608 | 2 | Seal | |
| 95 | 1001187079 | 1 | Ring, Terminal | |
| 96 | 1001190322 | 1 | Connector | |
| 97 | 4461005 | 2 | Terminal | |
| 98 | 4461054 | 2 | Seal | |
| 99 | 1001207171 | 1 | Ring, Terminal | |
| 100 | 1001207171 | 1 | Ring, Terminal | |
| 101 | 8220108 | 1 | Connector, Female | |
| 102 | 8220108 | 1 | Connector, Female | |
| 106 | 1001126487 | 1 | Connector | |
| 107 | 1001167656 | 2 | Terminal | |
| 108 | 1001167657 | 2 | Seal | |
| 109 | 4460891 | 1 | Connector | |
| 110 | 4460465 | 2 | Terminal | |
| 111 | 80604018 | 1 | Lock, Connector | |
| 112 | 4460891 | 1 | Connector | |
| 113 | 4460465 | 2 | Terminal | |
| 114 | 80604018 | 1 | Lock, Connector | |
| 115 | 4460930 | 1 | Connector | |
| 116 | 80604025 | 1 | Lock, Connector | |
| 117 | 4460465 | 6 | Terminal | |
| 118 | 4460466 | 2 | Plug | |
| 119 | 4460984 | 1 | Bussbar | |
| 120 | 1001167616 | 1 | Connector | |
| 121 | 1001190921 | 1 | Seal, Foam Fuse Box | |
| 122 | 8220098 | 3 | Terminal | |
| 123 | 4460789 | 9 | Seal | |

SECTION 10 - ELECTRICAL

| ITEM | PART NUMBER | QTY | DESCRIPTION | REV |
|------|-------------|-----|--------------|-----|
| 124 | 8220097 | 29 | Terminal | |
| 125 | 4460458 | 23 | Seal | |
| 126 | 4460748 | 11 | Plug | |
| 127 | 1001116725 | 2 | Terminal | |
| 128 | 80963067 | 2 | Plug | |
| 129 | 8229244 | 2 | Fuse, 15amp | |
| 130 | 80983191 | 2 | Fuse, 10amp | |
| 131 | 8229242 | 2 | Fuse, 5amp | |
| 132 | 1001205172 | 5 | Relay, 35amp | |
| 133 | 1001177597 | 1 | Diode, 6amp | |
| 134 | 1001112612 | 1 | Connector | |
| 135 | 4469464 | 4 | Terminal | |
| 136 | 4460466 | 5 | Plug | |
| 137 | 4460497 | 1 | Nut | |
| 138 | 4460496 | 1 | Washer, Lock | |

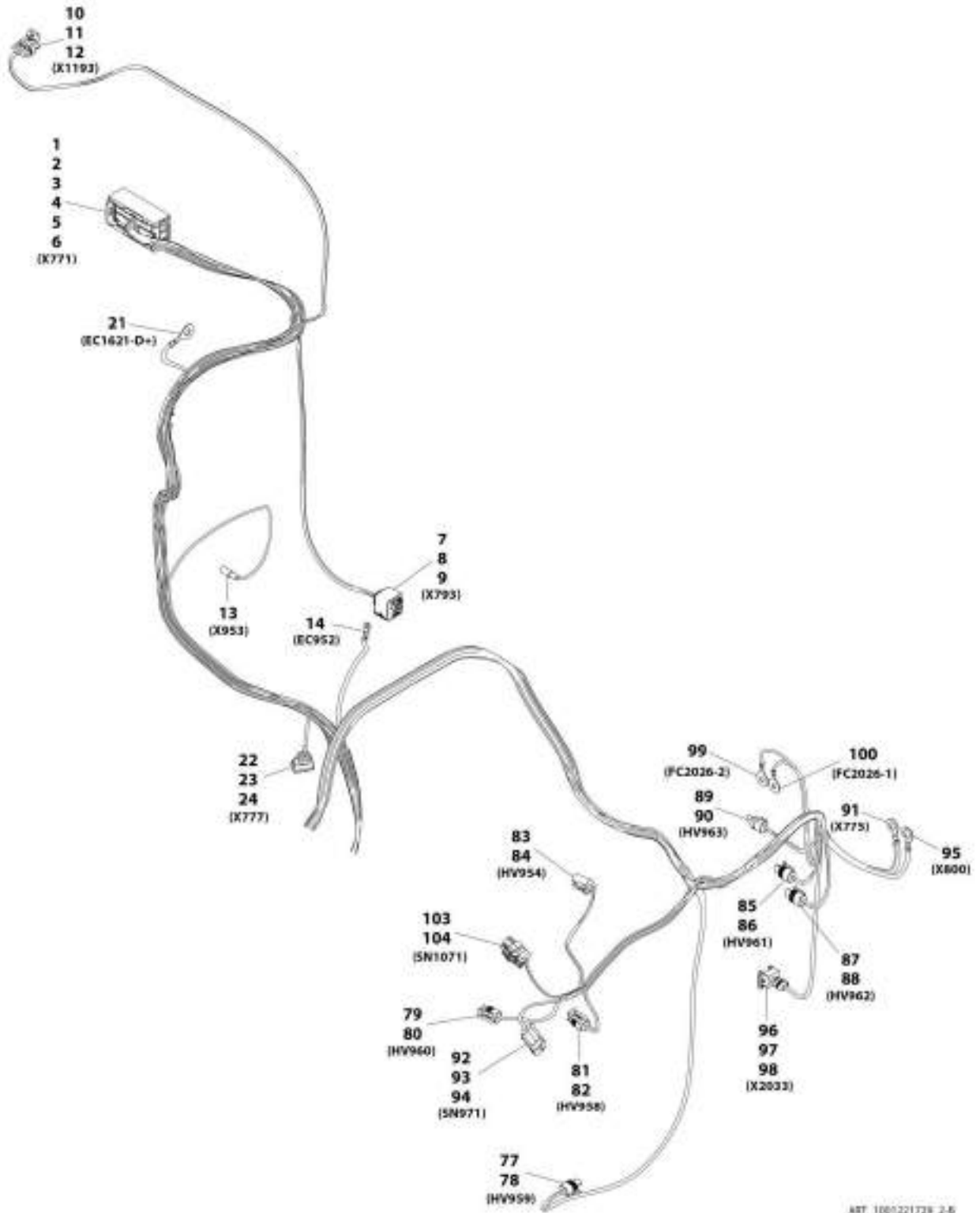
SECTION 10 - ELECTRICAL

FIGURE 10-75. ENGINE HARNESS (ULS) (SN 0160080782 to Present)



ART. 1001221728_1-B

SECTION 10 - ELECTRICAL



SECTION 10 - ELECTRICAL

FIGURE 10-75. ENGINE HARNESS (ULS) (SN 0160080782 to Present)

| ITEM | PART NUMBER | QTY | DESCRIPTION | REV |
|------|-------------|-----|--------------------------------------|-----|
| | 1001221729 | Ref | Engine Harness (if equipped for ULS) | B |
| 1 | 1001167641 | 1 | Connector | |
| 2 | 1001167648 | 9 | Terminal | |
| 3 | 1001167649 | 30 | Terminal | |
| 4 | 1001167650 | 59 | Plug | |
| 5 | 1001167643 | 1 | Cover | |
| 6 | 1001167647 | 1 | Boot, Rubber Connector | |
| 7 | 1001176935 | 1 | Connector | |
| 8 | 1001166704 | 4 | Terminal | |
| 9 | 4461006 | 4 | Seal | |
| 10 | 1001125027 | 1 | Connector | |
| 11 | 8220124 | 3 | Terminal | |
| 12 | 4460608 | 3 | Seal | |
| 13 | 1001117125 | 1 | Terminal, Snap Plug | |
| 14 | 1001197407 | 1 | Ring, Terminal | |
| 15 | 4461095 | 1 | Connector | |
| 16 | 4460944 | 2 | Terminal | |
| 17 | 4460466 | 1 | Plug | |
| 18 | 4460933 | 1 | Connector | |
| 19 | 4460465 | 8 | Terminal | |
| 20 | 4460466 | 4 | Plug | |
| 21 | 1001187070 | 1 | Ring, Terminal | |
| 22 | 1001126487 | 1 | Connector | |
| 23 | 1001167656 | 2 | Terminal | |
| 24 | 1001167657 | 2 | Seal | |
| 25 | 4460891 | 1 | Connector | |
| 26 | 4460465 | 2 | Terminal | |
| 27 | 4460934 | 1 | Connector | |
| 28 | 4460465 | 10 | Terminal | |
| 29 | 4460466 | 2 | Plug | |
| 30 | 4460891 | 1 | Connector | |
| 31 | 4460465 | 2 | Terminal | |
| 32 | 1001144147 | 1 | Connector | |
| 33 | 4460464 | 2 | Terminal | |
| 34 | 4460466 | 1 | Plug | |
| 35 | 4460950 | 1 | Connector | |
| 36 | 4460464 | 9 | Terminal | |
| 37 | 4460466 | 3 | Plug | |
| 38 | 4460935 | 1 | Connector | |
| 39 | 4460465 | 11 | Terminal | |
| 40 | 4460466 | 1 | Plug | |
| 41 | 4460970 | 1 | Connector | |
| 42 | 4460464 | 8 | Terminal | |
| 43 | 4460466 | 4 | Plug | |
| 44 | 1001116811 | 1 | Connector | |
| 45 | 4460508 | 3 | Terminal | |
| 46 | 1001150610 | 1 | Terminal | |
| 47 | 4460466 | 1 | Connector | |
| 48 | 1001190921 | 1 | Seal, Foam Fuse Box | |
| 49 | 8220098 | 3 | Terminal | |

SECTION 10 - ELECTRICAL

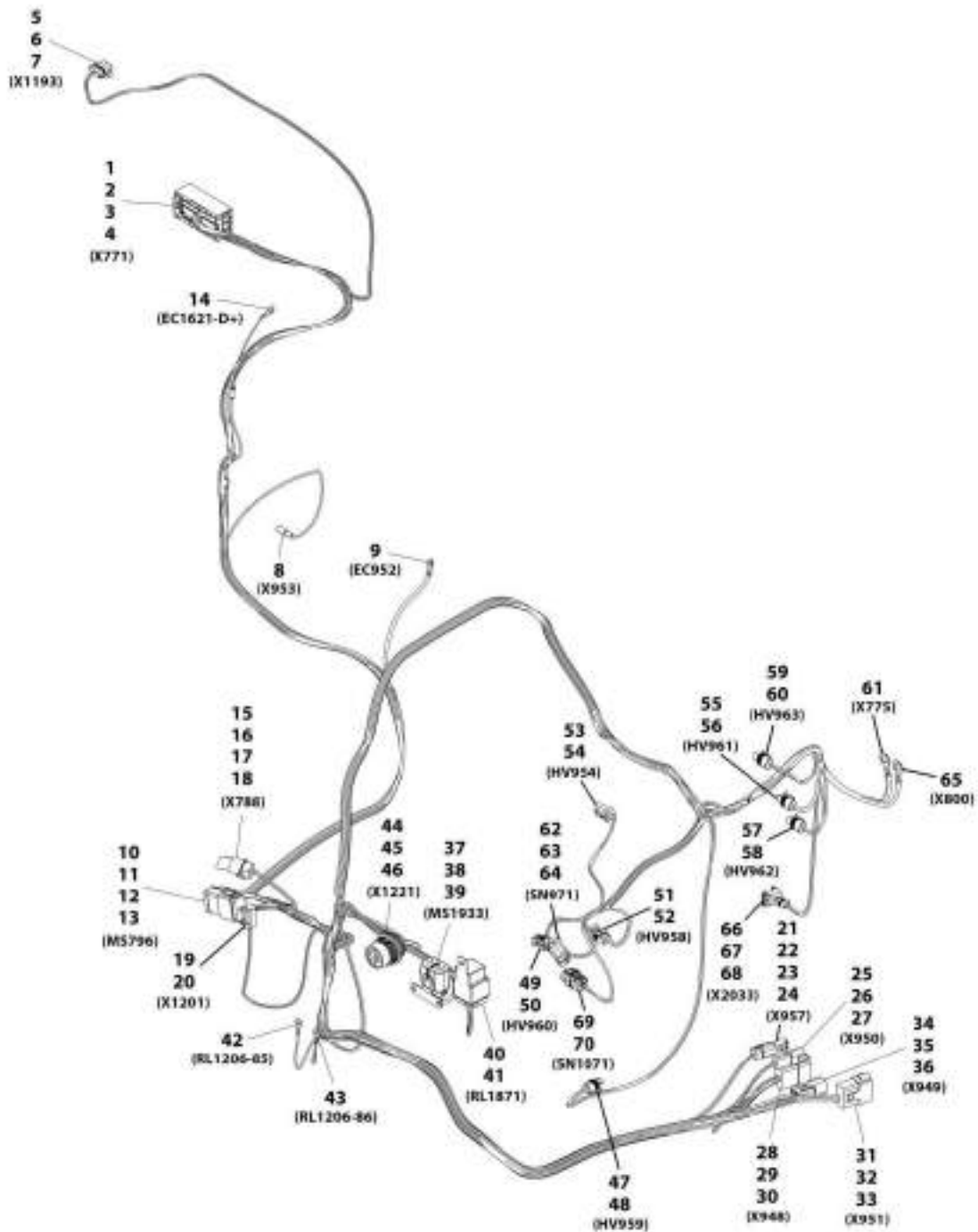
| ITEM | PART NUMBER | QTY | DESCRIPTION | REV |
|------|-------------|-----|----------------|-----|
| 50 | 4460789 | 9 | Seal | |
| 51 | 8220097 | 29 | Terminal | |
| 52 | 4460458 | 23 | Seal | |
| 53 | 4460748 | 11 | Plug | |
| 54 | 1001116725 | 2 | Terminal | |
| 55 | 80963067 | 2 | Plug | |
| 56 | 8229244 | 2 | Fuse, 15amp | |
| 57 | 80983191 | 2 | Fuse, 10amp | |
| 58 | 8229242 | 2 | Fuse, 5amp | |
| 59 | 1001205172 | 5 | Relay, 35amp | |
| 60 | 1001177597 | 1 | Diode, 6amp | |
| 61 | 4460930 | 1 | Connector | |
| 62 | 4460465 | 6 | Terminal | |
| 63 | 4460466 | 2 | Plug | |
| 64 | 4460984 | 1 | Bussbar | |
| 65 | 1001125083 | 1 | Connector | |
| 66 | 1001195782 | 7 | Plug | |
| 67 | 1001195781 | 14 | Plug | |
| 68 | 1001125085 | 2 | Terminal | |
| 69 | 1001125089 | 1 | Terminal | |
| 70 | 1001187070 | 1 | Ring, Terminal | |
| 71 | 1001187070 | 1 | Ring, Terminal | |
| 72 | 1001112612 | 1 | Connector | |
| 73 | 4469464 | 4 | Terminal | |
| 74 | 4460466 | 5 | Plug | |
| 75 | 4460497 | 1 | Nut | |
| 76 | 4460496 | 1 | Lockwasher | |
| 77 | 4460955 | 1 | Connector | |
| 78 | 1001116748 | 2 | Terminal | |
| 79 | 4460955 | 1 | Connector | |
| 80 | 1001116748 | 2 | Terminal | |
| 81 | 4460955 | 1 | Connector | |
| 82 | 1001116748 | 2 | Terminal | |
| 83 | 4460891 | 1 | Connector | |
| 84 | 4460465 | 2 | Terminal | |
| 85 | 4460955 | 1 | Connector | |
| 86 | 1001116748 | 2 | Terminal | |
| 87 | 4460955 | 1 | Connector | |
| 88 | 1001116748 | 2 | Terminal | |
| 89 | 4460955 | 1 | Connector | |
| 90 | 1001116748 | 2 | Terminal | |
| 91 | 1001187080 | 1 | Ring, Terminal | |
| 92 | 1001117073 | 1 | Connector | |
| 93 | 1001116749 | 2 | Terminal | |
| 94 | 4460608 | 2 | Seal | |
| 95 | 1001187079 | 1 | Ring, Terminal | |
| 96 | 1001190322 | 1 | Connector | |
| 97 | 4461005 | 2 | Terminal | |
| 98 | 4461054 | 2 | Seal | |
| 99 | 1001207171 | 1 | Ring, Terminal | |
| 100 | 1001207171 | 1 | Ring, Terminal | |

SECTION 10 - ELECTRICAL

| ITEM | PART NUMBER | QTY | DESCRIPTION | REV |
|------|-------------|-----|-------------------|-----|
| 101 | 8220108 | 1 | Connector, Female | |
| 102 | 8220108 | 1 | Connector, Female | |
| 103 | 1001116950 | 1 | Connector | |
| 104 | 4460465 | 2 | Terminal | |

SECTION 10 - ELECTRICAL

FIGURE 10-76. ENGINE HARNESS, 74HP (ULS) (943)



ART_100122907-A

SECTION 10 - ELECTRICAL

FIGURE 10-76. ENGINE HARNESS, 74HP (ULS) (943)

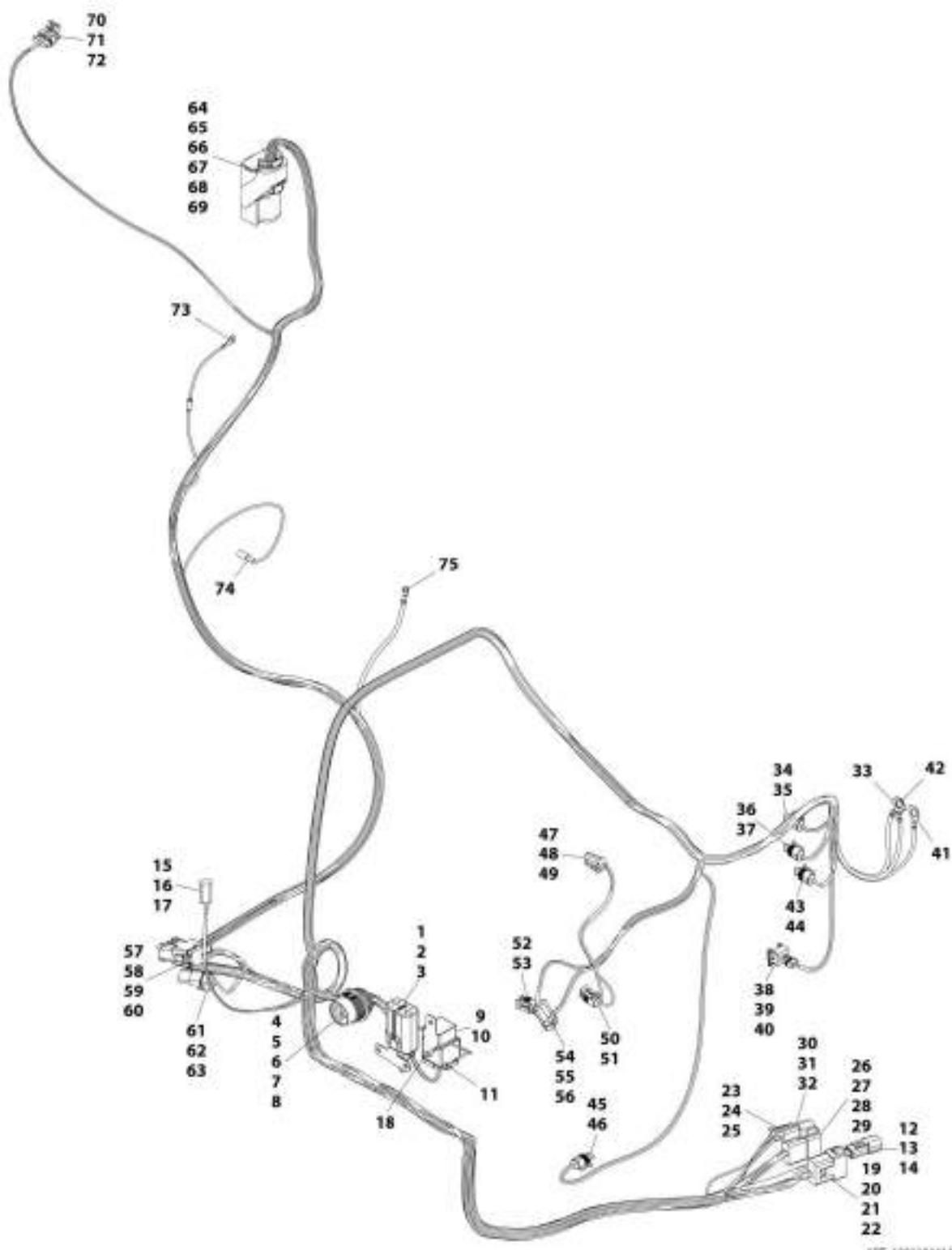
| ITEM | PART NUMBER | QTY | DESCRIPTION | REV |
|------|-------------|-----|----------------------------------|-----|
| | 1001225067 | Ref | Engine Harness, 74HP (ULS) (943) | A |
| 1 | 1001167641 | 1 | Connector | |
| 2 | 1001167648 | 9 | Terminal | |
| 3 | 1001167650 | 76 | Plug | |
| 4 | 1001167649 | 11 | Terminal | |
| 5 | 1001125027 | 1 | Connector | |
| 6 | 8220124 | 3 | Terminal | |
| 7 | 4460608 | 3 | Seal | |
| 8 | 1001117125 | 1 | Terminal, Snap Plug | |
| 9 | 1001197407 | 1 | Ring, Terminal | |
| 10 | 4460933 | 1 | Connector | |
| 11 | 1001125677 | 1 | Terminal | |
| 12 | 4460465 | 8 | Terminal | |
| 13 | 4460466 | 4 | Plug | |
| 14 | 1001187070 | 1 | Ring, Terminal | |
| 15 | 4461095 | 1 | Connector | |
| 16 | 4461070 | 1 | Terminal | |
| 17 | 4460944 | 2 | Terminal | |
| 18 | 4460466 | 1 | Plug | |
| 19 | 4460891 | 1 | Connector | |
| 20 | 4460465 | 2 | Terminal | |
| 21 | 4460891 | 1 | Connector | |
| 22 | 4460897 | 1 | Terminal | |
| 23 | 4460466 | 1 | Plug | |
| 24 | 4460465 | 2 | Terminal | |
| 25 | 1001144147 | 1 | Connector | |
| 26 | 4460464 | 2 | Terminal | |
| 27 | 4460466 | 1 | Plug | |
| 28 | 4460950 | 1 | Connector | |
| 29 | 4460464 | 9 | Terminal | |
| 30 | 4460466 | 3 | Plug | |
| 31 | 4460970 | 1 | Connector | |
| 32 | 4460464 | 8 | Terminal | |
| 33 | 4460466 | 4 | Plug | |
| 34 | 1001116811 | 1 | Connector | |
| 35 | 4460508 | 3 | Terminal | |
| 36 | 1001150610 | 1 | Terminal | |
| 37 | 80484081 | 1 | Connector | |
| 38 | 4460746 | 8 | Terminal | |
| 39 | 1001175265 | 8 | Seal | |
| 40 | 1001145707 | 1 | Connector | |
| 41 | 1001116732 | 4 | Terminal | |
| 42 | 1001187070 | 1 | Ring, Terminal | |
| 43 | 1001187070 | 1 | Ring, Terminal | |
| 44 | 1001112612 | 1 | Connector | |
| 45 | 4460464 | 4 | Terminal | |
| 46 | 4460466 | 5 | Plug | |
| 47 | 4460955 | 1 | Connector | |
| 48 | 1001116748 | 2 | Terminal | |
| 49 | 4460955 | 1 | Connector | |

SECTION 10 - ELECTRICAL

| ITEM | PART NUMBER | QTY | DESCRIPTION | REV |
|------|-------------|-----|----------------|-----|
| 50 | 1001116748 | 2 | Terminal | |
| 51 | 4460955 | 1 | Connector | |
| 52 | 1001116748 | 2 | Terminal | |
| 53 | 4460891 | 1 | Connector | |
| 54 | 4460465 | 2 | Terminal | |
| 55 | 4460955 | 1 | Connector | |
| 56 | 1001116748 | 2 | Terminal | |
| 57 | 4460955 | 1 | Connector | |
| 58 | 1001116748 | 2 | Terminal | |
| 59 | 4460955 | 1 | Connector | |
| 60 | 1001116748 | 2 | Terminal | |
| 61 | 1001187080 | 1 | Ring, Terminal | |
| 62 | 1001117073 | 1 | Connector | |
| 63 | 1001116749 | 2 | Terminal | |
| 64 | 4460608 | 2 | Seal | |
| 65 | 1001187079 | 1 | Ring, Terminal | |
| 66 | 1001190322 | 1 | Connector | |
| 67 | 4461005 | 2 | Terminal | |
| 68 | 4461054 | 2 | Seal | |
| 69 | 1001116950 | 1 | Connector | |
| 70 | 4460465 | 2 | Terminal | |

SECTION 10 - ELECTRICAL

FIGURE 10-77. ENGINE HARNESS (LS) (Prior to SN 0160080782)



ART_1001384414-1

SECTION 10 - ELECTRICAL

FIGURE 10-77. ENGINE HARNESS (LS) (Prior to SN 0160080782)

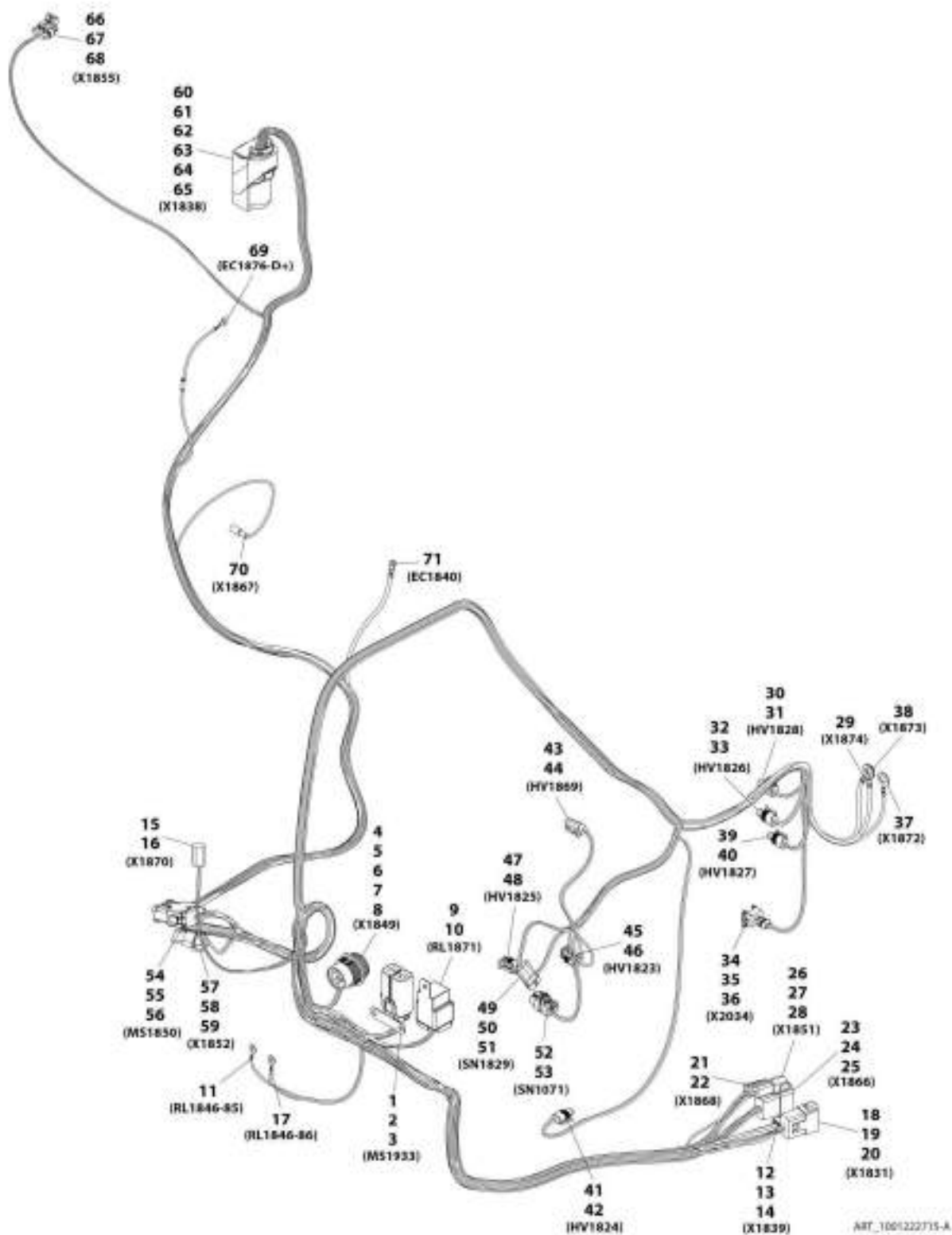
| ITEM | PART NUMBER | QTY | DESCRIPTION | REV |
|------|-------------|-----|---------------------|-----|
| | 1001184414 | Ref | Engine Harness (LS) | I |
| 1 | 1001184551 | 1 | Connector | |
| 2 | 1001116728 | 8 | Terminal | |
| 3 | 1001175265 | 8 | Seal | |
| 4 | 1001112612 | 1 | Connector | |
| 5 | 4460466 | 4 | Terminal | |
| 6 | 4460466 | 5 | Plug | |
| 7 | 4460497 | 1 | Nut | |
| 8 | 4460496 | 1 | Washer, Lock | |
| 9 | 1001145707 | 1 | Connector | |
| 10 | 1001116732 | 4 | Terminal | |
| 11 | 1001187070 | 1 | Ring, Terminal | |
| 12 | 1001116811 | 1 | Connector | |
| 13 | 4460508 | 3 | Terminal | |
| 14 | 1001150610 | 1 | Terminal | |
| 15 | 4460891 | 1 | Connector | |
| 16 | 4460465 | 2 | Terminal | |
| 17 | 80604018 | 1 | Lock, Connector | |
| 18 | 1001187070 | 1 | Ring, Terminal | |
| 19 | 4460970 | 1 | Connector | |
| 20 | 4460464 | 7 | Terminal | |
| 21 | 4460466 | 5 | Plug | |
| 22 | 80604015 | 1 | Lock, Connector | |
| 23 | 4460891 | 1 | Connector | |
| 24 | 4460465 | 2 | Terminal | |
| 25 | 80604018 | 1 | Lock, Connector | |
| 26 | 4460950 | 1 | Connector | |
| 27 | 4460464 | 9 | Terminal | |
| 28 | 4460466 | 3 | Plug | |
| 29 | 80604015 | 1 | Lock, Connector | |
| 30 | 1001144147 | 1 | Connector | |
| 31 | 4460464 | 2 | Terminal | |
| 32 | 4460466 | 1 | Plug | |
| 33 | 1001187079 | 1 | Ring, Terminal | |
| 34 | 4460955 | 1 | Connector | |
| 35 | 1001116748 | 2 | Terminal | |
| 36 | 4460955 | 1 | Connector | |
| 37 | 1001116748 | 2 | Terminal | |
| 38 | 1001190322 | 1 | Connector | |
| 39 | 4461005 | 2 | Terminal | |
| 40 | 4461054 | 2 | Seal | |
| 41 | 1001187078 | 1 | Ring, Terminal | |
| 42 | 1001187079 | 1 | Ring, Terminal | |
| 43 | 4460955 | 1 | Connector | |
| 44 | 1001116748 | 2 | Terminal | |
| 45 | 4460955 | 1 | Connector | |
| 46 | 1001116748 | 2 | Terminal | |
| 47 | 4460891 | 1 | Connector | |
| 48 | 4460465 | 2 | Terminal | |
| 49 | 80604018 | 1 | Lock, Connector | |

SECTION 10 - ELECTRICAL

| ITEM | PART NUMBER | QTY | DESCRIPTION | REV |
|------|-------------|-----|---------------------|-----|
| 50 | 4460955 | 1 | Connector | |
| 51 | 1001116748 | 2 | Terminal | |
| 52 | 4460955 | 1 | Connector | |
| 53 | 1001116748 | 2 | Terminal | |
| 54 | 1001117073 | 1 | Connector | |
| 55 | 1001116749 | 2 | Terminal | |
| 56 | 4460608 | 2 | Seal | |
| 57 | 4460933 | 1 | Connector | |
| 58 | 4460944 | 8 | Terminal | |
| 59 | 4460466 | 4 | Plug | |
| 60 | 80604016 | 1 | Lock, Connector | |
| 61 | 4461095 | 1 | Connector | |
| 62 | 4460943 | 2 | Terminal | |
| 63 | 4460466 | 1 | Plug | |
| 64 | 1001126349 | 1 | Connector | |
| 65 | 1001185824 | 6 | Terminal | |
| 66 | 1001185823 | 11 | Terminal | |
| 67 | 1001126353 | 6 | Seal | |
| 68 | 1001126357 | 4 | Plug | |
| 69 | 1001126356 | 73 | Plug | |
| 70 | 1001125027 | 1 | Connector | |
| 71 | 8220124 | 3 | Terminal | |
| 72 | 4460608 | 3 | Seal | |
| 73 | 1001187070 | 1 | Ring, Terminal | |
| 74 | 1001117125 | 1 | Terminal, Snap Plug | |
| 75 | 1001197407 | 1 | Ring, Terminal | |

SECTION 10 - ELECTRICAL

FIGURE 10-78. ENGINE HARNESS (LS) (SN 0160080782 to Present)



SECTION 10 - ELECTRICAL

FIGURE 10-78. ENGINE HARNESS (LS) (SN 0160080782 to Present)

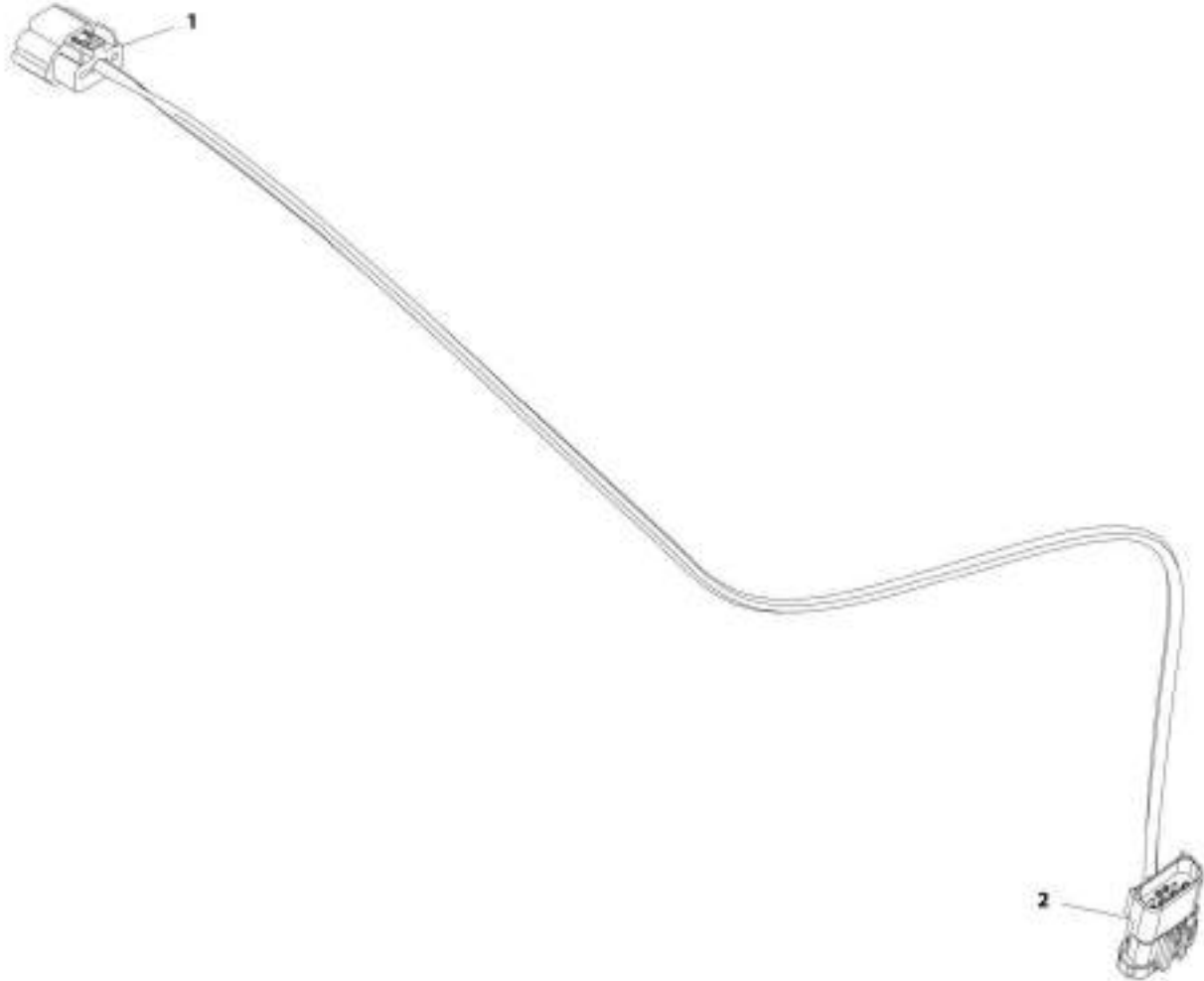
| ITEM | PART NUMBER | QTY | DESCRIPTION | REV |
|------|-------------|-----|---------------------|-----|
| | 1001222715 | Ref | Engine Harness (LS) | A |
| 1 | 1001184551 | 1 | Connector | |
| 2 | 1001116728 | 8 | Terminal | |
| 3 | 1001175265 | 8 | Seal | |
| 4 | 1001112612 | 1 | Connector | |
| 5 | 4460464 | 4 | Terminal | |
| 6 | 4460466 | 5 | Plug | |
| 7 | 4460497 | 1 | Nut | |
| 8 | 4460496 | 1 | Washer | |
| 9 | 1001145707 | 1 | Connector | |
| 10 | 1001116732 | 4 | Terminal | |
| 11 | 1001187070 | 1 | Ring, Terminal | |
| 12 | 1001116811 | 1 | Connector | |
| 13 | 4460508 | 3 | Terminal | |
| 14 | 1001150610 | 1 | Terminal | |
| 15 | 4460891 | 1 | Connector | |
| 16 | 4460465 | 2 | Terminal | |
| 17 | 1001187070 | 1 | Ring, Terminal | |
| 18 | 4460970 | 1 | Connector | |
| 19 | 4460464 | 8 | Terminal | |
| 20 | 4460466 | 4 | Plug | |
| 21 | 4460891 | 1 | Connector | |
| 22 | 4460465 | 2 | Terminal | |
| 23 | 4460950 | 1 | Connector | |
| 24 | 4460464 | 9 | Terminal | |
| 25 | 4460466 | 3 | Plug | |
| 26 | 1001144147 | 1 | Connector | |
| 27 | 4460464 | 2 | Terminal | |
| 28 | 4460466 | 1 | Plug | |
| 29 | 1001187079 | 1 | Ring, Terminal | |
| 30 | 4460955 | 1 | Connector | |
| 31 | 1001116748 | 2 | Terminal | |
| 32 | 4460955 | 1 | Connector | |
| 33 | 1001116748 | 2 | Terminal | |
| 34 | 1001190322 | 1 | Connector | |
| 35 | 4461005 | 2 | Terminal | |
| 36 | 4461054 | 2 | Seal | |
| 37 | 1001187078 | 1 | Ring, Terminal | |
| 38 | 1001187079 | 1 | Ring, Terminal | |
| 39 | 4460955 | 1 | Connector | |
| 40 | 1001116748 | 2 | Terminal | |
| 41 | 4460955 | 1 | Connector | |
| 42 | 1001116748 | 2 | Terminal | |
| 43 | 4460891 | 1 | Connector | |
| 44 | 4460465 | 2 | Terminal | |
| 45 | 4460955 | 1 | Connector | |
| 46 | 1001116748 | 2 | Terminal | |
| 47 | 4460955 | 1 | Connector | |
| 48 | 1001116748 | 2 | Terminal | |
| 49 | 1001117073 | 1 | Connector | |

SECTION 10 - ELECTRICAL

| ITEM | PART NUMBER | QTY | DESCRIPTION | REV |
|------|-------------|-----|---------------------|-----|
| 50 | 1001116749 | 2 | Terminal | |
| 51 | 4460608 | 2 | Seal | |
| 52 | 1001116950 | 1 | Connector | |
| 53 | 4460465 | 2 | Terminal | |
| 54 | 4460933 | 1 | Connector | |
| 55 | 4460465 | 8 | Terminal | |
| 56 | 4460466 | 4 | Plug | |
| 57 | 4461095 | 1 | Connector | |
| 58 | 4460943 | 2 | Terminal | |
| 59 | 4460466 | 1 | Plug | |
| 60 | 1001126349 | 1 | Connector | |
| 61 | 1001185824 | 6 | Terminal | |
| 62 | 1001185823 | 11 | Terminal | |
| 63 | 1001126353 | 6 | Seal | |
| 64 | 1001126357 | 4 | Plug | |
| 65 | 1001126356 | 73 | Plug | |
| 66 | 1001125027 | 1 | Connector | |
| 67 | 8220124 | 3 | Terminal | |
| 68 | 4460608 | 3 | Seal | |
| 69 | 1001187070 | 1 | Ring, Terminal | |
| 70 | 1001117125 | 1 | Terminal, Snap Plug | |
| 71 | 1001197407 | 1 | Ring, Terminal | |

SECTION 10 - ELECTRICAL

FIGURE 10-79. TBAP HARNESS



ART_1001104833-A

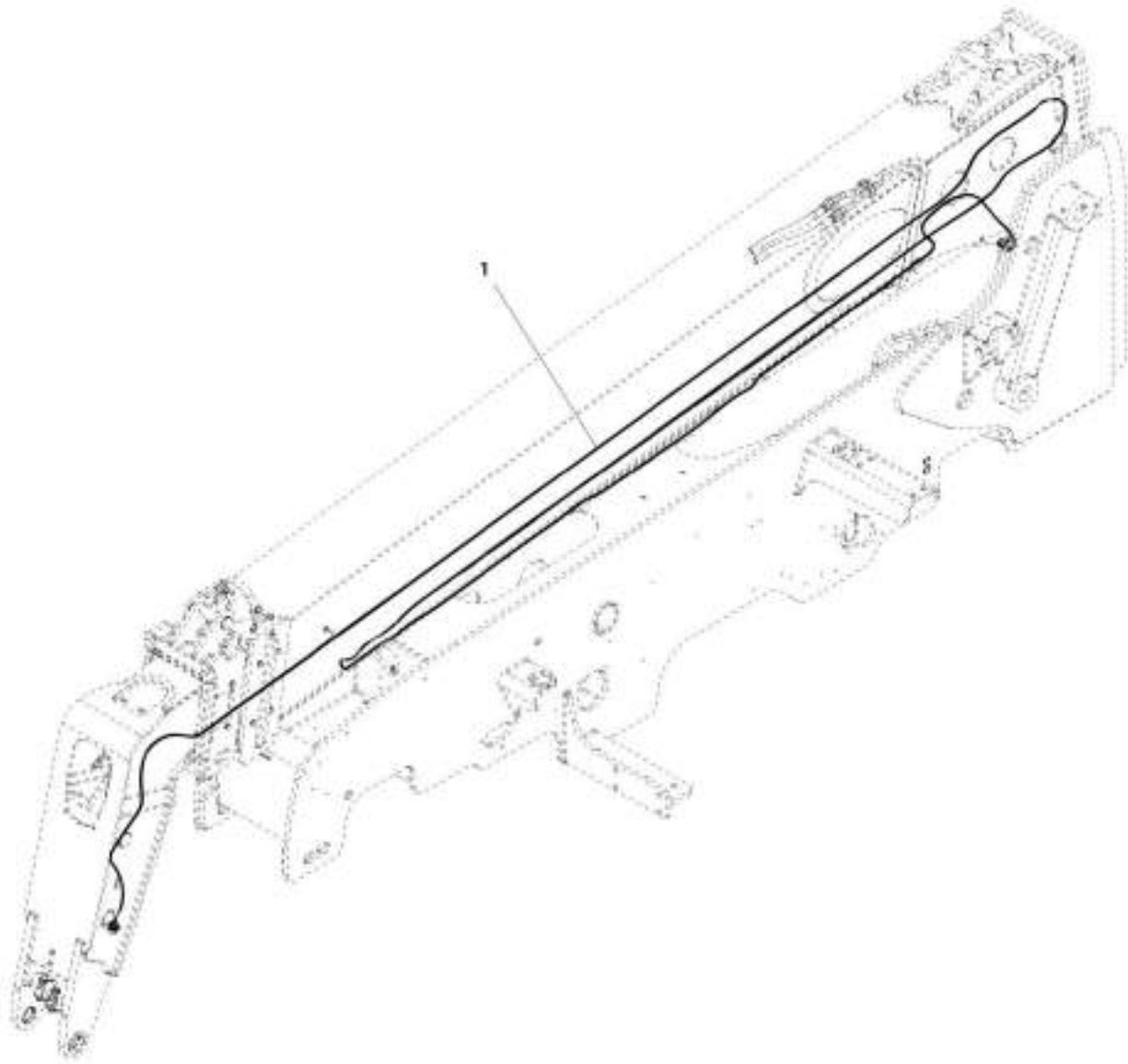
SECTION 10 - ELECTRICAL

FIGURE 10-79. TBAP HARNESS

| ITEM | PART NUMBER | QTY | DESCRIPTION | REV |
|------|-------------|-----|--------------|-----|
| 1 | 1001184835 | Ref | TBAP Harness | A |
| | 10011184495 | 1 | Connector | |
| | 1001184494 | 4 | Terminal | |
| | 1001184496 | 4 | Seal | |
| 2 | 1001184491 | 1 | Connector | |
| | 1001184493 | 4 | Terminal | |

SECTION 10 - ELECTRICAL

FIGURE 10-80. BOOM ELECTRICAL HARNESS INSTALLATION



ART_100174438-E

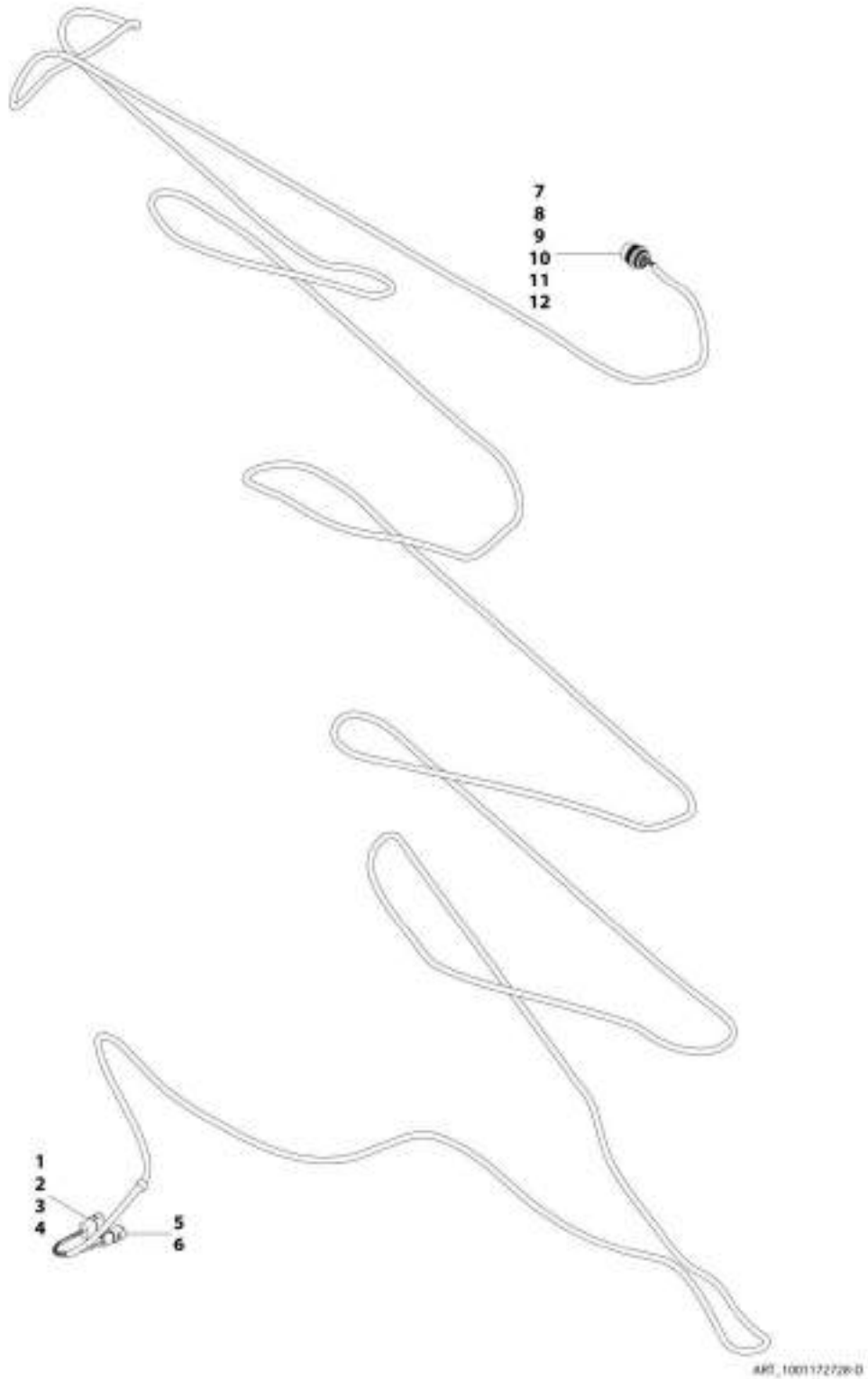
SECTION 10 - ELECTRICAL

FIGURE 10-80. BOOM ELECTRICAL HARNESS INSTALLATION

| ITEM | PART NUMBER | QTY | DESCRIPTION | REV |
|------|--------------------------|----------|--|-----|
| 1 | 1001174426 1001172728 | Ref 1 | Boom Electrical Harness Installation Harness, Boom (See BOOM HARNESS for Breakdown) | E |

SECTION 10 - ELECTRICAL

FIGURE 10-81. BOOM HARNESS



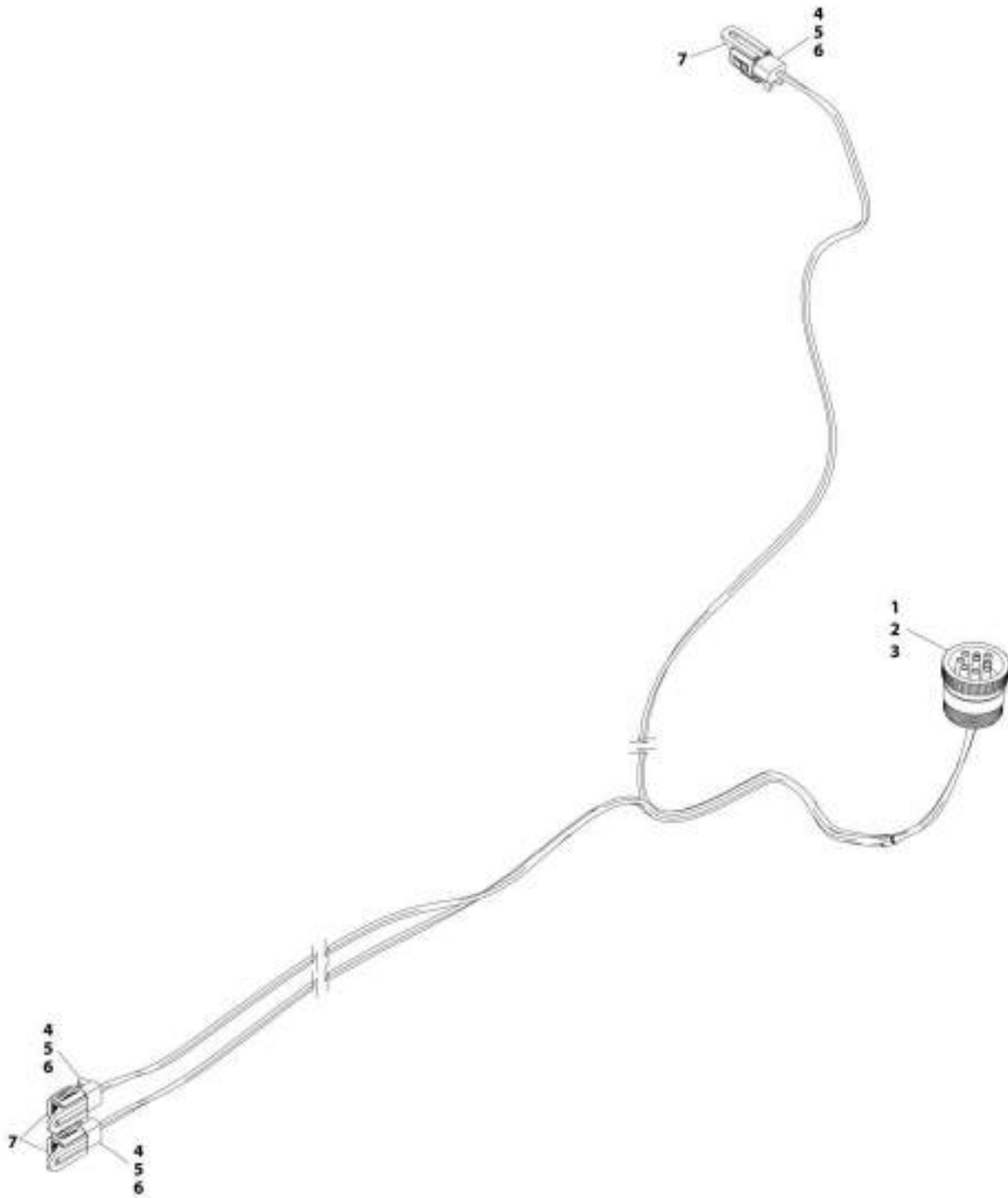
SECTION 10 - ELECTRICAL

FIGURE 10-81. BOOM HARNESS

| ITEM | PART NUMBER | QTY | DESCRIPTION | REV |
|------|-------------|-----|--------------|-----|
| | 1001172728 | Ref | Boom Harness | D |
| 1 | 4460931 | 1 | Connector | |
| 2 | 4460943 | 2 | Terminal | |
| 3 | 4460464 | 4 | Terminal | |
| 4 | 4460466 | 2 | Plug | |
| 5 | 4461017 | 1 | Connector | |
| 6 | 4460508 | 2 | Terminal | |
| 7 | 1001112612 | 1 | Connector | |
| 8 | 1001183221 | 1 | Boot | |
| 9 | 1001157891 | 1 | Terminal | |
| 10 | 4460464 | 4 | Terminal | |
| 11 | 4460943 | 2 | Terminal | |
| 12 | 4460466 | 1 | Plug | |

SECTION 10 - ELECTRICAL

FIGURE 10-82. PLATFORM HARNESS



ART_1201167685-C

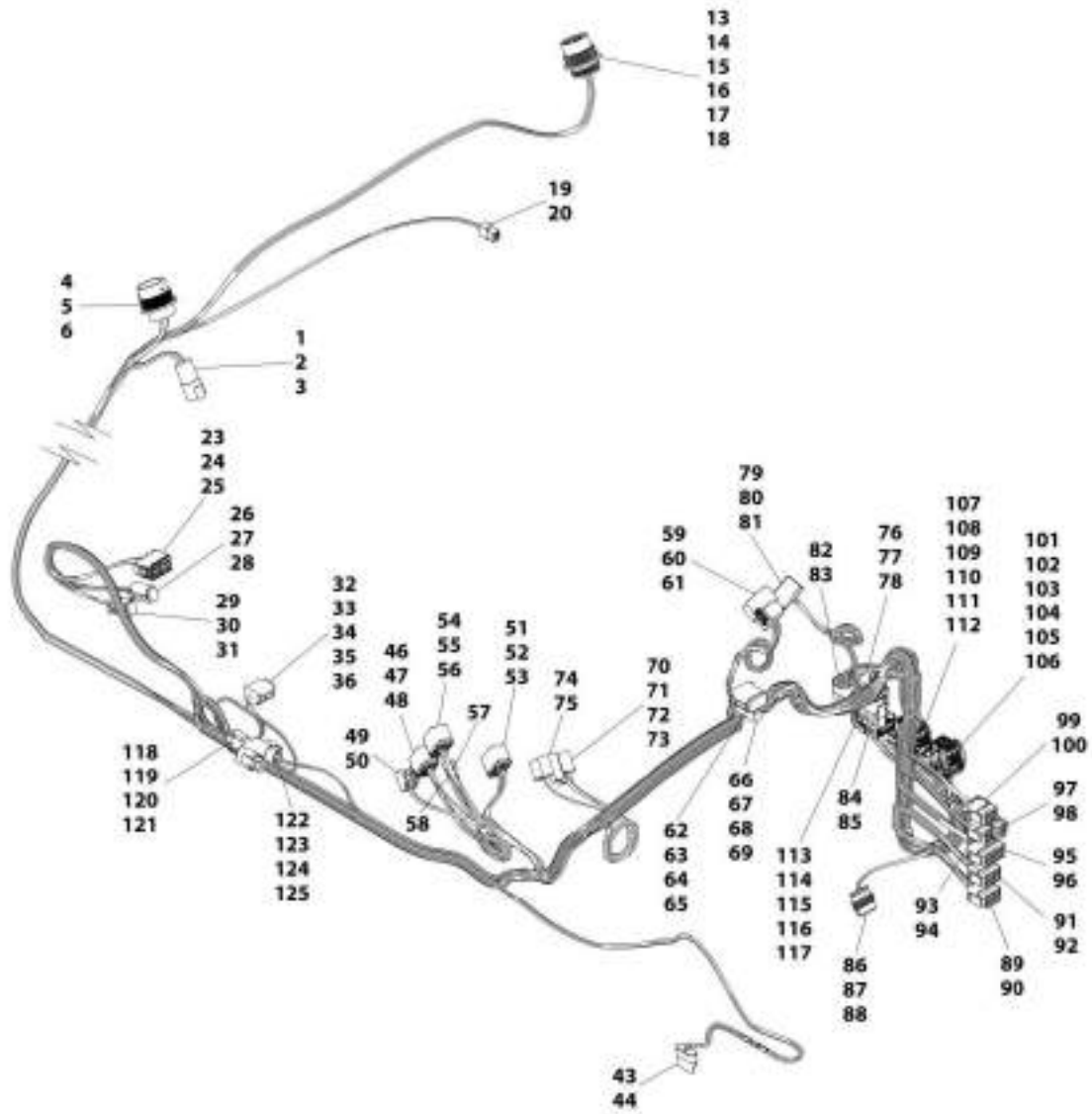
SECTION 10 - ELECTRICAL

FIGURE 10-82. PLATFORM HARNESS

| ITEM | PART NUMBER | QTY | DESCRIPTION | REV |
|------|-------------|-----|---------------------------------|-----|
| | 1001167695 | Ref | Platform Harness | C |
| 1 | 1001112796 | 1 | Connector | |
| 2 | 4460466 | 5 | Terminal | |
| 3 | 4460465 | 4 | Terminal | |
| 4 | 4460891 | 3 | Connector, (includes rear seal) | |
| 5 | 4460465 | 2 | Terminal | |
| 6 | 80604018 | 2 | Lock, Connector | |
| 7 | 1001155806 | 3 | Cap, Dust | |

SECTION 10 - ELECTRICAL

FIGURE 10-83. CAB HARNESS



AWT_1001106451-C

SECTION 10 - ELECTRICAL

FIGURE 10-83. CAB HARNESS

| ITEM | PART NUMBER | QTY | DESCRIPTION | REV |
|------|-------------|-----|------------------------|-----|
| | 1001196451 | Ref | Cab Harness | C |
| 1 | 4460932 | 1 | Connector | |
| 2 | 80604020 | 1 | Lock, Connector | |
| 3 | 4460941 | 4 | Terminal | |
| 4 | 1001201081 | 1 | Connector | |
| 5 | 4460941 | 6 | Terminal | |
| 6 | 4460466 | 8 | Plug | |
| 13 | 1001112612 | 1 | Connector | |
| 14 | 4460497 | 1 | Nut | |
| 15 | 4460496 | 1 | Washer, Lock | |
| 16 | 4460464 | 3 | Terminal | |
| 17 | 4460943 | 2 | Terminal | |
| 18 | 4460466 | 4 | Plug | |
| 19 | 1001116991 | 1 | Connector | |
| 20 | 1001118384 | 2 | Terminal | |
| 23 | 1001117081 | 1 | Connector | |
| 24 | 1001118384 | 4 | Terminal | |
| 25 | 1001116723 | 2 | Terminal | |
| 26 | 4460884 | 1 | Connector | |
| 27 | 80604021 | 1 | Lock, Connector | |
| 28 | 4460465 | 4 | Terminal | |
| 29 | 4460884 | 1 | Connector | |
| 30 | 80604021 | 1 | Lock, Connector | |
| 31 | 4460465 | 4 | Terminal | |
| 32 | 4460894 | 1 | Connector | |
| 33 | 80604023 | 1 | Lock, Connector | |
| 34 | 4460465 | 3 | Terminal | |
| 35 | 4460944 | 2 | Terminal | |
| 36 | 4460466 | 1 | Plug | |
| 43 | 1001117064 | 1 | Connector | |
| 44 | 91554014 | 6 | Terminal | |
| 46 | 1001117081 | 1 | Connector | |
| 47 | 1001116723 | 6 | Terminal | |
| 48 | 1001118384 | 1 | Terminal | |
| 49 | 1001118684 | 1 | Connector | |
| 50 | 1001116754 | 2 | Terminal | |
| 51 | 1001117081 | 1 | Connector | |
| 52 | 1001118384 | 5 | Terminal | |
| 53 | 1001116723 | 6 | Terminal | |
| 54 | 1001117081 | 1 | Connector | |
| 55 | 1001118384 | 2 | Terminal | |
| 56 | 1001116723 | 4 | Terminal | |
| 57 | 8220051 | 1 | Terminal, Female Blade | |
| 58 | 8220051 | 1 | Terminal, Female Blade | |
| 59 | 1001162886 | 1 | Connector | |
| 60 | 1001162887 | 7 | Terminal | |
| 61 | 1001163340 | 13 | Plug | |
| 62 | 4460933 | 1 | Connector | |
| 63 | 80604016 | 1 | Lock, Connector | |
| 64 | 4460465 | 9 | Terminal | |

SECTION 10 - ELECTRICAL

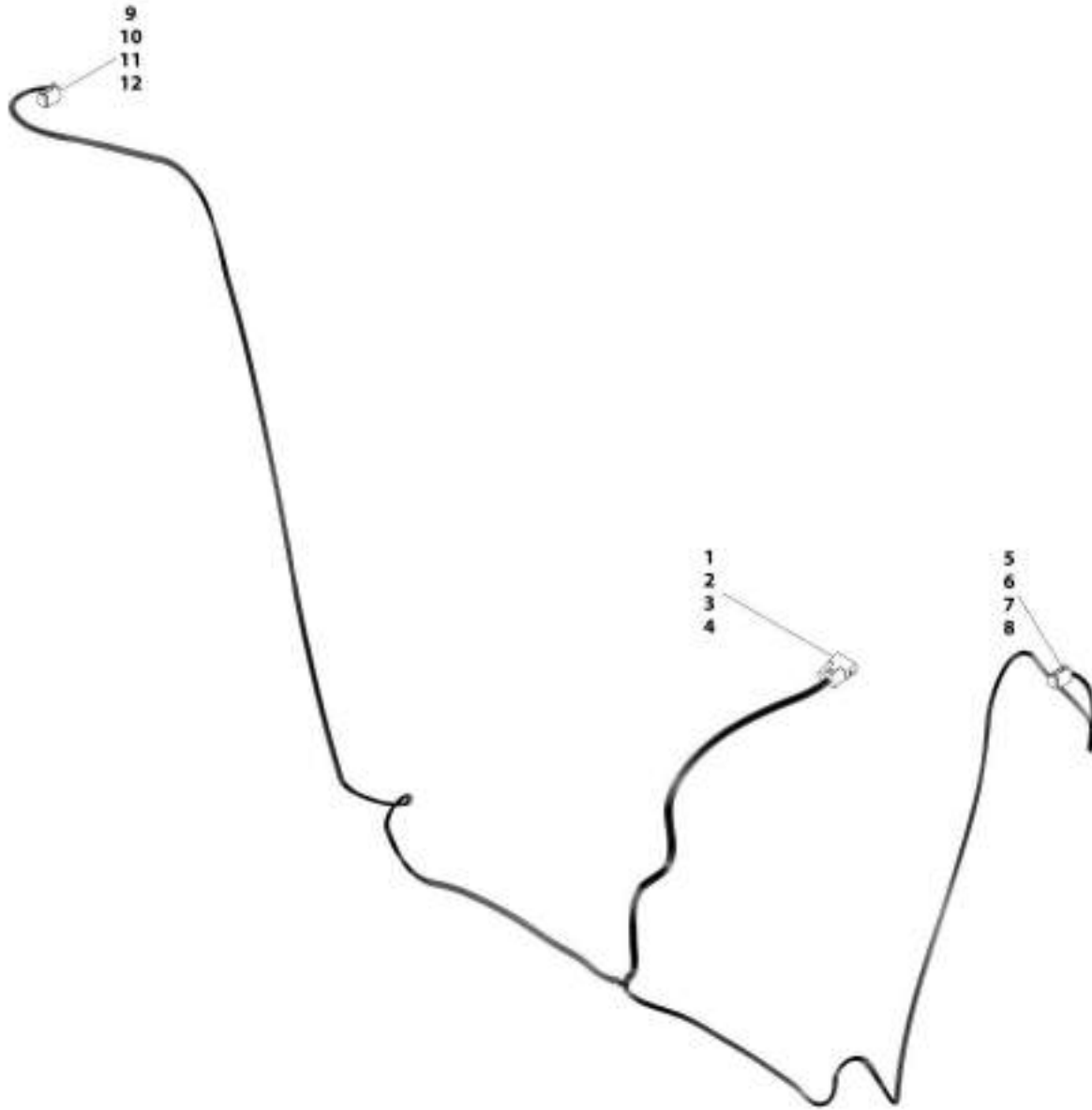
| ITEM | PART NUMBER | QTY | DESCRIPTION | REV |
|------|-------------|-----|-----------------|-----|
| 65 | 4460466 | 3 | Plug | |
| 66 | 4460897 | 1 | Connector | |
| 67 | 80604017 | 1 | Lock, Connector | |
| 68 | 4460464 | 1 | Terminal | |
| 69 | 4460466 | 1 | Plug | |
| 70 | 1001118685 | 1 | Connector | |
| 71 | 1001116723 | 2 | Terminal | |
| 72 | 1001118383 | 1 | Terminal | |
| 73 | 1001118384 | 1 | Terminal | |
| 74 | 1001117121 | 1 | Connector | |
| 75 | 1001184841 | 1 | Terminal | |
| 76 | 4460930 | 1 | Connector | |
| 77 | 80604025 | 1 | Lock, Connector | |
| 78 | 4460465 | 8 | Terminal | |
| 79 | 1001117081 | 1 | Connector | |
| 80 | 1001118384 | 2 | Terminal | |
| 81 | 1001116723 | 4 | Terminal | |
| 82 | 4460343 | 1 | Connector | |
| 83 | 4460268 | 8 | Terminal | |
| 84 | 4460434 | 1 | Connector | |
| 85 | 4460268 | 14 | Terminal | |
| 86 | 1001103012 | 1 | Connector | |
| 87 | 1001116697 | 2 | Terminal | |
| 88 | 1001116698 | 2 | Plug | |
| 89 | 4460343 | 1 | Connector | |
| 90 | 4460267 | 10 | Terminal | |
| 91 | 4460343 | 1 | Connector | |
| 92 | 4460268 | 9 | Terminal | |
| 93 | 4460225 | 1 | Connector | |
| 94 | 4460268 | 5 | Terminal | |
| 95 | 4460434 | 1 | Connector | |
| 96 | 4460268 | 10 | Terminal | |
| 97 | 4460225 | 1 | Connector | |
| 98 | 4460267 | 3 | Terminal | |
| 99 | 4460265 | 1 | Connector | |
| 100 | 4460268 | 5 | Terminal | |
| 101 | 1001160498 | 1 | Connector | |
| 102 | 1001161095 | 22 | Terminal | |
| 103 | 1001161098 | 5 | Terminal | |
| 104 | 1001161099 | 1 | Terminal | |
| 105 | 1001161100 | 2 | Plug | |
| 106 | 1001161101 | 2 | Plug | |
| 107 | 1001160502 | 1 | Connector | |
| 108 | 1001161095 | 17 | Terminal | |
| 109 | 1001161098 | 5 | Terminal | |
| 110 | 1001161099 | 1 | Terminal | |
| 111 | 1001161100 | 23 | Plug | |
| 112 | 1001161101 | 2 | Plug | |
| 113 | 1001161959 | 1 | Connector | |
| 114 | 1001161095 | 6 | Terminal | |
| 115 | 1001161098 | 1 | Terminal | |

SECTION 10 - ELECTRICAL

| ITEM | PART NUMBER | QTY | DESCRIPTION | REV |
|------|-------------|-----|-----------------|-----|
| 116 | 1001161100 | 18 | Plug | |
| 117 | 1001161101 | 7 | Plug | |
| 118 | 1001116812 | 1 | Connector | |
| 119 | 4460944 | 2 | Terminal | |
| 120 | 4460466 | 1 | Plug | |
| 121 | 91554019 | 1 | Lock, Connector | |
| 122 | 4460539 | 1 | Connector | |
| 123 | 4460944 | 2 | Terminal | |
| 124 | 4460466 | 1 | Plug | |
| 125 | 77363244 | 1 | Lock, Connector | |

SECTION 10 - ELECTRICAL

FIGURE 10-84. FRONT FRAME HEADLIGHT HARNESS



ARE_1001165360-D

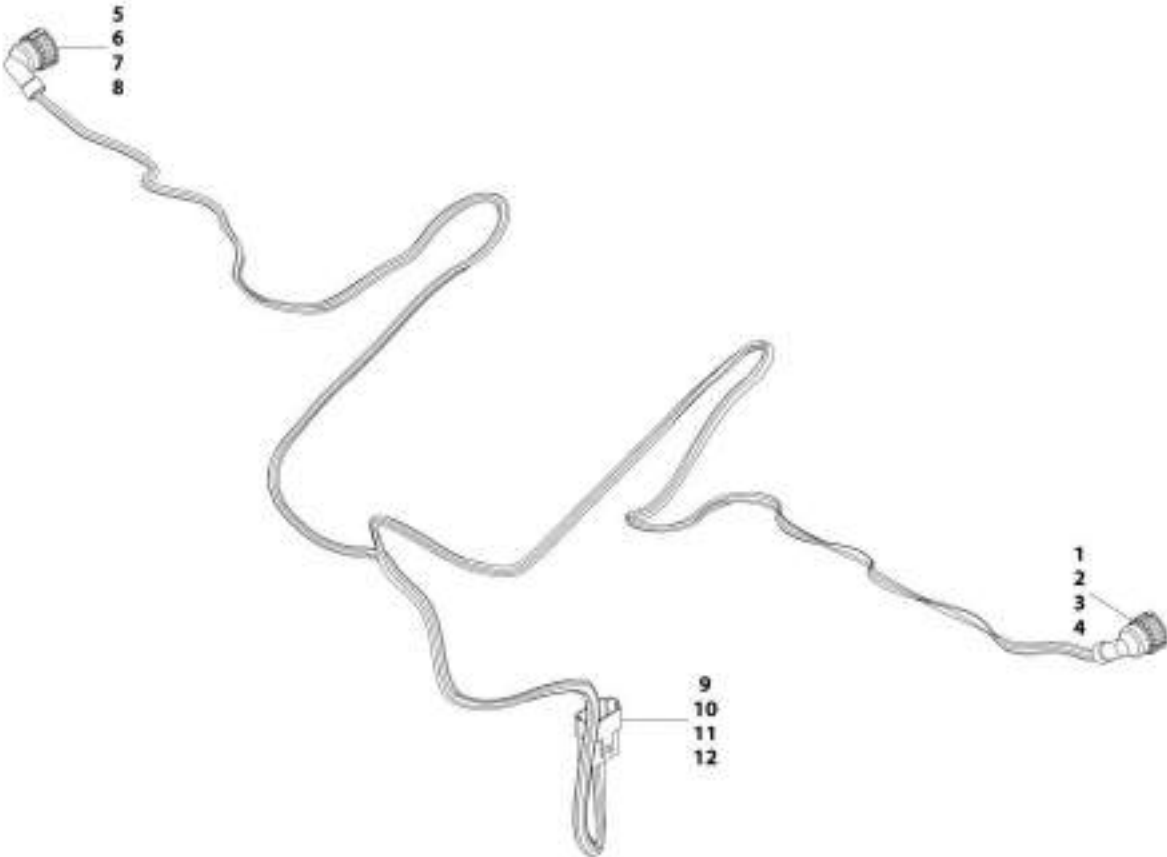
SECTION 10 - ELECTRICAL

FIGURE 10-84. FRONT FRAME HEADLIGHT HARNESS

| ITEM | PART NUMBER | QTY | DESCRIPTION | REV |
|------|-------------|-----|-------------------------------|-----|
| | 1001165360 | Ref | Front Frame Headlight Harness | D |
| 1 | 4460970 | 1 | Connector | |
| 2 | 80363179 | 1 | Lock, Connector | |
| 3 | 4460941 | 10 | Terminal | |
| 4 | 4460466 | 2 | Plug | |
| 5 | 4460894 | 1 | Connector | |
| 6 | 91504107 | 1 | Lock, Connector | |
| 7 | 4460942 | 5 | Terminal | |
| 8 | 4460466 | 1 | Plug | |
| 9 | 4460894 | 1 | Connector | |
| 10 | 91504107 | 1 | Lock, Connector | |
| 11 | 4460942 | 5 | Terminal | |
| 12 | 4460466 | 1 | Plug | |

SECTION 10 - ELECTRICAL

FIGURE 10-85. HBP TAIL LIGHTS HARNESS



ARE_100117062-0

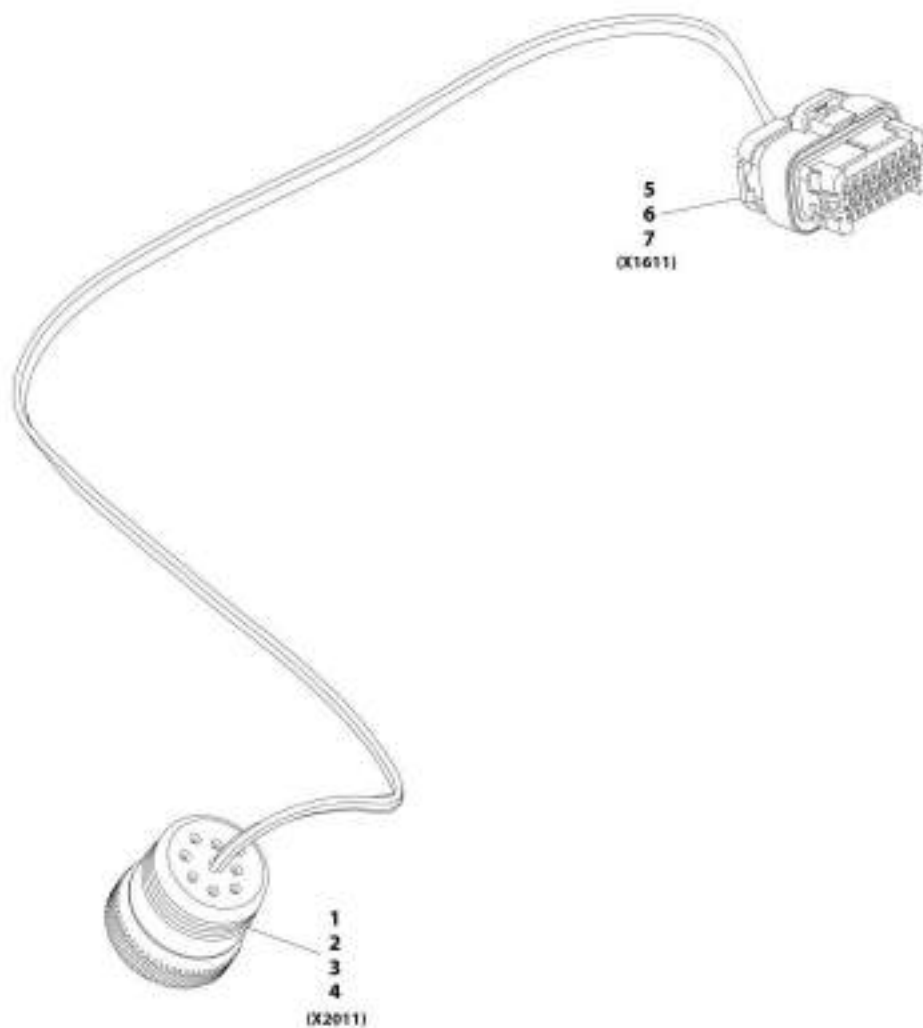
SECTION 10 - ELECTRICAL

FIGURE 10-85. HBP TAIL LIGHTS HARNESS

| ITEM | PART NUMBER | QTY | DESCRIPTION | REV |
|------|-------------|-----|-------------------------|-----|
| | 1001173092 | Ref | HBP Tail Lights Harness | D |
| 1 | 1001116996 | 1 | Connector | |
| 2 | 1001118392 | 5 | Terminal | |
| 3 | 4461054 | 5 | Seal | |
| 4 | 1001116696 | 2 | Plug | |
| 5 | 1001116996 | 1 | Connector | |
| 6 | 1001118392 | 5 | Terminal | |
| 7 | 4461054 | 5 | Seal | |
| 8 | 1001116696 | 2 | Plug | |
| 9 | 4460970 | 1 | Connector | |
| 10 | 80363179 | 1 | Lock, Connector | |
| 11 | 4460941 | 10 | Terminal | |
| 12 | 4460466 | 2 | Plug | |

SECTION 10 - ELECTRICAL

FIGURE 10-86. CLEARSKY HARNESS (Prior to SN 0160082365, Including 0160081891, 0160081892, 0160081893, 0160082021, 0160082022 and 0160082054)



ARC 1001196452 A

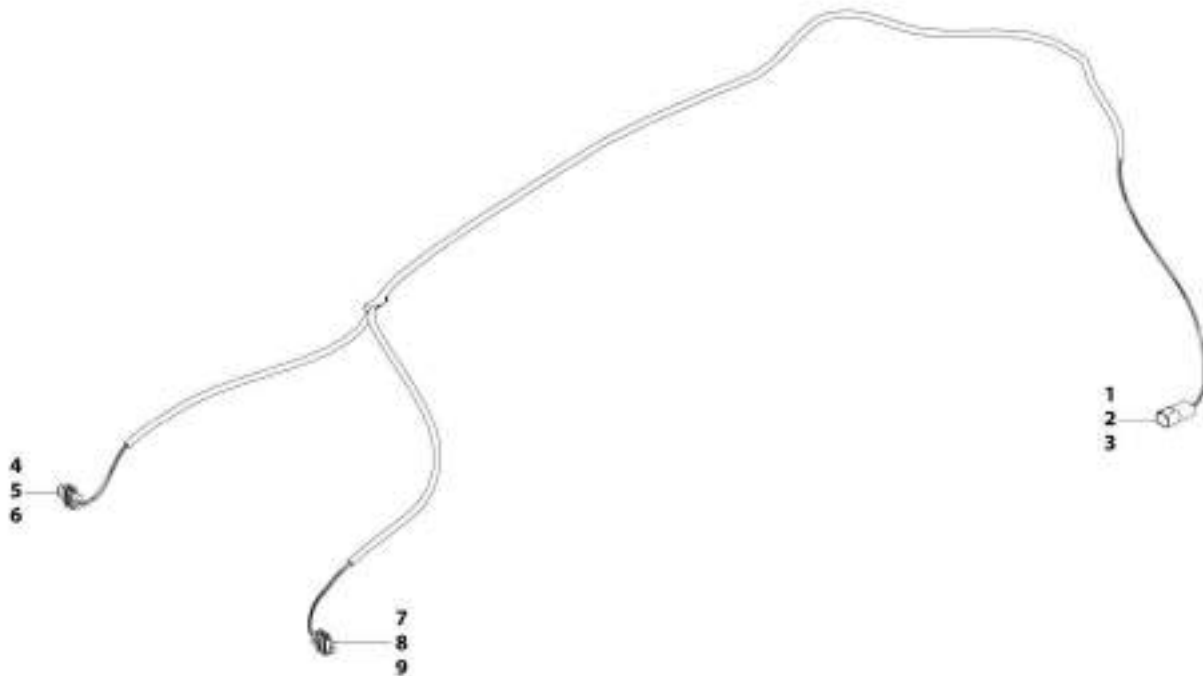
SECTION 10 - ELECTRICAL

FIGURE 10-86. CLEARSKY HARNESS (Prior to SN 0160082365, Including 0160081891, 0160081892, 0160081893, 0160082021, 0160082022 and 0160082054)

| ITEM | PART NUMBER | QTY | DESCRIPTION | REV |
|------|-------------|-----|------------------|-----|
| | 1001196452 | Ref | Clearsky Harness | A |
| 1 | 1001112796 | 1 | Connector | |
| 2 | 4460465 | 3 | Terminal | |
| 3 | 4460944 | 2 | Terminal | |
| 4 | 4460466 | 4 | Plug | |
| 5 | 1001116994 | 1 | Connector | |
| 6 | 4460871 | 5 | Terminal | |
| 7 | 4460905 | 18 | Plug | |

SECTION 10 - ELECTRICAL

FIGURE 10-87. BOOM WORKLIGHT HARNESS (Prior to SN 0160076255, Excluding 0160076040, 0160076041 and 0160076042)



ARI_1001173523-B

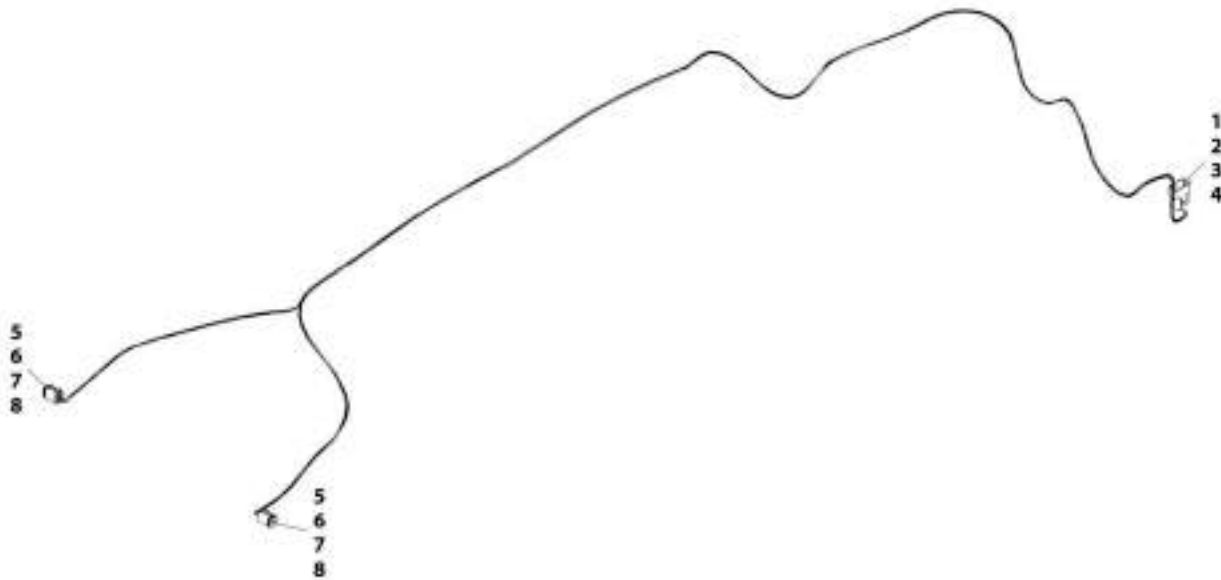
SECTION 10 - ELECTRICAL

FIGURE 10-87. BOOM WORKLIGHT HARNESS (Prior to SN 0160076255, Excluding 0160076040, 0160076041 and 0160076042)

| ITEM | PART NUMBER | QTY | DESCRIPTION | REV |
|------|-------------|-----|------------------------|-----|
| | 1001173523 | Ref | Boom Worklight Harness | B |
| 1 | 4460932 | 1 | Connector | |
| 2 | 4460464 | 2 | Terminal | |
| 3 | 4460466 | 2 | Plug | |
| 4 | 4461115 | 1 | Connector | |
| 5 | 1001116728 | 2 | Terminal | |
| 6 | 4460458 | 2 | Seal, Terminal | |
| 7 | 4461115 | 1 | Connector | |
| 8 | 1001116728 | 2 | Terminal | |
| 9 | 4460458 | 2 | Seal, Terminal | |

SECTION 10 - ELECTRICAL

FIGURE 10-88. BOOM WORKLIGHTS HARNESS (SN 0160076255 to Present, Including 0160076040, 0160076041 and 0160076042)



ART_3001167608-E

SECTION 10 - ELECTRICAL

FIGURE 10-88. BOOM WORKLIGHTS HARNESS (SN 0160076255 to Present, Including 0160076040, 0160076041 and 0160076042)

| ITEM | PART NUMBER | QTY | DESCRIPTION | REV |
|------|-------------|-----|-------------------------|-----|
| | 1001167608 | Ref | Boom Worklights Harness | E |
| 1 | 4460932 | 1 | Connector | |
| 2 | 80604020 | 1 | Lock, Connector | |
| 3 | 4460464 | 2 | Terminal | |
| 4 | 4460466 | 2 | Plug | |
| 5 | 4461115 | 2 | Connector | |
| 6 | 1001116728 | 2 | Terminal | |
| 7 | 4460458 | 2 | Seal | |
| 8 | 1001103564 | 2 | Lock, Terminal | |

SECTION 10 - ELECTRICAL

FIGURE 10-89. REVERSE SENSOR HARNESS



ART_300175734-C

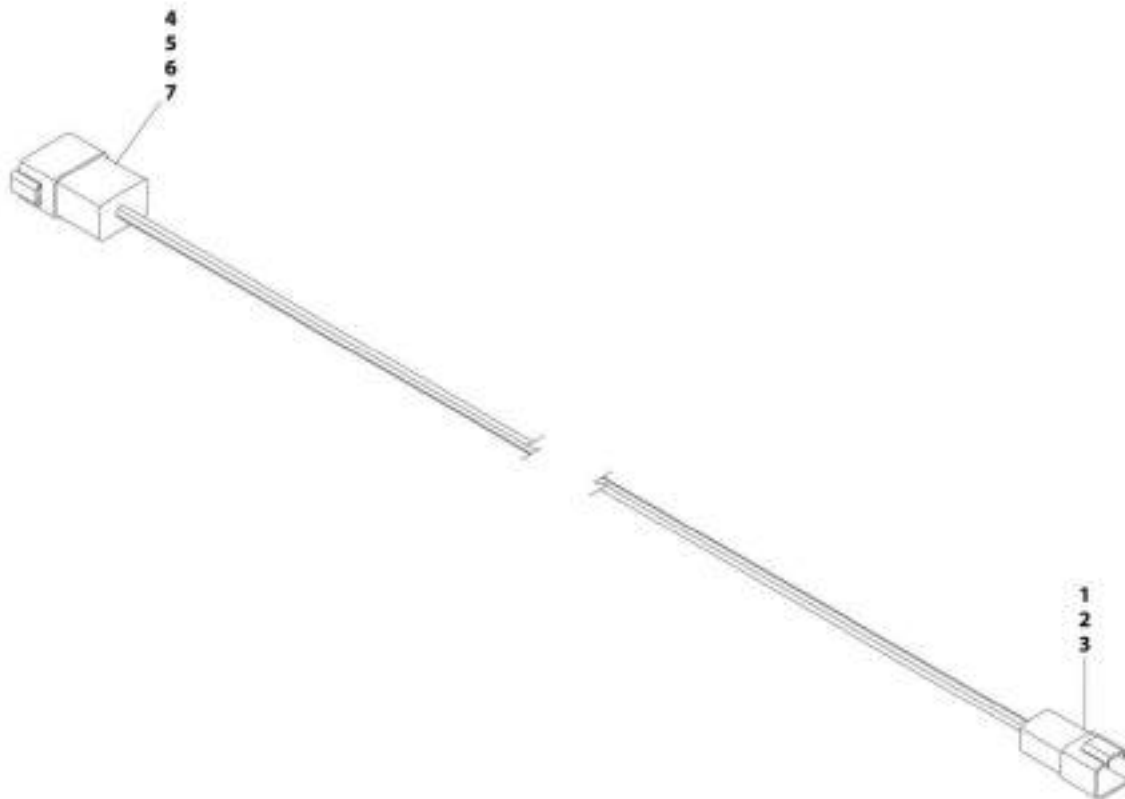
SECTION 10 - ELECTRICAL

FIGURE 10-89. REVERSE SENSOR HARNESS

| ITEM | PART NUMBER | QTY | DESCRIPTION | REV |
|------|-------------|-----|------------------------|-----|
| | 1001175776 | Ref | Reverse Sensor Harness | C |
| 1 | 4460932 | 1 | Connector | |
| 2 | 4460464 | 4 | Terminal | |
| 3 | 1001175733 | 1 | Connector | |

SECTION 10 - ELECTRICAL

FIGURE 10-90. TELEMATICS INSTALLATION, UNITED RENTALS



ART_3001195426-A

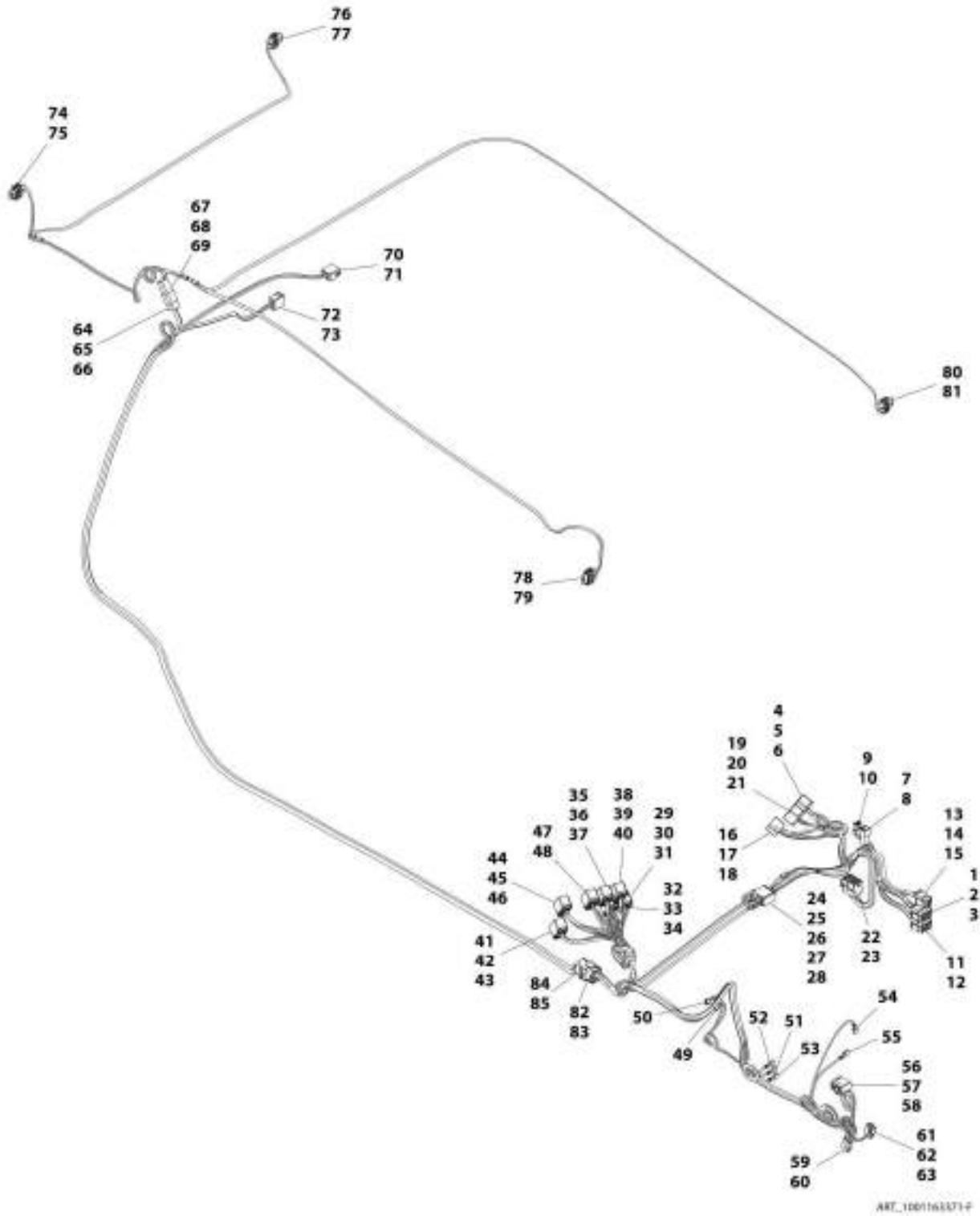
SECTION 10 - ELECTRICAL

FIGURE 10-90. TELEMATICS INSTALLATION, UNITED RENTALS

| ITEM | PART NUMBER | QTY | DESCRIPTION | REV |
|------|-------------|-----|---|-----|
| | 1001195424 | Ref | Telematics Installation, United Rentals | A |
| 1 | 4460932 | 1 | Connector | |
| 2 | 80604020 | 1 | Lock Connector | |
| 3 | 4460464 | 4 | Terminal | |
| 4 | 4460931 | 1 | Connector | |
| 5 | 80604022 | 1 | Lock Connector | |
| 6 | 4460464 | 4 | Terminal | |
| 7 | 4460466 | 4 | Plug | |

SECTION 10 - ELECTRICAL

FIGURE 10-91. OPTION 1 CAB HARNESS



SECTION 10 - ELECTRICAL

FIGURE 10-91. OPTION 1 CAB HARNESS

| ITEM | PART NUMBER | QTY | DESCRIPTION | REV |
|------|-------------|-----|----------------------|-----|
| | 1001163371 | Ref | Option 1 Cab Harness | F |
| 1 | 4460343 | 1 | Connector | |
| 2 | 4460268 | 10 | Terminal | |
| 3 | 4460906 | 1 | Terminal | |
| 4 | 1001117081 | 1 | Connector | |
| 5 | 1001116723 | 6 | Terminal | |
| 6 | 1001118384 | 1 | Terminal | |
| 7 | 1001116999 | 1 | Connector | |
| 8 | 1001116700 | 4 | Terminal | |
| 9 | 1001116991 | 1 | Connector | |
| 10 | 1001118384 | 2 | Terminal | |
| 11 | 4460343 | 1 | Connector | |
| 12 | 4460267 | 6 | Terminal | |
| 13 | 4460225 | 1 | Connector | |
| 14 | 4460267 | 5 | Terminal | |
| 15 | 4460705 | 1 | Terminal | |
| 16 | 1001173411 | 1 | Connector | |
| 17 | 1001116716 | 4 | Terminal | |
| 18 | 1001104519 | 3 | Terminal | |
| 19 | 1001117081 | 1 | Connector | |
| 20 | 1001118384 | 2 | Terminal | |
| 21 | 1001116723 | 4 | Terminal | |
| 22 | 4460708 | 1 | Connector | |
| 23 | 4460267 | 14 | Terminal | |
| 24 | 4460836 | 1 | Connector | |
| 25 | 4460942 | 3 | Terminal | |
| 26 | 4460465 | 8 | Terminal | |
| 27 | 1001157890 | 1 | Terminal | |
| 28 | 80604016 | 1 | Lock, Connector | |
| 29 | 1001117081 | 1 | Connector | |
| 30 | 1001118384 | 4 | Terminal | |
| 31 | 1001116723 | 6 | Terminal | |
| 32 | 1001117081 | 1 | Connector | |
| 33 | 1001118384 | 3 | Terminal | |
| 34 | 1001116723 | 4 | Terminal | |
| 35 | 1001117081 | 1 | Connector | |
| 36 | 1001118384 | 2 | Terminal | |
| 37 | 1001116723 | 4 | Terminal | |
| 38 | 1001117081 | 1 | Connector | |
| 39 | 1001118384 | 2 | Terminal | |
| 40 | 1001116723 | 4 | Terminal | |
| 41 | 1001117081 | 1 | Connector | |
| 42 | 1001116723 | 8 | Terminal | |
| 43 | 1001118384 | 2 | Terminal | |
| 44 | 1001117079 | 1 | Connector | |
| 45 | 1001116723 | 6 | Terminal | |
| 46 | 1001118384 | 2 | Terminal | |
| 47 | 1001117081 | 1 | Connector | |
| 48 | 1001118384 | 4 | Terminal | |
| 49 | 8220051 | 1 | Female Blade Coupler | |

SECTION 10 - ELECTRICAL

| ITEM | PART NUMBER | QTY | DESCRIPTION | REV |
|------|-------------|-----|----------------------|-----|
| 50 | 8220051 | 1 | Female Blade Coupler | |
| 51 | 8220051 | 1 | Female Blade Coupler | |
| 52 | 8220051 | 1 | Female Blade Coupler | |
| 53 | 8220051 | 1 | Female Blade Coupler | |
| 54 | 8220051 | 1 | Female Blade Coupler | |
| 55 | 8220051 | 1 | Female Blade Coupler | |
| 56 | 1001116997 | 1 | Connector | |
| 57 | 1001118384 | 4 | Terminal | |
| 58 | 1001116723 | 1 | Terminal | |
| 59 | 4460994 | 1 | Connector | |
| 60 | 1001118384 | 2 | Terminal | |
| 61 | 4460994 | 1 | Connector | |
| 62 | 1001118384 | 1 | Terminal | |
| 63 | 1001116723 | 2 | Terminal | |
| 64 | 4460884 | 1 | Connector | |
| 65 | 4460942 | 4 | Terminal | |
| 66 | 80604021 | 1 | Lock, Connector | |
| 67 | 4460932 | 1 | Connector | |
| 68 | 4460941 | 4 | Terminal | |
| 69 | 80604021 | 1 | Lock, Connector | |
| 70 | 1001116986 | 1 | Connector | |
| 71 | 1001118384 | 4 | Terminal | |
| 72 | 1001116986 | 1 | Connector | |
| 73 | 1001118384 | 4 | Terminal | |
| 74 | 4461115 | 1 | Connector | |
| 75 | 1001116747 | 2 | Terminal | |
| 76 | 4461115 | 1 | Connector | |
| 77 | 1001116747 | 2 | Terminal | |
| 78 | 4461115 | 1 | Connector | |
| 79 | 1001116747 | 2 | Terminal | |
| 80 | 4461115 | 1 | Connector | |
| 81 | 1001116747 | 2 | Terminal | |
| 82 | 4460343 | 1 | Connector | |
| 83 | 4460268 | 12 | Terminal | |
| 84 | 4460367 | 1 | Connector | |
| 85 | 4460267 | 12 | Terminal | |

SECTION 10 - ELECTRICAL

FIGURE 10-92. ROOF PIGTAIL HARNESS



ART_1001202132-A

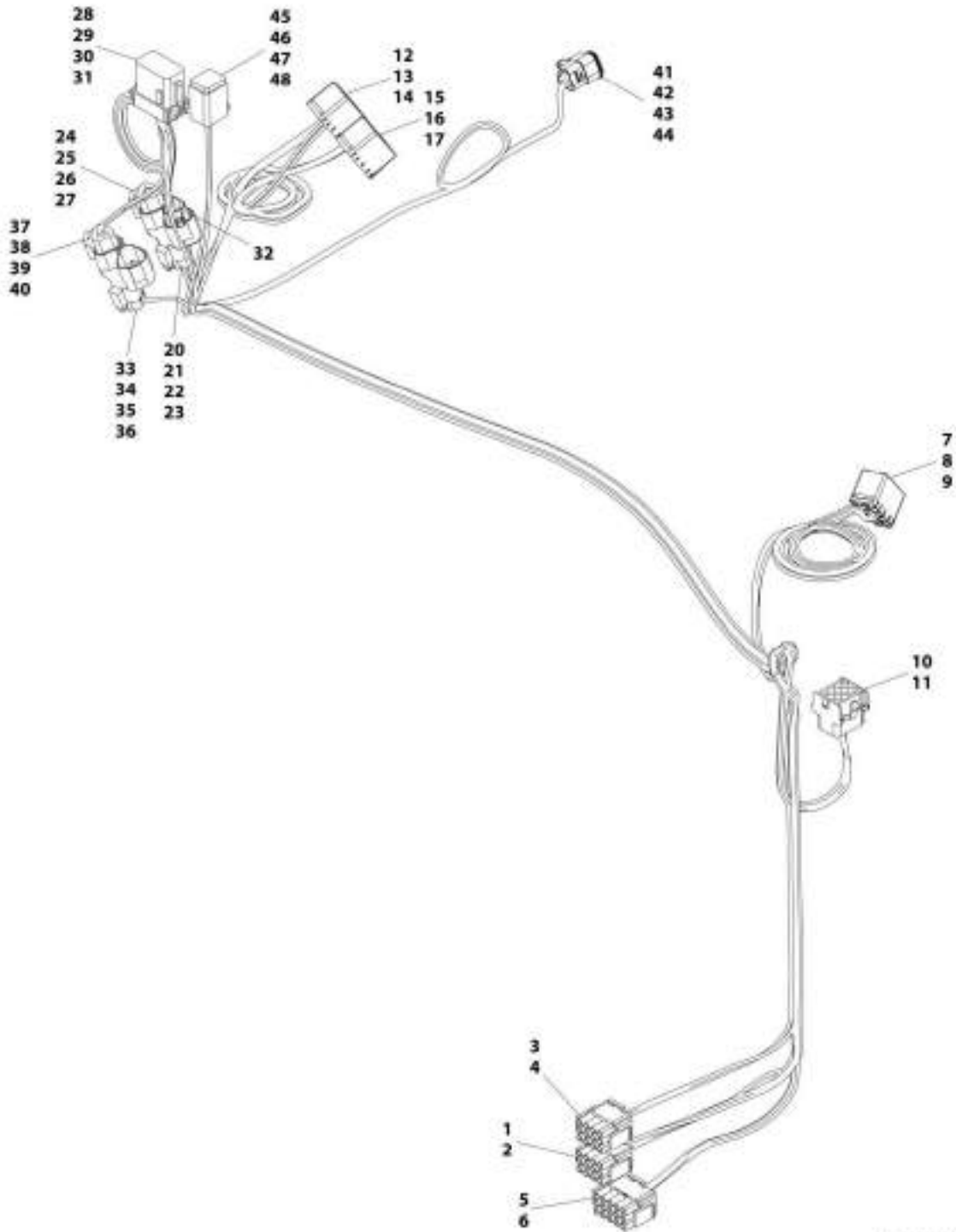
SECTION 10 - ELECTRICAL

FIGURE 10-92. ROOF PIGTAIL HARNESS

| ITEM | PART NUMBER | QTY | DESCRIPTION | REV |
|------|-------------|-----|----------------------|-----|
| | 1001202132 | Ref | Roof Pigtail Harness | A |
| 1 | 1001201080 | 1 | Connector | |
| 2 | 4460942 | 6 | Terminal | |
| 3 | 4460466 | 8 | Plug | |
| 4 | 4460884 | 1 | Connector | |
| 5 | 4460942 | 4 | Terminal | |
| 6 | 80604021 | 1 | Wedge Lock | |
| 7 | 4460994 | 1 | Connector | |
| 8 | 1001118384 | 1 | Terminal | |

SECTION 10 - ELECTRICAL

FIGURE 10-93. OPTION 2 CAB HARNESS



AWT_3001163372-E

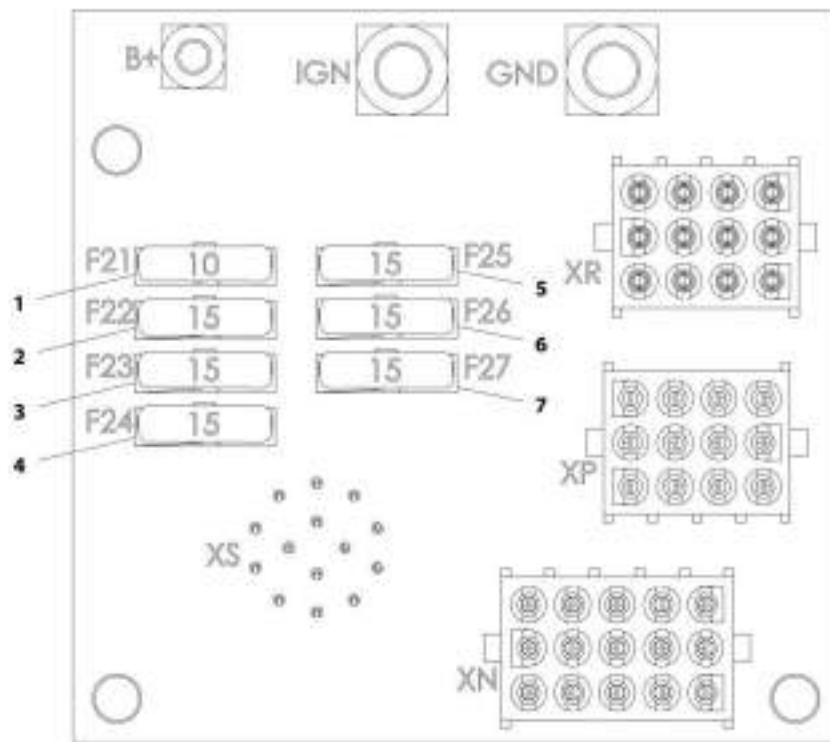
SECTION 10 - ELECTRICAL

FIGURE 10-93. OPTION 2 CAB HARNESS

| ITEM | PART NUMBER | QTY | DESCRIPTION | REV |
|------|-------------|-----|----------------------|-----|
| | 1001163372 | Ref | Option 2 Cab Harness | E |
| 1 | 4460343 | 1 | Connector | |
| 2 | 4460268 | 5 | Terminal | |
| 3 | 4460343 | 1 | Connector | |
| 4 | 4460267 | 2 | Terminal | |
| 5 | 4460434 | 1 | Connector | |
| 6 | 4460268 | 4 | Terminal | |
| 7 | 1001117081 | 1 | Connector | |
| 8 | 1001116723 | 6 | Terminal | |
| 9 | 1001118384 | 1 | Terminal | |
| 10 | 4460367 | 1 | Connector | |
| 11 | 4460267 | 6 | Terminal | |
| 12 | 1001117081 | 1 | Connector | |
| 13 | 1001118384 | 2 | Terminal | |
| 14 | 1001116723 | 4 | Terminal | |
| 15 | 1001117081 | 1 | Connector | |
| 16 | 1001118384 | 3 | Terminal | |
| 17 | 1001116723 | 2 | Terminal | |
| 20 | 1001116812 | 1 | Connector | |
| 21 | 4460944 | 2 | Terminal | |
| 22 | 4460466 | 1 | Plug | |
| 23 | 91554019 | 1 | Lock, Connector | |
| 24 | 4460539 | 1 | Connector | |
| 25 | 77363244 | 1 | Wedge Lock | |
| 26 | 4460466 | 1 | Plug | |
| 27 | 4460944 | 2 | Terminal | |
| 28 | 1001176333 | 1 | Connector | |
| 29 | 4460944 | 4 | Terminal | |
| 30 | 4460466 | 11 | Plug | |
| 31 | 4460465 | 3 | Terminal | |
| 32 | 1001116815 | 1 | Connector | |
| 33 | 1001116812 | 1 | Connector | |
| 34 | 4460944 | 2 | Terminal | |
| 35 | 4460466 | 1 | Plug | |
| 36 | 91554019 | 1 | Connector | |
| 37 | 4460539 | 1 | Connector | |
| 38 | 77363244 | 1 | Wedge Lock | |
| 39 | 4460466 | 1 | Plug | |
| 40 | 4460944 | 2 | Terminal | |
| 41 | 1001116812 | 1 | Connector | |
| 42 | 4460944 | 2 | Terminal | |
| 43 | 4460466 | 1 | Plug | |
| 44 | 91554019 | 1 | Lock, Connector | |
| 45 | 4460930 | 1 | Connector | |
| 46 | 4460466 | 6 | Plug | |
| 47 | 4460465 | 2 | Terminal | |
| 48 | 80604025 | 1 | Lock, Connector | |

SECTION 10 - ELECTRICAL

FIGURE 10-94. OPTION 2 ELECTRICAL BOARD ASSEMBLY



ART_300191771-8

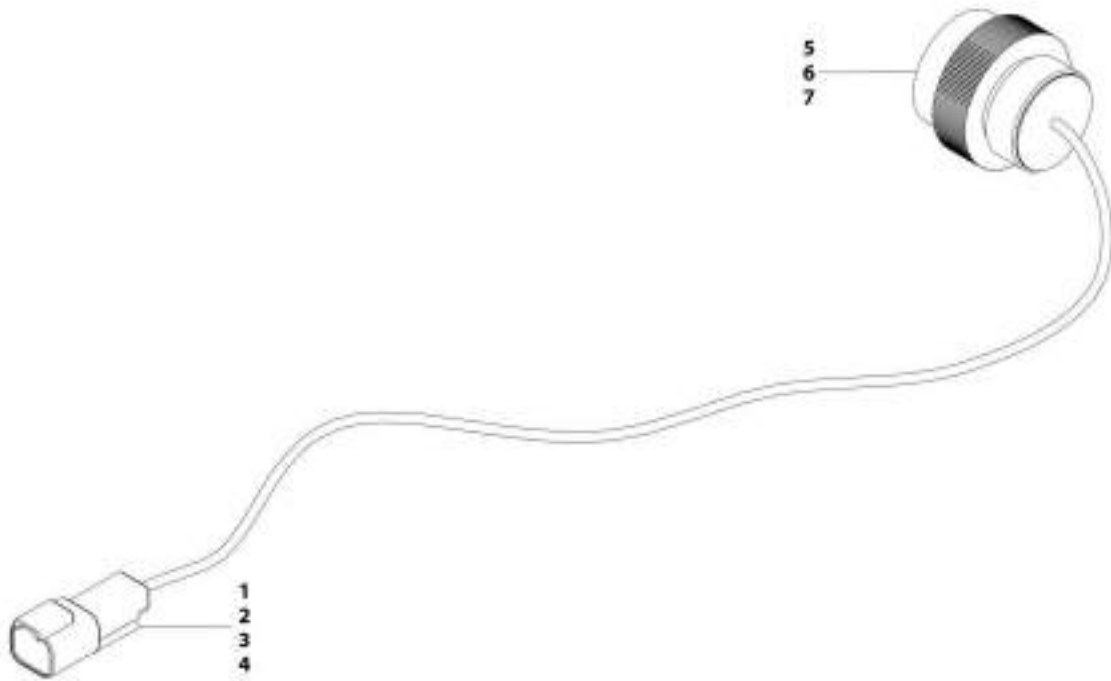
SECTION 10 - ELECTRICAL

FIGURE 10-94. OPTION 2 ELECTRICAL BOARD ASSEMBLY

| ITEM | PART NUMBER | QTY | DESCRIPTION | REV |
|------|-------------|-----|------------------------------------|-----|
| | 1001161771 | Ref | Option 2 Electrical Board Assembly | B |
| 1 | 80983191 | 1 | Fuse, 10amp | |
| 2 | 8229244 | 1 | Fuse, 15amp | |
| 3 | 8229244 | 1 | Fuse, 15amp | |
| 4 | 8229244 | 1 | Fuse, 15amp | |
| 5 | 8229244 | 1 | Fuse, 15amp | |
| 6 | 8229244 | 1 | Fuse, 15amp | |
| 7 | 8229244 | 1 | Fuse, 15amp | |

SECTION 10 - ELECTRICAL

FIGURE 10-95. CAB OPTION HARNESS



APT_1001181573-B

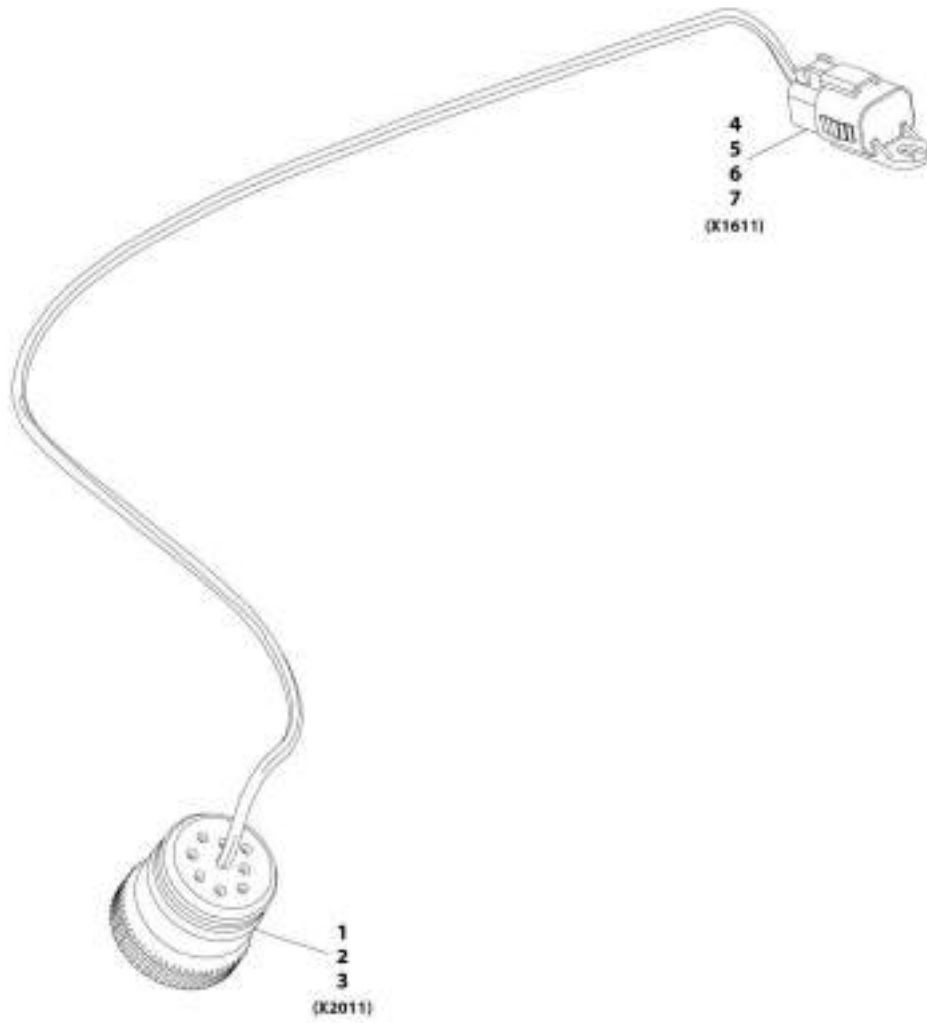
SECTION 10 - ELECTRICAL

FIGURE 10-95. CAB OPTION HARNESS

| ITEM | PART NUMBER | QTY | DESCRIPTION | REV |
|------|-------------|-----|--------------------|-----|
| | 1001181573 | Ref | Cab Option Harness | B |
| 1 | 4460897 | 1 | Connector | |
| 2 | 4460941 | 1 | Terminal | |
| 3 | 4460466 | 1 | Seal | |
| 4 | 80604017 | 1 | Wedge Lock | |
| 5 | 4461015 | 1 | Connector | |
| 6 | 4460466 | 13 | Plug | |
| 7 | 4460942 | 1 | Terminal | |

SECTION 10 - ELECTRICAL

FIGURE 10-96. TELEMATICS READY HARNESS



ARC_1001196200-A

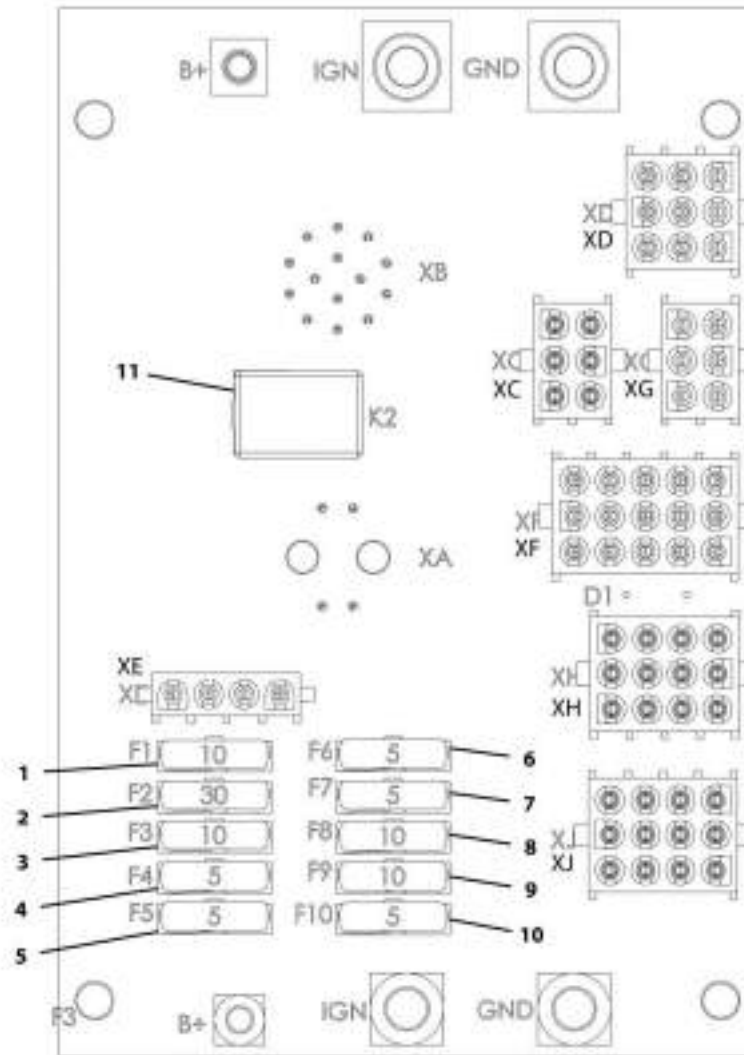
SECTION 10 - ELECTRICAL

FIGURE 10-96. TELEMATICS READY HARNESS

| ITEM | PART NUMBER | QTY | DESCRIPTION | REV |
|------|-------------|-----|--------------------------|-----|
| | 1001196289 | Ref | Telematics Ready Harness | A |
| 1 | 1001112796 | 1 | Connector | |
| 2 | 4460465 | 3 | Terminal | |
| 3 | 4460466 | 6 | Plug | |
| 4 | 4460884 | 1 | Connector | |
| 5 | 4460465 | 3 | Terminal | |
| 6 | 4460466 | 1 | Plug | |
| 7 | 80604021 | 1 | Lock, Connector | |

SECTION 10 - ELECTRICAL

FIGURE 10-97. STANDARD ELECTRICAL BOARD ASSEMBLY



ART_100161709-C

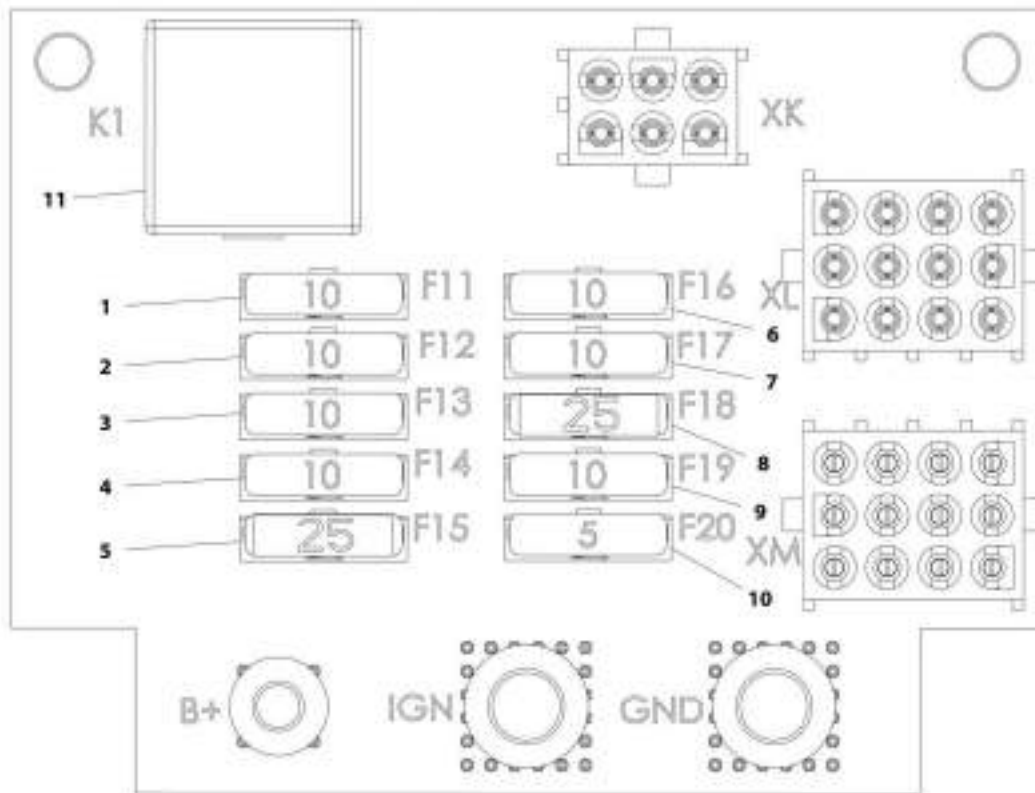
SECTION 10 - ELECTRICAL

FIGURE 10-97. STANDARD ELECTRICAL BOARD ASSEMBLY

| ITEM | PART NUMBER | QTY | DESCRIPTION | REV |
|------|-------------|-----|------------------------------------|-----|
| | 1001161769 | Ref | Standard Electrical Board Assembly | C |
| 1 | 80983191 | 1 | Fuse, 10amp | |
| 2 | 8229245 | 1 | Fuse, 30amp | |
| 3 | 80983191 | 1 | FUSE, 10amp | |
| 4 | 8229242 | 1 | Fuse, 5amp | |
| 5 | 8229242 | 1 | Fuse, 5amp | |
| 6 | 8229242 | 1 | Fuse, 5amp | |
| 7 | 8229242 | 1 | Fuse, 5amp | |
| 8 | 80983191 | 1 | Fuse, 10amp | |
| 9 | 80983191 | 1 | Fuse, 10amp | |
| 10 | 8229242 | 1 | Fuse, 5amp | |
| 11 | 70026292 | 1 | Relay, Micro, 35amp | |

SECTION 10 - ELECTRICAL

FIGURE 10-98. OPTION 1 ELECTRICAL BOARD ASSEMBLY



ART_100159177D/C

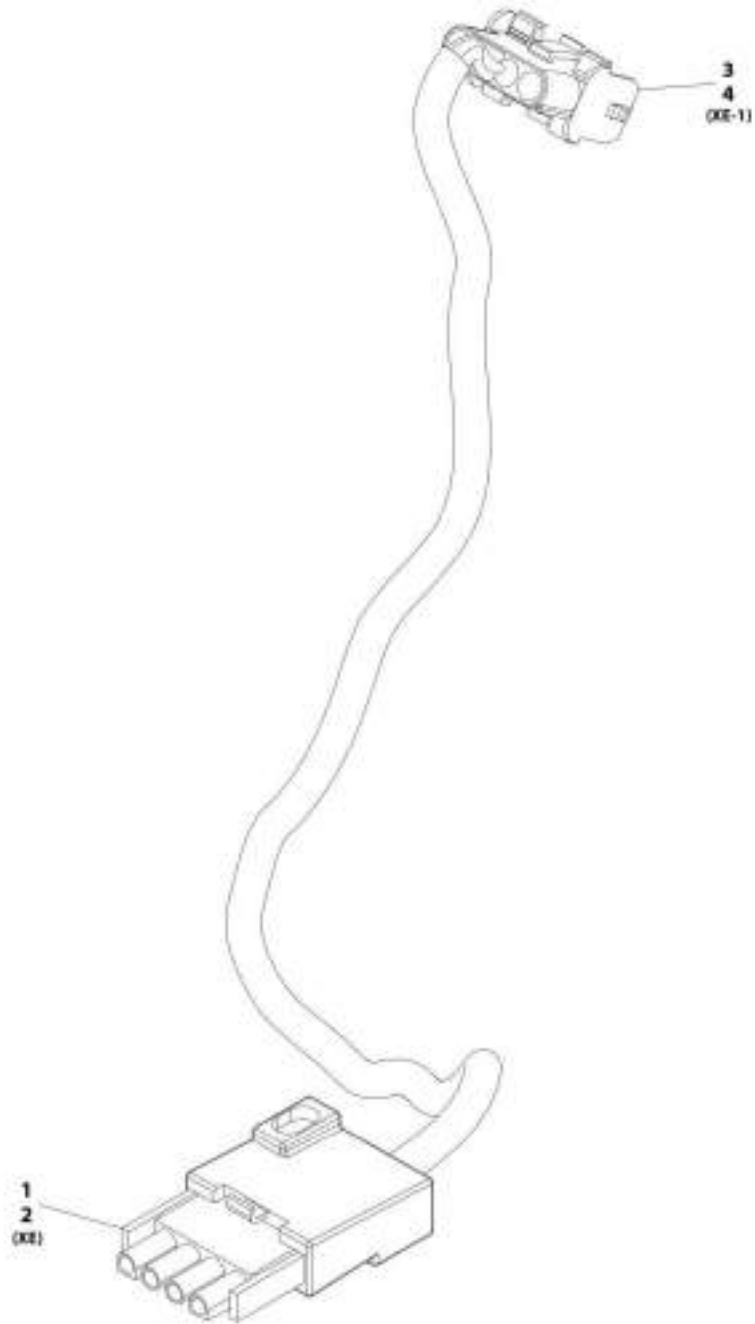
SECTION 10 - ELECTRICAL

FIGURE 10-98. OPTION 1 ELECTRICAL BOARD ASSEMBLY

| ITEM | PART NUMBER | QTY | DESCRIPTION | REV |
|------|-------------|-----|------------------------------------|-----|
| | 1001161770 | Ref | Option 1 Electrical Board Assembly | C |
| 1 | 80983191 | 1 | Fuse, 10amp | |
| 2 | 80983191 | 1 | Fuse, 10amp | |
| 3 | 80983191 | 1 | Fuse, 10amp | |
| 4 | 80983191 | 1 | Fuse, 10amp | |
| 5 | 8229247 | 1 | Fuse, 25amp | |
| 6 | 80983191 | 1 | Fuse, 10amp | |
| 7 | 80983191 | 1 | Fuse, 10amp | |
| 8 | 8229247 | 1 | Fuse, 25amp | |
| 9 | 80983191 | 1 | Fuse, 10amp | |
| 10 | 8229242 | 1 | Fuse, 5amp | |
| 11 | 70026293 | 1 | Relay, Mini, 50amp | |

SECTION 10 - ELECTRICAL

FIGURE 10-99. CUMMUNICATION ANALYZER CABLE



ART_1001213968-A

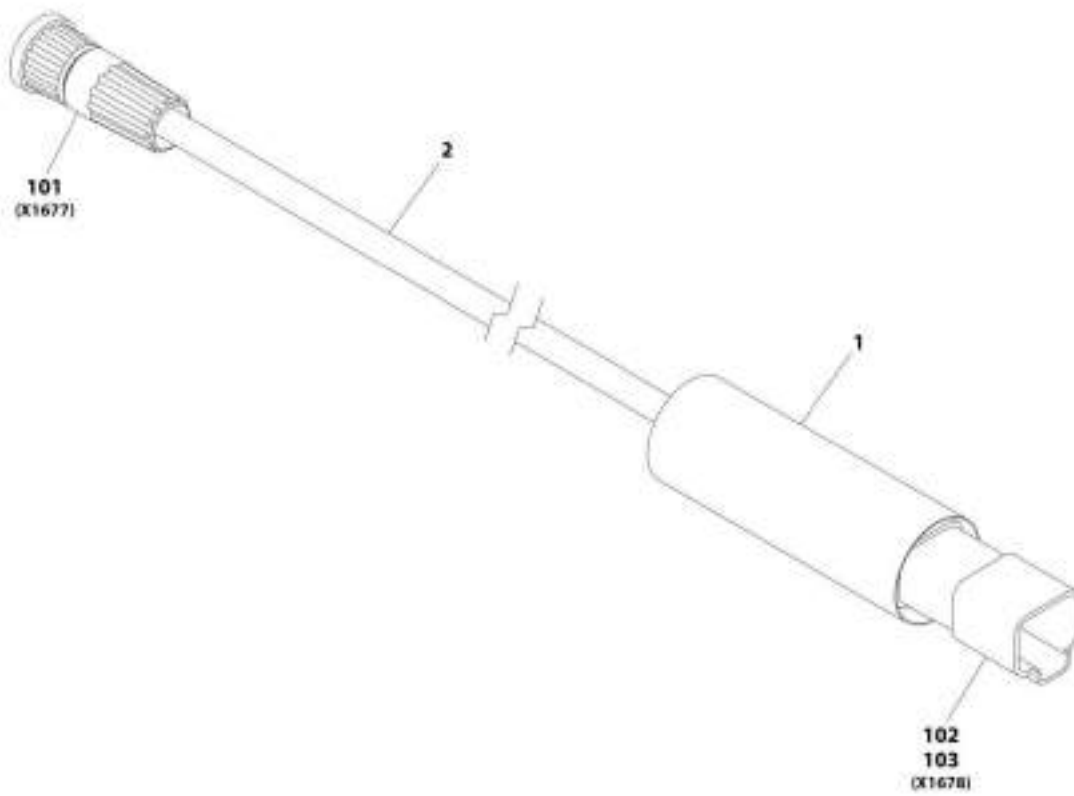
SECTION 10 - ELECTRICAL

FIGURE 10-99. CUMMUNICATION ANALYZER CABLE

| ITEM | PART NUMBER | QTY | DESCRIPTION | REV |
|------|-------------|-----|------------------------------|-----|
| | 1001213988 | Ref | Communication Analyzer Cable | A |
| 1 | 4460321 | 1 | Connector | |
| 2 | 4460268 | 4 | Terminal | |
| 3 | 4460761 | 1 | Connector | |
| 4 | 4460267 | 4 | Terminal | |

SECTION 10 - ELECTRICAL

FIGURE 10-100. TELEMATICS HARNESS



ART_3001237006-A

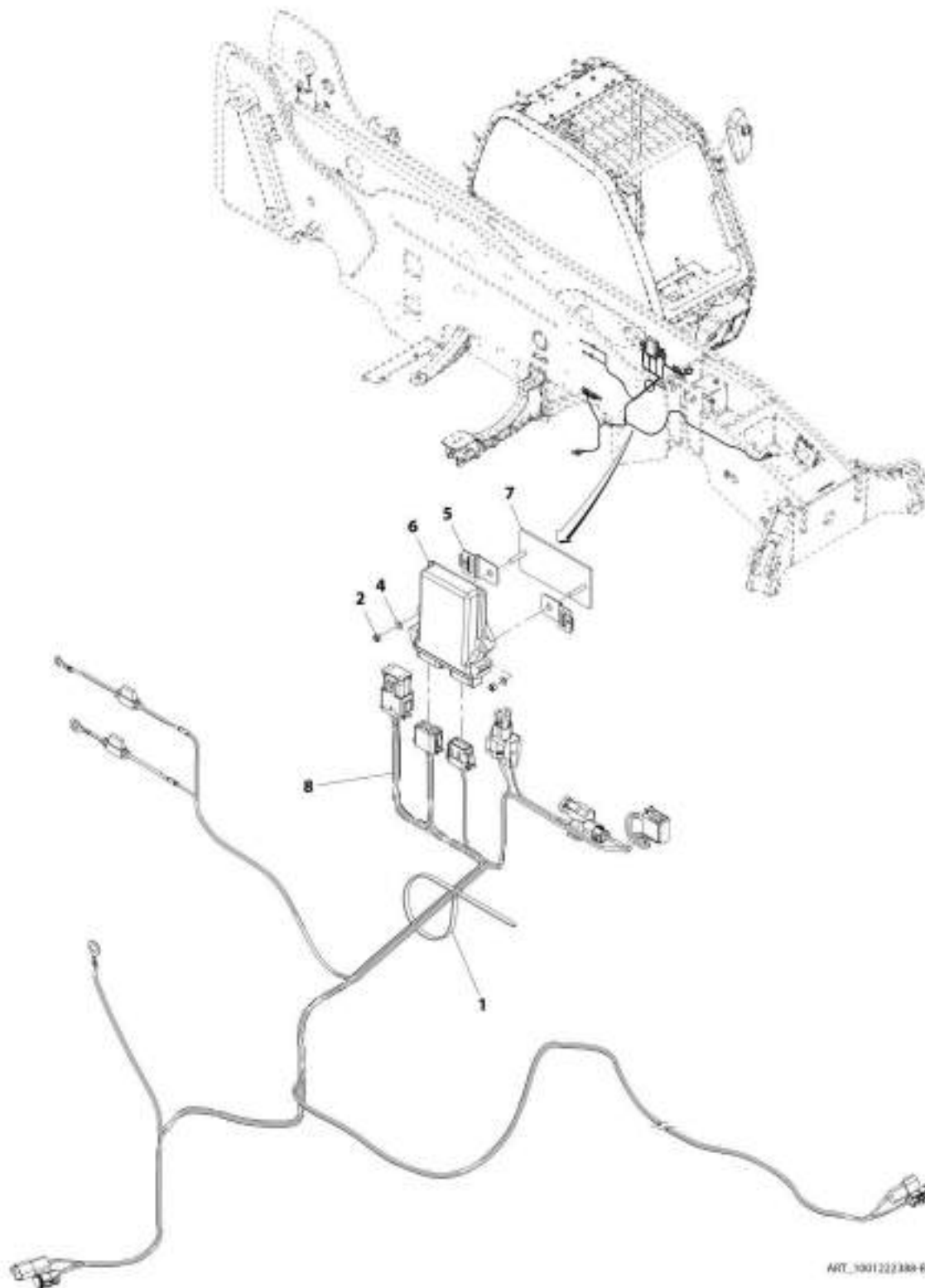
SECTION 10 - ELECTRICAL

FIGURE 10-100. TELEMATICS HARNESS

| ITEM | PART NUMBER | QTY | DESCRIPTION | REV |
|------|-------------|---------|-----------------------|-----|
| | 1001227066 | Ref | Telematics Harness | A |
| 1 | 1001226400 | 0.33 ft | Insulate, Heat Shrink | |
| 2 | 1001227068 | 3.3 ft | Cable | |
| 101 | 1001227266 | 1 | Connector | |
| 102 | 1001129407 | 1 | Connector | |
| 103 | 4460464 | 4 | Terminal | |

SECTION 10 - ELECTRICAL

FIGURE 10-101. CUSTOMER SUPPLIED TELEMATICS CANBUS (SN 0160082365 to Present, Excluding 0160081891, 0160081892, 0160081893, 0160082021, 0160082022 and 0160082054)



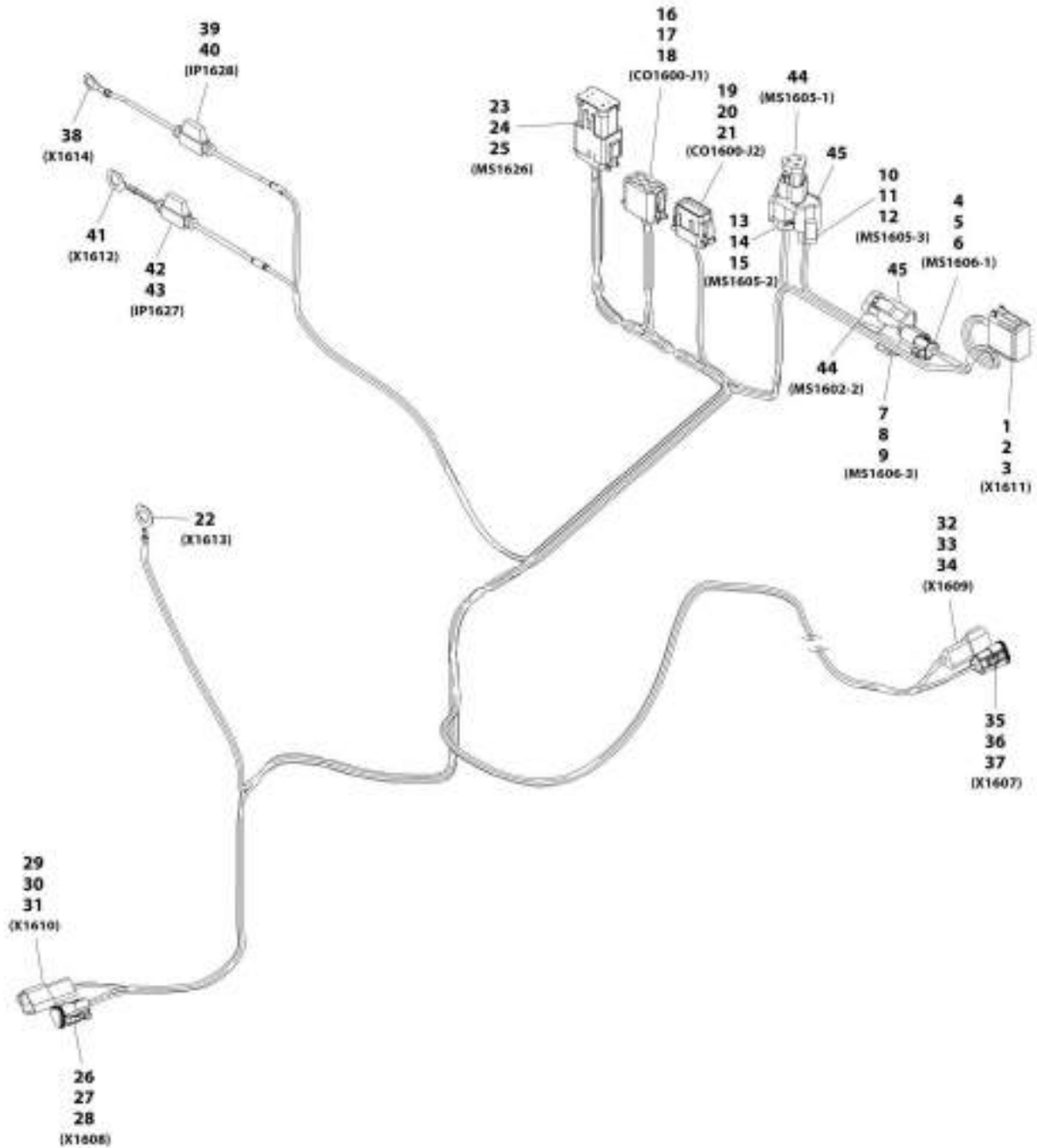
SECTION 10 - ELECTRICAL

FIGURE 10-101. CUSTOMER SUPPLIED TELEMATICS CANBUS (SN 0160082365 to Present, Excluding 0160081891, 0160081892, 0160081893, 0160082021, 0160082022 and 0160082054)

| ITEM | PART NUMBER | QTY | DESCRIPTION | REV |
|------|-------------|-----|--|-----|
| | 1001222388 | Ref | Customer Supplied Telematics Canbus | B |
| 1 | 1062255 | AR | Tie, Strap | |
| 2 | 3290505 | 2 | Nut, Lock M5X0.8 | |
| 4 | 4811600 | 2 | Washer, M5 | |
| 5 | 1001153749 | 2 | Clip, Deutch DT | |
| 6 | 1001229458 | 1 | Controller, Gateway (See Separate Breakdown in this section) | |
| 7 | 1001219082 | 1 | Bracket, Control Mount | |
| 8 | 1001225259 | 1 | Harness, 4ward Telematics (See Separate Breakdown in this section) | |

SECTION 10 - ELECTRICAL

FIGURE 10-102. TELEMATICS HARNESS (SN 0160082365 to Present, Excluding 0160081891, 0160081892, 0160081893, 0160082021, 0160082022 and 0160082054)



AWT_1001225259-B

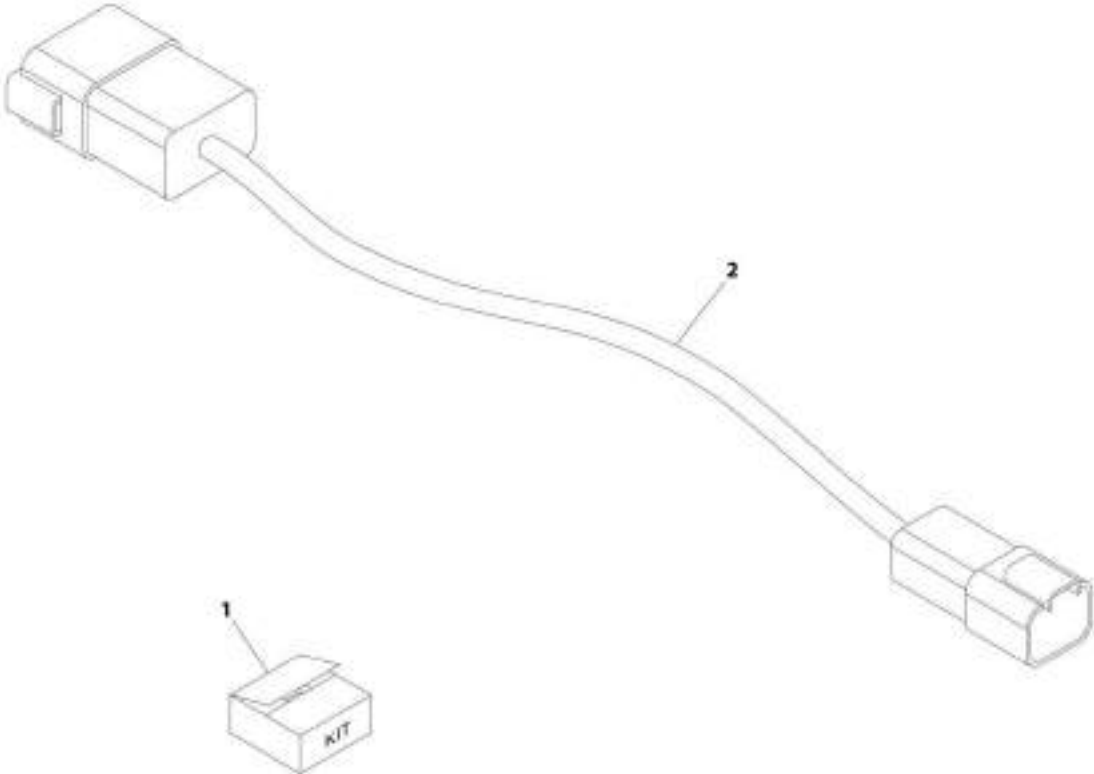
SECTION 10 - ELECTRICAL

FIGURE 10-102. TELEMATICS HARNESS (SN 0160082365 to Present, Excluding 0160081891, 0160081892, 0160081893, 0160082021, 0160082022 and 0160082054)

| ITEM | PART NUMBER | QTY | DESCRIPTION | REV |
|------|-------------|-----|--------------------------------|-----|
| | 1001225259 | Ref | Telematic Harness | B |
| 1 | 4460933 | 1 | Connector | |
| 2 | 4460465 | 5 | Terminal | |
| 3 | 4460466 | 7 | Plug | |
| 4 | 1001116812 | 1 | Connector | |
| 5 | 4460465 | 2 | Terminal | |
| 6 | 4460466 | 1 | Plug | |
| 7 | 4460539 | 1 | Connector | |
| 8 | 4460465 | 2 | Terminal | |
| 9 | 4460466 | 1 | Plug | |
| 10 | 4460539 | 1 | Connector | |
| 11 | 4460465 | 2 | Terminal | |
| 12 | 4460466 | 1 | Plug | |
| 13 | 1001116812 | 1 | Connector | |
| 14 | 4460465 | 2 | Terminal | |
| 15 | 4460466 | 1 | Plug | |
| 16 | 1001116774 | 1 | Connector | |
| 17 | 4460518 | 6 | Plug | |
| 18 | 1001126008 | 6 | Terminal | |
| 19 | 1001116808 | 1 | Connector | |
| 20 | 4460518 | 10 | Plug | |
| 21 | 1001126008 | 2 | Terminal | |
| 22 | 1001187081 | 1 | Connector | |
| 23 | 4460933 | 1 | Connector | |
| 24 | 1001200206 | 1 | Connector, DT 12 Pin 4X3 Buss | |
| 25 | 4460465 | 13 | Terminal | |
| 26 | 1001116812 | 1 | Connector | |
| 27 | 4460465 | 2 | Terminal | |
| 28 | 4460466 | 1 | Plug | |
| 29 | 1001144147 | 1 | Connector | |
| 30 | 4460464 | 2 | Terminal | |
| 31 | 4460466 | 1 | Plug | |
| 32 | 1001144147 | 1 | Connector | |
| 33 | 4460464 | 2 | Terminal | |
| 34 | 4460466 | 1 | Plug | |
| 35 | 1001116812 | 1 | Connector | |
| 36 | 4460465 | 2 | Terminal | |
| 37 | 4460466 | 1 | Plug | |
| 38 | 4460670 | 1 | Connector | |
| 39 | 2400060 | 1 | Connector | |
| 40 | 8229242 | 1 | Terminal | |
| 41 | 1001187078 | 1 | Connector | |
| 42 | 2400060 | 1 | Connector | |
| 43 | 8229242 | 1 | Terminal | |
| 44 | 1001116815 | 2 | Connector, 3 Pin | |
| 45 | 4460945 | 2 | Terminal, 3 Way "T" Receptacle | |

SECTION 10 - ELECTRICAL

FIGURE 10-103. TELEMATICS INSTALLATION, UNITED RENTALS



ART_100195678-A

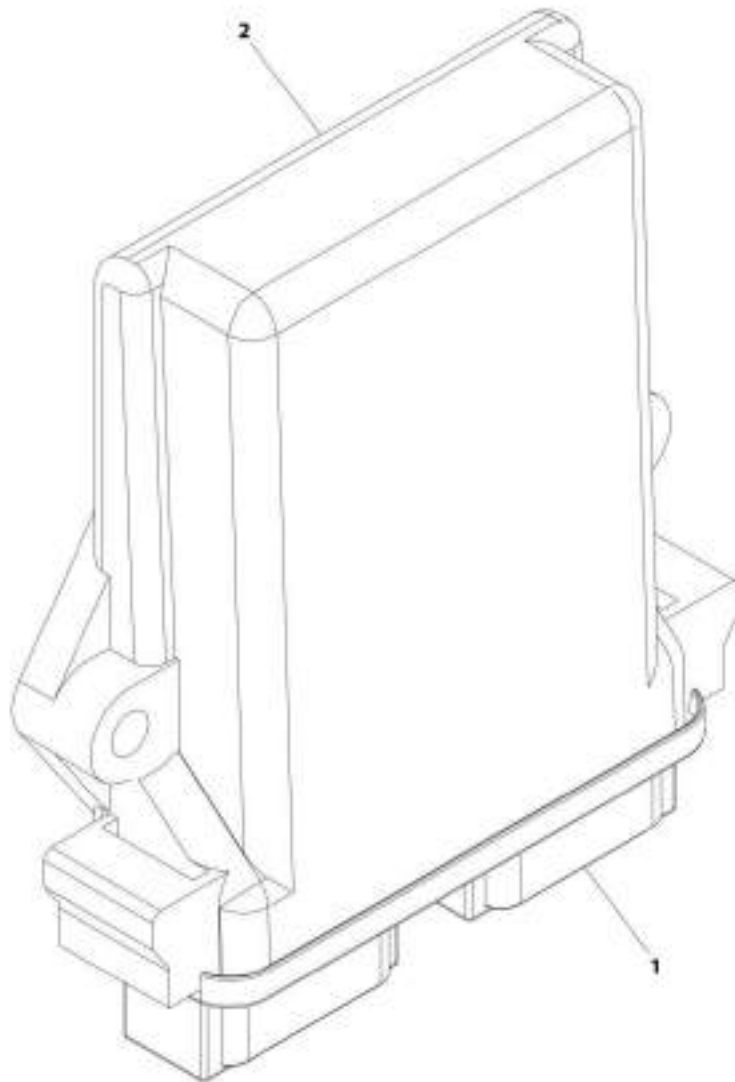
SECTION 10 - ELECTRICAL

FIGURE 10-103. TELEMATICS INSTALLATION, UNITED RENTALS

| ITEM | PART NUMBER | QTY | DESCRIPTION | REV |
|------|-------------|-----|---|-----|
| | 1001195610 | Ref | Telematics Installation, United Rentals | A |
| 1 | N.S.S. | 1 | Telematics Kit | |
| 2 | 1001195423 | 1 | Harness, Jumper | |

SECTION 10 - ELECTRICAL

FIGURE 10-104. GATEWAY CONTROLLER



ART. 101225439 B

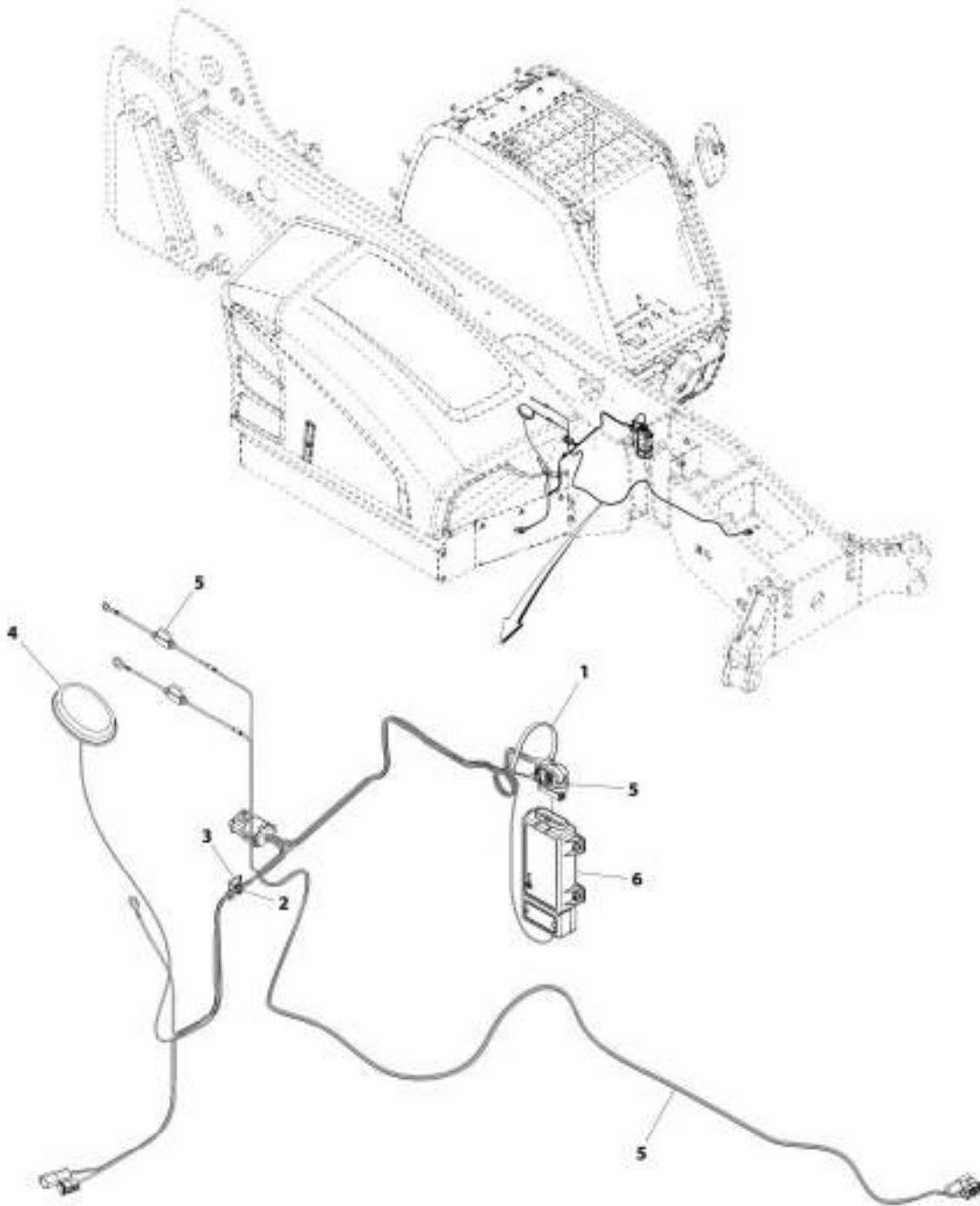
SECTION 10 - ELECTRICAL

FIGURE 10-104. GATEWAY CONTROLLER

| ITEM | PART NUMBER | QTY | DESCRIPTION | REV |
|------|-------------|-----|-------------------------------|-----|
| | 1001229458 | Ref | Gateway Controller | B |
| 1 | 1001100828 | 1 | PC Board | |
| 2 | 1001100829 | 1 | Box, Circuit Card | |
| 3 | 1001229457 | 1 | Software, Gateway (not shown) | |

SECTION 10 - ELECTRICAL

FIGURE 10-105. TELEMATICS CANBUS INSTALLATION (CLEARSKY 2) (ANSI)



ART_1001221043-A

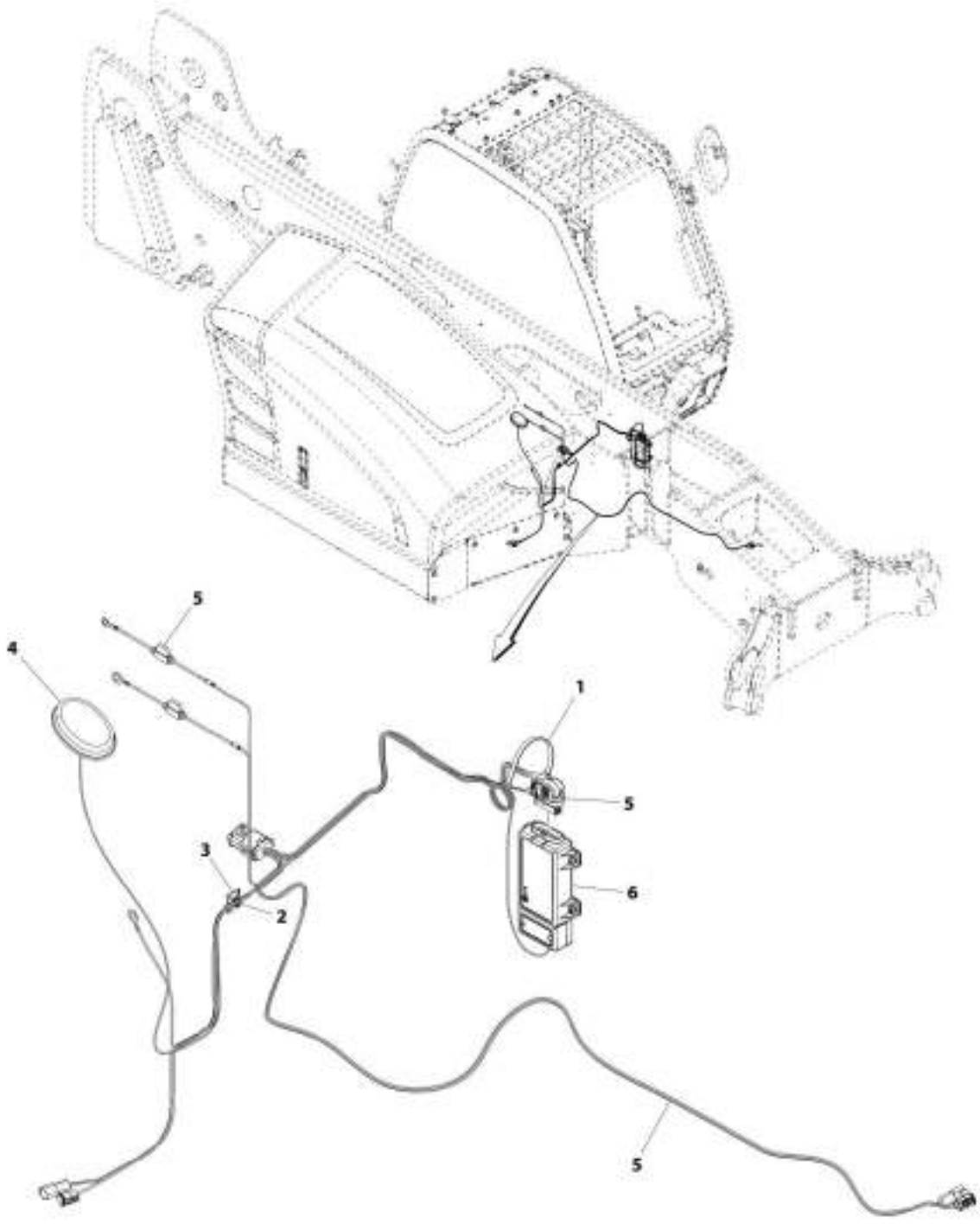
SECTION 10 - ELECTRICAL

FIGURE 10-105. TELEMATICS CANBUS INSTALLATION (CLEARSKY 2) (ANSI)

| ITEM | PART NUMBER | QTY | DESCRIPTION | REV |
|------|-------------|-----|---|-----|
| | 1001221941 | Ref | Telematics Canbus Installation (Clearsky 2) (ANSI) | A |
| 1 | 1062255 | AR | Tie, Strap | |
| 2 | 4240032 | AR | Tie, Strap | |
| 3 | 4460234 | AR | Cable, Tie Mount | |
| 4 | 1001226799 | 1 | Antenna | |
| 5 | 1001227297 | 1 | Harness, 4ward Telematics (Clearsky 2) (See Separate Breakdown in this section) | |
| 6 | 1001229955 | 1 | Module | |

SECTION 10 - ELECTRICAL

FIGURE 10-106. TELEMATICS CANBUS INSTALLATION (CLEARSKY 2) (CE)



ART_1001230248-A

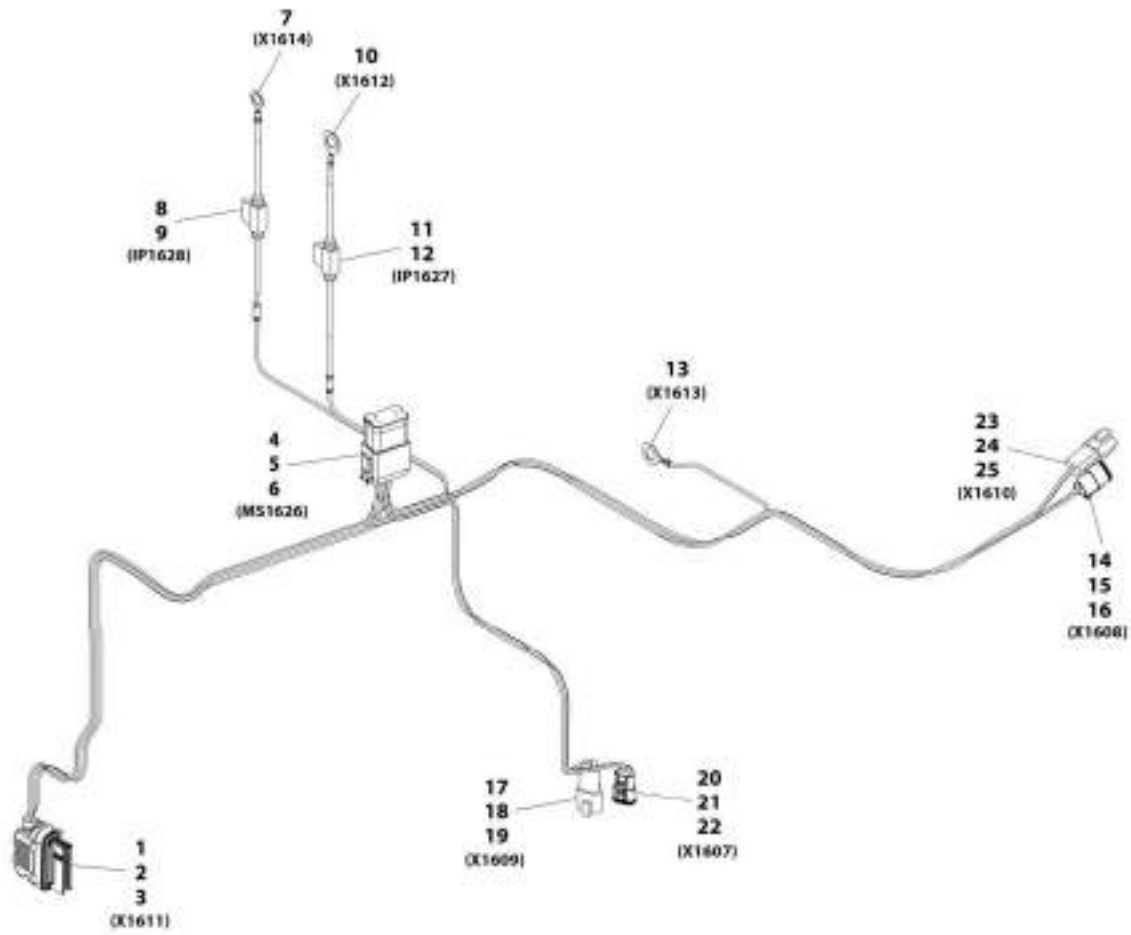
SECTION 10 - ELECTRICAL

FIGURE 10-106. TELEMATICS CANBUS INSTALLATION (CLEARSKY 2) (CE)

| ITEM | PART NUMBER | QTY | DESCRIPTION | REV |
|------|-------------|-----|---|-----|
| | 1001239249 | Ref | Telematics Canbus Installation (Clearsky 2) (CE) | A |
| 1 | 1062255 | AR | Tie, Strap | |
| 2 | 4240032 | AR | Tie, Strap | |
| 3 | 4460234 | AR | Cable, Tie Mount | |
| 4 | 1001226799 | 1 | Antenna | |
| 5 | 1001227297 | 1 | Harness, 4ward Telematics (Clearsky 2) (See Separate Breakdown in this section) | |
| 6 | 1001239194 | 1 | Module | |

SECTION 10 - ELECTRICAL

FIGURE 10-107. TELEMATICS HARNESS (CLEARSKY 2)



MIL_1001227297-8

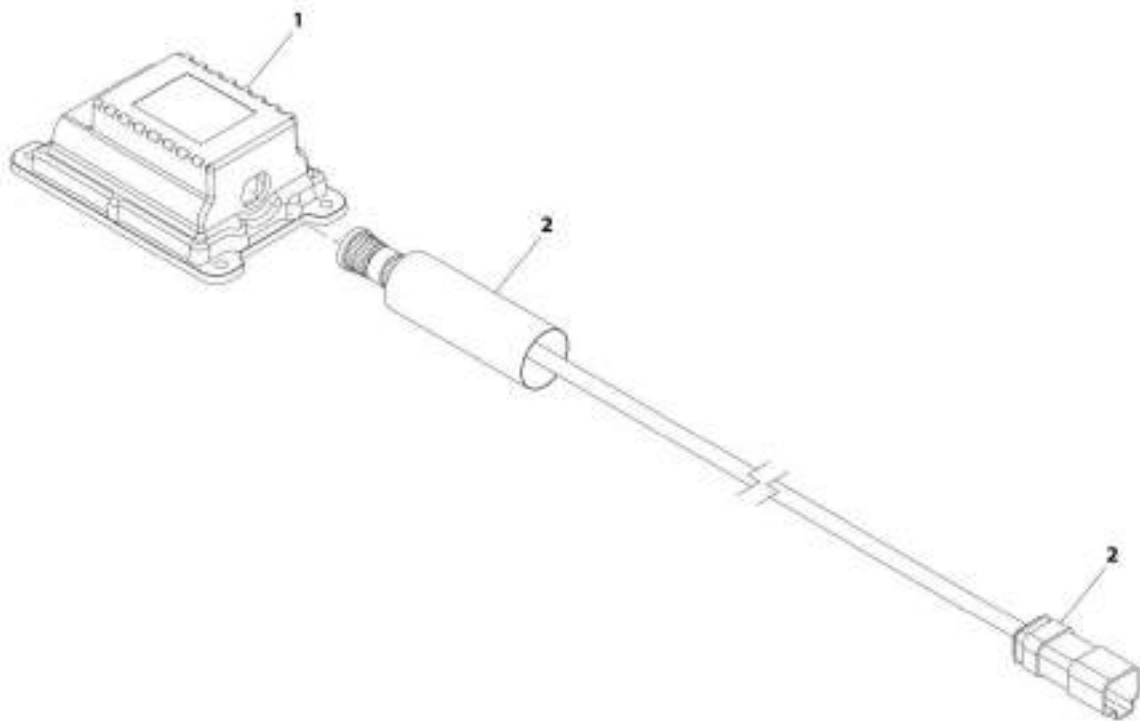
SECTION 10 - ELECTRICAL

FIGURE 10-107. TELEMATICS HARNESS (CLEARSKY 2)

| ITEM | PART NUMBER | QTY | DESCRIPTION | REV |
|------|-------------|-----|---------------------------------------|-----|
| | 1001227297 | Ref | 4ward Telematic, Harness (Clearsky 2) | B |
| 1 | 1001226636 | 1 | Connector | |
| 2 | 1001226637 | 7 | Terminal | |
| 3 | 1001116731 | 17 | Plug | |
| 4 | 4460933 | 1 | Connector | |
| 5 | 4460465 | 12 | Terminal | |
| 6 | 1001200206 | 1 | Connector, DT 12 Pin 4X3 Buss | |
| 7 | 4460670 | 1 | Connector | |
| 8 | 2400060 | 1 | Connector | |
| 9 | 8229242 | 1 | Fuse, 5amp | |
| 10 | 1001187078 | 1 | Connector | |
| 11 | 2400060 | 1 | Connector | |
| 12 | 8229242 | 1 | Fuse, 5amp | |
| 13 | 1001187081 | 1 | Connector | |
| 14 | 1001116812 | 1 | Connector | |
| 15 | 4460465 | 2 | Terminal | |
| 16 | 4460466 | 1 | Plug | |
| 17 | 1001144147 | 1 | Connector | |
| 18 | 4460464 | 2 | Terminal | |
| 19 | 4460466 | 1 | Plug | |
| 20 | 1001116812 | 1 | Connector | |
| 21 | 4460465 | 2 | Terminal | |
| 22 | 4460466 | 1 | Plug | |
| 23 | 1001144147 | 1 | Connector | |
| 24 | 4460464 | 2 | Terminal | |
| 25 | 4460466 | 1 | Plug | |

SECTION 10 - ELECTRICAL

FIGURE 10-108. CLEARSKY INSTALLATION 3-WIRE (ANSI)



ART_100229107-C

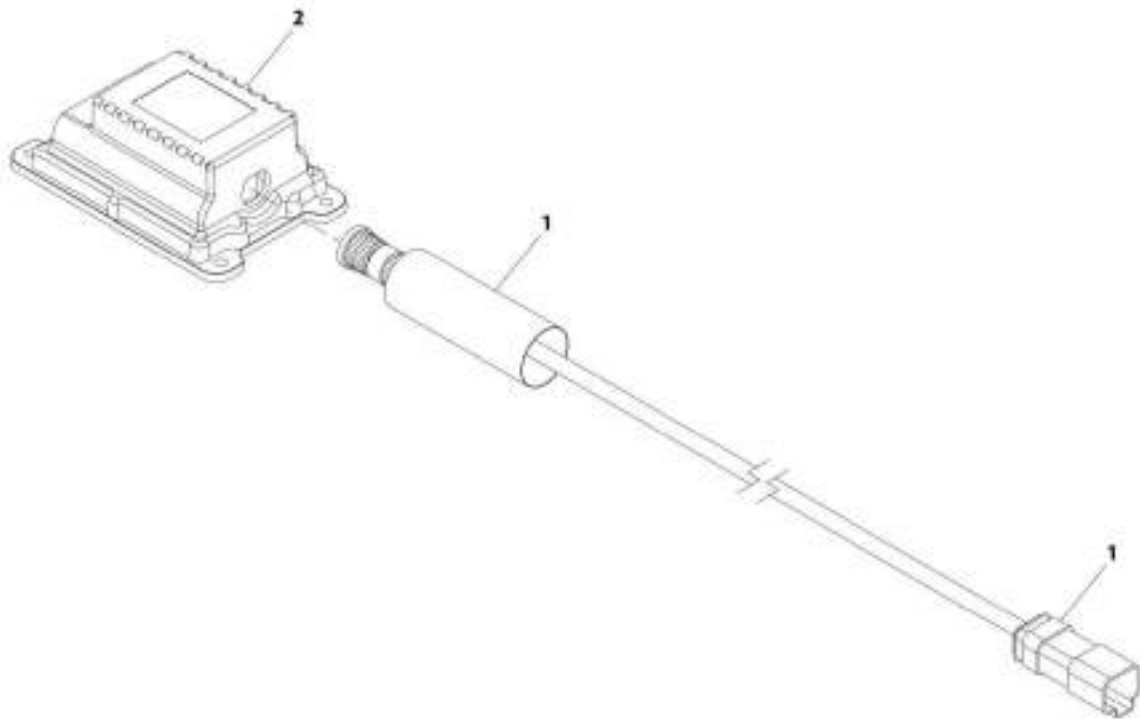
SECTION 10 - ELECTRICAL

FIGURE 10-108. CLEARSKY INSTALLATION 3-WIRE (ANSI)

| ITEM | PART NUMBER | QTY | DESCRIPTION | REV |
|------|-------------|-----|---|-----|
| 1 | 1001229107 | Ref | Clearsky Installation 3-Wire | B |
| | 1001226328 | 1 | Module, 3W TCU | |
| 2 | 1001227066 | Ref | Telematics Harness (See Separate Breakdown in this Section) | |

SECTION 10 - ELECTRICAL

FIGURE 10-109. CLEARSKY INSTALLATION 3-WIRE (CE)



ART_100255237-C

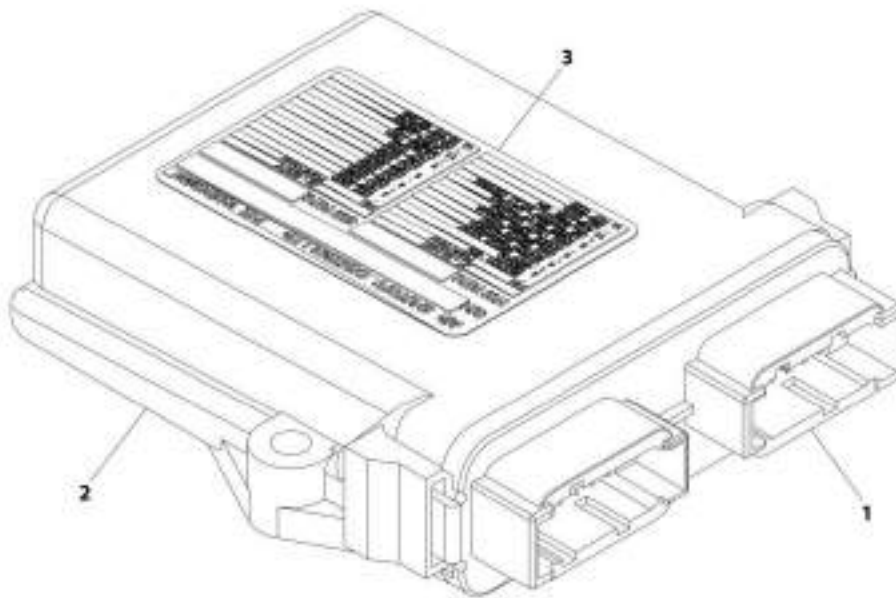
SECTION 10 - ELECTRICAL

FIGURE 10-109. CLEARSKY INSTALLATION 3-WIRE (CE)

| ITEM | PART NUMBER | QTY | DESCRIPTION | REV |
|------|-------------|-----|---|-----|
| | 1001233237 | Ref | Clearsky Installation 3-Wire (CE) | C |
| 1 | 1001227066 | 1 | Telematics Harness (See Separate Breakdown in this Section) | |
| 2 | 1001233236 | 1 | Module, 3W TCU | |

SECTION 10 - ELECTRICAL

FIGURE 10-110. CONTROL ACCESSORY



ART_1001203101-C

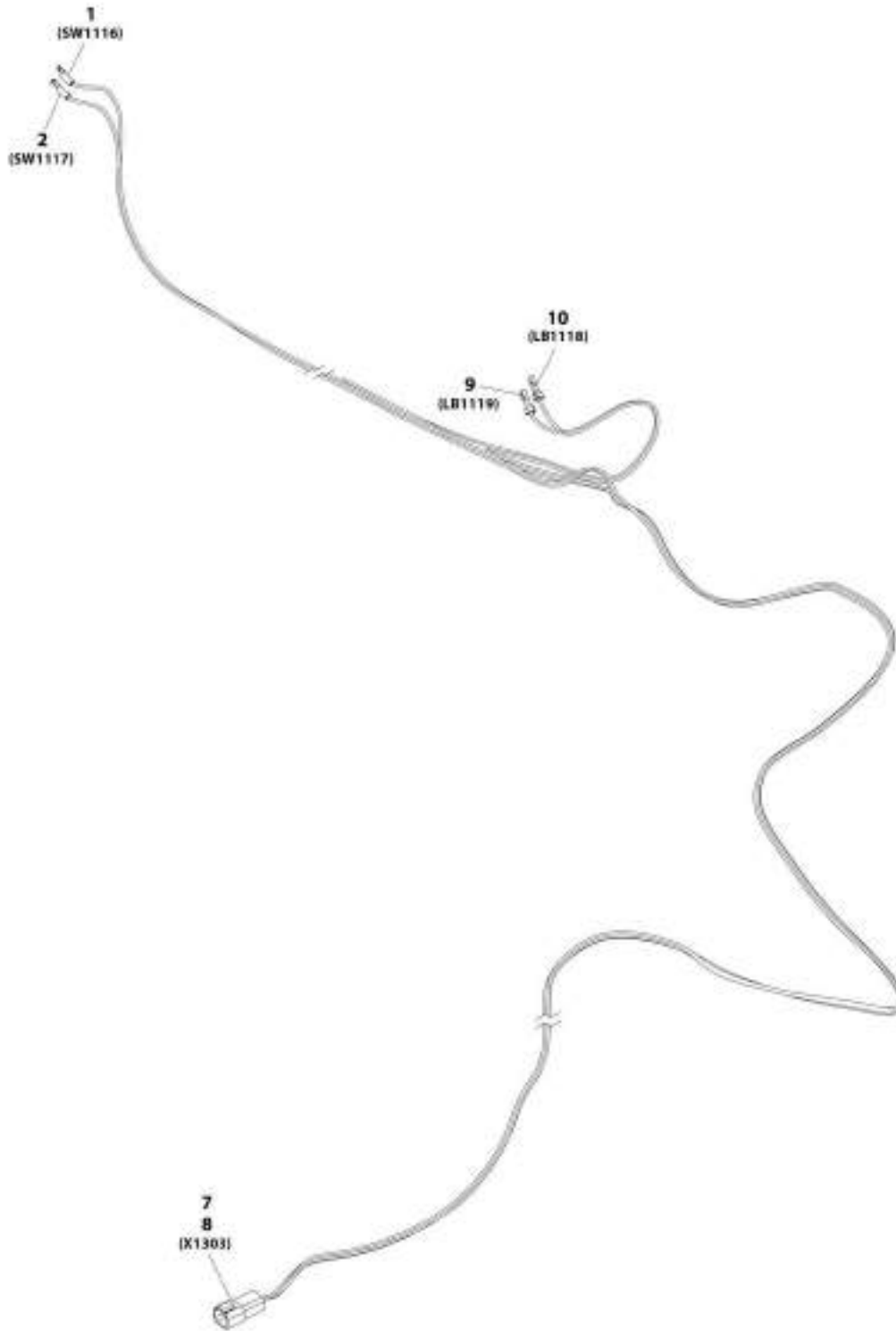
SECTION 10 - ELECTRICAL

FIGURE 10-110. CONTROL ACCESSORY

| ITEM | PART NUMBER | QTY | DESCRIPTION | REV |
|------|-------------|-----|----------------------|-----|
| | 1001203181 | Ref | Control Accessory | C |
| 1 | 1001215630 | 1 | PC Board | |
| 2 | 0861493 | 1 | Box, Circuit Card | |
| 3 | 1001215631 | 1 | Decal | |
| 4 | 1001215632 | 1 | Software (not shown) | |

SECTION 10 - ELECTRICAL

FIGURE 10-111. CAB AIR SHUT OFF VALVE HARNESS



ART_1001231407-C

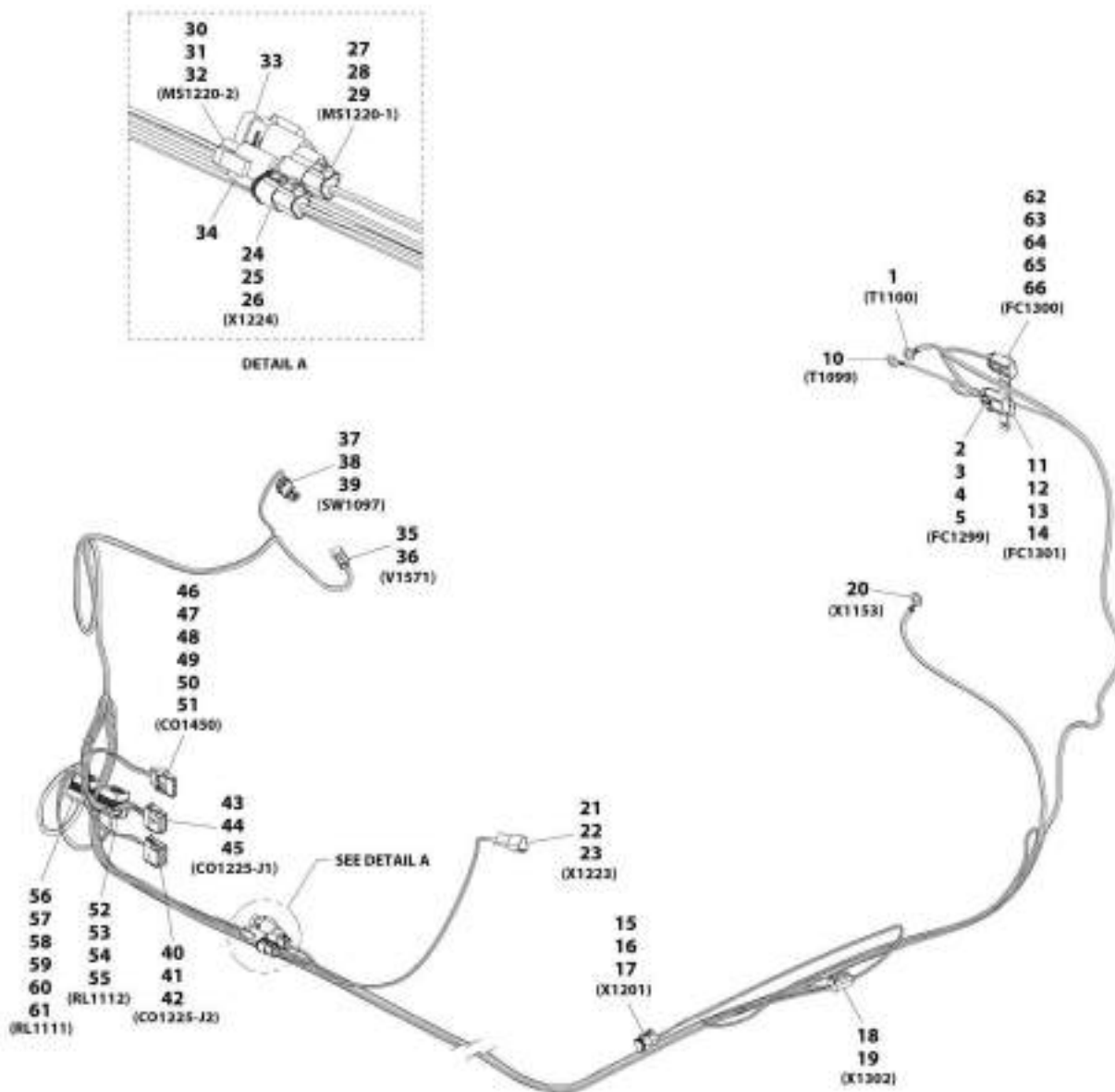
SECTION 10 - ELECTRICAL

FIGURE 10-111. CAB AIR SHUT OFF VALVE HARNESS

| ITEM | PART NUMBER | QTY | DESCRIPTION | REV |
|------|-------------|-----|--------------------------------|-----|
| | 1001231407 | Ref | Cab Air Shut Off Valve Harness | C |
| 1 | 8220035 | 1 | Terminal, Ring | |
| 2 | 8220035 | 1 | Terminal, Ring | |
| 7 | 4460932 | 1 | Connector | |
| 8 | 4460464 | 4 | Terminal | |
| 9 | 8220108 | 1 | Connector, Female | |
| 10 | 8220108 | 1 | Connector, Female | |

SECTION 10 - ELECTRICAL

FIGURE 10-112. ENGINE AIR SHUT OFF VALVE HARNESS



ART 1001231483-C

SECTION 10 - ELECTRICAL

FIGURE 10-112. ENGINE AIR SHUT OFF VALVE HARNESS

| ITEM | PART NUMBER | QTY | DESCRIPTION | REV |
|------|-------------|-----|-----------------------------------|-----|
| | 1001231483 | Ref | Engine Air Shut Off Valve Harness | C |
| 1 | 1001187079 | 1 | Terminal, Ring | |
| 2 | 1001231397 | 1 | Connector | |
| 3 | 8229235 | 1 | Fuse, 20amp | |
| 4 | 1001231401 | 2 | Terminal | |
| 5 | 1001230402 | 2 | Seal | |
| 10 | 1001187078 | 1 | Terminal, Ring | |
| 11 | 1001231397 | 1 | Connector | |
| 12 | 8229261 | 1 | Fuse, 20amp | |
| 13 | 1001231400 | 2 | Terminal | |
| 14 | 1001230403 | 2 | Seal | |
| 15 | 1001116812 | 1 | Connector | |
| 16 | 4460465 | 2 | Terminal | |
| 17 | 4460466 | 1 | Plug | |
| 18 | 4460884 | 1 | Connector | |
| 19 | 4460465 | 4 | Terminal | |
| 20 | 1001187079 | 1 | Terminal, Ring | |
| 21 | 1001144147 | 1 | Connector | |
| 22 | 4460464 | 2 | Terminal | |
| 23 | 4460466 | 1 | Plug | |
| 24 | 1001116812 | 1 | Connector | |
| 25 | 4460465 | 2 | Terminal | |
| 26 | 4460466 | 1 | Plug | |
| 27 | 1001116812 | 1 | Connector | |
| 28 | 4460465 | 2 | Terminal | |
| 29 | 4460466 | 1 | Plug | |
| 30 | 4460539 | 1 | Connector | |
| 31 | 4460465 | 2 | Terminal | |
| 32 | 4460466 | 1 | Plug | |
| 33 | 1001116815 | 1 | Connector, 3 Pin | |
| 34 | 4460945 | 1 | Terminal, 3 Way "T" Receptacle | |
| 35 | 4460891 | 1 | Connector | |
| 36 | 1001157890 | 2 | Terminal | |
| 37 | 4460742 | 1 | Connector | |
| 38 | 4460475 | 2 | Terminal | |
| 39 | 4460458 | 2 | Plug | |
| 40 | 1001116774 | 1 | Connector | |
| 41 | 4460518 | 8 | Plug | |
| 42 | 1001126008 | 4 | Terminal | |
| 43 | 1001116808 | 1 | Connector | |
| 44 | 1001126008 | 9 | Terminal | |
| 45 | 4460518 | 3 | Plug | |
| 46 | 4460761 | 1 | Connector | |
| 47 | 4460321 | 1 | Terminal | |
| 48 | 1001118378 | 4 | Terminal | |
| 49 | 4460809 | 4 | Plug | |
| 50 | 1001143551 | 1 | Seal | |
| 51 | 1001218358 | 1 | Lanyard Rope | |
| 52 | 1001231398 | 1 | Connector | |
| 53 | 1001231400 | 4 | Terminal | |

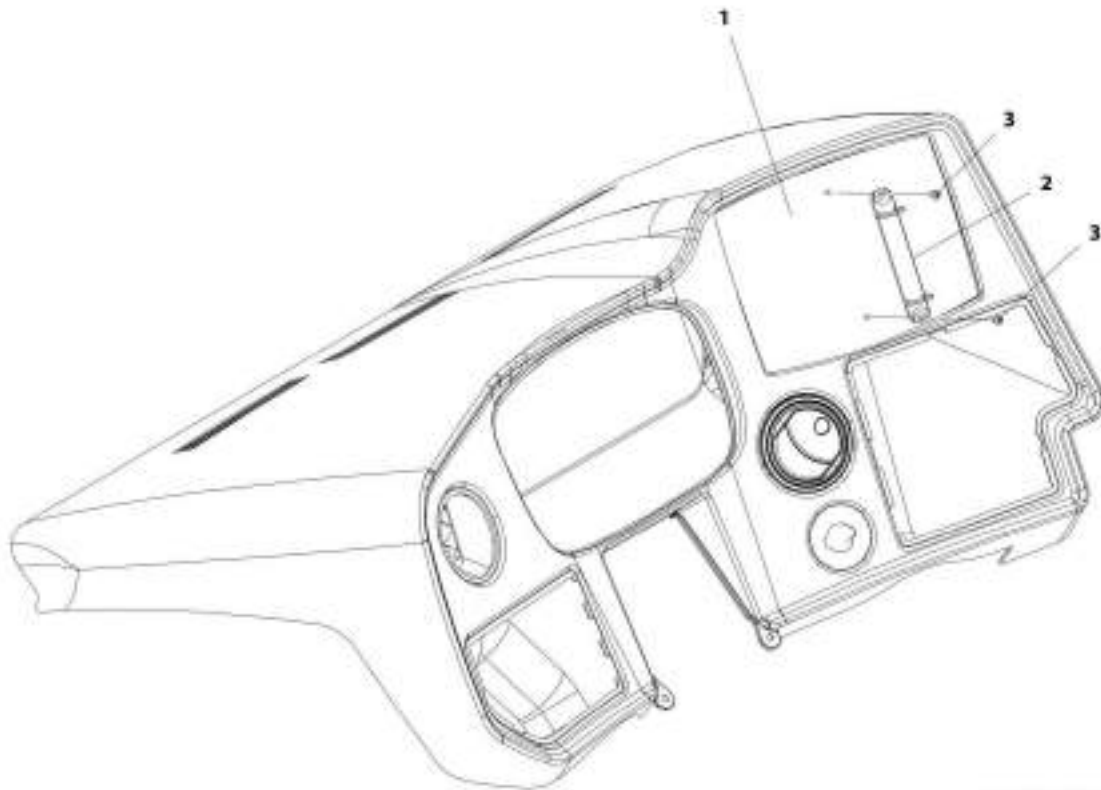
SECTION 10 - ELECTRICAL

| ITEM | PART NUMBER | QTY | DESCRIPTION | REV |
|------|-------------|-----|-------------|-----|
| 54 | 1001231404 | 4 | Seal | |
| 55 | 1001231406 | 1 | Plug | |
| 56 | 1001231398 | 1 | Connector | |
| 57 | 1001231401 | 2 | Terminal | |
| 58 | 1001231402 | 2 | Seal | |
| 59 | 1001231400 | 2 | Terminal | |
| 60 | 1001231404 | 2 | Seal | |
| 61 | 1001231406 | 1 | Plug | |
| 62 | 1001231397 | 1 | Connector | |
| 63 | 8229234 | 1 | Fuse, 20amp | |
| 64 | 1001231400 | 2 | Terminal | |
| 65 | 1001230403 | 1 | Seal | |
| 66 | 1001230404 | 1 | Seal | |

SECTION 11 - DECALS

SECTION 11 - DECALS

FIGURE 11-1. CAPACITY CHART HOLDER



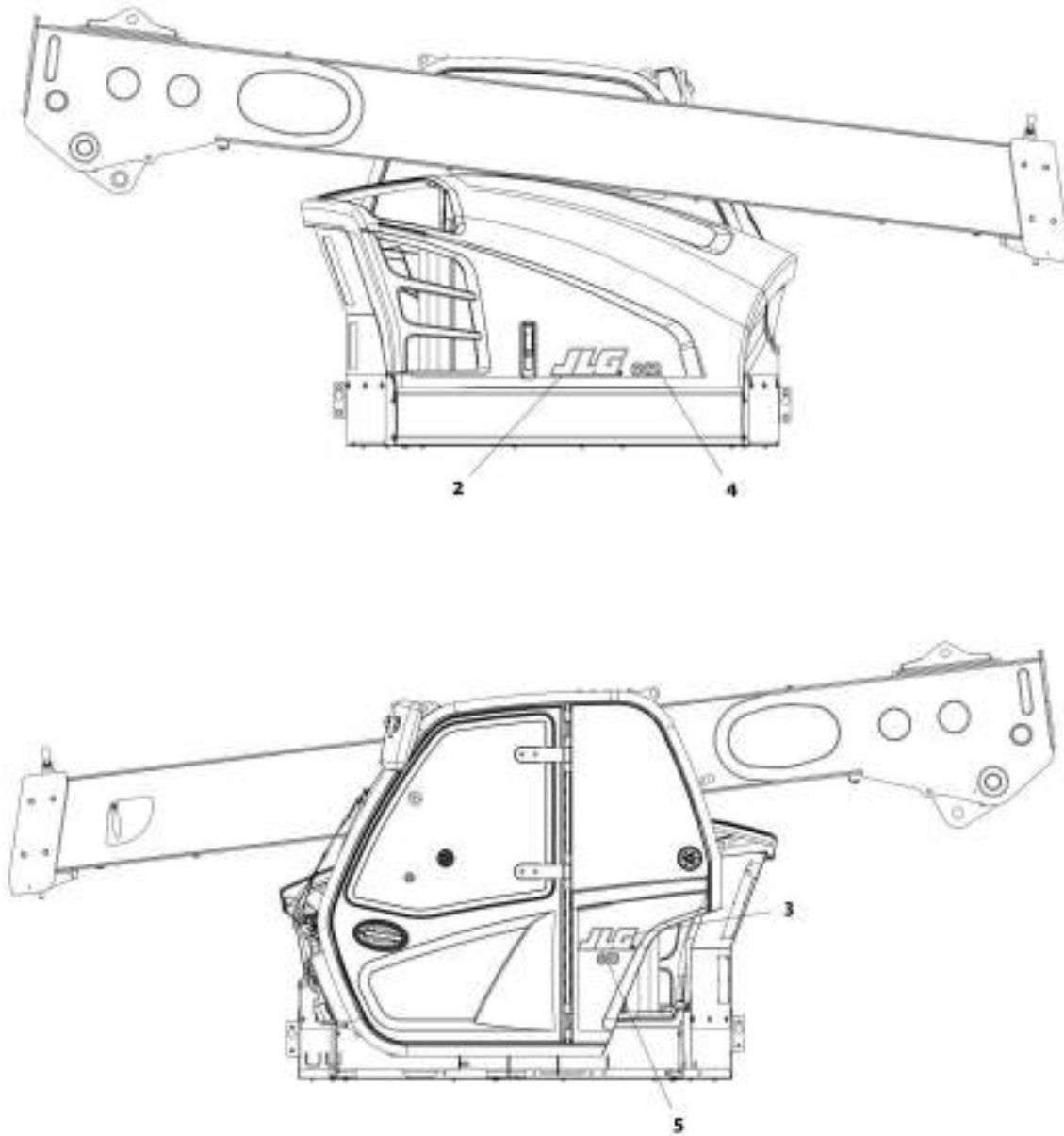
ART_1001178200-A

FIGURE 11-1. CAPACITY CHART HOLDER

| ITEM | PART NUMBER | QTY | DESCRIPTION | REV |
|-------------|--------------------|------------|-----------------------|------------|
| | 1001178706 | 1 | Capacity Chart Holder | A |
| 1 | 1001179297 | 1 | Load Chart, Bezel | |
| 2 | 1001005960 | 1 | Holder | |
| 3 | 7029486 | 2 | Screw | |

SECTION 11 - DECALS

FIGURE 11-2. BRAND AND MODEL DECAL INSTALLATION (642)



ART_3001172977-D

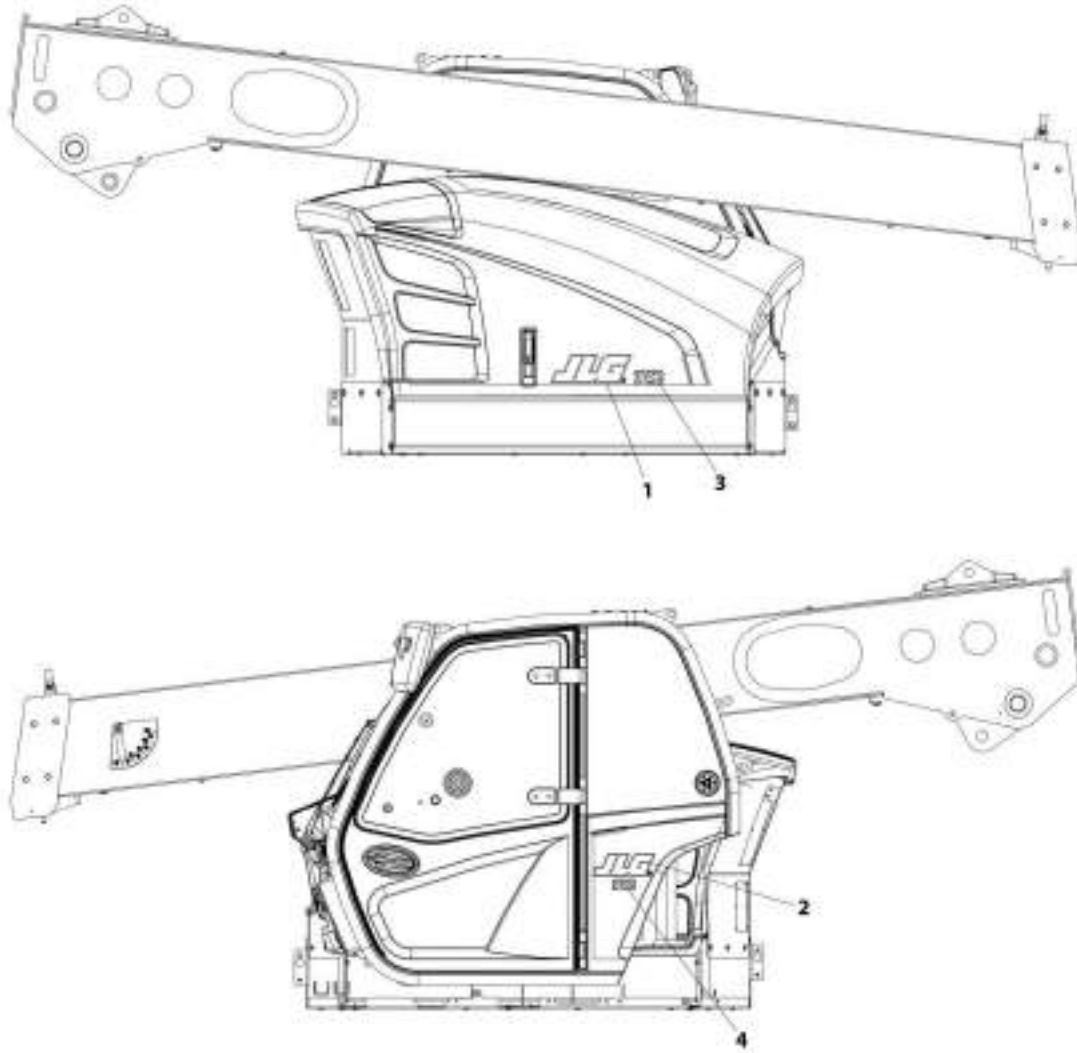
SECTION 11 - DECALS

FIGURE 11-2. BRAND AND MODEL DECAL INSTALLATION (642)

| ITEM | PART NUMBER | QTY | DESCRIPTION | REV |
|------|-------------|-----|--|-----|
| | 1001172977 | Ref | Brand and Model Decal Installation (642) | D |
| 2 | 1001160775 | 1 | Decal, JLG 5 Black | |
| 3 | 1001169674 | 1 | Decal, JLG M100X285 | |
| 4 | 1001172955 | 1 | Decal, JLG 642 | |
| 5 | 1001172956 | 1 | Decal, JLG 642 Cab | |

SECTION 11 - DECALS

FIGURE 11-3. BRAND AND MODEL DECAL INSTALLATION (742)



MT_1001226709-A

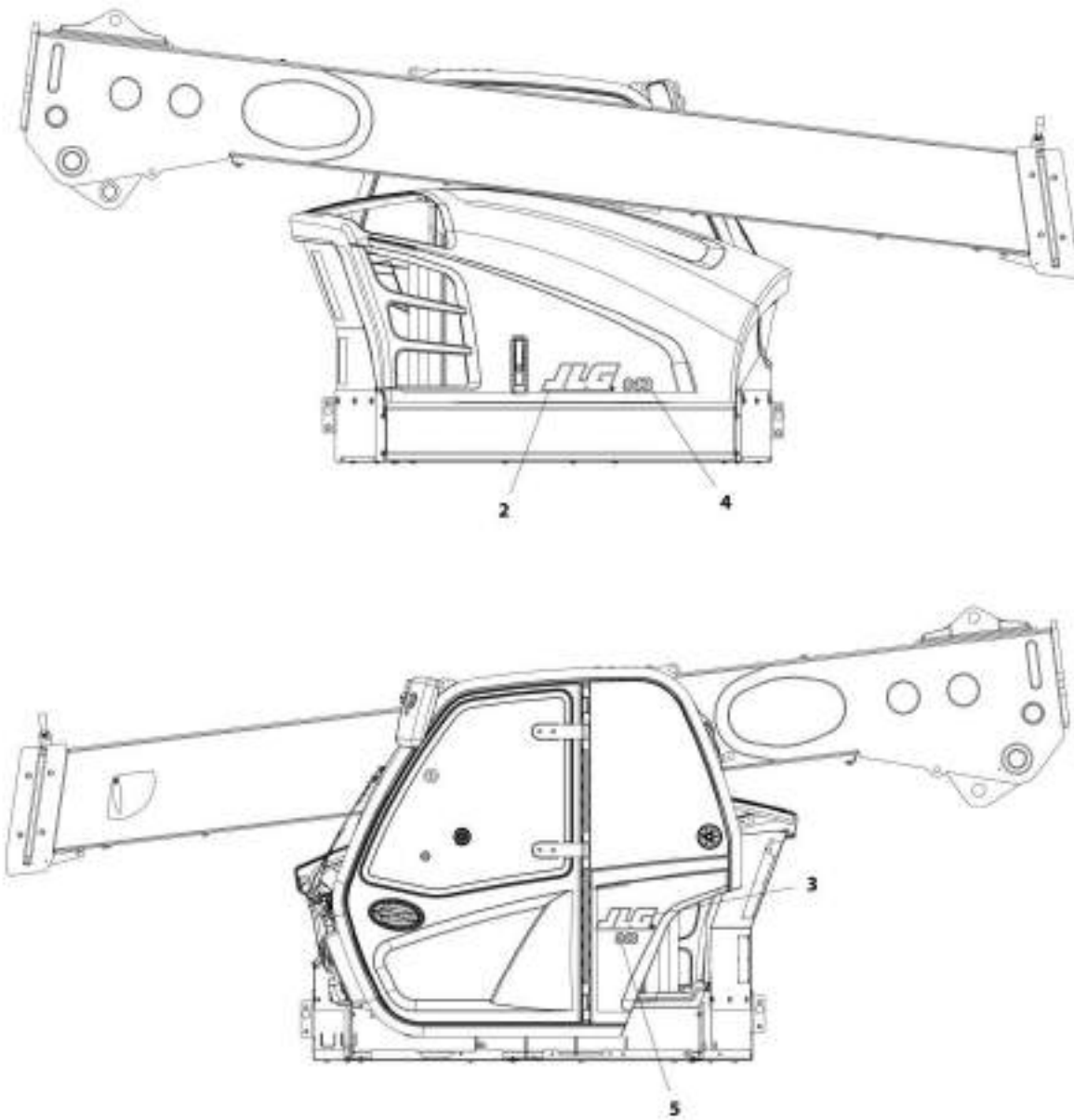
SECTION 11 - DECALS

FIGURE 11-3. BRAND AND MODEL DECAL INSTALLATION (742)

| ITEM | PART NUMBER | QTY | DESCRIPTION | REV |
|------|-------------|-----|--|-----|
| | 1001226709 | Ref | Brand and Model Decal Installation (742) | A |
| 1 | 1001160775 | 1 | Decal, JLG 5 Black | |
| 2 | 1001169674 | 1 | Decal, JLG | |
| 3 | 1001226710 | 1 | Decal, JLG 742 | |
| 4 | 1001226711 | 1 | Decal, JLG 742 Cab | |

SECTION 11 - DECALS

FIGURE 11-4. BRAND AND MODEL DECAL INSTALLATION (943)



ART_1001172479-D

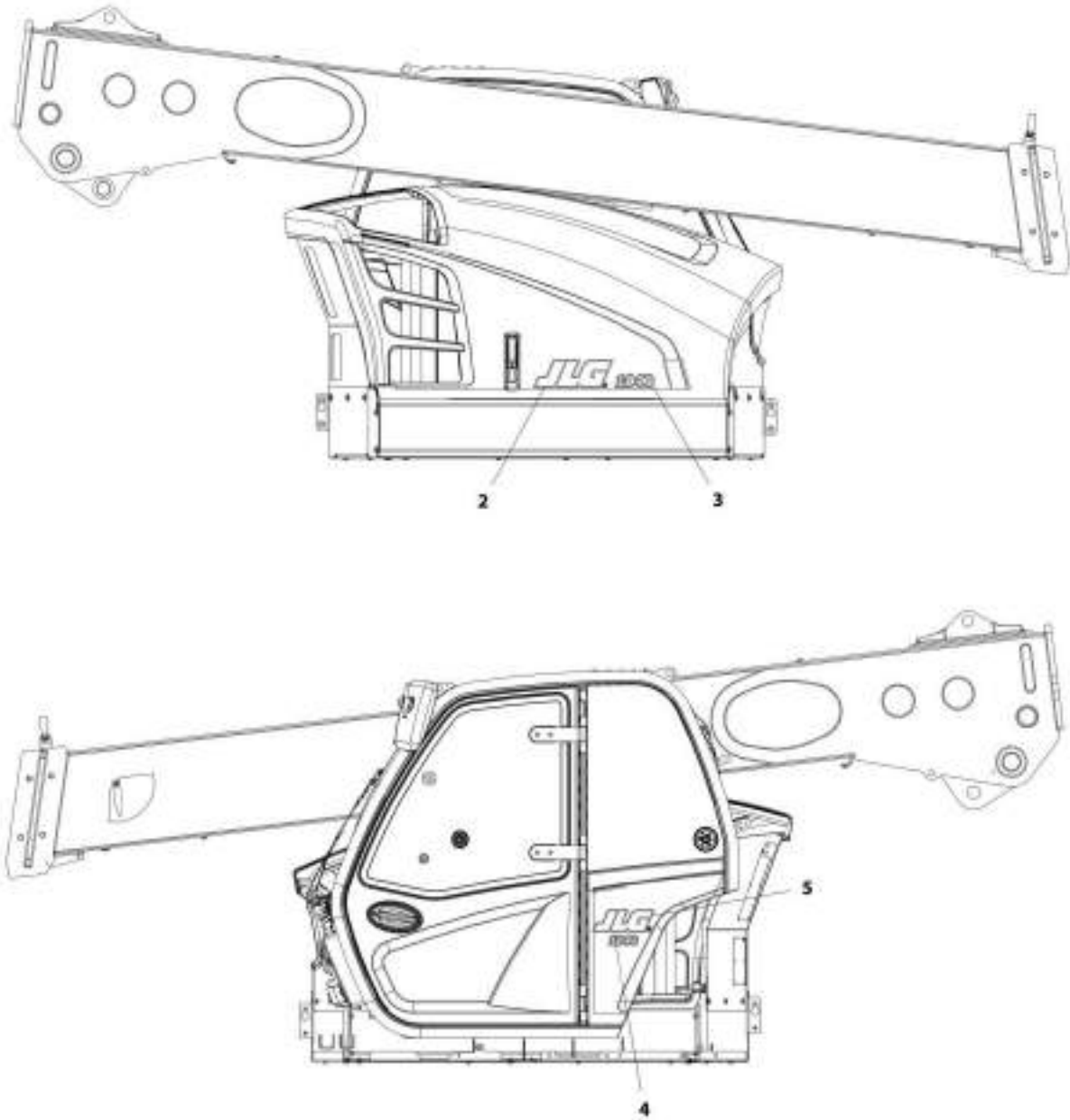
SECTION 11 - DECALS

FIGURE 11-4. BRAND AND MODEL DECAL INSTALLATION (943)

| ITEM | PART NUMBER | QTY | DESCRIPTION | REV |
|------|-------------|-----|--|-----|
| | 1001172978 | 1 | Brand and Model Decal Installation (943) | D |
| 2 | 1001160775 | 1 | Decal, JLG 5 Black | |
| 3 | 1001169674 | 1 | Decal, JLG M100X285 | |
| 4 | 1001172957 | 1 | Decal, JLG 943 | |
| 5 | 1001172958 | 1 | Decal, JLG 943 Cab | |

SECTION 11 - DECALS

FIGURE 11-5. BRAND AND MODEL DECAL INSTALLATION (1043)



MIT_1001172970-D

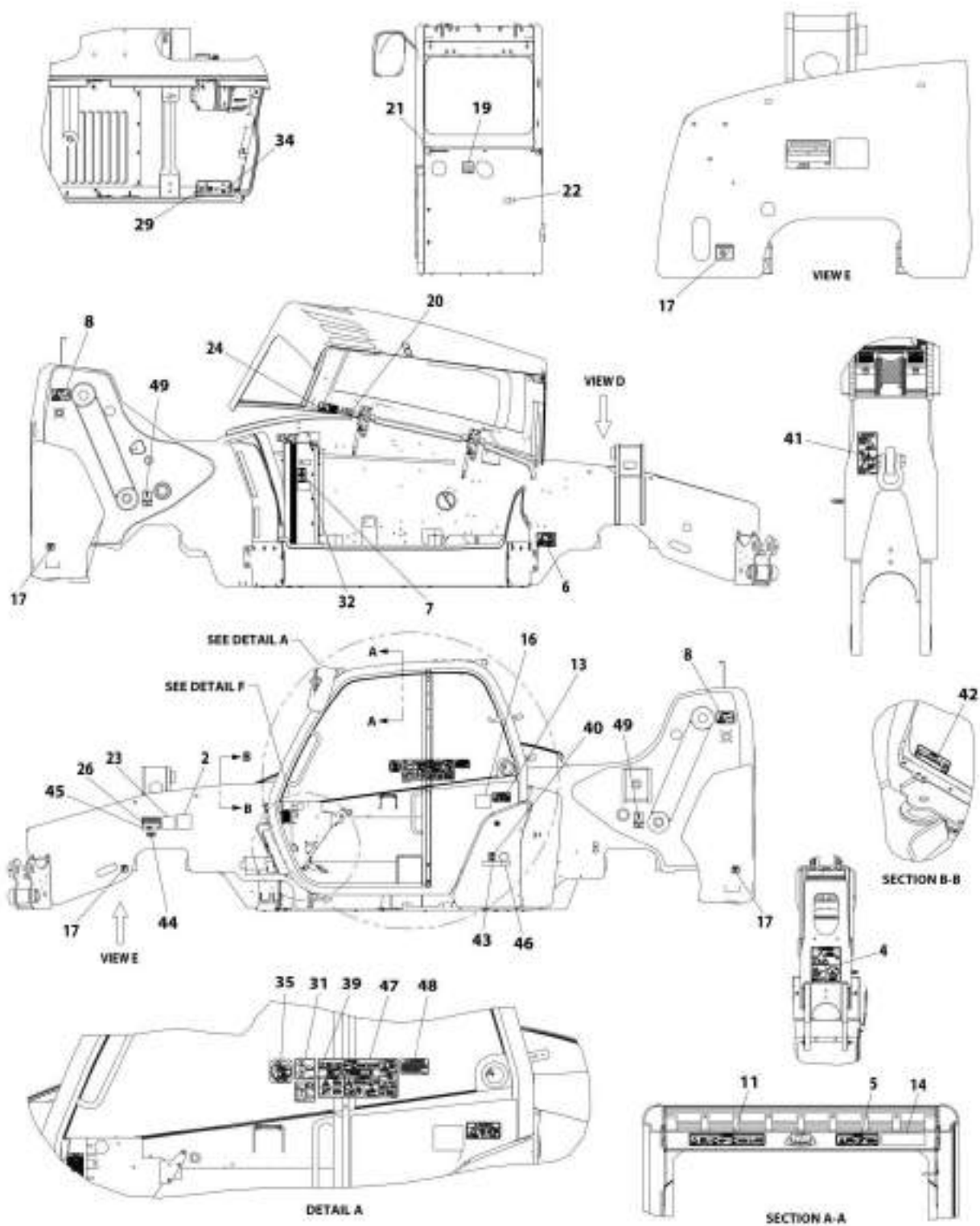
SECTION 11 - DECALS

FIGURE 11-5. BRAND AND MODEL DECAL INSTALLATION (1043)

| ITEM | PART NUMBER | QTY | DESCRIPTION | REV |
|------|-------------|-----|---|-----|
| | 1001172979 | Ref | Brand and Model Decal Installation (1043) | D |
| 2 | 1001160775 | 1 | Decal, JLG 5 Black | |
| 3 | 1001172960 | 1 | Decal, JLG 1043 | |
| 4 | 1001172961 | 1 | Decal, JLG 1043 Cab | |
| 5 | 1001169674 | 1 | Decal, JLG | |

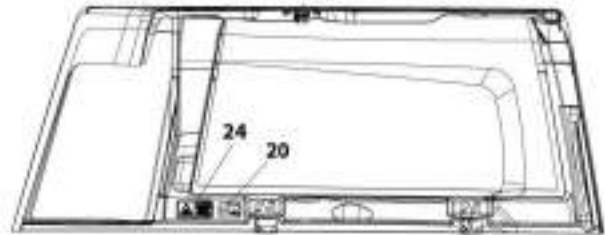
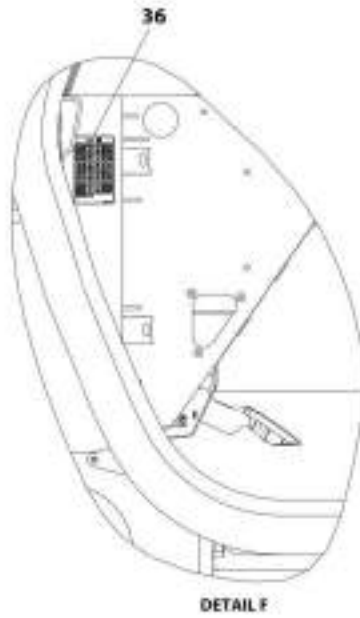
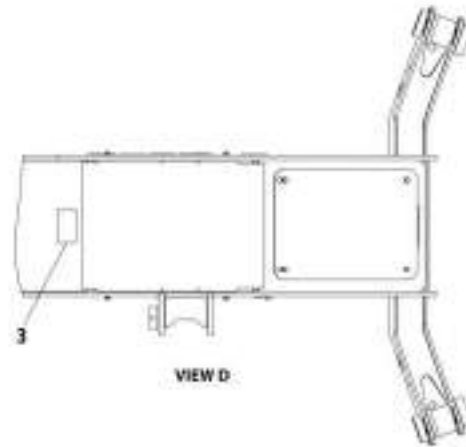
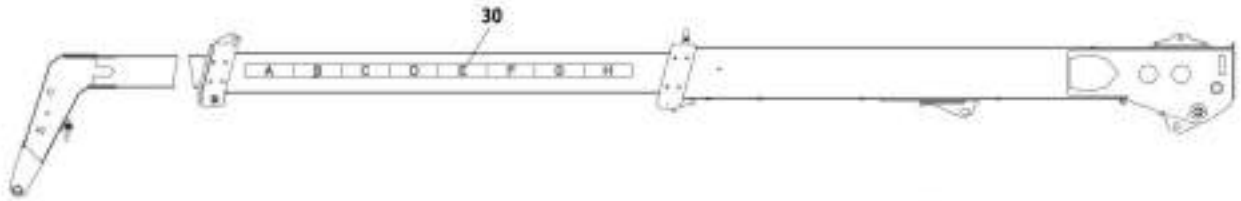
SECTION 11 - DECALS

FIGURE 11-6. DECAL INSTALLATION (ANSI)



ART_1001173420_3-C

SECTION 11 - DECALS



ART_1001179409_2-0

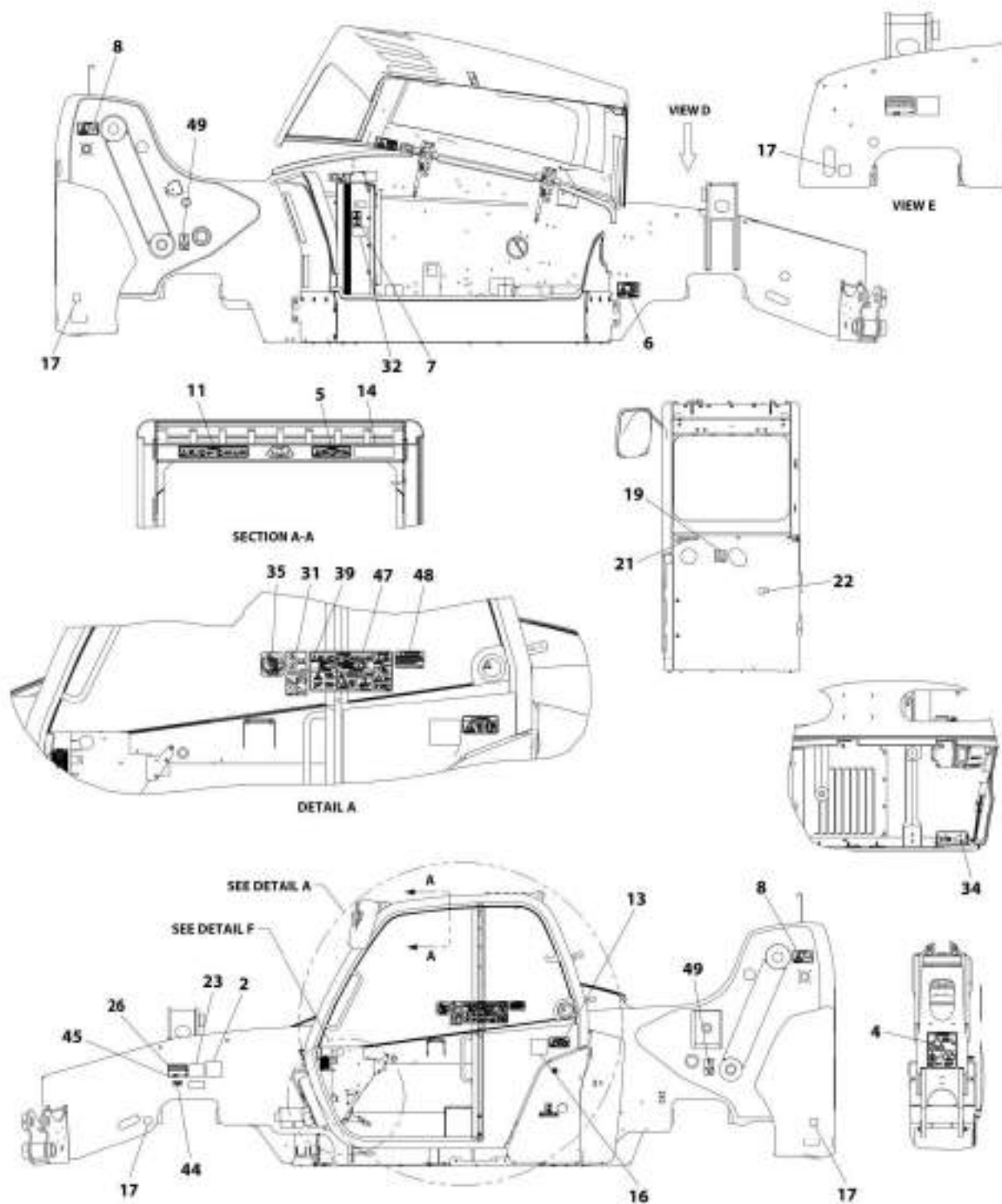
SECTION 11 - DECALS

FIGURE 11-6. DECAL INSTALLATION (ANSI)

| ITEM | PART NUMBER | QTY | DESCRIPTION | REV |
|------|-------------|-----|--|-----|
| | 1001173429 | 1 | Decal Installation (ANSI) | O |
| 2 | 1702631 | 1 | Decal, Bar Code | |
| 3 | 1706296 | 1 | Decal, Battery Warning | |
| 4 | 1001195849 | 1 | Decal, Carry Personnel | |
| 5 | 1706299 | 1 | Decal, Contacting Power Lines Warning | |
| 6 | 1706300 | 1 | Decal, Ether Warning | |
| 7 | 1706301 | 1 | Decal, Keep Clear of Rotating Parts Warning | |
| 8 | 1706302 | 2 | Decal, Pinch Point Boom Holes | |
| 11 | 1706306 | 1 | Decal, Tip Over Warning | |
| 13 | 1706768 | 1 | Decal, Vehicle Roll Away | |
| 14 | 1706850 | 1 | Decal, Crush Hazard Warning | |
| 16 | 3251813 | 1 | Decal, USA | |
| 17 | 4109801 | 4 | Decal, Tie Down Point | |
| 19 | 1001094708 | 1 | Decal, Hydraulic Oil | |
| 20 | 1001109053 | 1 | Decal, Coolant Fill | |
| 21 | 1001218704 | 1 | Decal, Ultra Low Sulfur Diesel | |
| 22 | 1001130323 | 1 | Decal, Oil Level | |
| 23 | 1001131271 | 1 | Decal, Patent | |
| 24 | 1001139578 | 1 | Decal, Hot Fluid Warning | |
| 26 | 1001229575 | 1 | Decal, Nameplate | |
| 29 | 1001195855 | 1 | Decal, Battery Disconnect | |
| 30 | 1001171277 | 1 | Decal, Boom Extend | |
| 31 | 1001172035 | 1 | Decal, No Weld or Drill | |
| 32 | 1001173422 | 1 | Decal, MCO 110HP | |
| 34 | 1001184632 | 1 | Decal, Battery Positive | |
| 35 | 1001188372 | 1 | Decal, Sway | |
| 36 | 1001191229 | 1 | Decal, Fuse Panel | |
| 39 | 1001200101 | 1 | Decal, Manual | |
| 40 | 1001196806 | 1 | Decal, Diesel Exhaust Fluid | |
| 41 | 1001207217 | 1 | Decal, Danger Swinging Loads (SN 0160075708 to Present) | |
| 42 | 1001218659 | 1 | Decal, Brake Fluid | |
| 43 | 1001219212 | 1 | Decal, DEF Fluid | |
| 44 | 1001223453 | 1 | Decal, ICES | |
| 45 | 1001009178 | 4 | Decal, Track Metal | |
| 46 | 1001230310 | 1 | Decal, JLG DEF Tank Service | |
| 47 | 1707078 | 1 | Decal, Warning/Danger Cab | |
| 48 | 1001231801 | 1 | Decal, Warning Prop 65 Diesel | |
| 49 | 1001222650 | 2 | Decal, Axle Lift | |

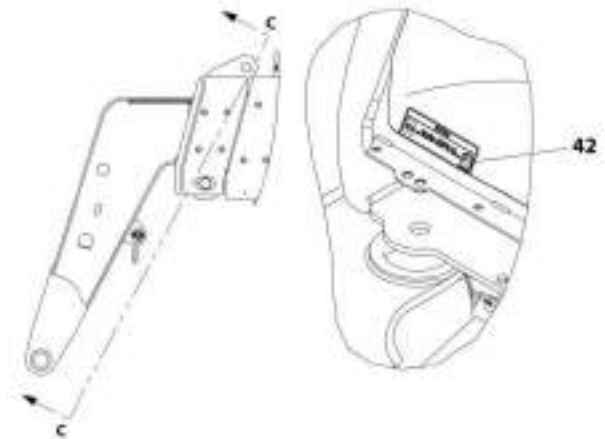
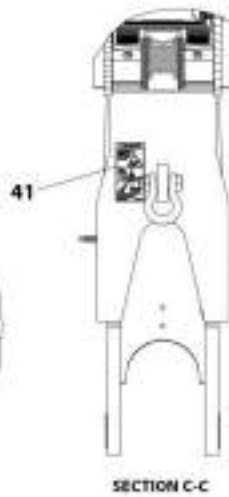
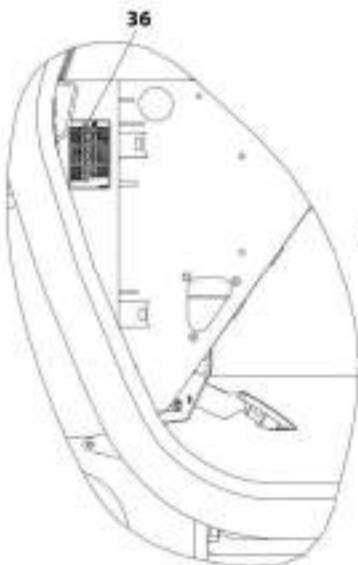
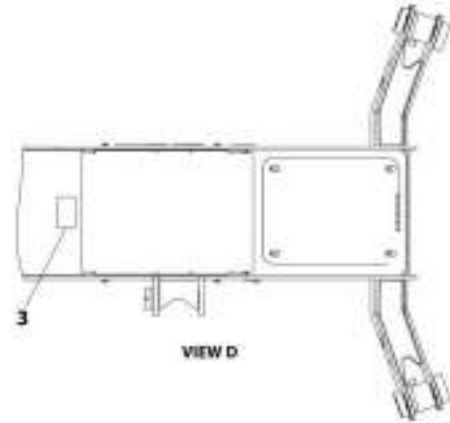
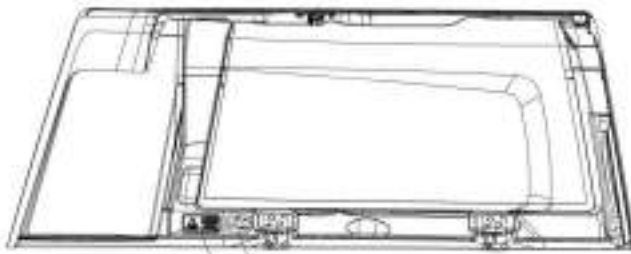
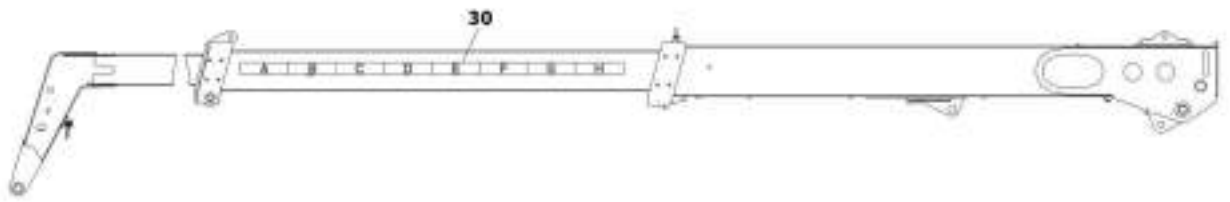
SECTION 11 - DECALS

FIGURE 11-7. DECAL INSTALLATION (ANSI) (742, 943)



ART_1001227339_1-0

SECTION 11 - DECALS



MT_100127339_2-G

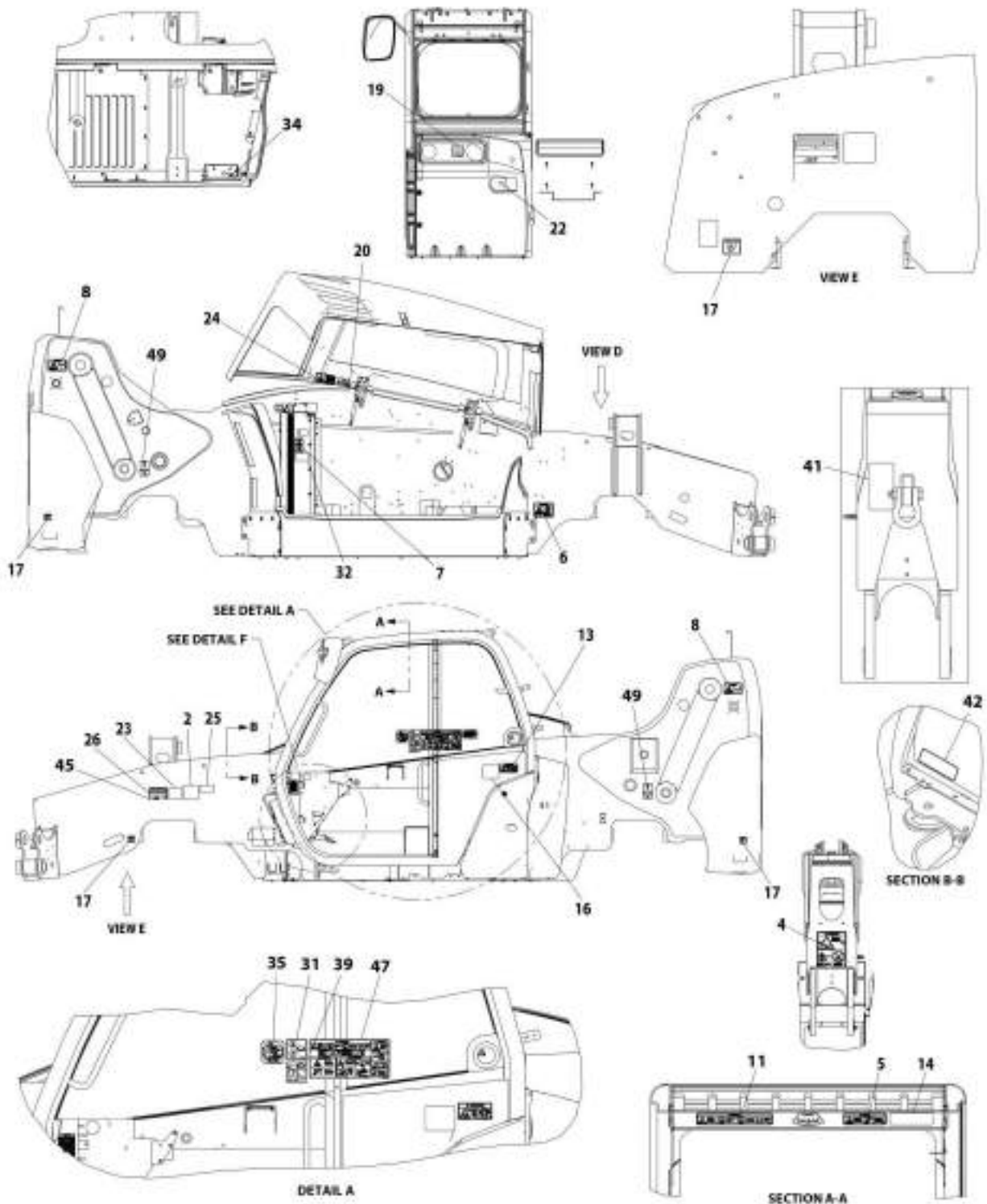
SECTION 11 - DECALS

FIGURE 11-7. DECAL INSTALLATION (ANSI) (742, 943)

| ITEM | PART NUMBER | QTY | DESCRIPTION | REV |
|------|-------------|-----|---|-----|
| | 1001227339 | Ref | Decal Installation (ANSI) (742, 943) | G |
| 2 | 1702631 | 1 | Decal, Bar Code | |
| 3 | 1706296 | 1 | Decal, Battery Warning | |
| 4 | 1001195849 | 1 | Decal, Carry Personnel | |
| 5 | 1706299 | 1 | Decal, Contacting Power Lines Warning | |
| 6 | 1706300 | 1 | Decal, Ether Warning | |
| 7 | 1706301 | 1 | Decal, Keep Clear Of Rotating Parts Warning | |
| 8 | 1706302 | 2 | Decal, Pinch Point Boom Holes | |
| 11 | 1706306 | 1 | Decal, Tip Over Warning | |
| 13 | 1706768 | 1 | Decal, Vehicle Roll Away | |
| 14 | 1706850 | 1 | Decal, Crush Hazard Warning | |
| 16 | 3251813 | 1 | Decal, USA | |
| 17 | 4109801 | 4 | Decal, Tie Down Point | |
| 19 | 1001094708 | 1 | Decal, Hydraulic Oil | |
| 20 | 1001109053 | 1 | Decal, Coolant Fill | |
| 21 | 1001218704 | 1 | Decal, Ultra Low Sulfur Diesel | |
| 22 | 1001130323 | 1 | Decal, Oil Level | |
| 23 | 1001131271 | 1 | Decal, Patent | |
| 24 | 1001139578 | 1 | Decal, Hot Fluid Warning | |
| 26 | 1001229575 | 1 | Decal, Nameplate | |
| 30 | 1001171277 | 1 | Decal, Boom Extend | |
| 31 | 1001172035 | 1 | Decal, No Weld or Drill | |
| 32 | 1001202626 | 1 | Decal, 74HP | |
| 34 | 1001184632 | 1 | Decal, Battery Positive | |
| 35 | 1001188372 | 1 | Decal, Sway | |
| 36 | 1001191229 | 1 | Decal, Fuse Panel | |
| 39 | 1001200101 | 1 | Decal, Manual | |
| 41 | 1001207217 | 1 | Decal, Danger Swinging Loads | |
| 42 | 1001218659 | 1 | Decal, Brake Fluid | |
| 44 | 1001223453 | 1 | Decal, ICES | |
| 45 | 1001009178 | 4 | Decal, Track Metal | |
| 47 | 1707078 | 1 | Decal, Warning/Danger Cab | |
| 48 | 1001231801 | 1 | Decal, Warning Prop 65 Diesel | |
| 49 | 1001222650 | 2 | Decal, Axle Lift | |

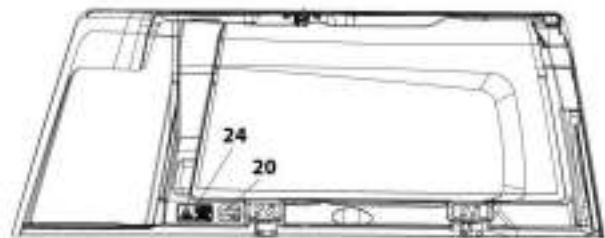
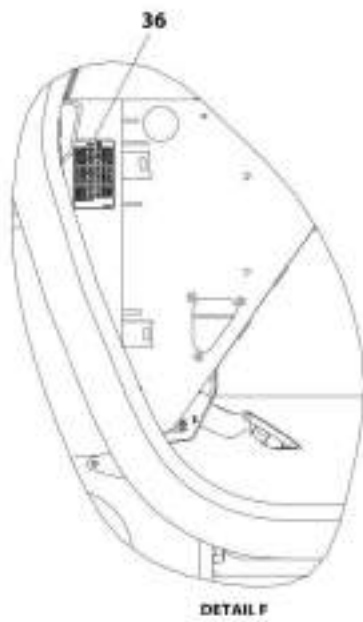
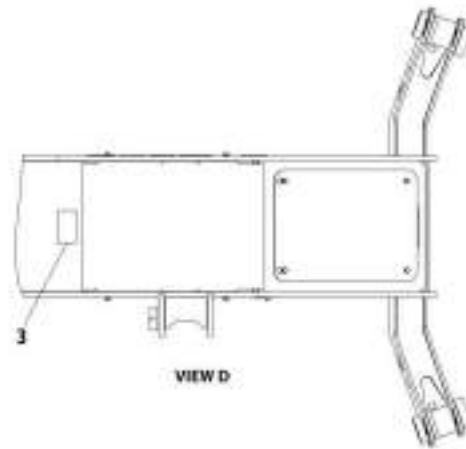
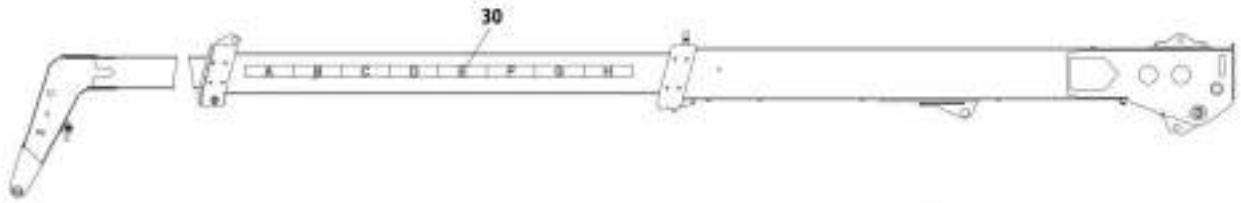
SECTION 11 - DECALS

FIGURE 11-8. DECAL INSTALLATION (ISO)



AWT_1001173431_1-0

SECTION 11 - DECALS



ART_100179A01_3-0

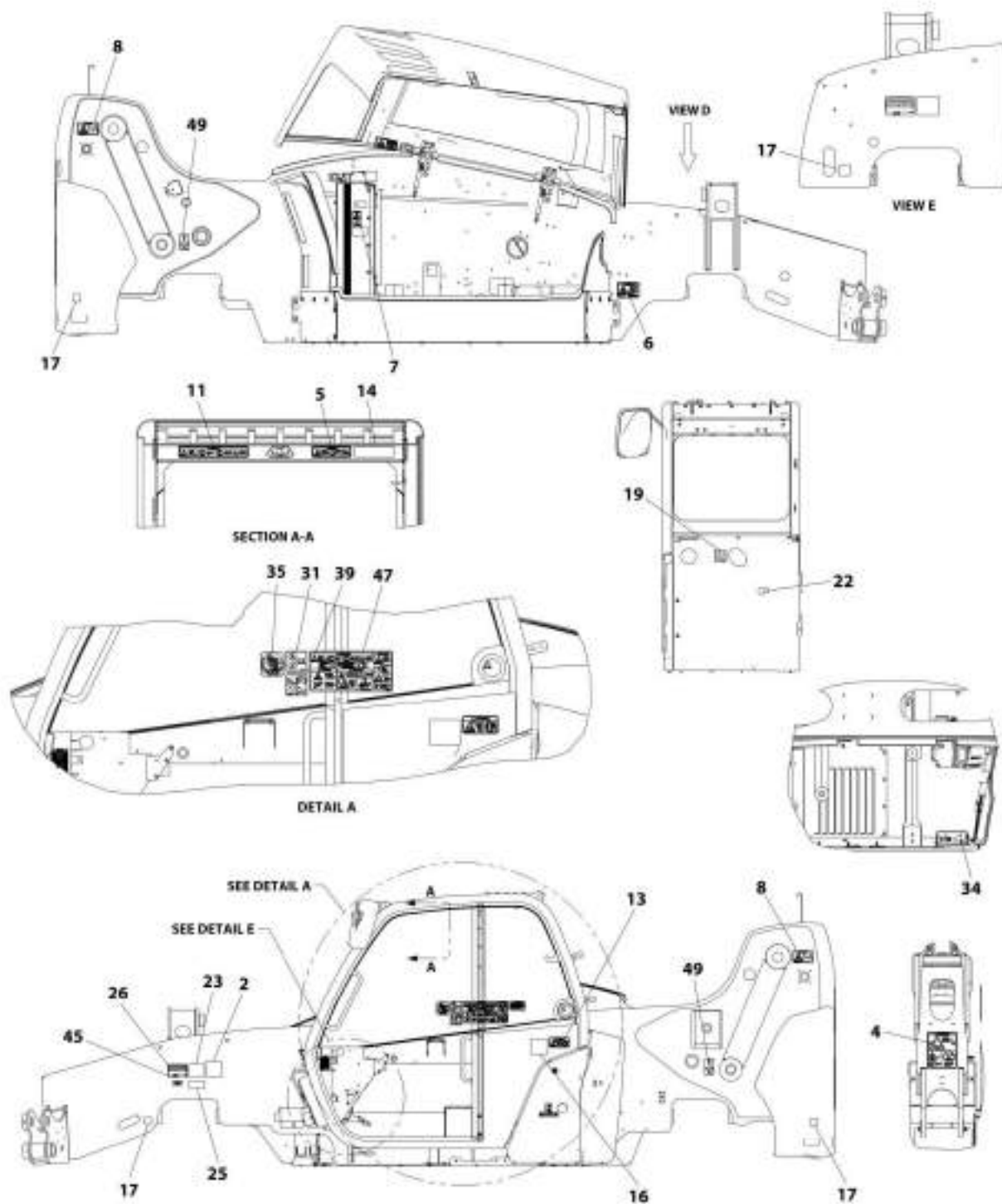
SECTION 11 - DECALS

FIGURE 11-8. DECAL INSTALLATION (ISO)

| ITEM | PART NUMBER | QTY | DESCRIPTION | REV |
|------|-------------|-----|---|-----|
| | 1001173431 | 1 | Decal Installation (ISO) | O |
| 2 | 1702631 | 1 | Decal, Bar Code | |
| 3 | 1706281 | 1 | Decal, Battery Warning | |
| 4 | 1706282 | 1 | Decal, Carry Personnel | |
| 5 | 1706284 | 1 | Decal, Electrocutation Hazard | |
| 6 | 1706098 | 1 | Decal, Ether Warning | |
| 7 | 1706285 | 1 | Decal, Keep Clear of Rotating Parts Warning | |
| 8 | 1706292 | 2 | Decal, Pinch Point Boom Holes | |
| 11 | 1706288 | 1 | Decal, Tip Over Warning | |
| 13 | 1001092878 | 1 | Decal, No Riders | |
| 14 | 1001092877 | 1 | Decal, Crush Hazard Warning | |
| 16 | 3251813 | 1 | Decal, USA | |
| 17 | 4109801 | 4 | Decal, Tie Down Point | |
| 19 | 1001094708 | 1 | Decal, Hydraulic Oil | |
| 20 | 1001109053 | 1 | Decal, Coolant Fill | |
| 22 | 1001130323 | 1 | Decal, Oil Level | |
| 23 | 1001131271 | 1 | Decal, Patent | |
| 24 | 1001139942 | 1 | Decal, Hot Fluid Warning | |
| 25 | 1001143852 | 1 | Decal, EPA (LS) | |
| 26 | 1001229575 | 1 | Decal, Nameplate | |
| 30 | 1001171277 | 1 | Decal, Boom Extend | |
| 31 | 1001172035 | 1 | Decal, No Weld or Drill | |
| 32 | 1001173422 | 1 | Decal, MCO 110HP | |
| 34 | 1001184632 | 1 | Decal, Battery Positive | |
| 35 | 1001188372 | 1 | Decal, Sway | |
| 36 | 1001191229 | 1 | Decal, Fuse Panel | |
| 39 | 1001200101 | 1 | Decal, Manual | |
| 41 | 1001207218 | 1 | Decal, Danger Swinging Loads (SN 0160075708 to Present) | |
| 42 | 1001219211 | 1 | Decal, Brake Fluid | |
| 45 | 1001009178 | 4 | Decal, Track Metal | |
| 47 | 1001101895 | 1 | Decal, Warning | |
| 49 | 1001222650 | 2 | Decal, Axle Lift | |

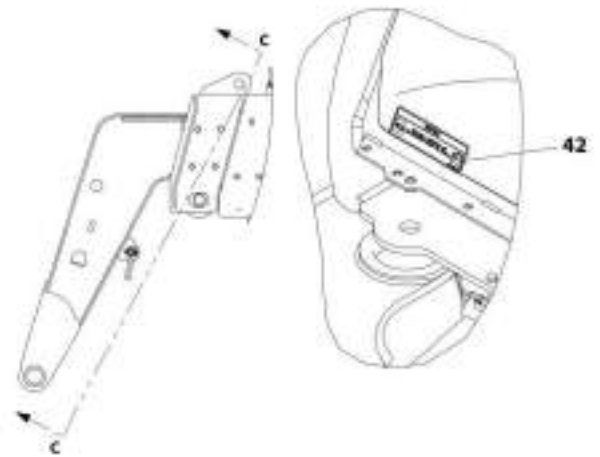
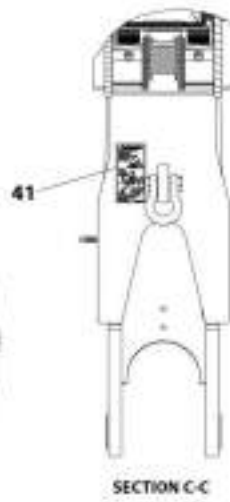
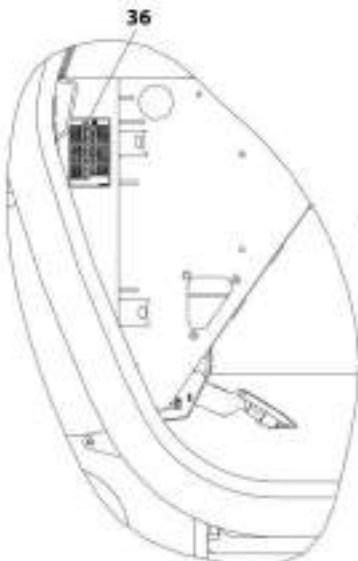
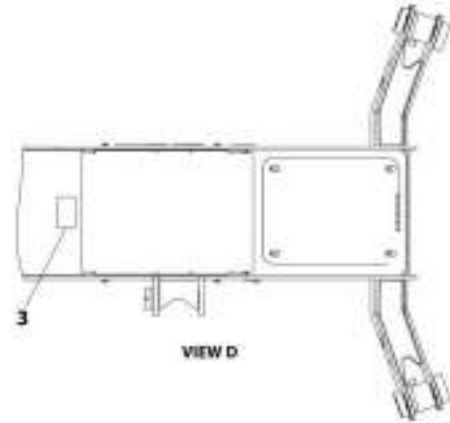
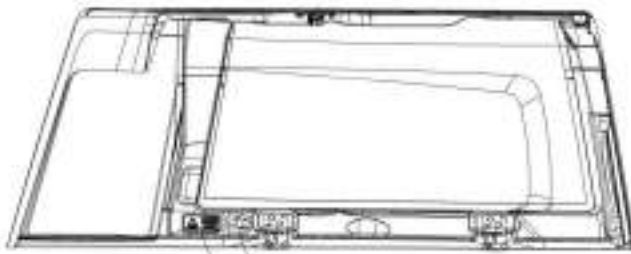
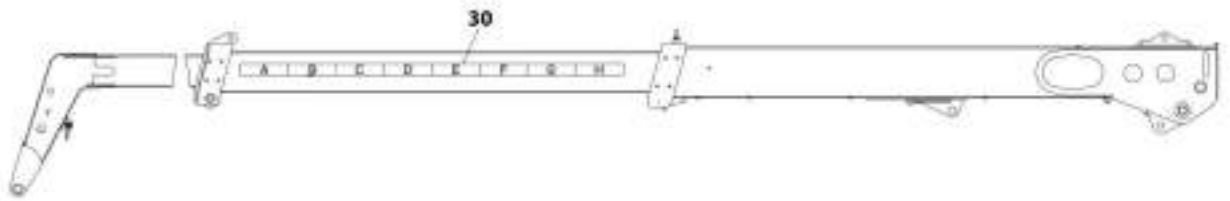
SECTION 11 - DECALS

FIGURE 11-9. DECAL INSTALLATION (ISO) (742, 943)



ART_1001227940_1.E

SECTION 11 - DECALS



ART.1001227340.2-E

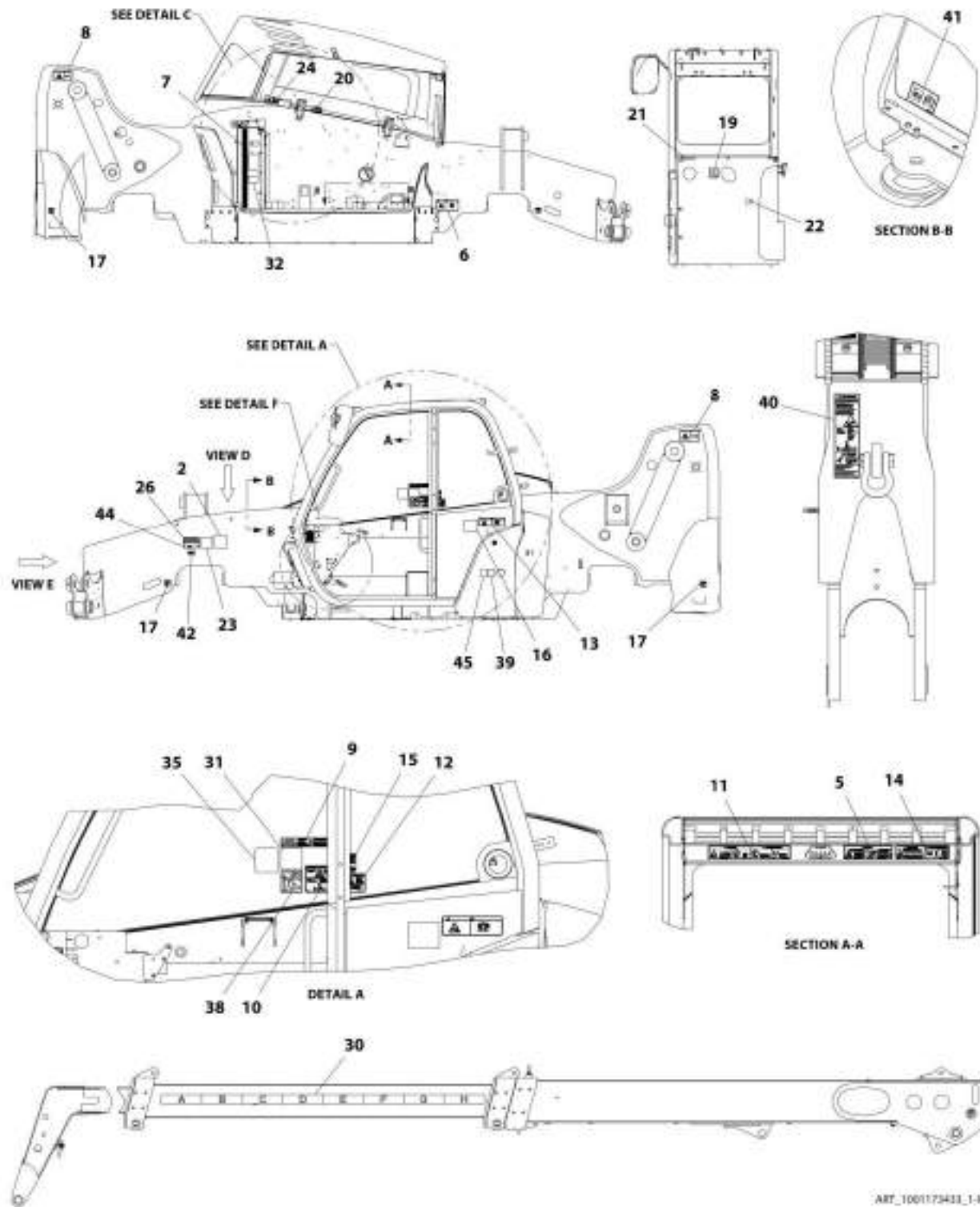
SECTION 11 - DECALS

FIGURE 11-9. DECAL INSTALLATION (ISO) (742, 943)

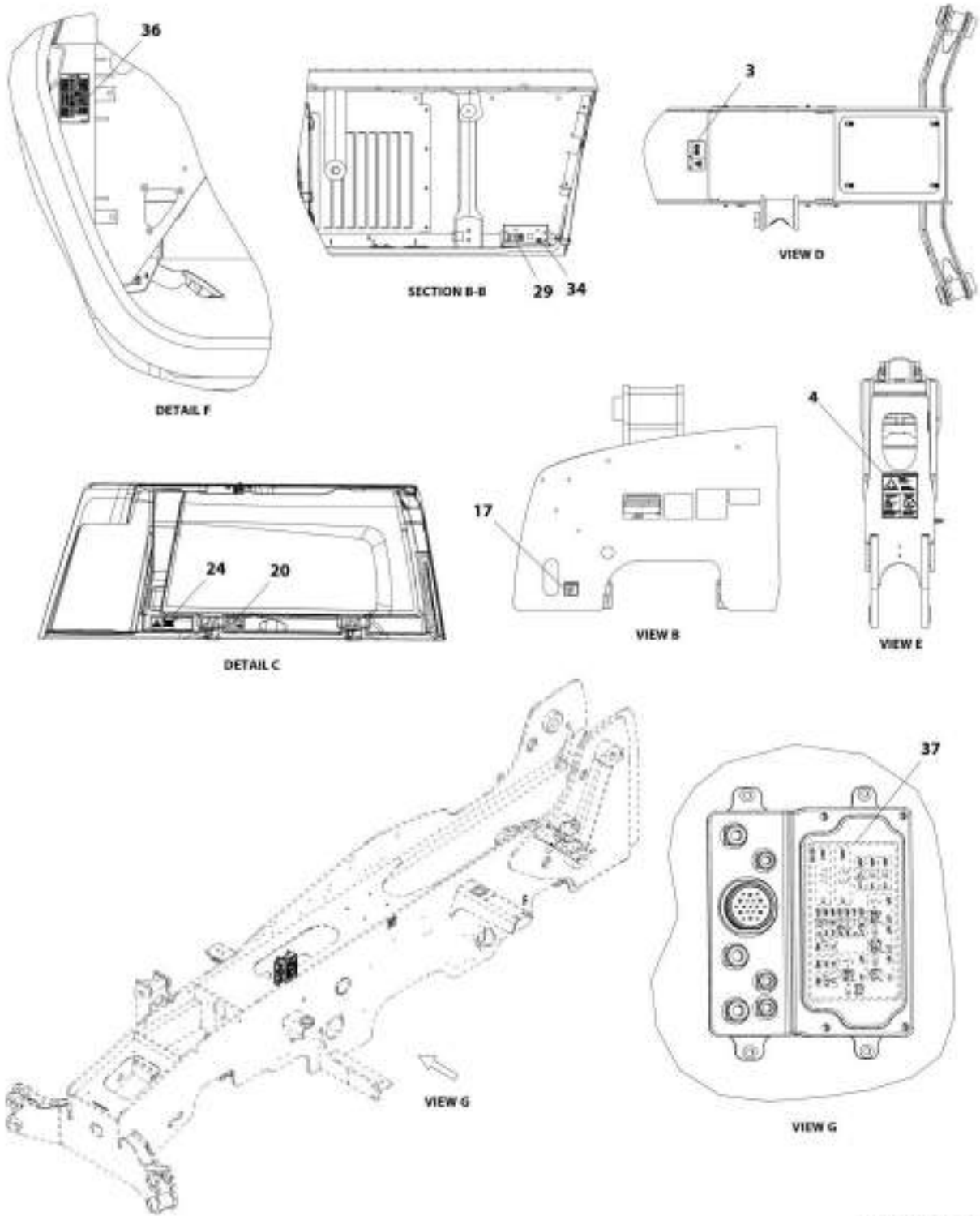
| ITEM | PART NUMBER | QTY | DESCRIPTION | REV |
|------|-------------|-----|---|-----|
| | 1001227340 | Ref | Decal Installation (ISO) (742, 943) | E |
| 2 | 1702631 | 1 | Decal, Bar Code | |
| 3 | 1706281 | 1 | Decal, Battery Warning | |
| 4 | 1706282 | 1 | Decal, Carry Personnel | |
| 5 | 1706284 | 1 | Decal, Electrocutation Hazard | |
| 6 | 1706098 | 1 | Decal, Ether Warning | |
| 7 | 1706285 | 1 | Decal, Keep Clear of Rotating Parts Warning | |
| 8 | 1706292 | 2 | Decal, Pinch Point Boom Holes | |
| 11 | 1706288 | 1 | Decal, Tip Over Warning | |
| 13 | 1001092878 | 1 | Decal, No Riders | |
| 14 | 1001092877 | 1 | Decal, Crush Hazard Warning | |
| 16 | 3251813 | 1 | Decal, USA | |
| 17 | 4109801 | 4 | Decal, Tie Down Point | |
| 19 | 1001094708 | 1 | Decal, Hydraulic Oil | |
| 20 | 1001109053 | 1 | Decal, Coolant Fill | |
| 22 | 1001130323 | 1 | Decal, Oil Level | |
| 23 | 1001131271 | 1 | Decal, Patent | |
| 24 | 1001139942 | 1 | Decal, Hot Fluid Warning | |
| 25 | 1001143852 | 1 | Decal, EPA (LS) | |
| 26 | 1001229575 | 1 | Decal, Nameplate | |
| 30 | 1001171277 | 1 | Decal, Boom Extend | |
| 31 | 1001172035 | 1 | Decal, No Weld or Drill | |
| 34 | 1001184632 | 1 | Decal, Battery Positive | |
| 35 | 1001188372 | 1 | Decal, Sway | |
| 36 | 1001191229 | 1 | Decal, Fuse Panel | |
| 39 | 1001200101 | 1 | Decal, Manual | |
| 41 | 1001207218 | 1 | Decal, Danger Swinging Loads | |
| 42 | 1001219211 | 1 | Decal, Brake Fluid | |
| 45 | 1001009178 | 4 | Decal, Track Metal | |
| 47 | 1001101895 | 1 | Decal, Warning | |
| 49 | 1001222650 | 2 | Decal, Axle Lift | |

SECTION 11 - DECALS

FIGURE 11-10. DECAL INSTALLATION (CSA ENGLISH/FRENCH) (642, 742)



SECTION 11 - DECALS



ART_1001175R55_2-M

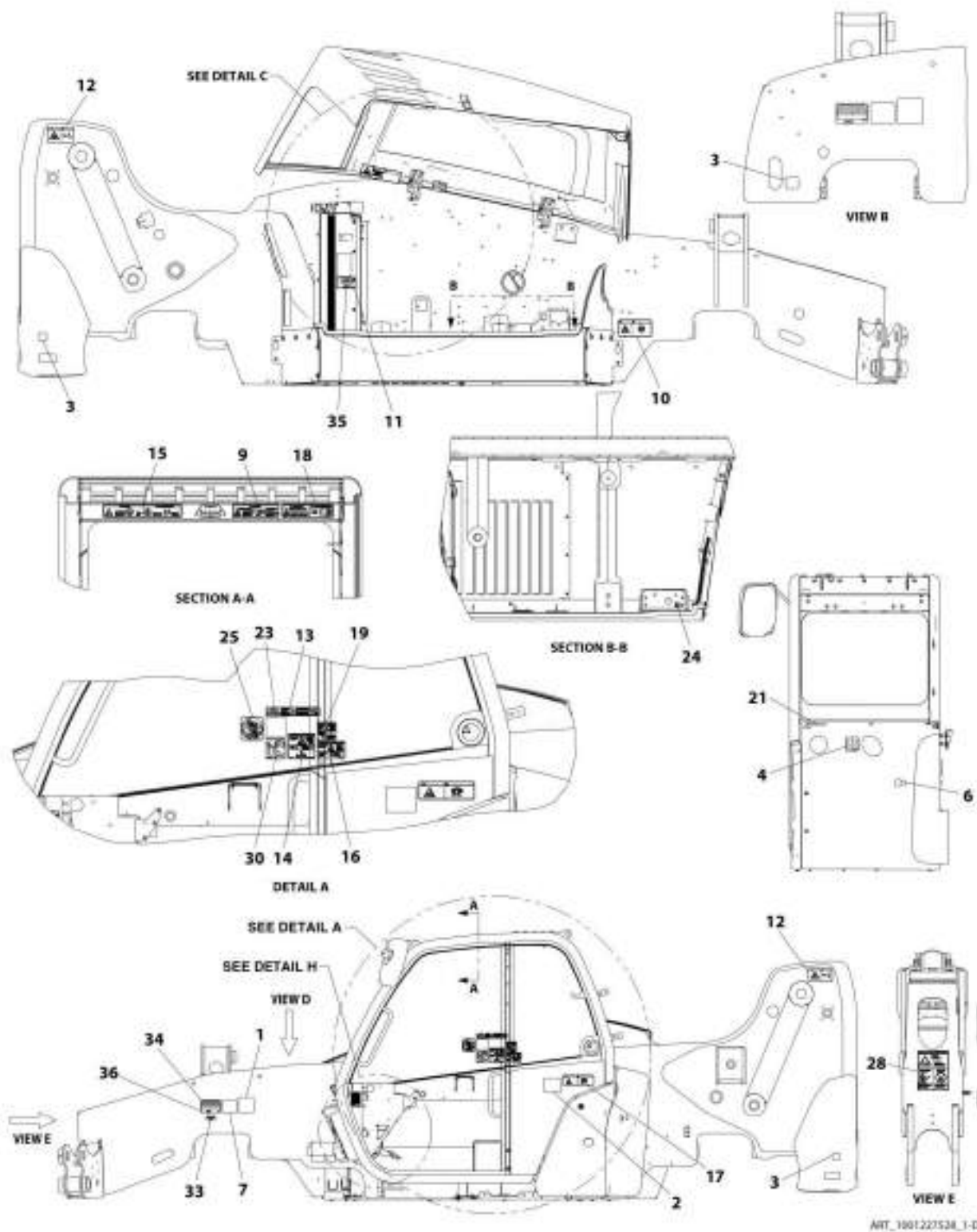
SECTION 11 - DECALS

FIGURE 11-10. DECAL INSTALLATION (CSA ENGLISH/FRENCH) (642, 742)

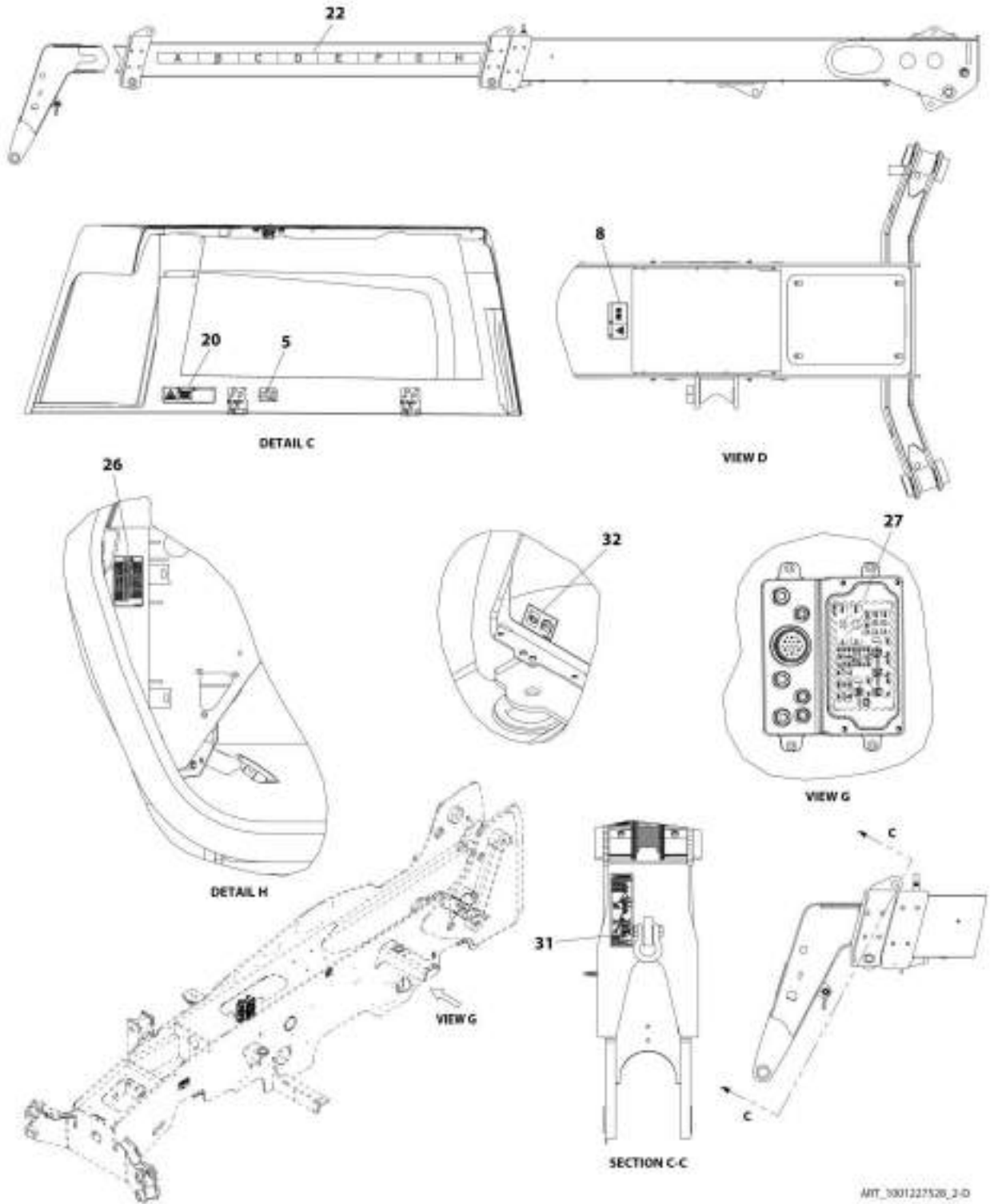
| ITEM | PART NUMBER | QTY | DESCRIPTION | REV |
|------|-------------|-----|--|-----|
| | 1001173433 | Ref | Decal Installation (CSA English/French) (642, 742) | M |
| 2 | 1702631 | 1 | Decal Installation (CSA English/French) | |
| 3 | 1001163174 | 1 | Decal, Battery Warning | |
| 4 | 1001195851 | 1 | Decal, Carry Personnel | |
| 5 | 1001163210 | 1 | Decal, Electrocutation Hazard | |
| 6 | 1001163212 | 1 | Decal, Warning No Either | |
| 7 | 1001163222 | 1 | Decal, Moving Parts | |
| 8 | 1001163223 | 2 | Decal, Pinch Point | |
| 9 | 1001163273 | 1 | Decal, Read Manual | |
| 10 | 1001163276 | 1 | Decal, Warning Run Over Hazard | |
| 11 | 1001163285 | 1 | Decal, Warning Tip Over | |
| 12 | 1001163291 | 1 | Decal, Warning Machine Roll Away | |
| 13 | 1001163300 | 1 | Decal, No Riders | |
| 14 | 1001163304 | 1 | Decal, Warning Crushing Hazard | |
| 15 | 1001163321 | 1 | Decal, Warning Do Not Jump | |
| 16 | 3251813 | 1 | Decal, USA | |
| 17 | 4109801 | 4 | Decal, Tie Down Point | |
| 19 | 1001094708 | 1 | Decal, Hydraulic Oil | |
| 20 | 1001109053 | 1 | Decal, Coolant Fill | |
| 21 | 1001163355 | 1 | Decal, Ultra Low Sulfur Diesel | |
| 22 | 1001130323 | 1 | Decal, Oil Level | |
| 23 | 1001131271 | 1 | Decal, Patent | |
| 24 | 1001163323 | 1 | Decal, Warning Hot Fluid | |
| 26 | 1001229575 | 1 | Decal, Nameplate, Serial Number | |
| 29 | 1001195855 | 1 | Decal, Battery Disconnect | |
| 30 | 1001171277 | 1 | Decal, Boom Extend | |
| 31 | 1001172035 | 1 | Decal, No Weld or Drill | |
| 32 | 1001173422 | 1 | Decal, MCO, 130HP | |
| 34 | 1001184632 | 1 | Decal, Battery Positive | |
| 35 | 1001188372 | 1 | Decal, Sway | |
| 36 | 1001191229 | 1 | Decal, Fuse Panel | |
| 37 | 1001191487 | 1 | Decal, Fuse Panel | |
| 38 | 1001200101 | 1 | Decal, Manual | |
| 39 | 1001196806 | 1 | Decal, Diesel Exhaust Fluid | |
| 40 | 1001209625 | 1 | Decal, Danger Swinging Loads (SN 0160075708 to Present) | |
| 41 | 1001219211 | 1 | Decal, Brake Fluid | |
| 42 | 1001223453 | 1 | Decal, ICES | |
| 44 | 2080057 | 4 | Fasteners, AMTAK | |
| 45 | 1001230311 | 1 | Decal, JLG DEF Tank Service | |

SECTION 11 - DECALS

FIGURE 11-11. DECAL INSTALLATION (CSA ENGLISH/FRENCH) (742, 943)



SECTION 11 - DECALS



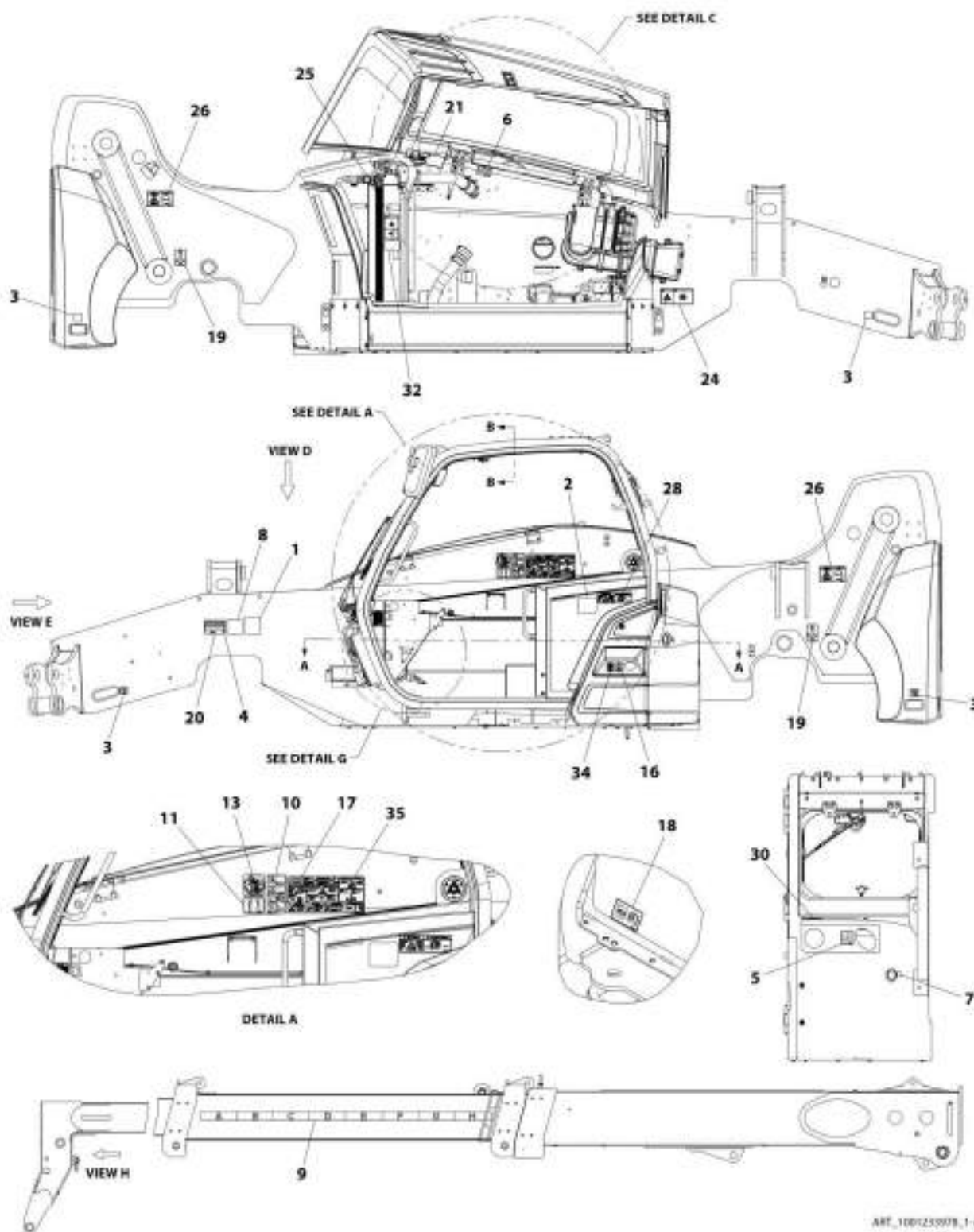
SECTION 11 - DECALS

FIGURE 11-11. DECAL INSTALLATION (CSA ENGLISH/FRENCH) (742, 943)

| ITEM | PART NUMBER | QTY | DESCRIPTION | REV |
|------|-------------|-----|--|-----|
| | 1001227528 | Ref | Decal Installation (CSA English/French) (742, 943) | D |
| 1 | 1702631 | 1 | Decal, Bar Code | |
| 2 | 3251813 | 1 | Decal, USA | |
| 3 | 4109801 | 4 | Decal, Tie Down Point | |
| 4 | 1001094708 | 1 | Decal, Hydraulic Oil | |
| 5 | 1001109053 | 1 | Decal, Coolant Fill | |
| 6 | 1001130323 | 1 | Decal, Oil Level | |
| 7 | 1001131271 | 1 | Decal, Patent | |
| 8 | 1001163174 | 1 | Decal, Battery Warning | |
| 9 | 1001163210 | 1 | Decal, Electrocutation Hazard | |
| 10 | 1001163212 | 1 | Decal, Warning No Either | |
| 11 | 1001163222 | 1 | Decal, Moving Parts | |
| 12 | 1001163223 | 2 | Decal, Pinch Point | |
| 13 | 1001163273 | 1 | Decal, Read Manual | |
| 14 | 1001163276 | 1 | Decal, Warning Run Over Hazard | |
| 15 | 1001163285 | 1 | Decal, Warning Tip Over | |
| 16 | 1001163291 | 1 | Decal, Warning Machine Roll Away | |
| 17 | 1001163300 | 1 | Decal, No Riders | |
| 18 | 1001163304 | 1 | Decal, Warning Crushing Hazard | |
| 19 | 1001163321 | 1 | Decal, Warning Do Not Jump | |
| 20 | 1001163323 | 1 | Decal, Warning Hot Fluid | |
| 21 | 1001163355 | 1 | Decal, Ultra Low Sulfur Diesel | |
| 22 | 1001171277 | 1 | Decal, Boom Extend | |
| 23 | 1001172035 | 1 | Decal, No Weld or Drill | |
| 24 | 1001184632 | 1 | Decal, Battery Positive | |
| 25 | 1001188372 | 1 | Decal, Sway | |
| 26 | 1001191229 | 1 | Decal, Fuse Panel | |
| 27 | 1001191487 | 1 | Decal, Fuse Panel | |
| 28 | 1001195851 | 1 | Decal, Carry Personnel | |
| 30 | 1001200101 | 1 | Decal, Manual | |
| 31 | 1001209625 | 1 | Decal, Danger Swinging Loads | |
| 32 | 1001219211 | 1 | Decal, Brake Fluid | |
| 33 | 1001223453 | 1 | Decal, ICES | |
| 34 | N.S.S. | 1 | SN Plate | |
| 35 | 1001202626 | 1 | Decal, 74HP | |
| 36 | 2080057 | 4 | Fasteners, AMTAK | |

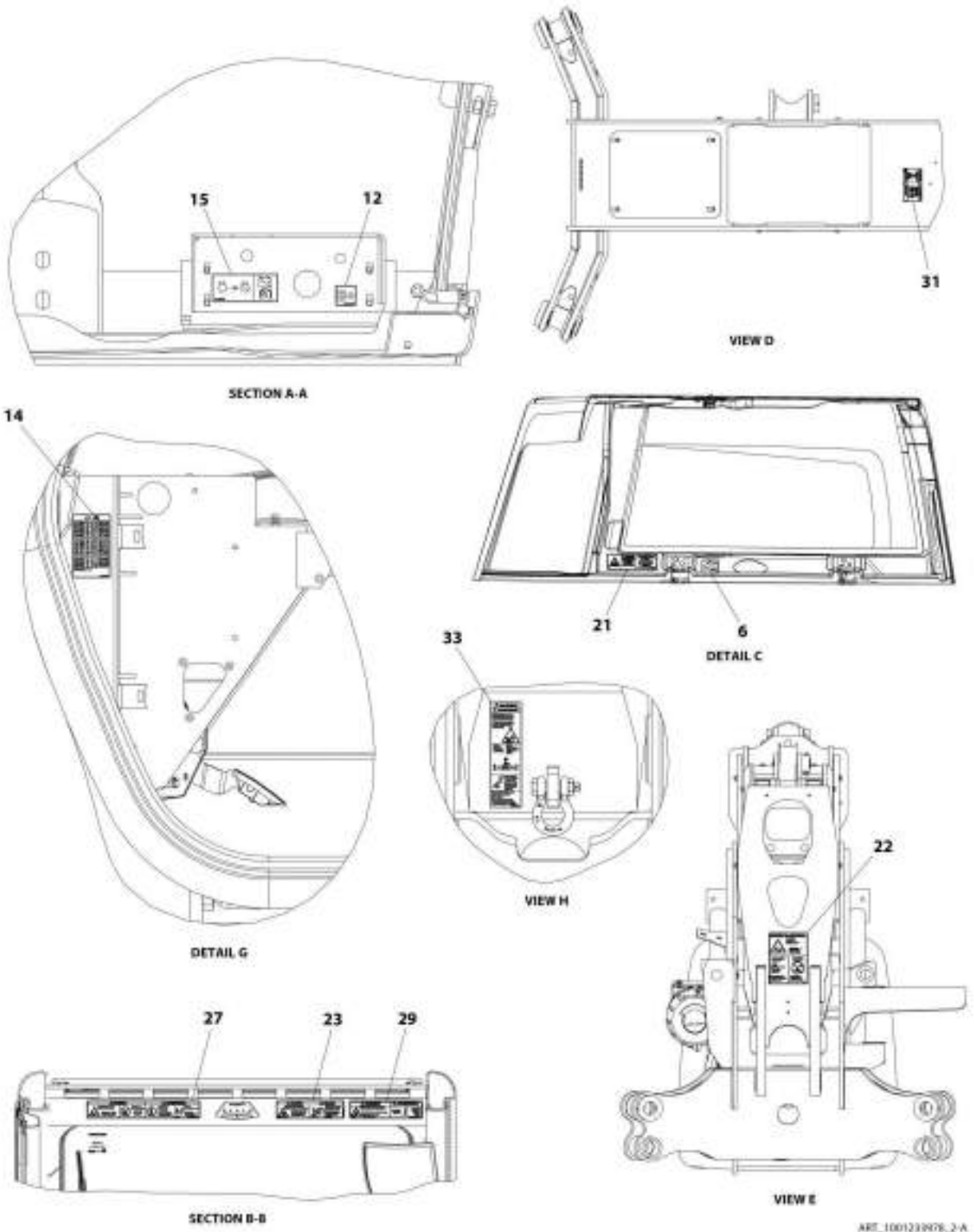
SECTION 11 - DECALS

FIGURE 11-12. DECAL INSTALLATION (ENGLISH/SPANISH)



ART_100125907B_1-A

SECTION 11 - DECALS



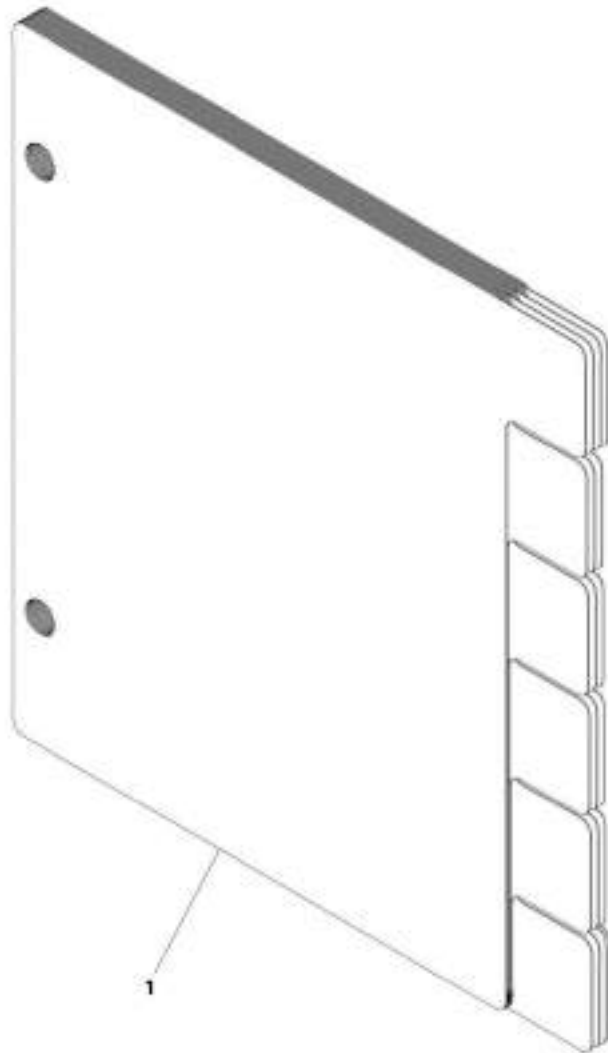
SECTION 11 - DECALS

FIGURE 11-12. DECAL INSTALLATION (ENGLISH/SPANISH)

| ITEM | PART NUMBER | QTY | DESCRIPTION | REV |
|------|-------------|-----|--------------------------------------|-----|
| | 1001233978 | Ref | Decal Installation (English/Spanish) | A |
| 1 | 1702631 | 1 | Decal, Bar Code | |
| 2 | 3251813 | 1 | Decal, USA | |
| 3 | 4109801 | 4 | Decal, Tie Down Point | |
| 4 | 1001009178 | 4 | Decal, Track Metal | |
| 5 | 1001094708 | 1 | Decal, Hydraulic Oil | |
| 6 | 1001109053 | 1 | Decal, Coolant Fill | |
| 7 | 1001130323 | 1 | Decal, Oil Level | |
| 8 | 1001131271 | 1 | Decal, Patent, Telehandlers | |
| 9 | 1001171277 | 1 | Decal, Boom Extend | |
| 10 | 1001172035 | 1 | Decal, No Weld or Drill | |
| 11 | 1001181537 | 1 | Decal, Outrigger Switches | |
| 12 | 1001184632 | 1 | Decal, Battery Positive | |
| 13 | 1001188372 | 1 | Decal, Sway | |
| 14 | 1001191229 | 1 | Decal, Fuse Panel | |
| 15 | 1001195855 | 1 | Decal, Battery Disconnect | |
| 16 | 1001196806 | 1 | Decal, Diesel Exhaust Fluid | |
| 17 | 1001200101 | 1 | Decal, Manual | |
| 18 | 1001219211 | 1 | Decal, Brake Fluid Spec | |
| 19 | 1001222650 | 1 | Decal, Axle Lift | |
| 20 | 1001229575 | 1 | SN Plate | |
| 21 | 1001235805 | 1 | Decal, Warning Hot Fluid | |
| 22 | 1001235796 | 1 | Decal, Carry Personal | |
| 23 | 1001235797 | 1 | Decal, Electrocution Hazard | |
| 24 | 1001235798 | 1 | Decal, Warning No Ether | |
| 25 | 1001235799 | 1 | Decal, Moving Parts | |
| 26 | 1001235800 | 1 | Decal, Pinch Point | |
| 27 | 1001235801 | 1 | Decal, Warning Tip Over | |
| 28 | 1001235802 | 1 | Decal, No Riding | |
| 29 | 1001235803 | 1 | Decal, Warning Crushing Hazard | |
| 30 | 1001235804 | 1 | Decal, Ultra Low Sulfur Diesel | |
| 31 | 1001235794 | 1 | Decal, Battery Warning | |
| 32 | 1001235806 | 1 | Decal, MCO 130HP | |
| 33 | 1001235807 | 1 | Decal, Danger Swinging Load | |
| 34 | 1001235808 | 1 | Decal, Spanish JLG DEF Tank Service | |
| 35 | 1001235809 | 1 | Decal, Warning Cab | |

SECTION 11 - DECALS

FIGURE 11-13. CAPACITY CHART BOOKLET (ANSI) (NO OUTRIGGERS) (642) (Prior to SN 0160075708)



ART_1001211624-C

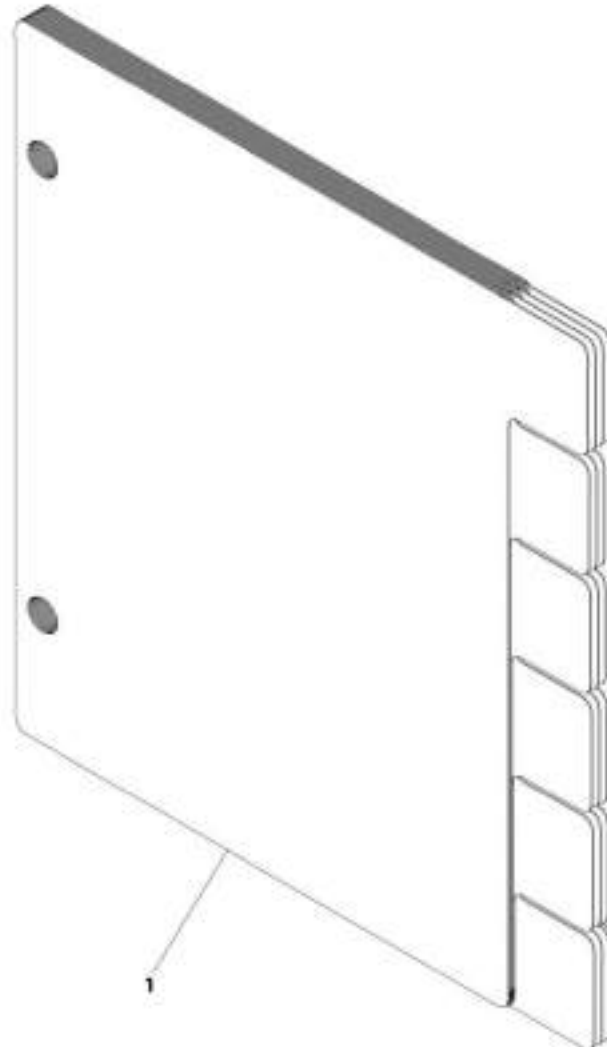
SECTION 11 - DECALS

FIGURE 11-13. CAPACITY CHART BOOKLET (ANSI) (NO OUTRIGGERS) (642) (Prior to SN 0160075708)

| ITEM | PART NUMBER | QTY | DESCRIPTION | REV |
|------|-------------|-----|---|-----|
| 1 | 1001203056 | NLA | Capacity Chart Booklet (ANSI) - 642 (no longer available, use 1001211624 for replacement) | B |
| 1 | 1001211624 | 1 | Capacity Chart Booklet (ANSI) - 642 | C |

SECTION 11 - DECALS

FIGURE 11-14. CAPACITY CHART BOOKLET (ANSI) (NO OUTRIGGERS) (642) (SN 0160075708 to Present)



MTF_3001252421-0

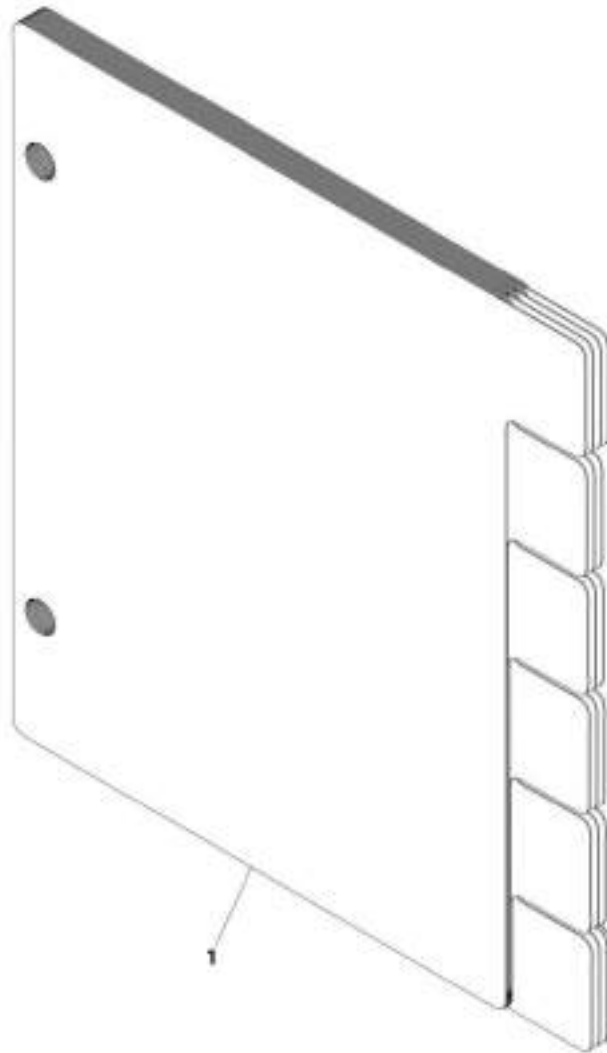
SECTION 11 - DECALS

FIGURE 11-14. CAPACITY CHART BOOKLET (ANSI) (NO OUTRIGGERS) (642) (SN 0160075708 to Present)

| ITEM | PART NUMBER | QTY | DESCRIPTION | REV |
|------|-------------|-----|-------------------------------------|-----|
| 1 | 1001212421 | 1 | Capacity Chart Booklet (ANSI) - 642 | D |

SECTION 11 - DECALS

FIGURE 11-15. CAPACITY CHART BOOKLET (ANSI) (OUTRIGGERS) (642) (SN 0160075708 to Present)



MIT_100128X05F-E

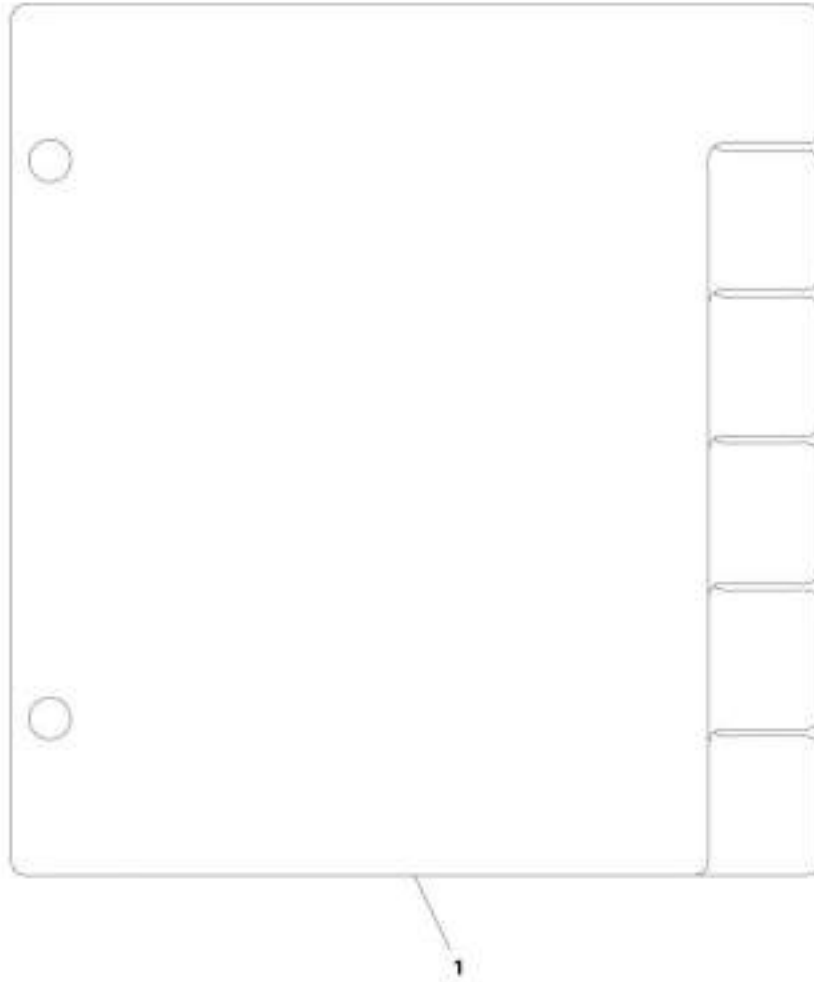
SECTION 11 - DECALS

FIGURE 11-15. CAPACITY CHART BOOKLET (ANSI) (OUTRIGGERS) (642) (SN 0160075708 to Present)

| ITEM | PART NUMBER | QTY | DESCRIPTION | REV |
|------|-------------|-----|---|-----|
| 1 | 1001203057 | 1 | Capacity Chart Booklet (ANSI), (Outriggers) - 642 | E |

SECTION 11 - DECALS

FIGURE 11-16. CAPACITY CHART BOOKLET (ISO) (NO OUTRIGGERS) (642) (SN 0160075708 to Present)



ART_100206168-C

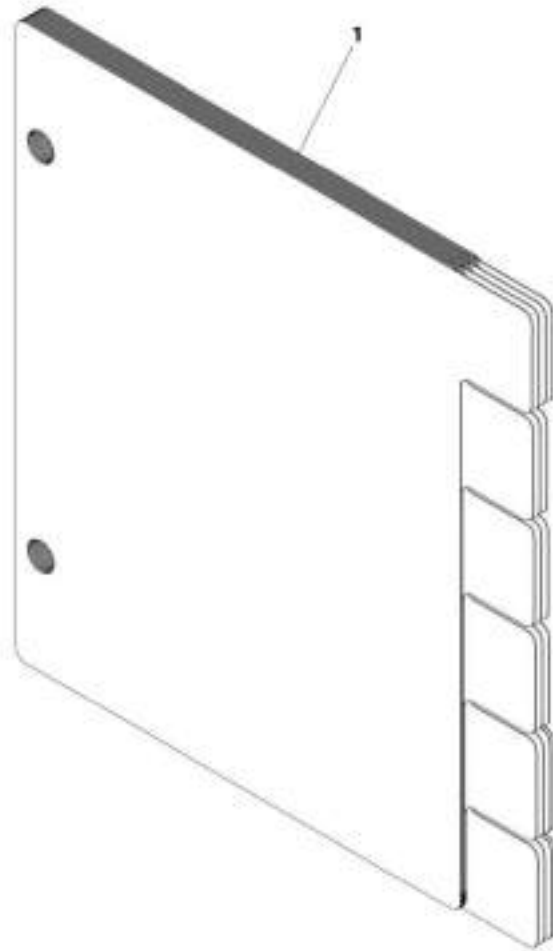
SECTION 11 - DECALS

FIGURE 11-16. CAPACITY CHART BOOKLET (ISO) (NO OUTRIGGERS) (642) (SN 0160075708 to Present)

| ITEM | PART NUMBER | QTY | DESCRIPTION | REV |
|------|-------------|-----|------------------------------------|-----|
| 1 | 1001206368 | 1 | Capacity Chart Booklet (ISO) - 642 | C |

SECTION 11 - DECALS

FIGURE 11-17. CAPACITY CHART BOOKLET (ISO) (OUTRIGGERS) (642) (SN 0160075708 to Present)



ART_1001295309-E

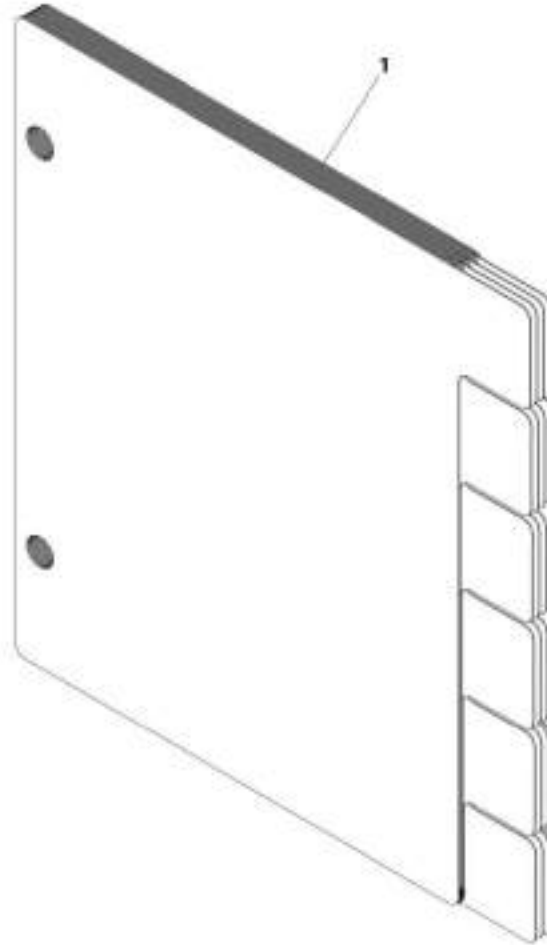
SECTION 11 - DECALS

FIGURE 11-17. CAPACITY CHART BOOKLET (ISO) (OUTRIGGERS) (642) (SN 0160075708 to Present)

| ITEM | PART NUMBER | QTY | DESCRIPTION | REV |
|------|-------------|-----|--|-----|
| 1 | 1001206369 | 1 | Capacity Chart Booklet (ISO), (Outriggers) - 642 | E |

SECTION 11 - DECALS

FIGURE 11-18. CAPACITY CHART BOOKLET (ANSI) (742)



ART_1001229012-D

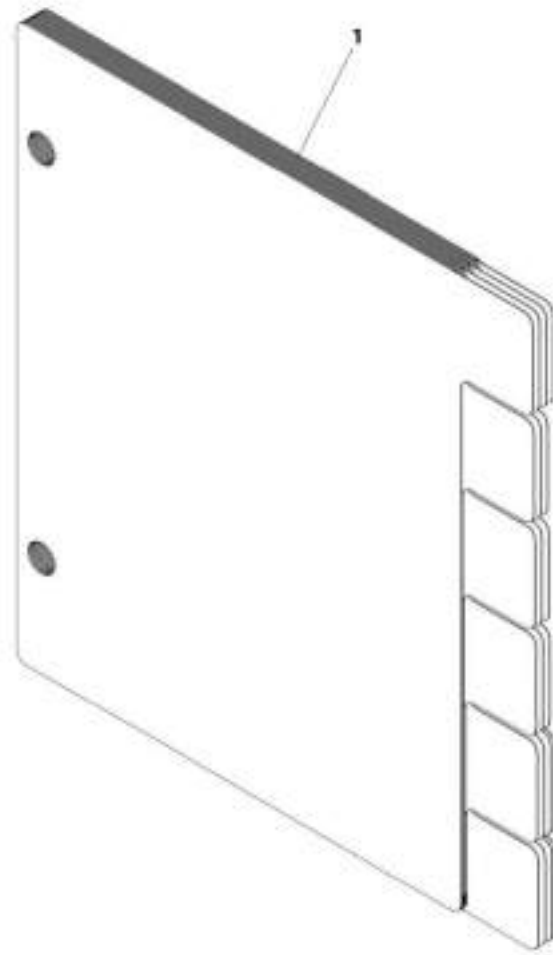
SECTION 11 - DECALS

FIGURE 11-18. CAPACITY CHART BOOKLET (ANSI) (742)

| ITEM | PART NUMBER | QTY | DESCRIPTION | REV |
|------|-------------|-----|-------------------------------------|-----|
| 1 | 1001226012 | 1 | Capacity Chart Booklet (ANSI) - 742 | D |

SECTION 11 - DECALS

FIGURE 11-19. CAPACITY CHART BOOKLET (ISO) (742)



ART_1001220013-8

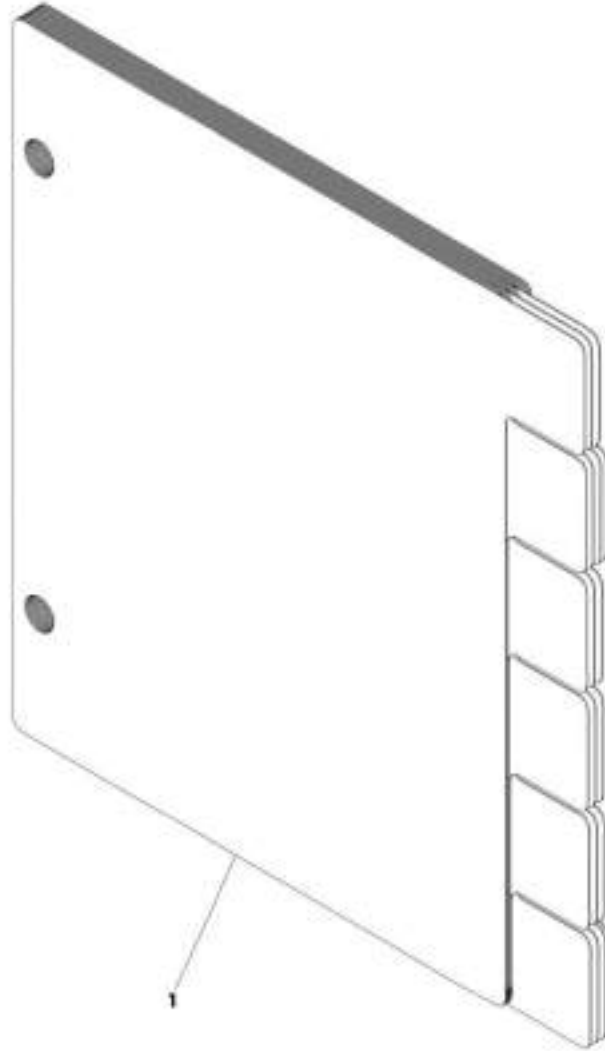
SECTION 11 - DECALS

FIGURE 11-19. CAPACITY CHART BOOKLET (ISO) (742)

| ITEM | PART NUMBER | QTY | DESCRIPTION | REV |
|------|-------------|-----|------------------------------------|-----|
| 1 | 1001226013 | 1 | Capacity Chart Booklet (ISO) - 742 | B |

SECTION 11 - DECALS

FIGURE 11-20. CAPACITY CHART BOOKLET (ANSI) (943) (Prior to SN 0160075708)



AWT_1001211433-C

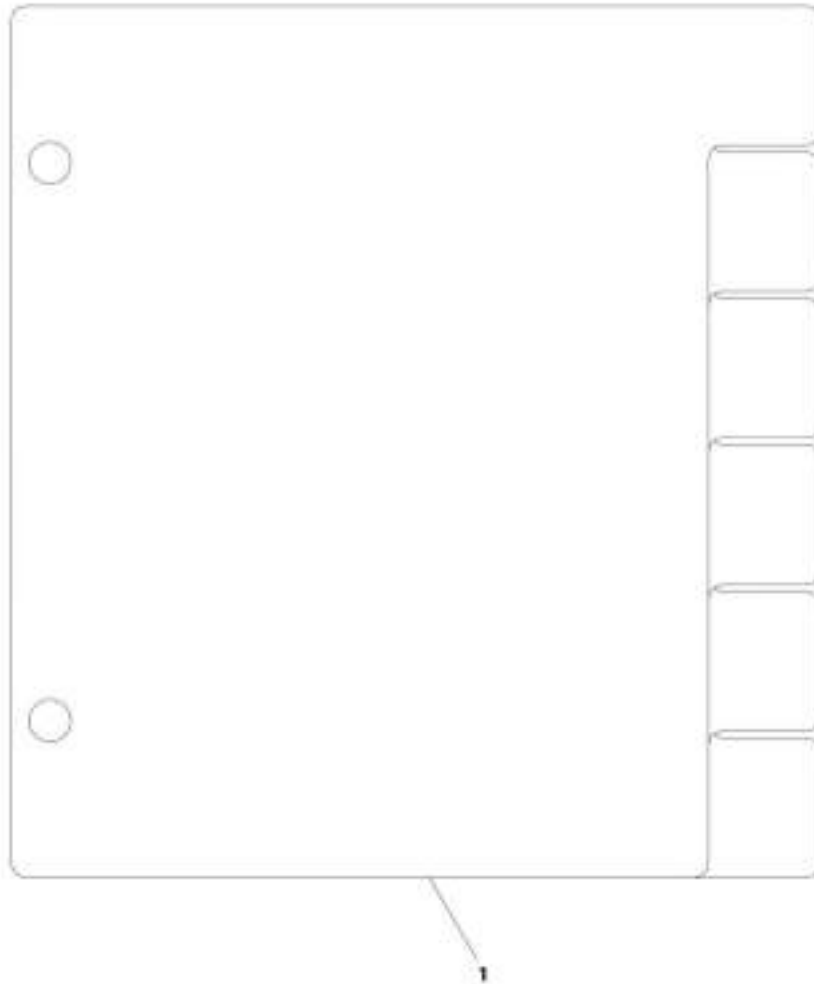
SECTION 11 - DECALS

FIGURE 11-20. CAPACITY CHART BOOKLET (ANSI) (943) (Prior to SN 0160075708)

| ITEM | PART NUMBER | QTY | DESCRIPTION | REV |
|------|-------------|-----|---|-----|
| 1 | 1001203054 | NLA | Capacity Chart Booklet (ANSI) - 943 (no longer available, use 1001211435 for replacement) | B |
| 1 | 1001211435 | 1 | Capacity Chart Booklet (ANSI) - 943 | C |

SECTION 11 - DECALS

FIGURE 11-21. CAPACITY CHART BOOKLET (ANSI) (943) (SN 0160075708 through 0160081272)



ART_1001213420-D

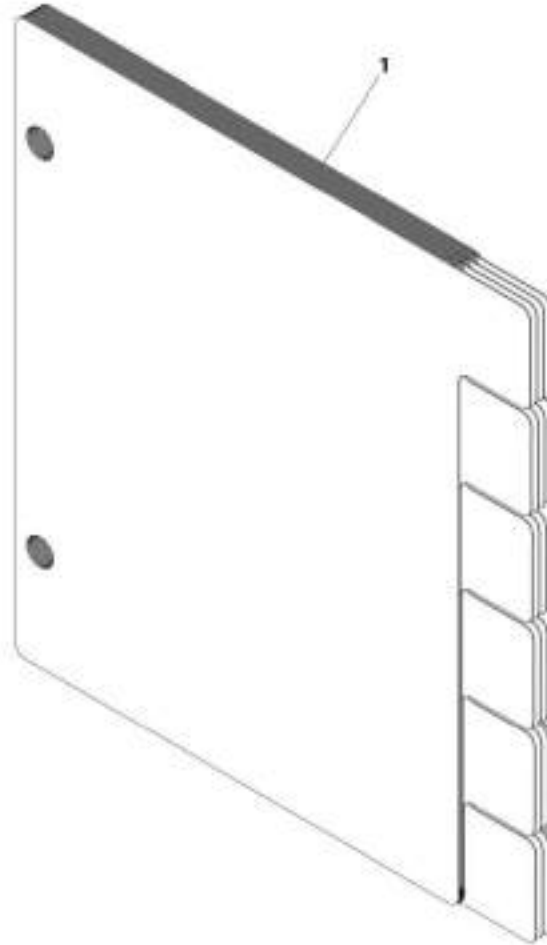
SECTION 11 - DECALS

FIGURE 11-21. CAPACITY CHART BOOKLET (ANSI) (943) (SN 0160075708 through 0160081272)

| ITEM | PART NUMBER | QTY | DESCRIPTION | REV |
|------|-------------|-----|-------------------------------------|-----|
| | 1001212420 | 1 | Capacity Chart Booklet (ANSI) - 943 | D |

SECTION 11 - DECALS

FIGURE 11-22. CAPACITY CHART BOOKLET (ANSI) (943) (SN 0160081272 to Present)



ART_1001213420-G

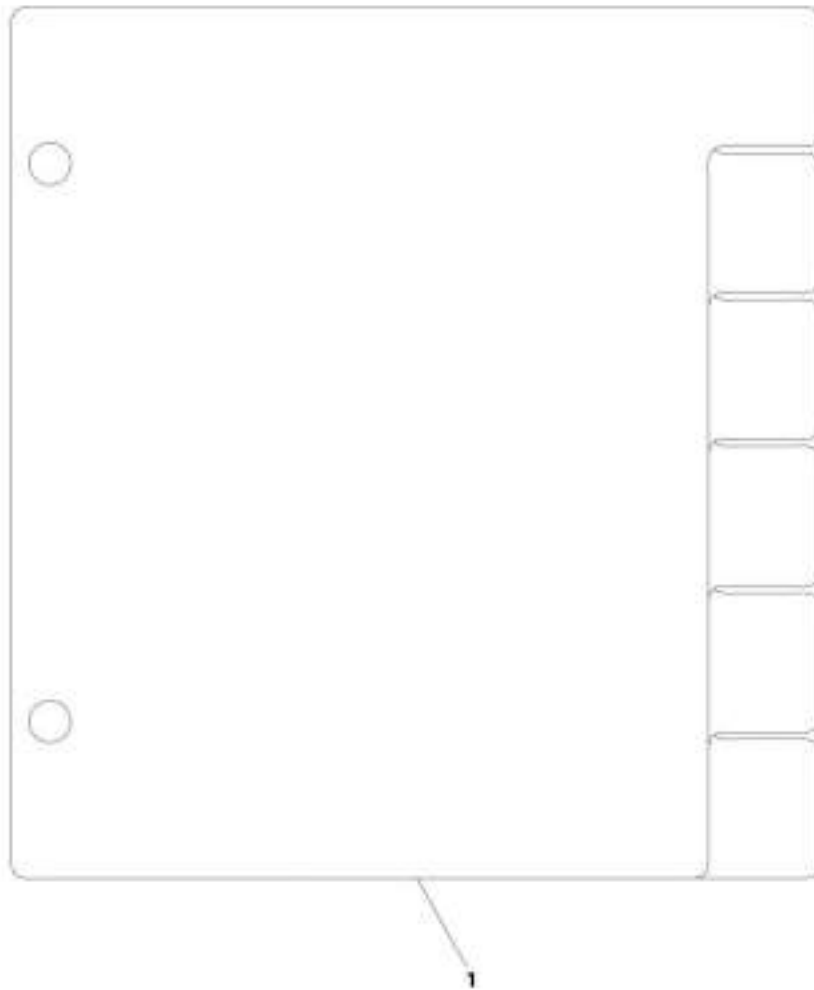
SECTION 11 - DECALS

FIGURE 11-22. CAPACITY CHART BOOKLET (ANSI) (943) (SN 0160081272 to Present)

| ITEM | PART NUMBER | QTY | DESCRIPTION | REV |
|------|-------------|-----|-------------------------------------|-----|
| 1 | 1001212420 | 1 | Capacity Chart Booklet (ANSI) - 943 | G |

SECTION 11 - DECALS

FIGURE 11-23. CAPACITY CHART BOOKLET (ISO) (943) (SN 0160075708 through 0160081272)



ART. 1001206170 G

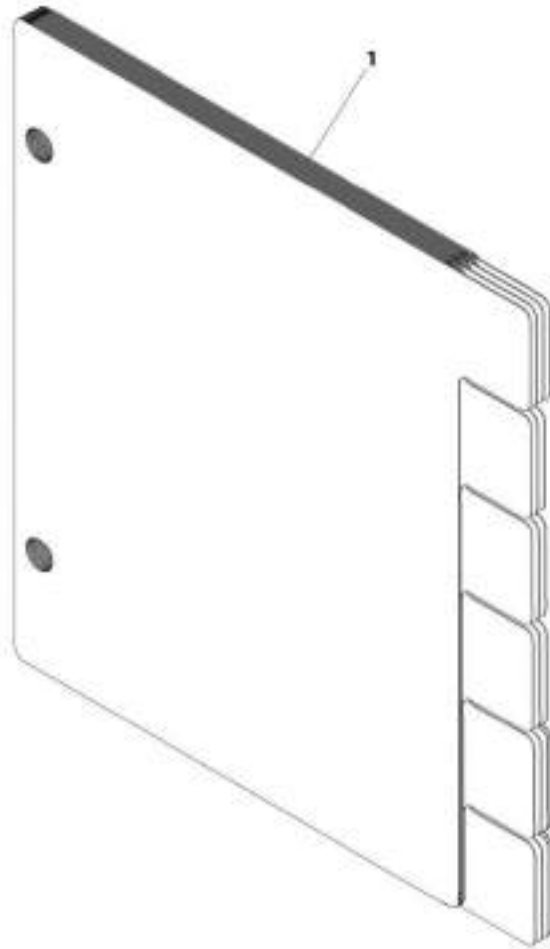
SECTION 11 - DECALS

FIGURE 11-23. CAPACITY CHART BOOKLET (ISO) (943) (SN 0160075708 through 0160081272)

| ITEM | PART NUMBER | QTY | DESCRIPTION | REV |
|------|-------------|-----|------------------------------------|-----|
| 1 | 1001206370 | 1 | Capacity Chart Booklet (ISO) - 943 | D |

SECTION 11 - DECALS

FIGURE 11-24. CAPACITY CHART BOOKLET (ISO) (943) (SN 0160081272 to Present)



ART_1001206170 F

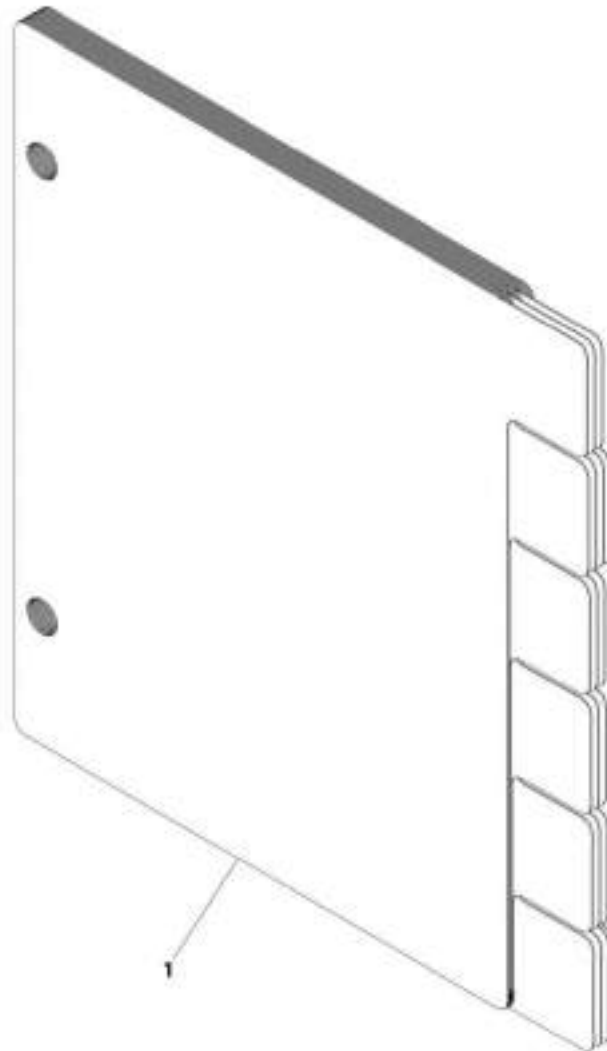
SECTION 11 - DECALS

FIGURE 11-24. CAPACITY CHART BOOKLET (ISO) (943) (SN 0160081272 to Present)

| ITEM | PART NUMBER | QTY | DESCRIPTION | REV |
|------|-------------|-----|------------------------------------|-----|
| 1 | 1001206370 | 1 | Capacity Chart Booklet (ISO) - 943 | F |

SECTION 11 - DECALS

FIGURE 11-25. CAPACITY CHART BOOKLET (ANSI) (OUTRIGGERS) (1043) (Prior to SN 0160075708)



ART_1001210971-C

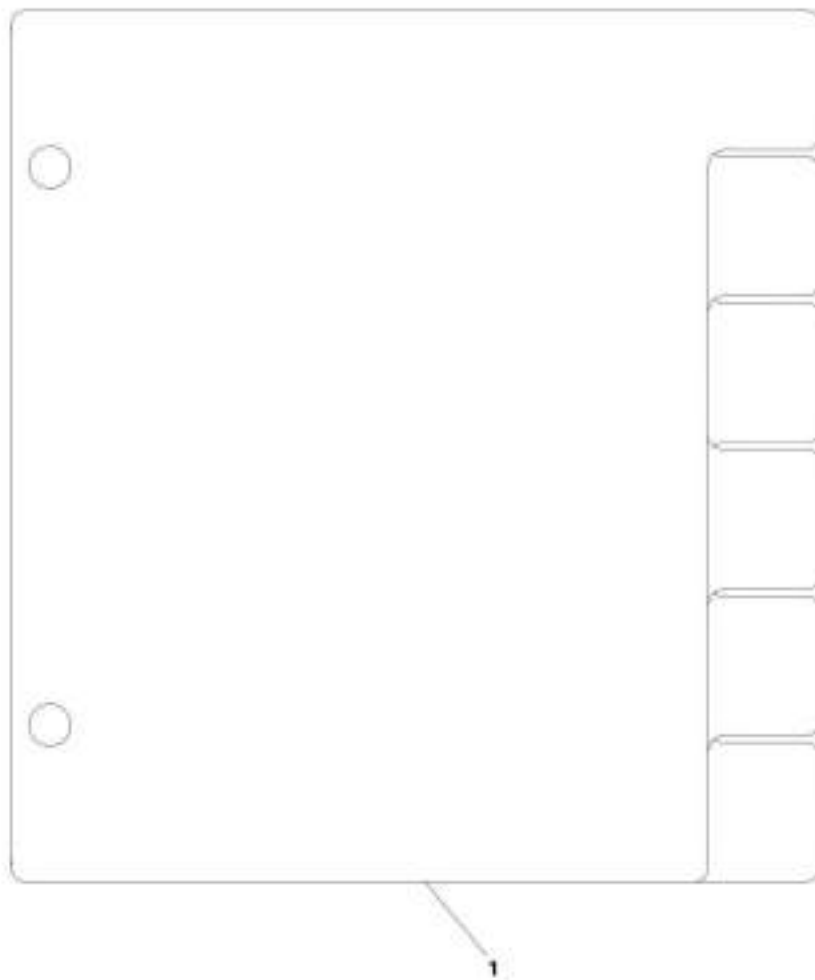
SECTION 11 - DECALS

FIGURE 11-25. CAPACITY CHART BOOKLET (ANSI) (OUTRIGGERS) (1043) (Prior to SN 0160075708)

| ITEM | PART NUMBER | QTY | DESCRIPTION | REV |
|------|-------------|-----|---|-----|
| 1 | 1001203055 | NLA | Capacity Chart Booklet (ANSI) (Outriggers) - 1043 (no longer available, use 1001210971 for replacement) | B |
| 1 | 1001210971 | 1 | Capacity Chart Booklet (ANSI) - 1043 | C |

SECTION 11 - DECALS

FIGURE 11-26. CAPACITY CHART BOOKLET (ANSI) (OUTRIGGERS) (1043) (SN 0160075708 through 0160081272)



ART 1001212419-D

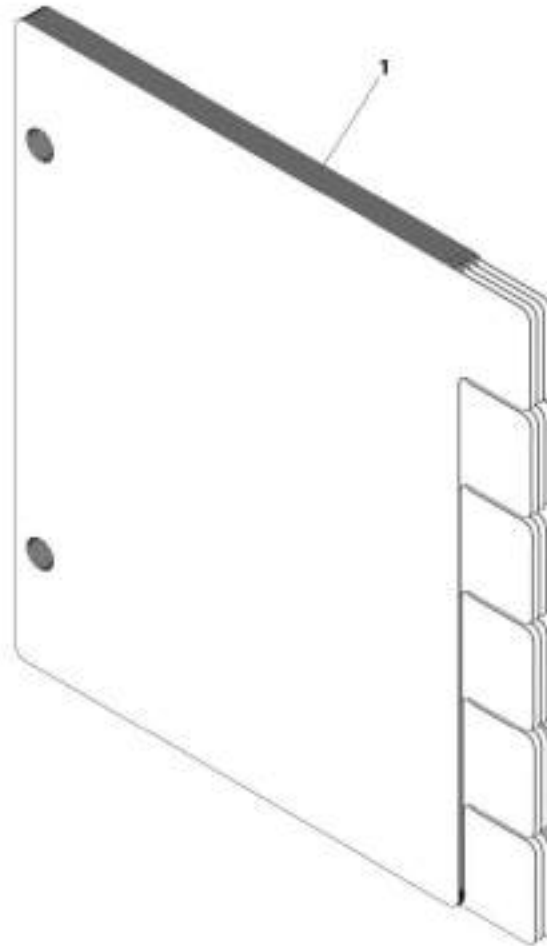
SECTION 11 - DECALS

FIGURE 11-26. CAPACITY CHART BOOKLET (ANSI) (OUTRIGGERS) (1043) (SN 0160075708 through 0160081272)

| ITEM | PART NUMBER | QTY | DESCRIPTION | REV |
|------|-------------|-----|--|-----|
| 1 | 1001212419 | 1 | Capacity Chart Booklet (ANSI), (Outriggers) - 1043 | D |

SECTION 11 - DECALS

FIGURE 11-27. CAPACITY CHART BOOKLET (ANSI) (OUTRIGGERS) (1043) (SN 0160081272 to Present)



ART_1001212419-G

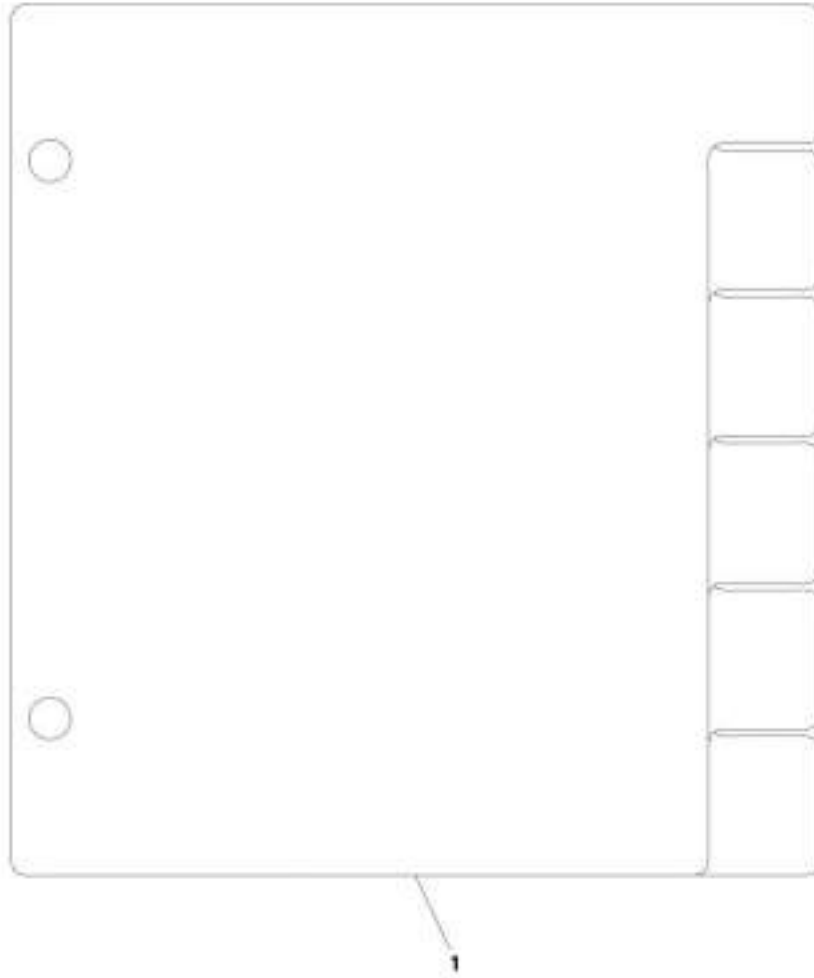
SECTION 11 - DECALS

FIGURE 11-27. CAPACITY CHART BOOKLET (ANSI) (OUTRIGGERS) (1043) (SN 0160081272 to Present)

| ITEM | PART NUMBER | QTY | DESCRIPTION | REV |
|------|-------------|-----|--|-----|
| 1 | 1001212419 | 1 | Capacity Chart Booklet (ANSI), (Outriggers) - 1043 | G |

SECTION 11 - DECALS

FIGURE 11-28. CAPACITY CHART BOOKLET (ISO) (OUTRIGGERS) (1043) (SN 0160075708 through 0160081272)



ARE_1001206371-D

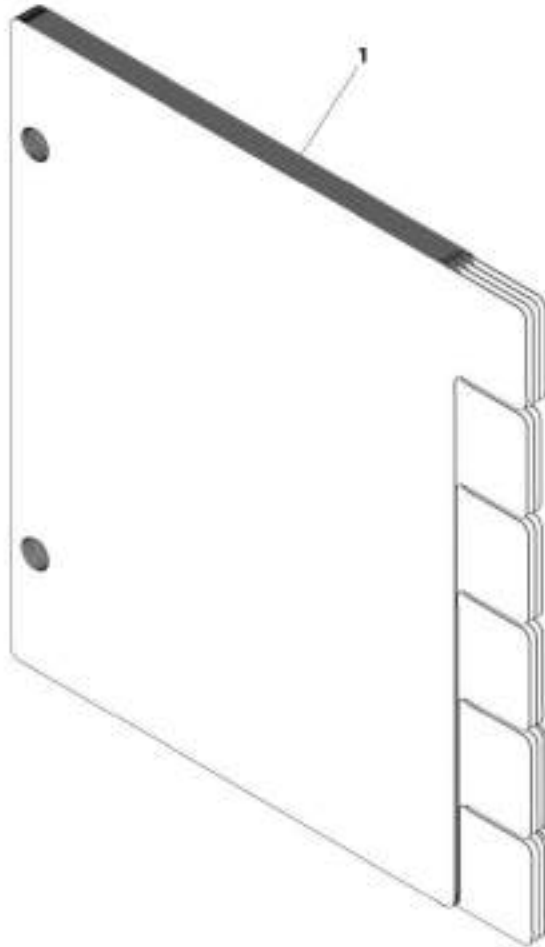
SECTION 11 - DECALS

FIGURE 11-28. CAPACITY CHART BOOKLET (ISO) (OUTRIGGERS) (1043) (SN 0160075708 through 0160081272)

| ITEM | PART NUMBER | QTY | DESCRIPTION | REV |
|------|-------------|-----|---|-----|
| 1 | 1001206371 | 1 | Capacity Chart Booklet (ISO), (Outriggers) - 1043 | D |

SECTION 11 - DECALS

FIGURE 11-29. CAPACITY CHART BOOKLET (ISO) (OUTRIGGERS) (1043) (SN 0160081272 to Present)



ART_100120011-F

SECTION 11 - DECALS

FIGURE 11-29. CAPACITY CHART BOOKLET (ISO) (OUTRIGGERS) (1043) (SN 0160081272 to Present)

| ITEM | PART NUMBER | QTY | DESCRIPTION | REV |
|------|-------------|-----|---|-----|
| 1 | 1001206371 | 1 | Capacity Chart Booklet (ISO), (Outriggers) - 1043 | F |

SECTION 11 - DECALS

FIGURE 11-30. REVERSE SENSOR SYSTEM DECAL (ENGLISH)



ART_100160002-A

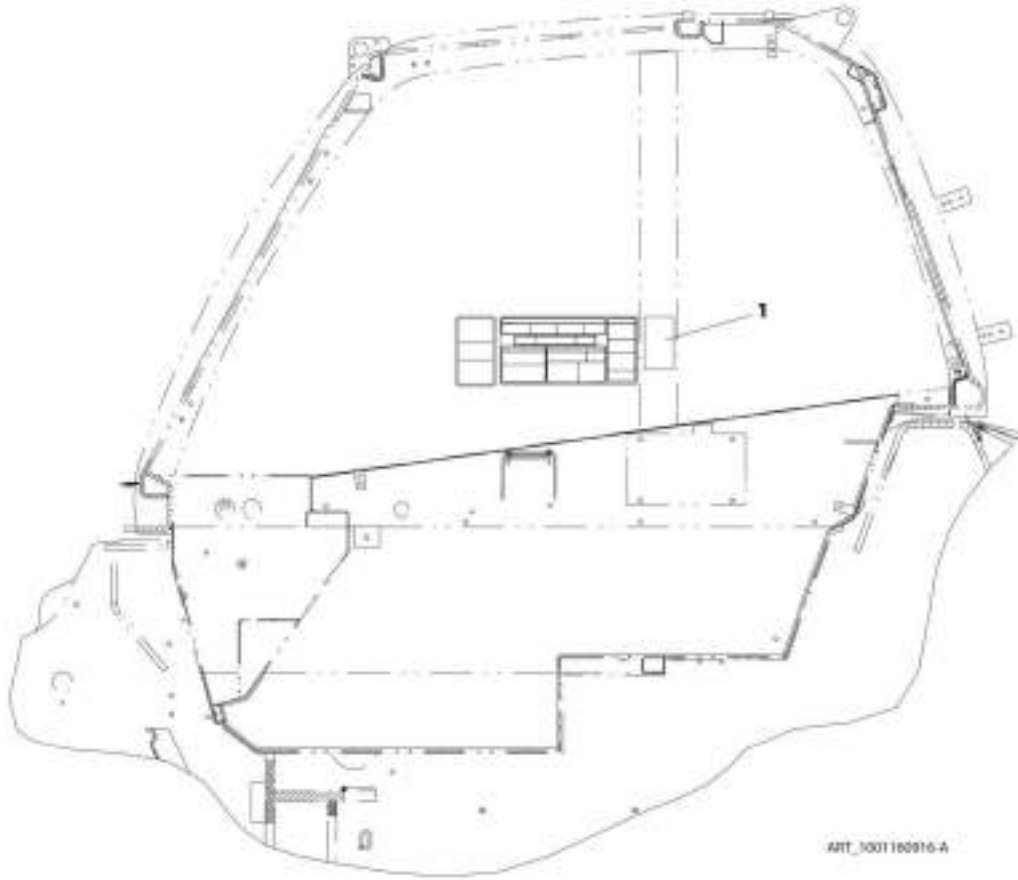
SECTION 11 - DECALS

FIGURE 11-30. REVERSE SENSOR SYSTEM DECAL (ENGLISH)

| ITEM | PART NUMBER | QTY | DESCRIPTION | REV |
|------|-------------|-----|---------------------------------------|-----|
| 1 | 1001160072 | 1 | Reverse Sensor System Decal (ENGLISH) | A |

SECTION 11 - DECALS

FIGURE 11-31. REVERSE SENSOR SYSTEM DECAL (ISO)



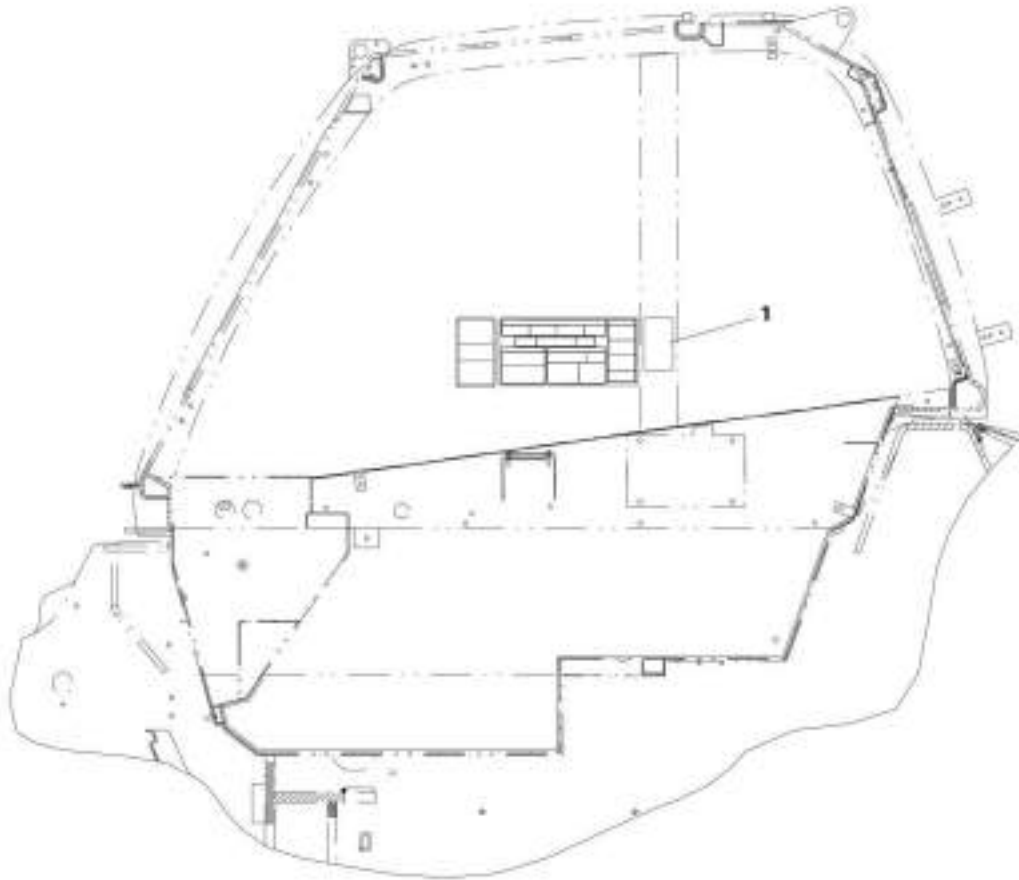
SECTION 11 - DECALS

FIGURE 11-31. REVERSE SENSOR SYSTEM DECAL (ISO)

| ITEM | PART NUMBER | QTY | DESCRIPTION | REV |
|------|-------------|-----|-----------------------------------|-----|
| 1 | 1001160916 | 1 | Reverse Sensor System Decal (ISO) | A |

SECTION 11 - DECALS

FIGURE 11-32. REVERSE SENSOR SYSTEM DECAL (ENGLISH/FRENCH)



ART_1001160945-A

SECTION 11 - DECALS

FIGURE 11-32. REVERSE SENSOR SYSTEM DECAL (ENGLISH/FRENCH)

| ITEM | PART NUMBER | QTY | DESCRIPTION | REV |
|------|-------------|-----|--|-----|
| 1 | 1001160945 | 1 | Reverse Sensor System Decal (ENGLISH/FRENCH) | A |

SECTION 11 - DECALS

FIGURE 11-33. REVERSE SENSOR SYSTEM DECAL (ENGLISH/SPANISH)



ART_1001227946-A

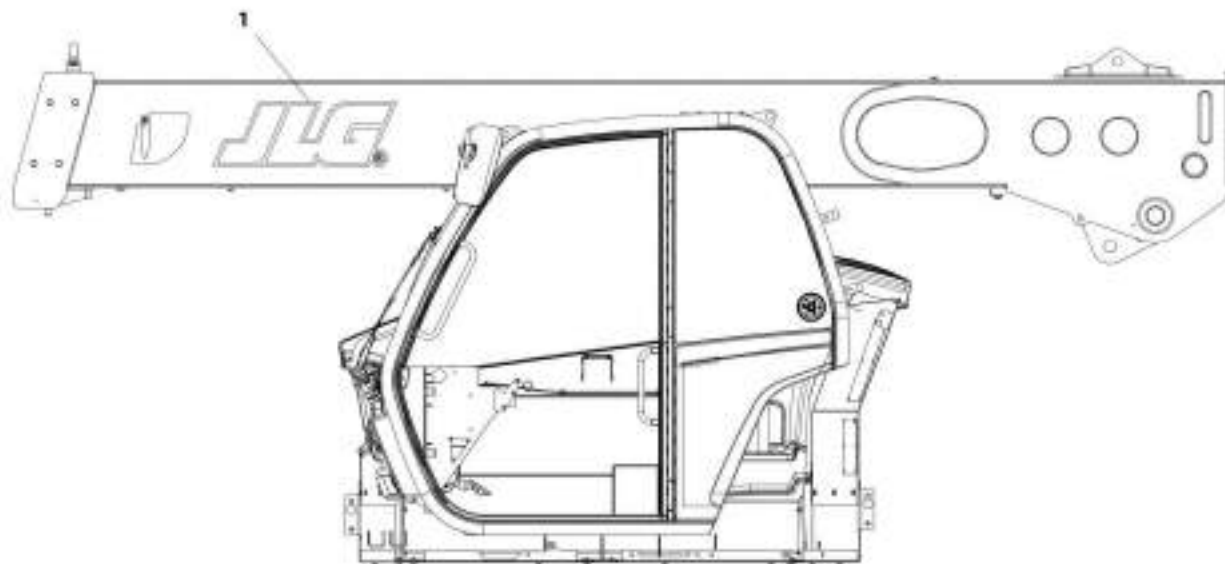
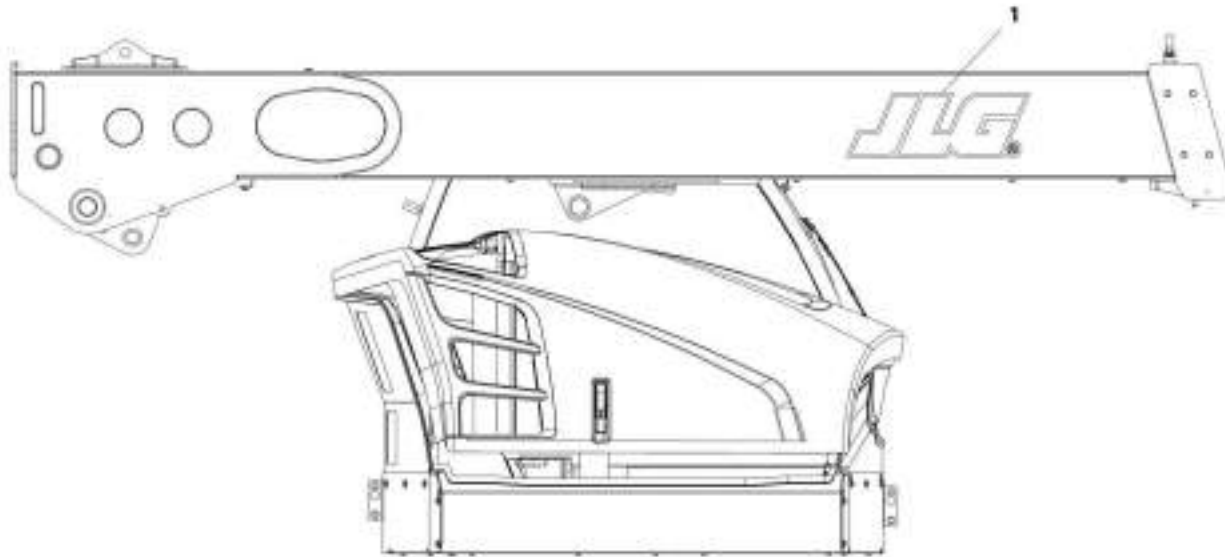
SECTION 11 - DECALS

FIGURE 11-33. REVERSE SENSOR SYSTEM DECAL (ENGLISH/SPANISH)

| ITEM | PART NUMBER | QTY | DESCRIPTION | REV |
|------|-------------|-----|---|-----|
| 1 | 1001237846 | Ref | Reverse Sensor System Decal (ENGLISH/SPANISH) | A |

SECTION 11 - DECALS

FIGURE 11-34. DECAL INSTALLATION (642)



AWT_1001200732-A

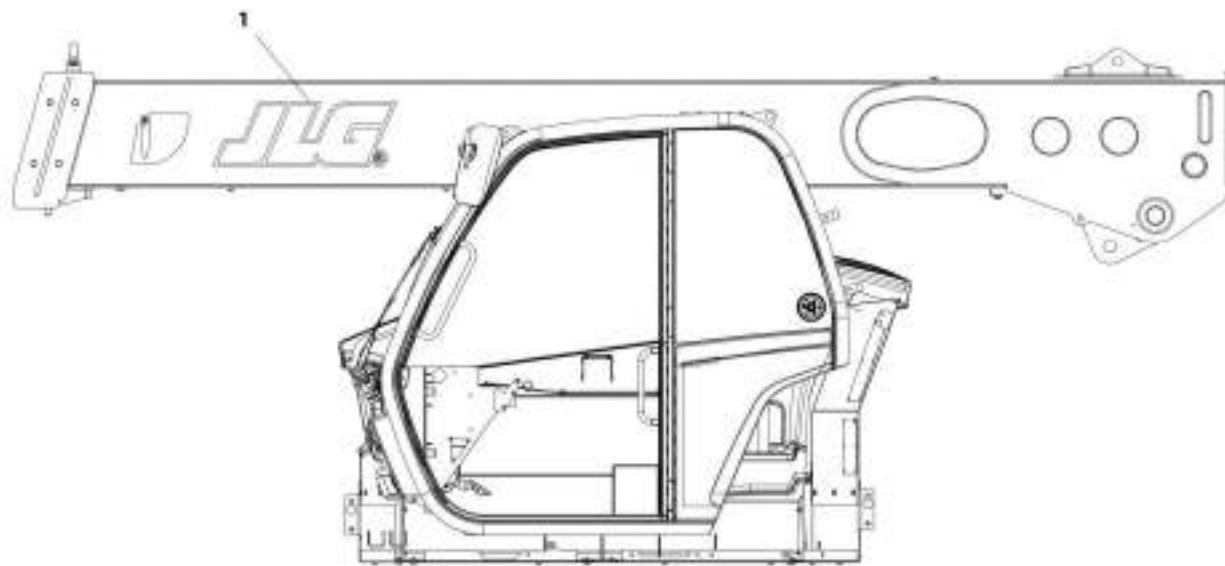
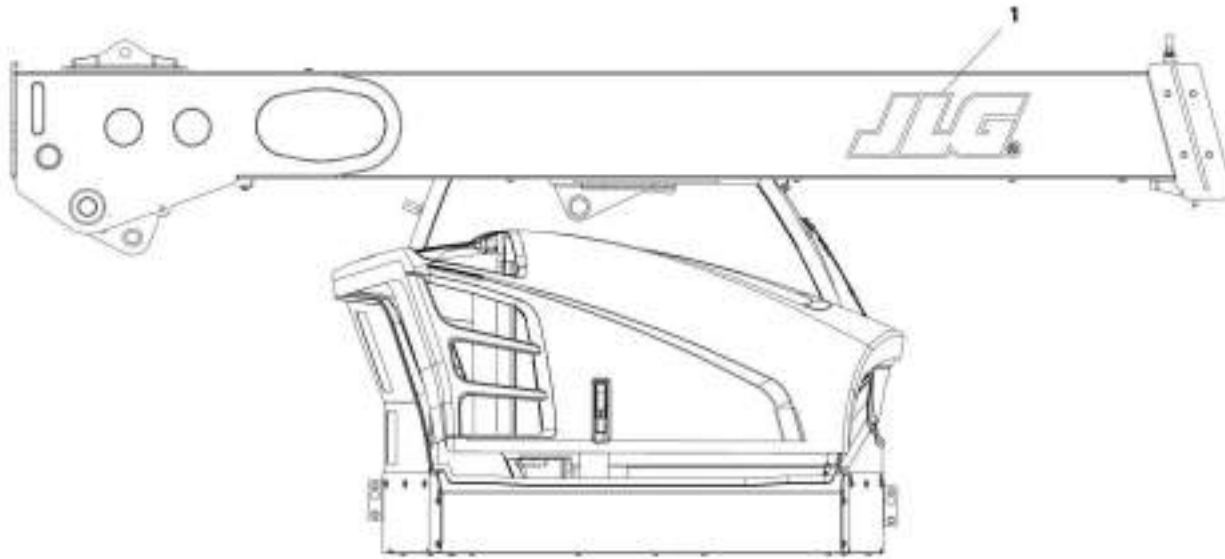
SECTION 11 - DECALS

FIGURE 11-34. DECAL INSTALLATION (642)

| ITEM | PART NUMBER | QTY | DESCRIPTION | REV |
|------|-------------|-----|--------------------------|-----|
| 1 | 1001200722 | 1 | Decal Installation (642) | A |
| | 1001159728 | 2 | Decal, JLG Logo | |

SECTION 11 - DECALS

FIGURE 11-35. DECAL INSTALLATION (943, 1043)



AWT_1001200721-A

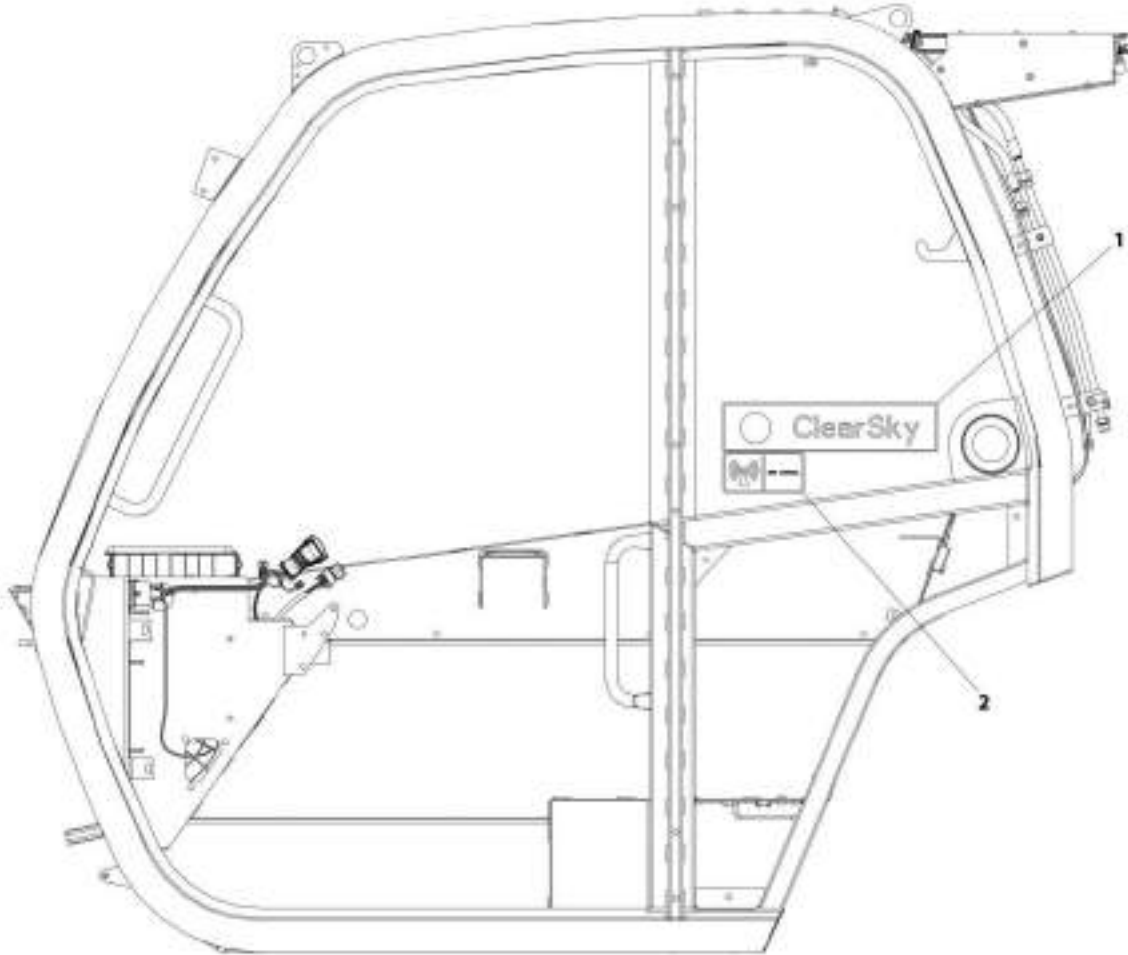
SECTION 11 - DECALS

FIGURE 11-35. DECAL INSTALLATION (943, 1043)

| ITEM | PART NUMBER | QTY | DESCRIPTION | REV |
|------|-------------|-----|--------------------------------|-----|
| 1 | 1001200721 | Ref | Decal Installation (943, 1043) | A |
| | 1001159728 | 2 | Decal, JLG Logo | |

SECTION 11 - DECALS

FIGURE 11-36. CLEARSKY DECAL INSTALLATION



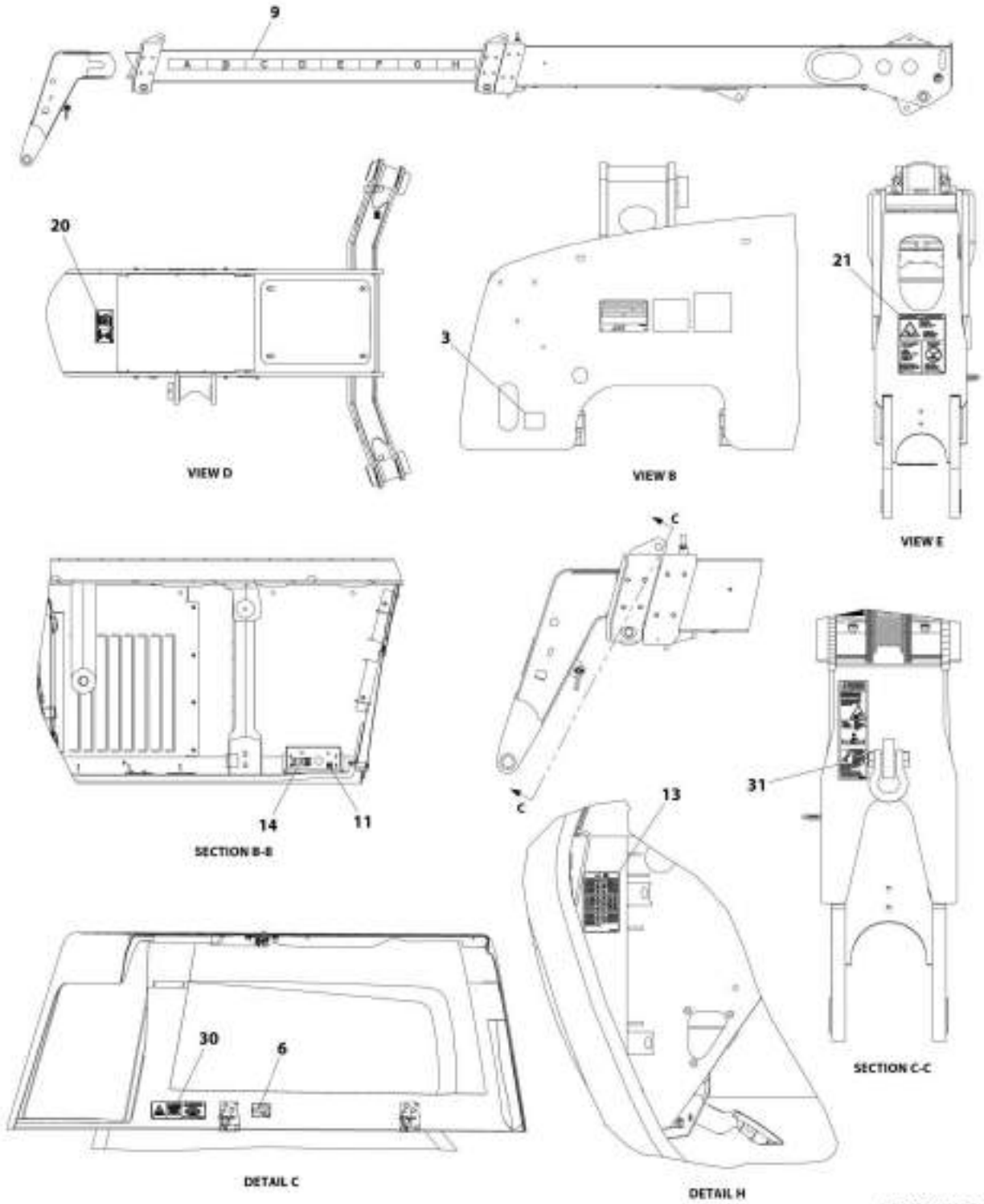
ART_100122907-A

SECTION 11 - DECALS

FIGURE 11-36. CLEARSKY DECAL INSTALLATION

| ITEM | PART NUMBER | QTY | DESCRIPTION | REV |
|------|-------------|-----|-----------------------------|-----|
| | 1001229707 | Ref | Clearsky Decal Installation | A |
| 1 | 1001116208 | 1 | Clearsky Decal | |
| 2 | 1001120989 | 1 | Radio Frequency Decal | |

SECTION 11 - DECALS



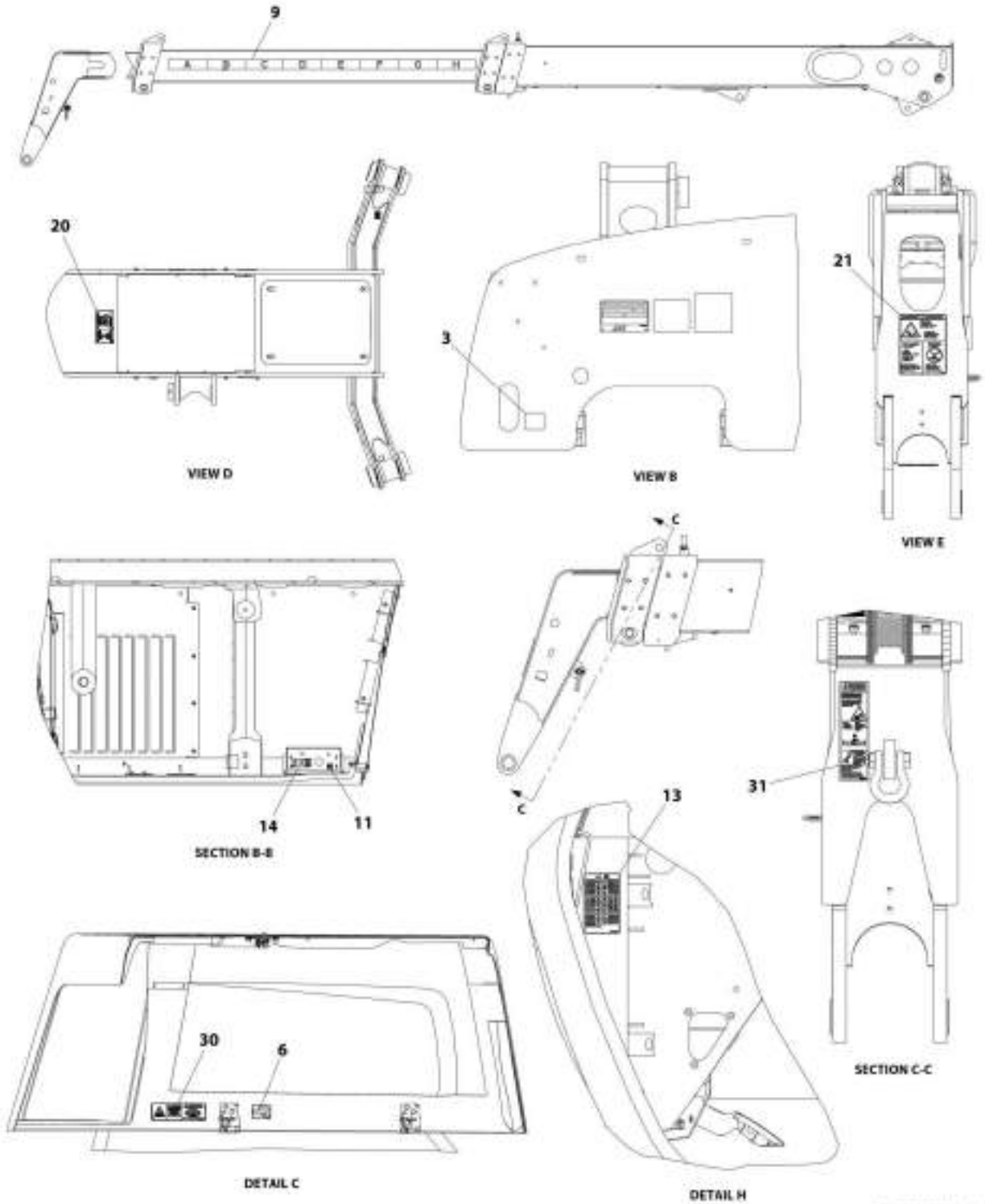
ART_1001236306_3-A

SECTION 11 - DECALS

FIGURE 11-37. DECAL INSTALLATION (742, 943, 1043) (110 HP - ENGLISH/SPANISH)

| ITEM | PART NUMBER | QTY | DESCRIPTION | REV |
|------|-------------|-----|-------------------------------------|-----|
| | 1001236308 | Ref | Decal Installation (742, 943, 1043) | A |
| 1 | 1702631 | 1 | Decal, Bar Code | |
| 2 | 3251813 | 1 | Decal, USA | |
| 3 | 4109801 | 4 | Decal, Tie Down Point | |
| 4 | 1001009178 | 4 | Decal, Track Metal | |
| 5 | 1001094708 | 1 | Decal, Hydraulic Oil | |
| 6 | 1001109053 | 1 | Decal, Coolant Fill | |
| 7 | 1001130323 | 1 | Decal, Oil Level | |
| 8 | 1001131271 | 1 | Decal, Patent | |
| 9 | 1001171277 | 1 | Decal, Boom Extend | |
| 10 | 1001172035 | 1 | Decal, No Weld or Drill | |
| 11 | 1001184632 | 1 | Decal, Battery Positive | |
| 12 | 1001188372 | 1 | Decal, Sway | |
| 13 | 1001191229 | 1 | Decal, Fuse Panel | |
| 14 | 1001195855 | 1 | Decal, Battery Disconnect | |
| 15 | 1001196806 | 1 | Decal, Diesel Exhaust Fluid | |
| 16 | 1001200101 | 1 | Decal, Manual | |
| 17 | 1001219211 | 1 | Decal, Brake Fluid | |
| 18 | 1001222650 | 2 | Decal, Axle Lift | |
| 19 | 1001229575 | 1 | Decal, Nameplate | |
| 20 | 1001235794 | 1 | Decal, Battery Warning | |
| 21 | 1001235796 | 1 | Decal, Carry Personnel | |
| 22 | 1001235797 | 1 | Decal, Electrocution Hazard | |
| 23 | 1001235798 | 1 | Decal, Warning No Either | |
| 24 | 1001235799 | 1 | Decal, Moving Parts | |
| 25 | 1001235800 | 2 | Decal, Pinch Point | |
| 26 | 1001235801 | 1 | Decal, Warning Tip Over | |
| 27 | 1001235802 | 1 | Decal, No Riders | |
| 28 | 1001235803 | 1 | Decal, Warning Crushing Hazard | |
| 29 | 1001235804 | 1 | Decal, Ultra Low Sulfur Diesel | |
| 30 | 1001235805 | 1 | Decal, Warning Hot Fluid | |
| 31 | 1001235807 | 1 | Decal, Danger Swinging Loads | |
| 32 | 1001235808 | 1 | Decal, JLG DEF Tank Service | |
| 33 | 1001235809 | 1 | Decal, Warning/Danger Cab | |
| 34 | 1001236313 | 1 | Decal, MCO 130HP | |

SECTION 11 - DECALS



MIT_1011201079_2-A

SECTION 11 - DECALS

FIGURE 11-38. DECAL INSTALLATION (742, 943) (74 HP - ENGLISH/SPANISH)

| ITEM | PART NUMBER | QTY | DESCRIPTION | REV |
|------|-------------|-----|--------------------------------|-----|
| | 1001233979 | Ref | Decal Installation (742, 943) | A |
| 1 | 1702631 | 1 | Decal, Bar Code | |
| 2 | 3251813 | 1 | Decal, USA | |
| 3 | 4109801 | 4 | Decal, Tie Down Point | |
| 4 | 1001009178 | 4 | Decal, Track Metal | |
| 5 | 1001094708 | 1 | Decal, Hydraulic Oil | |
| 6 | 1001109053 | 1 | Decal, Coolant Fill | |
| 7 | 1001130323 | 1 | Decal, Oil Level | |
| 8 | 1001131271 | 1 | Decal, Patent | |
| 9 | 1001171277 | 1 | Decal, Boom Extend | |
| 10 | 1001172035 | 1 | Decal, No Weld or Drill | |
| 11 | 1001184632 | 1 | Decal, Battery Positive | |
| 12 | 1001188372 | 1 | Decal, Sway | |
| 13 | 1001191229 | 1 | Decal, Fuse Panel | |
| 14 | 1001195855 | 1 | Decal, Battery Disconnect | |
| 15 | 1001196806 | 1 | Decal, Diesel Exhaust Fluid | |
| 16 | 1001200101 | 1 | Decal, Manual | |
| 17 | 1001219211 | 1 | Decal, Brake Fluid | |
| 18 | 1001222650 | 2 | Decal, Axle Lift | |
| 19 | 1001229575 | 1 | Decal, Nameplate | |
| 20 | 1001235794 | 1 | Decal, Battery Warning | |
| 21 | 1001235796 | 1 | Decal, Carry Personnel | |
| 22 | 1001235797 | 1 | Decal, Electrocution Hazard | |
| 23 | 1001235798 | 1 | Decal, Warning No Either | |
| 24 | 1001235799 | 1 | Decal, Moving Parts | |
| 25 | 1001235800 | 2 | Decal, Pinch Point | |
| 26 | 1001235801 | 1 | Decal, Warning Tip Over | |
| 27 | 1001235802 | 1 | Decal, No Riders | |
| 28 | 1001235803 | 1 | Decal, Warning Crushing Hazard | |
| 29 | 1001235804 | 1 | Decal, Ultra Low Sulfur Diesel | |
| 30 | 1001235805 | 1 | Decal, Warning Hot Fluid | |
| 31 | 1001235807 | 1 | Decal, Danger Swinging Loads | |
| 32 | 1001235808 | 1 | Decal, JLG DEF Tank Service | |
| 33 | 1001235809 | 1 | Decal, Warning/Danger Cab | |
| 34 | 1001236313 | 1 | Decal, MCO 74HP | |

SECTION 12 - RECOMMENDED SPARE PARTS

SECTION 12 - RECOMMENDED SPARE PARTS

SECTION 12 - RECOMMENDED SPARE PARTS

FIGURE 12-1. RECOMMENDED SPARE PARTS

| ITEM | PART NUMBER | QTY | DESCRIPTION | REV |
|------|-------------|-----|--|-----|
| | | Ref | Frame and Attaching Parts | |
| | 1001194978 | 1 | Cap, Locking Fuel | |
| | | Ref | Boom | |
| | 1001163034 | AR | Plate, Spacer | |
| | 1001163038 | AR | Plate, Spacer | |
| | 1001165367 | AR | Plate, Spacer | |
| | 1001163112 | AR | Plate, Spacer | |
| | 1001163108 | AR | Plate, Spacer | |
| | 1001165171 | AR | Pad, Wear | |
| | 1001165172 | AR | Pad, Wear | |
| | 1001162469 | AR | Pad, Wear | |
| | 1001163029 | AR | Pad, Wear | |
| | 1001165173 | AR | Pad, Wear | |
| | 1001189793 | AR | Shim | |
| | | Ref | Engine and Attaching Parts | |
| | 70026453 | 1 | Cartridge, Fuel Filter (ULS) | |
| | 70026233 | 1 | Filter, Primary Fuel | |
| | 70026234 | 1 | Element, Fuel Filter | |
| | 70026227 | 1 | Starter | |
| | 70026229 | 1 | Fan Belt, V-Ribbed | |
| | 70026242 | 1 | Dipstick | |
| | 70026237 | 1 | Filter, Oil | |
| | 70025852 | 1 | Filter, Air Cylindrical Primary (ULS) | |
| | 70025853 | 1 | Filter, Air Cylindrical Secondary (ULS) | |
| | 70025850 | 1 | Filter, Cylindrical Air Primary (LS) | |
| | 70025851 | 1 | Filter, Cylindrical Air Secondary (LS) | |
| | 70026584 | 1 | Filter, DEF | |
| | 1001208643 | 1 | Kit, Filter, 250 Hour | |
| | 70026237 | 1 | Filter, Oil | |
| | 70026234 | 1 | Element, Fuel Filter | |
| | 70026453 | 1 | Cartridge, Fuel Filter | |
| | 70025852 | 1 | Filter, Cylindrical Air Primary | |
| | 70025853 | 1 | Filter, Cylindrical Air Secondary | |
| | 1001208644 | 1 | Kit, Filter, 1000 Hour | |
| | 70026237 | 1 | Filter, Oil | |
| | 70026234 | 1 | Element, Fuel Filter | |
| | 70026453 | 1 | Cartridge, Fuel Filter | |
| | 70025852 | 1 | Filter, Cylindrical Air Primary | |
| | 70025853 | 1 | Filter, Cylindrical Air Secondary | |
| | 1001162663 | 1 | Element, Filter | |
| | 1001162662 | 1 | Breather, Filter | |
| | 1319726 | 1 | Filter, Transmission | |
| | | Ref | Drivetrain | |
| | 1319726 | 1 | Filter, Transmission Oil | |
| | 1001163698 | 1 | Switch, FNR 4 Speed | |
| | | Ref | Cab | |
| | 1001172546 | NLA | Filter, HVAC Air (no longer available, use 1001218996 for replacement) | |
| | 1001218996 | 1 | Filter, HVAC Fresh Air | |

SECTION 12 - RECOMMENDED SPARE PARTS

| ITEM | PART NUMBER | QTY | DESCRIPTION | REV |
|------|-------------|-----|--|-----|
| | 1001172553 | 1 | Filter, HVAC Recirculation Air | |
| | 1001141281 | 1 | Blade, Front Wiper | |
| | 4807718 | 1 | Blade, Rear Wiper | |
| | 1001141313 | 1 | Blade, Roof Wiper | |
| | | Ref | Hydraulic Components | |
| | 1001197918 | 1 | Kit, Seal, Lift Cylinder (642) | |
| | 1001168661 | 1 | Kit, Seal, Lift Cylinder (943, 1043) | |
| | 1001197801 | 1 | Kit, Seal, Tilt Cylinder (642) | |
| | 1001168666 | 1 | Kit, Seal, Tilt Cylinder (943, 1043) | |
| | 70026639 | 1 | Kit, Seal, Compensation Cylinder (642) | |
| | 70026550 | 1 | Kit, Seal, Compensation Cylinder (943, 1043) | |
| | 70026253 | 1 | Kit, Seal, Frame Level Cylinder | |
| | 1001168668 | 1 | Kit, Seal, Extend/Retract Cylinder (642) | |
| | 70026462 | 1 | Kit, Seal, Extend/Retract Cylinder (943, 1043) | |
| | 70026253 | 1 | Kit, Seal, Rear Axle Stability Cylinder | |
| | 70026309 | 1 | Kit, Seal, Outrigger Cylinder | |
| | 70026062 | 1 | Kit, Seal, Side Tilt Cylinder | |
| | 1001194981 | 1 | Cap, Hydraulic | |
| | 1001162660 | 1 | Filter, Hydraulic | |
| | | Ref | Electrical | |
| | 0400075 | 2 | Battery, 12V (642) | |
| | 0400075 | 1 | Battery, 12V (943, 1043) | |
| | 70022765 | 1 | Key, Ignition | |

PART NUMBER INDEX

PART NUMBER INDEX

| | | | |
|--|--|---|--|
| 0100011....163, 165, 167, 169, 171, 173, 1127, 1133, 1141 | 0701215.....287 | 0760810 .39, 93, 95, 295, 795, 803, 814, 833, 859, 871, 873, 887, 889, 974, 978, 982, 986, 1049, 1349 | 1001005368.....765 |
| 0100035.....1145 | 0701216.. 275, 285, 1109 | 0760812 ... 339, 349, 363, 719, 739, 771, 997, 1005, 1007, 1329 | 1001005960.....1499 |
| 01043892.....371, 373 | 0701217 145 | 0760815 37, 337, 769, 771, 986, 989, 991, 993, 995, 1081, 1083, 1249 | 1001006731.....799 |
| 0400075.....1291, 1293, 1593 | 0701220.....275 | 0760817 1055, 1057 | 1001007056...1103, 1105 |
| 0440296.....111 | 07012224..... 143, 145 | 0760823 61, 355 | 1001008540...1269, 1271 |
| 0440321.....1101 | 0701226..... 91, 891, 893 | 0761007 1259, 1261, 1263, 1265, 1267, 1275, 1277 | 100100855967, 308, 312, 1249, 1253, 1255, 1257, 1259, 1261, 1263, 1265, 1267, 1281, 1341, 1345 |
| 0498748.....767 | 0701227 89, 275 | 0761008 1107 | 1001008575.....63 |
| 0641404.....77 | 0701229..... 67 | 0761010 .39, 41, 43, 297, 323, 325, 337, 339, 341, 603, 605, 727, 974, 978, 983, 986, 1249, 1259, 1261, 1263, 1265, 1267, 1269, 1271, 1275, 1343, 1345, 1347 | 1001008687.....727 |
| 0641405.....253 | 0701230..... 67 | 0761012 ... 295, 297, 315, 317, 365, 901, 903, 905, 907, 1089, 1091, 1341 | 1001008742.....869 |
| 0641407.....77 | 0711015 603, 605 | 0761210 .315, 361, 1253, 1255, 1257 | 1001008857.....769, 771 |
| 0641510.....257 | 0711027 1039, 1041, 1055, 1057 | 0761212 1089, 1091 | 1001008923...1361, 1363 |
| 0641612....163, 165, 167, 169, 171, 173 | 0711214 85, 91, 93, 95 | 0761214 .63, 73, 75, 135, 139 | 1001008988.....767 |
| 0641812....978, 982, 986 | 0711215 ..85, 87, 89, 143 | 0761215 61, 969, 971 | 1001008999.....39 |
| 0642032....151, 153, 155, 157, 159, 161, 163, 165, 167, 169, 171, 173 | 0711216... 85, 87, 89, 91, 93, 95 | 0761218 .. 315, 317, 1031 | 1001009163.....603, 605, 1223 |
| 0681810....163, 165, 167, 169, 171, 173 | 0711217 ... 85, 87, 89, 91, 93, 95 | 0770807 91 | 1001009178.. 1510, 1514, 1518, 1522, 1534, 1586, 1590 |
| 0700408.....1329 | 0711218... 85, 89, 91, 93, 143 | 0770814 895 | 1001010646.....799 |
| 0700610....45, 47, 49, 51, 81, 83, 308, 312, 345, 857, 1249, 1269, 1271, 1307, 1309, 1311, 1333, 1335, 1349, 1351, 1353, 1355 | 0711219 87, 93 | 0771210 ... 89, 91, 93, 95, 317 | 1001010647.....799 |
| 0700614...257, 814, 1333, 1335 | 0711220..... 87, 145 | 0771212 89, 91, 93, 95 | 1001010648.....799 |
| 0700616....978, 982, 986, 1031, 1363 | 0711222 89 | 0771214 287 | 1001010649.....799 |
| 0700618.....1275, 1313 | 0711225 89, 91 | 0781208 1101 | 1001010650.....799 |
| 0700812.....725 | 0711226 89, 91 | 0791605 333 | 1001025750.....361 |
| 0700814....45, 47, 49, 51, 335, 1017, 1223, 1269, 1271 | 0711227 125 | 0860520 253 | 1001028308.....991, 995 |
| 0700815....359, 974, 978, 983 | 0711228 121, 123 | 0861493 1491 | 1001047062.....767 |
| 0700816.....69, 291, 293, 333, 974, 978, 982, 986, 1009, 1011, 1283 | 0711229 127 | 0930020 217 | 1001080375...1089, 1091 |
| 0700817.....1081, 1083 | 0711626 275 | 0961903 1131, 1133, 1135 | 1001080996.... 135, 1089, 1091 |
| 0700818.....1059, 1155, 1249 | 0711629 275 | 1001001240 .. 1093, 1095 | 1001090063.....163, 165, 167, 169, 171, 173 |
| 0700819997, 1007, 1283, 1285 | 0711630 275 | 1001001241 .. 1093, 1095 | 1001090064.....163, 165, 167, 169, 171, 173 |
| 0700820....871, 873, 875, 1005, 1249 | 0711631 121, 123, 137 | 1001001556 .. 1093, 1095 | 1001090140.....163, 165, 167, 169, 171, 173 |
| 0700823.....1061, 1063 | 0711635 125, 127 | 1001001557 .. 1093, 1095 | 1001090336.....833 |
| 0700824....901, 903, 905, 907, 1017 | 0712020 735 | 1001001568 .. 1097, 1099 | 1001090343.....835, 837, 869 |
| 0700826.....359 | 0712022 735 | 1001002946 769, 771 | 1001091573.....1367 |
| 0700827.....347, 349 | 0712027 733 | 1001002947 769, 771 | 1001091715.. 1341, 1343, 1345, 1347 |
| 0701014...37, 39, 71, 337, 978, 983, 986 | 0712030 ... 407, 409, 419, 421 | 1001002953 769, 771 | 1001091716.. 1341, 1343, 1345, 1347 |
| 0701016....45, 47, 49, 51, 337, 339, 1019, 1021, 1085, 1087, 1089, 1091, 1253, 1269 | 0712042 53, 55, 57 | 1001002957 769, 771 | 1001091951.....129, 131 |
| 0701017.....341, 363 | 0712439 1039, 1055 | 1001003043 757 | 1001092391.....199 |
| 0701018....295, 297, 315, 317, 339 | 0712442 1041, 1057 | 1001003227 39 | 1001092481.....247 |
| 0701020.....63, 315, 317 | 0741408 77 | 1001003301 1223 | 1001092482.....247 |
| 0701027.....283, 289 | 0741610 ... 163, 165, 167, 169, 171, 173 | 1001003427 351, 353 | 1001092877...1518, 1522 |
| | 0760304 921 | 1001003590 .. 1055, 1057 | 1001093171.....229 |
| | 0760405 1277, 1281 | 1001004640 901, 903, 905, 907 | 1001093564.....1303 |
| | 0760507 351, 353 | | 1001094134.....205 |
| | 0760512 869 | | 1001094136.....205 |
| | 0760605 ... 323, 767, 887, 889 | | 1001094708.. 1510, 1514, 1518, 1522, 1526, 1530, 1534, 1586, 1590 |
| | 0760606 45, 47, 49, 51 | | 1001095336.....1251 |
| | 0760607 ... 312, 361, 371, 373, 767, 1029, 1277, 1281 | | 1001095396.. 1065, 1067, 1071, 1073, 1075 |
| | 0760608 ... 143, 145, 303, 359, 737, 787, 869, 881, 887, 889, 901, 903, 905, 907, 1269, 1271 | | 1001095418.....175 |
| | 0760615 ... 113, 115, 974, 978, 982, 986, 1285 | | 1001095650.... 73, 75, 77, 757, 765 |
| | 0760807 ... 89, 345, 1275, 1277 | | |
| | 0760808 ... 785, 857, 859, 1275, 1277, 1281, 1333, 1335, 1367, 1369 | | |

PART NUMBER INDEX

| | | | |
|---|--|--|---|
| 1001095738 651 | 1001104654... 1315, 1317 | 1001116815..1457, 1475, 1495 | 1001126356 .. 1418, 1422 |
| 1001095744 651 | 1001104685.....345 | 1001116950..1381, 1385, 1410, 1414, 1422 | 1001126357 .. 1418, 1422 |
| 1001095804 .. 1315, 1317 | 1001105441..... 147 | 1001116986.....1452 | 1001126391 1397 |
| 1001095810 253 | 1001105886..... 1305 | 1001116991...1433, 1451 | 1001126393 1397 |
| 1001096019 251 | 1001107192..... 767 | 1001116994.....1441 | 1001126487 .. 1403, 1408 |
| 1001096020 251 | 1001107854.. 1365, 1389, 1390, 1393, 1394 | 1001116996.....1439 | 1001126837 1107 |
| 1001096021 249 | 1001108668.....234 | 1001116997.....1452 | 1001128127 . 1380, 1384, 1385 |
| 1001096023 249 | 1001108669.....238 | 1001116999.....1451 | 1001128144 333 |
| 1001096025 249 | 1001109053.. 1510, 1514, 1518, 1522, 1526, 1530, 1534, 1586, 1590 | 1001117021.....1365 | 1001128341 333 |
| 1001096162 247, 249, 251, 253 | 1001110490.....901 | 1001117064.....1433 | 1001128478 603, 605, 1223 |
| 1001096365 769, 771 | 1001110544.....921 | 1001117073..1403, 1409, 1414, 1418, 1421 | 1001128594 277, 279, 281 |
| 1001097053 603, 605 | 1001110704.....175 | 1001117079.....1451 | 1001128714 339 |
| 1001097110 195 | 1001111076.....881 | 1001117081..1433, 1434, 1451, 1457 | 1001128890 265 |
| 1001097202 737 | 1001111147.....881 | 1001117121.....1434 | 1001128901 339 |
| 1001097205 229 | 1001111190..... 175, 238 | 1001117125..1402, 1408, 1413, 1418, 1422 | 1001129407 1471 |
| 1001097540 ... 45, 47, 49, 51, 861, 863 | 1001111317.....749, 755, 769 | 1001117308...1269, 1271 | 1001130220 ... 45, 47, 49, 51, 1307 |
| 1001097586 757 | 1001112612.. 1404, 1409, 1413, 1417, 1421, 1429, 1433 | 1001118323... 1381, 1386 | 1001130323 . 1510, 1514, 1518, 1522, 1526, 1530, 1534, 1586, 1590 |
| 1001097587 411, 413, 423, 425 | 1001112796.. 1431, 1441, 1463 | 1001118378.....1495 | 1001131177 1275 |
| 1001097588 323, 325 | 1001112902.... 45, 47, 49, 51 | 1001118383.....1434 | 1001131271 . 1510, 1514, 1518, 1522, 1526, 1530, 1534, 1586, 1590 |
| 1001097810 417, 989, 991, 993, 995 | 1001114495.....327, 329 | 1001118384..1433, 1434, 1451, 1452, 1455, 1457 | 1001132168 41, 43 |
| 1001098762 1303 | 1001114803.....315, 317 | 1001118392.....1439 | 1001133072 163, 165, 167, 169, 171, 173 |
| 1001098769 141 | 1001115238.....1339 | 10011184495.....1425 | 1001133534 287 |
| 1001099113 163, 165, 167, 169, 171, 173 | 1001116208.. 1333, 1335, 1583 | 1001118684.....1433 | 1001134274 1107 |
| 1001099115 163, 165, 167, 169, 171, 173 | 1001116696.....1439 | 1001118685.....1434 | 1001136975 308, 312 |
| 1001099170 753 | 1001116697.....1434 | 1001120163..1103, 1105, 1227 | 1001137512 207 |
| 1001099351 227 | 1001116700.....1451 | 1001120178.....675, 715, 717 | 1001137578 .. 1397, 1398 |
| 1001099901 221 | 1001116716.....1451 | 1001120179.....675 | 1001138348 327, 329 |
| 1001099902 219 | 1001116723.. 1433, 1434, 1451, 1452, 1457 | 1001120914.....163, 165, 167, 169, 171, 173 | 1001139375 415, 427 |
| 1001099976 669, 707, 709 | 1001116725... 1404, 1409 | 1001120915.....163, 165, 167, 169, 171, 173 | 1001139551 837 |
| 1001100284 669 | 1001116727... 1389, 1393 | 1001120963.....667 | 1001139552 835 |
| 1001100323 667, 669 | 1001116728 . 1389, 1393, 1417, 1421, 1443, 1445 | 1001120989..1333, 1335, 1583 | 1001139568 765 |
| 1001100443 1339 | 1001116729.....1377 | 1001121101.....671 | 1001139578 .. 1510, 1514 |
| 1001100822 211 | 1001116731.....1485 | 1001121103.....673, 675 | 1001139942 .. 1518, 1522 |
| 1001100823 213 | 1001116732.. 1413, 1417, 1421 | 1001121105.....677 | 1001140322 1339 |
| 1001100824 215 | 1001116745.....1377 | 1001121109.....673 | 1001141246 769, 771 |
| 1001100828 1479 | 1001116747... 1365, 1452 | 1001121519.....671 | 1001141281 833, 1593 |
| 1001100829 1479 | 1001116748.. 1403, 1409, 1413, 1414, 1417, 1418, 1421 | 1001121726... 1389, 1393 | 1001141311 837 |
| 1001100967 225 | 1001116749.. 1403, 1409, 1414, 1418, 1422 | 1001121727 1377 | 1001141312 835 |
| 1001101458 73, 75 | 1001116754.....1433 | 1001121955.....333 | 1001141313 837, 1593 |
| 1001101808 1309 | 1001116763.. 1365, 1389, 1393 | 1001122453... 1127, 1129 | 1001141400 308, 312 |
| 1001101867 89, 107 | 1001116774... 1475, 1495 | 1001125027..1402, 1408, 1413, 1418, 1422 | 1001142790 177 |
| 1001101895 .. 1518, 1522 | 1001116808... 1475, 1495 | 1001125083... 1402, 1409 | 1001143200 751, 783 |
| 1001101956 167 | 1001116810... 1379, 1384 | 1001125085... 1402, 1409 | 1001143551 1495 |
| 1001102378 163, 165, 167, 169, 171, 173 | 1001116811.. 1402, 1408, 1413, 1417, 1421 | 1001125089... 1402, 1409 | 1001143692 147 |
| 1001102502 .. 1315, 1317 | 1001116812.. 1379, 1384, 1390, 1394, 1397, 1435, 1457, 1475, 1485, 1495 | 1001125117....85, 87, 89, 91, 93, 95, 143, 145, 1089, 1091 | 1001143852 .. 1518, 1522 |
| 1001102509 429 | | 1001125137..1127, 1131, 1133, 1141, 1143, 1145, 1167, 1169 | 1001143857 905, 907, 999, 1005 |
| 1001102813 253, 257 | | 1001125410.....677 | 1001144147 . 1402, 1408, 1413, 1417, 1421, 1475, 1485, 1495 |
| 1001103012 1434 | | 1001125677 1413 | 1001144629J 253 |
| 1001103156 1107 | | 1001126008...1475, 1495 | 1001145539 814 |
| 1001103182 175, 1229 | | 1001126349... 1418, 1422 | 1001145707 . 1413, 1417, 1421 |
| 1001103564 1445 | | 1001126353... 1418, 1422 | 1001146021 .. 1390, 1394 |
| 1001103637 247 | | | 1001146084 151 |
| 1001103730 249 | | | 1001146086 155 |
| 1001103736 251 | | | |
| 1001104477 . 1097, 1099, 1221 | | | |
| 1001104498 .. 1390, 1394 | | | |
| 1001104519 1451 | | | |

PART NUMBER INDEX

| | | | |
|---|--|--|---|
| 1001146159.....151, 155, 159 | 1001158146..... 1315 | 1001161055 89 | 1001161963.. 1379, 1384, 1390, 1394 |
| 1001146160.....151, 155, 159, 265 | 1001158527 905, 1211 | 1001161069 839 | 1001161972.....978, 982, 986 |
| 1001146588.....308, 312, 879, 1255, 1259, 1261, 1263, 1265, 1267, 1283, 1285, 1313, 1327, 1333, 1341, 1343, 1345, 1347 | 1001158620.. 1175, 1177 | 1001161095 1434 | 1001161976.....978, 982, 986 |
| 1001147060.....1307 | 1001158909J 33 | 1001161097 . 1379, 1384, 1390, 1394 | 1001161978.....974, 978, 982, 986 |
| 1001147072.....603 | 1001159028 897, 899 | 1001161098 . 1379, 1384, 1434 | 1001162043...1123, 1131 |
| 1001147340.....997, 999, 1001, 1003, 1005, 1007 | 1001159347 315, 317, 319 | 1001161099 . 1379, 1384, 1390, 1394, 1434 | 1001162069.....989, 993 |
| 1001147449.....850, 854 | 1001159728 .. 1579, 1581 | 1001161100 . 1379, 1384, 1390, 1394, 1434, 1435 | 1001162076.. 1119, 1121, 1123, 1125, 1155 |
| 1001148557.....842, 850 | 1001159734 . 1341, 1343, 1345, 1347 | 1001161101 . 1379, 1384, 1390, 1394, 1434, 1435 | 1001162212.....305 |
| 1001149160....45, 47, 49, 51 | 1001159735 835 | 1001161197 171 | 1001162239.....37, 39 |
| 1001149278.....850, 854 | 1001159736 837 | 1001161251 842, 846, 850, 854 | 1001162240J.....39 |
| 1001150610.. 1402, 1408, 1413, 1417, 1421 | 1001159738 .. 1367, 1369 | 1001161304 .. 1051, 1053 | 1001162249.....1249 |
| 1001150611.. 1379, 1381, 1384, 1385 | 1001159739.. 1357, 1359 | 1001161308 . 1013, 1015, 1109 | 1001162256.....1249 |
| 1001151032.....1339 | 1001159745 . 1065, 1067, 1071, 1073, 1075 | 1001161310 .. 1013, 1019 | 1001162281.....337, 339, 341 |
| 1001151097.....695 | 1001159746 1287 | 1001161321 .. 1019, 1025 | 1001162339... 1081, 1083 |
| 1001151098.....695 | 1001159753.. 1315, 1317 | 1001161340 982, 986 | 1001162343.....1081 |
| 1001151101.....697 | 1001159760 959, 965, 967, 1043 | 1001161343 982, 986 | 1001162346...1081, 1083 |
| 1001151102.....697 | 1001159845 . 1349, 1351, 1353, 1355 | 1001161344 999, 1003 | 1001162365.....1083 |
| 1001151106.....695 | 1001159846 . 1349, 1351, 1353, 1355 | 1001161346 ... 999, 1003, 1005, 1007 | 1001162366.....1083 |
| 1001151108.....697 | 1001159847 .. 1043, 1045 | 1001161421 391, 393, 417 | 1001162469 . 87, 91, 1592 |
| 1001151561151, 155, 159 | 1001159849.. 1315, 1317 | 1001161424 399, 401, 429 | 1001162547.....1073 |
| 1001152729.....817 | 1001159881 337 | 1001161499 741, 743, 897 | 1001162548... 1111, 1225 |
| 1001152742.....1397 | 1001159882 337 | 1001161527 ... 999, 1003, 1005, 1007 | 1001162597.....337 |
| 1001152908.....805, 807, 809 | 1001159925 803, 814 | 1001161528 997, 999, 1001, 1003, 1005, 1007 | 1001162600.. 1123, 1125, 1153 |
| 1001152915755 | 1001159982J 21 | 1001161535 978, 982, 986 | 1001162628.....351 |
| 1001152934755 | 1001160042 814 | 1001161538 749 | 1001162653J.....25 |
| 1001152947749, 755 | 1001160043 803 | 1001161564 67 | 1001162654J.....29 |
| 1001153748... 1053, 1213 | 1001160072 1571 | 1001161664 269, 273, 603 | 1001162660... 1223, 1593 |
| 10011537491473 | 1001160116 275 | 1001161672 901, 903, 905, 907 | 1001162662... 1223, 1592 |
| 1001154227367 | 1001160122 923 | 1001161733 901, 905 | 1001162663..... 1592 |
| 1001154365.....747, 755 | 1001160253 37 | 1001161769 .. 1313, 1465 | 1001162670..... 933, 935, 937, 939, 941, 943, 945, 951, 953, 955, 971 |
| 1001154419755 | 1001160255 71 | 1001161770 .. 1327, 1467 | 1001162674..... 971, 1037 |
| 1001154511269, 277 | 1001160326 814 | 1001161771 .. 1323, 1459 | 1001162685.. 1163, 1165, 1173 |
| 1001154721745, 749 | 1001160396 273 | 1001161773 1191 | 1001162686.. 1159, 1161, 1167, 1171 |
| 1001154790.....273, 281 | 1001160397 315 | 1001161854 842, 846, 850, 854 | 1001162707..... 901 |
| 1001154984741 | 1001160402 317 | 1001161855 842, 846, 850, 854 | 1001162765..... 1223 |
| 1001155020.....850, 854 | 1001160420 335 | 1001161858 803, 805, 807 | 1001162789..... 743, 869 |
| 1001155261337 | 1001160426 347 | 1001161865 817 | 1001162886..... 1433 |
| 1001155307905 | 1001160496 873 | 1001161896 901, 903, 905, 907 | 1001162887..... 1433 |
| 1001155446731, 733 | 1001160498 1434 | 1001161897 901, 903, 905, 907 | 1001162920..... 887, 889 |
| 1001155447743, 833 | 1001160500 . 1379, 1384, 1390, 1394 | 1001161898 901, 903, 905, 907 | 1001162922..... 887, 889 |
| 1001155486837 | 1001160502 1434 | 1001161957 . 1379, 1384, 1390, 1394 | 1001162953..... 814, 827 |
| 1001155540.....315, 317 | 1001160503 871, 873 | 1001161959 1434 | 1001162959... 1047, 1217 |
| 1001155796857 | 1001160506 875 | | 1001162979..... 901, 905 |
| 1001155800857 | 1001160508 741, 743, 785 | | 1001163029.... 89, 91, 93, 95, 1592 |
| 10011558061431 | 1001160509 . 1380, 1384, 1390, 1394 | | 1001163034.... 85, 87, 89, 91, 93, 95, 1592 |
| 1001156265901, 903, 905, 907 | 1001160510 . 1380, 1384, 1390, 1394 | | 1001163035..... 91 |
| 1001157481765 | 1001160599 901, 1209 | | 1001163038..... 85, 1592 |
| 1001157487765 | 1001160711 1293 | | 1001163040..... 69, 1179 |
| 1001157663347, 349 | 1001160735 59 | | 1001163066..... 61, 351 |
| 1001157890... 1451, 1495 | 1001160775 . 1501, 1503, 1505, 1507 | | 1001163067..... 63, 1223 |
| 10011578911429 | 1001160888 275 | | 1001163072... 1081, 1083 |
| 1001157919921 | 1001160916 1573 | | |
| 1001157972... 1045, 1219 | 1001160927 . 1291, 1293, 1303 | | |
| | 1001160928 1303 | | |
| | 1001160945 1575 | | |

PART NUMBER INDEX

| | | | |
|---|--|--|---|
| 1001163073 .. 1081, 1083 | 1001164019..... 77 | 1001165832..... 425, 579 | 1001167641 . 1402, 1408, 1413 |
| 1001163082 315, 317, 321 | 1001164036.. 1119, 1121, 1123, 1125, 1175 | 1001165833..... 407, 437 | 1001167643 .. 1402, 1408 |
| 1001163108 89, 1592 | 1001164039..... 99 | 1001165834..... 419, 519 | 1001167644 1402 |
| 1001163112 87, 91, 1592 | 1001164183..... 77 | 1001166091..... 809, 811, 821, 823 | 1001167646 .. 1275, 1277 |
| 1001163127 1271 | 1001164402... 1249, 1251 | 1001166092..... 809, 811, 821, 823 | 1001167647 .. 1402, 1408 |
| 1001163133 343 | 1001164404..... 337 | 1001166163..... 97, 101 | 1001167648 . 1402, 1408, 1413 |
| 1001163134 345 | 1001164436..... 67 | 1001166223... 1109, 1111 | 1001167649 . 1402, 1408, 1413 |
| 1001163136 ... 85, 87, 89, 91 | 1001164498..... 795 | 1001166235..... 97, 101 | 1001167650 . 1402, 1408, 1413 |
| 1001163151 881 | 1001164567..... 147 | 1001166385..... 881 | 1001167656 .. 1403, 1408 |
| 1001163170 881 | 1001164615..... 795 | 1001166397 1249 | 1001167657 .. 1403, 1408 |
| 1001163174 .. 1526, 1530 | 1001164652... 1033, 1215 | 1001166416..... 327, 329 | 1001167695 .. 1289, 1431 |
| 1001163210 .. 1526, 1530 | 1001164655..... 785 | 1001166430..... 323, 325 | 1001167697 .. 1041, 1057 |
| 1001163212 .. 1526, 1530 | 1001164726..... 767 | 1001166449..... 291, 293 | 1001167727 1141 |
| 1001163222 .. 1526, 1530 | 1001164837..... 337 | 1001166450..... 291 | 1001167761 133, 135, 137 |
| 1001163223 .. 1526, 1530 | 1001164838..... 337 | 1001166451..... 293 | 1001167762 133, 135, 139 |
| 1001163227 269, 271, 273, 275 | 1001164860..... 1101 | 1001166565..... 297, 301 | 1001167785 .. 1131, 1133 |
| 1001163230 269, 273, 283 | 1001164870... 1089, 1091 | 1001166566..... 295, 299 | 1001167788 .. 1131, 1133 |
| 1001163231 269, 271, 308 | 1001164871..... 137 | 1001166634..... 769, 771, 777 | 1001167799 1289 |
| 1001163232 269, 305 | 1001164881..... 139 | 1001166698..... 41 | 1001167806 141 |
| 1001163233 269, 1275 | 1001164884..... 133, 135 | 1001166703..... 1397 | 1001167822 1349 |
| 1001163235 269, 271, 285 | 1001164885..... 133, 135 | 1001166704.. 1397, 1402, 1408 | 1001167823 1353 |
| 1001163238 273, 293 | 1001164948.. 1085, 1087, 1089, 1091 | 1001166716..... 297 | 1001167929 1145 |
| 1001163239 273, 297 | 1001164964..... 357 | 1001166727 1377 | 1001167931 1145 |
| 1001163241 273, 312 | 1001164966..... 355, 357 | 1001166754..... 733 | 1001167937 775 |
| 1001163242 273, 1281 | 1001164967..... 357 | 1001166755..... 733 | 1001167958 767, 775 |
| 1001163245 315, 323 | 1001164971... 1039, 1041 | 1001166763..... 1327 | 1001167971 361 |
| 1001163246 315, 327 | 1001164972.. 1039, 1041, 1055, 1057 | 1001166764..... 1323 | 1001168030 315, 317 |
| 1001163247 315, 317, 331 | 1001165022..... 779 | 1001166765... 1023, 1189 | 1001168031 1329 |
| 1001163248 317, 325 | 1001165022J..... 777 | 1001166925..... 327 | 1001168054 .. 1003, 1007 |
| 1001163249 317, 329 | 1001165066..... 842, 850 | 1001166975..... 131 | 1001168142 901, 903, 905, 907 |
| 1001163253 337, 361 | 1001165067..... 842, 850 | 1001166993..... 327 | 1001168151 901, 903, 905, 907 |
| 1001163254 347, 349, 365 | 1001165080..... 747, 767 | 1001167001..... 915 | 1001168178 721 |
| 1001163273 .. 1526, 1530 | 1001165171... 85, 87, 89, 91, 93, 95, 1592 | 1001167015..... 839 | 1001168182 723 |
| 1001163276 .. 1526, 1530 | 1001165172.... 85, 87, 89, 91, 93, 95, 1592 | 1001167017..... 1329 | 1001168261 719, 721 |
| 1001163285 .. 1526, 1530 | 1001165173..... 89, 1592 | 1001167050..... 1241 | 1001168262 719, 723 |
| 1001163291 .. 1526, 1530 | 1001165186..... 769 | 1001167051.. 1239, 1241, 1243, 1245, 1247, 1249 | 1001168264 719, 721, 723, 739 |
| 1001163300 .. 1526, 1530 | 1001165187..... 769 | 1001167078..... 315, 317, 333 | 1001168272 355 |
| 1001163304 .. 1526, 1530 | 1001165194..... 1397 | 1001167167 337 | 1001168281 67 |
| 1001163321 .. 1526, 1530 | 1001165269..... 869 | 1001167168..... 337 | 1001168327 814 |
| 1001163323 .. 1526, 1530 | 1001165270..... 869 | 1001167186..... 335 | 1001168330 814 |
| 1001163340 1433 | 1001165275..... 769, 771 | 1001167266..... 827, 831 | 1001168331 814 |
| 1001163355 .. 1526, 1530 | 1001165276..... 777 | 1001167281 1223 | 1001168341 83, 87 |
| 1001163371 .. 1327, 1451 | 1001165309... 1381, 1385 | 1001167313..... 935 | 1001168342J 87 |
| 1001163372 .. 1323, 1457 | 1001165310... 1380, 1385 | 1001167314..... 943 | 1001168368 87 |
| 1001163414 163, 165, 167, 169, 171, 173, 1183 | 1001165311... 1390, 1394 | 1001167357 347, 349 | 1001168430 927 |
| 1001163546 337 | 1001165351..... 869 | 1001167437 1049 | 1001168454 931 |
| 1001163577 67, 69 | 1001165360.. 1341, 1343, 1345, 1347, 1437 | 1001167493..... 91 | 1001168456 814 |
| 1001163637 333 | 1001165367.... 85, 87, 89, 91, 93, 95, 1592 | 1001167528..... 1397 | 1001168460 935, 939, 961 |
| 1001163639 .. 1319, 1357 | 1001165407..... 869 | 1001167549..... 1167 | 1001168462 943, 951, 965 |
| 1001163695 919 | 1001165416..... 869 | 1001167552..... 1167 | 1001168463 961, 965, 1013 |
| 1001163698 . 1315, 1317, 1592 | 1001165455..... 869 | 1001167555..... 1167 | 1001168464 959, 965, 967, 1029, 1049 |
| 1001163704 93, 95 | 1001165458..... 869 | 1001167557 1167 | 1001168465 957, 961, 963, 1029 |
| 1001163712 93, 95 | 1001165459..... 769 | 1001167576... 1167, 1169 | |
| 1001163723 321 | 1001165590..... 99 | 1001167608.. 1361, 1363, 1445 | |
| 1001163746 .. 1035, 1205 | 1001165637..... 833 | 1001167610... 1131, 1133 | |
| 1001163841 99 | 1001165699..... 1313 | 1001167613..... 1131 | |
| | 1001165739..... 99 | 1001167616..... 1403 | |
| | 1001165827..... 1311 | 1001167620..... 1397 | |
| | 1001165831..... 413, 495 | 1001167624..... 1397 | |

PART NUMBER INDEX

| | | | |
|---|---|--|---|
| 1001168467.....935, 939, 943, 951, 982 | 1001168964J 85 | 1001169881 767, 777 | 1001171162.....1367 |
| 1001168468.....933, 935, 937, 939, 941, 955, 993 | 1001168987 85 | 1001169883 779 | 1001171179.....63 |
| 1001168469.....943, 945, 951, 953, 995 | 1001169009 269 | 1001169885 779 | 1001171182.....765 |
| 1001168482.....1107 | 1001169011 269, 271, 291 | 1001169910 927, 929, 947, 957 | 1001171183.....765 |
| 1001168486.....119 | 1001169012 269, 271, 295 | 1001169912 931, 949, 959 | 1001171208.....927, 929, 931, 947, 949, 974 |
| 1001168529.....387, 407 | 1001169050. 1141, 1143, 1145 | 1001169915 927, 929, 931, 947, 949, 969 | 1001171209.....927, 929, 947, 989 |
| 1001168530.....379, 387 | 1001169071 1145 | 1001169965 315, 317 | 1001171211.....931, 949, 991 |
| 1001168536.....395, 419 | 1001169072 1145 | 1001170071 61 | 1001171242.....719 |
| 1001168537.....379, 395 | 1001169087.. 1029, 1047 | 1001170072 61 | 1001171277.. 1510, 1514, 1518, 1522, 1526, 1530, 1534, 1586, 1590 |
| 1001168538.....379 | 1001169146 1249 | 1001170100 933, 935, 937, 939, 941, 943, 945, 951, 953, 955, 1011 | 1001171318.....47 |
| 1001168546.....83, 91 | 1001169151 814, 1365 | 1001170105 351 | 1001171363.....337 |
| 1001168547.....91 | 1001169155 291, 293 | 1001170138 1129 | 1001171450.....83 |
| 1001168560.....337 | 1001169173 315, 317 | 1001170171 603, 605, 607 | 1001171451.....81 |
| 1001168561.....89, 91 | 1001169174 315, 317 | 1001170215 1253 | 1001171634.....779 |
| 1001168567.....91, 111 | 1001169207 331 | 1001170231 887, 889 | 1001171701.....337 |
| 1001168574.....81, 89 | 1001169209 113, 115 | 1001170232 . 1253, 1255, 1257 | 1001171756.....869 |
| 1001168575.....89 | 1001169214 113, 115 | 1001170320 . 45, 47, 49, 51 | 1001171764.....133, 147 |
| 1001168587 89, 91 | 1001169265 39 | 1001170323 ... 45, 47, 49, 51 | 1001171767.....789 |
| 1001168589 93, 95 | 1001169268 913 | 1001170326 791 | 1001171772....45, 47, 49, 51 |
| 1001168597 1059 | 1001169278 81, 83, 97 | 1001170366 741, 743, 787 | 1001171808.....141 |
| 1001168598...1159, 1163 | 1001169279 97, 101 | 1001170374 751 | 1001171860.....387, 389, 415 |
| 1001168599 1155 | 1001169281 83, 101 | 1001170495 745, 751 | 1001171863.....395, 397, 427 |
| 1001168602 83, 95 | 1001169326 81, 99 | 1001170500 747, 757 | 1001171874.....887, 889 |
| 1001168603.....95 | 1001169327 99 | 1001170502 757, 765 | 1001171885.....37 |
| 1001168629...1041, 1057 | 1001169346 957, 959, 1017 | 1001170504 846, 854 | 1001171889.....731 |
| 1001168630.....95, 115 | 1001169348 379, 381, 403 | 1001170506 842, 846, 850, 854 | 1001171890.....731, 735 |
| 1001168632 115 | 1001169349.. 1017, 1023 | 1001170515 795 | 1001171898.....735 |
| 1001168634 117 | 1001169350 383, 385, 405 | 1001170518 842, 846, 850, 854 | 1001171903.....735 |
| 1001168638 337, 355 | 1001169351 403, 405, 435 | 1001170549 .. 1081, 1083 | 1001171962.....1329 |
| 1001168640 1071 | 1001169354 909, 911 | 1001170561 .. 1031, 1033 | 1001172035.. 1510, 1514, 1518, 1522, 1526, 1530, 1534, 1586, 1590 |
| 1001168641 1073 | 1001169355 911 | 1001170566 . 1259, 1261, 1263, 1265, 1267 | 1001172075.....1101 |
| 1001168644 67 | 1001169365 . 1261, 1263, 1267 | 1001170601J.....767 | 1001172077 1101 |
| 1001168656 81 | 1001169367 911 | 1001170603 747, 783 | 1001172078.....1101 |
| 1001168658 83 | 1001169373 101 | 1001170616 435 | 1001172088.....887, 889 |
| 1001168661.. 1131, 1133, 1135, 1593 | 1001169375.. 1009, 1011 | 1001170624 . 1261, 1263, 1267 | 1001172094.....887, 889 |
| 1001168666...1145, 1593 | 1001169376.. 1009, 1011 | 1001170628 133 | 1001172109.....135, 1101 |
| 1001168668.. 1167, 1169, 1593 | 1001169378.. 1009, 1011 | 1001170631 135 | 1001172146.....63 |
| 1001168671...1167, 1169 | 1001169379 101 | 1001170645 ... 45, 47, 49, 51 | 1001172147.....63 |
| 1001168735 93 | 1001169393 331 | 1001170665 47, 51 | 1001172160.....45 |
| 1001168736 93 | 1001169409 305 | 1001170711 143 | 1001172178.....351, 353 |
| 1001168755.....93, 113 | 1001169410 305 | 1001170712 145 | 1001172193.....749, 755, 777 |
| 1001168757 113 | 1001169454 61 | 1001170717 839 | 1001172344.....119, 131 |
| 1001168760....45, 47, 49, 51 | 1001169461 63 | 1001170740 1253 | 1001172345.....119, 127 |
| 100116876145, 47, 49, 51 | 1001169602 61 | 1001170741 1253 | 1001172346.....119, 123 |
| 1001168763.....1039 | 1001169603 842, 846, 850, 854 | 1001170749 1253 | 1001172350.....123 |
| 1001168764 1041 | 1001169604 850, 854 | 1001170816 . 1253, 1255, 1257 | 1001172352.....127 |
| 1001168771 291 | 1001169605 842, 846, 850, 854 | 1001170944 769, 771 | 1001172353.....127 |
| 1001168782 401, 425 | 1001169674 . 1501, 1503, 1505, 1507 | 1001170993 789 | 1001172370.....957, 959, 1031 |
| 1001168783.....385, 401 | 1001169751 909 | 1001171037 779 | 1001172401.....741, 743, 793 |
| 1001168784.....393, 413 | 1001169763 913 | 1001171097 ... 969, 1035 | 1001172484.....1379 |
| 1001168785.....385, 393 | 1001169825 1271 | 1001171153 59, 61 | 1001172495.....1303 |
| 1001168786 385 | 1001169830 974, 978, 982, 986, 997, 999, 1001, 1003, 1005, 1007 | 1001171154 59, 63 | 1001172496.....1303 |
| 1001168795 275 | 1001169850 341 | | 1001172536.....1331 |
| 1001168797 275 | 1001169867 351, 353 | | 1001172546.....1592 |
| 1001168822 305 | | | |
| 1001168831 111 | | | |
| 1001168834 37, 41 | | | |
| 1001168840 1123 | | | |
| 1001168861 1119 | | | |
| 1001168963 81, 85 | | | |

PART NUMBER INDEX

| | | | |
|--|--|--|--|
| 1001172547 803, 805, 814, 817 | 1001173523... 1361, 1443 | 1001175471.....787, 789 | 1001176935 . 1397, 1402, 1408 |
| 1001172550 803, 805, 814, 817 | 1001173527.. 1373, 1375, 1377 | 1001175477.....767 | 1001176945 337 |
| 1001172551 805, 807, 817, 819, 825 | 1001173530... 1241, 1263 | 1001175485.....143 | 1001177248 974, 978 |
| 1001172552 805, 817 | 1001173531.. 1239, 1241, 1253 | 1001175486.....143 | 1001177256 997, 999, 1001, 1005 |
| 1001172553 803, 814, 1593 | 1001173538..... 105 | 1001175570.....991, 995 | 1001177273 974, 978 |
| 1001172587 351 | 1001173539..... 105 | 1001175676..1065, 1067, 1071, 1373 | 1001177597 .. 1404, 1409 |
| 1001172591 327, 329 | 1001173540..... 105 | 1001175677 ..1073, 1075, 1375 | 1001177653J 53, 55 |
| 1001172606 842, 846 | 1001173541..... 83, 105 | 1001175683.....145 | 1001177654J 57 |
| 1001172608 842, 846 | 1001173542..... 81, 103 | 1001175694.....978, 982, 986 | 1001177702 1045 |
| 1001172643 49 | 1001173543..... 103 | 1001175696.....978, 982, 986 | 1001177704 974, 978, 982, 986 |
| 1001172644 51 | 1001173544..... 103 | 1001175697.....978, 982, 986 | 1001178123 869 |
| 1001172728 .. 1427, 1429 | 1001173546..... 315, 317 | 1001175698.....982 | 1001178170 814 |
| 1001172755 308, 312 | 1001173571..... 805, 807, 817, 819 | 1001175699.....974, 978, 982, 986 | 1001178213 777 |
| 1001172774 871 | 1001173618... 1239, 1259 | 1001175703.....993 | 1001178670 907 |
| 1001172822 67, 1371 | 1001173622..... 1239 | 1001175704..... 989, 993 | 1001178706 1499 |
| 1001172836 403, 431 | 1001173626..... 337, 341 | 1001175705.....995 | 1001178729 727 |
| 1001172953 323 | 1001173702... 1049, 1051 | 1001175706.....995 | 1001178783 1325 |
| 1001172954 405, 433 | 1001173739..... 145 | 1001175707.....995 | 1001178791 355 |
| 1001172955 1501 | 1001173765.. 1243, 1245, 1247, 1269 | 1001175713... 1003, 1007 | 1001178826 867 |
| 1001172956 1501 | 1001173849..... 1315 | 1001175718..... 1011 | 1001178933 1313 |
| 1001172957 1505 | 1001173956... 1081, 1083 | 1001175733..... 1447 | 1001179008 759, 761, 763, 867 |
| 1001172958 1505 | 1001173957... 1081, 1083 | 1001175740..1065, 1067, 1071 | 1001179009 759, 761, 763, 867 |
| 1001172960 1507 | 1001173965..... 842, 846, 850, 854 | 1001175741... 1073, 1075 | 1001179080 827 |
| 1001172961 1507 | 1001174116..... 1341 | 1001175744... 1073, 1077 | 1001179081 827 |
| 1001172977 1501 | 1001174120..... 1341 | 1001175745... 1077, 1079 | 1001179130 827, 829 |
| 1001172978 1505 | 1001174122..... 1341 | 1001175776... 1331, 1447 | 1001179206 337, 341 |
| 1001172979 1507 | 1001174271..... 337, 359 | 1001175789.....935, 937, 943, 945, 1003 | 1001179297 1499 |
| 1001172994 145 | 1001174295..... 767, 781 | 1001175814..... 991, 995 | 1001179369 .. 1155, 1157 |
| 1001172995 143, 145 | 1001174320..... 755 | 1001175843..... 1059 | 1001179376 329 |
| 1001172996 145 | 1001174321..... 769, 771 | 1001175903..... 850, 854 | 1001179601 1185 |
| 1001172997 143, 145 | 1001174338..... 974, 978, 982, 986 | 1001175904..... 842, 846 | 1001179853 861 |
| 1001172999 143 | 1001174356..... 315, 317 | 1001175933.....927, 929, 931, 1001 | 1001179968 341, 363 |
| 1001173091 . 1259, 1263, 1397 | 1001174359..... 1333 | 1001175997.....974 | 1001179972 341 |
| 1001173092 . 1341, 1343, 1345, 1347, 1439 | 1001174368..... 1333 | 1001176004..... 1397 | 1001179973 363 |
| 1001173111 117, 121 | 1001174372... 1333, 1335 | 1001176043..... 974 | 1001180076 273, 287 |
| 1001173113 121 | 1001174426.. 1287, 1427 | 1001176050..... 974 | 1001180078 287 |
| 1001173114 117, 125 | 1001174478..... 67, 921 | 1001176121 787, 791 | 1001180226 363 |
| 1001173115 125 | 1001174712..... 1321 | 1001176124 974 | 1001180227 363 |
| 1001173116 125 | 1001174726..... 103 | 1001176139..... 974 | 1001180242 273, 1285 |
| 1001173117 117, 129 | 1001174741..... 857 | 1001176145..... 989 | 1001180263 871, 875 |
| 1001173118 129 | 1001174795..... 357 | 1001176150..... 989 | 1001180306 974, 978, 982, 986 |
| 1001173257 875 | 1001174796... 1367, 1369 | 1001176164..... 835 | 1001180542 323, 325 |
| 1001173298 767 | 1001174800..... 857 | 1001176165..... 991 | 1001180553 323, 325 |
| 1001173411 1451 | 1001174801..... 857 | 1001176167 991 | 1001180682 1325 |
| 1001173419 743 | 1001174832..... 329 | 1001176169 991 | 1001180683 1325 |
| 1001173422 . 1510, 1518, 1526 | 1001174932... 1357, 1361 | 1001176183..... 53 | 1001181128 .. 1269, 1271 |
| 1001173429 1510 | 1001175057..... 974 | 1001176228..... 273 | 1001181411 765 |
| 1001173431 1518 | 1001175201..... 355 | 1001176272..... 751, 783 | 1001181531 .. 1315, 1317 |
| 1001173433 1526 | 1001175226..... 755 | 1001176273..... 751, 783 | 1001181537 67, 1534 |
| 1001173446 974, 978, 982, 986 | 1001175227..... 777 | 1001176317 857 | 1001181543 915 |
| 1001173450 978, 982, 986 | 1001175262... 1123, 1163 | 1001176333..... 1457 | 1001181573 .. 1323, 1461 |
| 1001173451 974, 978, 982, 986 | 1001175263..... 1159 | 1001176338..... 1325 | 1001181625 323, 325 |
| 1001173452 315, 317 | 1001175265.. 1389, 1393, 1413, 1417, 1421 | 1001176515..... 223 | 1001181815 341 |
| 1001173457 315, 317 | 1001175267.. 1380, 1384, 1390, 1394 | 1001176529..... 1035 | 1001181920 751, 783 |
| 1001173470 81, 1081 | 1001175269..... 283 | 1001176548..... 974 | 1001181921 751, 783 |
| 1001173471 83, 1083 | 1001175347..... 974, 978, 982, 986 | 1001176626..... 751, 783 | 1001181961 .. 1291, 1293 |
| 1001173495 1345 | 1001175368..... 57 | | 1001182011 323, 325 |
| | 1001175470..... 791 | | 1001182012 323, 325 |

PART NUMBER INDEX

| | | | |
|---|--|---|---|
| 1001182139.....751, 783 | 1001184714 . 1119, 1121, 1137 | 1001188372 . 1510, 1514, 1518, 1522, 1526, 1530, 1534, 1586, 1590 | 1001189793....89, 91, 93, 95, 1592 |
| 1001182279...1037, 1207 | 1001184801 781 | 1001188438 1001 | 1001189876... 1315, 1317 |
| 1001182328.....859 | 1001184835 . 1275, 1277, 1425 | 1001188439 1001 | 1001189888.. 1141, 1143, 1145 |
| 1001182506.....978, 982, 986 | 1001184841 1434 | 1001188555 1345 | 1001189980..... 825 |
| 1001182545.....1039 | 1001184975 850, 854 | 1001188556 1345 | 1001189995..... 927, 929, 931, 947, 949, 1009 |
| 1001182671917 | 1001185179 842, 846, 850, 854 | 1001188577 809, 811, 821, 823 | 1001189997.....1331 |
| 1001182903.....1055 | 1001185278 295 | 1001188578 809, 811, 821, 823 | 1001190179..... 1295 |
| 1001182908...1039, 1055 | 1001185357 989 | 1001188590 803, 814 | 1001190187..... 89 |
| 1001182910.....1055 | 1001185470 991 | 1001188592 821, 823 | 1001190322.. 1403, 1409, 1414, 1417, 1421 |
| 10011829111057 | 1001185497 291 | 1001188594 809, 811, 821, 823 | 1001190347..... 842, 846 |
| 1001183112...1341, 1345 | 1001185498 293 | 1001188602 809, 811, 821, 823 | 1001190413..... 842, 850 |
| 1001183177295 | 1001185505 291 | 1001188603 809, 811, 821, 823 | 1001190582..... 1402 |
| 10011832211429 | 1001185633 859 | 1001188604 809, 811, 821, 823 | 1001190585..... 1253 |
| 10011832431109 | 1001185722 1335 | 1001188610 809, 811, 821, 823 | 1001190589..... 842, 846, 850, 854 |
| 1001183759337 | 1001185823.. 1418, 1422 | 1001188612 809, 811, 821, 823 | 1001190670.. 1295, 1297, 1299, 1303 |
| 1001183827303 | 1001185824.. 1418, 1422 | 1001188618 809, 811, 821, 823 | 1001190671.. 1295, 1297, 1299, 1305 |
| 1001183829.....303 | 1001185844 859 | 1001188619 821, 823 | 1001190881.. 1065, 1067, 1071, 1073, 1075 |
| 1001183830.....295 | 1001185846 859 | 1001188619 821, 823 | 1001190921... 1403, 1408 |
| 1001183831297 | 1001186225 603, 605 | 1001188619 821, 823 | 1001190980..... 312 |
| 1001183835295, 297, 303 | 1001186342 308, 312 | 1001188619 821, 823 | 1001191091..... 781 |
| 1001183836.....337 | 1001186418 978, 982, 986 | 1001188619 821, 823 | 1001191168..... 359 |
| 1001183888.....1349 | 1001186565.. 1349, 1353 | 1001188619 821, 823 | 1001191229.. 1510, 1514, 1518, 1522, 1526, 1530, 1534, 1586, 1590 |
| 1001183890.....1349 | 1001186567.. 1349, 1353 | 1001188619 821, 823 | 1001191348..... 341 |
| 1001184017365 | 1001186603 1335 | 1001188619 821, 823 | 1001191486..... 1275 |
| 1001184056.. 1055, 1057, 1107 | 1001186705 365 | 1001188619 821, 823 | 1001191487... 1526, 1530 |
| 1001184076.....39 | 1001186843 974, 979, 982, 987 | 1001188637 1011 | 1001191503..... 1101 |
| 1001184205.....69 | 1001186859 81, 83 | 1001188720 809, 811, 821, 823 | 1001191505..... 1101 |
| 1001184275809, 811, 821, 823 | 1001186898 295, 297 | 1001188725 809, 811, 821, 823 | 1001191603..... 71 |
| 1001184278.....809, 811, 821, 823 | 1001186912 997, 1001 | 1001188728 821, 823 | 1001191617..... 842, 846, 850, 854 |
| 1001184280.....821, 823 | 1001187070 . 1402, 1403, 1408, 1409, 1413, 1417, 1418, 1421, 1422 | 1001188729 809, 811, 821, 823 | 1001191635..... 71 |
| 1001184294.....809, 811, 821, 823 | 1001187075 .. 1379, 1384 | 1001188733 809, 811, 821, 823 | 1001192042..... 989, 991, 993, 995 |
| 1001184295809, 811, 821, 823 | 1001187076 . 1381, 1385, 1390, 1394 | 1001188778 1107 | 1001192098..... 979, 982, 987 |
| 1001184296.....809, 811, 821, 823 | 1001187077 1397 | 1001188817 821, 823 | 1001192142... 1269, 1271 |
| 1001184297809, 811, 821, 823 | 1001187078 . 1417, 1421, 1475, 1485, 1495 | 1001188818 821, 823 | 1001192302..... 1245 |
| 1001184306..... 825 | 1001187079 . 1379, 1380, 1384, 1385, 1403, 1409, 1414, 1417, 1421, 1495 | 1001188871 974, 979, 982, 987 | 1001192303..... 1247 |
| 1001184307..... 825 | 1001187080 . 1379, 1380, 1384, 1403, 1409, 1414 | 1001189023 821, 823 | 1001192304... 1245, 1265 |
| 1001184309..... 825 | 1001187081 .. 1475, 1485 | 1001189024 821, 823 | 1001192305... 1247, 1267 |
| 1001184310..... 825 | 1001187335 737 | 1001189025 809, 811, 821, 823 | 1001192309..... 767 |
| 1001184403829 | 1001187532 1287 | 1001189046 1275 | 1001192341... 1055, 1057 |
| 1001184404829 | 1001187623 1257 | 1001189048 821, 823 | 1001192393..... 1309 |
| 1001184405829 | 1001187624 1257 | 1001189054 821, 823 | 1001192394..... 1311 |
| 1001184406829 | 1001187785 97, 101 | 1001189217 .. 1085, 1089 | 1001192435.. 1065, 1067, 1071, 1073, 1075 |
| 10011844141417 | 1001187850 1001 | 1001189224 .. 1087, 1091 | 1001192463..... 863 |
| 1001184418997, 1001 | 1001187872 974 | 1001189299 .. 1089, 1091 | 1001192464..... 863 |
| 1001184427821, 823 | 1001188048 737 | 1001189308 .. 1089, 1091 | 1001192468... 1283, 1285 |
| 1001184439767 | 1001188244 87 | 1001189310 1093 | 1001192471... 1283, 1285 |
| 10011844841107 | 1001188246 85 | 1001189311 1095 | 1001192643..... 773 |
| 10011844911425 | 1001188275 817, 819, 821 | 1001189492 89, 91 | 1001192644..... 775 |
| 10011844931425 | 1001188281 989, 991 | 1001189603 1085 | 1001192646..... 767 |
| 10011844941425 | 1001188303 814, 817, 819 | 1001189604 1089 | 1001192711..... 257 |
| 10011844961425 | | 1001189605 1087 | 1001192720..... 257 |
| 1001184551 ... 1417, 1421 | | 1001189606 1091 | 1001192755..... 773 |
| 1001184632.. 1510, 1514, 1518, 1522, 1526, 1530, 1534, 1586, 1590 | | 1001189607 1093 | 1001192766..... 767, 773 |
| 1001184640.. 1123, 1125, 1139 | | 1001189609 1095 | |
| | | 1001189658 861 | |
| | | 1001189663 .. 1091, 1099 | |
| | | 1001189714 87 | |

PART NUMBER INDEX

| | | | | | | | |
|-------------------|---------------------------------|-----------------|--|------------------|--|-------------------|-------------------------------------|
| 1001192836 | 727 | 1001196806.. | 1510, 1526, 1534, 1586, 1590 | 1001200722..... | 1579 | 1001204066 | 771 |
| 1001192875 | 257 | 1001196929..... | 143 | 1001200989..... | 93, 95 | 1001204086 | 39 |
| 1001192876 | 257 | 1001196931..... | 143 | 1001201080..... | 1455 | 1001204090 | 993 |
| 1001192877 | 257 | 1001197027..... | 795, 797 | 1001201081..... | 1433 | 1001204095 . | 1295, 1297, 1301 |
| 1001193026 | 347, 349 | 1001197137..... | 887, 891 | 1001201162..... | 1337 | 1001204115 | 771 |
| 1001193171 . | 1245, 1247, 1257 | 1001197138..... | 889, 893 | 1001201331..... | 869 | 1001204120 | 771 |
| 1001193210 | 777 | 1001197139..... | 887, 889, 895 | 1001201646.... | 45, 47, 49, 51 | 1001204144 | 337, 339 |
| 1001193525 | 257 | 1001197151... | 1101, 1103 | 1001201755..... | 1111 | 1001204152 | 997, 999, 1001, 1003, 1005, 1007 |
| 1001193540 | 257 | 1001197182... | 1089, 1097 | 1001201904..... | 721, 723 | 1001204154 ... | 999, 1003 |
| 1001193577 | 143, 145 | 1001197209..... | 1141 | 1001201905..... | 721, 723 | 1001204225 | 889 |
| 1001193578 | 145 | 1001197210..... | 1141 | 1001202132.... | 879, 1455 | 1001204351 . | 1259, 1265, 1389 |
| 1001193579 | 145 | 1001197217..... | 865 | 1001202133..... | 879 | 1001204352 . | 1261, 1263, 1267, 1393 |
| 1001193729 | 257 | 1001197218..... | 865 | 1001202134..... | 877 | 1001204378 | 1133 |
| 1001193771 .. | 1009, 1011 | 1001197219..... | 865 | 1001202138..... | 877 | 1001204379 | 1127 |
| 1001193794 | 159 | 1001197259..... | 865 | 1001202247..... | 375 | 1001204380 . | 1123, 1125, 1133 |
| 1001193993 .. | 1269, 1271 | 1001197282..... | 1319 | 1001202454..... | 1317 | 1001204381 . | 1119, 1121, 1127 |
| 1001194282 | 903, 907 | 1001197299..... | 308, 312 | 1001202487..... | 375 | 1001204444 .. | 1351, 1355 |
| 1001194286 | 269, 271, 1283 | 1001197339..... | 37 | 1001202491..... | 375 | 1001204445 .. | 1351, 1355 |
| 1001194534 | 297 | 1001197407.. | 1402, 1408, 1413, 1418, 1422 | 1001202498..... | 1301 | 1001204486 | 39 |
| 1001194785 | 145 | 1001197471... | 1119, 1149 | 1001202512..... | 719, 739 | 1001204488 ... | 45, 47, 49, 51 |
| 1001194787 | 145 | 1001197574... | 1137, 1141 | 1001202513..... | 719 | 1001204528 | 1351 |
| 1001194789 | 145 | 1001197576..... | 1141 | 1001202519..... | 1337 | 1001204530 | 1351 |
| 1001194978 | 65, 1592 | 1001197600..... | 1187 | 1001202526..... | 305 | 1001204598 | 743 |
| 1001194981 .. | 1223, 1593 | 1001197695..... | 1127 | 1001202617..... | 1337 | 1001204709 | 867 |
| 1001195082 | 257 | 1001197699..... | 1127 | 1001202620..... | 1329 | 1001205172 .. | 1404, 1409 |
| 1001195089 .. | 1283, 1285 | 1001197700..... | 1127 | 1001202621..... | 1329 | 1001205254 .. | 1255, 1257 |
| 1001195217 | 1011 | 1001197709..... | 687, 689 | 1001202622..... | 1329 | 1001205255 | 1257 |
| 1001195342 | 831 | 1001197715..... | 685, 687 | 1001202626... | 1514, 1530 | 1001205335 | 123 |
| 1001195343 | 831 | 1001197716..... | 685, 689 | 1001202786..... | 719, 739 | 1001205336 | 121 |
| 1001195345 | 831 | 1001197801.. | 1141, 1143, 1593 | 1001202847 | 974, 979, 982, 987 | 1001205402 | 753 |
| 1001195346 | 831 | 1001197918.. | 1127, 1129, 1593 | 1001202904..... | 255 | 1001205532 | 771 |
| 1001195385 | 831 | 1001198291..... | 685 | 1001202959..... | 1001 | 1001205756 | 997, 999, 1001, 1003, 1005, 1007 |
| 1001195386 | 831 | 1001198321... | 1269, 1271 | 1001202962..... | 997, 999, 1001, 1005 | 1001205786 | 887 |
| 1001195423 | 1477 | 1001198355..... | 257 | 1001202986 67, | 308, 312, 1259, 1261, 1263, 1265, 1267, 1281 | 1001206019 | 285 |
| 1001195424 | 1449 | 1001198893..... | 1369 | 1001203052... | 1259, 1265 | 1001206332 | 349 |
| 1001195437 | 831 | 1001199099... | 1269, 1271 | 1001203053... | 1259, 1265 | 1001206368 | 1543 |
| 1001195438 | 831 | 1001199183..... | 1307 | 1001203054..... | 1551 | 1001206369 | 1545 |
| 1001195518 | 275 | 1001199640..... | 917 | 1001203055..... | 1561 | 1001206370 .. | 1557, 1559 |
| 1001195610 | 1477 | 1001199670..... | 359 | 1001203056..... | 1537 | 1001206371 .. | 1567, 1569 |
| 1001195781 .. | 1402, 1409 | 1001199750..... | 974, 979, 982, 987 | 1001203057..... | 1541 | 1001206448 | 349 |
| 1001195782 .. | 1402, 1409 | 1001199807..... | 681, 683 | 1001203067... | 1003, 1007 | 1001206588 | 308, 312 |
| 1001195849 .. | 1510, 1514 | 1001199808..... | 679, 681 | 1001203181.... | 375, 1491 | 1001206746 | 49, 51 |
| 1001195851 .. | 1526, 1530 | 1001199810..... | 679, 683 | 1001203225..... | 1317 | 1001206980 | 375 |
| 1001195855 . | 1510, 1526, 1534, 1586, 1590 | 1001199915..... | 769 | 1001203502..... | 974, 979, 982, 987 | 1001207171 .. | 1403, 1409 |
| 1001195878 | 749, 755 | 1001200080..... | 991, 995 | 1001203503..... | 257 | 1001207217 .. | 1510, 1514 |
| 1001195883 | 1369 | 1001200082.. | 1259, 1261, 1263, 1265, 1267 | 1001203557..... | 1291 | 1001207218 .. | 1518, 1522 |
| 1001195970 | 209 | 1001200101.. | 1510, 1514, 1518, 1522, 1526, 1530, 1534, 1586, 1590 | 1001203558..... | 1291 | 1001207282 | 351, 353 |
| 1001195972 | 737 | 1001200102.. | 1253, 1255, 1257 | 1001203640.. | 1351, 1355, 1363 | 1001207283 .. | 1067, 1071 |
| 1001196076 | 795 | 1001200151..... | 679 | 1001203769..... | 1291 | 1001207286 | 1071 |
| 1001196100 .. | 1343, 1347 | 1001200152..... | 1321 | 1001203932..... | 37 | 1001207287 | 1361 |
| 1001196289 .. | 1337, 1463 | 1001200206... | 1475, 1485 | 1001203933..... | 37 | 1001207291J | 67 |
| 1001196354 | 361 | 1001200239..... | 287 | 1001203944..... | 1009 | 1001207292 | 67 |
| 1001196404 | 39 | 1001200538..... | 1351 | 1001203954..... | 1009 | 1001207295 | 1067 |
| 1001196421 | 361 | 1001200539..... | 1355 | 1001203963..... | 1009 | 1001207296 | 993 |
| 1001196422 | 39 | 1001200555..... | 345 | 1001203967..... | 1009 | 1001207343 ... | 45, 47, 49, 51 |
| 1001196426J | 39 | 1001200713..... | 769 | 1001204032.... | 375, 1235 | 1001207557 | 351, 353 |
| 1001196440 | 312, 361 | 1001200721..... | 1581 | 1001204045..... | 93, 95 | 1001207606 | 231 |
| 1001196451 .. | 1313, 1433 | | | 1001204047..... | 93, 95 | 1001207688 .. | 1071, 1079 |
| 1001196452 . | 1333, 1335, 1441 | | | 1001204060..... | 1355 | | |
| 1001196491 | 365 | | | | | | |
| 1001196608 | 1111 | | | | | | |
| 1001196665 | 271, 279 | | | | | | |

PART NUMBER INDEX

| | | | |
|---------------------------------------|---|---|--|
| 1001207758.....1033 | 1001214468..... 991, 995 | 1001221729..... 1408 | 1001226013..... 1549 |
| 1001208106.....735 | 1001214480..... 901, 903, 905, 907 | 1001221741 .. 1005, 1007 | 1001226035...1061, 1063 |
| 1001208186.....341 | 1001214481..... 901, 903, 905, 907 | 1001221742 .. 1005, 1007 | 1001226271.....947, 949, 997 |
| 1001208192.....883 | 1001214535..... 859 | 1001221744 .. 1005, 1007 | 1001226272..... 947 |
| 1001208308.....842, 846, 850, 854 | 1001214653..... 1181 | 1001221749..... 907 | 1001226273..... 949 |
| 1001208338..... 719 | 1001214654..... 1181 | 1001221941..... 1481 | 1001226328..... 1487 |
| 1001208643.....1592 | 1001215476..... 375 | 1001221994..... 903 | 1001226400..... 1471 |
| 1001208644.....1592 | 1001215531..... 771 | 1001222088..... 997, 999, 1001, 1005 | 1001226575.....939, 941, 951, 953, 1007 |
| 1001208881.....974, 979, 983, 987 | 1001215630..... 1491 | 1001222090..... 997 | 1001226576..... 939 |
| 1001209387.....41, 43 | 1001215631..... 1491 | 1001222132..... 997 | 1001226577..... 951 |
| 1001209388.....39 | 1001215632..... 1491 | 1001222158..... 997 | 1001226636..... 1485 |
| 1001209463..... 881 | 1001215632..... 1491 | 1001222388..... 1473 | 1001226637..... 1485 |
| 1001209625...1526, 1530 | 1001215778..... 801 | 1001222609..... 923 | 1001226670...1121, 1151 |
| 1001209710.....997, 1001 | 1001215941..... 375 | 1001222650 . 1510, 1514, 1518, 1522, 1534, 1586, 1590 | 1001226709..... 1503 |
| 1001209899..... 751, 783 | 1001216522..... 1161 | 1001222715..... 1421 | 1001226710..... 1503 |
| 1001210340.....1091 | 1001217467..... 285 | 1001222741..... 771 | 1001226711..... 1503 |
| 1001210348.....1089 | 1001217623..... 1367 | 1001223265..... 846, 854 | 1001226793..... 1121 |
| 1001210390...1101, 1105 | 1001218255..... 244 | 1001223453 . 1510, 1514, 1526, 1530 | 1001226799...1481, 1483 |
| 1001210450.....1249 | 1001218341..... 55 | 1001224030..... 339 | 1001226812..... 1203 |
| 1001210450.....1249 | 1001218358..... 1495 | 1001224031..... 339 | 1001226849...1121, 1171 |
| 1001210707.....63 | 1001218487..... 55 | 1001225067 .. 1277, 1413 | 1001226876...1165, 1171 |
| 1001210775..1085, 1087, 1089, 1091 | 1001218524..... 1113 | 1001225126..... 339 | 1001226919..... 955 |
| 1001210782..... 735 | 1001218529..... 803, 814 | 1001225198..... 933 | 1001226920..... 955, 1005 |
| 1001210971.....1561 | 1001218542..... 803, 814 | 1001225200..... 933, 955, 978 | 1001227056.. 1065, 1069, 1075 |
| 1001211041.....883 | 1001218577..... 1161 | 1001225202..... 933, 999 | 1001227066.. 1471, 1487, 1489 |
| 1001211059.....1107 | 1001218659.. 1510, 1514 | 1001225230..... 271 | 1001227068..... 1471 |
| 1001211357.....1325 | 1001218704.. 1510, 1514 | 1001225231..... 271, 289 | 1001227077..... 375 |
| 1001211357.....1325 | 1001218781..... 1033 | 1001225232 ... 271, 1277 | 1001227137.. 1065, 1067, 1075 |
| 1001211428.....353 | 1001218996..... 803, 814, 1592 | 1001225259 .. 1473, 1475 | 1001227186..... 755 |
| 1001211429.....353 | 1001219076..... 846, 854 | 1001225271..... 399, 423 | 1001227187..... 777 |
| 1001211432.....61, 353 | 1001219082.... 375, 1473 | 1001225272..... 383, 399 | 1001227188..... 777 |
| 1001211435.....1551 | 1001219191... 997, 1005, 1007, 1113 | 1001225273..... 391, 411 | 1001227234..... 339 |
| 1001211516..... 161 | 1001219211 . 1518, 1522, 1526, 1530, 1534, 1586, 1590 | 1001225274..... 383, 391 | 1001227266..... 1471 |
| 1001211624.....1537 | 1001219212..... 1510 | 1001225275..... 383 | 1001227286..... 605 |
| 1001211693.....1313 | 1001219220..... 751, 783 | 1001225281..... 397, 421 | 1001227297.. 1481, 1483, 1485 |
| 1001211747.....353 | 1001219396..... 903 | 1001225282..... 381, 397 | 1001227339..... 1514 |
| 1001211775...1380, 1385 | 1001219864..... 846, 854 | 1001225283..... 389, 409 | 1001227340..... 1522 |
| 1001211907.....842, 846, 850, 854 | 1001219865..... 846, 854 | 1001225284..... 381, 389 | 1001227379..... 193 |
| 1001211913.....53, 55, 57 | 1001220540..... 733 | 1001225285..... 381 | 1001227385..... 937 |
| 1001211944.....1299 | 1001220553J..... 23 | 1001225313..... 339 | 1001227386..... 945 |
| 1001212011..... 781 | 1001220554J..... 27 | 1001225402..... 339 | 1001227387..... 941 |
| 1001212047.....759 | 1001220556J..... 31 | 1001225462 . 1061, 1065, 1075 | 1001227388..... 953 |
| 1001212048.....761 | 1001220557J..... 35 | 1001225464 . 1061, 1065, 1075 | 1001227497.....937, 941, 945, 953, 986 |
| 1001212049.....759 | 1001220760..... 603, 605 | 1001225467..... 979, 987 | 1001227528..... 1530 |
| 1001212050.....761 | 1001220817 .. 1343, 1347 | 1001225681..... 1061 | 1001227676..... 1125 |
| 1001212369.....833 | 1001220829..... 1347 | 1001225682..... 1075 | 1001227677...1125, 1165 |
| 1001212419...1563, 1565 | 1001220830..... 1343 | 1001225683..... 1065 | 1001227802..... 767 |
| 1001212420...1553, 1555 | 1001220947..... 1333 | 1001225748..... 933, 937, 941, 955, 963 | 1001227962..... 271, 605 |
| 1001212421.....1539 | 1001221052..... 807, 811 | 1001225749..... 945, 953, 967 | 1001227963..... 1255 |
| 1001212470...1315, 1317 | 1001221054..... 819, 823 | 1001225750..... 963, 967, 1015 | 1001227964..... 375 |
| 1001213065.....67, 1181 | 1001221056..... 807, 819 | 1001225751 .. 1015, 1021 | 1001228073...1139, 1147 |
| 1001213126J.....39 | 1001221057..... 811, 823 | 1001225752 .. 1021, 1027 | 1001228074.. 1161, 1169, 1171 |
| 1001213199J.....699 | 1001221058..... 811, 823 | 1001225982..... 289 | 1001228089...1137, 1143 |
| 1001213200J.....701 | 1001221059..... 803, 814 | 1001225986..... 1243 | 1001228095.. 1123, 1125, 1135 |
| 1001213210.....369 | 1001221295..... 803, 814 | 1001225987 .. 1243, 1261 | 1001228096.. 1119, 1121, 1129 |
| 1001213331.....771 | 1001221503..... 699 | 1001225995..... 1031 | 1001228118..... 1255 |
| 1001213791.....767 | 1001221504..... 701 | 1001226012..... 1547 | 1001228119..... 1255 |
| 1001213988...1313, 1469 | 1001221520... 997, 1005, 1007 | | |
| 1001214092.....833 | 1001221527... 997, 1005, 1007 | | |
| 1001214156.....857 | 1001221728.. 1261, 1384 | | |
| 1001214220.....887, 889 | | | |
| 1001214326.....741, 743, 753 | | | |
| 1001214331.....741, 745 | | | |
| 1001214332.....743, 747 | | | |

PART NUMBER INDEX

| | | | |
|----------------------------|--------------------------|----------------------------|----------------------------|
| 1001228132 811, 823 | 1001233237..... 1489 | 1060626..... 1303, 1305 | 1319628 621, 623 |
| 1001228140 811, 823 | 1001233383..... 165 | 1062255.... 269, 271, 349, | 1319629 621, 623 |
| 1001228141 811, 823 | 1001233384..... 169 | 1275, 1277, 1281, | 1319630 621, 623 |
| 1001228147 811, 823 | 1001233385..... 173 | 1473, 1481, 1483 | 1319631 621, 623 |
| 1001228273 375 | 1001233978..... 1534 | 10700681..... 205 | 1319632 621, 623 |
| 1001228490 1255 | 1001233979..... 1590 | 10705034..... 181, 183 | 1319635 631 |
| 1001228516 339 | 1001234139..... 75 | 10713707..... 1249 | 1319636 621, 623, 631 |
| 1001228643 375 | 1001234253..... 75 | 10719267..... 293 | 1319638 621, 623 |
| 1001228872 305 | 1001234455..... 43 | 10725554.. 483, 501, 567, | 1319647 665 |
| 1001228989 .. 1351, 1355 | 1001235100..... 353 | 585 | 1319648 665 |
| 1001229107 1487 | 1001235794.. 1534, 1586, | 10731709... 617, 639, 643 | 1319683 639 |
| 1001229235 725 | 1590 | 10731744..... 619 | 1319684 639 |
| 1001229457 1479 | 1001235796.. 1534, 1586, | 10731845... 625, 627, 631 | 1319685 639 |
| 1001229458 .. 1473, 1479 | 1590 | 10731959..... 665 | 1319686 639 |
| 1001229540 861 | 1001235797.. 1534, 1586, | 10732071..... 639 | 1319687 639 |
| 1001229541 863 | 1590 | 10732072..... 639 | 1319688 639 |
| 1001229550 861 | 1001235798.. 1534, 1586, | 10732095..... 637 | 1319689 639 |
| 1001229551 863 | 1590 | 10837923..... 1189 | 1319694 639 |
| 1001229575 .. 1510, 1514, | 1001235799.. 1534, 1586, | 10837928..... 1193, 1203 | 1319719 643 |
| 1518, 1522, 1526, | 1590 | 10837929..... 1189, 1195, | 1319726 647, 1592 |
| 1534, 1586, 1590 | 1001235800.. 1534, 1586, | 1197, 1199, 1201, 1203 | 1320748 661, 663 |
| 1001229685 .. 1067, 1115 | 1590 | 10837937..... 1189, 1195, | 1320754 661, 663 |
| 1001229707 1583 | 1001235801.. 1534, 1586, | 1197, 1199, 1201, 1203 | 1321094 277, 279, 281 |
| 1001229955 1481 | 1590 | 1170021..... 153 | 1321329 1081, 1083 |
| 1001230163 781 | 1001235802.. 1534, 1586, | 1170024..... 157 | 1321752 ... 989, 991, 993, |
| 1001230239 265 | 1590 | 1170051..... 171 | 995 |
| 1001230241 265 | 1001235803.. 1534, 1586, | 1170054..... 163 | 1322039 277, 279, 281 |
| 1001230310 1510 | 1590 | 1170057..... 171 | 1322040 277, 279, 281 |
| 1001230311 1526 | 1001235804.. 1534, 1586, | 120034. 1313, 1323, 1327 | 1670836 989, 993 |
| 1001230402 1495 | 1590 | 1250808..... 427 | 1701509 253 |
| 1001230403 .. 1495, 1496 | 1001235805.. 1534, 1586, | 1319229..... 611 | 1702631 1510, 1514, |
| 1001230404 1496 | 1590 | 1319436..... 659 | 1518, 1522, 1526, |
| 1001230599 1359 | 1001235806..... 1534 | 1319558..... 615 | 1530, 1534, 1586, 1590 |
| 1001230623 .. 1359, 1363 | 1001235807.. 1534, 1586, | 1319563..... 615 | 1702773 247, 249, 251 |
| 1001230713J 725, 727 | 1590 | 1319571.... 617, 619, 635, | 1704277 253 |
| 1001231065 1161 | 1001235808.. 1534, 1586, | 649, 659 | 1704885 247, 249, 251 |
| 1001231244 727 | 1590 | 1319576..... 635 | 1706098 1518, 1522 |
| 1001231397 .. 1495, 1496 | 1001235809.. 1534, 1586, | 1319590..... 617 | 1706281 1518, 1522 |
| 1001231398 .. 1495, 1496 | 1590 | 1319593.... 621, 623, 625, | 1706282 1518, 1522 |
| 1001231400 .. 1495, 1496 | 1001235963..... 37, 43 | 627, 629, 631 | 1706284 1518, 1522 |
| 1001231401 .. 1495, 1496 | 1001236308..... 1586 | 1319594.... 621, 623, 625, | 1706285 1518, 1522 |
| 1001231402 1496 | 1001236313.. 1586, 1590 | 627, 629, 631 | 1706288 1518, 1522 |
| 1001231404 1496 | 1001236542..... 739 | 1319595.... 621, 623, 625, | 1706292 1518, 1522 |
| 1001231406 1496 | 1001237171..... 373 | 627, 631 | 1706296 1510, 1514 |
| 1001231407 375, 1493 | 1001237208.... 373, 1297 | 1319596.... 625, 627, 631 | 1706299 1510, 1514 |
| 1001231483 375, 1495 | 1001237209..... 1297 | 1319600.... 621, 623, 625, | 1706300 1510, 1514 |
| 1001231692 265 | 1001237845..... 763 | 627, 629, 631 | 1706301 1510, 1514 |
| 1001231801 .. 1510, 1514 | 1001237846..... 1577 | 1319601.... 621, 623, 625, | 1706302.257, 1510, 1514 |
| 1001231874 974 | 1001237852..... 763 | 627, 629, 631 | 1706306 1510, 1514 |
| 1001232147 73 | 1001239194..... 1483 | 1319602.... 621, 623, 625, | 1706768 1510, 1514 |
| 1001232290 929 | 1001239249..... 1483 | 627, 629, 631 | 1706850 1510, 1514 |
| 1001232294 .. 1063, 1067 | 1001239539..... 375 | 1319605.... 625, 627, 631 | 1706892 247 |
| 1001232295 .. 1063, 1067 | 1001241837..... 715, 717 | 1319607..... 625 | 1707078 1510, 1514 |
| 1001232296 1063 | 1001241838..... 707, 709 | 1319608..... 625, 635 | 2080040 253 |
| 1001232297 1067 | 1001241839..... 703, 707 | 1319614..... 627 | 2080057 1526, 1530 |
| 1001232299 73, 75 | 1001241840..... 705, 709 | 1319615.... 621, 623, 627, | 2080078 765 |
| 1001232336 73, 75, 77 | 1001241841..... 711, 715 | 631 | 2080086 749, 755 |
| 1001232338 73 | 1001241842..... 713, 717 | 1319617 621, 623 | 2080087 749, 755 |
| 1001232355 201 | 1001241846..... 703 | 1319618 621, 623 | 2080092 787 |
| 1001232439 371, 373 | 1001241847..... 705 | 1319620 621, 623 | 2110404 1047, 1061 |
| 1001232440 371, 373 | 1001241848..... 711 | 1319621 621, 623 | 2110406 1025, 1027, |
| 1001232500 265 | 1001241849..... 713 | 1319622 621, 623 | 1111 |
| 1001232556 371 | 1005182600..... 409, 463 | 1319623 621, 623 | 2110408 1023, 1045, |
| 1001232588 77 | 1005183200..... 421, 547 | 1319624 621, 623 | 1047 |
| 1001232624 371, 373 | 1005198900..... 411, 479 | 1319625 621, 623 | 2110604 1063 |
| 1001232751 371, 1295 | 1005207700..... 423, 563 | 1319626 621, 623 | |
| 1001233236 1489 | 1060379 253 | 1319627 621, 623 | |

PART NUMBER INDEX

| | | | |
|--|--|--|---|
| 2110606.....163, 165, 167, 169, 171, 173, 185, 1027, 1033, 1045, 1111 | 2170306..... 1027, 1033, 1055, 1057 | 2940074 253 | 3423275.... 151, 153, 163, 165 |
| 2110610..... 1097, 1099 | 2170308..... 1009, 1011, 1113 | 3020043 1127, 1131, 1133, 1141, 1145, 1167 | 3423276.... 159, 161, 171, 173, 175 |
| 2110806..... 1025 | 2170316 321 | 31200160 247 | 3423307.... 163, 165, 167, 169, 171, 173 |
| 2110808.....67, 163, 165, 167, 169, 171, 173, 415, 417, 1035, 1045, 1053, 1113 | 2170706 991 | 31200386 251 | 3440620..... 265 |
| 2110810..... 1067, 1071, 1097, 1099, 1111, 1139 | 2170708 1023, 1035 | 31200387 249 | 3520072..... 253 |
| 2111008..... 1047, 1065, 1067, 1075, 1077, 1079 | 2170710 989, 991 | 31200388 249 | 3520186..... 71 |
| 2111010..... 1023, 1025, 1027, 1045, 1065, 1067, 1075, 1077, 1079, 1111 | 2170712 1035 | 3251813 1510, 1514, 1518, 1522, 1526, 1530, 1534, 1586, 1590 | 3575947..... 283 |
| 2111210..... 1023 | 2170806... 415, 417, 427, 429 | 3290401 . 803, 814, 1277, 1281, 1329 | 3740080..... 375 |
| 2111212..... 1159, 1161, 1163, 1165, 1171 | 2170906 961, 963 | 3290405 773, 1107 | 3760170..... 253 |
| 2111612..... 1023 | 2171210 1093, 1095 | 3290501 . 371, 373, 1313, 1323, 1327, 1331 | 3760348..... 887, 889 |
| 2111616..... 1025, 1027, 1223 | 2171308 1085, 1087, 1089, 1091, 1093, 1095 | 3290505 ... 143, 145, 375, 1473 | 3760463..... 105 |
| 2130404.... 901, 903, 905, 907, 1023, 1035, 1065, 1075 | 2172104 ... 974, 989, 997, 1001, 1023 | 3290601 ... 143, 145, 257, 308, 312, 345, 371, 373, 814, 857, 887, 889, 1043, 1107, 1259, 1261, 1263, 1265, 1267, 1269, 1271, 1277, 1281, 1313, 1333, 1335, 1349, 1351, 1353, 1361, 1363 | 3760491..... 103 |
| 2130406..... 1039, 1041, 1045 | 2172106 ... 163, 165, 167, 169, 171, 173, 1027 | 3290605 41, 43, 113, 115, 842, 846, 850, 854, 1253, 1255, 1257 | 3760493... 103, 105, 1055, 1057 |
| 2130604..... 1061, 1063, 1065, 1067, 1075 | 2172108 1023, 1085, 1087, 1093, 1095, 1097, 1099 | 3290607 1341, 1343, 1345, 1347 | 3790151..... 375 |
| 2130606.... 181, 183, 185, 1025, 1027, 1055, 1057 | 2172110 989, 991 | 3290801 ... 291, 293, 337, 349, 359, 767, 897, 997, 1005, 1007, 1249 | 3790152..... 375 |
| 2130608..... 181, 183 | 2172310 1093, 1095 | 3290805 895, 1017, 1051 | 3790228.... 978, 982, 986 |
| 2130806..... 1055, 1057, 1067 | 2180467 333 | 3290806 765 | 3820020..... 253 |
| 2130808.... 901, 903, 905, 907, 1111 | 2200223 317, 343 | 3291001 ... 295, 297, 315, 317, 337, 339, 341, 1253, 1269 | 3841203.... 163, 165, 167, 169, 171, 173 |
| 2130810. 321, 1097, 1099 | 2200224 323, 325 | 3291005 141, 1039, 1041, 1055, 1057, 1085, 1087, 1089, 1091, 1253, 1257, 1259, 1261, 1263, 1265, 1267 | 3900379.... 45, 47, 49, 51, 861, 863 |
| 2131010..... 321 | 2220218 287 | 3291605 ... 121, 123, 125, 127, 129, 131, 137 | 3968141.... 441, 467, 523, 551 |
| 2131210.. 603, 605, 1025, 1027 | 2220237 315, 317 | 3292001 735 | 3984312..... 525 |
| 2131212..... 331, 1035 | 2220239 1223 | 3300240 ... 151, 153, 155, 157, 159, 161, 163, 165, 167, 169, 171, 173 | 4000015..... 1107 |
| 2131616..... 321, 1111 | 2220240 1223 | 3311405 77, 253 | 4000015..... 1107 |
| 2144605.... 415, 417, 427, 429 | 2220242 321 | 3311502 257 | 4010508002..... 846, 854 |
| 2150404..... 1037, 1097, 1099, 1103, 1105 | 2220415 175 | 3311505 795 | 4010510..... 915 |
| 2150808 429, 1053, 1079, 1113 | 2220473 175 | 3311508 1303 | 4010510002..... 842, 850 |
| 2150810..... 1137 | 2220478 ... 978, 982, 986 | 3331615 275 | 4010608002..... 767, 795, 842, 846, 850, 854, 857, 881 |
| 2151210..... 1059, 1061, 1063, 1065, 1067, 1075 | 2220609 175 | 3332011 81, 83, 733 | 4010610002..... 839, 842, 846, 850, 854, 857, 1107 |
| 2151212..... 1059, 1061, 1063, 1065, 1067, 1075, 1077, 1079 | 2220628 175 | 3332411 81 | 4010612002..... 777 |
| 2160016.... 67, 85, 87, 89, 91, 121, 123, 125, 127, 137, 1039, 1041, 1055, 1057, 1141, 1143, 1145 | 2220810 287 | 3340829 77 | 4031205..... 1329 |
| 2170108..... 1045, 1047 | 2220883 1181, 1187 | 3391410 257 | 4031607..... 1223, 1315, 1317 |
| 2170110..... 1023, 1025, 1027 | 2220885 1055, 1057 | 3421453 253 | 4031608.... 371, 373, 842, 850, 1275 |
| 2170208.... 901, 903, 905, 907 | 2220886 1181, 1185 | 3423242 ... 155, 157, 167, 169 | 4031608001..... 846, 854 |
| 2170212..... 331 | 2220887 1141, 1143, 1145 | | 4031910..... 871, 875 |
| 2170216..... 321 | 2221225 974 | | 4031912..... 1051 |
| | 2221229 1023 | | 4031917..... 1159, 1161, 1163, 1165, 1171 |
| | 2221231 1009, 1097 | | 4031918..... 1089, 1091 |
| | 2221233 1023 | | 4031920..... 1071, 1073, 1175 |
| | 2340037 203 | | 4031921..... 1065, 1067, 1075 |
| | 2340038 189 | | 4060918..... 974 |
| | 2340039 197 | | 4060919.... 978, 982, 986, 997, 999, 1001, 1003, 1005, 1007 |
| | 2340045 187 | | 4105262..... 141 |
| | 2400060 1475, 1485 | | 4109801..... 1510, 1514, 1518, 1522, 1526, 1530, 1534, 1586, 1590 |
| | 24921332.. 337, 339, 341 | | 4110422.... 219, 221, 225, 227, 265 |
| | 2600281 253 | | 4110473..... 181, 183 |
| | 2716143 239, 244 | | 4240032..... 1481, 1483 |
| | 2717160 181, 183 | | 4240033..... 879 |
| | 2717161 181, 183 | | |
| | 2717162 181, 183 | | |
| | 2717283 181, 183 | | |
| | 2717287 175 | | |
| | 2915023 1229 | | |
| | 2920206 1349, 1353 | | |
| | 2920207 1341, 1343, 1345, 1347 | | |
| | 2920208 1341, 1343, 1345, 1347 | | |

PART NUMBER INDEX

| | | | |
|--|--|---|---|
| 4240099 . 997, 999, 1001, 1003, 1005, 1007, 1071, 1089, 1091, 1301, 1305 | 1390, 1394, 1397, 1435, 1457, 1475, 1495 | 4460950.....1371, 1380, 1402, 1408, 1413, 1417, 1421 | 1351, 1353, 1355, 1361, 1363 |
| 4460225 1434, 1451 | 4460608 1402, 1403, 1408, 1409, 1413, 1414, 1418, 1422 | 4460955.....1403, 1409, 1413, 1414, 1417, 1418, 1421 | 4811700001 846, 854 |
| 4460234 1481, 1483 | 4460670 1475, 1485 | 4460970.....1371, 1380, 1390, 1394, 1402, 1408, 1413, 1417, 1421, 1437, 1439 | 4811702... 303, 345, 737, 787, 842, 850, 857, 887, 889, 901, 903, 905, 907, 1307, 1309, 1311 |
| 4460265 1434 | 4460705 1451 | 4460982.....1397 | 4811702001 767, 777, 846, 854, 915 |
| 4460267 1434, 1451, 1452, 1457, 1469 | 4460742 1495 | 4460984.....1403, 1409 | 4811900... 61, 69, 89, 91, 93, 95, 333, 337, 339, 345, 347, 349, 355, 359, 363, 725, 767, 769, 771, 785, 795, 814, 833, 859, 871, 873, 875, 887, 889, 897, 901, 903, 905, 907, 974, 978, 982, 986, 997, 1005, 1007, 1009, 1011, 1017, 1049, 1051, 1059, 1061, 1063, 1155, 1223, 1249, 1269, 1271, 1275, 1277, 1281, 1283, 1329, 1333, 1335, 1349, 1367, 1369 |
| 4460268 1434, 1451, 1452, 1457, 1469 | 4460746 1413 | 4460994.....1452, 1455 | 4811902... 37, 39, 45, 47, 49, 51, 291, 293, 295, 335, 803, 814, 857, 859, 974, 978, 983, 986 |
| 4460321 1469, 1495 | 4460748 1404, 1409 | 4461005.....1403, 1409, 1414, 1417, 1421 | 4812000... 37, 41, 43, 45, 47, 49, 51, 63, 71, 141, 283, 295, 297, 315, 317, 323, 325, 337, 339, 341, 363, 365, 603, 605, 727, 901, 903, 905, 907, 974, 978, 983, 986, 1019, 1021, 1039, 1041, 1055, 1057, 1085, 1087, 1089, 1091, 1107, 1249, 1253, 1259, 1261, 1263, 1265, 1267, 1269, 1271, 1275, 1277, 1341, 1343, 1345, 1347 |
| 4460343 1434, 1451, 1452, 1457 | 4460761 1469, 1495 | 4461006.....1402, 1408 | 481200237, 39, 289, 295, 297, 315, 317 |
| 4460367 1452, 1457 | 4460789 1365, 1403, 1409 | 4461015.....1381, 1385, 1461 | 4812100... 61, 63, 67, 85, 87, 121, 123, 125, 127, 135, 275, 285, 287, 891, 893, 1031, 1109, 1253, 1255, 1257 |
| 4460434 1434, 1457 | 4460809 1495 | 4461017.....1429 | 4812102..... 61, 315, 317, 719, 739 |
| 4460458 1389, 1393, 1404, 1409, 1443, 1445, 1495 | 4460836 1379, 1380, 1384, 1385, 1451 | 4461018.....1389, 1393 | 4812300... 121, 123, 125, 127, 129, 131, 275 |
| 4460464 1365, 1371, 1390, 1394, 1397, 1402, 1408, 1413, 1417, 1421, 1429, 1433, 1434, 1443, 1445, 1447, 1449, 1471, 1475, 1485, 1493, 1495 | 4460871 1441 | 4461054.....1403, 1409, 1414, 1417, 1421, 1439 | 4812500.81, 83, 733, 735 |
| 4460465 1371, 1377, 1379, 1380, 1381, 1384, 1385, 1386, 1389, 1390, 1393, 1394, 1397, 1402, 1403, 1408, 1409, 1410, 1413, 1414, 1417, 1421, 1422, 1431, 1433, 1434, 1441, 1451, 1457, 1463, 1475, 1485, 1495 | 4460884 1389, 1393, 1397, 1433, 1452, 1455, 1463, 1495 | 4461070.....1413 | 4812700 81 |
| 4460466 1371, 1379, 1380, 1381, 1384, 1385, 1389, 1390, 1393, 1394, 1397, 1402, 1403, 1404, 1408, 1409, 1413, 1417, 1418, 1421, 1422, 1429, 1431, 1433, 1434, 1435, 1437, 1439, 1441, 1443, 1445, 1449, 1455, 1457, 1461, 1463, 1475, 1485, 1495 | 4460891 1371, 1377, 1380, 1381, 1385, 1386, 1389, 1390, 1393, 1394, 1397, 1403, 1408, 1409, 1413, 1414, 1417, 1421, 1431, 1495 | 4461095.....1403, 1408, 1413, 1418, 1422 | 4831400 803, 814 |
| 4460475 1495 | 4460894 1380, 1381, 1385, 1397, 1433, 1437 | 4461115.....1443, 1445, 1452 | 4831600 . 371, 373, 1223, 1275 |
| 4460496 1313, 1323, 1404, 1409, 1417, 1421, 1433 | 4460897 1381, 1413, 1434, 1461 | 4461118.....1365, 1389, 1393 | 4831700... 312, 361, 857, 1333, 1335 |
| 4460497 1313, 1323, 1404, 1409, 1417, 1421, 1433 | 4460899 1365, 1371, 1380, 1381 | 4461174.....1367, 1369 | |
| 4460508 1402, 1408, 1413, 1417, 1421, 1429 | 4460905 1441 | 4461262.....1390, 1394 | |
| 4460509 1379, 1381, 1384, 1385, 1389, 1393 | 4460906 1451 | 4469464.....1404, 1409 | |
| 4460518 1475, 1495 | 4460930 1389, 1393, 1397, 1403, 1409, 1434, 1457 | 4520370.....691 | |
| 4460536 1371 | 4460931 1429, 1449 | 4520482.....693 | |
| 4460539 1371, 1379, 1381, 1384, 1385, | 4460932 1433, 1443, 1445, 1447, 1449, 1452, 1493 | 4641501.....185 | |
| | 4460933 1371, 1379, 1380, 1384, 1385, 1389, 1393, 1402, 1408, 1413, 1418, 1422, 1433, 1475, 1485 | 4641502.....181, 183, 185 | |
| | 4460934 1402, 1408 | 4679000268.....77 | |
| | 4460935 1402, 1408 | 4711400.....253 | |
| | 4460941 1365, 1371, 1390, 1394, 1433, 1437, 1439, 1452, 1461 | 471678.....869 | |
| | 4460942 1371, 1379, 1380, 1381, 1384, 1385, 1386, 1389, 1393, 1437, 1451, 1452, 1455, 1461 | 4740003.....139 | |
| | 4460943 1418, 1422, 1429, 1433 | 4740274.....315, 317 | |
| | 4460944 1379, 1384, 1390, 1394, 1397, 1403, 1408, 1413, 1418, 1433, 1435, 1441, 1457 | 4740532.....969, 971 | |
| | 4460945 1475, 1495 | 4751400.....77 | |
| | | 4761800.....978, 982, 986 | |
| | | 4807718.....835, 1593 | |
| | | 4811400..803, 814, 1277, 1281, 1329 | |
| | | 4811600....143, 145, 371, 373, 375, 842, 846, 850, 854, 1275, 1331, 1473 | |
| | | 4811602001.....846, 854 | |
| | | 4811700....41, 43, 45, 47, 49, 51, 81, 83, 113, 115, 143, 145, 257, 308, 312, 345, 359, 371, 373, 737, 749, 755, 767, 795, 814, 839, 842, 850, 857, 869, 881, 887, 889, 1029, 1031, 1043, 1249, 1253, 1255, 1257, 1269, 1271, 1275, 1277, 1281, 1285, 1313, 1333, 1335, 1341, 1343, 1345, 1347, 1349, | |

PART NUMBER INDEX

| | | | |
|--|---|----------------------------------|--|
| 4831900.....335, 803, 814, 887, 889 | 70021399..... 217 | 70022932 . 234, 238, 244, 259 | 70023002.....239 |
| 4832000.....315, 317, 978, 983, 986 | 70021415..... 225, 227 | 70022933 238, 244 | 70023003... 234, 238, 245 |
| 4832100.....315, 317 | 70021440..... 223, 1231 | 70022934 .. 234, 239, 244 | 70023004... 234, 238, 261 |
| 4891800..... 163, 165, 167, 169, 171, 173 | 70021444..... 1231 | 70022935 .. 235, 239, 244 | 70023005... 235, 240, 261 |
| 4892600.....411, 413, 423, 425 | 70021446..... 1231 | 70022936 .. 234, 239, 244 | 70023006... 235, 240, 261 |
| 5220600..... 1353, 1355 | 70021447..... 1231 | 70022937 .. 235, 239, 244 | 70023007... 235, 240, 261 |
| 5220800..... 1291, 1293, 1303 | 70021448..... 1231 | 70022938 239, 244 | 70023008.. 234, 238, 245, 261 |
| 5241600.....1101 | 70021451..... 1231 | 70022939 .. 235, 239, 244 | 70023009... 234, 238, 245 |
| 5242400 257, 1039, 1041, 1055, 1057 | 70021452..... 1231 | 70022940 239, 244 | 70023010... 234, 238, 259 |
| 5250608.....831 | 70021464..... 1231 | 70022941 239, 244 | 70023011.....240 |
| 5250814.....47, 51 | 70021465..... 1231 | 70022942 .. 235, 239, 244 | 70023013.....240 |
| 5271609.....1331 | 70021466..... 1231 | 70022943 239, 244 | 70023014... 234, 238, 245 |
| 5272011..... 1131, 1133, 1135 | 70021526..... 635 | 70022944 239, 244 | 70023015.....235, 240 |
| 6604662..... 175 | 70021531..... 1221 | 70022945 239, 244 | 70023016.. 234, 238, 239, 244, 245 |
| 70000656.....639 | 70021606..... 573, 581 | 70022946 .. 235, 239, 244 | 70023086.....1173 |
| 70002219.....1183 | 70021607..... 581 | 70022947 239, 244 | 70023327.....1219 |
| 70002224.....1183 | 70021609..... 581 | 70022948 239, 244 | 70023369..... 1153, 1179, 1181 |
| 70002386..... 1185, 1215 | 70021610..... 581 | 70022949 .. 235, 239, 244 | 70023370.....1153 |
| 70002963.....1225 | 70021611..... 581 | 70022950 .. 235, 239, 244 | 70023372.....1153 |
| 70002975.....1225 | 70021612..... 581 | 70022951 239, 244 | 70023379..... 1153, 1179, 1181 |
| 70002976.....1225 | 70021613 . 527, 557, 573, 581 | 70022952 235 | 70023404..... 617, 659 |
| 70003788..... 1185, 1187 | 70021614 505, 589 | 70022957 .. 234, 238, 245 | 70023469.. 483, 501, 567, 585 |
| 70003849.....1183 | 70021867 1207 | 70022958 239 | 70023474.....657 |
| 70004654.....1219 | 70021920 619 | 70022959 240 | 70023475.....659 |
| 70005075.....1185 | 70021921 225, 227 | 70022960 .. 234, 238, 245 | 70023476.....659 |
| 70020428.....1229 | 70021935 225, 227 | 70022961 240 | 70023489.....567, 593 |
| 70020438..... 1149, 1151, 1157, 1177 | 70021977 225, 227 | 70022962 239 | 70023490.. 483, 509, 567, 593 |
| 70020476.....1177 | 70021978 225, 227 | 70022963 240 | 70023491.....509, 593 |
| 70020555.....229, 231 | 70021979 225, 227 | 70022964 240 | 70023493.....567, 593 |
| 70020562.....217 | 70021980 217 | 70022965 239 | 70023494..... 483, 567 |
| 70020764.....1221 | 70021981 217 | 70022966 239, 244 | 70023496.....509 |
| 70020796..... 1349, 1353 | 70021982 217 | 70022967 239 | 70023502.....655 |
| 70020867..... 1213, 1219 | 70022008..... 1203 | 70022968 240 | 70023736... 277, 279, 281 |
| 70020868.....1219 | 70022010 1197, 1199, 1203 | 70022969 .. 234, 238, 245 | 70023800.....659 |
| 70021140... 523, 533, 551 | 70022012 1193, 1195, 1197, 1199, 1201, 1203 | 70022970 .. 234, 238, 245 | 70023801.....659 |
| 70021177.. 499, 503, 583, 587 | 70022013 1195, 1197, 1199, 1201, 1203 | 70022971 239, 244 | 70023885..... 619, 651 |
| 70021208..... 1217, 1219 | 70022014 1189, 1195, 1197, 1199, 1201, 1203 | 70022972 239, 244 | 70023900.. 443, 459, 525, 537, 541 |
| 70021209..... 1217, 1219 | 70022028 225, 227 | 70022973 239, 244 | 70023925.. 235, 240, 245, 263 |
| 70021213.....1219 | 70022044 1229 | 70022974 239, 244 | 70023933..... 277, 279 |
| 70021227.....629 | 70022045 1229 | 70022975 239, 244 | 70024004..... 483, 509 |
| 70021228.....629 | 70022046..... 1229 | 70022976 239, 244 | 70024005..... 501, 509 |
| 70021268.....629 | 70022075 . 621, 623, 625, 627, 629, 631 | 70022977 239, 244 | 70024016... 277, 279, 281 |
| 70021269.....629 | 70022140 . 483, 501, 567, 585 | 70022978 239, 244 | 70024020..... 1183 |
| 70021342..... 217, 227 | 70022147 1219 | 70022979 239, 244 | 70024059..... 225, 227 |
| 70021349..... 225, 227 | 70022527 .. 217, 225, 227 | 70022980 .. 235, 239, 244 | 70024060..... 227 |
| 70021358.....217 | 70022528 225, 227 | 70022981 240 | 70024061..... 227 |
| 70021359.....217 | 70022529 225, 227 | 70022982 239, 244 | 70024062..... 223 |
| 70021360.....217 | 70022564 1153, 1179, 1181 | 70022983 240 | 70024123.....177 |
| 70021361.....217 | 70022634 .. 277, 279, 281 | 70022984 .. 234, 238, 245 | 70024146.. 486, 503, 513, 569, 587, 601 |
| 70021362.....217 | 70022741 1403 | 70022985 .. 234, 238, 245 | 70024147.. 485, 511, 513, 569, 595, 601 |
| 70021364.....217 | 70022765 1315, 1317, 1593 | 70022986 240 | 70024186..... 1207 |
| 70021365.....217 | 70022773 491, 575 | 70022987 .. 234, 238, 245 | 70024188..... 1207 |
| 70021366.....217 | 70022797 . 441, 467, 523, 551 | 70022988 239, 244 | 70024189..... 1207 |
| 70021367.....217 | 70022798 525, 553 | 70022989 240 | 70024202..... 1203 |
| 70021387..... 217, 225 | 70022799 525, 553 | 70022990 .. 235, 239, 244 | 70024210.. 445, 473, 489, 497, 527, 557, 573, 581 |
| 70021391.....217 | 70022814 569, 587 | 70022991 239 | |
| 70021392.....217 | 70022931 .. 234, 238, 259 | 70022992 .. 234, 238, 245 | |
| 70021393..... 217, 1231 | | 70022993 .. 234, 238, 245 | |
| | | 70022994 .. 234, 238, 245 | |
| | | 70022995 .. 234, 238, 245 | |
| | | 70022996 240 | |
| | | 70022997 177, 239 | |
| | | 70022998 .. 235, 239, 244 | |
| | | 70022999 239, 244 | |
| | | 70023000 .. 239, 240, 244 | |
| | | 70023001 239, 244 | |

PART NUMBER INDEX

| | | | |
|--|--|--|---|
| 70024213 . 445, 473, 489, 497 | 70025821 543, 557 | 70026239..485, 503, 569, 587 | 70026372..... 1193 |
| 70024215 489, 497 | 70025822 543, 557 | 70026240..486, 503, 569, 587 | 70026373..... 1193, 1195, 1197, 1199, 1201, 1203 |
| 70024216 573, 581 | 70025823 .. 445, 473, 557 | 70026241...277, 279, 281 | 70026374..... 1193, 1203 |
| 70024262 1183 | 70025841 527, 543 | 70026242.....1592 | 70026375..... 1191, 1203 |
| 70024306 207 | 70025844 923 | 70026244.....367, 369 | 70026376..... 1193, 1203 |
| 70024307 207 | 70025850 301, 1592 | 70026245.....367, 369 | 70026377..... 1195, 1197, 1199, 1201, 1203 |
| 70024407 1207 | 70025851 301, 1592 | 70026246.....367 | 70026378..... 1195, 1197, 1199, 1201, 1203 |
| 70024408 1207 | 70025852 299, 1592 | 70026247.....367, 369 | 70026379..... 1193 |
| 70024414 1207 | 70025853 299, 1592 | 70026248.....367, 369 | 70026380..... 1195, 1197, 1199, 1201, 1203 |
| 70024415 1207 | 70025855 . 485, 503, 569, 587 | 70026249.....1157, 1177 | 70026381..... 1195, 1197, 1199, 1201, 1203 |
| 70024416 1207 | 70025856 483, 509 | 70026250.....1177 | 70026382..... 1193 |
| 70024519 521, 549 | 70025859 891, 893 | 70026251.....1157 | 70026383..... 1195, 1197, 1199, 1201, 1203 |
| 70024522 . 441, 467, 523, 551 | 70025860 891, 893 | 70026252.....1177 | 70026384..... 1191, 1193 |
| 70024535 177 | 70025884 . 461, 493, 545, 561, 577 | 70026253.....1157, 1177, 1593 | 70026385..... 1191, 1195 |
| 70024536 177 | 70025887 . 483, 501, 567, 585 | 70026257.....923 | 70026386..... 1191, 1197 |
| 70024537 177 | 70025897 1207 | 70026258.....923 | 70026387..... 1191, 1199, 1203 |
| 70024538 177 | 70025959 1183 | 70026261.....1177 | 70026388..... 1191, 1201 |
| 70024539 177, 1233 | 70025970 489, 497 | 70026262...445, 473, 489 | 70026389..... 1191, 1203 |
| 70024540 177 | 70025972 . 503, 511, 587, 595 | 70026263.....489 | 70026393..... 299 |
| 70024541 177 | 70025980 569, 587 | 70026264.....489 | 70026394..... 299 |
| 70024542 177 | 70025981 473 | 70026266 . 493, 507, 517, 577, 591, 599 | 70026395..... 301 |
| 70024543 177 | 70025982 1201 | 70026269.....1465 | 70026396..... 301 |
| 70024544 177 | 70025988 1201 | 70026293.....1467 | 70026401..... 1209, 1211 |
| 70024545 177 | 70026002 485, 569 | 70026294.....1251 | 70026432..... 893 |
| 70024546 177 | 70026030 585, 593 | 70026295.....1251 | 70026433..... 891, 893 |
| 70024547 1233 | 70026031 441, 523 | 70026296.....1251 | 70026435..... 1157 |
| 70024548 1233 | 70026056 1183 | 70026297.....1251 | 70026436..... 1149, 1157 |
| 70024549 1233 | 70026057 1183 | 70026299.....1179 | 70026438..... 501, 585 |
| 70024550 177 | 70026058 1183 | 70026300..... 1179, 1181 | 70026439..... 501, 585 |
| 70024551 177 | 70026059 1183 | 70026301..... 1179, 1181 | 70026440..... 1185, 1187 |
| 70024552 177 | 70026060 1183 | 70026302.....1153, 1179, 1181 | 70026441..... 1185 |
| 70024553 177 | 70026061 1183 | 70026303.....1153, 1179, 1181 | 70026442..... 1185, 1187 |
| 70024554 177 | 70026062 1183, 1593 | 70026304.....1179, 1181 | 70026443..... 1185, 1187 |
| 70024555 177 | 70026082 319 | 70026305..... 1179, 1181 | 70026444..... 1185, 1187 |
| 70024848 489, 497 | 70026211 1227 | 70026306..... 1179 | 70026445..... 1185, 1187 |
| 70024849 489, 497 | 70026212 1227 | 70026307..... 1179 | 70026446..... 1185, 1187 |
| 70024850 485, 503 | 70026213 1227 | 70026308..... 1179, 1181 | 70026447..... 1185 |
| 70024851 485, 503 | 70026214 1227 | 70026309..... 1179, 1181, 1593 | 70026453 277, 279, 1592 |
| 70024872 439, 465 | 70026215 1227 | 70026310.....1225 | 70026456..... 1173 |
| 70024881 . 469, 477, 485, 493, 553, 561, 569, 577 | 70026217 1402 | 70026311..... 1225 | 70026457..... 1173 |
| 70024895 645 | 70026220 277, 279 | 70026312..... 1225 | 70026458..... 1173 |
| 70025011 443, 469 | 70026221 279 | 70026313..... 1225 | 70026459..... 1173 |
| 70025012 443, 469 | 70026222 279, 281 | 70026314..... 1225 | 70026460..... 1173 |
| 70025014 443, 469 | 70026223 277 | 70026315..... 1185, 1225 | 70026461..... 1173 |
| 70025335 . 481, 499, 565, 583 | 70026224 .. 277, 279, 281 | 70026333..... 1225 | 70026462..... 1173, 1593 |
| 70025337 567, 593 | 70026225 .. 277, 279, 281 | 70026334..... 1225 | 70026493..... 1205 |
| 70025338 567, 593 | 70026226 .. 277, 279, 281 | 70026336..... 1153 | 70026507..... 1205 |
| 70025339 . 483, 509, 567, 593 | 70026227 1592 | 70026353..... 319 | 70026508..... 1205 |
| 70025353 244 | 70026228 .. 277, 279, 281 | 70026354..... 319 | 70026509..... 1205 |
| 70025555 467, 551 | 70026229 . 277, 279, 281, 1592 | 70026355..... 319 | 70026511..... 1205 |
| 70025556 467, 551 | 70026230 .. 277, 279, 281 | 70026356..... 319 | 70026512..... 1205 |
| 70025561 . 469, 485, 503, 553, 569, 587 | 70026231 .. 277, 279, 281 | 70026357..... 319 | 70026513..... 1205 |
| 70025562 . 443, 469, 483, 485, 525, 551, 553, 567, 569 | 70026232 .. 277, 279, 281 | 70026358..... 319 | 70026515..... 615 |
| 70025569 533, 551 | 70026233 . 277, 279, 281, 1592 | 70026359..... 319 | 70026516 . 615, 617, 619, 651 |
| 70025570 533, 551 | 70026234 279, 281, 1592 | 70026360..... 319 | 70026517 .. 617, 639, 643 |
| 70025606 1183 | 70026235 .. 277, 279, 281 | 70026368..... 1193 | 70026518..... 617 |
| 70025614 1173 | 70026236 277 | 70026369.....1195, 1197, 1199, 1201, 1203 | 70026519..... 619 |
| 70025816 899 | 70026237 . 277, 279, 281, 1592 | 70026370..... 1193, 1203 | 70026520..... 619 |
| 70025817 899 | 70026238 . 443, 469, 485, 503, 525, 553, 569, 587 | 70026371..... 1193 | 70026521..... 619 |

PART NUMBER INDEX

| | | | |
|--|----------------------------------|--|---|
| 70026527..621, 623, 625, 627, 629, 631 | 70026644 1189 | 70027105 483, 567 | 70029039..... 1169 |
| 70026528..621, 623, 625, 627, 629, 631 | 70026645 1189 | 70027114 470, 554 | 70029040..... 1169 |
| 70026529..621, 623, 625, 627, 629, 631 | 70026646 1189 | 70027130 1203 | 70029041..... 1169 |
| 70026530..... 625 | 70026647 1189 | 70027281 279, 281 | 70029042..... 1143 |
| 70026531..... 627 | 70026648 1189 | 70027315 469, 553 | 70029043..... 1143 |
| 70026532..... 629 | 70026649 1189 | 70027317 . 473, 489, 557, 573 | 70029044..... 1143 |
| 70026535..... 631 | 70026650 1189 | 70027705 369 | 70041616... 277, 279, 281 |
| 70026536... 633, 657, 659 | 70026651 1189 | 70027706 369 | 70041619... 277, 279, 281 |
| 70026537..... 891 | 70026652 1189 | 70027758 1181 | 70041620... 277, 279, 281 |
| 70026538..... 637 | 70026653 1189 | 70027772 557 | 70050472..... 1193, 1203 |
| 70026539..... 637 | 70026654 1189 | 70027796 489 | 70050481..... 1191, 1203 |
| 70026540..... 1153 | 70026655 1189 | 70027951 245 | 70050504..... 1203 |
| 70026541..... 1153 | 70026656 1189 | 70028281 1069, 1115 | 70050507..... 1193, 1195, 1197, 1199, 1201, 1203 |
| 70026542..... 1153 | 70026657 1189 | 70028387 . 465, 469, 485, 549, 553, 569 | 70050508..... 1193, 1195, 1197, 1199, 1201, 1203 |
| 70026543..... 1153 | 70026658 1189 | 70028388 . 481, 485, 565, 569 | 7010543..... 1215, 1225 |
| 70026544..... 637, 639 | 70026659 1189 | 70028389 . 481, 485, 565, 569 | 7012510..... 1185, 1187 |
| 70026545..... 1153 | 70026660 1189 | 70028390 483 | 7012941..... 1215, 1225 |
| 70026546..... 639 | 70026661 1189 | 70028391 483 | 7012953..... 1225 |
| 70026547..... 639 | 70026662 1189 | 70028392 . 469, 486, 553, 570 | 7012967..... 1215 |
| 70026548..... 639 | 70026663 1189 | 70028398 567 | 7017406..... 1185, 1225 |
| 70026549..... 639 | 70026664 1189 | 70028399 567 | 7017410..... 1215, 1225 |
| 70026550..... 1153, 1593 | 70026665 1189 | 70028450 277, 279 | 7021653..... 1225 |
| 70026554..... 639 | 70026666 1189 | 70028451 1187 | 7022390..... 1069, 1115 |
| 70026555..... 639 | 70026667 1189 | 70028453 1069, 1115 | 7022399..... 1185, 1187 |
| 70026556..... 639 | 70026668 1189 | 70028464 481, 565 | 7024574..... 1229 |
| 70026559..... 653 | 70026669 1189 | 70028465 491, 575 | 7024808..... 1185, 1187 |
| 70026561..... 639 | 70026670 1189 | 70028466 491, 575 | 7024844..... 1185 |
| 70026566..... 1205 | 70026671 1189 | 70028467 491, 575 | 7024939..... 1207 |
| 70026567..... 1205 | 70026672 1189 | 70028468 . 475, 491, 559, 575 | 7024943..... 1207 |
| 70026568..... 1219 | 70026673 1189 | 70028469 . 465, 469, 549, 553 | 7024944..... 1207 |
| 70026569..... 1219 | 70026674 1189 | 70028470 551 | 7024953..... 1207 |
| 70026570..... 1219 | 70026675 1189 | 70028471 467, 551 | 7024954..... 1207 |
| 70026571..... 1219 | 70026676 1217 | 70028472 551 | 7026490.... 491, 505, 575, 589 |
| 70026572..... 1207 | 70026677 1217 | 70028473 469, 553 | 7026577..... 659 |
| 70026582..... 1213 | 70026678 225 | 70028474 469, 553 | 7026578..... 659 |
| 70026583..... 1207 | 70026679 231 | 70028475 475, 559 | 7026731.... 485, 511, 515, 569, 595, 597 |
| 70026584..... 357, 1592 | 70026745 231 | 70028476 475, 559 | 7026744..... 611 |
| 70026622.. 443, 469, 525, 553 | 70026746 231 | 70028477 475, 559 | 7026745..... 611 |
| 70026623..... 445, 473 | 70026747 223, 573 | 70028478 1203 | 7026746..... 613 |
| 70026624.. 443, 469, 525, 553 | 70026748 573 | 70028479 1203 | 7026747..... 615 |
| 70026625.. 443, 457, 470, 525, 539, 553 | 70026749 . 439, 465, 521, 549 | 70028480 1203 | 7026748..... 615 |
| 70026626.. 443, 470, 525, 553 | 70026750 483 | 70028481 1203 | 7026749..... 615 |
| 70026627.. 443, 470, 525, 553 | 70026753 491, 575 | 70028482 1203 | 7026750..... 617 |
| 70026630.. 449, 461, 477, 531, 545, 561 | 70026798 . 457, 469, 539, 553 | 70028483 1203 | 7026751..... 617 |
| 70026631.. 441, 467, 523, 551 | 70026799 . 447, 475, 529, 559 | 70028484 1203 | 7026752..... 617 |
| 70026632..... 585 | 70026800 281 | 70028488 1235 | 7026753..... 619 |
| 70026633..... 501 | 70026801 281 | 70028514 1235 | 7026754..... 619 |
| 70026634..... 523 | 70026944 223 | 70028515 1235 | 7026755..... 619 |
| 70026636..... 1149 | 70026946 223 | 70028516 1235 | 7026756..... 619 |
| 70026637..... 1149, 1151 | 70026948 223 | 70028517 1235 | 7026757..... 621 |
| 70026638..... 1149, 1151 | 70027009 225 | 70028546 1365 | 7026758.... 621, 623, 625, 627, 629, 631 |
| 70026639..... 1149, 1151, 1593 | 70027022 489, 573 | 70028643 1151 | 7026759.... 621, 623, 625, 627, 629, 631 |
| 70026640..... 1189 | 70027024 797 | 70028644 1151 | 7026760.... 621, 623, 625, 627, 629, 631 |
| 70026641..... 1189 | 70027025 797 | 70028645 1151 | 7026761.... 621, 623, 625, 627, 629, 631 |
| 70026642..... 1189 | 70027026 797 | 70028646 1151 | 7026762..... 623 |
| 70026643..... 1189 | 70027028 797 | 70028776 1135 | 7026765..... 629 |
| | 70027030 797 | 70028777 1135 | 7026766..... 629 |
| | 70027032 797 | 70028778 1135 | |
| | 70027033 797 | 70028990 1129 | |
| | 70027034 797 | 70028991 1129 | |
| | 70027035 797 | 70028992 1129 | |
| | 70027092 489 | | |
| | 70027098 1203 | | |

PART NUMBER INDEX

| | | | |
|---|--|--|--|
| 7026769 ... 629, 635, 661, 663 | 7029692 217, 227 | 80204048..483, 501, 567, 585 | 80604023..... 1380, 1381, 1433 |
| 7026771 635 | 7029714 217 | 80204060..445, 473, 489, 497 | 80604025..... 1397, 1403, 1434, 1457 |
| 7026772 635 | 7029733 ... 485, 503, 515, 569, 587, 597 | 80204065..443, 469, 485, 503, 525, 553, 569, 587 | 806253 725 |
| 7026773 635 | 7029734 ... 489, 497, 573, 581 | 80204071..443, 469, 485, 503, 553, 569, 587 | 806264 725 |
| 7026774 635 | 7029735 ... 489, 497, 573, 581 | 80204076..485, 503, 569, 587 | 80634004 1207 |
| 7026775 635 | 7029737 ... 443, 469, 525, 553 | 80204108..445, 473, 489, 497 | 8065062 175 |
| 7026776 637 | 7029785 573 | 80204117.. 443, 445, 461, 469, 473, 477, 489, | 80933113 969, 971 |
| 7026780 637 | 7029786 527, 557 | 80204143..491, 505, 575, 589 | 80933367 291, 293 |
| 7026781 637 | 7029787 489 | 80204144.. 491, 505, 575, 589 | 80963067 1404, 1409 |
| 7026782 641 | 7029788 445, 473 | 80204281..445, 473, 489, 497, 527, 557, 573, 581 | 80983191 1404, 1409, 1459, 1465, 1467 |
| 7026783 641 | 7029789 497 | 80233218 997, 999, 1001, 1003, 1005, 1007 | 82033995 305, 345 |
| 7026784 641 | 7029849 ... 621, 623, 625, 627, 629, 631 | 80304227 629 | 8205655 1229 |
| 7026787 639 | 7029850 ... 621, 623, 625, 627, 629, 631 | 80304394...619, 635, 643 | 8220035 1493 |
| 7026788 639 | 7029852 ... 621, 623, 625, 627, 629, 631 | 80304405 615 | 8220051 1380, 1385, 1433, 1451, 1452 |
| 7026789 639 | 7029972 619 | 80334277 1207 | 8220097 1404, 1409 |
| 7026791 643 | 7029973 617 | 8033786 1229 | 8220098 1403, 1408 |
| 7026792 619, 643 | 7062922 175 | 8034697 1193, 1195, 1197, 1199, 1201, 1203 | 8220108 1403, 1410, 1493 |
| 7026793 643 | 7110702 175 | 8035346 1189 | 8220116 1381, 1386 |
| 7026794 619, 643 | 7110712 175 | 8035348 1189 | 8220124 1402, 1408, 1413, 1418, 1422 |
| 7026798 797 | 7110722 175 | 8035373 1189 | 8220525 1389, 1393 |
| 7027254 649 | 7114032 107 | 8035382 1189, 1203 | 8229234 1496 |
| 7027255 649 | 7117502 107 | 8035536 1229 | 8229235 1495 |
| 7027267 629 | 7138978 109 | 8035831 240 | 8229242 1404, 1409, 1465, 1467, 1475, 1485 |
| 7027269 661 | 7138979 109 | 8035862 1229 | 8229244 1251, 1404, 1409, 1459 |
| 7027270 661 | 7138986 89, 91, 109 | 8035863 1229 | 8229245 1251, 1465 |
| 7027271 663 | 7139918 181, 183 | 8036190 625, 627 | 8229247 1251, 1467 |
| 7027272 663 | 7150580 433 | 80363179 1371, 1390, 1394, 1397, 1402, 1437, 1439 | 8229261 1495 |
| 7027273 665 | 7300435 275 | 80363195 785 | 8275212 337, 341 |
| 7028710 441, 451, 467 | 7301295 179, 181 | 8036528 637, 639 | 8278020 315, 317 |
| 7028714 ... 443, 469, 485, 503, 525, 553, 569, 587 | 7301408 179, 191 | 8036529 637 | 8303634 175, 181, 183 |
| 7028715 ... 443, 469, 485, 503, 525, 553, 569, 587 | 7301568 179, 183 | 8036847 617, 619 | 8303658 181, 183 |
| 7028716 ... 443, 469, 485, 503, 525, 553, 569, 587 | 77133137 1055, 1057, 1081, 1083 | 8037088 1189 | 8303715 175 |
| 7028721 ... 443, 469, 525, 553 | 77133139 1081, 1083 | 8037130 1191 | 8305624 181, 183 |
| 7028733 ... 443, 470, 486, 503, 525, 553, 569, 587 | 77133140 1081, 1083 | 8037140 1227 | 8305643 175, 181, 183 |
| 7028734 445, 473 | 77133168 .989, 991, 993, 995 | 80484081 1413 | 8305919 ... 303, 787, 842, 846, 850, 854, 857, 1309, 1311 |
| 7028735 445, 473 | 77363244 1371, 1379, 1381, 1397, 1435, 1457 | 80604015 1402, 1417 | 8307904 175 |
| 7029127 ... 491, 505, 575, 589 | 8000759 765 | 80604016 1371, 1379, 1380, 1389, 1393, 1402, 1418, 1433, 1451 | 8307918 175 |
| 7029129 451, 467 | 8000803 767 | 80604017 1434, 1461 | 8310160 175 |
| 7029131 ... 451, 467, 533, 551 | 8004398 765 | 80604018 1371, 1377, 1380, 1381, 1389, 1390, 1393, 1394, 1397, 1403, 1417, 1431 | 8310161 175 |
| 7029267 637, 639 | 8007749 441 | 80604020 1433, 1445, 1449 | 8310302 181, 183 |
| 7029286 ... 455, 469, 537, 553 | 8007751 451, 467 | 80604021 1389, 1393, 1397, 1433, 1452, 1455, 1463 | 8310435 181, 183 |
| 7029288 ... 481, 499, 565, 583 | 8007755 451, 467 | 80604022 1371, 1449 | 8310559 781 |
| 7029290 ... 493, 517, 577, 599 | 8008175 499, 583 | | 8310620 . 53, 55, 57, 407, 409, 419, 421 |
| 7029298 497 | 80204002 . 481, 499, 565, 583 | | 8310686 ... 974, 978, 982, 986, 1329 |
| 7029300 503, 587 | 80204005 . 439, 453, 465, 469, 481, 485, 499, 503, 521, 535, 549, 553, 565, 569, 583, 587 | | 8380008 225 |
| 7029307 499, 583 | 80204012 . 443, 470, 486, 503, 554, 569 | | 8405006 ... 974, 978, 982, 986, 997, 999, 1001, 1003, 1005, 1007 |
| 7029309 485, 503 | 80204033 . 483, 501, 567, 585 | | 8405007 ... 323, 603, 605, 974, 978, 982, 986 |
| 7029431 ... 443, 455, 469, 525, 537, 553 | 80204035 . 483, 501, 567, 585 | | 8405009 ... 323, 325, 355, 887, 889 |
| 7029486 839, 1499 | 80204043 . 483, 501, 567, 585 | | 8405101 323, 325 |
| 7029520 229 | | | 8405201 ... 323, 325, 850, 854 |
| 7029521 229 | | | |
| 7029528 ... 447, 475, 529, 559 | | | |
| 7029529 ... 447, 475, 529, 559 | | | |

PART NUMBER INDEX

| | | | |
|--|---|---|--|
| 8405202.....323, 325 | 8881802..... 361 | 91474533 . 441, 467, 523, 551 | 91514101.. 481, 499, 565, 583 |
| 8405209.....974, 978, 982, 986 | 8887145..... 1141, 1143, 1145 | 91474539 . 441, 467, 523, 551 | 91514111.. 443, 469, 485, 525, 553, 569, 587 |
| 8405212.....327, 329, 375 | 90200003 . 151, 153, 155, 157, 159, 161, 163, 165, 167, 169, 171, 173, 175, 181, 183 | 91474547 .. 441, 467, 523 | 91514112.. 443, 469, 485, 503, 525, 553, 569, 587 |
| 8405305.....327, 329, 375 | 90206195..... 337 | 91474549 451, 467 | 91514113..... 443, 525 |
| 8405402.....297 | 90451058..... 181, 183 | 91474550 . 451, 467, 533, 551 | 91514114..... 443, 525 |
| 8406102.....365 | 90554016 . 217, 223, 225, 227, 231 | 91474551 . 451, 467, 533, 551 | 91514115..... 443, 525 |
| 8406105.....1253 | 90554017 217 | 91474553 . 451, 467, 533, 551 | 91514117.. 443, 469, 485, 503, 553, 569, 587 |
| 8406112.....308, 312 | 90554018 217 | 91474559 445, 473 | 91514118..... 719, 739 |
| 8406201345, 1259, 1261, 1263, 1265, 1267, 1275, 1277, 1281 | 90554020 225, 227 | 91474560 445, 473 | 91514123.. 441, 467, 501, 503, 523, 585, 587 |
| 8410007291 | 90554033 223 | 91474561 445, 473 | 91514130.. 483, 501, 567, 585 |
| 8410009.....305, 345, 803, 814, 978, 982, 986, 997, 1001 | 90554034 223 | 91474564 445, 473 | 91514131.. 483, 501, 567, 585 |
| 8410011.....291, 293 | 90554042 225, 227 | 91474565 445, 473 | 91514133.. 483, 501, 567, 585 |
| 8410013.....305, 323, 325 | 90554045 1231 | 91474568 . 445, 473, 527, 557 | 91514134.. 441, 467, 483, 501, 523, 551, 567, 585 |
| 8410019.....323 | 90554054 225, 227 | 91474569 527 | 91514143..... 483, 509 |
| 8420053.... 163, 165, 167, 169, 171, 173, 175, 177, 181, 183, 225, 244, 1093, 1095 | 90554062 217, 227 | 91474570 445, 473 | 91514146.. 453, 469, 485, 503, 525, 535, 553, 569, 587 |
| 8420055.... 163, 165, 167, 169, 171, 173, 175, 177, 181, 183, 225, 244 | 90554065 217 | 91474571 445 | 91514147.. 453, 469, 485, 503, 535, 553, 569, 587 |
| 84242171037 | 90554076 217, 227 | 91474572 445 | 91514148.. 453, 469, 485, 503, 535, 553, 569, 587 |
| 8424233.....978, 982, 986 | 90554080 229 | 91474573 445 | 91514149.. 443, 453, 469, 485, 553, 569, 587 |
| 8430032..... 1023, 1035, 1055, 1057, 1111 | 91013191 1390, 1394 | 91474576 . 443, 469, 525, 553 | 91514151..... 489, 497 |
| 8430033..... 1035, 1111 | 91013192..... 1380, 1381, 1385, 1386 | 91474579 . 457, 469, 539, 553 | 91514152..... 497 |
| 8430034.....287 | 91043125235, 239, 1085, 1087, 1089, 1091 | 91474580 . 457, 469, 539, 553 | 91514153..... 497 |
| 8430082.....1023 | 91043126235, 239, 1085, 1087, 1089, 1091 | 91474583 443, 525 | 91514154.. 445, 473, 489, 497, 527, 557, 573, 581 |
| 8466306.....793 | 91053419 375 | 91474584 . 443, 469, 525, 553 | 91514156..... 497 |
| 8526203.....709, 717 | 91083106 .. 978, 983, 986 | 91474585 . 455, 469, 537, 553 | 91514157..... 497 |
| 8530030.....978, 982, 986 | 91355037 693 | 91474586 .. 455, 459, 541 | 91514158..... 497 |
| 8546407.....978, 982, 986 | 91355038 693 | 91474587 . 455, 459, 537, 541 | 91514159.. 445, 473, 489, 497, 527, 557, 573, 581 |
| 8580315.....175 | 91403193 . 379, 381, 383, 385 | 91474591 . 441, 467, 523, 551 | 91514161..... 497, 581 |
| 8584001.....175 | 91403413 . 163, 165, 167, 169, 171, 173, 175, 177, 181, 183, 225, 235, 239, 244, 1085, 1087, 1089, 1091 | 91474592 467 | 91514165.. 445, 497, 543, 581 |
| 8584003.....1337 | 91403414 . 163, 165, 167, 169, 171, 173, 175, 177, 181, 183, 225, 235, 239, 244, 1085, 1087, 1089, 1091 | 91474593 533, 551 | 91514167..... 497 |
| 8630003..... 181, 183 | 91403415 . 163, 165, 167, 169, 171, 173, 175, 177, 181, 183, 225, 235, 239, 244, 1085, 1087, 1089, 1091 | 91474595 533, 551 | 91514174.. 485, 503, 569, 587 |
| 8630005.....993 | 91403416 . 163, 165, 167, 169, 171, 173, 175, 177, 181, 183, 225, 235, 239, 244, 1085, 1087, 1089, 1091 | 91475054 691 | 91514175.. 485, 511, 513, 569, 595, 601 |
| 8642207.....175 | 91403417 . 163, 165, 167, 169, 171, 173, 175, 177, 181, 183, 225, 235, 239, 244, 1085, 1087, 1089, 1091 | 91475055 691 | 91514177.. 485, 511, 513, 569, 595, 601 |
| 86683122.....371, 373 | 91403418 . 163, 165, 167, 169, 171, 173, 175, 177, 181, 183, 225, 235, 239, 244, 1085, 1087, 1089, 1091 | 91504107 1397, 1437 | 91514178.. 485, 503, 569, 595 |
| 86683211.....337, 339 | 91403419 265 | 91513266 719, 739 | 91514179.. 485, 503, 569, 587 |
| 86883127.....337 | 91413025 291, 293 | 91514081 . 443, 469, 485, 503, 525, 553, 569, 587 | 91514180.. 485, 503, 569, 587 |
| 8750016..... 1055, 1057 | 91473151 431 | 91514082 . 443, 469, 485, 503, 525, 553, 569, 587 | 91514181.. 443, 469, 485, 503, 525, 553, 569, 587 |
| 8750029.....978, 982, 986 | 91473206 . 681, 683, 687, 689 | 91514083 . 443, 469, 485, 503 | 91514183.. 443, 469, 485, 503, 525, 553, 569, 587 |
| 8750030.....974, 978, 982, 986 | 91474507 . 439, 443, 465, 469, 521, 549 | 91514084 . 443, 469, 485, 503 | 91514184.. 485, 511, 515, 569, 595, 597 |
| 8769132.....175 | 91474512 . 439, 465, 499, 521, 549, 583 | 91514087 . 499, 503, 583, 587 | 91514185.. 485, 511, 515, 569, 595, 597 |
| 8769146.....974, 978, 982, 986 | 91474513 . 439, 443, 521, 525 | 91514089 . 481, 485, 489, 497, 499, 503, 565, 583 | |
| 8769153.....978, 982, 986 | 91474515 . 461, 477, 545, 561 | 91514090 . 493, 517, 577, 599 | |
| 8770016.....175 | 91474516 . 461, 477, 545, 561 | 91514095 . 443, 469, 485, 503, 525, 553, 569, 587 | |
| 8770120..997, 999, 1001, 1003, 1005, 1007 | 91474522 . 447, 475, 529, 559 | 91514098 . 439, 465, 481, 499, 521, 549, 565, 583 | |
| 8770215..... 1127, 1129, 1133 | 91474524 . 443, 503, 525, 587 | 91514099 . 443, 461, 503, 517, 525, 545, 587, 599 | |
| 8786514....669, 675, 681, 683, 687, 689, 707, 709, 715, 717 | 91474529 . 441, 467, 523, 551 | | |
| 8841322.....651 | | | |
| 88671001..163, 165, 167, 169, 171, 173 | | | |
| 8880218-OM....431, 433, 435 | | | |

PART NUMBER INDEX

91514186 . 485, 511, 515,
569, 595, 597
91514188 . 439, 443, 503,
521, 525, 587

91514189 . 443, 469, 485,
503, 525, 553, 569, 587
91554014 1433
91554019 1379, 1390,
1394, 1397, 1435, 1457

91554022.....1402
91561240.....1101
H000071 1225
N.S.S.179, 181, 209, 469,
477, 485, 493, 553,

557, 561, 569, 577,
1151



31211111



An Ingersoll Rand Corporation Company

Corporate Office
JLG Industries, Inc.
1 JLG Drive
McConnellsburg, PA 17233-9533 USA
☎ (717) 485-5161 (Corporate)
☎ (877) 554-5438 (Customer Support)
☎ (717) 485-6417

Visit our website for JLG Worldwide Locations.
www.jlg.com