



---

# ***Illustrated Parts Manual***

## ***Models***

***3510PS  
35.10***

***31211227***

*August 13, 2018 - Rev F*



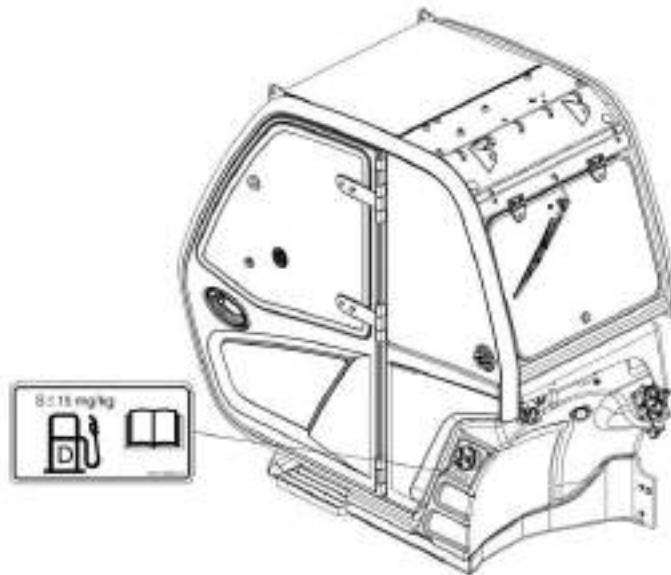


## EFFECTIVITY PAGE

August 26, 2016 - A - Original Issue of Manual  
November 17, 2016 - B - Revised Manual  
March 31, 2017 - C - Revised Manual  
February 22, 2018 - D - Revised Manual  
June 20, 2018 - E - Revised Manual  
August 13, 2018 - F - Revised Manual

## Machine Configuration

---

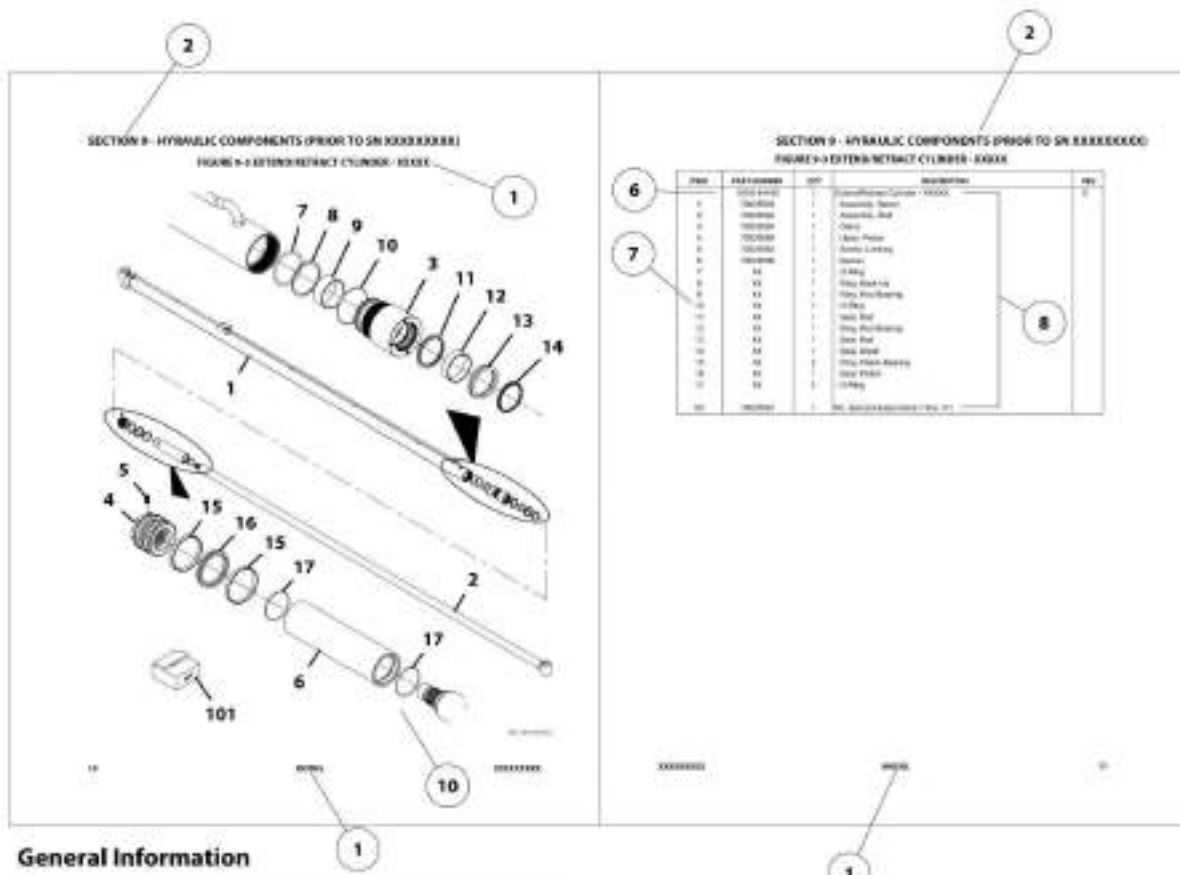


Two configurations of each machine are included in this manual. Determine if machine is equipped with Ultra Low Sulfur Fuel Decal (1).

If equipped with the Ultra Low Sulfur decal, all specific references to this machine configuration will be referred to as Ultra Low Sulfur (ULS) from this point forward.

If not equipped with the Ultra Low Sulfur decal, all specific references to this machine configuration will be referred to as Low Sulfur (LS) from this point forward.





## General Information

### 1. MACHINE IDENTIFICATION

Machines are identified by model and in some cases a combination of model, serial number (S/N) or regional standard (e.g. ANSI, CE, CSA, AUS). Components may also be identified by S/N or manufacturer. Common components that may be identified by these characteristics are attachments, engine, transmission and hydraulic components.

### 2. PARTS MANUAL ORGANIZATION

Product information in this manual is organized under section titles. Frame, Engine and Electrical are a few examples. Each section is organized by Figure and page number. The information within the Figure is then organized by item number, part number, description and corresponding illustration(s).

### 3. TABLE OF CONTENTS

A table of contents (TOC) is found toward the beginning of the manual. Figure number, description and page number are provided for quick reference to the page containing the related information.

### 4. RECOMMENDED SPARE PARTS

The Recommended Spare Parts, located near the end of the manual, references most frequently used maintenance parts.

### 5. PARTS NUMBER INDEX

A numerical index listing all part numbers and the corresponding page number(s) appears at the back of the manual.

### 6. NON-SERVICED PARTS

In some instances it is necessary to display non-serviced parts, assemblies or installations. In the case of assemblies and installations there will be a Ref in the QTY column and a note after the item description stating what is available for service within. In the case of parts that are not available for service within assemblies or components there will be a NSS (Not Sold Separately) listed in the part number column of the manual.

### 7. PARTS LIST ITEM NUMBERS

Numbers shown in the Item column correspond to numbers used in the associated illustration(s). Item numbers which are missing from sequence and are not shown in the illustration(s) are not used on that page.

### 8. INDENTED PART DESCRIPTION

An indented part description is included in the item under which it is indented.

## 9. ABBREVIATIONS AND SYMBOLS

AC	.....	Alternating Current
A/C	.....	Air Conditioning
ADE	.....	Advanced Design Electronics
AG	.....	Agriculture
AAMP	.....	Amperage
ANSI	.....	American National Standards Institute
AR	.....	As Required
ASSY	.....	Assembly
AUS	.....	Australia
AUX	.....	Auxiliary
AWG	.....	American Wire Gauge
CAC	.....	Charge Air Cooler
CE	.....	European Conformity
CM	.....	Centimeter
CONST	.....	Construction
CSA	.....	Canadian Standards Association
DEF	.....	Diesel Exhaust Fluid
DIA	.....	Diameter
DC	.....	Direct Current
DTZ	.....	Decentralized Transmission Zeros
ECU	.....	Electronic Control Unit
EMS	.....	Emergency Stop
FNR	.....	Forward Neutral Reverse
FT	.....	Foot
GA	.....	Gauge
GR	.....	Grade
HBP	.....	High Boom Pivot
HHP	.....	High Horse Power
HOC	.....	Hydraulic Oil Cooler
HVAC	.....	Heating, Ventilating, and Air Conditioning
ID	.....	Inside Diameter
IN	.....	Inch
ISO	.....	International Organization for Standards
ITSDF	.....	Industrial Truck Standards Development Foundation
JK	.....	Joint Industry Council
KG	.....	Kilogram
KW	.....	Kilowatt
L	.....	Liter

LB	.....	Pound
LBP	.....	Low Boom Pivot
LCD	.....	Liquid Crystal Display
LED	.....	Light Emitting Diode
LH	.....	Left Hand
LHD	.....	Left Hand Drive
LHP	.....	Low Horse Power
LMIS	.....	Load Management Indicator System
LS	.....	Low Sulfur
LSI	.....	Load Stability Indicator
LSS	.....	Load Sensing System
M <sup>3</sup>	.....	Cubic Meter
MA	.....	Milliamp
M(m)	.....	Metric/Meter
MM	.....	Millimeter
N	.....	Newton
NACD	.....	North America Construction Division
NLA	.....	No Longer Available
NSS	.....	Not Sold Separately
OD	.....	Outside Diameter
ORB	.....	O-Ring Boss
ORFS	.....	O-Ring Face Seal
OZ	.....	Ounce
PR	.....	Ply Rating
QT	.....	Quart
QTY	.....	Quantity
REF	.....	Reference
REV	.....	Revision
RH	.....	Right Hand
RHD	.....	Right Hand Drive
RHOC	.....	Remote Hydraulic Oil Cooler
RUS	.....	Russia
SAE	.....	Society of Automotive Engineers
SAHR	.....	Spring Applied Hydraulically Released
SN	.....	Serial Number
SPD	.....	Speed
TLLJ	.....	Torque Lock Up
UGM	.....	Universal Ground Module

## 10. ILLUSTRATION REFERENCE LETTERS

When necessary, illustrations may contain reference letters that are intended to track information from one point to another in the illustration such as harnesses and hoses or any other information that has been separated in the illustration.

**Note:** Due to continuous product improvements, JLG Industries, Inc. reserves the right to make specification changes without prior notification. Contact JLG Industries, Inc. for updated information.

# TABLE OF CONTENTS

SECTION 1 - FRAME AND ATTACHING PARTS.....	17
FIGURE 1-1. FRAME INSTALLATION.....	18
FIGURE 1-2. ENGINE ENCLOSURE INSTALLATION (NO RHOC - JLG).....	20
FIGURE 1-3. ENGINE ENCLOSURE INSTALLATION (RHOC - JLG).....	22
FIGURE 1-4. ENGINE ENCLOSURE COVER INSTALLATION (NO RHOC).....	24
FIGURE 1-5. ENGINE ENCLOSURE COVER INSTALLATION (RHOC).....	26
FIGURE 1-6. AIR INTAKE SEAL INSTALLATION.....	28
FIGURE 1-7. HOOD INSTALLATION (JLG) (Prior to SN 1160008717).....	30
FIGURE 1-8. HOOD INSTALLATION (JLG) (SN 1160008717 to Present).....	32
FIGURE 1-9. HOOD INSTALLATION (DEUTZ-FAHR) (SN 1160008717 to Present).....	34
FIGURE 1-10. COVER PLATES INSTALLATION (NO OUTRIGGERS - ULS).....	36
FIGURE 1-11. COVER PLATES INSTALLATION (NO OUTRIGGERS - LS).....	38
FIGURE 1-12. COVER PLATE INSTALLATION (NO TRAILER BRAKES).....	40
FIGURE 1-13. COVER PLATE INSTALLATION (TRAILER BRAKES).....	42
FIGURE 1-14. COVER PLATE INSTALLATION (NO REAR AUX).....	44
FIGURE 1-15. COVER PLATE INSTALLATION (REAR AUX).....	46
FIGURE 1-16. COVER PLATE INSTALLATION (HYDRAULIC HITCH AND REAR AUX).....	48
FIGURE 1-17. REAR COVER PLATE INSTALLATION (NO HYDRAULIC HITCH).....	50
FIGURE 1-18. REAR COVER PLATE INSTALLATION (HYDRAULIC HITCH).....	52
FIGURE 1-19. COUNTERWEIGHT INSTALLATION (NO OUTRIGGERS).....	54
FIGURE 1-20. TANKS INSTALLATION.....	56
FIGURE 1-21. FUEL TANK INSTALLATION.....	58
FIGURE 1-22. HYDRAULIC TANK INSTALLATION.....	60
FIGURE 1-23. FUEL TANK ASSEMBLY.....	62
FIGURE 1-24. HYDRAULIC TANK ASSEMBLY.....	64
FIGURE 1-25. FUEL AND HYDRAULIC CAP INSTALLATION.....	66
FIGURE 1-26. HITCH RETRIEVAL INSTALLATION.....	68
FIGURE 1-27. HITCH INSTALLATION (EEC AUTO).....	70
FIGURE 1-28. HITCH INSTALLATION (PITON).....	72
FIGURE 1-29. HITCH ASSEMBLY (EEC AUTO).....	74
FIGURE 1-30. SLIDING HITCH ASSEMBLY (PITON).....	76
FIGURE 1-31. HITCH INSTALLATION (EEC MANUAL).....	78
FIGURE 1-32. HITCH ASSEMBLY (EEC MANUAL).....	80
FIGURE 1-33. HITCH INSTALLATION (CUNA CATEGORY C).....	82
FIGURE 1-34. HITCH ASSEMBLY (CUNA CATEGORY C).....	84
FIGURE 1-35. HITCH INSTALLATION (CUNA CATEGORY D2).....	86
FIGURE 1-36. HITCH ASSEMBLY (CUNA CATEGORY D2).....	88
FIGURE 1-37. HITCH INSTALLATION (FIXED).....	90
FIGURE 1-38. HITCH ASSEMBLY (FIXED).....	92
FIGURE 1-39. HITCH INSTALLATION (HYDRAULIC) (Prior to SN 1160008716).....	94
FIGURE 1-40. HITCH INSTALLATION (HYDRAULIC) (SN 1160008716 to Present).....	96
FIGURE 1-41. TOOL BOX INSTALLATION.....	98
SECTION 2 - BOOM.....	101
FIGURE 2-1. BOOM INSTALLATION (JLG).....	102
FIGURE 2-2. BOOM ASSEMBLY (JLG).....	104
FIGURE 2-3. FIRST BOOM SECTION ASSEMBLY.....	106
FIGURE 2-4. SECOND BOOM SECTION ASSEMBLY.....	108
FIGURE 2-5. THIRD BOOM SECTION ASSEMBLY.....	110
FIGURE 2-6. LINK ASSEMBLY.....	112
FIGURE 2-7. LEVER ASSEMBLY.....	114
FIGURE 2-8. MANUAL QUICK COUPLER INSTALLATION.....	116
FIGURE 2-9. HYDRAULIC QUICK COUPLER INSTALLATION.....	118
FIGURE 2-10. BOOM ANGLE INDICATOR INSTALLATION.....	120
FIGURE 2-11. BOOM PROP INSTALLATION.....	122
FIGURE 2-12. BOOM BRUSHES INSTALLATION.....	124
SECTION 3 - ATTACHMENTS.....	127
FIGURE 3-1. CARRIAGE ASSEMBLY (1524MM) (CE & AUS).....	128
FIGURE 3-2. CARRIAGE ASSEMBLY (1829MM) (CE & AUS).....	130
FIGURE 3-3. CARRIAGE ASSEMBLY (1225MM) (CE & AUS).....	132
FIGURE 3-4. CARRIAGE ASSEMBLY (1270MM) (ANSI - JLG).....	134
FIGURE 3-5. CARRIAGE ASSEMBLY (1524 MM) (ANSI - JLG).....	136

# TABLE OF CONTENTS

FIGURE 3-6. CARRIAGE ASSEMBLY (1829 MM) (ANSI - JLG).....	138
FIGURE 3-7. SIDE TILTING CARRIAGE (4.5 TON - 1225 MM) (CE & AUS).....	140
FIGURE 3-8. SIDE TILTING CARRIAGE (4.5 TON - 1270 MM) (ANSI - JLG).....	142
FIGURE 3-9. SIDE TILTING CARRIAGE (4.5 TON - 1575 MM) (ANSI - JLG).....	144
FIGURE 3-10. SIDE TILTING CARRIAGE (4.0 TON - 1575 MM) (CE & AUS - JLG).....	146
FIGURE 3-11. SIDE TILTING CARRIAGE (4.5 TON - 1829 MM) (ANSI - JLG).....	148
FIGURE 3-12. SIDE TILTING CARRIAGE (4.0 TON - 1829 MM) (CE & AUS).....	150
FIGURE 3-13. SIDE SHIFT CARRIAGE (4.0 TON - 1225 MM) (CE & AUS).....	152
FIGURE 3-14. SIDE SHIFT CARRIAGE (5.5 TON - 1270 MM) (ANSI - JLG).....	154
FIGURE 3-15. FORK POSITIONING CARRIAGE WITH FORKS (4.0 TON) (CE & AUS).....	156
FIGURE 3-16. FORK POSITIONING CARRIAGE WITH FORKS (4.5 TON) (ANSI - JLG).....	158
FIGURE 3-17. DUAL FORK CARRIAGE ASSEMBLY.....	160
FIGURE 3-18. DUAL FORK CARRIAGE VALVE ASSEMBLY.....	162
FIGURE 3-19. FORK ROTATING CARRIAGE (2.05 TON - 990 MM) (CE & AUS - JLG).....	164
FIGURE 3-20. FORK ROTATING CARRIAGE (4.5 TON - 1270 MM) (CE & AUS - JLG).....	168
FIGURE 3-21. CARRIAGE ASSEMBLY (JOHN DEERE FIT) (CE & AUS).....	172
FIGURE 3-22. CARRIAGE ASSEMBLY (MANITOU FIT) (CE & AUS).....	174
FIGURE 3-23. DUAL TINE BAILING FORK CARRIAGE (CE & AUS).....	176
FIGURE 3-24. FEM CARRIAGE AND FORKS (CE & AUS).....	178
FIGURE 3-25. PALLET FORK (50X100X1070) (CE & AUS).....	180
FIGURE 3-26. PALLET FORK (50X100X1220) (CE & AUS).....	182
FIGURE 3-27. PALLET FORK (50X120X1200) (CE).....	184
FIGURE 3-28. PALLET FORK (50X120X1200) (CE & AUS - IF EQUIPPED WITH 1170002).....	186
FIGURE 3-29. PALLET FORK (2.36X4X48) (ANSI - JLG).....	188
FIGURE 3-30. PALLET FORK (2.36X5X48) (ANSI - JLG).....	190
FIGURE 3-31. PALLET FORK (2.00X6X72) (ANSI - JLG).....	192
FIGURE 3-32. PALLET FORK (60X100X1200) (AUS).....	194
FIGURE 3-33. BLOCKING FORK (50X50X1220) (CE & AUS - JLG).....	196
FIGURE 3-34. BLOCKING FORK (50X50X1220) (ANSI - JLG).....	198
FIGURE 3-35. LUMBER FORK (40X150X1540) (CE & AUS - JLG).....	200
FIGURE 3-36. LUMBER FORK (40X150X1540) (ANSI - JLG).....	202
FIGURE 3-37. LUMBER FORK (45X150X1540) CE & AUS - JLG).....	204
FIGURE 3-38. LUMBER FORK (50X180X1540) (ANSI - JLG).....	206
FIGURE 3-39. LUMBER FORK (60X150X1524) (ANSI - JLG).....	208
FIGURE 3-40. CARRIAGE ASSEMBLY (JCB FIT) (CE & AUS).....	210
FIGURE 3-41. BUCKET (1.15 M <sup>3</sup> ) (ANSI - JLG).....	212
FIGURE 3-42. BUCKET (1 M <sup>3</sup> ) (CE & AUS).....	214
FIGURE 3-43. BUCKET (1.5 M <sup>3</sup> ) (CE & AUS).....	216
FIGURE 3-44. BUCKET (2 M <sup>3</sup> ) (CE & AUS).....	218
FIGURE 3-45. BUCKET (2.5 M <sup>3</sup> ) (CE & AUS).....	220
FIGURE 3-46. BUCKET (3 M <sup>3</sup> ) (CE & AUS).....	222
FIGURE 3-47. FORK MOUNTED BUCKET (1.0 M <sup>3</sup> ) (ANSI - JLG).....	224
FIGURE 3-48. DIRT BUCKET (1.0 M <sup>3</sup> ) (CE & AUS).....	226
FIGURE 3-49. 4 IN 1 BUCKET (0.6 M <sup>3</sup> ) (CE & AUS).....	228
FIGURE 3-50. 4 IN 1 BUCKET (1.0 M <sup>3</sup> ) (CE & AUS).....	230
FIGURE 3-51. MULTI-PURPOSE GRAPPLE BUCKET (2450 MM) (ANSI - JLG).....	232
FIGURE 3-52. MULTI-PURPOSE GRAPPLE BUCKET (WIDE GRIP - 2450 MM) (CE & AUS).....	234
FIGURE 3-53. MANURE GRAPPLE BUCKET (CE & AUS).....	236
FIGURE 3-54. BOLT-ON EDGE (2450 MM).....	238
FIGURE 3-55. BUCKET GUARD.....	240
FIGURE 3-56. BUCKET TEETH KIT.....	242
FIGURE 3-57. BALE HANDLER KIT (SPIKES) (CE & AUS).....	244
FIGURE 3-58. BALE HANDLER KIT (SPIKES TO TUBE) (CE & AUS).....	246
FIGURE 3-59. TRUSS BOOM (4 TON - 2.1M) (CE & AUS).....	248
FIGURE 3-60. TRUSS BOOM (1 TON - 3.4M) (CE & AUS).....	250
FIGURE 3-61. TRUSS BOOM (0.9 TON - 3.7M) (ANSI - JLG).....	252
FIGURE 3-62. TRUSS BOOM (1.8 TON - 3 FT WITH WINCH) (CE).....	254
FIGURE 3-63. TRUSS BOOM (1.8 TON - 3 FT WITH WINCH) (ANSI - JLG).....	256
FIGURE 3-64. TRUSS BOOM (3 FT WITH WINCH).....	258
FIGURE 3-65. TRUSS BOOM (0.9 TON - 12 FT WITH WINCH) (CE).....	260
FIGURE 3-66. TRUSS BOOM (0.9 TON - 3.7M WITH WINCH) (ANSI - JLG).....	262
FIGURE 3-67. CRANE HOOK (CE & AUS).....	264
FIGURE 3-68. CRANE HOOK (ANSI - JLG).....	266
FIGURE 3-69. FORK MOUNTED HOOK (4 TON) (ANSI - JLG).....	268
FIGURE 3-70. FORK MOUNTED HOOK (4 TON) (CE).....	270
FIGURE 3-71. BALE HANDLER (TUBE CLAMP) (CE & AUS).....	272
FIGURE 3-72. BALE HANDLER (SPIKE CLAMP) (CE & AUS).....	274

# TABLE OF CONTENTS

FIGURE 3-73. MUCK FORK AND GRAB (CE & AUS).....	276
FIGURE 3-74. PIPE HANDLER CARRIAGE (CE & AUS - JLG) .....	278
FIGURE 3-75. PIPE HANDLER CARRIAGE (ANSI - JLG).....	280
FIGURE 3-76. FORK MOUNTED BASKET (DOMESTIC) (ANSI - JLG) .....	284
FIGURE 3-77. FORK MOUNTED BASKET (ISO) (ANSI - JLG).....	286
FIGURE 3-78. FORK MOUNTED BASKET (FRENCH) (ANSI - JLG) .....	288
FIGURE 3-79. FORK MOUNTED PLATFORM.....	290
FIGURE 3-80. FORK MOUNTED TRASH HOPPER.....	292
FIGURE 3-81. CONCRETE BUCKET (CE) .....	294
FIGURE 3-82. SWEEPER (CE & AUS).....	298
FIGURE 3-83. SWEEPER (ANSI) .....	300
FIGURE 3-84. AUGER (COUPLER MOUNTED) (CE & AUS) .....	302
FIGURE 3-85. AUGER BIT, (6INX4IN) (CE & AUS).....	304
FIGURE 3-86. AUGER BIT, (9INX4IN) (CE & AUS).....	306
FIGURE 3-87. AUGER BIT, (12INX4IN) (CE & AUS).....	308
FIGURE 3-88. AUGER BIT, (15INX4IN) (CE & AUS).....	310
FIGURE 3-89. AUGER BIT, (18INX4IN) (CE & AUS).....	312
FIGURE 3-90. AUGER BIT, (24INX4IN) (CE & AUS).....	314
FIGURE 3-91. AUGER BIT, (36INX4IN) (CE & AUS).....	316
FIGURE 3-92. FORK EXTENSIONS (62X163X2286) (ANSI - JLG).....	318
FIGURE 3-93. FORK EXTENSION (50X100X1910) (CE) .....	320
FIGURE 3-94. FORK EXTENSION (60X100X1920) (AUS).....	322
FIGURE 3-95. FORK TRANSPORT LATCH INSTALLATION (CE & AUS).....	324
SECTION 4 - ENGINE AND ATTACHING PARTS .....	327
FIGURE 4-1. ENGINE INSTALLATION (74.4KW - ULS - PISTON PUMP) .....	328
FIGURE 4-2. ENGINE INSTALLATION (90KW - ULS - PISTON PUMP).....	330
FIGURE 4-3. ENGINE INSTALLATION (100KW - ULS - PISTON PUMP).....	332
FIGURE 4-4. ENGINE INSTALLATION (74.4KW - LS - PISTON PUMP) .....	334
FIGURE 4-5. ENGINE INSTALLATION (90KW - LS - PISTON PUMP) .....	336
FIGURE 4-6. ENGINE MOUNTING INSTALLATION (74.4KW) .....	338
FIGURE 4-7. ENGINE MOUNTING INSTALLATION (90KW/100KW).....	340
FIGURE 4-8. 3.6L ENGINE (74.4KW - ULS - PISTON PUMP) .....	342
FIGURE 4-9. 3.6L ENGINE (90KW - ULS - PISTON PUMP) .....	344
FIGURE 4-10. 3.6L ENGINE (100KW - ULS - PISTON PUMP) .....	346
FIGURE 4-11. 3.6L ENGINE (74.4KW - LS - PISTON PUMP).....	348
FIGURE 4-12. 3.6L ENGINE (90KW - LS - PISTON PUMP).....	350
FIGURE 4-13. BRACKET GUARD INSTALLATION.....	352
FIGURE 4-14. FUEL LINES INSTALLATION (ULS).....	354
FIGURE 4-15. FUEL LINES INSTALLATION (ULS - RHOC) .....	356
FIGURE 4-16. FUEL LINES INSTALLATION (LS) .....	358
FIGURE 4-17. FUEL LINES INSTALLATION (LS - RHOC).....	360
FIGURE 4-18. EXHAUST INSTALLATION (ULS) .....	362
FIGURE 4-19. EXHAUST INSTALLATION (LS).....	364
FIGURE 4-20. COOLING PACKAGE INSTALLATION (74.4KW - ULS).....	366
FIGURE 4-21. COOLING PACKAGE INSTALLATION (74.4KW - LS) .....	368
FIGURE 4-22. COOLING PACKAGE INSTALLATION (90KW - ULS).....	370
FIGURE 4-23. COOLING PACKAGE INSTALLATION (90KW - LS).....	372
FIGURE 4-24. COOLING FAN INSTALLATION.....	374
FIGURE 4-25. FAN LINES INSTALLATION (74.4KW).....	376
FIGURE 4-26. FAN LINES INSTALLATION (90KW).....	378
FIGURE 4-27. FAN DRIVE MOTOR (NO RHOC) .....	380
FIGURE 4-28. FAN DRIVE MOTOR (RHOC).....	382
FIGURE 4-29. PRIMARY FUEL FILTER INSTALLATION (74.4KW - ULS).....	384
FIGURE 4-30. FUEL FILTER INSTALLATION (90/100KW - ULS).....	386
FIGURE 4-31. PRIMARY FUEL FILTER INSTALLATION (90KW - LS) .....	388
FIGURE 4-32. PRIMARY FUEL FILTER INSTALLATION (74.4KW - LS) .....	390
FIGURE 4-33. AIR CLEANER INSTALLATION (74.4KW - ULS) .....	392
FIGURE 4-34. AIR CLEANER INSTALLATION (90/100KW).....	394
FIGURE 4-35. AIR CLEANER INSTALLATION (74.4KW - LS) .....	396
FIGURE 4-36. AIR CLEANER ASSEMBLY (74.4KW).....	398
FIGURE 4-37. AIR CLEANER ASSEMBLY (90/100KW).....	400
FIGURE 4-38. AIR INTAKE LINES INSTALLATION (74.4KW - ULS) .....	402
FIGURE 4-39. AIR INTAKE LINES INSTALLATION (90/100KW - ULS) .....	404
FIGURE 4-40. AIR INTAKE LINES INSTALLATION (74.4KW - LS).....	406
FIGURE 4-41. AIR INTAKE LINES INSTALLATION (90KW - LS).....	408

# TABLE OF CONTENTS

FIGURE 4-42. COOLER INSTALLATION (74.4KW) .....	410
FIGURE 4-43. COOLER INSTALLATION (90KW) .....	412
FIGURE 4-44. RADIATOR COOLING PACKAGE (74.4KW) .....	414
FIGURE 4-45. RADIATOR COOLING PACKAGE (90KW) .....	416
FIGURE 4-46. REMOTE HOC INSTALLATION .....	418
FIGURE 4-47. COOLANT LINES INSTALLATION (ULS) .....	420
FIGURE 4-48. COOLANT LINES INSTALLATION (LS) .....	422
FIGURE 4-49. COOLER LINES INSTALLATION (74.4KW) (Prior to SN 1160008434) .....	424
FIGURE 4-50. COOLER LINES INSTALLATION (74.4KW) (SN 1160008434 to Present) .....	426
FIGURE 4-51. COOLER LINES INSTALLATION (90KW).....	428
FIGURE 4-52. CAC LINES INSTALLATION (ULS) .....	430
FIGURE 4-53. CAC LINES INSTALLATION (LS) .....	432
FIGURE 4-54. SURGE TANK INSTALLATION.....	434
FIGURE 4-55. TANK EXPANSION .....	436
FIGURE 4-56. BULKHEAD INSTALLATION.....	438
FIGURE 4-57. DEF CONTROL MODULE INSTALLATION (ULS).....	440
FIGURE 4-58. DEF TANK INSTALLATION (ULS) (Prior to SN 1160008715) .....	442
FIGURE 4-59. DEF TANK INSTALLATION (ULS) (SN 1160008715 to Present).....	444
FIGURE 4-60. DEF LINES INSTALLATION (ULS) .....	446
FIGURE 4-61. DEF TANK ASSEMBLY (ULS) (Prior to SN 1160008715).....	448
FIGURE 4-62. DEF TANK ASSEMBLY (ULS) (SN 1160008715 to Present).....	450
FIGURE 4-63. REMOTE FUEL PUMP INSTALLATION (74.4KW) .....	452
FIGURE 4-64. HYDRAULIC PUMP INSTALLATION (74.4KW) .....	454
FIGURE 4-65. HYDRAULIC PUMP INSTALLATION (90KW) .....	456
FIGURE 4-66. HEATER LINES INSTALLATION (ULS) .....	458
FIGURE 4-67. HEATER LINES INSTALLATION (LS).....	460
FIGURE 4-68. BLOCK HEATER INSTALLATION (230V - LS) .....	462
FIGURE 4-69. BLOCK HEATER INSTALLATION (120V - LS - JLG).....	464
FIGURE 4-70. BLOCK HEATER (ULS).....	466
FIGURE 4-71. BLOCK HEATER (LS) .....	468
FIGURE 4-72. A/C PUMP INSTALLATION .....	470
FIGURE 4-73. A/C LINES INSTALLATION .....	472
SECTION 5 - DRIVE TRAIN .....	475
FIGURE 5-1. AXLES INSTALLATION (NO HYDRAULIC PARK BRAKE) .....	476
FIGURE 5-2. AXLES INSTALLATION (HYDRAULIC PARK BRAKE).....	478
FIGURE 5-3. FRONT AXLE INSTALLATION (NO HYDRAULIC PARK BRAKE) .....	480
FIGURE 5-4. FRONT AXLE, CENTRAL HOUSING (NO HYDRAULIC PARK BRAKE).....	482
FIGURE 5-5. FRONT AXLE, DIFFERENTIAL (NO HYDRAULIC PARK BRAKE) .....	484
FIGURE 5-6. FRONT AXLE, HUB REDUCTION (NO HYDRAULIC PARK BRAKE) .....	486
FIGURE 5-7. FRONT AXLE, BRAKES (NO HYDRAULIC PARK BRAKE) .....	488
FIGURE 5-8. FRONT AXLE, STEERING (NO HYDRAULIC PARK BRAKE).....	490
FIGURE 5-9. FRONT AXLE INSTALLATION (HYDRAULIC PARK BRAKE).....	492
FIGURE 5-10. FRONT AXLE, CENTRAL HOUSING (HYDRAULIC PARK BRAKE) .....	494
FIGURE 5-11. FRONT AXLE, DIFFERENTIAL (HYDRAULIC PARK BRAKE).....	496
FIGURE 5-12. FRONT AXLE, HUB REDUCTION (HYDRAULIC PARK BRAKE) .....	498
FIGURE 5-13. FRONT AXLE, BRAKES (HYDRAULIC PARK BRAKE).....	500
FIGURE 5-14. FRONT AXLE, STEERING (HYDRAULIC PARK BRAKE).....	502
FIGURE 5-15. REAR AXLE INSTALLATION .....	504
FIGURE 5-16. REAR AXLE, CENTRAL HOUSING .....	506
FIGURE 5-17. REAR AXLE, DIFFERENTIAL .....	508
FIGURE 5-18. REAR AXLE, HUB REDUCTION.....	510
FIGURE 5-19. REAR AXLE, BRAKES .....	512
FIGURE 5-20. REAR AXLE, STEERING .....	514
FIGURE 5-21. DIFFERENTIAL KIT.....	516
FIGURE 5-22. REDUCTION BUSHING KIT .....	518
FIGURE 5-23. PLANET GEAR CARRIER KIT .....	520
FIGURE 5-24. STEERING CASE KIT, (LF, RR) .....	522
FIGURE 5-25. STEERING CASE KIT, (RF, LR) .....	524
FIGURE 5-26. STEERING ADJUST BOLT KIT .....	526
FIGURE 5-27. RING GEAR SUPPORT KIT.....	528
FIGURE 5-28. PISTON KIT (LH).....	530
FIGURE 5-29. PISTON KIT (RH) .....	532
FIGURE 5-30. DIFFERENTIAL KIT.....	534
FIGURE 5-31. PISTON KIT.....	536
FIGURE 5-32. TRUNION KIT.....	538

# TABLE OF CONTENTS

FIGURE 5-33. DRIVE SHAFTS INSTALLATION.....	540
FIGURE 5-34. REMOTE GREASE SYSTEM INSTALLATION (Prior to SN 1160008597).....	542
FIGURE 5-35. REMOTE GREASE SYSTEM INSTALLATION (SN 1160008597 to Present).....	544
FIGURE 5-36. AXLE SHIM INSTALLATION (24IN WHEEL).....	546
FIGURE 5-37. TRANSMISSION INSTALLATION (4 SPD).....	548
FIGURE 5-38. TRANSMISSION INSTALLATION (6 SPD - 90KW).....	550
FIGURE 5-39. TRANSMISSION INSTALLATION (6 SPD - 97KW).....	552
FIGURE 5-40. TRANSMISSION (4 SPD).....	554
FIGURE 5-41. TRANSMISSION (6 SPD - 90KW).....	556
FIGURE 5-42. TRANSMISSION (6 SPD - HHP - 97KW).....	558
FIGURE 5-43. PLANETARY CASE AND PARTS GROUP.....	560
FIGURE 5-44. TORQUE CONVERTER GROUP.....	562
FIGURE 5-45. TORQUE CONVERTER GROUP.....	564
FIGURE 5-46. TRANSFER GEAR AND CASE GROUP.....	566
FIGURE 5-47. TRANSFER GEAR AND CASE GROUP.....	568
FIGURE 5-48. TRANSMISSION HYDRAULIC CONTROL GROUP.....	570
FIGURE 5-49. INPUT SHAFT GROUP.....	572
FIGURE 5-50. TRANSMISSION CLUTCH GROUP.....	574
FIGURE 5-51. CLUTCH AND GEAR GROUP.....	576
FIGURE 5-52. TRANSMISSION PUMP GROUP.....	578
FIGURE 5-53. OUTPUT SHAFT GROUP.....	580
FIGURE 5-54. SPEED SENSOR.....	582
FIGURE 5-55. IDLER GEAR.....	584
FIGURE 5-56. REAR TRANSMISSION CASE.....	586
FIGURE 5-57. PLANETARY CASE.....	588
FIGURE 5-58. FRONT TRANSFER CASE.....	590
FIGURE 5-59. REAR TRANSFER CASE.....	592
FIGURE 5-60. FRONT TRANSFER CASE.....	594
FIGURE 5-61. REAR TRANSFER CASE.....	596
FIGURE 5-62. RELIEF VALVE.....	598
FIGURE 5-63. SOLENOID VALVE.....	600
FIGURE 5-64. SOLENOID VALVE.....	602
FIGURE 5-65. FRONT TRANSMISSION CASE ASSEMBLY.....	604
FIGURE 5-66. REAR TRANSMISSION CASE ASSEMBLY.....	606
FIGURE 5-67. TIRE/WHEEL SET (AIR - 15.5/80-24 - 16PR).....	608
FIGURE 5-68. RIGHT TIRE/WHEEL ASSEMBLY (AIR - 15.5/80-24 - 16PR).....	610
FIGURE 5-69. LEFT TIRE/WHEEL ASSEMBLY (AIR - 15.5/80-24 - 16PR).....	612
FIGURE 5-70. TIRE/WHEEL SET (AIR - 15.5 R25 XHA TL).....	614
FIGURE 5-71. RIGHT TIRE/WHEEL ASSEMBLY (AIR - 15.5 R25).....	616
FIGURE 5-72. LEFT TIRE/WHEEL ASSEMBLY (AIR - 15.5 R25).....	618
FIGURE 5-73. TIRE/WHEEL SET (AIR - 460/70 R24 XMCL).....	620
FIGURE 5-74. RIGHT TIRE/WHEEL ASSEMBLY (AIR - 460/70 R24).....	622
FIGURE 5-75. LEFT TIRE/WHEEL ASSEMBLY (AIR - 460/70 R24).....	624
FIGURE 5-76. TIRE/WHEEL SET (AIR - 500/70 R24 XMCL).....	626
FIGURE 5-77. RIGHT TIRE/WHEEL ASSEMBLY (AIR - 500/70 R24).....	628
FIGURE 5-78. LEFT TIRE/WHEEL ASSEMBLY (AIR - 500/70 R24).....	630
FIGURE 5-79. TIRE/WHEEL SET (AIR - 440/80-24 POWER CL).....	632
FIGURE 5-80. RIGHT TIRE/WHEEL ASSEMBLY (AIR - 440/80-24).....	634
FIGURE 5-81. LEFT TIRE/WHEEL ASSEMBLY (AIR - 440/80-24).....	636
FIGURE 5-82. TIRE/WHEEL SET (AIR - 400/80-24 POWER CL).....	638
FIGURE 5-83. RIGHT TIRE/WHEEL ASSEMBLY (AIR - 400/80-24).....	640
FIGURE 5-84. LEFT TIRE/WHEEL ASSEMBLY (AIR - 400/80-24).....	642
FIGURE 5-85. TIRE/WHEEL SET (AIR - 370/75-28).....	644
FIGURE 5-86. TIRE/WHEEL ASSEMBLY (AIR - 370/75-28).....	646
FIGURE 5-87. TIRE/WHEEL SET (FOAM - 13X24).....	648
FIGURE 5-88. TIRE/WHEEL SET (AIR - 460/70 R24 - BIBLOAD).....	650
FIGURE 5-89. RIGHT TIRE/WHEEL ASSEMBLY (AIR - 460/70 R24 - BIBLOAD).....	652
FIGURE 5-90. LEFT TIRE/WHEEL ASSEMBLY (AIR - 460/70 R24 - BIBLOAD).....	654
FIGURE 5-91. WHEEL CHOCK INSTALLATION.....	656
FIGURE 5-92. FENDER INSTALLATION (NO AIR - 460/70 R24 XMCL, AIR - 500/70 R24 XMCL, AIR - 440/80-24 POWER CL).....	658
FIGURE 5-93. FENDER INSTALLATION (AIR - 460/70 R24 XMCL, AIR - 500/70 R24 XMCL, AIR - 440/80-24 POWER CL) ...	660
FIGURE 5-94. FENDER ASSEMBLY.....	662
FIGURE 5-95. FENDER ASSEMBLY.....	664
FIGURE 5-96. FENDER ASSEMBLY.....	666
FIGURE 5-97. FENDER ASSEMBLY.....	668
FIGURE 5-98. FENDER ASSEMBLY.....	670

# TABLE OF CONTENTS

FIGURE 5-99. FENDER ASSEMBLY.....	672
FIGURE 5-100. FENDER ASSEMBLY.....	674
FIGURE 5-101. FENDER ASSEMBLY.....	676
 SECTION 6 - CAB .....	 679
FIGURE 6-1. CAB MOUNTS INSTALLATION (JLG) .....	680
FIGURE 6-2. ENCLOSED CAB INSTALLATION (JLG) .....	682
FIGURE 6-3. ENCLOSED CAB ASSEMBLY (JLG) (Prior to SN 1160008716).....	684
FIGURE 6-4. ENCLOSED CAB ASSEMBLY (JLG) (SN 1160008716 to Present).....	686
FIGURE 6-5. ENCLOSED CAB GROUP (JLG) .....	688
FIGURE 6-6. ENCLOSED CAB (DEUTZ-FAHR) (SN 1160008716 to Present).....	690
FIGURE 6-7. ENCLOSED CAB (JLG) (Prior to SN 1160008716).....	692
FIGURE 6-8. ENCLOSED CAB (JLG) (SN 1160008716 to Present) .....	694
FIGURE 6-9. ENCLOSED CAB PLUG GROUP.....	696
FIGURE 6-10. OPEN CAB PLUG GROUP .....	698
FIGURE 6-11. REAR WINDOW INSTALLATION .....	700
FIGURE 6-12. REAR WINDOW ASSEMBLY.....	702
FIGURE 6-13. DOOR INSTALLATION (JLG) .....	704
FIGURE 6-14. DOOR ASSEMBLY (AG - DEUTZ-FAHR) .....	706
FIGURE 6-15. DOOR ASSEMBLY (AG - JLG) .....	708
FIGURE 6-16. CAB DOOR .....	710
FIGURE 6-17. DOOR UPPER GLASS ASSEMBLY .....	712
FIGURE 6-18. CAB LATCH ASSEMBLY .....	714
FIGURE 6-19. CAB DOOR TRIGGER ASSEMBLY .....	716
FIGURE 6-20. DOOR STRAP INSTALLATION .....	718
FIGURE 6-21. ENCLOSED CAB TRIM INSTALLATION (Prior to SN 1160008716).....	720
FIGURE 6-22. ENCLOSED CAB TRIM INSTALLATION (SN 1160008716 to Present).....	724
FIGURE 6-23. DASH COVER ASSEMBLY.....	728
FIGURE 6-24. RECIRCULATION GRILLE COVER PANEL ASSEMBLY (Prior to SN 1160008716) .....	730
FIGURE 6-25. REAR PANEL COVER ASSEMBLY .....	732
FIGURE 6-26. ADJUSTABLE ARMREST INSTALLATION.....	734
FIGURE 6-27. HEADLINER INSTALLATION.....	736
FIGURE 6-28. HEADLINER/RADIO READY INSTALLATION .....	738
FIGURE 6-29. COMMON CAB TRIM INSTALLATION .....	740
FIGURE 6-30. CAB TRIM INSTALLATION (Prior to SN 1160008716) .....	742
FIGURE 6-31. CAB TRIM INSTALLATION (SN 1160008716 to Present).....	744
FIGURE 6-32. ROOF CAP INSTALLATION (A/C - JLG) .....	746
FIGURE 6-33. ROOF CAP INSTALLATION (NO A/C - JLG) .....	748
FIGURE 6-34. FRONT COVER INSTALLATION .....	750
FIGURE 6-35. FILTER TRAY PANEL.....	752
FIGURE 6-36. FRONT DUCT COVER.....	754
FIGURE 6-37. SEAT ASSEMBLY .....	756
FIGURE 6-38. SEAT INSTALLATION (STANDARD - JLG).....	758
FIGURE 6-39. SEAT ASSEMBLY (AIR SUSPENSION - STANDARD) .....	760
FIGURE 6-40. SEAT ASSEMBLY .....	762
FIGURE 6-41. SEAT INSTALLATION (PREMIUM - JLG).....	764
FIGURE 6-42. SEAT INSTALLATION (MECHANICAL - JLG) .....	766
FIGURE 6-43. UPPER SEAT ASSEMBLY.....	768
FIGURE 6-44. UPPER SEAT ASSEMBLY.....	770
FIGURE 6-45. SUSPENSION KIT .....	772
FIGURE 6-46. SEAT BELT INSTALLATION (3IN).....	774
FIGURE 6-47. SEAT BELT INSTALLATION (2IN) .....	776
FIGURE 6-48. HEATER INSTALLATION (Prior to SN 1160008716).....	778
FIGURE 6-49. HEATER INSTALLATION (SN 1160008716 to Present) .....	780
FIGURE 6-50. HEATER AND A/C INSTALLATION (Prior to SN 1160008716) .....	782
FIGURE 6-51. HEATER AND A/C INSTALLATION (SN 1160008716 to Present).....	786
FIGURE 6-52. HEATER ASSEMBLY (Prior to SN 1160008716) .....	790
FIGURE 6-53. HEATER ASSEMBLY (SN 1160008716 to Present) .....	792
FIGURE 6-54. HEATER AND A/C ASSEMBLY (Prior to SN 1160008716).....	794
FIGURE 6-55. HEATER AND A/C ASSEMBLY (SN 1160008716 to Present).....	796
FIGURE 6-56. HEATER.....	798
FIGURE 6-57. HEATER.....	800
FIGURE 6-58. HEATER AND A/C.....	802
FIGURE 6-59. HEATER AND A/C.....	804
FIGURE 6-60. CAB CONDENSER ASSEMBLY .....	806
FIGURE 6-61. CONDENSER.....	808



# TABLE OF CONTENTS

FIGURE 6-62. A/C RECEIVER DRIER.....	810
FIGURE 6-63. ROOF WIPER INSTALLATION .....	812
FIGURE 6-64. FRONT NOSE CONE INSTALLATION (SIDELIGHT).....	814
FIGURE 6-65. RETRACTABLE SUNSCREEN INSTALLATION .....	816
FIGURE 6-66. CAB STEP INSTALLATION .....	818
FIGURE 6-67. FLOOR MAT INSTALLATION.....	820
FIGURE 6-68. REAR WINDOW INSTALLATION (WOW/WIPER) (CAN & ISO) .....	822
FIGURE 6-69. REAR WINDOW INSTALLATION (WOW/WIPER) (ANSI).....	824
FIGURE 6-70. CAB GUARD INSTALLATION (TOP).....	826
FIGURE 6-71. CAB GUARD INSTALLATION (FRONT).....	828
FIGURE 6-72. CAB GUARD INSTALLATION (TOP AND FRONT).....	830
FIGURE 6-73. NUMBER PLATE BRACKET INSTALLATION (NO CAB GUARD).....	832
FIGURE 6-74. NUMBER PLATE BRACKET INSTALLATION (CAB GUARD) .....	834
FIGURE 6-75. HITCH MIRROR INSTALLATION (CONVEX).....	836
FIGURE 6-76. HITCH MIRROR INSTALLATION (FLAT) .....	838
FIGURE 6-77. MIRROR ASSEMBLY (CONVEX).....	840
FIGURE 6-78. INTERIOR MIRROR INSTALLATION .....	842
FIGURE 6-79. INTERIOR MIRROR .....	844
FIGURE 6-80. BASIC MIRROR INSTALLATION (Prior to SN 1160008716).....	846
FIGURE 6-81. BASIC MIRROR INSTALLATION (SN 1160008716 to Present).....	848
FIGURE 6-82. FRONT WIPER INSTALLATION.....	850
FIGURE 6-83. WASHER TANK INSTALLATION .....	852
FIGURE 6-84. WASHER HOSES INSTALLATION .....	854
FIGURE 6-85. HAMMER INSTALLATION.....	856
FIGURE 6-86. HAMMER ATTACHMENT ASSEMBLY .....	858
FIGURE 6-87. LEVEL INDICATOR INSTALLATION.....	860
FIGURE 6-88. HVAC CAB ACTUATOR .....	862
FIGURE 6-89. MIRROR INSTALLATION .....	864
SECTION 7 - CONTROLS .....	867
FIGURE 7-1. ACCELERATOR PEDAL INSTALLATION .....	868
FIGURE 7-2. ACCELERATOR PEDAL .....	870
FIGURE 7-3. BRAKE PEDAL INSTALLATION (Prior to SN 1160008716).....	872
FIGURE 7-4. BRAKE PEDAL INSTALLATION (SN 1160008716 to Present).....	874
FIGURE 7-5. BRAKE PEDAL .....	876
FIGURE 7-6. BRAKE PEDAL PLATE.....	878
FIGURE 7-7. BRAKE SENSOR INSTALLATION .....	880
FIGURE 7-8. SWITCH PLATE ASSEMBLY .....	882
FIGURE 7-9. PARKING BRAKE INSTALLATION (CABLE) .....	884
FIGURE 7-10. PARKING BRAKE INSTALLATION (SAHR).....	886
FIGURE 7-11. PARKING BRAKE COVER (MECHANICAL) .....	888
FIGURE 7-12. PARKING CABLE ASSEMBLY (MECHANICAL).....	890
FIGURE 7-13. STEERING WHEEL INSTALLATION.....	892
FIGURE 7-14. STEERING WHEEL.....	894
FIGURE 7-15. STEERING COLUMN INSTALLATION (Prior to SN 1160008716).....	896
FIGURE 7-16. STEERING COLUMN INSTALLATION (SN 1160008716 to Present).....	898
FIGURE 7-17. TILT STEERING COLUMN.....	900
FIGURE 7-18. HORN INSTALLATION .....	902
FIGURE 7-19. HORN BUTTON INSTALLATION (JLG) .....	904
FIGURE 7-20. JOYSTICK INSTALLATION .....	906
FIGURE 7-21. WIPER-TURN SWITCH (0 SPEED - FNR) (Prior to SN 1160008715).....	908
FIGURE 7-22. WIPER-TURN SWITCH (0 SPEED - FNR) (SN 1160008715 to Present).....	910
FIGURE 7-23. WIPER-TURN SWITCH (NO SPEED) (Prior to SN 1160008715).....	912
FIGURE 7-24. WIPER-TURN SWITCH (NO SPEED) (SN 1160008715 to Present).....	914
SECTION 8 - HYDRAULIC CIRCUITS.....	917
FIGURE 8-1. COMMON HYDRAULICS INSTALLATION.....	918
FIGURE 8-2. HYDRAULICS INSTALLATION .....	920
FIGURE 8-3. MAIN CONTROL VALVE INSTALLATION.....	922
FIGURE 8-4. PRIORITY VALVE INSTALLATION (Prior to SN 1160008715).....	924
FIGURE 8-5. PRIORITY VALVE INSTALLATION (SN 1160008715 to Present).....	926
FIGURE 8-6. STEER SELECT VALVE INSTALLATION .....	928
FIGURE 8-7. VALVE ASSEMBLY .....	930
FIGURE 8-8. MANUAL COUPLER LINES INSTALLATION (FRONT BOOM - SINGLE).....	932
FIGURE 8-9. HYDRAULIC COUPLER LINES INSTALLATION (FRONT BOOM - SINGLE) .....	934

# TABLE OF CONTENTS

FIGURE 8-10. HYDRAULIC COUPLER LINES INSTALLATION (FRONT BOOM - TWIN).....	936
FIGURE 8-11. MANUAL COUPLER LINES INSTALLATION (FRONT BOOM - TWIN).....	938
FIGURE 8-12. BRAKE LINES INSTALLATION.....	940
FIGURE 8-13. BRAKE ACCUMULATOR INSTALLATION .....	942
FIGURE 8-14. SAHR LINES INSTALLATION.....	944
FIGURE 8-15. BRAKE LINES INSTALLATION.....	946
FIGURE 8-16. BRAKE ACCUMULATOR.....	948
FIGURE 8-17. STEERING LINES INSTALLATION.....	950
FIGURE 8-18. SUCTION LINES INSTALLATION.....	952
FIGURE 8-19. BOOM LINES INSTALLATION.....	954
FIGURE 8-20. PRIORITY LINES INSTALLATION.....	956
FIGURE 8-21. RETURN LINES INSTALLATION (Prior to SN 1160008715).....	958
FIGURE 8-22. RETURN LINES INSTALLATION (SN 1160008715 to Present) .....	960
FIGURE 8-23. RETURN LINES INSTALLATION (SAHR).....	962
FIGURE 8-24. BOOM RAISE HOSES INSTALLATION (NO RIDE CONTROL) .....	964
FIGURE 8-25. BOOM RAISE HOSES INSTALLATION (RIDE CONTROL).....	966
FIGURE 8-26. REAR AUX HYDRAULICS INSTALLATION (SINGLE) (Prior to SN 1160008716).....	968
FIGURE 8-27. REAR AUX HYDRAULICS INSTALLATION (SINGLE) (SN 1160008716 to Present) .....	970
FIGURE 8-28. REAR AUX HYDRAULICS INSTALLATION (TWIN) (Prior to SN 1160008716).....	972
FIGURE 8-29. REAR AUX HYDRAULICS INSTALLATION (TWIN) (SN 1160008716 to Present).....	974
FIGURE 8-30. TRAILER BRAKE INSTALLATION (Prior to SN 1160008716).....	976
FIGURE 8-31. TRAILER BRAKE INSTALLATION (SN 1160008716 to Present) .....	978
FIGURE 8-32. TRAILER BRAKE INSTALLATION (ITALIAN) (Prior to SN 1160008716) .....	980
FIGURE 8-33. TRAILER BRAKE INSTALLATION (ITALIAN) (SN 1160008716 to Present).....	982
FIGURE 8-34. BOOM HYDRAULIC INSTALLATION.....	984
FIGURE 8-35. MAIN HYDRAULIC PUMP INSTALLATION .....	986
FIGURE 8-36. IMPLEMENT PUMP INSTALLATION.....	988
FIGURE 8-37. IMPLEMENT PUMP INSTALLATION .....	990
FIGURE 8-38. LIFT CYLINDER INSTALLATION.....	992
FIGURE 8-39. COMPENSATION CYLINDER INSTALLATION .....	994
 SECTION 9 - HYDRAULIC COMPONENTS .....	 997
FIGURE 9-1. LIFT CYLINDER .....	998
FIGURE 9-2. TILT CYLINDER .....	1000
FIGURE 9-3. EXTEND/RETRACT CYLINDER ASSEMBLY .....	1002
FIGURE 9-4. INNER EXTEND/RETRACT CYLINDER .....	1004
FIGURE 9-5. OUTER EXTEND/RETRACT CYLINDER.....	1006
FIGURE 9-6. COMPENSATION CYLINDER (Prior to SN 1160008715).....	1008
FIGURE 9-7. COMPENSATION CYLINDER (SN 1160008715 to Present) .....	1010
FIGURE 9-8. COUPLER LOCKING CYLINDER ASSEMBLY .....	1012
FIGURE 9-9. COUPLER LOCKING CYLINDER .....	1014
FIGURE 9-10. SIDE TILT CYLINDER.....	1016
FIGURE 9-11. PIPE HANDLER CYLINDER .....	1018
FIGURE 9-12. SIDE SHIFT CARRIAGE CYLINDER .....	1020
FIGURE 9-13. FORK POSITIONING CYLINDER.....	1022
FIGURE 9-14. MAIN CONTROL VALVE (AG) .....	1024
FIGURE 9-15. MAIN CONTROL VALVE (AG) .....	1026
FIGURE 9-16. PRIORITY FLOW MANIFOLD (Prior to SN 1160008715) .....	1028
FIGURE 9-17. PRIORITY FLOW MANIFOLD VALVE (SN 1160008715 to Present) .....	1030
FIGURE 9-18. STEERING SELECT VALVE.....	1032
FIGURE 9-19. DIVERTOR VALVE ASSEMBLY (HI FLOW) .....	1034
FIGURE 9-20. DIVERTOR VALVE.....	1036
FIGURE 9-21. DIVERTOR VALVE.....	1038
FIGURE 9-22. DIVERTOR VALVE.....	1040
FIGURE 9-23. FLOW DIVIDER VALVE .....	1042
FIGURE 9-24. HYDRAULIC HITCH CONTROL VALVE (Prior to SN 1160008597) .....	1044
FIGURE 9-25. HYDRAULIC HITCH CONTROL VALVE (SN 1160008597 to Present).....	1046
FIGURE 9-26. FAN MOTOR CONTROL VALVE .....	1048
FIGURE 9-27. BOOM CABLE ASSEMBLY.....	1050
FIGURE 9-28. IMPLEMENT PUMP .....	1052
FIGURE 9-29. IMPLEMENT PUMP .....	1054
FIGURE 9-30. VALVE, RIDE CONTROL .....	1056
FIGURE 9-31. VALVE, TRAILER BRAKE .....	1058
 SECTION 10 - ELECTRICAL.....	 1061

# TABLE OF CONTENTS

FIGURE 10-1. MAIN ELECTRICAL INSTALLATION (Prior to SN 1160008717).....	1062
FIGURE 10-2. MAIN ELECTRICAL INSTALLATION (SN 1160008717 to Present) .....	1064
FIGURE 10-3. FRONT FRAME HARNESS (Prior to SN 1160008717) .....	1066
FIGURE 10-4. FRONT FRAME HARNESS (SN 1160008717 to Present) .....	1070
FIGURE 10-5. REAR FRAME HARNESS (Prior to SN 1160008717) .....	1074
FIGURE 10-6. REAR FRAME HARNESS (SN 1160008717 to Present).....	1078
FIGURE 10-7. ENGINE WIRING INSTALLATION (ULS) .....	1082
FIGURE 10-8. ENGINE HARNESS (ULS).....	1084
FIGURE 10-9. ENGINE ECU INSTALLATION (ULS).....	1092
FIGURE 10-10. ENGINE WIRING INSTALLATION (LS).....	1094
FIGURE 10-11. ENGINE HARNESS (LS) .....	1096
FIGURE 10-12. ENGINE ECU INSTALLATION (LS).....	1102
FIGURE 10-13. FUEL PUMP HARNESS .....	1104
FIGURE 10-14. GLOW PLUG RELAY HARNESS .....	1106
FIGURE 10-15. ELECTRICAL COMPONENTS INSTALLATION.....	1108
FIGURE 10-16. POWER DISTRIBUTION ELECTRICAL BOX.....	1110
FIGURE 10-17. 200 AMP RELAY INSTALLATION .....	1112
FIGURE 10-18. BATTERY INSTALLATION (STANDARD) .....	1114
FIGURE 10-19. BATTERY INSTALLATION (DUAL) .....	1116
FIGURE 10-20. CAB ELECTRICAL INSTALLATION .....	1118
FIGURE 10-21. CAB HARNESS .....	1122
FIGURE 10-22. STANDARD ELECTRICAL BOARD ASSEMBLY .....	1130
FIGURE 10-23. OPTION 1 ELECTRICAL BOARD ASSEMBLY .....	1132
FIGURE 10-24. OPTION 2 ELECTRICAL BOARD ASSEMBLY .....	1134
FIGURE 10-25. CAB OPTION HARNESS.....	1136
FIGURE 10-26. CAB HEATER HARNESS INSTALLATION .....	1138
FIGURE 10-27. CAB HEATER HARNESS (Prior to SN 1160008716) .....	1140
FIGURE 10-28. CAB HEATER HARNESS (SN 1160008716 to Present) .....	1142
FIGURE 10-29. A/C OPTION HARNESS .....	1144
FIGURE 10-30. DASH ELECTRICS INSTALLATION (ULS) .....	1146
FIGURE 10-31. DASH ELECTRICS INSTALLATION (LS).....	1148
FIGURE 10-32. REVERSE CAMERA INSTALLATION (TRAILER BRAKES) .....	1150
FIGURE 10-33. REVERSE CAMERA INSTALLATION (NO TRAILER BRAKES).....	1152
FIGURE 10-34. REVERSE ALARM INSTALLATION .....	1154
FIGURE 10-35. REVERSE SENSOR INSTALLATION (NO HYDRAULIC HITCH) .....	1156
FIGURE 10-36. REVERSE SENSOR INSTALLATION (HYDRAULIC HITCH) .....	1158
FIGURE 10-37. REVERSE SENSOR HARNESS.....	1160
FIGURE 10-38. CLEARSKY INSTALLATION (A/C - LONG ROOF CAP) (Prior to SN 1160008715) .....	1162
FIGURE 10-39. CLEARSKY INSTALLATION (A/C - LONG ROOF CAP) (SN 1160008715 to Present).....	1164
FIGURE 10-40. CLEARSKY INSTALLATION (NO A/C - SHORT ROOF CAP) .....	1166
FIGURE 10-41. CLEARSKY HARNESS (A/C) .....	1168
FIGURE 10-42. TELEMATICS CAP INSTALLATION.....	1170
FIGURE 10-43. DIP LIGHTS INSTALLATION (RHD - NO OUTRIGGERS) .....	1172
FIGURE 10-44. DIP LIGHTS INSTALLATION (LHD - NO OUTRIGGERS).....	1174
FIGURE 10-45. LICENSE PLATE LAMP INSTALLATION .....	1176
FIGURE 10-46. LICENSE LIGHT HARNESS .....	1178
FIGURE 10-47. CAB WORKLIGHTS INSTALLATION (NO A/C) .....	1180
FIGURE 10-48. CAB WORKLIGHTS INSTALLATION (A/C).....	1182
FIGURE 10-49. CAB WORKLIGHTS INSTALLATION (NO A/C - LED) .....	1184
FIGURE 10-50. CAB WORKLIGHTS INSTALLATION (A/C - LED).....	1186
FIGURE 10-51. BOOM WORKLIGHTS INSTALLATION.....	1188
FIGURE 10-52. BOOM LED WORKLIGHTS INSTALLATION.....	1190
FIGURE 10-53. BOOM WORKLIGHTS HARNESS .....	1192
FIGURE 10-54. BEACON LIGHT INSTALLATION.....	1194
FIGURE 10-55. BEACON BRACKET INSTALLATION (Prior to SN 1160008716).....	1196
FIGURE 10-56. BEACON BRACKET INSTALLATION (AG) (SN 1160008716 to Present).....	1198
FIGURE 10-57. TRAILER ELECTRICS INSTALLATION .....	1200
FIGURE 10-58. LINK TRAILER HARNESS.....	1202
FIGURE 10-59. MULTIFUNCTION DISPLAY INSTALLATION .....	1204
FIGURE 10-60. ENGINE SPEED SET SWITCH INSTALLATION.....	1206
FIGURE 10-61. DECLUTCH SWITCH INSTALLATION .....	1208
FIGURE 10-62. FOG LAMP SWITCH INSTALLATION (Prior to SN 1160008597) .....	1210
FIGURE 10-63. LSI SENSOR INSTALLATION .....	1212
FIGURE 10-64. LSI DISPLAY INSTALLATION .....	1214
FIGURE 10-65. LSI SENSOR (Prior to SN 1160008716).....	1216
FIGURE 10-66. LSI SENSOR (24IN WHEEL) (SN 1160008716 to Present) .....	1218
FIGURE 10-67. LMIS INSTALLATION (NO MULTIFUNCTION DISPLAY) .....	1220

# TABLE OF CONTENTS

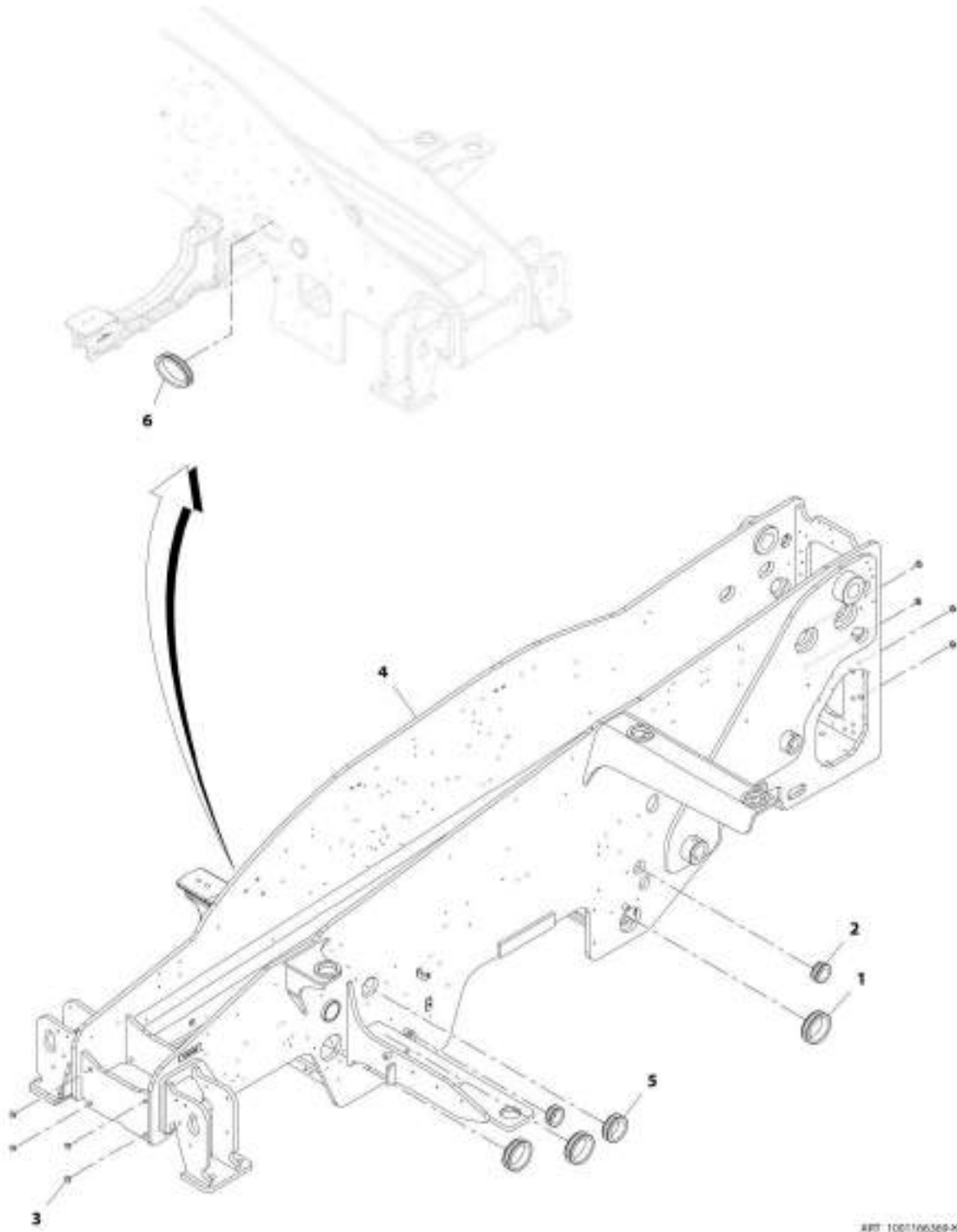
FIGURE 10-68. LMIS INSTALLATION (MULTIFUNCTION DISPLAY) .....	1222
FIGURE 10-69. LMIS CONTROLLER INSTALLATION .....	1224
FIGURE 10-70. LMIS CABLE REEL INSTALLATION (NO RIDE CONTROL) .....	1226
FIGURE 10-71. LMIS INSTALLATION MECH .....	1228
FIGURE 10-72. LMIS INSTALLATION MECH (RIDE CONTROL) .....	1230
FIGURE 10-73. LMIS WIRING INSTALLATION .....	1232
FIGURE 10-74. LMIS CHASSIS HARNESS .....	1234
FIGURE 10-75. LMIS BEACON INSTALLATION .....	1236
FIGURE 10-76. BOOM ANGLE SENSOR INSTALLATION .....	1238
FIGURE 10-77. EARTH STRAP INSTALLATION .....	1240
FIGURE 10-78. BOOM RETRACT SENSOR INSTALLATION .....	1242
FIGURE 10-79. IGNITION SWITCH INSTALLATION (JLG) .....	1244
FIGURE 10-80. BOOM HARNESS .....	1246
FIGURE 10-81. SEAT ADAPTOR HARNESS .....	1248
FIGURE 10-82. NO ROAD LIGHTS INSTALLATION .....	1250
FIGURE 10-83. LSI SWITCH INSTALLATION .....	1252
FIGURE 10-84. LSI SENSOR COVER INSTALLATION .....	1254
SECTION 11 - DECALS .....	1257
FIGURE 11-1. CAPACITY CHART HOLDER INSTALLATION .....	1258
FIGURE 11-2. DECALS INSTALLATION (3510PS - JLG) .....	1260
FIGURE 11-3. DECALS INSTALLATION (ULS) (CE) .....	1262
FIGURE 11-4. DECALS INSTALLATION (LS) (AUS - JLG) .....	1266
FIGURE 11-5. DECALS INSTALLATION (LS) (CIS - JLG) .....	1270
FIGURE 11-6. DECALS INSTALLATION (ULS) (ANSI - JLG) .....	1274
FIGURE 11-7. DECALS INSTALLATION (LS) (JLG) .....	1278
FIGURE 11-8. DECAL SOUND PLATE INSTALLATION (106DB) .....	1282
FIGURE 11-9. DECAL SOUND PLATE INSTALLATION (107DB) .....	1284
FIGURE 11-10. LOAD CHART 10M (JLG) (METRIC) .....	1286
FIGURE 11-11. LOAD CHART 10M (JLG) (AUS) .....	1288
FIGURE 11-12. HOMOLOGATION PLATE INSTALLATION .....	1290
FIGURE 11-13. REFLECTORS INSTALLATION .....	1292
SECTION 12 - RECOMMENDED SPARE PARTS .....	1295
FIGURE 12-1. RECOMMENDED SPARE PARTS .....	1296
PART NUMBER INDEX .....	1297

## **SECTION 1 - FRAME AND ATTACHING PARTS**

## **SECTION 1 - FRAME AND ATTACHING PARTS**

# SECTION 1 - FRAME AND ATTACHING PARTS

## FIGURE 1-1. FRAME INSTALLATION



REF\_1001166369-X

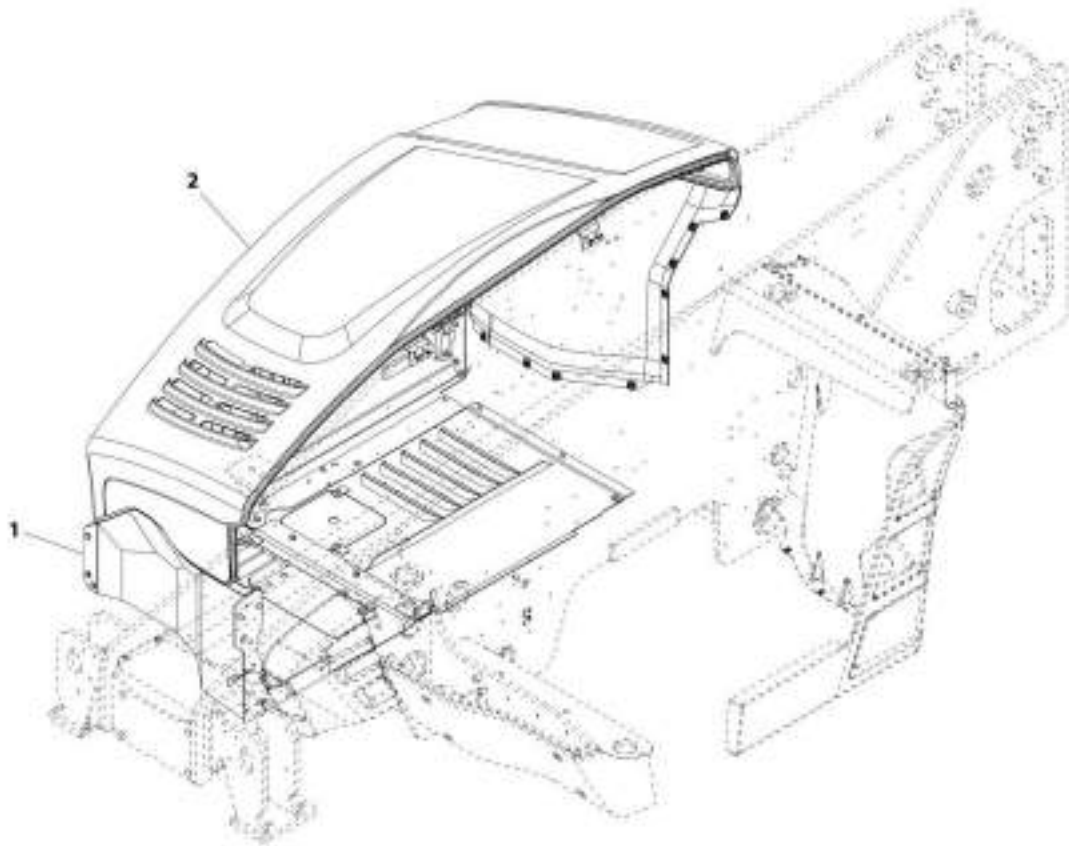
# SECTION 1 - FRAME AND ATTACHING PARTS

## FIGURE 1-1. FRAME INSTALLATION

ITEM	PART NUMBER	QTY	DESCRIPTION	REV
	1001166369	Ref	Frame Installation	K
1	1001003439	3	Grommet, Rubber	
2	1001028308	2	Grommet, Rubber	
3	1001091126	8	Plug, Black	
4	1001153902J	1	Frame	
5	1001028291	1	Grommet	
6	1001217550	1	Grommet, Rubber	

# SECTION 1 - FRAME AND ATTACHING PARTS

FIGURE 1-2. ENGINE ENCLOSURE INSTALLATION (NO RHOC - JLG)



ART\_100162423-E



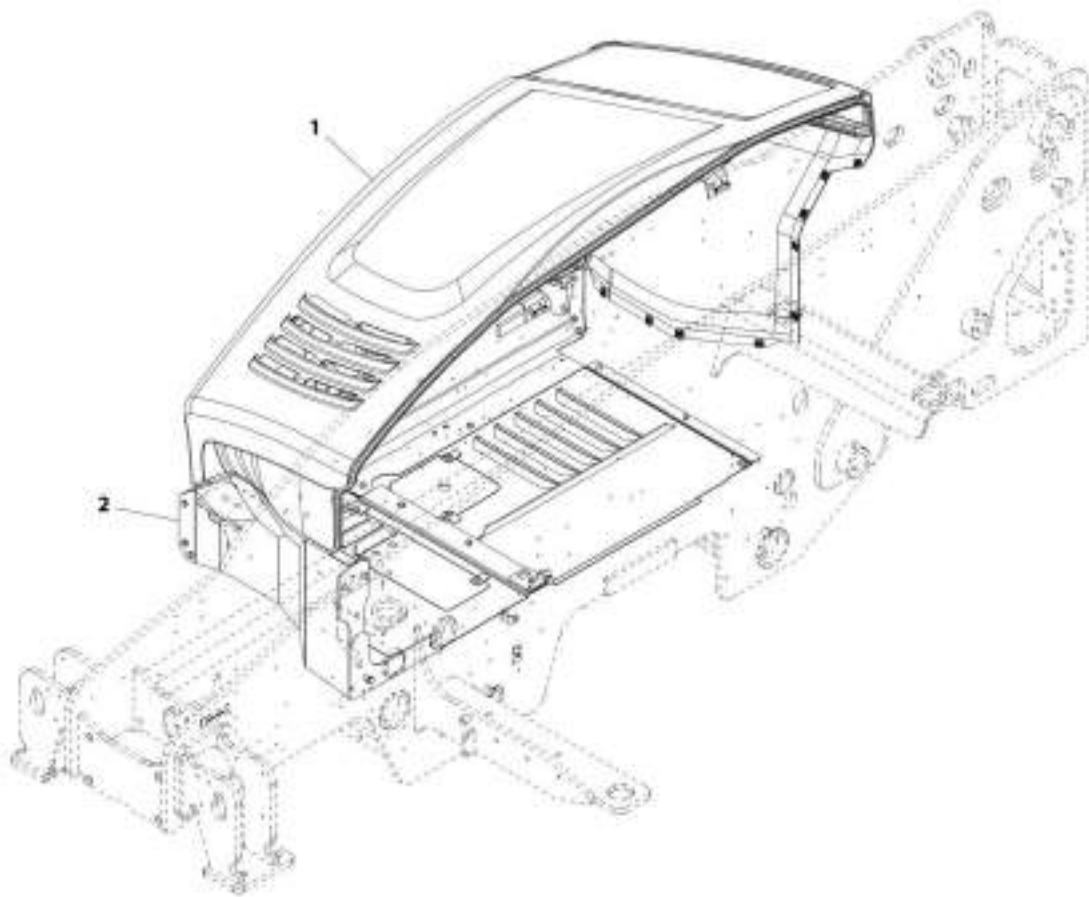
# SECTION 1 - FRAME AND ATTACHING PARTS

**FIGURE 1-2. ENGINE ENCLOSURE INSTALLATION (NO RHOC - JLG)**

ITEM	PART NUMBER	QTY	DESCRIPTION	REV
1	1001182423	Ref	Engine Enclosure Installation (No RHOC)	E
	1001195827	Ref	Installation, Engine Enclosure Cover (No RHOC) (See Separate Breakdown in this Section)	
2	1001184514	Ref	Installation, Hood (See Separate Breakdown in this Section)	

# SECTION 1 - FRAME AND ATTACHING PARTS

FIGURE 1-3. ENGINE ENCLOSURE INSTALLATION (RHOC - JLG)



ART\_100102700-C

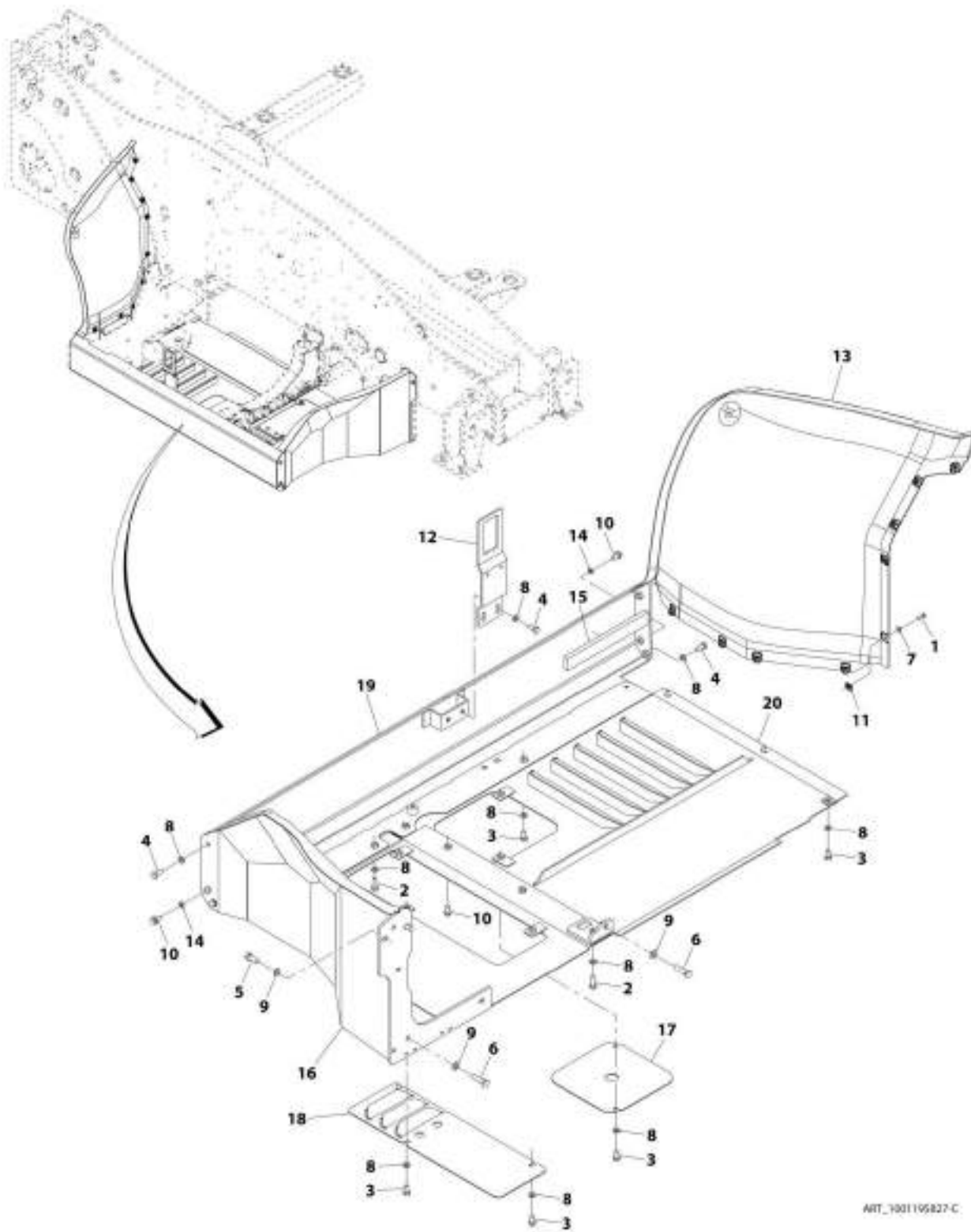
# SECTION 1 - FRAME AND ATTACHING PARTS

## FIGURE 1-3. ENGINE ENCLOSURE INSTALLATION (RHOC - JLG)

ITEM	PART NUMBER	QTY	DESCRIPTION	REV
1	1001185790	Ref	Engine Enclosure Installation (RHOC)	E
	1001184514	Ref	Installation, Hood (See Separate Breakdown in this Section)	
	1001195829	Ref	Installation, Engine Enclosure Cover (RHOC) (See Separate Breakdown in this Section)	

# SECTION 1 - FRAME AND ATTACHING PARTS

FIGURE 1-4. ENGINE ENCLOSURE COVER INSTALLATION (NO RHOC)



AIR\_1001105827-C

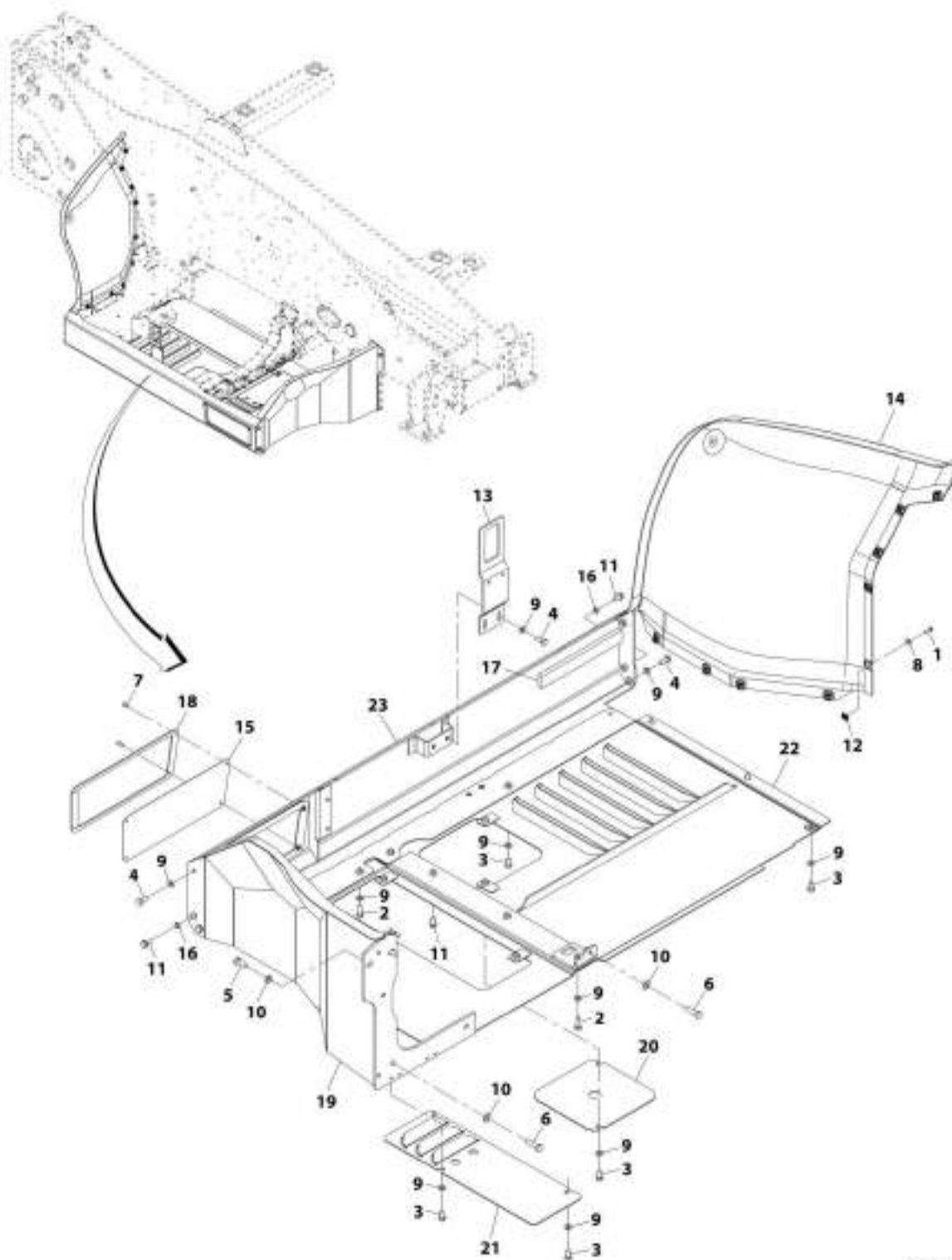
## SECTION 1 - FRAME AND ATTACHING PARTS

**FIGURE 1-4. ENGINE ENCLOSURE COVER INSTALLATION (NO RHOC)**

ITEM	PART NUMBER	QTY	DESCRIPTION	REV
	1001195827	Ref	Engine Enclosure Cover Installation (No RHOC)	C
1	0700610	9	Bolt, M6 X 20	
2	0701014	2	Bolt, M10X30	
3	0761010	10	Bolt, M10X20	
4	0761012	6	Bolt, M10X25	
5	0761214	2	Bolt, M12X30	
6	0761217	2	Bolt, M12X45	
7	4811702	9	Washer, M6	
8	4812000	18	Washer, M10	
9	4812100	4	Washer, M12	
10	5251010	4	Bolt, M10X20 Grade 10.9	
11	8305919	9	Nut, M6	
12	1001154688	1	Plate	
13	1001184524	1	Cover, Engine Enclosure Rear	
14	1001197135	2	Sleeve, Enclosure Skirt	
15	1001197266	1	Seal, Engine Enclosure	
16	1001195210J	1	Panel, Front Enclosure	
17	1001195240J	1	Plate	
18	1001195252J	1	Plate	
19	1001195274J	1	Panel, Engine Enclosure Side	
20	1001201805J	1	Panel, Engine Enclosure Base	

# SECTION 1 - FRAME AND ATTACHING PARTS

FIGURE 1-5. ENGINE ENCLOSURE COVER INSTALLATION (RHOC)



ART\_1001105829-C

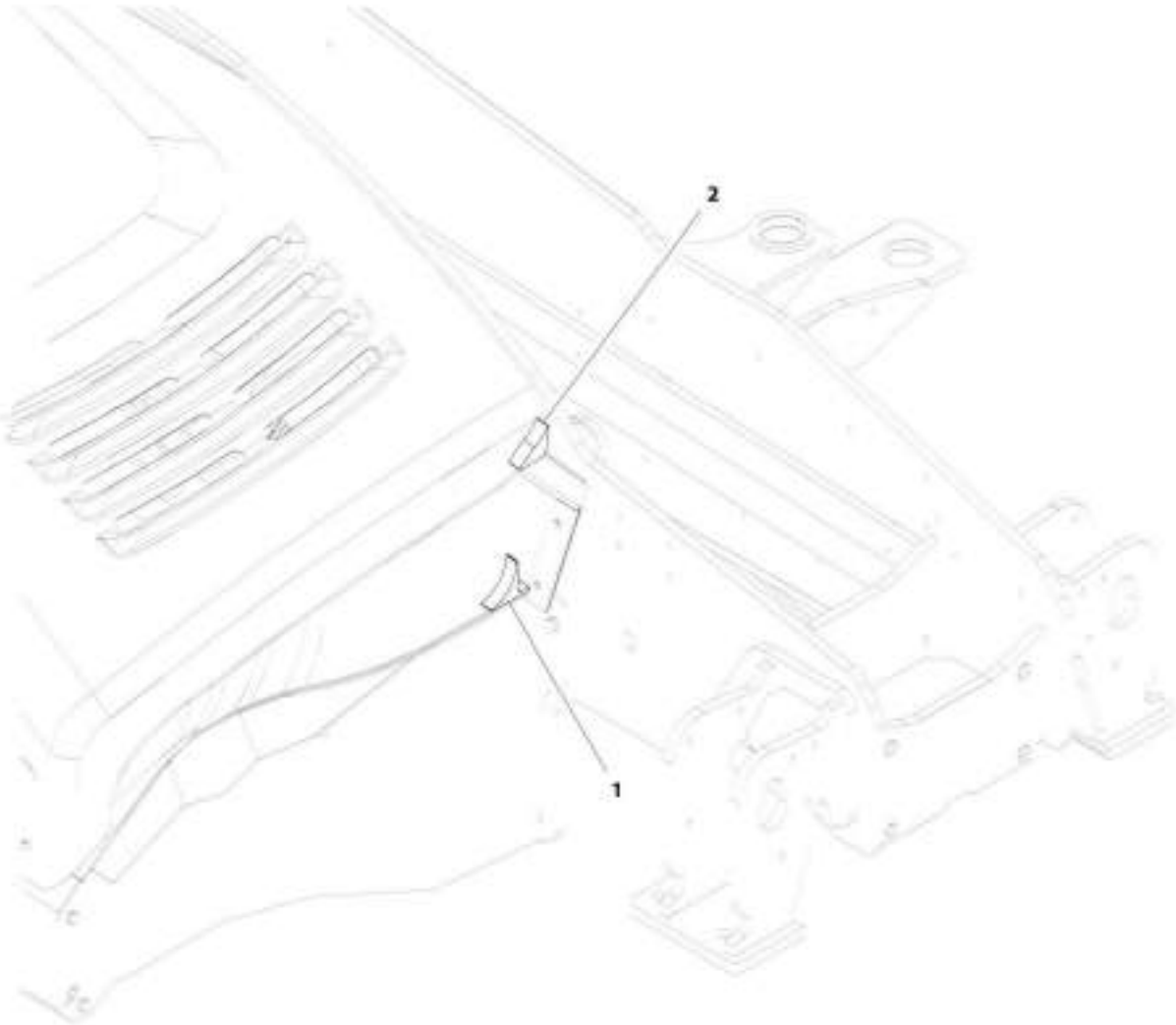
# SECTION 1 - FRAME AND ATTACHING PARTS

## FIGURE 1-5. ENGINE ENCLOSURE COVER INSTALLATION (RHOC)

ITEM	PART NUMBER	QTY	DESCRIPTION	REV
	1001195829	Ref	Engine Enclosure Cover Installation (RHOC)	C
1	0700610	9	Bolt, M6 X 20	
2	0701014	2	Bolt, M10X30	
3	0761010	10	Bolt, M10X20	
4	0761012	6	Bolt, M10X25	
5	0761214	2	Bolt, M12X30	
6	0761217	2	Bolt, M12X45	
7	3900224	4	Screw	
8	4811702	9	Washer, M6	
9	4812000	18	Washer, M10	
10	4812100	4	Washer, M12	
11	5251010	4	Bolt, M10X20 Grade 10.9	
12	8305919	9	Nut, M6	
13	1001154688	1	Plate	
14	1001184524	1	Cover, Engine Enclosure Rear	
15	1001185061	1	Grill, Engine Enclosure	
16	1001197135	2	Sleeve, Enclosure Skirt	
17	1001197266	1	Seal, Engine Enclosure	
18	1001185023J	1	Panel, Front Vent	
19	1001195210J	1	Panel, Front Enclosure	
20	1001195240J	1	Plate	
21	1001195252J	1	Plate	
22	1001201805J	1	Panel, Engine Enclosure Base	
23	1001196876J	1	Panel, Engine Enclosure Side	

**SECTION 1 - FRAME AND ATTACHING PARTS**

**FIGURE 1-6. AIR INTAKE SEAL INSTALLATION**



AWT\_1001217557-A



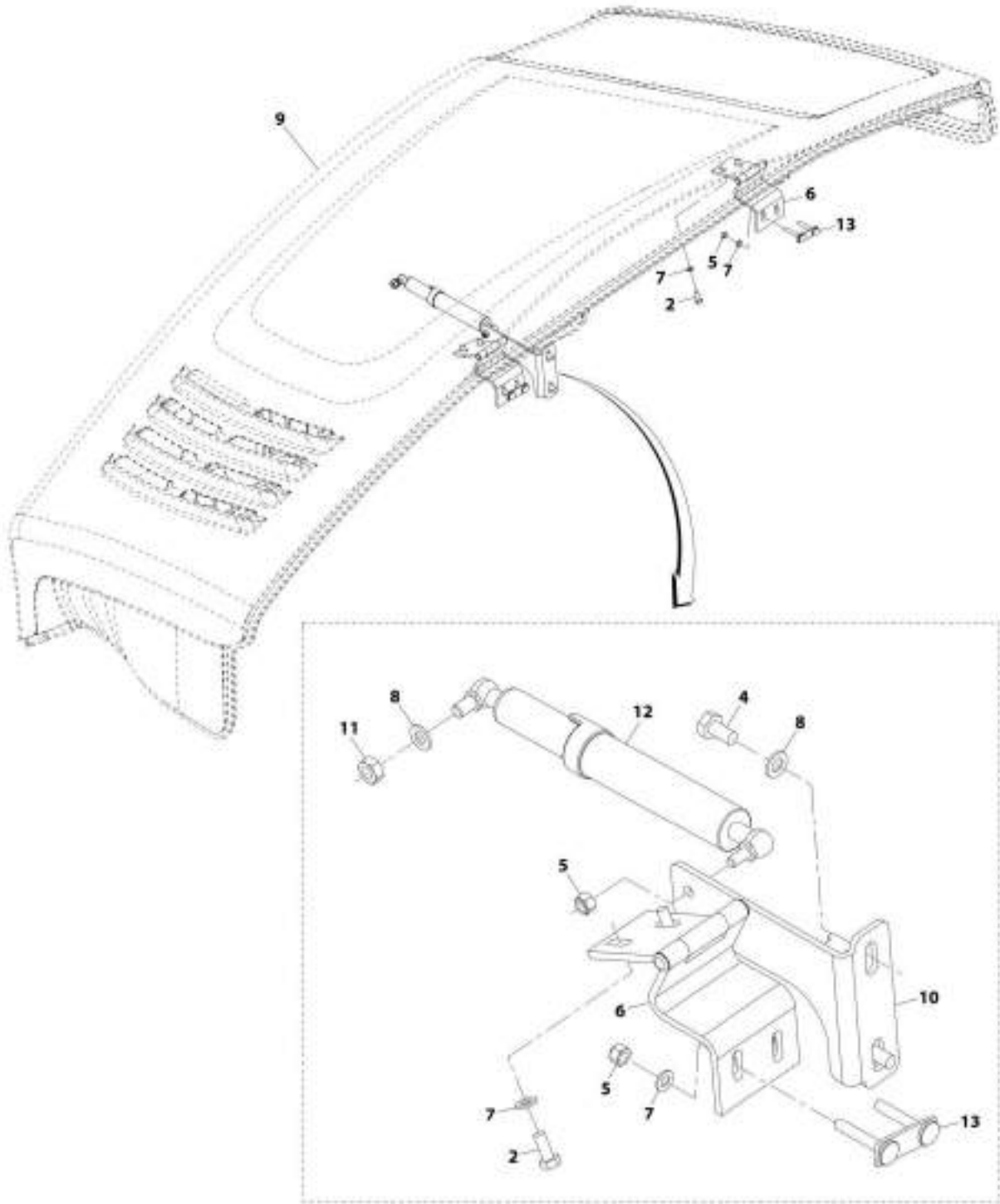
# SECTION 1 - FRAME AND ATTACHING PARTS

## FIGURE 1-6. AIR INTAKE SEAL INSTALLATION

ITEM	PART NUMBER	QTY	DESCRIPTION	REV
	1001217557	Ref	Air Intake Seal Installation	A
1	1001211786	1	Seal	
2	1001211787	1	Seal	

# SECTION 1 - FRAME AND ATTACHING PARTS

FIGURE 1-7. HOOD INSTALLATION (JLG) (Prior to SN 1160008717)



ART\_1001104514-D

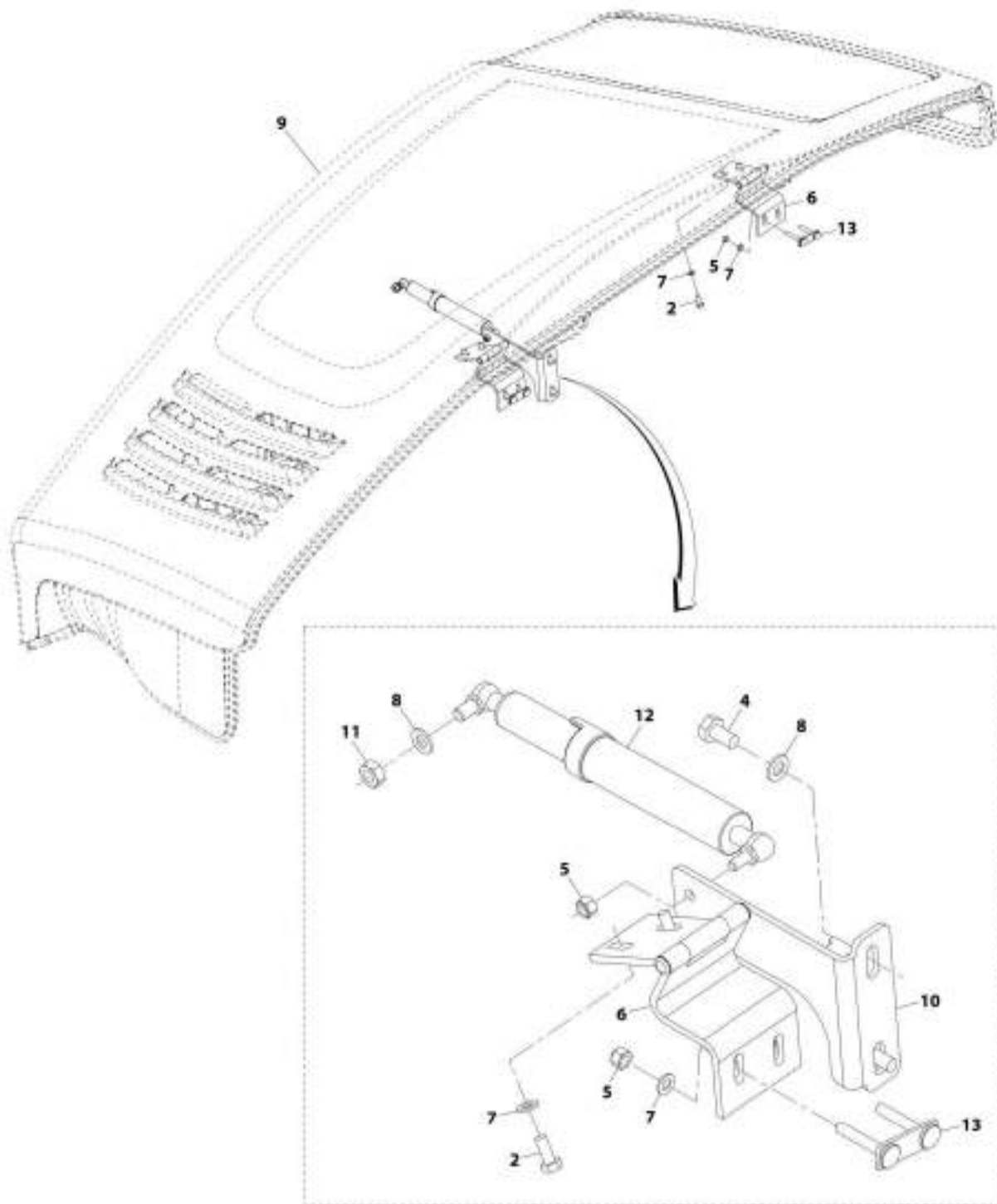
# SECTION 1 - FRAME AND ATTACHING PARTS

## FIGURE 1-7. HOOD INSTALLATION (JLG) (Prior to SN 1160008717)

ITEM	PART NUMBER	QTY	DESCRIPTION	REV
	1001184514	Ref	Hood Installation	D
2	0760810	4	Bolt, M8X20	
4	0761010	2	Bolt, M10X20	
5	3290805	5	Nut, Lock M8X1.25 Grade 8	
6	1001205080	2	Hinge, Hood	
7	4811900	8	Washer, M8	
8	4812000	3	Washer, M10	
9	1001196418	1	Hood	
10	1001184431	1	Bracket	
11	3291001	1	Nut, M10X1.5 Grade 8	
12	1001167288	1	Spring	
13	1001195587	2	Brace	

# SECTION 1 - FRAME AND ATTACHING PARTS

FIGURE 1-8. HOOD INSTALLATION (JLG) (SN 1160008717 to Present)



ART\_1001104514-E

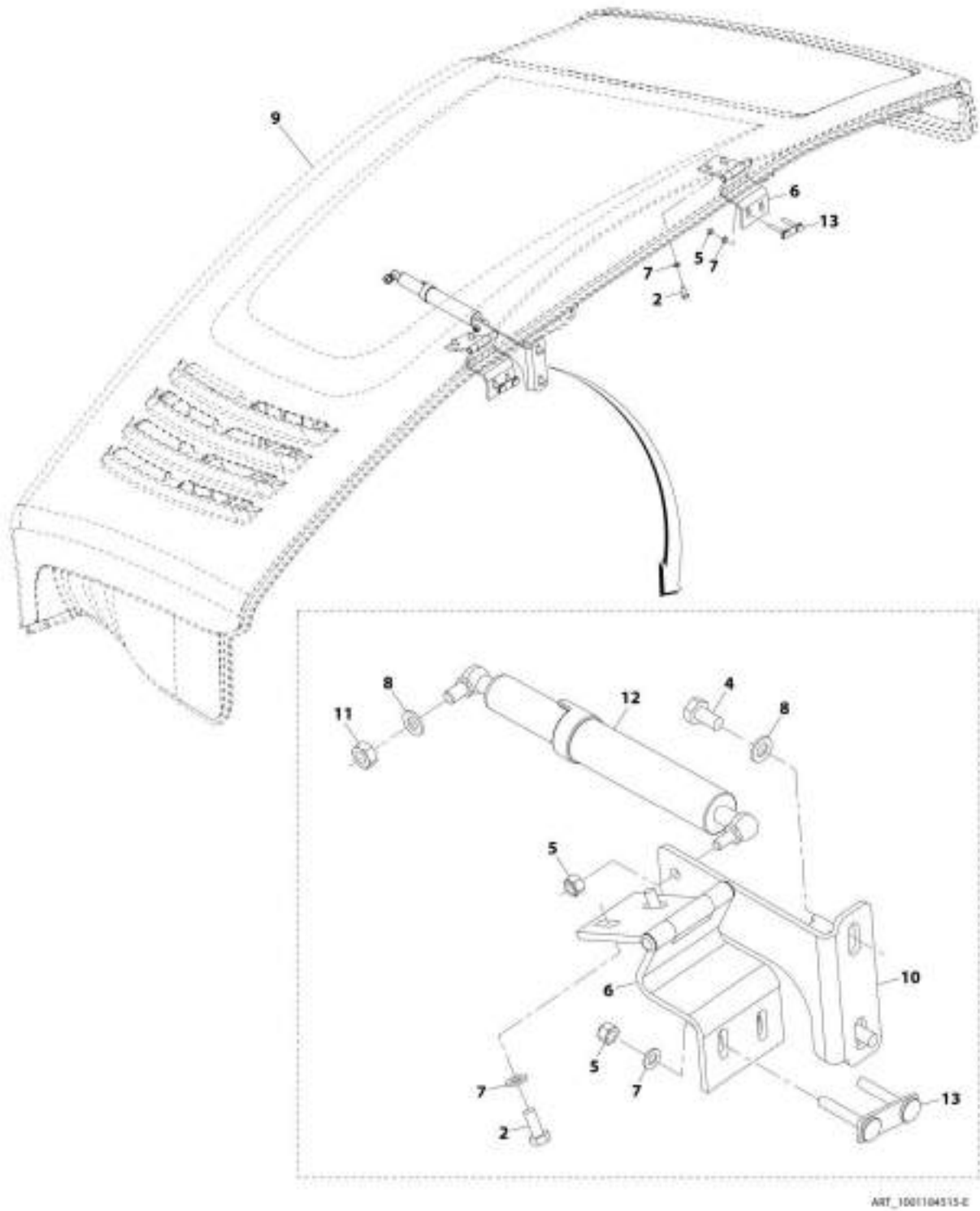
## SECTION 1 - FRAME AND ATTACHING PARTS

FIGURE 1-8. HOOD INSTALLATION (JLG) (SN 1160008717 to Present)

ITEM	PART NUMBER	QTY	DESCRIPTION	REV
	1001184514	Ref	Hood Installation	E
2	0760810	4	Bolt, M8X20	
4	0761010	2	Bolt, M10X20	
5	3290805	5	Nut, Lock M8X1.25 Grade 8	
6	1001205080	2	Hinge, Hood	
7	4811900	8	Washer, M8	
8	4812000	3	Washer, M10	
9	1001230384	1	Hood	
10	1001184431	1	Bracket	
11	3291001	1	Nut, M10X1.5 Grade 8	
12	1001167288	1	Spring	
13	1001195587	2	Brace	

# SECTION 1 - FRAME AND ATTACHING PARTS

FIGURE 1-9. HOOD INSTALLATION (DEUTZ-FAHR) (SN 1160008717 to Present)



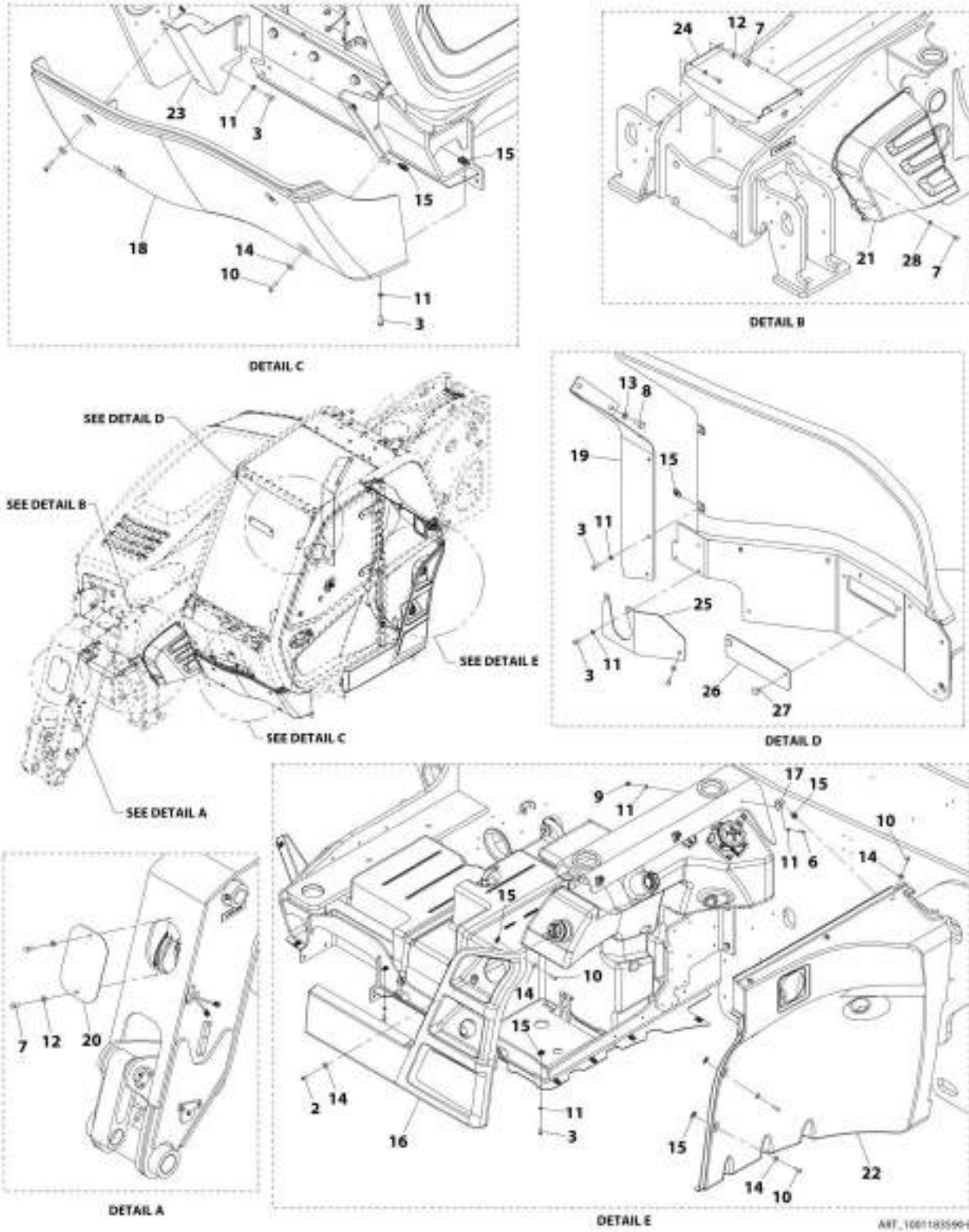
## SECTION 1 - FRAME AND ATTACHING PARTS

FIGURE 1-9. HOOD INSTALLATION (DEUTZ-FAHR) (SN 1160008717 to Present)

ITEM	PART NUMBER	QTY	DESCRIPTION	REV
	1001184515	Ref	Hood Installation	E
2	0760810	4	Bolt, M8X20	
4	0761010	2	Bolt, M10X20	
5	3290805	5	Nut, Lock M8X1.25 Grade 8	
6	1001205080	2	Hinge, Hood	
7	4811900	8	Washer, M8	
8	4812000	3	Washer, M10	
9	1001230479	1	Hood	
10	1001184431	1	Bracket	
11	3291001	1	Nut, M10X1.5 Grade 8	
12	1001167288	1	Spring	
13	1001195587	2	Brace	

# SECTION 1 - FRAME AND ATTACHING PARTS

## FIGURE 1-10. COVER PLATES INSTALLATION (NO OUTRIGGERS - ULS)





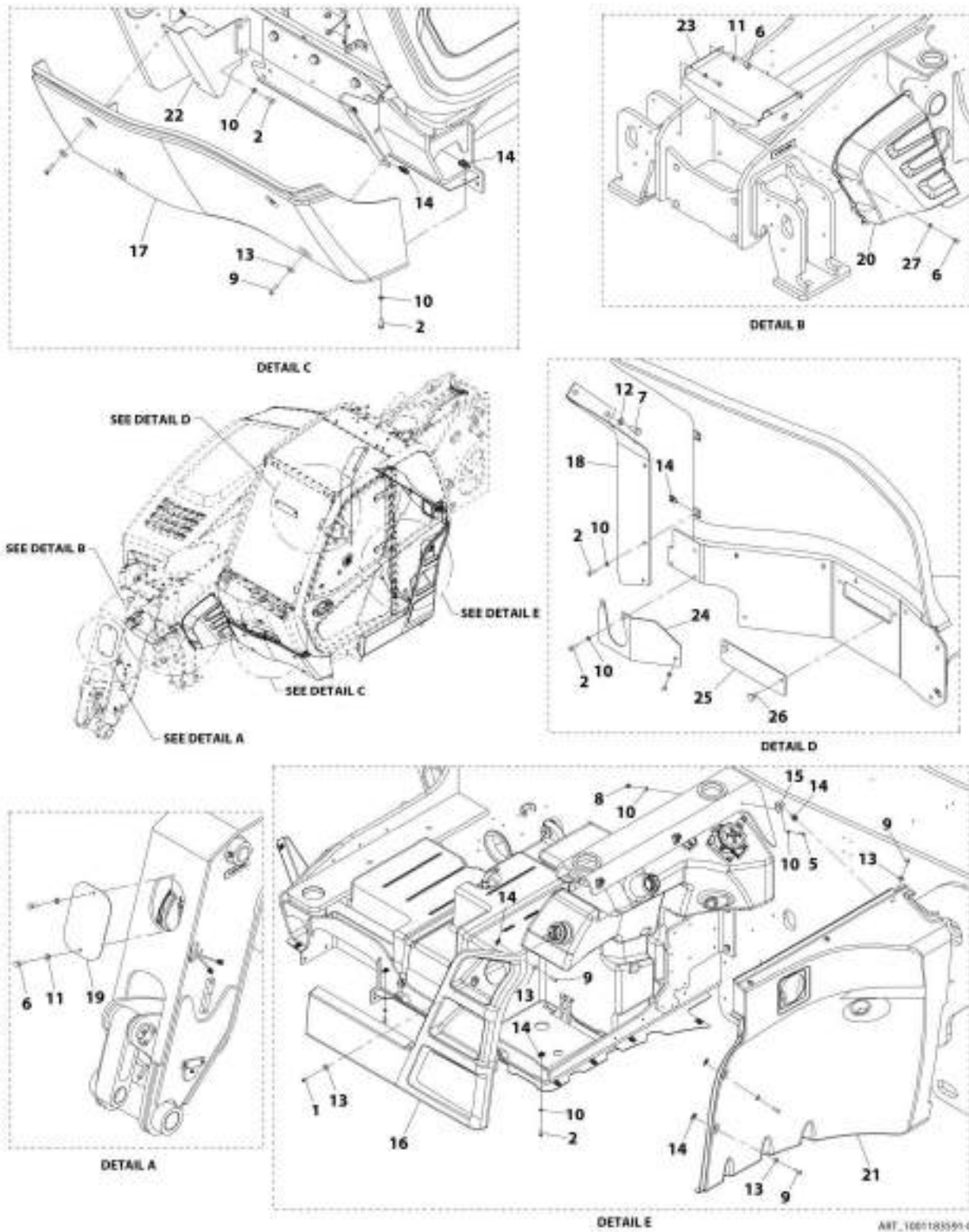
## SECTION 1 - FRAME AND ATTACHING PARTS

**FIGURE 1-10. COVER PLATES INSTALLATION (NO OUTRIGGERS - ULS)**

ITEM	PART NUMBER	QTY	DESCRIPTION	REV
	1001183590	Ref	Cover Plates Installation (No Outriggers - ULS)	E
2	0630576	1	Screw, M6X20	
3	0700610	14	Bolt, M6X20	
6	0760612	3	Bolt, M6X25	
7	0760810	10	Bolt, M8X20	
8	0761012	2	Bolt, M10X25	
9	3290605	3	Nut, Lock M6X1 Grade 8	
10	3900379	10	Screw, M6-1X25 Grade 10.9	
11	4811700	20	Washer, M6	
12	4811900	6	Washer, M8	
13	4812000	2	Washer, M10	
14	1001097540	11	Washer, M6	
15	8305919	18	Nut, M6	
16	1001168758	1	Cover, Side Tank	
17	1001171782	3	Plate, Angle Mount	
18	1001174328	1	Cover, Lower Front	
19	1001182210	1	Plate, Enclosure Rear	
20	1001185936	1	Plate, Cover Boom Head	
21	1001187717	1	Cover, ECU	
22	1001190408	1	Cover, Rear Tank	
23	1001191808	1	Bracket, Cover	
24	1001189984J	1	Panel, Frame	
25	1001201504J	1	Panel, Cover	
26	1001216923J	1	Plate, Radiator Cover	
27	2080092	2	Screw, Thumb M6X20	
28	4811902	4	Washer, M8	

# SECTION 1 - FRAME AND ATTACHING PARTS

## FIGURE 1-11. COVER PLATES INSTALLATION (NO OUTRIGGERS - LS)



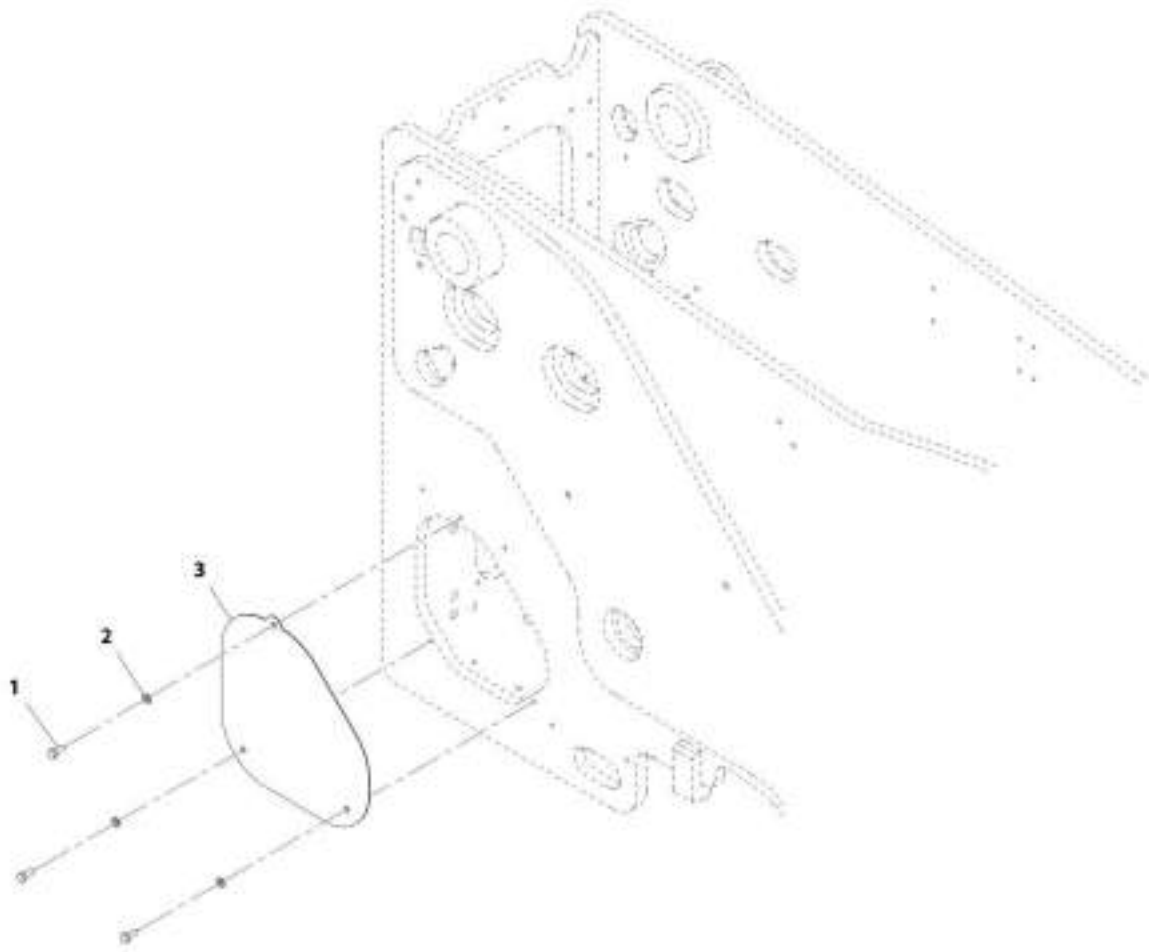
## SECTION 1 - FRAME AND ATTACHING PARTS

**FIGURE 1-11. COVER PLATES INSTALLATION (NO OUTRIGGERS - LS)**

ITEM	PART NUMBER	QTY	DESCRIPTION	REV
	1001183591	Ref	Cover Plates Installation (No Outriggers - LS)	D
1	0630576	1	Screw, M6X20	
2	0700610	14	Bolt, M6X20	
5	0760612	3	Bolt, M6X25	
6	0760810	10	Bolt, M8X20	
7	0761012	2	Bolt, M10X25	
8	3290605	3	Nut, Lock M6X1 Grade 8	
9	3900379	10	Screw, M6-1X25 Grade 10.9	
10	4811700	20	Washer, M6	
11	4811900	6	Washer, M8	
12	4812000	2	Washer, M10	
13	1001097540	11	Washer, M6	
14	8305919	18	Nut, M6	
15	1001171782	3	Plate, Angle Mount	
16	1001172829	1	Cover, Side Tank	
17	1001174328	1	Cover, Lower Front	
18	1001182210	1	Plate, Enclosure Rear	
19	1001185936	1	Plate, Cover Boom Head	
20	1001187717	1	Cover, ECU	
21	1001190408	1	Cover, Rear Tank	
22	1001191808	1	Bracket, Cover	
23	1001189984J	1	Panel, Frame	
24	1001201504J	1	Panel, Cover	
25	1001216923J	1	Plate, Radiator Cover	
26	2080092	2	Screw, Thumb M6X20	
27	4811902	4	Washer, M8	

# SECTION 1 - FRAME AND ATTACHING PARTS

FIGURE 1-12. COVER PLATE INSTALLATION (NO TRAILER BRAKES)



ART\_1001203384-A

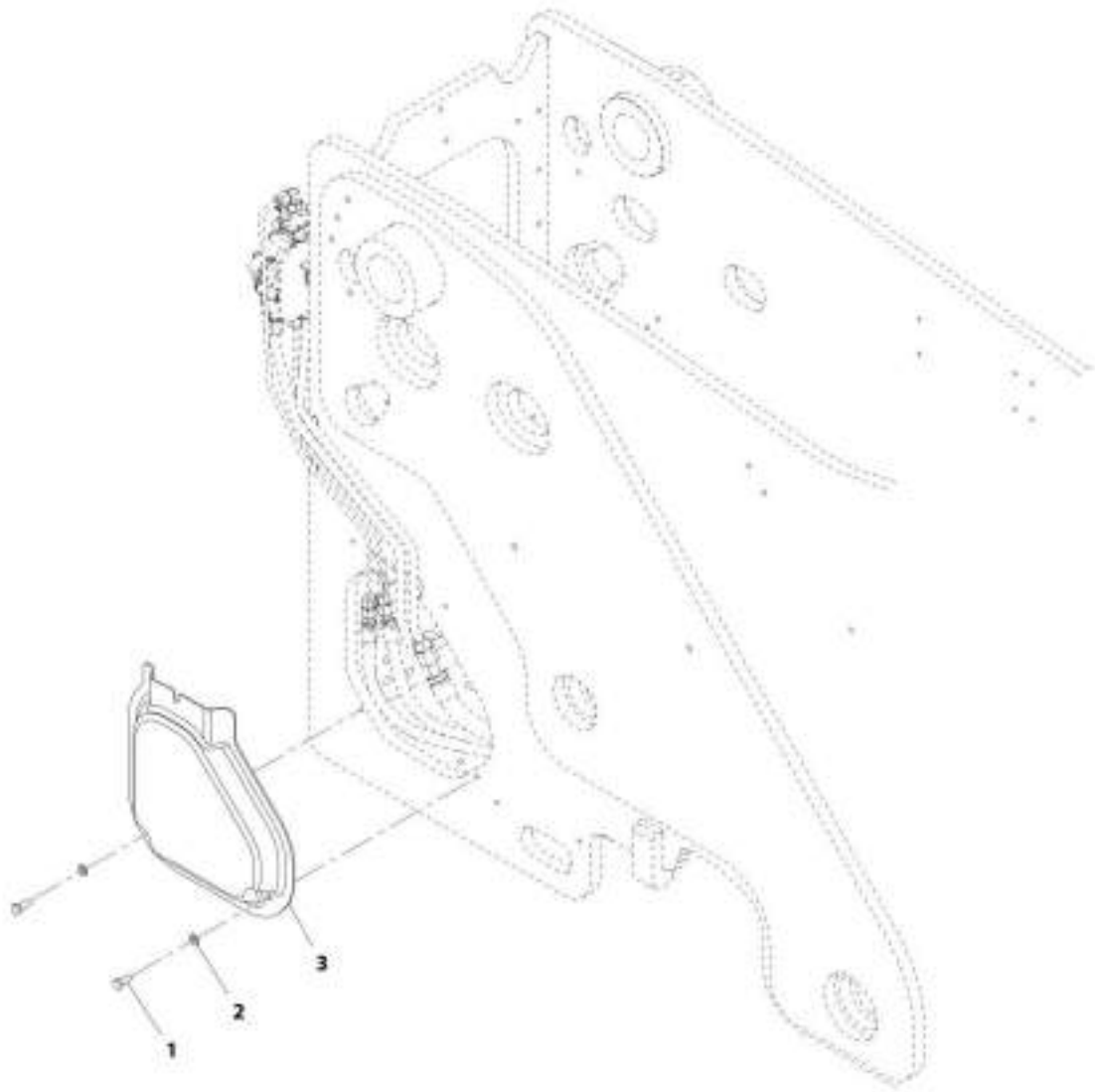
# SECTION 1 - FRAME AND ATTACHING PARTS

## FIGURE 1-12. COVER PLATE INSTALLATION (NO TRAILER BRAKES)

ITEM	PART NUMBER	QTY	DESCRIPTION	REV
	1001203386	Ref	Cover Plate Installation (No Trailer Brakes)	A
1	0760810	3	Bolt, M8X20	
2	4811900	3	Washer, M8	
3	1001180574J	1	Plate, Cover	

# SECTION 1 - FRAME AND ATTACHING PARTS

FIGURE 1-13. COVER PLATE INSTALLATION (TRAILER BRAKES)



MIT\_3001205406-A

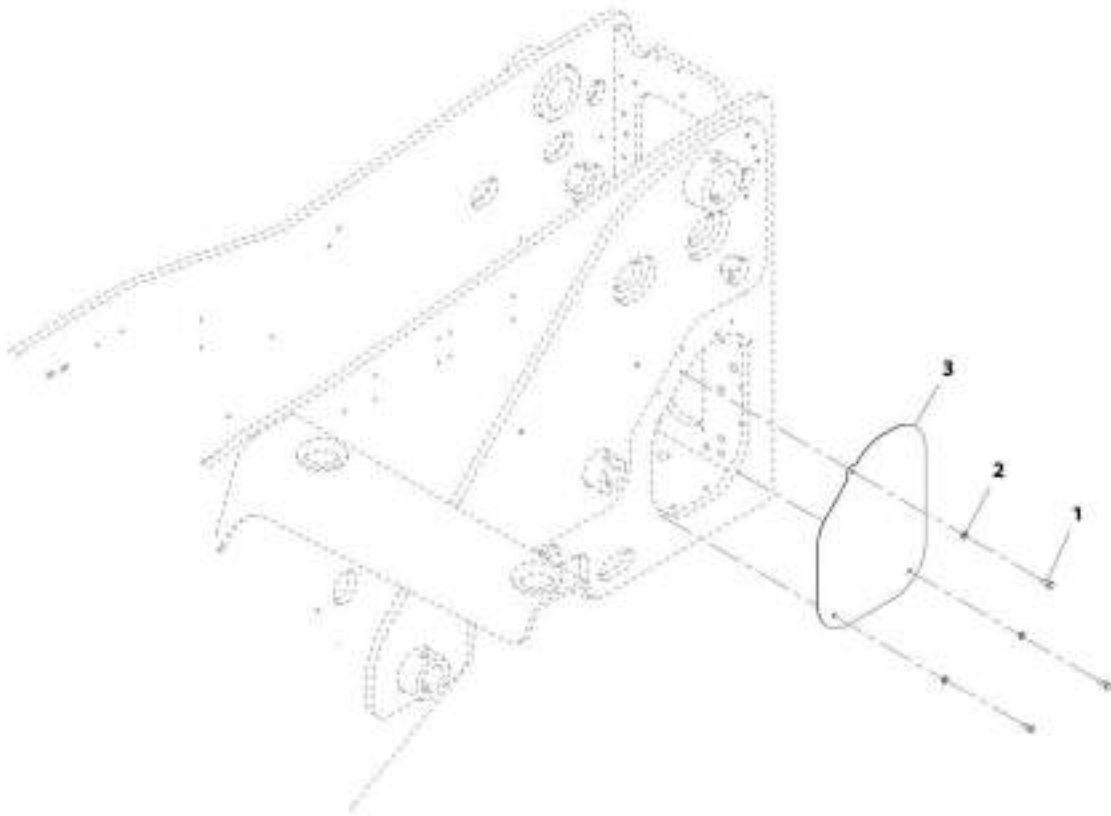
# SECTION 1 - FRAME AND ATTACHING PARTS

## FIGURE 1-13. COVER PLATE INSTALLATION (TRAILER BRAKES)

ITEM	PART NUMBER	QTY	DESCRIPTION	REV
	1001203406	Ref	Cover Plate Installation (Trailer Brakes)	A
1	0760810	2	Bolt, M8X20	
2	4811900	2	Washer, M8	
3	1001203410	1	Cover, Frame	

# SECTION 1 - FRAME AND ATTACHING PARTS

FIGURE 1-14. COVER PLATE INSTALLATION (NO REAR AUX)



MIT\_1881201324-A



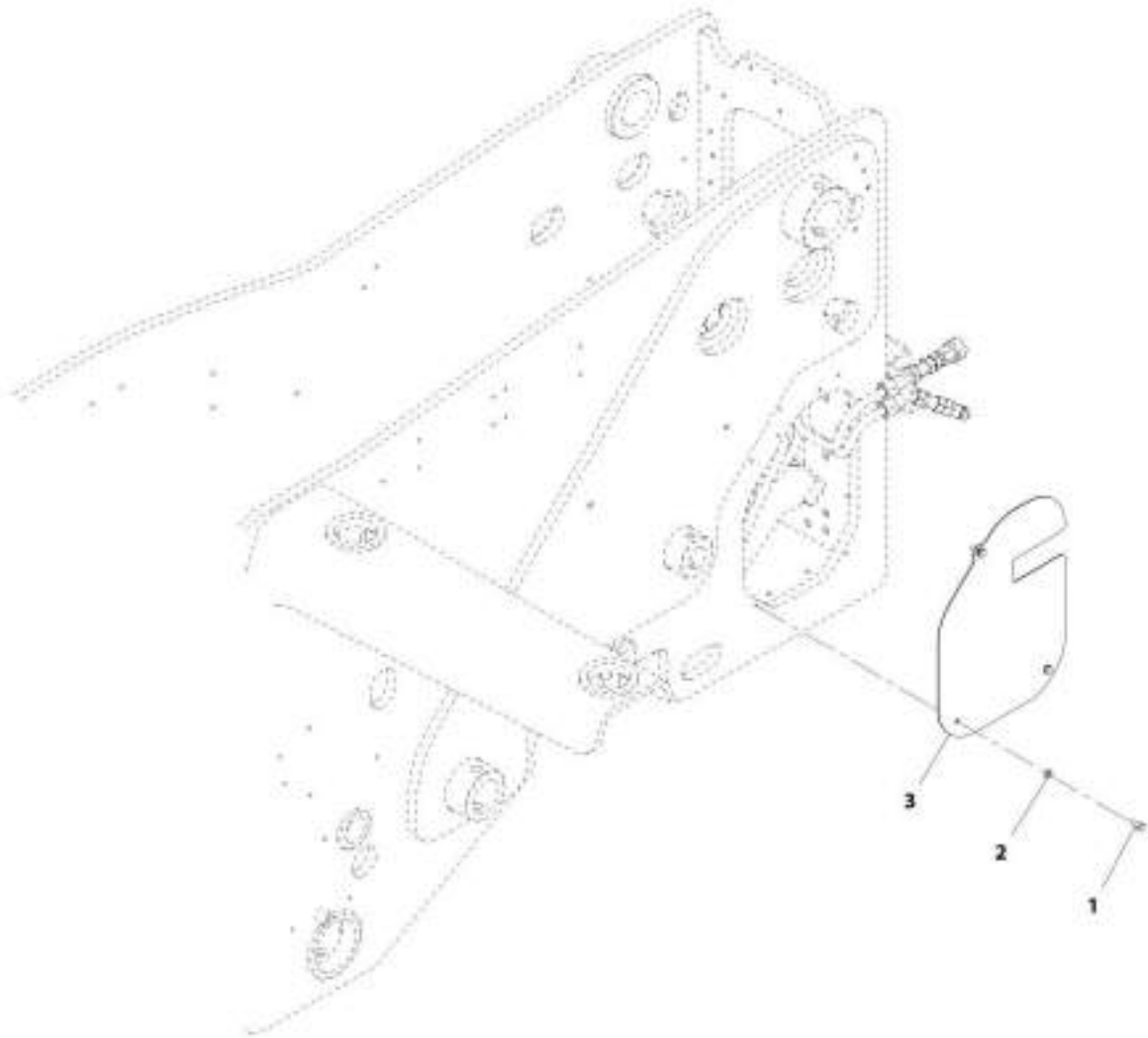
## SECTION 1 - FRAME AND ATTACHING PARTS

FIGURE 1-14. COVER PLATE INSTALLATION (NO REAR AUX)

ITEM	PART NUMBER	QTY	DESCRIPTION	REV
	1001203374	Ref	Cover Plate Installation (No Rear Aux)	A
1	0760810	3	Bolt, M8X20	
2	4811900	3	Washer, M8	
3	1001183908J	1	Plate, Cover	

**SECTION 1 - FRAME AND ATTACHING PARTS**

**FIGURE 1-15. COVER PLATE INSTALLATION (REAR AUX)**



ARF\_1001201403 B

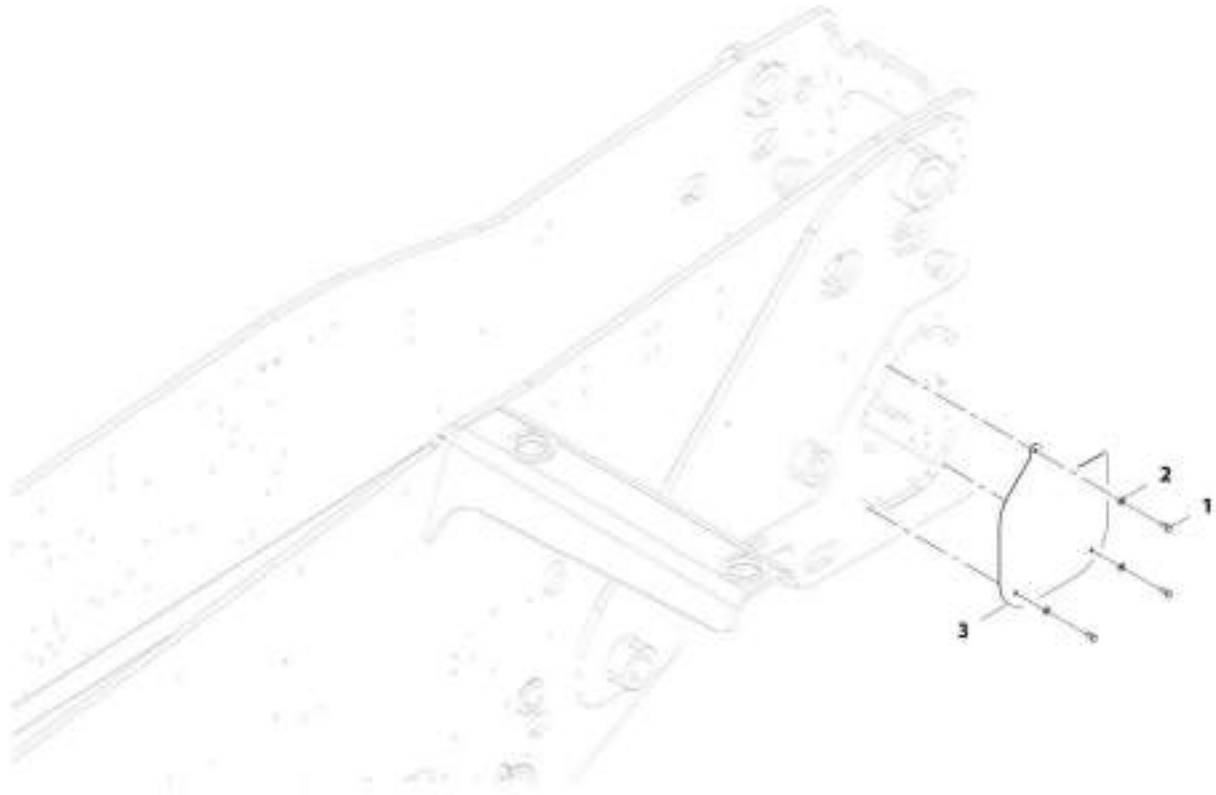
# SECTION 1 - FRAME AND ATTACHING PARTS

## FIGURE 1-15. COVER PLATE INSTALLATION (REAR AUX)

ITEM	PART NUMBER	QTY	DESCRIPTION	REV
	1001203402	Ref	Cover Plate Installation (Rear Aux)	B
1	0760810	3	Bolt, M8X20	
2	4811900	3	Washer, M8	
3	1001203408J	1	Plate, Cover	

# SECTION 1 - FRAME AND ATTACHING PARTS

FIGURE 1-16. COVER PLATE INSTALLATION (HYDRAULIC HITCH AND REAR AUX)



AWT\_3001214492-A

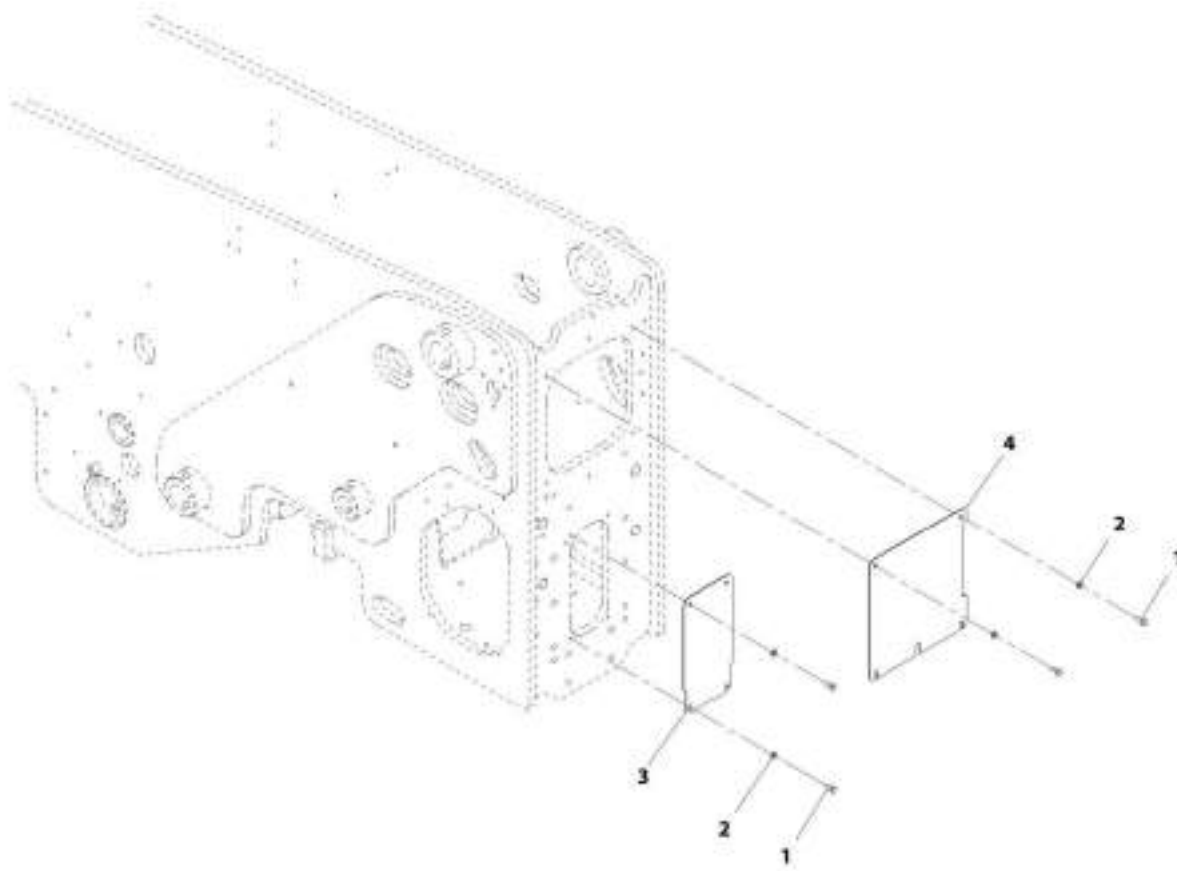
## SECTION 1 - FRAME AND ATTACHING PARTS

FIGURE 1-16. COVER PLATE INSTALLATION (HYDRAULIC HITCH AND REAR AUX)

ITEM	PART NUMBER	QTY	DESCRIPTION	REV
	1001214492	Ref	Cover Plate Installation (Hydraulic Hitch and Rear Aux)	A
1	0760810	3	Bolt, M8X20	
2	4811900	3	Washer, M8	
3	1001214036J	1	Plate	

# SECTION 1 - FRAME AND ATTACHING PARTS

FIGURE 1-17. REAR COVER PLATE INSTALLATION (NO HYDRAULIC HITCH)



ART\_1001201291-B

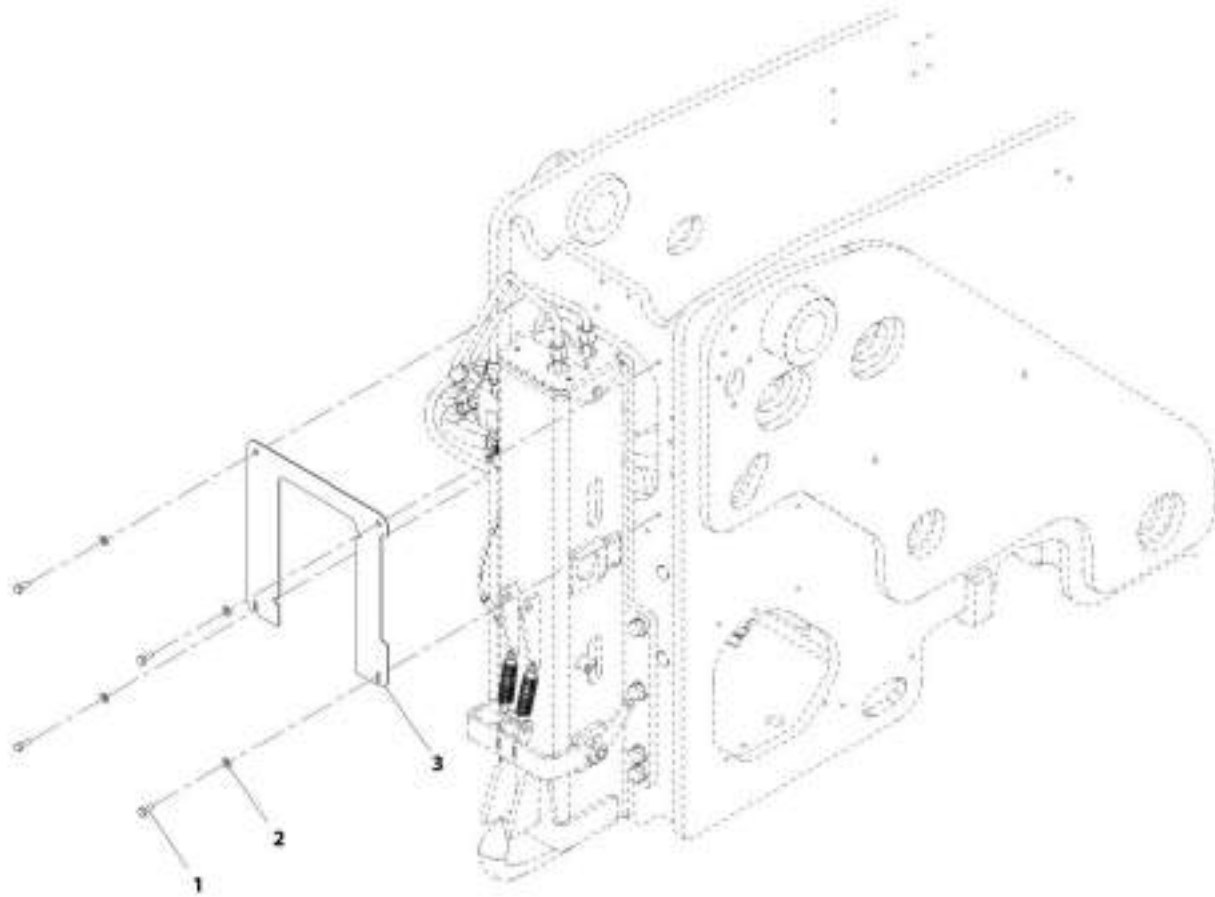
## SECTION 1 - FRAME AND ATTACHING PARTS

FIGURE 1-17. REAR COVER PLATE INSTALLATION (NO HYDRAULIC HITCH)

ITEM	PART NUMBER	QTY	DESCRIPTION	REV
	1001203291	Ref	Rear Cover Plate Installation (No Hydraulic Hitch)	B
1	0760810	8	Bolt, M8X20	
2	4811900	8	Washer, M8	
3	1001183909J	1	Plate, Cover	
4	1001183910J	1	Plate, Cover	

# SECTION 1 - FRAME AND ATTACHING PARTS

FIGURE 1-18. REAR COVER PLATE INSTALLATION (HYDRAULIC HITCH)



ART\_1001203269-0



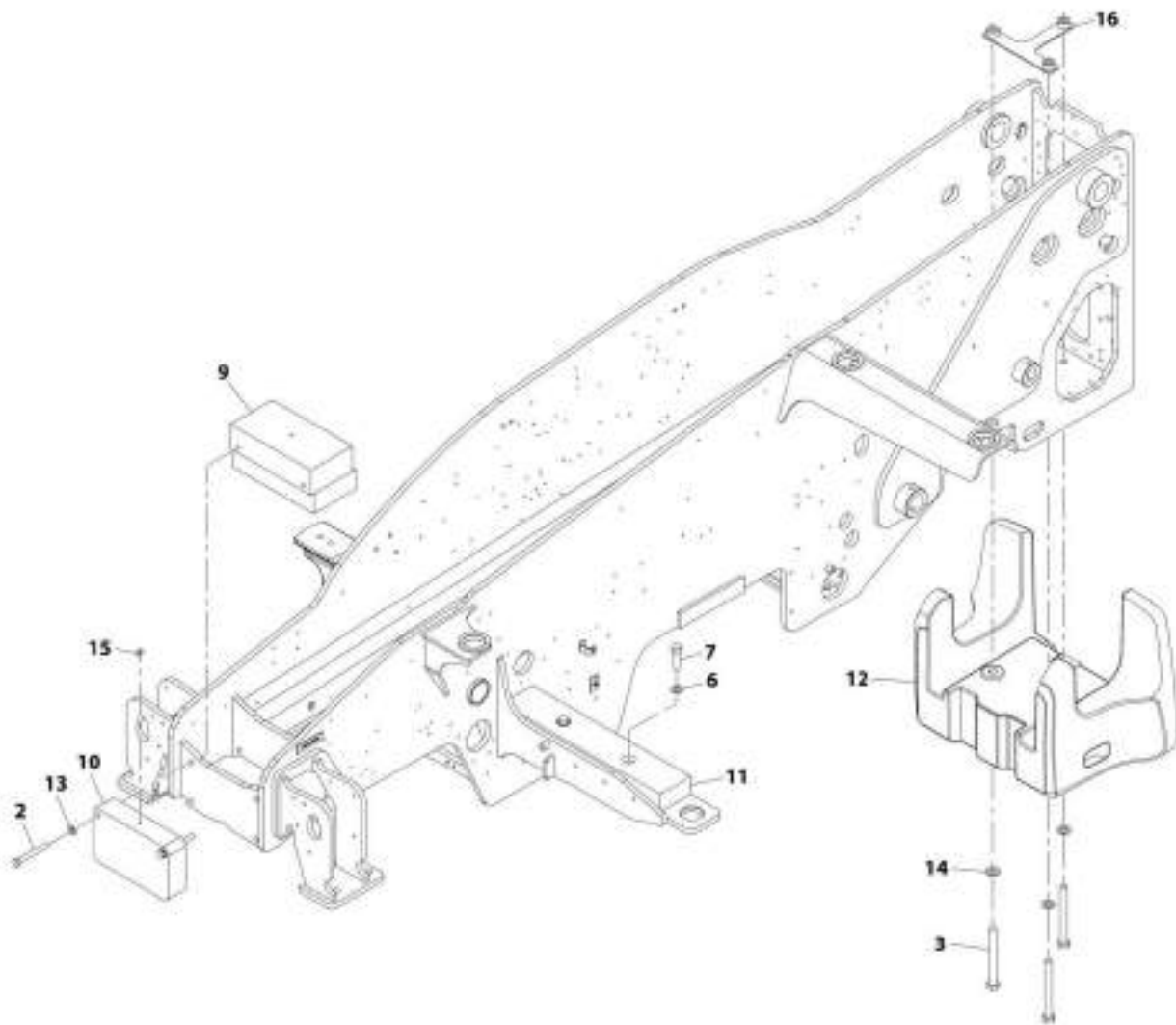
# SECTION 1 - FRAME AND ATTACHING PARTS

FIGURE 1-18. REAR COVER PLATE INSTALLATION (HYDRAULIC HITCH)

ITEM	PART NUMBER	QTY	DESCRIPTION	REV
	1001203293	Ref	Rear Cover Plate Installation (Hydraulic Hitch)	B
1	0760810	4	Bolt, M8X20	
2	4811900	4	Washer, M8	
3	1001203305J	1	Plate, Cover	

# SECTION 1 - FRAME AND ATTACHING PARTS

FIGURE 1-19. COUNTERWEIGHT INSTALLATION (NO OUTRIGGERS)



AWT\_1001167116-D

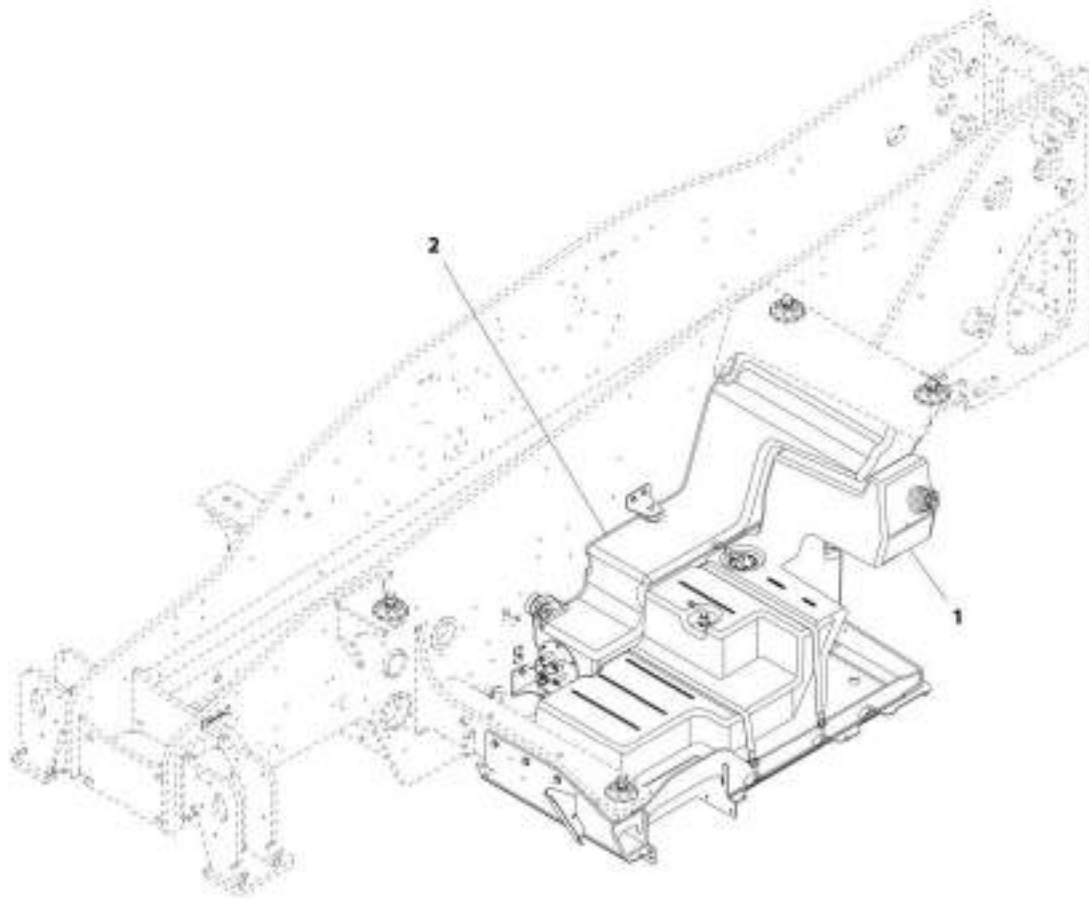
# SECTION 1 - FRAME AND ATTACHING PARTS

## FIGURE 1-19. COUNTERWEIGHT INSTALLATION (NO OUTRIGGERS)

ITEM	PART NUMBER	QTY	DESCRIPTION	REV
	1001187716	Ref	Counterweight Installation (No Outriggers)	D
2	0701631	2	Bolt, M16X140, Grade 10.9	
3	0712439	3	Bolt, M24X220 Grade 10.9	
6	4812500	2	Washer, M20	
7	1001119057	2	Bolt	
9	1001187622	1	Weight	
10	1001187638J	1	Weight	
11	1001187732	1	Plate	
12	1001201029J	1	Weight, Counterweight	
13	4812300	2	Washer, M16	
14	4812700	3	Washer, M24	
15	1001176341	1	Screw	
16	1001212270	1	Plate	

# SECTION 1 - FRAME AND ATTACHING PARTS

FIGURE 1-20. TANKS INSTALLATION



ART\_1001170904-B

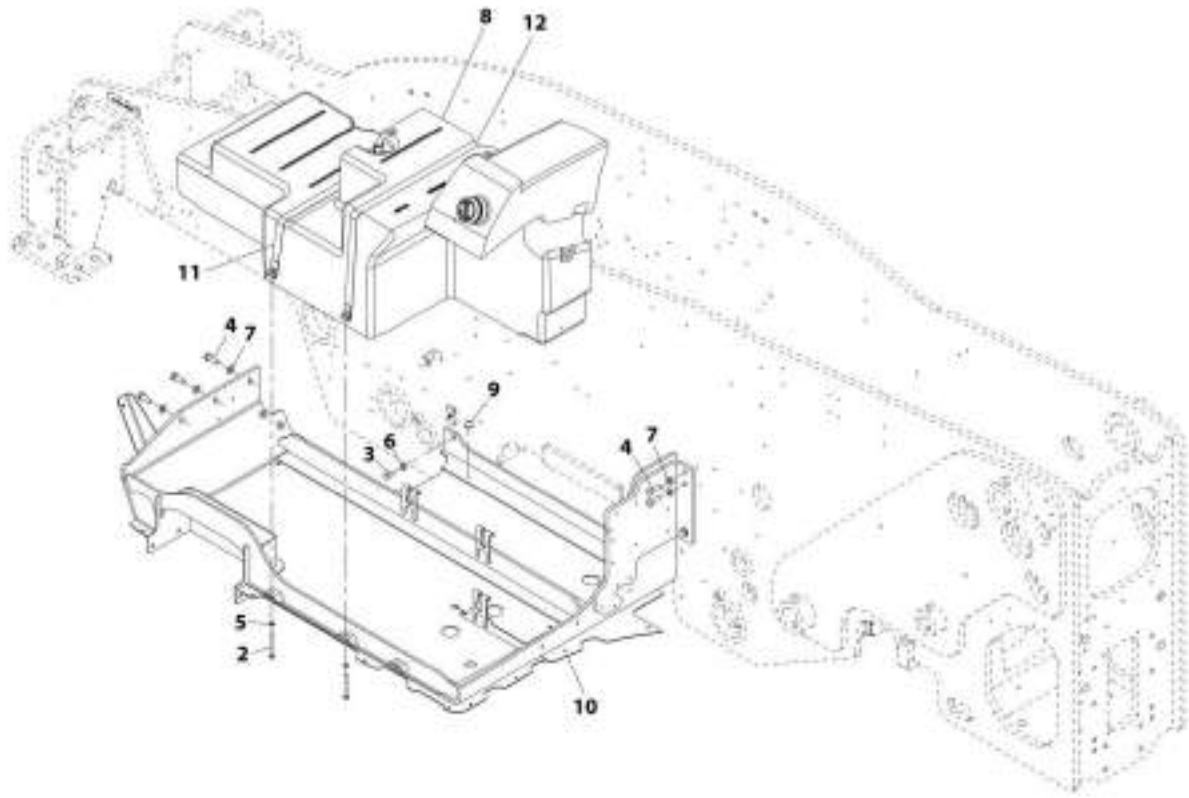
# SECTION 1 - FRAME AND ATTACHING PARTS

## FIGURE 1-20. TANKS INSTALLATION

ITEM	PART NUMBER	QTY	DESCRIPTION	REV
1	1001176964	Ref	Tanks Installation	B
	1001176965	Ref	Installation, Fuel Tank (See Separate Breakdown in this Section)	
	1001176966	Ref	Installation, Hydraulic Tank (See Separate Breakdown in this Section)	

# SECTION 1 - FRAME AND ATTACHING PARTS

FIGURE 1-21. FUEL TANK INSTALLATION



ART\_300117695-D

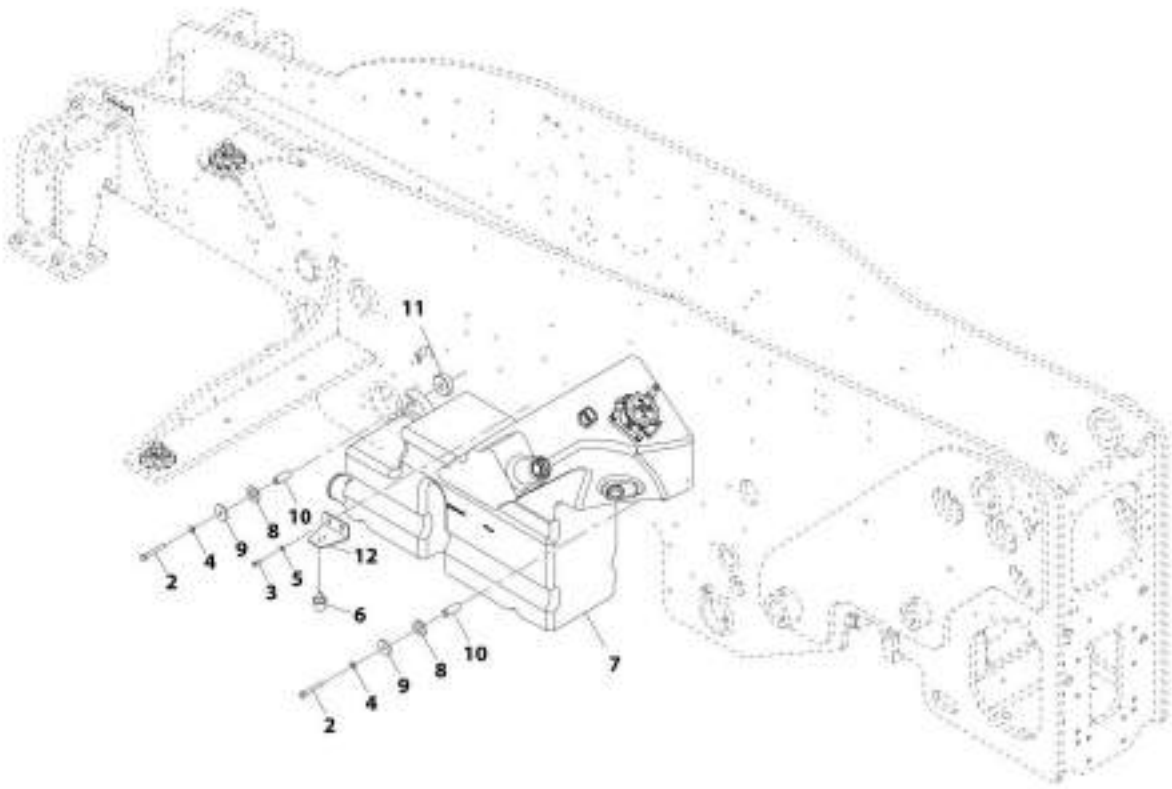
# SECTION 1 - FRAME AND ATTACHING PARTS

## FIGURE 1-21. FUEL TANK INSTALLATION

ITEM	PART NUMBER	QTY	DESCRIPTION	REV
	1001176965	Ref	Fuel Tank Installation	D
2	0760823	2	Bolt, M8X75	
3	0761012	1	Bolt, M10X25	
4	0761215	6	Bolt, M12X35	
5	4811900	2	Washer, M8	
6	4812000	1	Washer, M10	
7	4812100	6	Washer, M12	
8	1001192125	1	Assembly, Fuel Tank (See Separate Breakdown in this Section)	
9	1001169454	4	Mount	
10	1001197360	1	Support, Plate	
11	1001178474	1	Strap, Tank	
12	1001178693	1	Strap, Tank	

# SECTION 1 - FRAME AND ATTACHING PARTS

FIGURE 1-22. HYDRAULIC TANK INSTALLATION



ART\_1001376066-C



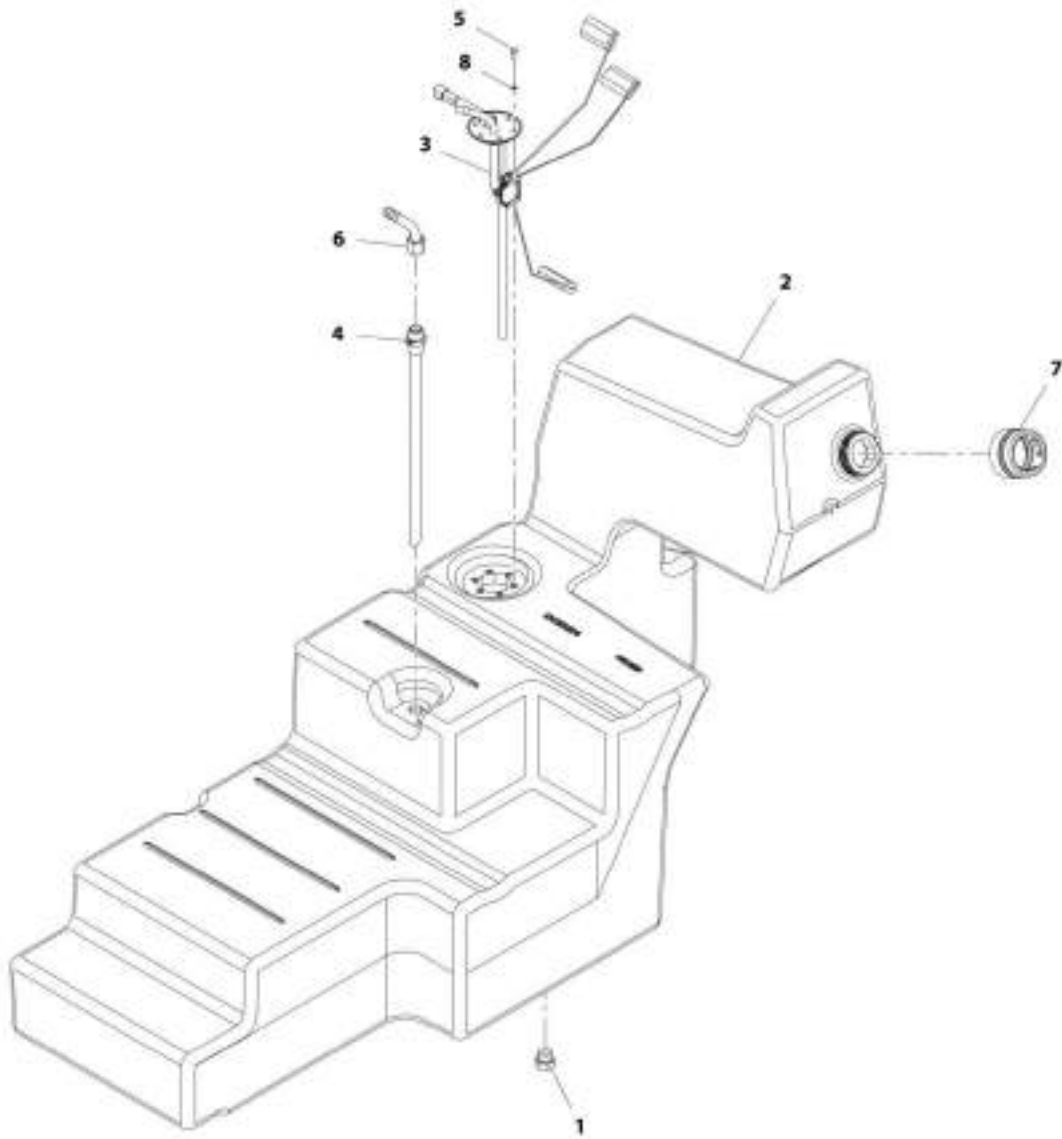
# SECTION 1 - FRAME AND ATTACHING PARTS

## FIGURE 1-22. HYDRAULIC TANK INSTALLATION

ITEM	PART NUMBER	QTY	DESCRIPTION	REV
	1001176966	Ref	Hydraulic Tank Installation	C
2	0701024	2	Bolt, M10X80	
3	0760812	2	Bolt, M8X25	
4	4812000	2	Washer, M10	
5	4811900	2	Washer, M8	
6	1001008575	1	Bumper	
7	1001191521	1	Assembly, Hydraulic Tank (See Separate Breakdown in this Section)	
8	1001172146	2	Washer	
9	1001172147	2	Washer, M10	
10	1001177060	2	Sleeve, Spacer	
11	1001177062	2	Washer	
12	1001177082	1	Bracket, Frame	

# SECTION 1 - FRAME AND ATTACHING PARTS

FIGURE 1-23. FUEL TANK ASSEMBLY



ART 3001192125-C

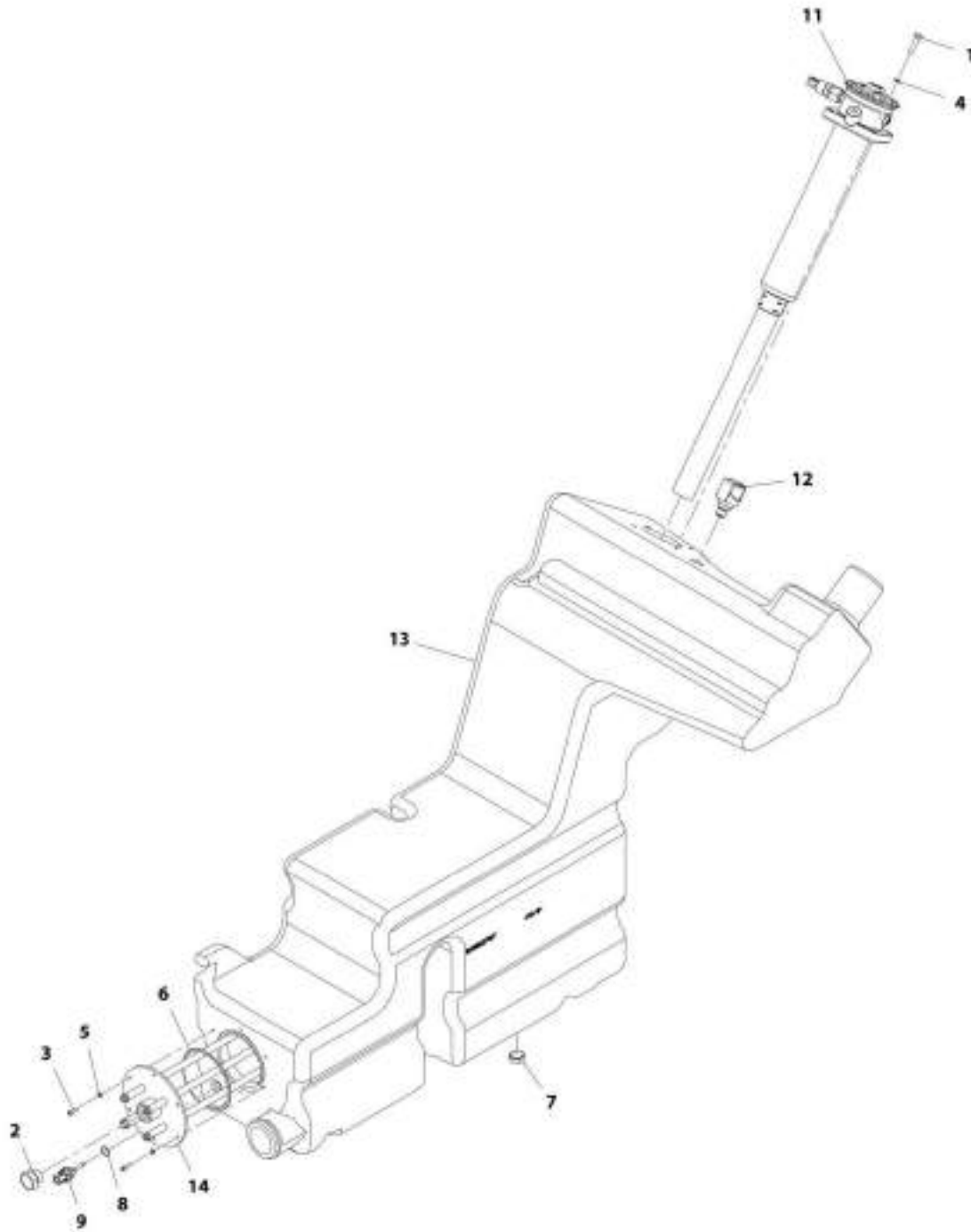
# SECTION 1 - FRAME AND ATTACHING PARTS

## FIGURE 1-23. FUEL TANK ASSEMBLY

ITEM	PART NUMBER	QTY	DESCRIPTION	REV
	1001192125	Ref	Fuel Tank Assembly	C
1	1001003427	1	Plug	
2	1001192124	1	Tank, Fuel	
3	1001222188	1	Sender, Fuel Level	
4	1001170106	1	Pipe, Fuel Supply	
5	4031607	6	Bolt, M5X16	
6	1001172693	1	Fitting, 90	
7	1001192392	1	Adapter	
8	1001222190	6	Washer	

# SECTION 1 - FRAME AND ATTACHING PARTS

FIGURE 1-24. HYDRAULIC TANK ASSEMBLY



ART\_1001191521-D

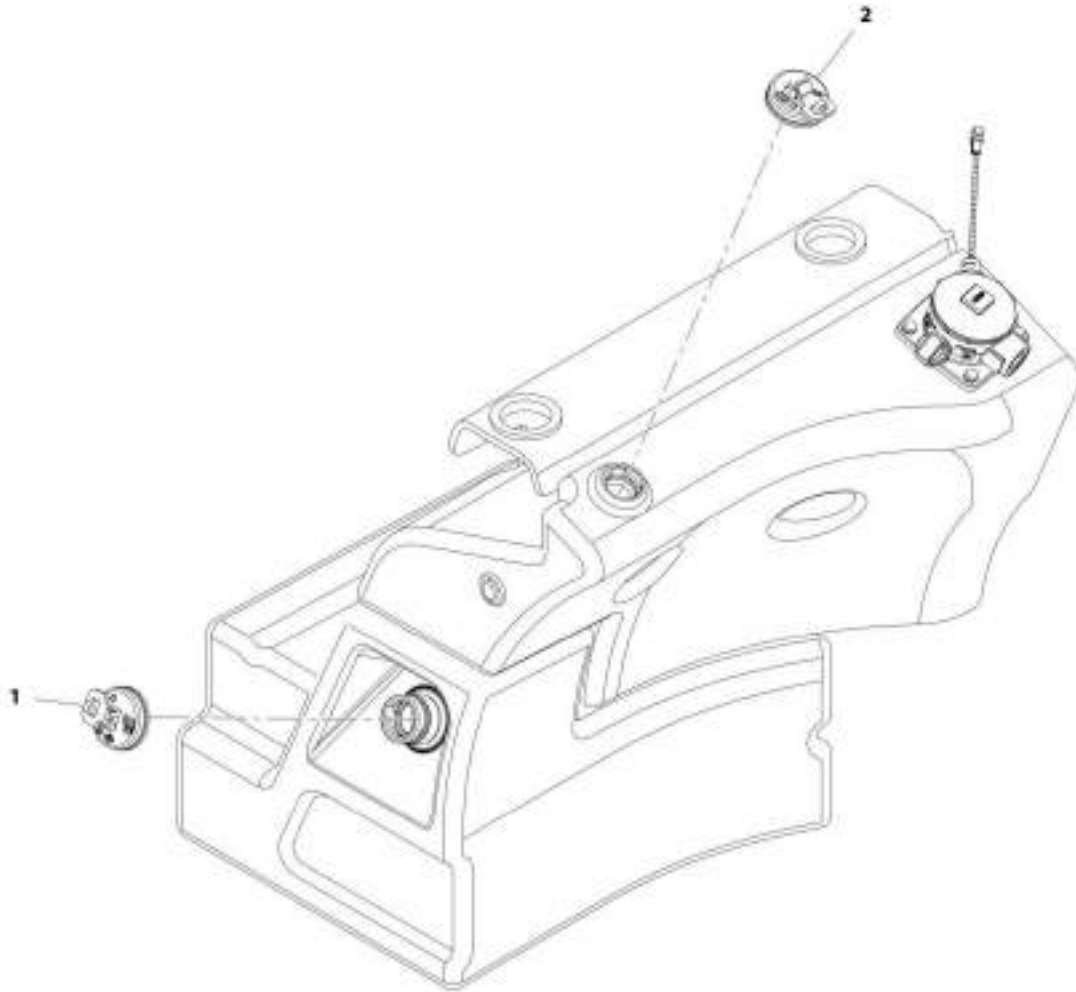
# SECTION 1 - FRAME AND ATTACHING PARTS

## FIGURE 1-24. HYDRAULIC TANK ASSEMBLY

ITEM	PART NUMBER	QTY	DESCRIPTION	REV
	1001191521	Ref	Hydraulic Tank Assembly	D
1	0700814	4	Bolt, M8X30	
2	2220240	1	Plug	
3	4031607	6	Screw, M5-0.8X16	
4	4811900	4	Washer, M8	
5	4831600	6	Washer, Lock M5	
6	1001003301	1	O-Ring	
7	2220239	1	Plug	
8	1001009163	1	O-Ring	
9	1001128478	1	Sensor, Temperature	
11	1001162659	1	Filter, Hydraulic	
12	1001162662	1	Filter, Breather	
13	1001162767	1	Tank, Hydraulic	
14	1001191533	1	Manifold, Hydraulic Return	

# SECTION 1 - FRAME AND ATTACHING PARTS

FIGURE 1-25. FUEL AND HYDRAULIC CAP INSTALLATION



ART\_100197275-A

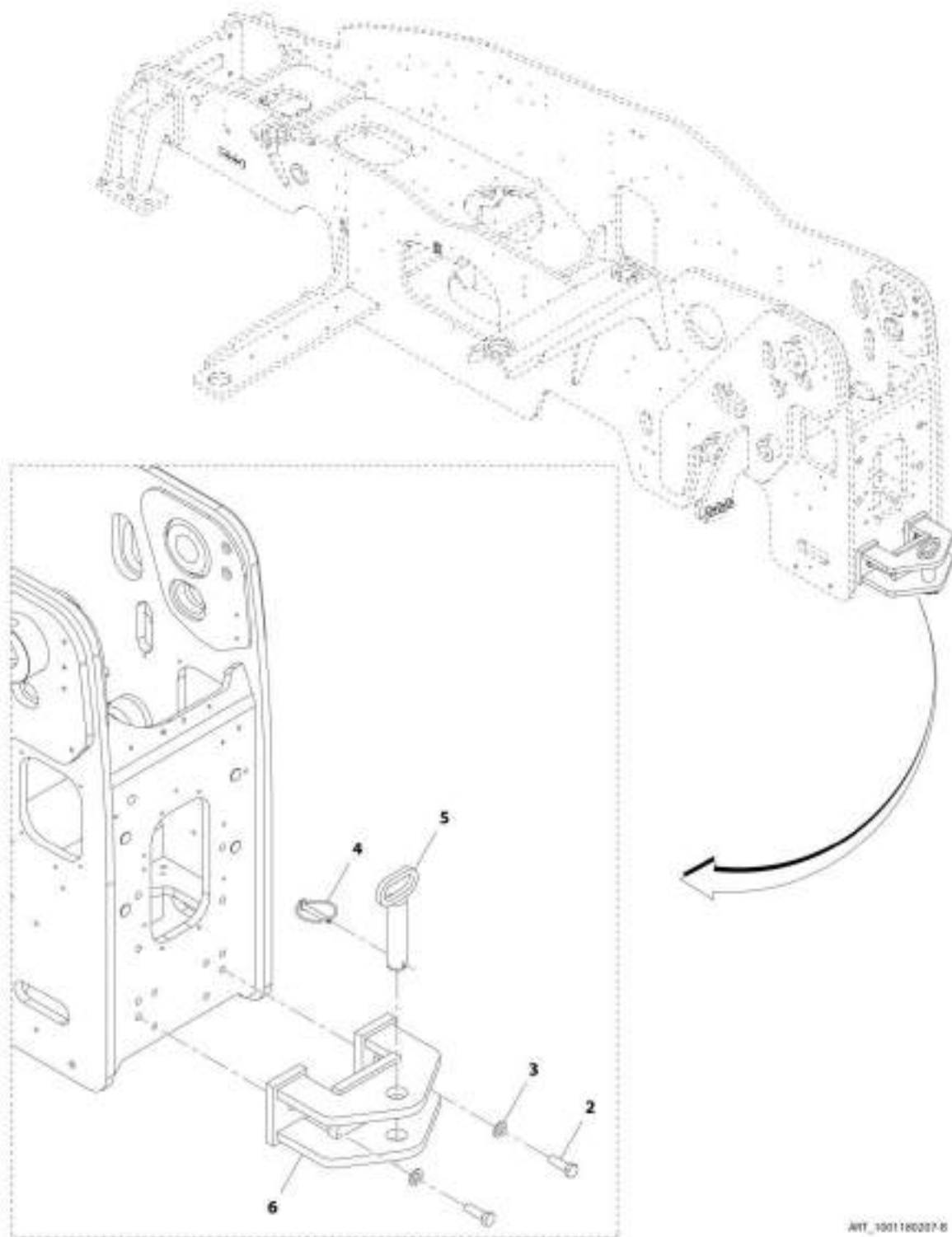
# SECTION 1 - FRAME AND ATTACHING PARTS

## FIGURE 1-25. FUEL AND HYDRAULIC CAP INSTALLATION

ITEM	PART NUMBER	QTY	DESCRIPTION	REV
	1001197275	Ref	Fuel and Hydraulic Cap Installation	A
1	1001142658	1	Cap, Fuel	
2	1001142659	1	Cap, Hydraulic	

# SECTION 1 - FRAME AND ATTACHING PARTS

FIGURE 1-26. HITCH RETRIEVAL INSTALLATION



AWT\_1001180307-B



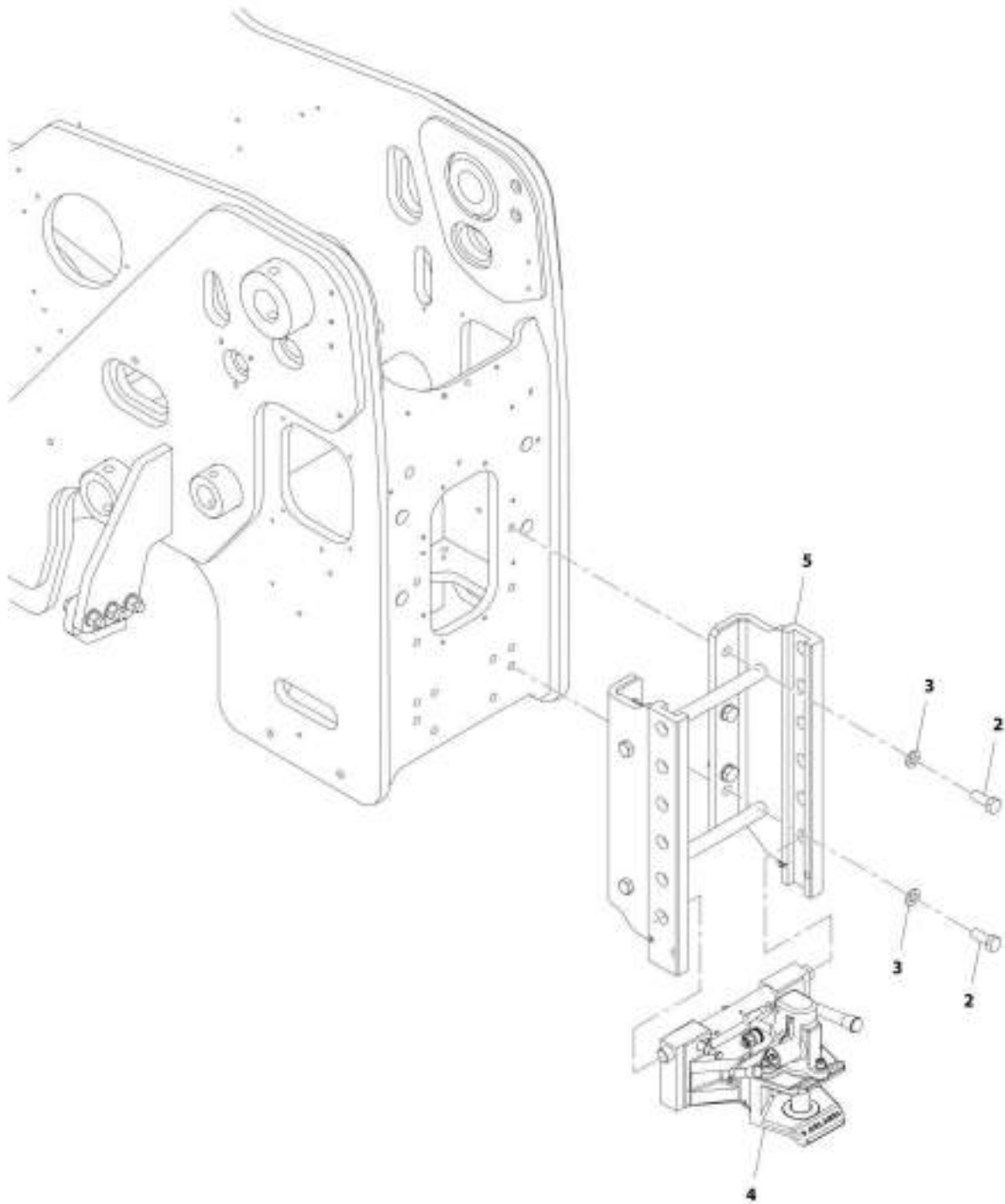
# SECTION 1 - FRAME AND ATTACHING PARTS

## FIGURE 1-26. HITCH RETRIEVAL INSTALLATION

ITEM	PART NUMBER	QTY	DESCRIPTION	REV
	1001180207	Ref	Hitch Retrieval Installation	B
2	0771618	2	Bolt, M16X50 Grade 10.9	
3	5241600	2	Washer, M16	
4	1001003803	1	Pin	
5	1001005267	1	Pin	
6	1001106570	1	Hitch, Retrieval	

# SECTION 1 - FRAME AND ATTACHING PARTS

FIGURE 1-27. HITCH INSTALLATION (EEC AUTO)



ART\_1001180196-B

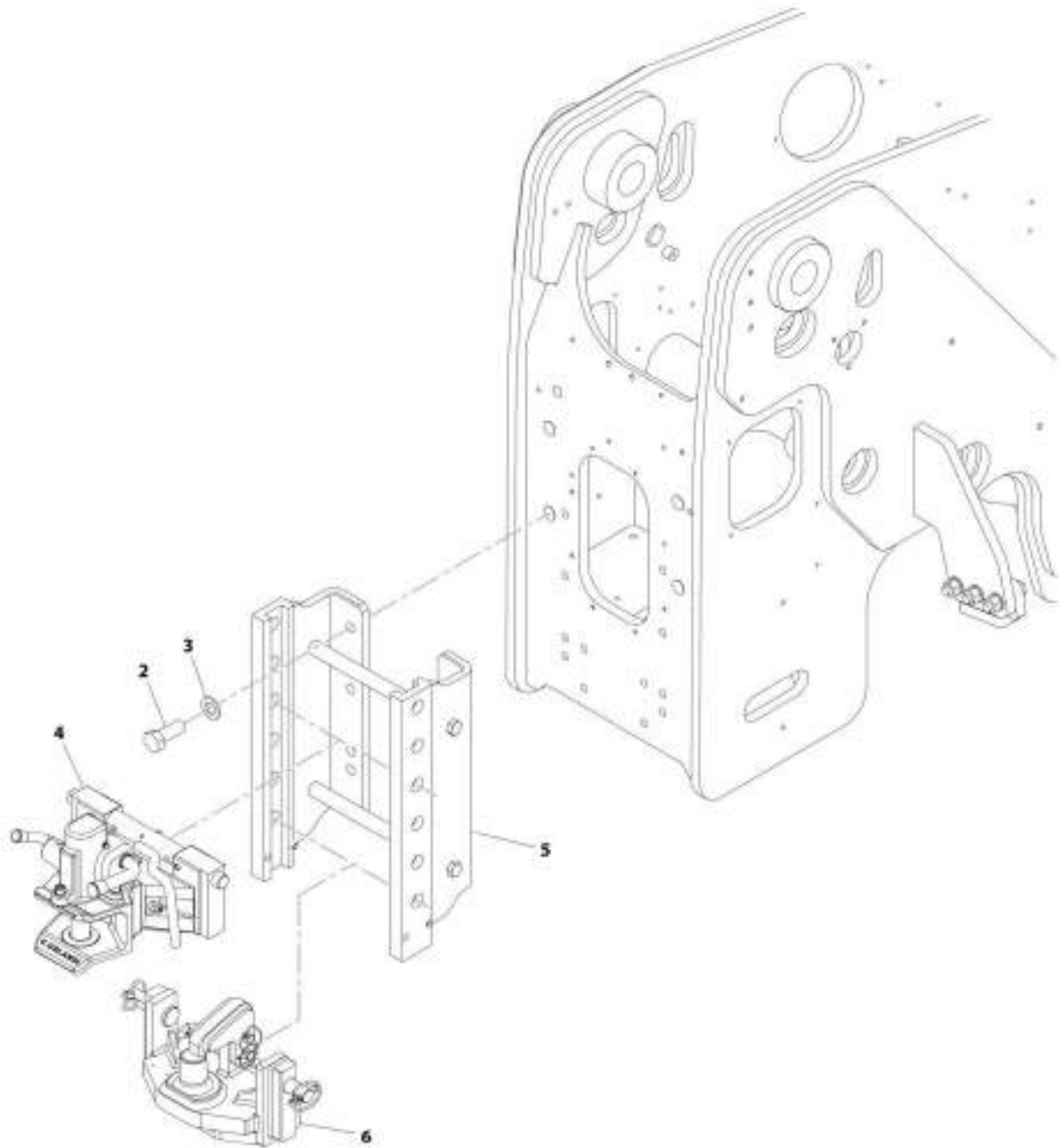
# SECTION 1 - FRAME AND ATTACHING PARTS

## FIGURE 1-27. HITCH INSTALLATION (EEC AUTO)

ITEM	PART NUMBER	QTY	DESCRIPTION	REV
	1001180196	Ref	Hitch Installation (EEC Auto)	B
2	0701616	8	Bolt, M16X40	
3	4812300	8	Washer, M6	
4	1001098629	1	Assembly, Hitch (EEC Auto) (See Separate Breakdown in this Section)	
5	1001183274	1	Hitch, Sliding Towing Bracket	

# SECTION 1 - FRAME AND ATTACHING PARTS

FIGURE 1-28. HITCH INSTALLATION (PITON)



ART\_1001180200-8

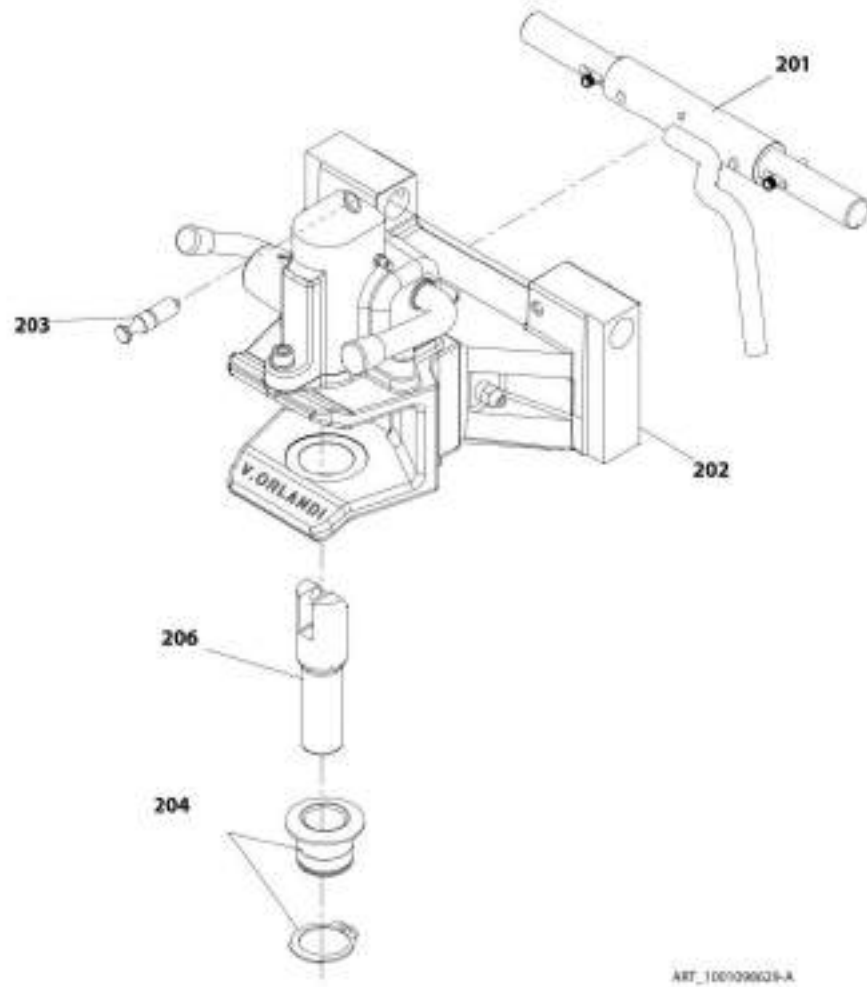
# SECTION 1 - FRAME AND ATTACHING PARTS

## FIGURE 1-28. HITCH INSTALLATION (PITON)

ITEM	PART NUMBER	QTY	DESCRIPTION	REV
	1001180202	Ref	Hitch Installation (Piton)	B
2	0701616	8	Bolt, M16X40	
3	4812300	8	Washer, M16	
4	1001098629	1	Assembly, Hitch (EEC AUTO) (See Separate Breakdown in this Section)	
5	1001183274	1	Hitch, Sliding Towing Bracket	
6	1001185248	1	Hitch, Sliding (Piton) (See Separate Breakdown in this Section)	

# SECTION 1 - FRAME AND ATTACHING PARTS

## FIGURE 1-29. HITCH ASSEMBLY (EEC AUTO)



ART\_100026028-A

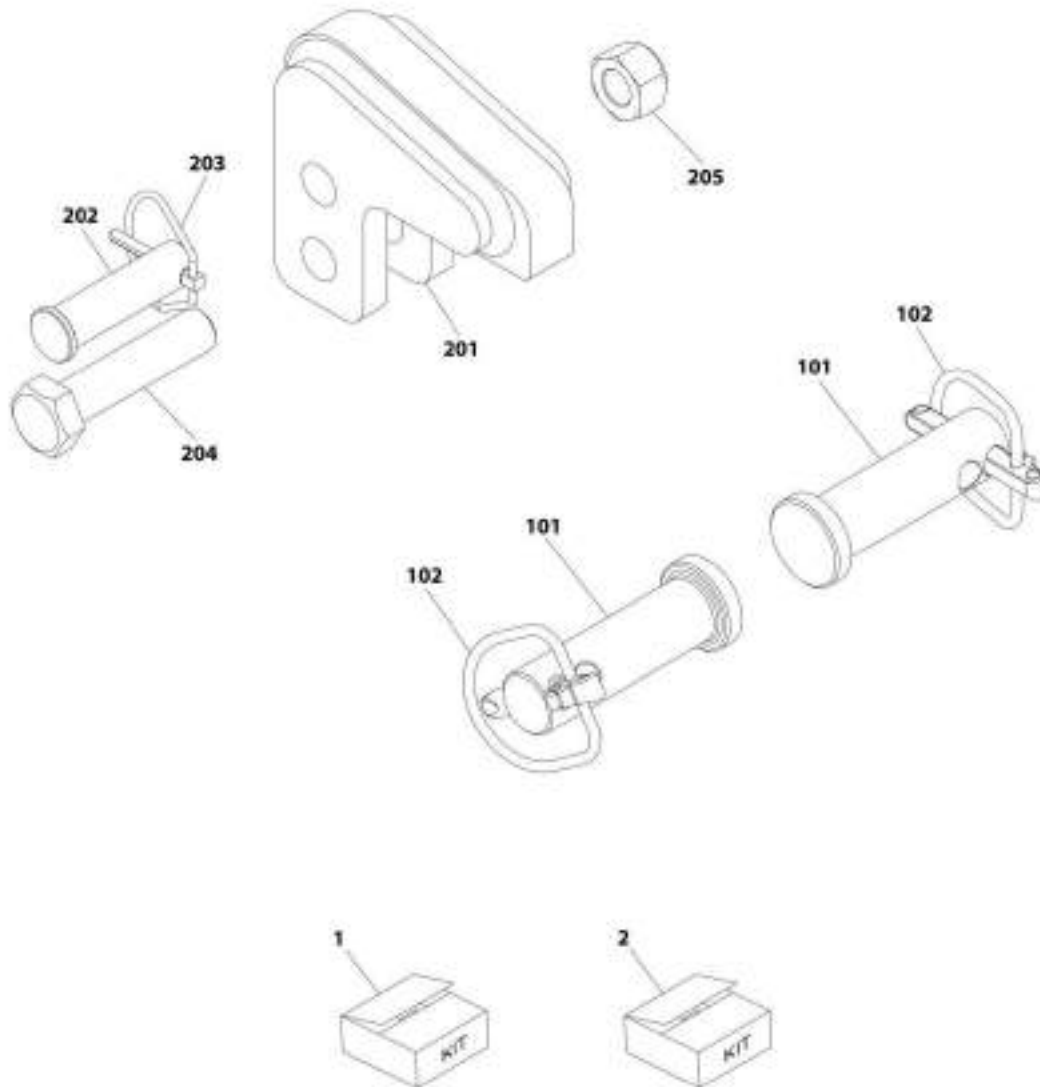
# SECTION 1 - FRAME AND ATTACHING PARTS

## FIGURE 1-29. HITCH ASSEMBLY (EEC AUTO)

ITEM	PART NUMBER	QTY	DESCRIPTION	REV
	1001098629	Ref	Hitch Assembly (EEC Auto)	A
201	70022821	1	Lever, Opening	
202	70022822	1	Mechanism, Box	
203	70022823	1	Pivot, Security	
204	70022824	1	Bushing	
206	70022825	1	Pin	

# SECTION 1 - FRAME AND ATTACHING PARTS

FIGURE 1-30. SLIDING HITCH ASSEMBLY (PITON)



WIT\_1001183248-A



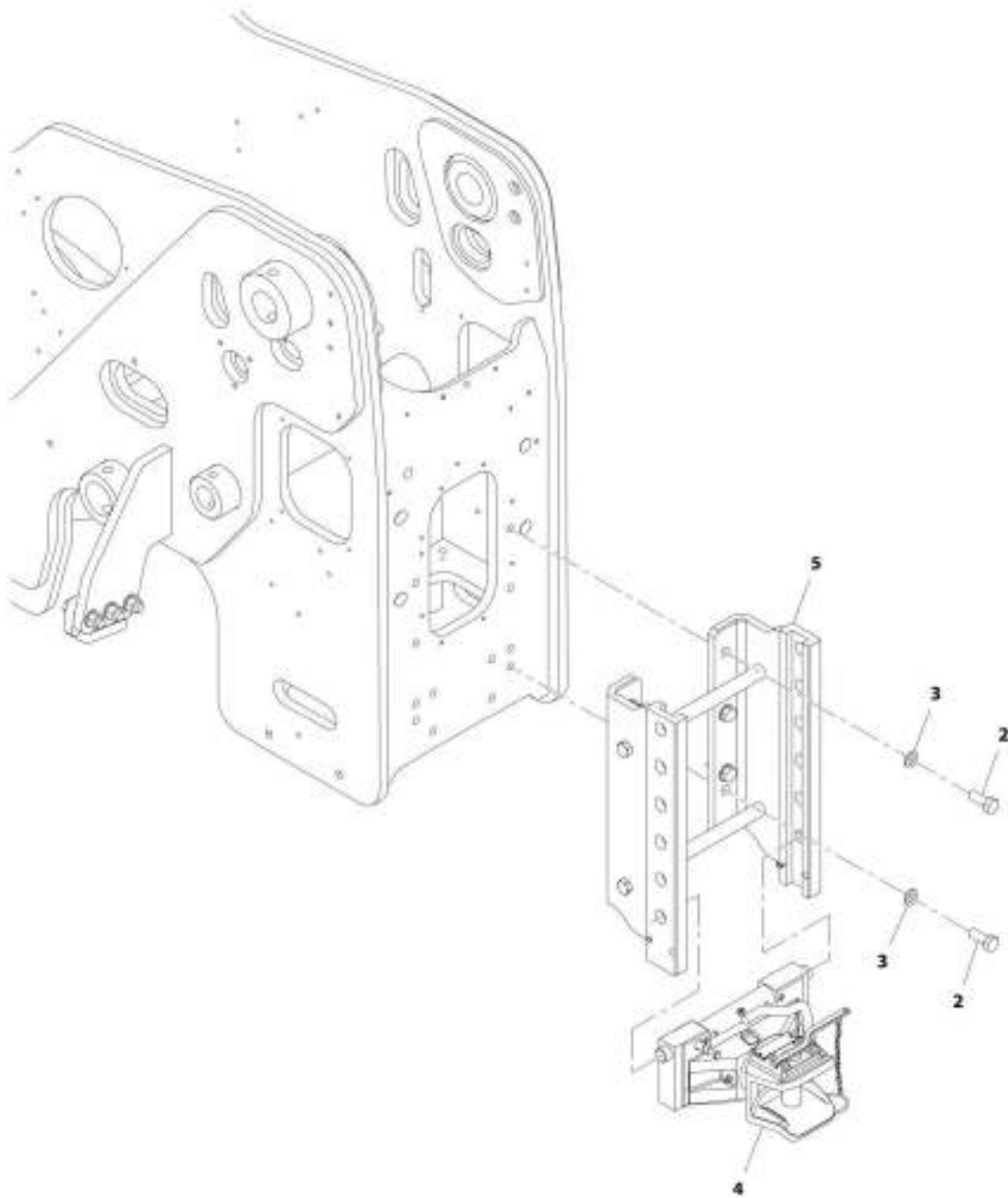
# SECTION 1 - FRAME AND ATTACHING PARTS

## FIGURE 1-30. SLIDING HITCH ASSEMBLY (PITON)

ITEM	PART NUMBER	QTY	DESCRIPTION	REV
	1001185248	Ref	Sliding Hitch Assembly (Piton)	A
1	70027175	1	Kit, Pins (includes items 101 and 102)	
2	70027174	1	Kit, Keeper (includes items 201 thru 205)	
101	Kit	2	Pin	
102	Kit	2	Pin, Safety	
201	Kit	1	Keeper	
202	Kit	1	Pin	
203	Kit	1	Pin, Safety	
204	Kit	1	Bolt, M20X95	
205	Kit	1	Nut	

# SECTION 1 - FRAME AND ATTACHING PARTS

FIGURE 1-31. HITCH INSTALLATION (EEC MANUAL)



AWT\_3001160188 0

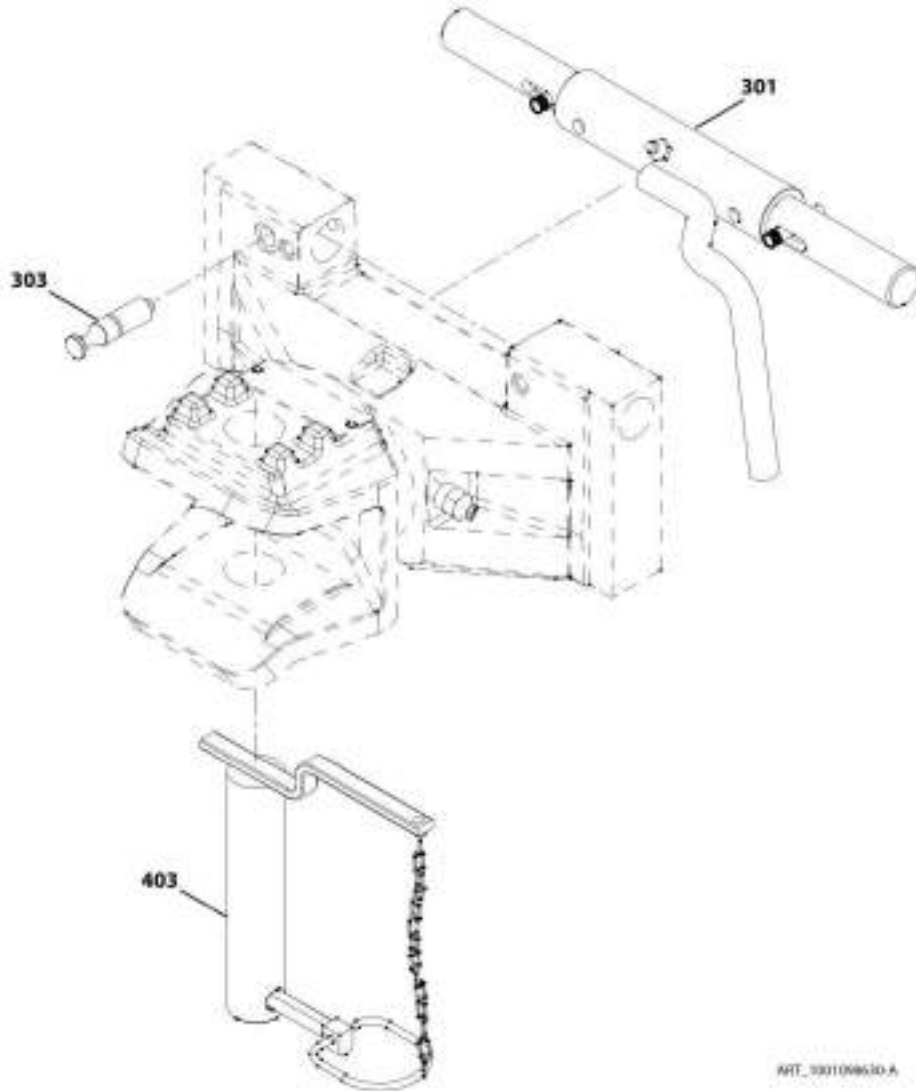
# SECTION 1 - FRAME AND ATTACHING PARTS

FIGURE 1-31. HITCH INSTALLATION (EEC MANUAL)

ITEM	PART NUMBER	QTY	DESCRIPTION	REV
	1001180198	Ref	Hitch Installation (EEC Manual)	B
2	0701616	8	Bolt, M16X40	
3	4812300	8	Washer, M16	
4	1001098630	1	Assembly, Hitch (EEC Manual) (See Separate Breakdown in this Section)	
5	1001183274	1	Hitch, Sliding Towing Bracket	

# SECTION 1 - FRAME AND ATTACHING PARTS

FIGURE 1-32. HITCH ASSEMBLY (EEC MANUAL)



ART. 330109630-A

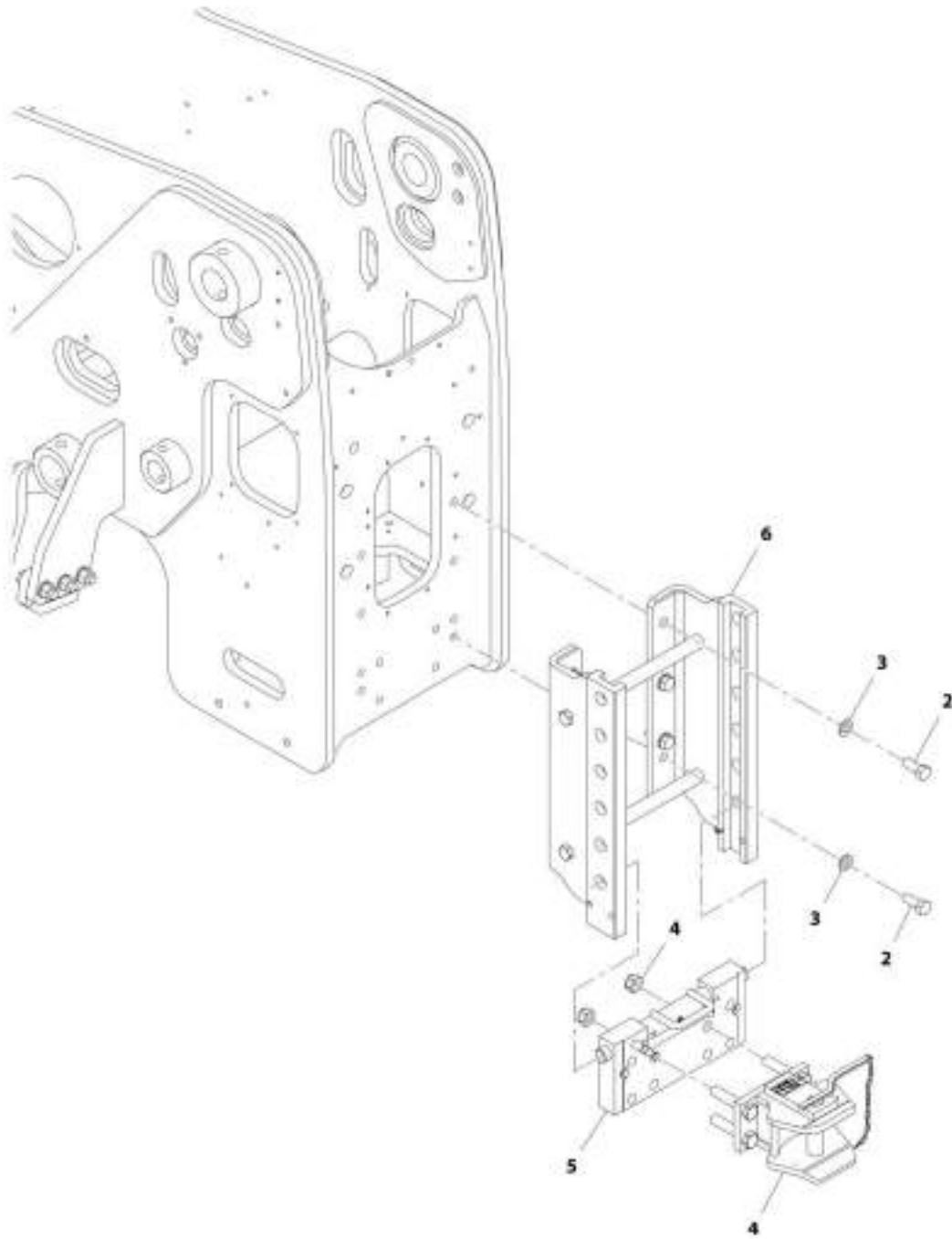
# SECTION 1 - FRAME AND ATTACHING PARTS

## FIGURE 1-32. HITCH ASSEMBLY (EEC MANUAL)

ITEM	PART NUMBER	QTY	DESCRIPTION	REV
	1001098630	Ref	Hitch Assembly (EEC Manual)	A
301	70022821	1	Lever, Opening	
303	70022823	1	Pivot, Security	
403	70022826	1	Pin	

# SECTION 1 - FRAME AND ATTACHING PARTS

FIGURE 1-33. HITCH INSTALLATION (CUNA CATEGORY C)



ART\_1001180199-B

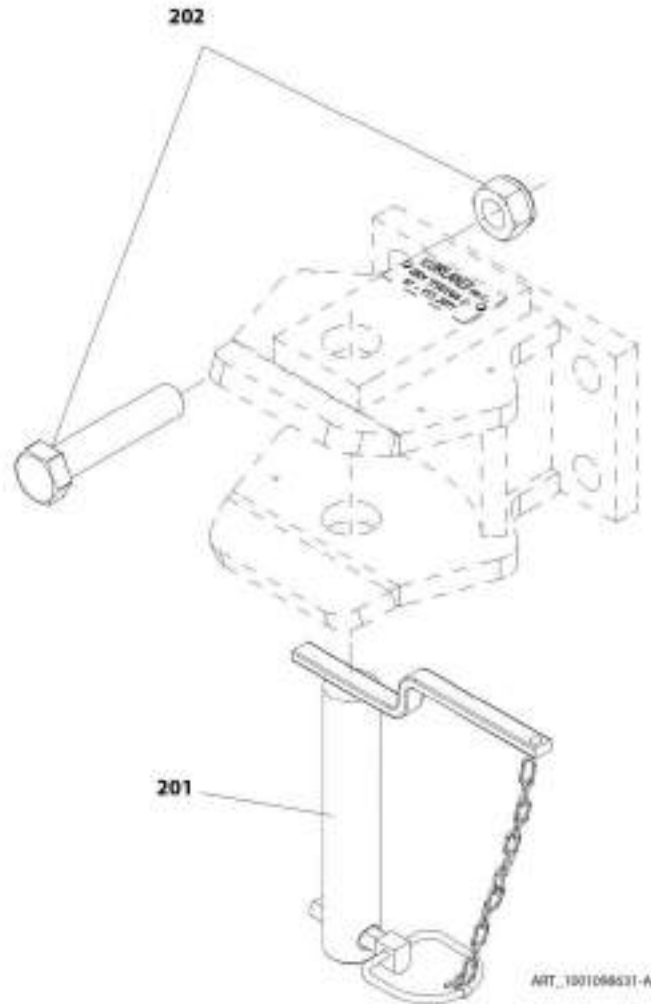
# SECTION 1 - FRAME AND ATTACHING PARTS

## FIGURE 1-33. HITCH INSTALLATION (CUNA CATEGORY C)

ITEM	PART NUMBER	QTY	DESCRIPTION	REV
	1001180199	Ref	Hitch Installation (CUNA Category C)	B
2	0701616	8	Bolt, M16X40	
3	4812300	8	Washer, M16	
4	1001098631	1	Assembly, Hitch (CUNA Category C) (See Separate Breakdown in this Section)	
5	1001098636	1	Plate, Adaptor	
6	1001183274	1	Hitch, Sliding Towing Bracket	

# SECTION 1 - FRAME AND ATTACHING PARTS

FIGURE 1-34. HITCH ASSEMBLY (CUNA CATEGORY C)





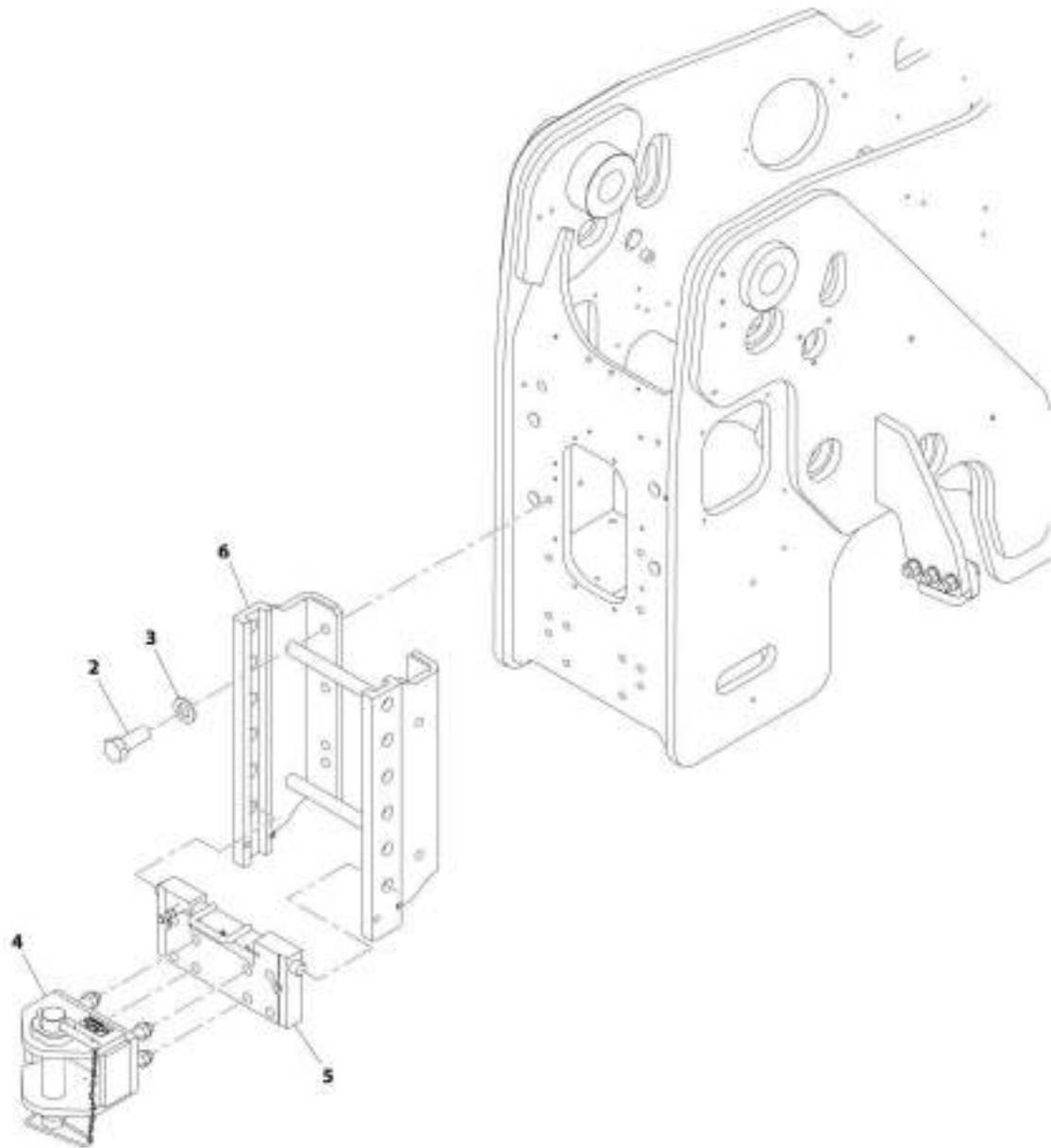
# SECTION 1 - FRAME AND ATTACHING PARTS

## FIGURE 1-34. HITCH ASSEMBLY (CUNA CATEGORY C)

ITEM	PART NUMBER	QTY	DESCRIPTION	REV
	1001098631	Ref	Hitch Assembly (CUNA Category C)	A
201	70022818	1	Pin	
202	70022819	1	Hardware, Mounting	

# SECTION 1 - FRAME AND ATTACHING PARTS

FIGURE 1-35. HITCH INSTALLATION (CUNA CATEGORY D2)



ART\_1001180206-R

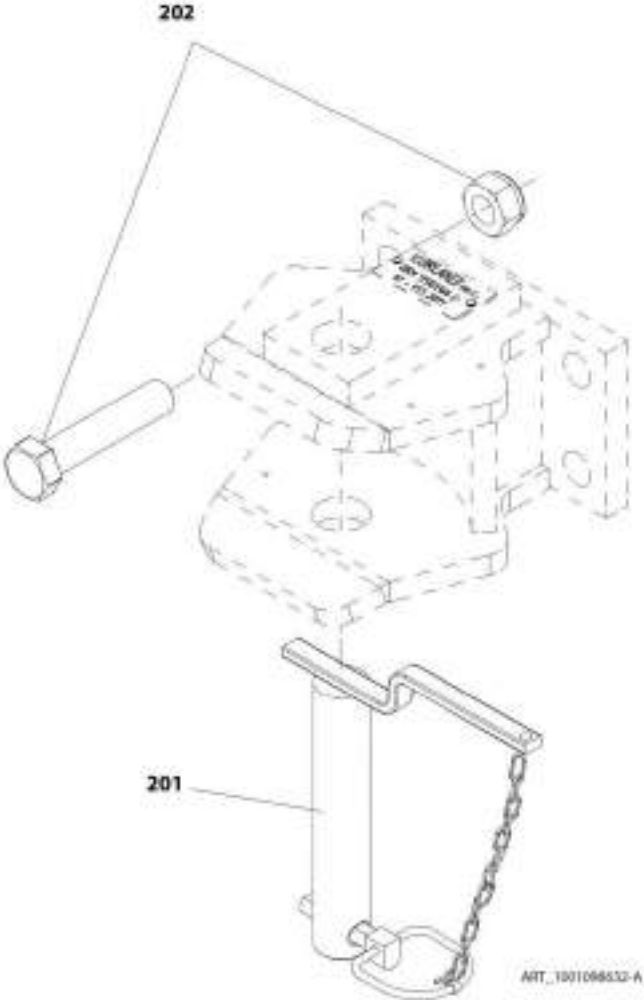
# SECTION 1 - FRAME AND ATTACHING PARTS

## FIGURE 1-35. HITCH INSTALLATION (CUNA CATEGORY D2)

ITEM	PART NUMBER	QTY	DESCRIPTION	REV
	1001180200	Ref	Hitch Installation (CUNA Category D2)	B
2	0701616	8	Bolt, M16X40	
3	4812300	8	Washer, M16	
4	1001098632	1	Assembly, Hitch (CUNA Category D2) (See Separate Breakdown in this Section)	
5	1001098636	1	Plate, Adaptor	
6	1001183274	1	Hitch, Sliding Towing Bracket	

**SECTION 1 - FRAME AND ATTACHING PARTS**

**FIGURE 1-36. HITCH ASSEMBLY (CUNA CATEGORY D2)**



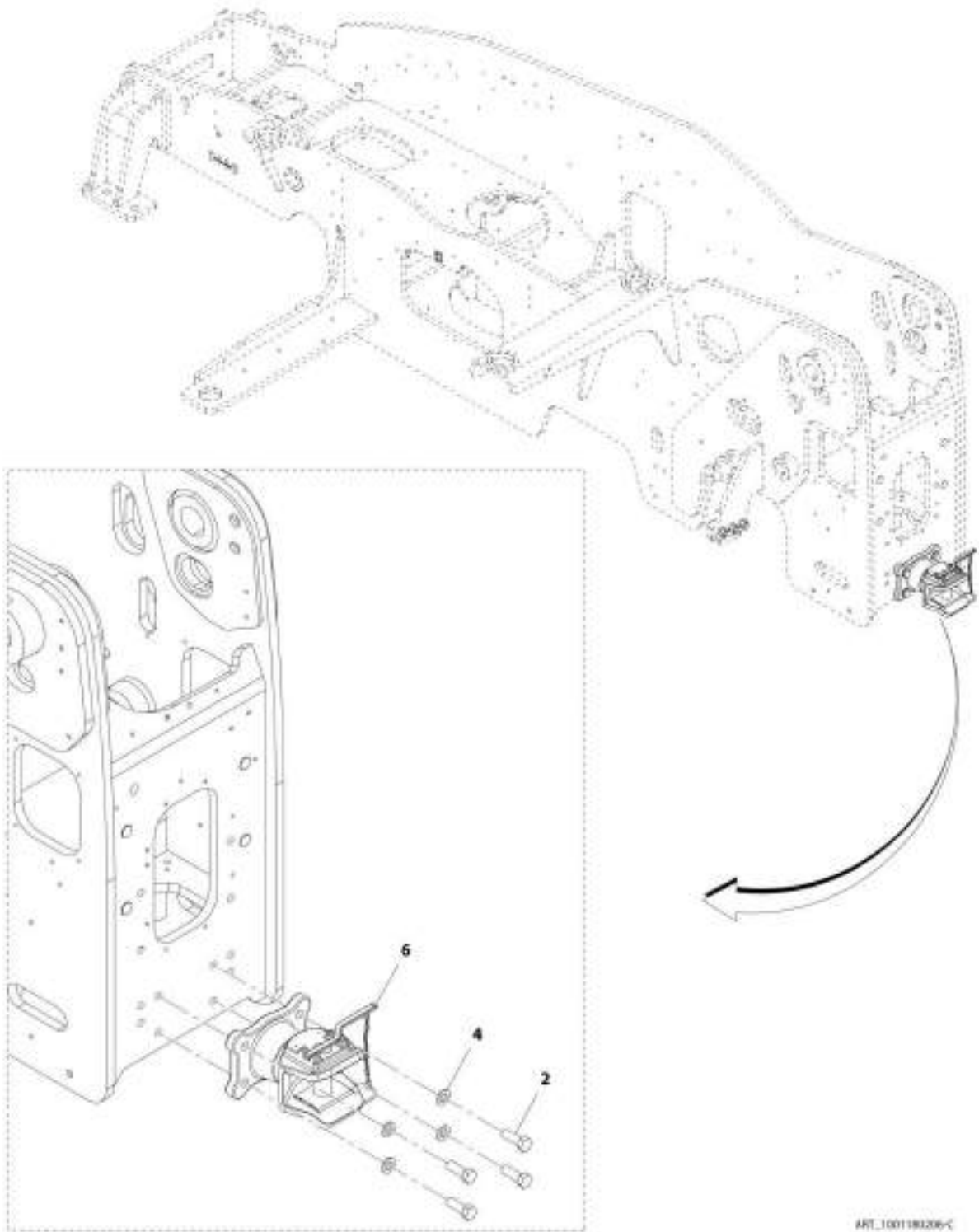
# SECTION 1 - FRAME AND ATTACHING PARTS

## FIGURE 1-36. HITCH ASSEMBLY (CUNA CATEGORY D2)

ITEM	PART NUMBER	QTY	DESCRIPTION	REV
	1001098632	Ref	Hitch Assembly (CUNA Category D2)	A
202	70022818	1	Hardware, Mounting	
301	70022819	4	Pin	

# SECTION 1 - FRAME AND ATTACHING PARTS

FIGURE 1-37. HITCH INSTALLATION (FIXED)



ART\_1001180206-C

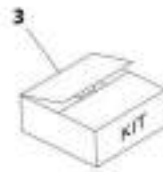
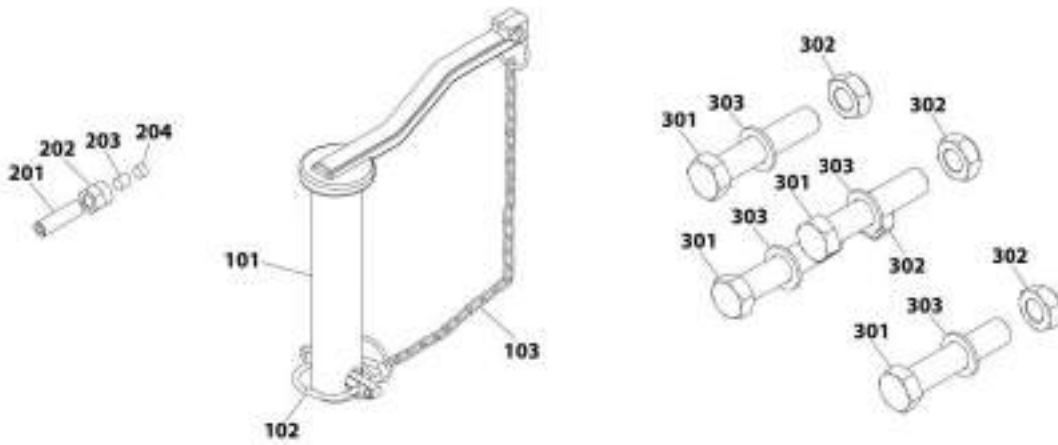
# SECTION 1 - FRAME AND ATTACHING PARTS

## FIGURE 1-37. HITCH INSTALLATION (FIXED)

ITEM	PART NUMBER	QTY	DESCRIPTION	REV
	1001180206	Ref	Hitch Installation (Fixed)	C
2	0701617	4	Bolt, M16X45	
4	4812300	4	Washer, M16	
6	1001110849	1	Assembly, Hitch (Fixed) (See Separate Breakdown in this Section)	

# SECTION 1 - FRAME AND ATTACHING PARTS

FIGURE 1-38. HITCH ASSEMBLY (FIXED)



ART\_100112849.8



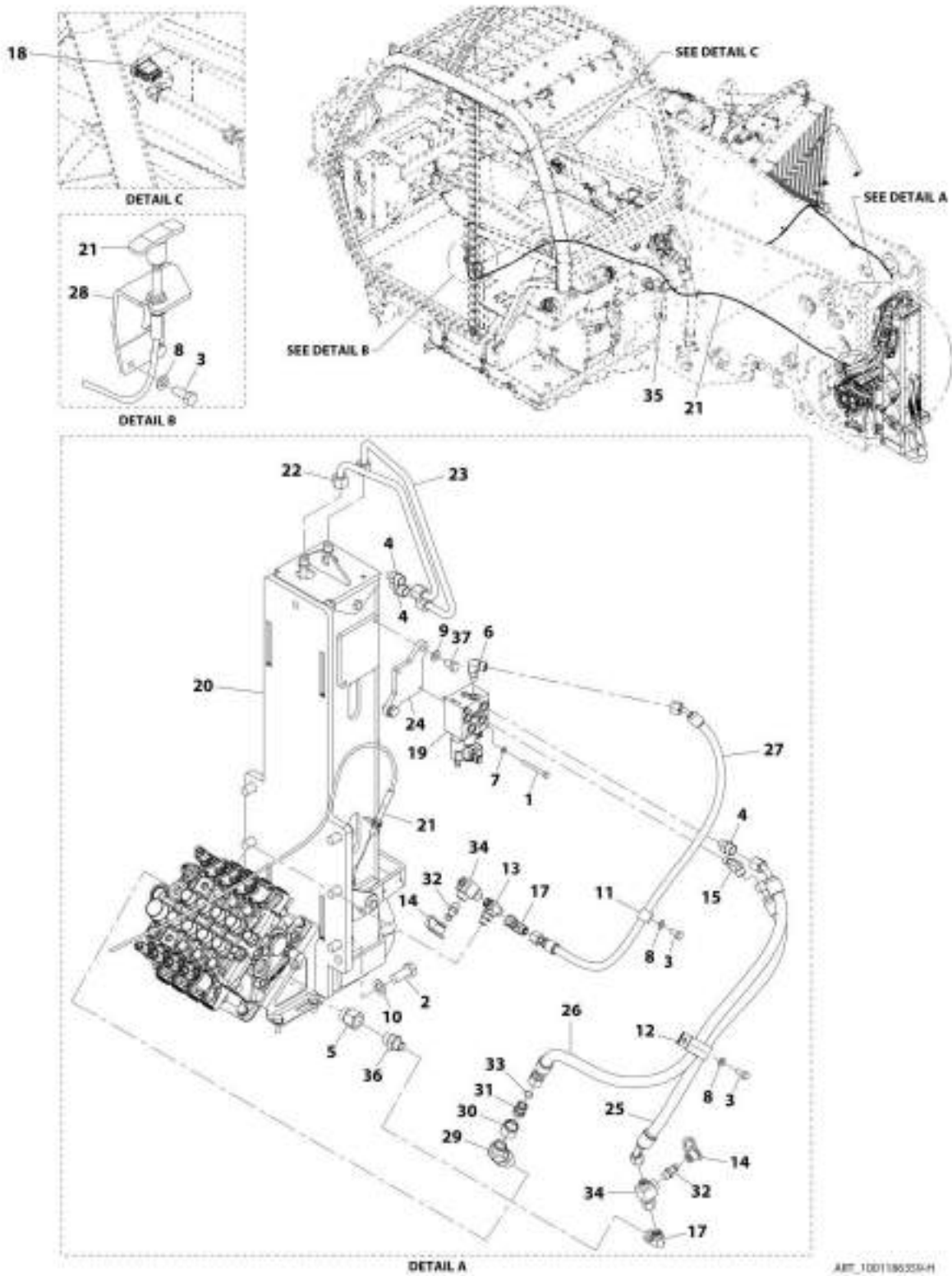
# SECTION 1 - FRAME AND ATTACHING PARTS

## FIGURE 1-38. HITCH ASSEMBLY (FIXED)

ITEM	PART NUMBER	QTY	DESCRIPTION	REV
	1001110849	Ref	Hitch Assembly (Fixed)	B
1	70027178	1	Kit, Towing Pin (includes items 101 thru 103)	
2	70027176	1	Kit, Friction (includes items 201 thru 204)	
3	70027177	1	Kit, Screws (includes items 301 thru 303)	
101	Kit	1	Pin	
102	Kit	1	Chain, Safety	
103	Kit	1	Pin, Safety	
201	Kit	1	Screw, M16X80	
202	Kit	1	Nut, M10	
203	Kit	1	Insert	
204	Kit	1	Insert	
301	Kit	4	Screw, M16X80	
302	Kit	4	Nut, M16	
303	Kit	4	Washer	

# SECTION 1 - FRAME AND ATTACHING PARTS

FIGURE 1-39. HITCH INSTALLATION (HYDRAULIC) (Prior to SN 1160008716)



ART\_1001186329-H

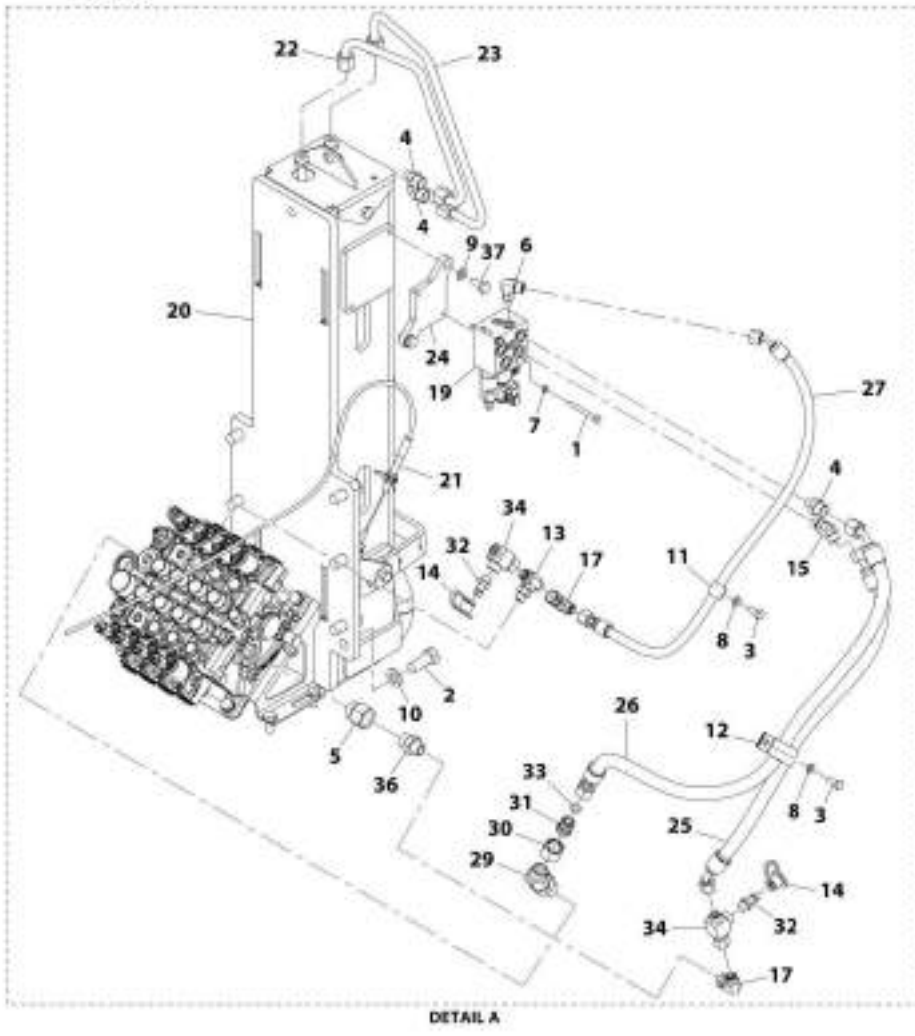
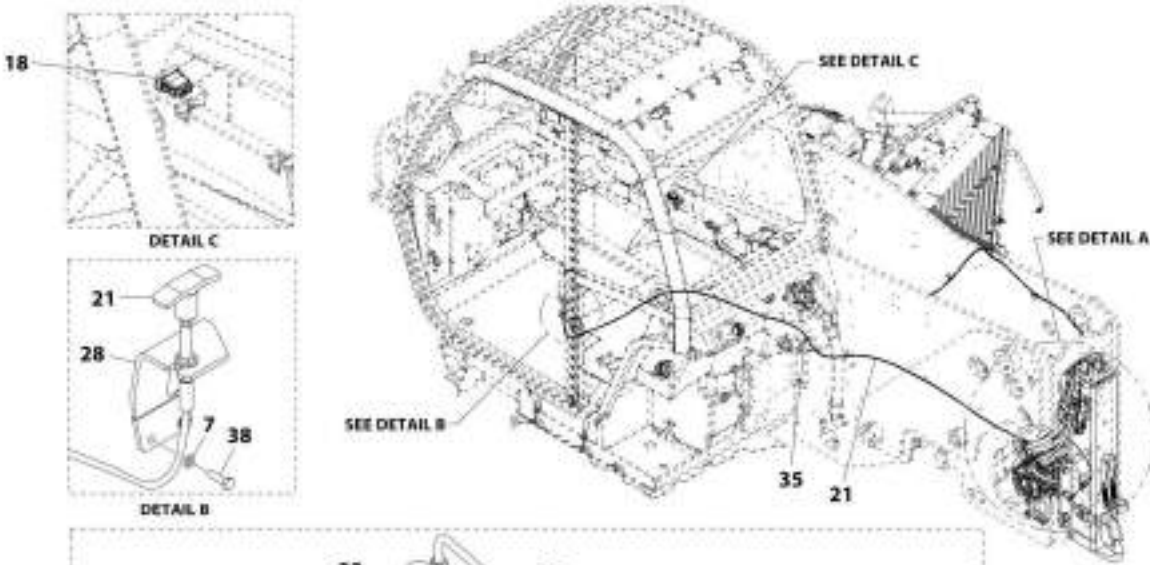
## SECTION 1 - FRAME AND ATTACHING PARTS

**FIGURE 1-39. HITCH INSTALLATION (HYDRAULIC) (Prior to SN 1160008716)**

ITEM	PART NUMBER	QTY	DESCRIPTION	REV
	1001186359	Ref	Hitch Installation (Hydraulic)	H
1	0700620	2	Bolt, M6X60	
2	0711616	8	Bolt, M16X40 Grade 10.9	
3	0760810	4	Bolt, M8X20	
4	2110806	3	Fitting, Straight ORFS	
5	8760550	1	Fitting, Tee	
6	2130604	1	Fitting, 90 ORFS	
7	4811700	2	Washer, M6	
8	4811900	4	Washer, M8	
9	4812000	2	Washer, M10	
10	4812300	8	Washer, M16	
11	1001009207	1	Clip	
12	1001008720	1	Clip	
13	2170406	1	Fitting, Tee ORFS	
14	1001008761	2	Dust Cap	
15	2150606	1	Fitting, 45 ORFS	
17	2172106	2	Fitting, 90 ORFS	
18	1001198836	1	Switch, Hitch	
19	1001173770	Ref	Valve, Hydraulic Hitch Control (See Separate Breakdown in HYDRAULIC COMPONENTS Section)	
20	1001182763	1	Hitch, Hydraulic	
21	1001186392	1	Cable, Hitch Release	
22	1001204374	1	Pipe	
23	1001204375	1	Pipe	
24	1001188413	1	Plate	
25	1001204518	1	Hose, ORFS	
26	1001206557	1	Hose, ORFS	
27	1001206558	1	Hose, ORFS	
28	1001188722	1	Bracket, Hitch	
29	2151012	1	Fitting, 45 ORFS	
30	8770143	1	Nut, ORFS	
31	1001032853	1	Reducer, ORFS	
32	1001003590	2	Fitting, Straight	
33	1001008805	1	Seal	
34	1001033119	2	Adapter, ORFS	
35	1001146588	1	Tie Strap	
36	2110610	1	Fitting, Straight	
37	0761010	2	Bolt, M10X20	

# SECTION 1 - FRAME AND ATTACHING PARTS

FIGURE 1-40. HITCH INSTALLATION (HYDRAULIC) (SN 1160008716 to Present)



ART\_1001180350-I

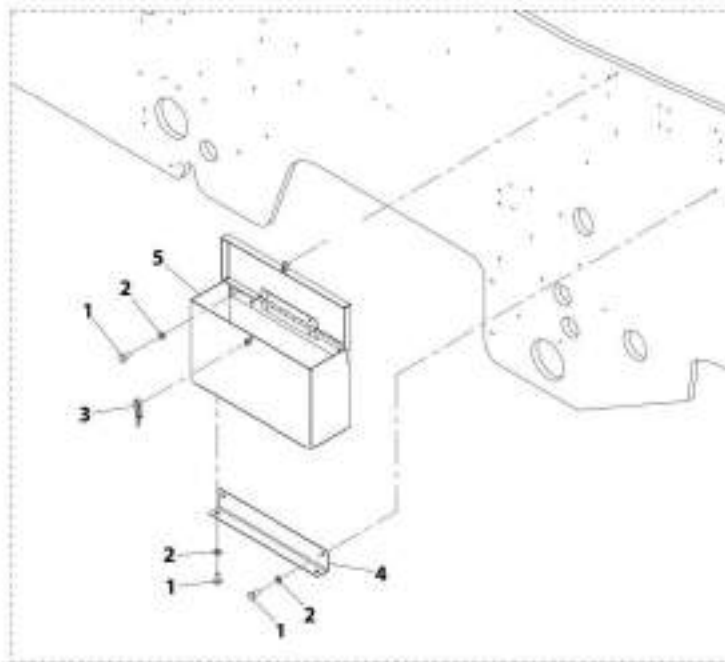
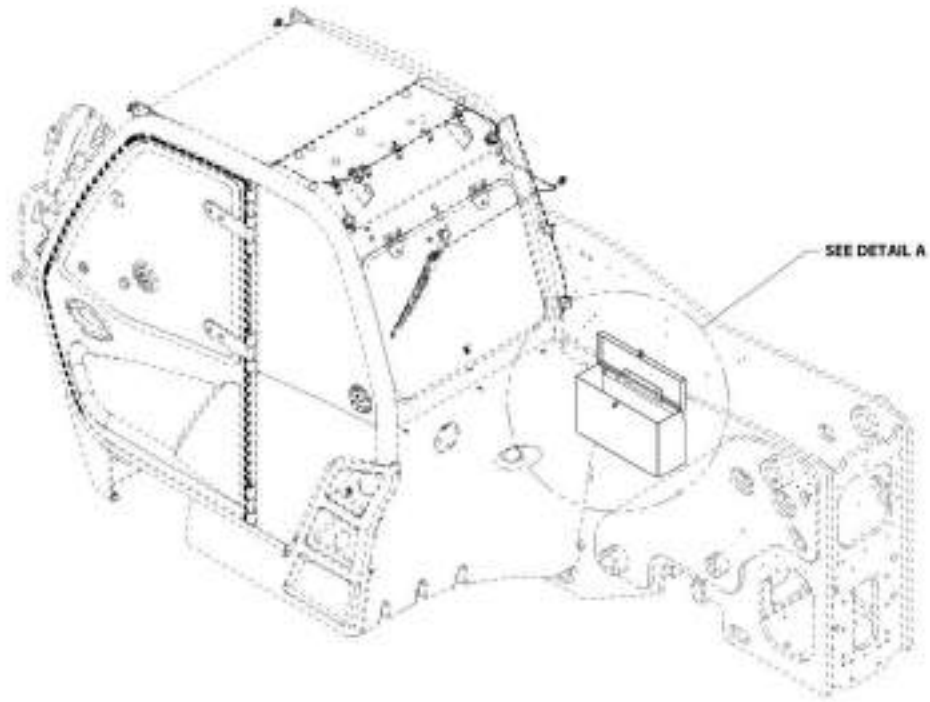
## SECTION 1 - FRAME AND ATTACHING PARTS

**FIGURE 1-40. HITCH INSTALLATION (HYDRAULIC) (SN 1160008716 to Present)**

ITEM	PART NUMBER	QTY	DESCRIPTION	REV
	1001186359	Ref	Hitch Installation (Hydraulic)	1
1	0700620	2	Bolt, M6X60	
2	0711616	8	Bolt, M16X40 Grade 10.9	
3	0760810	2	Bolt, M8X20	
4	2110806	3	Fitting, Straight ORFS	
5	8760550	1	Fitting, Tee	
6	2130604	1	Fitting, 90 ORFS	
7	4811700	4	Washer, M6	
8	4811900	2	Washer, M8	
9	4812000	2	Washer, M10	
10	4812300	8	Washer, M16	
11	1001009207	1	Clip	
12	1001008720	1	Clip	
13	2170406	1	Fitting, Tee ORFS	
14	1001008761	2	Dust Cap	
15	2150606	1	Fitting, 45 ORFS	
17	2172106	2	Fitting, 90 ORFS	
18	1001198836	1	Switch, Hitch	
19	1001226722	Ref	Valve, Hydraulic Hitch Control (See Separate Breakdown in HYDRAULIC COMPONENTS Section)	
20	1001182763	1	Hitch, Hydraulic	
21	1001186392	1	Cable, Hitch Release	
22	1001204374	1	Pipe	
23	1001204375	1	Pipe	
24	1001188413	1	Plate	
25	1001204518	1	Hose, ORFS	
26	1001206557	1	Hose, ORFS	
27	1001206558	1	Hose, ORFS	
28	1001228418	1	Bracket, Hitch	
29	2151012	1	Fitting, 45 ORFS	
30	8770143	1	Nut, ORFS	
31	1001032853	1	Reducer, ORFS	
32	1001003590	2	Fitting, Straight	
33	1001008805	1	Seal	
34	1001033119	2	Adapter, ORFS	
35	1001146588	1	Tie Strap	
36	2110610	1	Fitting, Straight	
37	0761010	2	Bolt, M10X20	
38	0700610	2	Bolt, M6X20	

# SECTION 1 - FRAME AND ATTACHING PARTS

## FIGURE 1-41. TOOL BOX INSTALLATION



DETAIL A

ART\_1001225619-A

# SECTION 1 - FRAME AND ATTACHING PARTS

## FIGURE 1-41. TOOL BOX INSTALLATION

ITEM	PART NUMBER	QTY	DESCRIPTION	REV
	1001225619	Ref	Tool Box Installation	A
1	0761010	6	Bolt, M10X20	
2	4812000	6	Washer, M10	
3	1001008559	1	Strap	
4	1001178729	1	Bracket	
5	1001192836	1	Box	

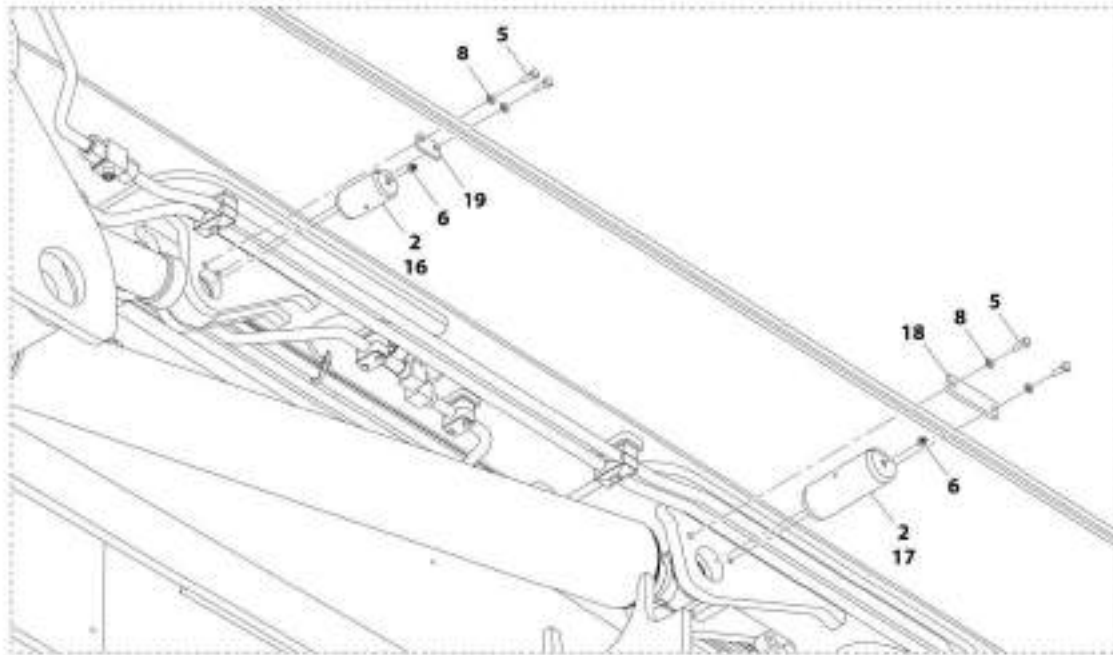
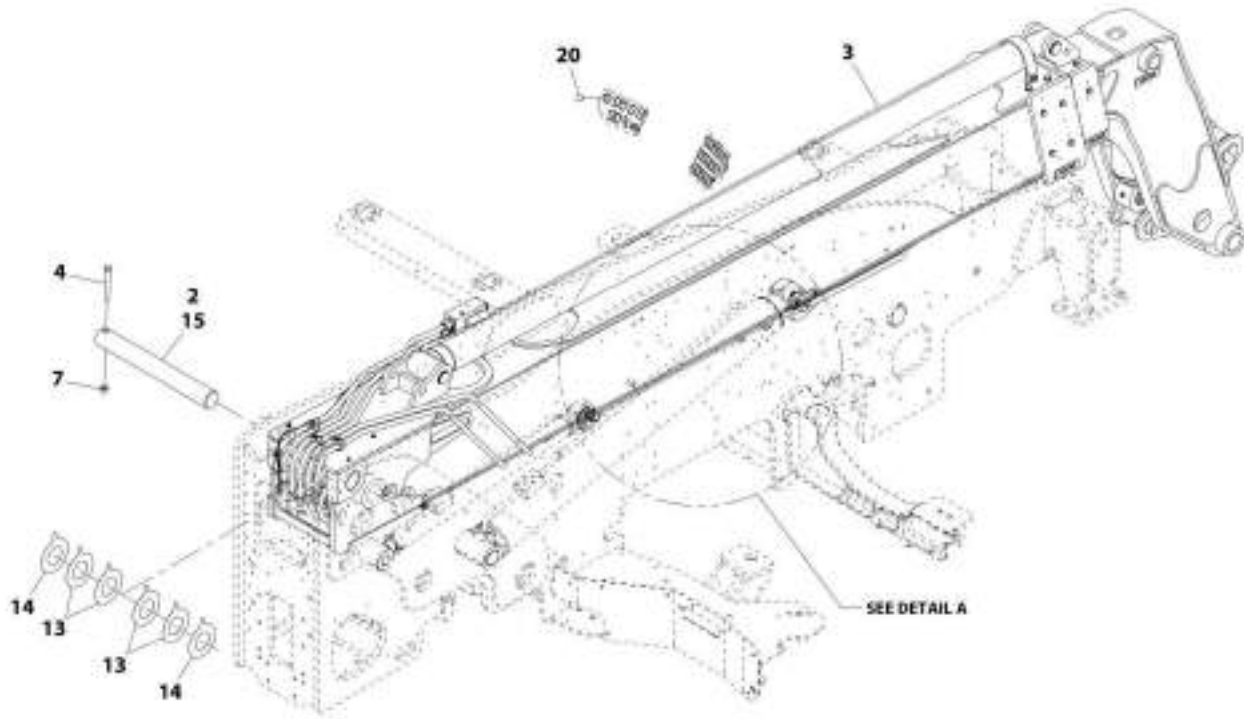




**SECTION 2 - BOOM**

# SECTION 2 - BOOM

## FIGURE 2-1. BOOM INSTALLATION (JLG)



DETAIL A

AMT\_1001176105-F

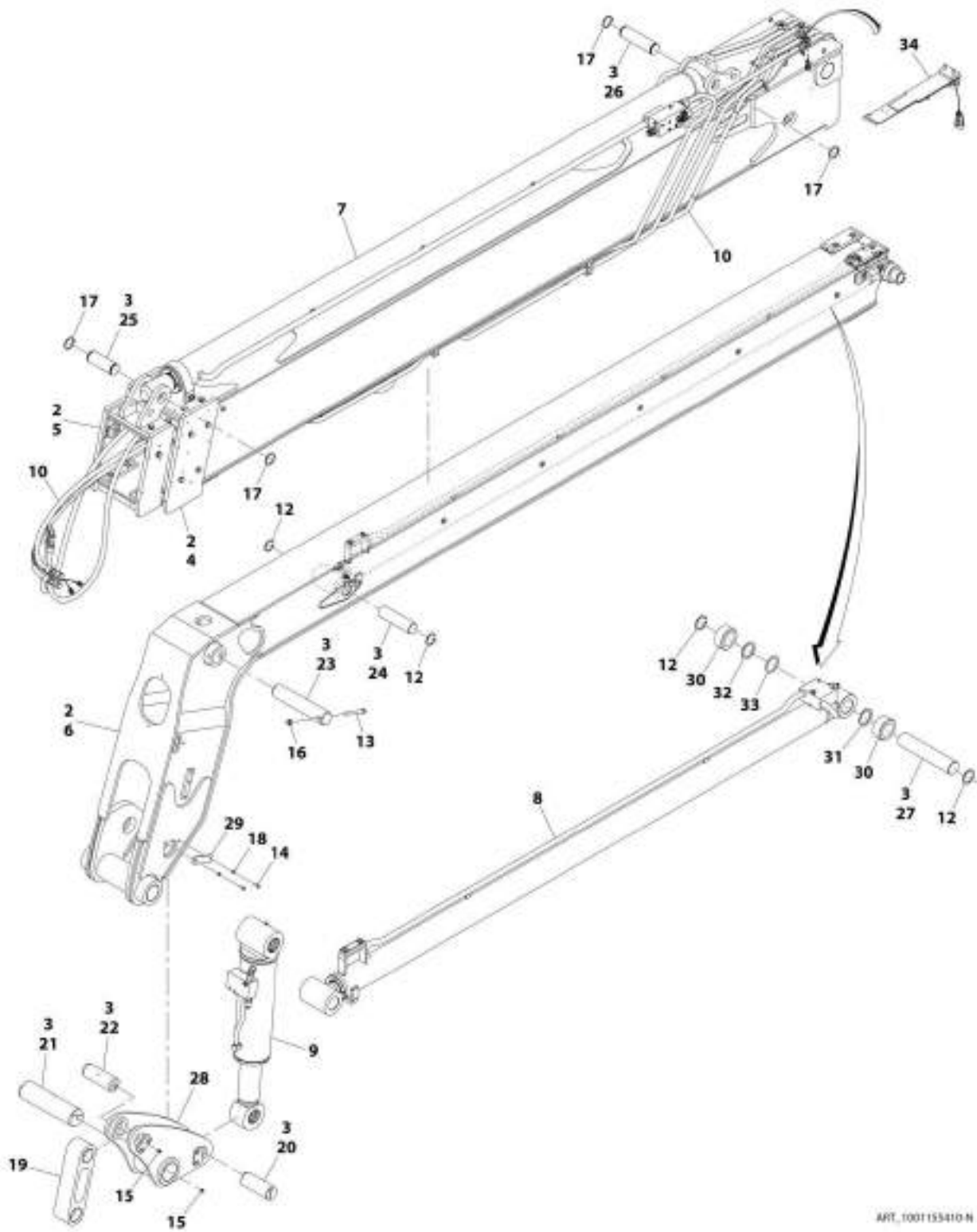
## SECTION 2 - BOOM

**FIGURE 2-1. BOOM INSTALLATION (JLG)**

ITEM	PART NUMBER	QTY	DESCRIPTION	REV
	1001176105	Ref	Boom Installation (JLG)	F
2	1001098457	AR	Lube, Lithium Grease	
3	1001155410	1	Boom Assembly (JLG) (See Separate Breakdown in this Section)	
4	0701631	1	Bolt, M16X140, Grade 10.9	
5	0760812	4	Bolt, M8X25	
6	2160016	2	Fitting, Grease	
7	3291601	1	Nut, M16X2 Grade 8	
8	4811900	4	Washer, M8	
13	1001169048	AR	Shim, M1	
14	1001169049	AR	Shim, M0.5	
15	1001175225	1	Pin, Boom Pivot	
16	1001175754	1	Pin	
17	1001175898	1	Pin	
18	1001191621	1	Plate	
19	1001176942	1	Bracket	
20	1001190589	1	Plug	

# SECTION 2 - BOOM

## FIGURE 2-2. BOOM ASSEMBLY (JLG)



ART.100155410-N

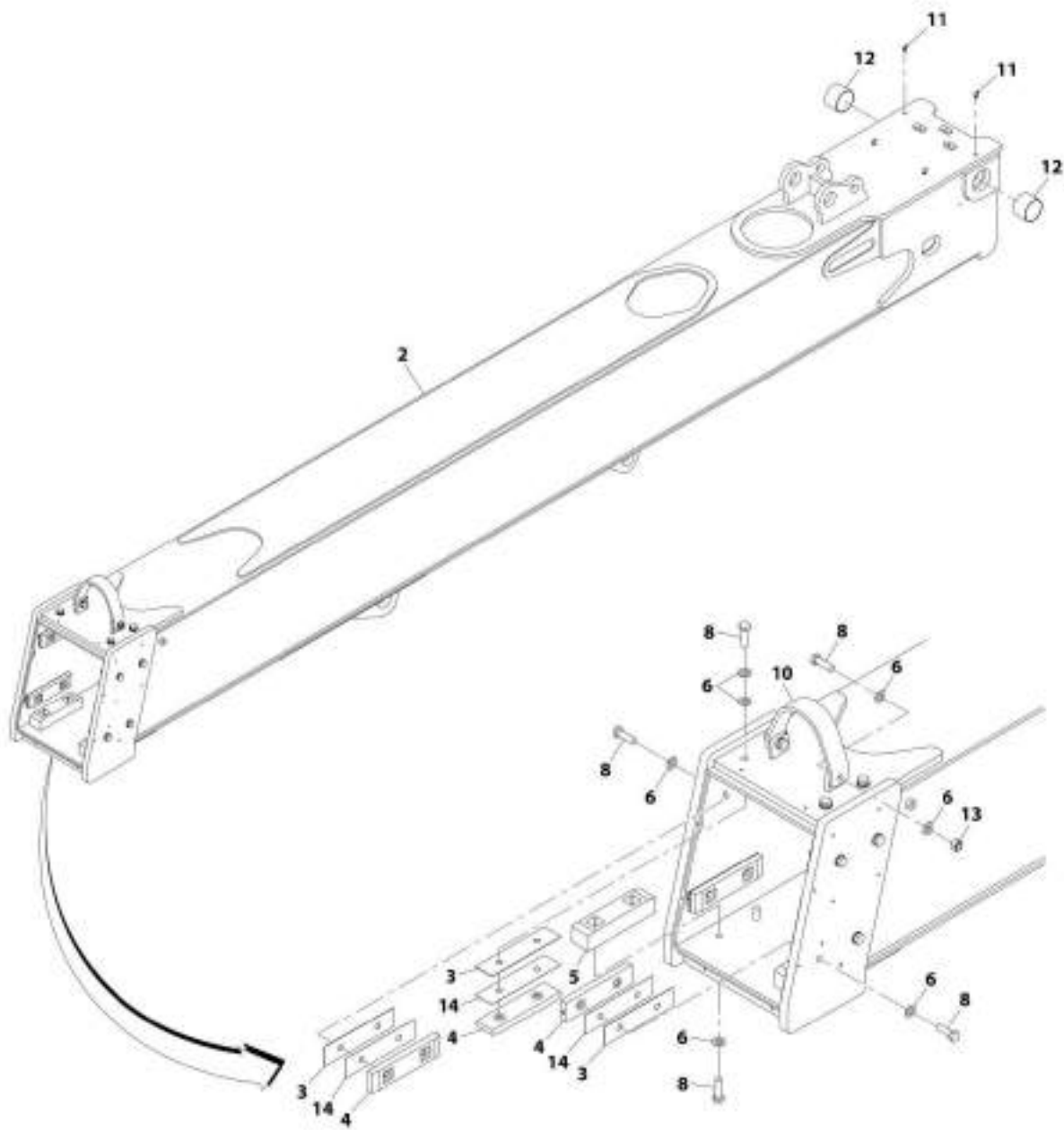
## SECTION 2 - BOOM

**FIGURE 2-2. BOOM ASSEMBLY (JLG)**

ITEM	PART NUMBER	QTY	DESCRIPTION	REV
	1001155410	Ref	Boom Assembly (JLG)	N
2	1001098457	AR	Lube, Lithium Grease	
3	3020040	AR	Lubricant, Moly Paste	
4	1001153862	1	Assembly, First Boom Section (JLG) (See Separate Breakdown in this Section)	
5	1001153863	1	Assembly, Second Boom Section (See Separate Breakdown in this Section)	
6	1001153864	1	Assembly, Third Boom Section (See Separate Breakdown in this Section)	
7	1001203313	1	Assembly, Outer Extend/Retract Cylinder (See Separate Breakdown in HYDRAULIC COMPONENTS Section)	
8	1001175020	1	Cylinder, Inner Extend/Retract (See Separate Breakdown in HYDRAULIC COMPONENTS Section)	
9	1001166534	1	Assembly, Tilt Cylinder (See Separate Breakdown in HYDRAULIC COMPONENTS Section)	
10	1001197212	Ref	Installation, Boom Hydraulic (See Separate Breakdown in HYDRAULIC CIRCUITS Section)	
12	314689	4	Retaining, Ring	
13	0711228	1	Bolt, M12X110 Grade 10.9	
14	0760810	2	Bolt, M8X20	
15	2160016	2	Fitting, Grease	
16	3291205	1	Nut, Lock M12X1.75 Grade 8	
17	3760493	4	Ring, Retaining	
18	4831900	2	Washer, Lock M8	
19	1001096870	1	Assembly, Link (See Separate Breakdown in this Section)	
20	1001175746	1	Pin, Tilt	
21	1001175747	1	Pin, Tilt Lower	
22	1001175749	1	Pin, Tilt Link	
23	1001175751	1	Pin, Tilt	
24	1001175753	1	Pin	
25	1001176426	1	Pin	
26	1001176437	1	Pin	
27	1001176439	1	Pin	
28	1001176407	1	Assembly, Lever (See Separate Breakdown in this Section)	
29	1001191621	1	Plate	
30	1001177670	2	Tube, Spacer	
31	1001155958	AR	Shim, M3	
32	1001155959	AR	Shim, M2	
33	1001155960	AR	Shim, M1	
34	1001184856	Ref	Installation, Boom Retract Sensor (See Separate Breakdown in ELECTRICAL Section)	

# SECTION 2 - BOOM

## FIGURE 2-3. FIRST BOOM SECTION ASSEMBLY



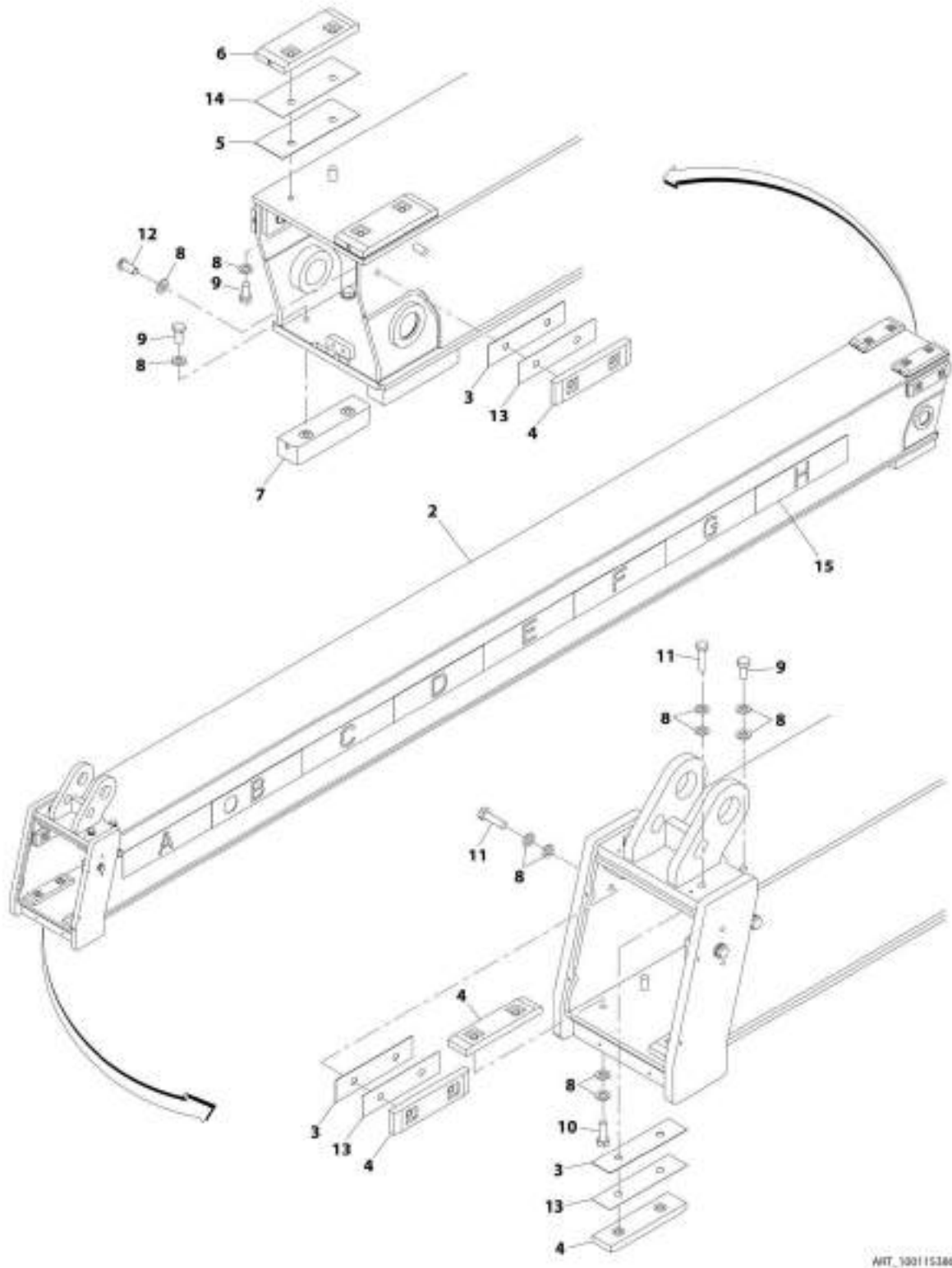
ART\_10011538624

FIGURE 2-3. FIRST BOOM SECTION ASSEMBLY

ITEM	PART NUMBER	QTY	DESCRIPTION	REV
	1001153862	Ref	First Boom Section Assembly	I
2	1001172321J	1	Boom, First	
3	1001147731	AR	Shim, M1X45X185	
4	1001147657	6	Pad, M15X45X181	
5	1001175853	2	Pad, M38X45X181	
6	1001125117	AR	Washer, M12	
8	0711216	18	Bolt, M12X40, Grade 10.9	
10	1001200696	1	Strap	
11	2160018	4	Fitting, Grease	
12	1001090150	2	Bearing	
13	3291205	2	Nut, Lock M12X1.75 Grade 8	
14	1001154174	AR	Shim, M0.5X45X185	

# SECTION 2 - BOOM

## FIGURE 2-4. SECOND BOOM SECTION ASSEMBLY



AHT\_1001153863-G



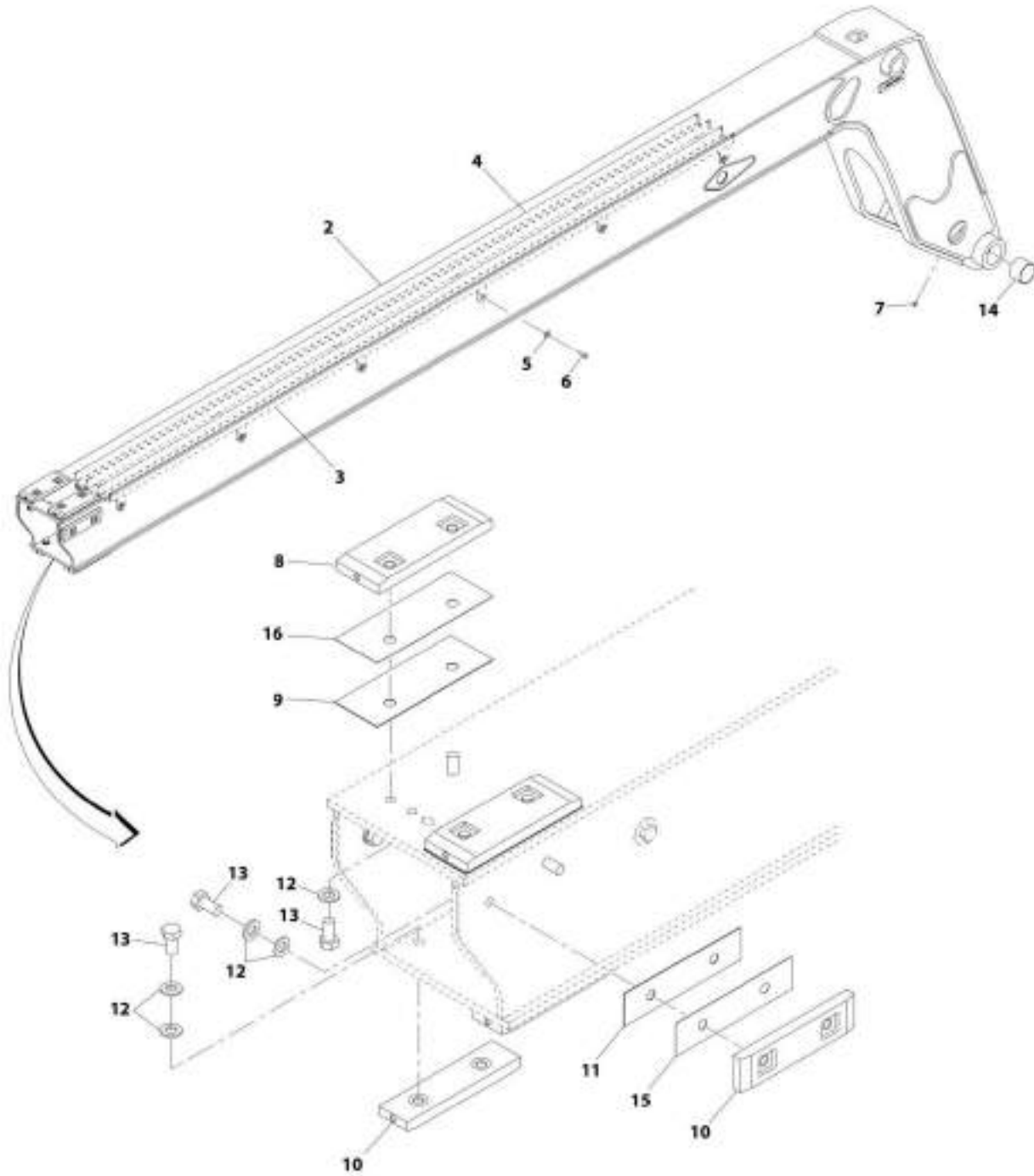
## SECTION 2 - BOOM

**FIGURE 2-4. SECOND BOOM SECTION ASSEMBLY**

ITEM	PART NUMBER	QTY	DESCRIPTION	REV
	1001153863	Ref	Second Boom Section Assembly	G
2	1001172402	1	Boom, Second	
3	1001147731	AR	Shim, M1X45X185	
4	1001147657	8	Pad, M15X45X181	
5	1001148147	AR	Shim, M1X67.5X185	
6	1001148103	2	Pad, M15X67.5X181	
7	1001175911	2	Pad, M38X45X181	
8	1001125117	AR	Washer, M12	
9	0771212	16	Bolt, M12X25 Grade 10.9	
10	0711215	2	Bolt, M12X35 Grade 10.9	
11	0711217	4	Bolt, M12X45 Grade 10.9	
12	1001105260	2	Screw, M12X30	
13	1001154174	AR	Shim, M0.5X45X185	
14	1001154176	AR	Shim, M0.5X67.5X185	
15	1001227229	1	Decal, Boom	

# SECTION 2 - BOOM

## FIGURE 2-5. THIRD BOOM SECTION ASSEMBLY



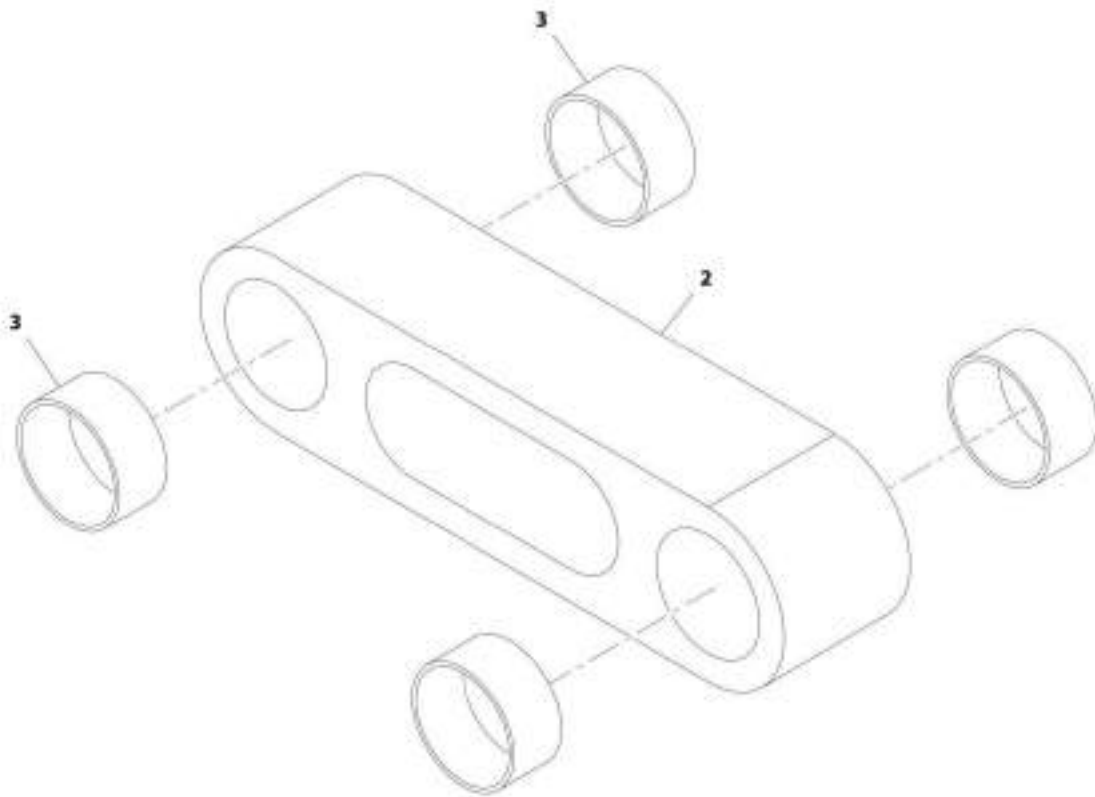
ART\_1001153864-G

FIGURE 2-5. THIRD BOOM SECTION ASSEMBLY

ITEM	PART NUMBER	QTY	DESCRIPTION	REV
	1001153864	Ref	Third Boom Section Assembly	G
2	1001172295	1	Boom, Third	
3	1001174557	1	Support, Hose	
4	1001175661	1	Support, Hose	
5	4811902	12	Washer, M8	
6	0760812	12	Bolt, M8X25	
7	2160016	1	Fitting, Grease	
8	1001148103	2	Pad, M15X67.5X181	
9	1001148147	AR	Shim, M1X67.5X185	
10	1001147657	4	Pad, M15X45X181	
11	1001147731	AR	Shim, M1X45X185	
12	1001125117	AR	Washer, M12	
13	0771212	12	Bolt, M12X25 Grade 10.9	
14	1001090150	2	Bearing	
15	1001154174	AR	Shim, M0.5X45X185	
16	1001154176	AR	Shim, M0.5X67.5X185	

## SECTION 2 - BOOM

FIGURE 2-6. LINK ASSEMBLY



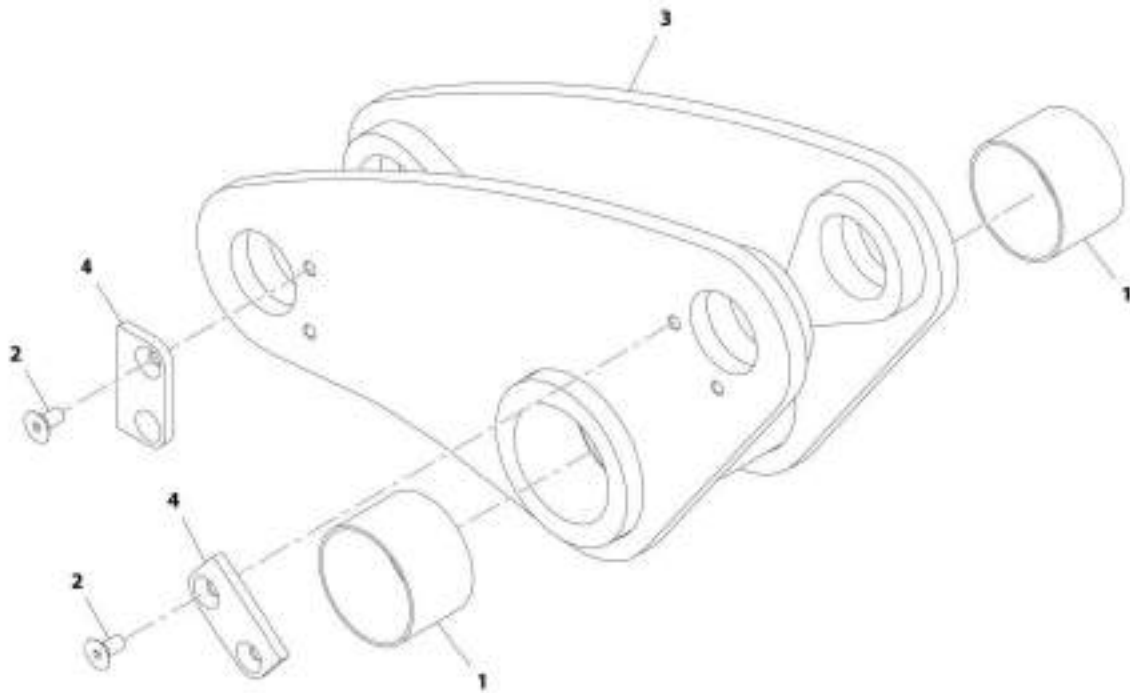
ART\_100106270-B

**FIGURE 2-6. LINK ASSEMBLY**

<b>ITEM</b>	<b>PART NUMBER</b>	<b>QTY</b>	<b>DESCRIPTION</b>	<b>REV</b>
	1001096870	Ref	Link Assembly	B
2	1001096726	1	Link	
3	1001100442	4	Bearing	

## SECTION 2 - BOOM

FIGURE 2-7. LEVER ASSEMBLY



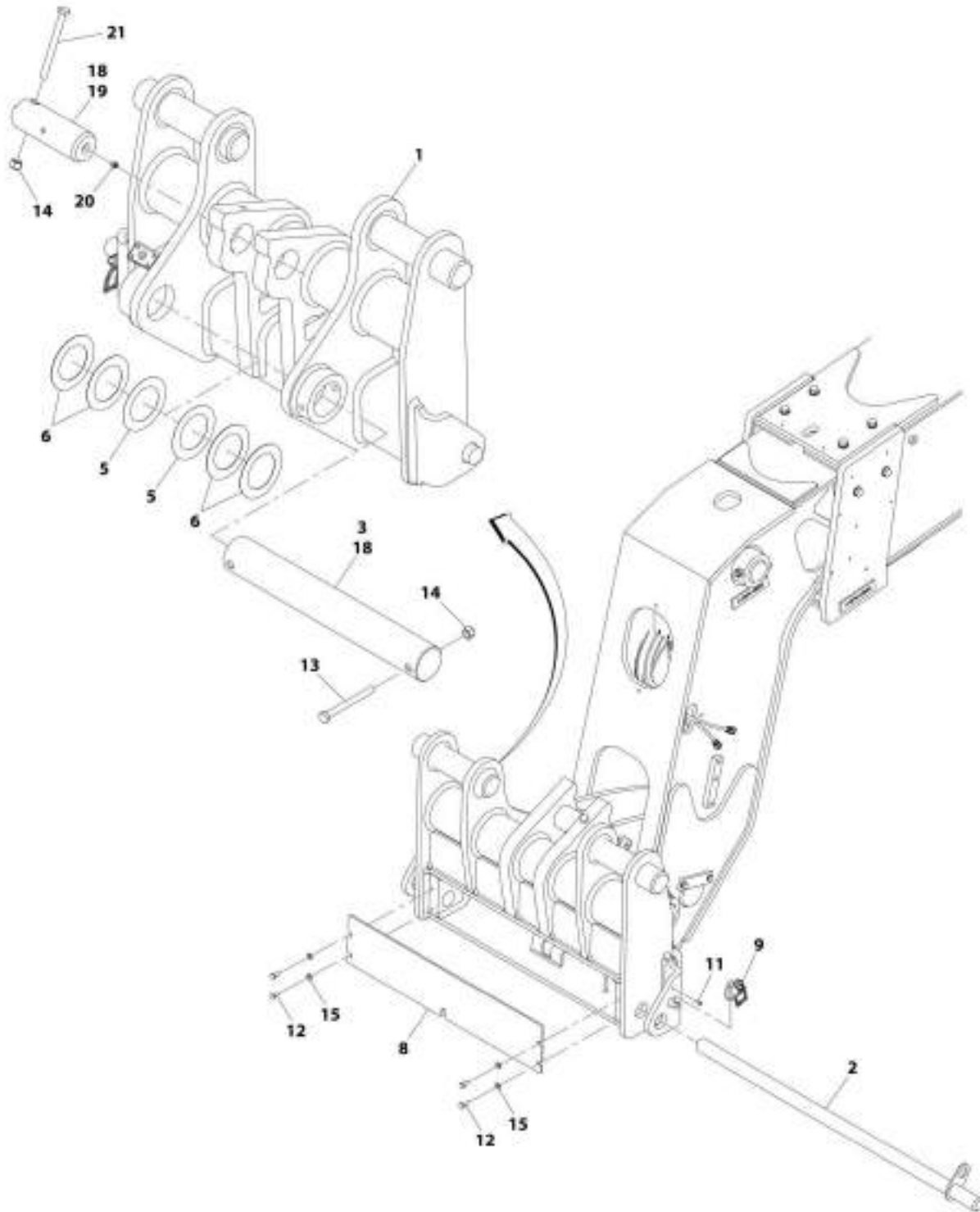
ART\_100176407-C

FIGURE 2-7. LEVER ASSEMBLY

ITEM	PART NUMBER	QTY	DESCRIPTION	REV
	1001176407	Ref	Lever Assembly	C
1	1001092298	2	Bearing	
2	1001155441	4	Screw, M10-1.5X20	
3	1001189480	1	Plate	
4	1001176882	2	Plate, Pin Retainer	

## SECTION 2 - BOOM

FIGURE 2-8. MANUAL QUICK COUPLER INSTALLATION



ART\_100178528-E



FIGURE 2-8. MANUAL QUICK COUPLER INSTALLATION

ITEM	PART NUMBER	QTY	DESCRIPTION	REV
	1001178526	Ref	Manual Quick Coupler Installation	E
1	1001189099	1	Carriage	
2	1001162636	1	Pin	
3	1001172886	1	Pin	
5	1001098146	AR	Shim, M72X110X0.5	
6	1001098147	AR	Shim, M72X110X1.0	
8	1001171390	1	Plate	
9	1001149923	1	Chain, Retaining Pin	
11	0760507	1	Bolt, M5X14	
12	0760808	4	Bolt, M8X16	
13	0701229	1	Bolt, M12X120	
14	3291205	2	Nut, Lock M12X1.75 Grade 8	
15	4811900	4	Washer, M8	
18	1001098457	AR	Lube, Lithium Grease	
19	1001197479	1	Pin	
20	2160016	1	Fitting, Grease	
21	0701232	1	Bolt, M12X150	

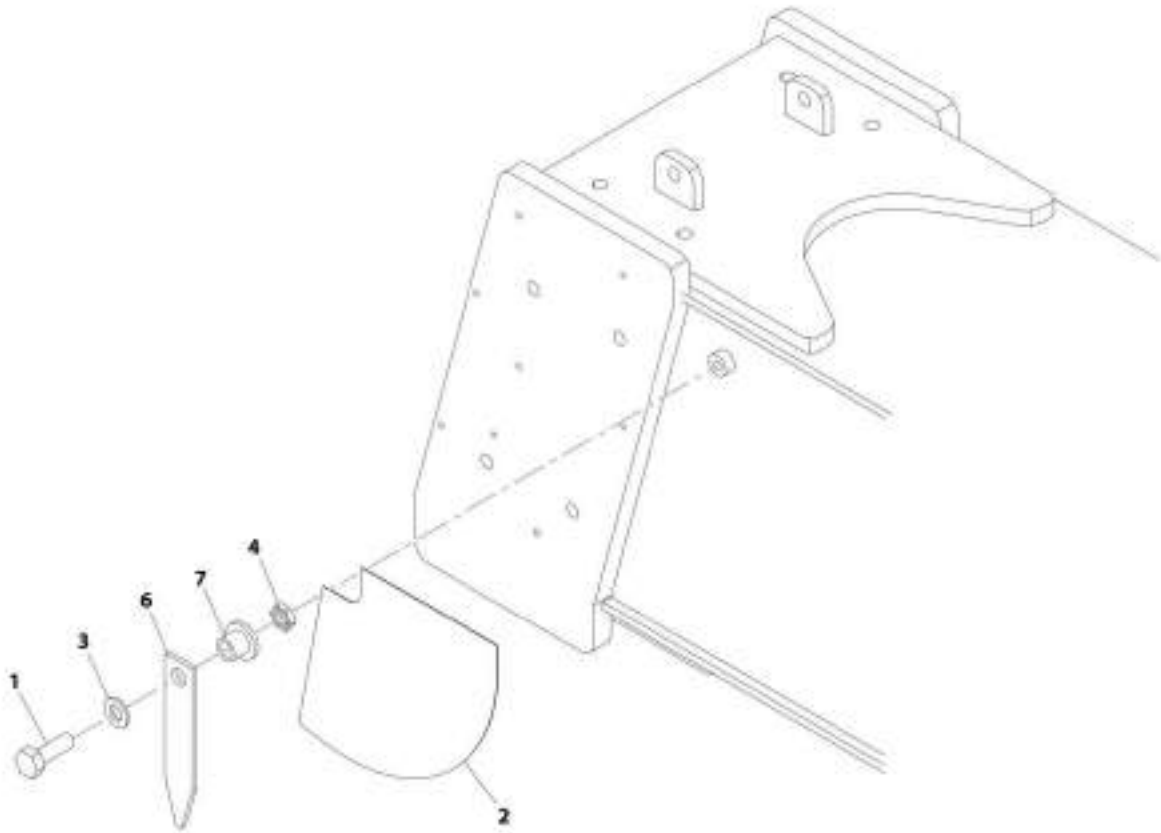


FIGURE 2-9. HYDRAULIC QUICK COUPLER INSTALLATION

ITEM	PART NUMBER	QTY	DESCRIPTION	REV
	1001171392	Ref	Hydraulic Quick Coupler Installation	F
1	1001189099	1	Carriage	
2	1001114787	1	Assembly, Coupler Locking Cylinder (See Separate Breakdown in HYDRAULIC COMPONENTS Section)	
3	1001172886	1	Pin	
5	1001170984	2	Rod, Locking	
6	1001098146	AR	Shim, M72X110X0.5	
7	1001098147	AR	Shim, M72X110X1.0	
10	1001171390	1	Plate	
11	0760808	4	Bolt, M8X16	
13	0701229	1	Bolt, M12X120	
14	3291205	2	Nut, Lock M12X1.75 Grade 8	
15	4811900	4	Washer, M8	
18	1001098457	AR	Lube, Lithium Grease	
19	1001184610	2	Pin	
20	1001197479	1	Pin	
21	2160016	1	Fitting, Grease	
22	0701232	1	Bolt, M12X150	

## SECTION 2 - BOOM

FIGURE 2-10. BOOM ANGLE INDICATOR INSTALLATION



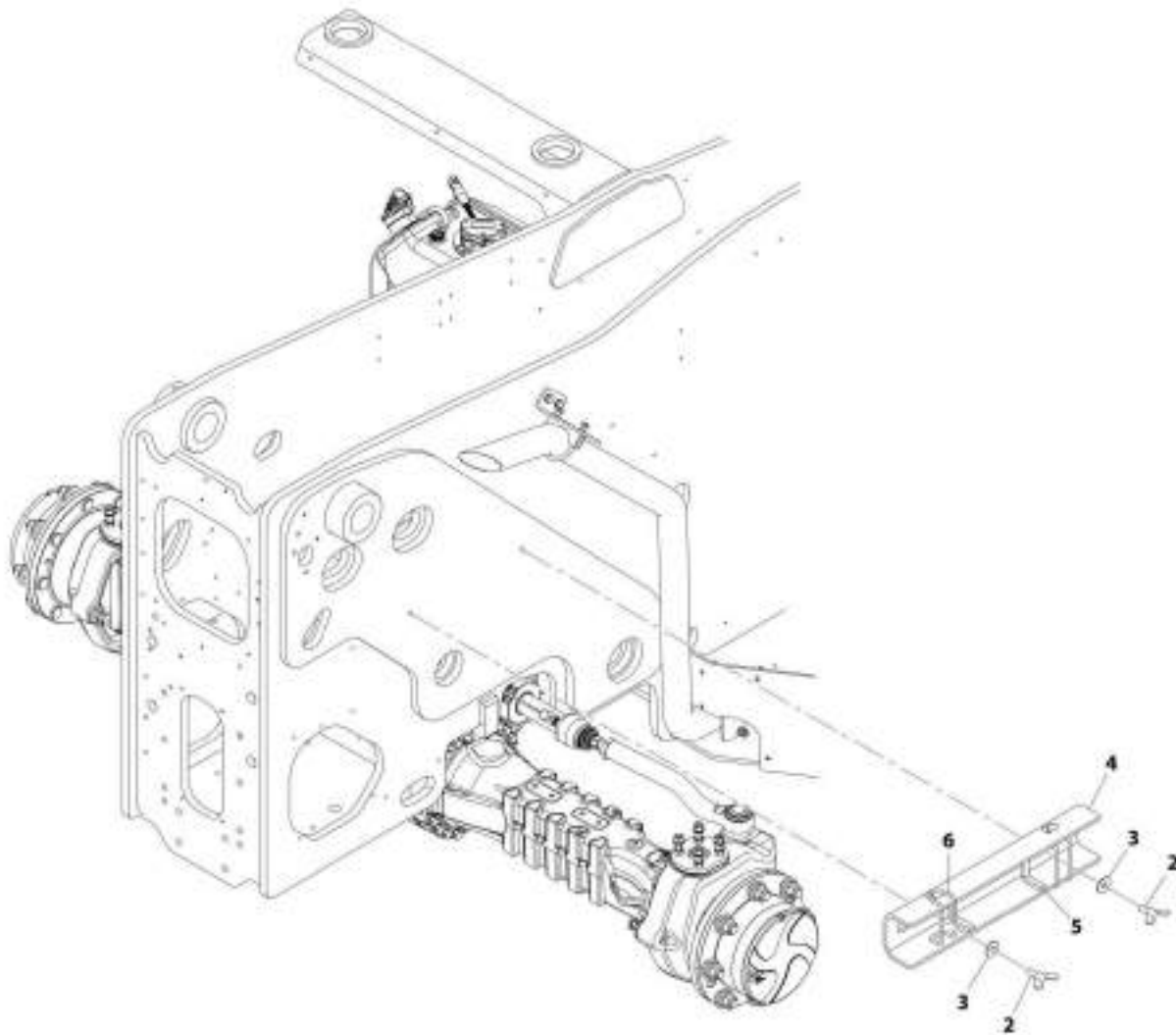
ART\_100186190-C

FIGURE 2-10. BOOM ANGLE INDICATOR INSTALLATION

ITEM	PART NUMBER	QTY	DESCRIPTION	REV
	1001188190	Ref	Boom Angle Indicator Installation	C
1	0701014	1	Bolt, M10X30	
2	4105262	1	Decal, Boom Angle Indicator	
3	4812000	1	Washer, M10	
4	8305438	1	Nut, M10X1.50	
6	1001098769	1	Plate, Boom Angle Indicator	
7	1001171808	1	Spacer	

## SECTION 2 - BOOM

FIGURE 2-11. BOOM PROP INSTALLATION



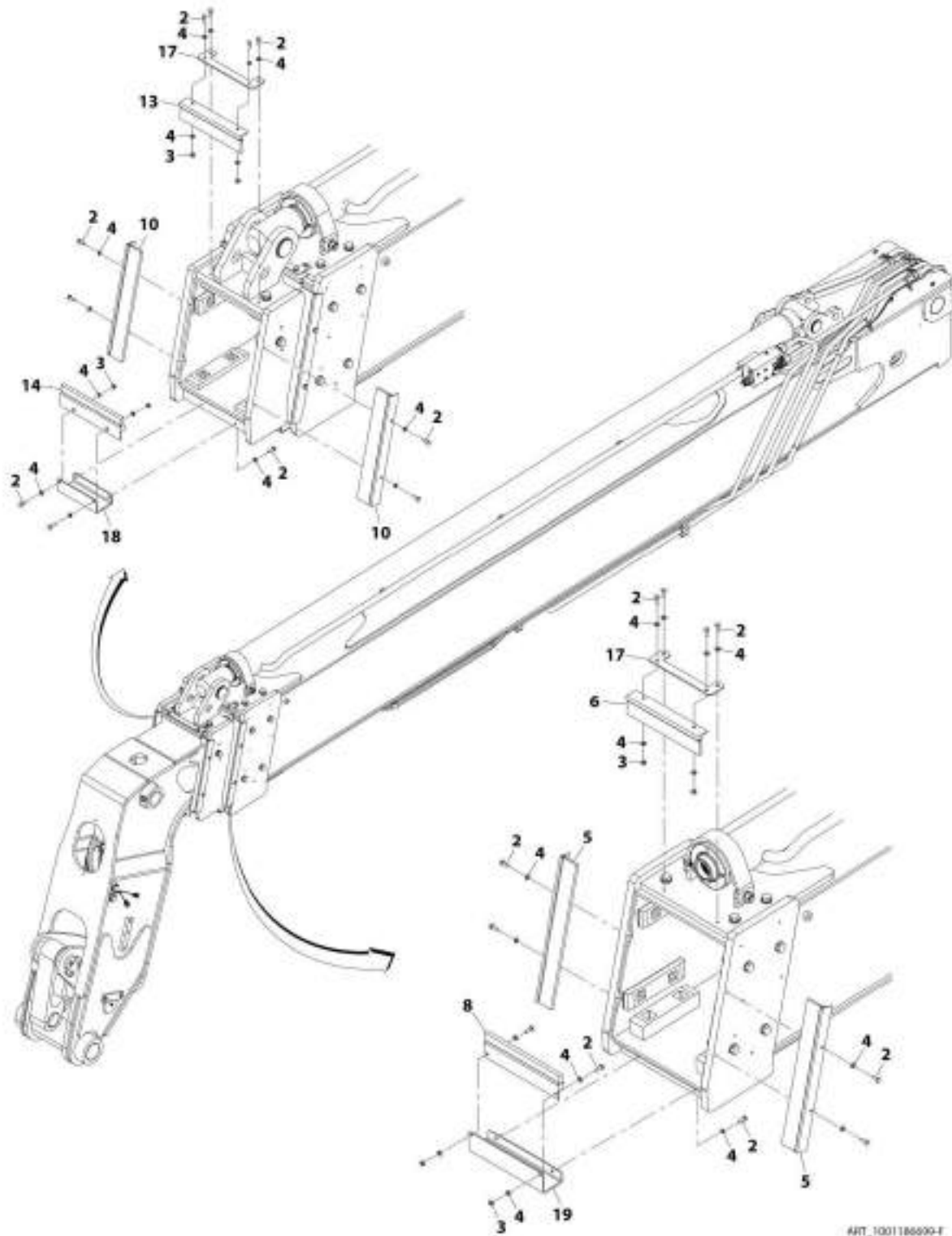
ART\_3001189475-0

FIGURE 2-11. BOOM PROP INSTALLATION

ITEM	PART NUMBER	QTY	DESCRIPTION	REV
	1001189475	Ref	Boom Prop Installation	D
2	443630	2	Screw, Wing M12X30	
3	4812102	2	Washer, M12	
4	1001204535	1	Bracket, Boom Support	
5	1001189476	2	Pad	
6	1784861	2	O-Ring	

# SECTION 2 - BOOM

## FIGURE 2-12. BOOM BRUSHES INSTALLATION



ART\_1001186899-F



FIGURE 2-12. BOOM BRUSHES INSTALLATION

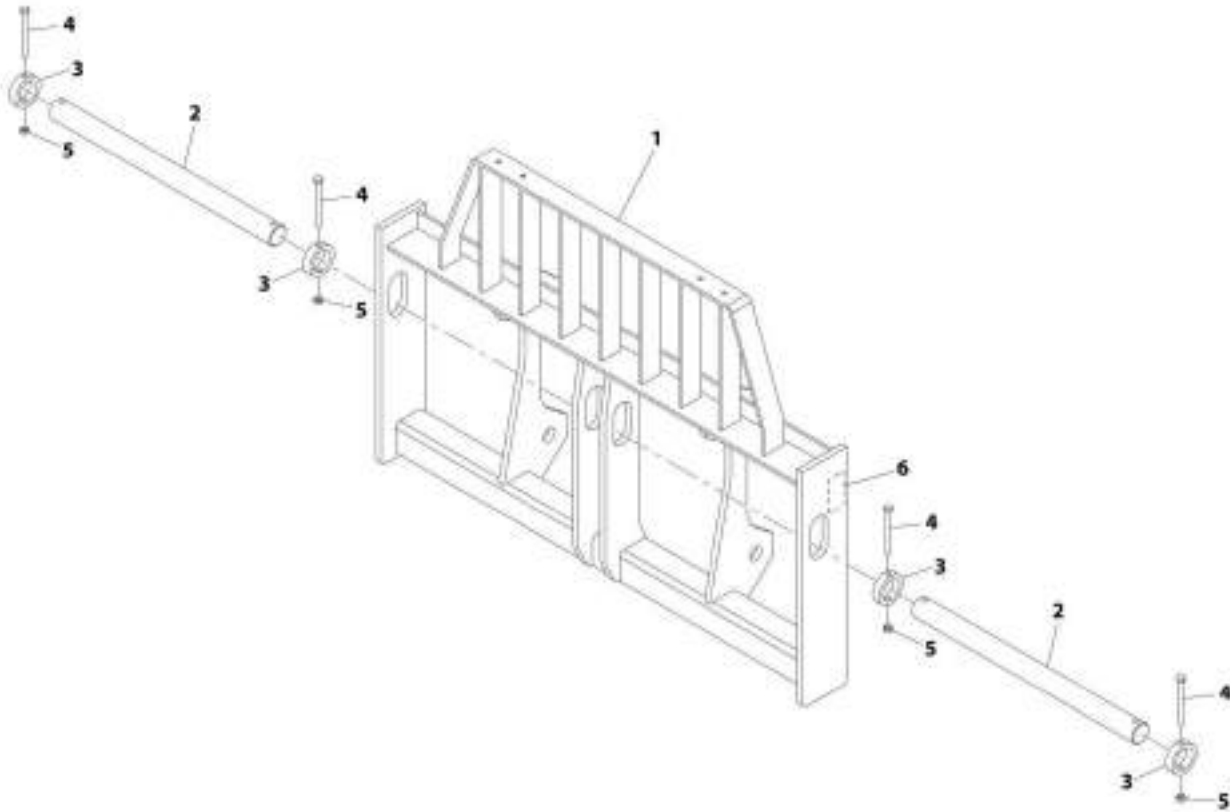
ITEM	PART NUMBER	QTY	DESCRIPTION	REV
	1001186699	Ref	Boom Brushes Installation	F
2	0760608	24	Bolt, M6X16	
3	3290601	8	Nut, M6X1 Grade 8	
4	4811700	32	Washer, M6	
5	1001184423	2	Seal, Boom Brush	
6	1001184507	1	Seal, Boom Brush	
8	1001202316	1	Seal, Boom Brush	
10	1001183676	2	Seal, Boom Brush	
13	1001186895	1	Seal, Boom Brush	
14	1001186896	1	Seal, Boom Brush	
17	1001214868	2	Bracket, Boom Brush Top	
18	1001214881	1	Bracket, Boom Brush Bottom	
19	1001214882	1	Bracket, Boom Brush Bottom	



**SECTION 3 - ATTACHMENTS**

# SECTION 3 - ATTACHMENTS

## FIGURE 3-1. CARRIAGE ASSEMBLY (1524MM) (CE & AUS)



APP\_100159403-8

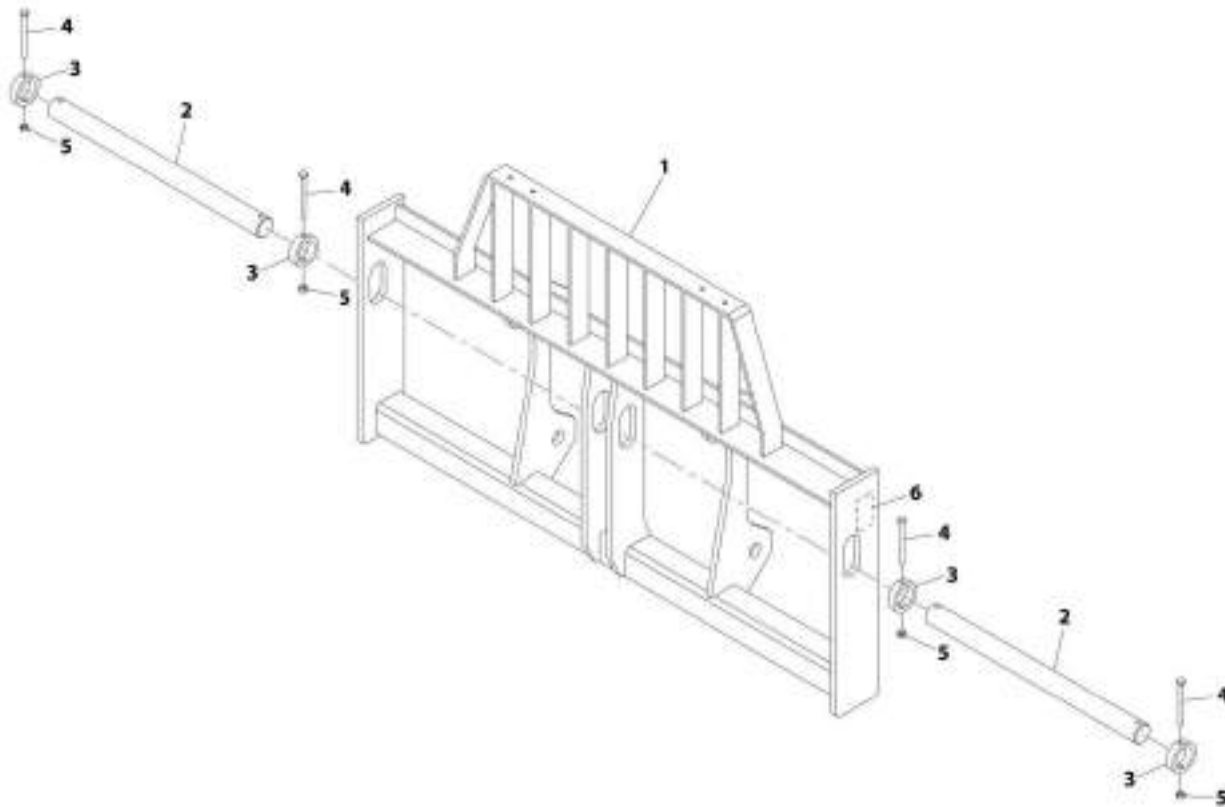
## SECTION 3 - ATTACHMENTS

**FIGURE 3-1. CARRIAGE ASSEMBLY (1524MM) (CE & AUS)**

ITEM	PART NUMBER	QTY	DESCRIPTION	REV
	1001184033	1	Carriage Assembly (1524MM)	B
1	N.S.S.	1	Weldment, Carriage	
2	70027659	2	Shaft, Fork	
3	70027606	4	Pin, Block	
4	70027607	4	Bolt	
5	70021241	4	Nut, Lock M12	
6	N.S.S.	1	Plate, Serial Number	

# SECTION 3 - ATTACHMENTS

## FIGURE 3-2. CARRIAGE ASSEMBLY (1829MM) (CE & AUS)



APP\_1001594005-B

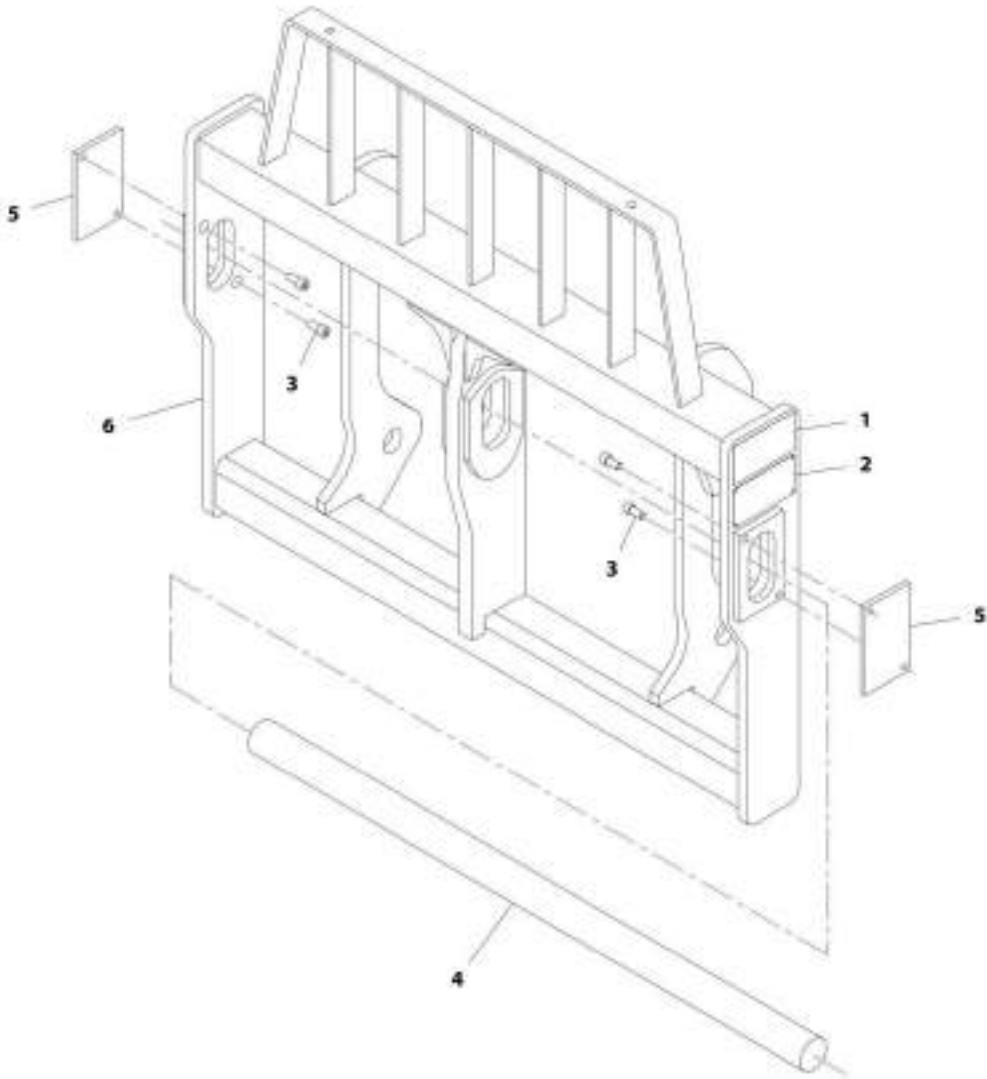
## SECTION 3 - ATTACHMENTS

**FIGURE 3-2. CARRIAGE ASSEMBLY (1829MM) (CE & AUS)**

ITEM	PART NUMBER	QTY	DESCRIPTION	REV
	1001184035	1	Carriage Assembly (1829MM)	B
1	N.S.S.	1	Weldment, Carriage	
2	70027658	2	Shaft, Fork	
3	70027606	4	Pin, Block	
4	70027607	4	Bolt	
5	70021241	4	Nut, Lock M12	
6	N.S.S.	1	Plate, Serial Number	

**SECTION 3 - ATTACHMENTS**

**FIGURE 3-3. CARRIAGE ASSEMBLY (1225MM) (CE & AUS)**



ART\_1001107581-A



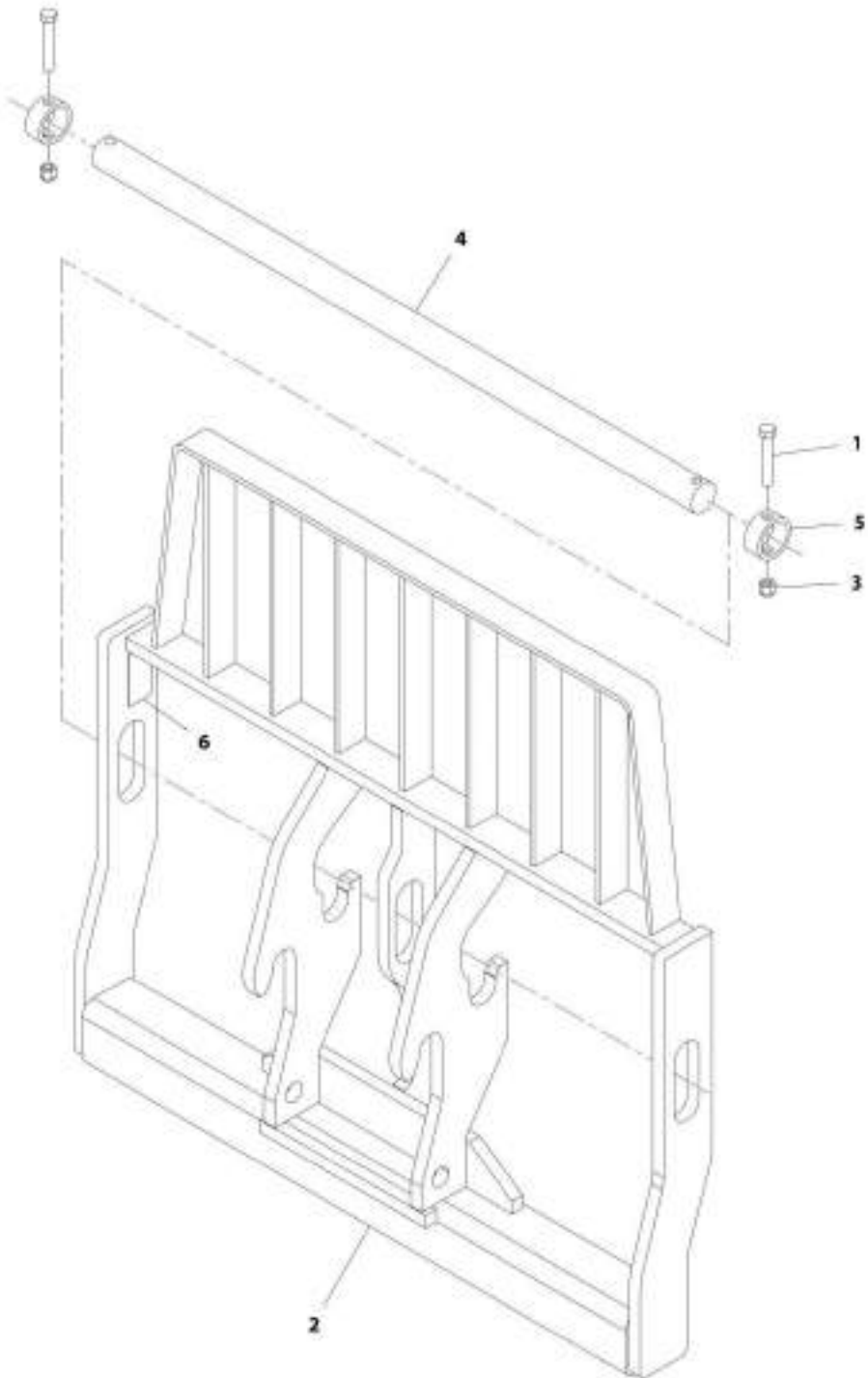
## SECTION 3 - ATTACHMENTS

### FIGURE 3-3. CARRIAGE ASSEMBLY (1225MM) (CE & AUS)

ITEM	PART NUMBER	QTY	DESCRIPTION	REV
	1001107581	1	Carriage Assembly (1225MM)	A
1	N.S.S.	1	Name Plate, Carriage	
2	N.S.S.	1	Plate, Serial Number	
3	4032109	4	Bolt, M12X25	
4	1001107336	1	Shaft, Carriage	
5	1001107338	2	Cover, Shaft	
6	N.S.S.	1	Weldment, Carriage	

**SECTION 3 - ATTACHMENTS**

**FIGURE 3-4. CARRIAGE ASSEMBLY (1270MM) (ANSI - JLG)**



AWT\_11/0021-F

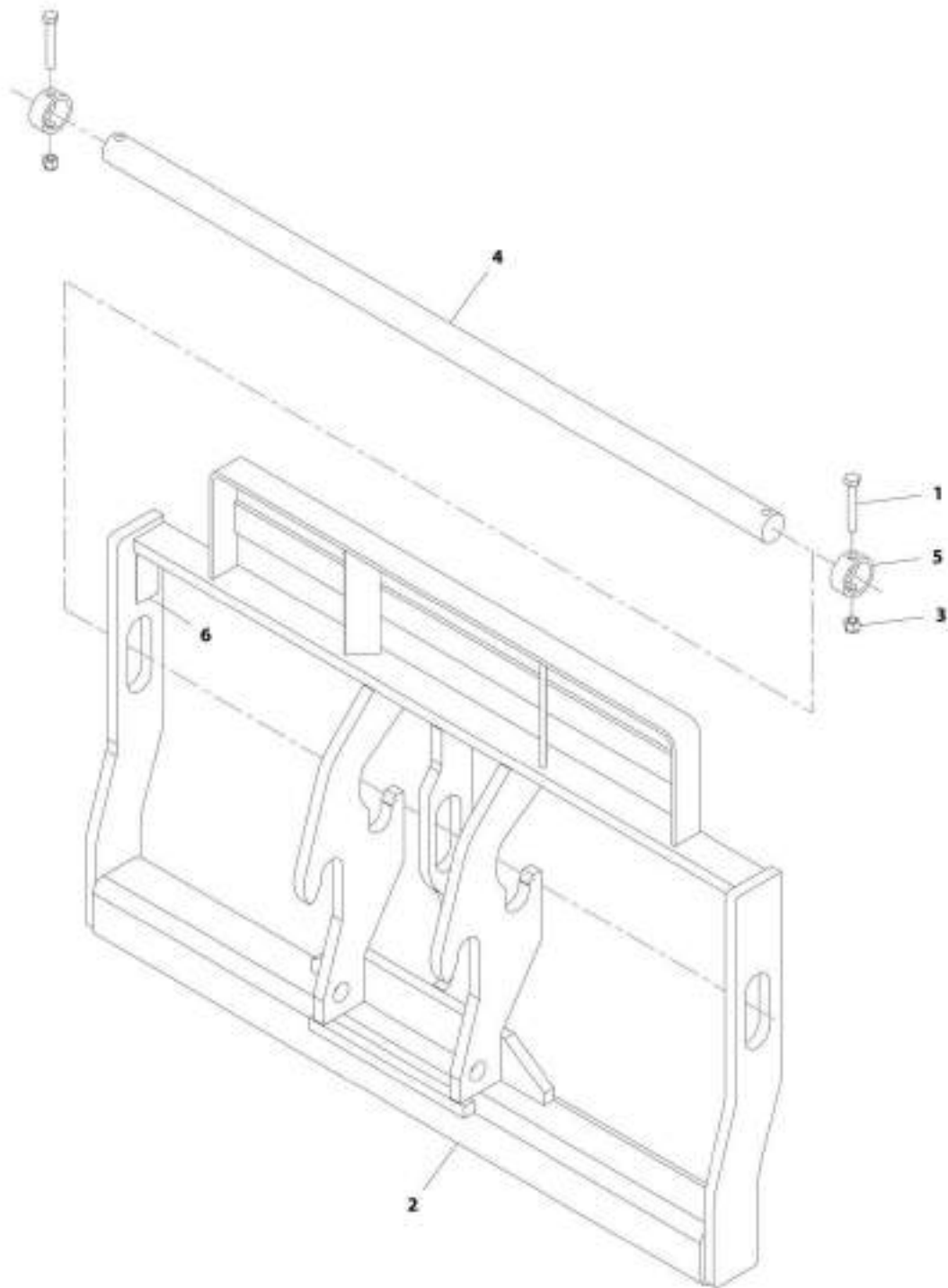
## SECTION 3 - ATTACHMENTS

**FIGURE 3-4. CARRIAGE ASSEMBLY (1270MM) (ANSI - JLG)**

ITEM	PART NUMBER	QTY	DESCRIPTION	REV
	1170021	1	Carriage Assembly (1270MM)	F
1	0642032	2	Bolt, 5/8-11X4	
2	1170012	1	Weldment, Carriage	
3	3300240	2	Nut, Lock 5/8-11	
4	3423275	1	Pin, Fork	
5	90200003	2	Collar, Fork Pin	
6	N.S.S.	Ref	Plate, Serial Number	

# SECTION 3 - ATTACHMENTS

FIGURE 3-5. CARRIAGE ASSEMBLY (1524 MM) (ANSI - JLG)



ART\_1170014-F

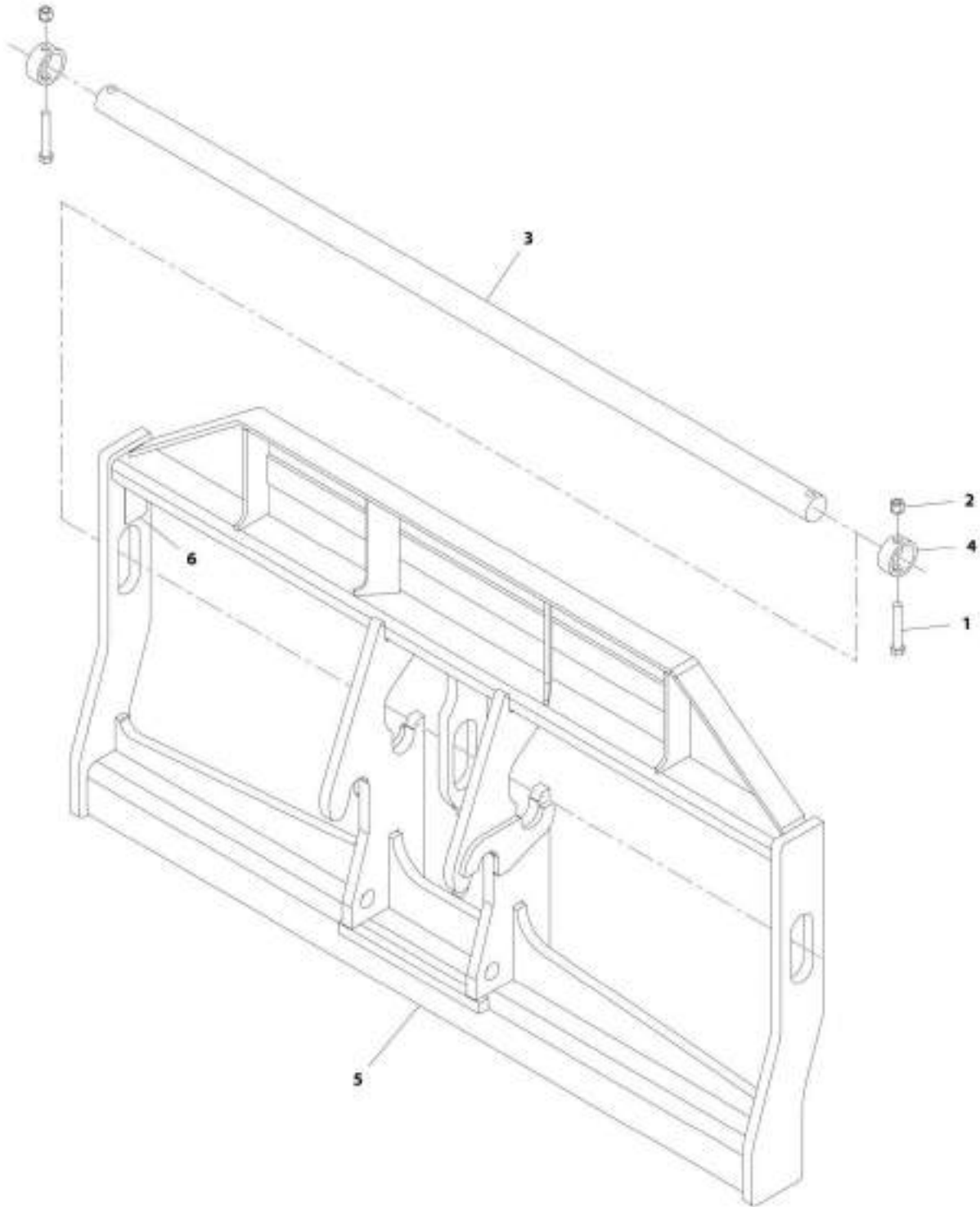
## SECTION 3 - ATTACHMENTS

**FIGURE 3-5. CARRIAGE ASSEMBLY (1524 MM) (ANSI - JLG)**

ITEM	PART NUMBER	QTY	DESCRIPTION	REV
	1170024	1	Carriage Assembly (1524 MM)	F
1	0642032	2	Bolt, 5/8-11X4	
2	N.S.S.	1	Weldment, Carriage	
3	3300240	2	Nut, Locking 5/8-11	
4	3423242	1	Pin	
5	90200003	2	Sleeve	
6	N.S.S.	Ref	Plate, Serial Number	

# SECTION 3 - ATTACHMENTS

FIGURE 3-6. CARRIAGE ASSEMBLY (1829 MM) (ANSI - JLG)



ARC\_100/211E16-A

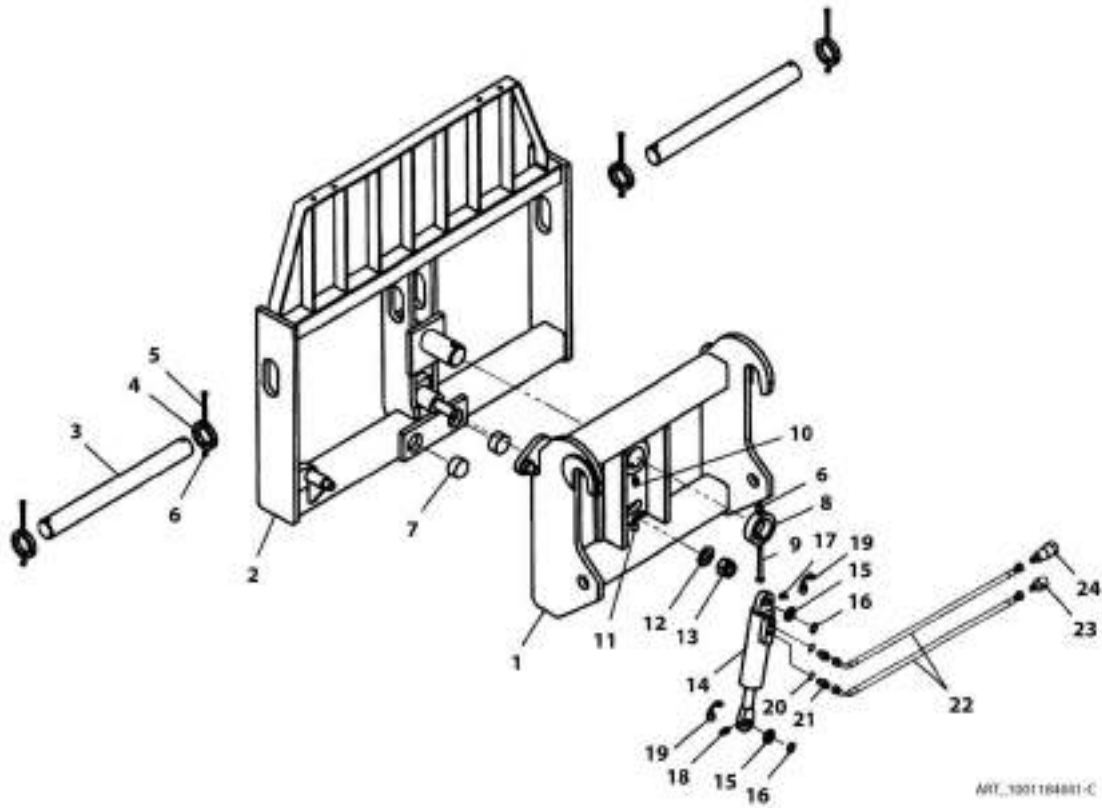
## SECTION 3 - ATTACHMENTS

**FIGURE 3-6. CARRIAGE ASSEMBLY (1829 MM) (ANSI - JLG)**

ITEM	PART NUMBER	QTY	DESCRIPTION	REV
	1001211516	1	Carriage Assembly (1829 MM)	A
1	0642032	2	Bolt, 5/8-11X4	
2	3300240	2	Nut, Locking 5/8-11	
3	3423276	1	Pin	
4	90200003	2	Sleeve	
5	N.S.S.	Ref	Weldment, Carriage	
6	N.S.S.	Ref	Plate, Serial Number	

# SECTION 3 - ATTACHMENTS

FIGURE 3-7. SIDE TILTING CARRIAGE (4.5 TON - 1225 MM) (CE & AUS)





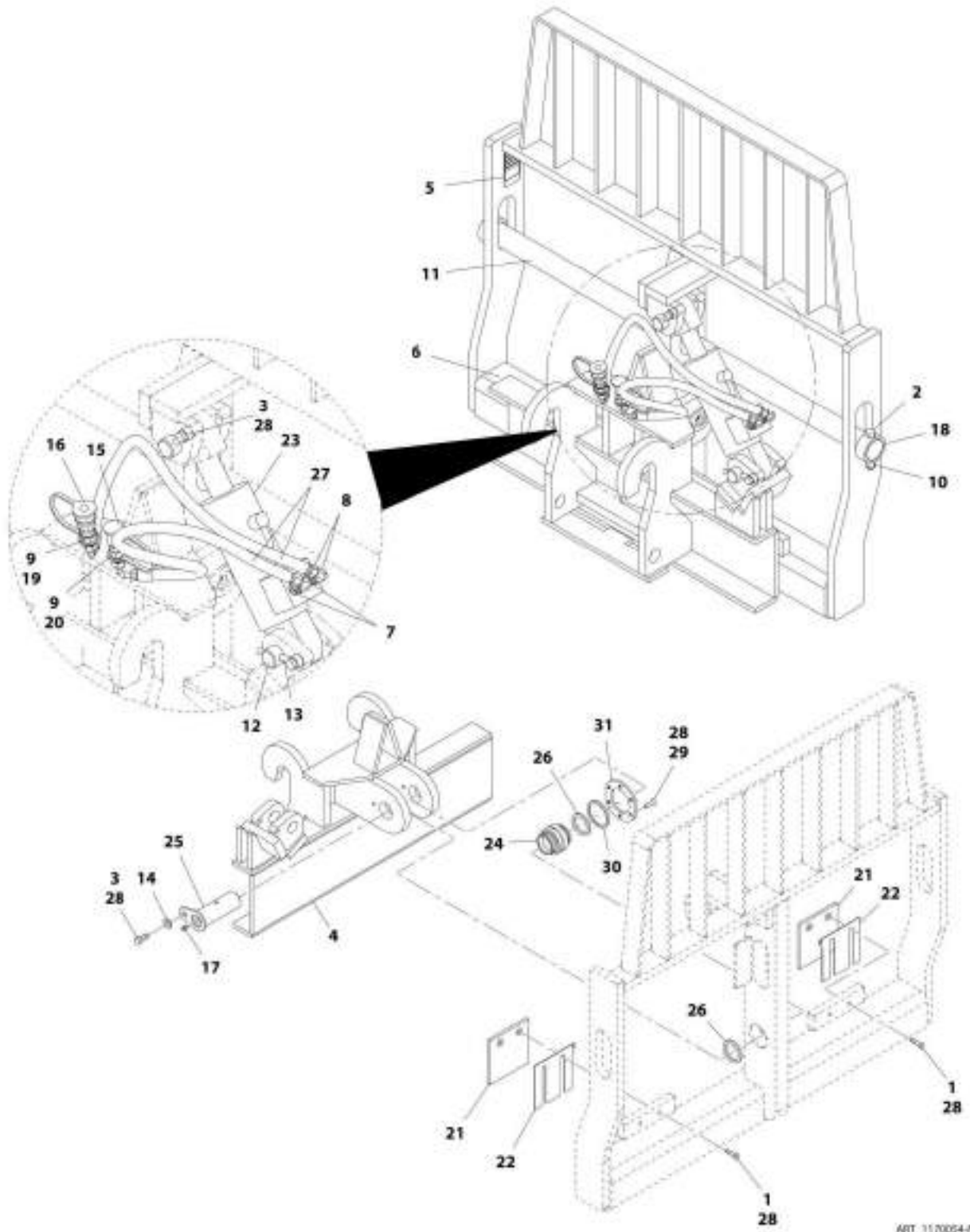
## SECTION 3 - ATTACHMENTS

**FIGURE 3-7. SIDE TILTING CARRIAGE (4.5 TON - 1225 MM) (CE & AUS)**

ITEM	PART NUMBER	QTY	DESCRIPTION	REV
	1001184041	1	Side Tilting Carriage (4.5 ton - 1225 MM)	C
1	N.S.S.	1	Carriage Weldment	
2	70027604	1	Fork, Carriage	
3	70027605	2	Pin	
4	70027606	4	Pin, Block	
5	70027607	4	Bolt	
6	70021241	5	Nut, Lock M12	
7	70021238	2	Buffer	
8	70021239	1	Collar	
9	70021240	1	Bolt	
10	70021242	1	Fitting, Grease	
11	70021243	1	Cover, Grease Fitting	
12	70021244	1	Washer	
13	70022697	1	Nut, Lock	
14	70020506	1	Cylinder	
15	70020507	1	Washer	
16	70020508	2	Ring, Snap	
17	70021245	1	Fitting, Grease	
18	70021246	1	Fitting, Grease	
19	70021247	2	Cover, Grease Fitting	
20	70020730	2	O-Ring	
21	70020731	2	Fitting	
22	70021248	2	Tube, Hydraulic	
23	1001094556	1	Coupling, Male Quick Disconnect	
24	1001094555	1	Coupling, Female Quick Disconnect	

# SECTION 3 - ATTACHMENTS

FIGURE 3-8. SIDE TILTING CARRIAGE (4.5 TON - 1270 MM) (ANSI - JLG)



ART\_1170054-M

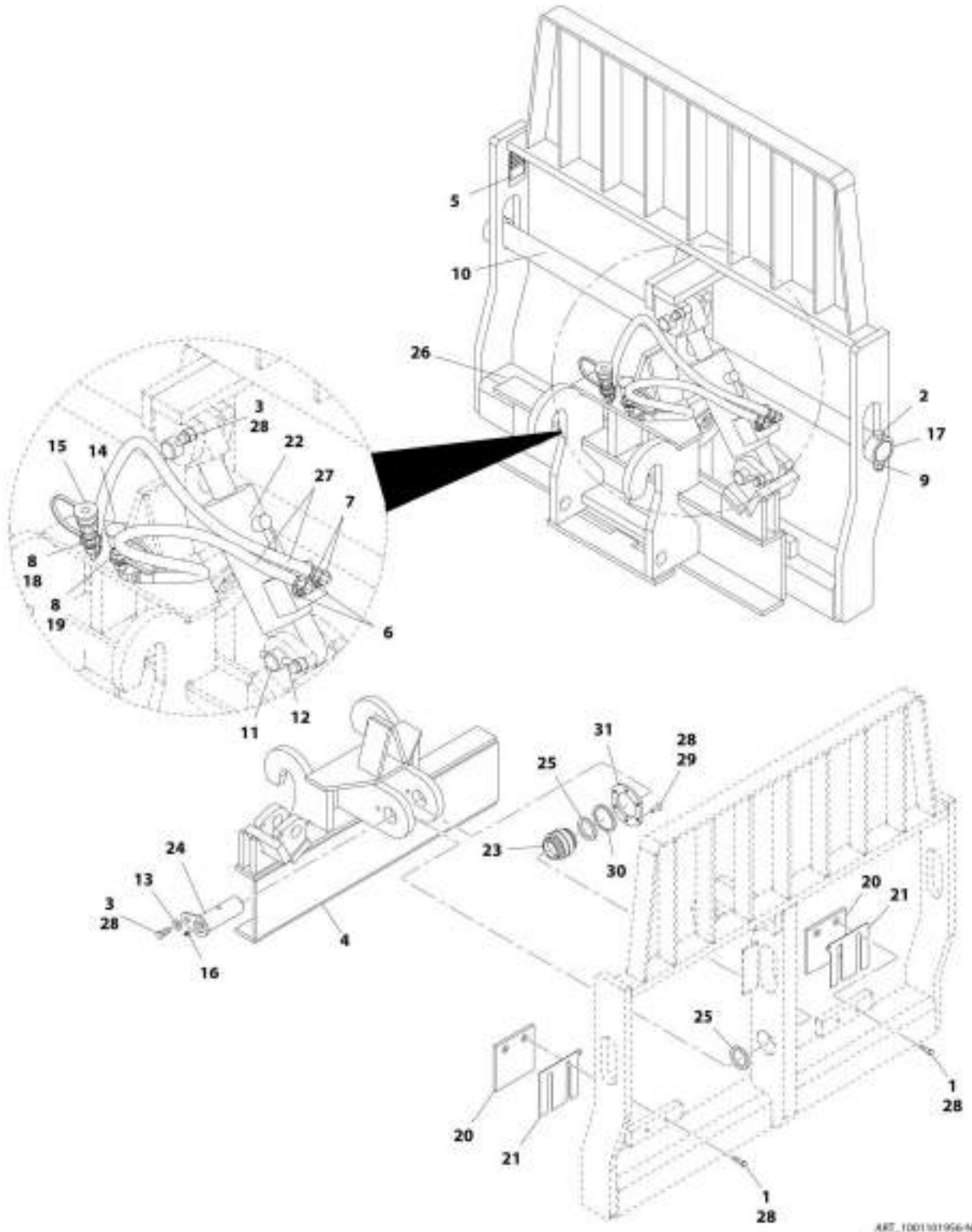
## SECTION 3 - ATTACHMENTS

**FIGURE 3-8. SIDE TILTING CARRIAGE (4.5 TON - 1270 MM) (ANSI - JLG)**

ITEM	PART NUMBER	QTY	DESCRIPTION	REV
	1170054	1	Side Tilting Carriage (4.5 ton - 1270 MM)	M
1	0641612	4	Bolt, 3/8-16X1-1/2	
2	0642032	2	Bolt, 5/8-11X4	
3	0681810	3	Bolt, 1/2-13X1-1/4	
4	1001133072	1	Carriage, Base Pivot	
5	N.S.S.	1	Plate, Serial Number	
6	N.S.S.	1	Carriage, Side Tilt	
7	2110606	2	Fitting, Straight ORFS	
8	2172106	2	Fitting, 90 ORFS	
9	2110808	2	Fitting, Straight ORFS	
10	3300240	2	Nut, Locking 5/8-11	
11	3423275	1	Pin, Fork	
12	3423307	2	Pin	
13	3841203	2	Keeper	
14	4891800	1	Flatwasher	
15	8420053	1	Cap	
16	8420055	1	Plug	
17	88671001	1	Fitting, Grease	
18	90200003	2	Collar	
19	91403413	1	Fitting	
20	91403414	1	Fitting	
21	1001090063	2	Pad	
22	1001090064	AR	Shim	
23	1001163414	1	Cylinder, Side Tilt (See Separate Breakdown in HYDRAULIC COMPONENTS Section)	
24	1001090140	1	Bearing	
25	1001099113	1	Pin	
26	1001099115	2	Sleeve	
27	1001102378	2	Hose	
28	0100011	AR	Compound, Locking	
29	0741610	6	Screw, 3/8-16X1.25	
30	1001120914	1	Shim	
31	1001120915	1	Plate	

# SECTION 3 - ATTACHMENTS

FIGURE 3-9. SIDE TILTING CARRIAGE (4.5 TON - 1575 MM) (ANSI - JLG)



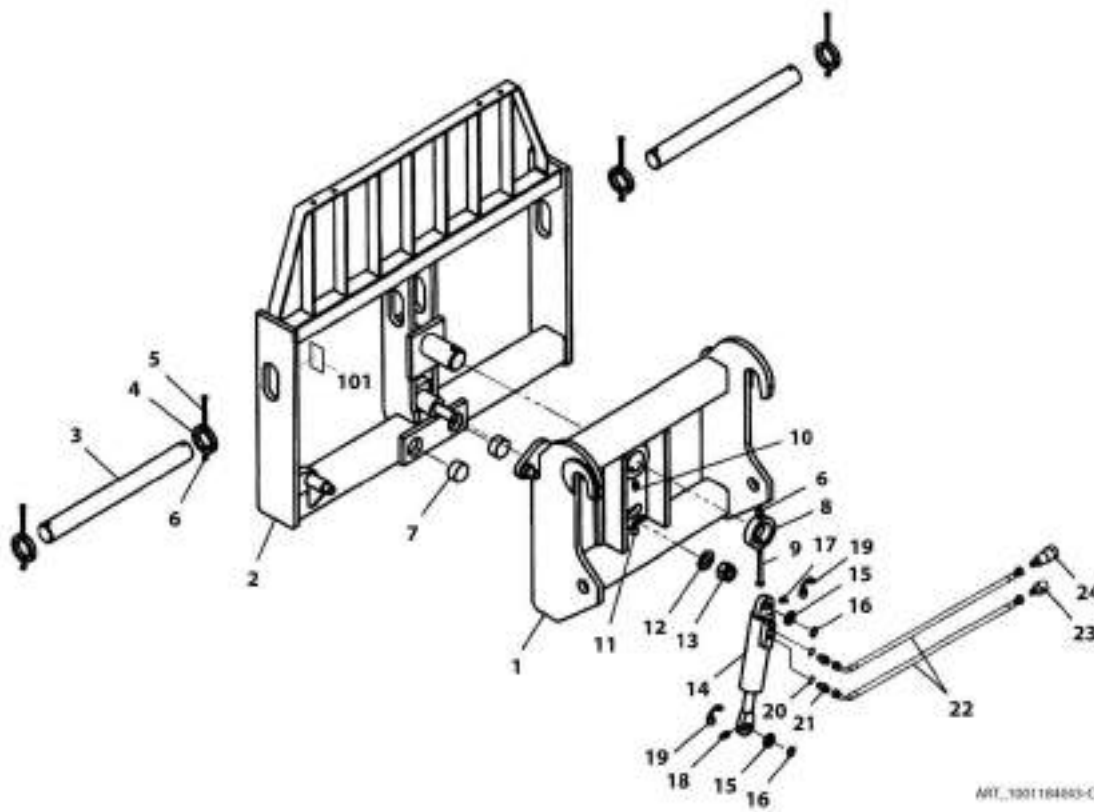
## SECTION 3 - ATTACHMENTS

**FIGURE 3-9. SIDE TILTING CARRIAGE (4.5 TON - 1575 MM) (ANSI - JLG)**

ITEM	PART NUMBER	QTY	DESCRIPTION	REV
	1001101956	Ref	Side Tilting Carriage (4.5 ton - 1575 MM)	N
1	0641612	4	Bolt, 3/8-16X1-1/2	
2	0642032	2	Bolt, 5/8-11X4	
3	0681810	3	Bolt, 1/2-13X1-1/4	
4	1001133072	1	Carriage, Base Pivot	
5	N.S.S.	1	Plate, Serial Number	
6	2110606	2	Fitting, Straight ORFS	
7	2172106	2	Fitting, 90 ORFS	
8	2110808	2	Fitting, Straight ORFS	
9	3300240	2	Nut, Locking 5/8-11	
10	3423242	1	Pin, Fork	
11	3423307	2	Pin	
12	3841203	2	Keeper	
13	4891800	1	Flatwasher	
14	8420053	1	Cap	
15	8420055	1	Plug	
16	88671001	1	Fitting, Grease	
17	90200003	2	Collar	
18	91403413	1	Fitting	
19	91403414	1	Fitting	
20	1001090063	2	Pad	
21	1001090064	AR	Shim	
22	1001163414	1	Cylinder, Side Tilt (See Separate Breakdown in HYDRAULIC COMPONENTS Section)	
23	1001090140	1	Bearing	
24	1001099113	1	Pin, Frame Pivot	
25	1001099115	2	Spacer	
26	N.S.S.	1	Carriage, Side Tilting	
27	1001102378	2	Hose	
28	0100011	AR	Compound, Locking	
29	0741610	6	Screw, 3/8-16X1.25	
30	1001120914	1	Shim	
31	1001120915	1	Plate	

# SECTION 3 - ATTACHMENTS

FIGURE 3-10. SIDE TILTING CARRIAGE (4.0 TON - 1575 MM) (CE & AUS - JLG)



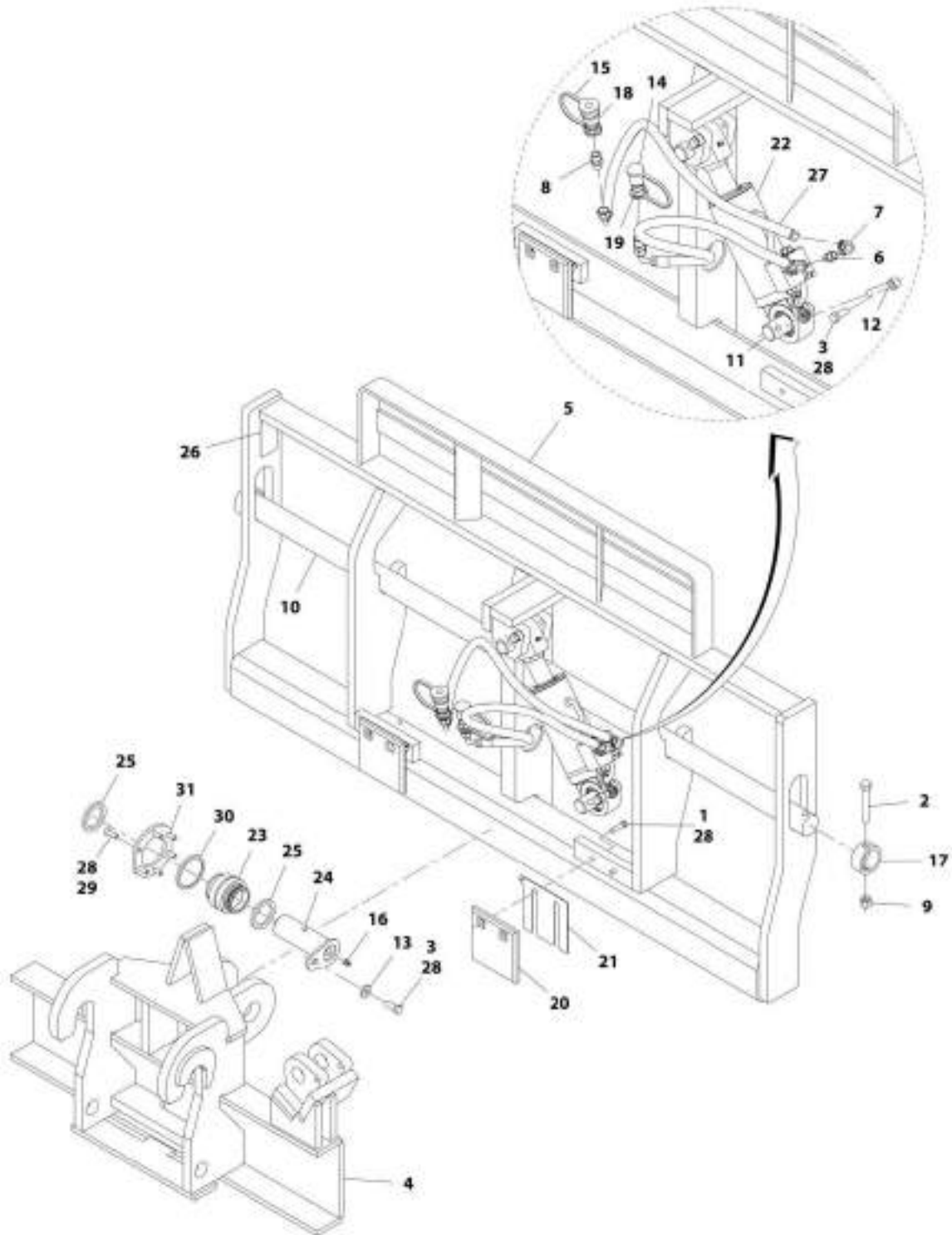
## SECTION 3 - ATTACHMENTS

**FIGURE 3-10. SIDE TILTING CARRIAGE (4.0 TON - 1575 MM) (CE & AUS - JLG)**

ITEM	PART NUMBER	QTY	DESCRIPTION	REV
	1001184043	1	Side Tilting Carriage (4.0 ton - 1575 MM)	C
1	N.S.S.	Ref	Weldment, Carriage	
2	70027604	1	Fork, Carriage	
3	70027605	2	Pin	
4	70027606	4	Pin, Block	
5	70027607	4	Bolt	
6	70021241	5	Locknut, M12	
7	70021238	2	Buffer	
8	70021239	1	Collar	
9	70021240	1	Bolt	
10	70021242	1	Fitting, Grease	
11	70021243	1	Cover, Grease Fitting	
12	70021244	1	Washer	
13	70022697	1	Bolt	
14	70020506	1	Cylinder	
15	70020507	1	Washer	
16	70020508	2	Ring, Snap	
17	70021245	1	Fitting, Grease	
18	70021246	1	Fitting, Grease	
19	70021247	2	Cover, Grease Fitting	
20	70020730	2	O-Ring	
21	70020731	2	Fitting, Straight	
22	70021248	2	Tube	
23	1001094556	1	Coupling, Male Quick Disconnect	
24	1001094555	1	Coupling, Female Quick Disconnect	
101	N.S.S.	Ref	Plate, Serial Number	

# SECTION 3 - ATTACHMENTS

FIGURE 3-11. SIDE TILTING CARRIAGE (4.5 TON - 1829 MM) (ANSI - JLG)



ARE\_1179057-M



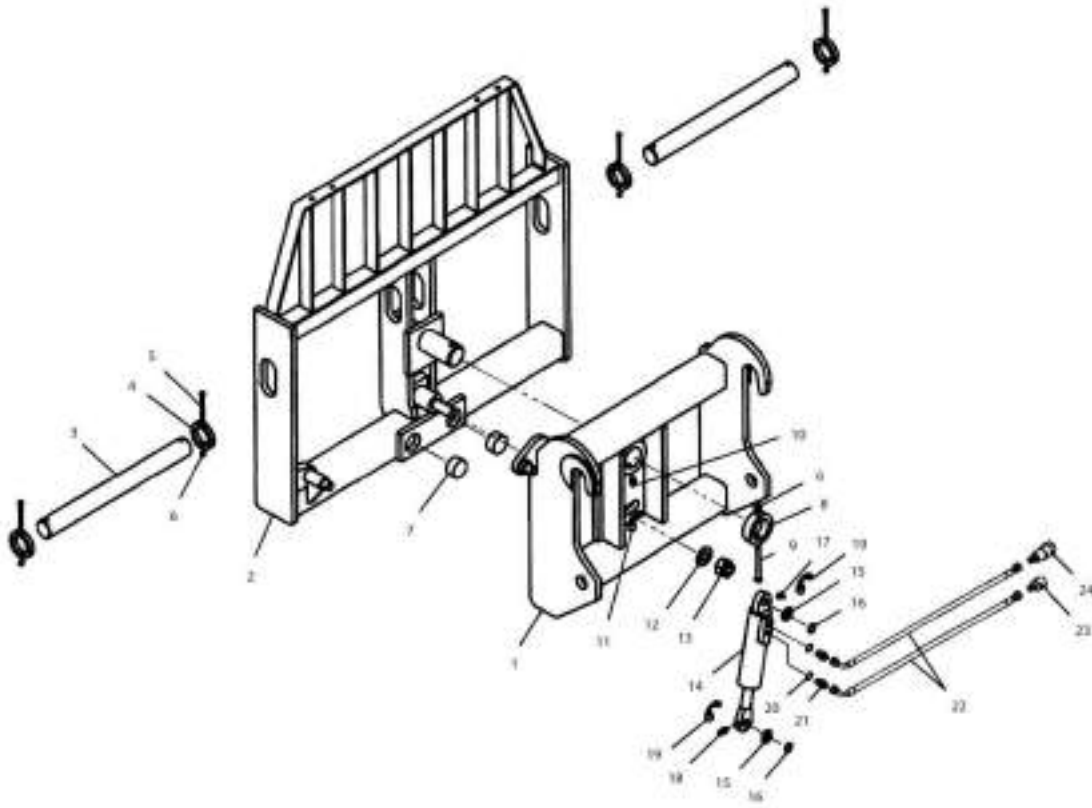
## SECTION 3 - ATTACHMENTS

**FIGURE 3-11. SIDE TILTING CARRIAGE (4.5 TON - 1829 MM) (ANSI - JLG)**

ITEM	PART NUMBER	QTY	DESCRIPTION	REV
	1170057	Ref	Side Tilting Carriage (4.5 ton - 1829 MM)	M
1	0641612	4	Bolt, 3/8-16X1-1/2	
2	0642032	2	Bolt, 5/8-11X4	
3	0681810	3	Bolt, 1/2-13X1-1/4	
4	1001133072	1	Carriage, Base Pivot	
5	N.S.S.	1	Carriage, Side Tilting	
6	2110606	2	Fitting, Straight ORFS	
7	2172106	2	Fitting, 90 ORFS	
8	2110808	2	Fitting, Straight ORFS	
9	3300240	2	Nut, Locking 5/8-11	
10	3423276	1	Pin, Fork	
11	3423307	2	Pin	
12	3841203	2	Keeper	
13	4891800	1	Flatwasher	
14	8420053	1	Cap	
15	8420055	1	Plug	
16	88671001	1	Fitting, Grease	
17	90200003	2	Collar	
18	91403413	1	Fitting	
19	91403414	1	Fitting	
20	1001090063	2	Pad	
21	1001090064	AR	Shim	
22	N.S.S.	1	Cylinder, Side Tilt (See Separate Breakdown in HYDRAULIC COMPONENTS Section)	
23	1001090140	1	Bearing	
24	1001099113	1	Pin	
25	1001099115	2	Sleeve	
26	N.S.S.	1	Plate, Serial Number	
27	1001102378	2	Hose	
28	0100011	AR	Compound, Locking	
29	0741610	6	Screw, 3/8-16X1.25	
30	1001120914	1	Shim	
31	1001120915	1	Plate	

# SECTION 3 - ATTACHMENTS

FIGURE 3-12. SIDE TILTING CARRIAGE (4.0 TON - 1829 MM) (CE & AUS)



ART\_1001184045-8

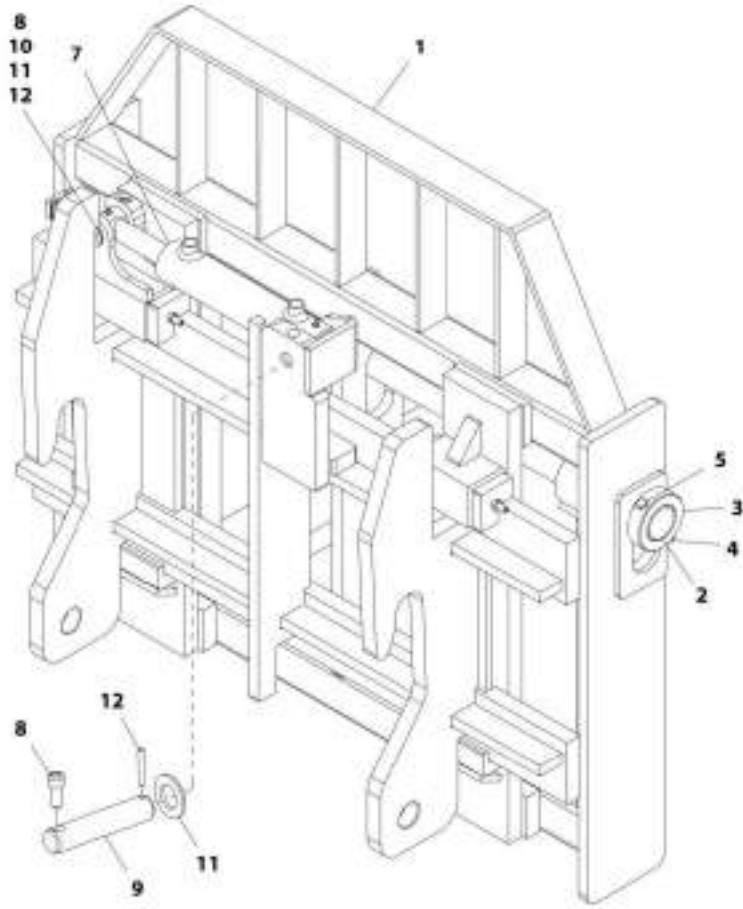
## SECTION 3 - ATTACHMENTS

**FIGURE 3-12. SIDE TILTING CARRIAGE (4.0 TON - 1829 MM) (CE & AUS)**

ITEM	PART NUMBER	QTY	DESCRIPTION	REV
	1001184045	1	Side Tilting Carriage (4.0 ton - 1829 MM)	B
1	N.S.S.	1	Weldment	
2	N.S.S.	1	Weldment, Carriage	
3	70027658	2	Shaft, Fork	
4	70027606	4	Pin, Block	
5	70027607	4	Bolt	
6	70021241	5	Nut, Lock M12	
7	70021238	2	Buffer	
8	70021239	1	Collar	
9	70021240	1	Bolt	
10	70021242	1	Fitting, Grease	
11	70021243	1	Cover	
12	70021244	1	Washer	
13	70022697	1	Nut, Lock	
14	70020506	1	Cylinder	
15	70020507	2	Washer	
16	70020508	2	Ring	
17	70021245	1	Fitting, Grease	
18	70021246	1	Fitting, Grease	
19	70021247	2	Cover	
20	70020730	2	O-Ring	
21	70020731	2	Link	
22	70027608	2	Pipe, Flexible	
23	1001094556	1	Coupling, Male Quick Disconnect	
24	1001094555	1	Coupling, Female Quick Disconnect	

# SECTION 3 - ATTACHMENTS

FIGURE 3-13. SIDE SHIFT CARRIAGE (4.0 TON - 1225 MM) (CE & AUS)



ART\_1178802-1

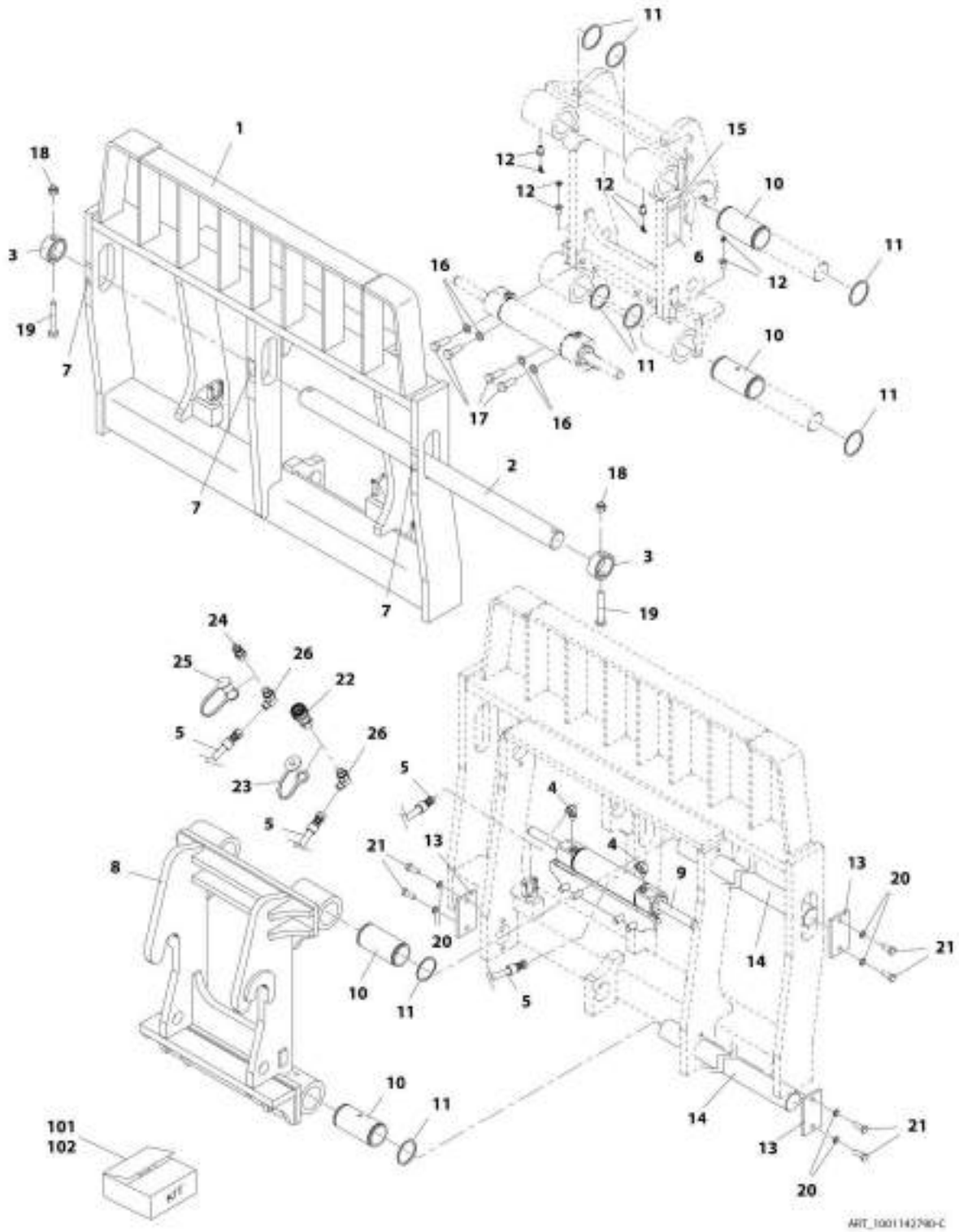
## SECTION 3 - ATTACHMENTS

**FIGURE 3-13. SIDE SHIFT CARRIAGE (4.0 TON - 1225 MM) (CE & AUS)**

ITEM	PART NUMBER	QTY	DESCRIPTION	REV
	1170002	1	Side Shift Carriage (4.0 ton - 1255 MM)	I
1	N.S.S.	1	Carriage, Side Shift	
2	7028136	1	Bar, Fork Carrier	
3	7028137	1	Collar	
4	3291005	2	Nut, Lock M10X1.5	
5	0701029	2	Bolt, M10X120	
7	70021558	1	Cylinder	
8	70021559	2	Bolt	
9	70021560	1	Pin	
10	70021561	1	Pin	
11	70021562	2	Washer	
12	70021563	2	Pin	
13	N.S.S.	1	Plate, Serial Number, (not shown)	

# SECTION 3 - ATTACHMENTS

FIGURE 3-14. SIDE SHIFT CARRIAGE (5.5 TON - 1270 MM) (ANSI - JLG)



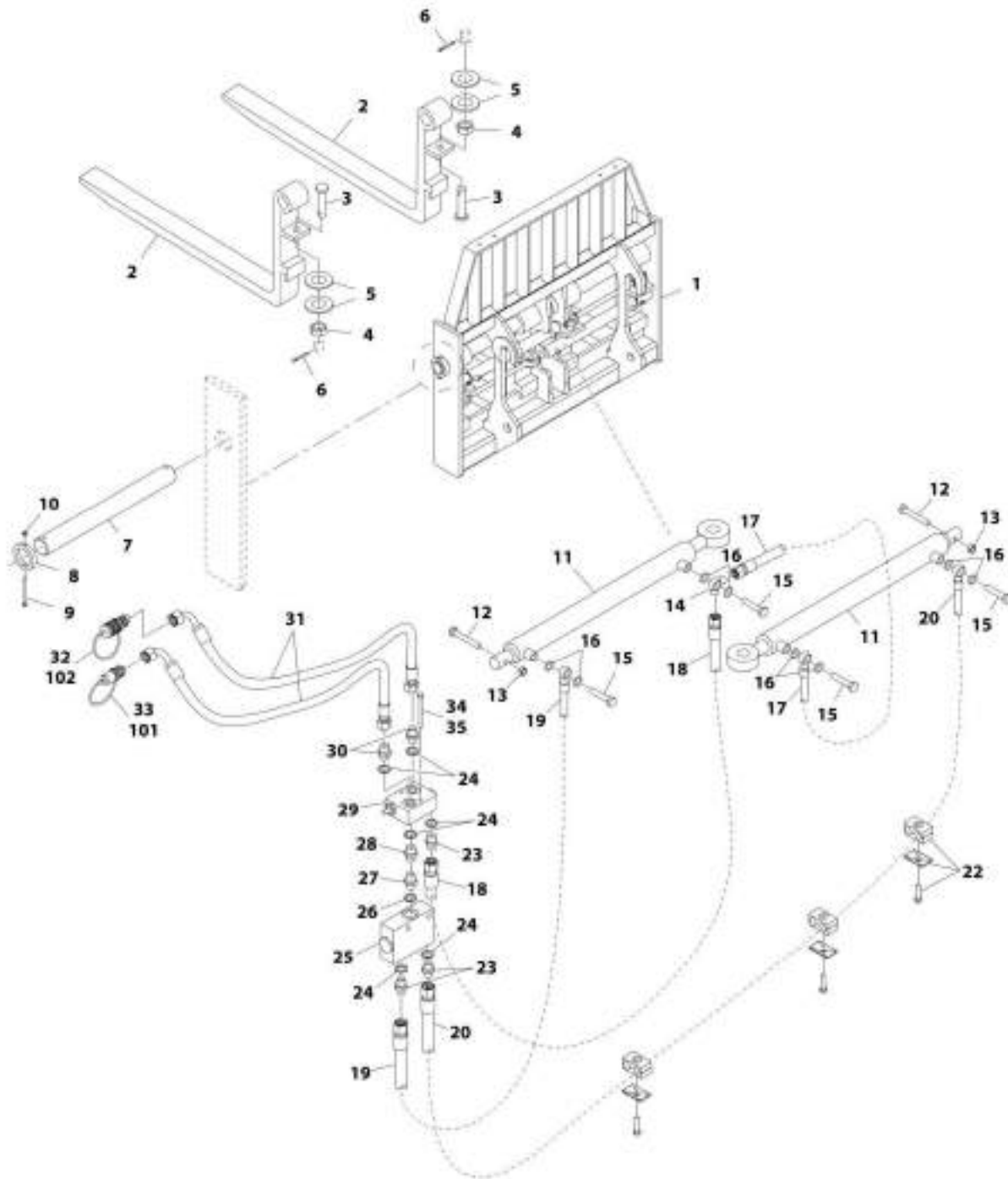
## SECTION 3 - ATTACHMENTS

**FIGURE 3-14. SIDE SHIFT CARRIAGE (5.5 TON - 1270 MM) (ANSI - JLG)**

ITEM	PART NUMBER	QTY	DESCRIPTION	REV
	1001142790	1	Side Shift Carriage (5.5 ton - 1270 MM)	C
1	N.S.S.	1	Weldment	
2	70024535	1	Shaft	
3	70024536	2	Collar	
4	70024123	2	Fitting, 90	
5	70024537	2	Hose	
6	N.S.S.	1	Plate, Serial Number	
7	70024538	3	Decal, Warning	
8	N.S.S.	1	Weldment	
9	70024539	1	Cylinder, Side Shift (ANSI) (See Separate Breakdown in Hydraulic Components Section)	
10	70024540	4	Bushing	
11	70024541	8	Circlip	
12	70024542	4	Fitting, Grease	
13	70024543	4	Retainer	
14	70024544	2	Shaft	
15	N.S.S.	1	Plate, Serial Number	
16	70024551	4	Washer, Lock M16	
17	70024552	4	Bolt, M16X45	
18	70024553	2	Nut, Hex M16	
19	70024554	2	Bolt, M16X100	
20	70022997	8	Washer, Lock M12	
21	70024555	8	Bolt, M12X35	
22	91403413	1	Fitting, Straight	
23	8420055	1	Plug	
24	91403414	1	Fitting, Straight	
25	8420053	1	Cap, Dust	
26	70024550	2	Fitting, 90	
101	70024545	1	Kit, Hydraulic Repair (includes items 5 & 22 thru 26)	
102	70024546	1	Kit, Retainer (includes items 13, 20 & 21)	

# SECTION 3 - ATTACHMENTS

FIGURE 3-15. FORK POSITIONING CARRIAGE WITH FORKS (4.0 TON) (CE & AUS)



ART\_1001091313-A



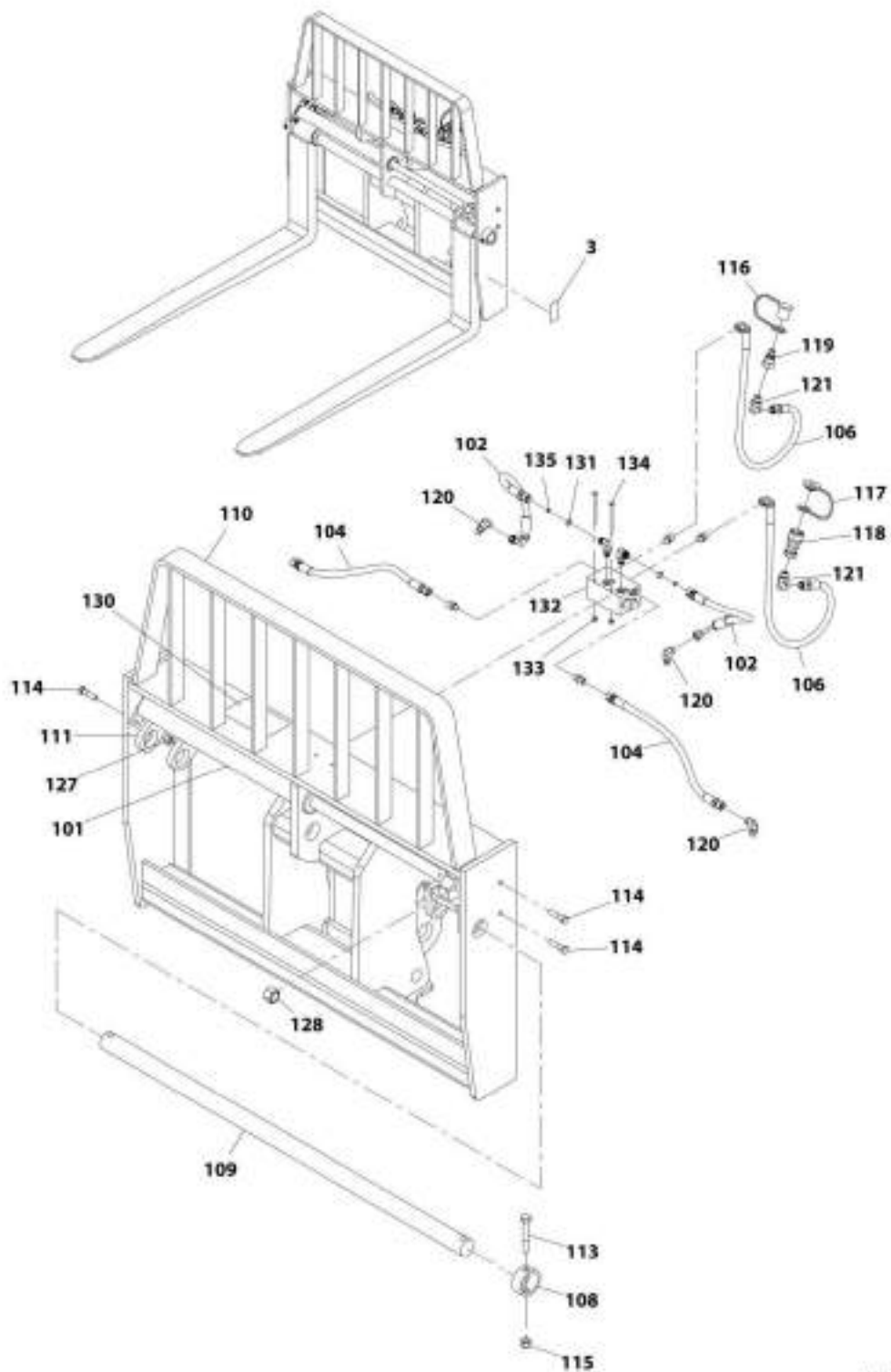
## SECTION 3 - ATTACHMENTS

**FIGURE 3-15. FORK POSITIONING CARRIAGE WITH FORKS (4.0 TON) (CE & AUS)**

ITEM	PART NUMBER	QTY	DESCRIPTION	REV
	1001091313	1	Fork Positioning Carriage with Forks (4.0 ton)	A
1	N.S.S.	1	Weldment	
2	70022922	2	Forks, (100X50X1200), (2000kg per fork)	
3	70021835	2	Rod Pin	
4	70026018	2	Nut	
5	70028978	4	Washer	
6	70021836	2	Split Pin	
7	70022923	2	Carriage Shaft	
8	70022924	4	Shaft Collar	
9	70028979	4	Bolt	
10	70021241	4	Hex Locknut, M12	
11	70023276	2	Cylinder	
11	70023278	AR	Seal Kit, (use with cylinders marked 1.3351.01C.02.01)	
11	70023277	AR	Seal Kit, (use with cylinders marked 1.3351.01C.02.02)	
13	70028031	2	Locknut	
12	70028028	2	Bolt	
14	70022925	1	Elbow, 90	
15	1001103530	4	Bolt	
16	70020730	8	O-Ring	
17	70021838	1	Hose	
18	70021839	1	Hose	
19	70021840	1	Hose	
20	70021841	1	Hose	
22	1001103533	3	Clamp Set, (includes screw and plate)	
23	70020731	3	Fitting	
24	70022907	6	O-Ring	
25	70021842	1	Counter Valve	
26	70022927	1	O-Ring	
27	70022928	1	Fitting	
28	70022929	1	Fitting	
29	70021843	1	Pressure Valve	
30	70022906	2	Adapter	
31	70022930	2	Pipe	
32	1001094555	1	Female Quick Disconnect Coupling	
33	1001094556	1	Male Quick Disconnect Coupling	
34	70028980	2	Bolt	
35	70022912	2	Nut	
101	1001093826	1	Dust Cap	
102	1001093827	1	Dust Plug	

# SECTION 3 - ATTACHMENTS

FIGURE 3-16. FORK POSITIONING CARRIAGE WITH FORKS (4.5 TON) (ANSI - JLG)



ART\_7361295-H

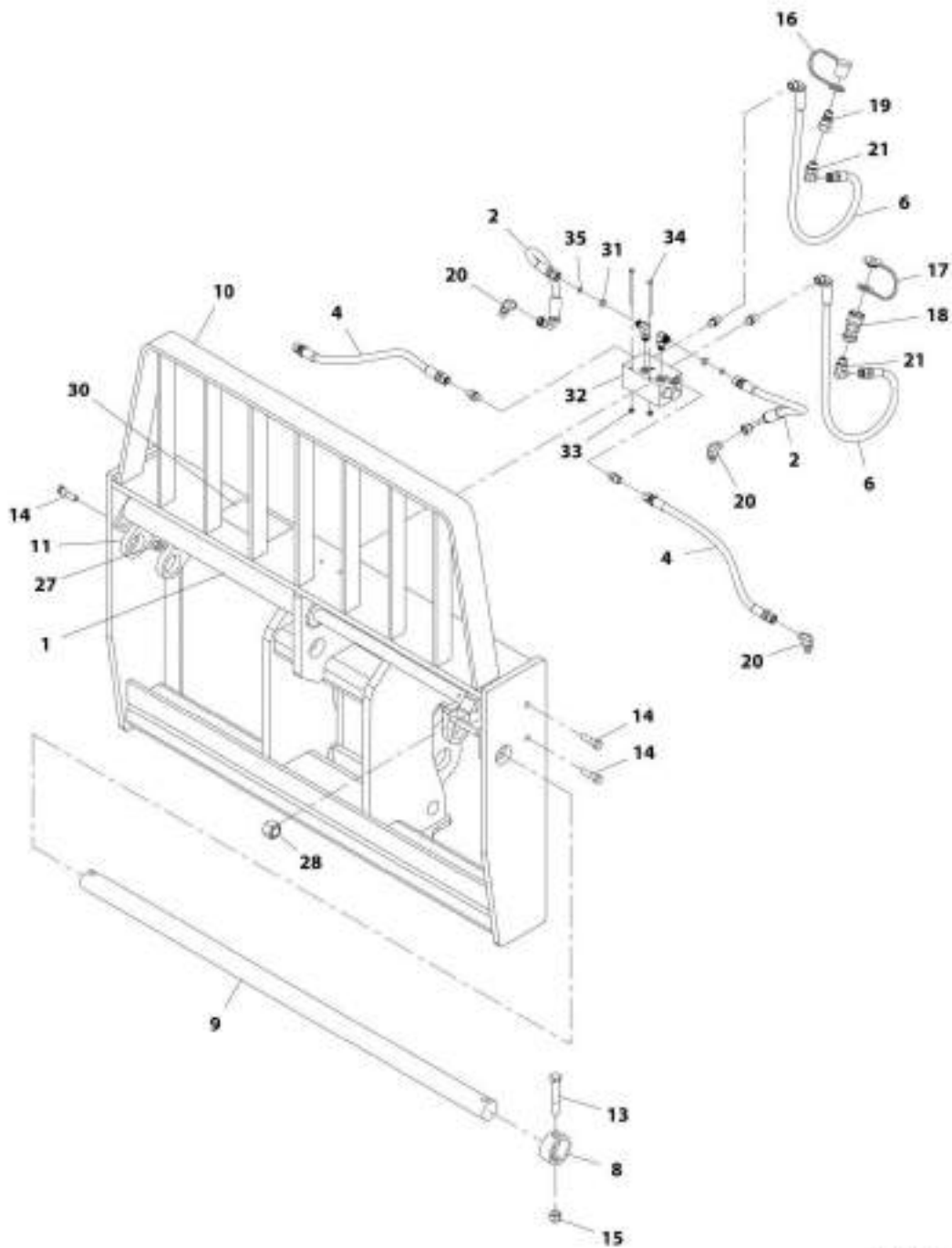
## SECTION 3 - ATTACHMENTS

**FIGURE 3-16. FORK POSITIONING CARRIAGE WITH FORKS (4.5 TON) (ANSI - JLG)**

ITEM	PART NUMBER	QTY	DESCRIPTION	REV
	7301295	1	Fork Positioning Carriage (4.5 ton)	H
3	N.S.S.	1	Plate, Serial Number	
101	2717283	1	Cylinder, Fork Positioning	
102	2717160	1	Hose	
104	2717161	1	Hose	
106	2717162	1	Hose	
108	90200003	1	Collar, Fork Pin	
109	90451058	1	Shaft, Fork	
110	N.S.S.	1	Weldment, Carriage	
111	N.S.S.	1	Weldment, Fork Adapter	
113	8303634	1	Bolt, 5/8-11X4	
114	8303658	1	Bolt, 1/2-13x2	
115	8305643	1	Nut, Lock 5/8-11	
116	8420053	1	Cap, Dust	
117	8420055	1	Plug, Dust	
118	91403413	1	Adapter, Quick Disconnect	
119	91403414	1	Adapter, Quick Disconnect	
120	2130606	1	Adapter, 90 Straight	
121	2130608	1	Adapter, 90 Straight	
127	8310302	1	Nut, Lock 1/2-13	
128	10705034	1	Nut, Lock 1-14	
130	4110473	1	Decal, Warning Route Hoses	
131	7139918	1	Disk, Orifice	
132	4641502	1	Assembly, Dual Fork Carriage Valve (See Separate Breakdown in this Section)	
133	8305624	1	Nut, Lock 1/4-20	
134	8310435	1	Bolt, 1/4-20X3-3/4	
135	8630003	1	O-Ring	

# SECTION 3 - ATTACHMENTS

## FIGURE 3-17. DUAL FORK CARRIAGE ASSEMBLY



WIT 7501568 J

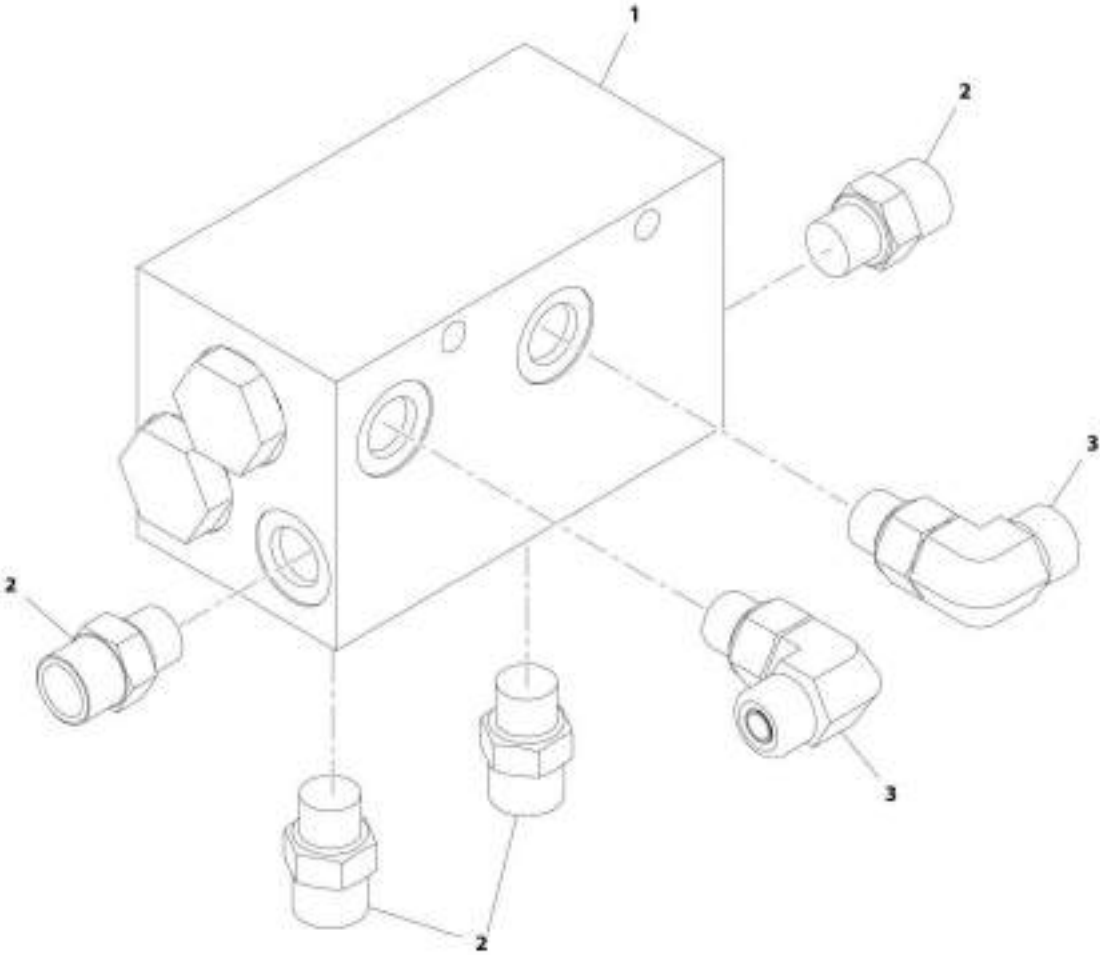
## SECTION 3 - ATTACHMENTS

**FIGURE 3-17. DUAL FORK CARRIAGE ASSEMBLY**

ITEM	PART NUMBER	QTY	DESCRIPTION	REV
	7301568	Ref	Dual Fork Carriage Assembly	J
1	2717283	2	Cylinder, Fork Positioning (See Separate Breakdown in Hydraulic Components Section)	
2	2717160	2	Hose	
4	2717161	2	Hose	
6	2717162	2	Hose	
8	90200003	2	Collar, Fork Pin	
9	90451058	1	Shaft, Fork	
10	N.S.S.	1	Weldment, Carriage	
11	N.S.S.	2	Weldment, Fork Adapter	
13	8303634	2	Bolt, 5/8-11X4	
14	8303658	4	Bolt, 1/2-13X2	
15	8305643	2	Nut, Lock 5/8-11	
16	8420053	1	Cap, Dust	
17	8420055	1	Plug, Dust	
18	91403413	1	Fitting, Straight	
19	91403414	1	Fitting, Straight	
20	2130606	4	Fitting, 90	
21	2130608	2	Fitting, 90	
27	8310302	4	Nut, Lock 1/2-13	
28	10705034	2	Nut, Lock 1-14	
30	4110473	1	Decal, Warning Route Hoses	
31	7139918	2	Disk, Orifice	
32	4641502	1	Assembly, Dual Fork Carriage Valve (See Separate Breakdown in this Section)	
33	8305624	2	Nut, Lock 1/4-20	
34	8310435	2	Bolt, 1/4-20X3-3/4	
35	8630003	2	O-Ring	

**SECTION 3 - ATTACHMENTS**

**FIGURE 3-18. DUAL FORK CARRIAGE VALVE ASSEMBLY**



ART. 4641502-8

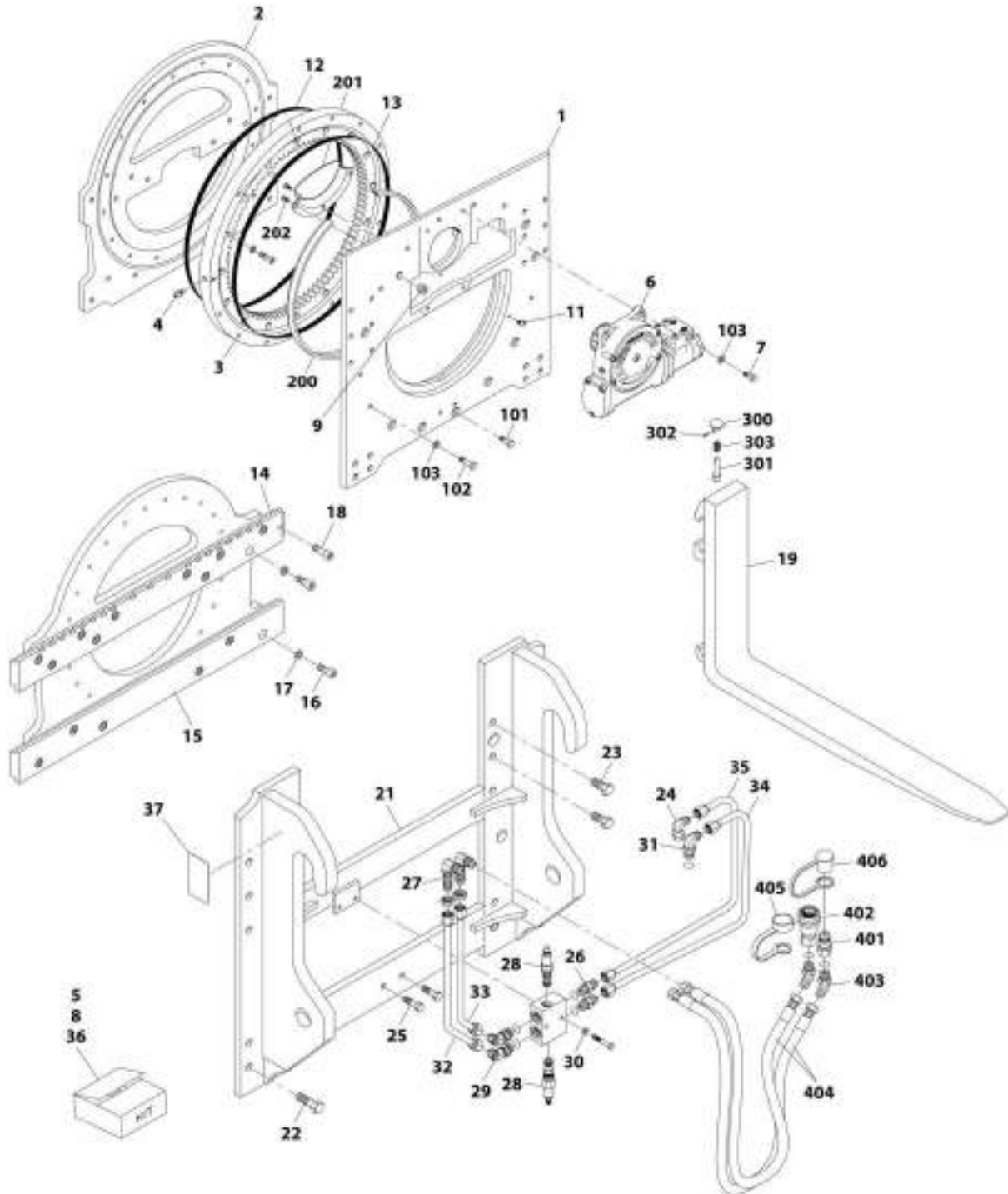
## SECTION 3 - ATTACHMENTS

### FIGURE 3-18. DUAL FORK CARRIAGE VALVE ASSEMBLY

ITEM	PART NUMBER	QTY	DESCRIPTION	REV
	4641502	Ref	Dual Fork Carriage Valve Assembly	B
1	4641501	1	Valve, Flow Divider (See Separate Breakdown in Hydraulic Components Section)	
2	2110606	4	Fitting, Straight ORFS	
3	2130606	2	Fitting, 90	

# SECTION 3 - ATTACHMENTS

FIGURE 3-19. FORK ROTATING CARRIAGE (2.05 TON - 990 MM) (CE & AUS - JLG)



ART\_10012588S-9



## SECTION 3 - ATTACHMENTS

**FIGURE 3-19. FORK ROTATING CARRIAGE (2.05 TON - 990 MM) (CE & AUS - JLG)**

ITEM	PART NUMBER	QTY	DESCRIPTION	REV
	1001218835	Ref	Fork Rotating Carriage (2.05 ton - 990 MM)	B
1	70028156	1	Baseplate	
2	70028157	1	Faceplate	
3	70028134	1	Bearing	
4	70024679	1	Fitting, Grease	
5	70028172	1	Kit, Baseplate Servies (includes items 101 thru 103)	
6	70028118	Ref	Drive Group Motor (See Separate Breakdown in this Section)	
7	70028129	4	Bolt, M12X30	
8	70028158	1	Kit, Faceplate Service	
9	70024685	1	Plug	
11	70028113	1	Fitting, Grease	
12	70028121	1	Seal	
13	70028165	1	Seal	
14	70028140	1	Bar, Upper	
15	70028141	1	Bar, Lower	
16	70028133	16	Bolt, M16X35	
17	70028127	16	Washer, Lock M16	
18	70024756	2	Bolt, M16X25	
19	70028139	1	Fork	
21	70028167	1	Plate, Mounting	
22	70024765	16	Bolt, M16X40	
23	70024766	4	Bolt, M16X35	
24	70024749	1	Fitting	
25	70024768	2	Bolt	
26	70024748	2	Fitting	
27	70024770	2	Fitting	
28	70024772	2	Valve, Relief	
29	70024773	2	Fitting	
30	70024774	2	Washer	
31	70024750	1	Fitting	
32	70028171	1	Tube	
33	70028170	1	Tube	
34	70028169	1	Tube	
35	70028168	1	Tube	
36	70028166	2	Kit, Seal	
37	N.S.S.	AR	SN Plate	
101	Kit	8	Bolt, M12X35	
102	Kit	8	Bolt, M12X45	
103	Kit	12	Washer, Lock M12	
200	Kit	1	Seal	
201	Kit	1	Cover, Plate	
202	Kit	3	Bolt, M8X16	
300	Kit	1	Knob	
301	Kit	1	Pinion	
302	Kit	1	Pin, Coiled Spring	
303	Kit	1	Spring	
401	Kit	1	Coupler, Male	
402	Kit	1	Coupler, Female	
403	Kit	2	Fitting	
404	Kit	2	Hose	

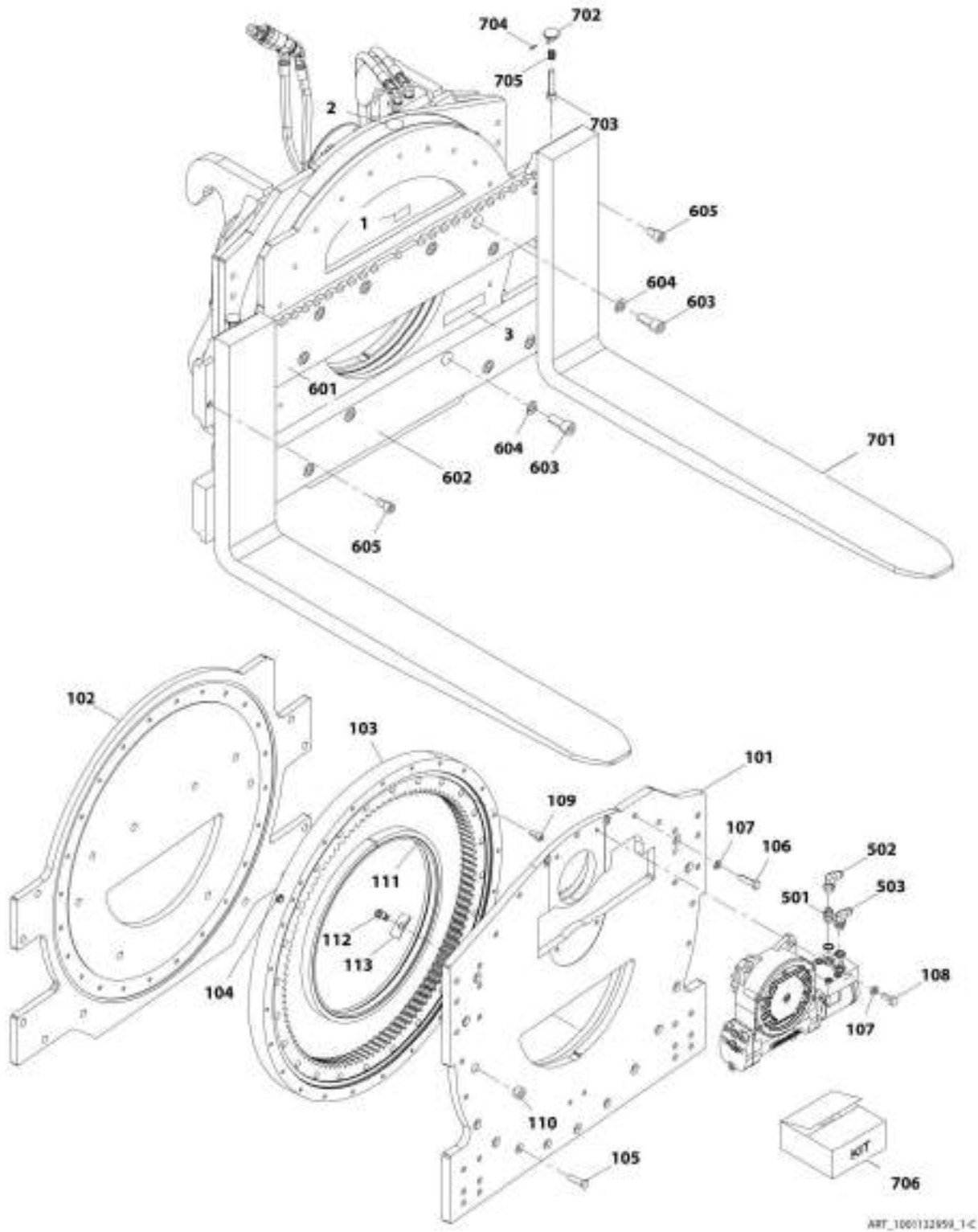
### SECTION 3 - ATTACHMENTS

ITEM	PART NUMBER	QTY	DESCRIPTION	REV
405	Kit	1	Cap, Female	
406	Kit	1	Cap, Male	

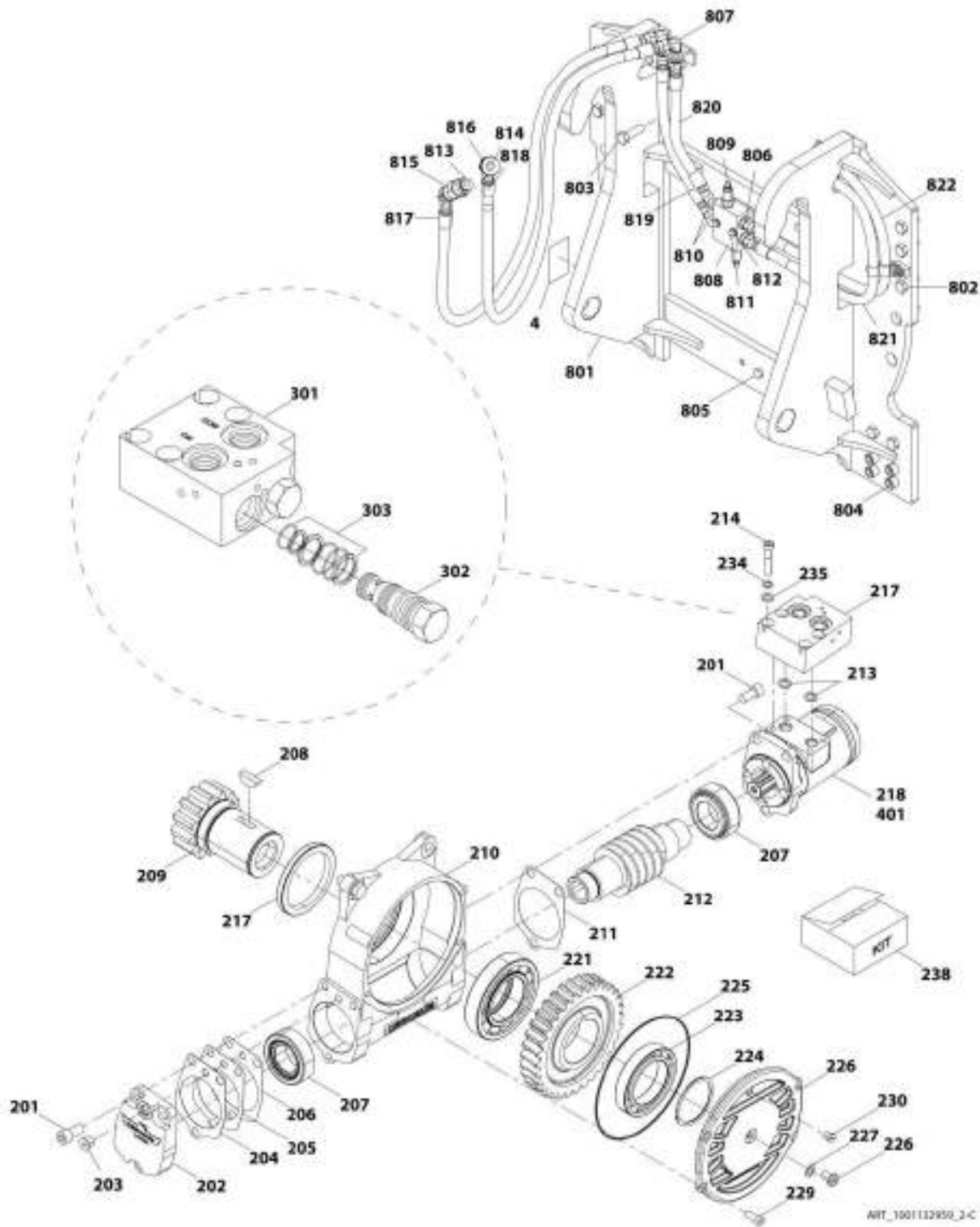


# SECTION 3 - ATTACHMENTS

FIGURE 3-20. FORK ROTATING CARRIAGE (4.5 TON - 1270 MM) (CE & AUS - JLG)



# SECTION 3 - ATTACHMENTS



AWT\_100112950\_3-C

## SECTION 3 - ATTACHMENTS

**FIGURE 3-20. FORK ROTATING CARRIAGE (4.5 TON - 1270 MM) (CE & AUS - JLG)**

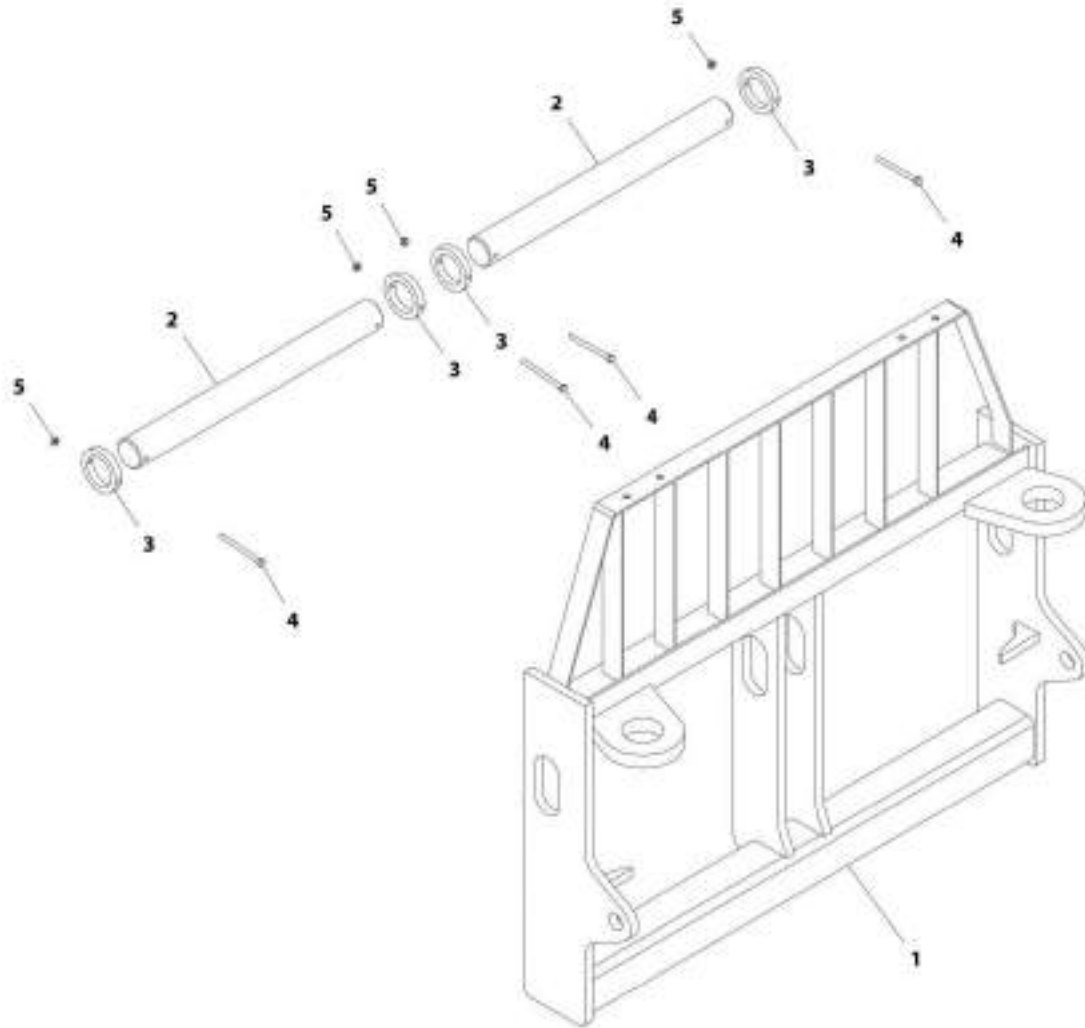
ITEM	PART NUMBER	QTY	DESCRIPTION	REV
	1001132959	NLA	Fork Rotating Carriage (4.5 ton - 1270 MM), (no longer available, see items below for service or 1001218835 for replacement)	C
1	70024538	1	Decal, Pinch Point	
2	70024787	1	Decal, No Step	
3	70024788	1	Decal, Capacity	
4	N.S.S.	Ref	Plate, Serial Number	
101	70024676	1	Baseplate	
102	70024677	1	Faceplate	
103	70024678	1	Bearing	
104	70024679	1	Fitting, Grease	
105	70024680	13	Bolt, M12X40	
106	70024681	11	Bolt, M12X45	
107	70024682	15	Washer, Lock M12	
108	70024683	4	Bolt, M12X30	
109	70024684	24	Bolt, M12X40	
110	70024685	1	Plug	
111	70024686	1	Seal	
112	70024687	1	Bolt, M12X20	
113	70024688	1	Plate	
201	70024690	6	Bolt, M12X25	
202	70024691	1	Cover	
203	70024692	1	Fitting	
204	Kit	AR	Shim, 0.10	
205	Kit	AR	Shim, 0.15	
206	Kit	1	Shim, 0.20	
207	70024696	2	Bearing	
208	70024697	1	Key	
209	70024698	1	Pinion	
210	70024699	1	Housing	
211	Kit	1	Gasket	
212	70024701	1	Worm	
213	70024702	2	O-Ring	
214	70024703	4	Bolt, M8X40	
217	70024731	1	Assembly, Check Valve (includes items 301 thru 303)	
218	70024744	1	Motor, Drive (includes item 401)	
220	70024706	1	Seal	
221	70024713	1	Bearing	
222	70024707	1	Gear, Worm	
223	70024708	1	Bearing	
224	70024709	1	Ring, Snap	
225	Kit	1	O-Ring	
226	70024711	1	Cover	
227	70024712	1	Seal	
228	70024714	1	Bolt, M10X16	
229	70024715	4	Bolt, M8X20	
230	70024716	1	Fitting	
234	70024720	4	Washer, M8	
235	70024721	4	Washer, M8	
237	Kit	1	Sealant	
238	70024724	1	Kit, Shim Service	

## SECTION 3 - ATTACHMENTS

ITEM	PART NUMBER	QTY	DESCRIPTION	REV
301	N.S.S.	Ref	Valve, Body	
302	70024733	2	Valve, Check	
303	70024734	2	Kit, Service	
401	70024745	1	Kit, Service	
501	70024748	1	Fitting	
502	70024749	1	Fitting	
503	70024750	1	Fitting	
601	70024752	1	Bar, Upper Fork	
602	70024753	1	Bar, Lower Fork	
603	70024754	18	Bolt, M20X45	
604	70024755	18	Washer, Lock M20	
605	70024756	2	Bolt, M16X25	
700	70024757	1	Assembly, Fork (includes items 701 thru 705)	
701	70024758	1	Fork	
702	Kit	1	Knob	
703	Kit	1	Pin	
704	Kit	1	Pin, Coiled Spring	
705	Kit	1	Spring	
706	70024786	1	Kit, Pin (includes items 702 thru 705)	
801	N.S.S.	Ref	Plate, Mounting	
802	70024765	12	Bolt, M16X40	
803	70024766	4	Bolt, M16X35	
804	70024767	8	Bolt, M16X40	
805	70024768	2	Bolt	
806	70024748	2	Fitting	
807	70024770	2	Fitting	
808	70024771	1	Body, Valve	
809	70024772	2	Valve, Relief	
810	70024773	2	Fitting	
811	70024774	2	Washer	
812	70024775	2	Bolt	
813	70024776	1	Coupler, Male	
814	70024777	1	Coupler, Female	
815	70024778	1	Fitting	
816	70024779	1	Fitting	
817	70024780	1	Hose	
818	70024781	1	Hose	
819	70024782	1	Hose	
820	70024783	1	Hose	
821	70024784	1	Hose	
822	70024785	1	Hose	

# SECTION 3 - ATTACHMENTS

FIGURE 3-21. CARRIAGE ASSEMBLY (JOHN DEERE FIT) (CE & AUS)



ART\_1001102554-0



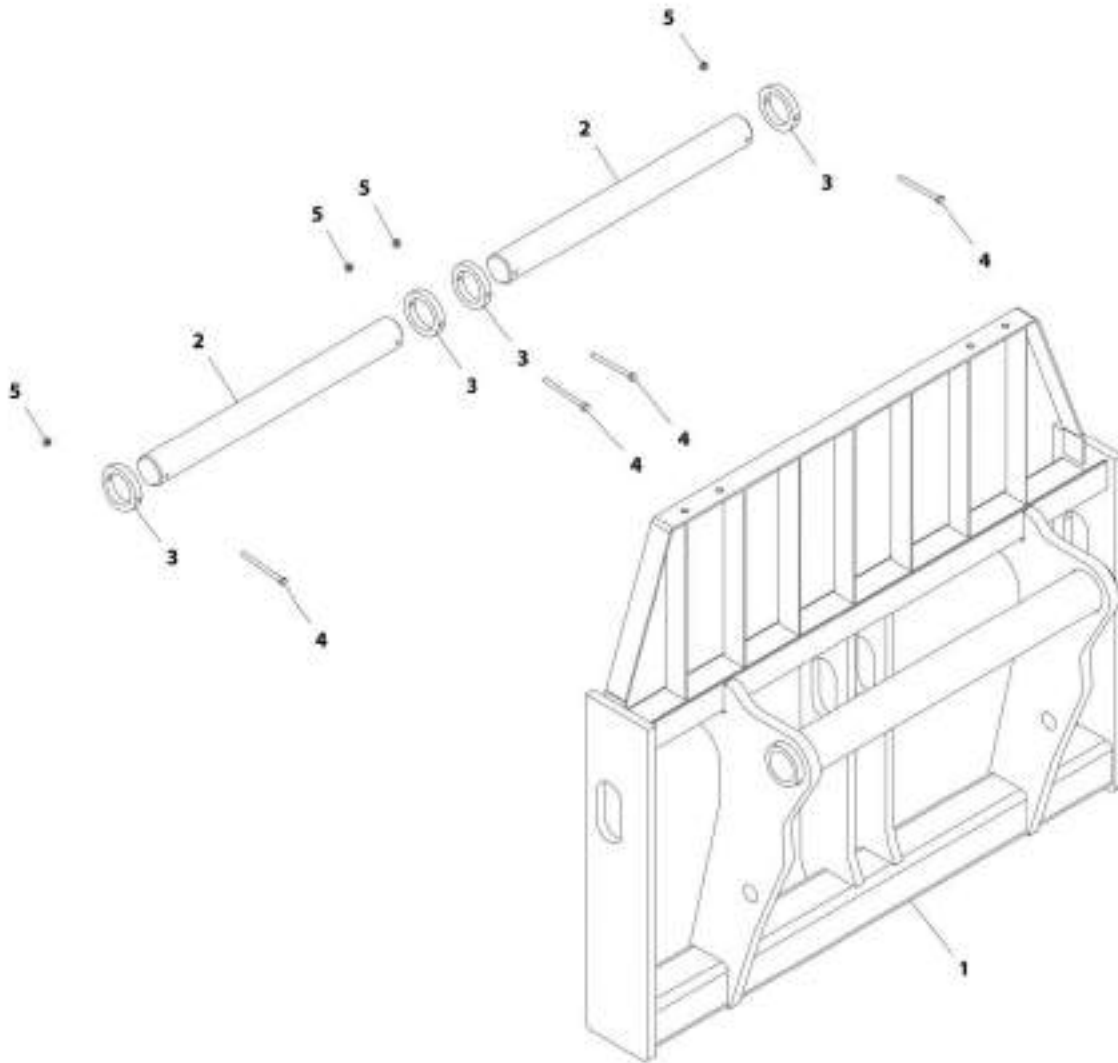
## SECTION 3 - ATTACHMENTS

**FIGURE 3-21. CARRIAGE ASSEMBLY (JOHN DEERE FIT) (CE & AUS)**

ITEM	PART NUMBER	QTY	DESCRIPTION	REV
	1001102554	1	Carriage Assembly (John Deere Fit)	B
1	N.S.S.	1	Weldment, Carriage	
2	4040283	2	Shaft, Carriage	
3	3760508	4	Collar, Shaft	
4	0700827	4	Bolt, M8X100	
5	3290805	4	Nut, M8X1.25 Grade 8	

# SECTION 3 - ATTACHMENTS

FIGURE 3-22. CARRIAGE ASSEMBLY (MANITOU FIT) (CE & AUS)



ART. 1001102553-0

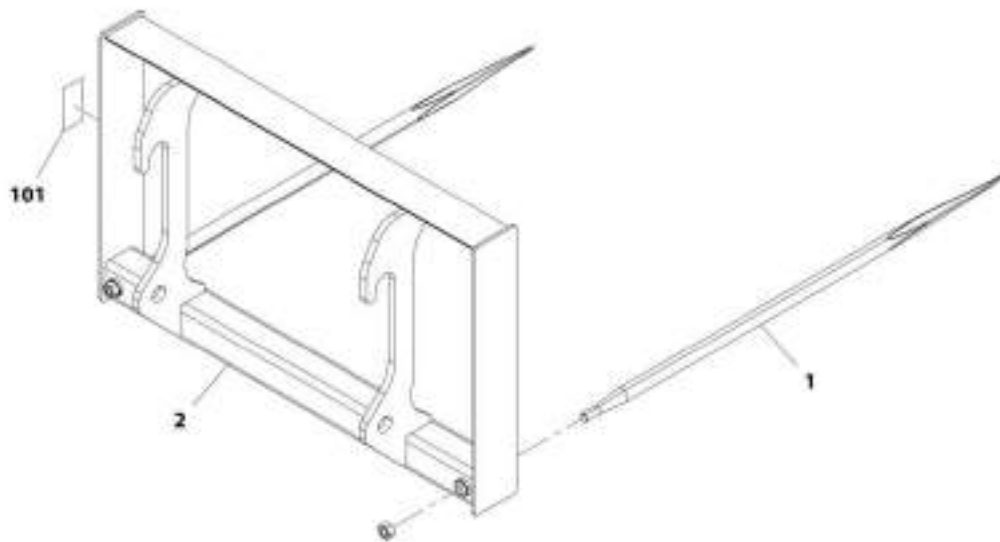
## SECTION 3 - ATTACHMENTS

**FIGURE 3-22. CARRIAGE ASSEMBLY (MANITOU FIT) (CE & AUS)**

ITEM	PART NUMBER	QTY	DESCRIPTION	REV
	1001102553	Ref	Carriage Assembly (Manitou Fit)	B
1	NSS	1	Weldment, Carriage	
2	4040283	2	Shaft, Carriage	
3	3760508	4	Collar, Shaft	
4	0700827	4	Bolt, M8X100	
5	3290805	4	Nut, M8X1.25 Grade 8	

## SECTION 3 - ATTACHMENTS

FIGURE 3-23. DUAL TINE BAILING FORK CARRIAGE (CE & AUS)



ART\_1001211897-8

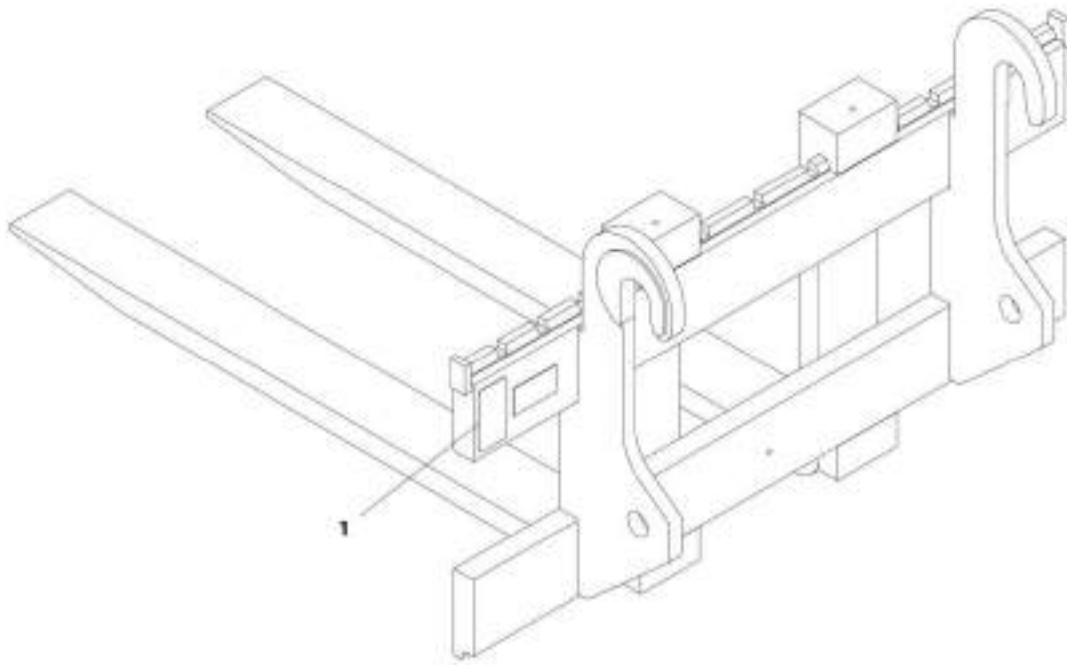
## SECTION 3 - ATTACHMENTS

**FIGURE 3-23. DUAL TINE BAILING FORK CARRIAGE (CE & AUS)**

ITEM	PART NUMBER	QTY	DESCRIPTION	REV
	1001211897	1	Dual Tine Bailing Fork Carriage	B
1	70027631	2	Tine, Bale (includes Hex Nut)	
2	N.S.S.	Ref	Weldment, Carriage	
101	N.S.S.	Ref	Plate, Serial Number	

## SECTION 3 - ATTACHMENTS

FIGURE 3-24. FEM CARRIAGE AND FORKS (CE & AUS)



WIT\_1001172607-B

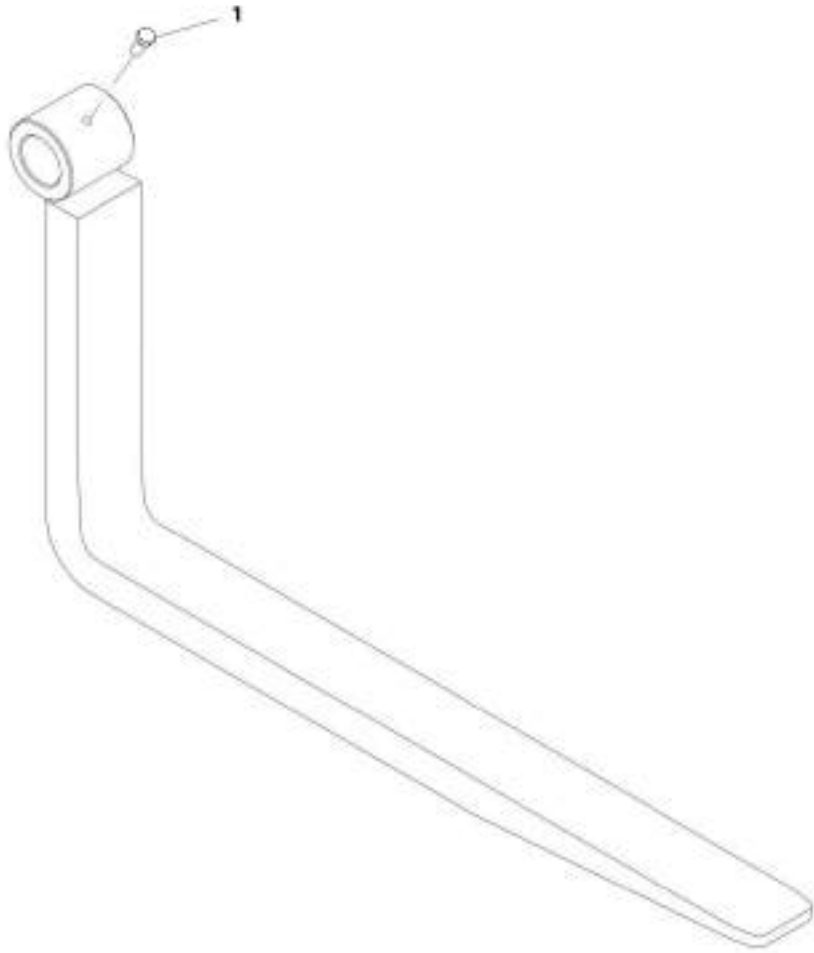
## SECTION 3 - ATTACHMENTS

**FIGURE 3-24. FEM CARRIAGE AND FORKS (CE & AUS)**

ITEM	PART NUMBER	QTY	DESCRIPTION	REV
1	1001172667	1	FEM Carriage and Forks	B
	N.S.S.	1	Plate, Serial Number	

## SECTION 3 - ATTACHMENTS

FIGURE 3-25. PALLET FORK (50X100X1070) (CE & AUS)



ART\_1001170488-A



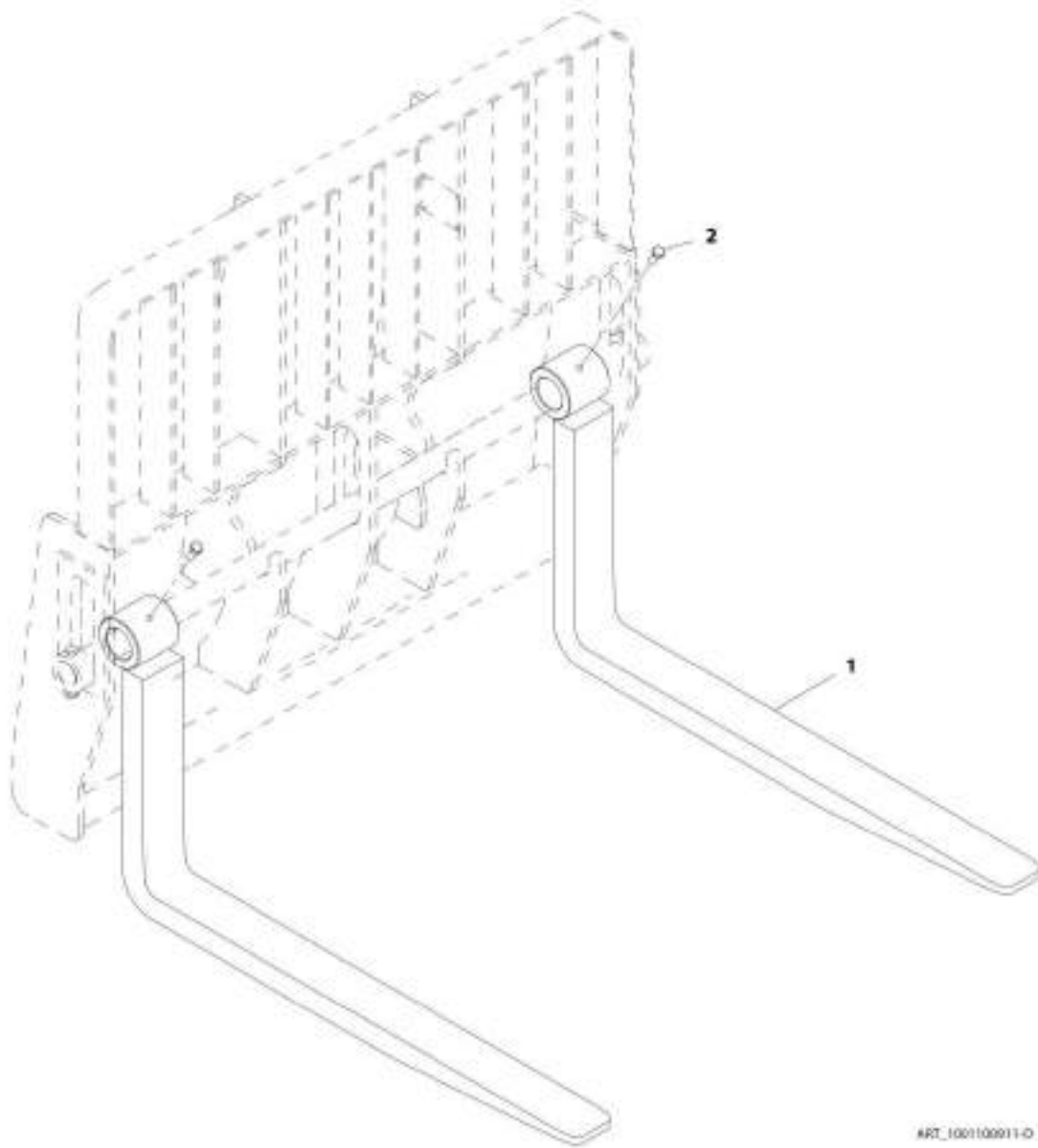
## SECTION 3 - ATTACHMENTS

**FIGURE 3-25. PALLET FORK (50X100X1070) (CE & AUS)**

ITEM	PART NUMBER	QTY	DESCRIPTION	REV
1	1001170488	1	Pallet Fork (60X100X1070)	A
	70027179	1	Screw	
	Note	Ref	<p>FORKS RATED LESS THAN THE ATTACHMENT OR MACHINE'S CAPACITY DECREASES CAPACITY OF THE ATTACHMENT OR MACHINE TO THAT OF THE FORKS. FORKS RATED MORE THAN THE ATTACHMENT OR MACHINE'S CAPACITY DO NOT INCREASE ATTACHMENT OR MACHINE'S CAPACITY.</p>	
	Note	Ref	<p>PLEASE CONSULT JLG PARTS DEPARTMENT TO DETERMINE THE CORRECT FORKS APPLICABLE TO YOUR SPECIFIC CARRIAGE ASSEMBLY AND APPLICATION.</p>	

## SECTION 3 - ATTACHMENTS

FIGURE 3-26. PALLET FORK (50X100X1220) (CE & AUS)



ART\_1001100011-D

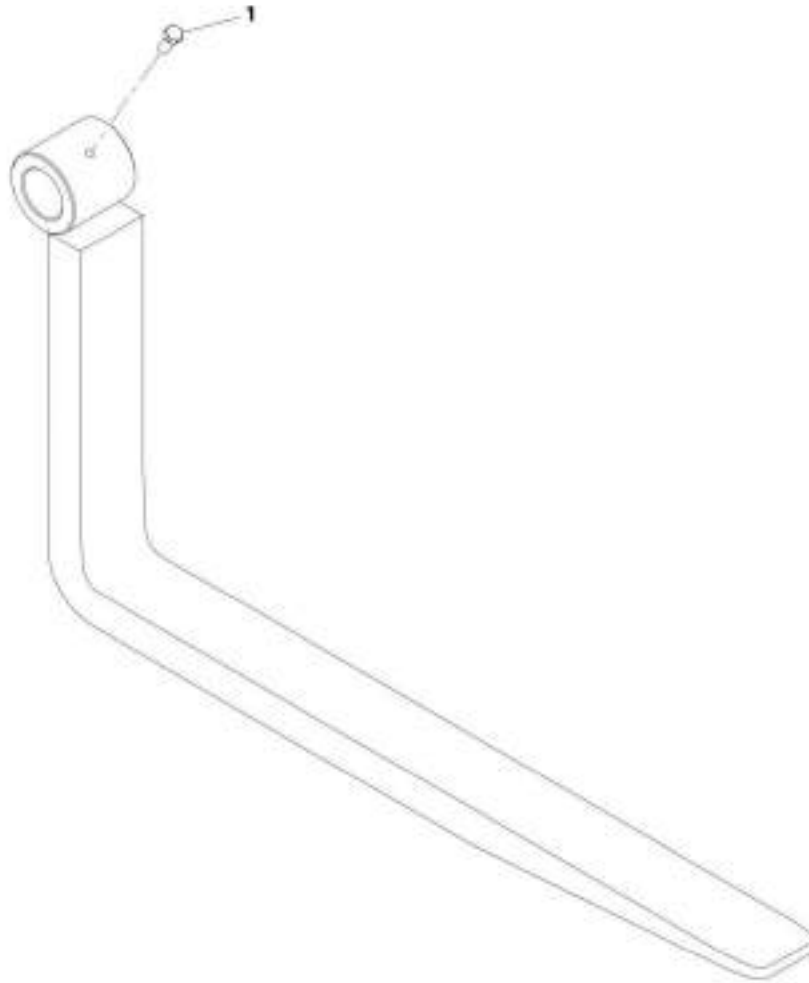
## SECTION 3 - ATTACHMENTS

**FIGURE 3-26. PALLET FORK (50X100X1220) (CE & AUS)**

ITEM	PART NUMBER	QTY	DESCRIPTION	REV
1	1001100911	1 pr	Pallet Fork (50X100X1220)	D
2	70027179	2	Screw	
	Note	Ref	<p>FORKS RATED LESS THAN THE ATTACHMENT OR MACHINE'S CAPACITY DECREASES CAPACITY OF THE ATTACHMENT OR MACHINE TO THAT OF THE FORKS. FORKS RATED MORE THAN THE ATTACHMENT OR MACHINE'S CAPACITY DO NOT INCREASE ATTACHMENT OR MACHINE'S CAPACITY.</p>	
	Note	Ref	<p>PLEASE CONSULT JLG PARTS DEPARTMENT TO DETERMINE THE CORRECT FORKS APPLICABLE TO YOUR SPECIFIC CARRIAGE ASSEMBLY AND APPLICATION.</p>	

## SECTION 3 - ATTACHMENTS

FIGURE 3-27. PALLET FORK (50X120X1200) (CE)



ART.1001117945-C

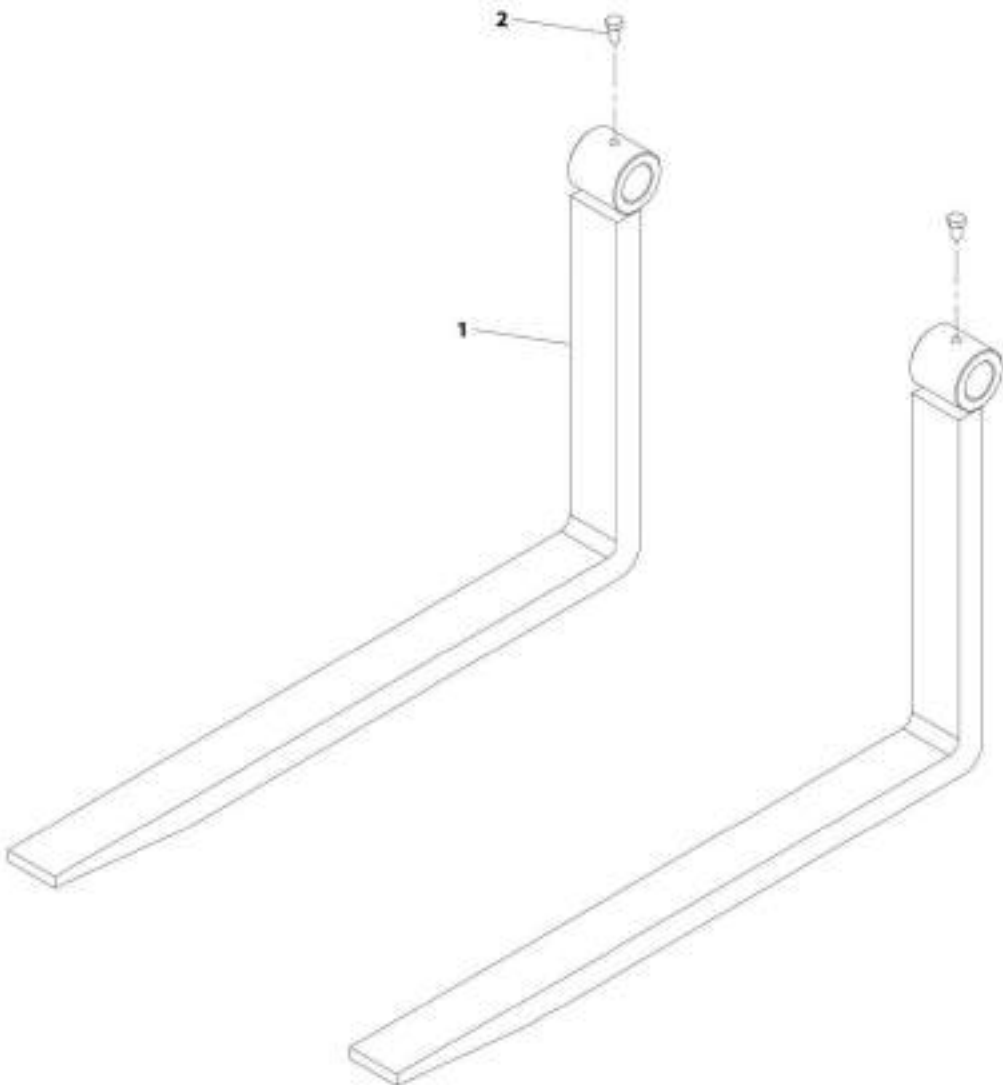
## SECTION 3 - ATTACHMENTS

**FIGURE 3-27. PALLET FORK (50X120X1200) (CE)**

ITEM	PART NUMBER	QTY	DESCRIPTION	REV
1	1001117945 0761612 Note	1 pr 2 Ref	Pallet Fork (50X120X1200) Bolt, M16X25 FORKS RATED LESS THAN THE ATTACHMENT OR MACHINE'S CAPACITY DECREASES CAPACITY OF THE ATTACHMENT OR MACHINE TO THAT OF THE FORKS. FORKS RATED MORE THAN THE ATTACHMENT OR MACHINE'S CAPACITY DO NOT INCREASE ATTACHMENT OR MACHINE'S CAPACITY.	C
	Note	Ref	PLEASE CONSULT JLG PARTS DEPARTMENT TO DETERMINE THE CORRECT FORKS APPLICABLE TO YOUR SPECIFIC CARRIAGE ASSEMBLY AND APPLICATION.	

**SECTION 3 - ATTACHMENTS**

**FIGURE 3-28. PALLET FORK (50X120X1200) (CE & AUS - IF EQUIPPED WITH 1170002)**



APR\_2540030-0

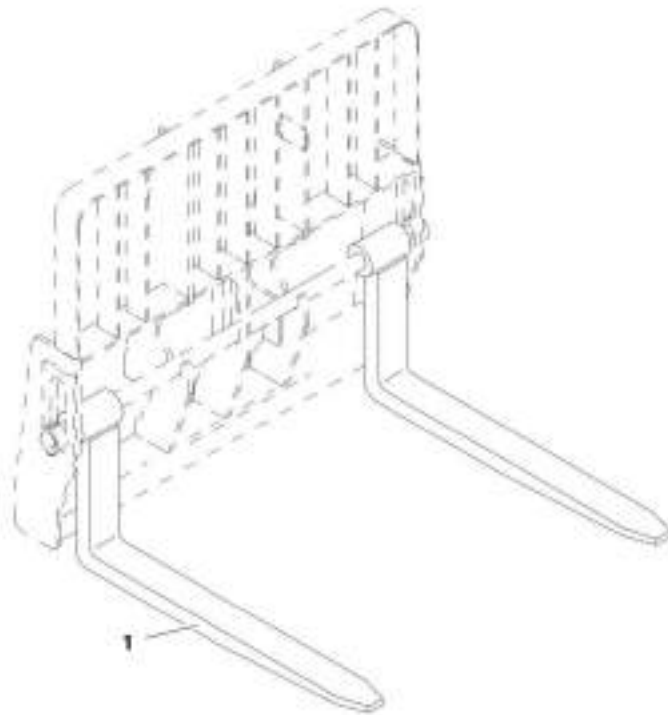
## SECTION 3 - ATTACHMENTS

**FIGURE 3-28. PALLET FORK (50X120X1200) (CE & AUS - IF EQUIPPED WITH 1170002)**

ITEM	PART NUMBER	QTY	DESCRIPTION	REV
1	2340030	2 pr	Pallet Fork (50X120X1200)	D
2	0761612	2	Bolt, M16X25	
	Note	Ref	<p>FORKS RATED LESS THAN THE ATTACHMENT OR MACHINE'S CAPACITY DECREASES CAPACITY OF THE ATTACHMENT OR MACHINE TO THAT OF THE FORKS. FORKS RATED MORE THAN THE ATTACHMENT OR MACHINE'S CAPACITY DO NOT INCREASE ATTACHMENT OR MACHINE'S CAPACITY.</p>	
	Note	Ref	<p>PLEASE CONSULT JLG PARTS DEPARTMENT TO DETERMINE THE CORRECT FORKS APPLICABLE TO YOUR SPECIFIC CARRIAGE ASSEMBLY AND APPLICATION.</p>	

## SECTION 3 - ATTACHMENTS

FIGURE 3-29. PALLET FORK (2.36X4X48) (ANSI - JLG)



ART\_3340045\_0



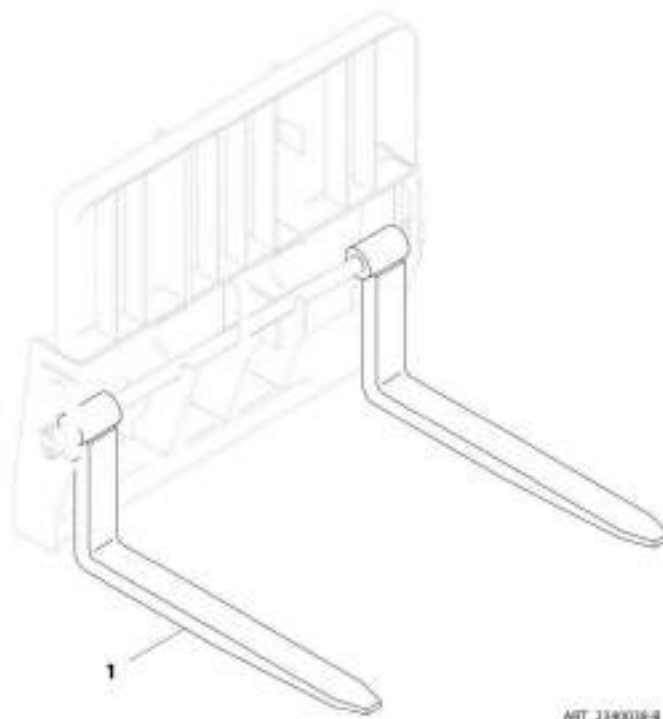
## SECTION 3 - ATTACHMENTS

**FIGURE 3-29. PALLET FORK (2.36X4X48) (ANSI - JLG)**

ITEM	PART NUMBER	QTY	DESCRIPTION	REV
1	2340045	2	Pallet Fork (2.36X4X48)	B
	Note	Ref	<b>FORKS RATED LESS THAN THE ATTACHMENT OR MACHINE'S CAPACITY DECREASES CAPACITY OF THE ATTACHMENT OR MACHINE TO THAT OF THE FORKS. FORKS RATED MORE THAN THE ATTACHMENT OR MACHINE'S CAPACITY DO NOT INCREASE ATTACHMENT OR MACHINE'S CAPACITY.</b>	
	Note	Ref	<b>PLEASE CONSULT JLG PARTS DEPARTMENT TO DETERMINE THE CORRECT FORKS APPLICABLE TO YOUR SPECIFIC CARRIAGE ASSEMBLY AND APPLICATION.</b>	

## SECTION 3 - ATTACHMENTS

FIGURE 3-30. PALLET FORK (2.36X5X48) (ANSI - JLG)



ART\_3140036-4

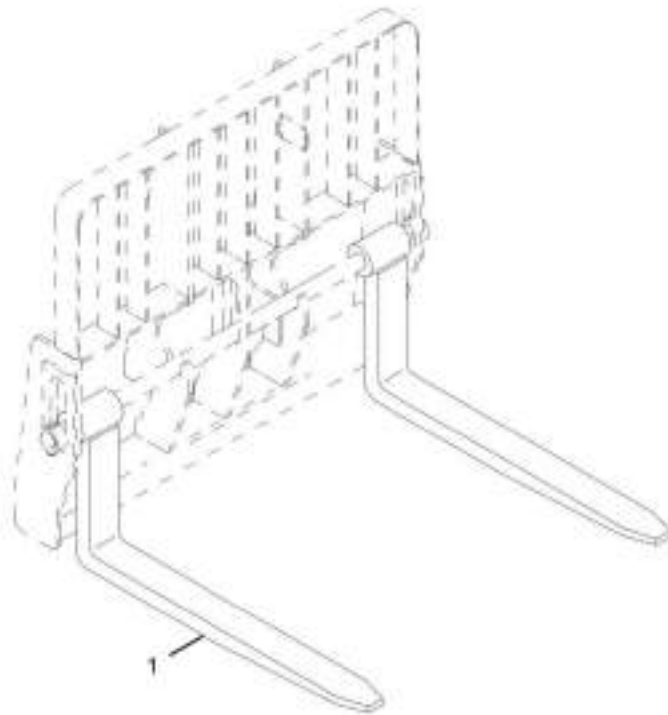
## SECTION 3 - ATTACHMENTS

**FIGURE 3-30. PALLET FORK (2.36X5X48) (ANSI - JLG)**

ITEM	PART NUMBER	QTY	DESCRIPTION	REV
1	2340038	2	Pallet Fork (2.36X5X48) (ANSI)	B
	Note	Ref	<b>FORKS RATED LESS THAN THE ATTACHMENT OR MACHINE'S CAPACITY DECREASES CAPACITY OF THE ATTACHMENT OR MACHINE TO THAT OF THE FORKS. FORKS RATED MORE THAN THE ATTACHMENT OR MACHINE'S CAPACITY DO NOT INCREASE ATTACHMENT OR MACHINE'S CAPACITY.</b>	
	Note	Ref	<b>PLEASE CONSULT JLG PARTS DEPARTMENT TO DETERMINE THE CORRECT FORKS APPLICABLE TO YOUR SPECIFIC CARRIAGE ASSEMBLY AND APPLICATION.</b>	

## SECTION 3 - ATTACHMENTS

FIGURE 3-31. PALLET FORK (2.00X6X72) (ANSI - JLG)



ART\_1001092391\_3

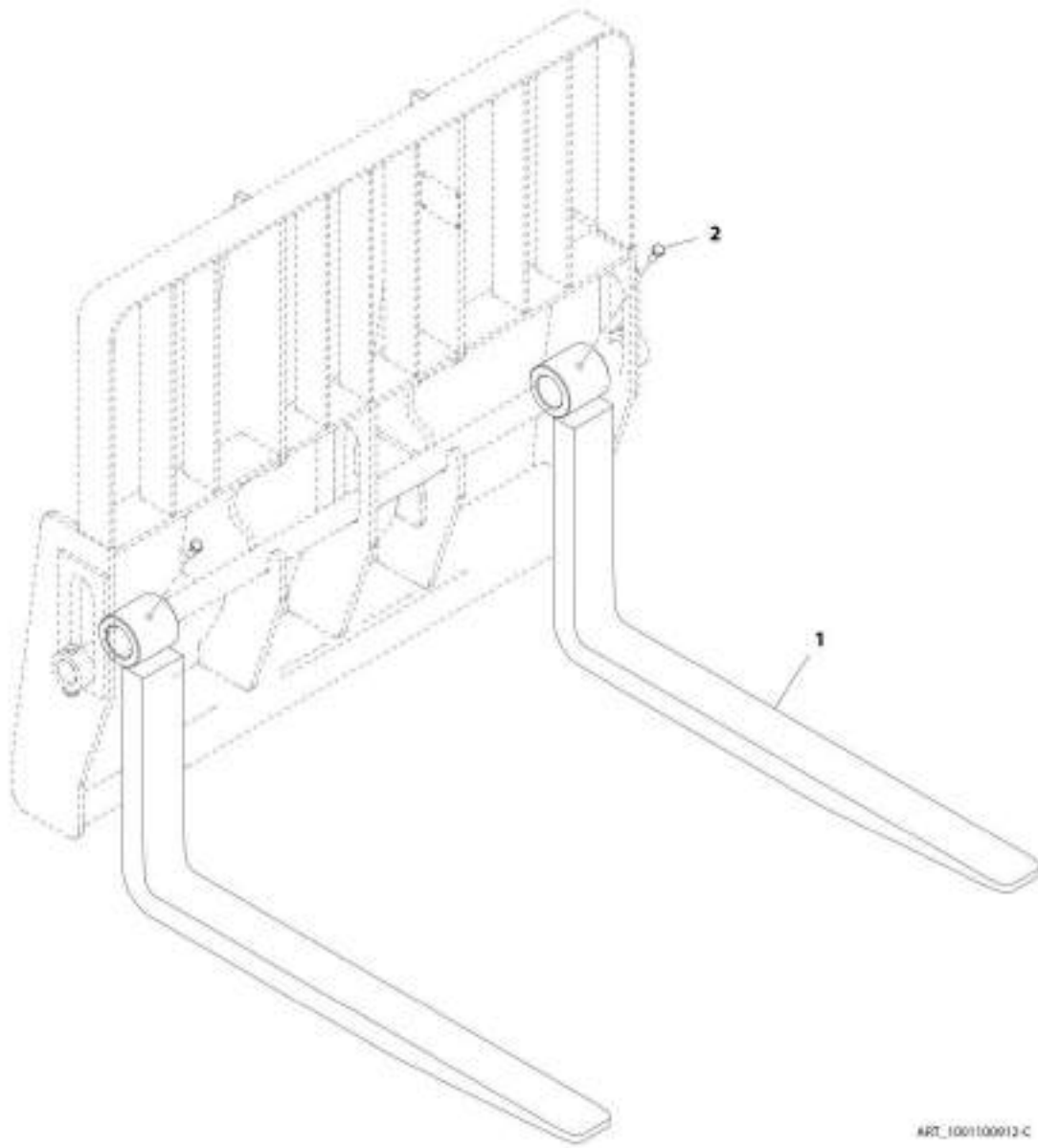
## SECTION 3 - ATTACHMENTS

**FIGURE 3-31. PALLET FORK (2.00X6X72) (ANSI - JLG)**

ITEM	PART NUMBER	QTY	DESCRIPTION	REV
1	1001092391	2	Fork - Pallet (2.36X6X72)	B
N1	Note	Ref	<b>FORKS RATED LESS THAN THE ATTACHMENT OR MACHINE'S CAPACITY DECREASES CAPACITY OF THE ATTACHMENT OR MACHINE TO THAT OF THE FORKS. FORKS RATED MORE THAN THE ATTACHMENT OR MACHINE'S CAPACITY DO NOT INCREASE ATTACHMENT OR MACHINE'S CAPACITY.</b>	
N2	Note	Ref	<b>PLEASE CONSULT JLG PARTS DEPARTMENT TO DETERMINE THE CORRECT FORKS APPLICABLE TO YOUR SPECIFIC CARRIAGE ASSEMBLY AND APPLICATION.</b>	

# SECTION 3 - ATTACHMENTS

FIGURE 3-32. PALLET FORK (60X100X1200) (AUS)



ART\_1001100013-C

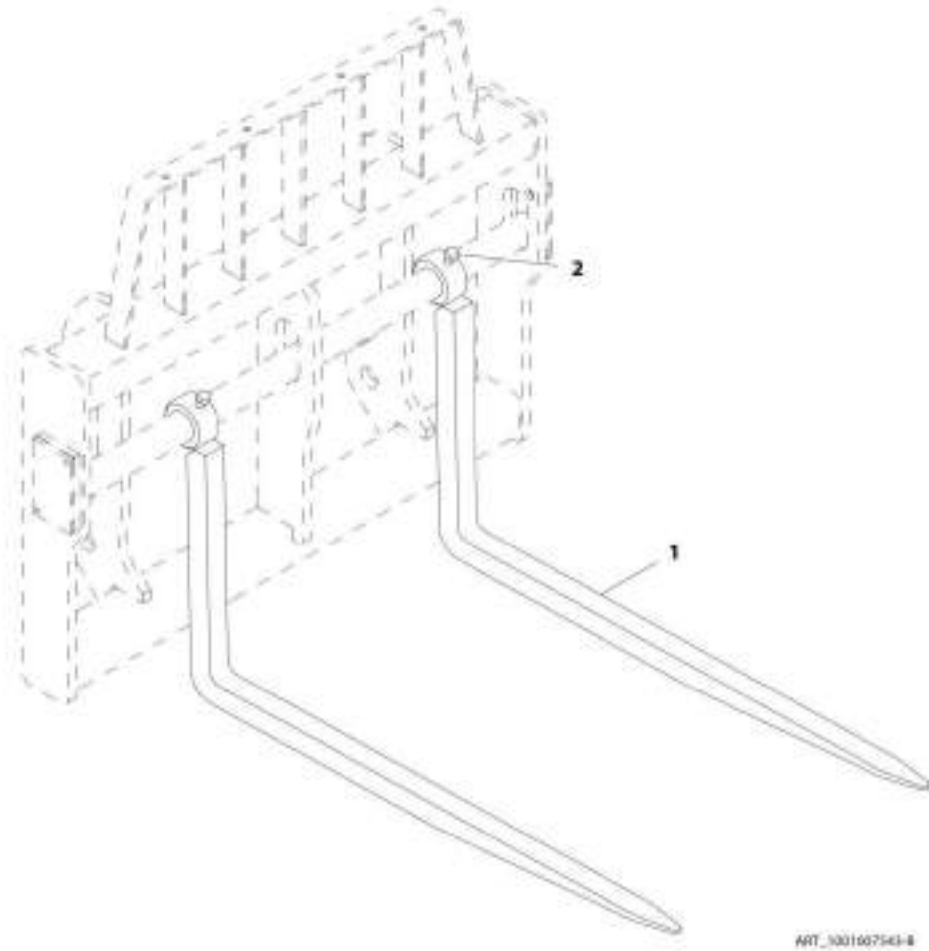
## SECTION 3 - ATTACHMENTS

**FIGURE 3-32. PALLET FORK (60X100X1200) (AUS)**

ITEM	PART NUMBER	QTY	DESCRIPTION	REV
1	1001100912	1 pr	Pallet Fork (60X100X1220)	C
2	70027179	2	Screw	
	Note	Ref	<p>FORKS RATED LESS THAN THE ATTACHMENT OR MACHINE'S CAPACITY DECREASES CAPACITY OF THE ATTACHMENT OR MACHINE TO THAT OF THE FORKS. FORKS RATED MORE THAN THE ATTACHMENT OR MACHINE'S CAPACITY DO NOT INCREASE ATTACHMENT OR MACHINE'S CAPACITY.</p>	
	Note	Ref	<p>PLEASE CONSULT JLG PARTS DEPARTMENT TO DETERMINE THE CORRECT FORKS APPLICABLE TO YOUR SPECIFIC CARRIAGE ASSEMBLY AND APPLICATION.</p>	

## SECTION 3 - ATTACHMENTS

FIGURE 3-33. BLOCKING FORK (50X50X1220) (CE & AUS - JLG)





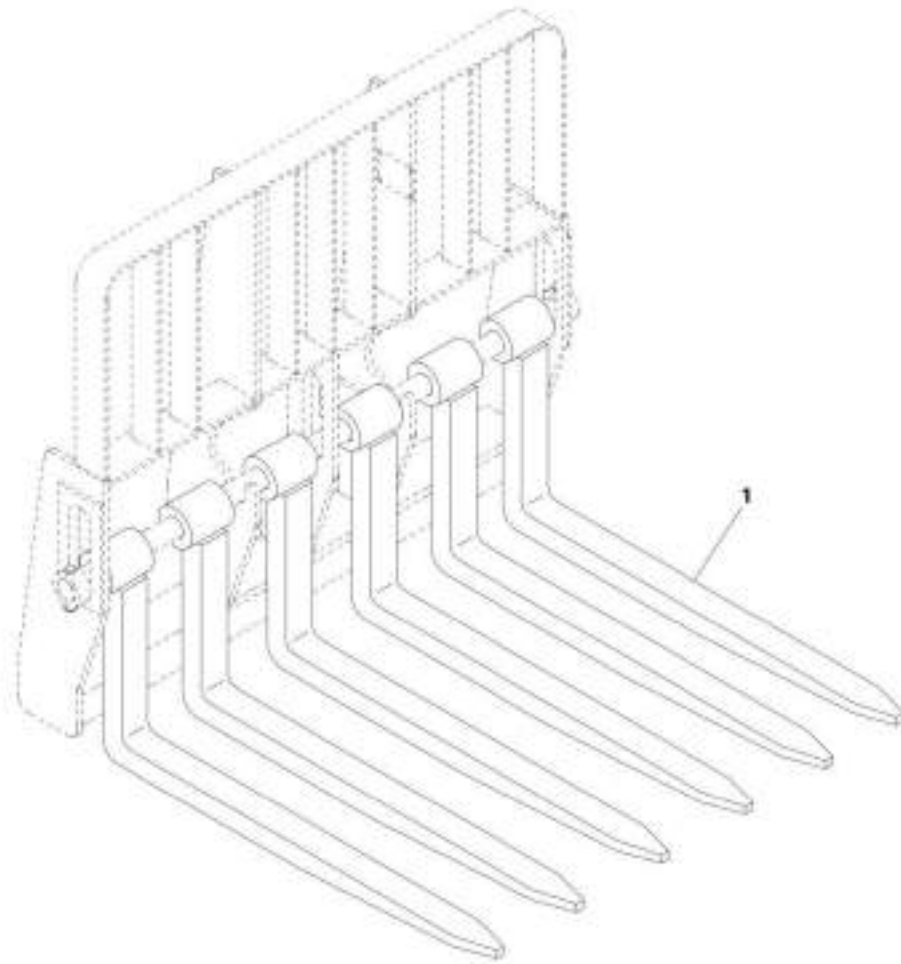
## SECTION 3 - ATTACHMENTS

**FIGURE 3-33. BLOCKING FORK (50X50X1220) (CE & AUS - JLG)**

ITEM	PART NUMBER	QTY	DESCRIPTION	REV
	1001007543	1	Blocking Fork (50X50X1220) (pair)	B
2	N.S.S.	1	Fork	
2	1001109113	2	Bolt, 5/8-18X1.50, Grade 8	
	Note	Ref	FORKS RATED LESS THAN THE ATTACHMENT OR MACHINE'S CAPACITY DECREASES CAPACITY OF THE ATTACHMENT OR MACHINE TO THAT OF THE FORKS. FORKS RATED MORE THAN THE ATTACHMENT OR MACHINE'S CAPACITY DO NOT INCREASE ATTACHMENT OR MACHINE'S CAPACITY.	
	Note	Ref	PLEASE CONSULT JLG PARTS DEPARTMENT TO DETERMINE THE CORRECT FORKS APPLICABLE TO YOUR SPECIFIC CARRIAGE ASSEMBLY AND APPLICATION.	

## SECTION 3 - ATTACHMENTS

FIGURE 3-34. BLOCKING FORK (50X50X1220) (ANSI - JLG)



MT\_234807-A

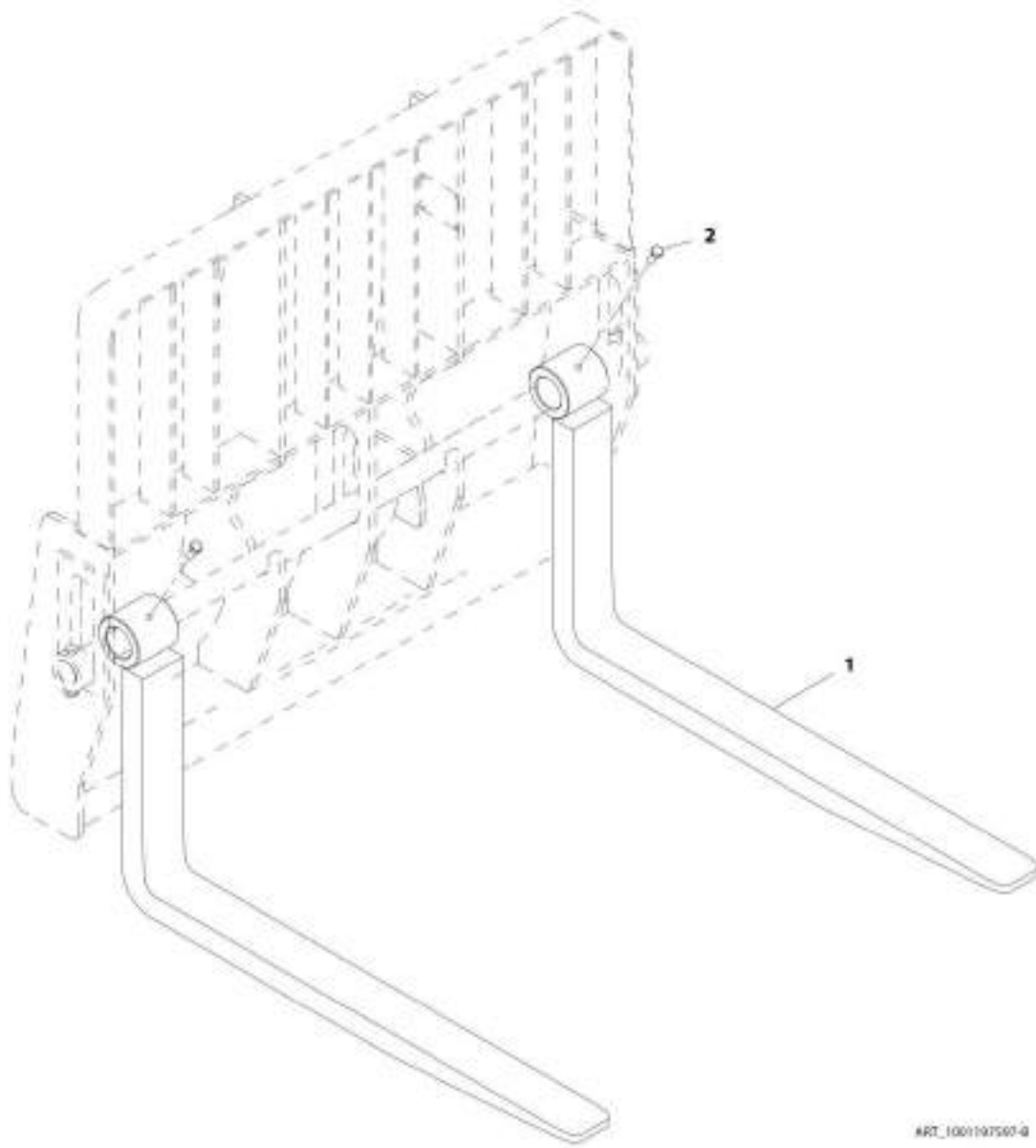
## SECTION 3 - ATTACHMENTS

**FIGURE 3-34. BLOCKING FORK (50X50X1220) (ANSI - JLG)**

ITEM	PART NUMBER	QTY	DESCRIPTION	REV
1	2340037	1	Blocking Fork (50X50X1220)	A
	Note	Ref	<b>FORKS RATED LESS THAN THE ATTACHMENT OR MACHINE'S CAPACITY DECREASES CAPACITY OF THE ATTACHMENT OR MACHINE TO THAT OF THE FORKS. FORKS RATED MORE THAN THE ATTACHMENT OR MACHINE'S CAPACITY DO NOT INCREASE ATTACHMENT OR MACHINE'S CAPACITY.</b>	
	Note	Ref	<b>PLEASE CONSULT JLG PARTS DEPARTMENT TO DETERMINE THE CORRECT FORKS APPLICABLE TO YOUR SPECIFIC CARRIAGE ASSEMBLY AND APPLICATION.</b>	

## SECTION 3 - ATTACHMENTS

FIGURE 3-35. LUMBER FORK (40X150X1540) (CE & AUS - JLG)



ART\_1001197500-B

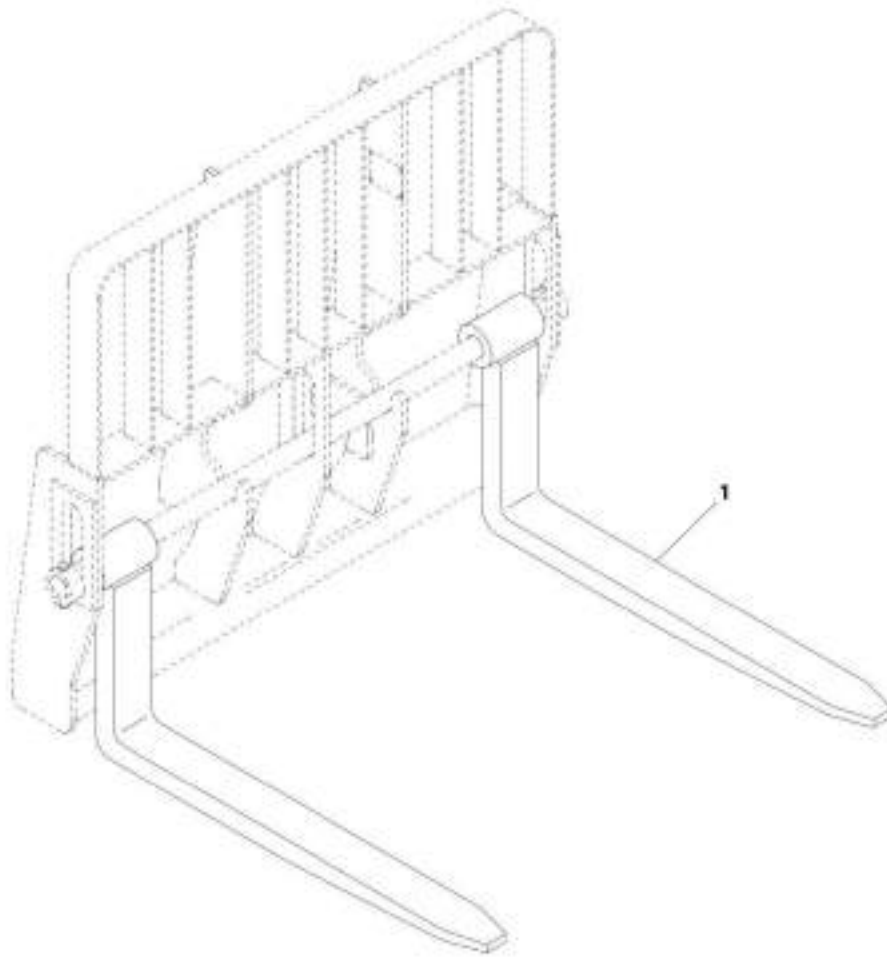
## SECTION 3 - ATTACHMENTS

**FIGURE 3-35. LUMBER FORK (40X150X1540) (CE & AUS - JLG)**

ITEM	PART NUMBER	QTY	DESCRIPTION	REV
1	1001197597	1 pr	Lumber Fork (40X150X1540)	B
2	70027180	2	Screw, M16X30	
	Note	Ref	<p>FORKS RATED LESS THAN THE ATTACHMENT OR MACHINE'S CAPACITY DECREASES CAPACITY OF THE ATTACHMENT OR MACHINE TO THAT OF THE FORKS. FORKS RATED MORE THAN THE ATTACHMENT OR MACHINE'S CAPACITY DO NOT INCREASE ATTACHMENT OR MACHINE'S CAPACITY.</p>	
	Note	Ref	<p>PLEASE CONSULT JLG PARTS DEPARTMENT TO DETERMINE THE CORRECT FORKS APPLICABLE TO YOUR SPECIFIC CARRIAGE ASSEMBLY AND APPLICATION.</p>	

## SECTION 3 - ATTACHMENTS

FIGURE 3-36. LUMBER FORK (40X150X1540) (ANSI - JLG)



ART\_1081099457-C

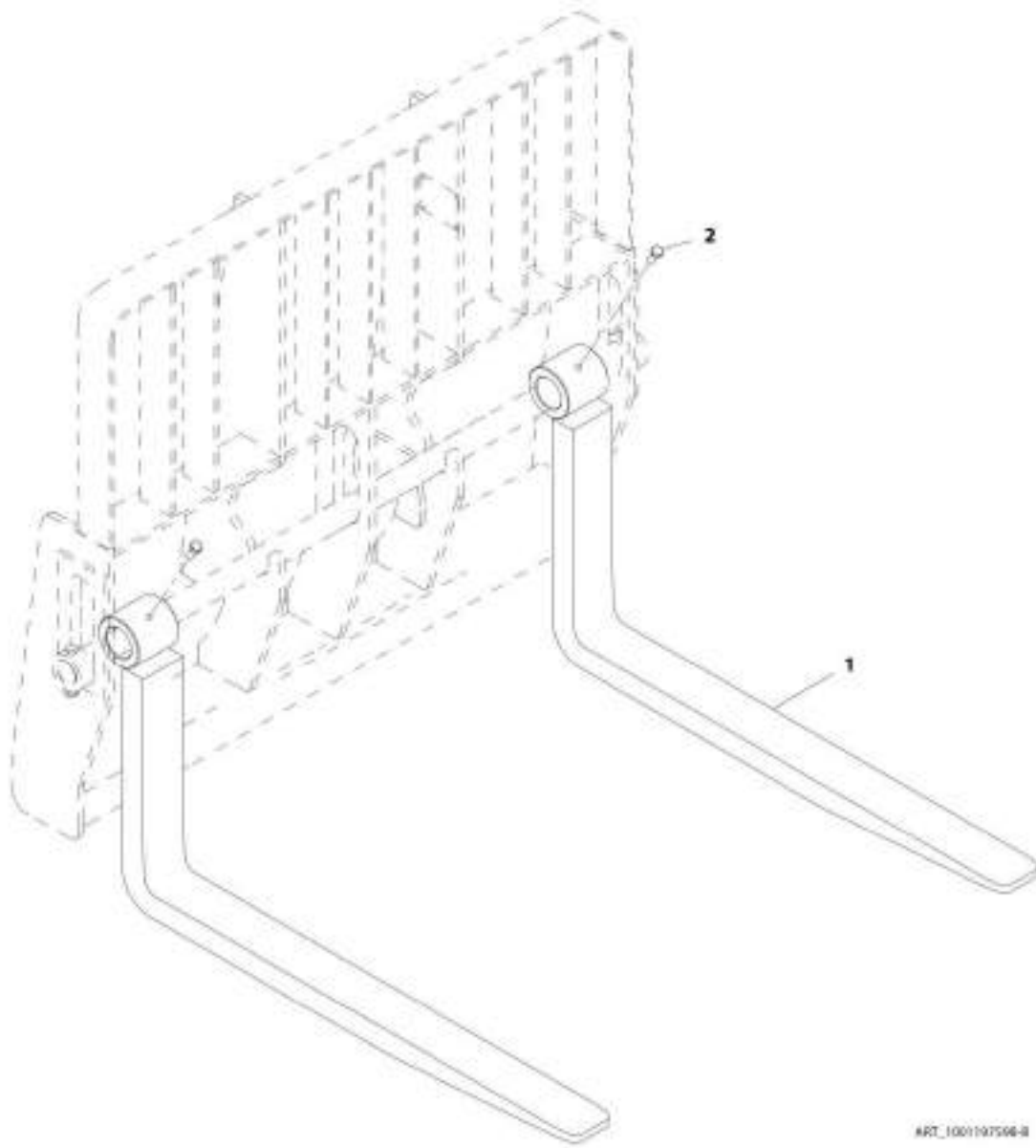
## SECTION 3 - ATTACHMENTS

**FIGURE 3-36. LUMBER FORK (40X150X1540) (ANSI - JLG)**

ITEM	PART NUMBER	QTY	DESCRIPTION	REV
1	1001099457	2	Lumber Fork (40X150X1540)	C
	Note	Ref	<b>FORKS RATED LESS THAN THE ATTACHMENT OR MACHINE'S CAPACITY DECREASES CAPACITY OF THE ATTACHMENT OR MACHINE TO THAT OF THE FORKS. FORKS RATED MORE THAN THE ATTACHMENT OR MACHINE'S CAPACITY DO NOT INCREASE ATTACHMENT OR MACHINE'S CAPACITY.</b>	
	Note	Ref	<b>PLEASE CONSULT JLG PARTS DEPARTMENT TO DETERMINE THE CORRECT FORKS APPLICABLE TO YOUR SPECIFIC CARRIAGE ASSEMBLY AND APPLICATION.</b>	

## SECTION 3 - ATTACHMENTS

FIGURE 3-37. LUMBER FORK (45X150X1540) CE & AUS - JLG)



ART\_1001107506-B



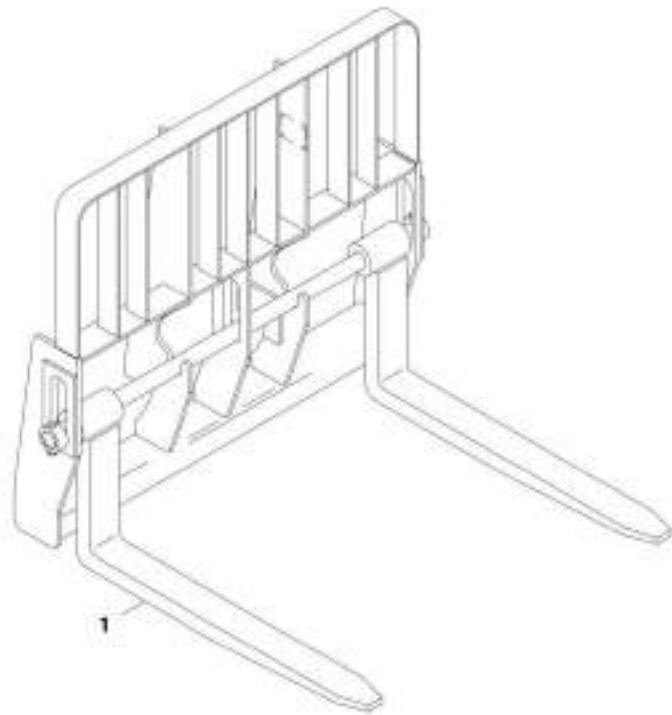
## SECTION 3 - ATTACHMENTS

**FIGURE 3-37. LUMBER FORK (45X150X1540) CE & AUS - JLG)**

ITEM	PART NUMBER	QTY	DESCRIPTION	REV
1	1001197598	2	Lumber Fork (45X150X1540)	B
2	70027180	2	Screw, M16X30	
	Note	Ref	<p>FORKS RATED LESS THAN THE ATTACHMENT OR MACHINE'S CAPACITY DECREASES CAPACITY OF THE ATTACHMENT OR MACHINE TO THAT OF THE FORKS. FORKS RATED MORE THAN THE ATTACHMENT OR MACHINE'S CAPACITY DO NOT INCREASE ATTACHMENT OR MACHINE'S CAPACITY.</p>	
	Note	Ref	<p>PLEASE CONSULT JLG PARTS DEPARTMENT TO DETERMINE THE CORRECT FORKS APPLICABLE TO YOUR SPECIFIC CARRIAGE ASSEMBLY AND APPLICATION.</p>	

## SECTION 3 - ATTACHMENTS

FIGURE 3-38. LUMBER FORK (50X180X1540) (ANSI - JLG)



ART\_1001007110-A

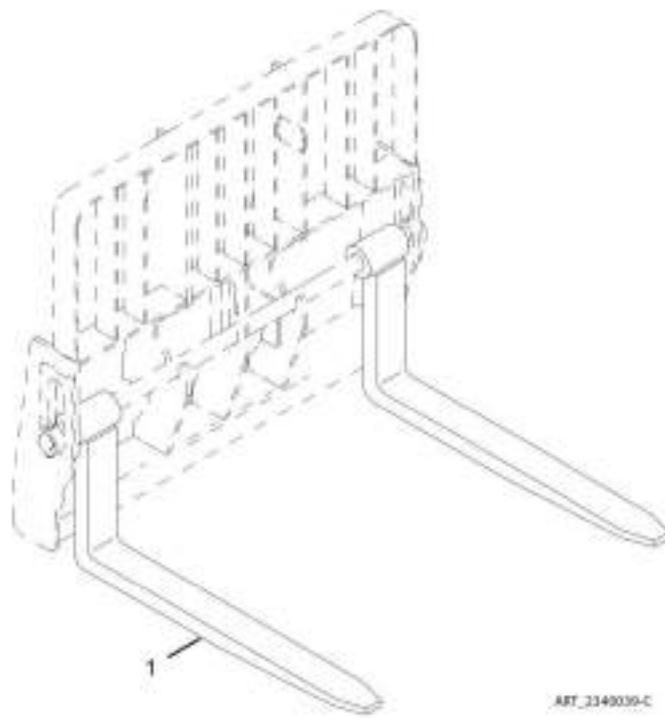
## SECTION 3 - ATTACHMENTS

**FIGURE 3-38. LUMBER FORK (50X180X1540) (ANSI - JLG)**

ITEM	PART NUMBER	QTY	DESCRIPTION	REV
1	1001097110	2	Lumber Fork (50X180X1540)	A
	Note	Ref	<b>FORKS RATED LESS THAN THE ATTACHMENT OR MACHINE'S CAPACITY DECREASES CAPACITY OF THE ATTACHMENT OR MACHINE TO THAT OF THE FORKS. FORKS RATED MORE THAN THE ATTACHMENT OR MACHINE'S CAPACITY DO NOT INCREASE ATTACHMENT OR MACHINE'S CAPACITY.</b>	
	Note	Ref	<b>PLEASE CONSULT JLG PARTS DEPARTMENT TO DETERMINE THE CORRECT FORKS APPLICABLE TO YOUR SPECIFIC CARRIAGE ASSEMBLY AND APPLICATION.</b>	

## SECTION 3 - ATTACHMENTS

FIGURE 3-39. LUMBER FORK (60X150X1524) (ANSI - JLG)



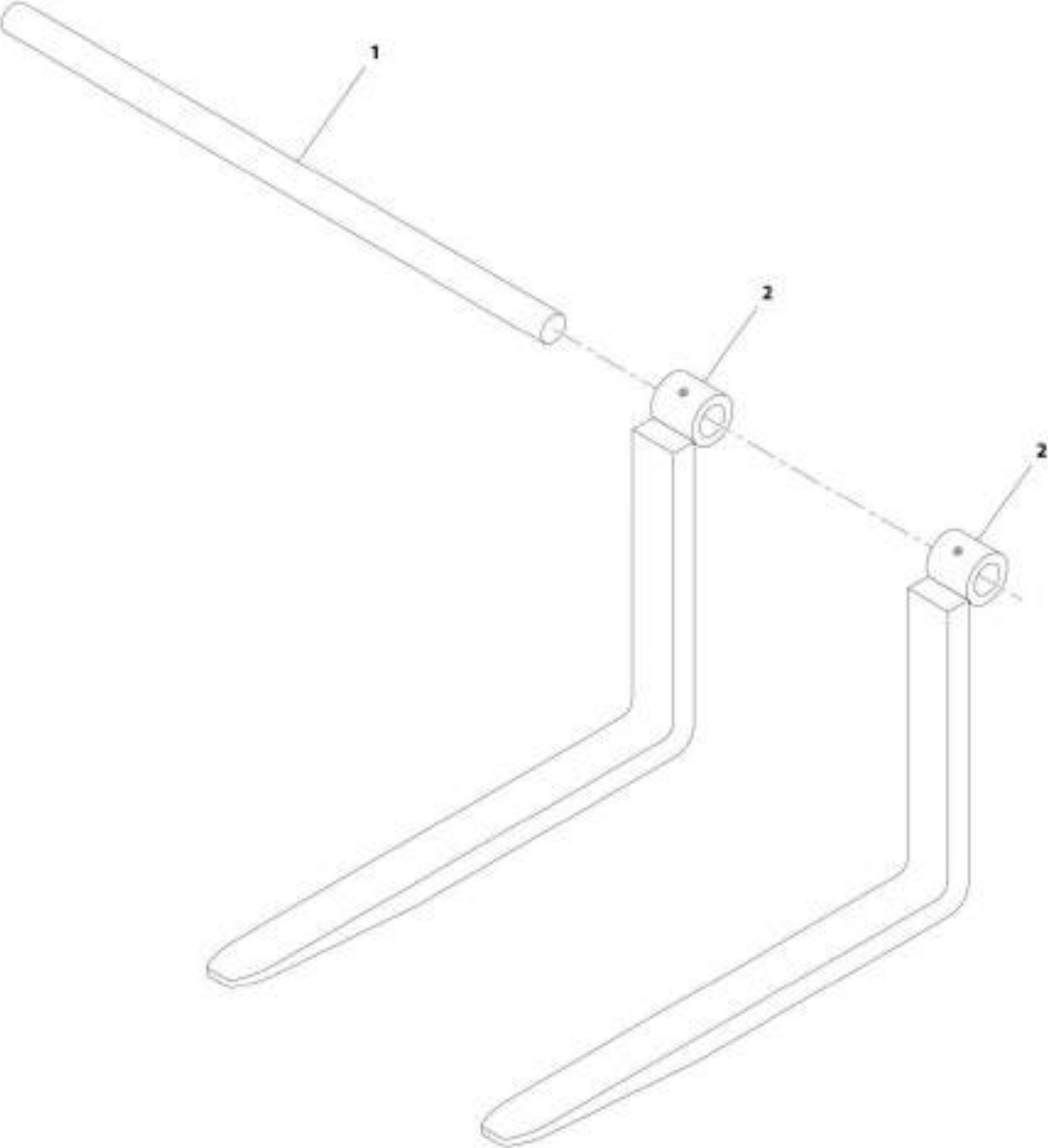
## SECTION 3 - ATTACHMENTS

**FIGURE 3-39. LUMBER FORK (60X150X1524) (ANSI - JLG)**

ITEM	PART NUMBER	QTY	DESCRIPTION	REV
1	2340039	2	Lumber Fork (60X150X1524)	C
	Note	Ref	<b>FORKS RATED LESS THAN THE ATTACHMENT OR MACHINE'S CAPACITY DECREASES CAPACITY OF THE ATTACHMENT OR MACHINE TO THAT OF THE FORKS. FORKS RATED MORE THAN THE ATTACHMENT OR MACHINE'S CAPACITY DO NOT INCREASE ATTACHMENT OR MACHINE'S CAPACITY.</b>	
	Note	Ref	<b>PLEASE CONSULT JLG PARTS DEPARTMENT TO DETERMINE THE CORRECT FORKS APPLICABLE TO YOUR SPECIFIC CARRIAGE ASSEMBLY AND APPLICATION.</b>	

**SECTION 3 - ATTACHMENTS**

**FIGURE 3-40. CARRIAGE ASSEMBLY (JCB FIT) (CE & AUS)**



ART\_100111758-E

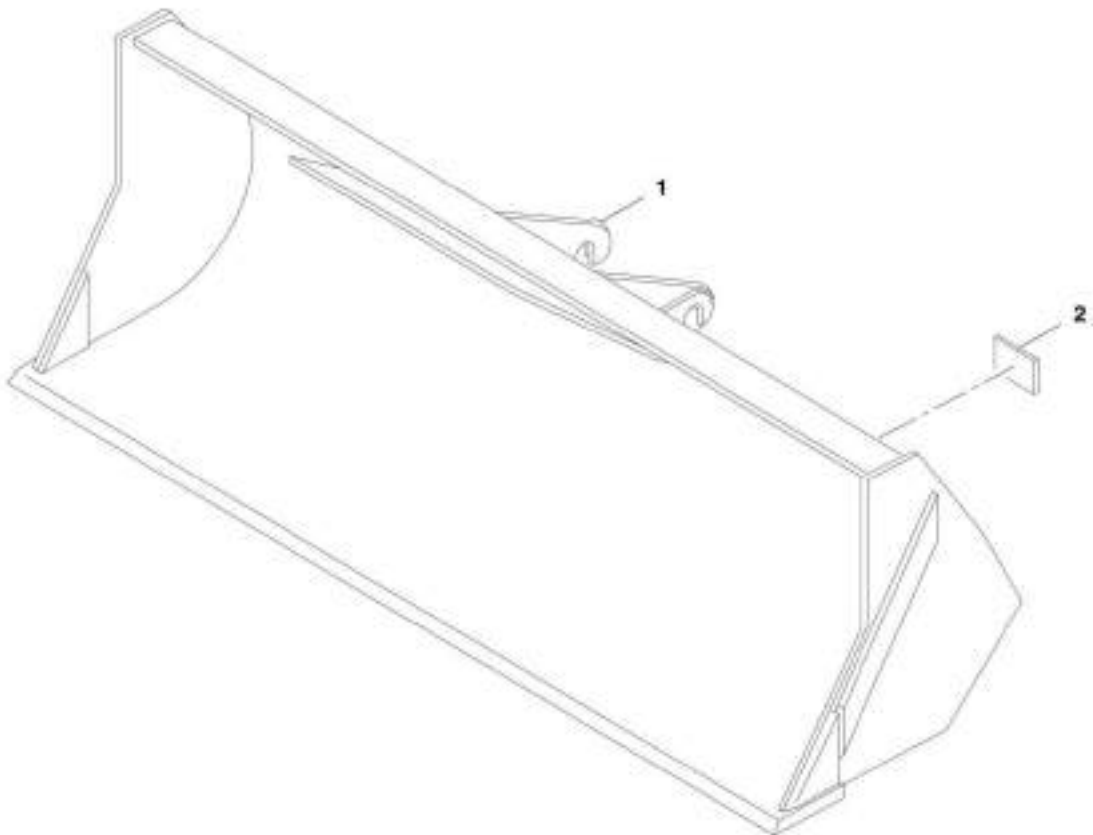
## SECTION 3 - ATTACHMENTS

**FIGURE 3-40. CARRIAGE ASSEMBLY (JCB FIT) (CE & AUS)**

ITEM	PART NUMBER	QTY	DESCRIPTION	REV
	1001111758	Ref	Fork Assembly (JCB Fit)	E
1	1001108133	1	Fork Bar	
2	1001111757	2	Fork	

## SECTION 3 - ATTACHMENTS

FIGURE 3-41. BUCKET (1.15 M<sup>3</sup>) (ANSI - JLG)



ART\_1981106023-C



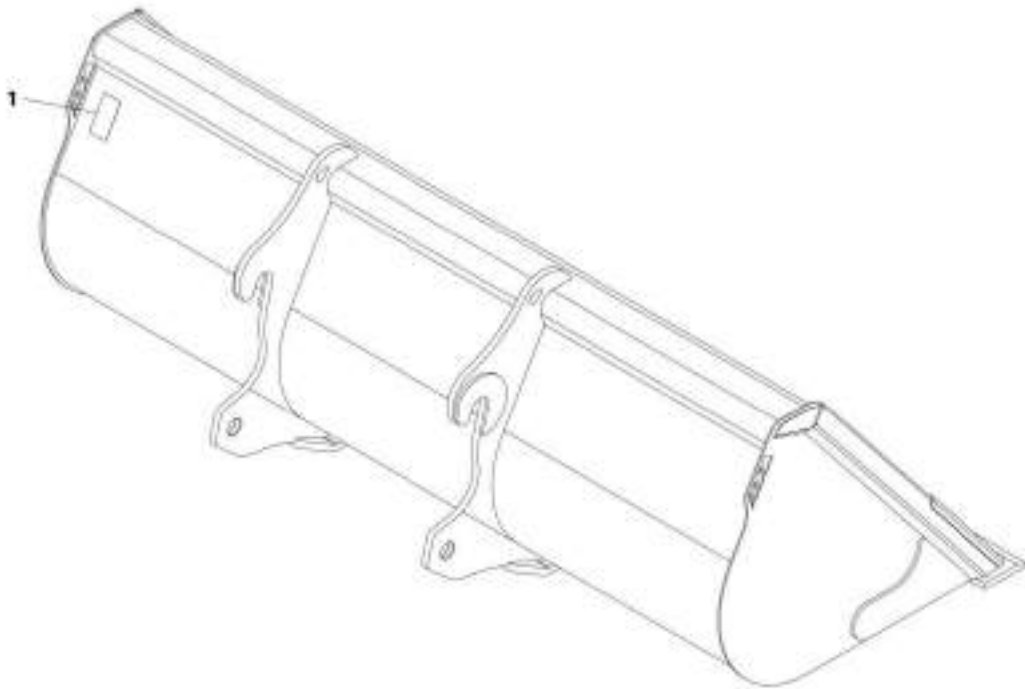
## SECTION 3 - ATTACHMENTS

**FIGURE 3-41. BUCKET (1.15 M<sup>3</sup>) (ANSI - JLG)**

ITEM	PART NUMBER	QTY	DESCRIPTION	REV
	1001100823	1	Bucket (1.15 m <sup>3</sup> )	C
1	1001100266	1	Bucket	
2	N.S.S.	1	Plate, Serial Number	

## SECTION 3 - ATTACHMENTS

FIGURE 3-42. BUCKET (1 M<sup>3</sup>) (CE & AUS)



ART\_1001215088-B

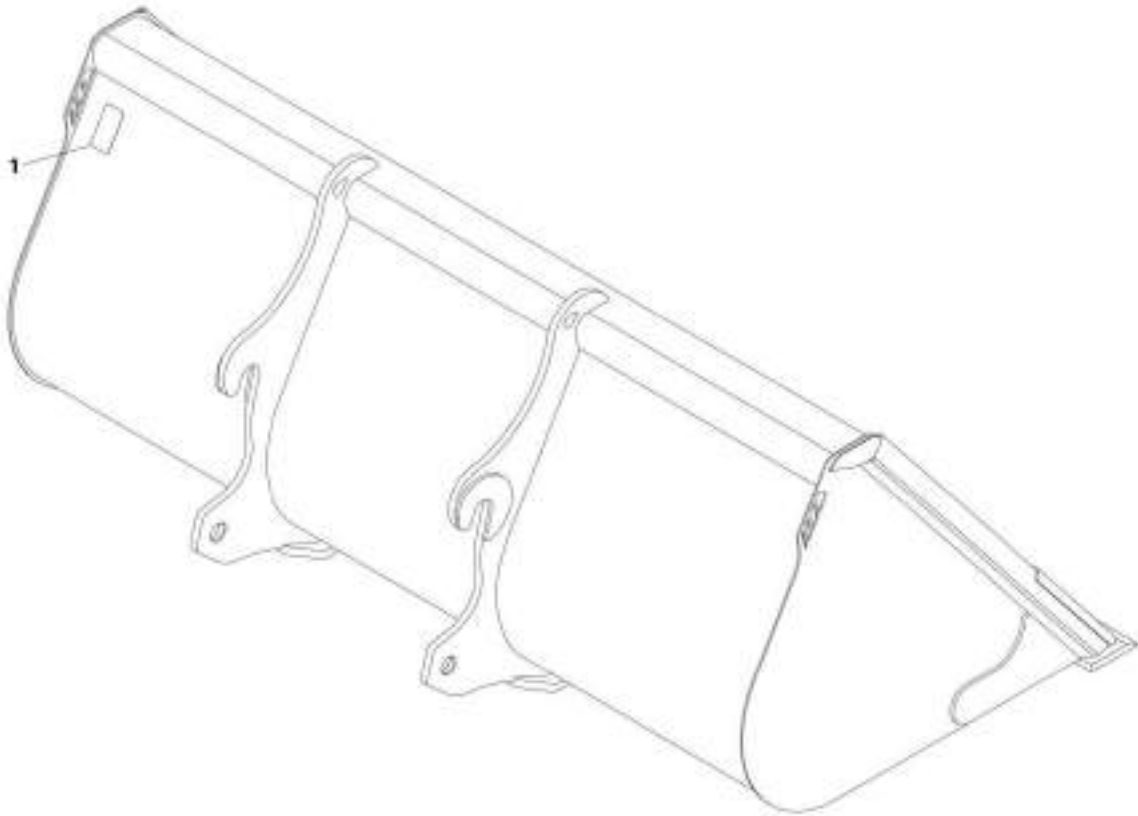
## SECTION 3 - ATTACHMENTS

**FIGURE 3-42. BUCKET (1 M<sup>3</sup>) (CE & AUS)**

ITEM	PART NUMBER	QTY	DESCRIPTION	REV
1	1001215988	1	Bucket (1 m <sup>3</sup> )	B
	N.S.S.	1	Plate, Serial Number	

## SECTION 3 - ATTACHMENTS

FIGURE 3-43. BUCKET (1.5 M<sup>3</sup>) (CE & AUS)



ART\_1001215060-B

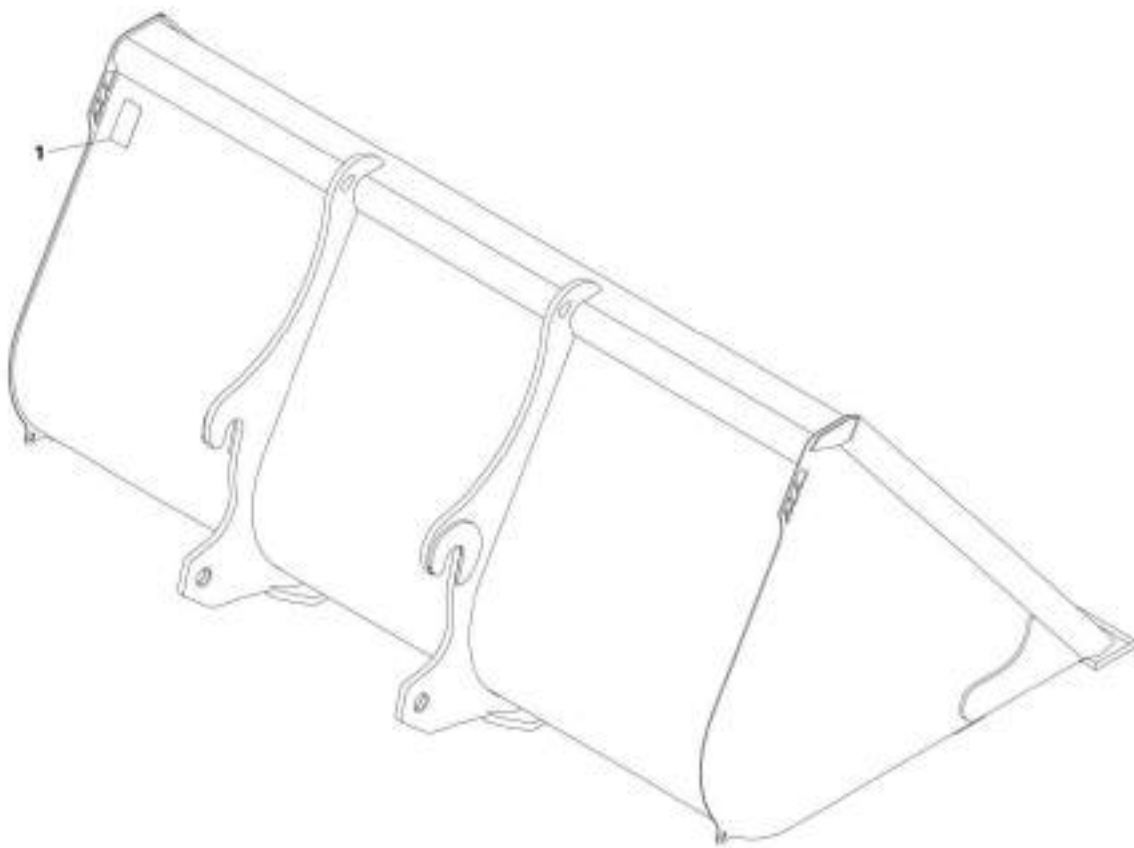
## SECTION 3 - ATTACHMENTS

**FIGURE 3-43. BUCKET (1.5 M<sup>3</sup>) (CE & AUS)**

ITEM	PART NUMBER	QTY	DESCRIPTION	REV
1	1001215990	1	Bucket (1.5 m <sup>3</sup> )	B
	N.S.S.	1	Plate, Serial Number	

## SECTION 3 - ATTACHMENTS

FIGURE 3-44. BUCKET (2 M<sup>3</sup>) (CE & AUS)



ART\_1001215992-B

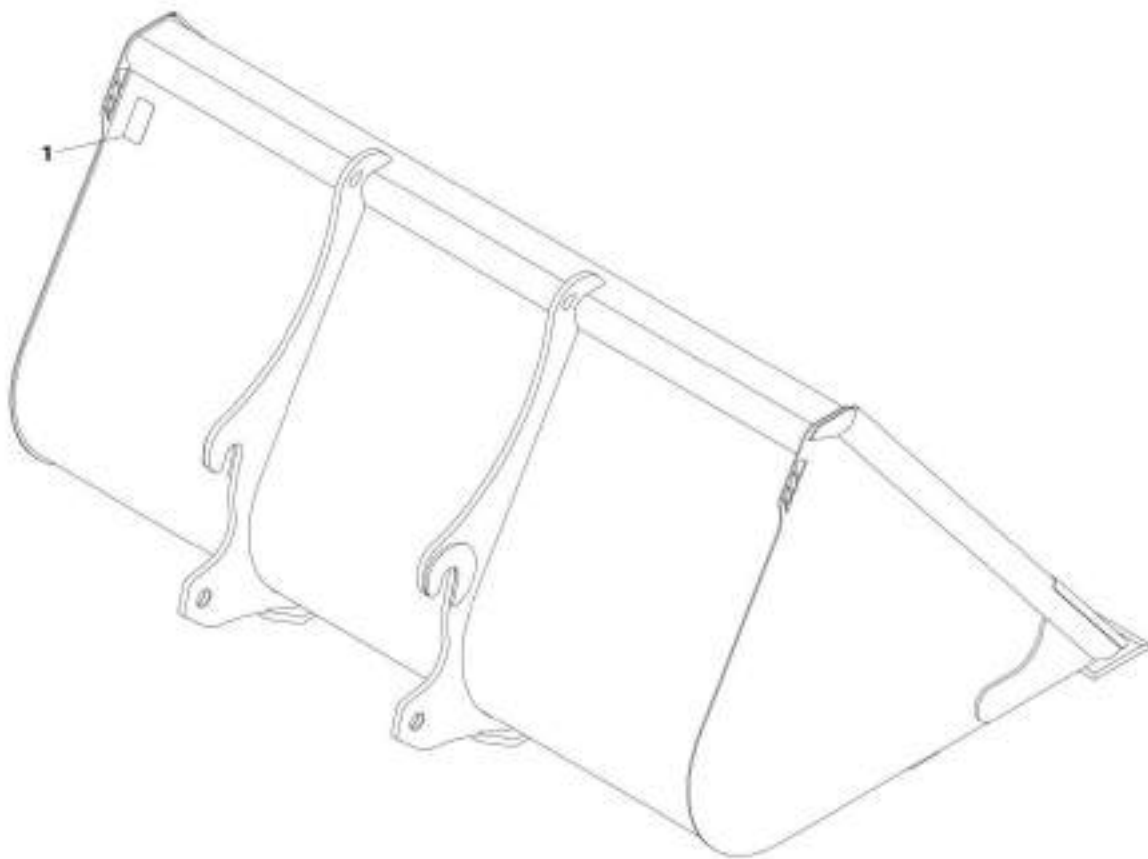
## SECTION 3 - ATTACHMENTS

**FIGURE 3-44. BUCKET (2 M<sup>3</sup>) (CE & AUS)**

ITEM	PART NUMBER	QTY	DESCRIPTION	REV
1	1001215992	1	Bucket (2 m <sup>3</sup> )	B
	N.S.S.	1	Plate, Serial Number	

## SECTION 3 - ATTACHMENTS

FIGURE 3-45. BUCKET (2.5 M<sup>3</sup>) (CE & AUS)



ART\_1001210994-B



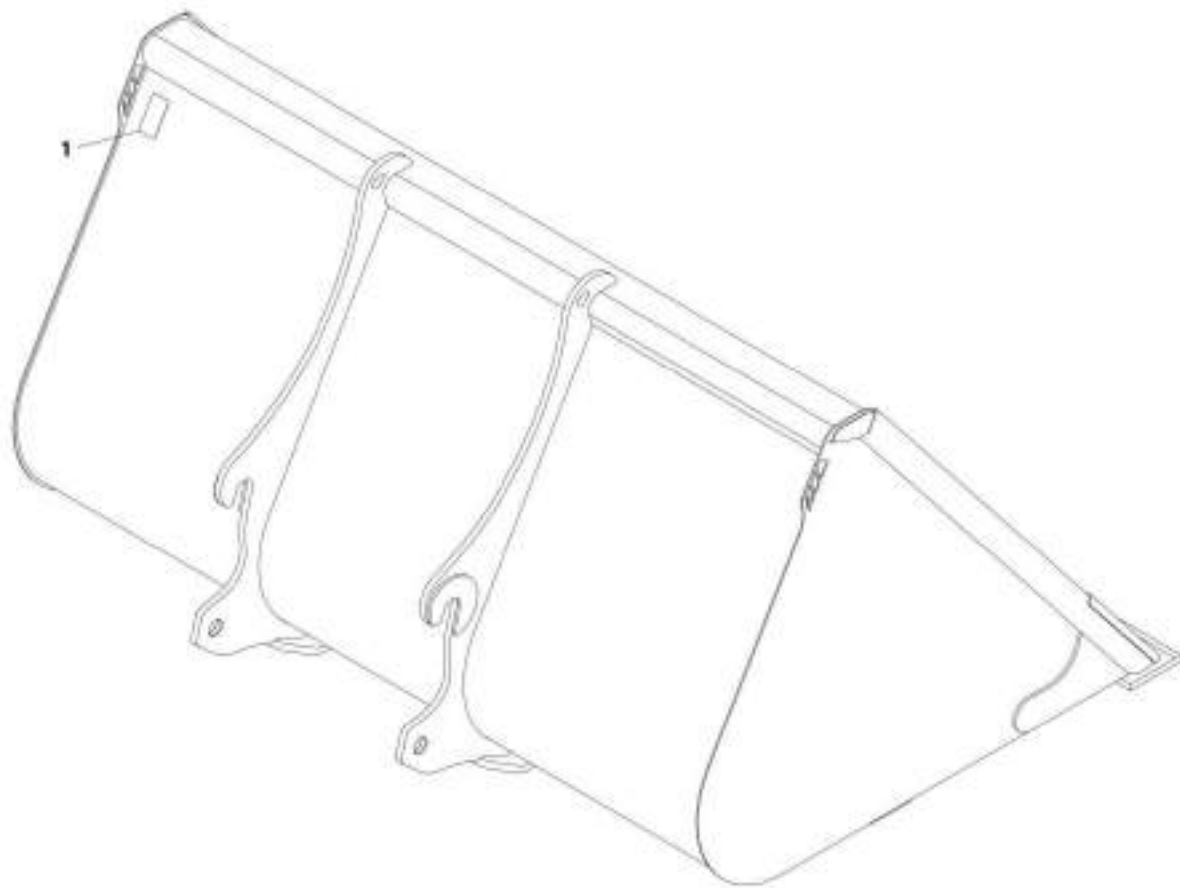
## SECTION 3 - ATTACHMENTS

**FIGURE 3-45. BUCKET (2.5 M<sup>3</sup>) (CE & AUS)**

ITEM	PART NUMBER	QTY	DESCRIPTION	REV
1	1001215994	1	Bucket (2.5 m <sup>3</sup> )	B
	N.S.S.	1	Plate, Serial Number	

## SECTION 3 - ATTACHMENTS

FIGURE 3-46. BUCKET (3 M<sup>3</sup>) (CE & AUS)



ART\_1001215996-B

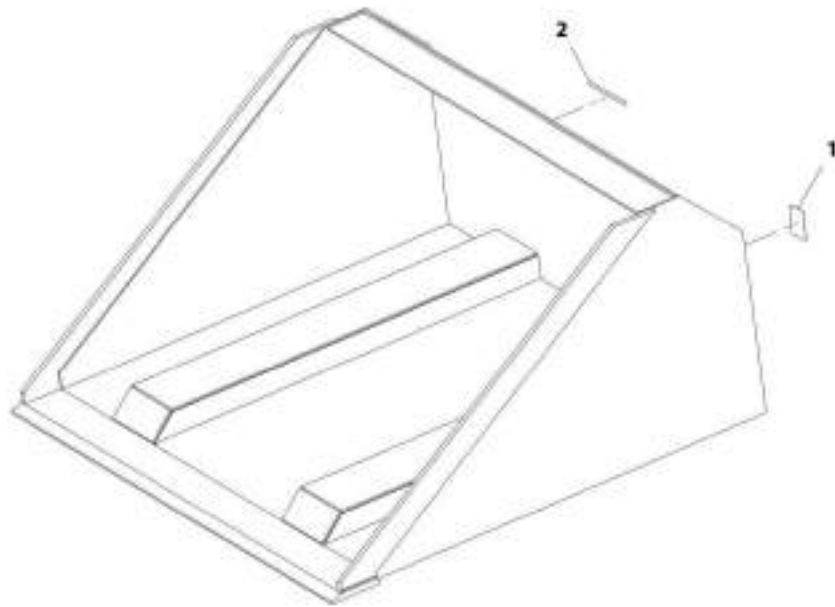
## SECTION 3 - ATTACHMENTS

**FIGURE 3-46. BUCKET (3 M<sup>3</sup>) (CE & AUS)**

ITEM	PART NUMBER	QTY	DESCRIPTION	REV
1	1001215996	1	Bucket (3 m <sup>3</sup> )	B
	N.S.S.	1	Plate, Serial Number	

## SECTION 3 - ATTACHMENTS

FIGURE 3-47. FORK MOUNTED BUCKET (1.0 M<sup>3</sup>) (ANSI - JLG)



ART\_100119009-0

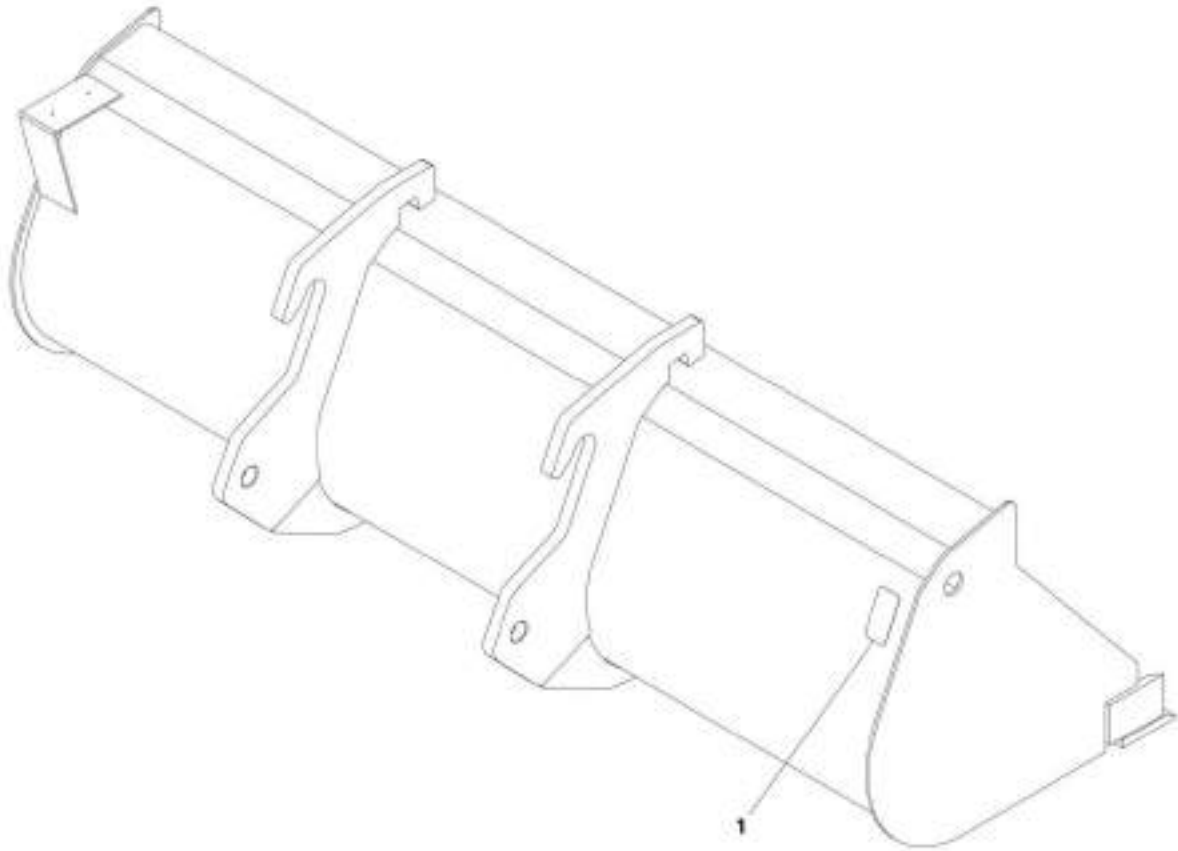
## SECTION 3 - ATTACHMENTS

**FIGURE 3-47. FORK MOUNTED BUCKET (1.0 M<sup>3</sup>) (ANSI - JLG)**

ITEM	PART NUMBER	QTY	DESCRIPTION	REV
1	1001195970	1	Bucket 1.0 m <sup>3</sup> (Fork Mounted)	B
2	N.S.S.	1	Plate, Serial Number	

## SECTION 3 - ATTACHMENTS

FIGURE 3-48. DIRT BUCKET (1.0 M<sup>3</sup>) (CE & AUS)



ART\_1001107045-A

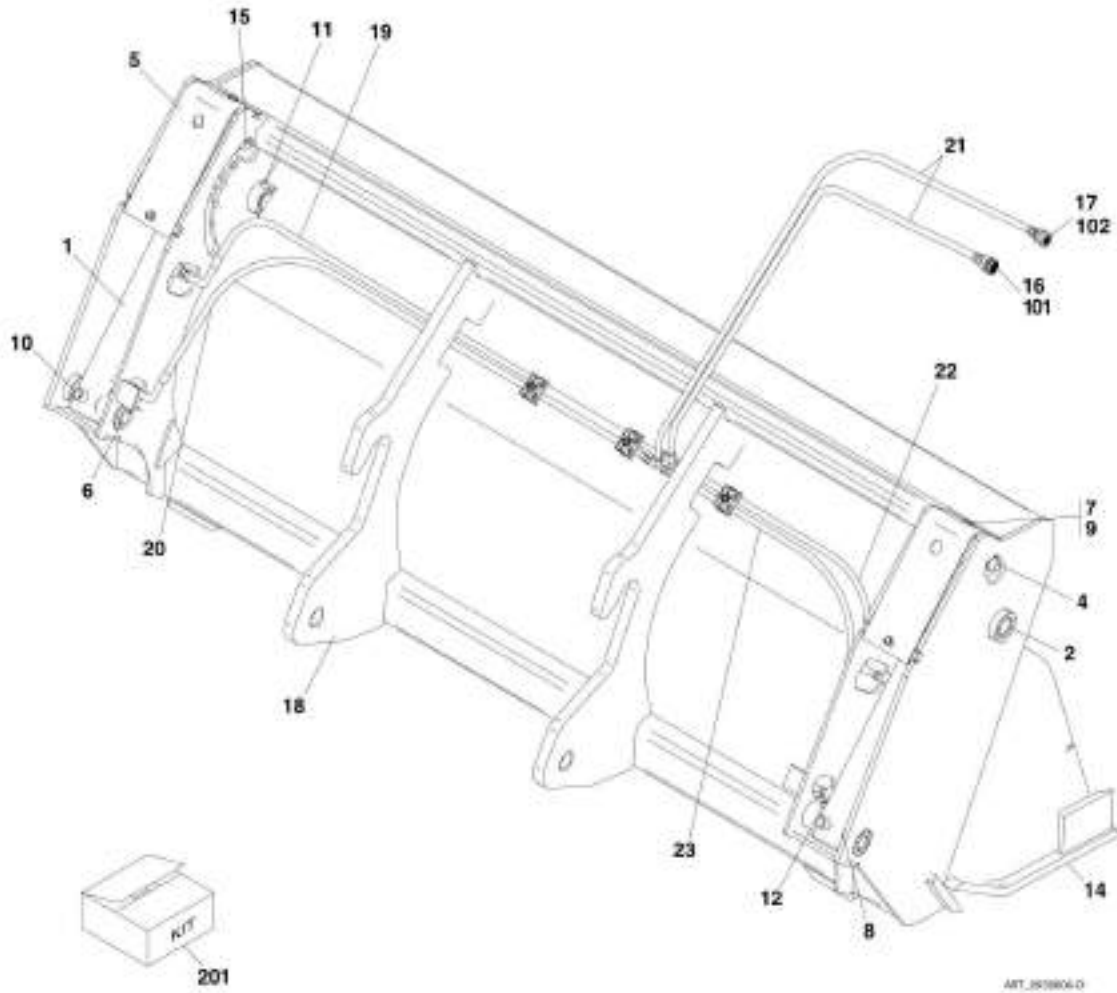
## SECTION 3 - ATTACHMENTS

**FIGURE 3-48. DIRT BUCKET (1.0 M<sup>3</sup>) (CE & AUS)**

ITEM	PART NUMBER	QTY	DESCRIPTION	REV
1	1001197945	1	Dig Bucket (1.0 m <sup>3</sup> )	A
	N.S.S.	1	Plate, Serial Number	

# SECTION 3 - ATTACHMENTS

FIGURE 3-49. 4 IN 1 BUCKET (0.6 M<sup>3</sup>) (CE & AUS)





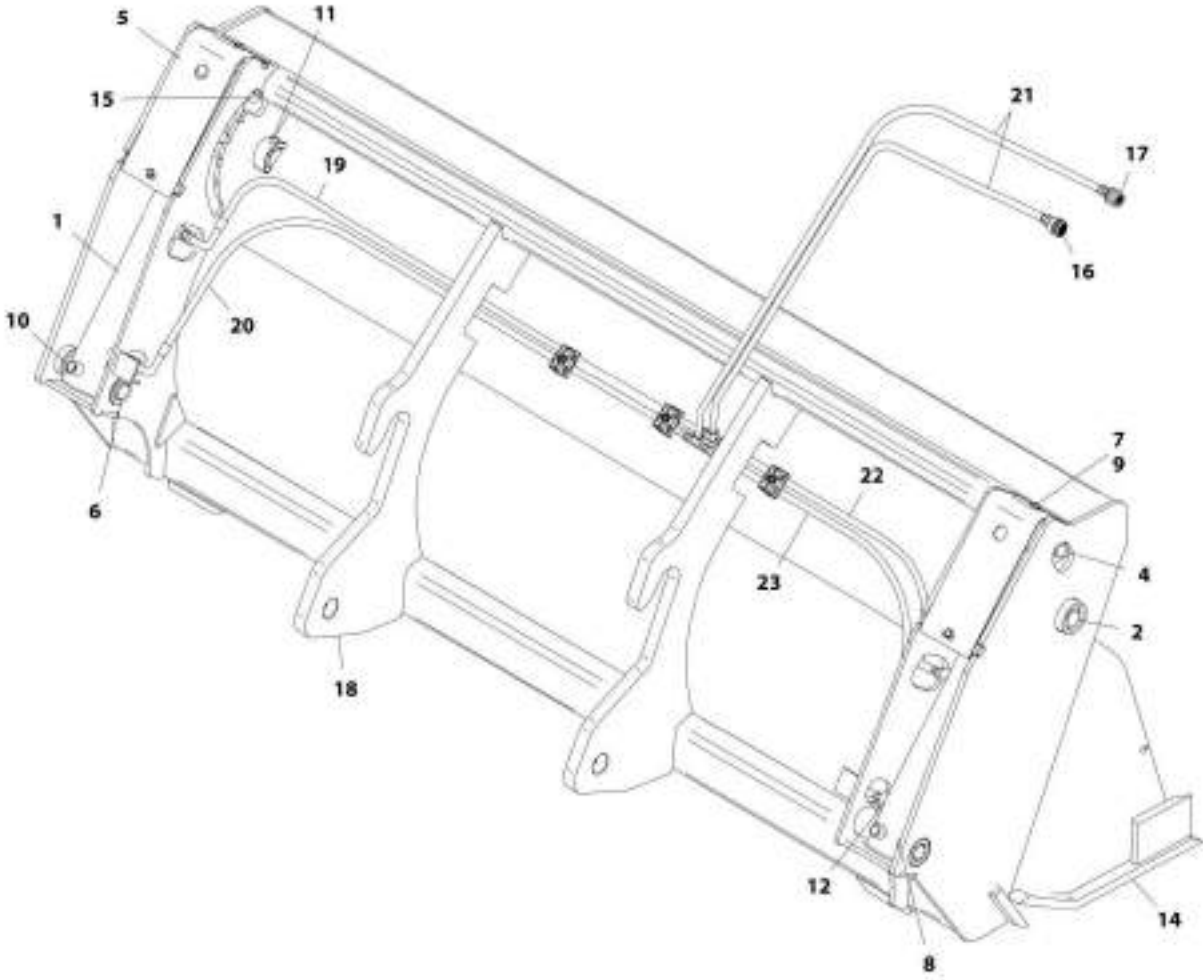
## SECTION 3 - ATTACHMENTS

**FIGURE 3-49. 4 IN 1 BUCKET (0.6 M<sup>3</sup>) (CE & AUS)**

ITEM	PART NUMBER	QTY	DESCRIPTION	REV
	0930006	1	4 in 1 Bucket 0.6 M <sup>3</sup>	D
1	7028990	2	Cylinder	
1	7028910	1	Kit, Seal, Cylinder	
2	7028911	2	Pin	
3	7028912	6	Nut, (not shown)	
4	7028913	2	Pin	
5	7028914	2	Plate, Protective	
6	7028915	2	Pin	
7	7028916	4	Bolt	
8	7028131	6	Bushing	
9	7028917	4	Washer	
10	7028918	6	Nipple, Grease	
11	7028920	2	Screw	
12	7028919	4	Screw	
14	N.S.S.	1	Weldment	
15	7028923	1	Gauge	
16	1001094555	1	Adapter, Female Quick Disconnect	
17	1001094556	1	Adapter, Male Quick Disconnect	
18	N.S.S.	1	Weldment	
19	7028982	1	Hose	
20	7028983	1	Hose	
21	7028984	2	Hose	
22	7028985	1	Hose	
23	7028991	1	Hose	
101	1001093826	1	Cap, Dust	
102	1001093827	1	Plug, Dust	
201	1001097287	1	Kit, Quick Disconnect Adapter (includes items 16, 17, 101 & 102)	

**SECTION 3 - ATTACHMENTS**

**FIGURE 3-50. 4 IN 1 BUCKET (1.0 M<sup>3</sup>) (CE & AUS)**



ART\_3930001-E

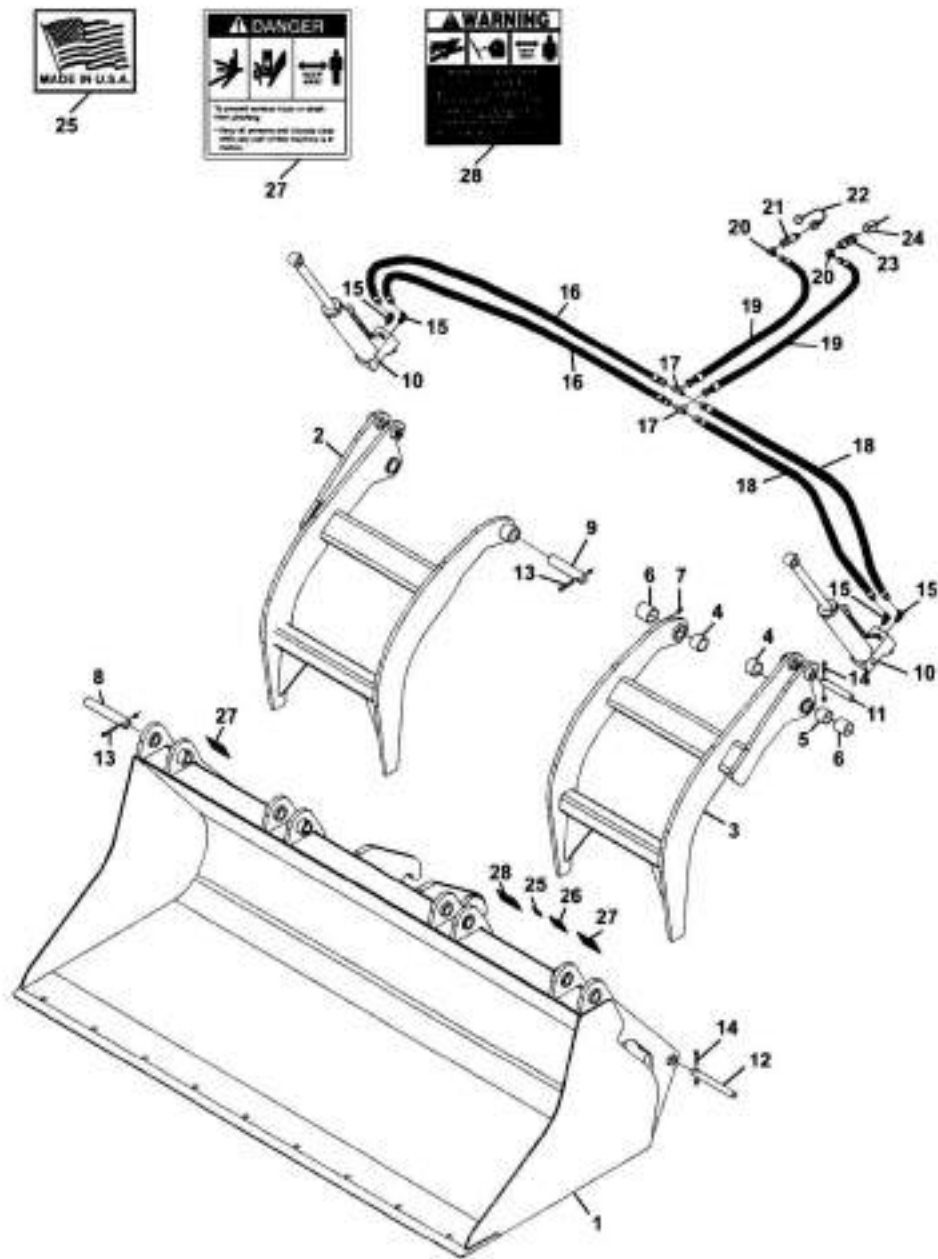
## SECTION 3 - ATTACHMENTS

**FIGURE 3-50. 4 IN 1 BUCKET (1.0 M<sup>3</sup>) (CE & AUS)**

ITEM	PART NUMBER	QTY	DESCRIPTION	REV
	0930003	1	4 in 1 Bucket (1.0 m <sup>3</sup> )	E
1	7028990	2	Cylinder	
	7028910	AR	Kit, Seal, Cylinder	
2	7028911	2	Pin	
3	7028912	6	Nut, (not shown)	
4	7028913	2	Pin	
5	7028914	2	Plate	
6	7028915	2	Pin	
7	7028916	4	Bolt	
8	7028131	6	Bushing	
9	7028917	4	Washer	
10	7028918	6	Nipple, Grease	
11	7028920	2	Screw	
12	7028919	4	Screw	
14	N.S.S.	1	Weldment	
15	7028923	1	Gauge	
16	1001094555	1	Coupling, Female Quick Disconnect	
17	1001094556	1	Coupling, Male Quick Disconnect	
18	N.S.S.	1	Weldment	
19	7028982	1	Hose	
20	7028983	1	Hose	
21	7028984	2	Hose	
22	7028985	1	Hose	
23	7028991	1	Hose	

# SECTION 3 - ATTACHMENTS

## FIGURE 3-51. MULTI-PURPOSE GRAPPLE BUCKET (2450 MM) (ANSI - JLG)



A8T\_063005-H

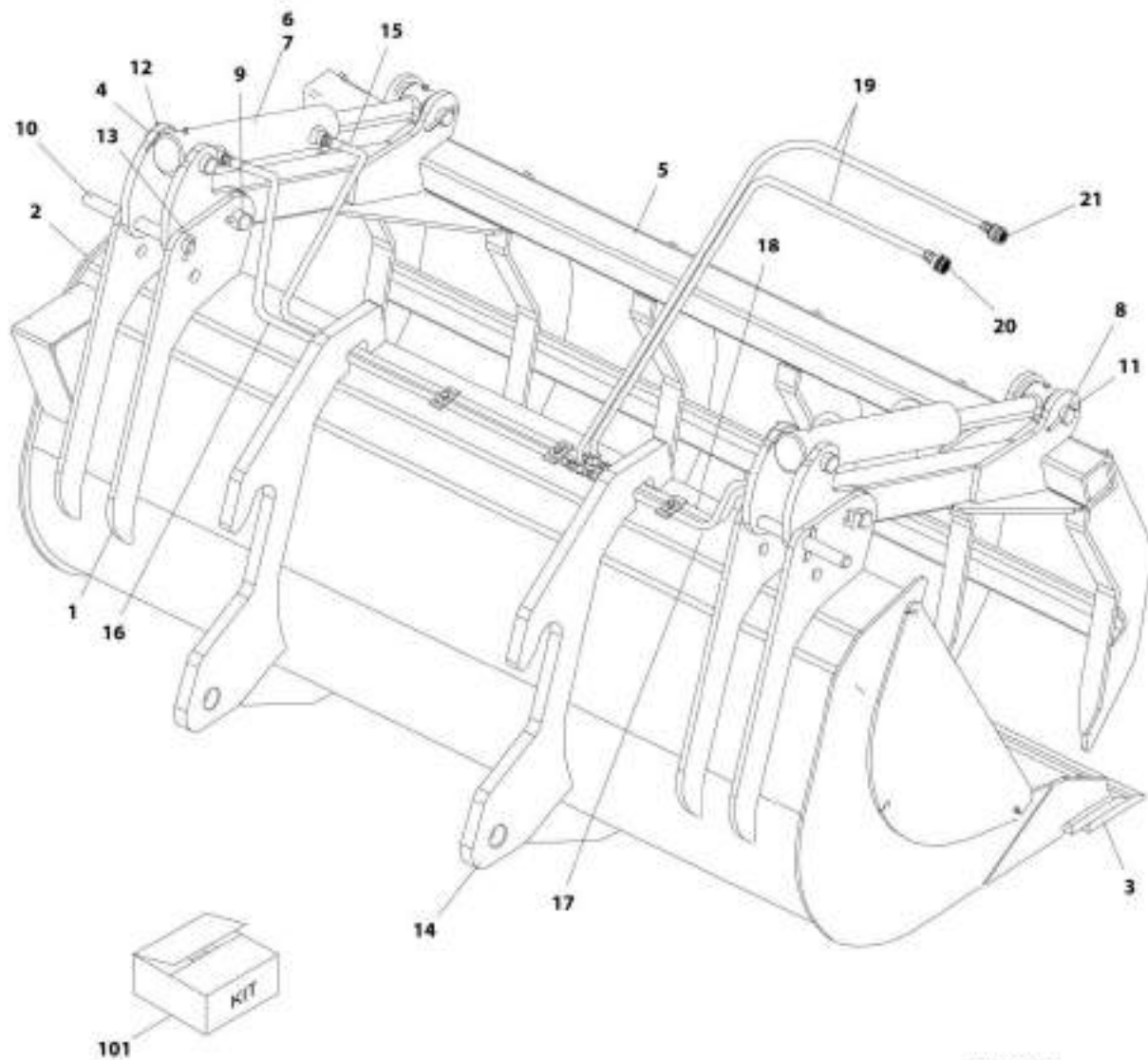
## SECTION 3 - ATTACHMENTS

**FIGURE 3-51. MULTI-PURPOSE GRAPPLE BUCKET (2450 MM) (ANSI - JLG)**

ITEM	PART NUMBER	QTY	DESCRIPTION	REV
	0930020	Ref	Multi-Purpose Grapple Bucket (2450 MM)	H
1	N.S.S.	1	Bucket	
1	70021387	4	Clamp, Hose	
2	70021391	1	Hook, RH Grapple	
3	70021392	1	Hook, LH Grapple	
4	70021358	4	Bushing	
5	70021359	2	Spacer	
6	70021360	4	Bushing	
7	7029714	4	Fitting, Grease	
8	70021361	2	Pin	
9	70021362	2	Pin	
10	70021393	2	Cylinder, Grapple Bucket (See Separate Breakdown in HYDRAULIC COMPONENTS Section)	
11	70021364	2	Pin	
12	70021365	2	Pin	
13	70021366	4	Bolt, 3/8X2-3/4	
13	70021367	4	Nut, Lock 3/8	
14	70021399	4	Bolt, 3/8X2-1/4	
14	70021367	4	Nut, Lock 3/8	
15	90554065	4	Fitting, 90	
16	70021980	2	Hose	
17	70020562	2	Fitting, Tee	
18	70021981	2	Hose	
19	70021982	2	Hose	
20	70022527	2	Fitting, 90	
21	7029692	1	Coupler	
22	90554062	1	Cover	
23	70021342	1	Coupler	
24	90554076	1	Cover	
25	90554016	1	Decal, Made in USA	
26	N.S.S.	1	Plate, Serial Number	
27	90554017	2	Decal, Danger Pinch Point	
28	90554018	1	Decal, Warning High Pressure	

# SECTION 3 - ATTACHMENTS

FIGURE 3-52. MULTI-PURPOSE GRAPPLE BUCKET (WIDE GRIP - 2450 MM) (CE & AUS)



KIT\_0930004-E

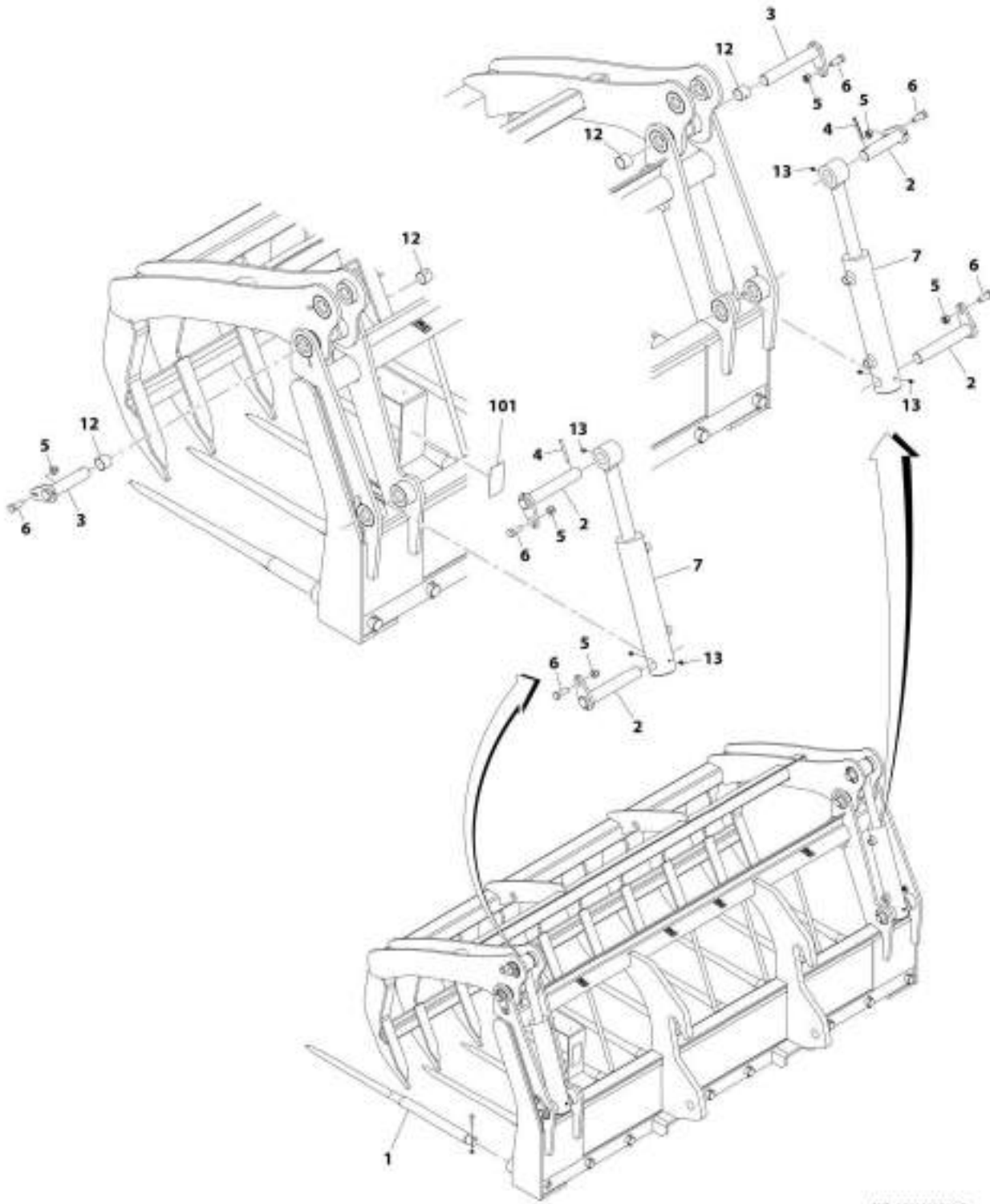
## SECTION 3 - ATTACHMENTS

**FIGURE 3-52. MULTI-PURPOSE GRAPPLE BUCKET (WIDE GRIP - 2450 MM) (CE & AUS)**

ITEM	PART NUMBER	QTY	DESCRIPTION	REV
	0930004	1	Multi-Purpose Grapple Bucket (Wide Grip - 2450 MM) (CE & AUS)	E
1	N.S.S.	1	Weldment	
2	7028133	1	Plate	
3	7028132	1	Assembly, Blade (includes blade and the following hardware)	
	7029356	8	Nut, Lock M16	
	70023484	8	Bolt, M16X60	
4	7028126	2	Bracket	
5	7028125	1	Grapple	
6	7028127	2	Cylinder, Tilt	
	7028910	AR	Kit, Seal	
7	7028131	6	Bushing	
8	7028128	2	Pin	
9	7028129	2	Pin, Locking	
10	7028130	2	Pin	
11	7028135	4	Pin, Roll	
12	7028134	8	Pin, Roll	
13	7029124	2	Circlip	
14	7029749	1	Assembly, Connecting	
15	7028986	1	Hose	
16	7028987	1	Hose	
17	7028988	1	Hose	
18	7028989	1	Hose	
19	7028984	2	Hose	
20	1001094555	1	Coupler, Female	
21	1001094556	1	Coupler, Male	
101	Kit	1	Kit	

# SECTION 3 - ATTACHMENTS

## FIGURE 3-53. MANURE GRAPPLE BUCKET (CE & AUS)



48T\_1001238001-B



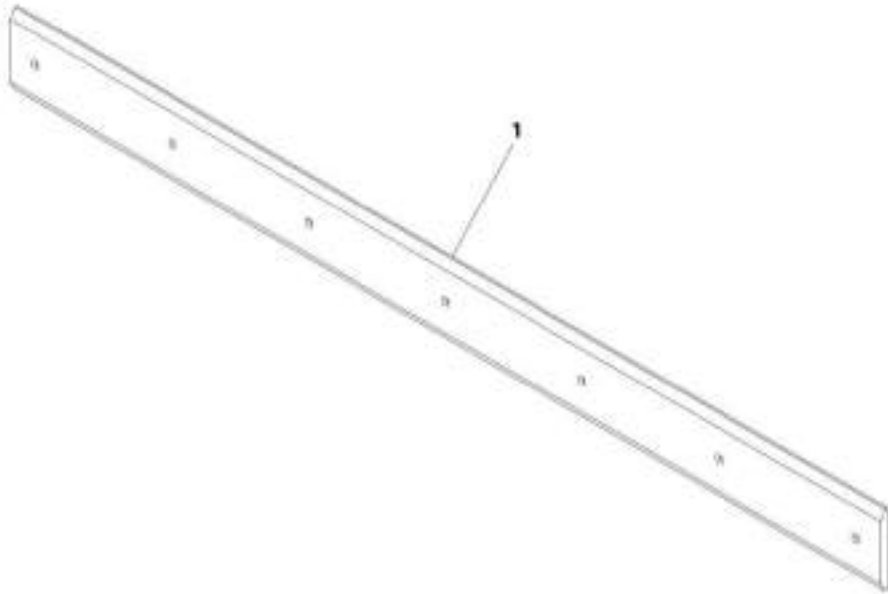
## SECTION 3 - ATTACHMENTS

**FIGURE 3-53. MANURE GRAPPLE BUCKET (CE & AUS)**

ITEM	PART NUMBER	QTY	DESCRIPTION	REV
	1001216001	1	Manure Grapple Bucket (2300 MM)	B
1	70027302	10	Right Electro-Forged Fingers	
2	70027294	4	Pin	
3	70027293	2	Pin	
4	70027298	2	Roll Pin	
5	70027296	6	Nut	
6	70027297	6	Screw	
7	7028127	2	Cylinder	
8	70027325	1	Hose (not shown)	
9	7028988	1	Hose (not shown)	
10	70027326	1	Hose (not shown)	
11	7028986	1	Hose (not shown)	
12	7028131	10	Bush	
13	7028918	6	Grease Nipple	
101	N.S.S.	1	Plate, Serial Number	

# SECTION 3 - ATTACHMENTS

FIGURE 3-54. BOLT-ON EDGE (2450 MM)



AWT\_70020192-A

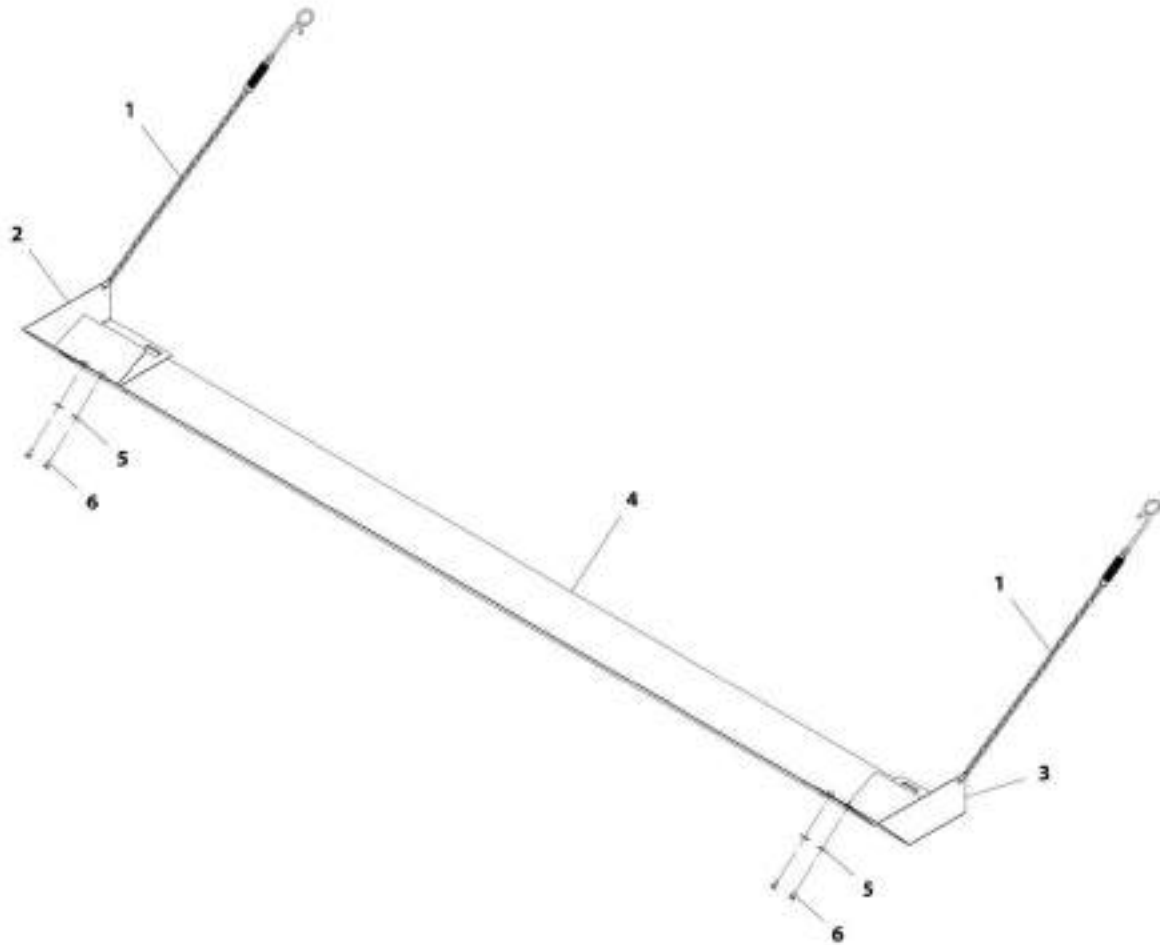
## SECTION 3 - ATTACHMENTS

**FIGURE 3-54. BOLT-ON EDGE (2450 MM)**

ITEM	PART NUMBER	QTY	DESCRIPTION	REV
1	70020392	1	Bolt-on Edge (2450 MM)	A
	N.S.S.	7	Bolt	
	N.S.S.	7	Nut	

# SECTION 3 - ATTACHMENTS

## FIGURE 3-55. BUCKET GUARD



ART\_1001004620-8

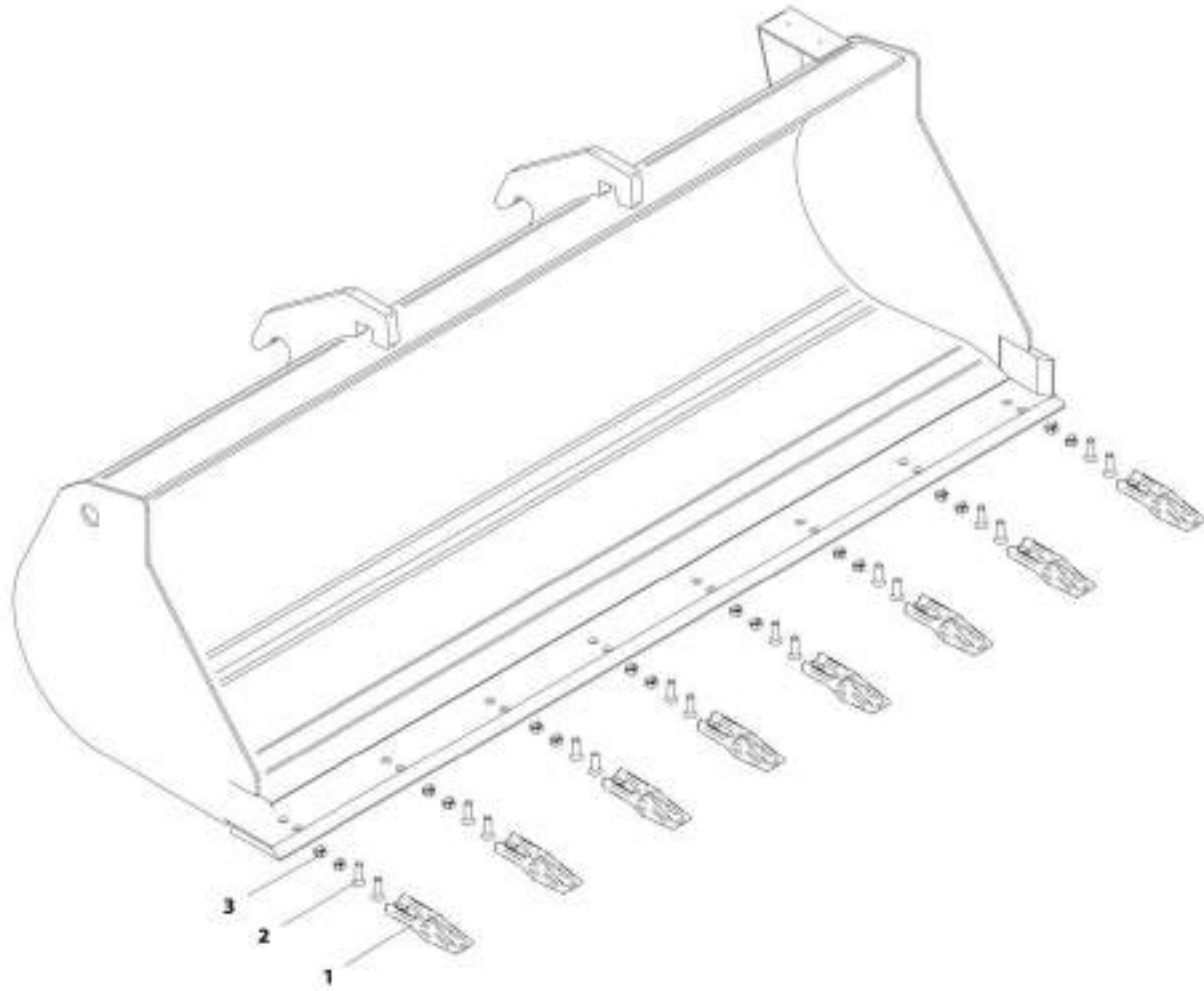
## SECTION 3 - ATTACHMENTS

### FIGURE 3-55. BUCKET GUARD

ITEM	PART NUMBER	QTY	DESCRIPTION	REV
	1001004620	1	Bucket Guard	B
1	1001003064	2	Assembly, Retainer	
2	1001004617	1	Plate	
3	1001004618	1	Plate	
4	1001004619	1	Plate	
5	1001008665	4	Washer	
6	1001009105	4	Bolt, M6X1	

# SECTION 3 - ATTACHMENTS

## FIGURE 3-56. BUCKET TEETH KIT



ART\_1001106251-A

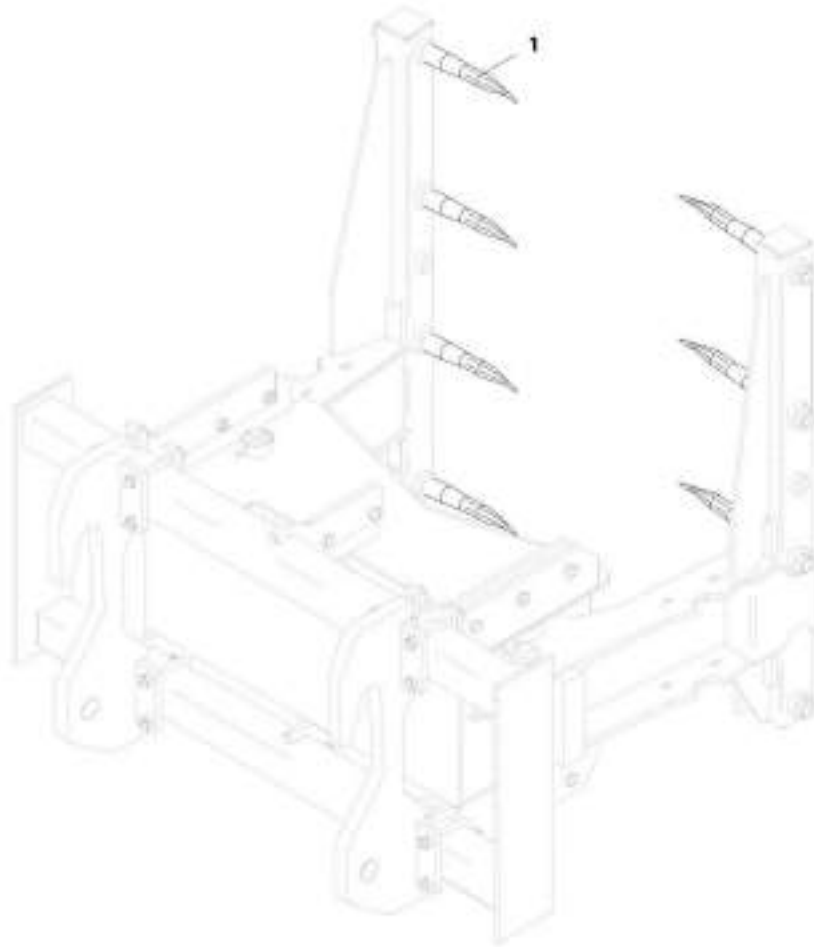
## SECTION 3 - ATTACHMENTS

**FIGURE 3-56. BUCKET TEETH KIT**

ITEM	PART NUMBER	QTY	DESCRIPTION	REV
	1001196751	1	Bucket Teeth Kit	A
1	Kit	8	Tooth	
2	Kit	16	Screw	
3	Kit	16	Nut	

## SECTION 3 - ATTACHMENTS

FIGURE 3-57. BALE HANDLER KIT (SPIKES) (CE & AUS)



ART. 2902461-A



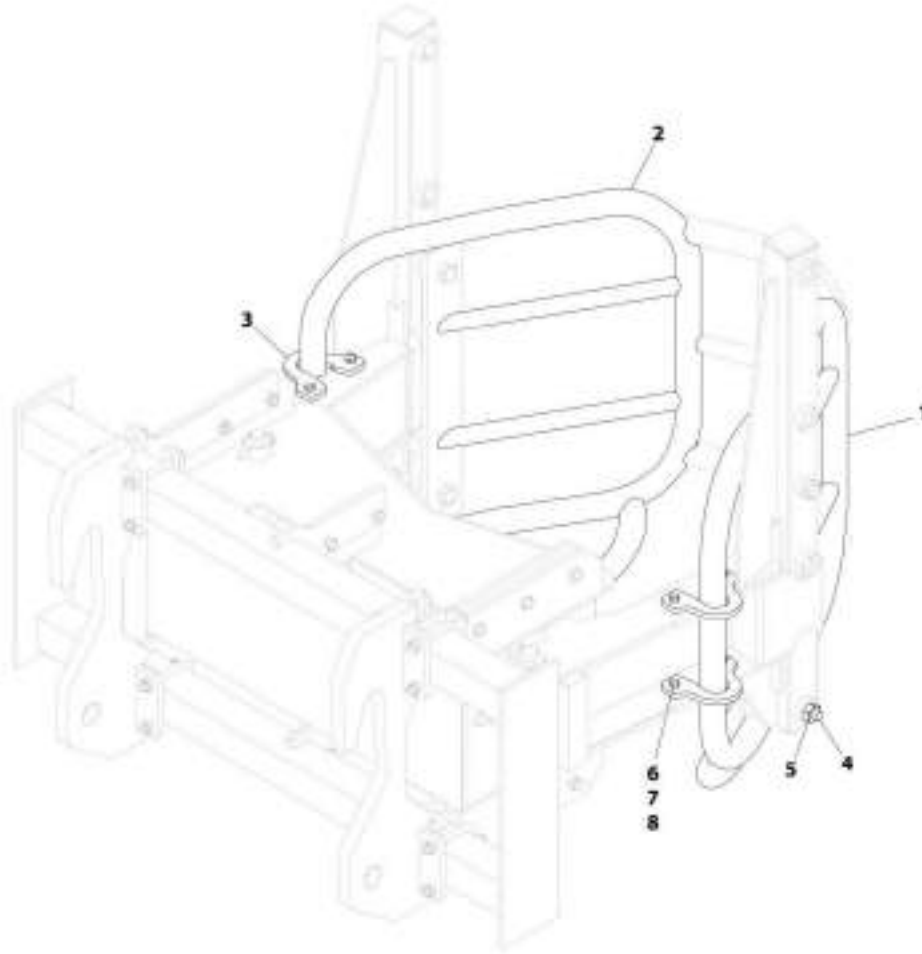
## SECTION 3 - ATTACHMENTS

**FIGURE 3-57. BALE HANDLER KIT (SPIKES) (CE & AUS)**

ITEM	PART NUMBER	QTY	DESCRIPTION	REV
1	2902441 Kit	1 1	Bale Handler Kit (Spikes) Kit	A

## SECTION 3 - ATTACHMENTS

FIGURE 3-58. BALE HANDLER KIT (SPIKES TO TUBE) (CE & AUS)



ART\_2952440-A

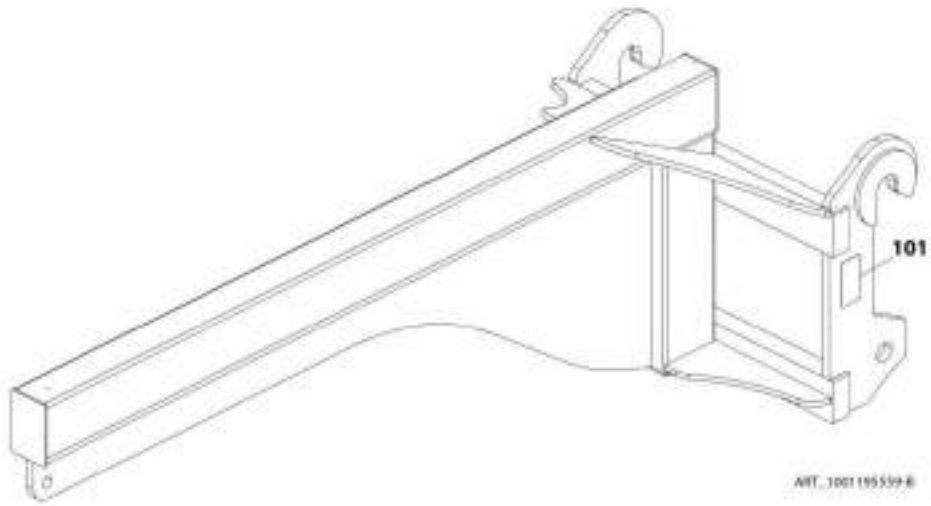
## SECTION 3 - ATTACHMENTS

**FIGURE 3-58. BALE HANDLER KIT (SPIKES TO TUBE) (CE & AUS)**

ITEM	PART NUMBER	QTY	DESCRIPTION	REV
	2902440	Ref	Bale Handler Kit (Spikes to Tube)	A
1	7029348	1	Bent Arm, Right	
2	7029347	1	Bent Arm, Left	
3	7029346	4	Strap	
4	7029351	4	Bolt, M22X180-8.8	
5	7029352	4	Locknut, M22-8	
6	7029345	8	Bolt, M12X45-8.8	
7	7029350	8	Locknut, M12-8	
8	7029349	8	Washer, M12	

## SECTION 3 - ATTACHMENTS

FIGURE 3-59. TRUSS BOOM (4 TON - 2.1M) (CE & AUS)



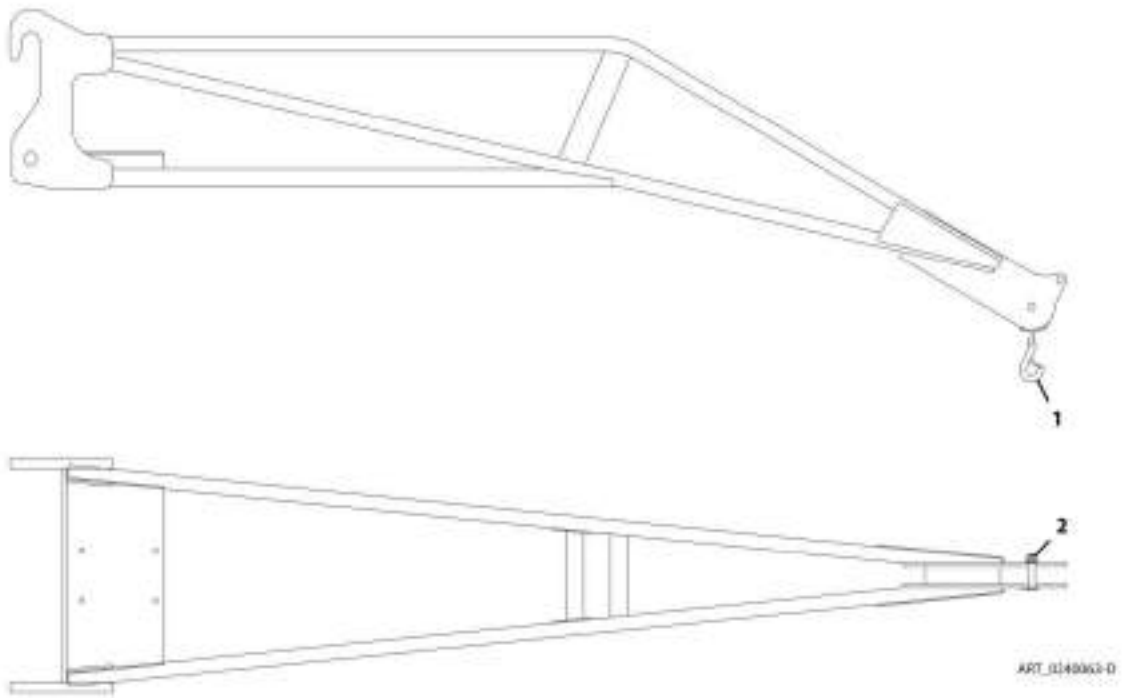
## SECTION 3 - ATTACHMENTS

**FIGURE 3-59. TRUSS BOOM (4 TON - 2.1M) (CE & AUS)**

ITEM	PART NUMBER	QTY	DESCRIPTION	REV
	1001195559	1	Truss Boom (4 Ton - 2.1M)	B
101	N.S.S.	1	Plate, Serial Number	

# SECTION 3 - ATTACHMENTS

FIGURE 3-60. TRUSS BOOM (1 TON - 3.4M) (CE & AUS)



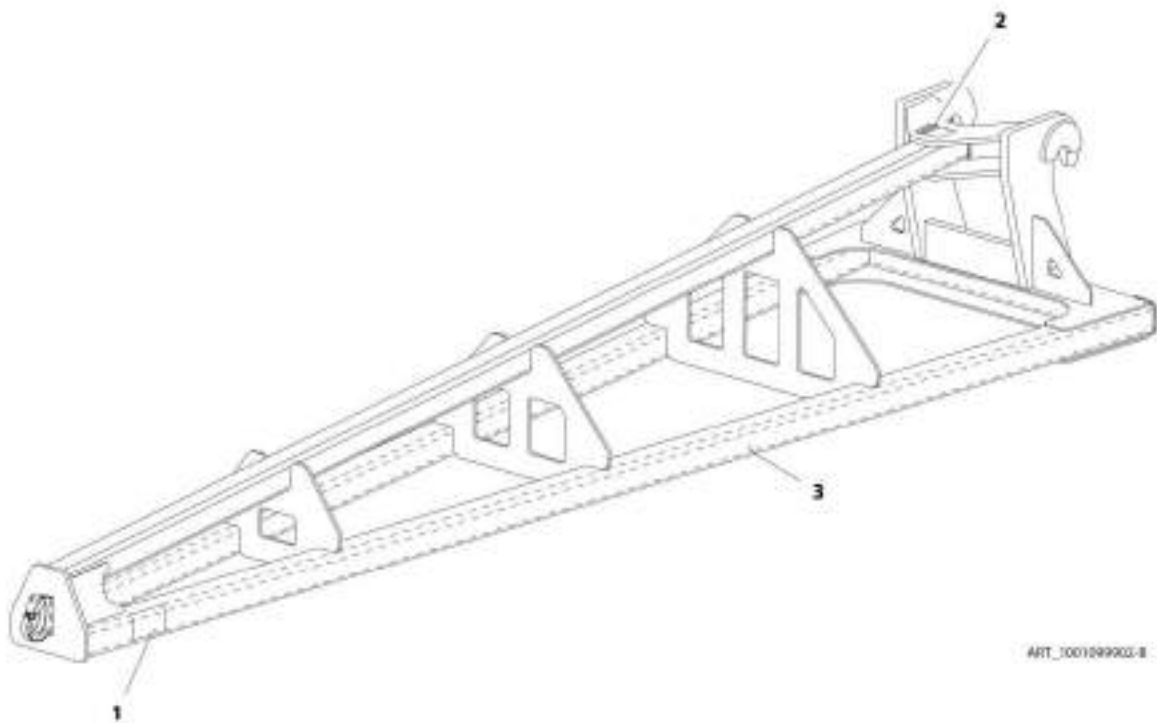
## SECTION 3 - ATTACHMENTS

**FIGURE 3-60. TRUSS BOOM (1 TON - 3.4M) (CE & AUS)**

ITEM	PART NUMBER	QTY	DESCRIPTION	REV
	0240063	1	Truss Boom (1 Ton - 3.4M)	D
1	70020421	1	Hook	
2	70020422	1	Bolt	

## SECTION 3 - ATTACHMENTS

FIGURE 3-61. TRUSS BOOM (0.9 TON - 3.7M) (ANSI - JLG)



ART\_100109903-8



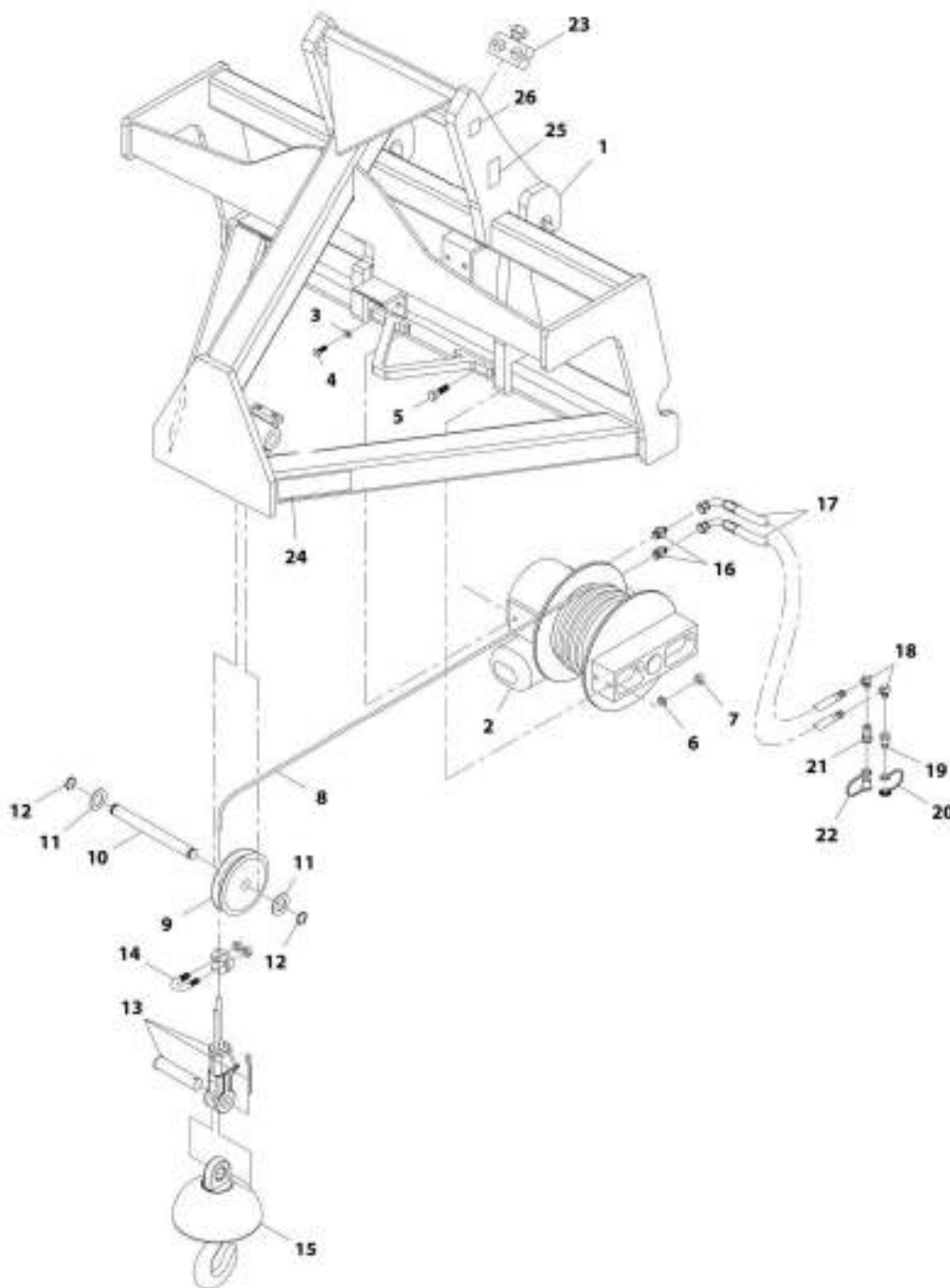
## SECTION 3 - ATTACHMENTS

**FIGURE 3-61. TRUSS BOOM (0.9 TON - 3.7M) (ANSI - JLG)**

ITEM	PART NUMBER	QTY	DESCRIPTION	REV
	1001099902	1	Truss Boom (0.9 Ton - 3.7M)	B
1	4110422	2	Decal, Danger Swinging Loads	
2	N.S.S.	1	Plate, Serial Number	
3	N.S.S.	1	Boom, Truss	

# SECTION 3 - ATTACHMENTS

FIGURE 3-62. TRUSS BOOM (1.8 TON - 3 FT WITH WINCH) (CE)



ART\_100120660-8

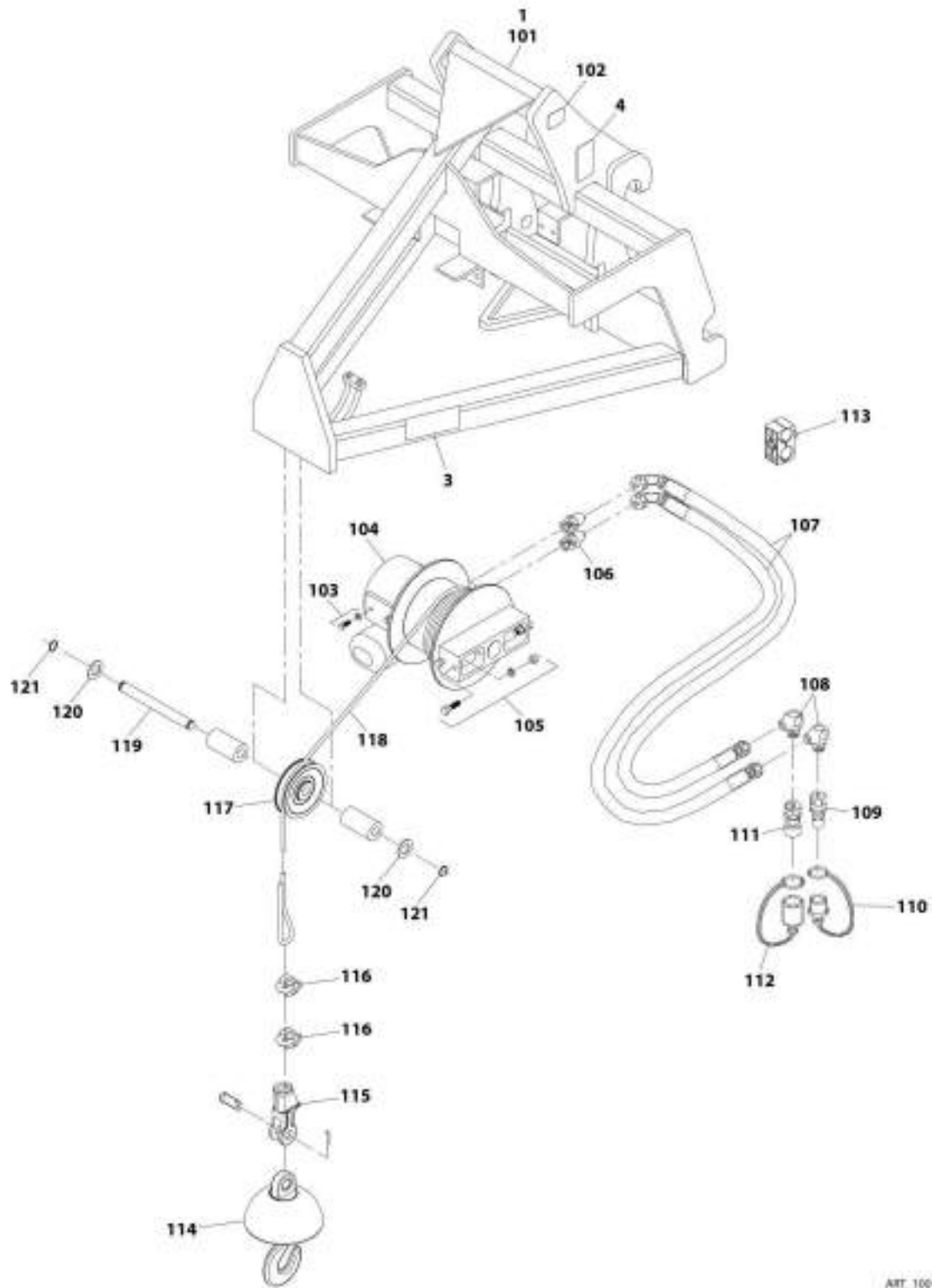
## SECTION 3 - ATTACHMENTS

**FIGURE 3-62. TRUSS BOOM (1.8 TON - 3 FT WITH WINCH) (CE)**

ITEM	PART NUMBER	QTY	DESCRIPTION	REV
	1001206669	1	Truss Boom (1.8 Ton - 3 FT with Winch)	B
1	N.S.S.	1	Weldment, Truss Boom Frame	
2	70021921	1	Winch	
3	90554042	4	Washer	
4	70021349	4	Bolt	
5	70024059	2	Bolt	
6	90554020	2	Washer	
7	90554054	2	Nut	
8	70022028	1	Cable	
9	70021935	1	Pulley	
10	70022529	1	Pin	
11	70027009	2	Washer	
12	70026698	2	Ring, Snap	
13	70021979	1	Assembly, Socket (includes Pin & Cotter Pin)	
14	70022528	1	Clamp	
15	70021978	1	Hook, Ball Swivel	
16	70021415	2	Fitting	
17	70021977	2	Hose	
18	70022527	2	Fitting, 90	
19	7029692	1	Coupler, Male Quick	
20	1001003475	1	Cap, Dust	
21	70021342	1	Coupler, Female Quick	
22	1001003474	1	Plug, Dust	
23	70021387	1	Clamp, Hose	
24	4110422	2	Decal, Swinging Loads Danger	
25	N.S.S.	1	Plate, Serial Number	
26	90554016	1	Decal, Made in USA	

# SECTION 3 - ATTACHMENTS

FIGURE 3-63. TRUSS BOOM (1.8 TON - 3 FT WITH WINCH) (ANSI - JLG)



ART\_300100967-C

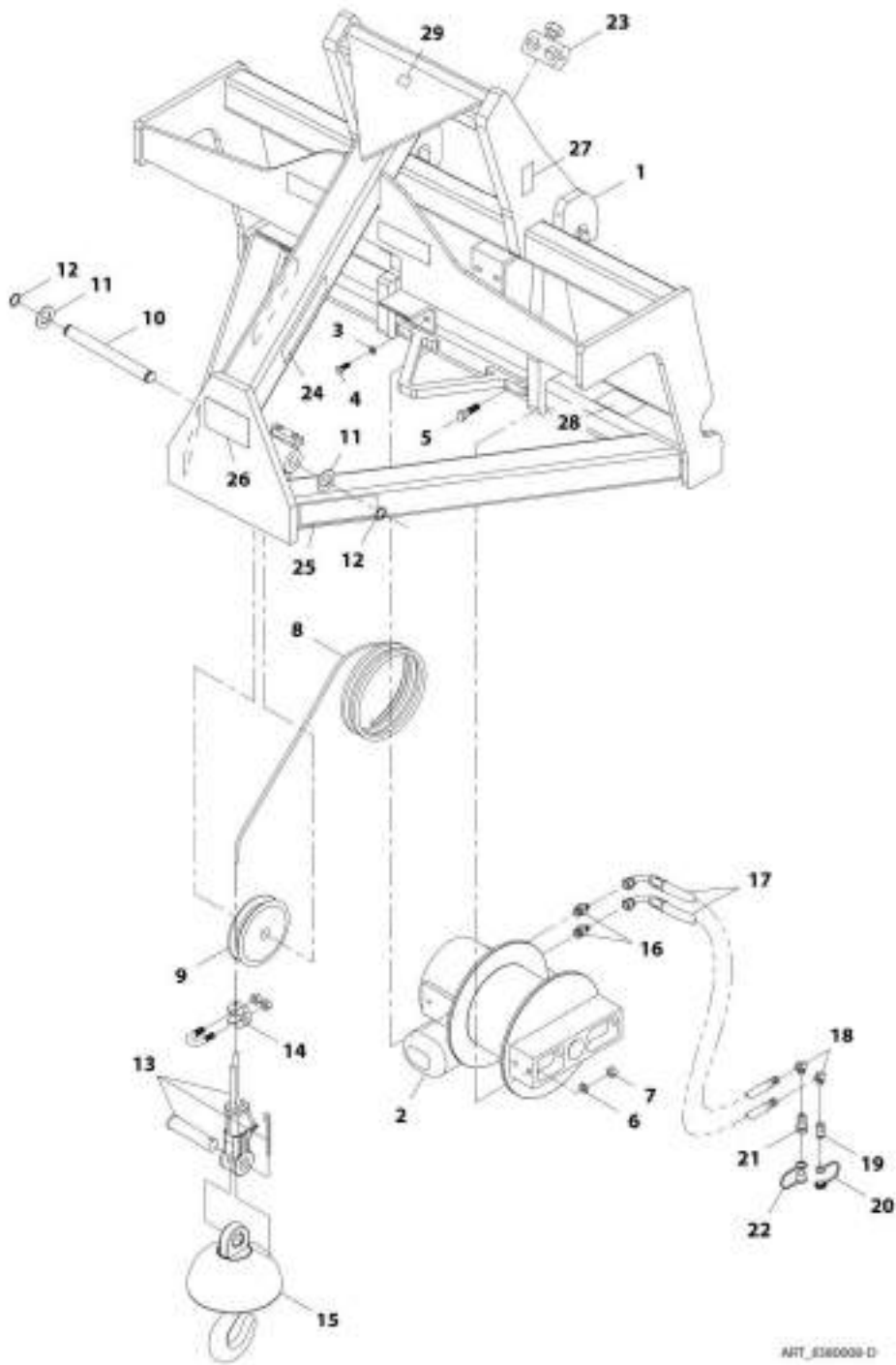
## SECTION 3 - ATTACHMENTS

**FIGURE 3-63. TRUSS BOOM (1.8 TON - 3 FT WITH WINCH) (ANSI - JLG)**

ITEM	PART NUMBER	QTY	DESCRIPTION	REV
	1001100967	Ref	Truss Boom Assembly (3 Foot with Winch) (includes items 1, 3, 4 & 101 thru 121)	C
1	8380008	NLA	Truss Boom (3 Foot with Winch) (no longer available, use 1001100967 for replacement)	
3	4110422	2	Decal, Danger, Swinging Loads	
4	N.S.S.	1	Plate, Serial Number	
101	N.S.S.	1	Truss Boom Frame	
102	90554016	1	Decal	
103	70021349	4	Bolt	
103	90554042	4	Washer	
104	70021921	1	Winch, Truss Boom	
105	70024059	4	Bolt	
105	90554054	4	Nut	
105	90554020	4	Washer	
106	70021415	2	Fitting	
107	70021977	2	Hose	
108	70022527	2	Fitting, 90	
109	91403414	1	Fitting, Straight	
110	8420053	1	Cap	
111	91403413	1	Fitting, Straight	
112	8420055	1	Plug	
113	70021387	1	Clamp	
114	70021978	1	Ball Swivel Safety Hook	
115	70021979	1	Assembly, Socket	
116	70022528	2	Clamp	
117	70021935	1	Pulley	
118	70022028	1	Cable	
119	70022529	1	Pin	
120	70027009	2	Washer	
121	70026698	2	Ring, Snap	

# SECTION 3 - ATTACHMENTS

FIGURE 3-64. TRUSS BOOM (3 FT WITH WINCH)



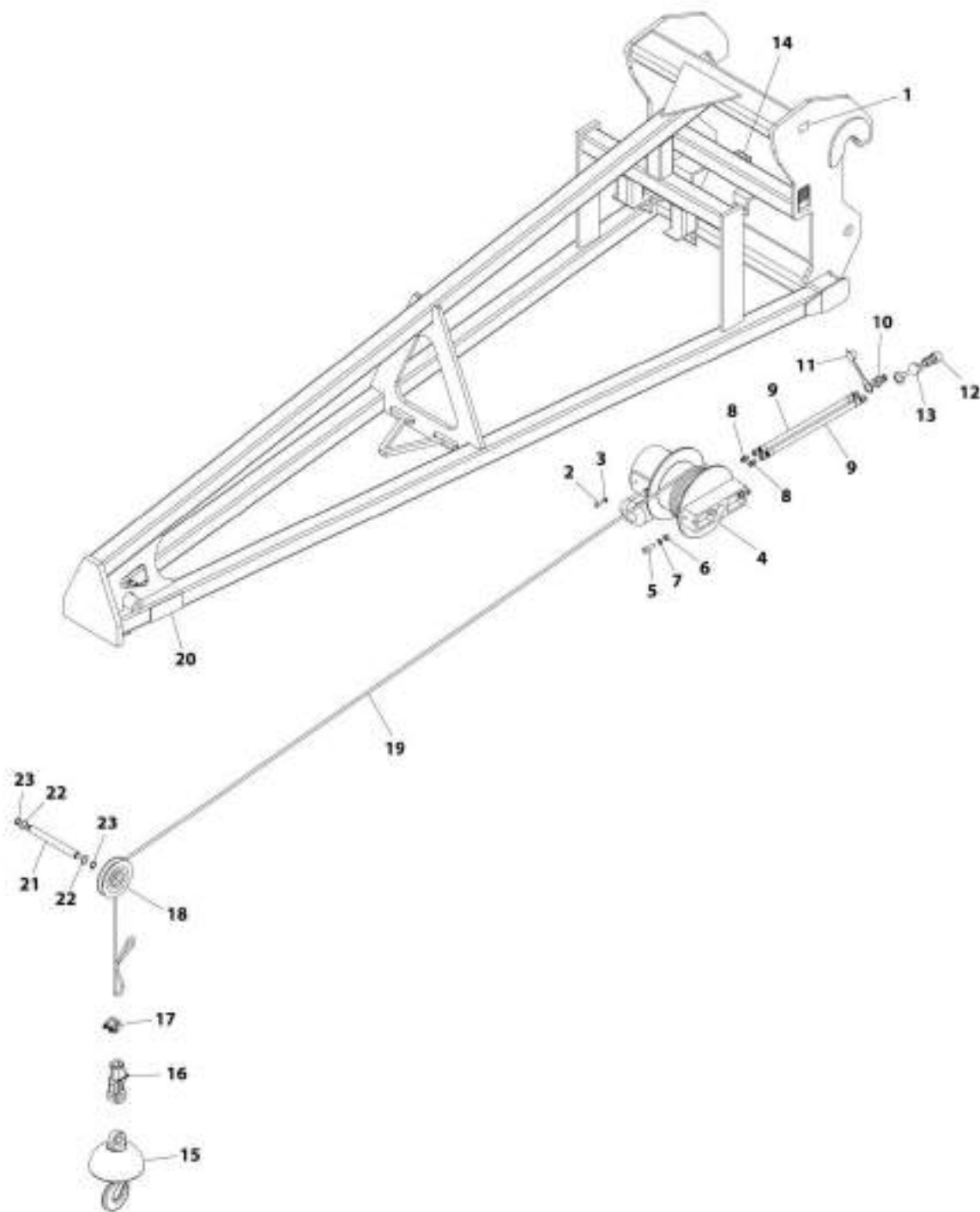
## SECTION 3 - ATTACHMENTS

### FIGURE 3-64. TRUSS BOOM (3 FT WITH WINCH)

ITEM	PART NUMBER	QTY	DESCRIPTION	REV
	8380008	1	Truss Boom (3 Foot with Winch) (no longer available, use 1001100967 for replacement)	D
1	N.S.S.	1	Weldment	
2	70021921	1	Winch	
3	90554042	4	Washer, Lock 3/8	
4	70021349	4	Bolt, 3/8X1	
5	70024059	2	Bolt, 1/2X1-3/4	
6	90554020	2	Washer, Lock 1/2	
7	90554054	2	Nut, 1/2	
8	70022028	1	Cable	
9	70021935	1	Pulley	
10	70022529	1	Pin	
11	70024060	2	Washer	
12	70024061	2	Ring, Snap	
13	70021979	1	Assembly, Socket (includes pin and cotter pin)	
14	70022528	1	Clamp	
15	70021978	1	Hook	
16	2220371	2	Connector	
17	70021977	2	Hose	
18	2220628	2	Fitting, 90 JIC	
19	91403413	1	Coupler, Quick Disconnect	
20	8420055	1	Plug, Dust	
21	91403414	1	Coupler, Quick Disconnect	
22	8420053	1	Plug, Dust	
23	70021387	1	Clamp	
24	70024062	2	Decal, Capacity	
25	70024063	4	Decal, Rotating Part	
26	70024064	1	Decal, Do Not Tow	
27	N.S.S.	1	Plate, Serial Number	
28	90554018	1	Decal, High Pressure Warning	
29	90554016	1	Decal, Made In USA	

# SECTION 3 - ATTACHMENTS

FIGURE 3-65. TRUSS BOOM (0.9 TON - 12 FT WITH WINCH) (CE)



ARC\_100/206071-0



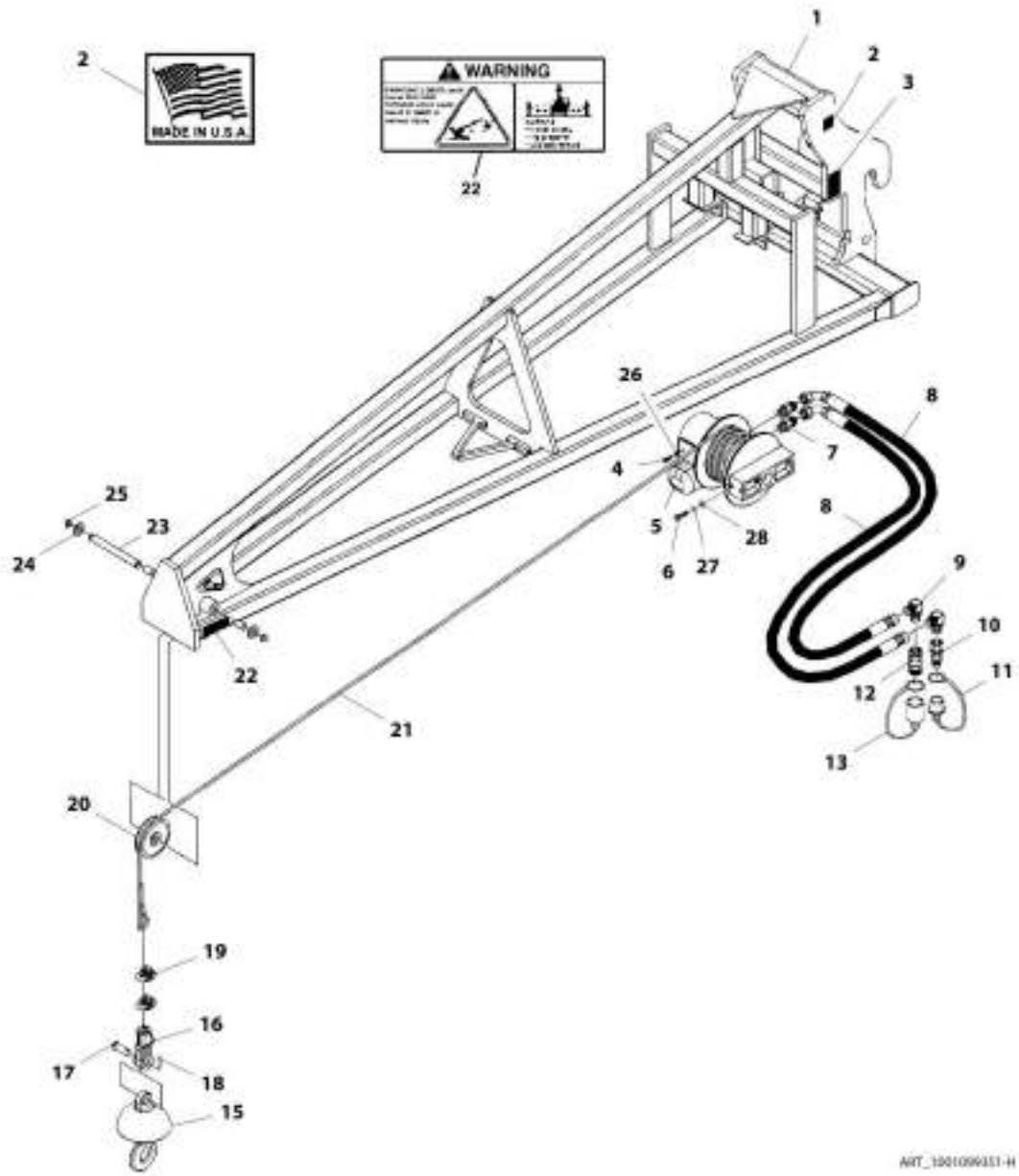
## SECTION 3 - ATTACHMENTS

**FIGURE 3-65. TRUSS BOOM (0.9 TON - 12 FT WITH WINCH) (CE)**

ITEM	PART NUMBER	QTY	DESCRIPTION	REV
	1001206671	1	Truss Boom (1.8 Ton - 3 FT with Winch)	B
1	90554016	1	Decal	
2	70021349	4	Bolt	
3	90554042	4	Washer	
4	70021921	1	Winch, Truss Boom, Assembly	
5	70024059	2	Bolt	
6	90554054	2	Nut	
7	90554020	2	Washer	
8	70021415	2	Fitting	
9	70026702	2	Hose	
10	1001101041	1	Hydraulic Couplier, Male	
11	1001093826	1	Dust Cap, Male	
12	1001101042	1	Hydraulic Couplier, Female	
13	1001093827	1	Plug, Dust, Female	
14	70021387	1	Hose Clamp	
15	70021978	1	Ball Swivel Safety Hook	
16	70021979	1	Wedge Socket Assembly	
17	70022528	1	Clamp, Cable	
18	70021935	1	Sheave, Grooved Pulley	
19	70022028	1	Cable	
20	70027790	2	Decal	
21	70022529	1	Pin	
22	70027009	2	Washer	
23	70026698	2	Ring, Snap	

# SECTION 3 - ATTACHMENTS

FIGURE 3-66. TRUSS BOOM (0.9 TON - 3.7M WITH WINCH) (ANSI - JLG)



ART\_1001099351-H

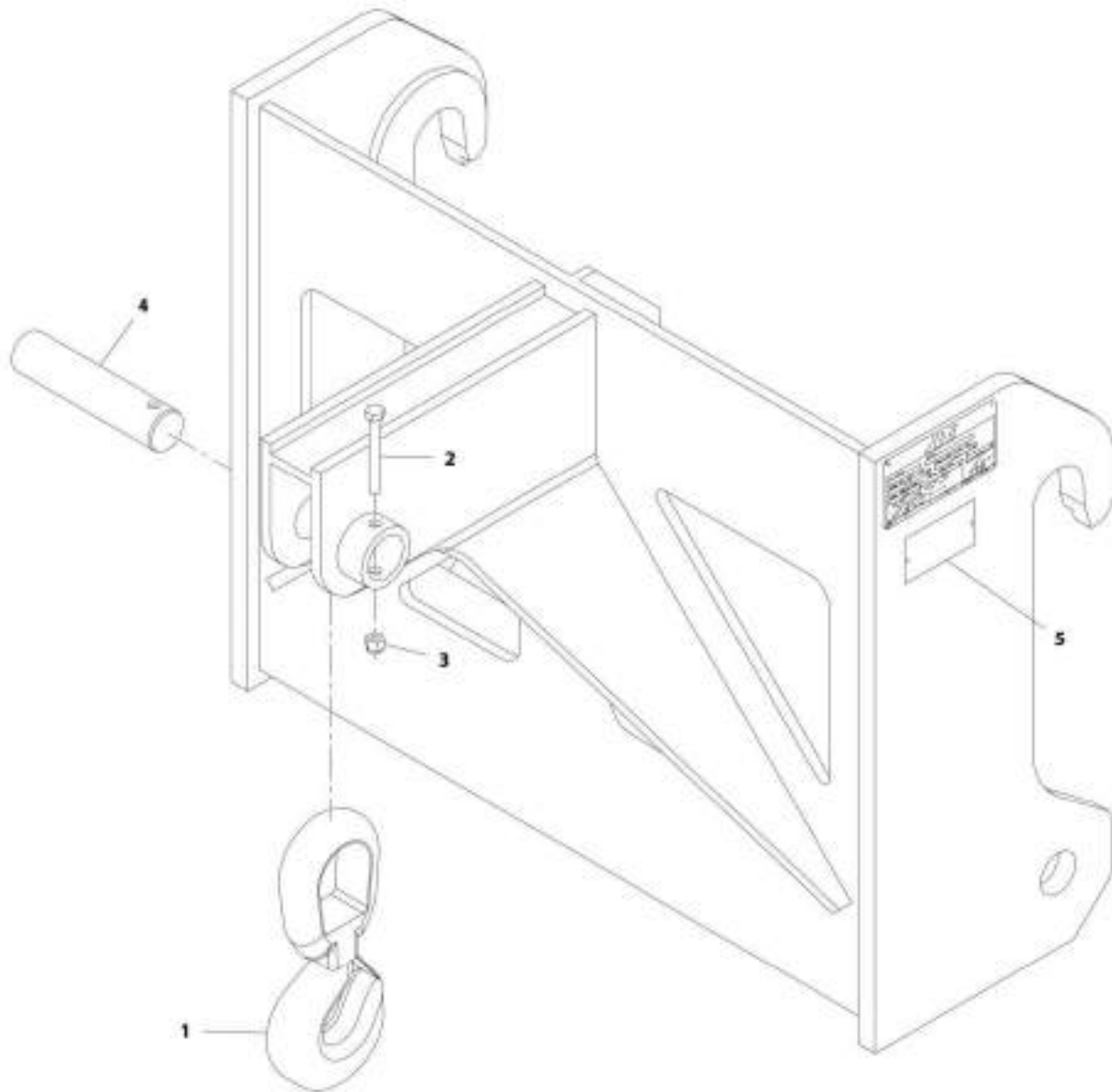
## SECTION 3 - ATTACHMENTS

**FIGURE 3-66. TRUSS BOOM (0.9 TON - 3.7M WITH WINCH) (ANSI - JLG)**

ITEM	PART NUMBER	QTY	DESCRIPTION	REV
	1001099351	1	Truss Boom (0.9 Ton - 3.7M with Winch)	H
1	N.S.S.	1	Frame, Truss Boom	
2	90554016	1	Decal, Made in USA	
3	N.S.S.	1	Plate, Serial Number	
4	70021349	4	Bolt, 3/8X1	
5	70021921	1	Motor, Truss Boom Winch	
6	70024059	2	Bolt, 1/2X1-3/4	
7	70021415	2	Connector	
8	70021977	2	Hose	
9	70022527	2	Fitting, 90	
10	7029692	1	Fitting, Straight	
11	90554062	1	Cap, Dust	
12	70021342	1	Fitting, Straight	
13	90554076	1	Cap, Dust	
15	70021978	1	Ball Swivel with Safety Hook	
16	70021979	1	Assembly, Socket (includes items 17 thru 18)	
17	N.S.S.	1	Pin	
18	N.S.S.	1	Pin, Cotter	
19	70022528	2	Clamp	
20	70021935	1	Pulley	
21	70022028	1	Cable	
22	4110422	2	Decal, Warning Swinging Loads	
23	70022529	1	Pin	
24	70024060	2	Washer	
25	70026698	2	Ring, Snap	
26	90554042	4	Washer, Lock 3/8	
27	90554020	2	Washer, Lock 1/2	
28	90554054	2	Nut, 1/2	

# SECTION 3 - ATTACHMENTS

## FIGURE 3-67. CRANE HOOK (CE & AUS)



ART\_1170056-C

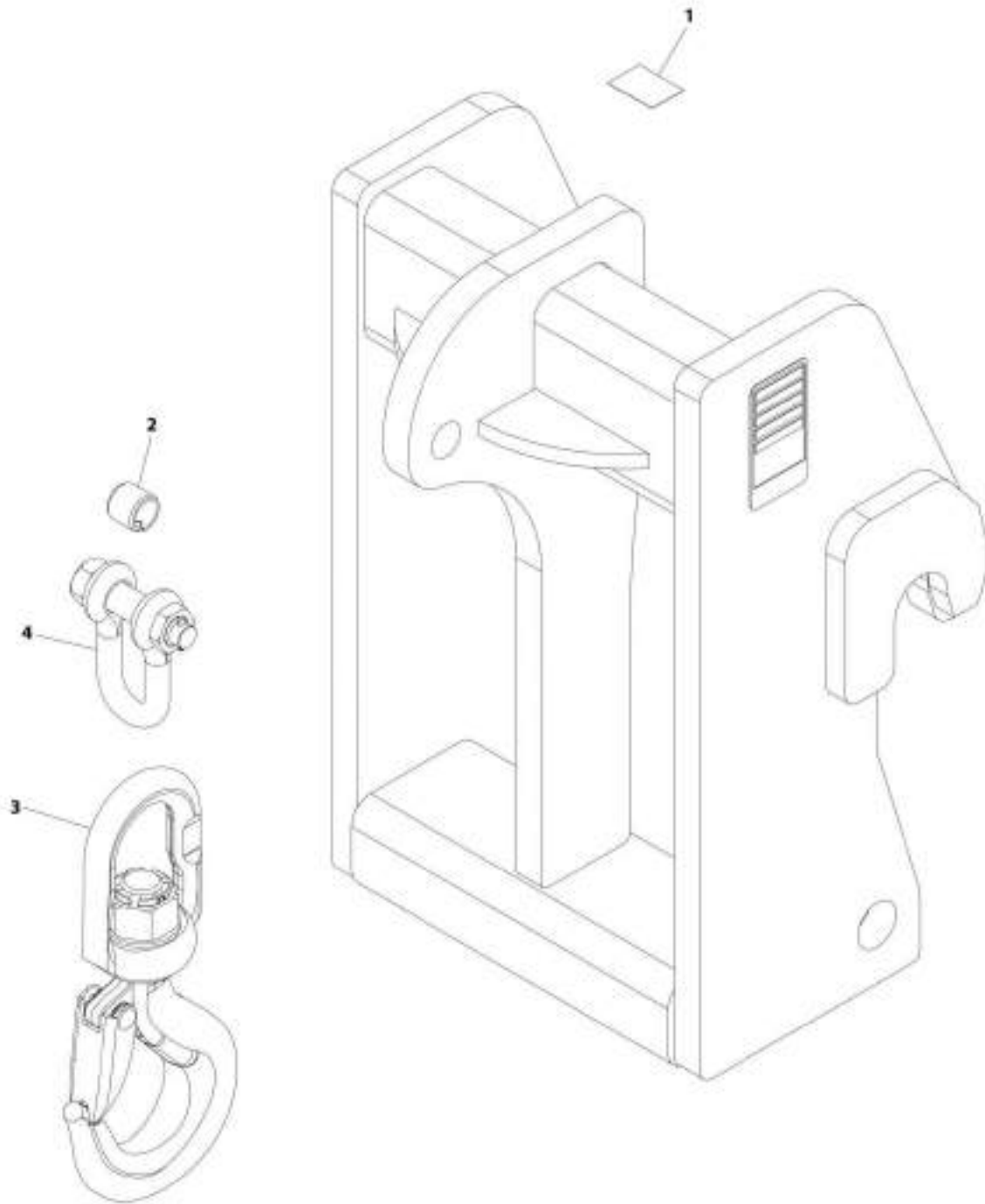
## SECTION 3 - ATTACHMENTS

### FIGURE 3-67. CRANE HOOK (CE & AUS)

ITEM	PART NUMBER	QTY	DESCRIPTION	REV
	1170058	1	Crane Hook	C
1	70020417	1	Hook	
2	70020205	1	Bolt	
3	70020206	1	Nut, Locking	
4	70020201	1	Pin	
5	N.S.S.	1	Plate, Serial Number	

# SECTION 3 - ATTACHMENTS

## FIGURE 3-68. CRANE HOOK (ANSI - JLG)



ART\_1001207606-8

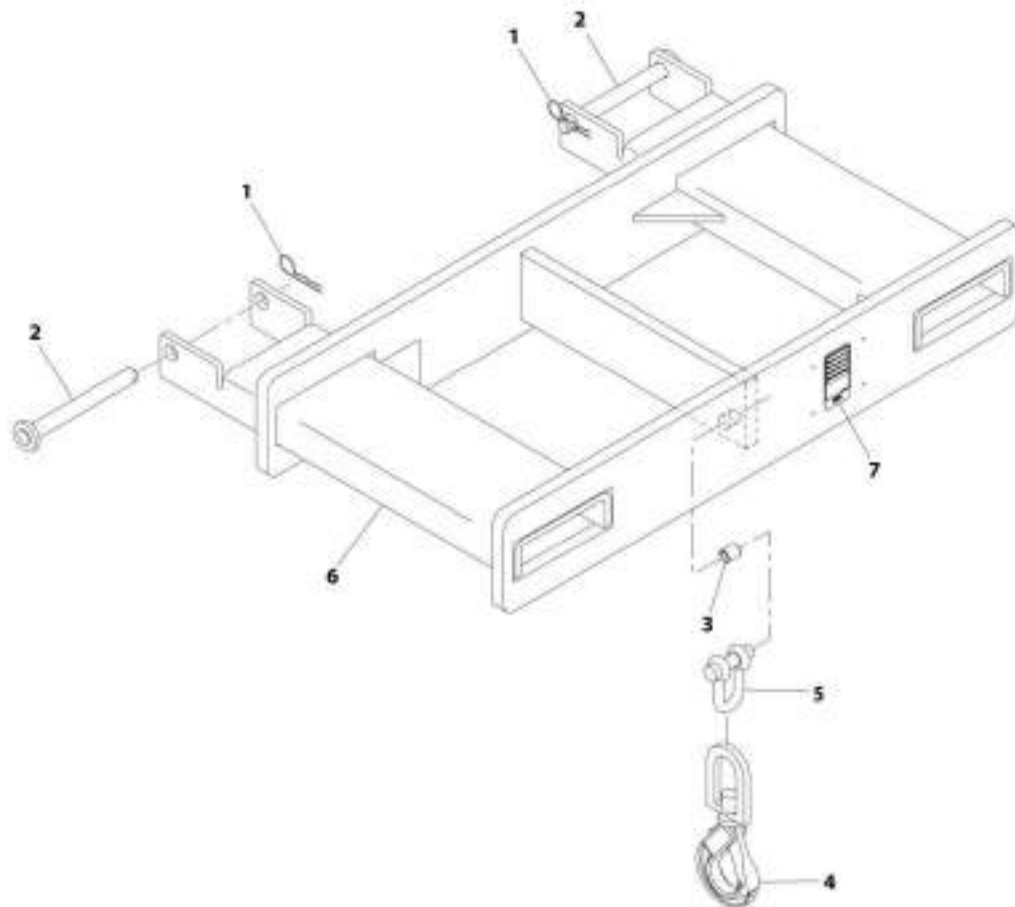
## SECTION 3 - ATTACHMENTS

### FIGURE 3-68. CRANE HOOK (ANSI - JLG)

ITEM	PART NUMBER	QTY	DESCRIPTION	REV
	1001207606	Ref	Crane Hook	B
1	90554016	1	Decal	
2	70020555	1	Bushing	
3	70026745	1	Hook Swivel	
4	70026746	1	Shackle Chain	

## SECTION 3 - ATTACHMENTS

FIGURE 3-69. FORK MOUNTED HOOK (4 TON) (ANSI - JLG)



AJIT\_1001997200-H



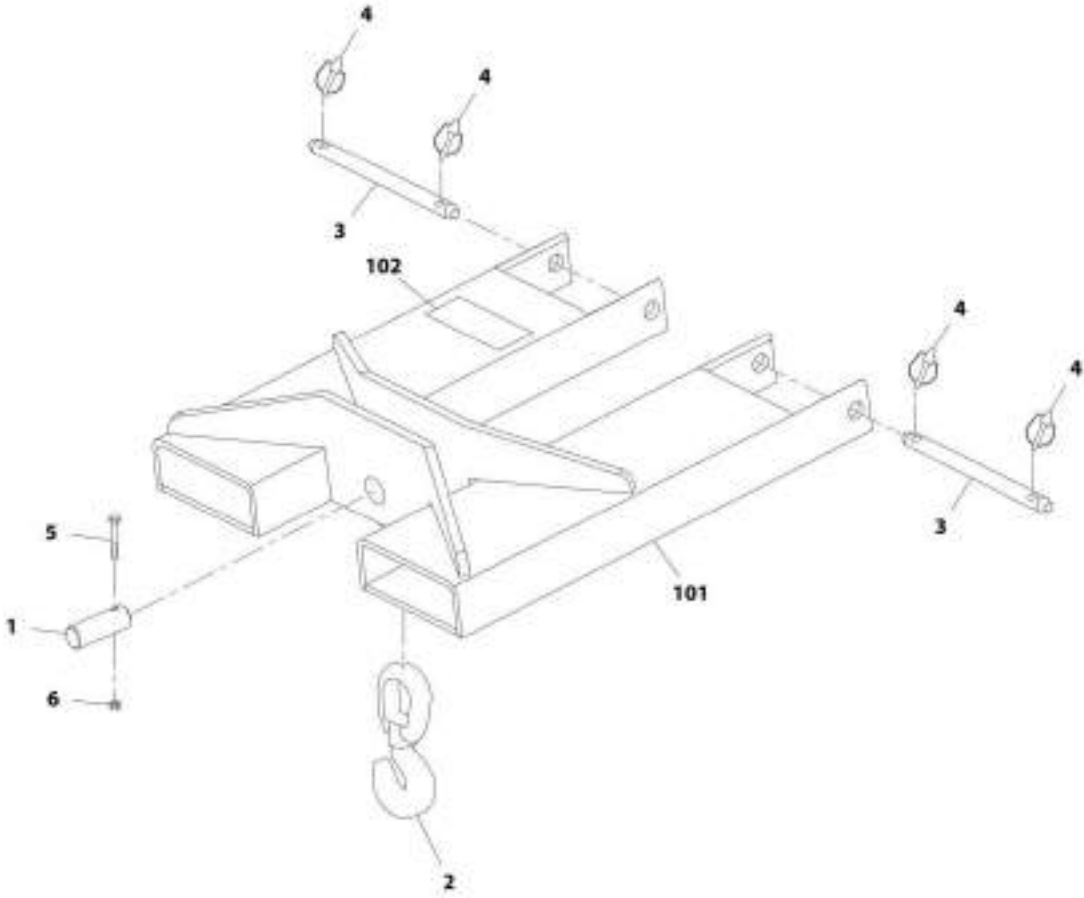
## SECTION 3 - ATTACHMENTS

**FIGURE 3-69. FORK MOUNTED HOOK (4 TON) (ANSI - JLG)**

ITEM	PART NUMBER	QTY	DESCRIPTION	REV
	1001097205	1	Fork Mounted Hook (4 Ton)	H
1	7029520	2	Pin, Cotter	
2	1001093171	2	Pin	
3	70020555	1	Bushing	
4	90554080	1	Hook	
5	7029521	1	Shackle	
6	N.S.S.	1	Weldment, Hook	
7	N.S.S.	1	S/N Plate	

**SECTION 3 - ATTACHMENTS**

**FIGURE 3-70. FORK MOUNTED HOOK (4 TON) (CE)**



ART\_2700118-C

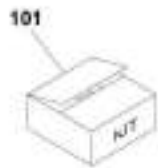
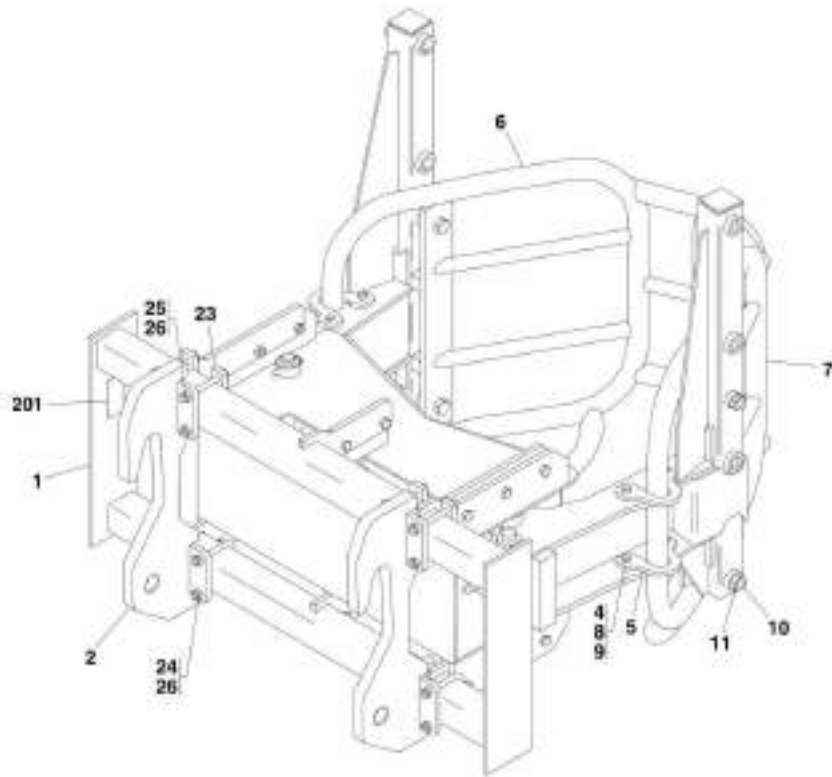
## SECTION 3 - ATTACHMENTS

### FIGURE 3-70. FORK MOUNTED HOOK (4 TON) (CE)

ITEM	PART NUMBER	QTY	DESCRIPTION	REV
	2700118	1	Fork Mounted Hook (4 Ton)	C
1	70020201	1	Pin	
2	70020202	1	Hook	
3	70020203	2	Pin	
4	70020204	4	Pin, Retaining	
5	70020205	1	Bolt	
6	70020206	1	Nut, Self Locking	
101	N.S.S.	1	Weldment	
102	N.S.S.	1	Plate, Serial Number	

# SECTION 3 - ATTACHMENTS

## FIGURE 3-71. BALE HANDLER (TUBE CLAMP) (CE & AUS)



REV. 02/21/11

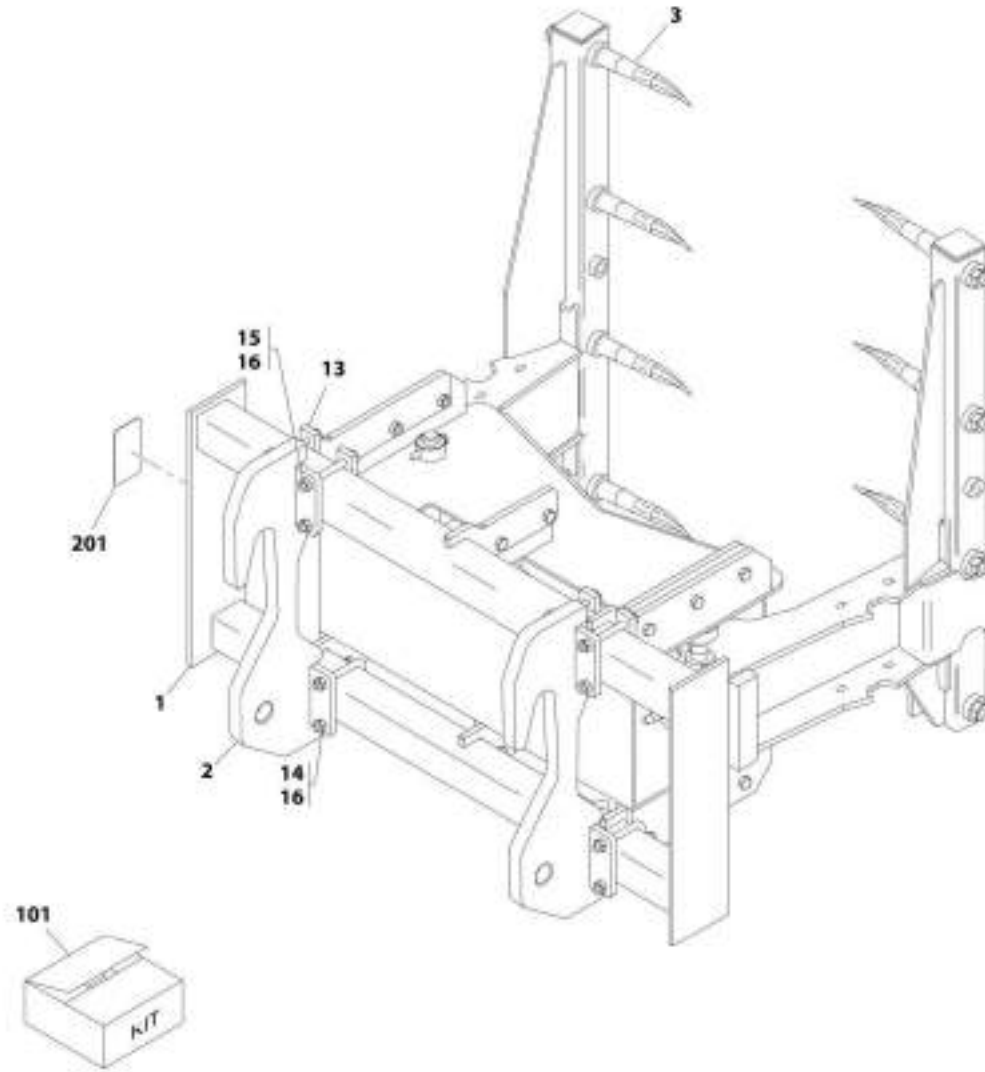
## SECTION 3 - ATTACHMENTS

**FIGURE 3-71. BALE HANDLER (TUBE CLAMP) (CE & AUS)**

ITEM	PART NUMBER	QTY	DESCRIPTION	REV
	0240117	1	Bale Handler (Tube Clamp)	E
1	N.S.S.	1	Weldment	
2	7029344	1	Weldment, Attach (includes items 23 thru 26)	
4	7029345	8	Bolt, M12X45	
5	7029346	4	Strap	
6	7029347	1	Arm, Left Tube	
7	7029348	1	Arm, Right Tube	
8	7029349	8	Washer, M12	
9	7029350	8	Locknut, M12X8	
10	7029351	4	Bolt, M22X180	
11	7029352	4	Locknut, M22X8	
23	7029353	4	Plate	
24	7029354	4	U-Bolt	
25	7029355	8	Bolt, M16X130	
26	7029356	16	Locknut, M16X8	
101	2902440	1	Kit, Bale Handler (Spikes to Tube) (CE & AUS) (includes items 4 thru 11) (See Separate Breakdown in this Section)	
201	N.S.S.	AR	SN Plate	

# SECTION 3 - ATTACHMENTS

FIGURE 3-72. BALE HANDLER (SPIKE CLAMP) (CE & AUS)



AIT\_0240118-E

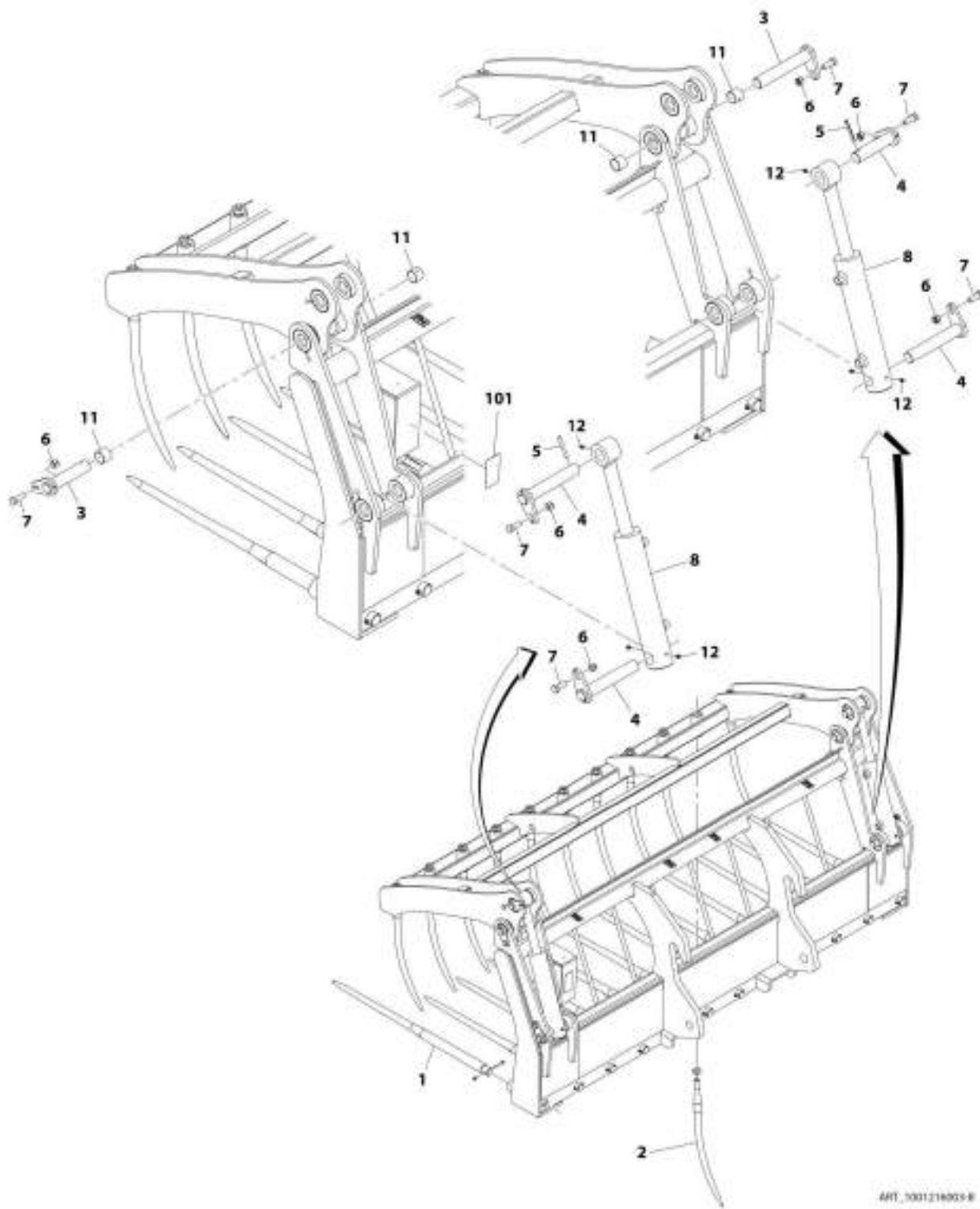
## SECTION 3 - ATTACHMENTS

**FIGURE 3-72. BALE HANDLER (SPIKE CLAMP) (CE & AUS)**

ITEM	PART NUMBER	QTY	DESCRIPTION	REV
	0240118	1	Bale Handler (Spike Clamp)	E
1	N.S.S.	1	Weldment	
2	7029344	1	Weldment, Attach (includes items 13 thru 16)	
3	7029357	8	Spike	
13	7029353	4	Plate	
14	7029354	4	U-Bolt	
15	7029355	8	Bolt, M16X130	
16	7029356	16	Locknut, M16X8	
101	2902441	1	Kit, Bale Handler Kit (Spikes) (CE & AUS) (includes item 3) (See Separate Breakdown in this Section)	
201	N.S.S.	AR	SN Plate	

# SECTION 3 - ATTACHMENTS

## FIGURE 3-73. MUCK FORK AND GRAB (CE & AUS)



ART. 301214005-B



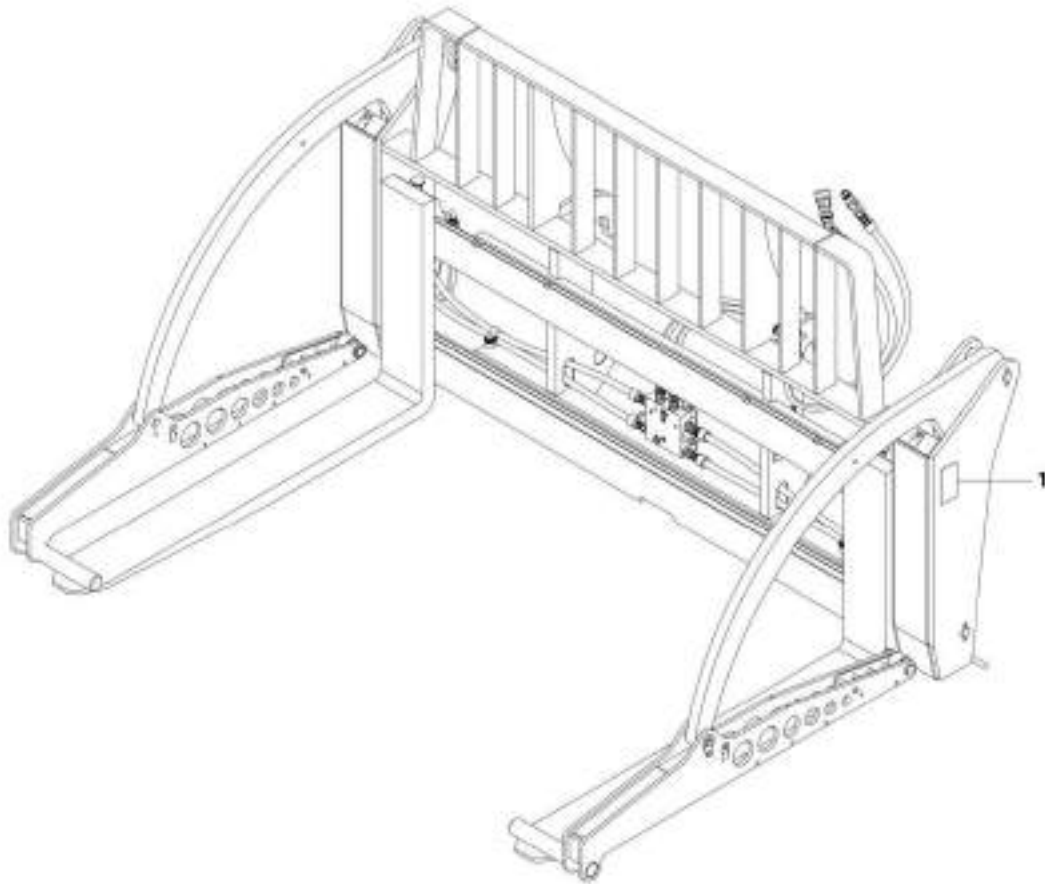
## SECTION 3 - ATTACHMENTS

**FIGURE 3-73. MUCK FORK AND GRAB (CE & AUS)**

ITEM	PART NUMBER	QTY	DESCRIPTION	REV
	1001216003	1	Muck Fork and Grab (2450MM)	B
1	70027302	12	Right Electro-Forged Fingers	
2	70027324	11	Curved Electro-Forged Fingers	
3	70027293	2	Pin	
4	70027294	4	Pin	
5	70027298	2	Roll Pin	
6	70027296	6	Nut	
7	70027297	6	Screw	
8	7028127	2	Cylinder	
9	70027295	2	Hose (not shown)	
10	70028436	2	Hose (not shown)	
11	7028131	10	Ring	
12	7028918	6	Grease Nipple	
101	N.S.S.	1	Plate, Serial Number	

## SECTION 3 - ATTACHMENTS

FIGURE 3-74. PIPE HANDLER CARRIAGE (CE & AUS - JLG)



ART\_100197025-0

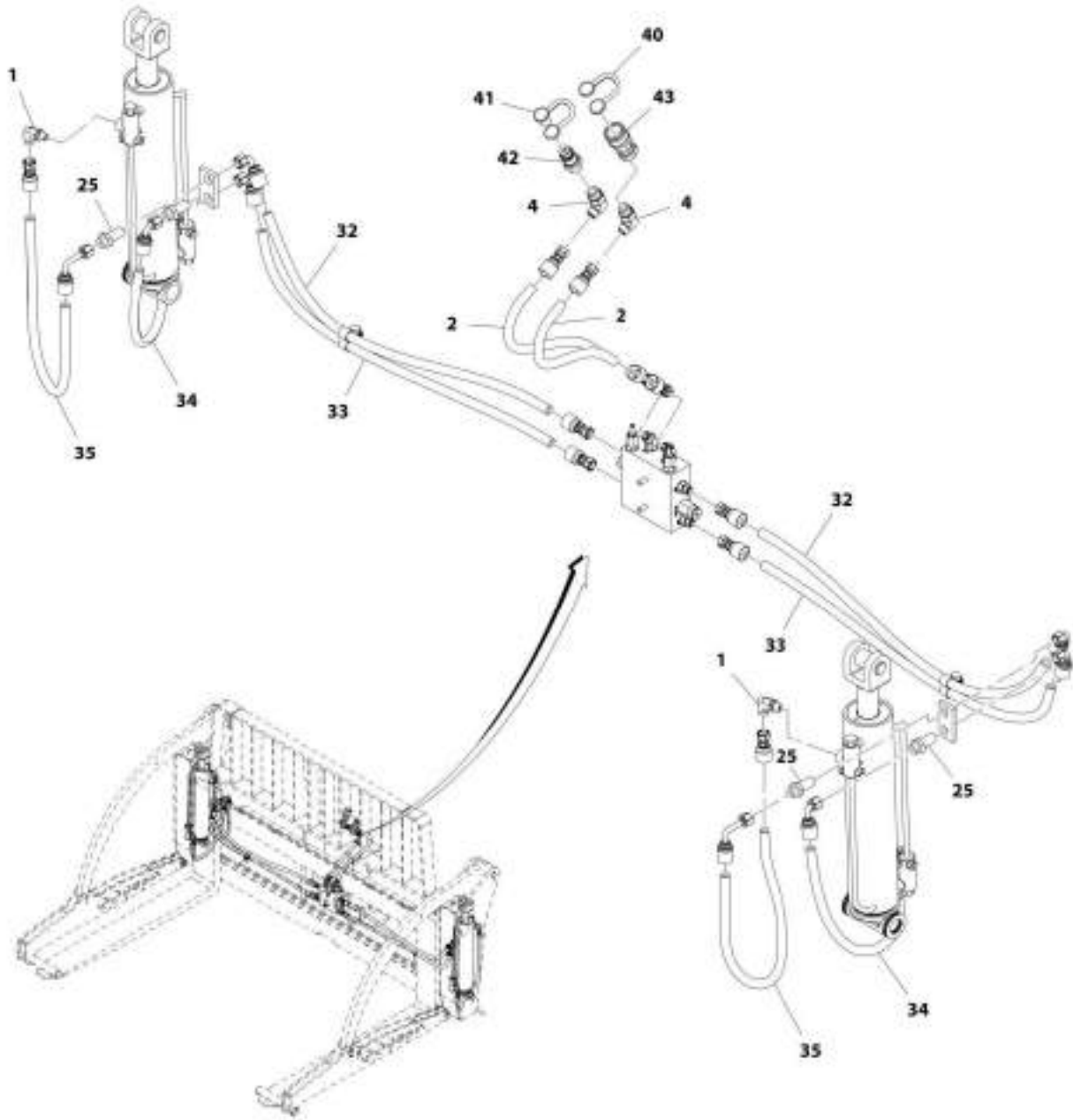
## SECTION 3 - ATTACHMENTS

**FIGURE 3-74. PIPE HANDLER CARRIAGE (CE & AUS - JLG)**

ITEM	PART NUMBER	QTY	DESCRIPTION	REV
1	1001197025	1	Pipe Handler Carriage	B
	N.S.S.	1	Plate, Serial Number	

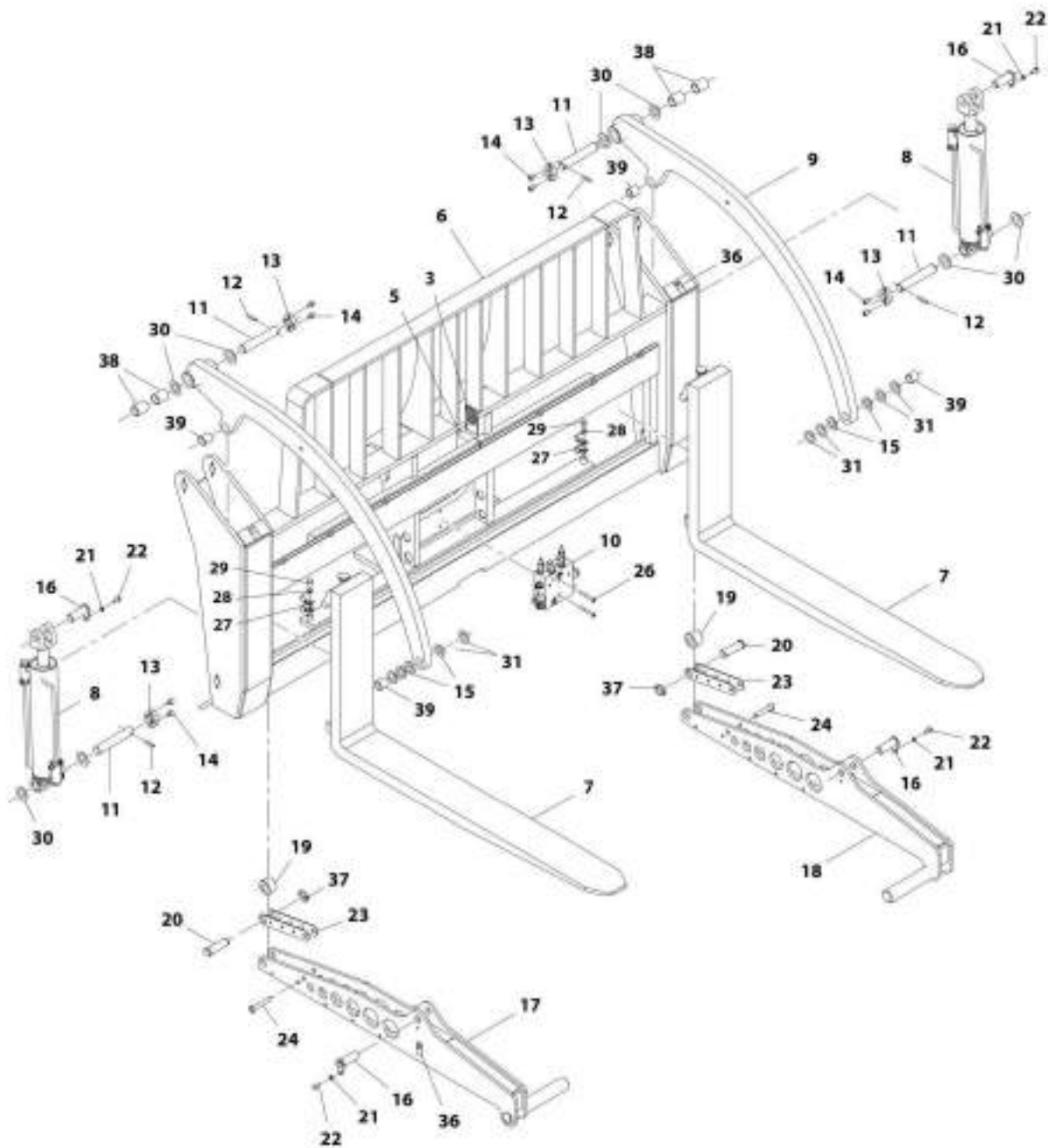
# SECTION 3 - ATTACHMENTS

FIGURE 3-75. PIPE HANDLER CARRIAGE (ANSI - JLG)



MIT\_100142247\_1-C

# SECTION 3 - ATTACHMENTS



ART\_1001142247\_3-C

## SECTION 3 - ATTACHMENTS

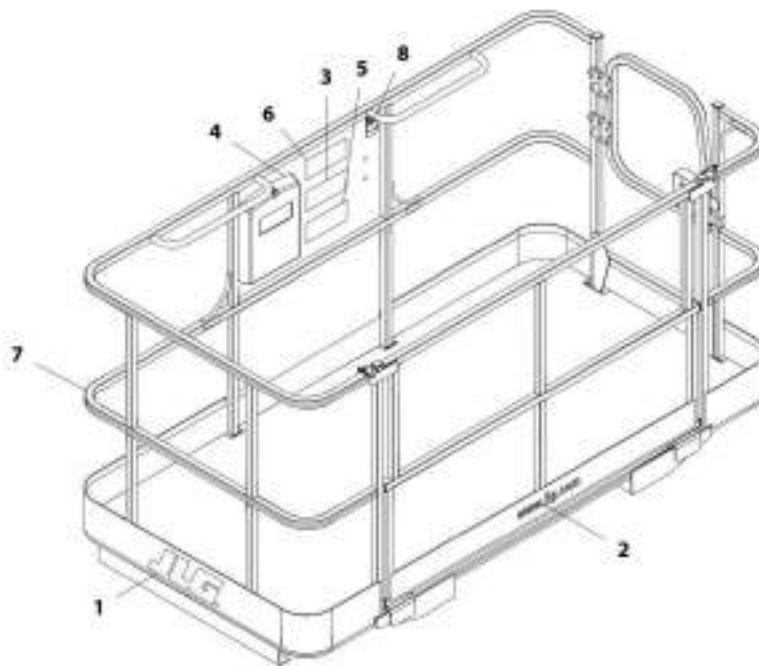
**FIGURE 3-75. PIPE HANDLER CARRIAGE (ANSI - JLG)**

ITEM	PART NUMBER	QTY	DESCRIPTION	REV
	1001142247	Ref	Pipe Handler Assembly	C
	70026585	1	Hydraulic Supply Group (includes items 1, 2, 4, 25 & 32 thru 35 & 40 thru 43)	
1	70024123	4	Fitting, 90	
2	70026347	2	Hose	
3	N.S.S.	1	Nameplate, JLG	
4	70024550	2	Fitting, 90	
5	N.S.S.	1	Nameplate	
6	N.S.S.	1	Carriage Weldment	
7	70026586	2	Fork	
8	70026587	2	Cylinder, Pipe Handler (See HYDRAULIC COMPONENTS SECTION for Breakdown)	
9	70026588	2	Arm	
10	70026589	1	Valve Assembly (See HYDRAULIC CIRCUITS SECTION for Breakdown)	
11	70026470	4	Pin	
12	70026471	4	Pin Drive - Lock	
13	70026472	4	Retainer	
14	70026473	8	Capscrew, M10 x 12	
15	70026590	4	Thrust Washer	
16	70026591	4	Pin Weldment	
17	70026592	1	Contact Pad - RH	
18	70026593	1	Contact Pad - LH	
19	70026594	2	Roller	
20	70026595	2	Clevis Pin	
21	70026596	4	Lockwasher, M8	
22	70026597	4	Capscrew, M8 x 16	
23	70026598	2	Retainer	
24	70026599	2	Ring Detent Pin	
25	70023000	4	Fitting	
26	70026600	2	Capscrew, M8 x 60	
27	70026481	4	Hose Clamp	
28	70026482	2	Washer	
29	70022996	2	Capscrew, M10X16	
30	70026476	24	Shim	
31	70026601	8	Shim	
32	70026602	2	Hose	
33	70026603	2	Hose	
34	70026604	2	Hose	
35	70026605	2	Hose	
36	70024538	4	Warning Decal	
37	70026606	2	Lynch Pin, 3/16	
38	70026501	4	Bushing	
39	70026607	4	Bushing	
40	70026608	1	Plug	
41	70026609	1	Cap	
42	91403414	1	Coupler - Male	
43	91403413	1	Coupler - Female	



## SECTION 3 - ATTACHMENTS

FIGURE 3-76. FORK MOUNTED BASKET (DOMESTIC) (ANSI - JLG)



ART\_3001103437-F



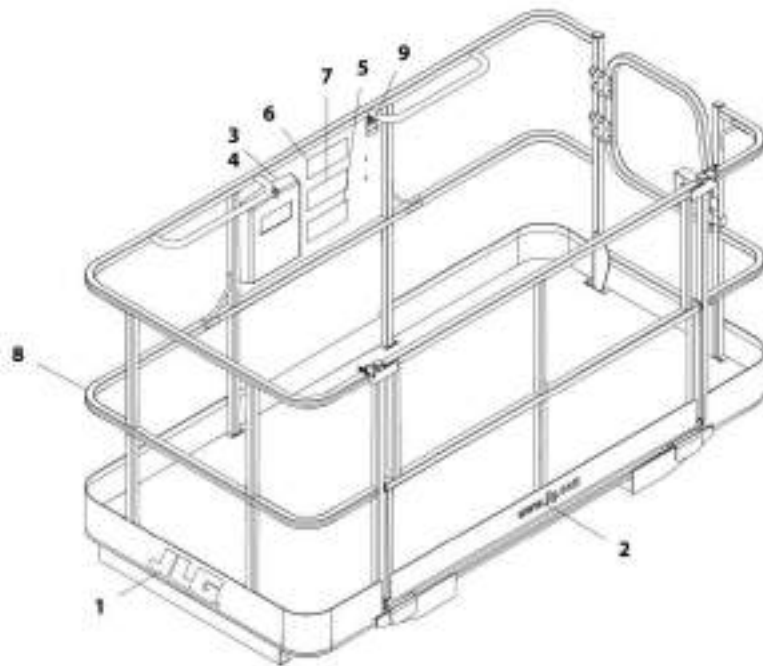
## SECTION 3 - ATTACHMENTS

**FIGURE 3-76. FORK MOUNTED BASKET (DOMESTIC) (ANSI - JLG)**

ITEM	PART NUMBER	QTY	DESCRIPTION	REV
	1001103637	1	Fork Mounted Basket (ANSI)	F
1	1702773	2	Decal, JLG	
2	1704885	1	Decal, Website	
3	1706892	1	Decal, Platform Warning	
4	31200160	1	Manual, Personnel Work Platform Operation and Safety	
5	1001092481	1	Decal, Warning Attachment	
6	1001092482	1	Decal, Platform Capacity	
7	1001096162	1	Platform, Fork Mounted (ANSI) (See Separate Breakdown in this Section)	
8	N.S.S.	1	Plate, Serial Number	

## SECTION 3 - ATTACHMENTS

FIGURE 3-77. FORK MOUNTED BASKET (ISO) (ANSI - JLG)



ART\_1001030738-F

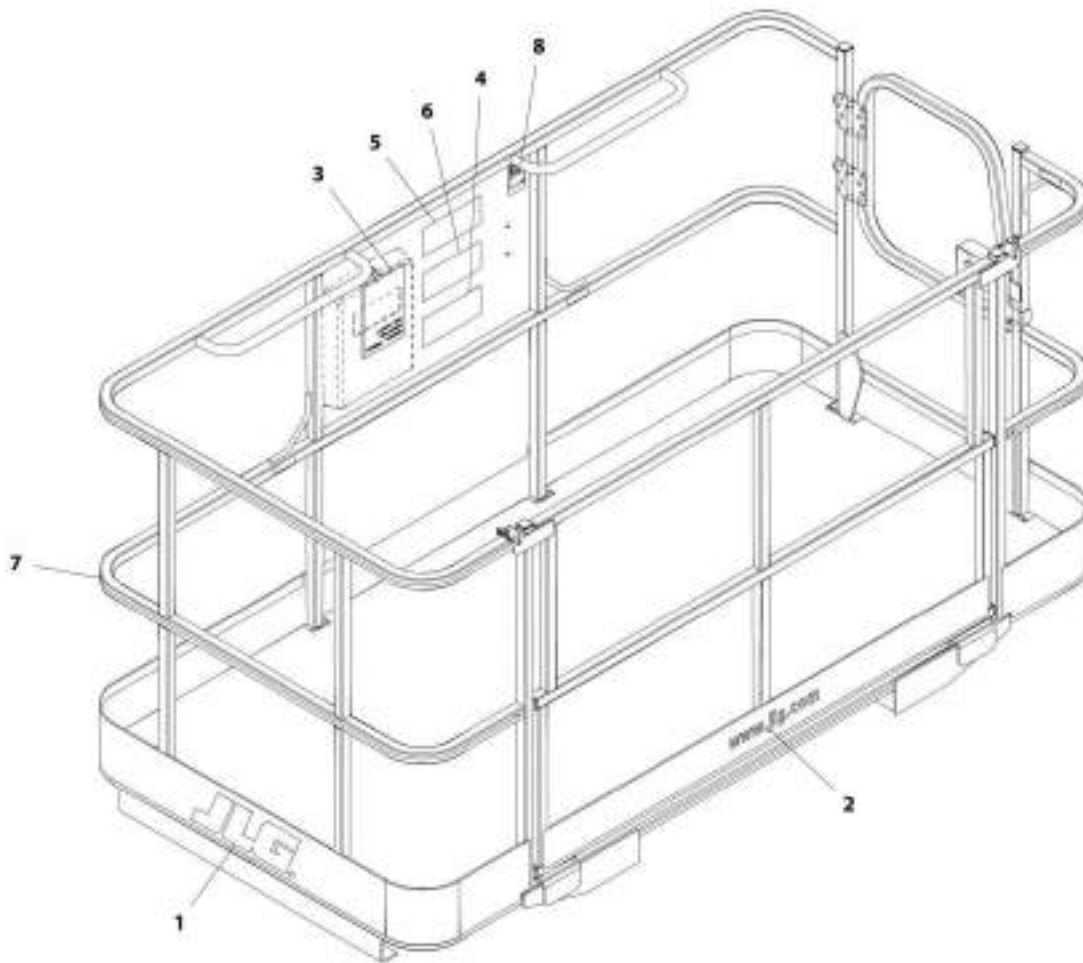
## SECTION 3 - ATTACHMENTS

**FIGURE 3-77. FORK MOUNTED BASKET (ISO) (ANSI - JLG)**

ITEM	PART NUMBER	QTY	DESCRIPTION	REV
	1001103730	1	Fork Mounted Basket (ISO)	F
1	1702773	2	Decal, JLG	
2	1704885	1	Decal, Website	
3	31200387	1	Manual, Operation and Safety, Spanish	
4	31200388	1	Manual, Operation and Safety, Portuguese	
5	1001096021	1	Decal, Warning Attachment	
6	1001096023	1	Decal, Platform Capacity	
7	1001096025	1	Decal, Platform Warning	
8	1001096162	1	Platform, Fork Mounted (ANSI) (See Separate Breakdown in this Section)	
9	N.S.S.	1	Plate, Serial Number	

# SECTION 3 - ATTACHMENTS

FIGURE 3-78. FORK MOUNTED BASKET (FRENCH) (ANSI - JLG)



ART\_3001103790-F

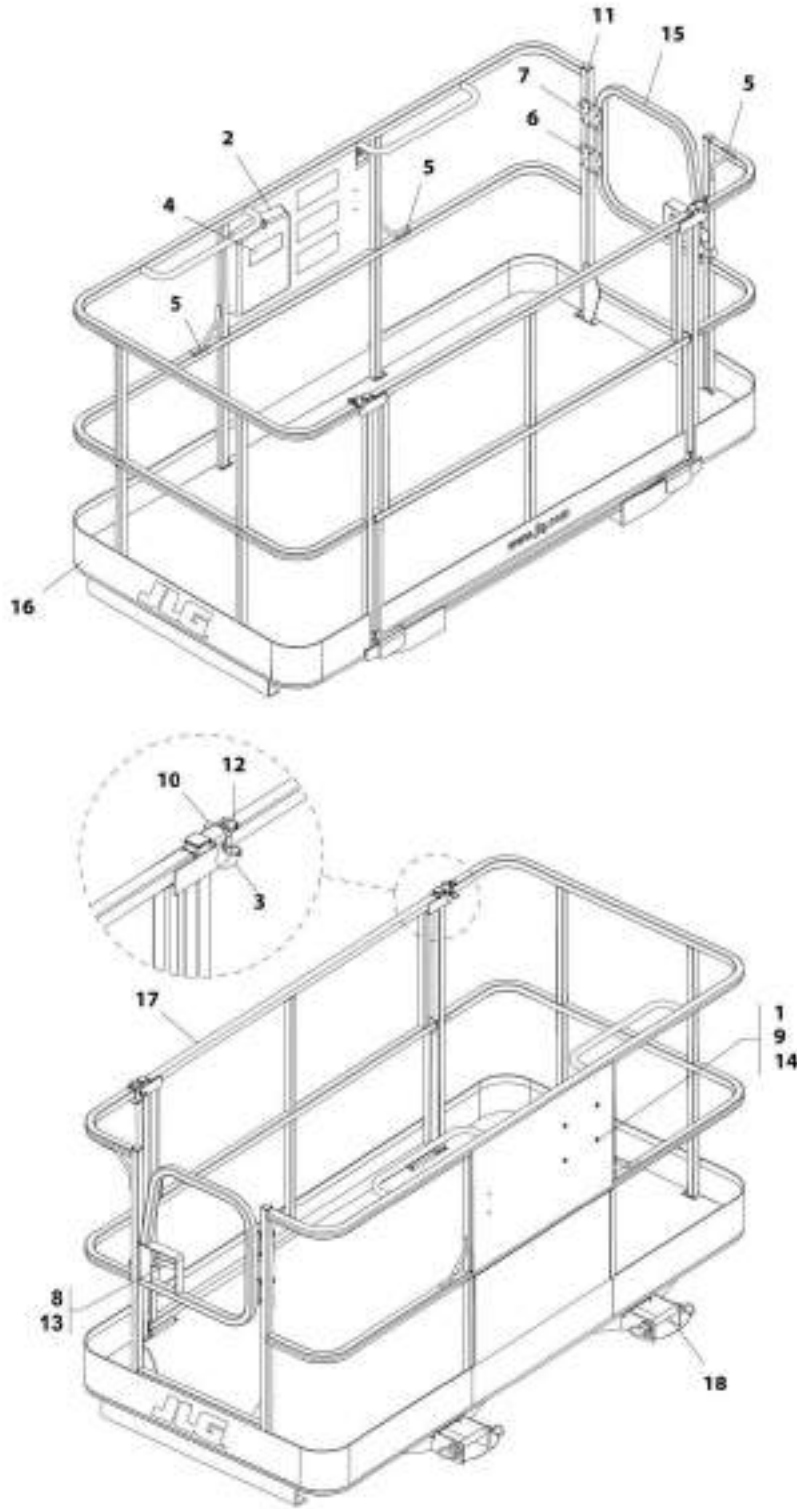
## SECTION 3 - ATTACHMENTS

**FIGURE 3-78. FORK MOUNTED BASKET (FRENCH) (ANSI - JLG)**

ITEM	PART NUMBER	QTY	DESCRIPTION	REV
	1001103736	1	Fork Mounted Basket (France)	F
1	1702773	2	Decal, JLG	
2	1704885	1	Decal, Website	
3	31200386	1	Manual, Operation and Safety (French)	
4	1001096019	1	Decal, Warning Attachment (French)	
5	1001096020	1	Decal, Platform Capacity (French)	
6	1001096024	1	Decal, Platform Warning (French)	
7	1001096162	1	Platform, Fork Mounted (ANSI) (See Separate Breakdown in this Section)	
8	N.S.S.	1	Plate, Serial Number	

# SECTION 3 - ATTACHMENTS

## FIGURE 3-79. FORK MOUNTED PLATFORM



ART\_1001085162\_I

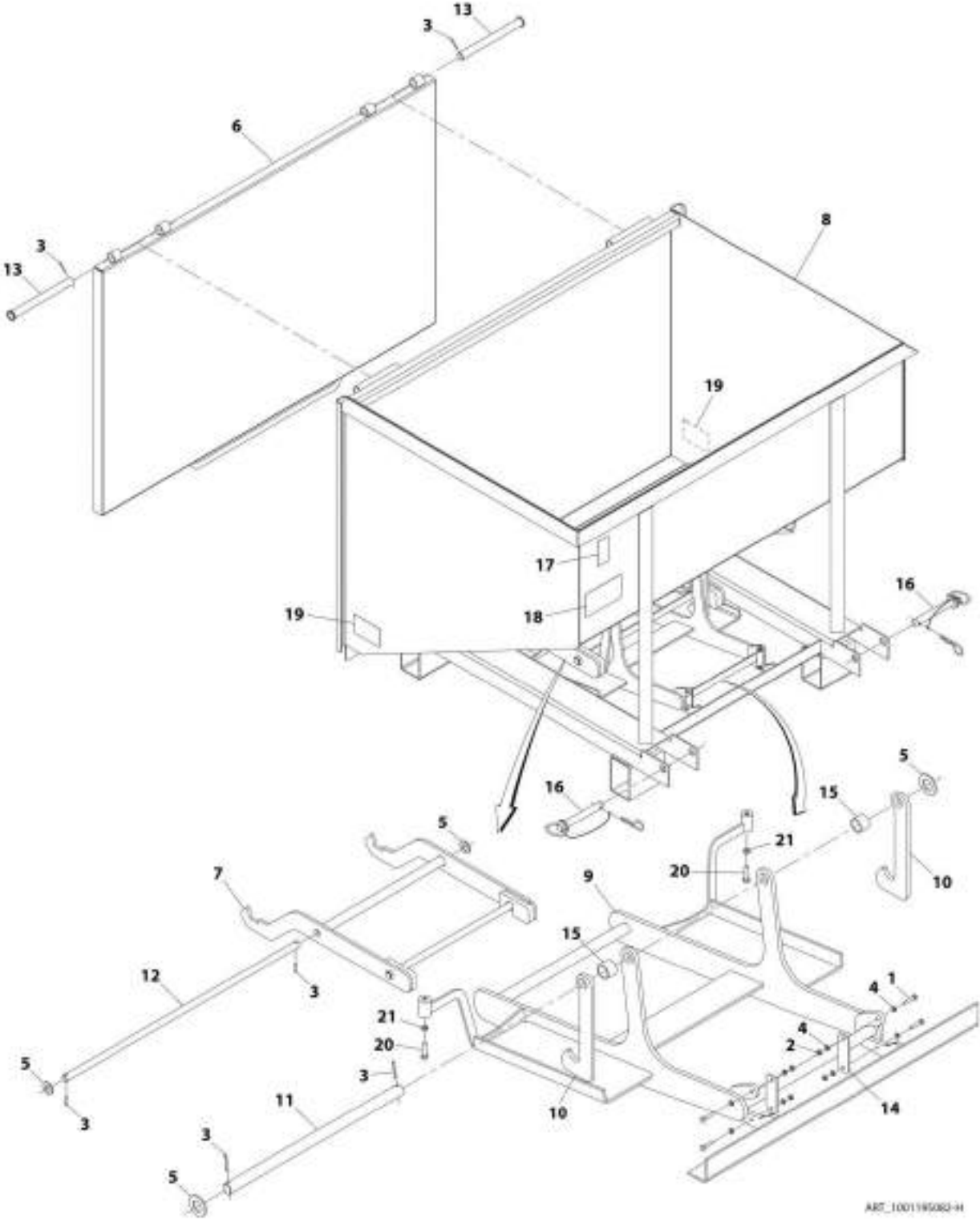
## SECTION 3 - ATTACHMENTS

**FIGURE 3-79. FORK MOUNTED PLATFORM**

ITEM	PART NUMBER	QTY	DESCRIPTION	REV
	1001096162	Ref	Fork Mounted Platform (ANSI)	J
1	0641405	4	Bolt, 1/4-20X5/8	
2	0860520	1	Box, Manual Storage	
3	1060379	2	Cable, Lanyard	
4	1701509	1	Decal, Manual	
5	1704277	3	Decal, Lanyard Attach	
6	2080040	16	Fastener	
7	2600281	2	Hinge	
8	2940074	1	Latch	
9	3311405	4	Nut, Lock 1/4-20	
10	3421453	2	Pin	
11	3520072	10	Plug	
12	3760170	4	Ring	
13	3820020	4	Rivet	
14	4711400	8	Washer, 1/4	
15	4846452	1	Weldment, Gate	
16	N.S.S.	1	Platform, Fork Mounted	
17	1001095810	1	Weldment, Gate	
18	1001102813	2	Pin, Hitch	

**SECTION 3 - ATTACHMENTS**

**FIGURE 3-80. FORK MOUNTED TRASH HOPPER**





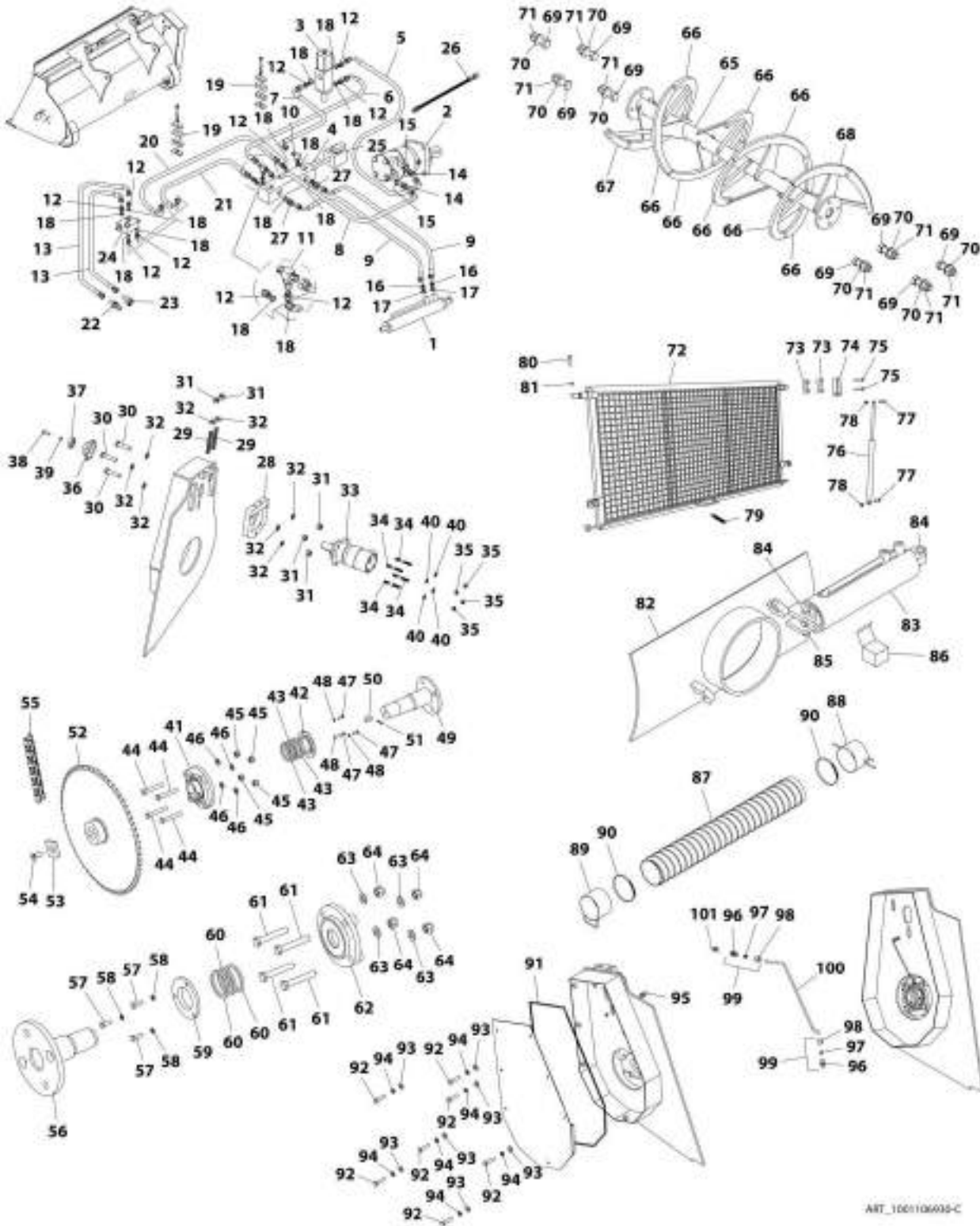
## SECTION 3 - ATTACHMENTS

**FIGURE 3-80. FORK MOUNTED TRASH HOPPER**

ITEM	PART NUMBER	QTY	DESCRIPTION	REV
	1001195082	1	Fork Mounted Trash Hopper	H
1	0700614	4	Bolt, M6X30	
2	3290601	4	Nut, M6X1 Grade 8	
3	3391410	6	Pin	
4	4811700	8	Washer, M6	
5	5242400	4	Washer, M24	
6	1001192711	1	Door Assembly	
7	1001192720	1	Hook Assembly	
8	N.S.S.	1	Weldment, Trash Hopper	
9	1001192875	1	Tray Assembly	
10	1001192876	2	Arm, Swing	
11	1001192877	1	Rod, Swing	
12	1001193525	1	Bar	
13	1001193540	2	Pin	
14	1001193729	2	Plate	
15	1001198355	2	Spacer	
16	1001102813	2	Pin	
17	N.S.S.	1	Plate, Serial Number	
18	1001203503	1	Decal, Trash Hopper Operation	
19	1706302	2	Decal, Pinch Point	
20	0641510	2	Bolt, 5/16-18 x 1-1/4	
21	3311502	2	Nut, 5/16-18	

# SECTION 3 - ATTACHMENTS

## FIGURE 3-81. CONCRETE BUCKET (CE)



ART\_100106603-C

## SECTION 3 - ATTACHMENTS

### FIGURE 3-81. CONCRETE BUCKET (CE)

ITEM	PART NUMBER	QTY	DESCRIPTION	REV
	1001106930	1	Concrete Bucket	C
1	70024436	1	Cylinder, Concrete Bucket	
2	70024437	1	Engine, Hydraulic	
3	70024438	1	Valve, Flow Divisor	
4	70024439	1	Valve, Solenoid	
5	70024440	1	Pipe	
6	70024441	1	Pipe	
7	70024442	1	Pipe	
8	70024443	1	Pipe	
9	70024444	2	Pipe	
10	70024445	1	Fitting, 90	
11	70024446	1	Fitting, Tee	
12	70024447	10	Fitting, Straight	
13	70024448	2	Pipe	
14	70024449	2	Fitting, Straight	
15	70024450	2	Gasket	
16	1001104958	2	Fitting, Straight	
17	1001103531	2	Gasket	
18	70022927	2	Gasket	
19	70024452	2	Clamp	
20	70024453	1	Pipe	
21	70024454	1	Pipe	
22	1001101041	1	Coupling, Male Quick Disconnect	
23	1001101042	1	Coupling, Female Quick Disconnect	
24	70027990	1	Valve	
25	70024455	1	Coil	
26	70024456	1	Electric Cable	
27	70027991	2	Fitting, Straight	
28	70027992	1	Regulation plate	
29	70027993	2	Stud	
30	70027994	3	Bolt	
31	70027995	5	Nut , Self Locking	
32	70020728	8	Washer	
33	70024437	1	Hydraulic Engine	
34	70027996	4	Stud	
35	70027997	4	Nut , Self Locking	
36	70027998	1	Pinion	
37	70027999	1	Pinion cover	
38	70028000	1	Bolt	
39	70028001	1	Grower	
40	70028002	4	Washer	
41	70028003	1	Support Flange bearing	
42	70028004	1	Cover seal press	
43	70028005	3	Rope Fat	
44	70020724	4	Bolt	
45	70020726	4	Nut , Self Locking	
46	70020725	4	Washer	
47	70028006	3	Bolt	
48	70028007	3	Grower	
49	70028008	1	Pin	

## SECTION 3 - ATTACHMENTS

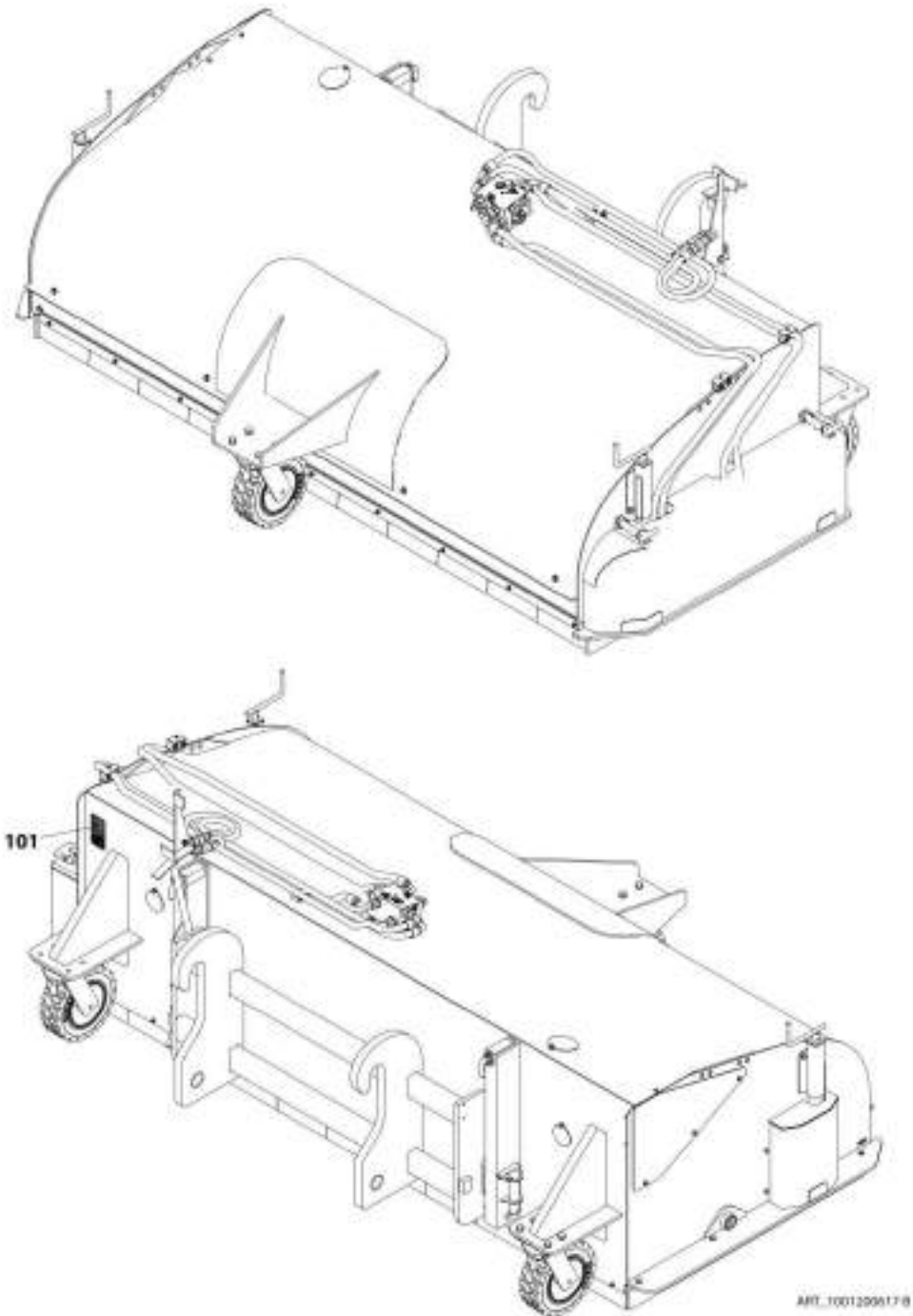
ITEM	PART NUMBER	QTY	DESCRIPTION	REV
50	70028009	1	Tab	
51	70028010	1	Bolt	
52	70028011	1	Koruna Wheels	
53	70028012	1	Fixing Koruna Wheels	
54	70028013	1	Bolt	
55	70028014	1	Track	
56	70028015	1	Pin	
57	70028006	3	Bolt	
58	70028007	3	Grower	
59	70028016	1	Cover seal press	
60	70028017	3	Rope Fat	
61	70028018	4	Bolt	
62	70028019	1	Support flange bearing	
63	70028002	4	Washer	
64	70027997	4	Nut , Self Locking	
65	70028020	1	Helical mixer only carpentry	
66	70028021	8	Central Sector	
67	70028022	1	Left Sector	
68	70028023	1	Right Sector	
69	70028024	8	Bolt	
70	70020728	8	Washer	
71	70027995	8	Nut , Self Locking	
72	70028025	1	Grid only carpentry	
73	70028026	4	Clamp heavy	
74	70028027	2	Pull nitrogen absorber	
75	70028028	4	Bolt	
76	70028029	2	Nitrogen absorber	
77	70028030	4	Bolt	
78	1001103201	4	Nut , Self Locking	
79	70028031	1	Return spring	
80	70028032	1	Bolt	
81	70028033	1	Nut	
82	70028034	1	Sliding door only carpentry	
83	70024436	1	Cylinder	
84	70028035	2	Bolt	
85	1001103201	2	Nut , Self Locking	
86	70028036	1	Gasket Kit	
87	70028037	1	Dump tube	
88	70028038	1	Tube with clevis door blocking	
89	70028039	1	Tube with clevis move	
90	70028040	2	Hose Clamp	
91	70028041	1	Gasket carter	
92	70028042	7	Bolt	
93	70028087	7	Washer	
94	70028007	7	Grower	
95	70021242	1	Greaser	
96	70028043	2	Link	
97	70028044	2	Sleeve	
98	70028046	2	Nut	
99	70028045	2	Link, sleeve, nut	
100	70028047	1	Pipe	

## SECTION 3 - ATTACHMENTS

ITEM	PART NUMBER	QTY	DESCRIPTION	REV
101	70021242	1	Greaser	

**SECTION 3 - ATTACHMENTS**

**FIGURE 3-82. SWEEPER (CE & AUS)**



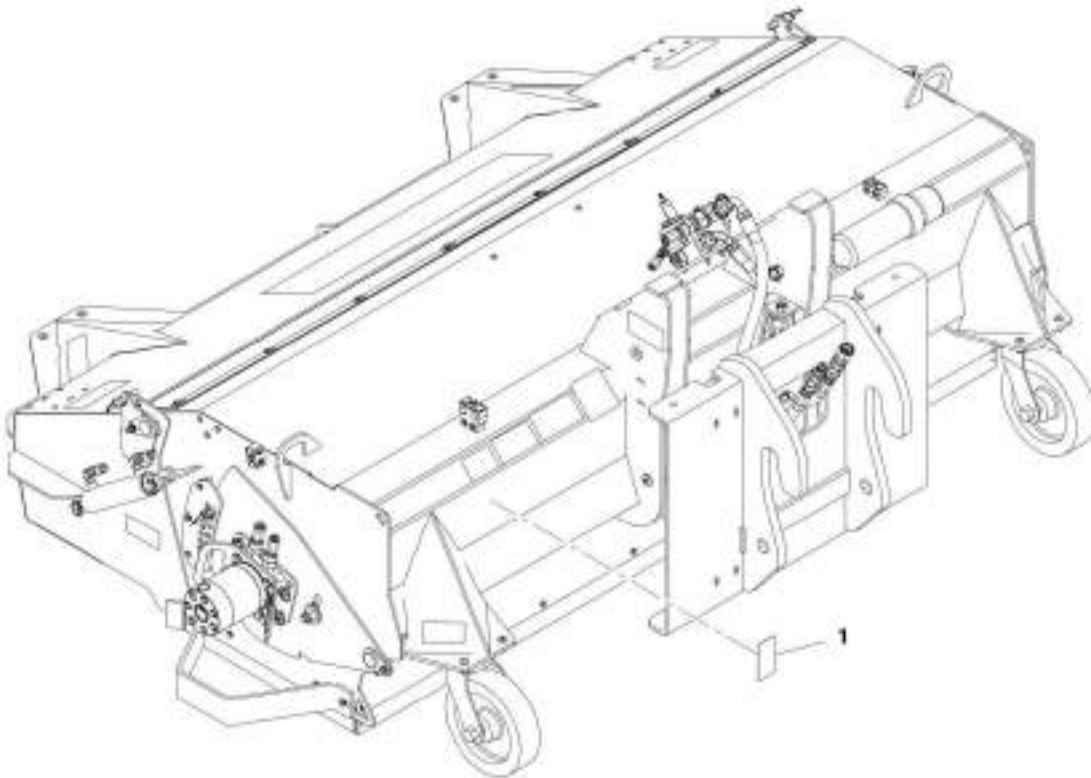
## SECTION 3 - ATTACHMENTS

**FIGURE 3-82. SWEEPER (CE & AUS)**

ITEM	PART NUMBER	QTY	DESCRIPTION	REV
101	1001200617 N.S.S.	1 1	Sweeper Plate, Serial Number	B

## SECTION 3 - ATTACHMENTS

FIGURE 3-83. SWEEPER (ANSI)



ART\_3001202904-B



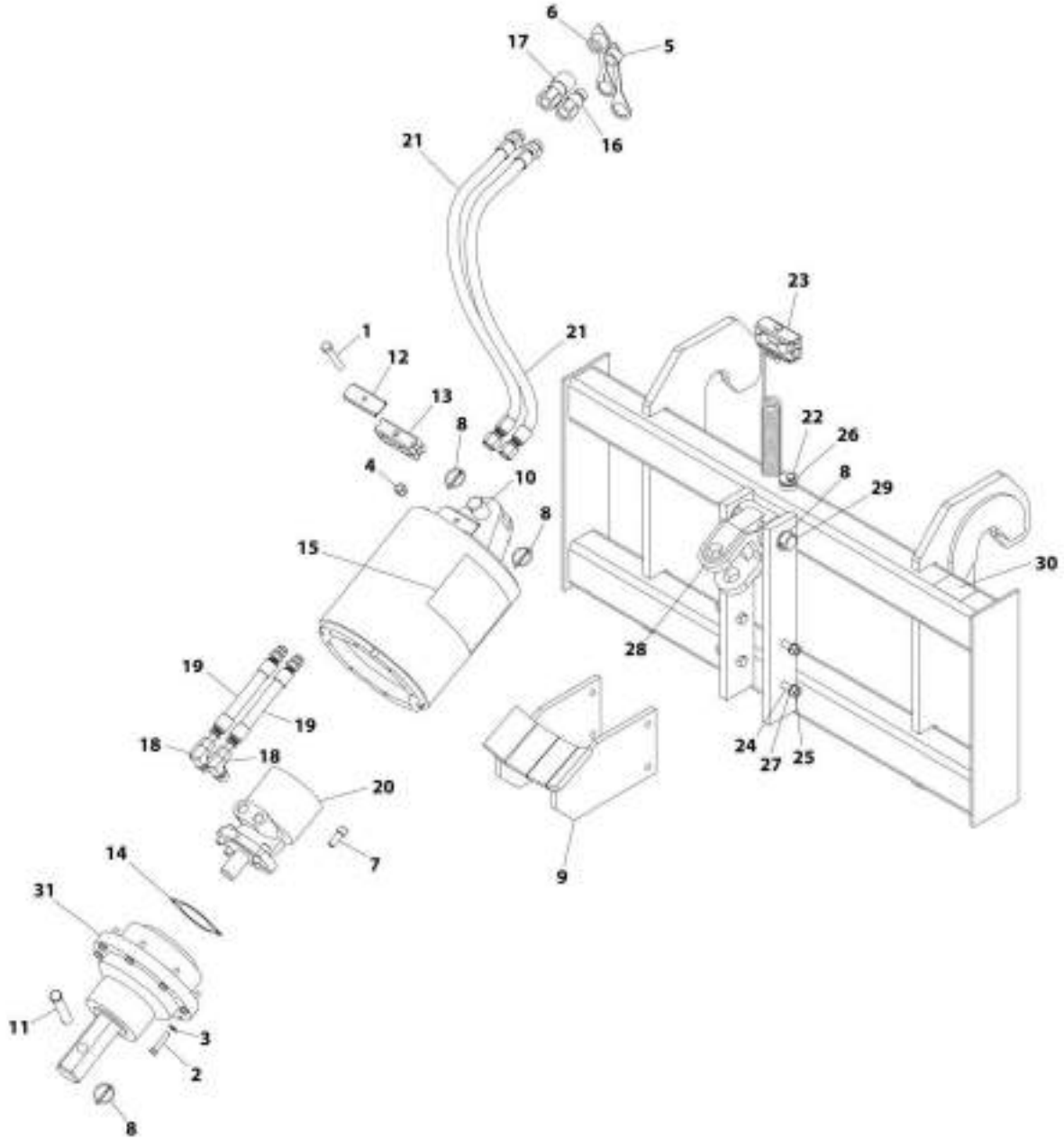
## SECTION 3 - ATTACHMENTS

**FIGURE 3-83. SWEEPER (ANSI)**

ITEM	PART NUMBER	QTY	DESCRIPTION	REV
1	1001202904	1	Sweeper Assembly	B
	N.S.S.	1	Plate, Serial Number	

# SECTION 3 - ATTACHMENTS

## FIGURE 3-84. AUGER (COUPLER MOUNTED) (CE & AUS)



ART\_1001206173-B

## SECTION 3 - ATTACHMENTS

**FIGURE 3-84. AUGER (COUPLER MOUNTED) (CE & AUS)**

ITEM	PART NUMBER	QTY	DESCRIPTION	REV
	1001206173	1	Auger (Coupler Mounted)	B
1	90554070	1	Bolt	
2	70027774	8	Bolt	
3	90554042	8	Washer, Lock	
4	70027775	1	Nut, Lock	
5	1001093826	1	Cap, Male Dust	
6	1001093827	1	Cap, Female Dust	
7	70027776	4	Bolt	
8	70027777	5	Pin	
9	70027778	1	Bracket, Cradle	
10	70027781	1	Pin	
11	70027782	1	Pin	
12	70027783	1	Plate, Hose Cushion	
13	70027784	1	Block, Hose Cushion	
14	70027785	1	Gasket, Motor	
15	70027787	2	Decal, Danger	
16	1001101041	1	Coupler, Male Hydraulic	
17	1001101042	1	Coupler, Female Hydraulic	
18	70027788	2	Fitting	
19	70027789	2	Hose	
20	70027791	1	Motor	
21	70027794	2	Hose	
22	70027773	1	Bolt	
23	70027792	1	Clamp, Hose	
24	90554019	4	Bolt	
25	90554054	4	Nut	
26	90554067	1	Washer, Lock	
27	90554020	4	Washer, Lock	
28	70027779	1	Swivel	
29	70027780	1	Pin	
30	70027786	1	Decal, Warning	
31	70027793	1	Gearbox, Planetary	
101	N.S.S.	1	Plate, Serial Number	

## SECTION 3 - ATTACHMENTS

FIGURE 3-85. AUGER BIT, (6INX4IN) (CE & AUS)



AWT\_1001204128-8

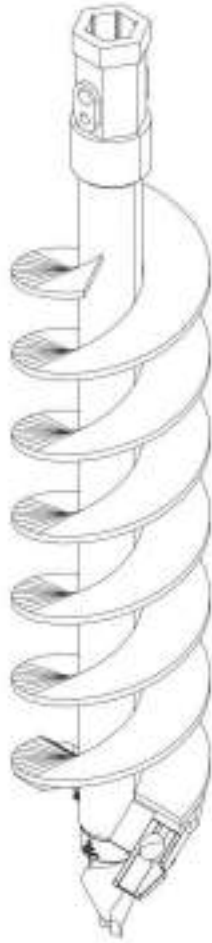
## SECTION 3 - ATTACHMENTS

**FIGURE 3-85. AUGER BIT, (6INX4IN) (CE & AUS)**

ITEM	PART NUMBER	QTY	DESCRIPTION	REV
	1001204128	Ref	Auger Bit (6INX4IN)	B

## SECTION 3 - ATTACHMENTS

FIGURE 3-86. AUGER BIT, (9INX4IN) (CE & AUS)



ART\_1001204139-B

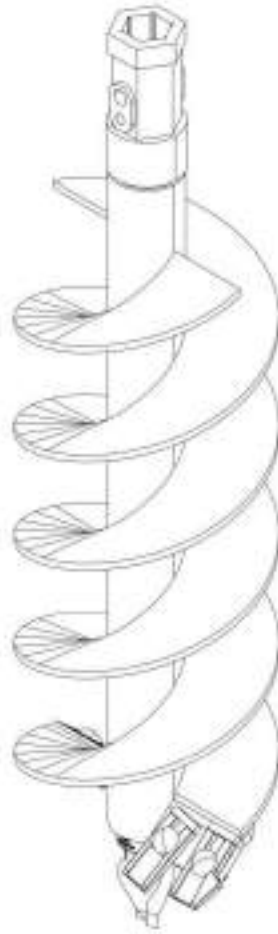
## SECTION 3 - ATTACHMENTS

**FIGURE 3-86. AUGER BIT, (9INX4IN) (CE & AUS)**

ITEM	PART NUMBER	QTY	DESCRIPTION	REV
	1001204129	Ref	Auger Bit (9INX4IN)	B

## SECTION 3 - ATTACHMENTS

FIGURE 3-87. AUGER BIT, (12INX4IN) (CE & AUS)



ART\_1001204130-01



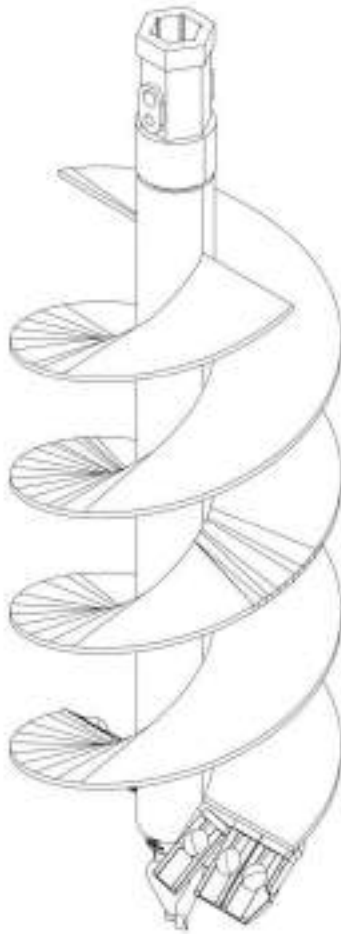
## SECTION 3 - ATTACHMENTS

**FIGURE 3-87. AUGER BIT, (12INX4IN) (CE & AUS)**

ITEM	PART NUMBER	QTY	DESCRIPTION	REV
	1001204130	Ref	Auger Bit (12INX4IN)	B

## SECTION 3 - ATTACHMENTS

FIGURE 3-88. AUGER BIT, (15INX4IN) (CE & AUS)



ART\_1001204131-0

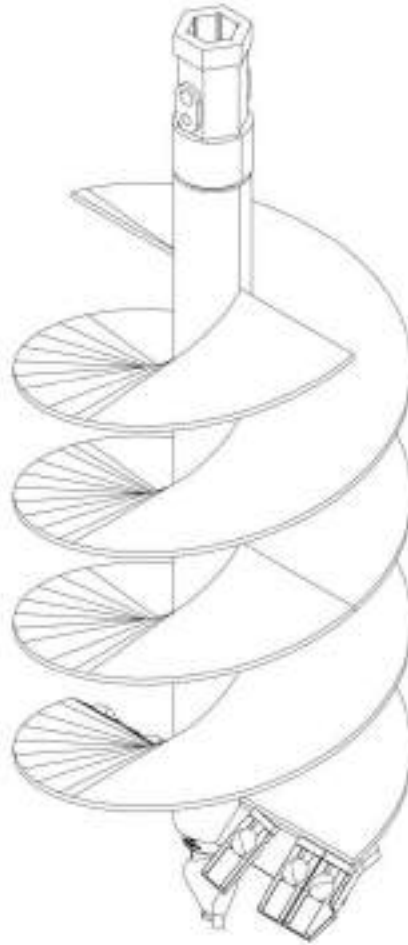
## SECTION 3 - ATTACHMENTS

**FIGURE 3-88. AUGER BIT, (15INX4IN) (CE & AUS)**

ITEM	PART NUMBER	QTY	DESCRIPTION	REV
	1001204131	Ref	Auger Bit (15INX4IN)	B

## SECTION 3 - ATTACHMENTS

FIGURE 3-89. AUGER BIT, (18INX4IN) (CE & AUS)



ART\_1001204132-B

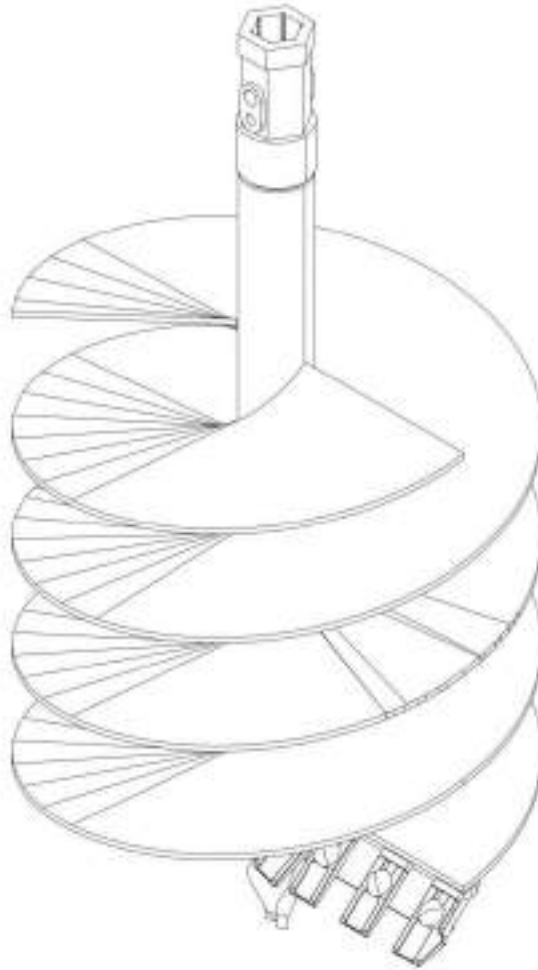
## SECTION 3 - ATTACHMENTS

**FIGURE 3-89. AUGER BIT, (18INX4IN) (CE & AUS)**

ITEM	PART NUMBER	QTY	DESCRIPTION	REV
	1001204132	Ref	Auger Bit (18INX4IN)	B

## SECTION 3 - ATTACHMENTS

FIGURE 3-90. AUGER BIT, (24INX4IN) (CE & AUS)



ART\_1001204133-B

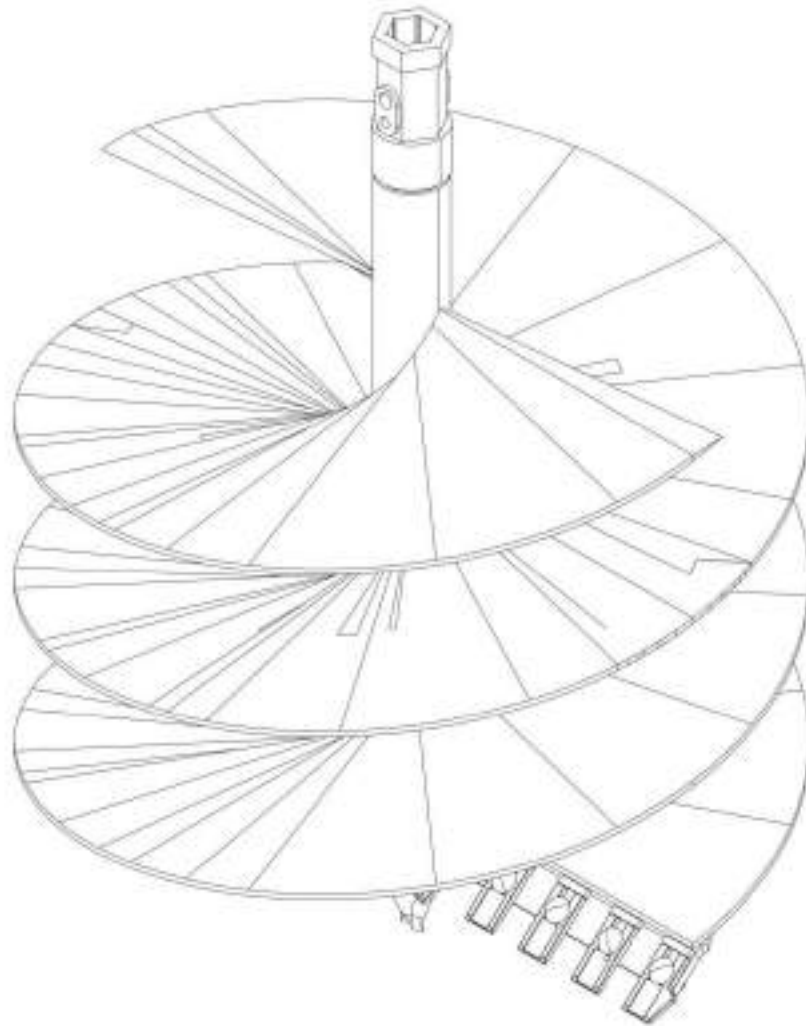
## SECTION 3 - ATTACHMENTS

**FIGURE 3-90. AUGER BIT, (24INX4IN) (CE & AUS)**

ITEM	PART NUMBER	QTY	DESCRIPTION	REV
	1001204133	Ref	Auger Bit (24INX4IN)	B

## SECTION 3 - ATTACHMENTS

FIGURE 3-91. AUGER BIT, (36INX4IN) (CE & AUS)



ART\_1001204134-B



## SECTION 3 - ATTACHMENTS

**FIGURE 3-91. AUGER BIT, (36INX4IN) (CE & AUS)**

ITEM	PART NUMBER	QTY	DESCRIPTION	REV
	1001204134	Ref	Auger Bit (36INX4IN)	B

## SECTION 3 - ATTACHMENTS

FIGURE 3-92. FORK EXTENSIONS (62X163X2286) (ANSI - JLG)



ART\_1001137512-E

## SECTION 3 - ATTACHMENTS

**FIGURE 3-92. FORK EXTENSIONS (62X163X2286) (ANSI - JLG)**

ITEM	PART NUMBER	QTY	DESCRIPTION	REV
	1001137512	2 pr	Fork Extensions (62X163X2286)	E
1	70024306	1	Pin	
2	70024307	1	Clip	

# SECTION 3 - ATTACHMENTS

FIGURE 3-93. FORK EXTENSION (50X100X1910) (CE)



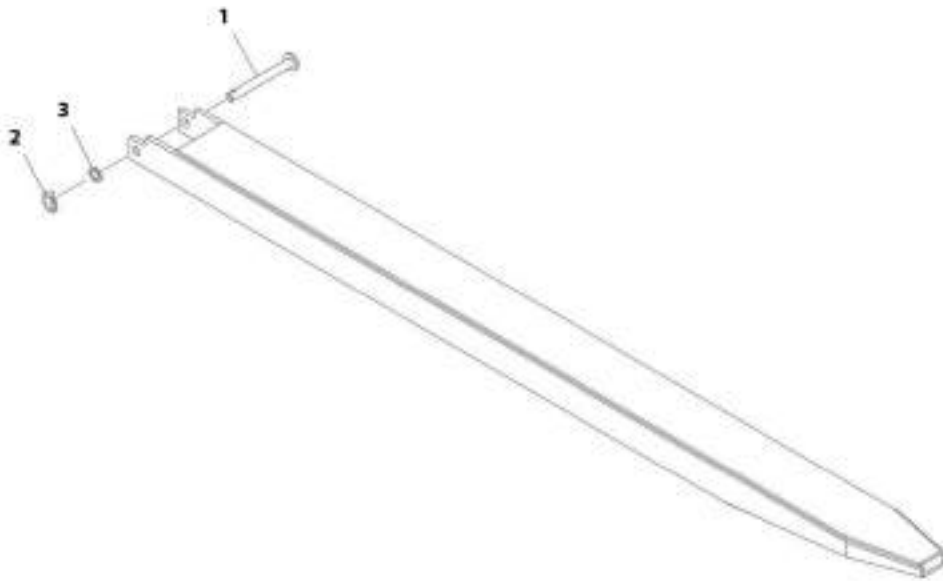
## SECTION 3 - ATTACHMENTS

### FIGURE 3-93. FORK EXTENSION (50X100X1910) (CE)

ITEM	PART NUMBER	QTY	DESCRIPTION	REV
	1001112559	1	Fork Extension (50X100X1910)	C
1	70022831	1	Kit, Pin	
2	N.S.S.	1	Pin, Locking	
3	N.S.S.	1	Washer	

## SECTION 3 - ATTACHMENTS

FIGURE 3-94. FORK EXTENSION (60X100X1920) (AUS)



ART. 100112500-B

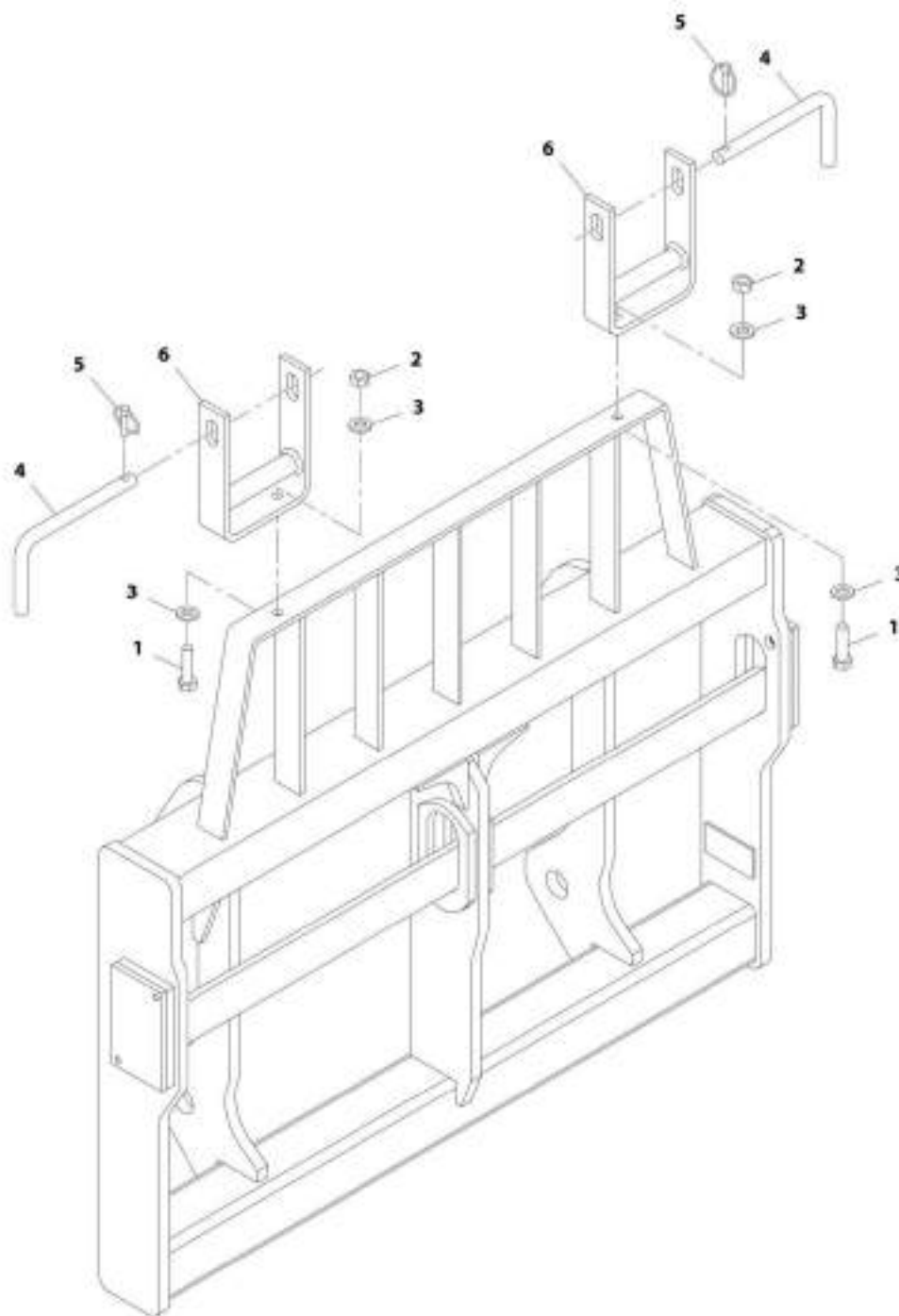
## SECTION 3 - ATTACHMENTS

**FIGURE 3-94. FORK EXTENSION (60X100X1920) (AUS)**

ITEM	PART NUMBER	QTY	DESCRIPTION	REV
	1001112560	1	Fork Extension (60X100X1920)	B
1	70022831	1	Kit, Pin	
2	N.S.S.	1	Pin, Locking	
3	N.S.S.	1	Washer	

# SECTION 3 - ATTACHMENTS

FIGURE 3-95. FORK TRANSPORT LATCH INSTALLATION (CE & AUS)



MRT\_1001231644-A



## SECTION 3 - ATTACHMENTS

**FIGURE 3-95. FORK TRANSPORT LATCH INSTALLATION (CE & AUS)**

ITEM	PART NUMBER	QTY	DESCRIPTION	REV
	1001221644	Ref	Fork Transport Latches Installation	A
1	0701217	2	Bolt, M12X45	
2	3291201	2	Nut, M12X1.75	
3	5241200	4	Washer, M12	
4	1001100262	2	Pin	
5	1001109387	2	Pin	
6	1001152259	2	Bracket	

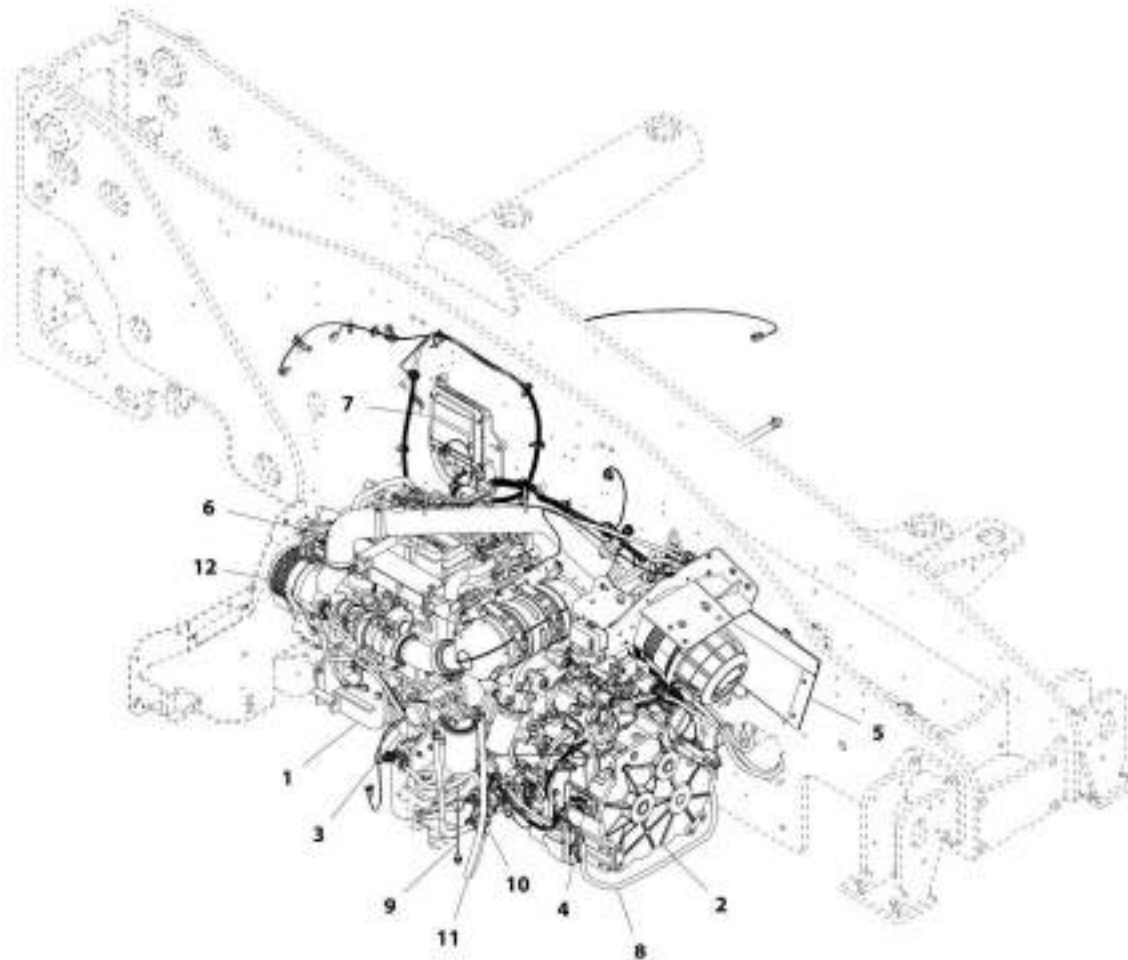


## **SECTION 4 - ENGINE AND ATTACHING PARTS**

## **SECTION 4 - ENGINE AND ATTACHING PARTS**

## SECTION 4 - ENGINE AND ATTACHING PARTS

FIGURE 4-1. ENGINE INSTALLATION (74.4KW - ULS - PISTON PUMP)



ART\_1001175306-C

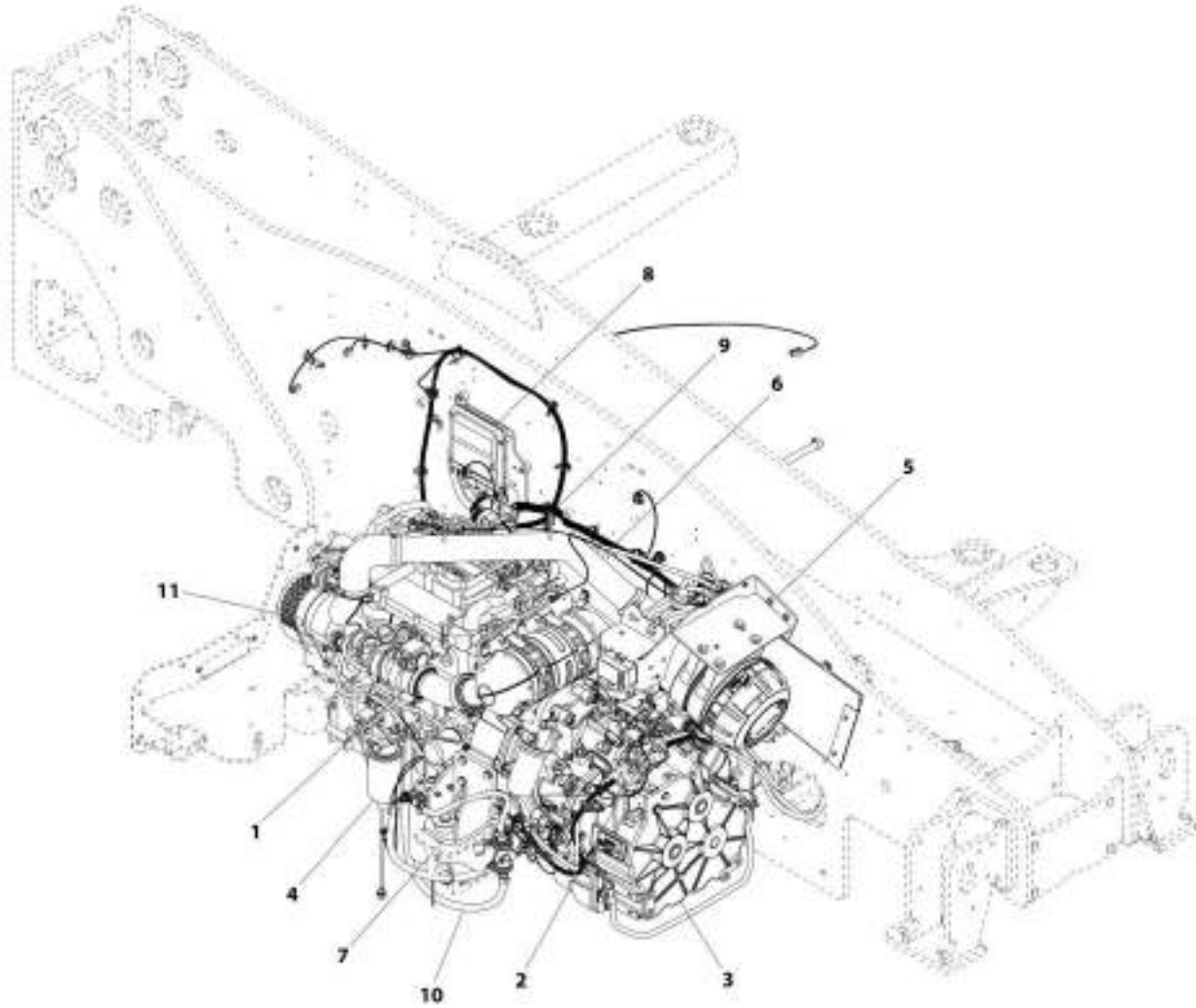
## SECTION 4 - ENGINE AND ATTACHING PARTS

**FIGURE 4-1. ENGINE INSTALLATION (74.4KW - ULS - PISTON PUMP)**

ITEM	PART NUMBER	QTY	DESCRIPTION	REV
1	1001175306	Ref	Engine Installation (74.4KW - ULS - Piston Pump)	E
	1001188466	Ref	Installation, Engine Mounting (74.4KW) (See Separate Breakdown in this Section)	
2	1001200180	Ref	Installation, Transmission (4 SPD) (See Separate Breakdown in Drivetrain Section)	
3	1001175550	1	Engine, 3.6L (74.4KW - ULS - Piston Pump) (See Separate Breakdown in this Section)	
4	1001177863	Ref	Installation, Main Hydraulic Pump (See Separate Breakdown in HYDRAULIC CIRCUITS Section)	
5	1001182040	Ref	Installation, Air Cleaner (74.4KW - ULS) (See Separate Breakdown in this Section)	
6	1001182041	Ref	Installation, Air Intake Lines (74.4KW - ULS) (See Separate Breakdown in this Section)	
7	1001182735	Ref	Installation, Engine ECU (ULS) (See Separate Breakdown in ELECTRICAL Section)	
8	1001185375	Ref	Installation, Engine Wiring (ULS) (See Separate Breakdown in ELECTRICAL Section)	
9	1001211729	Ref	Installation, Primary Fuel Filter (74.4KW - ULS) (See Separate Breakdown in this Section)	
10	1001165789	Ref	Installation, Remote Fuel Pump (74.4KW) (See Separate Breakdown in this Section)	
11	1001185181	Ref	Installation, Fuel Lines (ULS) (See Separate Breakdown in this Section)	
12	1001182235	Ref	Installation, Bracket Guard (See Separate Breakdown in this Section)	

## SECTION 4 - ENGINE AND ATTACHING PARTS

FIGURE 4-2. ENGINE INSTALLATION (90KW - ULS - PISTON PUMP)



AIT\_100175309-D

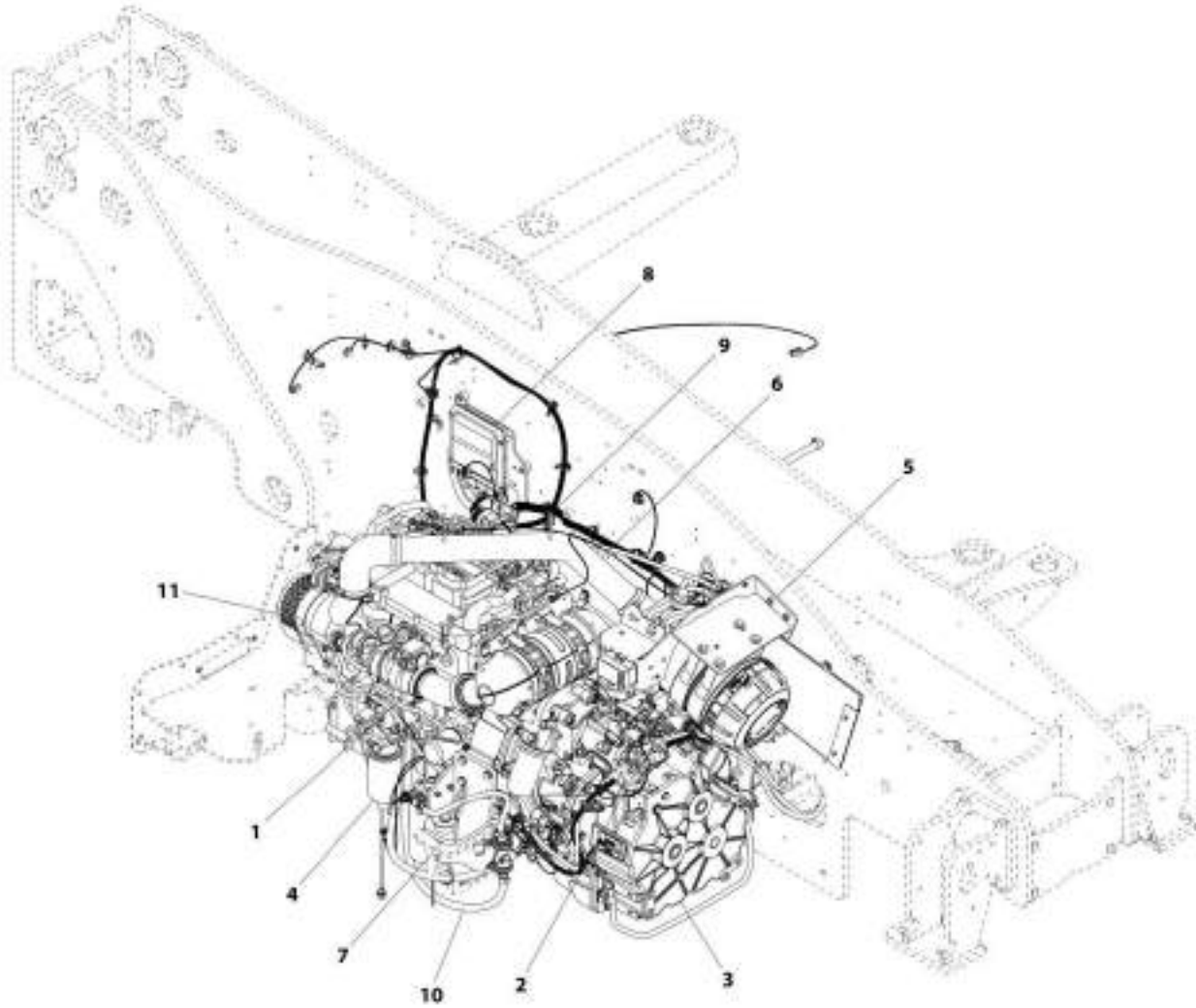
## SECTION 4 - ENGINE AND ATTACHING PARTS

**FIGURE 4-2. ENGINE INSTALLATION (90KW - ULS - PISTON PUMP)**

ITEM	PART NUMBER	QTY	DESCRIPTION	REV
	1001175309	Ref	Engine Installation (90KW - ULS - Piston Pump)	D
1	1001175553	1	Engine, 3.6L (90KW - ULS - Piston Pump) (See Separate Breakdown in this Section)	
2	1001177863	Ref	Installation, Main Hydraulic Pump (See Separate Breakdown in HYDRAULIC CIRCUITS Section)	
3	1001178439	Ref	Installation, Transmission (6 SPD) (See Separate Breakdown in DRIVETRAIN Section)	
4	1001181951	Ref	Installation, Fuel Filter (90/100KW - ULS) (See Separate Breakdown in this Section)	
5	1001182036	Ref	Installation, Air Cleaner (90/100KW) (See Separate Breakdown in this Section)	
6	1001182037	Ref	Installation, Air Intake Lines (90/100KW - ULS) (See Separate Breakdown in this Section)	
7	1001182582	Ref	Installation, Engine Mounting (90/100KW) (See Separate Breakdown in this Section)	
8	1001182735	Ref	Installation, Engine ECU (ULS) (See Separate Breakdown in ELECTRICAL Section)	
9	1001185375	Ref	Installation, Engine Wiring (ULS) (See Separate Breakdown in ELECTRICAL Section)	
10	1001197821	Ref	Installation, Fuel Lines (ULS - RHOC) (See Separate Breakdown in this Section)	
11	1001182235	Ref	Installation, Bracket Guard (See Separate Breakdown in this Section)	

## SECTION 4 - ENGINE AND ATTACHING PARTS

FIGURE 4-3. ENGINE INSTALLATION (100KW - ULS - PISTON PUMP)



ART\_100170623 C



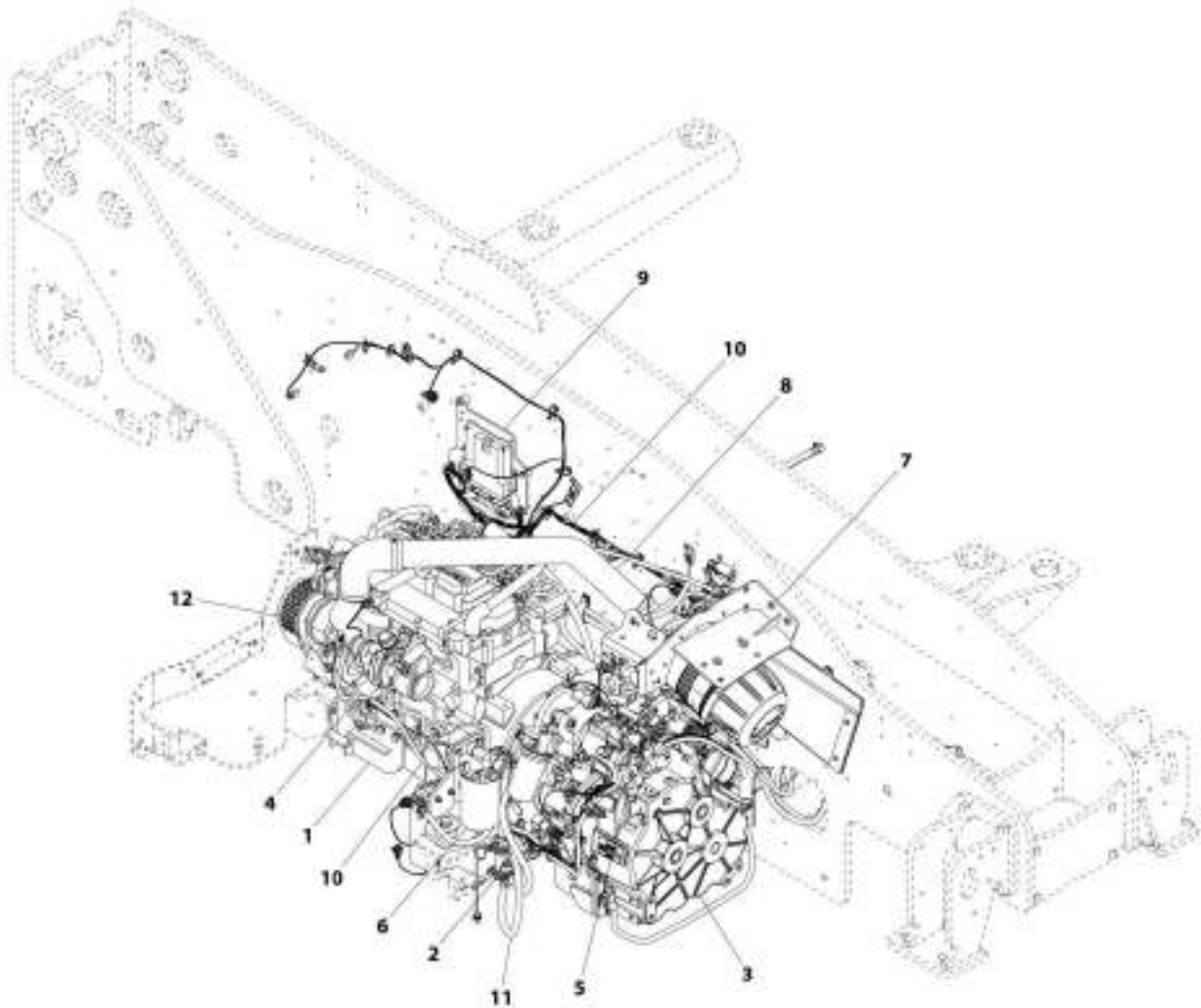
## SECTION 4 - ENGINE AND ATTACHING PARTS

**FIGURE 4-3. ENGINE INSTALLATION (100KW - ULS - PISTON PUMP)**

ITEM	PART NUMBER	QTY	DESCRIPTION	REV
	1001178622	Ref	Engine Installation (100KW - ULS - Piston Pump)	E
1	1001175555	1	Engine, 3.6L (100KW - ULS - Piston Pump) (See Separate Breakdown in this Section)	
2	1001177863	Ref	Installation, Main Hydraulic Pump (See Separate Breakdown in HYDRAULIC CIRCUITS Section)	
3	1001182647	Ref	Installation, Transmission (6 SPD - HHP) (See Separate Breakdown in DRIVETRAIN Section)	
4	1001181951	Ref	Installation, Fuel Filter (90/100KW - ULS) (See Separate Breakdown in this Section)	
5	1001182036	Ref	Installation, Air Cleaner (90/100KW) (See Separate Breakdown in this Section)	
6	1001182037	Ref	Installation, Air Intake Lines (90/100KW - ULS) (See Separate Breakdown in this Section)	
7	1001182582	Ref	Installation, Engine Mounting (90/100KW) (See Separate Breakdown in this Section)	
8	1001182735	Ref	Installation, Engine ECU (ULS) (See Separate Breakdown in ELECTRICAL Section)	
9	1001185375	Ref	Installation, Engine Wiring (ULS) (See Separate Breakdown in ELECTRICAL Section)	
10	1001197821	Ref	Installation, Fuel Lines (ULS - RHOC) (See Separate Breakdown in this Section)	
11	1001182235	Ref	Installation, Bracket Guard (See Separate Breakdown in this Section)	

## SECTION 4 - ENGINE AND ATTACHING PARTS

FIGURE 4-4. ENGINE INSTALLATION (74.4KW - LS - PISTON PUMP)



ARC\_100125313-E

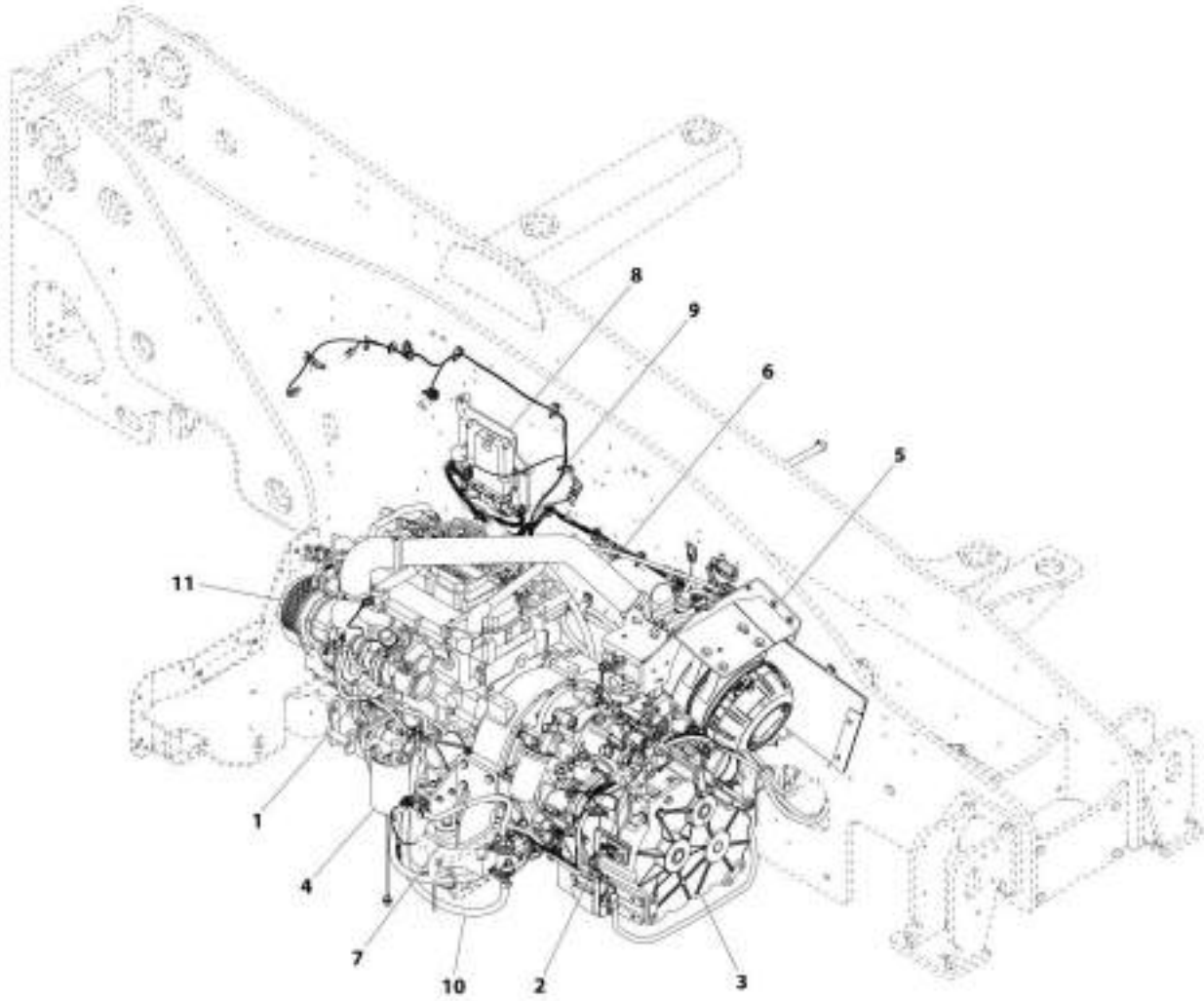
## SECTION 4 - ENGINE AND ATTACHING PARTS

**FIGURE 4-4. ENGINE INSTALLATION (74.4KW - LS - PISTON PUMP)**

ITEM	PART NUMBER	QTY	DESCRIPTION	REV
	1001175313	Ref	Engine Installation (74.4KW - LS - Piston Pump)	E
1	1001188466	Ref	Installation, Engine Mounting (74.4KW) (See Separate Breakdown in this Section)	
2	1001165789	Ref	Installation, Remote Fuel Pump (74.4KW) (See Separate Breakdown in this Section)	
3	1001200180	Ref	Installation, Transmission (4 SPD) (See Separate Breakdown in DRIVETRAIN Section)	
4	1001175552	1	Engine, 3.6L (74.4KW - LS - Piston Pump) (See Separate Breakdown in this Section)	
5	1001177863	Ref	Installation, Main Hydraulic Pump (See Separate Breakdown in HYDRAULIC CIRCUITS Section)	
6	1001211730	Ref	Installation, Primary Fuel Filter (74.4KW - LS) (See Separate Breakdown in this Section)	
7	1001182042	Ref	Installation, Air Cleaner (74.4KW - LS) (See Separate Breakdown in this Section)	
8	1001182043	Ref	Installation, Air Intake Lines (74.4KW - LS) (See Separate Breakdown in this Section)	
9	1001182736	Ref	Installation, Engine ECU (LS) (See Separate Breakdown in ELECTRICAL Section)	
10	1001185377	Ref	Installation, Engine Wiring (LS) (See Separate Breakdown in ELECTRICAL Section)	
11	1001197826	Ref	Installation, Fuel Lines (LS) (See Separate Breakdown in this Section)	
12	1001182235	Ref	Installation, Bracket Guard (See Separate Breakdown in this Section)	

## SECTION 4 - ENGINE AND ATTACHING PARTS

FIGURE 4-5. ENGINE INSTALLATION (90KW - LS - PISTON PUMP)



ART. 1001175315 (3)

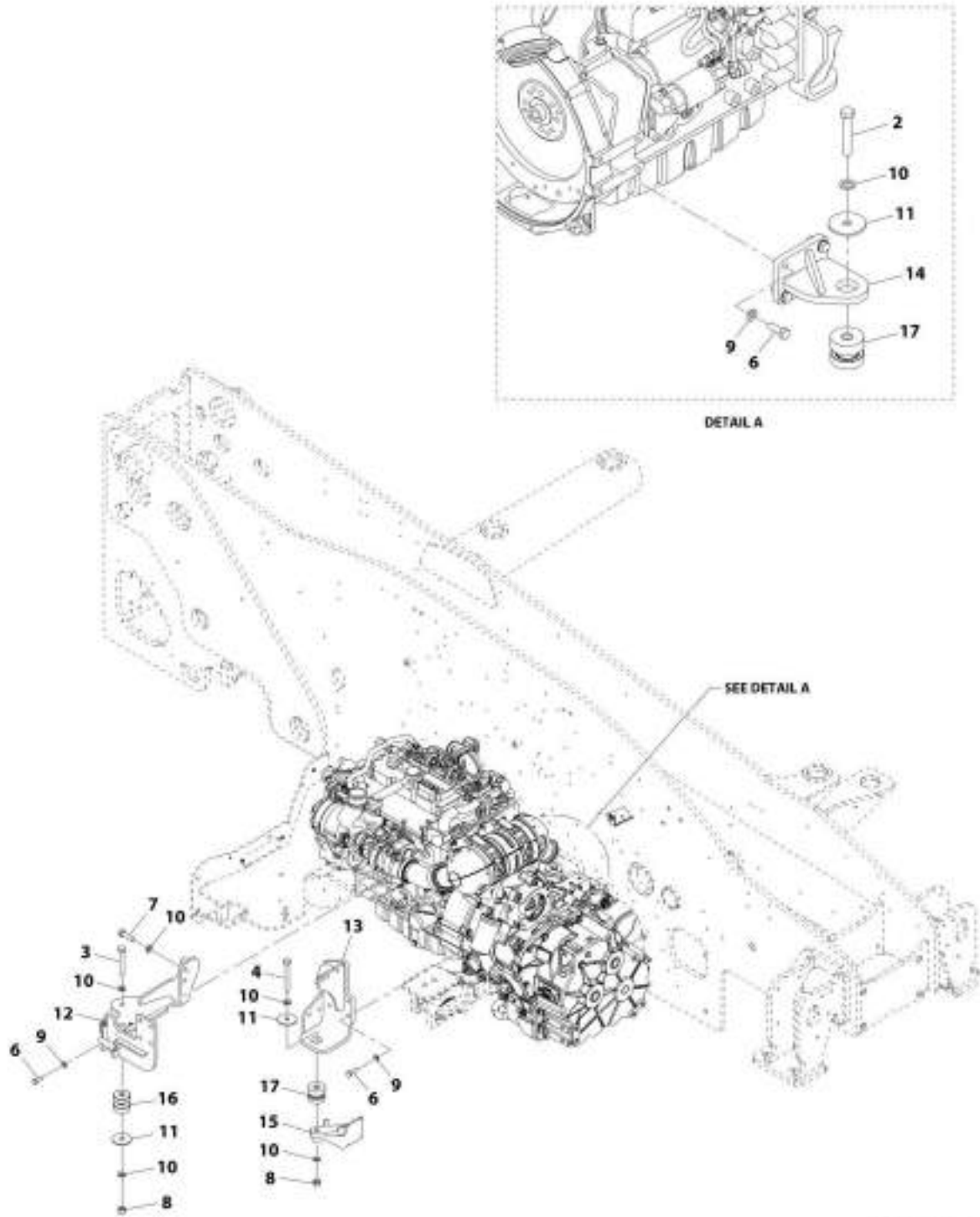
## SECTION 4 - ENGINE AND ATTACHING PARTS

**FIGURE 4-5. ENGINE INSTALLATION (90KW - LS - PISTON PUMP)**

ITEM	PART NUMBER	QTY	DESCRIPTION	REV
	1001175315	Ref	Engine Installation (90KW - LS - Piston Pump)	D
1	1001175554	1	Engine, 3.6L (90KW - LS - Piston Pump) (See Separate Breakdown in this Section)	
2	1001177863	Ref	Installation, Main Hydraulic Pump (See Separate Breakdown in HYDRAULIC CIRCUITS Section)	
3	1001178439	Ref	Installation, Transmission (6 SPD) (See Separate Breakdown in DRIVETRAIN Section)	
4	1001181952	Ref	Installation, Primary Fuel Filter (90KW - LS) (See Separate Breakdown in this Section)	
5	1001182036	Ref	Installation, Air Cleaner (90/100KW) (See Separate Breakdown in this Section)	
6	1001182039	Ref	Installation, Air Intake Lines (90KW - LS) (See Separate Breakdown in this Section)	
7	1001182582	Ref	Installation, Engine Mounting (90/100KW) (See Separate Breakdown in this Section)	
8	1001182736	Ref	Installation, Engine ECU (LS) (See Separate Breakdown in ELECTRICAL Section)	
9	1001185377	Ref	Installation, Engine Wiring (LS) (See Separate Breakdown in ELECTRICAL Section)	
10	1001185189	Ref	Installation, Fuel Lines (LS - RHOC) (See Separate Breakdown in this Section)	
11	1001182235	Ref	Installation, Bracket Guard (See Separate Breakdown in this Section)	

# SECTION 4 - ENGINE AND ATTACHING PARTS

## FIGURE 4-6. ENGINE MOUNTING INSTALLATION (74.4KW)



ART\_1001180466-C

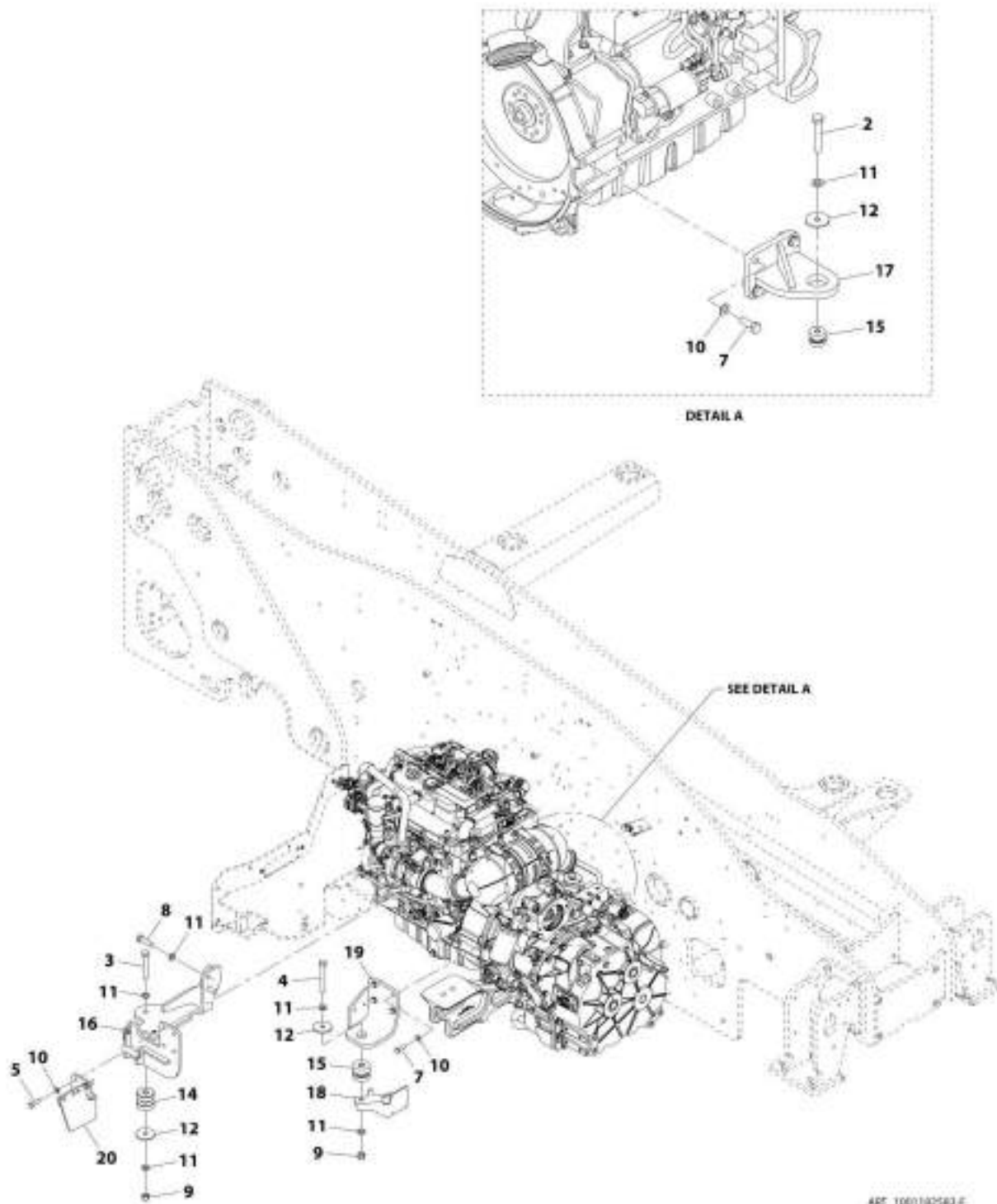
## SECTION 4 - ENGINE AND ATTACHING PARTS

**FIGURE 4-6. ENGINE MOUNTING INSTALLATION (74.4KW)**

ITEM	PART NUMBER	QTY	DESCRIPTION	REV
	1001188466	Ref	Engine Mounting Installation (74.4KW)	E
2	0701626	1	Bolt, M16X90	
3	0701628	1	Bolt, M16X110	
4	0701630	1	Bolt, M16X130	
6	0761215	12	Bolt, M12X35	
7	0761619	2	Bolt, M16X55	
8	3291605	2	Bolt, M16X2	
9	4812100	12	Washer, M12	
10	4812300	7	Washer, M16	
11	7300435	3	Washer	
12	1001169216	1	Bracket, Engine Mount	
13	1001169309	1	Bracket, Engine Mount	
14	1001169424	1	Bracket, Engine Mount	
15	1001188204	1	Bracket, Fuel Pump	
16	1001163387	1	Mount, Isolator Engine	
17	1001195518	2	Mount, Isolator Engine	

# SECTION 4 - ENGINE AND ATTACHING PARTS

## FIGURE 4-7. ENGINE MOUNTING INSTALLATION (90KW/100KW)





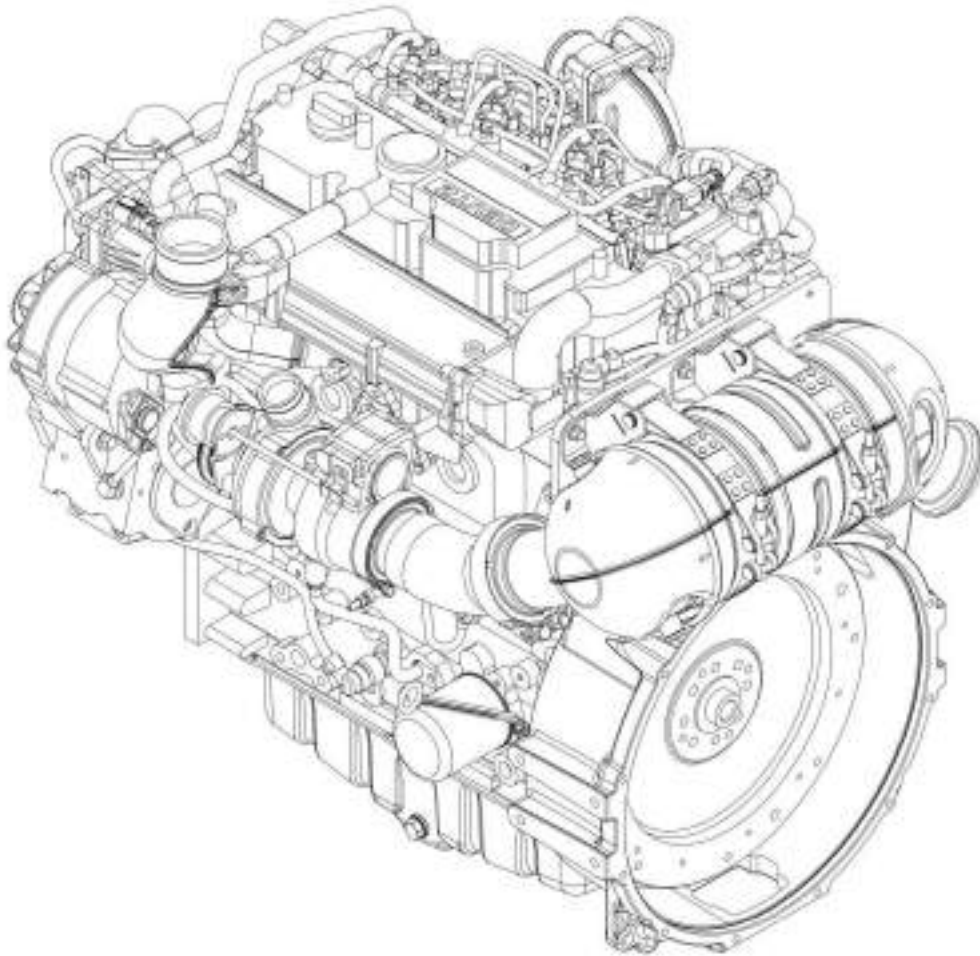
## SECTION 4 - ENGINE AND ATTACHING PARTS

**FIGURE 4-7. ENGINE MOUNTING INSTALLATION (90KW/100KW)**

ITEM	PART NUMBER	QTY	DESCRIPTION	REV
	1001182582	Ref	Engine Mounting Installation (90KW/100KW)	F
2	0701626	1	Bolt, M16X90	
3	0701628	1	Bolt, M16X110	
4	0701630	1	Bolt, M16X130	
5	0761216	4	Bolt, M12X40	
7	0761215	8	Bolt, M12X35	
8	0761619	2	Bolt, M16X55	
9	3291605	2	Bolt, M16X2	
10	4812100	12	Washer, M12	
11	4812300	7	Washer, M16	
12	7300435	3	Washer	
14	1001163387	1	Mount, Isolator Engine	
15	1001195518	2	Mount, Isolator Engine	
16	1001169216	1	Bracket, Engine Mount	
17	1001169424	1	Bracket, Engine Mount	
18	1001188204	1	Bracket, Fuel Pump	
19	1001183745	1	Bracket, Engine Mount	
20	1001189586	1	Bracket, Fuel Filter	

## SECTION 4 - ENGINE AND ATTACHING PARTS

FIGURE 4-8. 3.6L ENGINE (74.4KW - ULS - PISTON PUMP)



ART\_100175590-E

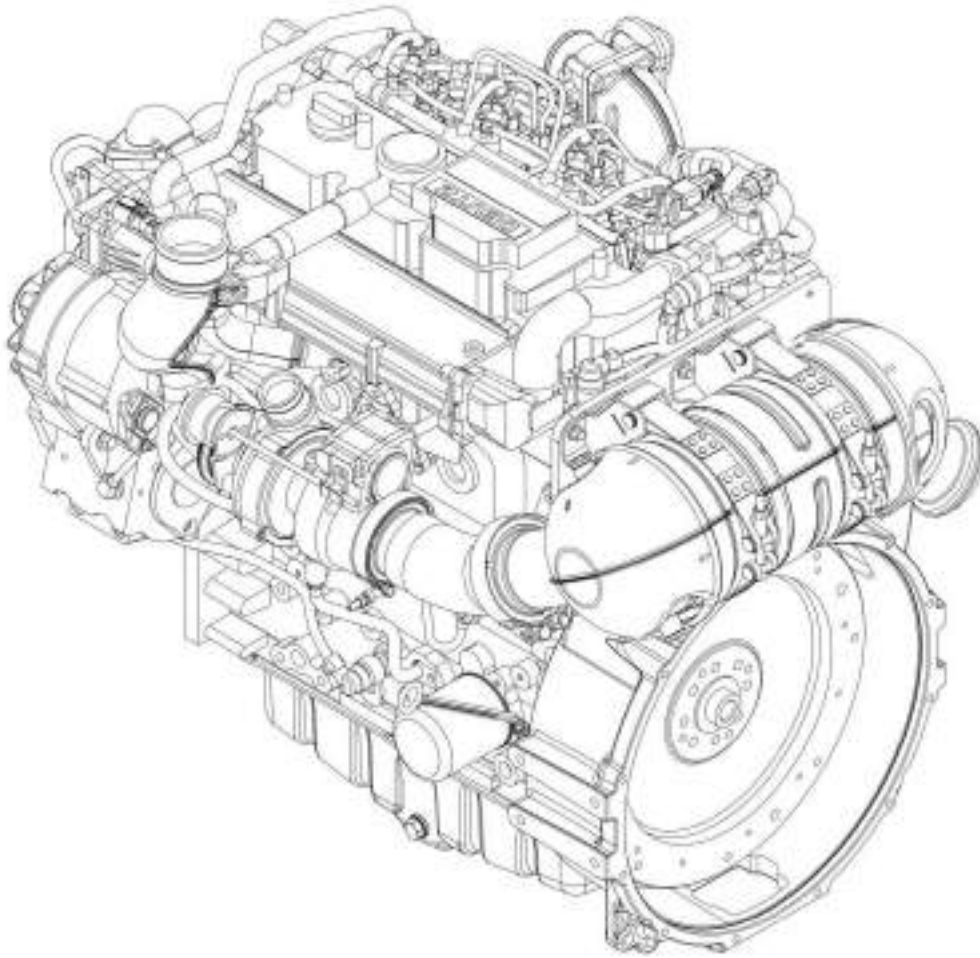
## SECTION 4 - ENGINE AND ATTACHING PARTS

**FIGURE 4-8. 3.6L ENGINE (74.4KW - ULS - PISTON PUMP)**

ITEM	PART NUMBER	QTY	DESCRIPTION	REV
	1001175550	Ref	3.6L Engine (74.4KW - ULS - Piston Pump)	E
	70027657	1	Dipstick	
	7020442	2	O-Ring	
	7020465	1	Cap, Filler	
	70025205	1	Gasket	
	70004280	1	Seal	
	7016331	1	Filter, Oil	
	70024494	1	Oil cooler	
	70024495	1	Gasket	
	70024509	1	Gasket	
	70011901	1	Pump, High Pressure	
	70024485	4	Injector, Fuel	
	70024504	1	Sensor, Pressure	
	70024920	1	Seal	
	70026011	1	Pump, Water	
	70024918	1	Sender, Coolant Temperature	
	70005504	1	Sensor, Pressure	
	70005505	2	O-Seal	
	70027405	1	Sensor, Temperature	
	70005507	2	O-Seal	
	70005515	1	Turbocharger	
	70024480	1	Gasket	
	70027404	1	Oil Pressure Sensor	
	70027403	1	V-Belt	
	70025535	1	Starter	
	70026210	1	Speed Sensor	
	70005191	1	O-Ring	
	70005556	1	Sensor, Temperature	
	70005559	1	Sensor, Temperature	
	70027417	1	Filter, Fuel	
	70024961	1	Prefilter, Fuel	

## SECTION 4 - ENGINE AND ATTACHING PARTS

FIGURE 4-9. 3.6L ENGINE (90KW - ULS - PISTON PUMP)



ART\_100117553-E

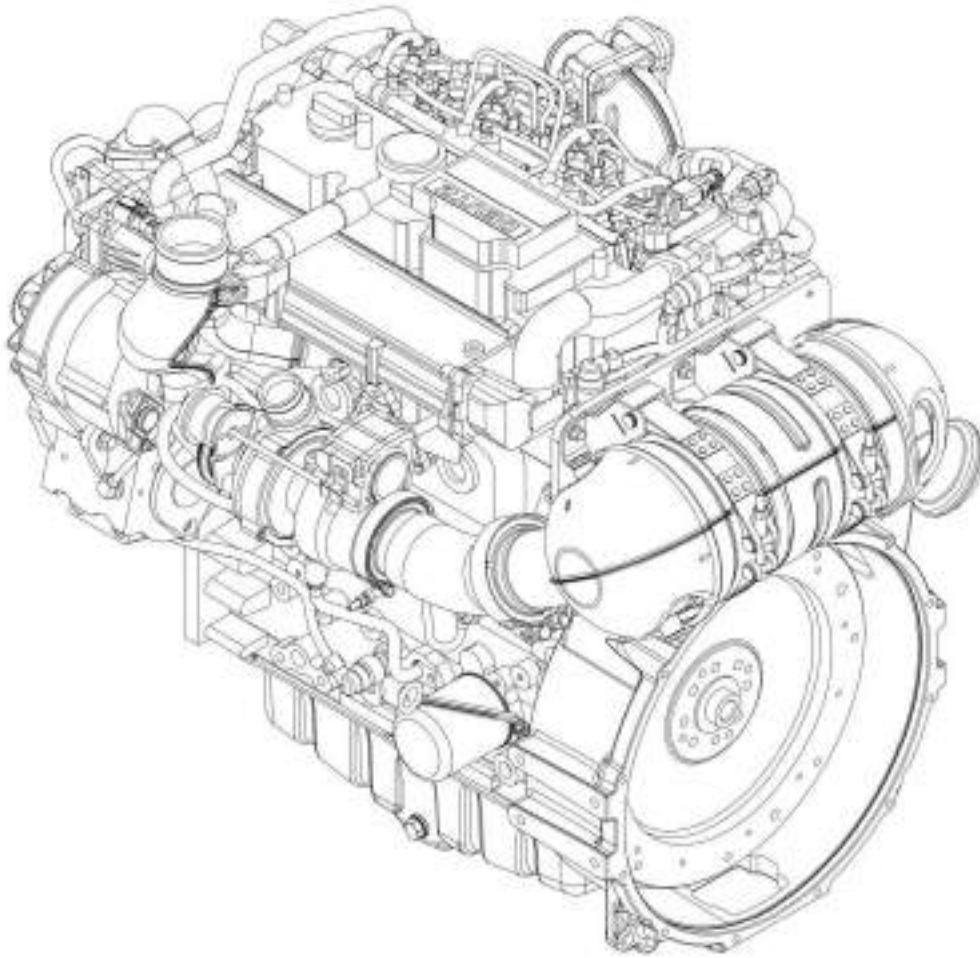
## SECTION 4 - ENGINE AND ATTACHING PARTS

**FIGURE 4-9. 3.6L ENGINE (90KW - ULS - PISTON PUMP)**

ITEM	PART NUMBER	QTY	DESCRIPTION	REV
	1001175553	Ref	3.6L Engine (90KW - ULS - Piston Pump)	E
	70027657	1	Dipstick	
	7020442	2	O-Ring	
	7020465	1	Cap, Filler	
	70025205	1	Gasket	
	70004280	1	Seal	
	7016331	1	Filter, Oil	
	70024494	1	Oil cooler	
	70024495	1	Gasket	
	70024509	1	Gasket	
	70011901	1	Pump, High Pressure	
	70024485	4	Injector, Fuel	
	70024504	1	Sensor, Pressure	
	70024920	1	Seal	
	70026011	1	Pump, Water	
	70024918	1	Sender, Temperature	
	70005504	1	Sensor, Pressure	
	70005505	2	O-Seal	
	70027405	1	Sensor, Temperature	
	70005507	2	O-Seal	
	70005515	1	Turbocharger	
	70024480	1	Gasket	
	70027404	1	Generator	
	70027403	1	V-Belt	
	70025535	1	Starter	
	70026210	1	Generator	
	70005191	1	O-Ring	
	70024505	1	Sensor, Temperature	
	70005556	1	Sensor, Temperature	
	70005559	1	Sensor, Temperature	
	70004511	1	Filter, Fuel	
	70025153	1	Prefilter, Fuel	

## SECTION 4 - ENGINE AND ATTACHING PARTS

FIGURE 4-10. 3.6L ENGINE (100KW - ULS - PISTON PUMP)



ART\_100117555-E

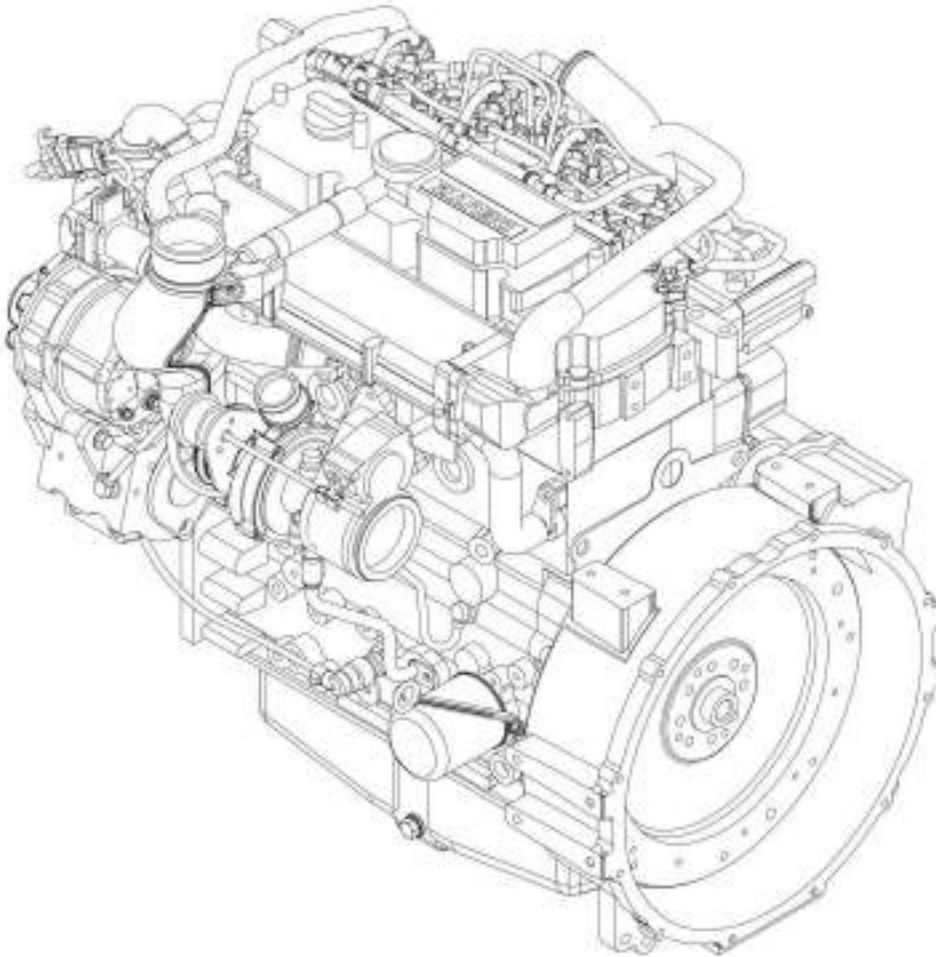
## SECTION 4 - ENGINE AND ATTACHING PARTS

**FIGURE 4-10. 3.6L ENGINE (100KW - ULS - PISTON PUMP)**

ITEM	PART NUMBER	QTY	DESCRIPTION	REV
	1001175555	Ref	3.6L Engine (100KW - ULS - Piston Pump)	E
	70027657	1	Dipstick	
	7020442	2	O-Ring	
	7020465	1	Cap, Filler	
	70025205	1	Gasket	
	70004280	1	Seal	
	7016331	1	Filter, Oil	
	70024494	1	Oil cooler	
	70024495	1	Gasket	
	70024509	1	Gasket	
	70011901	1	Pump, High Pressure	
	70024485	4	Injector, Fuel	
	70024504	1	Sensor, Pressure	
	70024920	1	Seal	
	70026011	1	Pump, Water	
	70024918	1	Sender, Temperature	
	70005504	1	Sensor, Pressure	
	70005505	2	O-Seal	
	70027405	1	Sensor, Temperature	
	70005507	2	O-Seal	
	70005515	1	Turbocharger	
	70024480	1	Gasket	
	70027404	1	Generator	
	70027403	1	V-Belt	
	70025535	1	Starter	
	70026210	1	Generator	
	70005191	1	O-Ring	
	70024505	1	Sensor, Temperature	
	70005556	1	Sensor, Temperature	
	70005559	1	Sensor, Temperature	
	70027417	1	Filter, Fuel	
	70025153	1	Prefilter, Fuel	

## SECTION 4 - ENGINE AND ATTACHING PARTS

FIGURE 4-11. 3.6L ENGINE (74.4KW - LS - PISTON PUMP)



4MT\_3001175552-C



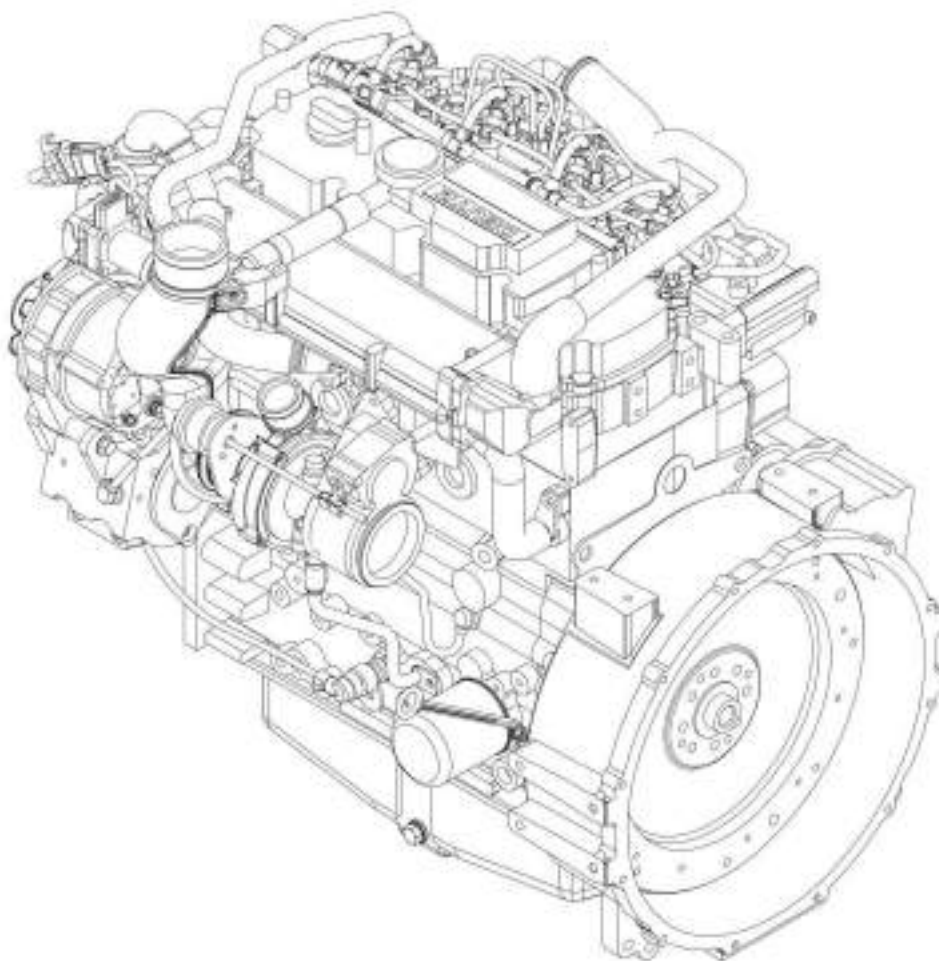
## SECTION 4 - ENGINE AND ATTACHING PARTS

**FIGURE 4-11. 3.6L ENGINE (74.4KW - LS - PISTON PUMP)**

ITEM	PART NUMBER	QTY	DESCRIPTION	REV
	1001175552	Ref	3.6L Engine (74.4KW - LS - Piston Pump)	C
	70027657	1	Dipstick	
	7020442	2	O-Ring	
	7020465	1	Cap, Filler	
	70025205	1	Gasket	
	70004280	1	Seal	
	7016331	1	Filter, Oil	
	70024494	1	Oil cooler	
	70024495	1	Gasket	
	70024509	1	Gasket	
	70011901	1	Pump, High Pressure	
	70024485	4	Injector, Fuel	
	70004512	1	Filter, Fuel	
	70024504	1	Sensor, Pressure	
	70005504	1	Sensor, Pressure	
	70026011	1	Pump, Water	
	70024918	1	Sender, Temperature	
	70004518	1	Turbocharger	
	70024480	1	Gasket	
	70025533	1	Generator	
	70025478	1	V-Belt	
	70025535	1	Starter	
	70026210	2	Generator	
	70005191	2	O-Ring	
	70027417	1	Filter, Fuel	

## SECTION 4 - ENGINE AND ATTACHING PARTS

FIGURE 4-12. 3.6L ENGINE (90KW - LS - PISTON PUMP)



4MT\_3001175554-C

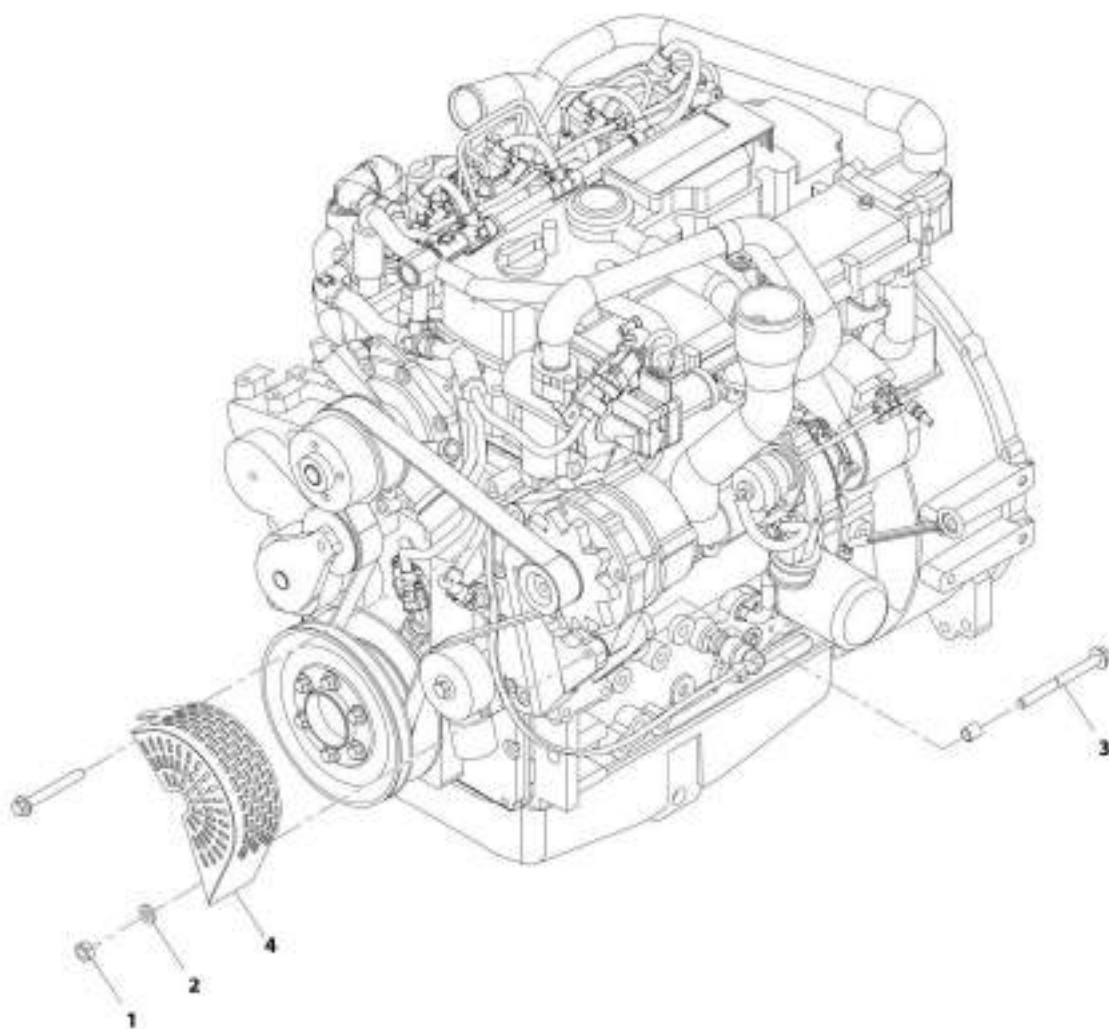
## SECTION 4 - ENGINE AND ATTACHING PARTS

**FIGURE 4-12. 3.6L ENGINE (90KW - LS - PISTON PUMP)**

ITEM	PART NUMBER	QTY	DESCRIPTION	REV
	1001175554	Ref	3.6L Engine (90KW - LS - Piston Pump)	C
	70027657	1	Dipstick	
	7020442	2	O-Ring	
	7020465	1	Cap, Filler	
	70025205	1	Gasket	
	70004280	1	Seal	
	7016331	1	Filter, Oil	
	70024494	1	Oil cooler	
	70024495	1	Gasket	
	70024509	1	Gasket	
	70011901	1	Pump, High Pressure	
	70024485	4	Injector, Fuel	
	70004512	1	Filter, Fuel	
	70024504	1	Sensor, Pressure	
	70005504	1	Sensor, Pressure	
	70026011	1	Pump, Water	
	70024918	1	Sender, Temperature	
	70004518	1	Turbocharger	
	70024480	1	Gasket	
	70025533	1	Generator	
	70025478	1	V-Belt	
	70025535	1	Starter	
	70026210	2	Generator	
	70005191	2	O-Ring	
	70027417	1	Filter, Fuel	

## SECTION 4 - ENGINE AND ATTACHING PARTS

FIGURE 4-13. BRACKET GUARD INSTALLATION



ART\_1001102235-R

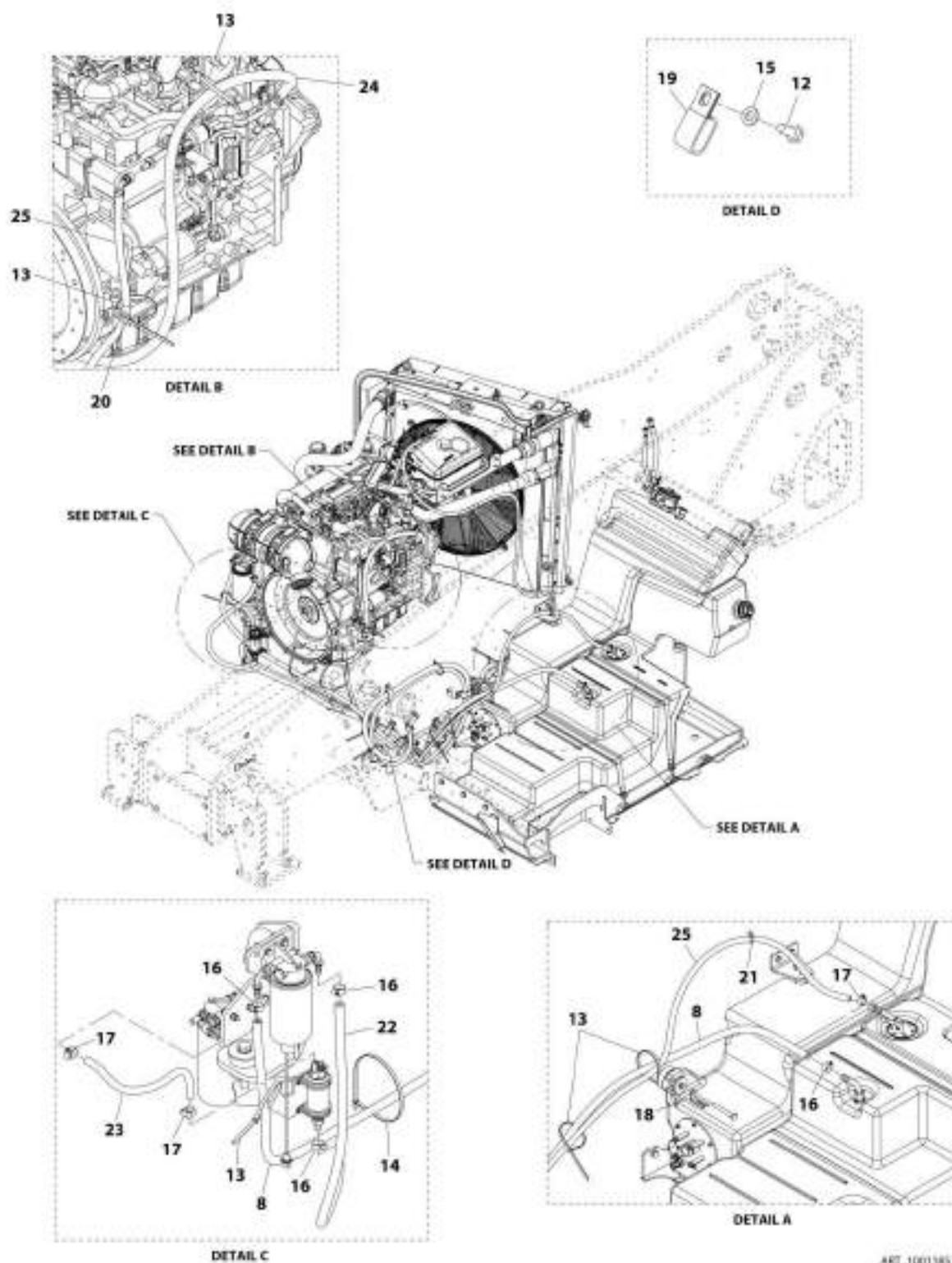
## SECTION 4 - ENGINE AND ATTACHING PARTS

FIGURE 4-13. BRACKET GUARD INSTALLATION

ITEM	PART NUMBER	QTY	DESCRIPTION	REV
	1001182235	Ref	Bracket Guard Installation	B
1	3291001	1	Nut, M10X1.5 Grade 8	
2	4812000	1	Washer, M10	
3	1001152378	1	Bolt, M10X110 Grade 10.9	
4	1001213006	1	Bracket, Guard	

# SECTION 4 - ENGINE AND ATTACHING PARTS

## FIGURE 4-14. FUEL LINES INSTALLATION (ULS)



ART\_1001385101-B

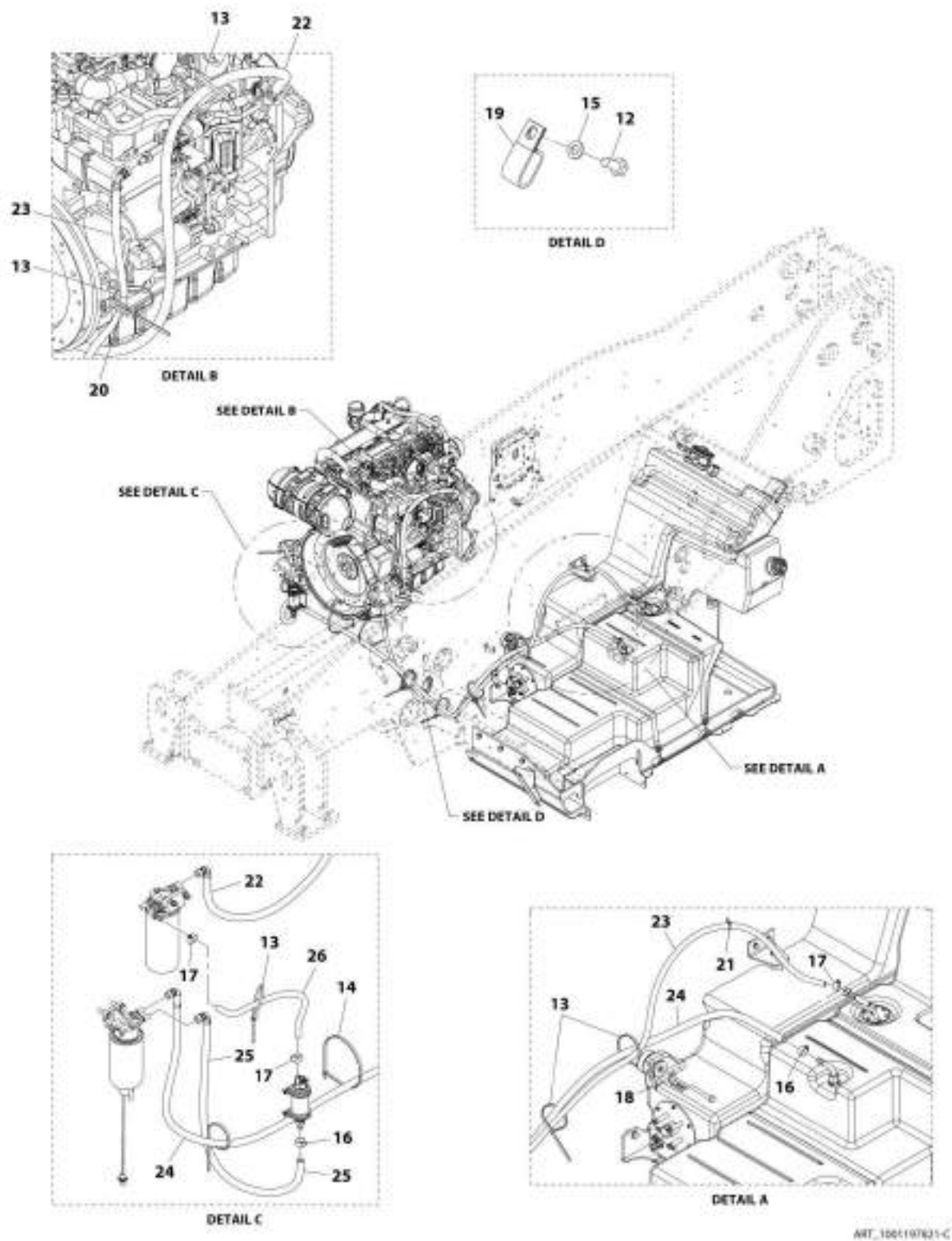
## SECTION 4 - ENGINE AND ATTACHING PARTS

**FIGURE 4-14. FUEL LINES INSTALLATION (ULS)**

ITEM	PART NUMBER	QTY	DESCRIPTION	REV
	1001185181	Ref	Fuel Lines Installation (ULS)	B
8	1001200192	1	Hose, 0.5IN Fuel	
12	0761012	1	Bolt, M10X25	
13	1062255	AR	Strap, Tie	
14	4240127	AR	Strap, Tie	
15	4812000	1	Washer, M10	
16	8405006	4	Clamp, Gear	
17	8410013	3	Clamp, Gear	
18	1001003305	1	Clip	
19	1001026104	1	Clip	
20	1001130198	1	Clip, 90	
21	1001146588	1	Strap, Fir Tree Cable Tie	
22	1001204839	1	Hose, 0.5IN Fuel	
23	1001204840	1	Hose, 0.38IN Fuel	
24	1001204841	1	Hose, 0.5IN Fuel	
25	1001204842	1	Hose, 0.38IN Fuel	

# SECTION 4 - ENGINE AND ATTACHING PARTS

## FIGURE 4-15. FUEL LINES INSTALLATION (ULS - RHOC)





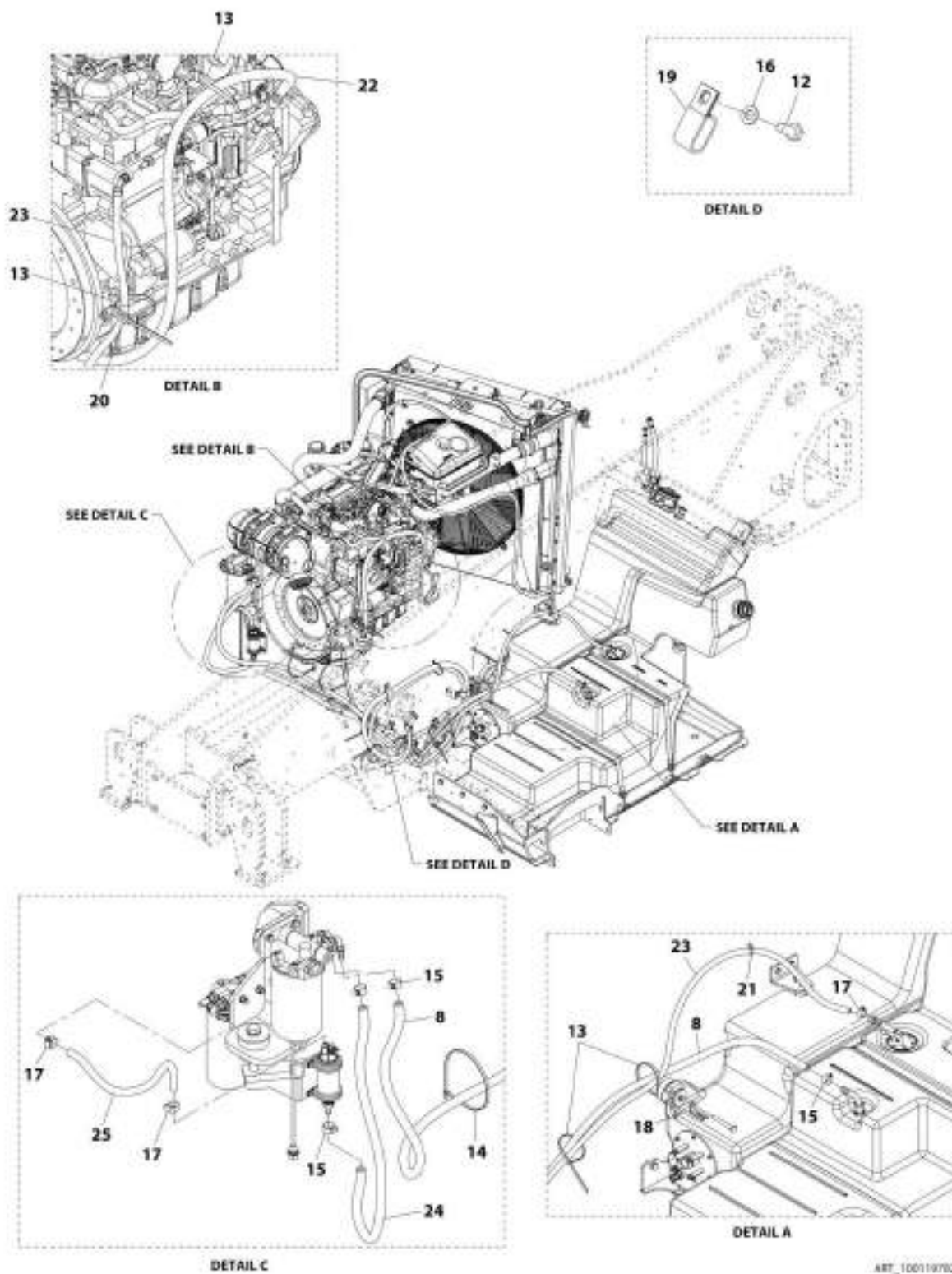
## SECTION 4 - ENGINE AND ATTACHING PARTS

**FIGURE 4-15. FUEL LINES INSTALLATION (ULS - RHOC)**

ITEM	PART NUMBER	QTY	DESCRIPTION	REV
	1001197821	Ref	Fuel Lines Installation (ULS - RHOC)	C
12	0761012	1	Bolt, M10X25	
13	1062255	AR	Strap, Tie	
14	4240127	AR	Strap, Tie	
15	4812000	1	Washer, M10	
16	8405006	2	Clamp, Gear	
17	8410013	3	Clamp, Gear	
18	1001003305	1	Clip	
19	1001026104	1	Clip	
20	1001130198	1	Clip, 90	
21	1001146588	1	Strap, Fir Tree Cable Tie	
22	1001204841	1	Hose, 0.5IN Fuel	
23	1001204842	1	Hose, 0.38IN Fuel	
24	1001216854	1	Hose, 0.5IN Fuel	
25	1001216855	1	Hose, 0.5IN Fuel	
26	1001205041	1	Hose, 0.38IN Fuel	

# SECTION 4 - ENGINE AND ATTACHING PARTS

## FIGURE 4-16. FUEL LINES INSTALLATION (LS)



ART\_1001197026-8

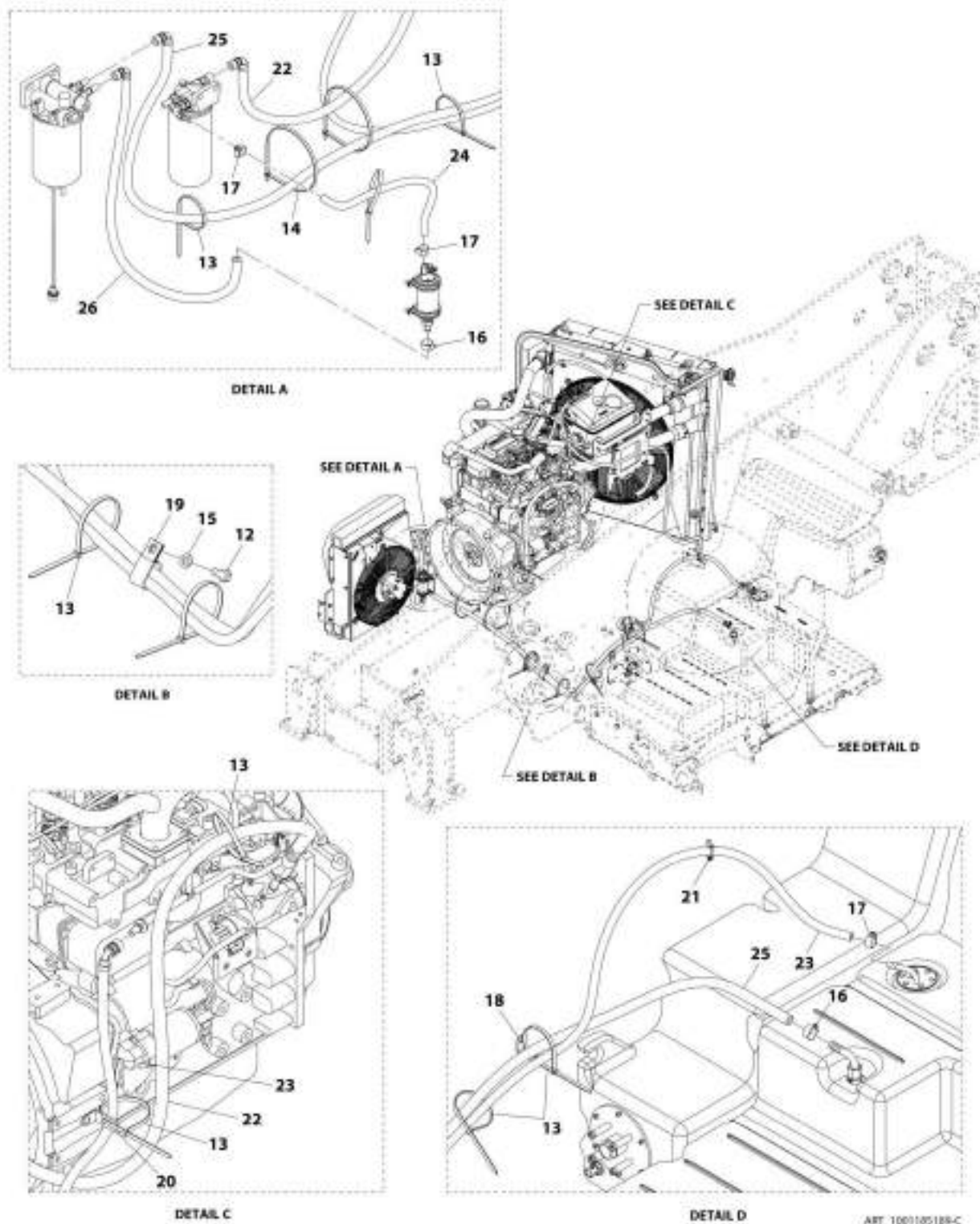
## SECTION 4 - ENGINE AND ATTACHING PARTS

**FIGURE 4-16. FUEL LINES INSTALLATION (LS)**

ITEM	PART NUMBER	QTY	DESCRIPTION	REV
	1001197826	Ref	Fuel Lines Installation (LS)	B
8	1001200192	1	Hose, 0.5IN Fuel	
12	0761012	1	Bolt, M10X25	
13	1062255	AR	Strap, Tie	
14	4240127	AR	Strap, Tie	
15	8405006	4	Clamp, Gear	
16	4812000	1	Washer, M10	
17	8410013	3	Clamp, Gear	
18	1001003305	1	Clip	
19	1001026104	1	Clip	
20	1001130198	1	Clip, 90	
21	1001146588	1	Strap, Fir Tree Cable Tie	
22	1001204841	1	Hose, 0.5IN Fuel	
23	1001204842	1	Hose, 0.38IN Fuel	
24	1001204839	1	Hose, 0.5IN Fuel	
25	1001204840	1	Hose, 0.38IN Fuel	

# SECTION 4 - ENGINE AND ATTACHING PARTS

## FIGURE 4-17. FUEL LINES INSTALLATION (LS - RHOC)



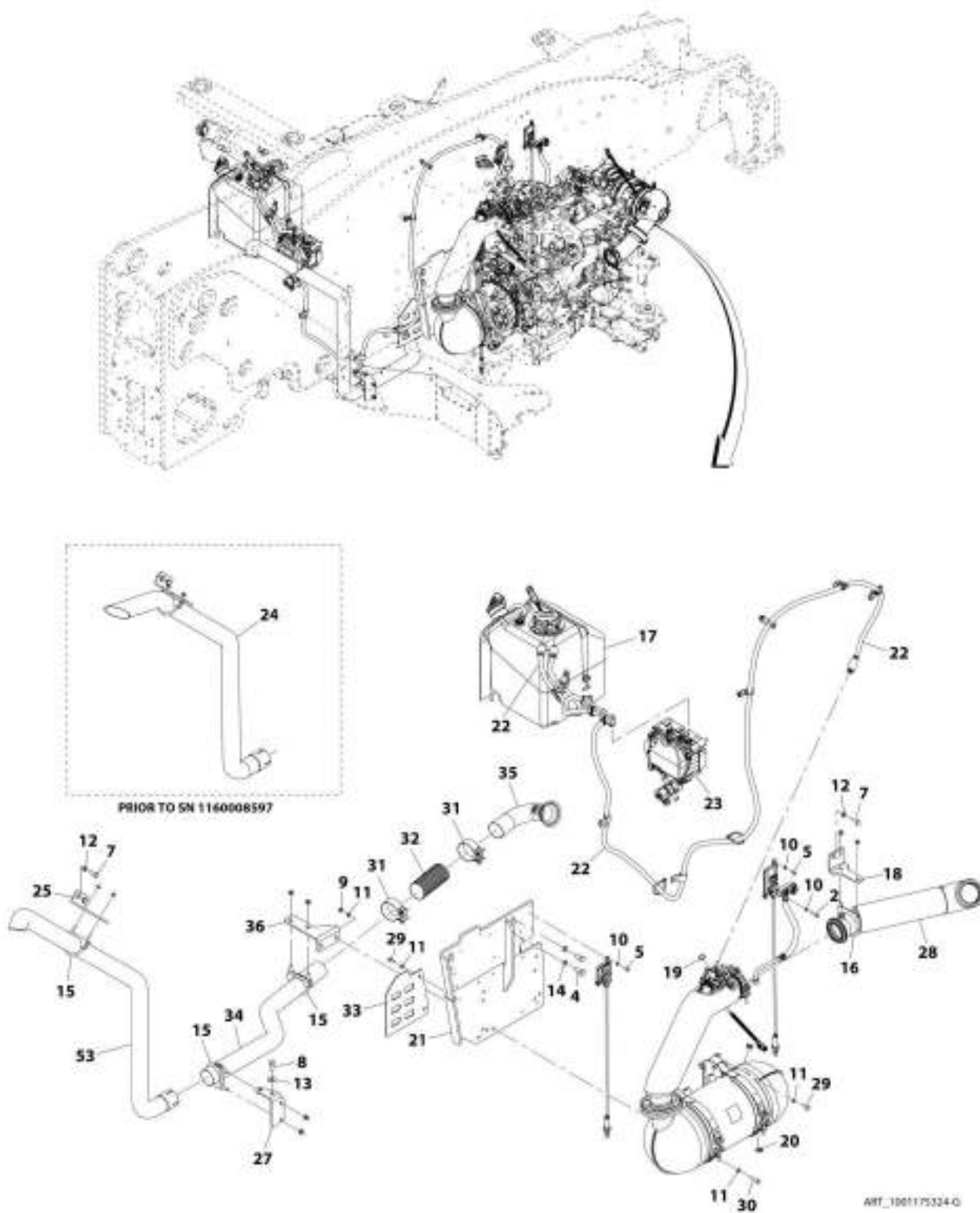
## SECTION 4 - ENGINE AND ATTACHING PARTS

**FIGURE 4-17. FUEL LINES INSTALLATION (LS - RHOC)**

ITEM	PART NUMBER	QTY	DESCRIPTION	REV
	1001185189	Ref	Fuel Lines Installation (LS - RHOC)	C
12	0761012	1	Bolt, M10X25	
13	1062255	AR	Strap, Tie	
14	4240127	AR	Strap, Tie	
15	4812000	1	Washer, M10	
16	8405006	2	Clamp, Gear	
17	8410013	3	Clamp, Gear	
18	1001003305	1	Clip	
19	1001026104	1	Clip	
20	1001130198	1	Clip, 90	
21	1001146588	1	Strap, Fir Tree Cable Tie	
22	1001204841	1	Hose, 0.5IN Fuel	
23	1001204842	1	Hose, 0.38IN Fuel	
24	1001205041	1	Hose, 0.38IN Fuel	
25	1001216854	1	Hose, 0.5IN Fuel	
26	1001216855	1	Hose, 0.5IN Fuel	

# SECTION 4 - ENGINE AND ATTACHING PARTS

## FIGURE 4-18. EXHAUST INSTALLATION (ULS)



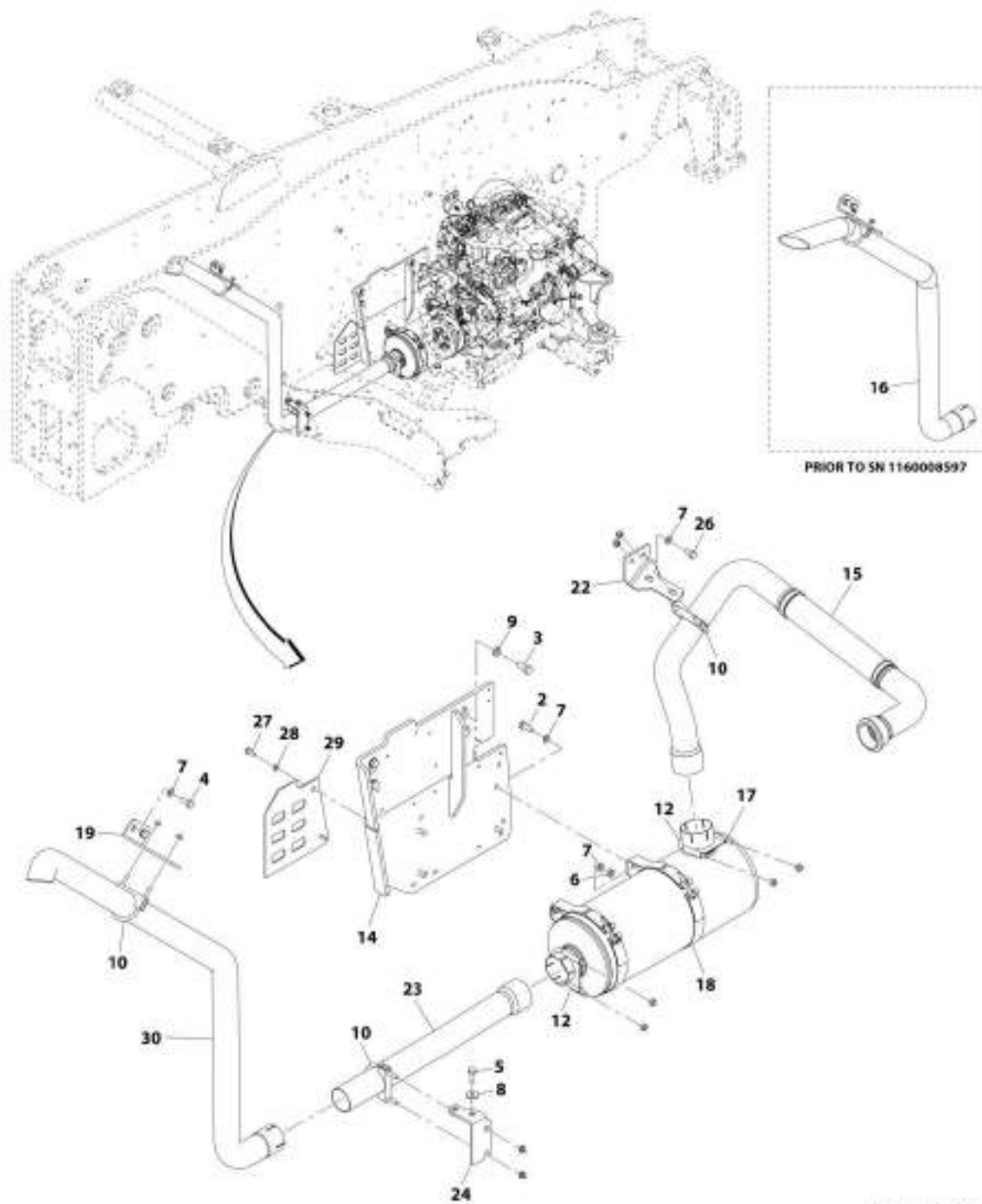
## SECTION 4 - ENGINE AND ATTACHING PARTS

**FIGURE 4-18. EXHAUST INSTALLATION (ULS)**

ITEM	PART NUMBER	QTY	DESCRIPTION	REV
	1001175324	Ref	Exhaust Installation (ULS)	G
2	0700614	2	Bolt, M6X30	
4	0701214	4	Bolt, M12X30	
5	0760607	4	Bolt, M6X14	
7	0761012	4	Bolt, M10X25	
8	0761014	2	Bolt, M10X30	
9	3290805	2	Nut, Lock M8X1.25 Grade 8	
10	4811700	6	Washer, M6	
11	4811900	12	Washer, M8	
12	4812000	4	Washer, M10	
13	4812002	2	Washer, M10	
14	4812100	4	Washer, M12	
15	8275212	3	Clamp, Muffler	
16	24921332	1	Clamp, Exhaust	
17	1001168639	Ref	Installation, DEF Tank (ULS) (See Separate Breakdown in this Section)	
18	1001169918	1	Plate, Exhaust	
19	1001171913	1	Cap	
20	1001171959	2	Plug	
21	1001210022	1	Bracket	
22	1001176977	Ref	Installation, DEF Lines (ULS) (See Separate Breakdown in this Section)	
23	1001178030	Ref	Installation, DEF Control Module (ULS) (See Separate Breakdown in this Section)	
24	1001178115	1	Pipe, Tail Exhaust ( <b>Prior to SN 1160008597</b> )	
25	1001182824	1	Bracket, Tailpipe	
27	1001201811	1	Bracket, Tailpipe	
28	1001193551	1	Pipe, Exhaust Flex	
29	0760810	8	Bolt, M8X20	
30	0760815	2	Bolt, M8X35	
31	91163268	2	Clamp, Flex Pipe ( <b>Prior to SN 1160008597</b> )	
31	1001225213	2	Clamp, Flex Pipe ( <b>SN 1160008597 to Present</b> )	
32	1001201766	1	Pipe, Exhaust Flex	
33	1001201823	1	Plate, Airflow	
34	1001201929	1	Pipe, Exhaust	
35	1001201930	1	Pipe, Exhaust	
36	1001201933	1	Support, Exhaust Pipe	
53	1001222187	1	Pipe, Tail Exhaust ( <b>SN 1160008597 to Present</b> )	

# SECTION 4 - ENGINE AND ATTACHING PARTS

## FIGURE 4-19. EXHAUST INSTALLATION (LS)



A0T. 1001175325-E



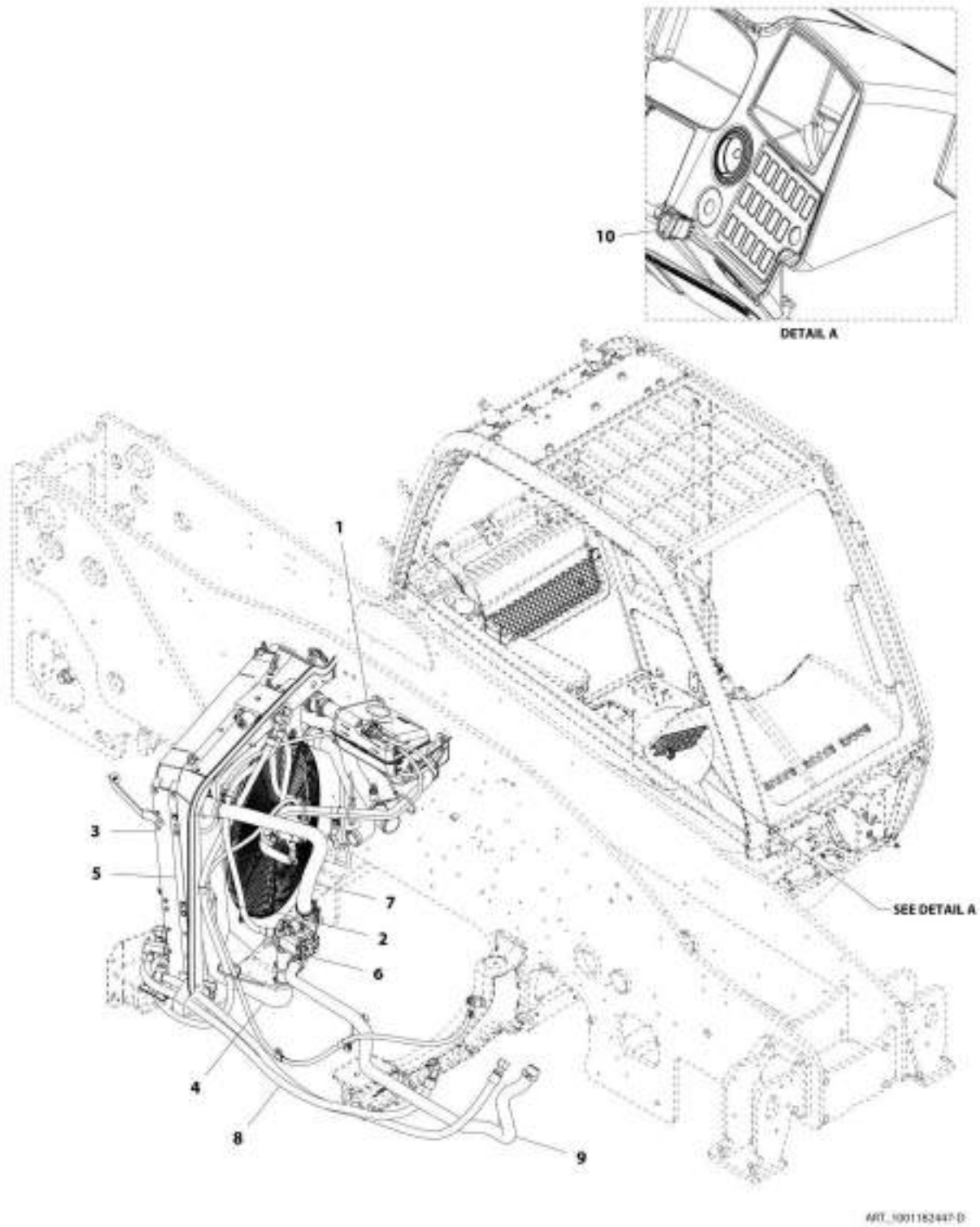
## SECTION 4 - ENGINE AND ATTACHING PARTS

**FIGURE 4-19. EXHAUST INSTALLATION (LS)**

ITEM	PART NUMBER	QTY	DESCRIPTION	REV
	1001175325	Ref	Exhaust Installation (LS)	E
2	0701014	4	Bolt, M10X30	
3	0701214	4	Bolt, M12X30	
4	0761012	2	Bolt, M10X25	
5	0761014	2	Bolt, M10X30	
6	3291007	4	Nut, Lock M10X1.5 Grade 8	
7	4812000	12	Washer, M10	
8	4812002	2	Washer, M10	
9	4812100	4	Washer, M12	
10	8275212	3	Clamp, Muffler	
12	24921332	2	Clamp, Exhaust	
14	1001210022	1	Bracket	
15	1001208281	1	Pipe, Exhaust	
16	1001178115	1	Pipe, Tail Exhaust <b>(Prior to SN 1160008597)</b>	
17	1001180226	1	Muffler, Exhaust	
18	1001180227	2	Clamp, Muffler	
19	1001182824	1	Bracket, Tailpipe	
22	1001190740	1	Plate, Exhaust	
23	1001184710	1	Tube, Exhaust	
24	1001201811	1	Bracket, Tailpipe	
26	0761010	2	Bolt, M10X20	
27	0760810	2	Bolt, M8X20	
28	4811900	2	Washer, M8	
29	1001201823	1	Plate, Airflow	
30	1001222187	1	Pipe, Tail Exhaust <b>(SN 1160008597 to Present)</b>	

# SECTION 4 - ENGINE AND ATTACHING PARTS

FIGURE 4-20. COOLING PACKAGE INSTALLATION (74.4KW - ULS)



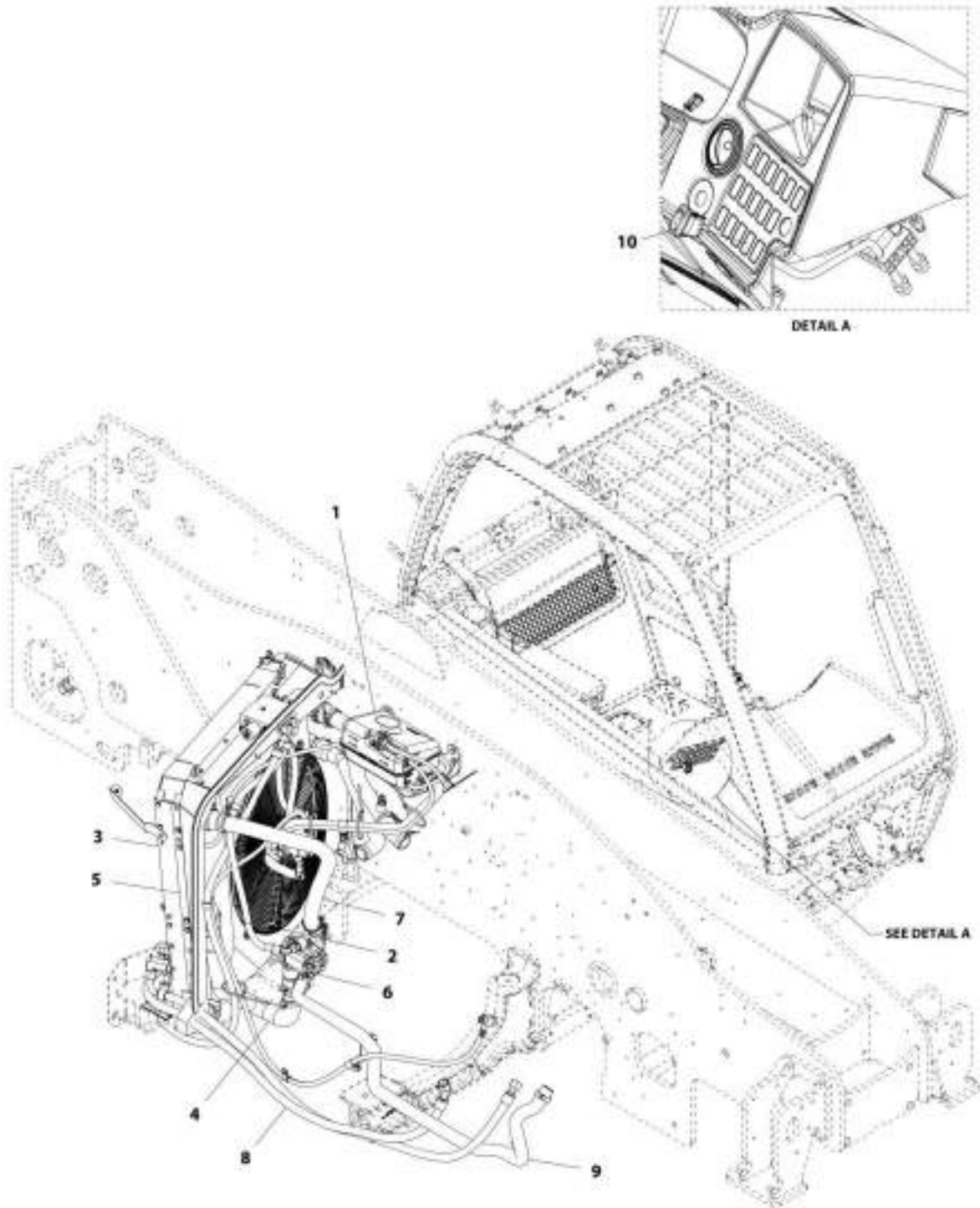
## SECTION 4 - ENGINE AND ATTACHING PARTS

**FIGURE 4-20. COOLING PACKAGE INSTALLATION (74.4KW - ULS)**

ITEM	PART NUMBER	QTY	DESCRIPTION	REV
	1001182447	Ref	Cooling Package Installation (74.4KW - ULS)	D
1	1001179864	Ref	Installation, Surge Tank (See Separate Breakdown in this Section)	
2	1001182112	Ref	Installation, Cooling Fan (See Separate Breakdown in this Section)	
3	1001184061	Ref	Installation, Cooler (74.4KW) (See Separate Breakdown in this Section)	
4	1001184120	Ref	Installation, Coolant Lines (ULS) (See Separate Breakdown in this Section)	
5	1001184955	Ref	Installation, Bulkhead (See Separate Breakdown in this Section)	
6	1001185865	Ref	Installation, Hydraulic Pump (74.4KW) (See Separate Breakdown in this Section)	
7	1001186849	Ref	Installation, CAC Lines (ULS) (See Separate Breakdown in this Section)	
8	1001183075	Ref	Installation, Cooler Lines (74.4KW) (See Separate Breakdown in this Section)	
9	1001188220	Ref	Installation, Fan Lines (74.4KW) (See Separate Breakdown in this Section)	
10	1001145204	1	Switch, Reversing Fan	

# SECTION 4 - ENGINE AND ATTACHING PARTS

## FIGURE 4-21. COOLING PACKAGE INSTALLATION (74.4KW - LS)



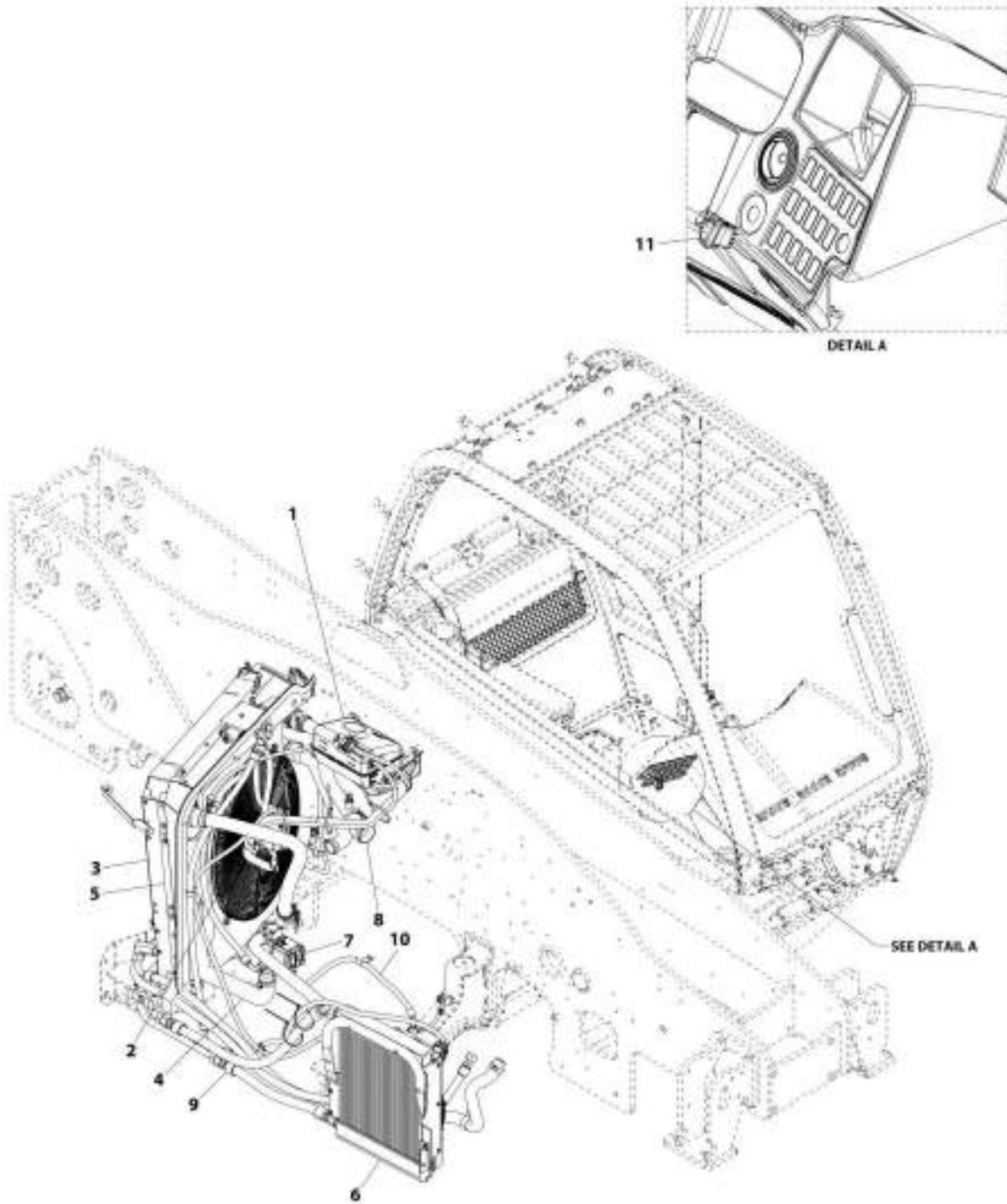
## SECTION 4 - ENGINE AND ATTACHING PARTS

**FIGURE 4-21. COOLING PACKAGE INSTALLATION (74.4KW - LS)**

ITEM	PART NUMBER	QTY	DESCRIPTION	REV
	1001184315	Ref	Cooling Package Installation (74.4KW - LS)	D
1	1001179864	Ref	Installation, Surge Tank (See Separate Breakdown in this Section)	
2	1001182112	Ref	Installation, Cooling Fan (See Separate Breakdown in this Section)	
3	1001184061	Ref	Installation, Cooler (74.4KW) (See Separate Breakdown in this Section)	
4	1001184132	Ref	Installation, Coolant Lines (LS) (See Separate Breakdown in this Section)	
5	1001184955	Ref	Installation, Bulkhead (See Separate Breakdown in this Section)	
6	1001185865	Ref	Installation, Hydraulic Pump (74.4KW) (See Separate Breakdown in this Section)	
7	1001186848	Ref	Installation, CAC Lines (LS) (See Separate Breakdown in this Section)	
8	1001183075	Ref	Installation, Cooler Lines (74.4KW) (See Separate Breakdown in this Section)	
9	1001188220	Ref	Installation, Fan Lines (74.4KW) (See Separate Breakdown in this Section)	
10	1001145204	1	Switch, Reversing Fan	

# SECTION 4 - ENGINE AND ATTACHING PARTS

FIGURE 4-22. COOLING PACKAGE INSTALLATION (90KW - ULS)



ART\_1001182450-D

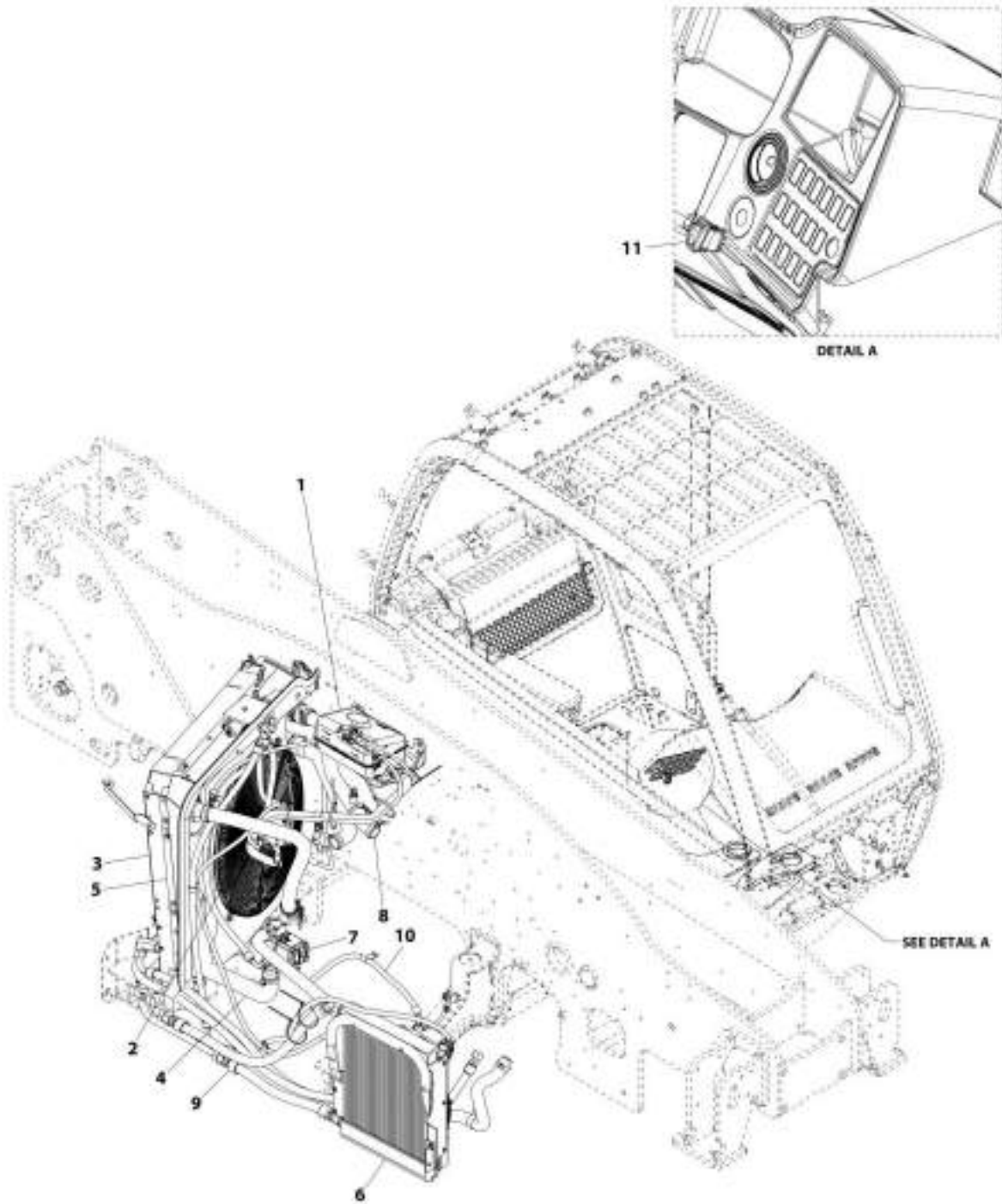
## SECTION 4 - ENGINE AND ATTACHING PARTS

**FIGURE 4-22. COOLING PACKAGE INSTALLATION (90KW - ULS)**

ITEM	PART NUMBER	QTY	DESCRIPTION	REV
	1001182450	Ref	Cooling Package Installation (90KW - ULS)	D
1	1001179864	Ref	Installation, Surge Tank (See Separate Breakdown in this Section)	
2	1001182112	Ref	Installation, Cooling Fan (See Separate Breakdown in this Section)	
3	1001184062	Ref	Installation, Cooler (90KW) (See Separate Breakdown in this Section)	
4	1001184120	Ref	Installation, Coolant Lines (ULS) (See Separate Breakdown in this Section)	
5	1001184955	Ref	Installation, Bulkhead (See Separate Breakdown in this Section)	
6	1001185337	Ref	Installation, Remote HOC (See Separate Breakdown in this Section)	
7	1001185864	Ref	Installation, Hydraulic Pump (90KW) (See Separate Breakdown in this Section)	
8	1001186849	Ref	Installation, CAC Lines (ULS) (See Separate Breakdown in this Section)	
9	1001183076	Ref	Installation, Cooler Lines (90KW) (See Separate Breakdown in this Section)	
10	1001187276	Ref	Installation, Fan Lines (90KW) (See Separate Breakdown in this Section)	
11	1001145204	1	Switch, Reversing Fan	

# SECTION 4 - ENGINE AND ATTACHING PARTS

FIGURE 4-23. COOLING PACKAGE INSTALLATION (90KW - LS)



ART\_1001184322-D



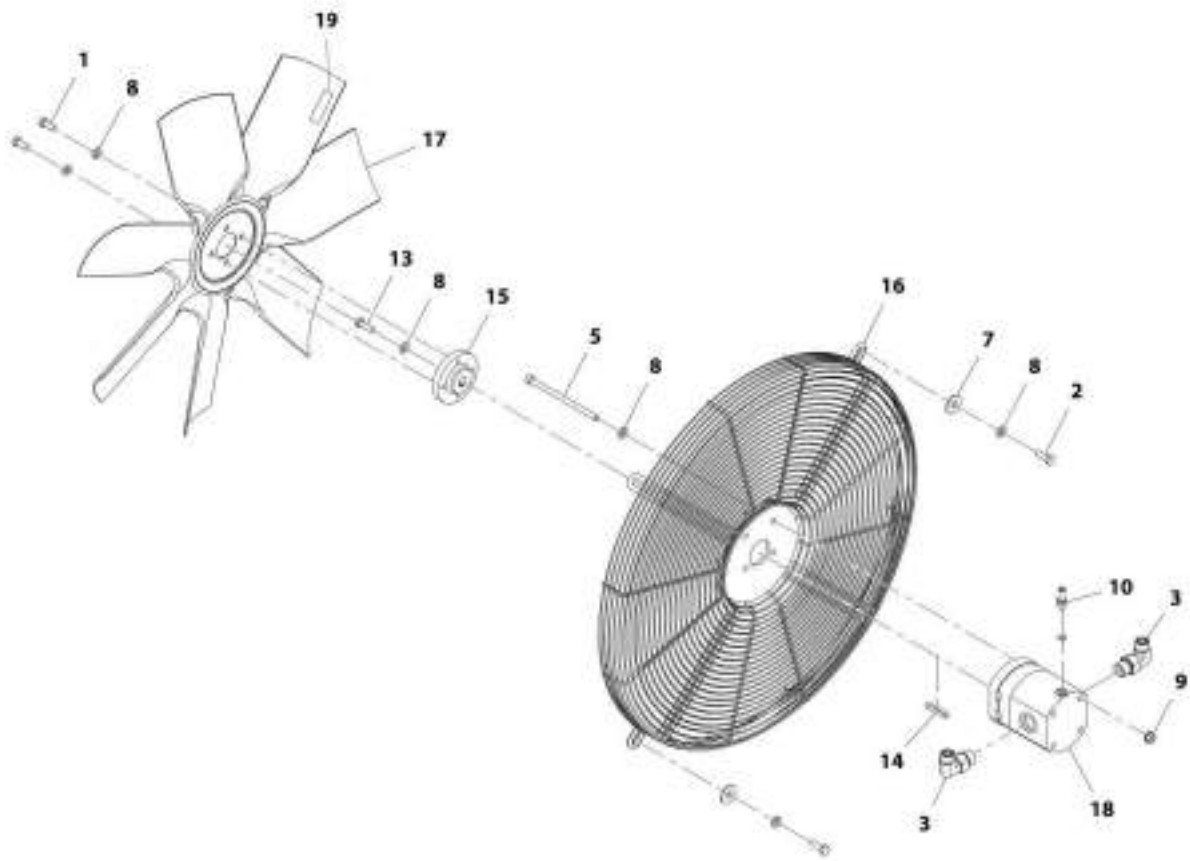
## SECTION 4 - ENGINE AND ATTACHING PARTS

**FIGURE 4-23. COOLING PACKAGE INSTALLATION (90KW - LS)**

ITEM	PART NUMBER	QTY	DESCRIPTION	REV
	1001184322	Ref	Cooling Package Installation (90KW - LS)	D
1	1001179864	Ref	Installation, Surge Tank (See Separate Breakdown in this Section)	
2	1001182112	Ref	Installation, Cooling Fan (See Separate Breakdown in this Section)	
3	1001184062	Ref	Installation, Cooler (90KW) (See Separate Breakdown in this Section)	
4	1001184132	Ref	Installation, Coolant Lines (LS) (See Separate Breakdown in this Section)	
5	1001184955	Ref	Installation, Bulkhead (See Separate Breakdown in this Section)	
6	1001185337	Ref	Installation, Remote HOC (See Separate Breakdown in this Section)	
7	1001185864	Ref	Installation, Hydraulic Pump (90KW) (See Separate Breakdown in this Section)	
8	1001186848	Ref	Installation, CAC Lines (LS) (See Separate Breakdown in this Section)	
9	1001183076	Ref	Installation, Cooler Lines (90KW) (See Separate Breakdown in this Section)	
10	1001187276	Ref	Installation, Fan Lines (90KW) (See Separate Breakdown in this Section)	
11	1001145204	1	Switch, Reversing Fan	

# SECTION 4 - ENGINE AND ATTACHING PARTS

## FIGURE 4-24. COOLING FAN INSTALLATION



AFT\_166102112-E

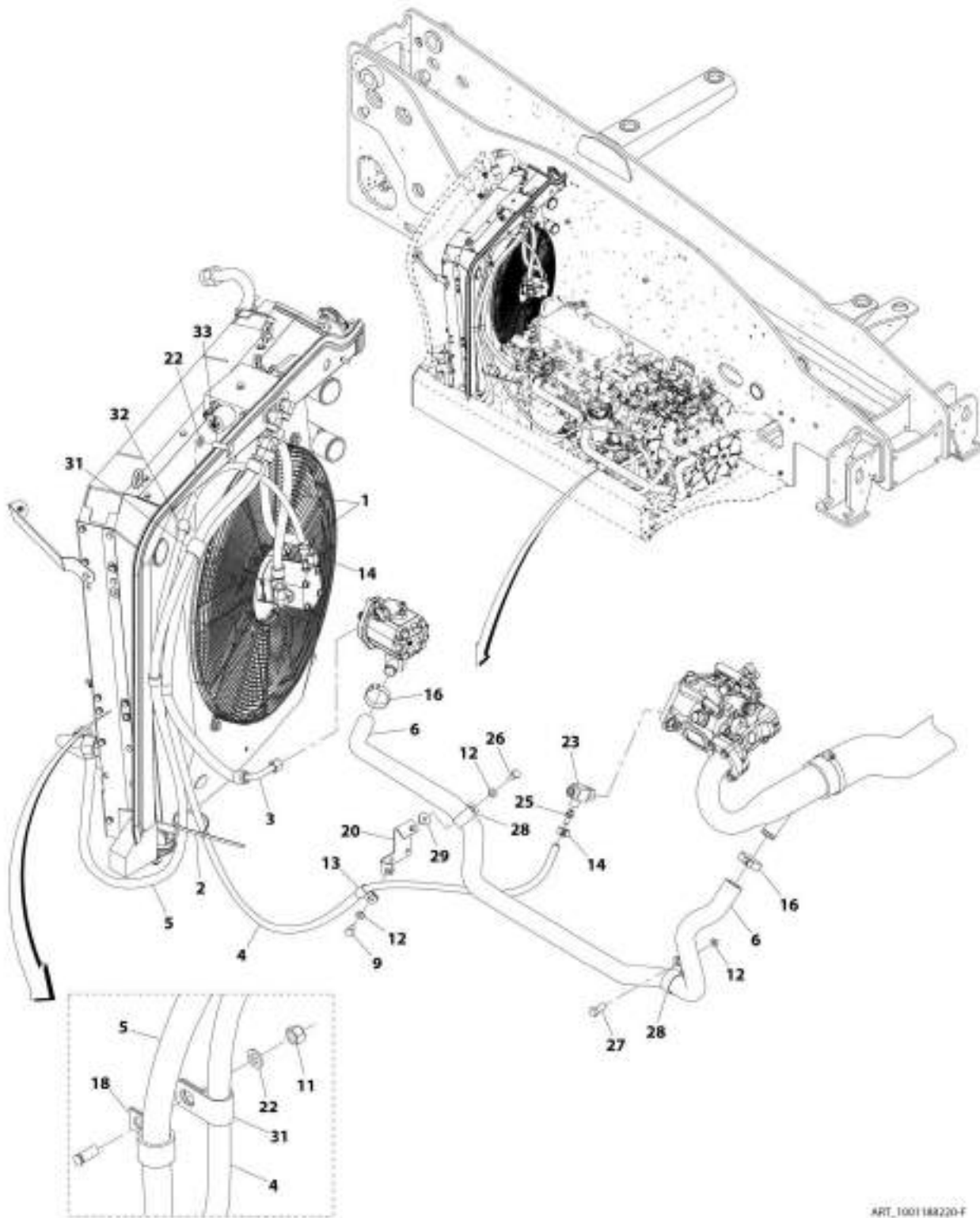
## SECTION 4 - ENGINE AND ATTACHING PARTS

**FIGURE 4-24. COOLING FAN INSTALLATION**

ITEM	PART NUMBER	QTY	DESCRIPTION	REV
	1001182112	Ref	Cooling Fan Installation	E
1	0770810	4	Bolt, M8X20 Grade 10.9	
2	0760812	4	Bolt, M8X25	
3	2130810	2	Fitting, 90 ORFS	
5	4031927	4	Bolt, M8X140	
7	4812002	4	Washer, M10	
8	5240800	13	Washer, M8	
9	5260800	4	Nut, M10	
10	1001093401	1	Fitting, Straight ORFS	
13	1001139034	1	Bolt	
14	1001152940	1	Key, Fan Hub	
15	1001191508	1	Adapter, Fan Hub	
16	1001182111	1	Shield, Fan	
17	1001182193	1	Fan, M610	
18	1001182949	1	Motor, Fan Drive (14.53CC) (See Separate Breakdown in this Section)	
19	1001222573	AR	Reflective Tape	

# SECTION 4 - ENGINE AND ATTACHING PARTS

## FIGURE 4-25. FAN LINES INSTALLATION (74.4KW)



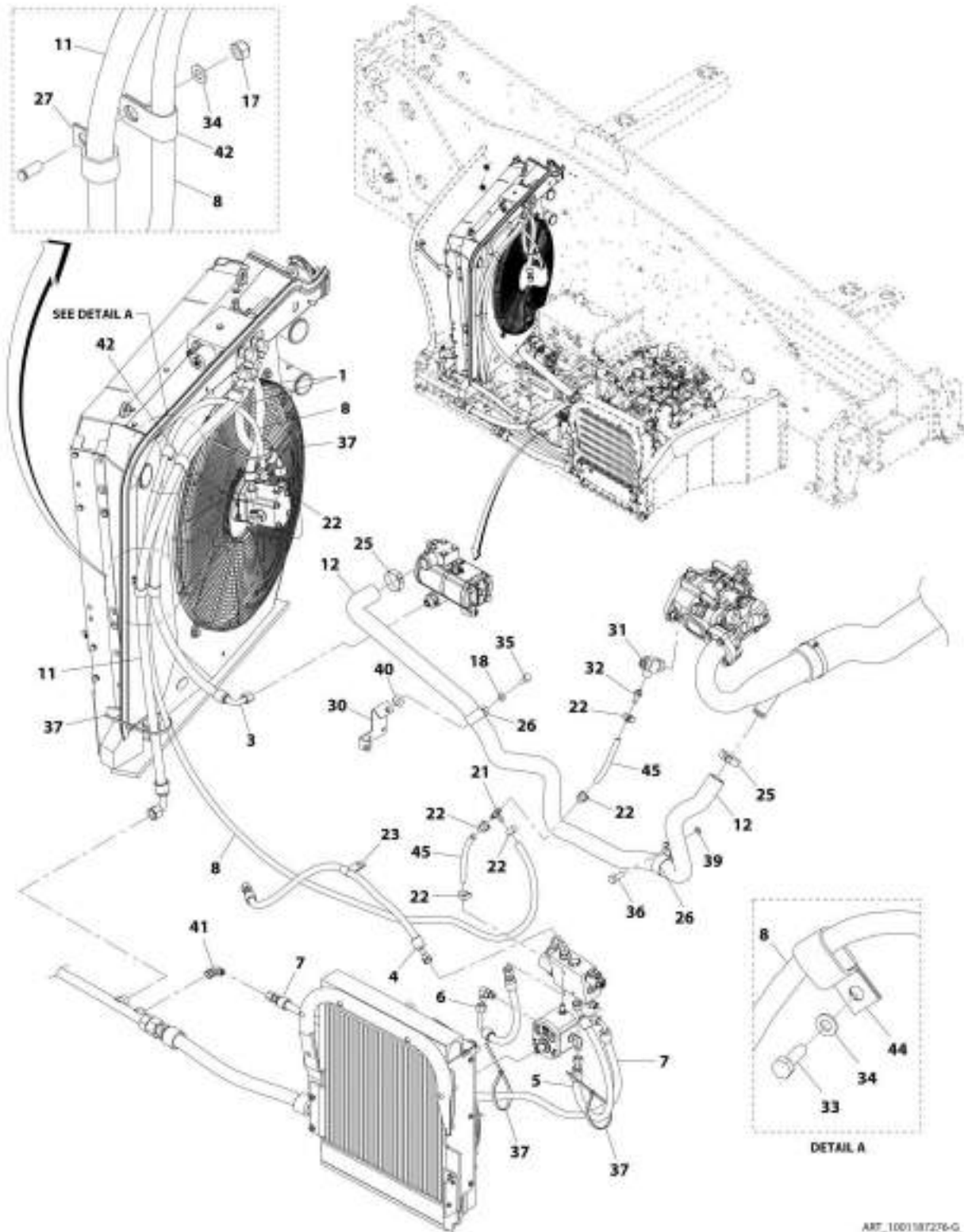
## SECTION 4 - ENGINE AND ATTACHING PARTS

### FIGURE 4-25. FAN LINES INSTALLATION (74.4KW)

ITEM	PART NUMBER	QTY	DESCRIPTION	REV
	1001188220	Ref	Fan Lines Installation (74.4KW)	F
1	1001187277	2	Hose	
2	1062255	1	Strap, Tie	
3	1001200798	1	Hose, 0.50IN ORFS	
4	1001187550	1	Hose <b>(Prior to SN 1160008434)</b>	
4	1001220551	1	Hose <b>(SN 1160008434 to Present)</b>	
5	1001203287	1	Hose, 0.63IN ORFS <b>(Prior to SN 1160008434)</b>	
5	1001221993	1	Hose <b>(SN 1160008434 to Present)</b>	
6	1001202484	1	Hose, 1.25IN	
9	0761010	1	Bolt, M10X20	
11	3290805	1	Nut, Lock M8X1.25 Grade 8	
12	4812000	3	Washer, M10	
13	8406105	1	Clip	
14	8410013	2	Clamp, Gear	
16	1001008657	2	Clamp, Hose	
18	1001009384	1	Clip	
20	1001187712	1	Bracket	
22	4811900	2	Washer, M8	
23	1001033120	1	Fitting, Tee ORFS	
25	1001168030	1	Barb, Hose	
26	0701012	1	Bolt, M10X25	
27	0701214	1	Bolt, M12X30	
28	1320239	2	Clamp, 1-3/4IN	
29	4812002	1	Washer, M10	
31	1001008720	2	Clip	
32	1001008626	1	Clip	
33	0760812	1	Bolt, M8X25	

# SECTION 4 - ENGINE AND ATTACHING PARTS

## FIGURE 4-26. FAN LINES INSTALLATION (90KW)



ART\_1001187276-G

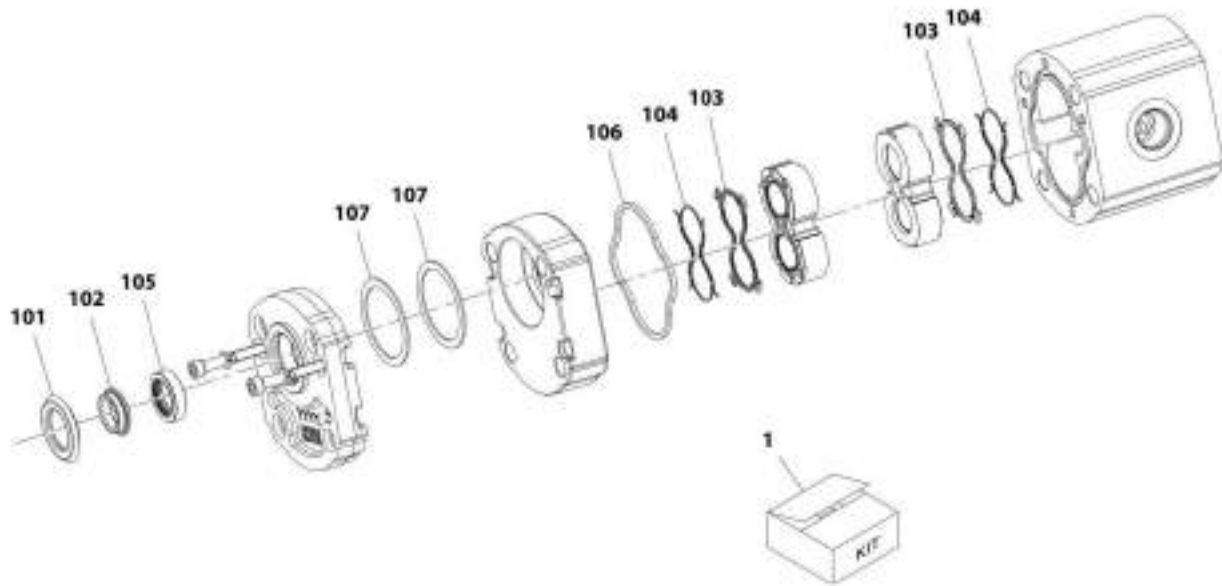
## SECTION 4 - ENGINE AND ATTACHING PARTS

**FIGURE 4-26. FAN LINES INSTALLATION (90KW)**

ITEM	PART NUMBER	QTY	DESCRIPTION	REV
	1001187276	Ref	Fan Lines Installation (90KW)	G
1	1001187277	2	Hose	
3	1001203025	1	Hose, ORFS	
4	1001202922	1	Hose, ORFS	
5	1001220145	NLA	Hose, ORFS (no longer available, use 1001229063 for replacement)	
5	1001229063	1	Hose, ORFS	
6	1001187407	NLA	Hose (no longer available, use 1001229068 for replacement)	
6	1001229068	1	Hose, ORFS	
7	1001196662	NLA	Hose, ORFS (no longer available, use 1001228931 for replacement)	
7	1001228931	1	Hose, ORFS	
8	1001187550	NLA	Hose (no longer available, use 1001228929 for replacement)	
8	1001228929	1	Hose	
9	1001187551	NLA	Hose (no longer available, use 1001228930 for replacement)	
10	1001187552	NLA	Hose (no longer available, use 1001228930 for replacement)	
11	1001203178	1	Hose, ORFS	
12	1001199403	1	Hose	
17	3290805	1	Nut, Lock M8X1.25 Grade 8	
18	4812000	1	Washer, M10	
21	1001003934	1	Fitting, Tee Barb	
22	8410013	6	Clamp, Gear	
23	1001004143	1	Clip	
25	1001008657	2	Clamp, Hose	
26	1320239	2	Clamp, 1-3/4IN	
27	1001009384	1	Clip	
30	1001187712	1	Bracket	
31	1001033120	1	Fitting, Tee ORFS	
32	1001168030	1	Barb, Hose	
33	0760812	1	Bolt, M8X25	
34	4811900	2	Washer, M8	
35	0701012	1	Bolt, M10X25	
36	0701214	1	Bolt, M12X30	
37	1062255	4	Strap, Tie	
39	4812100	1	Washer, M12	
40	4812002	1	Washer, M10	
41	2172106	1	Fitting, 90 ORFS	
42	1001008720	2	Clip	
44	1001008626	1	Clip	
45	1001228930	1	Hose	

# SECTION 4 - ENGINE AND ATTACHING PARTS

FIGURE 4-27. FAN DRIVE MOTOR (NO RHOC)



ART\_100132949-B



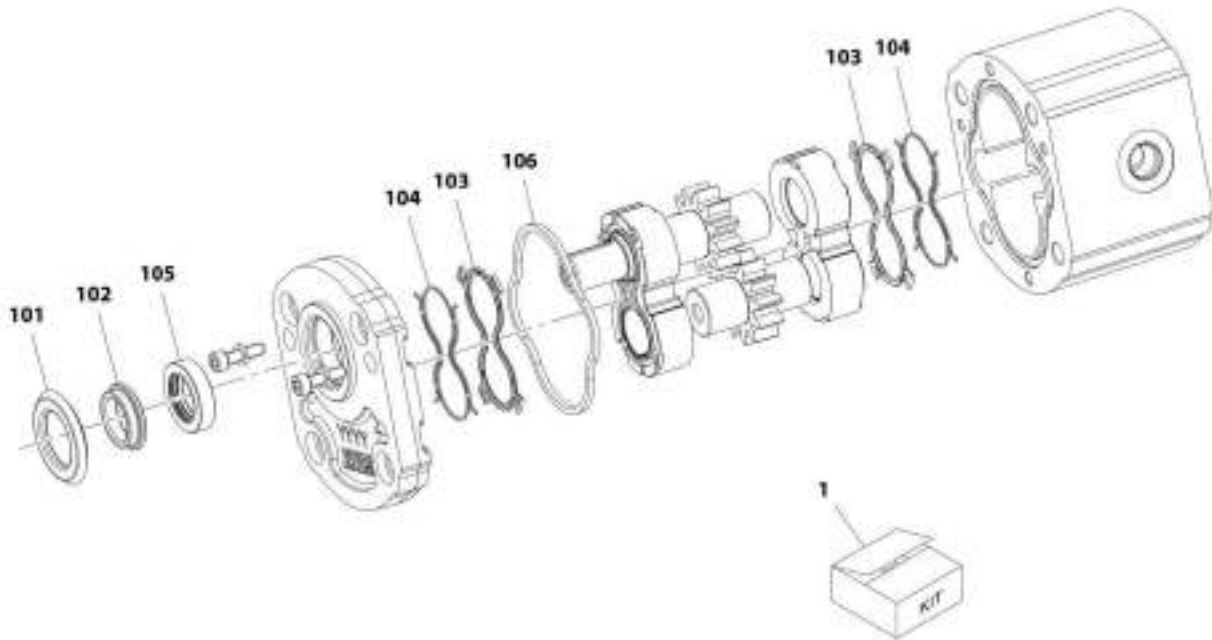
## SECTION 4 - ENGINE AND ATTACHING PARTS

FIGURE 4-27. FAN DRIVE MOTOR (NO RHOC)

ITEM	PART NUMBER	QTY	DESCRIPTION	REV
	1001182949	Ref	Fan Drive Motor (No RHOC)	B
1	70027008	1	Kit, Seal	
101	Kit	1	Seal	
102	Kit	1	Holder Bushing	
103	Kit	2	Seal	
104	Kit	2	Ring, Anti-Extrusion	
105	Kit	1	Seal, Shaft	
106	Kit	1	Seal	
107	Kit	2	Seal	

# SECTION 4 - ENGINE AND ATTACHING PARTS

FIGURE 4-28. FAN DRIVE MOTOR (RHOC)



ART\_1001182850-8

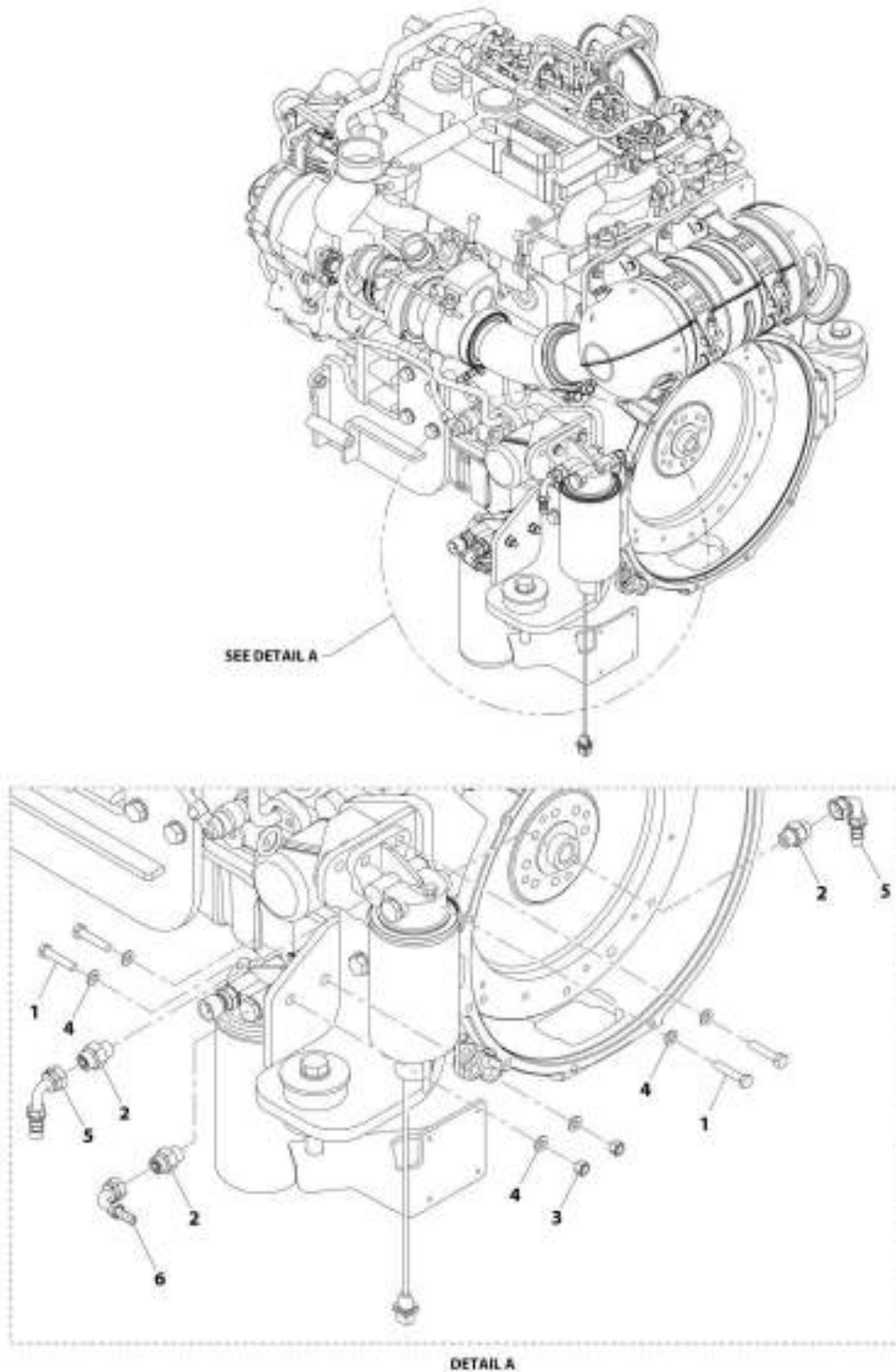
## SECTION 4 - ENGINE AND ATTACHING PARTS

FIGURE 4-28. FAN DRIVE MOTOR (RHOC)

ITEM	PART NUMBER	QTY	DESCRIPTION	REV
	1001182950	Ref	Fan Drive Motor (RHOC)	B
1	70027037	1	Kit, Seal	
101	N.S.S.	1	Seal, Axial	
102	N.S.S.	1	Bush Holder	
103	N.S.S.	2	Seal	
104	N.S.S.	2	Ring	
105	N.S.S.	1	Seal	
106	N.S.S.	1	Seal	

# SECTION 4 - ENGINE AND ATTACHING PARTS

FIGURE 4-29. PRIMARY FUEL FILTER INSTALLATION (74.4KW - ULS)



ART.1001211729-C

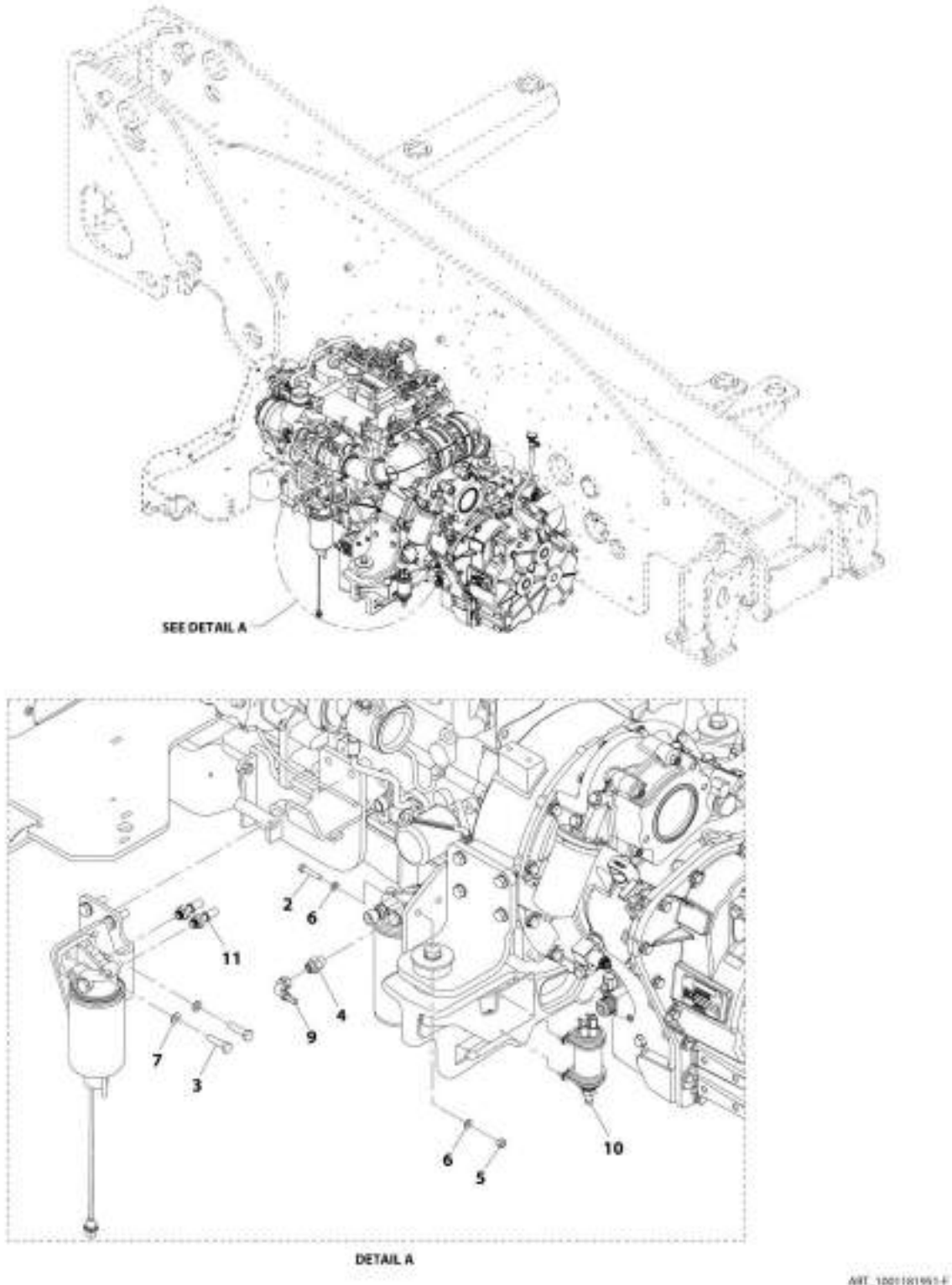
## SECTION 4 - ENGINE AND ATTACHING PARTS

**FIGURE 4-29. PRIMARY FUEL FILTER INSTALLATION (74.4KW - ULS)**

ITEM	PART NUMBER	QTY	DESCRIPTION	REV
	1001211729	Ref	Primary Fuel Filter Installation (74.4KW - ULS)	C
1	0700816	4	Bolt, M8X40	
2	2144606	3	Fitting, Straight ORFS	
3	3290805	2	Nut, Lock M8X1.25 Grade 8	
4	4811900	6	Washer, M8	
5	1001095301	2	Fitting, 90 ORFS	
6	1001133793	1	Fitting, 90 ORFS	

# SECTION 4 - ENGINE AND ATTACHING PARTS

FIGURE 4-30. FUEL FILTER INSTALLATION (90/100KW - ULS)



WRT\_100101951-F

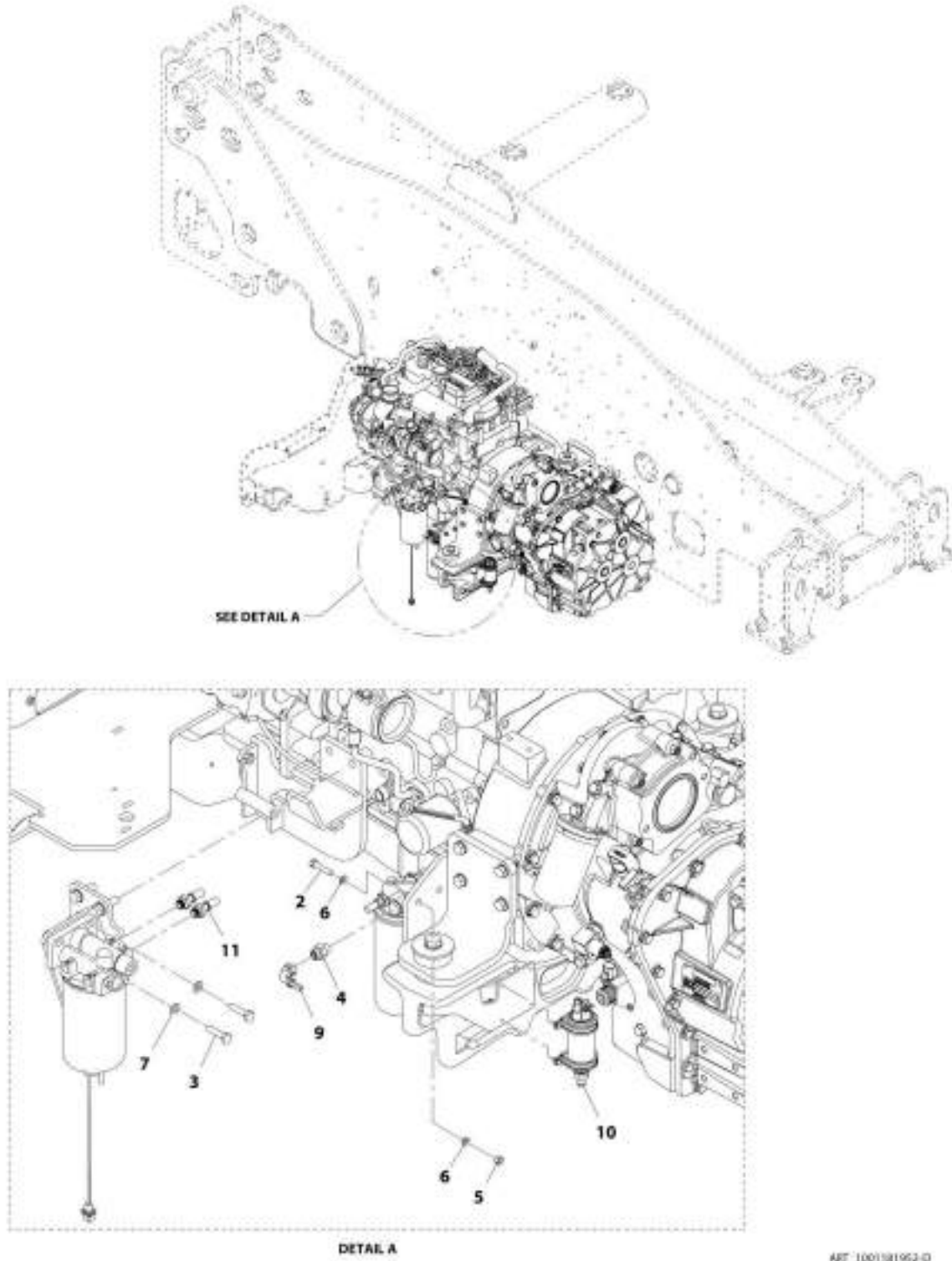
## SECTION 4 - ENGINE AND ATTACHING PARTS

FIGURE 4-30. FUEL FILTER INSTALLATION (90/100KW - ULS)

ITEM	PART NUMBER	QTY	DESCRIPTION	REV
	1001181951	Ref	Fuel Filter Installation (90/100KW - ULS)	F
2	0700816	2	Bolt, M8X40	
3	0701016	2	Bolt, M10X40	
4	2144606	1	Fitting, Straight ORFS	
5	3290805	2	Nut, Lock M8X1.25 Grade 8	
6	4811900	4	Washer, M8	
7	4812000	2	Washer, M10	
9	1001133793	1	Fitting, 90 ORFS	
10	1001165789	Ref	Installation, Remote Fuel Pump (74.4KW) (See Separate Breakdown in this Section)	
11	1001133690	2	Coupling, M16X1.5	

# SECTION 4 - ENGINE AND ATTACHING PARTS

FIGURE 4-31. PRIMARY FUEL FILTER INSTALLATION (90KW - LS)





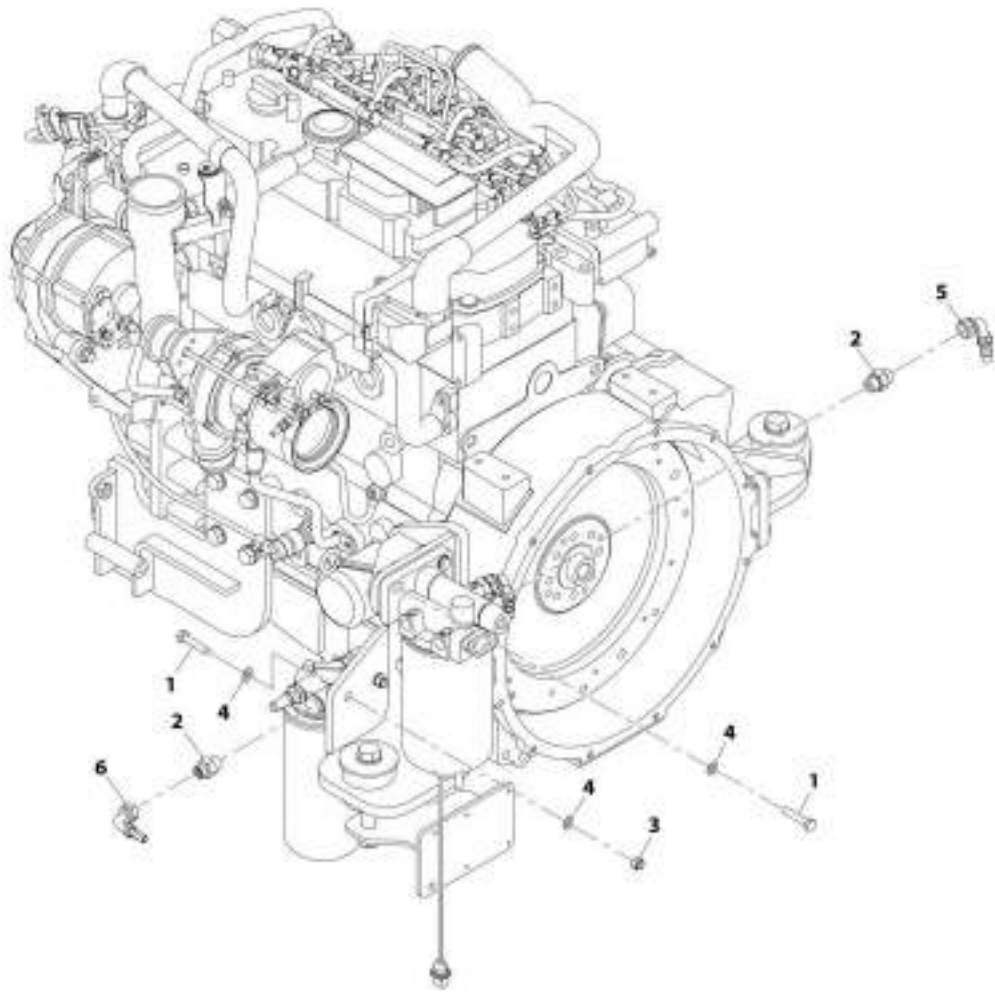
## SECTION 4 - ENGINE AND ATTACHING PARTS

FIGURE 4-31. PRIMARY FUEL FILTER INSTALLATION (90KW - LS)

ITEM	PART NUMBER	QTY	DESCRIPTION	REV
	1001181952	Ref	Primary Fuel Filter Installation (90KW - LS)	D
2	0700816	2	Bolt, M8X40	
3	0701016	2	Bolt, M10X40	
4	2144606	1	Fitting, Straight ORFS	
5	3290805	2	Nut, Lock M8X1.25 Grade 8	
6	4811900	4	Washer, M8	
7	4812000	2	Washer, M10	
9	1001133793	1	Fitting, 90 ORFS	
10	1001165789	Ref	Installation, Remote Fuel Pump (74.4KW) (See Separate Breakdown in this Section)	
11	1001133690	2	Coupling, M16X1.5	

## SECTION 4 - ENGINE AND ATTACHING PARTS

FIGURE 4-32. PRIMARY FUEL FILTER INSTALLATION (74.4KW - LS)



ARC\_1001211730-A

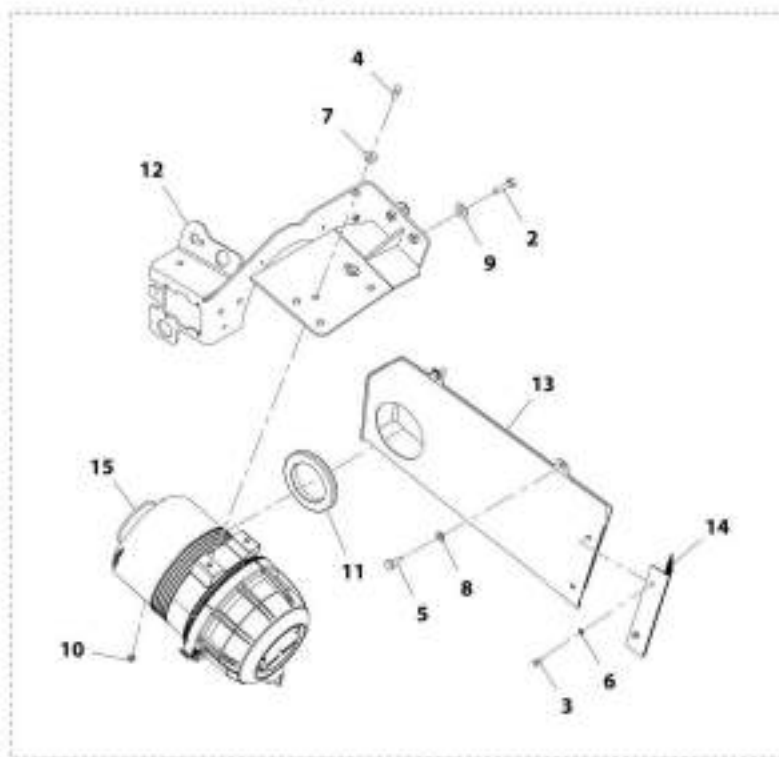
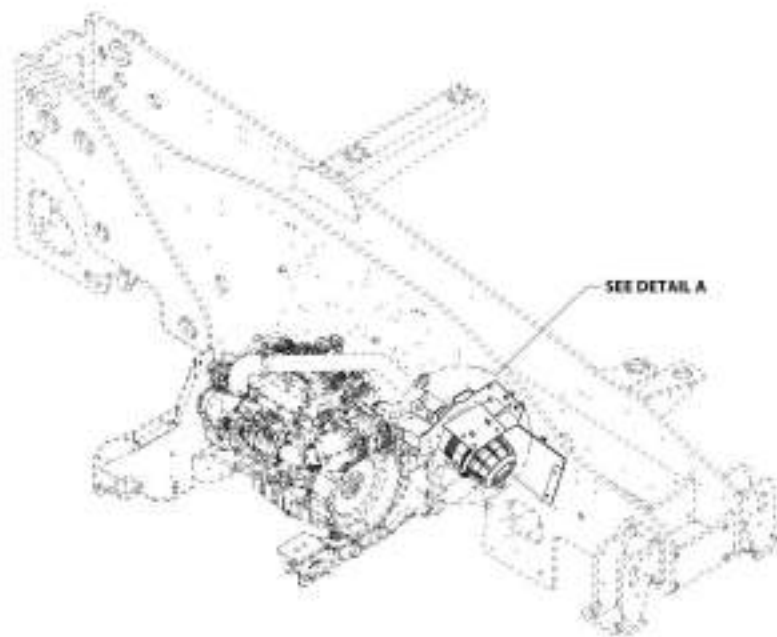
## SECTION 4 - ENGINE AND ATTACHING PARTS

**FIGURE 4-32. PRIMARY FUEL FILTER INSTALLATION (74.4KW - LS)**

ITEM	PART NUMBER	QTY	DESCRIPTION	REV
	1001211730	Ref	Primary Fuel Filter Installation (74.4KW - LS)	A
1	0700816	4	Bolt, M8X40	
2	2144606	3	Fitting, Straight ORFS	
3	3290805	2	Nut, Lock M8X1.25 Grade 8	
4	4811900	6	Washer, M8	
5	1001095301	2	Fitting, 90 ORFS	
6	1001133793	1	Fitting, 90 ORFS	

# SECTION 4 - ENGINE AND ATTACHING PARTS

FIGURE 4-33. AIR CLEANER INSTALLATION (74.4KW - ULS)



DETAIL A

ART\_1001R2045-C

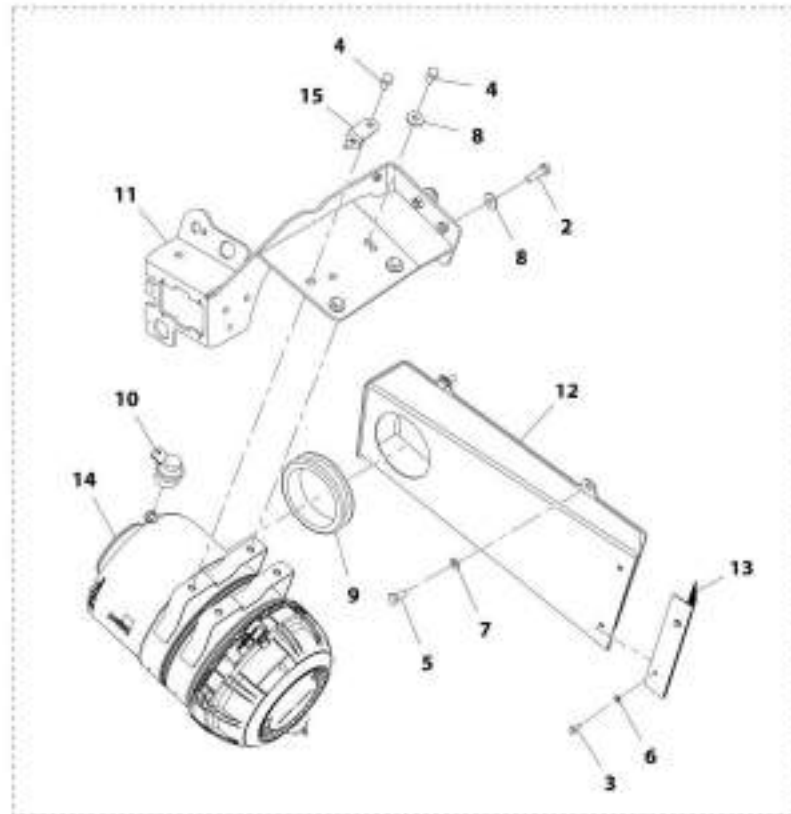
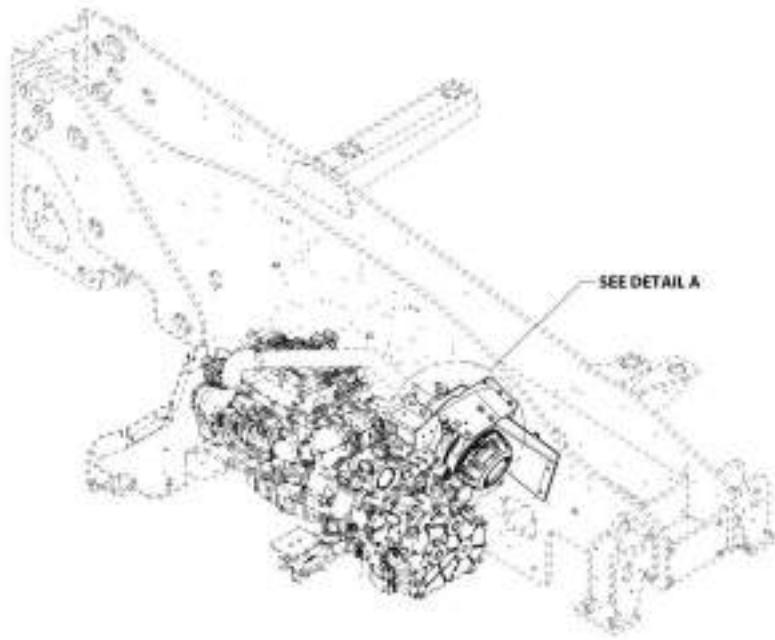
## SECTION 4 - ENGINE AND ATTACHING PARTS

**FIGURE 4-33. AIR CLEANER INSTALLATION (74.4KW - ULS)**

ITEM	PART NUMBER	QTY	DESCRIPTION	REV
	1001182040	Ref	Air Cleaner Installation (74.4KW - ULS)	D
2	0701016	3	Bolt, M10X40	
3	0760608	2	Bolt, M6X16	
4	0760810	2	Bolt, M8X20	
5	0761012	4	Bolt, M10X25	
6	4811700	2	Washer, M6	
7	4811902	2	Washer, M8	
8	4812000	4	Washer, M10	
9	4812002	3	Washer, M10	
10	1001183177	1	Cap	
11	1001183830	1	Grommet	
12	1001212907	1	Bracket	
13	1001186009	1	Duct	
14	1001186290	1	Grill	
15	1001166566	1	Filter, Air Cleaner (74.4KW) (See Separate Breakdown in this Section)	

# SECTION 4 - ENGINE AND ATTACHING PARTS

FIGURE 4-34. AIR CLEANER INSTALLATION (90/100KW)



DETAIL A

ART\_1001182036-F

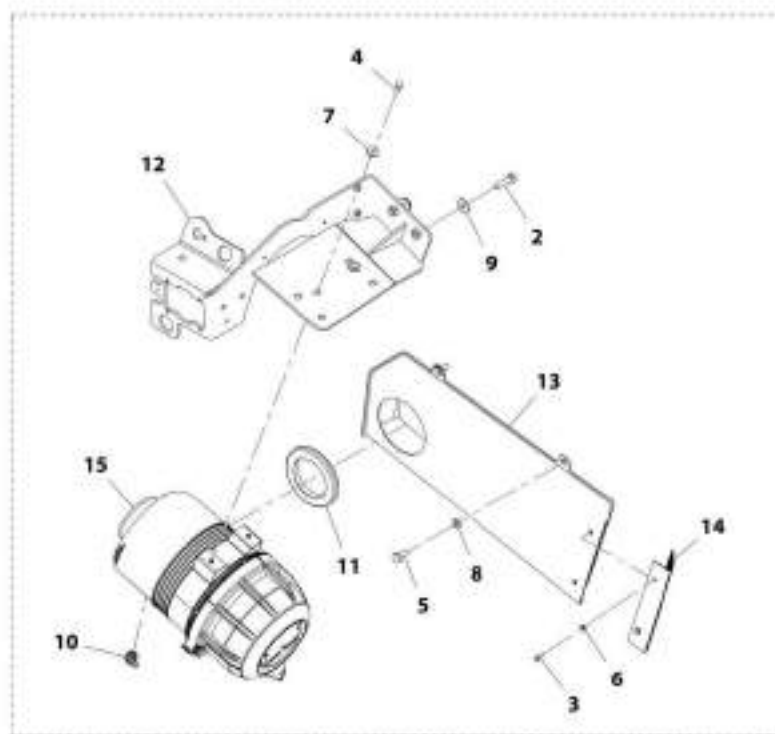
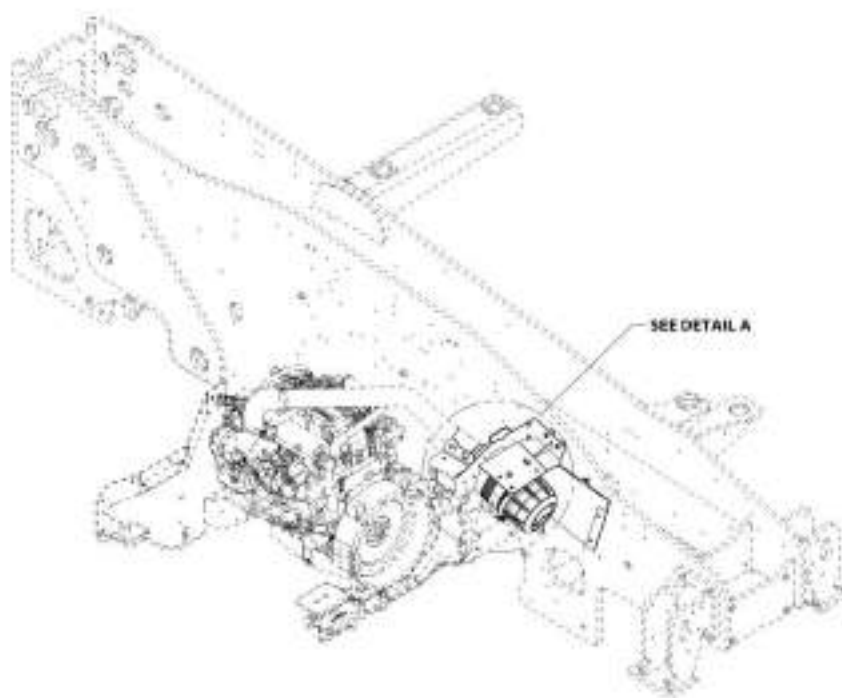
## SECTION 4 - ENGINE AND ATTACHING PARTS

**FIGURE 4-34. AIR CLEANER INSTALLATION (90/100KW)**

ITEM	PART NUMBER	QTY	DESCRIPTION	REV
	1001182036	Ref	Air Cleaner Installation (90/100KW)	F
2	0701016	3	Bolt, M10X40	
3	0760608	2	Bolt, M6X16	
4	0761010	4	Bolt, M10X20	
5	0761012	4	Bolt, M10X25	
6	4811700	2	Washer, M6	
7	4812000	4	Washer, M10	
8	4812002	6	Washer, M10	
9	1001166397	1	Grommet	
10	1001166715	1	Indicator	
11	1001212906	1	Bracket	
12	1001186009	1	Duct	
13	1001186290	1	Grill	
14	1001166565	1	Filter, Air Cleaner (90/100KW) (See Separate Breakdown in this Section)	
15	1001218486	1	Bracket	

# SECTION 4 - ENGINE AND ATTACHING PARTS

## FIGURE 4-35. AIR CLEANER INSTALLATION (74.4KW - LS)



DETAIL A

ARE\_100118/042-D



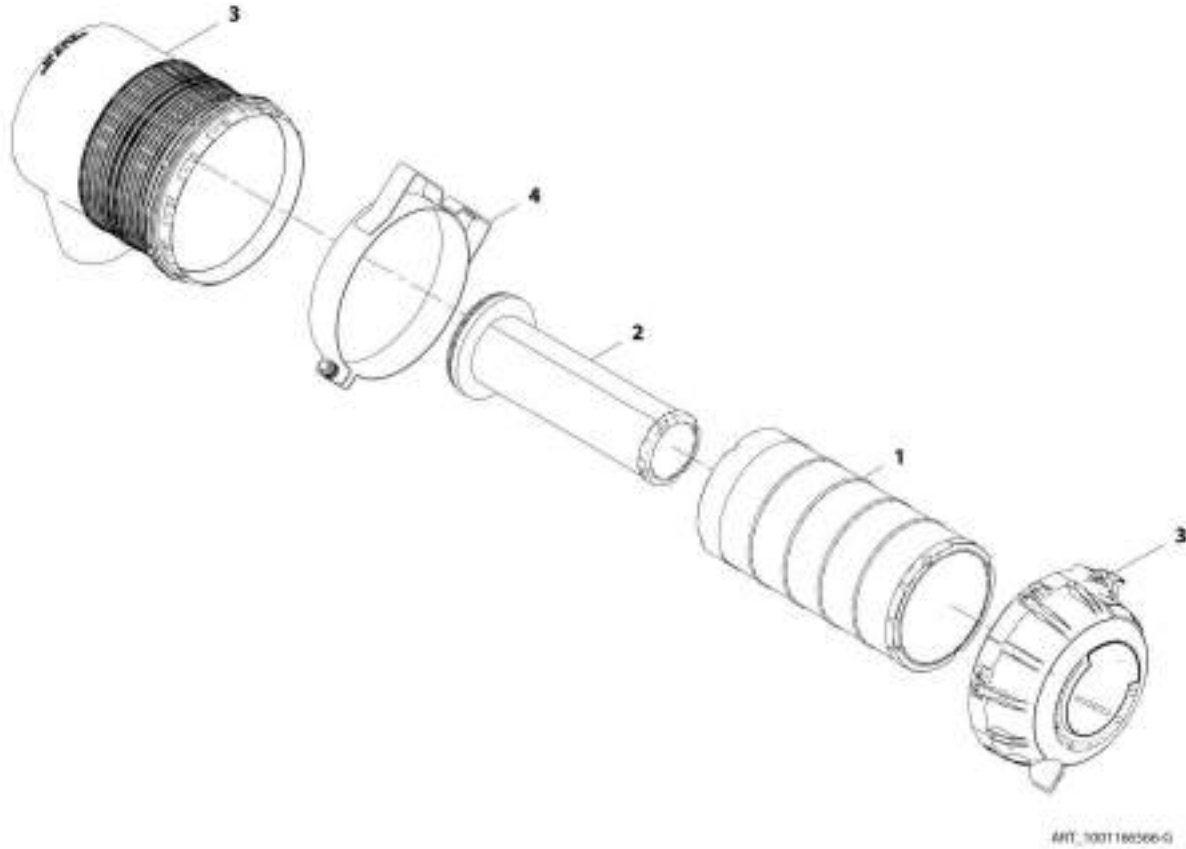
## SECTION 4 - ENGINE AND ATTACHING PARTS

**FIGURE 4-35. AIR CLEANER INSTALLATION (74.4KW - LS)**

ITEM	PART NUMBER	QTY	DESCRIPTION	REV
	1001182042	Ref	Air Cleaner Installation (74.4KW - LS)	D
2	0701016	3	Bolt, M10X40	
3	0760608	2	Bolt, M6X16	
4	0760810	2	Bolt, M8X20	
5	0761012	4	Bolt, M10X25	
6	4811700	2	Washer, M6	
7	4811902	2	Washer, M8	
8	4812000	4	Washer, M10	
9	4812002	3	Washer, M10	
10	1001166715	1	Indicator	
11	1001183830	1	Grommet	
12	1001212907	1	Bracket	
13	1001186009	1	Duct	
14	1001186290	1	Grill	
15	1001166566	1	Filter, Air Cleaner (74.4KW) (See Separate Breakdown in this Section)	

## SECTION 4 - ENGINE AND ATTACHING PARTS

FIGURE 4-36. AIR CLEANER ASSEMBLY (74.4KW)



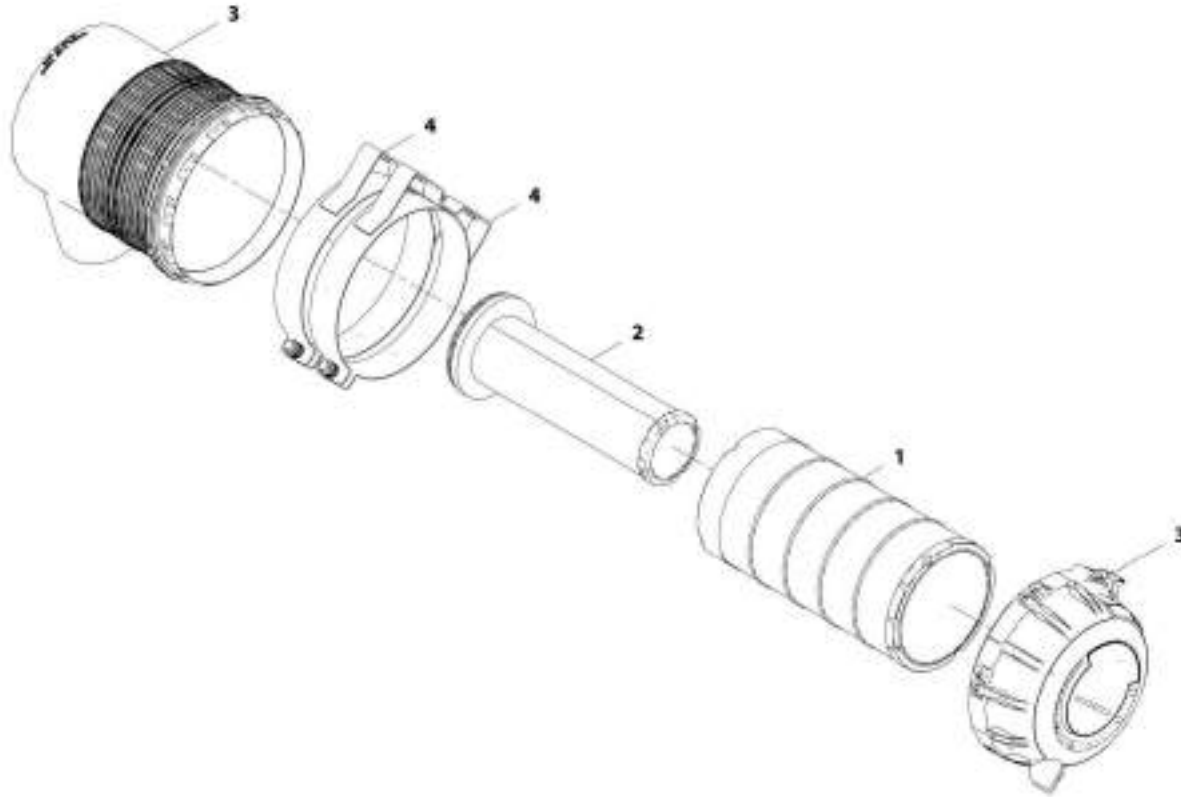
## SECTION 4 - ENGINE AND ATTACHING PARTS

FIGURE 4-36. AIR CLEANER ASSEMBLY (74.4KW)

ITEM	PART NUMBER	QTY	DESCRIPTION	REV
	1001166566	Ref	Air Cleaner Assembly (74.4KW)	G
1	70025852	1	Filter, Air Cylindrical Primary	
2	70025853	1	Filter, Air Cylindrical Secondary	
3	70026393	1	Cover, Air Cleaner	
4	70026394	1	Bracket, Mounting Band	

# SECTION 4 - ENGINE AND ATTACHING PARTS

FIGURE 4-37. AIR CLEANER ASSEMBLY (90/100KW)



ART. 1001160305-E

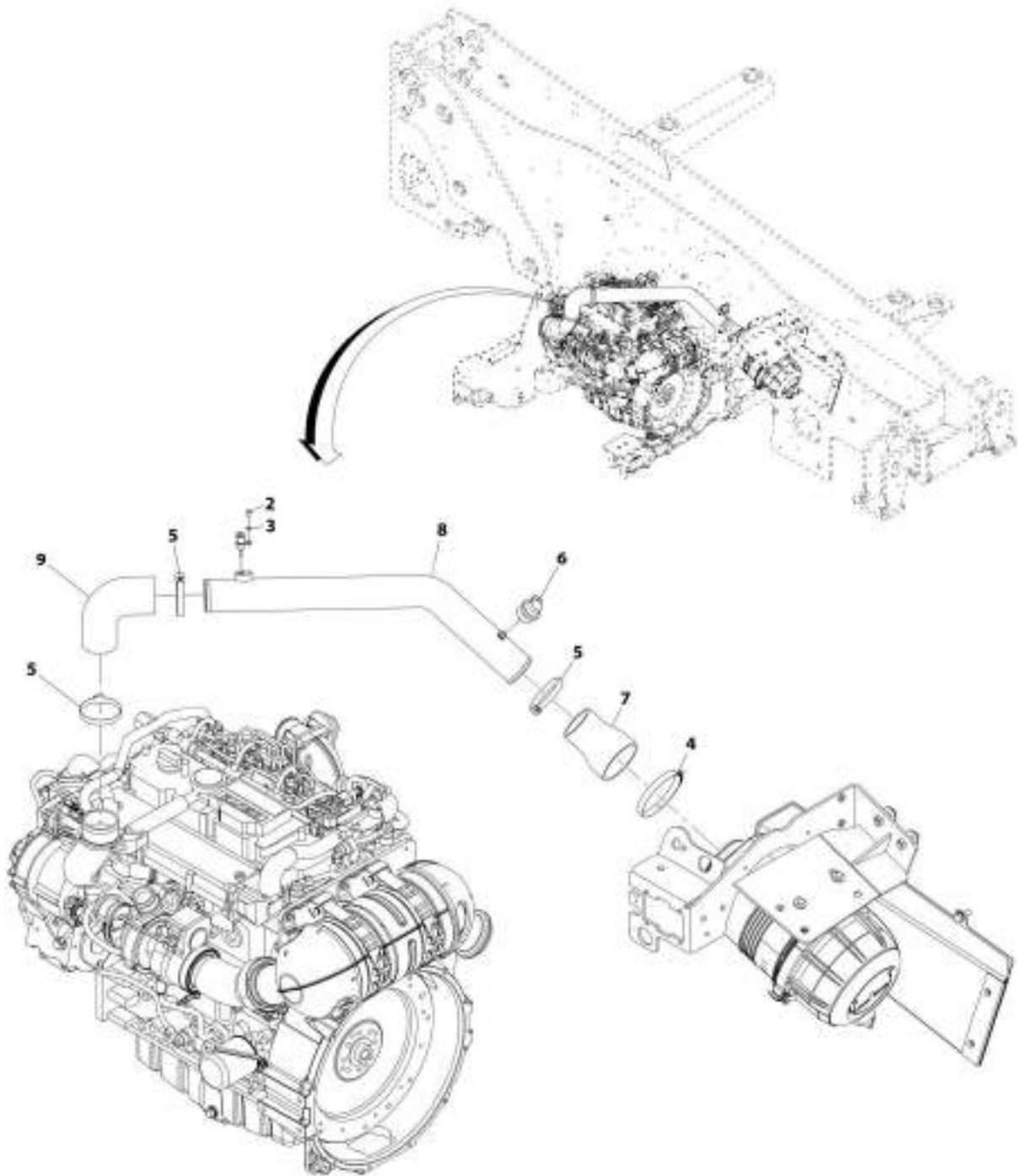
## SECTION 4 - ENGINE AND ATTACHING PARTS

FIGURE 4-37. AIR CLEANER ASSEMBLY (90/100KW)

ITEM	PART NUMBER	QTY	DESCRIPTION	REV
	1001166565	Ref	Air Cleaner Assembly (90/100KW)	E
1	70025850	1	Filter, Cylindrical Air Primary	
2	70025851	1	Filter, Cylindrical Air Secondary	
3	70026395	1	Cover	
4	70026396	2	Bracket	

## SECTION 4 - ENGINE AND ATTACHING PARTS

FIGURE 4-38. AIR INTAKE LINES INSTALLATION (74.4KW - ULS)



ART\_1301162041-D

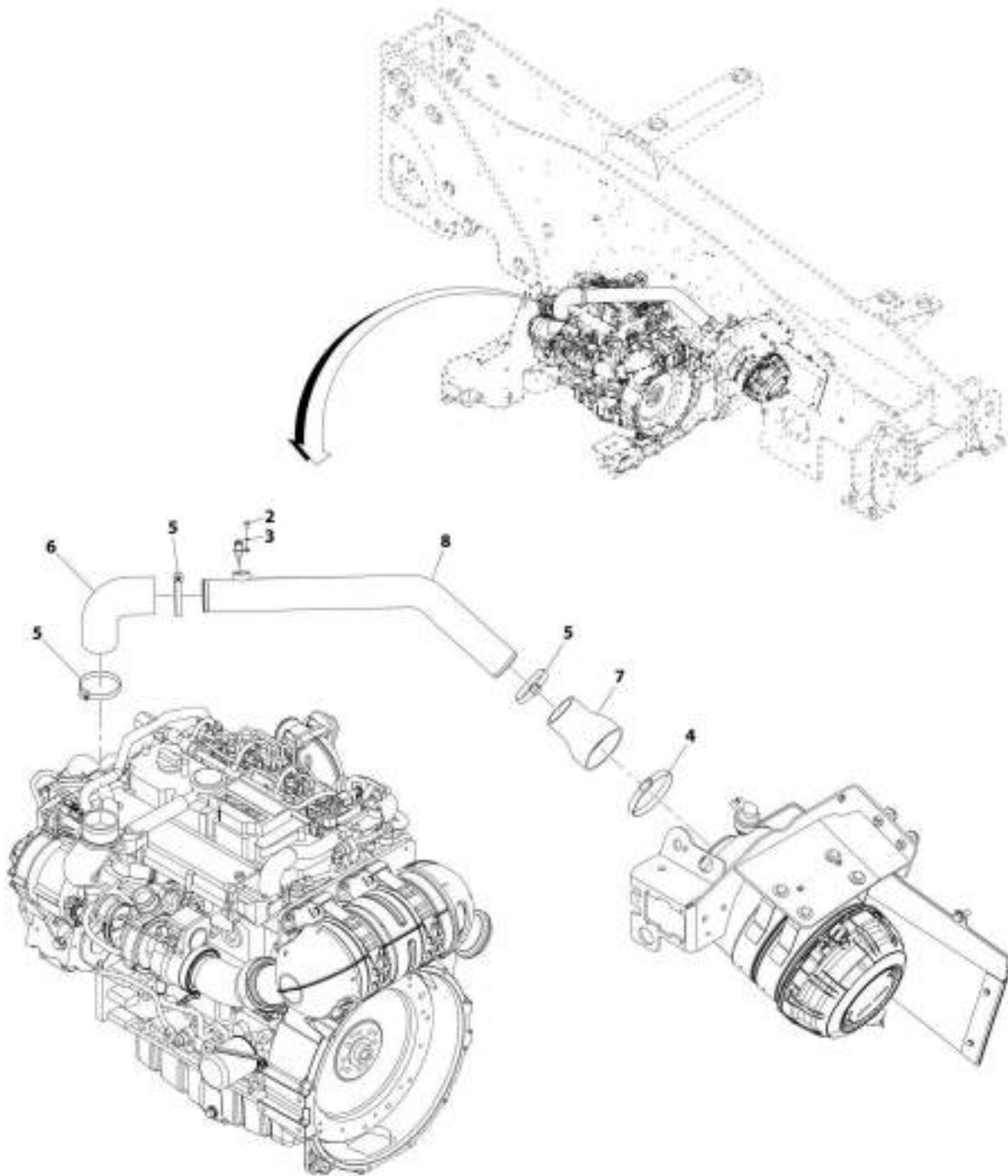
## SECTION 4 - ENGINE AND ATTACHING PARTS

**FIGURE 4-38. AIR INTAKE LINES INSTALLATION (74.4KW - ULS)**

ITEM	PART NUMBER	QTY	DESCRIPTION	REV
	1001182041	Ref	Air Intake Lines Installation (74.4KW - ULS)	D
2	0760605	1	Bolt, M6X10	
3	4811700	1	Washer, M6	
4	8405402	1	Clamp	
5	8410011	3	Clamp, Gear	
6	1001166715	1	Indicator	
7	1001175586	1	Sleeve	
8	1001182880	1	Tube	
9	1001182881	1	Hose	

## SECTION 4 - ENGINE AND ATTACHING PARTS

FIGURE 4-39. AIR INTAKE LINES INSTALLATION (90/100KW - ULS)



ART\_1001162937-D



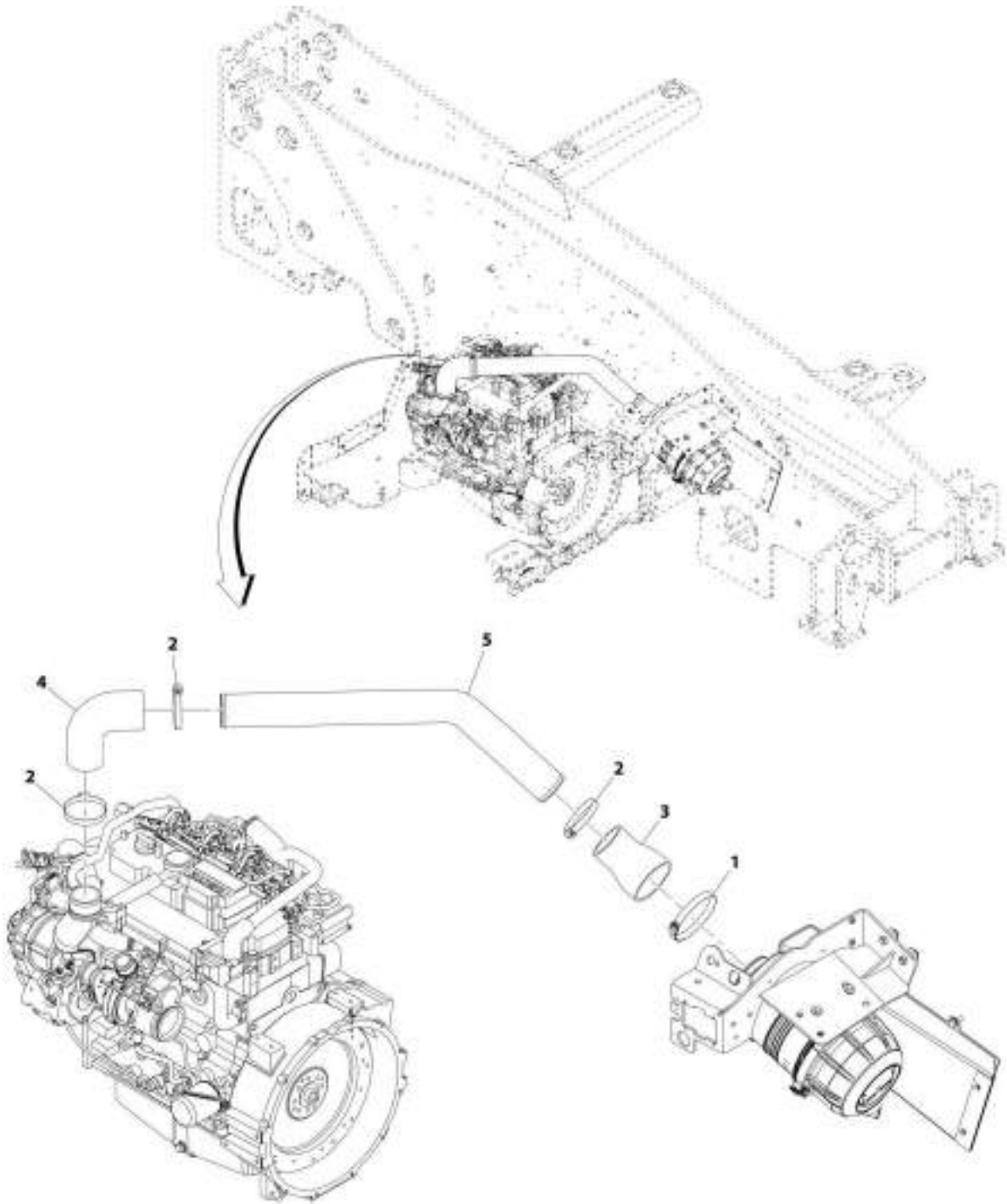
## SECTION 4 - ENGINE AND ATTACHING PARTS

FIGURE 4-39. AIR INTAKE LINES INSTALLATION (90/100KW - ULS)

ITEM	PART NUMBER	QTY	DESCRIPTION	REV
	1001182037	Ref	Air Intake Lines Installation (90/100KW - ULS)	D
2	0760605	1	Bolt, M6X10	
3	4811700	1	Washer, M6	
4	8405402	1	Clamp	
5	8410011	3	Clamp, Gear	
6	1001182881	1	Hose	
7	1001182885	1	Hose	
8	1001182886	1	Tube	

## SECTION 4 - ENGINE AND ATTACHING PARTS

FIGURE 4-40. AIR INTAKE LINES INSTALLATION (74.4KW - LS)



ART\_1001182843-A

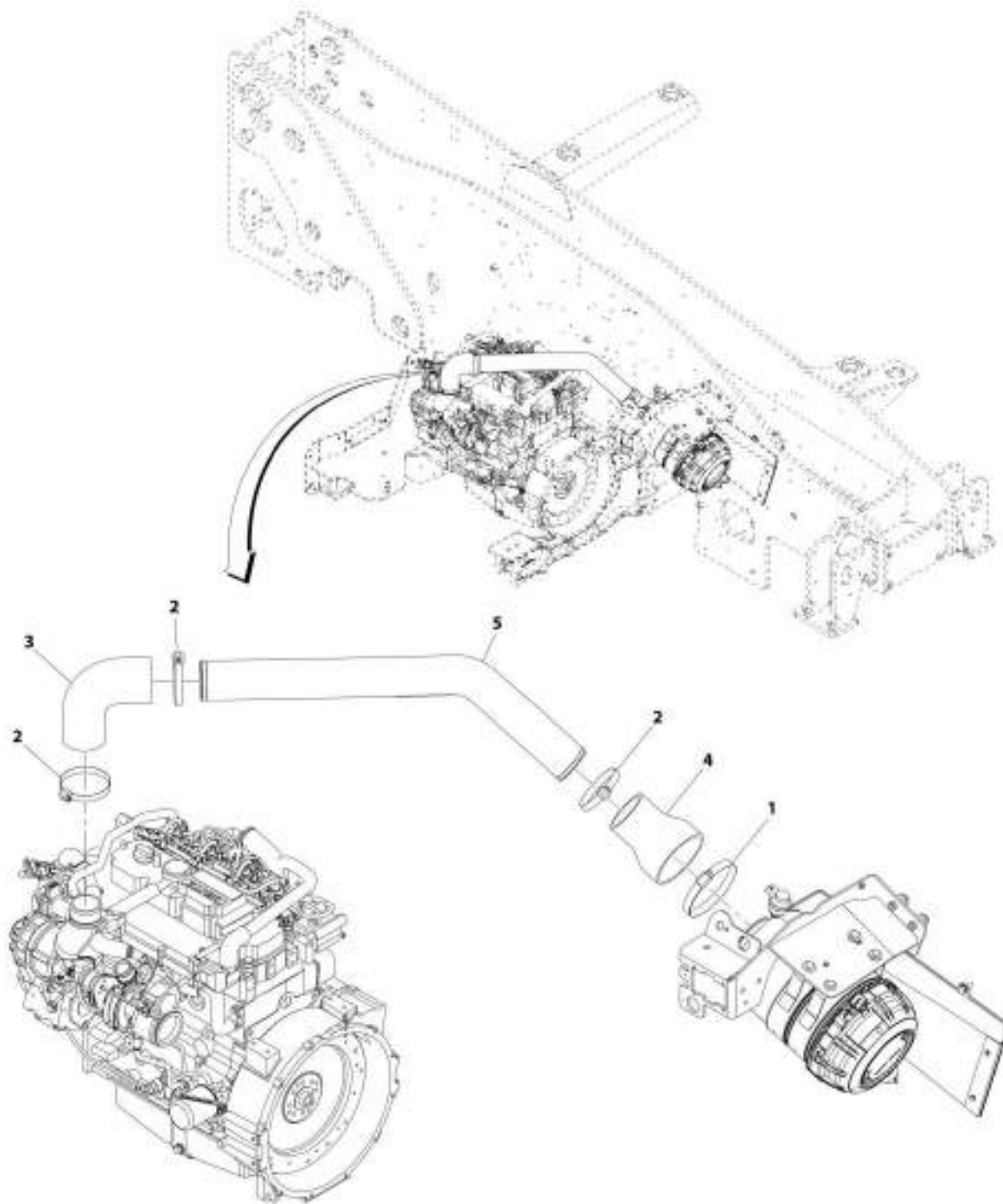
## SECTION 4 - ENGINE AND ATTACHING PARTS

FIGURE 4-40. AIR INTAKE LINES INSTALLATION (74.4KW - LS)

ITEM	PART NUMBER	QTY	DESCRIPTION	REV
	1001182043	Ref	Air Intake Lines Installation (74.4KW - LS)	A
1	8405402	1	Clamp	
2	8410011	3	Clamp, Gear	
3	1001175586	1	Sleeve	
4	1001182881	1	Hose	
5	1001182887	1	Tube	

# SECTION 4 - ENGINE AND ATTACHING PARTS

FIGURE 4-41. AIR INTAKE LINES INSTALLATION (90KW - LS)



ART\_1001382010-A

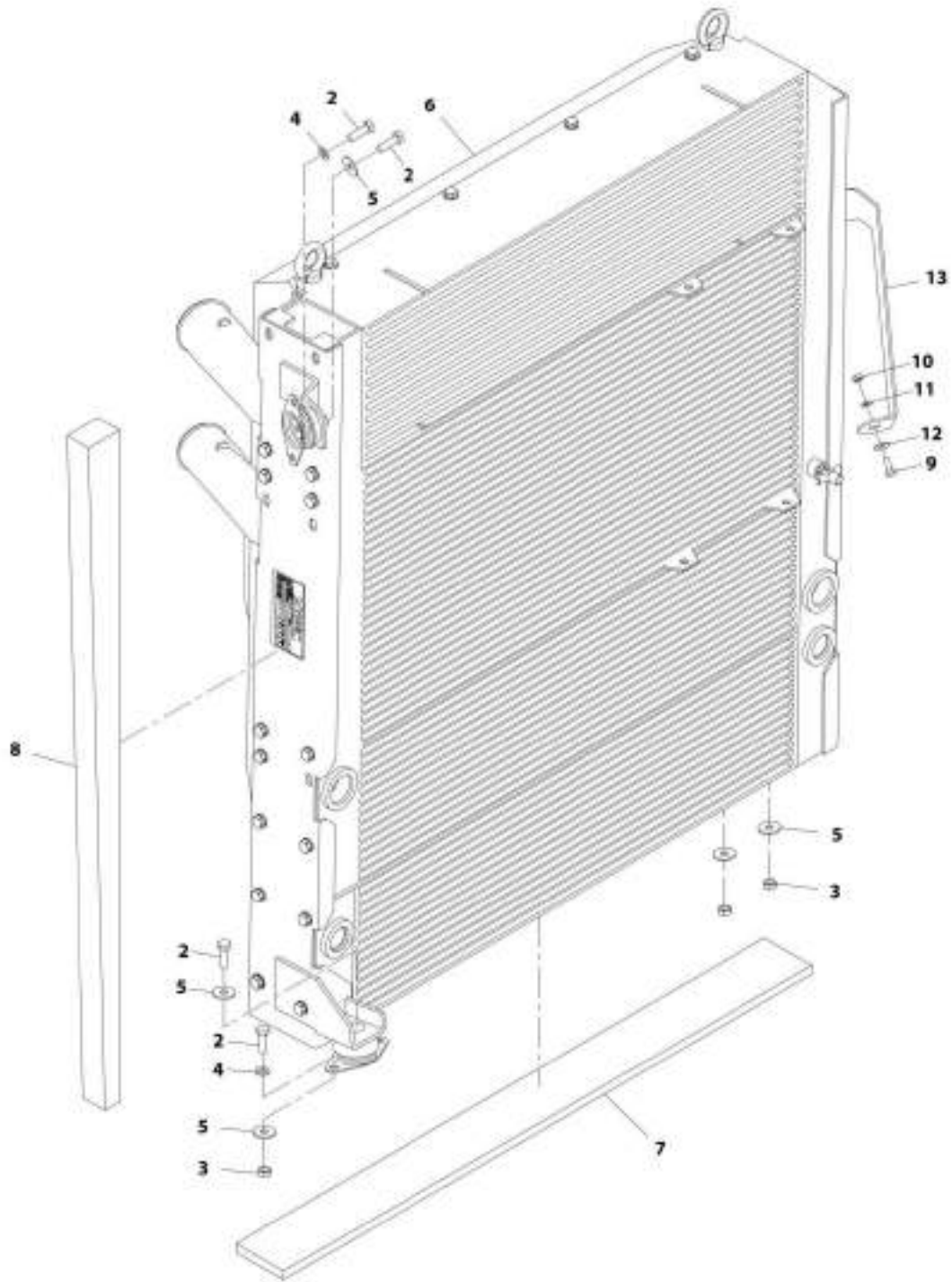
## SECTION 4 - ENGINE AND ATTACHING PARTS

FIGURE 4-41. AIR INTAKE LINES INSTALLATION (90KW - LS)

ITEM	PART NUMBER	QTY	DESCRIPTION	REV
	1001182039	Ref	Air Intake Lines Installation (90KW - LS)	A
1	8405402	1	Clamp	
2	8410011	3	Clamp, Gear	
3	1001182881	1	Hose	
4	1001182885	1	Hose	
5	1001182888	1	Tube	

# SECTION 4 - ENGINE AND ATTACHING PARTS

## FIGURE 4-42. COOLER INSTALLATION (74.4KW)



ARR\_1001104061 E

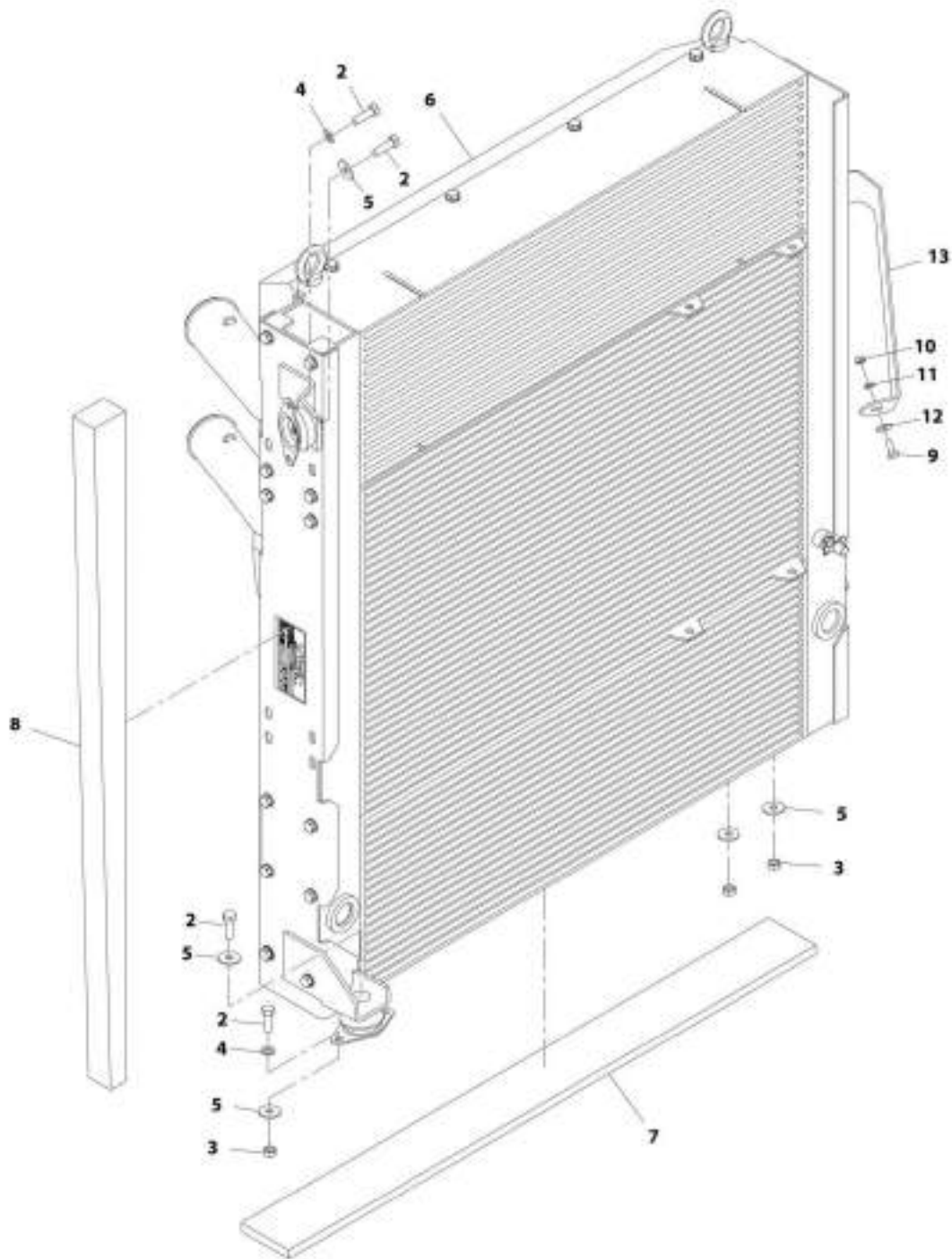
## SECTION 4 - ENGINE AND ATTACHING PARTS

**FIGURE 4-42. COOLER INSTALLATION (74.4KW)**

ITEM	PART NUMBER	QTY	DESCRIPTION	REV
	1001184061	Ref	Cooler Installation (74.4KW)	E
2	0760812	9	Bolt, M8X25	
3	3290801	4	Nut, M8X1.25 Grade 8	
4	4811900	6	Washer, M8	
5	4811902	7	Washer, M8	
6	1001180581	1	Package, Radiator Cooling (74.4KW) (See Separate Breakdown in this Section)	
7	1001182994	1	Seal	
8	1001182995	1	Seal	
9	0760608	1	Bolt, M6X16	
10	3290601	1	Nut, M6X1 Grade 8	
11	4811700	1	Washer, M6	
12	4811702	1	Washer, M6	
13	1001202120	1	Plate	

# SECTION 4 - ENGINE AND ATTACHING PARTS

## FIGURE 4-43. COOLER INSTALLATION (90KW)



ART\_100184002-D



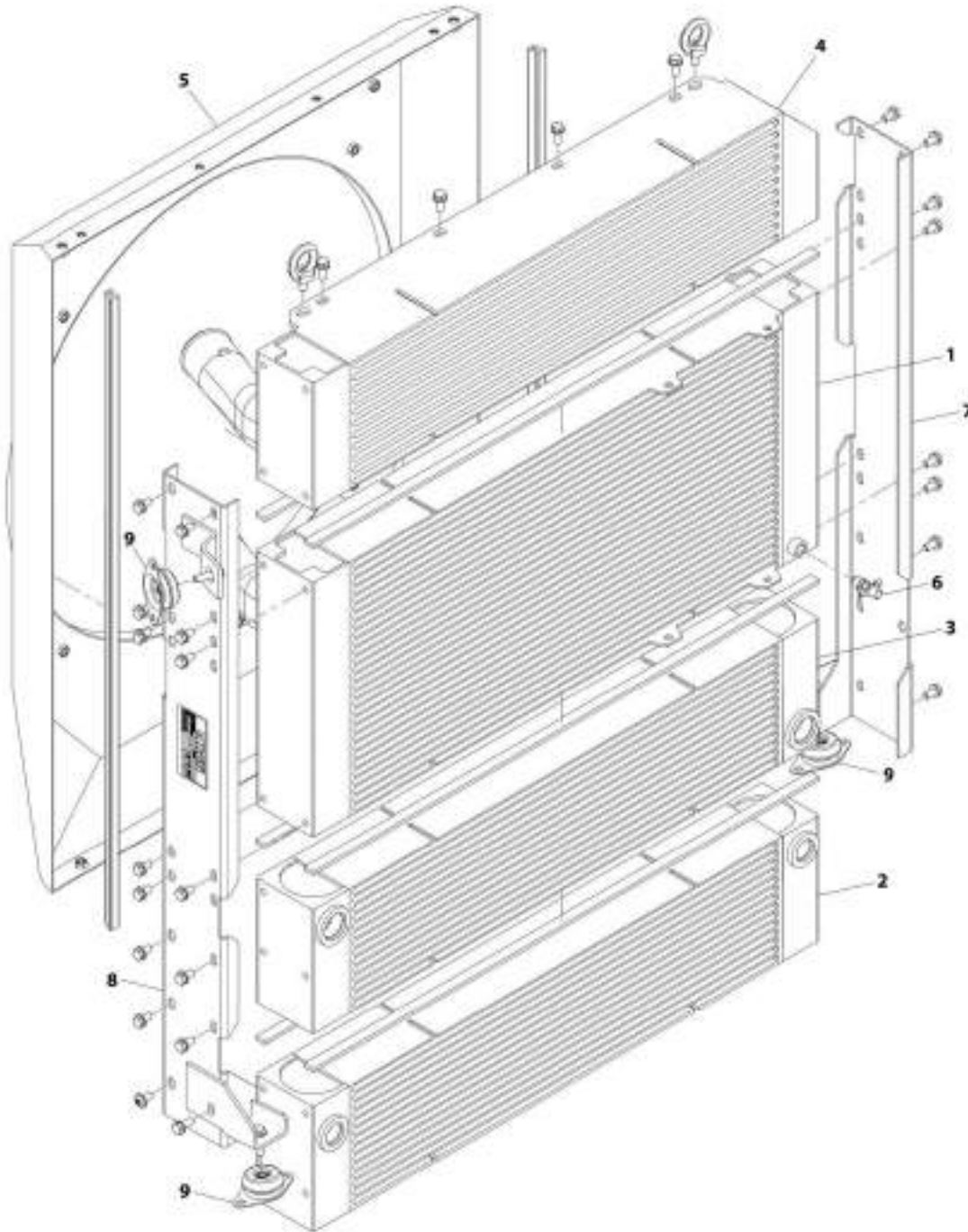
## SECTION 4 - ENGINE AND ATTACHING PARTS

**FIGURE 4-43. COOLER INSTALLATION (90KW)**

ITEM	PART NUMBER	QTY	DESCRIPTION	REV
	1001184062	Ref	Cooler Installation (90KW)	D
2	0760812	9	Bolt, M8X25	
3	3290801	4	Nut, M8X1.25 Grade 8	
4	4811900	6	Washer, M8	
5	4811902	7	Washer, M8	
6	1001175320	1	Package, Radiator Cooling (90KW) (See Separate Breakdown in this Section)	
7	1001182994	1	Seal	
8	1001182995	1	Seal	
9	0760608	1	Bolt, M6X16	
10	3290601	1	Nut, M6X1 Grade 8	
11	4811700	1	Washer, M6	
12	4811702	1	Washer, M6	
13	1001202120	1	Plate	

# SECTION 4 - ENGINE AND ATTACHING PARTS

FIGURE 4-44. RADIATOR COOLING PACKAGE (74.4KW)



ART\_1001300501-C

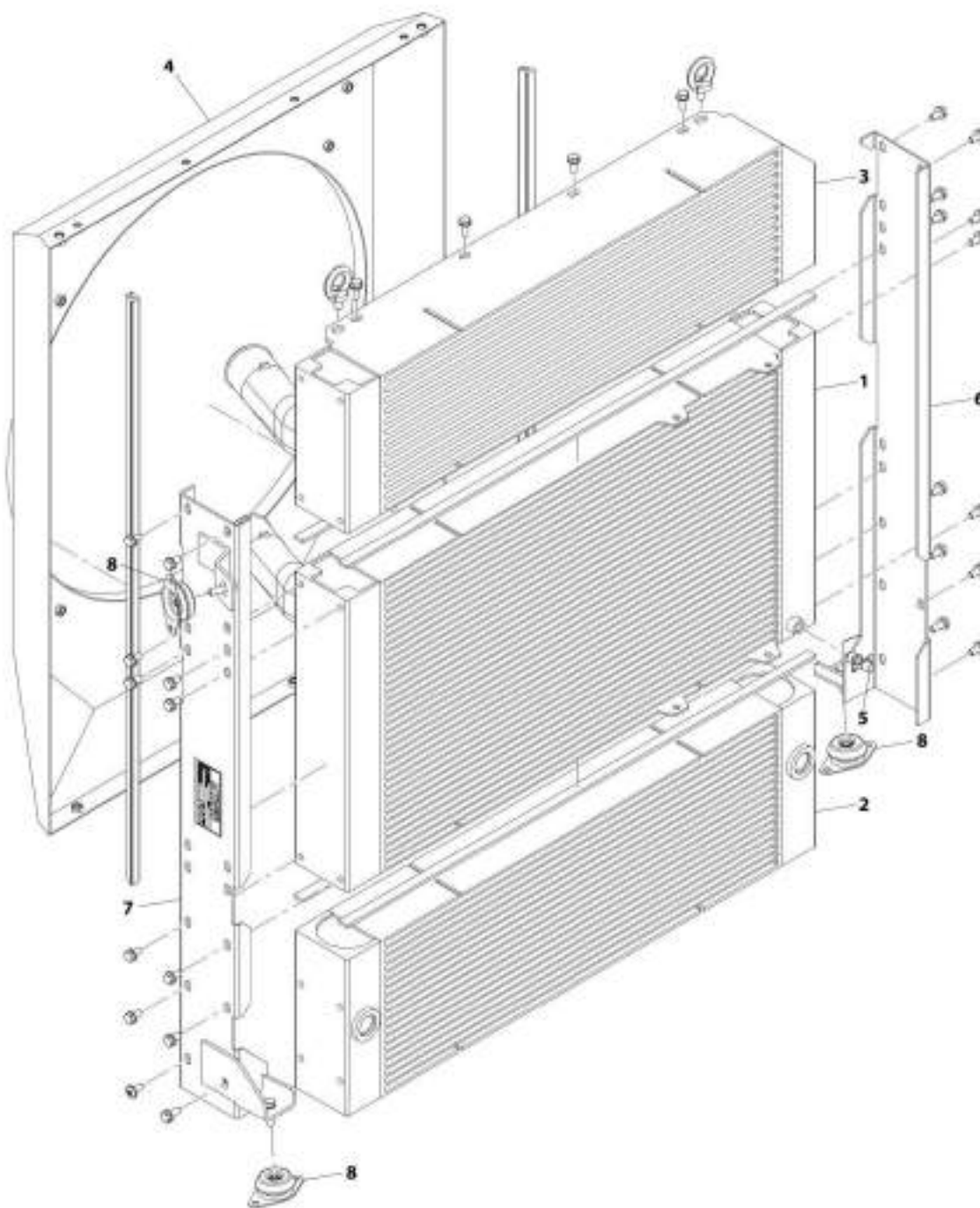
## SECTION 4 - ENGINE AND ATTACHING PARTS

FIGURE 4-44. RADIATOR COOLING PACKAGE (74.4KW)

ITEM	PART NUMBER	QTY	DESCRIPTION	REV
	1001180581	Ref	Radiator Cooling Package (74.4KW)	C
1	70027205	1	Cooler, Water	
2	70027207	1	Cooler, Oil	
3	70027206	1	Cooler, Oil	
4	70027208	1	Cooler, Air	
5	70027202	1	Shroud	
6	70025644	1	Valve, Drain	
7	70027203	1	Bracket, Mounting	
8	70027204	1	Bracket, Mounting	
9	1001184609	1	Isolator, Mount	

# SECTION 4 - ENGINE AND ATTACHING PARTS

FIGURE 4-45. RADIATOR COOLING PACKAGE (90KW)



ART\_1001175320-C

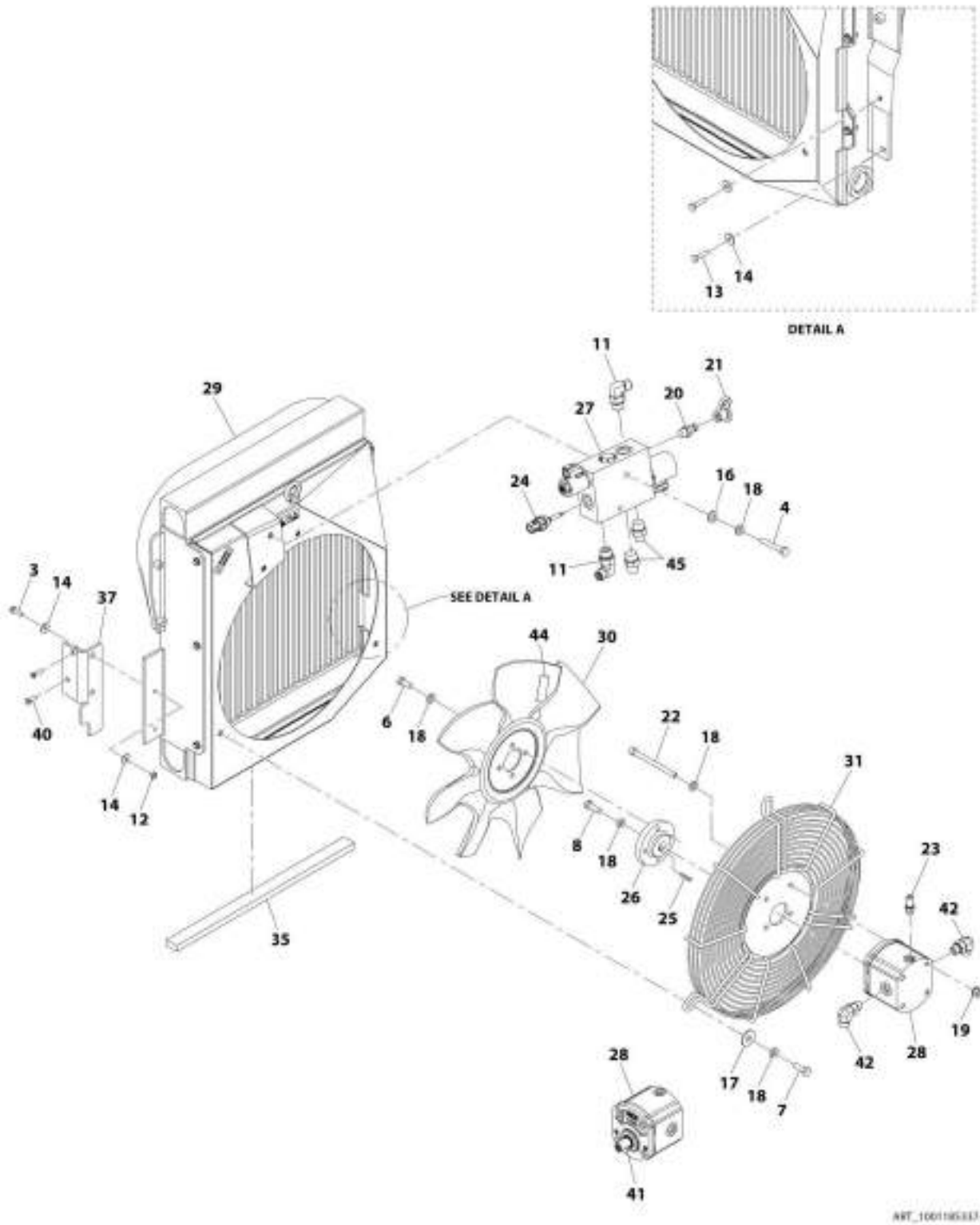
## SECTION 4 - ENGINE AND ATTACHING PARTS

FIGURE 4-45. RADIATOR COOLING PACKAGE (90KW)

ITEM	PART NUMBER	QTY	DESCRIPTION	REV
	1001175320	Ref	Radiator Cooling Package (90KW)	C
1	70027199	1	Cooler, Water	
2	70027200	1	Cooler, Oil	
3	70027201	1	Cooler, Air	
4	70027202	1	Shroud	
5	70025644	1	Valve, Drain	
6	70027203	1	Bracket, Mounting	
7	70027204	1	Bracket, Mounting	
8	1001184609	1	Isolator, Mount	

# SECTION 4 - ENGINE AND ATTACHING PARTS

## FIGURE 4-46. REMOTE HOC INSTALLATION



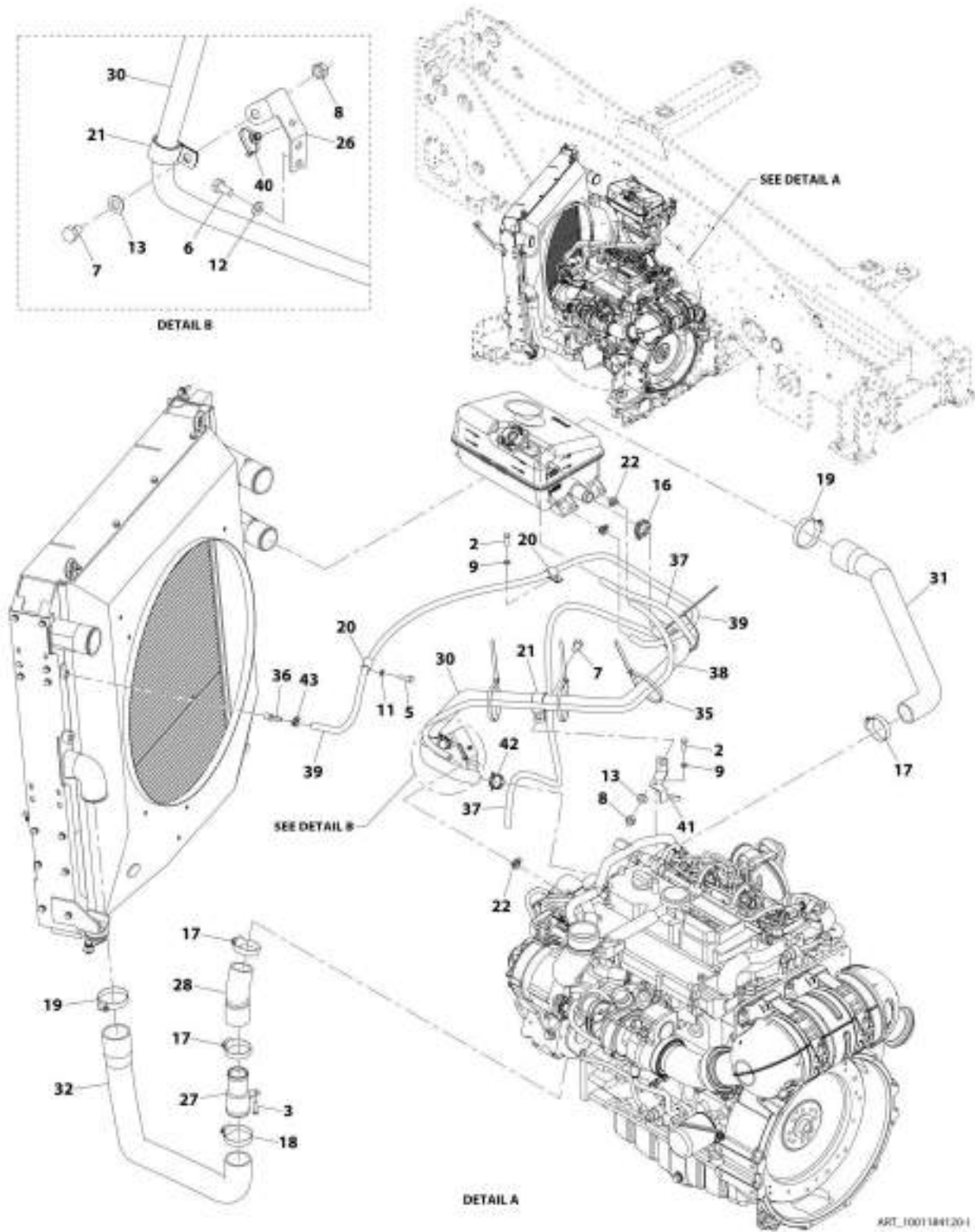
## SECTION 4 - ENGINE AND ATTACHING PARTS

**FIGURE 4-46. REMOTE HOC INSTALLATION**

ITEM	PART NUMBER	QTY	DESCRIPTION	REV
	1001185337	Ref	Remote HOC Installation	1
3	0700610	2	Bolt, M6X20	
4	0700821	2	Bolt, M8X65	
6	0770810	4	Bolt, M8X20 Grade 10.9	
7	0760812	3	Bolt, M8X25	
8	1001139034	1	Bolt	
11	2130608	2	Fitting, 90 ORFS	
12	3290601	2	Nut, M6X1 Grade 8	
13	0700612	2	Bolt, M6X25	
14	4811702	6	Washer, M6	
16	4812000	2	Washer, M10	
17	4812002	3	Washer, M10	
18	5240800	14	Washer, M8	
19	5260800	4	Nut, M8	
20	1001003590	1	Fitting, Straight	
21	1001008761	1	Cap, Dust	
22	1001093277	4	Bolt, M8X100	
23	1001093401	1	Fitting, Straight ORFS	
24	1001128478	1	Sensor, Temperature <b>(Prior to SN 1160008597)</b>	
25	1001152940	1	Key, Fan Hub	
26	1001191508	1	Adapter, Fan Hub	
27	1001182213	1	Valve, Fan Motor Control (See Separate Breakdown in Hydraulic Components Section)	
28	1001182950	1	Motor, Fan Drive (7.29CC) (See Separate Breakdown in this Section)	
29	1001183956	1	Cooler, Oil	
30	1001185210	1	Fan	
31	1001185282	1	Shield, Fan	
35	1001219810	1	Seal	
37	1001197430	1	Bracket	
40	0630576	2	Screw, M6X20	
41	1001125466	AR	Compound, Locking	
42	2130606	2	Fitting, 90 ORFS	
44	1001222573	AR	Reflective Tape	
45	2110608	2	Fitting, Straight ORFS	

# SECTION 4 - ENGINE AND ATTACHING PARTS

FIGURE 4-47. COOLANT LINES INSTALLATION (ULS)





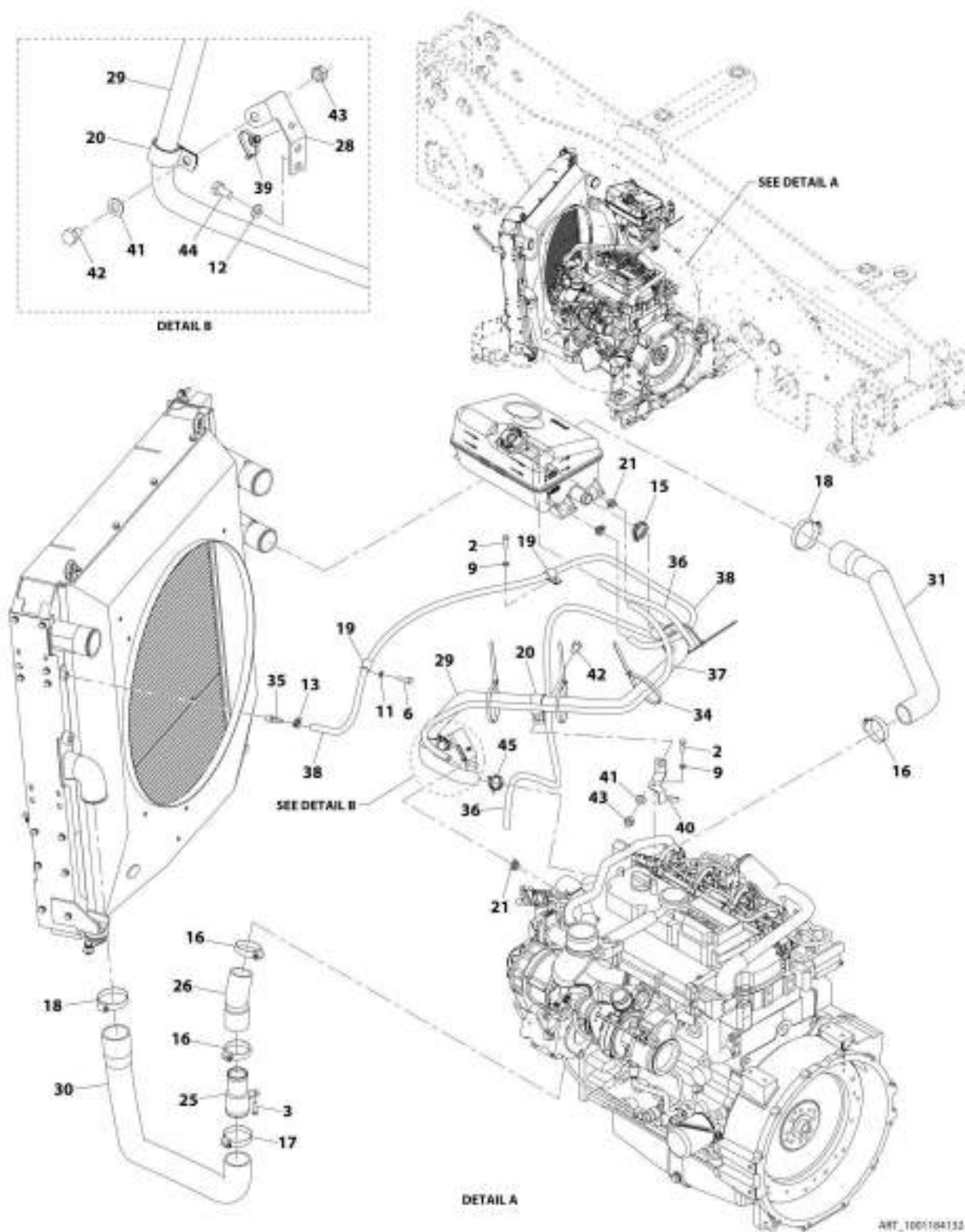
## SECTION 4 - ENGINE AND ATTACHING PARTS

### FIGURE 4-47. COOLANT LINES INSTALLATION (ULS)

ITEM	PART NUMBER	QTY	DESCRIPTION	REV
	1001184120	Ref	Coolant Lines Installation (ULS)	I
2	0700610	2	Bolt, M6X20	
3	0700614	1	Bolt, M6X30	
5	0760812	1	Bolt, M8X25	
6	0761010	2	Bolt, M10X20	
7	0761210	2	Bolt, M12X20	
8	3291201	2	Nut, M12X1.75 Grade 8	
9	4811700	2	Washer, M6	
11	4811900	1	Washer, M8	
12	4812000	2	Washer, M10	
13	4812100	2	Washer, M12	
16	1001212949	1	Clamp	
17	8405104	3	Clamp	
18	8405201	1	Clamp	
19	8405202	2	Clamp, Gear	
20	1001008580	2	Clip	
21	8406302	2	Clamp, Hose	
22	1001195443	3	Clamp	
26	1001168727	1	Bracket	
27	1001189884	1	Pipe	
28	1001217333	1	Hose	
30	1001184099	1	Hose	
31	1001184129	1	Hose	
32	1001184128	1	Hose	
35	1062255	AR	Strap, Tie	
36	8420231	1	Adapter	
37	1001203009	1	Hose	
38	1001203027	1	Hose	
39	1001203028	1	Hose	
40	1001146588	1	Strap	
41	1001205551	1	Bracket	
42	1001212948	1	Clamp	
43	1001140296	1	Clamp	

# SECTION 4 - ENGINE AND ATTACHING PARTS

## FIGURE 4-48. COOLANT LINES INSTALLATION (LS)



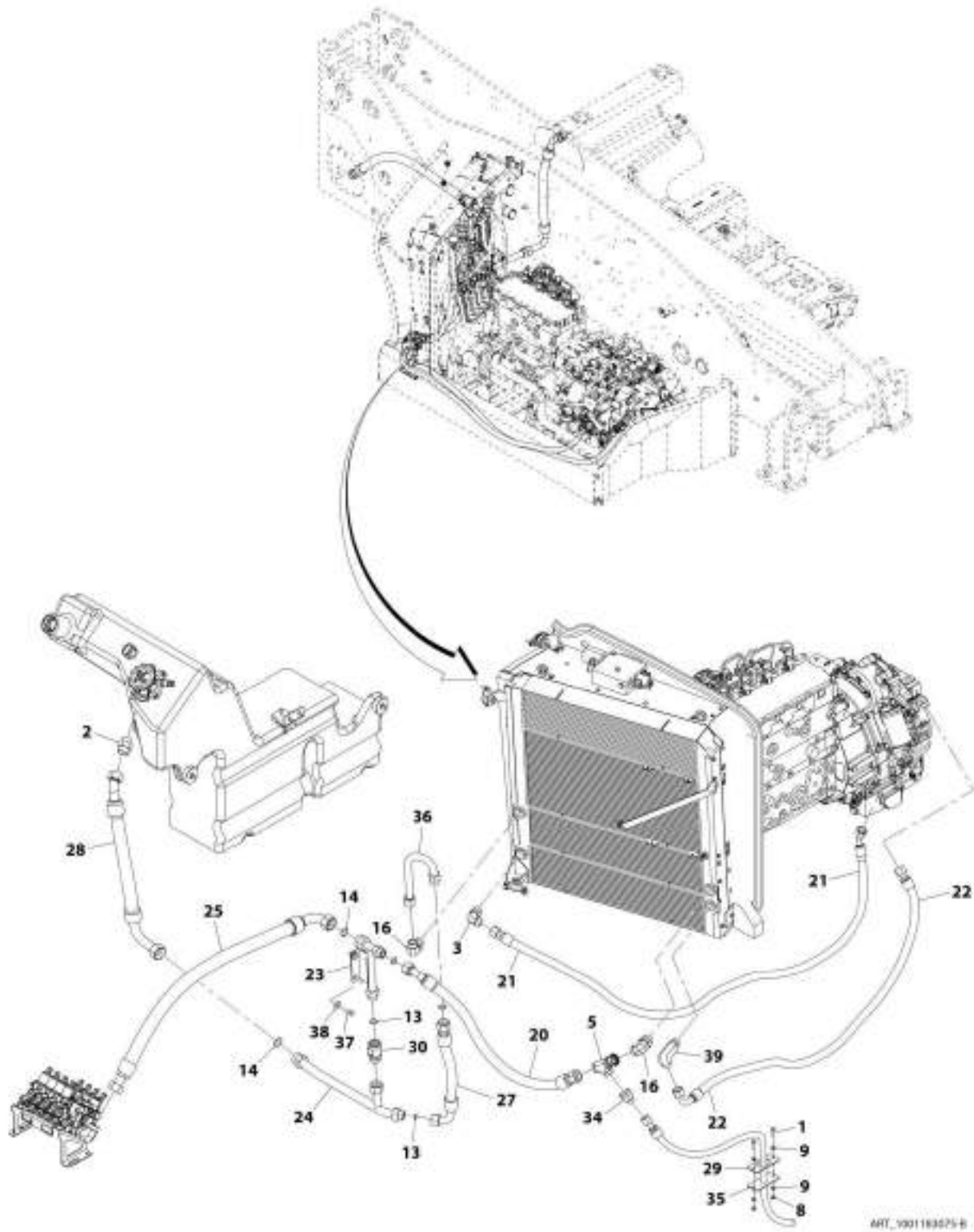
## SECTION 4 - ENGINE AND ATTACHING PARTS

**FIGURE 4-48. COOLANT LINES INSTALLATION (LS)**

ITEM	PART NUMBER	QTY	DESCRIPTION	REV
	1001184132	Ref	Coolant Lines Installation (LS)	1
2	0700610	2	Bolt, M6X20	
3	0700614	1	Bolt, M6X30	
6	0760812	1	Bolt, M8X25	
9	4811700	2	Washer, M6	
11	4811900	1	Washer, M8	
12	4812000	2	Washer, M10	
13	1001140296	1	Clamp	
15	1001212949	1	Clamp	
16	8405104	3	Clamp	
17	8405201	1	Clamp	
18	8405202	2	Clamp, Gear	
19	1001008580	2	Clip	
20	8406302	2	Clamp, Hose	
21	1001195443	3	Clamp	
25	1001189884	1	Pipe	
26	1001217333	1	Hose	
28	1001168727	1	Bracket	
29	1001184099	1	Hose	
30	1001184128	1	Hose	
31	1001184129	1	Hose	
34	1062255	AR	Strap, Tie	
35	8420231	1	Adapter	
36	1001203009	1	Hose	
37	1001203027	1	Hose	
38	1001203028	1	Hose	
39	1001146588	1	Strap	
40	1001205551	1	Bracket	
41	4812100	2	Washer, M12	
42	0761210	2	Bolt, M12X20	
43	3291201	2	Nut, M12X1.75 Grade 8	
44	0761010	2	Bolt, M10X20	
45	1001212948	1	Clamp	

# SECTION 4 - ENGINE AND ATTACHING PARTS

FIGURE 4-49. COOLER LINES INSTALLATION (74.4KW) (Prior to SN 1160008434)



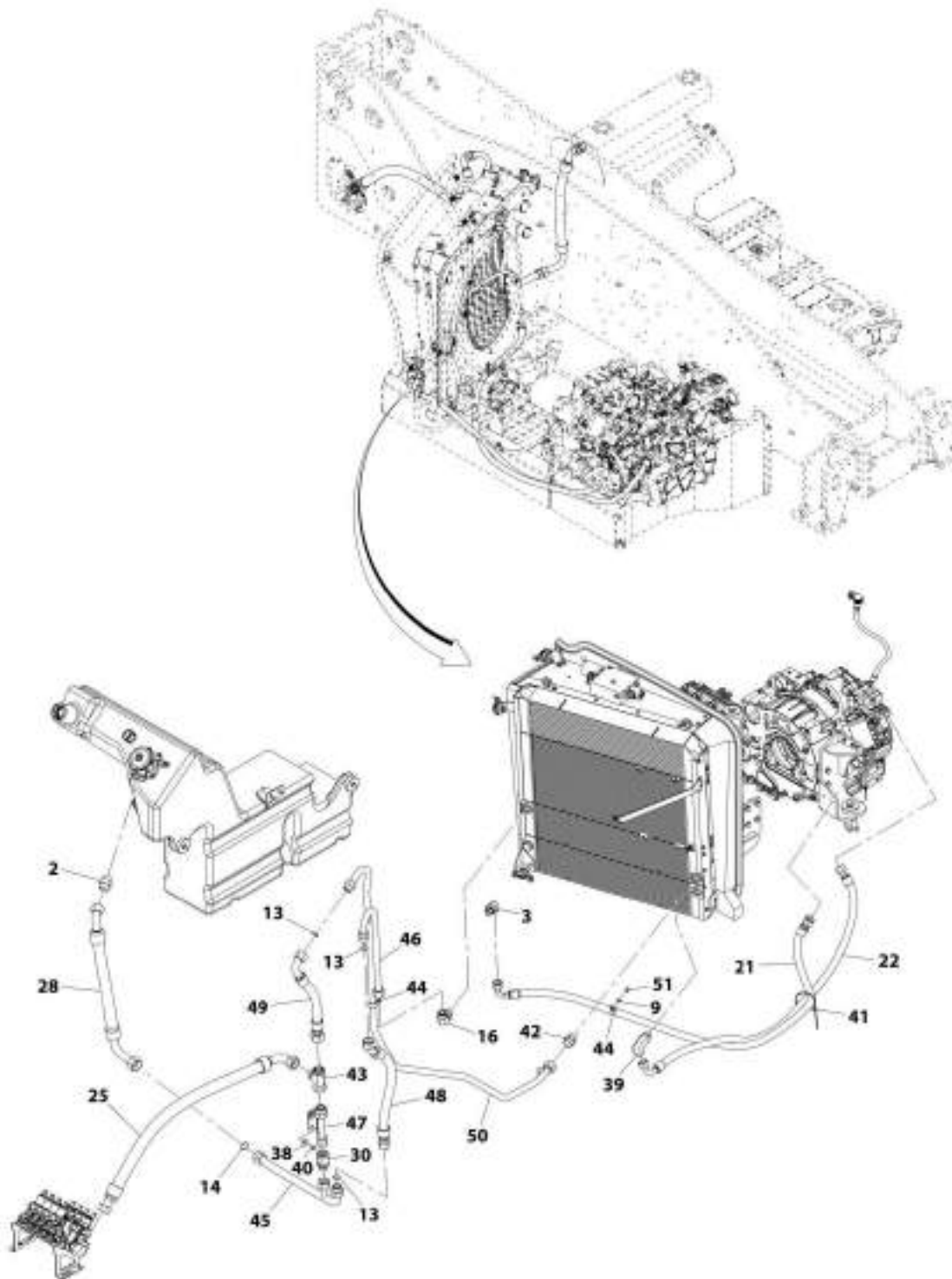
## SECTION 4 - ENGINE AND ATTACHING PARTS

**FIGURE 4-49. COOLER LINES INSTALLATION (74.4KW) (Prior to SN 1160008434)**

ITEM	PART NUMBER	QTY	DESCRIPTION	REV
	1001183075	Ref	Cooler Lines Installation (74.4KW)	B
1	0760814	2	Bolt, M8X30	
2	2112016	1	Fitting, Straight ORFS	
3	2131212	1	Fitting, 90 ORFS	
5	2170716	1	Fitting, Tee ORFS	
8	3290801	2	Nut, M8X1.25 Grade 8	
9	4811900	4	Washer, M8	
13	1001010240	4	Seal, O-Ring ORFS	
14	1001010938	2	Seal, O-Ring ORFS	
16	2131616	2	Fitting, 90 ORFS	
20	1001202253	1	Hose, ORFS	
21	1001203173	1	Hose, ORFS	
22	1001203174	1	Hose, ORFS	
23	1001202445	1	Pipe, ORFS	
24	1001203014	1	Pipe, ORFS	
25	1001202249	1	Hose, ORFS	
27	1001202251	1	Hose, ORFS	
28	1001203039	1	Hose, ORFS	
29	1001200449	1	Plate	
30	1001185871	1	Check, Valve ORFS	
34	1001202805	1	Reducer, ORFS	
35	1001200450	1	Gasket	
36	1001202506	1	Pipe, ORFS	
37	0701012	2	Bolt, M10X25	
38	4812002	2	Washer, M10	
39	2170212	1	Fitting, 90 ORFS	

# SECTION 4 - ENGINE AND ATTACHING PARTS

FIGURE 4-50. COOLER LINES INSTALLATION (74.4KW) (SN 1160008434 to Present)



ART\_1001183075-C

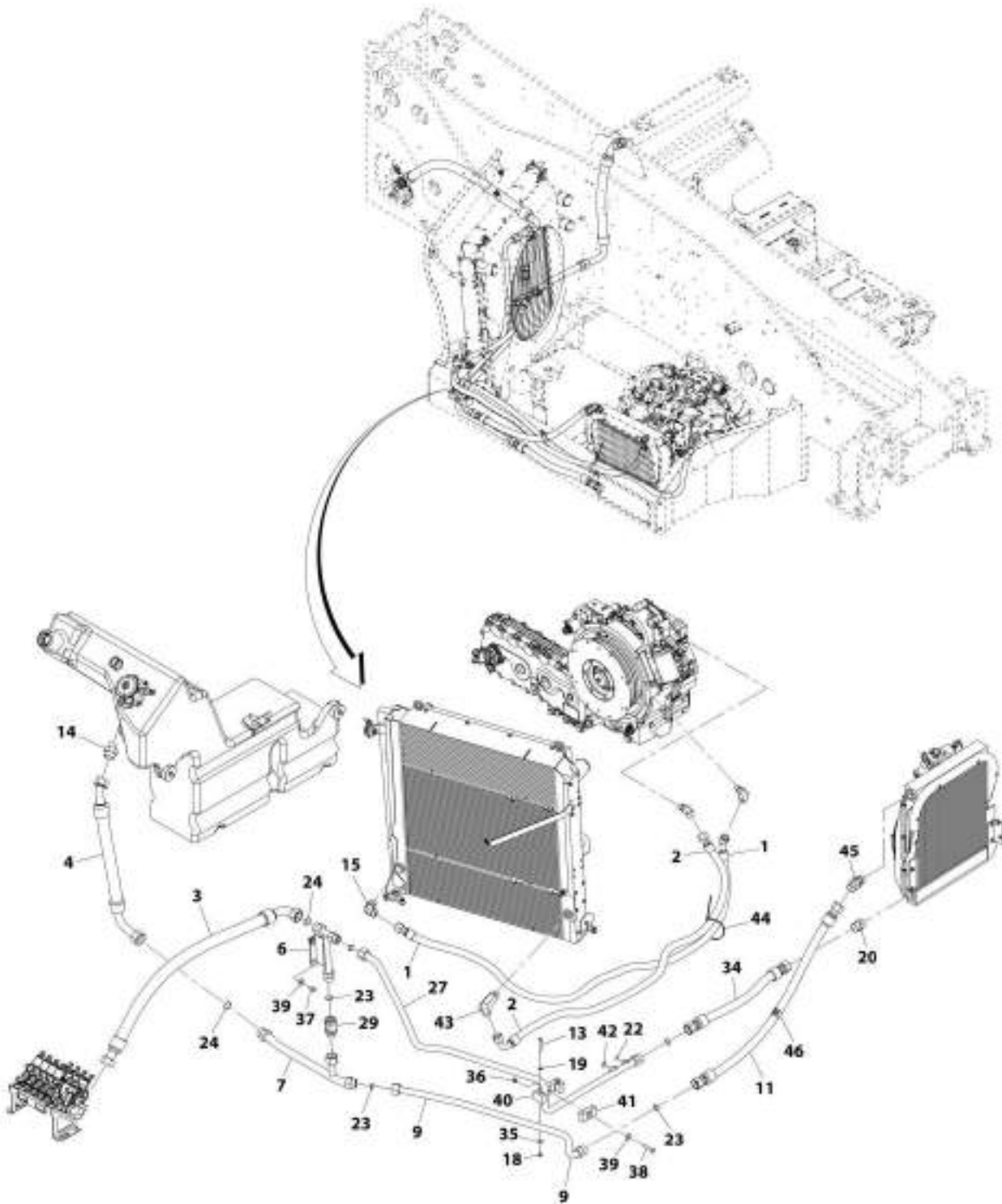
## SECTION 4 - ENGINE AND ATTACHING PARTS

**FIGURE 4-50. COOLER LINES INSTALLATION (74.4KW) (SN 1160008434 to Present)**

ITEM	PART NUMBER	QTY	DESCRIPTION	REV
	1001183075	Ref	Cooler Lines Installation (74.4KW)	C
2	2112016	1	Fitting, Straight ORFS	
3	2131212	1	Fitting, 90 ORFS	
9	4811900	1	Washer, M8	
13	1001010240	3	Seal, O-Ring ORFS	
14	1001010938	1	Seal, O-Ring ORFS	
16	2131616	1	Fitting, 90 ORFS	
21	1001221860	1	Hose, ORFS	
22	1001203174	1	Hose, ORFS	
25	1001202249	1	Hose, ORFS	
28	1001203039	1	Hose, ORFS	
30	1001185871	1	Check, Valve ORFS	
38	4812002	2	Washer, M10	
39	2170212	1	Fitting, 90 ORFS	
40	0761010	2	Bolt, M10X20	
41	1062255	1	Strap, Tie	
42	2111616	1	Fitting, Straight ORFS	
43	2170720	1	Adapter	
44	1001008910	3	Clip	
45	1001212783	1	Pipe	
46	1001212792	1	Pipe	
47	1001212799	1	Pipe	
48	1001221858	1	Hose	
49	1001221859	1	Hose	
50	1001221862	1	Pipe	
51	0760806	1	Bolt, M8X12	

# SECTION 4 - ENGINE AND ATTACHING PARTS

FIGURE 4-51. COOLER LINES INSTALLATION (90KW)



ART\_1001183076-E



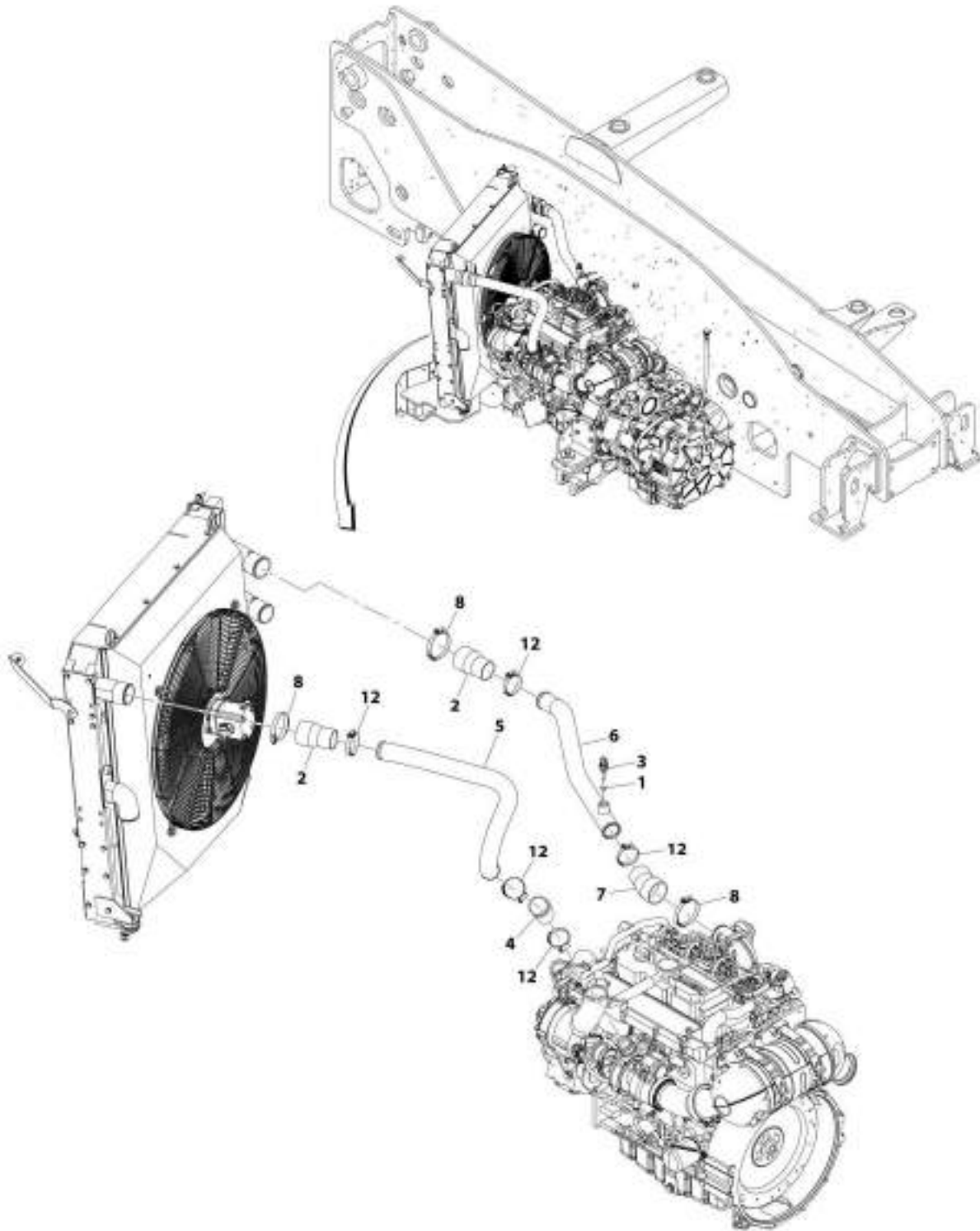
## SECTION 4 - ENGINE AND ATTACHING PARTS

**FIGURE 4-51. COOLER LINES INSTALLATION (90KW)**

ITEM	PART NUMBER	QTY	DESCRIPTION	REV
	1001183076	Ref	Cooler Lines Installation (90KW)	E
1	1001203173	1	Hose, ORFS	
2	1001229093	1	Hose, ORFS	
3	1001202249	1	Hose, ORFS	
4	1001203039	1	Hose, ORFS	
6	1001202445	1	Pipe, ORFS	
7	1001203014	1	Pipe, ORFS	
9	1001202329	1	Pipe, ORFS	
11	1001202375	NLA	Hose, ORFS (no longer available, use 1001228503 for replacement)	
11	1001228503	1	Hose, ORFS	
13	0700820	2	Bolt, M8X60	
14	2112016	1	Fitting, Straight ORFS	
15	2131212	1	Fitting, 90 ORFS	
18	3290801	2	Nut, M8X1.25 Grade 8	
19	4811900	2	Washer, M8	
20	2111616	1	Fitting, Straight ORFS	
22	1001008804	1	Seal	
23	1001010240	5	Seal, O-Ring ORFS	
24	1001010938	2	Seal, O-Ring ORFS	
27	1001202328	1	Pipe, ORFS	
29	1001185871	1	Check, Valve ORFS	
34	1001202376	1	Hose, ORFS	
35	4811902	2	Washer, M8	
36	3291001	1	Nut, M10X1.5 Grade 8	
37	0701012	2	Bolt, M10X25	
38	0701018	1	Bolt, M10X50	
39	4812002	3	Washer, M10	
40	1001202653	1	Clamp, Pipes Female	
41	1001202654	1	Clamp, Pipes Male	
42	1001008922	1	Seal	
43	2170212	1	Fitting, 90 ORFS	
44	1062255	1	Strap, Tie	
45	2151616	1	Fitting, 45 ORFS	
46	8406302	1	Clamp	

# SECTION 4 - ENGINE AND ATTACHING PARTS

FIGURE 4-52. CAC LINES INSTALLATION (ULS)



ART\_3001166449.F

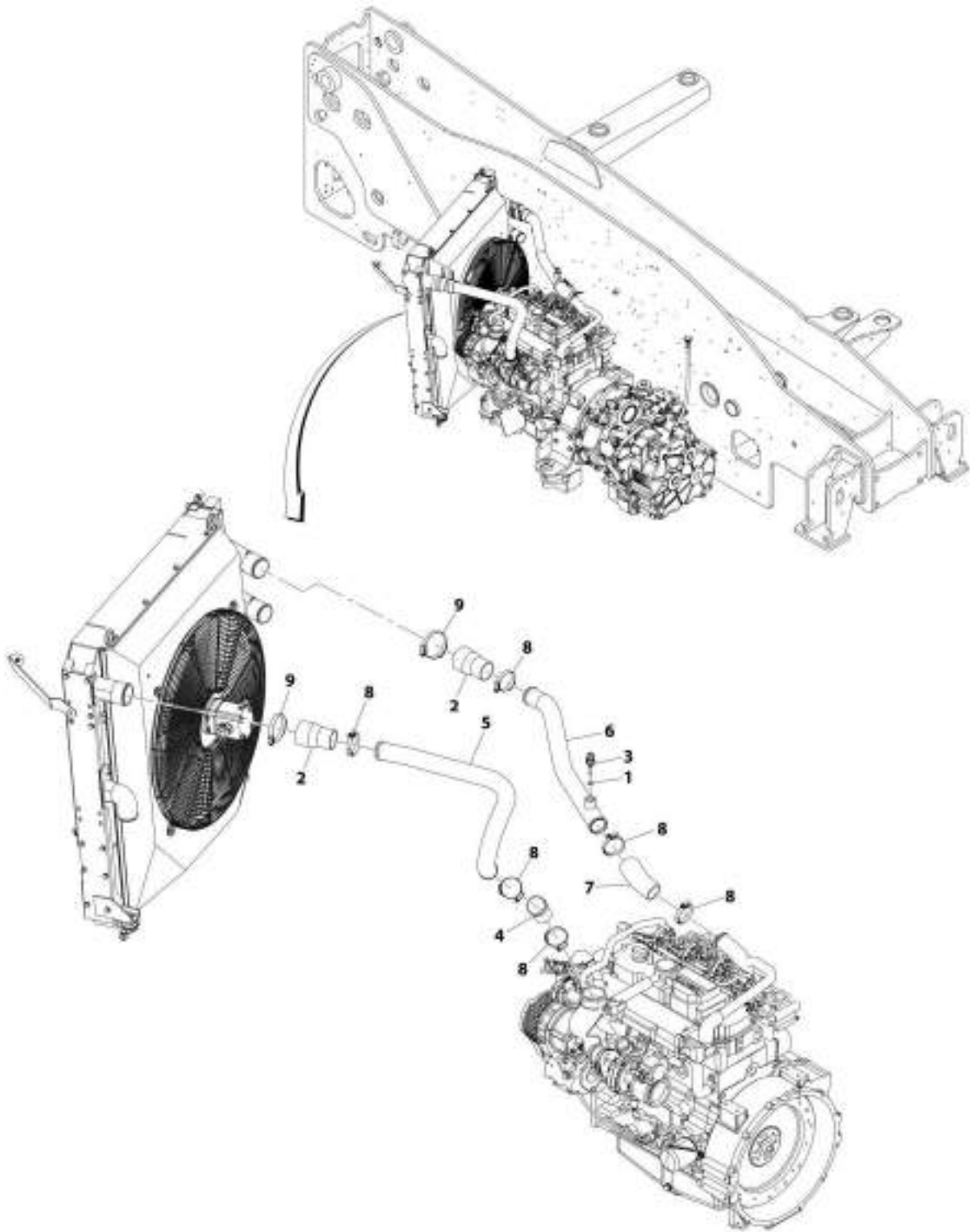
## SECTION 4 - ENGINE AND ATTACHING PARTS

**FIGURE 4-52. CAC LINES INSTALLATION (ULS)**

ITEM	PART NUMBER	QTY	DESCRIPTION	REV
	1001186849	Ref	CAC Lines Installation (ULS)	F
1	1001009163	1	O-Ring	
2	1001117244	2	Coupling, Reducer <b>(Prior to SN 1160008597)</b>	
2	1001226096	2	Coupling, Reducer <b>(SN 1160008597 to Present)</b>	
3	1001128478	1	Sensor	
4	1001197653	1	Coupling, Reducer	
5	1001197641	1	Pipe	
6	1001197638	1	Pipe	
7	1001197654	1	Coupling, Reducer	
8	1001215022	3	Clamp	
12	1001215024	5	Clamp	

# SECTION 4 - ENGINE AND ATTACHING PARTS

FIGURE 4-53. CAC LINES INSTALLATION (LS)



ART\_100138848-F

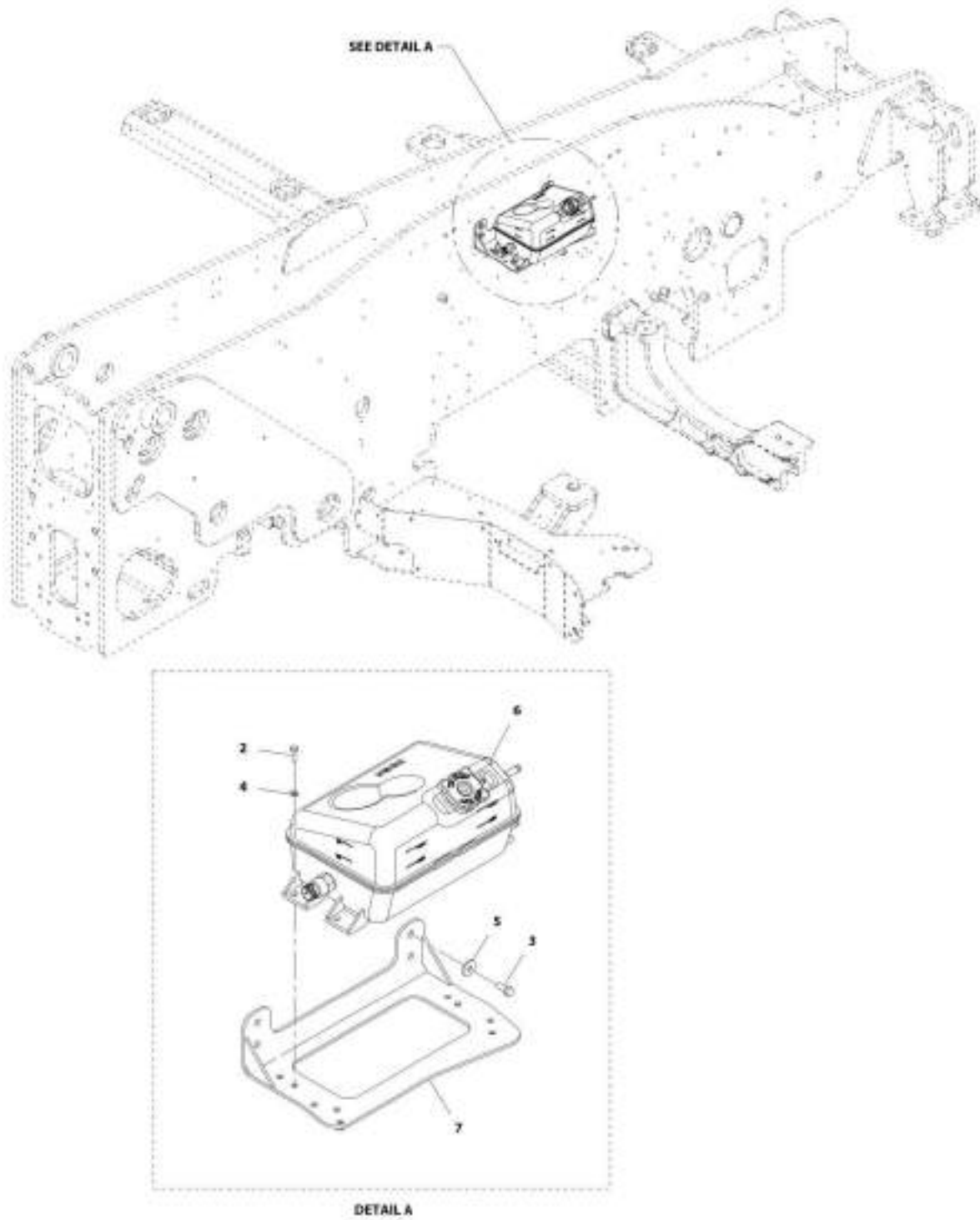
## SECTION 4 - ENGINE AND ATTACHING PARTS

**FIGURE 4-53. CAC LINES INSTALLATION (LS)**

ITEM	PART NUMBER	QTY	DESCRIPTION	REV
	1001186848	Ref	CAC Lines Installation (LS)	F
1	1001009163	1	O-Ring	
2	1001117244	2	Coupling, Reducer <b>(Prior to SN 1160008597)</b>	
2	1001226096	2	Coupling, Reducer <b>(SN 1160008597 to Present)</b>	
3	1001128478	1	Sensor	
4	1001197653	1	Coupling, Reducer	
5	1001197641	1	Pipe	
6	1001197638	1	Pipe	
7	1001197655	1	Coupling, Reducer	
8	1001215024	6	Clamp	
9	1001215022	2	Clamp	

# SECTION 4 - ENGINE AND ATTACHING PARTS

## FIGURE 4-54. SURGE TANK INSTALLATION



ART\_100175064-C

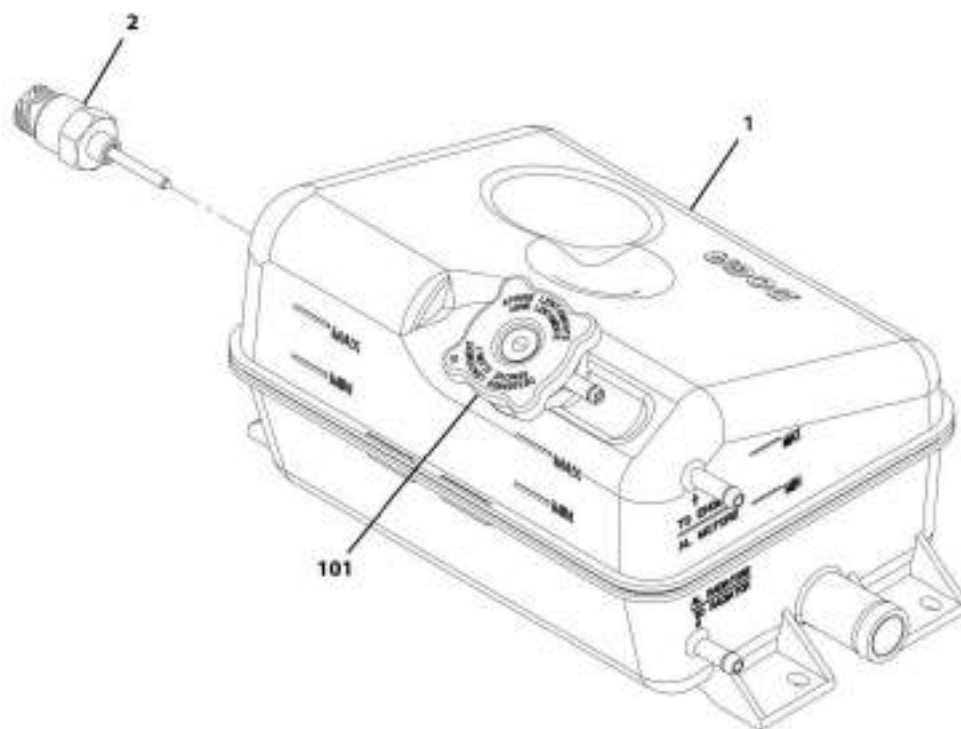
## SECTION 4 - ENGINE AND ATTACHING PARTS

### FIGURE 4-54. SURGE TANK INSTALLATION

ITEM	PART NUMBER	QTY	DESCRIPTION	REV
	1001179864	Ref	Surge Tank Installation	C
2	0700610	4	Bolt, M6X20	
3	0760810	4	Bolt, M8X20	
4	4811700	4	Washer, M6	
5	4811902	4	Washer, M8	
6	1001149375	1	Tank, Expansion (See Separate Breakdown in this Section)	
7	1001188407	1	Bracket	

## SECTION 4 - ENGINE AND ATTACHING PARTS

FIGURE 4-55. TANK EXPANSION



ART\_1001140325-B



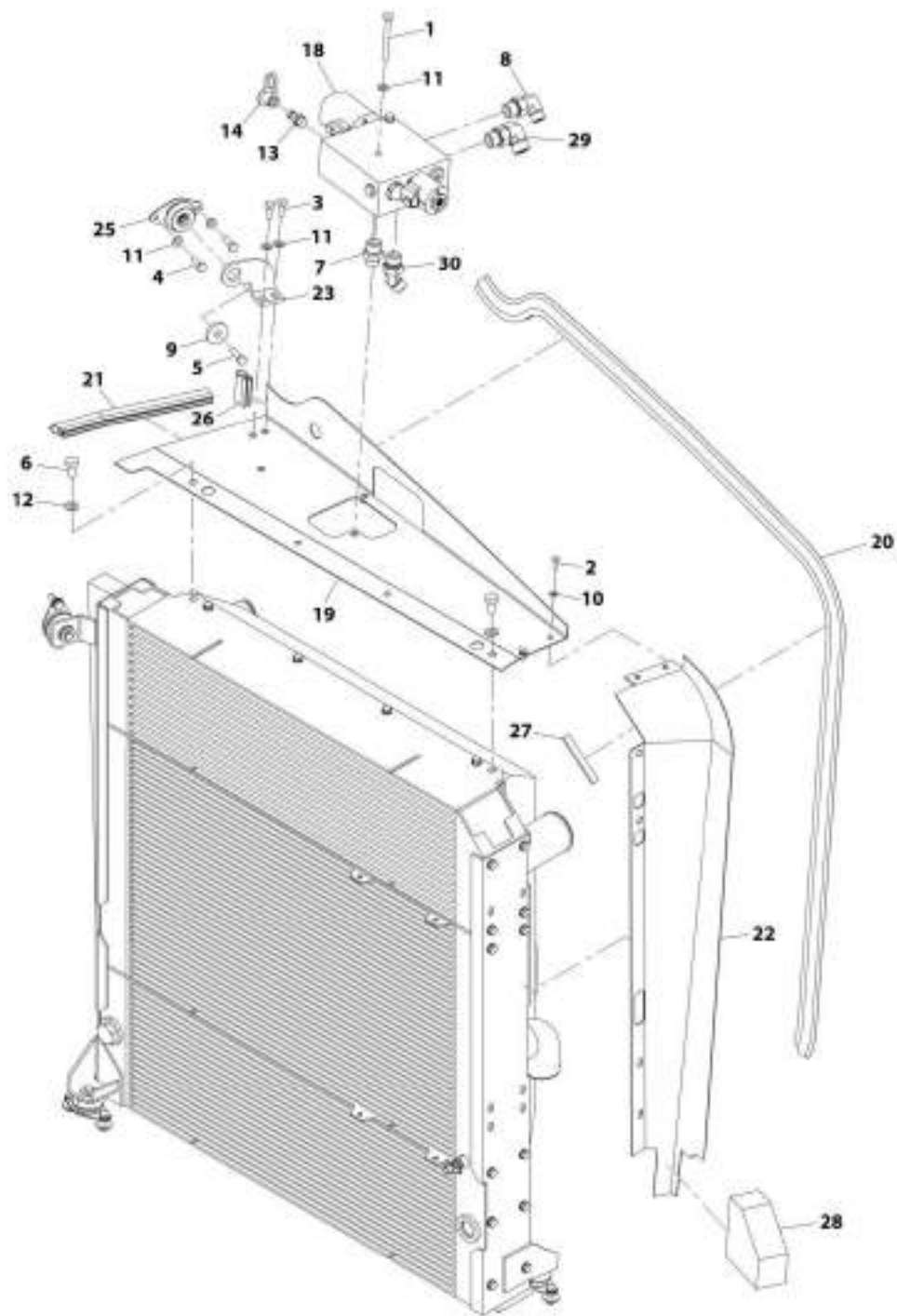
## SECTION 4 - ENGINE AND ATTACHING PARTS

### FIGURE 4-55. TANK EXPANSION

ITEM	PART NUMBER	QTY	DESCRIPTION	REV
	1001149375	Ref	Tank Expansion	B
1	1001149308	1	Tank Expansion	
2	1001149376	1	Sensor	
101	70026997	1	Cap	

# SECTION 4 - ENGINE AND ATTACHING PARTS

## FIGURE 4-56. BULKHEAD INSTALLATION



ART\_100116495-H

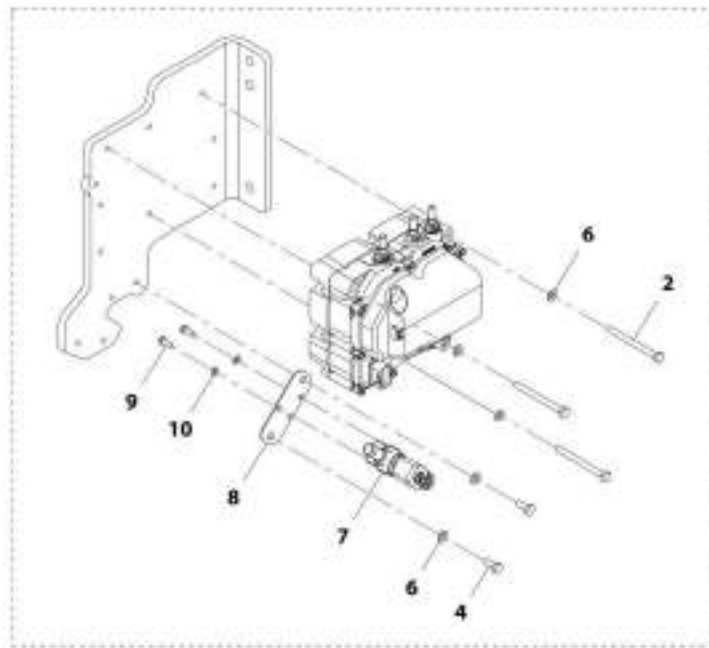
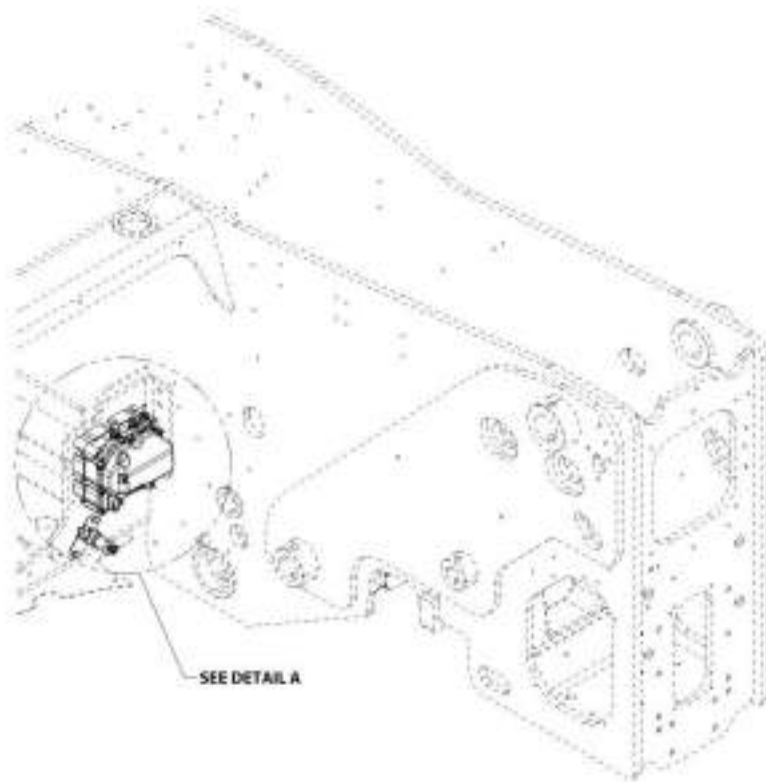
## SECTION 4 - ENGINE AND ATTACHING PARTS

**FIGURE 4-56. BULKHEAD INSTALLATION**

ITEM	PART NUMBER	QTY	DESCRIPTION	REV
	1001184955	Ref	Bulkhead Installation	H
1	0700823	2	Bolt, M8X75	
2	0760607	2	Bolt, M6X14	
3	0760810	2	Bolt, M8X20	
4	0760812	2	Bolt, M8X25	
5	0760814	1	Bolt, M8X30	
6	0761011	2	Bolt, M10X22	
7	2110810	1	Fitting, Straight ORFS	
8	2130810	1	Fitting, 90 ORFS	
9	4740572	1	Washer, M10	
10	4811700	2	Washer, M6	
11	4811900	6	Washer, M8	
12	4812000	2	Washer, M10	
13	1001003590	1	Fitting, Straight	
14	1001008761	1	Cap	
18	1001200908	1	Valve, Fan Motor Control	
19	1001182424	NLA	Panel, (no longer available, use 1001230411 for replacement)	
19	1001230411	1	Panel	
20	1001182452	1	Seal	
21	1001182453	1	Seal	
22	1001183958	1	Panel	
23	1001184445	1	Bracket	
25	1001184609	1	Mount	
26	1001184800	1	Seal	
27	1001216867	1	Seal, Bulkhead	
28	1001186370	1	Seal	
29	2131010	1	Fitting, 90 ORFS	
30	2150810	1	Fitting, 45 ORFS	

# SECTION 4 - ENGINE AND ATTACHING PARTS

FIGURE 4-57. DEF CONTROL MODULE INSTALLATION (ULS)



DETAIL A

ART\_1001178035-B

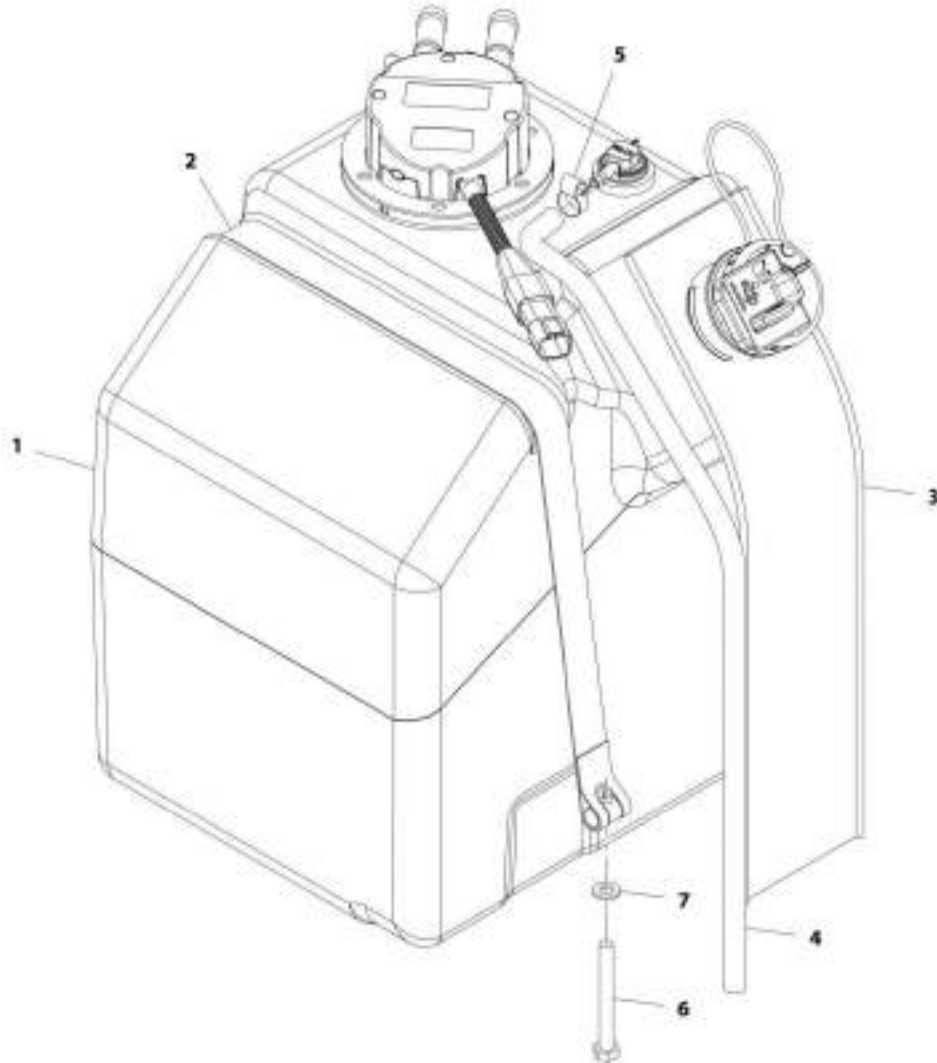
## SECTION 4 - ENGINE AND ATTACHING PARTS

FIGURE 4-57. DEF CONTROL MODULE INSTALLATION (ULS)

ITEM	PART NUMBER	QTY	DESCRIPTION	REV
	1001178030	Ref	DEF Control Module Installation (ULS)	B
2	0700826	3	Bolt, M8X90	
4	0760810	2	Bolt, M8X20	
6	4811900	5	Washer, M8	
7	1001199670	1	Valve	
8	1001200201	1	Bracket	
9	0700608	3	Bolt, M6X16	
10	4811700	3	Washer, M6	

## SECTION 4 - ENGINE AND ATTACHING PARTS

FIGURE 4-58. DEF TANK INSTALLATION (ULS) (Prior to SN 1160008715)



ART\_1001166039-I

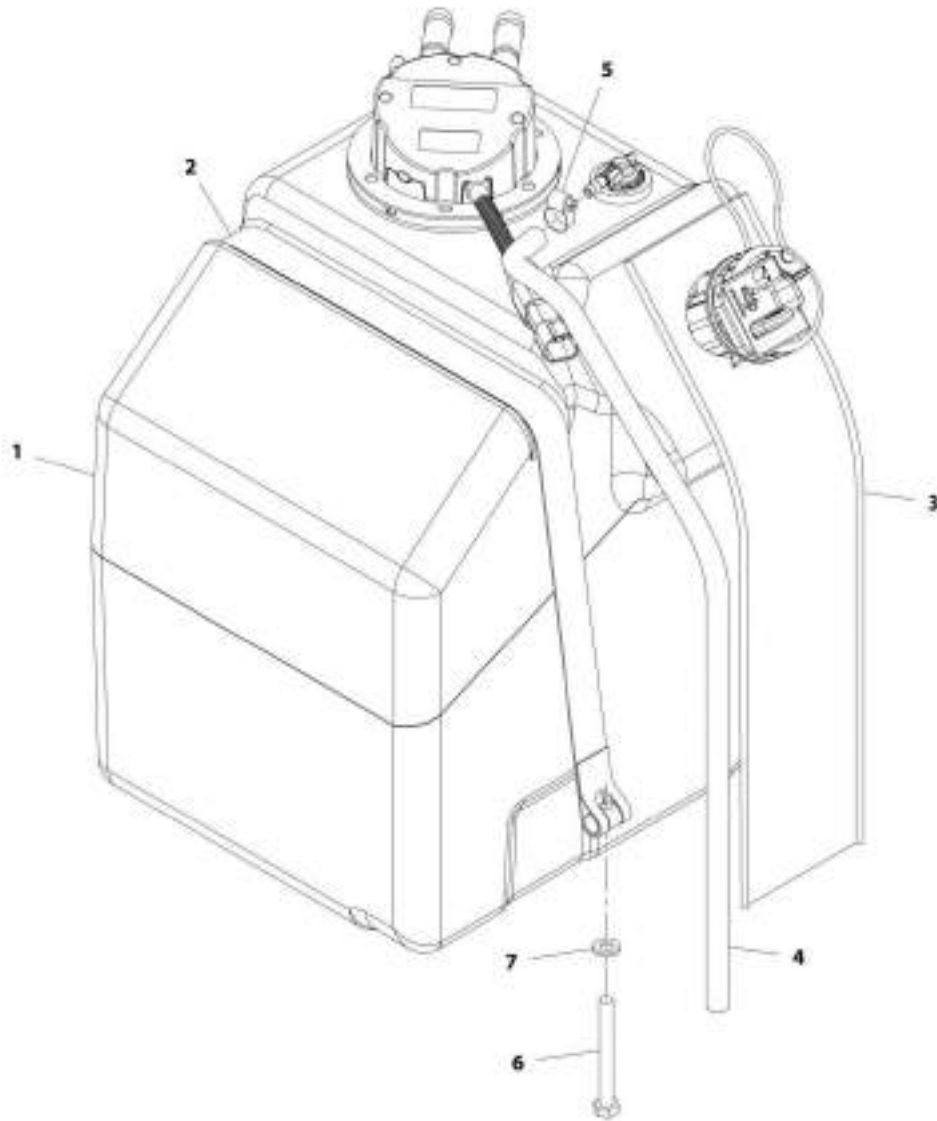
## SECTION 4 - ENGINE AND ATTACHING PARTS

**FIGURE 4-58. DEF TANK INSTALLATION (ULS) (Prior to SN 1160008715)**

ITEM	PART NUMBER	QTY	DESCRIPTION	REV
	1001168639	Ref	DEF Tank Installation (ULS)	J
1	1001164968	1	DEF Tank Assembly (ULS) (See Separate Breakdown in this Section)	
2	1001178791	1	Strap	
3	1001168272	1	Sleeve	
4	1001175201	0.6 m	Hose	
5	8405009	1	Clamp	
6	0760823	1	Bolt, M8X75	
7	4811900	1	Washer, M8	

## SECTION 4 - ENGINE AND ATTACHING PARTS

FIGURE 4-59. DEF TANK INSTALLATION (ULS) (SN 1160008715 to Present)



AWT\_1001166029-K



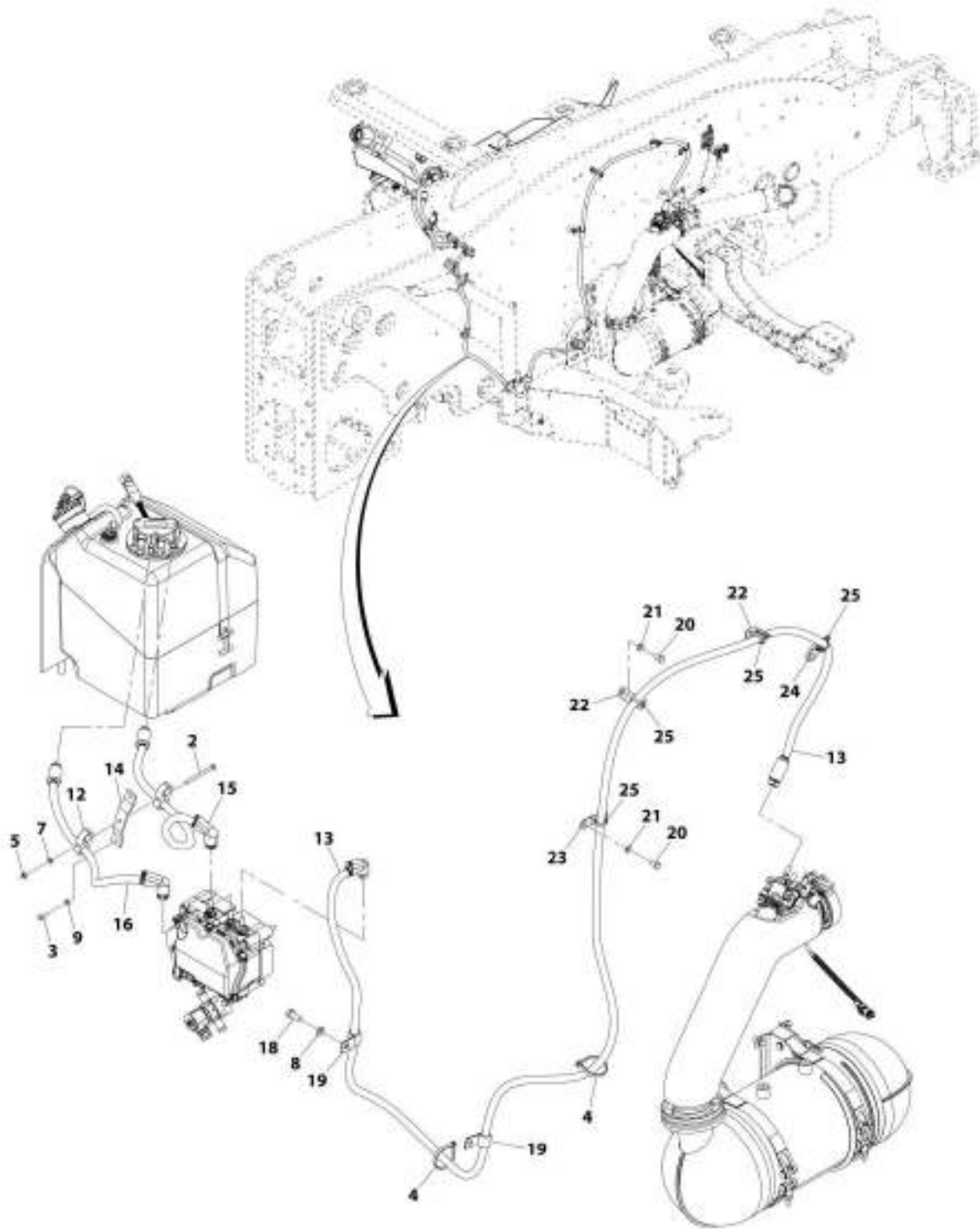
## SECTION 4 - ENGINE AND ATTACHING PARTS

FIGURE 4-59. DEF TANK INSTALLATION (ULS) (SN 1160008715 to Present)

ITEM	PART NUMBER	QTY	DESCRIPTION	REV
	1001168639	Ref	DEF Tank Installation (ULS)	K
1	1001225676	1	DEF Tank Assembly (ULS) (See Separate Breakdown in this Section)	
2	1001178791	1	Strap	
3	1001168272	1	Sleeve	
4	1001175201	0.6 m	Hose	
5	8405009	1	Clamp	
6	0760823	1	Bolt, M8X75	
7	4811900	1	Washer, M8	

# SECTION 4 - ENGINE AND ATTACHING PARTS

FIGURE 4-60. DEF LINES INSTALLATION (ULS)



ART\_100176977-D

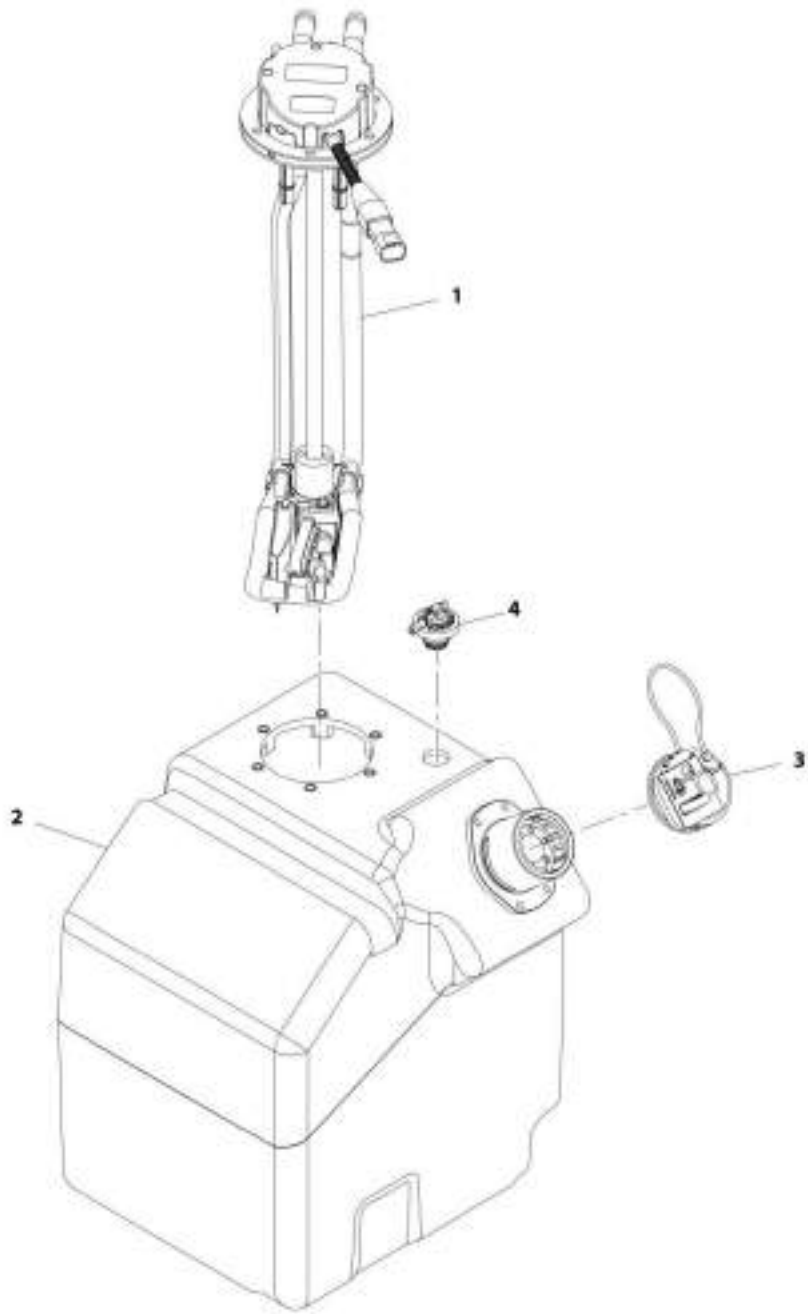
## SECTION 4 - ENGINE AND ATTACHING PARTS

**FIGURE 4-60. DEF LINES INSTALLATION (ULS)**

ITEM	PART NUMBER	QTY	DESCRIPTION	REV
	1001176977	Ref	DEF Lines Installation (ULS)	D
2	0700624	1	Bolt, M6X80	
3	0760607	2	Bolt, M6X14	
4	1062255	2	Strap, Tie	
5	3290605	1	Nut, Lock M6X1 Grade 8	
7	4811700	1	Washer, M6	
8	4812000	1	Washer, M10	
9	4831700	2	Washer, Lock M6	
12	1001094301	2	Clamp	
13	1001207486	1	Hose	
14	1001180328	1	Bracket	
15	1001180435	1	Hose	
16	1001180436	1	Hose	
18	0761012	1	Bolt, M10X25	
19	1001008574	2	Clip	
20	0760808	2	Bolt, M8X16	
21	4811900	2	Washer, M8	
22	1001003305	2	Clip	
23	1001008593	1	Clip	
24	1001169146	1	Mount	
25	471678	4	Strap, Tie	

# SECTION 4 - ENGINE AND ATTACHING PARTS

FIGURE 4-61. DEF TANK ASSEMBLY (ULS) (Prior to SN 1160008715)



ART\_1001164068-G

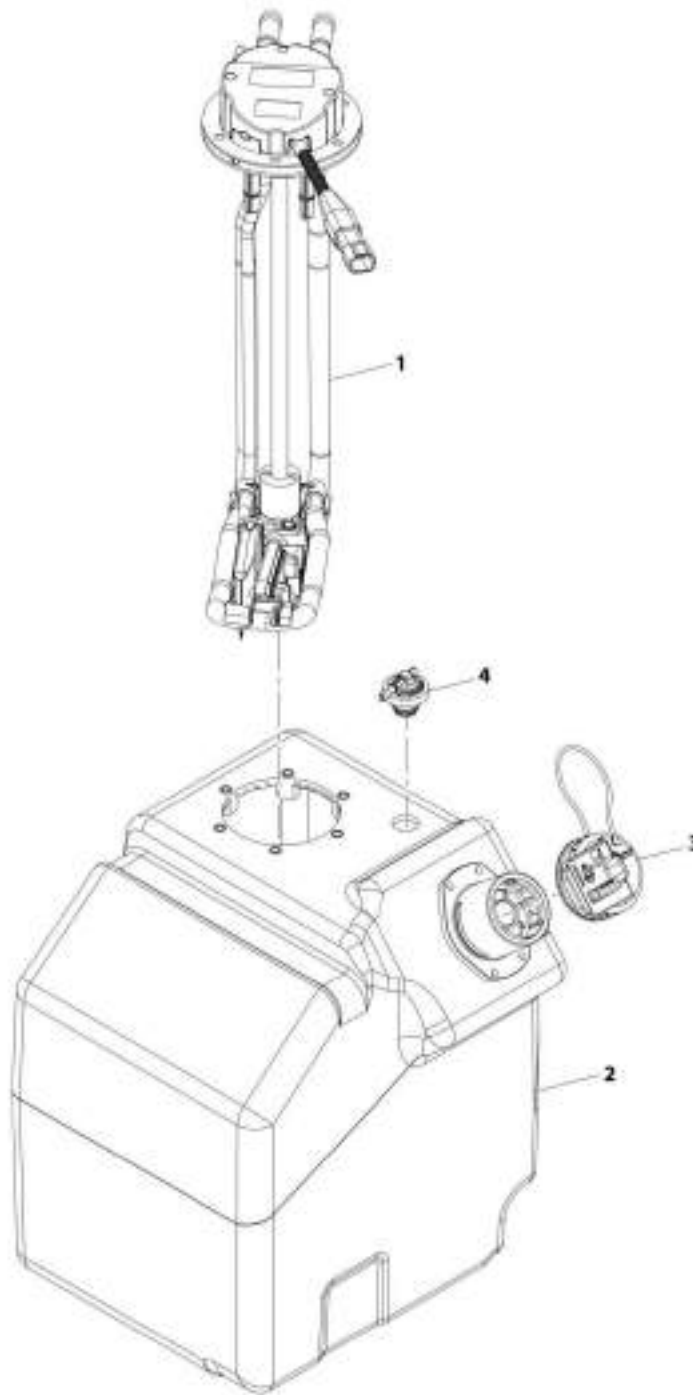
## SECTION 4 - ENGINE AND ATTACHING PARTS

FIGURE 4-61. DEF TANK ASSEMBLY (ULS) (Prior to SN 1160008715)

ITEM	PART NUMBER	QTY	DESCRIPTION	REV
	1001164968	Ref	DEF Tank Assembly (ULS)	G
1	1001164965	1	DEF, Header	
2	1001164967	1	Tank, DEF	
3	1001174795	1	Cap	
4	1001215319	1	Valve, DEF Breather	

## SECTION 4 - ENGINE AND ATTACHING PARTS

FIGURE 4-62. DEF TANK ASSEMBLY (ULS) (SN 1160008715 to Present)



ART\_1001225676-8

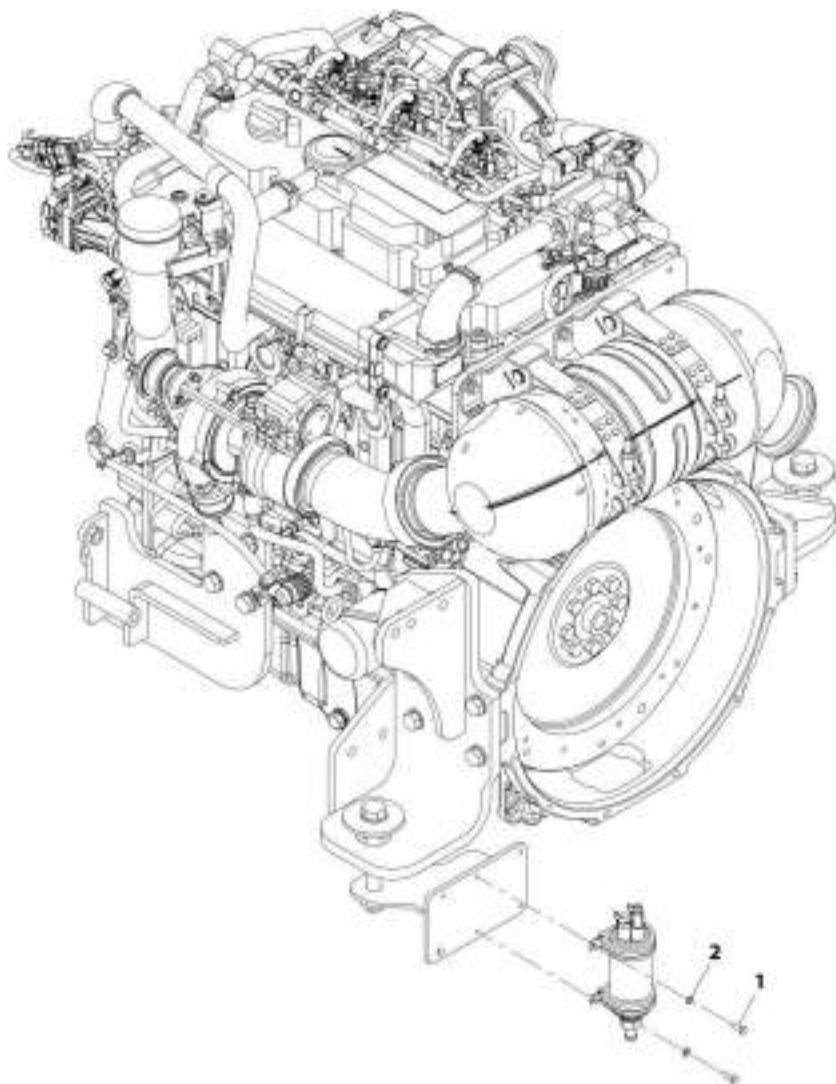
## SECTION 4 - ENGINE AND ATTACHING PARTS

FIGURE 4-62. DEF TANK ASSEMBLY (ULS) (SN 1160008715 to Present)

ITEM	PART NUMBER	QTY	DESCRIPTION	REV
	1001225676	Ref	Def Tank Assembly	B
1	1001225677	1	DEF, Header	
2	1001164967	1	Tank, DEF	
3	1001174795	1	Cap	
4	1001215319	1	Valve, DEF Breather	

## SECTION 4 - ENGINE AND ATTACHING PARTS

FIGURE 4-63. REMOTE FUEL PUMP INSTALLATION (74.4KW)



ART\_100160789-G



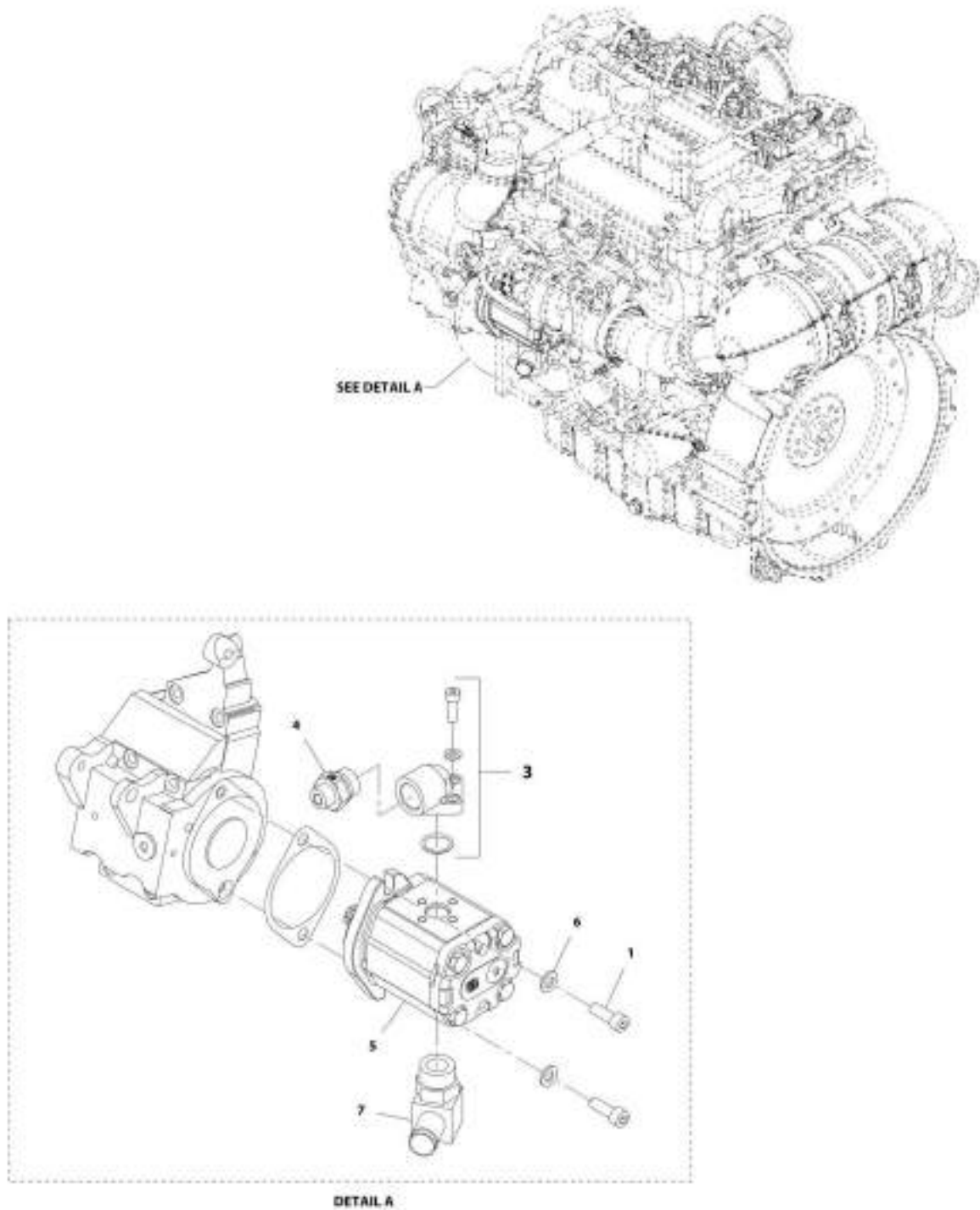
## SECTION 4 - ENGINE AND ATTACHING PARTS

FIGURE 4-63. REMOTE FUEL PUMP INSTALLATION (74.4KW)

ITEM	PART NUMBER	QTY	DESCRIPTION	REV
	1001165789	Ref	Remote Fuel Pump Installation (74.4KW)	G
1	0760507	4	Bolt, M5X14	
2	4811600	4	Washer, M5	

# SECTION 4 - ENGINE AND ATTACHING PARTS

FIGURE 4-64. HYDRAULIC PUMP INSTALLATION (74.4KW)



ART\_100105865-C

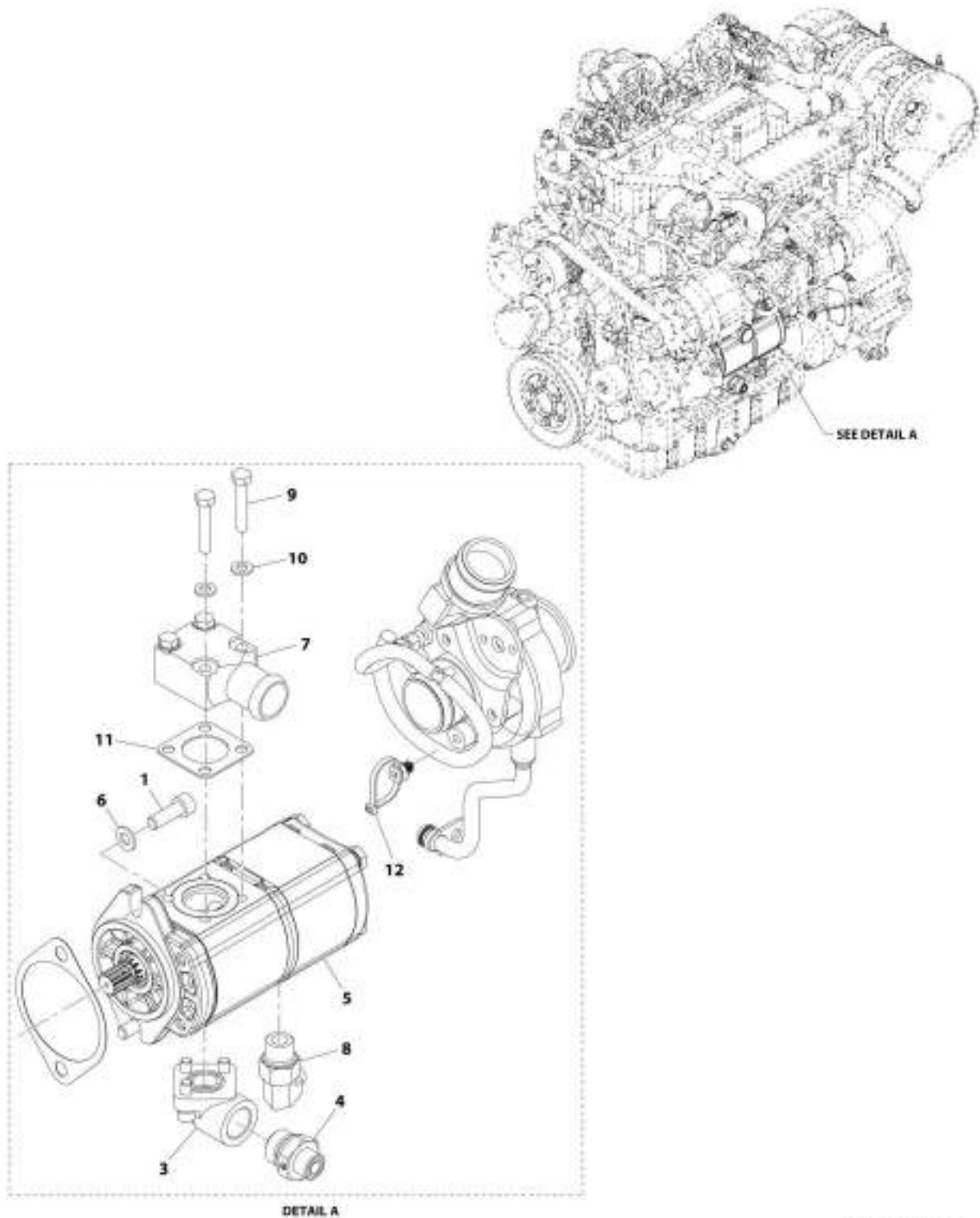
## SECTION 4 - ENGINE AND ATTACHING PARTS

FIGURE 4-64. HYDRAULIC PUMP INSTALLATION (74.4KW)

ITEM	PART NUMBER	QTY	DESCRIPTION	REV
	1001185865	Ref	Hydraulic Pump Installation (74.4KW)	E
1	4032010	2	Bolt, M10X30	
3	1001135245	1	Elbow, Adapter	
4	1001192411	1	Fitting, Straight ORFS	
5	1001182943	1	Pump	
6	4812000	2	Washer, M10	
7	1001109494	1	Fitting, 90 ORFS	

# SECTION 4 - ENGINE AND ATTACHING PARTS

FIGURE 4-65. HYDRAULIC PUMP INSTALLATION (90KW)



4RT\_1001185264-G

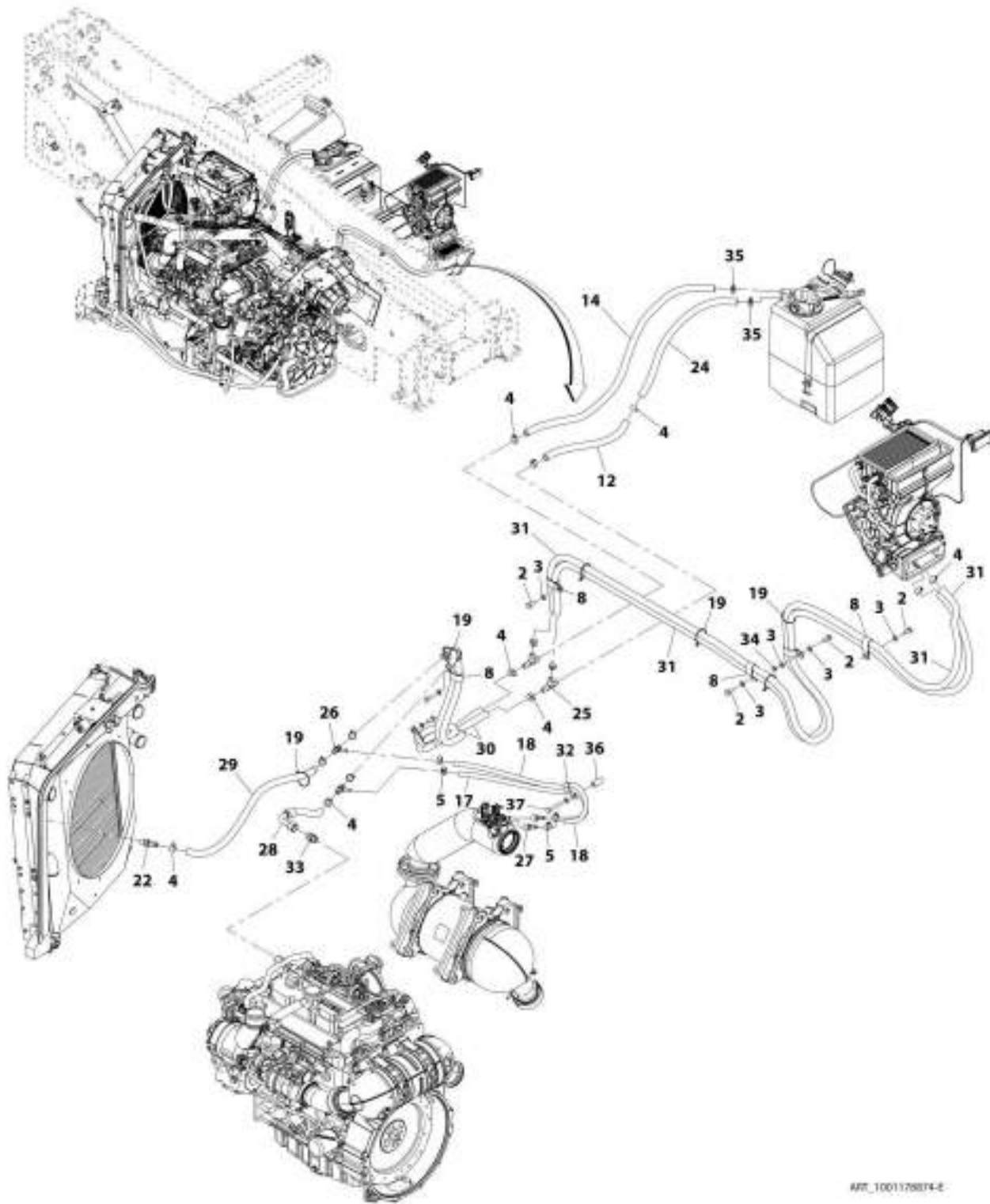
## SECTION 4 - ENGINE AND ATTACHING PARTS

FIGURE 4-65. HYDRAULIC PUMP INSTALLATION (90KW)

ITEM	PART NUMBER	QTY	DESCRIPTION	REV
	1001185864	Ref	Hydraulic Pump Installation (90KW)	G
1	4032010	2	Bolt, M10X30	
3	1001135245	1	Elbow, Adapter	
4	1001192411	1	Fitting, Straight ORFS	
5	1001182935	1	Pump	
6	4812000	2	Washer, M10	
7	1001202643	1	Fitting	
8	2130610	1	Fitting, 90 ORFS	
9	0700817	4	Bolt, M8X45	
10	4811900	4	Washer, M8	
11	1001203012	1	Seal	
12	1001146588	1	Strap	

# SECTION 4 - ENGINE AND ATTACHING PARTS

## FIGURE 4-66. HEATER LINES INSTALLATION (ULS)



APT\_1001126814-2

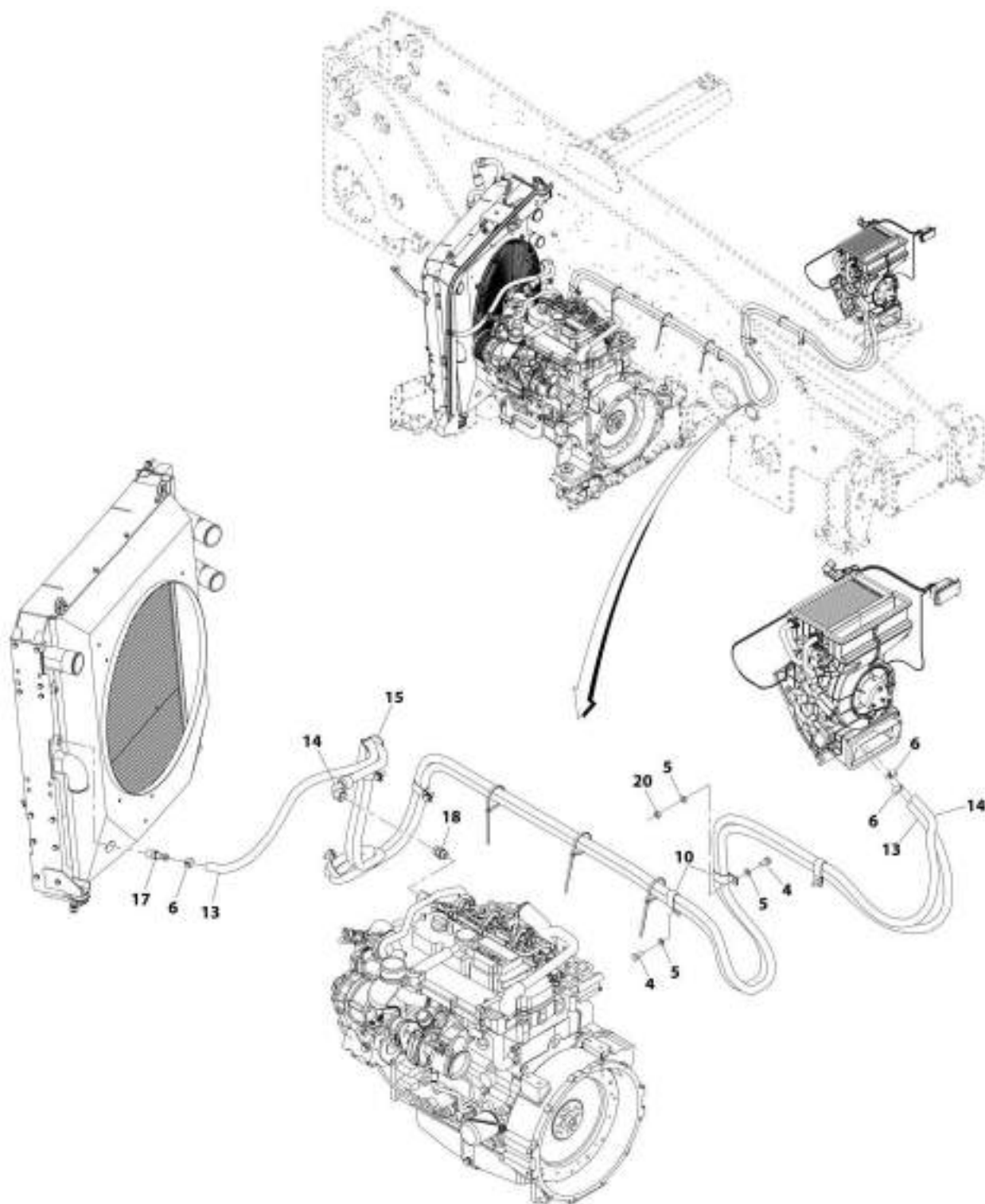
## SECTION 4 - ENGINE AND ATTACHING PARTS

**FIGURE 4-66. HEATER LINES INSTALLATION (ULS)**

ITEM	PART NUMBER	QTY	DESCRIPTION	REV
	1001178874	Ref	Heater Lines Installation (ULS)	E
2	0761012	6	Bolt, M10X25	
3	4812000	8	Washer, M10	
4	8410009	15	Clamp	
5	8410013	4	Clamp	
8	1001008720	6	Clip	
12	1001202478	1	Hose	
14	1001202479	1	Hose	
17	1001202473	1	Hose	
18	1001202474	1	Hose	
19	1001008559	8	Strap	
22	1001104685	1	Fitting, Barbed	
24	1001180429	1	Hose	
25	1001183125	2	Fitting, Tee	
26	1001183149	2	Fitting, Tee	
27	1001183357	2	Fitting, Straight	
28	1001212956	1	HOSE ASSY,.63" ORFS/NONE	
29	1001202476	1	Hose	
30	1001202477	2	Hose	
31	1001202480	2	Hose	
32	1001008573	1	Clip	
33	2221257	1	Fitting, Straight ORFS	
34	3291001	1	Nut, M10X1.5 Grade 8	
35	1001152730	2	Clamp	
36	1001092122	1	Spacer	
37	0701020	1	Bolt, M10X60	

# SECTION 4 - ENGINE AND ATTACHING PARTS

## FIGURE 4-67. HEATER LINES INSTALLATION (LS)



ART\_1001101413-D



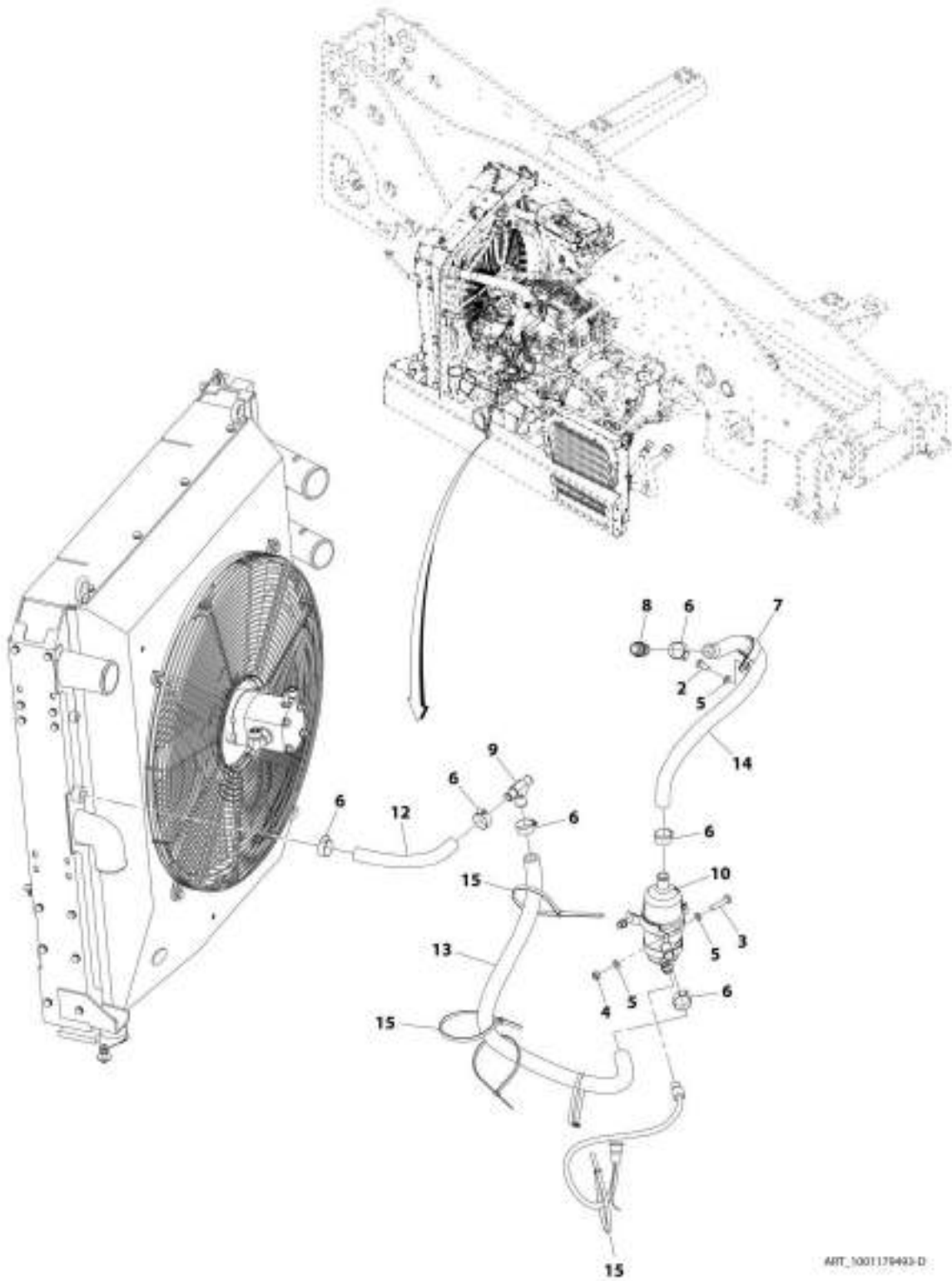
## SECTION 4 - ENGINE AND ATTACHING PARTS

FIGURE 4-67. HEATER LINES INSTALLATION (LS)

ITEM	PART NUMBER	QTY	DESCRIPTION	REV
	1001181413	Ref	Heater Lines Installation (LS)	D
4	0761012	6	Bolt, M10X25	
5	4812000	7	Washer, M10	
6	8410009	3	Clamp	
10	1001008720	6	Clip	
13	1001201296	1	Hose	
14	1001202772	1	Hose	
15	1001008559	2	Strap	
17	1001104685	1	Fitting, Barbed	
18	1001202921	1	Fitting, Straight ORFS	
18	2221257	1	Fitting, Straight ORFS	
20	3291001	1	Nut, M10X1.5	

# SECTION 4 - ENGINE AND ATTACHING PARTS

FIGURE 4-68. BLOCK HEATER INSTALLATION (230V - LS)



ART\_1001179493-D

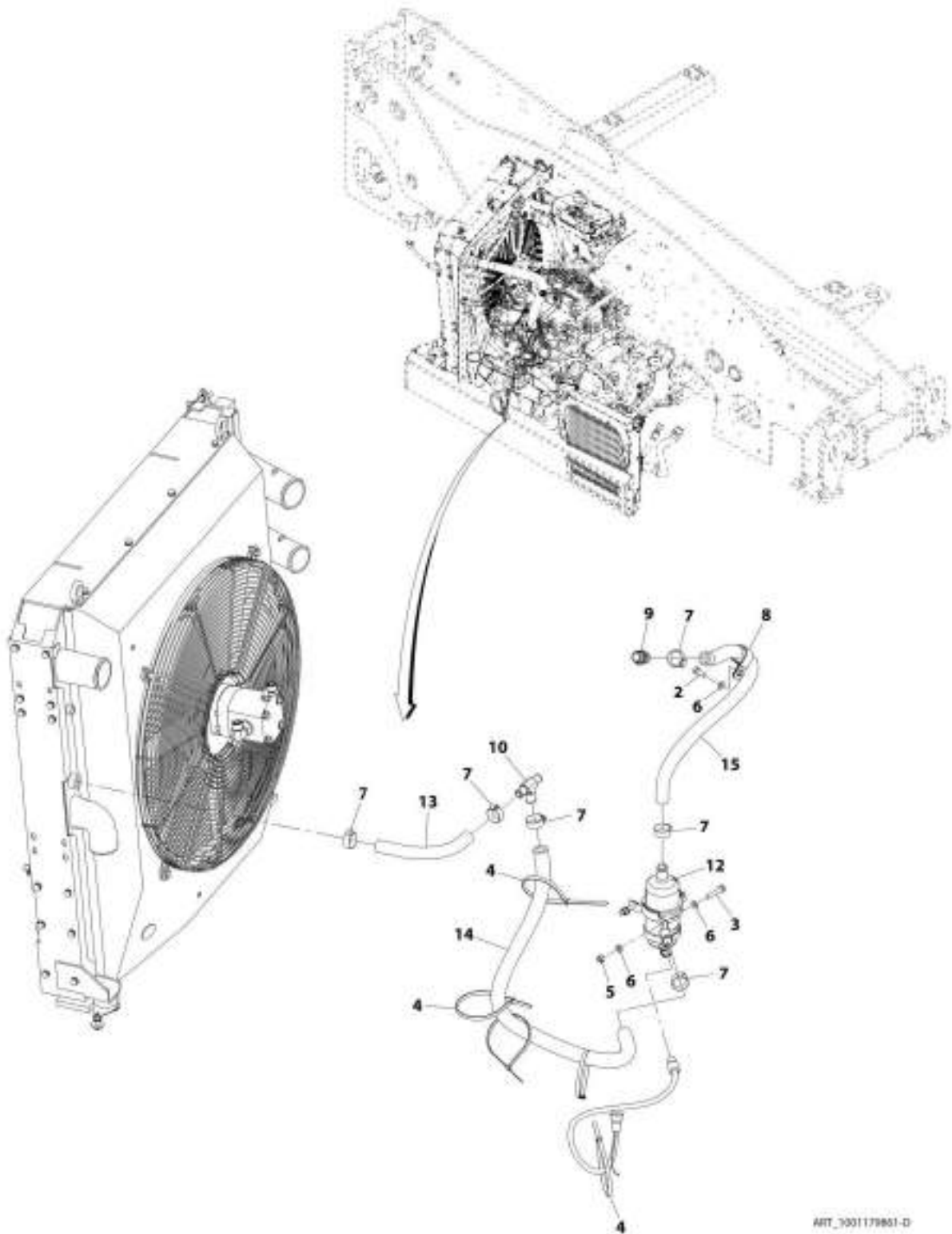
## SECTION 4 - ENGINE AND ATTACHING PARTS

**FIGURE 4-68. BLOCK HEATER INSTALLATION (230V - LS)**

ITEM	PART NUMBER	QTY	DESCRIPTION	REV
	1001179493	Ref	Block Heater Installation (230V - LS)	D
2	0760810	1	Bolt, M8X20	
3	0760816	2	Bolt, M8X40	
4	3290805	2	Nut, Lock M8X1.25 Grade 8	
5	4811900	5	Washer, M8	
6	8405007	6	Clamp	
7	8406302	1	Clamp	
8	1001167408	1	Adapter, Hose	
9	1001167773	1	Fitting, Tee	
10	1001165069	1	Block Heater (230V) (See Separate Breakdown in this Section)	
12	1001204302	1	Hose	
13	1001204301	1	Hose	
14	1001204373	1	Hose	
15	1062255	5	Strap, Tie	

# SECTION 4 - ENGINE AND ATTACHING PARTS

FIGURE 4-69. BLOCK HEATER INSTALLATION (120V - LS - JLG)



ART\_3001179801-D

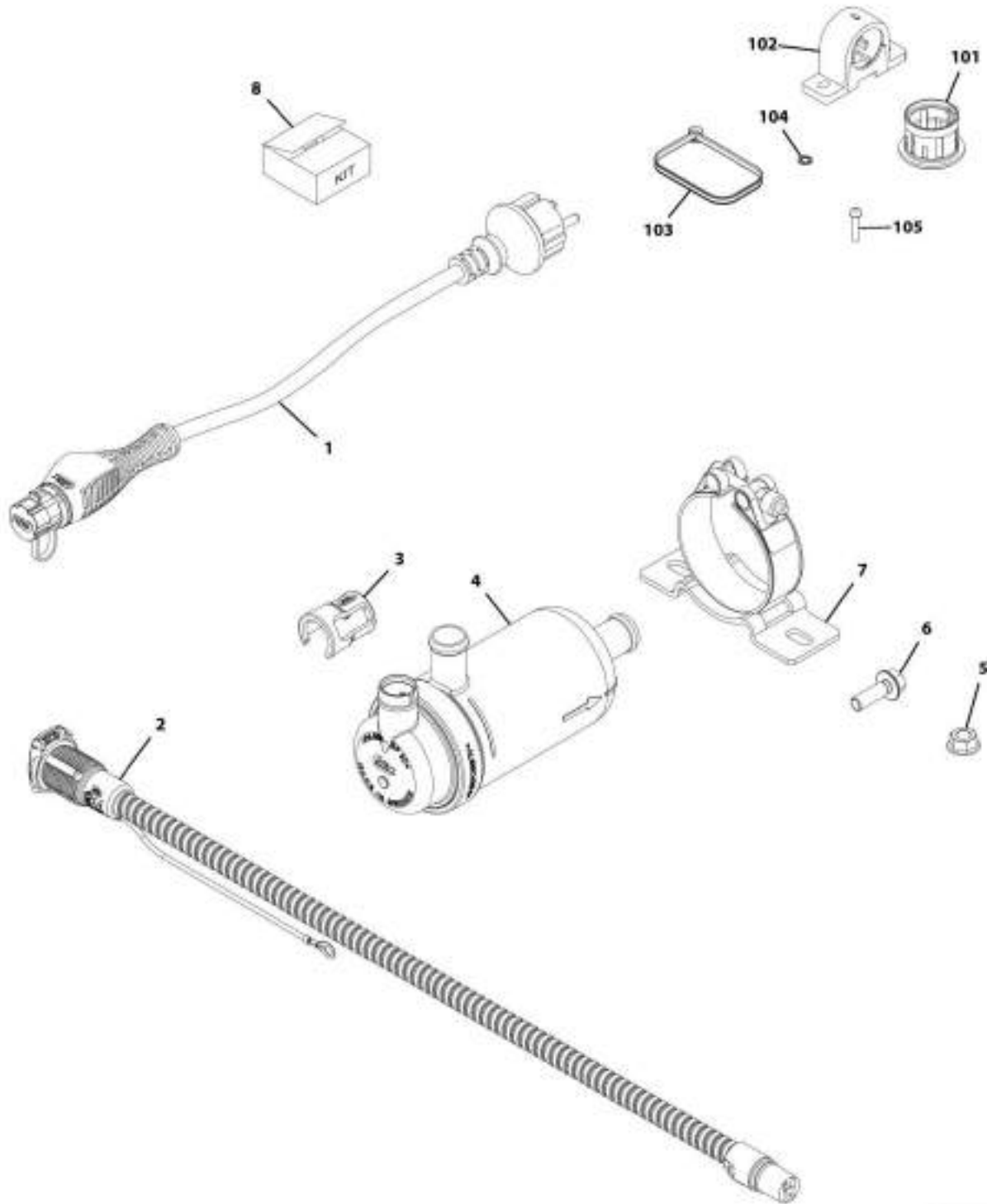
## SECTION 4 - ENGINE AND ATTACHING PARTS

**FIGURE 4-69. BLOCK HEATER INSTALLATION (120V - LS - JLG)**

ITEM	PART NUMBER	QTY	DESCRIPTION	REV
	1001179861	Ref	Block Heater Installation (120V - LS - JLG)	D
2	0760810	1	Bolt, M8X20	
3	0760816	2	Bolt, M8X40	
4	1062255	5	Strap, Tie	
5	3290805	2	Nut, Lock M8X1.25 Grade 8	
6	4811900	5	Washer, M8	
7	8405007	6	Clamp	
8	8406302	1	Clamp	
9	1001167408	1	Adapter, Hose	
10	1001167773	1	Fitting, Tee	
12	1001179910	1	Block Heater (120V) (See Separate Breakdown in this Section)	
13	1001204302	1	Hose	
14	1001204301	1	Hose	
15	1001204373	1	Hose	

# SECTION 4 - ENGINE AND ATTACHING PARTS

## FIGURE 4-70. BLOCK HEATER (ULS)



MT\_1001165089-B

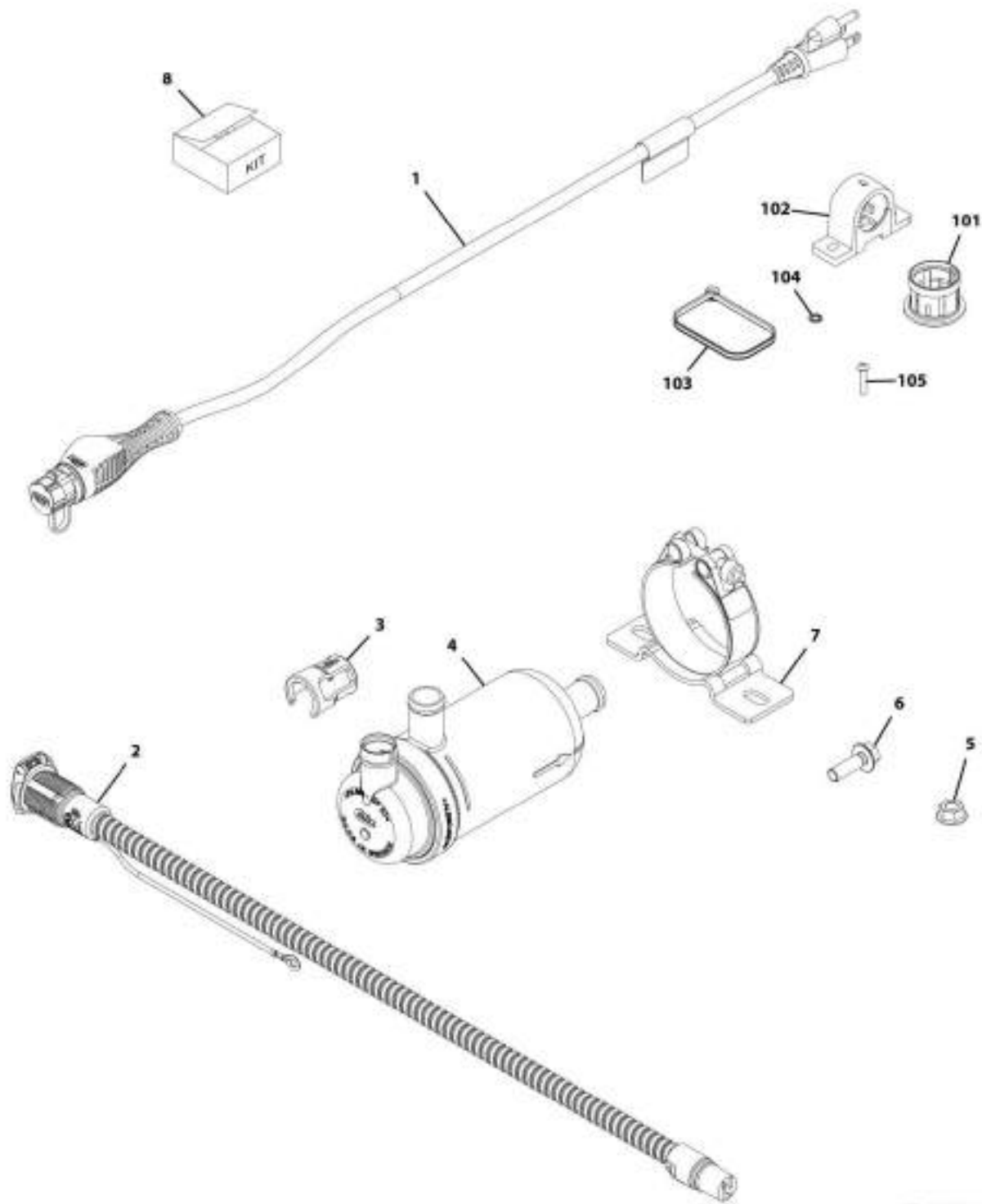
## SECTION 4 - ENGINE AND ATTACHING PARTS

**FIGURE 4-70. BLOCK HEATER (ULS)**

ITEM	PART NUMBER	QTY	DESCRIPTION	REV
	1001165069	Ref	Block Heater (ULS)	B
1	70026718	1	Cable, Supply	
2	70026717	1	Cable, Inlet	
3	70026720	1	Clip, Safety	
4	70026721	1	Heater	
5	70026722	2	Nut, Flange M8X8	
6	70026723	2	Screw, Flange M8X25	
7	70026724	1	Clamp	
8	70026719	1	Kit, MK Assembly	
101	Kit	1	Expander	
102	Kit	1	Clamp	
103	Kit	5	Wrap, Tie	
104	Kit	2	Washer, Lock	
105	Kit	3	Screw	

# SECTION 4 - ENGINE AND ATTACHING PARTS

## FIGURE 4-71. BLOCK HEATER (LS)



MT\_1001179810-B



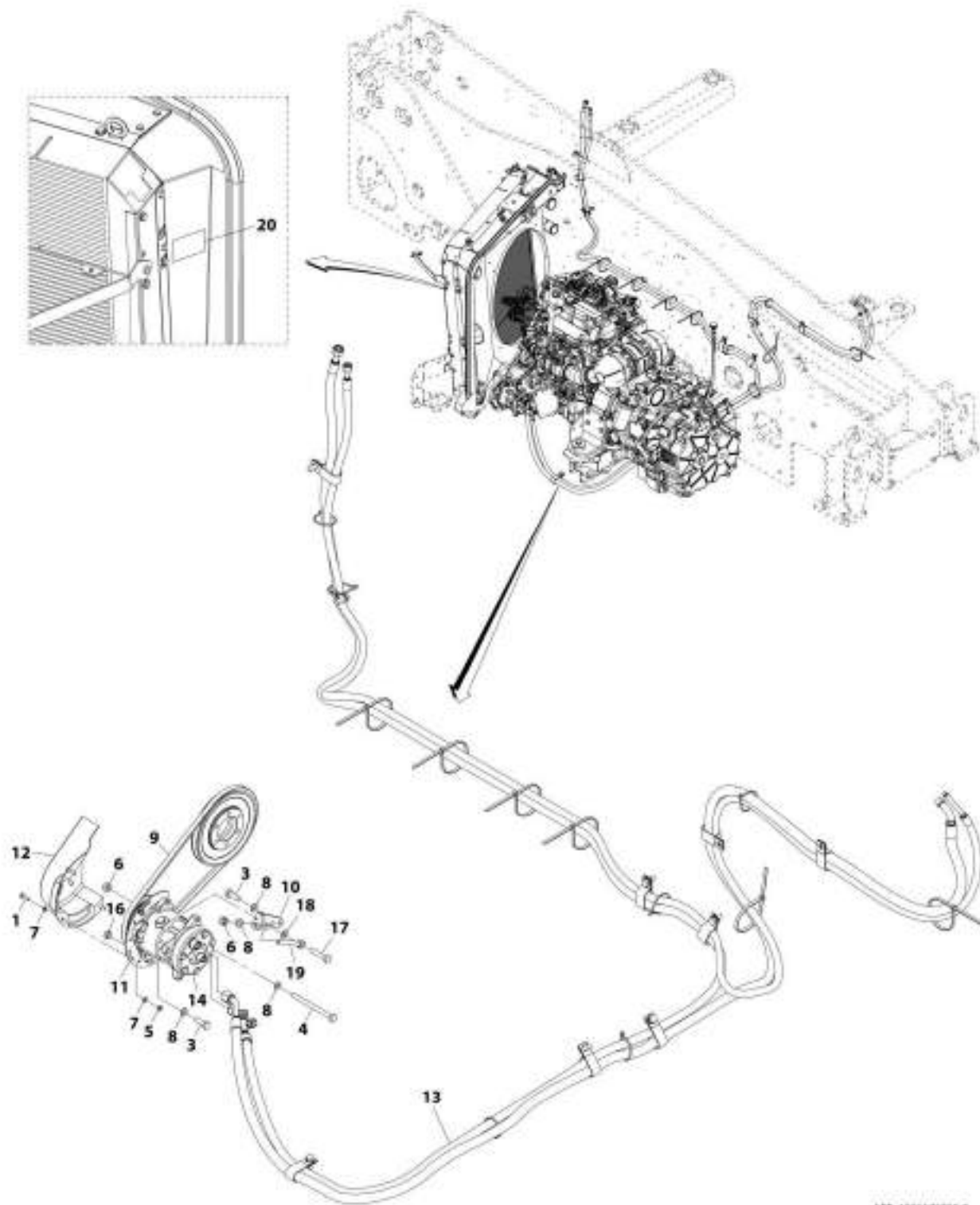
## SECTION 4 - ENGINE AND ATTACHING PARTS

### FIGURE 4-71. BLOCK HEATER (LS)

ITEM	PART NUMBER	QTY	DESCRIPTION	REV
	1001179910	Ref	Block Heater (LS)	B
1	70026725	1	Cable, Supply	
2	70026726	1	Cable, Inlet	
3	70026720	1	Clip, Safety	
4	70026721	1	Heater	
5	70026722	2	Nut, Flange M8X8	
6	70026723	2	Screw, Flange M8X25	
7	70026724	1	Clamp	
8	70026719	1	Kit, MK Assembly	
101	Kit	1	Expander	
102	Kit	1	Clamp	
103	Kit	5	Wrap, Tie	
104	Kit	2	Washer, Lock	
105	Kit	3	Screw	

# SECTION 4 - ENGINE AND ATTACHING PARTS

## FIGURE 4-72. A/C PUMP INSTALLATION



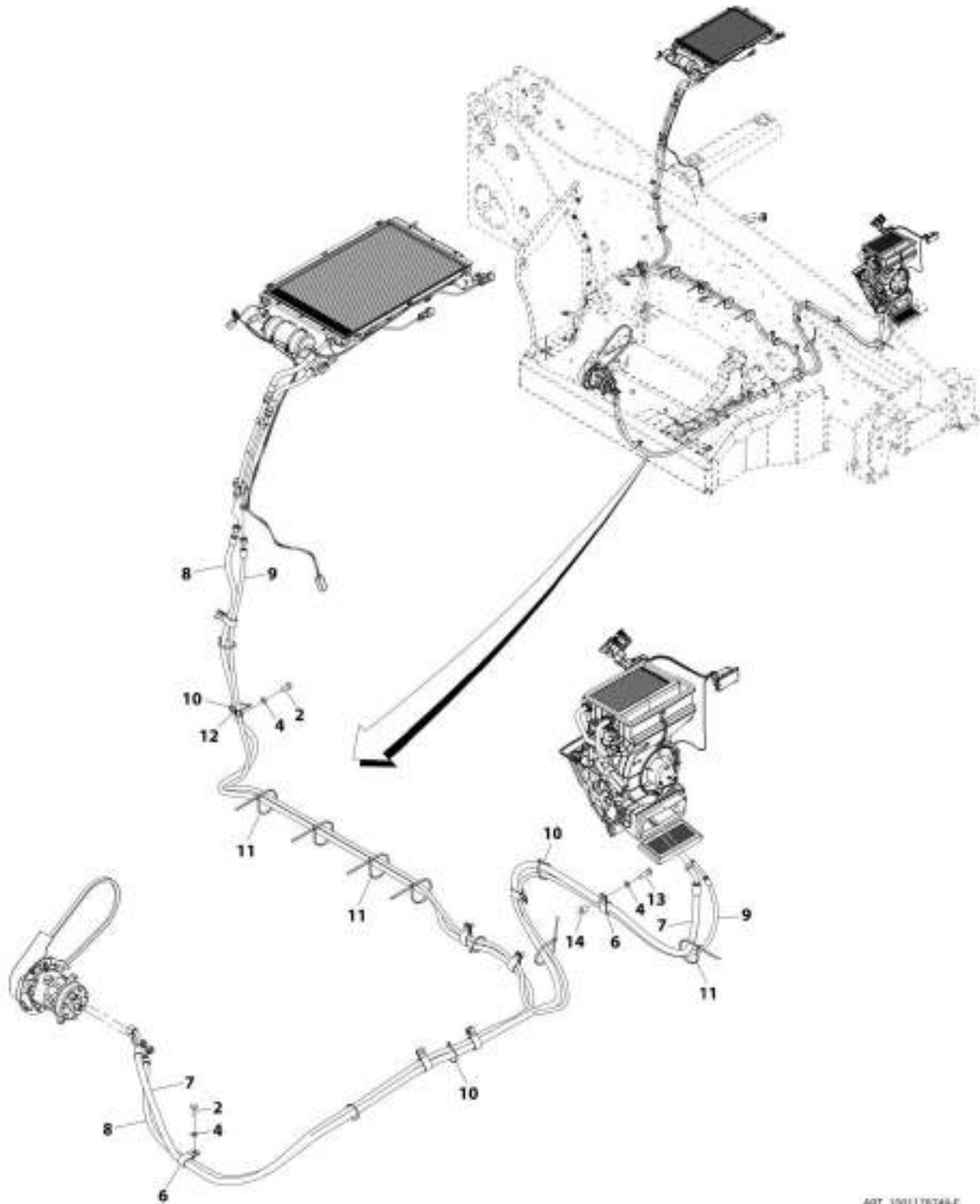
## SECTION 4 - ENGINE AND ATTACHING PARTS

### FIGURE 4-72. A/C PUMP INSTALLATION

ITEM	PART NUMBER	QTY	DESCRIPTION	REV
	1001178725	Ref	A/C Pump Installation	E
1	0700610	3	Bolt, M6X20	
3	0701014	3	Bolt, M10X30	
4	0701030	1	Bolt, M10X130	
5	3290605	3	Nut, Lock M6X1 Grade 8	
6	3291005	2	Nut, Lock M10X1.5 Grade 8	
7	4811700	6	Washer, M6	
8	4812000	5	Washer, M10	
9	1001167356	1	Belt, Drive A/C	
10	1001188855	1	Plate	
11	1001193735	1	Support	
12	1001171000	1	Cover	
13	1001178749	Ref	Installation, A/C Lines (See Separate Breakdown in this Section)	
14	1001119220	1	Compressor	
16	3291001	2	Nut, M10X1.5 Grade 8	
17	0701018	1	Bolt, M10X50	
18	5241000	1	Washer, M10	
19	1001188856	1	Rod	
20	1001227090	1	Decal	

# SECTION 4 - ENGINE AND ATTACHING PARTS

## FIGURE 4-73. A/C LINES INSTALLATION



ART\_1001170749-F

## SECTION 4 - ENGINE AND ATTACHING PARTS

### FIGURE 4-73. A/C LINES INSTALLATION

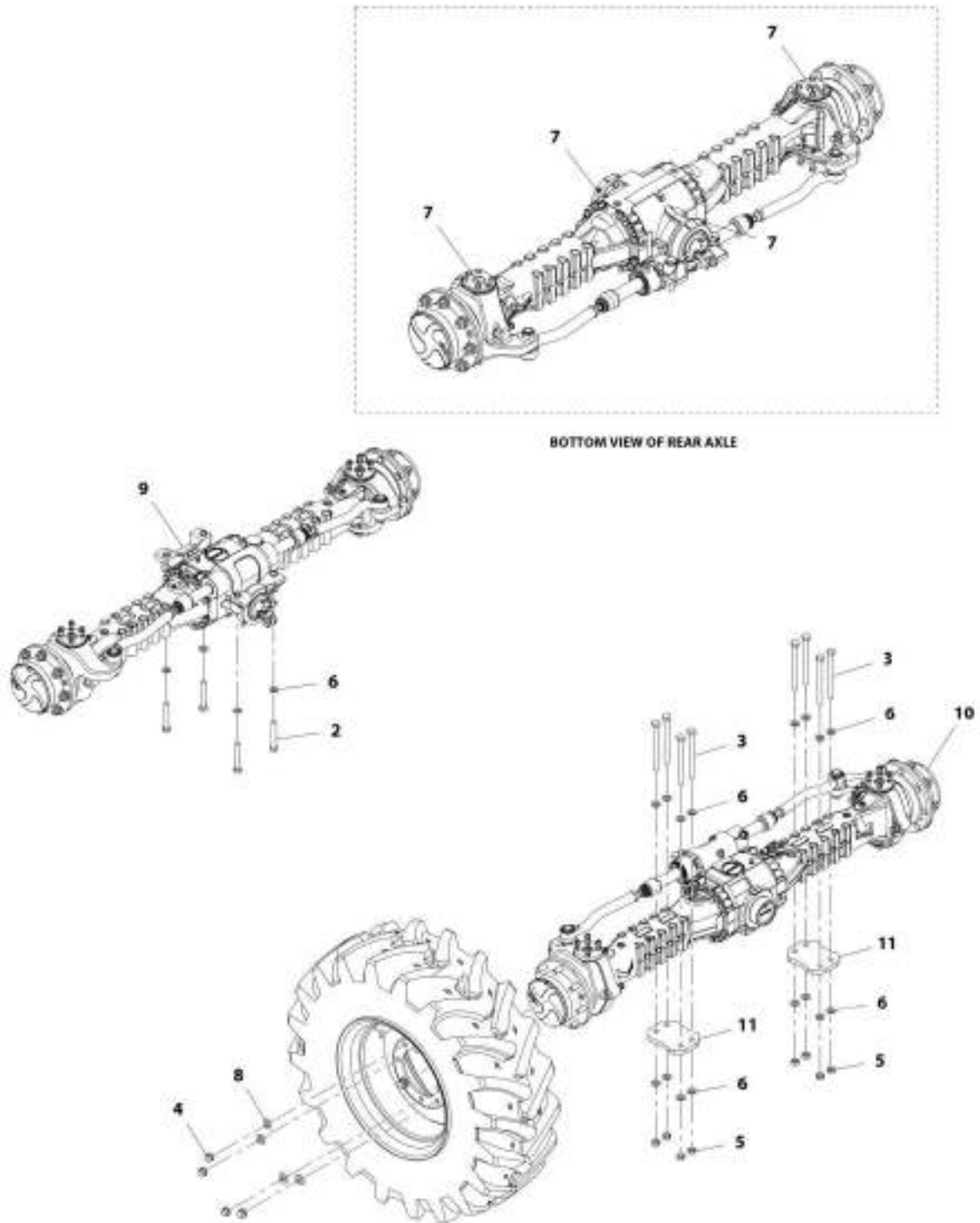
ITEM	PART NUMBER	QTY	DESCRIPTION	REV
	1001178749	Ref	A/C Lines Installation	F
2	0761012	7	Bolt, M10X25	
4	4812000	8	Washer, M10	
6	1001026104	8	Clip	
7	1001203825	1	Hose	
8	1001180593	1	Hose	
9	1001203826	1	Hose	
10	1001008559	6	Strap	
11	1062255	6	Strap, Tie	
12	1001008593	1	Clip	
13	0701016	1	Bolt, M10X40	
14	1001095401	1	Spacer	



**SECTION 5 - DRIVE TRAIN**

# SECTION 5 - DRIVE TRAIN

## FIGURE 5-1. AXLES INSTALLATION (NO HYDRAULIC PARK BRAKE)



ART\_1001175295-D



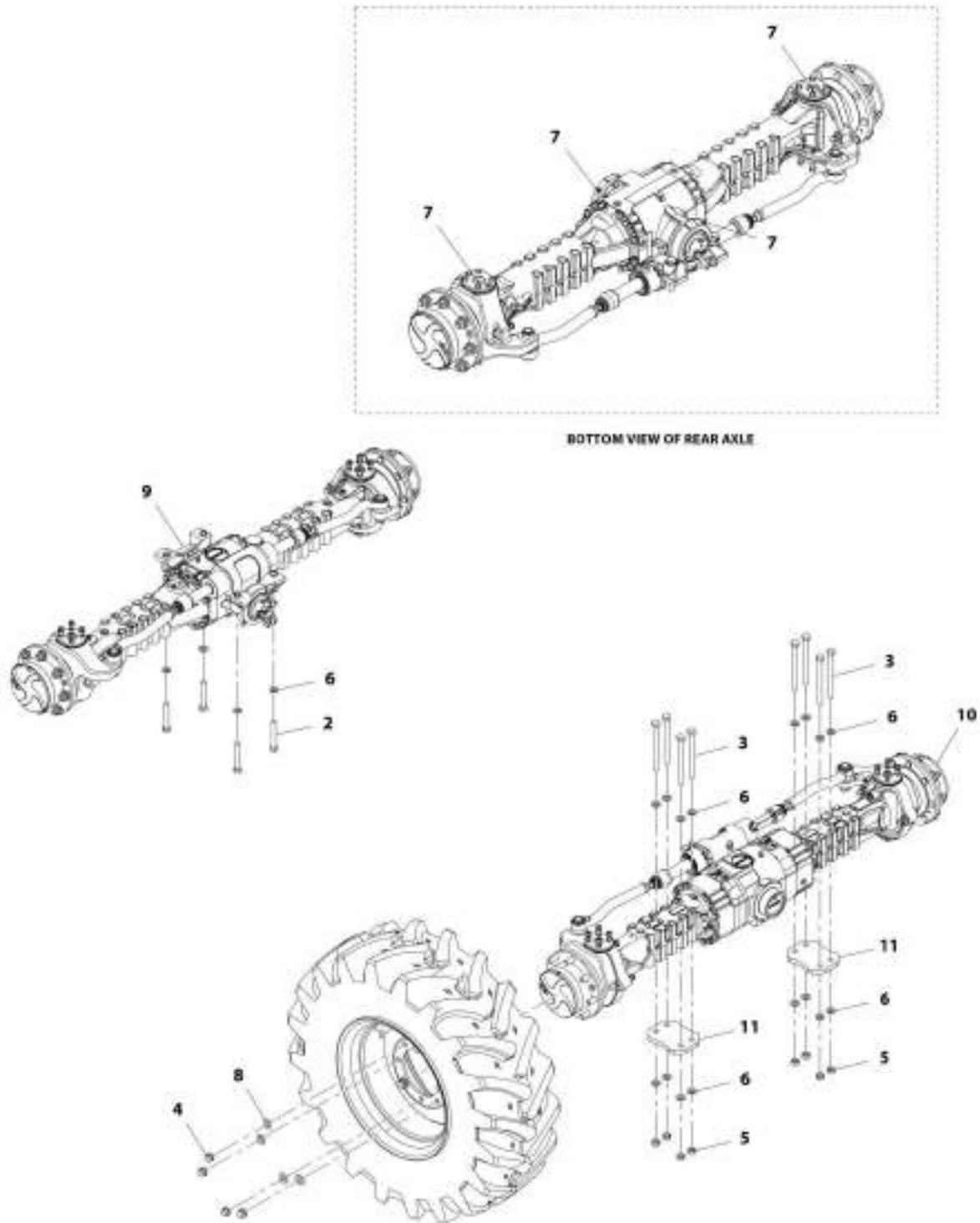
## SECTION 5 - DRIVE TRAIN

**FIGURE 5-1. AXLES INSTALLATION (NO HYDRAULIC PARK BRAKE)**

ITEM	PART NUMBER	QTY	DESCRIPTION	REV
	1001175295	Ref	Axles Installation (No Hydraulic Park Brake)	D
2	0712030	4	Bolt, M20X130 Grade 10.9	
3	0712040	8	Bolt, M20X230 Grade 10.9	
4	3300479	32	Nut, M22X1.5	
5	3332011	8	Nut, M20X2.5	
6	1001197130	20	Washer	
7	1001008462	AR	Grease	
8	1001114802	32	Washer	
9	1001165857	Ref	Installation, Rear Axle (See Separate Breakdown in this Section)	
10	1001175670	Ref	Installation, Front Axle (No Hydraulic Park Brake) (See Separate Breakdown in this Section)	
11	1001190542	2	Plate	

# SECTION 5 - DRIVE TRAIN

## FIGURE 5-2. AXLES INSTALLATION (HYDRAULIC PARK BRAKE)



ART\_001176839-D

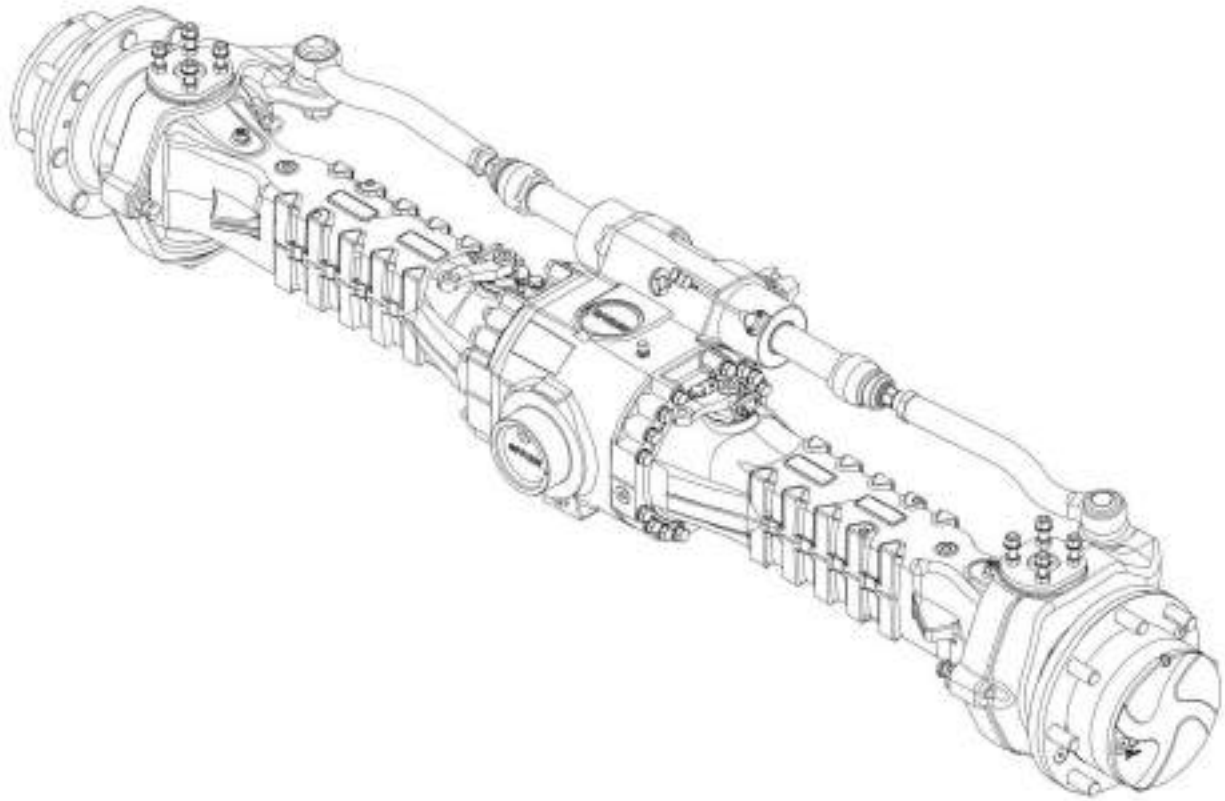
## SECTION 5 - DRIVE TRAIN

**FIGURE 5-2. AXLES INSTALLATION (HYDRAULIC PARK BRAKE)**

ITEM	PART NUMBER	QTY	DESCRIPTION	REV
	1001176839	Ref	Axles Installation (Hydraulic Park Brake)	D
2	0712030	4	Bolt, M20X130 Grade 10.9	
3	0712040	8	Bolt, M20X230 Grade 10.9	
4	3300479	32	Nut, M22X1.5	
5	3332011	8	Nut, M20X2.5	
6	1001197130	20	Washer	
7	1001008462	AR	Grease	
8	1001114802	32	Washer	
9	1001165857	Ref	Installation, Rear Axle (See Separate Breakdown in this Section)	
10	1001175671	Ref	Installation, Front Axle (Hydraulic Park Brake) (See Separate Breakdown in this Section)	
11	1001190542	2	Plate	

## SECTION 5 - DRIVE TRAIN

FIGURE 5-3. FRONT AXLE INSTALLATION (NO HYDRAULIC PARK BRAKE)



ART\_1001175670-E

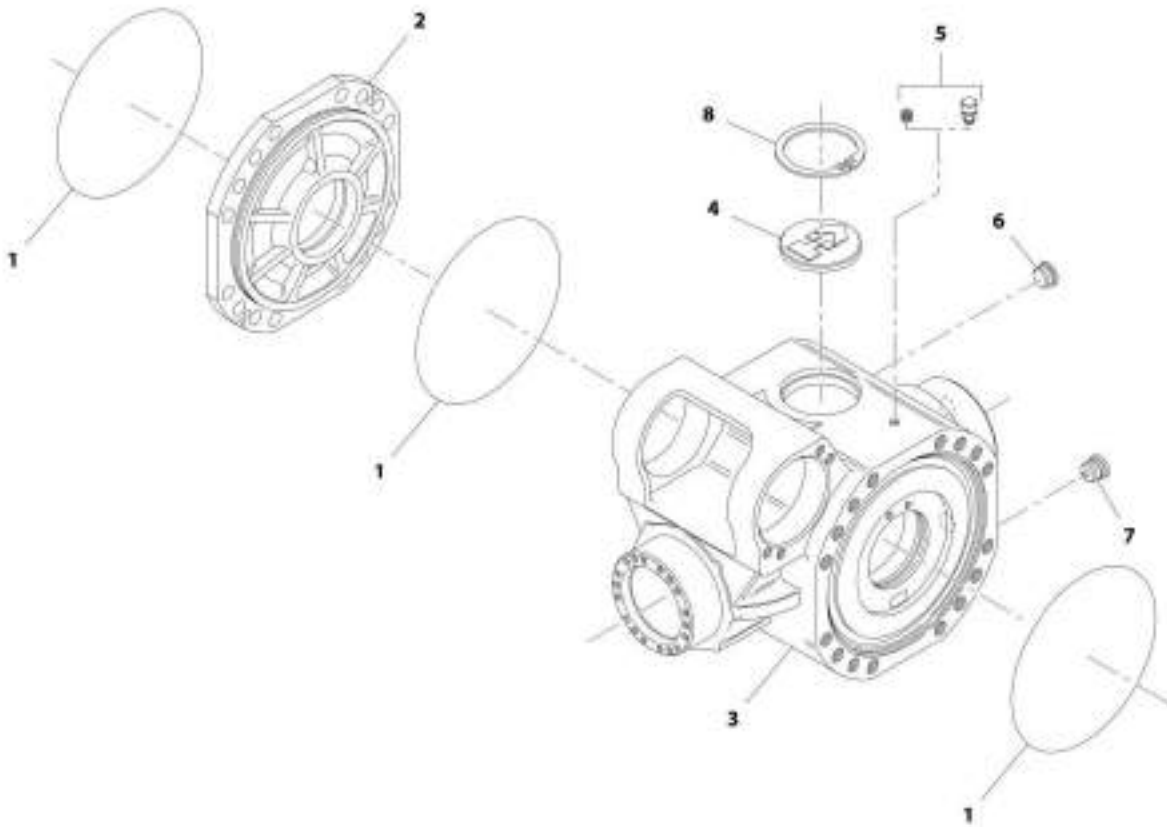
## SECTION 5 - DRIVE TRAIN

**FIGURE 5-3. FRONT AXLE INSTALLATION (NO HYDRAULIC PARK BRAKE)**

ITEM	PART NUMBER	QTY	DESCRIPTION	REV
	1001175670	Ref	Front Axle Installation (No Hydraulic Park Brake)	E
		Ref	Front Axle, Central Housing (No Hydraulic Park Brake) (See Separate Breakdown in this Section)	
		Ref	Front Axle, Differential (No Hydraulic Park Brake) (See Separate Breakdown in this Section)	
		Ref	Front Axle, Hub Reduction (No Hydraulic Park Brake) (See Separate Breakdown in this Section)	
		Ref	Front Axle, Brakes (No Hydraulic Park Brake) (See Separate Breakdown in this Section)	
		Ref	Front Axle, Steering (No Hydraulic Park Brake) (See Separate Breakdown in this Section)	

# SECTION 5 - DRIVE TRAIN

FIGURE 5-4. FRONT AXLE, CENTRAL HOUSING (NO HYDRAULIC PARK BRAKE)



ART\_100117567D\_1-E

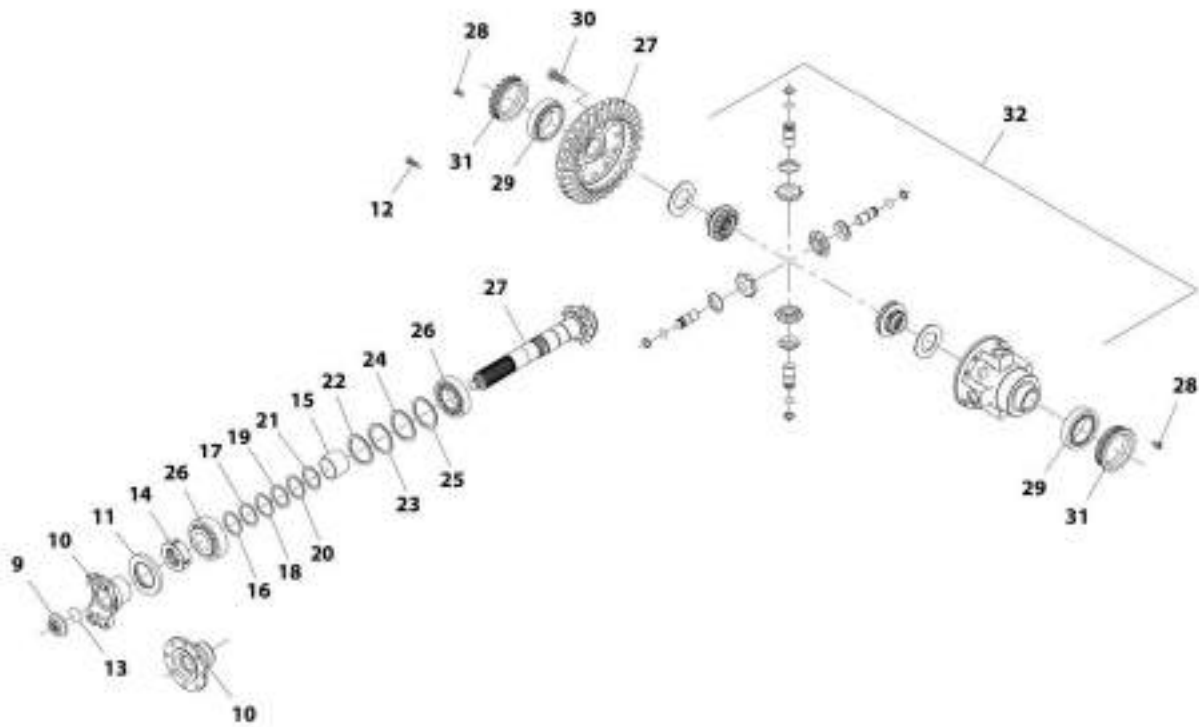
## SECTION 5 - DRIVE TRAIN

**FIGURE 5-4. FRONT AXLE, CENTRAL HOUSING (NO HYDRAULIC PARK BRAKE)**

ITEM	PART NUMBER	QTY	DESCRIPTION	REV
1	91474507	3	O-Ring	
2	70024519	1	Cover	
3	70026749	1	Housing	
4	91514098	1	Plug	
5	91474512	1	Vent	
6	91514188	1	Plug	
7	91474513	1	Plug, Magnet	
8	80204005	1	Circlip	

# SECTION 5 - DRIVE TRAIN

FIGURE 5-5. FRONT AXLE, DIFFERENTIAL (NO HYDRAULIC PARK BRAKE)



ART\_100175670\_2 E



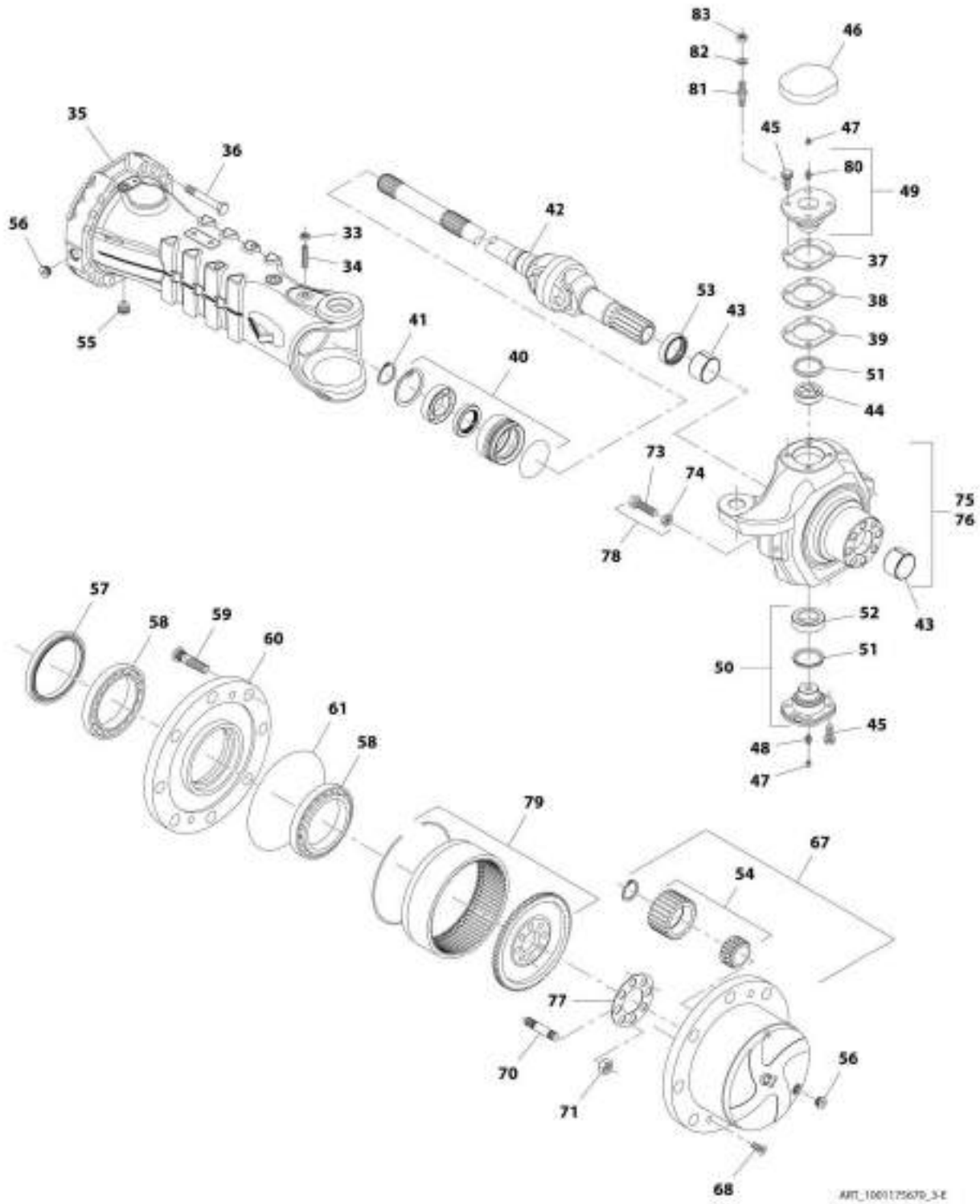
## SECTION 5 - DRIVE TRAIN

**FIGURE 5-5. FRONT AXLE, DIFFERENTIAL (NO HYDRAULIC PARK BRAKE)**

ITEM	PART NUMBER	QTY	DESCRIPTION	REV
9	70026631	1	Nut	
10	7029427	1	Flange	
11	70024522	1	Seal	
12	91474591	4	Bolt	
13	91474529	1	O-Ring	
14	91474533	1	Nut, Ring	
15	91474539	1	Spacer	
16	91474535	1	Shim	
17	91474536	1	Shim	
18	91474537	1	Shim	
19	91474538	1	Shim	
20	70024520	2	Shim	
21	70024520	1	Shim	
22	91474540	1	Shim	
23	91474541	1	Shim	
24	91474541	1	Shim	
25	91474543	1	Shim	
26	3968141	2	Bearing, Taper Roller	
27	8007749	1	Bevel Gear Set	
28	91514134	2	Bolt	
29	70026031	2	Bearing, Taper Roller	
30	91514123	12	Bolt	
31	91474547	2	Nut, Ring	
32	7028710	1	Kit, Differential (See Separate Breakdown in this Section)	

# SECTION 5 - DRIVE TRAIN

FIGURE 5-6. FRONT AXLE, HUB REDUCTION (NO HYDRAULIC PARK BRAKE)



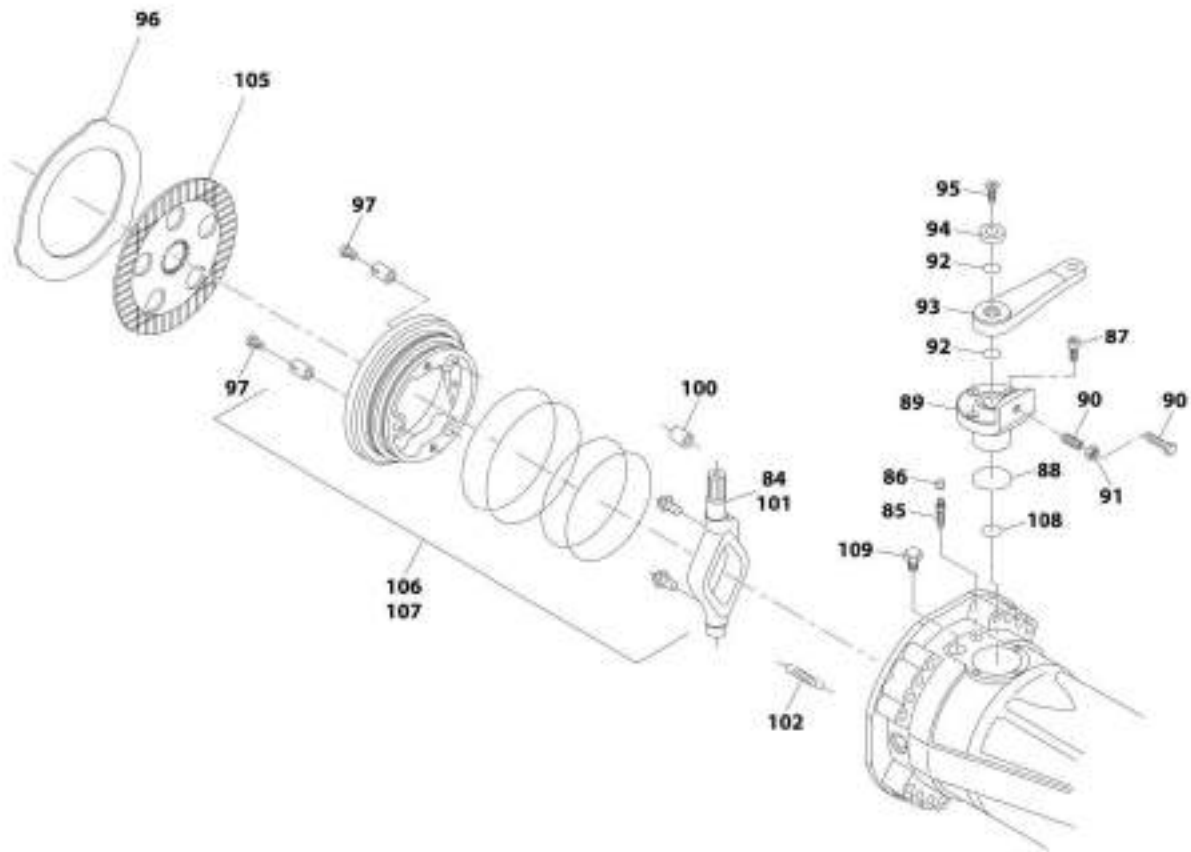
## SECTION 5 - DRIVE TRAIN

**FIGURE 5-6. FRONT AXLE, HUB REDUCTION (NO HYDRAULIC PARK BRAKE)**

ITEM	PART NUMBER	QTY	DESCRIPTION	REV
33	91514082	2	Nut	
34	2400600	2	Bolt	
35	70026950	2	Case, Axle	
36	7029428	32	Bolt	
37	8007779	2	Shim	
38	8007780	2	Shim	
39	8007782	2	Shim	
40	91514149	2	Kit, Reduction Bushing (See Separate Breakdown in this Section)	
41	80204071	2	Circlip	
42	70026824	2	Joint, Double Universal	
43	8004468	2	Bushing, Thrust	
44	70020173	2	Bushing	
45	70025562	12	Bolt	
46	70025549	2	Cover	
47	2997103	4	Plug	
48	91514099	2	Fitting, Grease	
49	70025567	2	Pin, Pivot	
50	8006605	2	Pin, Pivot	
51	2401043	4	Seal	
52	2401258	2	Bearing	
53	8007771	2	Seal	
54	70023900	8	Kit, Planet Gear (includes Planet Gear and Bearing)	
55	91474513	2	Plug, Magnet	
56	91514188	4	Plug	
57	7029430	2	Seal	
58	3984301	4	Bearing	
59	8000877	16	Stud, Wheel	
60	70026818	2	Hub, Wheel	
61	91474507	2	O-Ring	
67	70026827	2	Kit, Planet Gear Carrier (See Separate Breakdown in this Section)	
68	91514189	4	Bolt	
70	91474583	16	Stud	
71	91474584	16	Nut	
72	91474579	2	Circlip	
73	91514117	4	Bolt	
74	80204065	4	Nut	
75	8007774	1	Kit, Steering Case (LF, RR) (See Separate Breakdown in this Section)	
76	8007777	1	Kit, Steering Case (RF, LR) (See Separate Breakdown in this Section)	
77	3983731	2	Plate	
78	7028733	4	Kit, Steering Adjust Bolt (See Separate Breakdown in this Section)	
79	7029432	2	Kit, Ring Gear Support (See Separate Breakdown in this Section)	
80	7028115	2	Fitting, Grease	
81	70025819	8	Stud	
82	91514119	8	Washer	
83	91514120	8	Nut	

# SECTION 5 - DRIVE TRAIN

## FIGURE 5-7. FRONT AXLE, BRAKES (NO HYDRAULIC PARK BRAKE)



ART\_1001175070\_4E

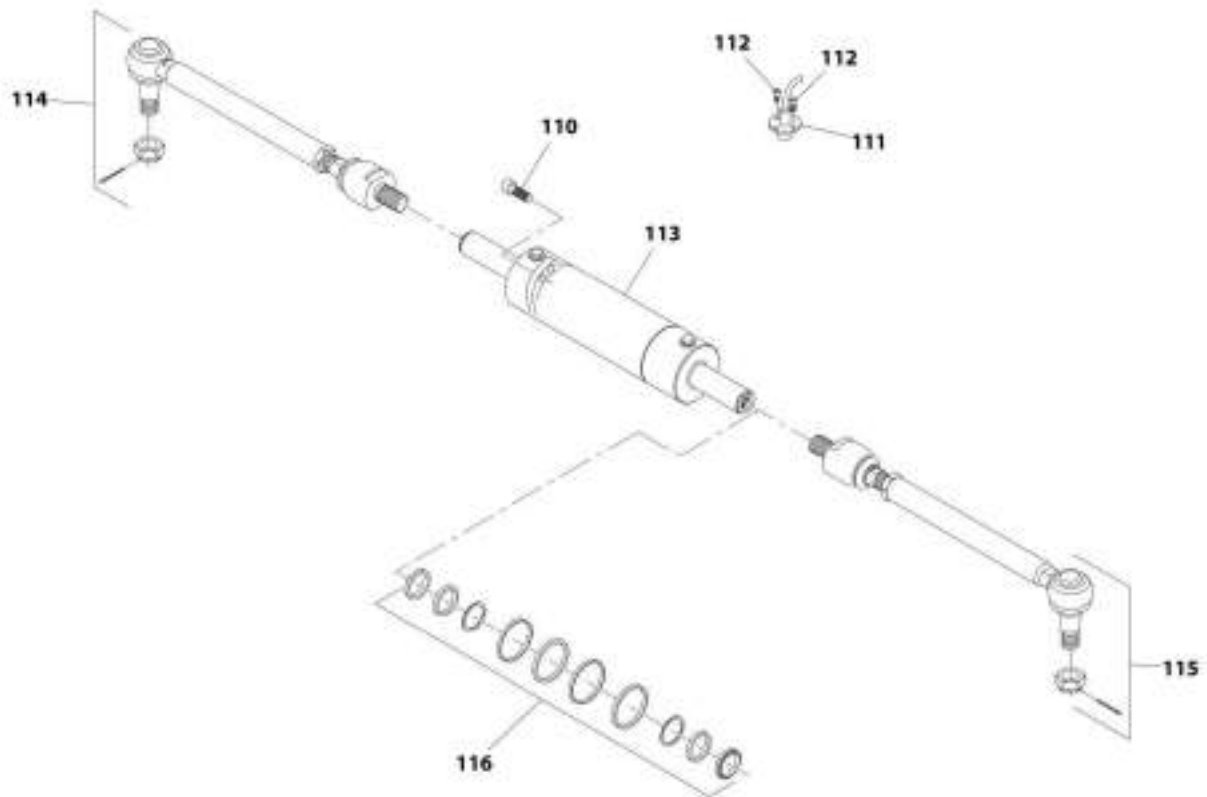
## SECTION 5 - DRIVE TRAIN

**FIGURE 5-7. FRONT AXLE, BRAKES (NO HYDRAULIC PARK BRAKE)**

ITEM	PART NUMBER	QTY	DESCRIPTION	REV
84	8007785	1	Lever, Right	
85	80204281	2	Bleeding Bolt	
86	80204117	2	Plug	
87	2401736	6	Bolt, Cylinder	
88	3986405	2	O-Ring	
89	8007788	2	Bushing, Reduction	
90	8002798	2	Setscrew	
91	8008168	2	Nut	
92	7028038	2	O-Ring	
93	70025568	2	Lever	
94	7028039	2	Washer	
95	8008169	2	Bolt, Countersunk	
96	70025823	10	Disc, Intermediate Brake	
97	7029786	6	Bolt, Adjusting	
100	7029433	2	Dowel	
101	8007786	1	Lever, Left	
102	3984425	6	Spring	
105	91474568	8	Disc	
106	70026069	1	Kit, Piston (Left) (See Separate Breakdown in this Section)	
107	70026068	1	Kit, Piston (Right) (See Separate Breakdown in this Section)	
108	8007802	2	O-Ring	
109	91514154	2	Bolt	

# SECTION 5 - DRIVE TRAIN

FIGURE 5-8. FRONT AXLE, STEERING (NO HYDRAULIC PARK BRAKE)



ART\_1001175670\_5-E

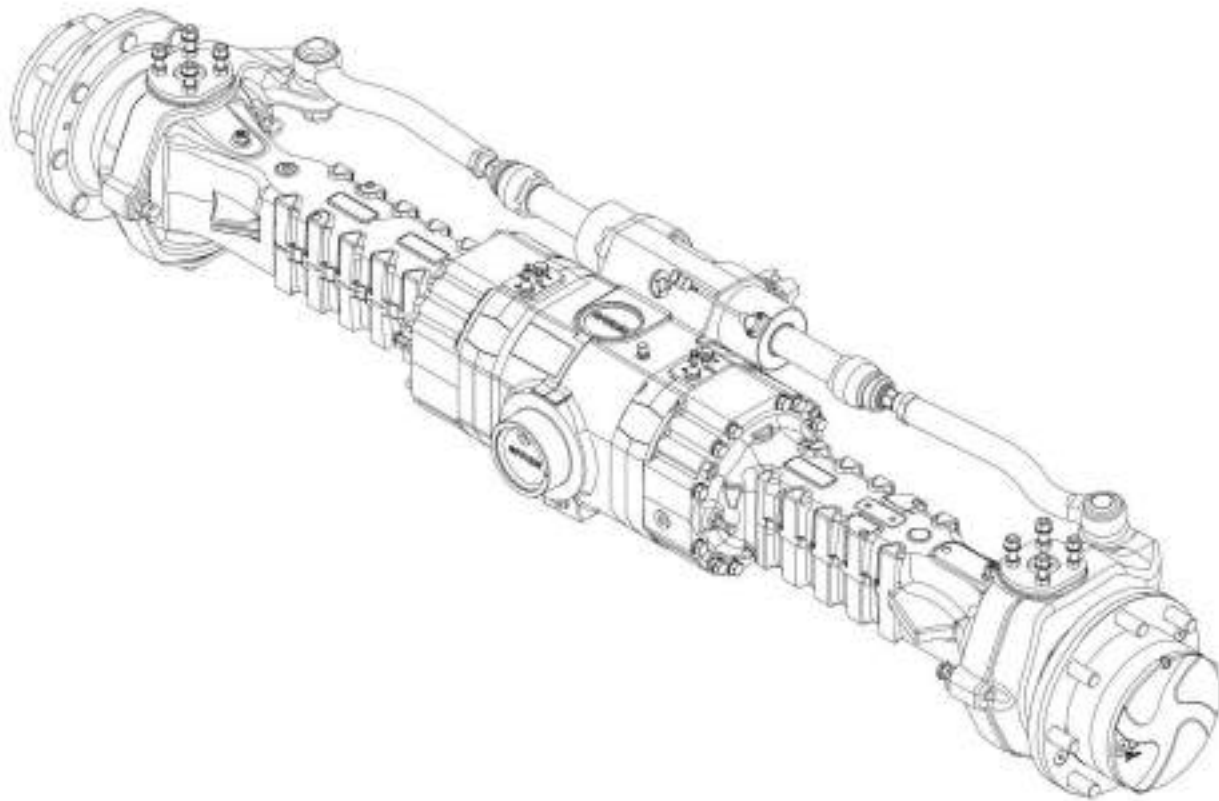
## SECTION 5 - DRIVE TRAIN

**FIGURE 5-8. FRONT AXLE, STEERING (NO HYDRAULIC PARK BRAKE)**

ITEM	PART NUMBER	QTY	DESCRIPTION	REV
110	91474522	4	Bolt	
111	70026808	1	Sensor	
112	8008175	2	Bolt	
113	70026826	1	Cylinder	
114	70026819	1	Rod, Tie	
115	70026820	1	Rod, Tie	
116	70025842	1	Kit, Seal	

## SECTION 5 - DRIVE TRAIN

FIGURE 5-9. FRONT AXLE INSTALLATION (HYDRAULIC PARK BRAKE)



ART\_100175673-C



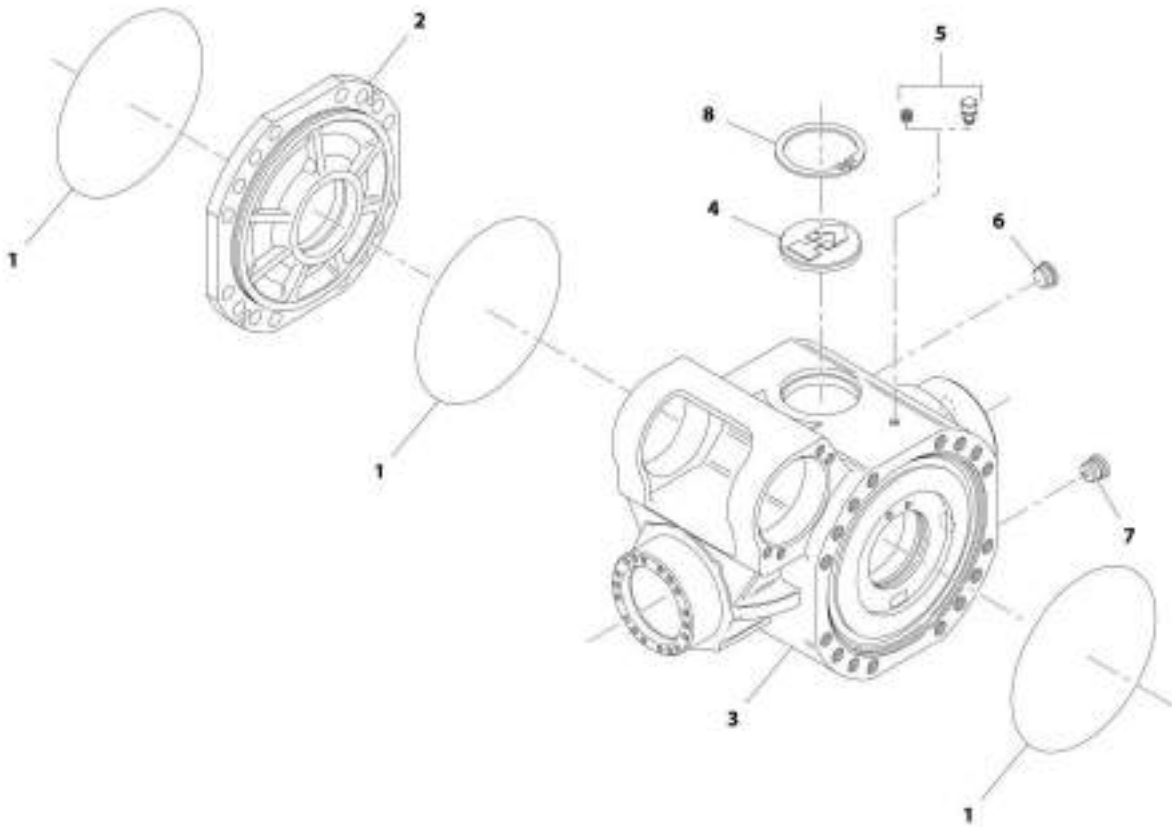
## SECTION 5 - DRIVE TRAIN

**FIGURE 5-9. FRONT AXLE INSTALLATION (HYDRAULIC PARK BRAKE)**

ITEM	PART NUMBER	QTY	DESCRIPTION	REV
	1001175671	Ref	Front Axle Installation (Hydraulic Park Brake)	C
		Ref	Front Axle, Central Housing (Hydraulic Park Brake) (See Separate Breakdown in this Section)	
		Ref	Front Axle, Differential (Hydraulic Park Brake) (See Separate Breakdown in this Section)	
		Ref	Front Axle, Hub Reduction (Hydraulic Park Brake) (See Separate Breakdown in this Section)	
		Ref	Front Axle, Brakes (Hydraulic Park Brake) (See Separate Breakdown in this Section)	
		Ref	Front Axle, Steering (Hydraulic Park Brake) (See Separate Breakdown in this Section)	

## SECTION 5 - DRIVE TRAIN

FIGURE 5-10. FRONT AXLE, CENTRAL HOUSING (HYDRAULIC PARK BRAKE)



ART\_1001175671\_1-C

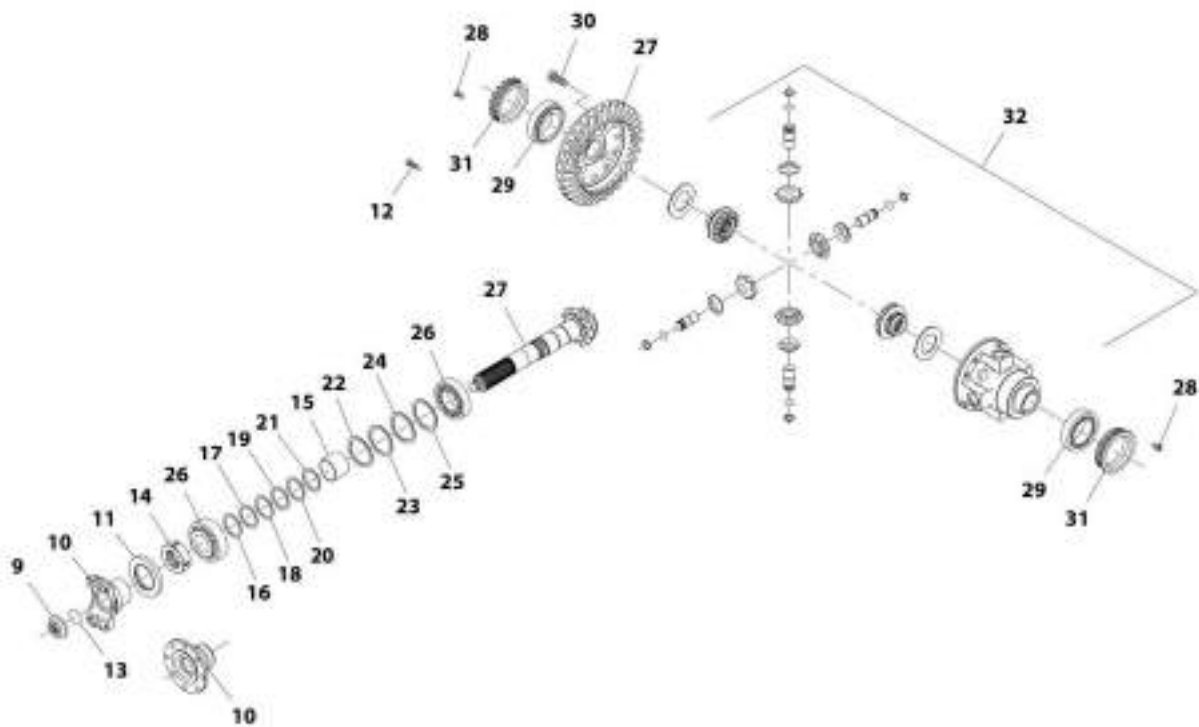
## SECTION 5 - DRIVE TRAIN

**FIGURE 5-10. FRONT AXLE, CENTRAL HOUSING (HYDRAULIC PARK BRAKE)**

ITEM	PART NUMBER	QTY	DESCRIPTION	REV
1	91474507	3	O-Ring	
2	70024519	1	Cover	
3	70026749	1	Housing	
4	91514098	1	Plug	
5	91474512	1	Vent	
6	91514188	1	Plug	
7	91474513	1	Plug, Magnet	
8	80204005	1	Circlip	

# SECTION 5 - DRIVE TRAIN

FIGURE 5-11. FRONT AXLE, DIFFERENTIAL (HYDRAULIC PARK BRAKE)



MIT\_1801175871\_3-C

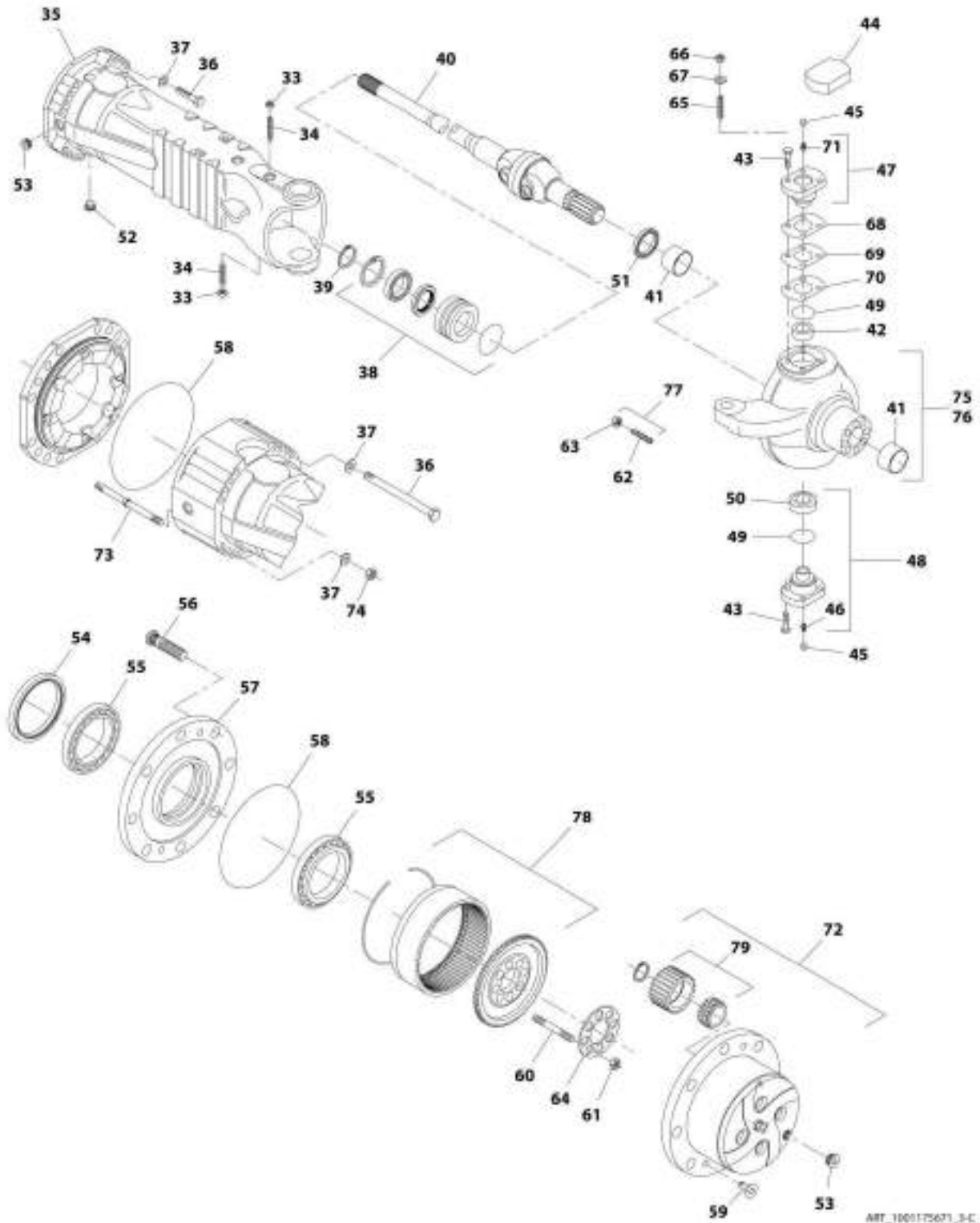
## SECTION 5 - DRIVE TRAIN

**FIGURE 5-11. FRONT AXLE, DIFFERENTIAL (HYDRAULIC PARK BRAKE)**

ITEM	PART NUMBER	QTY	DESCRIPTION	REV
9	70026631	1	Nut	
10	7029427	1	Flange	
11	70024522	1	Seal	
12	91474591	4	Bolt	
13	91474529	1	O-Ring	
14	91474533	1	Nut, Ring	
15	91474539	1	Spacer	
16	91474535	1	Shim	
17	91474536	1	Shim	
18	91474537	1	Shim	
19	91474538	1	Shim	
20	70024520	1	Shim	
21	70024521	1	Shim	
22	91474540	1	Shim	
23	91474541	1	Shim	
24	91474542	1	Shim	
25	91474543	1	Shim	
26	3968141	2	Bearing, Taper Roller	
27	8007749	1	Bevel Gear Set	
28	91514134	2	Bolt	
29	70026031	2	Bearing, Taper Roller	
30	91514123	12	Bolt	
31	91474547	2	Nut, Ring	
32	7028710	1	Front Axle, Differential Kit (Hydraulic Park Brake) (See Separate Breakdown in this Section)	

# SECTION 5 - DRIVE TRAIN

FIGURE 5-12. FRONT AXLE, HUB REDUCTION (HYDRAULIC PARK BRAKE)



ART\_100175671\_3-C

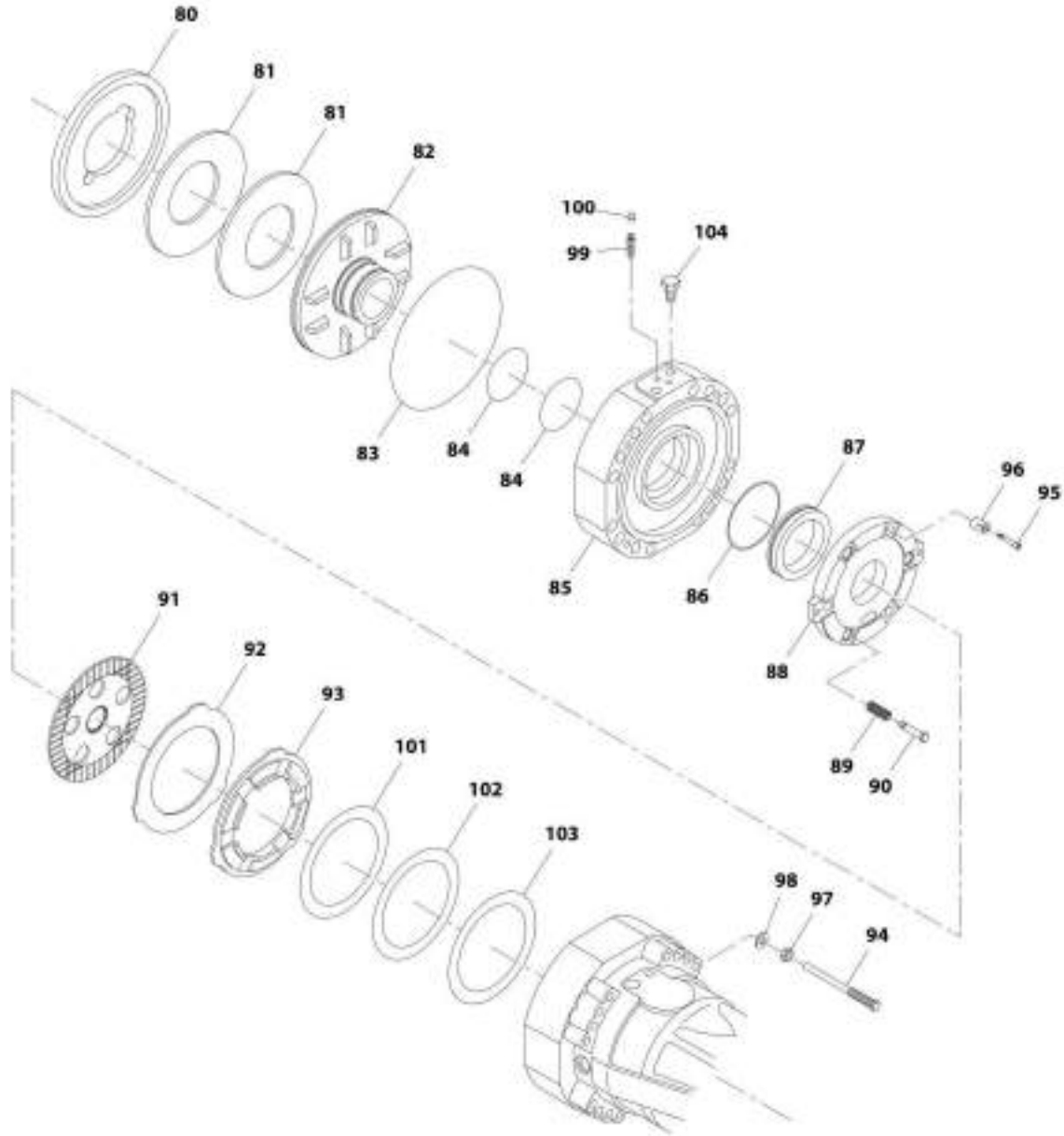
## SECTION 5 - DRIVE TRAIN

**FIGURE 5-12. FRONT AXLE, HUB REDUCTION (HYDRAULIC PARK BRAKE)**

ITEM	PART NUMBER	QTY	DESCRIPTION	REV
33	91514082	2	Nut	
34	2400600	2	Bolt	
35	70026817	2	Case, Axle	
36	70025012	24	Bolt	
37	91514084	8	Washer	
38	91514149	2	Kit, Reduction Bushing (See Separate Breakdown in this Section)	
39	80204071	2	Circlip	
40	70026824	2	Joint, Double Universal	
41	8004468	2	Bushing, Thrust	
42	70020173	2	Bushing	
43	70025562	24	Bolt	
44	70025549	2	Cover	
45	80204117	2	Plug	
46	91514099	4	Fitting, Grease	
47	70025567	2	Pin, Pivot	
48	8006605	2	Pin, Pivot	
49	2401043	4	Seal	
50	2401258	2	Bearing	
51	8007771	2	Seal	
52	91474513	2	Plug, Magnet	
53	91514188	4	Plug	
54	7029430	2	Seal	
55	3984301	4	Bearing	
56	8000877	16	Stud, Wheel	
57	70026818	2	Hub, Wheel	
58	91474507	2	O-Ring	
59	91514189	4	Bolt	
60	91474583	16	Stud	
61	91474584	16	Nut	
62	91514117	4	Bolt	
63	80204065	4	Nut	
64	3983731	2	Plate	
65	70025819	8	Stud	
66	91514120	8	Nut	
67	91514119	8	Washer	
68	8007779	2	Shim	
69	8007780	2	Shim	
70	8007782	2	Shim	
71	7028115	2	Fitting, Grease	
72	70026827	2	Kit, Planet Gear Carrier (See Separate Breakdown in this Section)	
73	70025014	8	Stud	
74	91514083	8	Nut	
75	8007774	1	Kit, Steering Case (LF, RR) (See Separate Breakdown in this Section)	
76	8007777	1	Kit, Steering Case (RF, LR) (See Separate Breakdown in this Section)	
77	7028733	4	Kit, Steering Adjust Bolt (See Separate Breakdown in this Section)	
78	7029432	2	Kit, Ring Gear Support (See Separate Breakdown in this Section)	
79	70023900	8	Kit, Planet Gear (includes Planet Gear and Bearing)	

# SECTION 5 - DRIVE TRAIN

FIGURE 5-13. FRONT AXLE, BRAKES (HYDRAULIC PARK BRAKE)



AMT\_3001175671\_4-C



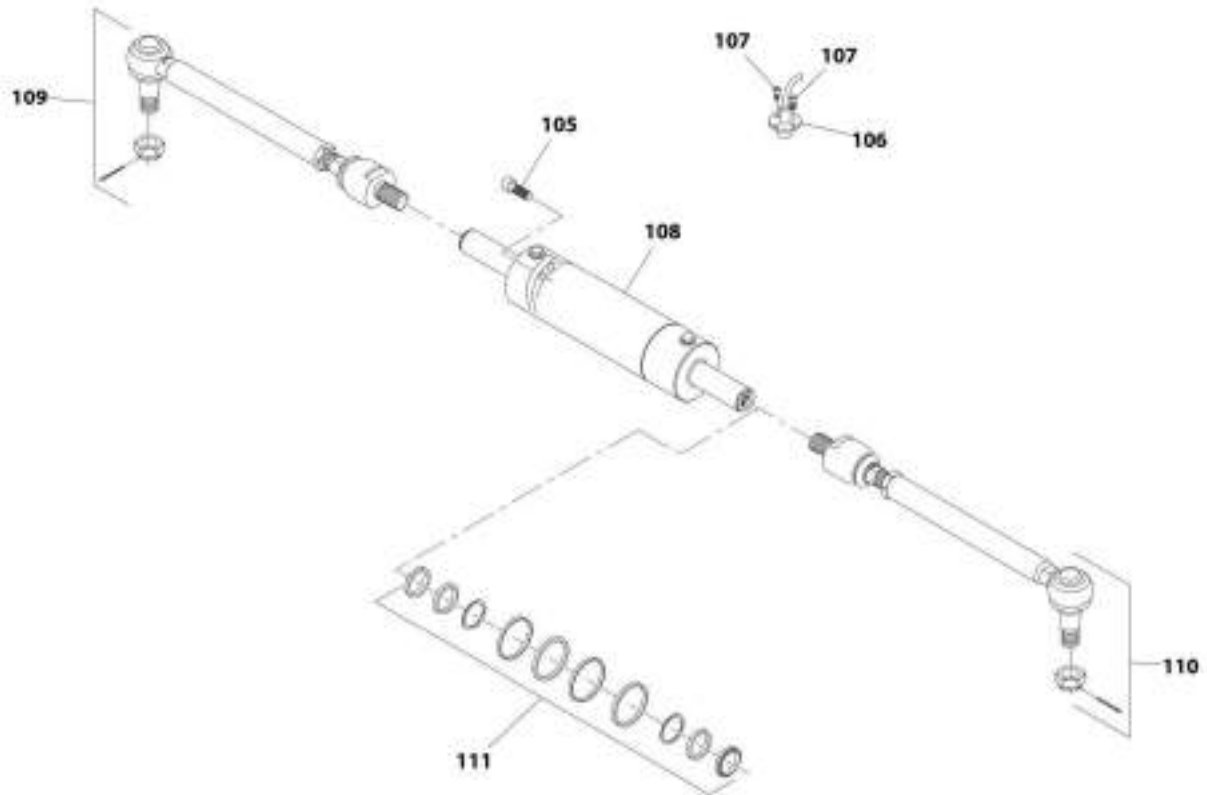
## SECTION 5 - DRIVE TRAIN

**FIGURE 5-13. FRONT AXLE, BRAKES (HYDRAULIC PARK BRAKE)**

ITEM	PART NUMBER	QTY	DESCRIPTION	REV
80	7028734	1	Spacer	
81	91474559	4	Spring	
82	91474560	2	Piston	
83	91474561	2	O-Ring	
84	70026262	4	Seal	
85	7028735	2	Cover	
86	70026623	2	Seal	
87	91474564	2	Piston	
88	91474565	2	Disc, Intermediate Brake	
89	91514159	6	Spring	
90	70024210	6	Bolt	
91	91474568	8	Disc	
92	70025823	8	Disc, Intermediate Brake	
93	91474570	2	Spacer	
94	70024213	4	Bolt, M12X122.5	
95	7029788	6	Bolt	
96	91514165	6	Spring	
97	80204060	4	Nut	
98	80204108	4	Washer, Lock	
99	80204281	4	Bolt	
100	80204117	4	Plug	
101	91474571	2	Shim	
102	91474572	2	Shim	
103	91474573	2	Shim	
104	91514154	4	Bolt	

# SECTION 5 - DRIVE TRAIN

## FIGURE 5-14. FRONT AXLE, STEERING (HYDRAULIC PARK BRAKE)



ART\_1001175671\_3-C

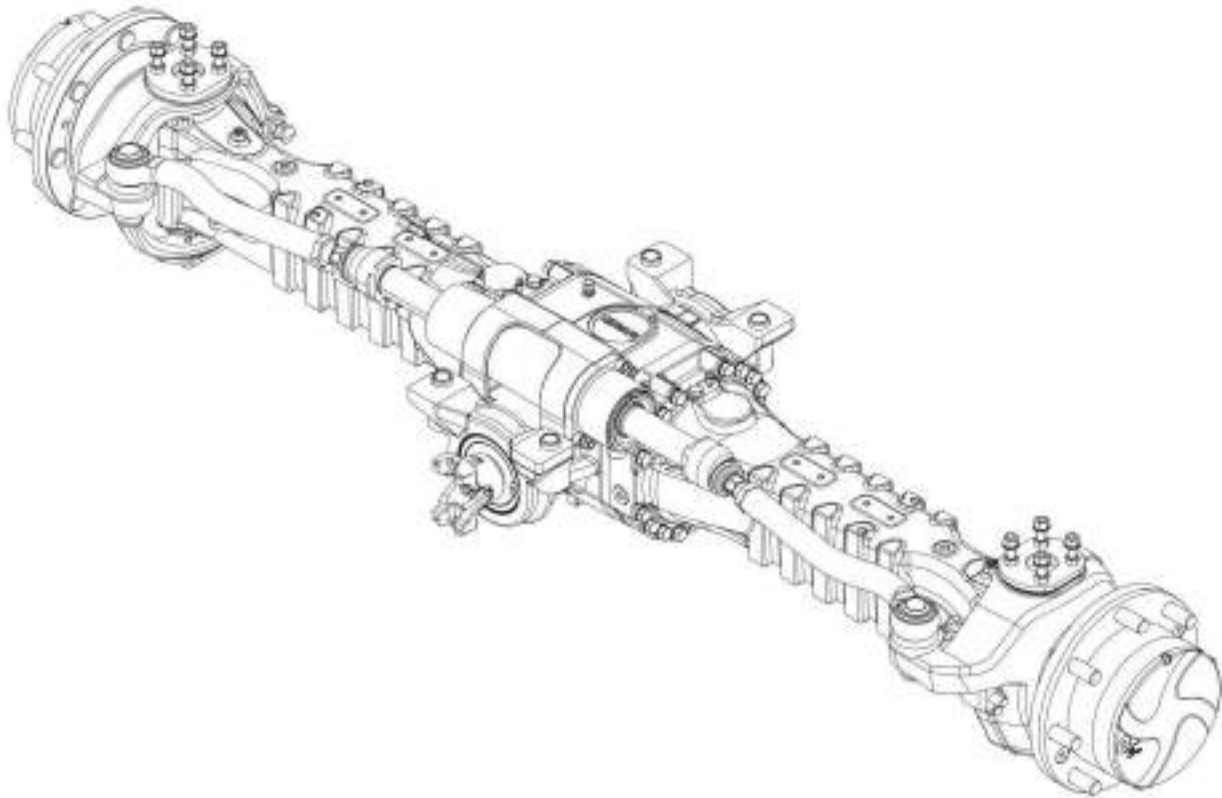
## SECTION 5 - DRIVE TRAIN

**FIGURE 5-14. FRONT AXLE, STEERING (HYDRAULIC PARK BRAKE)**

ITEM	PART NUMBER	QTY	DESCRIPTION	REV
105	91474522	4	Bolt	
106	70026808	1	Sensor	
107	8008175	2	Bolt	
108	70026826	1	Cylinder	
109	70026819	1	Rod, Tie	
110	70026820	1	Rod, Tie	
111	70025842	1	Kit, Seal	

## SECTION 5 - DRIVE TRAIN

FIGURE 5-15. REAR AXLE INSTALLATION



ART\_1001165837-H

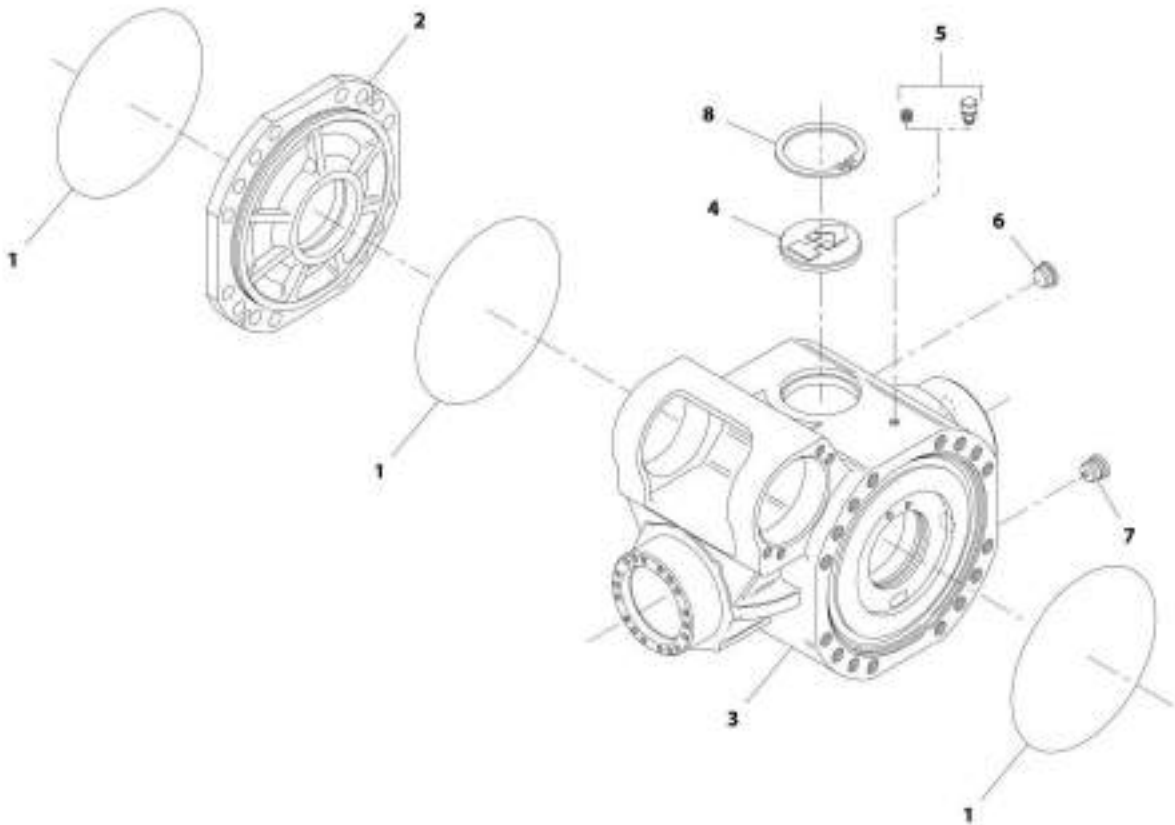
## SECTION 5 - DRIVE TRAIN

### FIGURE 5-15. REAR AXLE INSTALLATION

ITEM	PART NUMBER	QTY	DESCRIPTION	REV
	1001165857	Ref	Rear Axle Installation	H
		Ref	Rear Axle, Central Housing (See Separate Breakdown in this Section)	
		Ref	Rear Axle, Differential (See Separate Breakdown in this Section)	
		Ref	Rear Axle, Hub Reduction (See Separate Breakdown in this Section)	
		Ref	Rear Axle, Brakes (See Separate Breakdown in this Section)	
		Ref	Rear Axle, Steering (See Separate Breakdown in this Section)	
		Ref	Rear Axle, Trunion (See Separate Breakdown in this Section)	

# SECTION 5 - DRIVE TRAIN

## FIGURE 5-16. REAR AXLE, CENTRAL HOUSING



ART\_100110887\_1-H

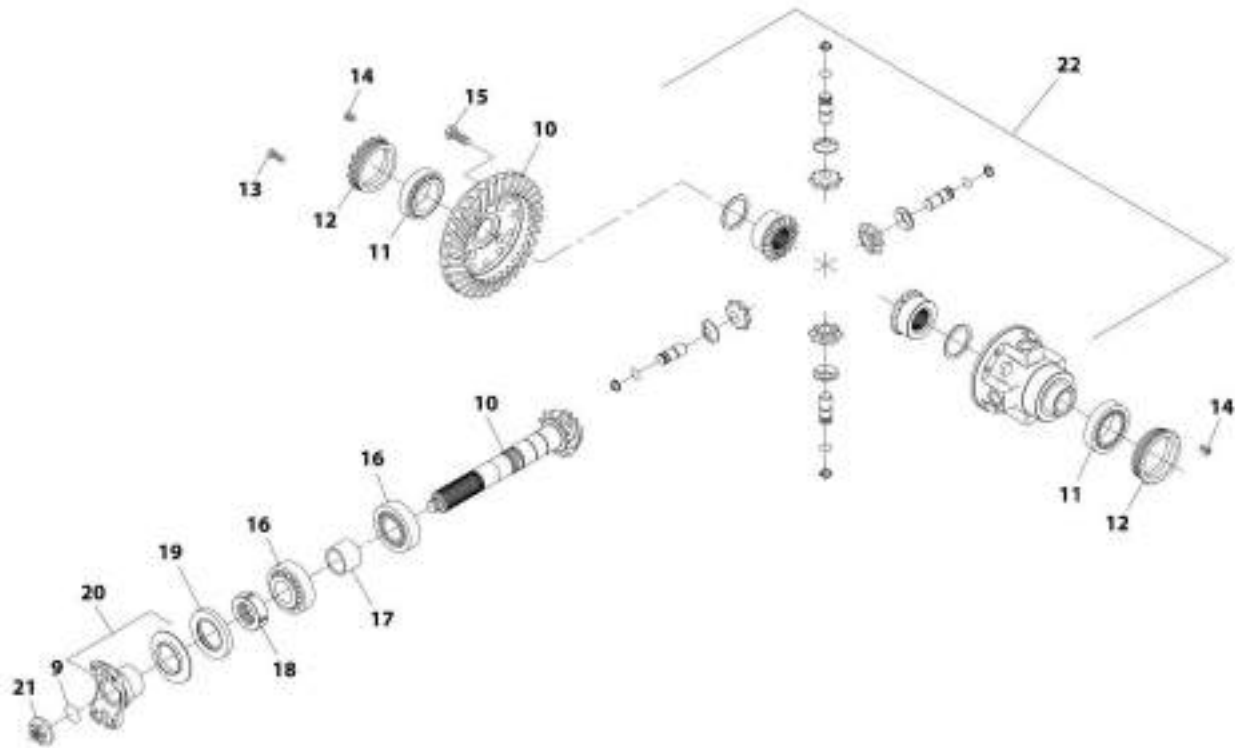
## SECTION 5 - DRIVE TRAIN

### FIGURE 5-16. REAR AXLE, CENTRAL HOUSING

ITEM	PART NUMBER	QTY	DESCRIPTION	REV
1	91474507	3	O-Ring	
2	70024519	1	Cover	
3	70026749	1	Housing	
4	91514098	1	Plug	
5	91474512	1	Vent	
6	91514188	1	Plug	
7	91474513	1	Plug, Magnet	
8	80204005	1	Circlip	

# SECTION 5 - DRIVE TRAIN

## FIGURE 5-17. REAR AXLE, DIFFERENTIAL



ART\_1001100007\_2-H



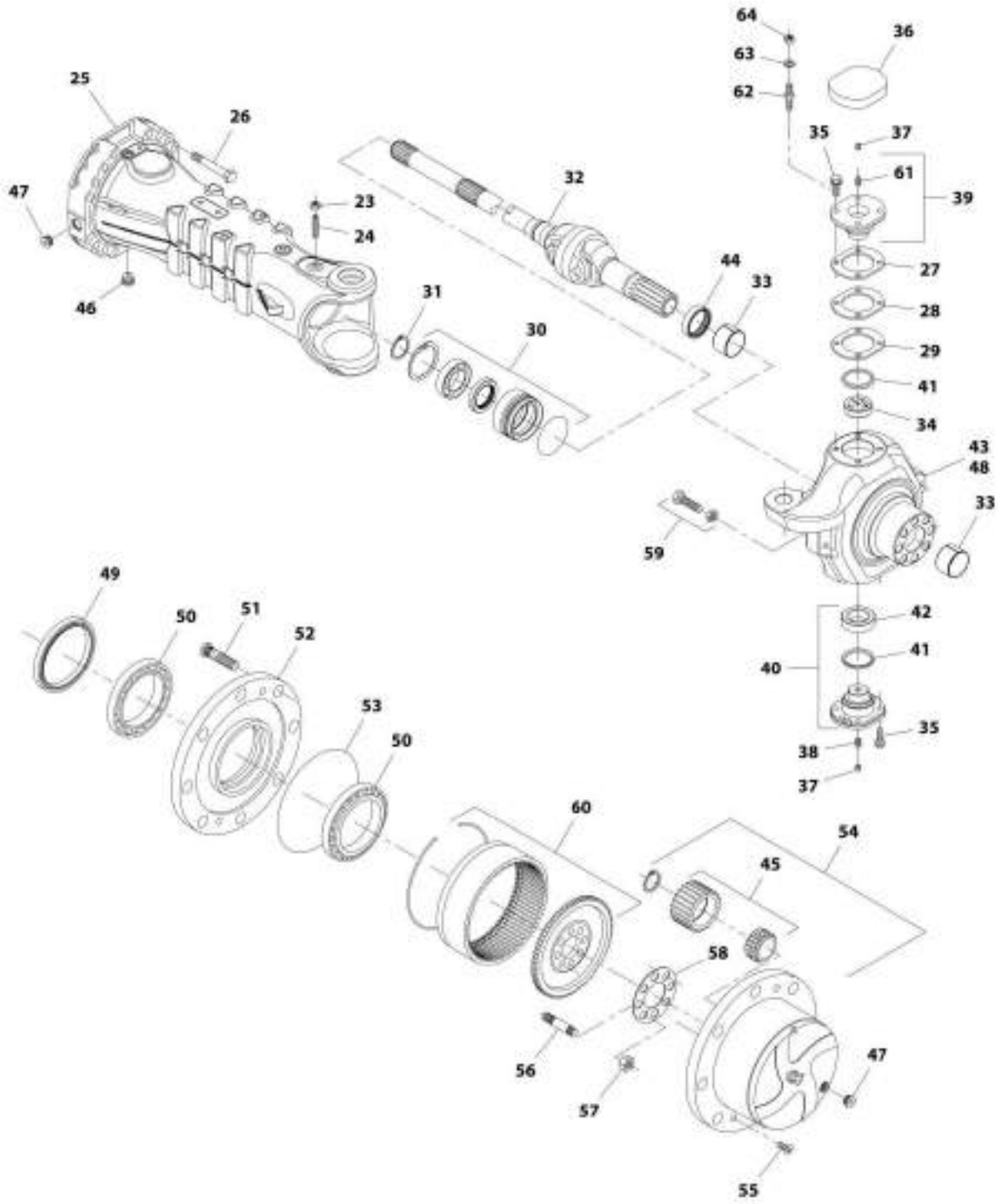
## SECTION 5 - DRIVE TRAIN

### FIGURE 5-17. REAR AXLE, DIFFERENTIAL

ITEM	PART NUMBER	QTY	DESCRIPTION	REV
9	91474529	1	O-Ring	
10	7028043	1	Bevel Gear Set	
11	70026031	2	Bearing, Taper Roller	
12	91474547	2	Nut, Ring	
13	3043222	4	Bolt	
14	91514134	2	Bolt	
15	91514123	12	Bolt	
16	3968141	2	Bearing, Taper Roller	
17	91474539	1	Spacer	
18	91474533	1	Nut, Ring	
19	70024522	1	Seal	
20	7029427	1	Flange	
21	70026631	1	Nut	
22	70021140	1	Kit, Differential (See Separate Breakdown in this Section)	

# SECTION 5 - DRIVE TRAIN

## FIGURE 5-18. REAR AXLE, HUB REDUCTION



ART\_1001105857\_5-H

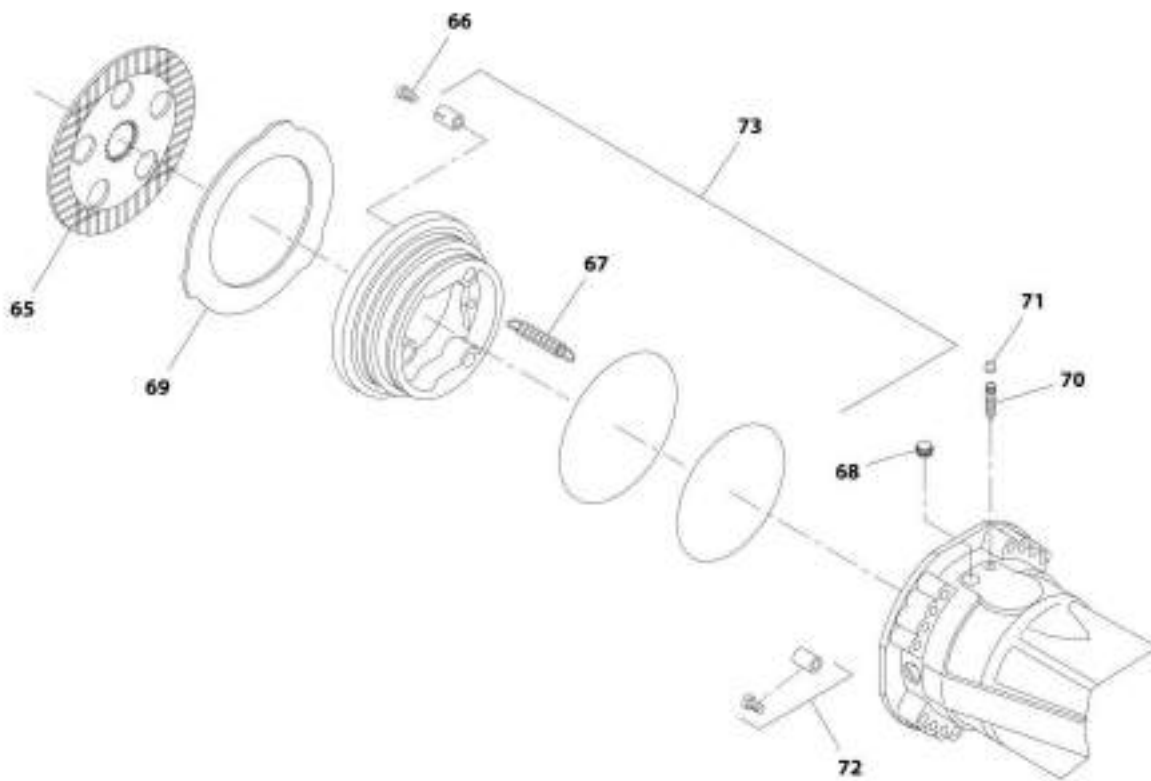
## SECTION 5 - DRIVE TRAIN

**FIGURE 5-18. REAR AXLE, HUB REDUCTION**

ITEM	PART NUMBER	QTY	DESCRIPTION	REV
23	91514082	2	Nut	
24	2400600	2	Bolt	
25	70026822	2	Case, Axle	
26	7029428	24	Bolt	
27	8007779	2	Shim	
28	8007780	2	Shim	
29	8007782	2	Shim	
30	91514149	2	Kit, Bushing Reduction (See Separate Breakdown in this Section)	
31	80204071	2	Circlip	
32	70025810	2	Joint, Double Universal	
33	8004468	2	Bushing, Thrust	
34	70020173	2	Bushing	
35	70025562	24	Bolt	
36	70025549	2	Cover	
37	80204117	2	Plug	
38	91514099	4	Grease Fitting	
39	70025567	2	Pin, Pivot	
40	8006605	2	Pin, Pivot	
41	2401043	4	Seal	
42	2401258	2	Bearing	
43	8007775	1	Case, Steering	
44	8007771	2	Seal	
45	70023900	8	Kit, Planet Gear (includes Planet Gear and Bearing)	
46	91474513	2	Plug, Magnet	
47	91514188	4	Plug	
48	7029429	1	Case, Steering	
49	7029430	2	Seal	
50	3984301	4	Bearing	
51	8000877	16	Wheel Stud	
52	70026818	2	Hub, Wheel	
53	91474507	2	O-Ring	
54	70026827	2	Kit, Planet Gear Carrier (See Separate Breakdown in this Section)	
55	91514189	4	Bolt	
56	91474583	16	Stud	
57	91474584	16	Nut	
58	3983731	2	Plate	
59	7028733	4	Kit, Steering Adjust Bolt (includes nut and bolt)	
60	7029432	2	Kit, Ring Gear Support (See Separate Breakdown in this Section)	
61	7028115	2	Fitting, Grease	
62	70025819	8	Stud	
63	91514119	8	Washer	
64	91514120	8	Nut	

# SECTION 5 - DRIVE TRAIN

## FIGURE 5-19. REAR AXLE, BRAKES



4RT\_1001102857\_4-H

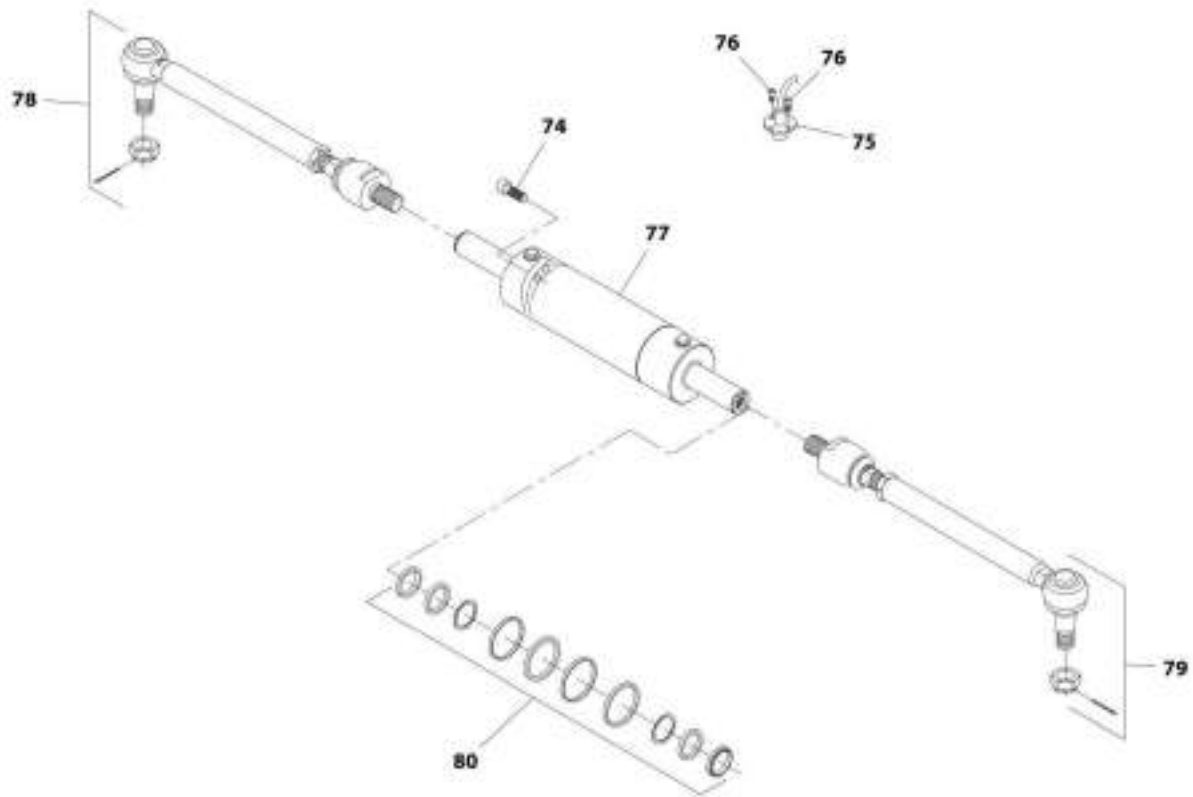
## SECTION 5 - DRIVE TRAIN

### FIGURE 5-19. REAR AXLE, BRAKES

ITEM	PART NUMBER	QTY	DESCRIPTION	REV
65	91474568	6	Disc	
66	7029786	6	Bolt	
67	3984425	6	Spring	
68	91514154	2	Bolt	
69	70025823	8	Disc, Intermediate Brake	
70	80204281	2	Bleeding Bolt	
71	80204117	2	Plug	
72	70021613	2	Bolt	
73	70026823	2	Kit, Piston (See Separate Breakdown in this Section)	

# SECTION 5 - DRIVE TRAIN

## FIGURE 5-20. REAR AXLE, STEERING



ART\_1001105857\_3-H

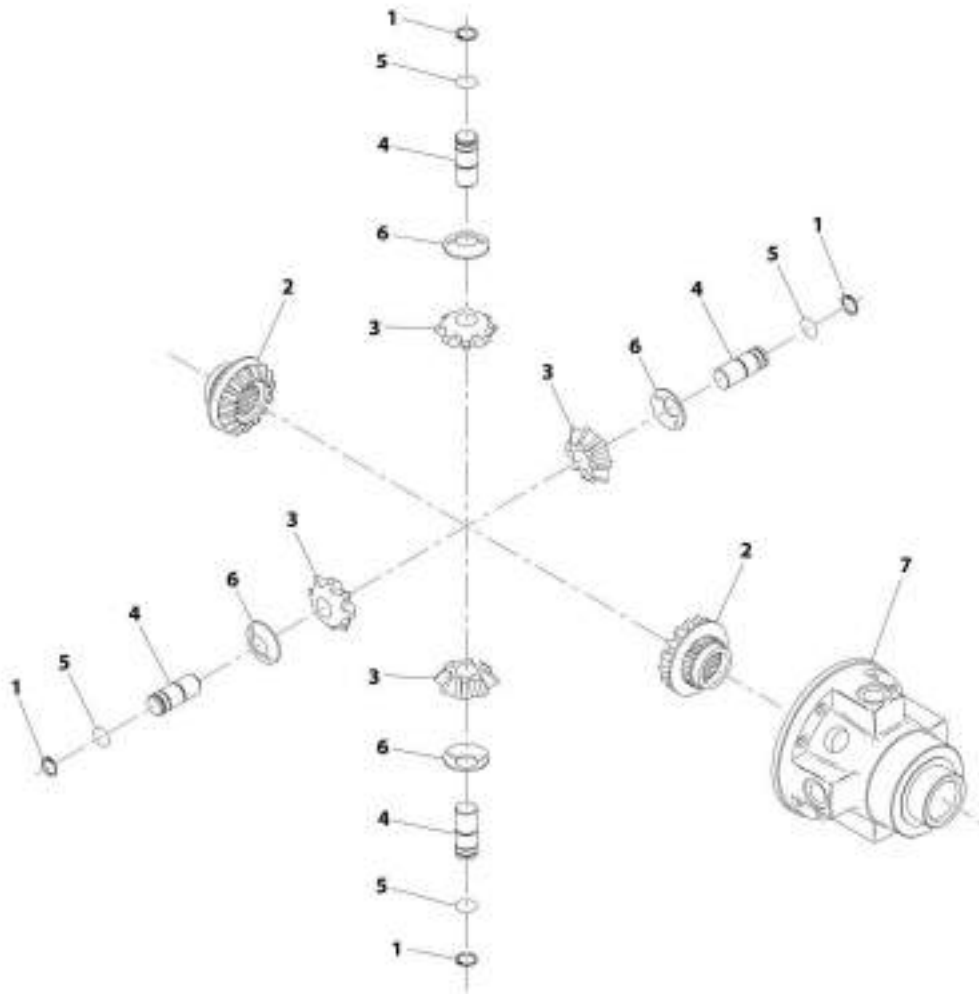
## SECTION 5 - DRIVE TRAIN

### FIGURE 5-20. REAR AXLE, STEERING

ITEM	PART NUMBER	QTY	DESCRIPTION	REV
74	91474522	4	Bolt	
75	70026808	1	Sensor	
76	8008175	2	Bolt	
77	70026826	1	Cylinder	
78	70026819	1	Rod, Tie	
79	70026820	1	Rod, Tie	
80	70025842	1	Kit, Seal	

# SECTION 5 - DRIVE TRAIN

## FIGURE 5-21. DIFFERENTIAL KIT



ART\_7020710



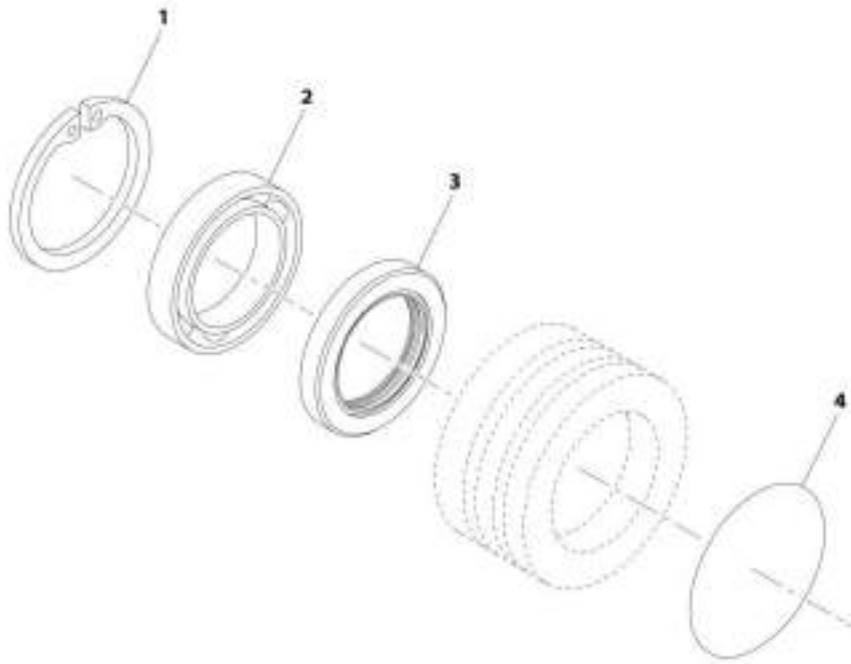
## SECTION 5 - DRIVE TRAIN

### FIGURE 5-21. DIFFERENTIAL KIT

ITEM	PART NUMBER	QTY	DESCRIPTION	REV
	7028710	Ref	Differential Kit	
1	91474550	4	Circlip	
2	91474549	2	Gear, Differential Side	
3	7029129	4	Pinion, Differential	
4	7029131	4	Pin	
5	91474551	4	Circlip	
6	91474553	4	Washer, Friction	
7	8007751	1	Carrier, Differential	

## SECTION 5 - DRIVE TRAIN

FIGURE 5-22. REDUCTION BUSHING KIT



ART\_81514348

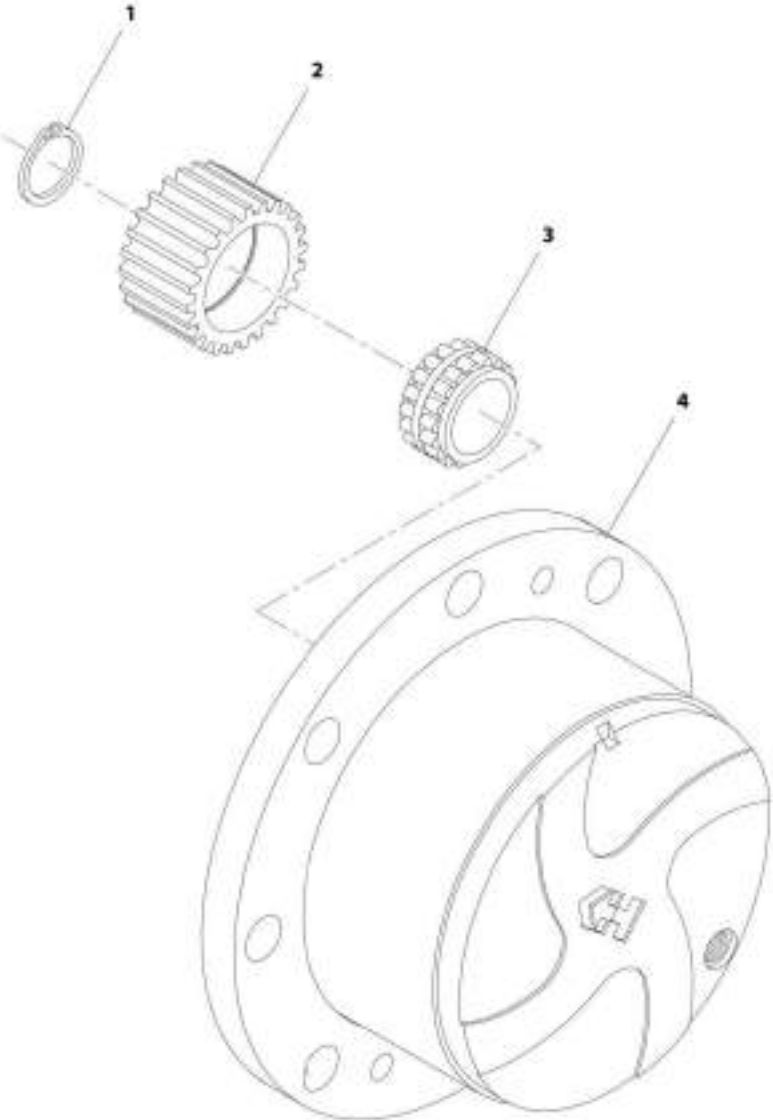
## SECTION 5 - DRIVE TRAIN

### FIGURE 5-22. REDUCTION BUSHING KIT

ITEM	PART NUMBER	QTY	DESCRIPTION	REV
	91514149	Ref	Reduction Bushing Kit	
1	80204005	2	Circlip	
2	91514146	2	Bearing, Ball	
3	91514147	2	Seal	
4	91514148	2	O-Ring	

**SECTION 5 - DRIVE TRAIN**

**FIGURE 5-23. PLANET GEAR CARRIER KIT**



ART\_70126827-E

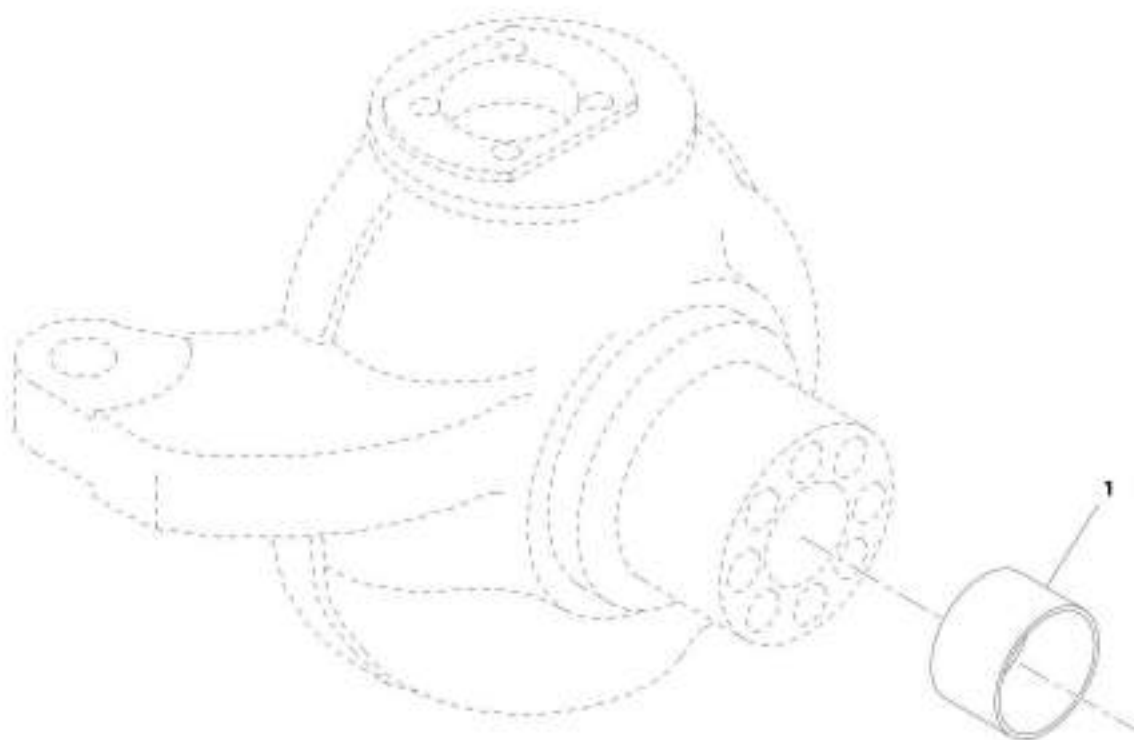
## SECTION 5 - DRIVE TRAIN

### FIGURE 5-23. PLANET GEAR CARRIER KIT

ITEM	PART NUMBER	QTY	DESCRIPTION	REV
	70026827	Ref	Planet Gear Carrier Kit	
1	91474585	2	Circlip	
2	91474586	4	Gear, Planet	
3	91474587	4	Bearing	
4	70026821	1	Carrier, Planet Gear	

# SECTION 5 - DRIVE TRAIN

FIGURE 5-24. STEERING CASE KIT, (LF, RR)



ART\_605774

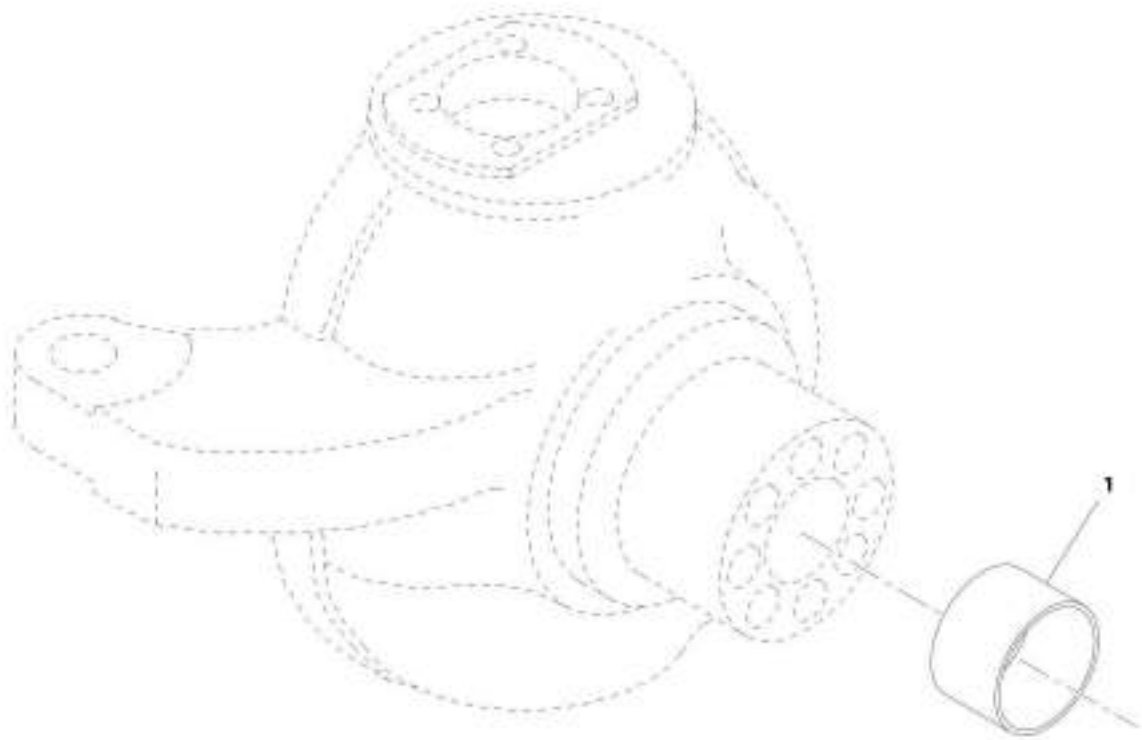
## SECTION 5 - DRIVE TRAIN

**FIGURE 5-24. STEERING CASE KIT, (LF, RR)**

ITEM	PART NUMBER	QTY	DESCRIPTION	REV
1	8007774	Ref	Steering Case Kit, (LF, RR)	
	8004468	1	Bushing, Thrust	

# SECTION 5 - DRIVE TRAIN

FIGURE 5-25. STEERING CASE KIT, (RF, LR)



ART\_695777



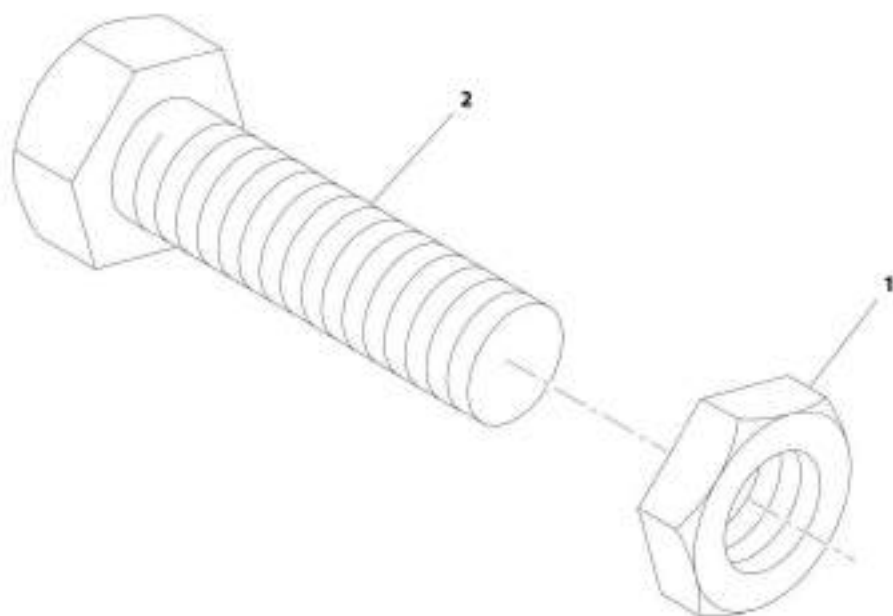
## SECTION 5 - DRIVE TRAIN

**FIGURE 5-25. STEERING CASE KIT, (RF, LR)**

ITEM	PART NUMBER	QTY	DESCRIPTION	REV
1	8007777 8004468	Ref 1	Steering Case Kit, (RF, LR) Bushing, Thrust	

## SECTION 5 - DRIVE TRAIN

FIGURE 5-26. STEERING ADJUST BOLT KIT



ART\_7126733

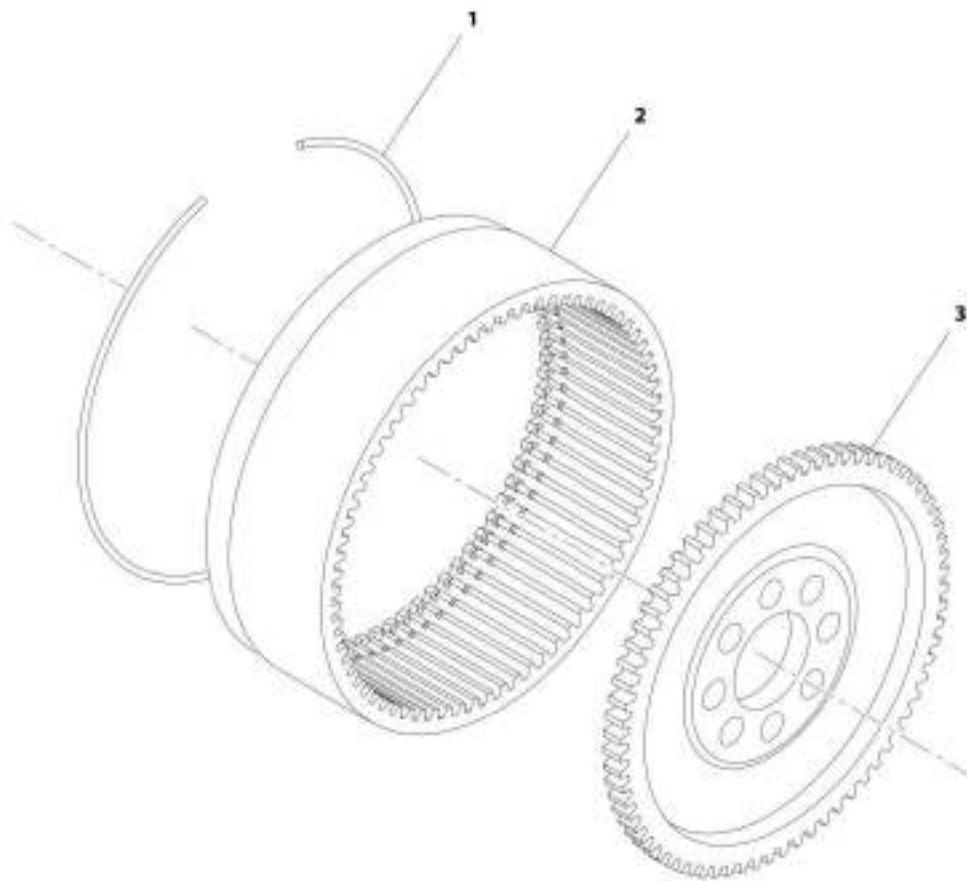
## SECTION 5 - DRIVE TRAIN

### FIGURE 5-26. STEERING ADJUST BOLT KIT

ITEM	PART NUMBER	QTY	DESCRIPTION	REV
	7028733	Ref	Steering Adjust Bolt Kit	
1	80204065	2	Nut	
2	91514117	2	Bolt	

# SECTION 5 - DRIVE TRAIN

## FIGURE 5-27. RING GEAR SUPPORT KIT



ART. 7329452

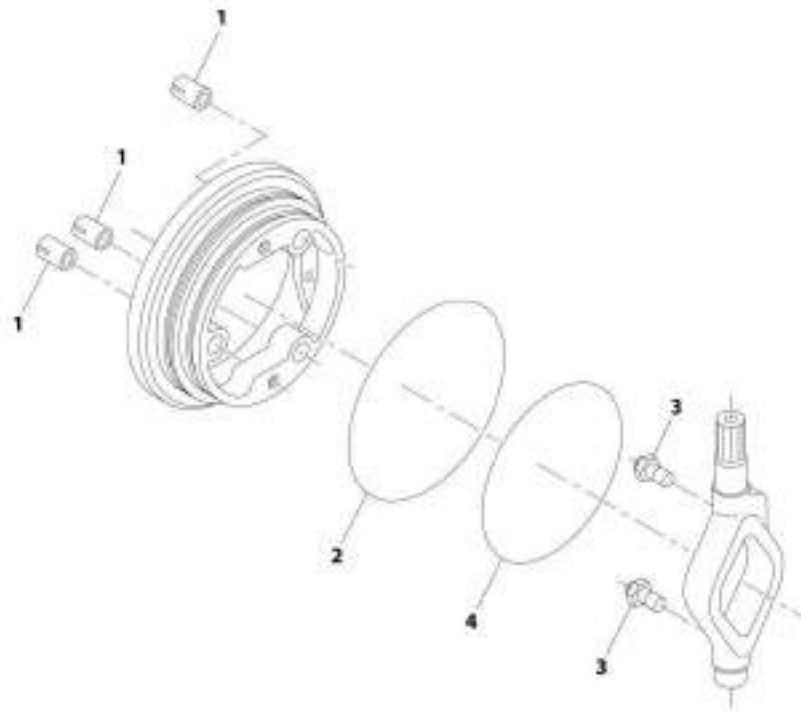
## SECTION 5 - DRIVE TRAIN

### FIGURE 5-27. RING GEAR SUPPORT KIT

ITEM	PART NUMBER	QTY	DESCRIPTION	REV
	7029432	Ref	Ring Gear Support Kit	
1	91474580	1	Gear, Ring	
2	3983720	1	Support, Ring Gear	
3	91474579	1	Circlip	

# SECTION 5 - DRIVE TRAIN

## FIGURE 5-28. PISTON KIT (LH)



ART\_70038009

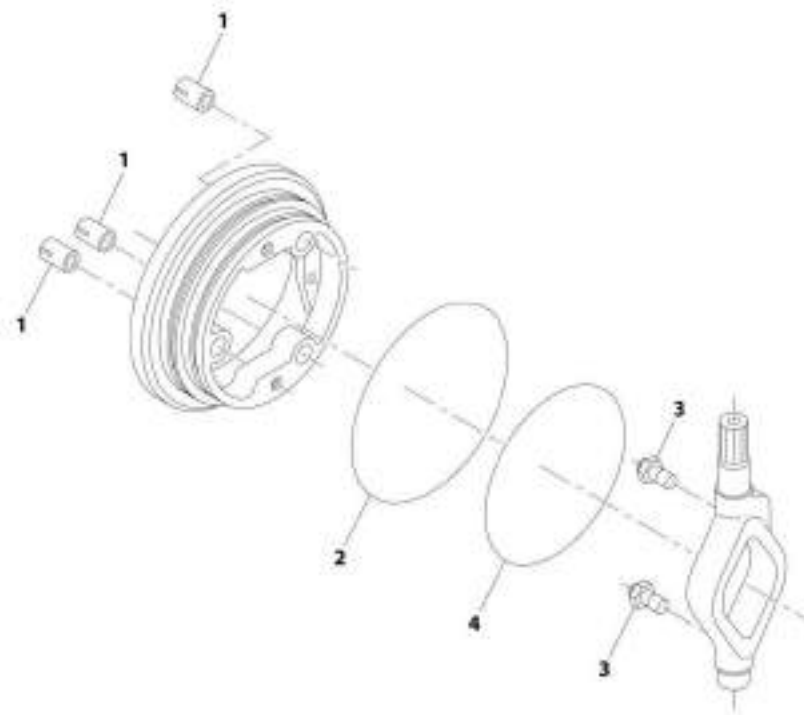
## SECTION 5 - DRIVE TRAIN

### FIGURE 5-28. PISTON KIT (LH)

ITEM	PART NUMBER	QTY	DESCRIPTION	REV
	70026069	Ref	Piston Kit (LH)	
98	91514165	6	Spring	
99	70025821	2	O-Ring	
103	2903197	4	Pusher	
104	70025822	2	O-Ring	

# SECTION 5 - DRIVE TRAIN

## FIGURE 5-29. PISTON KIT (RH)



ART\_1020088



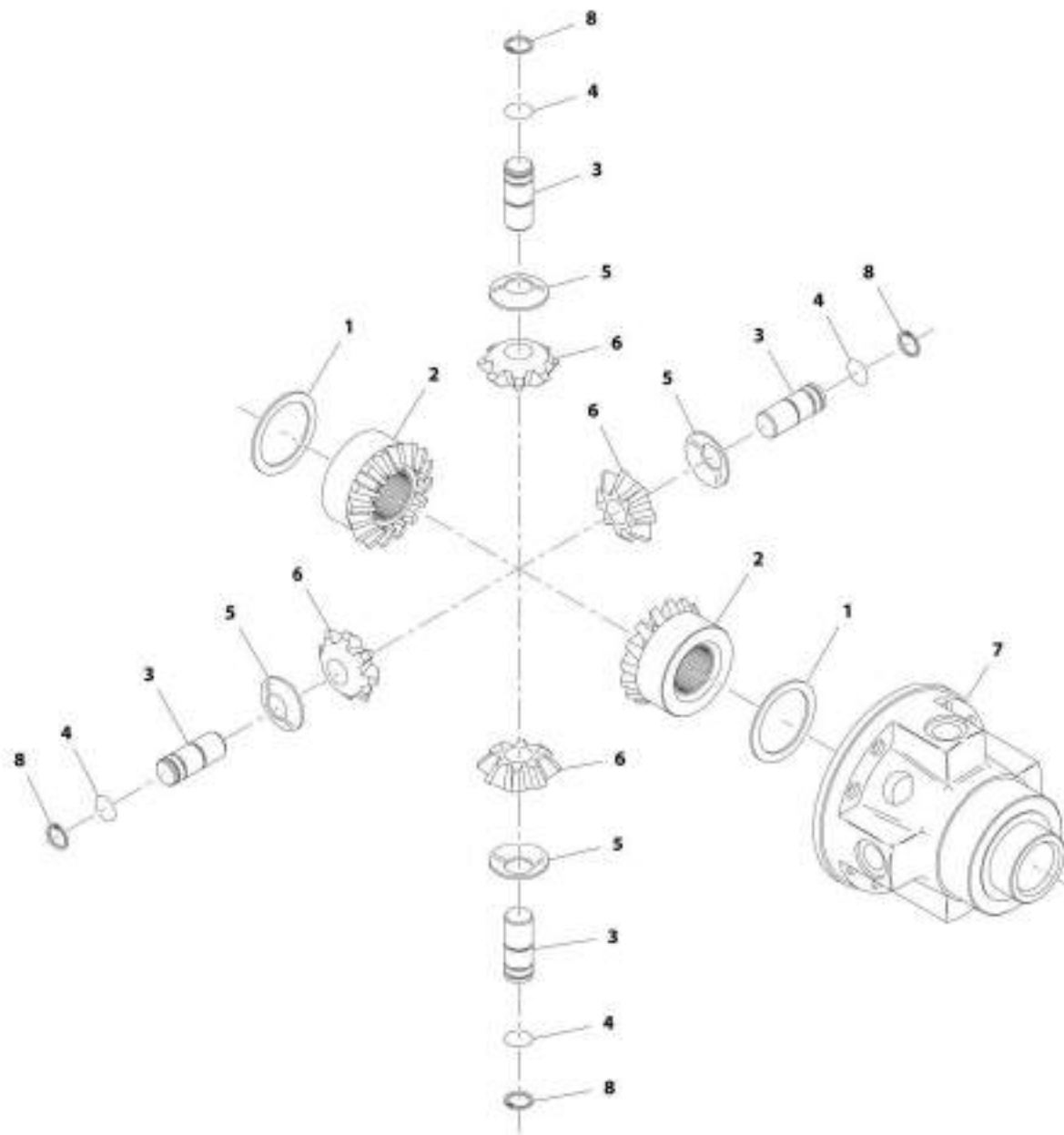
## SECTION 5 - DRIVE TRAIN

### FIGURE 5-29. PISTON KIT (RH)

ITEM	PART NUMBER	QTY	DESCRIPTION	REV
	70026068	Ref	Piston Kit (RH)	
98	91514165	6	Spring	
99	70025821	2	O-Ring	
103	2903197	4	Pusher	
104	70025822	2	O-Ring	

# SECTION 5 - DRIVE TRAIN

## FIGURE 5-30. DIFFERENTIAL KIT



ART\_70021140

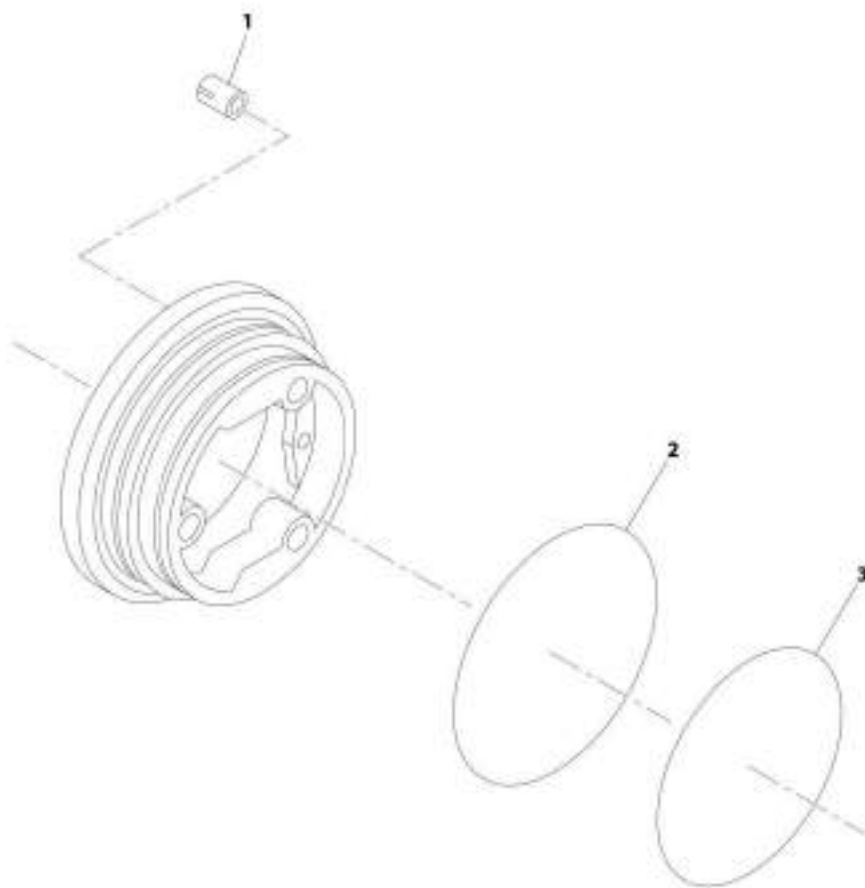
## SECTION 5 - DRIVE TRAIN

### FIGURE 5-30. DIFFERENTIAL KIT

ITEM	PART NUMBER	QTY	DESCRIPTION	REV
	70021140	Ref	Differential Kit	
1	91474593	2	Washer, Friction	
2	70025569	2	Gear, Differential Side	
3	7029131	4	Pin	
4	91474551	4	Circlip	
5	91474553	4	Washer, Friction	
6	70025570	4	Pinion, Differential	
7	91474595	1	Carrier, Differential	
8	91474550	4	Circlip	

# SECTION 5 - DRIVE TRAIN

## FIGURE 5-31. PISTON KIT



ART\_70026023

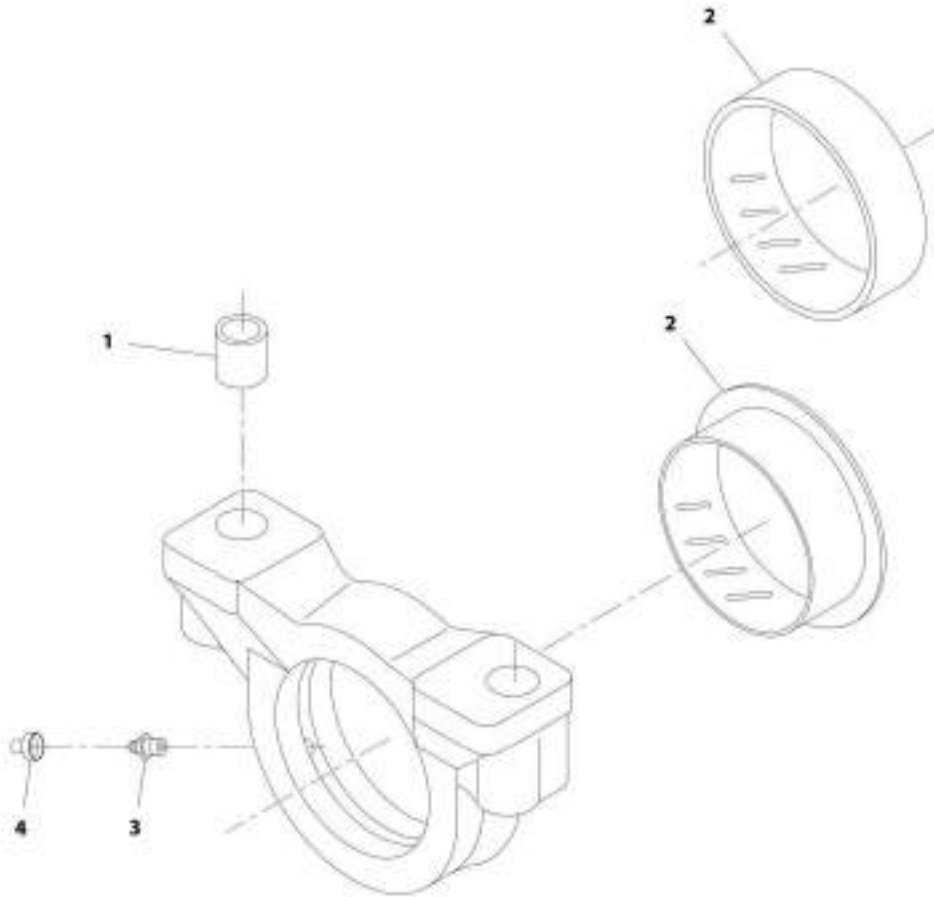
## SECTION 5 - DRIVE TRAIN

FIGURE 5-31. PISTON KIT

ITEM	PART NUMBER	QTY	DESCRIPTION	REV
	70026823	Ref	Kit, Piston	
1	91514165	3	Spring	
2	70025821	1	O-Ring	
3	70025822	1	O-Ring	

# SECTION 5 - DRIVE TRAIN

## FIGURE 5-32. TRUNION KIT



AMT\_70026630

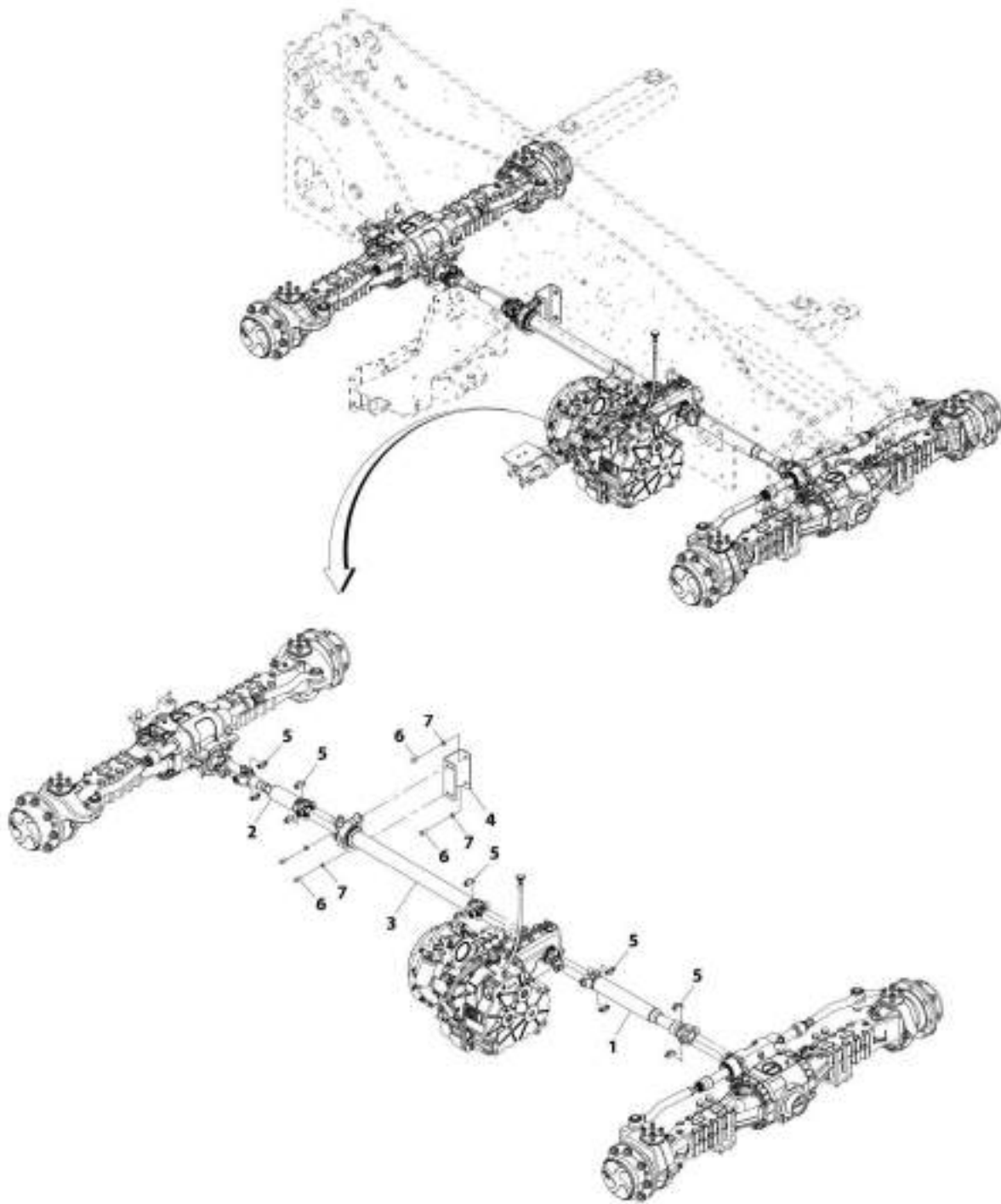
## SECTION 5 - DRIVE TRAIN

### FIGURE 5-32. TRUNION KIT

ITEM	PART NUMBER	QTY	DESCRIPTION	REV
	70026630	1	Kit, Trunion	
1	91474516	2	Bushing, Reduction	
2	91474515	1	Bushing, Thrust	
3	7028083	1	Support	
4	91514099	1	Fitting, Grease	
5	80204117	1	Plug	
6	70025884	1	Bolt	

# SECTION 5 - DRIVE TRAIN

## FIGURE 5-33. DRIVE SHAFTS INSTALLATION



ART\_100117030-B



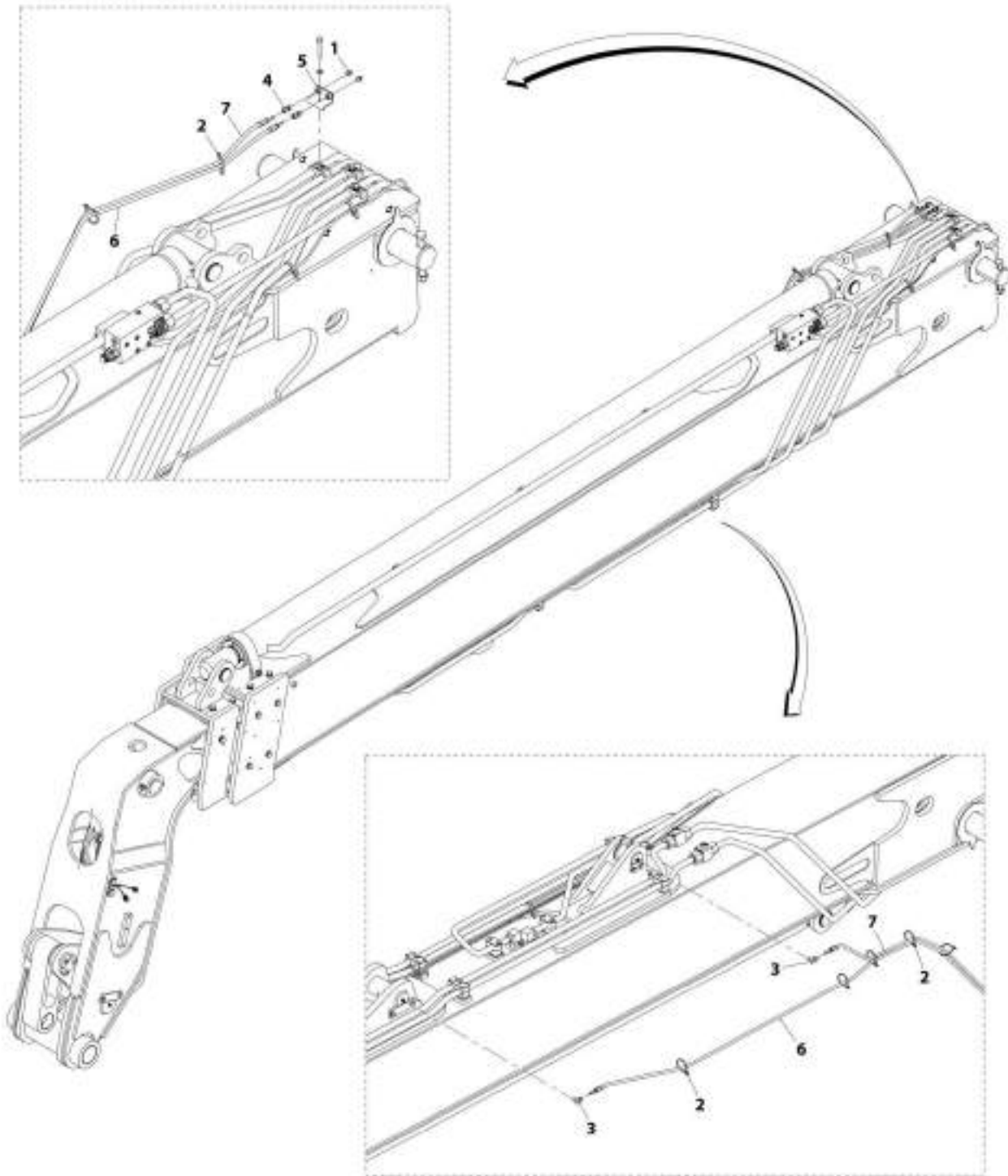
## SECTION 5 - DRIVE TRAIN

### FIGURE 5-33. DRIVE SHAFTS INSTALLATION

ITEM	PART NUMBER	QTY	DESCRIPTION	REV
	1001177638	Ref	Drive Shafts Installation	B
1	1001174879	1	Shaft, Drive	
2	1001174880	1	Shaft, Drive	
3	1001174881	1	Shaft, Drive	
4	1001177870	1	Support	
5	8005079	10	Clampset	
6	0761214	4	Bolt, M12X30	
7	4812100	4	Washer, M12	

# SECTION 5 - DRIVE TRAIN

FIGURE 5-34. REMOTE GREASE SYSTEM INSTALLATION (Prior to SN 1160008597)



ART\_1001210417-A

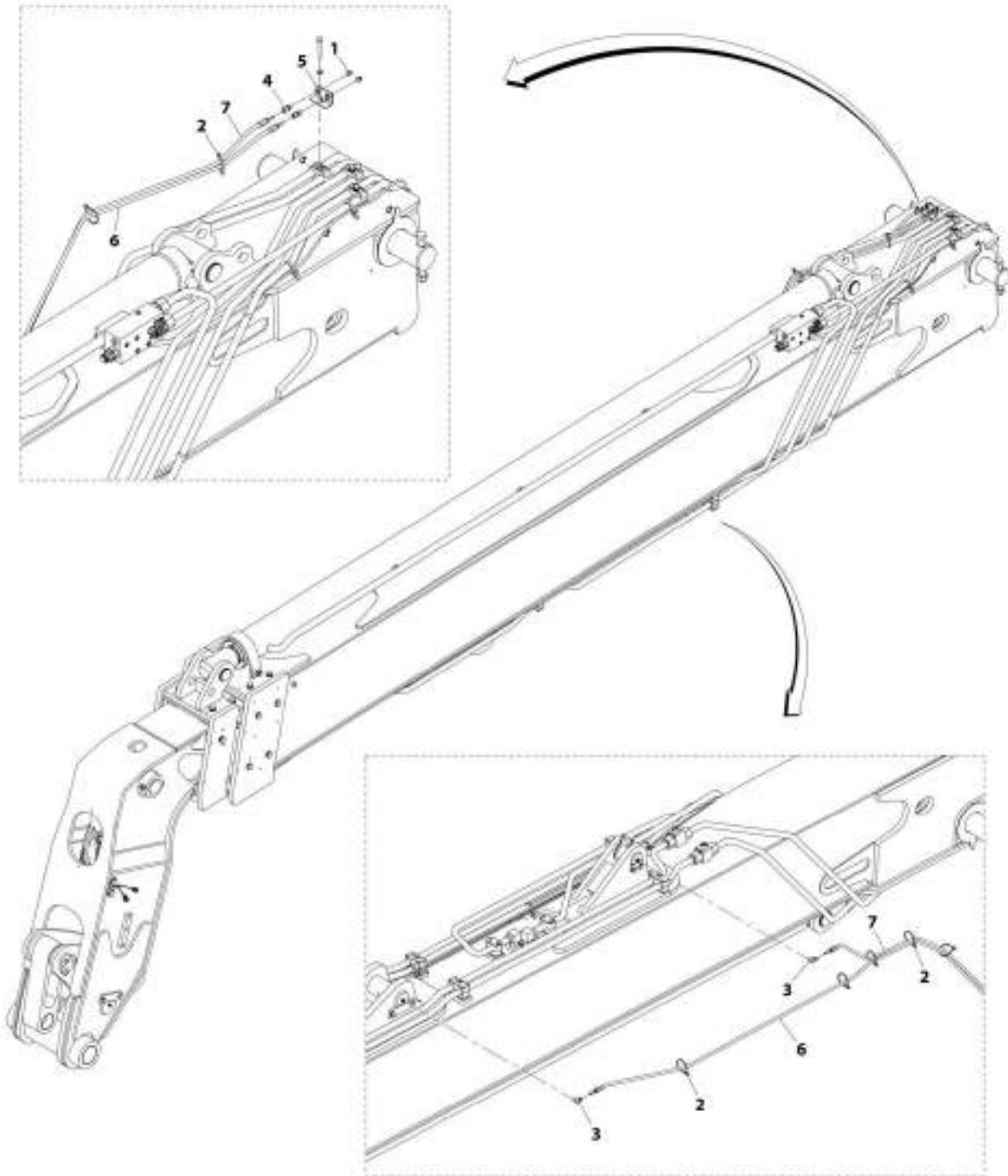
## SECTION 5 - DRIVE TRAIN

**FIGURE 5-34. REMOTE GREASE SYSTEM INSTALLATION (Prior to SN 1160008597)**

ITEM	PART NUMBER	QTY	DESCRIPTION	REV
	1001210417	Ref	Remote Grease System Installation	A
1	2160016	1	Fitting, Grease	
2	1001008559	7	Strap, Cable	
3	1001101561	2	Adapter, 90 Grease	
4	1001101563	2	Adapter, Straight Grease	
5	1001210409	1	Bracket	
6	1001210431	1	Hose, Grease	
7	1001210432	1	Hose, Grease	

# SECTION 5 - DRIVE TRAIN

FIGURE 5-35. REMOTE GREASE SYSTEM INSTALLATION (SN 1160008597 to Present)



ART\_1001210417-01

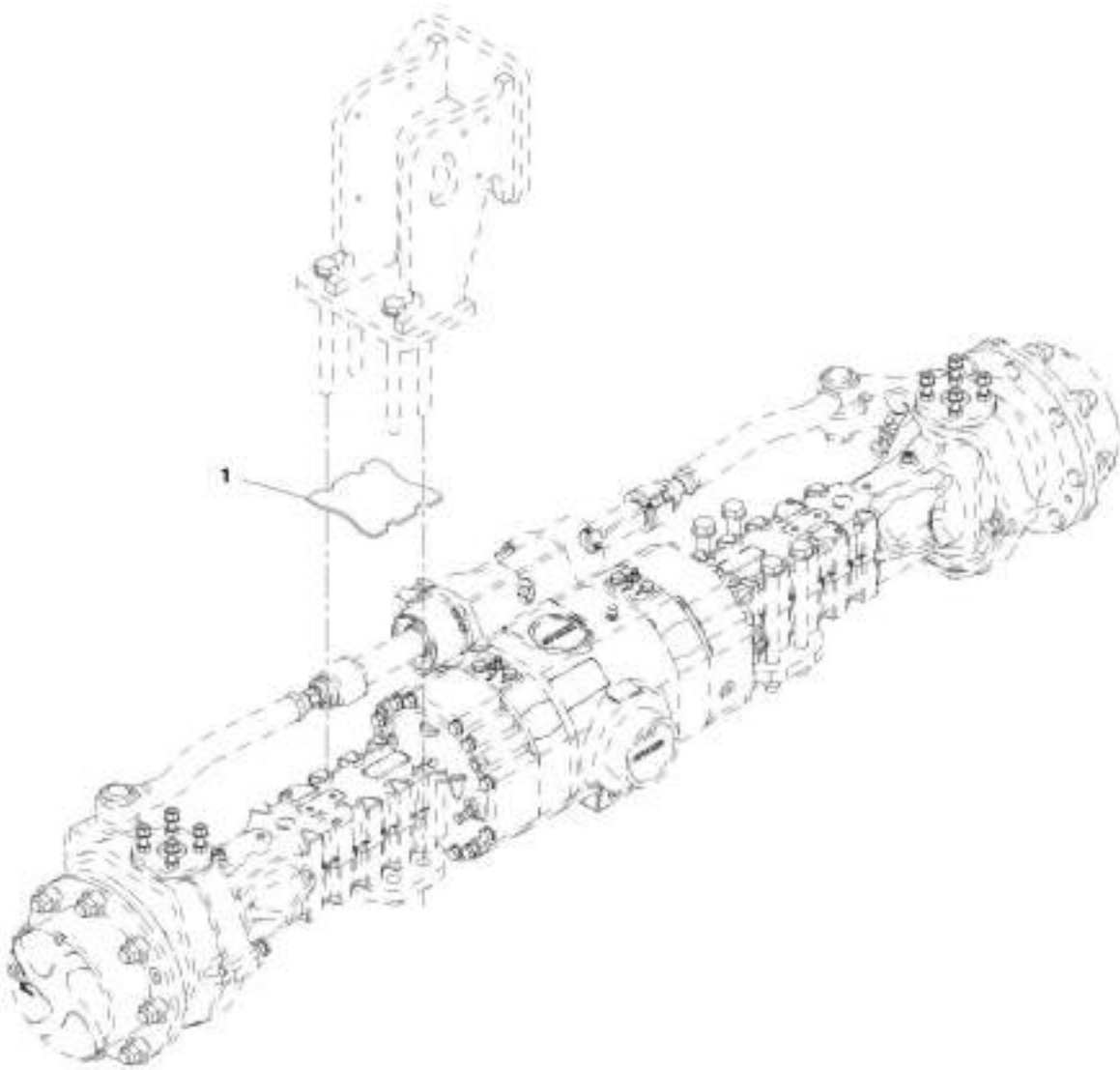
## SECTION 5 - DRIVE TRAIN

**FIGURE 5-35. REMOTE GREASE SYSTEM INSTALLATION (SN 1160008597 to Present)**

ITEM	PART NUMBER	QTY	DESCRIPTION	REV
	1001210417	Ref	Remote Grease System Installation	B
1	2160016	1	Fitting, Grease	
2	1001008559	7	Strap, Cable	
3	1001164053	2	Adapter, 90 Grease	
4	1001101563	2	Adapter, Straight Grease	
5	1001227653	1	Bracket	
6	1001210431	1	Hose, Grease	
7	1001210432	1	Hose, Grease	

# SECTION 5 - DRIVE TRAIN

FIGURE 5-36. AXLE SHIM INSTALLATION (24IN WHEEL)



ART\_1001186574-C

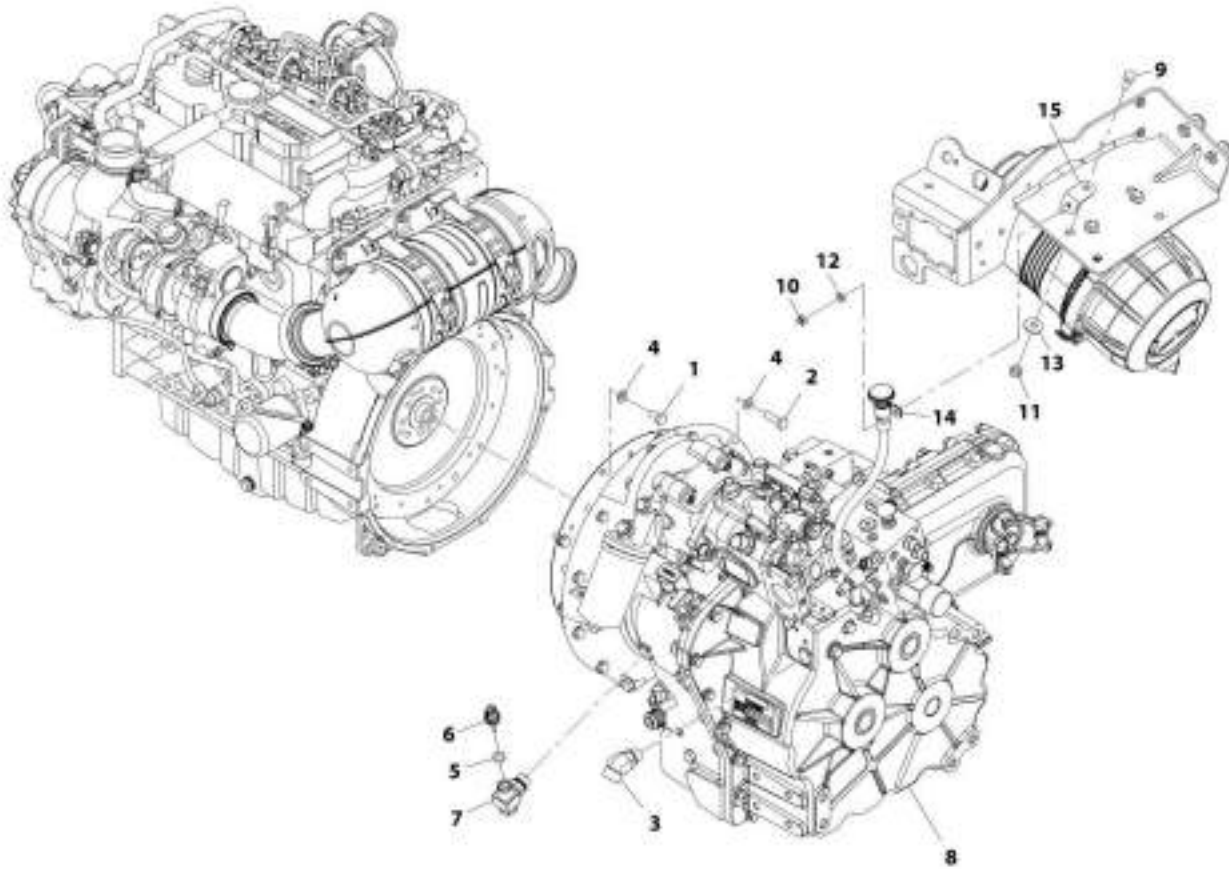
## SECTION 5 - DRIVE TRAIN

**FIGURE 5-36. AXLE SHIM INSTALLATION (24IN WHEEL)**

ITEM	PART NUMBER	QTY	DESCRIPTION	REV
1	1001186574 1001190541	Ref 1	Axle Shim Installation (24IN Wheel) Plate, Axle Shim	C

# SECTION 5 - DRIVE TRAIN

## FIGURE 5-37. TRANSMISSION INSTALLATION (4 SPD)



ARL 1001200180-B



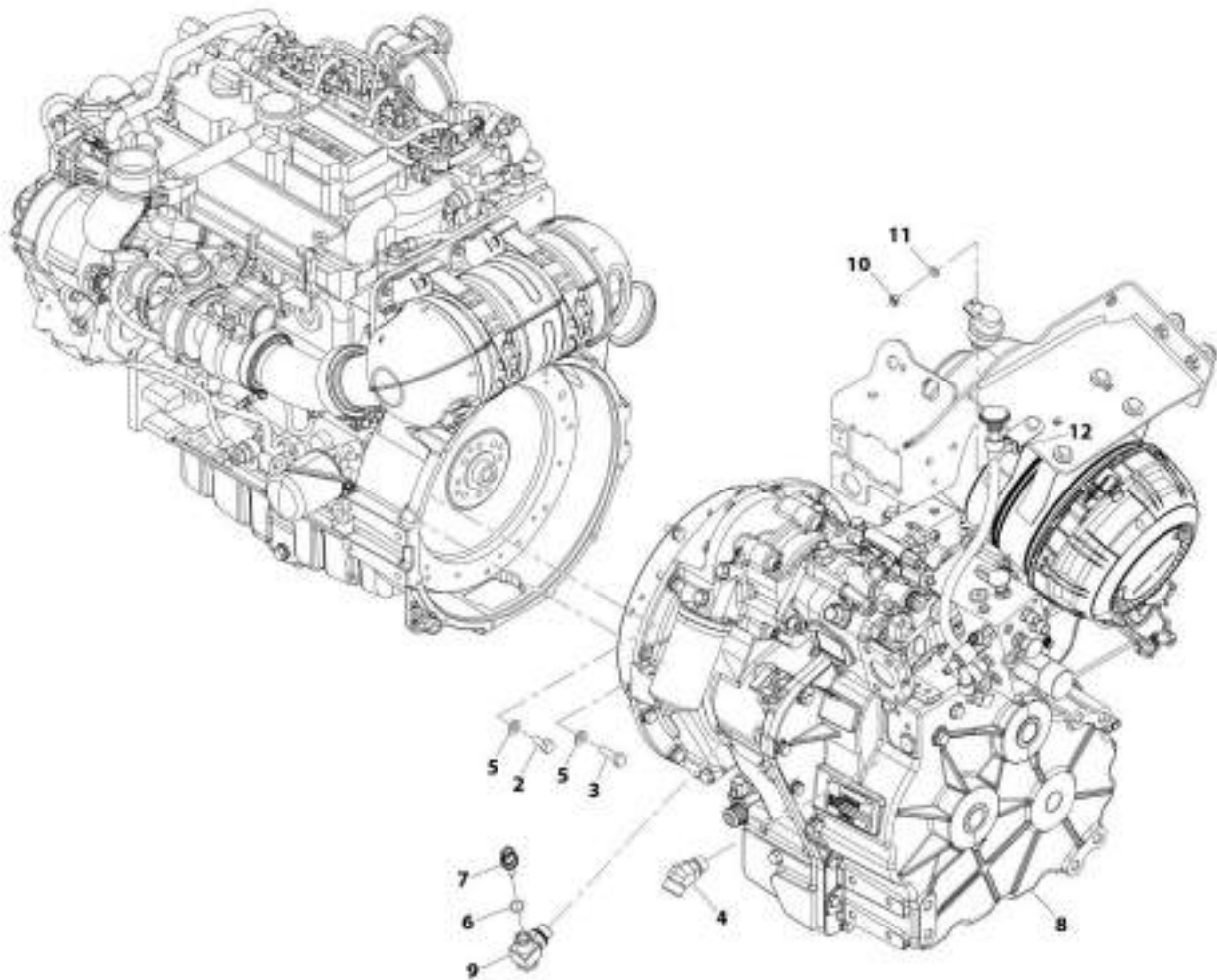
## SECTION 5 - DRIVE TRAIN

**FIGURE 5-37. TRANSMISSION INSTALLATION (4 SPD)**

ITEM	PART NUMBER	QTY	DESCRIPTION	REV
	1001200180	Ref	Transmission Installation (4 SPD)	B
1	0761010	8	Bolt, M10X20	
2	0761015	10	Bolt, M10X35	
3	2151210	1	Fitting, 45 ORFS	
4	4812000	18	Washer, M10	
5	1001009163	1	O-Ring	
6	1001128478	1	Sensor	
7	1001219182	1	Adapter, ORFS	
8	1001199948	1	Transmission (4 SPD) (See Separate Breakdown in this Section)	
9	0701012	1	Bolt, M10X25	
10	3290805	1	Nut, Lock M8X1.25 Grade 8	
11	3291005	1	Nut, Lock M10X1.5 Grade 8	
12	4811900	1	Washer, M8	
13	4812002	1	Washer, M10	
14	91043147	1	Clamp	
15	1001218486	1	Bracket	

## SECTION 5 - DRIVE TRAIN

FIGURE 5-38. TRANSMISSION INSTALLATION (6 SPD - 90KW)



ART\_300178429-E

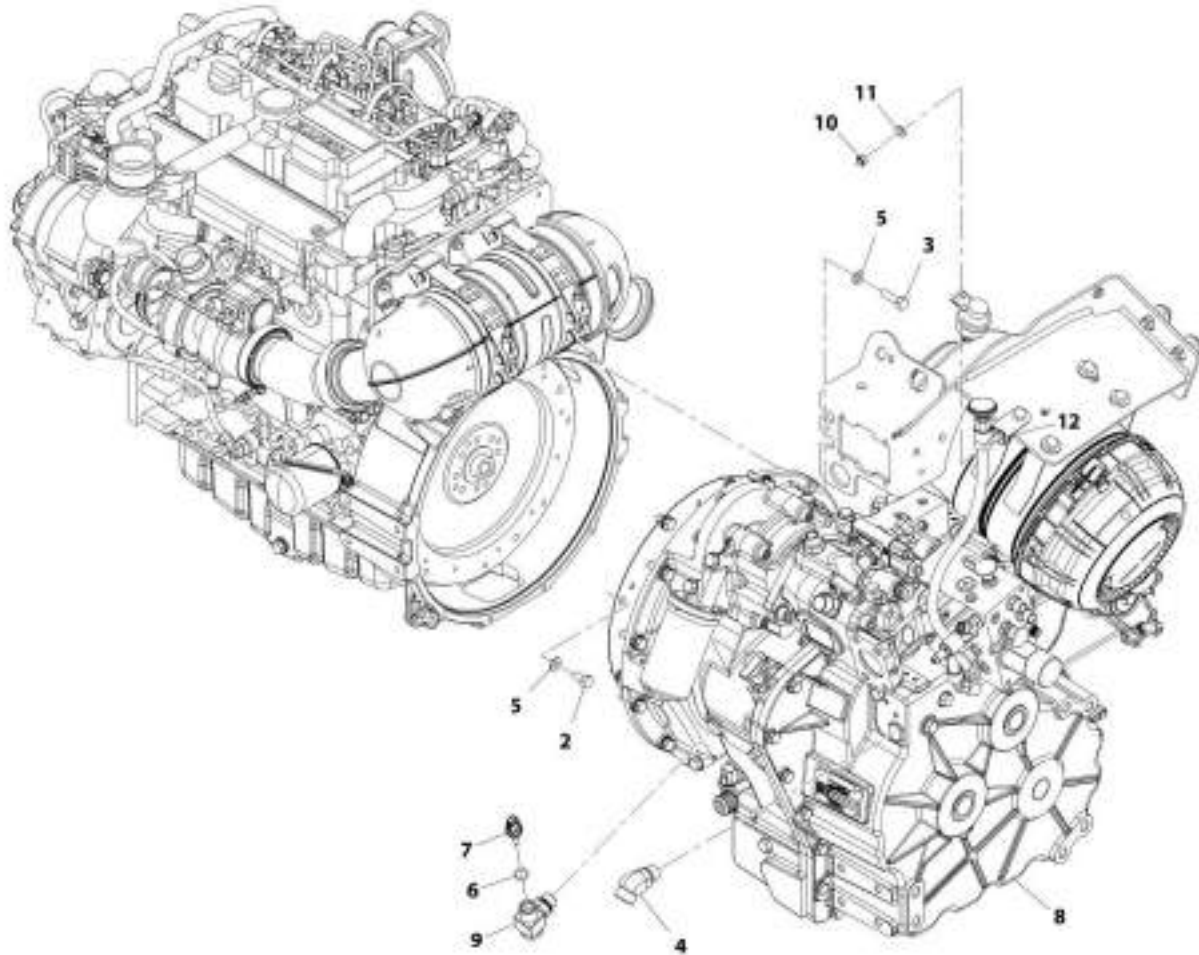
## SECTION 5 - DRIVE TRAIN

**FIGURE 5-38. TRANSMISSION INSTALLATION (6 SPD - 90KW)**

ITEM	PART NUMBER	QTY	DESCRIPTION	REV
	1001178439	Ref	Transmission Installation (6 SPD)	E
2	0761010	8	Bolt, M10X20	
3	0761015	10	Bolt, M10X35	
4	2151210	1	Fitting, 45 ORFS	
5	4812000	18	Washer, M10	
6	1001009163	1	O-Ring	
7	1001128478	1	Sensor	
8	1001177851	1	Transmission (6 SPD - DTZ - 90KW) (See Separate Breakdown in this Section)	
9	1001219182	1	Adapter, ORFS	
10	3290805	1	Nut, Lock M8X1.25 Grade 8	
11	4811900	1	Washer, M8	
12	91043147	1	Clamp	

## SECTION 5 - DRIVE TRAIN

FIGURE 5-39. TRANSMISSION INSTALLATION (6 SPD - 97KW)



REF\_1001102647-D

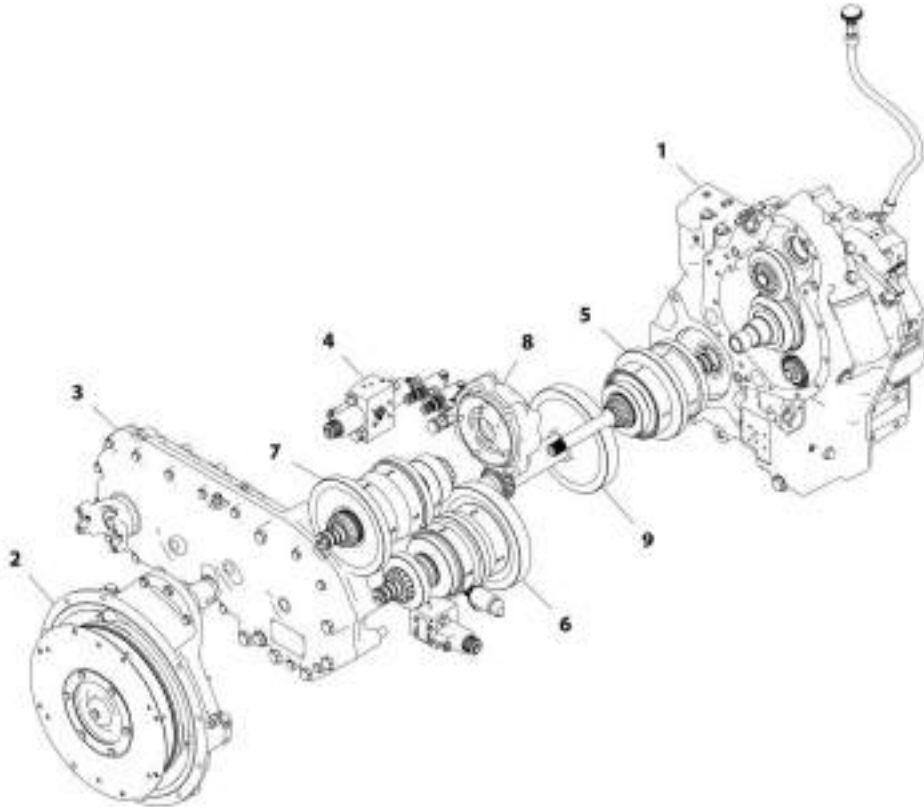
## SECTION 5 - DRIVE TRAIN

**FIGURE 5-39. TRANSMISSION INSTALLATION (6 SPD - 97KW)**

ITEM	PART NUMBER	QTY	DESCRIPTION	REV
	1001182647	Ref	Transmission Installation (6 SPD - HHP)	D
2	0761010	8	Bolt, M10X20	
3	0761015	10	Bolt, M10X35	
4	2151210	1	Fitting, 45 ORFS	
5	4812000	18	Washer, M10	
6	1001009163	1	O-Ring	
7	1001128478	1	Sensor	
8	1001181559	1	Transmission (6 SPD - HHP - 97KW) (See Separate Breakdown in this Section)	
9	1001219182	1	Fitting, Tee ORFS	
10	3290805	1	Nut, Lock M8X1.25 Grade 8	
11	4811900	1	Washer, M8	
12	91043147	1	Clamp	

## SECTION 5 - DRIVE TRAIN

FIGURE 5-40. TRANSMISSION (4 SPD)



ARF\_100100043-C

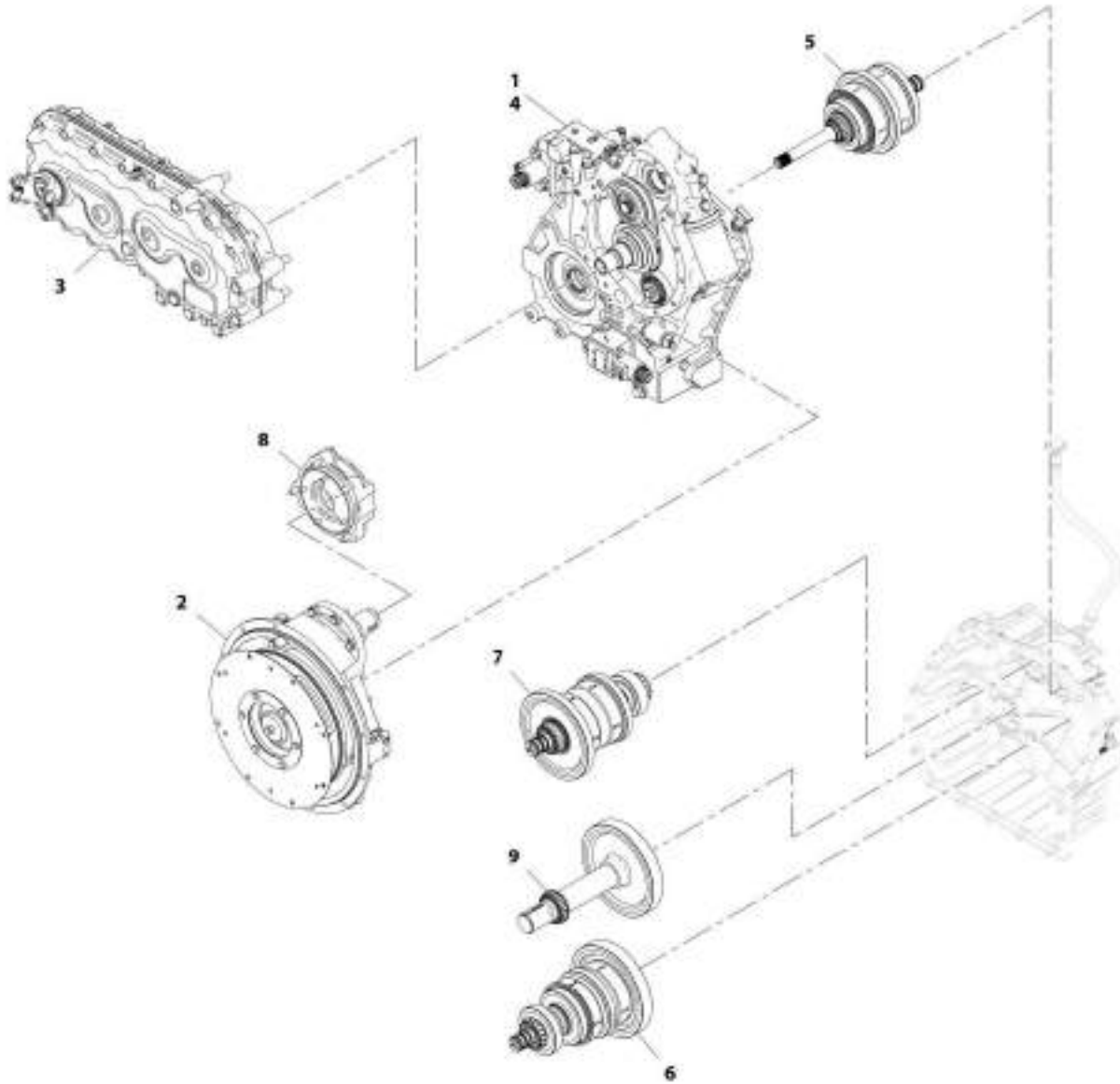
## SECTION 5 - DRIVE TRAIN

**FIGURE 5-40. TRANSMISSION (4 SPD)**

ITEM	PART NUMBER	QTY	DESCRIPTION	REV
	1001199948	Ref	Transmission (4 SPD)	C
1	70027723	Ref	Group, Planetary Case and Parts (See Separate Breakdown in this Section)	
2	70027721	Ref	Group, Torque Converter (See Separate Breakdown in this Section)	
3	70027722	Ref	Group, Transfer Gear and Case (See Separate Breakdown in this Section)	
4	70027720	Ref	Group, Transmission Hydraulic Control (See Separate Breakdown in this Section)	
5	70027717	Ref	Group, Input Shaft (See Separate Breakdown in this Section)	
6	70027718	Ref	Group, Transmission Clutch (See Separate Breakdown in this Section)	
7	70027715	Ref	Group, Clutch and Gear (See Separate Breakdown in this Section)	
8	70027719	Ref	Group, Transmission Pump (See Separate Breakdown in this Section)	
9	70027716	Ref	Group, Output Shaft (See Separate Breakdown in this Section)	

# SECTION 5 - DRIVE TRAIN

## FIGURE 5-41. TRANSMISSION (6 SPD - 90KW)



ART\_100117851-E



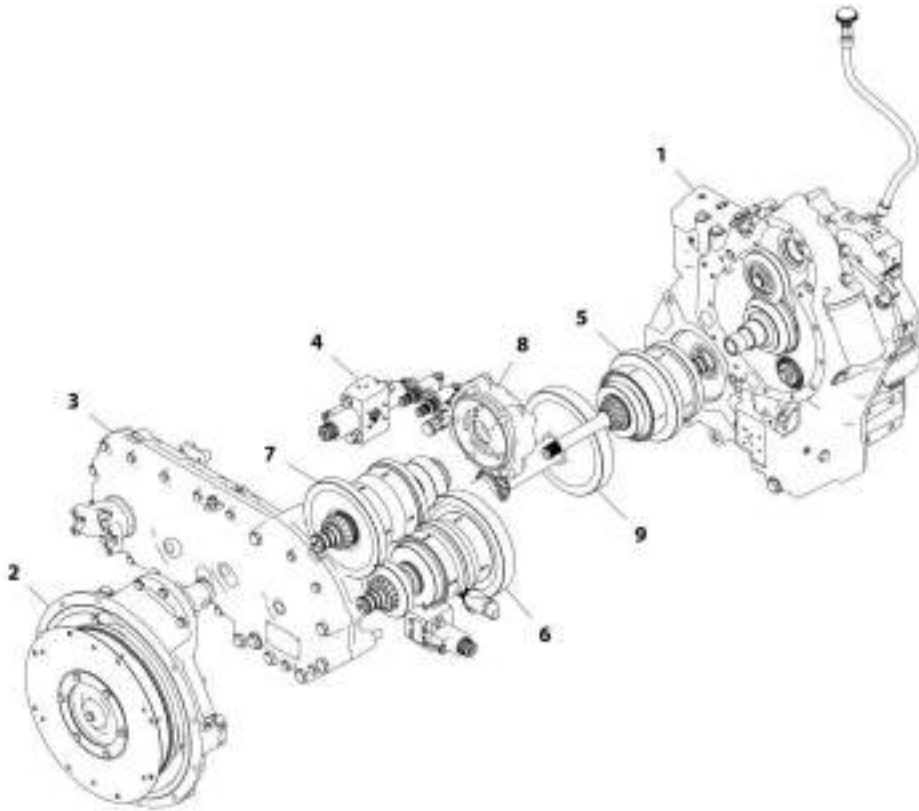
## SECTION 5 - DRIVE TRAIN

**FIGURE 5-41. TRANSMISSION (6 SPD - 90KW)**

ITEM	PART NUMBER	QTY	DESCRIPTION	REV
	1001177851	Ref	Transmission (6 SPD - 90KW)	E
1	70027723	Ref	Group, Planetary Case and Parts (See Separate Breakdown in this Section)	
2	70027721	Ref	Group, Torque Converter (See Separate Breakdown in this Section)	
3	70027725	Ref	Group, Transfer Gear and Case (See Separate Breakdown in this Section)	
4	70027720	Ref	Group, Transmission Hydraulic Control (See Separate Breakdown in this Section)	
5	70027717	Ref	Group, Input Shaft (See Separate Breakdown in this Section)	
6	70027718	Ref	Group, Transmission Clutch (See Separate Breakdown in this Section)	
7	70027715	Ref	Group, Clutch and Gear (See Separate Breakdown in this Section)	
8	70027719	Ref	Group, Transmission Pump (See Separate Breakdown in this Section)	
9	70027716	Ref	Group, Output Shaft (See Separate Breakdown in this Section)	

## SECTION 5 - DRIVE TRAIN

FIGURE 5-42. TRANSMISSION (6 SPD - HHP - 97KW)



ART\_1001181559-0

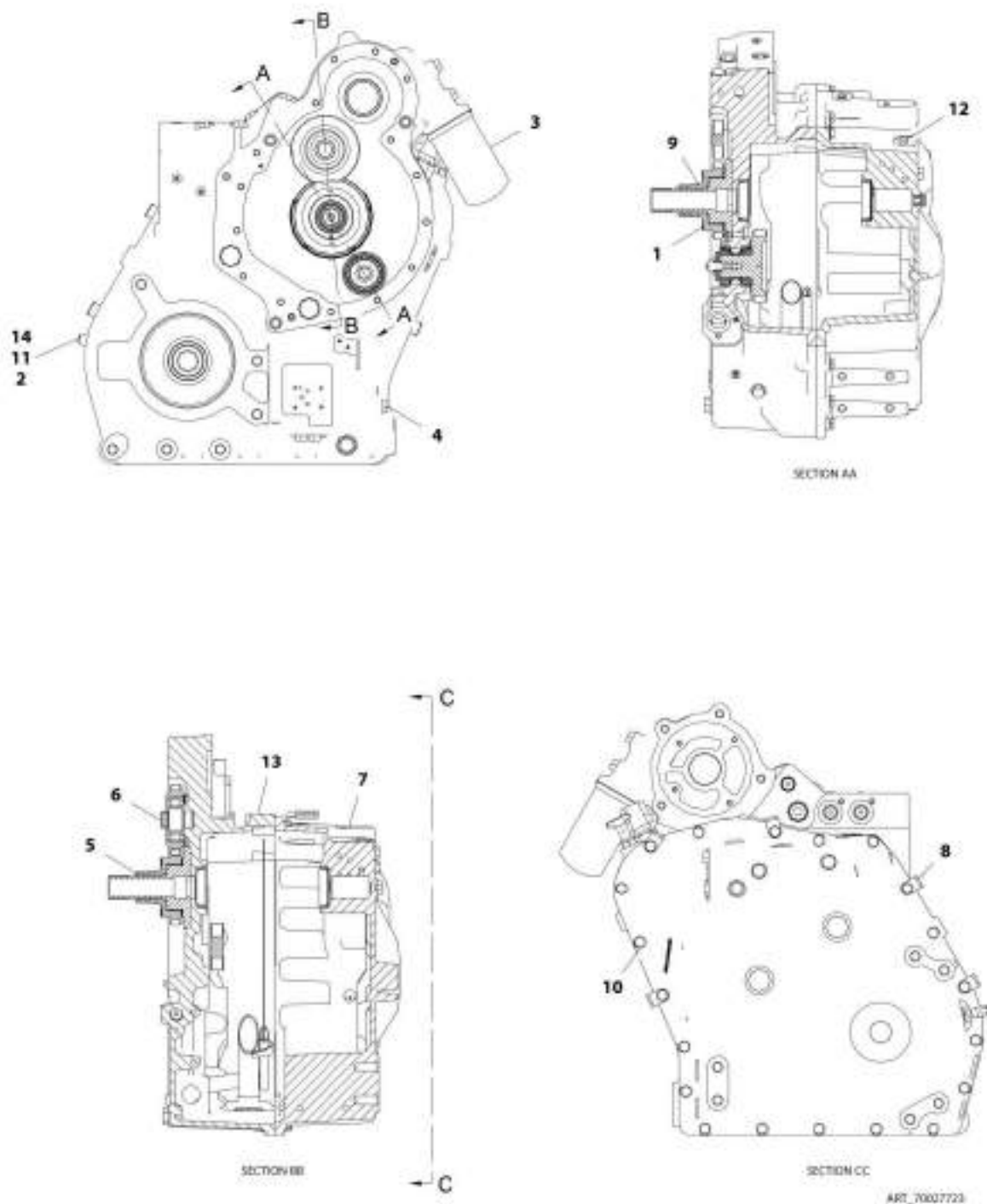
## SECTION 5 - DRIVE TRAIN

**FIGURE 5-42. TRANSMISSION (6 SPD - HHP - 97KW)**

ITEM	PART NUMBER	QTY	DESCRIPTION	REV
	1001181559	Ref	Transmission (6 SPD - HHP - 97KW)	D
1	70027723	Ref	Group, Planetary Case and Parts (See Separate Breakdown in this Section)	
2	70027724	Ref	Group, Torque Converter (See Separate Breakdown in this Section)	
3	70027725	Ref	Group, Transfer Gear and Case (See Separate Breakdown in this Section)	
4	70027720	Ref	Group, Transmission Hydraulic Control (See Separate Breakdown in this Section)	
5	70027717	Ref	Group, Input Shaft (See Separate Breakdown in this Section)	
6	70027718	Ref	Group, Transmission Clutch (See Separate Breakdown in this Section)	
7	70027715	Ref	Group, Clutch and Gear (See Separate Breakdown in this Section)	
8	70027719	Ref	Group, Transmission Pump (See Separate Breakdown in this Section)	
9	70027716	Ref	Group, Output Shaft (See Separate Breakdown in this Section)	

# SECTION 5 - DRIVE TRAIN

## FIGURE 5-43. PLANETARY CASE AND PARTS GROUP



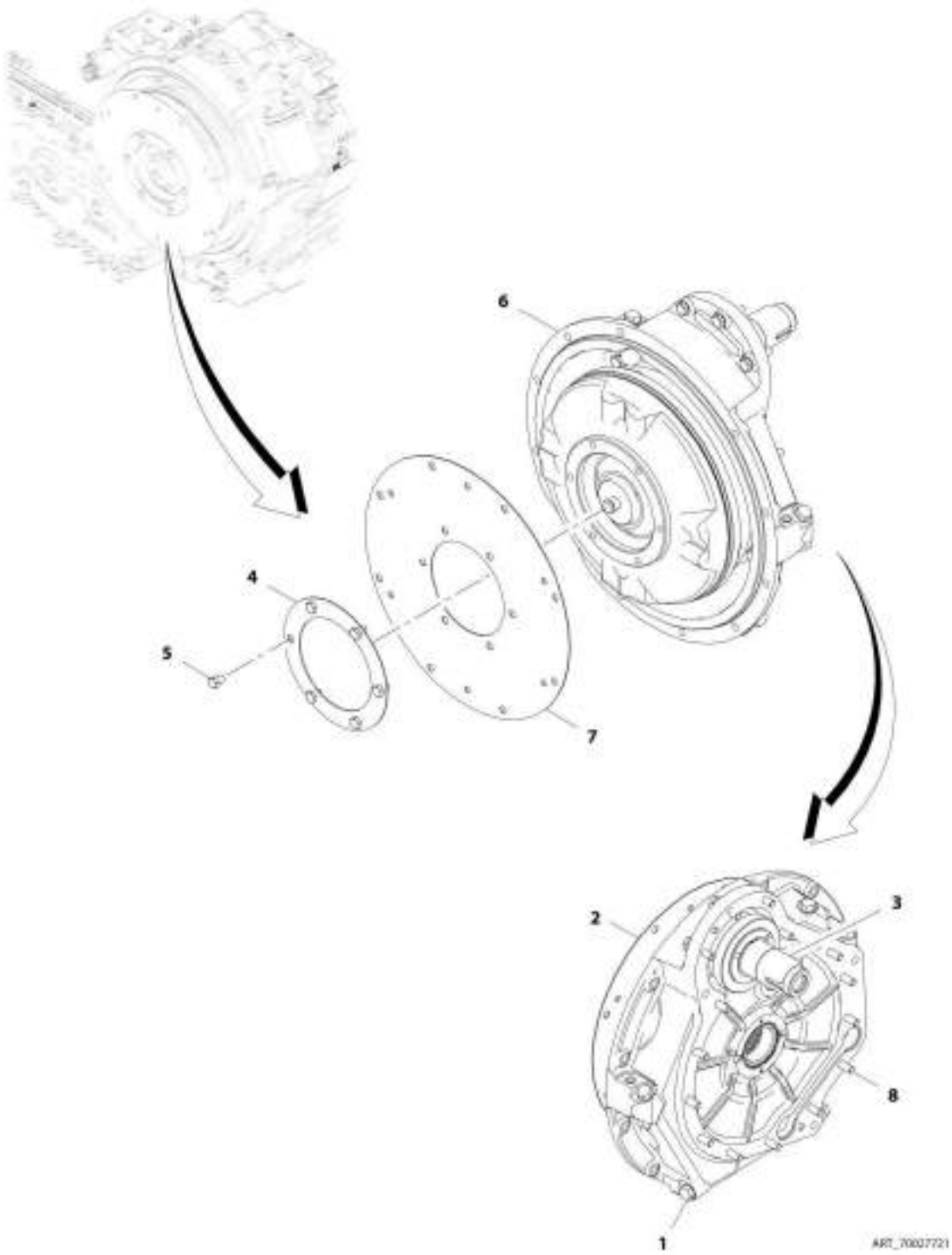
## SECTION 5 - DRIVE TRAIN

**FIGURE 5-43. PLANETARY CASE AND PARTS GROUP**

ITEM	PART NUMBER	QTY	DESCRIPTION	REV
	70027723	Ref	Planetary Case and Parts Group	
1	70025511	2	Washer, Thrust	
2	70025526	1	Sensor, Speed (See Separate Breakdown in this Section)	
3	70025453	1	Filter, Transmission	
4	70027663	1	Assembly, Plug	
	70025525	1	O-Ring	
	70025524	1	Plug	
5	70027341	1	Assembly, Gear	
6	70027707	1	Gear, Idler (See Separate Breakdown in this Section)	
7	70027711	1	Case, Rear Transmission (See Separate Breakdown in this Section)	
8	70027331	5	Clip	
9	70025512	1	O-Ring	
10	70025514	20	Bolt	
11	70025528	1	Bolt	
12	70025529	1	Plug	
13	70027714	1	Case, Planetary (See Separate Breakdown in this Section)	
14	70025527	1	O-Ring	

**SECTION 5 - DRIVE TRAIN**

**FIGURE 5-44. TORQUE CONVERTER GROUP**



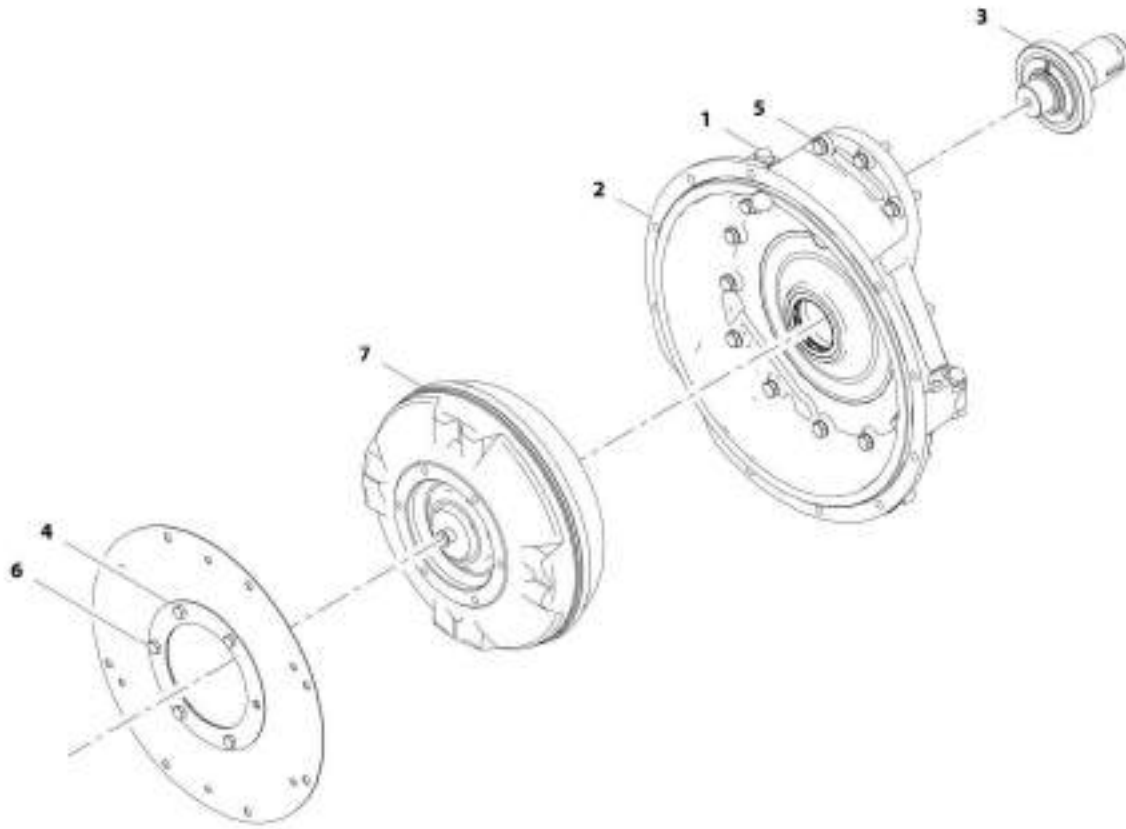
## SECTION 5 - DRIVE TRAIN

**FIGURE 5-44. TORQUE CONVERTER GROUP**

ITEM	PART NUMBER	QTY	DESCRIPTION	REV
1	70027721	Ref	Torque Converter Group	
	70027663	7	Assembly, Plug	
	70025525	1	O-Ring	
	70025524	1	Plug	
2	70027666	1	Assembly, Torque Converter	
	70027676	1	Bearing	
	70025383	1	Seal	
	70025382	2	Pin	
	70027345	1	Converter	
3	70027667	1	Assembly, Shaft	
	70025510	2	Ring, Snap	
	70025393	2	Disc, Thrust	
	70025392	1	Pump, Gear	
4	70025397	1	Plate, Converter Drive	
5	70025398	6	Screw	
6	70027382	1	Converter, Torque	
7	70027670	1	Plate, Converter Drive	
8	70027682	15	Bolt	

# SECTION 5 - DRIVE TRAIN

## FIGURE 5-45. TORQUE CONVERTER GROUP



AWT\_70027724



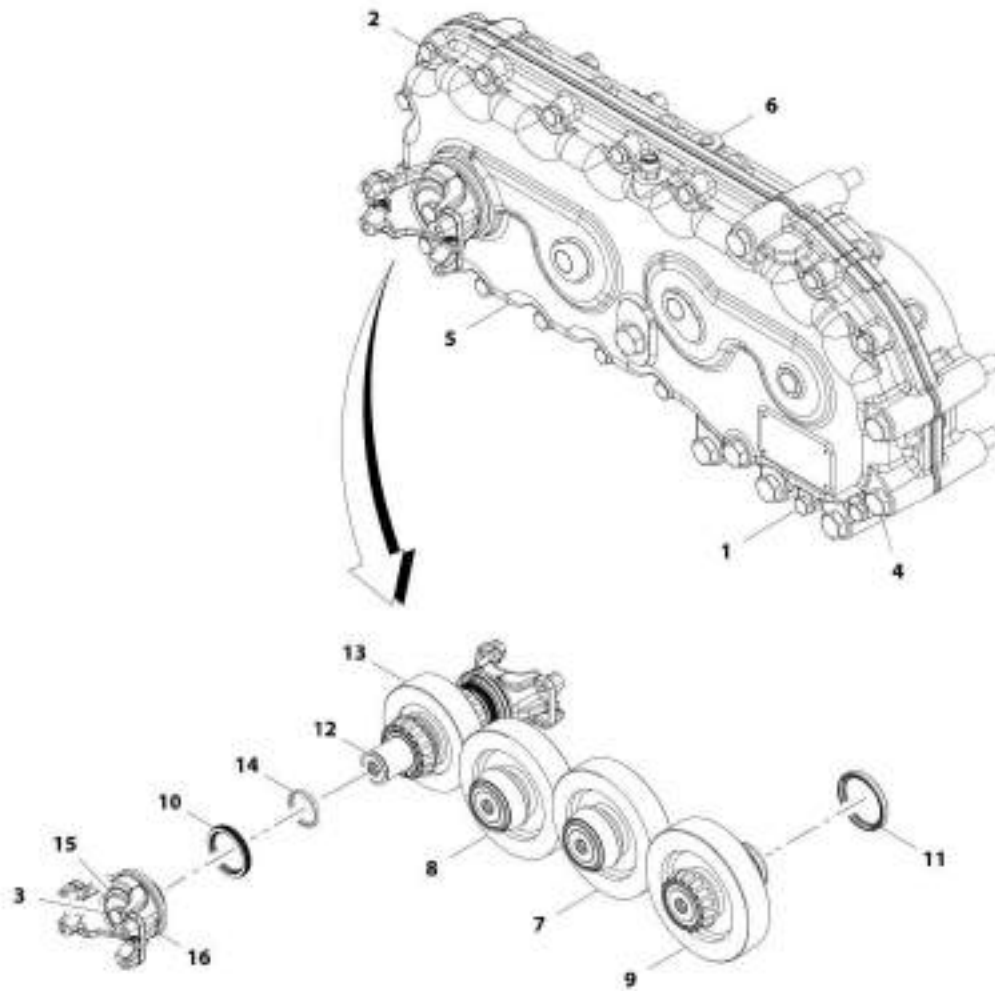
## SECTION 5 - DRIVE TRAIN

**FIGURE 5-45. TORQUE CONVERTER GROUP**

ITEM	PART NUMBER	QTY	DESCRIPTION	REV
1	70027724	Ref	Torque Converter Group	
	70027663	7	Assembly, Plug	
	70025525	1	O-Ring	
	70025524	1	Plug	
2	70027666	1	Torque Converter	
	70027676	1	Bearing	
	70025383	1	Seal	
	70025382	2	Pin	
	70027345	1	Converter	
3	70027667	1	Assembly, Shaft	
	70025510	2	Ring, Snap	
	70025393	2	Disc, Thrust	
	70025392	1	Pump, Gear	
4	70025397	1	Plate, Converter	
5	70025514	15	Bolt	
6	70025398	6	Setscrew	
7	70027383	1	Converter, Torque	

# SECTION 5 - DRIVE TRAIN

FIGURE 5-46. TRANSFER GEAR AND CASE GROUP



ART\_70027723

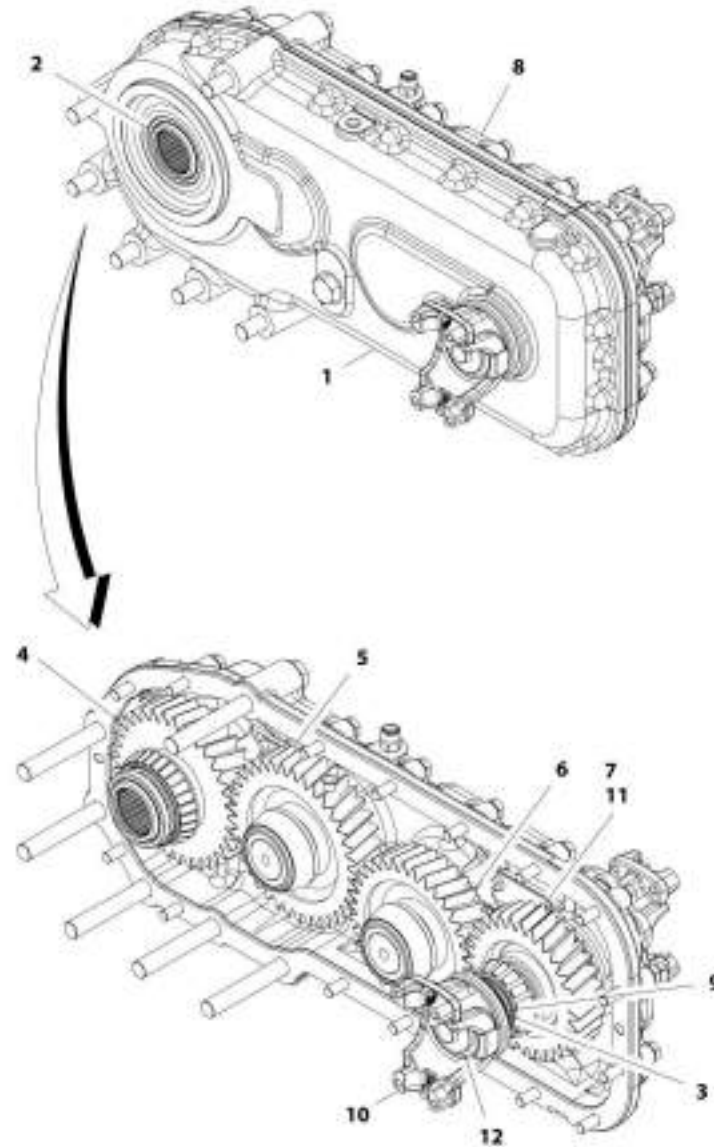
## SECTION 5 - DRIVE TRAIN

**FIGURE 5-46. TRANSFER GEAR AND CASE GROUP**

ITEM	PART NUMBER	QTY	DESCRIPTION	REV
	70027722	Ref	Torque Converter Group	
1	70027708	2	Bolt	
2	70027709	14	Bolt	
3	70025505	2	Bolt	
4	70025507	6	Bolt	
5	70027713	1	Case, Front Transfer (See Separate Breakdown in this Section)	
6	70027712	1	Case, Rear Transfer (See Separate Breakdown in this Section)	
7	70027342	1	Gear	
8	70027343	1	Gear	
	70025493	2	Cone, Bearing	
9	70027356	1	Assembly, Input Gear	
	70025496	1	Cone, Roller Bearing	
	70024634	1	Cone, Roller Bearing	
10	70027376	2	Seal	
11	70024642	1	Seal	
12	70025503	2	O-Ring	
13	70027711	1	Assembly, Output Shaft	
	70025498	2	Ring, Retaining	
	70025496	2	Cone, Roller Bearing	
	70024639	1	Shaft, Output	
	70024638	1	Gear, Output	
14	70024644	2	Spacer	
15	70025504	2	Washer	
16	70024645	2	Yoke	

# SECTION 5 - DRIVE TRAIN

FIGURE 5-47. TRANSFER GEAR AND CASE GROUP



ART\_70027725

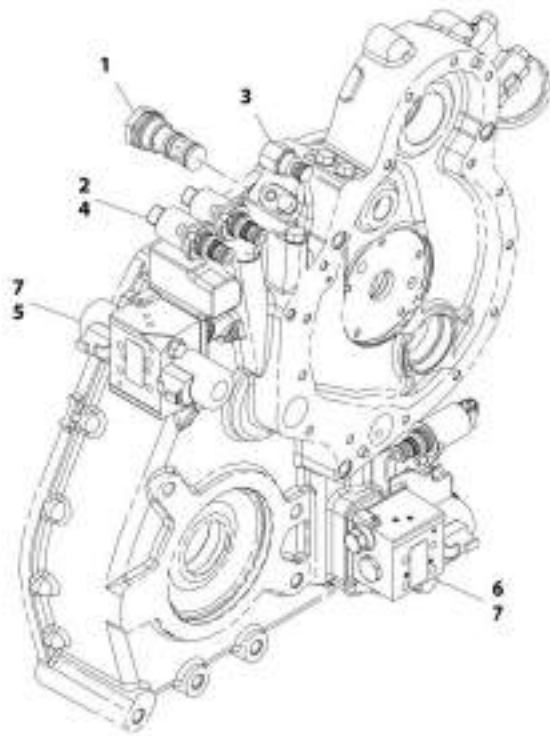
## SECTION 5 - DRIVE TRAIN

**FIGURE 5-47. TRANSFER GEAR AND CASE GROUP**

ITEM	PART NUMBER	QTY	DESCRIPTION	REV
	70027725	Ref	Group, Transfer Gear and Case	
1	70027373	1	Case, Front Transfer (See Separate Breakdown in this Section)	
2	70024642	1	Seal, Lip	
3	70027376	2	Seal, Lip	
4	70027672	1	Gear Assembly	
	70025496	2	Cone, Roller Bearing	
	70024634	1	Cone, Roller Bearing	
	70027368	1	Gear, Input	
5	70027673	1	Assembly, Idler Gear	
	70025493	2	Bearing, Cone	
	70027369	1	Idler, Gear	
6	70027674	1	Assembly, Idler Gear	
	70025493	2	Bearing, Cone	
	70027370	1	Idler, Gear	
7	70027675	1	Assembly, Output Shaft	
	70025496	2	Cone, Roller Bearing	
	70025498	2	Ring, Retaining	
	70024639	1	Shaft, Output	
	70027371	1	Gear, Output	
8	70027375	1	Case, Rear Transfer (See Separate Breakdown in this Section)	
9	70024644	2	Spacer	
10	70024645	2	Yoke	
11	70025503	2	O-Ring	
12	70025504	2	Washer	

## SECTION 5 - DRIVE TRAIN

FIGURE 5-48. TRANSMISSION HYDRAULIC CONTROL GROUP



ART\_70027720

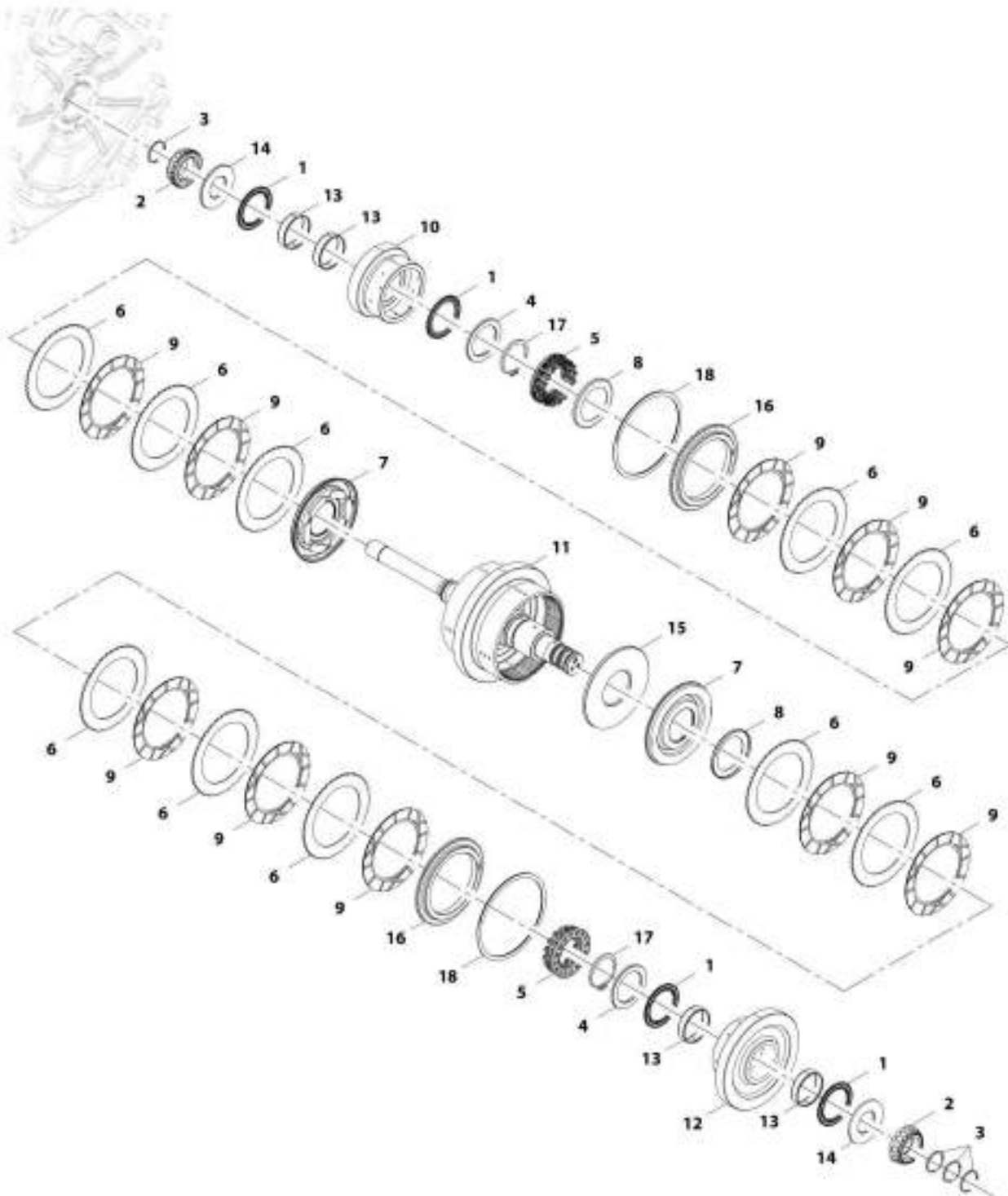
## SECTION 5 - DRIVE TRAIN

**FIGURE 5-48. TRANSMISSION HYDRAULIC CONTROL GROUP**

ITEM	PART NUMBER	QTY	DESCRIPTION	REV
	70027720	Ref	Transmission Hydraulic Control Group	
1	70025469	1	Valve, Relief (See Separate Breakdown in this Section)	
2	70025520	3	Capscrew	
3	70025470	1	Valve, Relief	
	70027387	1	O-Ring	
	70027680	1	O-Ring	
4	70025451	3	Valve, Solenoid	
5	70027362	1	Valve, Solenoid (See Separate Breakdown in this Section)	
6	70027363	1	Valve, Solenoid (See Separate Breakdown in this Section)	
7	70027671	8	Bolt	

# SECTION 5 - DRIVE TRAIN

## FIGURE 5-49. INPUT SHAFT GROUP



ART\_70027717



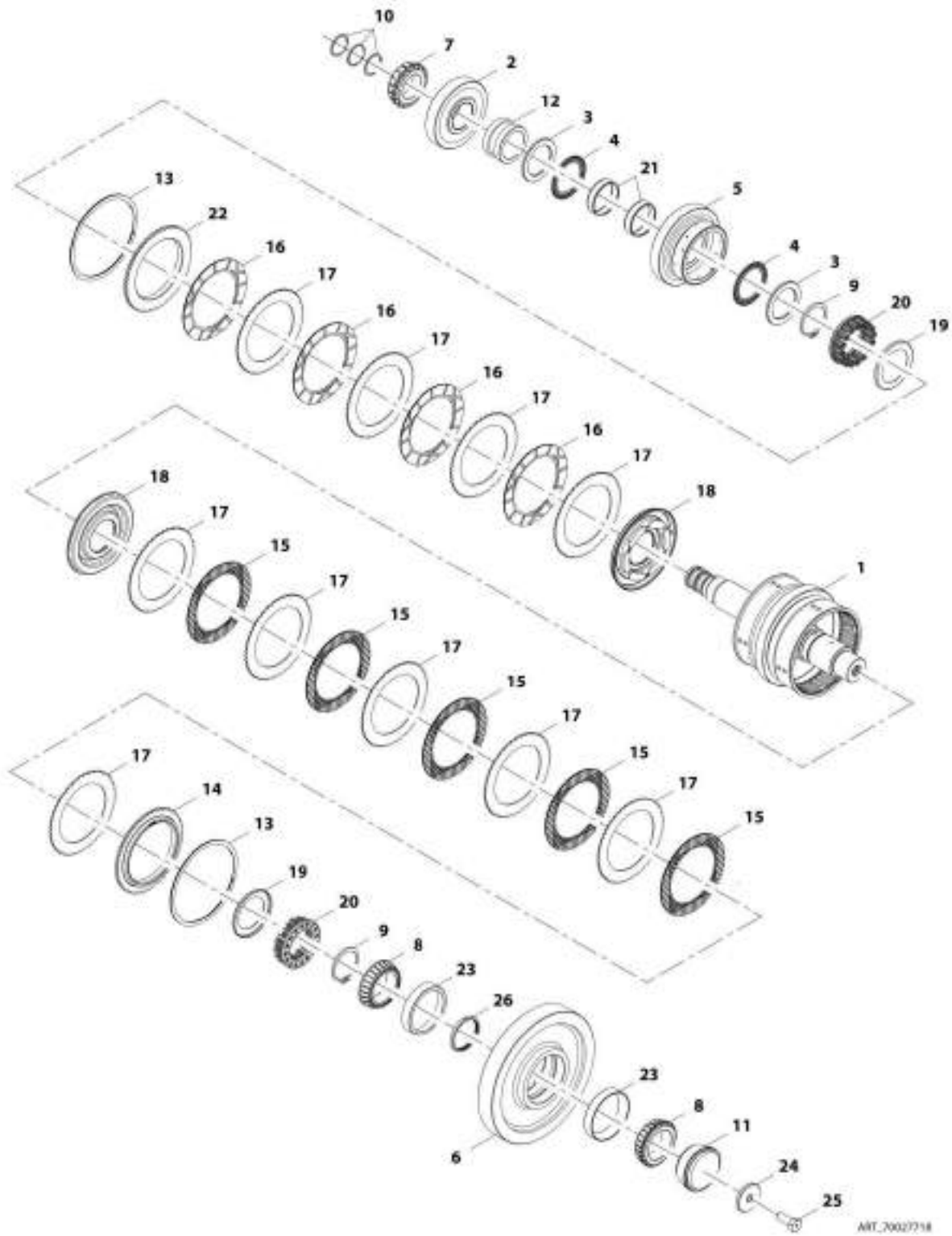
## SECTION 5 - DRIVE TRAIN

### FIGURE 5-49. INPUT SHAFT GROUP

ITEM	PART NUMBER	QTY	DESCRIPTION	REV
	70027717	Ref	Input Shaft Group	
1	70025432	4	Bearing, Thrust	
2	70025508	2	Bearing, Roller Cone	
3	70025433	4	Ring, Sealing	
4	70025429	2	Washer, Thrust	
5	70025440	2	Assembly, Spring and Retainer	
6	70025437	10	Plate, Clutch	
7	70025438	2	Piston, Clutch	
8	70025439	2	Retainer, Spring	
9	70025448	10	Disc, Friction	
10	70025400	1	Gear	
11	70025445	1	Assembly, Plug	
	70027328	2	Plug	
	70027348	1	Plug, Orifice	
12	70025401	1	Gear	
13	70025424	4	Bearing, Needle Roller	
14	70025446	2	Washer, Thrust	
15	70025449	1	Spacer, Piston	
16	70025447	2	Plate, Retainer	
17	70025498	2	Ring, Retaining	
18	70027681	2	Ring, Retaining	

**SECTION 5 - DRIVE TRAIN**

**FIGURE 5-50. TRANSMISSION CLUTCH GROUP**



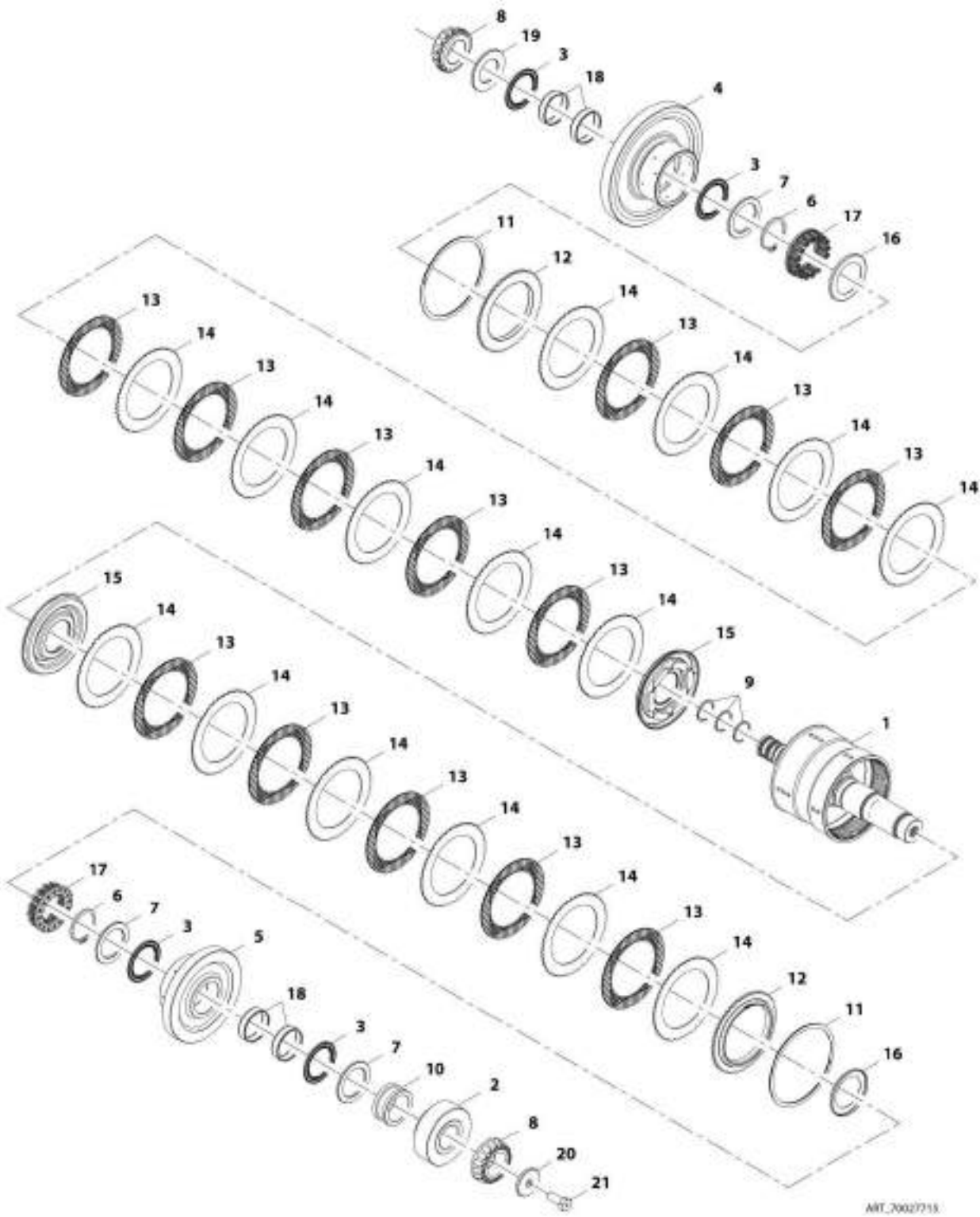
## SECTION 5 - DRIVE TRAIN

### FIGURE 5-50. TRANSMISSION CLUTCH GROUP

ITEM	PART NUMBER	QTY	DESCRIPTION	REV
	70027718	Ref	Transmission Clutch Group	
1	70025450	1	Shaft, Forward High/3rd	
	70027339	2	Plug	
	70027344	1	Plug-Orifice	
2	70025402	1	Gear	
3	70025429	2	Washer, Thrust	
4	70025432	2	Bearing, Thrust	
5	70025403	1	Gear	
6	70025404	1	Gear	
7	70025406	1	Bearing, Cone Roller	
8	70025407	2	Bearing, Cone Roller	
9	70025498	2	Ring, Retaining	
10	70025433	3	Ring, Sealing	
11	70025493	1	Bearing, Cone Roller	
12	70025409	1	Spacer	
13	70027681	2	Ring, Retaining	
14	70025435	1	Plate, Retainer	
15	70025436	5	Disc-Friction	
16	70025448	4	Disc-Friction	
17	70025437	10	Plate, Clutch	
18	70025438	2	Piston, Clutch	
19	70025439	2	Spring, Retainer	
20	70025440	2	Assembly, Spring and Retainer	
21	70025424	2	Bearing, Needle Roller	
22	70025447	1	Plate, Retaining	
23	70025408	2	Bearing, Cup	
24	70025504	1	Washer	
25	70025442	1	Bolt	
26	70025410	AR	Spacer, 5.88-5.90	
	70025411	AR	Spacer, 5.85-5.87	
	70025412	AR	Spacer, 5.82-5.84	
	70025413	AR	Spacer, 5.79-5.81	
	70025414	AR	Spacer, 6.00-6.02	
	70025415	AR	Spacer, 5.97-5.99	
	70025416	AR	Spacer, 5.94-5.96	
	70025417	AR	Spacer, 5.91-5.93	
	70025418	AR	Spacer, 6.09-6.11	
	70025419	AR	Spacer, 6.06-6.08	
	70027358	AR	Spacer, 6.12-6.14	
	70027359	AR	Spacer, 6.15-6.17	
	70025420	AR	Spacer, 6.03-6.05	
	70027364	AR	Spacer, 6.20-6.22	
	70027365	AR	Spacer, 6.25-6.27	

# SECTION 5 - DRIVE TRAIN

## FIGURE 5-51. CLUTCH AND GEAR GROUP



AWT\_20027215

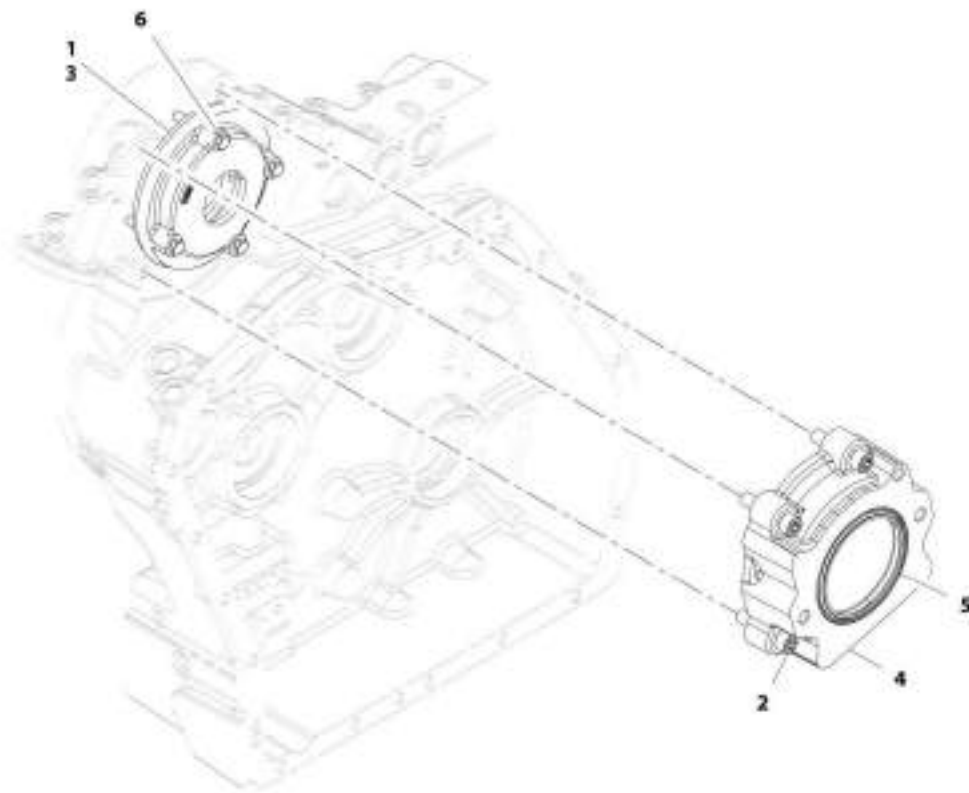
## SECTION 5 - DRIVE TRAIN

**FIGURE 5-51. CLUTCH AND GEAR GROUP**

ITEM	PART NUMBER	QTY	DESCRIPTION	REV
	70027715	Ref	Clutch and Gear Group	
1	70025431	1	Assembly, Plug	
	70027328	2	Plug	
	70027344	1	Plug, Orifice	
	70027349	1	Plug, Orifice	
2	70025423	1	Gear	
3	70025432	4	Bearing, Thrust	
4	70025425	1	Gear	
5	70025401	1	Gear	
6	70025498	2	Ring, Retaining	
7	70025429	3	Washer, Thrust	
8	70025496	2	Cone, Roller Bearing	
9	70025433	3	Ring, Sealing	
10	70025426	1	Spacer	
11	70027681	2	Ring, Retaining	
12	70025435	2	Plate, Retainer	
13	70025436	13	Disc, Friction	
14	70025437	15	Plate, Clutch	
15	70025438	2	Piston, Clutch	
16	70025439	2	Retainer, Spring	
17	70025440	2	Assembly, Spring and Retainer	
18	70025424	4	Bearing, Needle Roller	
19	70025441	1	Washer, Thrust	
20	70025504	1	Washer	
21	70025442	1	Bolt	

# SECTION 5 - DRIVE TRAIN

## FIGURE 5-52. TRANSMISSION PUMP GROUP



AWT\_70027718

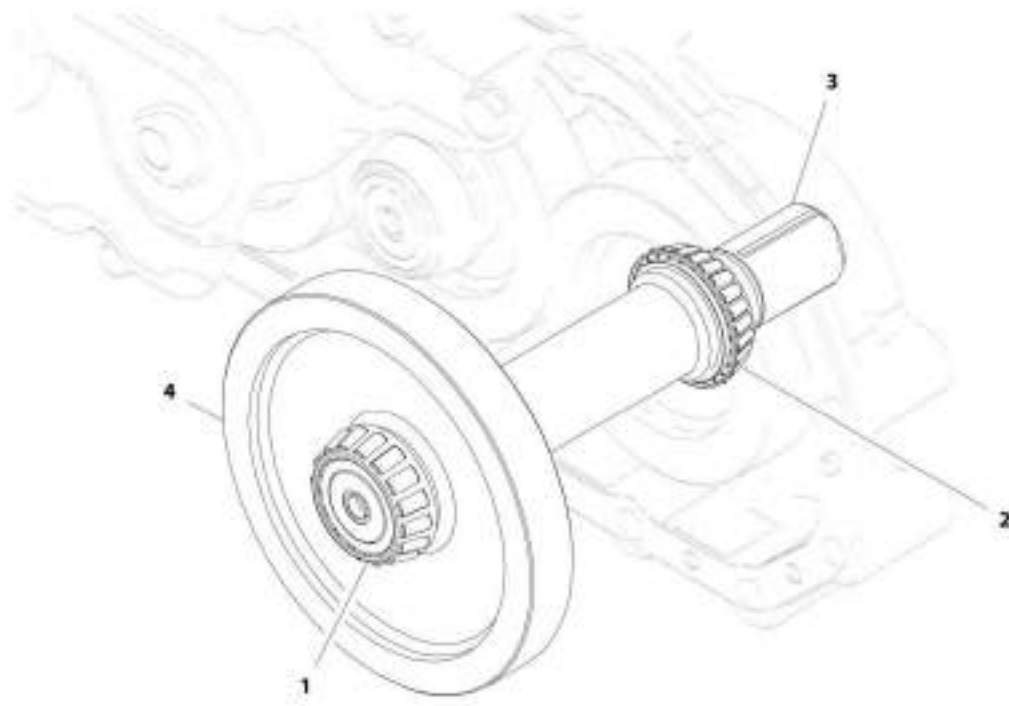
## SECTION 5 - DRIVE TRAIN

### FIGURE 5-52. TRANSMISSION PUMP GROUP

ITEM	PART NUMBER	QTY	DESCRIPTION	REV
	70027719	Ref	Transmission Pump Group	
1	70025464	1	O-Ring	
2	70025463	4	Capscrew	
3	70025459	1	Pump, Charge	
4	70025452	1	Housing, Pump	
5	70027347	1	Plug	
6	70025522	4	Bolt	

## SECTION 5 - DRIVE TRAIN

FIGURE 5-53. OUTPUT SHAFT GROUP



ART\_70027758



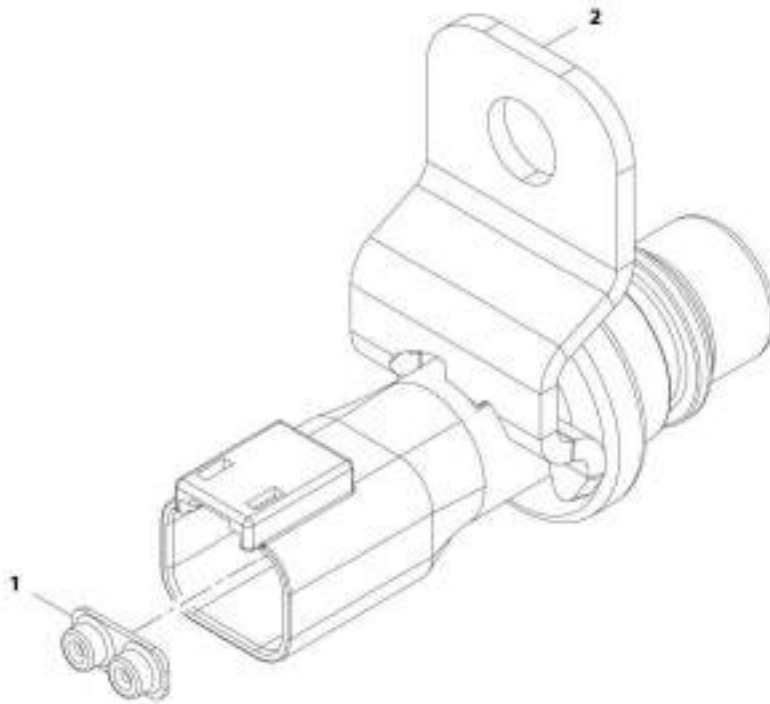
## SECTION 5 - DRIVE TRAIN

### FIGURE 5-53. OUTPUT SHAFT GROUP

ITEM	PART NUMBER	QTY	DESCRIPTION	REV
	70027716	Ref	Output Shaft Group	
1	70025496	1	Cone, Roller Bearing	
2	70025407	1	Cone, Roller Bearing	
3	70025428	1	Gear	
4	70025427	1	Shaft, Output	

## SECTION 5 - DRIVE TRAIN

FIGURE 5-54. SPEED SENSOR



ART\_70025526

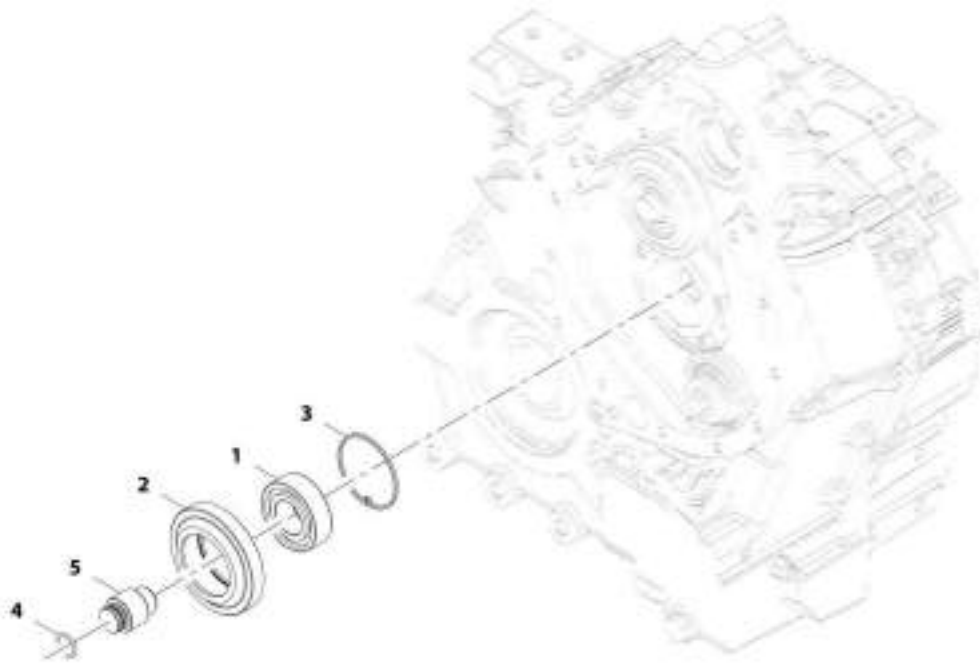
## SECTION 5 - DRIVE TRAIN

### FIGURE 5-54. SPEED SENSOR

ITEM	PART NUMBER	QTY	DESCRIPTION	REV
	70025526	Ref	Speed Sensor	
1	70027332	1	Connector	
2	70027661	1	Bracket	

## SECTION 5 - DRIVE TRAIN

FIGURE 5-55. IDLER GEAR



AWT\_70027707

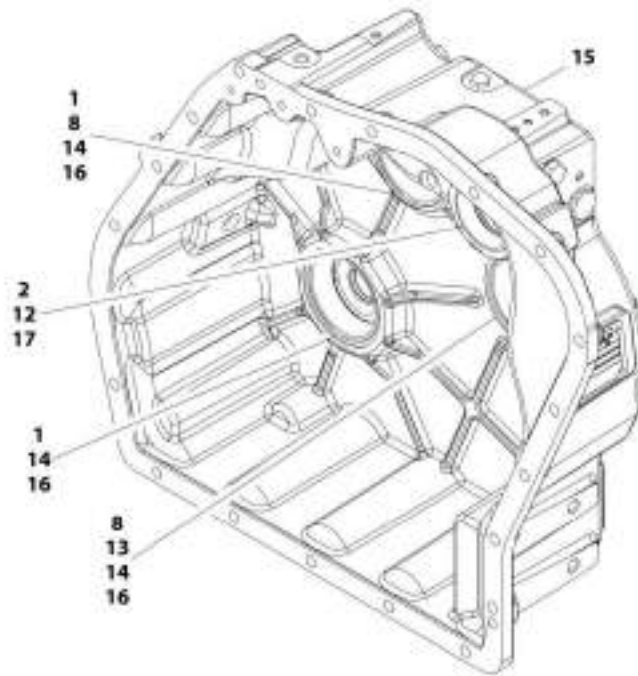
## SECTION 5 - DRIVE TRAIN

### FIGURE 5-55. IDLER GEAR

ITEM	PART NUMBER	QTY	DESCRIPTION	REV
	70027707	Ref	Idler Gear Group	
1	70025389	1	Bearing, Roller	
2	70025388	1	Pump, Idler Gear	
3	70025391	1	Circlip	
4	70025390	1	O-Ring	
5	70025387	1	Pump, Output Shaft	

# SECTION 5 - DRIVE TRAIN

## FIGURE 5-56. REAR TRANSMISSION CASE



AWT\_70027711

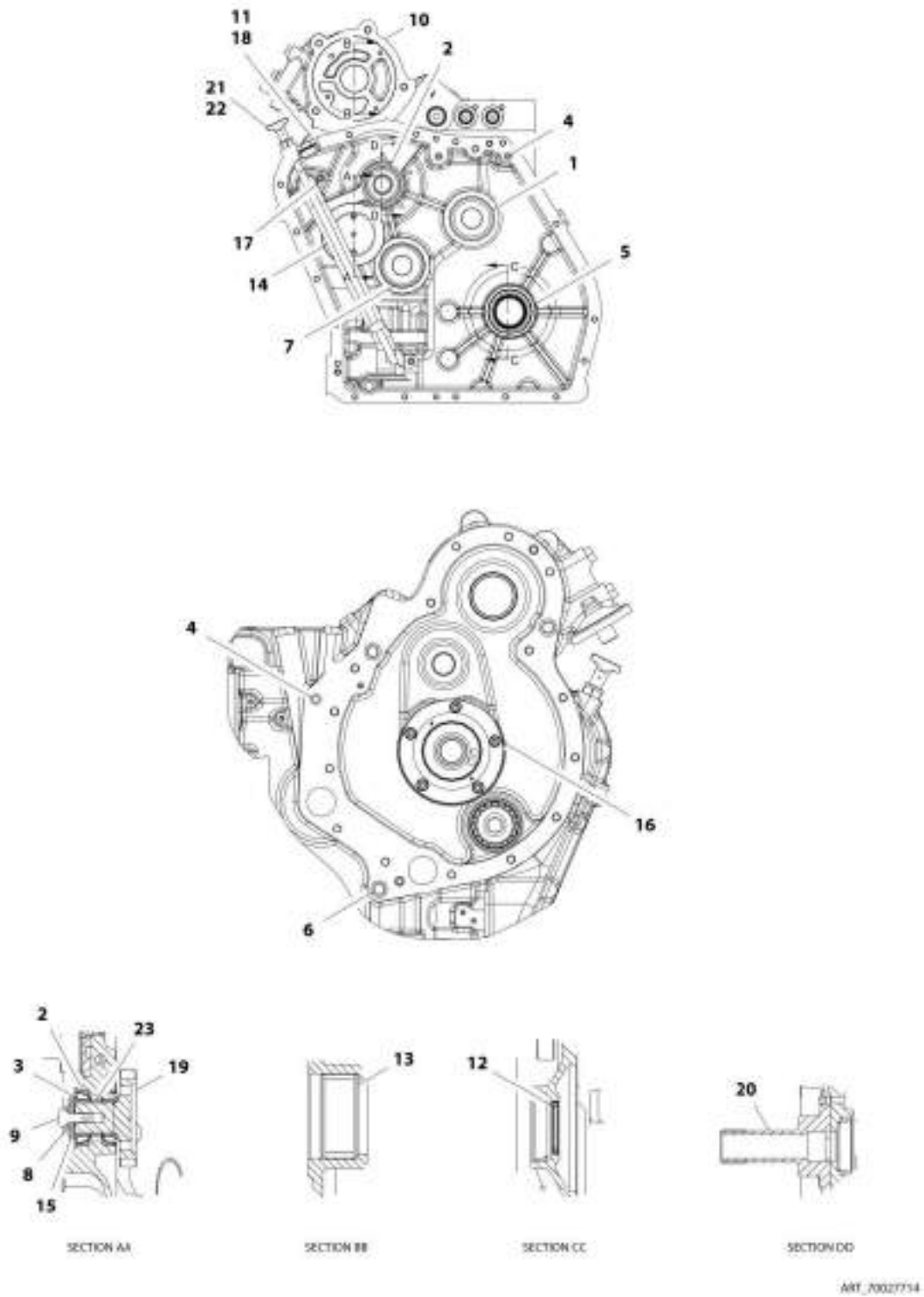
## SECTION 5 - DRIVE TRAIN

**FIGURE 5-56. REAR TRANSMISSION CASE**

ITEM	PART NUMBER	QTY	DESCRIPTION	REV
	70027711	Ref	Rear Transmission Case	
1	70025497	2	Cup, Roller Bearing	
2	70025443	AR	Shim, 0.508	
	70025444	AR	Shim, 0.381	
	70025518	AR	Shim, 0.051	
	70025515	AR	Shim, 0.178	
	70025516	AR	Shim, 0.127	
	70025517	AR	Shim, 0.076	
8	70025502	AR	Shim, 0.599	
	70025501	AR	Shim, 0.178	
	70025500	AR	Shim, 0.076	
	70025499	AR	Shim, 0.051	
12	70025509	1	Cup, Roller Bearing	
13	70025494	1	Cup, Bearing	
14	70025476	3	Cap	
15	70025430	1	Assembly, Rear Transmission Case (See Separate Breakdown in this Section)	
16	70025421	3	Shim	
17	70027350	1	Spacer	

# SECTION 5 - DRIVE TRAIN

## FIGURE 5-57. PLANETARY CASE





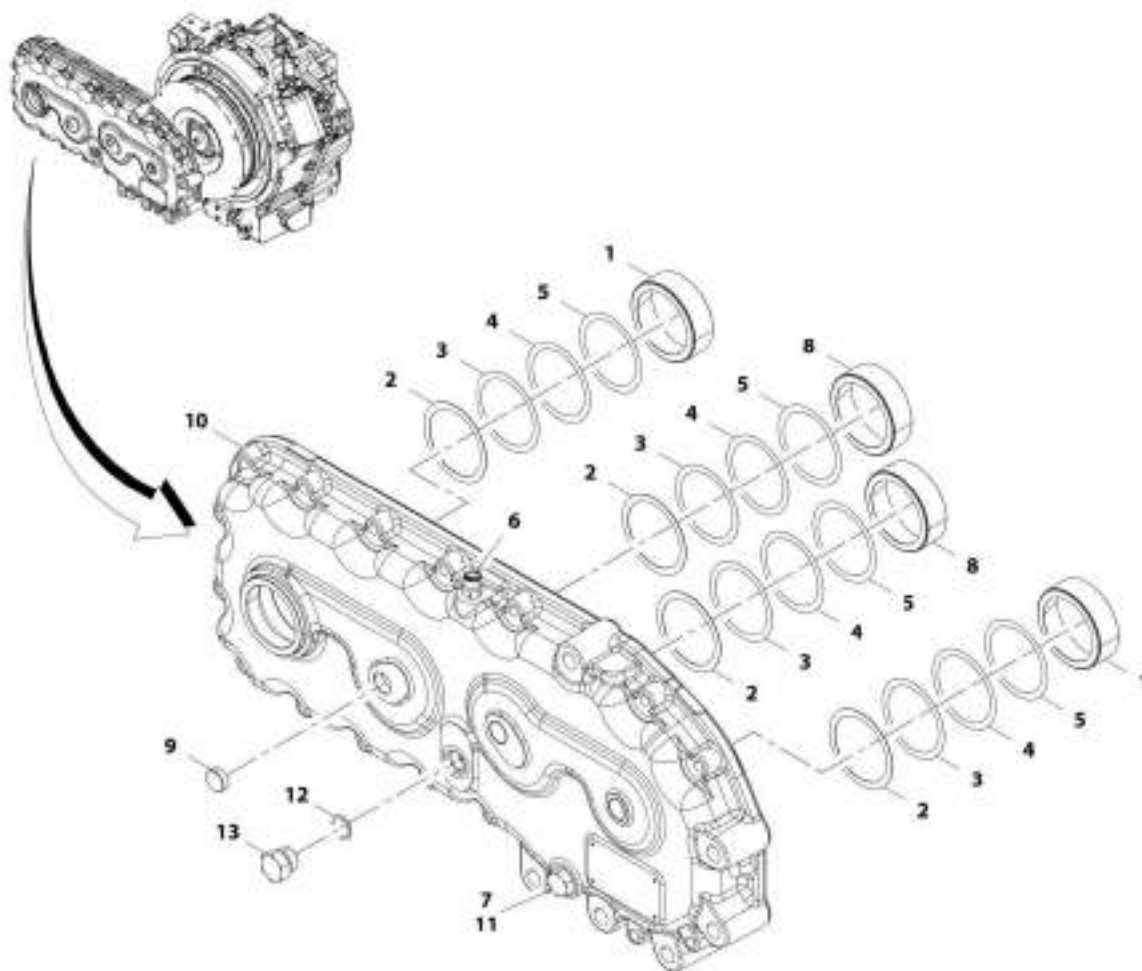
## SECTION 5 - DRIVE TRAIN

### FIGURE 5-57. PLANETARY CASE

ITEM	PART NUMBER	QTY	DESCRIPTION	REV
	70027714	Ref	Planetary Case	
1	70025497	1	Cup, Roller Bearing	
2	70025509	3	Cup, Roller Bearing	
3	70025508	1	Cone, Roller Bearing	
4	70025523	4	O-Ring	
5	70025408	1	Cup, Bearing	
6	70025468	3	O-Ring	
7	70027340	1	Bearing	
8	70025380	1	Washer, Bevel Spring	
9	70025505	1	Bolt	
10	70025467	1	Assembly, Front Transmission Case (See Separate Breakdown in this Section)	
11	70027664	1	Housing	
12	70027376	1	Seal, Lip	
13	70025360	1	Bearing, Needle Roller	
14	70027668	1	Assembly, Strainer	
	70025461	2	O-Ring	
	70025460	1	Strainer	
15	70025504	1	Washer	
16	70025513	5	Capscrew	
17	70025520	3	Capscrew	
18	70025472	1	Washer	
19	70027665	1	Shaft, Idler	
	70025508	1	Cone, Bearing	
	70025361	1	Gear, Reverse Idler	
20	70025394	1	Support	
	70025382	2	Pin	
21	70025465	1	Dipstick	
22	70025462	1	Assembly, Dipstick Tube	
	70027388	1	O-Ring	
	70027346	1	Tube	
23	70025370	AR	Spacer, 15.09-15.11	
	70025376	AR	Spacer, 15.27-15.29	
	70025362	AR	Spacer, 14.85-14.87	
	70025377	AR	Spacer, 15.30-15.32	
	70025371	AR	Spacer, 15.12-15.14	
	70025372	AR	Spacer, 15.15-15.17	
	70025373	AR	Spacer, 15.18-15.20	
	70025363	AR	Spacer, 14.88-14.90	
	70025364	AR	Spacer, 14.91-14.93	
	70025365	AR	Spacer, 14.94-14.96	
	70025366	AR	Spacer, 14.97-14.99	
	70025367	AR	Spacer, 15.00-15.02	
	70025368	AR	Spacer, 15.03-15.05	
	70025369	AR	Spacer, 15.06-15.08	
	70025374	AR	Spacer, 15.21-15.23	
	70025378	AR	Spacer, 15.33-15.35	
	70025379	AR	Spacer, 15.36-15.38	
	70025375	AR	Spacer, 15.24-15.26	

# SECTION 5 - DRIVE TRAIN

## FIGURE 5-58. FRONT TRANSFER CASE



AWT\_70027713

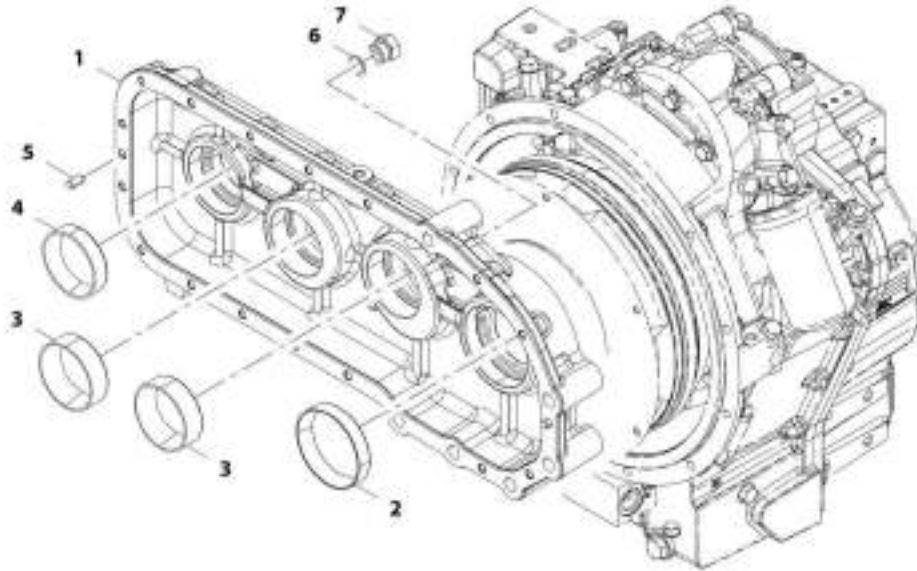
## SECTION 5 - DRIVE TRAIN

### FIGURE 5-58. FRONT TRANSFER CASE

ITEM	PART NUMBER	QTY	DESCRIPTION	REV
	70027713	Ref	Front Transfer Case	
1	70025497	2	Cup, Roller Bearing	
2	70025502	4	Shim, 0.236	
3	70025501	4	Shim, 0.007	
4	70025500	4	Shim, 0.003	
5	70025499	4	Shim, 0.002	
6	70027374	1	Breather	
7	70024646	1	Plug	
8	70025494	1	Cup, Bearing	
9	70024641	1	Cap	
10	70027357	1	Case, Transfer	
11	7022730	1	O-Ring	
12	70027387	1	O-Ring	
13	70025506	1	Plug	

# SECTION 5 - DRIVE TRAIN

## FIGURE 5-59. REAR TRANSFER CASE



AWT\_70027712

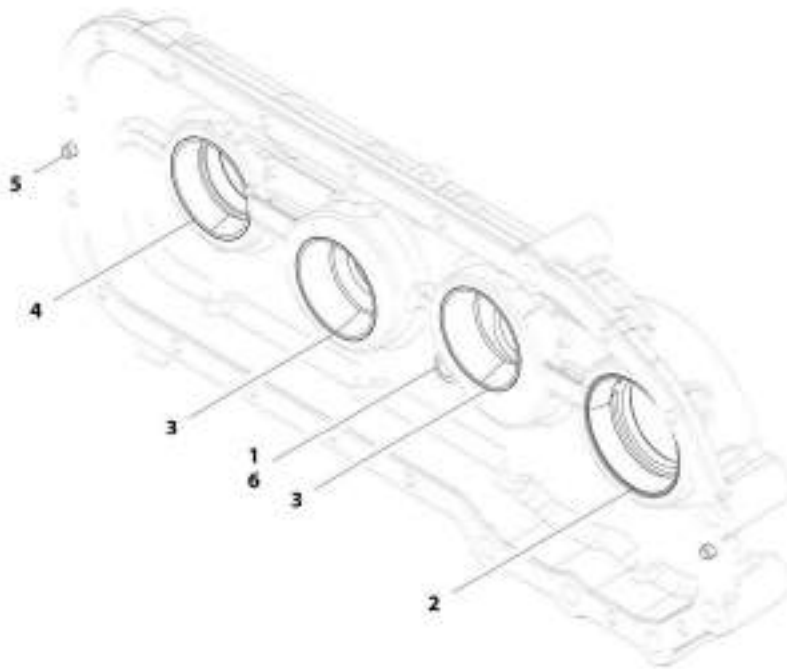
## SECTION 5 - DRIVE TRAIN

### FIGURE 5-59. REAR TRANSFER CASE

ITEM	PART NUMBER	QTY	DESCRIPTION	REV
	70027712	Ref	Rear Transfer Case	
1	70027367	1	Case, Rear Transfer	
2	70024635	1	Cup, Roller Bearing	
3	70025494	2	Cup, Bearing	
4	70025497	1	Cup, Roller Bearing	
5	70025495	2	Dowel	
6	70027387	1	Seal	
7	70025506	1	Plug	

# SECTION 5 - DRIVE TRAIN

## FIGURE 5-60. FRONT TRANSFER CASE



ART\_7007373

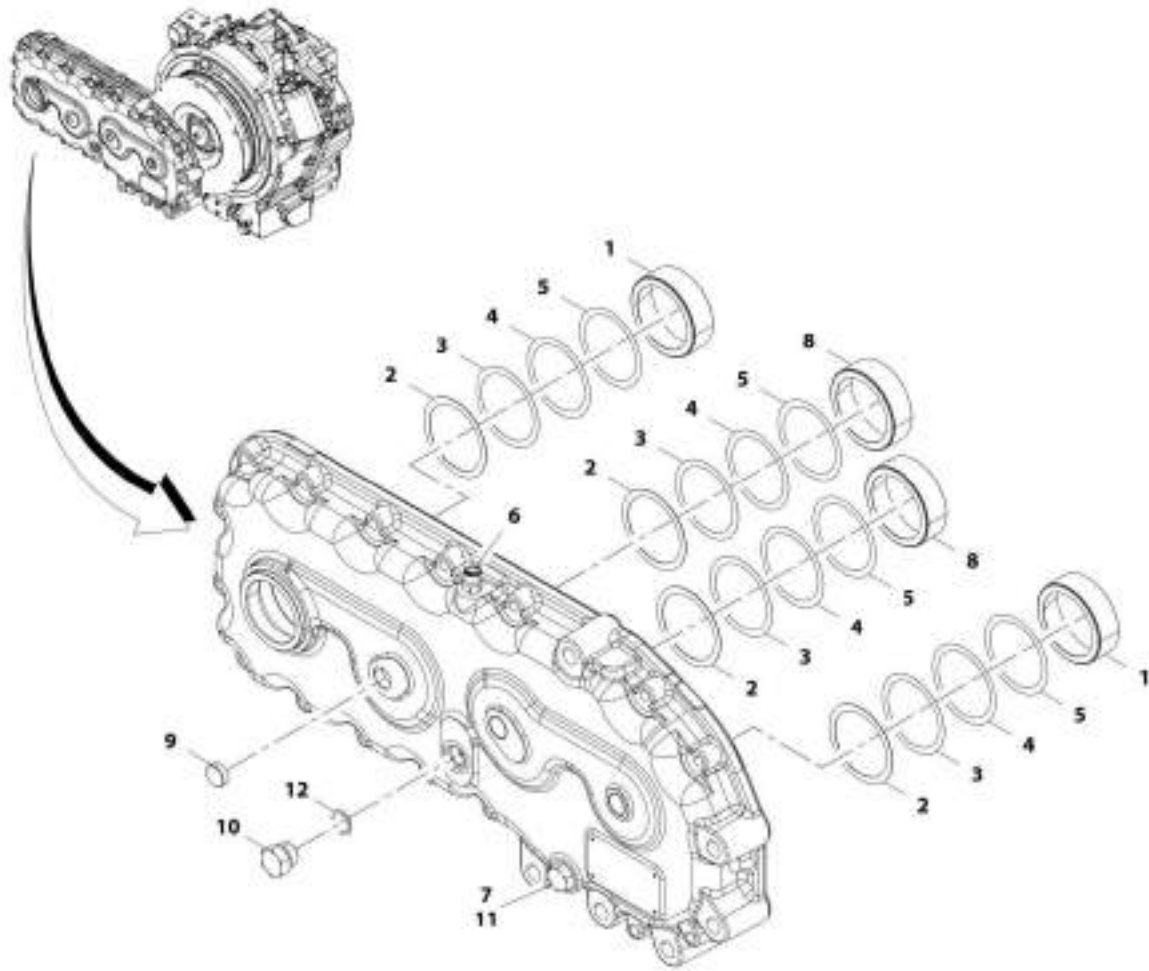
## SECTION 5 - DRIVE TRAIN

### FIGURE 5-60. FRONT TRANSFER CASE

ITEM	PART NUMBER	QTY	DESCRIPTION	REV
	70027373	Ref	Front Transfer Case	
1	70025506	1	Plug	
2	70024635	1	Cup, Roller Bearing	
3	70025494	2	Cup, Bearing	
4	70025497	1	Cup, Roller Bearing	
5	70025495	2	Dowel	
6	70027387	1	O-Ring	

# SECTION 5 - DRIVE TRAIN

## FIGURE 5-61. REAR TRANSFER CASE



AWT\_70027375



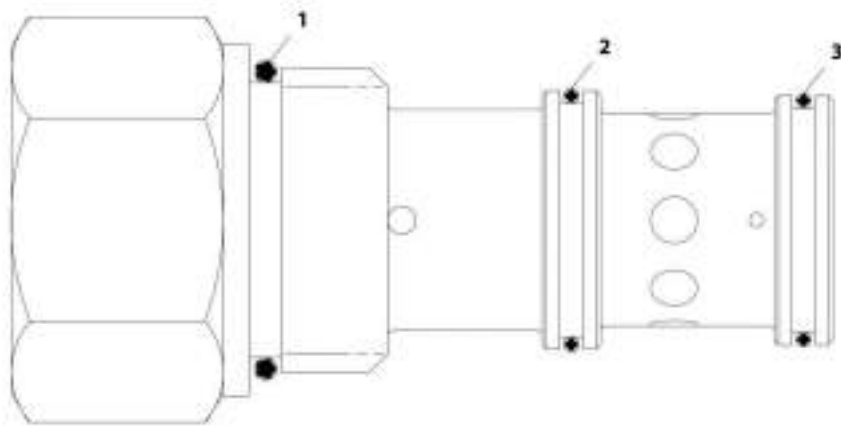
## SECTION 5 - DRIVE TRAIN

### FIGURE 5-61. REAR TRANSFER CASE

ITEM	PART NUMBER	QTY	DESCRIPTION	REV
	70027375	Ref	Rear Transfer Case	
1	70025497	2	Cup, Roller Bearing	
2	70025502	4	Shim, 0.236	
3	70025501	4	Shim, 0.007	
4	70025500	4	Shim, 0.003	
5	70025499	4	Shim, 0.002	
6	70027374	1	Breather	
7	70024646	1	Plug	
8	70025494	2	Cup, Bearing	
9	70024641	3	Cap	
10	70025506	1	Plug	
11	7022730	1	O-Ring	
12	70027387	1	O-Ring	

# SECTION 5 - DRIVE TRAIN

FIGURE 5-62. RELIEF VALVE



ART\_70025489

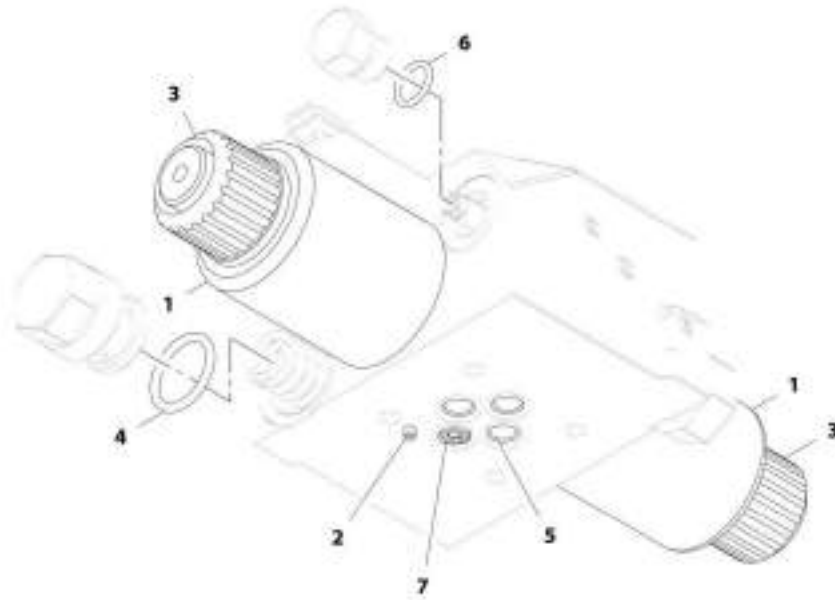
## SECTION 5 - DRIVE TRAIN

### FIGURE 5-62. RELIEF VALVE

ITEM	PART NUMBER	QTY	DESCRIPTION	REV
	70025469	Ref	Valve, Relief	
1	70027679	1	O-Ring	
2	70027678	1	O-Ring	
3	70027660	1	O-Ring	

# SECTION 5 - DRIVE TRAIN

## FIGURE 5-63. SOLENOID VALVE



ART\_70027382

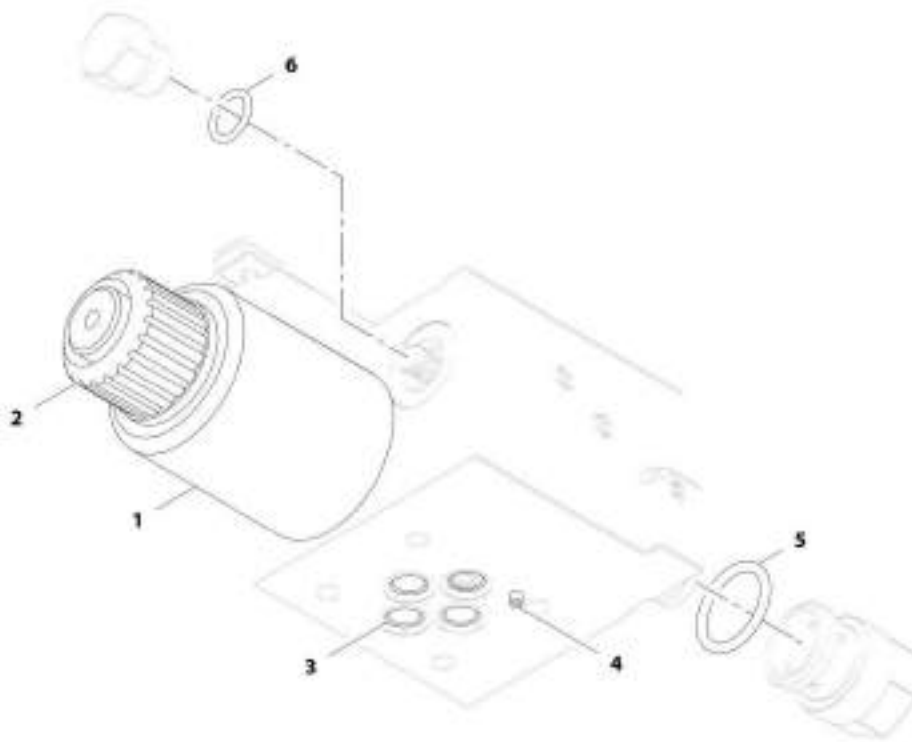
## SECTION 5 - DRIVE TRAIN

### FIGURE 5-63. SOLENOID VALVE

ITEM	PART NUMBER	QTY	DESCRIPTION	REV
	70027362	Ref	Solenoid Valve	
1	70025456	2	Coil, Solenoid	
2	70027389	1	Pin	
3	70025457	2	Assembly, Solenoid	
	70027677	1	O-Ring	
	70025455	1	Nut, Self Locking	
4	70027352	2	O-Ring	
5	70025466	4	O-Ring	
6	70027353	2	O-Ring	
7	70027361	1	Plug	

# SECTION 5 - DRIVE TRAIN

## FIGURE 5-64. SOLENOID VALVE



ART\_70027383

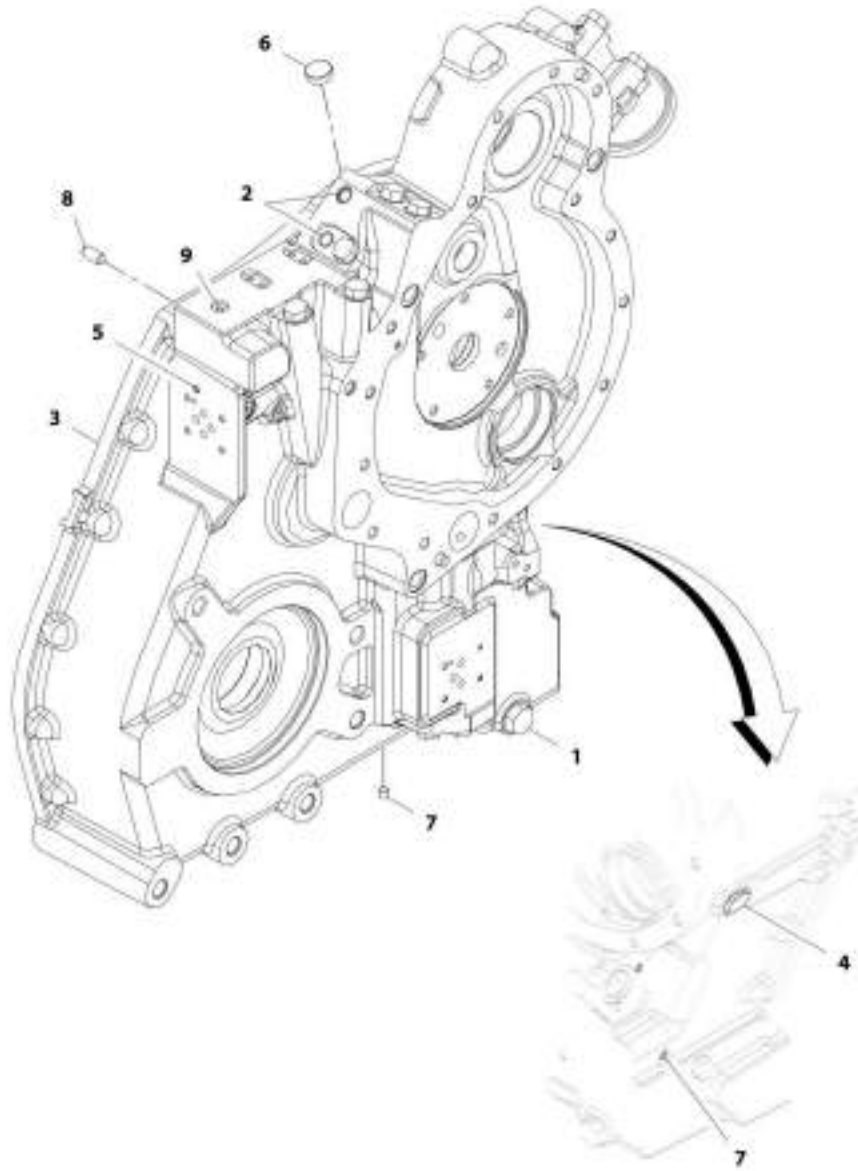
## SECTION 5 - DRIVE TRAIN

### FIGURE 5-64. SOLENOID VALVE

ITEM	PART NUMBER	QTY	DESCRIPTION	REV
	70027363	Ref	Solenoid Valve	
1	70025456	1	Coil, Solenoid	
2	70025457	1	Tube	
	70027677	1	O-Ring	
	70025455	1	Nut, Self Locking	
3	70025466	4	O-Ring	
4	70027389	1	Pin	
5	70027352	1	O-Ring	
6	70027353	1	O-Ring	

# SECTION 5 - DRIVE TRAIN

## FIGURE 5-65. FRONT TRANSMISSION CASE ASSEMBLY



ART\_70025487



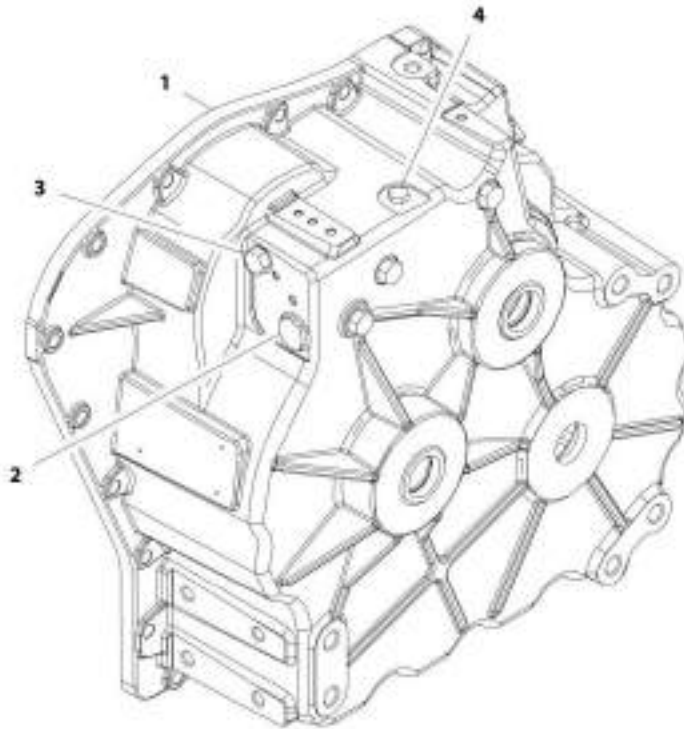
## SECTION 5 - DRIVE TRAIN

### FIGURE 5-65. FRONT TRANSMISSION CASE ASSEMBLY

ITEM	PART NUMBER	QTY	DESCRIPTION	REV
	70025467	Ref	Front Transmission Case Assembly	
1	70024646	1	Plug	
2	70025471	2	Plug	
3	70027669	1	Case, Front Transmission	
	70027354	1	Adapter	
4	70027337	1	Plug	
5	70027338	4	Plug	
6	70024641	1	Cap	
7	70027339	3	Plug	
8	70025495	4	Dowel	
9	70027328	7	Plug	

## SECTION 5 - DRIVE TRAIN

FIGURE 5-66. REAR TRANSMISSION CASE ASSEMBLY



ART\_70025430

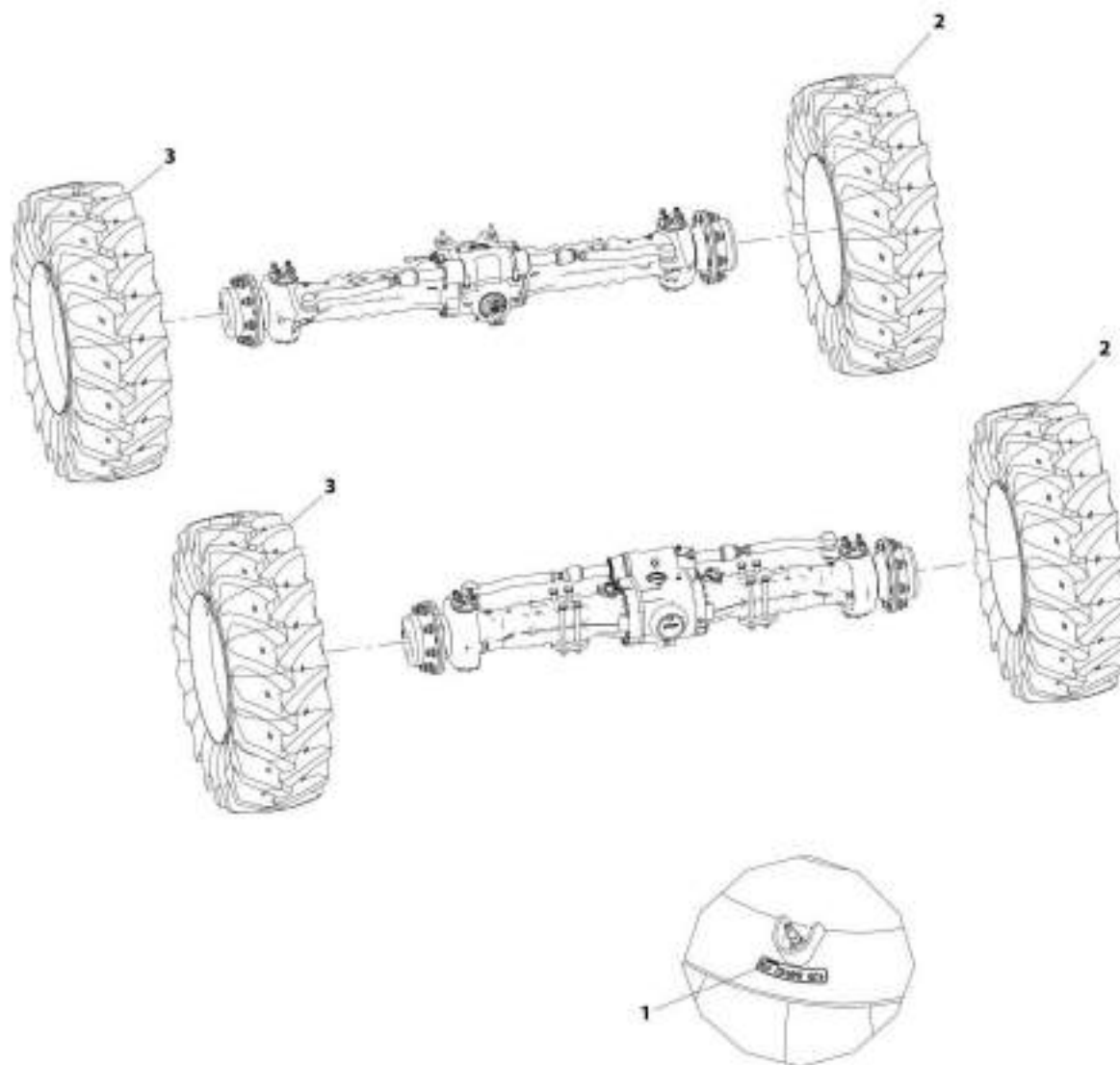
## SECTION 5 - DRIVE TRAIN

**FIGURE 5-66. REAR TRANSMISSION CASE ASSEMBLY**

ITEM	PART NUMBER	QTY	DESCRIPTION	REV
	70025430	Ref	Rear Transmission Case Assembly	
1	70027366	1	Case, Rear Transmission	
	70027338	4	Plug	
	70027339	4	Plug	
2	70027337	1	Plug	
3	70027663	4	Assembly, Plug	
	70025525	1	O-Ring	
	70025524	1	Plug	
4	70025529	1	Plug	

# SECTION 5 - DRIVE TRAIN

FIGURE 5-67. TIRE/WHEEL SET (AIR - 15.5/80-24 - 16PR)



ART\_3001216851-A

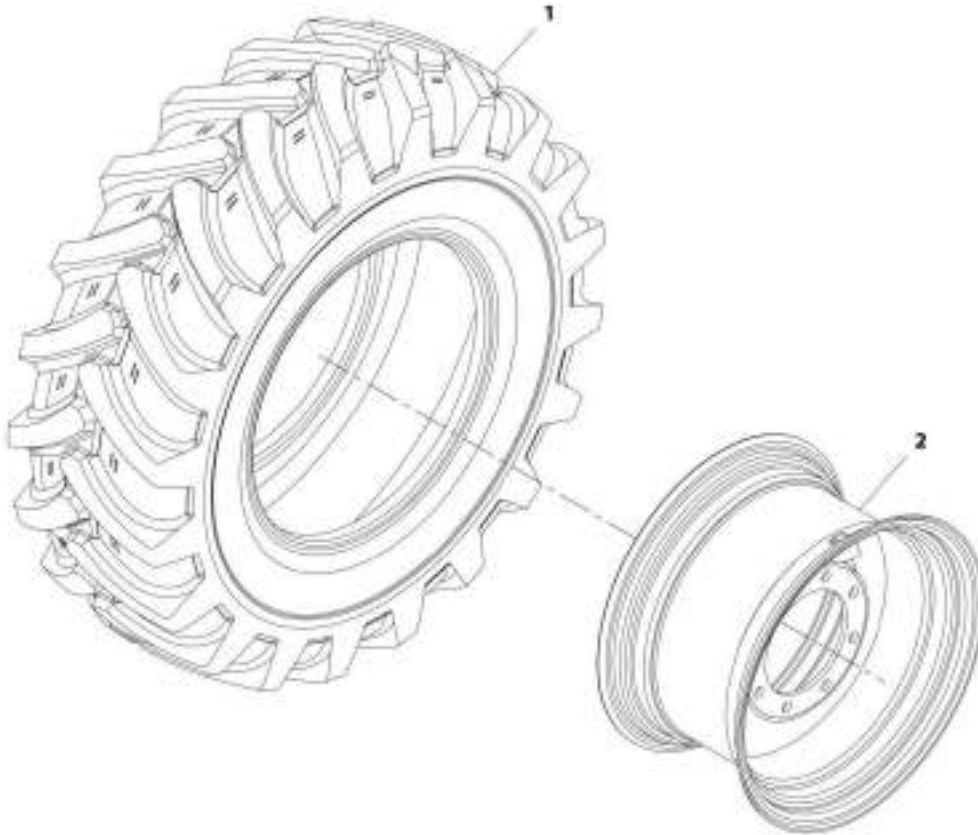
## SECTION 5 - DRIVE TRAIN

**FIGURE 5-67. TIRE/WHEEL SET (AIR - 15.5/80-24 - 16PR)**

ITEM	PART NUMBER	QTY	DESCRIPTION	REV
	1001216851	1	Tire/Wheel Set (Air - 15.5/80-24 - 16PR or PLY)	A
1	1001112924	4	Decal	
2	1001216664	2	Assembly, Left Tire/Wheel (Air - 15.5/80-24 - 16PR) (See Separate Breakdown in this Section)	
3	1001216667	2	Assembly, Right Tire/Wheel (Air - 15.5/80-24 - 16PR) (See Separate Breakdown in this Section)	

## SECTION 5 - DRIVE TRAIN

FIGURE 5-68. RIGHT TIRE/WHEEL ASSEMBLY (AIR - 15.5/80-24 - 16PR)



WIT\_3301250057-A

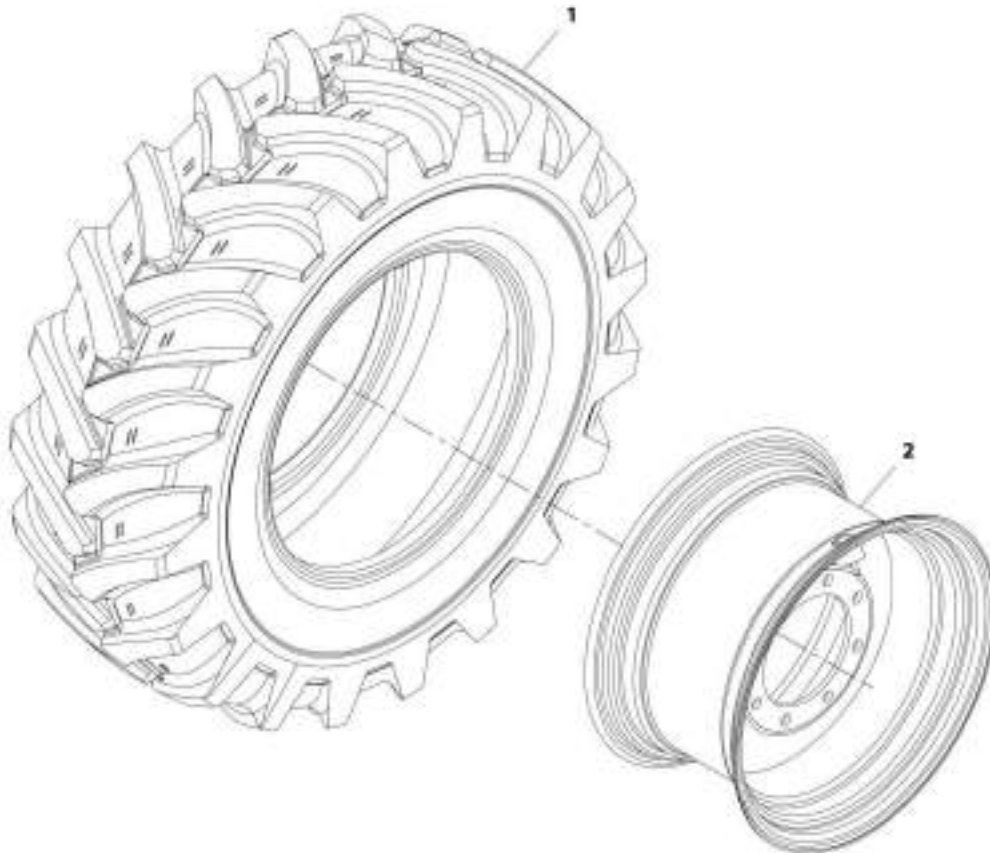
## SECTION 5 - DRIVE TRAIN

**FIGURE 5-68. RIGHT TIRE/WHEEL ASSEMBLY (AIR - 15.5/80-24 - 16PR)**

ITEM	PART NUMBER	QTY	DESCRIPTION	REV
	1001216667	Ref	Right Tire/Wheel Assembly (Air - 15.5/80-24 - 16PR)	A
1	1001214479	1	Tire, 15.5/80-24 16 PLY	
2	1001216661	1	Wheel, RH Rim	

## SECTION 5 - DRIVE TRAIN

FIGURE 5-69. LEFT TIRE/WHEEL ASSEMBLY (AIR - 15.5/80-24 - 16PR)



ART\_1001215504-A



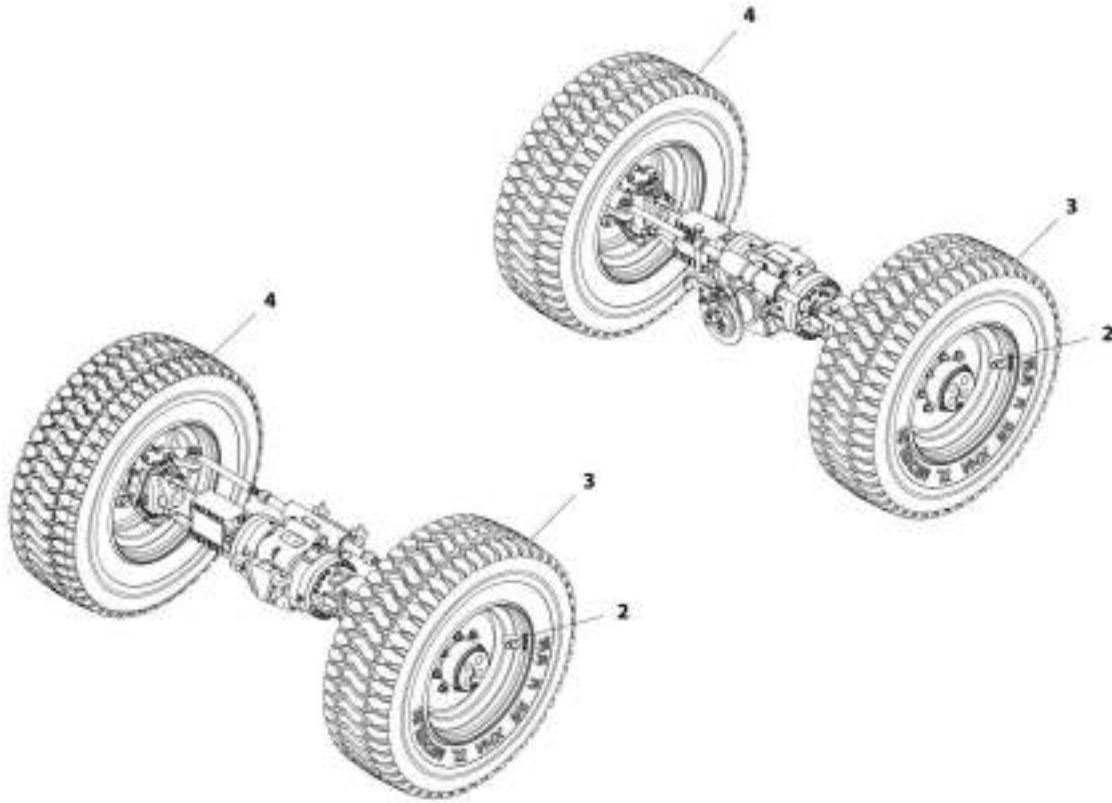
## SECTION 5 - DRIVE TRAIN

**FIGURE 5-69. LEFT TIRE/WHEEL ASSEMBLY (AIR - 15.5/80-24 - 16PR)**

ITEM	PART NUMBER	QTY	DESCRIPTION	REV
	1001216664	Ref	Left Tire/Wheel Assembly (Air - 15.5/80-24 - 16PR)	A
1	1001214479	1	Tire, 15.5/80-24 16 PLY	
2	1001216658	1	Wheel, LH Rim	

## SECTION 5 - DRIVE TRAIN

FIGURE 5-70. TIRE/WHEEL SET (AIR - 15.5 R25 XHA TL)



ART\_100112900-8

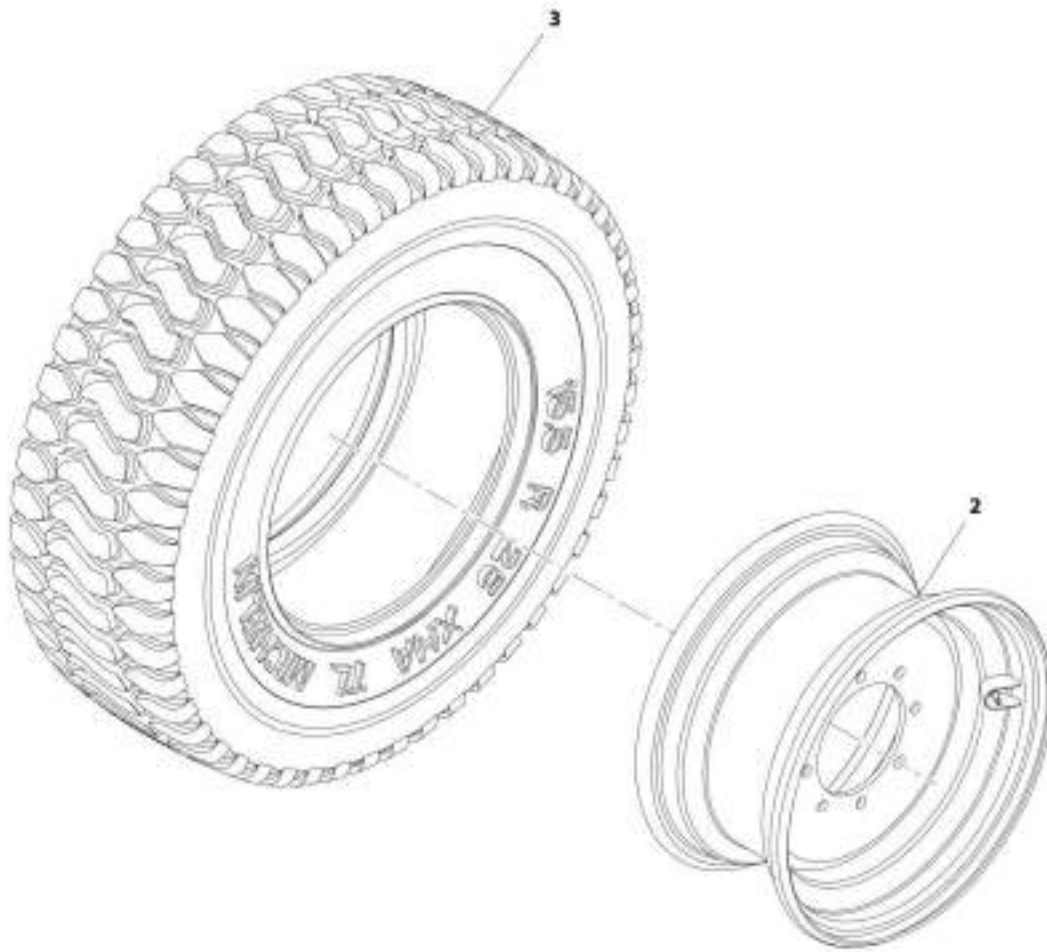
## SECTION 5 - DRIVE TRAIN

**FIGURE 5-70. TIRE/WHEEL SET (AIR - 15.5 R25 XHA TL)**

ITEM	PART NUMBER	QTY	DESCRIPTION	REV
	1001178300	1	Tire/Wheel Set (Air - 15.5 R25 XHA TL)	B
2	1001112924	1	Decal	
3	1001178298	2	Assembly, Right Tire/Wheel (Air - 15.5 R25) (See Separate Breakdown in this Section)	
4	1001178299	2	Assembly, Left Tire/Wheel (Air - 15.5 R25) (See Separate Breakdown in this Section)	

## SECTION 5 - DRIVE TRAIN

FIGURE 5-71. RIGHT TIRE/WHEEL ASSEMBLY (AIR - 15.5 R25)



ART\_3001178299-B

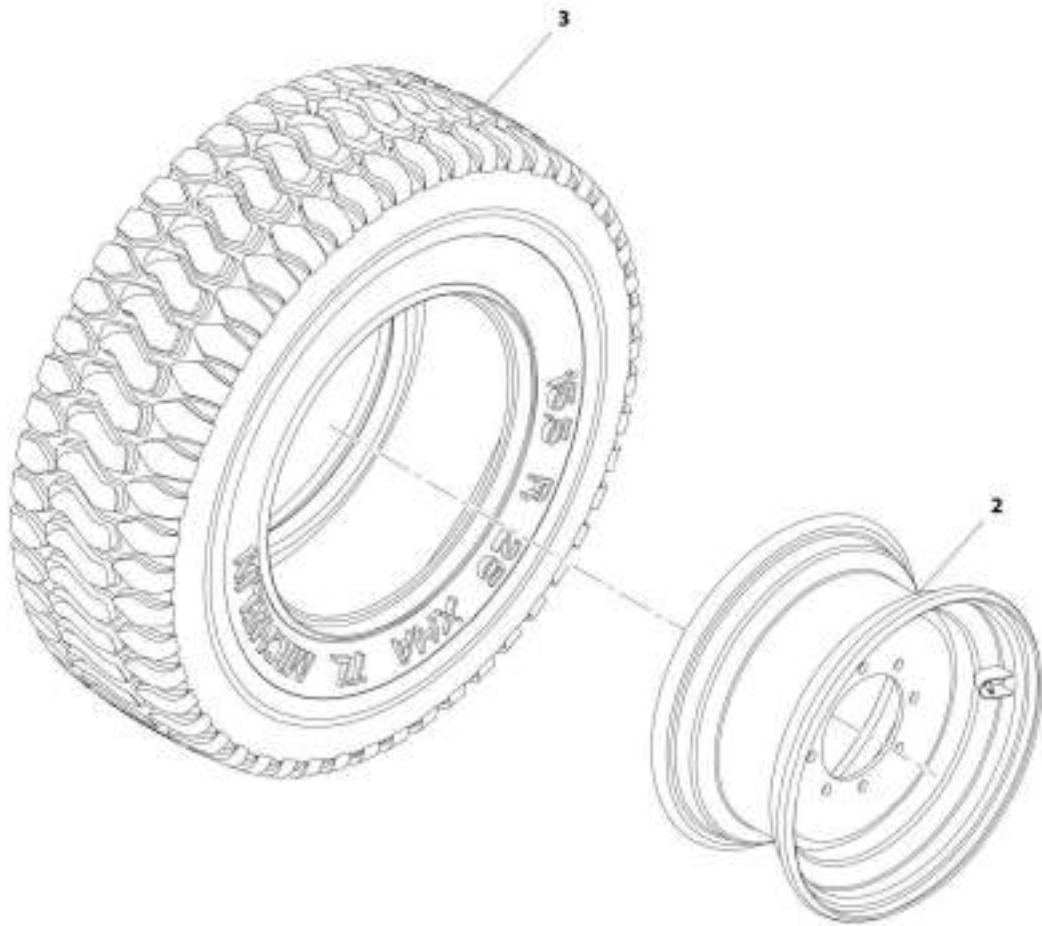
## SECTION 5 - DRIVE TRAIN

**FIGURE 5-71. RIGHT TIRE/WHEEL ASSEMBLY (AIR - 15.5 R25)**

ITEM	PART NUMBER	QTY	DESCRIPTION	REV
	1001178298	Ref	Right Tire/Wheel Assembly (Air - 15.5 R25)	B
2	1001212602	1	Wheel, RH Rim	
3	1001172807	1	Tire, 15.5 R 25 XHA TL	

## SECTION 5 - DRIVE TRAIN

FIGURE 5-72. LEFT TIRE/WHEEL ASSEMBLY (AIR - 15.5 R25)



ART\_3001178299 B

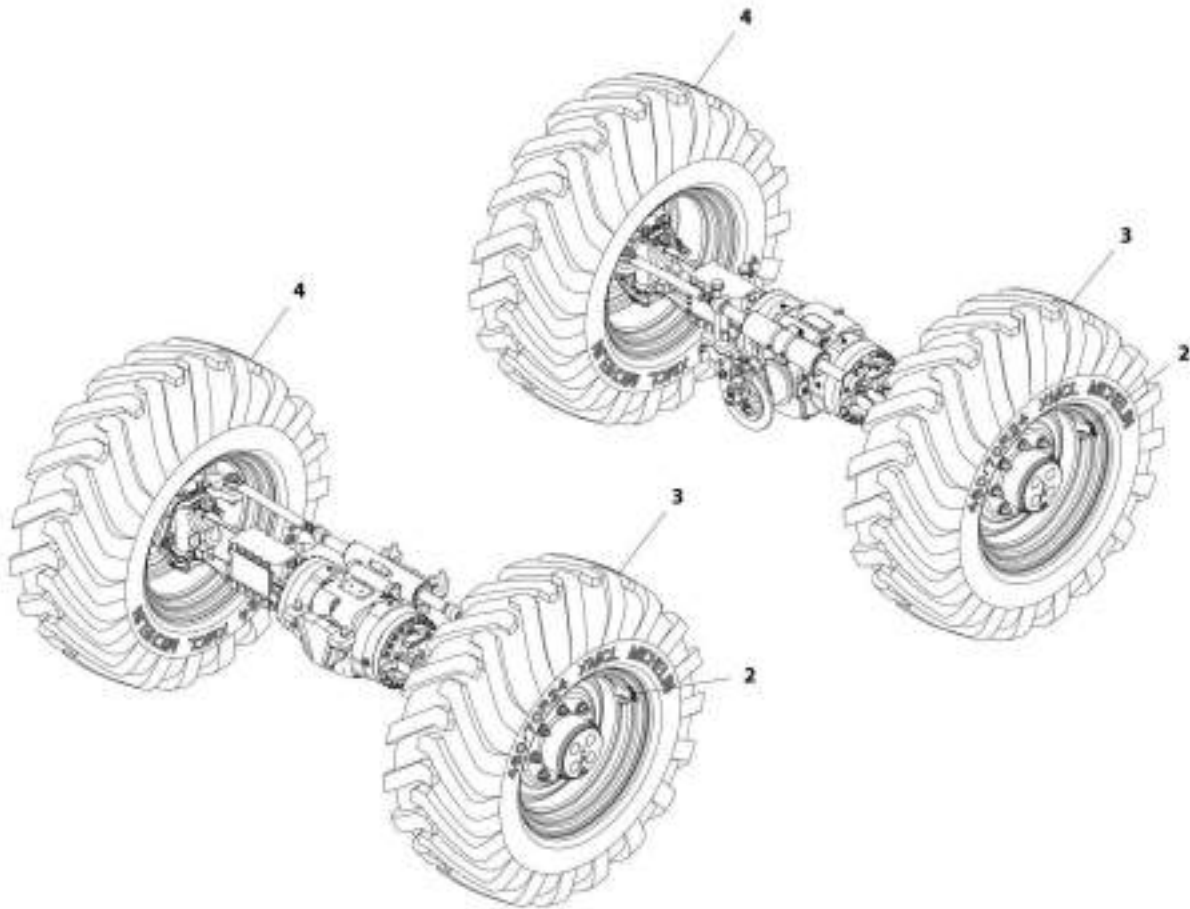
## SECTION 5 - DRIVE TRAIN

**FIGURE 5-72. LEFT TIRE/WHEEL ASSEMBLY (AIR - 15.5 R25)**

ITEM	PART NUMBER	QTY	DESCRIPTION	REV
	1001178299	Ref	Left Tire/Wheel Assembly (Air - 15.5 R25)	B
2	1001212603	1	Wheel, LH Rim	
3	1001172807	1	Tire, 15.5 R 25 XHA TL	

## SECTION 5 - DRIVE TRAIN

FIGURE 5-73. TIRE/WHEEL SET (AIR - 460/70 R24 XMCL)



MIT\_9901142285-D



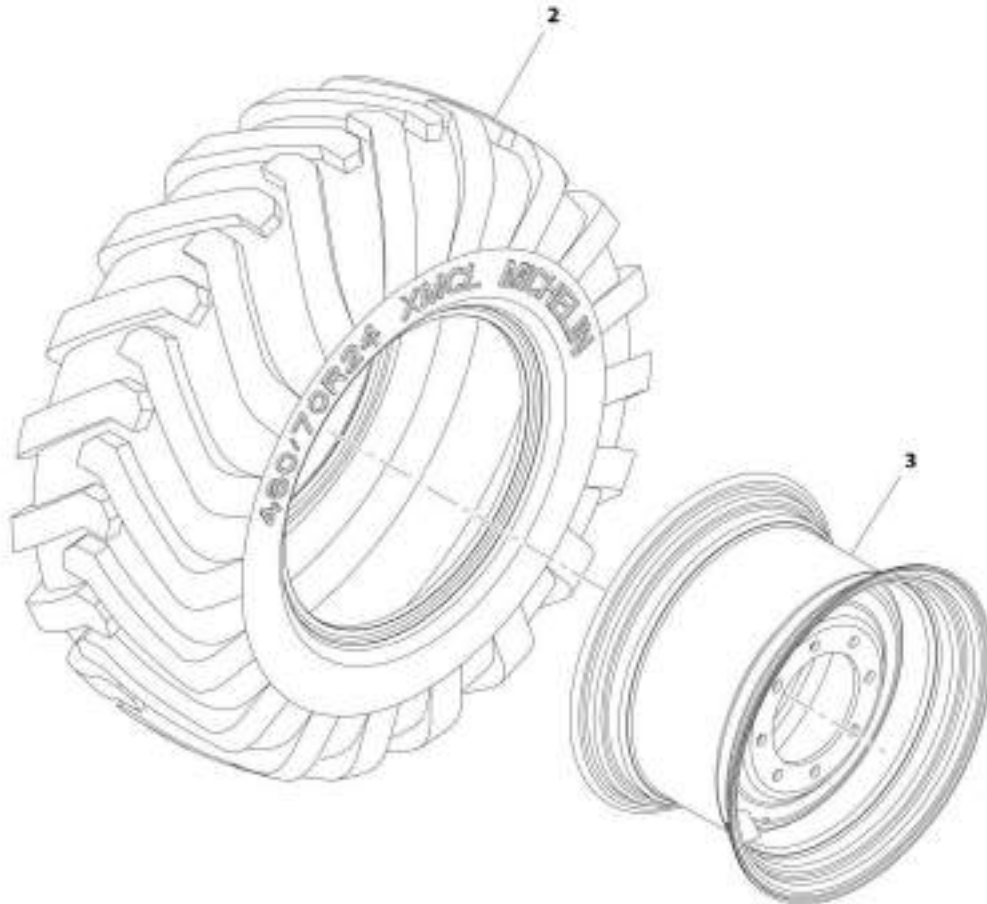
## SECTION 5 - DRIVE TRAIN

### FIGURE 5-73. TIRE/WHEEL SET (AIR - 460/70 R24 XMCL)

ITEM	PART NUMBER	QTY	DESCRIPTION	REV
	1001142285	1	Tire/Wheel Set (Air - 460/70 R24 XMCL)	D
2	8005827	4	Label	
3	1001142286	2	Assembly, Right Tire/Wheel (Air - 460/70 R24) (See Separate Breakdown in this Section)	
4	1001142287	2	Assembly, Left Tire/Wheel (Air - 460/70 R24) (See Separate Breakdown in this Section)	

## SECTION 5 - DRIVE TRAIN

FIGURE 5-74. RIGHT TIRE/WHEEL ASSEMBLY (AIR - 460/70 R24)



ART\_10014238-C

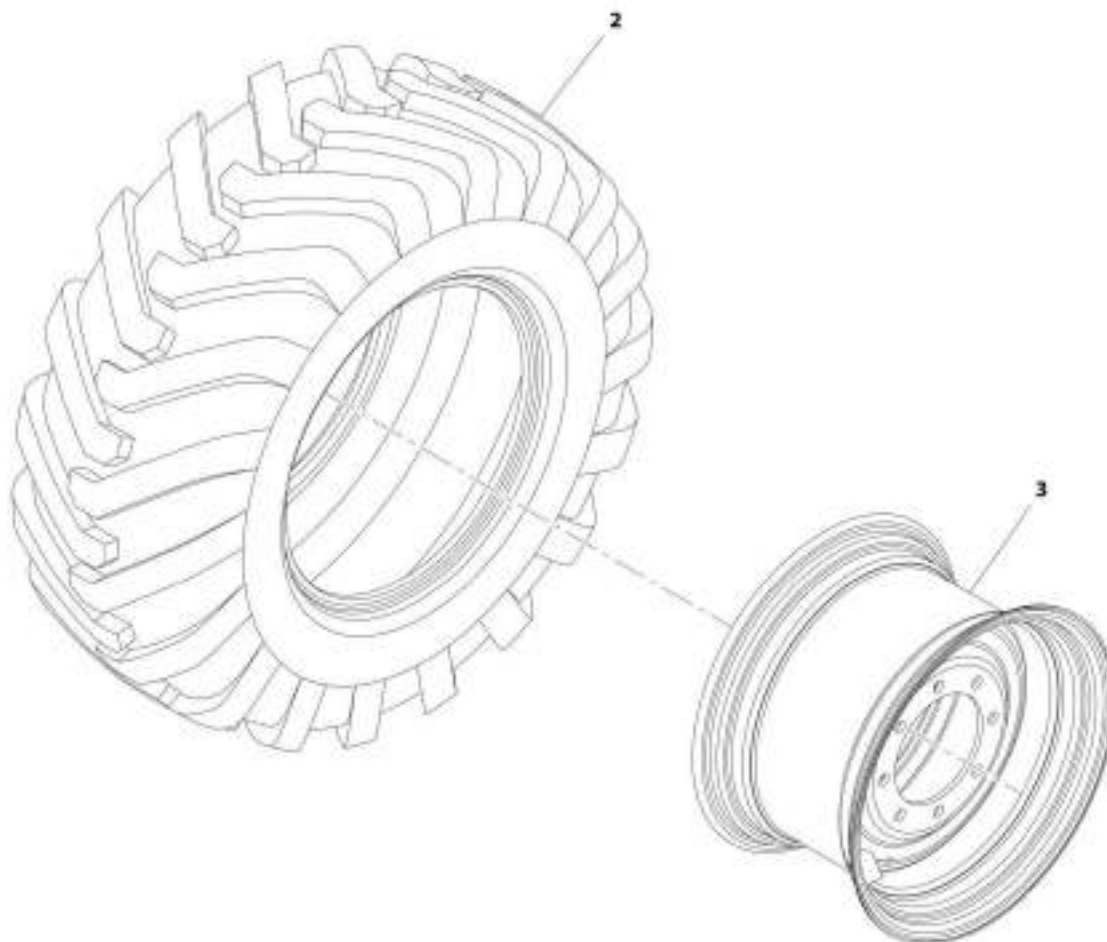
## SECTION 5 - DRIVE TRAIN

**FIGURE 5-74. RIGHT TIRE/WHEEL ASSEMBLY (AIR - 460/70 R24)**

ITEM	PART NUMBER	QTY	DESCRIPTION	REV
	1001142286	Ref	Right Tire/Wheel Assembly (Air - 460/70 R24)	C
2	1001092008	1	Tire, 460/70 R 24 XMCL	
3	1001212590	1	Wheel, RH Rim	

## SECTION 5 - DRIVE TRAIN

FIGURE 5-75. LEFT TIRE/WHEEL ASSEMBLY (AIR - 460/70 R24)



ART\_1001142267-C

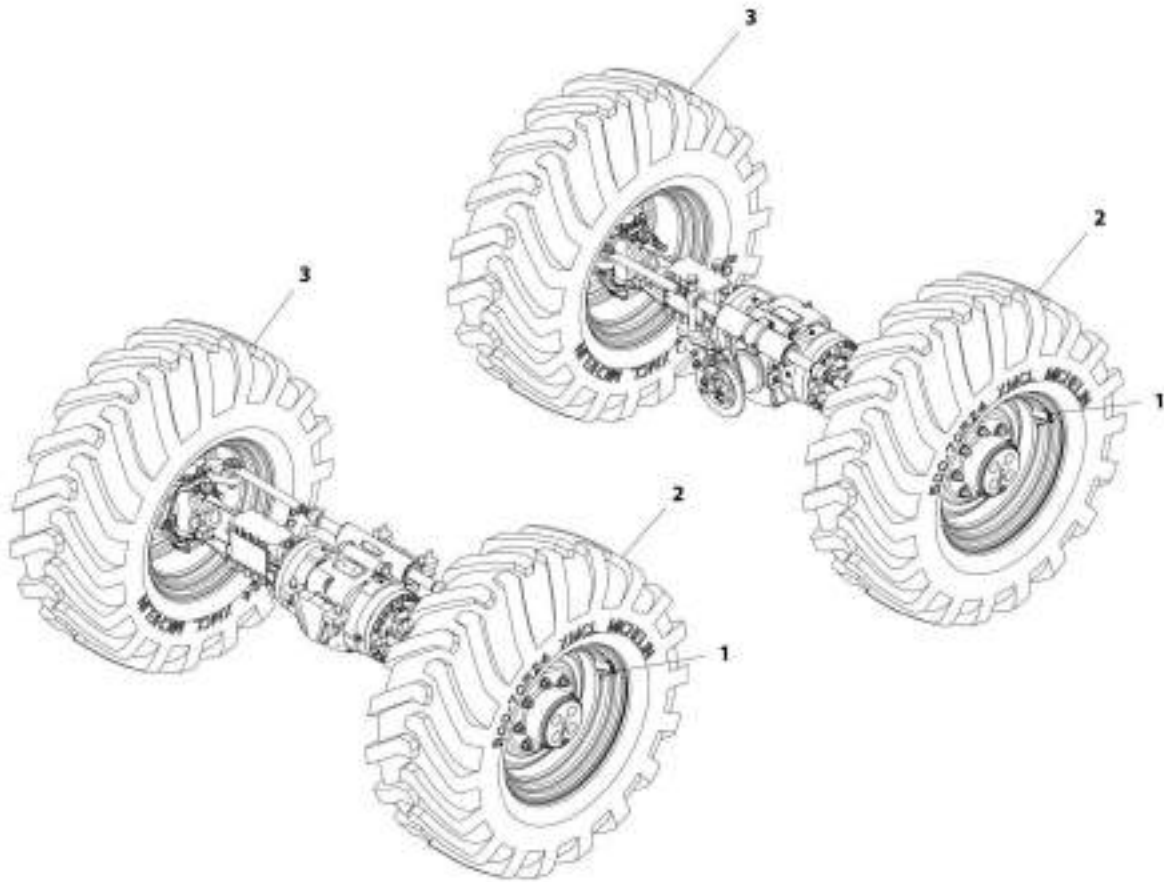
## SECTION 5 - DRIVE TRAIN

**FIGURE 5-75. LEFT TIRE/WHEEL ASSEMBLY (AIR - 460/70 R24)**

ITEM	PART NUMBER	QTY	DESCRIPTION	REV
	1001142287	Ref	Left Tire/Wheel Assembly (Air - 460/70 R24)	C
2	1001092008	1	Tire, 460/70 R 24 XMCL	
3	1001212591	1	Wheel, LH Rim	

## SECTION 5 - DRIVE TRAIN

FIGURE 5-76. TIRE/WHEEL SET (AIR - 500/70 R24 XMCL)



ART 1001142206-D

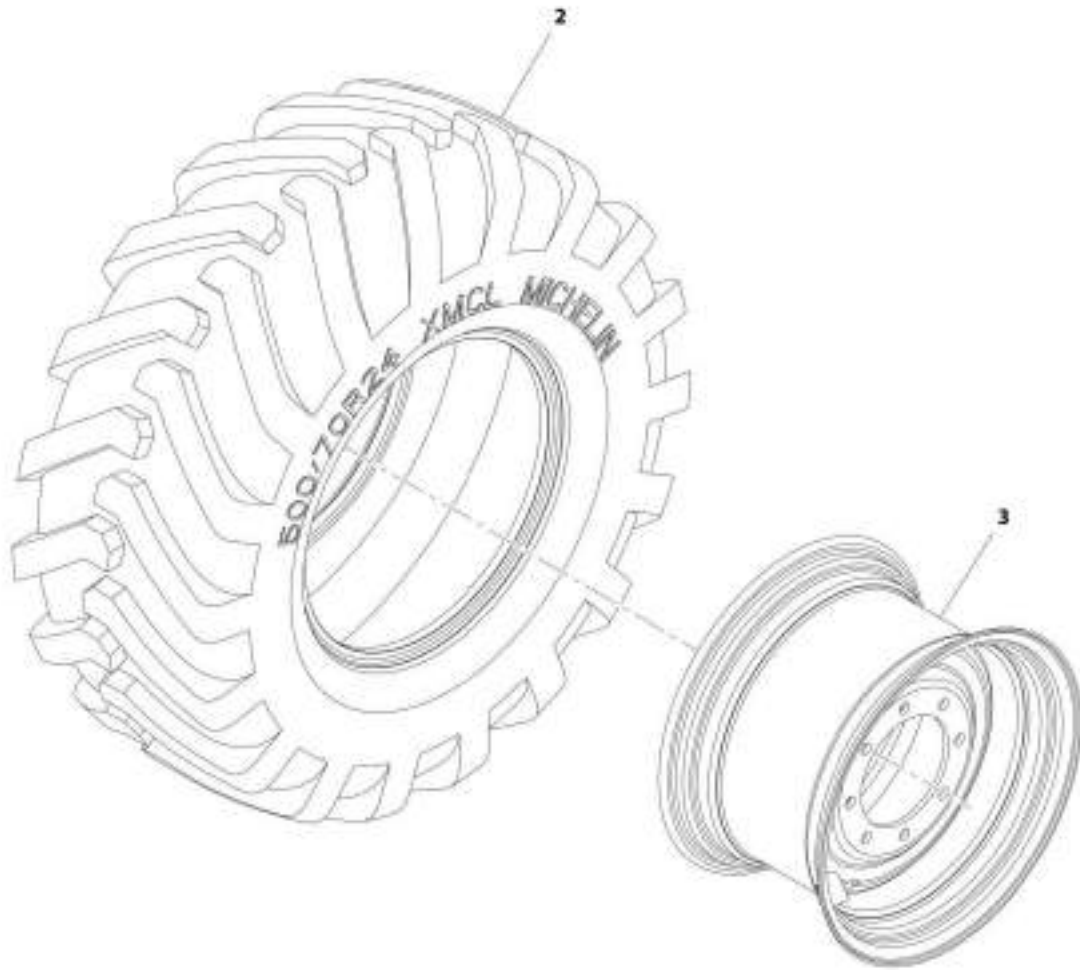
## SECTION 5 - DRIVE TRAIN

**FIGURE 5-76. TIRE/WHEEL SET (AIR - 500/70 R24 XMCL)**

ITEM	PART NUMBER	QTY	DESCRIPTION	REV
	1001142288	1	Tire/Wheel Set (Air - 500/70 R24 XMCL)	D
1	1001127728	4	Decal	
2	1001142289	2	Assembly, Right Tire/Wheel (Air - 500/70 R24) (See Separate Breakdown in this Section)	
3	1001142290	2	Assembly, Left Tire/Wheel (Air - 500/70 R24) (See Separate Breakdown in this Section)	

## SECTION 5 - DRIVE TRAIN

FIGURE 5-77. RIGHT TIRE/WHEEL ASSEMBLY (AIR - 500/70 R24)



ART\_1801142289-B



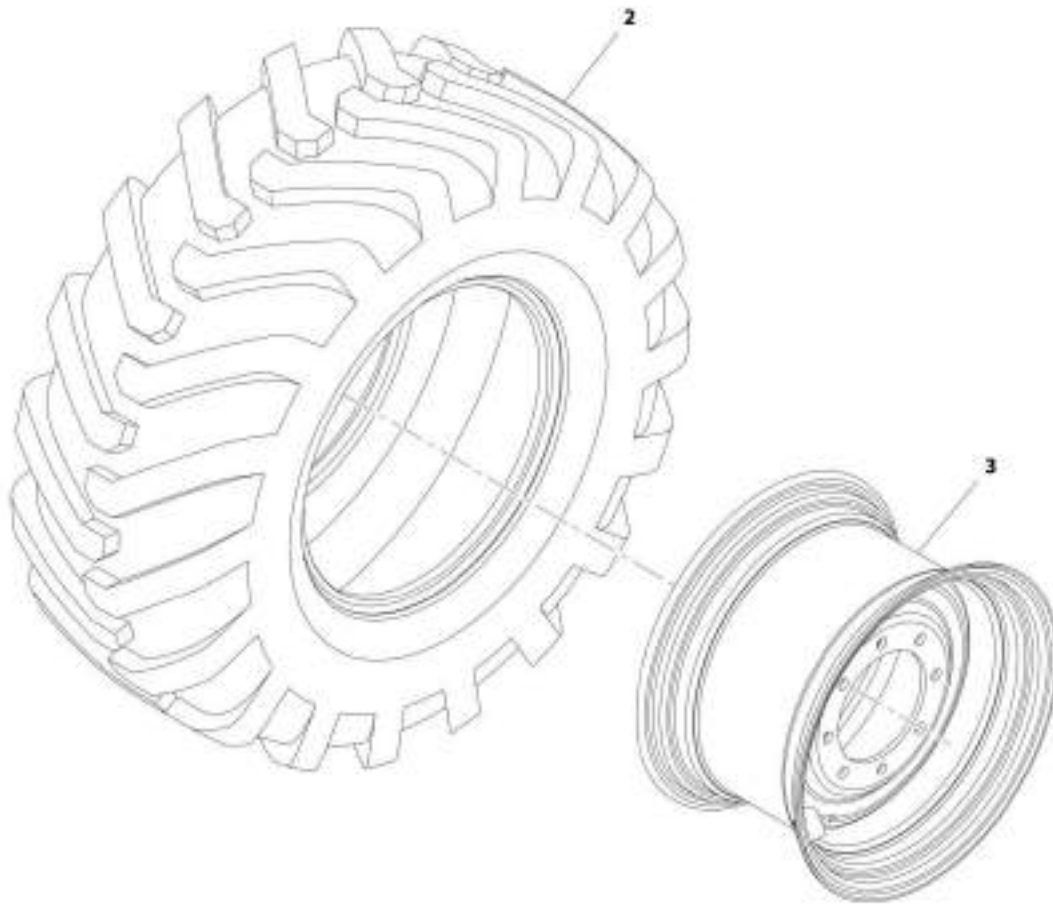
## SECTION 5 - DRIVE TRAIN

**FIGURE 5-77. RIGHT TIRE/WHEEL ASSEMBLY (AIR - 500/70 R24)**

ITEM	PART NUMBER	QTY	DESCRIPTION	REV
	1001142289	Ref	Right Tire/Wheel Assembly (Air - 500/70 R24)	B
2	1001092009	1	Tire, 500/70 R 24 XMCL	
3	1001212598	1	Wheel, RH Rim	

## SECTION 5 - DRIVE TRAIN

FIGURE 5-78. LEFT TIRE/WHEEL ASSEMBLY (AIR - 500/70 R24)



ART\_100140290-B

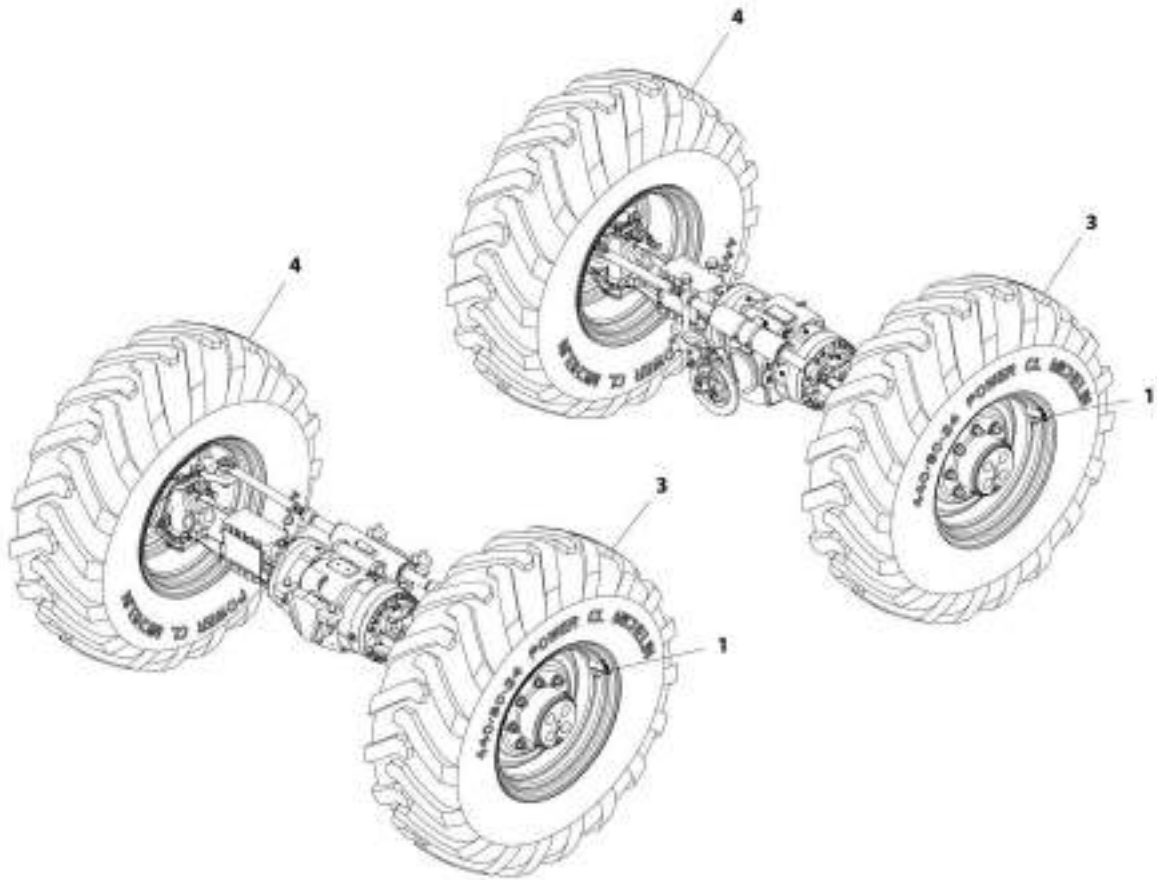
## SECTION 5 - DRIVE TRAIN

**FIGURE 5-78. LEFT TIRE/WHEEL ASSEMBLY (AIR - 500/70 R24)**

ITEM	PART NUMBER	QTY	DESCRIPTION	REV
	1001142290	Ref	Left Tire/Wheel Assembly (Air - 500/70 R24)	B
2	1001092009	1	Tire, 500/70 R 24 XMCL	
3	1001212599	1	Wheel, LH Rim	

## SECTION 5 - DRIVE TRAIN

FIGURE 5-79. TIRE/WHEEL SET (AIR - 440/80-24 POWER CL)



ART\_100142291-C

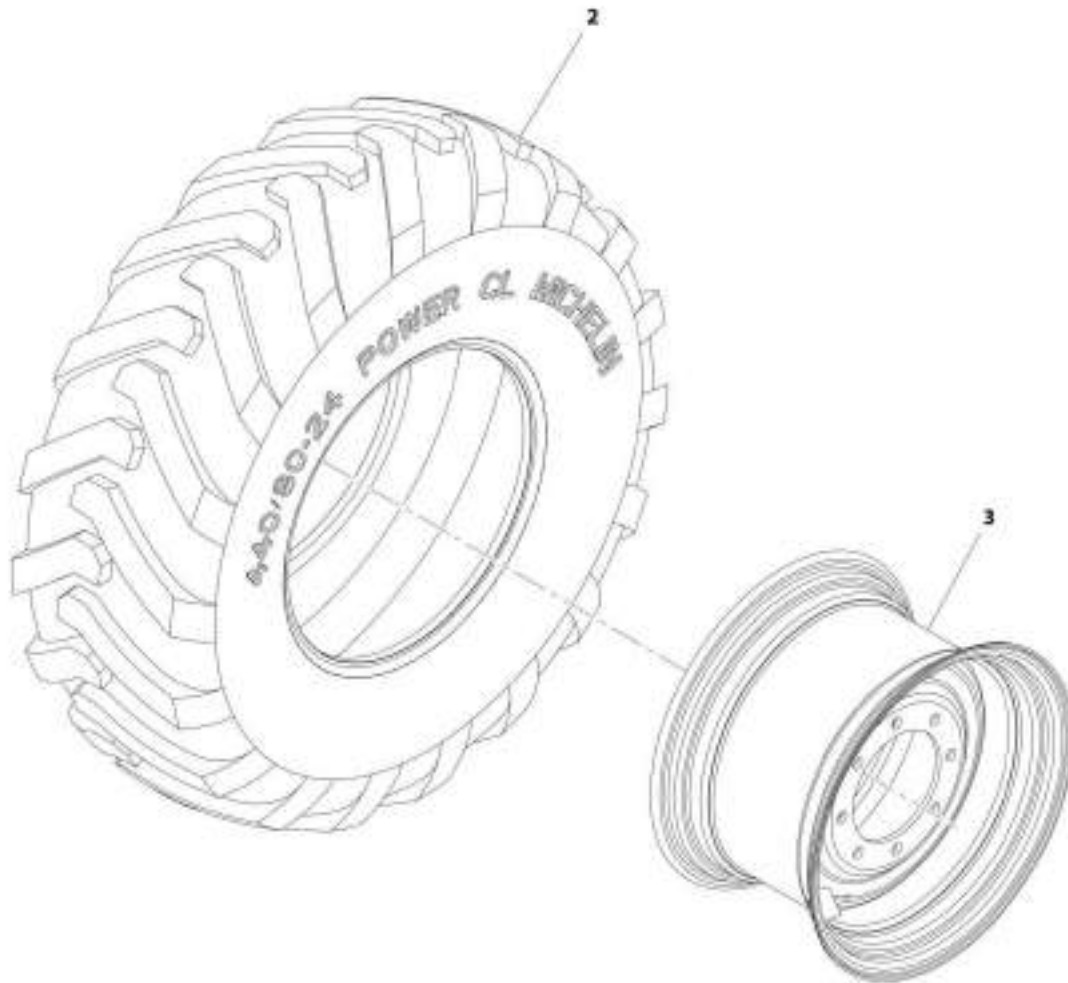
## SECTION 5 - DRIVE TRAIN

**FIGURE 5-79. TIRE/WHEEL SET (AIR - 440/80-24 POWER CL)**

ITEM	PART NUMBER	QTY	DESCRIPTION	REV
	1001142291	1	Tire/Wheel Set (Air - 440/80-24 Power CL)	C
1	8005825	4	Label	
3	1001142292	2	Assembly, Right Tire/Wheel (Air - 440/80-24) (See Separate Breakdown in this Section)	
4	1001142293	2	Assembly, Left Tire/Wheel (Air - 440/80-24) (See Separate Breakdown in this Section)	

## SECTION 5 - DRIVE TRAIN

FIGURE 5-80. RIGHT TIRE/WHEEL ASSEMBLY (AIR - 440/80-24)



ART\_1001142280-B

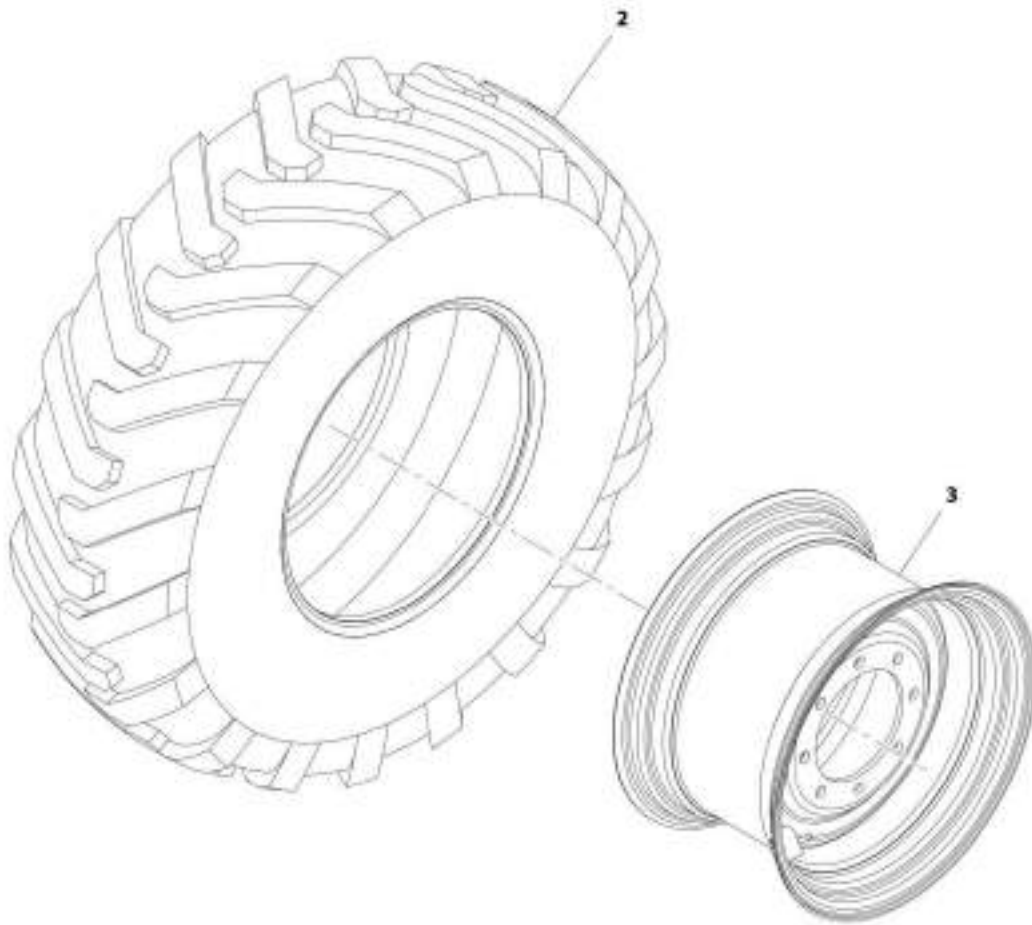
## SECTION 5 - DRIVE TRAIN

**FIGURE 5-80. RIGHT TIRE/WHEEL ASSEMBLY (AIR - 440/80-24)**

ITEM	PART NUMBER	QTY	DESCRIPTION	REV
	1001142292	Ref	Right Tire/Wheel Assembly (Air - 440/80-24)	B
2	1001100651	1	Tire, 440/80-24 Power CL	
3	1001212600	1	Wheel, RH Rim	

## SECTION 5 - DRIVE TRAIN

FIGURE 5-81. LEFT TIRE/WHEEL ASSEMBLY (AIR - 440/80-24)



MT\_100142283-R



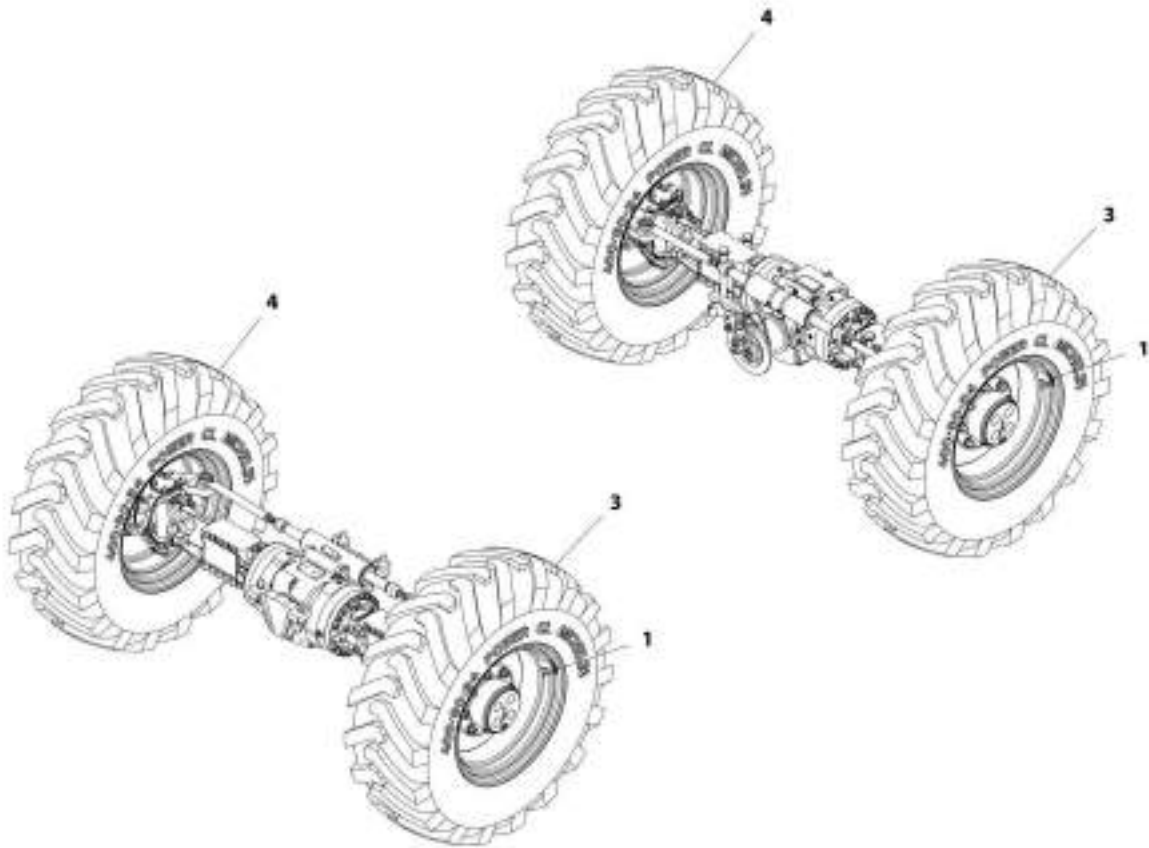
## SECTION 5 - DRIVE TRAIN

**FIGURE 5-81. LEFT TIRE/WHEEL ASSEMBLY (AIR - 440/80-24)**

ITEM	PART NUMBER	QTY	DESCRIPTION	REV
	1001142293	Ref	Left Tire/Wheel Assembly (Air - 440/80-24)	B
2	1001100651	1	Tire, 440/80-24 Power CL	
3	1001212601	1	Wheel, LH Rim	

## SECTION 5 - DRIVE TRAIN

FIGURE 5-82. TIRE/WHEEL SET (AIR - 400/80-24 POWER CL)



ART\_300142315-C

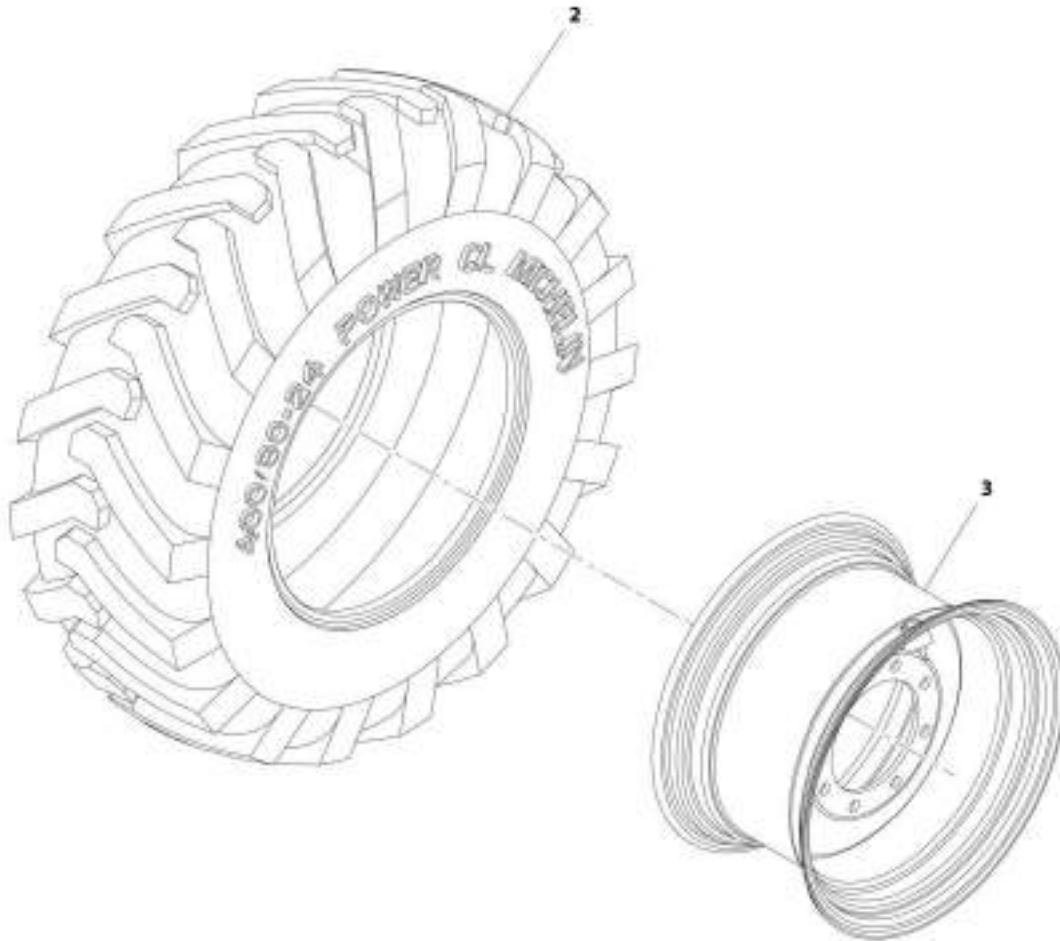
## SECTION 5 - DRIVE TRAIN

**FIGURE 5-82. TIRE/WHEEL SET (AIR - 400/80-24 POWER CL)**

ITEM	PART NUMBER	QTY	DESCRIPTION	REV
	1001142315	1	Tire/Wheel Set (Air - 400/80-24 Power CL)	C
1	8005827	4	Label	
3	1001142281	2	Assembly, Right Tire/Wheel (Air - 400/80-24) (See Separate Breakdown in this Section)	
4	1001142316	2	Assembly, Left Tire/Wheel (Air - 400/80-24) (See Separate Breakdown in this Section)	

## SECTION 5 - DRIVE TRAIN

FIGURE 5-83. RIGHT TIRE/WHEEL ASSEMBLY (AIR - 400/80-24)



WIT\_1001142281-R

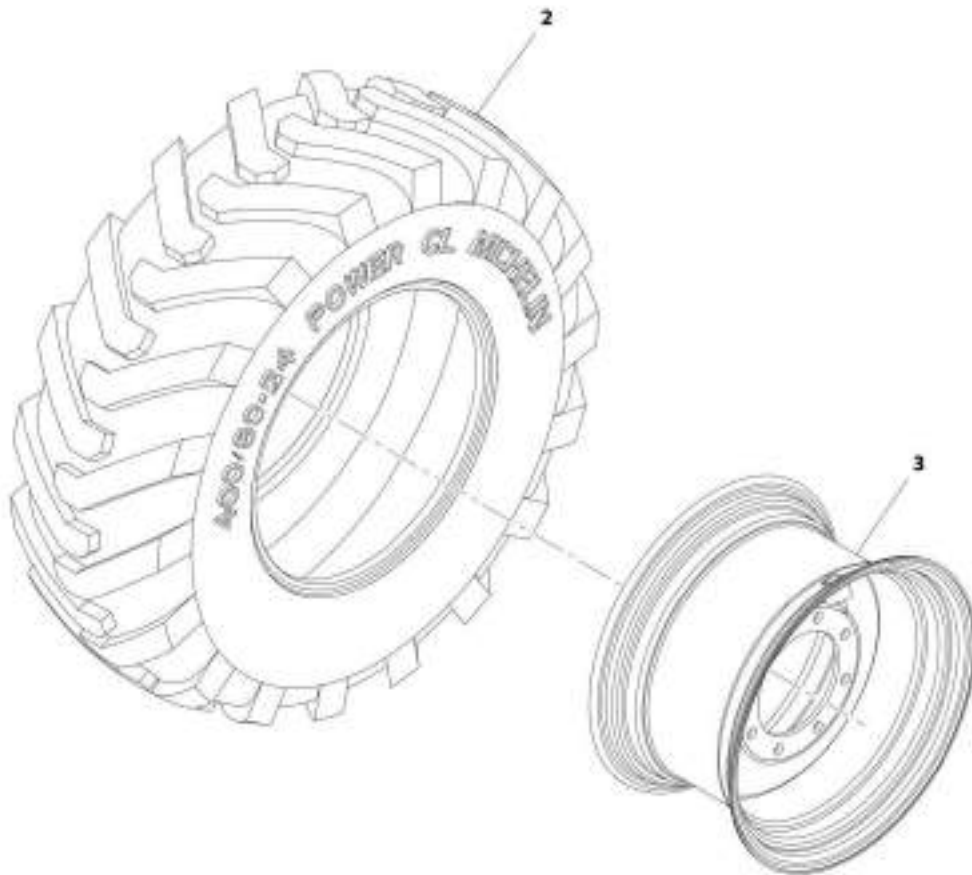
## SECTION 5 - DRIVE TRAIN

**FIGURE 5-83. RIGHT TIRE/WHEEL ASSEMBLY (AIR - 400/80-24)**

ITEM	PART NUMBER	QTY	DESCRIPTION	REV
	1001142281	Ref	Right Tire/Wheel Assembly (Air - 400/80-24)	B
2	1001099204	1	Tire, 400/80 - 24 Power CL	
3	1001212594	1	Wheel, RH Rim	

## SECTION 5 - DRIVE TRAIN

FIGURE 5-84. LEFT TIRE/WHEEL ASSEMBLY (AIR - 400/80-24)



ART\_1001142816-8

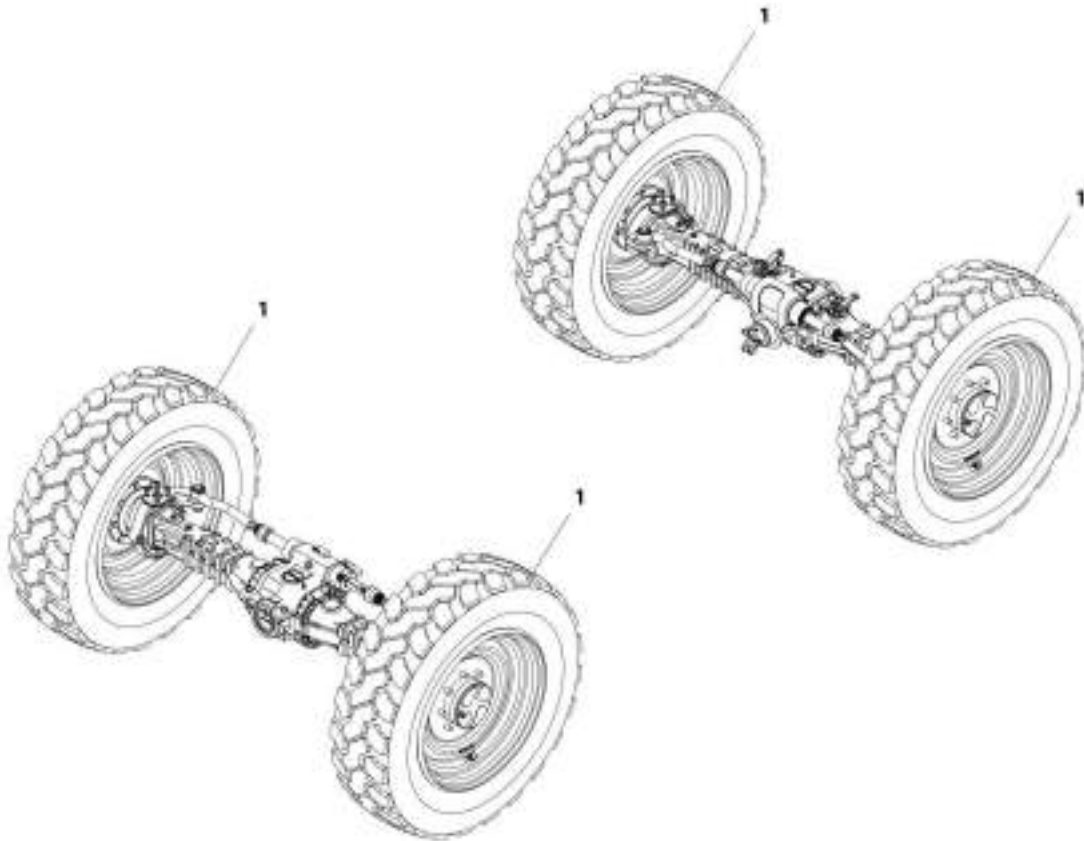
## SECTION 5 - DRIVE TRAIN

**FIGURE 5-84. LEFT TIRE/WHEEL ASSEMBLY (AIR - 400/80-24)**

ITEM	PART NUMBER	QTY	DESCRIPTION	REV
	1001142316	Ref	Left Tire/Wheel Assembly (Air - 400/80-24)	B
2	1001099204	1	Tire, 400/80 - 24 Power CL	
3	1001212595	1	Wheel, LH Rim	

## SECTION 5 - DRIVE TRAIN

FIGURE 5-85. TIRE/WHEEL SET (AIR - 370/75-28)



MT\_100179(1)-4



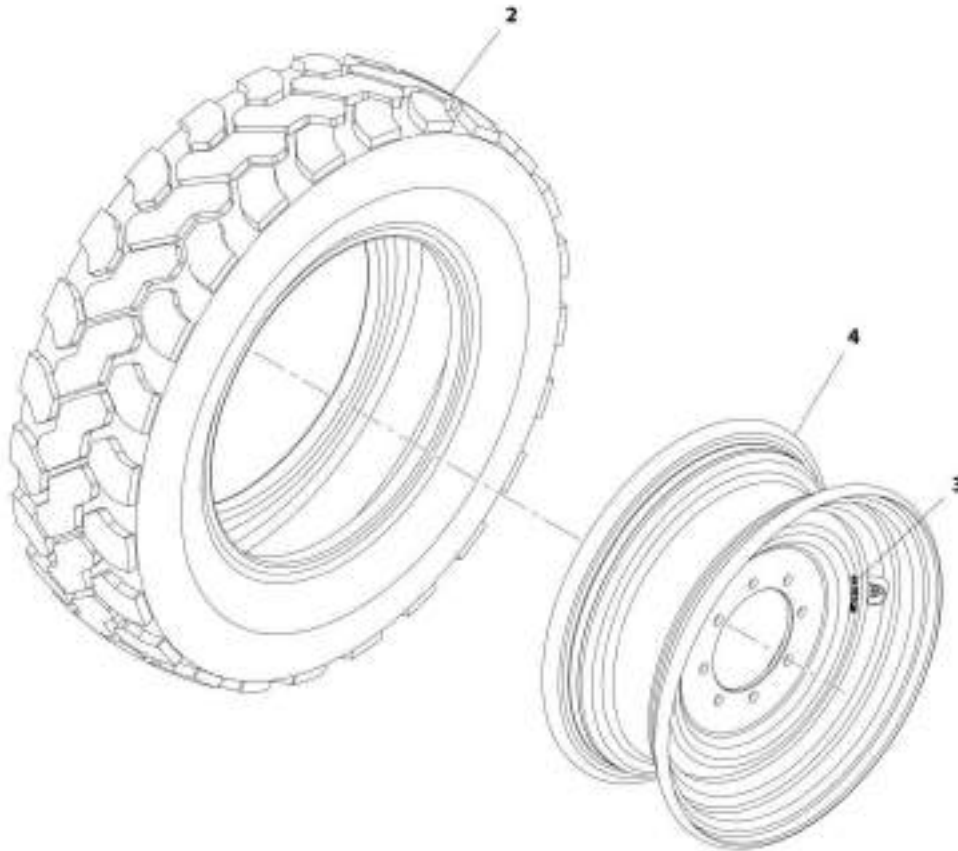
## SECTION 5 - DRIVE TRAIN

**FIGURE 5-85. TIRE/WHEEL SET (AIR - 370/75-28)**

ITEM	PART NUMBER	QTY	DESCRIPTION	REV
1	1001179719	1	Tire/Wheel Set (Air - 370/75-28)	A
	1001196385	4	Assembly, Tire/Wheel (Air - 370/75-28 14PR) (See Separate Breakdown in this Section)	

## SECTION 5 - DRIVE TRAIN

FIGURE 5-86. TIRE/WHEEL ASSEMBLY (AIR - 370/75-28)



ART\_100119605-8

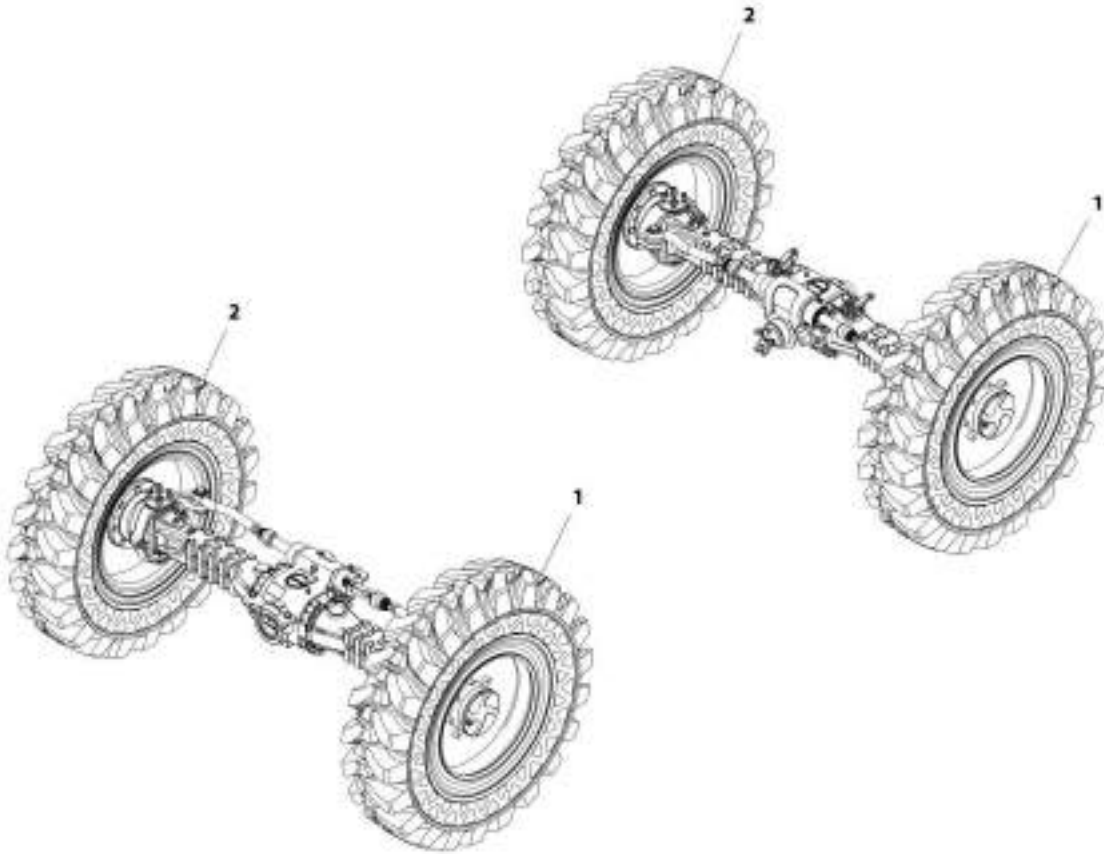
## SECTION 5 - DRIVE TRAIN

**FIGURE 5-86. TIRE/WHEEL ASSEMBLY (AIR - 370/75-28)**

ITEM	PART NUMBER	QTY	DESCRIPTION	REV
	1001196385	Ref	Tire/Wheel Assembly (Air - 370/75-28 14PR)	B
2	1001100284	1	Tire, 370/75-28	
3	1001112923	1	Decal	
4	1001219857	1	Wheel, Rim	

## SECTION 5 - DRIVE TRAIN

FIGURE 5-87. TIRE/WHEEL SET (FOAM - 13X24)



ART\_3001176720-A

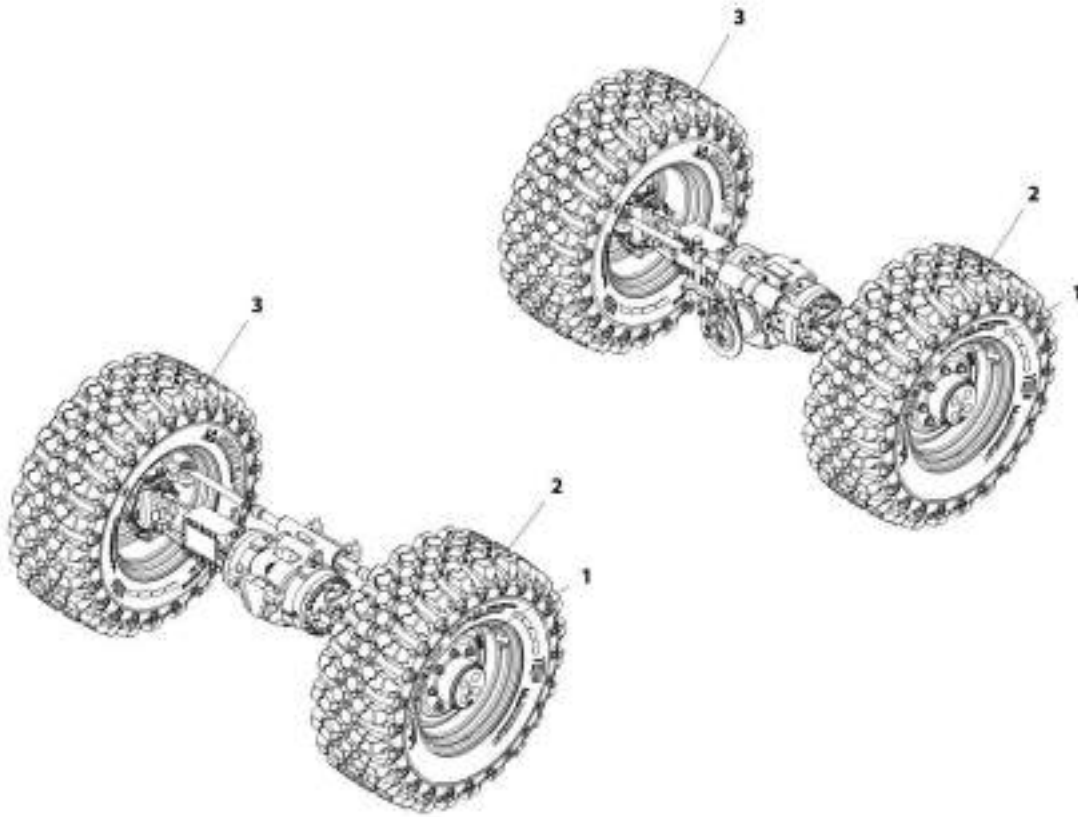
## SECTION 5 - DRIVE TRAIN

**FIGURE 5-87. TIRE/WHEEL SET (FOAM - 13X24)**

ITEM	PART NUMBER	QTY	DESCRIPTION	REV
	1001179720	1	Tire/Wheel Set (Foam - 13X24)	A
1	1001196448J	2	Wheel, RH 13X24 Solid	
2	1001196449J	2	Wheel, LH 13X24 Solid	

## SECTION 5 - DRIVE TRAIN

FIGURE 5-88. TIRE/WHEEL SET (AIR - 460/70 R24 - BIBLOAD)



ART\_1001200143-A

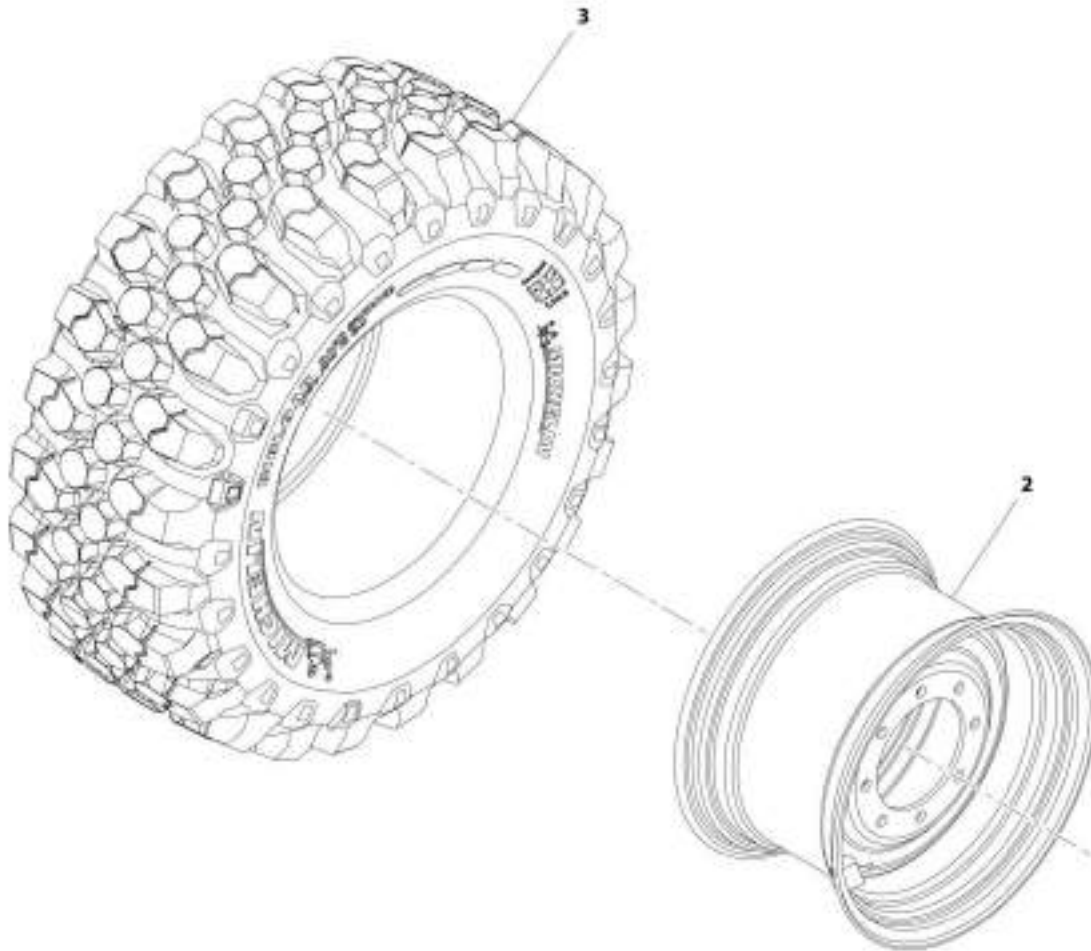
## SECTION 5 - DRIVE TRAIN

**FIGURE 5-88. TIRE/WHEEL SET (AIR - 460/70 R24 - BIBLOAD)**

ITEM	PART NUMBER	QTY	DESCRIPTION	REV
1	1001200143	1	Tire/Wheel Set (Air - 460/70 R24 - Bibload)	A
1	8005827	4	Label	
2	1001200141	2	Assembly, Right Tire/Wheel (Air - 460/70 R24 - Bibload) (See Separate Breakdown in this Section)	
3	1001200142	2	Assembly, Left Tire/Wheel (Air - 460/70 R24 - Bibload) (See Separate Breakdown in this Section)	

## SECTION 5 - DRIVE TRAIN

FIGURE 5-89. RIGHT TIRE/WHEEL ASSEMBLY (AIR - 460/70 R24 - BIBLOAD)



ART\_100130141-B



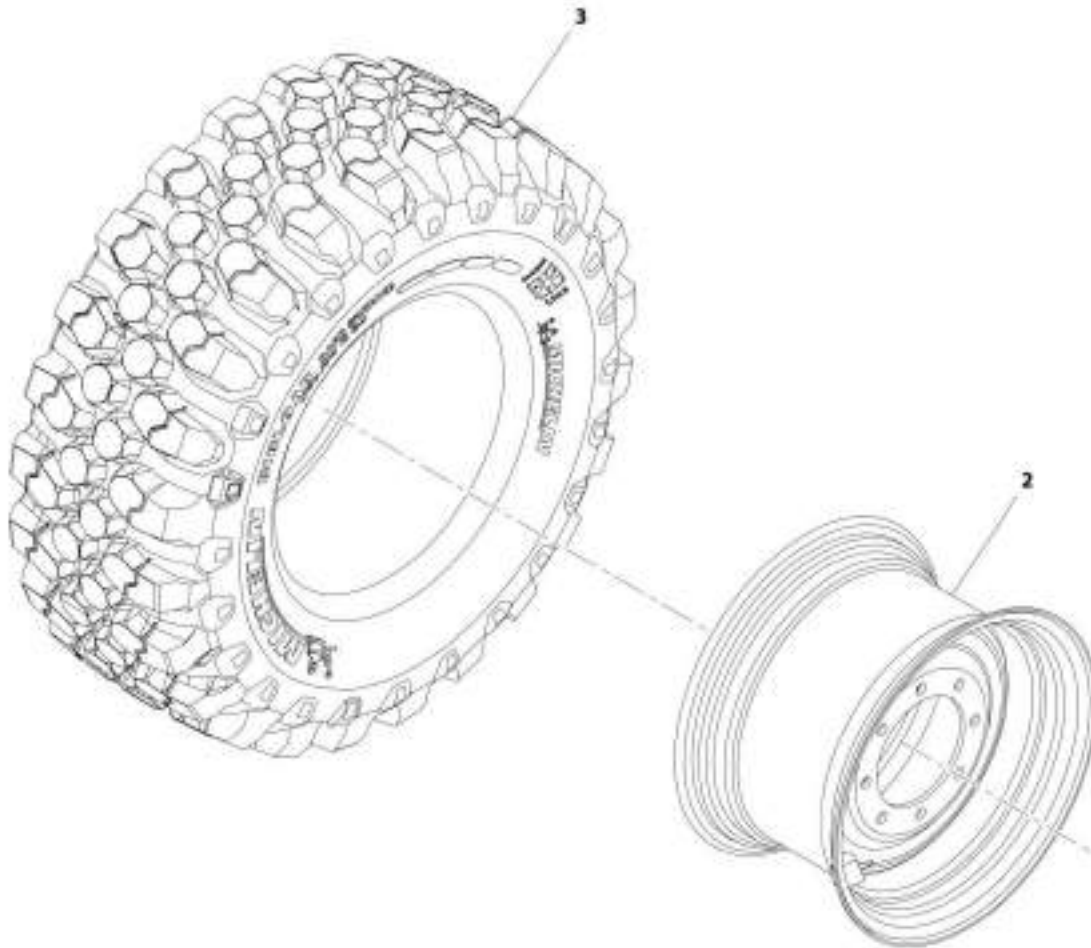
## SECTION 5 - DRIVE TRAIN

**FIGURE 5-89. RIGHT TIRE/WHEEL ASSEMBLY (AIR - 460/70 R24 - BIBLOAD)**

ITEM	PART NUMBER	QTY	DESCRIPTION	REV
	1001200141	Ref	Right Tire/Wheel Assembly (Air - 460/70 R24 - Bibload)	B
2	1001212596	1	Wheel, RH Rim	
3	1001199390	1	Tire, 460/70 R24	

## SECTION 5 - DRIVE TRAIN

FIGURE 5-90. LEFT TIRE/WHEEL ASSEMBLY (AIR - 460/70 R24 - BIBLOAD)



ART\_1001300140-8

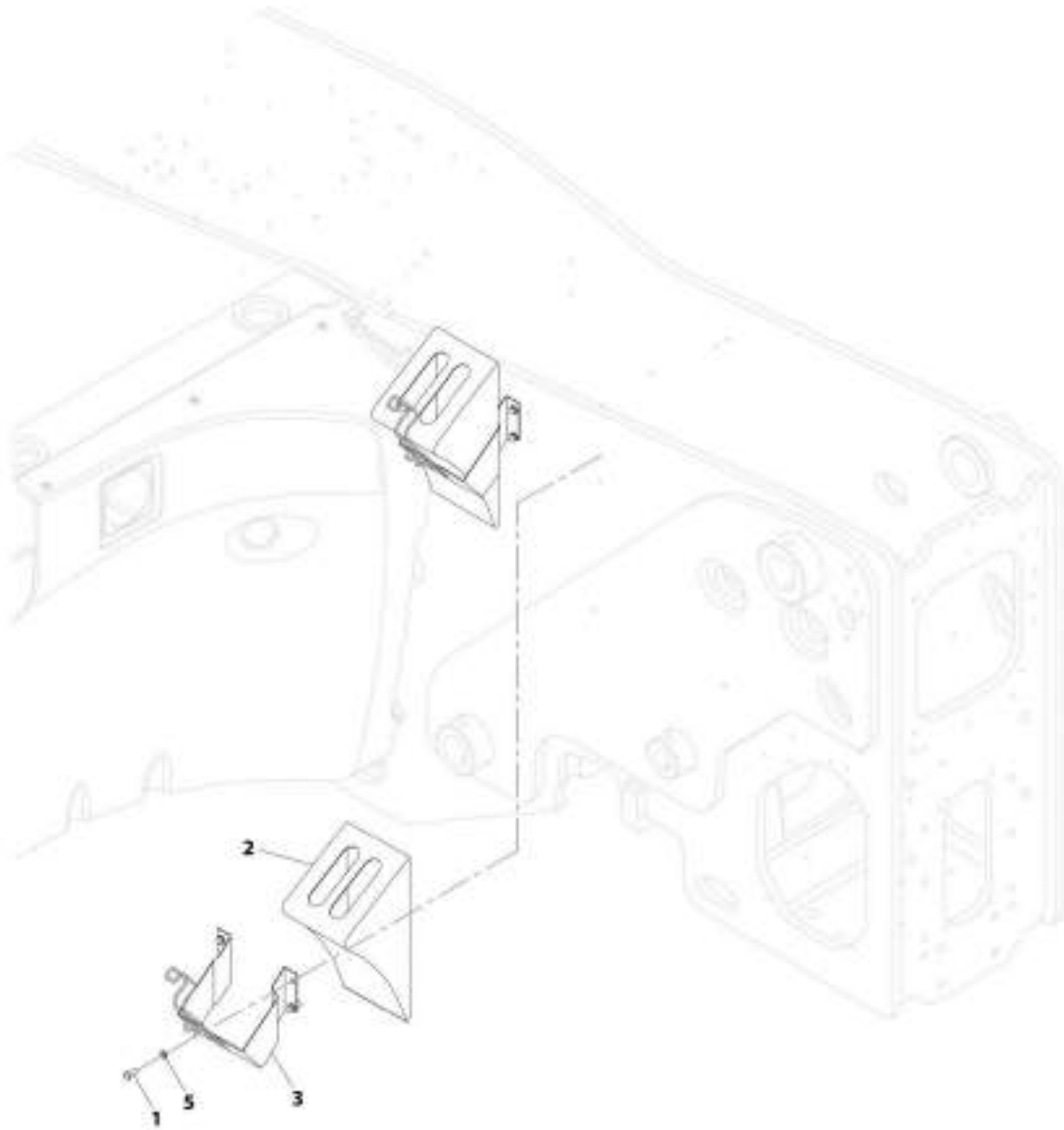
## SECTION 5 - DRIVE TRAIN

**FIGURE 5-90. LEFT TIRE/WHEEL ASSEMBLY (AIR - 460/70 R24 - BIBLOAD)**

ITEM	PART NUMBER	QTY	DESCRIPTION	REV
	1001200142	Ref	Left Tire/Wheel Assembly (Air - 460/70 R24 - Bibload)	B
2	1001212597	1	Wheel, LH Rim	
3	1001199390	1	Tire, 460/70 R24	

# SECTION 5 - DRIVE TRAIN

## FIGURE 5-91. WHEEL CHOCK INSTALLATION



WIT\_1001180413-C

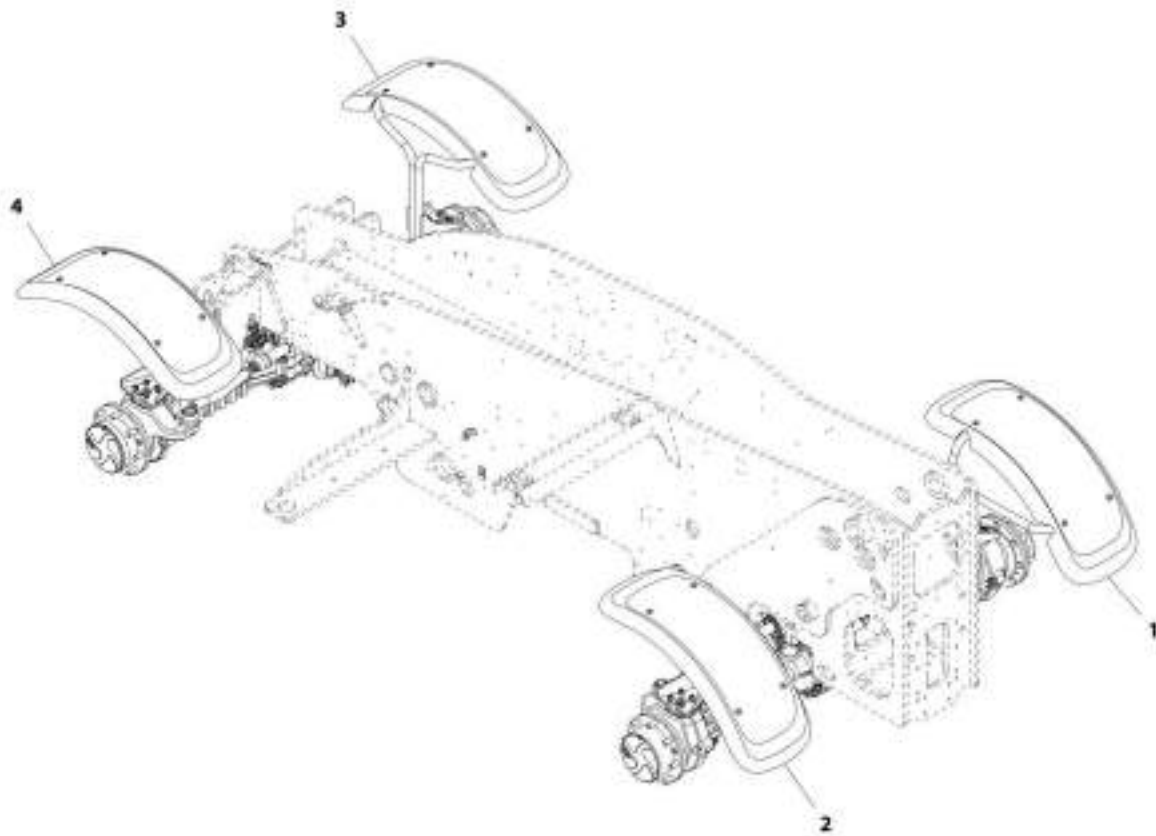
## SECTION 5 - DRIVE TRAIN

### FIGURE 5-91. WHEEL CHOCK INSTALLATION

ITEM	PART NUMBER	QTY	DESCRIPTION	REV
	1001180413	Ref	Wheel Chock Installation	C
1	0760810	8	Bolt, M8X20	
2	806253	2	Wedge	
3	806264	2	Holder, Wedge	
5	4811900	8	Washer, M8	

## SECTION 5 - DRIVE TRAIN

FIGURE 5-92. FENDER INSTALLATION (NO AIR - 460/70 R24 XMCL, AIR - 500/70 R24 XMCL, AIR - 440/80-24 POWER CL)



AWT\_1001176123-C

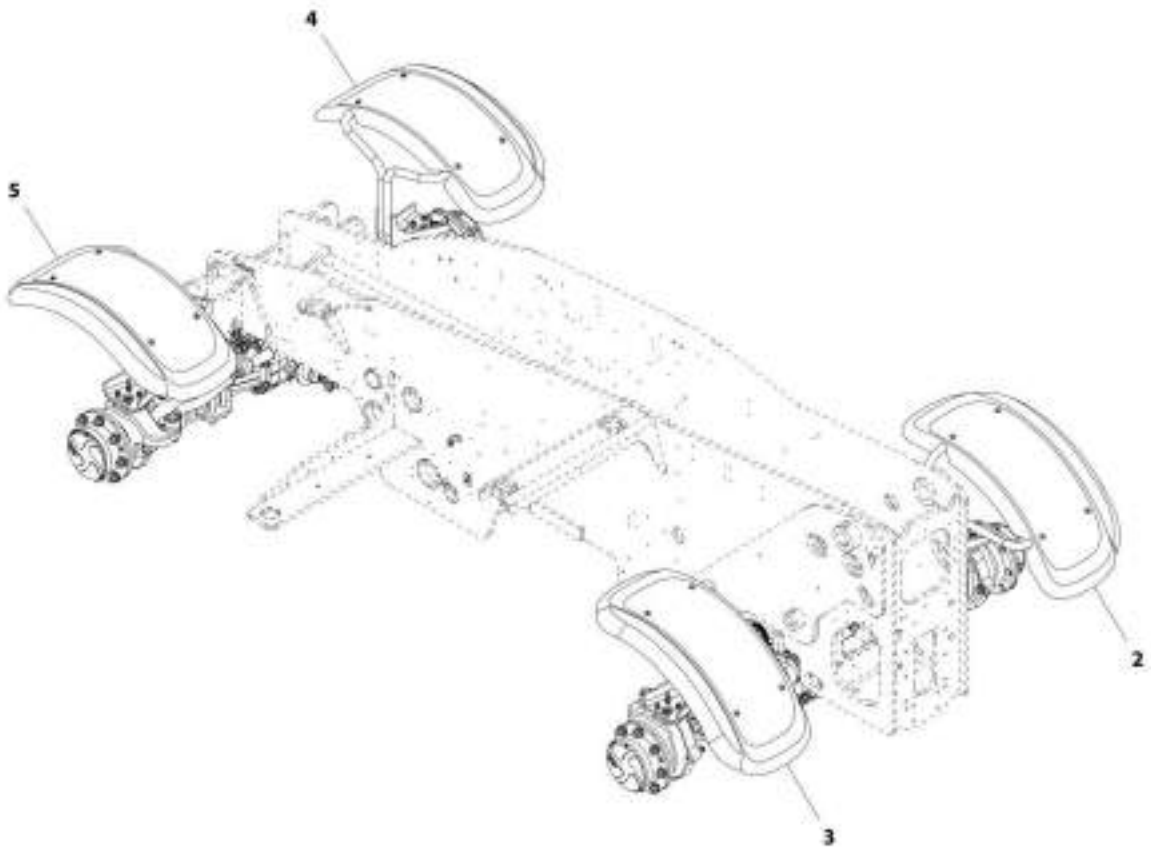
## SECTION 5 - DRIVE TRAIN

**FIGURE 5-92. FENDER INSTALLATION (NO AIR - 460/70 R24 XMCL, AIR - 500/70 R24 XMCL, AIR - 440/80-24 POWER CL)**

ITEM	PART NUMBER	QTY	DESCRIPTION	REV
	1001176123	Ref	Fender Installation	C
1	1001176349	1	Assembly, Fender (See Separate Breakdown in this Section)	
2	1001176350	1	Assembly, Fender (See Separate Breakdown in this Section)	
3	1001176916	1	Assembly, Fender (See Separate Breakdown in this Section)	
4	1001176950	1	Assembly, Fender (See Separate Breakdown in this Section)	

## SECTION 5 - DRIVE TRAIN

FIGURE 5-93. FENDER INSTALLATION (AIR - 460/70 R24 XMCL, AIR - 500/70 R24 XMCL, AIR - 440/80-24 POWER CL)



AMT\_1001170122-C



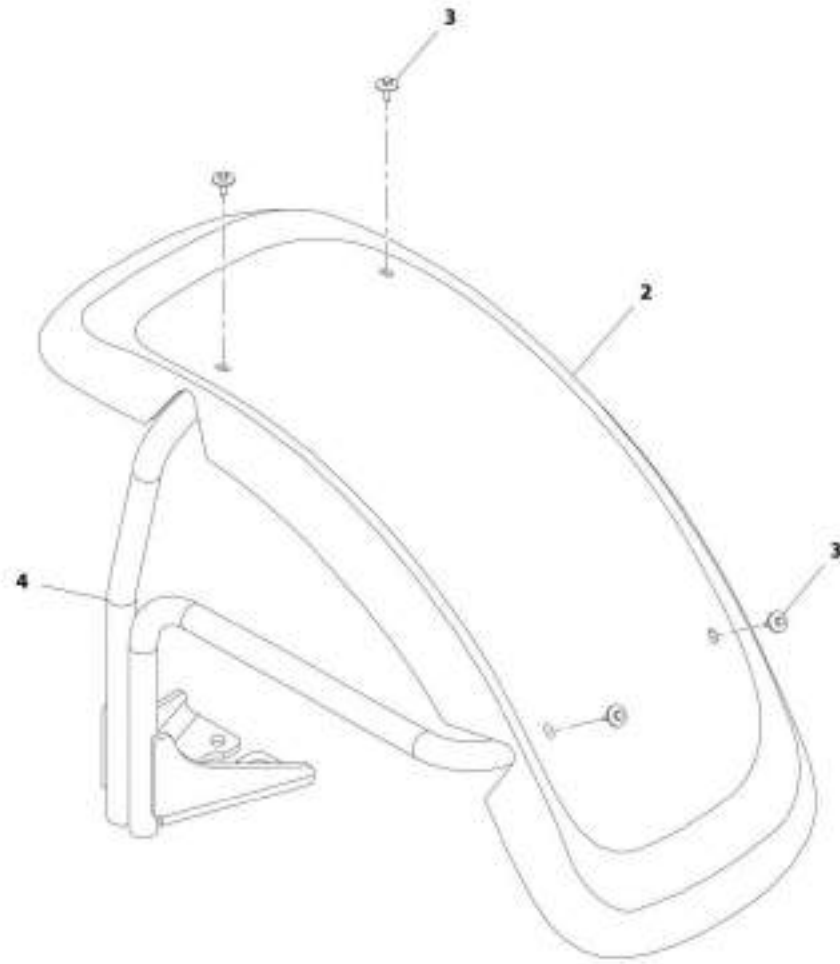
## SECTION 5 - DRIVE TRAIN

**FIGURE 5-93. FENDER INSTALLATION (AIR - 460/70 R24 XMCL, AIR - 500/70 R24 XMCL, AIR - 440/80-24 POWER CL)**

ITEM	PART NUMBER	QTY	DESCRIPTION	REV
	1001176122	Ref	Fender Installation	C
2	1001176351	1	Assembly, Fender (See Separate Breakdown in this Section)	
3	1001176352	1	Assembly, Fender (See Separate Breakdown in this Section)	
4	1001176353	1	Assembly, Fender (See Separate Breakdown in this Section)	
5	1001176354	1	Assembly, Fender (See Separate Breakdown in this Section)	

# SECTION 5 - DRIVE TRAIN

## FIGURE 5-94. FENDER ASSEMBLY



ART\_1001176349-B

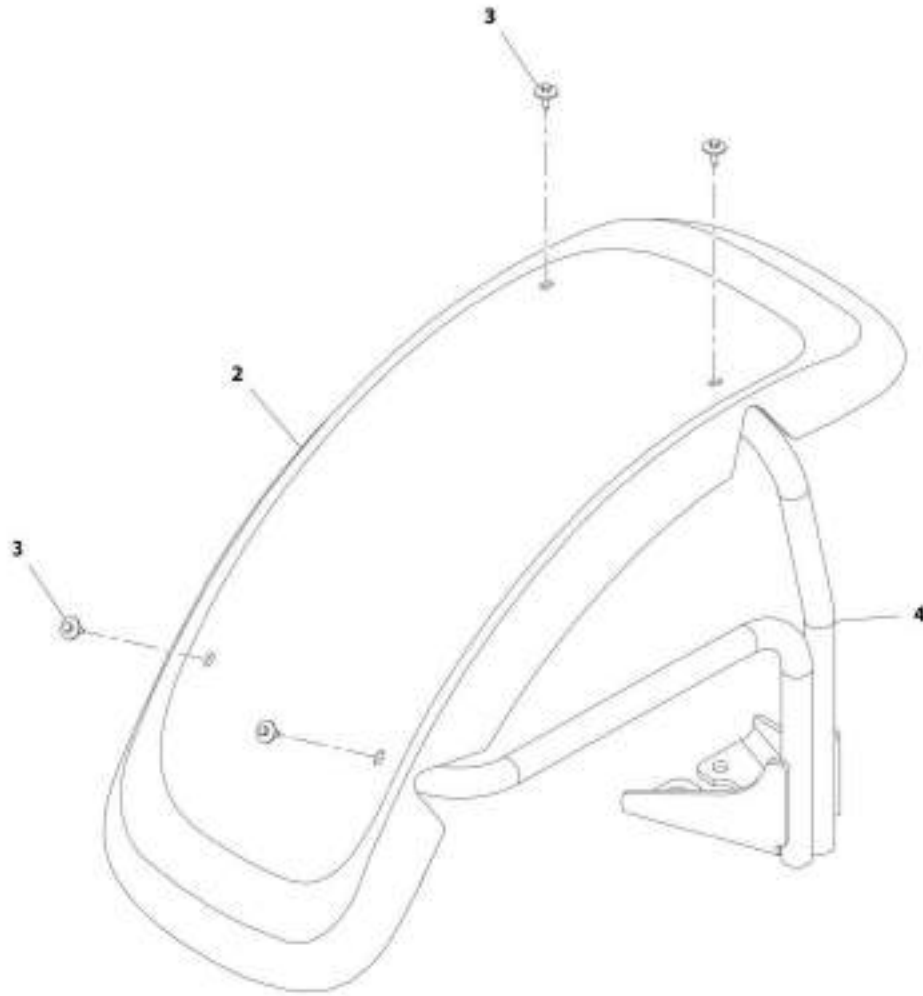
## SECTION 5 - DRIVE TRAIN

### FIGURE 5-94. FENDER ASSEMBLY

ITEM	PART NUMBER	QTY	DESCRIPTION	REV
	1001176349	Ref	Fender Assembly (Standard)	B
2	1001168264	1	Fender, Plastic	
3	1001170697	4	Screw, Self-Tapping	
4	1001176129	1	Bracket, Fender	

# SECTION 5 - DRIVE TRAIN

## FIGURE 5-95. FENDER ASSEMBLY



ART\_1001170350-B

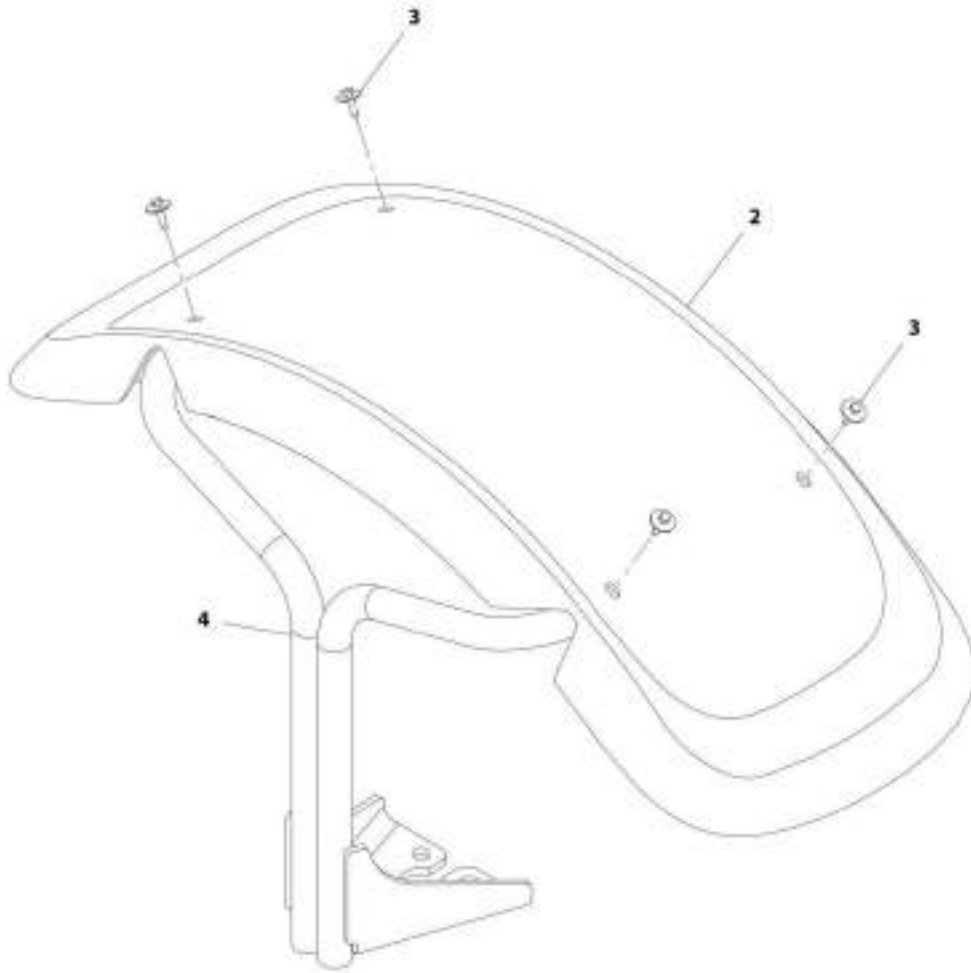
## SECTION 5 - DRIVE TRAIN

### FIGURE 5-95. FENDER ASSEMBLY

ITEM	PART NUMBER	QTY	DESCRIPTION	REV
	1001176350	Ref	Fender Assembly (Standard)	B
2	1001168264	1	Fender, Plastic	
3	1001170697	4	Screw, Self-Tapping	
4	1001176130	1	Bracket, Fender	

# SECTION 5 - DRIVE TRAIN

## FIGURE 5-96. FENDER ASSEMBLY



ART\_190117009-B

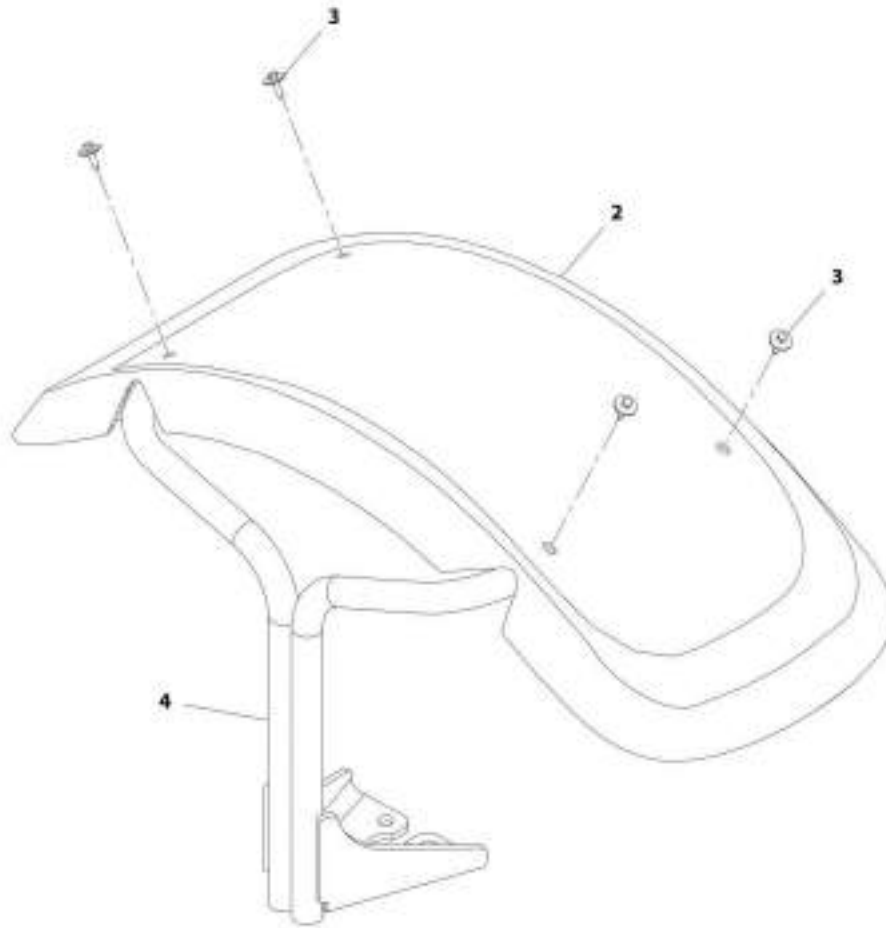
## SECTION 5 - DRIVE TRAIN

### FIGURE 5-96. FENDER ASSEMBLY

ITEM	PART NUMBER	QTY	DESCRIPTION	REV
	1001176916	Ref	Fender Assembly (Standard)	B
2	1001168264	1	Fender, Plastic	
3	1001170697	4	Screw, Self-Tapping	
4	1001176914	1	Bracket, Fender	

# SECTION 5 - DRIVE TRAIN

## FIGURE 5-97. FENDER ASSEMBLY



ART\_1001176950-01



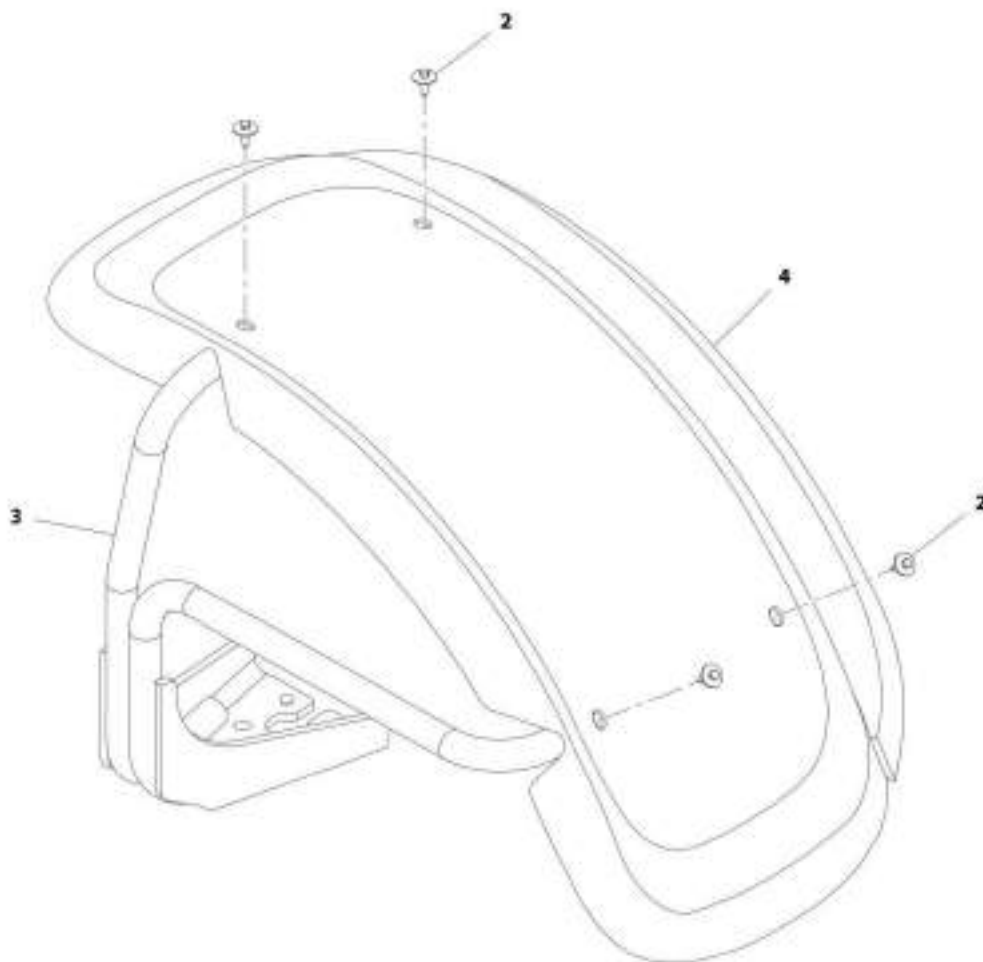
## SECTION 5 - DRIVE TRAIN

### FIGURE 5-97. FENDER ASSEMBLY

ITEM	PART NUMBER	QTY	DESCRIPTION	REV
	1001176950	Ref	Fender Assembly (Standard)	B
2	1001168264	1	Fender, Plastic	
3	1001170697	4	Screw, Self-Tapping	
4	1001176949	1	Bracket, Fender	

# SECTION 5 - DRIVE TRAIN

## FIGURE 5-98. FENDER ASSEMBLY



ART\_100176351-0

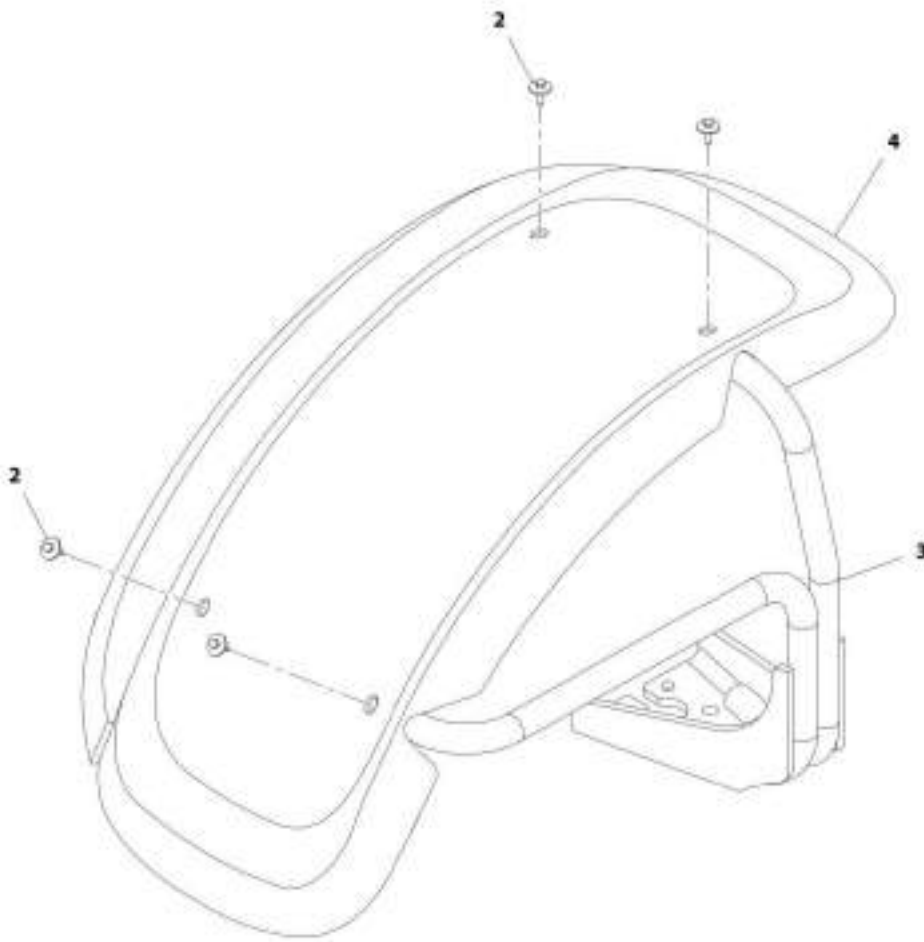
## SECTION 5 - DRIVE TRAIN

### FIGURE 5-98. FENDER ASSEMBLY

ITEM	PART NUMBER	QTY	DESCRIPTION	REV
	1001176351	Ref	Fender Assembly (500MM)	B
2	1001170697	4	Screw, Self-Tapping	
3	1001176125	1	Bracket, Fender	
4	1001178171	1	Fender, Plastic	

# SECTION 5 - DRIVE TRAIN

## FIGURE 5-99. FENDER ASSEMBLY



487\_1001170353-B

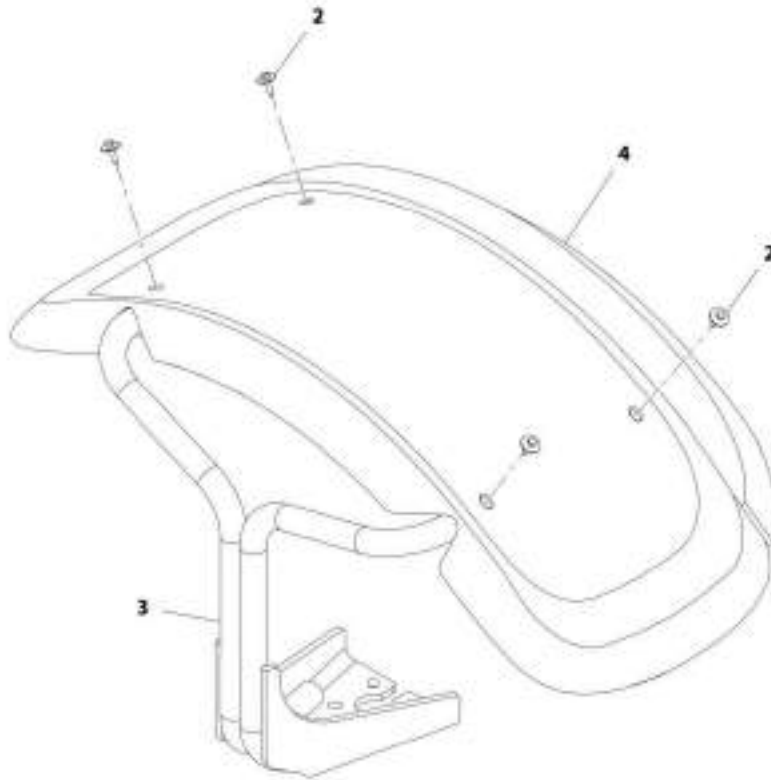
## SECTION 5 - DRIVE TRAIN

### FIGURE 5-99. FENDER ASSEMBLY

ITEM	PART NUMBER	QTY	DESCRIPTION	REV
	1001176352	Ref	Fender Assembly (500MM)	B
2	1001170697	4	Screw, Self-Tapping	
3	1001176126	1	Bracket, Fender	
4	1001178171	1	Fender, Plastic	

# SECTION 5 - DRIVE TRAIN

## FIGURE 5-100. FENDER ASSEMBLY



ART\_1001178353-B

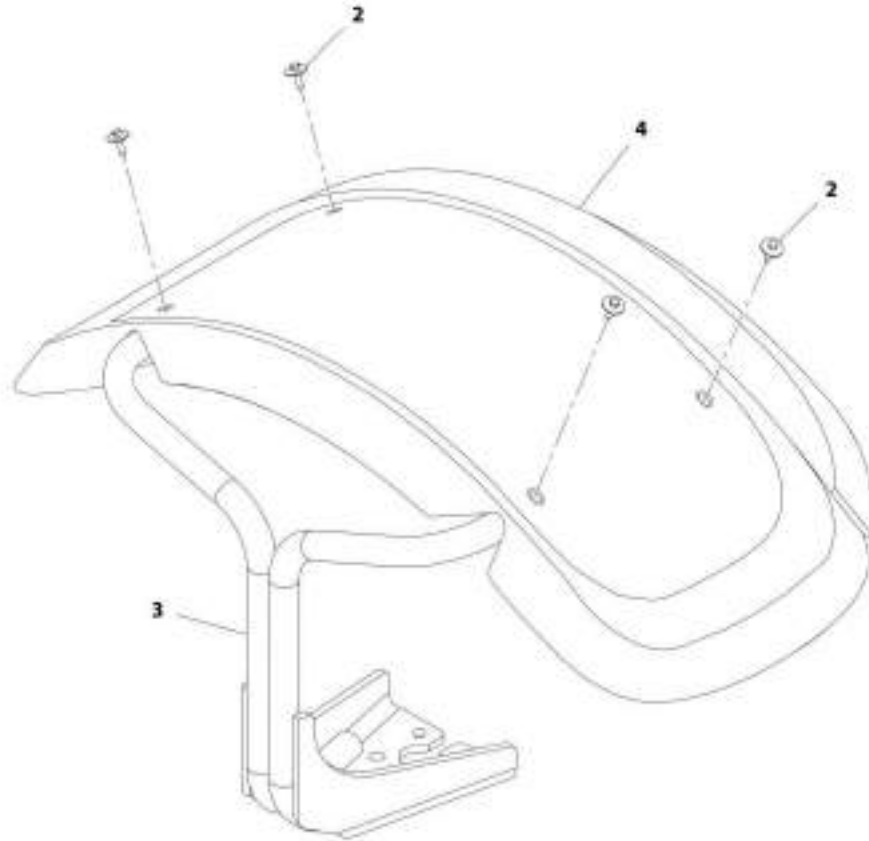
## SECTION 5 - DRIVE TRAIN

### FIGURE 5-100. FENDER ASSEMBLY

ITEM	PART NUMBER	QTY	DESCRIPTION	REV
	1001176353	Ref	Fender Assembly (500MM)	B
2	1001170697	4	Screw, Self-Tapping	
3	1001176127	1	Bracket, Fender	
4	1001178171	1	Fender, Plastic	

# SECTION 5 - DRIVE TRAIN

## FIGURE 5-101. FENDER ASSEMBLY



ART. 000176354-B



## SECTION 5 - DRIVE TRAIN

### FIGURE 5-101. FENDER ASSEMBLY

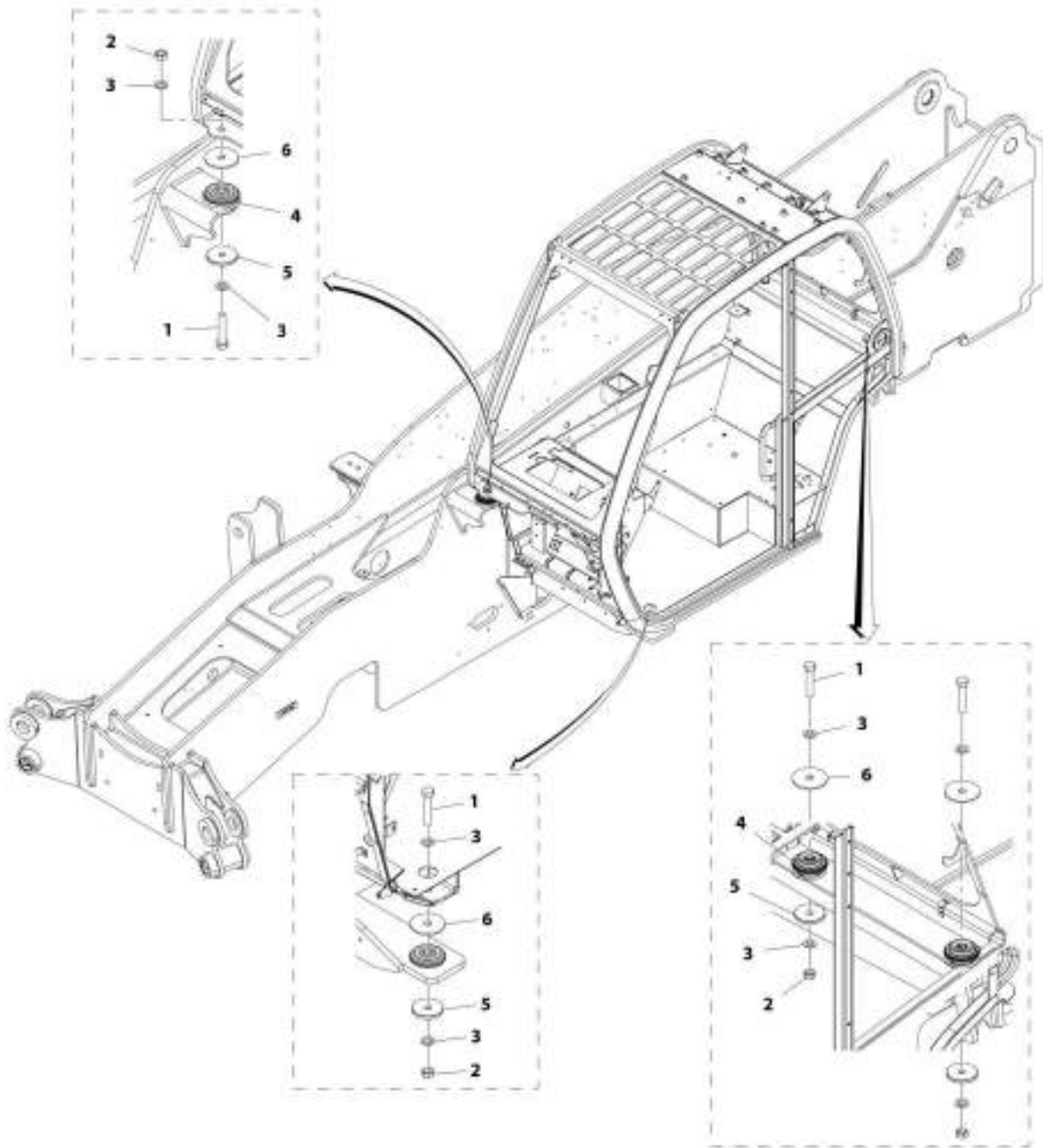
ITEM	PART NUMBER	QTY	DESCRIPTION	REV
	1001176354	Ref	Fender Assembly (500MM)	B
2	1001170697	4	Screw, Self-Tapping	
3	1001176128	1	Bracket, Fender	
4	1001178171	1	Fender, Plastic	



**SECTION 6 - CAB**

# SECTION 6 - CAB

## FIGURE 6-1. CAB MOUNTS INSTALLATION (JLG)



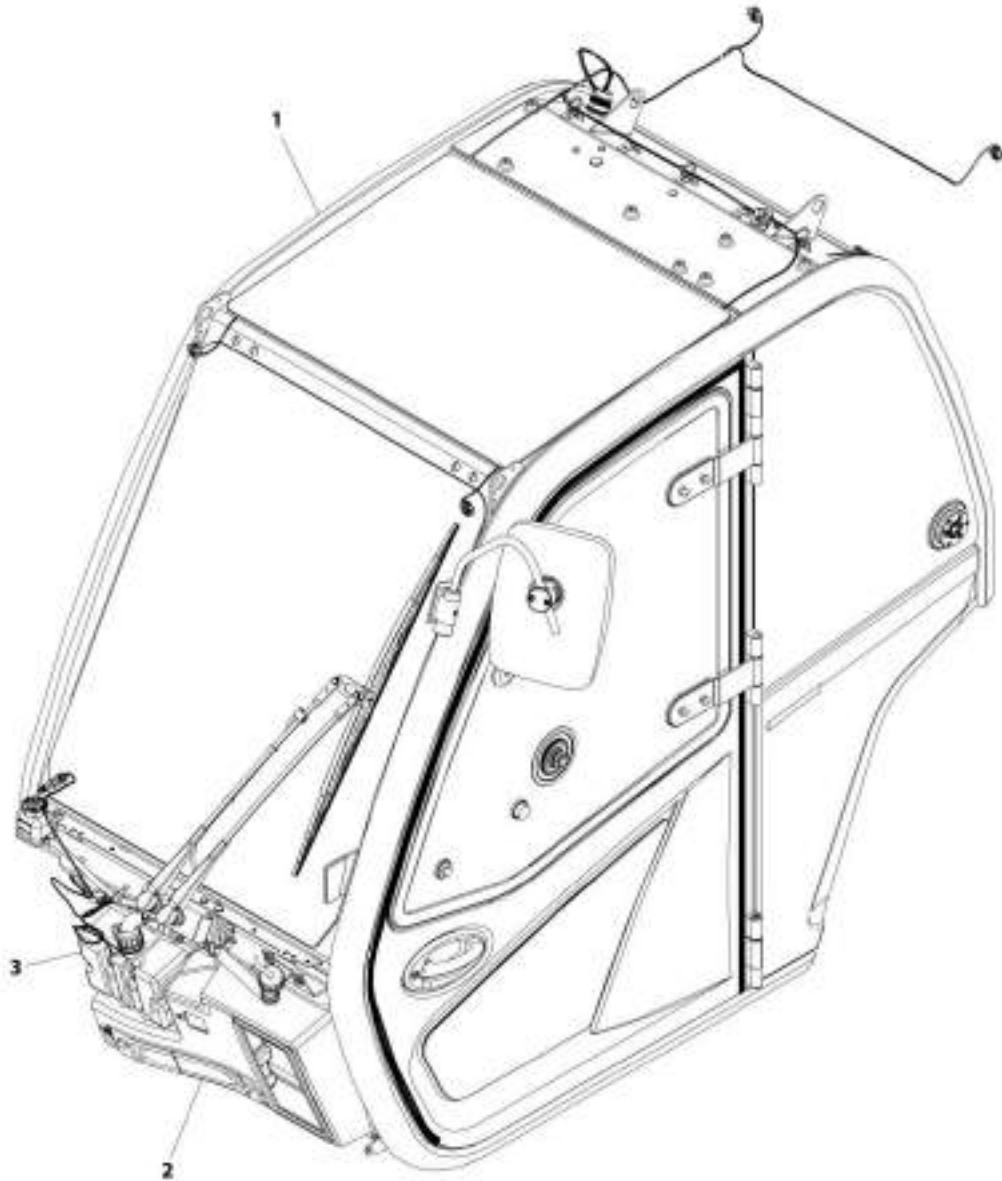
ART\_100155446-0

FIGURE 6-1. CAB MOUNTS INSTALLATION (JLG)

ITEM	PART NUMBER	QTY	DESCRIPTION	REV
	1001155446	Ref	Cab Mounts Installation	E
1	0712027	4	Bolt, M20X100	
2	3332011	4	Nut, M20X2.5	
3	4812500	8	Washer, M20	
4	1001166754	4	Mount, Cab Isolation	
5	1001166755	4	Washer, Cab Rebound	
6	1001220540	4	Washer, Cab Mount	

## SECTION 6 - CAB

FIGURE 6-2. ENCLOSED CAB INSTALLATION (JLG)



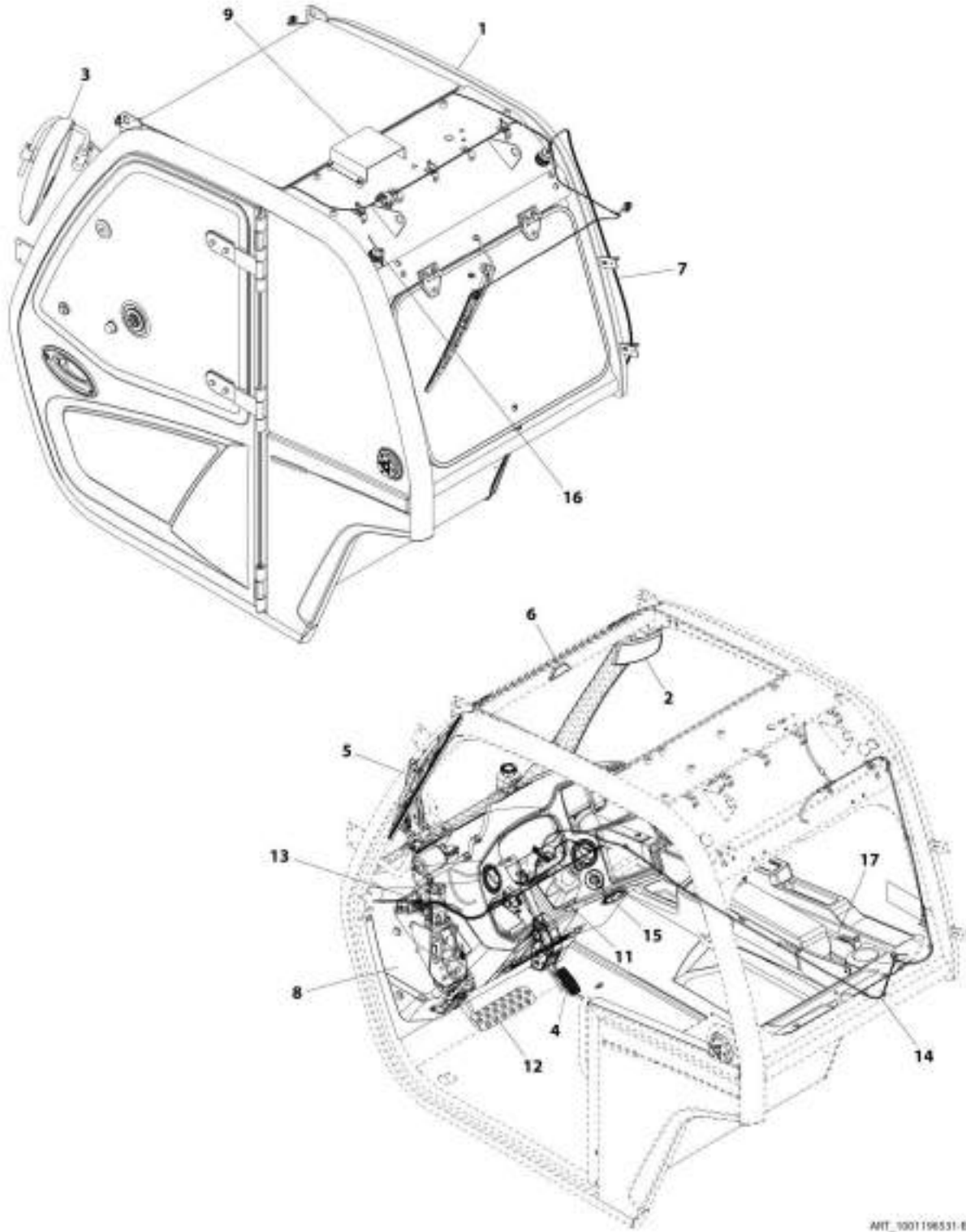
49T\_1001202086-D

**FIGURE 6-2. ENCLOSED CAB INSTALLATION (JLG)**

<b>ITEM</b>	<b>PART NUMBER</b>	<b>QTY</b>	<b>DESCRIPTION</b>	<b>REV</b>
1	1001202086	Ref	Enclosed Cab Installation	D
	1001196531	Ref	Assembly, Enclosed Cab (JLG) (See Separate Breakdown in this Section)	
2	1001170366	Ref	Installation, Front Cover (See Separate Breakdown in this Section)	
3	1001201027	Ref	Installation, Washer Tank (See Separate Breakdown in this Section)	

# SECTION 6 - CAB

FIGURE 6-3. ENCLOSED CAB ASSEMBLY (JLG) (Prior to SN 1160008716)



MIT\_1001196531-B



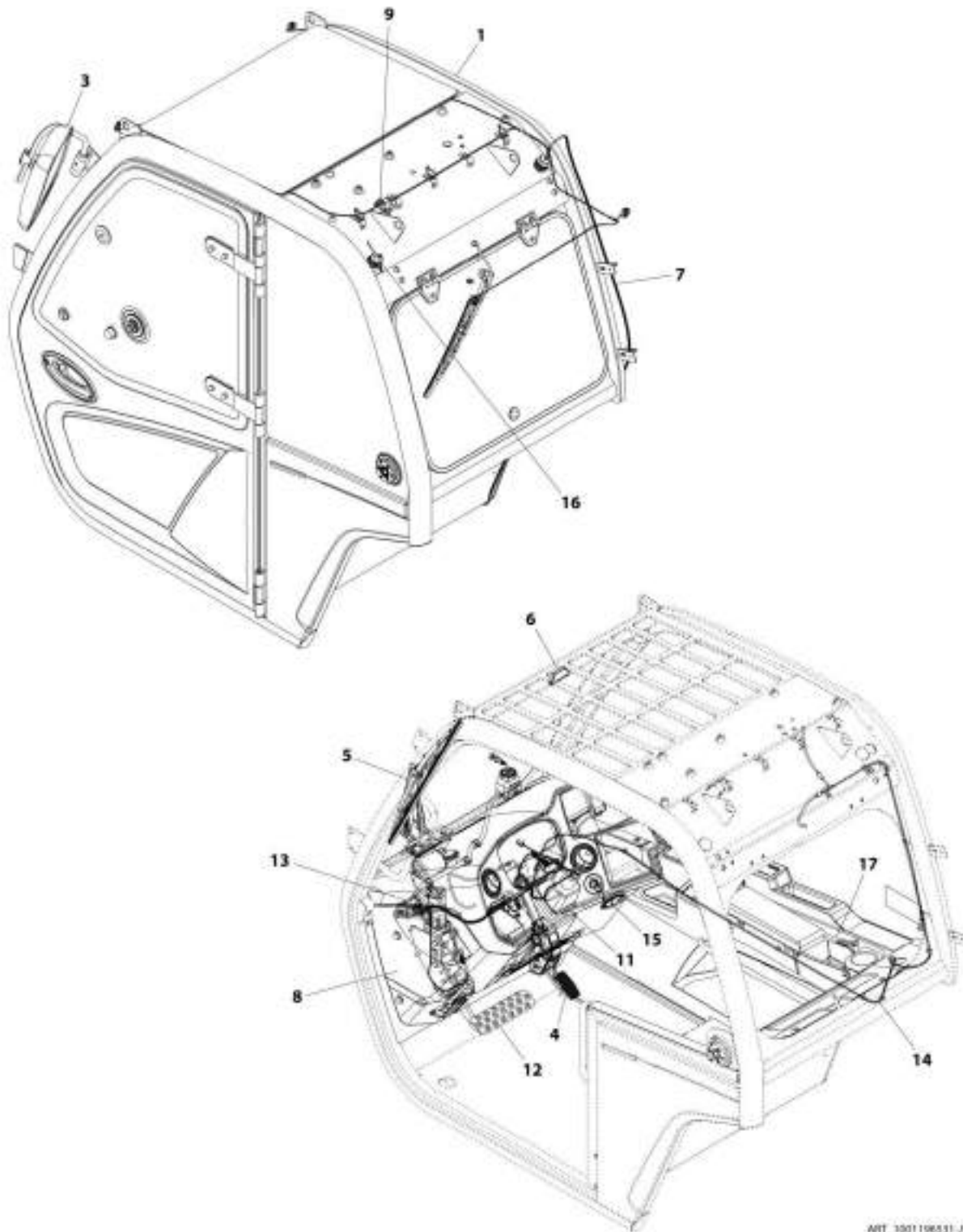
## SECTION 6 - CAB

**FIGURE 6-3. ENCLOSED CAB ASSEMBLY (JLG) (Prior to SN 1160008716)**

ITEM	PART NUMBER	QTY	DESCRIPTION	REV
1	1001196531	Ref	Enclosed Cab Assembly	B
	1001168152	Ref	Group, Enclosed Cab (JLG) (See Separate Breakdown in this Section)	
2	1001166192	Ref	Installation, Interior Mirror (See Separate Breakdown in this Section)	
3	1001160508	Ref	Installation, Interior Mirror (See Separate Breakdown in this Section)	
4	1001161499	Ref	Installation, Accelerator Pedal (See Separate Breakdown in this Section)	
5	1001155447	Ref	Installation, Front Wiper (See Separate Breakdown in this Section)	
6	1001172401	Ref	Installation, Level Indicator (See Separate Breakdown in this Section)	
7	1001184069	Ref	Installation, Cab Electrical (See Separate Breakdown in this Section)	
8	1001167981	Ref	Installation, Enclosed Cab Trim (See Separate Breakdown in this Section)	
9	1001200689	Ref	Installation, Beacon Bracket (See Separate Breakdown in this Section)	
11	1001162704	Ref	Installation, Steering Column Tilt (See Separate Breakdown in this Section)	
12	1001188262	Ref	Installation, Brake Pedal (See Separate Breakdown in this Section)	
13	1001201340	Ref	Installation, Cab Heater Harness (See Separate Breakdown in this Section)	
14	1001201520	Ref	Installation, Washer Hoses (See Separate Breakdown in this Section)	
15	1001208518	Ref	Installation, Ignition Switch (JLG) (See Separate Breakdown in this Section)	
16	1001201161	Ref	Installation, Telematics Cap (See Separate Breakdown in this Section)	
17	1001210628	Ref	Installation, Hammer (See Separate Breakdown in this Section)	

# SECTION 6 - CAB

FIGURE 6-4. ENCLOSED CAB ASSEMBLY (JLG) (SN 1160008716 to Present)



AWT\_3001106531-J

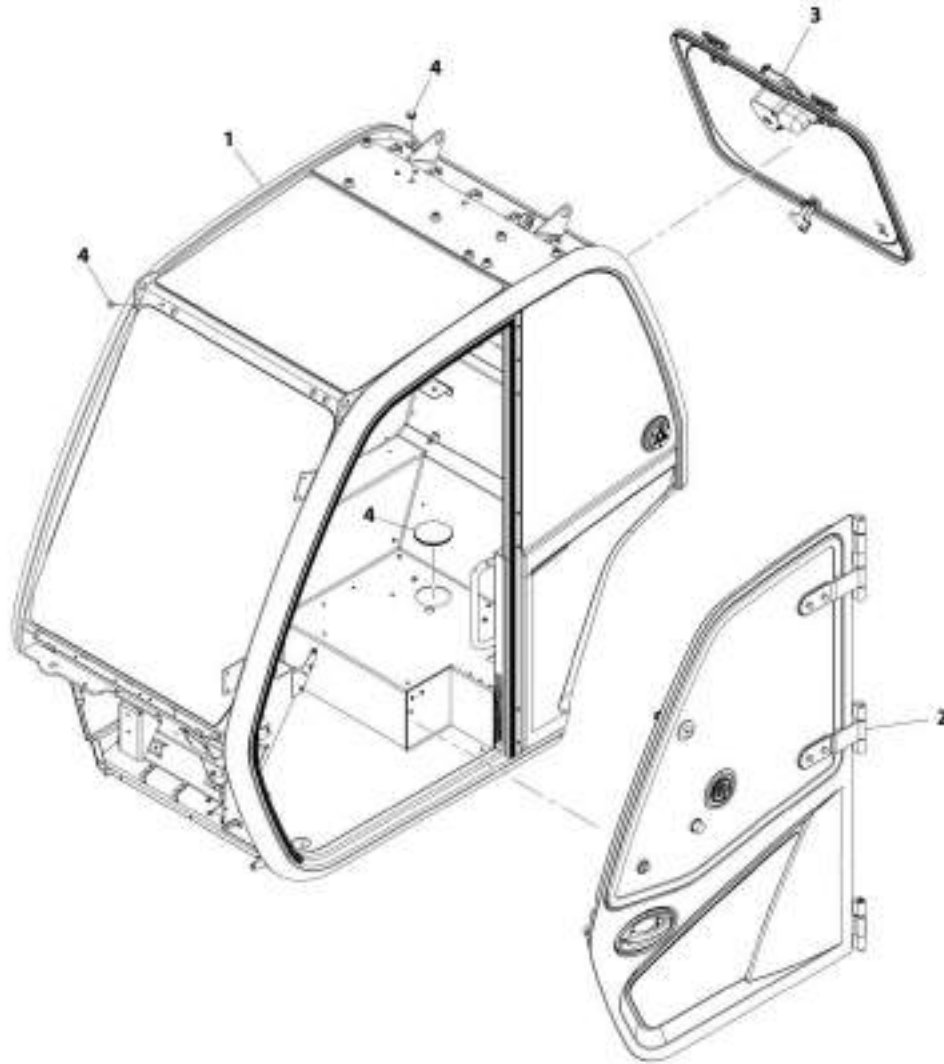
## SECTION 6 - CAB

**FIGURE 6-4. ENCLOSED CAB ASSEMBLY (JLG) (SN 1160008716 to Present)**

ITEM	PART NUMBER	QTY	DESCRIPTION	REV
	1001196531	Ref	Enclosed Cab Assembly	J
1	1001168152	Ref	Group, Enclosed Cab (JLG) (See Separate Breakdown in this Section)	
3	1001230435	Ref	Installation, Interior Mirror (See Separate Breakdown in this Section)	
4	1001161499	Ref	Installation, Accelerator Pedal (See Separate Breakdown in this Section)	
5	1001155447	Ref	Installation, Front Wiper (See Separate Breakdown in this Section)	
6	1001172401	Ref	Installation, Level Indicator (See Separate Breakdown in this Section)	
7	1001184069	Ref	Installation, Cab Electrical (See Separate Breakdown in this Section)	
8	1001167981	Ref	Installation, Enclosed Cab Trim (See Separate Breakdown in this Section)	
9	1001218856	Ref	Installation, Beacon Bracket (See Separate Breakdown in this Section)	
11	1001229534	Ref	Installation, Steering Column Tilt (See Separate Breakdown in this Section)	
12	1001188262	Ref	Installation, Brake Pedal (See Separate Breakdown in this Section)	
13	1001201340	Ref	Installation, Cab Heater Harness (See Separate Breakdown in this Section)	
14	1001201520	Ref	Installation, Washer Hoses (See Separate Breakdown in this Section)	
15	1001208518	Ref	Installation, Ignition Switch (JLG) (See Separate Breakdown in this Section)	
16	1001201161	Ref	Installation, Telematics Cap (See Separate Breakdown in this Section)	
17	1001210628	Ref	Installation, Hammer (See Separate Breakdown in this Section)	

# SECTION 6 - CAB

## FIGURE 6-5. ENCLOSED CAB GROUP (JLG)



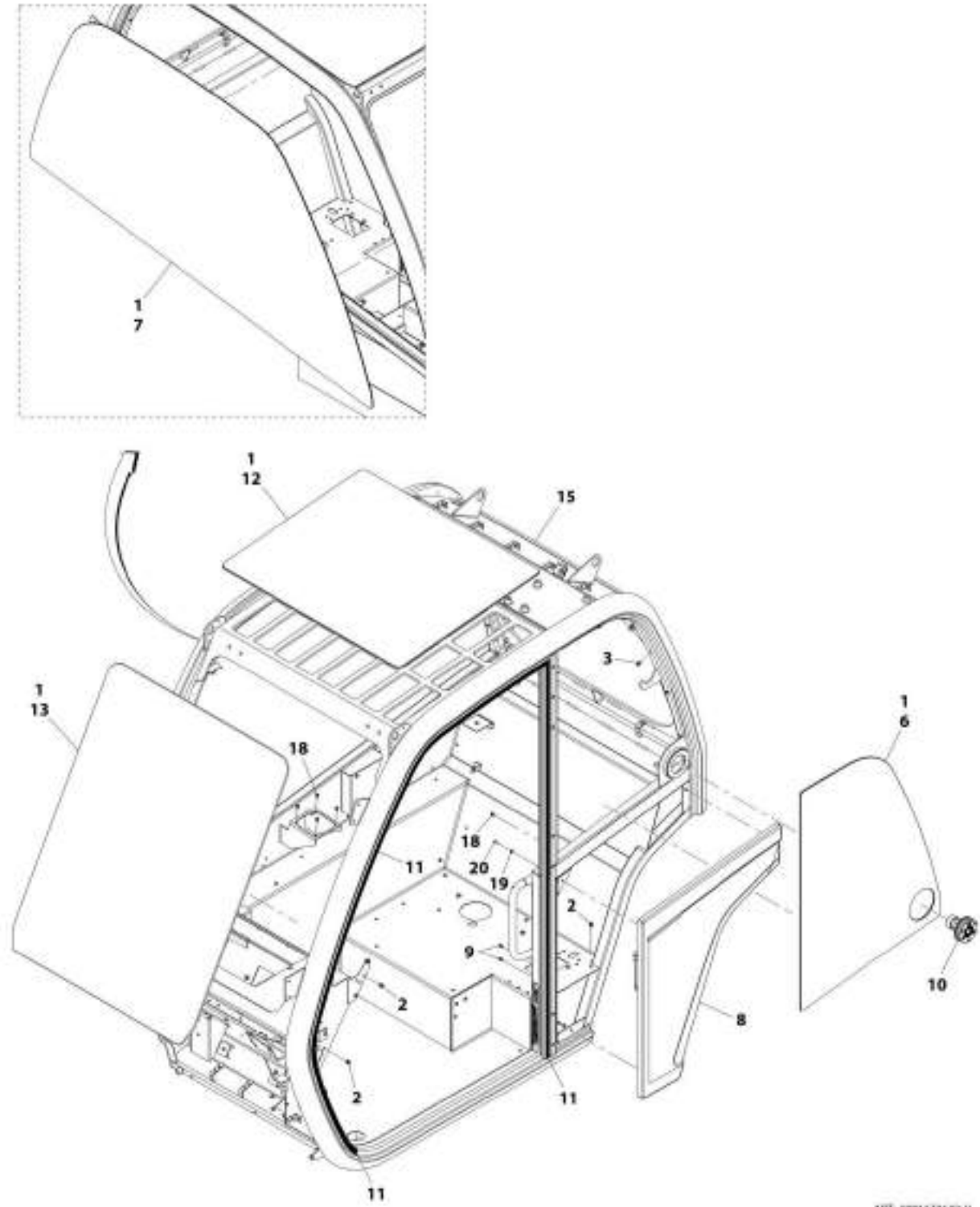
ART\_100198152-G

FIGURE 6-5. ENCLOSED CAB GROUP (JLG)

ITEM	PART NUMBER	QTY	DESCRIPTION	REV
	1001168152	Ref	Enclosed Cab Group	G
1	1001173641	Ref	Cab, Enclosed (JLG) (See Separate Breakdown in this Section)	
2	1001155228	Ref	Installation, Door (JLG) (See Separate Breakdown in this Section)	
3	1001178678	Ref	Installation, Rear Window (See Separate Breakdown in this Section)	
4	1001170603	Ref	Group, Enclosed Cab Plug (See Separate Breakdown in this Section)	

# SECTION 6 - CAB

FIGURE 6-6. ENCLOSED CAB (DEUTZ-FAHR) (SN 1160008716 to Present)



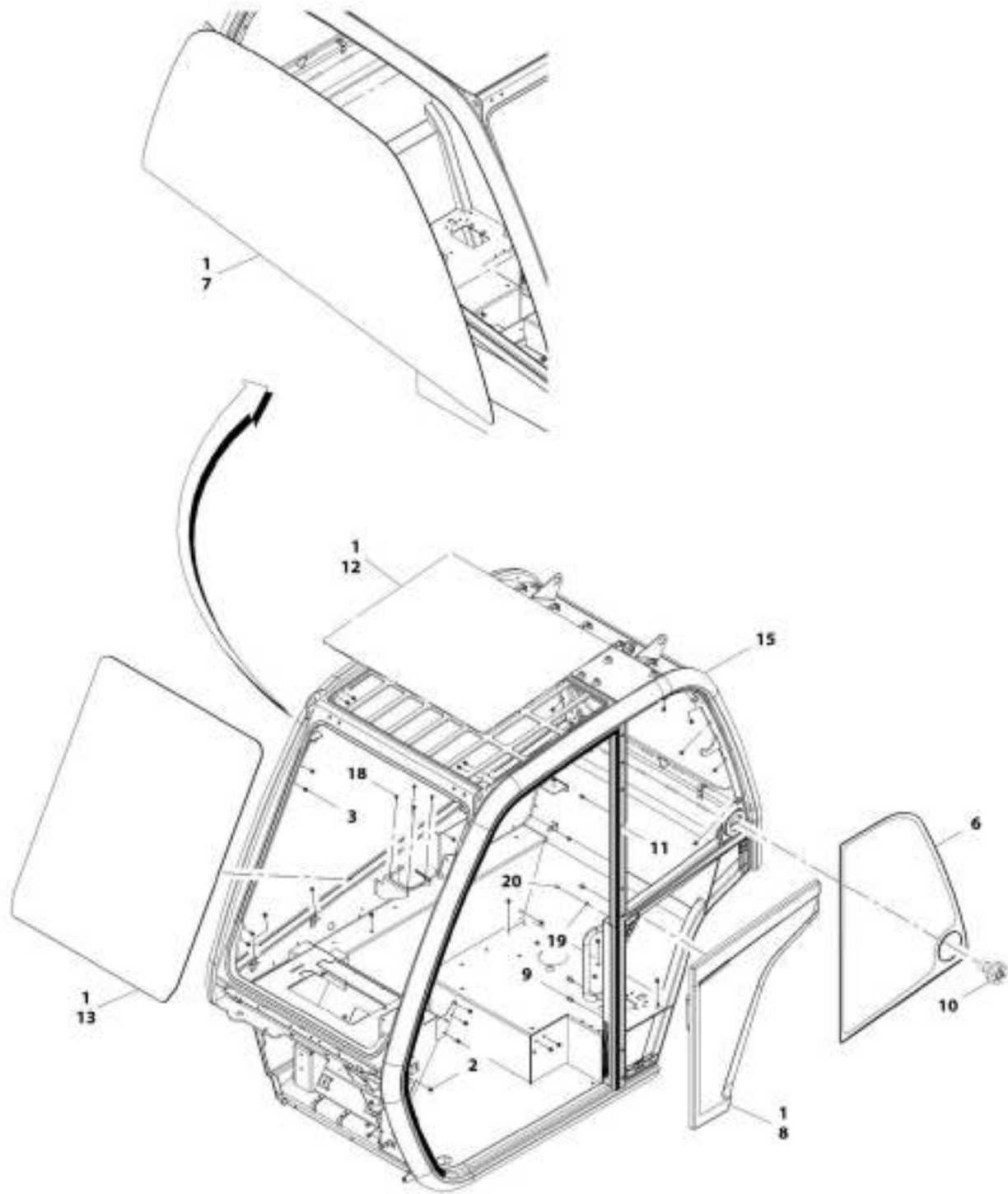
## SECTION 6 - CAB

**FIGURE 6-6. ENCLOSED CAB (DEUTZ-FAHR) (SN 1160008716 to Present)**

ITEM	PART NUMBER	QTY	DESCRIPTION	REV
	1001173642	Ref	Enclosed Cab (Deutz-Fahr)	H
1	1001111317	AR	Compound, Locking	
2	2080086	27	Rivnut, M6X1	
3	2080087	16	Rivnut, M8X1.25	
6	1001152915	1	Glass, LH Screen	
7	1001152947	1	Glass, RH Screen	
8	1001229318	1	Panel, Cab Quarter	
9	1001172193	2	Rivnut, M5X0.8	
10	1001174320	1	Latch, Top Window	
11	1001227186	1	Seal, Cab Door	
12	1001178159	1	Glass, Roof Laminated	
13	1001178160	1	Glass, Front Laminated	
15	1001225177	1	Weldment, Cab	
18	1001195878	7	Rivnut, M5X0.8	
19	4811700	3	Washer, M6	
20	0750804	3	Screw	

# SECTION 6 - CAB

FIGURE 6-7. ENCLOSED CAB (JLG) (Prior to SN 1160008716)



ART\_1001173645-H



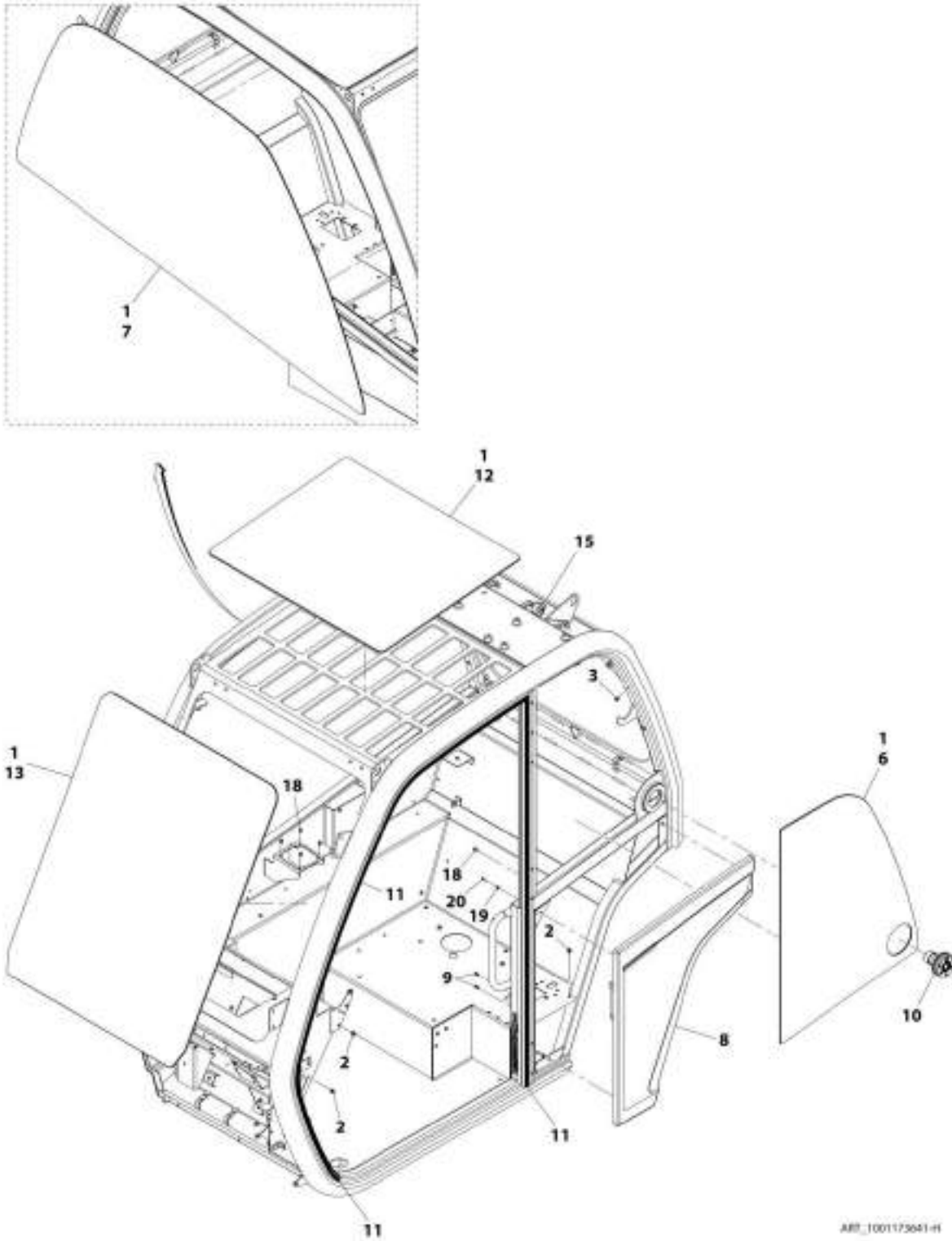
**SECTION 6 - CAB**

**FIGURE 6-7. ENCLOSED CAB (JLG) (Prior to SN 1160008716)**

ITEM	PART NUMBER	QTY	DESCRIPTION	REV
	1001173641	Ref	Enclosed Cab	H
1	1001111317	AR	Compound, Locking	
2	2080086	27	Rivnut, M6X1	
3	2080087	16	Rivnut, M8X1.25	
6	1001152915	1	Glass, LH Screen	
7	1001152947	1	Glass, RH Screen	
8	1001229319	1	Panel, Cab Quarter	
9	1001172193	2	Rivnut, M5X0.8	
10	1001174320	1	Latch, Top Window	
11	1001227186	1	Seal, Cab Door	
12	1001178159	1	Glass, Roof Laminated	
13	1001178160	1	Glass, Front Laminated	
15	1001225176	1	Weldment, Cab	
18	1001195878	7	Rivnut, M5X0.8	
19	4811700	3	Washer, M6	
20	0750804	3	Screw	

# SECTION 6 - CAB

FIGURE 6-8. ENCLOSED CAB (JLG) (SN 1160008716 to Present)



ABT\_1001173641-H

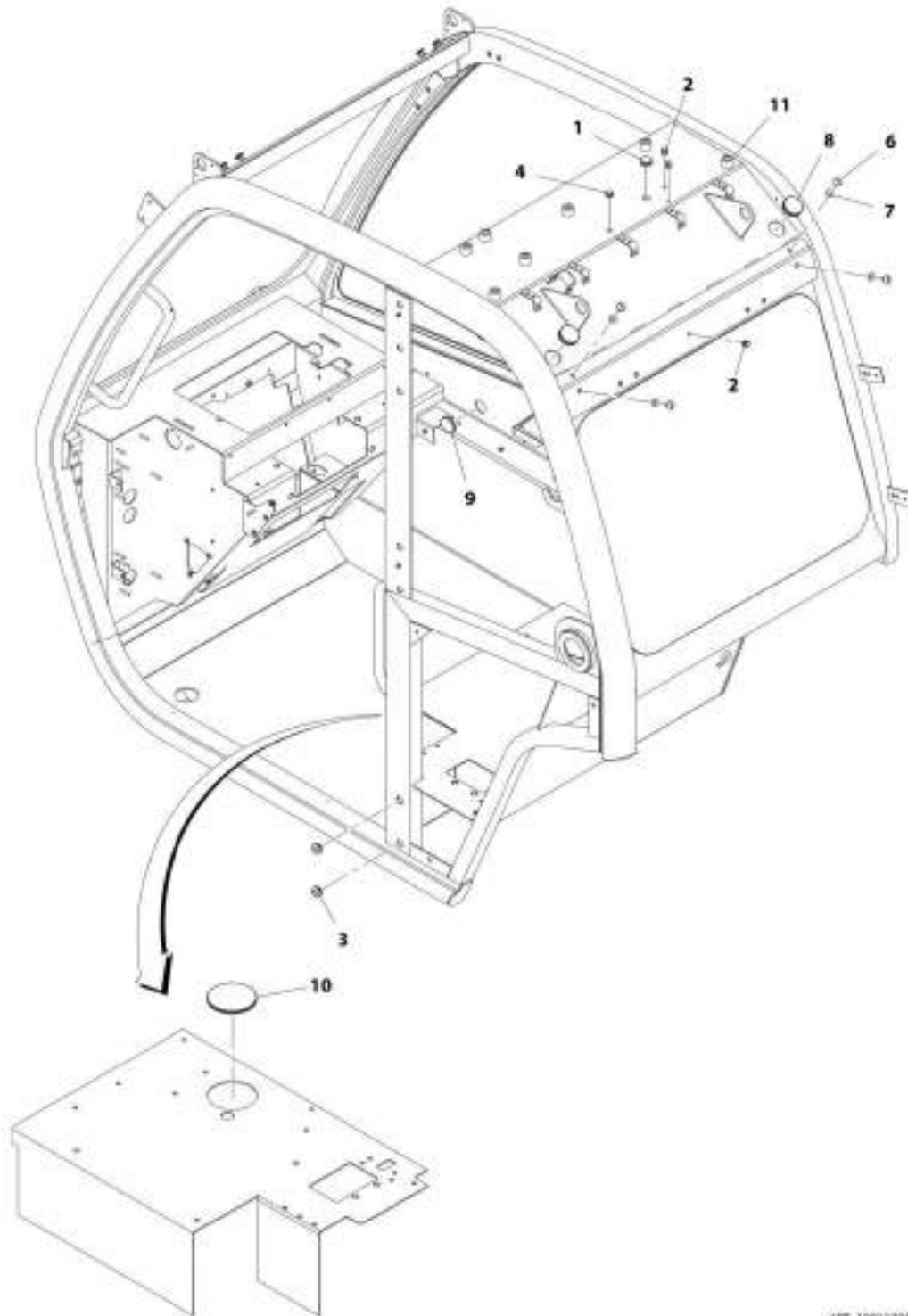
## SECTION 6 - CAB

**FIGURE 6-8. ENCLOSED CAB (JLG) (SN 1160008716 to Present)**

ITEM	PART NUMBER	QTY	DESCRIPTION	REV
	1001173641	Ref	Enclosed Cab (JLG)	H
1	1001111317	AR	Compound, Locking	
2	2080086	27	Rivnut, M6X1	
3	2080087	16	Rivnut, M8X1.25	
6	1001152915	1	Glass, LH Screen	
7	1001152947	1	Glass, RH Screen	
8	1001229319	1	Panel, Cab Quarter	
9	1001172193	2	Rivnut, M5X0.8	
10	1001174320	1	Latch, Top Window	
11	1001227186	1	Seal, Cab Door	
12	1001178159	1	Glass, Roof Laminated	
13	1001178160	1	Glass, Front Laminated	
15	1001225176	1	Weldment, Cab	
18	1001195878	7	Rivnut, M5X0.8	
19	4811700	3	Washer, M6	
20	0750804	3	Screw	

# SECTION 6 - CAB

## FIGURE 6-9. ENCLOSED CAB PLUG GROUP



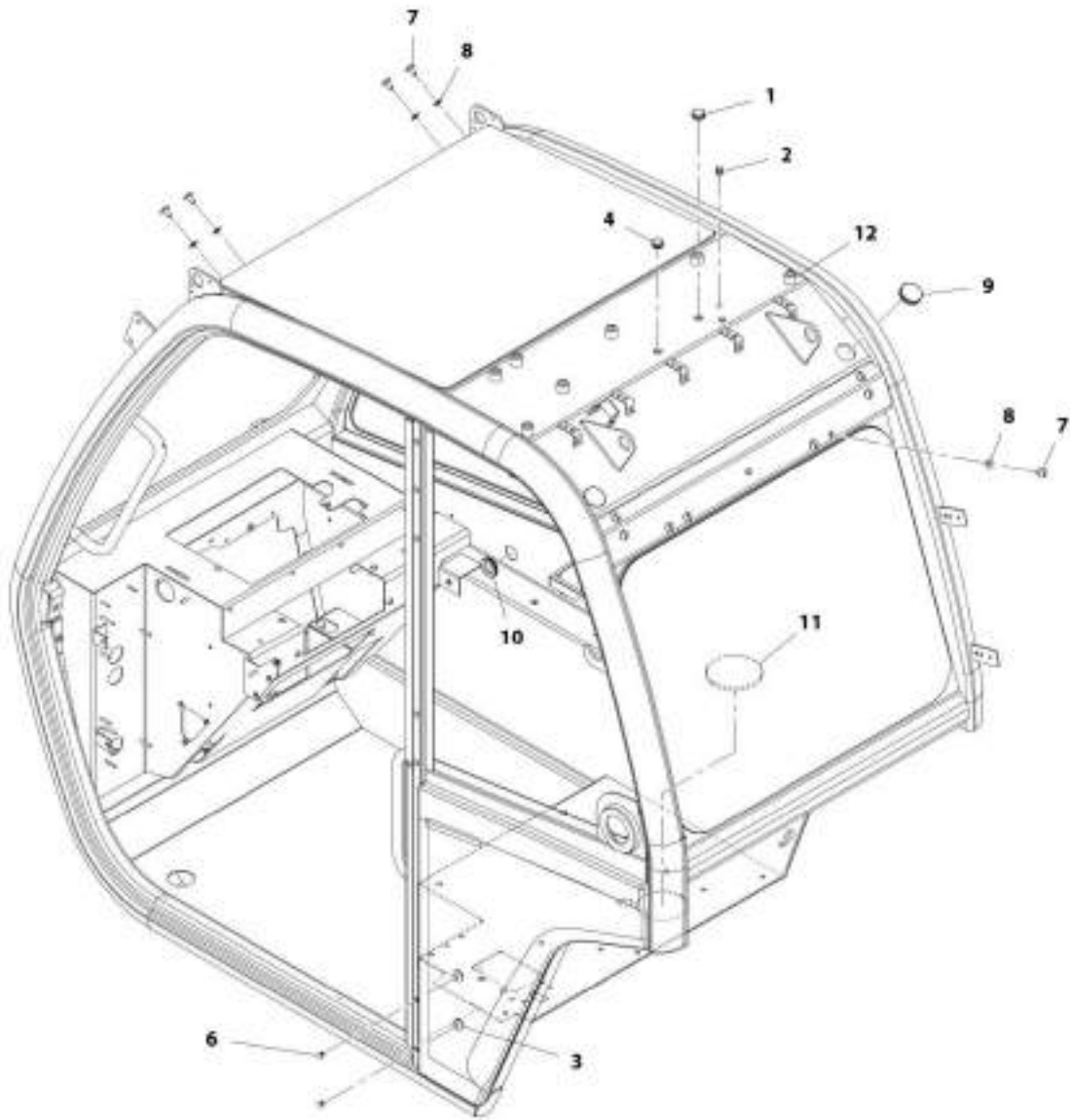
AMT\_1001170603-E

FIGURE 6-9. ENCLOSED CAB PLUG GROUP

ITEM	PART NUMBER	QTY	DESCRIPTION	REV
	1001170603	Ref	Enclosed Cab Plug Group	E
1	1001176273	1	Plug	
2	1001176272	3	Plug	
3	1001143200	2	Plug	
4	1001176626	1	Plug	
6	1001181920	8	Screw, M8X16	
7	1001181921	8	Washer, Rubber M8	
8	1001182123	2	Plug	
9	1001182139	1	Plug	
10	1001209899	1	Plug	
11	1001219220	7	Cap, Vinyl Round	

# SECTION 6 - CAB

## FIGURE 6-10. OPEN CAB PLUG GROUP



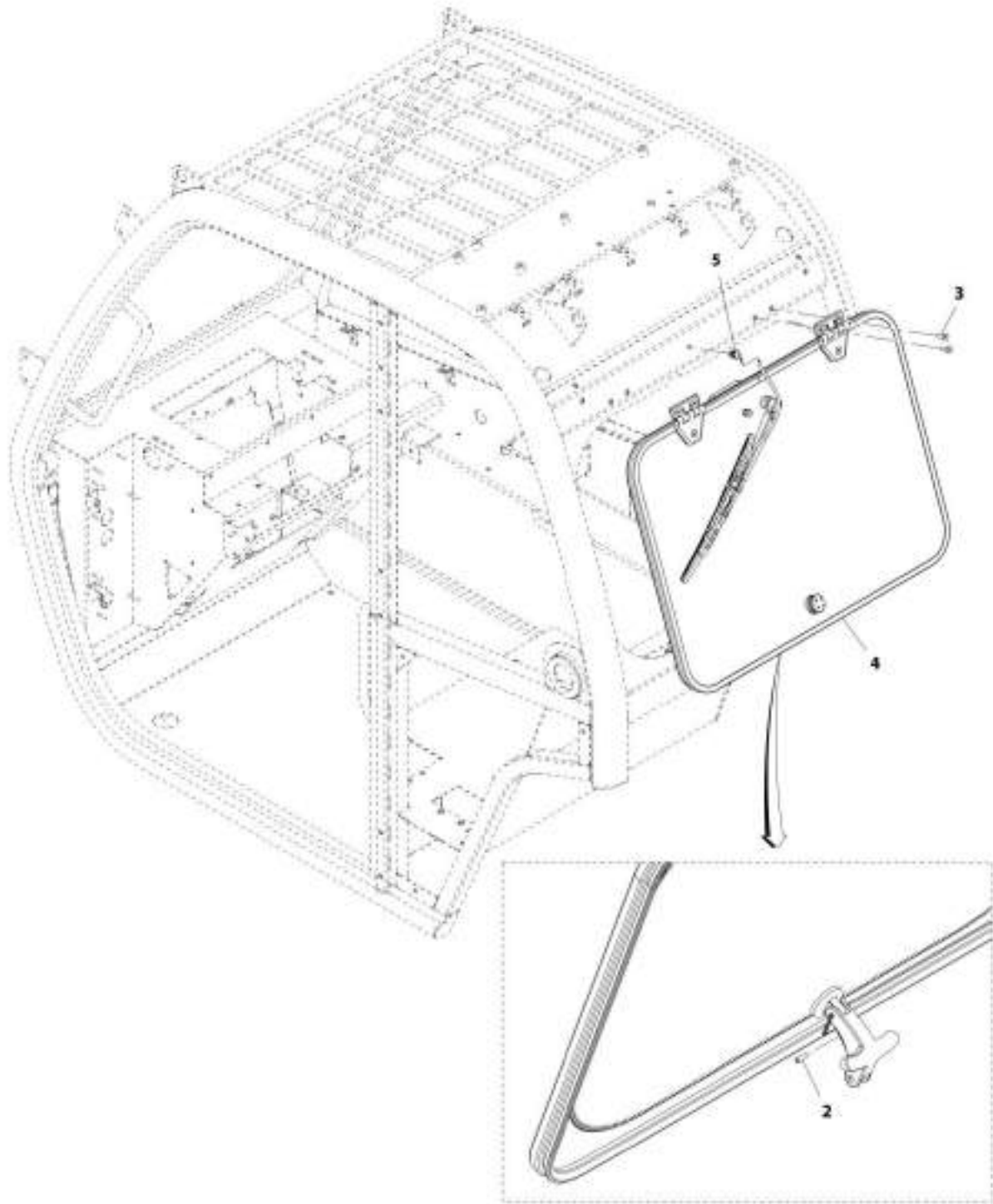
ART\_1001170495-E

FIGURE 6-10. OPEN CAB PLUG GROUP

ITEM	PART NUMBER	QTY	DESCRIPTION	REV
	1001170495	Ref	Open Cab Plug Group	E
1	1001176273	1	Plug	
2	1001176272	3	Plug	
3	1001143200	2	Plug	
4	1001176626	1	Plug	
6	1001170374	7	Plug	
7	1001181920	12	Screw, M8X16	
8	1001181921	12	Washer, M8 Rubber	
9	1001182123	2	Plug	
10	1001182139	1	Plug	
11	1001209899	1	Plug	
12	1001219220	1	Cap, Vinyl Round	

# SECTION 6 - CAB

## FIGURE 6-11. REAR WINDOW INSTALLATION



ART\_1001178670-C

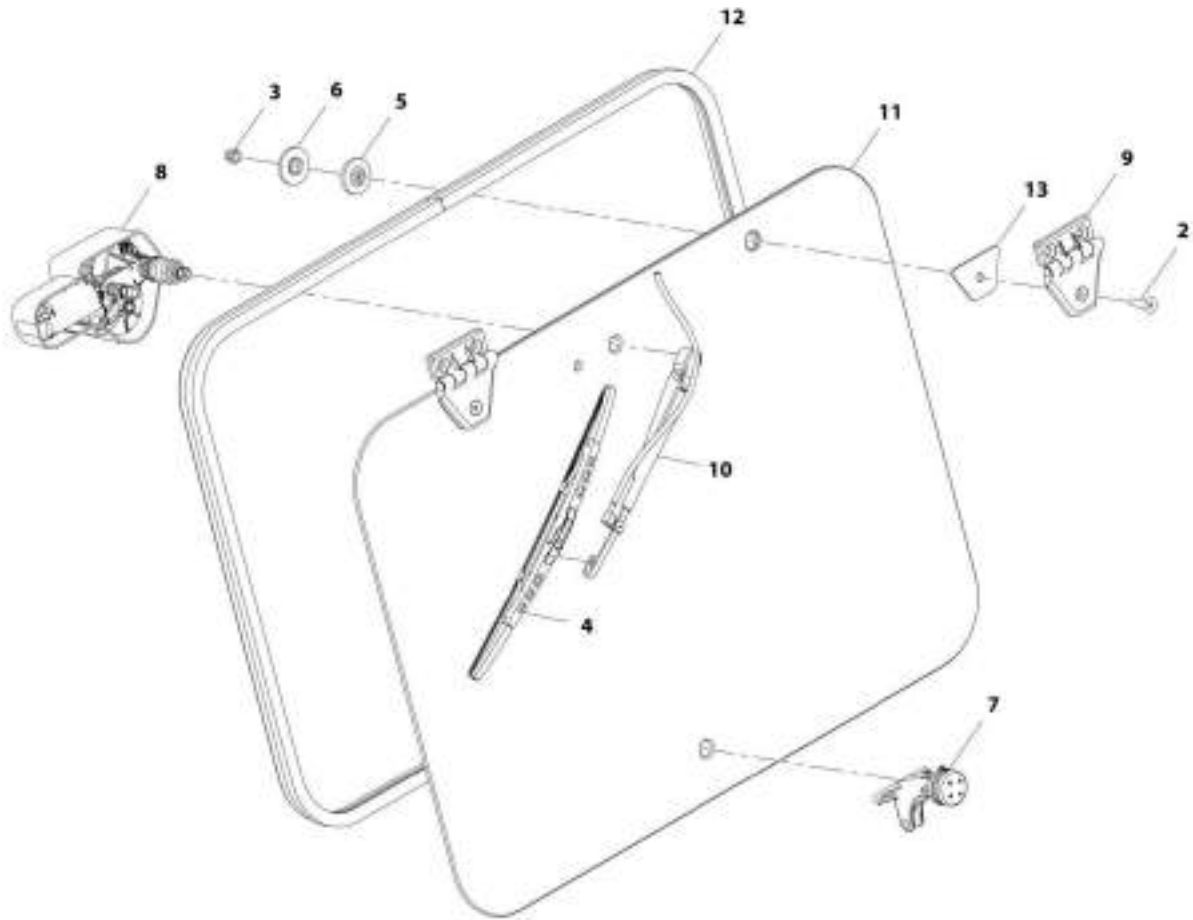


FIGURE 6-11. REAR WINDOW INSTALLATION

ITEM	PART NUMBER	QTY	DESCRIPTION	REV
	1001178678	Ref	Rear Window Installation	C
2	1001003043	1	Pin, Spring	
3	1001097586	4	Screw, M8X1.25	
4	1001178679	1	Assembly, Rear Window (See Separate Breakdown in this Section)	
5	1001090343	1	Connector	

# SECTION 6 - CAB

## FIGURE 6-12. REAR WINDOW ASSEMBLY



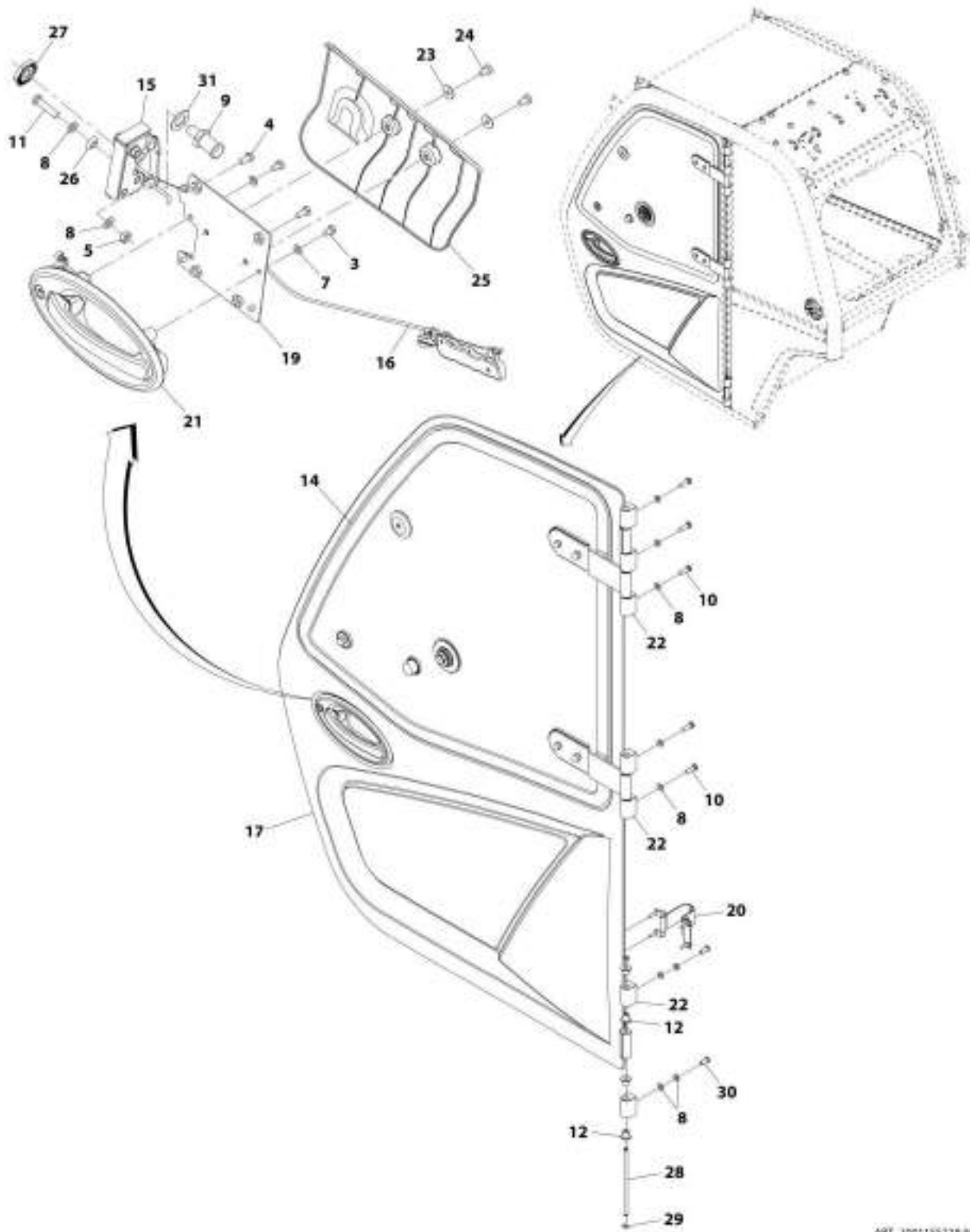
ART\_180178629-C

FIGURE 6-12. REAR WINDOW ASSEMBLY

ITEM	PART NUMBER	QTY	DESCRIPTION	REV
	1001178679	Ref	Rear Window Assembly	C
2	2080078	2	Fastener, M8X30	
3	3290806	2	Nut, M8X1.25 Grade 8	
4	4807718	1	Blade, Wiper	
5	8000759	2	Spacer	
6	8004398	2	Spacer	
7	1001005368	1	Latch, Window	
8	1001139552	1	Motor, Rear Wiper	
9	1001139568	2	Hinge	
10	1001141312	1	Arm, Rear Window Wiper	
11	1001178680	1	Glass, Rear Window	
12	1001178681	1	Seal	
13	1001181411	2	Gasket, Rear Window Hinge	

# SECTION 6 - CAB

## FIGURE 6-13. DOOR INSTALLATION (JLG)



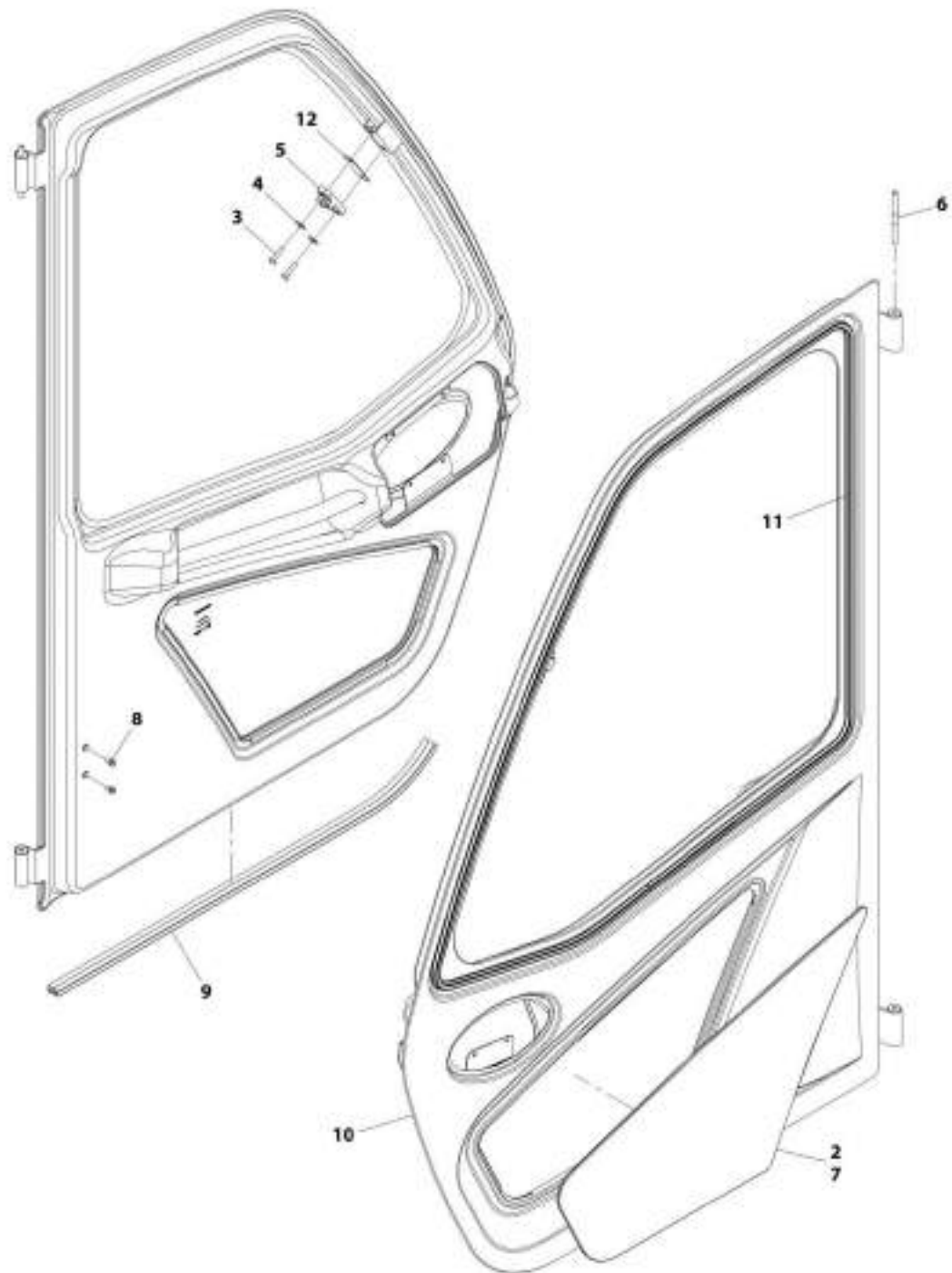
ART\_100135228-M

FIGURE 6-13. DOOR INSTALLATION (JLG)

ITEM	PART NUMBER	QTY	DESCRIPTION	REV
	1001155228	Ref	Door Installation	M
3	0760605	4	Bolt, M6X10	
4	0760607	4	Bolt, M6X14	
5	3290801	2	Nut, M8X1.25 Grade 8	
7	4811700	4	Washer, M6	
8	4811900	13	Washer, M8	
9	8000803	1	Pin, Door Striker	
10	1001008988	5	Screw M8X25	
11	1001047062	2	Screw, M8X35	
12	1001107192	10	Sleeve, Hinge	
14	1001205532	1	Assembly, Door Upper Glass (See Separate Breakdown in this Section)	
15	1001192766	1	Assembly, Cab Latch (See Separate Breakdown in this Section)	
16	1001167958	1	Assembly, Cab Door Trigger (See Separate Breakdown in this Section)	
17	1001170114	1	Assembly, Door (See Separate Breakdown in this Section)	
19	1001173298	1	Bracket	
20	1001174295	1	Installation, Door Strap (See Separate Breakdown in this Section)	
21	1001192646	1	Handle, Exterior Door	
22	1001170601J	7	Lug, Hinge	
23	4811702001	2	Washer, M6	
24	4010608002	2	Screw, Posi-Drive, M6X16	
25	1001175477	1	Cover, Cab Door Interior	
26	1001184439	2	Bushing	
27	1001192309	1	Nut, M12X1	
28	1001213791	1	Pin	
29	0498748	2	Washer, Lock M7	
30	1001164726	2	Bolt, M8X20	
31	1001227802	1	Washer	

# SECTION 6 - CAB

## FIGURE 6-14. DOOR ASSEMBLY (AG - DEUTZ-FAHR)



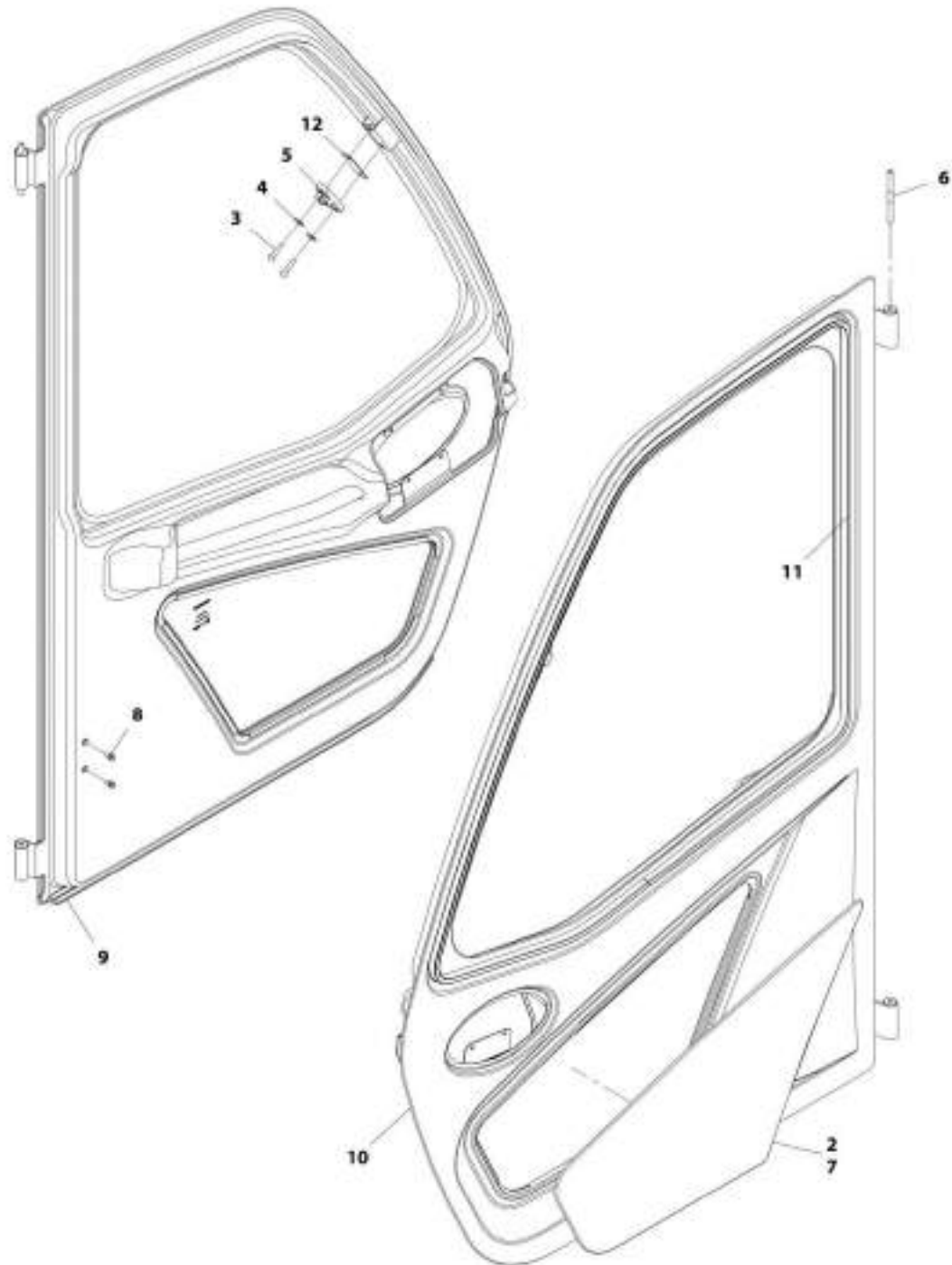
KRT\_1001170122-J

FIGURE 6-14. DOOR ASSEMBLY (AG - DEUTZ-FAHR)

ITEM	PART NUMBER	QTY	DESCRIPTION	REV
	1001170122	Ref	Door Assembly (Deutz-Fahr)	J
2	1001111317	AR	Compound, Locking	
3	4010612002	2	Bolt, M6X25	
4	4811702001	2	Washer, 6MM	
5	1001165276	1	Plate, Window Latch Striker	
6	1001166634	1	Pin, Hinge	
7	1001169880	1	Window, Lower Glass	
8	1001172193	2	Rivnut, M5X0.8	
9	1001227188	1	Seal, Cab Door	
10	1001170113C	1	Door, Cab (See Separate Breakdown in this Section)	
11	1001227187	1	Seal, Cab Door Window	
12	1001193210	AR	Shim, Window Latch	

# SECTION 6 - CAB

## FIGURE 6-15. DOOR ASSEMBLY (AG - JLG)



AMT\_1001170114-L

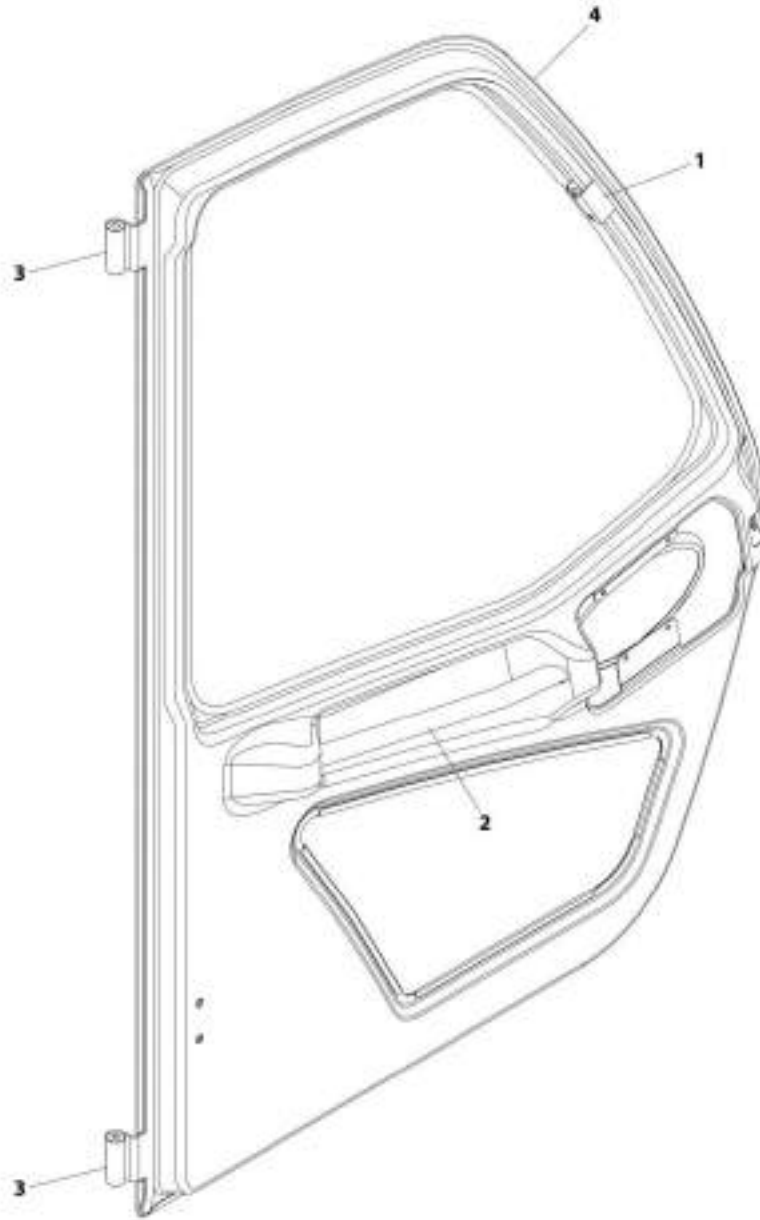


FIGURE 6-15. DOOR ASSEMBLY (AG - JLG)

ITEM	PART NUMBER	QTY	DESCRIPTION	REV
	1001170114	Ref	Door Assembly	J
2	1001111317	AR	Compound, Locking	
3	4010612002	2	Screw, M6X25	
4	4811702001	2	Washer, 6MM	
5	1001165276	1	Plate, Window Latch Striker	
6	1001166634	1	Pin, Hinge	
7	1001169880	1	Window, Lower Glass	
8	1001172193	2	Rivnut, M5X0.8	
9	1001227188	1	Seal, Cab Door	
10	1001170113J	1	Door, Cab (See Separate Breakdown in this Section)	
11	1001227187	1	Seal, Cab Door Window	
12	1001193210	AR	Shim, Window Latch	

**SECTION 6 - CAB**

**FIGURE 6-16. CAB DOOR**



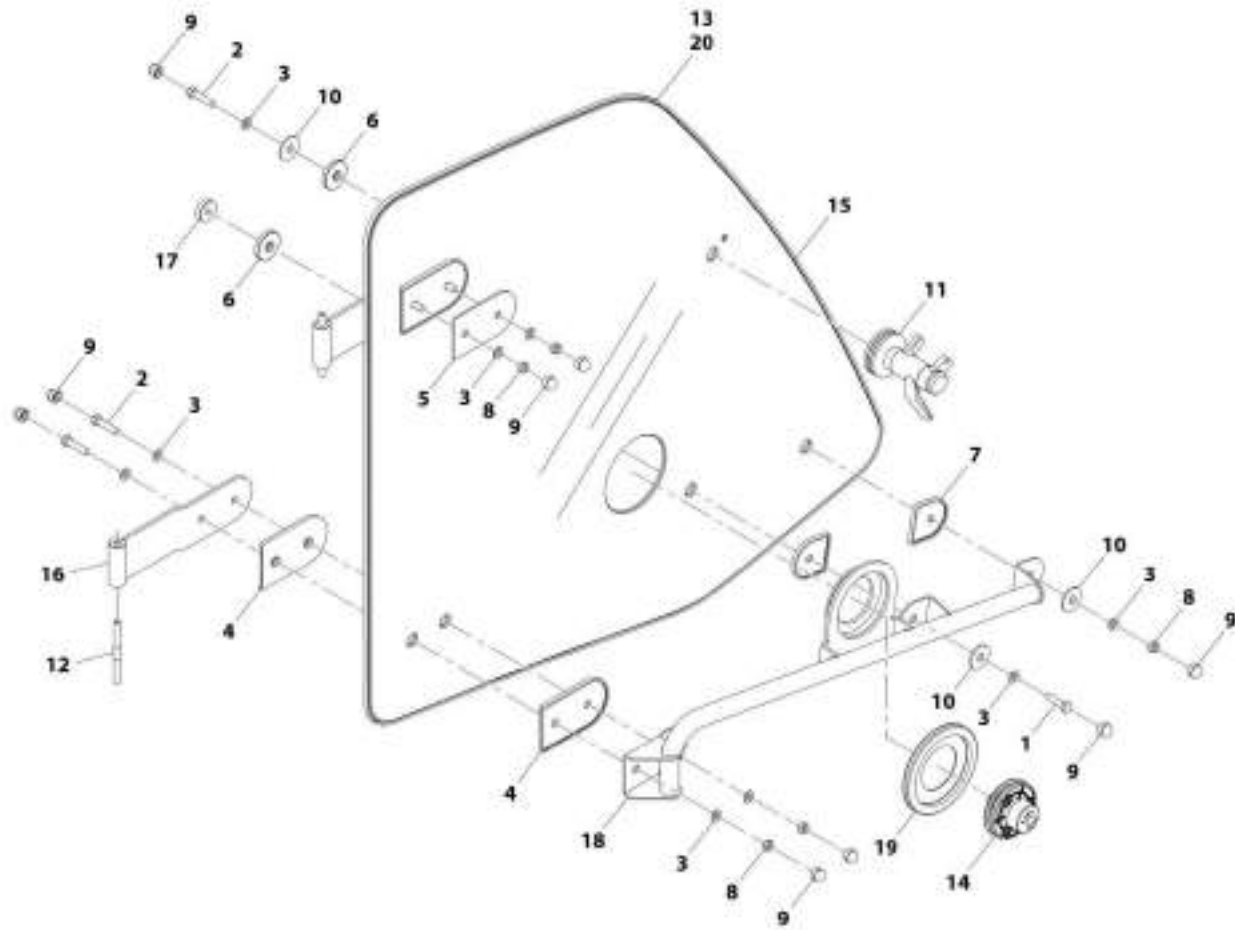
ART\_10017013-E

FIGURE 6-16. CAB DOOR

ITEM	PART NUMBER	QTY	DESCRIPTION	REV
	1001170113	Ref	Cab Door	E
1	1001169883	1	Bracket, Window Latch	
2	1001169885	1	Handle, Interior Door	
3	1001171037	1	Plate, Hinge	
4	1001171635	1	Frame, Door	

# SECTION 6 - CAB

## FIGURE 6-17. DOOR UPPER GLASS ASSEMBLY



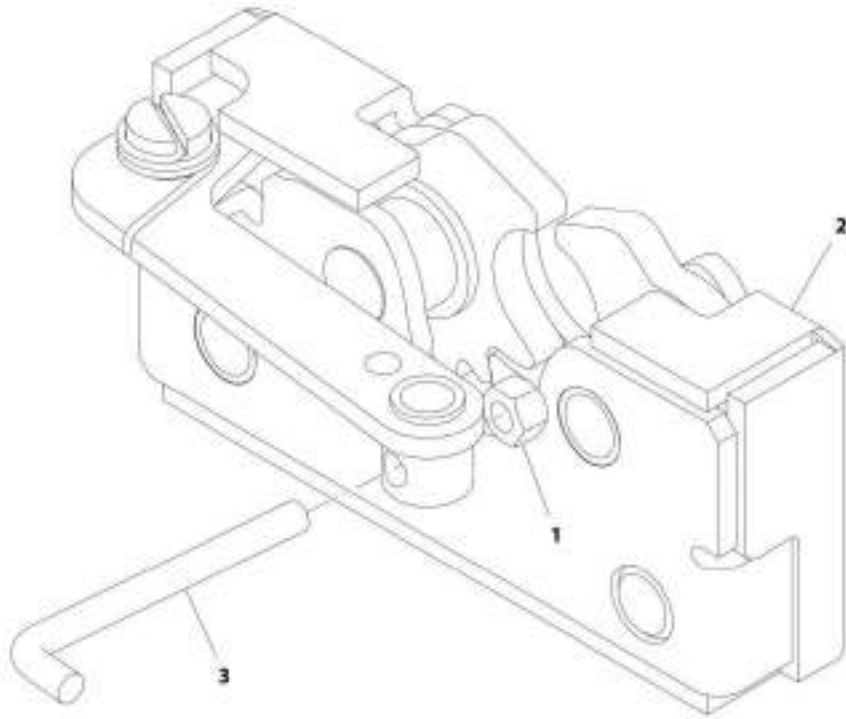
ART\_1001205123-E

FIGURE 6-17. DOOR UPPER GLASS ASSEMBLY

ITEM	PART NUMBER	QTY	DESCRIPTION	REV
	1001205532	Ref	Door Upper Glass Assembly	E
1	0760812	1	Bolt, M8X25	
2	0760815	5	Bolt, M8X35	
3	4811900	11	Washer, 8MM	
4	1001002946	4	Mount, Hinge	
5	1001002947	1	Mount, Hinge	
6	1001002953	2	Mount, Rubber	
7	1001002957	2	Mount, Latch	
8	1001008857	5	Nut, Lock	
9	1001096365	11	Cap, M8	
10	1001141246	3	Mount, Rubber	
11	1001165275	1	Latch, Window	
12	1001166634	2	Pin, Hinge	
13	1001170944	1	Panel, Window Surround	
14	1001174321	1	Striker, Top Window	
15	1001204066	1	Glass, Window	
16	1001204115	2	Hinge	
17	1001222741	1	Buffer, Cab	
18	1001204120	1	Handle	
19	1001213331	1	Gasket	
20	1001215531	AR	Adhesive	

# SECTION 6 - CAB

## FIGURE 6-18. CAB LATCH ASSEMBLY



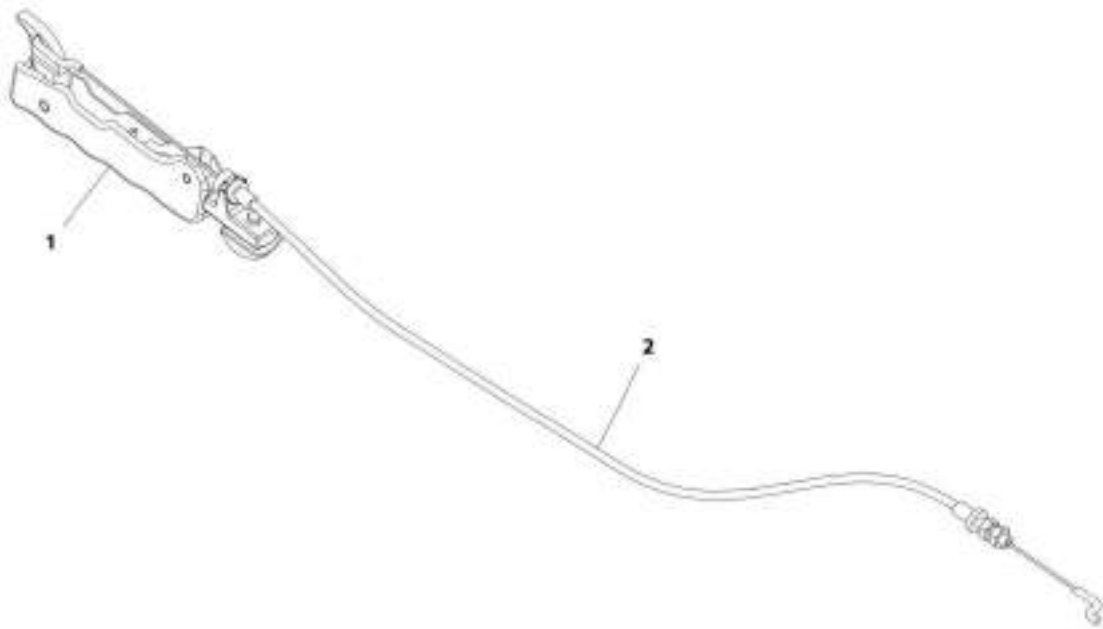
ART\_1001182766-A

FIGURE 6-18. CAB LATCH ASSEMBLY

ITEM	PART NUMBER	QTY	DESCRIPTION	REV
	1001192766	Ref	Cab Latch Assembly	A
1	3290405	1	Nut, M4X0.7 Grade 8	
2	1001192643	1	Latch	
3	1001192755	1	Link, Door Handle	

**SECTION 6 - CAB**

**FIGURE 6-19. CAB DOOR TRIGGER ASSEMBLY**



ART\_1001107958-E



**FIGURE 6-19. CAB DOOR TRIGGER ASSEMBLY**

<b>ITEM</b>	<b>PART NUMBER</b>	<b>QTY</b>	<b>DESCRIPTION</b>	<b>REV</b>
	1001167958	Ref	Cab Door Trigger Assembly	E
1	1001167937	1	Trigger, Cab Interior Release	
2	1001192644	1	Cable, Cab Latch Release	

# SECTION 6 - CAB

## FIGURE 6-20. DOOR STRAP INSTALLATION

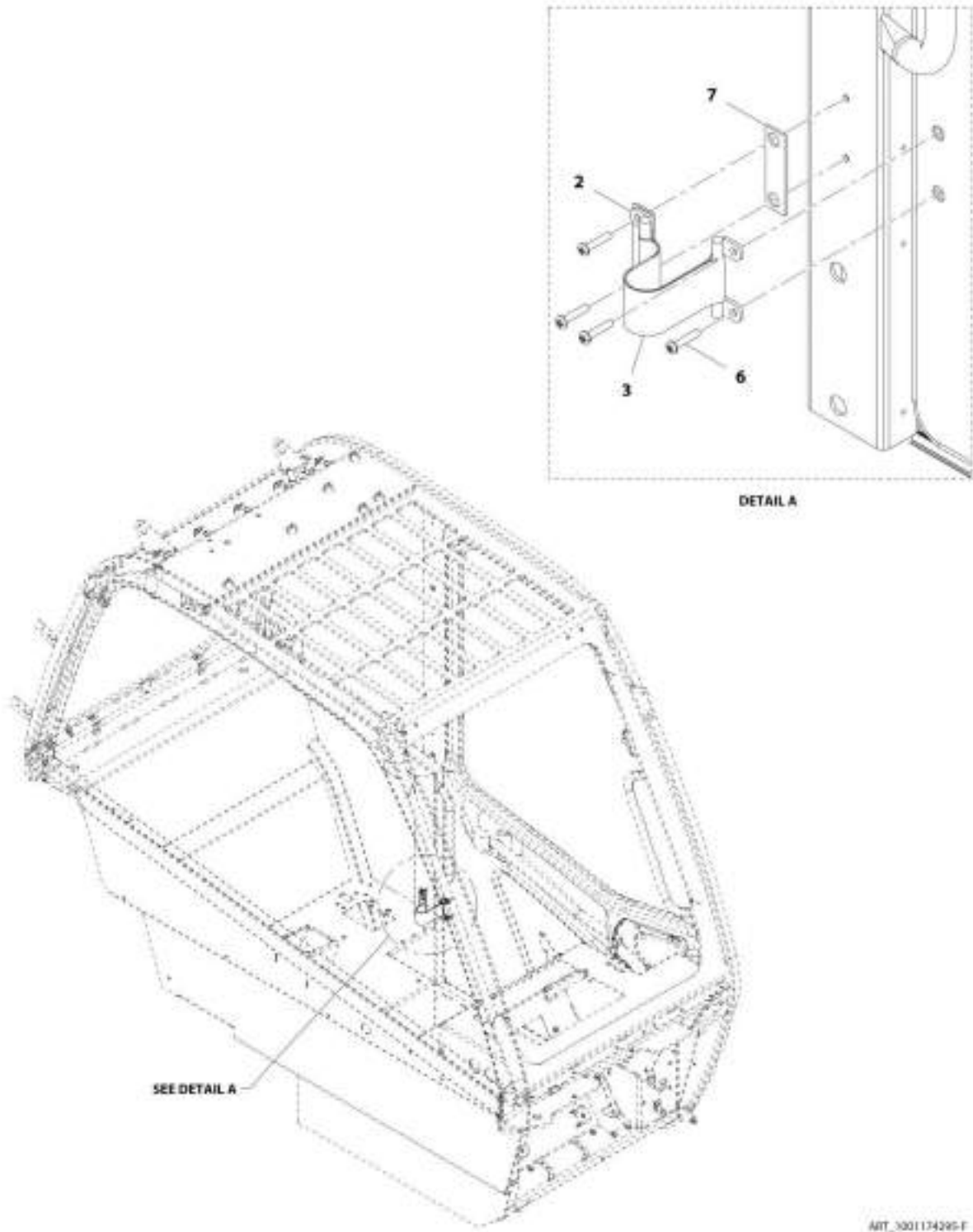
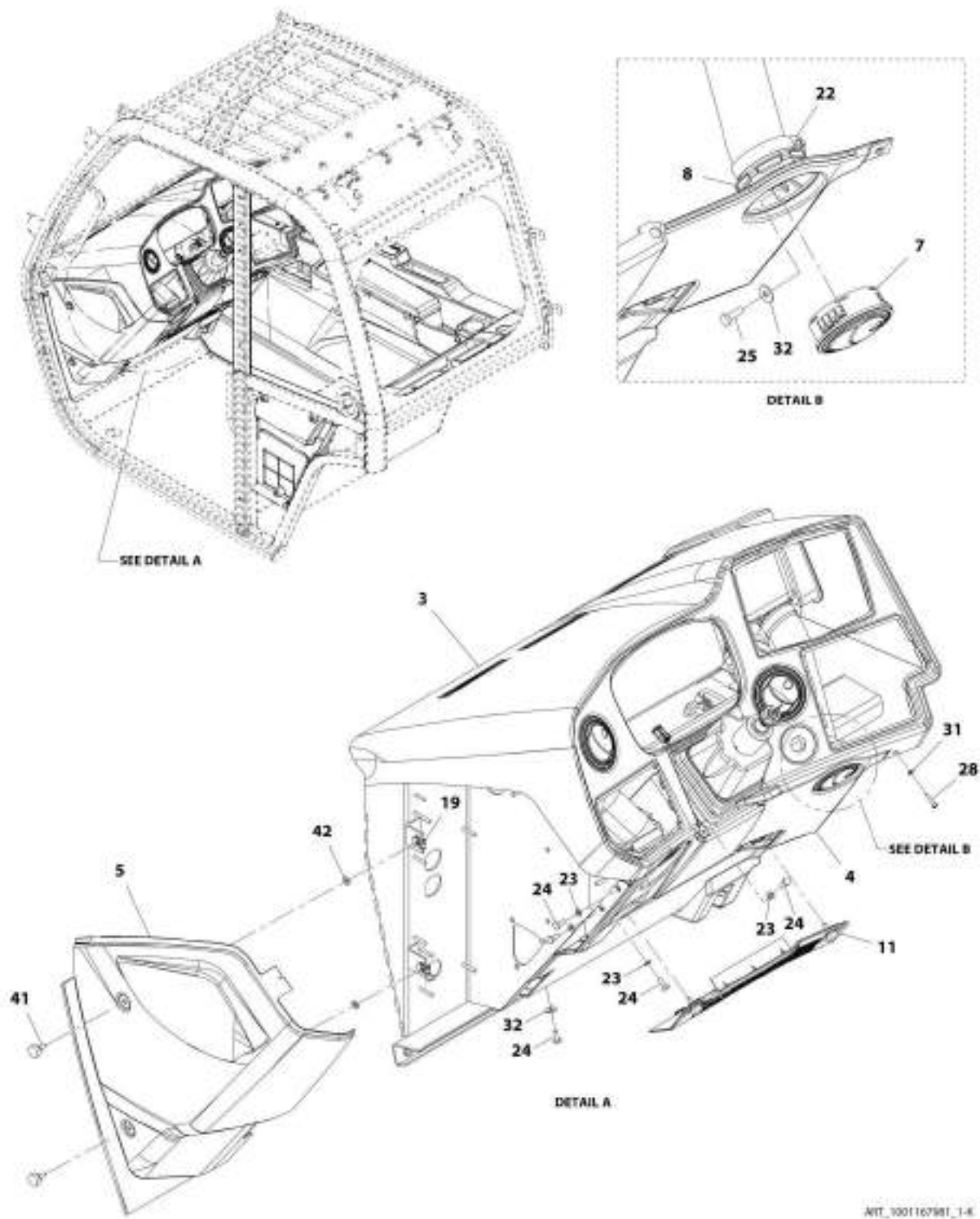


FIGURE 6-20. DOOR STRAP INSTALLATION

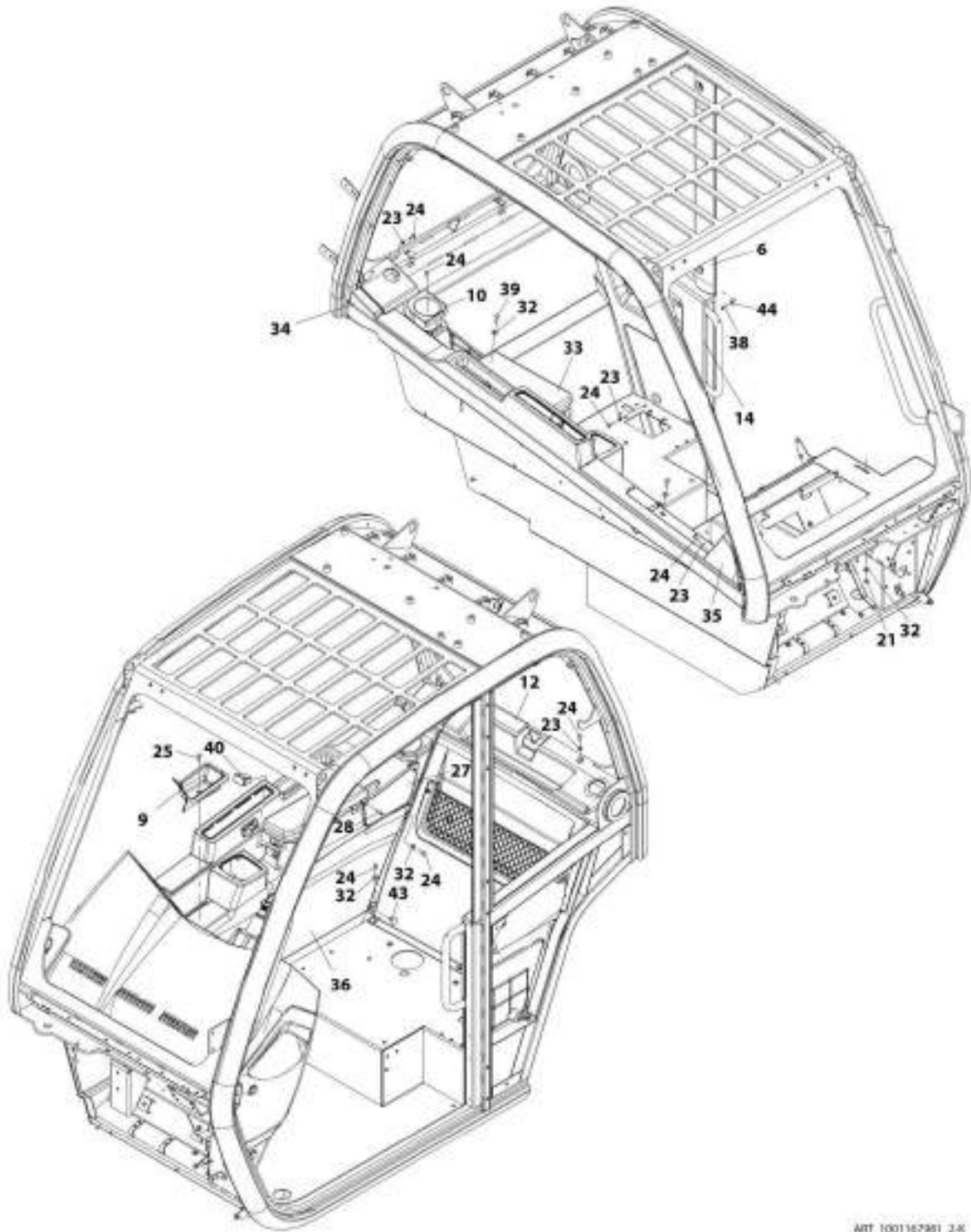
ITEM	PART NUMBER	QTY	DESCRIPTION	REV
	1001174295	Ref	Door Strap Installation	F
2	1001230163	2	Bracket, Strap Holder	
3	1001212011	1	Strap, Door Hold Open	
6	8310559	4	Screw	
7	1001191091	1	Plate, Cab Door Strap	

# SECTION 6 - CAB

FIGURE 6-21. ENCLOSED CAB TRIM INSTALLATION (Prior to SN 1160008716)



# SECTION 6 - CAB



ART\_1001167961\_3-R

## SECTION 6 - CAB

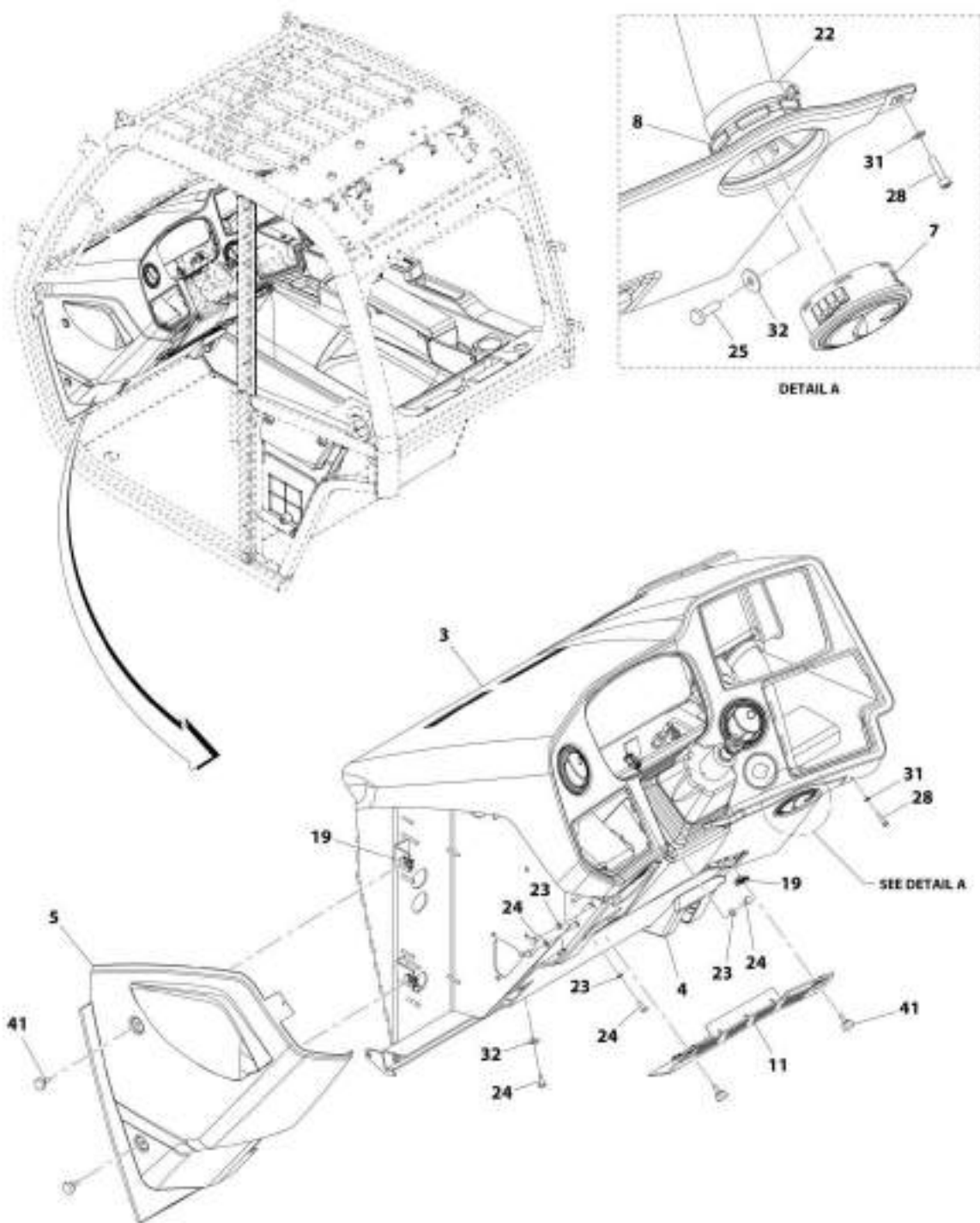
**FIGURE 6-21. ENCLOSED CAB TRIM INSTALLATION (Prior to SN 1160008716)**

ITEM	PART NUMBER	QTY	DESCRIPTION	REV
	1001167981	Ref	Enclosed Cab Trim Installation	K
3	1001169604	1	Assembly, Dash Cover (See Separate Breakdown in this Section)	
4	1001175903	1	Panel, Lower Dash	
5	1001161855	1	Panel, LH Dash	
6	1001161251	1	Panel, Cover	
7	1001147449	2	Vent, Air	
8	1001149278	2	Vent, Connector	
9	1001169603	1	Panel, Trinket Tray	
10	1001170518	1	Holder, Cup	
11	1001170506	1	Panel, Recirculation Grille Cover (See Separate Breakdown in this Section)	
12	1001170519	1	Assembly, Rear Panel Cover (See Separate Breakdown in this Section)	
14	1001161068	1	Panel, Cover	
19	8305919	2	Nut, M6	
21	3290605	2	Nut, Lock M6X1 Grade 8	
22	8405201	2	Clamp, Gear	
23	4811700	13	Washer, M6	
24	4010608002	20	Screw, M6X16	
25	4010610002	2	Screw, M6X20	
27	1001173965	1	Bezel, RH	
28	4031608	3	Bolt, M5X20	
31	4811600	3	Washer, M5	
32	4811702	12	Washer, M6	
33	1001181726	Ref	Installation, Adjustable Armrest (See Separate Breakdown in this Section)	
34	1001182834	1	Panel, Cover	
35	1001185870	1	Panel, Cover	
36	1001189182	1	Panel, Cover	
38	4031607	2	Bolt, M5-.8X16	
39	4010612002	3	Screw, M6X25	
41	1001208308	2	Bolt, M6X15	
42	1001148557	2	Washer, Star	
43	1001211907	1	Screw, Retainer	
44	4811602	2	Washer, 5M	



# SECTION 6 - CAB

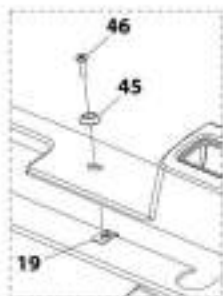
FIGURE 6-22. ENCLOSED CAB TRIM INSTALLATION (SN 1160008716 to Present)



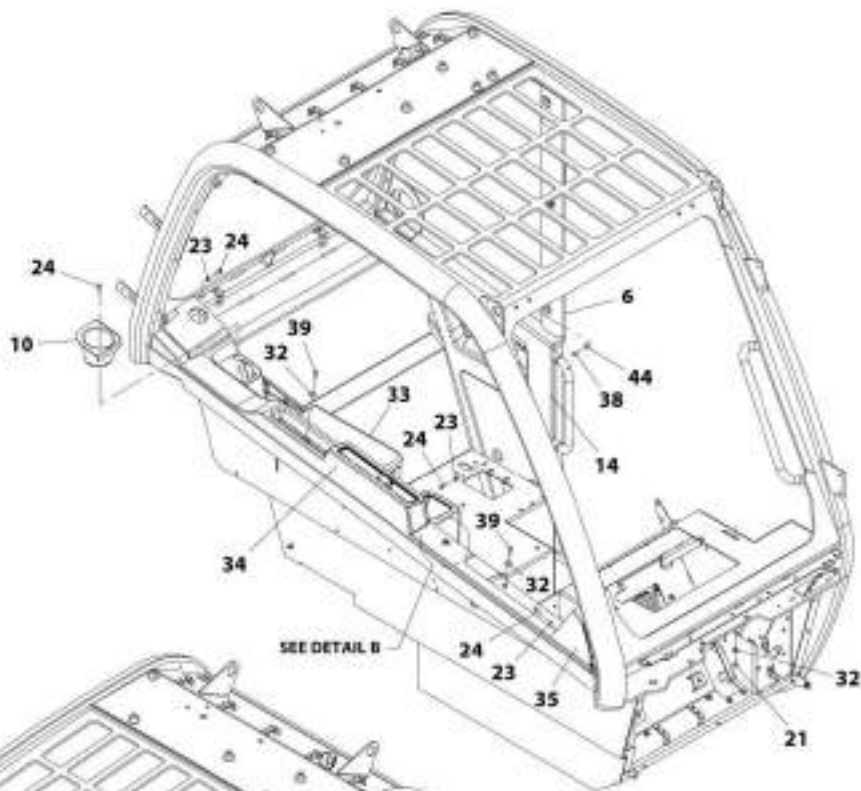
REF\_1001167965\_1-N



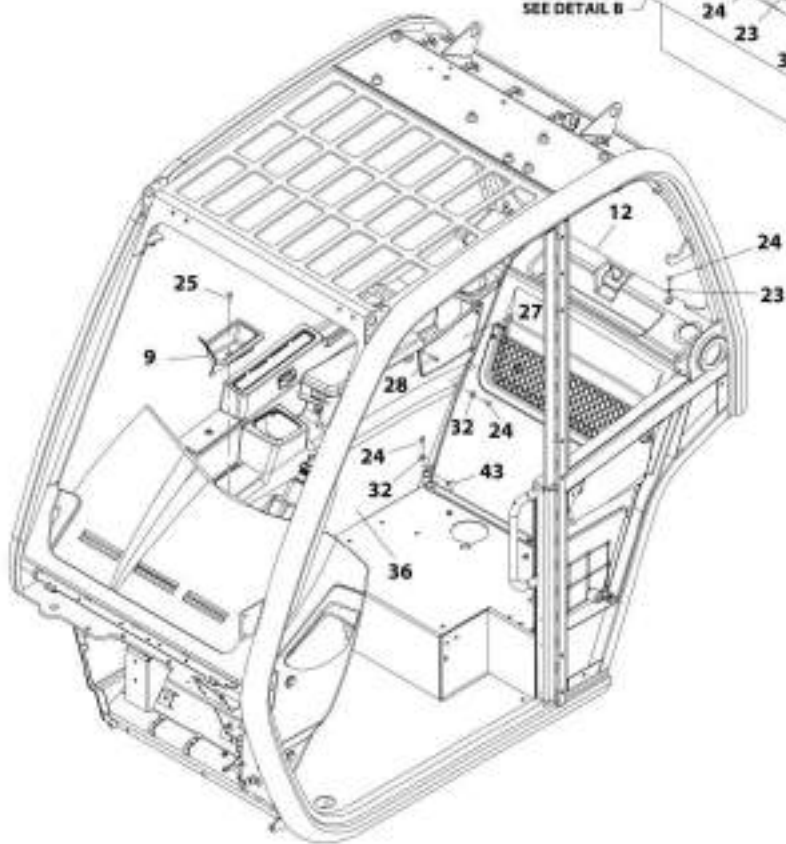
# SECTION 6 - CAB



DETAIL B



SEE DETAIL B



ART.100167981\_2/6

## SECTION 6 - CAB

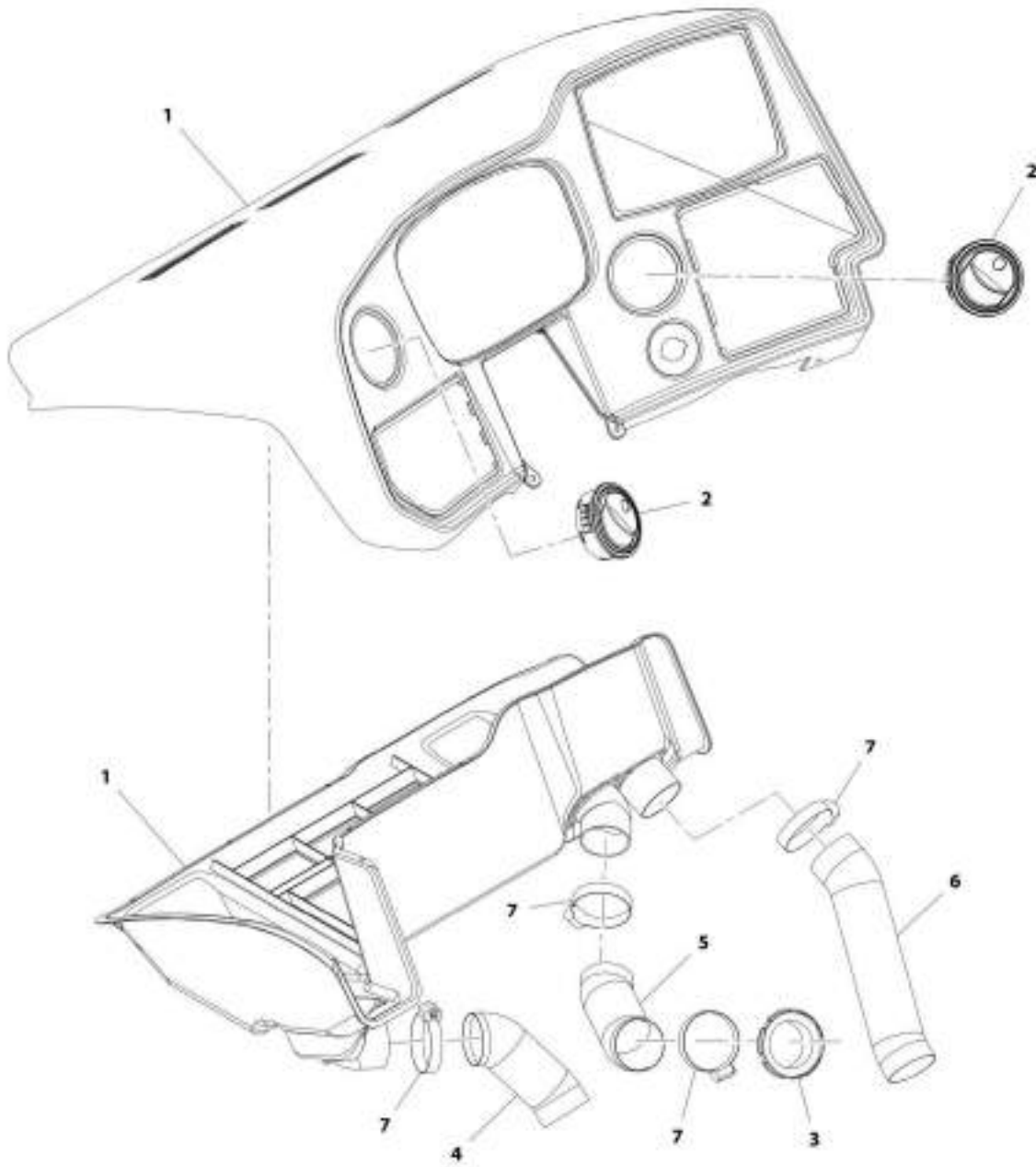
**FIGURE 6-22. ENCLOSED CAB TRIM INSTALLATION (SN 1160008716 to Present)**

ITEM	PART NUMBER	QTY	DESCRIPTION	REV
	1001167981	Ref	Enclosed Cab Trim Installation	N
3	1001169604	1	Assembly, Dash Cover (See Separate Breakdown in this Section)	
4	1001175903	1	Panel, Lower Dash	
5	1001161855	1	Panel, LH Dash	
6	1001219076	1	Panel, Cover	
7	1001147449	2	Vent, Air	
8	1001149278	2	Vent, Connector	
9	1001169603	1	Panel, Trinket Tray	
10	1001170518	1	Holder, Cup	
11	1001170504	1	Panel, Recirculation Grille Cover	
12	1001170519	1	Assembly, Rear Panel Cover (See Separate Breakdown in this Section)	
14	1001161068	1	Panel, Cover	
19	8305919	5	Nut, M6	
21	3290605	2	Nut, Lock M6X1 Grade 8	
22	8405201	2	Clamp, Gear	
23	4811700001	13	Washer, M6	
24	4010608002	20	Screw, M6X16	
25	4010610002	2	Screw, M6X20	
27	1001173965	1	Bezel, RH	
28	4031608001	3	Bolt, M5X20	
31	4811600	1	Washer, M5	
32	4811702001	12	Washer, M6	
33	1001181726	Ref	Installation, Adjustable Armrest (See Separate Breakdown in this Section)	
34	1001182834	1	Panel, Cover	
35	1001185870	1	Panel, Cover	
36	1001189182	1	Panel, Cover	
38	4010508002	3	Bolt, M5-.8X16	
39	4010612002	3	Screw, M6X25	
41	1001208308	4	Bolt, M6X15	
43	1001211907	1	Screw, Retainer	
44	4811602001	3	Washer, 5M	
45	1001098150	1	Washer, M6	
46	1001132564	1	Screw M6X20	



# SECTION 6 - CAB

## FIGURE 6-23. DASH COVER ASSEMBLY



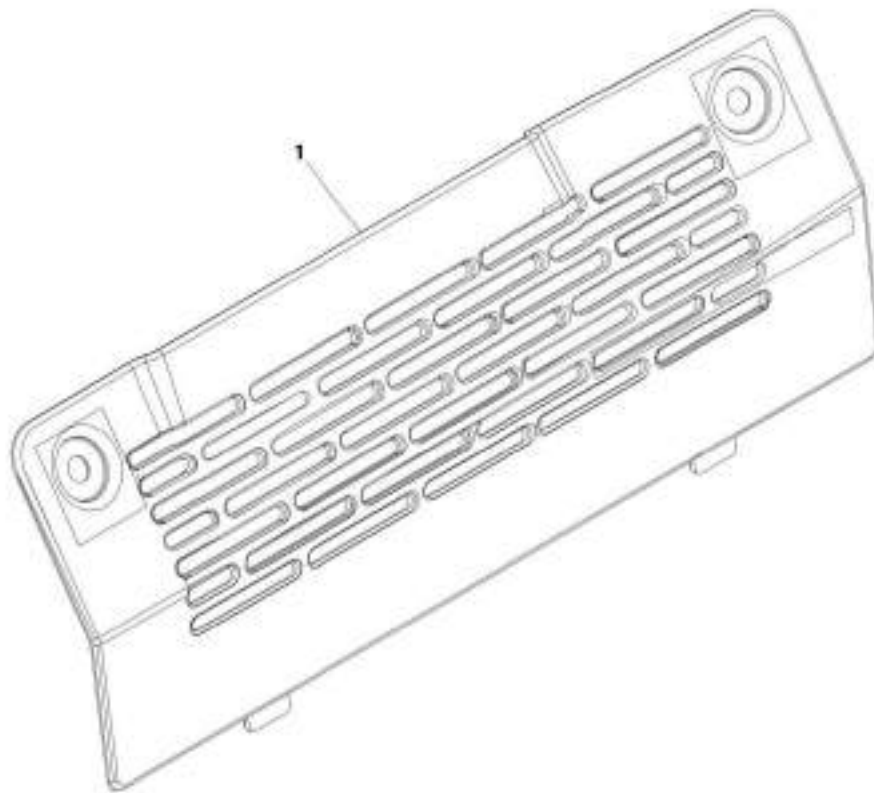
ART. 530116804-C

FIGURE 6-23. DASH COVER ASSEMBLY

ITEM	PART NUMBER	QTY	DESCRIPTION	REV
	1001169604	Ref	Dash Cover Assembly (Construction)	C
1	1001161851	1	Panel, Top Dash	
2	1001147449	2	Vent, Air	
3	1001149278	1	Vent, Connector	
4	1001174652	1	Hose	
5	1001174653	1	Hose	
6	1001174655	1	Hose	
7	8405201	4	Clamp, Gear	

## SECTION 6 - CAB

FIGURE 6-24. RECIRCULATION GRILLE COVER PANEL ASSEMBLY (Prior to SN 1160008716)



AWT\_100170506-F

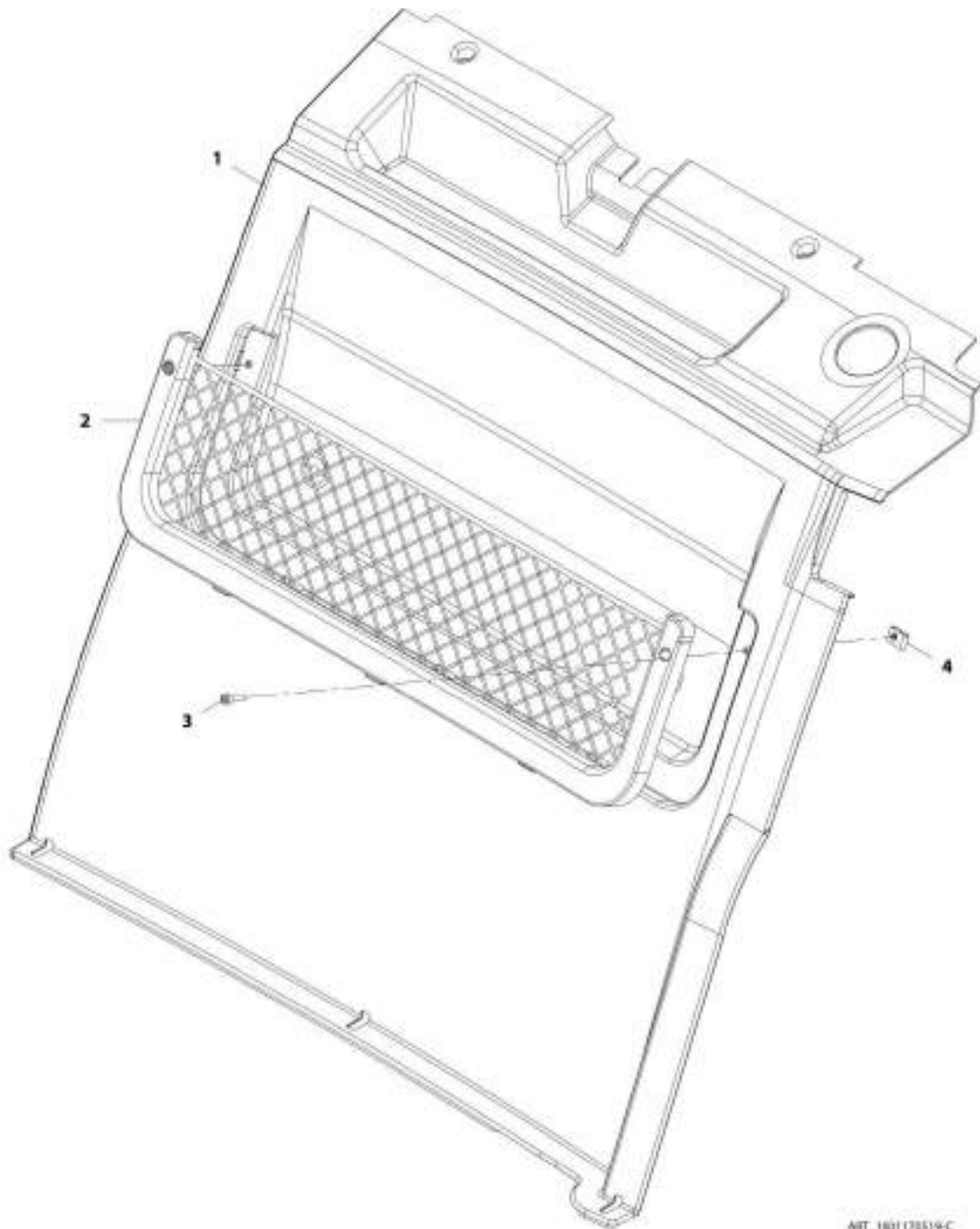
## SECTION 6 - CAB

**FIGURE 6-24. RECIRCULATION GRILLE COVER PANEL ASSEMBLY (Prior to SN 1160008716)**

ITEM	PART NUMBER	QTY	DESCRIPTION	REV
1	1001170506	1	Recirculation Grille Cover Panel Assembly	F
	1001170504	1	Cover, HVAC Recirc Grille	

# SECTION 6 - CAB

## FIGURE 6-25. REAR PANEL COVER ASSEMBLY



MIT\_180178519-C



FIGURE 6-25. REAR PANEL COVER ASSEMBLY

ITEM	PART NUMBER	QTY	DESCRIPTION	REV
	1001170519	Ref	Rear Panel Cover Assembly	C
1	1001161067	1	Panel, Rear	
2	1001170514	1	Storage Net, Rear Panel	
3	4031608	2	Bolt, M5X20	
4	1001183550	2	Nut, Cage M5	

# SECTION 6 - CAB

## FIGURE 6-26. ADJUSTABLE ARMREST INSTALLATION

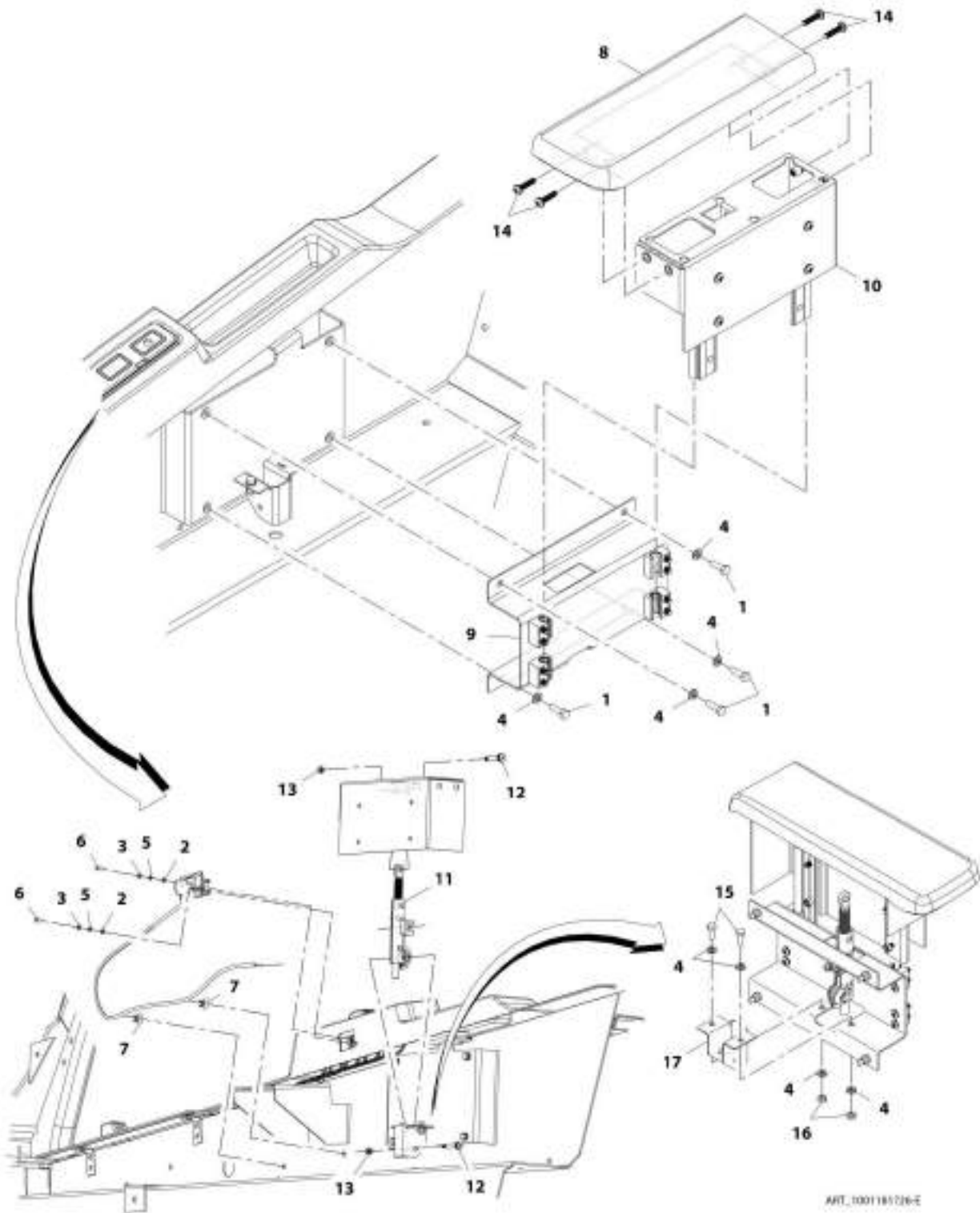
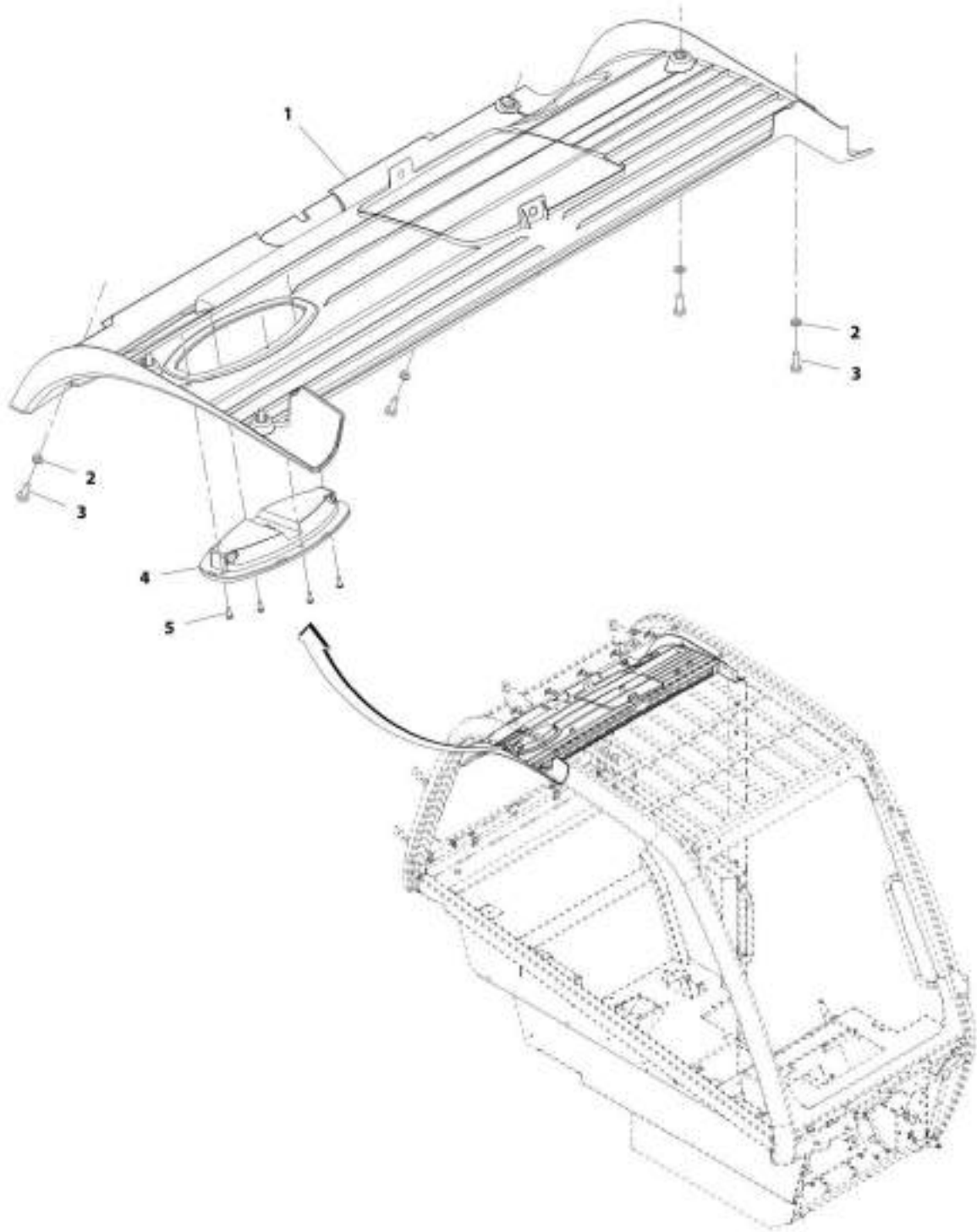


FIGURE 6-26. ADJUSTABLE ARMREST INSTALLATION

ITEM	PART NUMBER	QTY	DESCRIPTION	REV
	1001181726	Ref	Adjustable Armrest Installation	E
1	0700610	4	Bolt, M6X20	
2	3290401	2	Nut, M4X0.7	
3	4811400	2	Washer, M4	
4	4811700	8	Washer, M6	
5	4831400	2	Washer, Lock M4	
6	1001097244	2	Screw, M4X12	
7	1001165458	4	Hose	
8	1001191281	1	Armrest	
9	1001191283	1	Bracket, Fixed Armrest	
10	1001191284	1	Bracket, Moving Armrest	
11	1001191285	1	Spring	
12	1001191370	2	Screw, M6	
13	3290605	2	Nut, M6X1 Grade 8	
14	4010612002	4	Screw, M6X25	
15	0760608	2	Bolt, M6X16	
16	3290601	2	Nut, M6X1	
17	1001212468	1	Bracket, Locking Spring Mount	

# SECTION 6 - CAB

## FIGURE 6-27. HEADLINER INSTALLATION



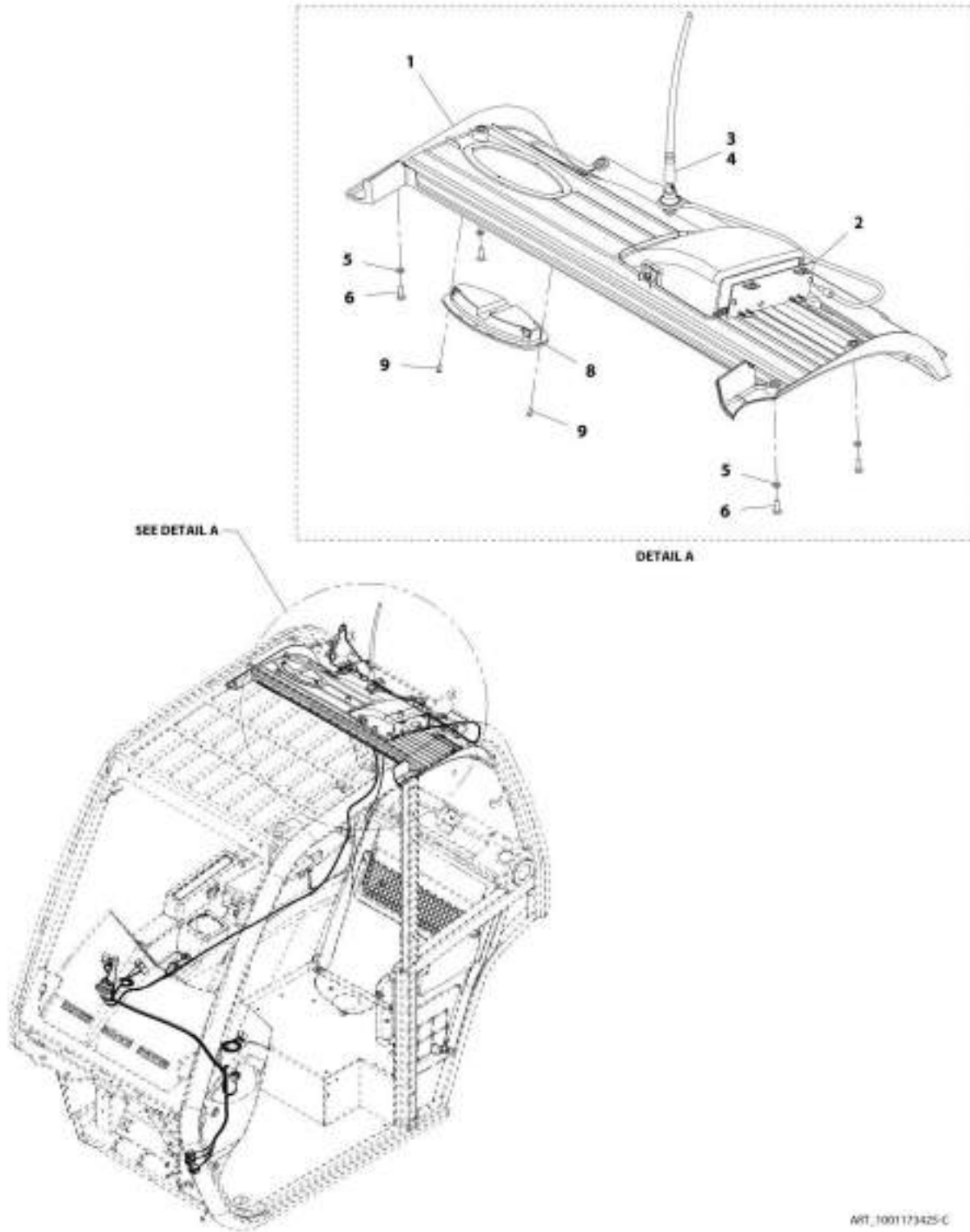
MIT\_3001170716-C

FIGURE 6-27. HEADLINER INSTALLATION

ITEM	PART NUMBER	QTY	DESCRIPTION	REV
	1001170718	Ref	Headliner Installation	C
1	1001170716	1	Panel, Headliner	
2	4811700	6	Washer, M6	
3	4010610002	6	Screw, M6X20	
4	1001167015	1	Lamp	
5	7029486	4	Screw	

# SECTION 6 - CAB

## FIGURE 6-28. HEADLINER/RADIO READY INSTALLATION



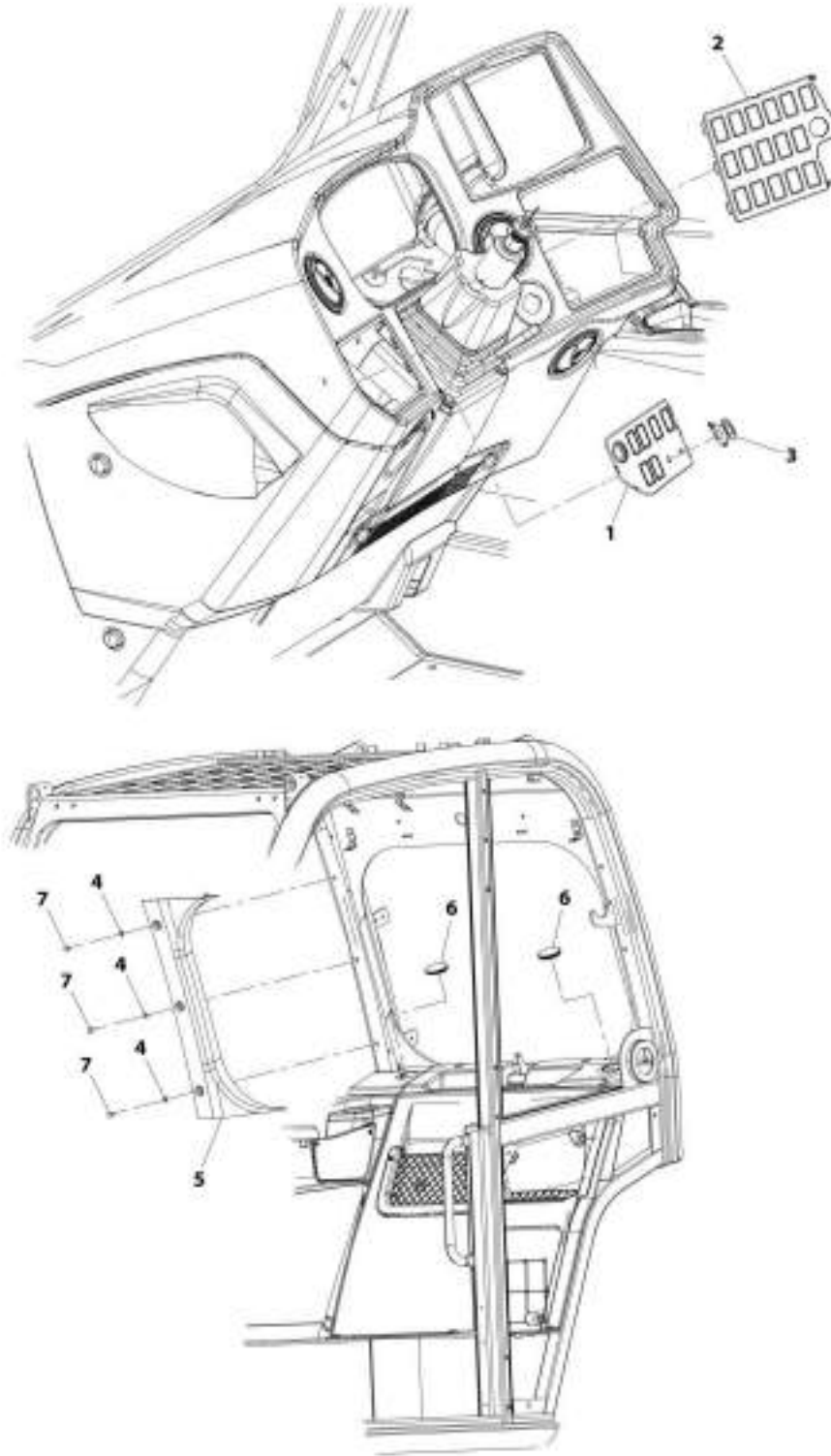
AWT\_1001173425-C

FIGURE 6-28. HEADLINER/RADIO READY INSTALLATION

ITEM	PART NUMBER	QTY	DESCRIPTION	REV
	1001173425	Ref	Headliner/Radio Ready Installation	C
1	1001182836	1	Cover, Headliner	
2	1001200968	1	Plate	
3	8005901	1	Antenna	
4	1001116128	AR	Sealant, Polysiloxane	
5	4811700	6	Washer, 6M	
6	4010610002	6	Screw, M6X20	
8	1001167015	1	Lamp	
9	7029486	4	Screw	

# SECTION 6 - CAB

## FIGURE 6-29. COMMON CAB TRIM INSTALLATION



AIT\_1001200644-D

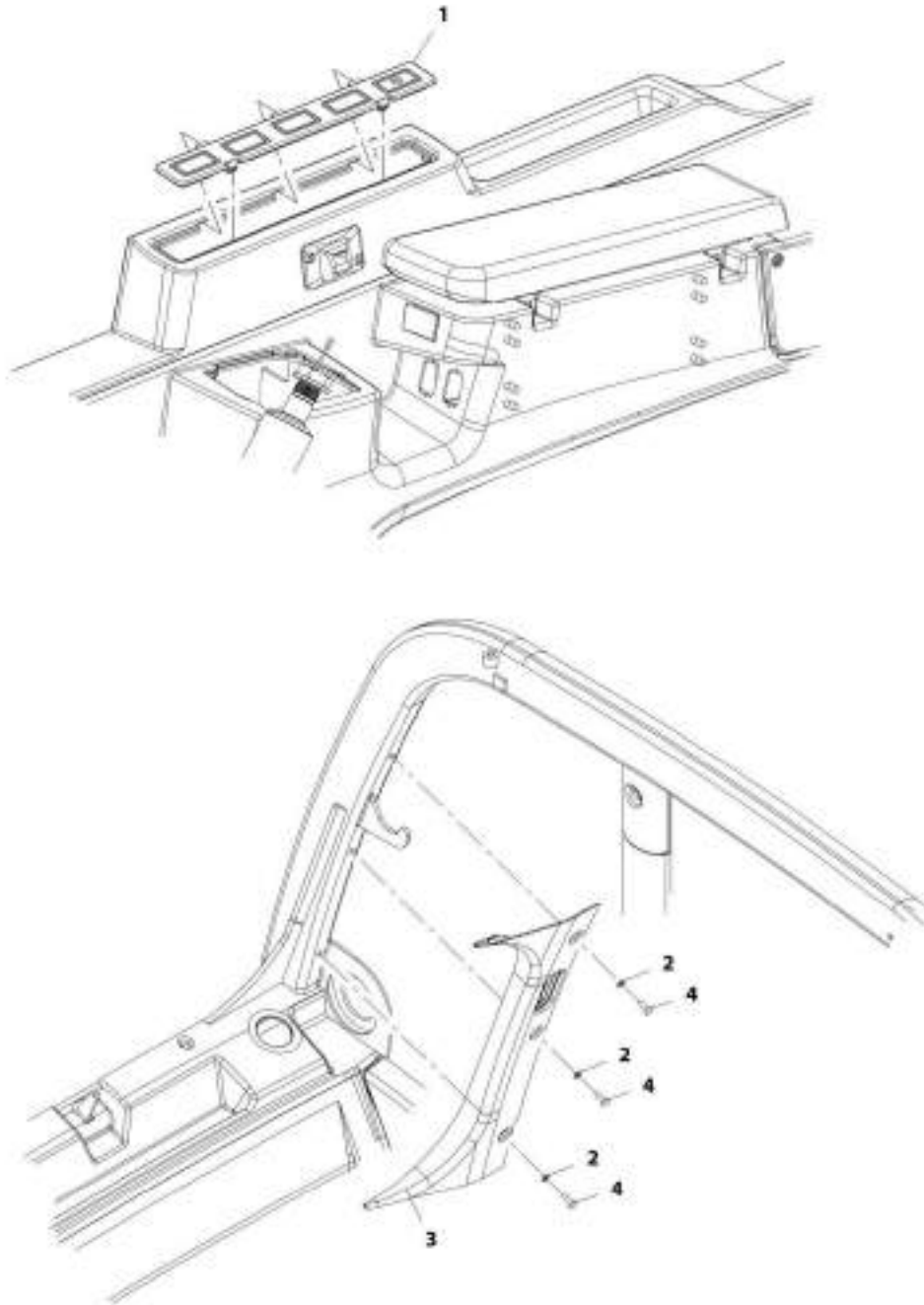


FIGURE 6-29. COMMON CAB TRIM INSTALLATION

ITEM	PART NUMBER	QTY	DESCRIPTION	REV
	1001200694	Ref	Common Cab Trim Installation	D
1	1001219864	1	Panel, LH Switch	
2	1001219865	1	Panel, RH Switch	
3	1001184975	1	Decal, HVAC	
4	4811700001	3	Washer, M6	
5	1001161253	1	Panel, Cover	
6	1001223265	2	Grommet	
7	4010608002	3	Screw, M6X16	

# SECTION 6 - CAB

FIGURE 6-30. CAB TRIM INSTALLATION (Prior to SN 1160008716)



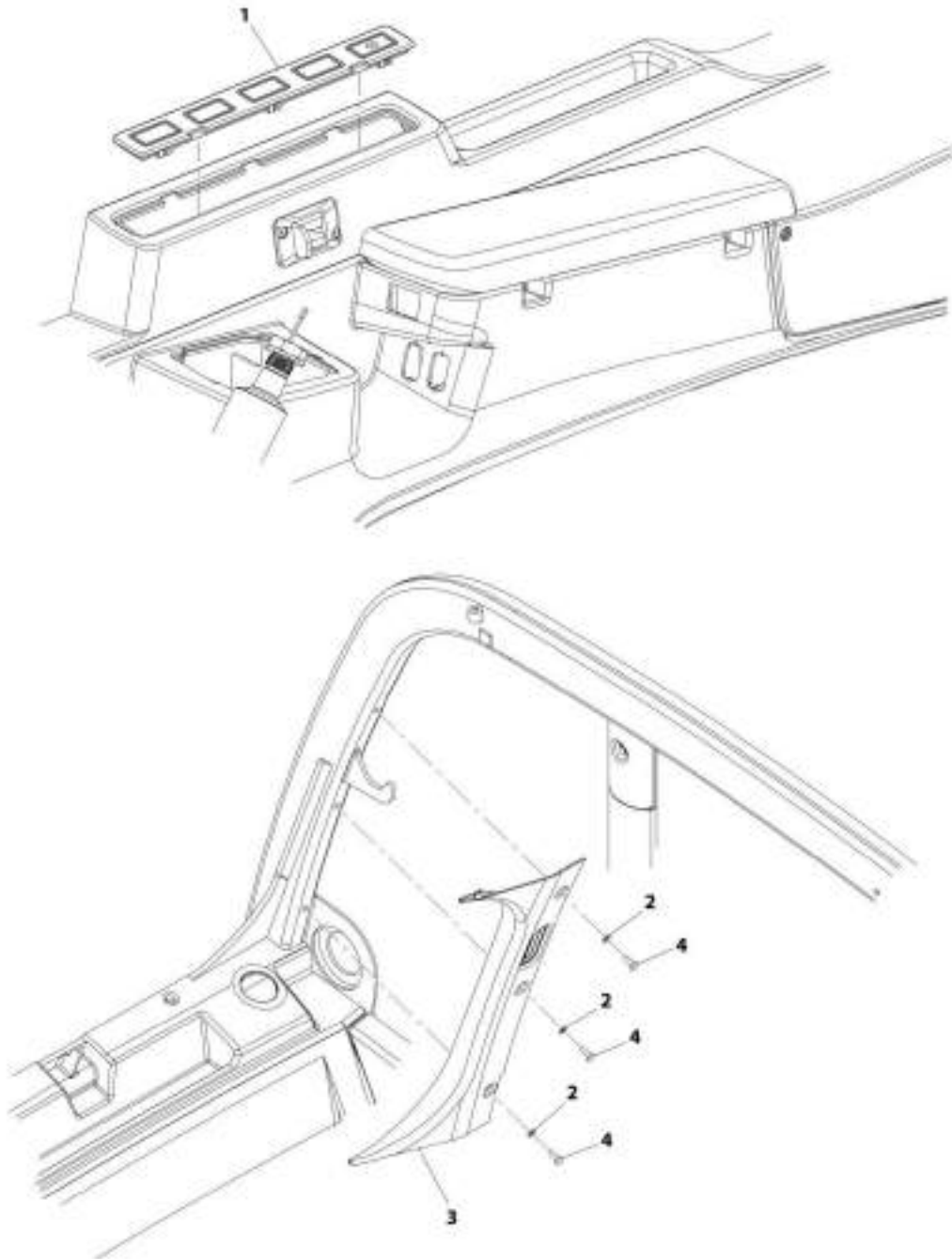
ART\_1061201207-B

**FIGURE 6-30. CAB TRIM INSTALLATION (Prior to SN 1160008716)**

<b>ITEM</b>	<b>PART NUMBER</b>	<b>QTY</b>	<b>DESCRIPTION</b>	<b>REV</b>
	1001201207	Ref	Cab Trim Installation	B
1	1001177464	1	Plate, Switch	
2	4811700	1	Washer, M6	
3	1001161252	1	Panel, Cover	
4	4010608002	3	Screw, M6X16	

# SECTION 6 - CAB

FIGURE 6-31. CAB TRIM INSTALLATION (SN 1160008716 to Present)



ART\_1001301207-C

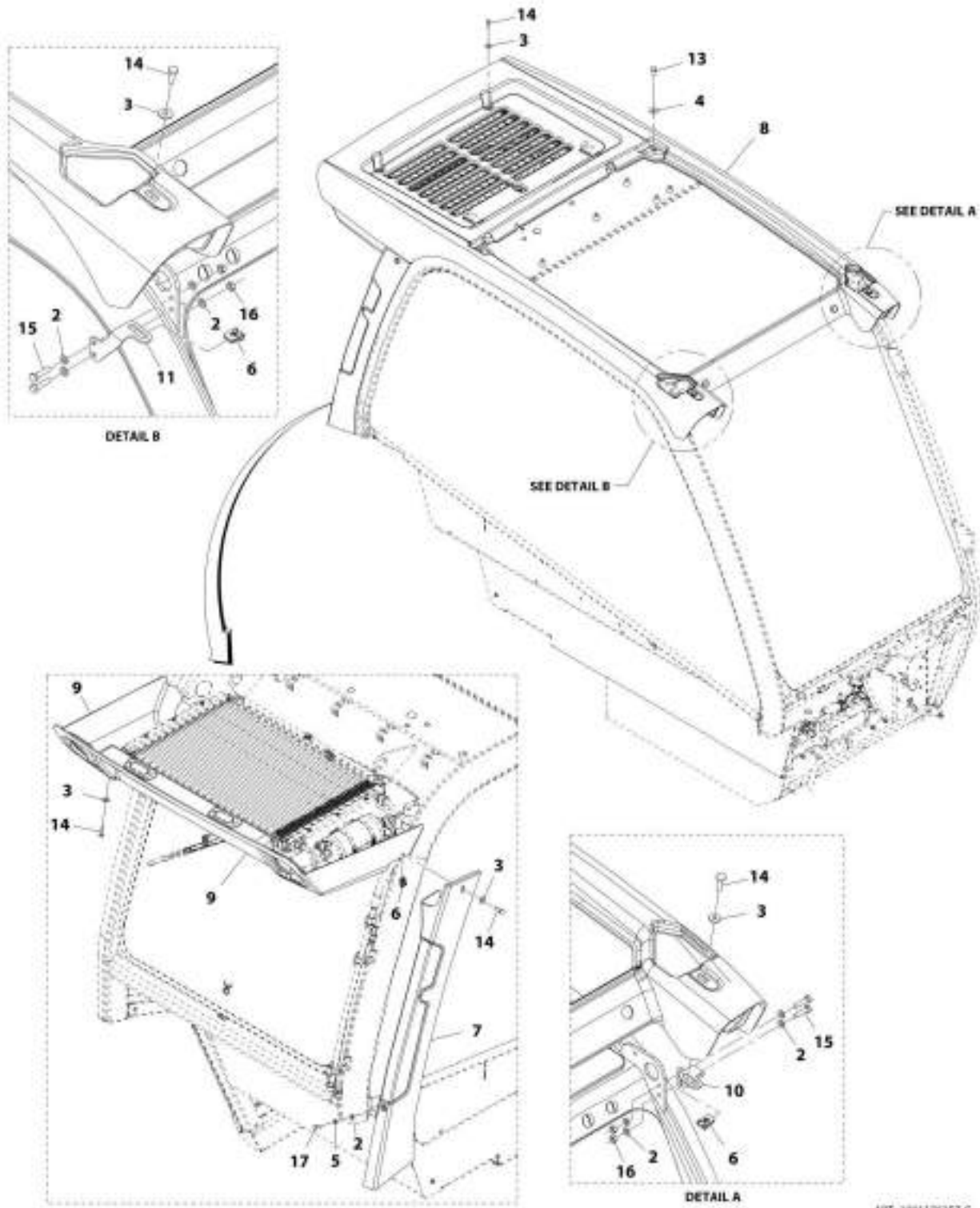
## SECTION 6 - CAB

**FIGURE 6-31. CAB TRIM INSTALLATION (SN 1160008716 to Present)**

ITEM	PART NUMBER	QTY	DESCRIPTION	REV
	1001201207	Ref	Cab Trim Installation	C
1	1001219863	1	Panel, Switch	
2	4811700001	3	Washer, M6	
3	1001161252	1	Panel, Cover	
4	4010608002	3	Screw, M6X16	

# SECTION 6 - CAB

## FIGURE 6-32. ROOF CAP INSTALLATION (A/C - JLG)



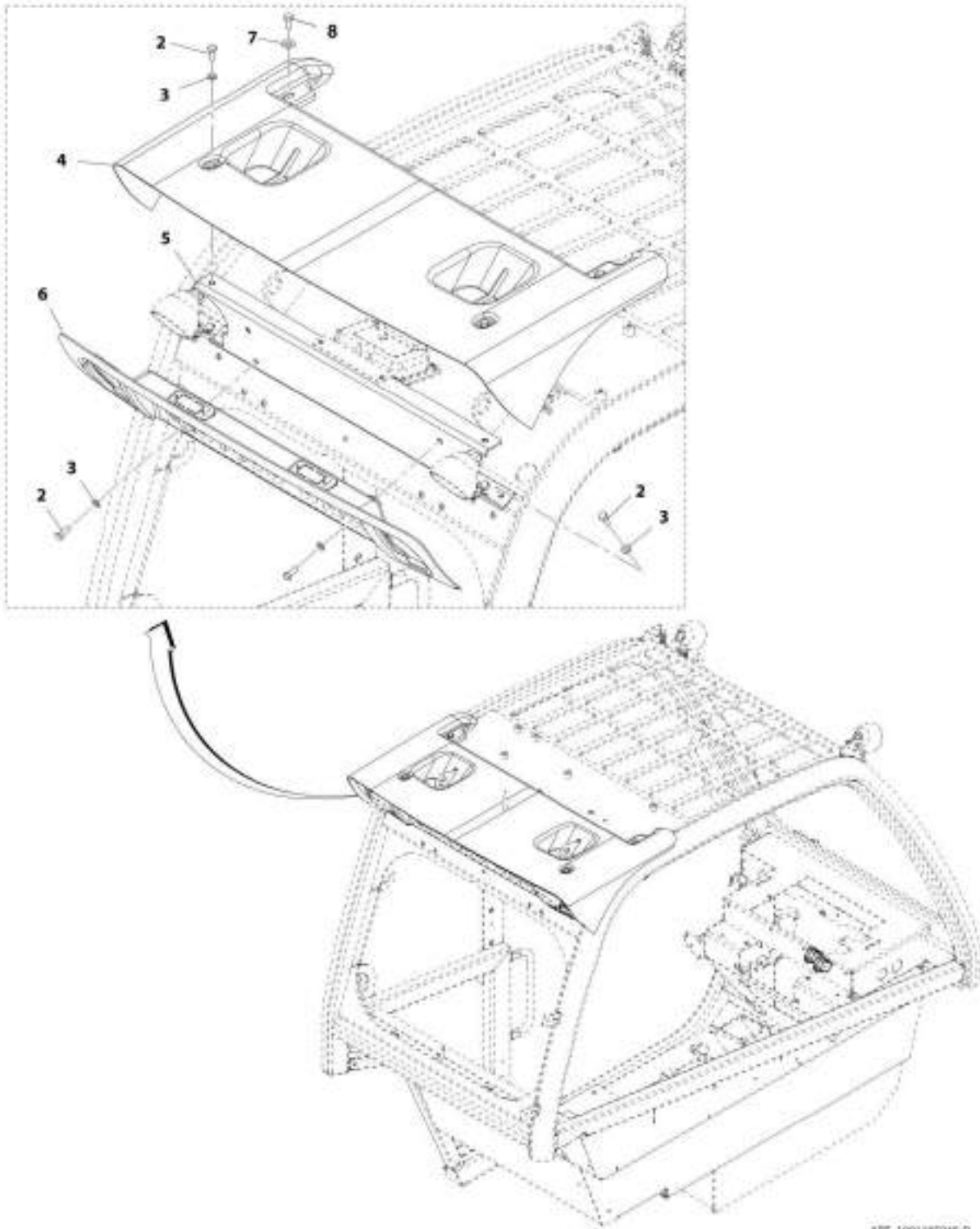
ART 1001176257-G

FIGURE 6-32. ROOF CAP INSTALLATION (A/C - JLG)

ITEM	PART NUMBER	QTY	DESCRIPTION	REV
	1001176257	Ref	Roof Cap Installation (A/C)	G
2	4811700	9	Washer, M6	
3	4811702	10	Washer, M6	
4	4811902	2	Washer, M8	
5	4831700	1	Washer, Lock M6	
6	8305919	3	Nut, M6	
7	1001174741	1	Cover	
8	1001176140	1	Cover	
9	1001176318	1	Cover	
10	1001174800	1	Bracket	
11	1001174801	1	Bracket	
13	0760608	2	Bolt, M6X16	
14	4010610002	10	Screw, Posi-Drive M6X20	
15	0700612	4	Bolt, M6X25	
16	3290601	4	Nut, M6X1	
17	4010608002	1	Screw, Posi-Drive, M6X16	

# SECTION 6 - CAB

## FIGURE 6-33. ROOF CAP INSTALLATION (NO A/C - JLG)



ART\_1001185246-D

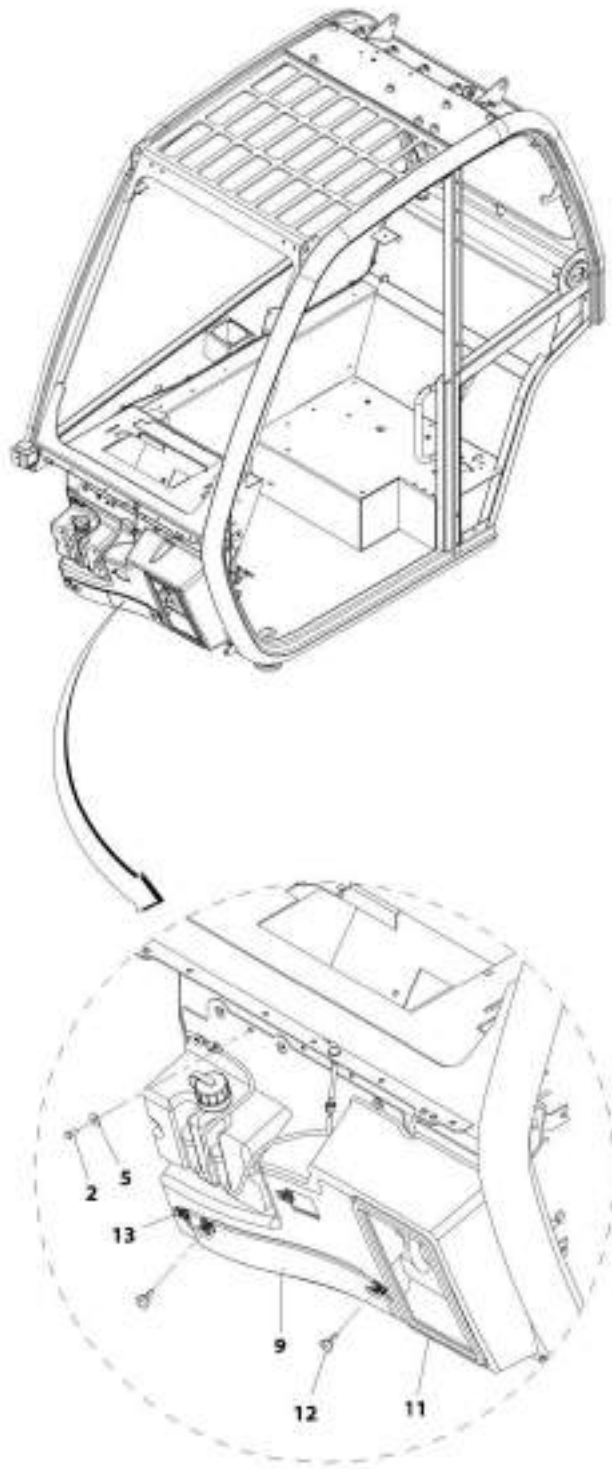


FIGURE 6-33. ROOF CAP INSTALLATION (NO A/C - JLG)

ITEM	PART NUMBER	QTY	DESCRIPTION	REV
	1001185848	Ref	Roof Cap Installation (No A/C - AG)	D
2	0760810	8	Bolt, M8X20	
3	4811900	8	Washer, M8	
4	1001182330	1	Cover, Short Upper Roof Cap	
5	1001185633	1	Bracket, Roof Cap Mount	
6	1001185845	1	Cover, Short Lower Roof Cap	
7	4811902	2	Washer, M8	
8	0760808	2	Bolt, M8X16	

# SECTION 6 - CAB

## FIGURE 6-34. FRONT COVER INSTALLATION



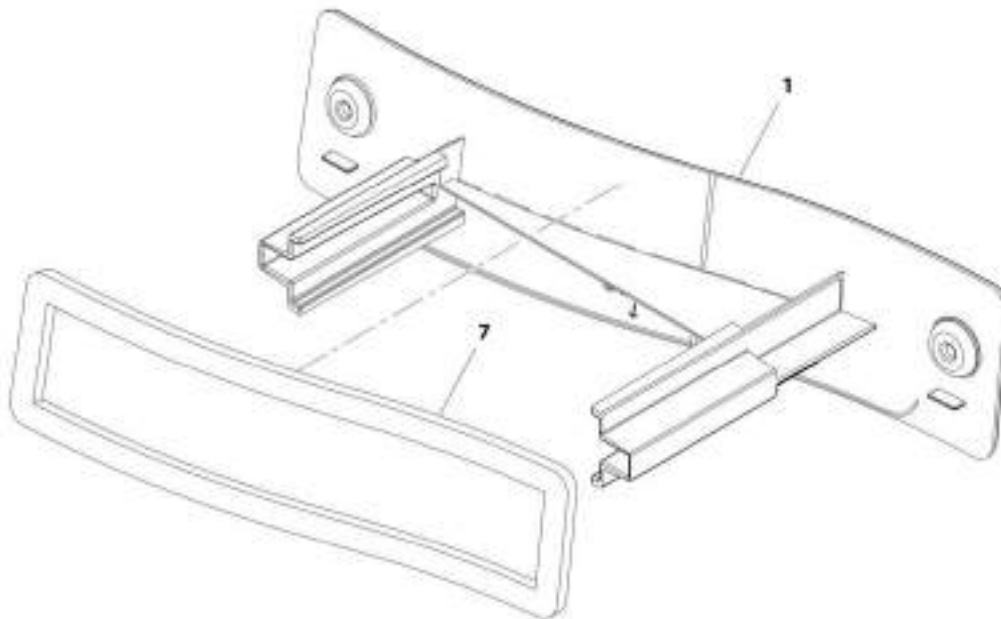
ART\_100170M6-G

FIGURE 6-34. FRONT COVER INSTALLATION

ITEM	PART NUMBER	QTY	DESCRIPTION	REV
	1001170366	Ref	Front Cover Installation	G
2	0760608	7	Bolt, M6X16	
5	4811702	7	Washer, M6	
9	1001175471	1	Panel, Filter Tray (See Separate Breakdown in this Section)	
11	1001176121	1	Cover, Front Duct (See Separate Breakdown in this Section)	
12	2080092	2	Thumb Screw, M6X16	
13	8305919	4	Nut, M6	

**SECTION 6 - CAB**

**FIGURE 6-35. FILTER TRAY PANEL**



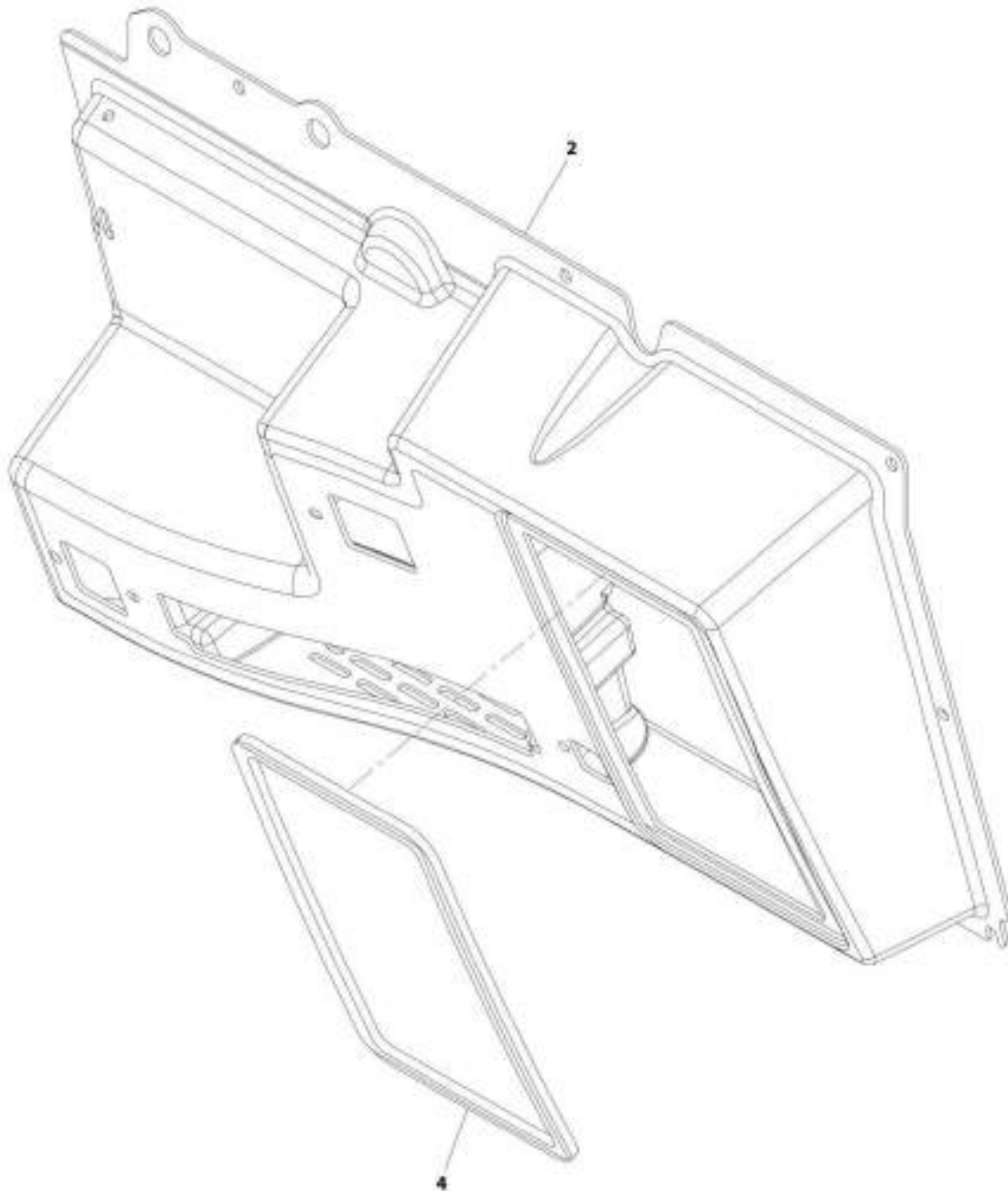
ART\_100175471-D

**FIGURE 6-35. FILTER TRAY PANEL**

<b>ITEM</b>	<b>PART NUMBER</b>	<b>QTY</b>	<b>DESCRIPTION</b>	<b>REV</b>
	1001175471	Ref	Filter Tray Panel	D
1	1001170993	1	Panel, Front Inlet	
7	1001171767	1	Cab, Front Panel Seal	

**SECTION 6 - CAB**

**FIGURE 6-36. FRONT DUCT COVER**



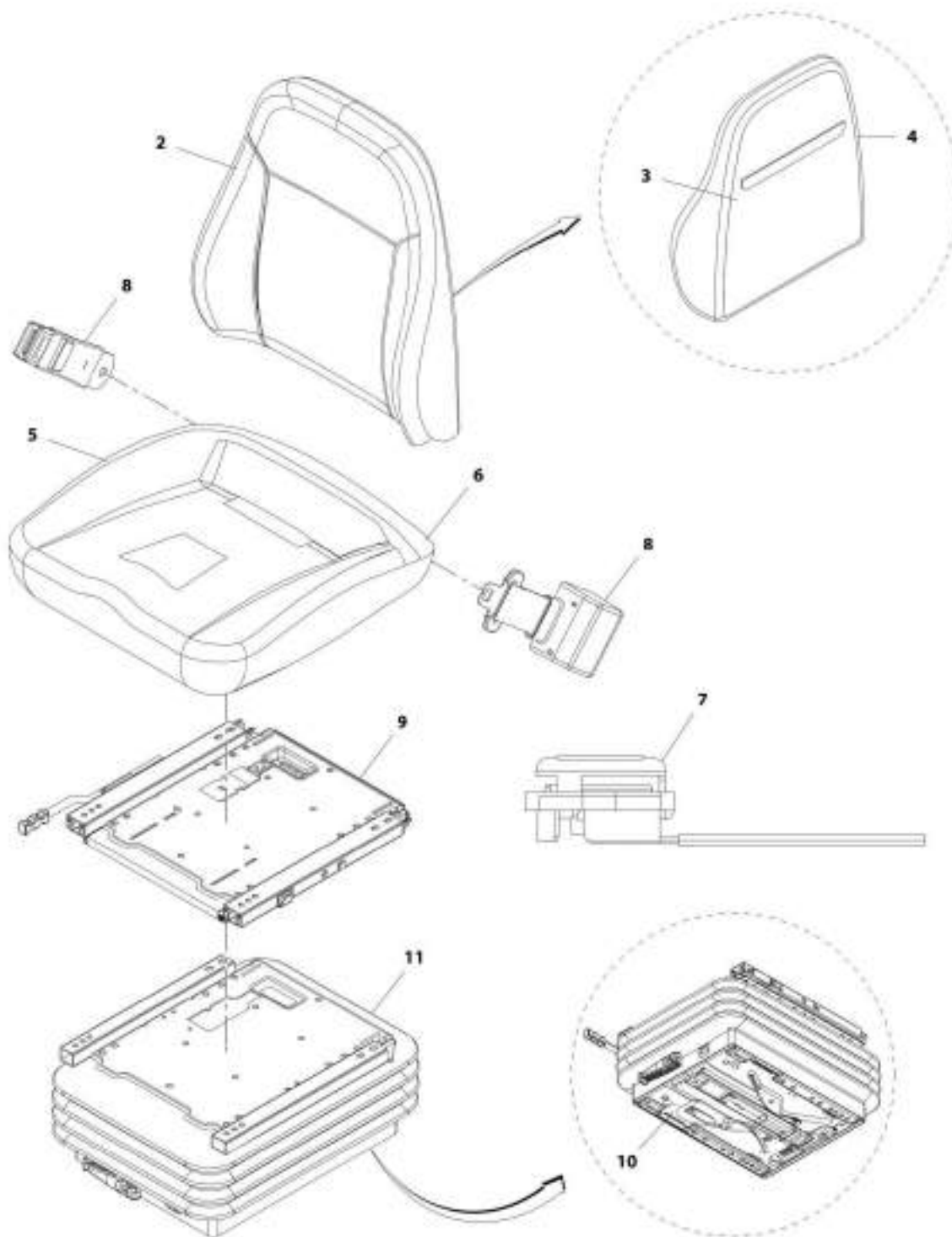
ART\_3001176121-G

**FIGURE 6-36. FRONT DUCT COVER**

<b>ITEM</b>	<b>PART NUMBER</b>	<b>QTY</b>	<b>DESCRIPTION</b>	<b>REV</b>
	1001176121	Ref	Font Duct Cover	G
2	1001170326	1	Cover, Front	
4	1001175470	1	Seal, Front Cab Panel	

# SECTION 6 - CAB

## FIGURE 6-37. SEAT ASSEMBLY



ART\_1001190294-E

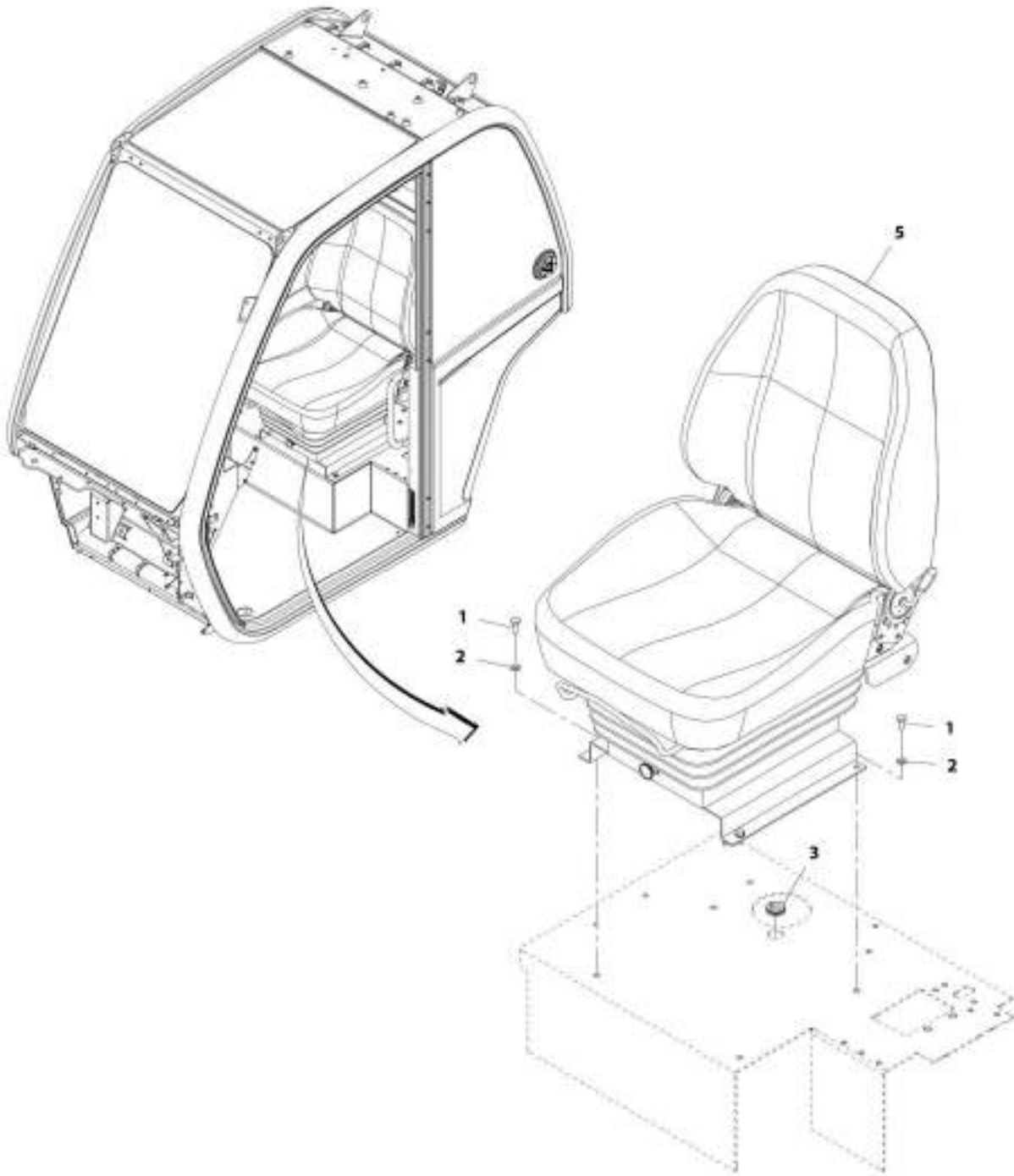


FIGURE 6-37. SEAT ASSEMBLY

ITEM	PART NUMBER	QTY	DESCRIPTION	REV
	1001150294	1	Seat Assembly	E
2	70025489	1	Fabric, Upper Seat	
3	70025490	1	Cover, Back	
4	70025483	1	Foam, Back	
5	70025491	1	Cover, Seat	
6	70025485	1	Foam, Seat	
7	70025486	1	Switch, Contact	
8	7029767	1	Belt, Seat	
9	70021252	1	Rail, Slide	
10	70021251	1	Unit, Suspension	
11	70022034	1	Cover, Rubber	

# SECTION 6 - CAB

## FIGURE 6-38. SEAT INSTALLATION (STANDARD - JLG)



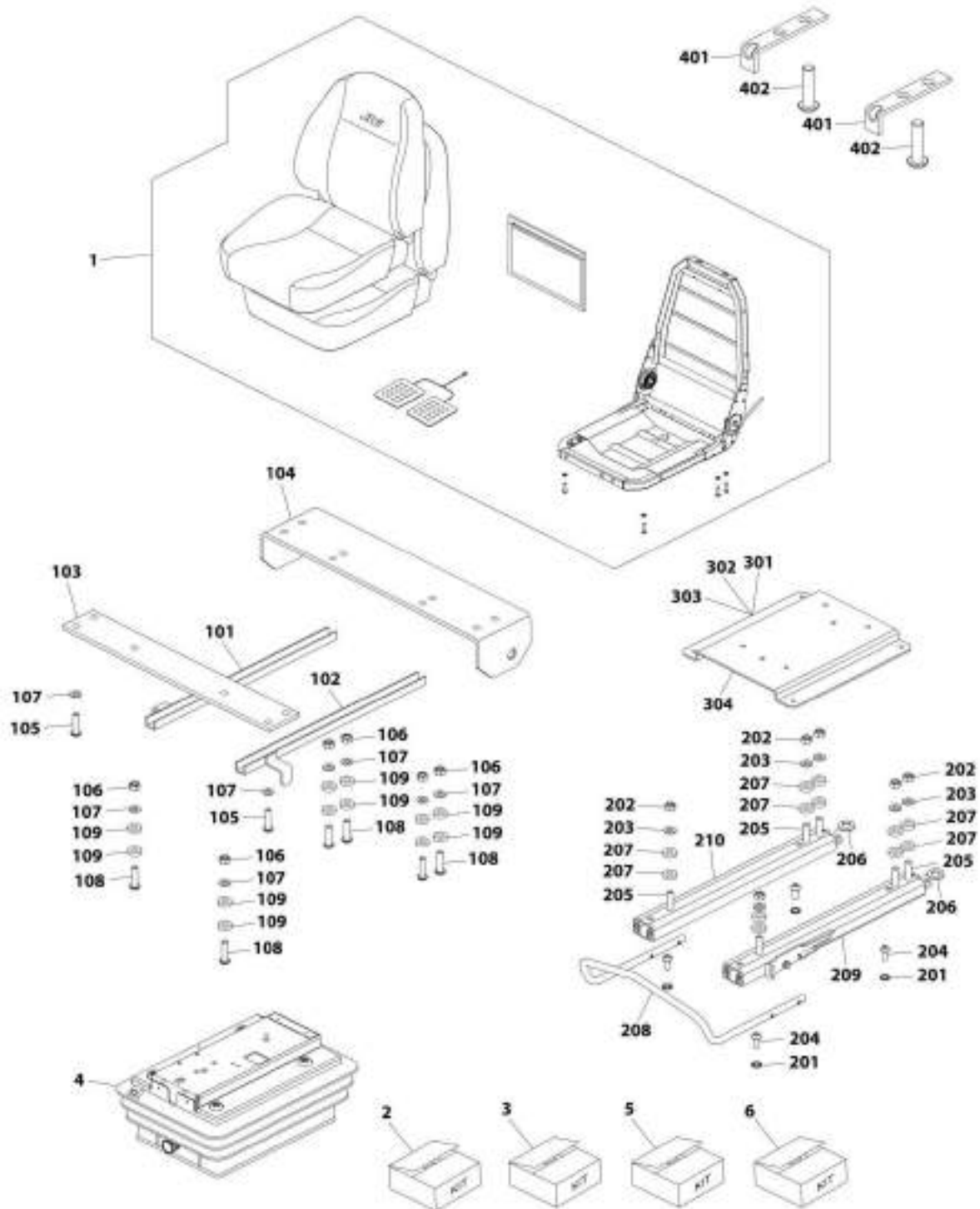
ART\_100119836-D

FIGURE 6-38. SEAT INSTALLATION (STANDARD - JLG)

ITEM	PART NUMBER	QTY	DESCRIPTION	REV
	1001158596	Ref	Seat Installation (Standard)	D
1	0760810	4	Bolt, M8X20	
2	4811900	4	Washer, M8	
3	1001216974	1	Grommet	
5	1001165573	1	Assembly, Seat (See Separate Breakdown in this Section)	

# SECTION 6 - CAB

## FIGURE 6-39. SEAT ASSEMBLY (AIR SUSPENSION - STANDARD)



ART\_1001185575-C

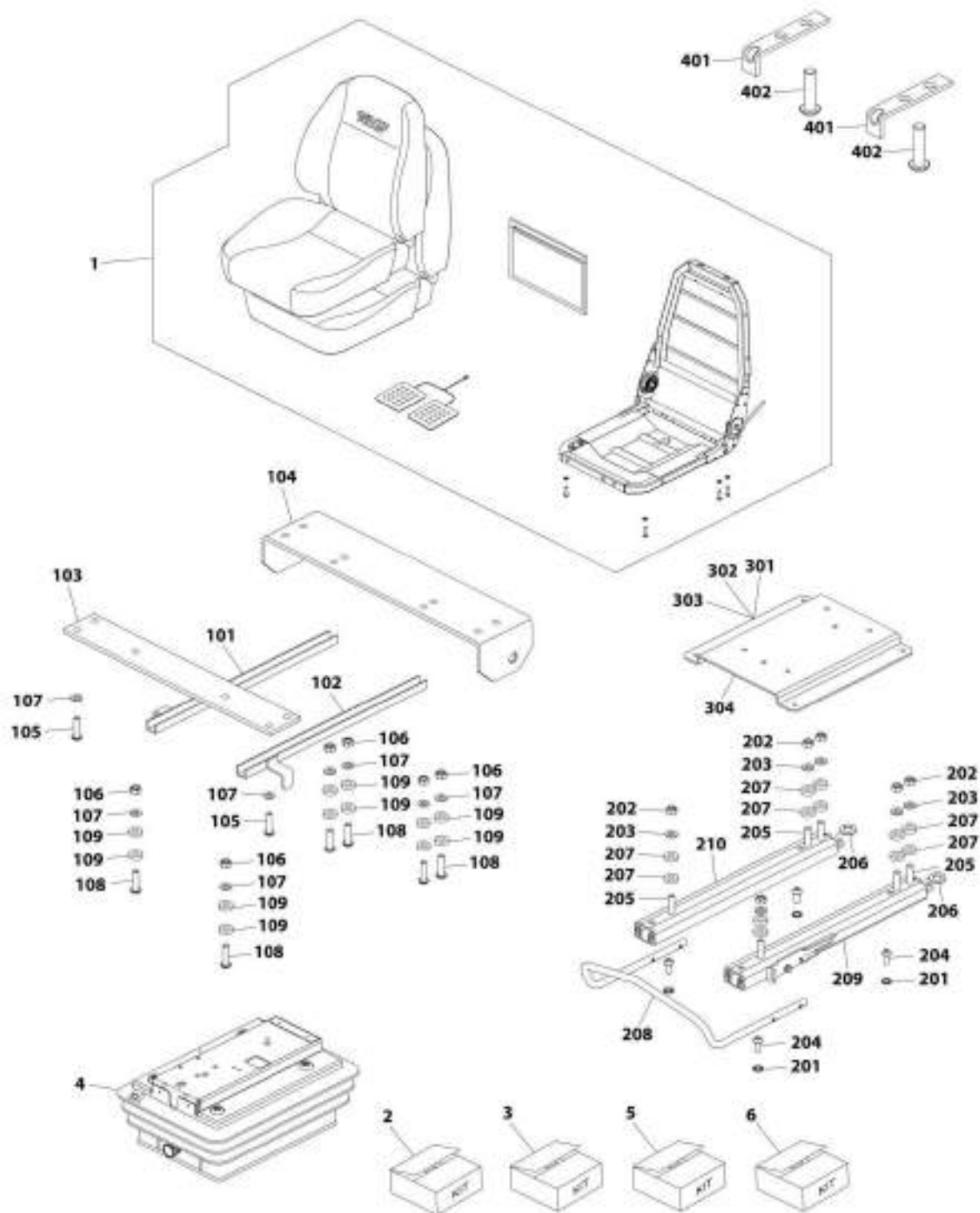
**SECTION 6 - CAB**

**FIGURE 6-39. SEAT ASSEMBLY (AIR SUSPENSION - STANDARD)**

ITEM	PART NUMBER	QTY	DESCRIPTION	REV
	1001165573	1	Seat Assembly	C
1	70027392	1	Assembly, Upper Seat (See Separate Breakdown in this Section)	
2	70021317	1	Kit, Cross Strap (includes items 101 thru 109)	
3	70021318	1	Kit, Fore and Aft Adjustment (includes items 201 thru 210)	
4	70021319	1	Kit, Suspension (See Separate Breakdown in this Section)	
5	70027395	1	Kit, Adapter Plate (includes items 301 thru 304)	
6	70021322	1	Kit, Slide Rail Stop (includes items 401 & 402)	
101	N.S.S.	1	Channel	
102	N.S.S.	1	Channel	
103	N.S.S.	1	Plate, Strap	
104	N.S.S.	1	Plate, Strap	
105	N.S.S.	4	Bolt, M8X25	
106	N.S.S.	6	Nut, M8	
107	N.S.S.	10	Washer	
108	N.S.S.	6	Bolt, M8X30	
109	N.S.S.	12	Spacer	
201	N.S.S.	4	Washer, Spring M8	
202	N.S.S.	1	Nut, M8	
203	N.S.S.	1	Washer	
204	N.S.S.	1	Bolt, M8X16	
205	N.S.S.	1	Bolt, M8X30	
206	N.S.S.	1	Washer	
207	N.S.S.	1	Spacer	
208	N.S.S.	1	Handle	
209	N.S.S.	1	Rail, Slide	
210	N.S.S.	1	Rail, Slide	
301	N.S.S.	1	Bolt, M8X25	
302	N.S.S.	1	Bolt, M8X16	
303	N.S.S.	1	Washer	
304	N.S.S.	1	Plate, Adapter	
401	N.S.S.	1	Stop, Sliderrail	
402	N.S.S.	1	Bolt, M8X16	

# SECTION 6 - CAB

## FIGURE 6-40. SEAT ASSEMBLY



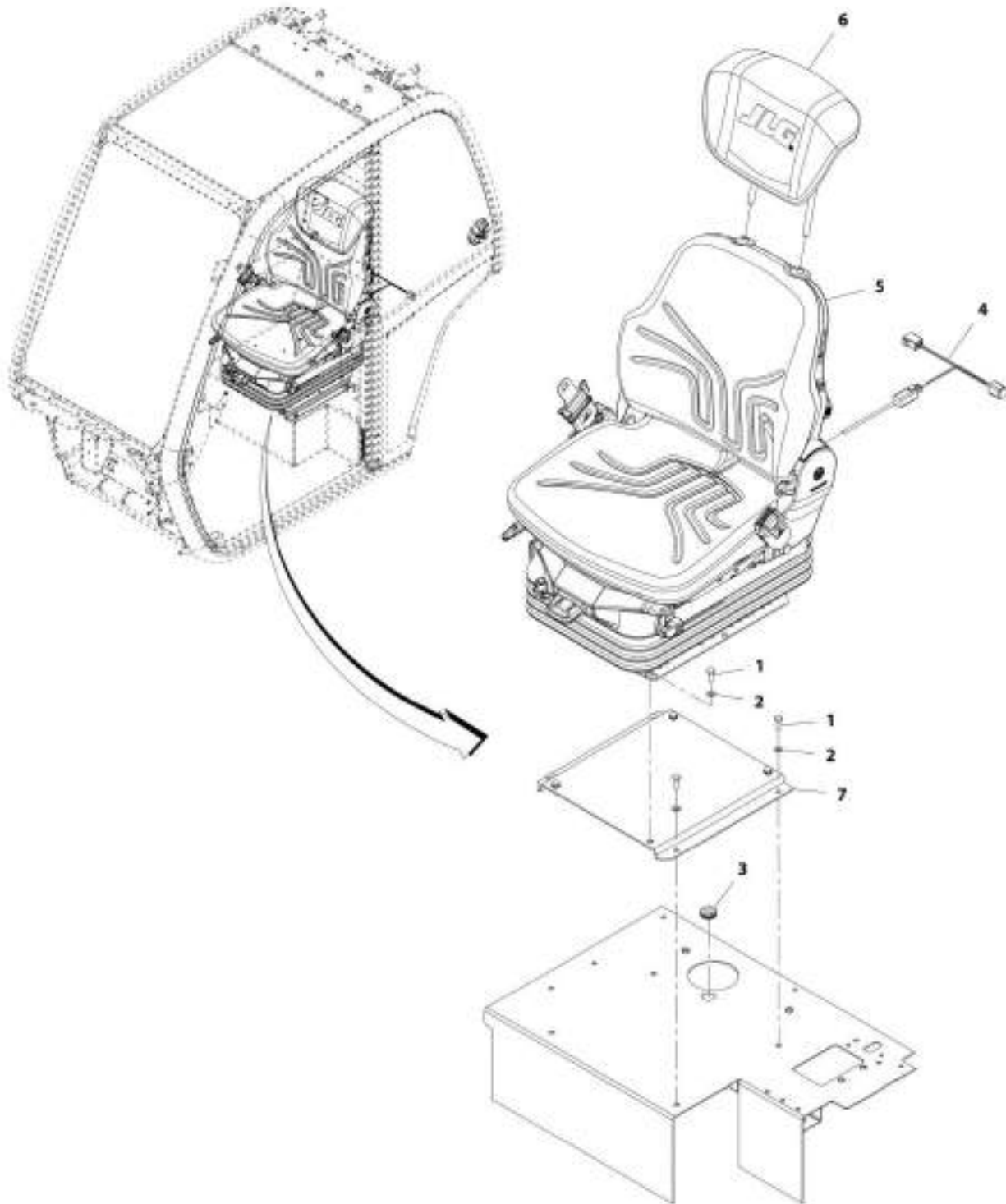
ART\_1001185574-C

FIGURE 6-40. SEAT ASSEMBLY

ITEM	PART NUMBER	QTY	DESCRIPTION	REV
	1001165574	Ref	Seat Assembly	C
1	70027396	1	Assembly, Upper Seat (See Separate Breakdown in this Section)	
2	70021317	1	Kit, Cross Strap (includes items 101 thru 109)	
3	70021318	1	Kit, Fore and Aft Adjustment (includes items 201 thru 210)	
4	70021319	1	Kit, Suspension (See Separate Breakdown in this Section)	
5	70027395	1	Kit, Adapter Plate (includes items 301 thru 304)	
6	70021322	1	Kit, Slide Rail Stop (includes items 401 & 402)	
101	N.S.S.	1	Channel	
102	N.S.S.	1	Channel	
103	N.S.S.	1	Plate, Front Strap	
104	N.S.S.	1	Plate, Rear Strap	
105	N.S.S.	4	Bolt, M8X25	
106	N.S.S.	6	Nut, M8	
107	N.S.S.	10	Washer	
108	N.S.S.	6	Bolt, M8X30	
109	N.S.S.	12	Spacer	
201	N.S.S.	4	Washer, Spring M8	
202	N.S.S.	6	Nut, M8	
203	N.S.S.	10	Washer	
204	N.S.S.	4	Bolt, M8X16	
205	N.S.S.	6	Bolt, M8X30	
206	N.S.S.	2	Washer	
207	N.S.S.	12	Spacer	
208	N.S.S.	1	Handle	
209	N.S.S.	1	Sliderail	
210	N.S.S.	1	Sliderail	
301	N.S.S.	2	Bolt, M8X25	
302	N.S.S.	2	Bolt, M8X16	
303	N.S.S.	4	Washer	
304	N.S.S.	1	Plate, Adapter	
401	N.S.S.	2	Stop, Sliderail	
402	N.S.S.	12	Bolt, M8X16	

# SECTION 6 - CAB

## FIGURE 6-41. SEAT INSTALLATION (PREMIUM - JLG)



ART\_1001206648-0

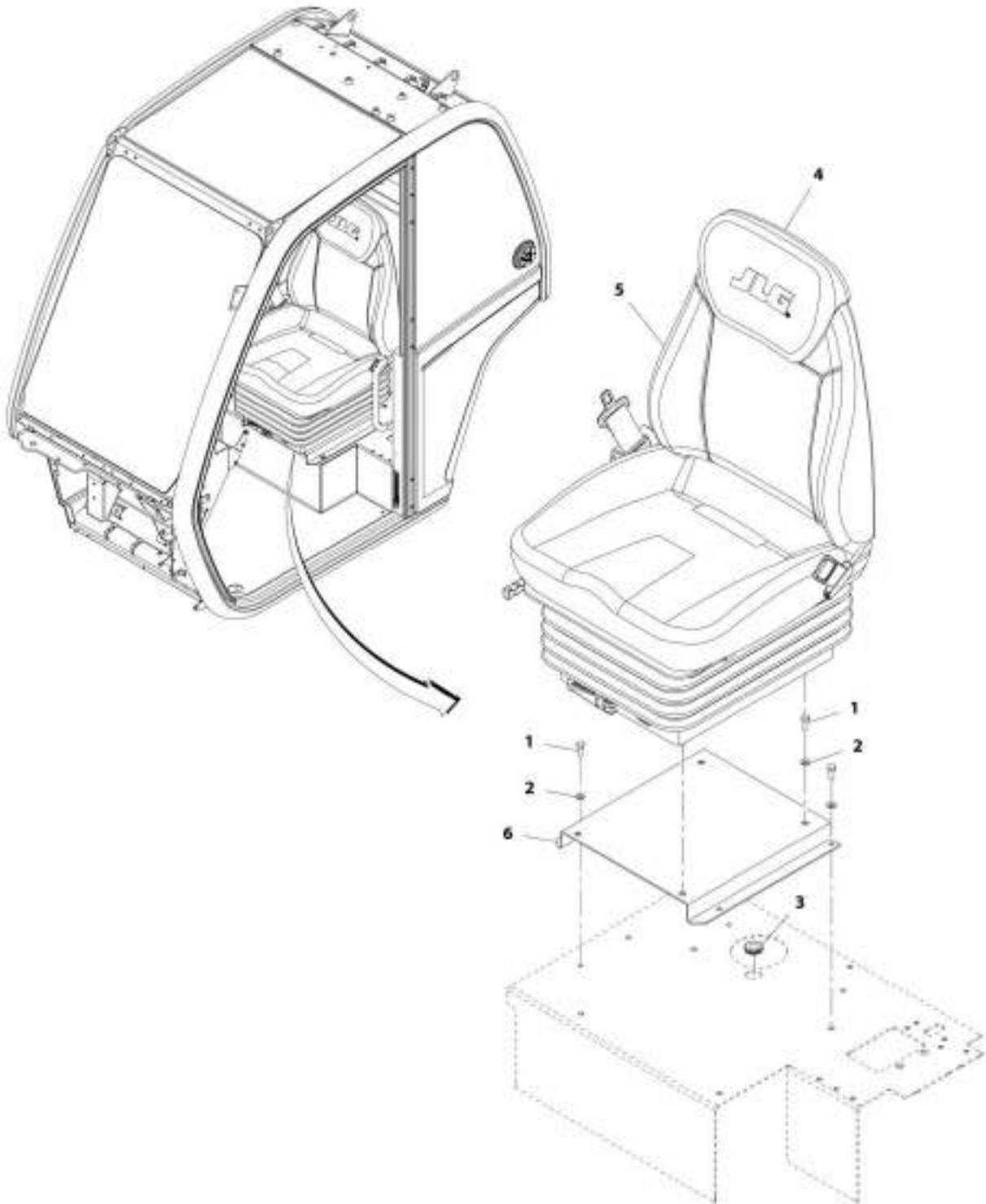


FIGURE 6-41. SEAT INSTALLATION (PREMIUM - JLG)

ITEM	PART NUMBER	QTY	DESCRIPTION	REV
	1001205648	1	Installation, Seat (Premium)	B
1	0760810	8	Bolt, M8X20	
2	4811900	8	Washer, M8	
3	1001216974	1	Grommet	
4	1001168531	1	Harness, Seat Adaptor (See Separate Breakdown in ELECTRICAL Section)	
5	1001169135	1	Assembly, Seat	
6	1001182529	1	Headrest	
7	1001158736C	1	Plinth, Seat	

# SECTION 6 - CAB

## FIGURE 6-42. SEAT INSTALLATION (MECHANICAL - JLG)



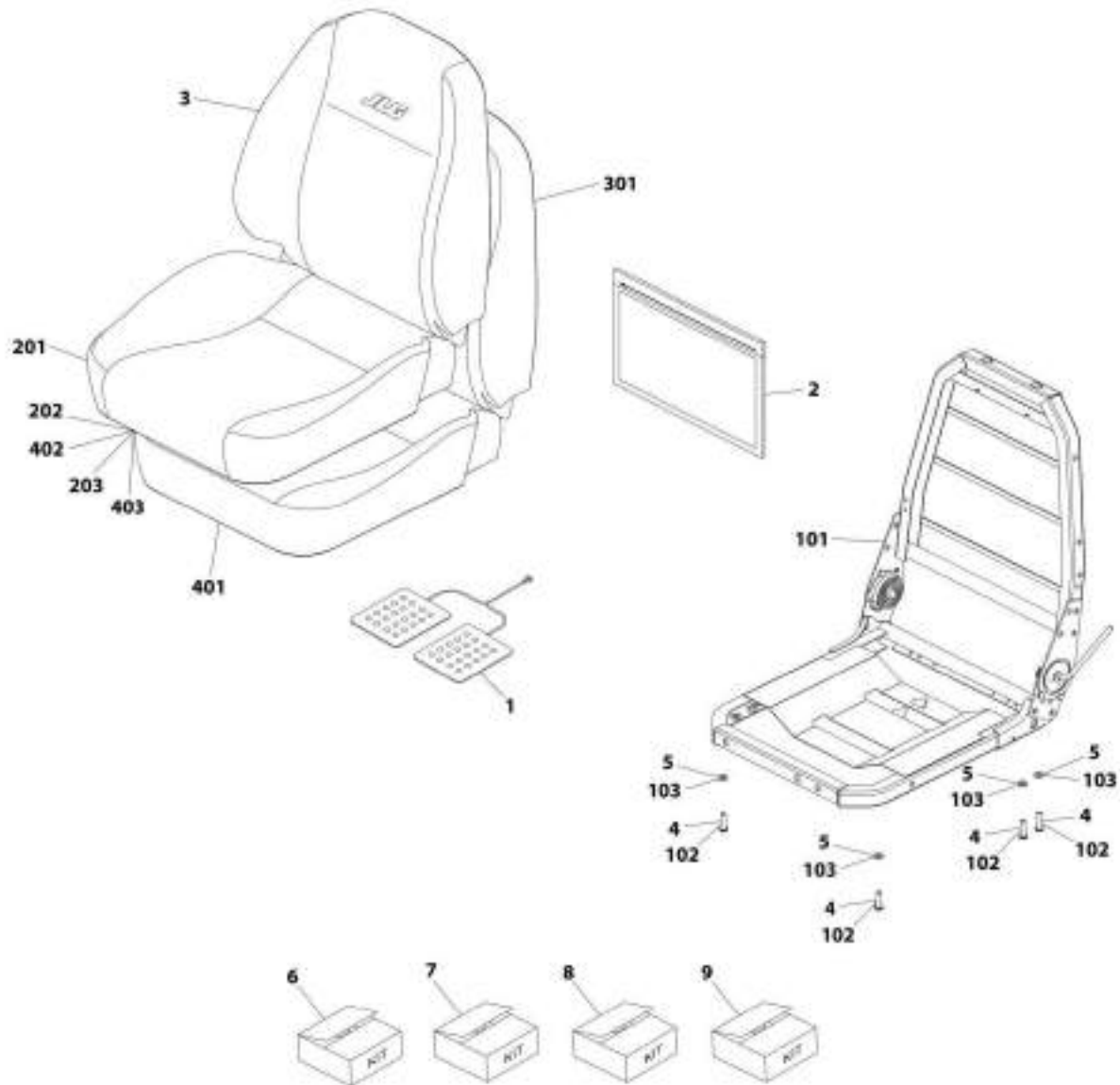
ART\_1001205782-B

FIGURE 6-42. SEAT INSTALLATION (MECHANICAL - JLG)

ITEM	PART NUMBER	QTY	DESCRIPTION	REV
	1001205782	Ref	Seat Installation (Mechanical - JLG)	B
1	0760810	8	Bolt, M8X20	
2	4811900	8	Washer, M8	
3	1001216974	1	Grommet	
4	1001119467	1	Headrest, Cloth	
5	1001150294	1	Seat, Assembly (See Separate Breakdown in this Section)	
6	1001205514	1	Plinth, Seat	

# SECTION 6 - CAB

## FIGURE 6-43. UPPER SEAT ASSEMBLY



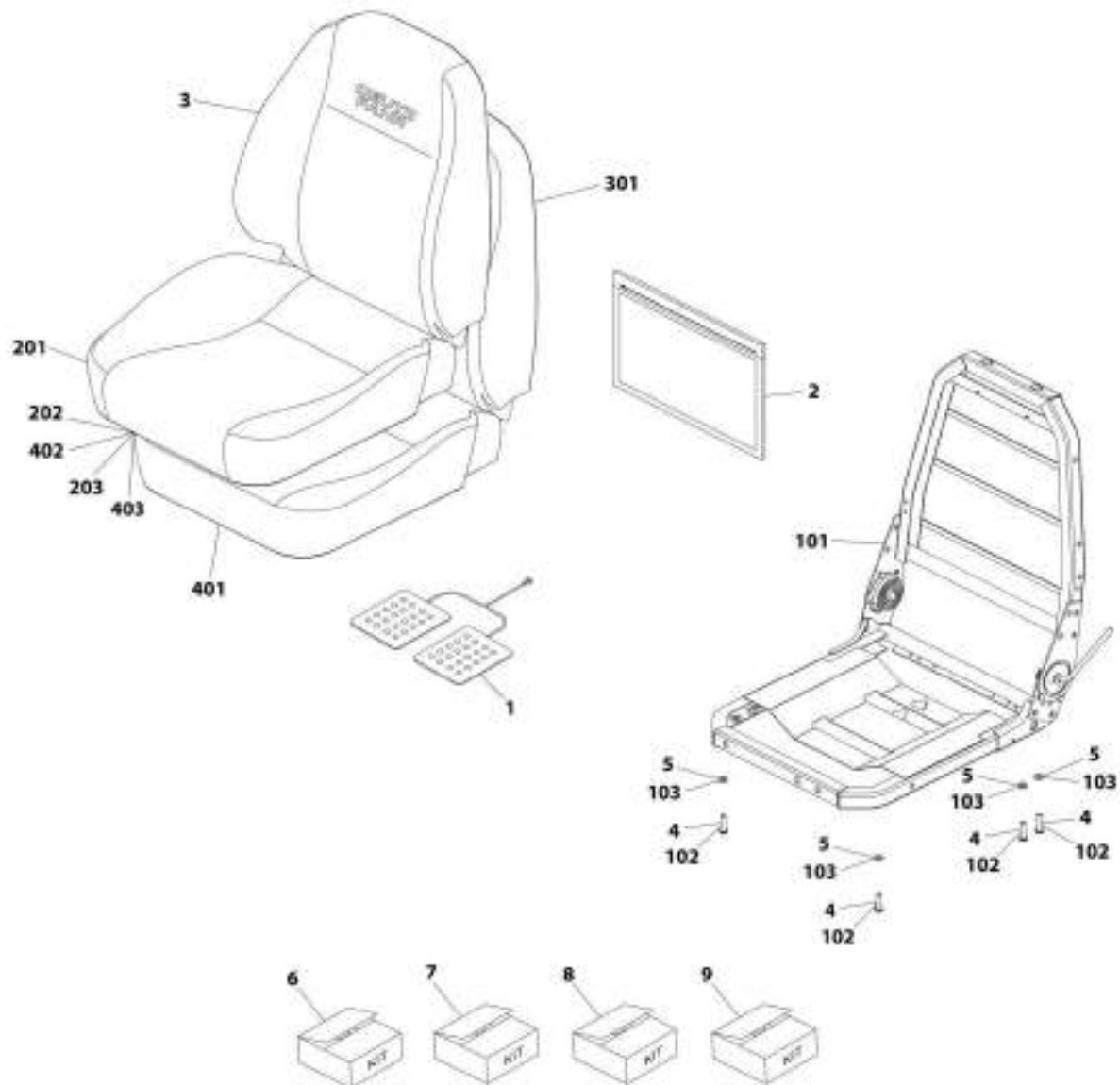
ART\_30027182

FIGURE 6-43. UPPER SEAT ASSEMBLY

ITEM	PART NUMBER	QTY	DESCRIPTION	REV
	70027392	Ref	Assembly, Upper Seat	
1	70025539	1	Pad, Sensor	
2	70021316	1	Bag	
3	70027393	1	Cover, Back	
4	N.S.S.	4	Bolt, M8X25	
5	N.S.S.	4	Washer	
6	70021314	1	Kit, Frame (includes items 101 thru 103)	
7	70027394	1	Kit, Bottom Seat Cover (includes items 201 thru 203)	
8	80264002	1	Kit, Back Foam (includes items 301 thru 303)	
9	80264004	1	Kit, Seat Foam (includes items 401 thru 403)	
101	N.S.S.	1	Frame, Seat	
102	N.S.S.	4	Bolt, M8X25	
103	N.S.S.	4	Washer	
201	N.S.S.	1	Cover, Seat	
202	N.S.S.	2	Clip	
203	N.S.S.	17	Clip	
301	N.S.S.	1	Foam, Back	
302	N.S.S.	3	Bar, Trim	
303	N.S.S.	4	Ring	
401	N.S.S.	1	Foam, Seat	
402	N.S.S.	2	Clip	
403	N.S.S.	17	Clip	

# SECTION 6 - CAB

## FIGURE 6-44. UPPER SEAT ASSEMBLY



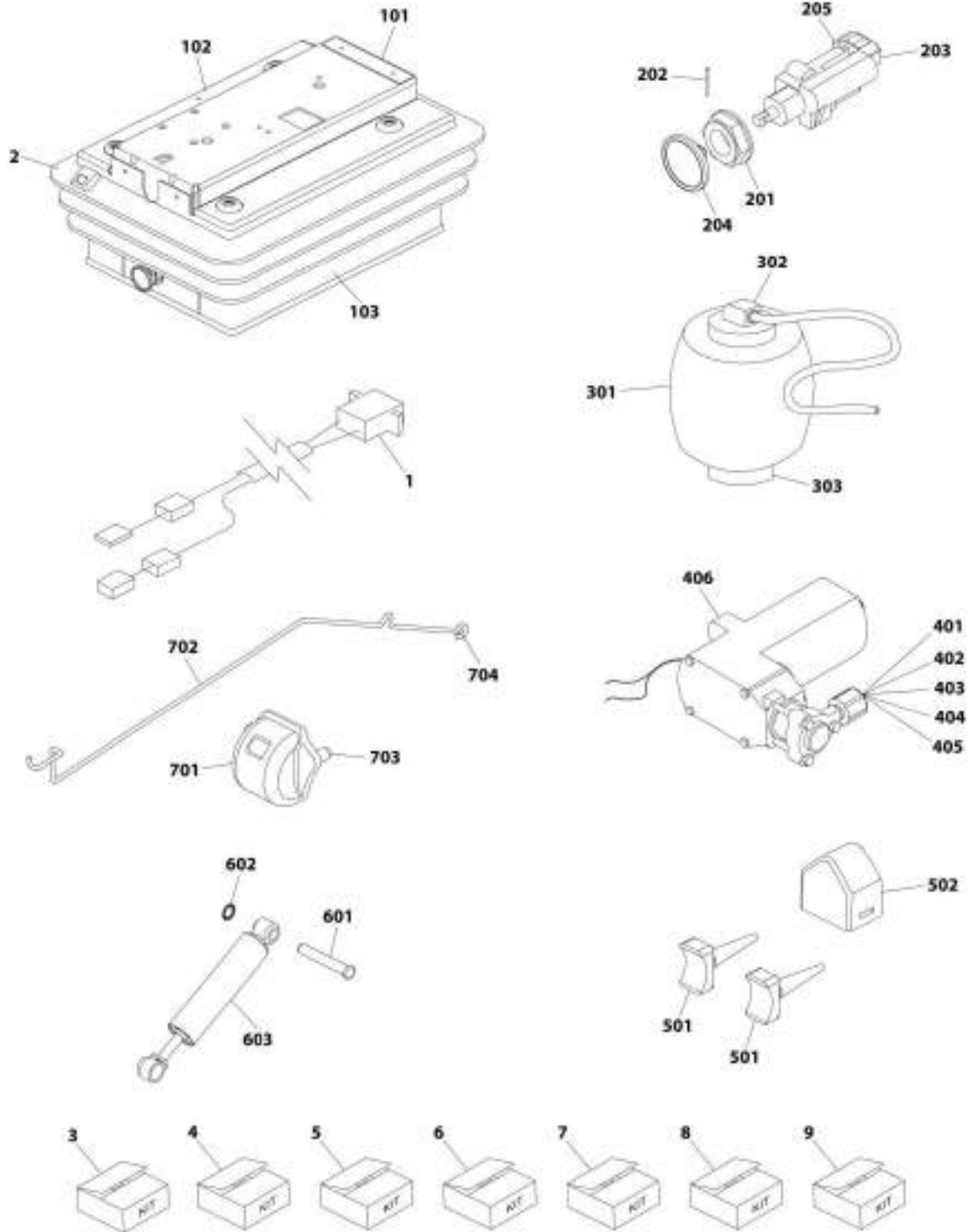
ART\_70027396

FIGURE 6-44. UPPER SEAT ASSEMBLY

ITEM	PART NUMBER	QTY	DESCRIPTION	REV
	70027396	Ref	Upper Seat Assembly	
1	70025539	1	Pad, Sensor	
2	70021316	1	Bag	
3	70027397	1	Cover, Back	
4	N.S.S.	4	Bolt, M8X25	
5	N.S.S.	4	Washer	
6	70021314	1	Kit, Frame (includes items 101 thru 103)	
7	70027394	1	Kit, Bottom Seat Cover (includes items 201 thru 203)	
8	80264002	1	Kit, Back Foam (includes items 301 thru 303)	
9	80264004	1	Kit, Seat Foam (includes items 401 thru 403)	
101	N.S.S.	1	Frame	
102	N.S.S.	4	Bolt, M8X25	
103	N.S.S.	4	Washer	
201	N.S.S.	1	Cover, Seat	
202	N.S.S.	2	Clip	
203	N.S.S.	17	Clip	
301	N.S.S.	1	Foam, Back	
302	N.S.S.	3	Bar, Trim	
303	N.S.S.	4	Ring	
401	N.S.S.	1	Foam, Seat	
402	N.S.S.	2	Clip	
403	N.S.S.	17	Clip	

# SECTION 6 - CAB

## FIGURE 6-45. SUSPENSION KIT



ART\_70021313

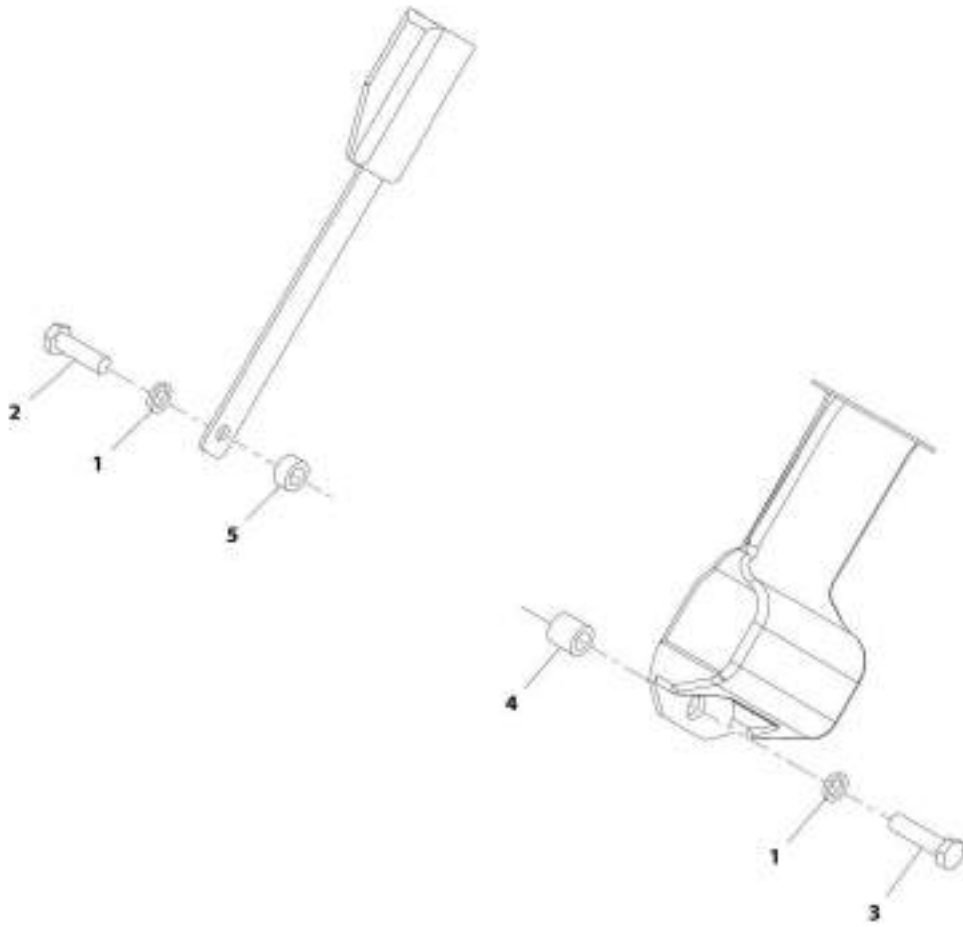


FIGURE 6-45. SUSPENSION KIT

ITEM	PART NUMBER	QTY	DESCRIPTION	REV
	70021319	Ref	Suspension Kit	
1	70021330	1	Lead, Fly	
2	N.S.S.	1	Suspension	
3	70021321	1	Kit, Suspension Cover (includes items 101 thru 103)	
4	70021323	1	Kit, Air Valve (includes items 201 thru 205)	
5	70021324	1	Kit, Air Spring (includes items 301 thru 303)	
6	70021325	1	Kit, Compressor (includes items 401 thru 406)	
7	70021326	1	Kit, Upstop/Bumpstop (includes items 501 & 502)	
8	70021327	1	Kit, Damper (includes items 601 thru 603)	
9	70021328	1	Kit, Ride Indicator (includes items 701 thru 704)	
101	N.S.S.	6	Clip, Cover	
102	N.S.S.	1	Cover, Suspension	
103	N.S.S.	5	Clip, Cover	
201	N.S.S.	1	Nut, Air Valve	
202	N.S.S.	1	Pin, Retaining	
203	N.S.S.	1	Valve, Combination	
204	N.S.S.	1	Knob	
205	N.S.S.	2	Tie, Plastic	
301	N.S.S.	1	Spring, Air	
302	N.S.S.	1	Clip	
303	N.S.S.	1	Screw, Countersunk Self Tapping	
401	N.S.S.	1	Clip	
402	N.S.S.	1	Pad	
403	N.S.S.	1	Loom	
404	N.S.S.	2	Tie, Cable	
405	N.S.S.	3	Tie, Plastic	
406	N.S.S.	1	Compressor (with Elbow)	
501	N.S.S.	2	Upstop	
502	N.S.S.	1	Bumpstop	
601	N.S.S.	2	Pin	
602	N.S.S.	2	Washer, Starlock	
603	N.S.S.	1	Damper	
701	N.S.S.	1	Indicator, Ride	
702	N.S.S.	1	Wire, Ride Indicator	
703	N.S.S.	2	Washer, Starlock	
704	N.S.S.	1	Washer, Grip M4	

# SECTION 6 - CAB

## FIGURE 6-46. SEAT BELT INSTALLATION (3IN)



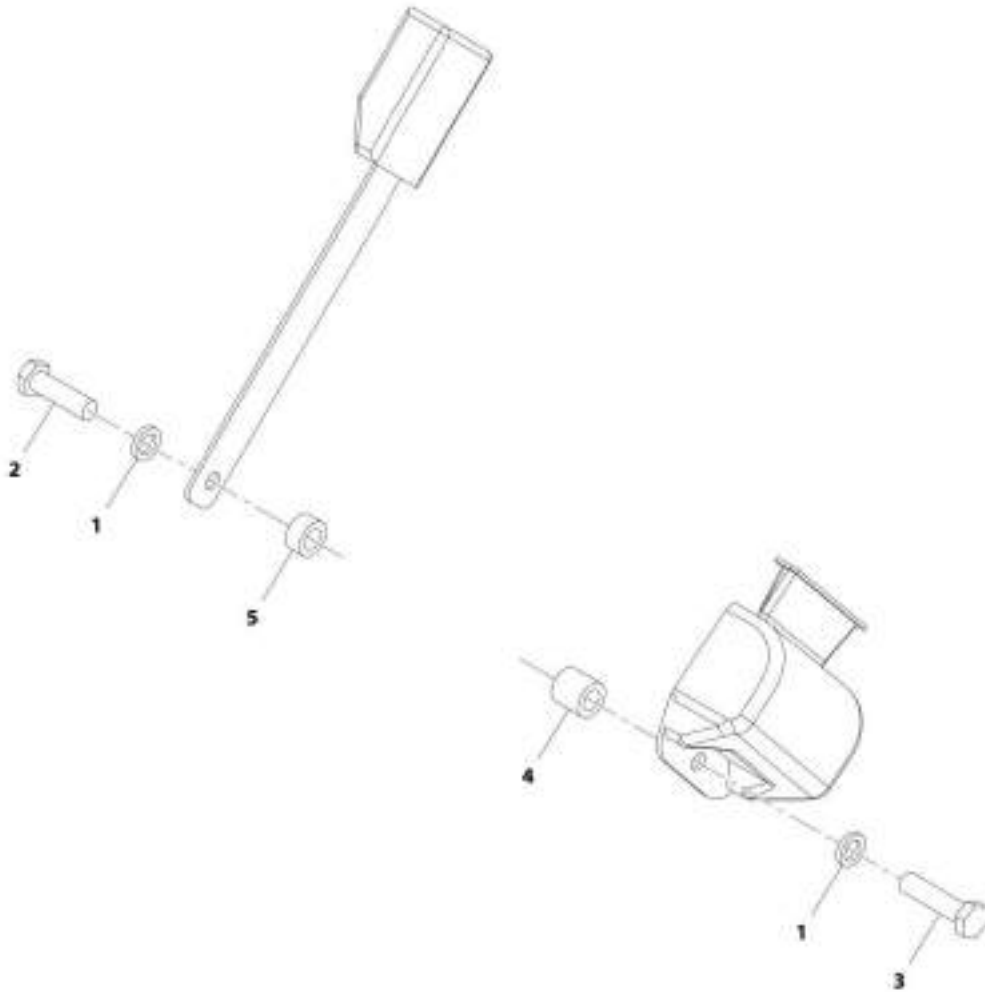
ARC\_1001006731-0

FIGURE 6-46. SEAT BELT INSTALLATION (3IN)

ITEM	PART NUMBER	QTY	DESCRIPTION	REV
	1001006731	Ref	Seat Belt Installation (3IN)	B
1	1001010646	2	Washer	
2	1001010647	1	Bolt	
3	1001010648	1	Bolt	
4	1001010649	1	Spacer	
5	1001010650	1	Spacer	

# SECTION 6 - CAB

## FIGURE 6-47. SEAT BELT INSTALLATION (2IN)



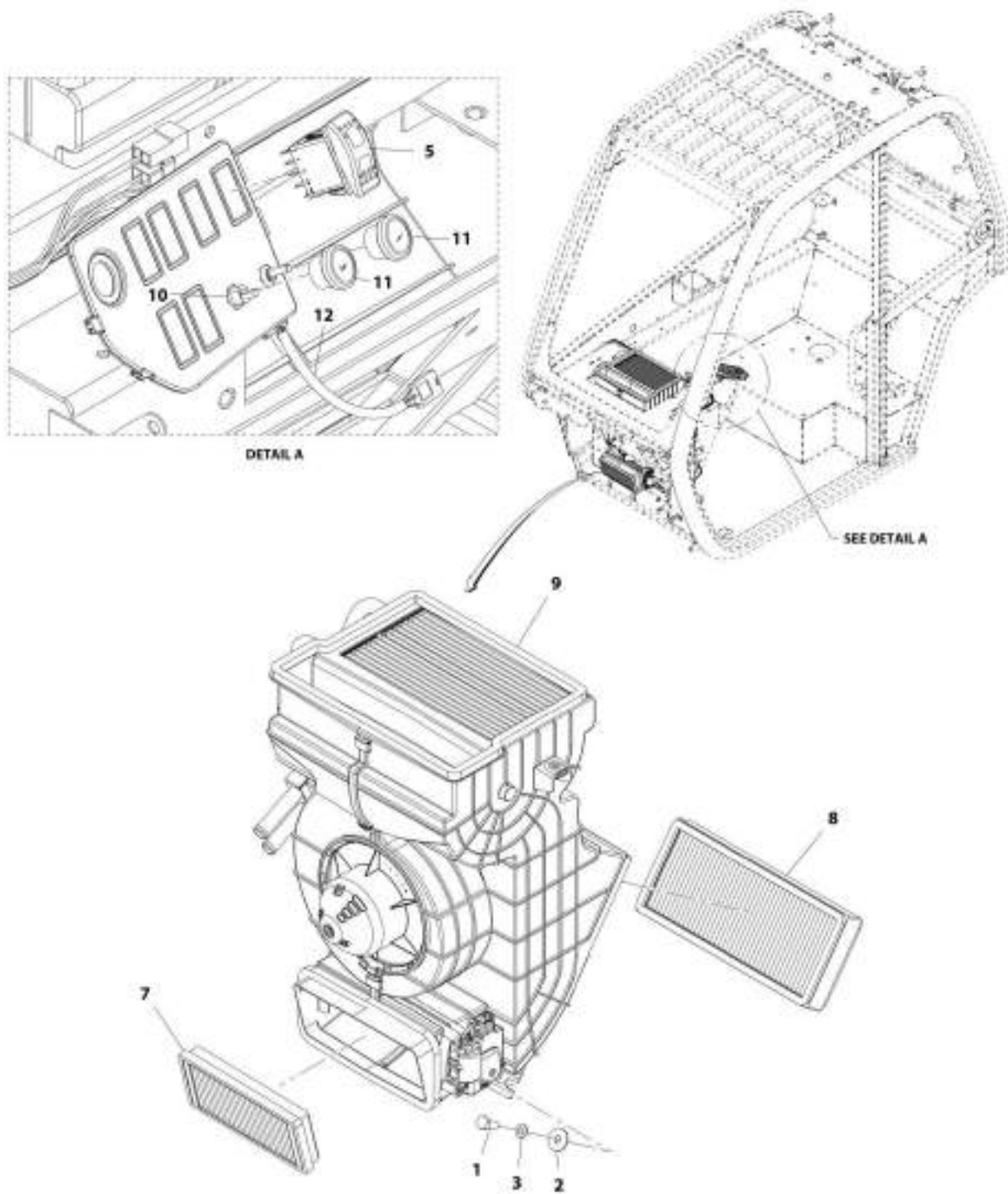
WIT\_1001066730-E

FIGURE 6-47. SEAT BELT INSTALLATION (2IN)

ITEM	PART NUMBER	QTY	DESCRIPTION	REV
	1001006730	Ref	Seat Belt Installation (2IN)	E
1	1001010646	2	Washer	
2	1001010647	1	Bolt	
3	1001010648	1	Bolt	
4	1001010649	1	Spacer, Shim	
5	1001010650	1	Spacer, Shim	

# SECTION 6 - CAB

FIGURE 6-48. HEATER INSTALLATION (Prior to SN 1160008716)



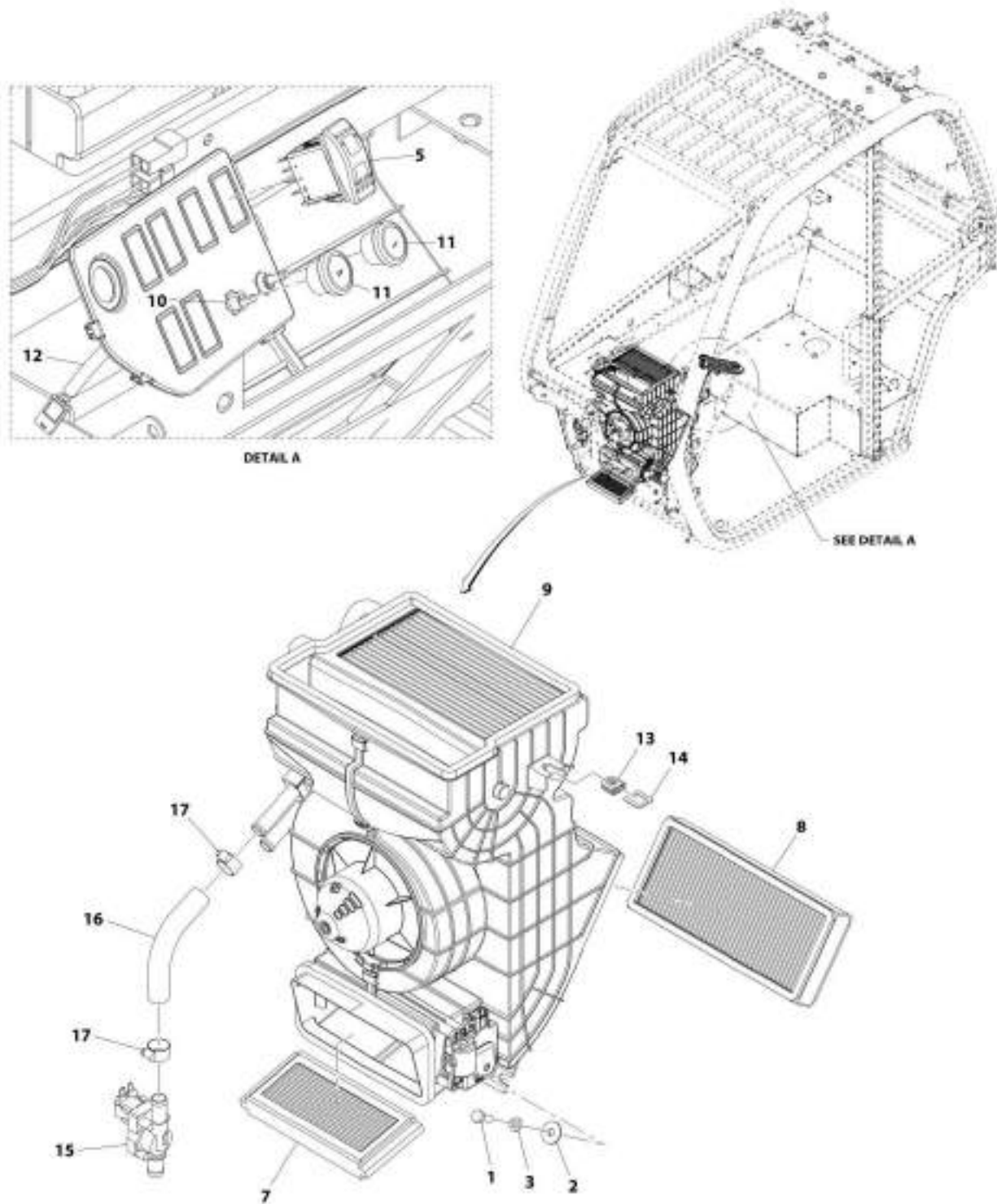
ART\_1801201336-C

FIGURE 6-48. HEATER INSTALLATION (Prior to SN 1160008716)

ITEM	PART NUMBER	QTY	DESCRIPTION	REV
	1001201336	Ref	Heater Installation	C
1	0760810	2	Bolt, M8X20	
2	4811902	2	Washer, M8	
3	4831900	2	Washer, Lock M8	
5	1001159925	1	Switch, HVAC Recycle	
7	1001172546	1	Filter, HVAC Air	
8	1001172553	1	Filter, HVAC Recirculation Air	
9	1001201498	1	Assembly, Heater (See Separate Breakdown in this Section)	
10	1001172547	1	Switch	
11	1001172550	2	Knob, HVAC	
12	1001172552	1	Cable, HVAC	

# SECTION 6 - CAB

FIGURE 6-49. HEATER INSTALLATION (SN 1160008716 to Present)



ART\_1001201336-F

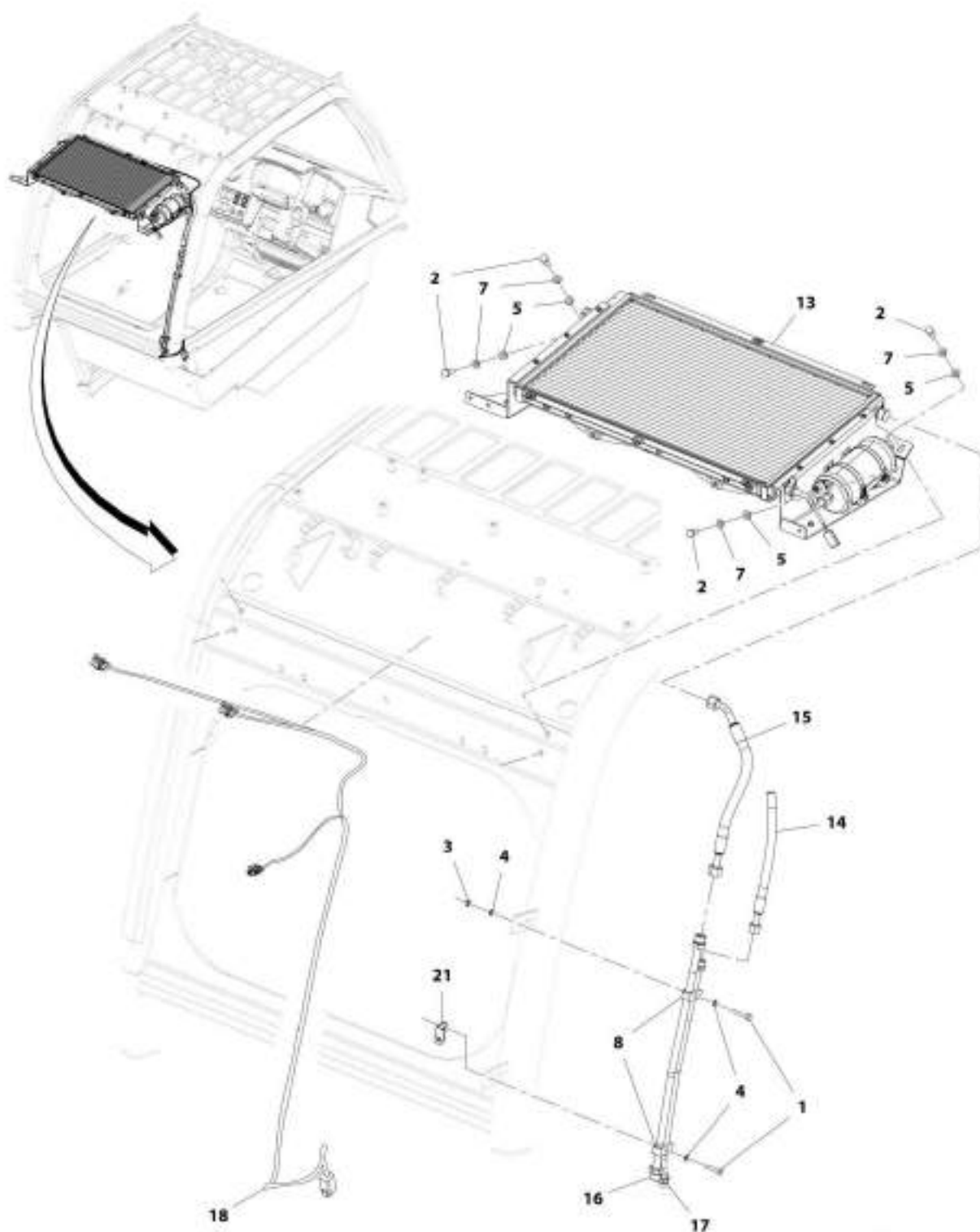


**FIGURE 6-49. HEATER INSTALLATION (SN 1160008716 to Present)**

ITEM	PART NUMBER	QTY	DESCRIPTION	REV
	1001201336	Ref	Heater Installation	F
1	0760810	2	Bolt, M8X20	
2	4811902	2	Washer, M8	
3	4831900	2	Washer, Lock M8	
5	1001159925	1	Switch, HVAC Recycle	
7	1001218996	1	Filter, HVAC Air	
8	1001172553	1	Filter, HVAC Recirculation Air	
9	1001221053	1	Assembly, Heater (See Separate Breakdown in this Section)	
10	1001172547	1	Switch	
11	1001172550	2	Knob, HVAC	
12	1001218529	1	Cable, HVAC	
13	1001188590	2	Grommet	
14	1001218542	2	Shim	
15	1001221059	1	Valve, Cab	
16	1001221259	1	Hose	
17	8410009	2	Gear Clamp	

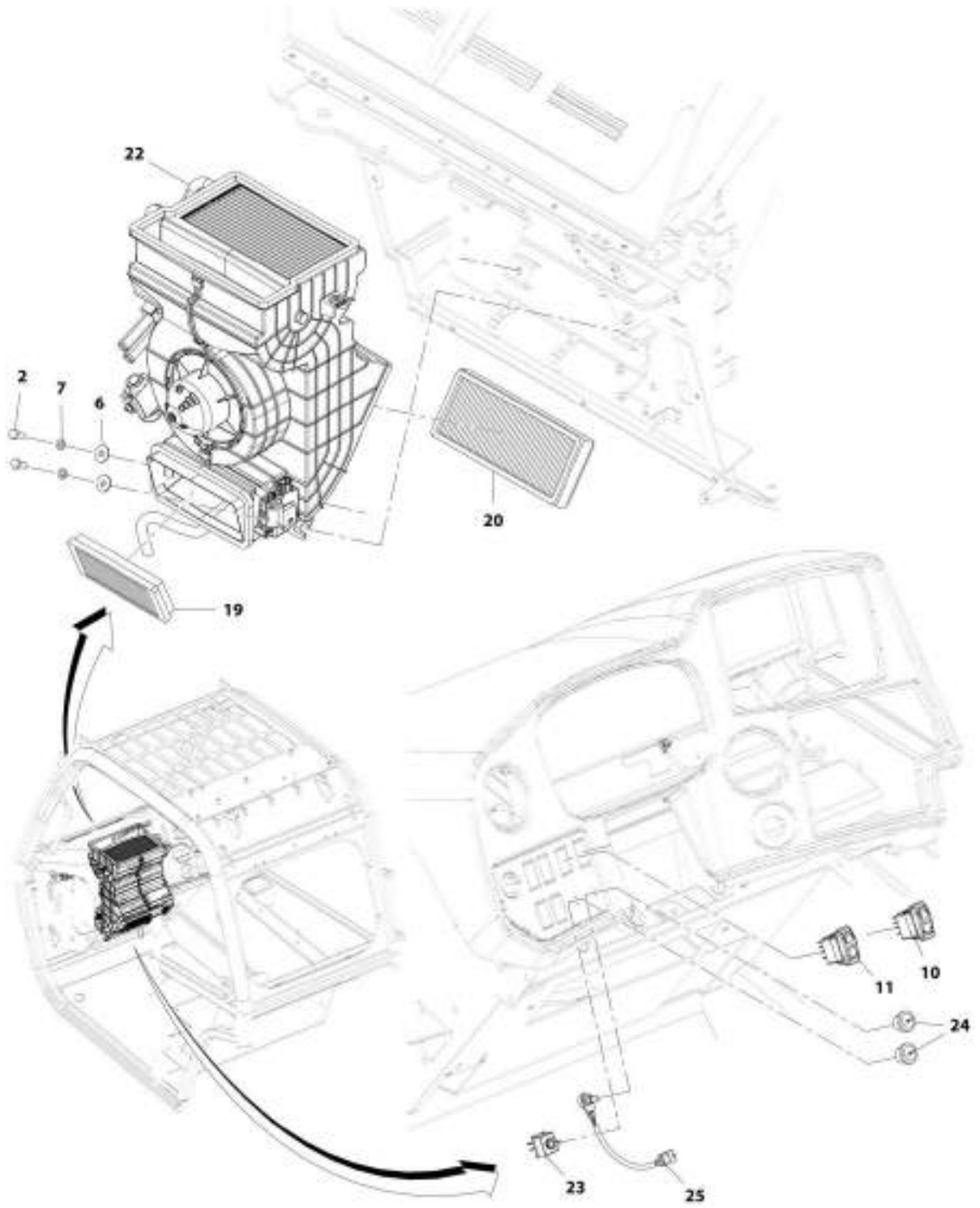
# SECTION 6 - CAB

FIGURE 6-50. HEATER AND A/C INSTALLATION (Prior to SN 1160008716)



ART\_100130133B\_3-C

# SECTION 6 - CAB



ART\_1001301336\_2-C

## SECTION 6 - CAB

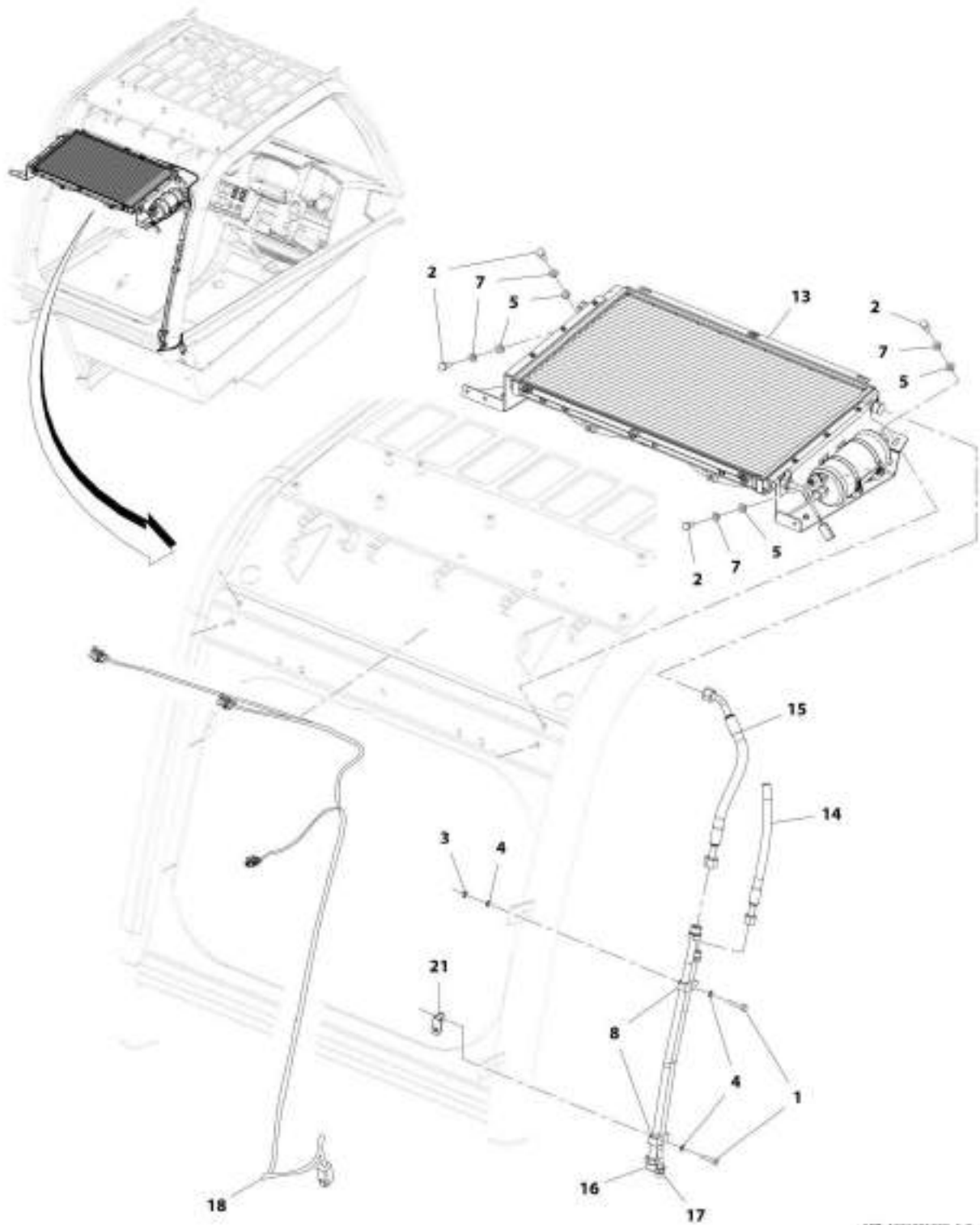
**FIGURE 6-50. HEATER AND A/C INSTALLATION (Prior to SN 1160008716)**

ITEM	PART NUMBER	QTY	DESCRIPTION	REV
	1001201338	Ref	Heater and A/C Installation	C
1	0700614	2	Bolt, M6X30	
2	0760810	6	Bolt, M8X20	
3	3290601	1	Nut, M6X1	
4	4811700	3	Washer, M6	
5	4811900	4	Washer, M8	
6	4811902	2	Washer, M8	
7	4831900	6	Washer, Lock M8	
8	1001145539	2	Support, Pipe	
10	1001159925	1	Switch, HVAC Recycle	
11	1001160326	1	Switch, HVAC On/Off	
13	1001162953	1	Assembly, Cab Condenser (See Separate Breakdown in this Section)	
14	1001168327	1	Hose	
15	1001168330	1	Hose	
16	1001168331	1	Tube	
17	1001168456	1	Tube	
18	1001169151	1	Harness, A/C Option (See Separate Breakdown in ELECTRICAL Section)	
19	1001172546	1	Filter, HVAC Fresh Air	
20	1001172553	1	Filter, HVAC Air Recirculation	
21	1001178170	1	Bracket	
22	1001201497	1	Assembly, Heater and A/C (See Separate Breakdown in this Section)	
23	1001172547	1	Switch, HVAC Rotary 3 Speed	
24	1001172550	2	Knob, HVAC Control	
25	1001172552	1	Cable, HVAC	



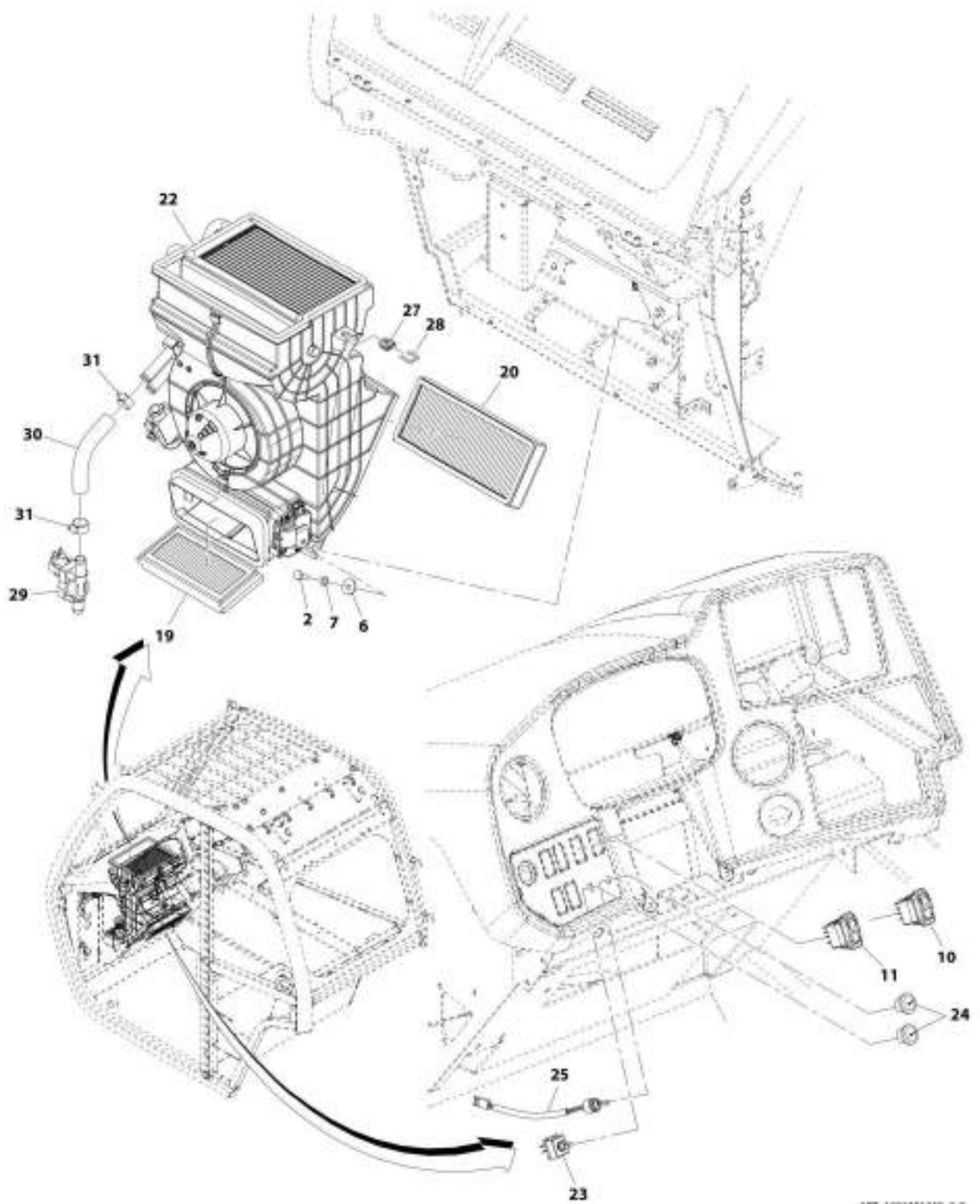
# SECTION 6 - CAB

FIGURE 6-51. HEATER AND A/C INSTALLATION (SN 1160008716 to Present)



AMT\_100130133B\_3-G

# SECTION 6 - CAB



ART\_1001201.338\_3-G

## SECTION 6 - CAB

FIGURE 6-51. HEATER AND A/C INSTALLATION (SN 1160008716 to Present)

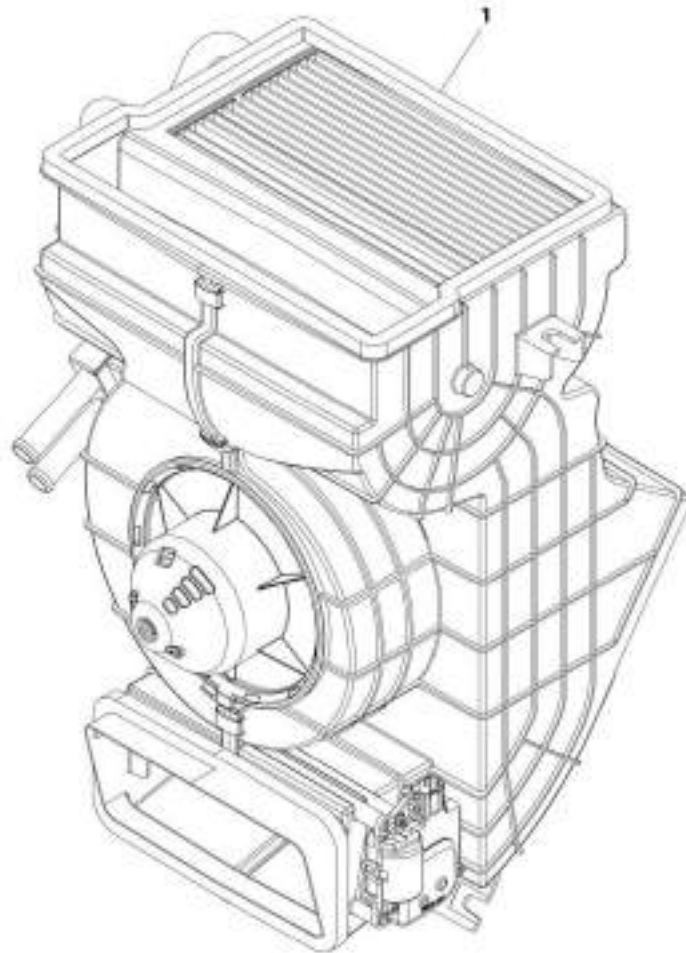
ITEM	PART NUMBER	QTY	DESCRIPTION	REV
	1001201338	Ref	Heater and A/C Installation	G
1	0700614	2	Bolt, M6X30	
2	0760810	6	Bolt, M8X20	
3	3290601	1	Nut, M6X1	
4	4811700	3	Washer, M6	
5	4811900	4	Washer, M8	
6	4811902	2	Washer, M8	
7	4831900	6	Washer, Lock M8	
8	1001145539	2	Support, Pipe	
10	1001159925	1	Switch, HVAC Recycle	
11	1001160326	1	Switch, HVAC On/Off	
13	1001162953	1	Assembly, Cab Condenser (See Separate Breakdown in this Section)	
14	1001168327	1	Hose	
15	1001168330	1	Hose	
16	1001168331	1	Tube	
17	1001168456	1	Tube	
18	1001169151	1	Harness, A/C Option (See Separate Breakdown in ELECTRICAL Section)	
19	1001218996	1	Filter, HVAC Fresh Air	
20	1001172553	1	Filter, HVAC Air Recirculation	
21	1001178170	1	Bracket	
22	1001221055	1	Assembly, Heater and A/C (See Separate Breakdown in this Section)	
23	1001172547	1	Switch, HVAC Rotary 3 Speed	
24	1001172550	2	Knob, HVAC Control	
25	1001218529	1	Cable, HVAC	
27	1001188590	2	Grommet	
28	1001218542	2	Shim	
29	1001221059	1	Valve, Cab	
30	1001221295	1	Hose	
31	8410009	2	Clamp	





## SECTION 6 - CAB

FIGURE 6-52. HEATER ASSEMBLY (Prior to SN 1160008716)



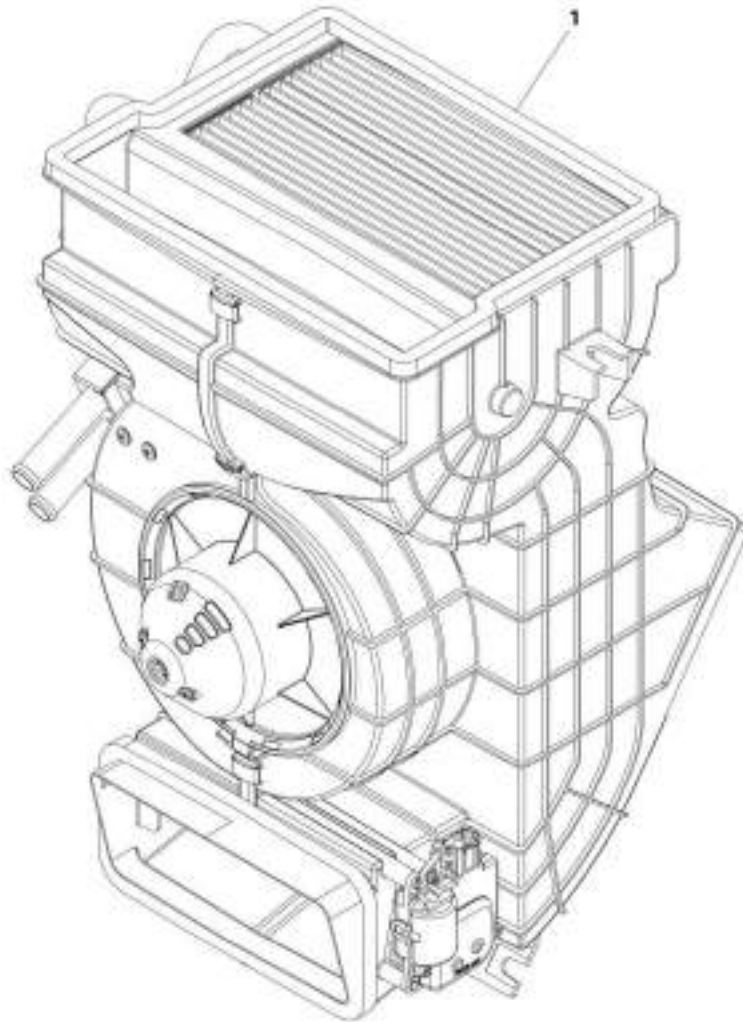
ART\_1001201466-C

**FIGURE 6-52. HEATER ASSEMBLY (Prior to SN 1160008716)**

<b>ITEM</b>	<b>PART NUMBER</b>	<b>QTY</b>	<b>DESCRIPTION</b>	<b>REV</b>
1	1001201498 1001152908	Ref 1	Heater Assembly Heater (See Separate Breakdown in this Section)	C

## SECTION 6 - CAB

FIGURE 6-53. HEATER ASSEMBLY (SN 1160008716 to Present)



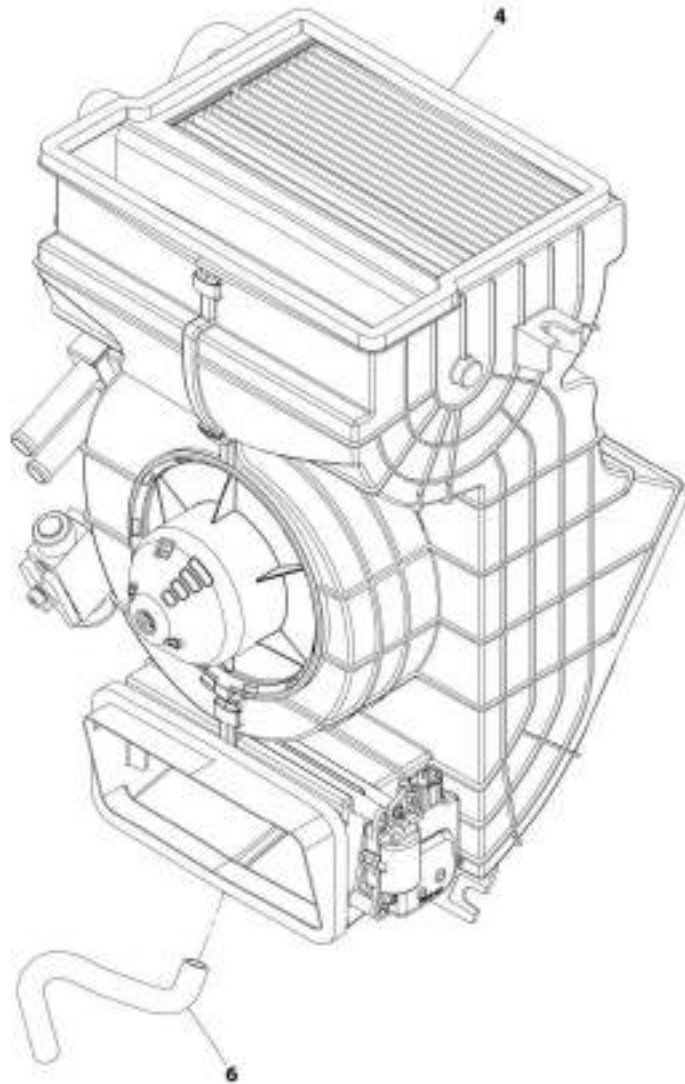
WIT\_1991221053-A

**FIGURE 6-53. HEATER ASSEMBLY (SN 1160008716 to Present)**

<b>ITEM</b>	<b>PART NUMBER</b>	<b>QTY</b>	<b>DESCRIPTION</b>	<b>REV</b>
1	1001221053 1001221052	Ref 1	Heater Assembly Heater (See Separate Breakdown in this Section)	A

## SECTION 6 - CAB

FIGURE 6-54. HEATER AND A/C ASSEMBLY (Prior to SN 1160008716)



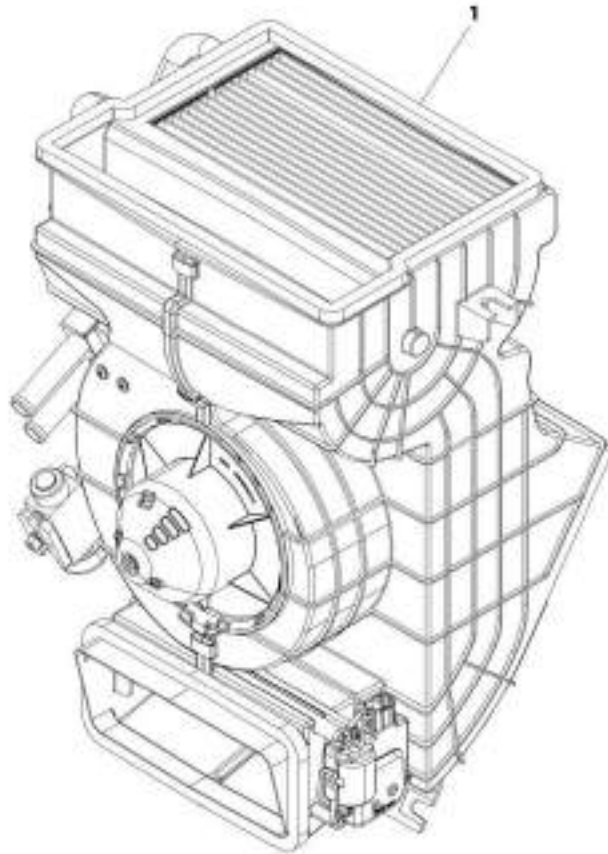
ART\_1001301460-E

**FIGURE 6-54. HEATER AND A/C ASSEMBLY (Prior to SN 1160008716)**

<b>ITEM</b>	<b>PART NUMBER</b>	<b>QTY</b>	<b>DESCRIPTION</b>	<b>REV</b>
	1001201497	Ref	Heater and A/C Assembly	E
4	1001188275	1	Heater and AC (See Separate Breakdown in this Section)	
6	1001161865	1	Hose	

## SECTION 6 - CAB

FIGURE 6-55. HEATER AND A/C ASSEMBLY (SN 1160008716 to Present)



ART\_1001221055-A



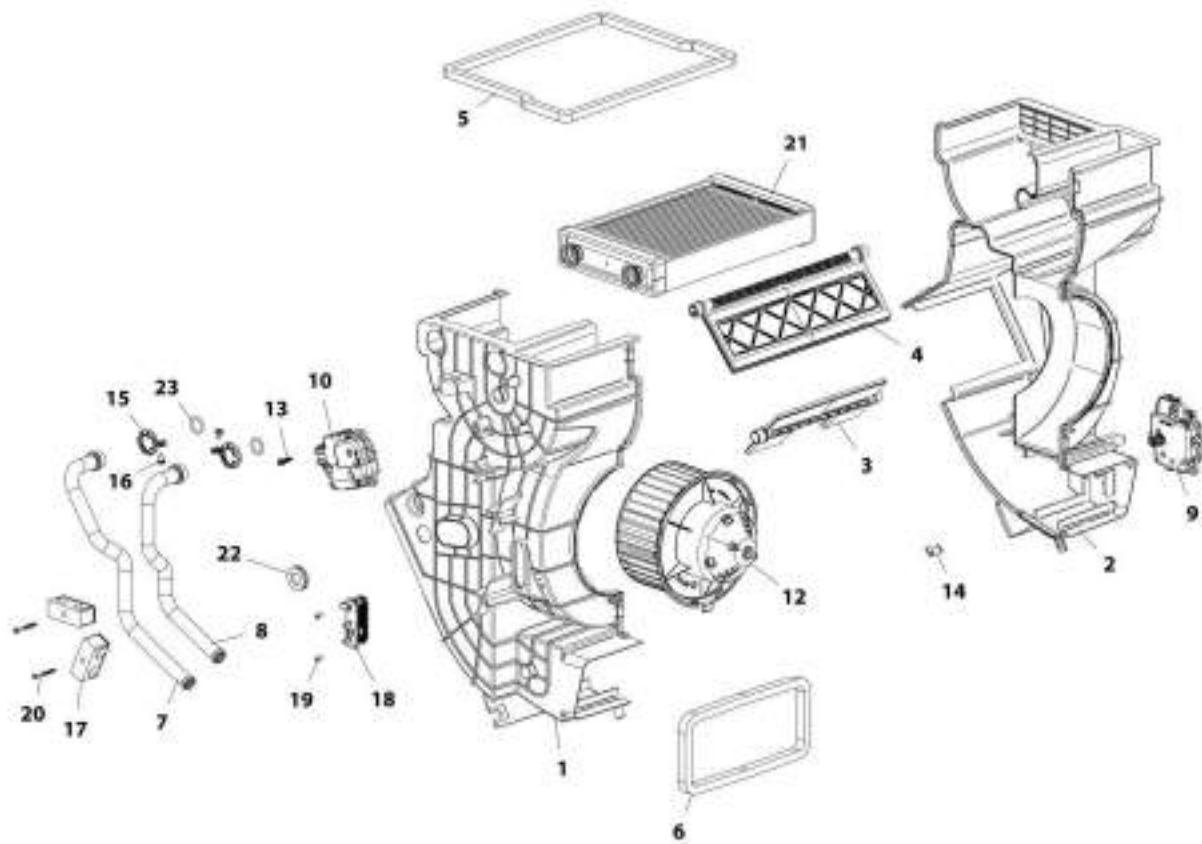
## SECTION 6 - CAB

**FIGURE 6-55. HEATER AND A/C ASSEMBLY (SN 1160008716 to Present)**

ITEM	PART NUMBER	QTY	DESCRIPTION	REV
1	1001221055	Ref	Heater and A/C Assembly	A
	1001221054	1	Heater and AC (See Separate Breakdown in this Section)	

# SECTION 6 - CAB

## FIGURE 6-56. HEATER



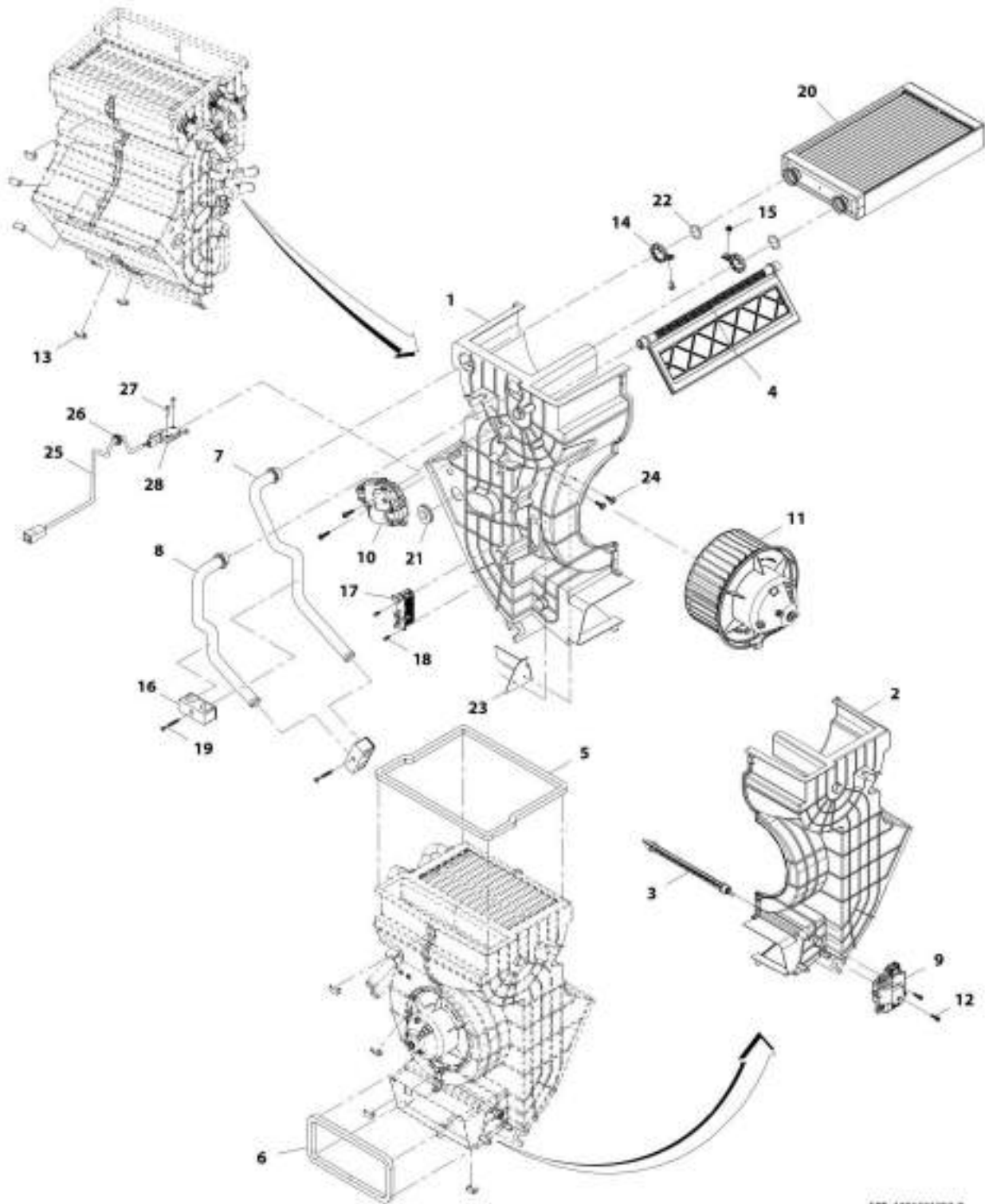
ART\_1001152908-E

FIGURE 6-56. HEATER

ITEM	PART NUMBER	QTY	DESCRIPTION	REV
	1001152908	NLA	Heater (no longer available, see items 1 through 23 for service or use 1001221052 for replacement)	E
1	1001166091	1	Housing, RH	
2	1001166092	1	Housing, LH	
3	1001184275	1	Flap, Recirculation with Foam	
4	1001184278	1	Flap, Mixing with Foam	
5	1001184294	1	Foam, Air Outlet	
6	1001184295	1	Foam, Air Inlet	
7	1001184296	1	Pipe, Water	
8	1001184297	1	Pipe, Water	
9	1001188577	1	Actuator, Fresh/Recirculation Air	
10	1001188578	1	Actuator, Hot/Cold	
12	1001188594	1	Fan, 12V	
13	1001188602	4	Screw	
14	1001188603	9	Clamp	
15	1001188604	2	Clamp	
16	1001188610	2	Screw	
17	1001188612	2	Clamp	
18	1001188614	1	Resistor	
19	1001188720	2	Screw	
20	1001188725	2	Screw	
21	1001188729	1	Radiator, Heater Core	
22	1001188733	1	Grommet	
23	1001189025	2	O-Ring	

# SECTION 6 - CAB

## FIGURE 6-57. HEATER



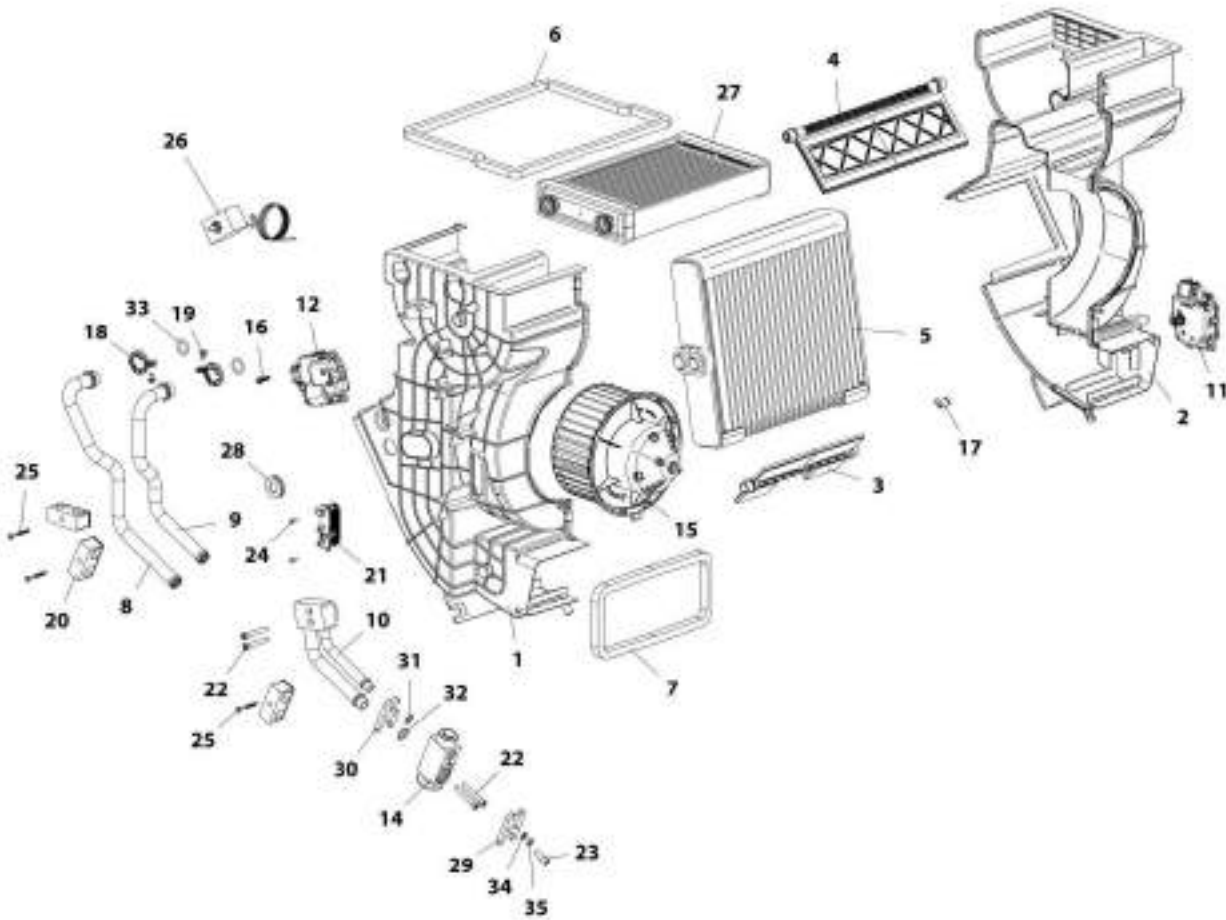
ART\_1001221053-B

FIGURE 6-57. HEATER

ITEM	PART NUMBER	QTY	DESCRIPTION	REV
	1001221052	Ref	Heater	B
1	1001166091	1	Housing, RH	
2	1001166092	1	Housing, LH	
3	1001184275	1	Flap, Recirculation with Foam	
4	1001184278	1	Flap, Mixing with Foam	
5	1001184294	1	Foam, Air Outlet	
6	1001184295	1	Foam, Air Inlet	
7	1001184296	1	Pipe, Water	
8	1001184297	1	Pipe, Water	
9	1001188577	1	Actuator, Fresh/Recirculation Air	
10	1001188578	1	Actuator, Hot/Cold	
11	1001188594	1	Fan, 12V	
12	1001188602	4	Screw	
13	1001188603	9	Clamp	
14	1001188604	2	Clamp	
15	1001188610	2	Screw	
16	1001188612	2	Clamp	
17	1001188614	1	Resistor	
18	1001188720	2	Screw	
19	1001188725	2	Screw	
20	1001188729	1	Radiator, Heater Core	
21	1001188733	1	Grommet	
22	1001189025	2	O-Ring	
23	1001221057	1	Baffle, Plate	
24	1001221058	2	Screw	
25	1001228132	1	Harness	
26	1001228140	1	Grommet	
27	1001228141	2	Screw	
28	1001228147	1	Sensor	

# SECTION 6 - CAB

## FIGURE 6-58. HEATER AND A/C



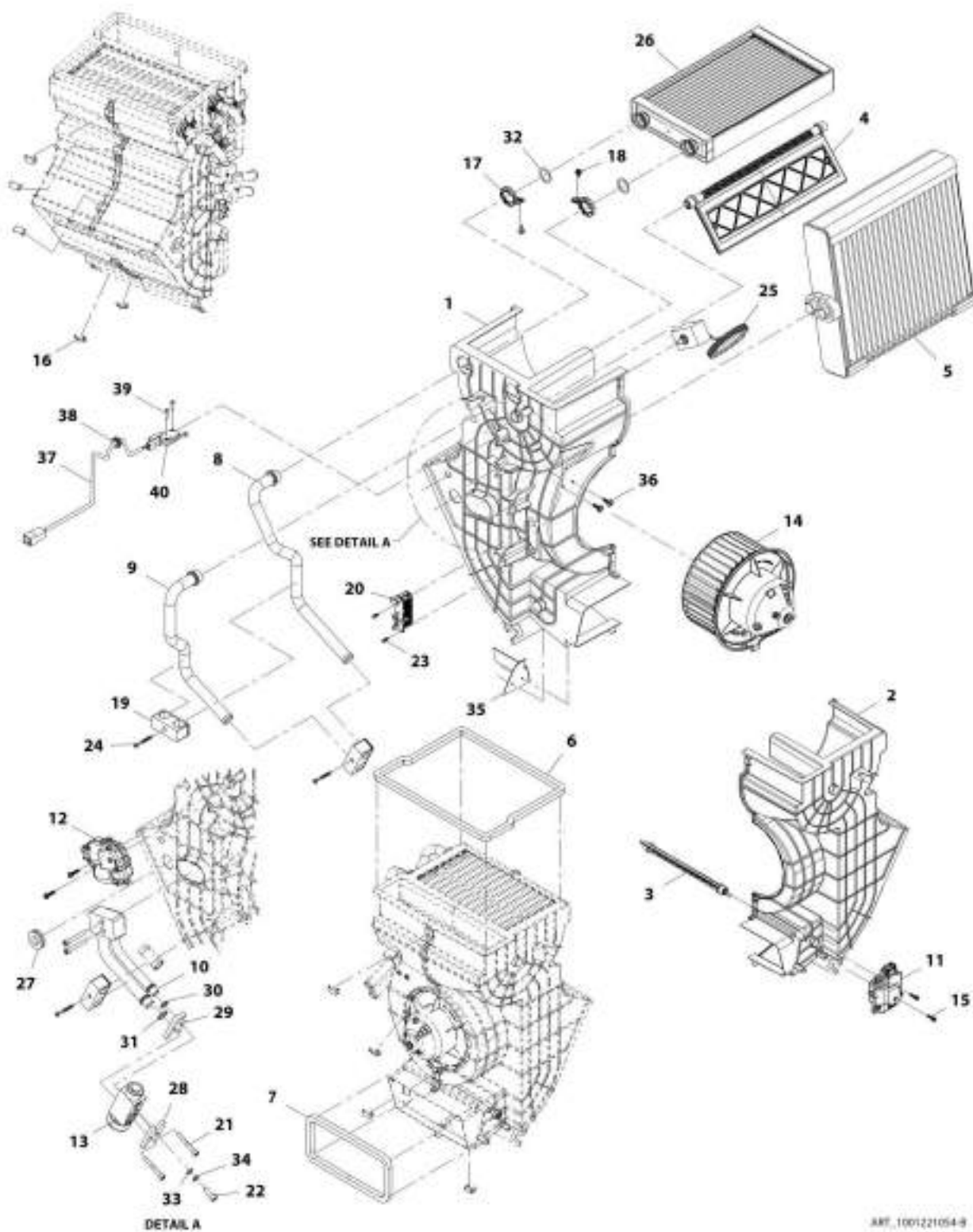
ART\_1001180275-D

FIGURE 6-58. HEATER AND A/C

ITEM	PART NUMBER	QTY	DESCRIPTION	REV
	1001188275	NLA	Heater and A/C (no longer available, see items 1 through 35 for service or use 1001221054 for replacement)	D
1	1001166091	1	Housing, HVAC RH	
2	1001166092	1	Housing, HVAC LH	
3	1001184275	1	Foam, Heater Flap	
4	1001184278	1	Foam, Heater Mixing Flap	
5	1001184280	1	Evaporator, Heater	
6	1001184294	1	Seal, Heater Foam	
7	1001184295	1	Seal, Air Inlet Foam	
8	1001184296	1	Pipe, Heater Water	
9	1001184297	1	Pipe, Heater Water	
10	1001184427	1	Pipe, Heater	
11	1001188577	1	Actuator, Fresh/Recirculation Air	
12	1001188578	1	Actuator, Hot/Cold Mixing	
14	1001188592	1	Valve, HVAC Expansion	
15	1001188594	1	Fan, HVAC Centrifugal 12V	
16	1001188602	4	Screw, M4	
17	1001188603	9	Clamp, HVAC Case	
18	1001188604	2	Clamp, HVAC Pipe	
19	1001188610	2	Screw, M4X0.7	
20	1001188612	3	Clamp, Pipe	
21	1001188614	1	Resistor	
22	1001188618	4	Screw, M5	
23	1001188619	1	Screw, M6	
24	1001188720	2	Screw, M2.9X9.5	
25	1001188725	3	Screw, M4X35	
26	1001188728	1	Sensor, HVAC Thermostat	
27	1001188729	1	Radiator, Heater Core	
28	1001188733	1	Grommet	
29	1001188817	1	Clamp, Hose	
30	1001188818	1	Clamp, HVAC EVAP/Valve	
31	1001189023	1	O-Ring	
32	1001189024	1	O-Ring	
33	1001189025	2	O-Ring	
34	1001189048	1	Washer	
35	1001189054	1	Washer, Spring	

# SECTION 6 - CAB

## FIGURE 6-59. HEATER AND A/C



ART. 1001221054-9

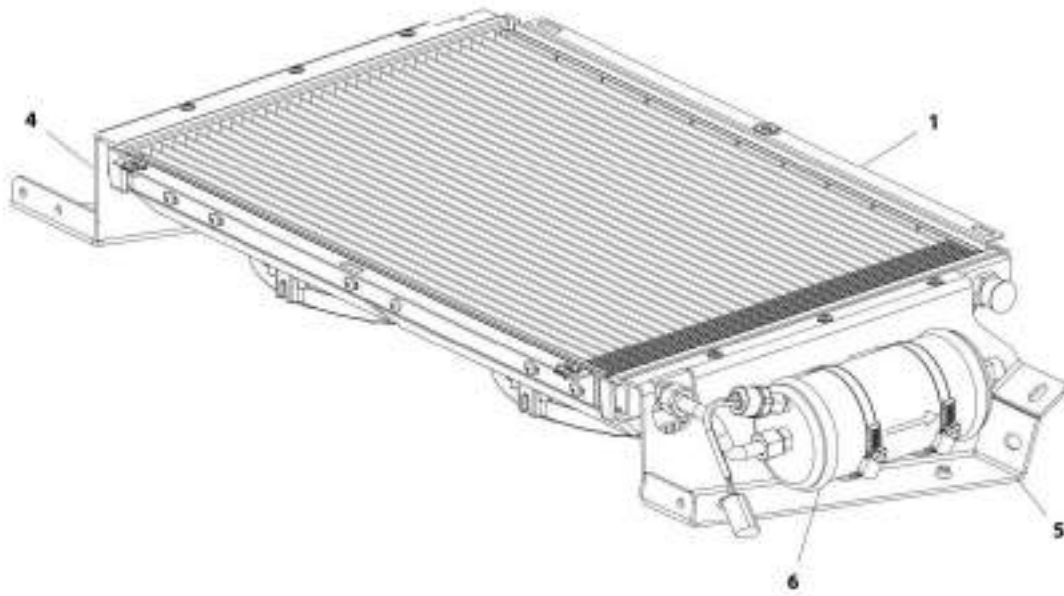


FIGURE 6-59. HEATER AND A/C

ITEM	PART NUMBER	QTY	DESCRIPTION	REV
	1001221054	Ref	Heater and A/C	B
1	1001166091	1	Housing, HVAC RH	
2	1001166092	1	Housing, HVAC LH	
3	1001184275	1	Foam, Heater Flap	
4	1001184278	1	Foam, Heater Mixing Flap	
5	1001184280	1	Evaporator, Heater	
6	1001184294	1	Seal, Heater Foam	
7	1001184295	1	Seal, Air Inlet Foam	
8	1001184296	1	Pipe, Heater Water	
9	1001184297	1	Pipe, Heater Water	
10	1001184427	1	Pipe, Heater	
11	1001188577	1	Actuator, Fresh/Recirculation Air	
12	1001188578	1	Actuator, Hot/Cold Mixing	
13	1001188592	1	Valve, HVAC Expansion	
14	1001188594	1	Fan, HVAC Centrifugal 12V	
15	1001188602	4	Screw, M4	
16	1001188603	9	Clamp, HVAC Case	
17	1001188604	2	Clamp, HVAC Pipe	
18	1001188610	2	Screw, M4X0.7	
19	1001188612	3	Clamp, Pipe	
20	1001188614	1	Resistor	
21	1001188618	4	Screw, M5	
22	1001188619	1	Screw, M6	
23	1001188720	2	Screw, M2.9X9.5	
24	1001188725	3	Screw, M4X35	
25	1001188728	1	Sensor, HVAC Thermostat	
26	1001188729	1	Radiator, Heater Core	
27	1001188733	1	Grommet	
28	1001188817	1	Clamp, Hose	
29	1001188818	1	Clamp, HVAC EVAP/Valve	
30	1001189023	1	O-Ring	
31	1001189024	1	O-Ring	
32	1001189025	2	O-Ring	
33	1001189048	1	Washer	
34	1001189054	1	Washer, Spring	
35	1001221057	1	Plate	
36	1001221058	2	Screw	
37	1001228132	1	Harness, HVAC Sensor	
38	1001228140	1	Grommet	
39	1001228141	2	Screw	
40	1001228147	1	Valve, Water Sensor	

# SECTION 6 - CAB

## FIGURE 6-60. CAB CONDENSER ASSEMBLY



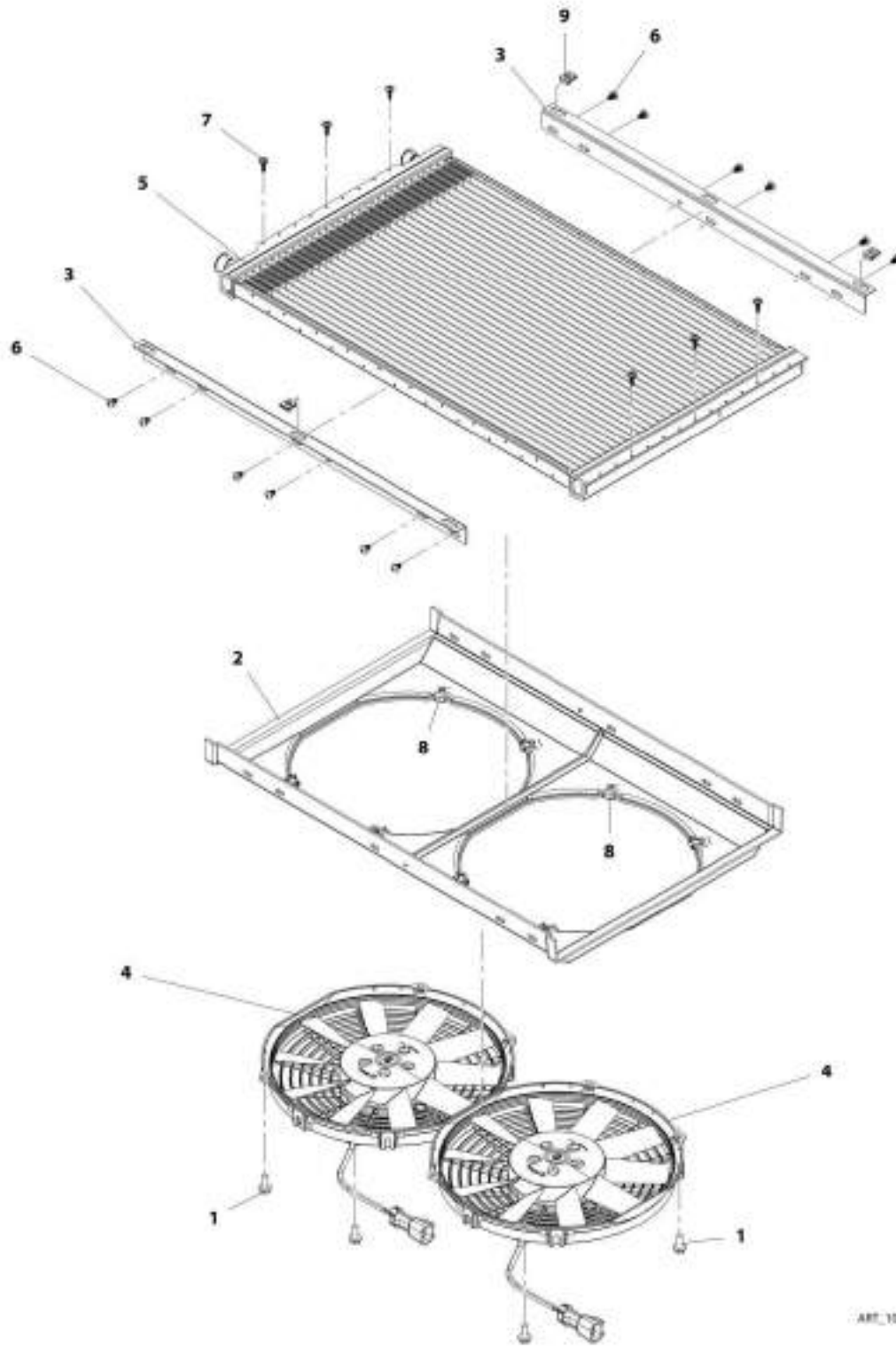
ART\_3001162953-F

**FIGURE 6-60. CAB CONDENSER ASSEMBLY**

<b>ITEM</b>	<b>PART NUMBER</b>	<b>QTY</b>	<b>DESCRIPTION</b>	<b>REV</b>
	1001162953	Ref	Cab Condenser Assembly	F
1	1001167266	1	Condenser (See Separate Breakdown in this Section)	
4	1001179080	1	Bracket	
5	1001179081	1	Bracket	
6	1001179130	1	Drier, A/C Receiver (See Separate Breakdown in this Section)	

# SECTION 6 - CAB

## FIGURE 6-61. CONDENSER



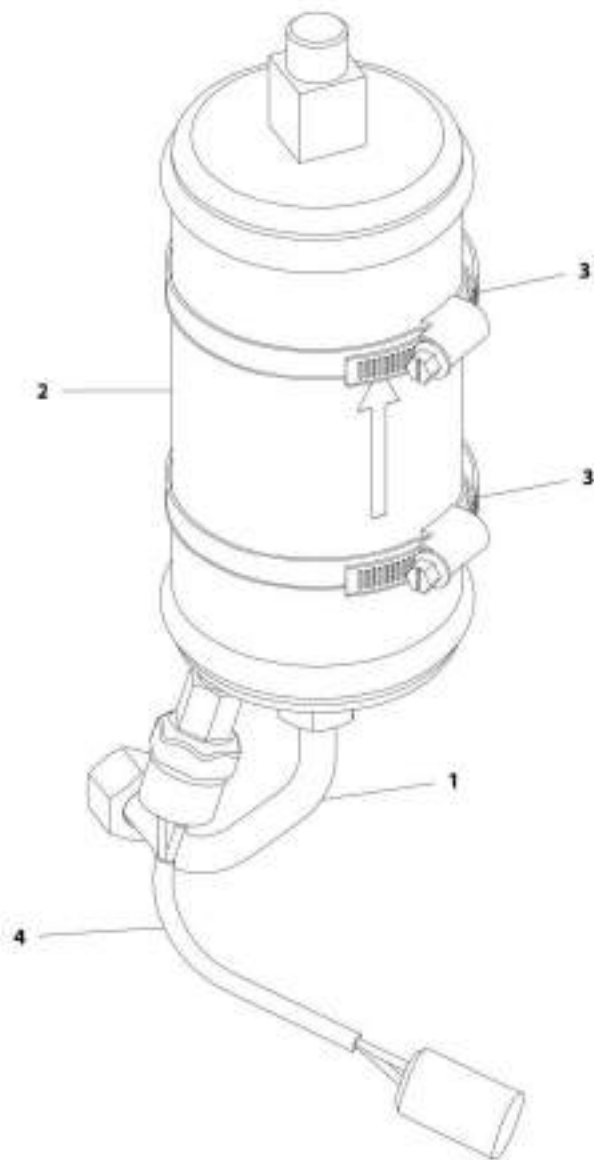
ART. 1001167200 C

FIGURE 6-61. CONDENSER

ITEM	PART NUMBER	QTY	DESCRIPTION	REV
	1001167266	Ref	Condenser	C
1	5250608	8	Bolt, M6X16	
2	1001195342	1	Bracket, Condenser Fan Mount	
3	1001195343	2	Support, Condenser	
4	1001195345	2	Fan, Condenser	
5	1001195346	1	Condenser	
6	1001195385	12	Screw, M3.9X9.5	
7	1001195386	6	Screw, M4.2X16	
8	1001195437	8	Clip, M6X1	
9	1001195438	3	Clip, M6X1	

# SECTION 6 - CAB

## FIGURE 6-62. A/C RECEIVER DRIER



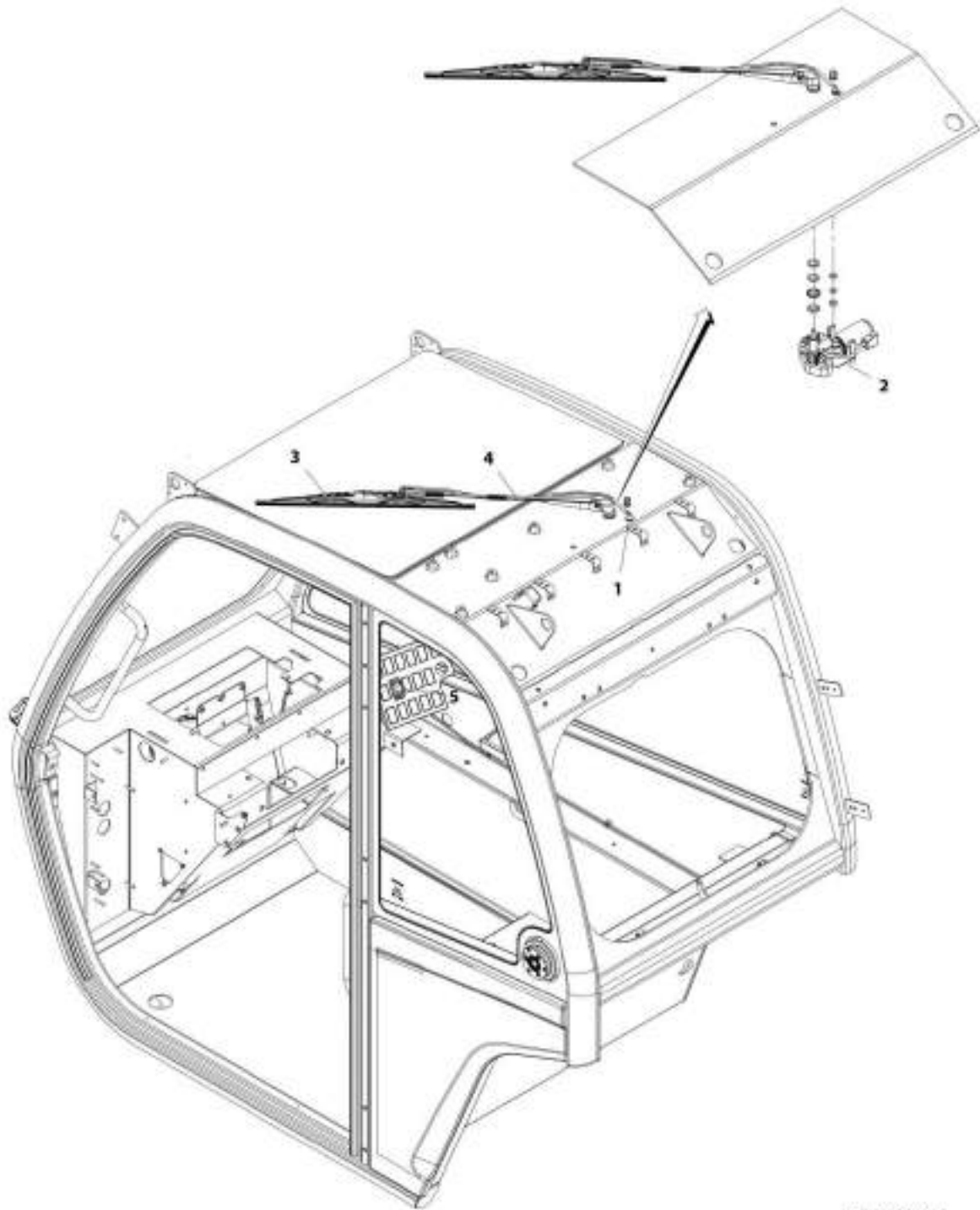
ART\_100179130-B

FIGURE 6-62. A/C RECEIVER DRIER

ITEM	PART NUMBER	QTY	DESCRIPTION	REV
	1001179130	Ref	A/C Receiver Drier	B
1	1001184403	1	Tube, Heater	
2	1001184404	1	Receiver, Heater Drier	
3	1001184405	2	Clamp	
4	1001184406	1	Connector, Heater	

# SECTION 6 - CAB

## FIGURE 6-63. ROOF WIPER INSTALLATION



ART\_100155486-B

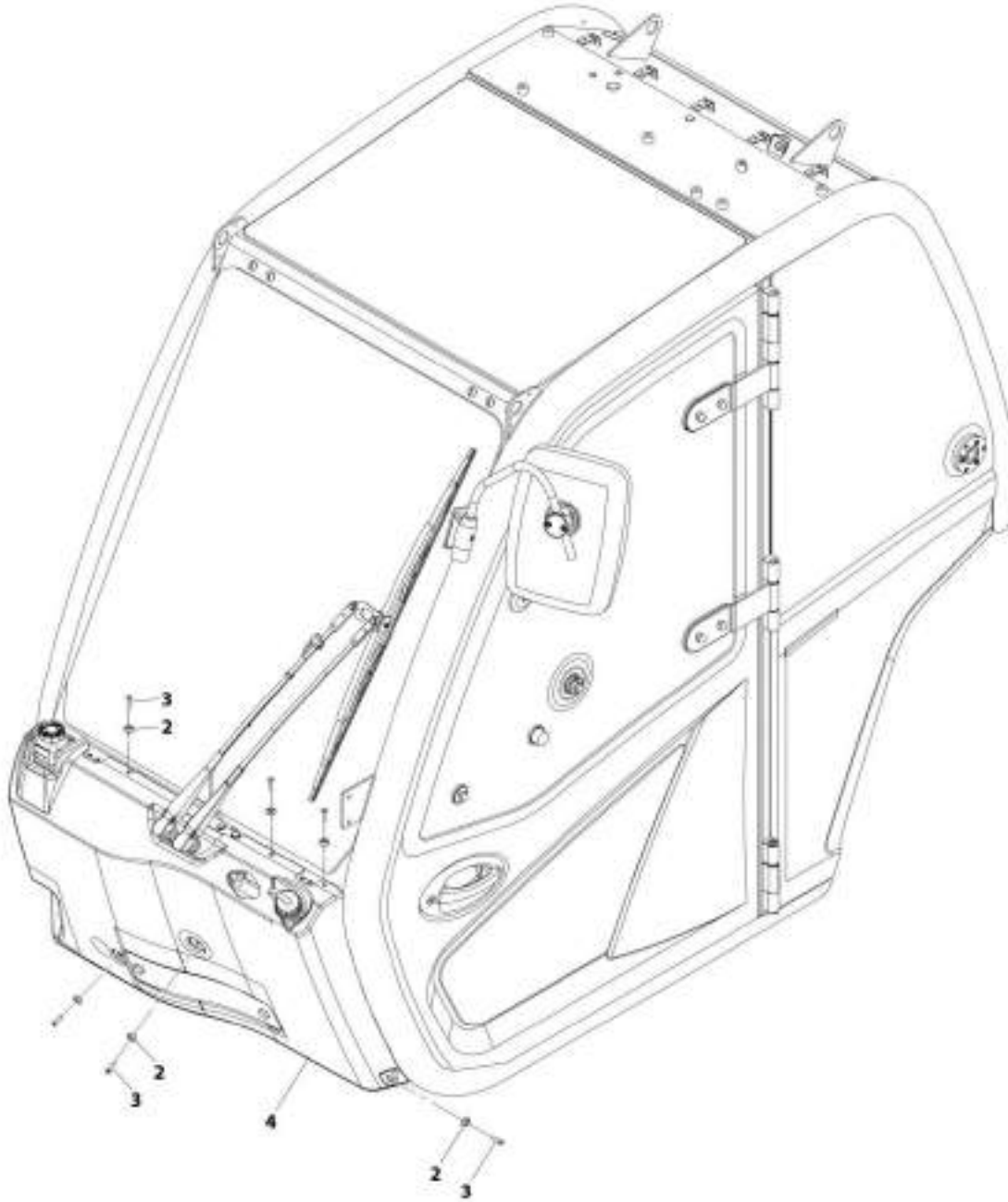


FIGURE 6-63. ROOF WIPER INSTALLATION

ITEM	PART NUMBER	QTY	DESCRIPTION	REV
	1001155486	Ref	Roof Wiper Installation	B
1	1001090343	1	Connector	
2	1001139551	1	Motor, Roof Wiper	
3	1001141313	1	Blade, Roof Wiper	
4	1001141311	1	Arm, Roof Wiper Blade	
5	1001159736	1	Switch, Roof Wiper	

## SECTION 6 - CAB

FIGURE 6-64. FRONT NOSE CONE INSTALLATION (SIDELIGHT)



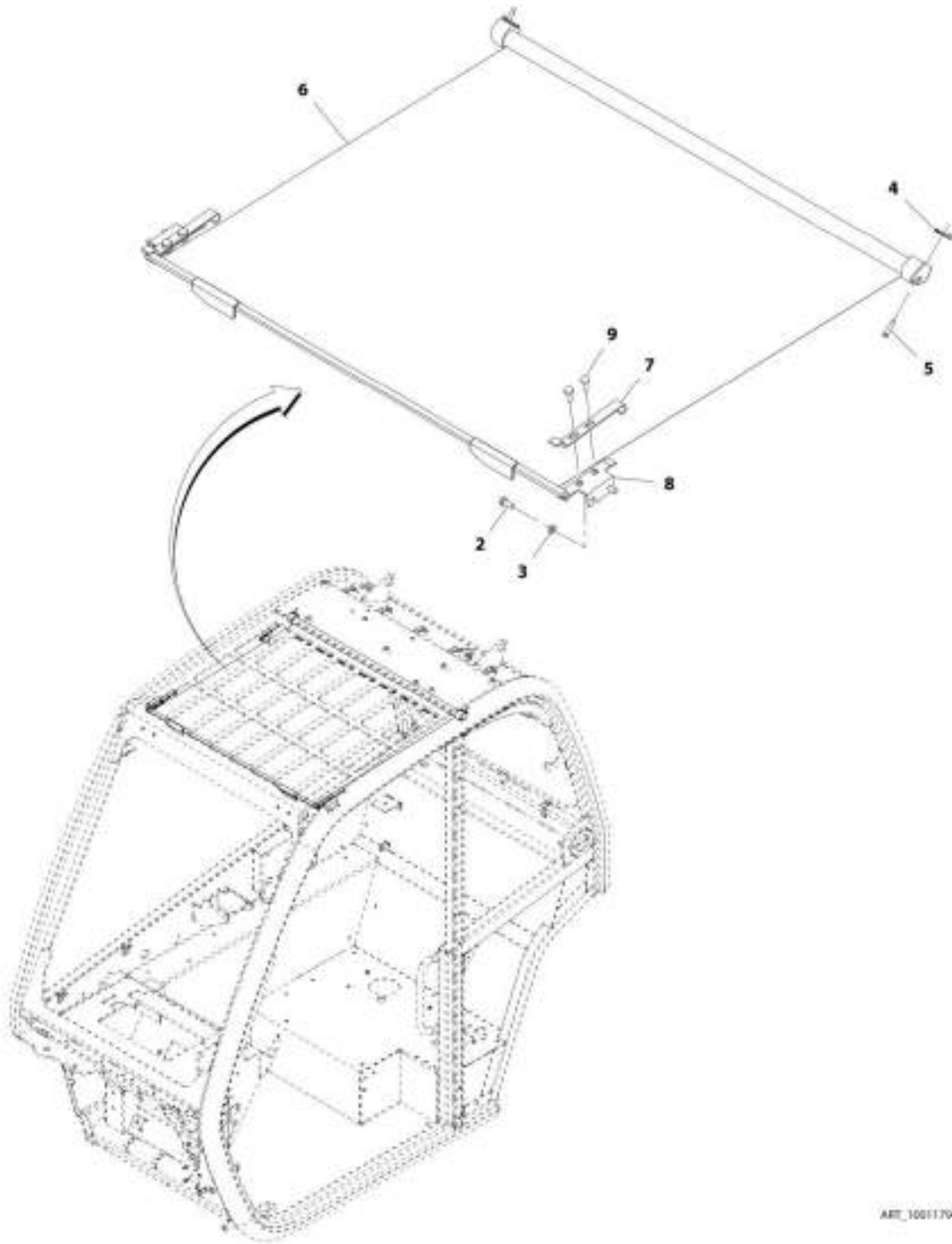
ART\_1001170605-G

**FIGURE 6-64. FRONT NOSE CONE INSTALLATION (SIDELIGHT)**

<b>ITEM</b>	<b>PART NUMBER</b>	<b>QTY</b>	<b>DESCRIPTION</b>	<b>REV</b>
	1001179895	Ref	Front Nose Cone Installation (Sidelight)	G
2	1001097540	6	Washer, M6	
3	3900379	6	Screw, M6X25MM	
4	1001179898	1	Cover	

# SECTION 6 - CAB

## FIGURE 6-65. RETRACTABLE SUNSCREEN INSTALLATION



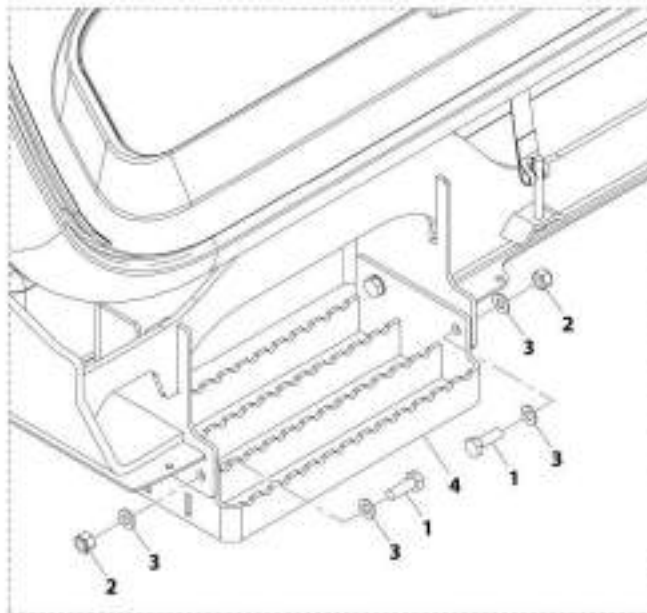
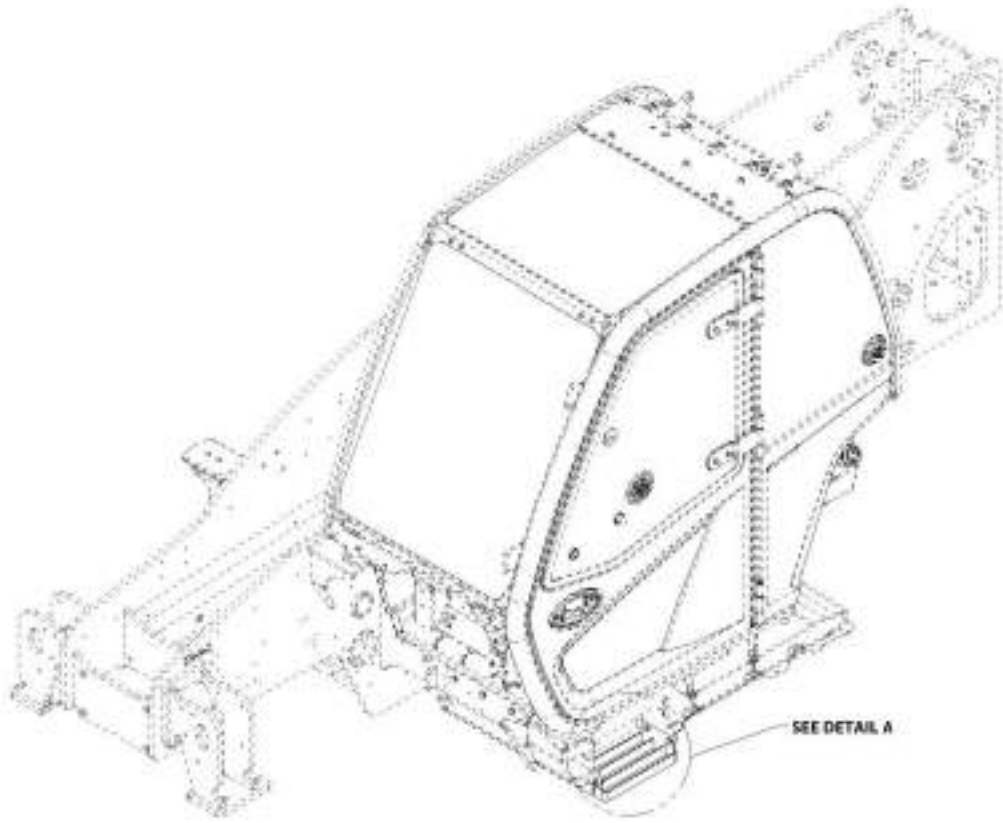
ART\_1001170482-D

FIGURE 6-65. RETRACTABLE SUNSCREEN INSTALLATION

ITEM	PART NUMBER	QTY	DESCRIPTION	REV
	1001179482	Ref	Retractable Sunscreen Installation	D
2	0760608	4	Bolt, M6X16	
3	4811700	4	Washer, M6	
4	1001111076	2	Nut, Spire	
5	1001111147	2	Screw, Self Tapping	
6	1001179483	1	Cab, Sun Blind	
7	1001209463	2	Bracket	
8	1001166385	2	Bracket	
9	4010608002	4	Screw, Posi-Drive M6X16	

# SECTION 6 - CAB

## FIGURE 6-66. CAB STEP INSTALLATION



DETAIL A

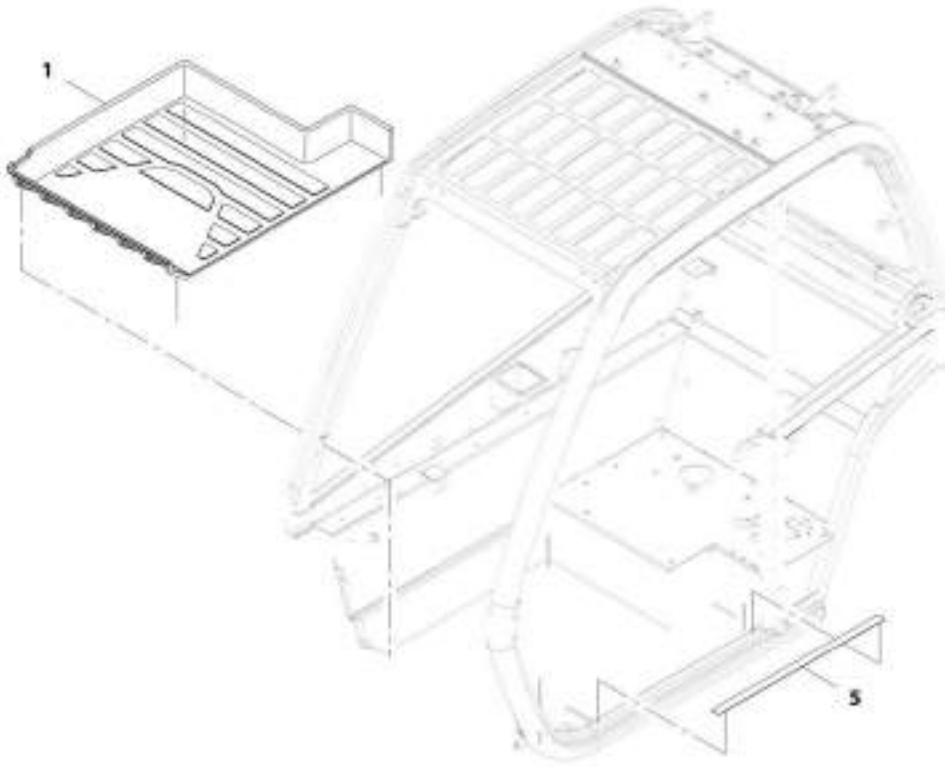
ART\_300119855-B

FIGURE 6-66. CAB STEP INSTALLATION

ITEM	PART NUMBER	QTY	DESCRIPTION	REV
	1001198958	Ref	Cab Step Installation	B
1	0701014	4	Bolt, M10X30	
2	3291005	4	Nut, Lock M10X1.5 Grade 8	
3	4812000	8	Washer, M10	
4	1001198924	1	Bracket, Step	

# SECTION 6 - CAB

## FIGURE 6-67. FLOOR MAT INSTALLATION



ART\_1001561080-E

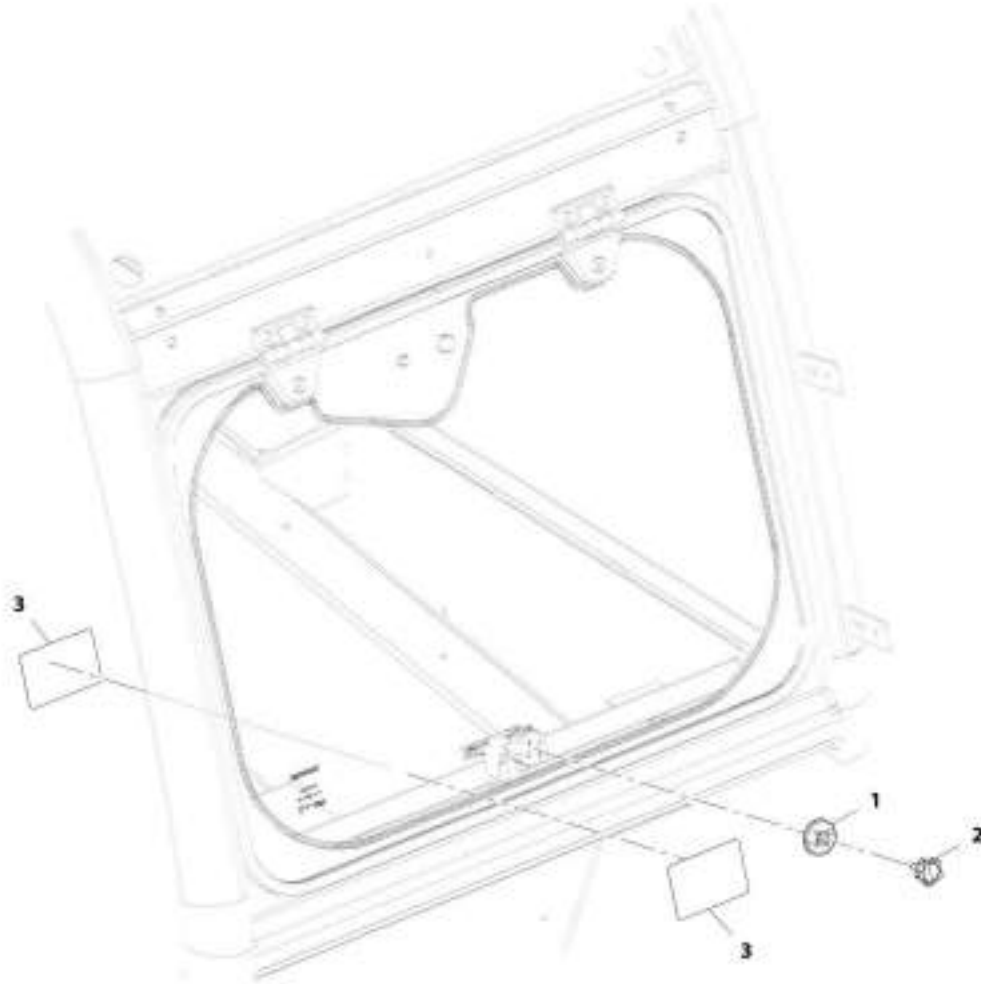


**FIGURE 6-67. FLOOR MAT INSTALLATION**

<b>ITEM</b>	<b>PART NUMBER</b>	<b>QTY</b>	<b>DESCRIPTION</b>	<b>REV</b>
	1001161080	Ref	Floor Mat Installation	E
1	1001161078	1	Cab, Floor Mat	
5	1001197259	1	Tape, Frame Non Skid	

**SECTION 6 - CAB**

**FIGURE 6-68. REAR WINDOW INSTALLATION (WO/WIPER) (CAN & ISO)**



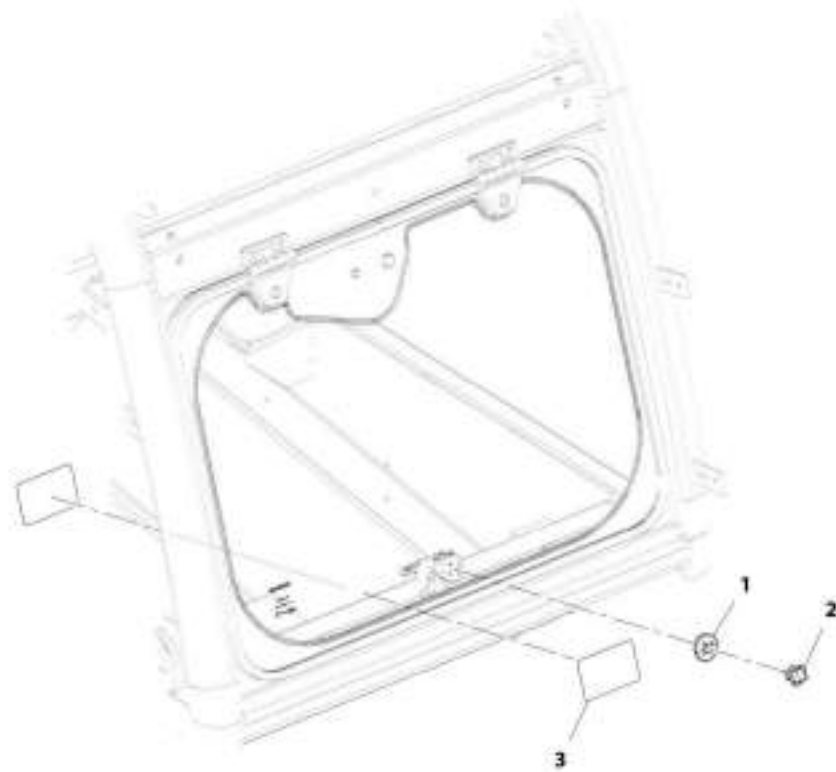
ART\_100117826-C

**FIGURE 6-68. REAR WINDOW INSTALLATION (WOWIPER) (CAN & ISO)**

<b>ITEM</b>	<b>PART NUMBER</b>	<b>QTY</b>	<b>DESCRIPTION</b>	<b>REV</b>
	1001178826	Ref	Rear Window Installation (WO/Wiper) (CAN & ISO)	C
1	1001179008	1	Cap, Latch Window	
2	1001179009	1	Knob	
3	1001204709	2	Decal, Emergency Exit (English/French)	

# SECTION 6 - CAB

FIGURE 6-69. REAR WINDOW INSTALLATION (WOWIPER) (ANSI)



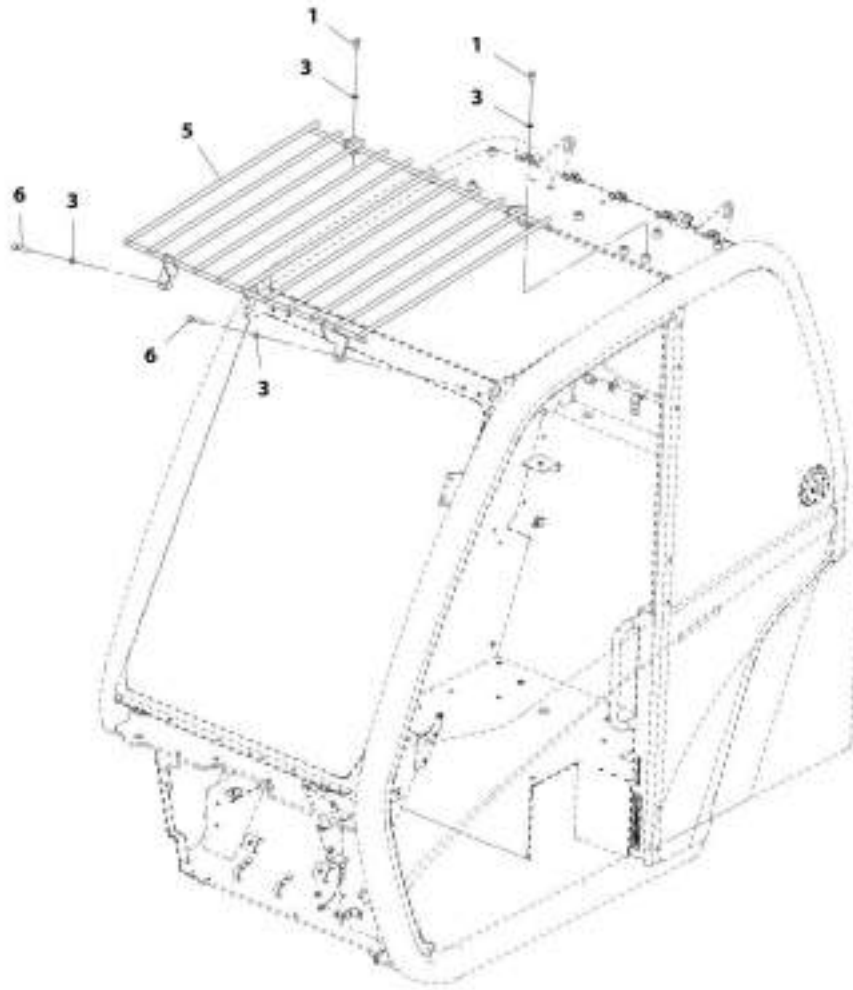
ART\_1001212047-A

**FIGURE 6-69. REAR WINDOW INSTALLATION (WO/WIPER) (ANSI)**

<b>ITEM</b>	<b>PART NUMBER</b>	<b>QTY</b>	<b>DESCRIPTION</b>	<b>REV</b>
	1001212047	Ref	Rear Window Installation (WO/Wiper) (ANSI)	A
1	1001179008	1	Cap, Latch Window	
2	1001179009	1	Cap, Knob M6	
3	1001212049	2	Decal, Emergency Exit	

# SECTION 6 - CAB

## FIGURE 6-70. CAB GUARD INSTALLATION (TOP)



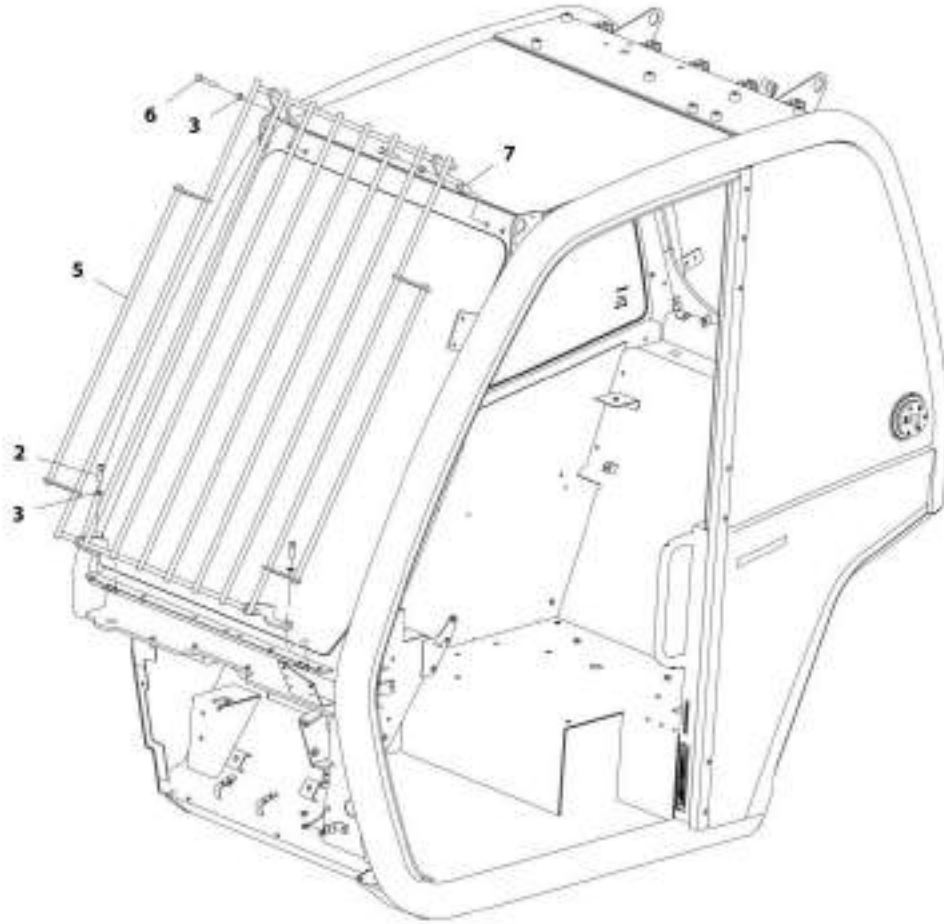
ART\_1001100496-F

**FIGURE 6-70. CAB GUARD INSTALLATION (TOP)**

<b>ITEM</b>	<b>PART NUMBER</b>	<b>QTY</b>	<b>DESCRIPTION</b>	<b>REV</b>
	1001160496	Ref	Cab Guard Installation (Top)	F
1	0760810	2	Bolt, M8X20	
3	4811900	4	Washer, M8	
5	1001160503	1	Guard, Top Screen	
6	0700820	2	Bolt, M8X60	

# SECTION 6 - CAB

## FIGURE 6-71. CAB GUARD INSTALLATION (FRONT)



ART\_1001590106-G

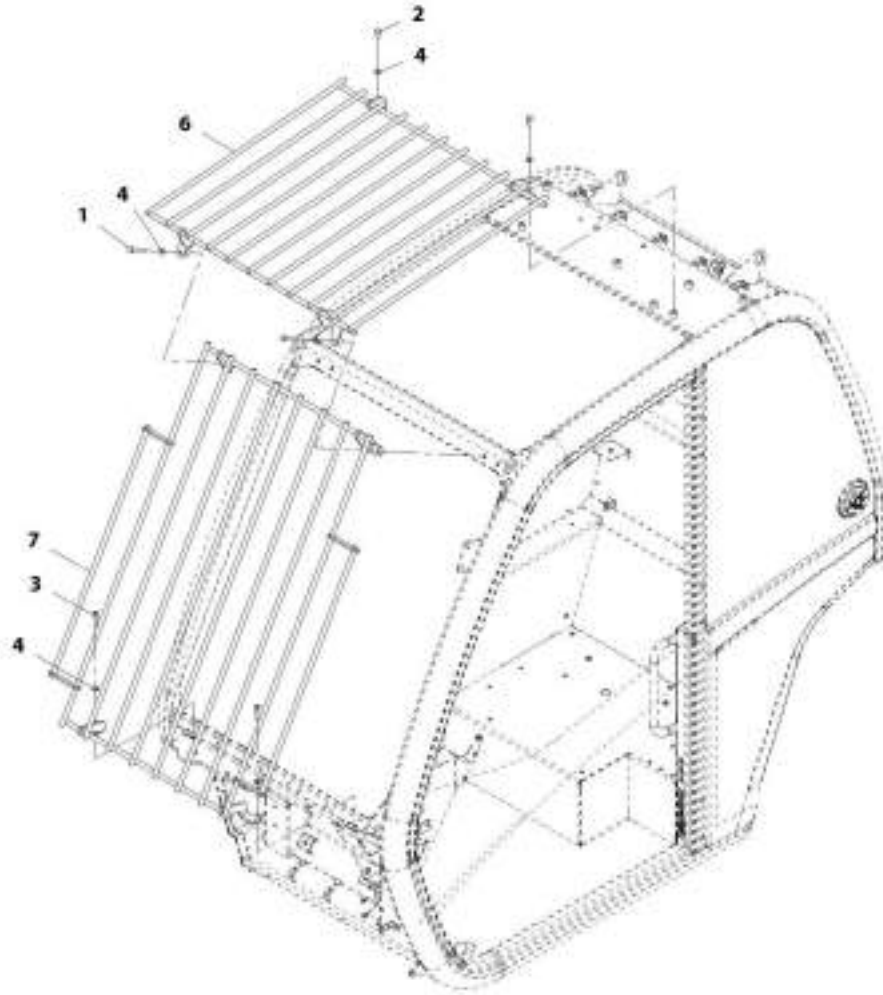


FIGURE 6-71. CAB GUARD INSTALLATION (FRONT)

ITEM	PART NUMBER	QTY	DESCRIPTION	REV
	1001160506	Ref	Cab Guard Installation (Front)	G
2	4031910	2	Bolt, M8X30	
3	4811900	4	Washer, M8	
5	1001180263	1	Guard, Front Screen	
6	0700820	2	Bolt, M8X60	
7	1001173257	2	Spacer	

## SECTION 6 - CAB

FIGURE 6-72. CAB GUARD INSTALLATION (TOP AND FRONT)



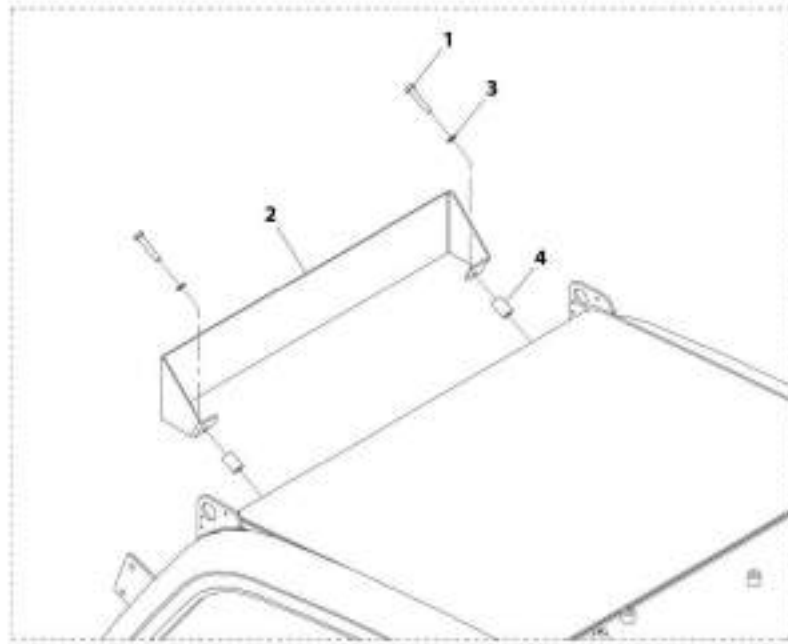
AWT\_1001122774-F

**FIGURE 6-72. CAB GUARD INSTALLATION (TOP AND FRONT)**

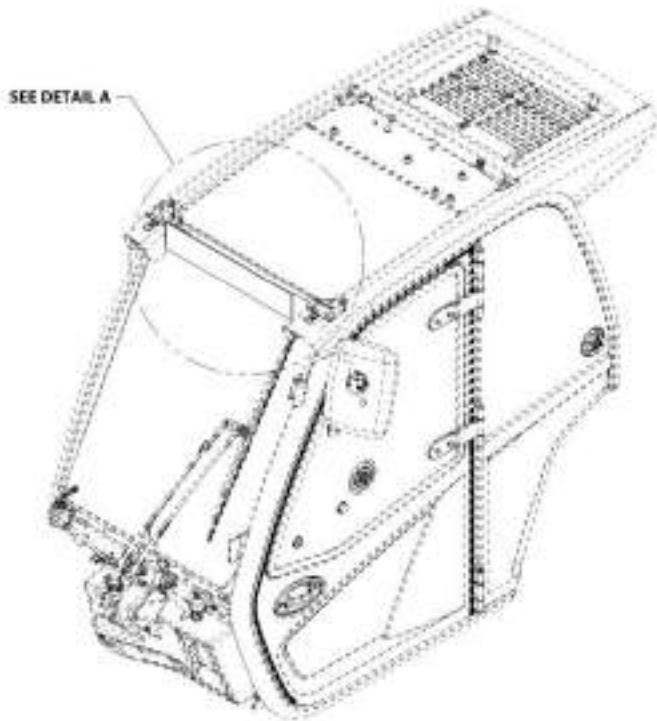
ITEM	PART NUMBER	QTY	DESCRIPTION	REV
	1001172774	Ref	Cab Guard Installation (Top and Front)	F
1	0700820	2	Bolt, M8X60	
2	0760810	2	Bolt, M8X20	
3	4031910	2	Bolt, M8X30	
4	4811900	6	Washer, M8	
6	1001160503	1	Guard, Top Screen	
7	1001180263	1	Guard, Front Screen	

# SECTION 6 - CAB

## FIGURE 6-73. NUMBER PLATE BRACKET INSTALLATION (NO CAB GUARD)



DETAIL A



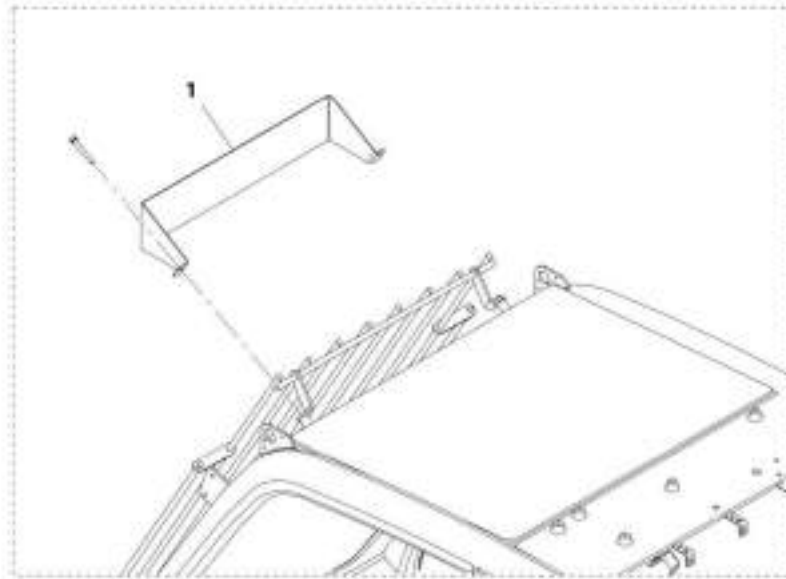
ART\_100121804-B

**FIGURE 6-73. NUMBER PLATE BRACKET INSTALLATION (NO CAB GUARD)**

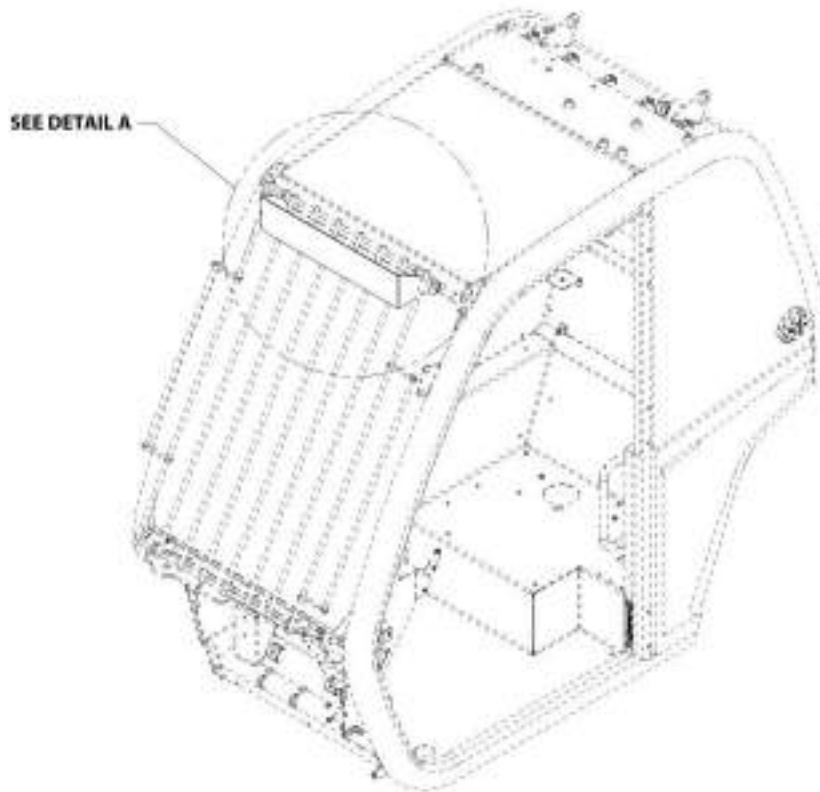
<b>ITEM</b>	<b>PART NUMBER</b>	<b>QTY</b>	<b>DESCRIPTION</b>	<b>REV</b>
	1001210804	Ref	Number Plate Bracket Installation (No Cab Guard)	B
1	0700817	2	Bolt, M8X45	
2	1001210802	1	Bracket, Number Plate (No Cab Guard)	
3	4811900	2	Washer, M8	
4	1001173257	2	Block, Spacer	

# SECTION 6 - CAB

## FIGURE 6-74. NUMBER PLATE BRACKET INSTALLATION (CAB GUARD)



DETAIL A



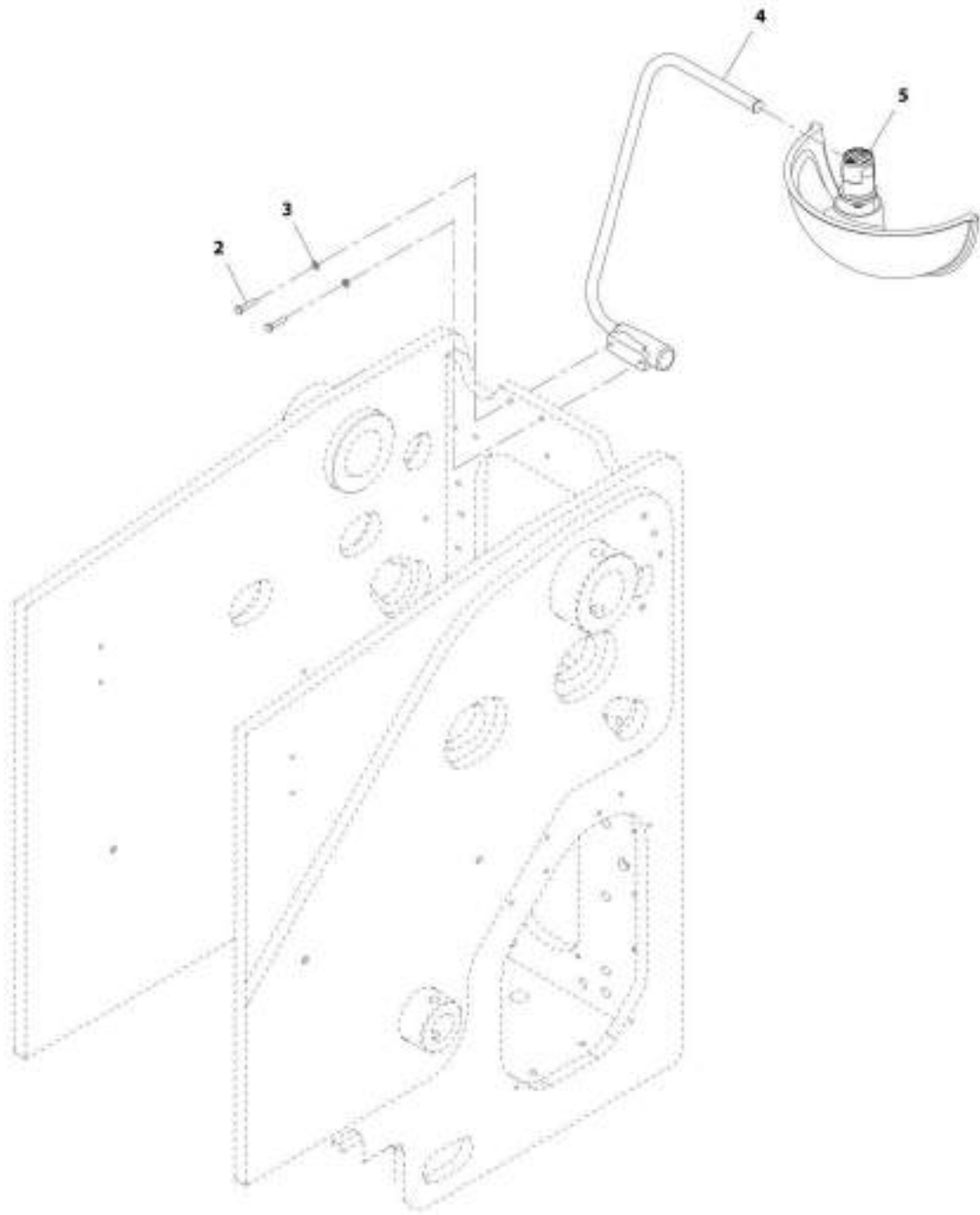
ART\_1001210799-A

**FIGURE 6-74. NUMBER PLATE BRACKET INSTALLATION (CAB GUARD)**

<b>ITEM</b>	<b>PART NUMBER</b>	<b>QTY</b>	<b>DESCRIPTION</b>	<b>REV</b>
1	1001210799 1001210798	Ref 1	Number Plate Bracket Installation (Cab Guard) Bracket	A

**SECTION 6 - CAB**

**FIGURE 6-75. HITCH MIRROR INSTALLATION (CONVEX)**



ART\_1001196430-B

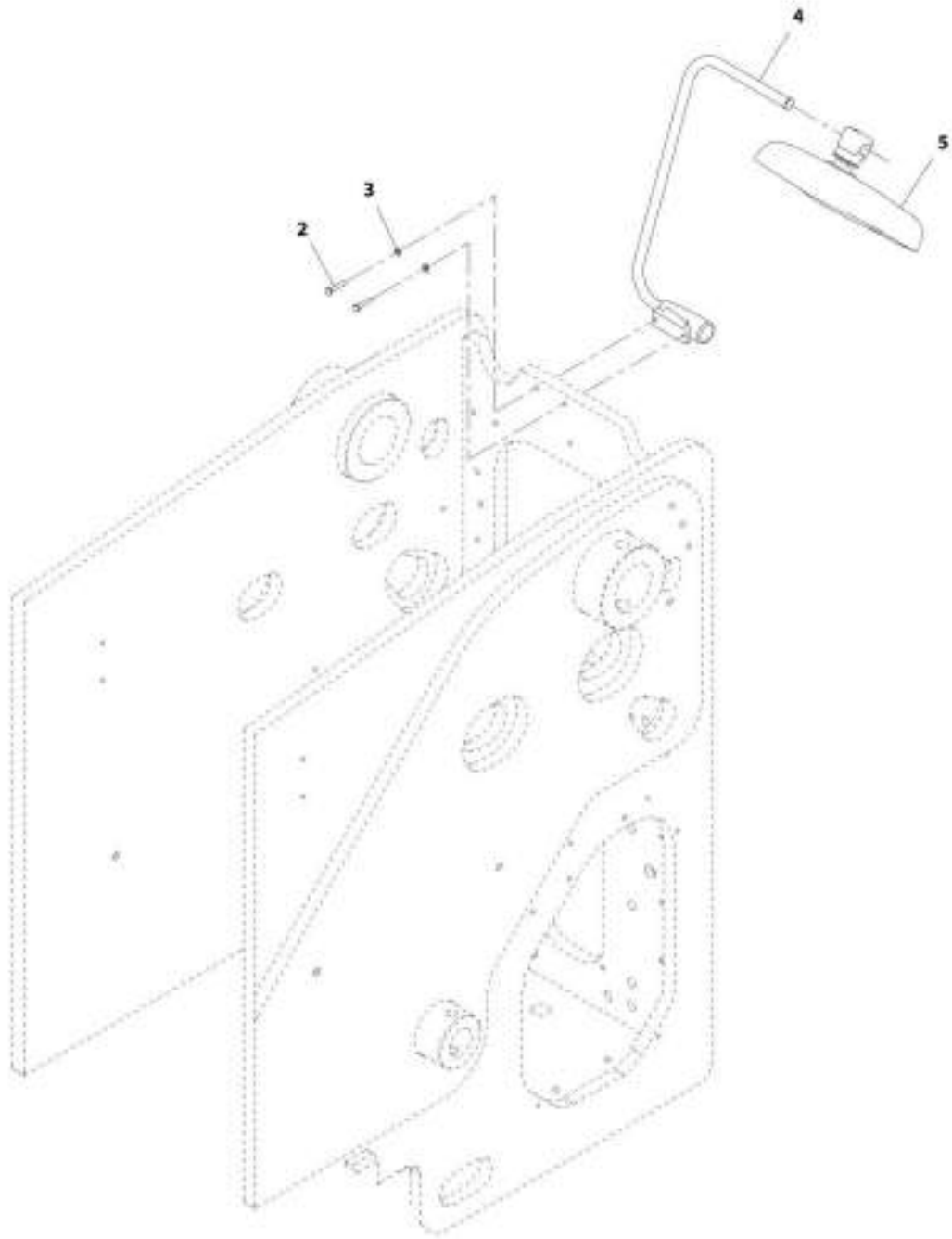


FIGURE 6-75. HITCH MIRROR INSTALLATION (CONVEX)

ITEM	PART NUMBER	QTY	DESCRIPTION	REV
	1001186439	Ref	Hitch Mirror Installation (Fish Eye)	B
2	0700614	2	Bolt, M6X30	
3	4811700	2	Washer, M6	
4	1001005980	1	Arm	
5	1001008436	1	Assembly, Mirror (Convex) (See Separate Breakdown in this Section)	

# SECTION 6 - CAB

## FIGURE 6-76. HITCH MIRROR INSTALLATION (FLAT)



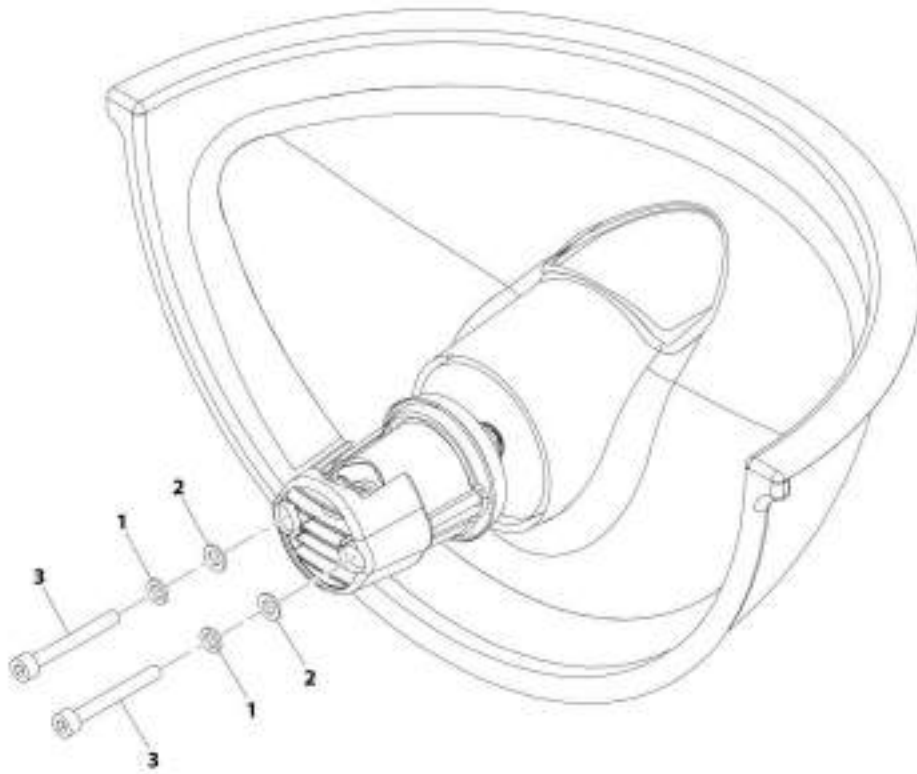
ART\_100186385-0

FIGURE 6-76. HITCH MIRROR INSTALLATION (FLAT)

ITEM	PART NUMBER	QTY	DESCRIPTION	REV
	1001186395	Ref	Hitch Mirror Installation (Flat)	B
2	0700614	2	Bolt, M6X30	
3	4811700	2	Washer, M6	
4	1001005980	1	Arm	
5	1001005981	1	Assembly, Hitch Mirror (Flat)	

# SECTION 6 - CAB

## FIGURE 6-77. MIRROR ASSEMBLY (CONVEX)



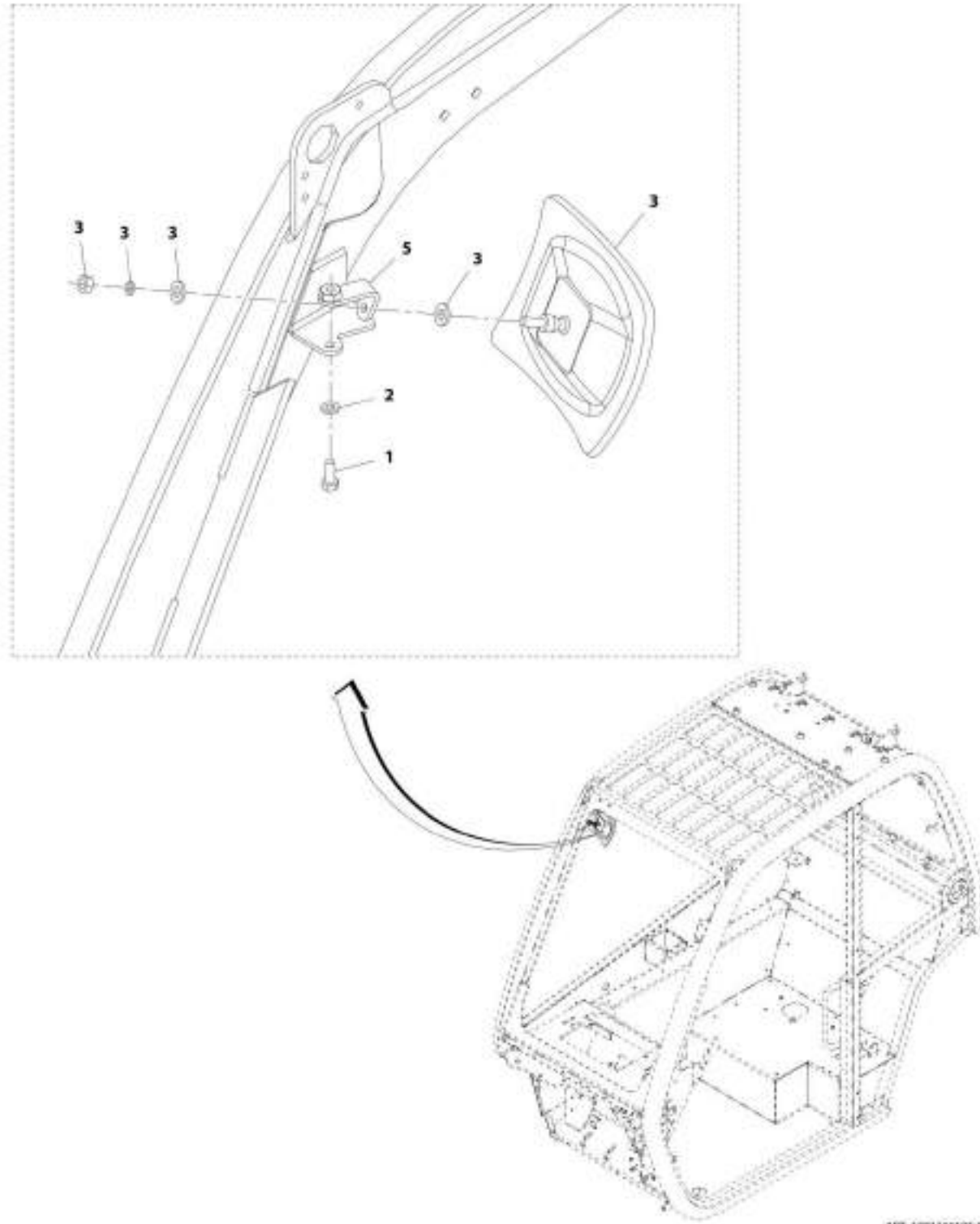
ART\_1001008-036-D

FIGURE 6-77. MIRROR ASSEMBLY (CONVEX)

ITEM	PART NUMBER	QTY	DESCRIPTION	REV
	1001008436	1	Mirror Assembly (Convex)	D
1	1001008475	2	Washer, Lock	
2	1001009062	2	Washer	
3	1001010838	2	Bolt	

# SECTION 6 - CAB

## FIGURE 6-78. INTERIOR MIRROR INSTALLATION



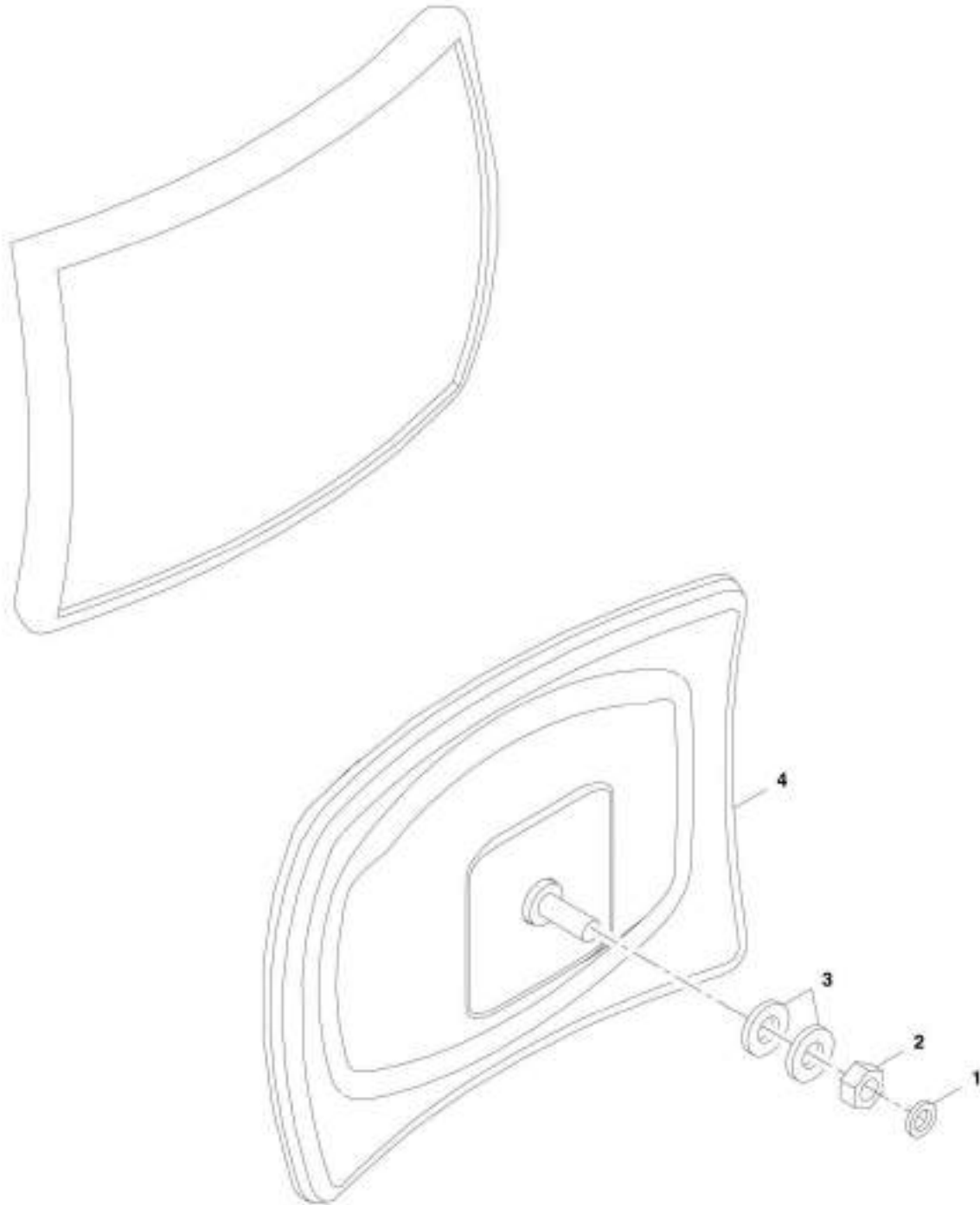
ART\_1001166192-C

FIGURE 6-78. INTERIOR MIRROR INSTALLATION

ITEM	PART NUMBER	QTY	DESCRIPTION	REV
	1001166192	Ref	Interior Mirror Installation	C
1	0760608	1	Bolt, M6X16	
2	4811700	1	Washer, M6	
3	1001007641	1	Mirror, Interior (See Separate Breakdown in this Section)	
5	1001166191	1	Bracket	

**SECTION 6 - CAB**

**FIGURE 6-79. INTERIOR MIRROR**



ART\_1069007641-0

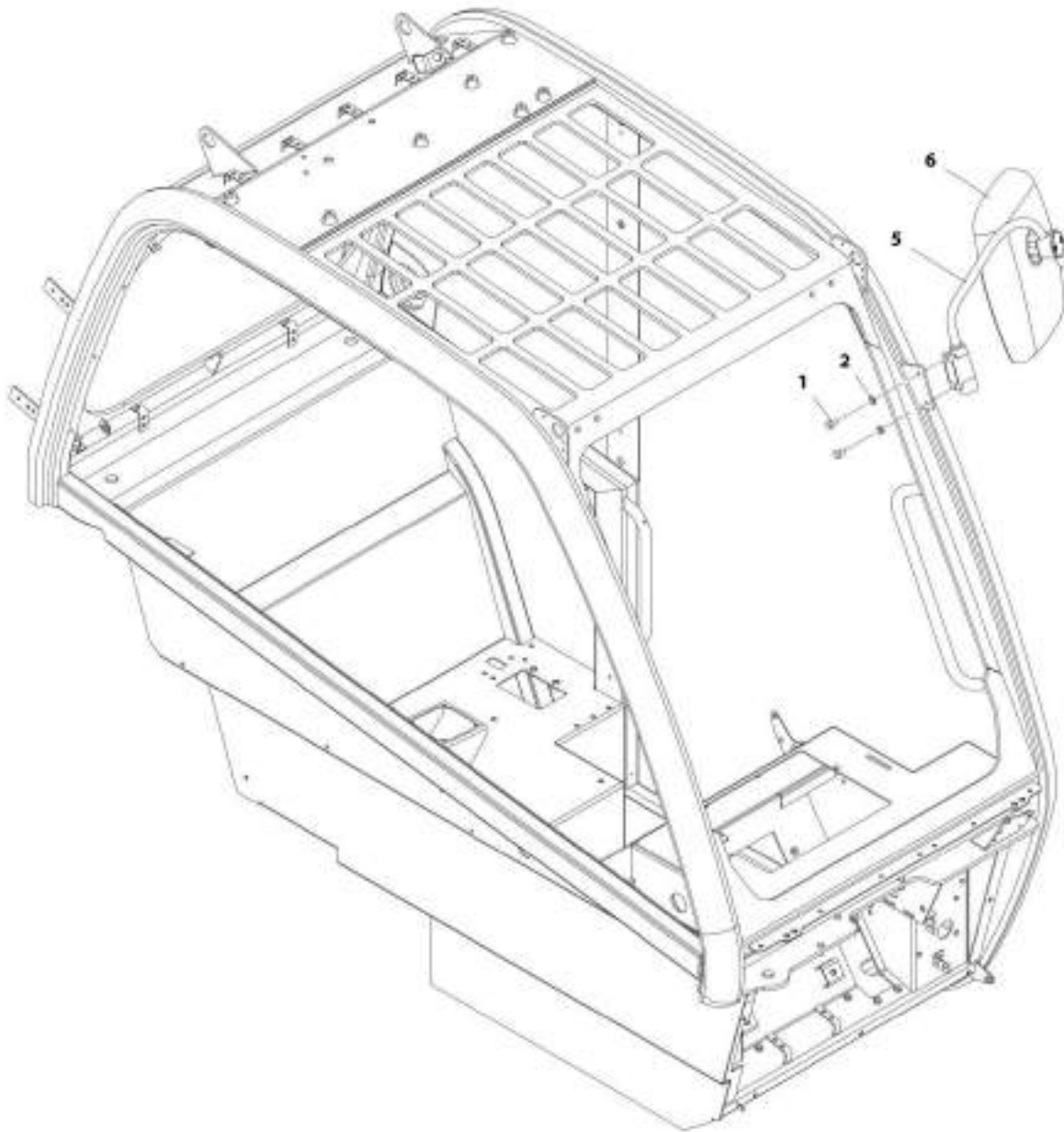


FIGURE 6-79. INTERIOR MIRROR

ITEM	PART NUMBER	QTY	DESCRIPTION	REV
	1001007641	Ref	Mirror, Interior	B
1	1001008475	1	Washer, Lock 12	
2	1001008604	1	Nut	
3	1001009124	2	Washer	
4	1001010839	1	Mirror	

## SECTION 6 - CAB

FIGURE 6-80. BASIC MIRROR INSTALLATION (Prior to SN 1160008716)



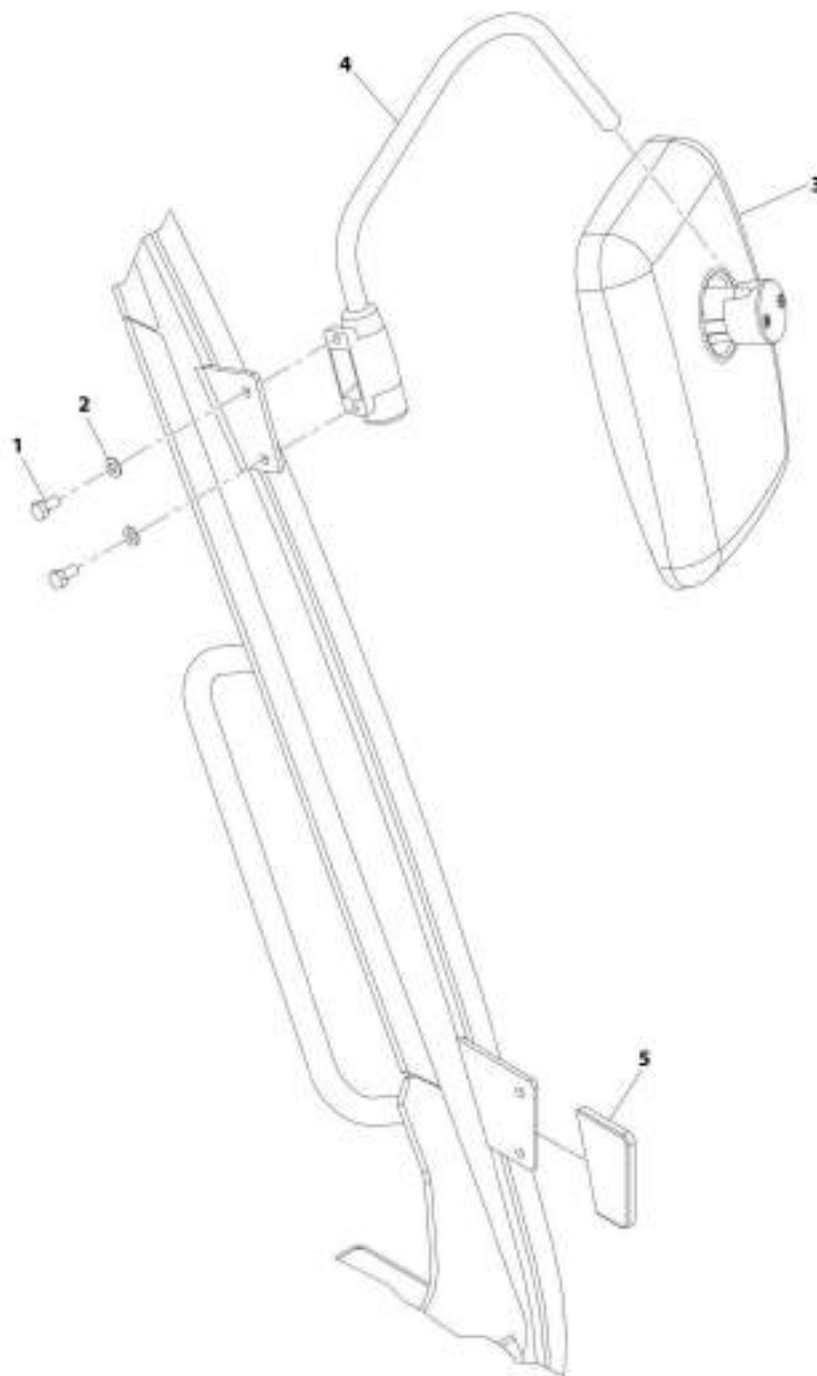
AWT\_1001160509 E

FIGURE 6-80. BASIC MIRROR INSTALLATION (Prior to SN 1160008716)

ITEM	PART NUMBER	QTY	DESCRIPTION	REV
	1001160508	Ref	Basic Mirror Installation	E
1	0760808	2	Bolt, M8X16	
2	4811900	2	Washer, M8	
5	1001164655	1	Bracket	
6	80363195	1	Mirror	

## SECTION 6 - CAB

FIGURE 6-81. BASIC MIRROR INSTALLATION (SN 1160008716 to Present)



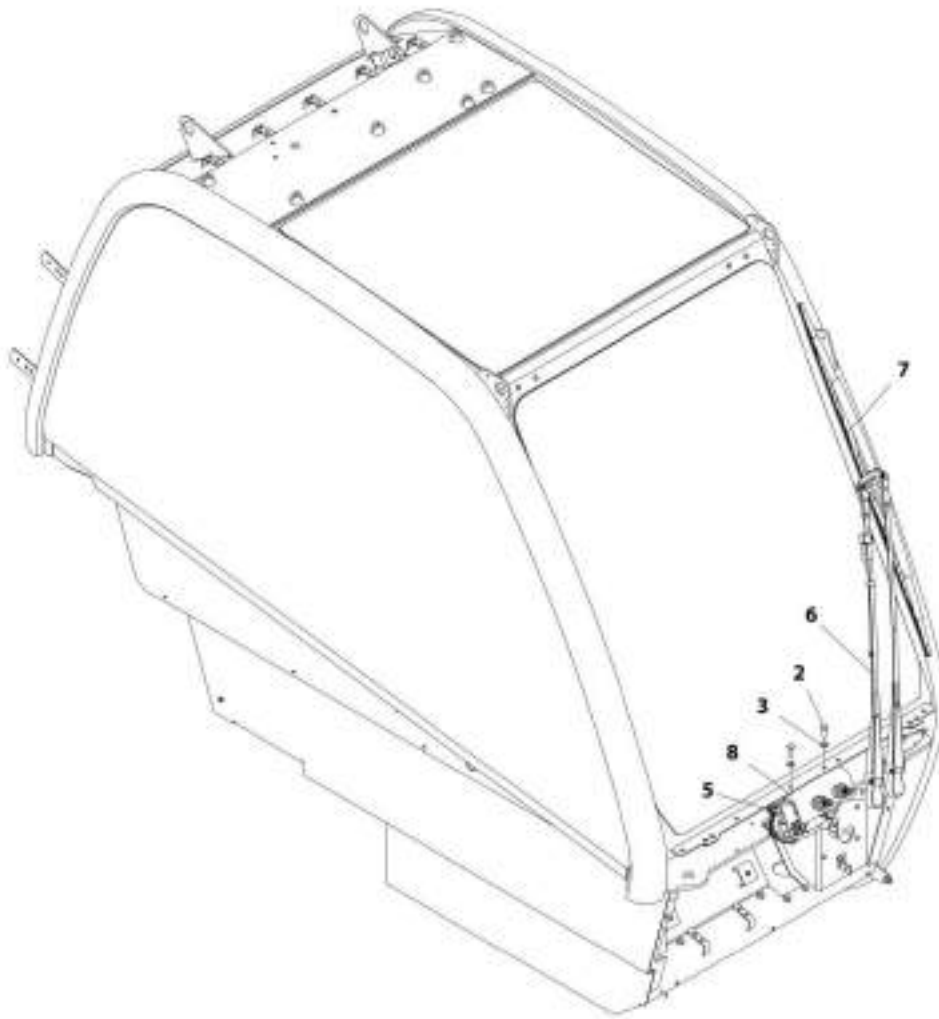
ART\_1001230435-A

**FIGURE 6-81. BASIC MIRROR INSTALLATION (SN 1160008716 to Present)**

ITEM	PART NUMBER	QTY	DESCRIPTION	REV
	1001230435	Ref	Basic Mirror Installation	A
1	0760808	2	Bolt, M8X16	
2	4811900	2	Washer, M8	
3	80363195	1	Mirror	
4	1001164655	1	Bracket	
5	1001227357	1	Cover, Mirror Bracket	

# SECTION 6 - CAB

## FIGURE 6-82. FRONT WIPER INSTALLATION



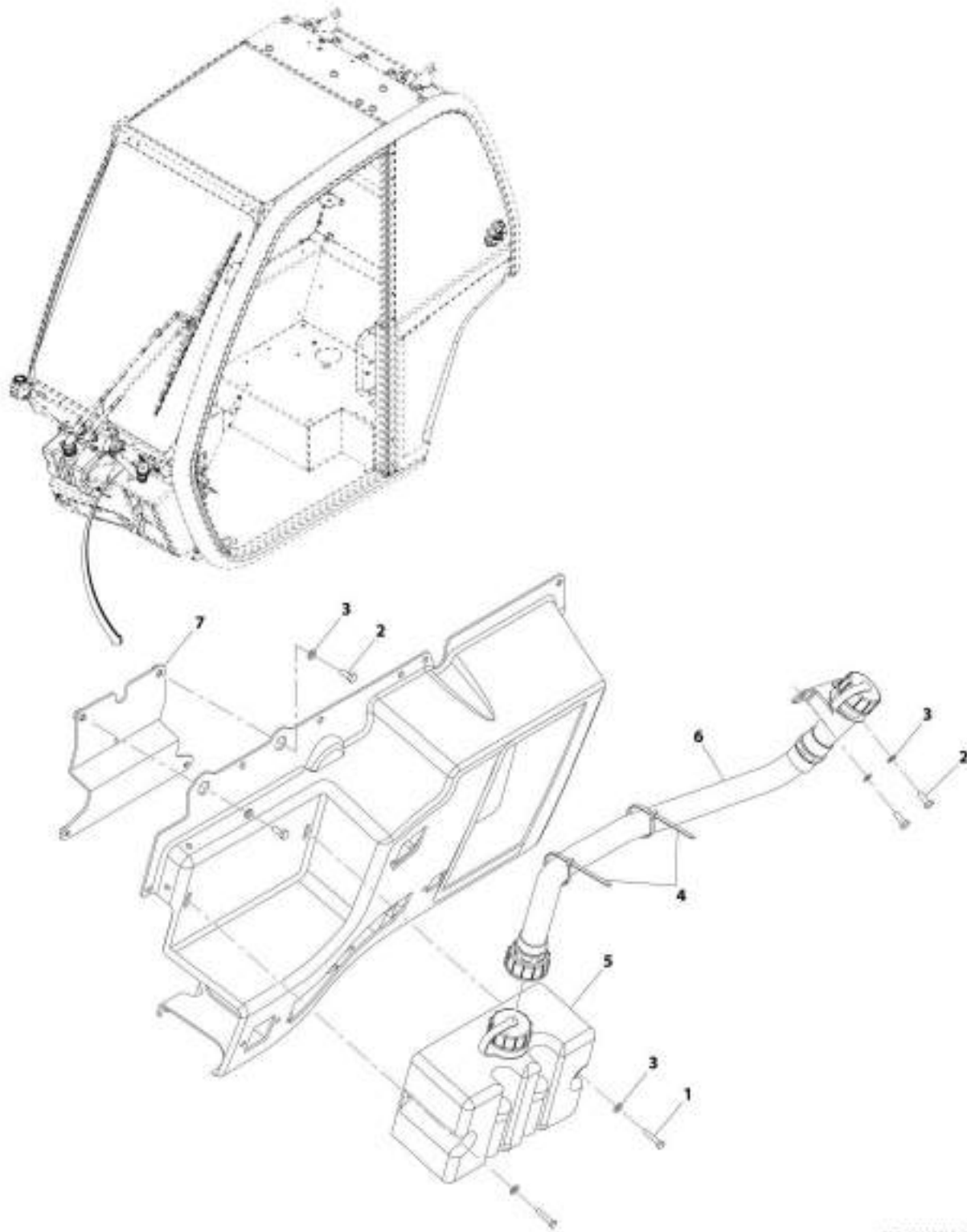
ART\_9001155447-G

FIGURE 6-82. FRONT WIPER INSTALLATION

ITEM	PART NUMBER	QTY	DESCRIPTION	REV
	1001155447	Ref	Front Wiper Installation	G
2	0760810	2	Bolt, M8X20	
3	4811900	2	Washer, M8	
5	1001214092	1	Motor, Front Wiper	
6	1001212369	1	Arm, Front Wiper	
7	1001141281	1	Blade, Wiper	
8	1001165637	1	Bracket	

# SECTION 6 - CAB

## FIGURE 6-83. WASHER TANK INSTALLATION



ART\_1001261027-C

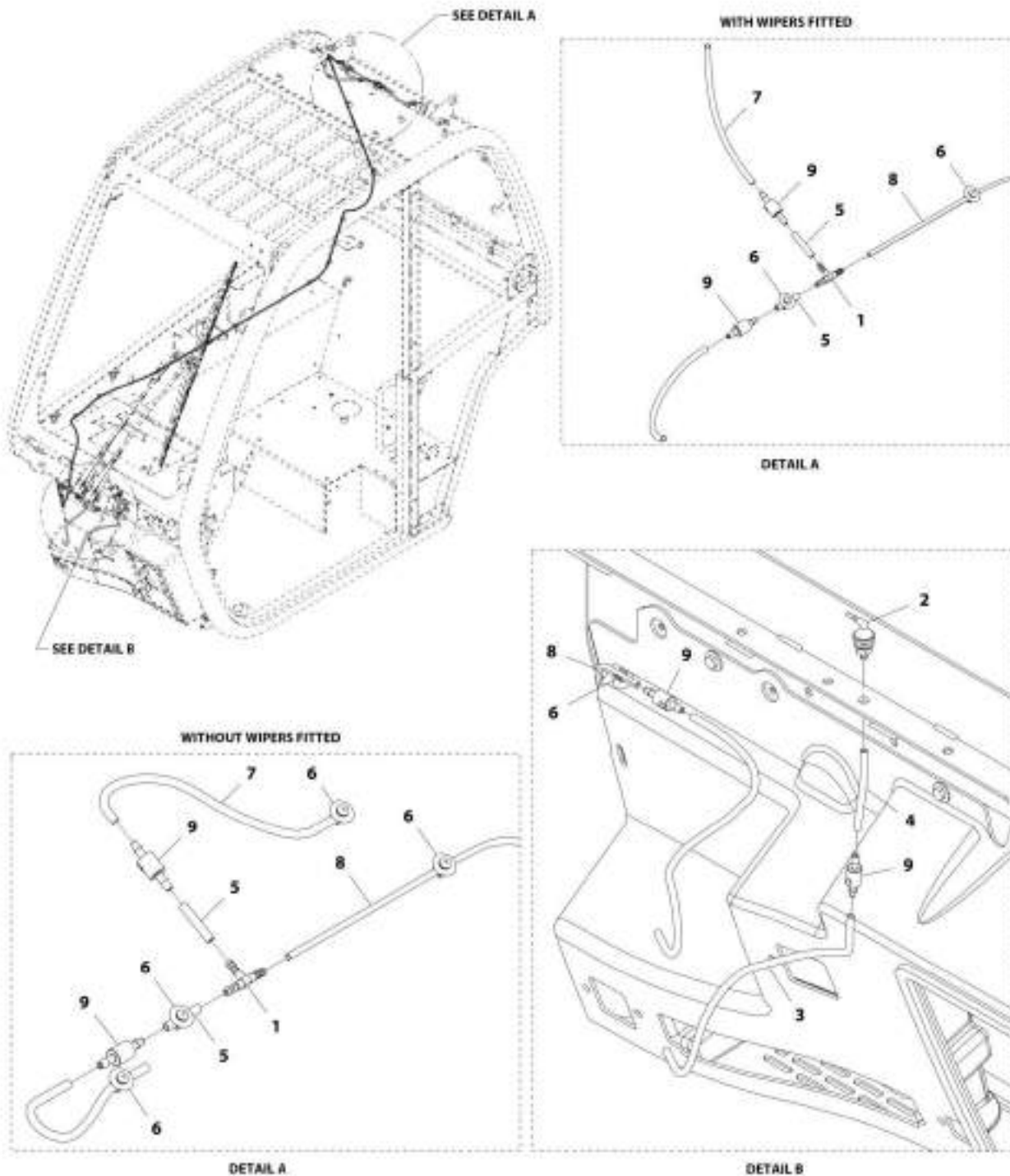


FIGURE 6-83. WASHER TANK INSTALLATION

ITEM	PART NUMBER	QTY	DESCRIPTION	REV
	1001201027	Ref	Washer Tank Installation	C
1	0760512	2	Bolt M5X25	
2	0760608	4	Bolt, M6X16	
3	4811700	6	Washer, M6	
4	471678	2	Band, Cable	
5	1001165269	1	Bottle, Washer (See Separate Breakdown in this Section)	
6	1001165270	1	Hose, Washer Filler	
7	1001171756	1	Bracket	

# SECTION 6 - CAB

## FIGURE 6-84. WASHER HOSES INSTALLATION



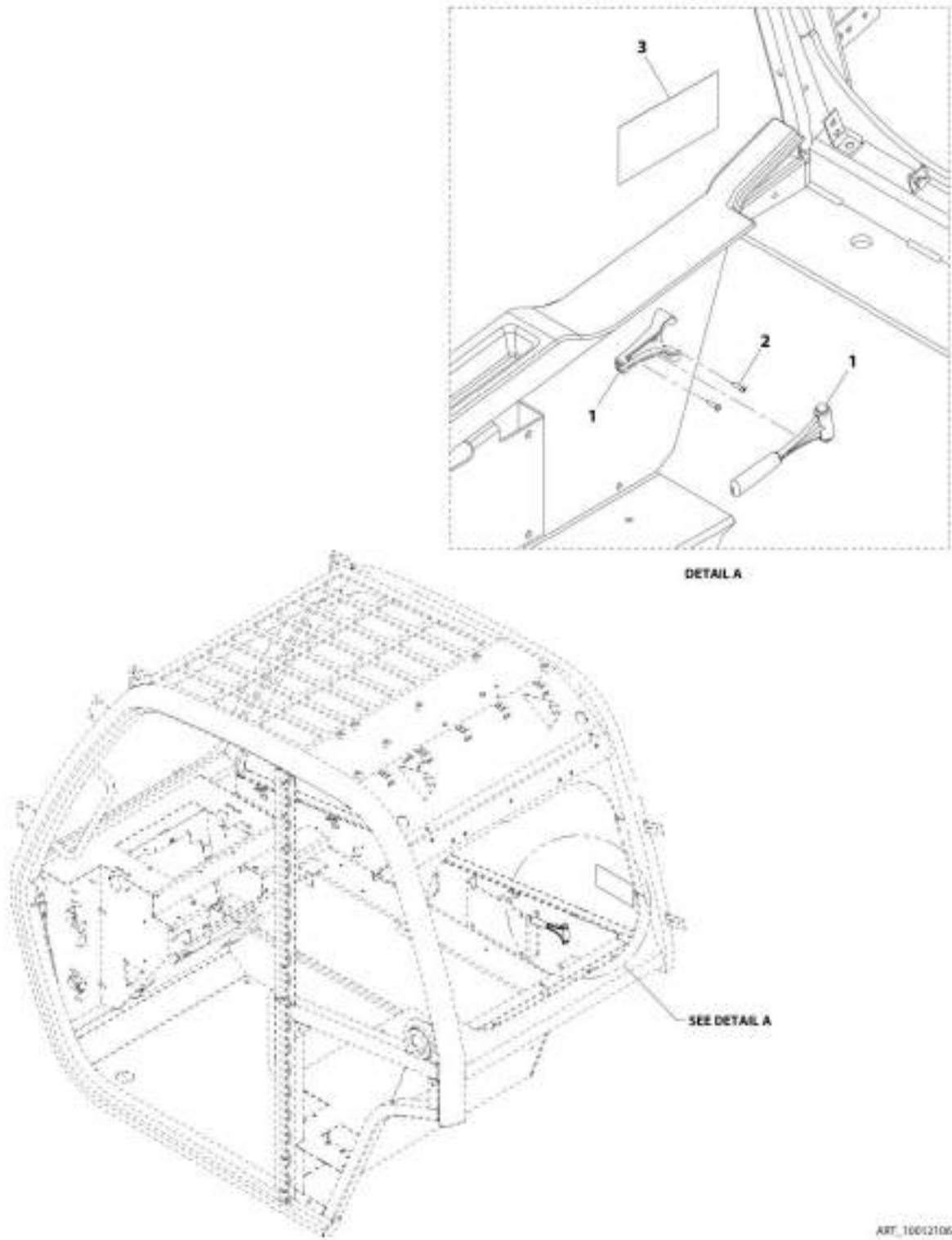
ART\_1001201520-B

FIGURE 6-84. WASHER HOSES INSTALLATION

ITEM	PART NUMBER	QTY	DESCRIPTION	REV
	1001201520	Ref	Washer Hoses Installation	B
1	1001008742	1	Coupling, Tee	
2	1001090343	1	Connector	
3	1001165351	2	Hose	
4	1001165416	1	Hose	
5	1001165455	2	Hose	
6	1001165458	16	Mount, Hose	
7	1001178123	2	Hose	
8	1001180045	1	Hose	
9	1001201331	4	Valve, Check	

# SECTION 6 - CAB

## FIGURE 6-85. HAMMER INSTALLATION



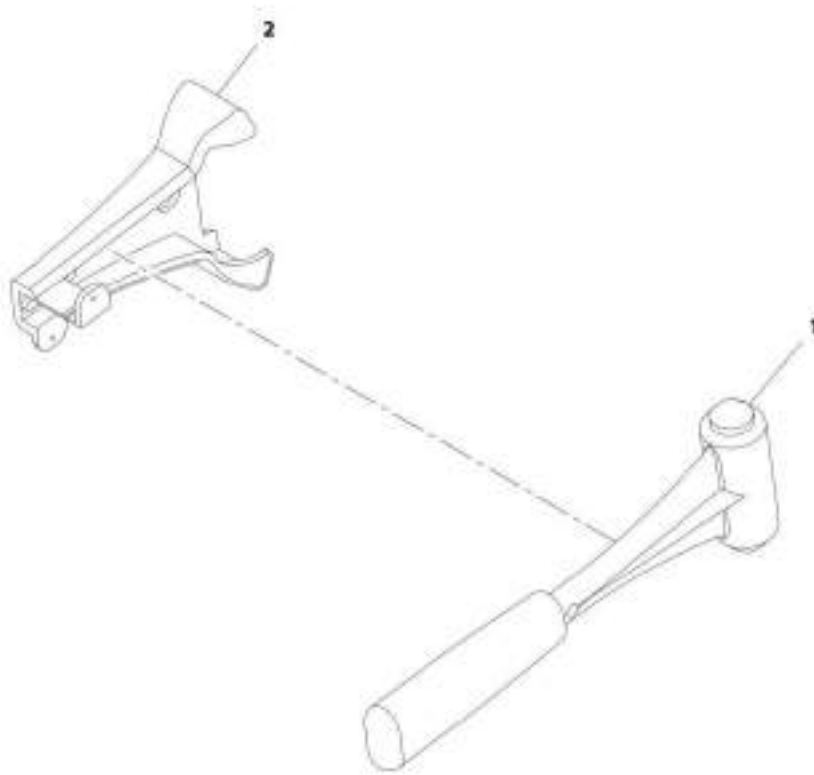
ART\_1001210628-B

FIGURE 6-85. HAMMER INSTALLATION

ITEM	PART NUMBER	QTY	DESCRIPTION	REV
1	1001210628	Ref	Hammer Installation	B
	1001005038	1	Assembly, Hammer Attachment (See Separate Breakdown in this Section)	
2	1001005193	2	Screw	
3	1001215804	1	Decal, Emergency Exit	

**SECTION 6 - CAB**

**FIGURE 6-86. HAMMER ATTACHMENT ASSEMBLY**



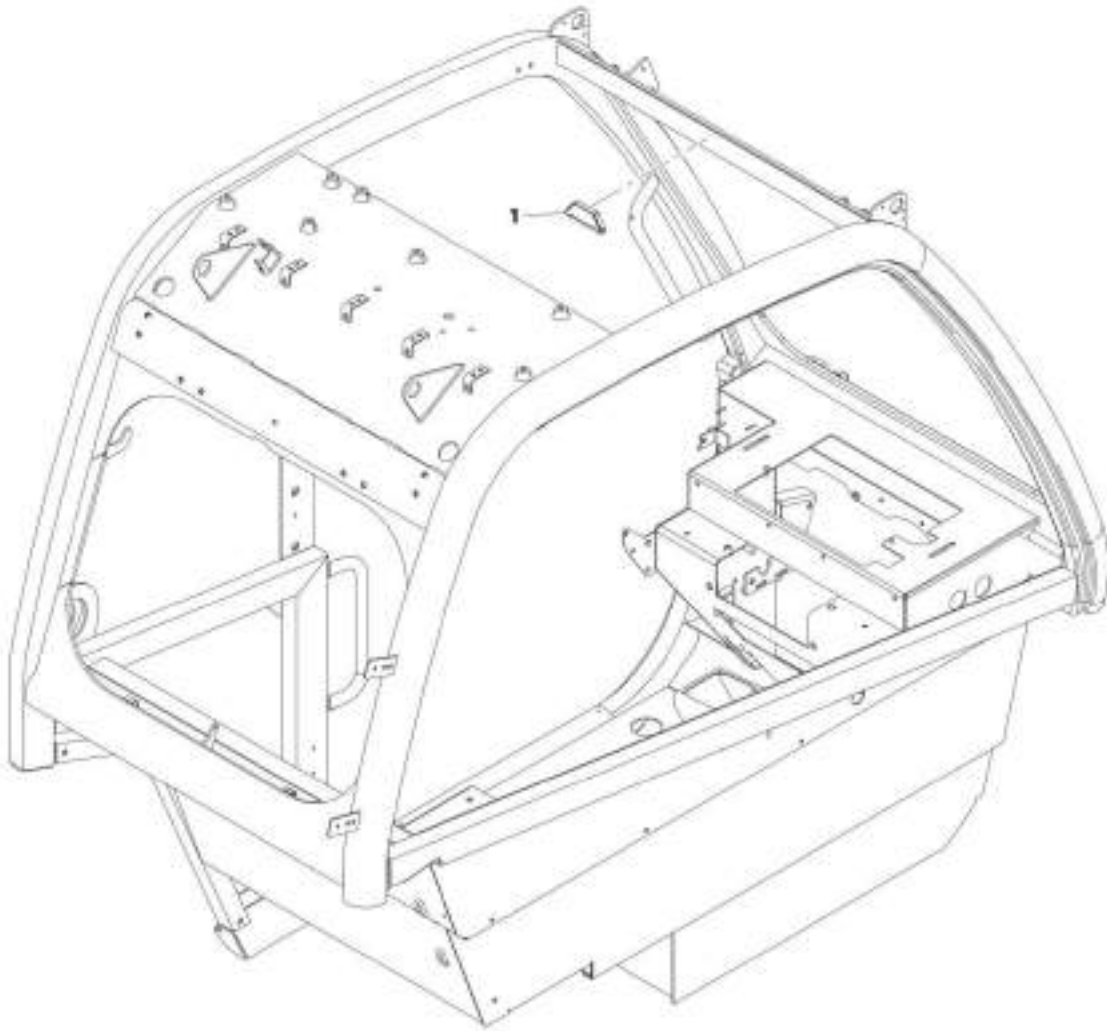
ART. 10000018-0

**FIGURE 6-86. HAMMER ATTACHMENT ASSEMBLY**

<b>ITEM</b>	<b>PART NUMBER</b>	<b>QTY</b>	<b>DESCRIPTION</b>	<b>REV</b>
	1001005038	Ref	Hammer Attachment Assembly	B
1	1001006954	1	Hammer	
2	1001006955	1	Bracket, Hammer	

## SECTION 6 - CAB

FIGURE 6-87. LEVEL INDICATOR INSTALLATION



ART\_100172401-C

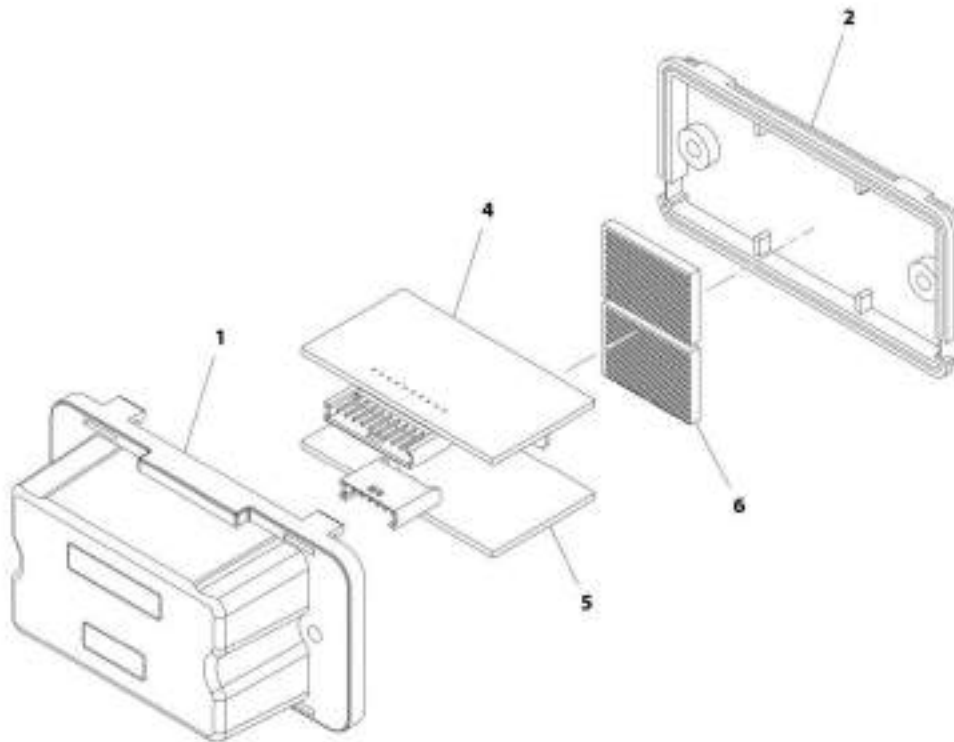


**FIGURE 6-87. LEVEL INDICATOR INSTALLATION**

<b>ITEM</b>	<b>PART NUMBER</b>	<b>QTY</b>	<b>DESCRIPTION</b>	<b>REV</b>
1	1001172401 8466306	Ref 1	Level Indicator Installation Gauge, Tilt Angle	C

# SECTION 6 - CAB

## FIGURE 6-88. HVAC CAB ACTUATOR



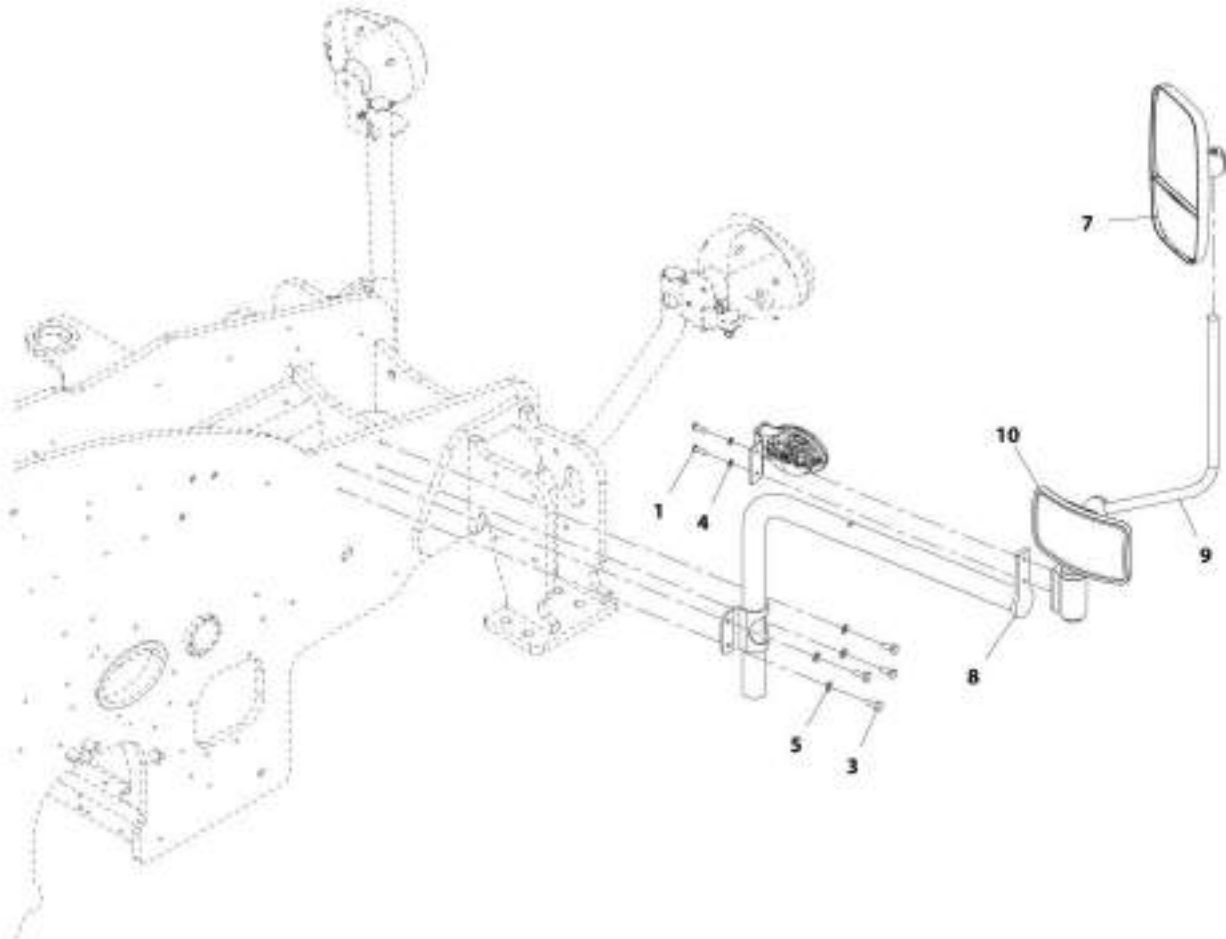
ART\_1001172551-C

FIGURE 6-88. HVAC CAB ACTUATOR

ITEM	PART NUMBER	QTY	DESCRIPTION	REV
	1001172551	Ref	HVAC Cab Actuator	C
1	1001184306	1	Box, Heater Controller	
2	1001184307	1	Base, Heater Controller Box	
4	1001184309	1	Board, Heater Control	
5	1001184310	1	Board, Heater Control	
6	1001189980	2	Insulator, Heater Controller Box	

# SECTION 6 - CAB

## FIGURE 6-89. MIRROR INSTALLATION



ART\_3001186293-H

FIGURE 6-89. MIRROR INSTALLATION

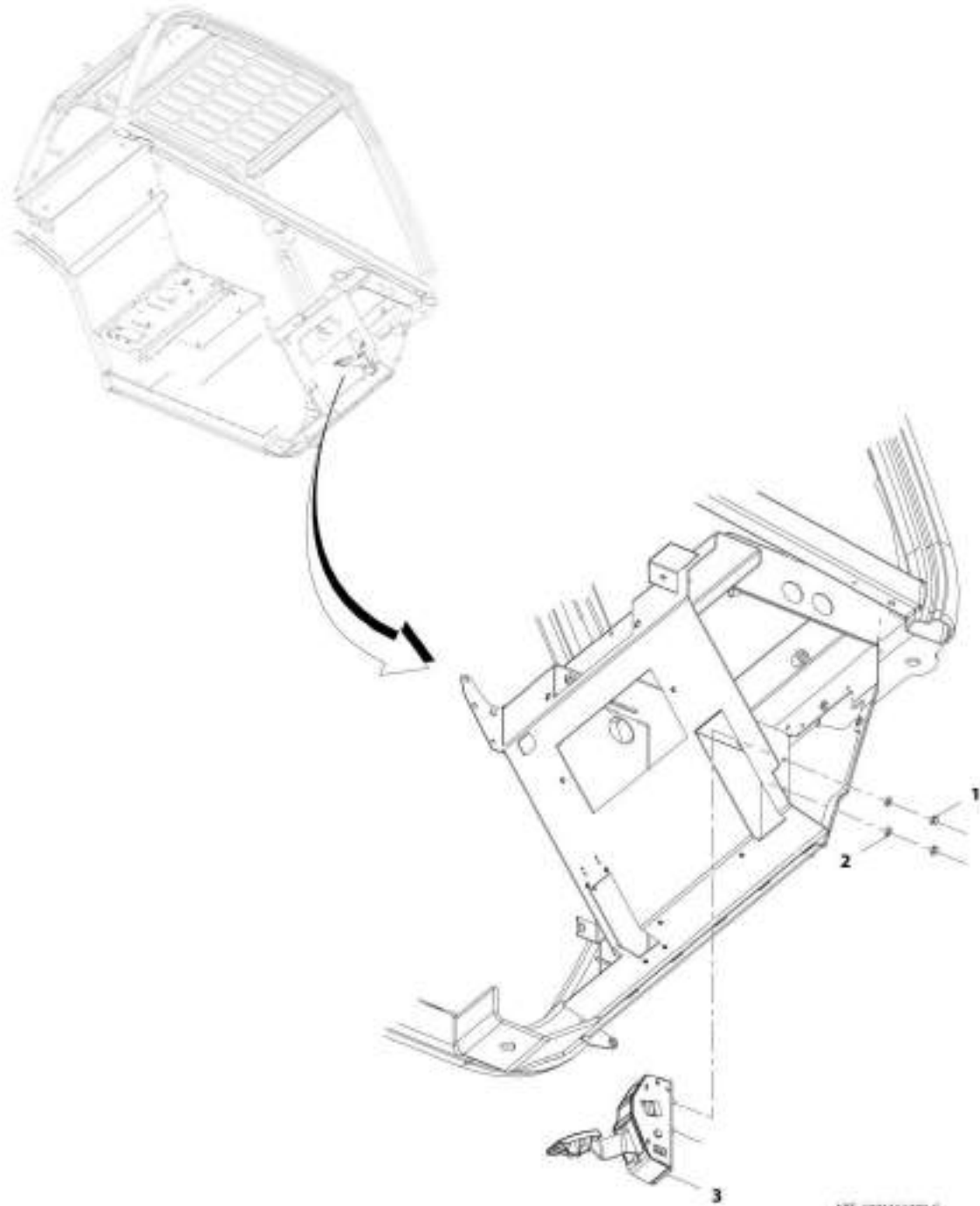
ITEM	PART NUMBER	QTY	DESCRIPTION	REV
	1001186393	Ref	Mirror Installation	H
1	0760812	2	Bolt, M8X25	
3	0761012	4	Bolt, M10X25	
4	4811900	2	Washer, M8	
5	4812000	4	Washer, M10	
7	1001175812	1	Mirror, Dual Lens	
8	1001181360	1	Bracket	
9	1001189193	1	Bracket	
10	1001142724	1	Mirror, Convex	



**SECTION 7 - CONTROLS**

# SECTION 7 - CONTROLS

## FIGURE 7-1. ACCELERATOR PEDAL INSTALLATION



ART. 1001161499-C



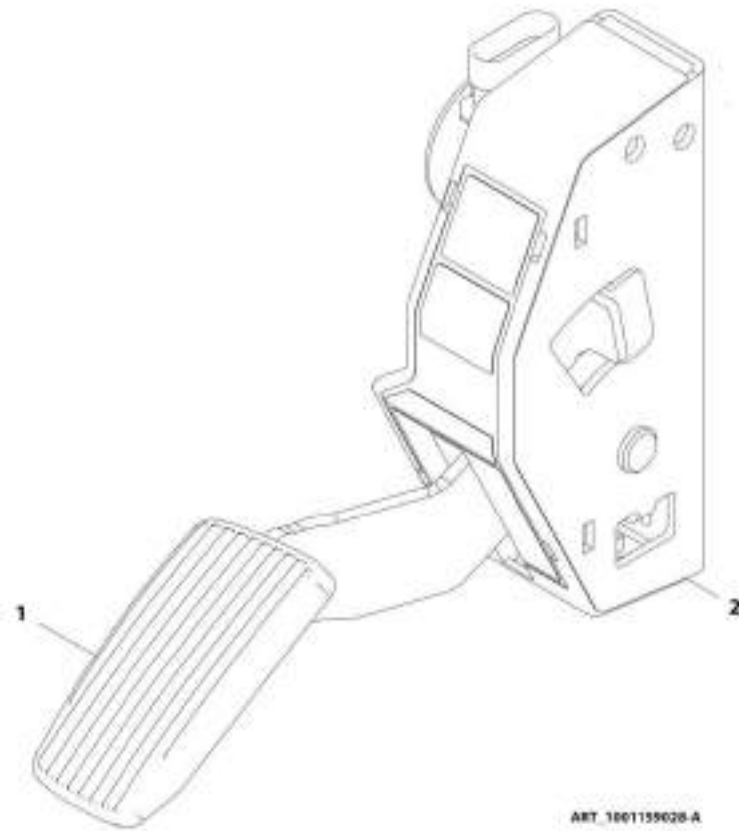
## SECTION 7 - CONTROLS

FIGURE 7-1. ACCELERATOR PEDAL INSTALLATION

ITEM	PART NUMBER	QTY	DESCRIPTION	REV
	1001161499	Ref	Accelerator Pedal Installation	C
1	3290801	2	Nut, M8X1.25	
2	4811900	2	Washer, M8	
3	1001159028	1	Pedal, Accelerator (See Separate Breakdown in this Section)	

# SECTION 7 - CONTROLS

## FIGURE 7-2. ACCELERATOR PEDAL



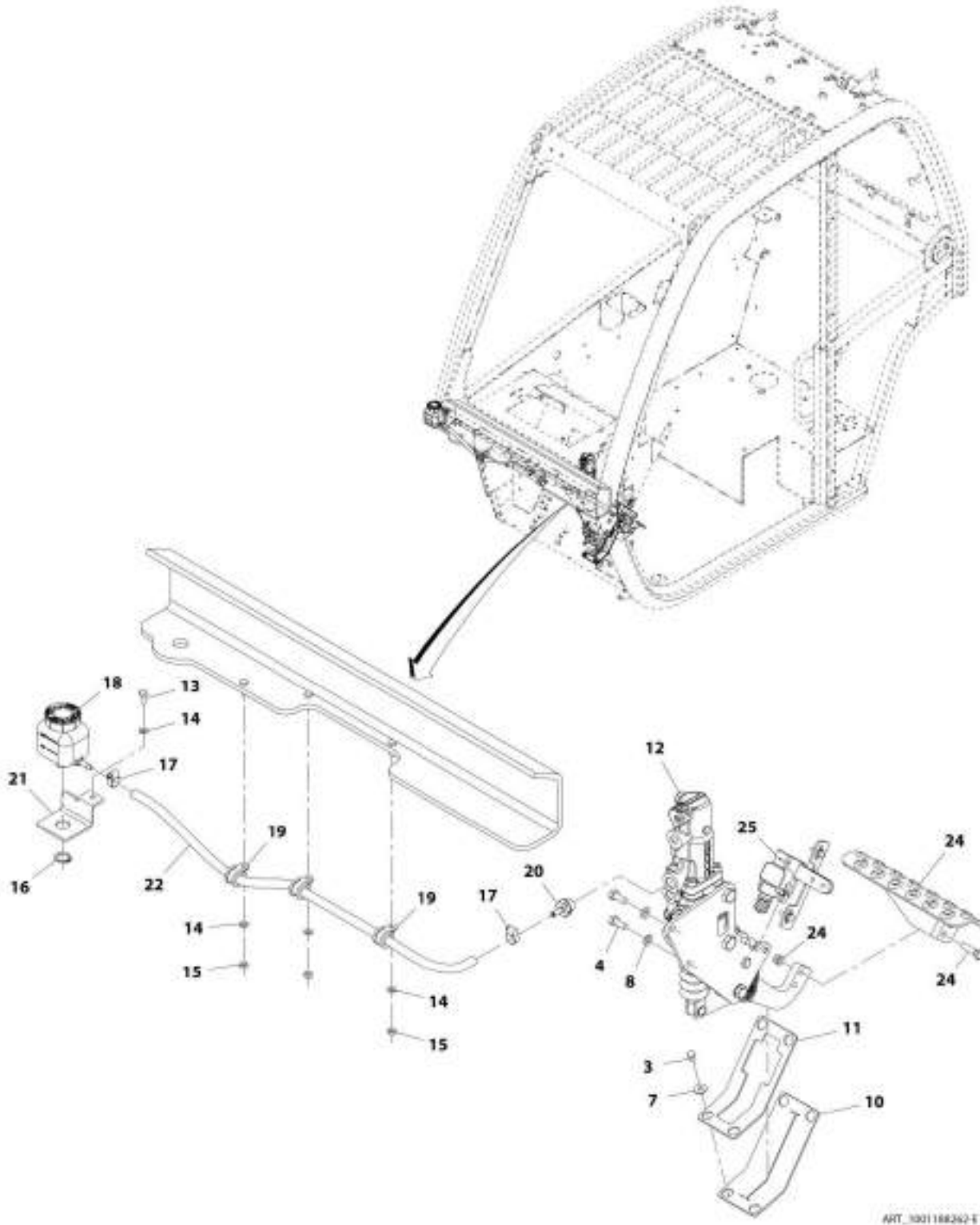
## SECTION 7 - CONTROLS

### FIGURE 7-2. ACCELERATOR PEDAL

ITEM	PART NUMBER	QTY	DESCRIPTION	REV
	1001159028	Ref	Accelerator Pedal	A
1	70025816	1	Pad, Rubber	
2	70025817	1	Cover, Rubber	

# SECTION 7 - CONTROLS

FIGURE 7-3. BRAKE PEDAL INSTALLATION (Prior to SN 1160008716)



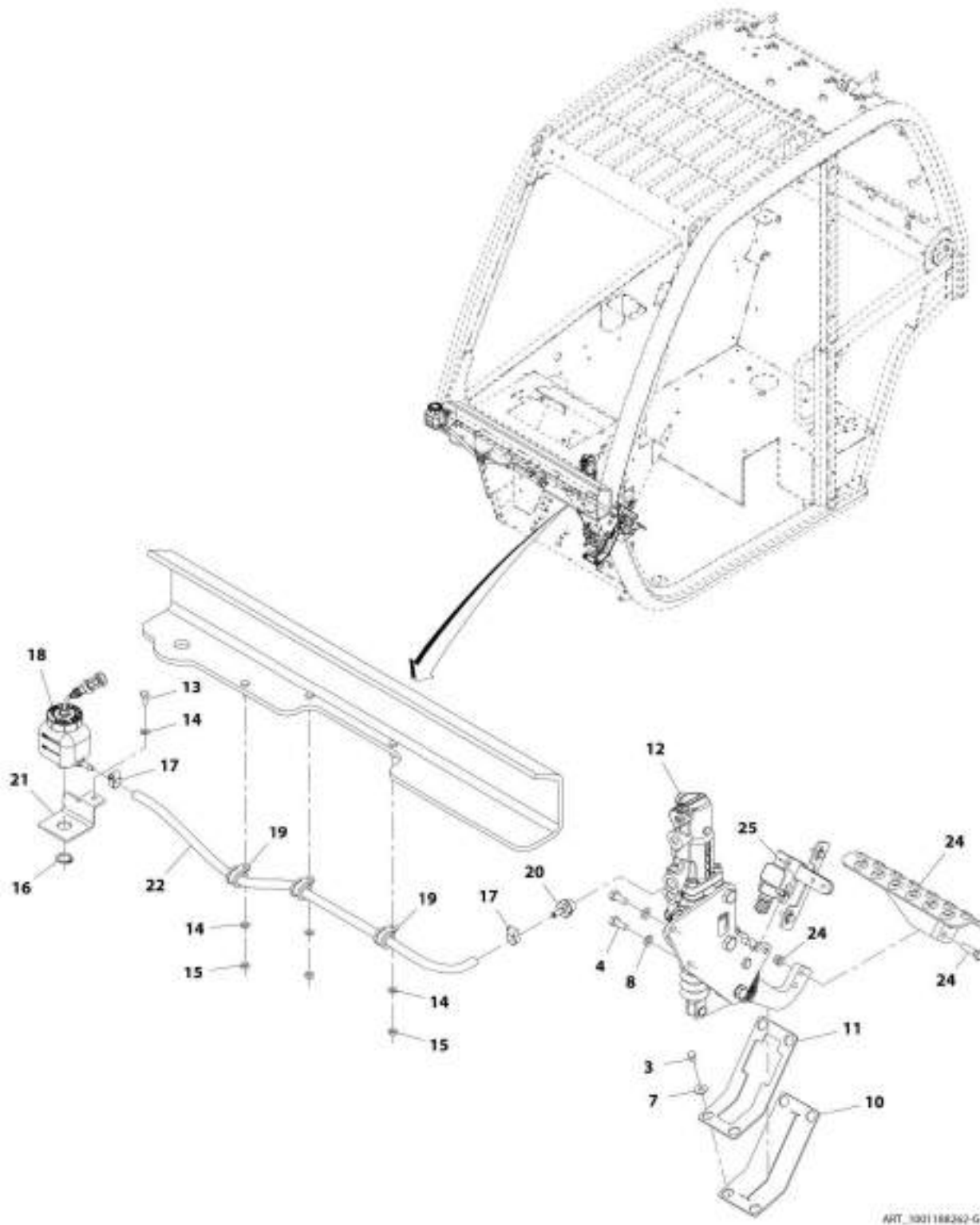
## SECTION 7 - CONTROLS

**FIGURE 7-3. BRAKE PEDAL INSTALLATION (Prior to SN 1160008716)**

ITEM	PART NUMBER	QTY	DESCRIPTION	REV
	1001188262	Ref	Brake Pedal Installation	E
3	0760605	4	Bolt, M6X10	
4	0760810	3	Bolt, M8X20	
7	4811702	4	Washer, M6	
8	4811900	3	Washer, M8	
10	1001162920	1	Gasket, Brake Pedal	
11	1001162922	1	Plate	
12	1001187413	1	Pedal, Brake (See Separate Breakdown in this Section)	
13	0760608	1	Bolt, M6X16	
14	4811700	4	Washer, M6	
15	3290601	3	Nut, M6X1 Grade 8	
16	3760348	1	Ring, Retaining	
17	8405009	2	Clamp, Gear	
18	1001214220	1	Reservoir, Brake	
19	1001170231	3	Clip	
20	1001171874	1	Fitting, Hose Barb	
21	1001172088	1	Bracket	
22	1001172094	1	Hose	
24	1001197139	1	Plate, Brake Pedal (See Separate Breakdown in this Section)	
25	1001205061	Ref	Installation, Brake Sensor (See Separate Breakdown in this Section)	

# SECTION 7 - CONTROLS

FIGURE 7-4. BRAKE PEDAL INSTALLATION (SN 1160008716 to Present)



ART\_3001188262-G

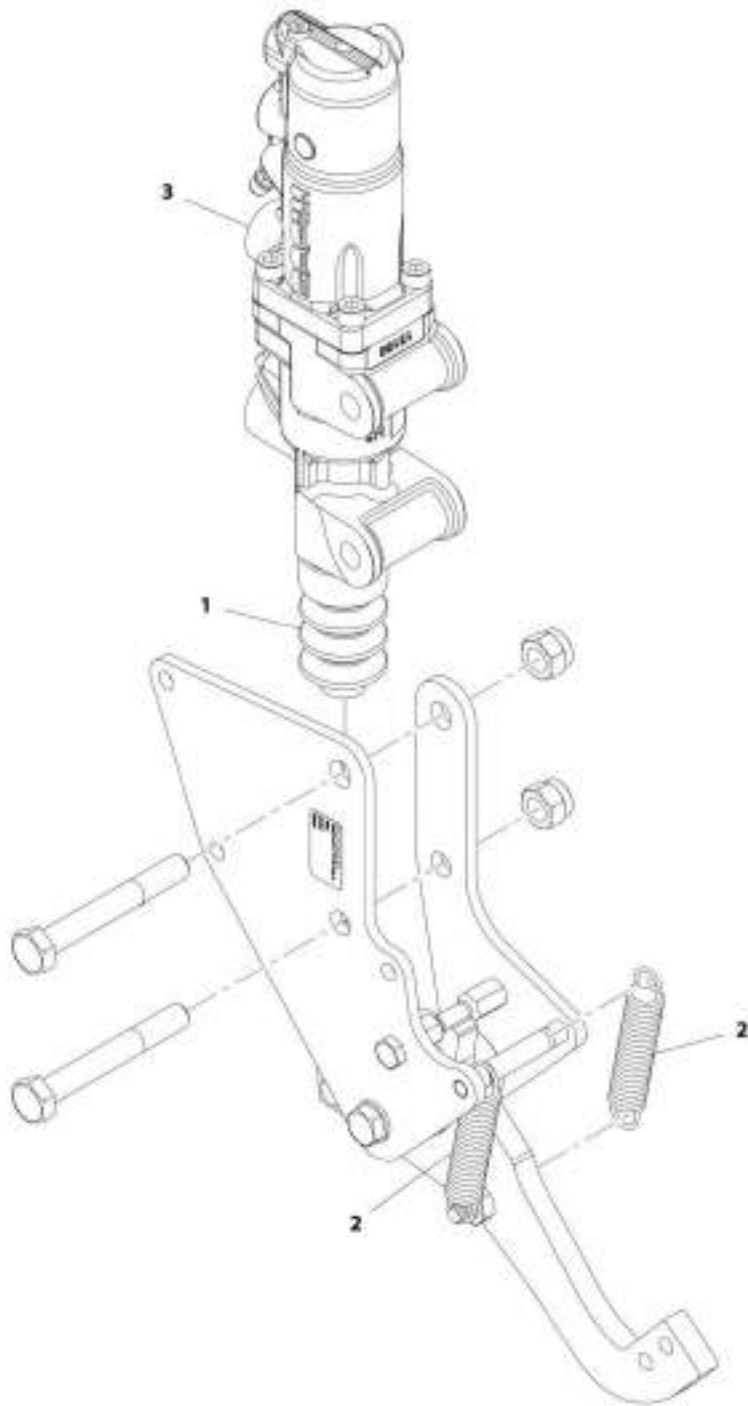
## SECTION 7 - CONTROLS

**FIGURE 7-4. BRAKE PEDAL INSTALLATION (SN 1160008716 to Present)**

ITEM	PART NUMBER	QTY	DESCRIPTION	REV
	1001188262	Ref	Brake Pedal Installation	G
3	0760605	4	Bolt, M6X10	
4	0760810	3	Bolt, M8X20	
7	4811702	4	Washer, M6	
8	4811900	3	Washer, M8	
10	1001162920	1	Gasket, Brake Pedal	
11	1001162922	1	Plate	
12	1001187413	1	Pedal, Brake (See Separate Breakdown in this Section)	
13	0760608	1	Bolt, M6X16	
14	4811700	4	Washer, M6	
15	3290601	3	Nut, M6X1 Grade 8	
16	3760348	1	Ring, Retaining	
17	8405009	2	Clamp, Gear	
18	1001228974	1	Reservoir, Brake	
19	1001170231	3	Clip	
20	1001171874	1	Fitting, Hose Barb	
21	1001172088	1	Bracket	
22	1001172094	1	Hose	
24	1001197139	1	Plate, Brake Pedal (See Separate Breakdown in this Section)	
25	1001205061	Ref	Installation, Brake Sensor (See Separate Breakdown in this Section)	

# SECTION 7 - CONTROLS

## FIGURE 7-5. BRAKE PEDAL



AWT\_3001107413-D



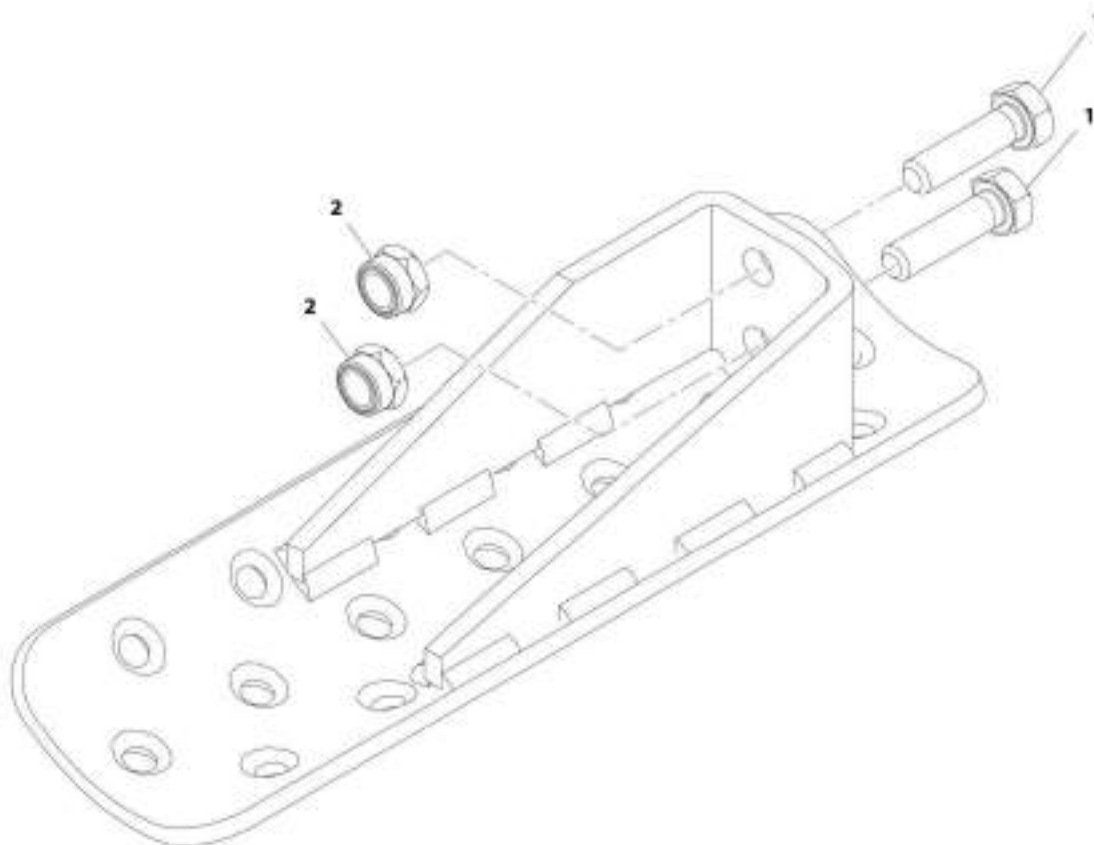
## SECTION 7 - CONTROLS

### FIGURE 7-5. BRAKE PEDAL

ITEM	PART NUMBER	QTY	DESCRIPTION	REV
	1001187413	Ref	Brake Pedal	D
1	70025859	1	Cover, Dust	
2	70025860	1	Spring, Return	
3	70026537	1	Cylinder, Master	

# SECTION 7 - CONTROLS

## FIGURE 7-6. BRAKE PEDAL PLATE



ART\_1001197136-A

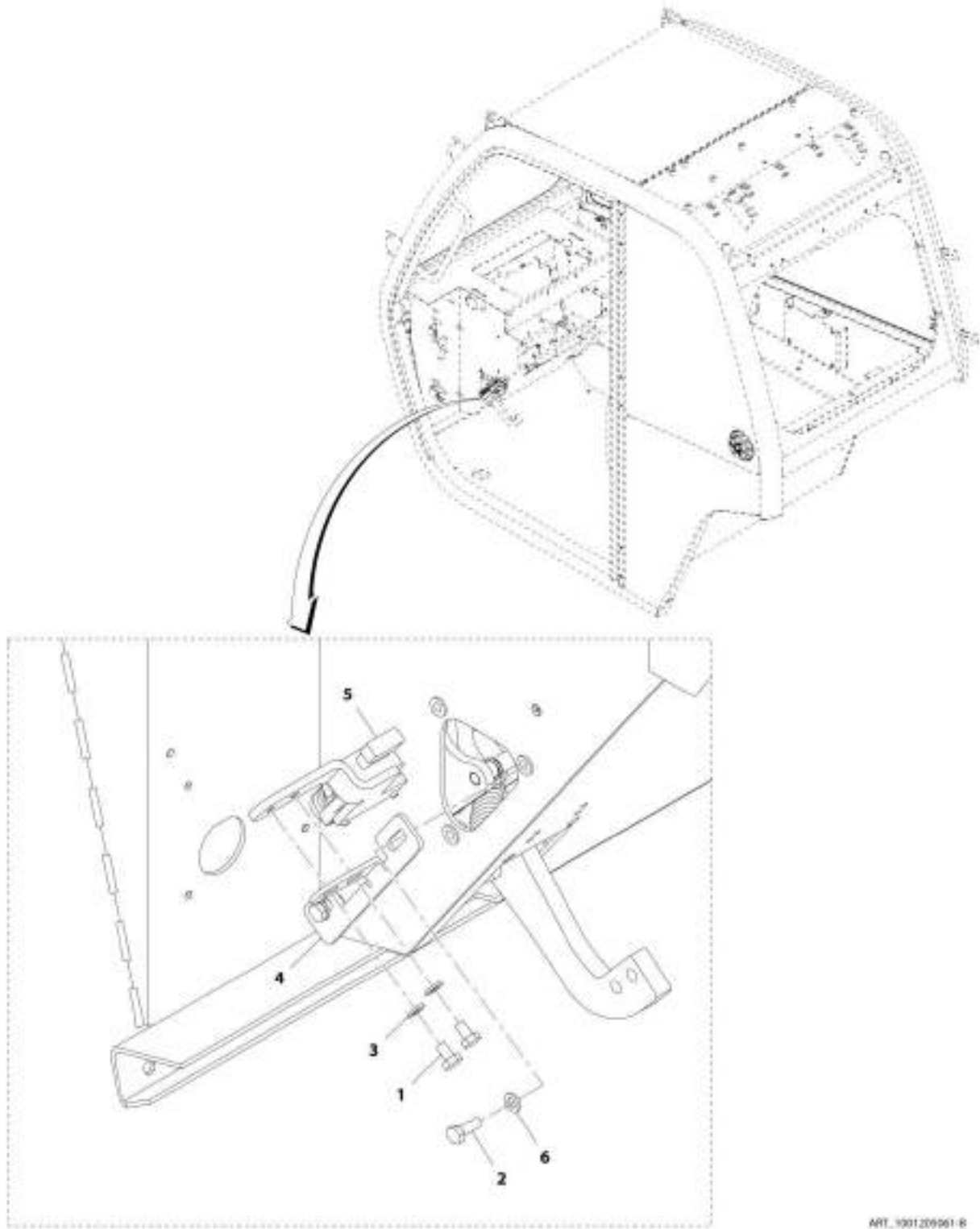
## SECTION 7 - CONTROLS

### FIGURE 7-6. BRAKE PEDAL PLATE

ITEM	PART NUMBER	QTY	DESCRIPTION	REV
	1001197139	Ref	Brake Pedal Plate	A
1	0770814	1	Bolt, M8X30 Grade 10.9	
2	3290805	1	Nut, Lock M8X1.25 Grade 8	

# SECTION 7 - CONTROLS

## FIGURE 7-7. BRAKE SENSOR INSTALLATION



ART. 1001209901-R

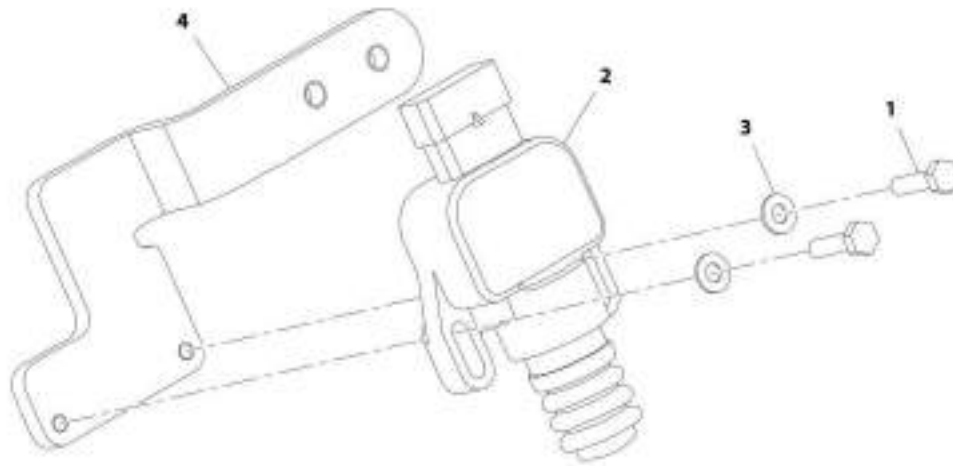
## SECTION 7 - CONTROLS

### FIGURE 7-7. BRAKE SENSOR INSTALLATION

ITEM	PART NUMBER	QTY	DESCRIPTION	REV
	1001205061	Ref	Brake Sensor Installation	B
1	0760605	2	Bolt, M6X10	
2	0760608	2	Bolt, M6X16	
3	4811700	2	Washer, M6	
4	1001201499	1	Plate, Switch Adjustment	
5	1001201501	1	Assembly, Switch Plate (See Separate Breakdown in this Section)	
6	4811702	2	Washer, M6	

## SECTION 7 - CONTROLS

FIGURE 7-8. SWITCH PLATE ASSEMBLY



MFT\_1001201301-4

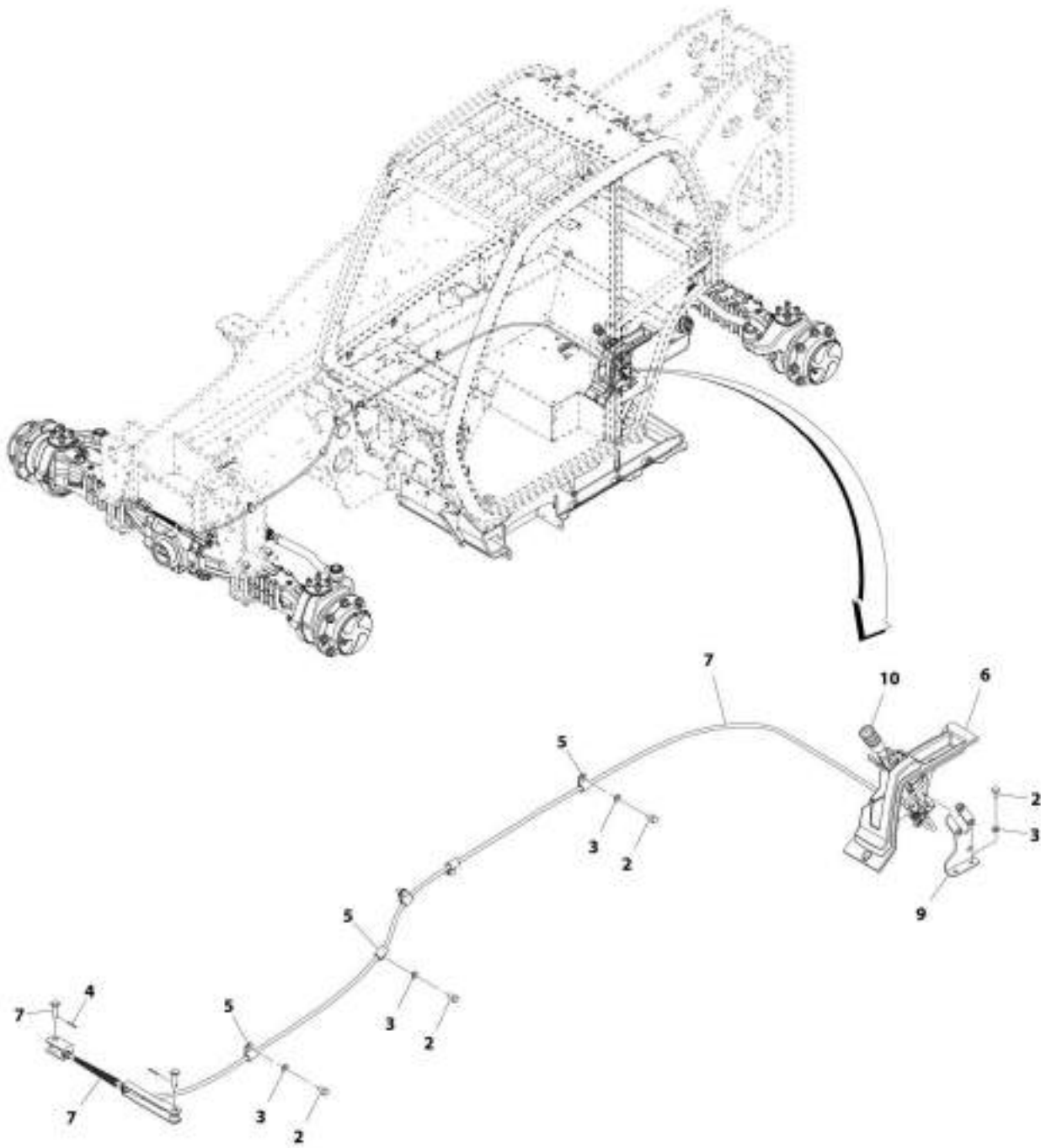
## SECTION 7 - CONTROLS

### FIGURE 7-8. SWITCH PLATE ASSEMBLY

ITEM	PART NUMBER	QTY	DESCRIPTION	REV
	1001201501	Ref	Switch Plate Assembly	A
1	0700408	2	Bolt, M4X16	
2	4360658	1	Switch, Brake Light	
3	4811400	2	Washer, M4	
4	1001201500	1	Plate	

# SECTION 7 - CONTROLS

## FIGURE 7-9. PARKING BRAKE INSTALLATION (CABLE)



ART\_1001189422-E



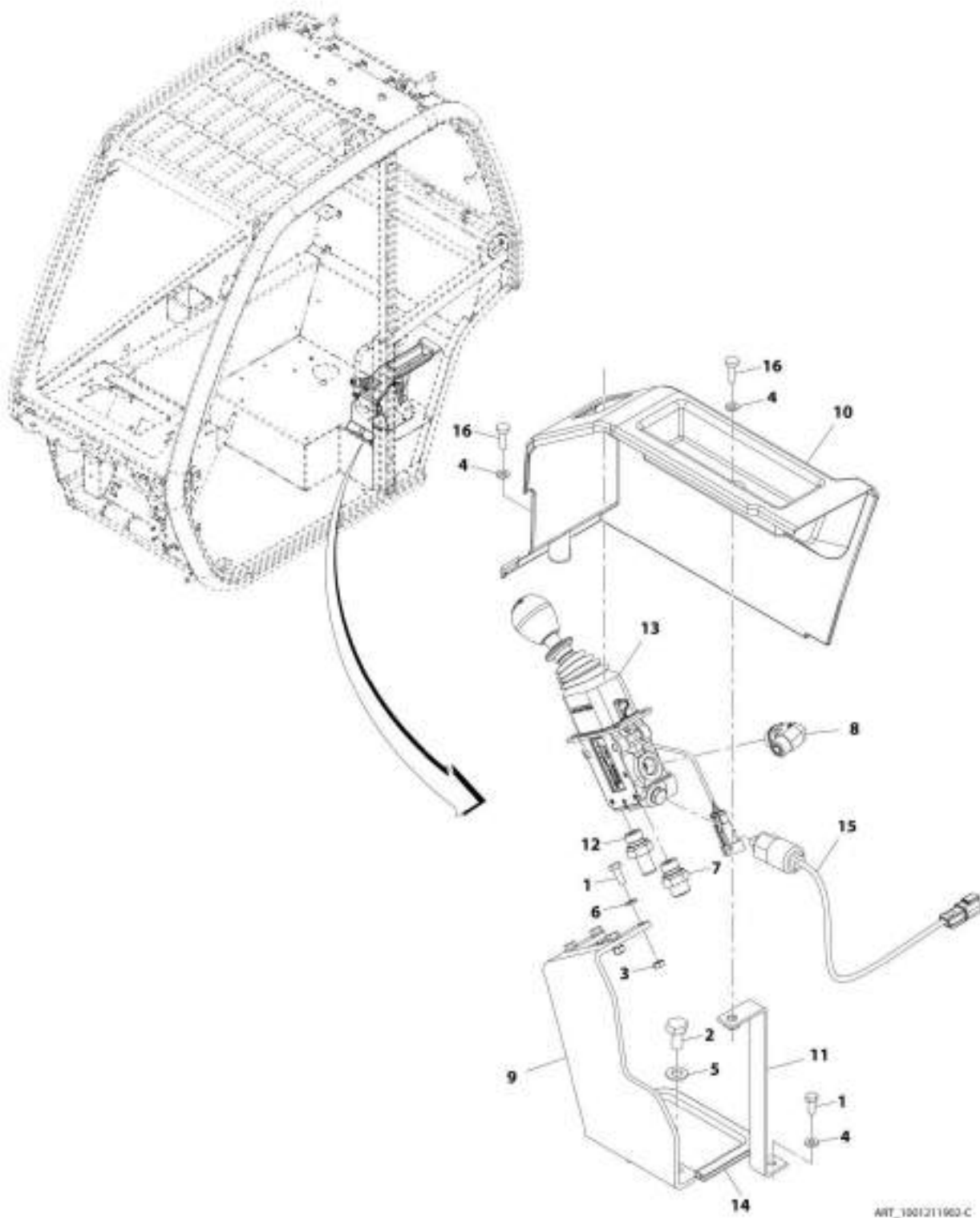
## SECTION 7 - CONTROLS

### FIGURE 7-9. PARKING BRAKE INSTALLATION (CABLE)

ITEM	PART NUMBER	QTY	DESCRIPTION	REV
	1001180472	Ref	Parking Brake Installation (Cable)	E
2	0761010	7	Bolt, M10X20	
3	4812000	7	Washer, M10	
4	3391408	2	Pin	
5	1001003809	5	Clamp	
6	1001174567	1	Cover, Parking Brake (Mechanical) (See Separate Breakdown in this Section)	
7	1001177053	1	Assembly, Parking Cable (Mechanical) (See Separate Breakdown in this Section)	
9	1001195207	1	Bracket	
10	1001201951	1	Lever, Parking Brake (Mechanical)	

# SECTION 7 - CONTROLS

## FIGURE 7-10. PARKING BRAKE INSTALLATION (SAHR)



ART\_1001211903-C

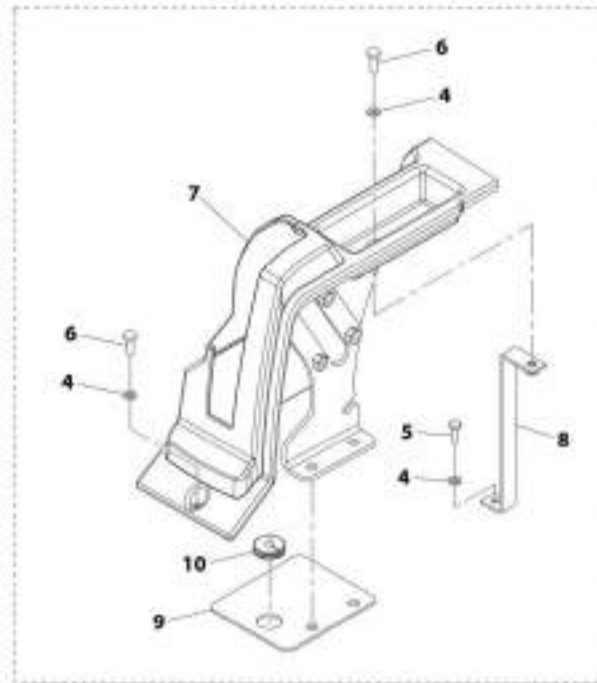
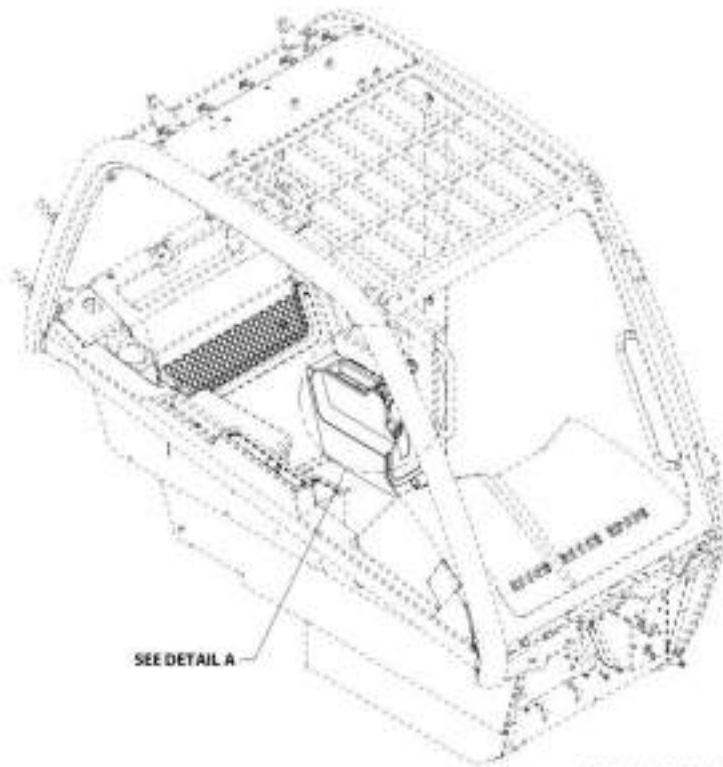
## SECTION 7 - CONTROLS

**FIGURE 7-10. PARKING BRAKE INSTALLATION (SAHR)**

ITEM	PART NUMBER	QTY	DESCRIPTION	REV
	1001211902	Ref	Parking Brake Installation (SAHR)	C
1	0760608	5	Bolt, 6X16	
2	0761010	2	Bolt, M10X20	
3	3290601	4	Nut, M6X1 Grade 8	
4	4811700	3	Washer, M6	
5	4812000	2	Washer, M10	
6	4831700	4	Washer, Lock M6	
7	1001101702	1	Fitting, Straight ORFS	
8	1001125222	1	Fitting, 90 ORFS	
9	1001191915	1	Bracket	
10	1001193474	1	Panel, Brake Cover	
11	1001195254	1	Bracket	
12	1001206744	1	Fitting, Grease	
13	1001207956	1	Valve, Hydraulic Park Brake Release	
14	1001208037	1	Seal	
15	1001211915	1	Switch, Hydraulic Pressure	
16	4010610002	2	Screw, M6X20	

# SECTION 7 - CONTROLS

## FIGURE 7-11. PARKING BRAKE COVER (MECHANICAL)



DETAIL A

ART\_1001170563-C

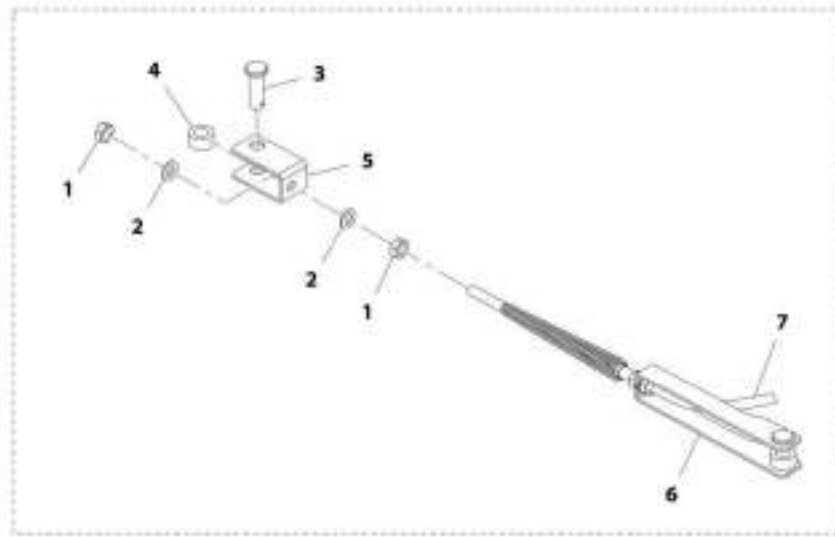
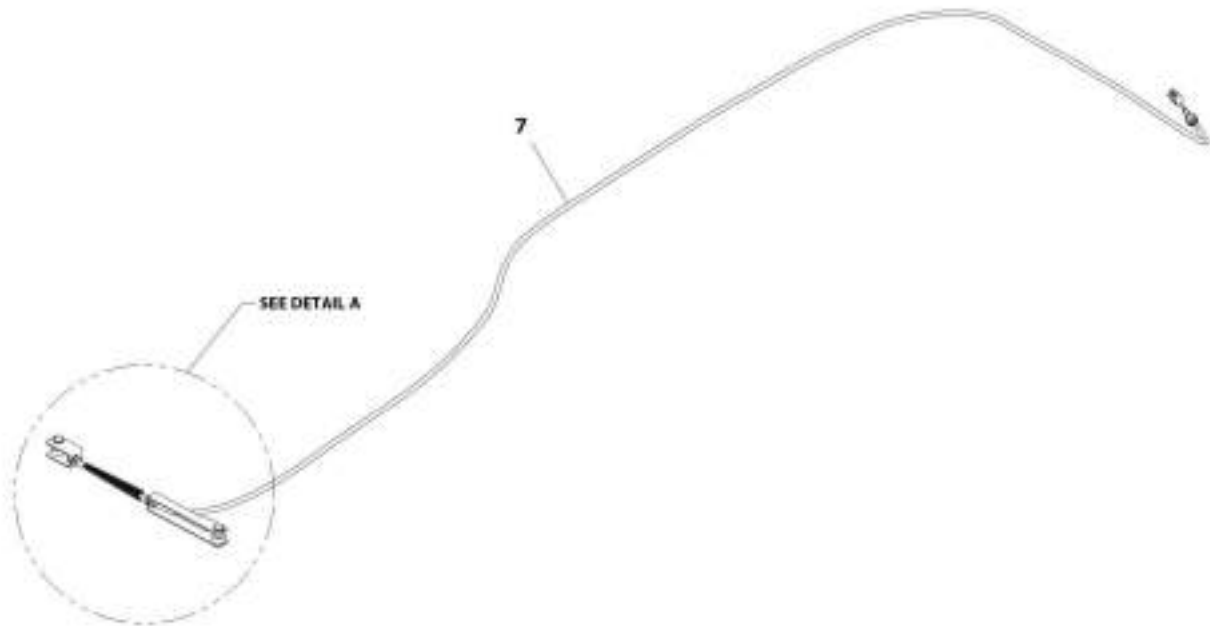
## SECTION 7 - CONTROLS

### FIGURE 7-11. PARKING BRAKE COVER (MECHANICAL)

ITEM	PART NUMBER	QTY	DESCRIPTION	REV
	1001174567	Ref	Parking Brake Cover (Mechanical)	C
4	4811700	3	Washer, M6	
5	0700610	1	Bolt, M6X20	
6	4010610002	2	Screw, M6X20	
7	1001195004	1	Panel, Brake Cover	
8	1001195254	1	Bracket	
9	1001221255	1	Plate, Cover	
10	1001008469	1	Grommet	

# SECTION 7 - CONTROLS

## FIGURE 7-12. PARKING CABLE ASSEMBLY (MECHANICAL)



DETAIL A

ART\_100117053-A

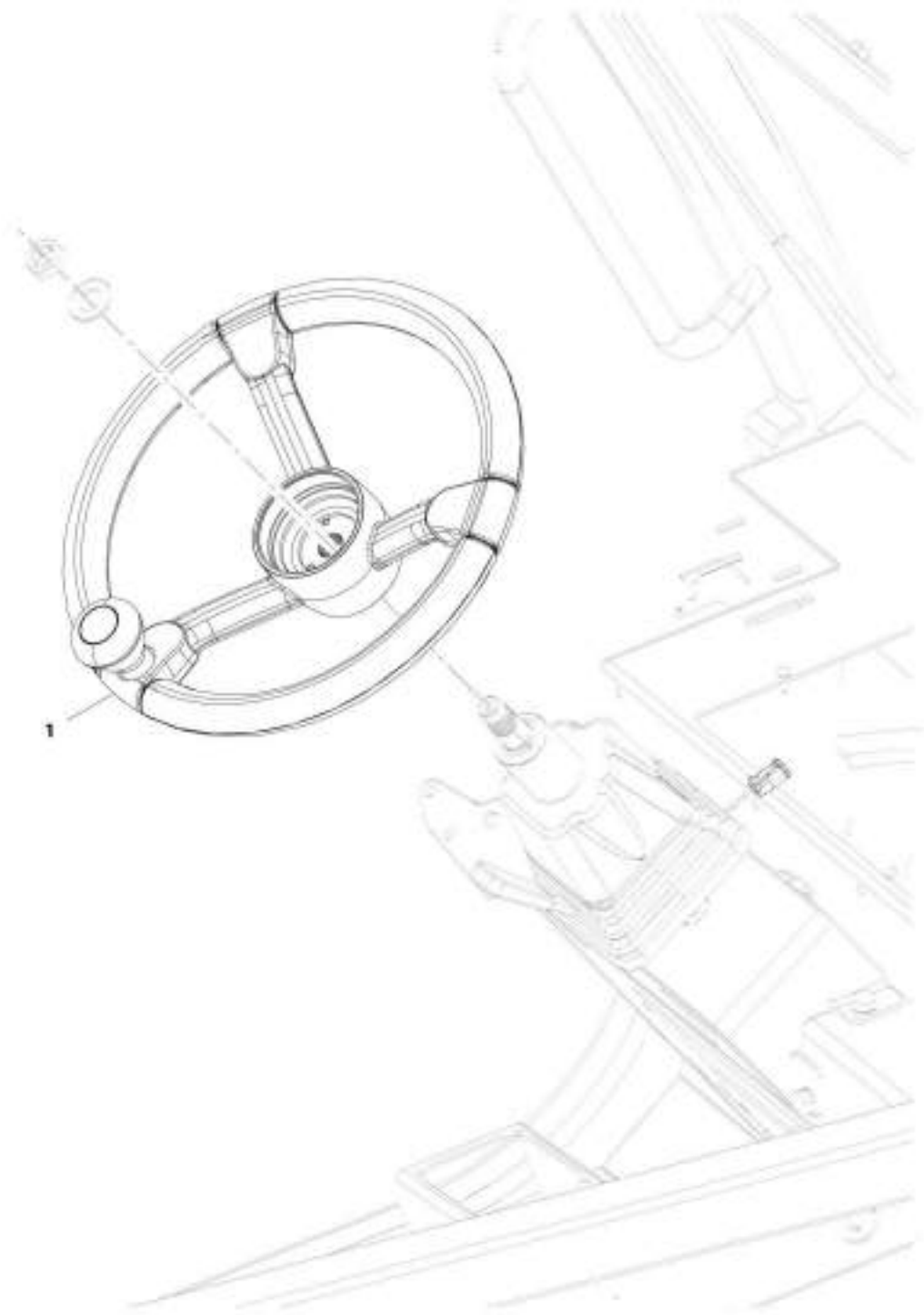
## SECTION 7 - CONTROLS

### FIGURE 7-12. PARKING CABLE ASSEMBLY (MECHANICAL)

ITEM	PART NUMBER	QTY	DESCRIPTION	REV
	1001177053	Ref	Parking Cable Assembly (Mechanical)	A
1	3291001	4	Nut, M10X1.5 Grade 8	
2	4812000	4	Washer, M10	
3	1001177048	2	Pin	
4	1001177049	2	Spacer	
5	1001177050	1	Clevis, Park Brake Small	
6	1001177051	1	Clevis, Park Brake Large	
7	1001177052	1	Cable, Hand Brake	

## SECTION 7 - CONTROLS

FIGURE 7-13. STEERING WHEEL INSTALLATION



ART\_100168751-C



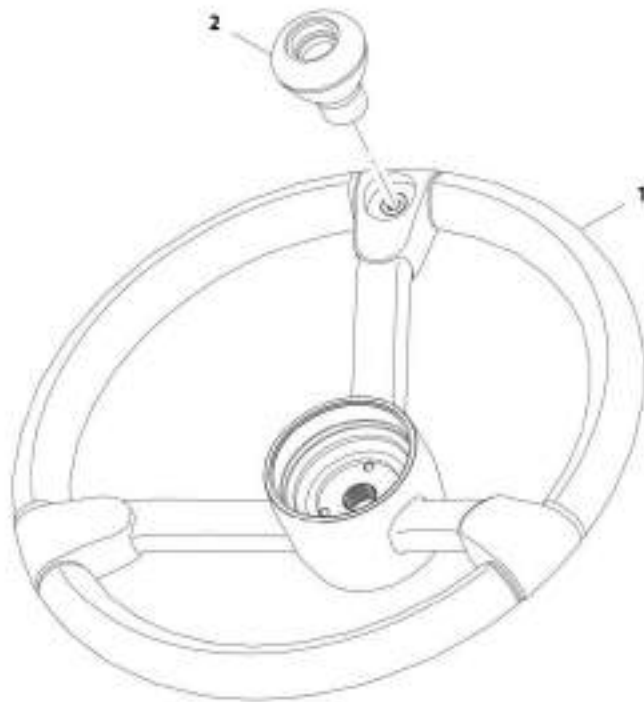
## SECTION 7 - CONTROLS

**FIGURE 7-13. STEERING WHEEL INSTALLATION**

ITEM	PART NUMBER	QTY	DESCRIPTION	REV
1	1001169751 1001169354	Ref 1	Steering Wheel Installation Wheel, Steering (See Separate Breakdown in this Section)	C

# SECTION 7 - CONTROLS

FIGURE 7-14. STEERING WHEEL



ART\_1001169354-D

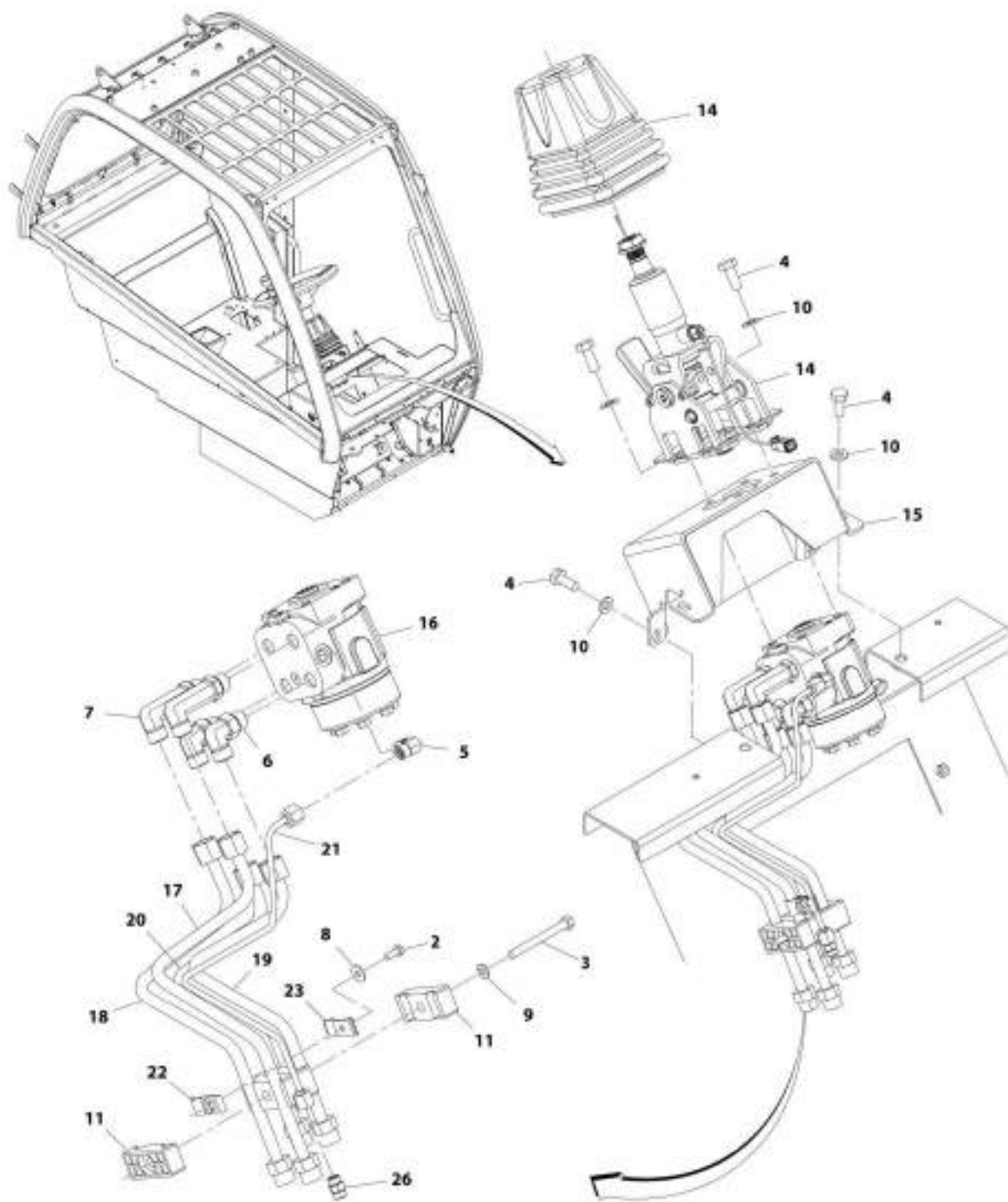
## SECTION 7 - CONTROLS

### FIGURE 7-14. STEERING WHEEL

ITEM	PART NUMBER	QTY	DESCRIPTION	REV
	1001169354	Ref	Steering Wheel	D
1	1001169367	1	Wheel, Steering	
2	1001169355	1	Handle, Steer Spinner	

# SECTION 7 - CONTROLS

FIGURE 7-15. STEERING COLUMN INSTALLATION (Prior to SN 1160008716)



AWT\_3001162704-H

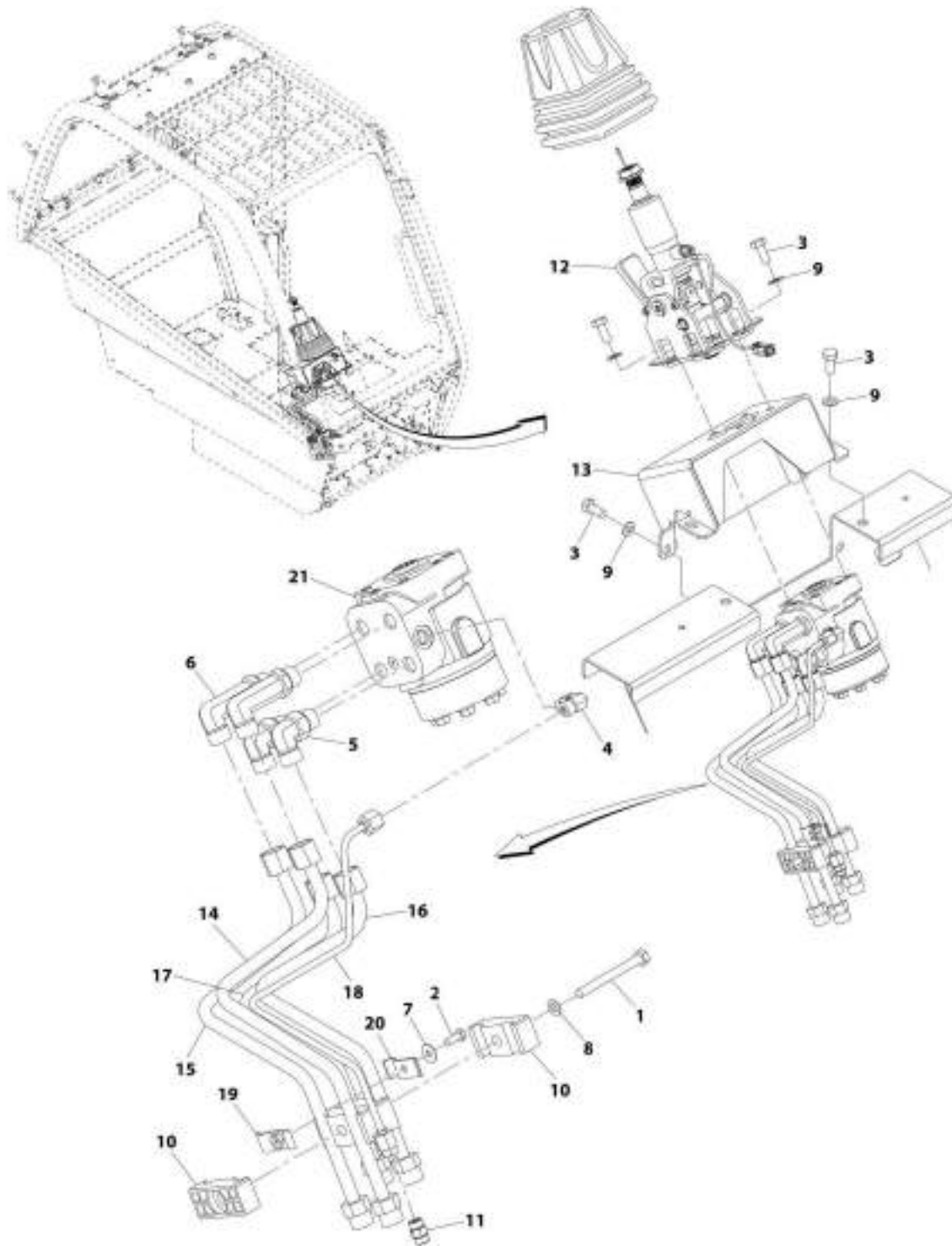
## SECTION 7 - CONTROLS

**FIGURE 7-15. STEERING COLUMN INSTALLATION (Prior to SN 1160008716)**

ITEM	PART NUMBER	QTY	DESCRIPTION	REV
	1001162704	Ref	Steering Column Installation	H
2	0760608	1	Bolt, M6X16	
3	0700824	1	Bolt, M8X80	
4	0761012	8	Bolt, M10X25	
5	2130404	1	Fitting, 90 ORFS	
6	2130808	2	Fitting, 90 ORFS	
7	2170208	2	Fitting, 90 ORFS	
8	4811702	1	Washer, M6	
9	4811900	1	Washer, M8	
10	4812000	8	Washer, M10	
11	1001004640	4	Clamp	
14	1001155276	1	Column, Tilt Steering (See Separate Breakdown in this Section)	
15	1001156265	1	Bracket, Support	
16	1001191217	1	Valve, Steering Unit	
17	1001161672	1	Pipe	
18	1001161896	1	Pipe	
19	1001161897	1	Pipe	
20	1001161898	1	Pipe	
21	1001162979	1	Pipe	
22	1001168142	1	Bracket	
23	1001168151	1	Bracket	
26	1001143857	1	Fitting, Straight ORFS	

# SECTION 7 - CONTROLS

FIGURE 7-16. STEERING COLUMN INSTALLATION (SN 1160008716 to Present)



ART\_1001229534-A

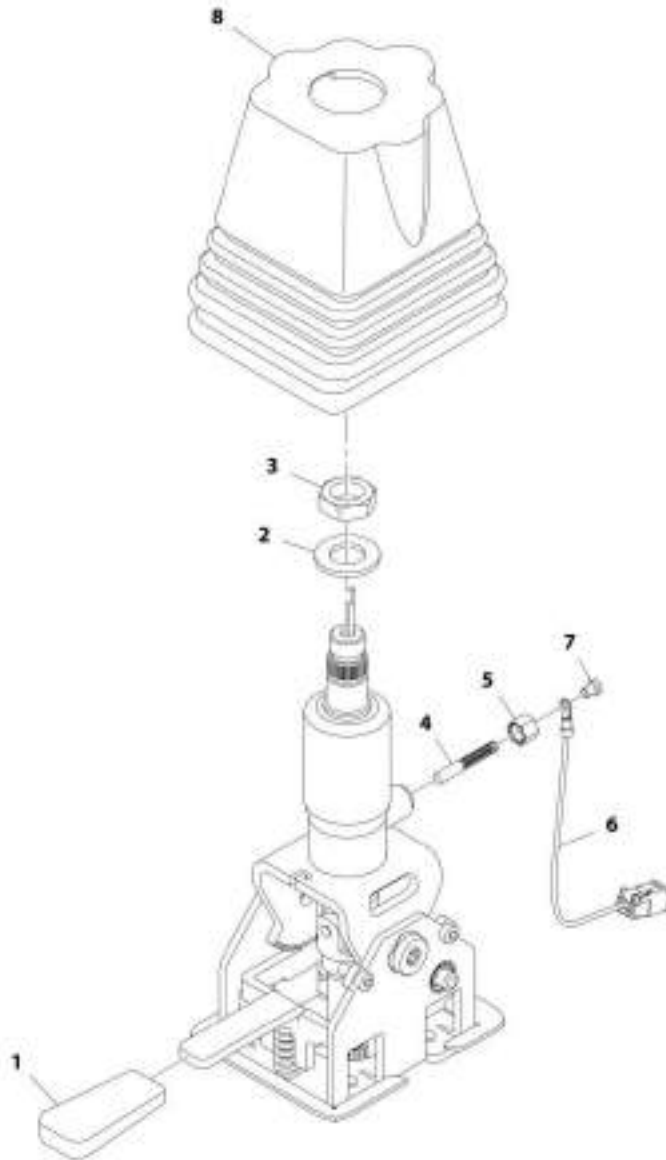
## SECTION 7 - CONTROLS

**FIGURE 7-16. STEERING COLUMN INSTALLATION (SN 1160008716 to Present)**

ITEM	PART NUMBER	QTY	DESCRIPTION	REV
	1001229534	Ref	Steering Column Installation	A
1	0700824	1	Bolt, M8X80	
2	0760608	1	Bolt, M6X16	
3	0761012	8	Bolt, M10X25	
4	2130404	1	Fitting, 90 ORFS	
5	2130808	2	Fitting, 90 ORFS	
6	2170208	2	Fitting, 90 ORFS	
7	4811702	1	Washer, M6	
8	4811900	1	Washer, M8	
9	4812000	8	Washer, M10	
10	1001004640	4	Clamp	
11	1001143857	1	Fitting, Straight ORFS	
12	1001155276	1	Column, Tilt Steering (See Separate Breakdown in this Section)	
13	1001156265	1	Bracket, Support	
14	1001161672	1	Pipe	
15	1001161896	1	Pipe	
16	1001161897	1	Pipe	
17	1001161898	1	Pipe	
18	1001162979	1	Pipe	
19	1001168142	1	Bracket	
20	1001168151	1	Bracket	
21	1001229087	1	Valve, Steering Unit	

# SECTION 7 - CONTROLS

## FIGURE 7-17. TILT STEERING COLUMN



ART\_100155234-F



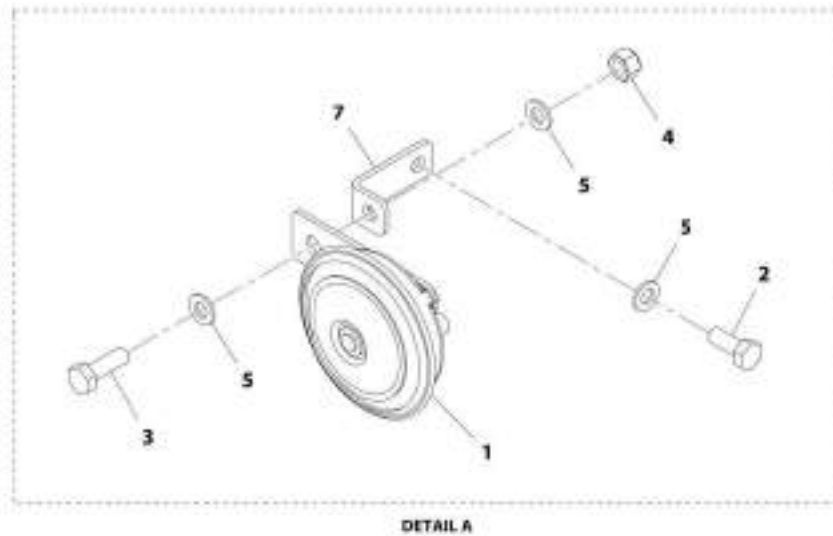
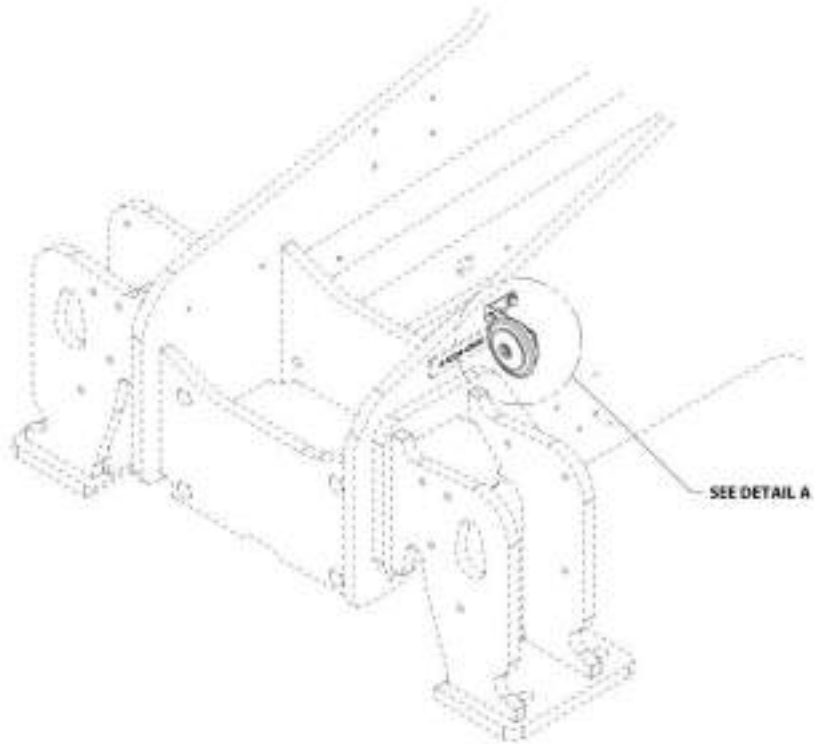
## SECTION 7 - CONTROLS

### FIGURE 7-17. TILT STEERING COLUMN

ITEM	PART NUMBER	QTY	DESCRIPTION	REV
	1001155276	Ref	Tilt Steering Column	F
1	70026366	1	Knob	
2	70026364	1	Washer	
3	70026363	1	Nut	
4	70026362	1	Contact, Sliding	
5	70026361	1	Cap, Brass	
6	70026367	1	Cable	
7	70026365	1	Screw, Cap	
8	1001184504	1	Gaiter	

# SECTION 7 - CONTROLS

## FIGURE 7-18. HORN INSTALLATION



ART\_1001180416-C

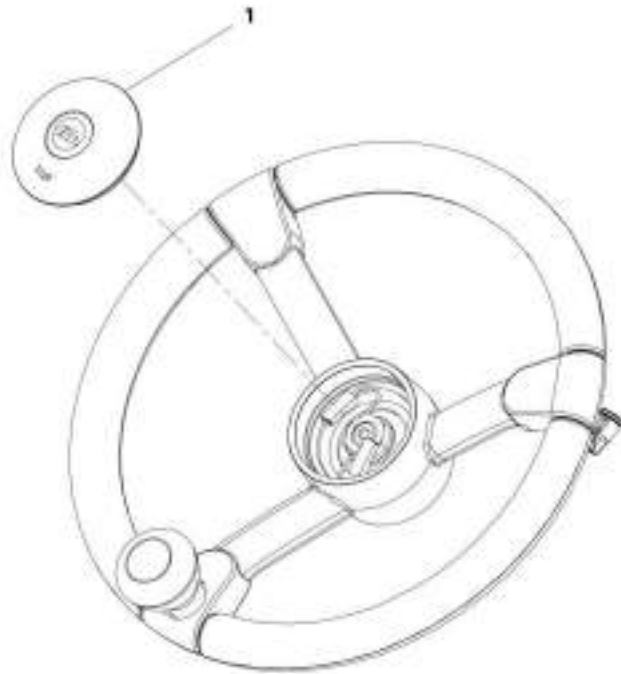
## SECTION 7 - CONTROLS

### FIGURE 7-18. HORN INSTALLATION

ITEM	PART NUMBER	QTY	DESCRIPTION	REV
	1001180418	Ref	Horn Installation	C
1	1001003596	1	Horn	
2	0760810	1	Bolt, M8X20	
3	0760812	1	Bolt, M8X25	
4	3290805	1	Nut, Lock M8X1.25 Grade 8	
5	4811900	3	Washer, M8	
7	1001104437	1	Bracket, Horn Mount	

## SECTION 7 - CONTROLS

FIGURE 7-19. HORN BUTTON INSTALLATION (JLG)



887\_100160763-A

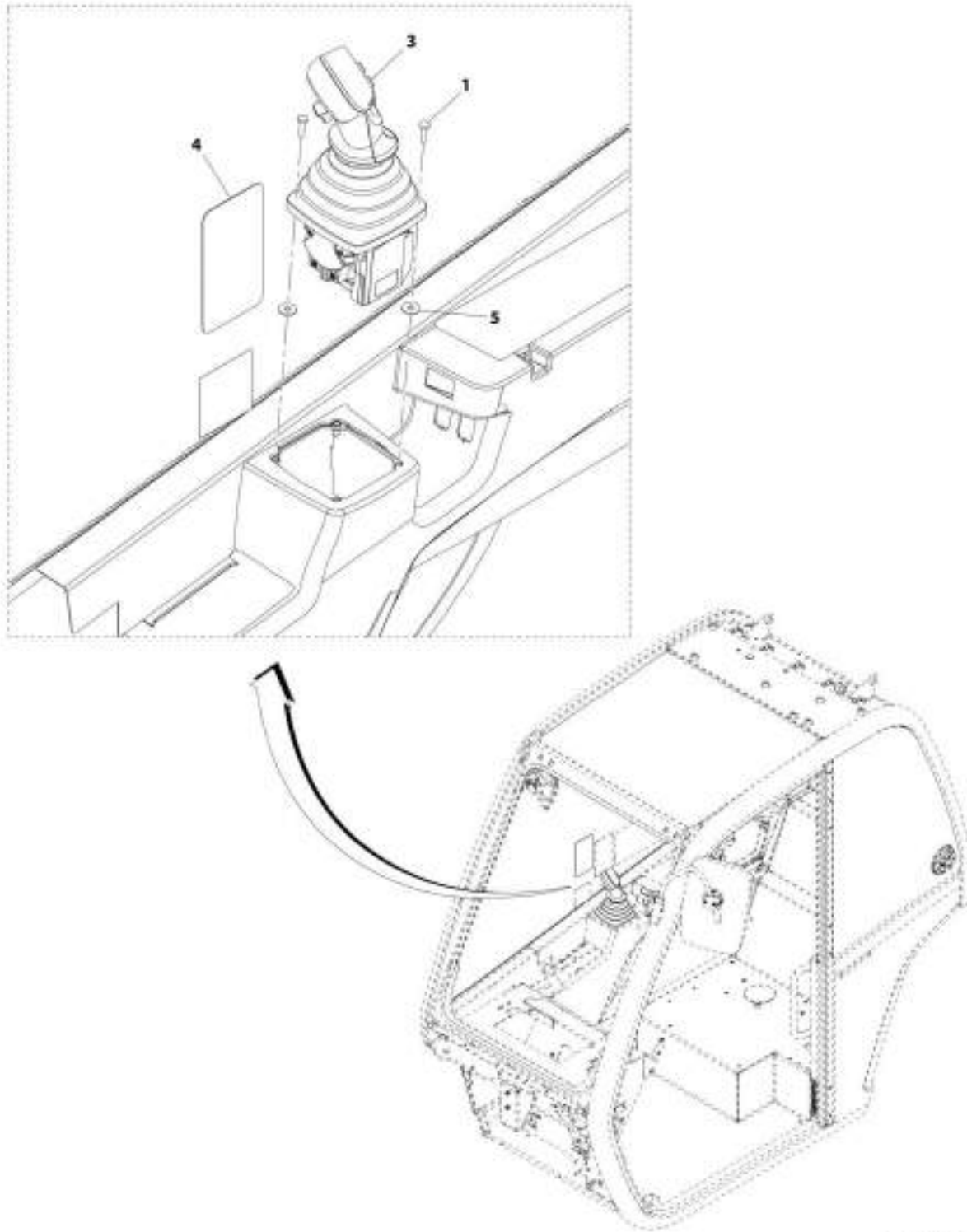
## SECTION 7 - CONTROLS

**FIGURE 7-19. HORN BUTTON INSTALLATION (JLG)**

ITEM	PART NUMBER	QTY	DESCRIPTION	REV
1	1001169763 1001169268	Ref 1	Horn Button Installation Button, Horn	A

# SECTION 7 - CONTROLS

## FIGURE 7-20. JOYSTICK INSTALLATION



ART. 100197004-F

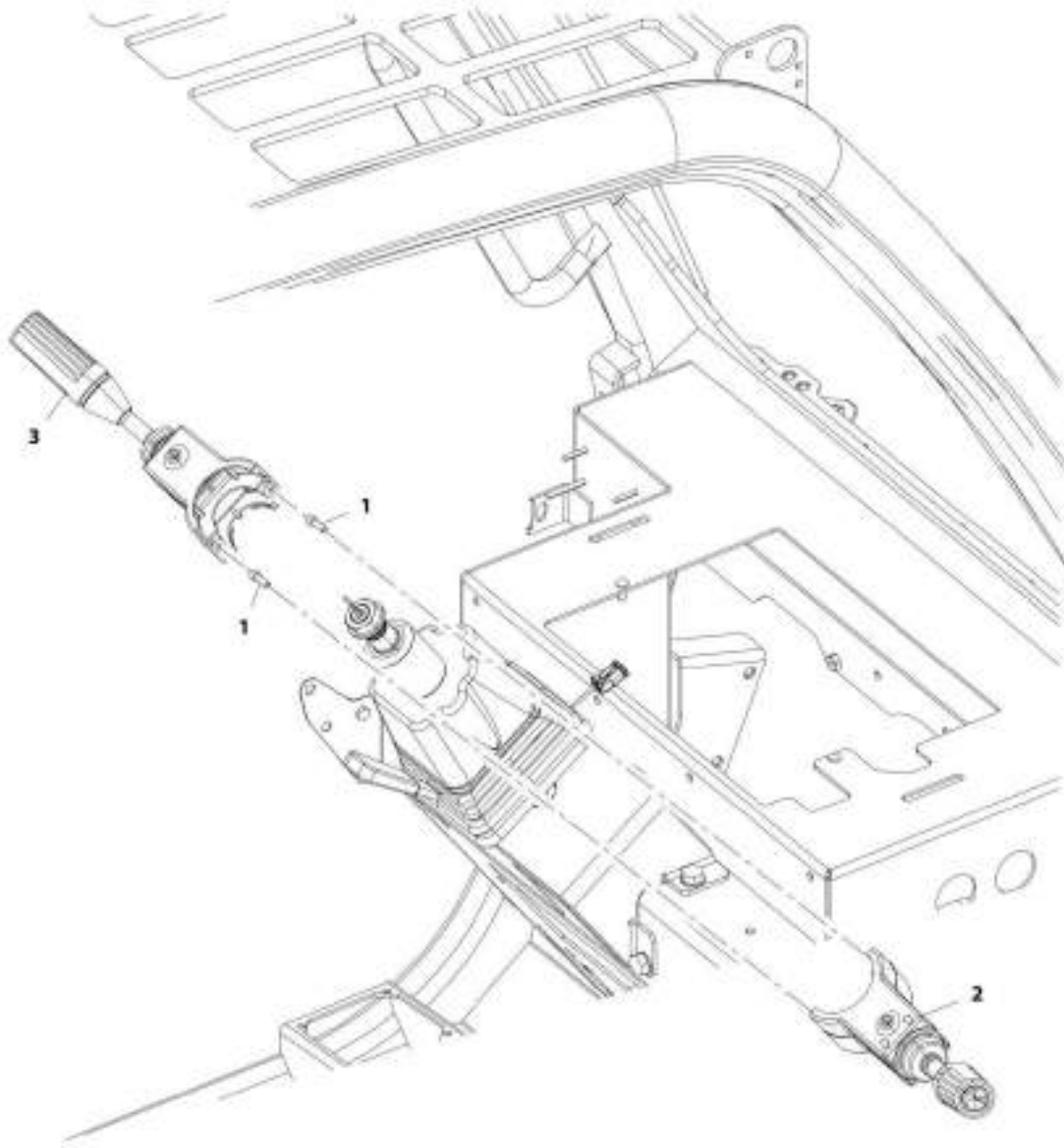
## SECTION 7 - CONTROLS

### FIGURE 7-20. JOYSTICK INSTALLATION

ITEM	PART NUMBER	QTY	DESCRIPTION	REV
	1001167004	Ref	Joystick Installation	F
1	4010510	4	Screw, M5X20	
3	1001222603	1	Joystick	
4	1001236404	1	Decal, Joystick	
5	4811702001	AR	Washer, M6	

## SECTION 7 - CONTROLS

FIGURE 7-21. WIPER-TURN SWITCH (0 SPEED - FNR) (Prior to SN 1160008715)



ART\_1001181027-C



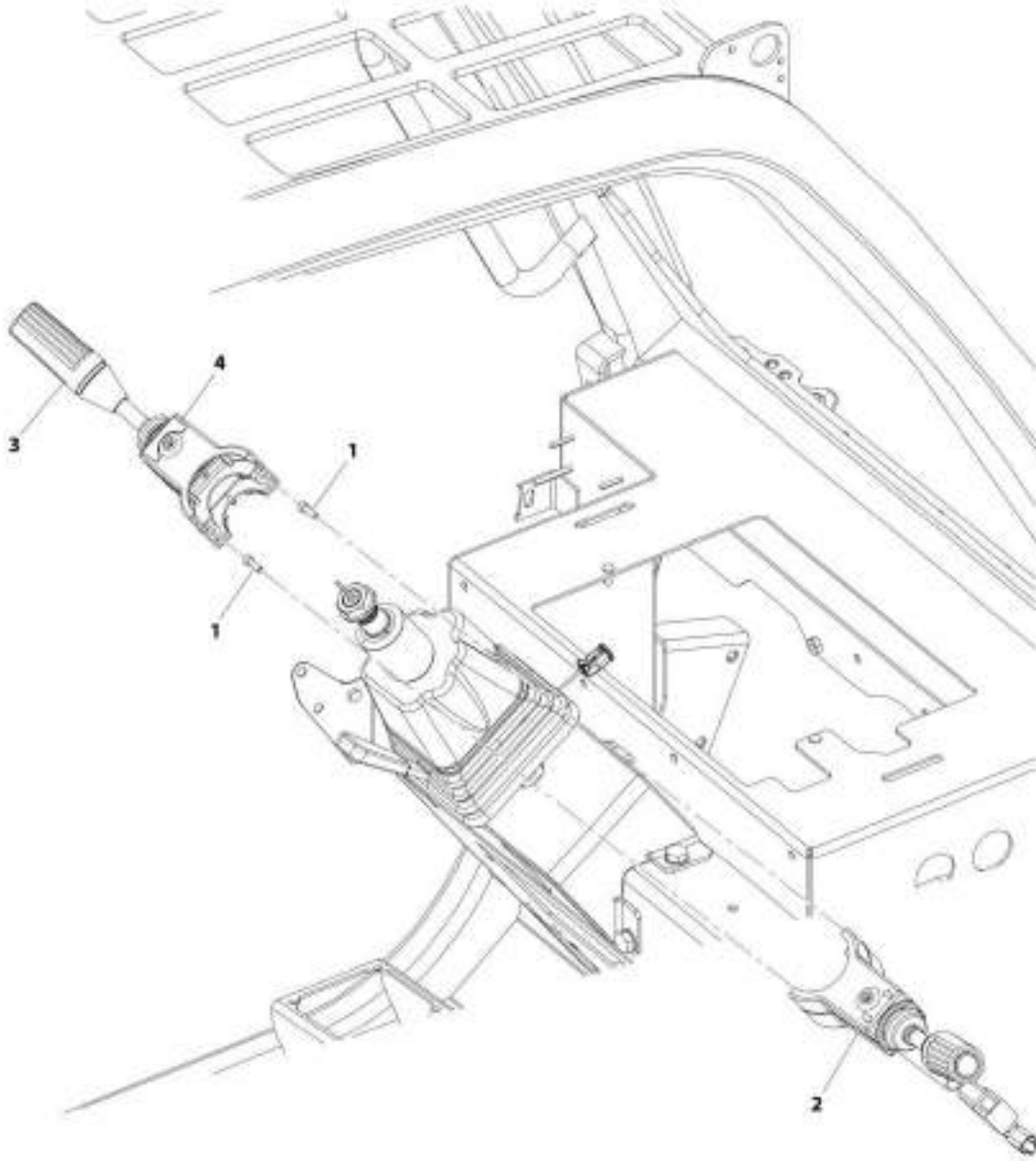
## SECTION 7 - CONTROLS

**FIGURE 7-21. WIPER-TURN SWITCH (0 SPEED - FNR) (Prior to SN 1160008715)**

ITEM	PART NUMBER	QTY	DESCRIPTION	REV
	1001181927	Ref	Wiper-Turn Switch (0 Speed - FNR)	C
1	4031607	2	Bolt, M5X16	
2	1001163695	1	Switch, Turn-Wiper	
3	1001163697	1	Switch, Zero Speed	

## SECTION 7 - CONTROLS

FIGURE 7-22. WIPER-TURN SWITCH (0 SPEED - FNR) (SN 1160008715 to Present)



ART\_1001181027-E

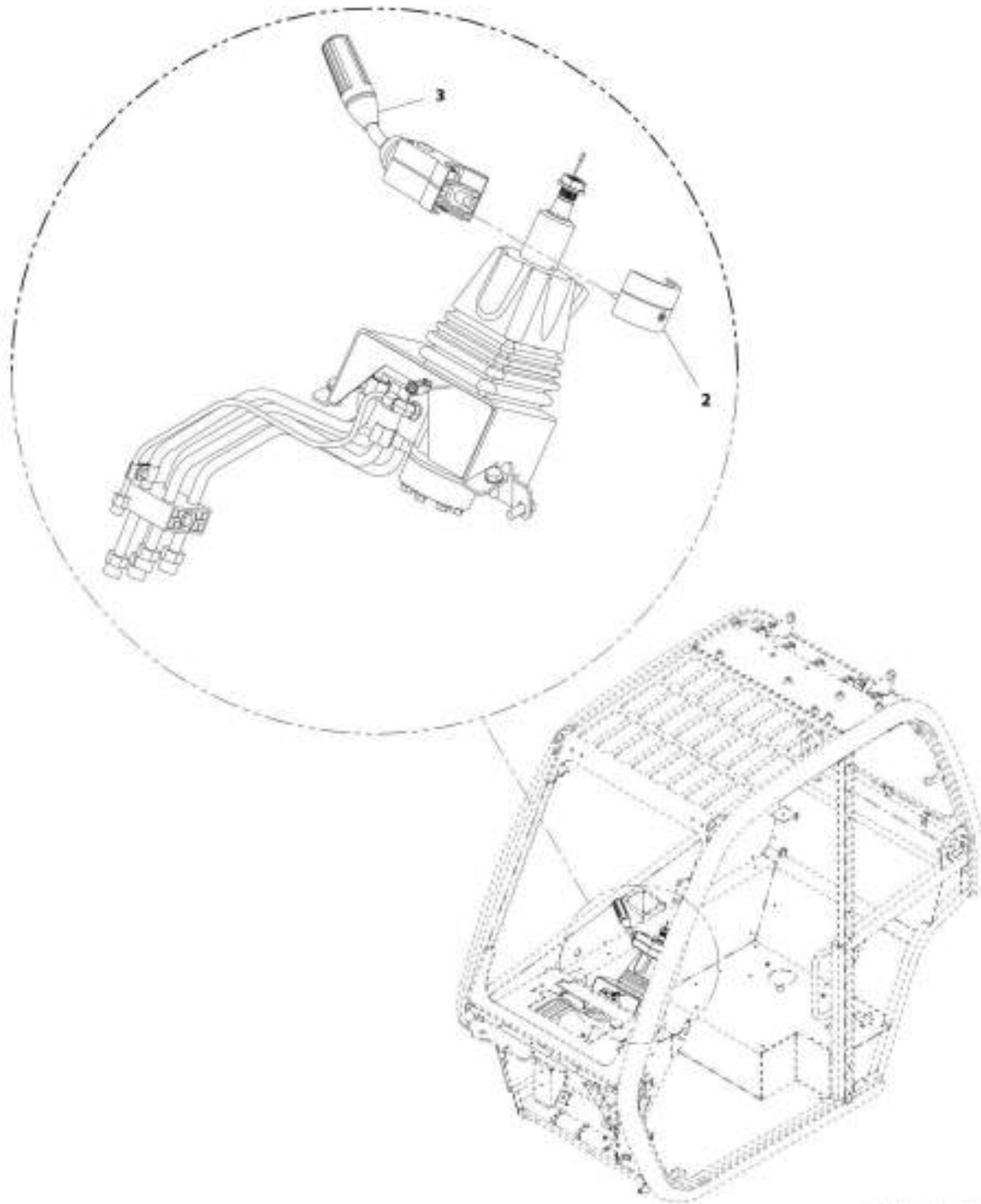
## SECTION 7 - CONTROLS

**FIGURE 7-22. WIPER-TURN SWITCH (0 SPEED - FNR) (SN 1160008715 to Present)**

ITEM	PART NUMBER	QTY	DESCRIPTION	REV
	1001181927	Ref	Wiper-Turn Switch (0 Speed - FNR)	E
1	4031607	2	Bolt, M5X16	
2	1001214280	1	Switch, Turn-Wiper	
3	1001163697	1	Switch, Zero Speed	
4	1001236402	1	Decal	

## SECTION 7 - CONTROLS

FIGURE 7-23. WIPER-TURN SWITCH (NO SPEED) (Prior to SN 1160008715)



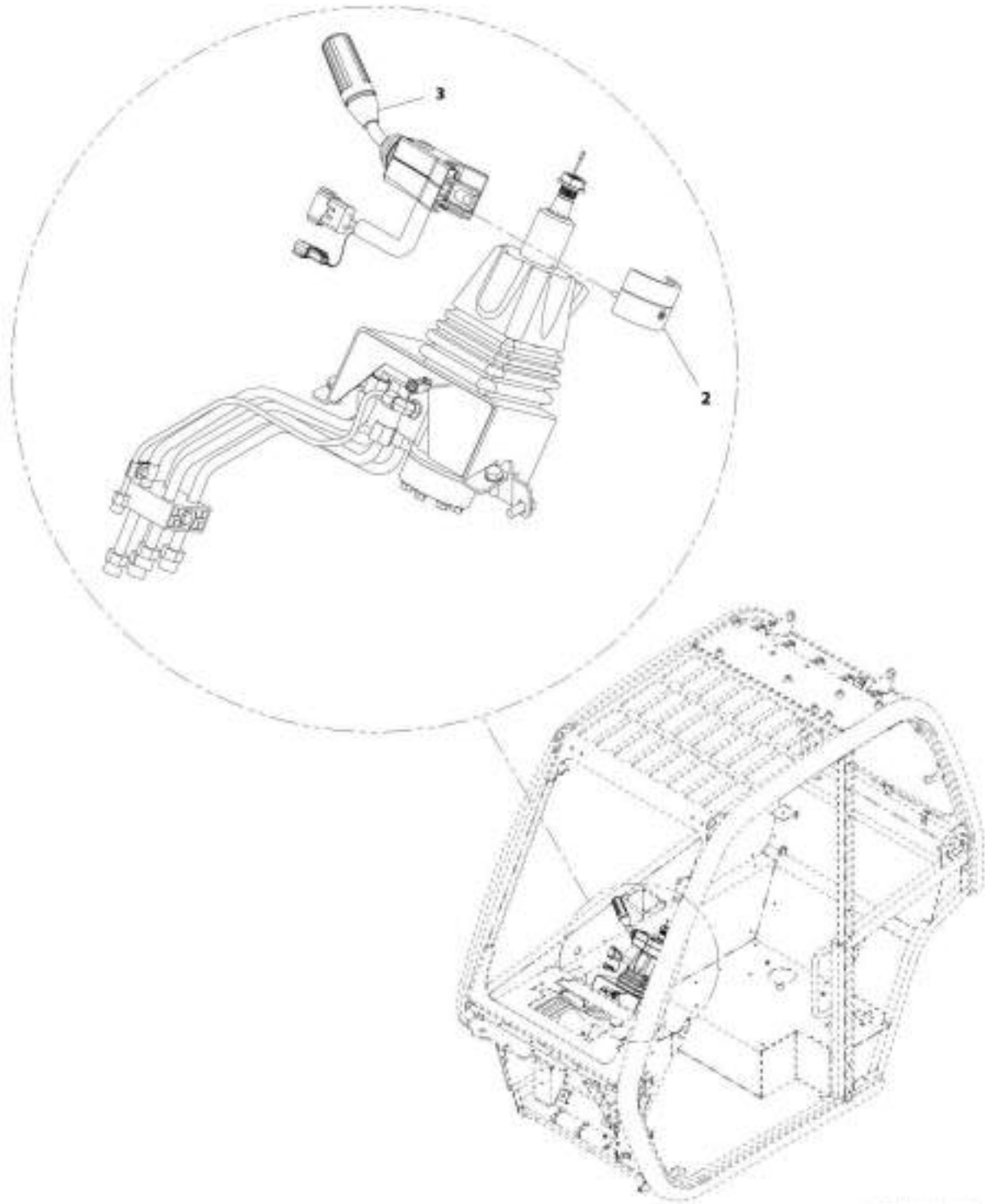
## SECTION 7 - CONTROLS

**FIGURE 7-23. WIPER-TURN SWITCH (NO SPEED) (Prior to SN 1160008715)**

ITEM	PART NUMBER	QTY	DESCRIPTION	REV
	1001181928	Ref	Wiper-Turn Switch (No Speed)	C
2	1001146949	1	Clamp	
3	1001163695	1	Switch, Turn-Wiper	

## SECTION 7 - CONTROLS

FIGURE 7-24. WIPER-TURN SWITCH (NO SPEED) (SN 1160008715 to Present)



ARE\_1001581928-D

## SECTION 7 - CONTROLS

**FIGURE 7-24. WIPER-TURN SWITCH (NO SPEED) (SN 1160008715 to Present)**

ITEM	PART NUMBER	QTY	DESCRIPTION	REV
	1001181928	Ref	Wiper-Turn Switch (No Speed)	D
2	1001146949	1	Clamp	
3	1001214280	1	Switch, Turn-Wiper	

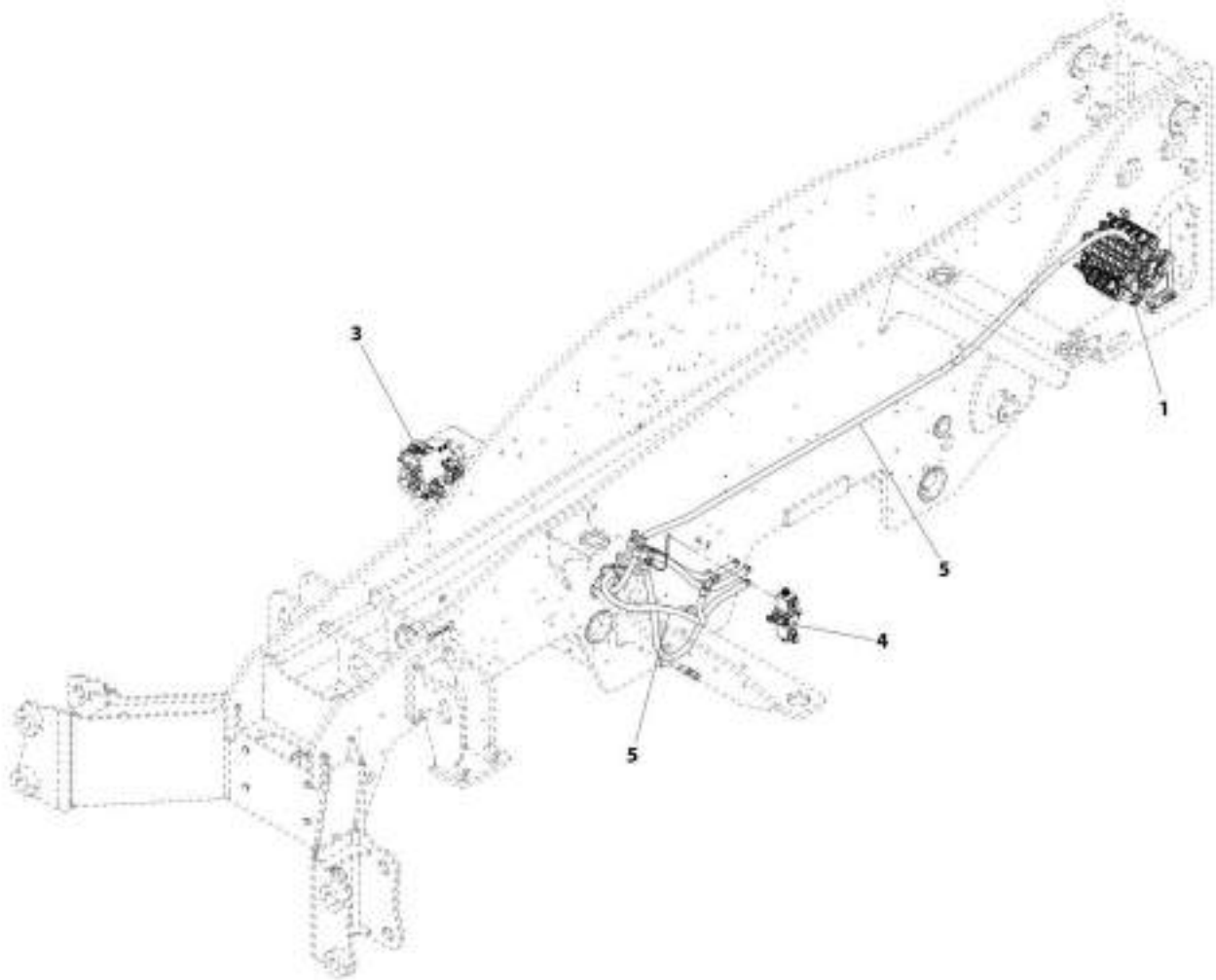




**SECTION 8 - HYDRAULIC CIRCUITS**

# SECTION 8 - HYDRAULIC CIRCUITS

FIGURE 8-1. COMMON HYDRAULICS INSTALLATION



ART\_100172690-C

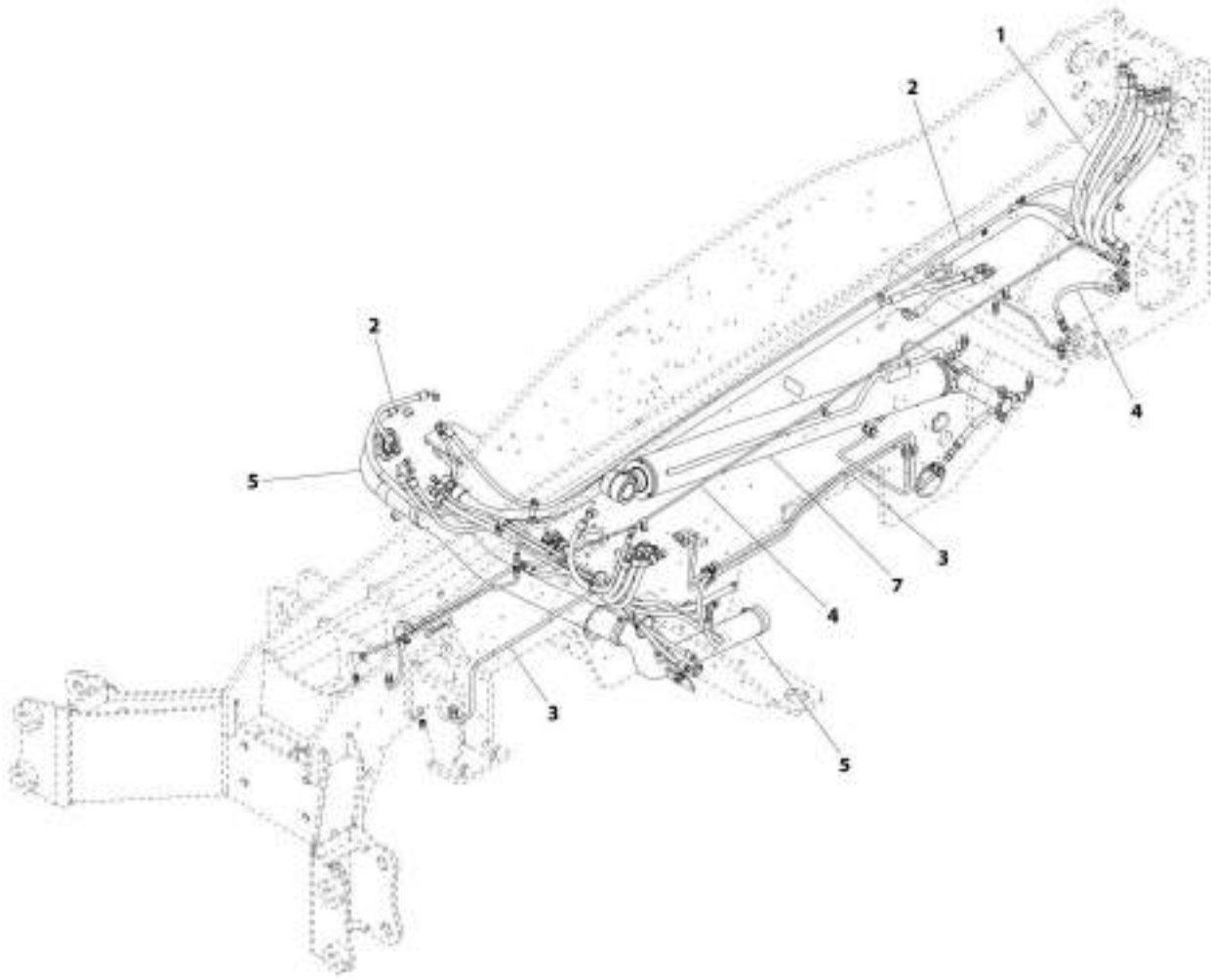
## SECTION 8 - HYDRAULIC CIRCUITS

**FIGURE 8-1. COMMON HYDRAULICS INSTALLATION**

ITEM	PART NUMBER	QTY	DESCRIPTION	REV
1	1001172892	Ref	Common Hydraulics Installation	C
	1001172900	Ref	Installation, Main Control Valve (See Separate Breakdown in this Section)	
3	1001221147	Ref	Installation, Priority Valve (See Separate Breakdown in this Section)	
4	1001172894	Ref	Installation, Steer Select Valve (See Separate Breakdown in this Section)	
5	1001185351	Ref	Installation, Return Lines (See Separate Breakdown in this Section)	

# SECTION 8 - HYDRAULIC CIRCUITS

## FIGURE 8-2. HYDRAULICS INSTALLATION



ARE\_1001172916-C

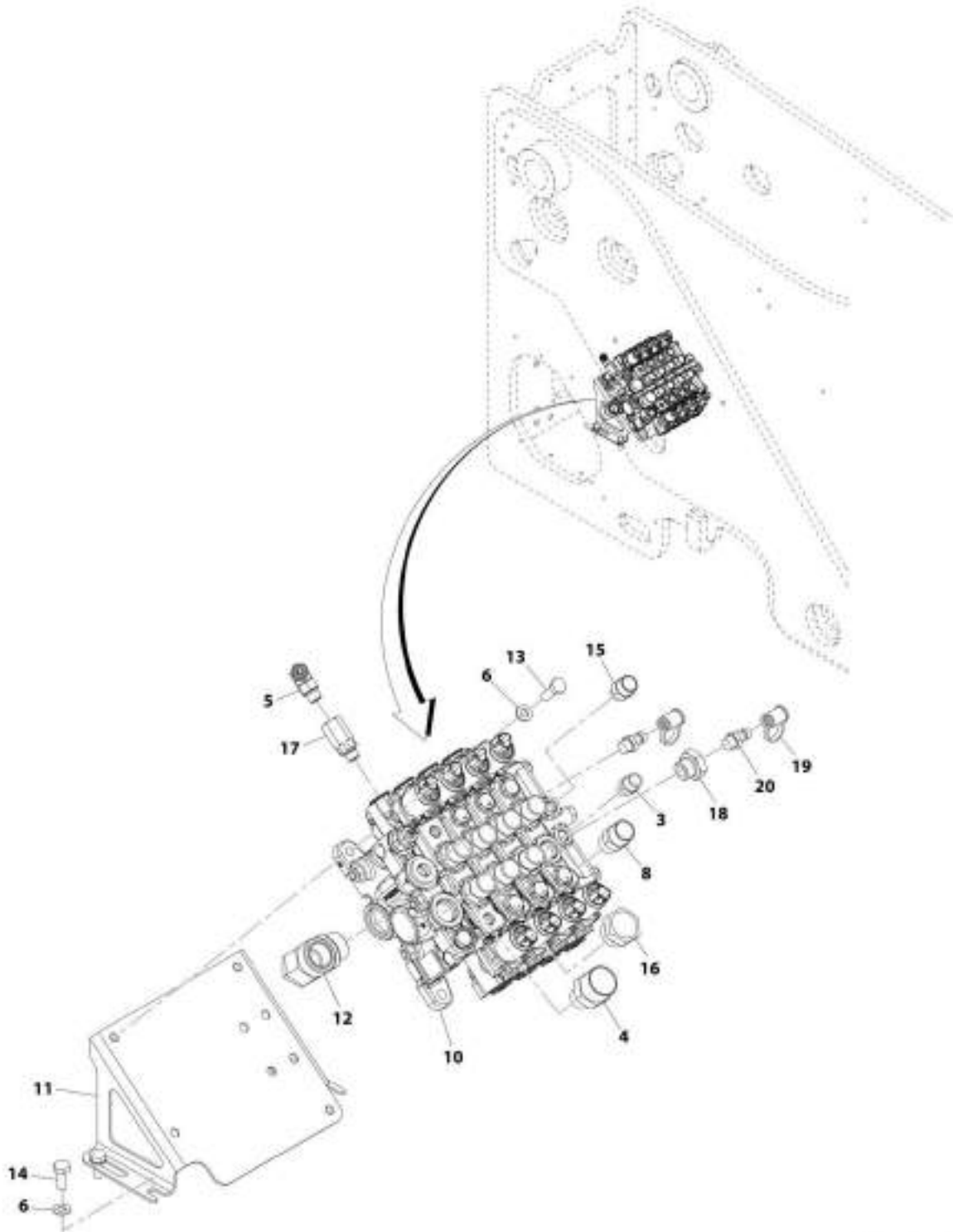
## SECTION 8 - HYDRAULIC CIRCUITS

**FIGURE 8-2. HYDRAULICS INSTALLATION**

ITEM	PART NUMBER	QTY	DESCRIPTION	REV
	1001172939	Ref	Hydraulics Installation	C
1	1001173023	Ref	Installation, Boom Lines (See Separate Breakdown in this Section)	
2	1001180845	Ref	Installation, Priority Lines (See Separate Breakdown in this Section)	
3	1001180134	Ref	Installation, Steering Lines (See Separate Breakdown in this Section)	
4	1001172909	Ref	Installation, Brake Lines (See Separate Breakdown in this Section)	
5	1001184531	Ref	Installation, Suction Lines (See Separate Breakdown in this Section)	
7	1001173015	Ref	Installation, Lift Cylinder (See Separate Breakdown in this Section)	

# SECTION 8 - HYDRAULIC CIRCUITS

## FIGURE 8-3. MAIN CONTROL VALVE INSTALLATION



AWT\_1001172900-1

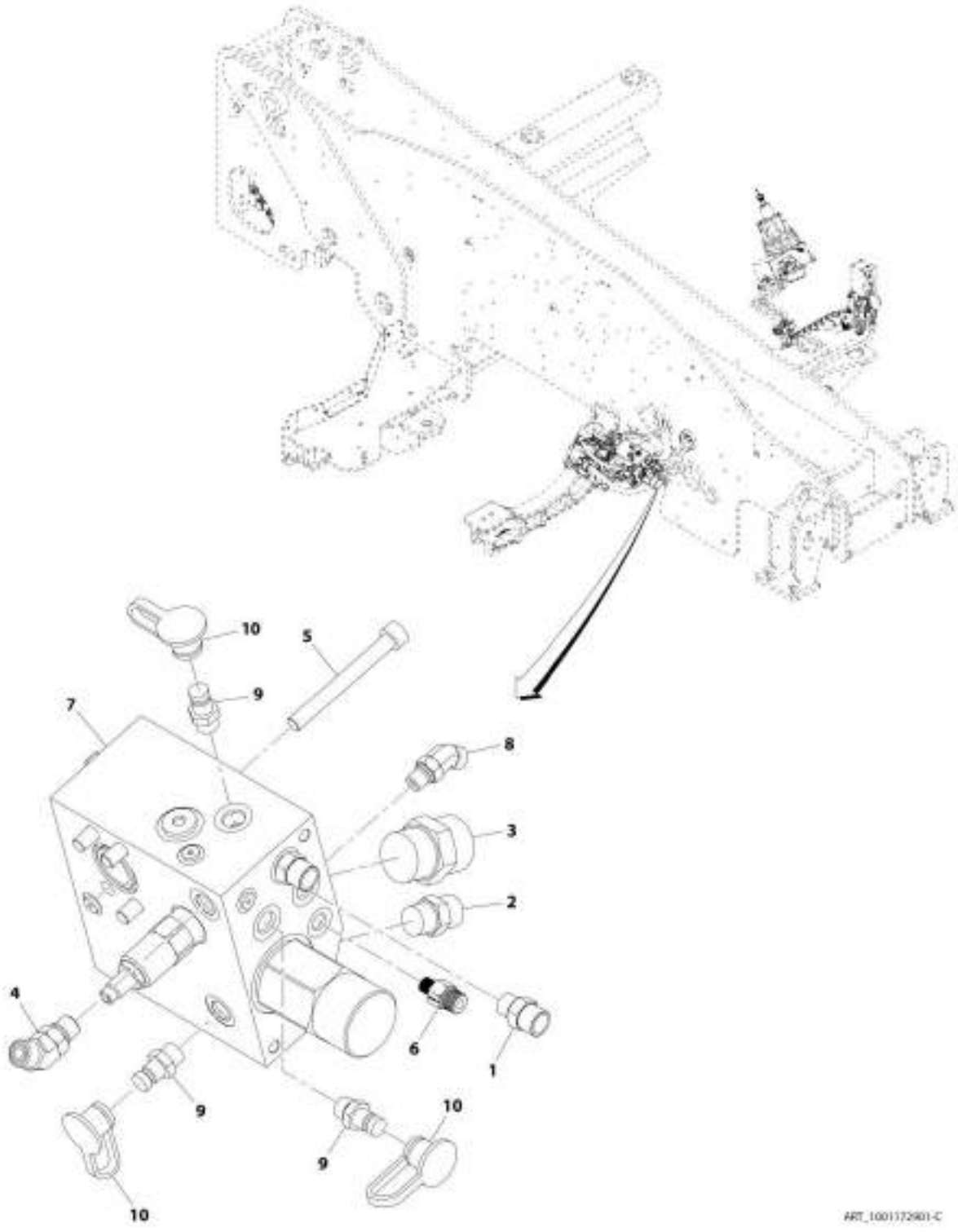
## SECTION 8 - HYDRAULIC CIRCUITS

### FIGURE 8-3. MAIN CONTROL VALVE INSTALLATION

ITEM	PART NUMBER	QTY	DESCRIPTION	REV
	1001172900	Ref	Main Control Valve Installation	1
3	2110606	1	Fitting, Straight ORFS	
4	2111612	1	Fitting, Straight ORFS	
5	2130606	1	Fitting, 90 ORFS	
6	4812000	7	Washer, M10	
8	2111010	8	Fitting, Straight ORFS	
10	1001180252	NLA	Valve, Main Control (See Separate Breakdown in HYDRAULIC COMPONENTS Section) (no longer available, use 1001233797 for replacement)	
10	1001233797	1	Valve, Main Control (See Separate Breakdown in HYDRAULIC COMPONENTS Section)	
11	1001182231	1	Bracket	
12	2132016	1	Fitting, 90 ORFS	
13	0701014	3	Bolt, M10X30	
14	0701012	4	Bolt, M10X25	
15	2110806	1	Fitting, Straight ORFS	
16	2220242	1	Fitting ( <b>Prior to SN 82560</b> )	
17	1001187355	1	Valve, Check	
18	2220221	1	Fitting, Reducer	
19	1001008761	2	Cap	
20	1001003590	2	Fitting, Straight	

# SECTION 8 - HYDRAULIC CIRCUITS

FIGURE 8-4. PRIORITY VALVE INSTALLATION (Prior to SN 1160008715)



ART\_1001172601-C



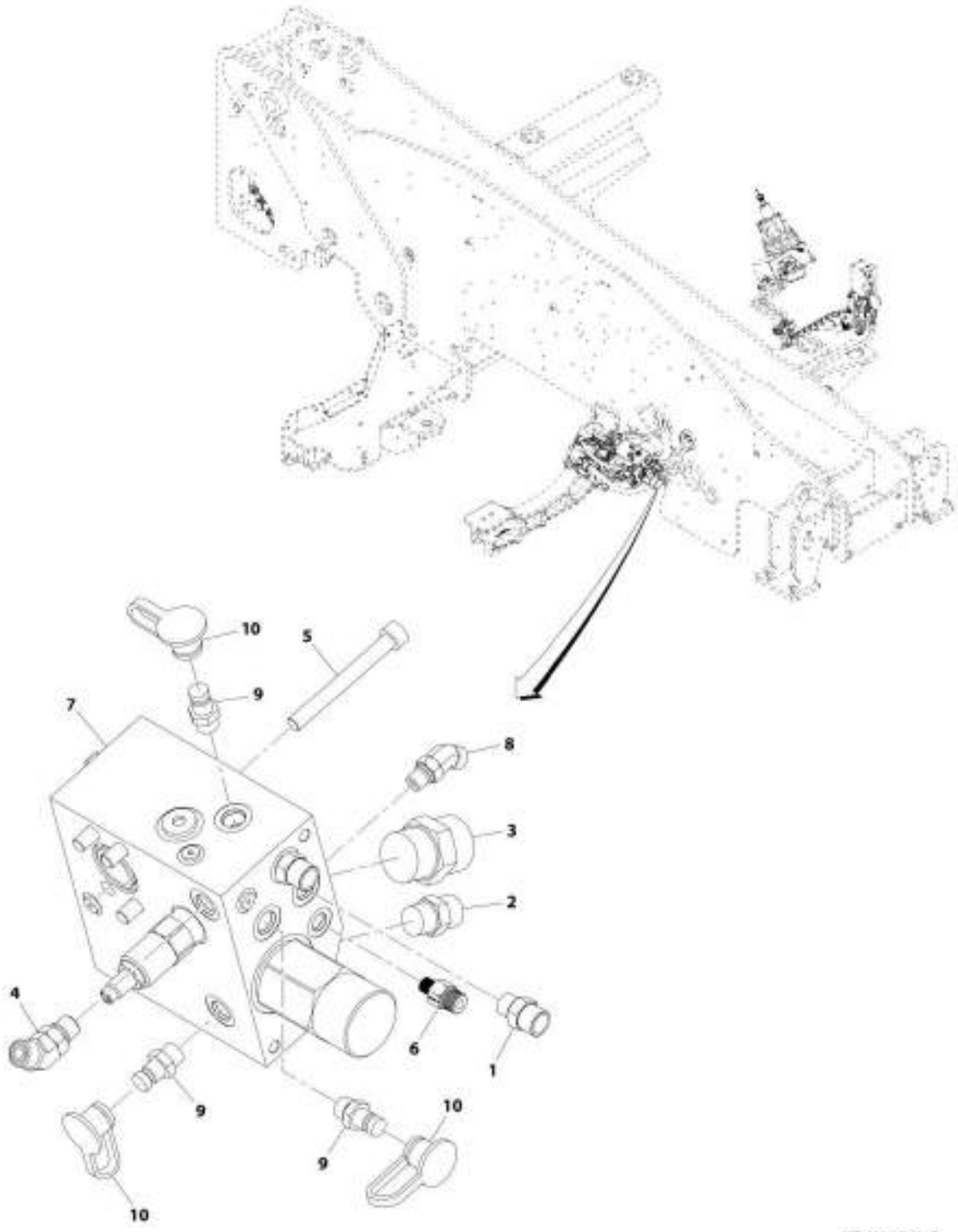
## SECTION 8 - HYDRAULIC CIRCUITS

**FIGURE 8-4. PRIORITY VALVE INSTALLATION (Prior to SN 1160008715)**

ITEM	PART NUMBER	QTY	DESCRIPTION	REV
	1001172901	Ref	Priority Valve Installation	C
1	2110606	2	Fitting, Straight ORFS	
2	2110808	1	Fitting, Straight ORFS	
3	2111616	1	Fitting, Straight ORFS	
4	2150606	1	Fitting, 45 ORFS	
5	5272022	4	Screw, M10X1.5X90	
6	4641237	1	Valve, Check	
7	1001179462	Ref	Manifold, Priority Flow (See Separate Breakdown in HYDRAULIC COMPONENTS Section)	
8	2150404	1	Fitting, 45 ORFS	
9	1001003590	3	Fitting, Straight	
10	1001008761	3	Cap	

# SECTION 8 - HYDRAULIC CIRCUITS

FIGURE 8-5. PRIORITY VALVE INSTALLATION (SN 1160008715 to Present)



AME\_100172001-E

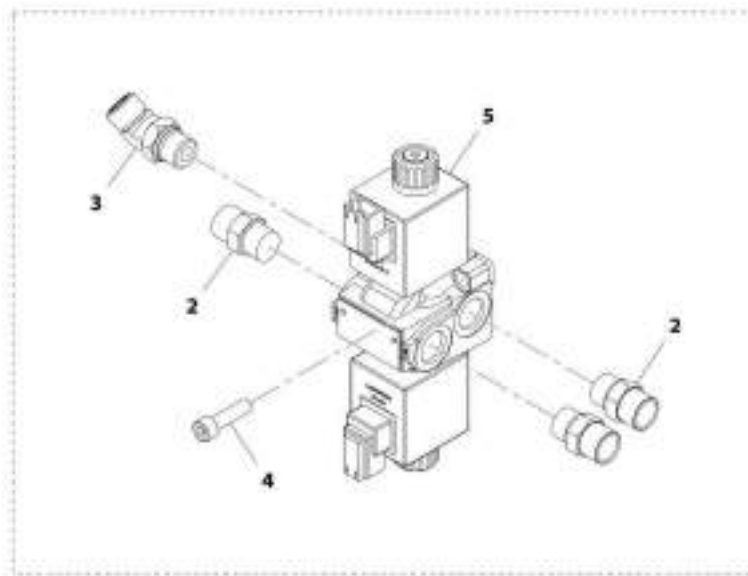
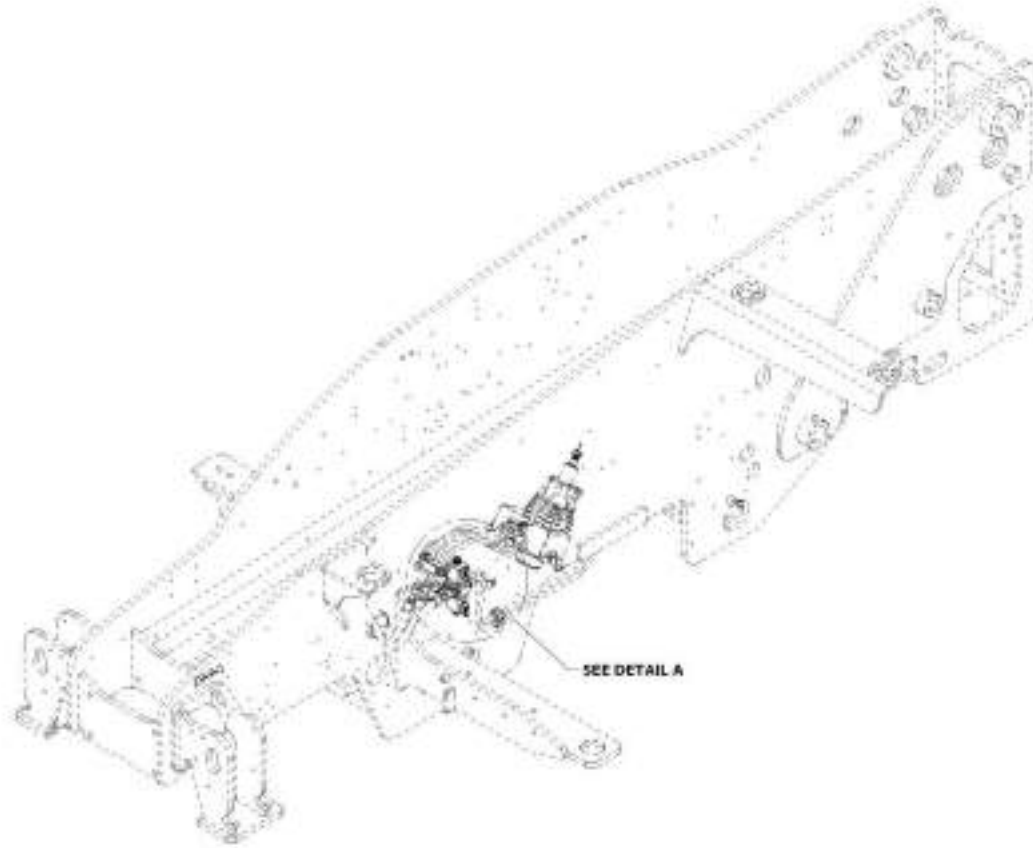
## SECTION 8 - HYDRAULIC CIRCUITS

**FIGURE 8-5. PRIORITY VALVE INSTALLATION (SN 1160008715 to Present)**

ITEM	PART NUMBER	QTY	DESCRIPTION	REV
	1001172901	Ref	Priority Valve Installation	E
1	2110606	2	Fitting, Straight ORFS	
2	2110808	1	Fitting, Straight ORFS	
3	2111616	1	Fitting, Straight ORFS	
4	2150606	1	Fitting, 45 ORFS	
5	5272022	4	Screw, M10X1.5X90	
6	4641237	1	Valve, Check	
7	1001229050	Ref	Manifold, Priority Flow (See Separate Breakdown in Hydraulic Circuits Section)	
8	2150404	1	Fitting, 45 ORFS	
9	1001003590	3	Fitting, Straight	
10	1001008761	3	Cap	

# SECTION 8 - HYDRAULIC CIRCUITS

## FIGURE 8-6. STEER SELECT VALVE INSTALLATION



DETAIL A

AWT\_1001172894-B

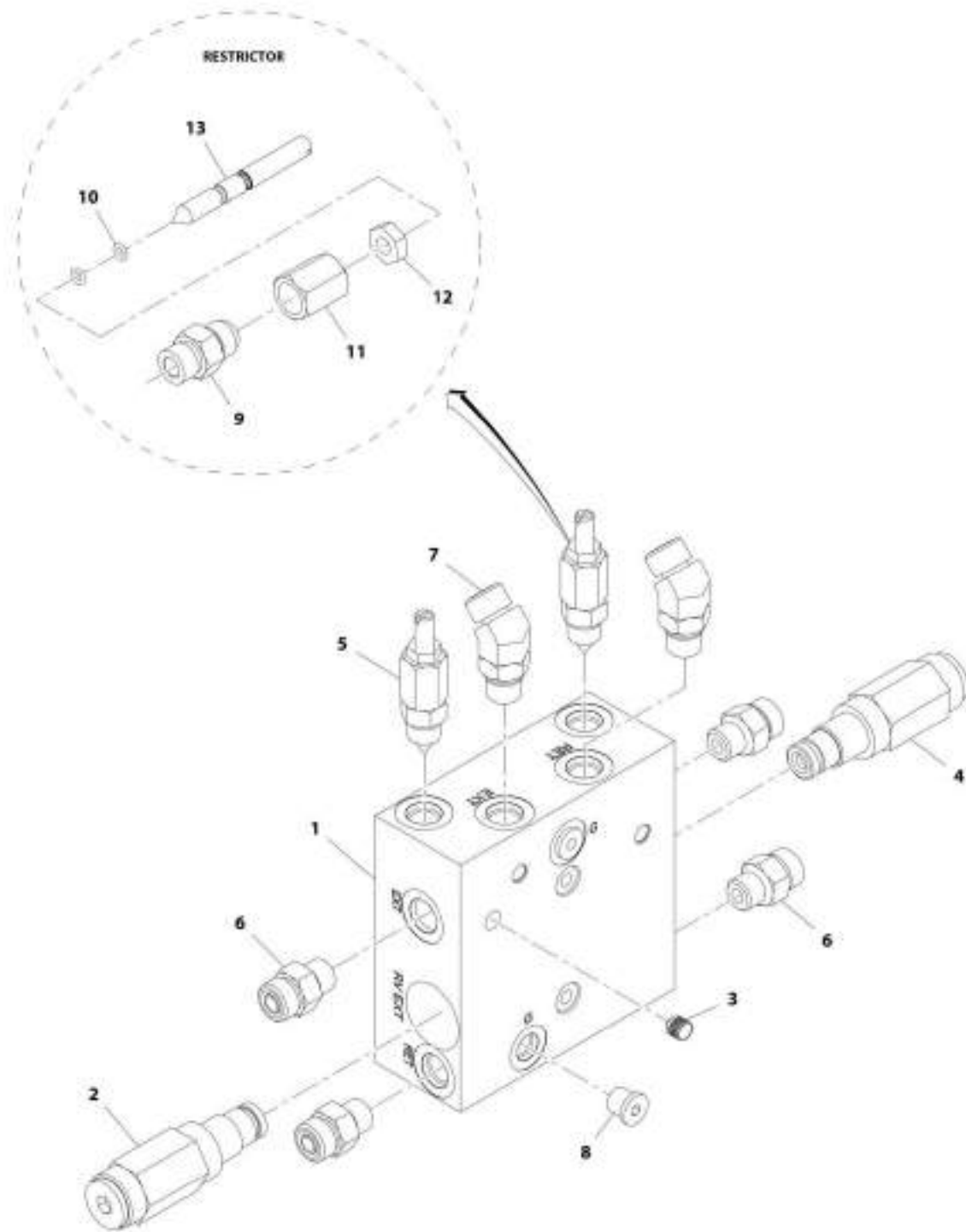
## SECTION 8 - HYDRAULIC CIRCUITS

### FIGURE 8-6. STEER SELECT VALVE INSTALLATION

ITEM	PART NUMBER	QTY	DESCRIPTION	REV
	1001172894	Ref	Steer Select Valve Installation	B
2	2110808	3	Fitting, Straight ORFS	
3	2150808	1	Fitting, 45 ORFS	
4	4031910	2	Screw, M8X30	
5	1001153748	1	Valve, Steering Select (See Separate Breakdown in HYDRAULIC COMPONENTS Section)	

# SECTION 8 - HYDRAULIC CIRCUITS

## FIGURE 8-7. VALVE ASSEMBLY



WIT\_70026589

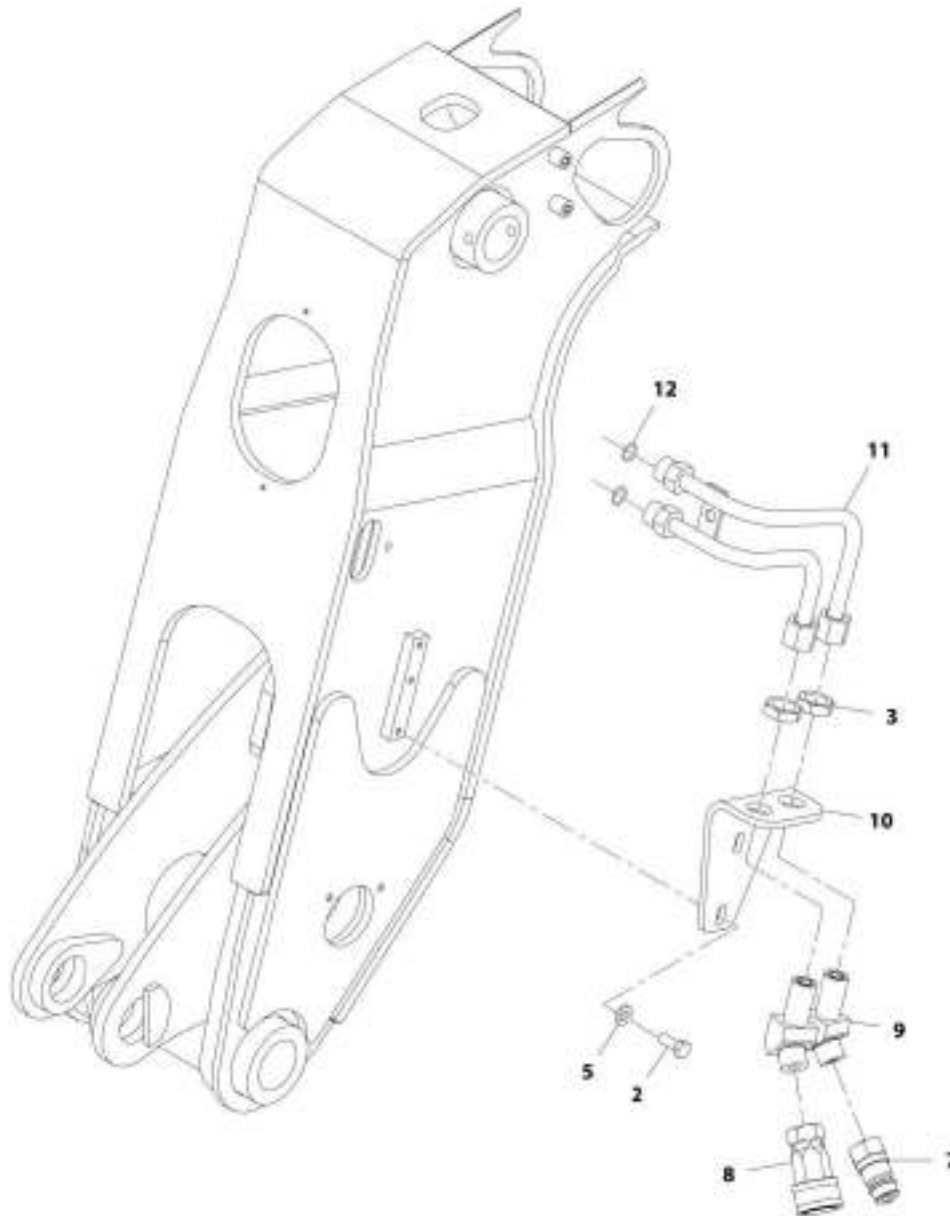
## SECTION 8 - HYDRAULIC CIRCUITS

### FIGURE 8-7. VALVE ASSEMBLY

ITEM	PART NUMBER	QTY	DESCRIPTION	REV
	70026589	1	Valve Assembly	
1	70026612	1	Manifold	
2	70026613	1	Cartridge	
3	70026614	4	Plug	
4	70026478	1	Cartridge	
5	70026615	2	Restrictor	
6	70024130	4	Fitting	
7	70026616	2	Fitting	
8	70024129	2	Plug	
9	70026617	1	Fitting	
10	70026618	2	O-Ring	
11	70026619	1	Cap	
12	70026620	1	Jam Nut	
13	70026621	1	Plunger	

## SECTION 8 - HYDRAULIC CIRCUITS

FIGURE 8-8. MANUAL COUPLER LINES INSTALLATION (FRONT BOOM - SINGLE)



ART\_1001179024-C



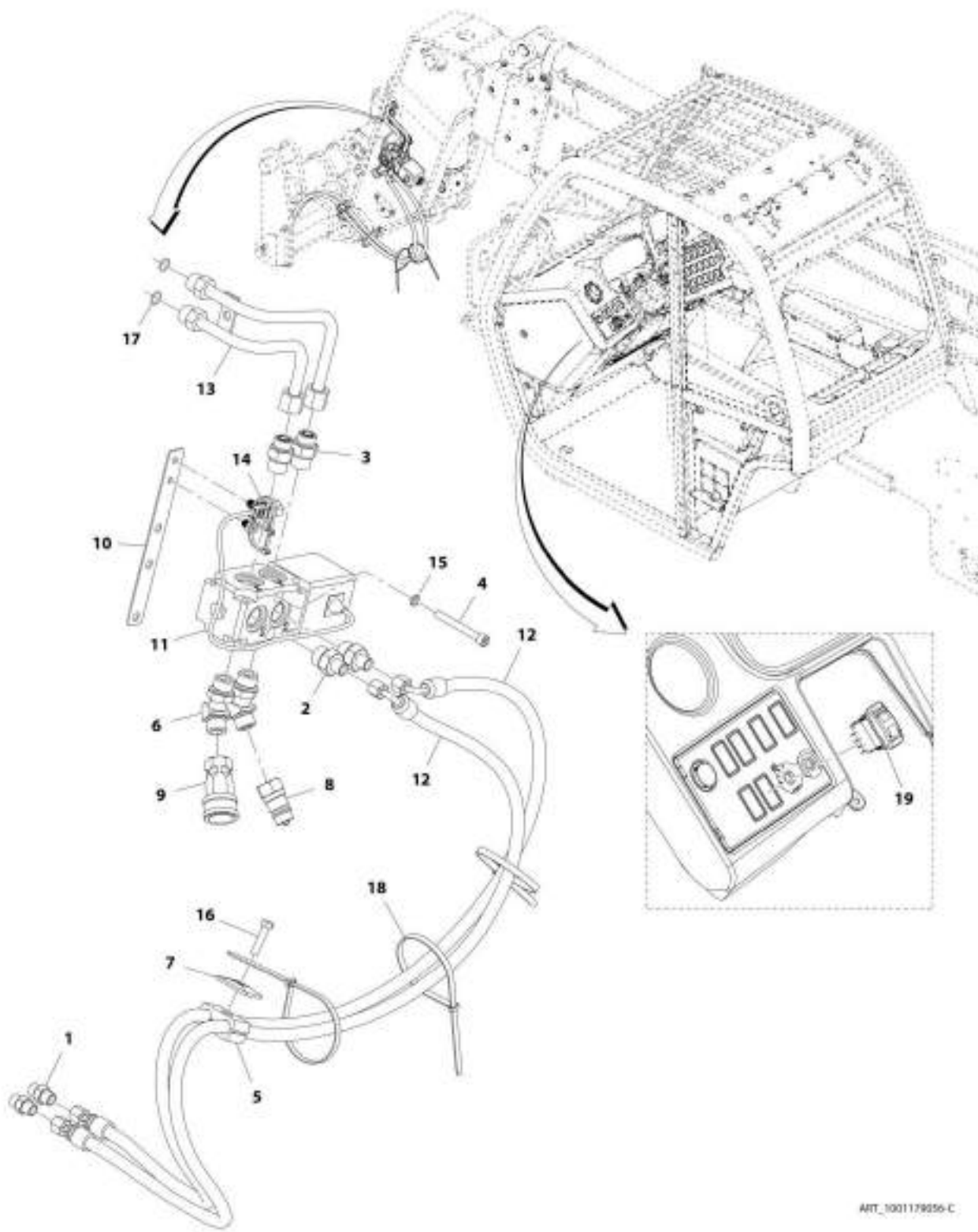
## SECTION 8 - HYDRAULIC CIRCUITS

**FIGURE 8-8. MANUAL COUPLER LINES INSTALLATION (FRONT BOOM - SINGLE)**

ITEM	PART NUMBER	QTY	DESCRIPTION	REV
	1001179054	Ref	Manual Coupler Lines Installation (Front Boom - Single)	C
2	0760810	2	Bolt, M8X20	
3	2172208	2	Nut	
5	5240800	2	Washer, M8	
7	1001101041	1	Adapter, Male Quick Disconnect	
8	1001101042	1	Adapter, Female Quick Disconnect	
9	1001103640	2	Adapter, 45 ORFS	
10	1001202177	1	Plate	
11	1001181161	1	Tube	
12	1001008805	2	Seal	

# SECTION 8 - HYDRAULIC CIRCUITS

FIGURE 8-9. HYDRAULIC COUPLER LINES INSTALLATION (FRONT BOOM - SINGLE)



ART\_1001179056-C

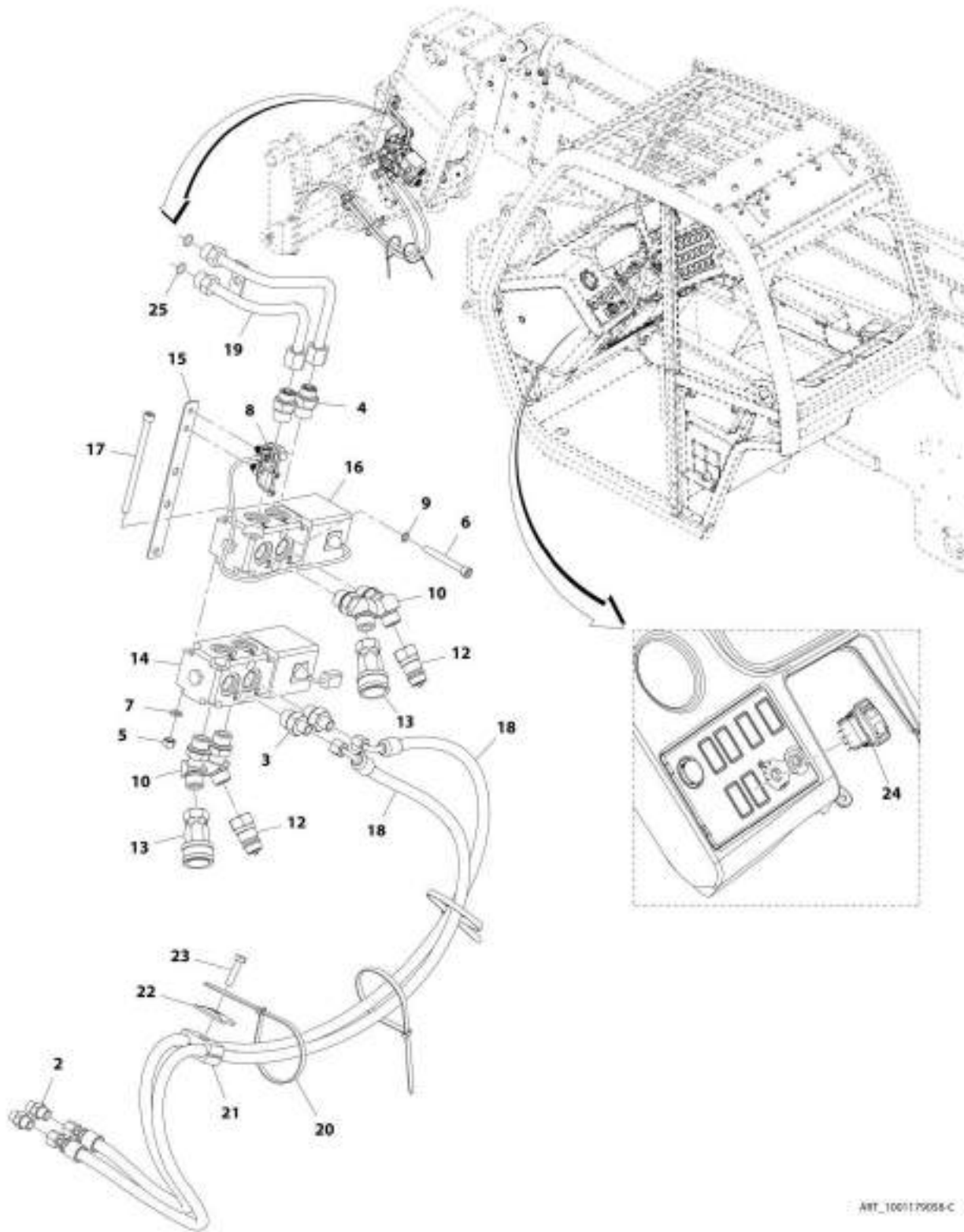
## SECTION 8 - HYDRAULIC CIRCUITS

**FIGURE 8-9. HYDRAULIC COUPLER LINES INSTALLATION (FRONT BOOM - SINGLE)**

ITEM	PART NUMBER	QTY	DESCRIPTION	REV
	1001179056	Ref	Hydraulic Coupler Lines Installation (Front Boom - Single)	C
1	2110406	2	Fitting, Straight ORFS	
2	2110410	2	Fitting, Straight ORFS	
3	2110810	2	Fitting, Straight ORFS	
4	4031918	2	Bolt, M8X70	
5	8769124	1	Clamp	
6	1001005904	2	Elbow	
7	77133140	1	Plate, Cover	
8	1001101041	1	Coupling, Male Quick Disconnect	
9	1001101042	1	Coupling, Female Quick Disconnect	
10	1001108918	1	Plate	
11	1001110023	1	Valve, Divertor (See Separate Breakdown in HYDRAULIC COMPONENTS Section)	
12	1001200218	2	Hose, ORFS	
13	1001181161	1	Tube	
14	1001146588	2	Strap, Fir Tree Cable Tie	
15	1001005262	2	Washer	
16	77133177	1	Bolt, M5/16X1-3/8	
17	1001008805	2	Seal	
18	1062255	3	Strap, Tie	
19	1001080375	1	Switch, Quick Switch	

# SECTION 8 - HYDRAULIC CIRCUITS

FIGURE 8-10. HYDRAULIC COUPLER LINES INSTALLATION (FRONT BOOM - TWIN)



ART\_100179058-C

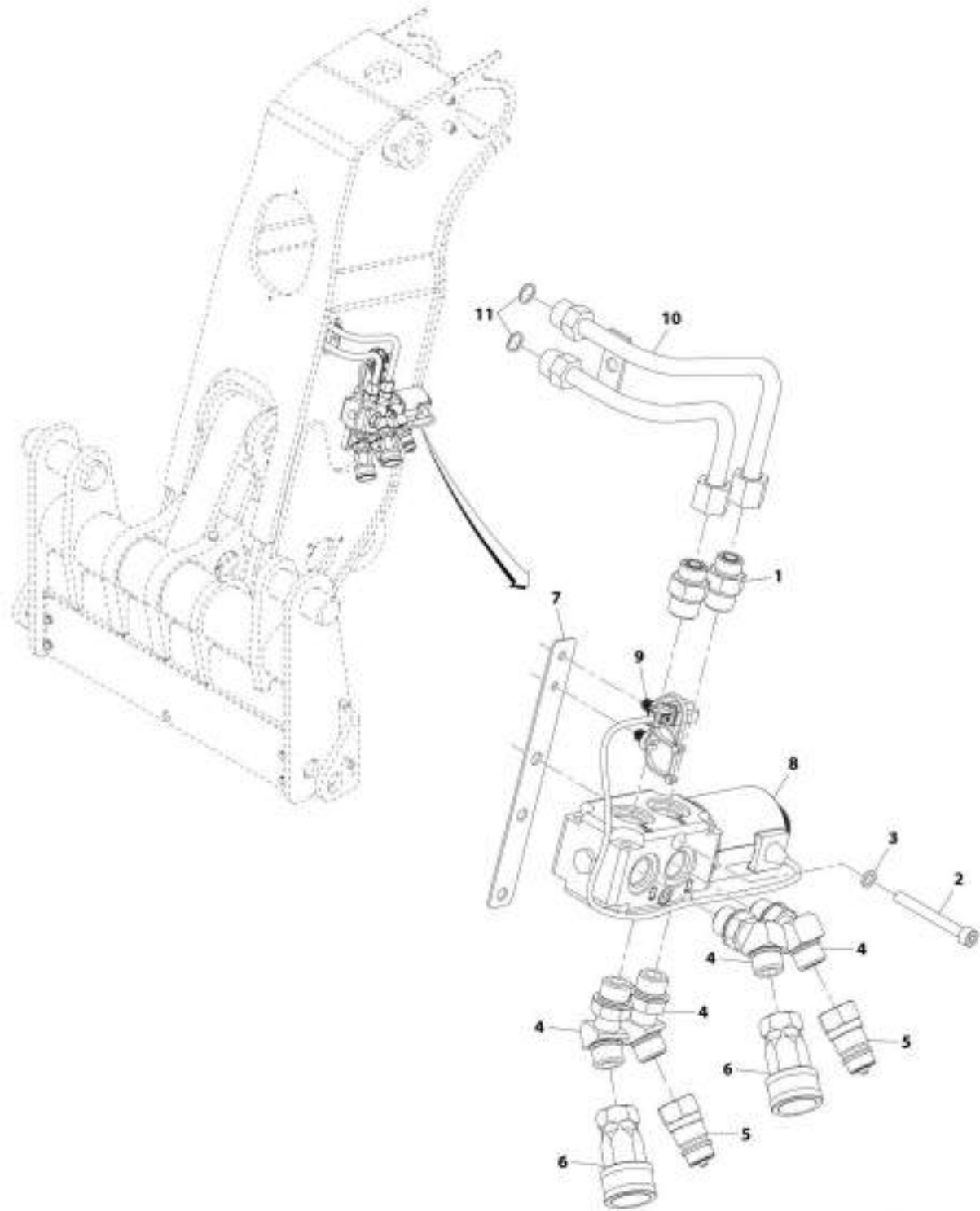
## SECTION 8 - HYDRAULIC CIRCUITS

**FIGURE 8-10. HYDRAULIC COUPLER LINES INSTALLATION (FRONT BOOM - TWIN)**

ITEM	PART NUMBER	QTY	DESCRIPTION	REV
	1001179058	Ref	Hydraulic Coupler Lines Installation (Front Boom - Twin)	C
2	2110406	2	Fitting, Straight ORFS	
3	2110410	2	Fitting, Straight ORFS	
4	2110810	2	Fitting, Straight ORFS	
5	3290805	4	Nut, Lock M8X1.25 Grade 8	
6	4031918	2	Bolt, M8X70	
7	4831900	4	Washer, Lock M8	
8	1001146588	2	Strap, Fir Tree Cable Tie	
9	1001005262	2	Washer	
10	1001005904	4	Elbow	
12	1001101041	2	Coupling, Male Quick Disconnect	
13	1001101042	2	Coupling, Female Quick Disconnect	
14	1001104477	1	Valve, Divertor (See Separate Breakdown in HYDRAULIC COMPONENTS Section)	
15	1001108918	1	Plate	
16	1001110023	1	Valve, Divertor (See Separate Breakdown in HYDRAULIC COMPONENTS Section)	
17	1001110115	4	Bolt, M8X100	
18	1001200218	2	Hose, ORFS	
19	1001181161	1	Tube	
20	1062255	3	Strap, Tie	
21	8769124	1	Clamp	
22	77133140	1	Plate, Cover	
23	77133177	1	Bolt, M5/16X1-3/8	
24	1001080375	1	Switch, Quick Switch	
25	1001008805	2	Seal	

# SECTION 8 - HYDRAULIC CIRCUITS

FIGURE 8-11. MANUAL COUPLER LINES INSTALLATION (FRONT BOOM - TWIN)



ATT\_3001201205-B

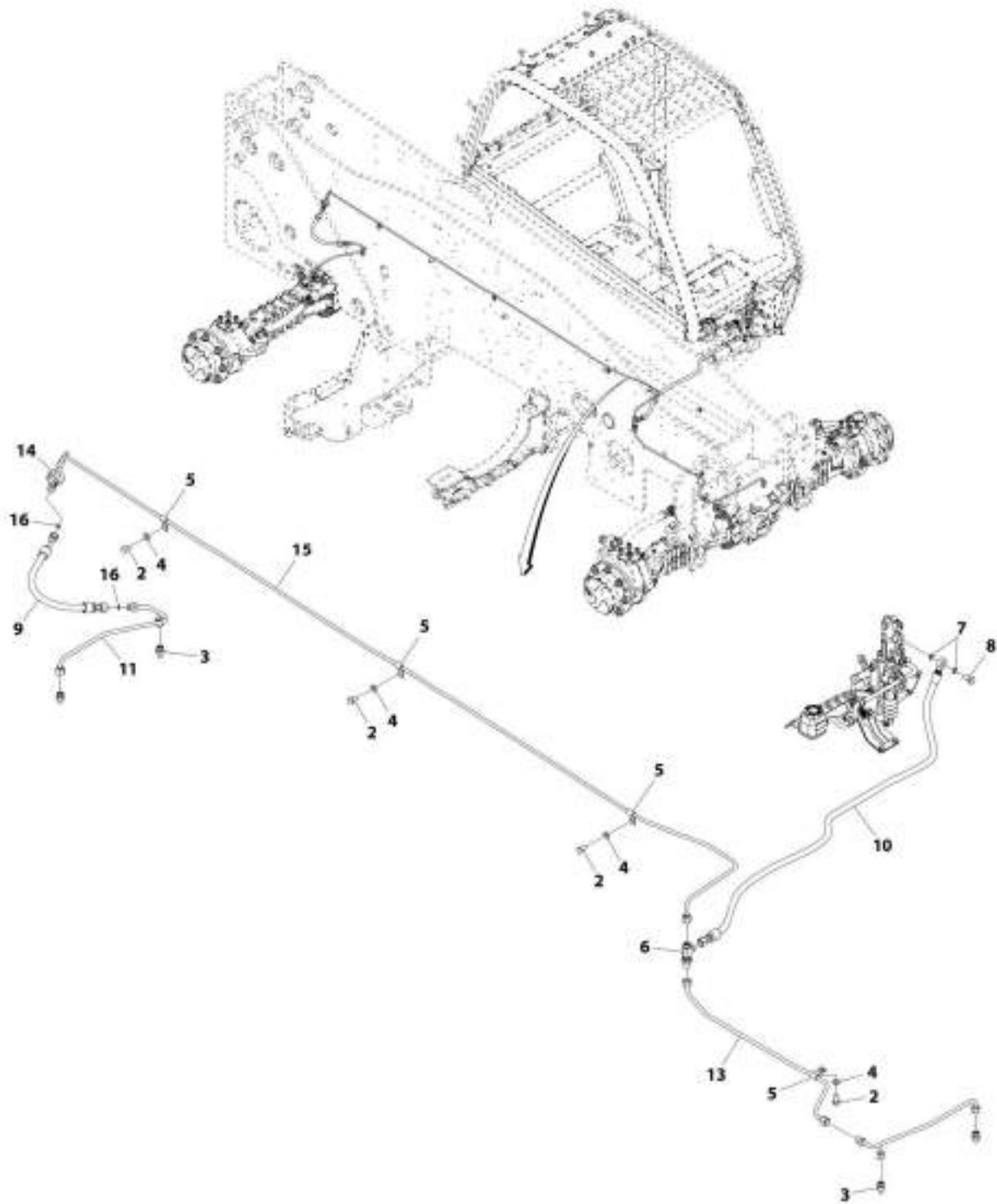
## SECTION 8 - HYDRAULIC CIRCUITS

**FIGURE 8-11. MANUAL COUPLER LINES INSTALLATION (FRONT BOOM - TWIN)**

ITEM	PART NUMBER	QTY	DESCRIPTION	REV
	1001201205	Ref	Manual Coupler Lines Installation (Front Boom - Twin)	B
1	2110810	2	Fitting, Straight ORFS	
2	4031918	2	Bolt, M8X70	
3	1001005262	2	Washer	
4	1001005904	4	Fitting, 45	
5	1001101041	2	Adapter, Male Quick Disconnect	
6	1001101042	2	Adapter, Female Quick Disconnect	
7	1001108918	1	Plate	
8	1001110023	1	Valve, Divertor (See Separate Breakdown in HYDRAULIC COMPONENTS Section)	
9	1001146588	2	Strap, Cable	
10	1001181161	1	Tube	
11	1001008805	2	Seal	

# SECTION 8 - HYDRAULIC CIRCUITS

## FIGURE 8-12. BRAKE LINES INSTALLATION



AWT\_100117/1909-E



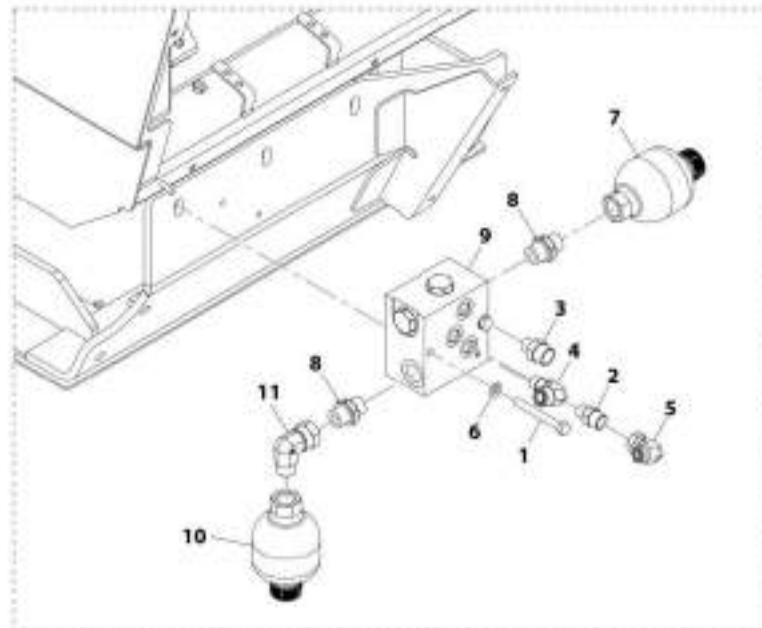
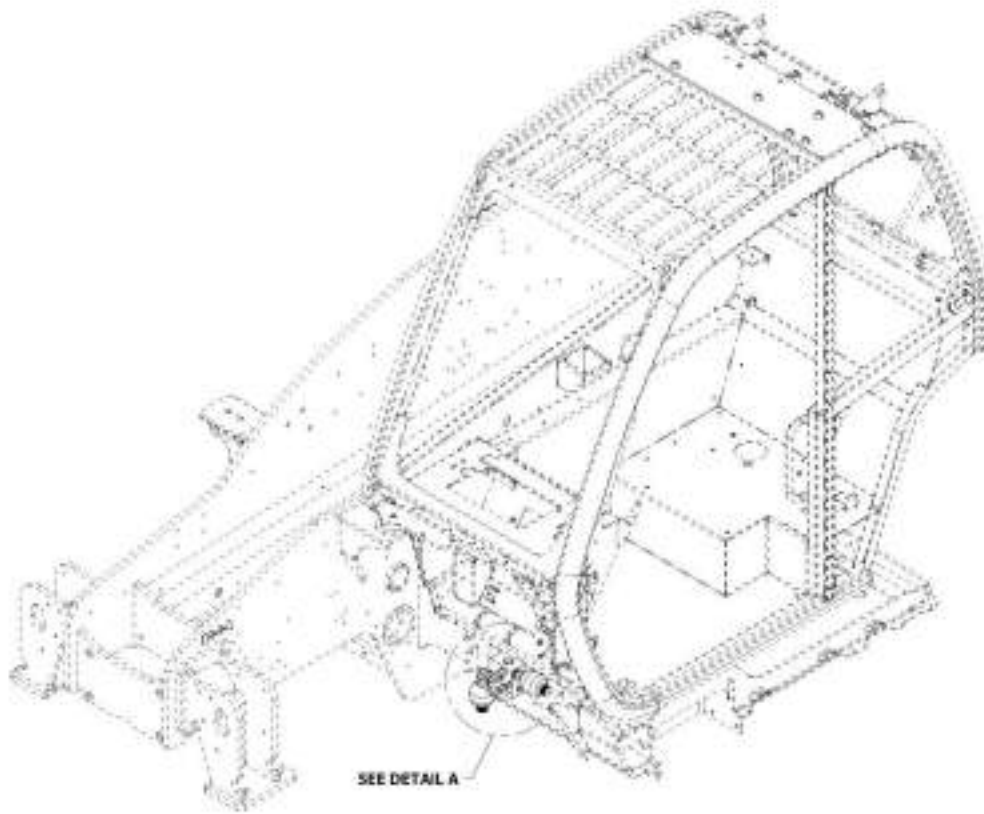
## SECTION 8 - HYDRAULIC CIRCUITS

### FIGURE 8-12. BRAKE LINES INSTALLATION

ITEM	PART NUMBER	QTY	DESCRIPTION	REV
	1001172909	Ref	Brake Lines Installation	E
2	0761010	4	Bolt, M10X20	
3	2144605	4	Fitting, Straight ORFS	
4	4812000	4	Washer, M10	
5	1001008773	4	Clip	
6	88662434	1	Fitting, Tee ORFS	
7	1001105639	2	Washer	
8	1001105643	1	Bolt	
9	1001181008	1	Hose, Rear Brake	
10	1001196912	1	Hose, ORFS <b>(Prior to SN 1160008597)</b>	
10	1001221952	1	Hose, ORFS <b>(SN 1160008597 to Present)</b>	
11	1001181016	1	Pipe, ORFS	
13	1001181019	1	Pipe, ORFS	
14	1001181170	1	Clamp	
15	1001203046	1	Pipe, ORFS <b>(Prior to SN 1160008597)</b>	
15	1001221953	1	Pipe, ORFS <b>(SN 1160008597 to Present)</b>	
16	1001008804	2	Seal	

# SECTION 8 - HYDRAULIC CIRCUITS

## FIGURE 8-13. BRAKE ACCUMULATOR INSTALLATION



DETAIL A

ARB\_1001207594-B

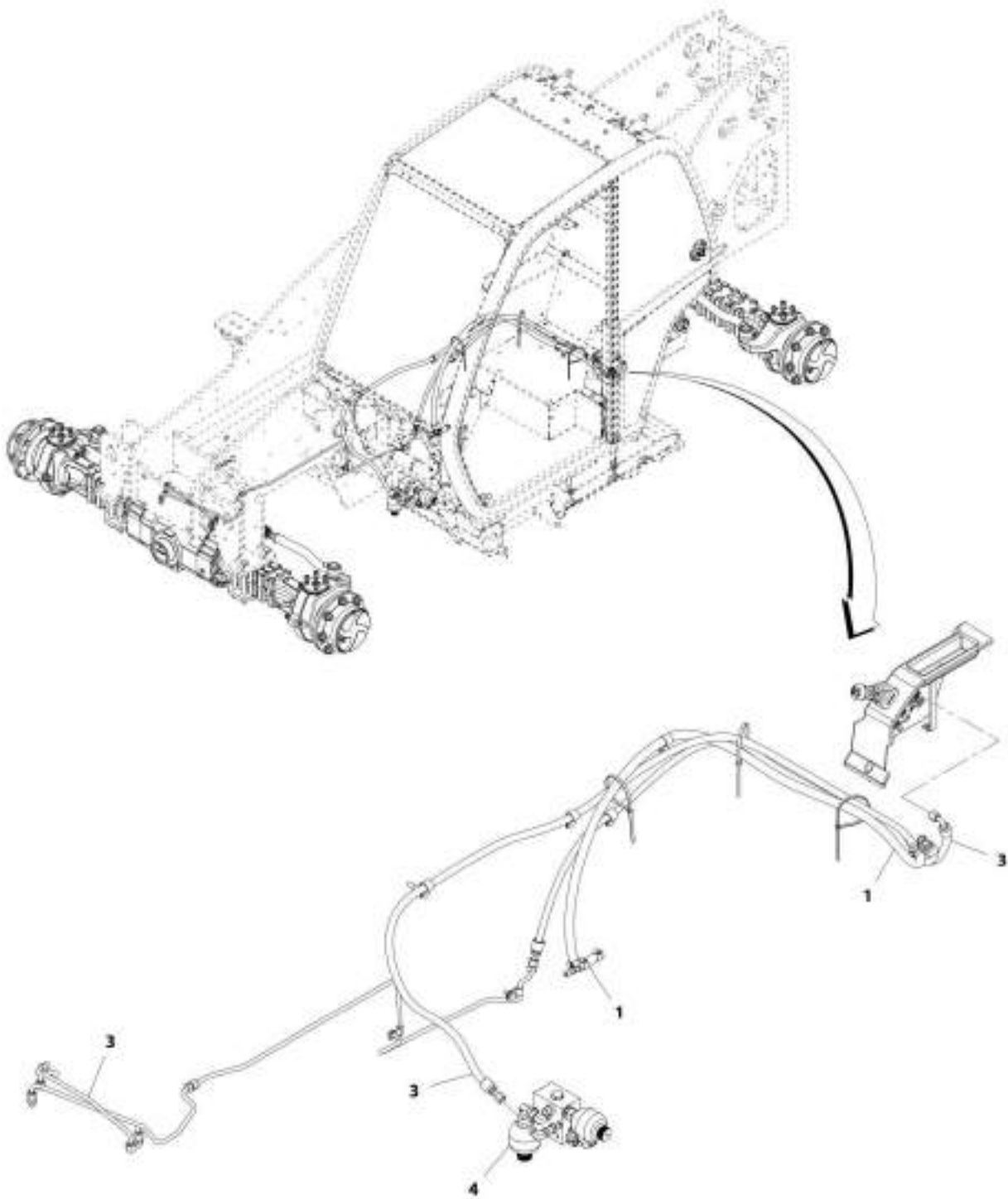
## SECTION 8 - HYDRAULIC CIRCUITS

### FIGURE 8-13. BRAKE ACCUMULATOR INSTALLATION

ITEM	PART NUMBER	QTY	DESCRIPTION	REV
	1001207694	Ref	Brake Accumulator Installation	B
1	0700822	2	Bolt, M8X70	
2	2110606	1	Fitting, Straight ORFS	
3	2110806	1	Fitting, Straight ORFS	
4	2130806	1	Fitting, 90 ORFS	
5	2172106	1	Fitting, 90 ORFS	
6	4811900	2	Washer, M8	
7	1001173418	1	Brake	
8	1001179926	2	Adapter	
9	1001215589	1	Manifold	
10	1001209651	1	Brake, Damper	
11	1001211376	1	Fitting, 90 ORFS	

# SECTION 8 - HYDRAULIC CIRCUITS

## FIGURE 8-14. SAHR LINES INSTALLATION



ART\_1001193722-C

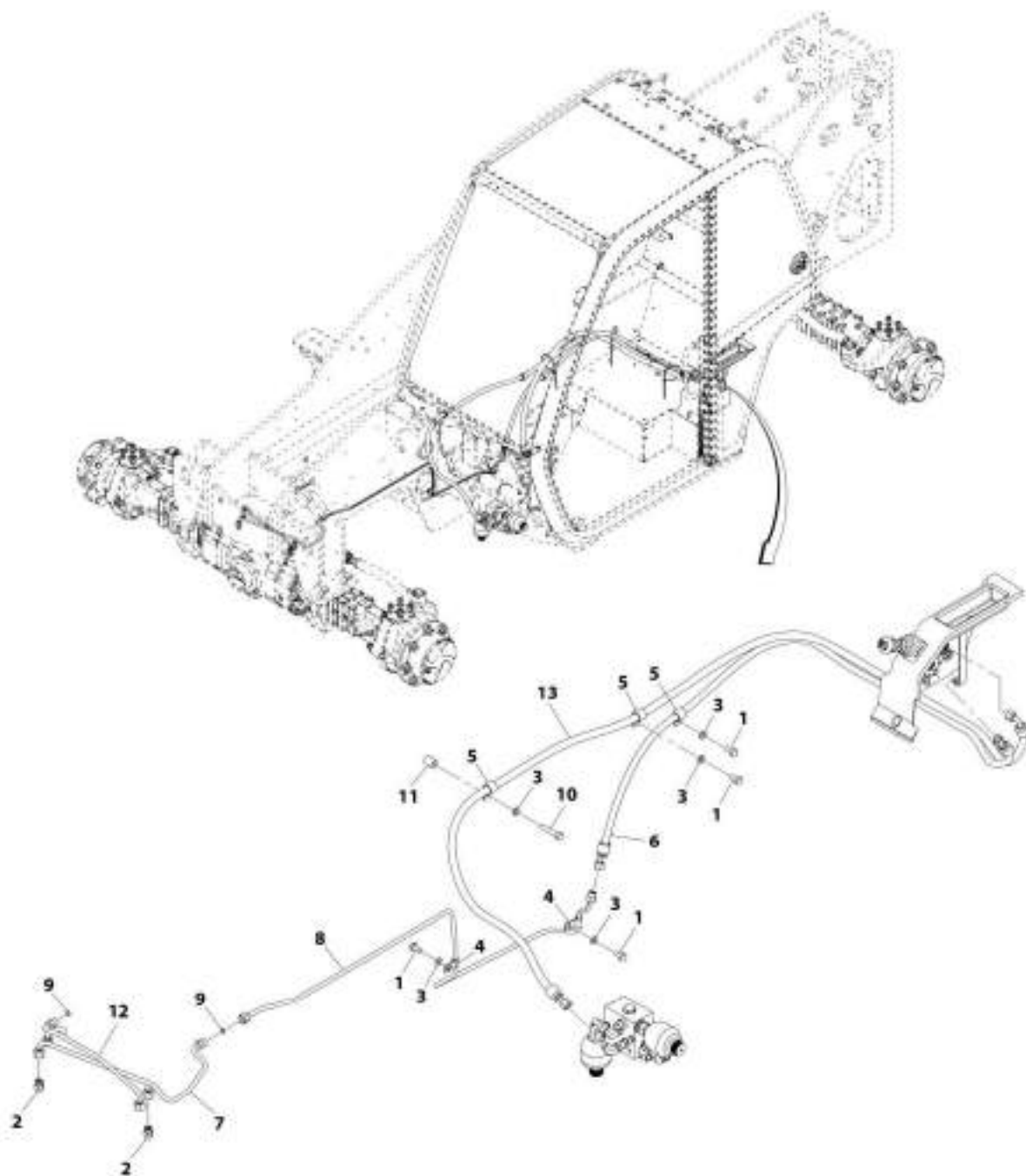
## SECTION 8 - HYDRAULIC CIRCUITS

**FIGURE 8-14. SAHR LINES INSTALLATION**

ITEM	PART NUMBER	QTY	DESCRIPTION	REV
1	1001193722	Ref	SAHR Lines Installation	C
	1001187400	Ref	Installation, Return Lines (See Separate Breakdown in this Section)	
3	1001188609	Ref	Installation, Brake Lines (See Separate Breakdown in this Section)	
4	1001207694	Ref	Installation, Brake Accumulator (See Separate Breakdown in this Section)	

# SECTION 8 - HYDRAULIC CIRCUITS

## FIGURE 8-15. BRAKE LINES INSTALLATION



AIT\_100108604-C

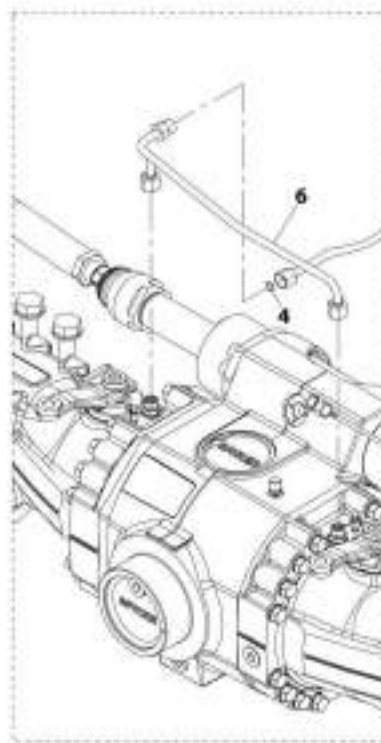
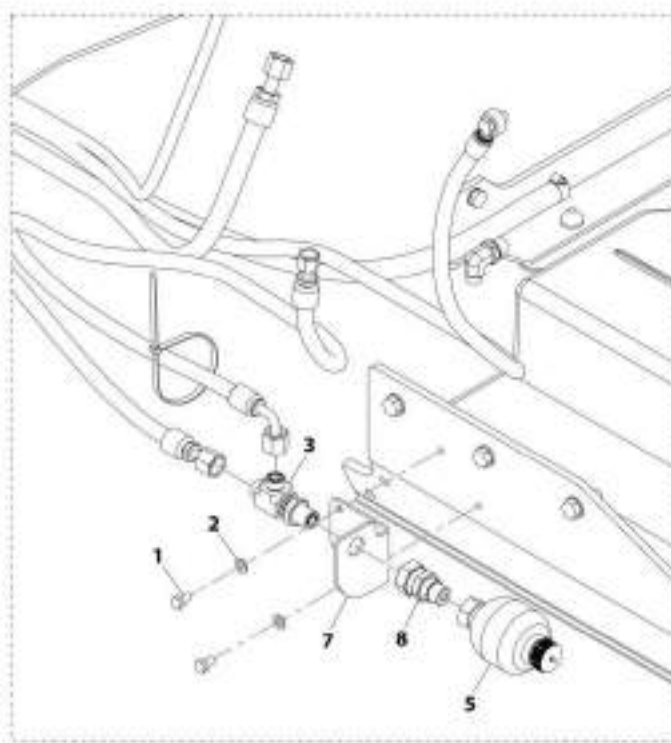
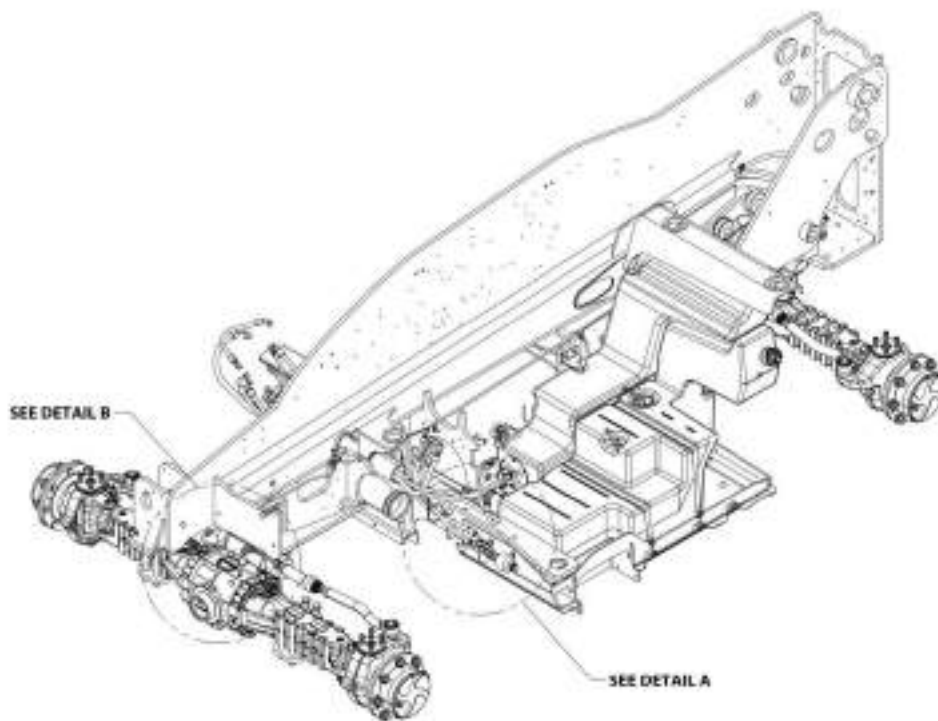
## SECTION 8 - HYDRAULIC CIRCUITS

### FIGURE 8-15. BRAKE LINES INSTALLATION

ITEM	PART NUMBER	QTY	DESCRIPTION	REV
	1001188609	Ref	Brake Lines Installation	C
1	0761010	4	Bolt, M10X20	
2	2144605	2	Fitting, Straight ORFS	
3	4812000	5	Washer, M10	
4	1001008773	2	Clip	
5	1001004144	3	Clip	
6	1001207908	1	Hose, ORFS	
7	1001201941	1	Pipe, ORFS	
8	1001207903	1	Pipe, ORFS	
9	1001008804	3	Seal	
10	0701019	1	Bolt, M10X55	
11	1001188548	1	Boss	
12	1001201940	1	Pipe, ORFS	
13	1001207804	1	Hose, ORFS	

# SECTION 8 - HYDRAULIC CIRCUITS

## FIGURE 8-16. BRAKE ACCUMULATOR



ART. 1001213031-A



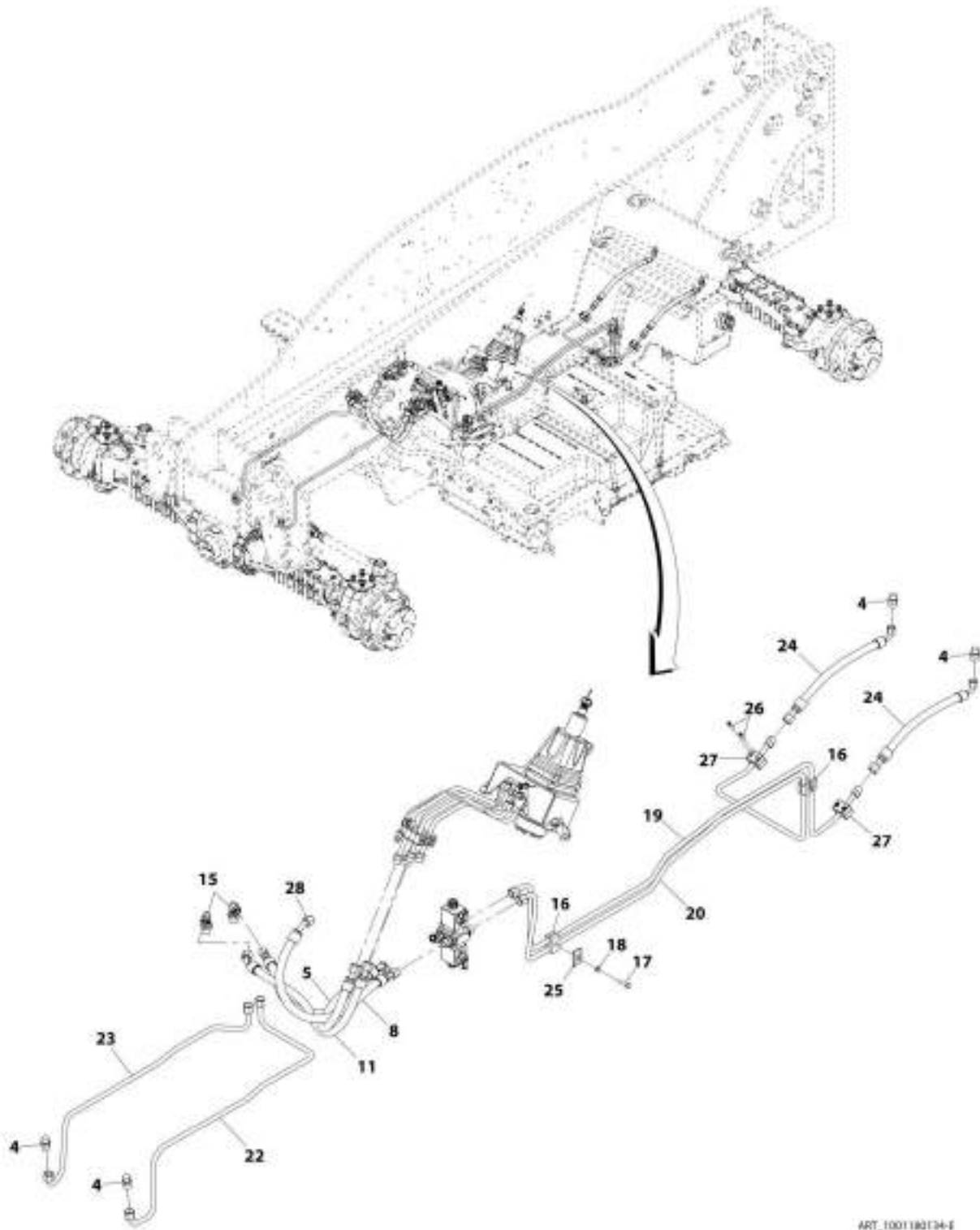
## SECTION 8 - HYDRAULIC CIRCUITS

### FIGURE 8-16. BRAKE ACCUMULATOR

ITEM	PART NUMBER	QTY	DESCRIPTION	REV
	1001213031	Ref	Brake Accumulator	A
1	0760807	2	Bolt, M8X14	
2	4811900	2	Washer, M8	
3	8770167	1	Fitting, Tee ORFS	
4	1001008804	1	Seal	
5	1001173418	1	Brake, Damper	
6	1001181017	1	Pipe, ORFS	
7	1001207522	1	Bracket, Accumulator	
8	1001207523	1	Fitting, Straight ORFS	

# SECTION 8 - HYDRAULIC CIRCUITS

## FIGURE 8-17. STEERING LINES INSTALLATION



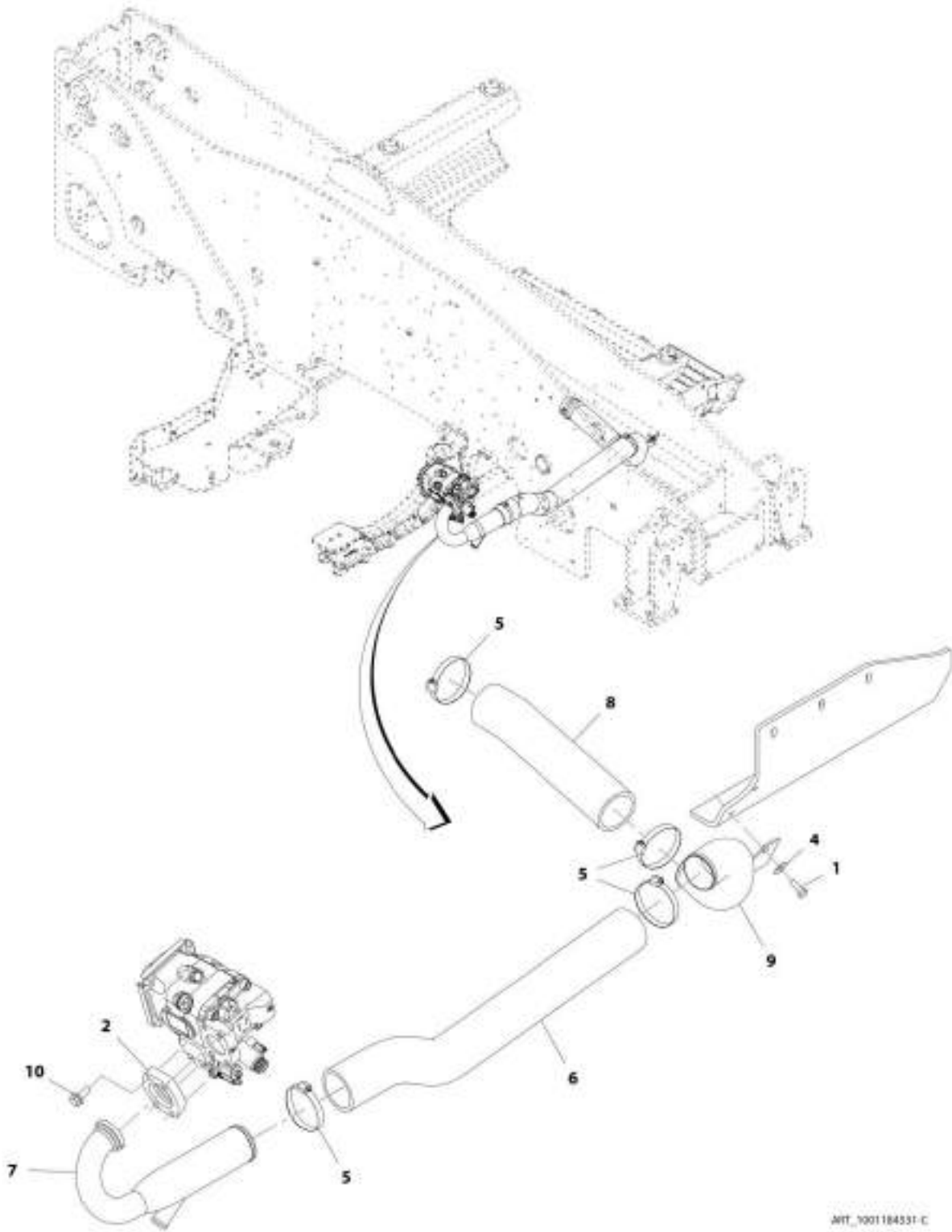
## SECTION 8 - HYDRAULIC CIRCUITS

**FIGURE 8-17. STEERING LINES INSTALLATION**

ITEM	PART NUMBER	QTY	DESCRIPTION	REV
	1001180134	Ref	Steering Lines Installation	E
4	2110808	4	Fitting, Straight ORFS	
5	1001180810	1	Hose, Steering	
8	1001180809	1	Hose, Steering	
11	1001180811	1	Hose, Steering	
15	2171208	2	Adapter, ORFS	
16	77133168	2	Clamp	
17	0700815	2	Bolt, M8X35	
18	4811900	2	Washer, M8	
19	1001195741	1	Pipe, ORFS	
20	1001195742	1	Pipe, ORFS	
22	1001193515	1	Pipe, ORFS	
23	1001193514	NLA	Pipe, ORFS (no longer available, use 1001225423 for replacement)	
23	1001225423	1	Pipe, ORFS	
24	1001193513	2	Hose, ORFS	
25	77133140	2	Plate, Cover	
26	4031709	4	Bolt, M6X25	
27	1001104934	2	Clamp	
28	1001224476	1	Hose Assy, ORFS	

# SECTION 8 - HYDRAULIC CIRCUITS

## FIGURE 8-18. SUCTION LINES INSTALLATION



MIT\_1001184331-C

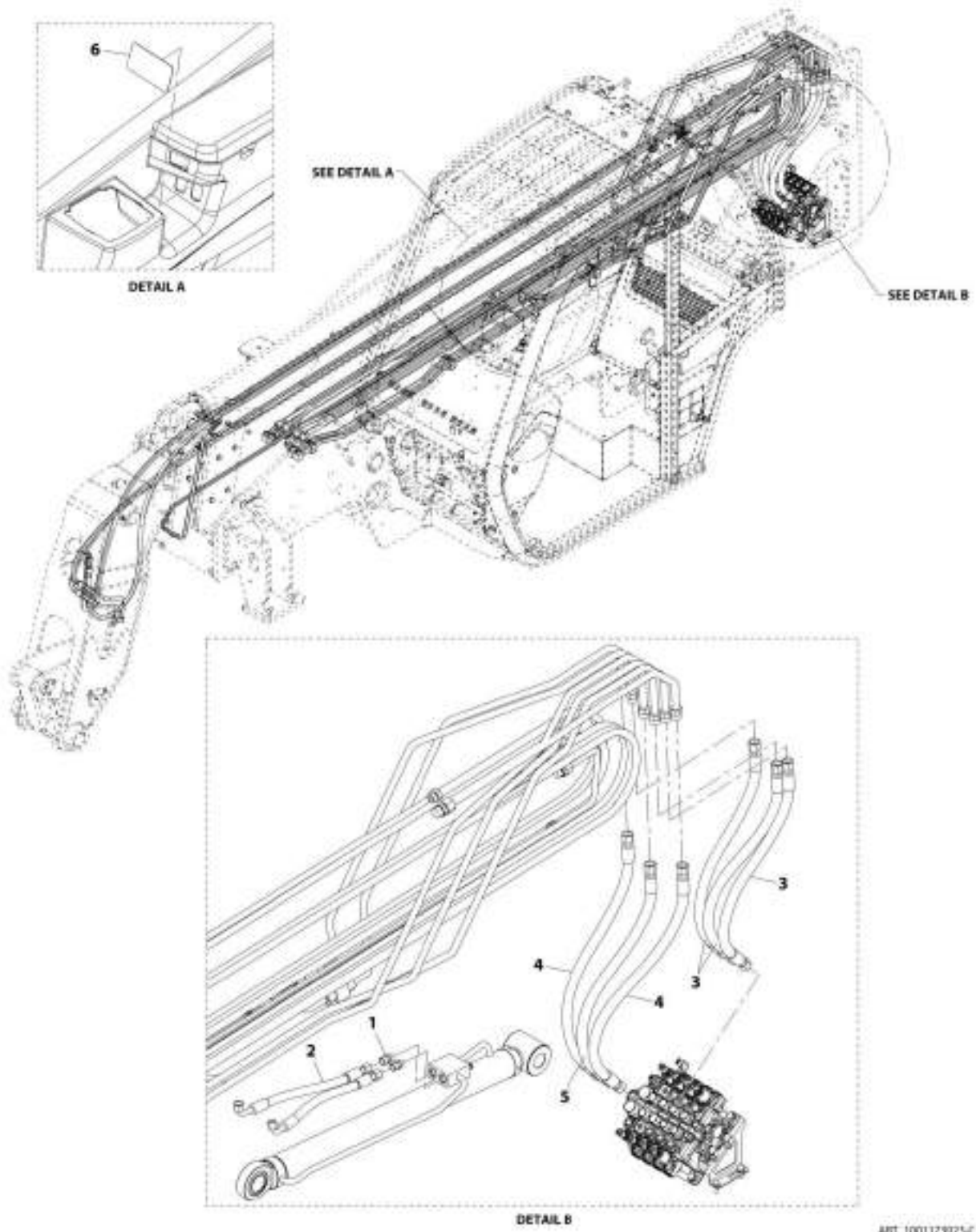
## SECTION 8 - HYDRAULIC CIRCUITS

### FIGURE 8-18. SUCTION LINES INSTALLATION

ITEM	PART NUMBER	QTY	DESCRIPTION	REV
	1001184531	Ref	Suction Lines Installation	C
1	0761014	2	Bolt, M10X30	
2	2171832	1	Fitting, Straight	
4	4812002	2	Washer, M10	
5	8405301	4	Clamp	
6	1001176313	1	Hose	
7	1001202135	1	Pipe	
8	1001193421	1	Hose	
9	1001184530	1	Pipe	
10	5201215	4	Bolt, M12X35	

# SECTION 8 - HYDRAULIC CIRCUITS

## FIGURE 8-19. BOOM LINES INSTALLATION



ART\_1001173025-C

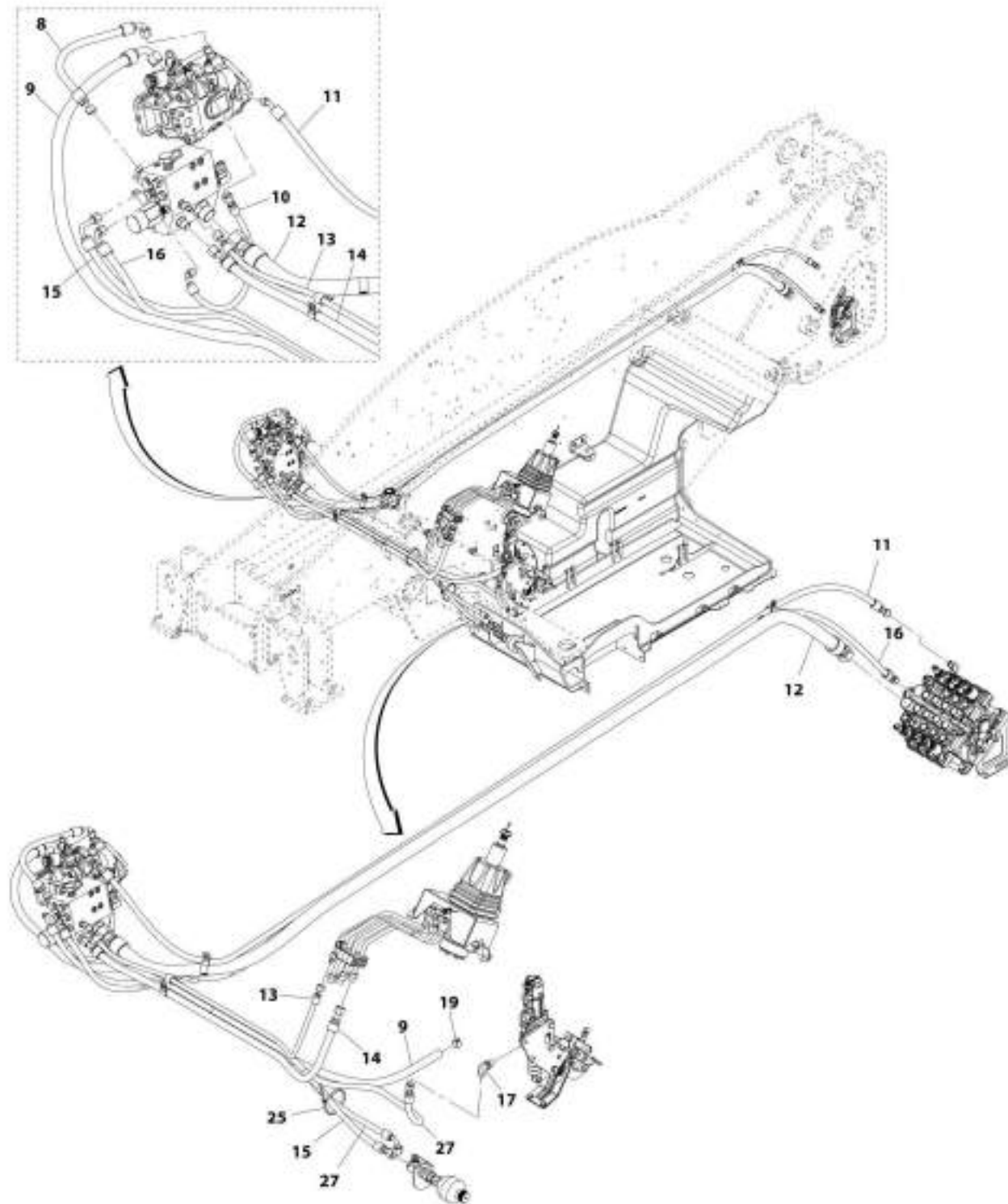
## SECTION 8 - HYDRAULIC CIRCUITS

FIGURE 8-19. BOOM LINES INSTALLATION

ITEM	PART NUMBER	QTY	DESCRIPTION	REV
	1001173023	Ref	Boom Lines Installation	C
1	2110808	2	Fitting, Straight ORFS	
2	1001181784	2	Hose	
3	1001183990	3	Hose	
4	1001183959	2	Hose	
5	1001184482	1	Hose	
6	1670836	1	Cover	

# SECTION 8 - HYDRAULIC CIRCUITS

## FIGURE 8-20. PRIORITY LINES INSTALLATION



ART\_1001100045-E



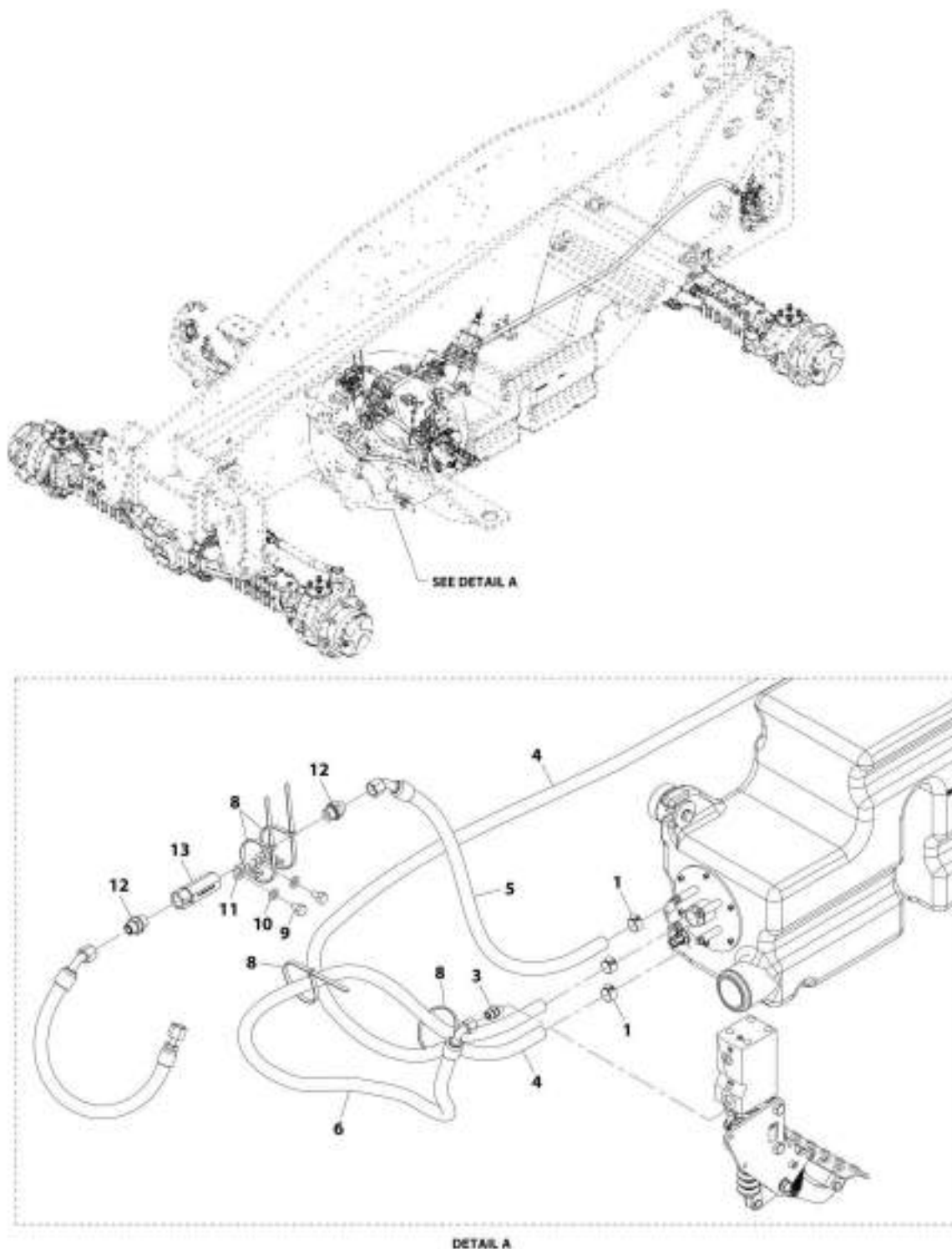
## SECTION 8 - HYDRAULIC CIRCUITS

### FIGURE 8-20. PRIORITY LINES INSTALLATION

ITEM	PART NUMBER	QTY	DESCRIPTION	REV
	1001180845	Ref	Priority Lines Installation	E
8	1001180850	1	Hose	
9	1001196723	1	Hose, ORFS	
10	1001195994	1	Hose, ORFS	
11	1001196002	1	Hose, ORFS	
12	1001195992	1	Hose, ORFS	
13	1001180855	1	Hose	
14	1001180856	1	Hose	
15	1001207526	1	Hose, ORFS	
16	1001201422	1	Hose, ORFS	
17	80333151	1	Fitting, 90 ORFS	
19	8405006	1	Clamp	
25	1062255	1	Strap, Tie	
27	1001207525	1	Hose, ORFS	

# SECTION 8 - HYDRAULIC CIRCUITS

FIGURE 8-21. RETURN LINES INSTALLATION (Prior to SN 1160008715)



ART\_1001185351-D

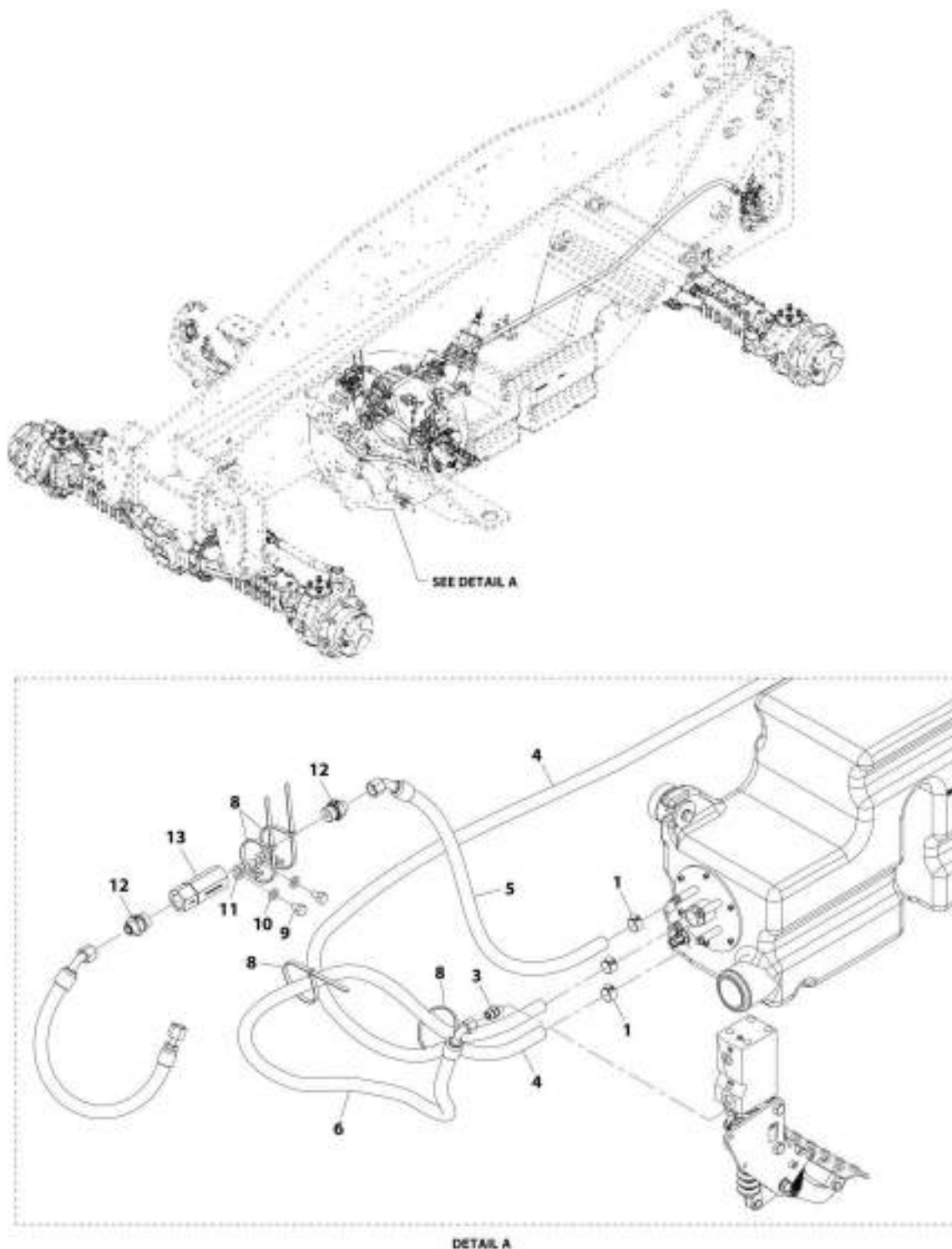
## SECTION 8 - HYDRAULIC CIRCUITS

**FIGURE 8-21. RETURN LINES INSTALLATION (Prior to SN 1160008715)**

ITEM	PART NUMBER	QTY	DESCRIPTION	REV
	1001185351	Ref	Return Lines Installation	D
1	8410009	3	Clamp, Gear	
3	80233218	1	Adapter, Straight ORFS	
4	1001196787	NLA	Hose, ORFS (no longer available, use 1001224143 for replacement)	
4	1001224143	1	Hose, ORFS	
5	1001201943	NLA	Hose, ORFS (no longer available, use 1001224144 for replacement)	
5	1001224144	1	Hose, ORFS	
6	1001196661	1	Hose, ORFS	
8	1062255	4	Strap, Tie	
9	0761008	2	Bolt, M10X16	
10	4812000	2	Washer, M10	
11	1001003305	2	Clip	
12	1001121127	2	Adapter, Straight ORFS	
13	1001224447	NLA	Check Valve (no longer available, use 1001227974 for replacement)	
13	1001227974	1	Check Valve	

# SECTION 8 - HYDRAULIC CIRCUITS

FIGURE 8-22. RETURN LINES INSTALLATION (SN 1160008715 to Present)



ART\_1001185351-E

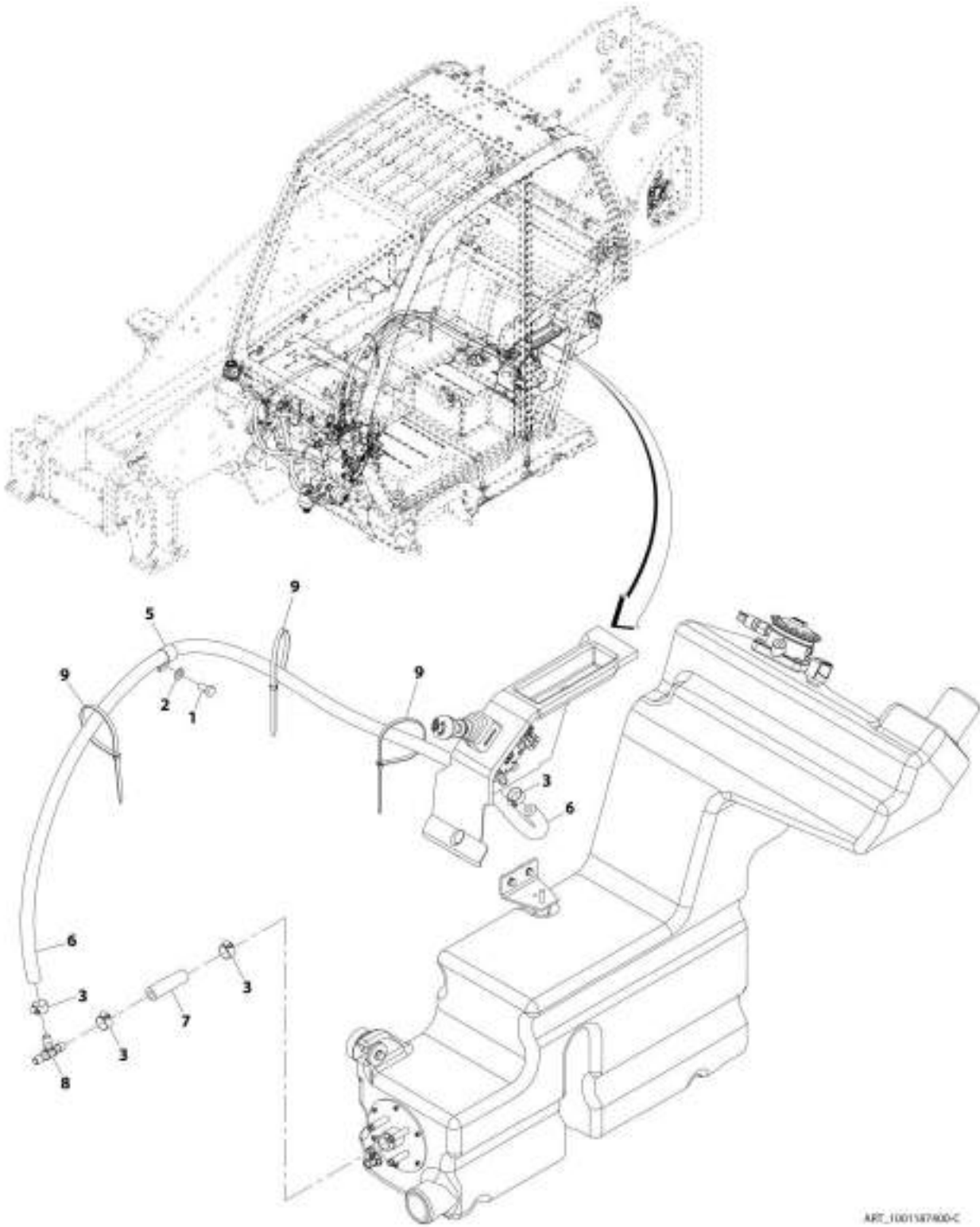
## SECTION 8 - HYDRAULIC CIRCUITS

**FIGURE 8-22. RETURN LINES INSTALLATION (SN 1160008715 to Present)**

ITEM	PART NUMBER	QTY	DESCRIPTION	REV
	1001185351	Ref	Return Lines Installation	E
1	8410009	3	Clamp, Gear	
3	80233218	1	Adapter, Straight ORFS	
4	1001224143	1	Hose, ORFS	
5	1001224144	1	Hose, ORFS	
6	1001196661	1	Hose, ORFS	
8	1062255	4	Strap, Tie	
9	0761008	2	Bolt, M10X16	
10	4812000	2	Washer, M10	
11	1001003305	2	Clip	
12	1001192411	2	Adapter, Straight ORFS	
13	1001229155	1	Check Valve	

# SECTION 8 - HYDRAULIC CIRCUITS

FIGURE 8-23. RETURN LINES INSTALLATION (SAHR)



ART\_100187800-C

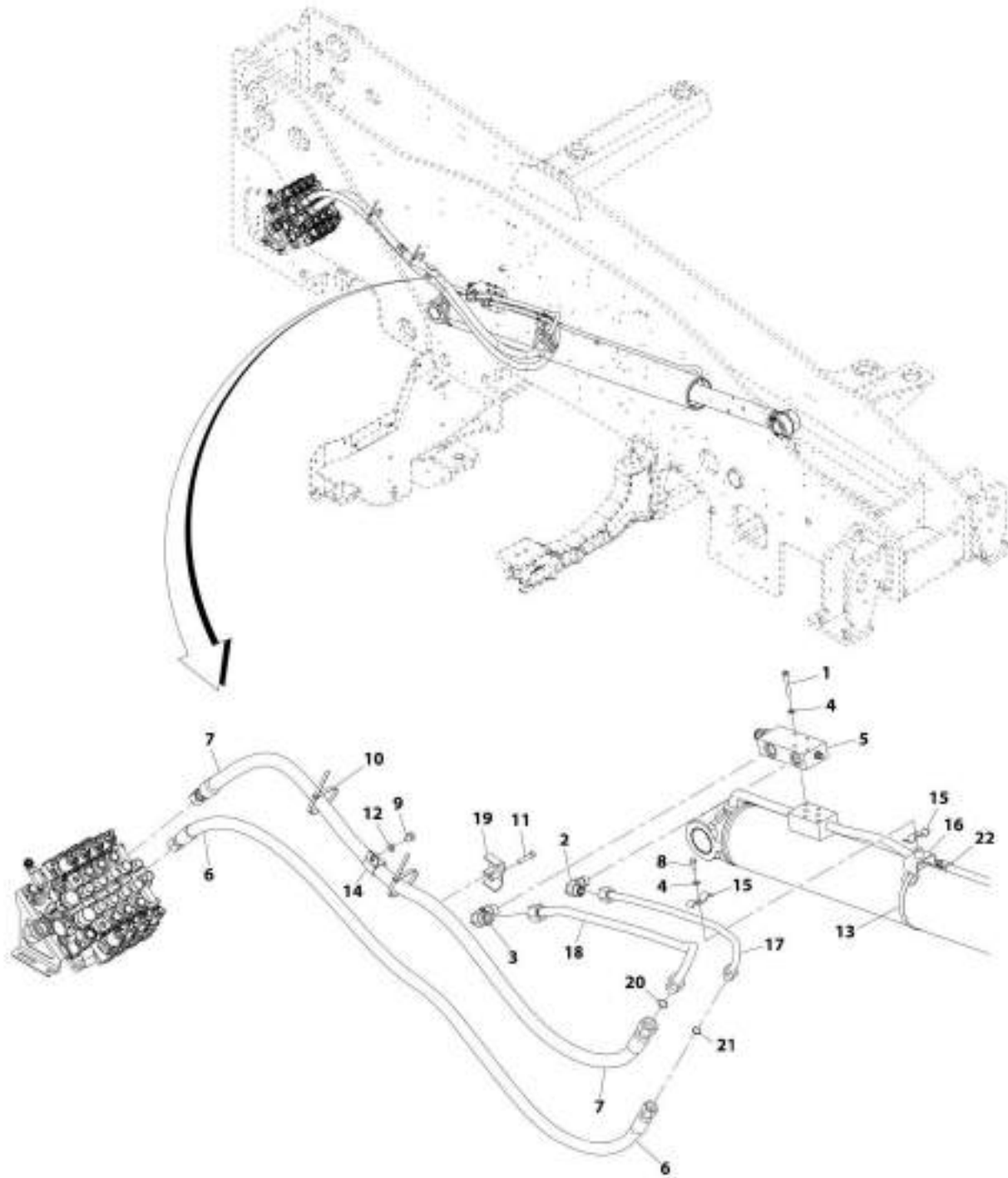
## SECTION 8 - HYDRAULIC CIRCUITS

### FIGURE 8-23. RETURN LINES INSTALLATION (SAHR)

ITEM	PART NUMBER	QTY	DESCRIPTION	REV
	1001187400	Ref	Return Lines Installation	C
1	0761010	1	Bolt, M10X20	
2	4812000	1	Washer, M10	
3	8410009	4	Clamp, Gear	
5	1001004144	1	Clip	
6	1001207754	1	Hose	
7	1001187416	1	Hose	
8	1001176411	1	Adapter, Tee	
9	1062255	3	Strap, Tie	

# SECTION 8 - HYDRAULIC CIRCUITS

FIGURE 8-24. BOOM RAISE HOSES INSTALLATION (NO RIDE CONTROL)



WIT\_1001170041-C



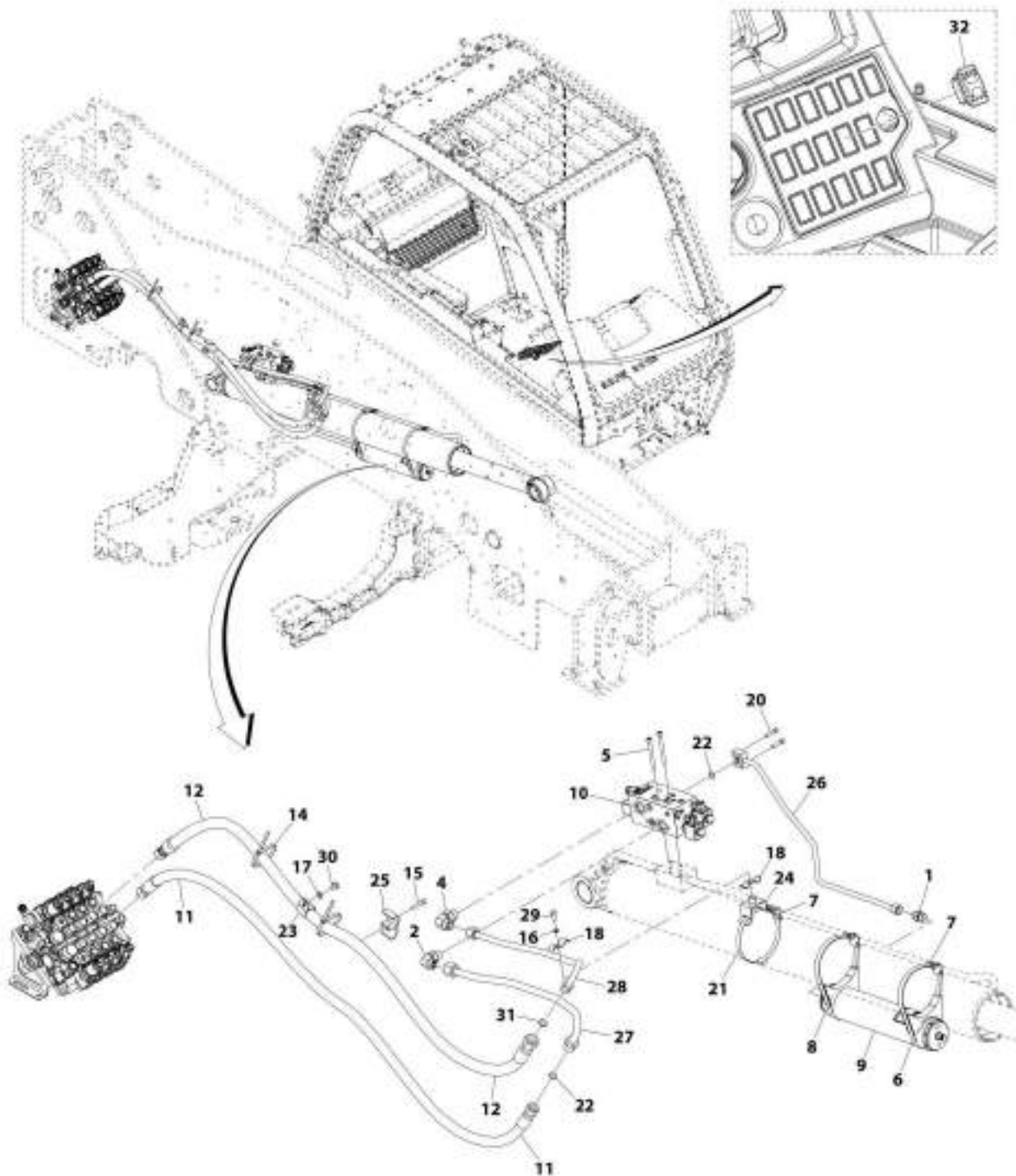
## SECTION 8 - HYDRAULIC CIRCUITS

**FIGURE 8-24. BOOM RAISE HOSES INSTALLATION (NO RIDE CONTROL)**

ITEM	PART NUMBER	QTY	DESCRIPTION	REV
	1001179041	Ref	Boom Raise Hoses Installation (No Ride Control)	C
1	5271814	4	Bolt, M8X50	
2	2131010	1	Fitting, 90 ORFS	
3	2131212	1	Fitting, 90 ORFS	
4	4811900	5	Washer, M8	
5	1001201245	1	Valve, Counterbalance	
6	1001203923	1	Hose, ORFS	
7	1001203922	1	Hose, ORFS	
8	0760810	1	Bolt, M8X20	
9	0761007	1	Bolt, M10X14	
10	1062255	2	Strap, Tie	
11	4031912	2	Bolt, M8X40	
12	4812000	1	Washer, M10	
13	8405502	1	Clamp	
14	1001008572	1	Clip	
15	1001198331	2	Clamp, Twin	
16	1001200038	1	Bracket	
17	1001203905	1	Pipe, ORFS	
18	1001203915	1	Pipe, ORFS	
19	1001203919	1	Bracket	
20	1001008863	1	Seal	
21	1001008922	1	Seal	
22	1001101064	1	Clip	

# SECTION 8 - HYDRAULIC CIRCUITS

## FIGURE 8-25. BOOM RAISE HOSES INSTALLATION (RIDE CONTROL)



ART\_1001179543-E

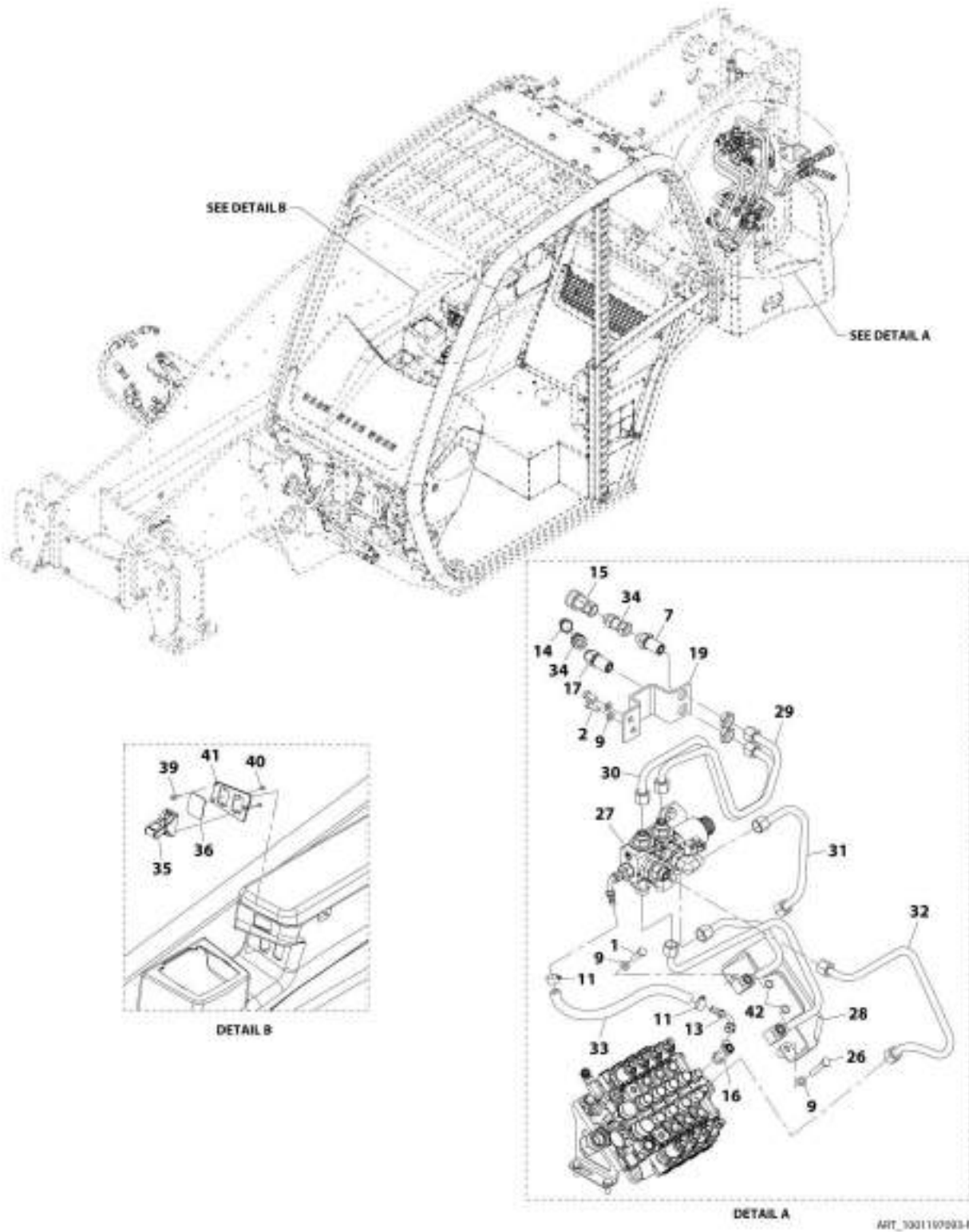
## SECTION 8 - HYDRAULIC CIRCUITS

**FIGURE 8-25. BOOM RAISE HOSES INSTALLATION (RIDE CONTROL)**

ITEM	PART NUMBER	QTY	DESCRIPTION	REV
	1001179043	Ref	Boom Raise Hoses Installation (Ride Control)	E
1	1001216636	1	Valve, Check	
2	2131012	1	Fitting, 90 ORFS	
4	2131212	1	Fitting, 90 ORFS	
5	5271922	4	Bolt, M8X90	
6	1001101063	2	Clamp	
7	1001101064	3	Clip	
8	1001208035	2	Bumper	
9	1001106729	1	Cylinder, Piston Accumulator	
10	1001215261	1	Valve, Ride Control (See Separate Breakdown in HYDRAULIC COMPONENTS Section)	
11	1001203923	1	Hose, ORFS	
12	1001203922	1	Hose, ORFS	
14	1062255	2	Strap, Tie	
15	4031912	2	Bolt, M8X40	
16	4811900	1	Washer, M8	
17	4812000	1	Washer, M10	
18	1001198331	2	Clamp	
20	5271808	4	Screw, M8X20	
21	8405502	1	Clamp	
22	1001008922	2	Seal	
23	1001008572	1	Clip	
24	1001200038	1	Bracket	
25	1001203919	1	Bracket	
26	1001211452	1	Pipe, ORFS	
27	1001204974	1	Pipe, ORFS	
28	1001204975	1	Pipe, ORFS	
29	0760810	1	Bolt, M8X20	
30	0761007	1	Bolt, M10X14	
31	1001008863	1	Seal	
32	1001159745	1	Switch	

# SECTION 8 - HYDRAULIC CIRCUITS

FIGURE 8-26. REAR AUX HYDRAULICS INSTALLATION (SINGLE) (Prior to SN 1160008716)



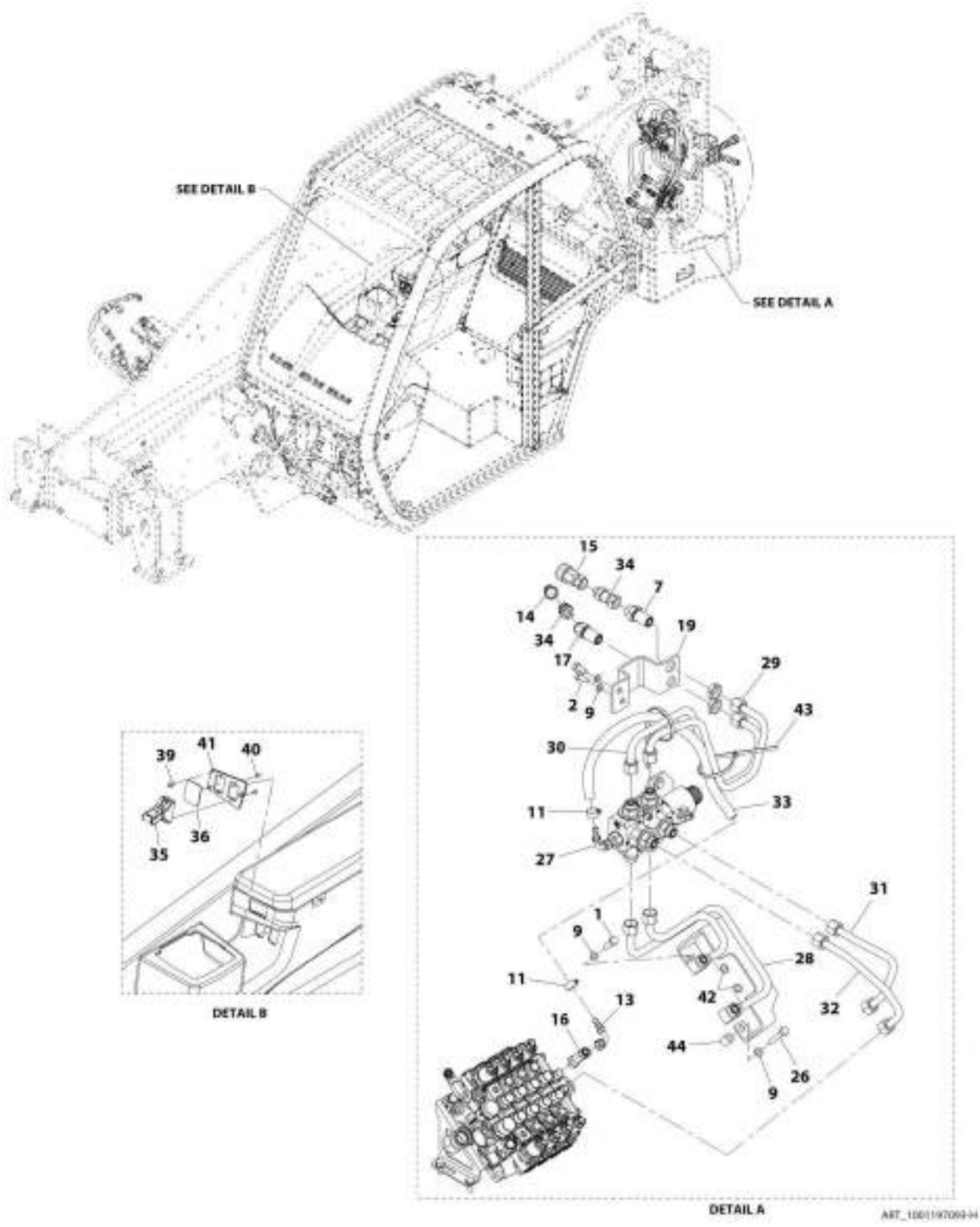
## SECTION 8 - HYDRAULIC CIRCUITS

**FIGURE 8-26. REAR AUX HYDRAULICS INSTALLATION (SINGLE) (Prior to SN 1160008716)**

ITEM	PART NUMBER	QTY	DESCRIPTION	REV
	1001197093	Ref	Rear Aux Hydraulics Installation (Single)	F
1	0701016	1	Bolt, M10X40	
2	0761012	2	Bolt, M10X25	
7	2171110	1	Fitting, Straight ORFS	
9	4812000	4	Washer, M10	
11	8405006	2	Clamp	
13	1001095301	1	Fitting, 90 ORFS	
14	1001101041	1	Coupling, Male Quick Disconnect	
15	1001101042	1	Coupling, Female Quick Disconnect	
16	1001104646	1	Fitting, Tee ORFS	
17	2171310	1	Fitting, 45 ORFS	
19	1001213829	1	Bracket	
26	0701021	1	Bolt, M10X65	
27	1001204420	1	Assembly, Divertor Valve (Hi Flow) (See Separate Breakdown in HYDRAULIC COMPONENTS Section)	
28	1001204421	1	Pipe	
29	1001213771	NLA	Pipe, ORFS (no longer available, use 1001226101 for replacement)	
29	1001226101	1	Pipe, ORFS	
30	1001213772	1	Pipe, ORFS	
31	1001204427	1	Pipe, ORFS	
32	1001204428	1	Pipe, ORFS	
33	1001204437	1	Hose	
34	1001001556	2	Fitting, Straight ORFS	
35	1001157919	1	Joystick, Fingertip Control	
36	1001214399	1	Cover	
39	1001005193	3	Screw	
40	1001216232	2	Screw	
41	1001216163	1	<b>Plate</b>	
42	1001008922	2	Seal	

# SECTION 8 - HYDRAULIC CIRCUITS

FIGURE 8-27. REAR AUX HYDRAULICS INSTALLATION (SINGLE) (SN 1160008716 to Present)



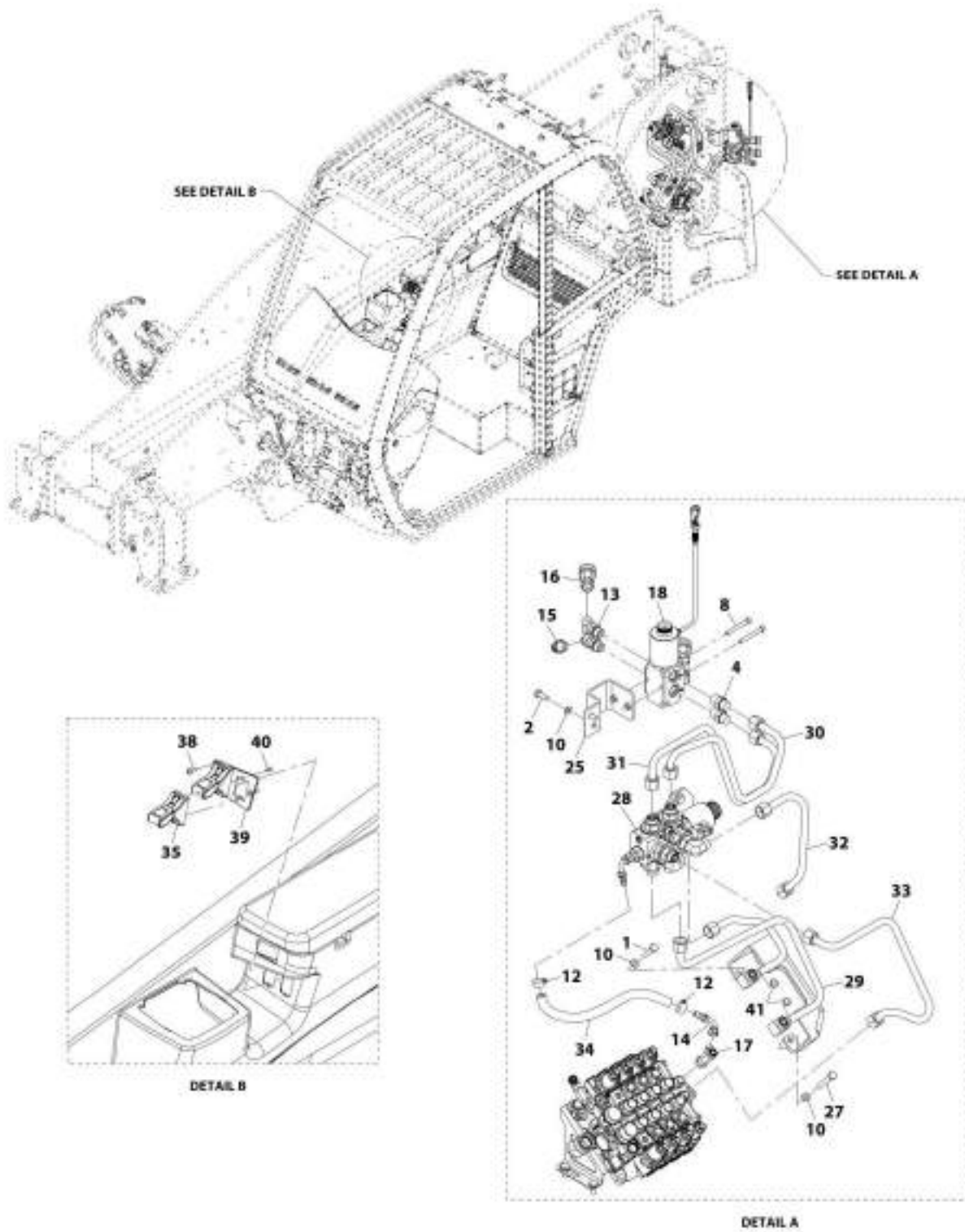
## SECTION 8 - HYDRAULIC CIRCUITS

**FIGURE 8-27. REAR AUX HYDRAULICS INSTALLATION (SINGLE) (SN 1160008716 to Present)**

ITEM	PART NUMBER	QTY	DESCRIPTION	REV
	1001197093	Ref	Rear Aux Hydraulics Installation (Single)	H
1	0701016	1	Bolt, M10X40	
2	0761012	2	Bolt, M10X25	
7	2171110	1	Fitting, Straight ORFS	
9	4812000	4	Washer, M10	
11	8405006	2	Clamp	
13	1001095301	1	Fitting, 90 ORFS	
14	1001101041	1	Coupling, Male Quick Disconnect	
15	1001101042	1	Coupling, Female Quick Disconnect	
16	1001104646	1	Fitting, Tee ORFS	
17	2171310	1	Fitting, 45 ORFS	
19	1001213829	1	Bracket	
26	0701021	1	Bolt, M10X65	
27	1001204420	1	Assembly, Divertor Valve (Hi Flow) (See Separate Breakdown in HYDRAULIC COMPONENTS Section)	
28	1001226776	1	Pipe	
29	1001213771	NLA	Pipe, ORFS (no longer available, use 1001226101 for replacement)	
29	1001226101	1	Pipe, ORFS	
30	1001213772	1	Pipe, ORFS	
31	1001226777	1	Pipe, ORFS	
32	1001226778	1	Pipe, ORFS	
33	1001226779	1	Hose	
34	1001001556	2	Fitting, Straight ORFS	
35	1001157919	1	Joystick, Fingertip Control	
36	1001214399	1	Cover	
39	7029486	3	Screw	
40	1001216232	2	Screw	
41	1001216163	1	Plate	
42	1001008922	2	Seal	
43	1062255	2	Strap, Tie	
44	1001188548	1	Boss	

# SECTION 8 - HYDRAULIC CIRCUITS

FIGURE 8-28. REAR AUX HYDRAULICS INSTALLATION (TWIN) (Prior to SN 1160008716)



ART\_1001197090-F



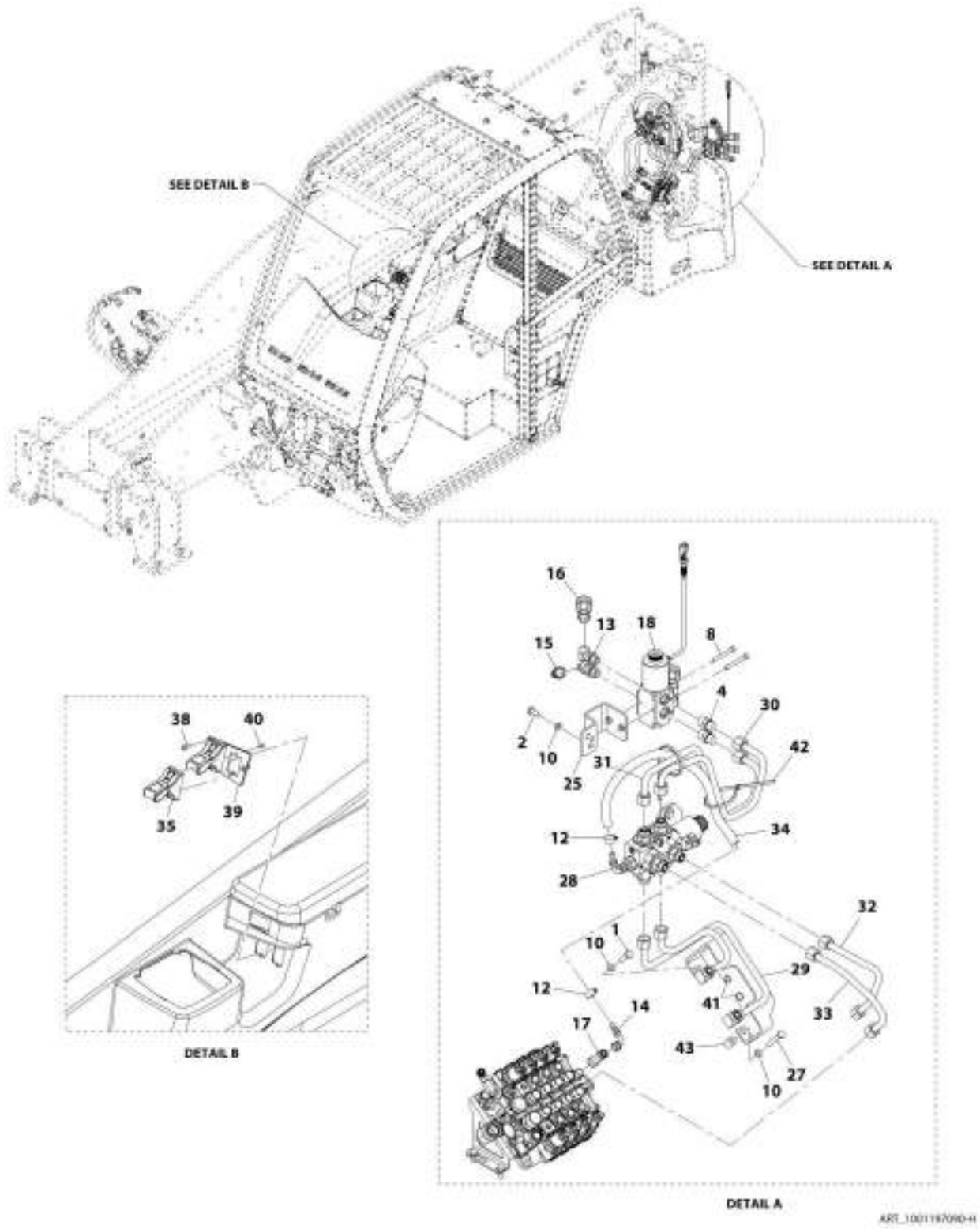
## SECTION 8 - HYDRAULIC CIRCUITS

**FIGURE 8-28. REAR AUX HYDRAULICS INSTALLATION (TWIN) (Prior to SN 1160008716)**

ITEM	PART NUMBER	QTY	DESCRIPTION	REV
	1001197090	Ref	Rear Aux Hydraulics Installation (Twin)	F
1	0701016	1	Bolt, M10X40	
2	0761012	2	Bolt, M10X25	
4	2111010	2	Fitting, Straight ORFS	
8	4031918	2	Bolt, M8X70	
10	4812000	4	Washer, M10	
12	8405006	2	Clamp	
13	1001005904	4	Fitting, 45	
14	1001095301	1	Fitting, 90 ORFS	
15	1001101041	2	Coupling, Male Quick Disconnect	
16	1001101042	2	Coupling, Female Quick Disconnect	
17	1001104646	1	Fitting, Tee ORFS	
18	1001110023	1	Valve, Divertor (See Separate Breakdown in HYDRAULIC COMPONENTS Section)	
25	1001213871	1	Bracket	
27	0701021	1	Bolt, M10X65	
28	1001204420	1	Assembly, Divertor Valve (Hi Flow) (See Separate Breakdown in HYDRAULIC COMPONENTS Section)	
29	1001204421	1	Pipe	
30	1001213771	NLA	Pipe, ORFS (no longer available, use 1001226101 for replacement)	
30	1001226101	1	Pipe, ORFS	
31	1001213772	1	Pipe, ORFS	
32	1001204427	1	Pipe, ORFS	
33	1001204428	1	Pipe, ORFS	
34	1001204437	1	Hose	
35	1001157919	2	Joystick, Fingertip Control	
38	1001005193	3	Screw	
39	1001216163	1	Plate	
40	1001216232	4	Screw	
41	1001008922	2	Seal	

# SECTION 8 - HYDRAULIC CIRCUITS

FIGURE 8-29. REAR AUX HYDRAULICS INSTALLATION (TWIN) (SN 1160008716 to Present)



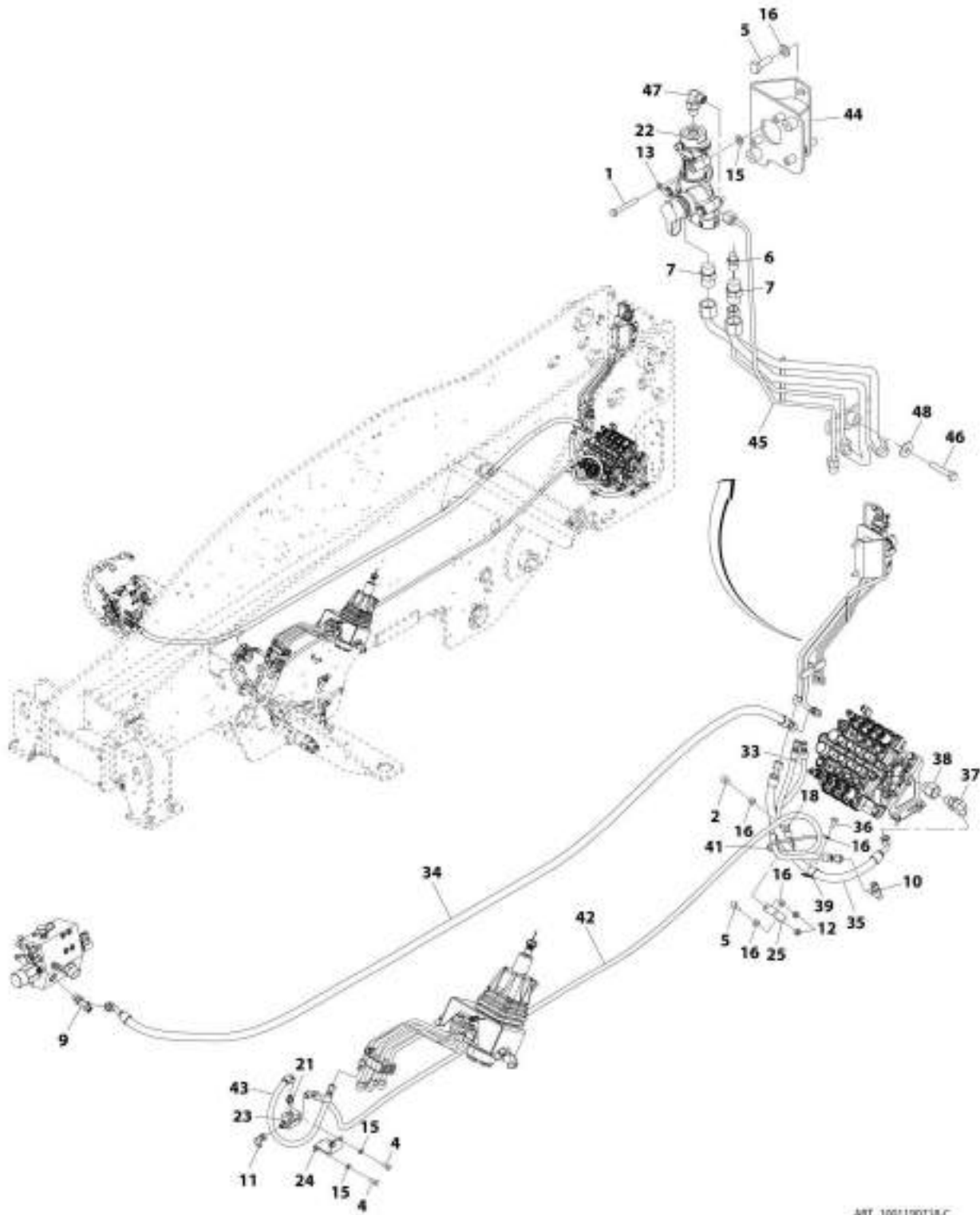
## SECTION 8 - HYDRAULIC CIRCUITS

**FIGURE 8-29. REAR AUX HYDRAULICS INSTALLATION (TWIN) (SN 1160008716 to Present)**

ITEM	PART NUMBER	QTY	DESCRIPTION	REV
	1001197090	Ref	Rear Aux Hydraulics Installation (Twin)	H
1	0701016	1	Bolt, M10X40	
2	0761012	2	Bolt, M10X25	
4	2111010	2	Fitting, Straight ORFS	
8	4031918	2	Bolt, M8X70	
10	4812000	4	Washer, M10	
12	8405006	2	Clamp	
13	1001005904	4	Fitting, 45	
14	1001095301	1	Fitting, 90 ORFS	
15	1001101041	2	Coupling, Male Quick Disconnect	
16	1001101042	2	Coupling, Female Quick Disconnect	
17	1001104646	1	Fitting, Tee ORFS	
18	1001110023	1	Valve, Divertor (See Separate Breakdown in HYDRAULIC COMPONENTS Section)	
25	1001213871	1	Bracket	
27	0701021	1	Bolt, M10X65	
28	1001204420	1	Assembly, Divertor Valve (Hi Flow) (See Separate Breakdown in HYDRAULIC COMPONENTS Section)	
29	1001226776	1	Pipe	
30	1001213771	NLA	Pipe, ORFS (no longer available, use 1001226101 for replacement)	
30	1001226101	1	Pipe, ORFS	
31	1001213772	1	Pipe, ORFS	
32	1001226777	1	Pipe, ORFS	
33	1001226778	1	Pipe, ORFS	
34	1001226779	1	Hose	
35	1001157919	2	Joystick, Fingertip Control	
38	7029486	3	Screw	
39	1001216163	1	Plate	
40	1001216232	4	Screw	
41	1001008922	2	Seal	
42	1062255	2	Strap, Tie	
43	1001188548	1	Boss	

# SECTION 8 - HYDRAULIC CIRCUITS

FIGURE 8-30. TRAILER BRAKE INSTALLATION (Prior to SN 1160008716)



ART\_1001190718-C

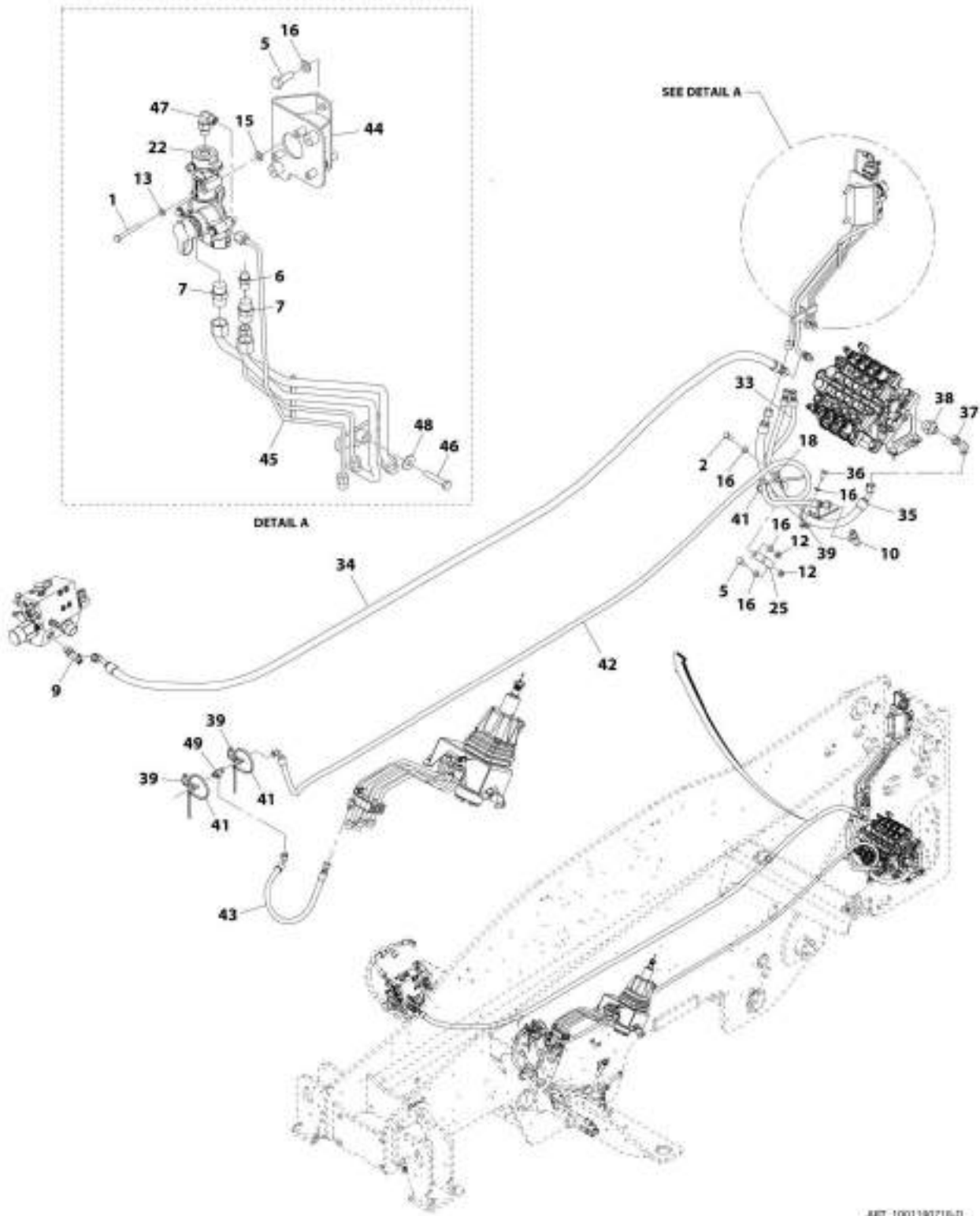
## SECTION 8 - HYDRAULIC CIRCUITS

**FIGURE 8-30. TRAILER BRAKE INSTALLATION (Prior to SN 1160008716)**

ITEM	PART NUMBER	QTY	DESCRIPTION	REV
	1001190718	Ref	Trailer Brake Installation	C
1	0700618	3	Bolt, M6X50	
2	0701012	1	Bolt, M10X25	
4	0760810	4	Bolt, M8X20	
5	0761014	3	Bolt, M10X30	
6	1001206179	1	Valve, Check	
7	2110808	2	Fitting, Straight ORFS	
9	2170308	1	Fitting, Tee ORFS	
10	2170706	1	Fitting, Tee ORFS	
11	2172104	1	Fitting, 90 ORFS	
12	3291001	2	Nut, M10X1.5 Grade 8	
13	4811700	3	Washer, M6	
15	4811900	7	Washer, M8	
16	4812000	6	Washer, M10	
18	1001008626	1	Clip	
21	1001120501	1	Fitting, Straight ORFS	
22	1001212384	1	Valve, Trailer Brake	
23	1001151257	1	Valve, Dynamic Select	
24	1001184517	1	Bracket	
25	1001184518	1	Bracket	
33	1001204729	1	Hose, ORFS	
34	1001204731	1	Hose, ORFS	
35	1001205078	1	Hose, ORFS	
36	0701011	1	Bolt, M10X22	
37	2130812	1	Fitting, 90 ORFS	
38	2220550	1	Fitting, Straight ORFS	
39	1001009384	1	Clip	
41	1062255	4	Strap, Tie	
42	1001205392	1	Hose, ORFS	
43	1001205393	1	Hose, ORFS	
44	1001204629	1	Bracket	
45	1001204681	1	Pipe	
46	0700817	1	Bolt, M8X45	
47	2130406	1	Fitting, 90 ORFS	
48	4811902	1	Washer, M8	

# SECTION 8 - HYDRAULIC CIRCUITS

FIGURE 8-31. TRAILER BRAKE INSTALLATION (SN 1160008716 to Present)



AMT\_1001190716-D

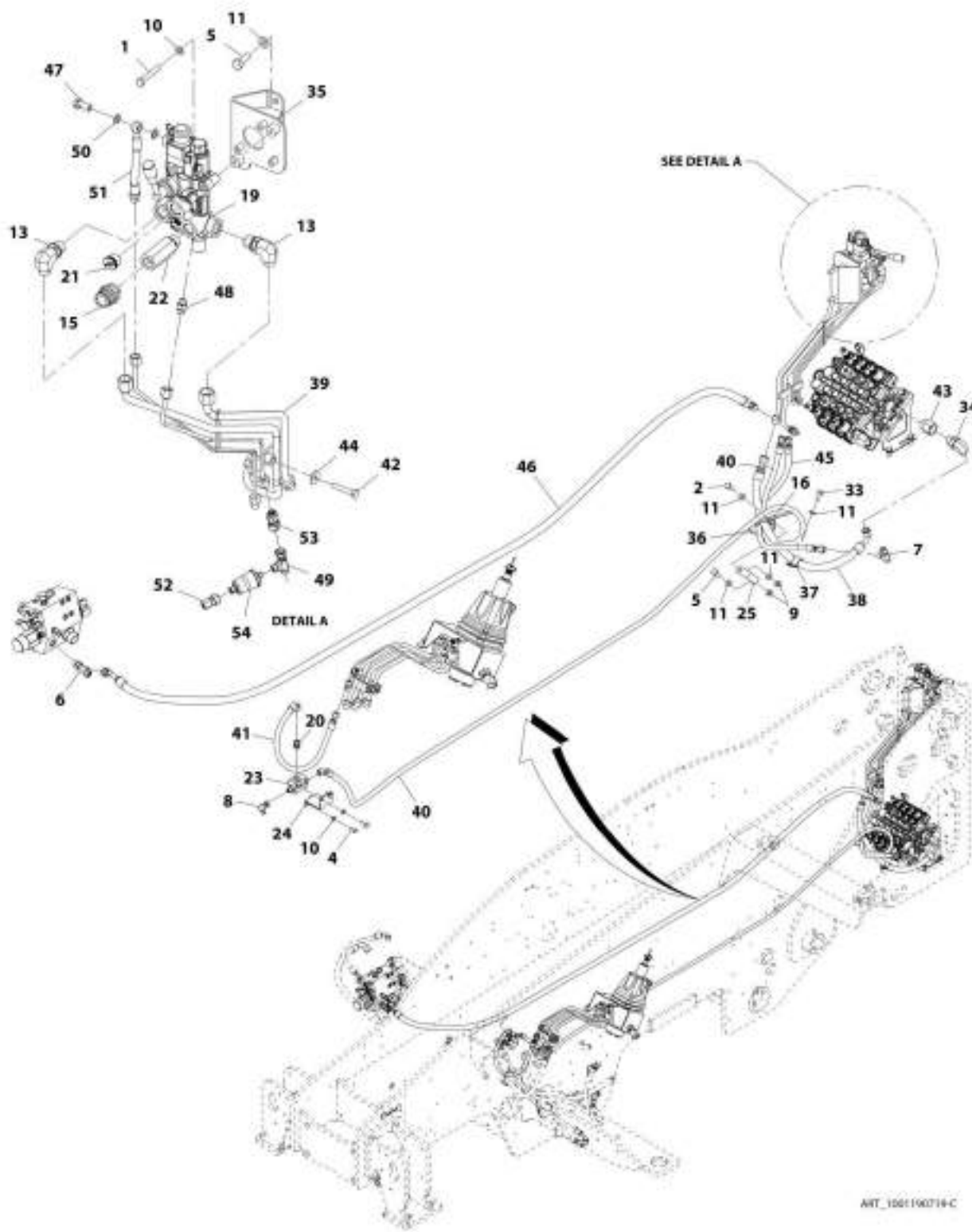
## SECTION 8 - HYDRAULIC CIRCUITS

**FIGURE 8-31. TRAILER BRAKE INSTALLATION (SN 1160008716 to Present)**

ITEM	PART NUMBER	QTY	DESCRIPTION	REV
	1001190718	Ref	Trailer Brake Installation	D
1	0700618	3	Bolt, M6X50	
2	0701012	1	Bolt, M10X25	
5	0761014	3	Bolt, M10X30	
6	1001206179	1	Valve, Check	
7	2110808	2	Fitting, Straight ORFS	
9	2170308	1	Fitting, Tee ORFS	
10	2170706	1	Fitting, Tee ORFS	
12	3291001	2	Nut, M10X1.5 Grade 8	
13	4811700	3	Washer, M6	
15	4811900	3	Washer, M8	
16	4812000	6	Washer, M10	
18	1001008626	1	Clip	
22	1001212384	1	Valve, Trailer Brake	
25	1001184518	1	Bracket	
33	1001204729	1	Hose, ORFS	
34	1001204731	1	Hose, ORFS	
35	1001226789	1	Hose, ORFS	
36	0701011	1	Bolt, M10X22	
37	2172108	1	Fitting, 90 ORFS	
38	2110816	1	Fitting, Straight ORFS	
39	1001003305	3	Clip	
41	1062255	4	Strap, Tie	
42	1001226787	1	Hose, ORFS	
43	1001205393	1	Hose, ORFS	
44	1001204629	1	Bracket	
45	1001204681	1	Pipe	
46	0700817	1	Bolt, M8X45	
47	2130406	1	Fitting, 90 ORFS	
48	4811902	1	Washer, M8	
49	2170504	1	Fitting, ORFS	

# SECTION 8 - HYDRAULIC CIRCUITS

FIGURE 8-32. TRAILER BRAKE INSTALLATION (ITALIAN) (Prior to SN 1160008716)





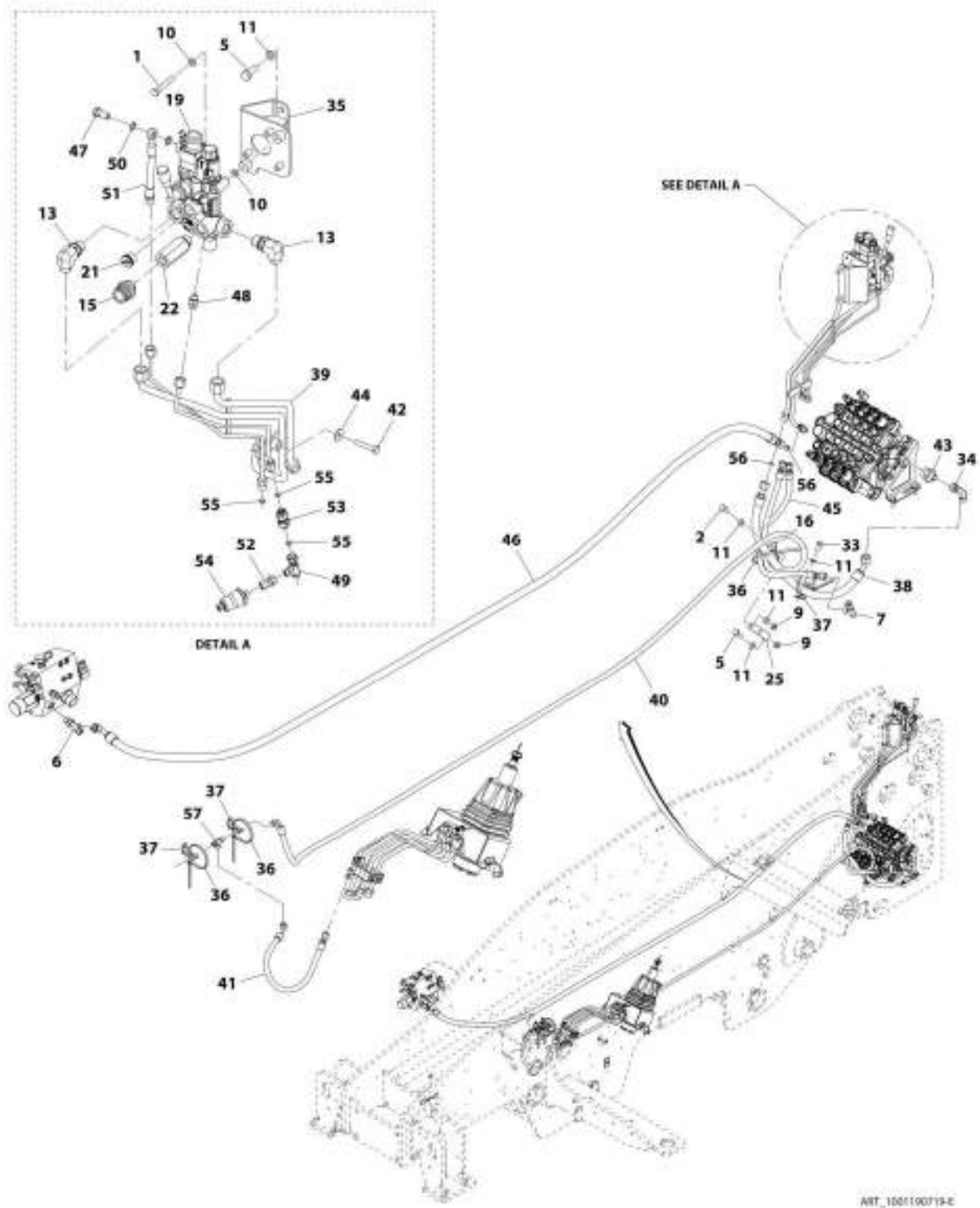
## SECTION 8 - HYDRAULIC CIRCUITS

**FIGURE 8-32. TRAILER BRAKE INSTALLATION (ITALIAN) (Prior to SN 1160008716)**

ITEM	PART NUMBER	QTY	DESCRIPTION	REV
	1001190719	Ref	Trailer Brake Installation (Italian)	C
1	0700819	2	Bolt, M8X55	
2	0701012	1	Bolt, M10X25	
4	0760810	4	Bolt, M8X20	
5	0761014	3	Bolt, M10X30	
6	2170308	1	Fitting, Tee ORFS	
7	2170706	1	Fitting, Tee ORFS	
8	2172104	1	Fitting, 90 ORFS	
9	3291001	2	Nut, M10X1.5 Grade 8	
10	4811900	8	Washer, M8	
11	4812000	6	Washer, M10	
13	8770175	2	Fitting, 90 ORFS	
15	1001005893	1	Coupler	
16	1001008626	1	Clip	
19	1001211323	1	Valve, Trailer Brake (Italian)	
20	1001120501	1	Fitting, Straight ORFS	
21	1001120505	1	Plug	
22	1001120602	1	Adapter	
23	1001151257	1	Valve, Dynamic Select	
24	1001184517	1	Bracket	
25	1001184518	1	Bracket	
33	0701011	1	Bolt, M10X22	
34	2130812	1	Fitting, 90 ORFS	
35	1001204629	1	Bracket	
36	1062255	1	Strap, Tie	
37	1001009384	1	Clip	
38	1001205078	1	Hose, ORFS	
39	1001218654	1	Bracket	
40	1001205392	1	Hose, ORFS	
41	1001205393	1	Hose, ORFS	
42	0700817	1	Bolt, M8X45	
43	2220550	1	Fitting, Straight ORFS	
44	4811902	1	Washer, M8	
45	1001204729	1	Hose, ORFS	
46	1001204731	1	Hose, ORFS	
47	0630609	1	Bolt, M12X1.25	
48	2144601	1	Fitting, Straight ORFS	
49	2170704	1	Fitting, Tee ORFS	
50	4740566	2	Washer, M12	
51	1001149050	1	Hose	
52	1001218962	1	Fitting, Straight	
53	1001169803	1	Valve, Check	
54	1001219481	1	Sensor	

# SECTION 8 - HYDRAULIC CIRCUITS

FIGURE 8-33. TRAILER BRAKE INSTALLATION (ITALIAN) (SN 1160008716 to Present)



ART\_1001190719-E

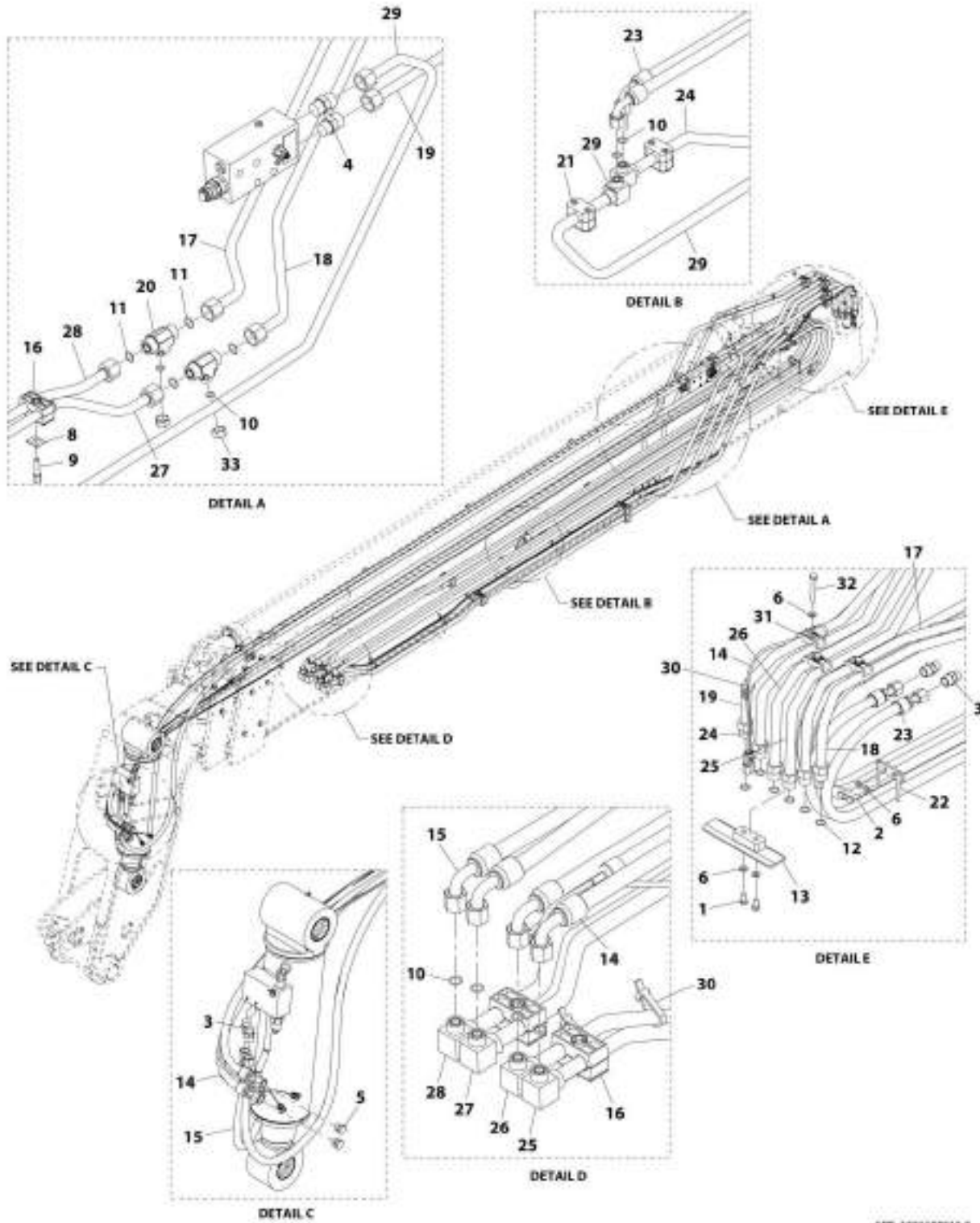
## SECTION 8 - HYDRAULIC CIRCUITS

**FIGURE 8-33. TRAILER BRAKE INSTALLATION (ITALIAN) (SN 1160008716 to Present)**

ITEM	PART NUMBER	QTY	DESCRIPTION	REV
	1001190719	Ref	Trailer Brake Installation (Italian)	E
1	0700819	2	Bolt, M8X55	
2	0701012	1	Bolt, M10X25	
5	0761014	3	Bolt, M10X30	
6	2170308	1	Fitting, Tee ORFS	
7	2170706	1	Fitting, Tee ORFS	
9	3291001	2	Nut, M10X1.5 Grade 8	
10	4811900	4	Washer, M8	
11	4812000	6	Washer, M10	
13	8770175	2	Fitting, 90 ORFS	
15	1001005893	1	Coupler	
16	1001008626	1	Clip	
19	1001211323	1	Valve, Trailer Brake (Italian)	
21	1001120505	1	Plug	
22	1001120602	1	Adapter	
25	1001184518	1	Bracket	
33	0701011	1	Bolt, M10X22	
34	2172108	1	Fitting, 90 ORFS	
35	1001204629	1	Bracket	
36	1062255	4	Strap, Tie	
37	1001003305	3	Clip	
38	1001226789	1	Hose, ORFS	
39	1001218654	1	Bracket	
40	1001226787	1	Hose, ORFS	
41	1001205393	1	Hose, ORFS	
42	0700817	1	Bolt, M8X45	
43	2110816	1	Fitting, Straight ORFS	
44	4811902	1	Washer, M8	
45	1001204729	1	Hose, ORFS	
46	1001204731	1	Hose, ORFS	
47	0630609	1	Bolt, M12X1.25	
48	2144601	1	Fitting, Straight ORFS	
49	2170704	1	Fitting, Tee ORFS	
50	4740566	2	Washer, M12	
51	1001149050	1	Hose	
52	1001218962	1	Fitting, Straight	
53	1001169803	1	Valve, Check	
54	1001219481	1	Sensor	
55	1001008586	3	Seal, O-Ring ORFS	
56	1001008805	2	Seal	
57	2170504	1	Fitting, ORFS	

# SECTION 8 - HYDRAULIC CIRCUITS

## FIGURE 8-34. BOOM HYDRAULIC INSTALLATION



ART\_1001187213-2

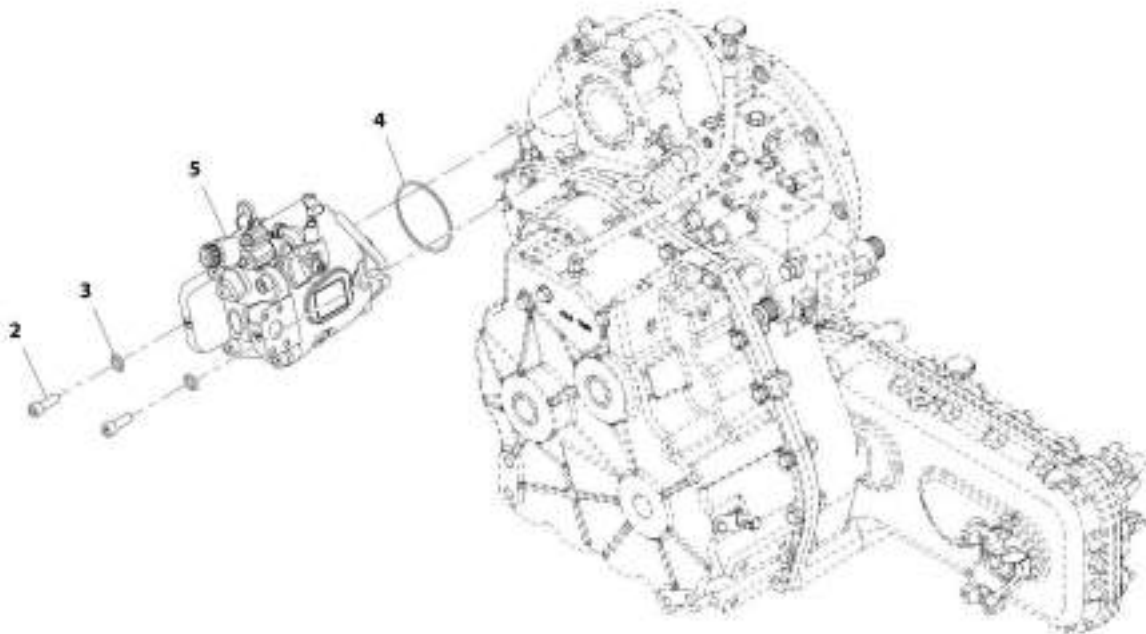
## SECTION 8 - HYDRAULIC CIRCUITS

**FIGURE 8-34. BOOM HYDRAULIC INSTALLATION**

ITEM	PART NUMBER	QTY	DESCRIPTION	REV
	1001197212	Ref	Boom Hydraulic Installation	E
1	0760815	2	Bolt, M8X35	
2	0760810	2	Bolt, M8X20	
3	2110808	4	Fitting, Straight ORFS	
4	2111212	2	Fitting, Straight ORFS	
5	2171008	2	Fitting, Straight ORFS	
6	4811900	7	Washer, M8	
8	8750017	1	Plate	
9	8750038	1	Clamp	
10	1001008805	8	Seal	
11	1001008863	4	Seal	
12	1001008922	6	Seal	
13	1001213020	1	Clamp	
14	1001186170	1	Assembly, Boom Cable (See Separate Breakdown in HYDRAULIC COMPONENTS Section)	
15	1001178107	1	Hose, Twin	
16	1001181455	7	Clamp, Twin	
17	1001181945	1	Tube	
18	1001181946	1	Tube	
19	1001182066	1	Tube	
20	1001182793	2	Adapter, ORFS	
21	1001183580	2	Clamp	
22	1001196268	1	Bracket	
23	1001196442	1	Hose, Twin	
24	1001197281	1	Pipe	
25	1001197300	1	Pipe	
26	1001197301	1	Pipe	
27	1001197302	1	Pipe	
28	1001197303	1	Pipe	
29	1001197500	1	Pipe	
30	1001008923	AR	Strap, Tie	
31	1001213883	3	Clamp	
32	0700819	3	Bolt, M8X55	
33	2170908	2	Cap, Fitting	

## SECTION 8 - HYDRAULIC CIRCUITS

FIGURE 8-35. MAIN HYDRAULIC PUMP INSTALLATION



WTT\_100117805-B

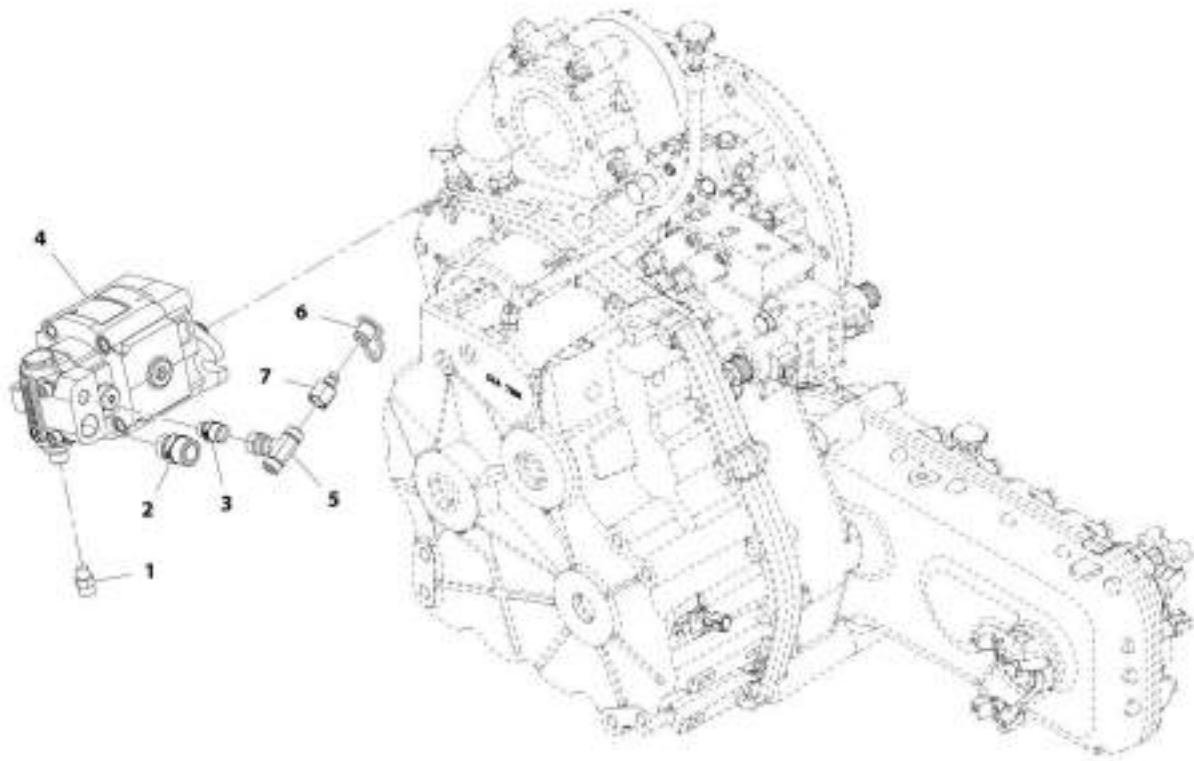
## SECTION 8 - HYDRAULIC CIRCUITS

### FIGURE 8-35. MAIN HYDRAULIC PUMP INSTALLATION

ITEM	PART NUMBER	QTY	DESCRIPTION	REV
	1001177863	Ref	Main Hydraulic Pump Installation	B
2	4032111	2	Bolt, M12X35	
3	4740532	2	Washer, M12	
4	1001008450	1	O-Ring	
5	1001183983	Ref	Installation, Implement Pump (See Separate Breakdown in this Section)	

## SECTION 8 - HYDRAULIC CIRCUITS

FIGURE 8-36. IMPLEMENT PUMP INSTALLATION



ART\_1001585070-C



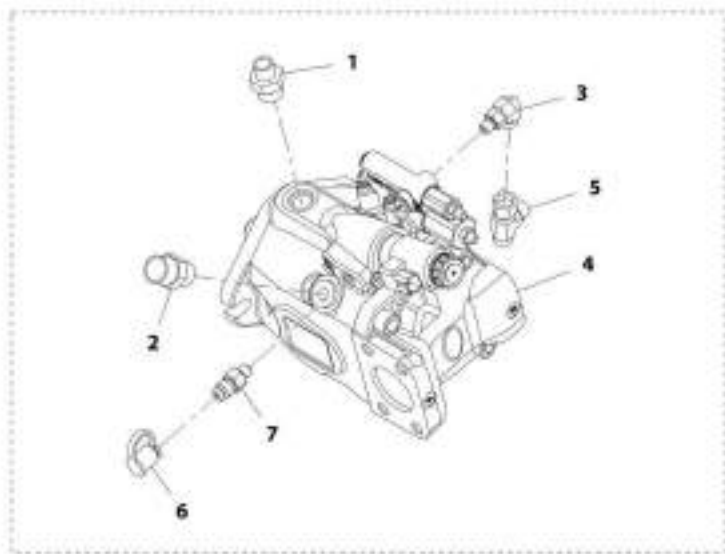
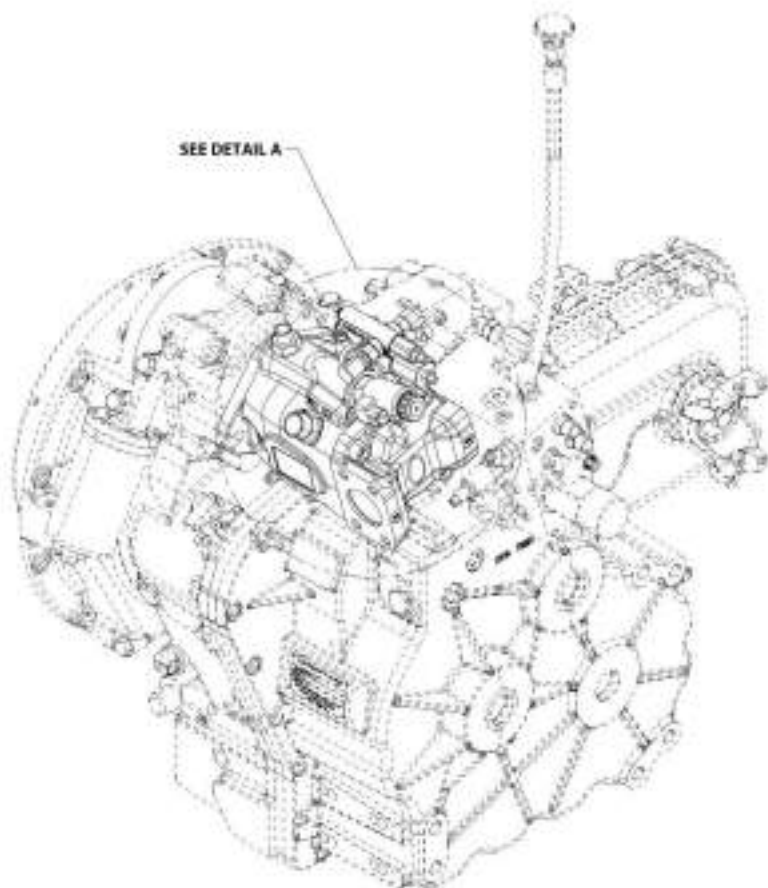
## SECTION 8 - HYDRAULIC CIRCUITS

### FIGURE 8-36. IMPLEMENT PUMP INSTALLATION

ITEM	PART NUMBER	QTY	DESCRIPTION	REV
	1001185070	Ref	Implement Pump Installation	C
1	1001059819	1	Fitting, Straight ORFS	
2	1001169806	1	Fitting, Straight ORFS	
3	1001177730	1	Fitting, Straight ORFS	
4	1001179768	1	Pump, Implement (See Separate Breakdown in HYDRAULIC COMPONENTS Section)	
5	2170808	1	Fitting, Tee ORFS	
6	1001008761	1	Cap	
7	8430082	1	Fitting, Straight ORFS	

# SECTION 8 - HYDRAULIC CIRCUITS

## FIGURE 8-37. IMPLEMENT PUMP INSTALLATION



DETAIL A

ART\_1001183983-0

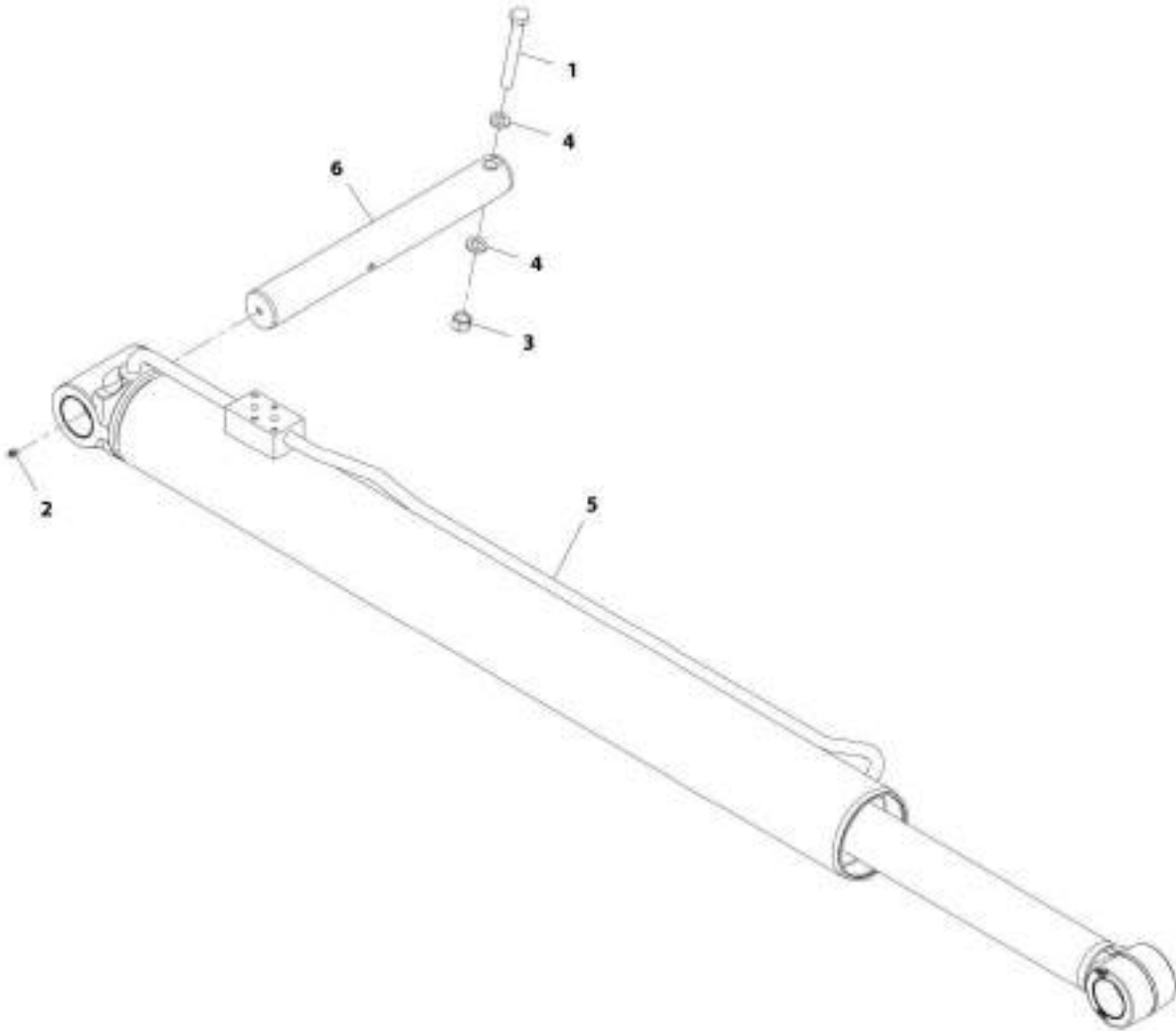
## SECTION 8 - HYDRAULIC CIRCUITS

### FIGURE 8-37. IMPLEMENT PUMP INSTALLATION

ITEM	PART NUMBER	QTY	DESCRIPTION	REV
	1001183983	Ref	Implement Pump Installation	B
1	2110610	1	Fitting, Straight ORFS	
2	2111010	1	Fitting, Straight ORFS	
3	2130604	1	Fitting, 90 ORFS	
4	1001200815	1	Pump, Implement (See Separate Breakdown in HYDRAULIC COMPONENTS Section)	
5	2170706	1	Fitting, Tee ORFS	
6	8430032	1	Plug	
7	8430033	1	Adapter	

**SECTION 8 - HYDRAULIC CIRCUITS**

**FIGURE 8-38. LIFT CYLINDER INSTALLATION**



ART\_1001573015-A

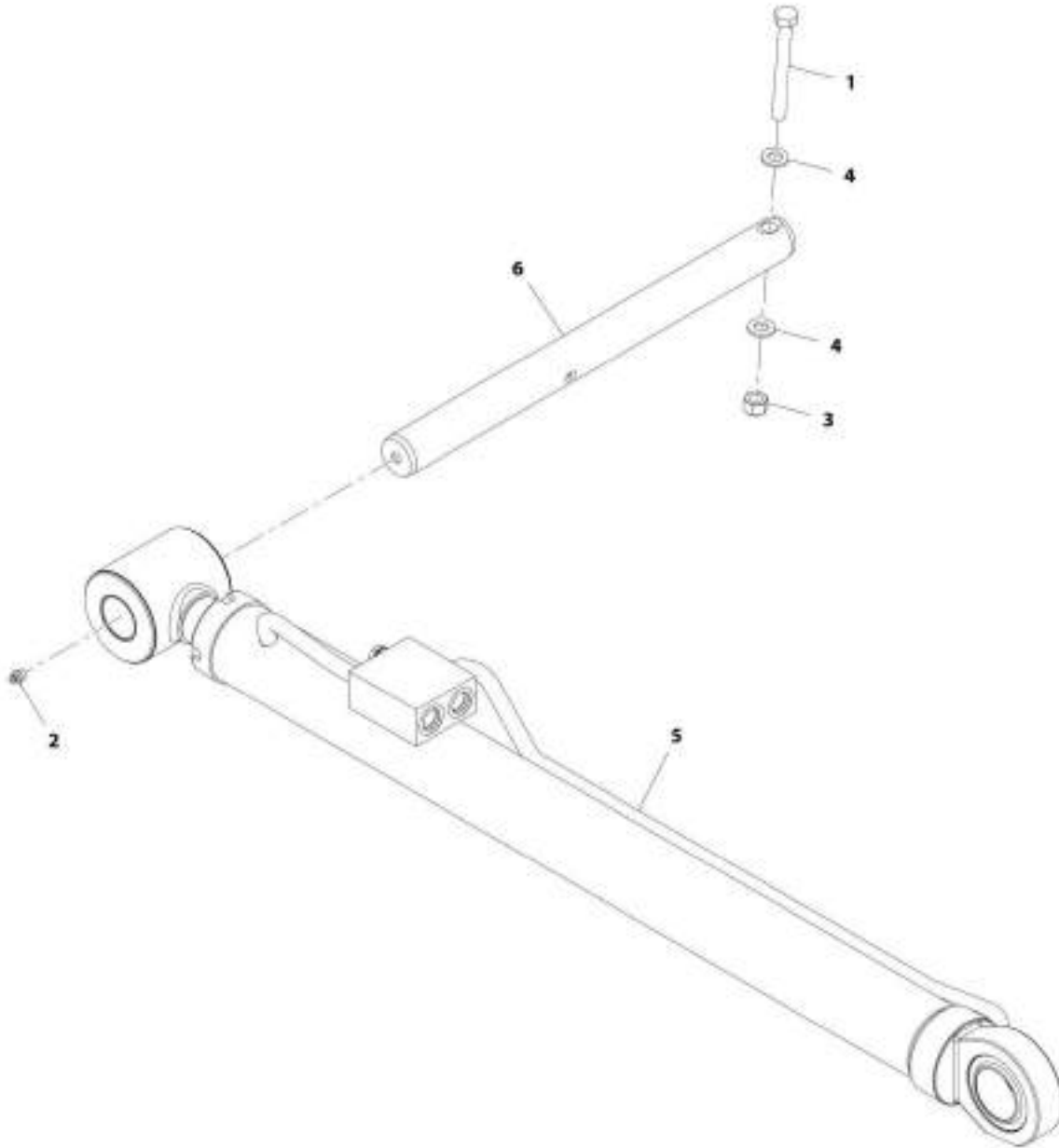
## SECTION 8 - HYDRAULIC CIRCUITS

### FIGURE 8-38. LIFT CYLINDER INSTALLATION

ITEM	PART NUMBER	QTY	DESCRIPTION	REV
	1001173015	Ref	Lift Cylinder Installation	A
1	0701630	1	Bolt, M16X130	
2	2160016	1	Fitting, Grease	
3	3291605	1	Nut, Lock M16X2 Grade 8	
4	4812300	2	Washer, M16	
5	1001175016	1	Cylinder, Lift (See Separate Breakdown in HYDRAULIC COMPONENTS Section)	
6	1001183460	1	Pin	

# SECTION 8 - HYDRAULIC CIRCUITS

## FIGURE 8-39. COMPENSATION CYLINDER INSTALLATION



ART\_1001173811-B

## SECTION 8 - HYDRAULIC CIRCUITS

**FIGURE 8-39. COMPENSATION CYLINDER INSTALLATION**

ITEM	PART NUMBER	QTY	DESCRIPTION	REV
	1001173011	Ref	Compensation Cylinder Installation	B
1	0761228	1	Bolt, M12X110	
2	2160016	1	Fitting, Grease	
3	3291205	1	Nut, Lock M12X1.75 Grade 8	
4	4812100	2	Washer, M12	
5	1001174993	1	Cylinder, Compensation (See Separate Breakdown in HYDRAULIC COMPONENTS Section) <b>(Prior to SN 1160008715)</b>	
5	1001229924	1	Cylinder, Compensation (See Separate Breakdown in HYDRAULIC COMPONENTS Section) <b>(SN 1160008715 to Present)</b>	
6	1001183461	1	Pin	

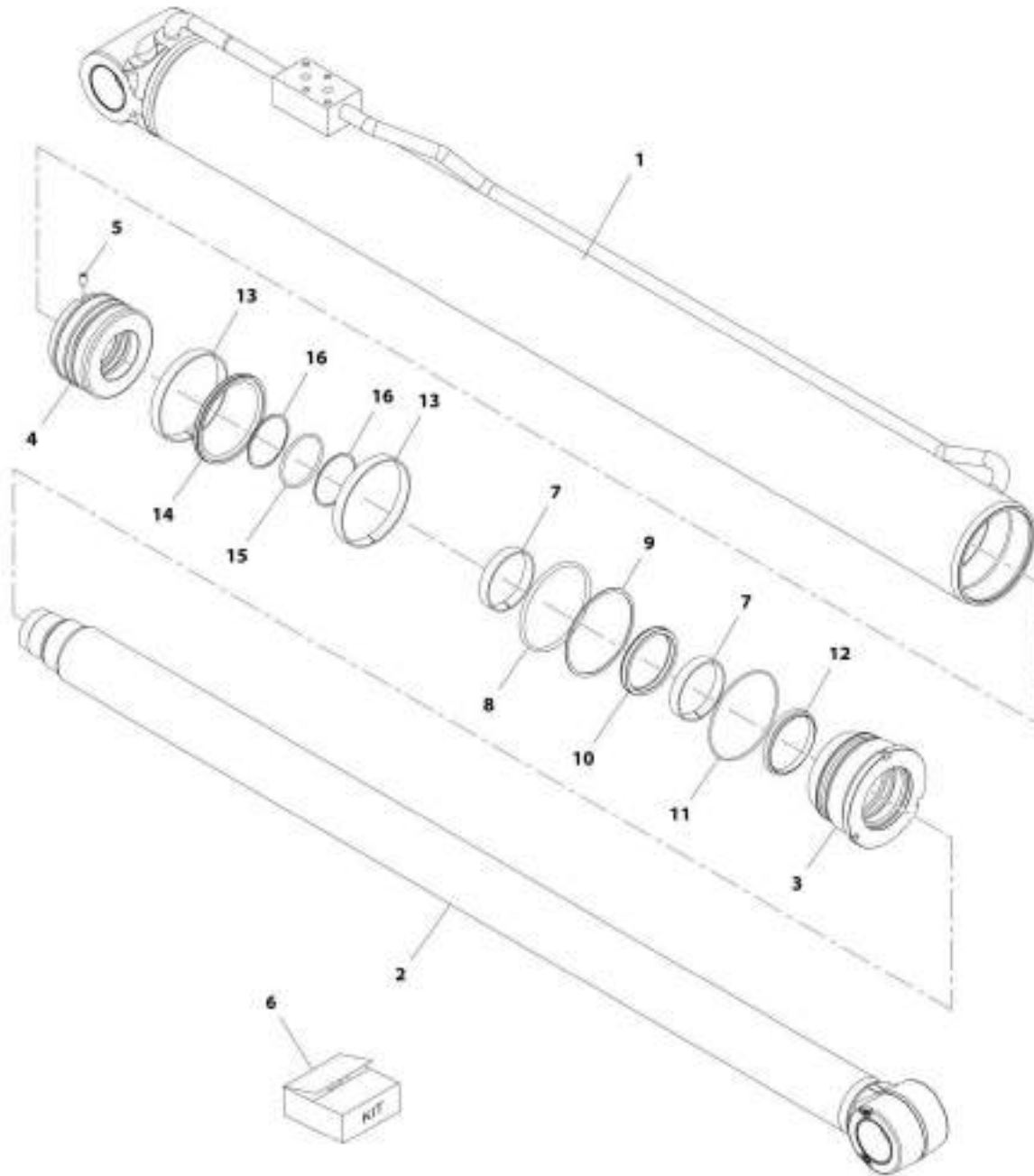




**SECTION 9 - HYDRAULIC COMPONENTS**

# SECTION 9 - HYDRAULIC COMPONENTS

## FIGURE 9-1. LIFT CYLINDER



ART\_100175014-E

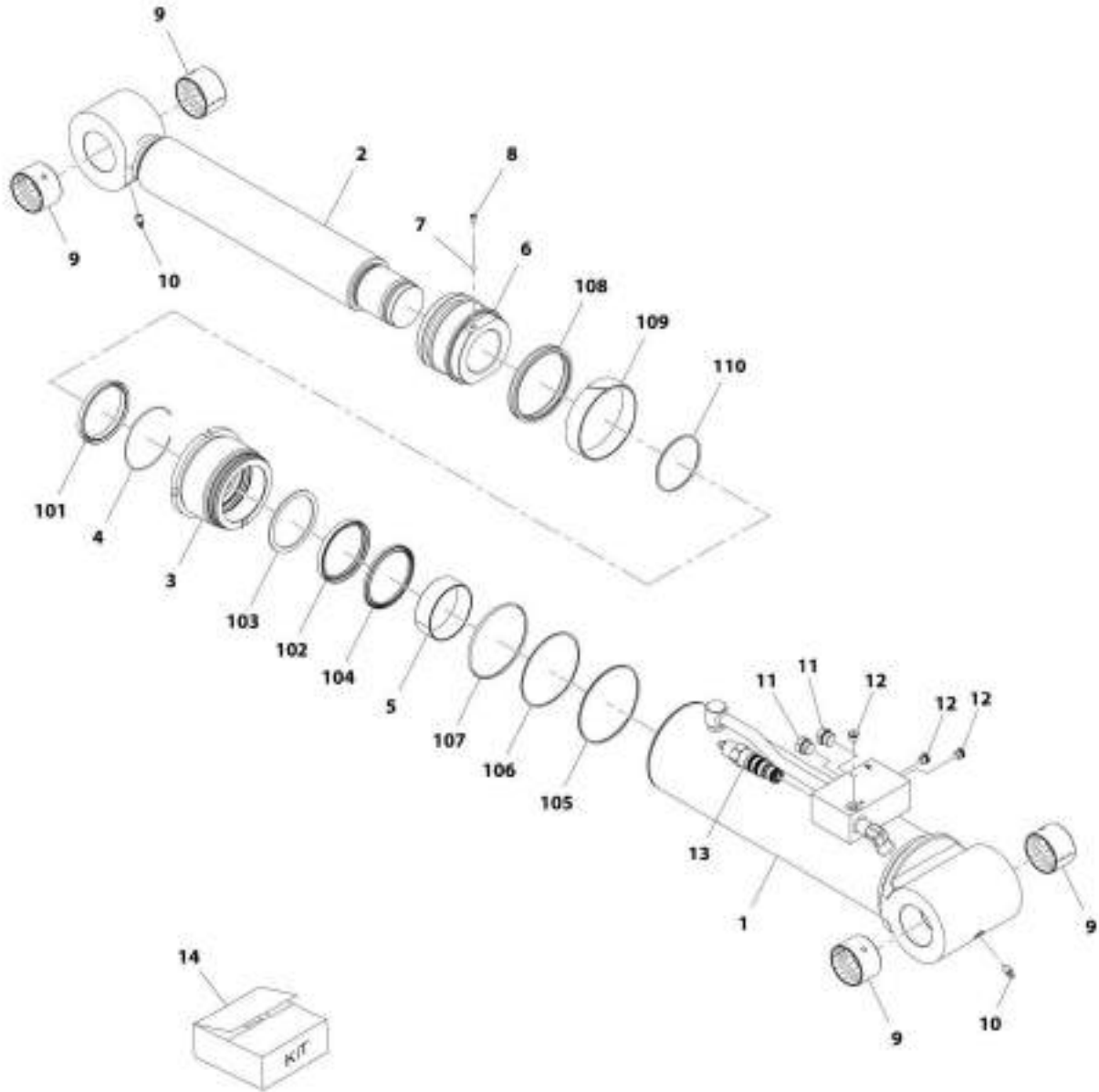
## SECTION 9 - HYDRAULIC COMPONENTS

### FIGURE 9-1. LIFT CYLINDER

ITEM	PART NUMBER	QTY	DESCRIPTION	REV
	1001175016	Ref	Lift Cylinder	E
1	70026845	1	Barrel	
2	70026846	1	Rod	
3	70026847	1	Guide, Rod	
4	70026843	1	Piston	
5	70020438	1	Screw	
6	70026848	1	Kit, Seal	
7	Kit	2	Bearing	
8	Kit	1	O-Ring	
9	Kit	1	Ring, Backup	
10	Kit	1	Seal, Rod	
11	Kit	1	O-Ring	
12	Kit	1	Wiper	
13	Kit	2	Bearing	
14	Kit	1	Seal, Piston	
15	Kit	1	O-Ring	
16	Kit	2	Ring, Backup	

# SECTION 9 - HYDRAULIC COMPONENTS

## FIGURE 9-2. TILT CYLINDER



KIT\_1001166534-D

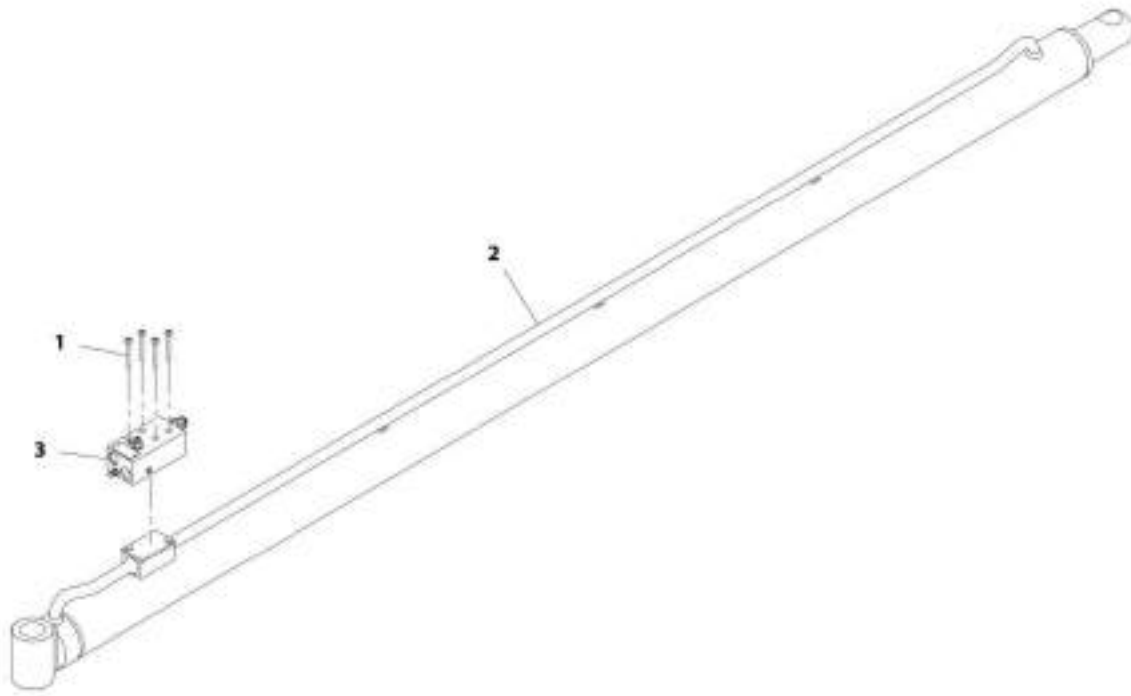
## SECTION 9 - HYDRAULIC COMPONENTS

### FIGURE 9-2. TILT CYLINDER

ITEM	PART NUMBER	QTY	DESCRIPTION	REV
	1001166534	Ref	Tilt Cylinder	D
1	70027226	1	Tube	
2	70027227	1	Rod	
3	70027223	1	Gland	
4	70023380	1	Ring, Retaining	
5	70027225	1	Bearing, Dry	
6	70027224	1	Piston	
7	70022564	1	Ball, Steel	
8	70022563	1	Screw, Set	
9	70026543	4	Bearing, Dry	
10	70026308	2	Fitting, Grease	
11	70023372	2	Plug, Hex	
12	70023370	3	Plug, Socket	
13	1001189888	1	Valve, Counterbalance	
14	70027228	1	Kit, Seal	
101	Kit	1	Wiper, Dust	
102	Kit	1	Seal, Rod	
103	Kit	1	Ring, Backup	
104	Kit	1	Ring, Buffer	
105	Kit	1	O-Ring	
106	Kit	1	Ring, Backup	
107	Kit	1	O-Ring	
108	Kit	1	Seal, Piston	
109	Kit	1	Ring, Wear	
110	Kit	1	O-Ring	

# SECTION 9 - HYDRAULIC COMPONENTS

FIGURE 9-3. EXTEND/RETRACT CYLINDER ASSEMBLY



AWT\_1001200315-A

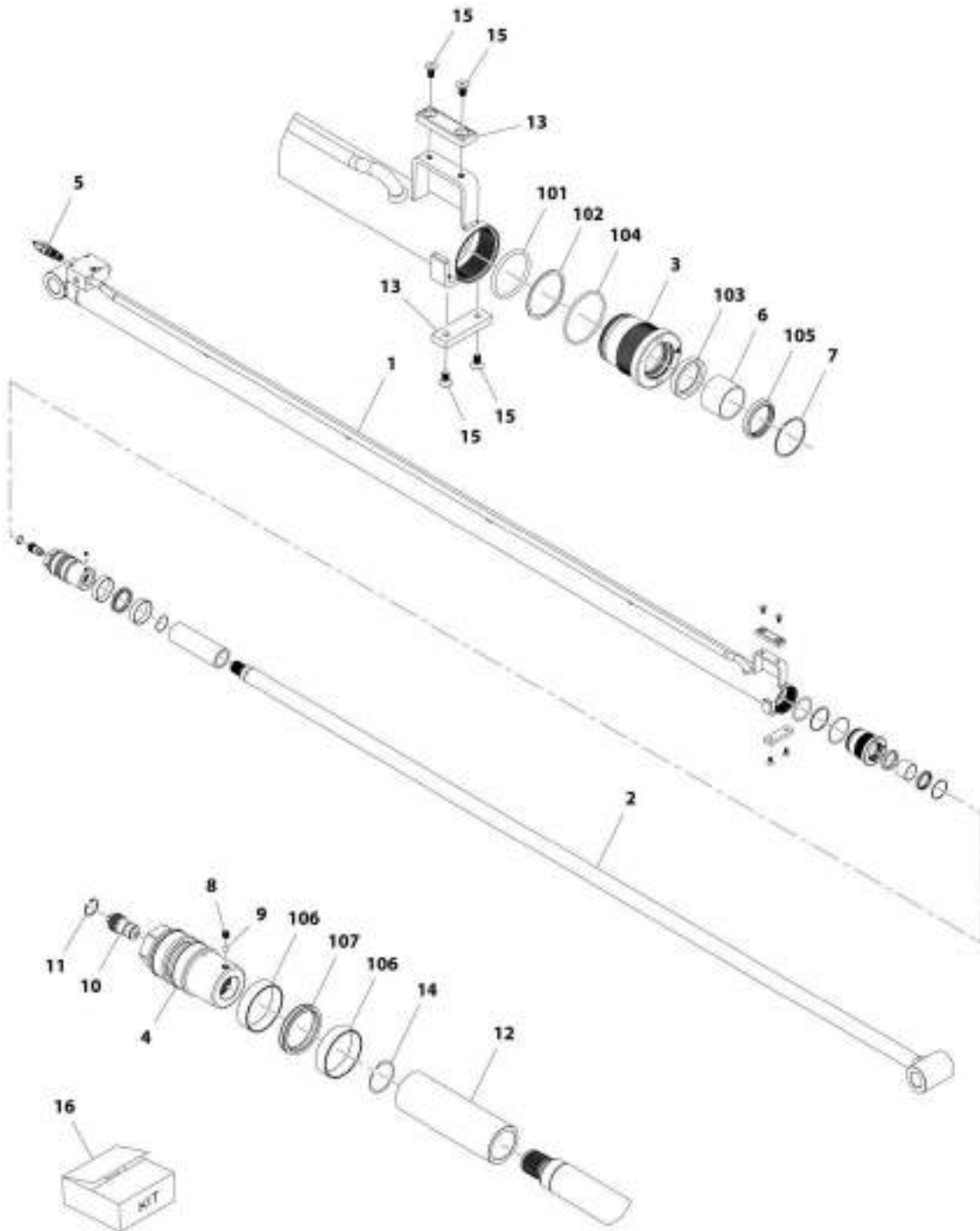
## SECTION 9 - HYDRAULIC COMPONENTS

FIGURE 9-3. EXTEND/RETRACT CYLINDER ASSEMBLY

ITEM	PART NUMBER	QTY	DESCRIPTION	REV
	1001203313	Ref	Extend/Retract Cylinder Assembly	A
1	5271917	4	Screw, M8X65	
2	1001175019	1	Cylinder, Extend/Retract (See Separate Breakdown in this Section)	
3	1001192946	1	Valve, Counterbalance	

# SECTION 9 - HYDRAULIC COMPONENTS

## FIGURE 9-4. INNER EXTEND/RETRACT CYLINDER



ART\_100117500-E



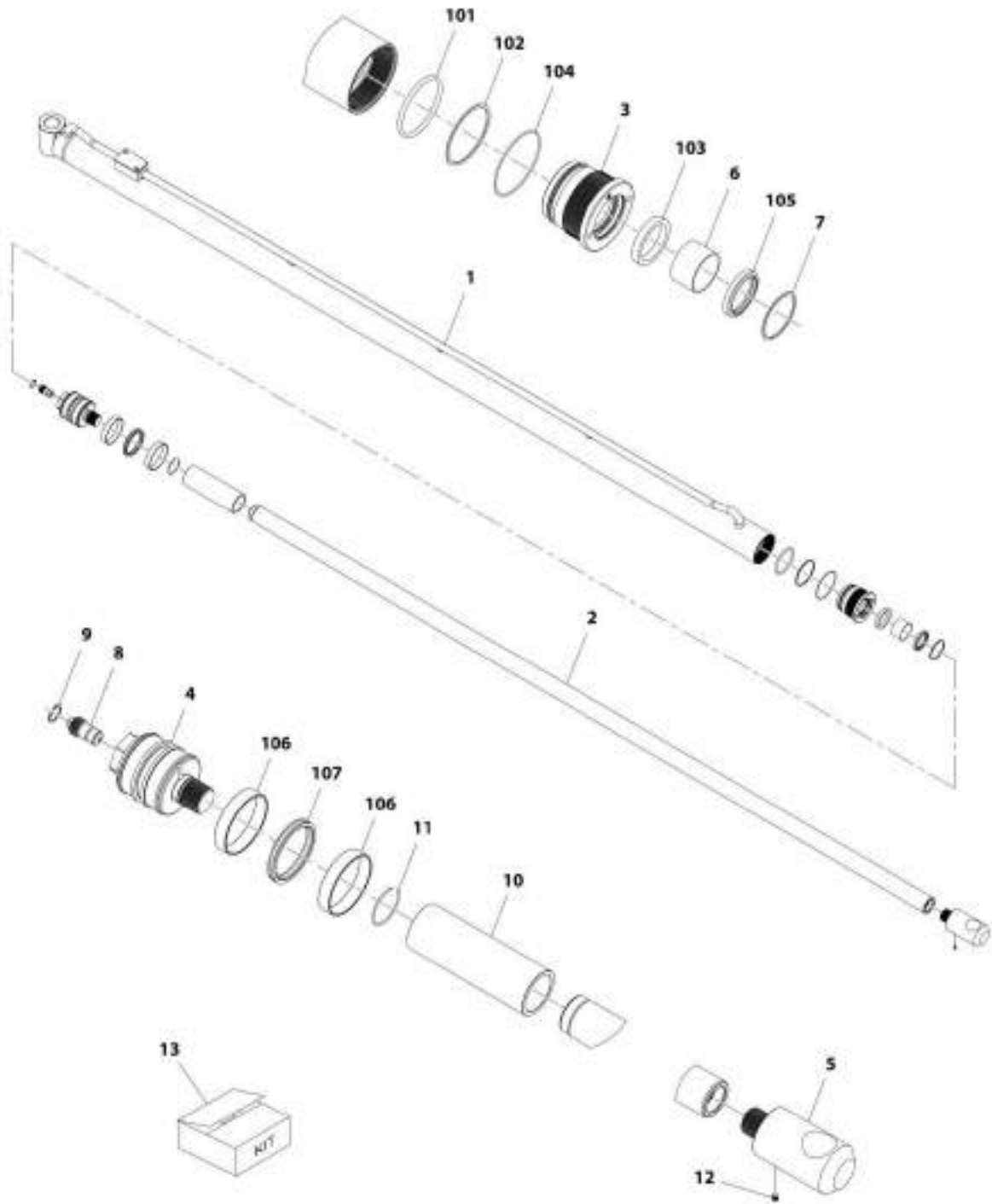
## SECTION 9 - HYDRAULIC COMPONENTS

**FIGURE 9-4. INNER EXTEND/RETRACT CYLINDER**

ITEM	PART NUMBER	QTY	DESCRIPTION	REV
	1001175020	Ref	Extend/Retract Cylinder Assembly	E
1	70027077	1	Barrel	
2	70027078	1	Rod	
3	70027079	1	Gland	
4	70027080	1	Piston Head	
5	1001162974	1	Valve, Counterbalance	
6	70027081	1	Bushing, Spare	
7	70023101	1	Ring, Snap	
8	70025956	1	Screw, Lock	
9	70025614	1	Bearing, Ball	
10	70027087	1	Valve, Check	
11	70027074	1	Circlip	
12	70027082	1	Spacer	
13	70027083	1	Guide, Plate	
14	70027084	1	Wire Ring	
15	70027085	1	Screw	
16	70027086	1	Kit, Seal	
101	Kit	1	O-Ring	
102	Kit	1	Ring, Backup	
103	Kit	1	Seal, Rod	
104	Kit	1	O-Ring	
105	Kit	1	Wiper	
106	Kit	1	Bearing, Piston Ring	
107	Kit	1	Seal, Piston	

# SECTION 9 - HYDRAULIC COMPONENTS

## FIGURE 9-5. OUTER EXTEND/RETRACT CYLINDER



ART\_1001173019-G

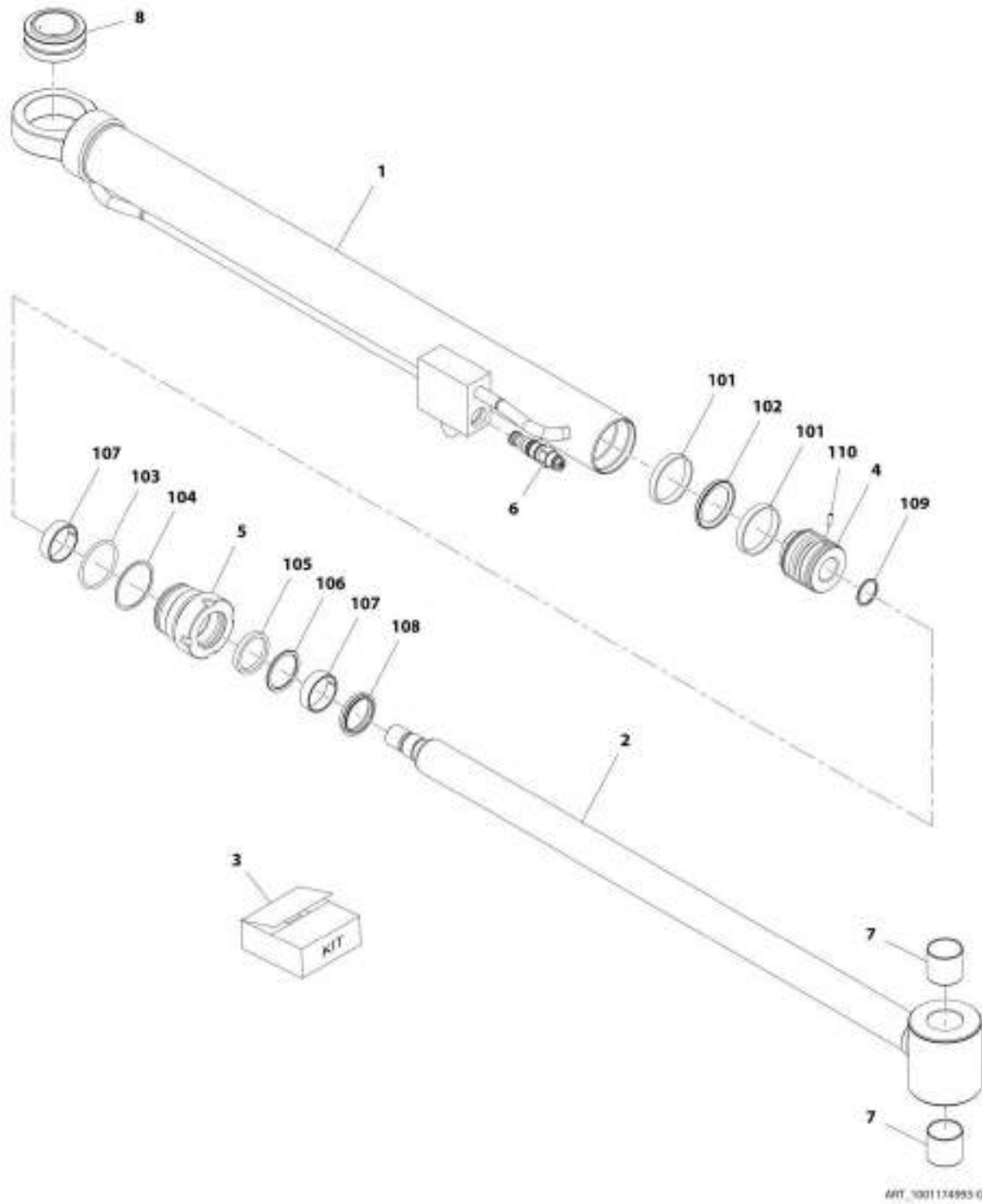
## SECTION 9 - HYDRAULIC COMPONENTS

**FIGURE 9-5. OUTER EXTEND/RETRACT CYLINDER**

ITEM	PART NUMBER	QTY	DESCRIPTION	REV
	1001175019	Ref	Extend/Retract Cylinder	G
1	70027068	1	Barrel	
2	70027069	1	Rod	
3	70027070	1	Head	
4	70027071	1	Piston	
5	70027072	1	Screw	
6	70027073	1	Bushing, Spare	
7	70002222	1	Ring, Retaining	
8	70027087	1	Valve, Check	
9	70027074	1	Circlip	
10	70027075	1	Spacer	
11	70027076	1	Wire Ring	
12	70027088	1	Screw, Lock	
13	70027067	1	Kit, Seal	
101	Kit	1	O-Ring	
102	Kit	1	Ring, Backup	
103	Kit	1	Seal, Rod	
104	Kit	1	O-Ring	
105	Kit	1	Wiper	
106	Kit	1	Bearing, Piston Ring	
107	Kit	1	Seal, Piston	

# SECTION 9 - HYDRAULIC COMPONENTS

FIGURE 9-6. COMPENSATION CYLINDER (Prior to SN 1160008715)



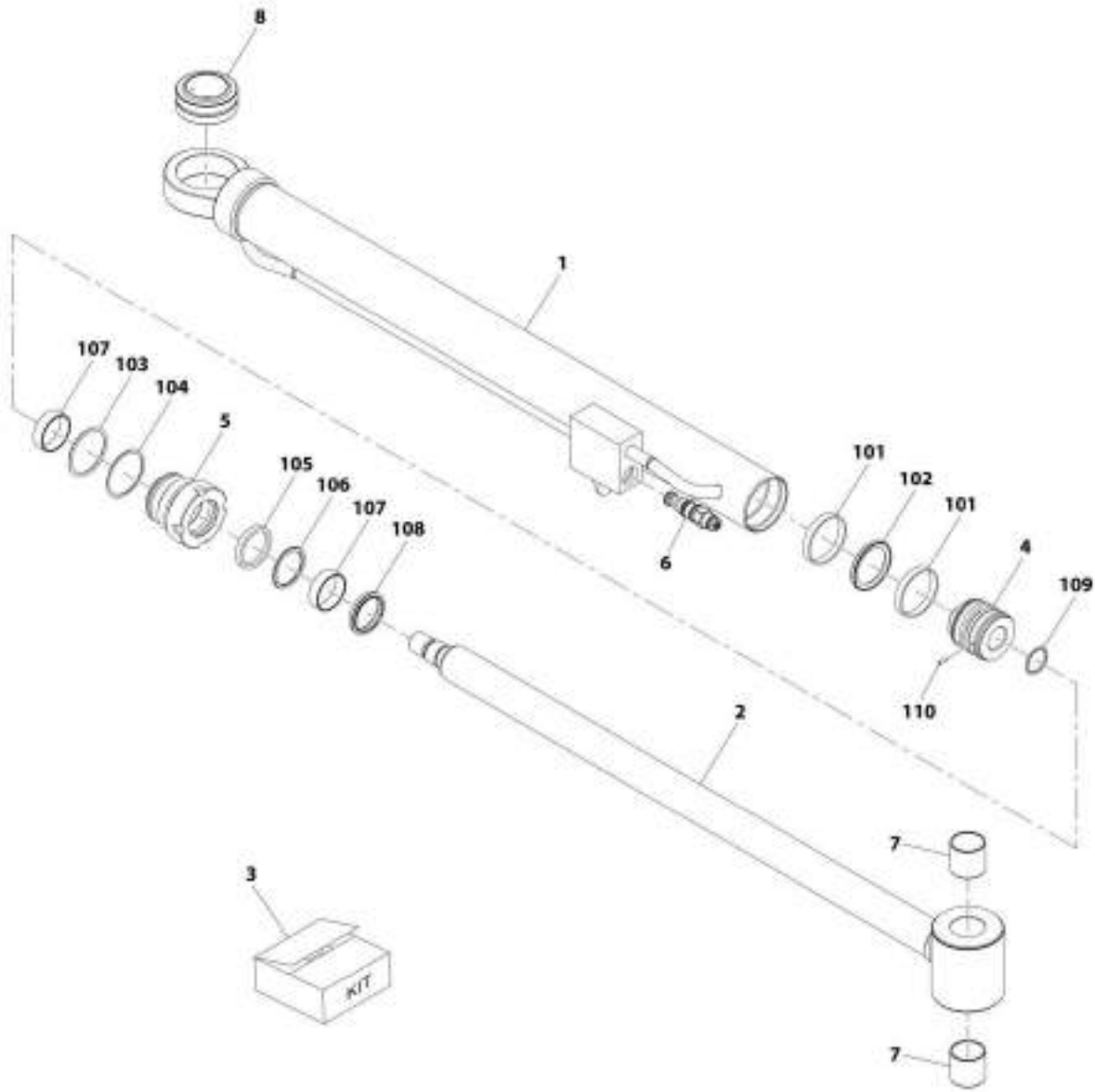
## SECTION 9 - HYDRAULIC COMPONENTS

**FIGURE 9-6. COMPENSATION CYLINDER (Prior to SN 1160008715)**

ITEM	PART NUMBER	QTY	DESCRIPTION	REV
	1001174993	Ref	Compensation Cylinder	G
1	70027236	1	Barrel	
2	70027237	1	Rod	
3	70027238	1	Kit, Seal	
101	Kit	2	Ring, Wear	
102	Kit	1	Seal, Piston	
103	Kit	1	O-Ring	
104	Kit	1	Ring	
105	Kit	1	Seal, Rod	
106	Kit	1	Ring, Nylon	
107	Kit	2	Ring, Wear	
108	Kit	1	Wiper	
109	Kit	1	O-Ring	
110	Kit	1	Screw	
4	70027239	1	Piston	
5	70027240	1	Retainer	
6	1001164336	1	Valve, Counterbalance	
7	70027234	2	Bearing	
8	70027235	1	Bearing, Spherical	

# SECTION 9 - HYDRAULIC COMPONENTS

FIGURE 9-7. COMPENSATION CYLINDER (SN 1160008715 to Present)



ART\_100122W024-B

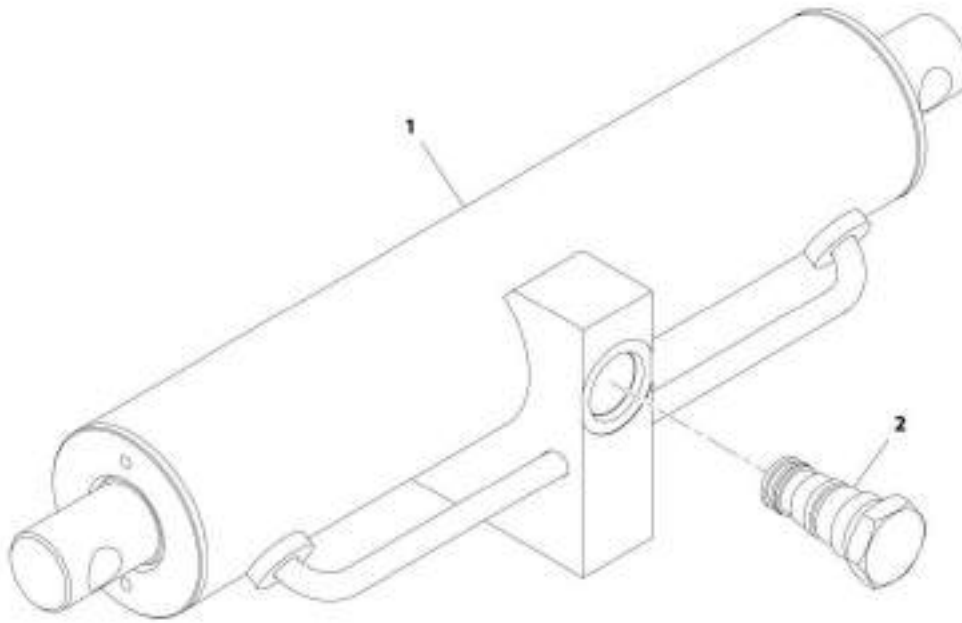
## SECTION 9 - HYDRAULIC COMPONENTS

**FIGURE 9-7. COMPENSATION CYLINDER (SN 1160008715 to Present)**

ITEM	PART NUMBER	QTY	DESCRIPTION	REV
	1001229924	Ref	Compensation Cylinder	B
1	70027729	1	Barrel	
2	70027730	1	Rod	
3	70027238	1	Kit, Seal (includes items 101 thru 110)	
4	70027239	1	Piston	
5	70027240	1	Retainer	
6	1001164336	1	Valve, Counterbalance	
7	70027234	2	Bearing	
8	70027235	1	Bearing, Spherical	
101	Kit	2	Ring, Wear	
102	Kit	1	Seal, Piston	
103	Kit	1	O-Ring	
104	Kit	1	Ring	
105	Kit	1	Seal, Rod	
106	Kit	1	Ring, Nylon	
107	Kit	2	Ring, Wear	
108	Kit	1	Wiper	
109	Kit	1	O-Ring	
110	Kit	1	Screw	

# SECTION 9 - HYDRAULIC COMPONENTS

FIGURE 9-8. COUPLER LOCKING CYLINDER ASSEMBLY



ART\_100114382-B



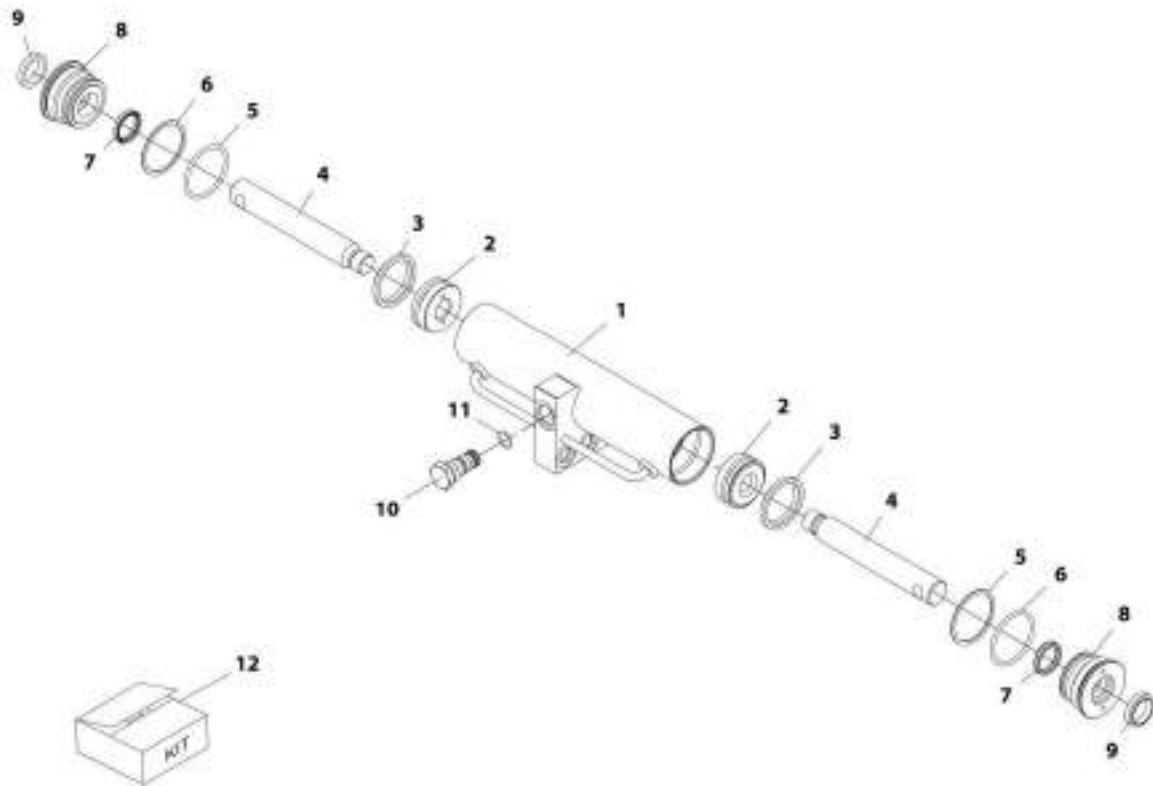
## SECTION 9 - HYDRAULIC COMPONENTS

### FIGURE 9-8. COUPLER LOCKING CYLINDER ASSEMBLY

ITEM	PART NUMBER	QTY	DESCRIPTION	REV
1	1001114787	Ref	Coupler Locking Cylinder Assembly	B
	1001145390	1	Cylinder, Coupler Locking (See Separate Breakdown in this Section)	
2	1001145444	1	Valve, P.O. Check	

# SECTION 9 - HYDRAULIC COMPONENTS

## FIGURE 9-9. COUPLER LOCKING CYLINDER



AME\_1001345390-A

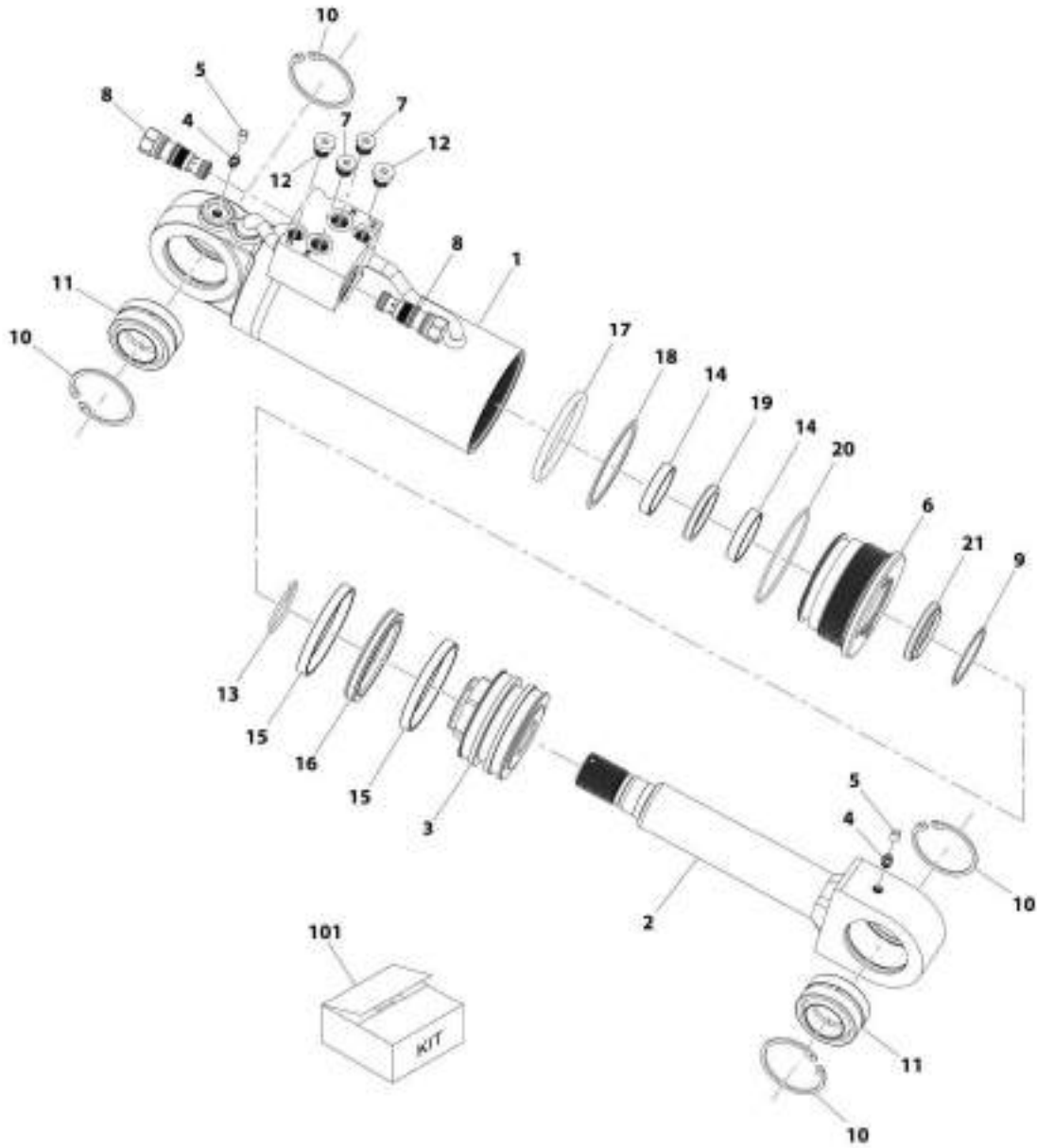
## SECTION 9 - HYDRAULIC COMPONENTS

### FIGURE 9-9. COUPLER LOCKING CYLINDER

ITEM	PART NUMBER	QTY	DESCRIPTION	REV
	1001145390	Ref	Coupler Locking Cylinder	A
1	70024164	2	Body	
2	70024165	2	Piston	
3	Kit	2	Seal, Piston	
4	70024166	2	Rod	
5	Kit	2	O-Ring	
6	Kit	2	Ring, Backup	
7	Kit	2	Seal, Rod	
8	70024167	2	Gland	
9	Kit	2	Seal, Wiper	
10	1001007056	1	Valve, Check	
11	91574001	1	Seal, Check Valve	
12	70024168	1	Kit, Seal (includes items 3, 5, 6, 7 & 9)	

# SECTION 9 - HYDRAULIC COMPONENTS

## FIGURE 9-10. SIDE TILT CYLINDER



ART\_1001103434-A

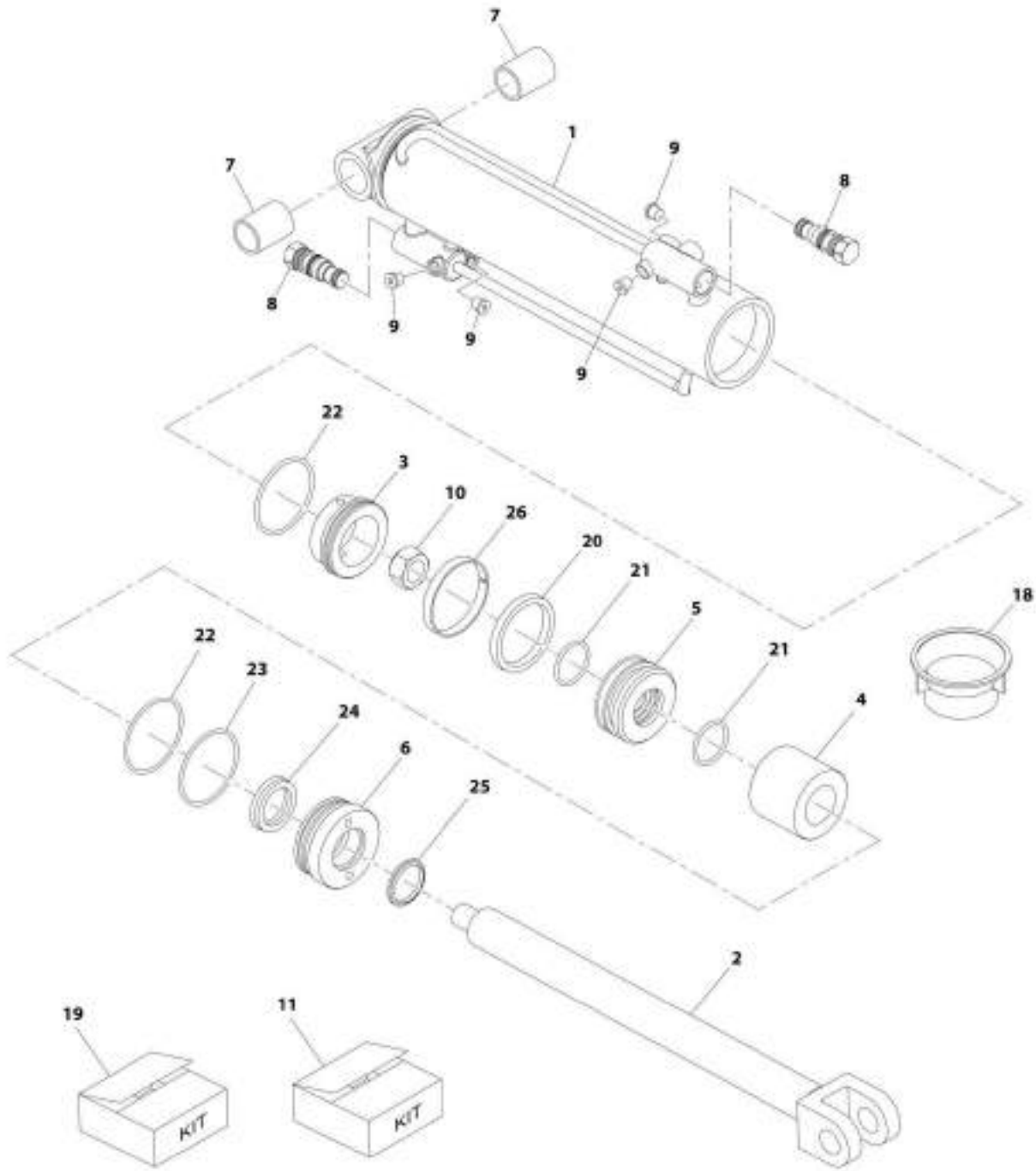
## SECTION 9 - HYDRAULIC COMPONENTS

### FIGURE 9-10. SIDE TILT CYLINDER

ITEM	PART NUMBER	QTY	DESCRIPTION	REV
	1001163414	Ref	Side Tilt Cylinder	A
1	70026056	1	Barrel	
2	70026057	1	Rod	
3	70026058	1	Head, Piston	
4	70025606	2	Nipple, Grease	
5	70024020	2	Fitting, Grease	
6	70003849	1	Gland	
7	70025959	2	Plug	
8	70026059	2	Valve, P.O. Check	
9	70002219	1	Ring, Internal Snap	
10	70026060	4	Ring, Internal Snap	
11	70026061	2	Bearing, Spherical	
12	70024262	2	Plug	
13	70002224	1	Ring, Locking	
14	Kit	2	Ring, Rod Bearing	
15	Kit	2	Ring, Piston Bearing	
16	Kit	1	Seal, Piston	
17	Kit	1	O-Ring	
18	Kit	1	Ring, Back-Up	
19	Kit	1	Seal, Rod	
20	Kit	1	O-Ring	
21	Kit	1	Seal, Wiper	
101	70026062	1	Kit, Seal (includes items 14 thru 21)	

# SECTION 9 - HYDRAULIC COMPONENTS

## FIGURE 9-11. PIPE HANDLER CYLINDER



ART\_70028507

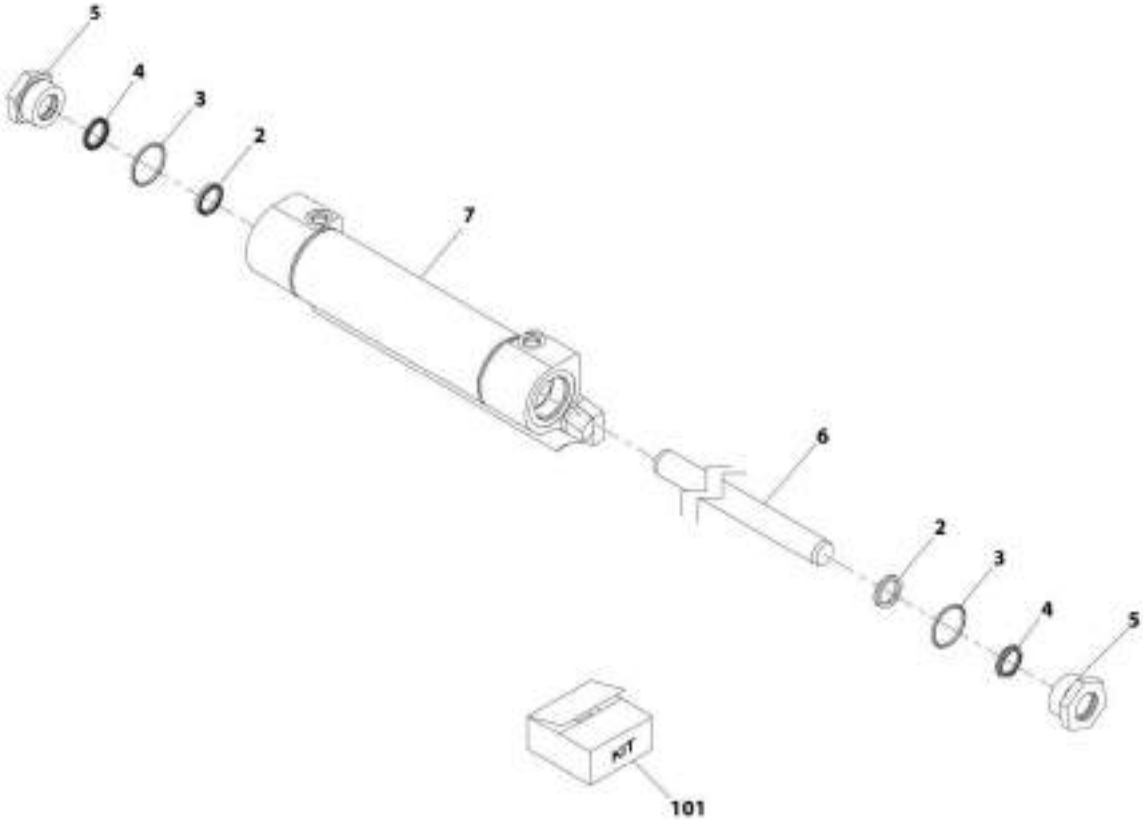
## SECTION 9 - HYDRAULIC COMPONENTS

### FIGURE 9-11. PIPE HANDLER CYLINDER

ITEM	PART NUMBER	QTY	DESCRIPTION	REV
	70026587	1	Pipe Handler Cylinder	
1	70026495	1	Barrel	
2	70026610	1	Rod	
3	70026497	1	Spacer	
4	70026611	1	Spacer	
5	70026499	1	Piston	
6	70026500	1	Retainer	
7	70026501	2	Bushing	
8	70026502	2	Valve, Check	
9	70024129	4	Fitting, 4	
10	70026503	1	Nut	
11	70024734	1	Kit, Check Valve Service	
12	70026505	1	Seal Loader	
13	70026506	1	Seal Kit (includes items 20 thru 26)	
14	Kit	1	Seal	
15	Kit	2	O-Ring	
16	Kit	2	O-Ring	
17	Kit	1	Ring, Back-up	
18	Kit	1	Seal	
19	Kit	1	Wiper	
20	Kit	1	Ring, Wear	

**SECTION 9 - HYDRAULIC COMPONENTS**

**FIGURE 9-12. SIDE SHIFT CARRIAGE CYLINDER**



ART\_70024539-B



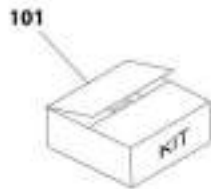
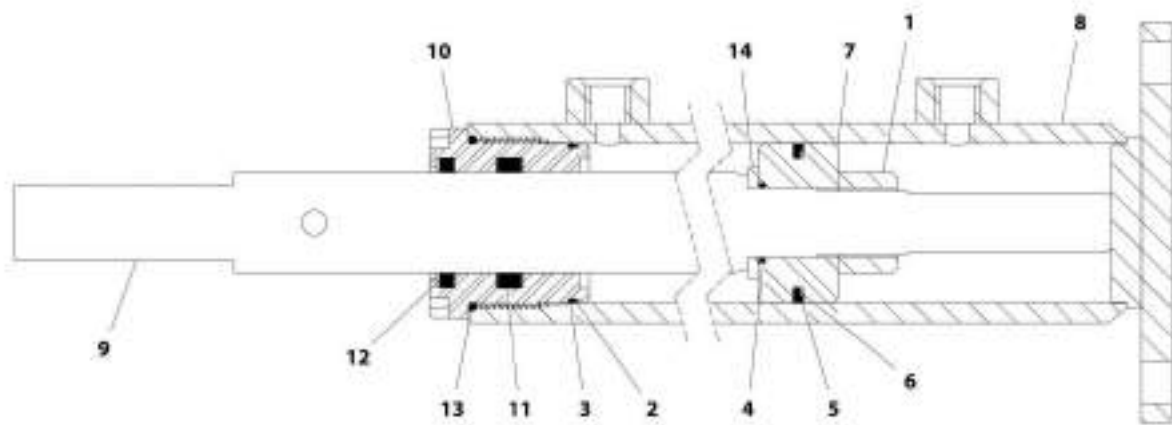
## SECTION 9 - HYDRAULIC COMPONENTS

### FIGURE 9-12. SIDE SHIFT CARRIAGE CYLINDER

ITEM	PART NUMBER	QTY	DESCRIPTION	REV
	70024539	Ref	Side Shift Carriage Cylinder	B
2	Kit	2	Seal, Rod	
3	70024547	2	O-Ring	
4	Kit	2	Seal, Rod Wiper	
5	70024548	2	Seal, Retainer	
6	N.S.S.	1	Rod	
7	N.S.S.	1	Barrel	
101	70024549	1	Kit, Seal (includes items 2 & 4)	

# SECTION 9 - HYDRAULIC COMPONENTS

## FIGURE 9-13. FORK POSITIONING CYLINDER



ART\_2717283-4A

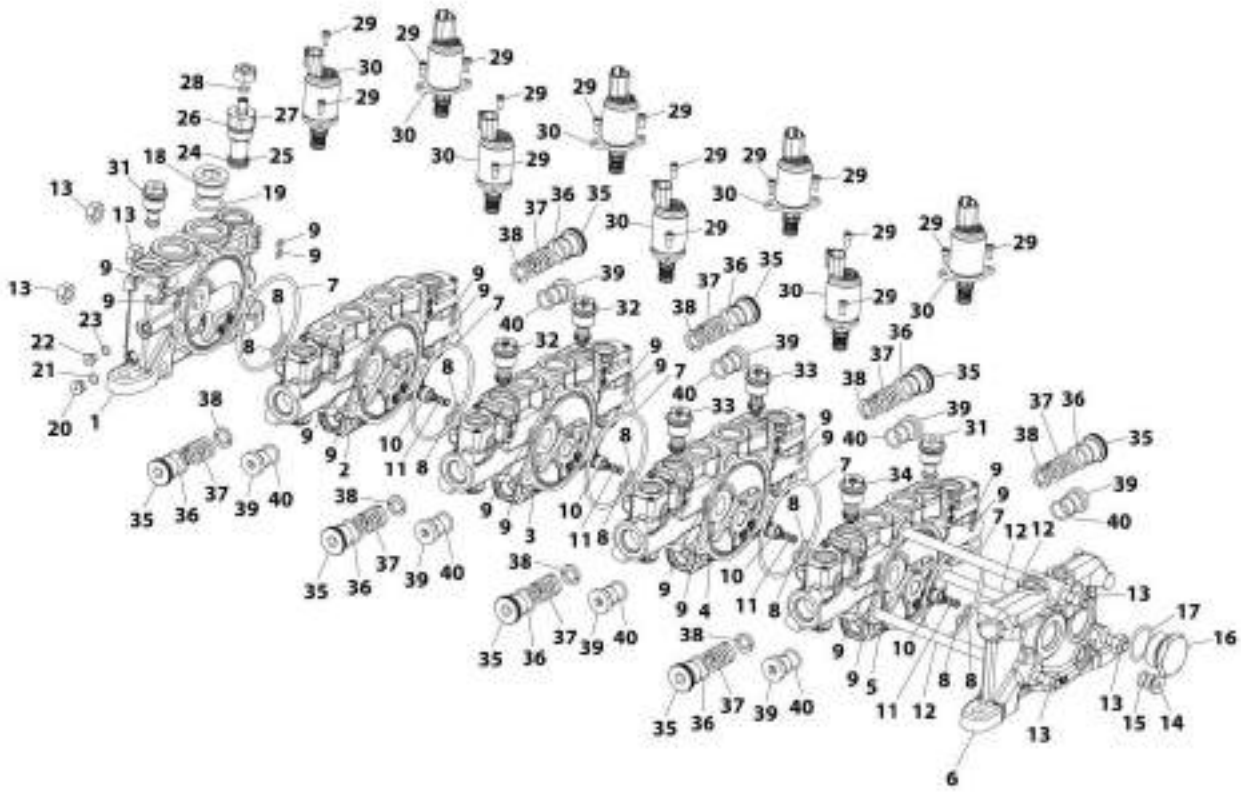
## SECTION 9 - HYDRAULIC COMPONENTS

### FIGURE 9-13. FORK POSITIONING CYLINDER

ITEM	PART NUMBER	QTY	DESCRIPTION	REV
	2717283	Ref	Fork Positioning Cylinder	AA
1	70026770	1	Nut, Lock	
2	Kit	1	O-Ring	
3	Kit	1	Ring, Back-Up	
4	Kit	1	O-Ring	
5	Kit	1	Ring, Piston	
6	Kit	1	O-Ring	
7	70026771	1	Piston	
8	70026772	1	Barrel, Cylinder	
9	70026773	1	Rod, Cylinder	
10	70026774	1	Gland	
11	Kit	1	Poly-Pak	
12	Kit	1	Wiper, Rod	
13	Kit	1	O-Ring	
14	70026775	1	Washer, Special	
101	8036733	1	Kit, Seal (includes items 2 thru 6 & 11 thru 13)	

# SECTION 9 - HYDRAULIC COMPONENTS

## FIGURE 9-14. MAIN CONTROL VALVE (AG)



ART\_1001180252-1

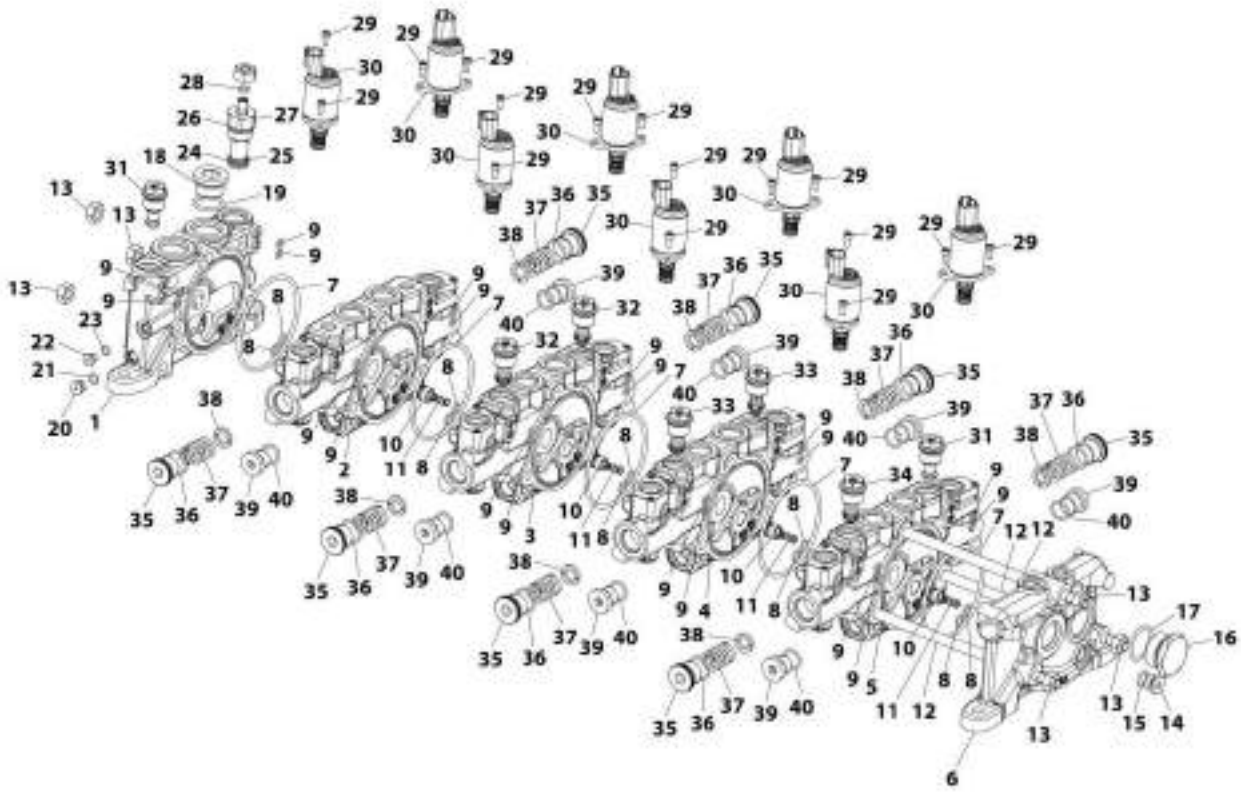
## SECTION 9 - HYDRAULIC COMPONENTS

**FIGURE 9-14. MAIN CONTROL VALVE (AG)**

ITEM	PART NUMBER	QTY	DESCRIPTION	REV
	1001180252	NLA	Main Control Valve, (no longer available, see items 1 through 40 for service or use 1001233797 for replacement)	J
1	70027136	1	Section, Inlet	
2	70027140	1	Section, Lift	
3	70027137	1	Section, Tilt	
4	70027138	1	Section, Aux	
5	70027139	1	Section, Tele	
6	70027141	1	Section, Outlet	
7	8034697	5	O-Ring	
8	10837926	10	O-Ring	
9	70027128	20	O-Ring	
10	10837929	4	Poppet	
11	10837937	4	Spring	
12	70026375	3	Tie Rod	
13	70050481	6	Nut	
14	70050475	1	Plug	
15	8036533	1	O-Ring	
16	8035835	1	Plug	
17	7013903	1	O-Ring	
18	90201309	1	Plug	
19	70026374	1	O-Ring	
20	70027096	1	Plug	
21	70026371	1	O-Ring	
22	91044238	1	Plug	
23	70026372	1	O-Ring	
24	70026370	1	O-Ring	
25	70026376	1	Ring	
26	10837928	1	O-Ring	
27	70027132	1	Drain, Regulator	
28	70026373	1	O-Ring	
29	70027135	16	Cap	
30	70051155	8	Valve	
31	70026382	2	Plug	
32	70022010	2	Valve	
33	70027133	2	Valve	
34	70027134	1	Valve	
35	70050503	8	Plug	
36	70026777	8	O-Ring	
37	70026377	8	Spring	
38	70027129	8	Spring	
39	70027131	8	Plug	
40	70027130	8	O-Ring	

# SECTION 9 - HYDRAULIC COMPONENTS

## FIGURE 9-15. MAIN CONTROL VALVE (AG)



ART\_1001233797-A

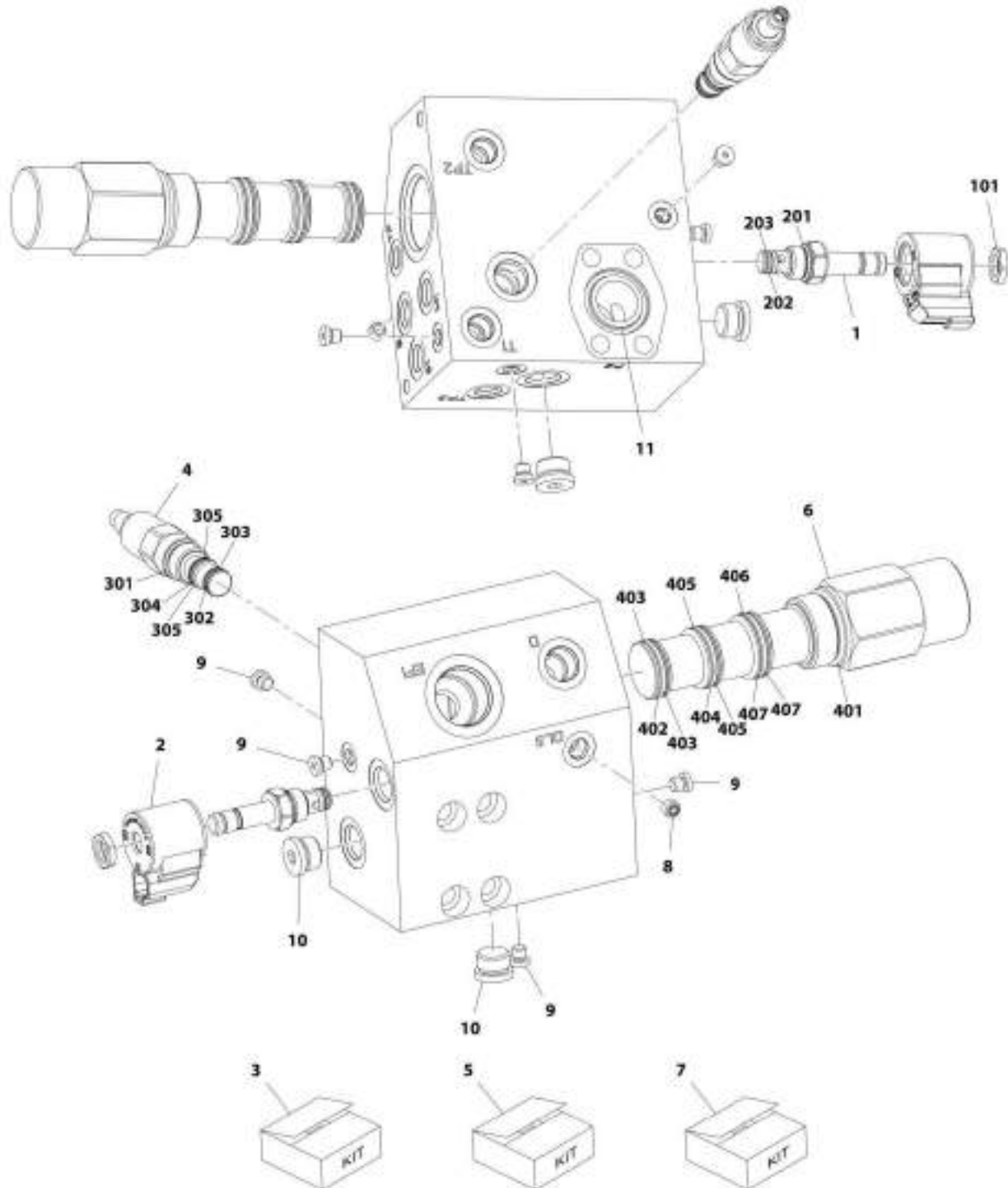
## SECTION 9 - HYDRAULIC COMPONENTS

**FIGURE 9-15. MAIN CONTROL VALVE (AG)**

ITEM	PART NUMBER	QTY	DESCRIPTION	REV
	1001233797	Ref	Main Control Valve	A
1	70027136	1	Section, Inlet	
2	70027140	1	Section, Lift	
3	70027137	1	Section, Tilt	
4	70027138	1	Section, Aux	
5	70029029	1	Section, Tele	
6	70027141	1	Section, Outlet	
7	8034697	5	O-Ring	
8	10837926	10	O-Ring	
9	70027128	20	O-Ring	
10	10837929	4	Poppet	
11	10837937	4	Spring	
12	70026375	3	Tie Rod	
13	70050481	6	Nut	
14	70050475	1	Plug	
15	8036533	1	O-Ring	
16	70029030	1	Plug	
17	10732931	1	O-Ring	
18	70050472	1	Plug	
19	70026374	1	O-Ring	
20	70026368	1	Plug	
21	70026371	1	O-Ring	
22	70026379	1	Plug	
23	70026372	1	O-Ring	
24	70026370	1	O-Ring	
25	70026376	1	Ring	
26	10837928	1	O-Ring	
27	70027132	1	Drain, Regulator	
28	70026373	1	O-Ring	
29	70027135	16	Cap	
30	70051155	8	Valve	
31	70026382	2	Plug	
32	70022010	2	Valve	
33	70027133	2	Valve	
34	70027134	1	Valve	
35	70050503	8	Plug	
36	70026777	8	O-Ring	
37	70026377	8	Spring	
38	70027129	8	Spring	
39	70027131	8	Plug	
40	70027130	8	O-Ring	

# SECTION 9 - HYDRAULIC COMPONENTS

FIGURE 9-16. PRIORITY FLOW MANIFOLD (Prior to SN 1160008715)



ART\_1001179462-E



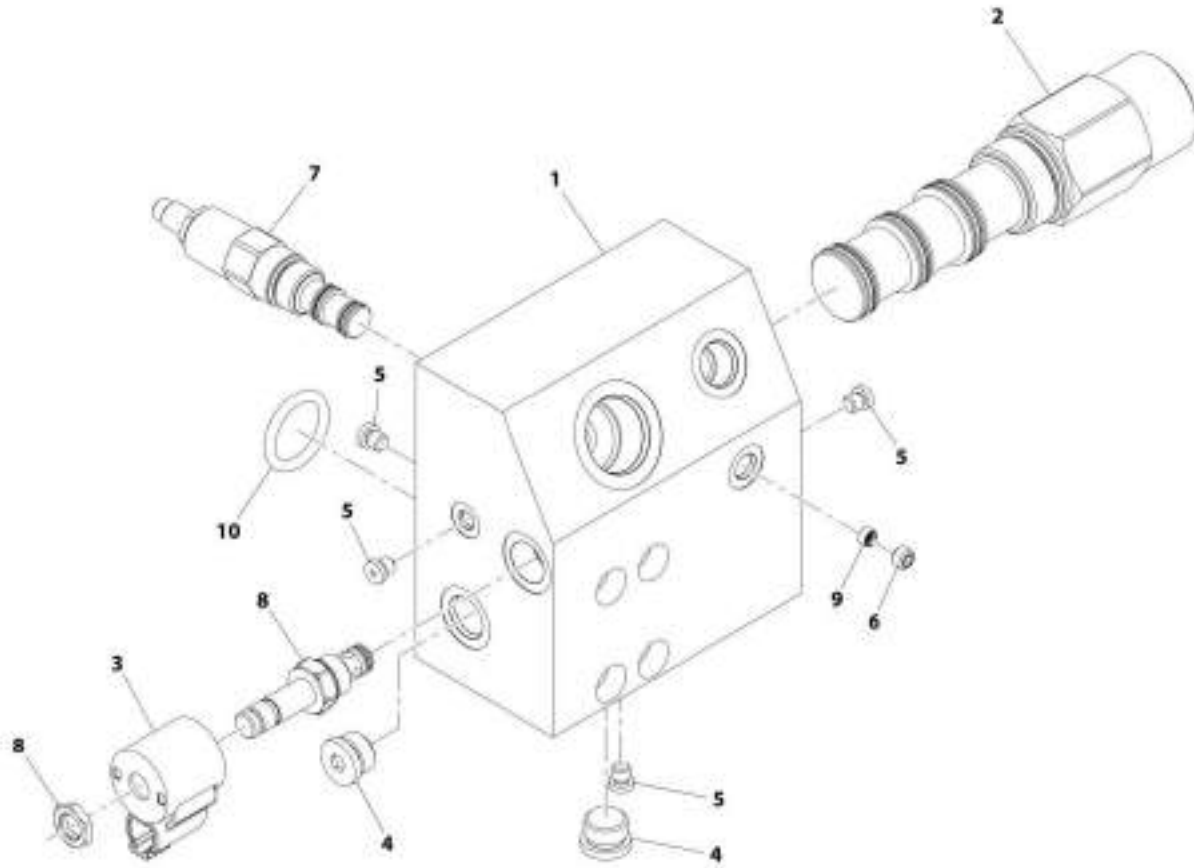
## SECTION 9 - HYDRAULIC COMPONENTS

**FIGURE 9-16. PRIORITY FLOW MANIFOLD (Prior to SN 1160008715)**

ITEM	PART NUMBER	QTY	DESCRIPTION	REV
	1001179462	Ref	Priority Flow Manifold	E
1	70027001	1	Valve, Solenoid	
2	70002386	1	Coil	
3	7012998	1	Kit, Seal (includes items 201 thru 203)	
4	70027002	1	Reducer, Pressure	
5	7021653	1	Kit, Seal (includes items 301 thru 305)	
6	70027003	1	Compensator, Pressure	
7	70026333	1	Kit, Seal (includes items 401 thru 407)	
8	70026313	1	Plug	
9	2220881	4	Plug	
10	2220886	2	Plug	
11	70027000	1	O-Ring	
101	Kit	1	Nut	
201	Kit	1	O-Ring	
202	Kit	1	O-Ring	
203	Kit	1	Ring, Backup	
301	Kit	1	O-Ring	
302	Kit	1	O-Ring	
303	Kit	1	Ring, Backup	
304	Kit	1	O-Ring	
305	Kit	2	Ring, Backup	
401	Kit	1	O-Ring	
402	Kit	1	O-Ring	
403	Kit	2	Ring, Backup	
404	Kit	1	O-Ring	
405	Kit	2	Ring, Backup	
406	Kit	1	O-Ring	
407	Kit	2	Ring, Backup	

# SECTION 9 - HYDRAULIC COMPONENTS

FIGURE 9-17. PRIORITY FLOW MANIFOLD VALVE (SN 1160008715 to Present)



ART\_1901220650-B

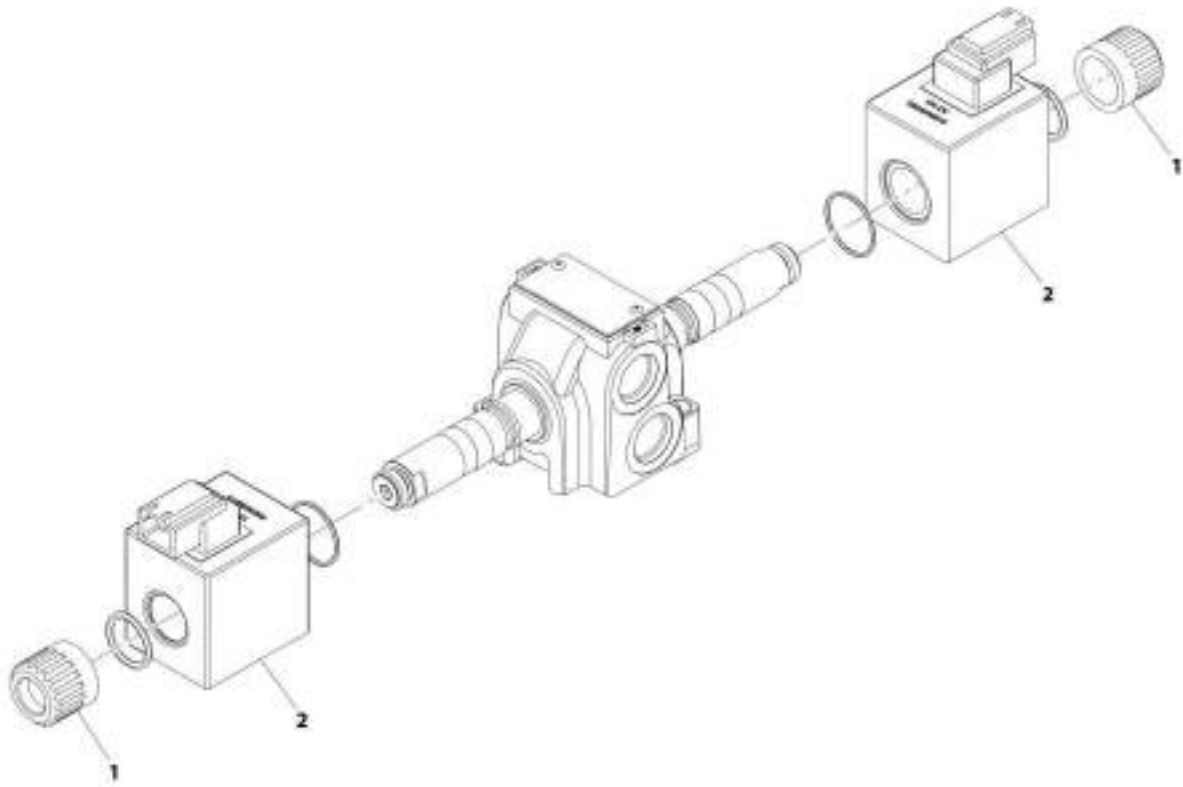
## SECTION 9 - HYDRAULIC COMPONENTS

**FIGURE 9-17. PRIORITY FLOW MANIFOLD VALVE (SN 1160008715 to Present)**

ITEM	PART NUMBER	QTY	DESCRIPTION	REV
	1001229050	Ref	Priority Flow Manifold, Valve	B
1	N.S.S.	1	Body	
2	70028900	1	Direction Control Valve	
3	70002386	1	Coil	
4	2220886	2	Plug	
5	2220881	4	Plug	
6	70026313	1	Plug	
7	70028901	1	Relief Valve	
8	70027001	1	Valve, Solenoid	
9	70028899	1	Filter Screen	
10	70027000	1	O-Ring	

# SECTION 9 - HYDRAULIC COMPONENTS

FIGURE 9-18. STEERING SELECT VALVE



AM\_1001155748-C

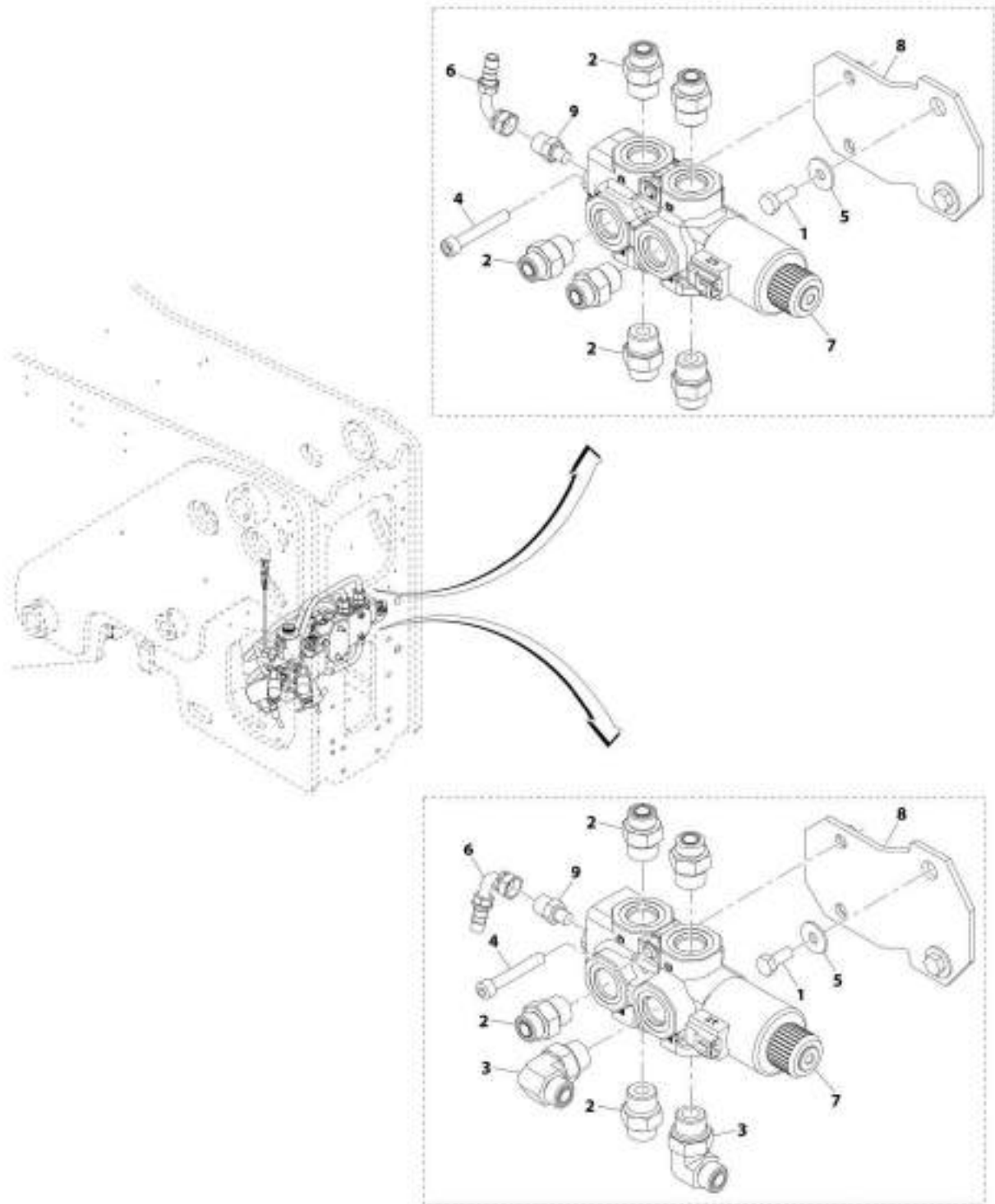
## SECTION 9 - HYDRAULIC COMPONENTS

FIGURE 9-18. STEERING SELECT VALVE

ITEM	PART NUMBER	QTY	DESCRIPTION	REV
	1001153748	Ref	Steering Select Valve	C
1	70020867	2	Nut, Coil	
2	70026582	2	Coil	

# SECTION 9 - HYDRAULIC COMPONENTS

## FIGURE 9-19. DIVERTOR VALVE ASSEMBLY (HI FLOW)



PRIOR TO SN 6300087631

ART\_100120438-C

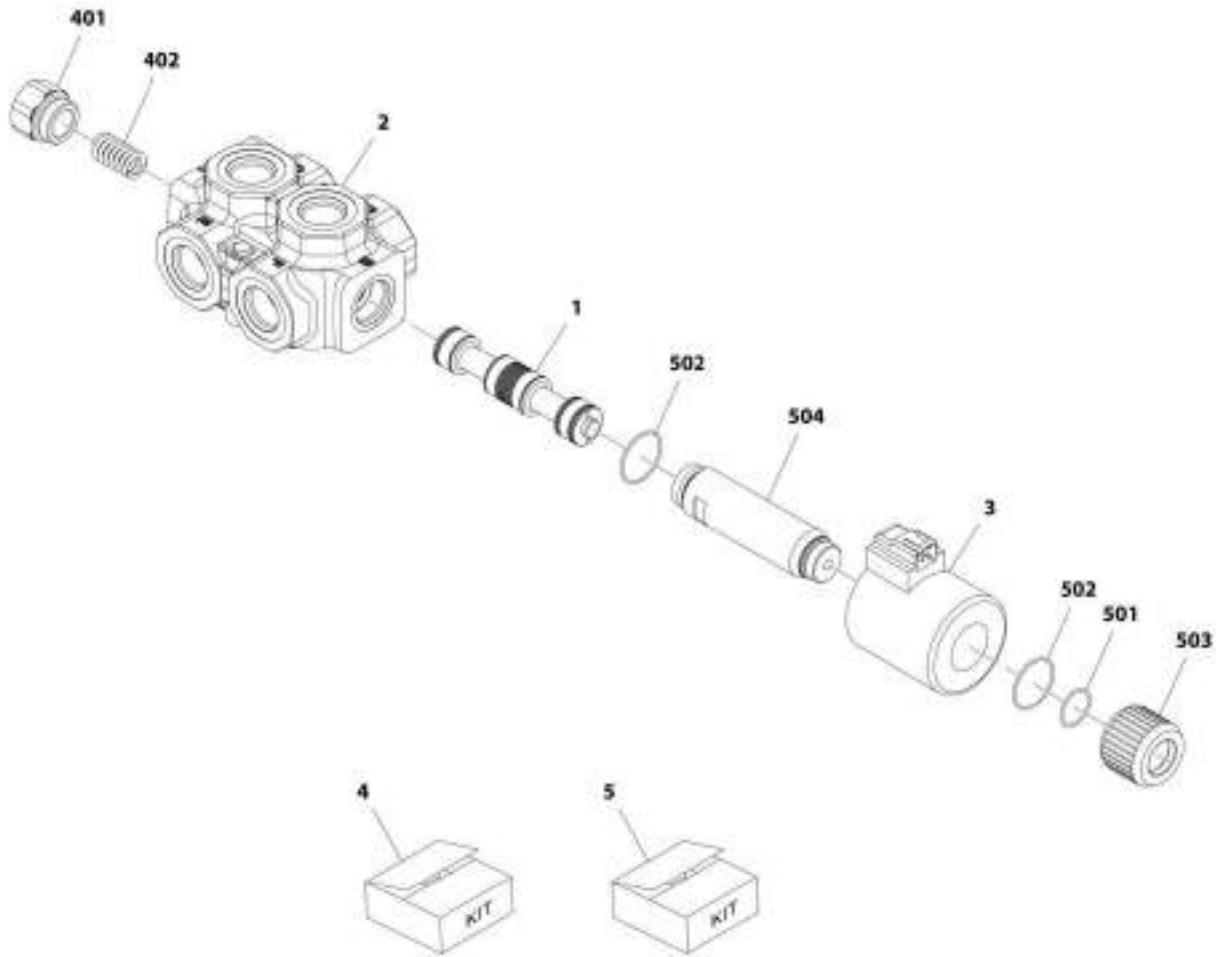
## SECTION 9 - HYDRAULIC COMPONENTS

**FIGURE 9-19. DIVERTOR VALVE ASSEMBLY (HI FLOW)**

ITEM	PART NUMBER	QTY	DESCRIPTION	REV
	1001204420	Ref	Divertor Valve Assembly (Hi Flow)	C
1	0761012	2	Bolt, M10X25	
2	2111012	6	Fitting, Straight ORFS	
3	2131012	2	Fitting, 90 ORFS <b>(Prior to SN 0300087631)</b>	
4	4032017	2	Bolt	
5	4812002	2	Washer, M10	
6	1001095301	1	Fitting, 90 ORFS	
7	1001173771	1	Valve, Divertor (Hi Flow) (See Separate Breakdown in this Section)	
8	1001213748	1	Bracket	
9	2110604	1	Fitting, Straight ORFS	

# SECTION 9 - HYDRAULIC COMPONENTS

## FIGURE 9-20. DIVERTOR VALVE



ART\_1001173771-D



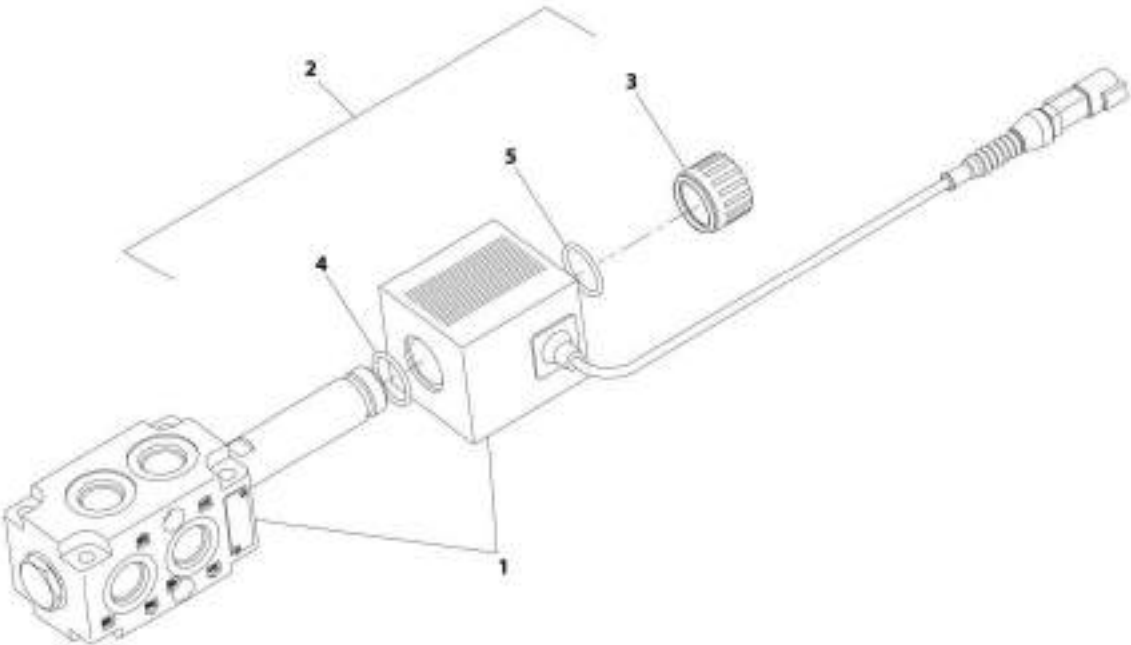
## SECTION 9 - HYDRAULIC COMPONENTS

### FIGURE 9-20. DIVERTOR VALVE

ITEM	PART NUMBER	QTY	DESCRIPTION	REV
	1001173771	Ref	Divertor Valve	D
1	70027267	1	Spool, Divertor	
2	70027268	1	Body, Divertor	
3	70027269	1	Coil	
4	70027270	1	Kit, Drain Plug	
401	Kit	1	Plug	
402	Kit	1	Spring	
5	70027271	1	Kit, Tube	
501	Kit	1	O-Ring	
502	Kit	2	O-Ring	
503	Kit	1	Plug	
504	Kit	1	Tube	

**SECTION 9 - HYDRAULIC COMPONENTS**

**FIGURE 9-21. DIVERTOR VALVE**



ART\_1801184477-D

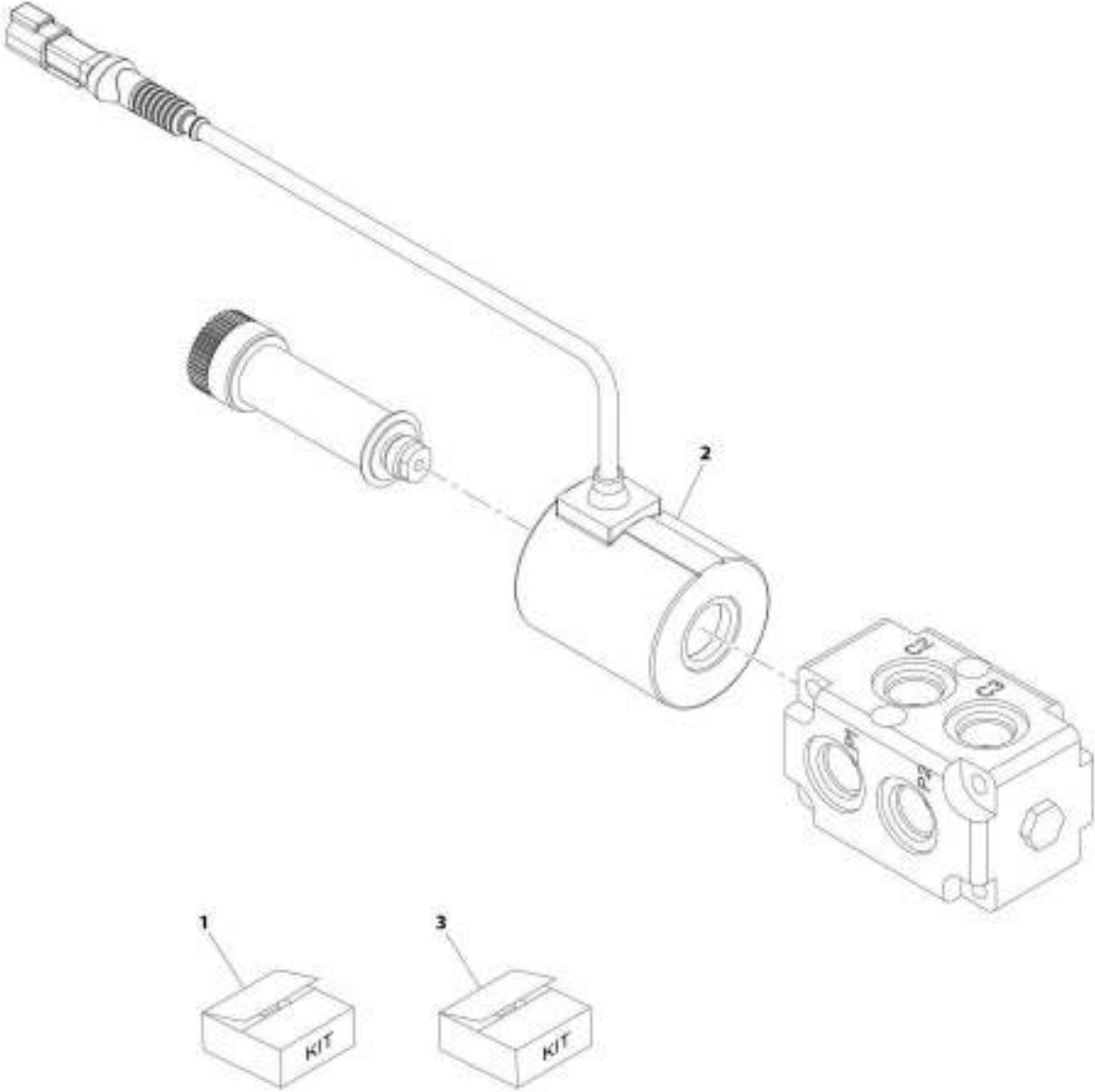
## SECTION 9 - HYDRAULIC COMPONENTS

### FIGURE 9-21. DIVERTOR VALVE

ITEM	PART NUMBER	QTY	DESCRIPTION	REV
	1001104477	Ref	Divertor Valve	D
1	70020764	1	Coil	
2	70021531	1	Kit, Retainer	
3	Kit	1	Nut	
4	Kit	1	O-Ring	
5	Kit	1	O-Ring	

**SECTION 9 - HYDRAULIC COMPONENTS**

**FIGURE 9-22. DIVERTOR VALVE**



ART\_1001130023-B

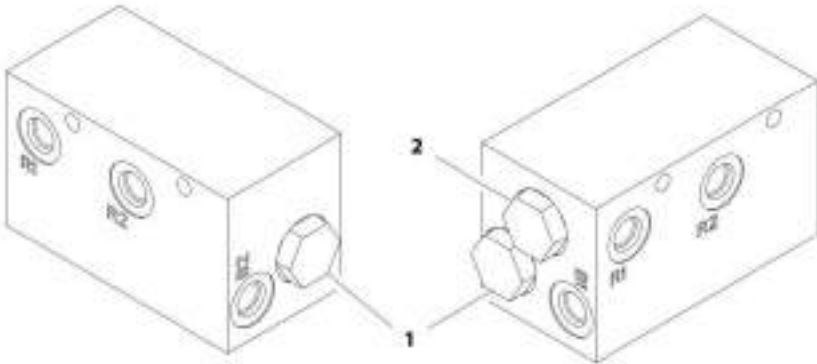
# SECTION 9 - HYDRAULIC COMPONENTS

## FIGURE 9-22. DIVERTOR VALVE

ITEM	PART NUMBER	QTY	DESCRIPTION	REV
	1001110023	Ref	Divertor Valve	B
1	70027596	1	Kit, Seal	
	Kit	2	O-Ring	
2	70020764	1	Coil	
3	70021531	1	Kit, Coil Nut	
	N.S.S.	1	O-Ring	
	N.S.S.	1	O-Ring	
	N.S.S.	1	Nut	

**SECTION 9 - HYDRAULIC COMPONENTS**

**FIGURE 9-23. FLOW DIVIDER VALVE**



ART\_4641500-A

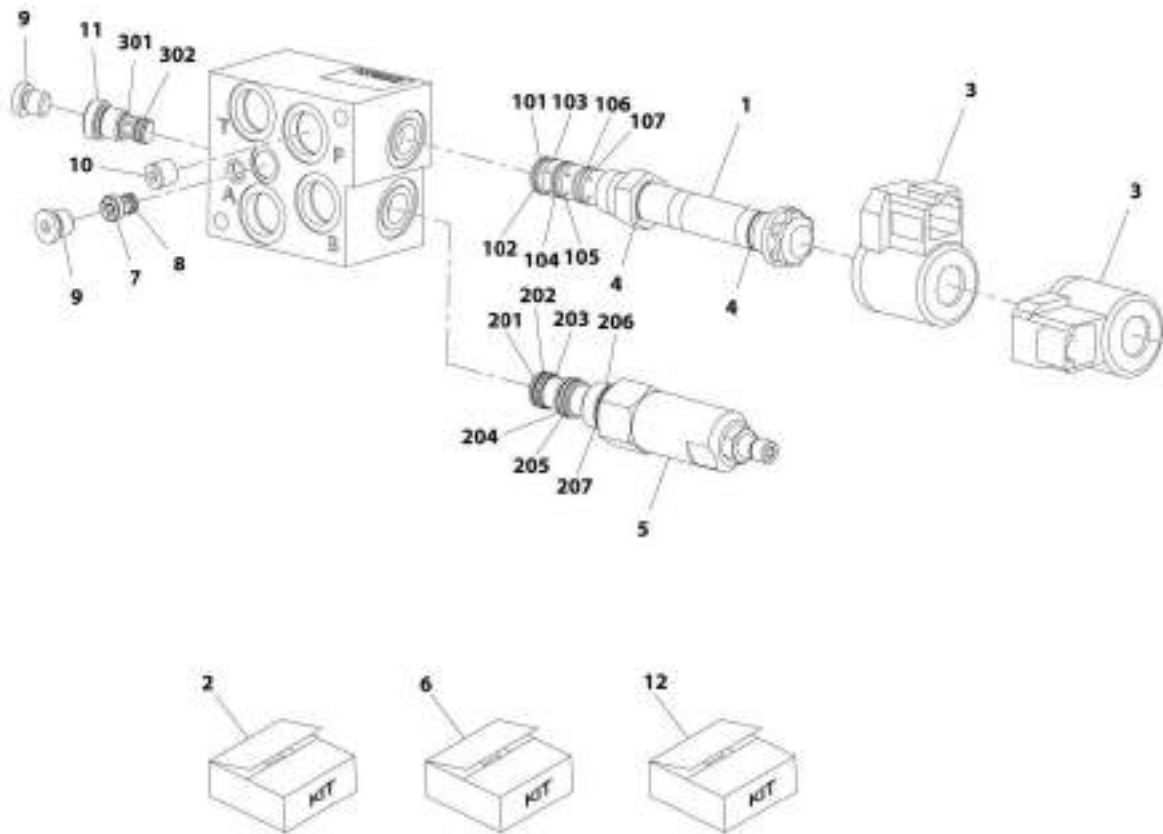
## SECTION 9 - HYDRAULIC COMPONENTS

### FIGURE 9-23. FLOW DIVIDER VALVE

ITEM	PART NUMBER	QTY	DESCRIPTION	REV
	4641501	Ref	Flow Divider Valve	A
1	70023928	2	Cartridge, PO Check Valve	
2	70023929	1	Cartridge, Valve	

# SECTION 9 - HYDRAULIC COMPONENTS

FIGURE 9-24. HYDRAULIC HITCH CONTROL VALVE (Prior to SN 1160008597)



AWT\_100117370-F



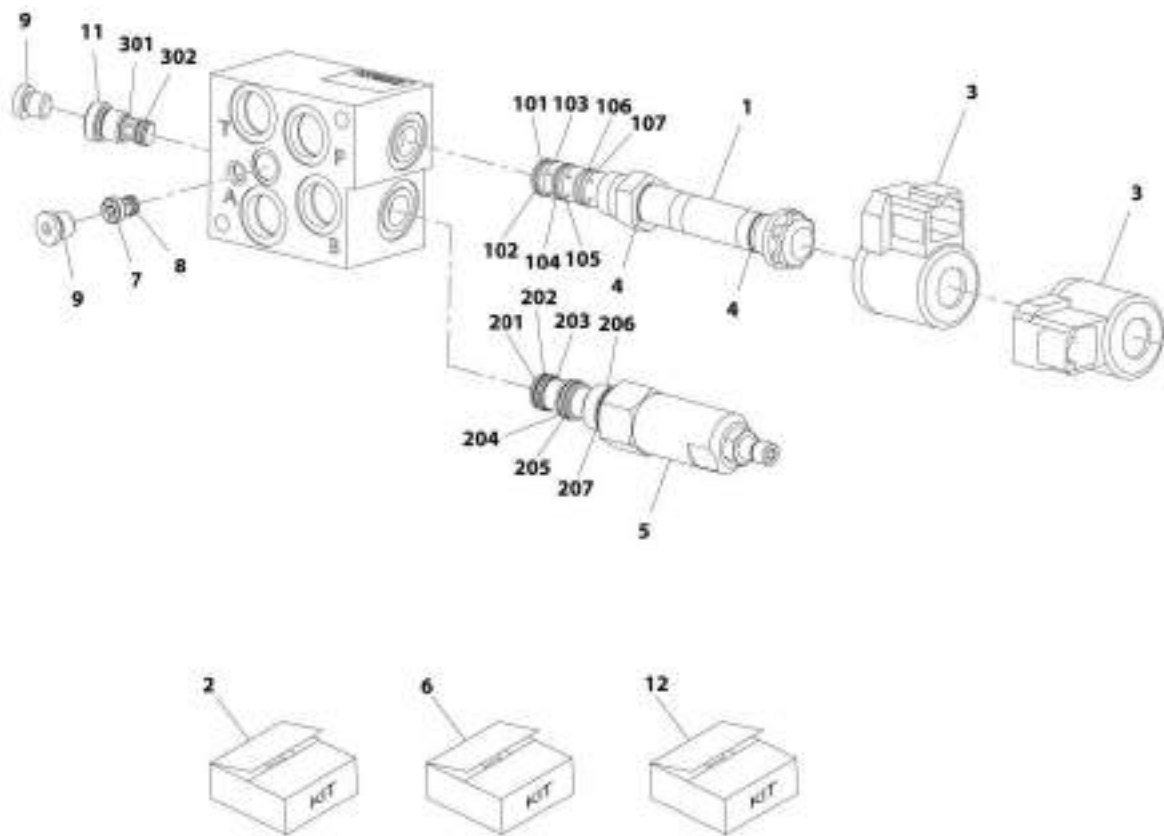
## SECTION 9 - HYDRAULIC COMPONENTS

**FIGURE 9-24. HYDRAULIC HITCH CONTROL VALVE (Prior to SN 1160008597)**

ITEM	PART NUMBER	QTY	DESCRIPTION	REV
	1001173770	Ref	Hydraulic Hitch Control Valve	F
1	70026965	1	Valve	
2	70026966	1	Kit, Seal (includes items 101 thru 107)	
3	70026967	2	Coil	
4	70026968	1	Nut	
5	70026969	1	Valve	
6	70026970	1	Kit, Seal (includes items 201 thru 207)	
7	70026971	1	Valve	
8	70026972	1	Seal	
9	70026973	2	Plug	
10	70026974	1	Orifice	
11	70026975	1	Valve	
12	70026976	1	Kit, Seal (includes items 301 & 302)	
101	Kit	1	O-Ring	
102	Kit	1	O-Ring	
103	Kit	2	Ring, Support	
104	Kit	1	O-Ring	
105	Kit	2	Ring, Support	
106	Kit	1	O-Ring	
107	Kit	2	Ring, Support	
201	Kit	1	O-Ring	
202	Kit	1	O-Ring	
203	Kit	2	Ring, Support	
204	Kit	1	O-Ring	
205	Kit	2	Ring, Support	
206	Kit	1	O-Ring	
207	Kit	2	Ring, Support	
301	Kit	1	O-Ring	
302	Kit	1	O-Ring	

# SECTION 9 - HYDRAULIC COMPONENTS

FIGURE 9-25. HYDRAULIC HITCH CONTROL VALVE (SN 1160008597 to Present)



AWT\_1001228722-A

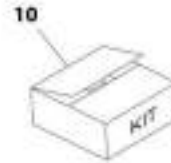
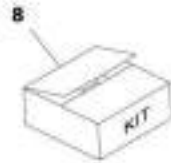
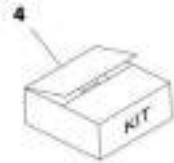
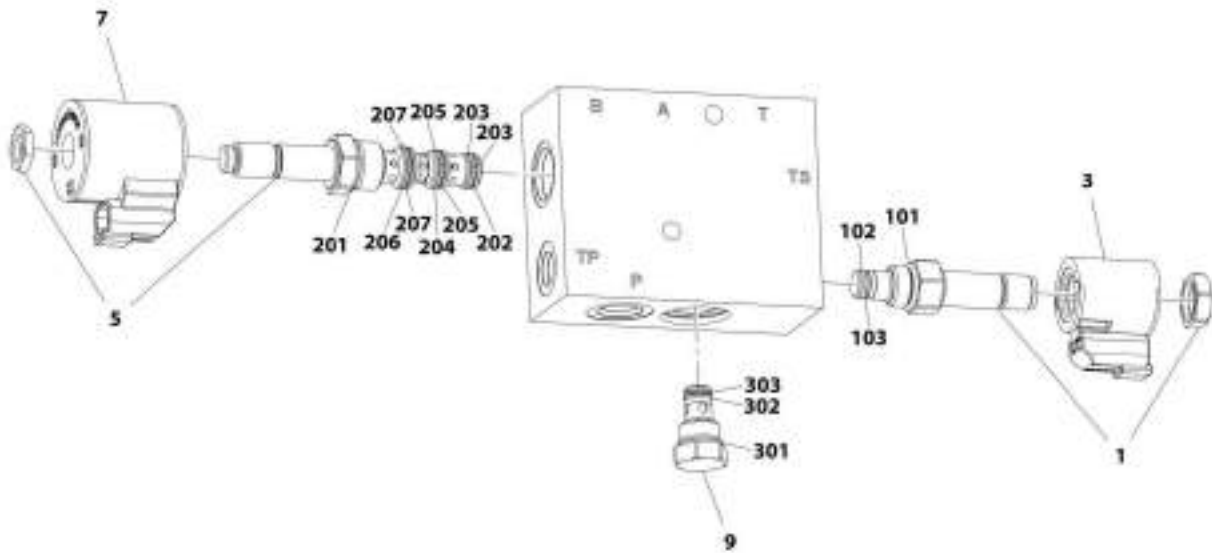
## SECTION 9 - HYDRAULIC COMPONENTS

**FIGURE 9-25. HYDRAULIC HITCH CONTROL VALVE (SN 1160008597 to Present)**

ITEM	PART NUMBER	QTY	DESCRIPTION	REV
	1001226722	Ref	Hydraulic Hitch Control Valve	A
1	70026965	1	Valve	
2	70026966	1	Kit, Seal	
101	Kit	1	O-Ring	
102	Kit	1	O-Ring	
103	Kit	2	Support Ring	
104	Kit	1	O-Ring	
105	Kit	2	Support Ring	
106	Kit	1	O-Ring	
107	Kit	2	Support Ring	
3	70026967	2	Coil	
4	70026968	1	Nut	
5	70026969	1	Valve	
6	70026970	1	Kit, Seal	
201	Kit	1	O-Ring	
202	Kit	1	O-Ring	
203	Kit	2	Support Ring	
204	Kit	1	O-Ring	
205	Kit	2	Support Ring	
206	Kit	1	O-Ring	
207	Kit	2	Support Ring	
7	70026971	1	Valve	
8	70026972	1	Seal	
9	70026973	2	Plug	
11	70026975	1	Valve	
12	70026976	1	Kit, Seal	
301	Kit	1	O-Ring	
302	Kit	1	O-Ring	

# SECTION 9 - HYDRAULIC COMPONENTS

## FIGURE 9-26. FAN MOTOR CONTROL VALVE



ART\_1001382213-C

## SECTION 9 - HYDRAULIC COMPONENTS

### FIGURE 9-26. FAN MOTOR CONTROL VALVE

ITEM	PART NUMBER	QTY	DESCRIPTION	REV
	1001182213	Ref	Fan Motor Control Valve	C
1	70027004	1	Valve, Proportional	
3	70002971	1	Coil	
4	7012998	1	Kit, Seal (includes items 101 thru 103)	
5	8036580	1	Valve, Solenoid	
7	70003788	1	Coil	
8	7012903	1	Kit, Seal (includes items 201 thru 207)	
9	7022391	1	Valve, Check	
10	7012998	1	Kit, Seal (includes items 301 thru 303)	
101	N.S.S.	1	O-Ring	
102	N.S.S.	1	O-Ring	
103	N.S.S.	1	O-Ring, Back-up	
201	N.S.S.	1	O-Ring	
202	N.S.S.	1	O-Ring	
203	N.S.S.	2	O-Ring, Back-up	
204	N.S.S.	1	O-Ring	
205	N.S.S.	2	O-Ring, Back-up	
206	N.S.S.	1	O-Ring	
207	N.S.S.	2	O-Ring, Back-up	
301	N.S.S.	1	O-Ring	
302	N.S.S.	1	O-Ring	
303	N.S.S.	1	O-Ring, Back-up	

# SECTION 9 - HYDRAULIC COMPONENTS

## FIGURE 9-27. BOOM CABLE ASSEMBLY



MFT\_1001188-170-C

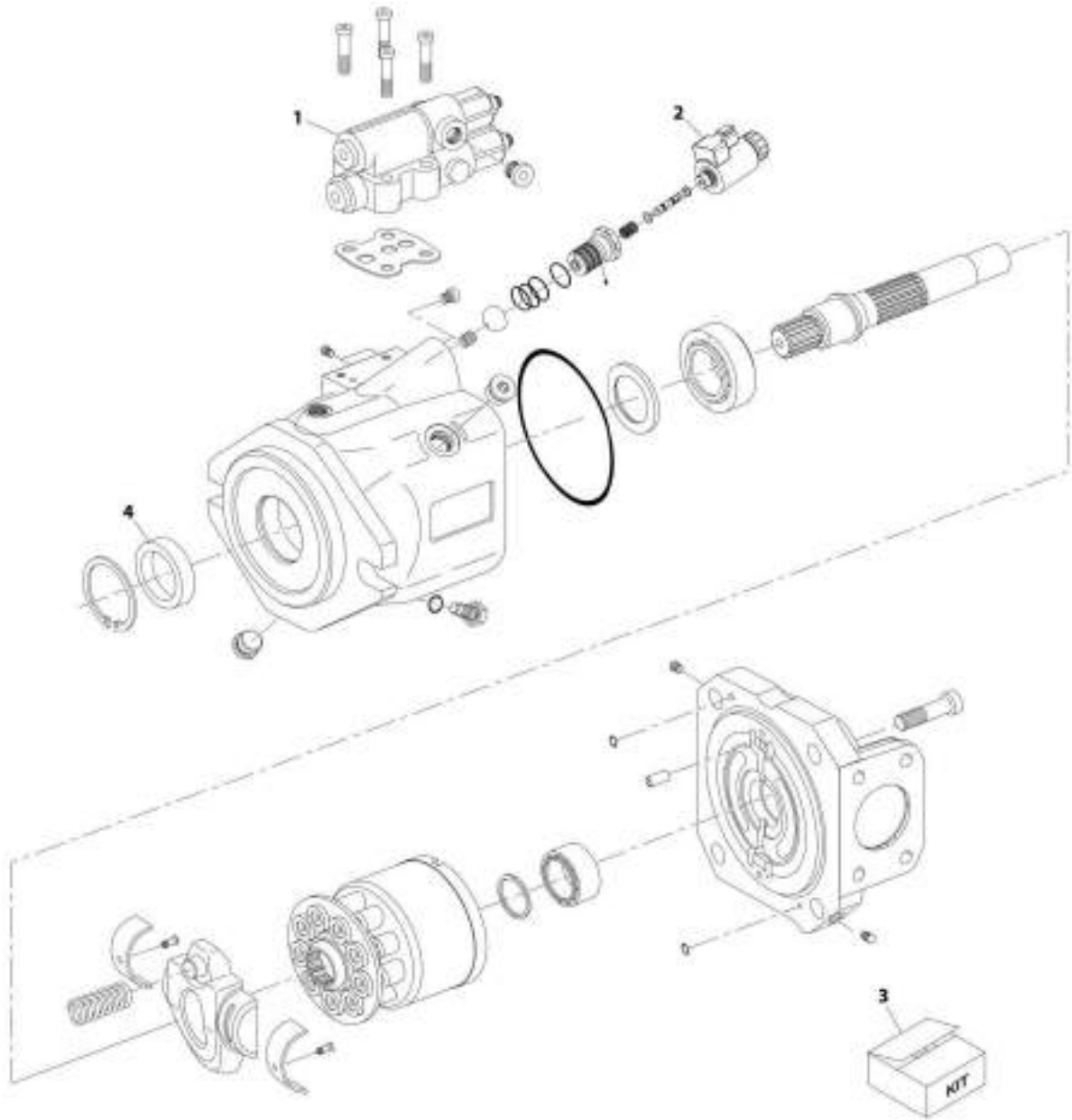
## SECTION 9 - HYDRAULIC COMPONENTS

### FIGURE 9-27. BOOM CABLE ASSEMBLY

ITEM	PART NUMBER	QTY	DESCRIPTION	REV
1	1001186170	Ref	Boom Cable Assembly	C
	1001184422	1	Harness, Boom (See Separate Breakdown in ELECTRICAL Section)	
3	1001204124	1	Hose	
4	1001204519	2	Insulate	

# SECTION 9 - HYDRAULIC COMPONENTS

FIGURE 9-28. IMPLEMENT PUMP



ART\_1001200815-B



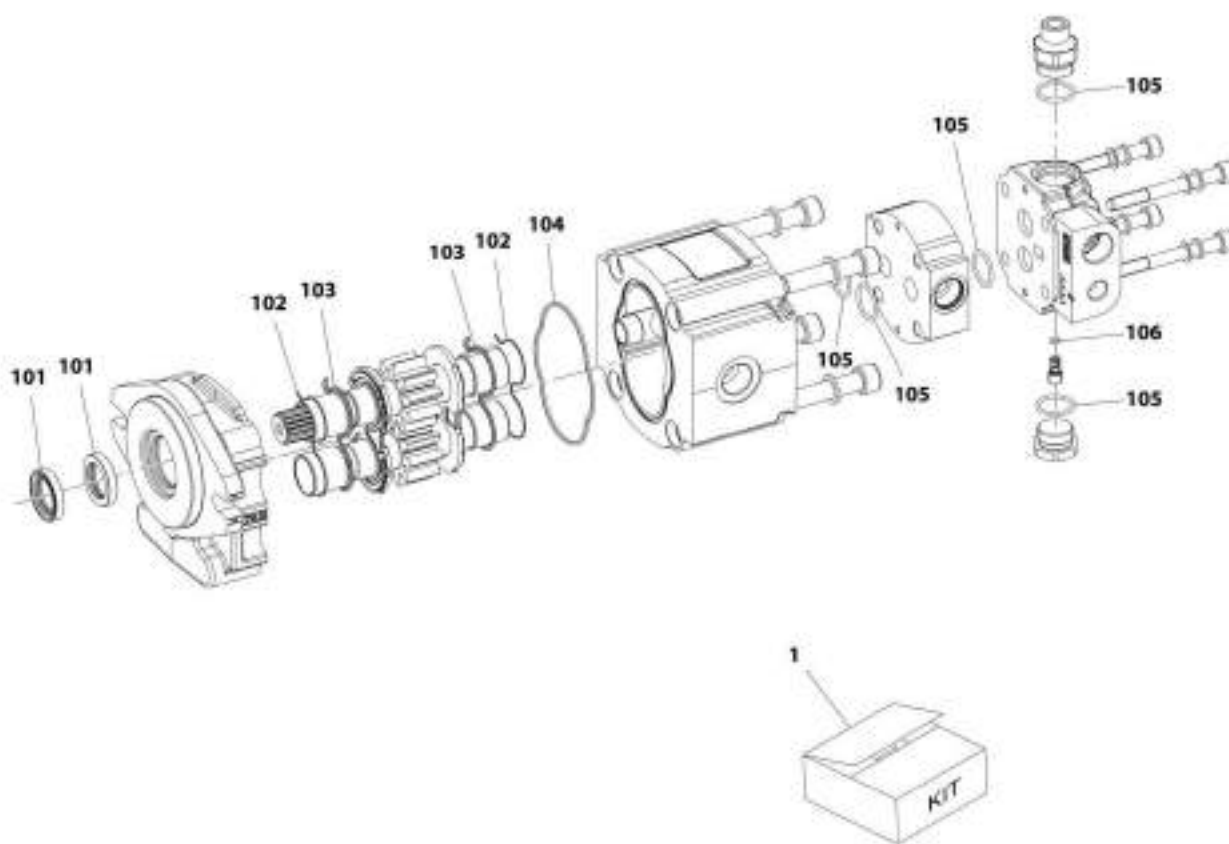
## SECTION 9 - HYDRAULIC COMPONENTS

### FIGURE 9-28. IMPLEMENT PUMP

ITEM	PART NUMBER	QTY	DESCRIPTION	REV
	1001200815	Ref	Implement Pump	B
1	70027595	1	Controller, DSR	
2	70024186	1	Controller, EK	
3	70024189	1	Kit, Seal	
4	7024947	1	SHAFT SEAL	
	Kit	1	O-Ring	
	Kit	2	O-Ring	
	Kit	2	O-Ring	
	Kit	4	O-Ring	
	Kit	2	O-Ring	
	Kit	1	Seal	
	Kit	1	Ring, Retaining	
	Kit	1	O-Ring	
	Kit	1	Seal	
	Kit	1	O-Ring	
	Kit	6	Seal	
	Kit	1	O-Ring	
	Kit	1	O-Ring	
	Kit	2	O-Ring	
	Kit	2	Ring, Thrust	
	Kit	1	O-Ring	
	Kit	1	O-Ring	
	Kit	1	Ring, Backup	
	Kit	1	O-Ring	
	Kit	1	Ring, Backup	

# SECTION 9 - HYDRAULIC COMPONENTS

FIGURE 9-29. IMPLEMENT PUMP



ART\_3001179760-8

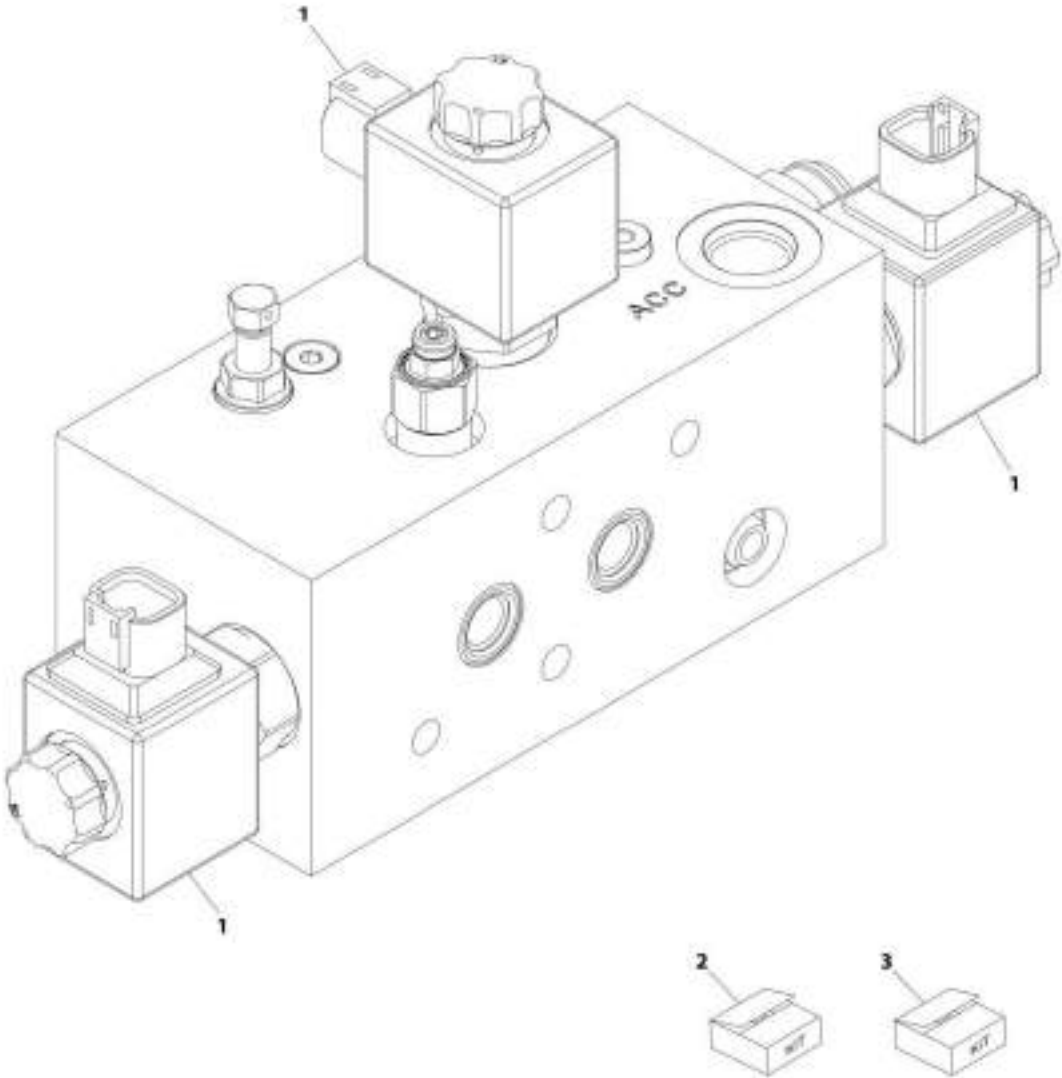
## SECTION 9 - HYDRAULIC COMPONENTS

### FIGURE 9-29. IMPLEMENT PUMP

ITEM	PART NUMBER	QTY	DESCRIPTION	REV
	1001179768	Ref	Implement Pump	B
1	70027038	1	Kit, Seal	
101	Kit	2	Shaft Seal	
102	Kit	2	Ring, Antiextrusion	
103	Kit	2	Seal	
104	Kit	1	Seal	
105	Kit	5	O-Ring	
106	Kit	1	O-Ring	

**SECTION 9 - HYDRAULIC COMPONENTS**

**FIGURE 9-30. VALVE, RIDE CONTROL**



8RT\_1001215261-C

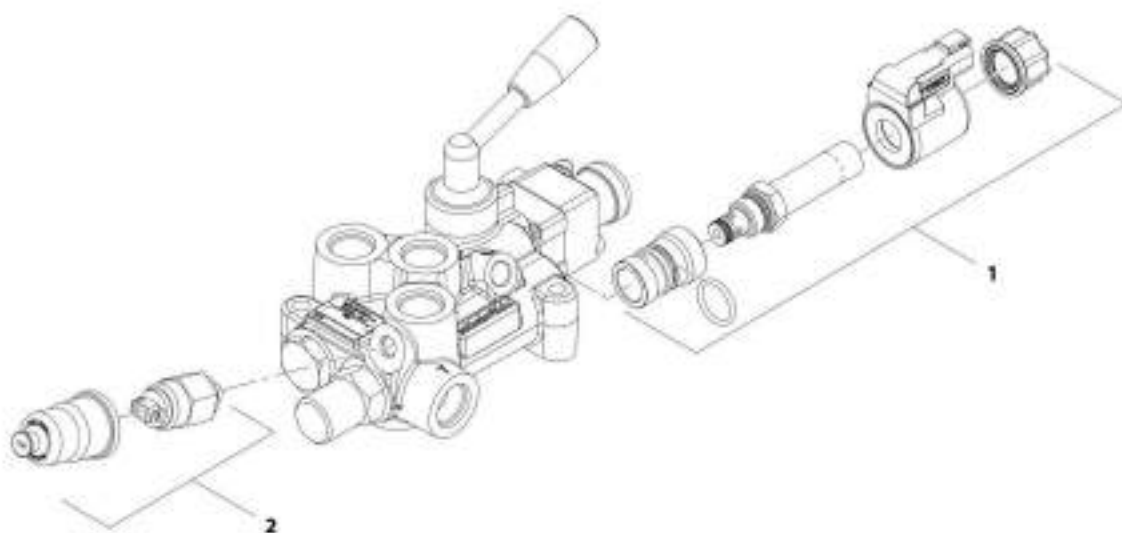
# SECTION 9 - HYDRAULIC COMPONENTS

## FIGURE 9-30. VALVE, RIDE CONTROL

ITEM	PART NUMBER	QTY	DESCRIPTION	REV
	1001215261	Ref	Valve, Ride Control	C
1	70022147	3	Coil	
2	70027285	3	Coil Nut Kit	
	Kit	1	Nut	
	Kit	1	O-Ring	
	Kit	1	O-Ring	
3	70027600	1	Seal Kit	
	Kit	1	O-Ring	

# SECTION 9 - HYDRAULIC COMPONENTS

FIGURE 9-31. VALVE, TRAILER BRAKE



ART 1001211325-A

## SECTION 9 - HYDRAULIC COMPONENTS

### FIGURE 9-31. VALVE, TRAILER BRAKE

ITEM	PART NUMBER	QTY	DESCRIPTION	REV
	1001211323	Ref	Valve, Trailer Brake	A
1	70025987	1	2 ways valve with coil 12 volt	
2	70025989	1	Pressure switch	

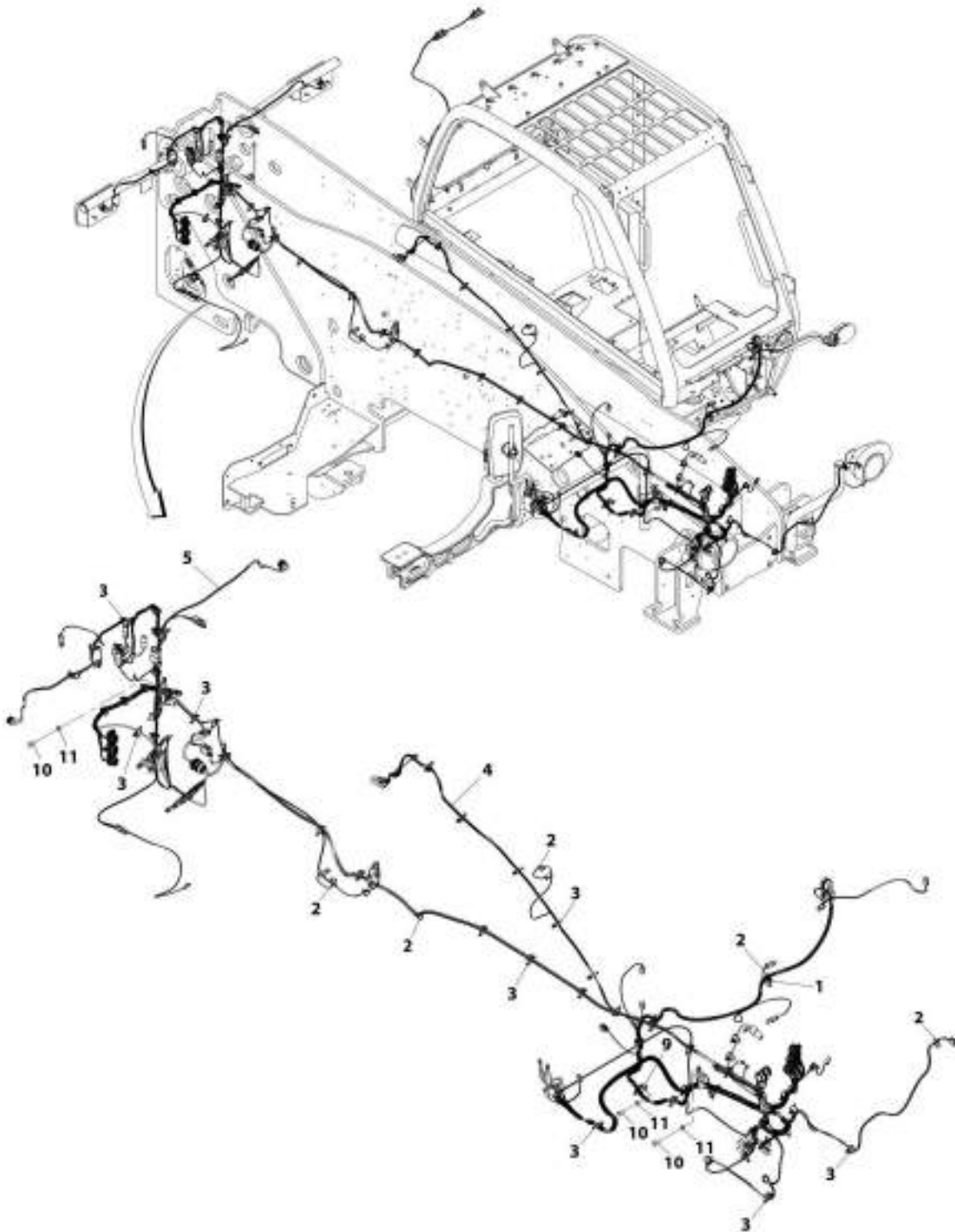




**SECTION 10 - ELECTRICAL**

# SECTION 10 - ELECTRICAL

FIGURE 10-1. MAIN ELECTRICAL INSTALLATION (Prior to SN 1160008717)



AMT\_1001185301-C

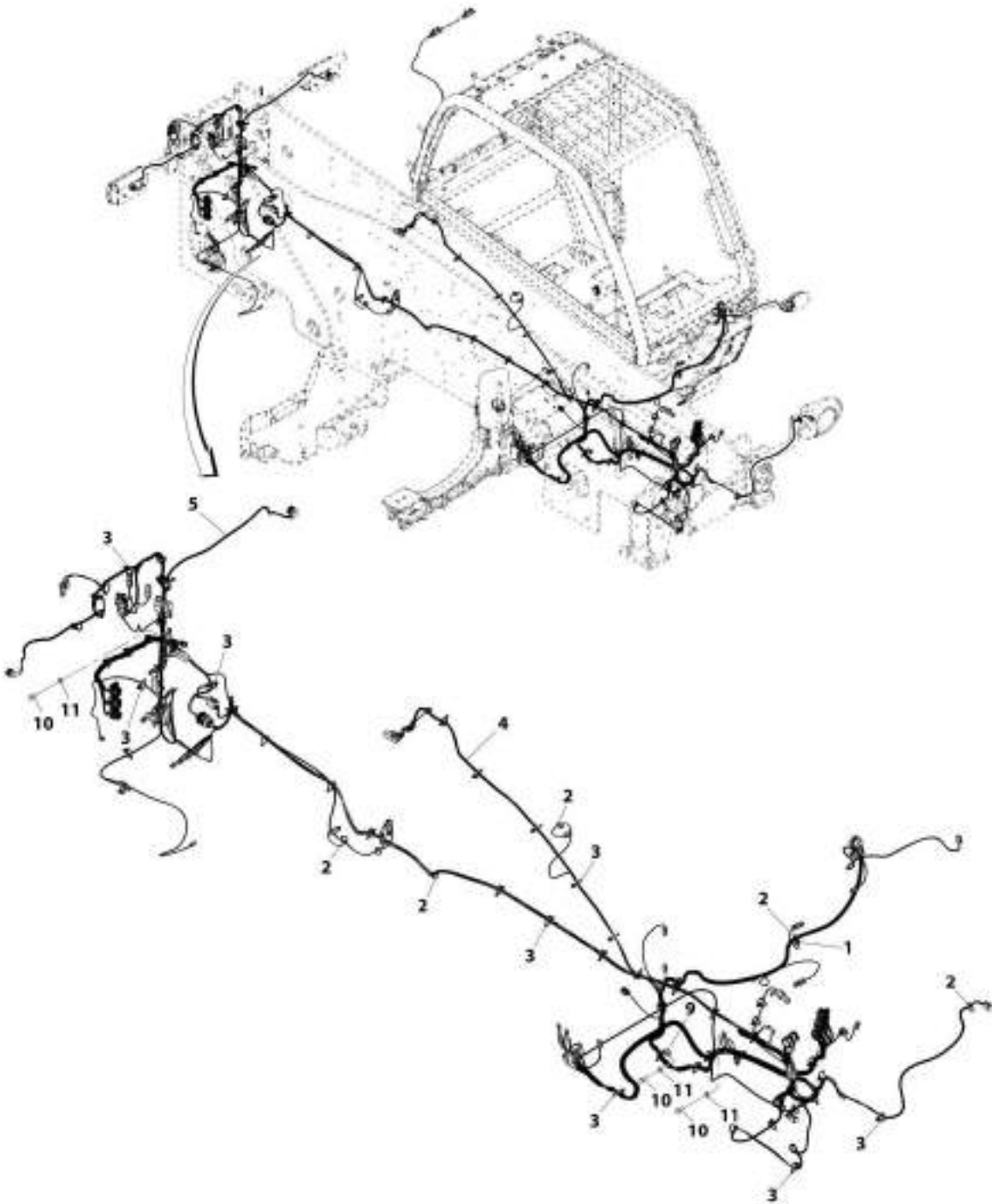
## SECTION 10 - ELECTRICAL

**FIGURE 10-1. MAIN ELECTRICAL INSTALLATION (Prior to SN 1160008717)**

ITEM	PART NUMBER	QTY	DESCRIPTION	REV
	1001185391	Ref	Main Electrical Installation	C
1	1001004723	1	Saddle	
2	1001008559	9	Strap, Cable	
3	1001146588	54	Strap, Cable Tie	
4	1001180524	Ref	Harness, Front Frame (See Separate Breakdown in this Section)	
5	1001180525	Ref	Harness, Rear Frame (See Separate Breakdown in this Section)	
9	1001003305	1	Clip	
10	0761012	3	Bolt, M10X25	
11	4812000	3	Washer, M10	

# SECTION 10 - ELECTRICAL

FIGURE 10-2. MAIN ELECTRICAL INSTALLATION (SN 1160008717 to Present)



ART\_1001185391-E

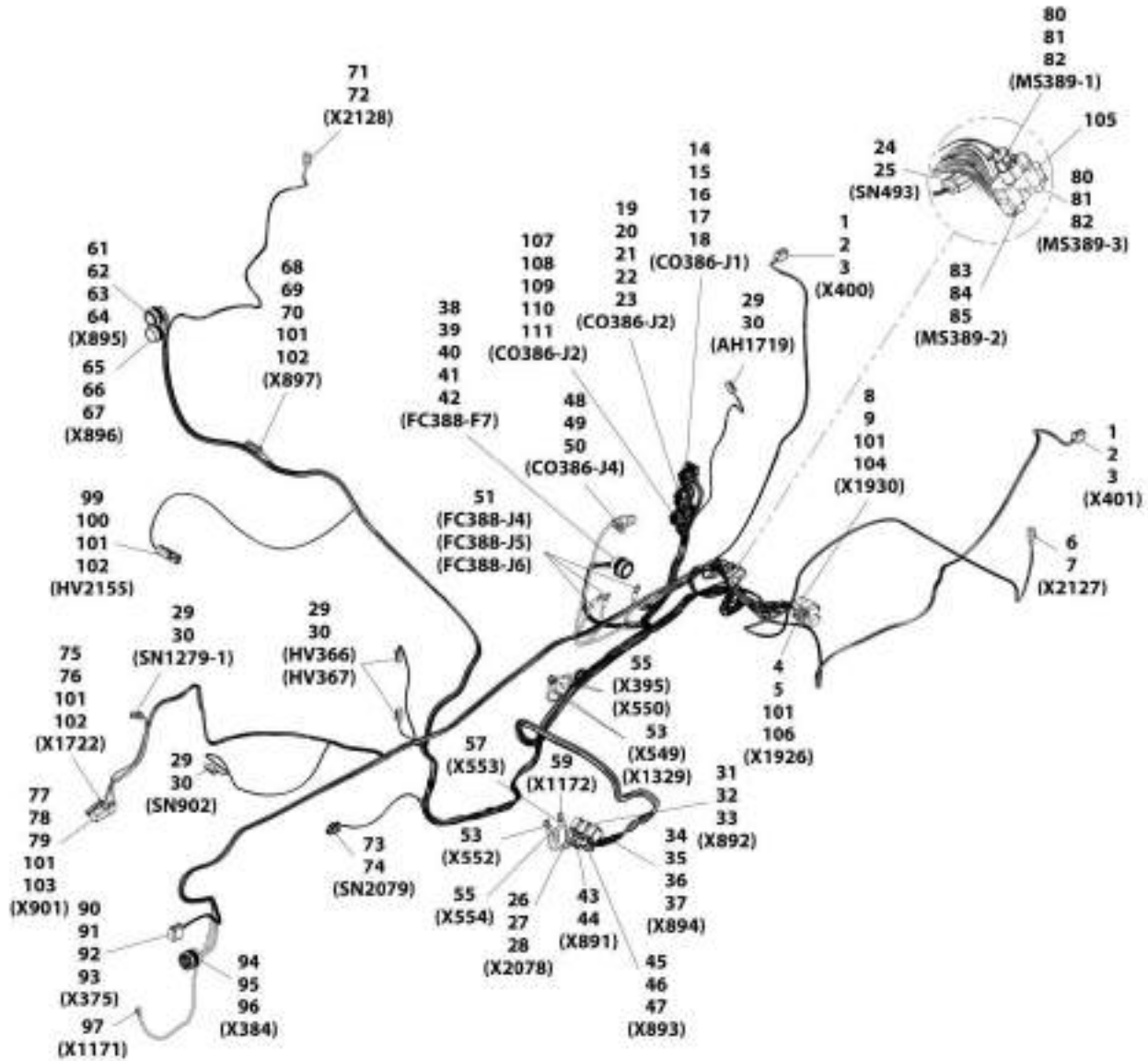
## SECTION 10 - ELECTRICAL

**FIGURE 10-2. MAIN ELECTRICAL INSTALLATION (SN 1160008717 to Present)**

ITEM	PART NUMBER	QTY	DESCRIPTION	REV
	1001185391	Ref	Main Electrical Installation	E
1	1001004723	1	Saddle	
2	1001008559	9	Strap, Cable	
3	1001146588	55	Strap, Cable Tie	
4	1001231424	Ref	Harness, Front Frame (See Separate Breakdown in this Section)	
5	1001231423	Ref	Harness, Rear Frame (See Separate Breakdown in this Section)	
9	1001003305	1	Clip	
10	0761012	3	Bolt, M10X25	
11	4812000	3	Washer, M10	

# SECTION 10 - ELECTRICAL

## FIGURE 10-3. FRONT FRAME HARNESS (Prior to SN 1160008717)



ART\_1001180524-E

## SECTION 10 - ELECTRICAL

**FIGURE 10-3. FRONT FRAME HARNESS (Prior to SN 1160008717)**

ITEM	PART NUMBER	QTY	DESCRIPTION	REV
	1001180524	Ref	Front Frame Harness	E
1	4460894	2	Connector	
2	4460942	5	Terminal	
3	4460466	1	Plug	
4	4460933	1	Connector	
5	4460465	12	Terminal	
6	4460539	1	Connector	
7	4460942	3	Terminal	
8	4460970	1	Connector	
9	4460464	12	Terminal	
14	1001161957	1	Connector	
15	1001161095	19	Terminal	
16	1001161098	2	Terminal	
17	1001161100	7	Plug	
18	1001161101	6	Plug	
19	1001161963	1	Connector	
20	1001161095	26	Terminal	
21	1001161099	6	Terminal	
22	1001161100	14	Plug	
23	1001161101	2	Plug	
24	4460911	1	Connector	
25	1001126008	3	Terminal	
26	4460970	1	Connector	
27	4460464	7	Terminal	
28	4460466	5	Plug	
29	4460891	5	Connector	
30	4460465	2	Terminal	
31	4460933	1	Connector	
32	4460465	10	Terminal	
33	4460466	2	Plug	
34	4460836	1	Connector	
35	4460465	9	Terminal	
36	4460942	1	Terminal	
37	4460466	2	Plug	
38	1001165309	1	Connector	
39	4460465	9	Terminal	
40	4460942	1	Terminal	
41	4460509	6	Terminal	
42	4460466	3	Plug	
43	1001116810	1	Connector	
44	4460509	4	Terminal	
45	1001116812	1	Connector	
46	4460465	2	Terminal	
47	4460466	1	Plug	
48	1001160509	1	Connector	
49	1001160510	1	Terminal	
50	1001175266	1	Seal	
51	8220114	3	Terminal, Ring	
53	1001117110	3	Terminal, Ring	
55	1001117108	3	Terminal, Ring	

## SECTION 10 - ELECTRICAL

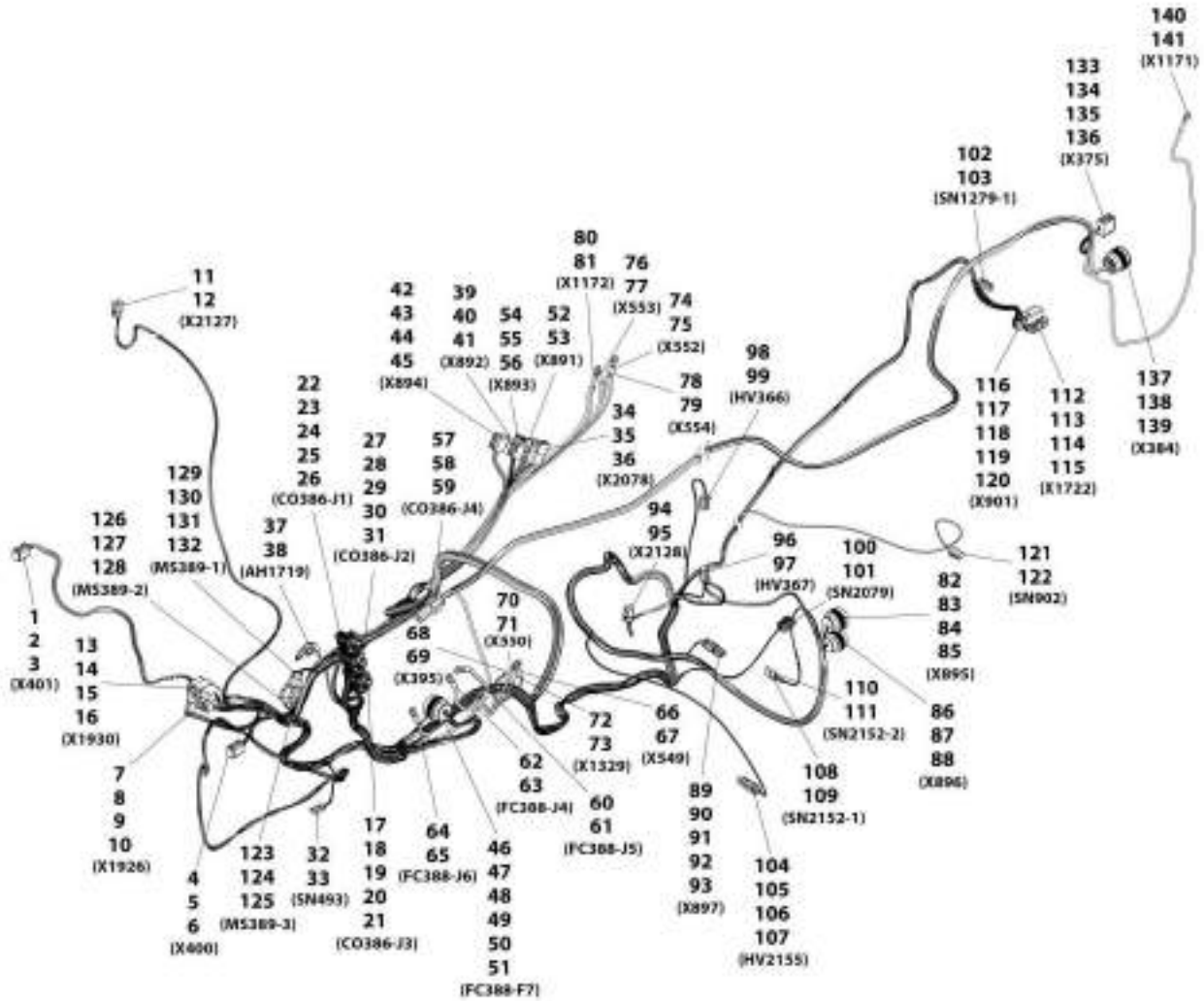
ITEM	PART NUMBER	QTY	DESCRIPTION	REV
57	1001128127	1	Terminal, Ring	
59	1001117109	1	Terminal, Ring	
61	1001118323	1	Connector	
62	4460942	3	Terminal	
63	91013192	2	Terminal	
64	4460466	1	Terminal	
65	4461015	1	Connector	
66	4460465	8	Terminal	
67	4460466	6	Terminal	
68	4460891	1	Connector	
69	1001157890	1	Terminal	
70	4460466	1	Terminal	
71	4460539	1	Connector	
72	4460942	3	Terminal	
73	1001116950	1	Connector	
74	4460465	2	Terminal	
75	4460891	1	Connector	
76	4460942	2	Terminal	
77	4460894	1	Connector	
78	4460942	4	Terminal	
79	4460465	2	Terminal	
80	1001116812	2	Connector	
81	4460944	4	Terminal	
82	4460466	2	Terminal	
83	4460539	1	Connector	
84	4460944	2	Terminal	
85	4460466	1	Terminal	
90	4460933	1	Connector	
91	4460465	4	Terminal	
92	1001157890	2	Terminal	
93	4460466	6	Plug	
94	1001165310	1	Connector	
95	1001116686	4	Terminal	
96	4460466	2	Plug	
97	1001117109	1	Connector	
99	4460891	1	Connector	
100	4460465	2	Terminal	
101	4460466	36	Plug	
102	4460897	3	Connector	
103	4460899	1	Terminal	
104	4460933	1	Plug	
105	4460945	1	Connector, 3Way	
106	4460970	1	Plug	
107	1001160500	1	Connector	
108	1001161095	14	Terminal	
109	1001161099	7	Terminal	
110	1001161100	11	Plug	
111	1001161101	1	Plug	





# SECTION 10 - ELECTRICAL

FIGURE 10-4. FRONT FRAME HARNESS (SN 1160008717 to Present)



MIT\_1001231424B

## SECTION 10 - ELECTRICAL

**FIGURE 10-4. FRONT FRAME HARNESS (SN 1160008717 to Present)**

ITEM	PART NUMBER	QTY	DESCRIPTION	REV
	1001231424	Ref	Front Frame Harness	B
1	4460894	1	Connector	
2	4460942	5	Terminal	
3	4460466	1	Terminal	
4	4460894	1	Connector	
5	4460942	5	Terminal	
6	4460466	1	Terminal	
7	4460933	1	Connector	
8	4460465	12	Terminal	
9	4460466	12	Terminal	
10	4460970	1	Connector	
11	4460539	1	Connector	
12	4460942	3	Terminal	
13	4460970	1	Connector	
14	4460464	12	Terminal	
15	4460466	12	Terminal	
16	4460933	1	Connector	
17	1001160500	1	Connector	
18	1001161095	15	Terminal	
19	1001161100	10	Terminal	
20	1001161099	7	Terminal	
21	1001161101	1	Terminal	
22	1001161957	1	Connector	
23	1001161095	19	Terminal	
24	1001161100	7	Terminal	
25	1001161101	6	Terminal	
26	1001161098	2	Terminal	
27	1001161963	1	Connector	
28	1001161095	26	Terminal	
29	1001161100	14	Terminal	
30	1001161099	6	Terminal	
31	1001161101	2	Terminal	
32	4460911	1	Connector	
33	1001126008	3	Terminal	
34	4460970	1	Connector	
35	4460464	7	Terminal	
36	4460466	5	Terminal	
37	4460891	1	Connector	
38	4460465	2	Terminal	
39	4460933	1	Connector	
40	4460465	10	Terminal	
41	4460466	2	Terminal	
42	4460836	1	Connector	
43	4460942	1	Terminal	
44	4460465	9	Terminal	
45	4460466	2	Terminal	
46	1001165309	1	Connector	
47	4460466	1	Terminal	
48	4460465	9	Terminal	
49	4460942	1	Terminal	

## SECTION 10 - ELECTRICAL

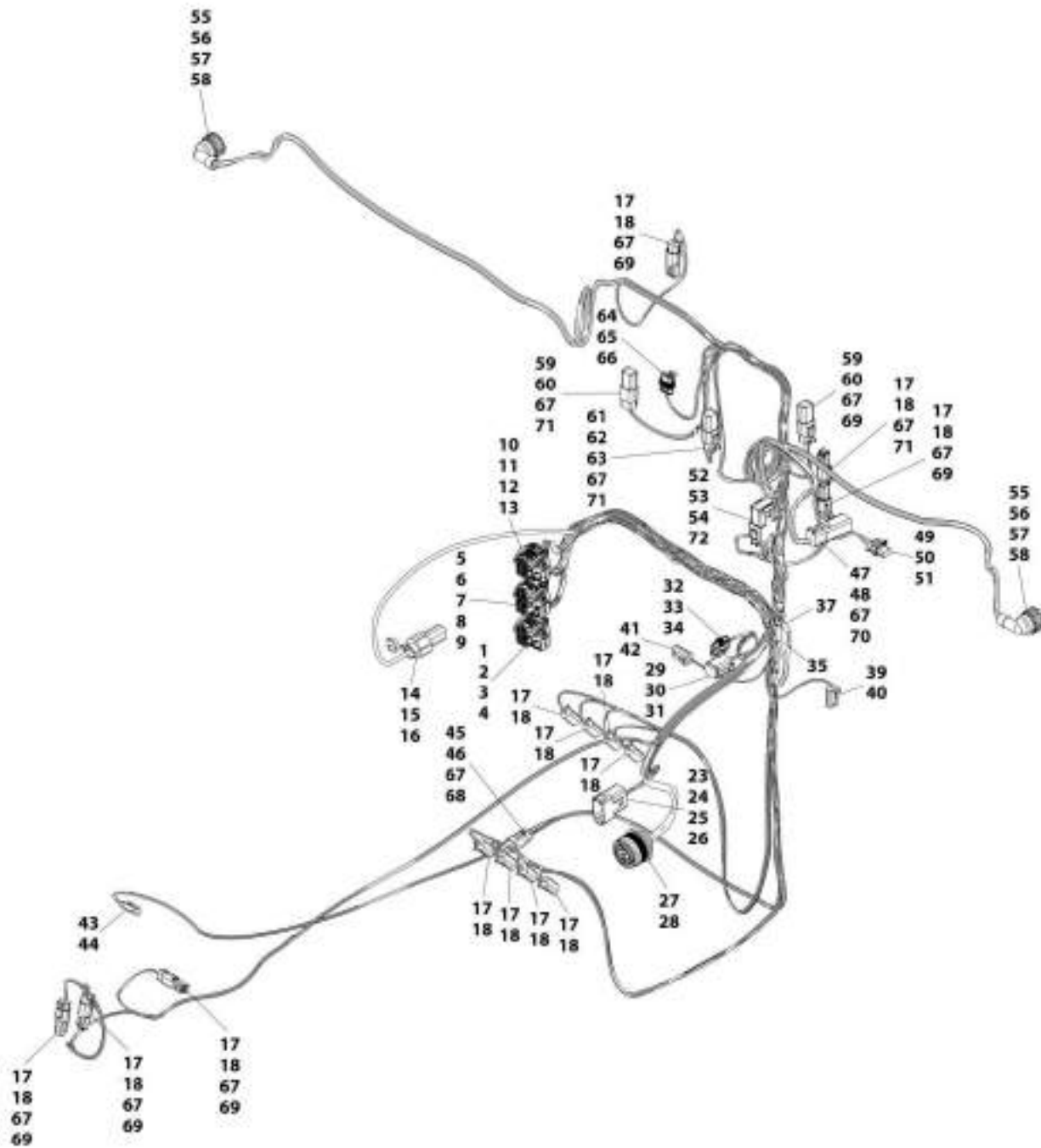
ITEM	PART NUMBER	QTY	DESCRIPTION	REV
50	4460509	6	Terminal	
51	4460466	2	Terminal	
52	1001116810	1	Connector	
53	4460509	4	Terminal	
54	1001116812	1	Connector	
55	4460465	2	Terminal	
56	4460466	1	Terminal	
57	1001160509	1	Connector	
58	1001160510	1	Terminal	
59	1001175266	1	Seal	
60	8220114	1	Connector	
61	8220114	1	Terminal	
62	8220114	1	Connector	
63	8220114	1	Terminal	
64	8220114	1	Connector	
65	8220114	1	Terminal	
66	1001117110	1	Connector	
67	1001117110	2	Terminal	
68	1001117108	1	Connector	
69	1001117108	2	Terminal	
70	1001117108	1	Connector	
71	1001117108	1	Terminal	
72	1001117110	1	Connector	
73	1001117110	1	Terminal	
74	1001117110	1	Connector	
75	1001117110	1	Terminal	
76	1001128127	1	Connector	
77	1001128127	2	Terminal	
78	1001117108	1	Connector	
79	1001117108	2	Terminal	
80	1001117109	1	Connector	
81	1001117109	2	Terminal	
82	1001118323	1	Connector	
83	4460942	3	Terminal	
84	91013192	2	Terminal	
85	4460466	1	Terminal	
86	4461015	1	Connector	
87	4460465	8	Terminal	
88	4460466	6	Terminal	
89	4460891	1	Connector	
90	1001157890	1	Terminal	
91	4460466	1	Terminal	
92	4460897	1	Connector	
93	4460466	2	Terminal	
94	4460539	1	Connector	
95	4460942	3	Terminal	
96	4460891	1	Connector	
97	4460465	2	Terminal	
98	4460891	1	Connector	
99	4460465	2	Terminal	
100	1001116950	1	Connector	

## SECTION 10 - ELECTRICAL

ITEM	PART NUMBER	QTY	DESCRIPTION	REV
101	4460465	2	Terminal	
102	4460891	1	Connector	
103	4460465	2	Terminal	
104	4460891	1	Connector	
105	4460465	2	Terminal	
106	4460897	1	Connector	
107	4460466	2	Terminal	
108	1001116995	1	Connector	
109	1001118379	1	Terminal	
110	1001116995	1	Connector	
111	1001118379	1	Terminal	
112	4460891	1	Connector	
113	4460942	2	Terminal	
114	4460466	2	Terminal	
115	4460897	1	Connector	
116	4460894	1	Connector	
117	4460942	4	Terminal	
118	4460465	2	Terminal	
119	4460466	6	Terminal	
120	4460899	1	Terminal	
121	4460891	1	Connector	
122	4460465	2	Terminal	
123	1001116812	1	Connector	
124	4460944	2	Terminal	
125	4460466	1	Terminal	
126	4460539	1	Connector	
127	4460944	2	Terminal	
128	4460466	1	Terminal	
129	1001116812	1	Connector	
130	4460944	2	Terminal	
131	4460466	1	Terminal	
132	4460945	1	Terminal	
133	4460933	1	Connector	
134	4460465	4	Terminal	
135	1001157890	2	Terminal	
136	4460466	6	Terminal	
137	1001165310	1	Connector	
138	1001116686	4	Terminal	
139	91013192	2	Terminal	
140	1001117109	1	Connector	
141	1001117109	1	Terminal	

# SECTION 10 - ELECTRICAL

## FIGURE 10-5. REAR FRAME HARNESS (Prior to SN 1160008717)



AWT\_1001180325-E

## SECTION 10 - ELECTRICAL

**FIGURE 10-5. REAR FRAME HARNESS (Prior to SN 1160008717)**

ITEM	PART NUMBER	QTY	DESCRIPTION	REV
	1001180525	Ref	Rear Frame Harness	E
1	1001161958	1	Connector	
2	1001161095	11	Terminal	
3	1001161100	13	Plug	
4	1001161101	8	Plug	
5	1001161964	1	Connector	
6	1001161095	26	Terminal	
7	1001161099	6	Terminal	
8	1001161100	14	Plug	
9	1001161101	2	Plug	
10	1001160499	1	Connector	
11	1001161095	4	Terminal	
12	1001161100	21	Plug	
13	1001161099	7	Terminal	
14	1001160509	1	Connector	
15	1001160510	1	Terminal	
16	1001175266	1	Seal	
17	4460891	14	Connector	
18	4460465	2	Terminal	
23	4460970	1	Connector	
24	4460464	4	Terminal	
25	4460466	7	Plug	
26	1001157891	1	Terminal	
27	1001165311	1	Connector	
28	91013191	2	Terminal	
29	4460894	1	Connector	
30	4460465	2	Terminal	
31	4460466	4	Plug	
32	4461262	1	Connector	
33	1001107854	3	Terminal	
34	1001104498	3	Seal	
35	1001117110	1	Terminal, Ring	
37	1001117108	1	Terminal, Ring	
39	4460891	1	Connector	
40	4460465	2	Terminal	
41	4460891	1	Connector	
42	4460465	2	Terminal	
43	4460911	1	Connector	
44	1001126008	3	Terminal	
45	4460539	1	Connector	
46	4460465	3	Terminal	
47	4460894	1	Connector	
48	4460942	6	Terminal	
49	1001117021	1	Connector	
50	1001116728	2	Terminal	
51	4460458	2	Seal	
52	4460933	1	Connector	
53	4460465	8	Terminal	
54	4460466	4	Plug	
55	1001116996	2	Connector	

## SECTION 10 - ELECTRICAL

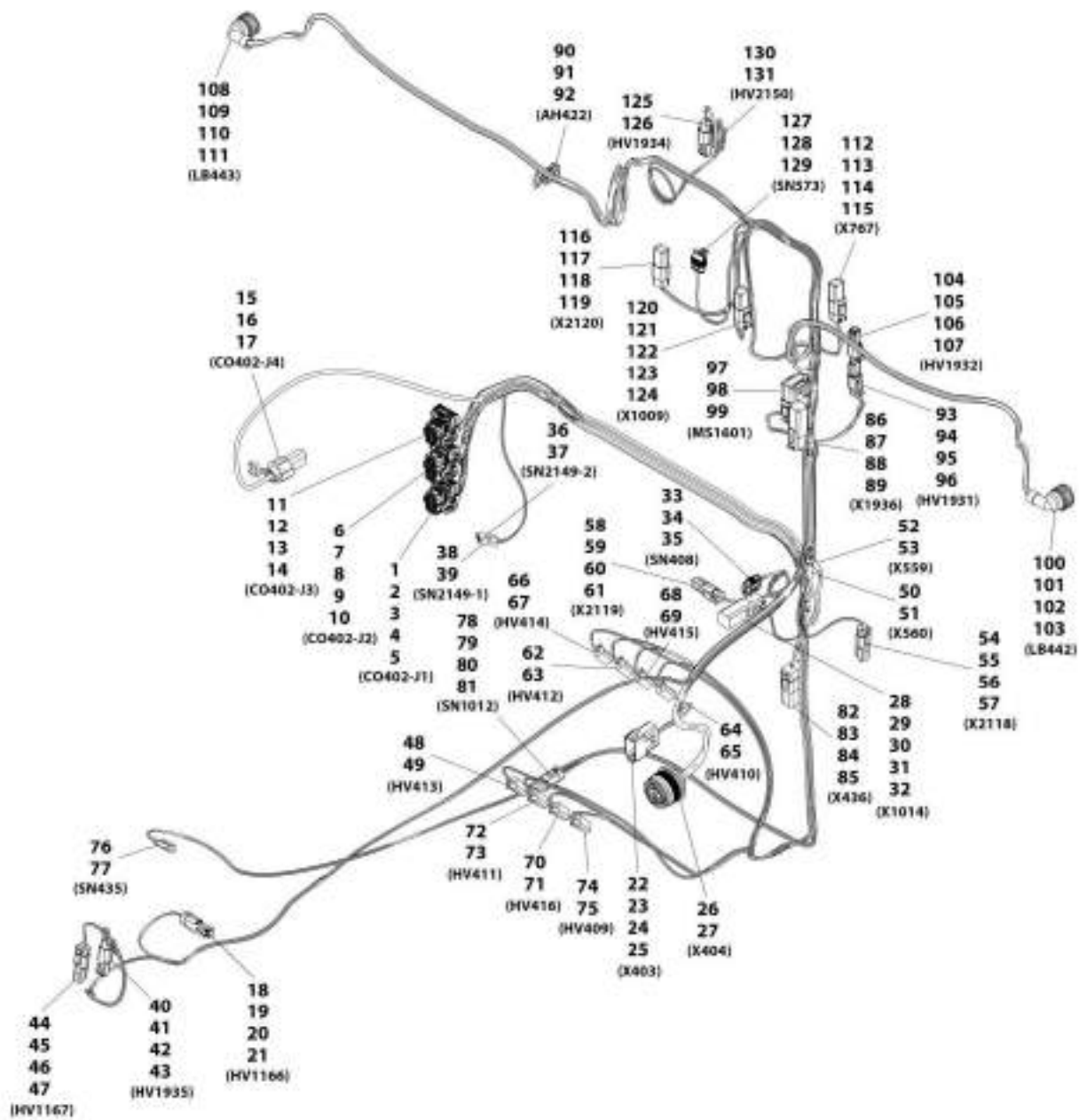
ITEM	PART NUMBER	QTY	DESCRIPTION	REV
56	1001118392	12	Terminal	
57	1001116696	2	Plug	
58	4461054	12	Seal	
59	4460884	2	Connector	
60	4460465	8	Terminal	
61	4460884	1	Connector	
62	4460465	2	Terminal	
63	4460466	2	Plug	
64	4461262	1	Connector	
65	1001107854	3	Terminal	
66	1001104498	3	Seal	
67	4460466	33	Plug	
68	4460536	1	Terminal	
69	4460897	6	Connector	
70	4460899	1	Terminal	
71	4460932	3	Connector	
72	1001125677	1	Connector	





# SECTION 10 - ELECTRICAL

## FIGURE 10-6. REAR FRAME HARNESS (SN 1160008717 to Present)



ART\_1001251423-B

## SECTION 10 - ELECTRICAL

**FIGURE 10-6. REAR FRAME HARNESS (SN 1160008717 to Present)**

ITEM	PART NUMBER	QTY	DESCRIPTION	REV
	1001231423	Ref	Rear Frame Harness	B
1	1001161958	1	Connector	
2	1001161095	11	Terminal	
3	1001161100	13	Terminal	
4	1001161101	4	Terminal	
5	1001161099	4	Terminal	
6	1001161964	1	Connector	
7	1001161095	29	Terminal	
8	1001161100	11	Terminal	
9	1001161101	1	Terminal	
10	1001161099	7	Terminal	
11	1001160499	1	Connector	
12	1001161095	5	Terminal	
13	1001161100	20	Terminal	
14	1001161099	7	Terminal	
15	1001160509	1	Connector	
16	1001160510	1	Terminal	
17	1001175266	1	Seal	
18	4460891	1	Connector	
19	4460465	2	Terminal	
20	4460466	2	Terminal	
21	4460897	1	Connector	
22	4460970	1	Connector	
23	4460464	4	Terminal	
24	1001157891	1	Terminal	
25	4460466	6	Terminal	
26	1001165311	1	Connector	
27	91013191	2	Terminal	
28	4460894	1	Connector	
29	4460466	4	Terminal	
30	4460465	2	Terminal	
31	4460899	1	Terminal	
32	4460466	6	Terminal	
33	4461262	1	Connector	
34	1001107854	3	Terminal	
35	1001104498	3	Seal	
36	1001116995	1	Connector	
37	1001118379	1	Terminal	
38	1001116995	1	Connector	
39	1001118379	1	Terminal	
40	4460891	1	Connector	
41	4460465	2	Terminal	
42	4460897	1	Connector	
43	4460466	2	Terminal	
44	4460891	1	Connector	
45	4460465	2	Terminal	
46	4460897	1	Connector	
47	4460466	2	Terminal	
48	4460891	1	Connector	
49	4460465	2	Terminal	

## SECTION 10 - ELECTRICAL

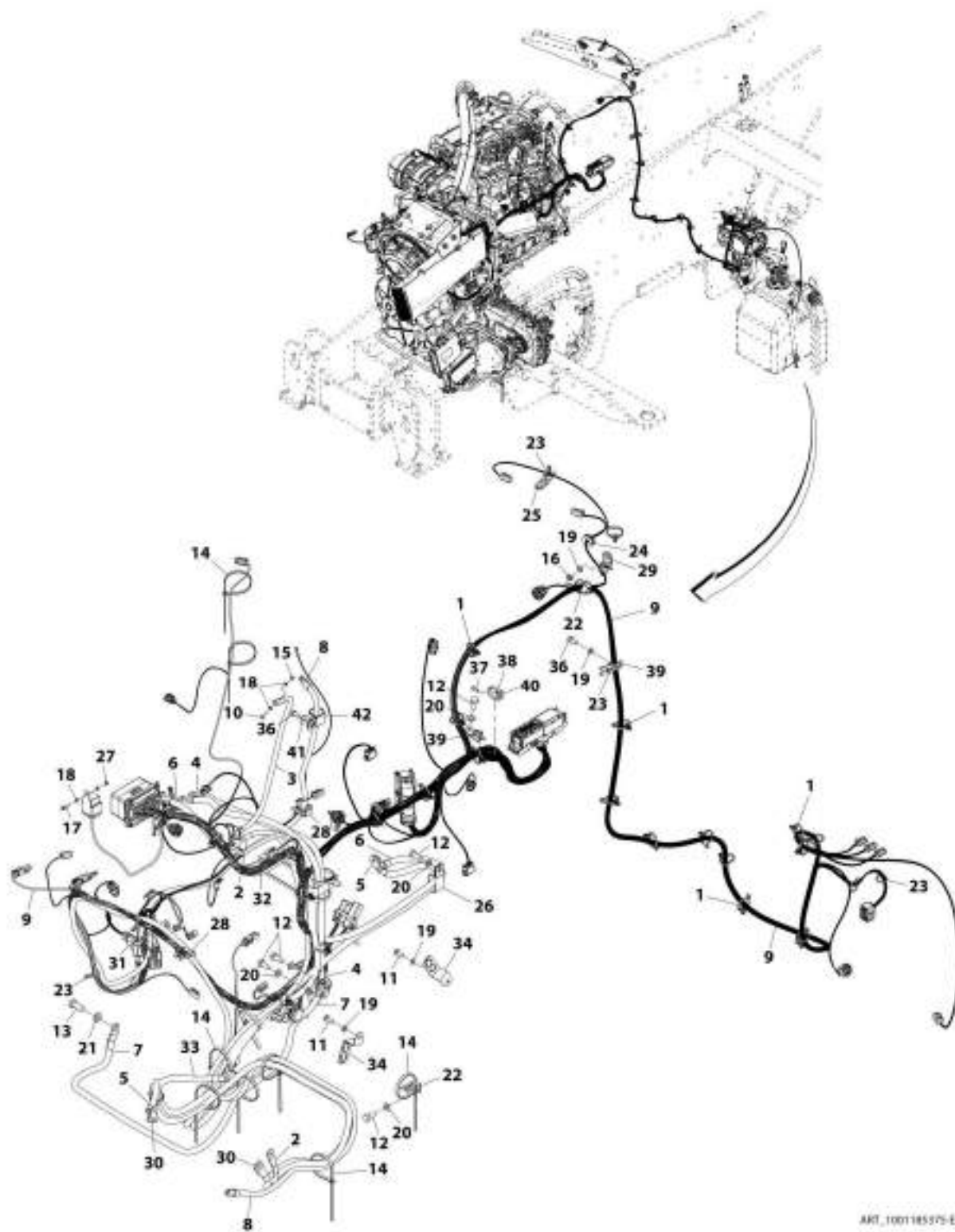
ITEM	PART NUMBER	QTY	DESCRIPTION	REV
50	1001117110	1	Connector	
51	1001117110	1	Terminal	
52	1001117108	1	Connector	
53	1001117108	2	Terminal	
54	4460891	1	Connector	
55	4460465	2	Terminal	
56	4460466	2	Terminal	
57	4460897	1	Connector	
58	4460891	1	Connector	
59	4460465	2	Terminal	
60	4460897	1	Connector	
61	4460466	6	Terminal	
62	4460891	1	Connector	
63	4460465	2	Terminal	
64	4460891	1	Connector	
65	4460465	2	Terminal	
66	4460891	1	Connector	
67	4460465	2	Terminal	
68	4460891	1	Connector	
69	4460465	2	Terminal	
70	4460891	1	Connector	
71	4460465	2	Terminal	
72	4460891	1	Connector	
73	4460465	2	Terminal	
74	4460891	1	Connector	
75	4460465	2	Terminal	
76	4460911	1	Connector	
77	1001126008	3	Terminal	
78	4460539	1	Connector	
79	4460465	3	Terminal	
80	4460466	3	Terminal	
81	4460536	1	Terminal	
82	4460930	1	Connector	
83	4460465	6	Terminal	
84	4460466	2	Terminal	
85	4460466	8	Terminal	
86	4460894	1	Connector	
87	4460942	6	Terminal	
88	4460466	6	Terminal	
89	4460899	1	Terminal	
90	1001117021	1	Connector	
91	1001116728	2	Terminal	
92	4460458	2	Terminal	
93	4460891	1	Connector	
94	4460465	2	Terminal	
95	4460897	1	Connector	
96	4460466	2	Terminal	
97	4460933	1	Connector	
98	4460465	10	Terminal	
99	4460466	2	Terminal	
100	1001116996	1	Connector	

## SECTION 10 - ELECTRICAL

ITEM	PART NUMBER	QTY	DESCRIPTION	REV
101	1001118392	6	Terminal	
102	4461054	6	Seal	
103	1001116696	1	Terminal	
104	4460891	1	Connector	
105	4460465	2	Terminal	
106	4460897	1	Connector	
107	4460466	2	Terminal	
108	1001116996	1	Connector	
109	1001118392	6	Terminal	
110	4461054	6	Seal	
111	1001116696	1	Terminal	
112	4460884	1	Connector	
113	4460465	4	Terminal	
114	4460932	1	Connector	
115	4460466	4	Terminal	
116	4460884	1	Connector	
117	4460465	4	Terminal	
118	4460466	4	Terminal	
119	4460932	1	Connector	
120	4460884	1	Connector	
121	4460465	2	Terminal	
122	4460466	2	Terminal	
123	4460466	4	Terminal	
124	4460932	1	Connector	
125	4460891	1	Connector	
126	4460465	2	Terminal	
127	4461262	1	Connector	
128	1001107854	3	Terminal	
129	1001104498	3	Seal	
130	4460891	1	Connector	
131	4460465	2	Terminal	

# SECTION 10 - ELECTRICAL

## FIGURE 10-7. ENGINE WIRING INSTALLATION (ULS)



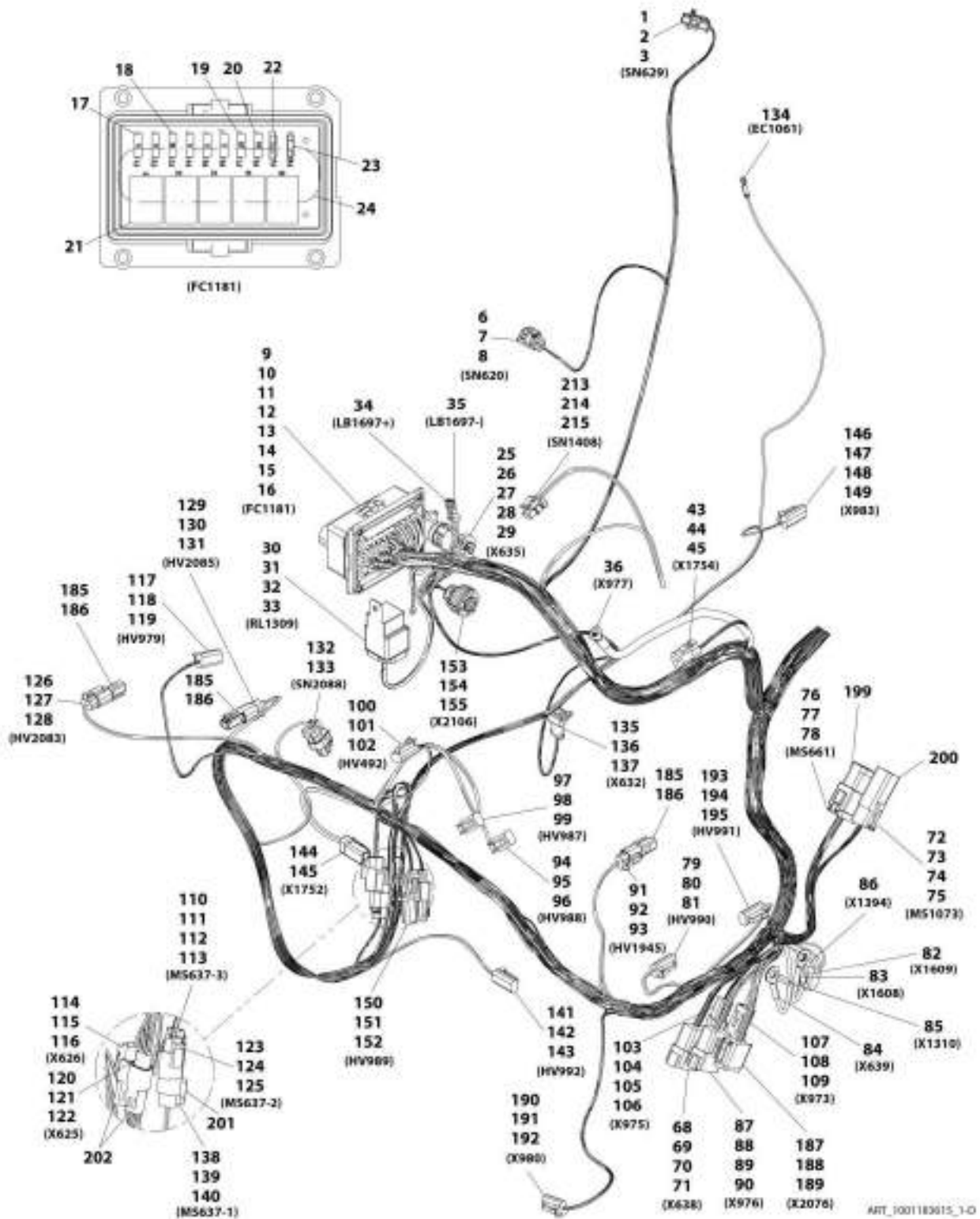
## SECTION 10 - ELECTRICAL

**FIGURE 10-7. ENGINE WIRING INSTALLATION (ULS)**

ITEM	PART NUMBER	QTY	DESCRIPTION	REV
	1001185375	Ref	Engine Wiring Installation (ULS)	E
1	1001146588	24	Strap, Tie	
2	1001182218	1	Cable, PDM to Glow Plug Relay	
3	1001182219	1	Cable, Glow Plug to Relay	
4	1001182654	1	Cable, Batt to Ground	
5	1001182650	1	Cable, Starter to Battery +	
6	1001182651	1	Cable, Starter to Remote B+	
7	1001182652	1	Cable, Ground Buss to Engine Ground	
8	1001182216	1	Cable, Alternator	
9	1001183615	1	Harness, Engine (ULS) (See Separate Breakdown in this Section)	
10	0760507	1	Bolt, M5X14	
11	0760810	2	Bolt, M8X20	
12	0761012	7	Bolt, M10X25	
13	0761214	1	Bolt, M12X30	
14	1062255	13	Strap, Tie	
15	3290505	1	Nut, Lock M5X0.8 Grade 8	
16	3290805	1	Nut, Lock M8X1.25 Grade 8	
17	3900381	1	Screw, M5X16	
18	4811600	4	Washer, M5	
19	4811900	5	Washer, M8	
20	4812000	7	Washer, M10	
21	4812100	1	Washer, M12	
22	1001003305	4	Clip	
23	1001008559	12	Strap, Tie	
24	1001009375	1	Grommet	
25	1001025750	1	Clip, Ladder	
26	1001008720	2	Clip	
27	1001128972	1	Nut, M5X0.8	
28	1001130198	3	Clip, Ladder	
29	1001169146	1	Mount	
30	1001182217	1	Cable, Batt + to PDM	
31	1001182929	1	Harness, Fuel Pump (See Separate Breakdown in this Section)	
32	1001182930	1	Harness, Glow Plug Relay (See Separate Breakdown in this Section)	
33	1001203015	1	Cable, Batt (-) to Batt Disc	
34	1001203882	2	Bracket, Harness Tie Wrap	
36	0760808	3	Bolt, M8X16	
37	3900357	1	Screw, M6X16	
38	8881800	1	Strap, Tie	
39	1001008593	2	Clip	
40	1001138645	1	Mount, Cable Tie	
41	4811902	1	Washer, M8	
42	8406302	1	Clamp	

# SECTION 10 - ELECTRICAL

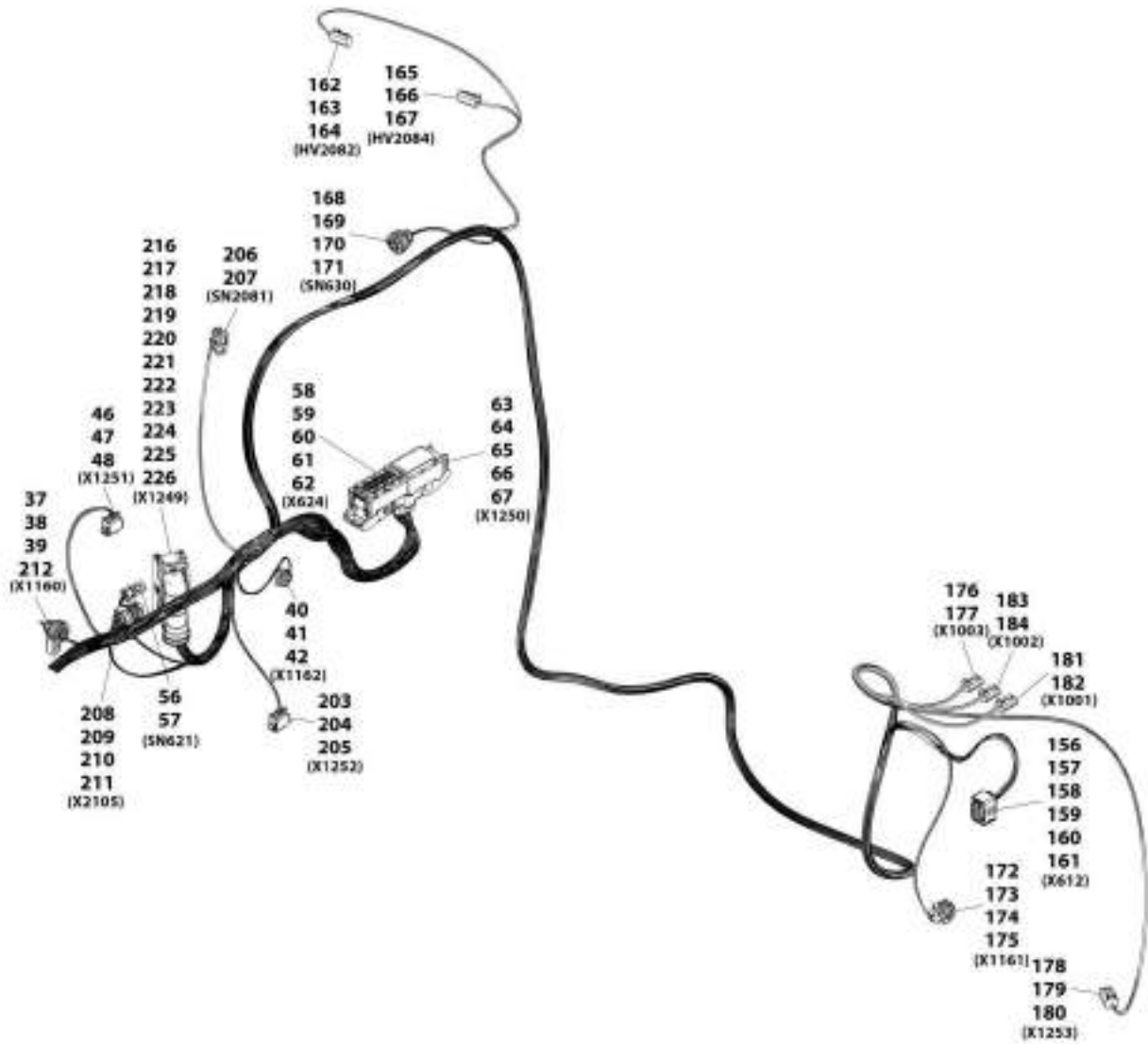
## FIGURE 10-8. ENGINE HARNESS (ULS)



ART\_1001183015\_1-0



# SECTION 10 - ELECTRICAL



ART\_1001183015\_3-D

# SECTION 10 - ELECTRICAL

## FIGURE 10-8. ENGINE HARNESS (ULS)

ITEM	PART NUMBER	QTY	DESCRIPTION	REV
	1001183615	Ref	Engine Harness (ULS)	D
1	1001126487	1	Connector	
2	1001167634	2	Terminal	
3	1001126485	2	Seal	
6	1001126487	1	Connector	
7	1001167634	2	Terminal	
8	1001126485	2	Seal	
9	1001167616	1	Box, Fuse	
10	8220097	21	Terminal	
11	8220098	16	Terminal	
12	1001116725	3	Terminal	
13	1001175265	11	Seal	
14	4460458	16	Seal	
15	80963067	2	Seal	
16	4460748	5	Plug	
17	8229242	5	Fuse, 5A	
18	8229244	1	Fuse, 15A	
19	8229247	1	Fuse, 25A	
20	8229245	1	Fuse, 30A	
21	1001095704	5	Fuse, 35A	
22	1001177597	1	Fuse, 6A	
23	1001197719	1	Resistor	
24	1001190921	1	Seal, Fuse Box	
25	2902443	1	Kit, Receptacle	
26	4461071	6	Terminal	
27	4461072	1	Housing, Flange Mount Receptacle Inner	
28	4461073	1	Cap, Dust	
29	4461074	1	Housing, Receptacle Outer	
30	1001118282	1	Connector	
31	1001116734	2	Terminal	
32	1001116732	2	Terminal	
33	1001128128	1	Plug	
34	8220108	1	Terminal, Blade	
35	8220108	1	Terminal, Blade	
36	8220115	1	Terminal, Ring	
37	1001138116	1	Connector	
38	1001133715	3	Terminal	
39	1001135650	4	Seal	
40	1001126487	1	Connector	
41	1001167635	2	Terminal	
42	1001126485	2	Seal	
43	4460539	1	Connector	
44	77363244	1	Lock, Connector	
45	4460465	3	Terminal	
46	1001167629	1	Connector	
47	1001167630	4	Terminal	
48	1001126485	4	Seal	
56	1001126245	1	Connector	
57	1001126008	2	Terminal	
58	1001167615	1	Connector	

## SECTION 10 - ELECTRICAL

ITEM	PART NUMBER	QTY	DESCRIPTION	REV
59	1001166551	6	Terminal	
60	1001126353	6	Seal	
61	1001167621	21	Terminal	
62	1001167622	64	Plug	
63	1001167625	1	Connector	
64	1001166555	13	Terminal	
65	1001167621	50	Terminal	
66	1001167623	5	Plug	
67	1001167622	37	Plug	
68	4460950	1	Connector	
69	80363179	1	Lock, Connector	
70	4460464	8	Terminal	
71	4460466	4	Plug	
72	4460894	1	Connector	
73	91504107	1	Lock, Connector	
74	4460465	5	Terminal	
75	4460466	1	Plug	
76	4460933	1	Connector	
77	80604016	1	Lock, Connector	
78	4460944	12	Terminal	
79	4460891	1	Connector	
80	80604018	1	Lock, Connector	
81	4460465	2	Terminal	
82	1001117109	1	Terminal, Ring	
83	1001117110	1	Terminal, Ring	
84	1001117110	1	Terminal, Ring	
85	1001117110	1	Terminal, Ring	
86	4460256	1	Terminal, Ring	
87	4460970	1	Connector	
88	80363179	1	Lock, Connector	
89	4460464	8	Terminal	
90	4460466	4	Plug	
91	4460891	1	Connector	
92	80604016	1	Lock, Connector	
93	4460465	2	Terminal	
94	4460891	1	Connector	
95	80604016	1	Lock, Connector	
96	4460465	2	Terminal	
97	4460891	1	Connector	
98	80604016	1	Lock, Connector	
99	4460465	2	Terminal	
100	4460891	1	Connector	
101	80604016	1	Lock, Connector	
102	4460465	2	Terminal	
103	1001144147	1	Connector	
104	91554022	1	Lock, Connector	
105	4460464	2	Terminal	
106	4460466	1	Plug	
107	1001116811	1	Connector	
108	4460508	3	Plug	
109	4460466	1	Plug	

## SECTION 10 - ELECTRICAL

ITEM	PART NUMBER	QTY	DESCRIPTION	REV
110	1001116812	1	Connector	
111	91554019	1	Lock, Connector	
112	4460944	2	Terminal	
113	4460466	1	Plug	
114	4461095	1	Connector	
115	4460465	2	Terminal	
116	4460466	1	Plug	
117	4460891	1	Connector	
118	80604016	1	Lock, Connector	
119	4460465	2	Terminal	
120	4461095	1	Connector	
121	4460465	2	Terminal	
122	4460466	1	Plug	
123	4460539	1	Connector	
124	4460944	2	Terminal	
125	4460466	1	Plug	
126	4460891	1	Connector	
127	80604016	1	Lock, Connector	
128	4460465	2	Terminal	
129	4460891	1	Connector	
130	80604016	1	Lock, Connector	
131	4460465	2	Terminal	
132	1001116950	1	Connector	
133	4460465	2	Terminal	
134	4460247	1	Terminal, Ring	
135	1001167636	1	Connector	
136	1001166702	2	Terminal	
137	4461006	2	Seal	
138	1001116812	1	Connector	
139	4460944	2	Terminal	
140	4460466	1	Plug	
141	4460891	1	Connector	
142	80604016	1	Lock, Connector	
143	4460465	2	Terminal	
144	4461018	1	Connector	
145	4460509	2	Terminal	
146	4460891	1	Connector	
147	80604016	1	Lock, Connector	
148	4460465	1	Terminal	
149	4460466	1	Plug	
150	4460891	1	Connector	
151	80604016	1	Lock, Connector	
152	4460465	2	Terminal	
153	1001133714	1	Connector	
154	4460508	3	Terminal	
155	4460466	1	Plug	
156	1001165194	1	Connector	
157	1001166556	8	Terminal	
158	1001116701	8	Seal	
159	1001166774	2	Terminal	
160	1001126393	2	Seal	

## SECTION 10 - ELECTRICAL

ITEM	PART NUMBER	QTY	DESCRIPTION	REV
161	1001126391	2	Plug	
162	4460891	1	Connector	
163	80604016	1	Lock, Connector	
164	4460465	2	Terminal	
165	4460891	1	Connector	
166	80604016	1	Lock, Connector	
167	4460465	2	Terminal	
168	1001133714	1	Connector	
169	1001133715	3	Terminal	
170	1001135650	3	Seal	
171	1001135651	1	Plug	
172	1001167620	1	Connector	
173	1001167622	2	Terminal	
174	1001167623	2	Plug	
175	1001167624	2	Plug	
176	4460891	1	Connector	
177	4460942	2	Terminal	
178	4460884	1	Connector	
179	80604021	1	Lock, Connector	
180	4460465	4	Terminal	
181	4460891	1	Connector	
182	4460942	2	Terminal	
183	4460891	1	Connector	
184	4460942	2	Terminal	
185	4460897	3	Connector	
186	4460466	2	Plug	
187	4460933	1	Connector	
188	4460465	7	Terminal	
189	4460466	5	Plug	
190	4460891	1	Connector	
191	80604016	1	Lock, Connector	
192	4460465	2	Terminal	
193	4460891	1	Connector	
194	80604016	1	Lock, Connector	
195	4460465	2	Terminal	
199	1001125677	1	Connector	
200	4460892	1	Terminal	
201	4460945	1	Receptacle, 3-Way	
202	4461070	2	Connector	
203	1001167631	1	Connector	
204	1001167630	4	Terminal	
205	1001126485	4	Seal	
206	1001116950	1	Connector	
207	4460465	2	Terminal	
208	1001148842	1	Connector	
209	1001148841	3	Terminal	
210	1001135650	3	Seal	
211	4460508	1	Plug	
212	1001201478	1	Connector, Strain Relief	
213	10011209097	1	Connector	
214	8200124	2	Terminal	

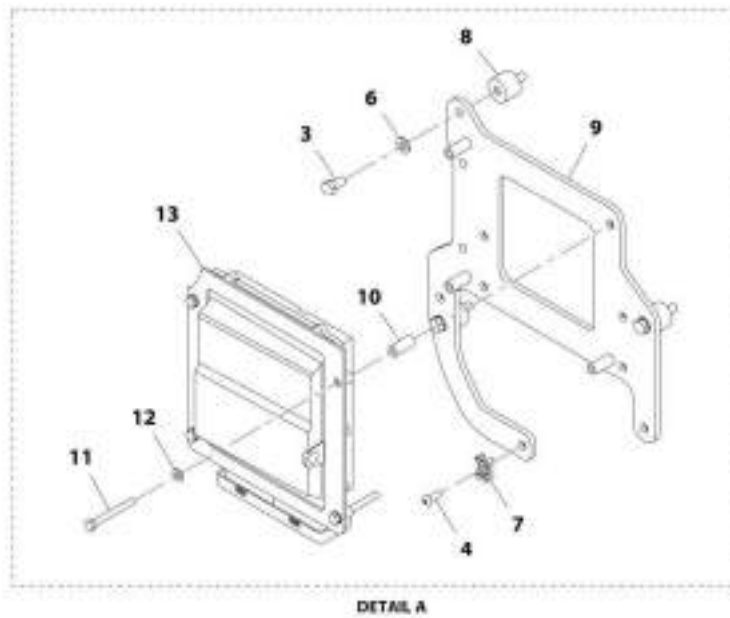
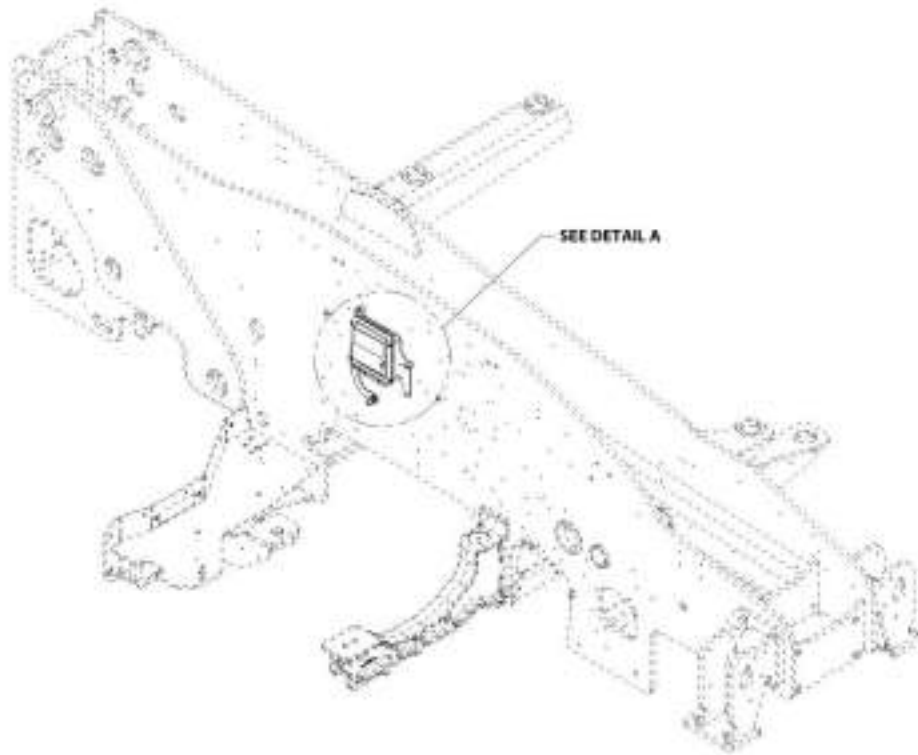
## SECTION 10 - ELECTRICAL

ITEM	PART NUMBER	QTY	DESCRIPTION	REV
215	1001189877	2	Seal	
216	1001126362	1	Connector	
217	1001166556	30	Terminal	
218	1001166774	10	Terminal	
219	1001166541	2	Terminal	
220	1001166543	2	Terminal	
221	1001126391	16	Plug	
222	4461008	2	Plug	
223	1001166701	30	Seal	
224	1001126393	10	Seal	
225	4461006	2	Seal	
226	4461054	2	Seal	



# SECTION 10 - ELECTRICAL

## FIGURE 10-9. ENGINE ECU INSTALLATION (ULS)



AMT\_3001160735-D



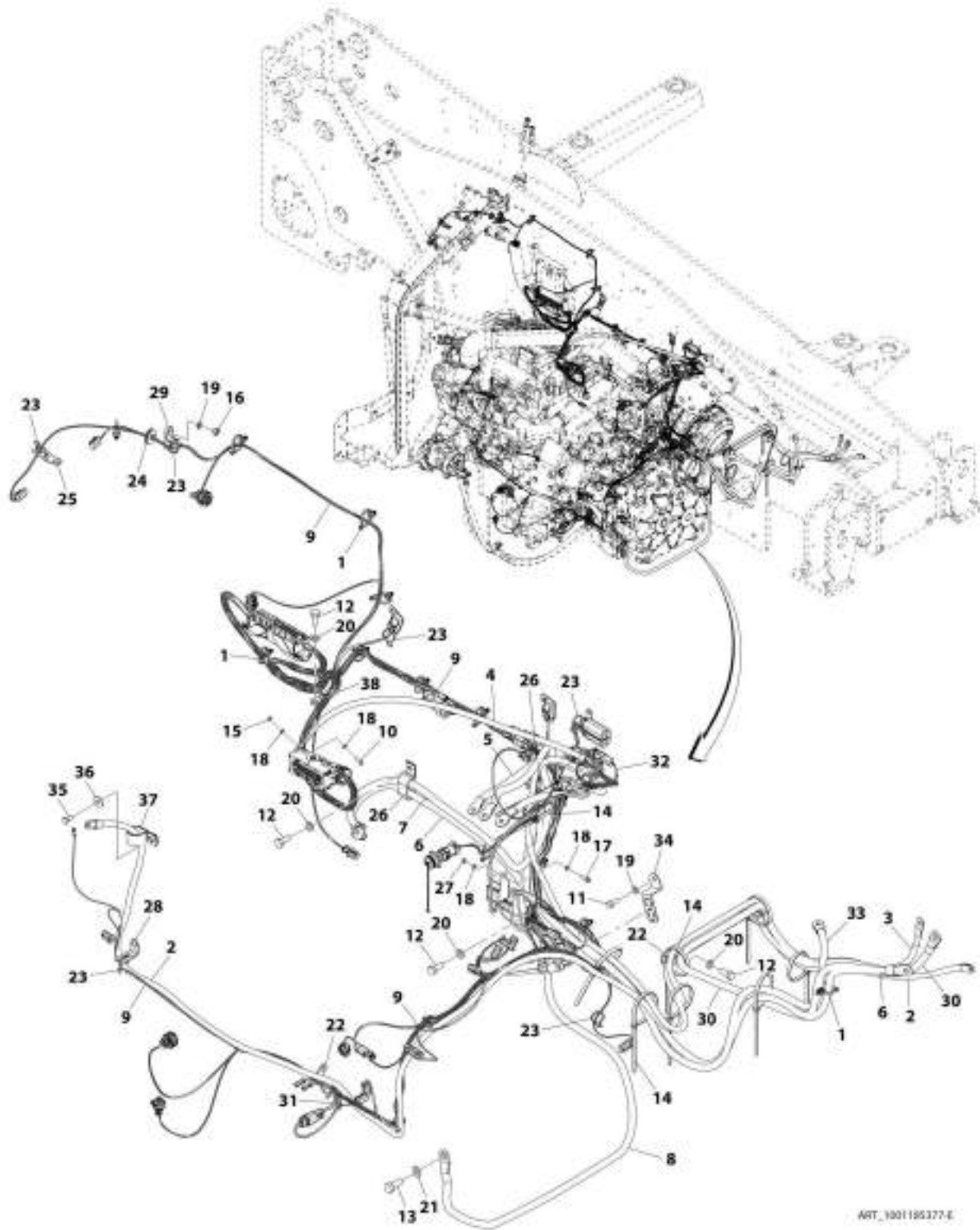
## SECTION 10 - ELECTRICAL

### FIGURE 10-9. ENGINE ECU INSTALLATION (ULS)

ITEM	PART NUMBER	QTY	DESCRIPTION	REV
	1001182735	Ref	Engine ECU Installation (ULS)	D
3	0760808	3	Bolt, M8X16	
4	3900357	1	Capscrew, M6X16	
6	4811900	3	Washer, M8	
7	1001138645	1	Mount, Cable Tie	
8	1001179907	3	Mount, Isolator	
9	1001183347	1	Plate	
10	1001196587	4	Sleeve, Spacer	
11	0760619	4	Bolt, M6X55	
12	4811700	4	Washer, M6	
13	1001206120	1	Plate	

# SECTION 10 - ELECTRICAL

## FIGURE 10-10. ENGINE WIRING INSTALLATION (LS)



ART\_1001185177-E

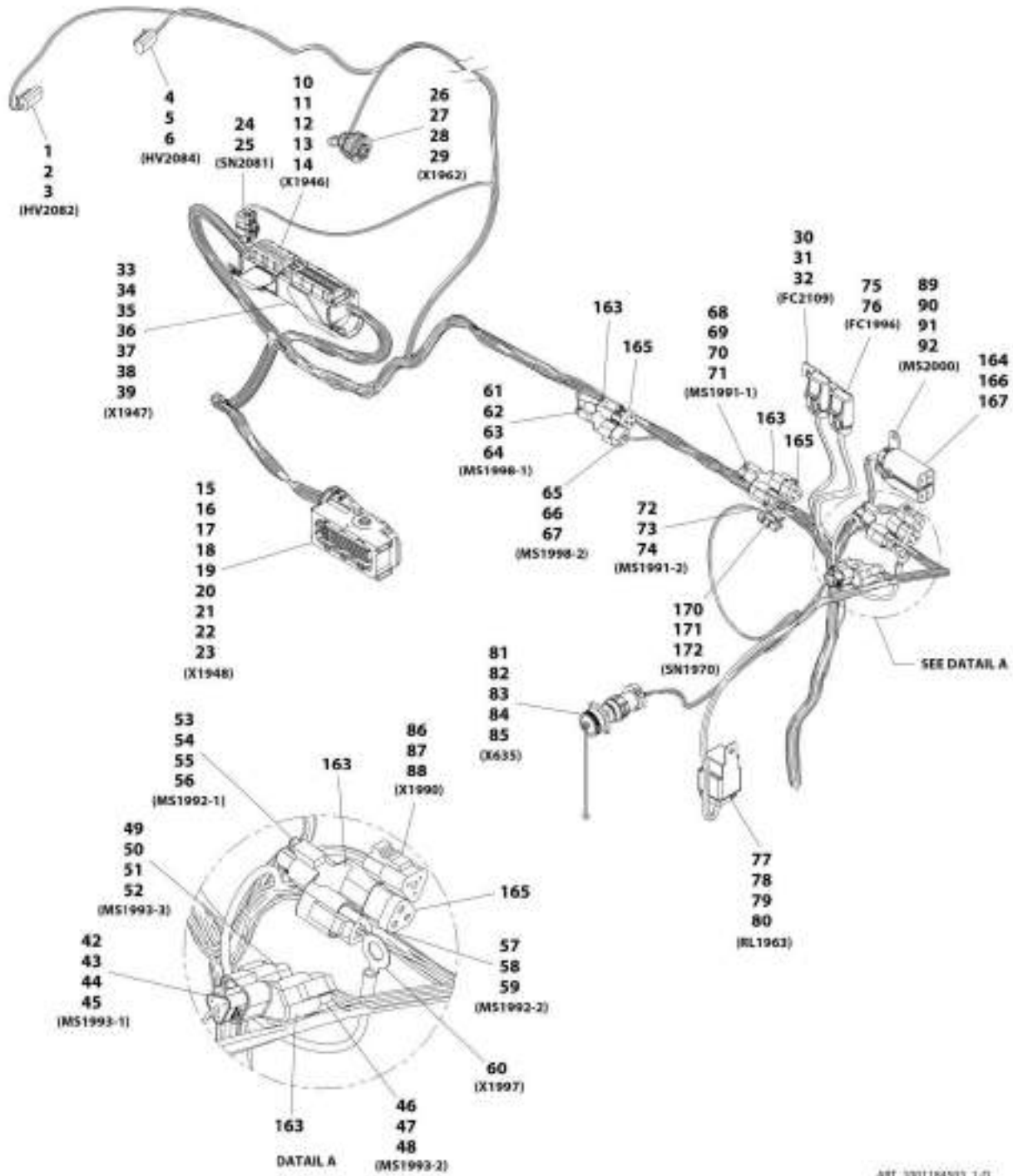
## SECTION 10 - ELECTRICAL

**FIGURE 10-10. ENGINE WIRING INSTALLATION (LS)**

ITEM	PART NUMBER	QTY	DESCRIPTION	REV
	1001185377	Ref	Engine Wiring Installation (LS)	E
1	1001146588	16	Strap, Cable Tie	
2	1001182216	1	Cable	
3	1001182218	1	Cable	
4	1001182219	1	Cable	
5	1001182654	1	Cable	
6	1001182650	1	Cable	
7	1001182651	1	Cable	
8	1001182652	1	Cable	
9	1001184503	1	Harness, Engine (LS) (See Separate Breakdown in this Section)	
10	0760507	1	Bolt, M5X14	
11	0760810	1	Bolt, M8X20	
12	0761012	7	Bolt, M10X25	
13	0761214	1	Bolt, M12X30	
14	1062255	10	Strap, Tie	
15	3290505	1	Nut, Lock M5X0.8	
16	3290805	1	Nut, Lock M8X1.25	
17	3900381	1	Screw, M5X16	
18	4811600	4	Washer, M5	
19	4811900	2	Washer, M8	
20	4812000	7	Washer, M10	
21	4812100	1	Washer, M12	
22	1001003305	3	Clip	
23	1001008559	12	Strap, Cable	
24	1001009375	1	Grommet	
25	1001025750	1	Clip	
26	1001008720	2	Clip	
27	1001128972	1	Nut, M5X.8	
28	1001130198	2	Clip	
29	1001169146	1	Mount	
30	1001182217	1	Cable	
31	1001182929	1	Harness, Fuel Pump (See Separate Breakdown in this Section)	
32	1001182930	1	Harness, Glow Plug Relay (See Separate Breakdown in this Section)	
33	1001203015	1	Cable	
34	1001203882	1	Bracket	
35	0760808	1	Bolt, M8X16	
36	4811902	1	Washer, M8	
37	8406302	1	Clamp	
38	1001008593	1	Clip	

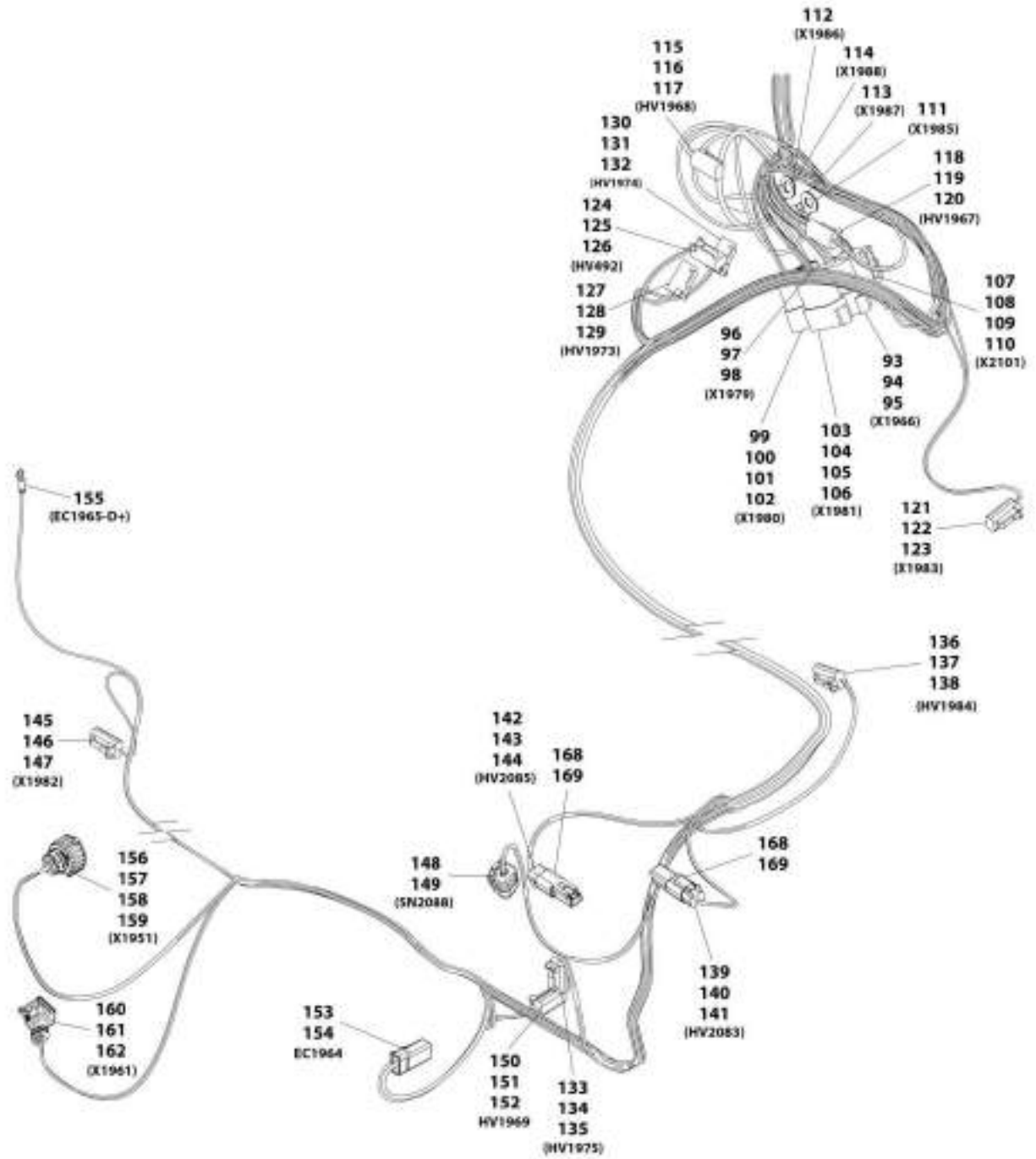
# SECTION 10 - ELECTRICAL

## FIGURE 10-11. ENGINE HARNESS (LS)



REF. 3001184503\_1-D

# SECTION 10 - ELECTRICAL



ART\_1001194501\_2-D

# SECTION 10 - ELECTRICAL

## FIGURE 10-11. ENGINE HARNESS (LS)

ITEM	PART NUMBER	QTY	DESCRIPTION	REV
	1001184503	Ref	Engine Harness (LS)	D
1	4460891	1	Connector	
2	80604018	1	Lock, Connector	
3	4460465	2	Terminal	
4	4460891	1	Connector	
5	80604018	1	Lock, Connector	
6	4460465	2	Terminal	
10	1001126360	1	Connector	
11	1001126351	13	Terminal	
12	1001126384	17	Terminal	
13	1001126357	11	Plug	
14	1001126356	19	Plug	
15	1001126362	1	Connector	
16	1001166556	24	Terminal	
17	1001166701	24	Seal	
18	1001166774	10	Terminal	
19	1001126393	10	Seal	
20	1001166543	2	Terminal	
21	4461054	2	Seal	
22	1001126391	22	Plug	
23	1001116696	4	Plug	
24	1001116950	1	Connector	
25	4460465	2	Terminal	
26	1001133714	1	Connector	
27	1001133715	3	Terminal	
28	1001135650	3	Seal	
29	1001135651	1	Plug	
30	1001117018	1	Connector (includes 25 amp auto fuse)	
31	1001116734	1	Terminal	
32	1001116735	1	Terminal	
33	1001126349	1	Connector	
34	1001126352	6	Terminal	
35	1001126353	6	Seal	
36	1001126384	19	Terminal	
37	1001126351	2	Terminal	
38	1001126356	65	Terminal	
39	1001126357	2	Plug	
42	1001116812	1	Connector	
43	91554019	1	Lock, Connector	
44	4460944	2	Terminal	
45	4460466	1	Plug	
46	4460539	1	Connector	
47	4460944	2	Terminal	
48	4460466	1	Plug	
49	1001116812	1	Connector	
50	91554019	1	Lock, Connector	
51	4460944	2	Terminal	
52	4460466	1	Plug	
53	1001116812	1	Connector	
54	91554019	1	Lock, Connector	

## SECTION 10 - ELECTRICAL

ITEM	PART NUMBER	QTY	DESCRIPTION	REV
55	4460944	2	Terminal	
56	4460466	1	Plug	
57	4460539	1	Connector	
58	4460944	2	Terminal	
59	4460466	1	Plug	
60	1001117110	1	Ring, Terminal	
61	1001116812	1	Connector	
62	91554019	1	Lock, Connector	
63	4460944	2	Terminal	
64	4460466	1	Plug	
65	4460539	1	Connector	
66	4460944	2	Terminal	
67	4460466	1	Plug	
68	1001116812	1	Connector	
69	91554019	1	Lock, Connector	
70	4460944	2	Terminal	
71	4460466	1	Plug	
72	4460539	1	Connector	
73	4460944	2	Terminal	
74	4460466	1	Plug	
75	1001117018	1	Connector (includes 25 amp auto fuse)	
76	1001116734	2	Terminal	
77	1001118282	1	Connector	
78	1001116734	3	Terminal	
79	1001116732	1	Terminal	
80	1001128128	1	Plug	
81	2902443	1	Kit, Receptacle	
82	4461071	6	Terminal	
83	4461072	1	Housing, Flange Mount Receptacle Inner	
84	4461073	1	Cap, Dust	
85	4461074	1	Housing, Receptacle Outer	
86	4460539	1	Connector	
87	4460465	2	Terminal	
88	4460942	1	Terminal	
89	1001184551	1	Connector	
90	1001116728	7	Terminal	
91	1001116747	1	Terminal	
92	1001175265	8	Seal	
93	4460970	1	Connector	
94	4460464	7	Terminal	
95	4460466	5	Plug	
96	1001116811	1	Connector	
97	4460508	3	Terminal	
98	4460466	1	Plug	
99	1001144147	1	Connector	
100	91554022	1	Lock, Connector	
101	4460464	2	Terminal	
102	4460466	1	Plug	
103	4460950	1	Connector Housing	
104	80363179	1	Lock, Connector	
105	4460464	9	Terminal	

## SECTION 10 - ELECTRICAL

ITEM	PART NUMBER	QTY	DESCRIPTION	REV
106	4460466	3	Plug	
107	4460933	1	Connector	
108	80604016	1	Lock, Connector	
109	4460465	7	Terminal	
110	4460466	5	Plug	
111	1001117110	1	Ring, Terminal	
112	1001117109	1	Ring, Terminal	
113	1001117110	1	Ring, Terminal	
114	1001117110	1	Ring, Terminal	
115	4460891	1	Connector	
116	80604018	1	Lock, Connector	
117	4460465	2	Terminal	
118	4460891	1	Connector	
119	80604018	1	Lock, Connector	
120	4460465	2	Terminal	
121	4460891	1	Connector	
122	80604018	1	Lock, Connector	
123	4460465	2	Terminal	
124	4460891	1	Connector	
125	80604018	1	Lock, Connector	
126	4460465	2	Terminal	
127	4460891	1	Connector	
128	80604018	1	Lock, Connector	
129	4460465	2	Terminal	
130	4460891	1	Connector	
131	80604018	1	Lock, Connector	
132	4460465	2	Terminal	
133	4460891	1	Connector	
134	80604018	1	Lock, Connector	
135	4460465	2	Terminal	
136	4460891	1	Connector	
137	80604018	1	Lock, Connector	
138	4460465	2	Terminal	
139	4460891	1	Connector	
140	80604018	1	Lock, Connector	
141	4460465	2	Terminal	
142	4460891	1	Connector	
143	80604018	1	Lock, Connector	
144	4460465	2	Terminal	
145	4460891	1	Connector	
146	80604018	1	Lock, Connector	
147	4460465	2	Terminal	
148	1001116950	1	Connector	
149	4460465	2	Terminal	
150	4460891	1	Connector	
151	80604018	1	Lock, Connector	
152	4460465	2	Terminal	
153	4461018	1	Connector	
154	4460509	2	Belgium Built Machines - Use Terminal	
155	4460247	1	Terminal, Ring	
156	1001133714	1	Connector	

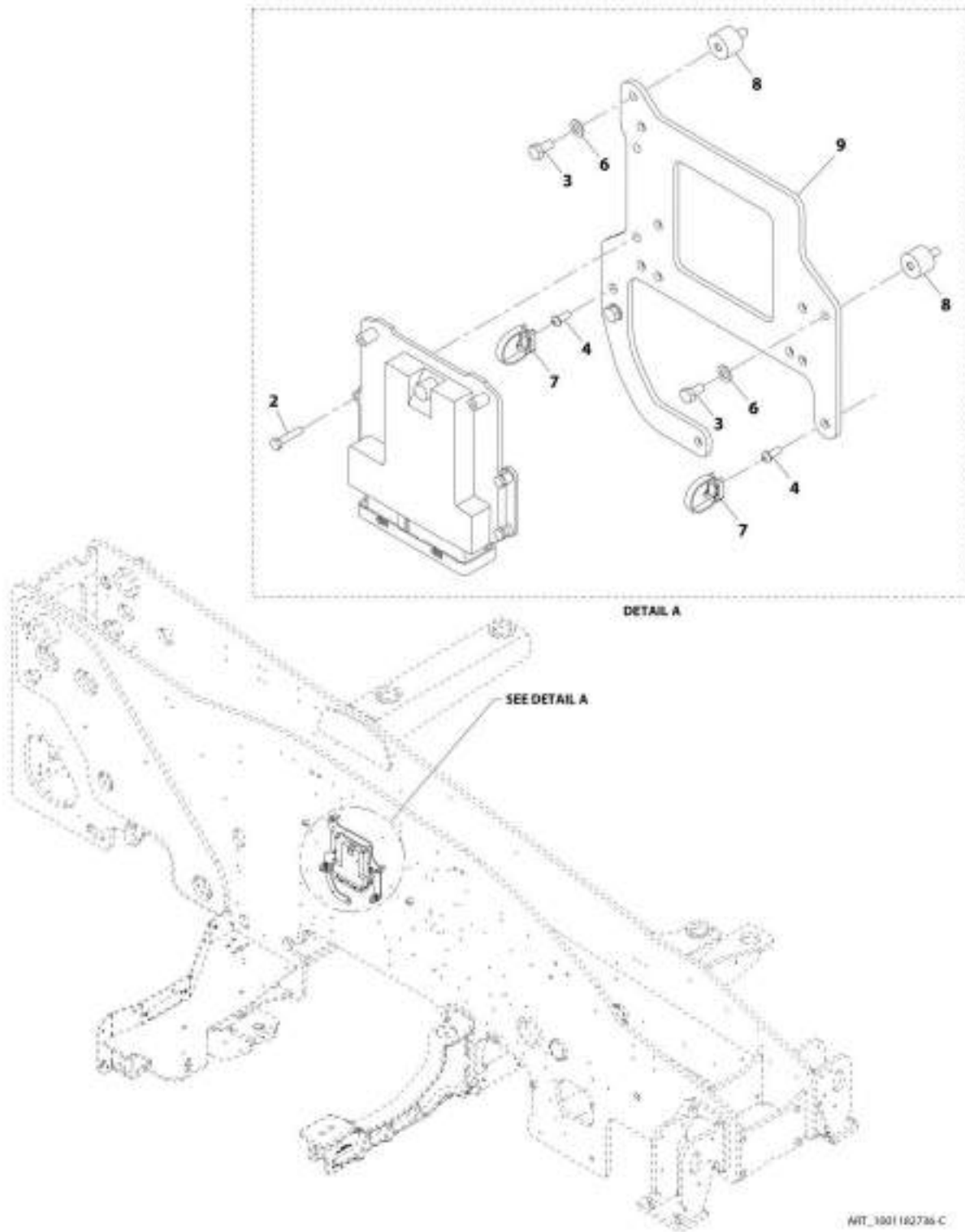


## SECTION 10 - ELECTRICAL

ITEM	PART NUMBER	QTY	DESCRIPTION	REV
157	1001133715	3	Terminal	
158	1001135650	3	Seal	
159	1001135651	1	Plug	
160	1001116983	1	Connector	
161	1001116710	2	Terminal	
162	4461006	2	Seal	
163	4460945	4	Connector	
164	8229242	1	Fuse, 5A	
165	1001116815	3	Connector	
166	1001177597	1	Diode, 6A	
167	1001197719	2	Resistor	
168	4460466	4	Plug	
169	4460897	2	Connector	
170	4461118	1	Connector	
171	8220124	2	Terminal	
172	1001189877	2	Seal	

# SECTION 10 - ELECTRICAL

## FIGURE 10-12. ENGINE ECU INSTALLATION (LS)



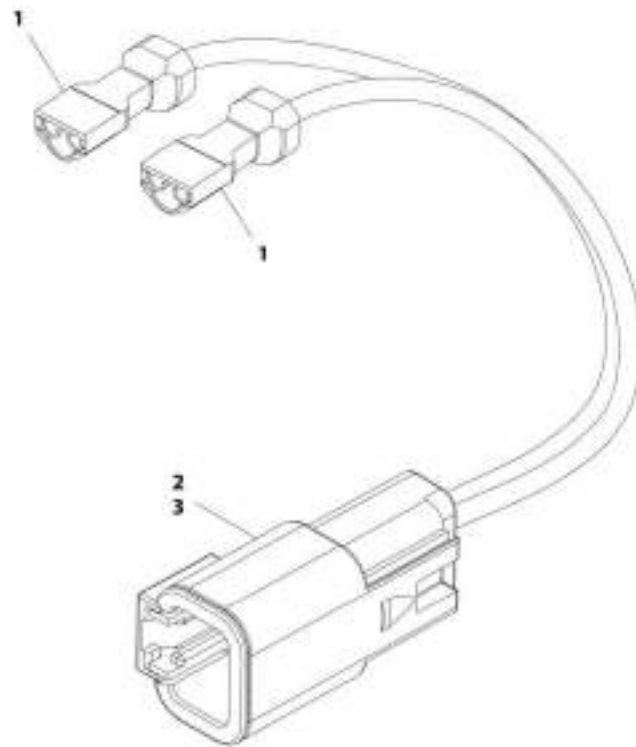
## SECTION 10 - ELECTRICAL

### FIGURE 10-12. ENGINE ECU INSTALLATION (LS)

ITEM	PART NUMBER	QTY	DESCRIPTION	REV
	1001182736	Ref	Engine ECU Installation (LS)	C
2	0700614	4	Bolt, M6X30	
3	0760808	3	Bolt, M8X16	
4	3900357	2	Capscrew, M6X16	
6	4811900	3	Washer, M8	
7	1001138645	2	Mount, Cable Tie	
8	1001179907	3	Mount, Isolator	
9	1001183347	1	Plate	

# SECTION 10 - ELECTRICAL

## FIGURE 10-13. FUEL PUMP HARNESS



APP\_1001182929-6

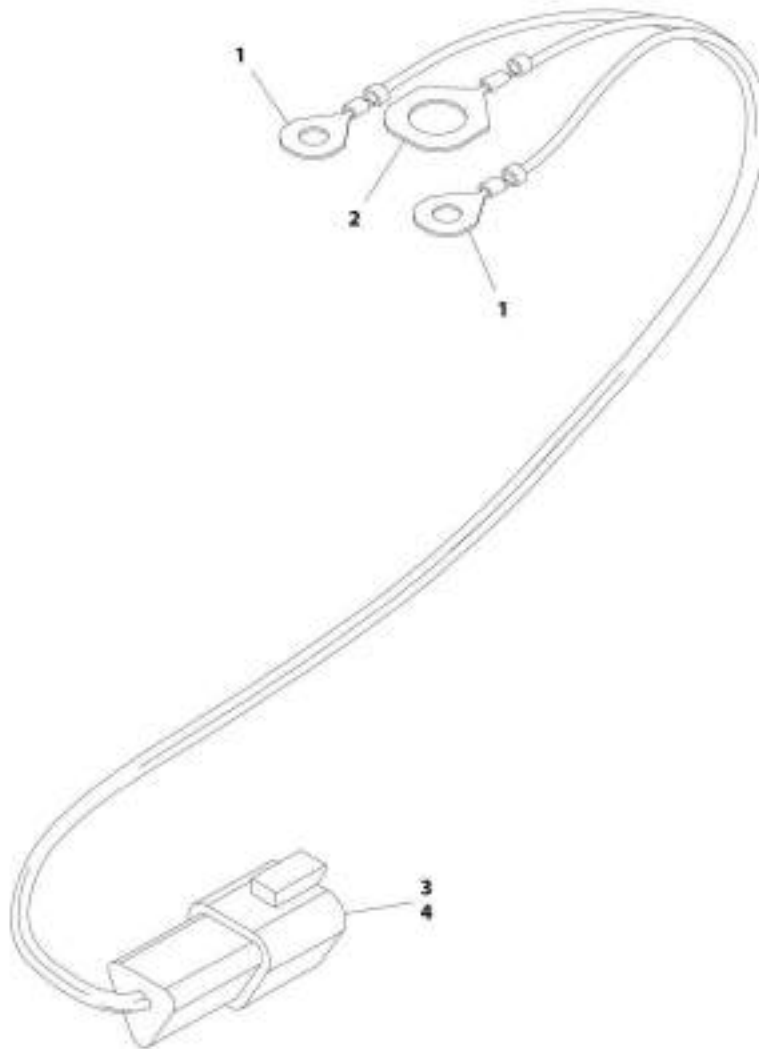
## SECTION 10 - ELECTRICAL

### FIGURE 10-13. FUEL PUMP HARNESS

ITEM	PART NUMBER	QTY	DESCRIPTION	REV
	1001182929	Ref	Fuel Pump Harness	E
1	8220043	2	Connector	
2	4461017	1	Connector	
3	4460508	2	Terminal	

# SECTION 10 - ELECTRICAL

## FIGURE 10-14. GLOW PLUG RELAY HARNESS



KRT\_100118/2930-C

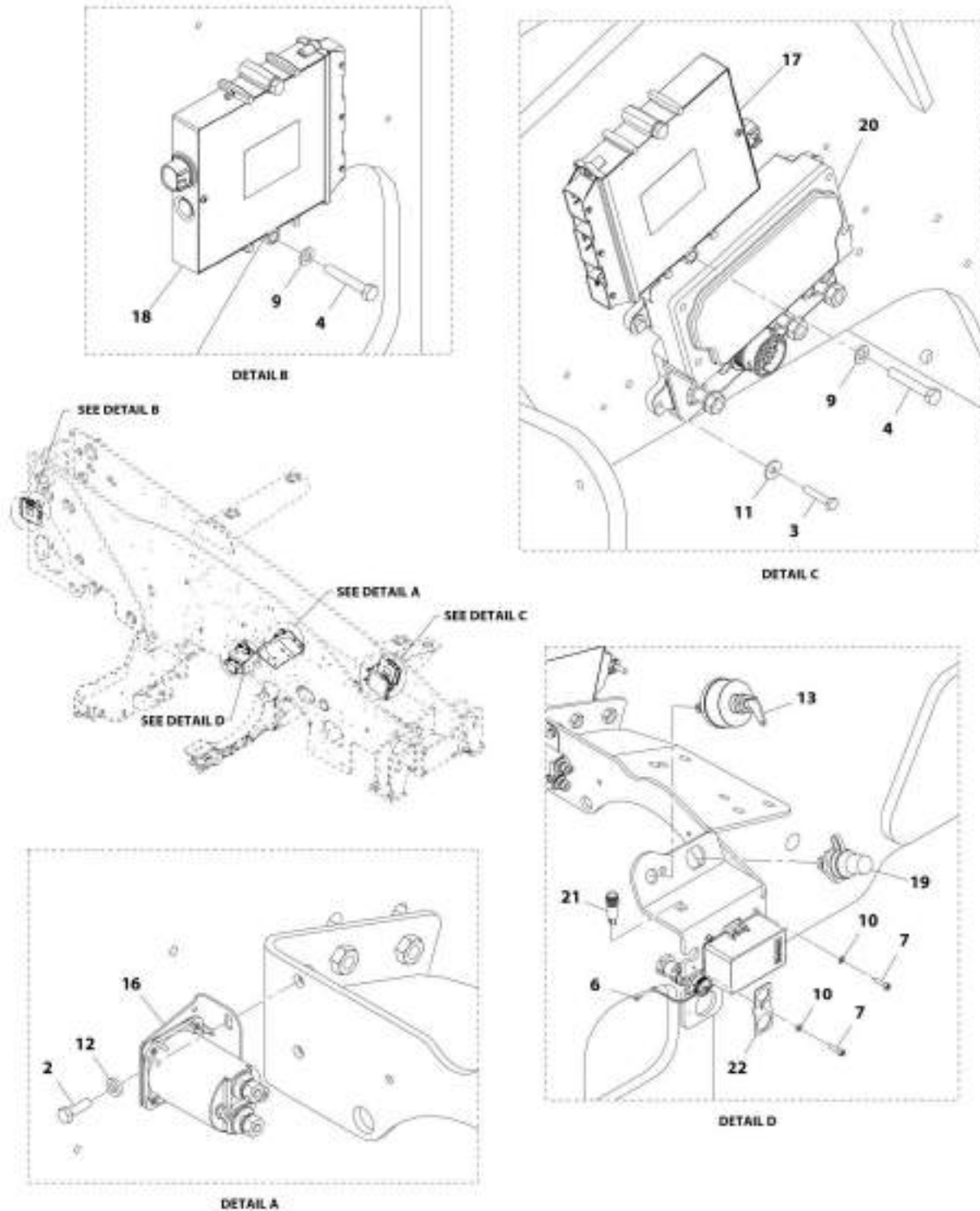
## SECTION 10 - ELECTRICAL

### FIGURE 10-14. GLOW PLUG RELAY HARNESS

ITEM	PART NUMBER	QTY	DESCRIPTION	REV
	1001182930	Ref	Glow Plug Relay Harness	C
1	1001187070	2	Ring, Terminal	
2	1001187077	1	Ring, Terminal	
3	4460536	1	Connector	
4	4460464	3	Terminal	

# SECTION 10 - ELECTRICAL

## FIGURE 10-15. ELECTRICAL COMPONENTS INSTALLATION



ART\_1001183038-D



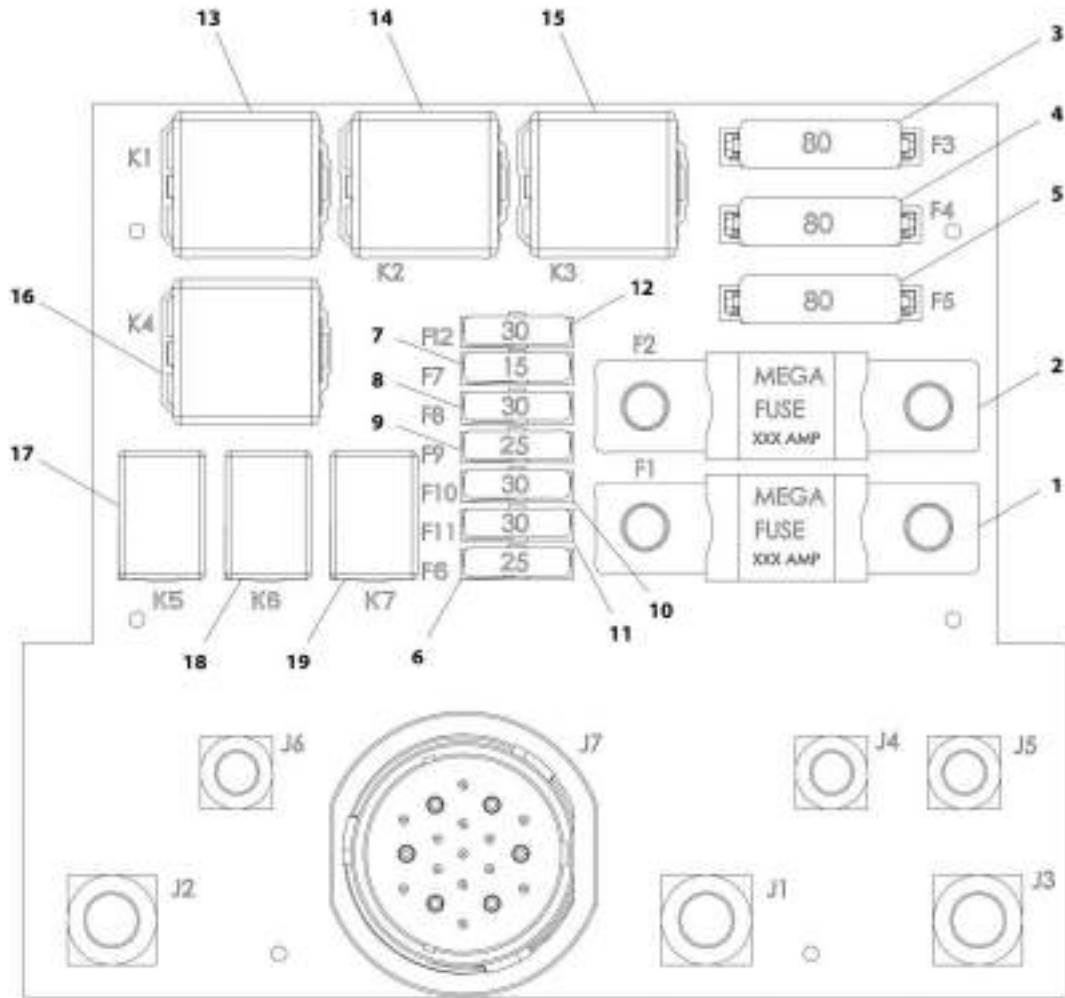
## SECTION 10 - ELECTRICAL

**FIGURE 10-15. ELECTRICAL COMPONENTS INSTALLATION**

ITEM	PART NUMBER	QTY	DESCRIPTION	REV
	1001183838	Ref	Electrical Components Installation	D
2	0700610	2	Bolt, M6X20	
3	0700614	4	Bolt, M6X30	
4	0700818	4	Bolt, M8X50	
6	3900349	1	Screw, M2.5X0.45	
7	4031608	5	Screw, M5X20	
9	4811900	4	Washer, M8	
10	4831600	5	Washer, Lock M5	
11	4811702	4	Washer, Lock M6	
12	5240600	2	Washer, M6	
13	1001008926	NLA	Switch, Disconnect (no longer available, use 1001192142 for replacement)	
13	1001192142	1	Switch, Disconnect	
16	1001117308	1	Relay, 200 AMP (See Separate Breakdown in this Section)	
17	1001209577	1	Control, TMH Front Frame Module LBP	
18	1001209576	1	Control, TMH Rear Frame Module LBP	
19	1001193993	1	Terminal, Battery	
20	1001164402	1	Box, Power Distribution Electrical (See Separate Breakdown in this Section)	
21	1001169825	1	Lamp, 12V Yellow	
22	1001186693	1	Plate	

# SECTION 10 - ELECTRICAL

## FIGURE 10-16. POWER DISTRIBUTION ELECTRICAL BOX



ART\_1001104402.F

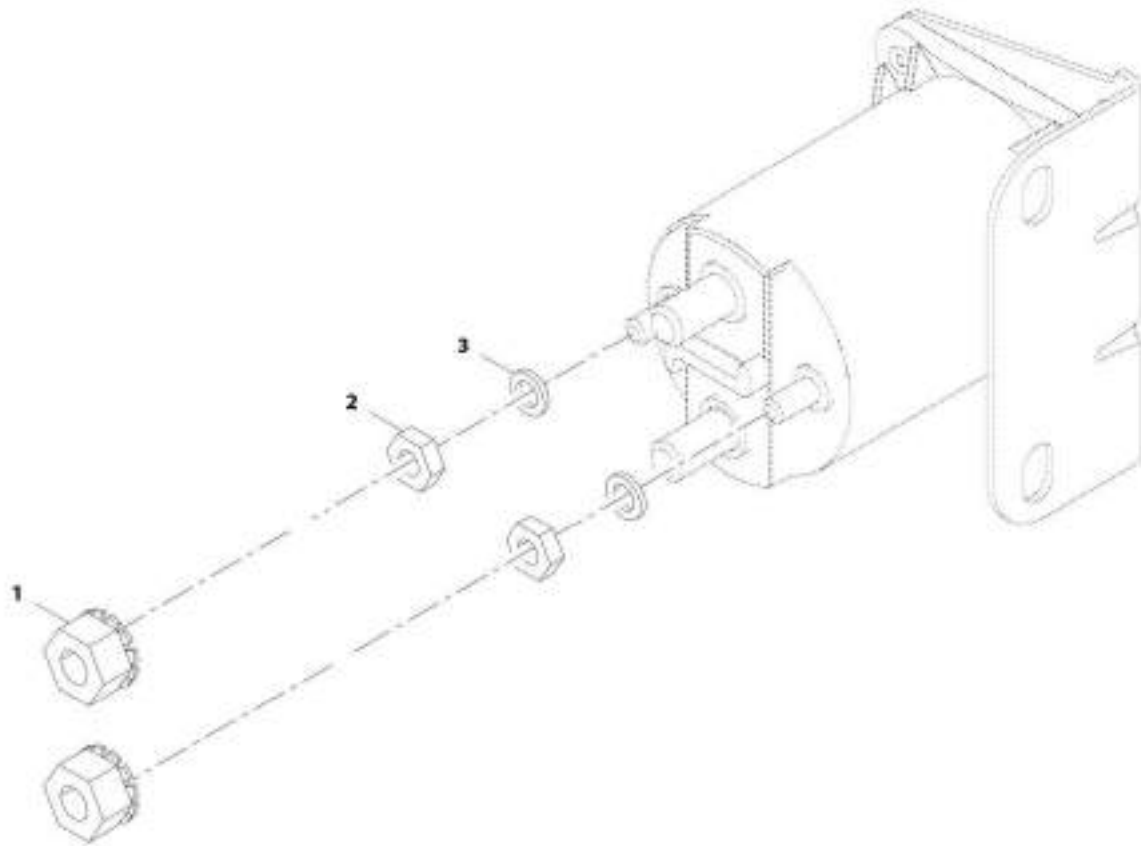
## SECTION 10 - ELECTRICAL

**FIGURE 10-16. POWER DISTRIBUTION ELECTRICAL BOX**

ITEM	PART NUMBER	QTY	DESCRIPTION	REV
	1001164402	Ref	Power Distribution Electrical Box	F
1	1001095336	1	Fuse, 150AMP	
2	70026296	1	Fuse, 200AMP	
3	70026297	1	Fuse, 80AMP	
4	70026297	1	Fuse, 80AMP	
5	70026297	1	Fuse, 80AMP	
6	8229247	1	Fuse, 25AMP	
7	8229244	1	Fuse, 15AMP	
8	8229245	1	Fuse, 30AMP	
9	8229247	1	Fuse, 25AMP	
10	8229245	1	Fuse, 30AMP	
11	8229245	1	Fuse, 30AMP	
12	8229245	1	Fuse, 30AMP	
13	70026294	1	Fuse, 70AMP	
14	70026294	1	Fuse, 70AMP	
15	70026294	1	Fuse, 70AMP	
16	70026294	1	Fuse, 70AMP	
17	70026295	1	Fuse, 35AMP	
18	70026295	1	Fuse, 35AMP	
19	70026295	1	Fuse, 35AMP	

# SECTION 10 - ELECTRICAL

## FIGURE 10-17. 200 AMP RELAY INSTALLATION



ART\_1001117306-B

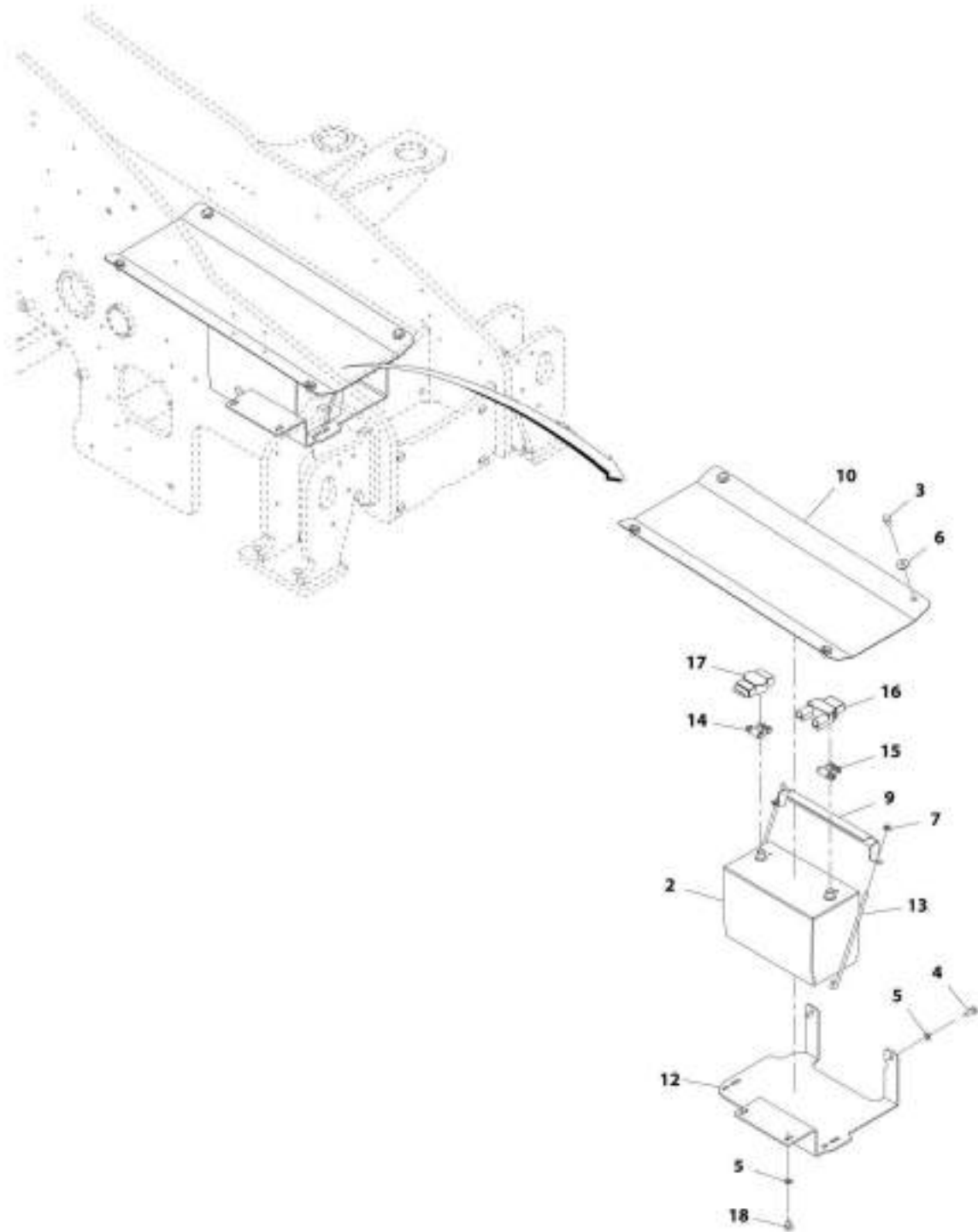
## SECTION 10 - ELECTRICAL

### FIGURE 10-17. 200 AMP RELAY INSTALLATION

ITEM	PART NUMBER	QTY	DESCRIPTION	REV
	1001117308	Ref	200 AMP Relay Installation	B
1	3300220	2	Nut, Washer	
2	3321001	2	Nut	
3	4761000	2	Washer, Lock	
4	1001111424	2	Washer	

# SECTION 10 - ELECTRICAL

## FIGURE 10-18. BATTERY INSTALLATION (STANDARD)



ART\_3001180267-F

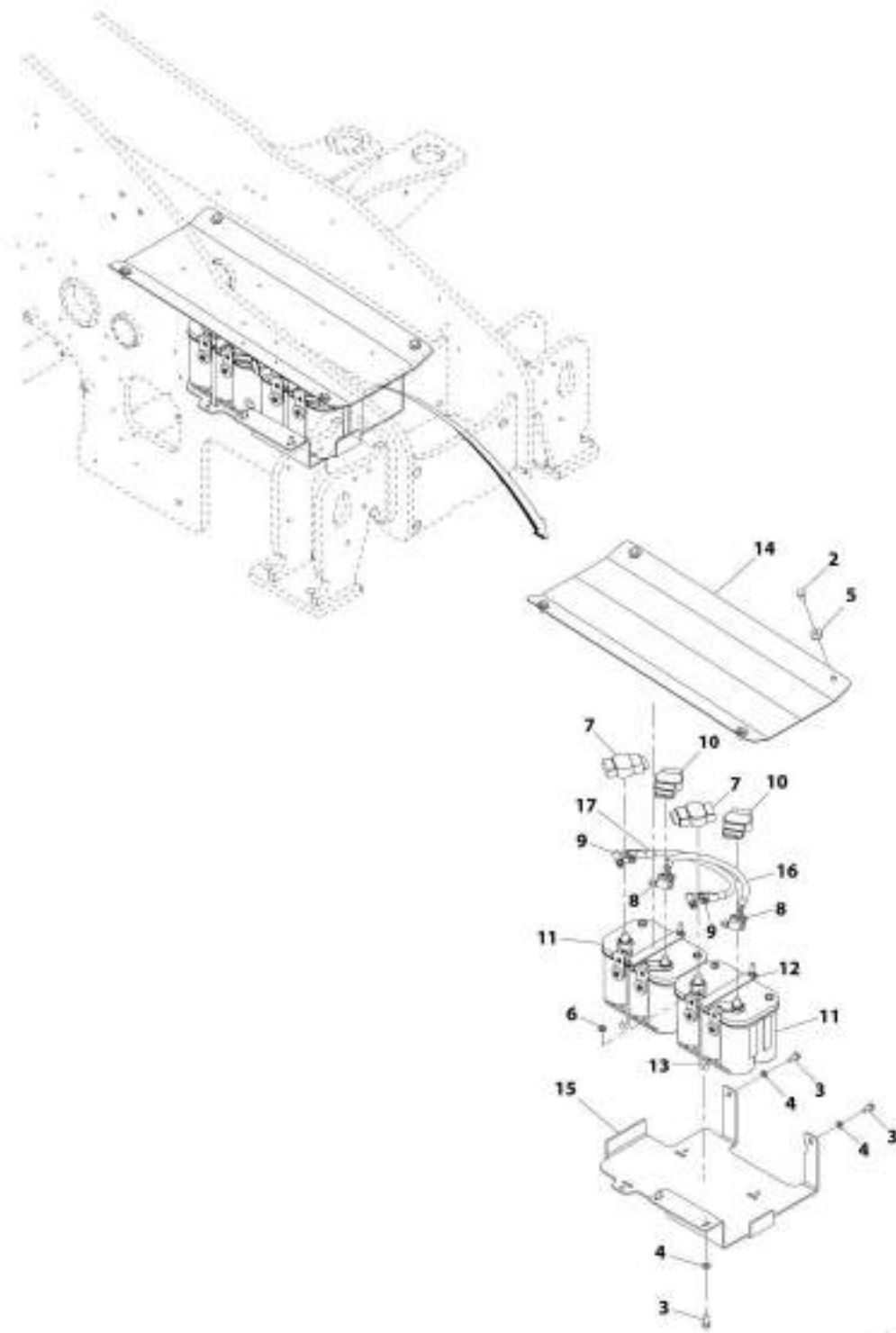
## SECTION 10 - ELECTRICAL

**FIGURE 10-18. BATTERY INSTALLATION (STANDARD)**

ITEM	PART NUMBER	QTY	DESCRIPTION	REV
	1001180267	Ref	Battery Installation (Standard)	F
2	0400075	1	Battery, 12V	
3	0761010	4	Bolt, M10X20	
4	0761012	2	Bolt, M10X25	
5	4812000	4	Washer, M10	
6	4812002	4	Washer, M10	
7	5220800	2	Nut, M8	
9	1001141596	1	Plate	
10	1001179221J	1	Cover	
12	1001217179	1	Tray	
13	1001160928	2	J-Bolt	
14	8270147	1	Clamp	
15	8270148	1	Clamp	
16	7301893	NLA	Insulator, Battery Terminal (no longer available, use 1001214663 for replacement)	
16	1001214663	1	Insulator, Battery Terminal	
17	1001145300	1	Insulator, Battery Terminal	
18	0761007	2	Bolt, M10X14	

# SECTION 10 - ELECTRICAL

## FIGURE 10-19. BATTERY INSTALLATION (DUAL)



ART\_1001179107-C



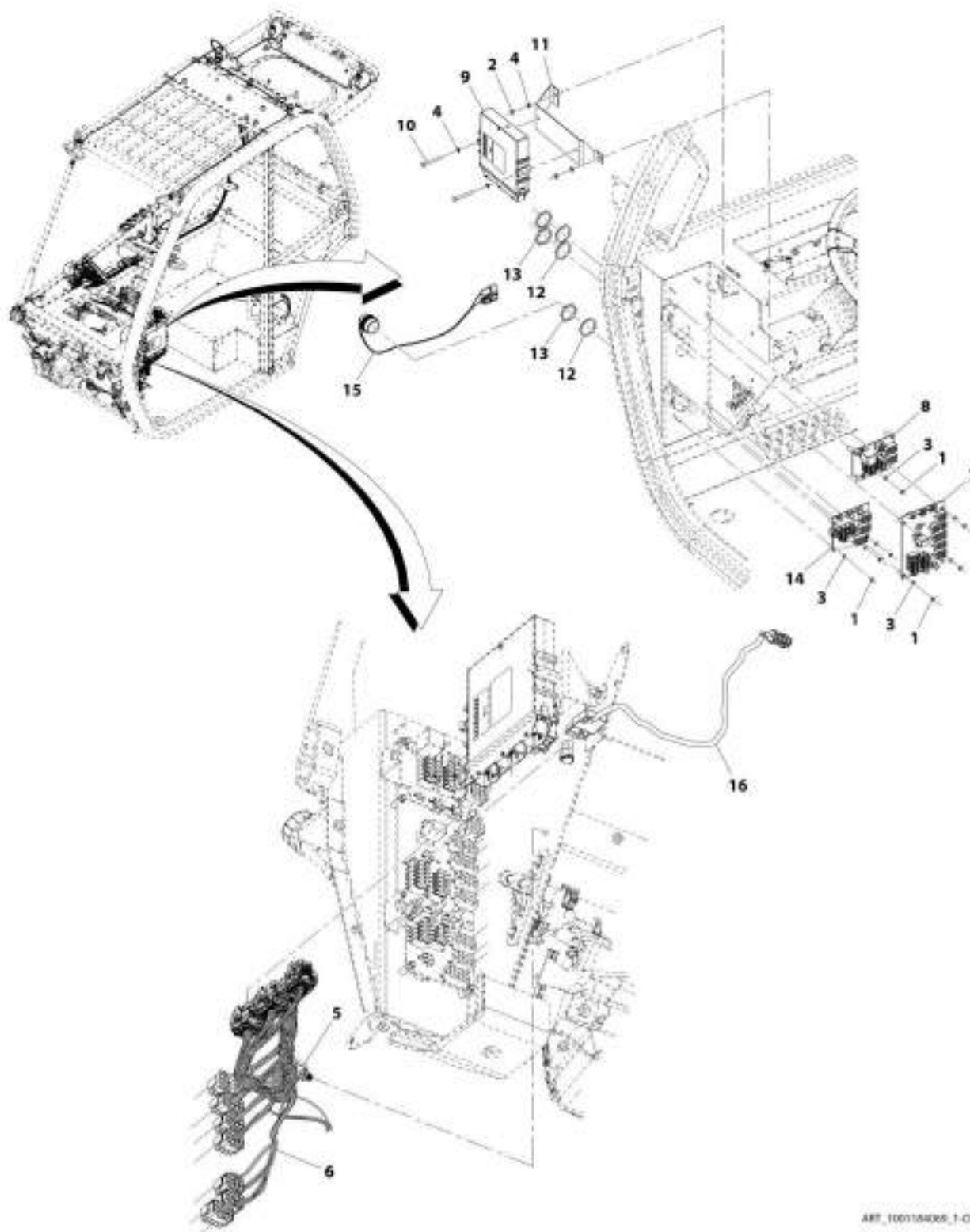
## SECTION 10 - ELECTRICAL

**FIGURE 10-19. BATTERY INSTALLATION (DUAL)**

ITEM	PART NUMBER	QTY	DESCRIPTION	REV
	1001179197	Ref	Battery Installation (Dual)	C
2	0761010	4	Bolt, M10X20	
3	0761012	4	Bolt, M10X25	
4	4812000	4	Washer, M10	
5	4812002	4	Washer, M10	
6	5220800	4	Nut, M8	
7	7301893	2	Insulator, Battery Terminal	
8	8270147	2	Clamp	
9	8270148	2	Clamp	
10	1001145300	2	Insulator, Battery Terminal	
11	1001167212	2	Battery	
12	1001179585	2	Bracket	
13	1001179586	4	Bolt	
14	1001179221J	1	Cover	
15	1001203417J	NLA	Tray (no longer available, use 1001229139 for replacement)	
15	1001229139	1	Tray	
16	1001189339	1	Cable	
17	1001189338	1	Cable	

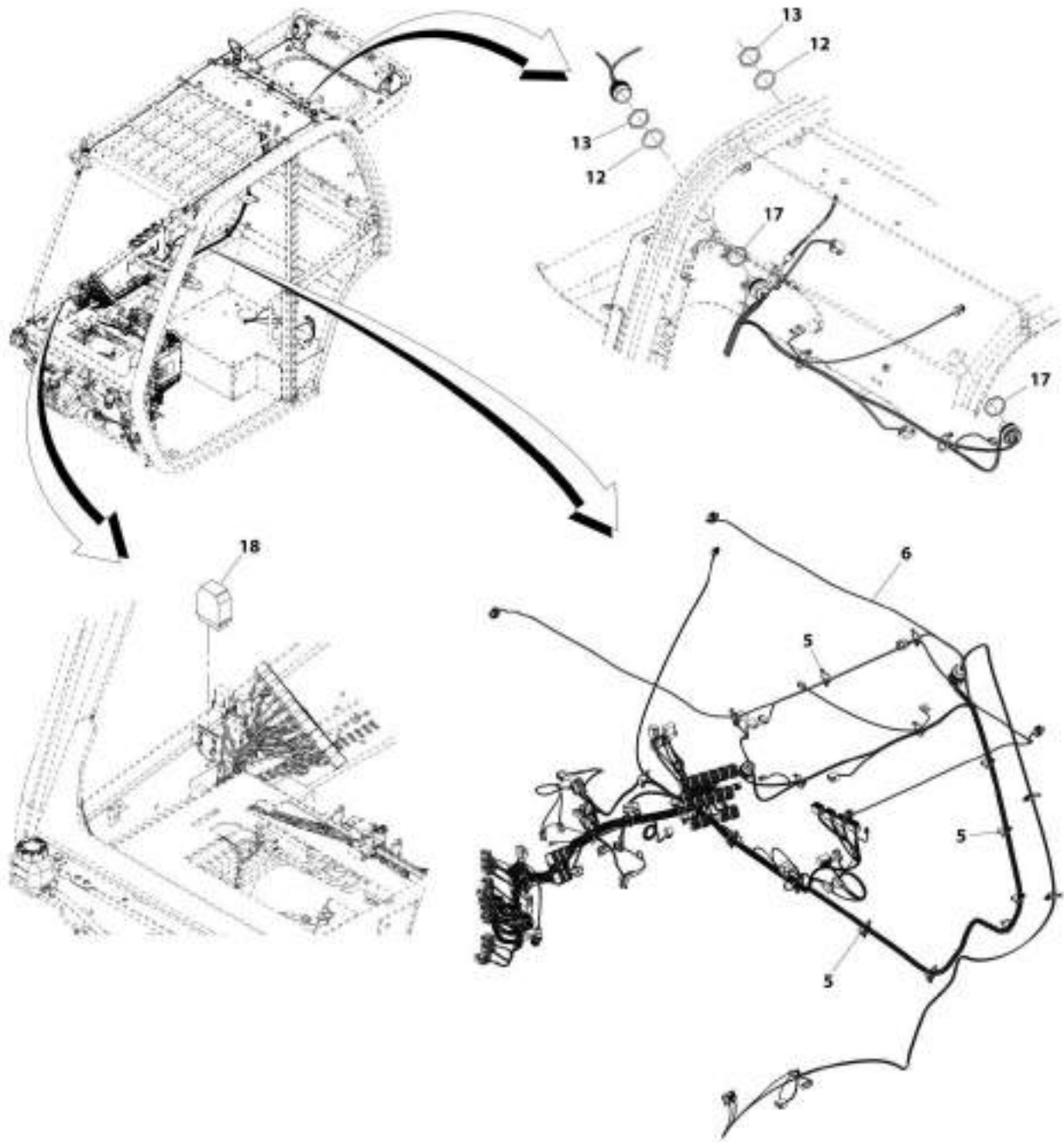
# SECTION 10 - ELECTRICAL

## FIGURE 10-20. CAB ELECTRICAL INSTALLATION



ART\_100154266\_1-D

# SECTION 10 - ELECTRICAL



ART\_1001104068\_3-D

## SECTION 10 - ELECTRICAL

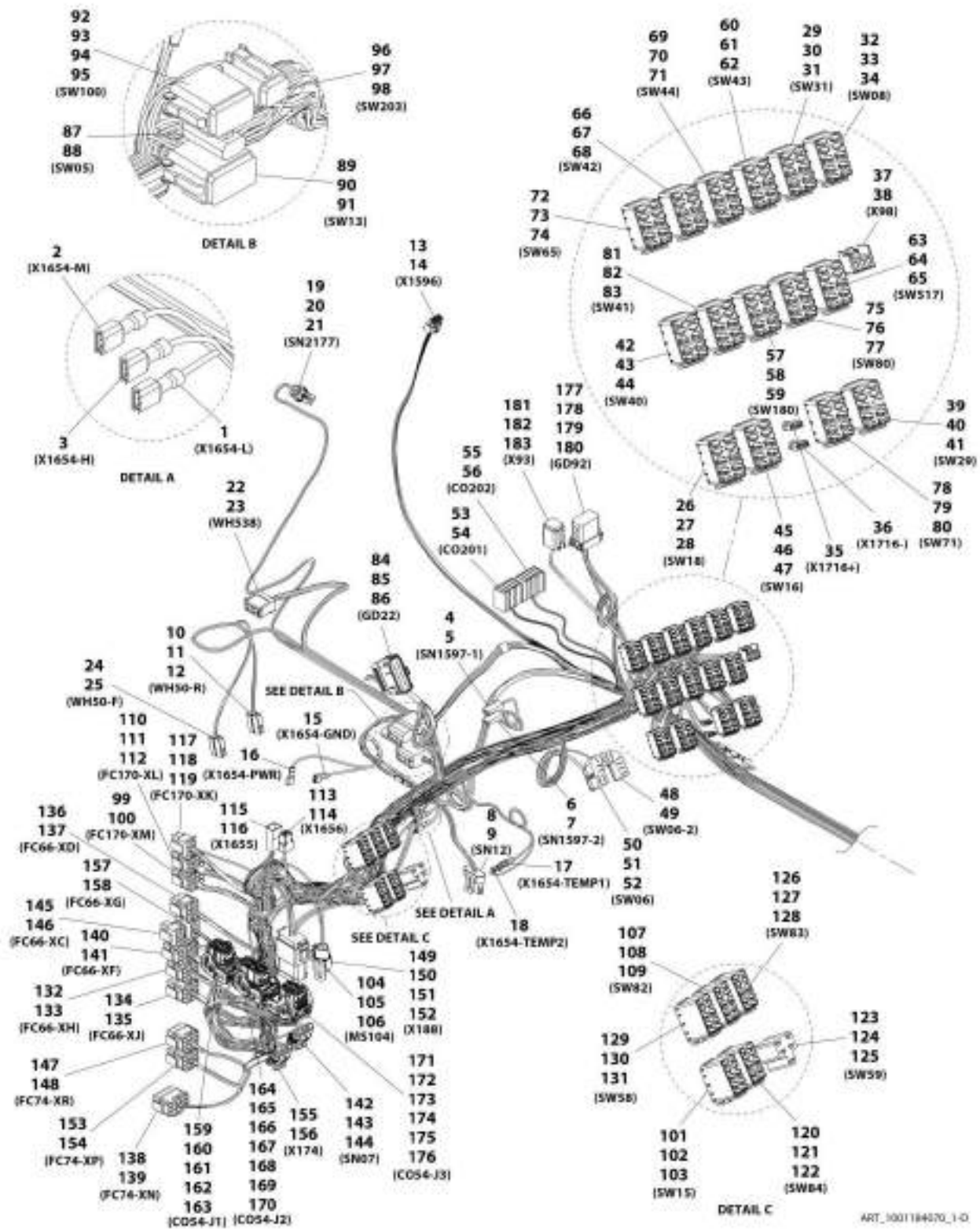
**FIGURE 10-20. CAB ELECTRICAL INSTALLATION**

ITEM	PART NUMBER	QTY	DESCRIPTION	REV
	1001184069	Ref	Cab Electrical Installation	O
1	3290501	7	Nut, M5X0.8 Grade 8	
2	3290601	2	Nut, M6X1 Grade 8	
3	120034	7	Washer, Plastic	
4	4811700	4	Washer, M6	
5	1001146588	23	Strap, Cable Tie	
6	1001184070	1	Harness, Cab (See Separate Breakdown in this Section)	
7	1001161769	1	Assembly, Standard Electrical Board (See Separate Breakdown in this Section)	
8	1001161770	1	Assembly, Option 1 Electrical Board (See Separate Breakdown in this Section)	
9	1001209578	1	Module, Cab Control	
10	0700618	2	Bolt, M6X50	
11	1001178933	1	Bracket	
12	4460496	5	Washer, Terminal Lock	
13	4460497	5	Nut, Terminal	
14	1001161771	1	Assembly, Option 2 Electrical Board (See Separate Breakdown in this Section)	
15	1001181681	1	Harness, Cab Option LBP (See Separate Breakdown in this Section)	
16	1001213988	1	Cable, Communication Analyzer	
17	1001211693	2	Seal	
18	1001214281	1	Connector, Wiper Module	



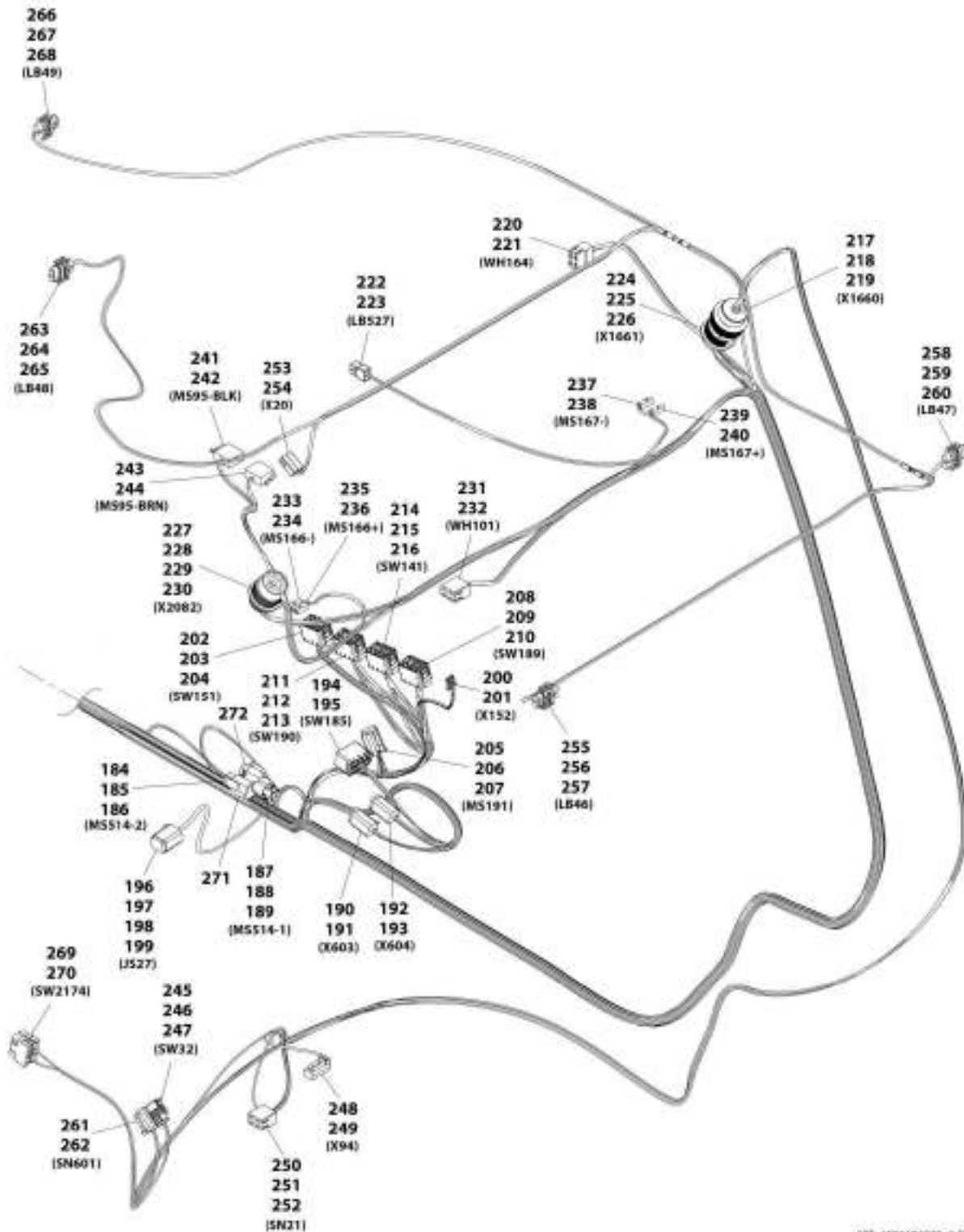
# SECTION 10 - ELECTRICAL

## FIGURE 10-21. CAB HARNESS



ART\_3001184070\_1-D

# SECTION 10 - ELECTRICAL



ART\_100184079\_2-0

# SECTION 10 - ELECTRICAL

## FIGURE 10-21. CAB HARNESS

ITEM	PART NUMBER	QTY	DESCRIPTION	REV
	1001184070	Ref	Cab Harness	D
1	8220051	1	Connector	
2	8220051	1	Connector	
3	8220051	1	Connector	
4	1001116995	1	Connector	
5	1001118379	1	Terminal	
6	1001116995	1	Connector	
7	1001118379	2	Terminal	
8	1001230931	1	Connector	
9	1001116748	6	Terminal	
10	4460994	1	Connector	
11	1001118384	1	Terminal	
12	1001116723	2	Terminal	
13	1001150735	1	Connector	
14	1001150737	7	Terminal	
15	8220051	1	Connector	
16	8220051	1	Connector	
17	8220051	1	Connector	
18	8220051	1	Connector	
19	4461118	1	Connector	
20	1001107854	2	Terminal	
21	1001104498	2	Seal	
22	1001116997	1	Connector	
23	1001118384	5	Terminal	
24	4460994	1	Connector	
25	1001118384	2	Terminal	
26	1001117081	1	Connector	
27	1001118384	5	Terminal	
28	1001116723	6	Terminal	
29	1001117081	1	Connector	
30	1001118384	2	Terminal	
31	1001116723	4	Terminal	
32	1001117079	1	Connector	
33	1001116723	6	Terminal	
34	1001118384	2	Terminal	
35	8220051	1	Connector	
36	8220051	1	Connector	
37	1001118684	1	Connector	
38	1001116754	2	Terminal	
39	1001117081	1	Connector	
40	1001116723	10	Terminal	
41	1001118384	1	Terminal	
42	1001117081	1	Connector	
43	1001118384	4	Terminal	
44	1001116723	6	Terminal	
45	1001117081	1	Connector	
46	1001116723	6	Terminal	
47	1001118384	1	Terminal	
48	1001117121	1	Connector	
49	1001104519	1	Terminal	



## SECTION 10 - ELECTRICAL

ITEM	PART NUMBER	QTY	DESCRIPTION	REV
50	1001118685	1	Connector	
51	1001104519	3	Terminal	
52	1001118383	1	Terminal	
53	1001214686	1	Connector	
54	1001116753	5	Terminal	
55	1001214687	1	Connector	
56	1001116753	3	Terminal	
57	1001117081	1	Connector	
58	1001118384	3	Terminal	
59	1001116723	4	Terminal	
60	1001117081	1	Connector	
61	1001118384	2	Terminal	
62	1001116723	4	Terminal	
63	1001117081	1	Connector	
64	1001116723	6	Terminal	
65	1001118384	1	Terminal	
66	1001117081	1	Connector	
67	1001118384	2	Terminal	
68	1001116723	4	Terminal	
69	1001117081	1	Connector	
70	1001118384	2	Terminal	
71	1001116723	4	Terminal	
72	1001117081	1	Connector	
73	1001116723	6	Terminal	
74	1001118384	1	Terminal	
75	1001117081	1	Connector	
76	1001116723	6	Terminal	
77	1001118384	1	Terminal	
78	1001117081	1	Connector	
79	1001116723	8	Terminal	
80	1001118384	2	Terminal	
81	1001117081	1	Connector	
82	1001118384	3	Terminal	
83	1001116723	4	Terminal	
84	1001162886	1	Connector	
85	1001163340	13	Plug	
86	1001162887	7	Terminal	
87	4460897	1	Connector	
88	4460464	1	Terminal	
89	4460933	1	Connector	
90	4460465	9	Terminal	
91	4460466	3	Plug	
92	4460836	1	Connector	
93	4460942	3	Terminal	
94	4460465	8	Terminal	
95	4460466	1	Plug	
96	4460884	1	Connector	
97	4460942	2	Terminal	
98	4460466	2	Plug	
99	4460343	1	Connector	
100	4460267	7	Terminal	

## SECTION 10 - ELECTRICAL

ITEM	PART NUMBER	QTY	DESCRIPTION	REV
101	1001117081	1	Connector	
102	1001116723	6	Terminal	
103	1001118384	1	Terminal	
104	4460933	1	Connector	
105	1001125677	1	Connector, Buss Bar	
106	4460465	12	Terminal	
107	1001117081	1	Connector	
108	1001116723	6	Terminal	
109	1001118384	1	Terminal	
110	4460343	1	Connector	
111	4460268	8	Terminal	
112	4460906	1	Terminal	
113	1001116991	1	Connector	
114	1001118384	2	Terminal	
115	1001116999	1	Connector	
116	1001116700	4	Terminal	
117	4460225	1	Connector	
118	4460267	5	Terminal	
119	4460906	1	Terminal	
120	1001117081	1	Connector	
121	1001116723	6	Terminal	
122	1001118384	1	Terminal	
123	1001173411	1	Connector	
124	1001116716	2	Terminal	
125	1001104519	5	Terminal	
126	1001117081	1	Connector	
127	1001116723	6	Terminal	
128	1001118384	1	Terminal	
129	1001117081	1	Connector	
130	1001118384	2	Terminal	
131	1001116723	4	Terminal	
132	4460343	1	Connector	
133	4460268	9	Terminal	
134	4460343	1	Connector	
135	4460267	9	Terminal	
136	4460265	1	Connector	
137	4460268	5	Terminal	
138	4460434	1	Connector	
139	4460268	7	Terminal	
140	4460434	1	Connector	
141	4460268	15	Terminal	
142	1001103012	1	Connector	
143	1001116697	2	Terminal	
144	1001116698	2	Plug	
145	4460225	1	Connector	
146	4460267	3	Terminal	
147	4460343	1	Connector	
148	4460267	3	Terminal	
149	1001116812	1	Connector	
150	4460944	2	Terminal	
151	4460466	1	Plug	

## SECTION 10 - ELECTRICAL

ITEM	PART NUMBER	QTY	DESCRIPTION	REV
152	1001144296	1	Cap	
153	4460343	1	Connector	
154	4460268	6	Terminal	
155	4461262	1	Connector	
156	1001107854	3	Terminal	
157	4460225	1	Connector	
158	4460268	5	Terminal	
159	1001160498	1	Connector	
160	1001161095	24	Terminal	
161	1001161098	6	Terminal	
162	1001161099	1	Terminal	
163	1001161101	1	Plug	
164	1001160502	1	Connector	
165	1001161095	25	Terminal	
166	1001161100	14	Plug	
167	1001161097	1	Terminal	
168	1001161098	5	Terminal	
169	1001161099	1	Terminal	
170	1001161101	2	Plug	
171	1001161959	1	Connector	
172	1001161095	12	Terminal	
173	1001161097	6	Terminal	
174	1001161100	5	Plug	
175	1001161098	2	Terminal	
176	1001161101	7	Plug	
177	1001176333	1	Connector	
178	4460465	3	Terminal	
179	4460466	11	Plug	
180	4460944	4	Terminal	
181	4460930	1	Connector	
182	4460465	2	Terminal	
183	4460466	6	Plug	
184	4460539	1	Connector	
185	4460944	2	Terminal	
186	4460466	1	Plug	
187	1001116812	1	Connector	
188	4460944	2	Terminal	
189	4460466	1	Plug	
190	4460884	1	Connector	
191	4460465	4	Terminal	
192	4460884	1	Connector	
193	4460465	4	Terminal	
194	1001117081	1	Connector	
195	1001118384	5	Terminal	
196	4460894	1	Connector	
197	4460465	3	Terminal	
198	4460944	2	Terminal	
199	4460466	1	Plug	
200	1001184473	1	Connector	
201	1001184479	3	Terminal	
202	1001117081	1	Connector	

## SECTION 10 - ELECTRICAL

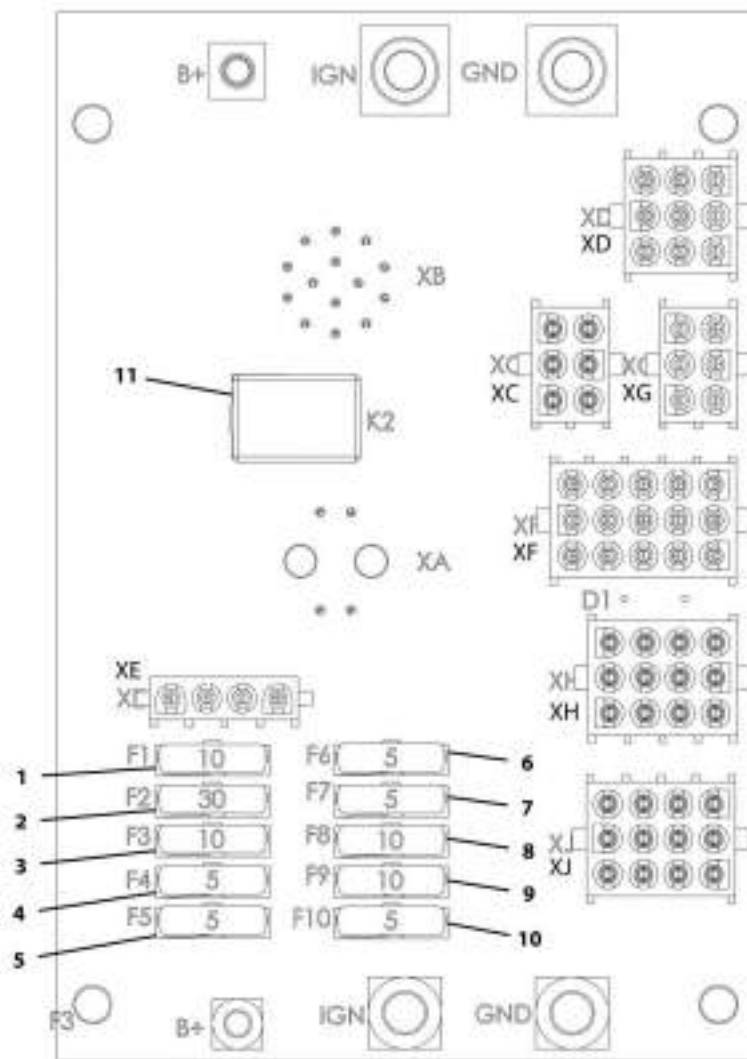
ITEM	PART NUMBER	QTY	DESCRIPTION	REV
203	1001118384	1	Terminal	
204	1001116723	12	Terminal	
205	4460884	1	Connector	
206	1001201070	1	Connector	
207	4460465	4	Terminal	
208	1001117081	1	Connector	
209	1001116723	6	Terminal	
210	1001118384	1	Terminal	
211	1001117081	1	Connector	
212	1001116723	6	Terminal	
213	1001118384	1	Terminal	
214	1001117081	1	Connector	
215	1001116723	6	Terminal	
216	1001118384	1	Terminal	
217	1001201080	1	Connector	
218	4460465	8	Terminal	
219	4460942	6	Terminal	
220	1001116986	1	Connector	
221	1001118384	4	Terminal	
222	1001116991	1	Connector	
223	1001118384	2	Terminal	
224	1001201081	1	Connector	
225	4460464	8	Terminal	
226	4460943	6	Terminal	
227	1001112612	1	Connector	
228	4460464	3	Terminal	
229	4460466	4	Plug	
230	4460943	2	Terminal	
231	1001116986	1	Connector	
232	1001118384	4	Terminal	
233	1001116998	1	Connector	
234	1001118387	1	Terminal	
235	1001116998	1	Connector	
236	1001118387	1	Terminal	
237	1001116998	1	Connector	
238	1001118387	1	Terminal	
239	1001116998	1	Connector	
240	1001118387	1	Terminal	
241	1001116985	1	Connector	
242	1001118386	3	Terminal	
243	1001116984	1	Connector	
244	1001118386	4	Terminal	
245	4461262	1	Connector	
246	1001107854	2	Terminal	
247	1001116698	1	Plug	
248	4460891	1	Connector	
249	4460465	2	Terminal	
250	1001116986	1	Connector	
251	1001118384	2	Terminal	
252	1001116723	4	Terminal	
253	4460994	1	Connector	

## SECTION 10 - ELECTRICAL

ITEM	PART NUMBER	QTY	DESCRIPTION	REV
254	1001118384	2	Terminal	
255	4461115	1	Connector	
256	1001116728	2	Terminal	
257	4460458	2	Seal	
258	4461115	1	Connector	
259	1001116728	2	Terminal	
260	4460458	2	Seal	
261	4460891	1	Connector	
262	4460465	2	Terminal	
263	4461115	1	Connector	
264	1001116728	2	Terminal	
265	4460458	2	Seal	
266	4461115	1	Connector	
267	1001116728	2	Terminal	
268	4460458	2	Seal	
269	4460418	1	Connector	
270	4460419	2	Terminal	
271	4460945	1	Connector, 3 Way	
272	1001116815	1	Connector, 3 Pin	

# SECTION 10 - ELECTRICAL

FIGURE 10-22. STANDARD ELECTRICAL BOARD ASSEMBLY



ART\_100161709-C

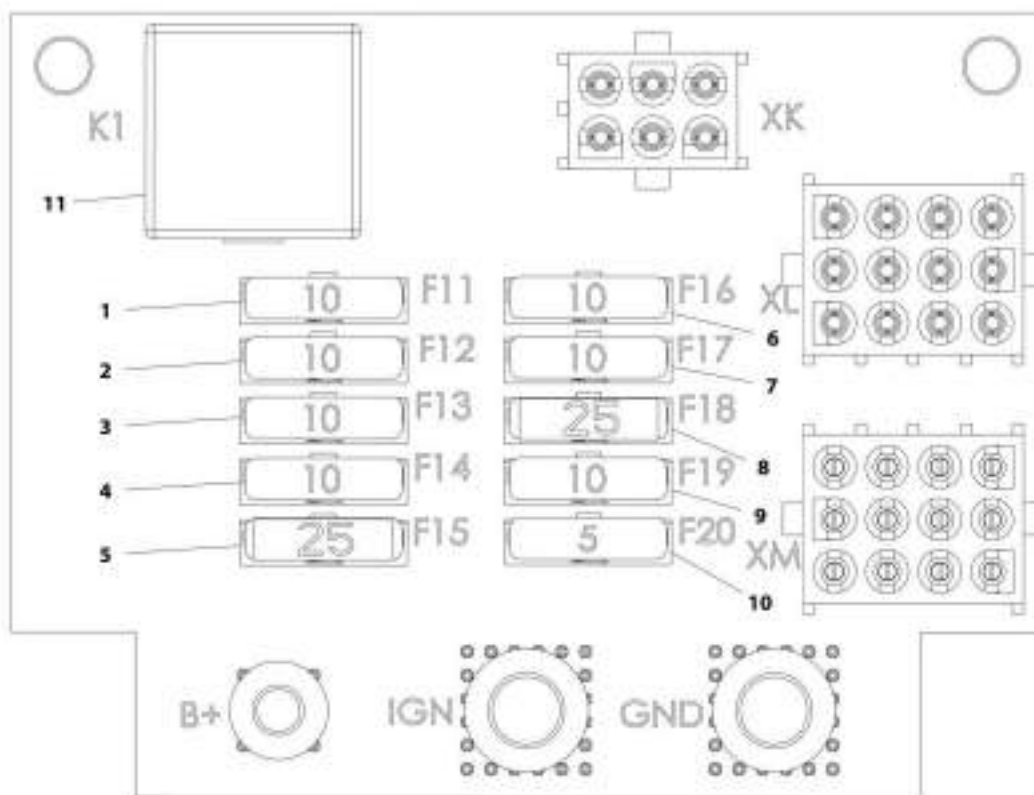
## SECTION 10 - ELECTRICAL

FIGURE 10-22. STANDARD ELECTRICAL BOARD ASSEMBLY

ITEM	PART NUMBER	QTY	DESCRIPTION	REV
	1001161769	Ref	Standard Electrical Board Assembly	C
1	80983191	1	Fuse, 10AMP	
2	8229245	1	Fuse, 30AMP	
3	80983191	1	Fuse, 10AMP	
4	8229242	1	Fuse, 5AMP	
5	8229242	1	Fuse, 5AMP	
6	8229242	1	Fuse, 5AMP	
7	8229242	1	Fuse, 5AMP	
8	80983191	1	Fuse, 10AMP	
9	80983191	1	Fuse, 10AMP	
10	8229242	1	Fuse, 5AMP	
11	70026292	1	Fuse, 35AMP	

# SECTION 10 - ELECTRICAL

FIGURE 10-23. OPTION 1 ELECTRICAL BOARD ASSEMBLY



ART\_100159177D/C



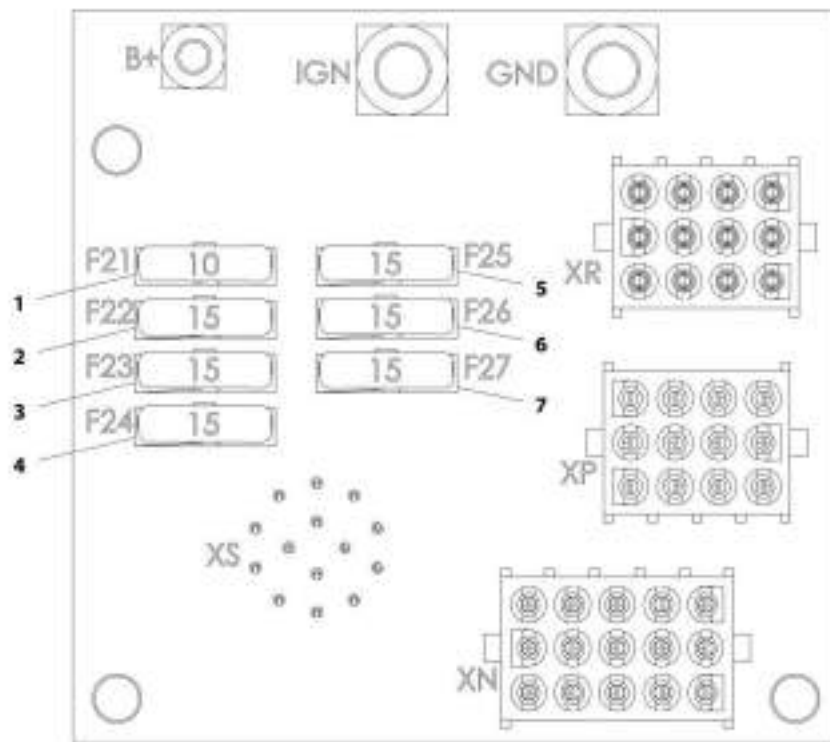
## SECTION 10 - ELECTRICAL

### FIGURE 10-23. OPTION 1 ELECTRICAL BOARD ASSEMBLY

ITEM	PART NUMBER	QTY	DESCRIPTION	REV
	1001161770	Ref	Option 1 Electrical Board Assembly	C
1	80983191	1	Fuse, 10AMP	
2	80983191	1	Fuse, 10AMP	
3	80983191	1	Fuse, 10AMP	
4	80983191	1	Fuse, 10AMP	
5	8229247	1	Fuse, 25AMP	
6	80983191	1	Fuse, 10AMP	
7	80983191	1	Fuse, 10AMP	
8	8229247	1	Fuse, 25AMP	
9	80983191	1	Fuse, 10AMP	
10	8229242	1	Fuse, 5AMP	
11	70026293	1	Fuse, 50AMP	

# SECTION 10 - ELECTRICAL

FIGURE 10-24. OPTION 2 ELECTRICAL BOARD ASSEMBLY



ART\_300191771-8

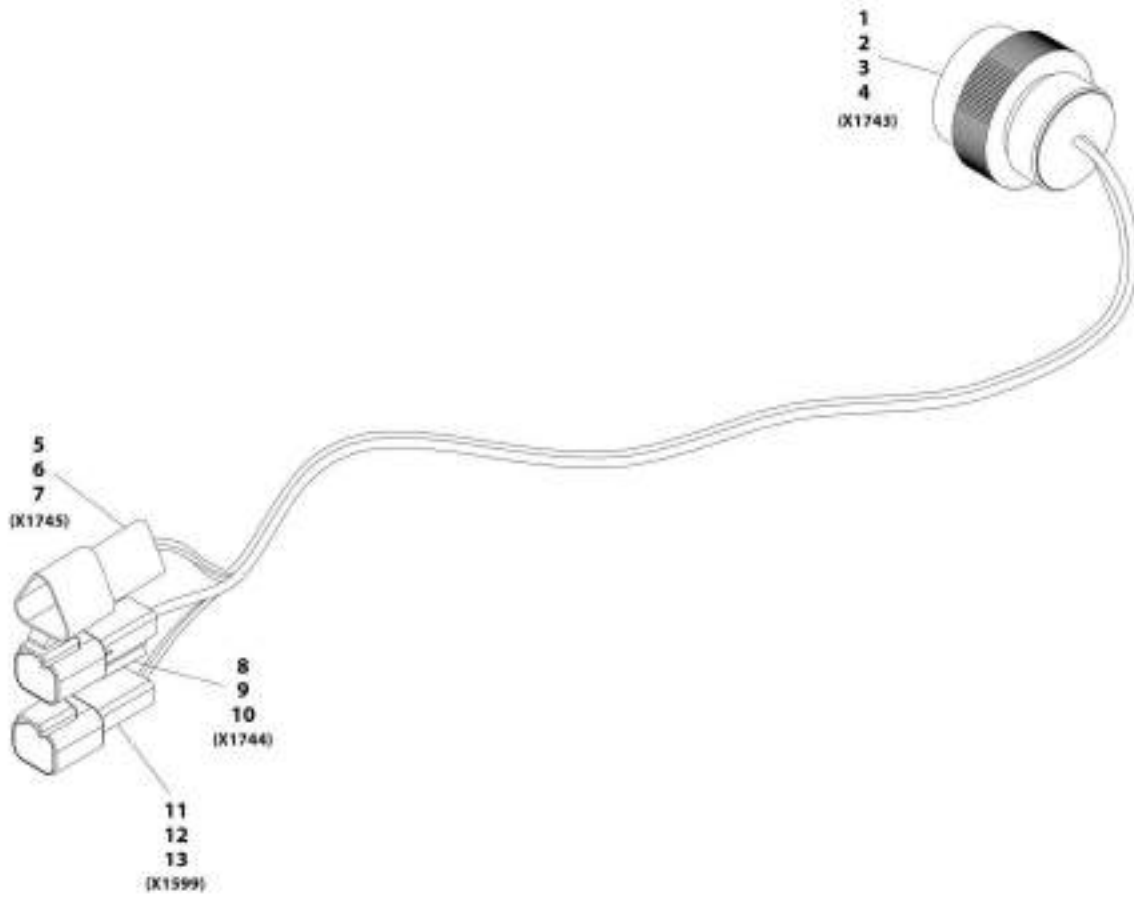
## SECTION 10 - ELECTRICAL

### FIGURE 10-24. OPTION 2 ELECTRICAL BOARD ASSEMBLY

ITEM	PART NUMBER	QTY	DESCRIPTION	REV
	1001161771	Ref	Option 2 Electrical Board Assembly	B
1	80983191	1	Fuse, 10AMP	
2	8229244	1	Fuse, 15AMP	
3	8229244	1	Fuse, 15AMP	
4	8229244	1	Fuse, 15AMP	
5	8229244	1	Fuse, 15AMP	
6	8229244	1	Fuse, 15AMP	
7	8229244	1	Fuse, 15AMP	

# SECTION 10 - ELECTRICAL

## FIGURE 10-25. CAB OPTION HARNESS



ART\_1001181681-C

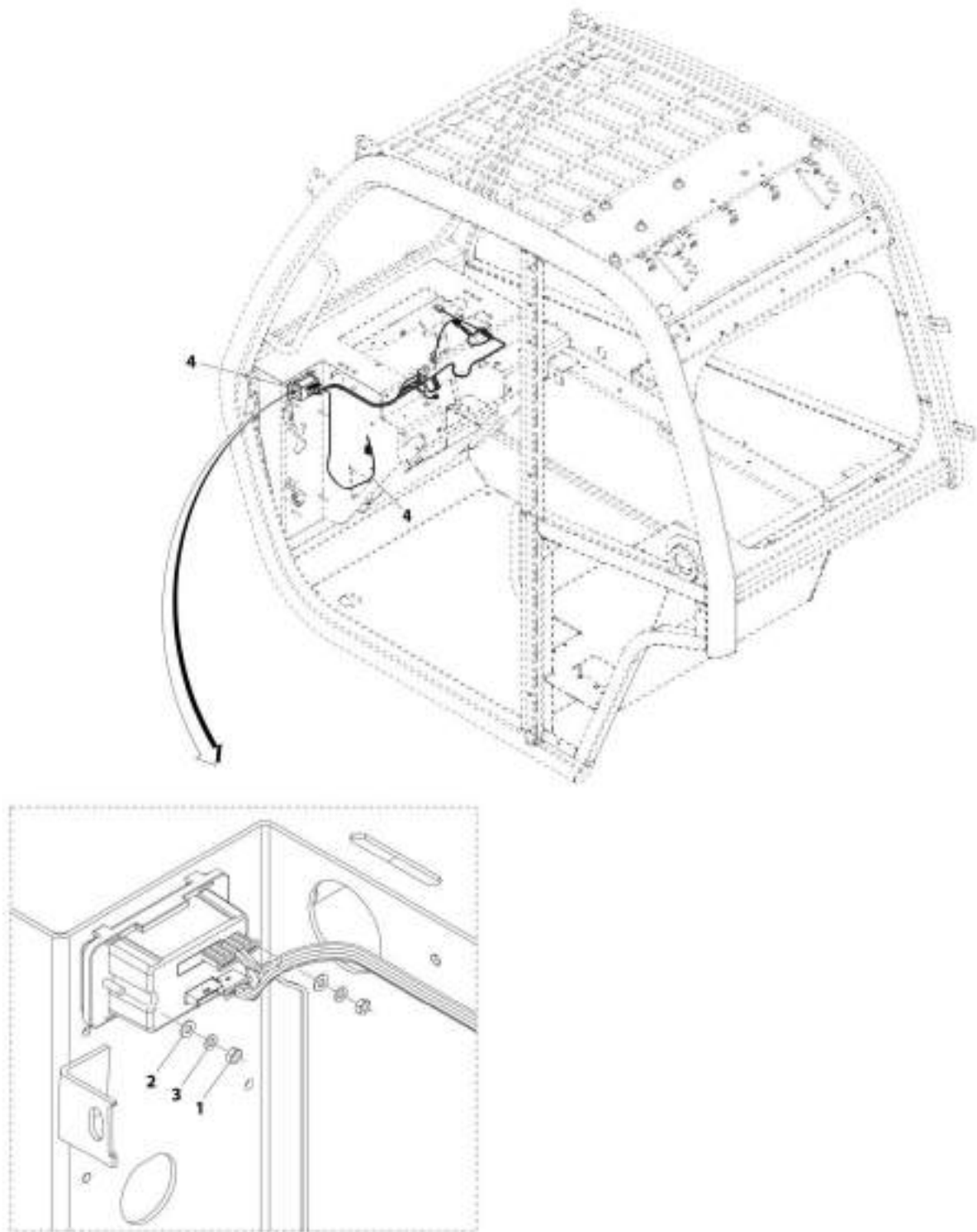
# SECTION 10 - ELECTRICAL

## FIGURE 10-25. CAB OPTION HARNESS

ITEM	PART NUMBER	QTY	DESCRIPTION	REV
	1001181681	Ref	Cab Option Harness	C
1	4461015	1	Connector	
2	4460465	5	Terminal	
3	4460466	8	Plug	
4	4460942	1	Terminal	
5	1001144147	1	Connector	
6	4460943	2	Terminal	
7	4460466	1	Plug	
8	4460897	1	Connector	
9	4460941	1	Terminal	
10	4460466	1	Plug	
11	4460932	1	Connector	
12	4460464	3	Terminal	
13	4460466	1	Plug	

# SECTION 10 - ELECTRICAL

## FIGURE 10-26. CAB HEATER HARNESS INSTALLATION



ART\_1001301MG-C

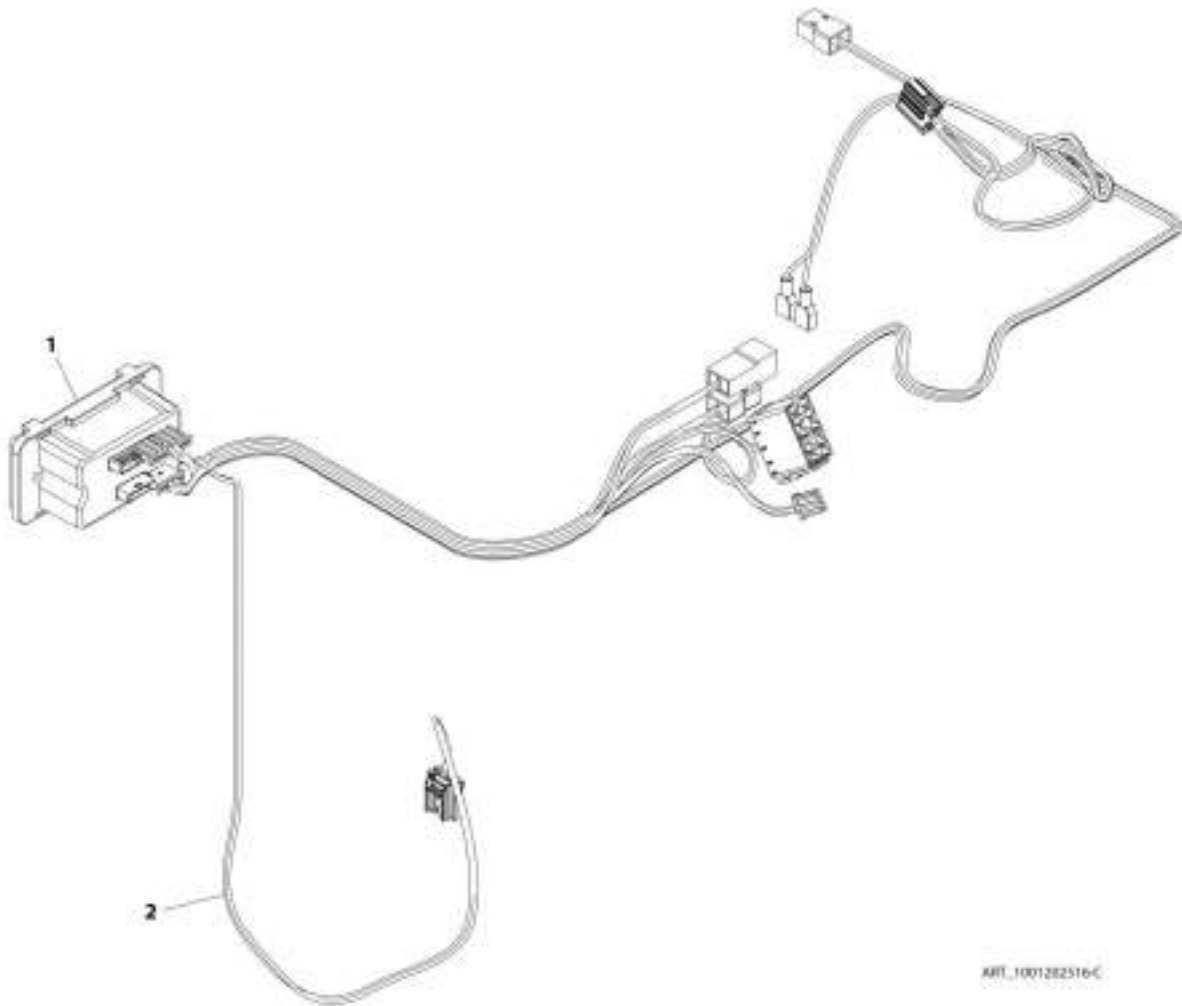
## SECTION 10 - ELECTRICAL

### FIGURE 10-26. CAB HEATER HARNESS INSTALLATION

ITEM	PART NUMBER	QTY	DESCRIPTION	REV
	1001201340	Ref	Cab Heater Harness Installation	C
1	3290401	2	Nut, M4X0.7 Grade 8	
2	4811400	2	Washer, M4	
3	4831400	2	Washer, Lock M4	
4	1001202516	1	Harness, Cab Heater (See Separate Breakdown in this Section)	

# SECTION 10 - ELECTRICAL

FIGURE 10-27. CAB HEATER HARNESS (Prior to SN 1160008716)





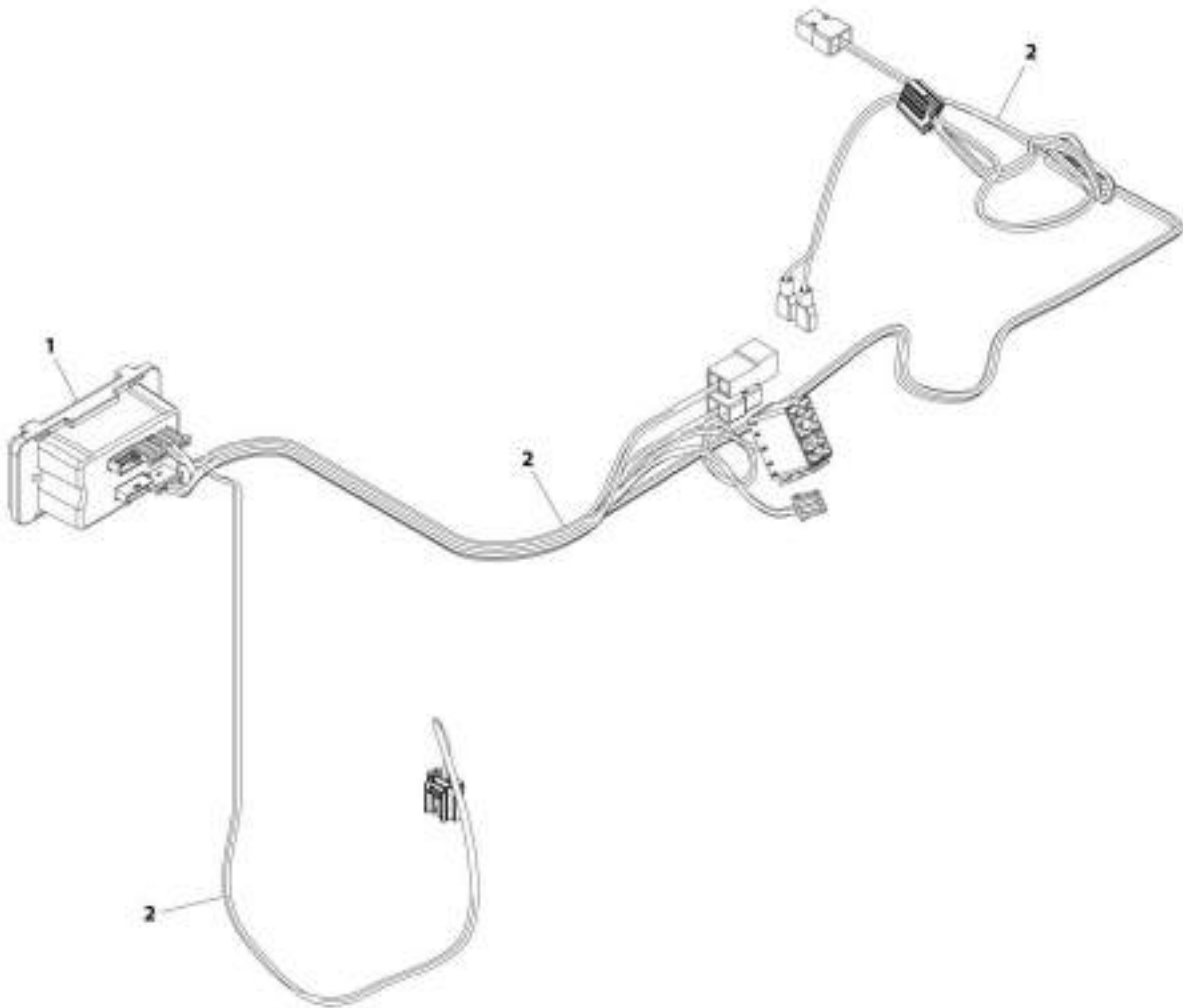
## SECTION 10 - ELECTRICAL

**FIGURE 10-27. CAB HEATER HARNESS (Prior to SN 1160008716)**

ITEM	PART NUMBER	QTY	DESCRIPTION	REV
	1001202516	Ref	Cab Heater Harness	C
1	1001172551	Ref	Actuator, HVAC (See Separate Breakdown in CAB Section)	
2	1001221056	Ref	Harness, HVAC Cab Actuator	

# SECTION 10 - ELECTRICAL

FIGURE 10-28. CAB HEATER HARNESS (SN 1160008716 to Present)



AMT\_1001202516-C

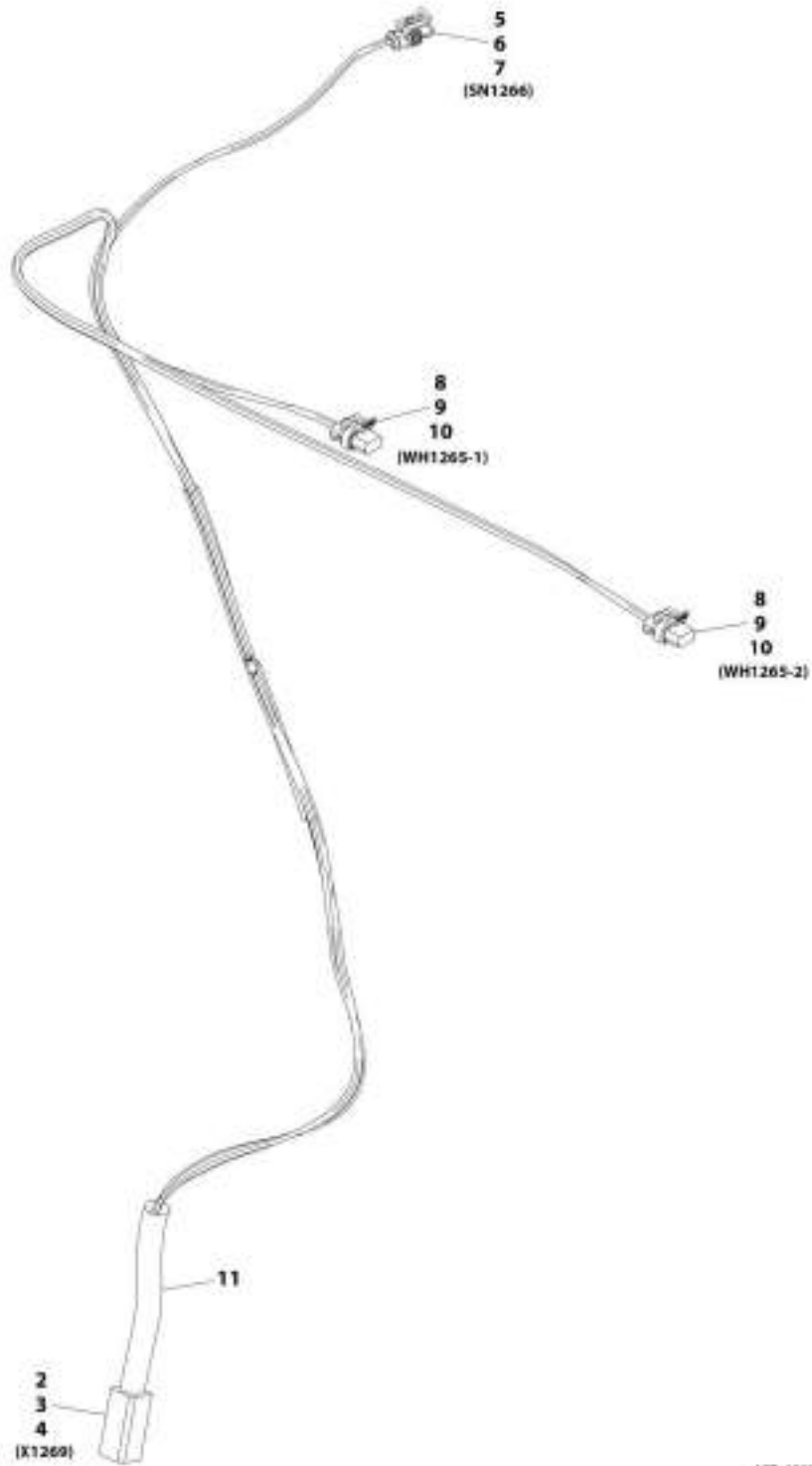
## SECTION 10 - ELECTRICAL

**FIGURE 10-28. CAB HEATER HARNESS (SN 1160008716 to Present)**

ITEM	PART NUMBER	QTY	DESCRIPTION	REV
	1001202516	Ref	Cab Heater Harness	C
1	1001172551	Ref	Actuator, HVAC (See Separate Breakdown in CAB Section)	
2	1001221056	Ref	Harness, HVAC Cab Actuator	

# SECTION 10 - ELECTRICAL

## FIGURE 10-29. A/C OPTION HARNESS



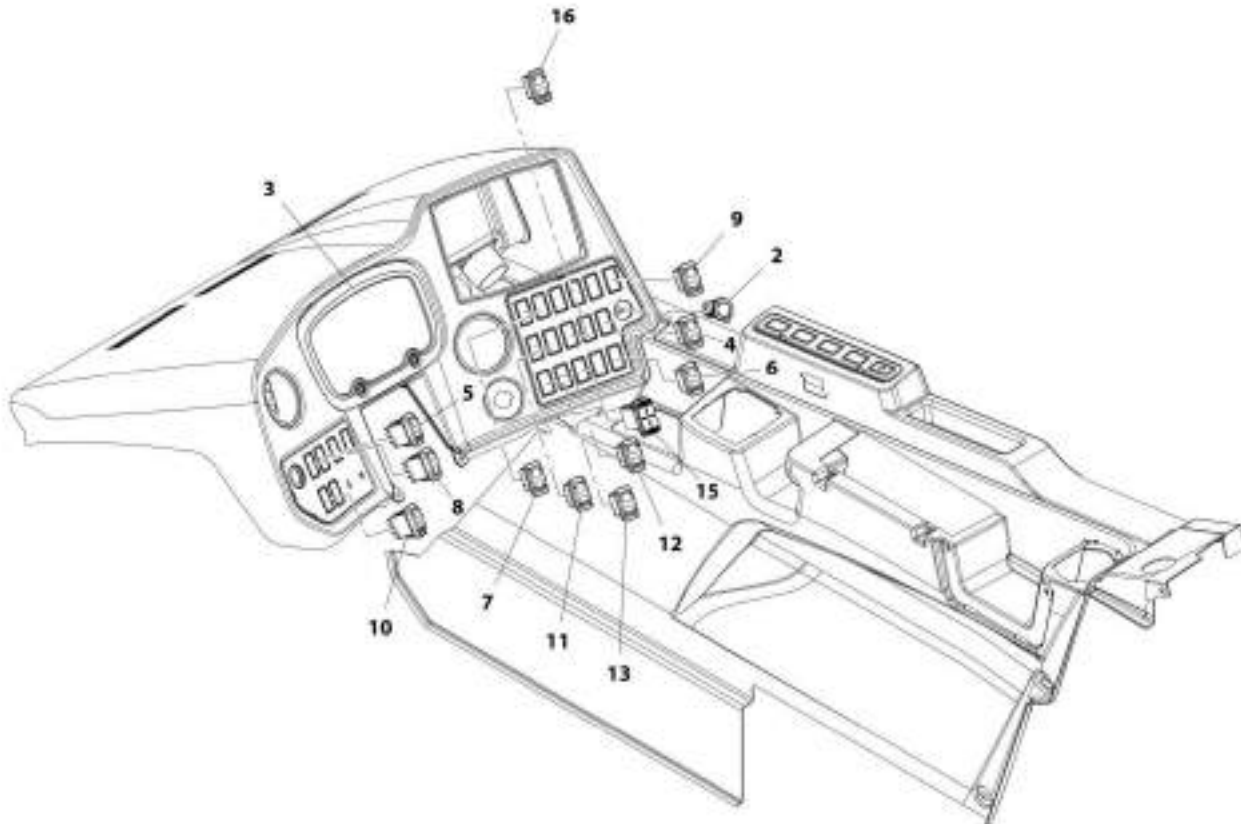
# SECTION 10 - ELECTRICAL

## FIGURE 10-29. A/C OPTION HARNESS

ITEM	PART NUMBER	QTY	DESCRIPTION	REV
	1001169151	Ref	A/C Option Harness	E
2	4460899	1	Connector	
3	4460941	4	Terminal	
4	4460464	2	Terminal	
5	4461118	1	Connector	
6	1001107854	2	Terminal	
7	1001116763	2	Seal	
8	1001117021	2	Connector	
9	1001116747	4	Terminal	
10	4460789	4	Seal	
11	70028546	1	Backshell	

# SECTION 10 - ELECTRICAL

FIGURE 10-30. DASH ELECTRICS INSTALLATION (ULS)



ART\_1001185809-D

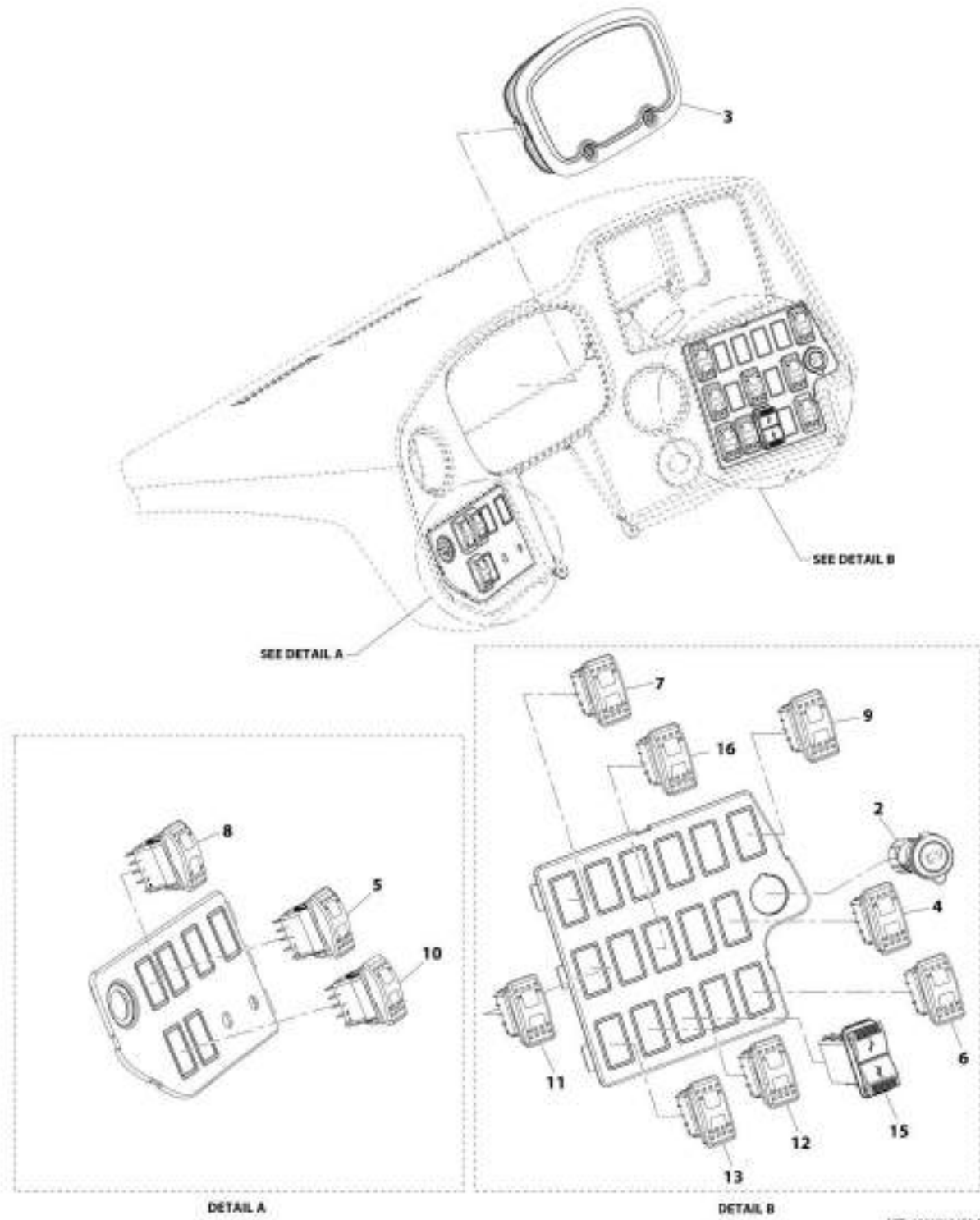
## SECTION 10 - ELECTRICAL

**FIGURE 10-30. DASH ELECTRICS INSTALLATION (ULS)**

ITEM	PART NUMBER	QTY	DESCRIPTION	REV
	1001185809	Ref	Dash Electrics Installation (ULS)	D
2	1001095804	1	Connector, 12V Power Socket	
3	1001158146	1	Cluster, Electrical Gauge	
4	1001104654	1	Switch, AUX Decomp	
5	1001159741	1	Switch, Constanst AUX	
6	1001163639	1	Switch, Driving Lights	
7	1001159737	1	Switch, Fog Lights	
8	1001189898	1	Switch, Framer/Loader	
9	1001159734	1	Switch, Hazard	
10	1001159742	1	Switch, LSI Override	
11	1001159735	1	Switch, Rear Wiper	
12	1001159743	1	Switch, Road Use	
13	1001159849	1	Switch, Steer Mode	
15	1001174712	1	Switch, USB Charger	
16	1001159748	1	Switch, Bucket Mode	

# SECTION 10 - ELECTRICAL

## FIGURE 10-31. DASH ELECTRICS INSTALLATION (LS)



ART\_1001211471-0



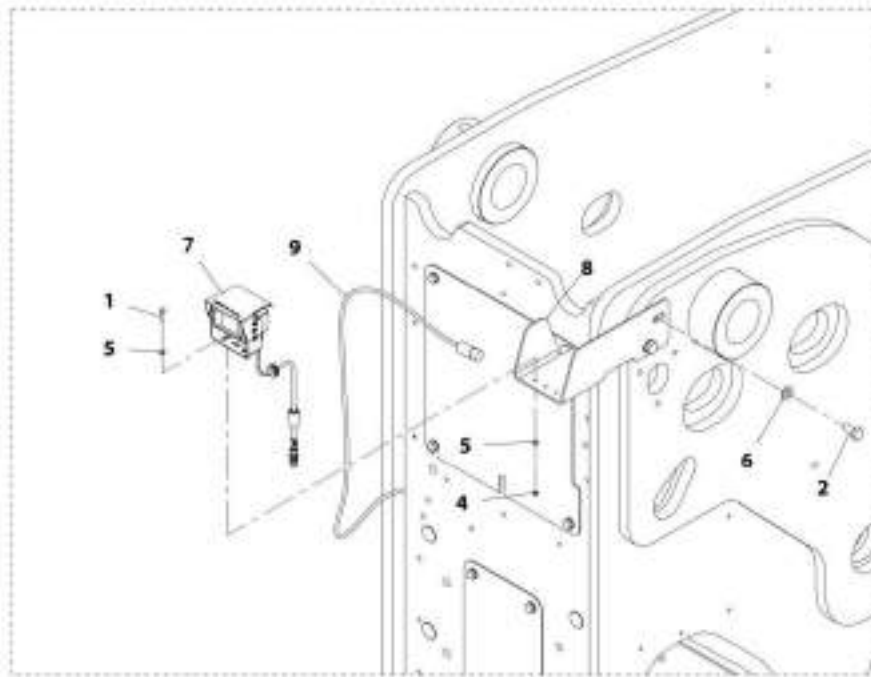
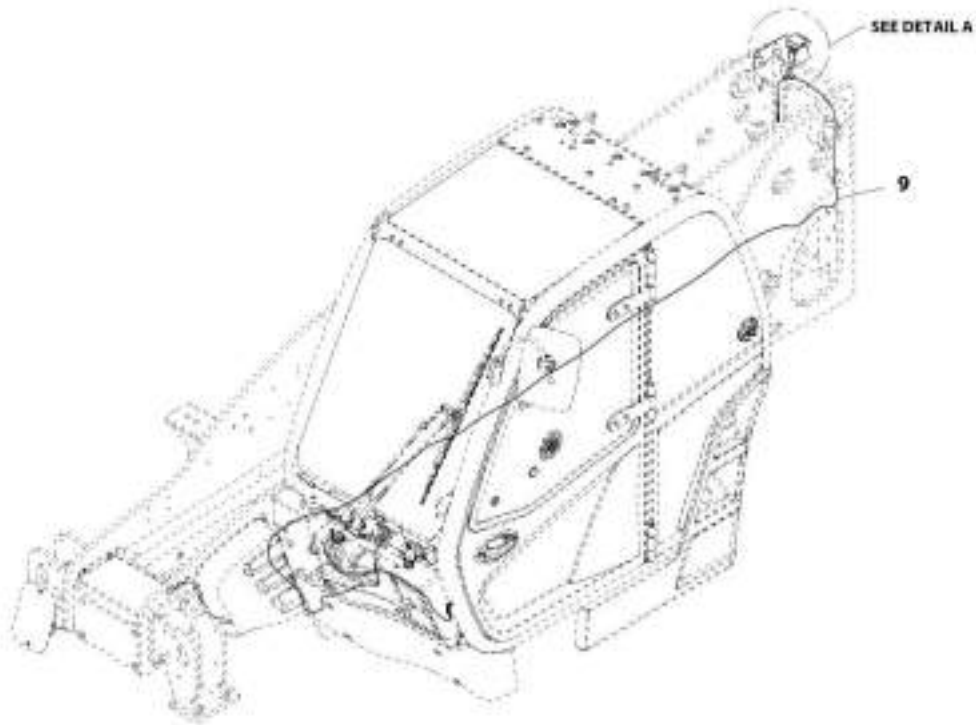
## SECTION 10 - ELECTRICAL

**FIGURE 10-31. DASH ELECTRICS INSTALLATION (LS)**

ITEM	PART NUMBER	QTY	DESCRIPTION	REV
	1001213471	Ref	Dash Electrics Installation (LS)	B
2	1001095804	1	Connector, 12V Power Socket	
3	1001202454	1	Gauge (LS)	
4	1001104654	1	Switch, AUX Decomp	
5	1001159741	1	Switch, Constanst AUX	
6	1001163639	1	Switch, Driving Lights	
7	1001159737	1	Switch, Fog Lights	
8	1001189898	1	Switch, Framer/Loader	
9	1001159734	1	Switch, Hazard	
10	1001159742	1	Switch, LSI Override	
11	1001159735	1	Switch, Rear Wiper	
12	1001159743	1	Switch, Road Use	
13	1001159849	1	Switch, Steer Mode	
15	1001174712	1	Switch, USB Charger	
16	1001159748	1	Switch, Bucket Mode	

# SECTION 10 - ELECTRICAL

## FIGURE 10-32. REVERSE CAMERA INSTALLATION (TRAILER BRAKES)



DETAIL A

ART\_3001160225-0

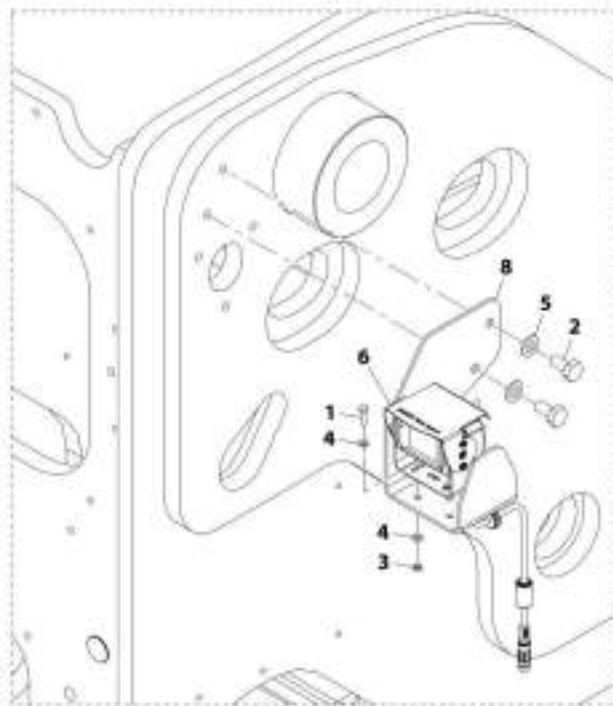
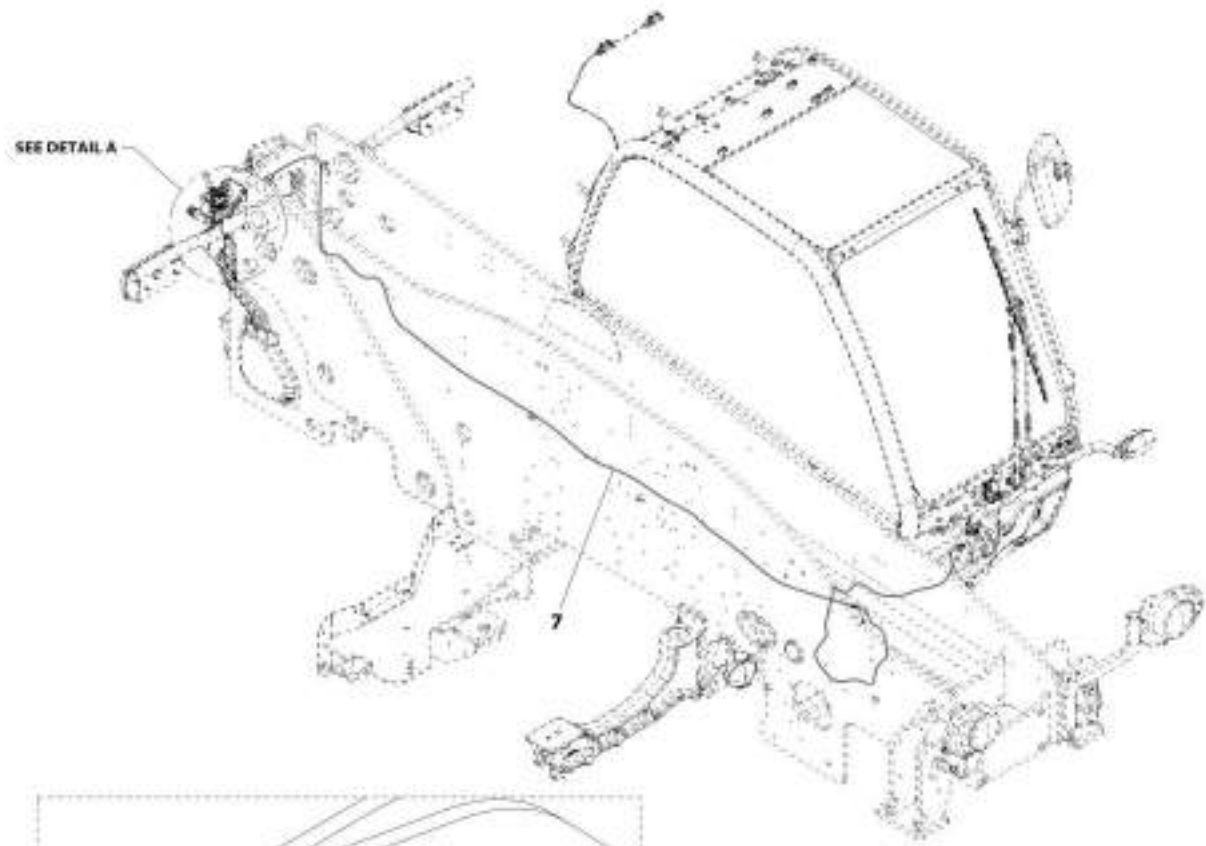
## SECTION 10 - ELECTRICAL

**FIGURE 10-32. REVERSE CAMERA INSTALLATION (TRAILER BRAKES)**

ITEM	PART NUMBER	QTY	DESCRIPTION	REV
	1001190225	Ref	Reverse Camera Installation (Trailer Brakes)	B
1	0700408	2	Bolt, M4X16	
2	0761010	2	Bolt, M10X20	
4	3290401	2	Nut, M4X0.7	
5	4811400	4	Washer, M4	
6	4812000	2	Washer, M10	
7	1001167017	1	Camera	
8	1001202293	1	Bracket	
9	1001202558	1	Cable	

# SECTION 10 - ELECTRICAL

## FIGURE 10-33. REVERSE CAMERA INSTALLATION (NO TRAILER BRAKES)



DETAIL A

ART\_1001217625-B

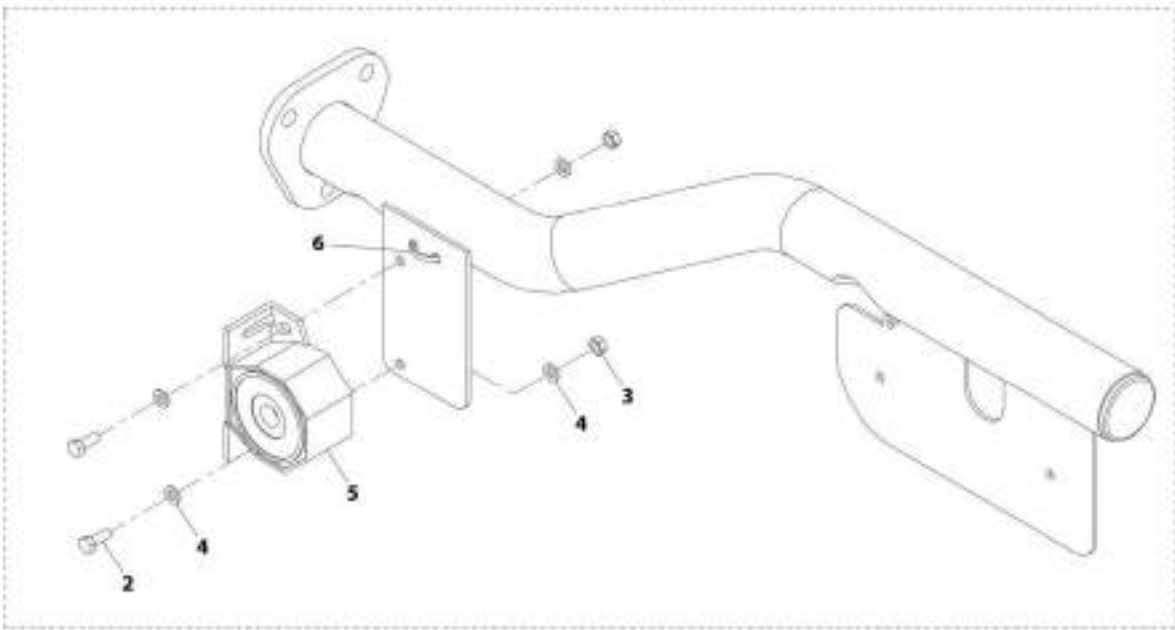
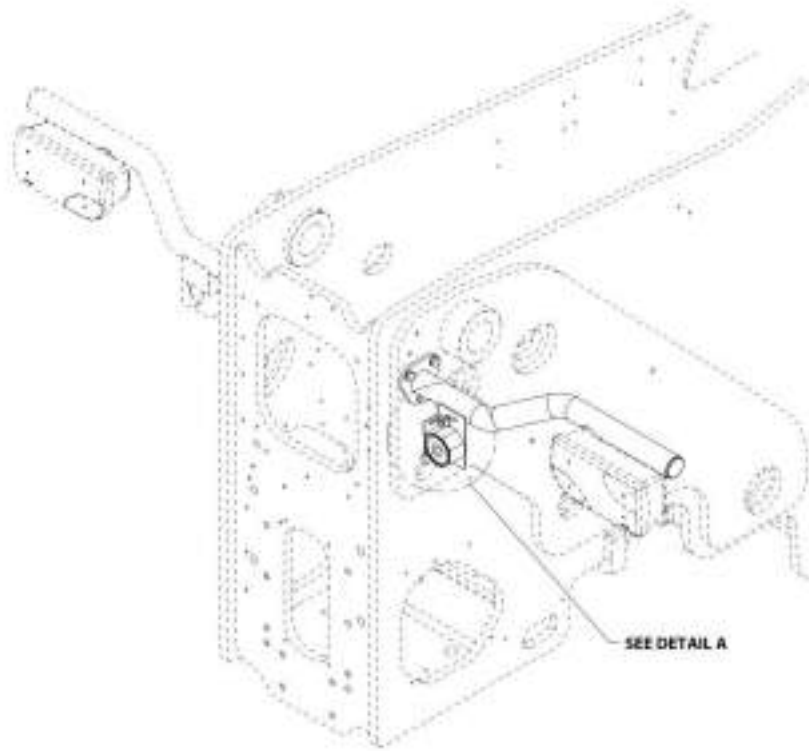
## SECTION 10 - ELECTRICAL

**FIGURE 10-33. REVERSE CAMERA INSTALLATION (NO TRAILER BRAKES)**

ITEM	PART NUMBER	QTY	DESCRIPTION	REV
	1001217635	Ref	Reverse Camera Installation (No Trailer Brakes)	B
1	0700408	2	Bolt, M4X16	
2	0761010	2	Bolt, M10X20	
3	3290401	2	Nut, M4X0.7	
4	4811400	4	Washer, M4	
5	4812000	2	Washer, M10	
6	1001167017	1	Camera	
7	1001202558	1	Cable, Reverse Camera	
8	1001222519	1	Bracket	

# SECTION 10 - ELECTRICAL

## FIGURE 10-34. REVERSE ALARM INSTALLATION



DETAIL A

48T\_1001183596-D

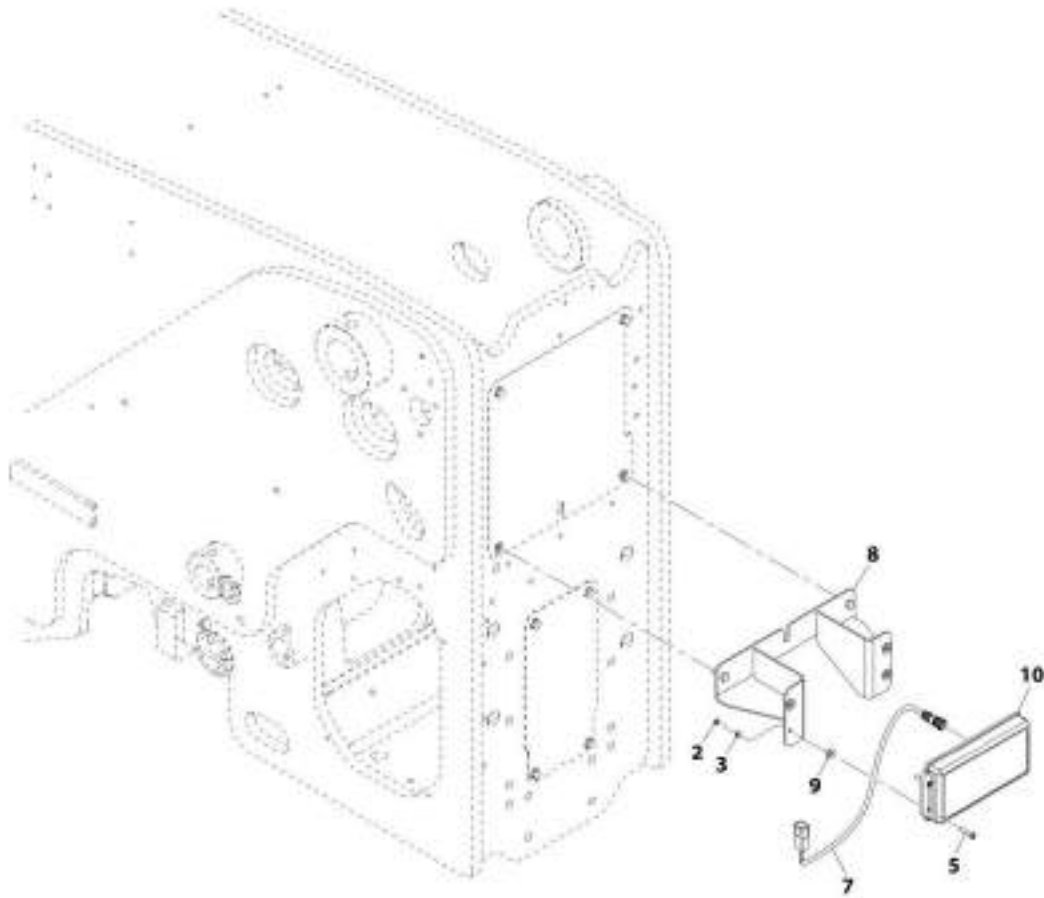
## SECTION 10 - ELECTRICAL

### FIGURE 10-34. REVERSE ALARM INSTALLATION

ITEM	PART NUMBER	QTY	DESCRIPTION	REV
	1001183596	Ref	Reverse Alarm Installation	D
2	0760608	2	Bolt, M6X16	
3	3290601	2	Nut, M6X1	
4	4811700	4	Washer, M6	
5	1001147060	1	Alarm, Reverse	
6	1001008559	1	Strap, Cable	

# SECTION 10 - ELECTRICAL

FIGURE 10-35. REVERSE SENSOR INSTALLATION (NO HYDRAULIC HITCH)



AWT\_100119227-C



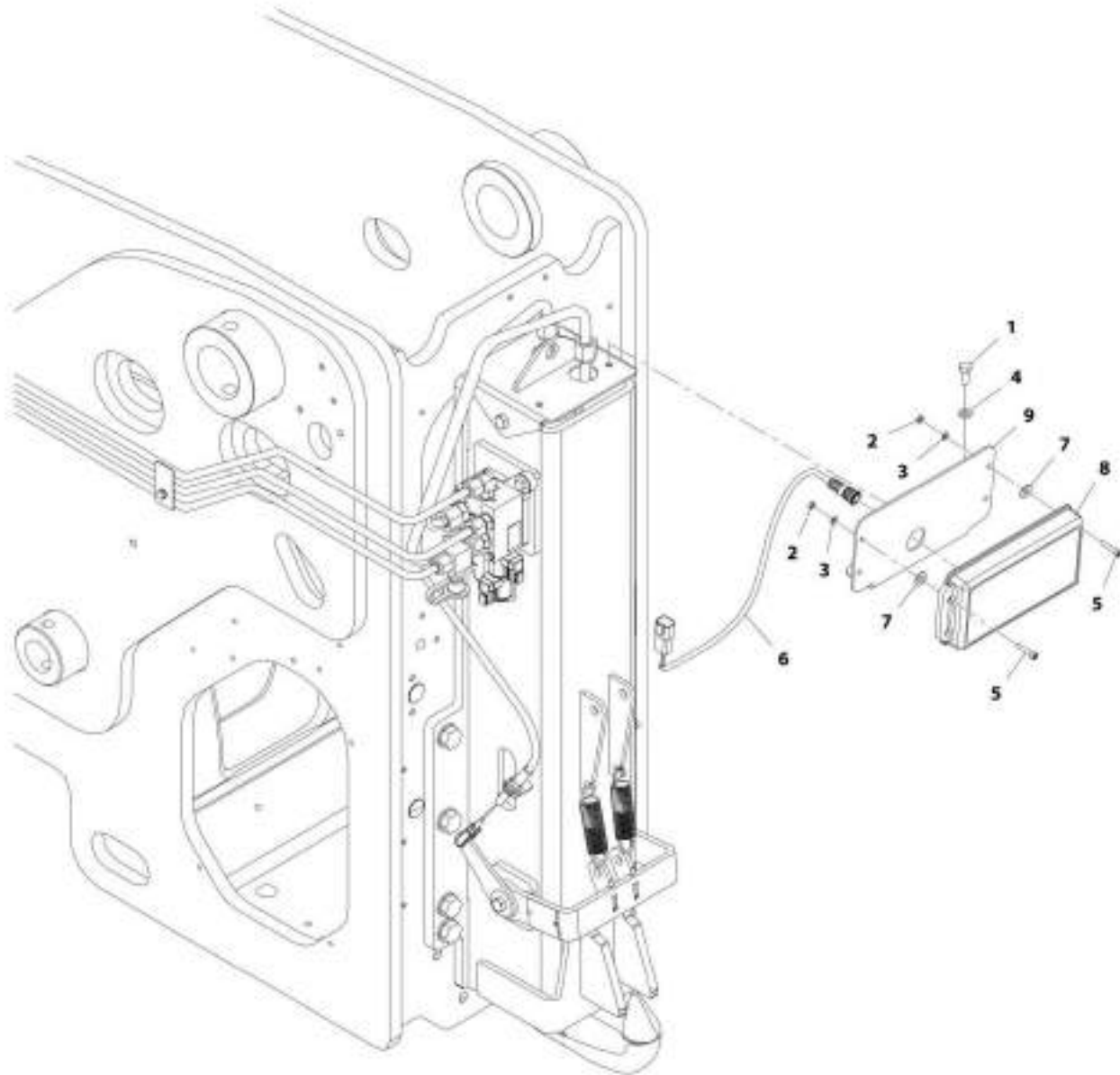
## SECTION 10 - ELECTRICAL

### FIGURE 10-35. REVERSE SENSOR INSTALLATION (NO HYDRAULIC HITCH)

ITEM	PART NUMBER	QTY	DESCRIPTION	REV
	1001190227	Ref	Reverse Sensor Installation (No Hydraulic Hitch)	C
2	3290501	4	Nut, M5X0.8	
3	4811600	4	Washer, M5	
5	5271609	4	Screw, M5X25	
7	1001175776	1	Harness, Reverse Sensor (See Separate Breakdown in this Section)	
8	1001202288	1	Bracket	
9	1001181921	4	Washer, Rubber M8	
10	1001189997	1	Sensor, Reverse	

# SECTION 10 - ELECTRICAL

## FIGURE 10-36. REVERSE SENSOR INSTALLATION (HYDRAULIC HITCH)



ART\_3001202392-C

## SECTION 10 - ELECTRICAL

### FIGURE 10-36. REVERSE SENSOR INSTALLATION (HYDRAULIC HITCH)

ITEM	PART NUMBER	QTY	DESCRIPTION	REV
	1001202395	Ref	Reverse Sensor Installation (Hydraulic Hitch)	C
1	0760810	2	Bolt, M8X20	
2	3290501	4	Nut, M5X0.8 Grade 8	
3	4811600	4	Washer, M5	
4	4811900	2	Washer, M8	
5	5271609	4	Screw, M12.9	
6	1001175776	1	Harness, Reverse Sensor (See Separate Breakdown in this Section)	
7	1001181921	4	Washer, Rubber M8	
8	1001189997	1	Sensor, Reverse	
9	1001202286	1	Bracket	

# SECTION 10 - ELECTRICAL

## FIGURE 10-37. REVERSE SENSOR HARNESS



ART\_300125734-C

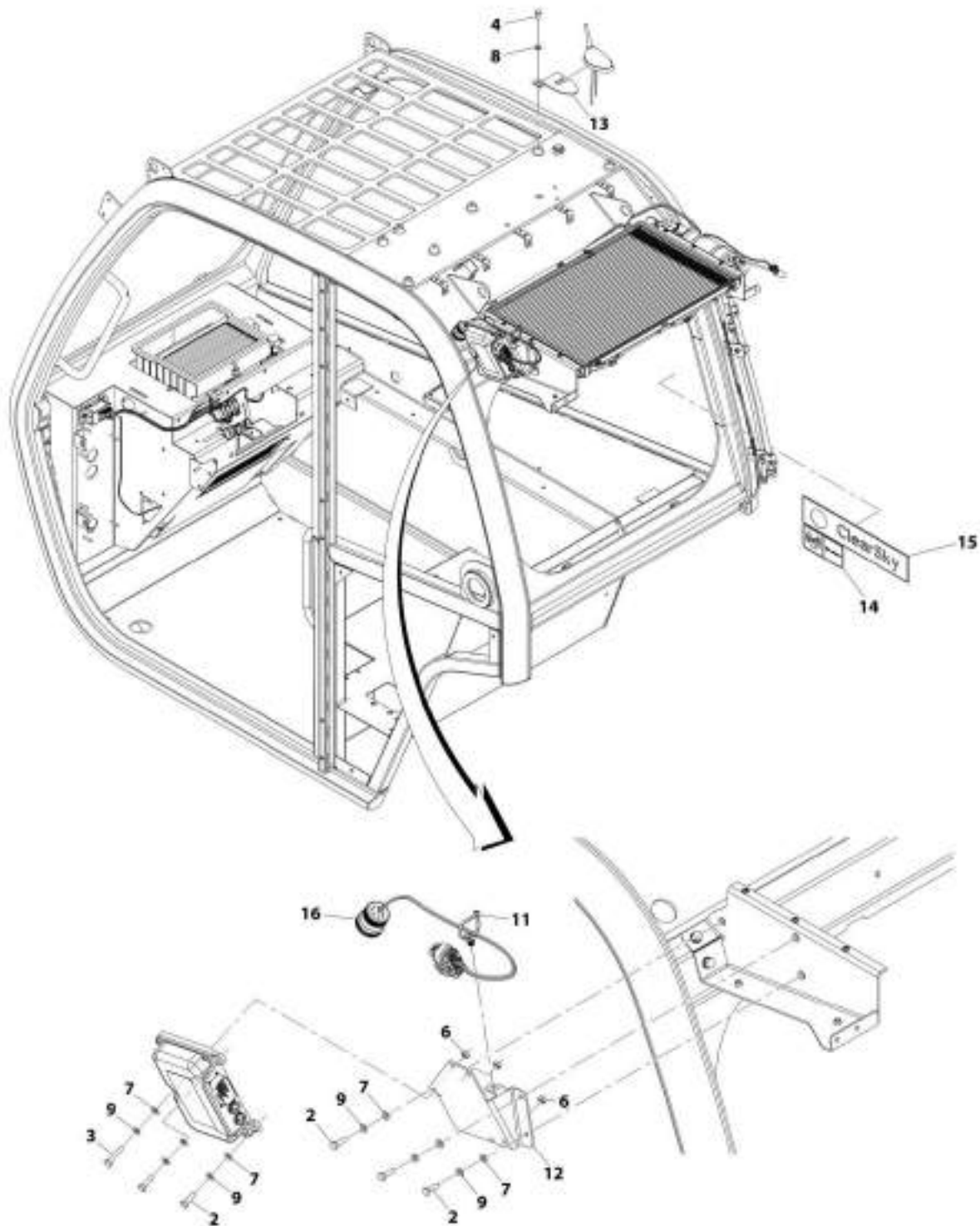
## SECTION 10 - ELECTRICAL

### FIGURE 10-37. REVERSE SENSOR HARNESS

ITEM	PART NUMBER	QTY	DESCRIPTION	REV
	1001175776	Ref	Reverse Sensor Harness	C
1	4460932	1	Connector	
2	4460464	4	Terminal	
3	1001175733	1	Connector	

# SECTION 10 - ELECTRICAL

FIGURE 10-38. CLEARSKY INSTALLATION (A/C - LONG ROOF CAP) (Prior to SN 1160008715)



ART\_1001174308-G

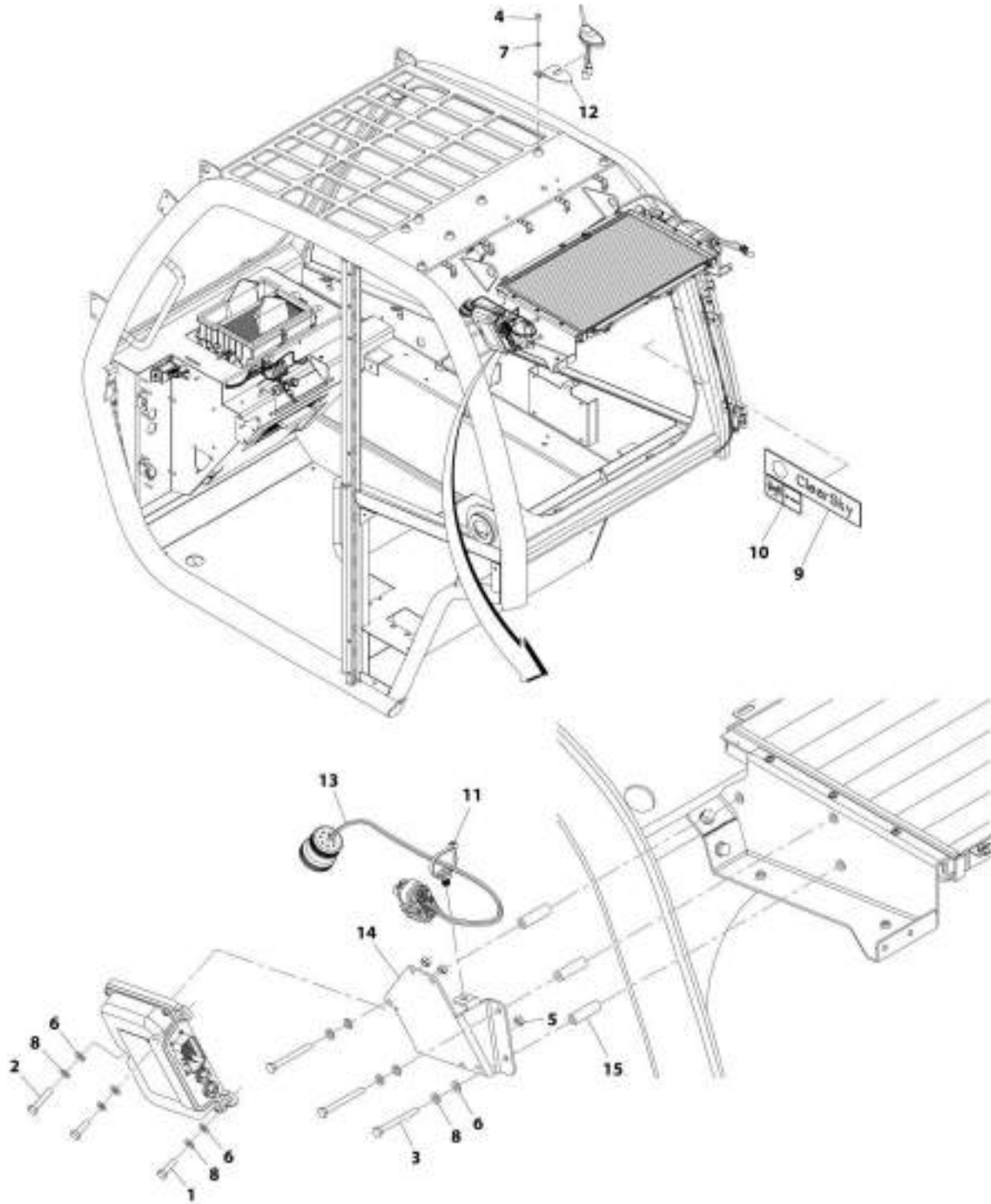
## SECTION 10 - ELECTRICAL

**FIGURE 10-38. CLEARSKY INSTALLATION (A/C - LONG ROOF CAP) (Prior to SN 1160008715)**

ITEM	PART NUMBER	QTY	DESCRIPTION	REV
	1001174368	Ref	Clearsky Installation (A/C - Long Roof Cap)	G
2	0700610	5	Bolt, M6X20	
3	0700614	1	Bolt, M6X30	
4	0760808	1	Bolt, M8X16	
6	3290601	3	Nut, M6X1 Grade 8	
7	4811700	6	Washer, M6	
8	4811900	1	Washer, M8	
9	4831700	6	Washer, Lock M6	
11	1001146588	1	Strap, Cable	
12	1001220947	1	Bracket	
13	1001174372	1	Bracket, Antenna	
14	1001120989	1	Decal, Radio Frequency	
15	1001116208	1	Decal, Clearsky	
16	1001196452	1	Harness, Clearsky (See Separate Breakdown in this Section)	

# SECTION 10 - ELECTRICAL

FIGURE 10-39. CLEARSKY INSTALLATION (A/C - LONG ROOF CAP) (SN 1160008715 to Present)



ART\_300120945-A



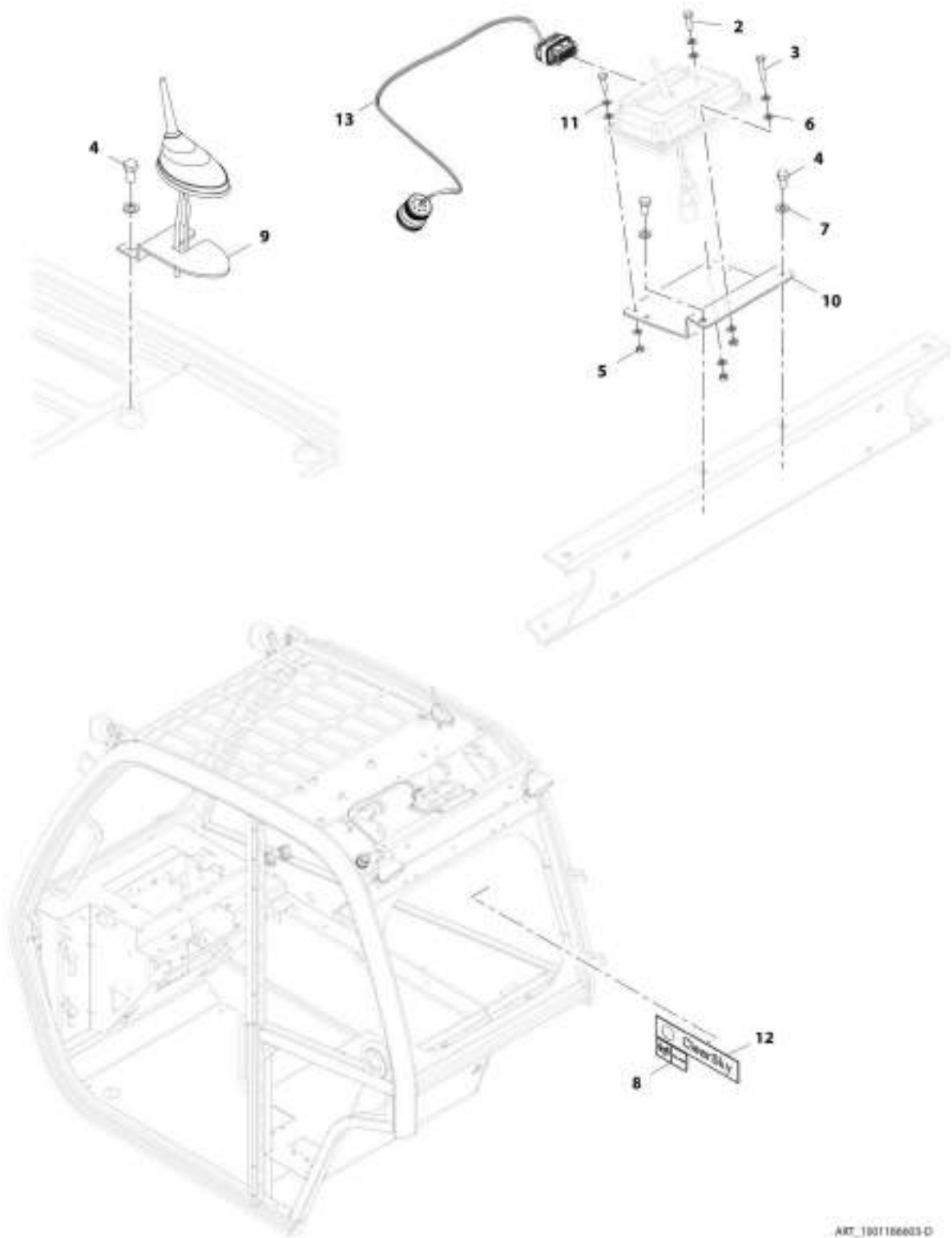
## SECTION 10 - ELECTRICAL

**FIGURE 10-39. CLEARSKY INSTALLATION (A/C - LONG ROOF CAP) (SN 1160008715 to Present)**

ITEM	PART NUMBER	QTY	DESCRIPTION	REV
	1001220945	Ref	Clearsky Installation (A/C - Long Roof Cap)	A
1	0700610	2	Bolt, M6X20	
2	0700614	1	Bolt, M6X30	
3	0700620	3	Bolt, M6X60	
4	0760808	1	Bolt, M8X16	
5	3290601	3	Nut, M6X1 Grade 8	
6	4811700	6	Washer, M6	
7	4811900	1	Washer, M8	
8	4831700	6	Washer, Lock M6	
9	1001116208	1	Decal, Clearsky	
10	1001120989	1	Decal, Radio Frequency	
11	1001146588	1	Strap, Cable	
12	1001174372	1	Bracket, Antenna	
13	1001196452	Ref	Harness, Clearsky (See Separate Breakdown in this Section)	
14	1001220947	1	Bracket	
15	1001220948	3	Spacer	

# SECTION 10 - ELECTRICAL

## FIGURE 10-40. CLEARSKY INSTALLATION (NO A/C - SHORT ROOF CAP)



ART\_1931186603-D

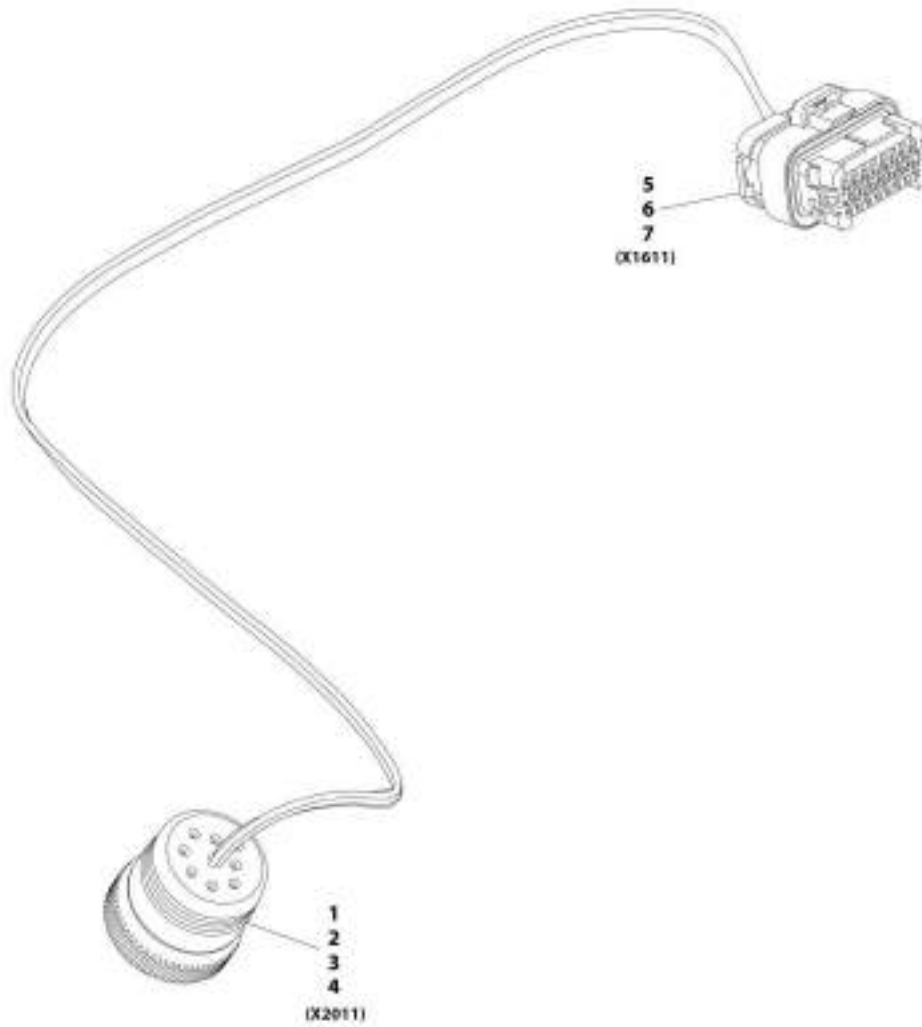
## SECTION 10 - ELECTRICAL

**FIGURE 10-40. CLEARSKY INSTALLATION (NO A/C - SHORT ROOF CAP)**

ITEM	PART NUMBER	QTY	DESCRIPTION	REV
	1001186603	Ref	Clearsky Installation (No A/C - Short Roof Cap)	D
2	0700610	2	Bolt, M6X20	
3	0700614	1	Bolt, M6X30	
4	0760808	3	Bolt, M8X16	
5	3290601	3	Nut, M6X1 Grade 8	
6	4811700	6	Washer, M6	
7	4811900	3	Washer, M8	
8	1001120989	1	Decal, Radio Frequency	
9	1001174372	1	Bracket, Antenna	
10	1001185722	1	Bracket	
11	4831700	3	Washer, Lock M6	
12	1001116208	1	Decal, Clearsky	
13	1001196452	1	Harness, Clearsky (See Separate Breakdown in this Section)	

# SECTION 10 - ELECTRICAL

## FIGURE 10-41. CLEARSKY HARNESS (A/C)



ART. 3001196452-A

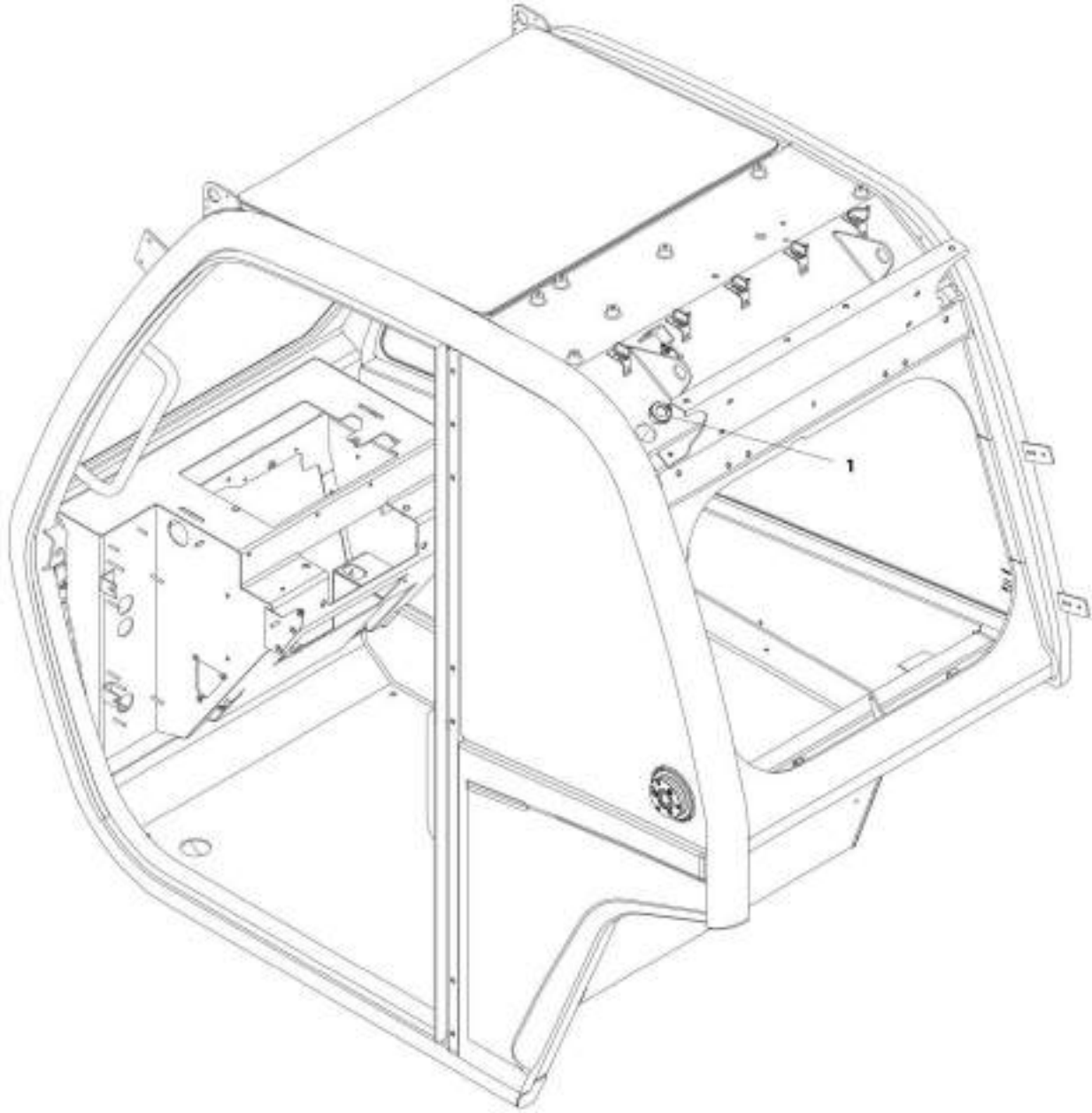
## SECTION 10 - ELECTRICAL

### FIGURE 10-41. CLEARSKY HARNESS (A/C)

ITEM	PART NUMBER	QTY	DESCRIPTION	REV
	1001196452	Ref	Clearsky Harness (A/C)	A
1	1001112796	1	Connector	
2	4460465	3	Terminal	
3	4460944	2	Terminal	
4	4460466	4	Plug	
5	1001116994	1	Connector	
6	4460871	5	Terminal	
7	4460905	18	Plug	

# SECTION 10 - ELECTRICAL

## FIGURE 10-42. TELEMATICS CAP INSTALLATION



ART\_1001201361-A

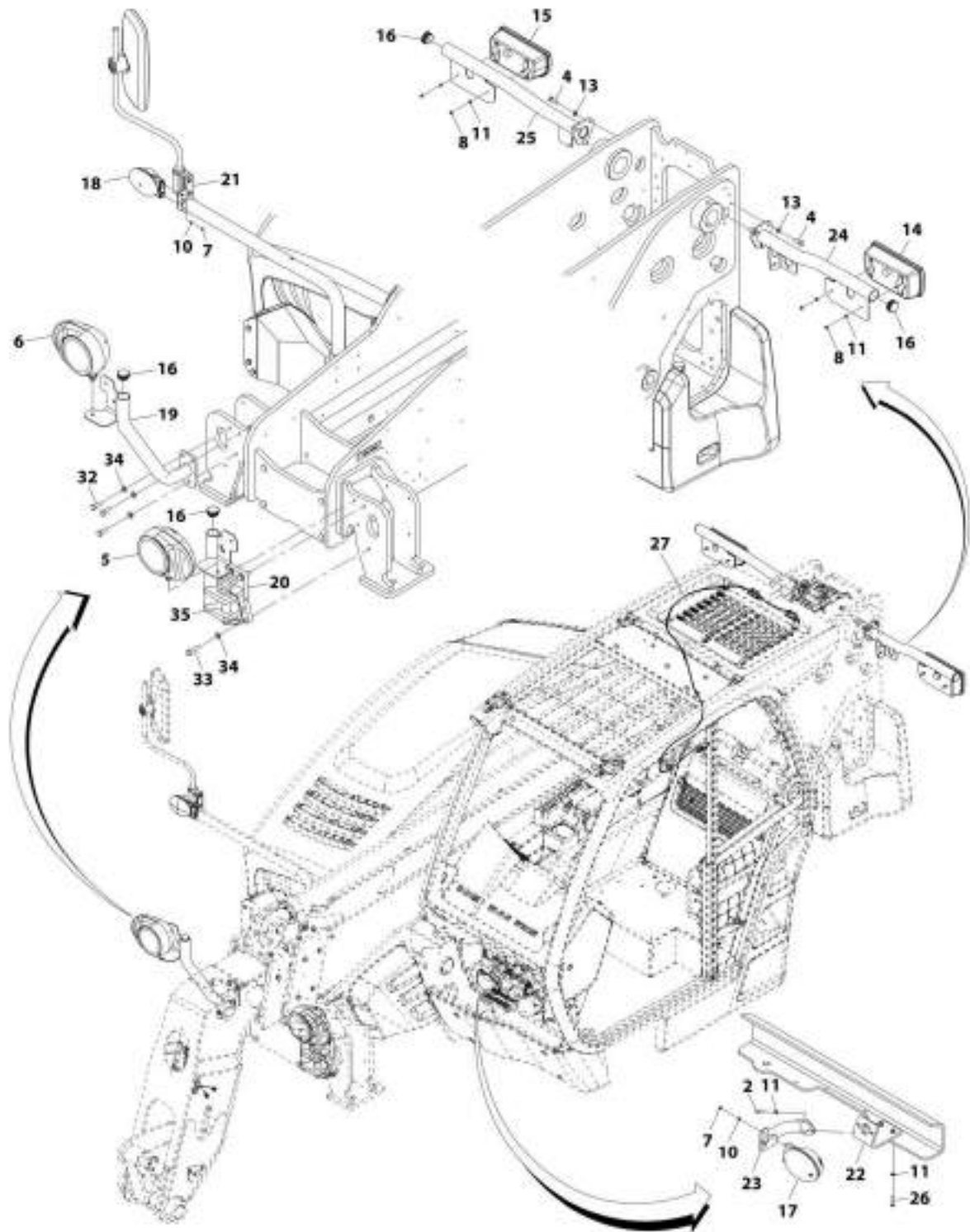
## SECTION 10 - ELECTRICAL

### FIGURE 10-42. TELEMATICS CAP INSTALLATION

ITEM	PART NUMBER	QTY	DESCRIPTION	REV
1	1001201161 1001201162	Ref 1	Telematics Cap Installation Cap	A

# SECTION 10 - ELECTRICAL

## FIGURE 10-43. DIP LIGHTS INSTALLATION (RHD - NO OUTRIGGERS)



ART\_100117992-D



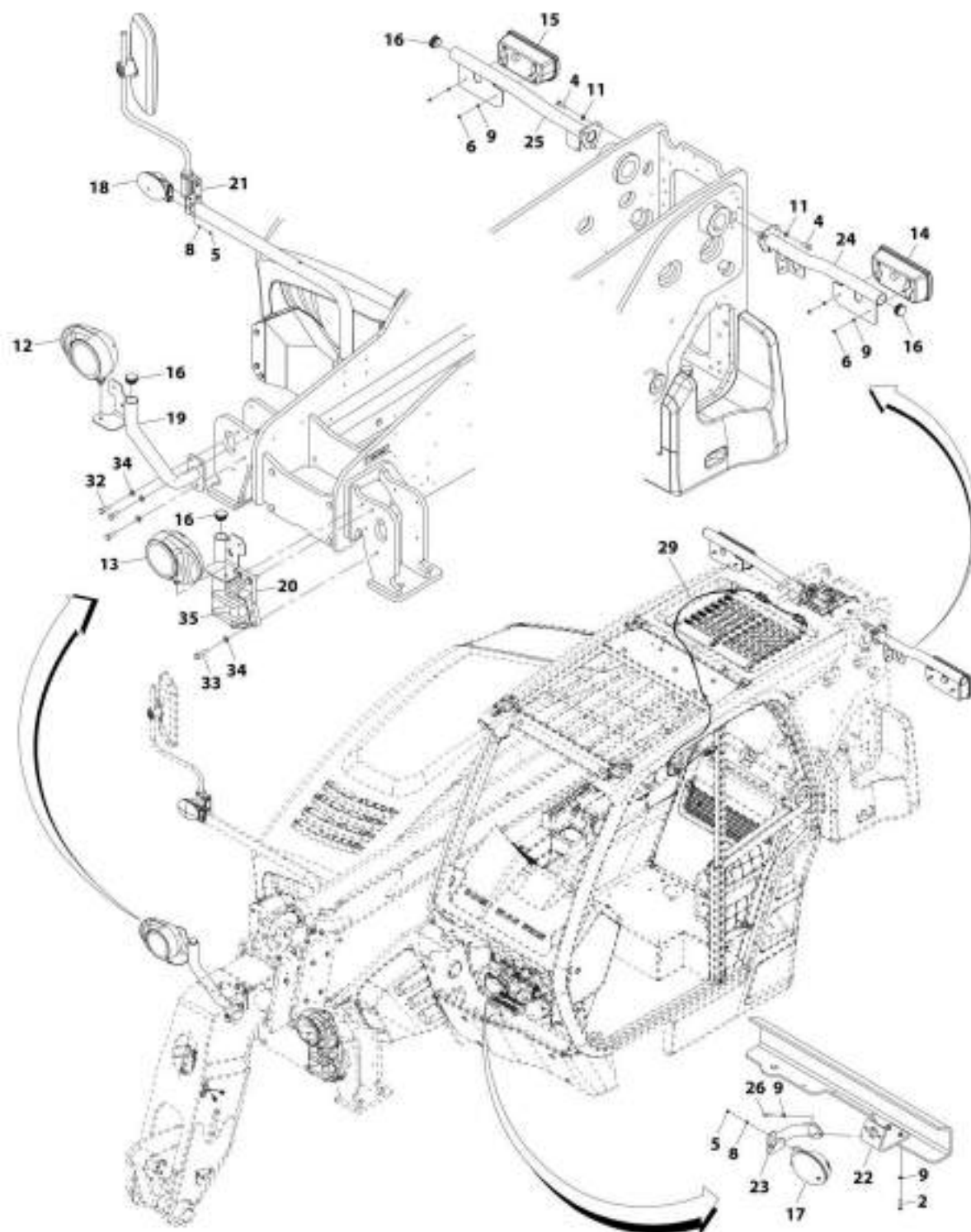
## SECTION 10 - ELECTRICAL

**FIGURE 10-43. DIP LIGHTS INSTALLATION (RHD - NO OUTRIGGERS)**

ITEM	PART NUMBER	QTY	DESCRIPTION	REV
	1001179092	Ref	Dip Lights Installation (RHD - No Outriggers)	D
2	0700612	2	Bolt, M6X25	
4	0761014	6	Bolt, M10X30	
5	2920207	1	Driving Light (RHD - LH)	
	7029969	1	Bulb, 4W	
	7029970	1	Bulb, 55W	
	7029971	1	Bulb, 21W	
6	2920208	1	Driving Light (RHD - RH)	
	7029969	1	Bulb, 4W	
	7029970	1	Bulb, 55W	
	7029971	1	Bulb, 21W	
7	3290501	4	Nut, M5X0.8 Grade 8	
8	3290601	4	Nut, M6X1 Grade 8	
10	4811600	4	Washer, M5	
11	4811700	8	Washer, M6	
13	4812000	6	Washer, M10	
14	1001091715	1	Lamp, Rear (LH)	
	70021341	1	Bulb, 5W	
	70021340	1	Bulb, 21W	
	7029971	1	Bulb, 21W	
15	1001091716	1	Lamp, Rear (RH)	
	70021341	1	Bulb, 5W	
	70021340	1	Bulb, 21W	
	7029971	1	Bulb, 21W	
16	1001096913	4	Bracket	
17	1001105167	1	Sidelight (LH)	
	70021340	1	Bulb, 21W	
	70021341	1	Bulb, 5W	
	70027287	1	Lens	
18	1001105168	1	Sidelight (RH)	
	70021340	1	Bulb, 21W	
	70021341	1	Bulb, 5W	
	70027287	1	Lens	
19	1001198621	1	Bracket	
20	1001208531	1	Bracket	
21	1001208763	1	Bracket	
22	1001197015	1	Mount	
23	1001198796	1	Bracket	
24	1001213825	1	Bracket	
25	1001213826	1	Bracket	
26	0700614	2	Bolt, M6X30	
27	1001189569	Ref	Installation, License Plate Lamp (See Separate Breakdown in this Section)	
32	0701215	3	Bolt, M12X35	
33	0701217	4	Bolt, M12X45	
34	4812100	7	Washer, M12	
35	1001003391	1	Pin	

# SECTION 10 - ELECTRICAL

## FIGURE 10-44. DIP LIGHTS INSTALLATION (LHD - NO OUTRIGGERS)



ART\_1001179025-D

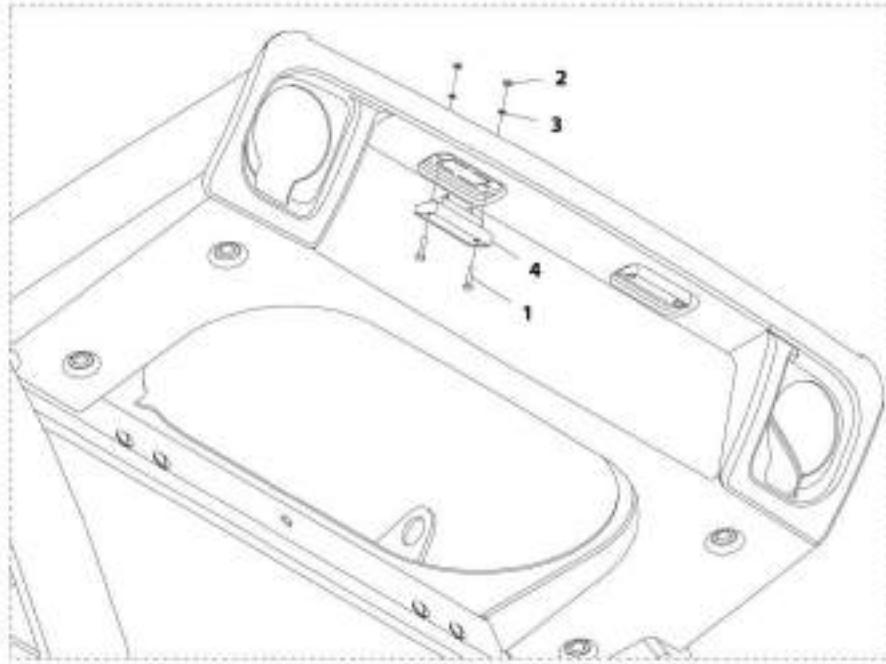
## SECTION 10 - ELECTRICAL

**FIGURE 10-44. DIP LIGHTS INSTALLATION (LHD - NO OUTRIGGERS)**

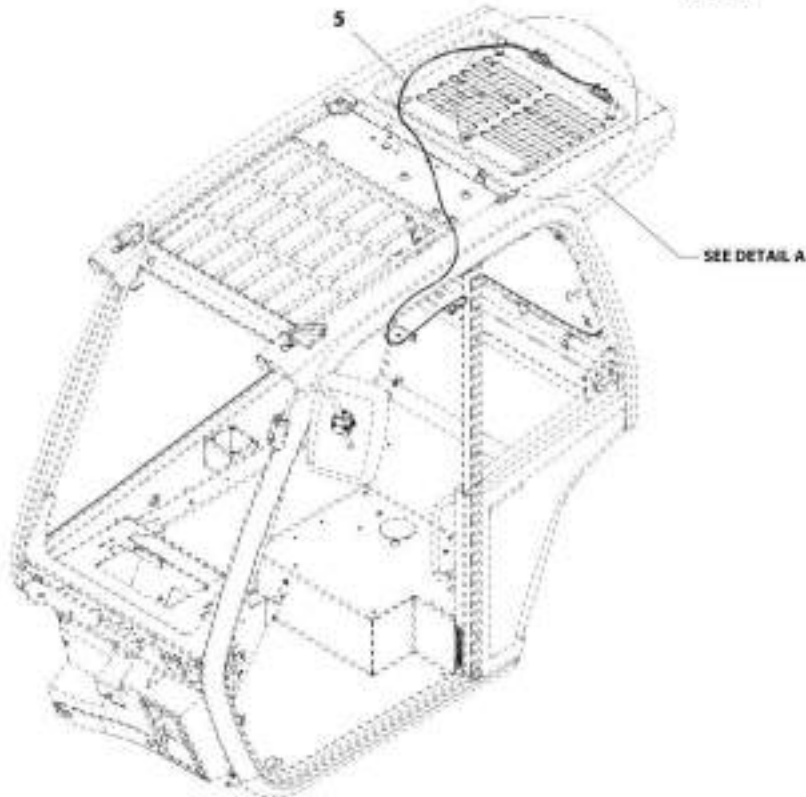
ITEM	PART NUMBER	QTY	DESCRIPTION	REV
	1001179093	Ref	Dip Lights Installation (LHD - No Outriggers)	D
2	0700614	2	Bolt, M6X30	
4	0761014	6	Bolt, M10X30	
5	3290501	4	Nut, M5X0.8 Grade 8	
6	3290601	4	Nut, M6X1 Grade 8	
8	4811600	4	Washer, M5	
9	4811700	8	Washer, M6	
11	4812000	6	Washer, M10	
12	1001002778	1	Light, Driving (LHD - RH)	
	7029969	1	Bulb, 4W	
	7029970	1	Bulb, 55W	
	7029971	1	Bulb, 21W	
13	1001002779	1	Light, Driving (LHD - LH)	
	7029969	1	Bulb, 4W	
	7029970	1	Bulb, 55W	
	7029971	1	Bulb, 21W	
14	1001091715	1	Lamp, Rear (LH)	
	70021341	1	Bulb, 5W	
	70021340	1	Bulb, 21W	
	7029971	1	Bulb, 21W	
15	1001091716	1	Lamp, Rear (RH)	
	70021341	1	Bulb, 5W	
	70021340	1	Bulb, 21W	
	7029971	1	Bulb, 21W	
16	1001096913	4	Bracket	
17	1001105167	1	Sidelight (LH)	
	70021340	1	Bulb, 21W	
	70021341	1	Bulb, 5W	
	70027287	1	Lens	
18	1001105168	1	Sidelight (RH)	
	70021340	1	Bulb, 21W	
	70021341	1	Bulb, 5W	
	70027287	1	Lens	
19	1001198621	1	Bracket	
20	1001208531	1	Bracket	
21	1001208763	1	Bracket	
22	1001197015	1	Mount	
23	1001198796	1	Bracket	
24	1001213825	1	Bracket	
25	1001213826	1	Bracket	
26	0700612	2	Bolt, M6X25	
29	1001189569	Ref	Installation, License Plate Lamp (See Separate Breakdown in this Section)	
32	0701215	3	Bolt, M12X35	
33	0701217	4	Bolt, M12X45	
34	4812100	7	Washer, M12	
35	1001003391	1	Pin	

# SECTION 10 - ELECTRICAL

## FIGURE 10-45. LICENSE PLATE LAMP INSTALLATION



DETAIL A



ART\_1001189569-A

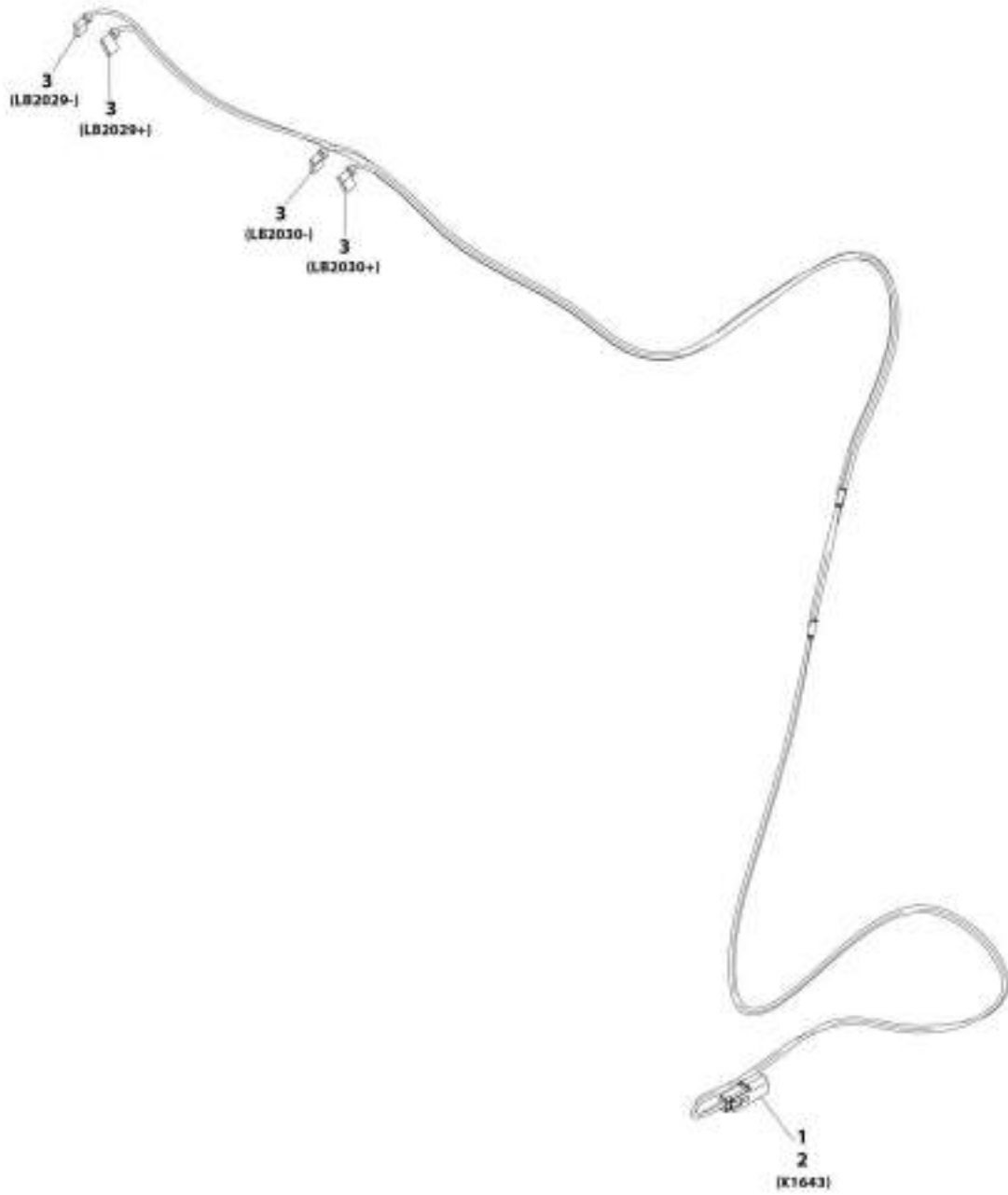
## SECTION 10 - ELECTRICAL

### FIGURE 10-45. LICENSE PLATE LAMP INSTALLATION

ITEM	PART NUMBER	QTY	DESCRIPTION	REV
	1001189569	Ref	License Plate Lamp Installation	A
1	0760410	4	Bolt, M4X20	
2	3290401	4	Nut, M4X0.7 Grade 8	
3	4831400	4	Washer, Lock M4	
4	1001173829	2	Lamp, License Plate	
5	1001178053	1	Harness, License Light (See Separate Breakdown in this Section)	

# SECTION 10 - ELECTRICAL

## FIGURE 10-46. LICENSE LIGHT HARNESS



ART\_1001178055-C

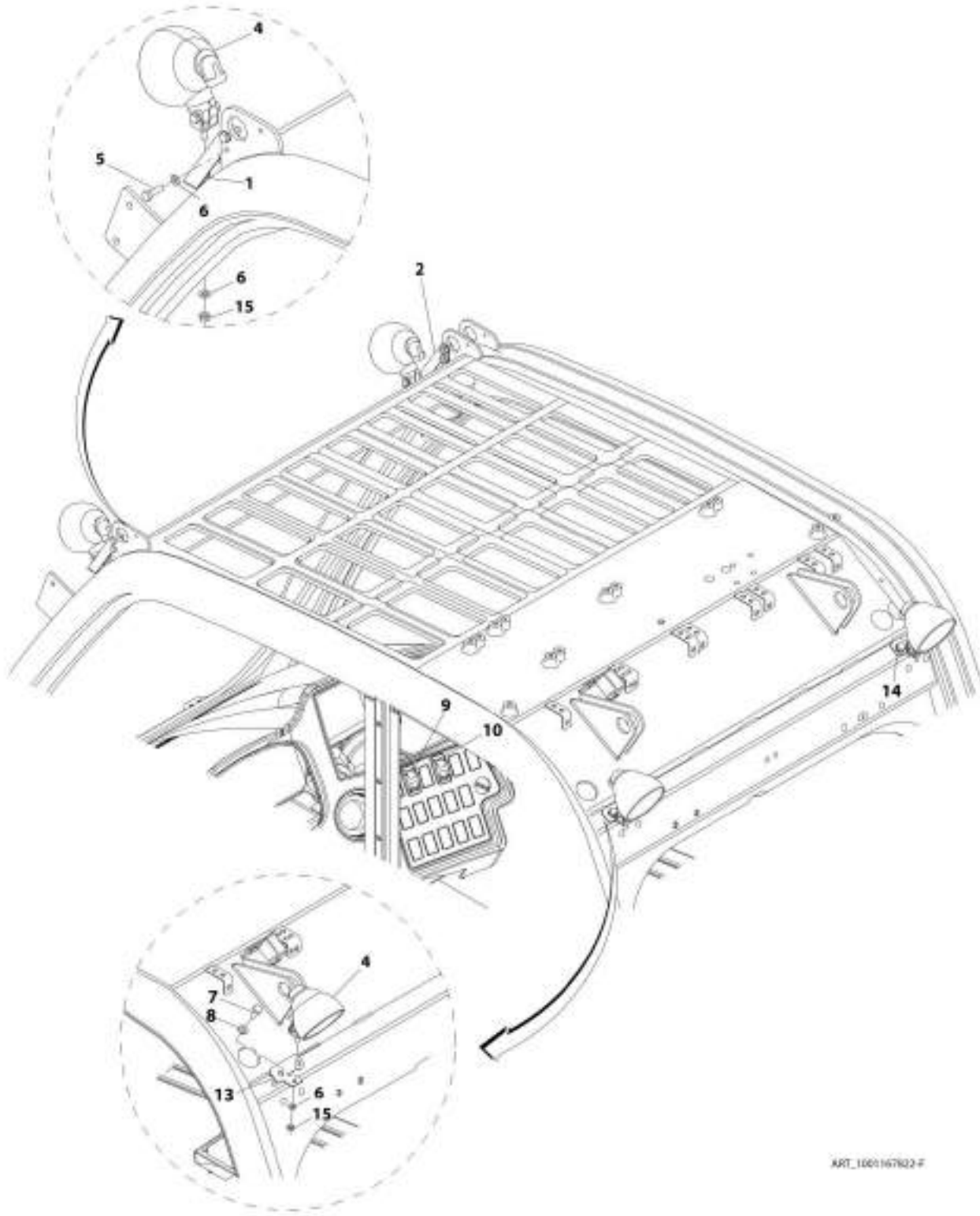
## SECTION 10 - ELECTRICAL

### FIGURE 10-46. LICENSE LIGHT HARNESS

ITEM	PART NUMBER	QTY	DESCRIPTION	REV
	1001178053	Ref	License Light Harness	C
1	4460897	1	Connector	
2	4460941	2	Terminal	
3	1001190396	4	Connector	

# SECTION 10 - ELECTRICAL

## FIGURE 10-47. CAB WORKLIGHTS INSTALLATION (NO A/C)





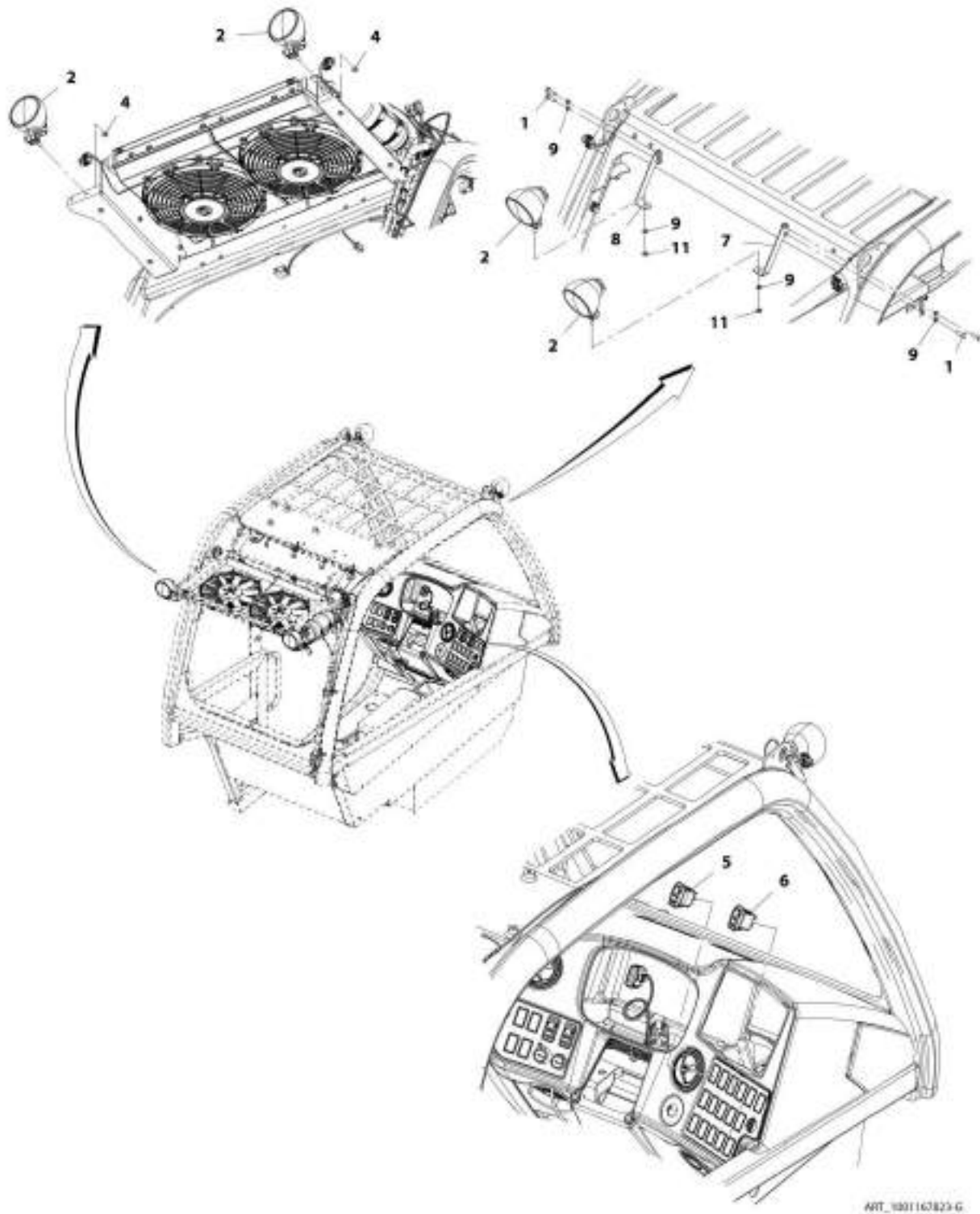
## SECTION 10 - ELECTRICAL

### FIGURE 10-47. CAB WORKLIGHTS INSTALLATION (NO A/C)

ITEM	PART NUMBER	QTY	DESCRIPTION	REV
	1001167822	Ref	Cab Worklights Installation (No A/C)	F
1	1001186567	1	Bracket, Work Light LH	
2	1001186565	1	Bracket, Work Light RH	
4	2920206	4	Worklight	
5	0700610	4	Bolt, M6X20	
6	4811700	8	Washer, M6	
7	0760810	2	Bolt, M8X20	
8	4811900	2	Washer, M8	
9	1001159845	1	Switch, Front Worklights	
10	1001159846	1	Switch, Rear Worklights	
13	1001183888	1	Bracket, Work Light LH	
14	1001183890	1	Bracket, Work Light RH	
15	3290601	4	Nut, M6X1 Grade 8	

# SECTION 10 - ELECTRICAL

## FIGURE 10-48. CAB WORKLIGHTS INSTALLATION (A/C)



ART\_1001163823-G

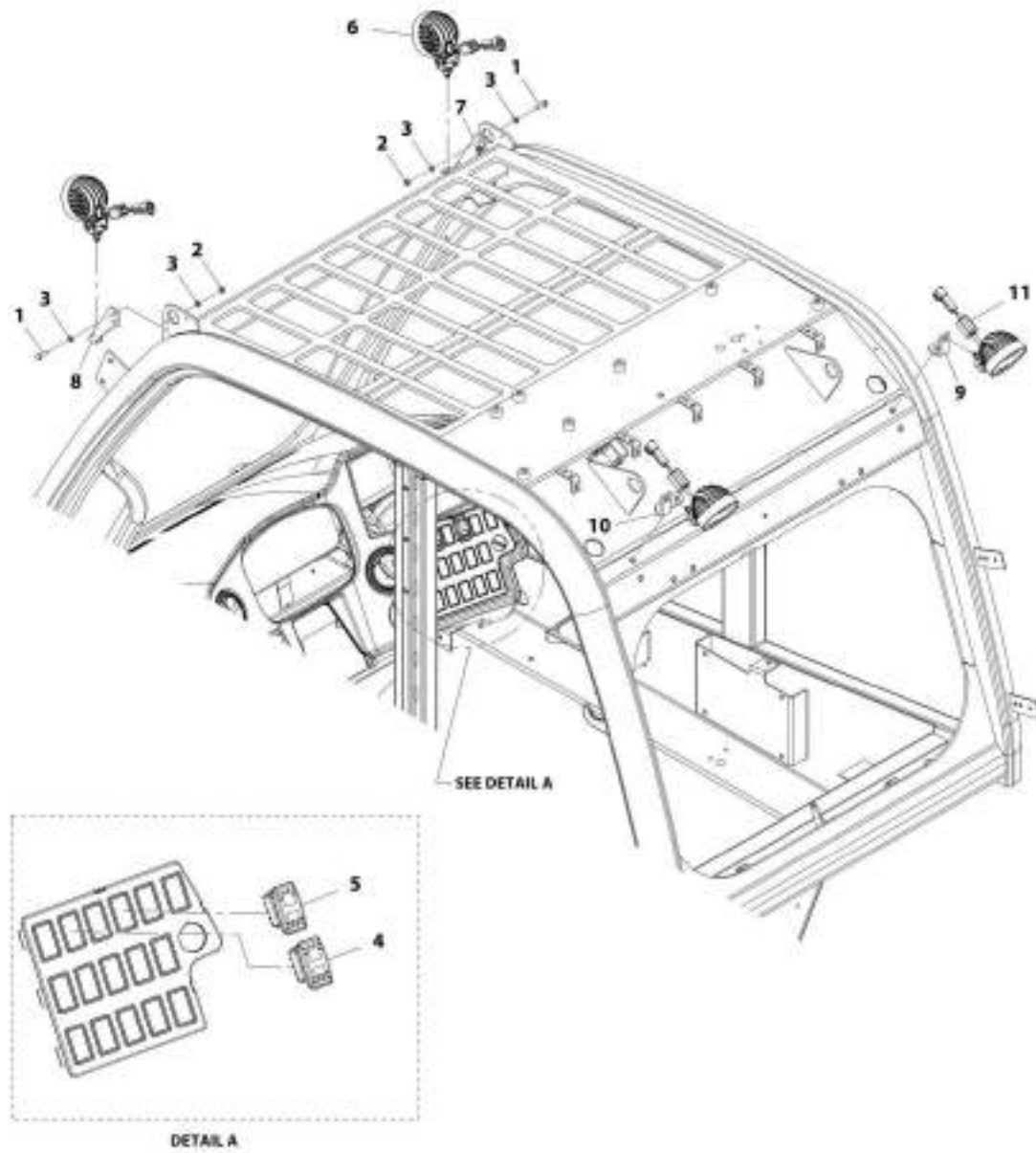
## SECTION 10 - ELECTRICAL

### FIGURE 10-48. CAB WORKLIGHTS INSTALLATION (A/C)

ITEM	PART NUMBER	QTY	DESCRIPTION	REV
	1001167823	Ref	Cab Worklights Installation (A/C)	G
1	0700610	4	Bolt, M6X20	
2	2920206	4	Worklight	
4	5220600	2	Nut, M6	
5	1001159845	1	Switch, Front Worklights	
6	1001159846	1	Switch, Rear Worklights	
7	1001186567	1	Bracket, Work Light LH	
8	1001186565	1	Bracket, Work Light RH	
9	4811700	6	Washer, M6	
11	3290601	2	Nut, M6X1 Grade 8	

# SECTION 10 - ELECTRICAL

## FIGURE 10-49. CAB WORKLIGHTS INSTALLATION (NO A/C - LED)



ART\_1001200538-C

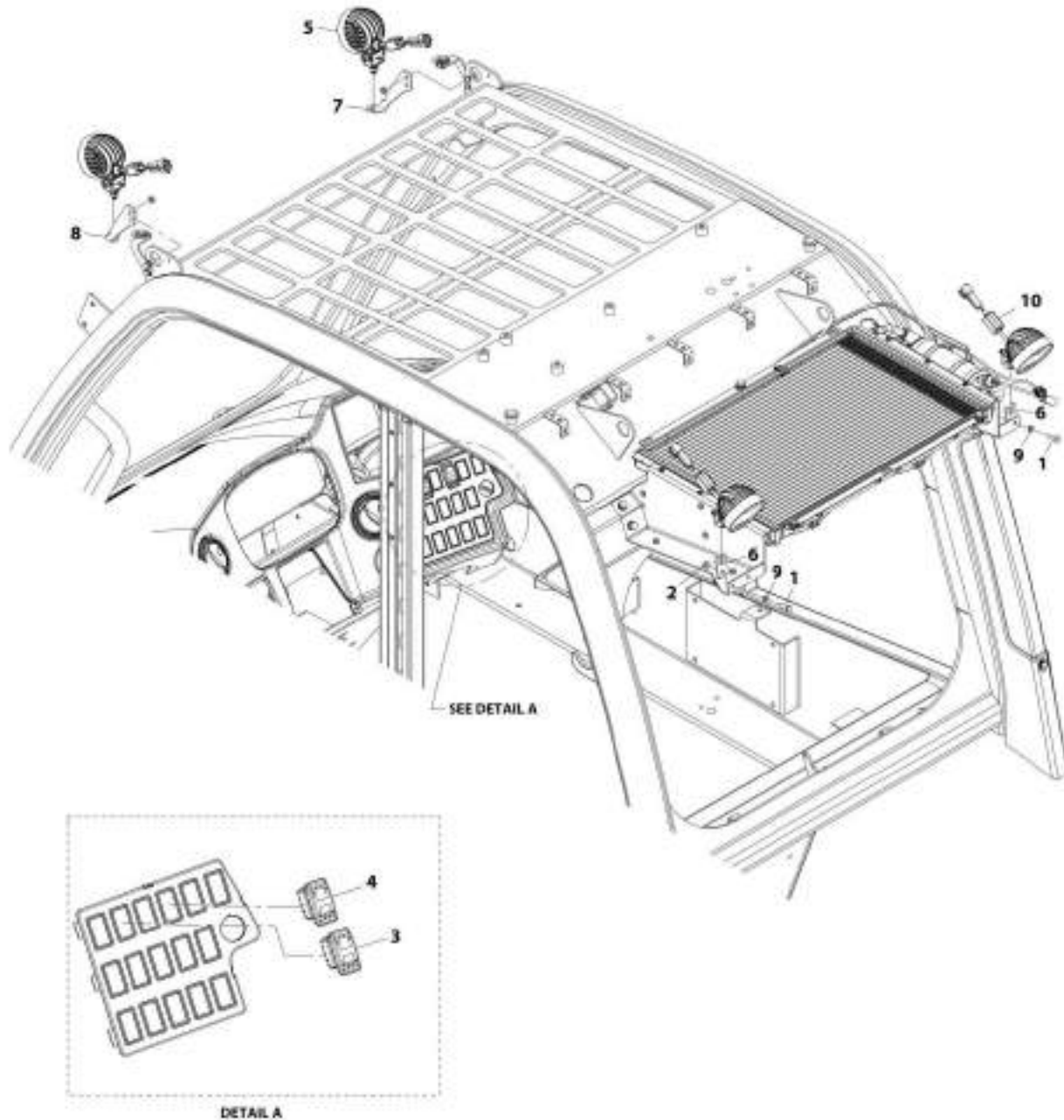
## SECTION 10 - ELECTRICAL

### FIGURE 10-49. CAB WORKLIGHTS INSTALLATION (NO A/C - LED)

ITEM	PART NUMBER	QTY	DESCRIPTION	REV
	1001200538	Ref	Cab Worklights Installation (No A/C - LED)	C
1	0700610	4	Bolt, M6X20	
2	3290601	4	Nut, M6X1	
3	4811700	8	Washer, M6	
4	1001159845	1	Switch, Front Worklights	
5	1001159846	1	Switch, Rear Worklights	
6	1001203640	4	Lamp, LED Work Light	
7	1001204444	1	Support, LED Work Light RH	
8	1001204445	1	Support, LED Work Light LH	
9	1001204528	1	Support, LED Work Light RH	
10	1001204530	1	Support, LED Work Light LH	
11	1001228989	4	Harness, Ferrite	

# SECTION 10 - ELECTRICAL

## FIGURE 10-50. CAB WORKLIGHTS INSTALLATION (A/C - LED)



ART\_3001200539-C

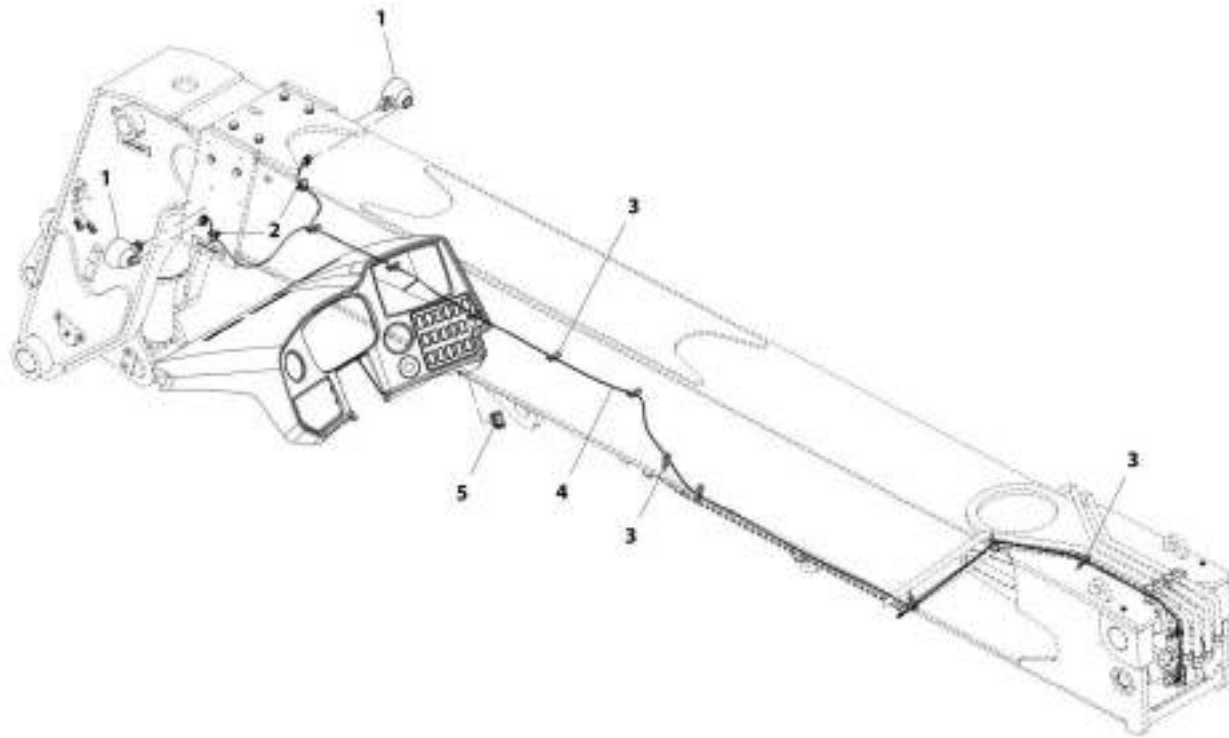
## SECTION 10 - ELECTRICAL

### FIGURE 10-50. CAB WORKLIGHTS INSTALLATION (A/C - LED)

ITEM	PART NUMBER	QTY	DESCRIPTION	REV
	1001200539	Ref	Cab Worklights Installation (A/C - LED)	C
1	0700610	2	Bolt, M6X20	
2	5220600	2	Nut, M6	
3	1001159845	1	Switch, Front Worklights	
4	1001159846	1	Switch, Rear Worklights	
5	1001203640	4	Lamp, LED Work Light	
6	1001204060	2	Bracket	
7	1001204444	1	Support, LED Work Light RH	
8	1001204445	1	Support, LED Work Light LH	
9	4811700	2	Washer, M6	
10	1001228989	4	Harness, Ferrite	

# SECTION 10 - ELECTRICAL

## FIGURE 10-51. BOOM WORKLIGHTS INSTALLATION



AMT\_1001180529-C



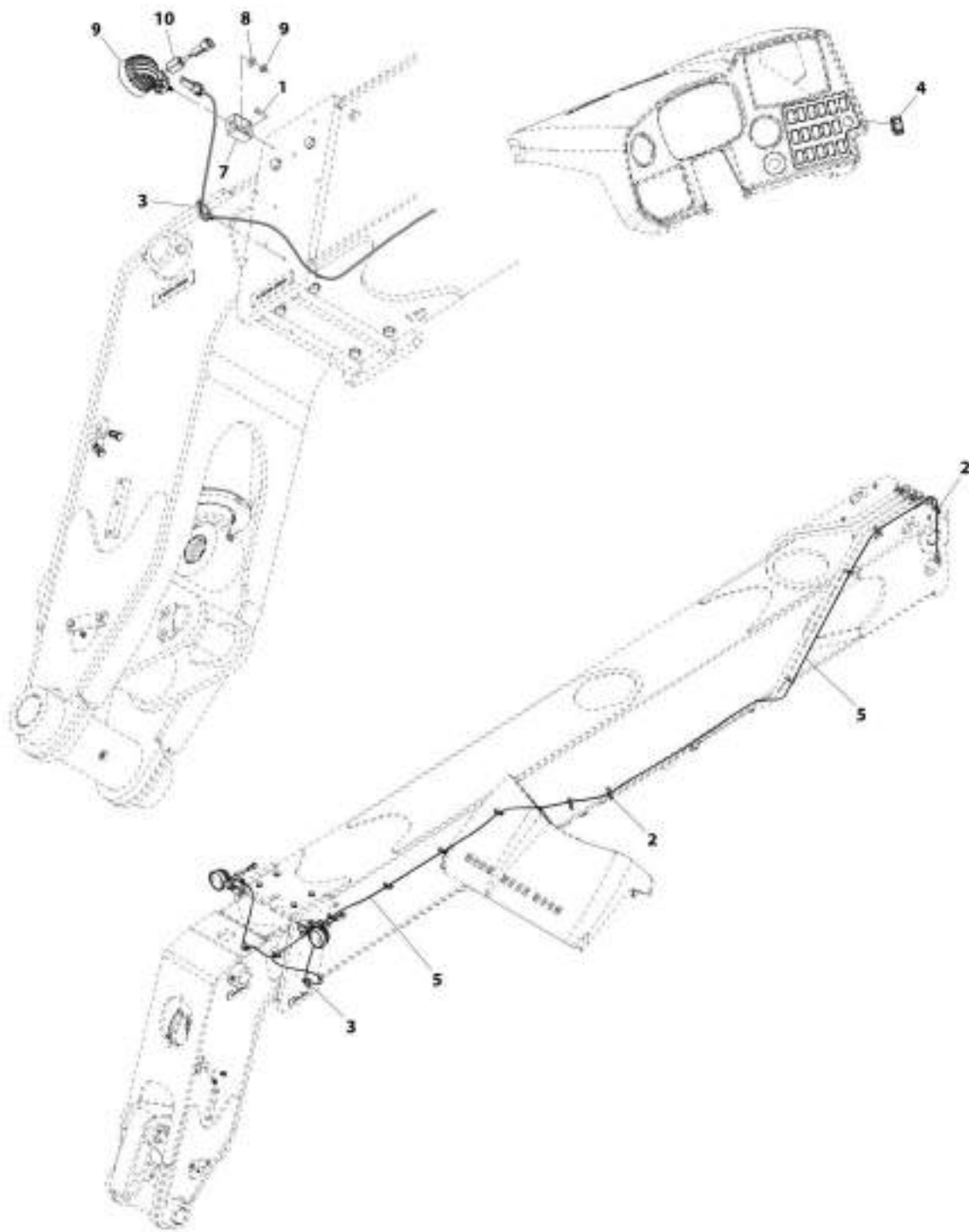
## SECTION 10 - ELECTRICAL

### FIGURE 10-51. BOOM WORKLIGHTS INSTALLATION

ITEM	PART NUMBER	QTY	DESCRIPTION	REV
	1001180529	Ref	Boom Worklights Installation	C
1	2920206	2	Worklight	
2	1001146588	2	Strap, Cable	
3	1001008923	11	Strap, Cable	
4	1001183297	1	Harness, Boom Worklights (See Separate Breakdown in this Section)	
5	1001159739	1	Switch, Boom Worklights	

# SECTION 10 - ELECTRICAL

## FIGURE 10-52. BOOM LED WORKLIGHTS INSTALLATION



KBT\_1001210961-C

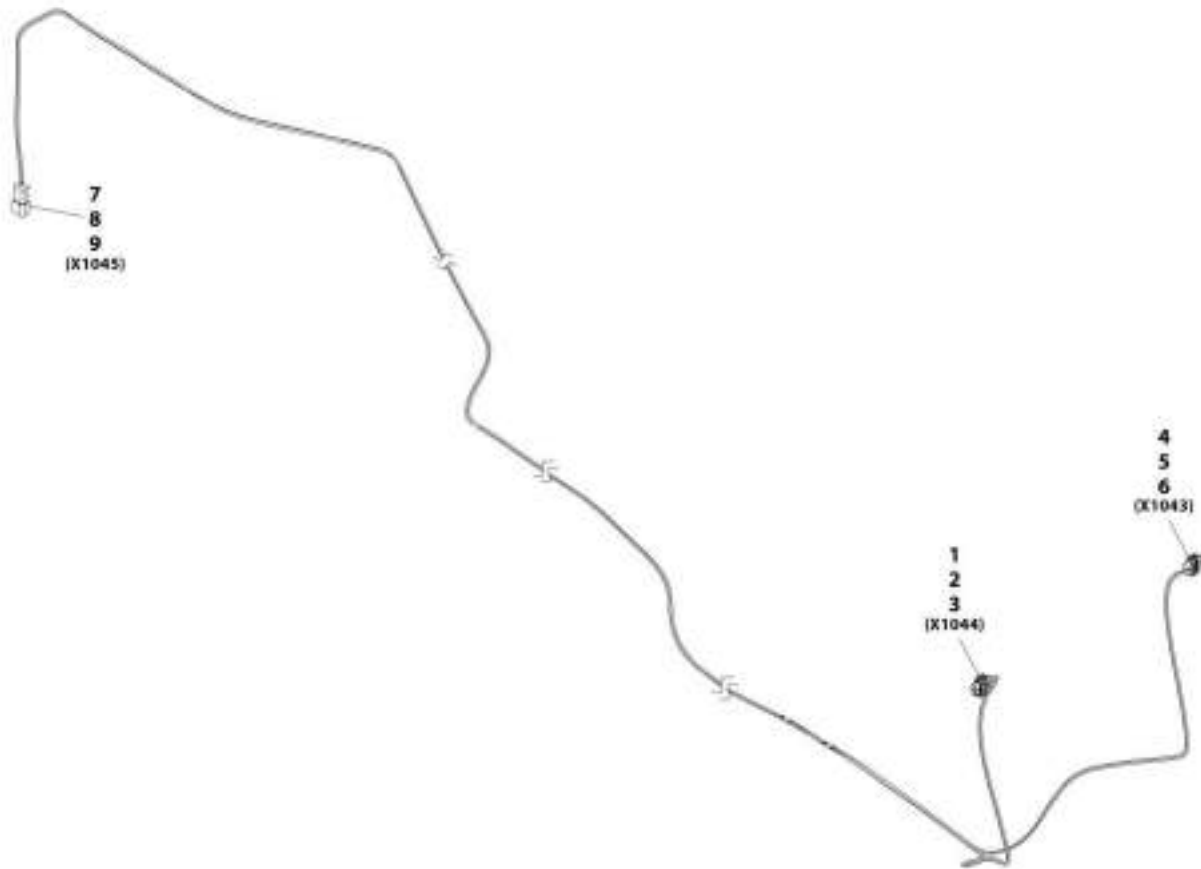
## SECTION 10 - ELECTRICAL

### FIGURE 10-52. BOOM LED WORKLIGHTS INSTALLATION

ITEM	PART NUMBER	QTY	DESCRIPTION	REV
	1001210961	Ref	Boom LED Worklights Installation	C
1	0760610	2	Bolt, M6X20	
2	1001008923	11	Strap, Cable	
3	1001146588	2	Strap, Tie	
4	1001159739	1	Switch, Boom Worklights	
5	1001183297	1	Harness, Boom Worklights (See Separate Breakdown in this Section)	
7	1001210962	2	Bracket	
8	4812000	2	Washer, M10	
9	1001203640	2	Lamp, LED Worklights	
10	1001228989	2	Harness, Ferrite	

# SECTION 10 - ELECTRICAL

## FIGURE 10-53. BOOM WORKLIGHTS HARNESS



ART\_3001183287-C

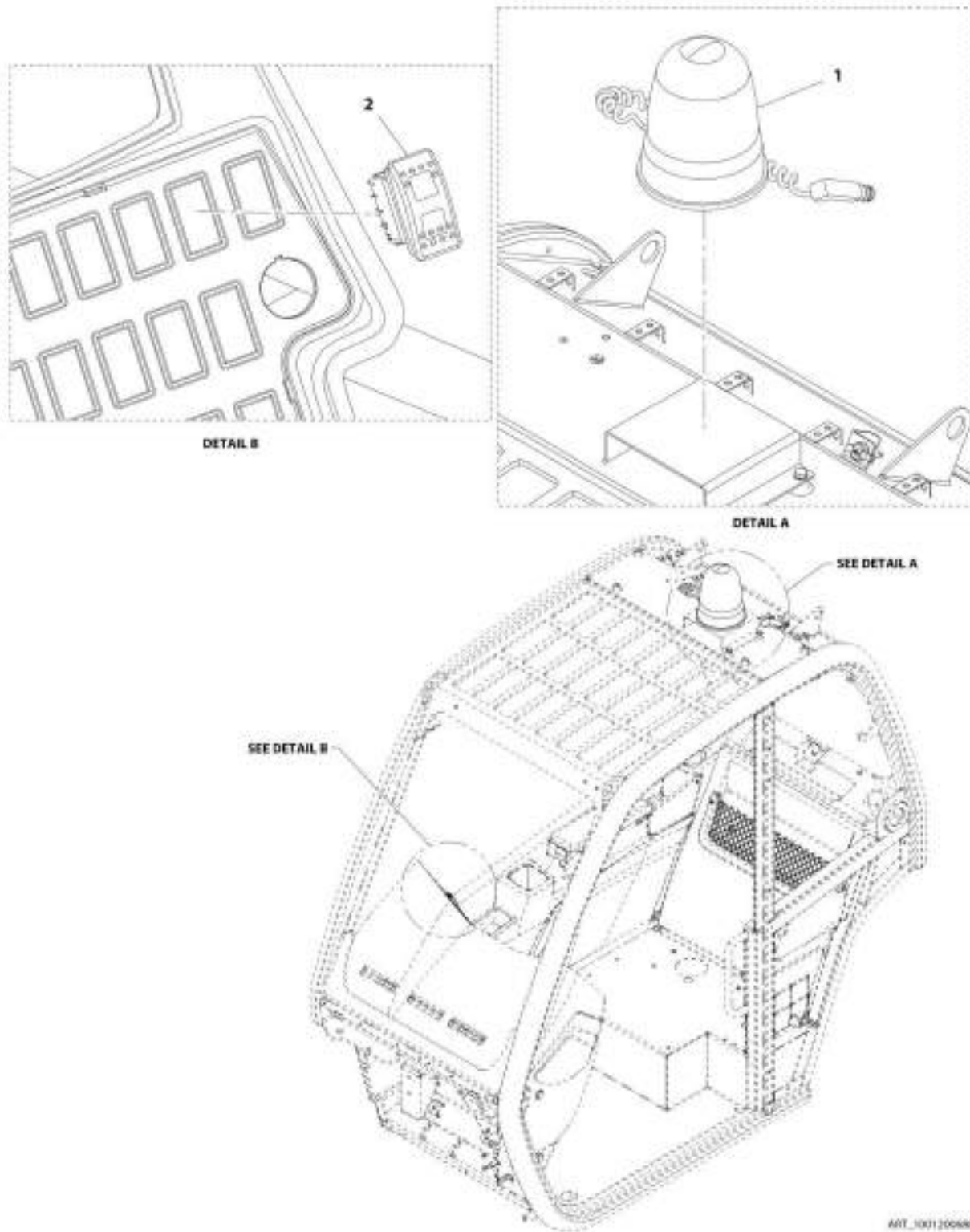
## SECTION 10 - ELECTRICAL

### FIGURE 10-53. BOOM WORKLIGHTS HARNESS

ITEM	PART NUMBER	QTY	DESCRIPTION	REV
	1001183297	Ref	Boom Worklights Harness	C
1	4461115	1	Connector	
2	1001116728	2	Terminal	
3	4460458	2	Seal	
4	4461115	1	Connector	
5	1001116728	2	Terminal	
6	4460458	2	Seal	
7	4460932	1	Connector	
8	4460464	2	Terminal	
9	4460466	2	Plug	

# SECTION 10 - ELECTRICAL

## FIGURE 10-54. BEACON LIGHT INSTALLATION



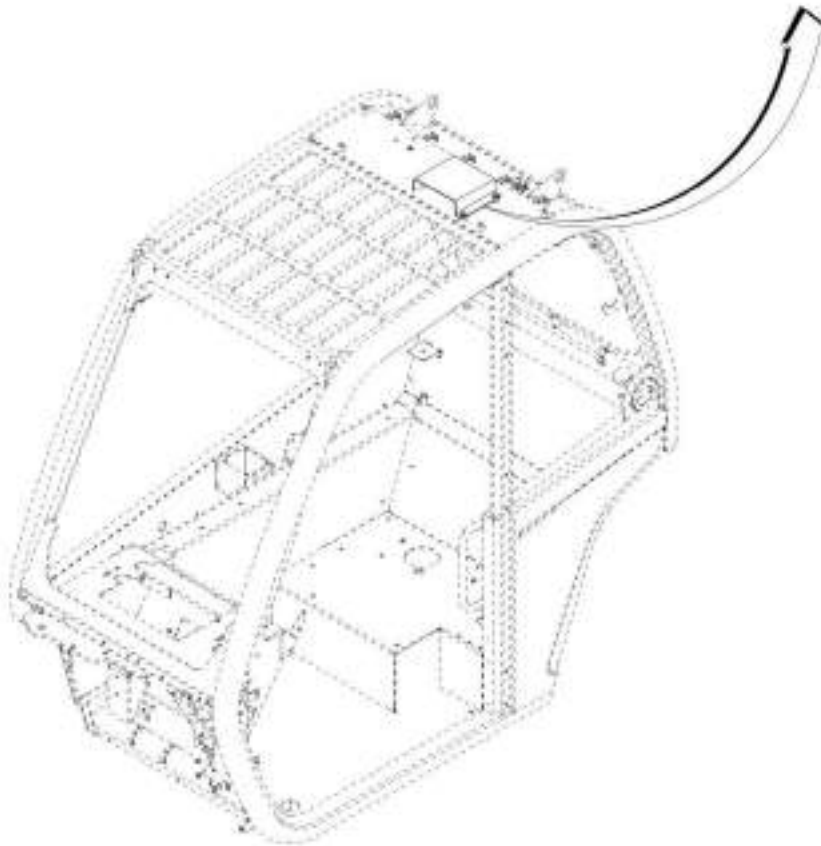
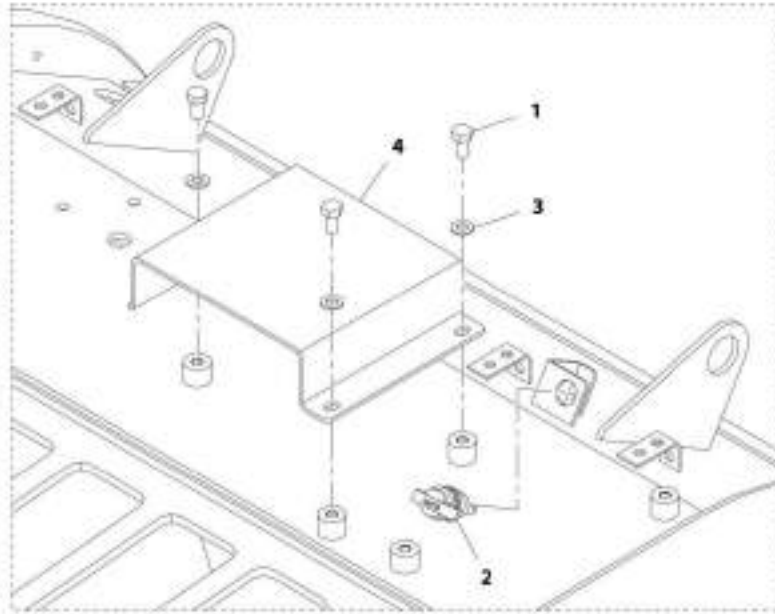
## SECTION 10 - ELECTRICAL

### FIGURE 10-54. BEACON LIGHT INSTALLATION

ITEM	PART NUMBER	QTY	DESCRIPTION	REV
	1001200688	Ref	Beacon Light Installation	B
1	1001217623	1	Light, Warning	
2	1001159738	1	Switch, Beacon	

# SECTION 10 - ELECTRICAL

FIGURE 10-55. BEACON BRACKET INSTALLATION (Prior to SN 1160008716)



AIT\_500120589-A



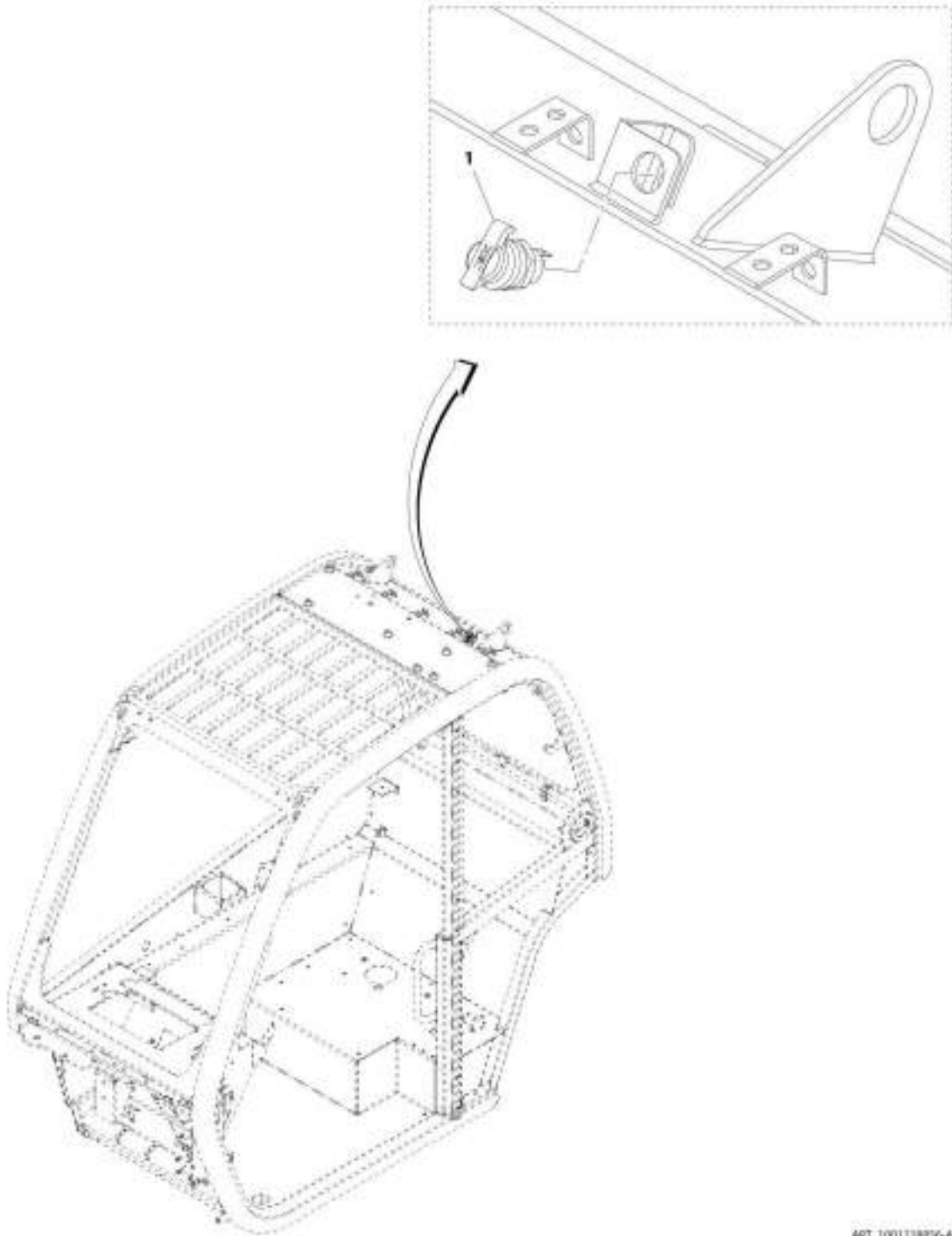
## SECTION 10 - ELECTRICAL

**FIGURE 10-55. BEACON BRACKET INSTALLATION (Prior to SN 1160008716)**

ITEM	PART NUMBER	QTY	DESCRIPTION	REV
	1001200689	Ref	Beacon Bracket Installation	A
1	0760808	3	Bolt, M8X16	
2	4461174	1	Terminal, 12 Volt	
3	4811900	3	Washer, M8	
4	1001174796	1	Bracket, Beacon	

## SECTION 10 - ELECTRICAL

FIGURE 10-56. BEACON BRACKET INSTALLATION (AG) (SN 1160008716 to Present)



ART\_1001218026-A

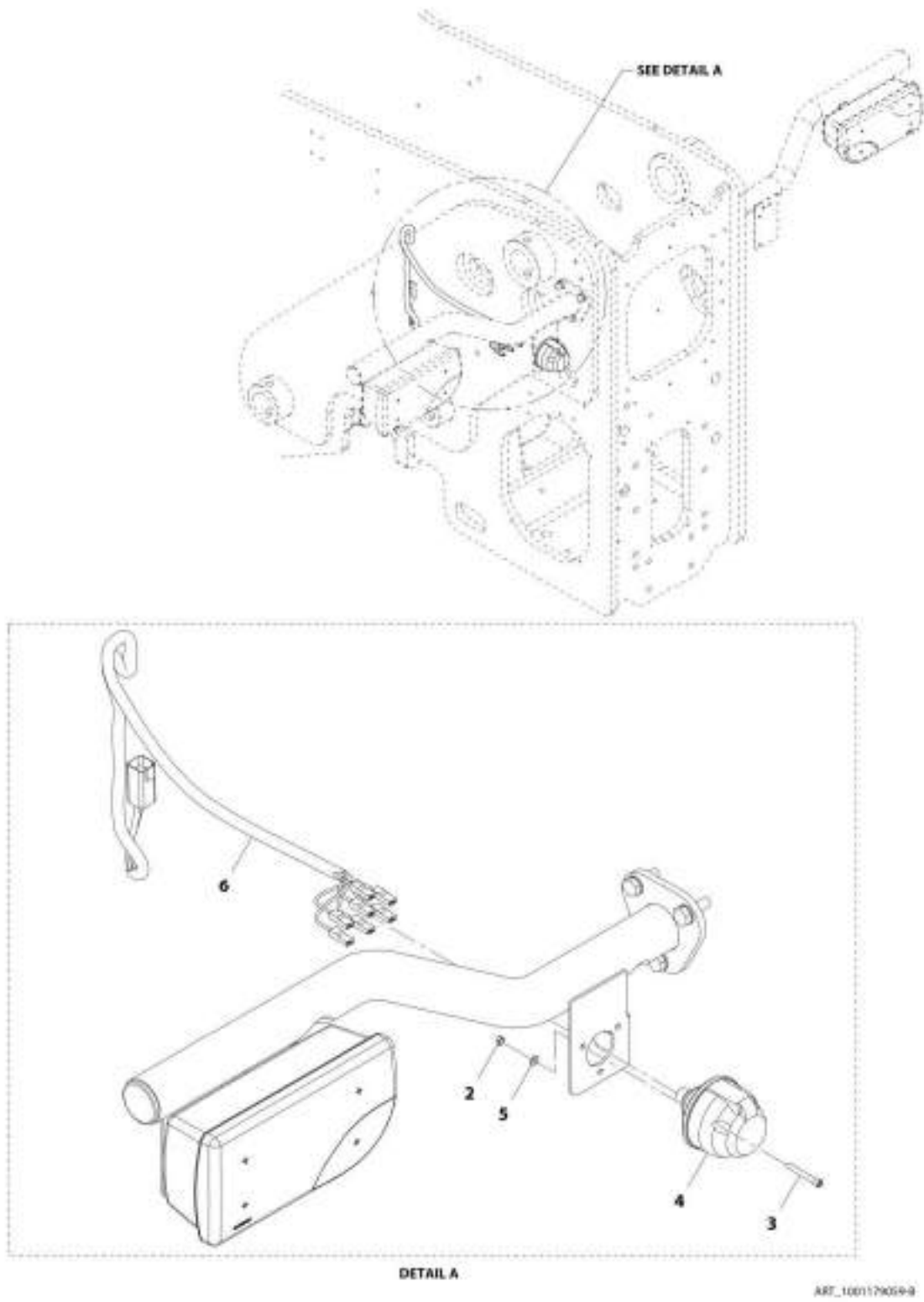
## SECTION 10 - ELECTRICAL

**FIGURE 10-56. BEACON BRACKET INSTALLATION (AG) (SN 1160008716 to Present)**

ITEM	PART NUMBER	QTY	DESCRIPTION	REV
1	1001218856 4461174	Ref 1	Beacon Bracket Installation Terminal, 12 Volt	A

# SECTION 10 - ELECTRICAL

## FIGURE 10-57. TRAILER ELECTRICS INSTALLATION



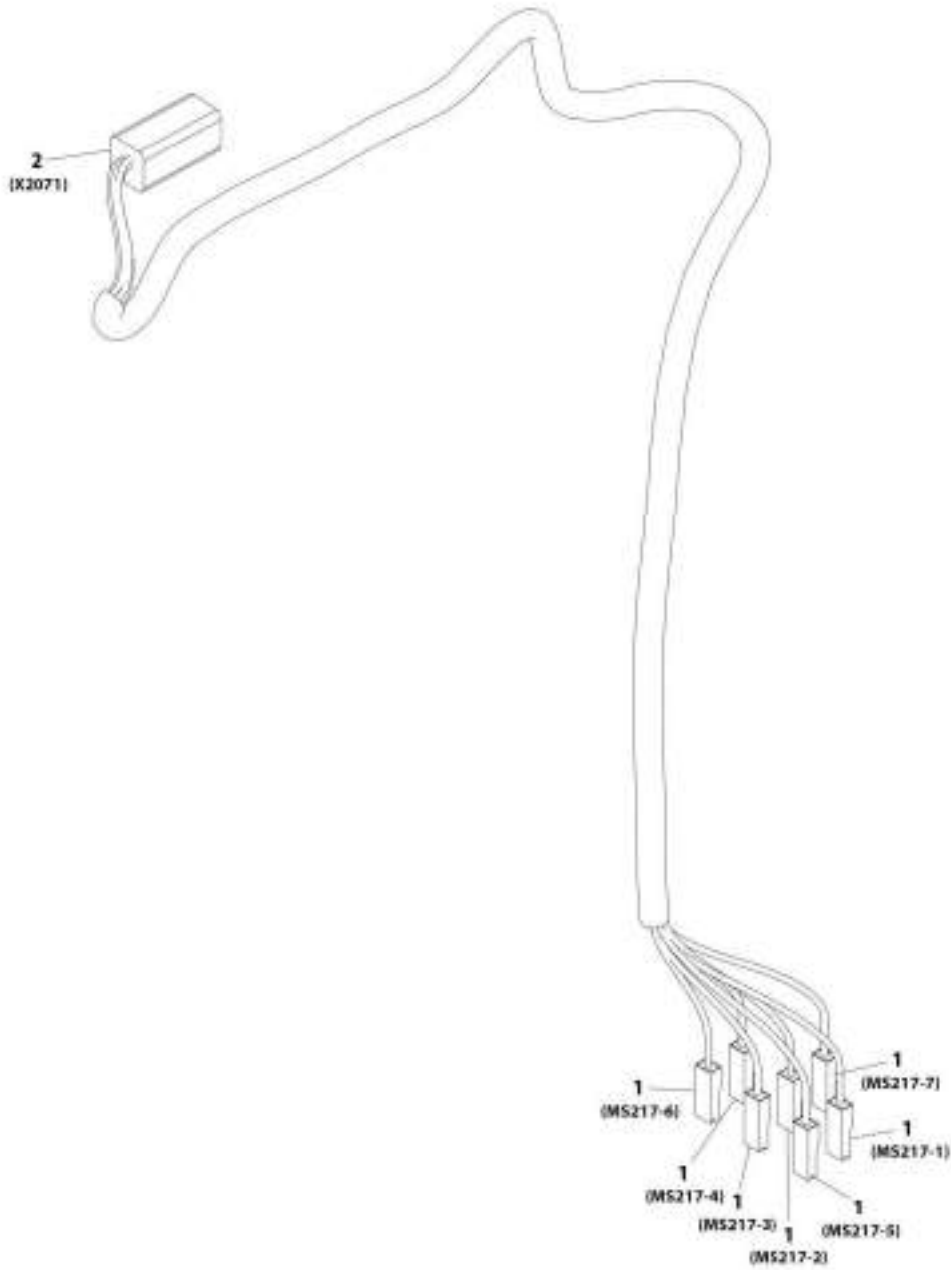
## SECTION 10 - ELECTRICAL

### FIGURE 10-57. TRAILER ELECTRICS INSTALLATION

ITEM	PART NUMBER	QTY	DESCRIPTION	REV
	1001179059	Ref	Trailer Electrics Installation	B
2	3290501	3	Nut, M5X0.8	
3	4031612	3	Bolt, M5X40	
4	4461170	1	Connector	
5	4811600	3	Washer, M5	
6	1001184839	1	Harness, Link Trailer (See Separate Breakdown in this Section)	

# SECTION 10 - ELECTRICAL

## FIGURE 10-58. LINK TRAILER HARNESS



ART\_100154459-C

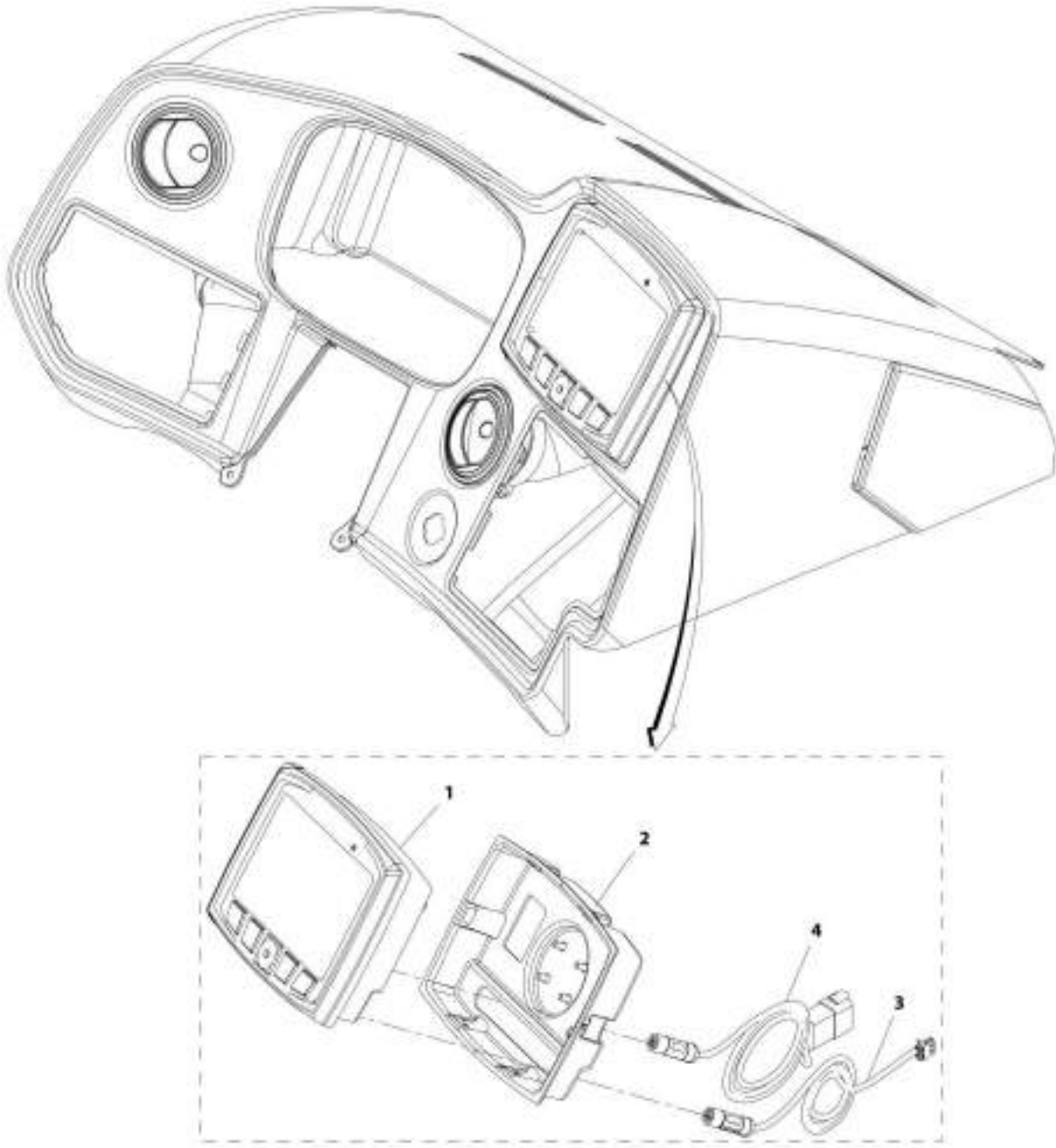
## SECTION 10 - ELECTRICAL

### FIGURE 10-58. LINK TRAILER HARNESS

ITEM	PART NUMBER	QTY	DESCRIPTION	REV
	1001184839	Ref	Link Trailer Harness	C
1	1001116995	7	Connector	
2	4460899	1	Connector	
2	4460941	6	Terminal	

# SECTION 10 - ELECTRICAL

## FIGURE 10-59. MULTIFUNCTION DISPLAY INSTALLATION



APP\_1001170336-0



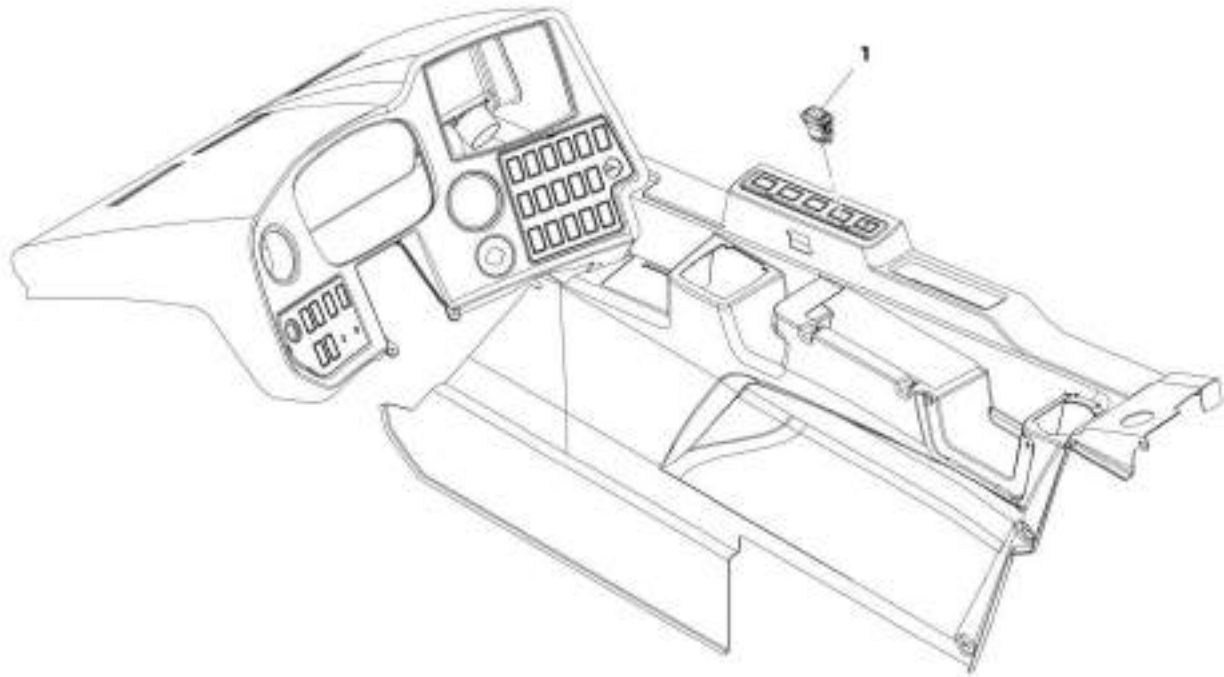
## SECTION 10 - ELECTRICAL

### FIGURE 10-59. MULTIFUNCTION DISPLAY INSTALLATION

ITEM	PART NUMBER	QTY	DESCRIPTION	REV
	1001176338	Ref	Multifunction Display Installation	B
1	1001211357	1	Display	
2	1001178783	1	Bezel	
3	1001180682	1	Cable	
4	1001180683	1	Cable, Video	

## SECTION 10 - ELECTRICAL

FIGURE 10-60. ENGINE SPEED SET SWITCH INSTALLATION



ART\_3301197620-8

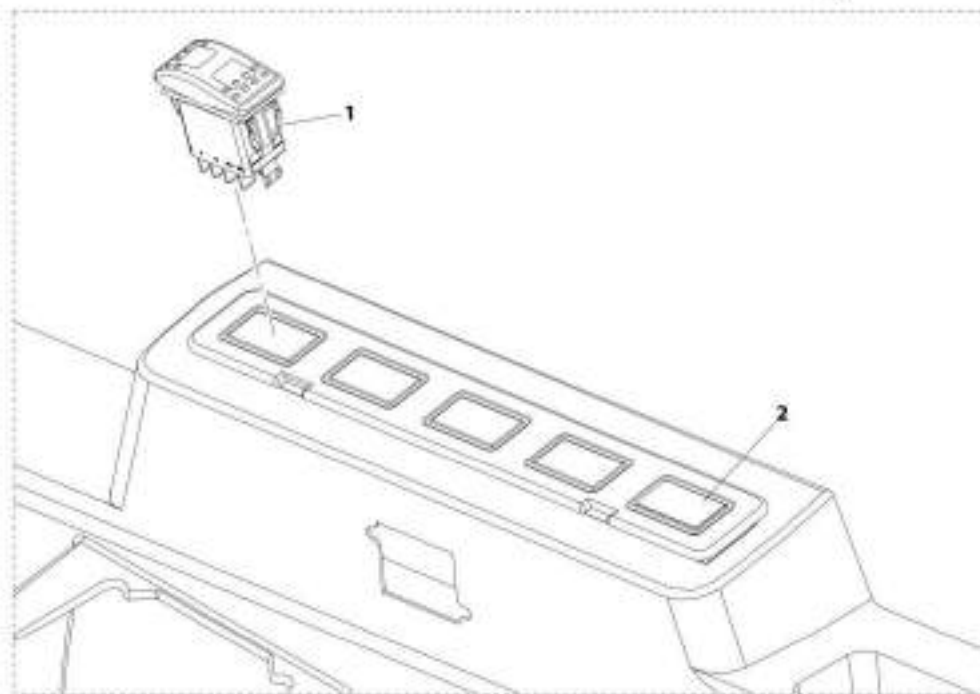
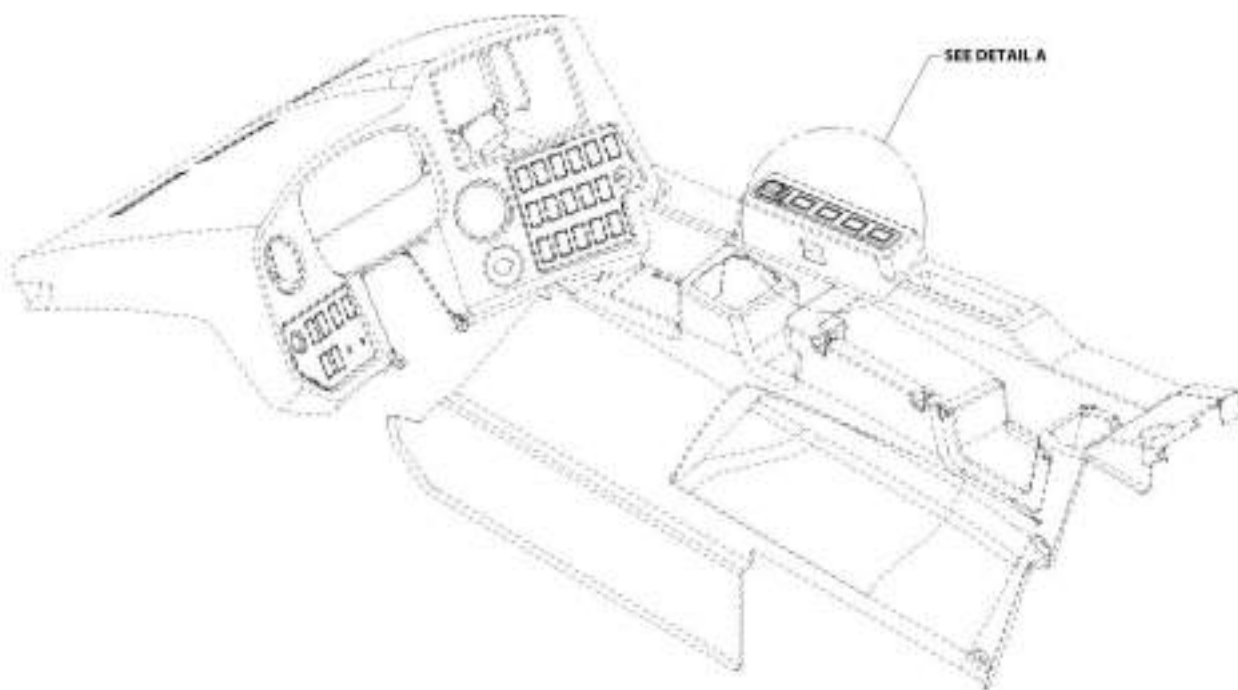
## SECTION 10 - ELECTRICAL

**FIGURE 10-60. ENGINE SPEED SET SWITCH INSTALLATION**

ITEM	PART NUMBER	QTY	DESCRIPTION	REV
1	1001197639	1	Engine Speed Set Switch Installation	B
	1001198932	1	Switch, Engine Speed Set	

# SECTION 10 - ELECTRICAL

## FIGURE 10-61. DECLUTCH SWITCH INSTALLATION



DETAIL A

ART\_100120245D-8

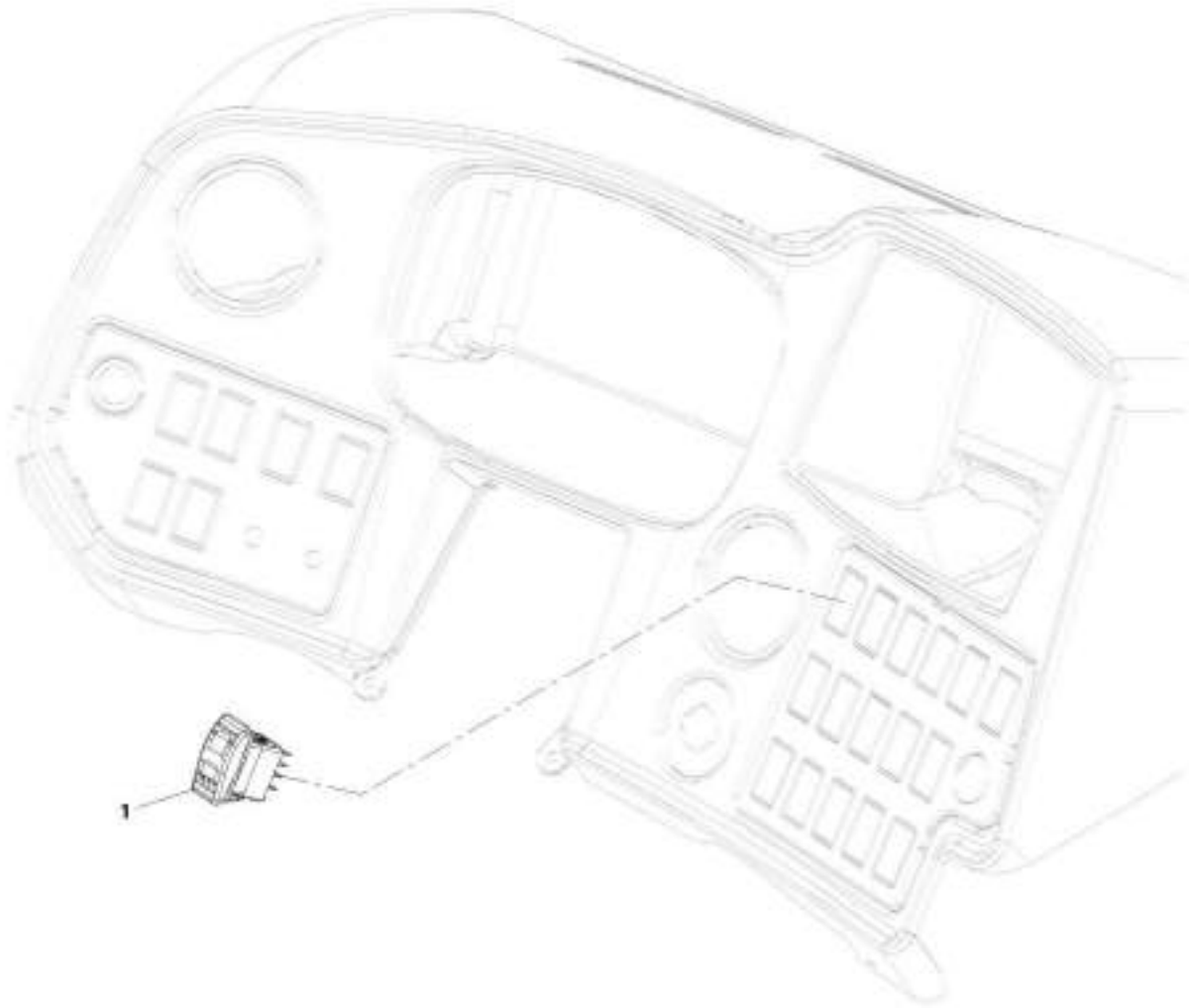
## SECTION 10 - ELECTRICAL

### FIGURE 10-61. DECLUTCH SWITCH INSTALLATION

ITEM	PART NUMBER	QTY	DESCRIPTION	REV
	1001202430	Ref	Declutch Switch Installation	B
1	1001202421	1	Switch	
2	1001226481	1	Decal, Blank	

## SECTION 10 - ELECTRICAL

FIGURE 10-62. FOG LAMP SWITCH INSTALLATION (Prior to SN 1160008597)



ART\_1001386714-A

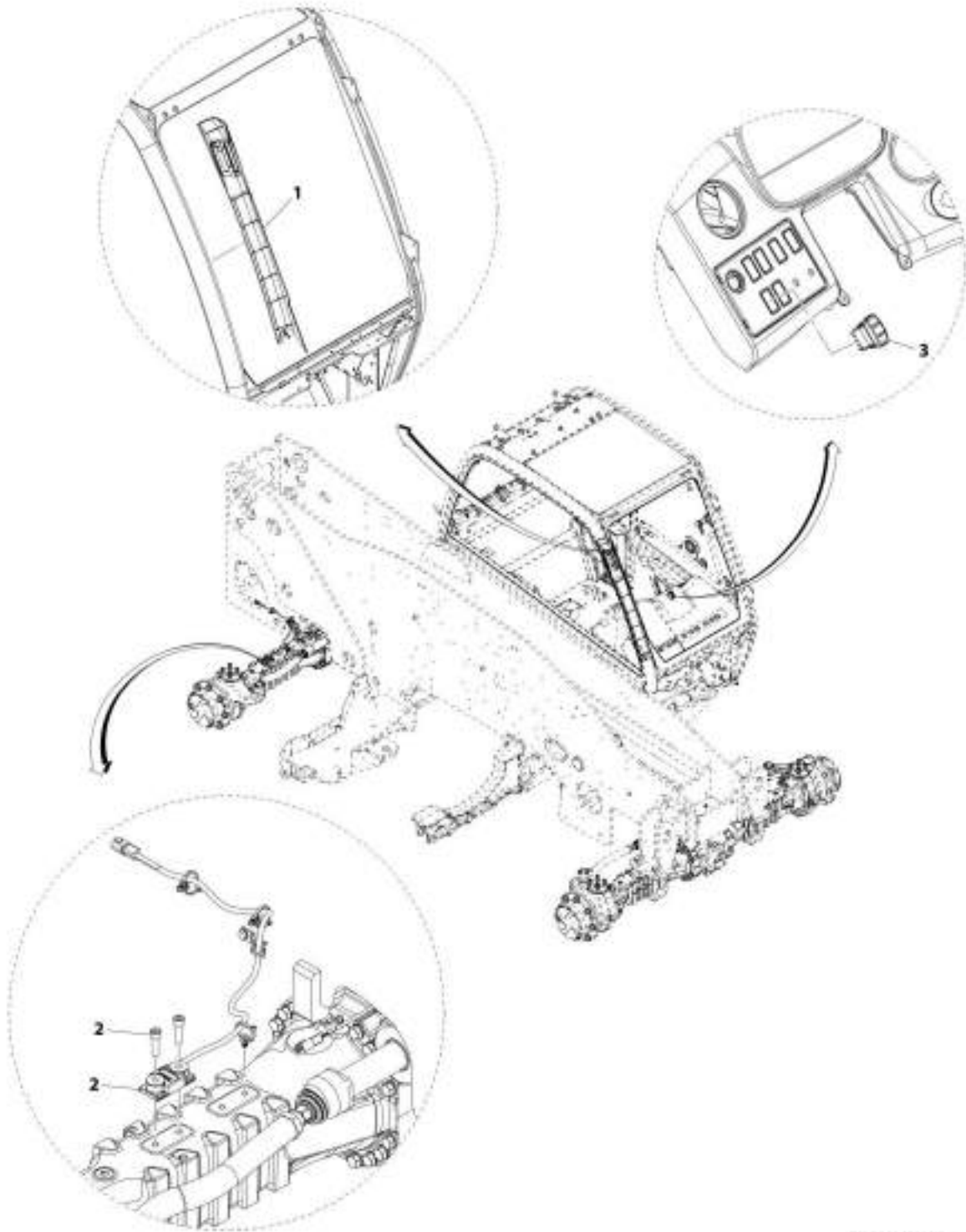
## SECTION 10 - ELECTRICAL

**FIGURE 10-62. FOG LAMP SWITCH INSTALLATION (Prior to SN 1160008597)**

ITEM	PART NUMBER	QTY	DESCRIPTION	REV
1	1001186714 1001159737	Ref 1	Fog Lamp Switch Installation Switch, Fog Lights	A

# SECTION 10 - ELECTRICAL

## FIGURE 10-63. LSI SENSOR INSTALLATION



ART\_1001107586-D



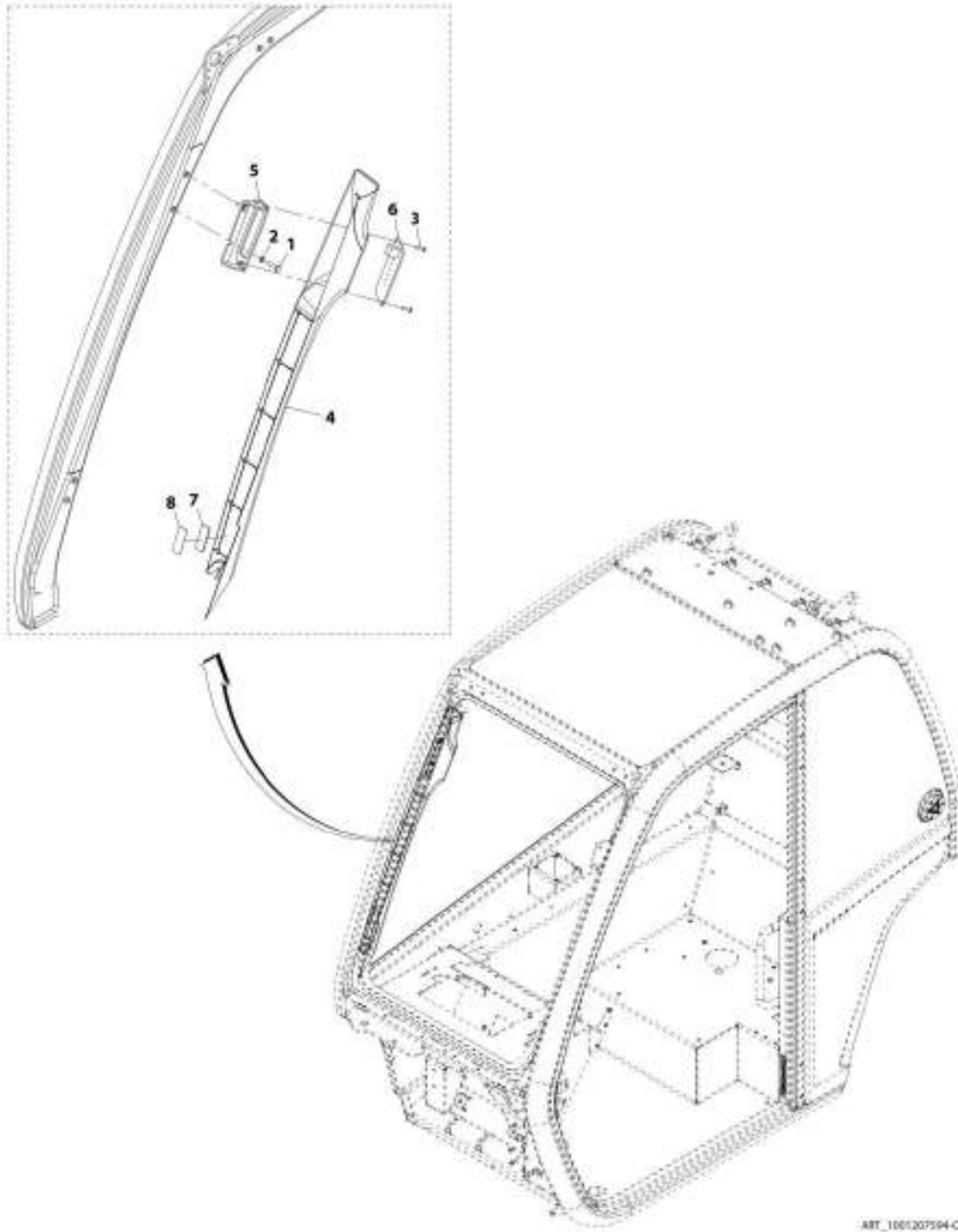
## SECTION 10 - ELECTRICAL

### FIGURE 10-63. LSI SENSOR INSTALLATION

ITEM	PART NUMBER	QTY	DESCRIPTION	REV
1	1001197589	Ref	LSI Sensor Installation (24IN Wheel)	D
	1001207594	Ref	Installation, LSI Assembly (See Separate Breakdown in this Section)	
2	1001199935	Ref	Installation, LSI Sensor (24IN Wheel) (See Separate Breakdown in this Section)	
3	1001233407	Ref	Installation, LSI Switch (See Separate Breakdown in this Section)	

# SECTION 10 - ELECTRICAL

## FIGURE 10-64. LSI DISPLAY INSTALLATION



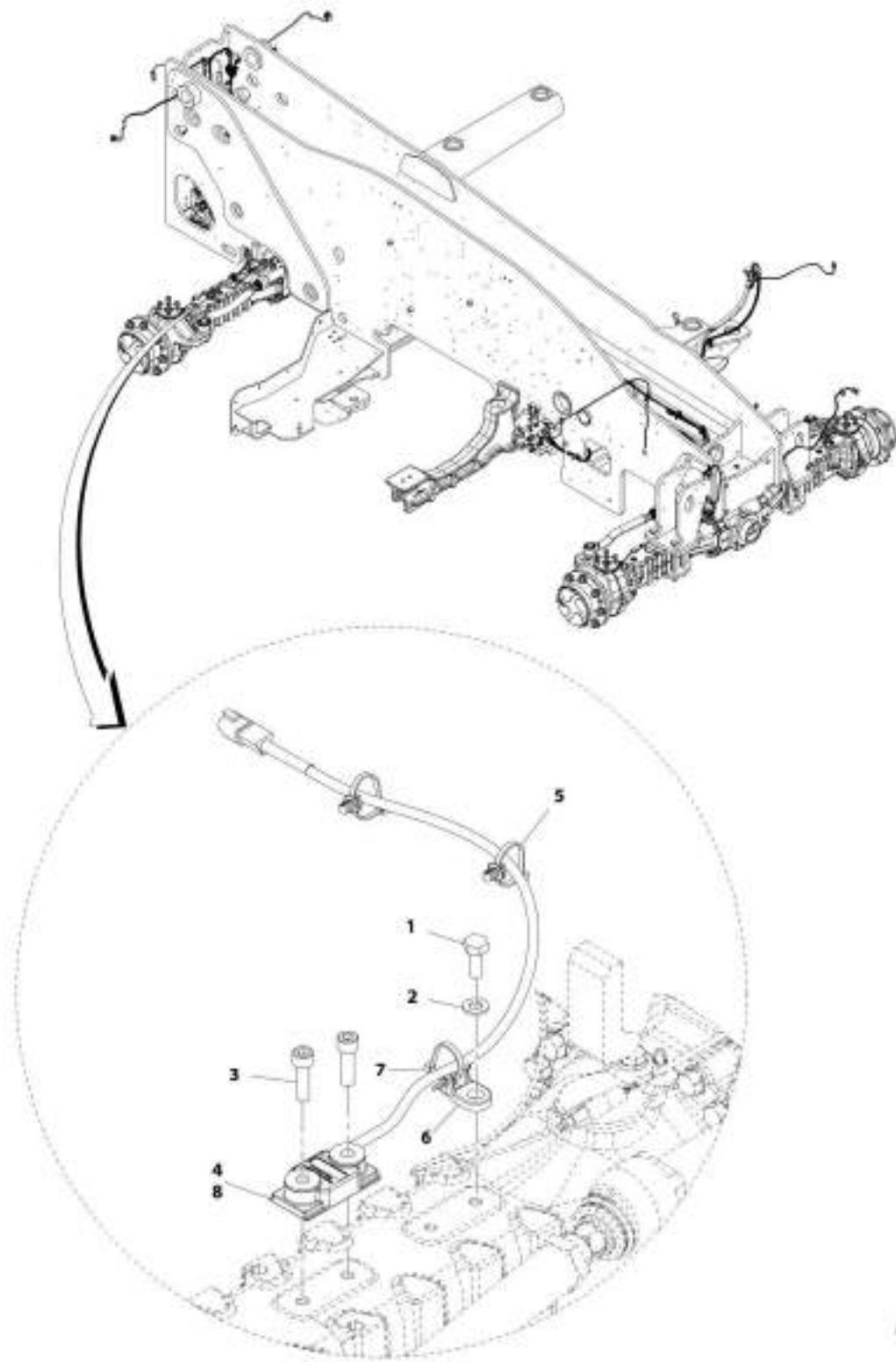
## SECTION 10 - ELECTRICAL

### FIGURE 10-64. LSI DISPLAY INSTALLATION

ITEM	PART NUMBER	QTY	DESCRIPTION	REV
	1001207594	Ref	LSI Display Installation	C
1	0760610	2	Bolt, M6X20	
2	4811700	2	Washer, M6	
3	1001126837	2	Screw, M4X16	
4	1001182839	1	Cover	
5	1001214401	1	Bracket	
6	1001213752	1	Display, LSI	
7	1001221318	1	Tape, Hook Fastener	
8	1001221319	1	Tape, Hook Fastener	

# SECTION 10 - ELECTRICAL

FIGURE 10-65. LSI SENSOR (Prior to SN 1160008716)



ART\_100190015-0

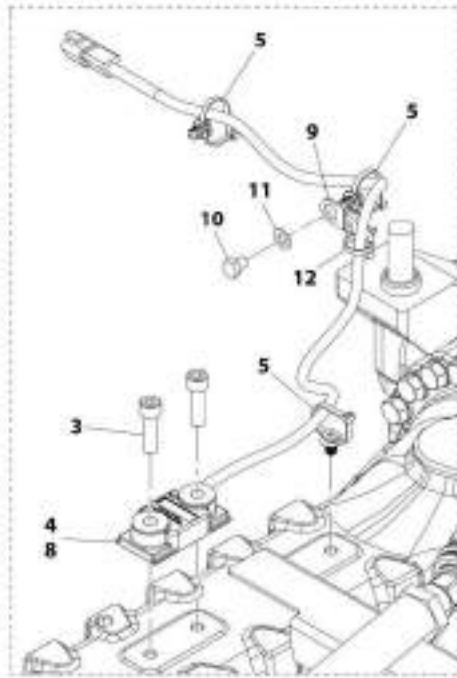
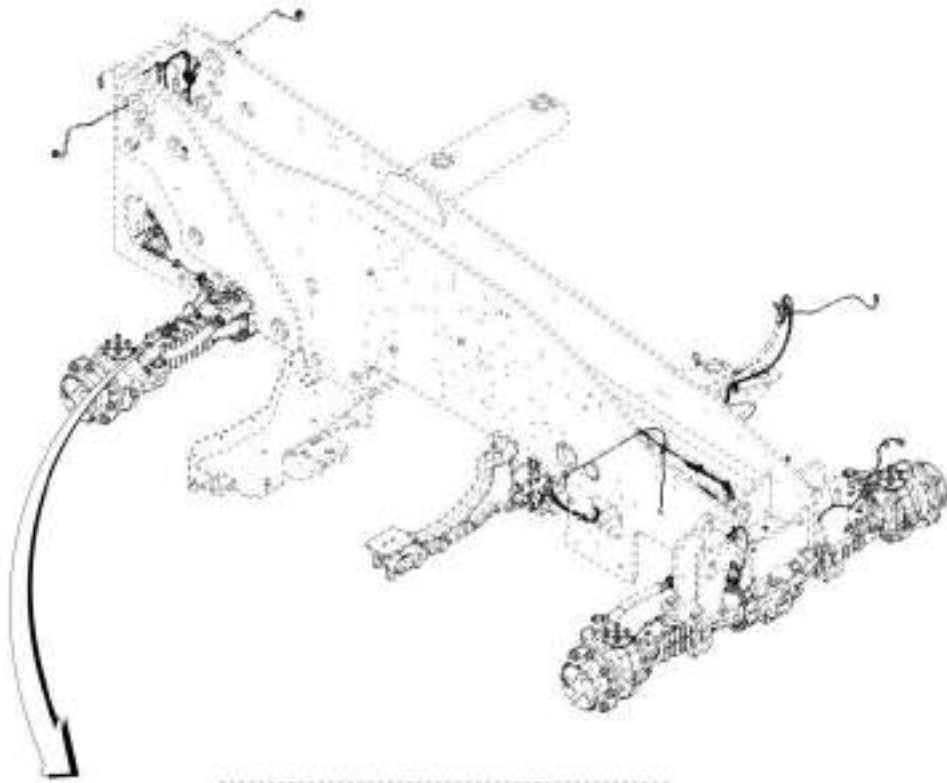
## SECTION 10 - ELECTRICAL

**FIGURE 10-65. LSI SENSOR (Prior to SN 1160008716)**

ITEM	PART NUMBER	QTY	DESCRIPTION	REV
	1001199935	Ref	LSI Sensor (24IN Wheel)	B
1	0761012	1	Bolt, M10X25	
2	4812000	1	Washer, M10	
3	5272011	2	Screw, M10X35	
4	1001116128	1	Sealant, Polysiloxane	
5	1001146588	2	Strap, Cable	
6	1001169146	1	Mount	
7	1001004720	1	Strap, Cable	
8	1001160730	1	Sensor, Rear Axle LSI	

# SECTION 10 - ELECTRICAL

FIGURE 10-66. LSI SENSOR (24IN WHEEL) (SN 1160008716 to Present)



ART\_1001199933-E

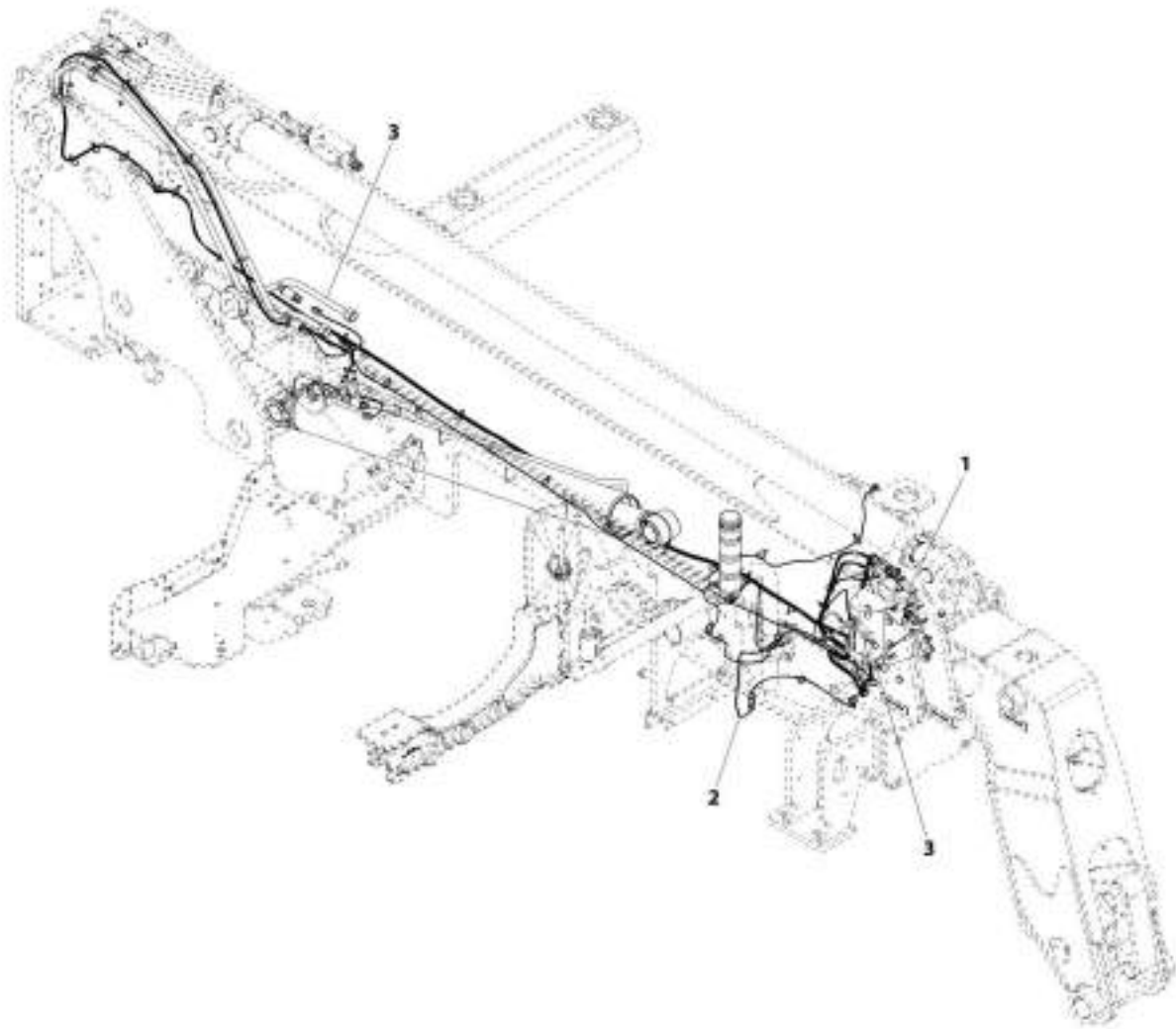
## SECTION 10 - ELECTRICAL

**FIGURE 10-66. LSI SENSOR (24IN WHEEL) (SN 1160008716 to Present)**

ITEM	PART NUMBER	QTY	DESCRIPTION	REV
	1001199935	Ref	LSI Sensor (24IN Wheel)	E
3	5272011	2	Screw, M10X35	
4	1001116128	1	Sealant, Polysiloxane	
5	1001146588	3	Strap, Cable	
8	1001160730	1	Sensor, Rear Axle LSI	
9	1001025750	1	Clip	
10	0760805	1	Screw, 8X10	
11	4811900	1	Washer, 8M	
12	1001008559	1	Strap, Cable	

# SECTION 10 - ELECTRICAL

FIGURE 10-67. LMIS INSTALLATION (NO MULTIFUNCTION DISPLAY)



ART\_100120350-B



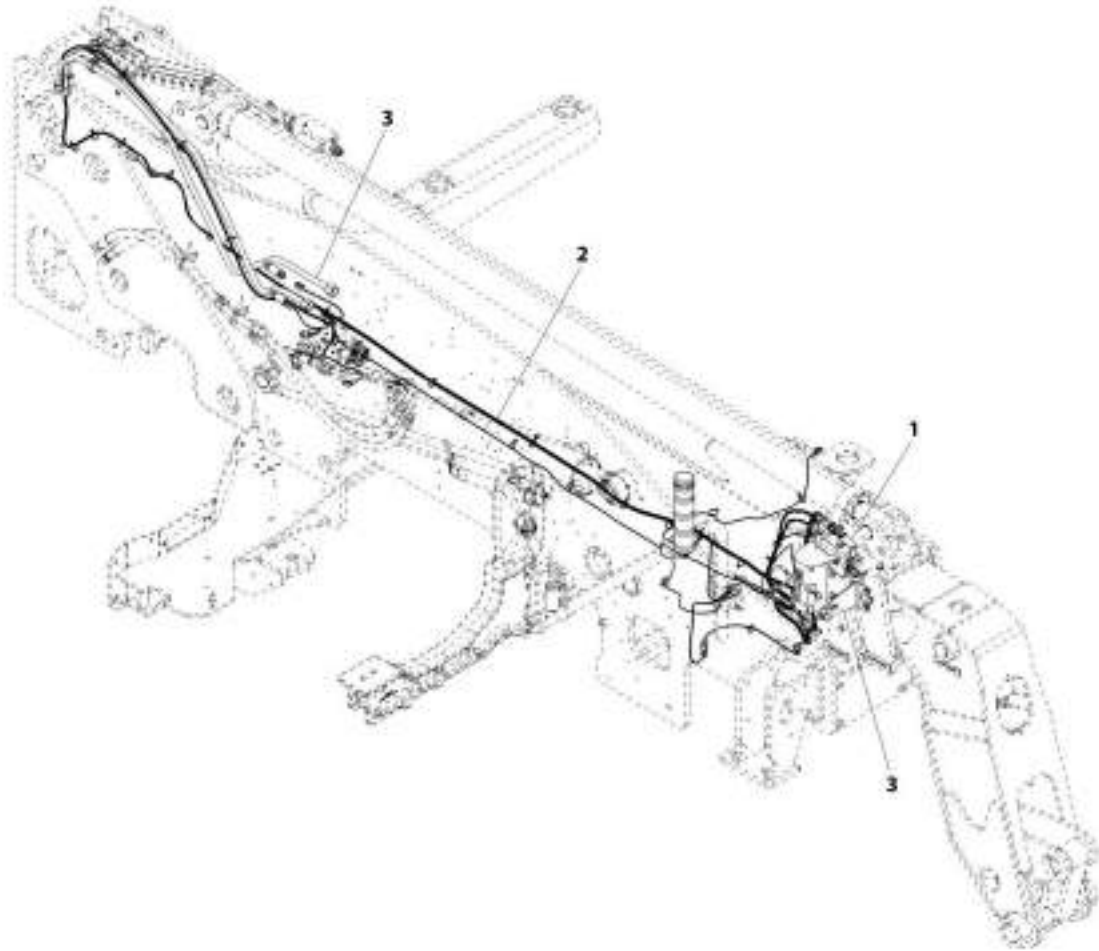
## SECTION 10 - ELECTRICAL

**FIGURE 10-67. LMIS INSTALLATION (NO MULTIFUNCTION DISPLAY)**

ITEM	PART NUMBER	QTY	DESCRIPTION	REV
1	1001203036	Ref	LMIS Installation	B
	1001183818	Ref	Installation, LMIS Controller (See Separate Breakdown in this Section)	
2	1001186012	Ref	Installation, LMIS Wiring (See Separate Breakdown in this Section)	
3	1001203037	Ref	Installation, LMIS Mech (See Separate Breakdown in this Section)	

# SECTION 10 - ELECTRICAL

FIGURE 10-68. LMIS INSTALLATION (MULTIFUNCTION DISPLAY)



ART\_1001211965-A

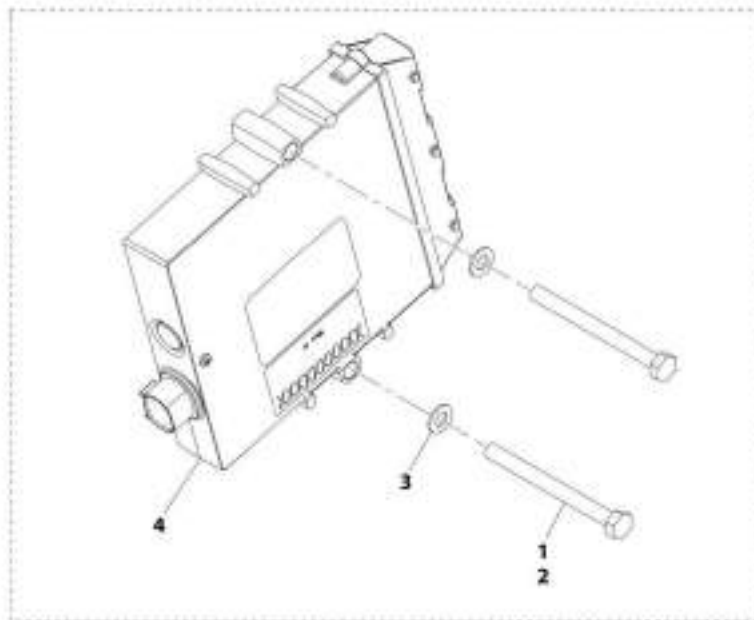
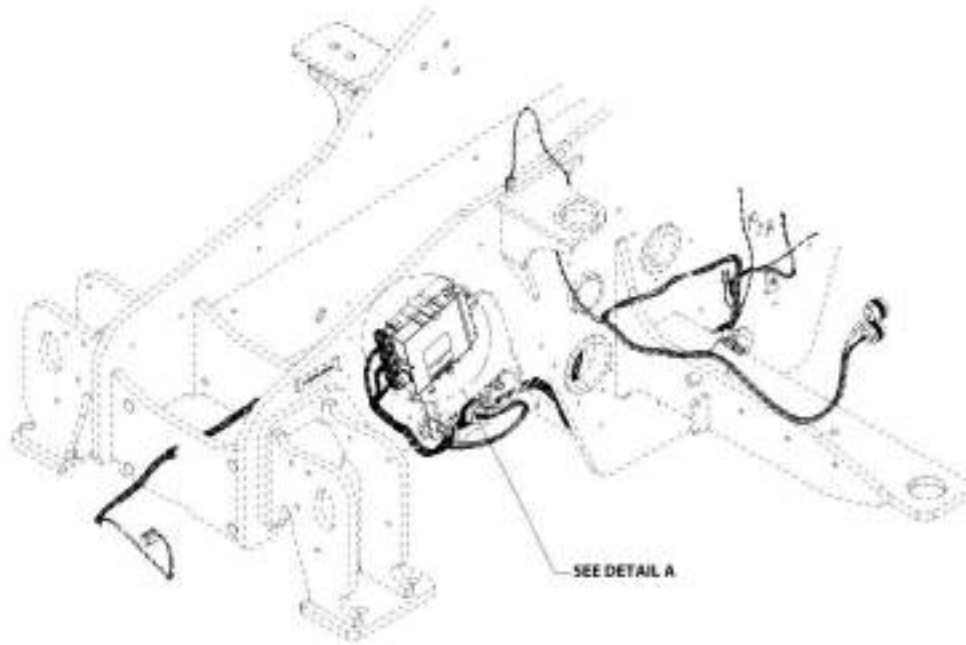
## SECTION 10 - ELECTRICAL

**FIGURE 10-68. LMIS INSTALLATION (MULTIFUNCTION DISPLAY)**

ITEM	PART NUMBER	QTY	DESCRIPTION	REV
1	1001211965	Ref	LMIS Installation (Ride Control)	A
	1001183818	1	Installation, LMIS Controller (See Separate Breakdown in this Section)	
2	1001186012	1	Installation, LMIS Wiring (See Separate Breakdown in this Section)	
3	1001211966	1	Installation, LMIS Mech (Ride Control) (See Separate Breakdown in this Section)	

# SECTION 10 - ELECTRICAL

## FIGURE 10-69. LMIS CONTROLLER INSTALLATION



DETAIL A

ART\_1001183910-A

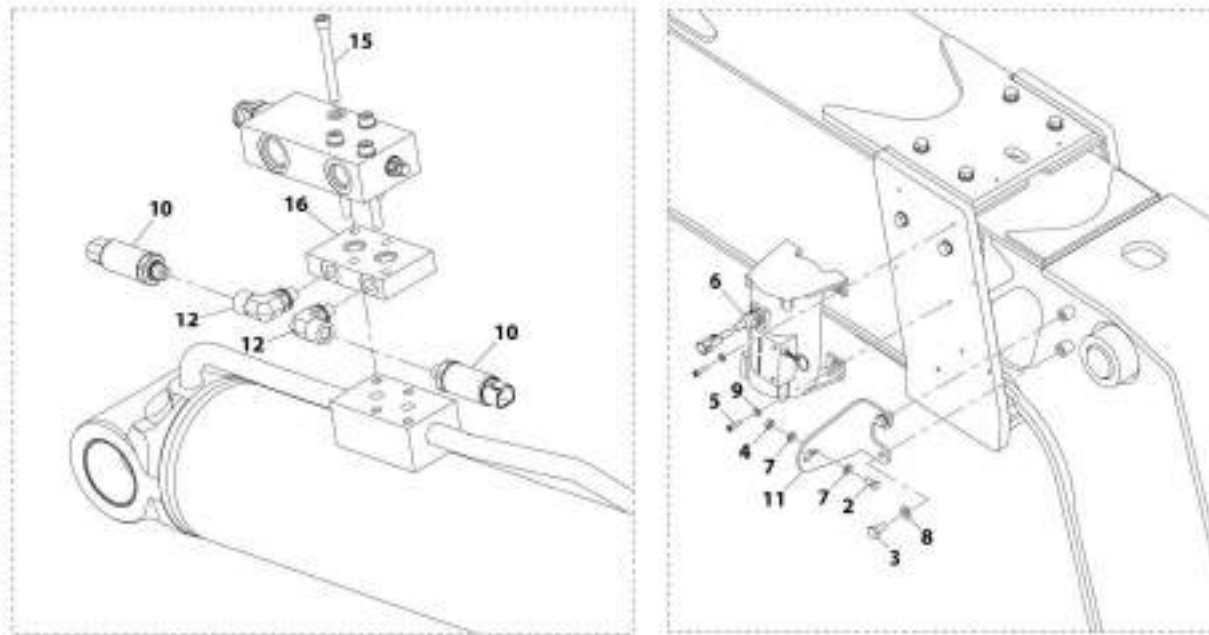
## SECTION 10 - ELECTRICAL

### FIGURE 10-69. LMIS CONTROLLER INSTALLATION

ITEM	PART NUMBER	QTY	DESCRIPTION	REV
	1001183818	Ref	LMIS Controller Installation	A
1	1001095650	AR	Compound, Locking	
2	0700826	2	Bolt, M8X90	
3	4811900	2	Washer, M8	
4	1001179901	1	Module, LMIS Control	

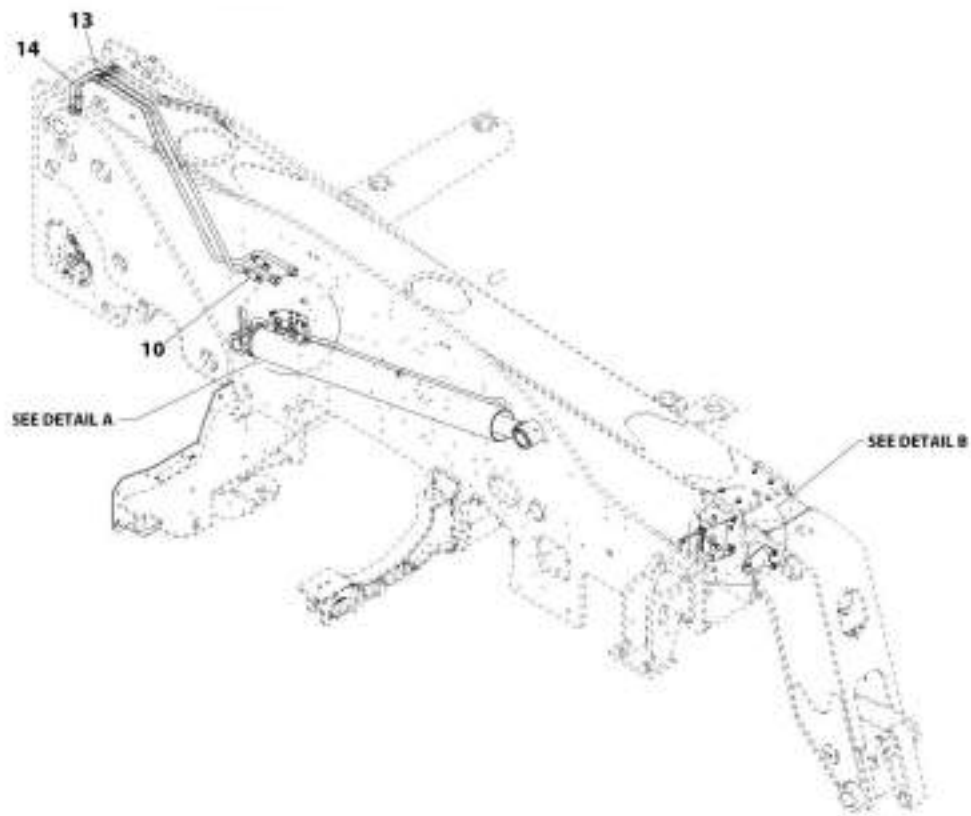
# SECTION 10 - ELECTRICAL

## FIGURE 10-70. LMIS CABLE REEL INSTALLATION (NO RIDE CONTROL)



DETAIL A

DETAIL B



ART\_1001182019-D

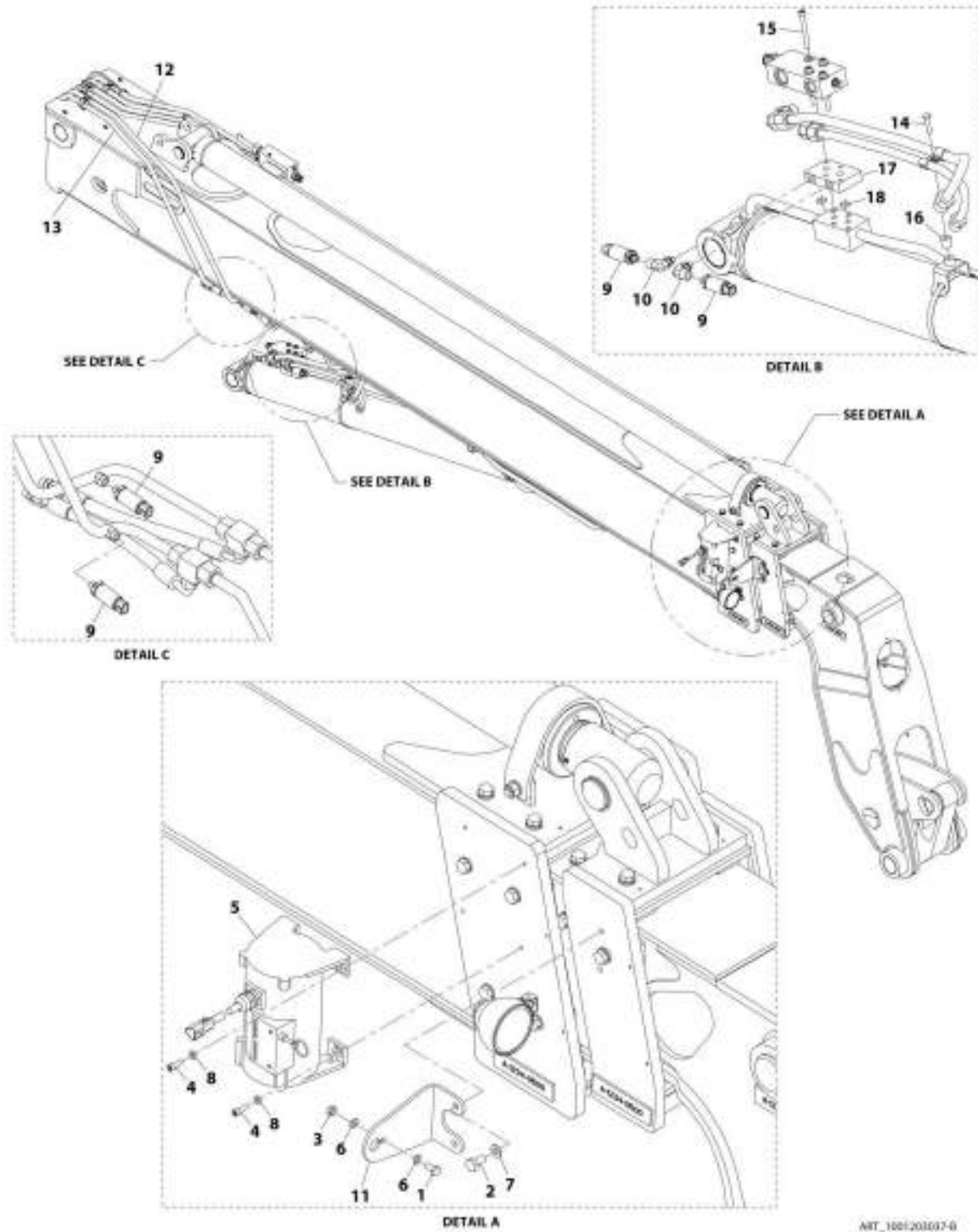
## SECTION 10 - ELECTRICAL

**FIGURE 10-70. LMIS CABLE REEL INSTALLATION (NO RIDE CONTROL)**

ITEM	PART NUMBER	QTY	DESCRIPTION	REV
	1001183819	Ref	LMIS Cable Reel Installation	D
2	0760808	1	Bolt, M8X16	
3	0761010	2	Bolt, M10X20	
4	3290801	1	Nut, M8X1.25	
5	4031708	4	Bolt, M6X20	
6	1001211389	1	Sensor	
7	4811900	2	Washer, M8	
8	4812000	2	Washer, M10	
9	5240600	4	Washer, M6	
10	1001162885	4	Sensor	
11	1001190657	1	Bracket	
12	1001184172	2	Fitting, 90	
13	1001203284	1	Hose	
14	1001203285	1	Hose	
15	5271919	4	Screw	
16	1001108857	1	Manifold	

# SECTION 10 - ELECTRICAL

## FIGURE 10-71. LMIS INSTALLATION MECH



AWT\_1881/201037-0



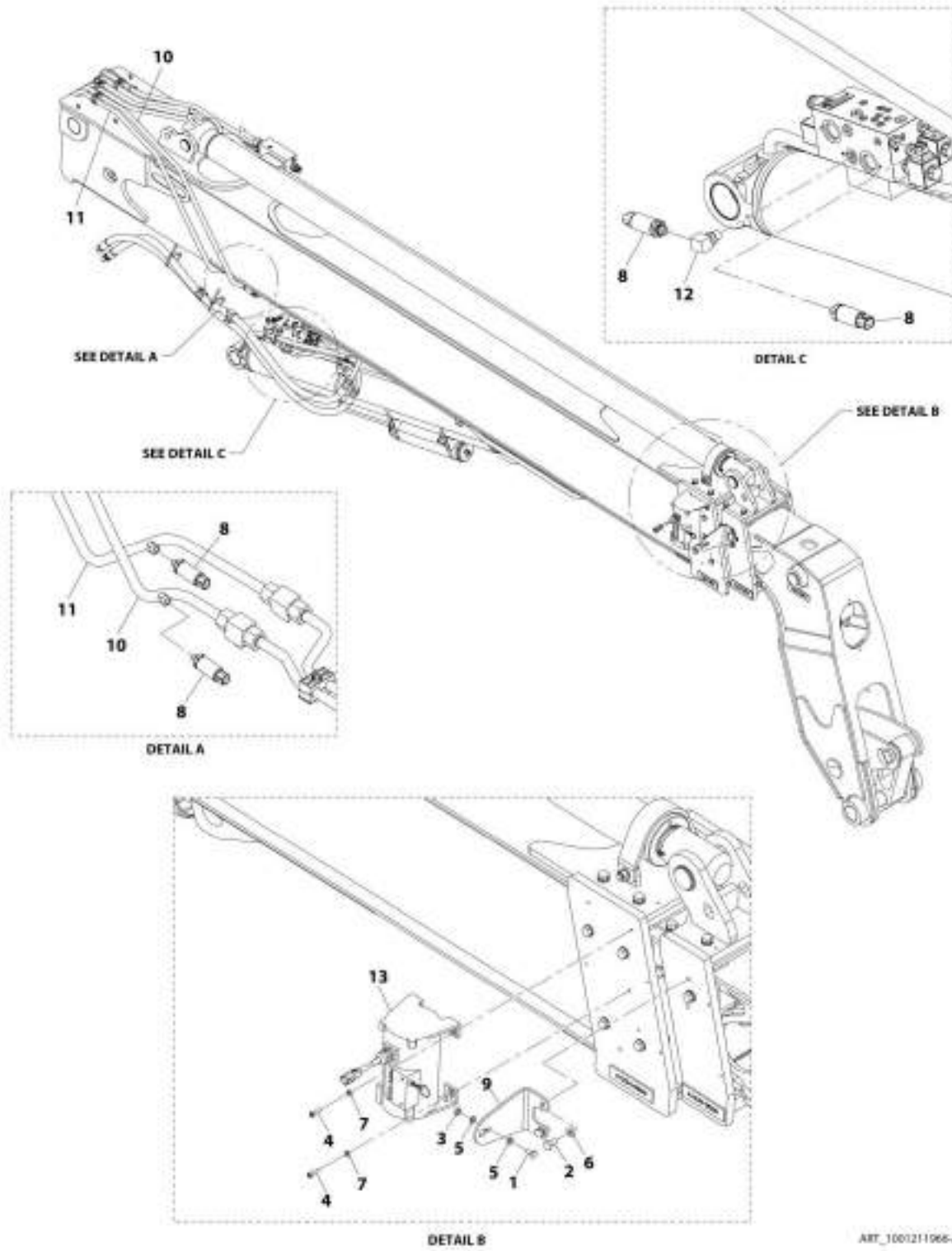
## SECTION 10 - ELECTRICAL

**FIGURE 10-71. LMIS INSTALLATION MECH**

ITEM	PART NUMBER	QTY	DESCRIPTION	REV
	1001203037	Ref	LMIS Installation Mech	B
1	0760808	1	Bolt, M8X16	
2	0761010	2	Bolt, M10X20	
3	3290801	1	Nut, M8X1.25	
4	4031708	4	Bolt, M6X20	
5	1001211389	1	Switch, Boom Length	
6	4811900	2	Washer, M8	
7	4812000	2	Washer, M10	
8	5240600	4	Washer, M6	
9	1001162885	4	Sensor	
10	1001101855	2	Fitting, 90	
11	1001190657	1	Bracket	
12	1001203282	1	Pipe, ORFS	
13	1001203283	1	Pipe, ORFS	
14	0760815	1	Bolt, M8X35	
15	5271919	4	Screw	
16	1001095401	1	Spacer	
17	1001108857	1	Manifold	
18	1001102080	2	O-Ring	

# SECTION 10 - ELECTRICAL

## FIGURE 10-72. LMIS INSTALLATION MECH (RIDE CONTROL)



ART\_1001211066-A

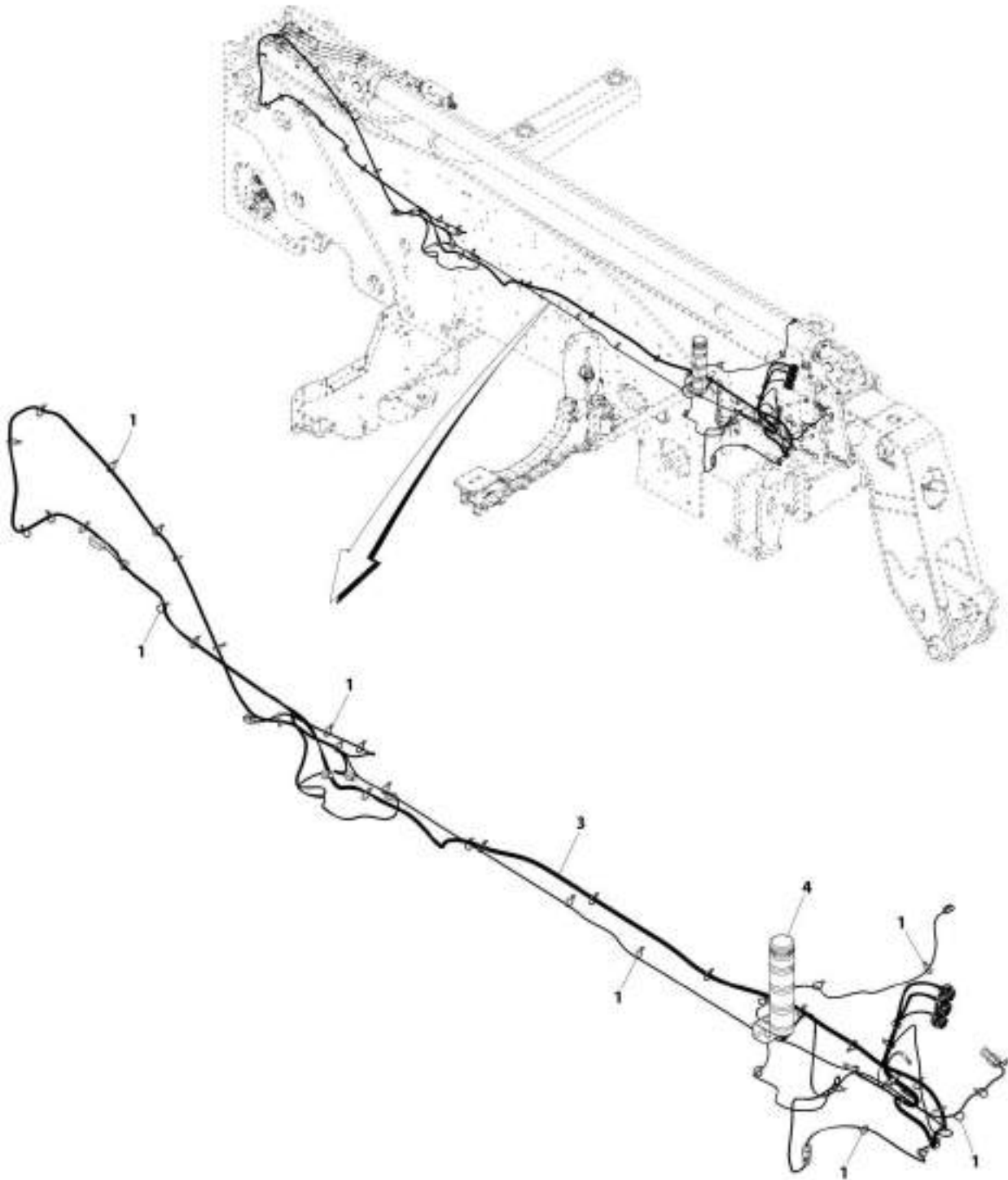
## SECTION 10 - ELECTRICAL

**FIGURE 10-72. LMIS INSTALLATION MECH (RIDE CONTROL)**

ITEM	PART NUMBER	QTY	DESCRIPTION	REV
	1001211966	Ref	LMIS Installation Mech (Ride Control)	A
1	0760808	1	Bolt, M8X16	
2	0761010	2	Bolt, M10X20	
3	3290801	1	Nut, M8X1.25 Grade 8	
4	4031708	4	Bolt, M6X20	
5	4811900	2	Washer, M8	
6	4812000	2	Washer, M10	
7	5240600	4	Washer, M6	
8	1001162885	4	Sensor, Pressure LMIS	
9	1001190657	1	Bracket, LMIS	
10	1001203282	1	Pipe, ORFS	
11	1001203283	1	Pipe, ORFS	
12	1001209986	1	Adapter, 90	
13	1001211389	1	Sensor, Boom Length	

# SECTION 10 - ELECTRICAL

## FIGURE 10-73. LMIS WIRING INSTALLATION



ART\_100106012-D

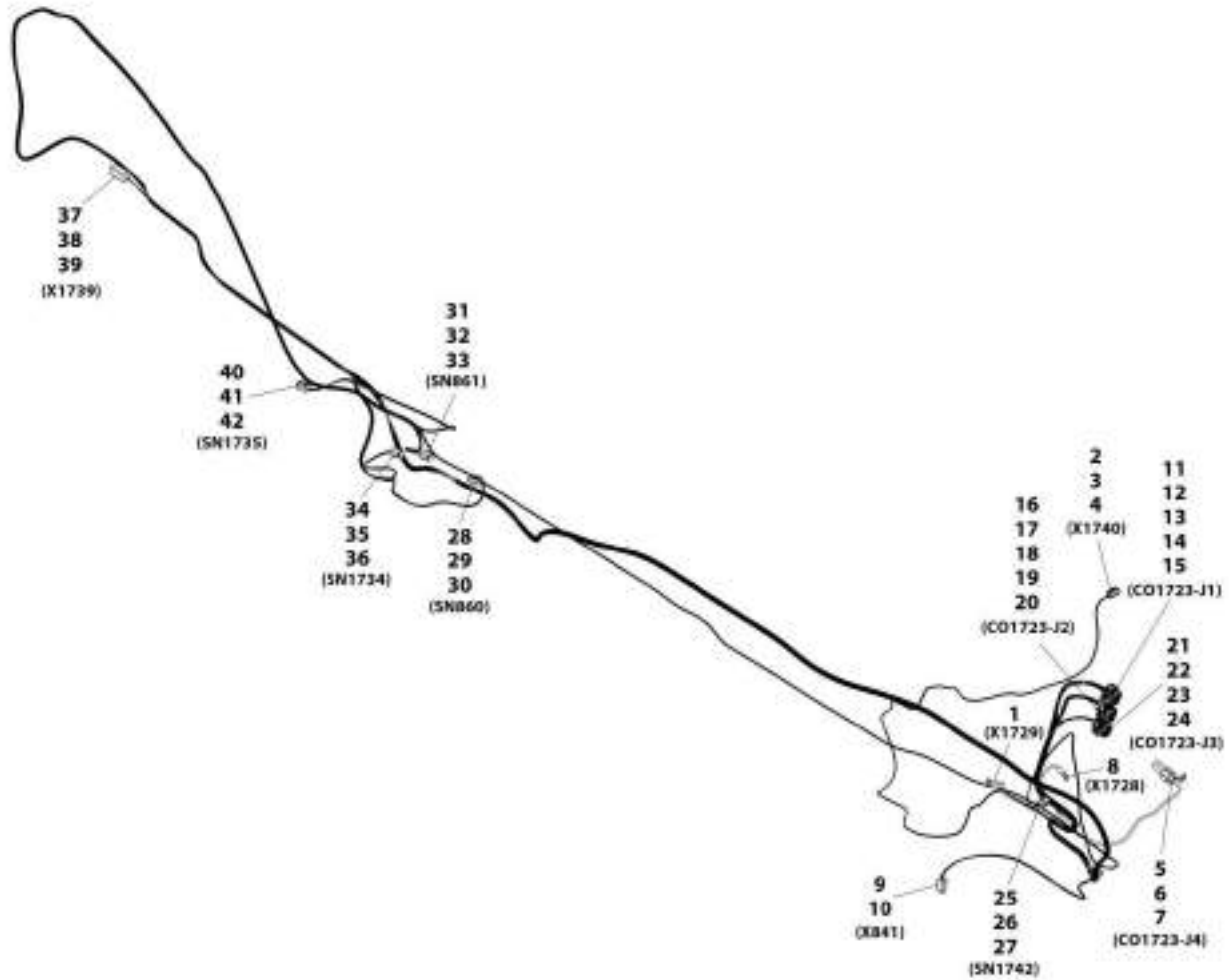
## SECTION 10 - ELECTRICAL

### FIGURE 10-73. LMIS WIRING INSTALLATION

ITEM	PART NUMBER	QTY	DESCRIPTION	REV
	1001186012	Ref	LMIS Wiring Installation	D
1	1001008559	44	Strap, Cable	
3	1001185959	1	Wiring, LMIS (See Separate Breakdown in this Section)	
4	1001183832	1	Installation, LMIS Beacon (See Separate Breakdown in this Section)	

# SECTION 10 - ELECTRICAL

## FIGURE 10-74. LMIS CHASSIS HARNESS



MIT\_1001185959.D

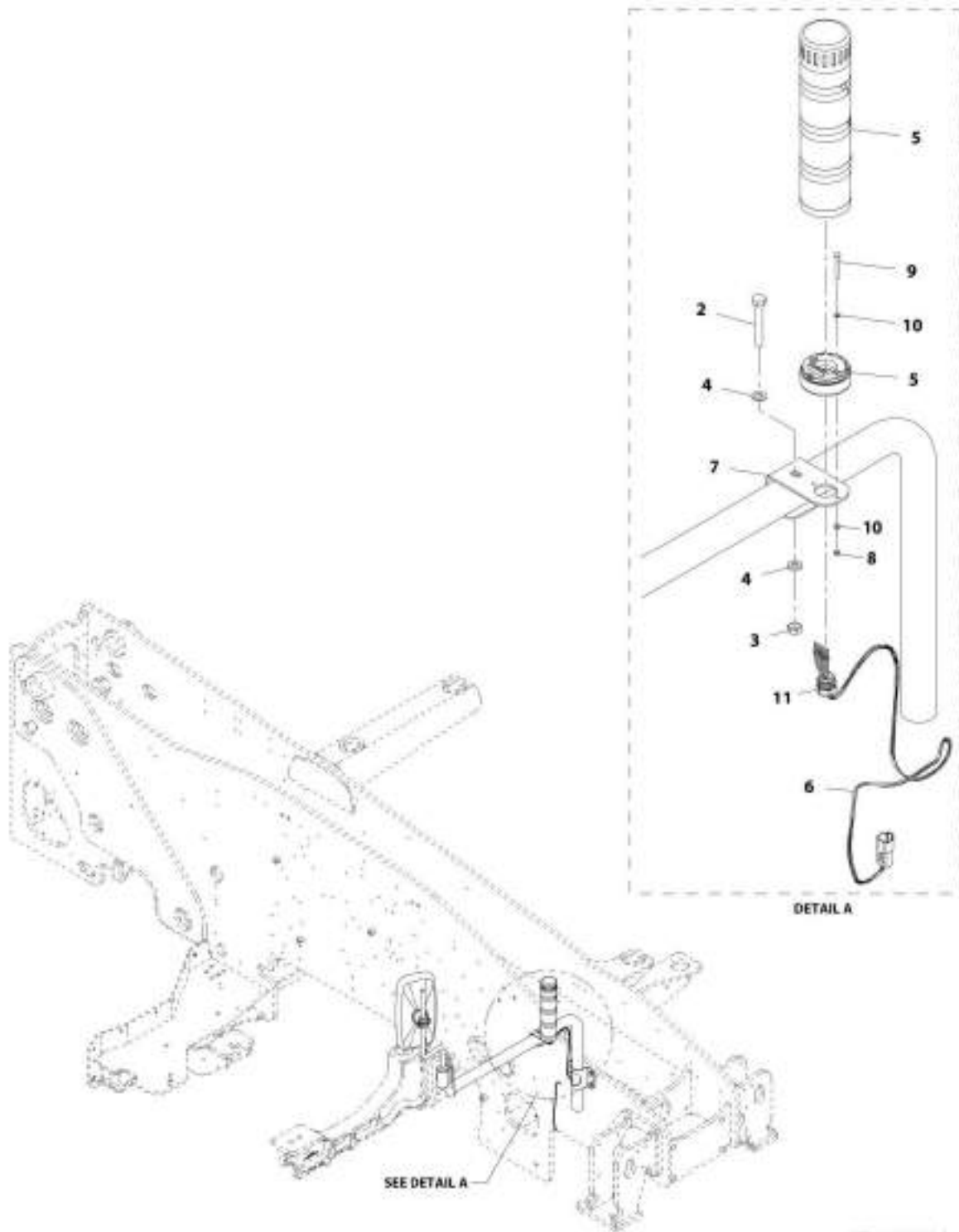
## SECTION 10 - ELECTRICAL

### FIGURE 10-74. LMIS CHASSIS HARNESS

ITEM	PART NUMBER	QTY	DESCRIPTION	REV
	1001185959	Ref	LMIS Harness	D
1	1001117109	1	Terminal, Ring	
2	1001116812	1	Connector	
3	4460944	2	Terminal	
4	4460466	1	Plug	
5	1001160509	1	Connector	
6	1001160510	1	Terminal	
7	1001175266	1	Seal	
8	8220114	1	Terminal, Ring	
9	4460884	1	Connector	
10	4460465	4	Terminal	
11	1001161957	1	Connector	
12	1001161095	11	Terminal	
13	1001161100	13	Plug	
14	1001161099	4	Terminal	
15	1001161101	4	Plug	
16	1001161963	1	Connector	
17	1001161095	13	Terminal	
18	1001161100	27	Plug	
19	1001161099	4	Terminal	
20	1001161101	4	Plug	
21	1001160500	1	Connector	
22	1001161095	5	Terminal	
23	1001161100	19	Plug	
24	1001161101	8	Plug	
25	4460539	1	Connector	
26	4460942	1	Terminal	
27	4460465	2	Terminal	
28	4460884	1	Connector	
29	4460942	1	Terminal	
30	4460465	3	Terminal	
31	4460884	1	Connector	
32	4460942	1	Terminal	
33	4460465	3	Terminal	
34	4460884	1	Connector	
35	4460942	1	Terminal	
36	4460465	3	Terminal	
37	4460899	1	Connector	
38	4460464	2	Terminal	
39	4460466	4	Plug	
40	4460884	1	Connector	
41	4460942	1	Terminal	
42	4460465	3	Terminal	

# SECTION 10 - ELECTRICAL

## FIGURE 10-75. LMIS BEACON INSTALLATION



WIT\_1001183852-C



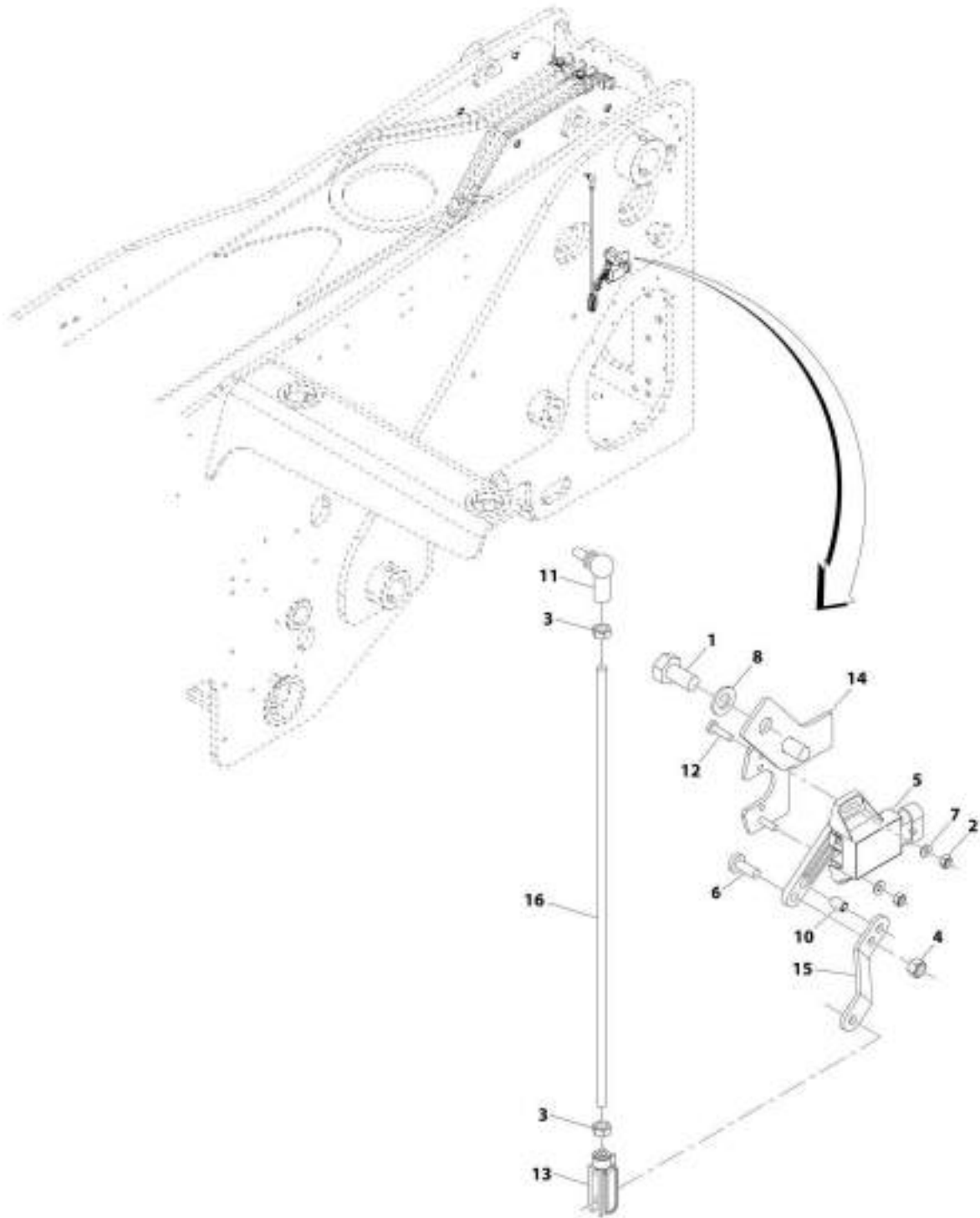
## SECTION 10 - ELECTRICAL

### FIGURE 10-75. LMIS BEACON INSTALLATION

ITEM	PART NUMBER	QTY	DESCRIPTION	REV
	1001183832	Ref	LMIS Beacon Installation	C
2	0701022	1	Bolt, M10X70	
3	3291001	1	Nut, M10X1.5 Grade 8	
4	4812000	2	Washer, M10	
5	1001108661	1	Lamp, LMIS Beacon Alarm	
6	1001117247	1	Harness, LMIS Beacon Option	
7	1001191259	1	Bracket	
8	3290405	2	Nut, Lock M4X0.7	
9	4010416	2	Screw, Pozidrive M4X40	
10	4811400	4	Washer, M4	
11	E000269	1	Connector, Strain Relief	

# SECTION 10 - ELECTRICAL

## FIGURE 10-76. BOOM ANGLE SENSOR INSTALLATION



MT\_100179957-C

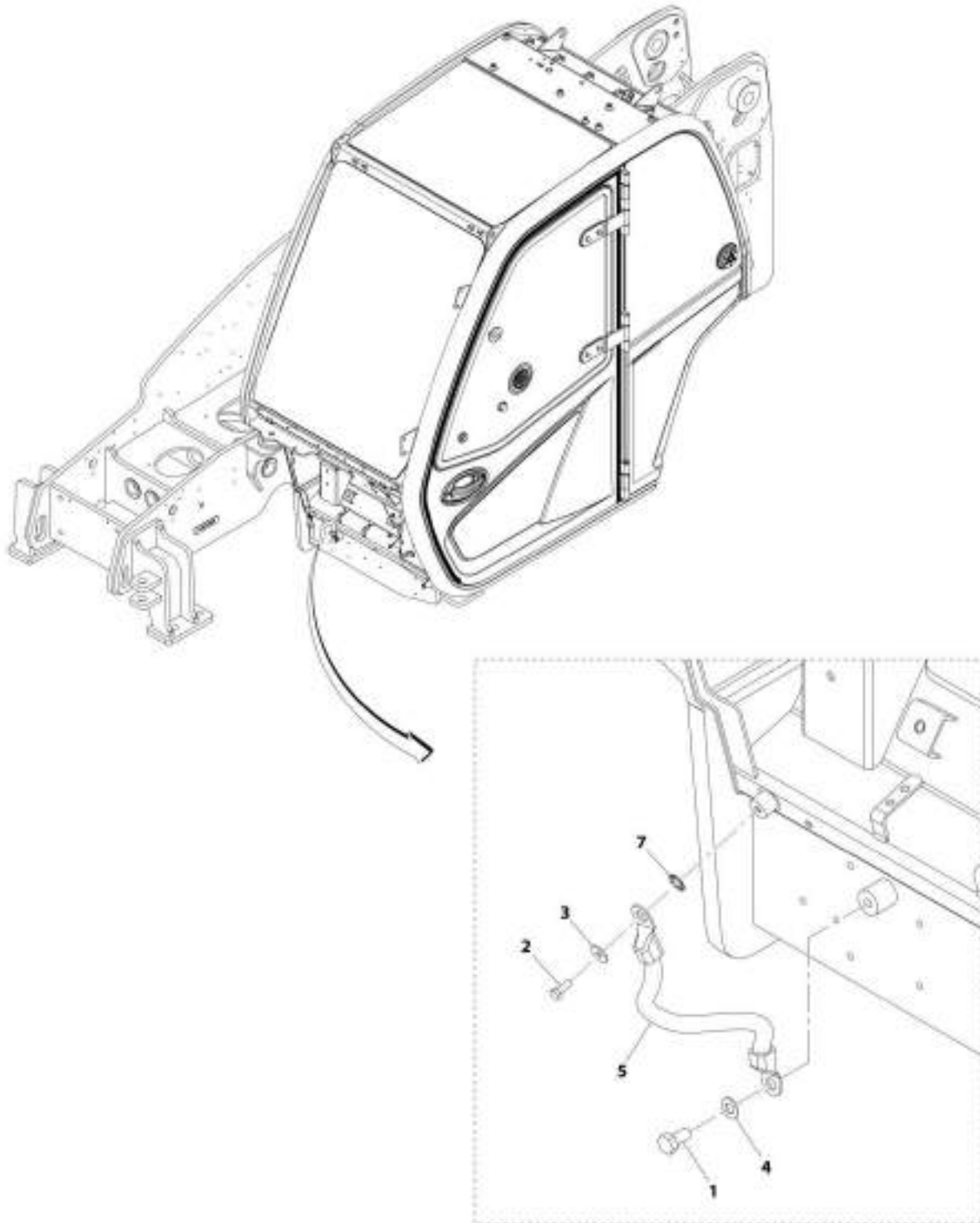
## SECTION 10 - ELECTRICAL

**FIGURE 10-76. BOOM ANGLE SENSOR INSTALLATION**

ITEM	PART NUMBER	QTY	DESCRIPTION	REV
	1001179937	Ref	Boom Angle Sensor Installation	C
1	0761010	2	Bolt, M10X20	
2	3290405	2	Nut, Lock M4X0.7 Grade 8	
3	3290601	2	Nut, M6X1	
4	3290605	1	Nut, Lock M6X1 Grade 8	
5	4000015	1	Sensor, Angle	
6	4010608	1	Screw, M6X16	
7	4811400	2	Washer, M4	
8	4812000	2	Washer, M10	
10	1001103156	1	Pin	
11	1001103300	1	Ball, Joint	
12	1001126837	2	Screw, M4X16	
13	1001134274	1	Clevis	
14	1001187851	1	Bracket	
15	1001187852	1	Link	
16	1001187853	1	Rod	

# SECTION 10 - ELECTRICAL

## FIGURE 10-77. EARTH STRAP INSTALLATION



ART\_1001186646-D

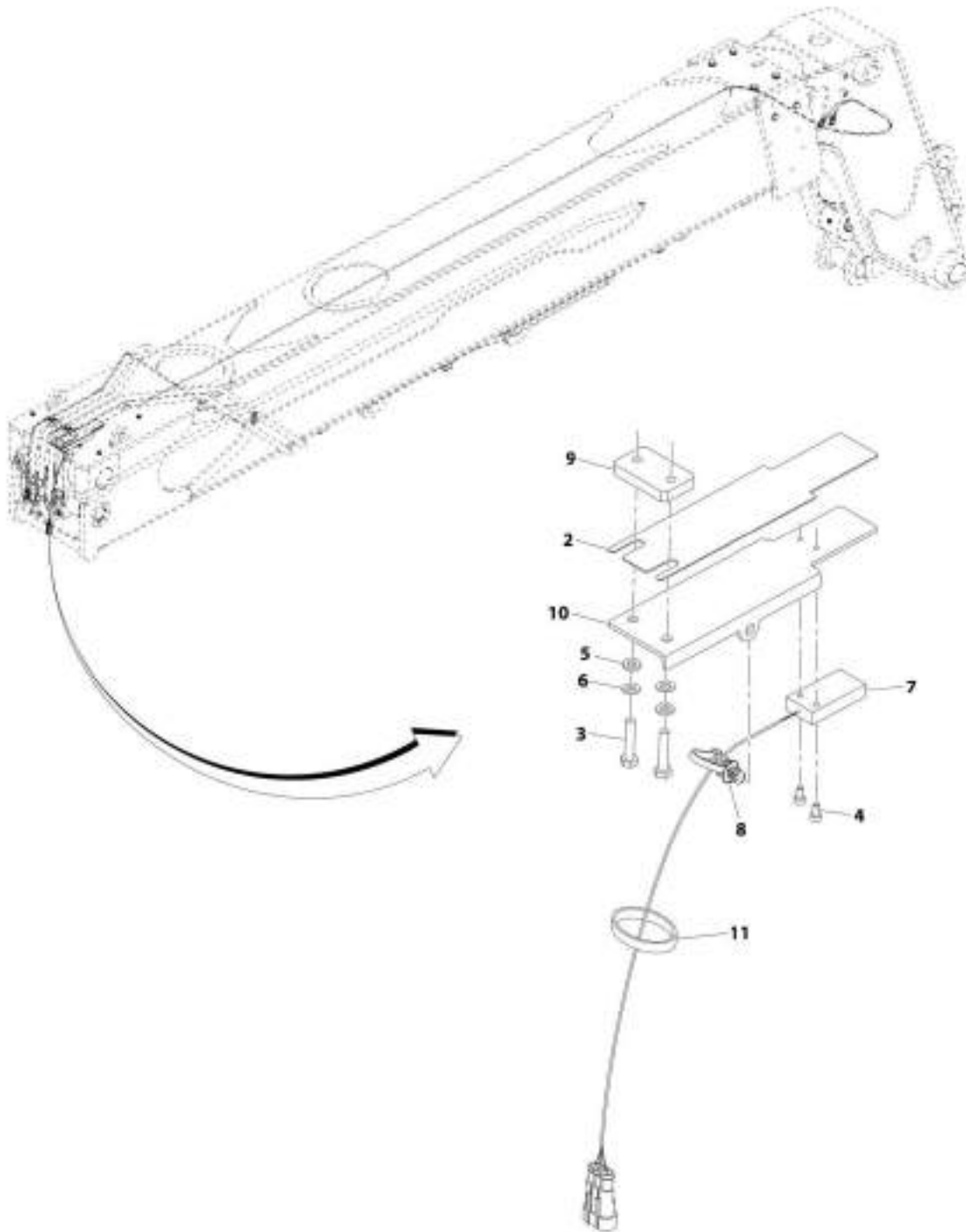
## SECTION 10 - ELECTRICAL

### FIGURE 10-77. EARTH STRAP INSTALLATION

ITEM	PART NUMBER	QTY	DESCRIPTION	REV
	1001186646	Ref	Earth Strap Installation	D
1	0761010	1	Bolt, M10X20	
2	0760608	1	Bolt, M6X16	
3	4811702	1	Washer, M6	
4	4812000	1	Washer, M10	
5	1001009038	1	Strap, Earth	
7	4872000	1	Washer, M10	

# SECTION 10 - ELECTRICAL

## FIGURE 10-78. BOOM RETRACT SENSOR INSTALLATION



ART\_1001184856-D

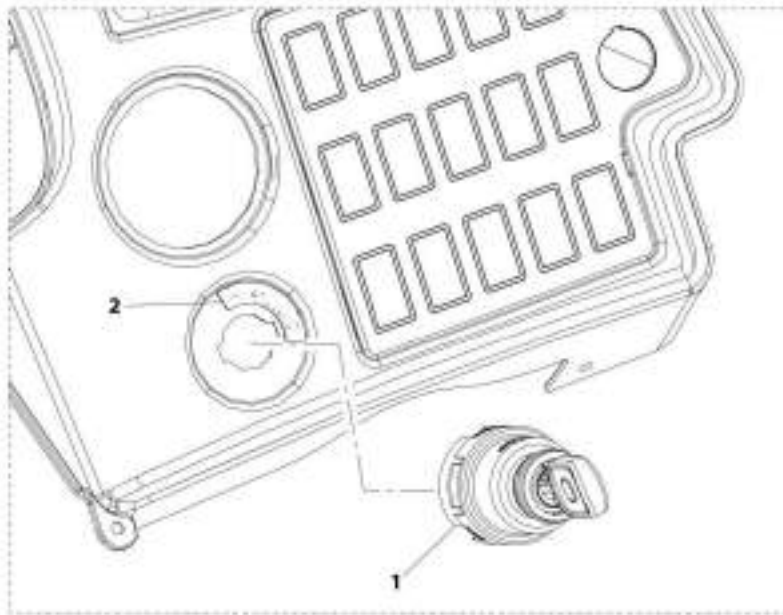
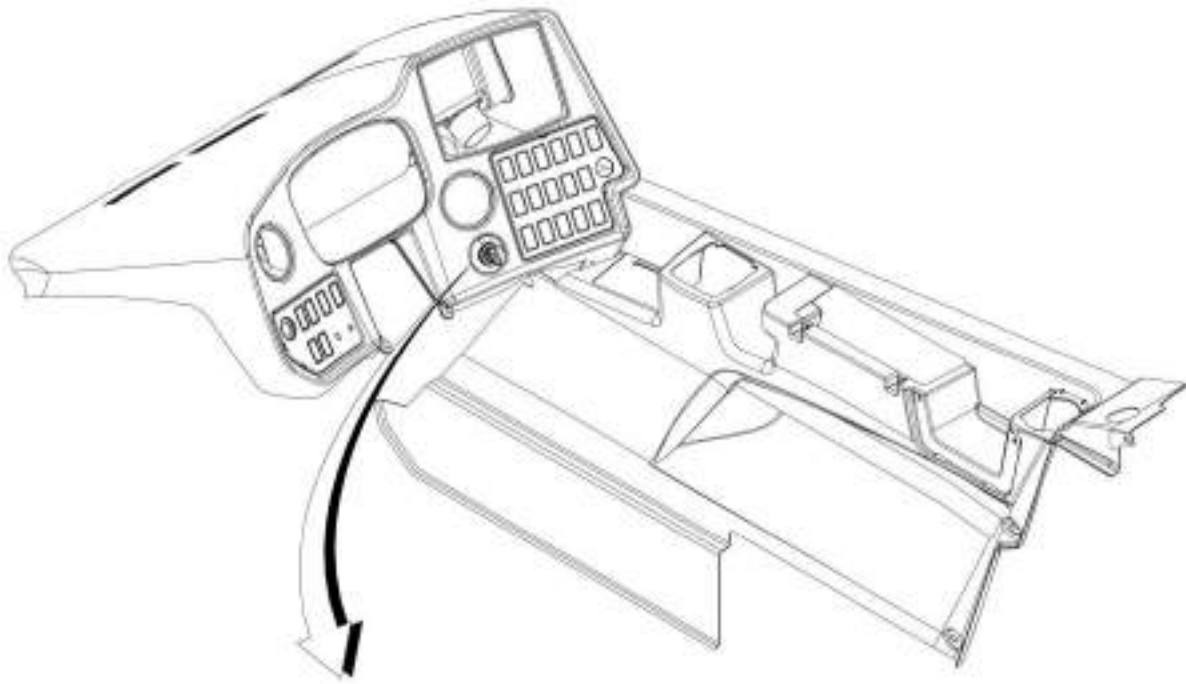
## SECTION 10 - ELECTRICAL

### FIGURE 10-78. BOOM RETRACT SENSOR INSTALLATION

ITEM	PART NUMBER	QTY	DESCRIPTION	REV
	1001184856	Ref	Boom Retract Sensor Installation	D
2	1001199299	AR	Shim, Retract Sensor	
3	0760614	2	Bolt, M6X30	
4	4031504	2	Screw, M4X8	
5	4811700	2	Washer, M6	
6	4831700	2	Washer, Lock M6	
7	1001121021	1	Sensor, Proximity	
8	1001146588	1	Strap, Cable	
9	1001182049	1	Plate	
10	1001218495	1	Bracket	
11	1001008923	1	Strap, Cable	

# SECTION 10 - ELECTRICAL

## FIGURE 10-79. IGNITION SWITCH INSTALLATION (JLG)



AMT\_1001208510-A



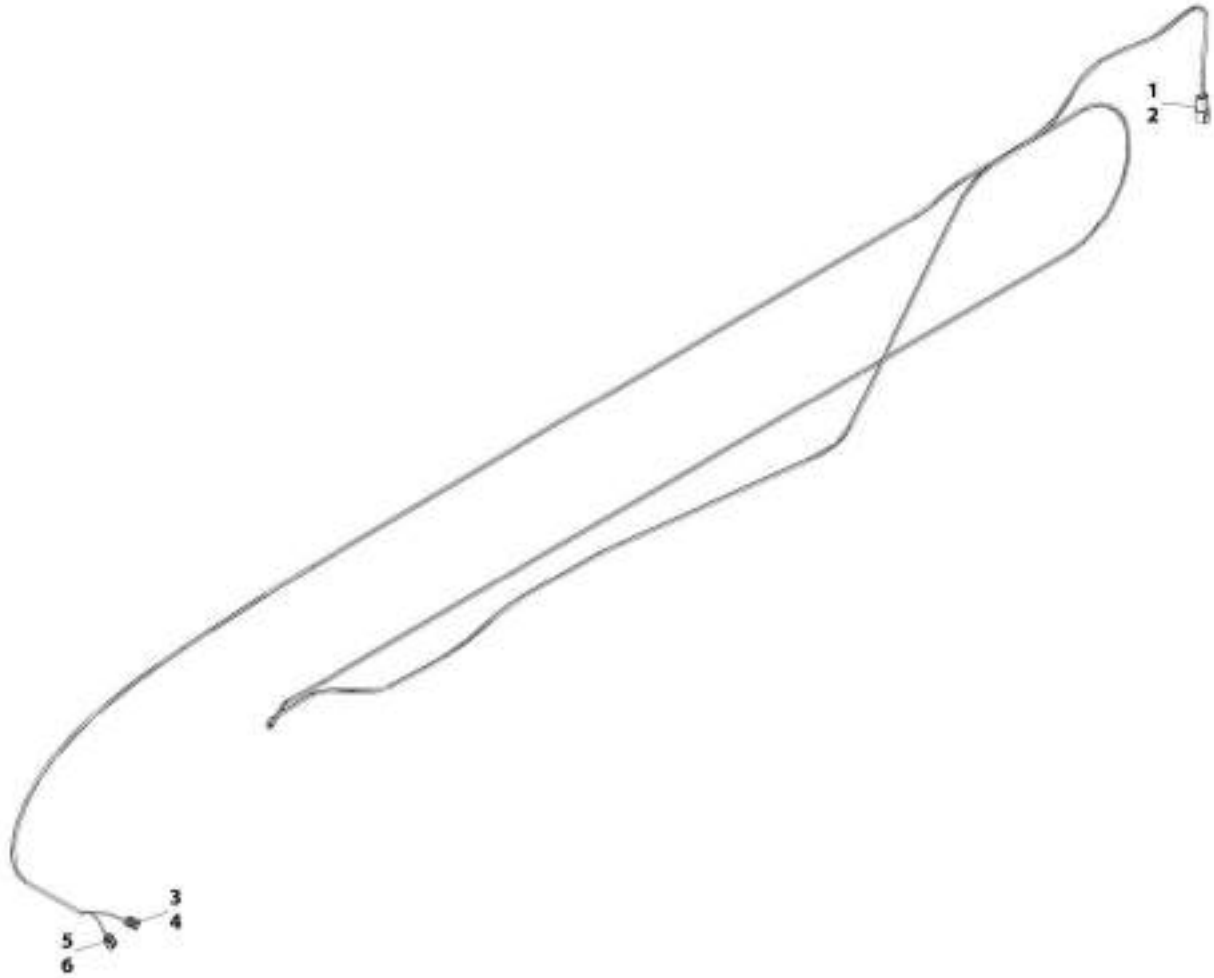
## SECTION 10 - ELECTRICAL

**FIGURE 10-79. IGNITION SWITCH INSTALLATION (JLG)**

ITEM	PART NUMBER	QTY	DESCRIPTION	REV
	1001208518	Ref	Ignition Switch Installation	A
1	1001102502	1	Switch, 4 Position Key	
1	70022765	1	Key, Ignition	
2	1001181531	1	Decal, Ignition Switch	

# SECTION 10 - ELECTRICAL

## FIGURE 10-80. BOOM HARNESS



ART\_100110442-D

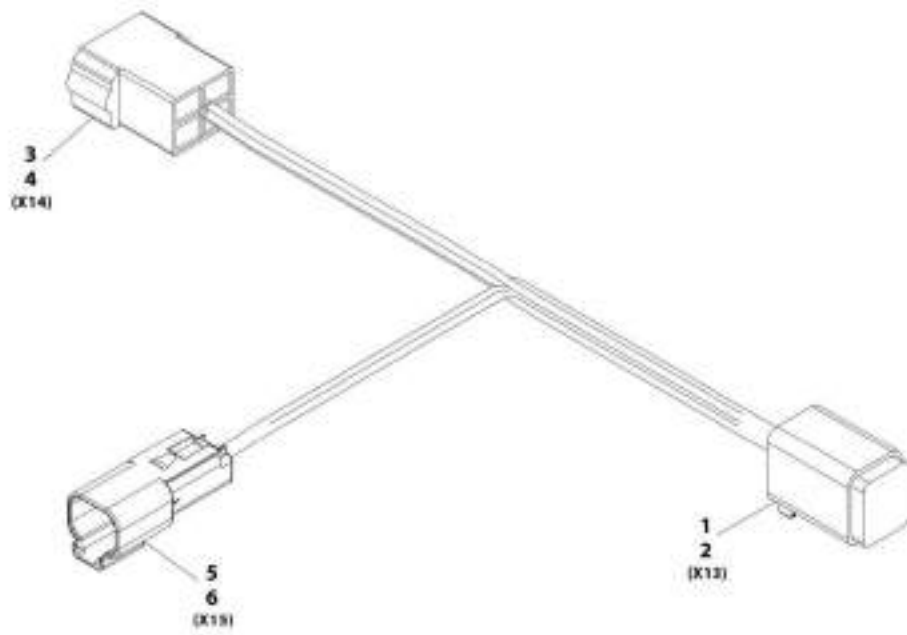
# SECTION 10 - ELECTRICAL

## FIGURE 10-80. BOOM HARNESS

ITEM	PART NUMBER	QTY	DESCRIPTION	REV
	1001184422	Ref	Boom Harness	D
1	4460932	1	Connector	
2	4460464	4	Terminal	
3	4460891	1	Connector	
4	4460465	2	Terminal	
5	4460891	1	Connector	
6	4460465	2	Terminal	

# SECTION 10 - ELECTRICAL

## FIGURE 10-81. SEAT ADAPTOR HARNESS



ART\_300168531-A

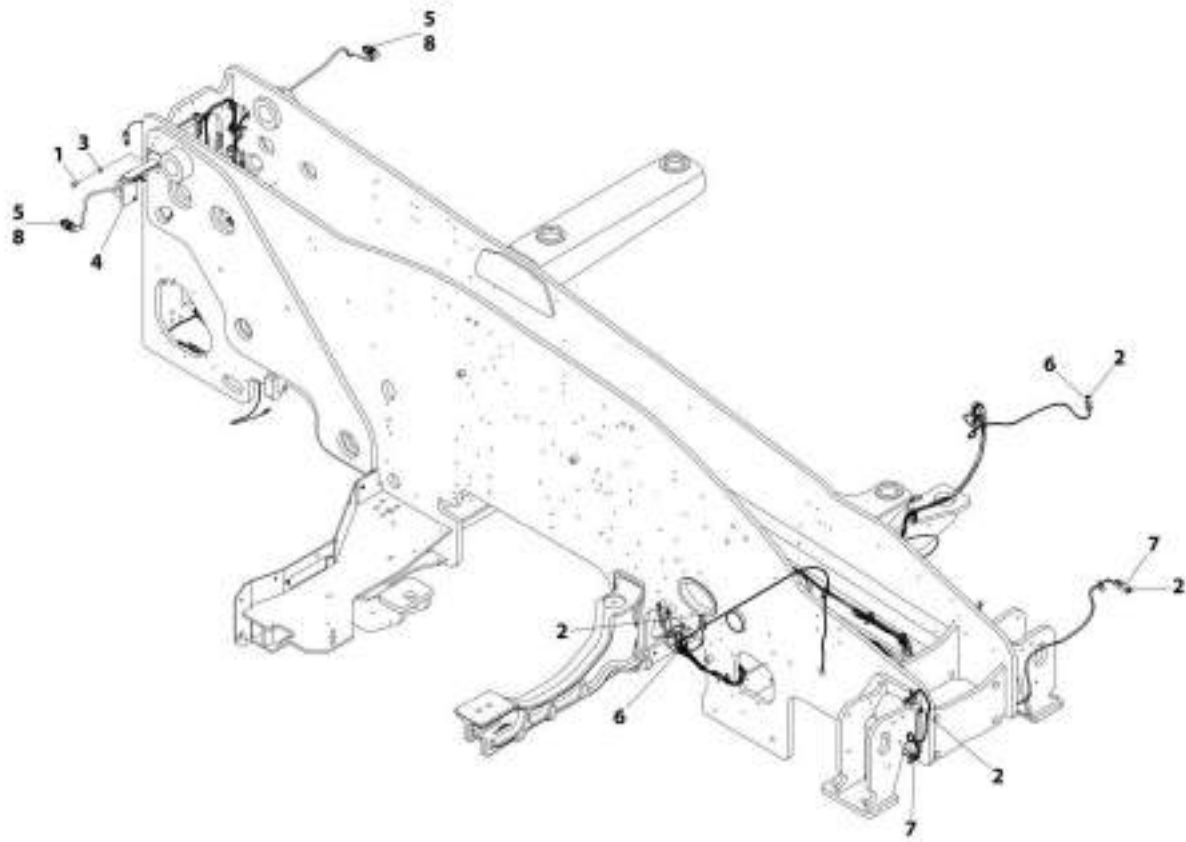
# SECTION 10 - ELECTRICAL

## FIGURE 10-81. SEAT ADAPTOR HARNESS

ITEM	PART NUMBER	QTY	DESCRIPTION	REV
	1001168531	Ref	Seat Adaptor Harness	A
1	4460894	1	Connector	
2	91504107	1	Lock, Connector	
3	4460465	6	Terminal	
4	1001117011	1	Connector	
5	1001116700	3	Terminal	
6	4460897	1	Connector	
7	80604017	1	Lock, Connector	
8	4460943	2	Terminal	

# SECTION 10 - ELECTRICAL

## FIGURE 10-82. NO ROAD LIGHTS INSTALLATION



ART\_1001225382-A

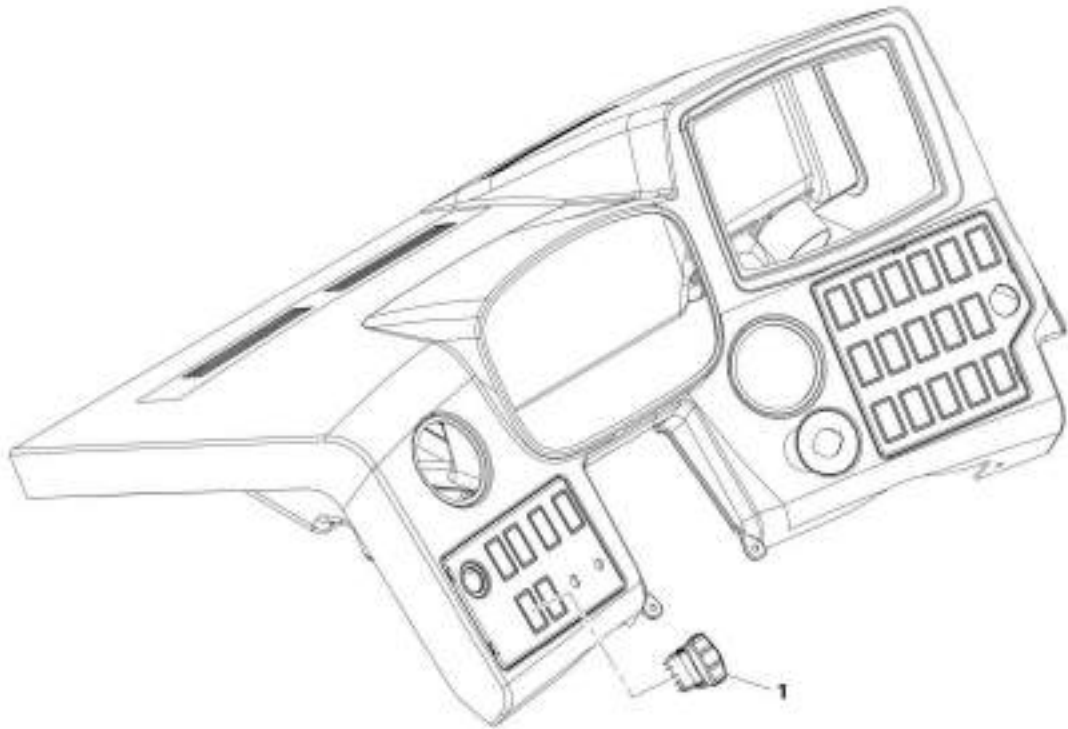
## SECTION 10 - ELECTRICAL

### FIGURE 10-82. NO ROAD LIGHTS INSTALLATION

ITEM	PART NUMBER	QTY	DESCRIPTION	REV
	1001225382	Ref	No Road Lights Installation	A
1	0761010	2	Bolt, M10X20	
2	4460466	18	Plug	
3	4812000	2	Washer, M10	
4	1001225386	1	Mount, Reverse Alarm	
5	1001225658	2	Connector	
6	4460536	2	Connector	
7	4460899	2	Connector	
8	4461008	14	Plug	

## SECTION 10 - ELECTRICAL

FIGURE 10-83. LSI SWITCH INSTALLATION



ART\_1001233407-A



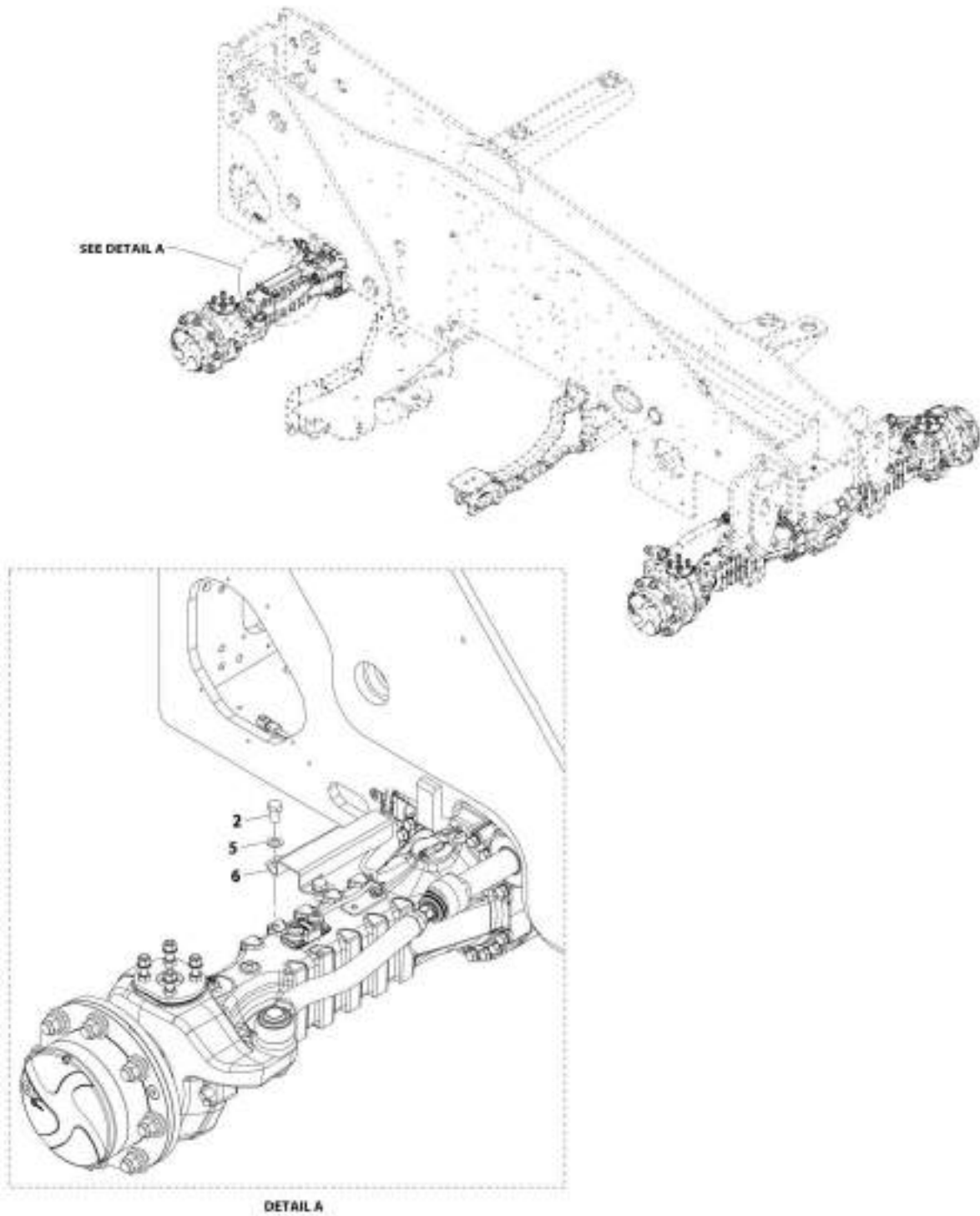
## SECTION 10 - ELECTRICAL

### FIGURE 10-83. LSI SWITCH INSTALLATION

ITEM	PART NUMBER	QTY	DESCRIPTION	REV
1	1001233407 1001198830	Ref 1	LSI Switch Installation Switch, LSI Override	A

# SECTION 10 - ELECTRICAL

## FIGURE 10-84. LSI SENSOR COVER INSTALLATION



ART\_1001225414-C

## SECTION 10 - ELECTRICAL

**FIGURE 10-84. LSI SENSOR COVER INSTALLATION**

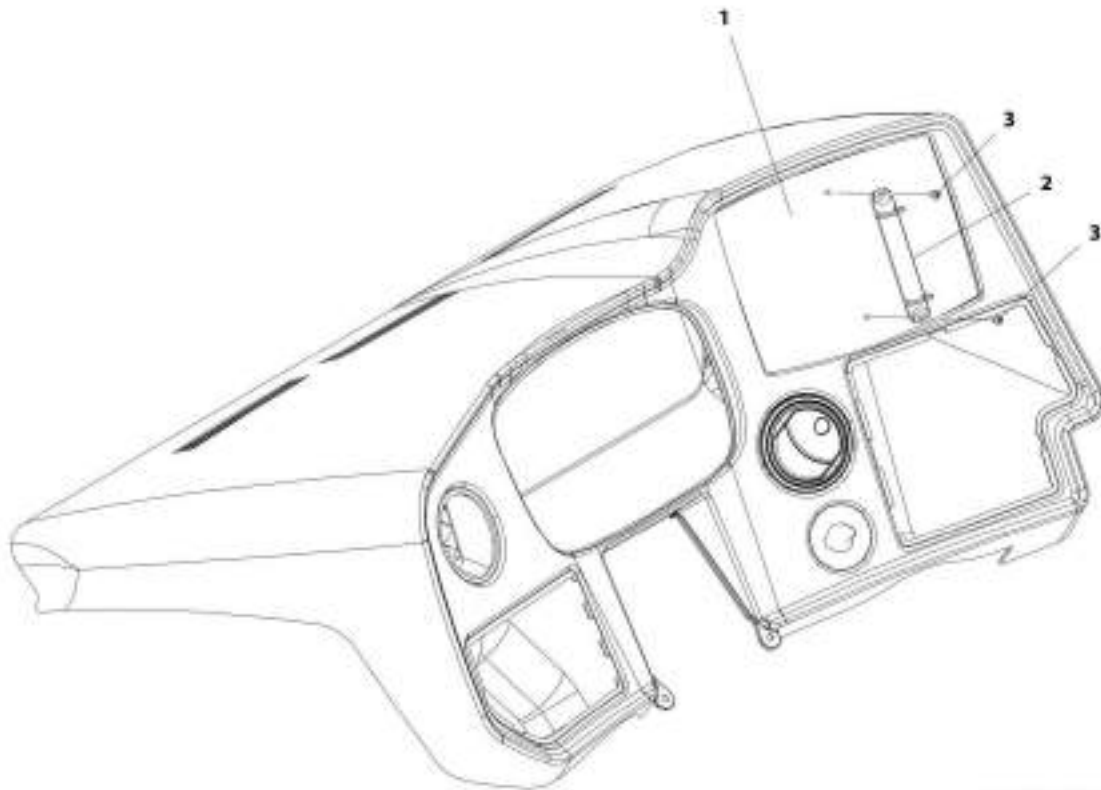
ITEM	PART NUMBER	QTY	DESCRIPTION	REV
	1001225414	Ref	LSI Sensor Cover Installation	C
2	0761412	2	Bolt, M14X25	
5	4812200	2	Washer 14M	
6	1001229766	1	Shield, LSI Sensor	



**SECTION 11 - DECALS**

# SECTION 11 - DECALS

## FIGURE 11-1. CAPACITY CHART HOLDER INSTALLATION



ART\_1001178200-A

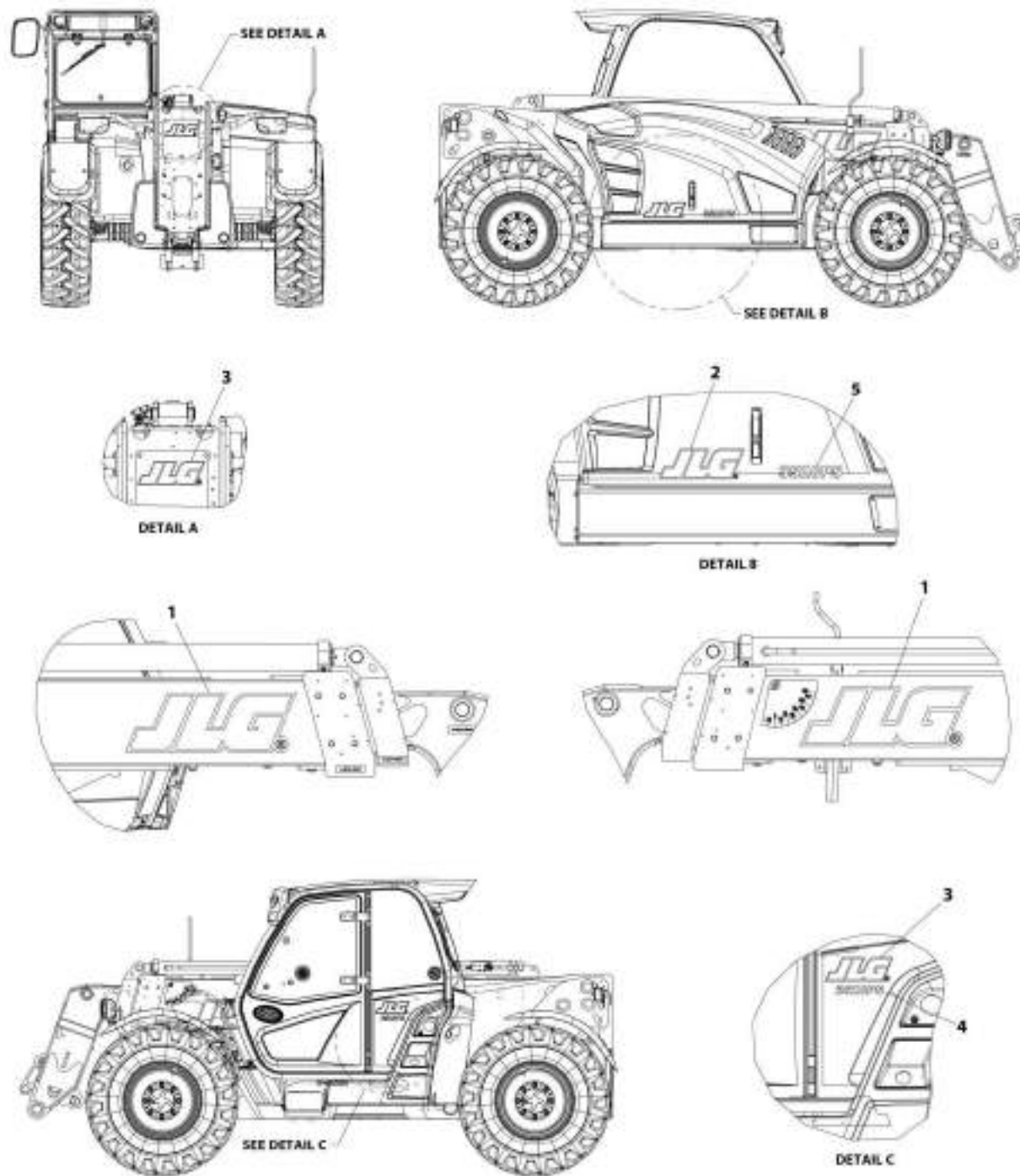
## SECTION 11 - DECALS

### FIGURE 11-1. CAPACITY CHART HOLDER INSTALLATION

ITEM	PART NUMBER	QTY	DESCRIPTION	REV
	1001178706	Ref	Capacity Chart Holder Installation	A
1	1001179297	1	Load Chart, Bezel	
2	1001005960	1	Holder	
3	7029486	2	Screw	

# SECTION 11 - DECALS

## FIGURE 11-2. DECALS INSTALLATION (3510PS - JLG)



ART 100118305-A



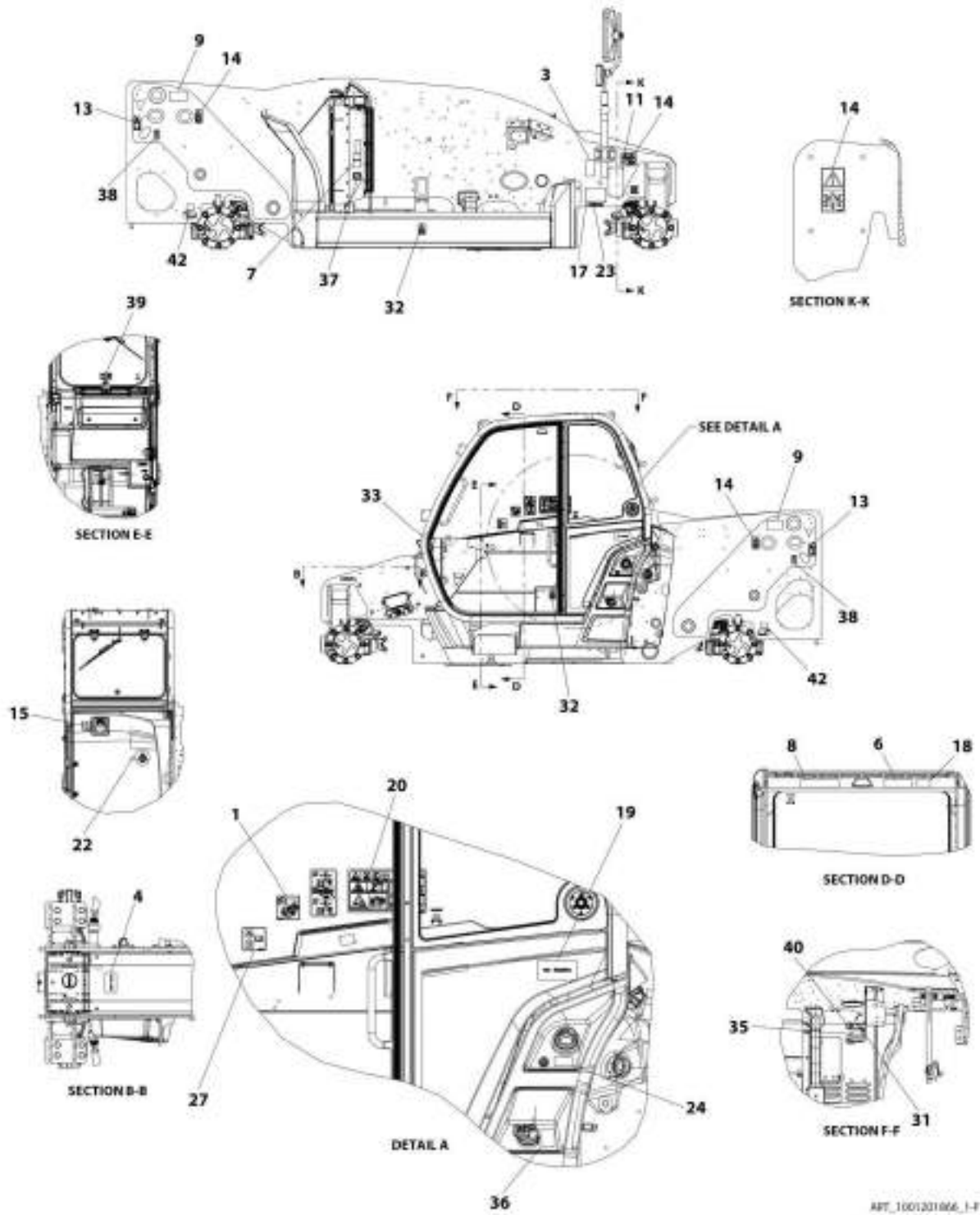
## SECTION 11 - DECALS

### FIGURE 11-2. DECALS INSTALLATION (3510PS - JLG)

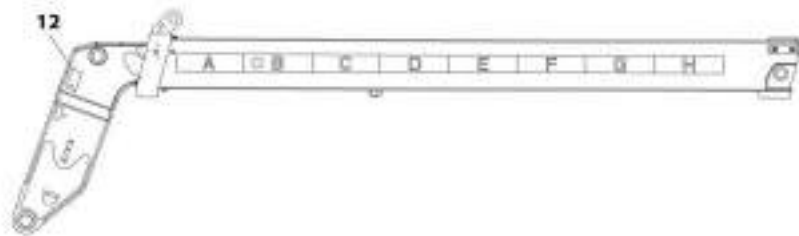
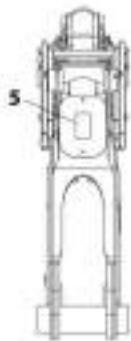
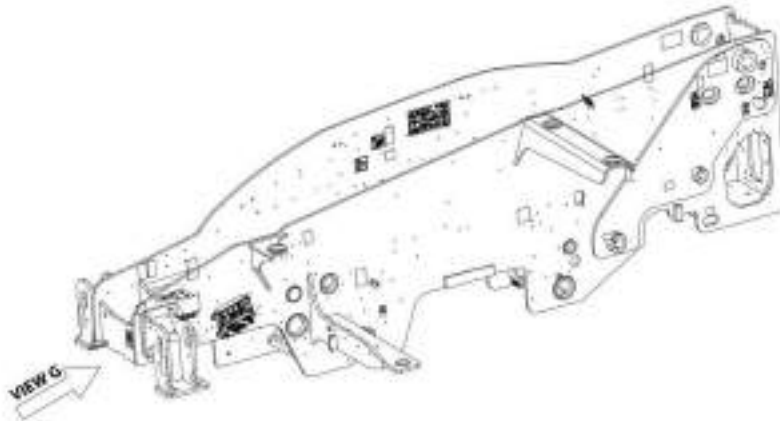
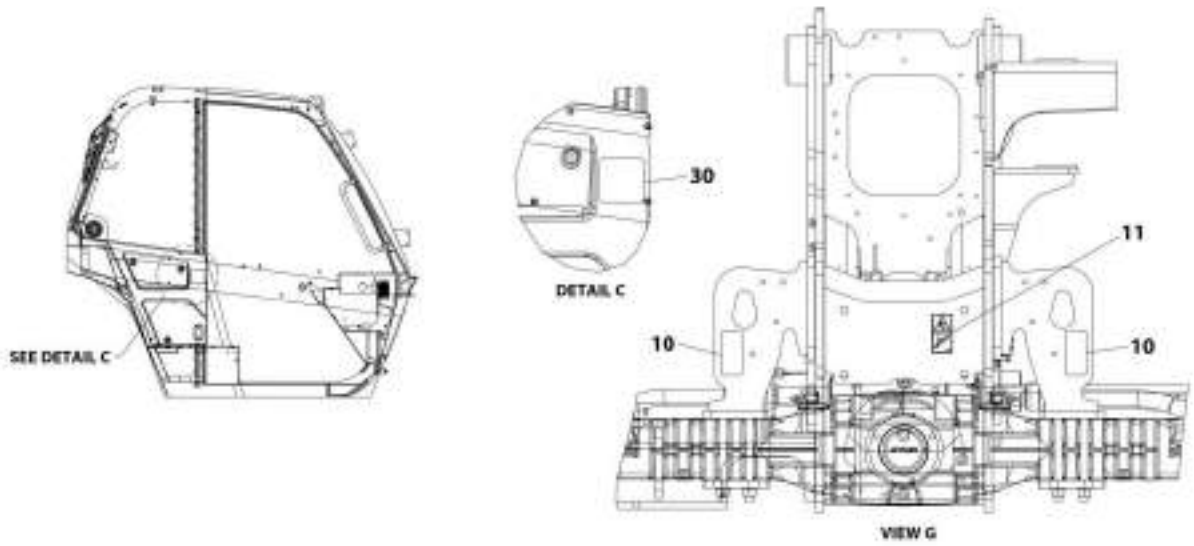
ITEM	PART NUMBER	QTY	DESCRIPTION	REV
	1001183605	Ref	Decals Installation (3510PS - JLG)	A
1	1001159728	2	Decal, JLG Logo	
2	1001160775	1	Decal, JLG 5" Black	
3	1001169674	2	Decal, JLG M100X285	
4	1001206716	1	Decal, JLG 3510PS Cab	
5	1001206717	1	Decal, JLG 3510PS Hood	

# SECTION 11 - DECALS

## FIGURE 11-3. DECALS INSTALLATION (ULS) (CE)



# SECTION 11 - DECALS



WRT\_1001225/866\_2.F

# SECTION 11 - DECALS

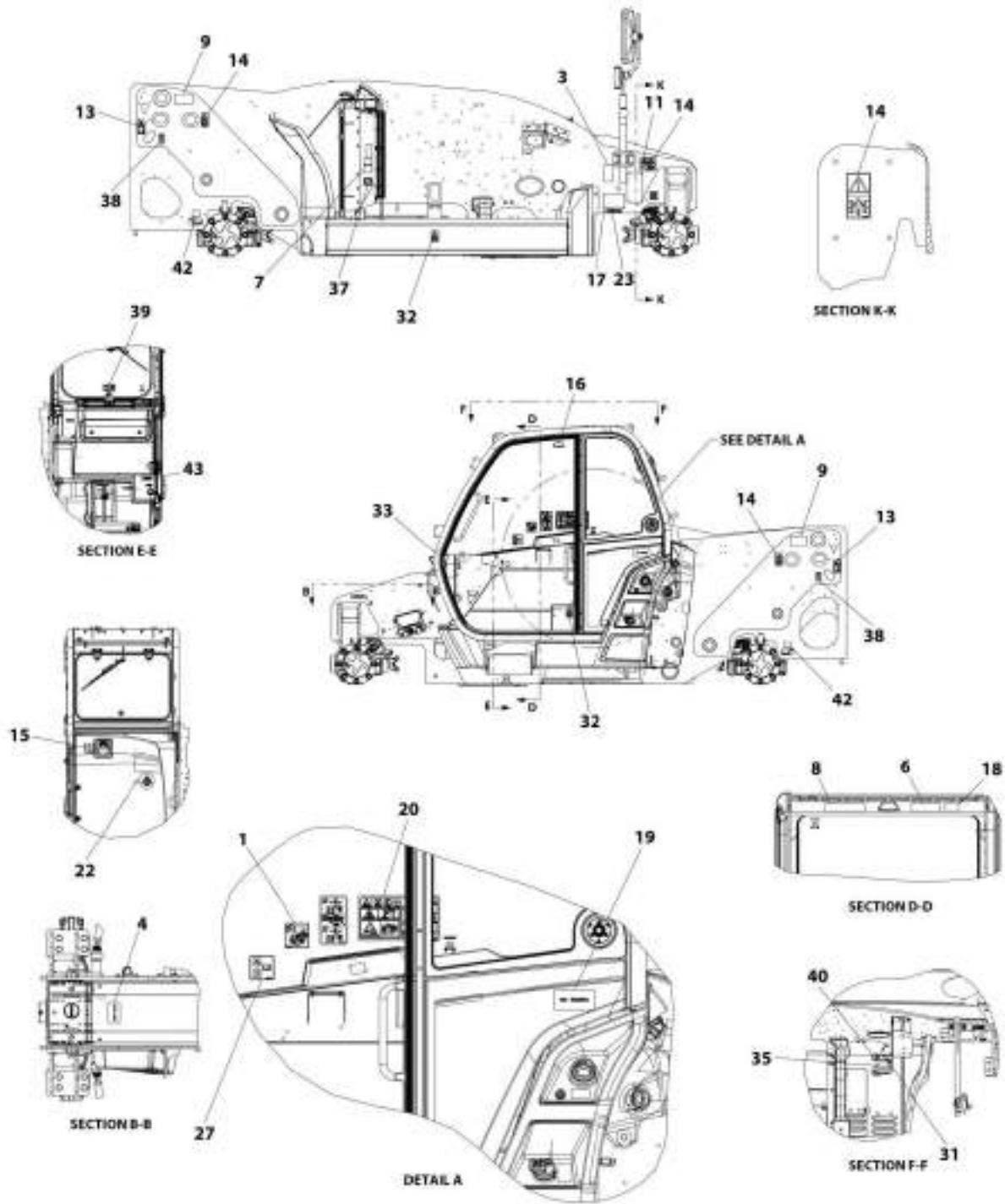
**FIGURE 11-3. DECALS INSTALLATION (ULS) (CE)**

ITEM	PART NUMBER	QTY	DESCRIPTION	REV
	1001201866	Ref	Decals Installation (ULS)	F
1	1001227287	1	Decal, Manual Location	
3	1706098	1	Decal, Warning Ether Start	
4	1706281	1	Decal, Battery Warning	
5	1001223875	1	Decal, No Standing On Forks	
6	1706284	1	Decal, Electrocutation Hazard	
7	1706285	1	Decal, Moving Parts (ISO)	
8	1706288	1	Decal, Tip Over Warning	
9	1706292	2	Decal, Pinch Point Boom Holes	
10	1001100957	2	Decal, Lift/Tie Down Point	
11	8005671	2	Decal, Cylinder Lock Warning	
12	8005675	2	Decal, Watch for Raised Boom Warning	
13	8006612	2	Decal, Stay Clear of Swing Area	
14	8008657	4	Decal, Set Brake Lever Warning	
15	1001094708	1	Decal, Hydraulic Oil	
17	1001009178	4	Tack, Metal	
18	1001092877	1	Decal, Crush Hazard Warning	
19	1001092878	1	Decal, No Riders	
20	1001101895	1	Decal, Cab Warning	
22	1001130323	1	Decal, Oil Level	
23	1001139647	1	Decal, Nameplate Serial Number	
24	1001139654	1	Decal, Ultra Low Sulphur Fuel	
27	1001172035	1	Decal, No Weld Or Drill	
30	1001214206	1	Decal, Park Brake	
31	1001184632	1	Decal, Battery Positive	
32	1001189154	2	Decal, Read Operators Manual Instruction	
33	1001191229	1	Decal, Fuse Panel	
35	1001195855	1	Decal, Battery Disconnect	
36	1001196806	1	Decal, Diesel Exhaust Fluid	
37	AU2105	1	Decal, No Karcher	
38	8005616	2	Decal, Lifting Point	
39	8005870	1	Decal, Emergency Exit	
40	1001008540	1	Plate, Battery	
42	4109801	2	Decal, Tie Down Point	



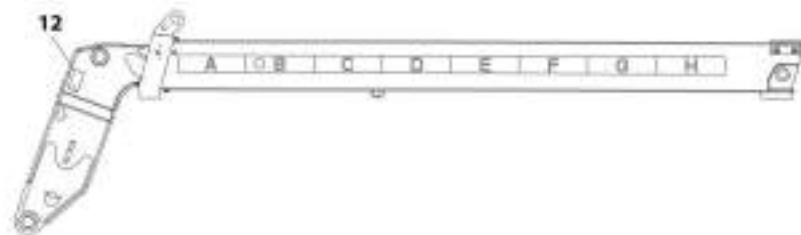
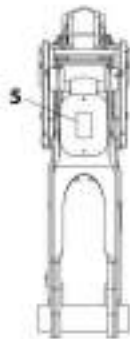
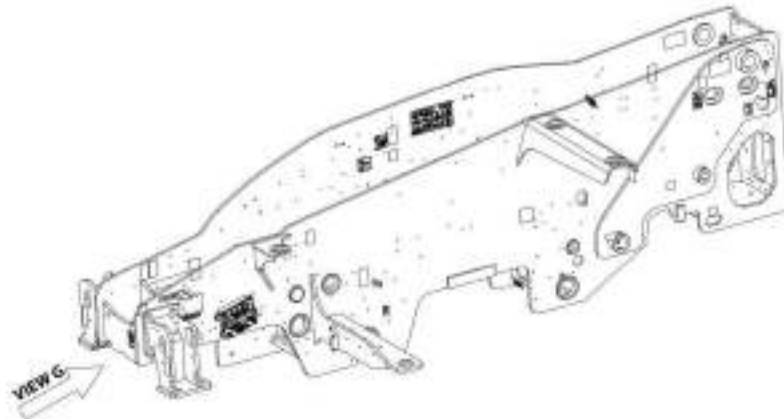
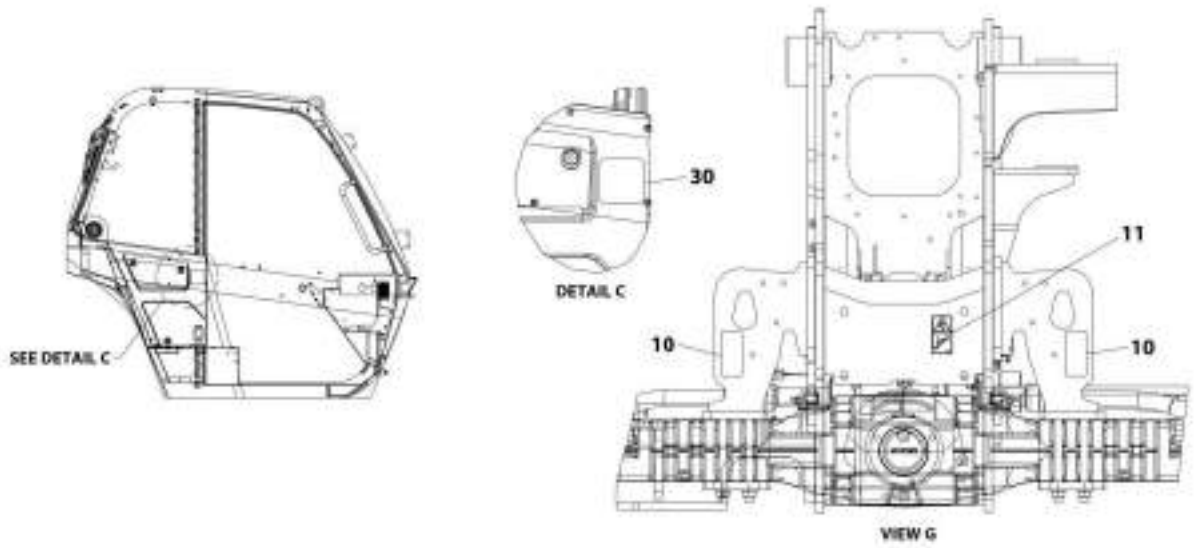
# SECTION 11 - DECALS

## FIGURE 11-4. DECALS INSTALLATION (LS) (AUS - JLG)



AFT\_1001201862\_1-F

# SECTION 11 - DECALS



ART\_1001201867\_2-F

# SECTION 11 - DECALS

FIGURE 11-4. DECALS INSTALLATION (LS) (AUS - JLG)

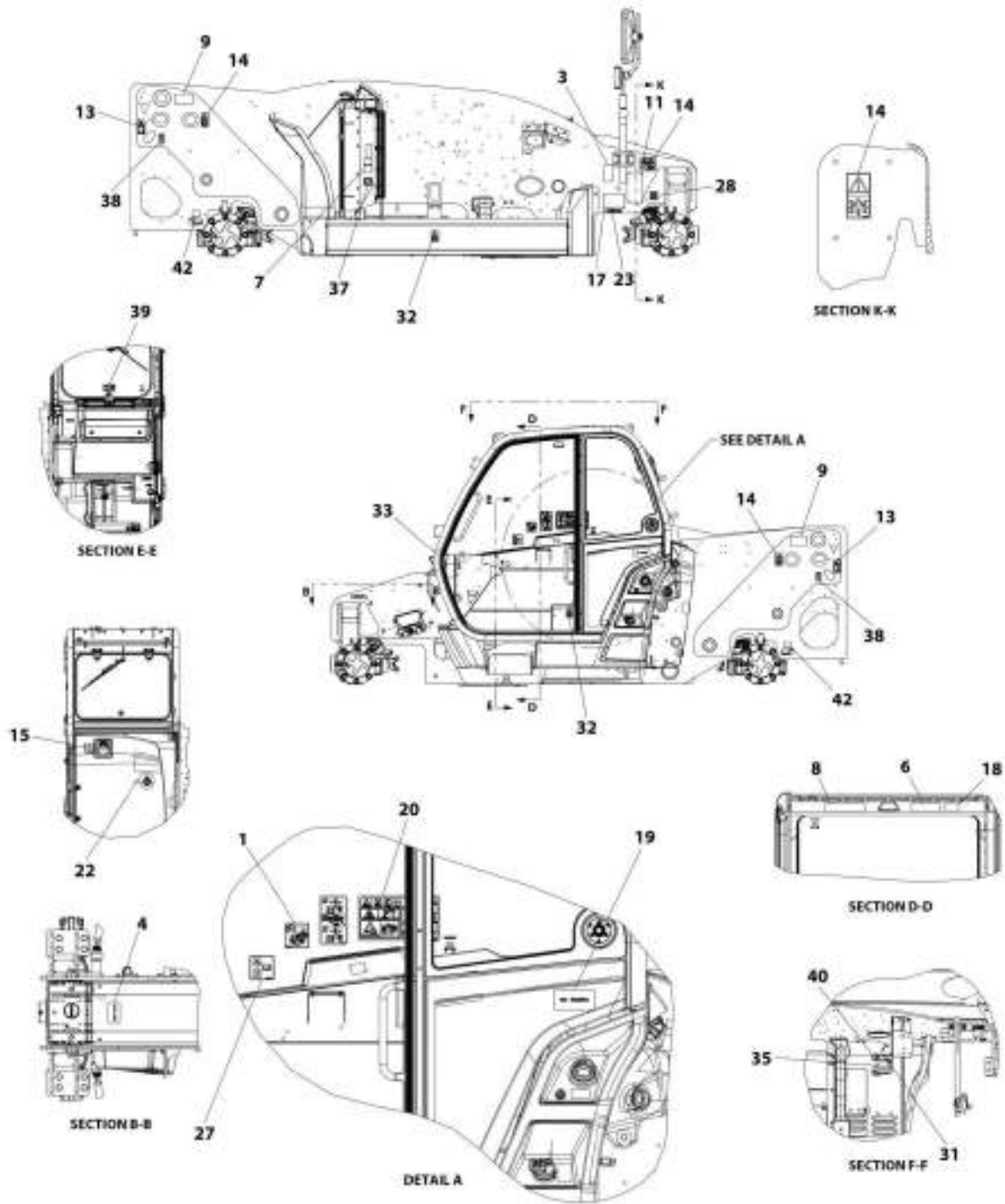
ITEM	PART NUMBER	QTY	DESCRIPTION	REV
	1001201867	Ref	Decals Installation (LS)	F
1	1001227287	1	Decal, Manual Location	
3	1706098	1	Decal, Warning Ether Start	
4	1706281	1	Decal, Battery Warning	
5	1001223875	1	Decal, No Standing On Forks	
6	1706284	1	Decal, Electrocutation Hazard	
7	1706285	1	Decal, Moving Parts (ISO)	
8	1706288	1	Decal, Tip Over Warning	
9	1706292	2	Decal, Pinch Point Boom Holes	
10	1001100957	2	Decal, Lift/Tie Down Point	
11	8005671	2	Decal, Cylinder Lock Warning	
12	8005675	2	Decal, Watch for Raised Boom Warning	
13	8006612	2	Decal, Stay Clear of Swing Area	
14	8008657	4	Decal, Set Brake Lever Warning	
15	1001094708	1	Decal, Hydraulic Oil	
16	8466306	1	Gage, Tilt Angle	
17	1001009178	4	Tack, Metal	
18	1001092877	1	Decal, Crush Hazard Warning	
19	1001092878	1	Decal, No Riders	
20	1001101895	1	Decal, Cab Warning	
22	1001130323	1	Decal, Oil Level	
23	1001155231	1	Decal, Nameplate Serial Number AUS	
27	1001172035	1	Decal, No Weld Or Drill	
30	1001214206	1	Decal, Park Brake	
31	1001184632	1	Decal, Battery Positive	
32	1001189154	2	Decal, Read Operators Manual Instruction	
33	1001191229	1	Decal, Fuse Panel	
35	1001195855	1	Decal, Battery Disconnect	
37	AU2105	1	Decal, No Karcher	
38	8005616	2	Decal, Lifting Point	
39	8005870	1	Decal, Emergency Exit	
40	1001008540	1	Plate, Battery	
42	4109801	2	Decal, Tie Down Point	
43	1001155230	1	Decal, Cab AUS Safety	





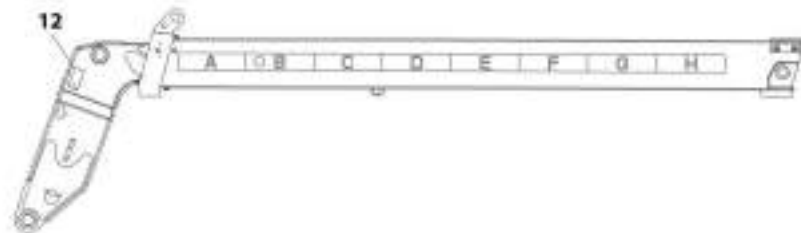
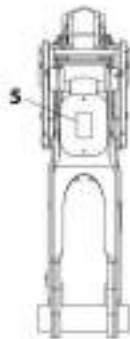
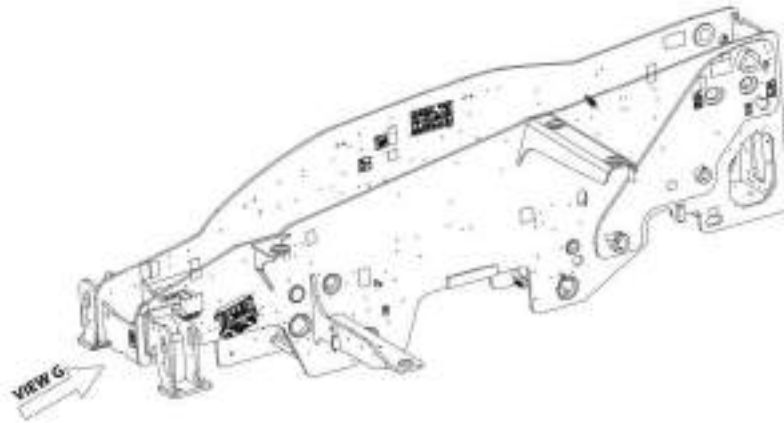
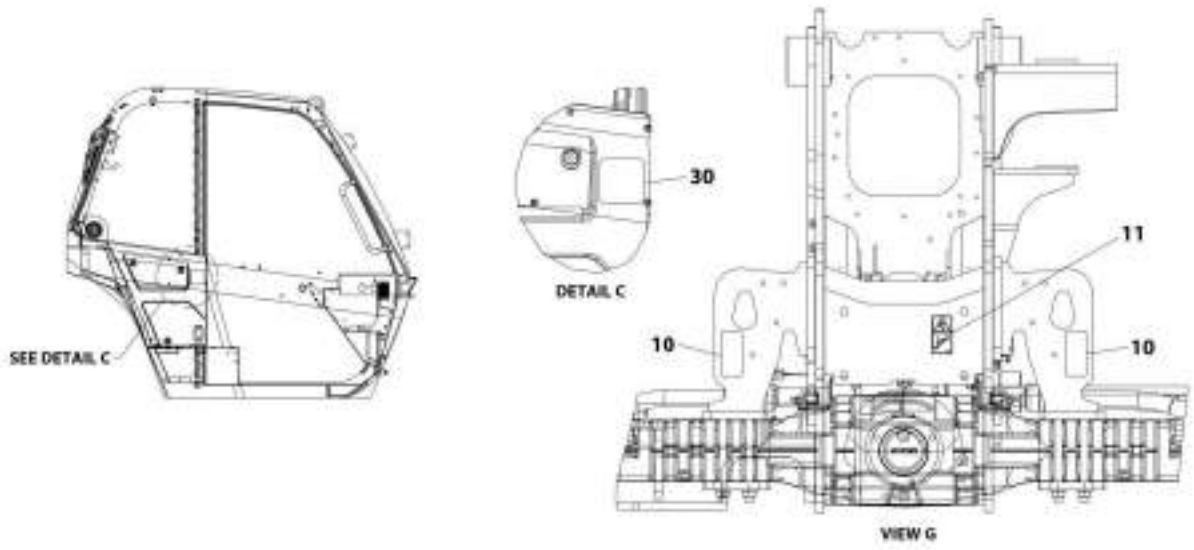
# SECTION 11 - DECALS

## FIGURE 11-5. DECALS INSTALLATION (LS) (CIS - JLG)



AFT\_1001201868\_1-F

# SECTION 11 - DECALS



WRT\_1001225/868\_2.F

## SECTION 11 - DECALS

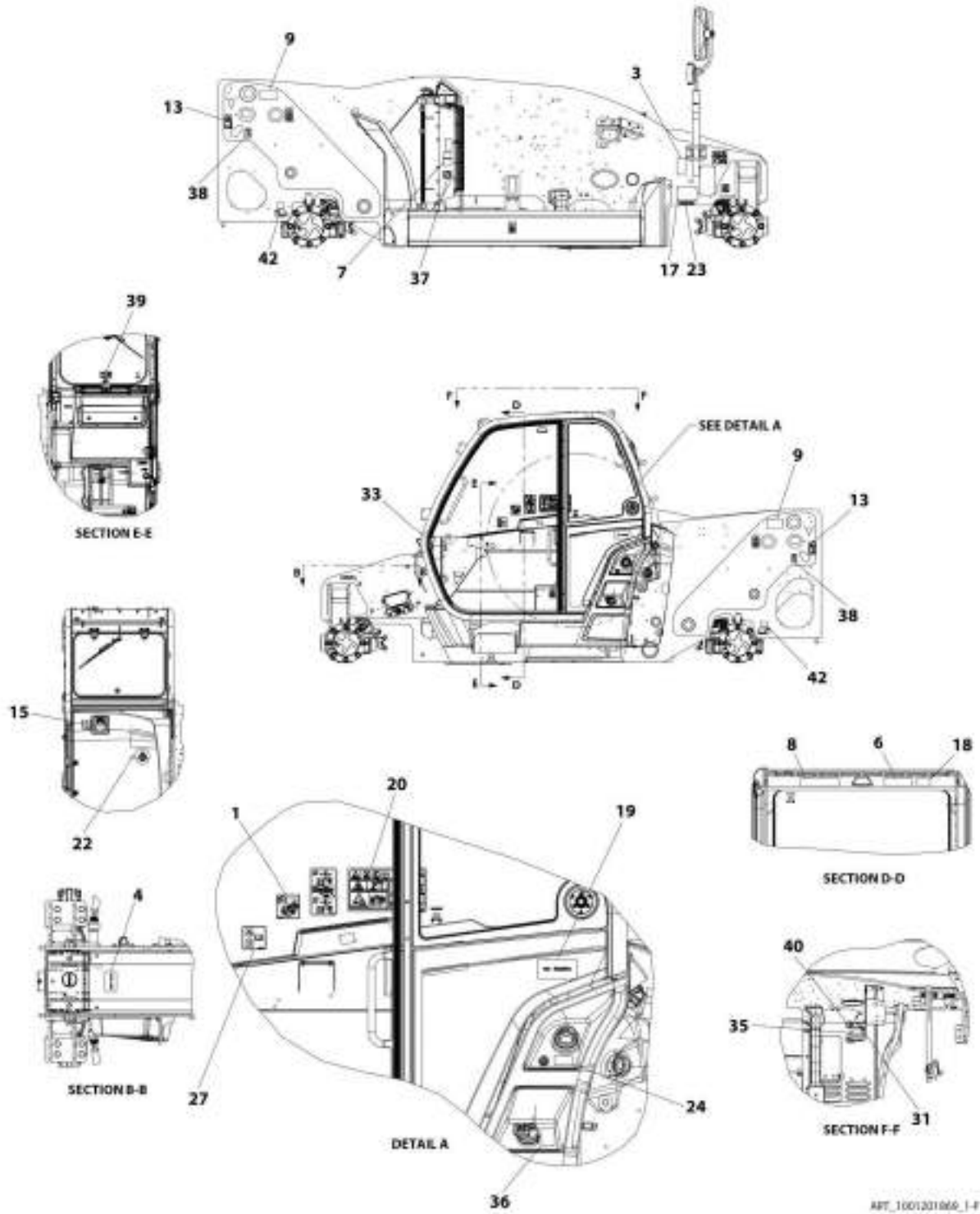
FIGURE 11-5. DECALS INSTALLATION (LS) (CIS - JLG)

ITEM	PART NUMBER	QTY	DESCRIPTION	REV
	1001201868	Ref	Decals Installation (LS)	F
1	1001227287	1	Decal, Manual Location	
3	1706098	1	Decal, Warning Ether Start	
4	1706281	1	Decal, Battery Warning	
5	1001223875	1	Decal, No Standing On Forks	
6	1706284	1	Decal, Electrocutation Hazard	
7	1706285	1	Decal, Moving Parts (ISO)	
8	1706288	1	Decal, Tip Over Warning	
9	1706292	2	Decal, Pinch Point Boom Holes	
10	1001100957	2	Decal, Lift/Tie Down Point	
11	8005671	2	Decal, Cylinder Lock Warning	
12	8005675	2	Decal, Watch for Raised Boom Warning	
13	8006612	2	Decal, Stay Clear of Swing Area	
14	8008657	4	Decal, Set Brake Lever Warning	
15	1001094708	1	Decal, Hydraulic Oil	
17	1001009178	4	Tack, Metal	
18	1001092877	1	Decal, Crush Hazard Warning	
19	1001092878	1	Decal, No Riders	
20	1001101895	1	Decal, Cab Warning	
22	1001130323	1	Decal, Oil Level	
23	1001139647	1	Decal, Nameplate Serial Number	
27	1001172035	1	Decal, No Weld Or Drill	
28	1001173703	1	Decal, EAC	
30	1001214206	1	Decal, Park Brake	
31	1001184632	1	Decal, Battery Positive	
32	1001189154	2	Decal, Read Operators Manual Instruction	
33	1001191229	1	Decal, Fuse Panel	
35	1001195855	1	Decal, Battery Disconnect	
37	AU2105	1	Decal, No Karcher	
38	8005616	2	Decal, Lifting Point	
39	8005870	1	Decal, Emergency Exit	
40	1001008540	1	Plate, Battery	
42	4109801	2	Decal, Tie Down Point	

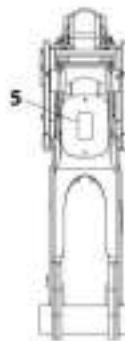
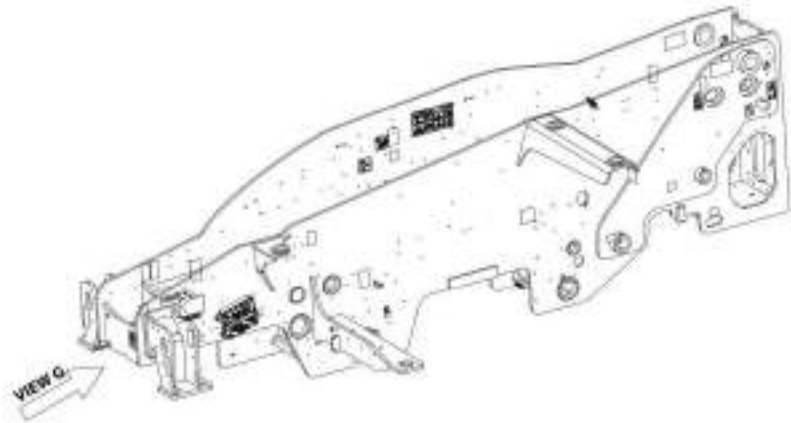
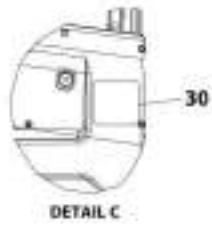
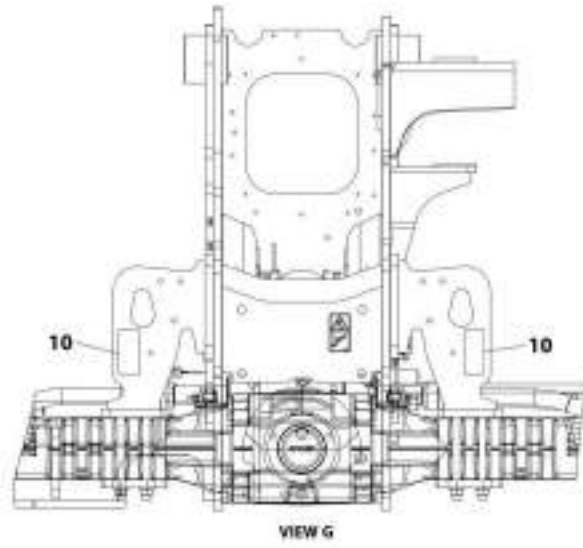


# SECTION 11 - DECALS

## FIGURE 11-6. DECALS INSTALLATION (ULS) (ANSI - JLG)



# SECTION 11 - DECALS



ART\_1001205869\_2.F

# SECTION 11 - DECALS

FIGURE 11-6. DECALS INSTALLATION (ULS) (ANSI - JLG)

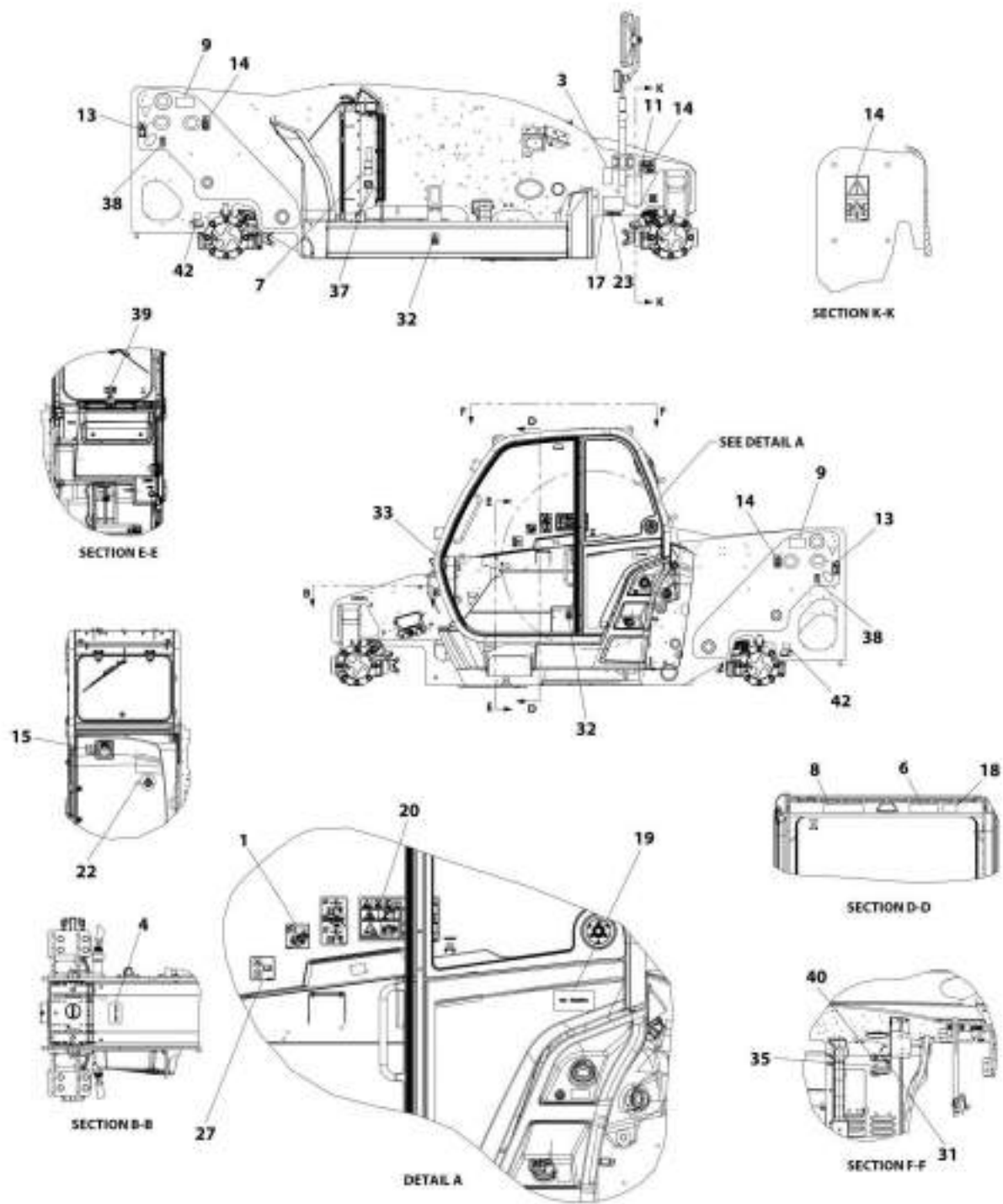
ITEM	PART NUMBER	QTY	DESCRIPTION	REV
	1001201869	Ref	Decals Installation (ULS)	F
1	1001227287	1	Decal, Manual Location	
3	1706098	1	Decal, Ether Warning	
4	1706296	1	Decal, Battery Warning (ANSI)	
5	1001102750	1	Decal, No Standing On Forks	
6	1706299	1	Decal, Contacting Power Lines Warning	
7	1706301	1	Decal, Keep Clear Of Rotating Parts Warning	
8	1706306	1	Decal, Tip Over Warning	
9	1706302	2	Decal, Pinch Point Boom Holes	
10	1001100957	2	Decal, Lift/Tie Down Point	
13	8006612	2	Decal, Stay Clear of Swing Area	
15	1001094708	1	Decal, Hydraulic Oil	
17	1001009178	4	Tack, Metal	
18	1706850	1	Decal, Crush Hazard Warning	
19	1706768	1	Decal, Vehicle Roll Away	
20	1707078	1	Decal, Warning/Danger	
22	1001130323	1	Decal, Oil Level	
23	1001174911	1	Decal, Nameplate Serial Number	
24	1001125387	1	Decal, Ultra Low Sulfur Diesel	
27	1001172035	1	Decal, No Weld or Drill	
30	1001214206	1	Decal, Park Brake	
31	1001184632	1	Decal, Battery Positive	
33	1001191229	1	Decal, Fuse Panel	
35	1001195855	1	Decal, Battery Disconnect	
36	1001196806	1	Decal, Diesel Exhaust Fluid	
37	AU2105	1	Decal, No Karcher	
38	8005616	2	Decal, Lifting Point	
39	8005870	1	Decal, Emergency Exit	
40	1001008540	1	Plate, Battery	
42	4109801	2	Decal, Tie Down Point	





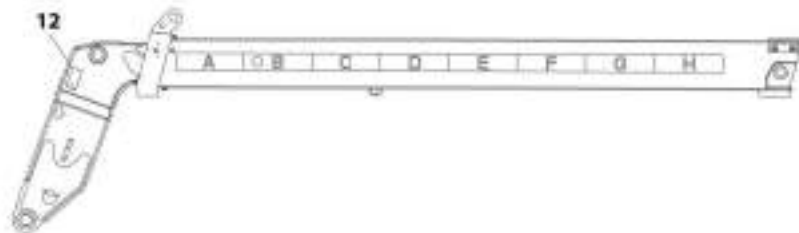
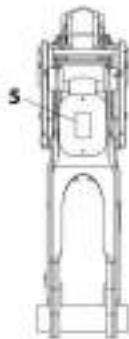
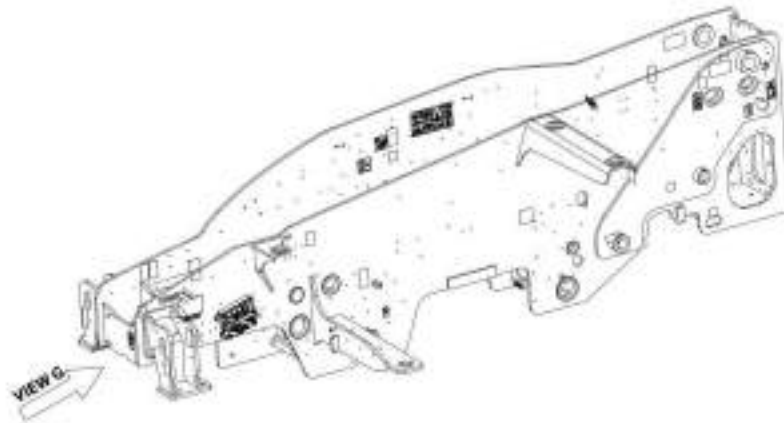
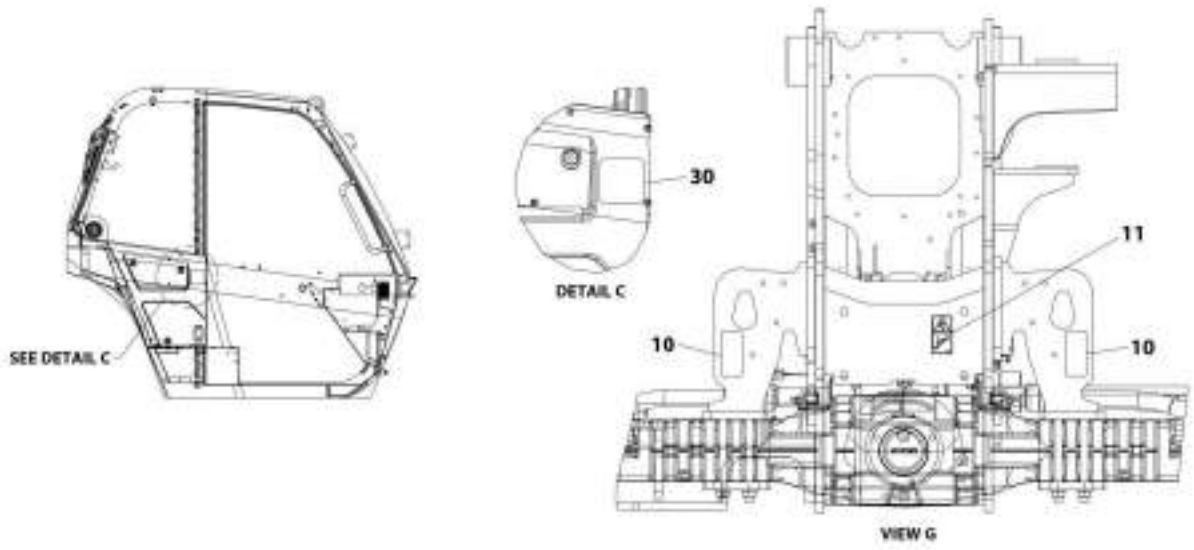
# SECTION 11 - DECALS

## FIGURE 11-7. DECALS INSTALLATION (LS) (JLG)



AFT\_1001201070\_1-F

# SECTION 11 - DECALS



WRT\_1001225/070\_2/F

# SECTION 11 - DECALS

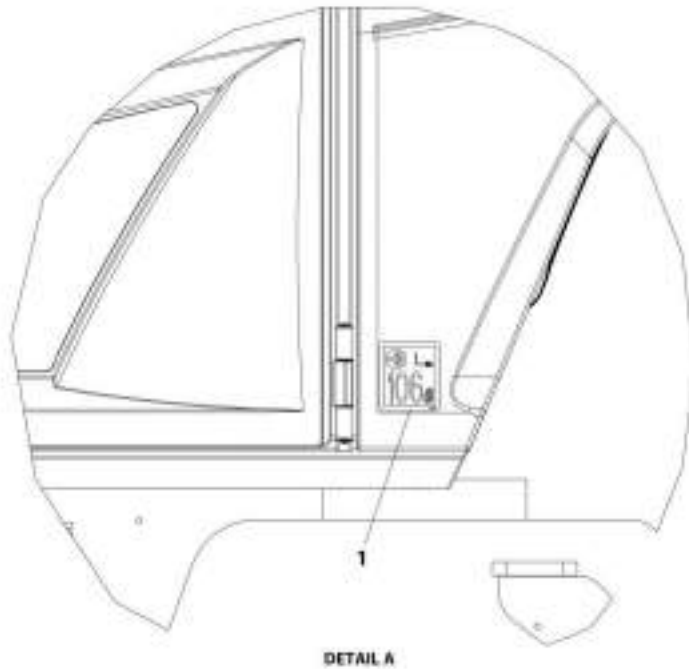
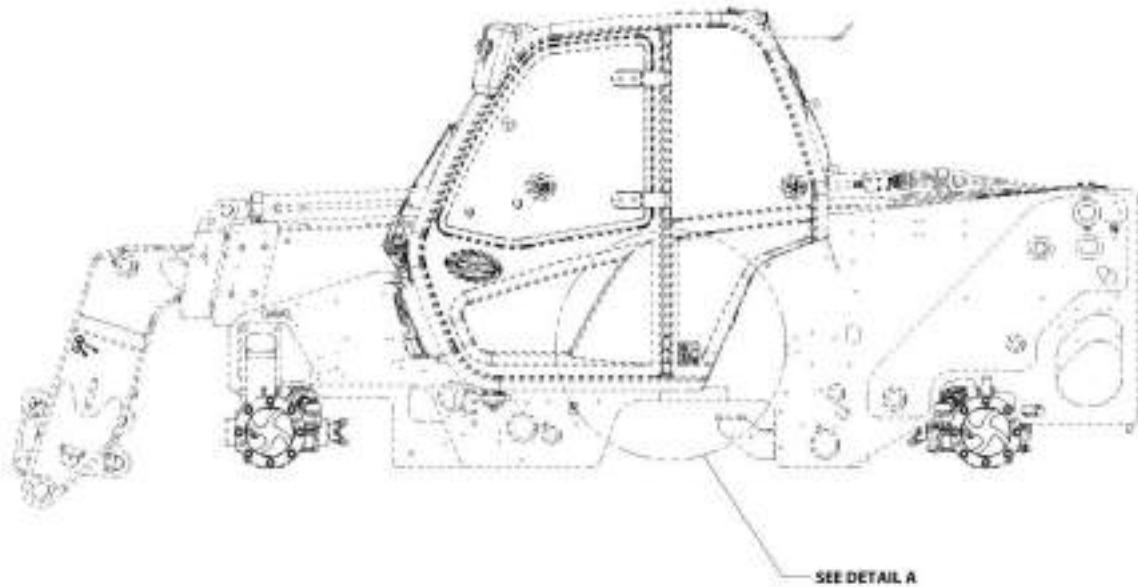
FIGURE 11-7. DECALS INSTALLATION (LS) (JLG)

ITEM	PART NUMBER	QTY	DESCRIPTION	REV
	1001201870	Ref	Decals Installation (LS)	F
1	1001227287	1	Decal, Manual Location	
3	1706098	1	Decal, Warning Ether Start	
4	1706281	1	Decal, Battery Warning	
5	1001223875	1	Decal, No Standing On Forks	
6	1706284	1	Decal, Electrocutation Hazard	
7	1706285	1	Decal, Moving Parts (ISO)	
8	1706288	1	Decal, Tip Over Warning	
9	1706292	2	Decal, Pinch Point Boom Holes	
10	1001100957	2	Decal, Lift/Tie Down Point	
11	8005671	2	Decal, Cylinder Lock Warning	
12	8005675	2	Decal, Watch for Raised Boom Warning	
13	8006612	2	Decal, Stay Clear of Swing Area	
14	8008657	4	Decal, Set Brake Lever Warning	
15	1001094708	1	Decal, Hydraulic Oil	
17	1001009178	4	Tack, Metal	
18	1001092877	1	Decal, Crush Hazard Warning	
19	1001092878	1	Decal, No Riders	
20	1001101895	1	Decal, Cab Warning	
22	1001130323	1	Decal, Oil Level	
23	1001139647	1	Decal, Nameplate Serial Number	
27	1001172035	1	Decal, No Weld Or Drill	
30	1001214206	1	Decal, Park Brake	
31	1001184632	1	Decal, Battery Positive	
32	1001189154	2	Decal, Read Operators Manual Instruction	
33	1001191229	1	Decal, Fuse Panel	
35	1001195855	1	Decal, Battery Disconnect	
37	AU2105	1	Decal, No Karcher	
38	8005616	2	Decal, Lifting Point	
39	8005870	1	Decal, Emergency Exit	
40	1001008540	1	Plate, Battery	
42	4109801	2	Decal, Tie Down Point	



# SECTION 11 - DECALS

## FIGURE 11-8. DECAL SOUND PLATE INSTALLATION (106DB)



ART\_100122845-A

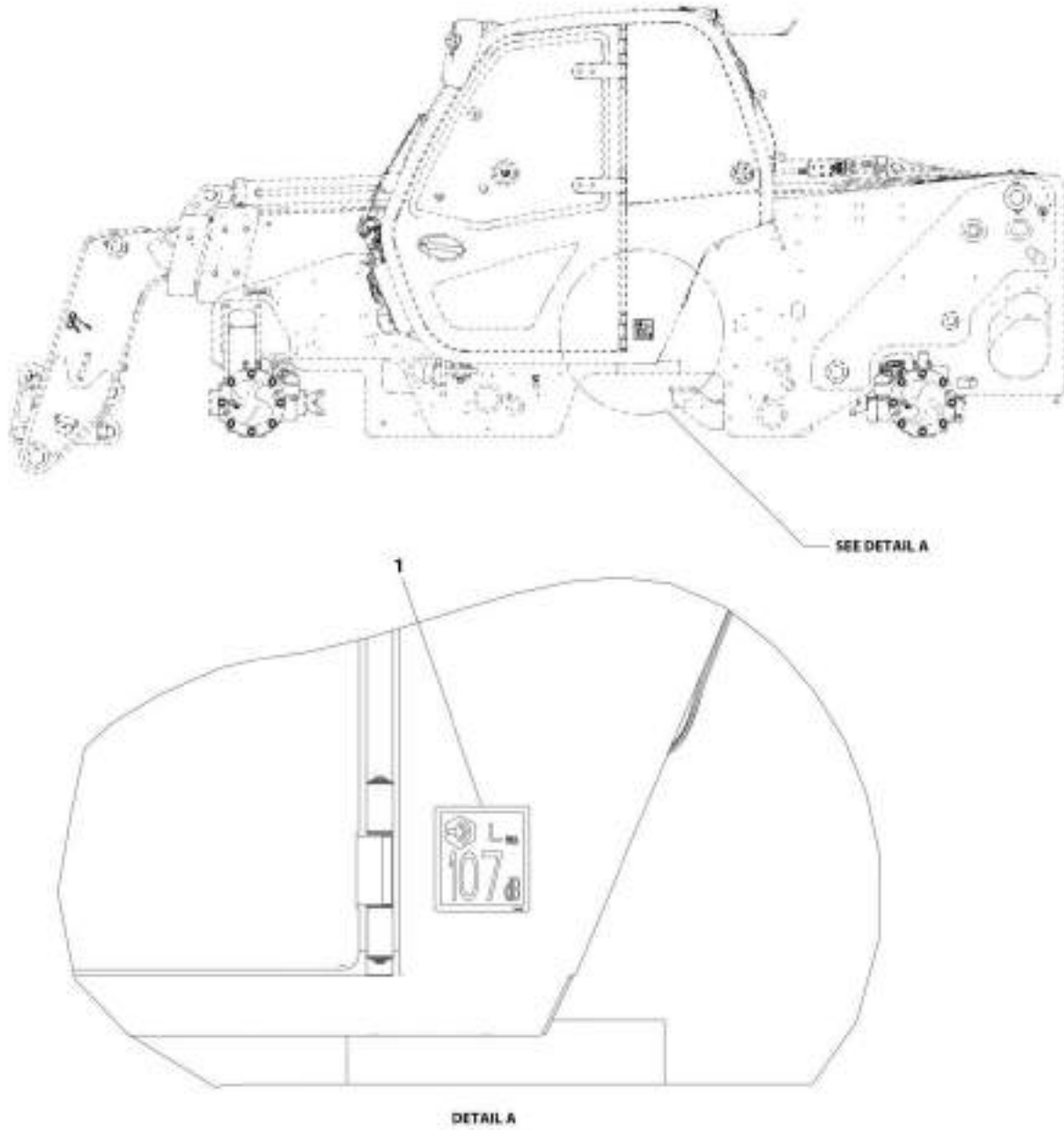
## SECTION 11 - DECALS

**FIGURE 11-8. DECAL SOUND PLATE INSTALLATION (106DB)**

ITEM	PART NUMBER	QTY	DESCRIPTION	REV
1	1001220865 1705980	Ref 1	Decal Sound Plate Installation (106db) Decal, Acoustic Power (106db)	A

# SECTION 11 - DECALS

## FIGURE 11-9. DECAL SOUND PLATE INSTALLATION (107DB)



ART\_1001220941-A



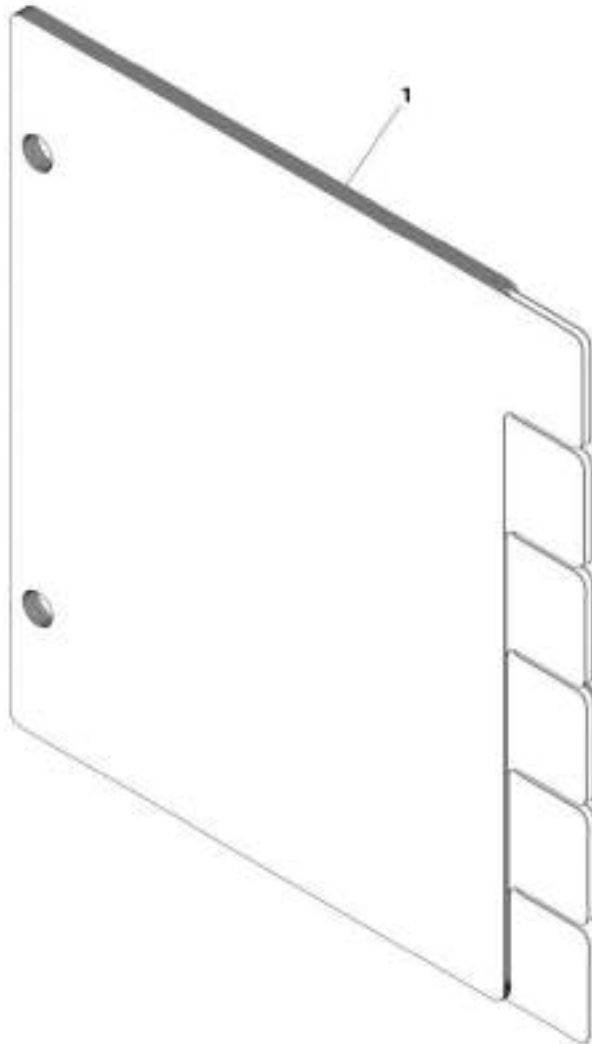
## SECTION 11 - DECALS

**FIGURE 11-9. DECAL SOUND PLATE INSTALLATION (107DB)**

ITEM	PART NUMBER	QTY	DESCRIPTION	REV
1	1001220541	Ref	Decal Sound Plate Installation (107db)	A
	1001102782	1	Decal, Plate-Exterior Sound (107db)	

# SECTION 11 - DECALS

FIGURE 11-10. LOAD CHART 10M (JLG) (METRIC)



ART\_1001183657-8

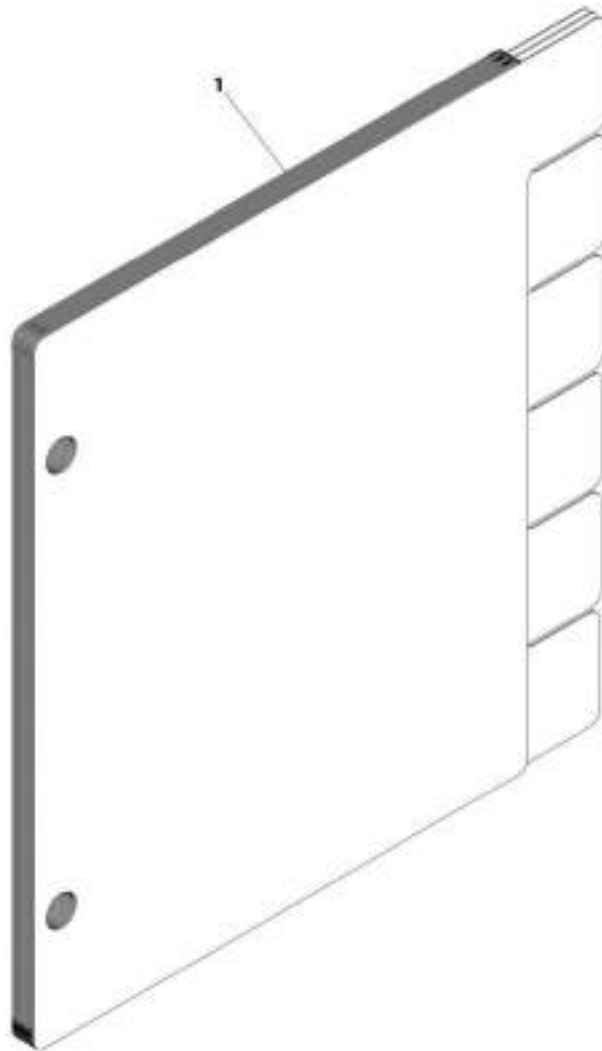
## SECTION 11 - DECALS

**FIGURE 11-10. LOAD CHART 10M (JLG) (METRIC)**

ITEM	PART NUMBER	QTY	DESCRIPTION	REV
	1001183657	Ref	Load Chart 10M (JLG) (Metric)	B

# SECTION 11 - DECALS

FIGURE 11-11. LOAD CHART 10M (JLG) (AUS)



ART\_100163603-A

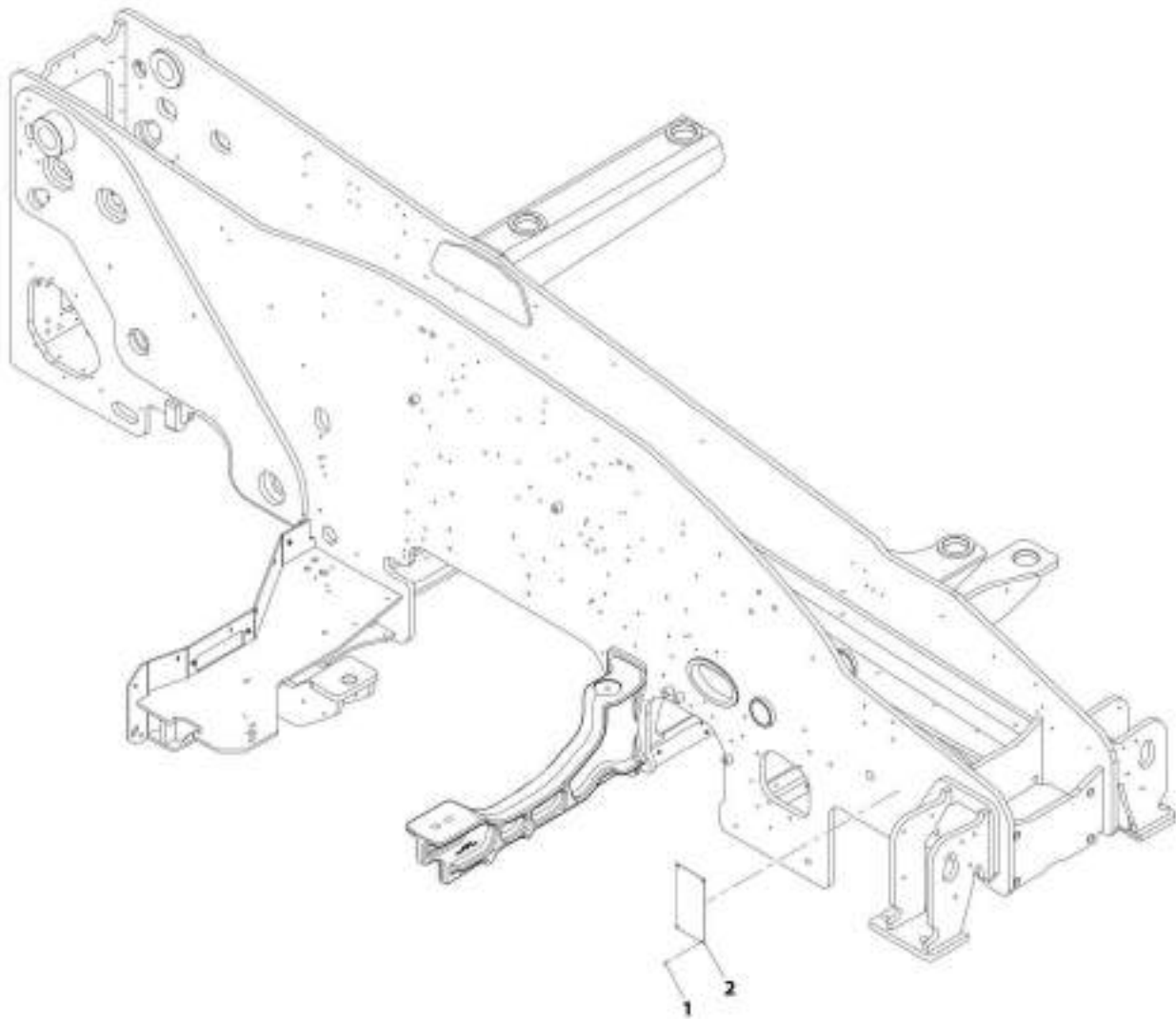
## SECTION 11 - DECALS

**FIGURE 11-11. LOAD CHART 10M (JLG) (AUS)**

ITEM	PART NUMBER	QTY	DESCRIPTION	REV
	1001183659	Ref	Load Chart 10M (JLG) (AUS)	A

# SECTION 11 - DECALS

## FIGURE 11-12. HOMOLOGATION PLATE INSTALLATION



AWT\_1001225457-B

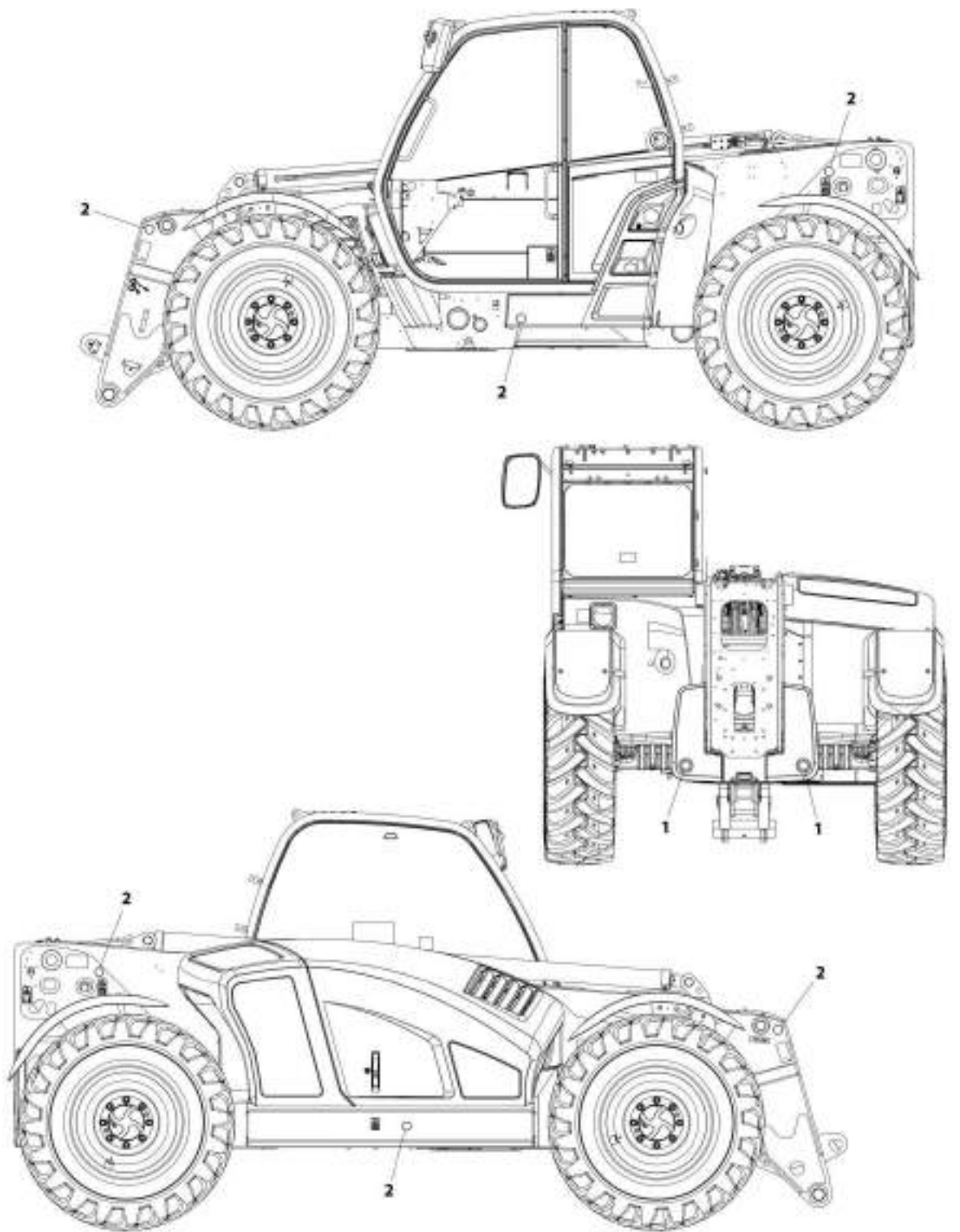
## SECTION 11 - DECALS

### FIGURE 11-12. HOMOLOGATION PLATE INSTALLATION

ITEM	PART NUMBER	QTY	DESCRIPTION	REV
	1001225657	Ref	Homologation Plate Installation	B
1	1001009178	4	Tack, Metal	
2	1001232659	1	Plate, Homologation	

# SECTION 11 - DECALS

## FIGURE 11-13. REFLECTORS INSTALLATION



ART\_1001212513-A



**FIGURE 11-13. REFLECTORS INSTALLATION**

<b>ITEM</b>	<b>PART NUMBER</b>	<b>QTY</b>	<b>DESCRIPTION</b>	<b>REV</b>
	1001212513	Ref	Reflectors Installation	A
1	3700015	2	Reflector, Rear	
2	3700016	6	Reflector, Rear	



## SECTION 12 - RECOMMENDED SPARE PARTS

## SECTION 12 - RECOMMENDED SPARE PARTS

## SECTION 12 - RECOMMENDED SPARE PARTS

FIGURE 12-1. RECOMMENDED SPARE PARTS

ITEM	PART NUMBER	QTY	DESCRIPTION	REV
		Ref	<b>Frame and Attaching Parts</b>	
	1001142658	1	Cap, Fuel	
	1001142659	1	Cap, Hydraulic	
		Ref	<b>Boom</b>	
	1001147731	AR	Shim, M1X45X185	
	1001147657	AR	Pad, M15X45X181	
	1001175853	AR	Pad, M38X45X181	
	1001148147	AR	Shim, M1X67.5X185	
	1001148103	AR	Pad, M15X67.5X181	
	1001175911	AR	Pad, M38X45X181	
		Ref	<b>Engine and Attaching Parts</b>	
	7016331	1	Filter, Oil	
	70024961	1	Prefilter, Fuel (74.4 KW)	
	70027417	1	Fuel Filter (74.4KW & 100KW)	
	70004511	1	Filter, Fuel (90KW)	
	70025153	1	Prefilter, Fuel (90KW & 100KW)	
	70027657	1	Dipstick	
	70027403	1	V-Belt (ULS)	
	70025478	1	V-Belt (LS)	
		Ref	<b>Cab</b>	
	1001172546	1	Filter, HVAC Fresh Air Filter	
	1001172553	1	Filter, HVAC Recirculation Air	
	1001141281	1	Blade, 800mm	
	1001141313	1	Blade, Roof 500mm	
		Ref	<b>Hydraulic Components</b>	
	70026848	1	Kit, Lift Cylinder Seal	
	70027228	1	Kit, Tilt Cylinder Seal	
	70027086	1	Kit, Outer Extend/Retract Seal	
	70027067	1	Kit, Inner Extend/Retract Seal	
	70027238	1	Kit, Compensation Cylinder Seal	
		Ref	<b>Electrical</b>	
	0400075	1	Battery (Standard)	
	1001167212	2	Battery (Dual)	
	1001218328	1	Key	

**PART NUMBER INDEX**

# PART NUMBER INDEX

0100011.....143, 145, 149	0701214 ... 363, 365, 377, 379	0760814 ..... 425, 439	1001003475.....255
0240063.....251	0701215 ..... 1173, 1175	0760815 ... 363, 713, 985, 1229	1001003590..95, 97, 419, 439, 923, 925, 927
0240117.....273	0701217.325, 1173, 1175	0760816 ..... 463, 465	1001003596.....903
0240118.....275	0701229 ..... 117, 119	0760823 ..... 59, 443, 445	1001003803.....69
0400075.....1115, 1296	0701232 ..... 117, 119	0761007 ..965, 967, 1115	1001003809.....885
0498748.....705	0701616 ... 71, 73, 79, 83, 87	0761008 ..... 959, 961	1001003934.....379
0630576.....37, 39, 419	0701617 ..... 91	0761010 ... 25, 27, 31, 33, 35, 95, 97, 99, 365, 377, 395, 421, 423, 427, 549, 551, 553, 885, 887, 941, 947, 963, 1115, 1117, 1151, 1153, 1227, 1229, 1231, 1239, 1241, 1251	1001004143.....379
0630609.....981, 983	0701626 ..... 339, 341	0761011 ..... 439	1001004144.....947, 963
0641405.....291	0701628 ..... 339, 341	0761012 ... 25, 27, 37, 39, 59, 355, 357, 359, 361, 363, 365, 393, 395, 397, 447, 459, 461, 473, 865, 897, 899, 969, 971, 973, 975, 1035, 1063, 1065, 1083, 1095, 1115, 1117, 1217	1001004617.....241
0641510.....293	0701630 ... 339, 341, 993	0761014 ... 363, 365, 953, 977, 979, 981, 983, 1173, 1175	1001004618.....241
0641612.....143, 145, 149	0701631 ..... 55, 103	0761015 .... 549, 551, 553	1001004619.....241
0642032....135, 137, 139, 143, 145, 149	0711215 ..... 109	0761210 ..... 421, 423	1001004620.....241
0681810.....143, 145, 149	0711216 ..... 107	0761212 ..... 25, 27, 541, 1083, 1095	1001004640.....897, 899
0700408.883, 1151, 1153	0711217 ..... 109	0761214 ..... 25, 27, 541, 1083, 1095	10010046420.....1217
0700608.....441	0711228 ..... 105	0761215 ..... 59, 339, 341	1001004723...1063, 1065
0700610....25, 27, 37, 39, 97, 419, 421, 423, 435, 471, 735, 889, 1109, 1163, 1165, 1167, 1181, 1183, 1185, 1187	0711616 ..... 95, 97	0761216 ..... 341	1001005038.....857, 859
0700612..419, 747, 1173, 1175	0712027 ..... 681	0761217 ..... 25, 27	1001005193.....857, 969, 973
0700614....293, 363, 421, 423, 784, 788, 837, 839, 1103, 1109, 1163, 1165, 1167, 1173, 1175	0712030 ..... 477, 479	0761228 ..... 995	1001005262.....935, 937, 939
0700618...977, 979, 1120	0712040 ..... 477, 479	0761412 ..... 1255	1001005267.....69
0700620.....95, 97, 1165	0712439 ..... 55	0761612 ..... 185, 187	1001005368.....703
0700624.....447	0741610 .... 143, 145, 149	0761619 ..... 339, 341	10010055893.....981, 983
0700814.....65	0750804 .... 691, 693, 695	0770810 ..... 375, 419	1001005904.....935, 937, 939, 973, 975
0700815.....951	0760410 ..... 1177	0770814 ..... 879	1001005960.....1259
0700816....385, 387, 389, 391	0760507 . 117, 453, 1083, 1095	0771212 ..... 109, 111	1001005980.....837, 839
0700817....457, 833, 977, 979, 981, 983	0760512 ..... 853	0771618 ..... 69	1001005981.....839
0700818.....1109	0760605 ... 403, 405, 705, 873, 875, 881	0860520 ..... 291	1001006730.....777
0700819.....981, 983, 985	0760607 ... 363, 439, 447, 705	0930003 ..... 231	1001006731.....775
0700820....429, 827, 829, 831	0760608 ... 125, 393, 395, 397, 411, 413, 735, 747, 751, 817, 843, 853, 873, 875, 881, 887, 897, 899, 1155, 1241	0930004 ..... 235	1001006954.....859
0700821 .....419	0760610 ..... 1191, 1215	0930006 ..... 229	1001006955.....859
0700822.....943	0760612 ..... 37, 39	0930020 ..... 233	1001007056.....1015
0700823.....439	0760614 ..... 1243	1001001556 ..... 969, 971	1001007543.....197
0700824.....897, 899	0760619 ..... 1093	1001002778 ..... 1175	1001007641.....843, 845
0700826.....441, 1225	0760805 ..... 1219	1001002779 ..... 1175	1001008436.....837, 841
0700827 ..... 173, 175	0760806 ..... 427	1001002946 ..... 713	1001008450.....987
0701011 ....977, 979, 981, 983	0760807 ..... 949	1001002947 ..... 713	1001008462.....477, 479
0701012....377, 379, 425, 429, 549, 923, 977, 979, 981, 983	0760808 ... 117, 119, 447, 749, 847, 849, 1083, 1093, 1095, 1103, 1163, 1165, 1167, 1197, 1227, 1229, 1231	1001002953 ..... 713	1001008469.....889
0701014.25, 27, 121, 365, 471, 819, 923	0760810 ... 31, 33, 35, 37, 39, 41, 43, 45, 47, 49, 51, 53, 95, 97, 105, 363, 365, 393, 397, 435, 439, 441, 463, 465, 657, 749, 759, 765, 767, 779, 781, 784, 788, 827, 831, 851, 873, 875, 903, 933, 965, 967, 977, 981, 985, 1083, 1095, 1159, 1181	1001002957 ..... 713	1001008475.....841, 845
0701016....387, 389, 393, 395, 397, 473, 969, 971, 973, 975	0760812 ..... 61, 103, 111, 375, 377, 379, 411, 413, 419, 421, 423, 439, 713, 865, 903	1001003043 ..... 701	1001008540..1264, 1268, 1272, 1276, 1280
0701018.....429, 471		1001003064 ..... 241	1001008540..1264, 1268, 1272, 1276, 1280
0701019.....947		1001003301 ..... 65	100100855999, 459, 461, 473, 543, 545, 1063, 1065, 1083, 1095, 1155, 1219, 1233
0701020.....459		1001003305 .... 355, 357, 359, 361, 447, 959, 961, 979, 983, 1063, 1065, 1083, 1095	1001008572.....965, 967
0701021 ....969, 971, 973, 975		1001003391 .. 1173, 1175	1001008573.....459
0701022.....1237		1001003427 ..... 63	1001008574.....447
0701024.....61		1001003439 ..... 19	1001008575.....61
0701029.....153		1001003474 ..... 255	1001008580.....421, 423
0701030.....471			1001008586.....983

## PART NUMBER INDEX

1001008773 ..... 941, 947	1001092298..... 115	1001099902.....253	1001107192 ..... 705
1001008804 ..... 429, 941, 947, 949	1001092391..... 193	1001100262.....325	1001107336 ..... 133
1001008805 . 95, 97, 933, 935, 937, 939, 983, 985	1001092481..... 285	1001100266.....213	1001107338 ..... 133
1001008857 ..... 713	1001092482..... 285	1001100284.....647	1001107581 ..... 133
1001008863 ..... 965, 967, 985	1001092877.. 1264, 1268, 1272, 1280	1001100442..... 113	1001107854 . 1075, 1076, 1079, 1081, 1124, 1127, 1128, 1145
1001008910 ..... 427	1001092878.. 1264, 1268, 1272, 1280	1001100651.....635, 637	1001108133 ..... 211
1001008922 ..... 429, 965, 967, 969, 971, 973, 975, 985	1001093171.....269	1001100823.....213	1001108661 ..... 1237
1001008923 ... 985, 1189, 1191, 1243	1001093277..... 419	1001100911 ..... 183	1001108857 .. 1227, 1229
1001008926 ..... 1109	1001093401..... 375, 419	1001100912.....195	1001108918 ..... 935, 937, 939
1001008988 ..... 705	1001093826..... 157, 229, 261, 303	1001100957..1264, 1268, 1272, 1276, 1280	1001109113 ..... 197
1001009038 ..... 1241	1001093827..... 157, 229, 261, 303	1001100967 .....257	1001109387 ..... 325
1001009062 ..... 841	1001094301.....447	1001101041.....261, 295, 303, 933, 935, 937, 939, 969, 971, 973, 975	1001109494 ..... 455
1001009105 ..... 241	1001094555..... 141, 147, 151, 157, 229, 231, 235	1001101042.....261, 295, 303, 933, 935, 937, 939, 969, 971, 973, 975	1001110023 .... 935, 937, 939, 973, 975, 1041
1001009124 ..... 845	1001094556..... 141, 147, 151, 157, 229, 231, 235	1001101063.....967	1001110115 ..... 937
1001009163 65, 431, 433, 549, 551, 553	1001094708.. 1264, 1268, 1272, 1276, 1280	1001101064.....965, 967	1001110849 ..... 91, 93
1001009178 . 1264, 1268, 1272, 1276, 1280, 1291	1001094708.. 1264, 1268, 1272, 1276, 1280	1001101064.....965, 967	1001111076 ..... 817
1001009207 ..... 95, 97	1001095301..... 385, 391, 969, 971, 973, 975, 1035	1001101561 .....543	1001111147 ..... 817
1001009375 .. 1083, 1095	1001095336..... 1111	1001101563.....543, 545	1001111317 .... 691, 693, 695, 707, 709
1001009384 ..... 377, 379, 977, 981	1001095401..... 473, 1229	1001101702.....887	1001111424 ..... 1113
1001010240 ..... 425, 427, 429	1001095650..... 1225	1001101855..... 1229	1001111757 ..... 211
1001010646 ..... 775, 777	1001095704..... 1086	1001101895..1264, 1268, 1272, 1280	1001111758 ..... 211
1001010647 ..... 775, 777	1001095804... 1147, 1149	1001101956.....145	1001112559 ..... 321
1001010648 ..... 775, 777	1001095810.....291	1001102080..... 1229	1001112560 ..... 323
1001010649 ..... 775, 777	1001096019.....289	1001102378..... 143, 145, 149	1001112612 ..... 1128
1001010650 ..... 775, 777	1001096020.....289	1001102502..... 1245	1001112796 ..... 1169
1001010838 ..... 841	1001096021.....287	1001102553.....175	1001112923 ..... 647
1001010839 ..... 845	1001096023.....287	1001102554.....173	1001112924 ..... 609, 615
1001010938 ..... 425, 427, 429	1001096024.....289	1001102750..... 1276	1001114787 ... 119, 1013
1001025750 . 1083, 1095, 1219	1001096025.....287	1001102782..... 1285	1001114802 ..... 477, 479
1001026104 ..... 355, 357, 359, 361, 473	1001096162..... 285, 287, 289, 291	1001102813.....291, 293	1001116128 ... 739, 1217, 1219
1001028291 ..... 19	1001096365..... 713	1001103012..... 1126	1001116208 . 1163, 1165, 1167
1001028308 ..... 19	1001096726..... 113	1001103156..... 1239	1001116686 .. 1068, 1073
1001032853 ..... 95, 97	1001096870..... 105, 113	1001103201 .....296	1001116696 . 1076, 1081, 1098
1001033119 ..... 95, 97	1001096913... 1173, 1175	1001103300..... 1239	1001116697 ..... 1126
1001033120 ..... 377, 379	1001097110.....207	1001103530..... 157	1001116698 .. 1126, 1128
1001047062 ..... 705	1001097205.....269	1001103531 .....295	1001116700 .. 1126, 1249
1001059819 ..... 989	1001097244..... 735	1001103533.....157	1001116701 ..... 1088
1001080375 ..... 935, 937	1001097287.....229	1001103637.....285	1001116710 ..... 1101
1001090063 ..... 143, 145, 149	1001097540... 37, 39, 815	1001103640.....933	1001116716 ..... 1126
1001090064 ..... 143, 145, 149	1001097586..... 701	1001103730.....287	1001116723 . 1124, 1125, 1126, 1128
1001090140 ..... 143, 145, 149	1001098146..... 117, 119	1001103736.....289	1001116725 ..... 1086
1001090150 ..... 107, 111	1001098147..... 117, 119	1001104437.....903	1001116728 . 1075, 1080, 1099, 1129, 1193
1001090343 ..... 701, 813, 855	1001098150..... 726	1001104477 .....937, 1039	1001116732 .. 1086, 1099
1001091126 ..... 19	1001098457..... 103, 105, 117, 119	1001104498..1075, 1076, 1079, 1081, 1124	1001116734 . 1086, 1098, 1099
1001091313 ..... 157	1001098629..... 71, 73, 75	1001104519..1124, 1125, 1126	1001116735 ..... 1098
1001091715 .. 1173, 1175	1001098630..... 79, 81	1001104646.....969, 971, 973, 975	1001116747 .. 1099, 1145
1001091716 .. 1173, 1175	1001098631..... 83, 85	1001104646... 1147, 1149	1001116748 ..... 1124
1001092008 ..... 623, 625	1001098632..... 87, 89	1001104685.....459, 461	1001116753 ..... 1125
1001092009 ..... 629, 631	1001098636..... 83, 87	1001104934.....951	1001116754 ..... 1124
1001092122 ..... 459	1001098769..... 121	1001104958.....295	1001116763 ..... 1145
	1001099113..... 143, 145, 149	1001105167... 1173, 1175	1001116810 .. 1067, 1072
	1001099115..... 143, 145, 149	1001105168... 1173, 1175	1001116811 .. 1087, 1099
	1001099204..... 641, 643	1001105260..... 109	1001116812 . 1067, 1068, 1072, 1073, 1088, 1098, 1099, 1126, 1127, 1235
	1001099351..... 263	1001105639.....941	
	1001099457..... 203	1001105643.....941	
		1001106570.....69	
		1001106729.....967	
		1001106930.....295	

# PART NUMBER INDEX

1001116815...1101, 1129	1001125677 . 1076, 1089, 1126	1001142281 ..... 639, 641	1001152947..... 691, 693, 695
1001116950..1068, 1072, 1088, 1089, 1098, 1100	1001126008 . 1067, 1071, 1075, 1080, 1086	1001142285 ..... 621	1001153748..... 929, 1033
1001116983.....1101	1001126245 ..... 1086	1001142286 ..... 621, 623	1001153862..... 105, 107
1001116984.....1128	1001126349 ..... 1098	1001142287 ..... 621, 625	1001153863..... 105, 109
1001116985.....1128	1001126351 ..... 1098	1001142288 ..... 627	1001153864..... 105, 111
1001116986.....1128	1001126352 ..... 1098	1001142289 ..... 627, 629	1001153902J..... 19
1001116991...1126, 1128	1001126353 .. 1087, 1098	1001142290 ..... 627, 631	1001154174..... 107, 109, 111
1001116994.....1169	1001126356 ..... 1098	1001142291 ..... 633, 635	1001154176..... 109, 111
1001116995..1073, 1079, 1124, 1203	1001126357 ..... 1098	1001142292 ..... 633, 635	1001154688..... 25, 27
1001116996..1075, 1080, 1081	1001126360 ..... 1098	1001142293 ..... 633, 637	1001155228..... 689, 705
1001116997.....1124	1001126362.. 1090, 1098	1001142315 ..... 639	1001155230..... 1268
1001116998.....1128	1001126384 ..... 1098	1001142316 ..... 639, 643	1001155231..... 1268
1001116999.....1126	1001126391 . 1089, 1090, 1098	1001142658 ..... 67, 1296	1001155276..... 897, 899, 901
1001117011.....1249	1001126393 . 1088, 1090, 1098	1001142659 ..... 67, 1296	1001155410..... 103, 105
1001117018...1098, 1099	1001126485 .. 1086, 1089	1001142724 ..... 865	1001155441..... 115
1001117021..1075, 1080, 1145	1001126487 ..... 1086	1001142790 ..... 155	1001155446..... 681
1001117079.....1124	1001126837 .. 1215, 1239	1001143200 ..... 697, 699	1001155447..... 685, 687, 851
1001117081..1124, 1125, 1126, 1127, 1128	1001127728 ..... 627	1001143857 ..... 897, 899	1001155486..... 813
1001117108..1067, 1072, 1075, 1080	1001128127 .. 1068, 1072	1001144147 . 1087, 1099, 1137	1001155958..... 105
1001117109..1068, 1072, 1073, 1087, 1100, 1235	1001128128 .. 1086, 1099	1001144296 ..... 1127	1001155959..... 105
1001117110..1067, 1072, 1075, 1080, 1087, 1099, 1100	1001128478 65, 419, 431, 433, 549, 551, 553	1001145204 ..... 367, 369, 371, 373	1001155960..... 105
1001117121.....1124	1001128972 .. 1083, 1095	1001145300 .. 1115, 1117	1001156265..... 897, 899
1001117244..... 431, 433	1001130198 ..... 355, 357, 359, 361, 1083, 1095	1001145390 .. 1013, 1015	1001157890.. 1068, 1072, 1073
1001117247 ..... 1237	1001130323 . 1264, 1268, 1272, 1276, 1280	1001145444 ..... 1013	1001157891... 1075, 1079
1001117308...1109, 1113	1001132564 ..... 726	1001145539 ..... 784, 788	1001157919..... 969, 971, 973, 975
1001117945..... 185	1001132959 ..... 170	1001146588 . 95, 97, 355, 357, 359, 361, 421, 423, 457, 935, 937, 939, 1063, 1065, 1083, 1095, 1120, 1163, 1165, 1189, 1191, 1217, 1219, 1243	1001158146..... 1147
1001118282... 1086, 1099	1001133072 ..... 143, 145, 149	1001146949 ..... 913, 915	1001158596..... 759
1001118323... 1068, 1072	1001133690 ..... 387, 389	1001147060 ..... 1155	1001158736C ..... 765
1001118379..1073, 1079, 1124	1001133714 . 1088, 1089, 1098, 1100	1001147449 ..... 722, 726, 729	1001159028..... 869, 871
1001118383.....1125	1001133715 . 1086, 1089, 1098, 1101	1001147657 ..... 107, 109, 111, 1296	1001159728..... 1261
1001118384..1124, 1125, 1126, 1127, 1128, 1129	1001133793 ..... 385, 387, 389, 391	1001147731 ..... 107, 109, 111, 1296	1001159734... 1147, 1149
1001118386.....1128	1001134274 ..... 1239	1001147731 ..... 107, 109, 111, 1296	1001159735... 1147, 1149
1001118387 ..... 1128	1001135245 ..... 455, 457	1001147731 ..... 107, 109, 111, 1296	1001159736..... 813
1001118392... 1076, 1081	1001135650 . 1086, 1089, 1098, 1101	1001148103 ..... 109, 111, 1296	1001159737.. 1147, 1149, 1211
1001118684.....1124	1001135651 . 1089, 1098, 1101	1001148147 ..... 109, 111, 1296	1001159738..... 1195
1001118685.....1125	1001137512 ..... 319	1001148557 ..... 722	1001159739... 1189, 1191
1001119057 ..... 55	1001138116 ..... 1086	1001148841 ..... 1089	1001159741... 1147, 1149
1001119220 ..... 471	1001138645 . 1083, 1093, 1103	1001148842 ..... 1089	1001159742... 1147, 1149
1001119467 ..... 767	1001139034 ..... 375, 419	1001149050 ..... 981, 983	1001159743... 1147, 1149
1001120501 ..... 977, 981	1001139551 ..... 813	1001149278 ..... 722, 726, 729	1001159745..... 967
1001120505 ..... 981, 983	1001139552 ..... 703	1001149308 ..... 437	1001159748... 1147, 1149
1001120602 ..... 981, 983	1001139568 ..... 703	1001149375 ..... 435, 437	1001159845.. 1181, 1183, 1185, 1187
1001120909 ..... 1089	1001139647 . 1264, 1272, 1280	1001149376 ..... 437	1001159846.. 1181, 1183, 1185, 1187
1001120914 ..... 143, 145, 149	1001139654 ..... 1264	1001149923 ..... 117	1001159849... 1147, 1149
1001120915 ..... 143, 145, 149	1001140296 ..... 421, 423	1001150294 ..... 757, 767	1001159925..... 779, 781, 784, 788
1001120989.. 1163, 1165, 1167	1001141246 ..... 713	1001150735 ..... 1124	1001160326..... 784, 788
1001121021 ..... 1243	1001141281 .... 851, 1296	1001150737 ..... 1124	1001160496..... 827
1001121127 ..... 959	1001141311 ..... 813	1001151257 ..... 977, 981	1001160498..... 1127
1001125117 ..... 107, 109, 111	1001141312 ..... 703	1001152259 ..... 325	1001160499... 1075, 1079
1001125222 ..... 887	1001141313 .... 813, 1296	1001152378 ..... 353	1001160500.. 1068, 1071, 1235
1001125387 ..... 1276	1001141596 ..... 1115	1001152730 ..... 459	1001160502..... 1127
1001125466 ..... 419	1001142247 ..... 282	1001152908 ..... 791, 799	1001160503..... 827, 831
		1001152915 ..... 691, 693, 695	1001160506..... 829
		1001152940 ..... 375, 419	1001160508..... 685, 847
			1001160509.. 1067, 1072, 1075, 1079, 1235



## PART NUMBER INDEX

1001160510 . 1067, 1072, 1075, 1079, 1235	1001163697..... 909, 911	1001167616..... 1086	1001170113C..... 707
1001160730 .. 1217, 1219	1001164053..... 545	1001167620..... 1089	1001170113J..... 709
1001160775 ..... 1261	1001164336... 1009, 1011	1001167621..... 1087	1001170114 ..... 705, 709
1001160928 ..... 1115	1001164402... 1109, 1111	1001167622... 1087, 1089	1001170122 ..... 707
1001161067 ..... 733	1001164655..... 847, 849	1001167623... 1087, 1089	1001170231 ..... 873, 875
1001161068 ..... 722, 726	1001164726..... 705	1001167624..... 1089	1001170326 ..... 755
1001161078 ..... 821	1001164965..... 449	1001167625..... 1087	1001170366 ..... 683, 751
1001161080 ..... 821	1001164967..... 449, 451	1001167629..... 1086	1001170374 ..... 699
1001161095 . 1067, 1068, 1071, 1075, 1079, 1127, 1235	1001164968..... 443, 449	1001167630... 1086, 1089	1001170488 ..... 181
1001161097 ..... 1127	1001165069..... 463, 467	1001167631..... 1089	1001170495 ..... 699
1001161098 . 1067, 1071, 1127	1001165194..... 1088	1001167634..... 1086	1001170504 ..... 726, 731
1001161099 . 1067, 1068, 1071, 1075, 1079, 1127, 1235	1001165269..... 853	1001167635..... 1086	1001170506 ..... 722, 731
1001161100 . 1067, 1068, 1071, 1075, 1079, 1127, 1235	1001165270..... 853	1001167636..... 1088	1001170514 ..... 733
1001161101 . 1067, 1068, 1071, 1075, 1079, 1127, 1235	1001165275..... 713	1001167773..... 463, 465	1001170518 ..... 722, 726
1001161251 ..... 722	1001165276..... 707, 709	1001167822..... 1181	1001170519 ..... 722, 726, 733
1001161252 ..... 743, 745	1001165309... 1067, 1071	1001167823..... 1183	1001170601J ..... 705
1001161253 ..... 741	1001165310... 1068, 1073	1001167937..... 717	1001170603 ..... 689, 697
1001161499 ..... 685, 687, 869	1001165311... 1075, 1079	1001167958..... 705, 717	1001170697 ..... 663, 665, 667, 669, 671, 673, 675, 677
1001161672 ..... 897, 899	1001165351..... 855	1001167981 ..... 685, 687, 722, 726	1001170716 ..... 737
1001161769 .. 1120, 1131	1001165416..... 855	1001168030..... 377, 379	1001170718 ..... 737
1001161770 .. 1120, 1133	1001165455..... 855	1001168142..... 897, 899	1001170944 ..... 713
1001161771 .. 1120, 1135	1001165458..... 735, 855	1001168151 ..... 897, 899	1001170984 ..... 119
1001161851 ..... 729	1001165573..... 759, 761	1001168152..... 685, 687, 689	1001170993 ..... 753
1001161855 ..... 722, 726	1001165574..... 763	1001168264..... 663, 665, 667, 669	1001171000 ..... 471
1001161865 ..... 795	1001165637..... 851	1001168272..... 443, 445	1001171037 ..... 711
1001161896 ..... 897, 899	1001165789..... 329, 335, 387, 389, 453	1001168327..... 784, 788	1001171390 ..... 117, 119
1001161897 ..... 897, 899	1001165857..... 477, 479, 505	1001168330..... 784, 788	1001171392 ..... 119
1001161898 ..... 897, 899	1001166091..... 799, 801, 803, 805	1001168331..... 784, 788	1001171635 ..... 711
1001161957 . 1067, 1071, 1235	1001166092..... 799, 801, 803, 805	1001168456..... 784, 788	1001171756 ..... 853
1001161958 .. 1075, 1079	1001166191..... 843	1001168531..... 765, 1249	1001171767 ..... 753
1001161959 ..... 1127	1001166192..... 685, 843	1001168639..... 363, 443, 445	1001171782 ..... 37, 39
1001161963 . 1067, 1071, 1235	1001166369..... 19	1001168727..... 421, 423	1001171808 ..... 121
1001161964 .. 1075, 1079	1001166385..... 817	1001168758..... 37	1001171874 ..... 873, 875
1001162636 ..... 117	1001166397..... 395	1001169048..... 103	1001171913 ..... 363
1001162659 ..... 65	1001166534..... 105, 1001	1001169049..... 103	1001171959 ..... 363
1001162662 ..... 65	1001166541..... 1090	1001169135..... 765	1001172035 . 1264, 1268, 1272, 1276, 1280
1001162704 ..... 685, 897	1001166543... 1090, 1098	1001169146.... 447, 1083, 1095, 1217	1001172088 ..... 873, 875
1001162767 ..... 65	1001166551..... 1087	1001169151..... 784, 788, 1145	1001172094 ..... 873, 875
1001162885 . 1227, 1229, 1231	1001166555..... 1087	1001169216..... 339, 341	1001172146 ..... 61
1001162886 ..... 1125	1001166556.. 1088, 1090, 1098	1001169268..... 905	1001172147 ..... 61
1001162887 ..... 1125	1001166565..... 395, 401	1001169269..... 905	1001172193 ..... 691, 693, 695, 707, 709
1001162920 ..... 873, 875	1001166566..... 393, 397, 399	1001169309..... 339	1001172295 ..... 111
1001162922 ..... 873, 875	1001166634..... 707, 709, 713	1001169354..... 893, 895	1001172321J ..... 107
1001162953 ..... 784, 788, 807	1001166701... 1090, 1098	1001169355..... 895	1001172401 ..... 685, 687, 861
1001162974 ..... 1005	1001166702..... 1088	1001169367..... 895	1001172402 ..... 109
1001162979 ..... 897, 899	1001166715..... 395, 397, 403	1001169424..... 339, 341	1001172546 ..... 779, 784, 1296
1001163340 ..... 1125	1001166754..... 681	1001169454..... 59	1001172547 ..... 779, 781, 784, 788
1001163387 ..... 339, 341	1001166755..... 681	1001169603..... 722, 726	1001172550 ..... 779, 781, 784, 788
1001163414 ..... 143, 145, 1017	1001166774.. 1088, 1090, 1098	1001169604..... 722, 726, 729	1001172551 ... 863, 1141, 1143
1001163639 .. 1147, 1149	1001167004..... 907	1001169674..... 1261	1001172552 ..... 779, 784
1001163695 ..... 909, 913	1001167015..... 737, 739	1001169751..... 893	1001172553 ..... 779, 781, 784, 788, 1296
	1001167017... 1151, 1153	1001169763..... 905	1001172667 ..... 179
	1001167212... 1117, 1296	1001169803..... 981, 983	1001172693 ..... 63
	1001167266..... 807, 809	1001169806..... 989	1001172774 ..... 831
	1001167288..... 31, 33, 35	1001169825..... 1109	1001172807 ..... 617, 619
	1001167356..... 471	1001169880..... 707, 709	1001172829 ..... 39
	1001167408..... 463, 465	1001169883..... 711	
	1001167615..... 1086	1001169885..... 711	
		1001169918..... 363	
		1001170106..... 63	
		1001170113..... 711	

# PART NUMBER INDEX

1001172886.....117, 119	1001175552.....335, 349	1001177051.....891	1001179483.....817
1001172892.....919	1001175553.....331, 345	1001177052.....891	1001179493.....463
1001172894.....919, 929	1001175554.....337, 351	1001177053.....885, 891	1001179585.....1117
1001172900.....919, 923	1001175555.....333, 347	1001177060.....61	1001179586.....1117
1001172901.....925, 927	1001175586.....403, 407	1001177062.....61	1001179719.....645
1001172909.....921, 941	1001175661.....111	1001177082.....61	1001179720.....649
1001172939.....921	1001175670.....477, 481	1001177464.....743	1001179768.....989, 1055
1001173011.....995	1001175671.....479, 493	1001177597..1086, 1101	1001179861.....465
1001173015.....921, 993	1001175733.....1161	1001177638.....541	1001179864.....367, 369, 371, 373, 435
1001173023.....921, 955	1001175746.....105	1001177670.....105	1001179895.....815
1001173257.....829, 833	1001175747.....105	1001177730.....989	1001179898.....815
1001173298.....705	1001175749.....105	1001177851.....551, 557	1001179901.....1225
1001173411.....1126	1001175751.....105	1001177863.....329, 331, 333, 335, 337, 987	1001179907...1093, 1103
1001173418.....943, 949	1001175753.....105	1001177870.....541	1001179910.....465, 469
1001173425.....739	1001175754.....103	1001178030.....363, 441	1001179926.....943
1001173641.....689, 693, 695	1001175776.1157, 1159, 1161	1001178053..1177, 1179	1001179937.....1239
1001173642.....691	1001175812.....865	1001178107.....985	1001180045.....855
1001173703.....1272	1001175853....107, 1296	1001178115.....363, 365	1001180134.....921, 951
1001173770.....95, 1045	1001175898.....103	1001178123.....855	1001180196.....71
1001173771...1035, 1037	1001175903.....722, 726	1001178159.....691, 693, 695	1001180198.....79
1001173829.....1177	1001175911....109, 1296	1001178160.....691, 693, 695	1001180199.....83
1001173965.....722, 726	1001176105.....103	1001178170.....784, 788	1001180200.....87
1001174295.....705, 719	1001176121.....751, 755	1001178171.....671, 673, 675, 677	1001180202.....73
1001174320.....691, 693, 695	1001176122.....661	1001178298.....615, 617	1001180206.....91
1001174321.....713	1001176123.....659	1001178299.....615, 619	1001180207.....69
1001174328.....37, 39	1001176125.....671	1001178300.....615	1001180226.....365
1001174368.....1163	1001176126.....673	1001178439.....331, 337, 551	1001180227.....365
1001174372..1163, 1165, 1167	1001176127.....675	1001178474.....59	1001180252.....923, 1025
1001174557.....111	1001176128.....677	1001178526.....117	1001180263.....829, 831
1001174567.....885, 889	1001176129.....663	1001178622.....333	1001180267.....1115
1001174652.....729	1001176130.....665	1001178678.....689, 701	1001180328.....447
1001174653.....729	1001176140.....747	1001178679.....701, 703	1001180413.....657
1001174655.....729	1001176257.....747	1001178680.....703	1001180418.....903
1001174712...1147, 1149	1001176272.....697, 699	1001178681.....703	1001180429.....459
1001174741.....747	1001176273.....697, 699	1001178693.....59	1001180435.....447
1001174795.....449, 451	1001176313.....953	1001178706.....1259	1001180436.....447
1001174796.....1197	1001176318.....747	1001178725.....471	1001180472.....885
1001174800.....747	1001176333.....1127	1001178729.....99	1001180524...1063, 1067
1001174801.....747	1001176338.....1205	1001178749.....471, 473	1001180525...1063, 1075
1001174879.....541	1001176341.....55	1001178826.....823	1001180529.....1189
1001174880.....541	1001176349.....659, 663	1001178874.....459	1001180574J.....41
1001174881.....541	1001176350.....659, 665	1001178933.....1120	1001180581.....411, 415
1001174911.....1276	1001176351.....661, 671	1001178939.....823, 825	1001180593.....473
1001174993.....995, 1009	1001176352.....661, 673	1001179008.....823, 825	1001180682.....1205
1001175016.....993, 999	1001176353.....661, 675	1001179009.....823, 825	1001180683.....1205
1001175019...1003, 1007	1001176354.....661, 677	1001179041.....965	1001180809.....951
1001175020.....105, 1005	1001176407.....105, 115	1001179043.....967	1001180810.....951
1001175201.....443, 445	1001176411.....963	1001179054.....933	1001180811.....951
1001175225.....103	1001176426.....105	1001179056.....935	1001180845.....921, 957
1001175265...1086, 1099	1001176437.....105	1001179058.....937	1001180850.....957
1001175266..1067, 1072, 1075, 1079, 1235	1001176439.....105	1001179059.....1201	1001180855.....957
1001175295.....477	1001176626.....697, 699	1001179080.....807	1001180856.....957
1001175306.....329	1001176839.....479	1001179081.....807	1001181008.....941
1001175309.....331	1001176882.....115	1001179092.....1173	1001181016.....941
1001175313.....335	1001176914.....667	1001179093.....1175	1001181017.....949
1001175315.....337	1001176916.....659, 667	1001179130.....807, 811	1001181019.....941
1001175320.....413, 417	1001176942.....103	1001179197.....1117	1001181161.....933, 935, 937, 939
1001175324.....363	1001176949.....669	1001179221J.1115, 1117	1001181170.....941
1001175325.....365	1001176950.....659, 669	1001179297.....1259	1001181360.....865
1001175470.....755	1001176964.....57	1001179462....925, 1029	1001181411.....703
1001175471.....751, 753	1001176965.....57, 59	1001179482.....817	1001181413.....461
1001175477.....705	1001176966.....57, 61		1001181455.....985
1001175550.....329, 343	1001176977.....363, 447		1001181531.....1245
	1001177048.....891		1001181559.....553, 559
	1001177049.....891		1001181681...1120, 1137
	1001177050.....891		

## PART NUMBER INDEX

1001181726 ..... 722, 726, 735	1001182885..... 405, 409	1001184070... 1120, 1124	1001185061 ..... 27
1001181784 ..... 955	1001182886..... 405	1001184099..... 421, 423	1001185070 ..... 989
1001181920 ..... 697, 699	1001182887..... 407	1001184120..... 367, 371, 421	1001185181 ..... 329, 355
1001181921 ..... 697, 699, 1157, 1159	1001182888..... 409	1001184128..... 421, 423	1001185189 ..... 337, 361
1001181927 ..... 909, 911	1001182929.. 1083, 1095, 1105	1001184129..... 421, 423	1001185210 ..... 419
1001181928 ..... 913, 915	1001182930.. 1083, 1095, 1107	1001184132..... 369, 373, 423	1001185248 ..... 73, 77
1001181945 ..... 985	1001182935..... 457	1001184172..... 1227	1001185282 ..... 419
1001181946 ..... 985	1001182943..... 455	1001184275..... 799, 801, 803, 805	1001185337 ..... 371, 373, 419
1001181951 ..... 331, 333, 387	1001182949..... 375, 381	1001184278..... 799, 801, 803, 805	1001185351 ..... 919, 959, 961
1001181952 ..... 337, 389	1001182950..... 383, 419	1001184280..... 803, 805	1001185375 ..... 329, 331, 333, 1083
1001182036 ..... 331, 333, 337, 395	1001182994..... 411, 413	1001184294..... 799, 801, 803, 805	1001185377 ..... 335, 337, 1095
1001182037 ..... 331, 333, 405	1001182995..... 411, 413	1001184295..... 799, 801, 803, 805	1001185391 .. 1063, 1065
1001182039 ..... 337, 409	1001183075..... 367, 369, 425, 427	1001184296..... 799, 801, 803, 805	1001185633 ..... 749
1001182040 ..... 329, 393	1001183076..... 371, 373, 429	1001184297..... 799, 801, 803, 805	1001185722 ..... 1167
1001182041 ..... 329, 403	1001183125..... 459	1001184306..... 863	1001185790 ..... 23
1001182042 ..... 335, 397	1001183149..... 459	1001184307 ..... 863	1001185809 ..... 1147
1001182043 ..... 335, 407	1001183177..... 393	1001184309..... 863	1001185845 ..... 749
1001182049 ..... 1243	1001183274... 71, 73, 79, 83, 87	1001184310..... 863	1001185848 ..... 749
1001182066 ..... 985	1001183297.. 1189, 1191, 1193	1001184315..... 369	1001185864 ..... 371, 373, 457
1001182111 ..... 375	1001183347... 1093, 1103	1001184322..... 373	1001185865 ..... 367, 369, 455
1001182112 ..... 367, 369, 371, 373, 375	1001183357..... 459	1001184403..... 811	1001185870 ..... 722, 726
1001182123 ..... 697, 699	1001183460..... 993	1001184404..... 811	1001185871 ..... 425, 427, 429
1001182139 ..... 697, 699	1001183461..... 995	1001184405..... 811	1001185936 ..... 37, 39
1001182193 ..... 375	1001183550..... 733	1001184406..... 811	1001185959 .. 1233, 1235
1001182210 ..... 37, 39	1001183580..... 985	1001184422... 1051, 1247	1001186009 ..... 393, 395, 397
1001182213 ..... 419, 1049	1001183590..... 37	1001184423..... 125	1001186012 .. 1221, 1223, 1233
1001182216 .. 1083, 1095	1001183591..... 39	1001184427 ..... 803, 805	1001186170 .... 985, 1051
1001182217 .. 1083, 1095	1001183596..... 1155	1001184431..... 31, 33, 35	1001186290 ..... 393, 395, 397
1001182218 .. 1083, 1095	1001183605..... 1261	1001184439..... 705	1001186359 ..... 95, 97
1001182219 .. 1083, 1095	1001183615... 1083, 1086	1001184445..... 439	1001186370 ..... 439
1001182231 ..... 923	1001183657..... 1287	1001184473..... 1127	1001186392 ..... 95, 97
1001182235 ..... 329, 331, 333, 335, 337, 353	1001183659..... 1289	1001184479..... 1127	1001186393 ..... 865
1001182330 ..... 749	1001183676..... 125	1001184482..... 955	1001186395 ..... 839
1001182423 ..... 21	1001183745..... 341	1001184503... 1095, 1098	1001186439 ..... 837
1001182424 ..... 439	1001183818.. 1221, 1223, 1225	1001184504..... 901	1001186565 .. 1181, 1183
1001182447 ..... 367	1001183819..... 1227	1001184507..... 125	1001186567 .. 1181, 1183
1001182450 ..... 371	1001183830..... 393, 397	1001184514.... 21, 23, 31, 33	1001186574 ..... 547
1001182452 ..... 439	1001183832... 1233, 1237	1001184515..... 35	1001186603 ..... 1167
1001182453 ..... 439	1001183838..... 1109	1001184517 ..... 977, 981	1001186646 ..... 1241
1001182529 ..... 765	1001183888..... 1181	1001184518..... 977, 979, 981, 983	1001186693 ..... 1109
1001182582 ..... 331, 333, 337, 341	1001183890..... 1181	1001184524..... 25, 27	1001186699 ..... 125
1001182647 ..... 333, 553	1001183908J..... 45	1001184530..... 953	1001186714 ..... 1211
1001182650 .. 1083, 1095	1001183909J..... 51	1001184531 ..... 921, 953	1001186848 ..... 369, 373, 433
1001182651 .. 1083, 1095	1001183910J..... 51	1001184551 ..... 1099	1001186849 ..... 367, 371, 431
1001182652 .. 1083, 1095	1001183956..... 419	1001184609..... 415, 417, 439	1001186895 ..... 125
1001182654 .. 1083, 1095	1001183958..... 439	1001184610..... 119	1001186896 ..... 125
1001182735 ..... 329, 331, 333, 1093	1001183959..... 955	1001184632.. 1264, 1268, 1272, 1276, 1280	1001187070 ..... 1107
1001182736 ..... 335, 337, 1103	1001183983..... 987, 991	1001184710..... 365	1001187077 ..... 1107
1001182763 ..... 95, 97	1001183990..... 955	1001184800..... 439	1001187276 ..... 371, 373, 379
1001182793 ..... 985	1001184033..... 129	1001184839... 1201, 1203	1001187277 ..... 377, 379
1001182824 ..... 363, 365	1001184035..... 131	1001184856..... 105, 1243	1001187355 ..... 923
1001182834 ..... 722, 726	1001184041..... 141	1001184955..... 367, 369, 371, 373, 439	1001187400 ..... 945, 963
1001182836 ..... 739	1001184043..... 147	1001184975..... 741	1001187407 ..... 379
1001182839 ..... 1215	1001184045..... 151	1001185023J ..... 27	
1001182880 ..... 403	1001184061..... 367, 369, 411		
1001182881 ..... 403, 405, 407, 409	1001184062..... 371, 373, 413		
	1001184069..... 685, 687, 1120		

# PART NUMBER INDEX

1001187413.....873, 875, 877	1001189025 ..... 799, 801, 803, 805	1001192836 ..... 99	1001196876J.....27
1001187416.....963	1001189048 ..... 803, 805	1001192875 ..... 293	1001196912.....941
1001187550.....377, 379	1001189054 ..... 803, 805	1001192876 ..... 293	1001197015...1173, 1175
1001187551.....379	1001189099 ..... 117, 119	1001192877 ..... 293	1001197025.....279
1001187552.....379	1001189154 . 1264, 1268, 1272, 1280	1001192946 ..... 1003	1001197090.....973, 975
1001187622.....55	1001189182 ..... 722, 726	1001193210 ..... 707, 709	1001197093.....969, 971
1001187638J.....55	1001189193 ..... 865	1001193421 ..... 953	1001197130.....477, 479
1001187712.....377, 379	1001189338 ..... 1117	1001193474 ..... 887	1001197135.....25, 27
1001187716.....55	1001189339 ..... 1117	1001193513 ..... 951	1001197139.....873, 875, 879
1001187717.....37, 39	1001189475 ..... 123	1001193514 ..... 951	1001197212.....105, 985
1001187732.....55	1001189476 ..... 123	1001193515 ..... 951	1001197259.....821
1001187851.....1239	1001189480 ..... 115	1001193525 ..... 293	1001197266.....25, 27
1001187852.....1239	1001189569 . 1173, 1175, 1177	1001193540 ..... 293	1001197275.....67
1001187853.....1239	1001189586 ..... 341	1001193551 ..... 363	1001197281.....985
1001188190.....121	1001189877 .. 1090, 1101	1001193722 ..... 945	1001197300.....985
1001188204.....339, 341	1001189884 ..... 421, 423	1001193729 ..... 293	1001197301.....985
1001188220.....367, 369, 377	1001189888 ..... 1001	1001193735 ..... 471	1001197302.....985
1001188262.....685, 687, 873, 875	1001189898 .. 1147, 1149	1001193993 ..... 1109	1001197303.....985
1001188275.....795, 803	1001189980 ..... 863	1001195004 ..... 889	1001197360.....59
1001188407.....435	1001189984J ..... 37, 39	1001195082 ..... 293	1001197430.....419
1001188413.....95, 97	1001189997 .. 1157, 1159	1001195207 ..... 885	1001197479.....117, 119
1001188466.....329, 335, 339	1001190225 ..... 1151	1001195210J.....25, 27	1001197500.....985
1001188548.....947, 971, 975	1001190227 ..... 1157	1001195240J.....25, 27	1001197589.....1213
1001188577.....799, 801, 803, 805	1001190396 ..... 1179	1001195252J.....25, 27	1001197597.....201
1001188578.....799, 801, 803, 805	1001190408 ..... 37, 39	1001195254 ..... 887, 889	1001197598.....205
1001188590.....781, 788	1001190541 ..... 547	1001195274J.....25	1001197638.....431, 433
1001188592.....803, 805	1001190542 ..... 477, 479	1001195342 ..... 809	1001197639.....1207
1001188594.....799, 801, 803, 805	1001190589 ..... 103	1001195343 ..... 809	1001197641.....431, 433
1001188602.....799, 801, 803, 805	1001190657 . 1227, 1229, 1231	1001195345 ..... 809	1001197653.....431, 433
1001188609.....945, 947	1001190718 ..... 977, 979	1001195385 ..... 809	1001197654.....431
1001188610.....799, 801, 803, 805	1001190719 ..... 981, 983	1001195386 ..... 809	1001197655.....433
1001188612.....799, 801, 803, 805	1001190740 ..... 365	1001195437 ..... 809	1001197719...1086, 1101
1001188614.....799, 801, 803, 805	1001190921 ..... 1086	1001195438 ..... 809	1001197821.....331, 333, 357
1001188618.....803, 805	1001191091 ..... 719	1001195443 ..... 421, 423	1001197826.....335, 359
1001188619.....803, 805	1001191217 ..... 897	1001195518 ..... 339, 341	1001197945.....227
1001188720.....799, 801, 803, 805	1001191229 . 1264, 1268, 1272, 1276, 1280	1001195559 ..... 249	1001198331.....965, 967
1001188722.....95	1001191259 ..... 1237	1001195587 .... 31, 33, 35	1001198355.....293
1001188725.....799, 801, 803, 805	1001191281 ..... 735	1001195741 ..... 951	1001198621...1173, 1175
1001188728.....803, 805	1001191283 ..... 735	1001195742 ..... 951	1001198796...1173, 1175
1001188729.....799, 801, 803, 805	1001191284 ..... 735	1001195827 ..... 21, 25	1001198830.....1253
1001188733.....799, 801, 803, 805	1001191285 ..... 735	1001195829 ..... 23, 27	1001198836.....95, 97
1001188817.....803, 805	1001191370 ..... 735	1001195855 . 1264, 1268, 1272, 1276, 1280	1001198924.....819
1001188818.....803, 805	1001191508 ..... 375, 419	1001195878 .... 691, 693, 695	1001198932.....1207
1001188855.....471	1001191521 ..... 61, 65	1001195970 ..... 225	1001198958.....819
1001188856.....471	1001191533 ..... 65	1001195992 ..... 957	1001199299.....1243
1001189023.....803, 805	1001191621 ..... 103, 105	1001195994 ..... 957	1001199390.....653, 655
1001189024.....803, 805	1001191808 ..... 37, 39	1001196002 ..... 957	1001199403.....379
	1001191915 ..... 887	1001196268 ..... 985	1001199670.....441
	1001192124 ..... 63	1001196385 ..... 645, 647	1001199935.. 1213, 1217, 1219
	1001192125 ..... 59, 63	1001196418 ..... 31	1001199948.....549, 555
	1001192142 ..... 1109	1001196442 ..... 985	1001200038.....965, 967
	1001192309 ..... 705	1001196448J.....649	1001200141.....651, 653
	1001192392 ..... 63	1001196449J.....649	1001200142.....651, 655
	1001192411 .... 455, 457, 961	1001196452 . 1163, 1165, 1167, 1169	1001200143.....651
	1001192643 ..... 715	1001196531 .... 683, 685, 687	1001200180.....329, 335, 549
	1001192644 ..... 717	1001196587 ..... 1093	1001200192.....355, 359
	1001192646 ..... 705	1001196661 ..... 959, 961	1001200201.....441
	1001192711 ..... 293	1001196662 ..... 379	1001200218.....935, 937
	1001192720 ..... 293	1001196723 ..... 957	1001200449.....425
	1001192755 ..... 715	1001196751 ..... 243	1001200450.....425
	1001192766 ..... 705, 715	1001196787 ..... 959	1001200538.....1185
		1001196806 .. 1264, 1276	1001200539.....1187
			1001200617.....299

## PART NUMBER INDEX

1001200688 ..... 1195	1001202395..... 1159	1001204060..... 1187	1001206717 ..... 1261
1001200689 .... 685, 1197	1001202421..... 1209	1001204066..... 713	1001206744 ..... 887
1001200694 ..... 741	1001202430..... 1209	1001204115..... 713	1001207486 ..... 447
1001200696 ..... 107	1001202445..... 425, 429	1001204120..... 713	1001207522 ..... 949
1001200798 ..... 377	1001202454..... 1149	1001204124..... 1051	1001207523 ..... 949
1001200815 .... 991, 1053	1001202473..... 459	1001204128..... 305	1001207525 ..... 957
1001200908 ..... 439	1001202474..... 459	1001204129..... 307	1001207526 ..... 957
1001200968 ..... 739	1001202476..... 459	1001204130..... 309	1001207594 .. 1213, 1215
1001201027 .... 683, 853	1001202477..... 459	1001204131..... 311	1001207606 ..... 267
1001201029J ..... 55	1001202478..... 459	1001204132..... 313	1001207694 ..... 943, 945
1001201070 ..... 1128	1001202479..... 459	1001204133..... 315	1001207754 ..... 963
1001201080 ..... 1128	1001202480..... 459	1001204134..... 317	1001207804 ..... 947
1001201081 ..... 1128	1001202484..... 377	1001204301..... 463, 465	1001207903 ..... 947
1001201161 .... 685, 687, 1171	1001202506..... 425	1001204302..... 463, 465	1001207908 ..... 947
1001201162 ..... 1171	1001202516.. 1139, 1141, 1143	1001204373..... 463, 465	1001207956 ..... 887
1001201205 ..... 939	1001202558.. 1151, 1153	1001204374..... 95, 97	1001208035 ..... 967
1001201207 .... 743, 745	1001202643..... 457	1001204375..... 95, 97	1001208037 ..... 887
1001201245 ..... 965	1001202653..... 429	1001204420..... 969, 971, 973, 975, 1035	1001208281 ..... 365
1001201296 ..... 461	1001202654..... 429	1001204421..... 969, 973	1001208308 ..... 722, 726
1001201331 ..... 855	1001202772..... 461	1001204427..... 969, 973	1001208518 .... 685, 687, 1245
1001201336 .... 779, 781	1001202805..... 425	1001204428..... 969, 973	1001208531 .. 1173, 1175
1001201338 .... 784, 788	1001202904..... 301	1001204437..... 969, 973	1001208763 .. 1173, 1175
1001201340 .... 685, 687, 1139	1001202921..... 461	1001204444... 1185, 1187	1001209463 ..... 817
1001201422 ..... 957	1001202922..... 379	1001204445... 1185, 1187	1001209576 ..... 1109
1001201478 ..... 1089	1001203009..... 421, 423	1001204518..... 95, 97	1001209577 ..... 1109
1001201497 .... 784, 795	1001203012..... 457	1001204519..... 1051	1001209578 ..... 1120
1001201498 .... 779, 791	1001203014..... 425, 429	1001204528..... 1185	1001209651 ..... 943
1001201499 ..... 881	1001203015... 1083, 1095	1001204530..... 1185	1001209899 ..... 697, 699
1001201500 ..... 883	1001203025..... 379	1001204535..... 123	1001209986 ..... 1231
1001201501 .... 881, 883	1001203027..... 421, 423	1001204629..... 977, 979, 981, 983	1001210022 ..... 363, 365
1001201504J ..... 37, 39	1001203028..... 421, 423	1001204681..... 977, 979	1001210409 ..... 543
1001201520 .... 685, 687, 855	1001203036..... 1221	1001204709..... 823	1001210417 ..... 543, 545
1001201766 ..... 363	1001203037... 1221, 1229	1001204729..... 977, 979, 981, 983	1001210431 ..... 543, 545
1001201805J ..... 25, 27	1001203039..... 425, 427, 429	1001204731..... 977, 979, 981, 983	1001210432 ..... 543, 545
1001201811 ..... 363, 365	1001203046..... 941	1001204839..... 355, 359	1001210628 .... 685, 687, 857
1001201823 ..... 363, 365	1001203173..... 425, 429	1001204840..... 355, 359	1001210798 ..... 835
1001201866 ..... 1264	1001203174..... 425, 427	1001204841..... 355, 357, 359, 361	1001210799 ..... 835
1001201867 ..... 1268	1001203178..... 379	1001204842..... 355, 357, 359, 361	1001210802 ..... 833
1001201868 ..... 1272	1001203282... 1229, 1231	1001204974..... 967	1001210804 ..... 833
1001201869 ..... 1276	1001203283... 1229, 1231	1001204975..... 967	1001210961 ..... 1191
1001201870 ..... 1280	1001203284..... 1227	1001205041 ..... 357, 361	1001210962 ..... 1191
1001201929 ..... 363	1001203285..... 1227	1001205061 ..... 873, 875, 881	1001211323 .... 981, 983, 1059
1001201930 ..... 363	1001203287..... 377	1001205078..... 977, 981	1001211357 ..... 1205
1001201933 ..... 363	1001203291..... 51	1001205080..... 31, 33, 35	1001211376 ..... 943
1001201940 ..... 947	1001203293..... 53	1001205392..... 977, 981	1001211389 . 1227, 1229, 1231
1001201941 ..... 947	1001203305J..... 53	1001205393..... 977, 979, 981, 983	1001211452 ..... 967
1001201943 ..... 959	1001203313.... 105, 1003	1001205514..... 767	1001211516 ..... 139
1001201943 ..... 959	1001203374..... 45	1001205532..... 705, 713	1001211693 ..... 1120
1001201951 ..... 885	1001203386..... 41	1001205551 ..... 421, 423	1001211729 ..... 329, 385
1001202086 ..... 683	1001203402..... 47	1001205648..... 765	1001211730 ..... 335, 391
1001202120 .... 411, 413	1001203406..... 43	1001205782..... 767	1001211786 ..... 29
1001202135 ..... 953	1001203408J..... 47	1001206120..... 1093	1001211787 ..... 29
1001202177 ..... 933	1001203410..... 43	1001206173..... 303	1001211897 ..... 177
1001202249 .... 425, 427, 429	1001203417J..... 1117	1001206179..... 977, 979	1001211902 ..... 887
1001202251 ..... 425	1001203503..... 293	1001206557 ..... 95, 97	1001211907 ..... 722, 726
1001202253 ..... 425	1001203640.. 1185, 1187, 1191	1001206558..... 95, 97	1001211915 ..... 887
1001202286 ..... 1159	1001203825..... 473	1001206669..... 255	1001211965 ..... 1223
1001202288 ..... 1157	1001203826..... 473	1001206671 ..... 261	1001211966 .. 1223, 1231
1001202293 ..... 1151	1001203882... 1083, 1095	1001206716..... 1261	1001212011 ..... 719
1001202316 ..... 125	1001203905..... 965		1001212047 ..... 825
1001202328 ..... 429	1001203915..... 965		1001212049 ..... 825
1001202329 ..... 429	1001203919..... 965, 967		1001212270 ..... 55
1001202375 ..... 429	1001203922..... 965, 967		1001212369 ..... 851
1001202376 ..... 429	1001203923..... 965, 967		

# PART NUMBER INDEX

1001212384.....977, 979	1001215992..... 219	1001221318..... 1215	1001228931.....379
1001212468.....735	1001215994..... 221	1001221319..... 1215	1001228974.....875
1001212513.....1293	1001215996..... 223	1001221644..... 325	1001228989.. 1185, 1187, 1191
1001212590.....623	1001216001..... 237	1001221858..... 427	1001229050.....927, 1031
1001212591.....625	1001216003..... 277	1001221859..... 427	1001229063.....379
1001212594.....641	1001216163..... 969, 971, 973, 975	1001221860..... 427	1001229068.....379
1001212595.....643	1001216232..... 969, 971, 973, 975	1001221862..... 427	1001229087.....899
1001212596.....653	1001216636..... 967	1001221952..... 941	1001229093.....429
1001212597.....655	1001216658..... 613	1001221953..... 941	1001229139.....1117
1001212598.....629	1001216661..... 611	1001221993..... 377	1001229155.....961
1001212599.....631	1001216664..... 609, 613	1001222187..... 363, 365	1001229318.....691
1001212600.....635	1001216667..... 609, 611	1001222188..... 63	1001229319.....693, 695
1001212601.....637	1001216851..... 609	1001222190..... 63	1001229534.....687, 899
1001212602.....617	1001216854..... 357, 361	1001222519..... 1153	1001229766.....1255
1001212603.....619	1001216855..... 357, 361	1001222573..... 375, 419	1001229924.....995, 1011
1001212783.....427	1001216867..... 439	1001222603..... 907	1001230163.....719
1001212792.....427	1001216923J..... 37, 39	1001222741..... 713	1001230384.....33
1001212799.....427	1001216974..... 759, 765, 767	1001223265..... 741	1001230411.....439
1001212906.....395	1001217179..... 1115	1001223875.. 1264, 1268, 1272, 1280	1001230435.....687, 849
1001212907.....393, 397	1001217333..... 421, 423	1001224143..... 959, 961	1001230479.....35
1001212948.....421, 423	1001217550..... 19	1001224144..... 959, 961	1001230931.....1124
1001212949.....421, 423	1001217557..... 29	1001224447..... 959	1001231423...1065, 1079
1001212956.....459	1001217623..... 1195	1001224476..... 951	1001231424...1065, 1071
1001213006.....353	1001217635..... 1153	1001225176..... 693, 695	1001232659.....1291
1001213020.....985	1001218328..... 1296	1001225177..... 691	1001233407...1213, 1253
1001213031.....949	1001218486..... 395, 549	1001225213..... 363	1001233797.....923, 1027
1001213031.....949	1001218495..... 1243	1001225382..... 1251	1001236402.....911
1001213331.....713	1001218529..... 781, 788	1001225386..... 1251	1001236404.....907
1001213471.....1149	1001218542..... 781, 788	1001225414..... 1255	1060379.....291
1001213748.....1035	1001218654..... 981, 983	1001225423..... 951	1062255...355, 357, 359, 361, 377, 379, 421, 423, 427, 429, 447, 463, 465, 473, 935, 937, 957, 959, 961, 963, 965, 967, 971, 975, 977, 979, 981, 983, 1083, 1095
1001213752.....1215	1001218835..... 165	1001225619..... 99	10705034.....159, 161
1001213771.....969, 971, 973, 975	1001218856..... 687, 1199	1001225657..... 1291	10732931.....1027
1001213772.....969, 971, 973, 975	1001218962..... 981, 983	1001225658..... 1251	10837926.....1025, 1027
1001213791.....705	1001218996..... 781, 788	1001225676..... 445, 451	10837928.....1025, 1027
1001213825...1173, 1175	1001219076..... 726	1001225677..... 451	10837929.....1025, 1027
1001213826...1173, 1175	1001219182..... 549, 551, 553	1001226096..... 431, 433	10837937.....1025, 1027
1001213829.....969, 971	1001219220..... 697, 699	1001226101..... 969, 971, 973, 975	1170002.....153
1001213871.....973, 975	1001219481..... 981, 983	1001226481..... 1209	1170012.....135
1001213883.....985	1001219810..... 419	1001226722..... 97, 1047	1170021.....135
1001213988.....1120	1001219857..... 745	1001226776..... 971, 975	1170024.....137
1001214036J.....49	1001219863..... 741	1001226777..... 971, 975	1170054.....143
1001214092.....851	1001219864..... 741	1001226778..... 971, 975	1170057.....149
1001214206..1264, 1268, 1272, 1276, 1280	1001219865..... 741	1001226779..... 971, 975	1170058.....265
1001214220.....873	1001220145..... 379	1001226787..... 979, 983	120034.....1120
1001214280.....911, 915	1001220540..... 681	1001226789..... 979, 983	1320239.....377, 379
1001214281.....1120	1001220541..... 1285	1001227090..... 471	1670836.....955
1001214399.....969, 971	1001220551..... 377	1001227186..... 691, 693, 695	1701509.....291
1001214401.....1215	1001220865..... 1283	1001227187..... 707, 709	1702773.....285, 287, 289
1001214479.....611, 613	1001220945..... 1165	1001227188..... 707, 709	1704277.....291
1001214492.....49	1001220947.. 1163, 1165	1001227229..... 109	1704885.....285, 287, 289
1001214663.....1115	1001220948..... 1165	1001227287.. 1264, 1268, 1272, 1276, 1280	1705980.....1283
1001214686.....1125	1001221052..... 793, 801	1001227357..... 849	1706098.....1264, 1268, 1272, 1276, 1280
1001214687.....1125	1001221053..... 781, 793	1001227653..... 545	1706281.....1264, 1268, 1272, 1280
1001214868.....125	1001221054..... 797, 805	1001227802..... 705	1706284.....1264, 1268, 1272, 1280
1001214881.....125	1001221055..... 788, 797	1001227974..... 959	1706285.....1264, 1268, 1272, 1280
1001214882.....125	1001221056... 1141, 1143	1001228132..... 801, 805	
1001215022.....431, 433	1001221057..... 801, 805	1001228140..... 801, 805	
1001215024.....431, 433	1001221058..... 801, 805	1001228141..... 801, 805	
1001215261.....967, 1057	1001221059..... 781, 788	1001228147..... 801, 805	
1001215319.....449, 451	1001221147..... 919	1001228418..... 97	
1001215531.....713	1001221255..... 889	1001228503..... 429	
1001215589.....943	1001221259..... 781	1001228929..... 379	
1001215804.....857	1001221295..... 788	1001228930..... 379	
1001215988.....215			
1001215990.....217			

## PART NUMBER INDEX

1706288 ..... 1264, 1268, 1272, 1280	2151210 .... 549, 551, 553	31200160.....285	3900349 ..... 1109
1706292 ..... 1264, 1268, 1272, 1280	2151616 .....429	31200386.....289	3900357 ..... 1083, 1093, 1103
1706296 ..... 1276	2160016 ... 103, 105, 111, 117, 119, 543, 545, 993, 995	31200387.....287	3900379 ..... 37, 39, 815
1706299 ..... 1276	2160018 ..... 107	31200388.....287	3900381 ..... 1083, 1095
1706301 ..... 1276	2170208 ..... 897, 899	314689.....105	3968141 .... 485, 497, 509
1706302 ..... 293, 1276	2170212 ... 425, 427, 429	3290401 735, 1139, 1151, 1153, 1177	3983720 ..... 529
1706306 ..... 1276	2170308 ... 977, 979, 981, 983	3290405.715, 1237, 1239	3983731 .... 487, 499, 511
1706768 ..... 1276	2170406 ..... 95, 97	3290501.....1120, 1157, 1159, 1173, 1175, 1201	3984301 .... 487, 499, 511
1706850 ..... 1276	2170504 ..... 979, 983	3290505..... 1083, 1095	3984425 ..... 489, 513
1706892 ..... 285	2170704 ..... 981, 983	3290601.... 125, 293, 411, 413, 419, 735, 747, 784, 788, 873, 875, 887, 1120, 1155, 1163, 1165, 1167, 1173, 1175, 1181, 1183, 1185, 1239	3986405 ..... 489
1707078 ..... 1276	2170706 ... 977, 979, 981, 983, 991	3290605 37, 39, 447, 471, 722, 726, 735, 1239	4000015 ..... 1239
1784861 ..... 123	2170716 ..... 425	3290801....411, 413, 425, 429, 705, 869, 1227, 1229, 1231	4010416 ..... 1237
2080040 ..... 291	2170720 ..... 427	3290805..31, 33, 35, 173, 175, 363, 377, 379, 385, 387, 389, 391, 463, 465, 549, 551, 553, 879, 903, 937, 1083, 1095	4010508002 ..... 726
2080078 ..... 703	2170808 ..... 989	3291001..31, 33, 35, 353, 429, 459, 461, 471, 891, 977, 979, 981, 983, 1237	4010510 ..... 907
2080086 .... 691, 693, 695	2170908 ..... 985	3291005.... 153, 471, 549, 819	4010608 ..... 1239
2080087 ... 691, 693, 695	2171008 ..... 985	3291007.....365	4010608002 .... 705, 722, 726, 741, 743, 745, 747, 817
2080092 ..... 37, 39, 751	2171110 ..... 969, 971	3291201....325, 421, 423	4010610002 .... 722, 726, 737, 739, 747, 887, 889
2110406 ..... 935, 937	2171208 ..... 951	3291205.... 105, 107, 117, 119, 995	4010612002 .... 707, 709, 722, 726, 735
2110410 ..... 935, 937	2171310 ..... 969, 971	3291601.....103	4010612002 ..... 707, 709, 722, 726, 735
2110604 ..... 1035	2171832 ..... 953	3291605....339, 341, 993	4031504 ..... 1243
2110606 ... 143, 145, 149, 163, 923, 925, 927, 943	2172104 ..... 977, 981	3300220..... 1113	4031607 63, 65, 722, 909, 911
2110608 ..... 419	2172106 95, 97, 143, 145, 149, 379, 943	3300240.... 135, 137, 139, 143, 145, 149	4031608 .. 722, 733, 1109
2110610 ..... 95, 97, 991	2172108 ..... 979, 983	3300479.....477, 479	4031608001 ..... 726
2110806 95, 97, 923, 943	2172208 ..... 933	3311405.....291	4031612 ..... 1201
2110808 ... 143, 145, 149, 925, 927, 929, 951, 955, 977, 979, 985	2220221 ..... 923	3311502.....293	4031708 ..... 1227, 1229, 1231
2110810 ... 439, 935, 937, 939	2220239 ..... 65	3321001..... 1113	4031709 ..... 951
2110816 ..... 979, 983	2220240 ..... 65	3332011....477, 479, 681	4031910 .... 829, 831, 929
2111010 ... 923, 973, 975, 991	2220242 ..... 923	3391408.....885	4031912 ..... 965, 967
2111012 ..... 1035	2220371 ..... 259	3391410.....293	4031918 ... 935, 937, 939, 973, 975
2111212 ..... 985	2220550 ..... 977, 981	3421453.....291	4031927 ..... 375
2111612 ..... 923	2220628 ..... 259	3423242..... 137, 145	4032010 ..... 455, 457
2111616 ... 427, 429, 925, 927	2220881 ..... 1029, 1031	3423275..... 135, 143	4032017 ..... 1035
2112016 .... 425, 427, 429	2220886 ..... 1029, 1031	3423276..... 139, 149	4032109 ..... 133
2130404 ..... 897, 899	2221257 ..... 459, 461	3423307.... 143, 145, 149	4032111 ..... 987
2130406 ..... 977, 979	2340030 ..... 187	3520072.....291	4040283 ..... 173, 175
2130604 ..... 95, 97, 991	2340037 ..... 199	3700015.....1293	4105262 ..... 121
2130606 ... 159, 161, 163, 419, 923	2340038 ..... 191	3700016.....1293	4109801 ..... 1264, 1268, 1272, 1276, 1280
2130608 .... 159, 161, 419	2340039 ..... 209	3760170.....291	4110422 ... 253, 255, 257, 263
2130610 ..... 457	2340045 ..... 189	3760348.....873, 875	4110473 ..... 159, 161
2130806 ..... 943	2400600 ... 487, 499, 511	3760493.....105	4240127 ... 355, 357, 359, 361
2130808 ..... 897, 899	2401043 ... 487, 499, 511	3760508..... 173, 175	4360658 ..... 883
2130810 ..... 375, 439	2401258 ... 487, 499, 511	3820020.....291	443630 ..... 123
2130812 ..... 977, 981	2401736 ..... 489	3841203.... 143, 145, 149	4460225 ..... 1126, 1127
2131010 ..... 439, 965	24921332 ..... 363, 365	3900224.....27	4460247 ..... 1088, 1100
2131012 ..... 967, 1035	2600281 ..... 291		4460256 ..... 1087
2131212 ... 425, 427, 429, 965, 967	2700118 ..... 271		4460265 ..... 1126
2131616 ..... 425, 427	2717160 ..... 159, 161		4460267 ..... 1125, 1126
2132016 ..... 923	2717161 ..... 159, 161		4460268 ..... 1126, 1127
2144601 ..... 981, 983	2717162 ..... 159, 161		4460343 ..... 1125, 1126, 1127
2144605 ..... 941, 947	2717283 .. 159, 161, 1023		4460418 ..... 1129
2144606 ... 385, 387, 389, 391	2902440 ..... 247, 273		4460419 ..... 1129
2150404 ..... 925, 927	2902441 ..... 245, 275		4460434 ..... 1126
2150606 95, 97, 925, 927	2902443 ..... 1086, 1099		4460458 ..... 1075, 1080, 1086, 1129, 1193
2150808 ..... 929	2903197 ..... 531, 533		4460464 ..... 1067, 1071, 1075, 1079, 1087,
2150810 ..... 439	2920206 ..... 1181, 1183, 1189		
2151012 ..... 95, 97	2920207 ..... 1173		
	2920208 ..... 1173		
	2940074 ..... 291		
	2997103 ..... 487		
	3020040 ..... 105		
	3043222 ..... 509		

# PART NUMBER INDEX

1099, 1107, 1125, 1128, 1137, 1145, 1161, 1193, 1235, 1247	4460932 ..... 1076, 1081, 1137, 1161, 1193, 1247	395, 397, 403, 405, 411, 413, 421, 423, 435, 439, 441, 447, 471, 691, 693, 695, 705, 722, 735, 737, 739, 743, 747, 784, 788, 817, 837, 839, 843, 853, 873, 875, 881, 887, 889, 977, 979, 1093, 1120, 1155, 1163, 1165, 1167, 1173, 1175, 1181, 1183, 1185, 1187, 1215, 1243	983, 1063, 1065, 1083, 1095, 1115, 1117, 1151, 1153, 1173, 1175, 1191, 1217, 1227, 1229, 1231, 1237, 1239, 1241, 1251
4460465 ..... 1067, 1068, 1071, 1072, 1073, 1075, 1076, 1079, 1080, 1081, 1086, 1087, 1088, 1089, 1098, 1099, 1100, 1125, 1126, 1127, 1128, 1129, 1137, 1169, 1235, 1247, 1249	4460941 ..... 1137, 1145, 1179, 1203	4811700001 ..... 726, 741, 745	4812002 ..... 363, 365, 375, 377, 379, 393, 395, 397, 419, 425, 427, 429, 549, 953, 1035, 1115, 1117
4460466 ..... 1067, 1068, 1071, 1072, 1073, 1075, 1076, 1079, 1080, 1081, 1087, 1088, 1089, 1098, 1099, 1100, 1101, 1125, 1126, 1127, 1128, 1137, 1169, 1193, 1235, 1251	4460942 ..... 1067, 1068, 1071, 1072, 1073, 1075, 1080, 1089, 1099, 1125, 1128, 1137, 1235	481170225, 27, 411, 413, 419, 722, 747, 751, 873, 875, 881, 897, 899, 1109, 1241	4812100..25, 27, 59, 339, 341, 363, 365, 379, 421, 423, 541, 995, 1083, 1095, 1173, 1175
4460496 ..... 1120	4460943 ..... 1128, 1137, 1249	4811702001 ..... 705, 707, 709, 726, 907	4812102 ..... 123
4460497 ..... 1120	4460944 ..... 1068, 1073, 1087, 1088, 1098, 1099, 1126, 1127, 1169, 1235	4811900 ... 31, 33, 35, 37, 39, 41, 43, 45, 47, 49, 51, 53, 59, 61, 65, 95, 97, 103, 117, 119, 363, 365, 377, 379, 385, 387, 389, 391, 411, 413, 421, 423, 425, 427, 429, 439, 441, 443, 445, 447, 457, 463, 465, 549, 551, 553, 657, 705, 713, 749, 759, 765, 767, 784, 788, 827, 829, 831, 833, 847, 849, 851, 865, 869, 873, 875, 897, 899, 903, 943, 949, 951, 965, 967, 977, 979, 981, 983, 985, 1083, 1093, 1095, 1103, 1109, 1159, 1163, 1165, 1167, 1181, 1197, 1219, 1225, 1227, 1229, 1231	4812200 ..... 1255
4460508 ..... 1087, 1088, 1089, 1099, 1105	4460945 ..... 1068, 1073, 1089, 1101, 1129	481170001 ..... 726, 741, 745	4812300 ..... 55, 71, 73, 79, 83, 87, 91, 95, 97, 339, 341, 993
4460509 ..... 1067, 1072, 1088, 1100	4460950 ..... 1087, 1099	481170225, 27, 411, 413, 419, 722, 747, 751, 873, 875, 881, 897, 899, 1109, 1241	4812500 ..... 55, 681
4460536 ..... 1076, 1080, 1107, 1251	4460970 ..... 1067, 1068, 1071, 1075, 1079, 1087, 1099	4811702001 ..... 705, 707, 709, 726, 907	4812700 ..... 55
4460539 ..... 1067, 1068, 1071, 1072, 1073, 1075, 1080, 1086, 1088, 1098, 1099, 1127, 1235	4460994 ..... 1124, 1128	4811900 ... 31, 33, 35, 37, 39, 41, 43, 45, 47, 49, 51, 53, 59, 61, 65, 95, 97, 103, 117, 119, 363, 365, 377, 379, 385, 387, 389, 391, 411, 413, 421, 423, 425, 427, 429, 439, 441, 443, 445, 447, 457, 463, 465, 549, 551, 553, 657, 705, 713, 749, 759, 765, 767, 784, 788, 827, 829, 831, 833, 847, 849, 851, 865, 869, 873, 875, 897, 899, 903, 943, 949, 951, 965, 967, 977, 979, 981, 983, 985, 1083, 1093, 1095, 1103, 1109, 1159, 1163, 1165, 1167, 1181, 1197, 1219, 1225, 1227, 1229, 1231	4813100.735, 1139, 1177
4460748 ..... 1086	4461006 ..... 1088, 1090, 1101	4811900 ... 31, 33, 35, 37, 39, 41, 43, 45, 47, 49, 51, 53, 59, 61, 65, 95, 97, 103, 117, 119, 363, 365, 377, 379, 385, 387, 389, 391, 411, 413, 421, 423, 425, 427, 429, 439, 441, 443, 445, 447, 457, 463, 465, 549, 551, 553, 657, 705, 713, 749, 759, 765, 767, 784, 788, 827, 829, 831, 833, 847, 849, 851, 865, 869, 873, 875, 897, 899, 903, 943, 949, 951, 965, 967, 977, 979, 981, 983, 985, 1083, 1093, 1095, 1103, 1109, 1159, 1163, 1165, 1167, 1181, 1197, 1219, 1225, 1227, 1229, 1231	4813600 ..... 65, 1109
4460789 ..... 1145	4461008 ..... 1090, 1251	481190237, 39, 111, 393, 397, 411, 413, 429, 435, 747, 749, 779, 781, 784, 788, 977, 979, 981, 983, 1083, 1095	4813700 ..... 447, 747, 887, 1163, 1165, 1167, 1243
4460836 ..... 1067, 1071, 1125	4461015 ..... 1068, 1072, 1137	4812000 ..... 1241	4813900 ..... 105, 779, 781, 784, 788, 937
4460871 ..... 1169	4461017 ..... 1105	482000 ..... 1241	4846452 ..... 291
4460884 ..... 1076, 1081, 1089, 1125, 1127, 1128, 1235	4461018 ..... 1088, 1100	4891800 ..... 143, 145, 149	4872000 ..... 1241
4460891 ..... 1067, 1068, 1071, 1072, 1073, 1075, 1079, 1080, 1081, 1087, 1088, 1089, 1098, 1100, 1128, 1129, 1247	4461054 ..... 1076, 1081, 1090, 1098	5201215 ..... 953	5201215 ..... 953
4460892 ..... 1089	4461070 ..... 1089	5220600 ..... 1183, 1187	5220600 ..... 1183, 1187
4460894 ..... 1067, 1068, 1071, 1073, 1075, 1079, 1080, 1087, 1127, 1249	4461071 ..... 1086, 1099	5220800 ..... 1115, 1117	5220800 ..... 1115, 1117
4460897 ..... 1068, 1072, 1073, 1076, 1079, 1080, 1081, 1089, 1101, 1125, 1137, 1179, 1249	4461072 ..... 1086, 1099	5240600 ..... 1109, 1227, 1229, 1231	5240600 ..... 1109, 1227, 1229, 1231
4460899 ..... 1068, 1073, 1076, 1079, 1080, 1145, 1203, 1235, 1251	4461073 ..... 1086, 1099	5240800 ..... 375, 419, 933	5240800 ..... 375, 419, 933
4460905 ..... 1169	4461074 ..... 1086, 1099	5241000 ..... 471	5241000 ..... 471
4460906 ..... 1126	4461095 ..... 1088	5241200 ..... 325	5241200 ..... 325
4460911 ..... 1067, 1071, 1075, 1080	4461115 ..... 1129, 1193	5241600 ..... 69	5241600 ..... 69
4460930 ..... 1080, 1127	4461118 ..... 1101, 1124, 1145	5242400 ..... 293	5242400 ..... 293
	4461170 ..... 1201	5250608 ..... 809	5250608 ..... 809
	4461174 ..... 1197, 1199	5251010 ..... 25, 27	5251010 ..... 25, 27
	4461262 ..... 1075, 1076, 1079, 1081, 1127, 1128	5260800 ..... 375, 419	5260800 ..... 375, 419
	4641237 ..... 925, 927	5271609 ..... 1157, 1159	5271609 ..... 1157, 1159
	4641501 ..... 163, 1043	5271808 ..... 967	5271808 ..... 967
	4641502 ... 159, 161, 163	5271814 ..... 965	5271814 ..... 965
	4711400 ..... 291	5271917 ..... 1003	5271917 ..... 1003
	471678 ..... 447, 853	5271919 ..... 1227, 1229	5271919 ..... 1227, 1229
	4740532 ..... 987	5271922 ..... 967	5271922 ..... 967
	4740566 ..... 981, 983	5272011 ..... 1217, 1219	5272011 ..... 1217, 1219
	4740572 ..... 439	5272022 ..... 925, 927	5272022 ..... 925, 927
	4761000 ..... 1113	70002219 ..... 1017	70002219 ..... 1017
	4807718 ..... 703	70002222 ..... 1007	70002222 ..... 1007
	4811400 . 735, 883, 1139, 1151, 1153, 1237, 1239	70002224 ..... 1017	70002224 ..... 1017
	4811600 ... 453, 722, 726, 1083, 1095, 1157, 1159, 1173, 1175, 1201	70002386 ..... 1029, 1031	70002386 ..... 1029, 1031
	4811602 ..... 722	70002971 ..... 1049	70002971 ..... 1049
	4811602001 ..... 726	70003788 ..... 1049	70003788 ..... 1049
	4811700 ... 37, 39, 95, 97, 125, 293, 363, 393,	70003849 ..... 1017	70003849 ..... 1017
		70004280..343, 345, 347, 349, 351	70004280..343, 345, 347, 349, 351
		70004511 ..... 345, 1296	70004511 ..... 345, 1296
		70004512 ..... 349, 351	70004512 ..... 349, 351
		70004518 ..... 349, 351	70004518 ..... 349, 351
		70005191..343, 345, 347, 349, 351	70005191..343, 345, 347, 349, 351



## PART NUMBER INDEX

70005504 . 343, 345, 347, 349, 351	70021341 ..... 1173, 1175	70022821 ..... 75, 81	70024448 ..... 295
70005505 .. 343, 345, 347	70021342 .. 233, 255, 263	70022822 ..... 75	70024449 ..... 295
70005507 .. 343, 345, 347	70021349 . 255, 257, 259, 261, 263	70022823 ..... 75, 81	70024450 ..... 295
70005515 .. 343, 345, 347	70021358 ..... 233	70022824 ..... 75	70024452 ..... 295
70005556 .. 343, 345, 347	70021359 ..... 233	70022825 ..... 75	70024453 ..... 295
70005559 .. 343, 345, 347	70021360 ..... 233	70022826 ..... 81	70024454 ..... 295
70011901 . 343, 345, 347, 349, 351	70021361 ..... 233	70022831 ..... 321, 323	70024455 ..... 295
70020173 .. 487, 499, 511	70021362 ..... 233	70022906 ..... 157	70024456 ..... 295
70020201 ..... 265, 271	70021364 ..... 233	70022912 ..... 157	70024480 . 343, 345, 347, 349, 351
70020202 ..... 271	70021365 ..... 233	70022922 ..... 157	70024485 . 343, 345, 347, 349, 351
70020203 ..... 271	70021366 ..... 233	70022923 ..... 157	70024494 . 343, 345, 347, 349, 351
70020204 ..... 271	70021367 ..... 233	70022924 ..... 157	70024495 . 343, 345, 347, 349, 351
70020205 ..... 265, 271	70021387 . 233, 255, 257, 259, 261	70022925 ..... 157	70024495 . 343, 345, 347, 349, 351
70020206 ..... 265, 271	70021391 ..... 233	70022927 ..... 157, 295	70024504 . 343, 345, 347, 349, 351
70020392 ..... 239	70021392 ..... 233	70022928 ..... 157	70024505 ..... 345, 347
70020417 ..... 265	70021393 ..... 233	70022929 ..... 157	70024509 . 343, 345, 347, 349, 351
70020421 ..... 251	70021399 ..... 233	70022930 ..... 157	70024519 .. 483, 495, 507
70020422 ..... 251	70021415 . 255, 257, 261, 263	70022996 ..... 282	70024520 ..... 485, 497
70020438 ..... 999	70021531 ..... 1039, 1041	70022997 ..... 155	70024521 ..... 497
70020506 .. 141, 147, 151	70021558 ..... 153	70023000 ..... 282	70024522 .. 485, 497, 509
70020507 .. 141, 147, 151	70021559 ..... 153	70023101 ..... 1005	70024535 ..... 155
70020508 .. 141, 147, 151	70021560 ..... 153	70023276 ..... 157	70024536 ..... 155
70020555 ..... 267, 269	70021561 ..... 153	70023277 ..... 157	70024537 ..... 155
70020562 ..... 233	70021562 ..... 153	70023278 ..... 157	70024538 .. 155, 170, 282
70020724 ..... 295	70021566 ..... 153	70023370 ..... 1001	70024539 ..... 155, 1021
70020725 ..... 295	70021563 ..... 153	70023372 ..... 1001	70024540 ..... 155
70020726 ..... 295	70021613 ..... 513	70023380 ..... 1001	70024541 ..... 155
70020728 ..... 295, 296	70021835 ..... 157	70023484 ..... 235	70024542 ..... 155
70020730 . 141, 147, 151, 157	70021836 ..... 157	70023900 .. 487, 499, 511	70024543 ..... 155
70020731 . 141, 147, 151, 157	70021838 ..... 157	70023928 ..... 1043	70024544 ..... 155
70020764 ..... 1039, 1041	70021839 ..... 157	70023929 ..... 1043	70024545 ..... 155
70020867 ..... 1033	70021840 ..... 157	70024020 ..... 1017	70024546 ..... 155
70021140 ..... 509, 535	70021841 ..... 157	70024059 . 255, 257, 259, 261, 263	70024547 ..... 1021
70021238 .. 141, 147, 151	70021842 ..... 157	70024060 ..... 259, 263	70024548 ..... 1021
70021239 .. 141, 147, 151	70021843 ..... 157	70024061 ..... 259	70024549 ..... 1021
70021240 .. 141, 147, 151	70021921 . 255, 257, 259, 261, 263	70024062 ..... 259	70024550 ..... 155, 282
70021241 . 129, 131, 141, 147, 151, 157	70021935 . 255, 257, 259, 261, 263	70024063 ..... 259	70024551 ..... 155
70021242 . 141, 147, 151, 296, 297	70021977 . 255, 257, 259, 263	70024064 ..... 259	70024552 ..... 155
70021243 .. 141, 147, 151	70021978 . 255, 257, 259, 261, 263	70024123 ..... 155, 282	70024553 ..... 155
70021244 .. 141, 147, 151	70021979 . 255, 257, 259, 261, 263	70024129 ..... 931, 1019	70024554 ..... 155
70021245 .. 141, 147, 151	70021980 ..... 233	70024130 ..... 931	70024555 ..... 155
70021246 .. 141, 147, 151	70021981 ..... 233	70024164 ..... 1015	70024634 ..... 567, 569
70021247 .. 141, 147, 151	70021982 ..... 233	70024165 ..... 1015	70024635 ..... 593, 595
70021248 ..... 141, 147	70022010 ..... 1025, 1027	70024166 ..... 1015	70024638 ..... 567
70021251 ..... 757	70022028 . 255, 257, 259, 261, 263	70024167 ..... 1015	70024639 ..... 567, 569
70021252 ..... 757	70022034 ..... 757	70024168 ..... 1015	70024641 .. 591, 597, 605
70021314 ..... 769, 771	70022147 ..... 1057	70024186 ..... 1053	70024642 ..... 567, 569
70021316 ..... 769, 771	70022527 . 233, 255, 257, 263	70024189 ..... 1053	70024644 ..... 567, 569
70021317 ..... 761, 763	70022528 . 255, 257, 259, 261, 263	70024210 ..... 501	70024645 ..... 567, 569
70021318 ..... 761, 763	70022529 . 255, 257, 259, 261, 263	70024213 ..... 501	70024646 .. 591, 597, 605
70021319 .. 761, 763, 773	70022563 ..... 1001	70024262 ..... 1017	70024676 ..... 170
70021321 ..... 773	70022564 ..... 1001	70024262 ..... 1017	70024677 ..... 170
70021322 ..... 761, 763	70022697 .. 141, 147, 151	70024306 ..... 319	70024678 ..... 170
70021323 ..... 773	70022765 ..... 1245	70024307 ..... 319	70024679 ..... 165, 170
70021324 ..... 773	70022818 ..... 85, 89	70024436 ..... 295, 296	70024680 ..... 170
70021325 ..... 773	70022819 ..... 85, 89	70024437 ..... 295	70024681 ..... 170
70021326 ..... 773		70024438 ..... 295	70024682 ..... 170
70021327 ..... 773		70024439 ..... 295	70024683 ..... 170
70021328 ..... 773		70024440 ..... 295	70024684 ..... 170
70021330 ..... 773		70024441 ..... 295	70024685 ..... 165, 170
70021340 ..... 1173, 1175		70024442 ..... 295	70024686 ..... 170
		70024443 ..... 295	70024687 ..... 170
		70024444 ..... 295	
		70024445 ..... 295	
		70024446 ..... 295	
		70024447 ..... 295	

# PART NUMBER INDEX

70024688.....170	70025014.....499	70025432..573, 575, 577	70025508.....573, 589
70024690.....170	70025153 345, 347, 1296	70025433 ..573, 575, 577	70025509.....587, 589
70024691.....170	70025205. 343, 345, 347,	70025435 .....575, 577	70025510.....563, 565
70024692.....170	349, 351	70025436 .....575, 577	70025511.....561
70024696.....170	70025360.....589	70025437 ..573, 575, 577	70025512.....561
70024697.....170	70025361.....589	70025438 ..573, 575, 577	70025513.....589
70024698.....170	70025362.....589	70025439 ..573, 575, 577	70025514.....561, 565
70024699.....170	70025363.....589	70025440 ..573, 575, 577	70025515.....587
70024701.....170	70025364.....589	70025441 .....577	70025516.....587
70024702.....170	70025365.....589	70025442 .....575, 577	70025517.....587
70024703.....170	70025366.....589	70025443 .....587	70025518.....587
70024706.....170	70025367.....589	70025444 .....587	70025520.....571, 589
70024707.....170	70025368.....589	70025445 .....573	70025522.....579
70024708.....170	70025369.....589	70025446 .....573	70025523.....589
70024709.....170	70025370.....589	70025447 .....573, 575	70025524..561, 563, 565,
70024711.....170	70025371.....589	70025448 .....573, 575	607
70024712.....170	70025372.....589	70025449 .....573	70025525..561, 563, 565,
70024713.....170	70025373.....589	70025450 .....575	607
70024714.....170	70025374.....589	70025451 .....571	70025526.....561, 583
70024715.....170	70025375.....589	70025452 .....579	70025527.....561
70024716.....170	70025376.....589	70025453 .....561	70025528.....561
70024720.....170	70025377.....589	70025455 .....601, 603	70025529.....561, 607
70024721.....170	70025378.....589	70025456 .....601, 603	70025533.....349, 351
70024724.....170	70025379.....589	70025457 .....601, 603	70025535..343, 345, 347,
70024731.....170	70025380.....589	70025459 .....579	349, 351
70024733.....171	70025382..563, 565, 589	70025460 .....589	70025539.....769, 771
70024734.....171, 1019	70025383.....563, 565	70025461 .....589	70025549...487, 499, 511
70024744.....170	70025387.....585	70025462 .....589	70025562...487, 499, 511
70024745.....171	70025388.....585	70025463 .....579	70025567...487, 499, 511
70024748.....165, 171	70025389.....585	70025464 .....579	70025568.....489
70024749.....165, 171	70025390.....585	70025465 .....589	70025569.....535
70024750.....165, 171	70025391.....585	70025466 .....601, 603	70025570.....535
70024752.....171	70025392.....563, 565	70025467 .....589, 605	70025606.....1017
70024753.....171	70025393.....563, 565	70025468 .....589	70025614.....1005
70024754.....171	70025394.....589	70025469 .....571, 599	70025644.....415, 417
70024755.....171	70025397.....563, 565	70025470 .....571	70025810.....511
70024756.....165, 171	70025398.....563, 565	70025471 .....605	70025816.....871
70024757.....171	70025400.....573	70025472 .....589	70025817.....871
70024758.....171	70025401.....573, 577	70025476 .....587	70025819...487, 499, 511
70024765.....165, 171	70025402.....575	70025478 349, 351, 1296	70025821...531, 533, 537
70024766.....165, 171	70025403.....575	70025483 .....757	70025822...531, 533, 537
70024767.....171	70025404.....575	70025485 .....757	70025823...489, 501, 513
70024768.....165, 171	70025406.....575	70025486 .....757	70025842...491, 503, 515
70024770.....165, 171	70025407.....575, 581	70025489 .....757	70025850.....401
70024771.....171	70025408.....575, 589	70025490 .....757	70025851.....401
70024772.....165, 171	70025409.....575	70025491 .....757	70025852.....399
70024773.....165, 171	70025410.....575	70025493 ..567, 569, 575	70025853.....399
70024774.....165, 171	70025411.....575	70025494 .587, 591, 593,	70025859.....877
70024775.....171	70025412.....575	595, 597	70025860.....877
70024776.....171	70025413.....575	70025495 ..593, 595, 605	70025884.....539
70024777.....171	70025414.....575	70025496 .567, 569, 577,	70025956.....1005
70024778.....171	70025415.....575	581	70025959.....1017
70024779.....171	70025416.....575	70025497 .587, 589, 591,	70025987.....1059
70024780.....171	70025417.....575	593, 595, 597	70025989.....1059
70024781.....171	70025418.....575	70025498 .567, 569, 573,	70026011..343, 345, 347,
70024782.....171	70025419.....575	575, 577	349, 351
70024783.....171	70025420.....575	70025499 ..587, 591, 597	70026018.....157
70024784.....171	70025421.....587	70025500 ..587, 591, 597	70026031...485, 497, 509
70024785.....171	70025423.....577	70025501 ..587, 591, 597	70026056.....1017
70024786.....171	70025424 ..573, 575, 577	70025502 ..587, 591, 597	70026057.....1017
70024787.....170	70025425.....577	70025503 .....567, 569	70026058.....1017
70024788.....170	70025426.....577	70025504 .567, 569, 575,	70026059.....1017
70024918..343, 345, 347,	70025427.....581	577, 589	70026060.....1017
349, 351	70025428.....581	70025505 .....567, 589	70026061.....1017
70024920...343, 345, 347	70025429 ..573, 575, 577	70025506 .591, 593, 595,	70026062.....1017
70024961.....343, 1296	70025430.....587, 607	597	70026068.....489, 533
70025012.....499	70025431.....577	70025507 .....567	70026069.....489, 531

# PART NUMBER INDEX

70026210 . 343, 345, 347, 349, 351	70026597 .....282	70026848.....999, 1296	70027180..... 201, 205
70026262 ..... 501	70026598 .....282	70026950.....487	70027199..... 417
70026292 ..... 1131	70026599 .....282	70026965..... 1045, 1047	70027200..... 417
70026293 ..... 1133	70026600 .....282	70026966..... 1045, 1047	70027201..... 417
70026294 ..... 1111	70026601 .....282	70026967..... 1045, 1047	70027202..... 415, 417
70026295 ..... 1111	70026602 .....282	70026968..... 1045, 1047	70027203..... 415, 417
70026296 ..... 1111	70026603 .....282	70026969..... 1045, 1047	70027204..... 415, 417
70026297 ..... 1111	70026604 .....282	70026970..... 1045, 1047	70027205..... 415
70026308 ..... 1001	70026605 .....282	70026971..... 1045, 1047	70027206..... 415
70026313 ..... 1029, 1031	70026606 .....282	70026972..... 1045, 1047	70027207..... 415
70026333 ..... 1029	70026607 .....282	70026973..... 1045, 1047	70027208..... 415
70026347 ..... 282	70026608 .....282	70026974..... 1045	70027223..... 1001
70026361 ..... 901	70026609 .....282	70026975..... 1045, 1047	70027224..... 1001
70026362 ..... 901	70026610 ..... 1019	70026976..... 1045, 1047	70027225..... 1001
70026363 ..... 901	70026611 ..... 1019	70026997.....437	70027226..... 1001
70026364 ..... 901	70026612 ..... 931	70027000..... 1029, 1031	70027227..... 1001
70026365 ..... 901	70026613 ..... 931	70027001..... 1029, 1031	70027228..... 1001, 1296
70026366 ..... 901	70026614 ..... 931	70027002..... 1029	70027234..... 1009, 1011
70026367 ..... 901	70026615 ..... 931	70027003..... 1029	70027235..... 1009, 1011
70026368 ..... 1027	70026616 ..... 931	70027004..... 1049	70027236..... 1009
70026370 ..... 1025, 1027	70026617 ..... 931	70027008.....381	70027237..... 1009
70026371 ..... 1025, 1027	70026618 ..... 931	70027009...255, 257, 261	70027238..... 1009, 1011, 1296
70026372 ..... 1025, 1027	70026619 ..... 931	70027037.....383	70027239..... 1009, 1011
70026373 ..... 1025, 1027	70026620 ..... 931	70027038..... 1055	70027240..... 1009, 1011
70026374 ..... 1025, 1027	70026621 ..... 931	70027067..... 1007, 1296	70027267..... 1037
70026375 ..... 1025, 1027	70026623 ..... 501	70027068..... 1007	70027268..... 1037
70026376 ..... 1025, 1027	70026630 ..... 539	70027069..... 1007	70027269..... 1037
70026377 ..... 1025, 1027	70026631 .. 485, 497, 509	70027070..... 1007	70027270..... 1037
70026379 ..... 1027	70026698 .255, 257, 261, 263	70027071..... 1007	70027271..... 1037
70026382 ..... 1025, 1027	70026702 .....261	70027072..... 1007	70027271..... 1037
70026393 ..... 399	70026717 .....467	70027073..... 1007	70027285..... 1057
70026394 ..... 399	70026718 .....467	70027074..... 1005, 1007	70027287..... 1173, 1175
70026395 ..... 401	70026719 ..... 467, 469	70027075..... 1007	70027293..... 237, 277
70026396 ..... 401	70026719 ..... 467, 469	70027076..... 1007	70027294..... 237, 277
70026470 ..... 282	70026720 ..... 467, 469	70027077..... 1005	70027295..... 277
70026471 ..... 282	70026721 ..... 467, 469	70027078..... 1005	70027296..... 237, 277
70026472 ..... 282	70026722 ..... 467, 469	70027079..... 1005	70027297..... 237, 277
70026473 ..... 282	70026723 ..... 467, 469	70027080..... 1005	70027298..... 237, 277
70026476 ..... 282	70026724 ..... 467, 469	70027081..... 1005	70027302..... 237, 277
70026478 ..... 931	70026725 ..... 469	70027082..... 1005	70027324..... 277
70026481 ..... 282	70026726 ..... 469	70027083..... 1005	70027325..... 237
70026482 ..... 282	70026745 ..... 267	70027084..... 1005	70027326..... 237
70026495 ..... 1019	70026746 ..... 267	70027085..... 1005	70027328.. 573, 577, 605
70026497 ..... 1019	70026749 .. 483, 495, 507	70027086..... 1005, 1296	70027331..... 561
70026499 ..... 1019	70026770 ..... 1023	70027087..... 1005, 1007	70027332..... 583
70026500 ..... 1019	70026771 ..... 1023	70027088..... 1007	70027337..... 605, 607
70026501 ..... 282, 1019	70026772 ..... 1023	70027096..... 1025	70027338..... 605, 607
70026502 ..... 1019	70026773 ..... 1023	70027128..... 1025, 1027	70027339.. 575, 605, 607
70026503 ..... 1019	70026774 ..... 1023	70027129..... 1025, 1027	70027340..... 589
70026505 ..... 1019	70026775 ..... 1023	70027130..... 1025, 1027	70027341..... 561
70026506 ..... 1019	70026777 ..... 1025, 1027	70027131..... 1025, 1027	70027342..... 567
70026537 ..... 877	70026808 .. 491, 503, 515	70027132..... 1025, 1027	70027343..... 567
70026543 ..... 1001	70026817 .....499	70027133..... 1025, 1027	70027344..... 575, 577
70026582 ..... 1033	70026818 .. 487, 499, 511	70027134..... 1025, 1027	70027345..... 563, 565
70026585 ..... 282	70026819 .. 491, 503, 515	70027135..... 1025, 1027	70027346..... 589
70026586 ..... 282	70026820 .. 491, 503, 515	70027136..... 1025, 1027	70027347..... 579
70026587 ..... 282, 1019	70026821 .....521	70027137..... 1025, 1027	70027348..... 573
70026588 ..... 282	70026822 .....511	70027138..... 1025, 1027	70027349..... 577
70026589 ..... 282, 931	70026823 ..... 513, 537	70027139..... 1025	70027350..... 587
70026590 ..... 282	70026824 ..... 487, 499	70027140..... 1025, 1027	70027352..... 601, 603
70026591 ..... 282	70026826 .. 491, 503, 515	70027141..... 1025, 1027	70027353..... 601, 603
70026592 ..... 282	70026827 . 487, 499, 511, 521	70027174.....77	70027354..... 605
70026593 ..... 282	70026843 .....999	70027175.....77	70027356..... 567
70026594 ..... 282	70026845 .....999	70027176.....93	70027357..... 591
70026595 ..... 282	70026846 .....999	70027177.....93	70027358..... 575
70026596 ..... 282	70026847 .....999	70027178.....93	70027359..... 575
		70027179... 181, 183, 195	70027361..... 601

# PART NUMBER INDEX

70027362.....	571, 601	70027680.....	571	70028005.....	295	70028899.....	1031
70027363.....	571, 603	70027681..	573, 575, 577	70028006.....	295, 296	70028900.....	1031
70027364.....	575	70027682.....	563	70028007.....	295, 296	70028901.....	1031
70027365.....	575	70027707.....	561, 585	70028008.....	295	70028978.....	157
70027366.....	607	70027708.....	567	70028009.....	296	70028979.....	157
70027367.....	593	70027709.....	567	70028010.....	296	70028980.....	157
70027368.....	569	70027711..	561, 567, 587	70028011.....	296	70029029.....	1027
70027369.....	569	70027712.....	567, 593	70028012.....	296	70029030.....	1027
70027370.....	569	70027713.....	567, 591	70028013.....	296	70050472.....	1027
70027371.....	569	70027714.....	561, 589	70028014.....	296	70050475.....	1025, 1027
70027373.....	569, 595	70027715..	555, 557, 559, 577	70028015.....	296	70050481.....	1025, 1027
70027374.....	591, 597	70027716..	555, 557, 559, 581	70028016.....	296	70050503.....	1025, 1027
70027375.....	569, 597	70027717..	555, 557, 559, 573	70028017.....	296	70051155.....	1025, 1027
70027376...567, 569, 589		70027718..	555, 557, 559, 575	70028018.....	296	7012903.....	1049
70027382.....	563	70027719..	555, 557, 559, 579	70028019.....	296	7012998.....	1029, 1049
70027383.....	565	70027720..	555, 557, 559, 571	70028020.....	296	7013903.....	1025
70027387..571, 591, 593, 595, 597		70027721..	555, 557, 563	70028021.....	296	7016331....	343, 345, 347, 349, 351, 1296
70027388.....	589	70027722.....	555, 567	70028022.....	296	7020442....	343, 345, 347, 349, 351
70027389.....	601, 603	70027723..	555, 557, 559, 561	70028023.....	296	7020465....	343, 345, 347, 349, 351
70027392.....	761, 769	70027724.....	559, 565	70028024.....	296	7021653.....	1029
70027393.....	769	70027725..	557, 559, 569	70028025.....	296	7022391.....	1049
70027394.....	769, 771	70027729.....	1011	70028026.....	296	7022730.....	591, 597
70027395.....	761, 763	70027730.....	1011	70028027.....	296	7024947.....	1053
70027396.....	763, 771	70027731.....	303	70028028.....	157, 296	7028038.....	489
70027397.....	771	70027732.....	303	70028029.....	296	7028039.....	489
70027403..343, 345, 347, 1296		70027733.....	303	70028030.....	296	7028043.....	509
70027404...343, 345, 347		70027734.....	303	70028031.....	157, 296	7028083.....	539
70027405...343, 345, 347		70027735.....	303	70028032.....	296	7028115....	487, 499, 511
70027417..343, 347, 349, 351, 1296		70027736.....	303	70028033.....	296	7028125.....	235
70027595.....	1053	70027737.....	303	70028034.....	296	7028126.....	235
70027596.....	1041	70027738.....	303	70028035.....	296	7028127....	235, 237, 277
70027600.....	1057	70027739.....	303	70028036.....	296	7028128.....	235
70027604.....	141, 147	70027740.....	303	70028037.....	296	7028129.....	235
70027605.....	141, 147	70027741.....	303	70028038.....	296	7028130.....	235
70027606..129, 131, 141, 147, 151		70027742.....	303	70028039.....	296	7028131....	229, 231, 235, 237, 277
70027607..129, 131, 141, 147, 151		70027743.....	303	70028040.....	296	7028132.....	235
70027608.....	151	70027744.....	303	70028041.....	296	7028133.....	235
70027631.....	177	70027745.....	303	70028042.....	296	7028134.....	235
70027657..343, 345, 347, 349, 351, 1296		70027746.....	303	70028043.....	296	7028135.....	235
70027658.....	131, 151	70027747.....	303	70028044.....	296	7028136.....	153
70027659.....	129	70027748.....	303	70028045.....	296	7028137.....	153
70027660.....	599	70027749.....	303	70028046.....	296	7028710....	485, 497, 517
70027661.....	583	70027750.....	261	70028047.....	296	7028733....	487, 499, 511, 527
70027663..561, 563, 565, 607		70027751.....	303	70028048.....	296	7028734.....	501
70027664.....	589	70027752.....	303	70028049.....	296	7028735.....	501
70027665.....	589	70027753.....	303	70028050.....	296	7028910....	229, 231, 235
70027666.....	563, 565	70027754.....	303	70028051.....	296	7028911.....	229, 231
70027667.....	563, 565	70027755.....	303	70028052.....	296	7028912.....	229, 231
70027668.....	589	70027756.....	303	70028053.....	296	7028913.....	229, 231
70027669.....	605	70027757.....	303	70028054.....	296	7028914.....	229, 231
70027670.....	563	70027758.....	303	70028055.....	296	7028915.....	229, 231
70027671.....	571	70027759.....	295, 296	70028056.....	296	7028916.....	229, 231
70027672.....	569	70027760.....	295, 296	70028057.....	296	7028917.....	229, 231
70027673.....	569	70027761.....	295, 296	70028058.....	296	7028918....	229, 231, 237, 277
70027674.....	569	70027762.....	295	70028059.....	296	7028919.....	229, 231
70027675.....	569	70027763.....	295	70028060.....	296	7028920.....	229, 231
70027676.....	563, 565	70027764.....	295	70028061.....	296	7028923.....	229, 231
70027677.....	601, 603	70027765.....	295	70028062.....	295, 296	7028982.....	229, 231
70027678.....	599	70027766.....	295, 296	70028063.....	295	7028983.....	229, 231
70027679.....	599	70027767.....	295	70028064.....	295	7028984....	229, 231, 235
		70027768.....	295	70028065.....	295	7028985.....	229, 231

# PART NUMBER INDEX

7028986 ..... 235, 237	8005827 .... 621, 639, 651	8229242.....1086, 1101,	90201309..... 1025
7028987 ..... 235	8005870 ..... 1264, 1268,	1131, 1133	90451058..... 159, 161
7028988 ..... 235, 237	1272, 1276, 1280	8229244.....1086, 1111,	90554016 . 233, 255, 257,
7028989 ..... 235	8005901 ..... 739	1135	259, 261, 263, 267
7028990 ..... 229, 231	8006605 .... 487, 499, 511	8229245.....1086, 1111,	90554017 ..... 233
7028991 ..... 229, 231	8006612 ..... 1264, 1268,	1131	90554018 ..... 233, 259
7029124 ..... 235	1272, 1276, 1280	8229247.....1086, 1111,	90554019 ..... 303
7029129 ..... 517	8007749 ..... 485, 497	1133	90554020 . 255, 257, 259,
7029131 ..... 517, 535	8007751 ..... 517	8270147.....1115, 1117	261, 263, 303
7029344 ..... 273, 275	8007771 ... 487, 499, 511	8270148.....1115, 1117	90554042 . 255, 257, 259,
7029345 ..... 247, 273	8007774 .... 487, 499, 523	8275212.....363, 365	261, 263, 303
7029346 ..... 247, 273	8007775 ..... 511	8303634..... 159, 161	90554054 . 255, 257, 259,
7029347 ..... 247, 273	8007777 .... 487, 499, 525	8303658..... 159, 161	261, 263, 303
7029348 ..... 247, 273	8007779 .... 487, 499, 511	8305438.....121	90554062 ..... 233, 263
7029349 ..... 247, 273	8007780 .... 487, 499, 511	8305624..... 159, 161	90554065 ..... 233
7029350 ..... 247, 273	8007782 .... 487, 499, 511	8305643..... 159, 161	90554067 ..... 303
7029351 ..... 247, 273	8007785 ..... 489	8305919....25, 27, 37, 39,	90554070 ..... 303
7029352 ..... 247, 273	8007786 ..... 489	722, 726, 747, 751	90554076 ..... 233, 263
7029353 ..... 273, 275	8007788 ..... 489	8310302..... 159, 161	90554080 ..... 269
7029354 ..... 273, 275	8007802 ..... 489	8310435..... 159, 161	91013191 ..... 1075, 1079
7029355 ..... 273, 275	8008168 ..... 489	8310559.....719	91013192..... 1068, 1072,
7029356 .... 235, 273, 275	8008169 ..... 489	8380008.....257, 259	1073
7029357 ..... 275	8008175 .... 491, 503, 515	8405006....355, 357, 359,	91043147 .. 549, 551, 553
7029427 .... 485, 497, 509	8008657 ..... 1264, 1268,	361, 957, 969, 971,	91044238 ..... 1025
7029428 ..... 487, 511	1272, 1280	973, 975	91163268 ..... 363
7029429 ..... 511	80204005 . 483, 495, 507,	8405007 ..... 463, 465	91403413 . 143, 145, 149,
7029430 .... 487, 499, 511	519	8405009....443, 445, 873,	155, 159, 161, 257,
7029432 ... 487, 499, 511,	80204060 ..... 501	875	259, 282
529	80204065 .. 487, 499, 527	8405104.....421, 423	91403414 . 143, 145, 149,
7029433 ..... 489	80204071 .. 487, 499, 511	8405201....421, 423, 722,	155, 159, 161, 257,
7029486 ... 737, 739, 971,	80204108 ..... 501	726, 729	259, 282
975, 1259	80204117 . 489, 499, 501,	8405202.....421, 423	91474507 . 483, 487, 495,
7029520 ..... 269	511, 513, 539	8405301.....953	499, 507, 511
7029521 ..... 269	80204281 .. 489, 501, 513	8405402....403, 405, 407,	91474512 .. 483, 495, 507
7029692 .... 233, 255, 263	80233218 ..... 959, 961	409	91474513 . 483, 487, 495,
7029714 ..... 233	80264002 ..... 769, 771	8405502.....965, 967	499, 507, 511
7029749 ..... 235	80264004 ..... 769, 771	8406105.....377	91474515 ..... 539
7029767 ..... 757	80333151 ..... 957	8406302....421, 423, 429,	91474516 ..... 539
7029786 ..... 489, 513	8034697 ..... 1025, 1027	463, 465, 1083, 1095	91474522 .. 491, 503, 515
7029788 ..... 501	8035835 ..... 1025	8410009....459, 461, 781,	91474529.. 485, 497, 509
7029969 ..... 1173, 1175	80363179 ..... 1087, 1099	788, 959, 961, 963	91474533 .. 485, 497, 509
7029970 ..... 1173, 1175	80363195 ..... 847, 849	8410011....403, 405, 407,	91474535 ..... 485, 497
7029971 ..... 1173, 1175	8036533 ..... 1025, 1027	409	91474536 ..... 485, 497
7139918 ..... 159, 161	8036580 ..... 1049	8410013....355, 357, 359,	91474537 ..... 485, 497
7300435 ..... 339, 341	8036733 ..... 1023	361, 377, 379, 459	91474538 ..... 485, 497
7301295 ..... 159	80604016 .... 1087, 1088,	8420053....143, 145, 149,	91474539 .. 485, 497, 509
7301568 ..... 161	1089, 1100	155, 159, 161, 257, 259	91474540 ..... 485, 497
7301893 ..... 1115, 1117	80604017 ..... 1249	8420055....143, 145, 149,	91474541 ..... 485, 497
77133140 .. 935, 937, 951	80604018 .... 1087, 1098,	155, 159, 161, 257, 259	91474542 ..... 497
77133168 ..... 951	1100	8420231.....421, 423	91474543 ..... 485, 497
77133177 ..... 935, 937	80604021 ..... 1089	8430032.....991	91474547 .. 485, 497, 509
77363244 ..... 1086	806253 ..... 657	8430033.....991	91474549 ..... 517
8000759 ..... 703	806264 ..... 657	8430082.....989	91474550 ..... 517, 535
8000803 ..... 705	80963067 ..... 1086	8466306.....861, 1268	91474551 ..... 517, 535
8000877 .... 487, 499, 511	80983191 .... 1131, 1133,	8630003..... 159, 161	91474553 ..... 517, 535
8002798 ..... 489	1135	8750017.....985	91474559 ..... 501
8004398 ..... 703	8200124 ..... 1089	8750038.....985	91474560 ..... 501
8004468 ... 487, 499, 511,	8220043 ..... 1105	8760550.....95, 97	91474561 ..... 501
523, 525	8220051 ..... 1124	8769124.....935, 937	91474564 ..... 501
8005079 ..... 541	8220097 ..... 1086	8770143.....95, 97	91474565 ..... 501
8005616 ..... 1264, 1268,	8220098 ..... 1086	8770167.....949	91474568 .. 489, 501, 513
1272, 1276, 1280	8220108 ..... 1086	8770175.....981, 983	91474570 ..... 501
8005671 ..... 1264, 1268,	8220114 ..... 1067, 1072,	88662434.....941	91474571 ..... 501
1272, 1280	1235	88671001...143, 145, 149	91474572 ..... 501
8005675 ..... 1264, 1268,	8220115 ..... 1086	8881800..... 1083	91474573 ..... 501
1272, 1280	8220124 ..... 1101	90200003..135, 137, 139,	91474579 ..... 487, 529
8005825 ..... 633		143, 145, 149, 159, 161	91474580 ..... 529

## PART NUMBER INDEX

91474583...487, 499, 511	91514083..... 499	91514146 ..... 519	91514188.. 483, 487, 495,
91474584...487, 499, 511	91514084 ..... 499	91514147 ..... 519	499, 507, 511
91474585.....521	91514098 .. 483, 495, 507	91514148 ..... 519	91514189...487, 499, 511
91474586.....521	91514099 . 487, 499, 511,	91514149 . 487, 499, 511,	91554019..... 1088, 1098,
91474587.....521	539	519	1099
91474591.....485, 497	91514117 .. 487, 499, 527	91514154 .. 489, 501, 513	91554022..... 1087, 1099
91474593.....535	91514119.. 487, 499, 511	91514159 ..... 501	91574001 ..... 1015
91474595.....535	91514120 .. 487, 499, 511	91514165 . 501, 531, 533,	AU2105..... 1264, 1268,
91504107..... 1087, 1249	91514123 .. 485, 497, 509	537	1272, 1276, 1280
91514082...487, 499, 511	91514134 .. 485, 497, 509		E000269 ..... 1237





31211227



An Oshkosh Corporation Company

**Corporate Office**  
**JLG Industries, Inc.**  
**1 JLG Drive**  
**McConnellsburg, PA 17233-9533 USA**  
☎ **(717) 485-5161 (Corporate)**  
☎ **(877) 554-5438 (Customer Support)**  
☎ **(717) 485-6417**

**Visit our website for JLG Worldwide Locations.**  
**[www.jlg.com](http://www.jlg.com)**