



Illustrated Parts Manual

Models

8010H

31211278

September 17, 2018 - Rev A



EFFECTIVITY PAGE

September 17, 2018 - A - Original Issue of Manual

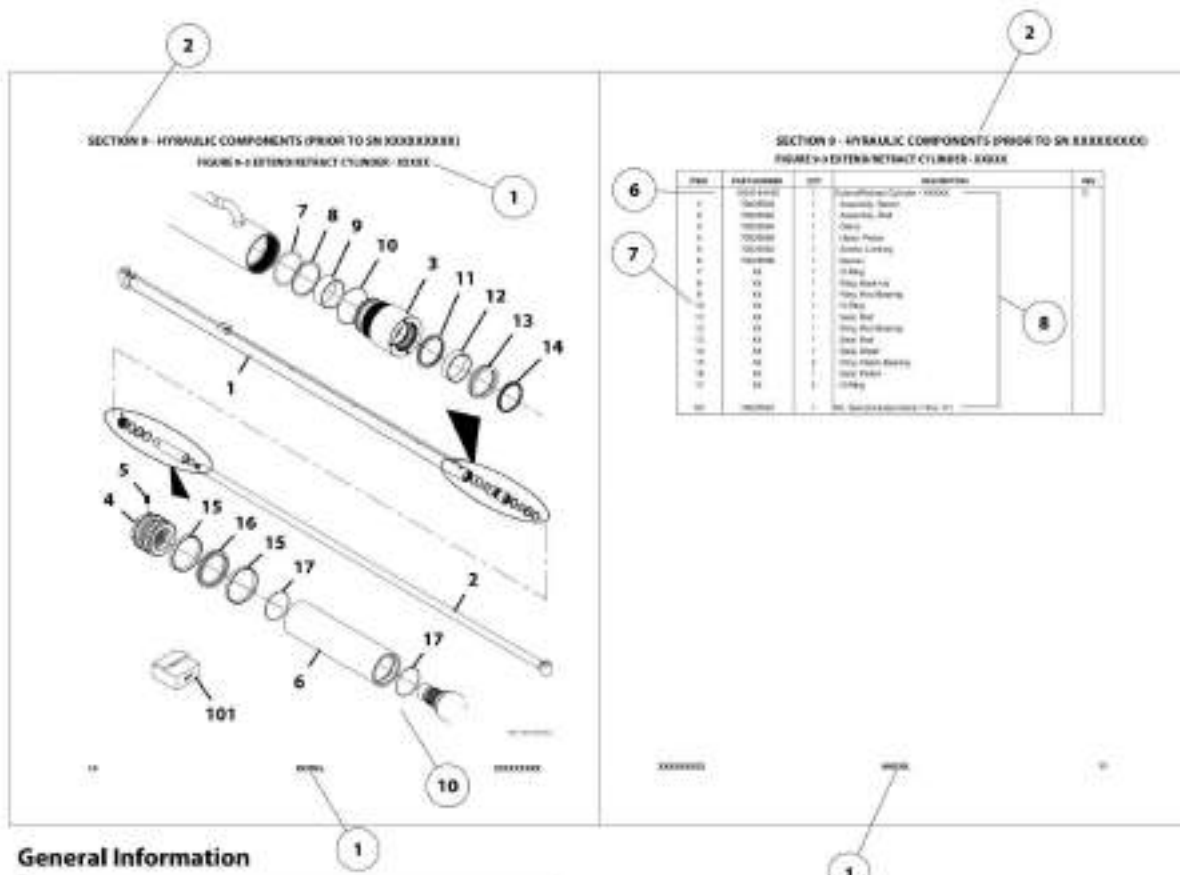
Machine Configuration



Two configurations of each machine are included in this manual. Determine if machine is equipped with Ultra Low Sulfur Fuel Decal (1).

If equipped with the Ultra Low Sulfur decal, all specific references to this machine configuration will be referred to as Ultra Low Sulfur (ULS) from this point forward.

If not equipped with the Ultra Low Sulfur decal, all specific references to this machine configuration will be referred to as Low Sulfur (LS) from this point forward.



General Information

1. MACHINE IDENTIFICATION

Machines are identified by model and in some cases a combination of model, serial number (S/N) or regional standard (e.g. ANSI, CE, CSA, AUS). Components may also be identified by S/N or manufacturer. Common components that may be identified by these characteristics are attachments, engine, transmission and hydraulic components.

2. PARTS MANUAL ORGANIZATION

Product information in this manual is organized under section titles. Frame, Engine and Electrical are a few examples. Each section is organized by Figure and page number. The information within the Figure is then organized by item number, part number, description and corresponding illustration(s).

3. TABLE OF CONTENTS

A table of contents (TOC) is found toward the beginning of the manual. Figure number, description and page number are provided for quick reference to the page containing the related information.

4. RECOMMENDED SPARE PARTS

The Recommended Spare Parts, located near the end of the manual, references most frequently used maintenance parts.

5. PARTS NUMBER INDEX

A numerical index listing all part numbers and the corresponding page number(s) appears at the back of the manual.

6. NON-SERVICED PARTS

In some instances it is necessary to display non-serviced parts, assemblies or installations. In the case of assemblies and installations there will be a Ref in the QTY column and a note after the item description stating what is available for service within. In the case of parts that are not available for service within assemblies or components there will be a NSS (Not Sold Separately) listed in the part number column of the manual.

7. PARTS LIST ITEM NUMBERS

Numbers shown in the Item column correspond to numbers used in the associated illustration(s). Item numbers which are missing from sequence and are not shown in the illustration(s) are not used on that page.

8. INDENTED PART DESCRIPTION

An indented part description is included in the item under which it is indented.

9. ABBREVIATIONS AND SYMBOLS

AC	Alternating Current
A/C	Air Conditioning
ADE	Advanced Design Electronics
AG	Agriculture
AAMP	Amperage
ANSI	American National Standards Institute
AR	As Required
ASSY	Assembly
AUS	Australia
AUX	Auxiliary
AWG	American Wire Gauge
CAC	Charge Air Cooler
CE	European Conformity
CM	Centimeter
CONST	Construction
CSA	Canadian Standards Association
DEF	Diesel Exhaust Fluid
DIA	Diameter
DC	Direct Current
DTZ	Decentralized Transmission Zeros
ECU	Electronic Control Unit
EMS	Emergency Stop
FNR	Forward Neutral Reverse
FT	Foot
GA	Gauge
GR	Grade
HBP	High Boom Pivot
HHP	High Horse Power
HOC	Hydraulic Oil Cooler
HVAC	Heating, Ventilating, and Air Conditioning
ID	Inside Diameter
IN	Inch
ISO	International Organization for Standards
ITSDF	Industrial Truck Standards Development Foundation
JK	Joint Industry Council
KG	Kilogram
KW	Kilowatt
L	Liter

LB	Pound
LBP	Low Boom Pivot
LCD	Liquid Crystal Display
LED	Light Emitting Diode
LH	Left Hand
LHD	Left Hand Drive
LHP	Low Horse Power
LMIS	Load Management Indicator System
LS	Low Sulfur
LSI	Load Stability Indicator
LSS	Load Sensing System
M ³	Cubic Meter
MA	Milliamp
M(m)	Metric/Meter
MM	Millimeter
N	Newton
NACD	North America Construction Division
NLA	No Longer Available
NSS	Not Sold Separately
OD	Outside Diameter
ORB	O-Ring Boss
ORFS	O-Ring Face Seal
OZ	Ounce
PR	Ply Rating
QT	Quart
QTY	Quantity
REF	Reference
REV	Revision
RH	Right Hand
RHD	Right Hand Drive
RHOC	Remote Hydraulic Oil Cooler
RUS	Russia
SAE	Society of Automotive Engineers
SAHR	Spring Applied Hydraulically Released
SN	Serial Number
SPD	Speed
TLLJ	Torque Lock Up
UGM	Universal Ground Module

10. ILLUSTRATION REFERENCE LETTERS

When necessary, illustrations may contain reference letters that are intended to track information from one point to another in the illustration such as harnesses and hoses or any other information that has been separated in the illustration.

Note: Due to continuous product improvements, JLG Industries, Inc. reserves the right to make specification changes without prior notification. Contact JLG Industries, Inc. for updated information.

TABLE OF CONTENTS

SECTION 1 - FRAME AND ATTACHING PARTS.....	15
FIGURE 1-1. FRAME WELDMENT	16
FIGURE 1-2. FRAME WELDMENT (TUV)	18
FIGURE 1-3. GROMMETS INSTALLATION	20
FIGURE 1-4. TANK INSTALLATION	22
FIGURE 1-5. TANK INSTALLATION (TUV)	24
FIGURE 1-6. FUEL TANK INSTALLATION.....	26
FIGURE 1-7. FUEL TANK INSTALLATION (TUV)	28
FIGURE 1-8. HYDRAULIC TANK INSTALLATION	30
FIGURE 1-9. TANK SUPPORT INSTALLATION.....	32
FIGURE 1-10. FUEL TANK ASSEMBLY	34
FIGURE 1-11. LOCKING FUEL CAP	36
FIGURE 1-12. HYDRAULIC TANK ASSEMBLY.....	38
FIGURE 1-13. COUNTERWEIGHT INSTALLATION.....	40
FIGURE 1-14. ENGINE ENCLOSURE INSTALLATION.....	42
FIGURE 1-15. ENGINE ENCLOSURE ASSEMBLY	44
FIGURE 1-16. ENGINE HOOD ASSEMBLY	46
FIGURE 1-17. ENGINE HOOD INSULATION INSTALLATION.....	48
FIGURE 1-18. COVER INSTALLATION (ULS).....	50
FIGURE 1-19. COVER INSTALLATION (LS)	52
FIGURE 1-20. FRAME COVER INSTALLATION	54
FIGURE 1-21. FRONT LOWER COVER INSTALLATION	56
FIGURE 1-22. PAD LOCK.....	58
FIGURE 1-23. REFLECTORS INSTALLATION	60
FIGURE 1-24. MIRROR INSTALLATION	62
FIGURE 1-25. MIRROR INSTALLATION	64
FIGURE 1-26. WHEEL CHOCK INSTALLATION.....	66
SECTION 2 - BOOM	69
FIGURE 2-1. BOOM INSTALLATION.....	70
FIGURE 2-2. BOOM INSTALLATION.....	72
FIGURE 2-3. BOOM ASSEMBLY	74
FIGURE 2-4. BOOM ASSEMBLY.....	76
FIGURE 2-5. FIRST BOOM SECTION ASSEMBLY.....	78
FIGURE 2-6. FIRST BOOM SECTION ASSEMBLY.....	80
FIGURE 2-7. SECOND BOOM SECTION ASSEMBLY.....	82
FIGURE 2-8. SECOND BOOM SECTION ASSEMBLY.....	84
FIGURE 2-9. THIRD BOOM SECTION ASSEMBLY	86
FIGURE 2-10. COUPLER INSTALLATION (MANUAL)	88
FIGURE 2-11. COUPLER INSTALLATION (HYDRAULIC)	90
FIGURE 2-12. COUPLER LOCKING CYLINDER ASSEMBLY	92
FIGURE 2-13. BOOM ANGLE INDICATOR INSTALLATION	94
FIGURE 2-14. BOOM PROP INSTALLATION	96
FIGURE 2-15. MANUAL COUPLER PIN HOLDER INSTALLATION.....	98
FIGURE 2-16. BOOM BRUSHES INSTALLATION	100
SECTION 3 - ATTACHMENTS	103
FIGURE 3-1. ATTACHMENT RECOGNITION INSTALLATION.....	104
FIGURE 3-2. COMPONENTS ATTACHMENT RECOGNITION INSTALLATION	106
FIGURE 3-3. CARRIAGE ASSEMBLY, (60IN/1524MM)	108
FIGURE 3-4. CARRIAGE ASSEMBLY, (72IN/1829MM)	110
FIGURE 3-5. CARRIAGE ASSEMBLY, (87IN/2290MM)	112
FIGURE 3-6. DUAL FORK POSITIONING SIDE SHIFT CARRIAGE, (75IN/1899MM)	114
FIGURE 3-7. DUAL FORK POSITIONING CARRIAGE, (72IN/1829MM).....	116
FIGURE 3-8. BUCKET (2.6 YD ³ /2.0M ³)	118
FIGURE 3-9. BUCKET (5.23 YD ³)	120
FIGURE 3-10. 4 IN 1 BUCKET (2.6 YD ³ /2.0M ³)	122
FIGURE 3-11. 4 IN 1 BUCKET (1.3 YD ³ /1.0M ³)	124
FIGURE 3-12. GRAPPLE BUCKET (1.7 YD ³ /1.3M ³)	126
FIGURE 3-13. GRAPPLE BUCKET (2.6 YD ³ /2.0M ³)	128
FIGURE 3-14. TRUSS BOOM (7.6 TON)	130
FIGURE 3-15. CRANE HOOK (7.6 TON)	132
FIGURE 3-16. COUPLER MOUNTED WINCH.....	134

TABLE OF CONTENTS

FIGURE 3-17. BALE HANDLER (ROUND).....	136
FIGURE 3-18. BALE HANDLER (SQUARE).....	140
FIGURE 3-19. PIPE HANDLER CARRIAGE.....	142
FIGURE 3-20. TIRE HANDLER CARRIAGE.....	146
FIGURE 3-21. LOG HANDLER CARRIAGE.....	148
FIGURE 3-22. STEEL COIL HANDLER CARRIAGE.....	152
FIGURE 3-23. PALLET FORK (2.25X6X48).....	154
FIGURE 3-24. PALLET FORK (2.25X6X60).....	156
FIGURE 3-25. PALLET FORK (2.25X6X72).....	158
FIGURE 3-26. PALLET FORK (2.25X6X96).....	160
FIGURE 3-27. FORK RETENTION INSTALLATION.....	162
SECTION 4 - ENGINE AND ATTACHING PARTS.....	165
FIGURE 4-1. ENGINE POD COMPONENT INSTALLATION (ULS).....	166
FIGURE 4-2. ENGINE POD COMPONENT INSTALLATION (LS).....	168
FIGURE 4-3. ENGINE INSTALLATION (LS).....	170
FIGURE 4-4. ENGINE POD COMPONENT INSTALLATION (MINING) (ULS).....	172
FIGURE 4-5. ENGINE POD COMPONENT INSTALLATION (MINING) (LS).....	174
FIGURE 4-6. ENGINE POD INSTALLATION (MINING) (LS - HIGH AMBIENT).....	176
FIGURE 4-7. ENGINE INSTALLATION (ULS).....	178
FIGURE 4-8. ENGINE (100KW - ULS).....	180
FIGURE 4-9. ENGINE (100KW - LS).....	184
FIGURE 4-10. ENGINE MOUNT INSTALLATION.....	186
FIGURE 4-11. AIR INTAKE INSTALLATION (ULS).....	188
FIGURE 4-12. AIR INTAKE INSTALLATION (LS).....	190
FIGURE 4-13. AIR CLEANER INSTALLATION.....	192
FIGURE 4-14. AIR INTAKE DUCT INSTALLATION.....	194
FIGURE 4-15. PRIMARY FUEL FILTER INSTALLATION (ULS).....	196
FIGURE 4-16. PRIMARY FUEL FILTER INSTALLATION (LS).....	198
FIGURE 4-17. REMOTE FUEL PUMP INSTALLATION.....	200
FIGURE 4-18. FUEL LINES INSTALLATION.....	202
FIGURE 4-19. FUEL LINES INSTALLATION.....	204
FIGURE 4-20. FUEL LINES INSTALLATION.....	206
FIGURE 4-21. HYDROSTATIC ADAPTOR INSTALLATION.....	208
FIGURE 4-22. DUAL DRIVE SUPPORT ASSEMBLY.....	210
FIGURE 4-23. HYDROSTATIC DRIVE PUMP INSTALLATION.....	212
FIGURE 4-24. HYDROSTATIC DRIVE PUMP ASSEMBLY.....	214
FIGURE 4-25. IMPLEMENT PUMP INSTALLATION.....	216
FIGURE 4-26. IMPLEMENT PUMP ASSEMBLY.....	218
FIGURE 4-27. DEF COOLANT LINES INSTALLATION (ULS).....	220
FIGURE 4-28. COOLING PACKAGE INSTALLATION.....	222
FIGURE 4-29. COOLING PACKAGE INSTALLATION (LS).....	224
FIGURE 4-30. COOLING PACKAGE INSTALLATION (TUV).....	226
FIGURE 4-31. COOLING PACKAGE INSTALLATION.....	228
FIGURE 4-32. RADIATOR, COOLING PACKAGE.....	232
FIGURE 4-33. COOLANT LINES INSTALLATION.....	234
FIGURE 4-34. RADIATOR LINES INSTALLATION.....	236
FIGURE 4-35. CAC LINES INSTALLATION.....	238
FIGURE 4-36. SURGE TANK INSTALLATION.....	240
FIGURE 4-37. TRANSMISION OIL COOLER LINES INSTALLATION.....	242
FIGURE 4-38. TRANSMISION OIL COOLER LINES INSTALLATION (TUV).....	244
FIGURE 4-39. FAN GUARD INSTALLATION.....	246
FIGURE 4-40. FAN GUARD (REVERSING) INSTALLATION.....	248
FIGURE 4-41. COOLING FAN INSTALLATION.....	250
FIGURE 4-42. REVERSE COOLING FAN INSTALLATION.....	252
FIGURE 4-43. COOLING FAN INSTALLATION.....	254
FIGURE 4-44. COMPRESSOR COVER INSTALLATION.....	256
FIGURE 4-45. EXHAUST INSTALLATION (ULS).....	258
FIGURE 4-46. EXHAUST INSTALLATION (LS).....	260
FIGURE 4-47. DEF CONTROL MODULE INSTALLATION.....	262
FIGURE 4-48. DEF LINES INSTALLATION.....	264
FIGURE 4-49. DEF TANK INSTALLATION.....	266
FIGURE 4-50. DEF TANK ASSEMBLY.....	268
FIGURE 4-51. MUFFLER INSTALLATION (LS).....	270
FIGURE 4-52. MUFFLER INSTALLATION (LS).....	272
FIGURE 4-53. HEATER LINES INSTALLATION (ULS).....	274

TABLE OF CONTENTS

FIGURE 4-54. HEATER LINES INSTALLATION (LS)	276
FIGURE 4-55. A/C PUMP INSTALLATION	278
FIGURE 4-56. A/C LINES INSTALLATION	280
FIGURE 4-57. BLOCK HEATER INSTALLATION (230V) (ULS)	282
FIGURE 4-58. BLOCK HEATER INSTALLATION (115V) (ULS)	284
FIGURE 4-59. BLOCK HEATER INSTALLATION (230V) (LS)	286
FIGURE 4-60. BLOCK HEATER INSTALLATION (115V) (LS)	288
FIGURE 4-61. AIR SHUT OFF VALVE	290
FIGURE 4-62. ASO VALVE	292
FIGURE 4-63. AIR CLEANER FILTER ASSEMBLY	294
SECTION 5 - DRIVETRAIN	297
FIGURE 5-1. DRIVETRAIN INSTALLATION	298
FIGURE 5-2. FRONT AXLE INSTALLATION	300
FIGURE 5-3. FRONT AXLE MOUNTING INSTALLATION	302
FIGURE 5-4. FRONT AXLE LINES INSTALLATION	304
FIGURE 5-5. REAR AXLE INSTALLATION	306
FIGURE 5-6. REAR AXLE MOUNTING INSTALLATION	308
FIGURE 5-7. REAR AXLE LINES INSTALLATION	310
FIGURE 5-8. FRONT AXLE	312
FIGURE 5-9. FRONT AXLE, CENTRAL HOUSING	314
FIGURE 5-10. FRONT AXLE, DIFFERENTIAL	316
FIGURE 5-11. FRONT AXLE, HUB REDUCTION	318
FIGURE 5-12. FRONT AXLE, BRAKES	320
FIGURE 5-13. FRONT AXLE, STEERING	322
FIGURE 5-14. FRONT AXLE, TRUNION	324
FIGURE 5-15. REAR AXLE	326
FIGURE 5-16. REAR AXLE, CENTRAL HOUSING	328
FIGURE 5-17. REAR AXLE, DIFFERENTIAL	330
FIGURE 5-18. REAR AXLE, HUB REDUCTION	332
FIGURE 5-19. REAR AXLE, BRAKES	334
FIGURE 5-20. REAR AXLE, STEERING	336
FIGURE 5-21. REAR AXLE, TRUNION	338
FIGURE 5-22. DIFFERENTIAL KIT	340
FIGURE 5-23. DIFFERENTIAL KIT	342
FIGURE 5-24. STEERING CASE KIT (RF, LR)	344
FIGURE 5-25. STEERING CASE KIT (LF, RR)	346
FIGURE 5-26. TRUNION KIT	348
FIGURE 5-27. RING GEAR SUPPORT KIT	350
FIGURE 5-28. REDUCTION BUSHING KIT	352
FIGURE 5-29. PLANET GEAR CARRIER KIT	354
FIGURE 5-30. GEARBOX INSTALLATION	356
FIGURE 5-31. GEAR BOX	358
FIGURE 5-32. HYDROSTATIC MOTOR INSTALLATION	362
FIGURE 5-33. HYDROSTATIC MOTOR ASSEMBLY	364
FIGURE 5-34. DRIVE SHAFT INSTALLATION	366
FIGURE 5-35. TIRE/WHEEL SET (AIR 17.5-25 - 20 PLY)	368
FIGURE 5-36. RIGHT TIRE/WHEEL ASSEMBLY (AIR 17.5-25 - 20 PLY)	370
FIGURE 5-37. LEFT TIRE/WHEEL ASSEMBLY (AIR 17.5-25 - 20 PLY)	372
FIGURE 5-38. TIRE/WHEEL SET (FOAM 17.5-25 - 20 PLY)	374
FIGURE 5-39. TIRE/WHEEL SET (AIR 17.5 R25 - RADIAL)	376
FIGURE 5-40. RIGHT TIRE/WHEEL ASSEMBLY (AIR 17.5 R25 - RADIAL)	378
FIGURE 5-41. LEFT TIRE/WHEEL ASSEMBLY (AIR 17.5 R25 - RADIAL)	380
FIGURE 5-42. TIRE/WHEEL SET (AIR 17.5-25 - 22 PLY)	382
FIGURE 5-43. TIRE/WHEEL ASSEMBLY (AIR 17.5-25 - PLY)	384
FIGURE 5-44. FENDER INSTALLATION	386
FIGURE 5-45. RH FENDER ASSEMBLY	388
FIGURE 5-46. LH FENDER ASSEMBLY	390
SECTION 6 - CAB	393
FIGURE 6-1. CAB MOUNTING INSTALLATION	394
FIGURE 6-2. FRONT CAB MOUNT BRACKET INSTALLATION	396
FIGURE 6-3. CAB MOUNTS INSTALLATION	398
FIGURE 6-4. CAB STEP INSTALLATION	400
FIGURE 6-5. CAB COMPONENTS INSTALLATION	402

TABLE OF CONTENTS

FIGURE 6-6. CAB INSTALLATION.....	404
FIGURE 6-7. CAB ASSEMBLY.....	406
FIGURE 6-8. DOOR INSTALLATION.....	408
FIGURE 6-9. DOOR ASSEMBLY (AG).....	410
FIGURE 6-10. CAB DOOR.....	412
FIGURE 6-11. DOOR UPPER GLASS ASSEMBLY.....	414
FIGURE 6-12. CAB LATCH ASSEMBLY.....	416
FIGURE 6-13. CAB DOOR TRIGGER ASSEMBLY.....	418
FIGURE 6-14. DOOR STRAP INSTALLATION.....	420
FIGURE 6-15. REAR WINDOW INSTALLATION.....	422
FIGURE 6-16. REAR WINDOW GROUP.....	424
FIGURE 6-17. CAB PLUG GROUP.....	426
FIGURE 6-18. BASIC MIRROR INSTALLATION.....	428
FIGURE 6-19. INTERIOR MIRROR INSTALLATION.....	430
FIGURE 6-20. INTERIOR MIRROR.....	432
FIGURE 6-21. FRONT WIPER INSTALLATION.....	434
FIGURE 6-22. WASHER TANK INSTALLATION.....	436
FIGURE 6-23. WASHER BOTTLE.....	438
FIGURE 6-24. FRONT COVER INSTALLATION.....	440
FIGURE 6-25. FRONT DUCT COVER.....	442
FIGURE 6-26. FILTER TRAY PANEL.....	444
FIGURE 6-27. LEVEL INDICATOR INSTALLATION.....	446
FIGURE 6-28. REAR WIPER INSTALLATION.....	448
FIGURE 6-29. MULTIFUNCTION DISPLAY INSTALLATION.....	450
FIGURE 6-30. SEAT INSTALLATION (CLOTH).....	452
FIGURE 6-31. SEAT ASSEMBLY.....	454
FIGURE 6-32. SEAT INSTALLATION (AIR SUSPENSION - STANDARD).....	456
FIGURE 6-33. SEAT ASSEMBLY (AIR SUSPENSION - STANDARD).....	458
FIGURE 6-34. SEAT INSTALLATION (AIR SUSPENSION - PREMIUM).....	460
FIGURE 6-35. SEAT ASSEMBLY (AIR SUSPENSION - PREMIUM).....	462
FIGURE 6-36. UPPER SEAT ASSEMBLY.....	464
FIGURE 6-37. SUSPENSION KIT.....	466
FIGURE 6-38. HEATER INSTALLATION.....	468
FIGURE 6-39. HEATER AND A/C INSTALLATION (CAB PARTS).....	470
FIGURE 6-40. CAB CONDENSER ASSEMBLY.....	474
FIGURE 6-41. CONDENSER.....	476
FIGURE 6-42. A/C RECEIVER DRIER.....	478
FIGURE 6-43. HEATER ASSEMBLY.....	480
FIGURE 6-44. HEATER AND A/C ASSEMBLY.....	482
FIGURE 6-45. HVAC CAB ACTUATOR.....	484
FIGURE 6-46. HEATER.....	486
FIGURE 6-47. HEATER.....	488
FIGURE 6-48. HEATER AND A/C.....	490
FIGURE 6-49. HEATER AND A/C.....	492
FIGURE 6-50. ROOF WIPER INSTALLATION.....	494
FIGURE 6-51. HEADLINER INSTALLATION.....	496
FIGURE 6-52. HEADLINER/RADIO READY PACKAGE INSTALLATION.....	498
FIGURE 6-53. CAB TRIM INSTALLATION.....	500
FIGURE 6-54. DASH COVER ASSEMBLY.....	504
FIGURE 6-55. DASH COVER ASSEMBLY.....	506
FIGURE 6-56. REAR PANEL COVER ASSEMBLY.....	508
FIGURE 6-57. ADJUSTABLE ARMREST INSTALLATION.....	510
FIGURE 6-58. ROOF CAP INSTALLATION (NO A/C).....	512
FIGURE 6-59. ROOF CAP INSTALLATION (A/C).....	514
FIGURE 6-60. RETRACTABLE SUNSCREEN INSTALLATION.....	516
FIGURE 6-61. FLOOR MAT INSTALLATION.....	518
FIGURE 6-62. SEAT BELT INSTALLATION (3IN).....	520
FIGURE 6-63. SEAT BELT INSTALLATION (2IN).....	522
FIGURE 6-64. ENCLOSED CAB FRONT COVER INSTALLATION.....	524
FIGURE 6-65. CAB GUARD INSTALLATION (TOP).....	526
FIGURE 6-66. CAB GUARD INSTALLATION (FRONT).....	528
FIGURE 6-67. CAB GUARD INSTALLATION (TOP AND FRONT).....	530
FIGURE 6-68. EXTERNAL WINDOW RELEASE INSTALLATION (ANSI - ENGLISH).....	532
FIGURE 6-69. EXTERNAL WINDOW RELEASE INSTALLATION (ANSI - ENGLISH/FRENCH).....	534
FIGURE 6-70. EXTERNAL WINDOW RELEASE INSTALLATION (ISO).....	536
SECTION 7 - CONTROLS.....	539

TABLE OF CONTENTS

FIGURE 7-1. ACCELERATOR PEDAL INSTALLATION	540
FIGURE 7-2. ACCELERATOR PEDAL	542
FIGURE 7-3. BRAKE PEDAL INSTALLATION.....	544
FIGURE 7-4. BRAKE PEDAL ASSEMBLY.....	546
FIGURE 7-5. BRAKE SENSOR INSTALLATION	548
FIGURE 7-6. SWITCH PLATE ASSEMBLY	550
FIGURE 7-7. PARK BRAKE INSTALLATION.....	552
FIGURE 7-8. TILT STEERING COLUMN INSTALLATION	554
FIGURE 7-9. TILT STEERING COLUMN.....	556
FIGURE 7-10. COLUMN SHIFT INSTALLATION (2 SPEED)	558
FIGURE 7-11. COLUMN SHIFT INSTALLATION (0 SPEED)	560
FIGURE 7-12. STEERING WHEEL INSTALLATION.....	562
FIGURE 7-13. STEERING WHEEL.....	564
FIGURE 7-14. HORN BUTTON INSTALLATION	566
FIGURE 7-15. JOYSTICK INSTALLATION (2 SPEED).....	568
FIGURE 7-16. JOYSTICK INSTALLATION	570
FIGURE 7-17. WIPER-TURN SWITCH.....	572
SECTION 8 - HYDRAULIC CIRCUITS.....	575
FIGURE 8-1. MAIN HYDRAULIC INSTALLATION	576
FIGURE 8-2. MAIN HYDRAULIC INSTALLATION (TUV)	578
FIGURE 8-3. BOOM HYDRAULIC INSTALLATION	580
FIGURE 8-4. REMOTE GREASE INSTALLATION	582
FIGURE 8-5. FRAME LEVEL INSTALLATION	584
FIGURE 8-6. FRAME LEVEL CYLINDER INSTALLATION.....	586
FIGURE 8-7. FRAME LEVEL VALVE ASSEMBLY.....	588
FIGURE 8-8. BOOM RAISE HOSE INSTALLATION (NO RIDE CONTROL)	590
FIGURE 8-9. BOOM RAISE COUNTERBALANCE VALVE (NO RIDE CONTROL).....	592
FIGURE 8-10. BOOM RAISE HOSE INSTALLATION (RIDE CONTROL)	594
FIGURE 8-11. RIDE AND FLOAT VALVE ASSEMBLY.....	596
FIGURE 8-12. BOOM AUX HYDRAULIC INSTALLATION (MANUAL - SINGLE)	598
FIGURE 8-13. BOOM AUX HYDRAULIC INSTALLATION (MANUAL - TWIN).....	600
FIGURE 8-14. DIVERTER VALVE ASSEMBLY	602
FIGURE 8-15. BOOM AUX HYDRAULIC INSTALLATION (HYDRAULIC - SINGLE)	604
FIGURE 8-16. DIVERTER VALVE ASSEMBLY	606
FIGURE 8-17. BOOM AUX HYDRAULIC INSTALLATION (HYDRAULIC - TWIN)	608
FIGURE 8-18. DIVERTER VALVE ASSEMBLY	610
FIGURE 8-19. MAIN CONTROL VALVE INSTALLATION.....	612
FIGURE 8-20. MAIN CONTROL VALVE ASSEMBLY.....	614
FIGURE 8-21. STEERING SELECT VALVE INSTALLATION	616
FIGURE 8-22. STEERING SELECT VALVE ASSEMBLY	618
FIGURE 8-23. FRAME LEVEL VALVE INSTALLATION	620
FIGURE 8-24. FRAME LEVEL VALVE ASSEMBLY.....	622
FIGURE 8-25. CAB HYDRAULICS INSTALLATION	624
FIGURE 8-26. CAB HYDRAULICS INSTALLATION (TUV).....	626
FIGURE 8-27. SOLENOID VALVE INSTALLATION.....	628
FIGURE 8-28. SOLENOID VALVE ASSEMBLY.....	630
FIGURE 8-29. CHECK VALVE INSTALLATION.....	632
FIGURE 8-30. CHECK VALVE ASSEMBLY.....	634
FIGURE 8-31. SPEED CONTROL VALVE INSTALLATION	636
FIGURE 8-32. SPEED CONTROL VALVE ASSEMBLY.....	638
FIGURE 8-33. ENGINE BAY HYDRAULIC INSTALLATION	640
FIGURE 8-34. ENGINE BAY HYDRAULIC INSTALLATION (TUV).....	642
FIGURE 8-35. INCHING VALVE INSTALLATION	644
FIGURE 8-36. INCHING VALVE ASSEMBLY	646
FIGURE 8-37. CHARGE FILTER LINES INSTALLATION.....	648
FIGURE 8-38. CHARGE FILTER INSTALLATION.....	650
FIGURE 8-39. IMPLEMENT PUMP FILTER ASSEMBLY	652
FIGURE 8-40. FRAME HYDRAULIC INSTALLATION	654
FIGURE 8-41. FRAME HYDRAULIC INSTALLATION (TUV).....	656
FIGURE 8-42. MANIFOLD INSTALLATION	658
FIGURE 8-43. MANIFOLD ASSEMBLY	660
FIGURE 8-44. BOOM HYDRAULIC LINE INSTALLATION	662
FIGURE 8-45. PRIORITY MANIFOLD INSTALLATION	664
FIGURE 8-46. PRIORITY VALVE ASSEMBLY	666
FIGURE 8-47. PRIORITY MANIFOLD INSTALLATION (PLATFORM READY)	668

TABLE OF CONTENTS

FIGURE 8-48. 4 IN 1 BUCKET VALVE ASSEMBLY.....	670
FIGURE 8-49. BOOM HYDRAULIC INSTALLATION.....	672
FIGURE 8-50. REMOTE GREASE INSTALLATION.....	674
SECTION 9 - HYDRAULIC COMPONENTS	677
FIGURE 9-1. CYLINDER GROUP INSTALLATION.....	678
FIGURE 9-2. LIFT CYLINDER INSTALLATION.....	680
FIGURE 9-3. LIFT CYLINDER	682
FIGURE 9-4. COMPENSATION CYLINDER INSTALLATION.....	684
FIGURE 9-5. COMPENSATION CYLINDER	686
FIGURE 9-6. EXTEND/RETRACT CYLINDER INSTALLATION.....	688
FIGURE 9-7. EXTEND/RETRACT CYLINDER	690
FIGURE 9-8. TILT CYLINDER	692
FIGURE 9-9. FRAME LEVEL CYLINDER.....	694
FIGURE 9-10. RALP CYLINDER INSTALLATION.....	696
FIGURE 9-11. REAR AXLE LOCK VALVE INSTALLATION.....	698
FIGURE 9-12. HYDROSTATIC MOTOR.....	700
FIGURE 9-13. HYDROSTATIC PUMP.....	702
FIGURE 9-14. IMPLEMENT PUMP	704
FIGURE 9-15. STEERING SELECT VALVE.....	706
FIGURE 9-16. SOLENOID VALVE	708
FIGURE 9-17. INCHING VALVE.....	710
FIGURE 9-18. BOOM RAISE VALVE (RIDE CONTROL).....	712
FIGURE 9-19. DIVERTOR VALVE.....	714
FIGURE 9-20. DIVERTOR VALVE.....	716
FIGURE 9-21. COUNTERBALANCE VALVE INSTALLATION	718
FIGURE 9-22. COUNTERBALANCE VALVE.....	720
FIGURE 9-23. COUNTERBALANCE VALVE.....	722
FIGURE 9-24. COUNTERBALANCE VALVE.....	724
FIGURE 9-25. SPEED CONTROL VALVE	726
FIGURE 9-26. COUPLER LOCKING CYLINDER	728
FIGURE 9-27. FORK POSITIONING CYLINDER ASSEMBLY.....	730
FIGURE 9-28. SIDE SHIFT CYLINDER ASSEMBLY.....	732
FIGURE 9-29. 4 IN 1 BUCKET CYLINDER ASSEMBLY (5.23 YD ³ /4.0M ³).....	734
FIGURE 9-30. GRAPPLE BUCKET CYLINDER ASSEMBLY (2.6 YD ³ /2.0M ³)	736
FIGURE 9-31. UPPER CYLINDER ASSEMBLY.....	738
FIGURE 9-32. LOWER CYLINDER ASSEMBLY	740
FIGURE 9-33. LOG HANDLER CARRIAGE CYLINDER ASSEMBLY.....	742
FIGURE 9-34. EXTEND/RETRACT CYLINDER INSTALLATION.....	744
SECTION 10 - ELECTRICAL.....	747
FIGURE 10-1. MAIN ELECTRICAL INSTALLATION (ULS).....	748
FIGURE 10-2. MAIN ELECTRICAL INSTALLATION (LS)	750
FIGURE 10-3. FRAME ELECTRICAL INSTALLATION.....	752
FIGURE 10-4. ENGINE POD ELECTRICAL INSTALLATION (ULS)	754
FIGURE 10-5. ENGINE POD ELECTRICAL INSTALLATION (LS).....	756
FIGURE 10-6. FRAME WIRING INSTALLATION	758
FIGURE 10-7. ENGINE BAY ELECTRICAL INSTALLATION (ULS).....	760
FIGURE 10-8. ENGINE BAY ELECTRICAL INSTALLATION (LS)	762
FIGURE 10-9. POWER DISTRIBUTION ELECTRICAL BOX	764
FIGURE 10-10. REAR FRAME MODULE INSTALLATION	766
FIGURE 10-11. ENGINE WIRING INSTALLATION (ULS).....	768
FIGURE 10-12. ENGINE WIRING INSTALLATION (LS)	770
FIGURE 10-13. ENGINE WIRING INSTALLATION (MINING) (ULS).....	772
FIGURE 10-14. ENGINE ECU INSTALLATION.....	774
FIGURE 10-15. BATTERY INSTALLATION.....	776
FIGURE 10-16. DUAL BATTERY INSTALLATION	778
FIGURE 10-17. ARCTIC PACKAGE INSTALLATION (240V).....	780
FIGURE 10-18. ARCTIC BATTERY PACKAGE INSTALLATION (115V).....	782
FIGURE 10-19. ARCTIC BATTERIES INSTALLATION (240V)	784
FIGURE 10-20. ARCTIC BATTERIES INSTALLATION (115V)	786
FIGURE 10-21. HYDRAULIC TANK HEATER INSTALLATION (240V).....	788
FIGURE 10-22. HYDRAULIC TANK HEATER INSTALLATION (115V).....	790
FIGURE 10-23. BACKUP ALARM INSTALLATION	792
FIGURE 10-24. BACKUP ALARM INSTALLATION (WHITE NOISE).....	794

TABLE OF CONTENTS

FIGURE 10-25. EMERGENCY STOP EXTERNAL INSTALLATION	796
FIGURE 10-26. CAB ELECTRICAL INSTALLATION	798
FIGURE 10-27. DASH ELECTRICAL INSTALLATION	800
FIGURE 10-28. LIGHT SWITCH INSTALLATION	802
FIGURE 10-29. BOOM HARNESS INSTALLATION	804
FIGURE 10-30. BOOM AUX HARNESS INSTALLATION	806
FIGURE 10-31. DRIVING LIGHT INSTALLATION (RH DIP)	808
FIGURE 10-32. DRIVING LIGHT INSTALLATION (LED) (RH DIP)	810
FIGURE 10-33. DRIVING LIGHT INSTALLATION (LH DIP)	812
FIGURE 10-34. DRIVING LIGHT INSTALLATION (LED) (LH DIP)	814
FIGURE 10-35. CAB WORKLIGHTS INSTALLATION (NO A/C - LED)	816
FIGURE 10-36. CAB WORKLIGHTS INSTALLATION (A/C - LED)	818
FIGURE 10-37. BOOM WORK LIGHTS (LED)	820
FIGURE 10-38. BOOM WORK LIGHT INSTALLATION (LED)	822
FIGURE 10-39. BEACON INSTALLATION	824
FIGURE 10-40. BEACON INSTALLATION (LED)	826
FIGURE 10-41. BEACON (REMOTE BOOM CONTROL) INSTALLATION	828
FIGURE 10-42. BEACON (LED) (REMOTE BOOM CONTROL) INSTALLATION	830
FIGURE 10-43. LICENSE PLATE LAMP INSTALLATION	832
FIGURE 10-44. REAR LIGHT BRACKET ASSEMBLY	834
FIGURE 10-45. REVERSE CAMERA INSTALLATION	836
FIGURE 10-46. REVERSE SENSOR INSTALLATION	838
FIGURE 10-47. TELEMATICS READY INSTALLATION	840
FIGURE 10-48. CLEARSKY INSTALLATION (NO A/C - SHORT ROOF CAP)	842
FIGURE 10-49. CLEARSKY INSTALLATION (A/C - LONG ROOF CAP)	844
FIGURE 10-50. LSI INSTALLATION	846
FIGURE 10-51. LSI DISPLAY INSTALLATION	848
FIGURE 10-52. LSI SENSOR INSTALLATION	850
FIGURE 10-53. LMIS INSTALLATION (HIGH END DISPLAY)	852
FIGURE 10-54. LMIS BEACON LIGHT INSTALLATION	854
FIGURE 10-55. LMIS CONTROL PACKAGE INSTALLATION	856
FIGURE 10-56. LMIS WIRING INSTALLATION	858
FIGURE 10-57. RIDE CONTROL WIRING INSTALLATION	860
FIGURE 10-58. BOOM RIDE CONTROL HARNESS	862
FIGURE 10-59. TILT SENSOR INSTALLATION	864
FIGURE 10-60. LMIS CONTROLLER INSTALLATION	866
FIGURE 10-61. LMIS CABLE REEL INSTALLATION	868
FIGURE 10-62. BOOM ANGLE SENSOR INSTALLATION (LMIS)	870
FIGURE 10-63. BOOM ANGLE SENSOR INSTALLATION (NO LMIS)	872
FIGURE 10-64. BOOM RETRACT SENSOR INSTALLATION	874
FIGURE 10-65. ENGINE HARNESS (ULS)	876
FIGURE 10-66. ENGINE HARNESS, (LS)	882
FIGURE 10-67. ENGINE HARNESS (MINING) (ULS)	886
FIGURE 10-68. FUEL PUMP HARNESS	892
FIGURE 10-69. FUEL PUMP HARNESS (MINING) (ULS)	894
FIGURE 10-70. GLOW PLUG RELAY HARNESS	896
FIGURE 10-71. GLOW PLUG RELAY HARNESS (MINING) (ULS)	898
FIGURE 10-72. BOOM HARNESS	900
FIGURE 10-73. BOOM AUX HARNESS	902
FIGURE 10-74. CAB HARNESS	904
FIGURE 10-75. STANDARD ELECTRICAL BOARD ASSEMBLY	912
FIGURE 10-76. OPTION 1 ELECTRICAL BOARD ASSEMBLY	914
FIGURE 10-77. OPTION 2 ELECTRICAL BOARD ASSEMBLY	916
FIGURE 10-78. CAB OPTION HARNESS	918
FIGURE 10-79. FRONT FRAME HARNESS	920
FIGURE 10-80. REAR FRAME HARNESS	924
FIGURE 10-81. SEAT ADAPTOR HARNESS	928
FIGURE 10-82. A/C OPTION HARNESS	930
FIGURE 10-83. IGNITION SWITCH HARNESS	932
FIGURE 10-84. REVERSE SENSOR HARNESS	934
FIGURE 10-85. TELEMATICS READY HARNESS	936
FIGURE 10-86. CLEARSKY HARNESS (A/C)	938
FIGURE 10-87. CLEARSKY HARNESS (NO A/C)	940
FIGURE 10-88. LMIS CHASSIS OPTION HARNESS	942
FIGURE 10-89. LMIS BOOM HARNESS	946
FIGURE 10-90. PLATFORM READY HARNESS	948
FIGURE 10-91. LMIS BEACON OPTION HARNESS	950

TABLE OF CONTENTS

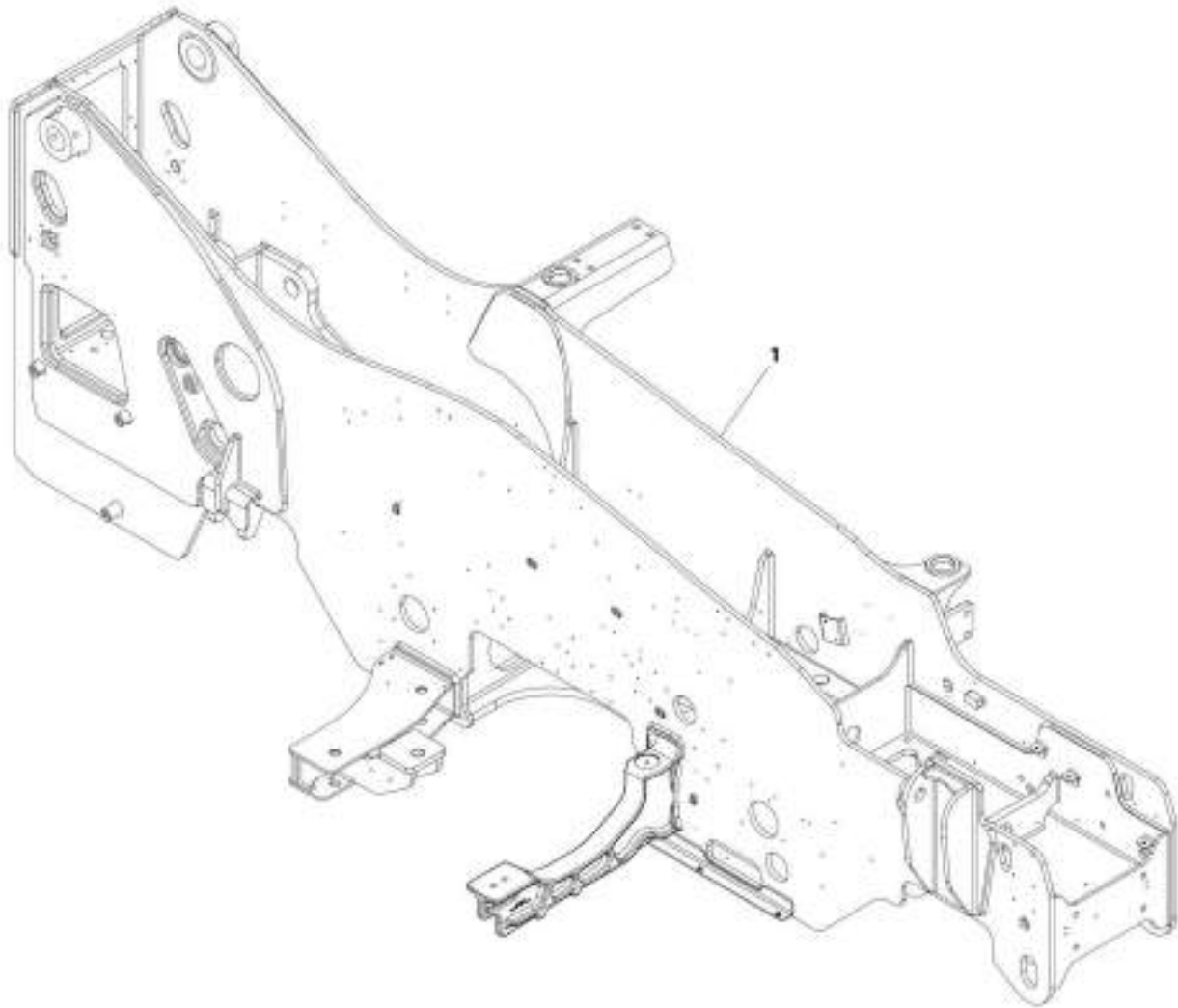
FIGURE 10-92. PROXIMITY SENSOR HARNESS.....	952
FIGURE 10-93. HEADLIGHT HARNESS.....	954
FIGURE 10-94. BOOM WORKLIGHTS HARNESS.....	956
FIGURE 10-95. LICENSE LIGHT HARNESS.....	958
FIGURE 10-96. REVERSING FAN HARNESS.....	960
SECTION 11 - DECALS.....	963
FIGURE 11-1. CAPACITY CHART HOLDER INSTALLATION.....	964
FIGURE 11-2. REVERSE SENSOR SYSTEM DECAL (ENGLISH).....	966
FIGURE 11-3. REVERSE SENSOR SYSTEM DECAL.....	968
FIGURE 11-4. 8010H DECAL INSTALLATION.....	970
FIGURE 11-5. DECAL INSTALLATION (ULS).....	972
FIGURE 11-6. DECAL INSTALLATION (LS).....	976
FIGURE 11-7. DECAL INSTALLATION (AUS).....	980
FIGURE 11-8. DECAL INSTALLATION (CIS).....	984
SECTION 12 - RECOMMENDED SPARE PARTS.....	987
FIGURE 12-1. RECOMENDED SPARE PARTS.....	988
PART NUMBER INDEX.....	989

SECTION 1 - FRAME AND ATTACHING PARTS

SECTION 1 - FRAME AND ATTACHING PARTS

SECTION 1 - FRAME AND ATTACHING PARTS

FIGURE 1-1. FRAME WELDMENT



ART_10012014181-0

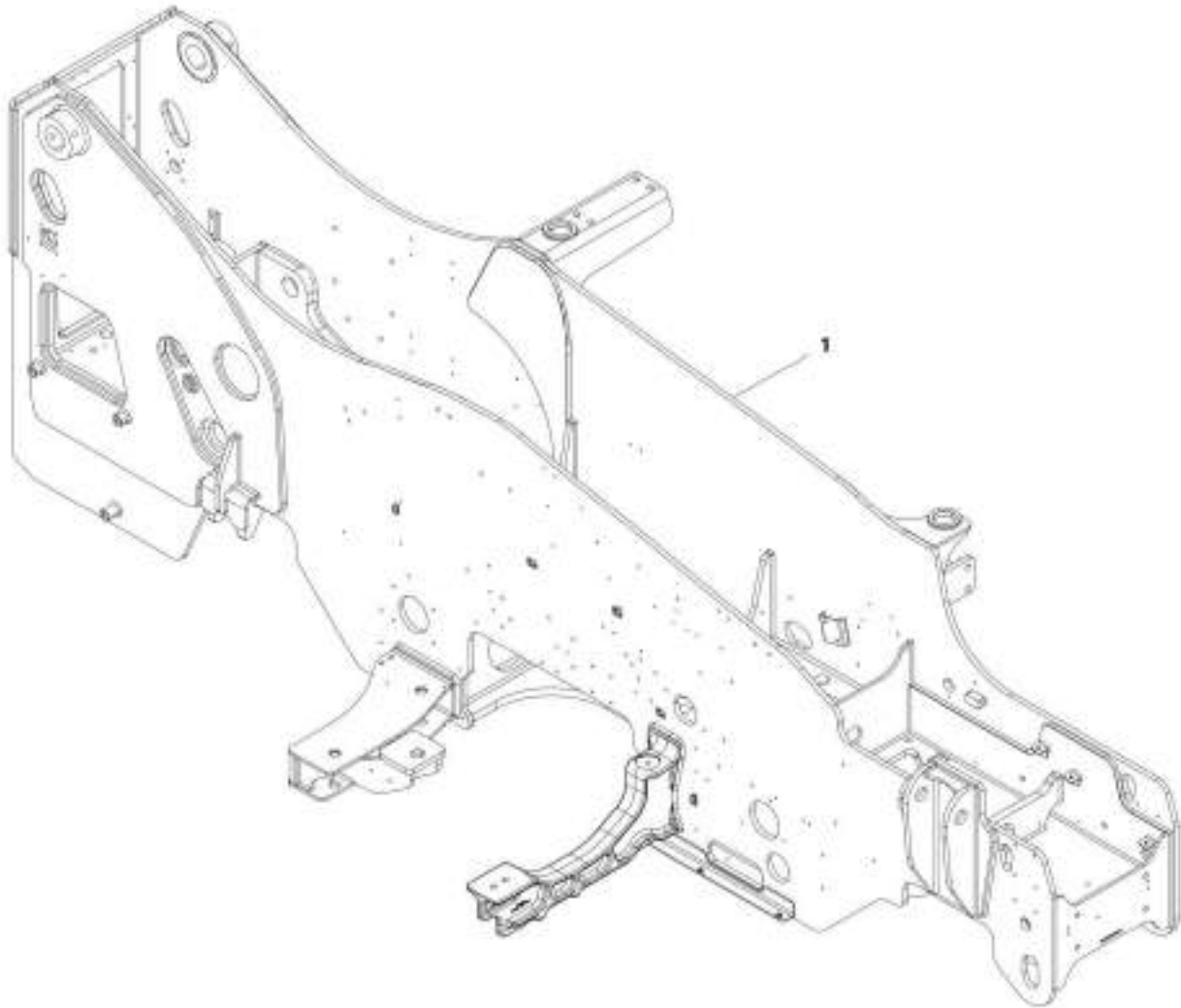
SECTION 1 - FRAME AND ATTACHING PARTS

FIGURE 1-1. FRAME WELDMENT

ITEM	PART NUMBER	QTY	DESCRIPTION	REV
1	1001201418J	1	Frame Weldment	0

SECTION 1 - FRAME AND ATTACHING PARTS

FIGURE 1-2. FRAME WELDMENT (TUV)



ART_1001258071J-B

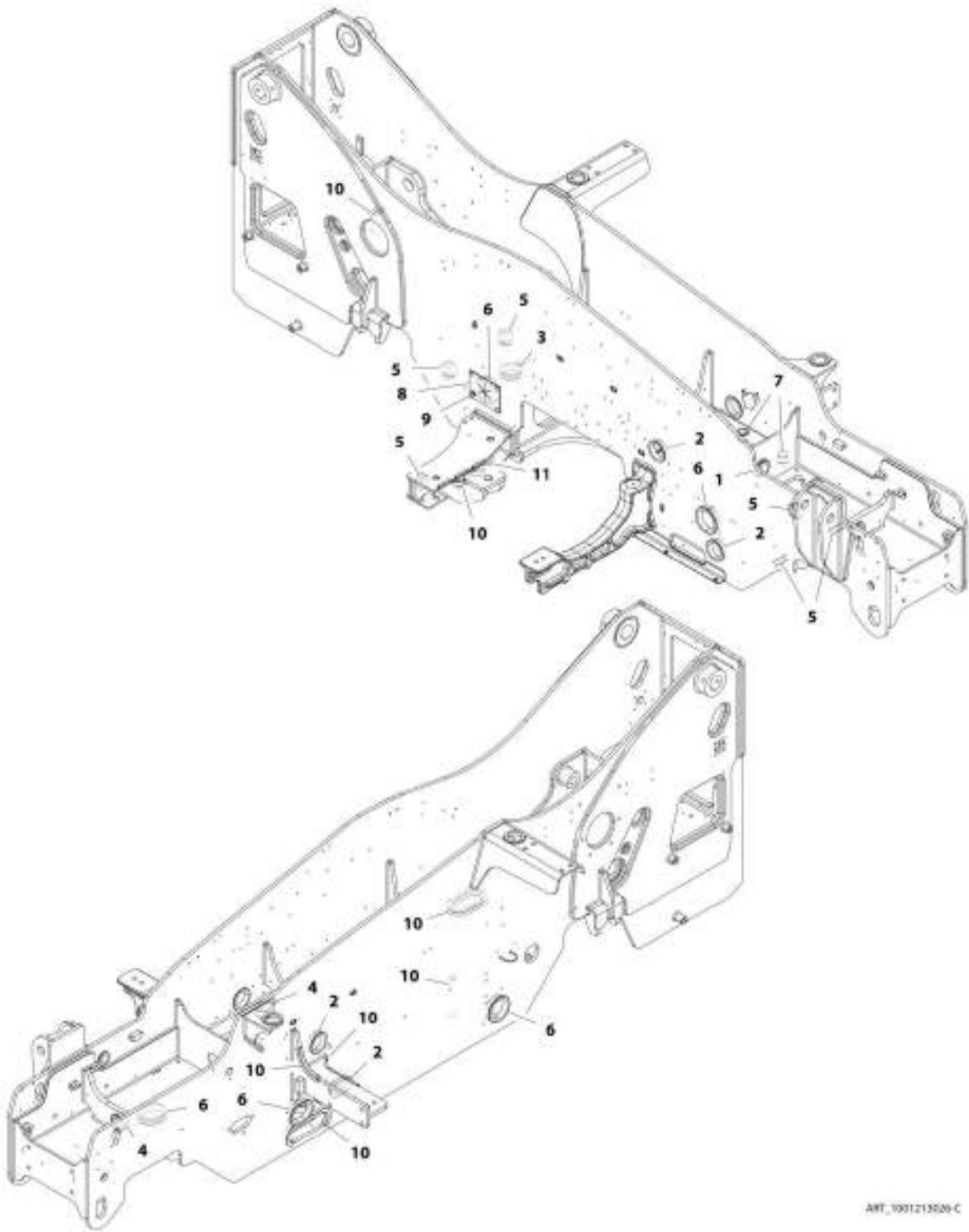
SECTION 1 - FRAME AND ATTACHING PARTS

FIGURE 1-2. FRAME WELDMENT (TUV)

ITEM	PART NUMBER	QTY	DESCRIPTION	REV
1	1001218071J	1	Frame Weldment (TUV)	B

SECTION 1 - FRAME AND ATTACHING PARTS

FIGURE 1-3. GROMMETS INSTALLATION



AWT_100121300-C

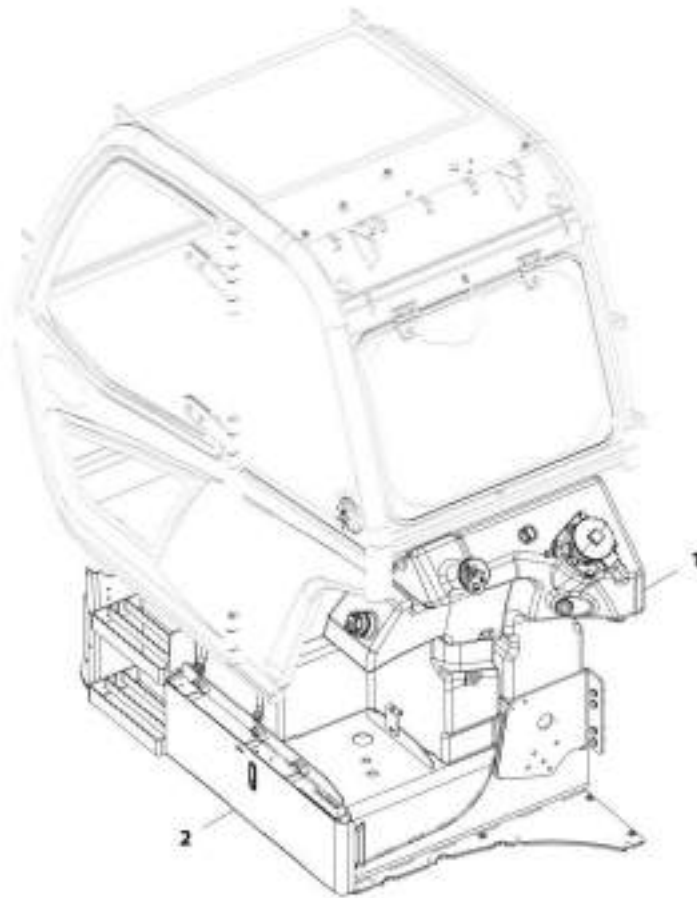
SECTION 1 - FRAME AND ATTACHING PARTS

FIGURE 1-3. GROMMETS INSTALLATION

ITEM	PART NUMBER	QTY	DESCRIPTION	REV
	1001213026	Ref	Grommets Installation	C
1	1001009018	1	Grommet	
2	1001028264	4	Grommet	
3	1001028291	1	Grommet	
4	1001028306	2	Grommet	
5	1001028308	6	Grommet	
6	1001028377	5	Grommet	
7	1001028400	2	Grommet	
8	1001175347	1	Grommet	
9	1001180306	4	Screw	
10	4060919	2030 mm	Trim,Hose Protection	
11	90206202	270 mm	Trim Lock	

SECTION 1 - FRAME AND ATTACHING PARTS

FIGURE 1-4. TANK INSTALLATION



ART_1001385927-C

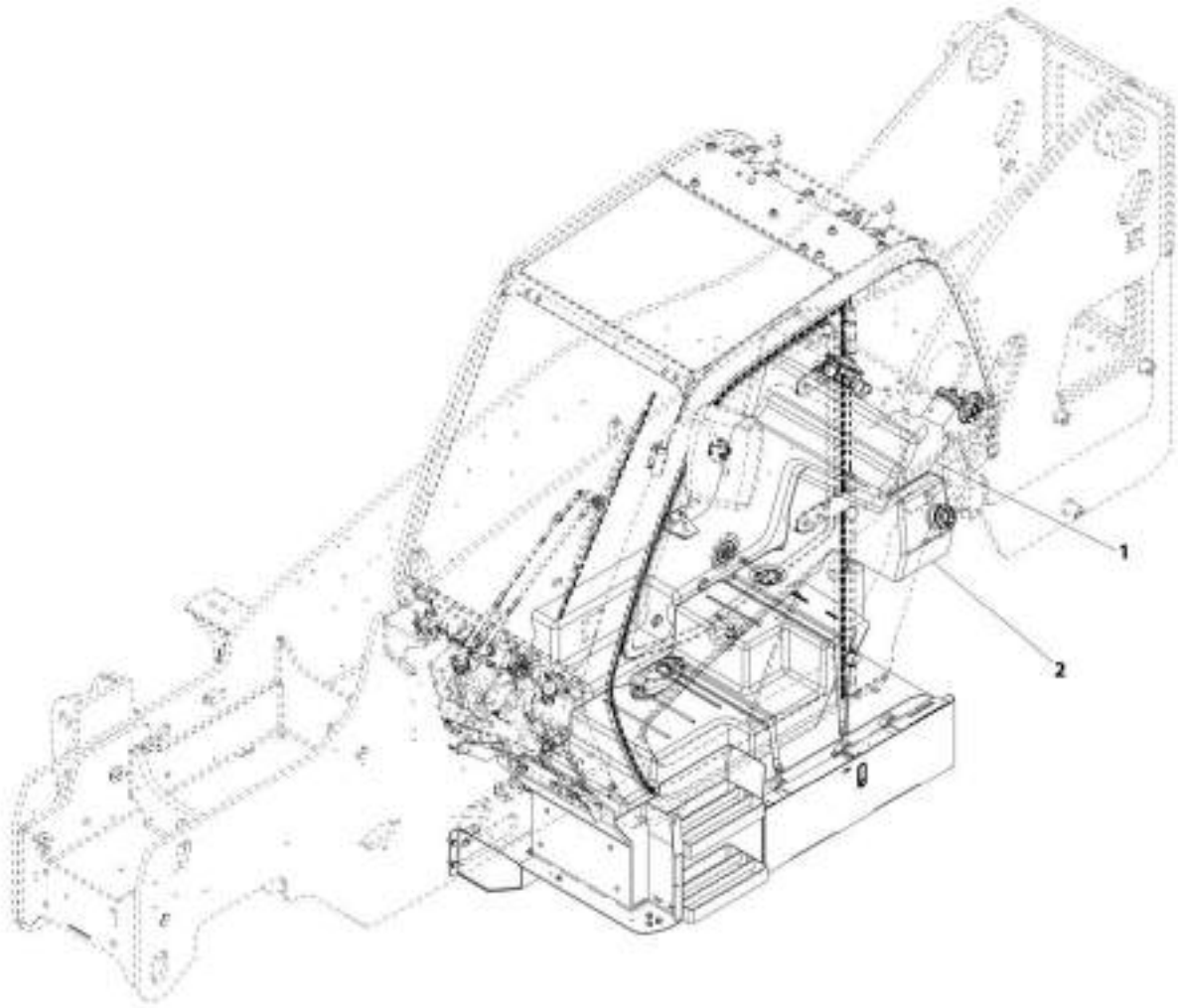
SECTION 1 - FRAME AND ATTACHING PARTS

FIGURE 1-4. TANK INSTALLATION

ITEM	PART NUMBER	QTY	DESCRIPTION	REV
1	1001185927	Ref	Tank Installation	C
	1001179850	Ref	Installation, Hydraulic Tank (See Separate Breakdown in this Section)	
2	1001185929	Ref	Installation, Fuel Tank (See Separate Breakdown in this Section)	

SECTION 1 - FRAME AND ATTACHING PARTS

FIGURE 1-5. TANK INSTALLATION (TUV)



MIT_1001223705-A

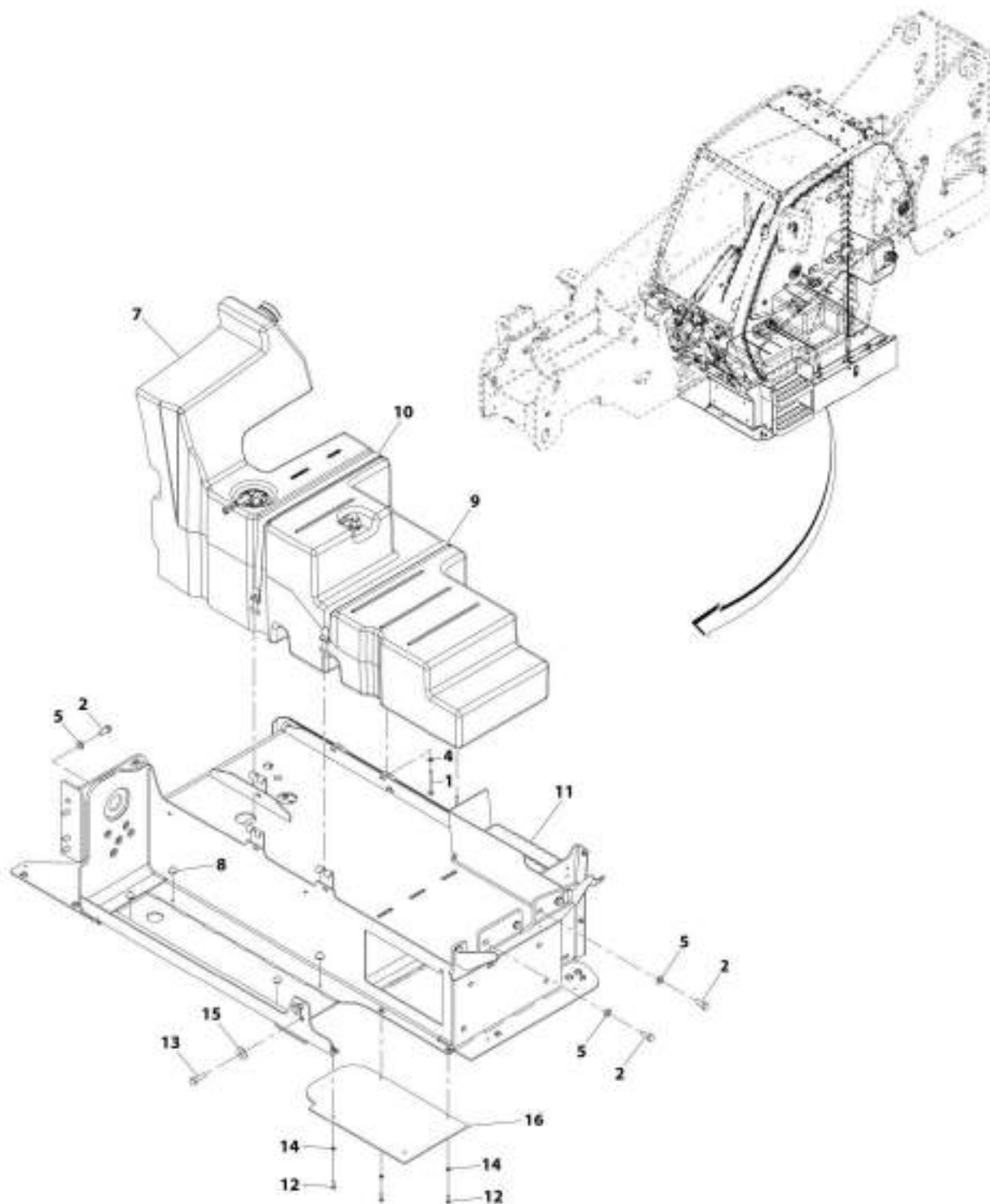
SECTION 1 - FRAME AND ATTACHING PARTS

FIGURE 1-5. TANK INSTALLATION (TUV)

ITEM	PART NUMBER	QTY	DESCRIPTION	REV
1	1001223705	Ref	Tank Installation (TUV)	A
	1001179850	Ref	Installation, Hydraulic Tank (See Separate Breakdown in this Section)	
2	1001223706	Ref	Installation, Fuel Tank (TUV) (See Separate Breakdown in this Section)	

SECTION 1 - FRAME AND ATTACHING PARTS

FIGURE 1-6. FUEL TANK INSTALLATION



ART_3001185929-01

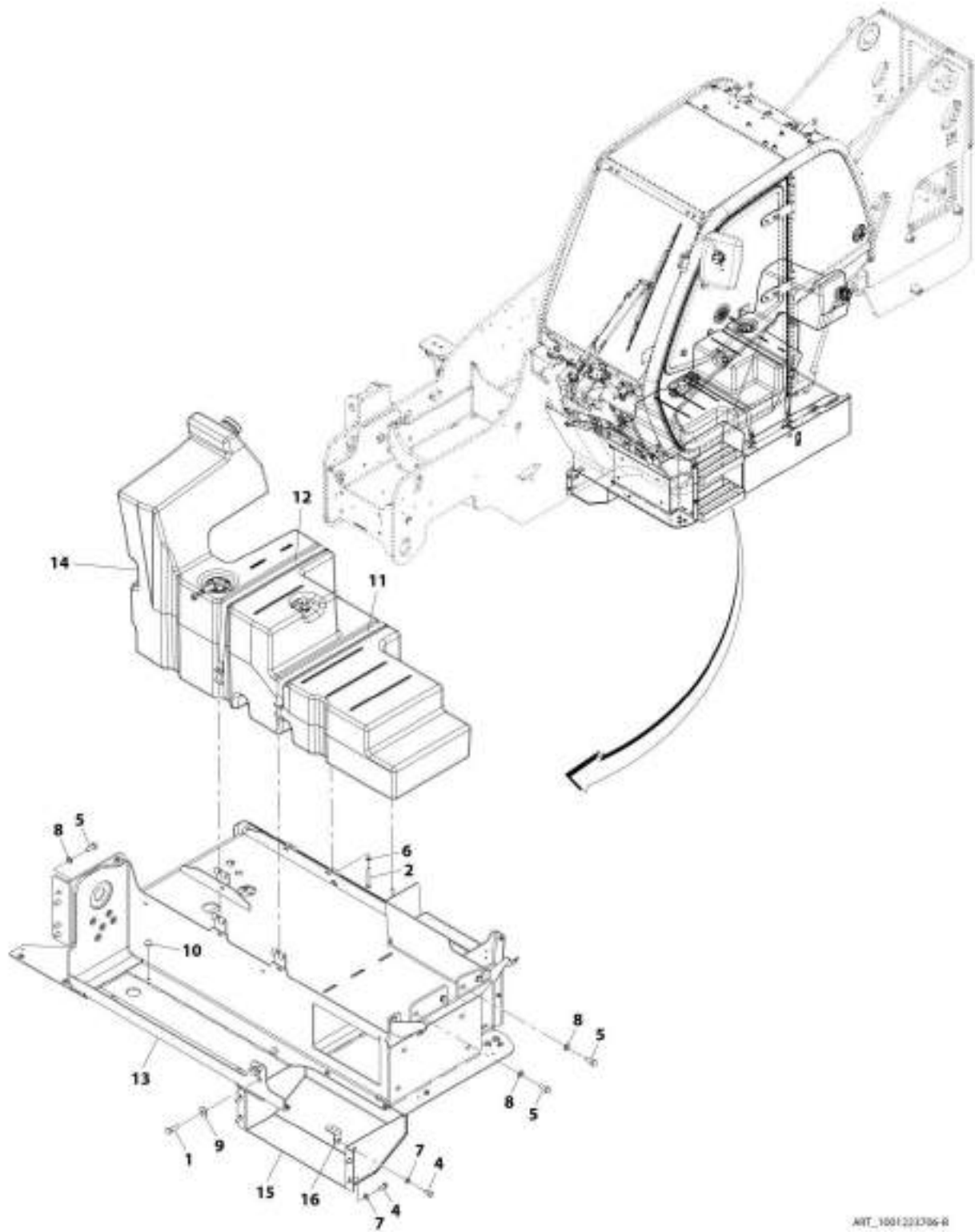
SECTION 1 - FRAME AND ATTACHING PARTS

FIGURE 1-6. FUEL TANK INSTALLATION

ITEM	PART NUMBER	QTY	DESCRIPTION	REV
	1001185929	Ref	Fuel Tank Installation	G
1	0760823	2	Bolt, M8X75	
2	0761214	8	Bolt, M12X30	
4	4811900	2	Washer, M8	
5	4812100	8	Washer, M12	
7	1001192125	1	Assembly, Fuel Tank (See Separate Breakdown in this Section)	
8	1001169454	4	Buffer	
9	1001178474	1	Strap	
10	1001178693	1	Strap	
11	1001185930	Ref	Installation, Tank Support (See Separate Breakdown in this Section)	
12	0700610	3	Bolt, M6X20	
13	0701216	2	Bolt, M12X40	
14	4811700	3	Washer, M6	
15	4812102	2	Washer, M12	
16	1001197480	1	Plate	

SECTION 1 - FRAME AND ATTACHING PARTS

FIGURE 1-7. FUEL TANK INSTALLATION (TUV)



AHT_1001221306-R

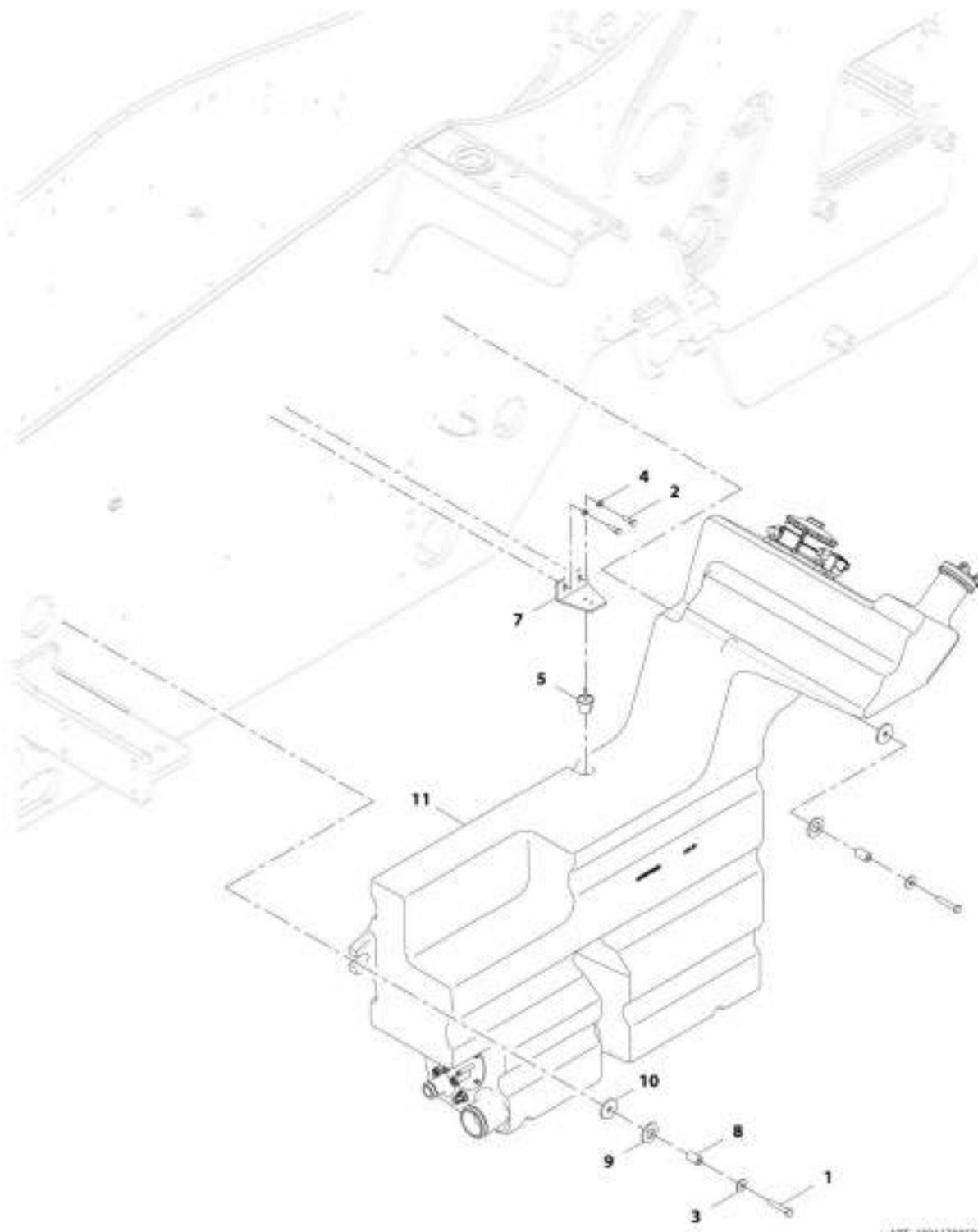
SECTION 1 - FRAME AND ATTACHING PARTS

FIGURE 1-7. FUEL TANK INSTALLATION (TUV)

ITEM	PART NUMBER	QTY	DESCRIPTION	REV
	1001223706	Ref	Fuel Tank Installation (TUV)	B
1	0701216	2	Bolt, M12X40	
2	0760823	2	Bolt, M8X75	
4	0761012	5	Bolt, M10X25	
5	0761214	8	Bolt, M12X30	
6	4811900	2	Washer, M8	
7	4812000	5	Washer, M10	
8	4812100	8	Washer, M12	
9	4812102	2	Washer, M12	
10	1001169454	4	Buffer	
11	1001178474	1	Strap	
12	1001178693	1	Strap	
13	1001185930	Ref	Installation, Tank Support (See Separate Breakdown in this Section)	
14	1001192125	1	Assembly, Fuel Tank (See Separate Breakdown in this Section)	
15	1001223870	1	Panel	
16	1001223911	1	Plate	

SECTION 1 - FRAME AND ATTACHING PARTS

FIGURE 1-8. HYDRAULIC TANK INSTALLATION



ART_1801178850-C

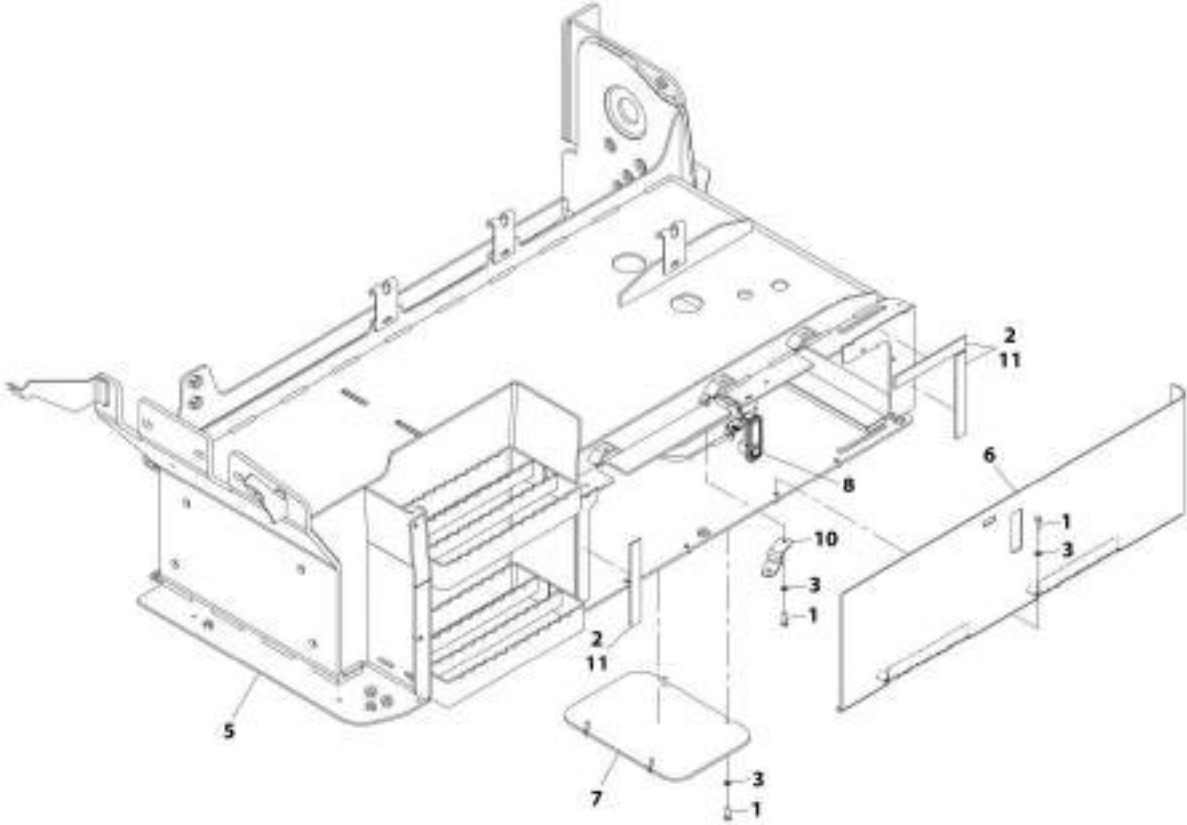
SECTION 1 - FRAME AND ATTACHING PARTS

FIGURE 1-8. HYDRAULIC TANK INSTALLATION

ITEM	PART NUMBER	QTY	DESCRIPTION	REV
	1001179850	Ref	Hydraulic Tank Installation	C
1	0701020	2	Bolt, M10X60	
2	0760812	2	Bolt, M8X25	
3	4812002	2	Washer, M10	
4	4811900	2	Washer, M8	
5	1001008575	1	Bumper, Conical	
7	1001177082	1	Bracket	
8	1001171179	2	Spacer	
9	1001172146	2	Washer, Rubber	
10	1001172147	2	Washer, M10	
11	1001179851	1	Assembly, Hydraulic Tank (See Separate Breakdown in this Section)	

SECTION 1 - FRAME AND ATTACHING PARTS

FIGURE 1-9. TANK SUPPORT INSTALLATION



ART_1001185930-K

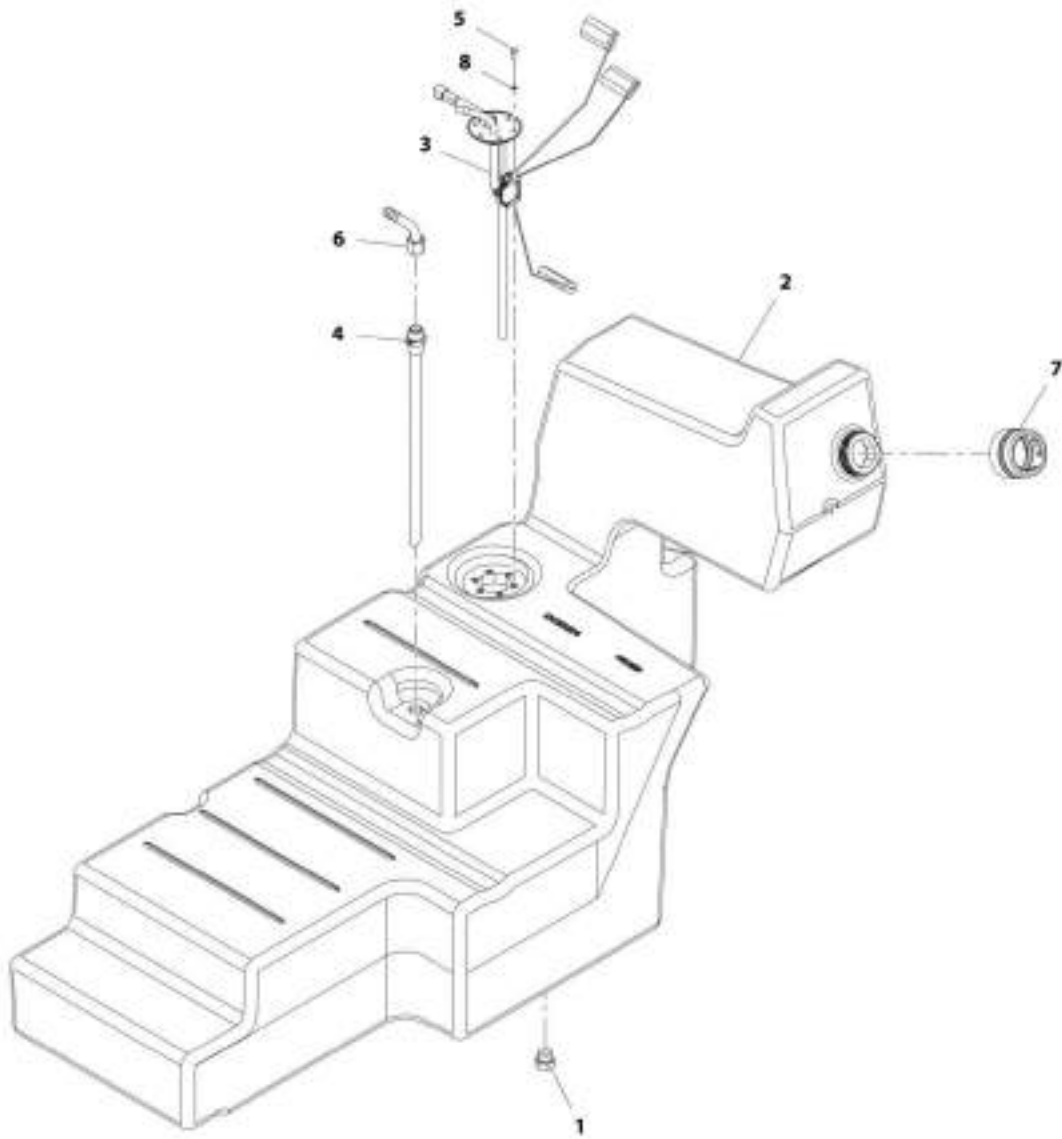
SECTION 1 - FRAME AND ATTACHING PARTS

FIGURE 1-9. TANK SUPPORT INSTALLATION

ITEM	PART NUMBER	QTY	DESCRIPTION	REV
	1001185930	Ref	Tank Support Installation	K
1	0700610	9	Bolt, M6X20	
2	4280307	3	Strip	
3	4811700	9	Washer, M6	
5	1001185931	1	Plate, Support	
6	1001185933	1	Cover	
7	1001185935	1	Cover	
8	1001189246	1	Latch, Locking	
10	1001197481	1	Plate	
11	0100081	AR	Compound, Locking	

SECTION 1 - FRAME AND ATTACHING PARTS

FIGURE 1-10. FUEL TANK ASSEMBLY



ANT_1001192125-C

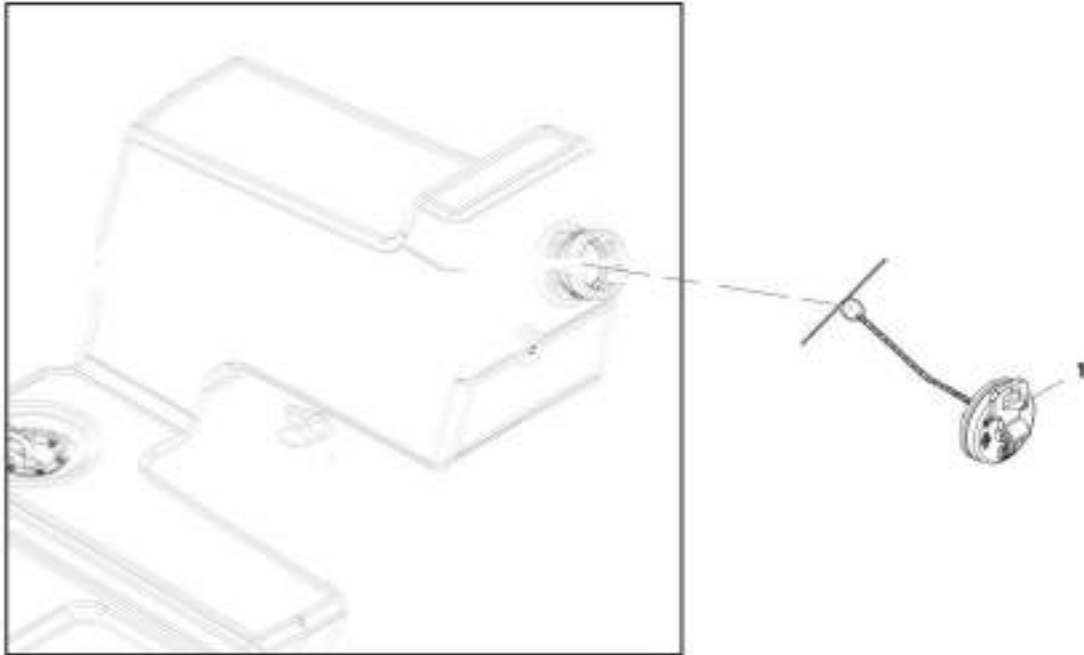
SECTION 1 - FRAME AND ATTACHING PARTS

FIGURE 1-10. FUEL TANK ASSEMBLY

ITEM	PART NUMBER	QTY	DESCRIPTION	REV
	1001192125	Ref	Fuel Tank Assembly	C
1	1001003427	1	Plug	
2	1001192124	1	Tank, Fuel	
3	1001222188	1	Sender, Fuel Level	
4	1001170106	1	Pipe, Fuel Supply	
5	4031607	6	Bolt, M5X16	
6	1001172693	1	Fitting, 90	
7	1001192392	1	Adapter	
8	1001222190	6	Washer	

SECTION 1 - FRAME AND ATTACHING PARTS

FIGURE 1-11. LOCKING FUEL CAP



ART_1001184300_2

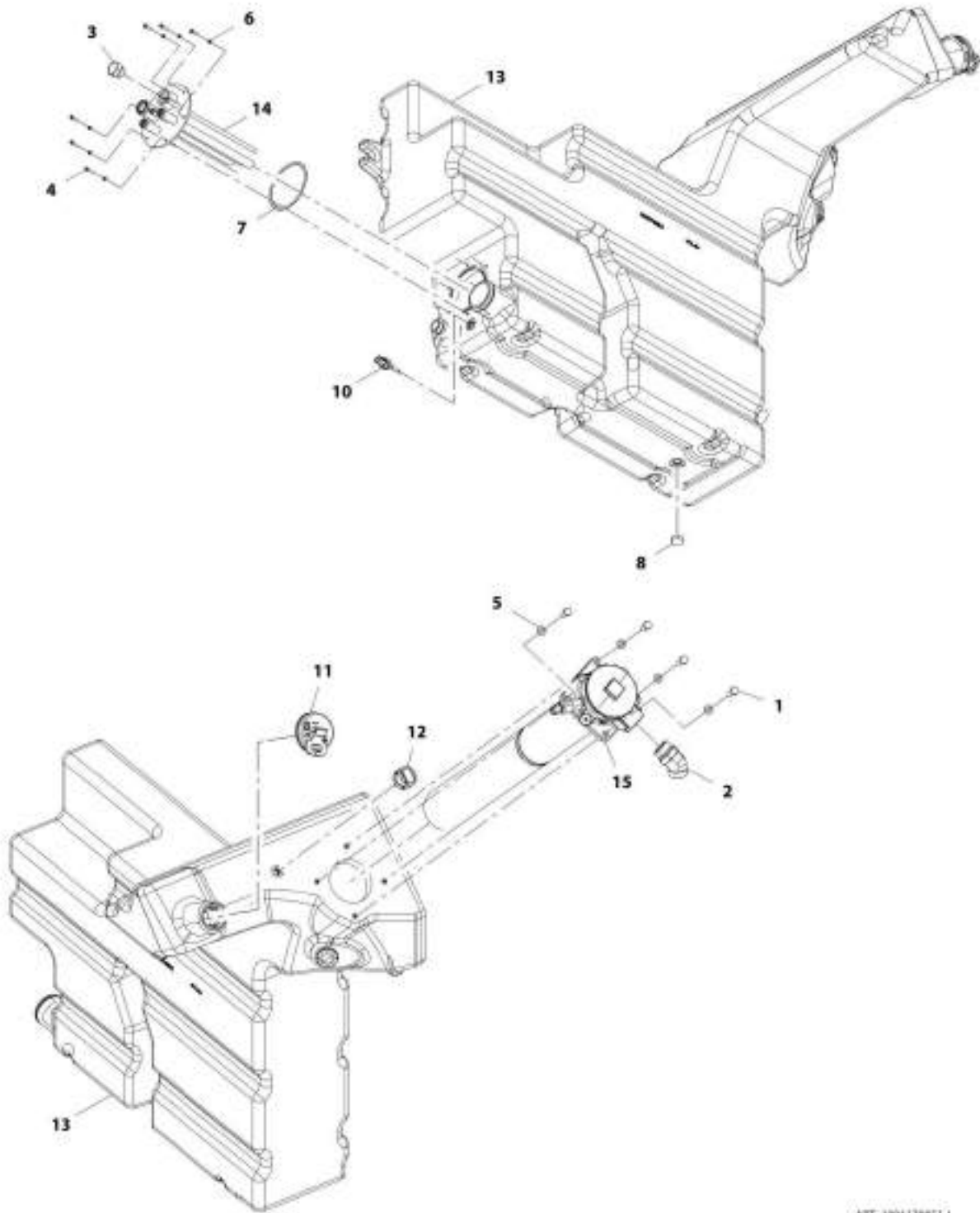
SECTION 1 - FRAME AND ATTACHING PARTS

FIGURE 1-11. LOCKING FUEL CAP

ITEM	PART NUMBER	QTY	DESCRIPTION	REV
1	1001194980	Ref	Locking Fuel Cap	A

SECTION 1 - FRAME AND ATTACHING PARTS

FIGURE 1-12. HYDRAULIC TANK ASSEMBLY



ART_180117881-1

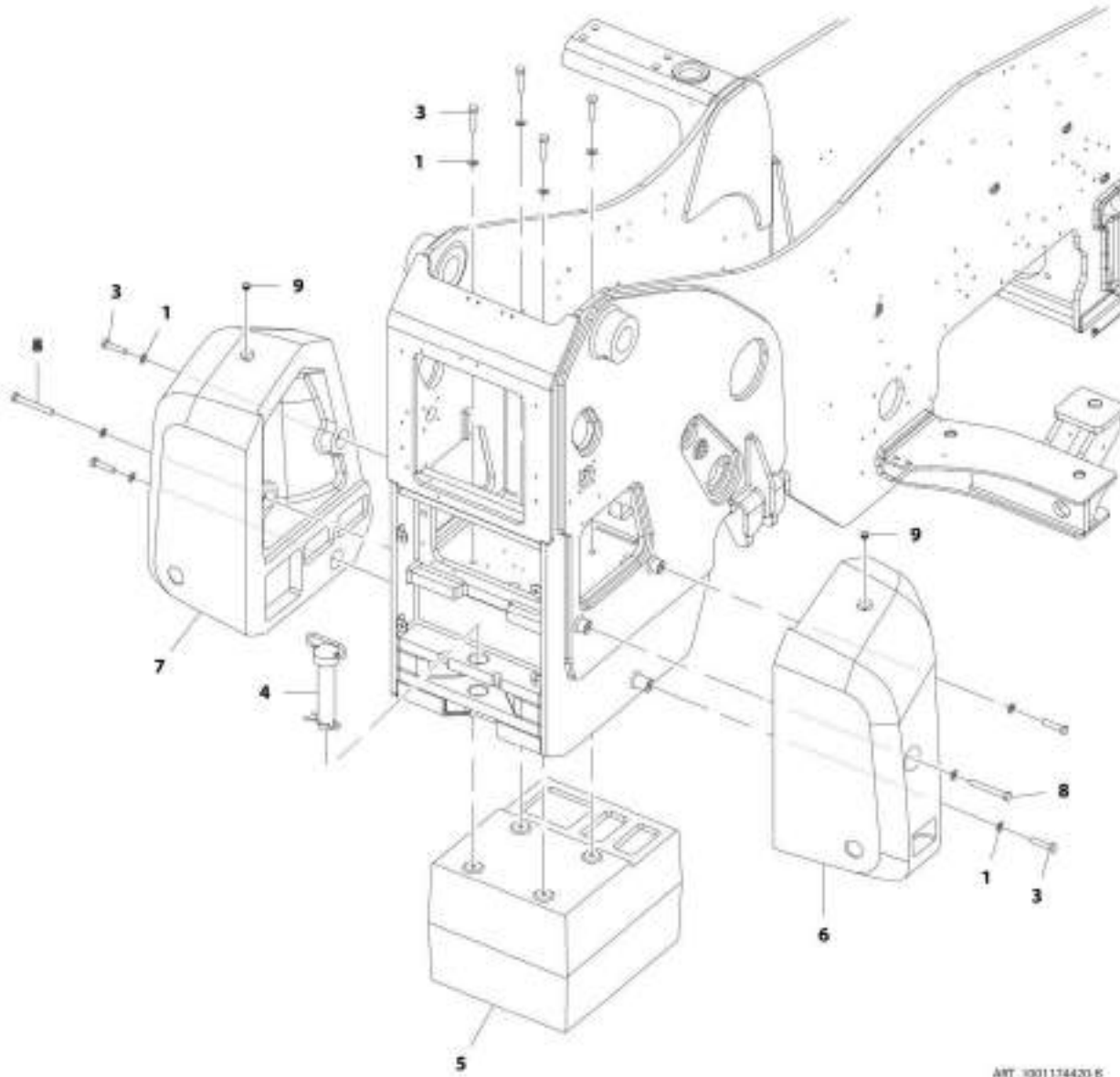
SECTION 1 - FRAME AND ATTACHING PARTS

FIGURE 1-12. HYDRAULIC TANK ASSEMBLY

ITEM	PART NUMBER	QTY	DESCRIPTION	REV
	1001179851	Ref	Hydraulic Tank Assembly	I
1	0761012	4	Bolt, M10X25	
2	2152020	1	Fitting, 45 ORFS	
3	2220240	1	Fitting, Straight	
4	4031607	6	Bolt, M5-.8X16	
5	4812000	4	Washer, M10	
6	4831600	6	Washer, Lock M5	
7	1001003301	1	Seal O-Ring	
8	2220239	1	Plug	
10	1001128478	1	Sensor	
11	1001194981	1	Cap, Hydraulic	
12	1001162662	1	Filter, Breather	
13	1001179852	1	Tank, Hydraulic	
14	1001191157	1	Manifold, Hydraulic Return	
15	1001191163	1	Filter	
15	1001191685	1	Element, Filter	

SECTION 1 - FRAME AND ATTACHING PARTS

FIGURE 1-13. COUNTERWEIGHT INSTALLATION



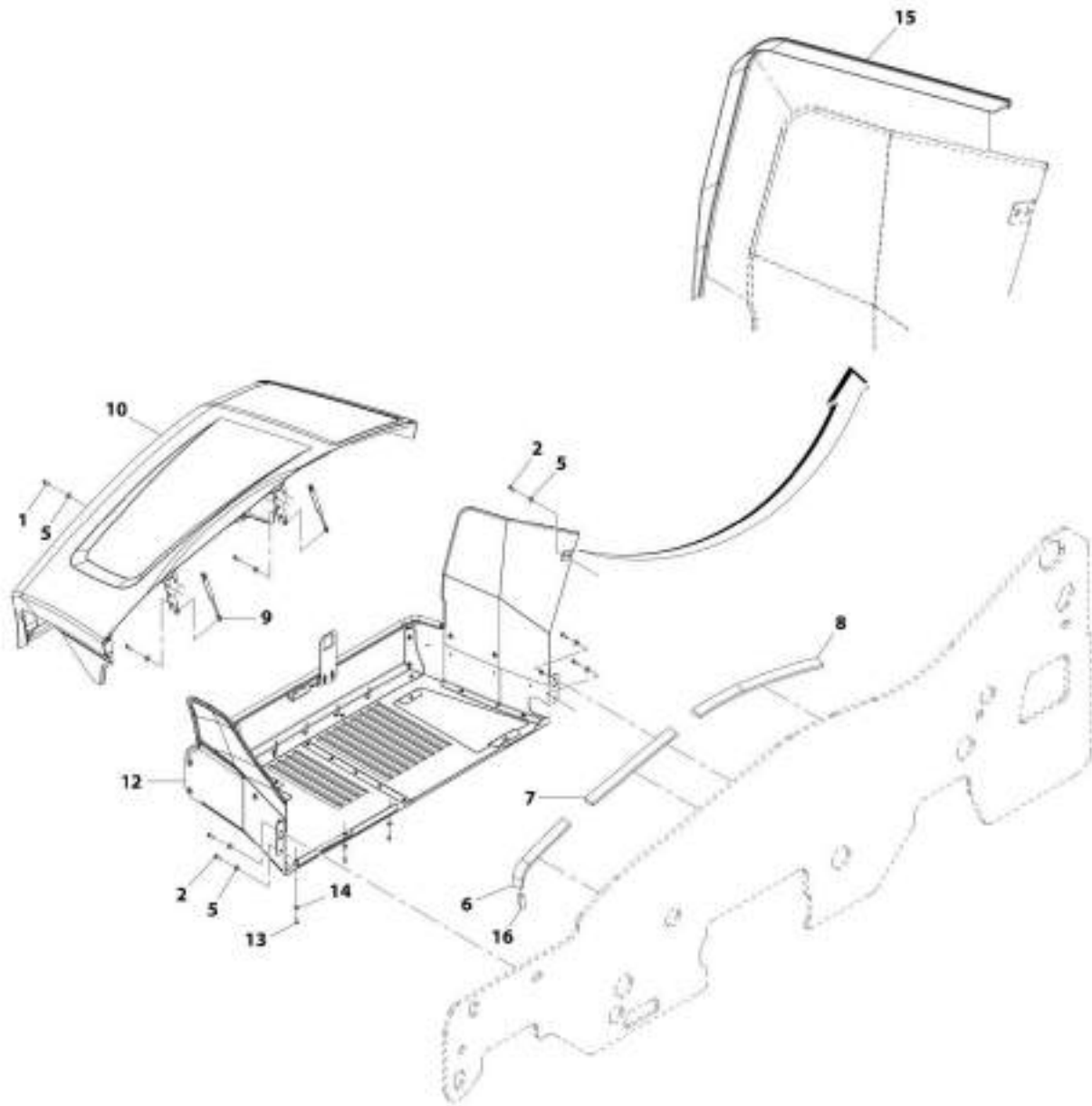
SECTION 1 - FRAME AND ATTACHING PARTS

FIGURE 1-13. COUNTERWEIGHT INSTALLATION

ITEM	PART NUMBER	QTY	DESCRIPTION	REV
	1001174420	Ref	Counterweight Installation	B
1	4812300	10	Washer, M16	
3	1001094516	8	Bolt, M16X70 Grade 10.9	
4	1001197955	1	Pin, Hitch	
5	1001213322	1	Counterweight, 900KG	
6	1001213325J	1	Counterweight	
7	1001213326J	1	Counterweight	
8	0711630	2	Bolt, M16X130 Grade 10.9	
9	3520193	2	Plug	

SECTION 1 - FRAME AND ATTACHING PARTS

FIGURE 1-14. ENGINE ENCLOSURE INSTALLATION



ART. 1001782318-1

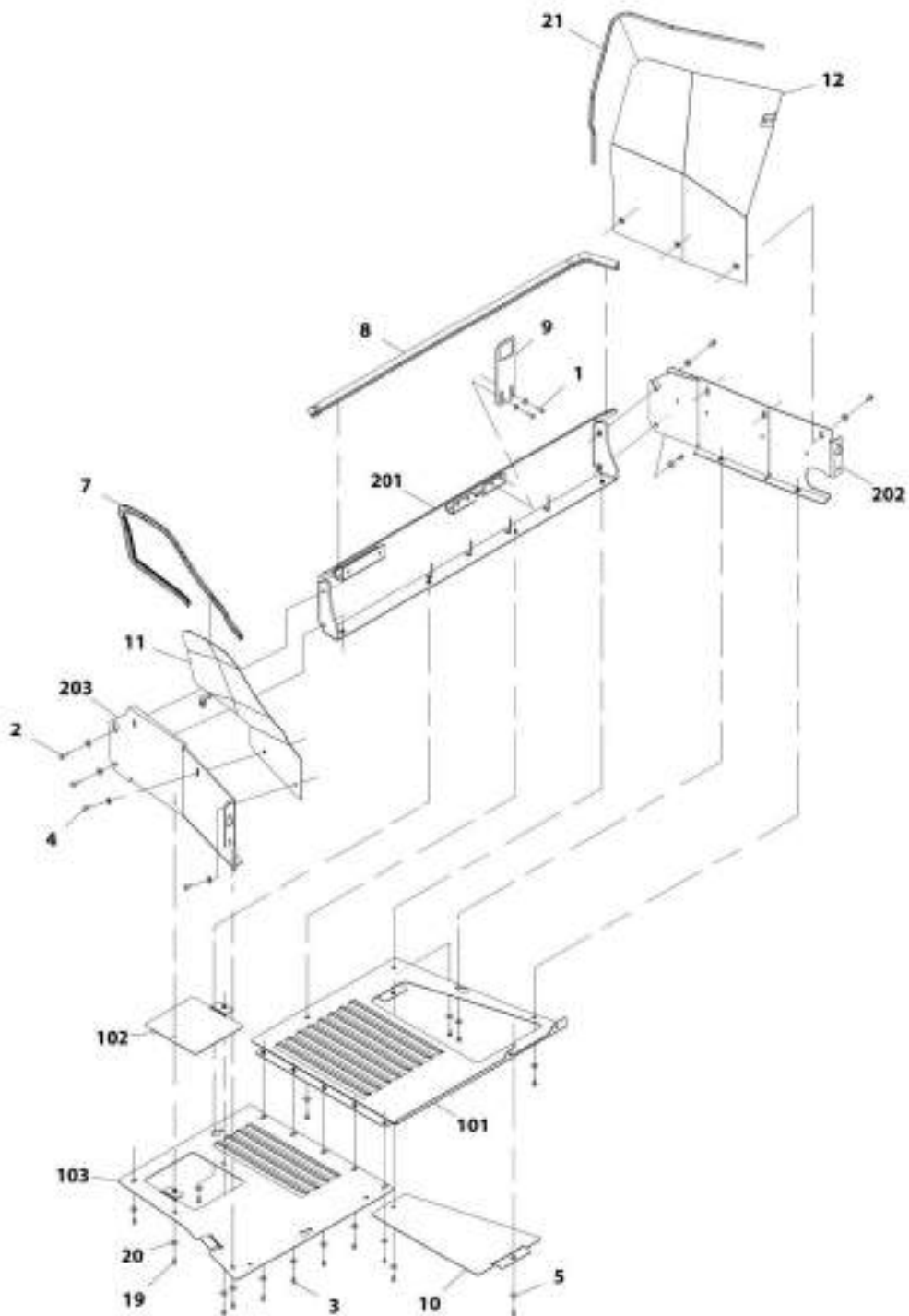
SECTION 1 - FRAME AND ATTACHING PARTS

FIGURE 1-14. ENGINE ENCLOSURE INSTALLATION

ITEM	PART NUMBER	QTY	DESCRIPTION	REV
	1001192318	Ref	Engine Enclosure Installation	J
1	0761010	1	Bolt, M10X20	
2	0761012	11	Bolt, M10X25	
5	4812002	12	Washer, M10	
6	1001203932	1	Seal	
7	1001203933	1	Seal	
8	1001203934	1	Seal	
9	1001171885	2	Spring, Gas	
10	1001235965	1	Assembly, Engine Hood (See Separate Breakdown in this Section)	
12	1001192622	1	Assembly, Engine Enclosure (See Separate Breakdown in this Section)	
13	0760810	3	Bolt, M8X20	
14	4811902	3	Washer, M8	
15	1001197339	1	Seal	
16	1001229609	1	Seal, Foam Gasket	

SECTION 1 - FRAME AND ATTACHING PARTS

FIGURE 1-15. ENGINE ENCLOSURE ASSEMBLY



ART_180110322-1

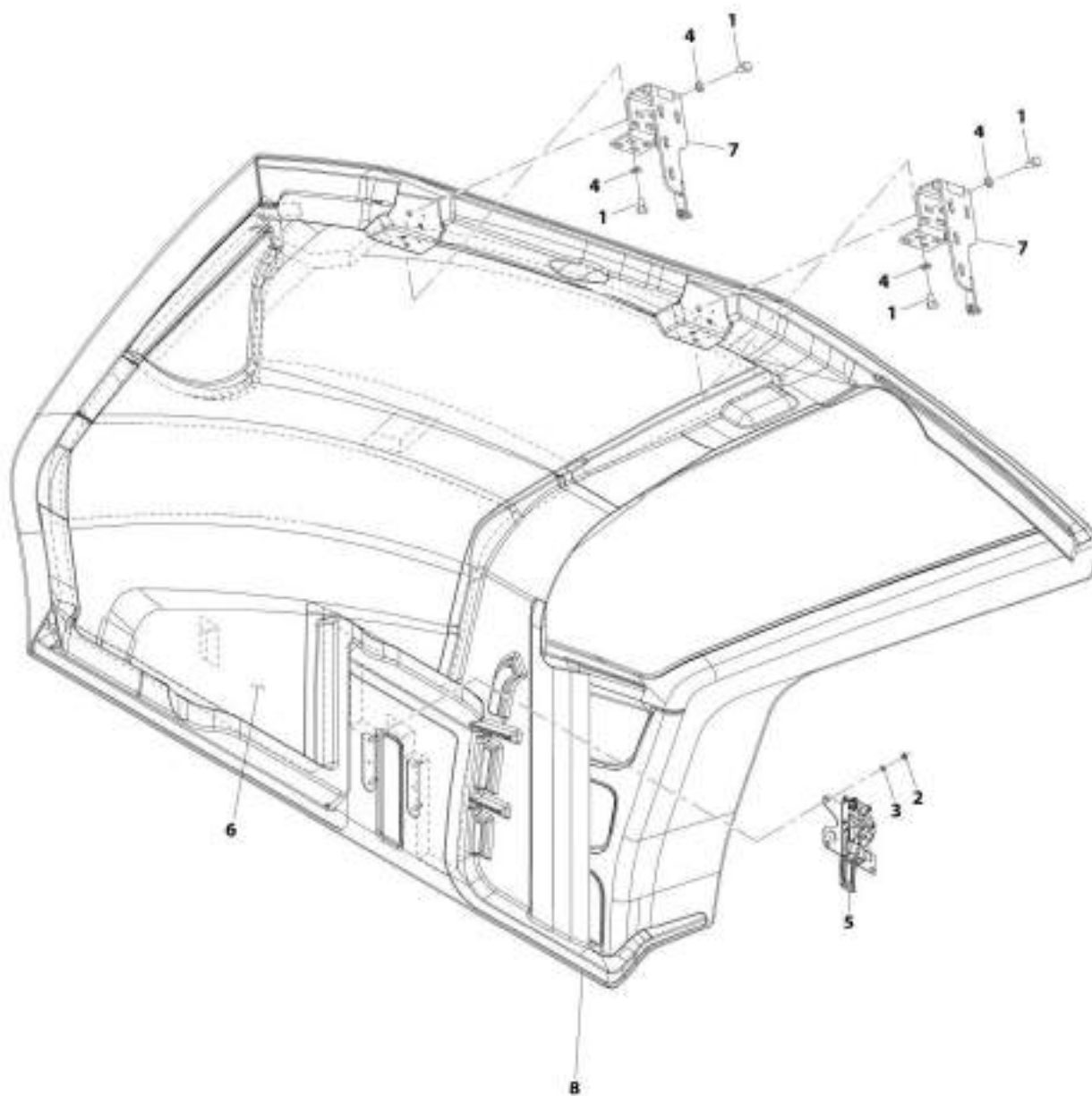
SECTION 1 - FRAME AND ATTACHING PARTS

FIGURE 1-15. ENGINE ENCLOSURE ASSEMBLY

ITEM	PART NUMBER	QTY	DESCRIPTION	REV
	1001192622	Ref	Engine Enclosure Assembly	I
1	0700814	2	Bolt, M8X30	
2	0701014	4	Bolt, M10X30	
3	0760807	5	Bolt, M8X14	
4	0761010	6	Bolt, M10X20	
5	4811902	19	Washer, M8	
7	1001003227	1573 mm	Seal	
8	1001204486	1785 mm	Seal	
9	1001209388	1	Latch, Hood	
10	1001169265	1	Plate, Access Panel	
11	1001219115	1	Panel, Front Wheel	
12	1001192627	1	Panel, Rear Cover	
19	0760808	12	Bolt, M8X16	
20	4812002	10	Washer, M10	
21	1001008999	1381 mm	Trim, Edge	
101	1001192631	1	Panel, Bottom Cover	
102	1001194969	1	Panel, Access	
103	1001219250	1	Panel, Bottom Front Cover	
201	1001192623J	1	Panel, Side Skirt	
202	1001224450J	1	Panel, Rear Skirt	
203	1001219113J	1	Panel, Front Skirt	

SECTION 1 - FRAME AND ATTACHING PARTS

FIGURE 1-16. ENGINE HOOD ASSEMBLY



ART_100125065-A

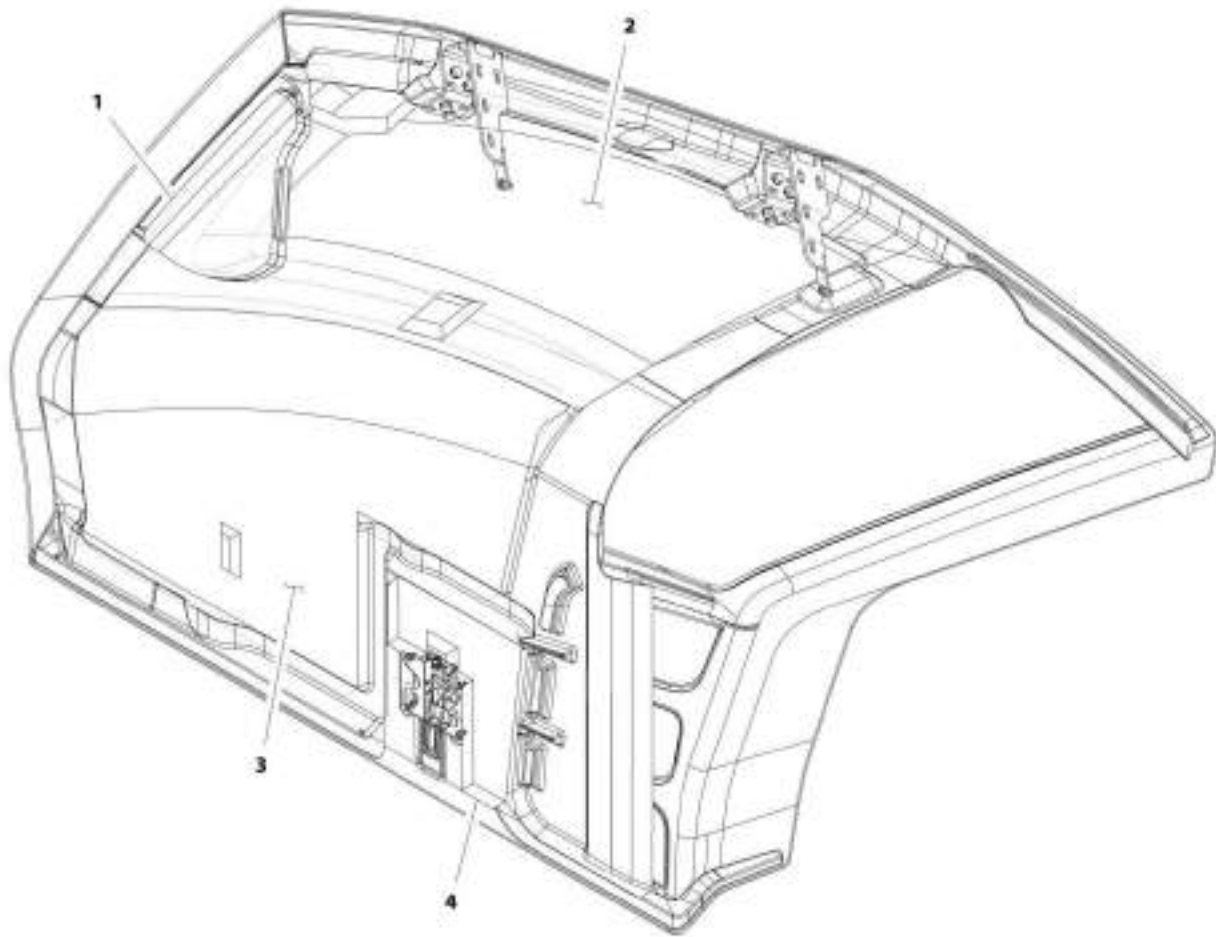
SECTION 1 - FRAME AND ATTACHING PARTS

FIGURE 1-16. ENGINE HOOD ASSEMBLY

ITEM	PART NUMBER	QTY	DESCRIPTION	REV
	1001235965	Ref	Engine Hood Assembly	A
1	0761010	8	Bolt, M10X20	
2	3290605	4	Nut, Lock M6X1	
3	4811700	4	Washer, M6	
4	4812000	8	Washer, M10	
5	1001132168	1	Latch, Hood	
6	1001172110	1	Installation, Engine Hood Insulation (See Separate Breakdown in this Section)	
7	1001209387	2	Hinge	
8	1001234455	1	Hood	

SECTION 1 - FRAME AND ATTACHING PARTS

FIGURE 1-17. ENGINE HOOD INSULATION INSTALLATION



ART_100172110-G

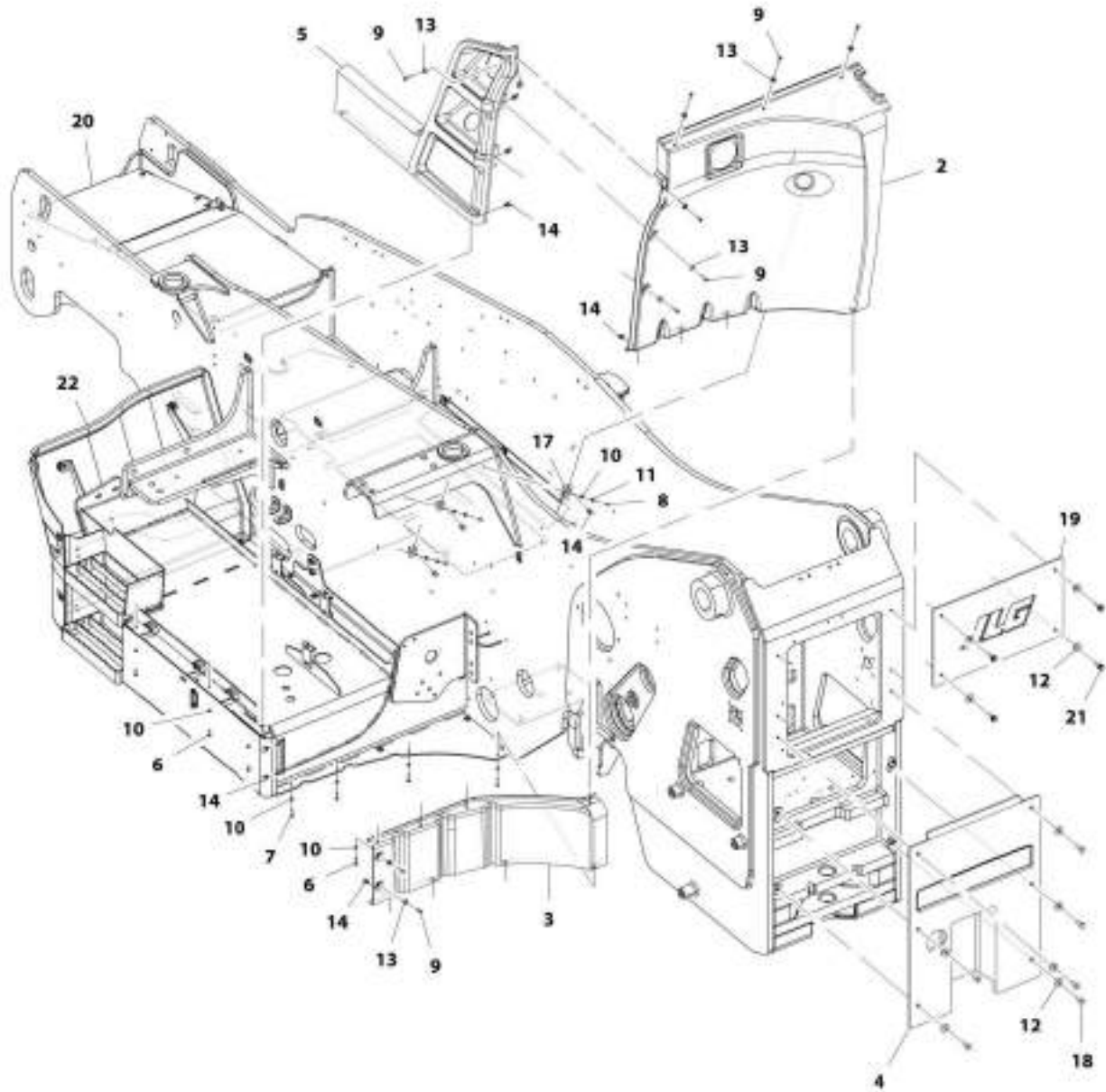
SECTION 1 - FRAME AND ATTACHING PARTS

FIGURE 1-17. ENGINE HOOD INSULATION INSTALLATION

ITEM	PART NUMBER	QTY	DESCRIPTION	REV
	1001172110	Ref	Engine Hood Insulation Installation	G
1	1001172112	1	Insulation, Front	
2	1001172113	1	Insulation, Top	
3	1001172114	1	Insulation, Side	
4	1001172115	1	Insulation, Hood Latch	

SECTION 1 - FRAME AND ATTACHING PARTS

FIGURE 1-18. COVER INSTALLATION (ULS)



ART_10B1104884-1

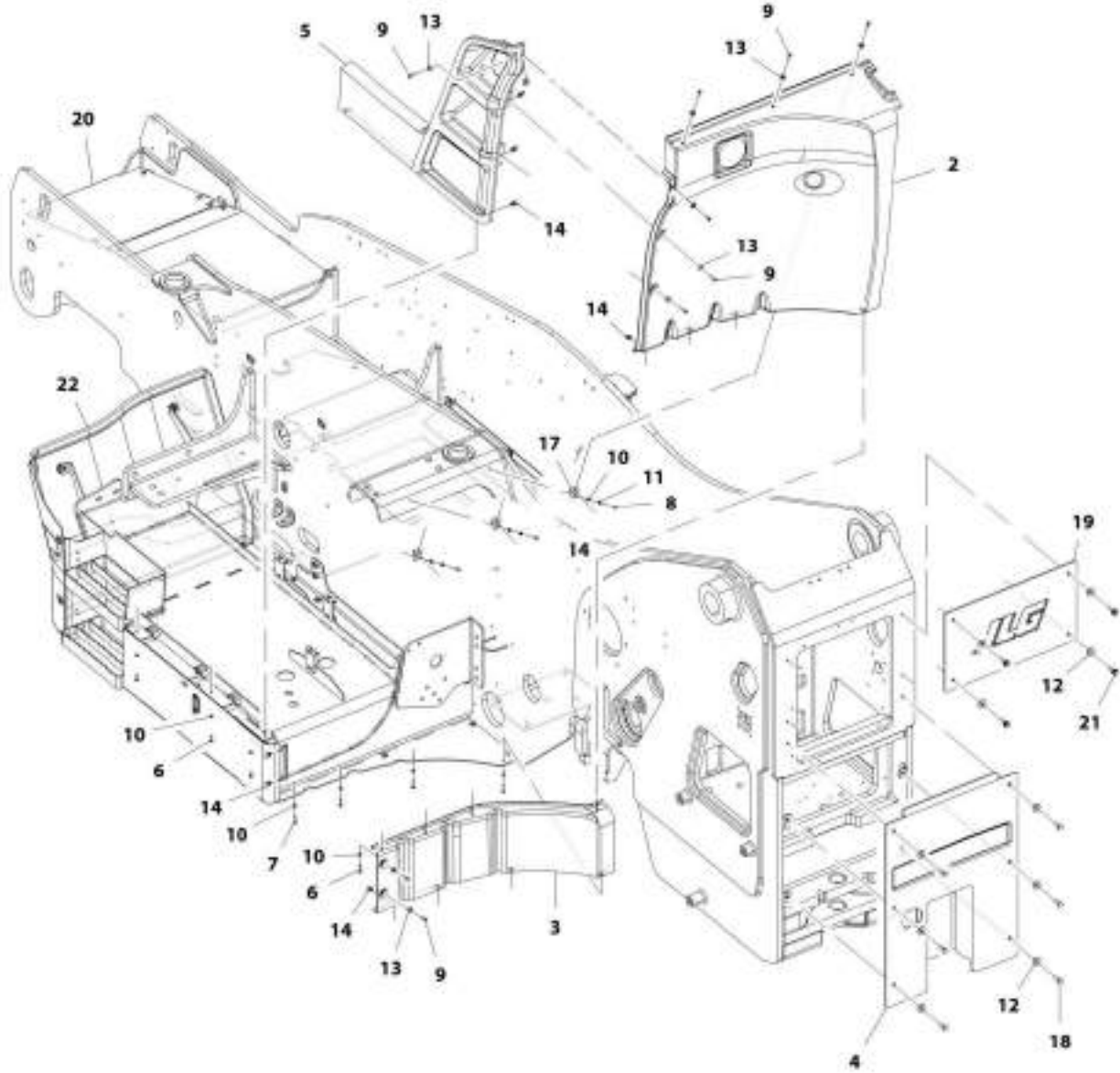
SECTION 1 - FRAME AND ATTACHING PARTS

FIGURE 1-18. COVER INSTALLATION (ULS)

ITEM	PART NUMBER	QTY	DESCRIPTION	REV
	1001184869	Ref	Cover Installation (ULS)	1
2	1001184872	1	Cover, Rear Tank	
3	1001184874	1	Cover, Lower Rear Tank	
4	1001213834	1	Cover, Rear Frame	
5	1001168758	1	Cover, Side Tank	
6	0700610	7	Bolt, M6X20	
7	0700612	4	Bolt, M6X25	
8	0760607	3	Bolt, M6X14	
9	0630576	9	Screw, M6X20	
10	4811700	14	Washer, M6	
11	4831700	3	Washer, Lock M6	
12	4812002	10	Washer, M10	
13	1001097540	9	Washer, M6	
14	1001130220	19	Nut, M6	
17	1001231385	3	Plate, Angle Mount	
18	0761012	6	Bolt, M10X25	
19	1001213833	1	Cover, Rear Frame	
20	1001198307	Ref	Installation, Frame Cover (See Separate Breakdown in this Section)	
21	1001161439	4	Screw	
22	1001201848	Ref	Installation, Front Lower Cover (See Separate Breakdown in this Section)	

SECTION 1 - FRAME AND ATTACHING PARTS

FIGURE 1-19. COVER INSTALLATION (LS)



ART_10B11046704

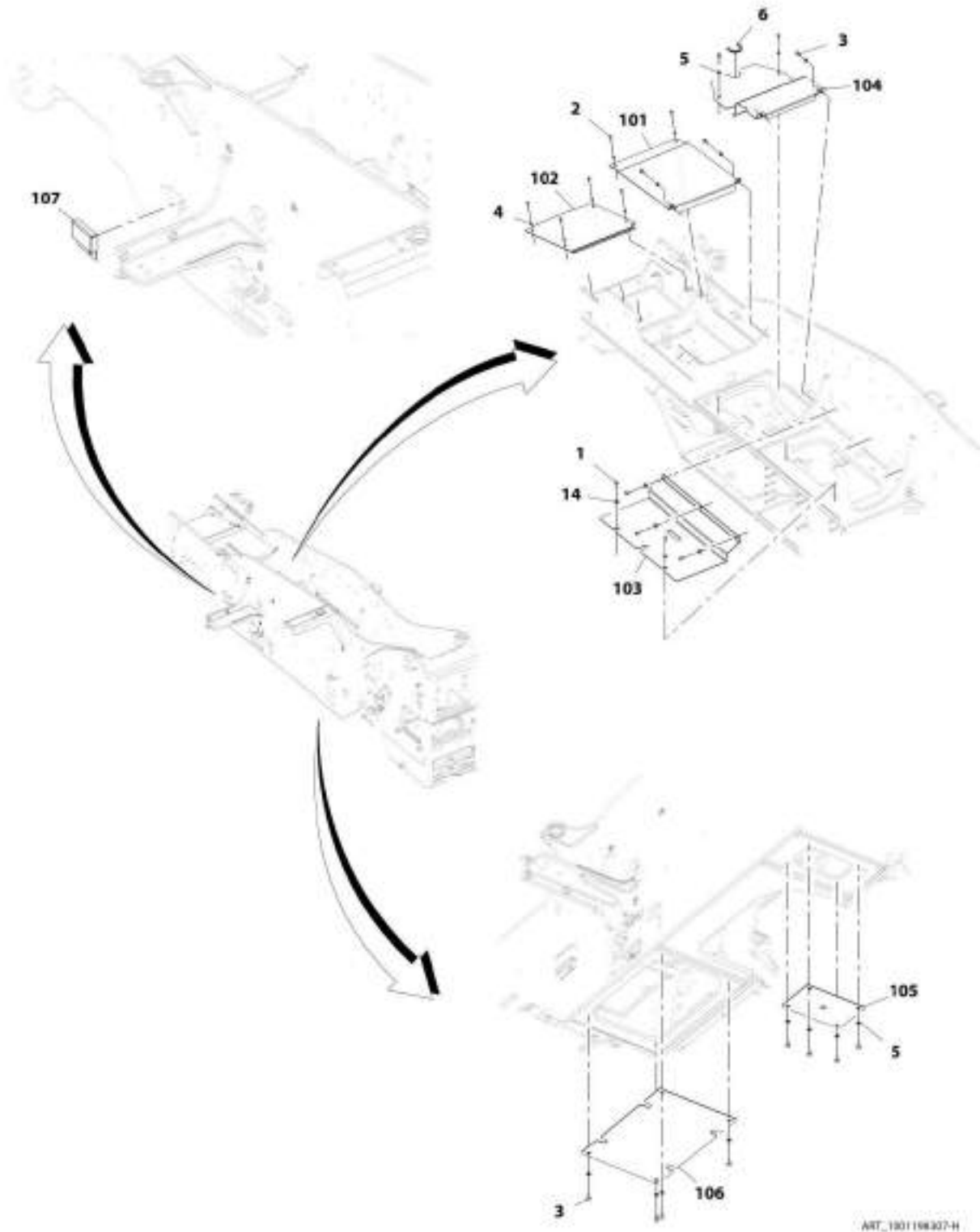
SECTION 1 - FRAME AND ATTACHING PARTS

FIGURE 1-19. COVER INSTALLATION (LS)

ITEM	PART NUMBER	QTY	DESCRIPTION	REV
	1001184870	Ref	Cover Installation (LS)	1
2	1001184872	1	Cover, Rear Tank	
3	1001184874	1	Cover, Lower Rear Tank	
4	1001213834	1	Cover, Rear Frame	
5	1001172829	1	Cover, Side Tank	
6	0700610	7	Bolt, M6X20	
7	0700612	4	Bolt, M6X25	
8	0760607	3	Bolt, M6X14	
9	0630576	9	Screw, M6X20	
10	4811700	14	Washer, M6	
11	4831700	3	Washer, Lock M6	
12	4812002	10	Washer, M10	
13	1001097540	9	Washer, M6	
14	1001130220	19	Nut, M6	
17	1001231385	3	Plate, Angle Mount	
18	0761012	6	Bolt, M10X25	
19	1001213833	1	Cover, Rear Frame	
20	1001198307	Ref	Installation, Frame Cover (See Separate Breakdown in this Section)	
21	1001161439	4	Screw	
22	1001201848	Ref	Installation, Front Lower Cover (See Separate Breakdown in this Section)	

SECTION 1 - FRAME AND ATTACHING PARTS

FIGURE 1-20. FRAME COVER INSTALLATION



ART_1001198307-H

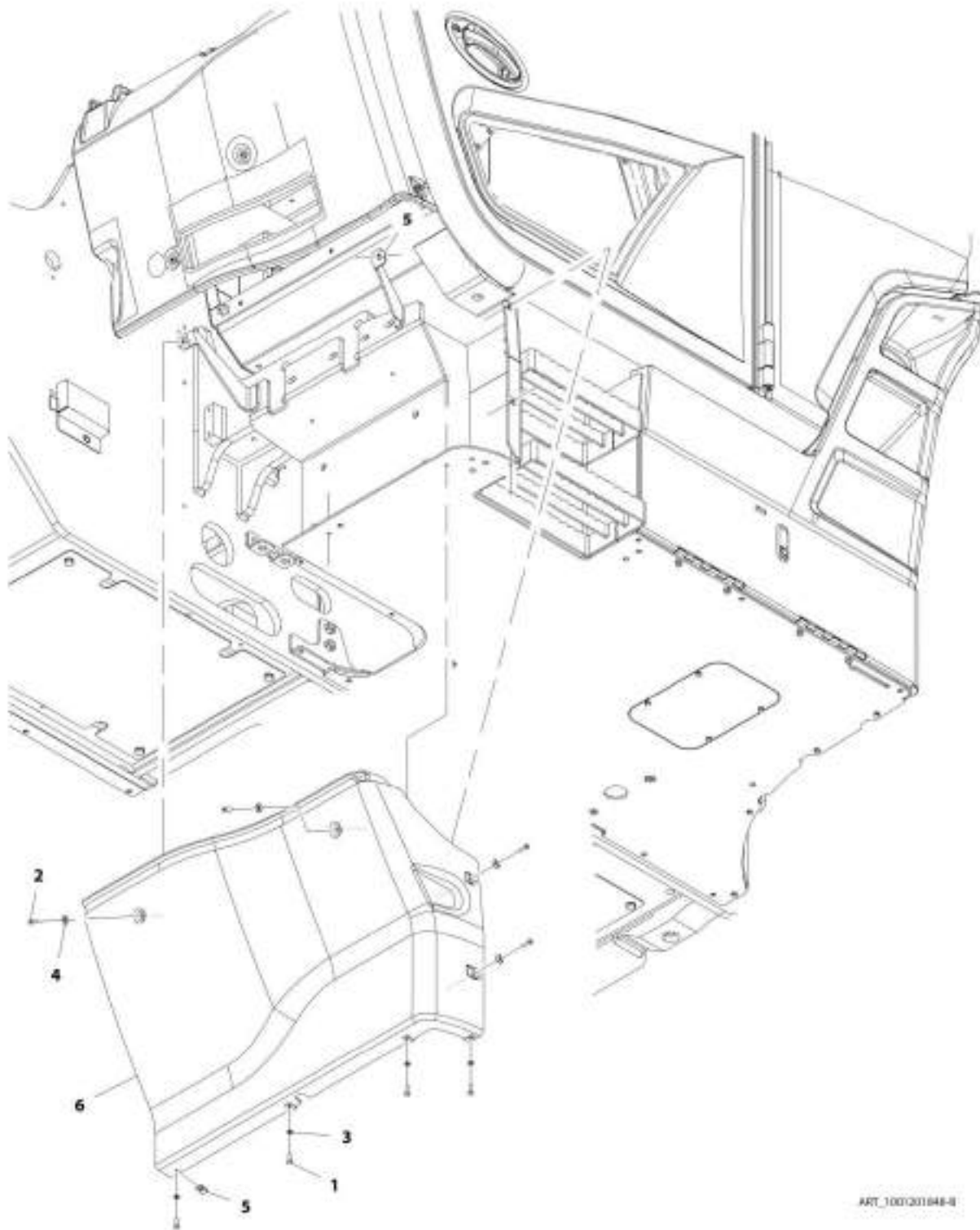
SECTION 1 - FRAME AND ATTACHING PARTS

FIGURE 1-20. FRAME COVER INSTALLATION

ITEM	PART NUMBER	QTY	DESCRIPTION	REV
	1001198307	Ref	Frame Cover Installation	H
1	0701014	4	Bolt, M10X30	
2	0760810	6	Bolt, M8X20	
3	0761010	15	Bolt, M10X20	
4	4811900	6	Washer, M8	
5	4812000	14	Washer, M10	
6	90206196	0.15 m	Gasket	
14	4812002	5	Washer, M10	
101	1001197056	1	Cover, Battery	
102	1001197057	1	Plate, Valve Cover	
103	1001197733	1	Plate, Frame Cover	
104	1001197734	1	Plate, Frame Cover	
105	1001211899	1	Plate, Frame Cover	
106	1001211900	1	Plate, Frame Cover	
107	1001218694	1	Cover	

SECTION 1 - FRAME AND ATTACHING PARTS

FIGURE 1-21. FRONT LOWER COVER INSTALLATION



SECTION 1 - FRAME AND ATTACHING PARTS

FIGURE 1-21. FRONT LOWER COVER INSTALLATION

ITEM	PART NUMBER	QTY	DESCRIPTION	REV
	1001201848	Ref	Installation, Front Lower Cover	B
1	0700610	4	Bolt, M6X20	
2	3900379	4	Screw, M6-1.00X25	
3	4811700	4	Washer, M6	
4	1001097540	4	Washer, M6	
5	1001130220	6	Nut, M6	
6	1001184871	1	Cover, Front Lower	

SECTION 1 - FRAME AND ATTACHING PARTS

FIGURE 1-22. PAD LOCK



ART. 3001102152-A

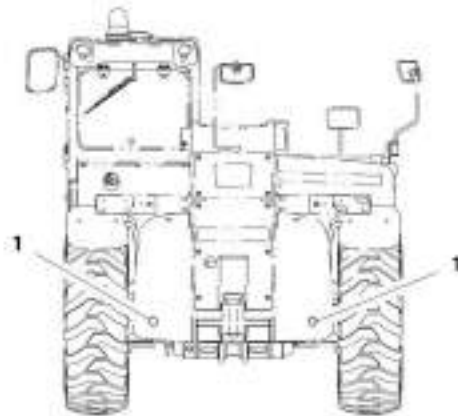
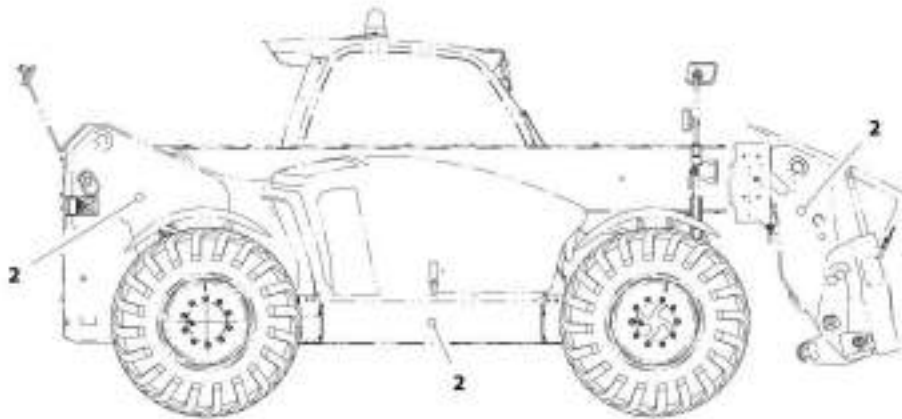
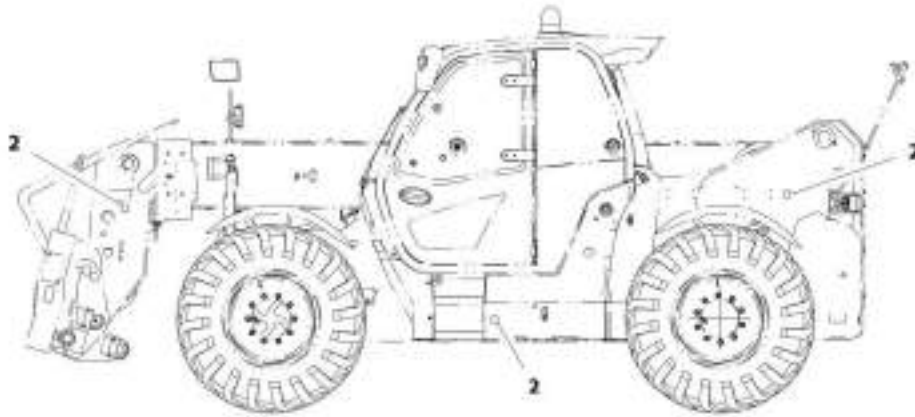
SECTION 1 - FRAME AND ATTACHING PARTS

FIGURE 1-22. PAD LOCK

ITEM	PART NUMBER	QTY	DESCRIPTION	REV
1	1001102157 8342813	Ref 1	Pad Lock Key	A

SECTION 1 - FRAME AND ATTACHING PARTS

FIGURE 1-23. REFLECTORS INSTALLATION



ART_1801360346-D

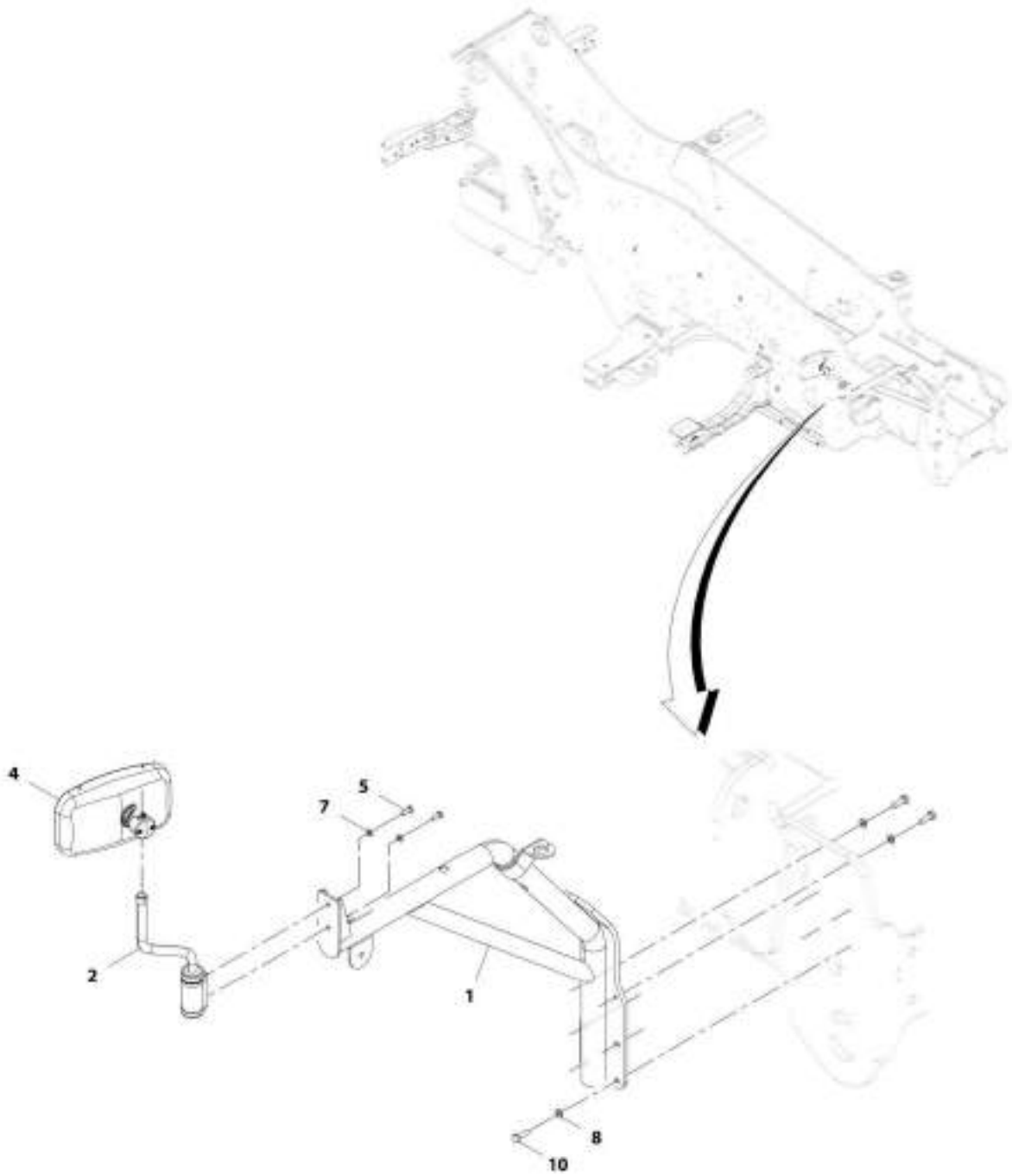
SECTION 1 - FRAME AND ATTACHING PARTS

FIGURE 1-23. REFLECTORS INSTALLATION

ITEM	PART NUMBER	QTY	DESCRIPTION	REV
	1001200344	Ref	Reflectors Installation	D
1	3700015	2	Reflector, Rear	
2	3700016	6	Reflector, Side	

SECTION 1 - FRAME AND ATTACHING PARTS

FIGURE 1-24. MIRROR INSTALLATION



ART_1801182324-E

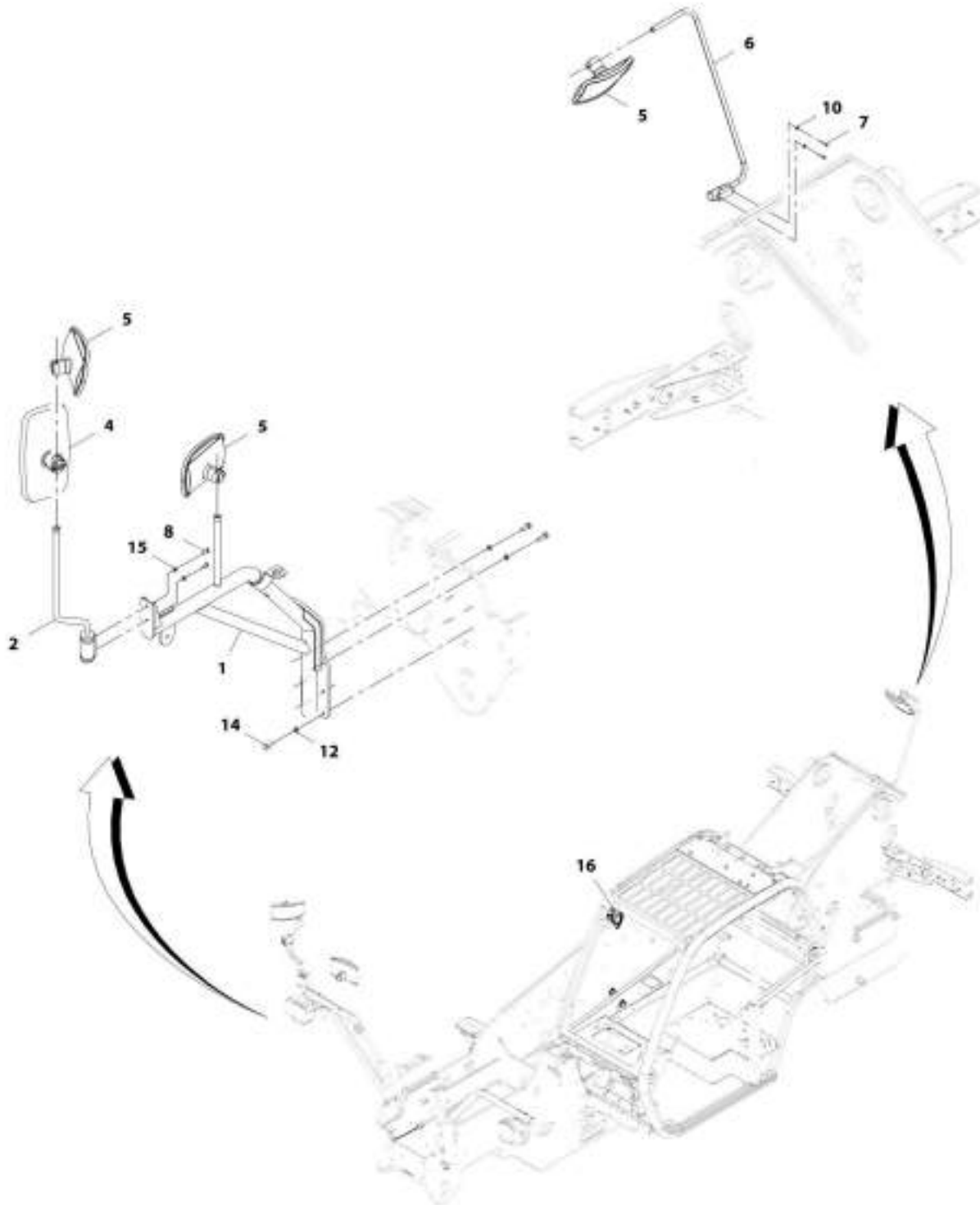
SECTION 1 - FRAME AND ATTACHING PARTS

FIGURE 1-24. MIRROR INSTALLATION

ITEM	PART NUMBER	QTY	DESCRIPTION	REV
	1001192324	Ref	Mirror Installation	E
1	1001206099	1	Bracket	
2	1001209346	1	Bracket	
4	1001191635	1	Mirror, Convex	
5	0760810	2	Bolt, M8X20	
7	4811900	2	Bolt, M8X20	
8	4812000	6	Washer, M10	
10	0701014	6	Bolt, M10X30	

SECTION 1 - FRAME AND ATTACHING PARTS

FIGURE 1-25. MIRROR INSTALLATION



ART_1901184891-F

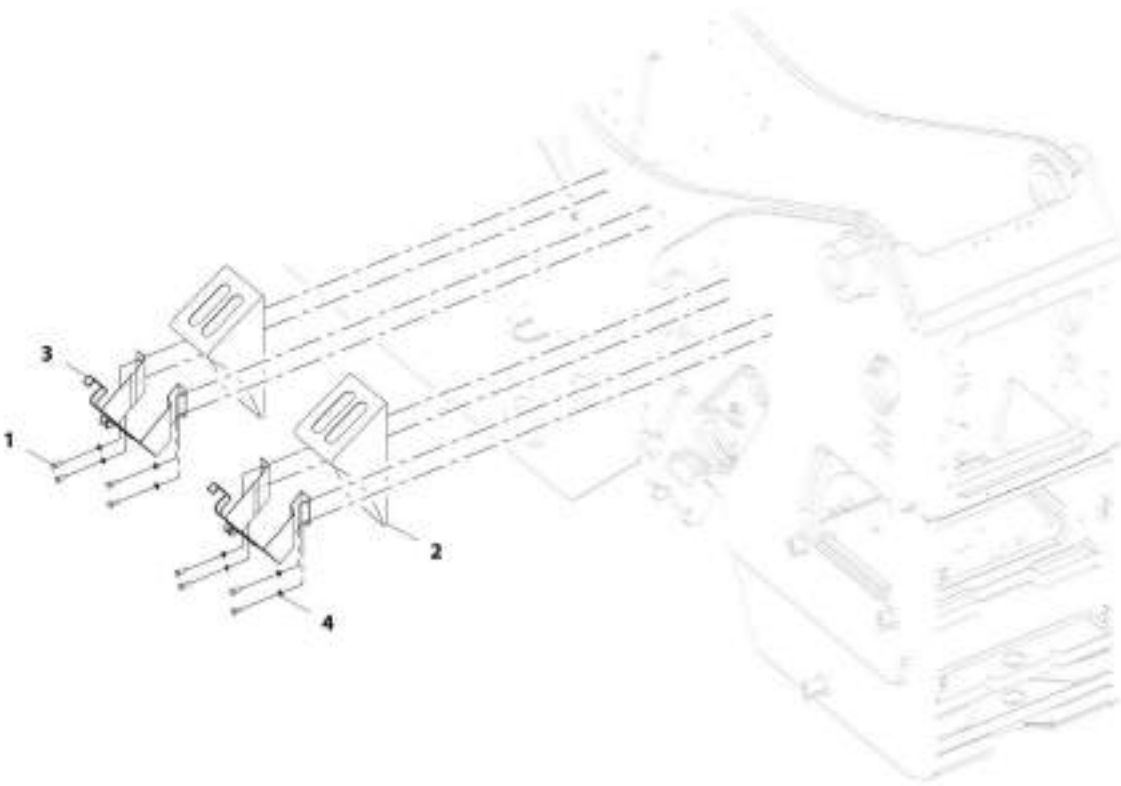
SECTION 1 - FRAME AND ATTACHING PARTS

FIGURE 1-25. MIRROR INSTALLATION

ITEM	PART NUMBER	QTY	DESCRIPTION	REV
	1001186881	Ref	Mirror Installation	F
1	1001206098	1	Bracket	
2	1001209345	1	Bracket	
4	1001175812	1	Mirror, Dual Lens	
5	1001142724	3	Mirror, Convex	
6	1001168429	1	Support, Arm	
7	0700612	2	Bolt, M6X25	
8	0760810	2	Bolt, M8X20	
10	4811700	2	Washer, M6	
12	4812000	6	Washer, M10	
14	0701014	6	Bolt, M10X30	
15	4811900	2	Washer, M8	
16	1001166192	1	Installation, Internal Mirror (See Separate Breakdown in CAB Section)	

SECTION 1 - FRAME AND ATTACHING PARTS

FIGURE 1-26. WHEEL CHOCK INSTALLATION



ART_180110236-B

SECTION 1 - FRAME AND ATTACHING PARTS

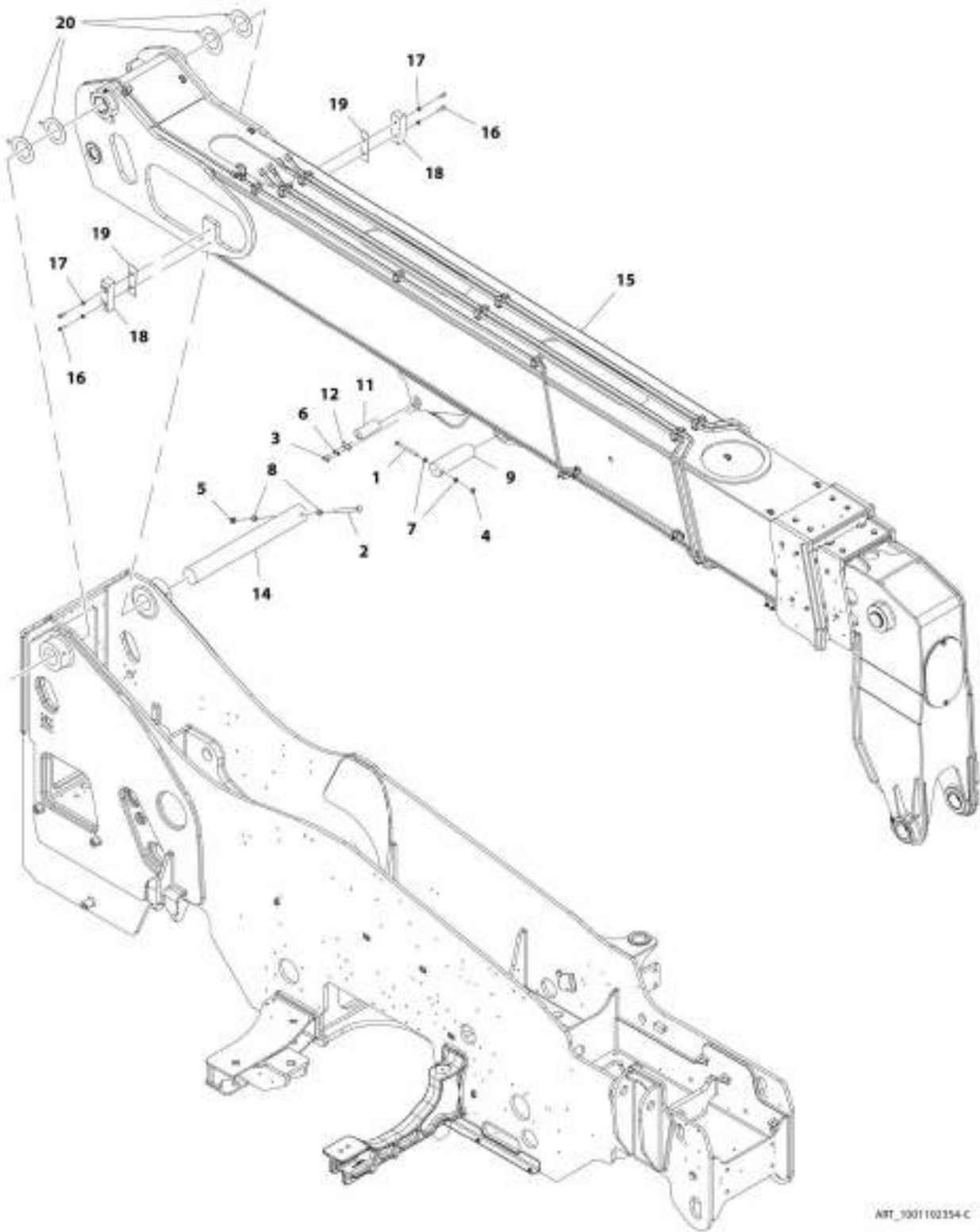
FIGURE 1-26. WHEEL CHOCK INSTALLATION

ITEM	PART NUMBER	QTY	DESCRIPTION	REV
	1001192336	Ref	Wheel Chock Installation	B
1	0760810	8	Bolt, M8X20	
2	806253	2	Wedge	
3	806264	2	Holder, Wedge	
4	4811900	8	Washer, M8	

SECTION 2 - BOOM

SECTION 2 - BOOM

FIGURE 2-1. BOOM INSTALLATION



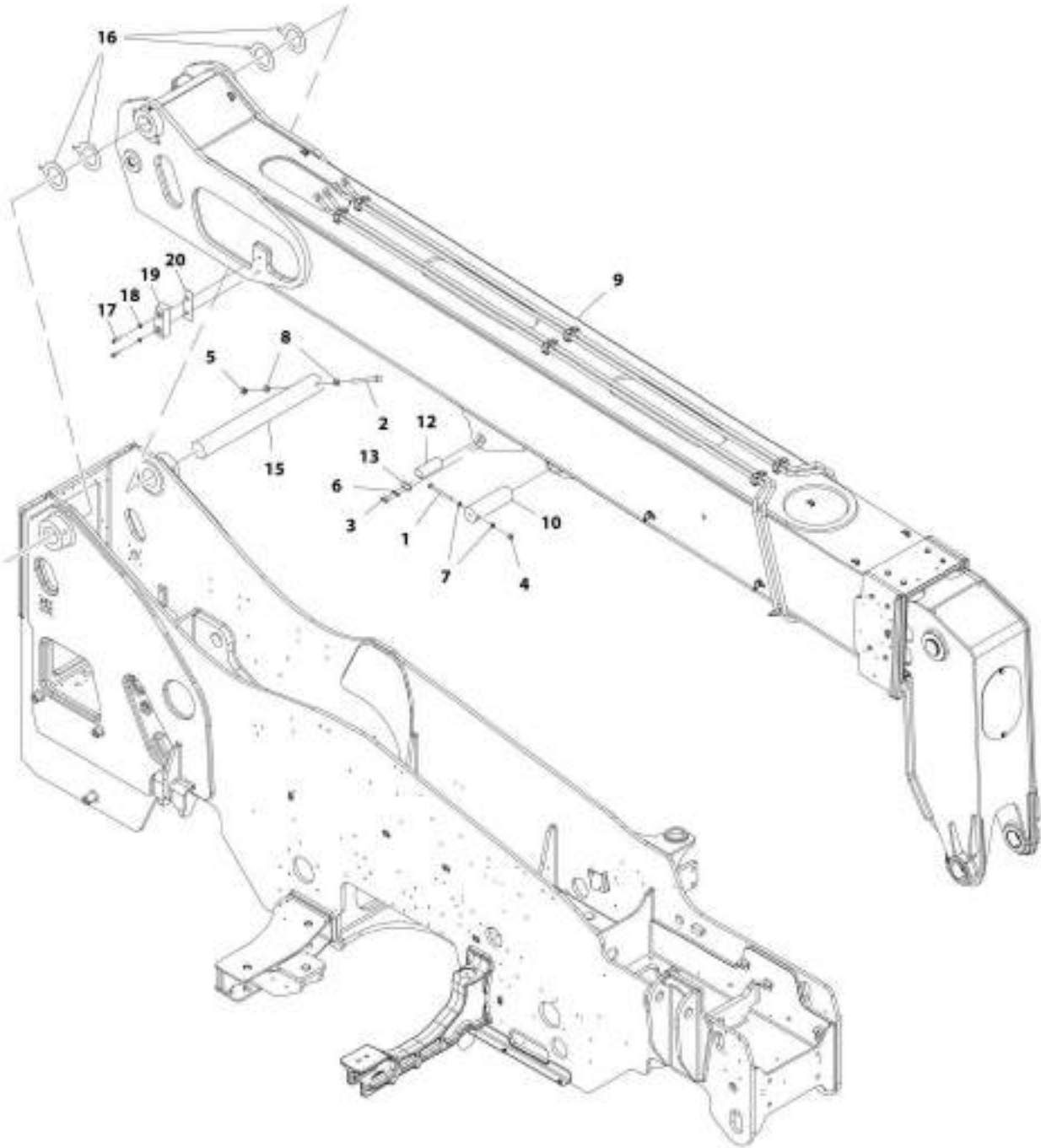
ART_3001102354-C

FIGURE 2-1. BOOM INSTALLATION

ITEM	PART NUMBER	QTY	DESCRIPTION	REV
	1001192354	Ref	Boom Installation	C
1	0711230	1	Bolt, M12X130	
2	0711635	1	Bolt, M16X180	
3	0760810	2	Bolt, M8X20	
4	3291205	1	Nut, Lock M12X1.75	
5	3291605	1	Nut, Lock M16X2	
6	4811900	2	Washer, M8	
7	4812100	2	Washer, M12	
8	4812300	2	Washer, M16	
9	1001190254	1	Pin, Lift Cylinder	
11	1001190256	1	Pin, Compensation Cylinder	
12	1001190257	1	Plate, Pin Retainer	
14	1001190260	1	Pin, Boom Pivot	
15	1001211427	1	Assembly, Boom (See Seperate Breakdown in this Section)	
16	4032010	4	Bolt, M10X30	
17	4812000	4	Washer, M10	
18	1001195655	2	Pad, M44X50X160	
19	1001219905	AR	Shim, M50X169X1	
20	1001219953	AR	Shim, Boom Pivot	

SECTION 2 - BOOM

FIGURE 2-2. BOOM INSTALLATION



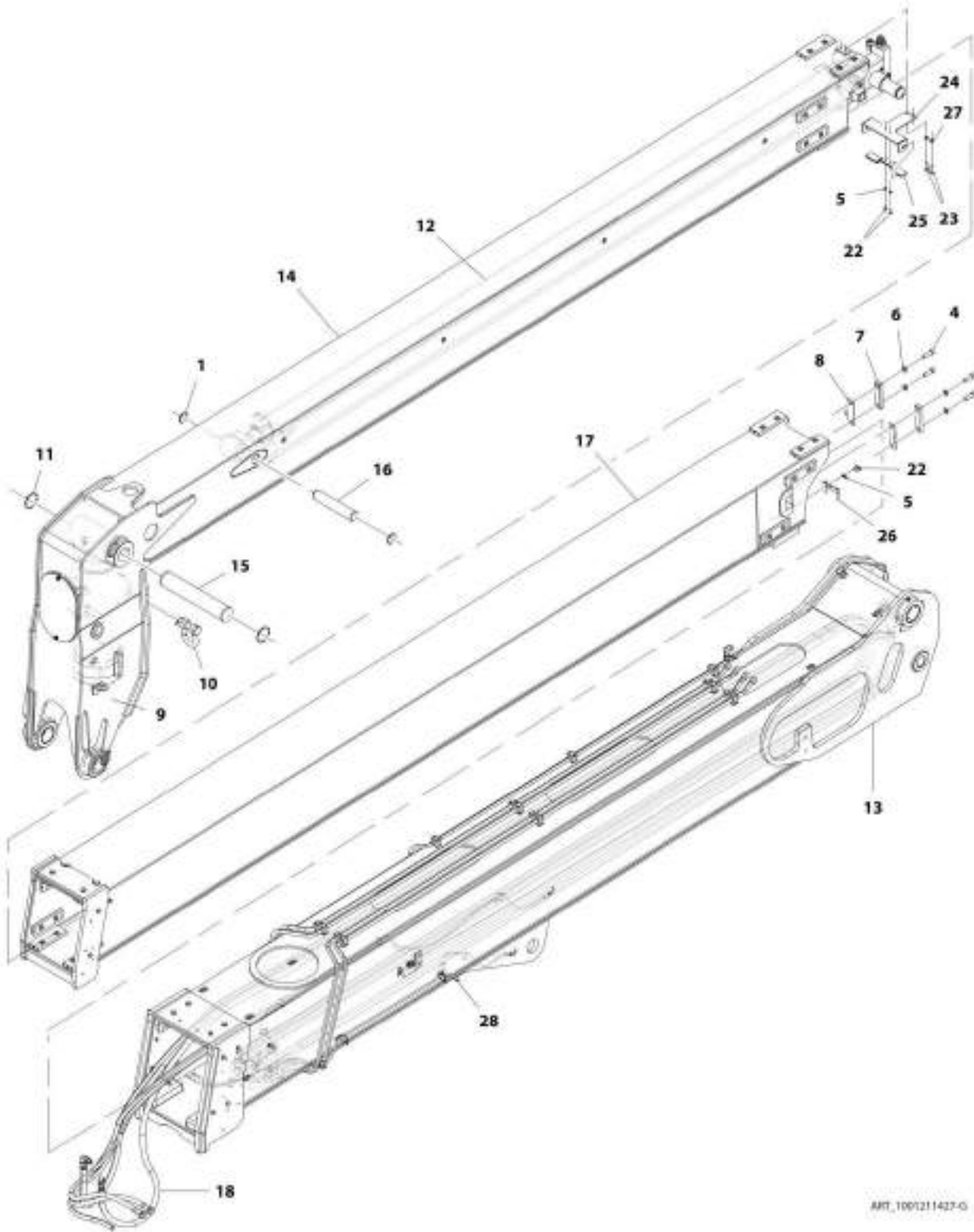
ART_3001102263-C

FIGURE 2-2. BOOM INSTALLATION

ITEM	PART NUMBER	QTY	DESCRIPTION	REV
	1001192352	Ref	Boom Installation	C
1	0701230	1	Bolt, M12X130	
2	0711635	1	Bolt, M16X180 Grade 10.9	
3	0760810	2	Bolt, M8X20	
4	3291205	1	Nut, Lock M12X1.75 Grade 8	
5	3291605	1	Nut, Lock M16X2 Grade 8	
6	4811900	2	Washer, M8	
7	4812100	2	Washer, M12	
8	4812300	2	Washer, M16	
9	1001174103	1	Assembly, Boom Section (See Separate Breakdown in this Section)	
10	1001190254	1	Pin	
12	1001190256	1	Pin	
13	1001190257	1	Plate	
15	1001190260	1	Pin	
16	1001219953	4	Shim	
17	4032010	4	Bolt, M10X30	
18	4812000	4	Washer, M10	
19	1001195655	2	Pad, M44X50X160	
20	1001219905	AR	Shim	

SECTION 2 - BOOM

FIGURE 2-3. BOOM ASSEMBLY



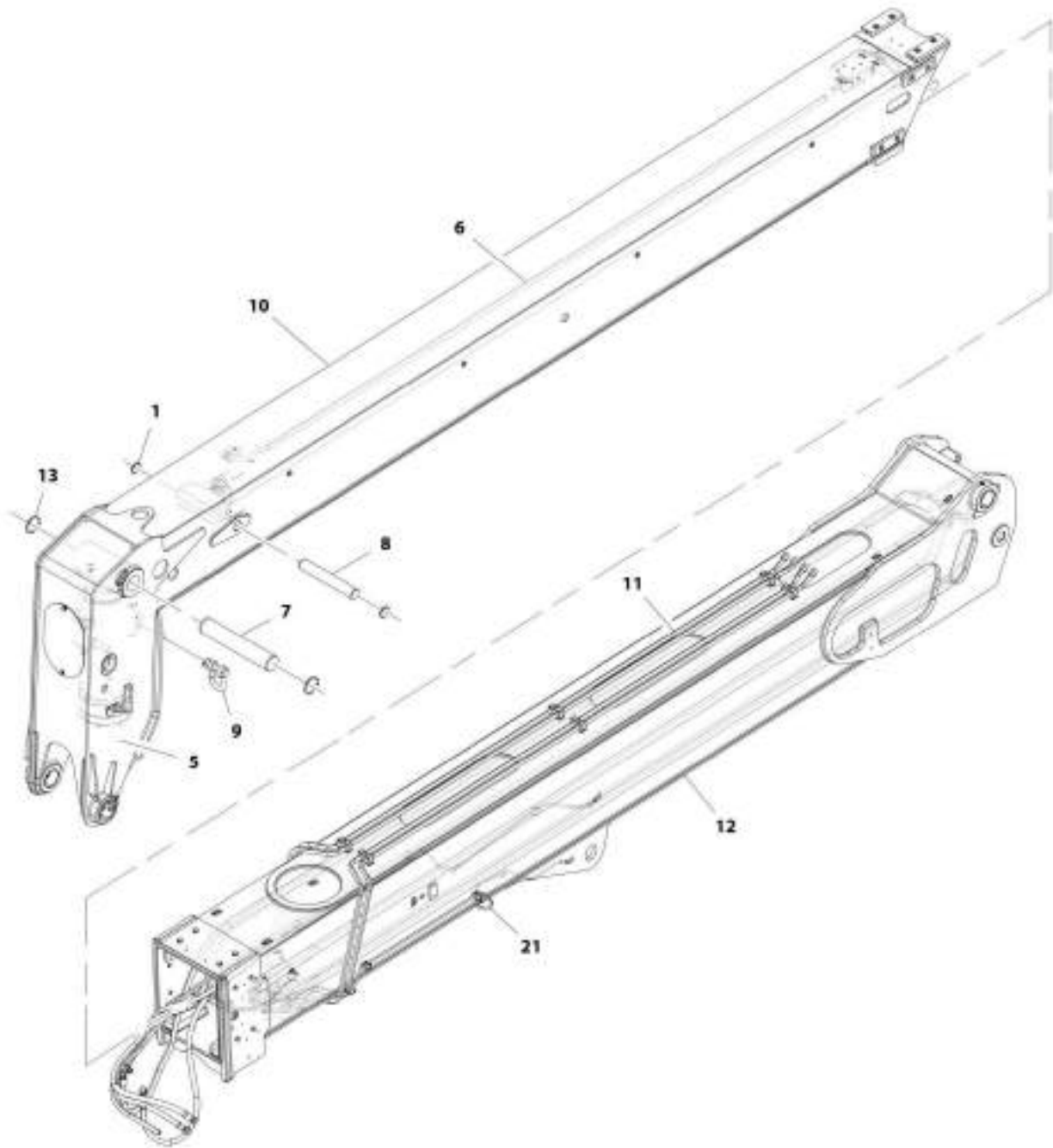
ART_1001211437-G

FIGURE 2-3. BOOM ASSEMBLY

ITEM	PART NUMBER	QTY	DESCRIPTION	REV
	1001211427	Ref	Boom Assembly	G
1	314689	2	Ring, Retaining M50	
4	4032314	4	Bolt, M16X50	
5	4811900	4	Washer, M8	
6	4812300	4	Washer, M16	
7	1001213959	2	Plate, Clamp	
8	1001213961	2	Plate, Trunion Block Guide	
9	1001174812	1	Cylinder, Tilt (See Seperate Breakdown in Hydraulic Components Section)	
10	1001191110	1	Shackle	
11	1001197262	2	Ring, Snap M75	
12	1001199325	Ref	Installation, Extend/Retract Cylinder (See Seperate Breakdown in Hydraulic Components Section)	
13	1001201266	1	Assembly, First Boom Section (See Seperate Breakdown in this Section)	
14	1001203985	1	Assembly, Third Boom Section (See Seperate Breakdown in this Section)	
15	1001203989	1	Pin, Tilt	
16	1001203990	1	Pin, Extend/Retract	
17	1001204177	1	Assembly, Second Boom Section (See Seperate Breakdown in this Section)	
18	1001205375	Ref	Installation, Boom Hydraulic (See Seperate Breakdown in Hydraulic Circuit Section)	
22	0760810	4	Bolt, M8X20	
23	0711015	2	Bolt, M10X35	
24	1001230986	1	Support, Hose	
25	1001230967	1	Plate, Support	
26	1001213462	1	Support, Hose	
27	4812000	2	Washer, M10	
28	1001217353	Ref	Installation, Remote Grease (See Seperate Breakdown in Hydraulic Circuit Section)	

SECTION 2 - BOOM

FIGURE 2-4. BOOM ASSEMBLY



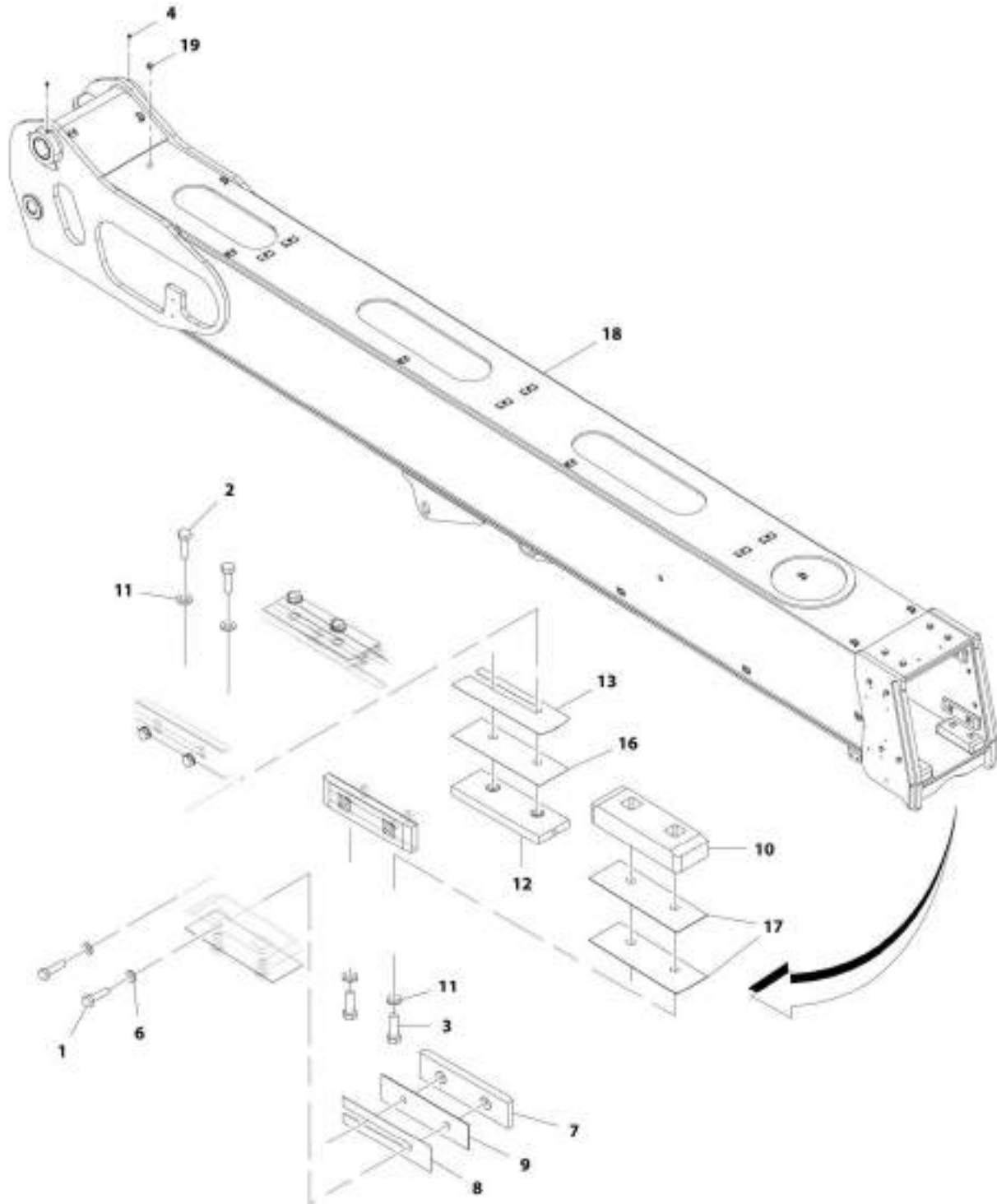
ART_3001174100-E

FIGURE 2-4. BOOM ASSEMBLY

ITEM	PART NUMBER	QTY	DESCRIPTION	REV
	1001174103	Ref	Boom Assembly	E
1	314689	2	Ring, Retaining M50	
5	1001174812	1	Cylinder, Tilt (See Separate Breakdown in Hydraulic Components Section)	
6	1001178157	1	Cylinder, Inner Extend/Retract (See Separate Breakdown in Hydraulic Components Section)	
7	1001203989	1	Pin	
8	1001190253	1	Pin	
9	1001191110	1	Shackle, M25	
10	1001191752	1	Assembly, Boom Section (See Separate Breakdown in this Section)	
11	1001193100	1	Installation, Boom Hydraulic Tubes (See Separate Breakdown in Hydraulic Circuits Section)	
12	1001195636	1	Assembly, First Boom Section (See Separate Breakdown in this Section)	
13	1001197262	2	Ring, Retaining	
21	1001217352	1	Installation, Boom Remote Grease (See Separate Breakdown in Hydraulic Circuits Section)	

SECTION 2 - BOOM

FIGURE 2-5. FIRST BOOM SECTION ASSEMBLY



AWT_1901201266-G

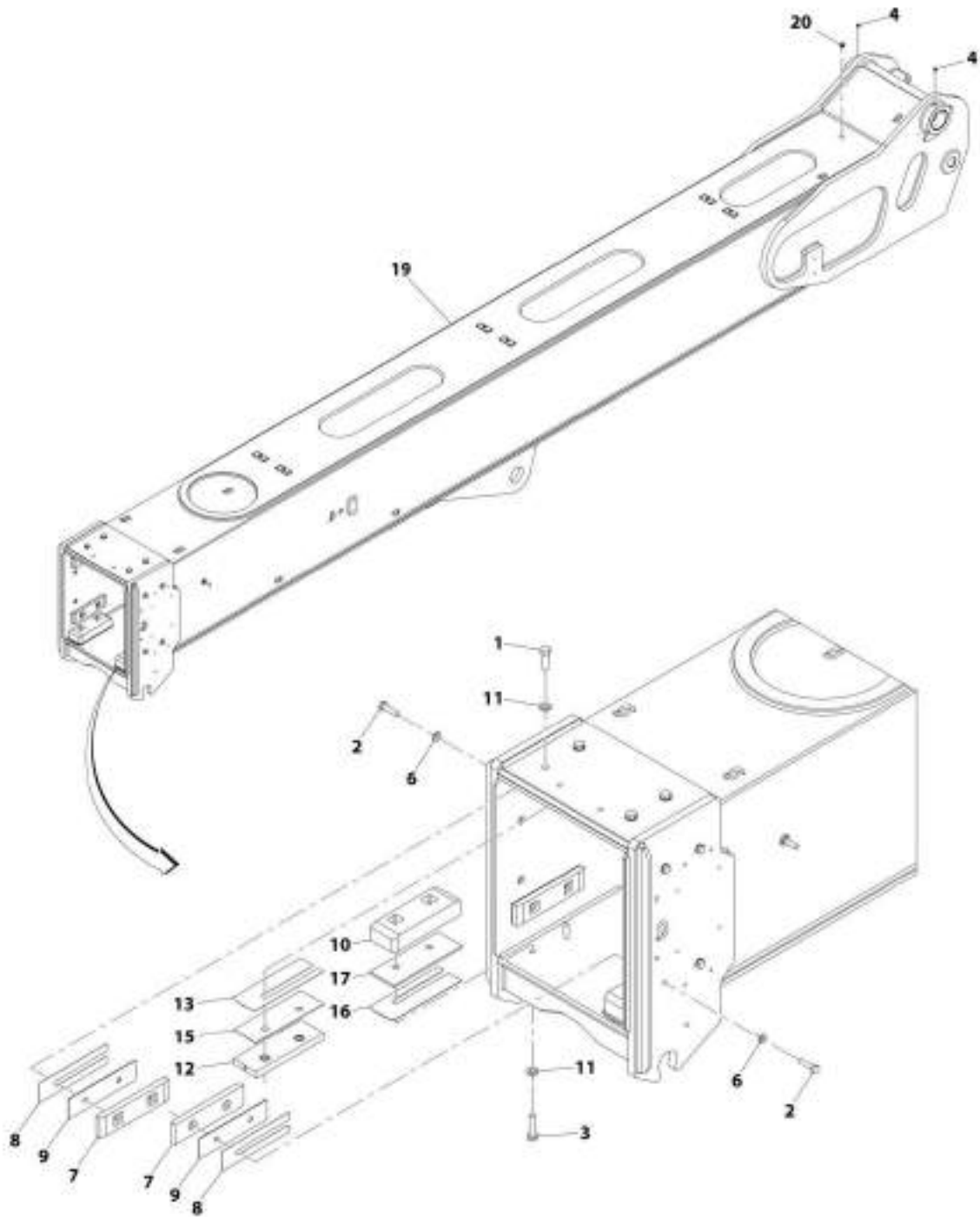
SECTION 2 - BOOM

FIGURE 2-5. FIRST BOOM SECTION ASSEMBLY

ITEM	PART NUMBER	QTY	DESCRIPTION	REV
	1001201266	Ref	First Boom Section Assembly	G
1	0711017	8	Bolt, M10X45	
2	0711216	4	Bolt, M12X40	
3	0711217	4	Bolt, M12X45	
4	2160016	2	Fitting, Grease	
6	4812000	AR	Washer, M10	
7	8002200	4	Pad, M15X50X200	
8	8008640	AR	Shim, M50X200X0.5	
9	1001003031	4	Shim, M50X198X1.5	
10	1001227337	2	Pad, M70X200X39	
11	1001125117	AR	Washer, M12	
12	1001227334	2	Pad, Wear	
13	1001195194	AR	Shim, M67X204X0.5	
16	1001195737	2	Shim	
17	1001201269	AR	Shim, M70X200X1	
18	1001201267J	1	Weldment, Boom	
19	3520193	1	Plug	

SECTION 2 - BOOM

FIGURE 2-6. FIRST BOOM SECTION ASSEMBLY



ART_1001195635-H

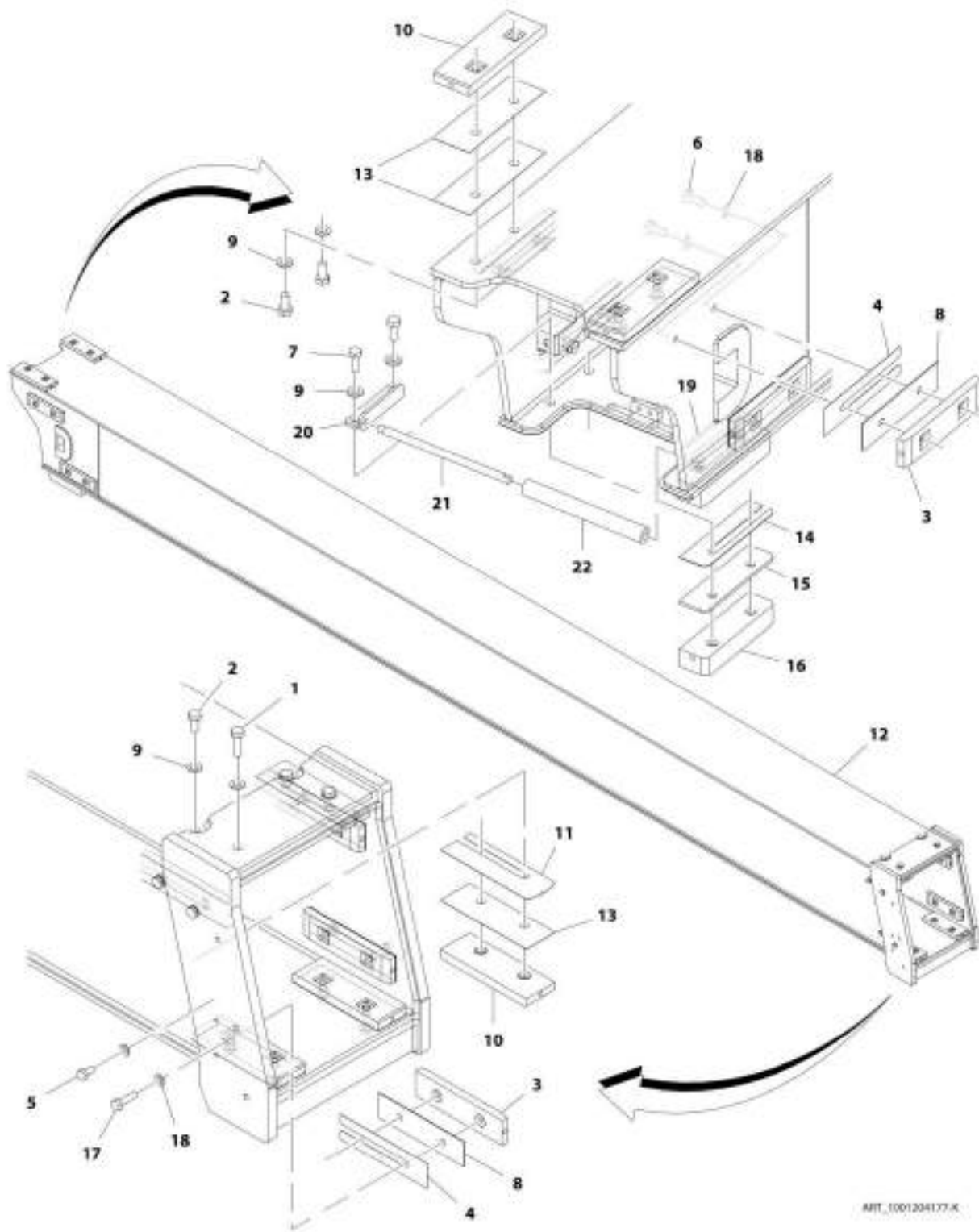
SECTION 2 - BOOM

FIGURE 2-6. FIRST BOOM SECTION ASSEMBLY

ITEM	PART NUMBER	QTY	DESCRIPTION	REV
	1001195636	Ref	First Boom Section Assembly	H
1	0711216	4	Bolt, M12X40 Grade 10.9	
2	0711016	8	Bolt, M10X40 Grade 10.9	
3	0711218	4	Bolt, M12X50 Grade 10.9	
4	2160016	2	Fitting, Grease	
6	4812000	AR	Washer, M10	
7	8002200	4	Pad	
8	8008640	AR	Shim	
9	1001003031	4	Shim	
10	1001227337	2	Pad	
11	1001125117	AR	Washer, M12	
12	1001227334	2	Pad	
13	1001195194	AR	Shim	
15	1001195737	2	Shim	
16	1001195738	AR	Shim	
17	1001195739	2	Shim	
19	1001195637J	1	Boom	
20	3520193	1	Plug	

SECTION 2 - BOOM

FIGURE 2-7. SECOND BOOM SECTION ASSEMBLY



AMT_10013041377.R

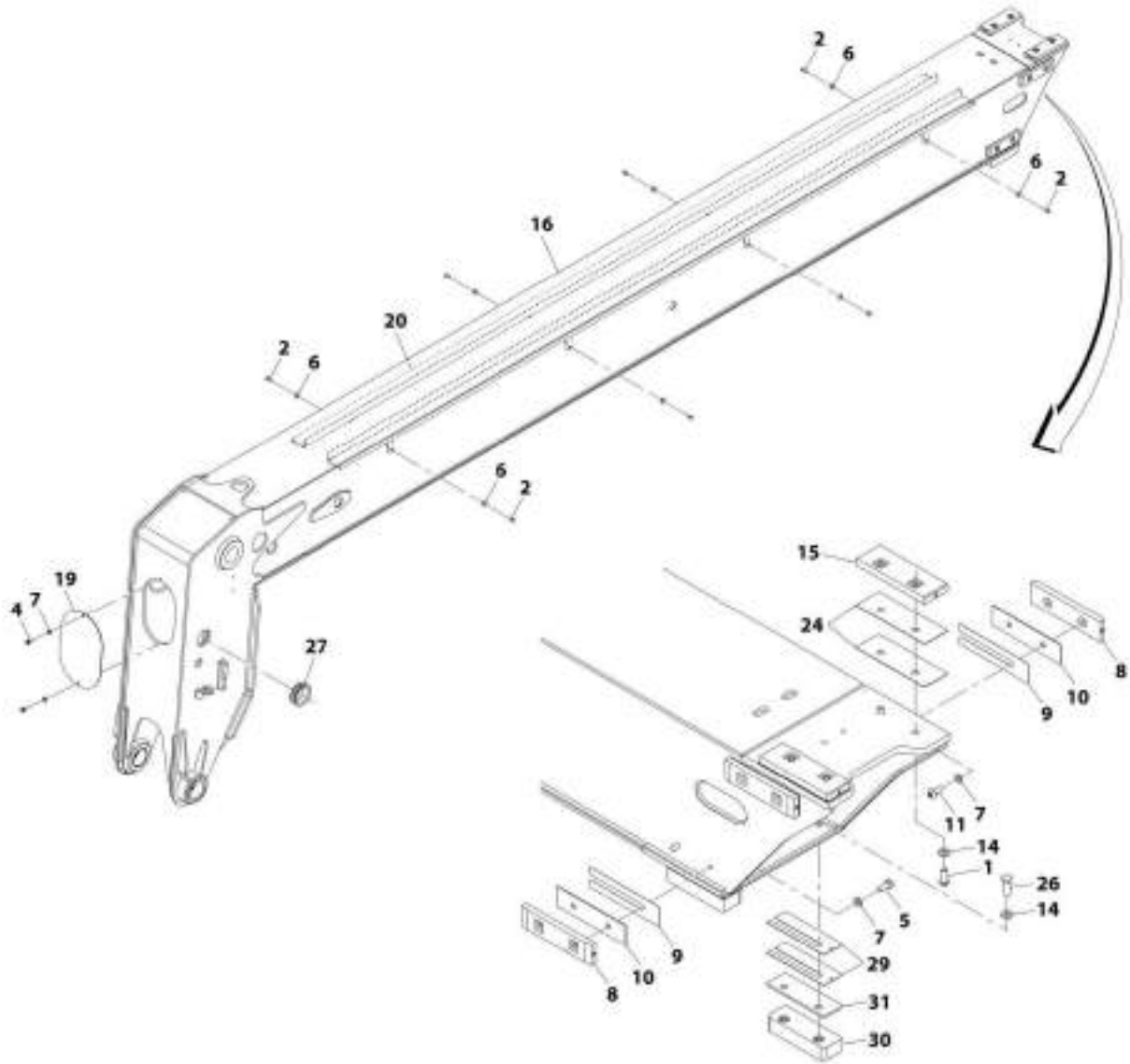
SECTION 2 - BOOM

FIGURE 2-7. SECOND BOOM SECTION ASSEMBLY

ITEM	PART NUMBER	QTY	DESCRIPTION	REV
	1001204177	Ref	Second Boom Section Assembly	K
1	0711216	4	Bolt, M12X40 Grade 10.9	
2	0771212	8	Bolt, M12X25 Grade 10.9	
3	8002200	8	Pad, M15X50X200	
4	8008640	AR	Shim, M50X200X0.5	
5	0771010	4	Bolt, M10X20 Grade 10.9	
6	0771012	8	Bolt, M10X25 Grade 10.9	
7	0711215	4	Bolt, M12X35 Grade 10.9	
8	1001003031	8	Shim, M50X198X1.5	
9	1001125117	AR	Washer, M12	
10	1001227334	6	Pad, M34X54X165	
11	1001195194	AR	Shim, M0.5X67X204	
12	1001204178	1	Boom, Second	
13	1001195737	AR	Shim	
14	1001204198	AR	Shim, M1X49X181	
15	1001204199	2	Shim, M49X181X5	
16	1001204200	2	Pad, M35X49X181	
17	0711016	4	Bolt, M10X40 Grade 10.9	
18	4812000	AR	Washer, M10	
19	1001223902	1	Bracket, RH	
20	1001223920	1	Bracket, LH	
21	1001223948	1	Pin	
22	1001223983	1	Roller	

SECTION 2 - BOOM

FIGURE 2-8. SECOND BOOM SECTION ASSEMBLY



ART_1001181752-L

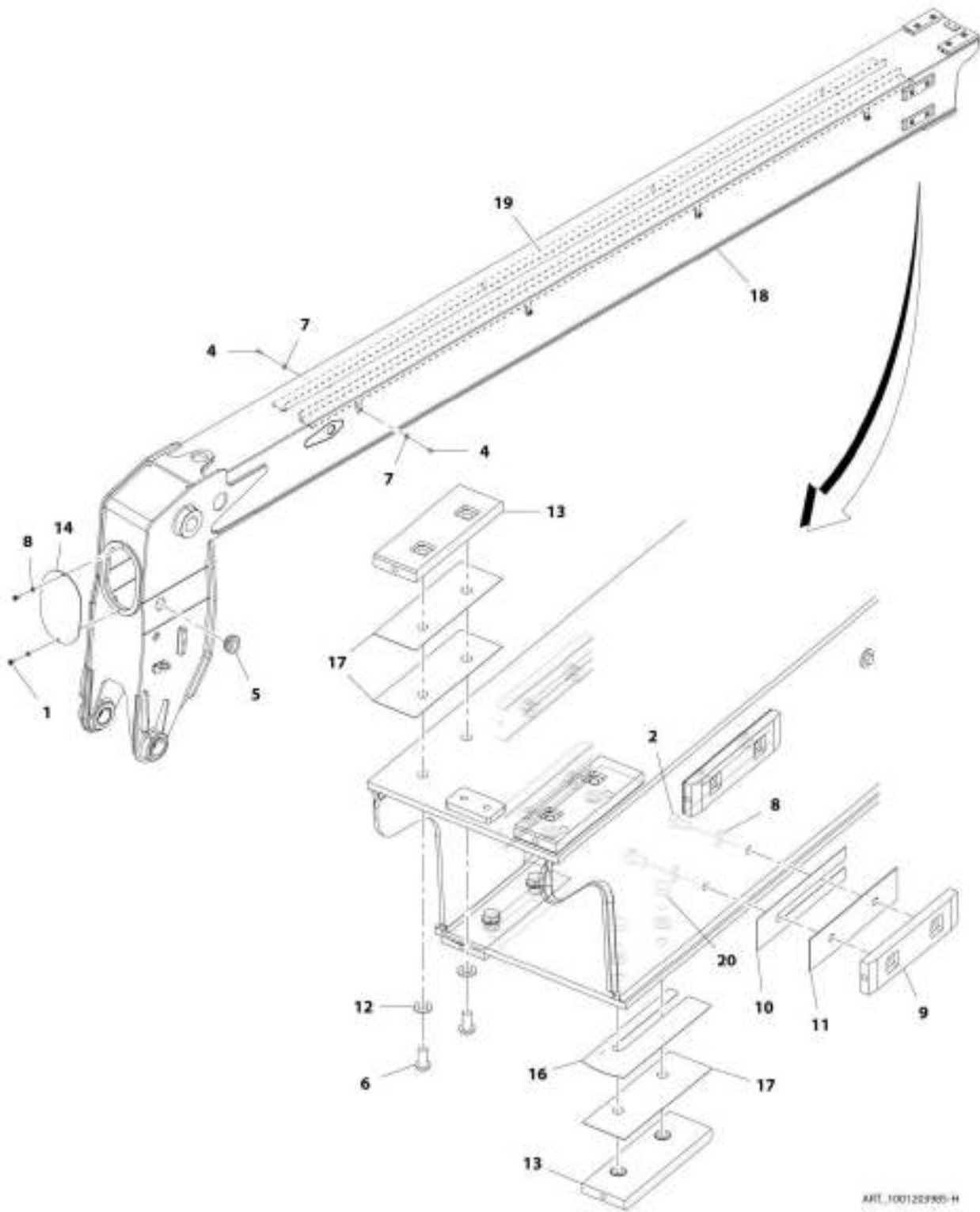
SECTION 2 - BOOM

FIGURE 2-8. SECOND BOOM SECTION ASSEMBLY

ITEM	PART NUMBER	QTY	DESCRIPTION	REV
	1001191752	Ref	Second Boom Section Assembly	L
1	1001229056	1	Screw, M12X30	
2	0760810	8	Bolt, M8X20	
4	1001161439	2	Screw	
5	0771012	4	Bolt, M10X25 Grade 10.9	
6	4811902	8	Washer, M8	
7	4812000	AR	Washer, M10	
8	8002200	4	Pad	
9	8008640	AR	Shim	
10	1001003031	4	Shim	
11	1001009325	4	Screw	
14	1001125117	AR	Washer, M12	
15	1001227334	2	Pad	
16	1001191753	1	Boom	
19	1001191789	1	Plate	
20	1001203987	2	Bracket	
24	1001195737	4	Shim	
26	0711215	4	Bolt, M12X35 Grade 10.9	
27	1001028415	1	Grommet	
29	1001163104	AR	Plate	
30	1001165175	2	Pad	
31	1001215464	2	Shim	

SECTION 2 - BOOM

FIGURE 2-9. THIRD BOOM SECTION ASSEMBLY



ART_100120990-H

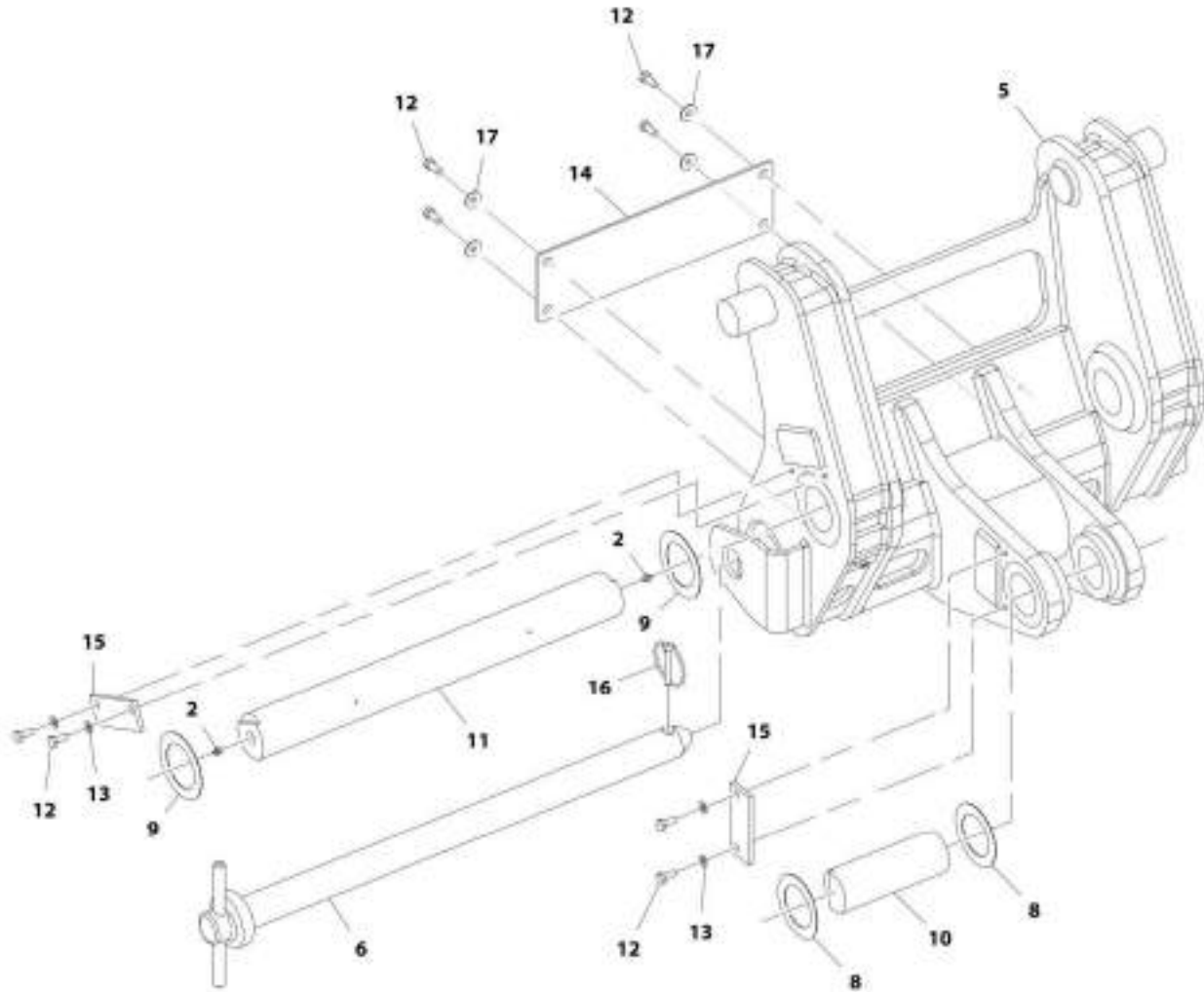
SECTION 2 - BOOM

FIGURE 2-9. THIRD BOOM SECTION ASSEMBLY

ITEM	PART NUMBER	QTY	DESCRIPTION	REV
	1001203985	Ref	Third Boom Section Assembly	H
1	1001161439	2	Screw	
2	0771010	8	Bolt, M10X20 Grade 10.9	
4	0760810	8	Bolt, M8X20	
5	1001188971	1	Grommet	
6	1001229057	4	Screw, M12X25	
7	4811902	8	Washer, M8	
8	4812000	AR	Washer, M10	
9	8002200	4	Pad, M15X50X200	
10	8008640	AR	Shim, M50X200X0.5	
11	1001003031	4	Shim, M50X198X1.5	
12	1001125117	AR	Washer, M12	
13	1001227334	4	Pad	
14	1001191789	1	Plate, Boom Front Cover	
16	1001195194	AR	Shim, M0.5X67X204	
17	1001195737	AR	Shim	
18	1001203986	1	Weldment, Third Boom Section	
19	1001203987	2	Bracket, Hose Support Tray	
20	0771212	4	Bolt, M12X25	

SECTION 2 - BOOM

FIGURE 2-10. COUPLER INSTALLATION (MANUAL)



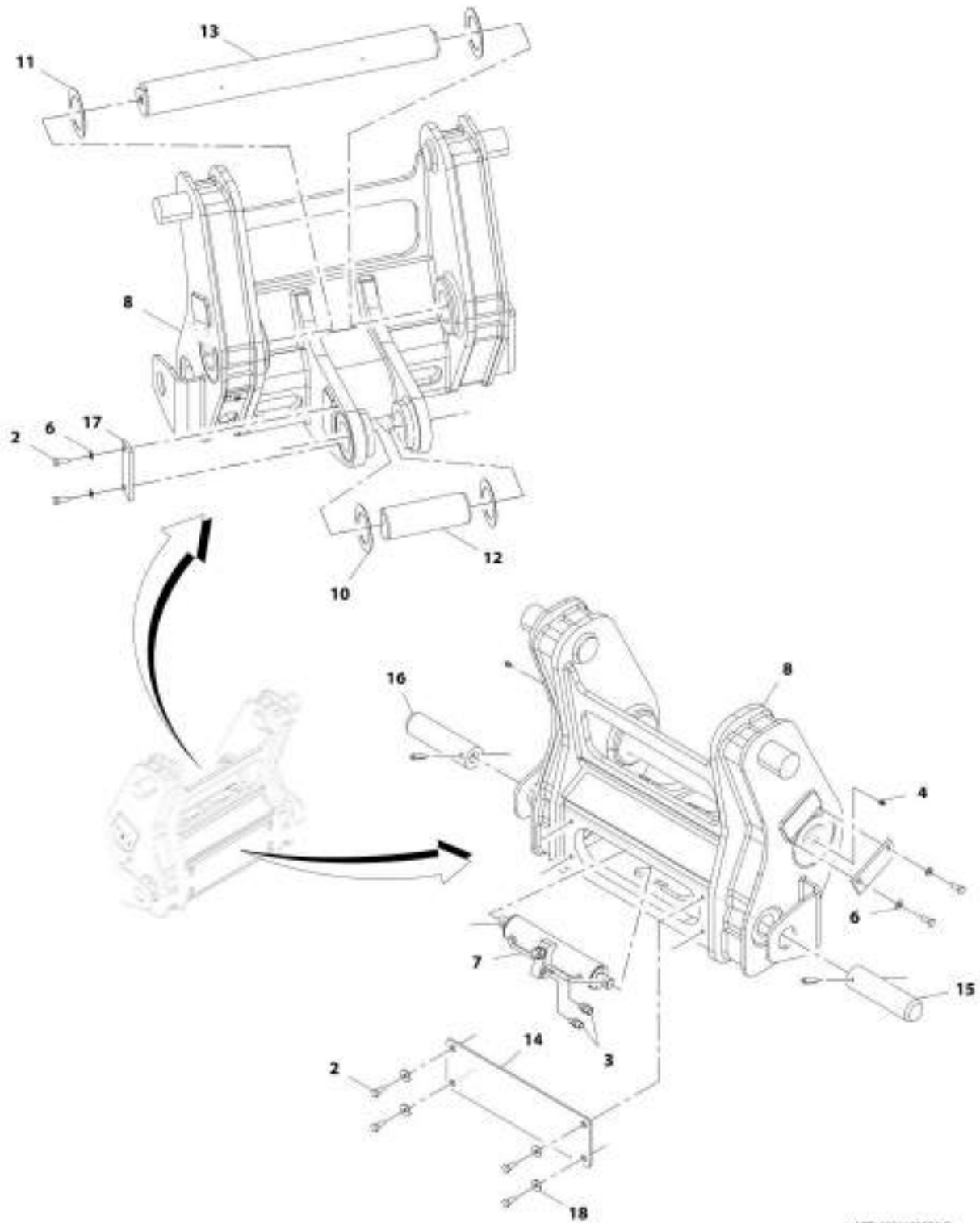
ART_1081174594-G

FIGURE 2-10. COUPLER INSTALLATION (MANUAL)

ITEM	PART NUMBER	QTY	DESCRIPTION	REV
	1001174104	Ref	Coupler Installation (Manual)	G
2	2160016	2	Fitting, Grease	
5	1001187820	1	Coupling, Manual	
6	1001187821	1	Pin	
8	1001187847	AR	Shim	
9	1001187848	AR	Shim	
10	1001190250	1	Pin, Tilt	
11	1001190264	1	Pin	
12	0761012	8	Bolt, M10X25	
13	4812000	4	Washer, M10	
14	1001200393	1	Plate, Front Cover	
15	1001210326	2	Plate	
16	1001003803	1	Pin	
17	4812002	4	Washer, M10	

SECTION 2 - BOOM

FIGURE 2-11. COUPLER INSTALLATION (HYDRAULIC)



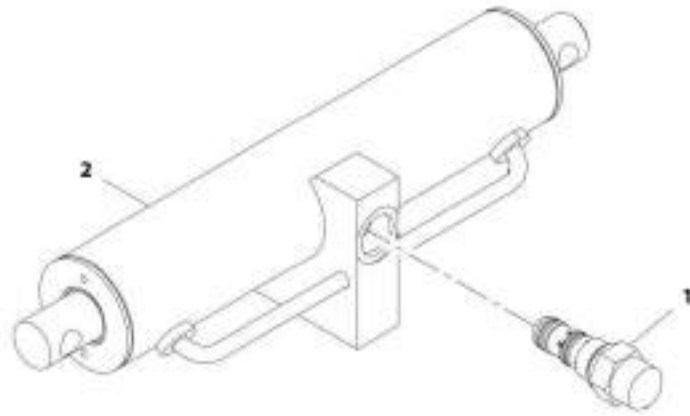
ART_180110239-D

FIGURE 2-11. COUPLER INSTALLATION (HYDRAULIC)

ITEM	PART NUMBER	QTY	DESCRIPTION	REV
	1001192358	Ref	Coupler Installation (Hydraulic)	D
2	0761012	8	Bolt, M10X25	
3	2110606	2	Fitting, Straight ORFS	
4	2160016	2	Fitting, Grease	
6	4812000	4	Washer, M10	
7	1001145391	1	Assembly, Coupler Locking Cylinder (See Seperate Breakdown in this Section)	
8	1001187820	1	Carriage	
10	1001187847	AR	Shim, M76X115X1.5	
11	1001187848	AR	Shim, M81X120X1.5	
12	1001190250	1	Pin, Tilt	
13	1001190264	1	Pin, Coupler	
14	1001200393	1	Plate, Front Cover	
15	1001200395	2	Pin	
16	1001184610	2	Pin	
17	1001210326	2	Plate, Pin Retention	
18	4812002	4	Washer, M10	

SECTION 2 - BOOM

FIGURE 2-12. COUPLER LOCKING CYLINDER ASSEMBLY



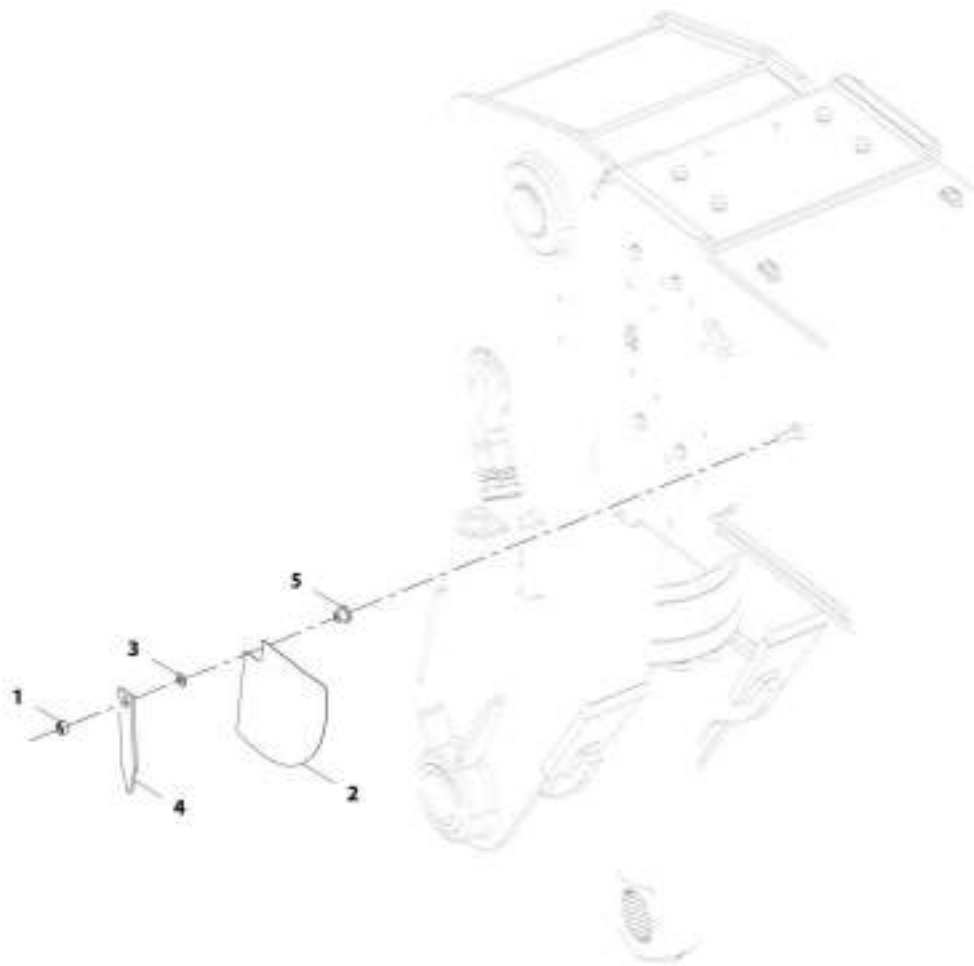
ART_1801145391-A

FIGURE 2-12. COUPLER LOCKING CYLINDER ASSEMBLY

ITEM	PART NUMBER	QTY	DESCRIPTION	REV
	1001145391	Ref	Coupler Locking Cylinder Assembly	A
1	1001007056	1	Valve, Check	
2	1001145390	1	Cylinder, Coupler Locking (See Seperate Breakdown in Hydraulic Components Section)	

SECTION 2 - BOOM

FIGURE 2-13. BOOM ANGLE INDICATOR INSTALLATION



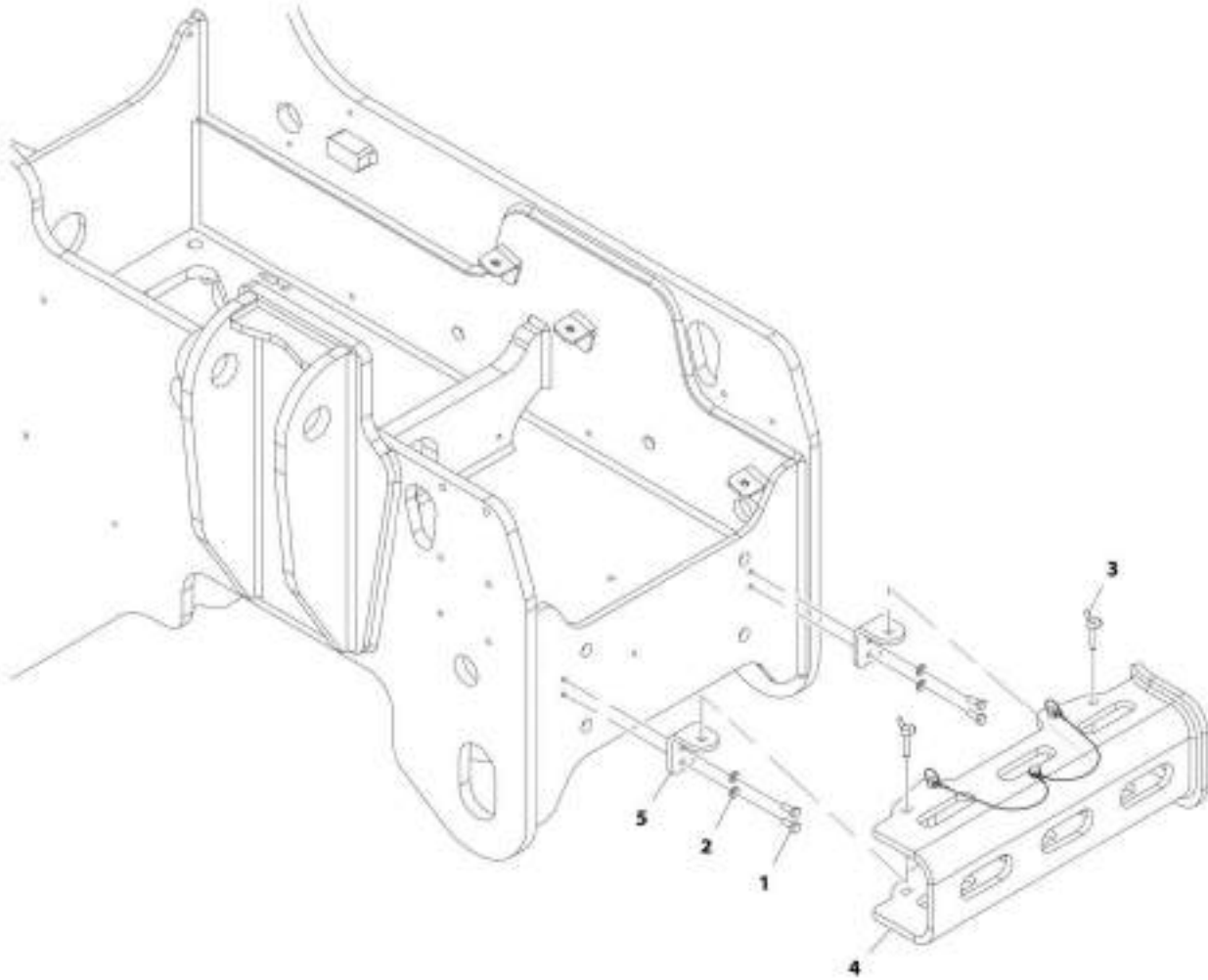
ART_180116266-A

FIGURE 2-13. BOOM ANGLE INDICATOR INSTALLATION

ITEM	PART NUMBER	QTY	DESCRIPTION	REV
	1001192364	Ref	Boom Angle Indicator Installation	A
1	3291005	1	Nut, Lock M10X1.5	
2	4105262	1	Decal, Boom Angle Indicator	
3	4812000	1	Washer, M10	
4	1001098769	1	Plate, Boom Angle Indicator	
5	1001171808	1	Spacer	

SECTION 2 - BOOM

FIGURE 2-14. BOOM PROP INSTALLATION



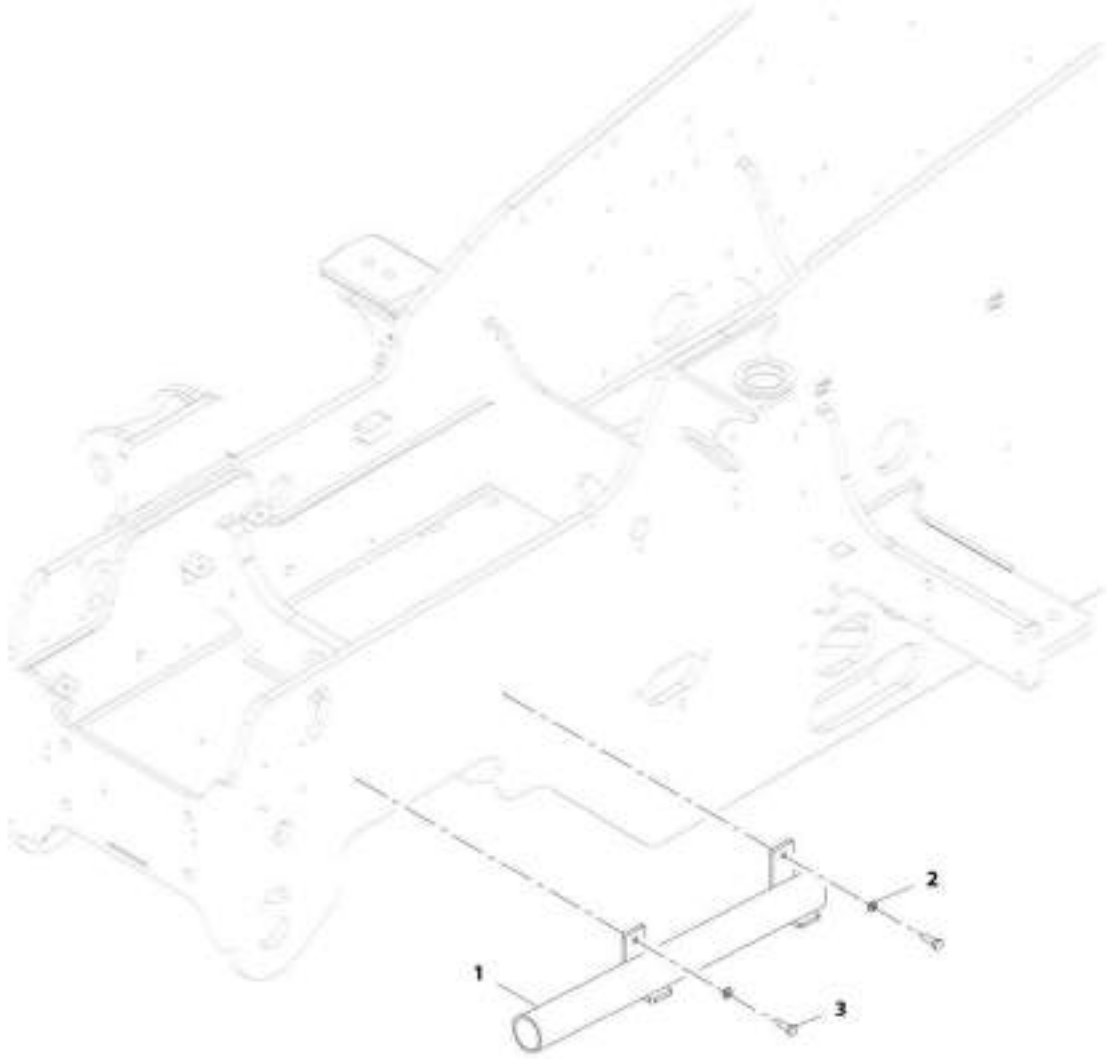
ART_10017419-C

FIGURE 2-14. BOOM PROP INSTALLATION

ITEM	PART NUMBER	QTY	DESCRIPTION	REV
	1001174419	Ref	Boom Prop Installation	C
1	0760810	4	Bolt, M8X20	
2	4811900	4	Washer, M8	
3	1001228860	2	Bolt, Wing M8X30	
4	1001191035	1	Bracket, Boom Prop	
5	1001193887	2	Bracket	

SECTION 2 - BOOM

FIGURE 2-15. MANUAL COUPLER PIN HOLDER INSTALLATION



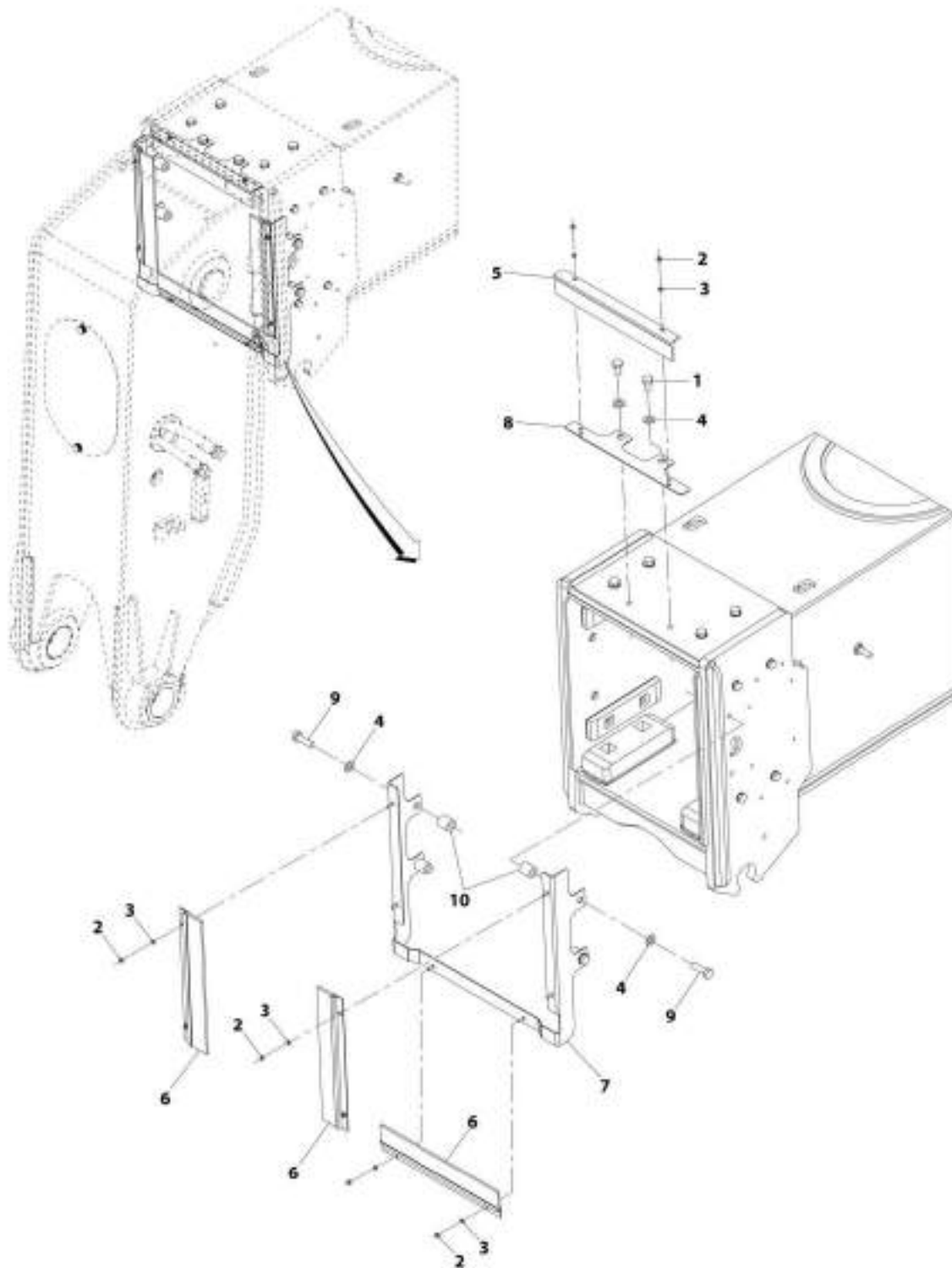
ART_180122841-A

FIGURE 2-15. MANUAL COUPLER PIN HOLDER INSTALLATION

ITEM	PART NUMBER	QTY	DESCRIPTION	REV
	1001220641	Ref	Manual Coupler Pin Holder Installation	A
1	1001220248	1	Bracket, Pin Holder	
2	4812000	2	Washer, M10	
3	0701014	2	Bolt, M10X30	

SECTION 2 - BOOM

FIGURE 2-16. BOOM BRUSHES INSTALLATION



ART_100174431-C

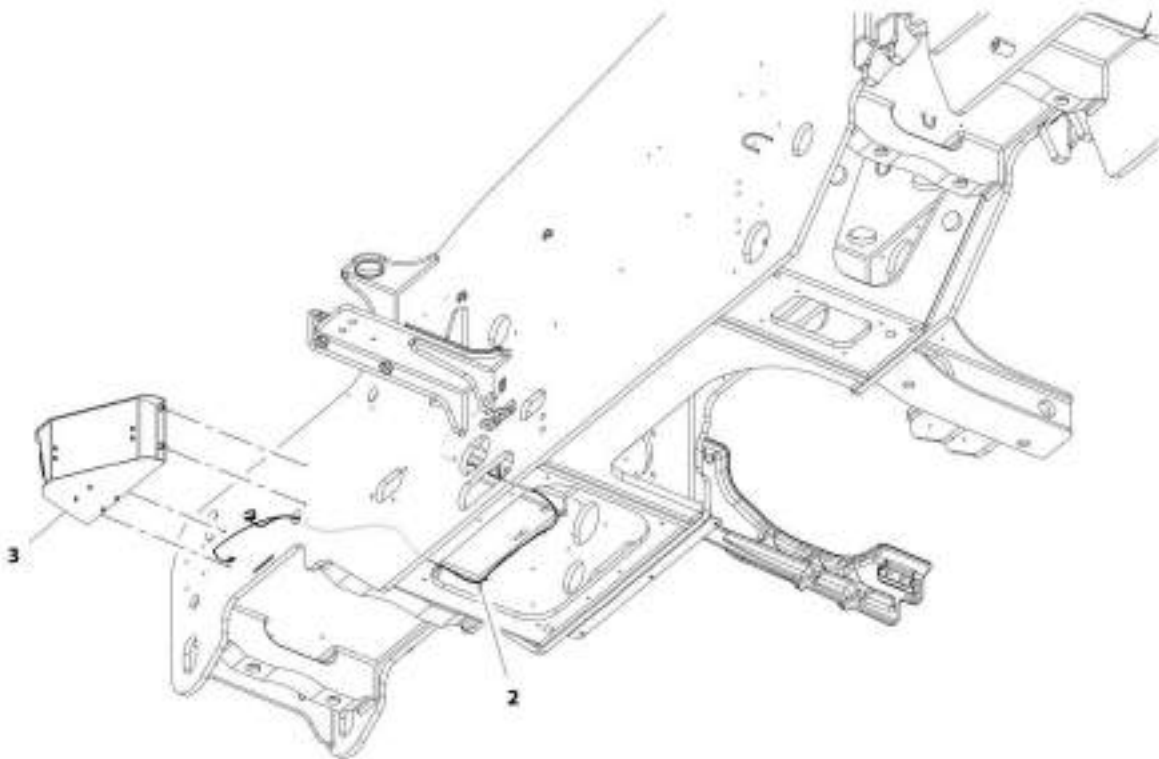
FIGURE 2-16. BOOM BRUSHES INSTALLATION

ITEM	PART NUMBER	QTY	DESCRIPTION	REV
	1001174431	Ref	Boom Brushes Installation	C
1	0761210	2	Bolt, M12X20	
2	3290505	8	Nut, Lock M5X0.8 Grade 8	
3	4811600	8	Washer, M5	
4	1001125117	6	Washer, M12	
5	1001172999	1	Brush	
6	1001173679	3	Brush	
7	1001196878	1	Bracket	
8	1001196879	1	Bracket	
9	0701216	4	Bolt, M12X40	
10	1001220286	4	Tube	

SECTION 3 - ATTACHMENTS

SECTION 3 - ATTACHMENTS

FIGURE 3-1. ATTACHMENT RECOGNITION INSTALLATION



ART_0001185801-C

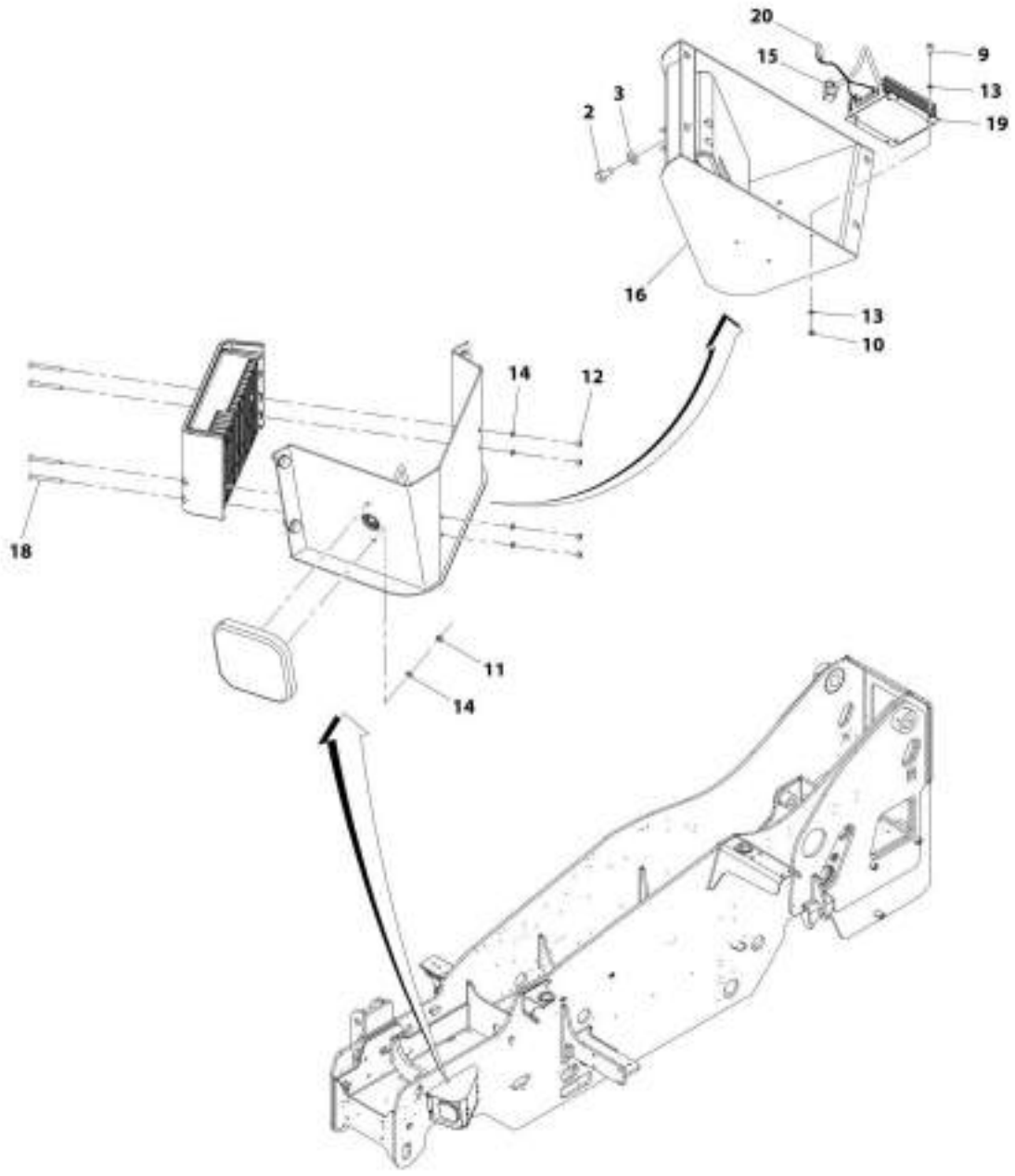
SECTION 3 - ATTACHMENTS

FIGURE 3-1. ATTACHMENT RECOGNITION INSTALLATION

ITEM	PART NUMBER	QTY	DESCRIPTION	REV
	1001195881	Ref	Attachment Recognition Installation	C
2	1001206843	1	Cable	
3	1001207866	1	Installation, Components Attachment Recognition (See Separate Breakdown in this Section)	

SECTION 3 - ATTACHMENTS

FIGURE 3-2. COMPONENTS ATTACHMENT RECOGNITION INSTALLATION



ART_1001207066-E

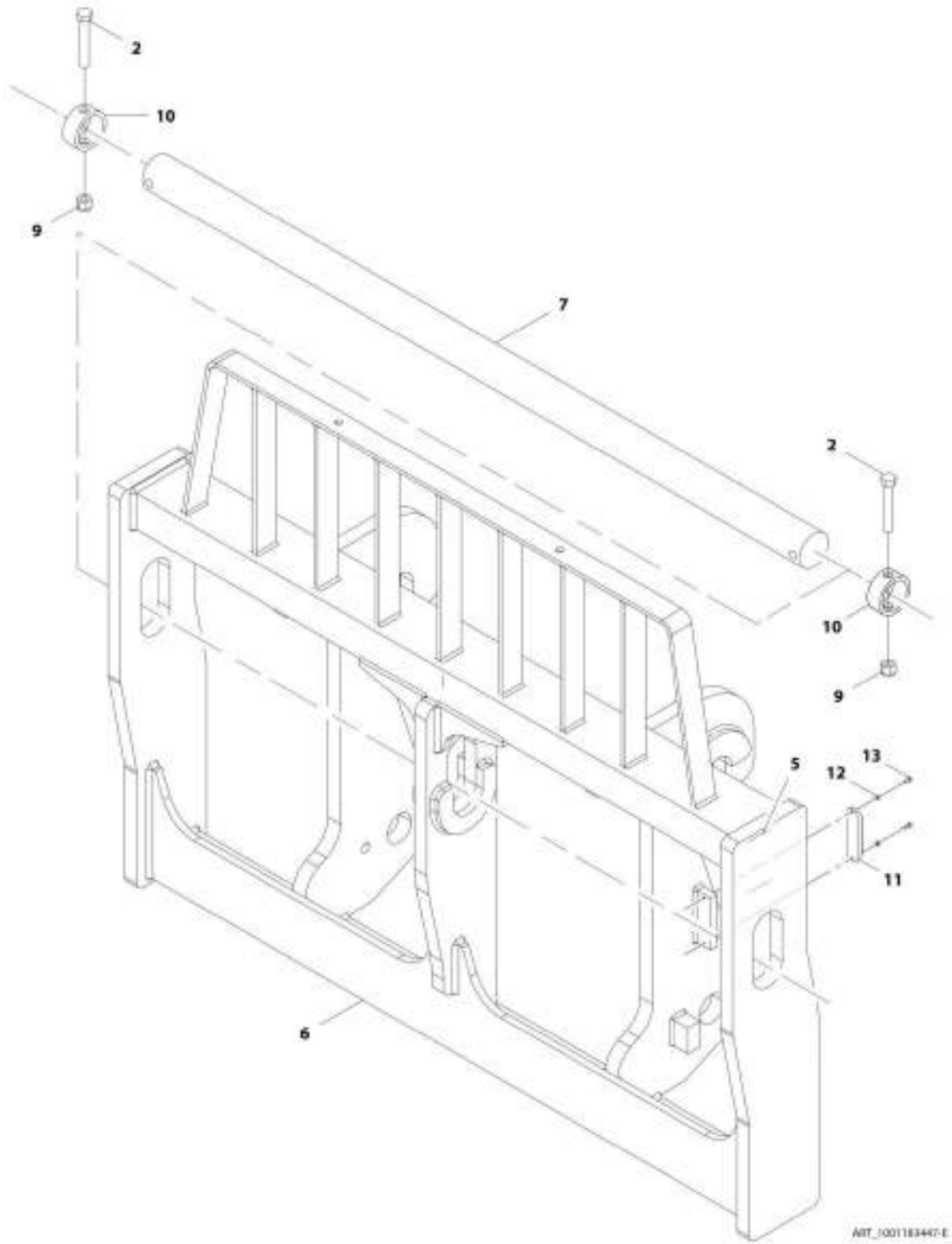
SECTION 3 - ATTACHMENTS

FIGURE 3-2. COMPONENTS ATTACHMENT RECOGNITION INSTALLATION

ITEM	PART NUMBER	QTY	DESCRIPTION	REV
	1001207866	Ref	Components Attachment Recognition Installation	E
2	0761010	4	Bolt, M10X20	
3	4812000	4	Washer, M10	
9	0760407	4	Bolt, M4X14	
10	3290405	4	Nut, Lock M4X0.7 Grade 8	
11	3290505	2	Nut, Lock M5X0.8 Grade 8	
12	3290507	4	Nut, Lock M5X0.8	
13	4811400	8	Washer, M4	
14	4811600	6	Washer, M5	
15	1001206725	1	Cable	
16	1001232988	1	Bracket, Attachment Recognition	
18	1001234395	4	Screw, M5X50	
19	1001234596	1	Control, Voltage	
20	1001234802	1	Harness	

SECTION 3 - ATTACHMENTS

FIGURE 3-3. CARRIAGE ASSEMBLY, (60IN/1524MM)



MIT_1001183447-E

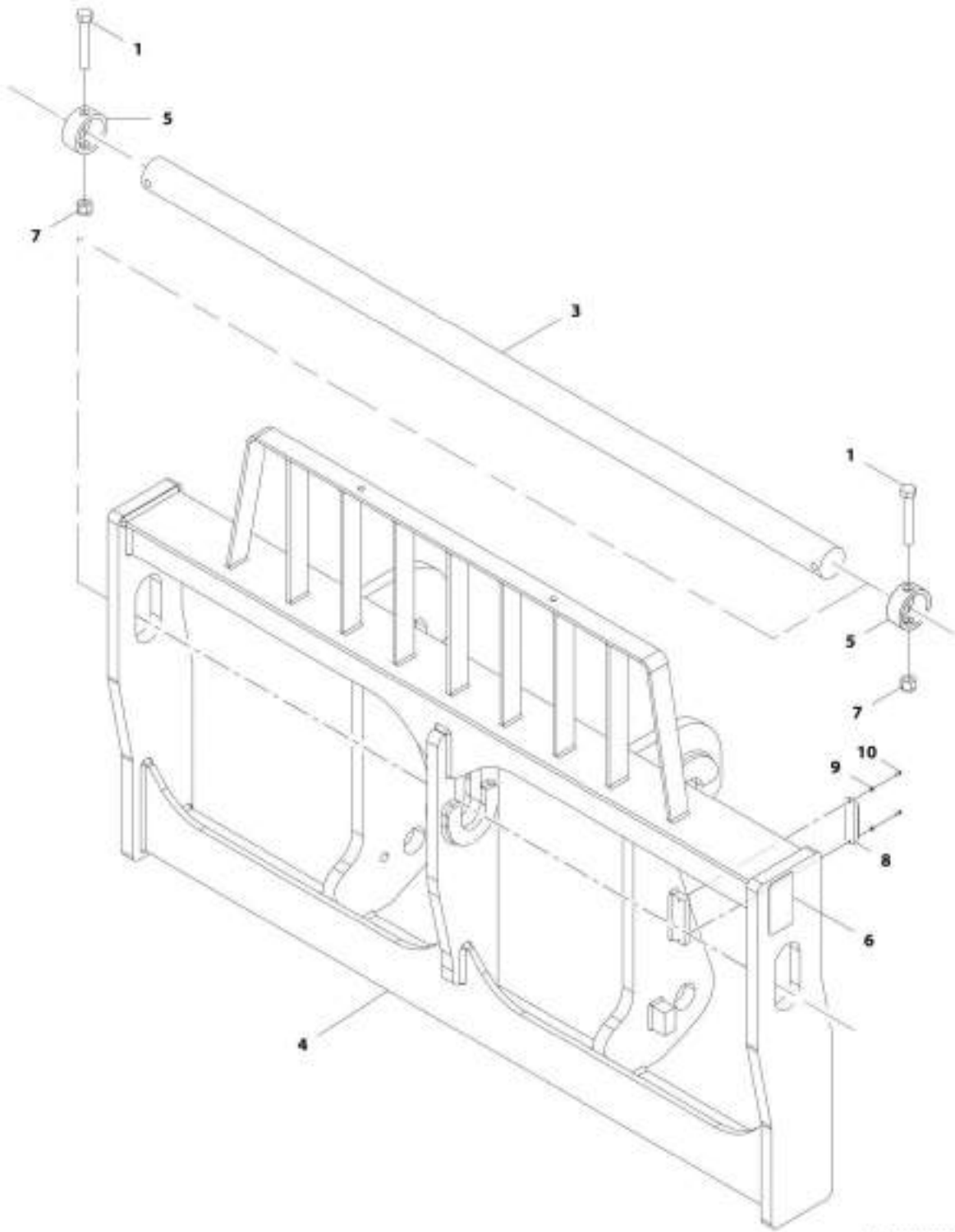
SECTION 3 - ATTACHMENTS

FIGURE 3-3. CARRIAGE ASSEMBLY, (60IN/1524MM)

ITEM	PART NUMBER	QTY	DESCRIPTION	REV
	1001183447	1	Carriage Assembly, (60in/1524mm)	E
2	0701628	2	Bolt, M16X110	
5	N.S.S.	1	Plate, Serial Number	
6	N.S.S.	1	Weldment, Carriage	
7	1001191108	1	Pin	
9	3291605	2	Nut, Lock M16X2 Grade 8	
10	1001218755	2	Collar, Shaft	
11	1001227670	1	Tag, RFID	
12	4811400	2	Washer, M4	
13	0760405	2	Bolt, M4X10	

SECTION 3 - ATTACHMENTS

FIGURE 3-4. CARRIAGE ASSEMBLY, (72IN/1829MM)



MIT_1001214415-D

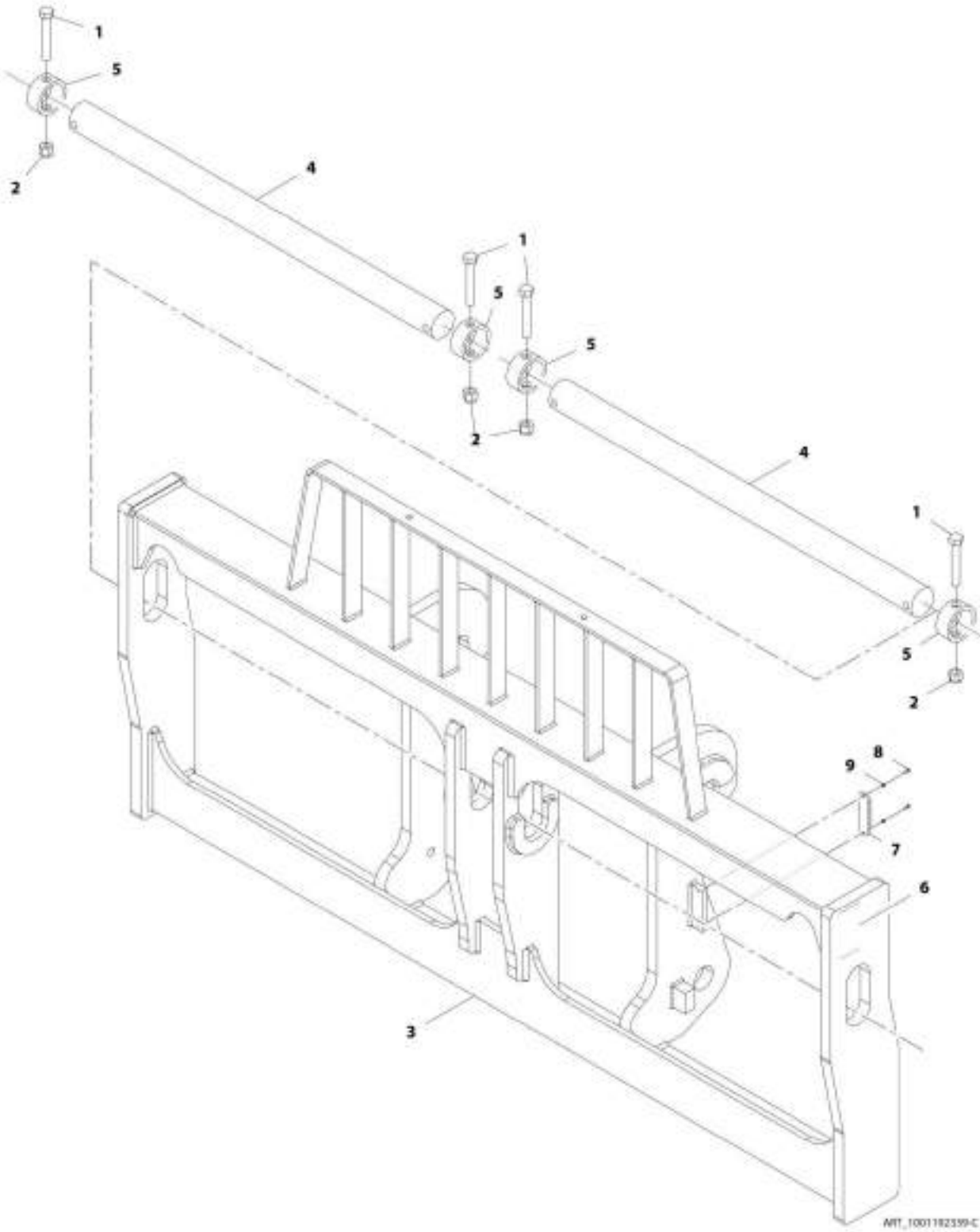
SECTION 3 - ATTACHMENTS

FIGURE 3-4. CARRIAGE ASSEMBLY, (72IN/1829MM)

ITEM	PART NUMBER	QTY	DESCRIPTION	REV
	1001214415	1	Carriage Assembly, (72in/1829mm)	D
1	0701628	2	Bolt, M16X110	
3	1001214254	1	Pin	
4	N.S.S.	1	Weldment, Carriage	
5	1001218755	2	Collar, Shaft	
6	N.S.S.	1	Plate, Serial Number	
7	3291605	2	Nut, Lock M16X2 Grade 8	
8	1001227670	1	Tag, RFID	
9	4811400	2	Washer, M4	
10	0760405	2	Bolt, M4X10	

SECTION 3 - ATTACHMENTS

FIGURE 3-5. CARRIAGE ASSEMBLY, (87IN/2290MM)



MT_1001182399-C

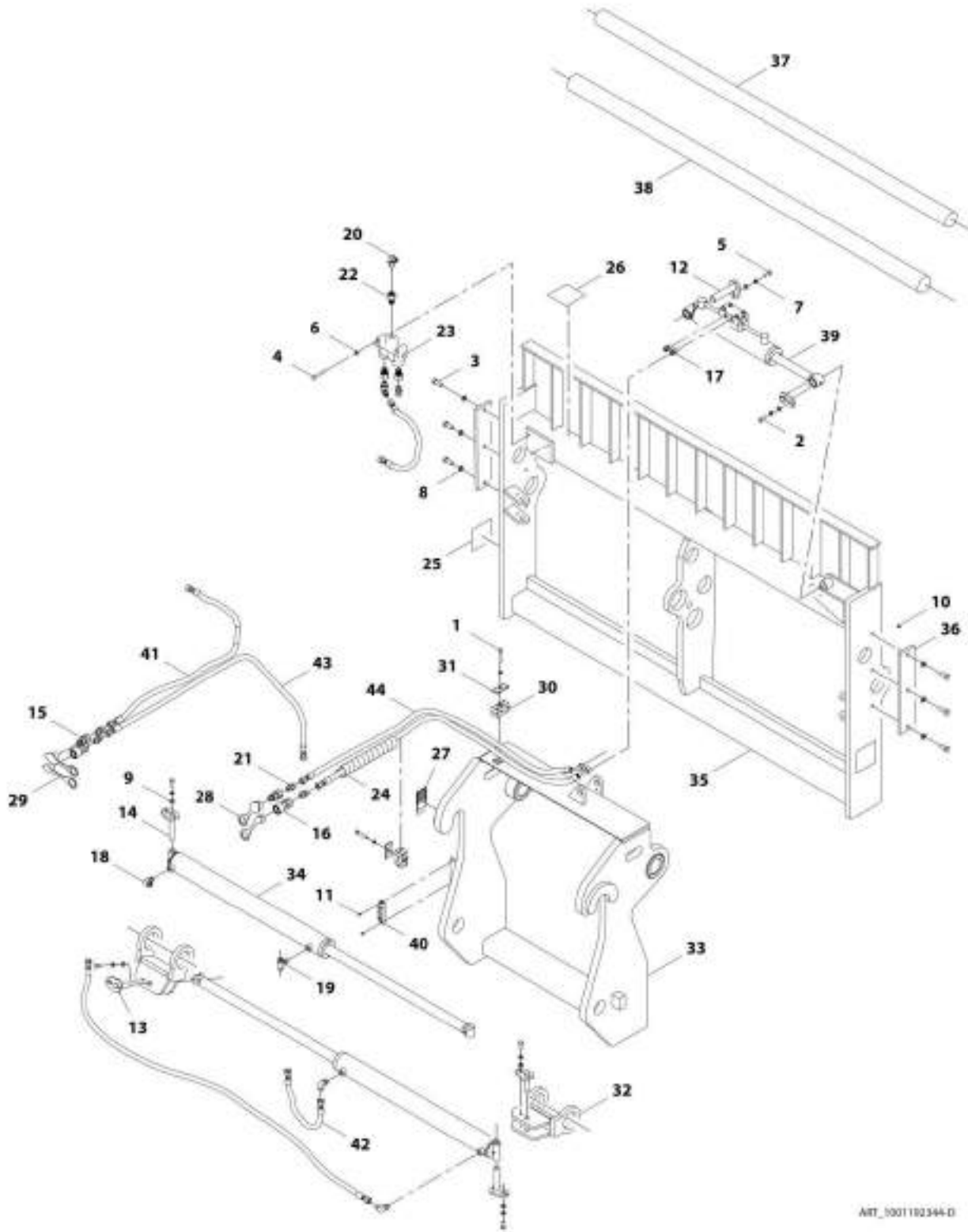
SECTION 3 - ATTACHMENTS

FIGURE 3-5. CARRIAGE ASSEMBLY, (87IN/2290MM)

ITEM	PART NUMBER	QTY	DESCRIPTION	REV
	1001192339	1	Carriage Assembly, (87in/2290mm)	C
1	0701628	4	Bolt, M16X110	
2	3291605	4	Nut, Lock M16X2 Grade 8	
3	N.S.S.	1	Weldment, Carriage	
4	1001218754	2	Pin	
5	1001218755	4	Collar, Shaft	
6	N.S.S.	1	Plate, Serial Number	
7	1001227670	1	Tag, RFID	
8	0760405	2	Bolt, M4X10	
9	4811400	2	Washer, M4	

SECTION 3 - ATTACHMENTS

FIGURE 3-6. DUAL FORK POSITIONING SIDE SHIFT CARRIAGE, (75IN/1899MM)



ART_0001192344-D

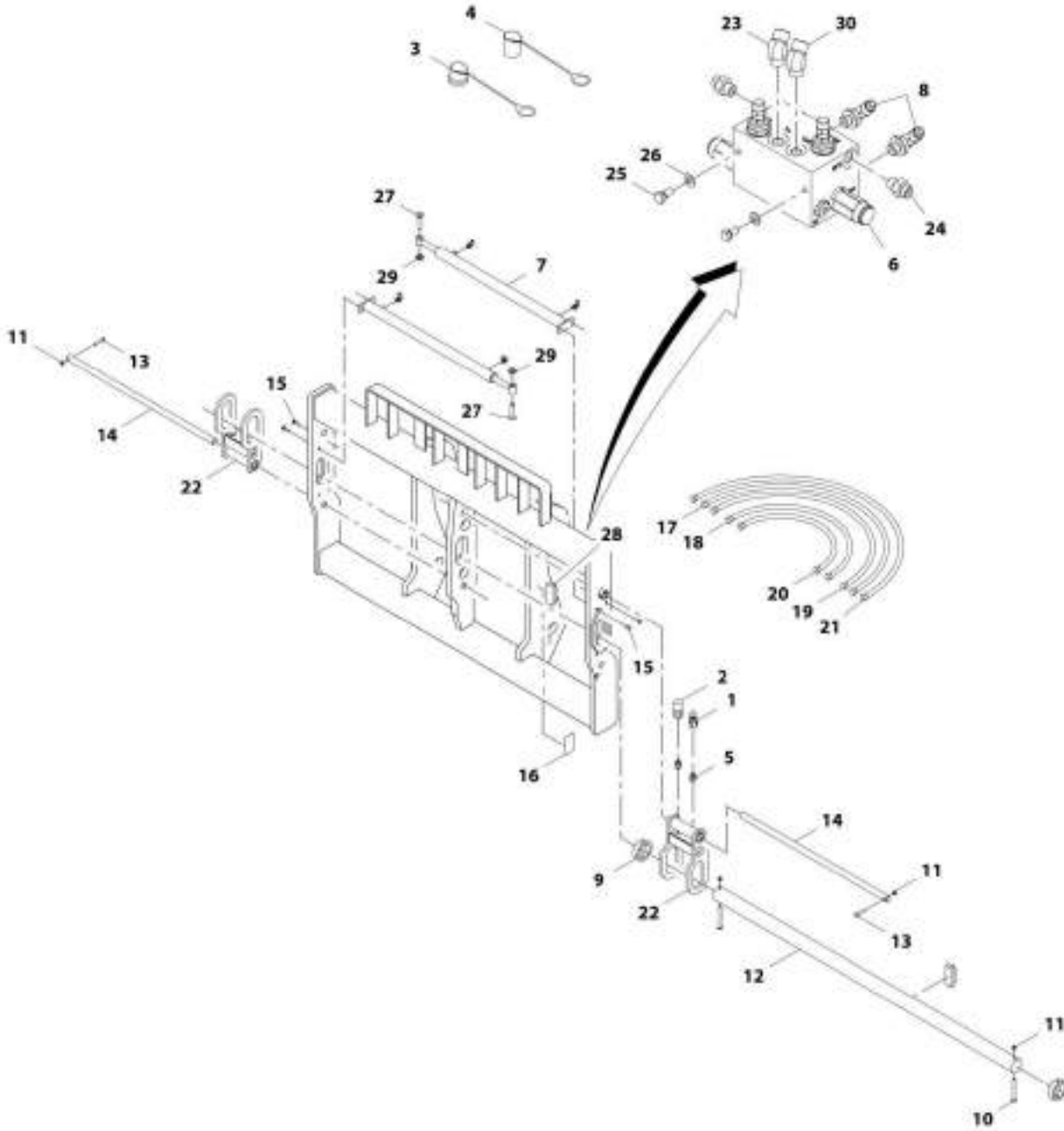
SECTION 3 - ATTACHMENTS

FIGURE 3-6. DUAL FORK POSITIONING SIDE SHIFT CARRIAGE, (75IN/1899MM)

ITEM	PART NUMBER	QTY	DESCRIPTION	REV
	1001192344	1	Dual Fork Positioning Side Shift Carriage, (75in/1899mm)	D
1	70028485	2	Bolt	
2	70021349	1	Bolt, 3/8X1	
3	70027989	6	Bolt	
4	70028591	3	Bolt	
5	7029704	5	Bolt, 3/8-24X1	
6	90554067	5	Washer, Lock 5/16	
7	90554042	6	Washer, Lock 3/8	
8	90554020	6	Washer, Lock 1/2	
9	7029703	6	Washer, Flat	
10	90554045	1	Zerk, Grease	
11	70028554	2	Screw	
12	7029702	2	Pin	
13	70028592	2	Pin	
14	70028593	2	Pin	
15	1001101041	2	Adapter, Male Quick Disconnect	
16	1001101042	2	Adapter, Female Quick Disconnect	
17	70028486	2	Fitting	
18	70028525	3	Elbow, 90	
19	70028594	1	Fitting	
20	70028526	2	Elbow, 90	
21	70028488	5	Fitting	
22	70028595	3	Fitting	
23	70028596	1	Valve	
24	70028597	1	Protector, Hose	
25	90554017	2	Decal, Danger Pinch Point	
26	7029711	1	Decal, High Pressure	
27	N.S.S.	1	Plate, Serial Number	
28	8420053	2	Plug, Dust	
29	8420055	2	Plug, Dust	
30	70028495	2	Clamp	
31	70028496	2	Plate, Clamp	
32	70028598	2	Clevis	
33	N.S.S.	1	Weldment	
34	70028599	2	Assembly, Fork Positioning Cylinder (See Separate Breakdown in Hydraulic Components Section)	
35	N.S.S.	1	Weldment	
36	70028600	2	Pin	
37	70028601	1	Pin	
38	70028602	1	Pin	
39	70028603	1	Assembly, Side Shift Cylinder (See Separate Breakdown in Hydraulic Components Section)	
40	1001227670	1	Tag, RFID	
41	70028604	2	Hose	
42	70028605	2	Hose	
43	70028606	1	Hose	
44	70028607	2	Hose	

SECTION 3 - ATTACHMENTS

FIGURE 3-7. DUAL FORK POSITIONING CARRIAGE, (72IN/1829MM)



ART_3001192342-D

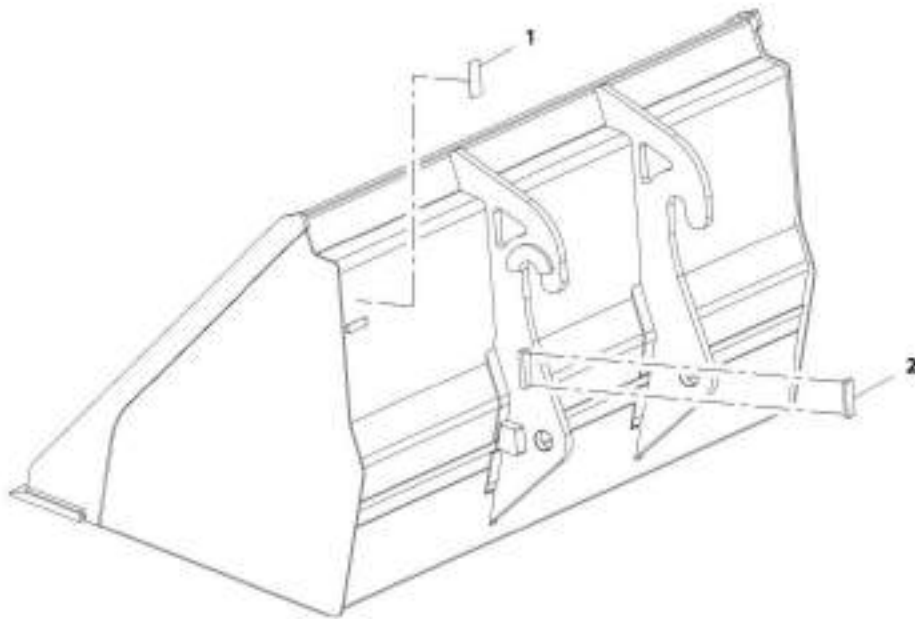
SECTION 3 - ATTACHMENTS

FIGURE 3-7. DUAL FORK POSITIONING CARRIAGE, (72IN/1829MM)

ITEM	PART NUMBER	QTY	DESCRIPTION	REV
	1001192342	1	Dual Fork Positioning Carriage, (72in/1829mm)	D
1	1001101041	1	Coupler, Male Hydraulic	
2	1001101042	1	Coupler, Female Hydraulic	
3	8420053	1	Cap	
4	8420055	1	Cap	
5	1001008834	2	Fitting, Straight	
6	70027896	1	Valve	
7	70028505	2	Cylinder, Forkpositioner	
8	2150606	4	Fitting, 45 ORFS	
9	70028506	2	Collar	
10	70027889	2	Bolt, M10x120	
11	70027890	4	Nut M10	
12	70028507	1	Shaft, Floating	
13	70027881	2	Bolt, M10x55	
14	70028508	2	Shaft, Forkpositioner	
15	70027880	4	Bolt, M10x30	
16	N.S.S.	1	Plate, Serial Number	
17	70028509	1	Hose	
18	70028510	1	Hose	
19	70028511	1	Hose	
20	70028512	1	Hose	
21	70027899	2	Hose	
22	70028513	2	Cage, Fork	
23	2150606	1	Fitting, 45 ORFS	
24	2110606	2	Fitting, Straight ORFS	
25	70027882	2	Bolt, M8X16	
26	70027879	2	Washer	
27	70027888	3	Screw, Countersunk M20x80	
28	1001227670	1	Tag, RFID	
29	70027887	2	Nut, M20	
30	2170206	1	Fitting, 90 ORFS	

SECTION 3 - ATTACHMENTS

FIGURE 3-8. BUCKET (2.6 YD³/2.0M³)



ART_100192815-E

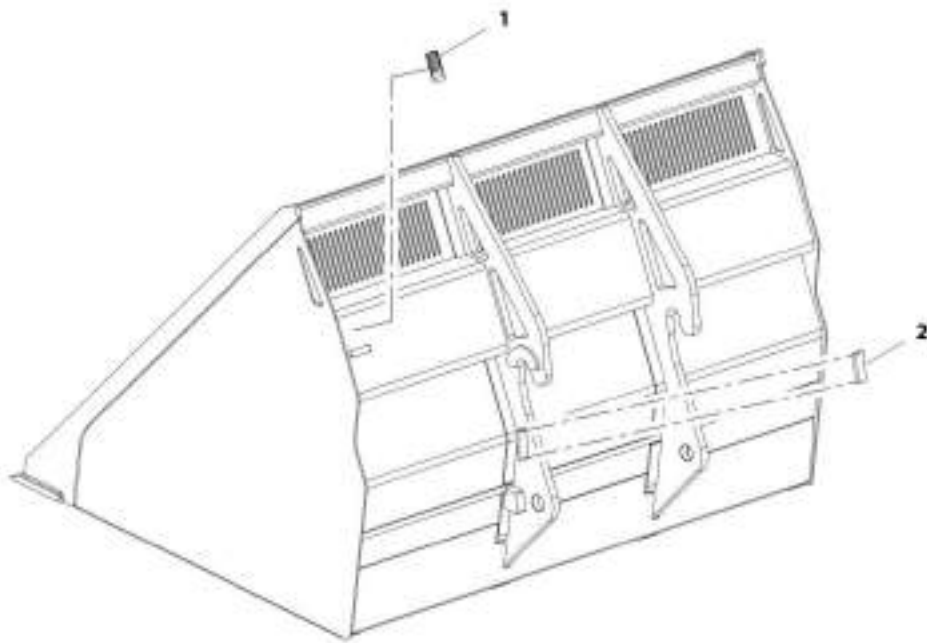
SECTION 3 - ATTACHMENTS

FIGURE 3-8. BUCKET (2.6 YD³/2.0M³)

ITEM	PART NUMBER	QTY	DESCRIPTION	REV
	1001192615	Ref	Bucket (2.6 yd ³ /2.0m ³)	E
1	N.S.S.	1	Plate, Serial Number	
2	1001227670	1	Tag, RFID	

SECTION 3 - ATTACHMENTS

FIGURE 3-9. BUCKET (5.23 YD3)



ART_100192816-D

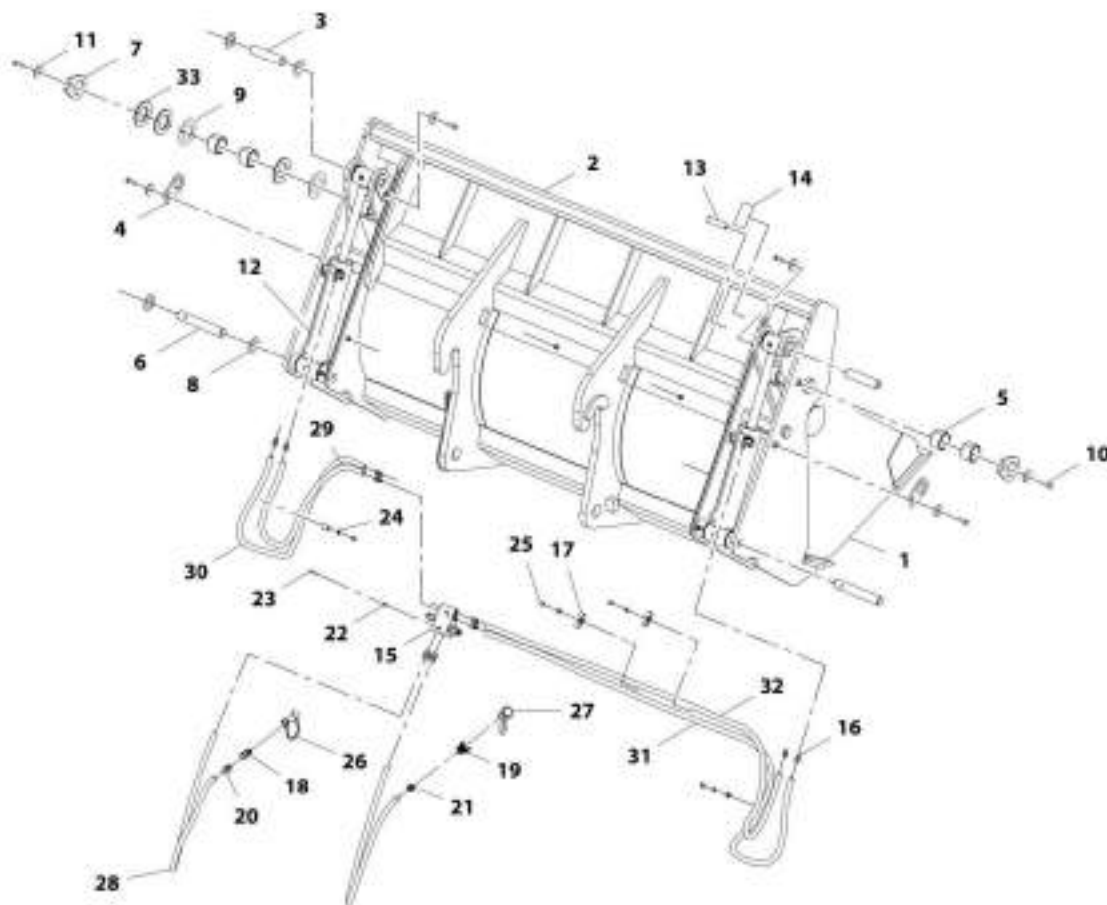
SECTION 3 - ATTACHMENTS

FIGURE 3-9. BUCKET (5.23 YD3)

ITEM	PART NUMBER	QTY	DESCRIPTION	REV
	1001192616	Ref	Bucket (5.23 yd ³ /4.0m ³)	D
1	N.S.S.	1	Plate, Serial Number	
2	1001227670	1	Tag, RFID	

SECTION 3 - ATTACHMENTS

FIGURE 3-10. 4 IN 1 BUCKET (2.6 YD³/2.0M³)



ART_0001192614-D

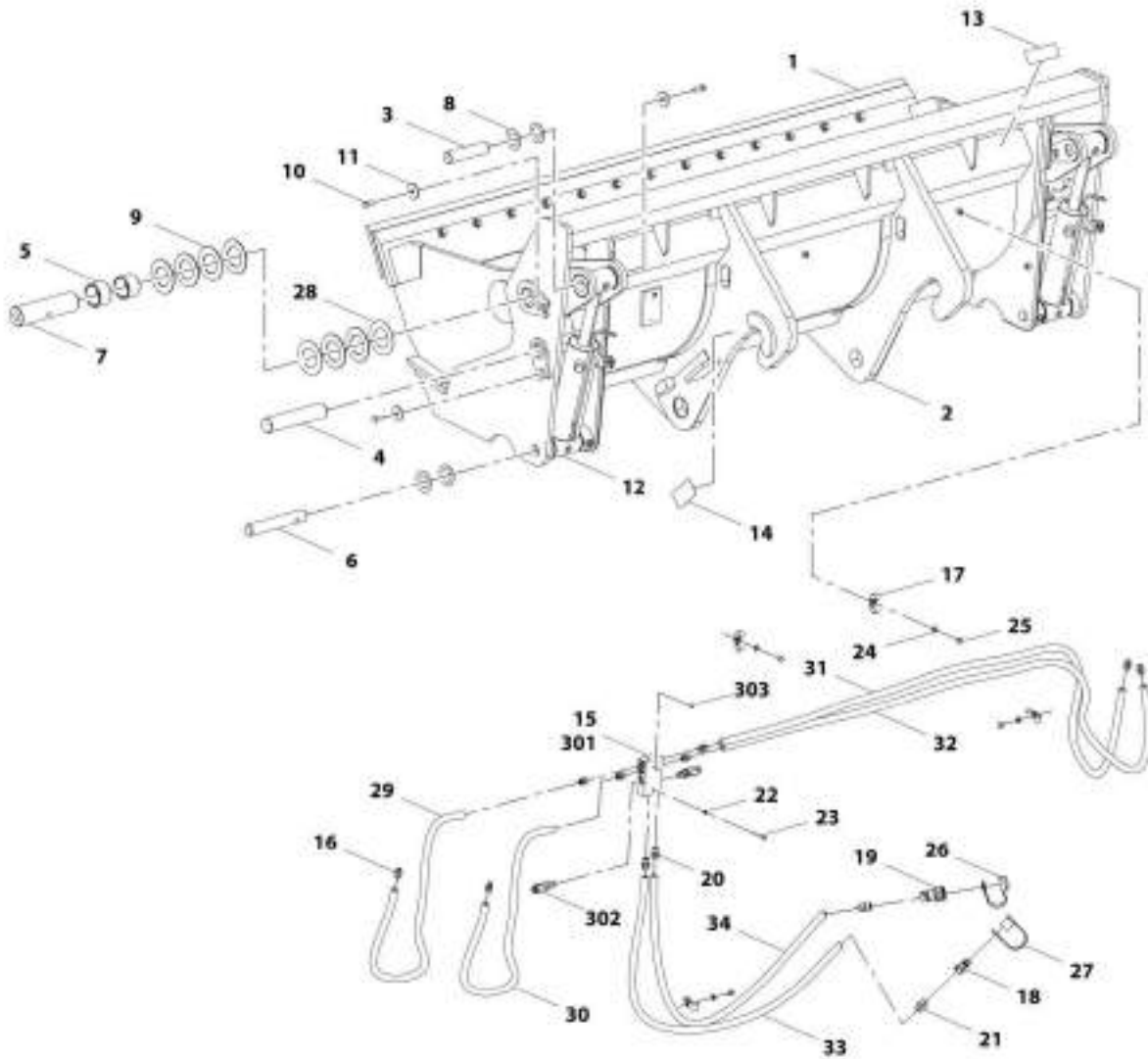
SECTION 3 - ATTACHMENTS

FIGURE 3-10. 4 IN 1 BUCKET (2.6 YD³/2.0M³)

ITEM	PART NUMBER	QTY	DESCRIPTION	REV
	1001192614	Ref	4 in 1 Bucket (2.6 yd ³ /2.0m ³)	D
1	N.S.S.	1	Assembly, Scarifier	
2	N.S.S.	1	Assembly, Bucket	
3	70028563	2	Pin	
4	70028564	2	Pin	
5	70028565	4	Bushing	
6	70028566	2	Pin	
7	70028567	2	Pin	
8	70028568	8	Shim	
9	70028569	6	Shim	
10	70028570	6	Capscrew	
11	70028571	6	Washer	
12	70028572	2	Cylinder, 4 in 1 Bucket (See Separate Breakdown in Hydraulic Components Section)	
13	N.S.S.	1	Plate, Serial Number	
14	N.S.S.	1	Plate, Serial Number JLG	
15	70028573	1	Valve Assembly, 4 in 1 Bucket (See Separate Breakdown in Hydraulic Circuits Section)	
16	70024130	8	Fitting	
17	70026481	8	Clamp	
18	1001101041	1	Adapter, Male Quick Disconnect	
19	1001101042	1	Adapter, Female Quick Disconnect	
20	70022938	2	Fitting, Straight	
21	70028263	2	Fitting, Straight	
22	70026480	2	Fitting, Straight	
23	70026479	2	Bolt, M6X50	
24	70026482	4	Washer, M10	
25	70026483	4	Bolt, M10X16	
26	8420055	1	Cap, Dust	
27	8420053	1	Cap, Dust	
28	70028744	1	Hose	
29	70028745	1	Hose	
30	70028746	1	Hose	
31	70028747	1	Hose	
32	70028748	1	Hose	
33	70028574	12	Shim	

SECTION 3 - ATTACHMENTS

FIGURE 3-11. 4 IN 1 BUCKET (1.3 YD³/1.0M³)



AHT_3001228427-A

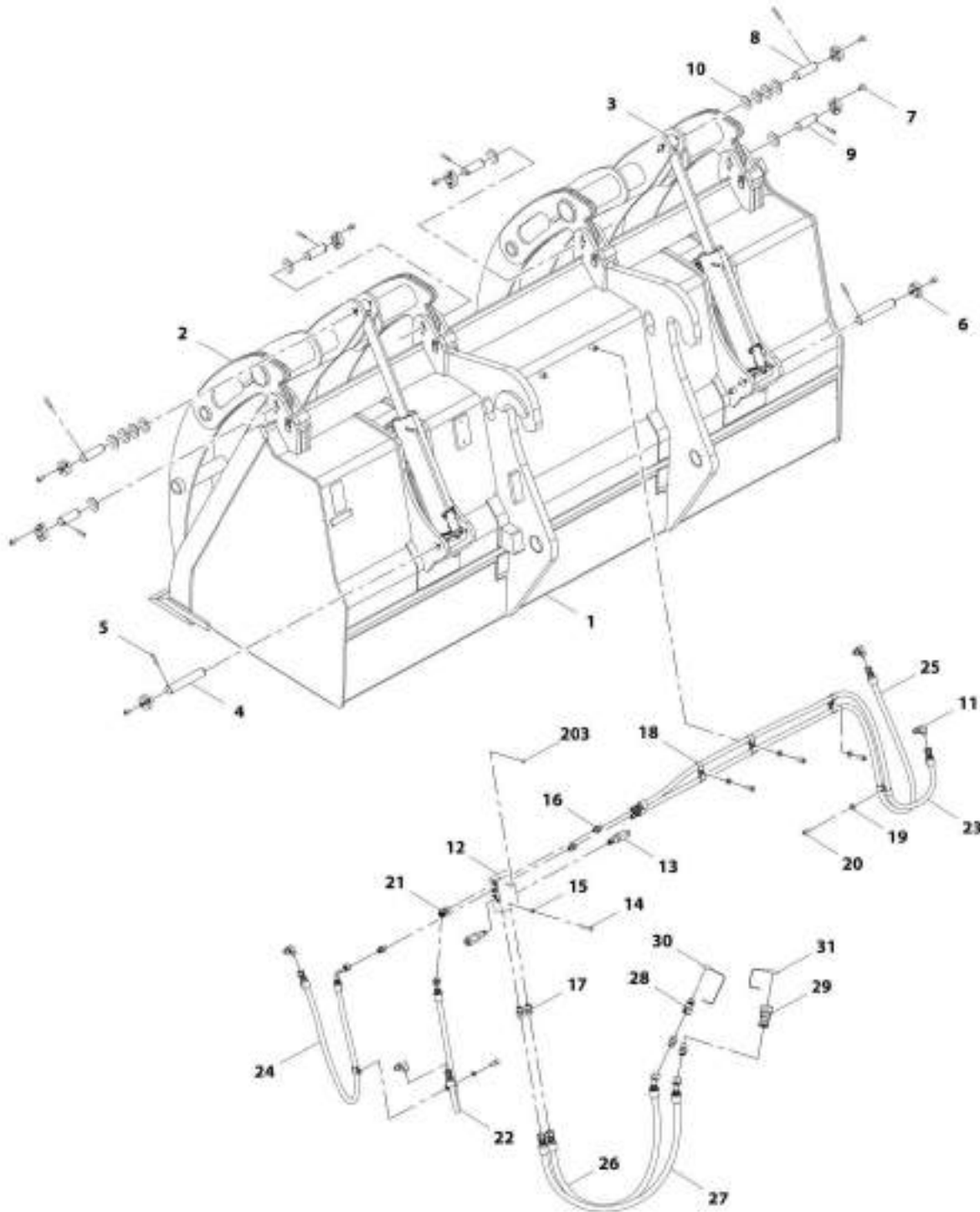
SECTION 3 - ATTACHMENTS

FIGURE 3-11. 4 IN 1 BUCKET (1.3 YD³/1.0M³)

ITEM	PART NUMBER	QTY	DESCRIPTION	REV
	1001228427	Ref	4 in 1 Bucket (1.3 yd ³ /1.0m ³)	A
1	N.S.S.	1	Assembly, Front Bucket	
2	N.S.S.	1	Assembly, Back Bucket	
3	70028563	2	Pin	
4	70028564	2	Pin	
5	70028565	4	Bushing	
6	70028566	2	Pin	
7	70028567	2	Pin	
8	70028568	8	Shim	
9	70028569	6	Shim	
10	70028570	6	Capscrew	
11	70028571	6	Washer	
12	70028572	2	Assembly, 4 In 1 Bucket Cylinder (5.23 yd ³ /4.0m ³) (See Separate Breakdown in Hydraulic Components Section)	
13	N.S.S.	1	Plate, Name	
14	N.S.S.	1	Plate, Serial Number	
15	70028573	1	Assembly, 4 In 1 Bucket Valve (5.23 yd ³ /4.0m ³) (See Separate Breakdown in Hydraulic Circuits Section)	
16	70024130	8	Fitting, Straight	
17	70026481	8	Clamp, Hose	
18	1001101041	1	Adapter, Male Quick Disconnect	
19	1001101042	1	Adapter, Female Quick Disconnect	
20	70022938	2	Fitting, Straight	
21	70028263	2	Fitting, Straight	
22	70026480	2	Washer, M6	
23	70026479	2	Bolt, M6X50	
24	70026482	4	Washer, M10	
25	70026483	4	Bolt, M10X16	
26	8420055	1	Plug, Dust	
27	8420053	1	Plug, Cap	
28	70028574	12	Shim	
29	70028575	1	Hose	
30	70028576	1	Hose	
31	70028577	1	Hose	
32	70028578	1	Hose	
33	70028579	1	Hose	
34	70028580	1	Hose	
301	70026477	1	Manifold	
302	70028589	2	Cartridge, Relief	
303	70026614	2	Plug	

SECTION 3 - ATTACHMENTS

FIGURE 3-12. GRAPPLE BUCKET (1.7 YD³/1.3M³)



ART_3001223405-B

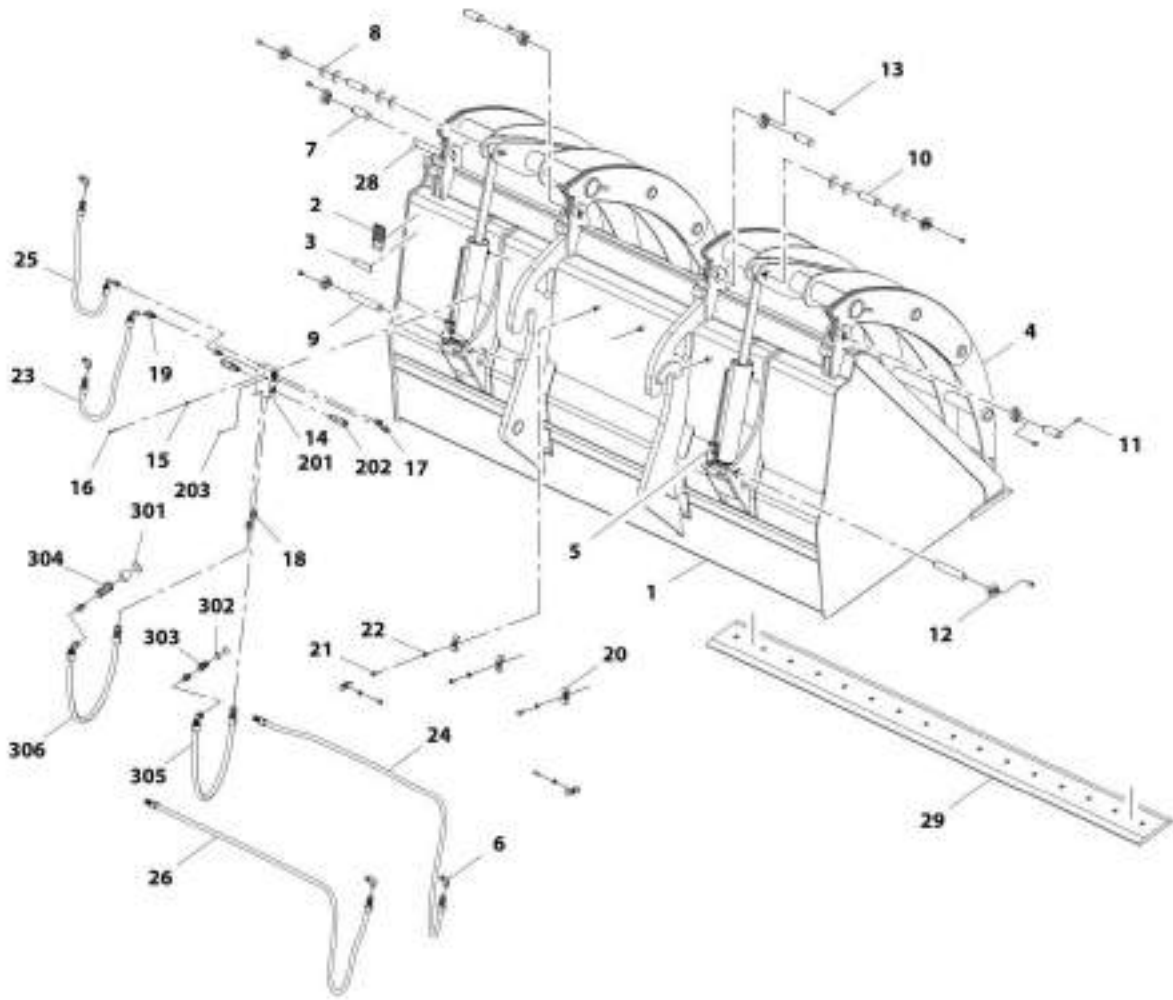
SECTION 3 - ATTACHMENTS

FIGURE 3-12. GRAPPLE BUCKET (1.7 YD³/1.3M³)

ITEM	PART NUMBER	QTY	DESCRIPTION	REV
	1001223435	Ref	Grapple Bucket (1.7 yd ³ /1.3m ³)	B
1	N.S.S.	1	Bucket	
2	N.S.S.	1	Grapple	
3	70026469	2	Assembly, Cylinder, (See Separate Breakdown in Hydraulic Components Section)	
4	70026470	2	Pin	
5	70026471	8	Pin Drive - Lock	
6	70026472	8	Retainer	
7	70026473	16	Capscrew, M10X12	
8	70026474	2	Pin	
9	70026475	4	Pin	
10	70026476	32	Shim	
11	70024123	4	Fitting, 90	
12	70026477	1	Manifold	
13	70026478	2	Cartridge, Relief Valve	
14	70026479	2	Bolt, M6X50	
15	70026480	2	Washer, M6	
16	70024130	3	Fitting, Straight	
17	70022938	4	Fitting, Straight	
18	70026481	10	Clamp, Hose	
19	70026482	5	Washer, M10	
20	70028672	5	Bolt, M10X20	
21	70026616	1	Fitting, 45	
22	70028749	1	Hose	
23	70028750	1	Hose	
24	70028751	1	Hose	
25	70028752	1	Hose	
26	70028753	1	Hose	
27	70028697	1	Hose	
28	1001101041	1	Adapter, Male Quick Disconnect	
29	1001101042	1	Adapter, Female Quick Disconnect	
30	8420053	1	Cap, Dust	
31	8420055	1	Plug, Dust	
203	70026614	2	Plug	

SECTION 3 - ATTACHMENTS

FIGURE 3-13. GRAPPLE BUCKET (2.6 YD³/2.0M³)



ART_3001182017-C

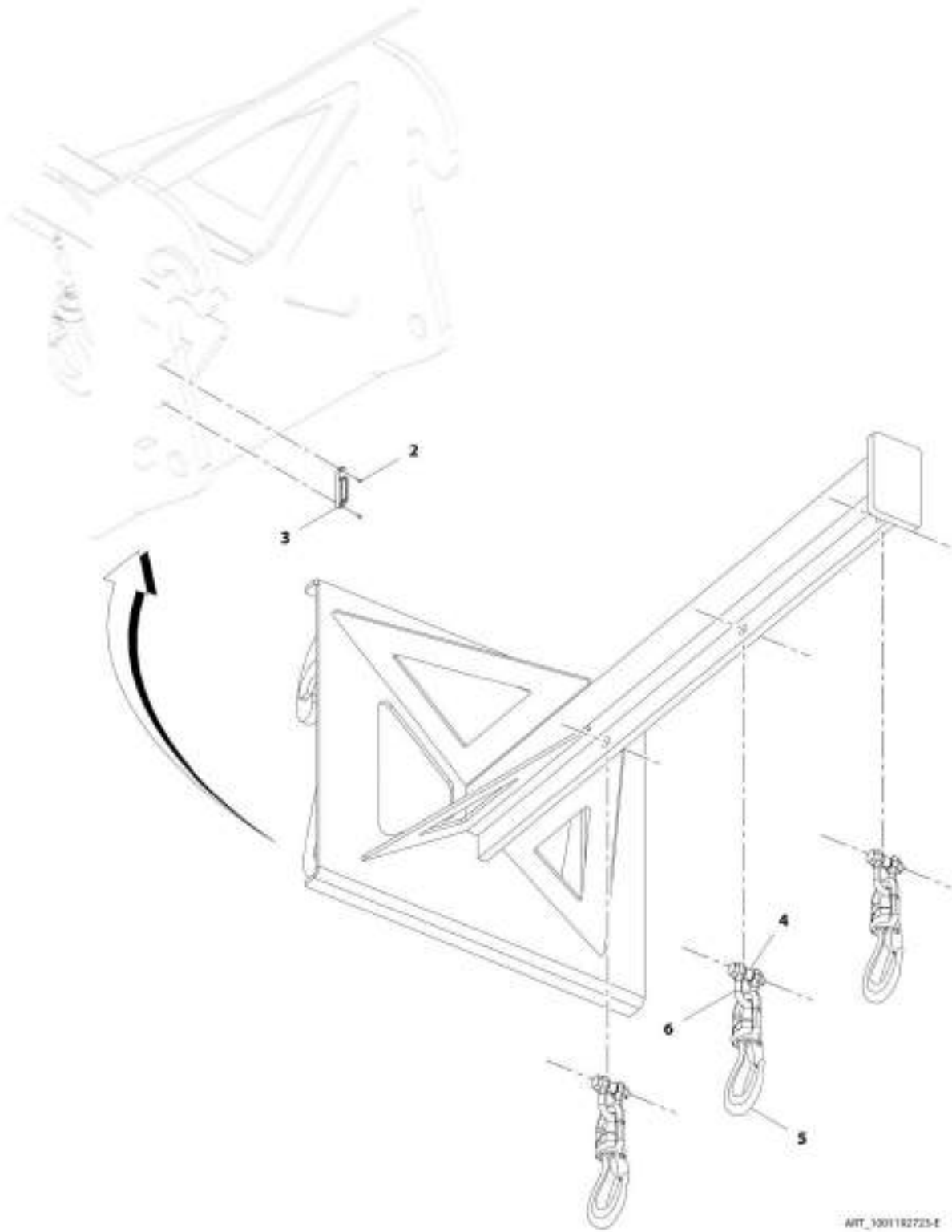
SECTION 3 - ATTACHMENTS

FIGURE 3-13. GRAPPLE BUCKET (2.6 YD³/2.0M³)

ITEM	PART NUMBER	QTY	DESCRIPTION	REV
	1001192617	Ref	Grapple Bucket (2.6 yd ³ /2.0m ³)	C
1	N.S.S.	1	Bucket	
2	N.S.S.	1	Plate, Serial Number	
3	N.S.S.	1	Nameplate	
4	N.S.S.	1	Grapple	
5	70026469	2	Assembly, Cylinder (See Separate Breakdown in Hydraulic Components Section)	
6	70024123	4	Fitting, 90	
7	70026475	4	Pin	
8	70026476	12	Shim	
9	70026470	2	Pin	
10	70026474	2	Pin	
11	70026471	8	Pin, Lock	
12	70026472	8	Retainer	
13	70026473	16	Capscrew, M10X12	
14	N.S.S.	1	Valve, Relief	
15	70026480	2	Washer, M6	
16	70026479	2	Bolt, M6X50	
17	70024130	3	Fitting, Straight	
18	70022938	4	Fitting, Straight	
19	70026616	1	Fitting, 45	
20	70026481	10	Clamp, Hose	
21	70028672	5	Bolt, M10X20	
22	70026482	5	Washer, M10	
23	70028738	1	Hose	
24	70028739	1	Hose	
25	70028740	1	Hose	
26	70028741	1	Hose	
28	70024538	8	Decal, Pinch Point	
29	70028742	1	Guard, Edge	
201	70026477	1	Manifold	
202	70026478	2	Cartridge, Relief Valve	
203	70026614	2	Plug	
301	8420055	1	Plug, Dust	
302	8420053	1	Cap, Dust	
303	1001101041	1	Coupler, Male Hydraulic	
304	1001101042	1	Coupler, Female Hydraulic	
305	70028743	1	Hose	
306	70028734	1	Hose	

SECTION 3 - ATTACHMENTS

FIGURE 3-14. TRUSS BOOM (7.6 TON)



ART_3001182723-E

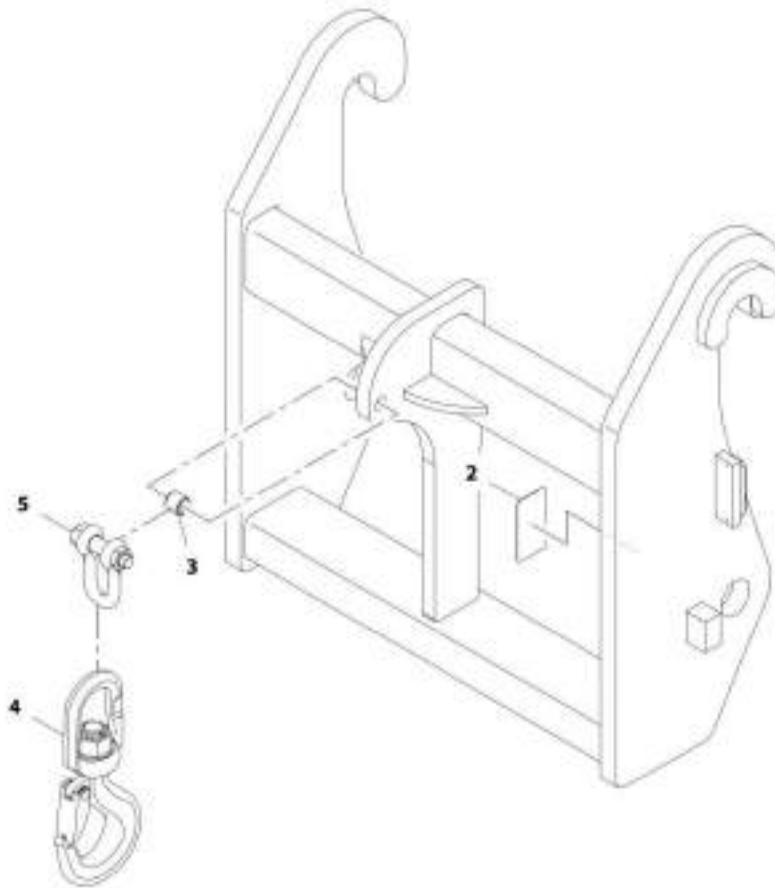
SECTION 3 - ATTACHMENTS

FIGURE 3-14. TRUSS BOOM (7.6 TON)

ITEM	PART NUMBER	QTY	DESCRIPTION	REV
	1001192723	1	Truss Boom (7.6 ton)	E
2	70028554	2	Screw	
3	1001227670	1	Tag, RFID	
4	70020555	3	Bushing	
5	70026745	3	Hook	
6	70026746	3	Shackle, Chain	

SECTION 3 - ATTACHMENTS

FIGURE 3-15. CRANE HOOK (7.6 TON)



ART_3301182700-0

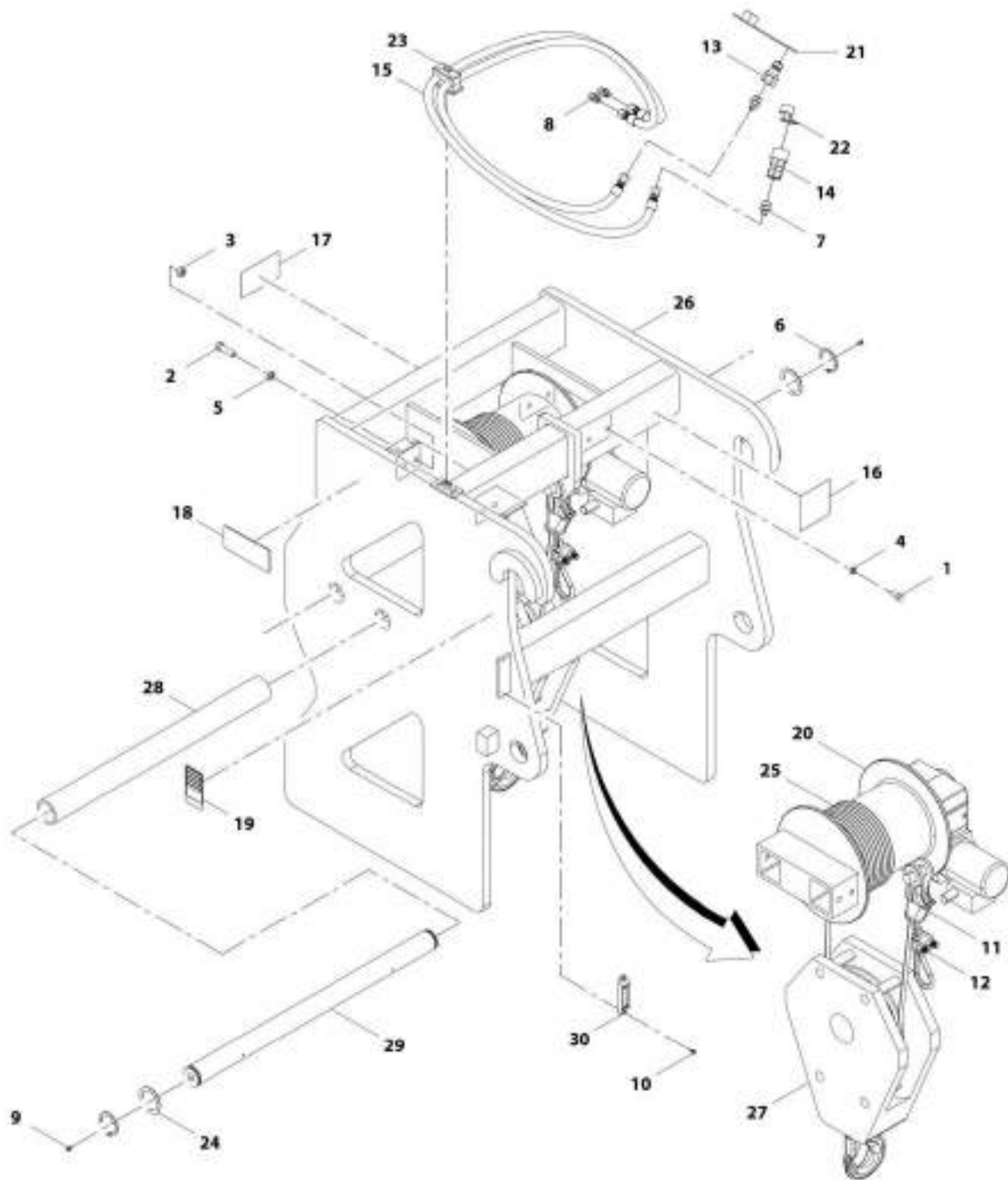
SECTION 3 - ATTACHMENTS

FIGURE 3-15. CRANE HOOK (7.6 TON)

ITEM	PART NUMBER	QTY	DESCRIPTION	REV
	1001192700	1	Crane Hook, (7.6 ton)	D
2	90554016	1	Decal, Made in USA	
3	70020555	1	Bushing	
4	70026745	1	Hook, Swivel	
5	70026746	1	Shackle, Chain	

SECTION 3 - ATTACHMENTS

FIGURE 3-16. COUPLER MOUNTED WINCH



ART_0001182702-B

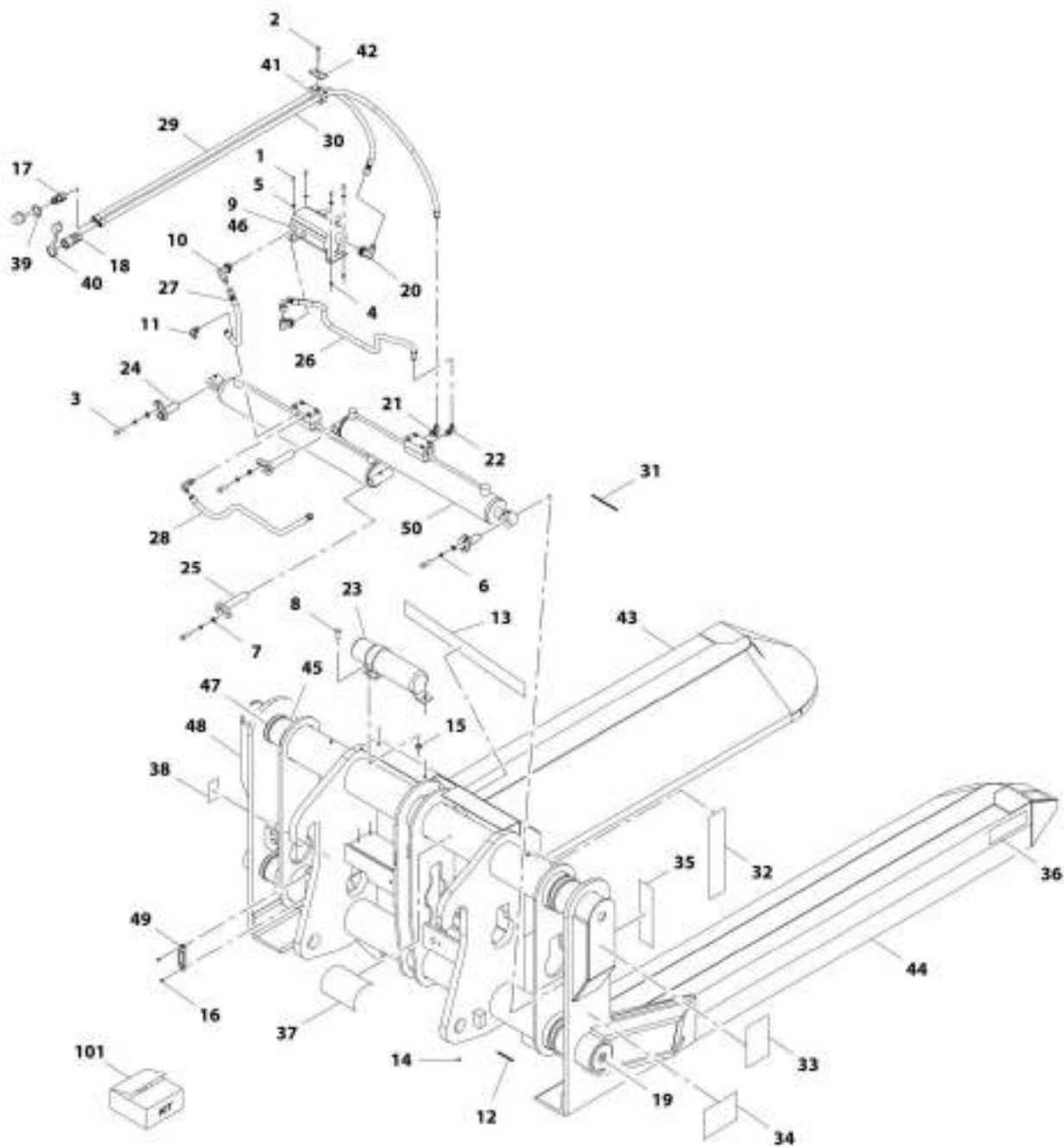
SECTION 3 - ATTACHMENTS

FIGURE 3-16. COUPLER MOUNTED WINCH

ITEM	PART NUMBER	QTY	DESCRIPTION	REV
	1001192702	Ref	Coupler Mounted Winch	B
1	70021349	4	Bolt, 3/8X1	
2	70024059	4	Bolt, 1/2X1-3/4	
3	90554054	4	Nut, 1/2	
4	90554042	4	Washer, Lock 3/8	
5	90554020	4	Washer, Lock 1/2	
6	70028860	4	Ring, Snap	
7	70021397	2	Fitting, Straight	
8	70021415	2	Fitting, Straight	
9	90554045	4	Grease, Fitting	
10	70028554	2	Screw	
11	70021979	1	Assembly, Socket (includes pin and cotter pin)	
12	70022528	1	Clamp	
13	91403414	1	Adapter, Male Quick Disconnect	
14	91403413	1	Adapter, Female Quick Disconnect	
15	70028861	2	Hose	
16	7029711	1	Decal, High Pressure	
17	70024064	1	Decal, Do Not Tow	
18	4110422	2	Decal, Warning Swinging Loads	
19	N.S.S.	1	Plate, Serial Number	
20	70028862	1	Winch	
21	8420053	1	Cap, Dust	
22	8420055	1	Cap, Dust	
23	70021387	1	Clamp, Hose	
24	70028863	4	Washer	
25	70028864	1	Cable	
26	N.S.S.	1	Weldment, Frame	
27	70028865	1	Hook	
28	70028866	2	Roller Tube, Winch	
29	70028867	2	Roller Bar, Winch	
30	1001227670	1	Tag, RFID	

SECTION 3 - ATTACHMENTS

FIGURE 3-17. BALE HANDLER (ROUND)



ART_301182049-C

SECTION 3 - ATTACHMENTS

FIGURE 3-17. BALE HANDLER (ROUND)

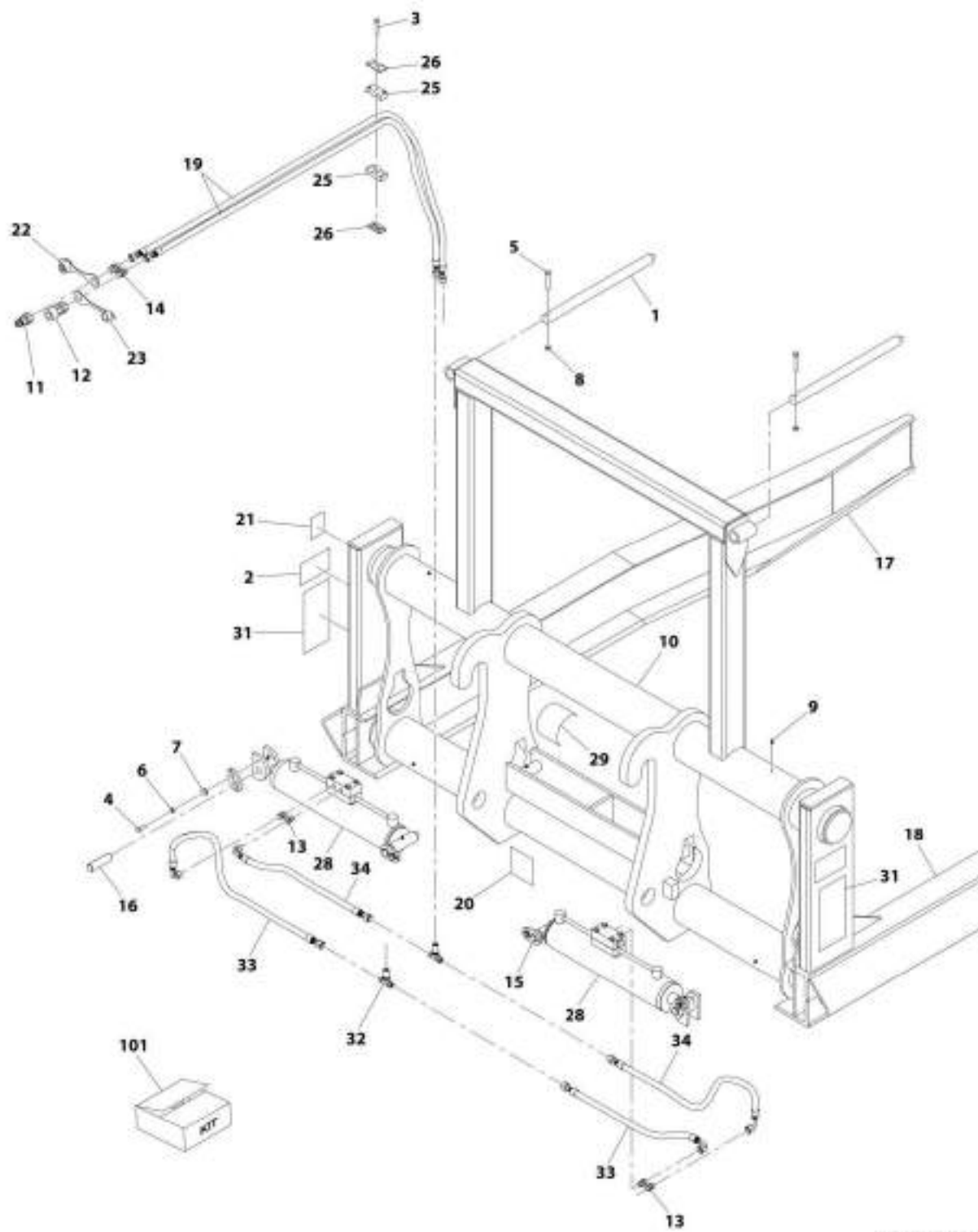
ITEM	PART NUMBER	QTY	DESCRIPTION	REV
	1001192649	Ref	Bale Handler (round)	C
1	70027773	4	Bolt	
2	70028485	1	Screw	
3	70021349	4	Bolt, 3/8X1	
4	90554066	4	Nut	
5	90554067	4	Washer, Lock	
6	90554042	4	Washer, Lock	
7	70021350	4	Washer	
8	70028635	3	Bolt	
9	70028636	1	Plug w/O-Ring	
10	70028637	2	Fitting, 90	
11	90554065	1	Fitting, 90	
12	7029712	4	Decal, Grease	
13	70028638	1	Decal, Stand Clear Warning	
14	90554045	4	Fitting, Grease	
15	70028615	3	Nut	
16	70028554	2	Screw	
17	1001101041	1	Adapter, Male Quick Disconnect	
18	70028616	1	Fitting, Straight	
19	70028617	4	Plug	
20	70028618	1	Fitting, 90	
21	70028619	1	Fitting, Tee	
22	70028620	1	Fitting, 90	
23	1001101042	1	Adapter, Female Quick Disconnect	
24	70028489	2	Pin	
25	70028490	2	Pin	
26	70028621	1	Hose	
27	70028622	1	Hose	
28	70028623	1	Hose	
29	70028624	1	Hose	
30	7029709	1	Hose	
31	7029711	1	Decal, High Pressure Warning	
32	70028625	2	Decal, Pinch Point	
33	70028626	1	Decal, Transport Warning	
34	70028627	1	Decal, Safety Warning	
35	70028628	6	Decal, Red Reflexite	
36	70028629	6	Decal, Amber Reflexite	
37	70028630	1	Decal, Module Staging	
38	N.S.S.	1	Plate, Serial Number	
39	8420053	1	Cap, Dust	
40	8420055	1	Cap, Dust	
41	70028495	1	Clamp	
42	70028496	1	Plate, Clamp	
43	N.S.S.	1	Arm, RH	
44	N.S.S.	1	Arm, LH	
45	70028631	4	Wrap	
46	70028632	1	Valve, Flow Divider	
47	70028633	8	Clamp	
48	N.S.S.	1	Weldment	
49	1001227670	1	Tag, RFID	

SECTION 3 - ATTACHMENTS

ITEM	PART NUMBER	QTY	DESCRIPTION	REV
50	70028634	2	Assembly, Cylinder	
101	Kit	1	Kit, Seal	

SECTION 3 - ATTACHMENTS

FIGURE 3-18. BALE HANDLER (SQUARE)



MIT_3901192693-D

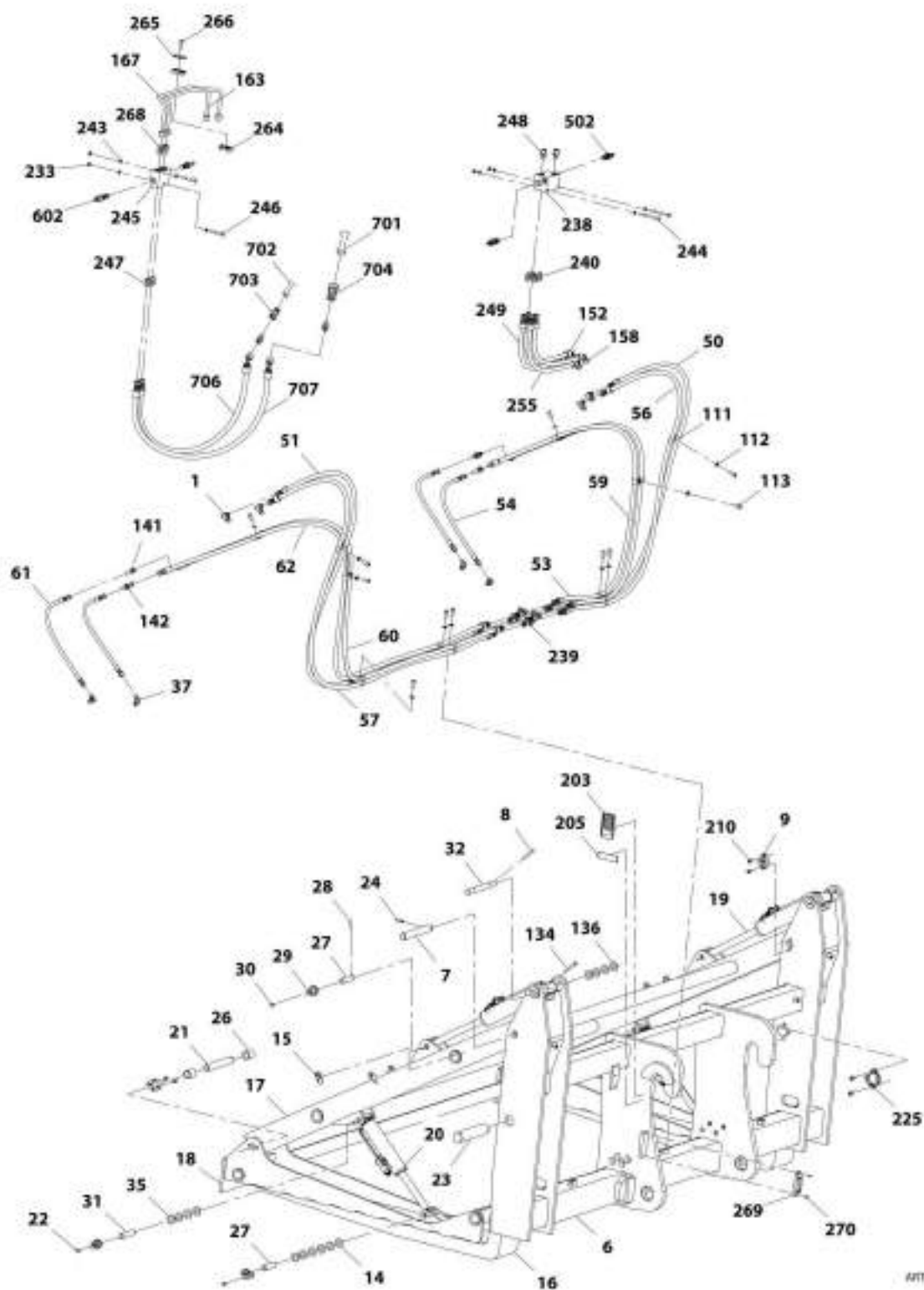
SECTION 3 - ATTACHMENTS

FIGURE 3-18. BALE HANDLER (SQUARE)

ITEM	PART NUMBER	QTY	DESCRIPTION	REV
	1001192650	Ref	Bale Handler (square)	D
1	70028499	2	Spear	
2	70028500	2	Decal, Pinch Point	
3	70028485	2	Screw	
4	70021349	4	Bolt, 3/8X1	
5	70021422	2	Screw	
6	90554042	4	Washer, Lock 3/8	
7	70021350	4	Washer, Flat	
8	70021367	2	Nut, Lock 3/8	
9	90554045	4	Fitting, Grease	
10	N.S.S.	1	Weldment, Main Frame	
11	1001101041	1	Coupler, Male Hydraulic	
12	1001101042	1	Coupler, Female Hydraulic	
13	70028486	4	Fitting	
14	70028488	2	Fitting	
15	70028489	2	Pin	
16	70028490	2	Pin	
17	N.S.S.	1	Weldment, Left Bale Arm	
18	N.S.S.	1	Weldment, Right Bale Arm	
19	70028491	2	Hose	
20	7029711	1	Decal, High Pressure Warning	
21	N.S.S.	1	Plate, Serial Number	
22	8420053	1	Cap, Dust	
23	8420055	1	Cap, Dust	
25	70028495	2	Clamp	
26	70028496	2	Plate, Clamp	
28	70028497	2	Assembly, Cylinder	
29	70028498	1	Decal, Read Manual	
31	70028501	2	Decal, Falling Load	
32	70028487	2	Fitting, Tee	
33	70028492	1	Hose	
34	70028493	1	Hose	
101	70028494	1	Kit, Seal	

SECTION 3 - ATTACHMENTS

FIGURE 3-19. PIPE HANDLER CARRIAGE



SECTION 3 - ATTACHMENTS

FIGURE 3-19. PIPE HANDLER CARRIAGE

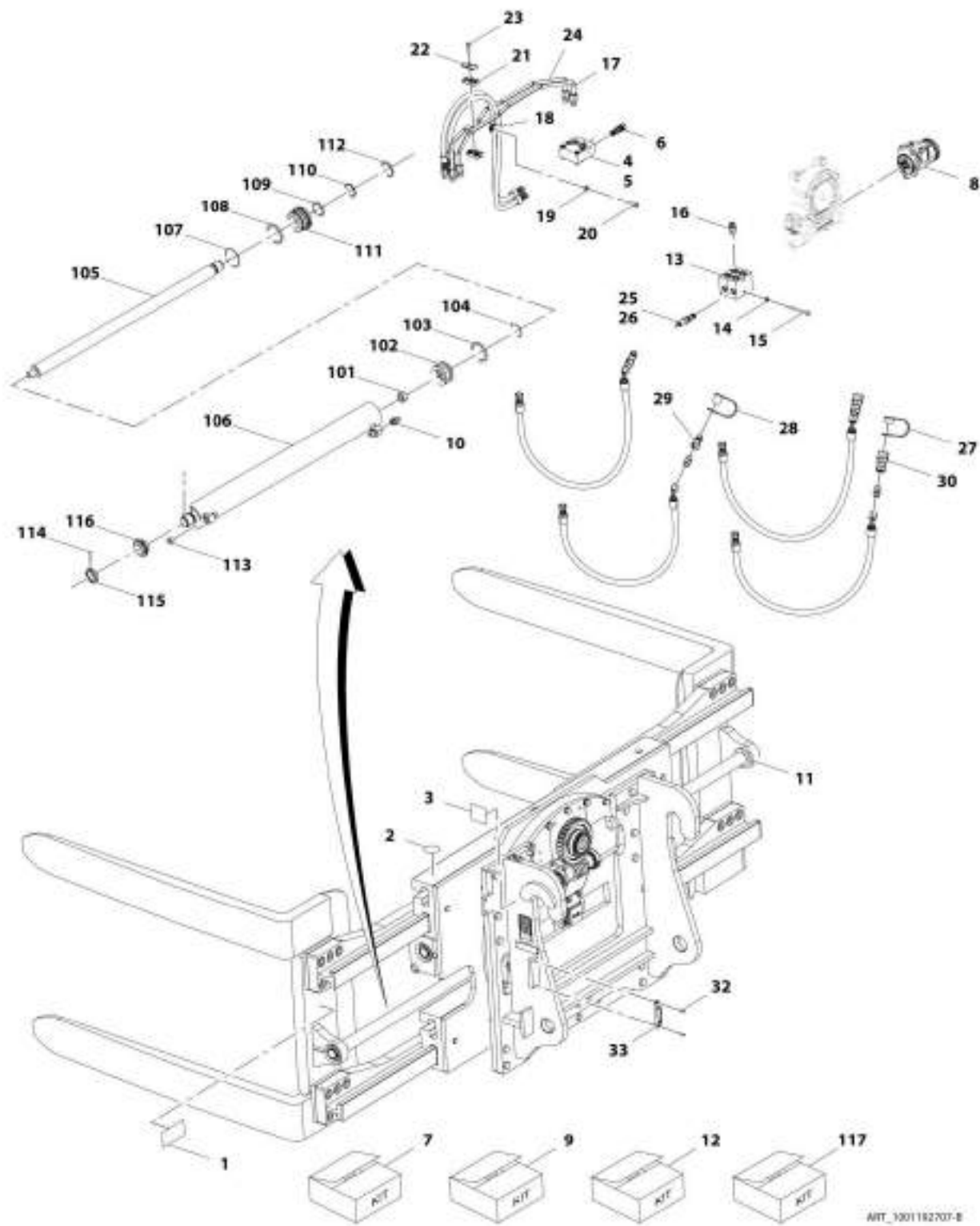
ITEM	PART NUMBER	QTY	DESCRIPTION	REV
	1001192722	Ref	Pipe Handler Carriage	D
1	70024123	4	Adapter, 90 (includes o-ring)	
6	N.S.S.	1	Carriage	
7	70028648	2	Pin	
8	70026471	4	Pin	
9	70026472	4	Retainer	
14	70026476	12	Shim	
15	70024538	2	Decal, Pinch Point	
16	70028649	2	Fork	
17	70028650	1	Arm	
18	70028651	1	Pad, Contact	
19	70028652	1	Assembly, Upper Cylinder (See Separate Breakdown in Hydraulic Components Section)	
20	70028653	1	Assembly, Lower Cylinder (See Separate Breakdown in Hydraulic Components Section)	
21	70028654	2	Pin	
22	70026473	4	Capscrew, M10X12	
23	70028655	2	Pin	
24	70028405	2	Pin	
26	70026501	8	Bushing	
27	70028656	4	Pin	
28	70028253	6	Pin	
29	70028262	6	Retainer	
30	70028657	6	Bolt, M8X16	
31	70028658	2	Pin	
32	70028659	2	Pin	
35	70028660	8	Shim	
37	70028661	4	Fittin, 90	
50	70028662	1	Hose	
51	70028663	1	Hose	
53	70028664	1	Hose	
54	70028665	2	Hose	
56	70028666	1	Hose	
57	70028667	1	Hose	
59	70028668	1	Hose	
60	70028669	1	Hose	
61	70028670	2	Hose	
62	70028671	1	Hose	
111	70026481	24	Clamp, Hose	
112	70026482	12	Washer	
113	70028672	12	Bolt, M10X20	
134	70028406	2	Capscrew	
136	70028767	4	Shim	
141	70028768	2	Fitting, Straight	
142	70028673	2	Fitting, 45	
152	70028674	1	Hose	
158	70028675	1	Hose	
163	70028676	1	Pipe	
167	70028677	1	Pipe	
203	N.S.S.	1	Plate, Serial Number	

SECTION 3 - ATTACHMENTS

ITEM	PART NUMBER	QTY	DESCRIPTION	REV
205	N.S.S.	1	Plate, Name	
210	70028678	8	Bolt	
225	70028679	2	Retainer	
233	70028680	6	Nut, M8	
238	N.S.S.	1	Valve	
239	70028267	4	Fitting, Straight	
240	70024130	4	Fitting, Straight	
243	70024721	8	Washer, M8	
244	70028681	2	Bolt, M8X90	
245	N.S.S.	1	Valve, Relief	
246	70028682	2	Bolt, M8X60	
247	70028683	2	Fitting, Straight	
248	70028684	2	Fitting, Straight	
249	70028685	1	Hose	
255	70028686	1	Hose	
264	70028687	1	Clamp	
265	70028688	1	Cover	
266	70028689	1	Bolt, M8X35	
268	70022938	4	Fitting, Straight	
269	1001227670	1	Tag, RFID	
270	70028690	2	Bolt, M4X16	
501	N.S.S.	1	Valve, Relief	
502	70024772	2	Valve, Cartridge	
601	N.S.S.	1	Valve, Sequence	
602	70028695	2	Valve, Cartridge	
701	8420055	1	Plug, Dust	
702	8420053	1	Plug, Cap	
703	1001101041	1	Adapter, Male Quick Disconnect	
704	1001101042	1	Adapter, Female Quick Disconnect	
706	70028696	1	Hose	
707	70028697	1	Hose	

SECTION 3 - ATTACHMENTS

FIGURE 3-20. TIRE HANDLER CARRIAGE



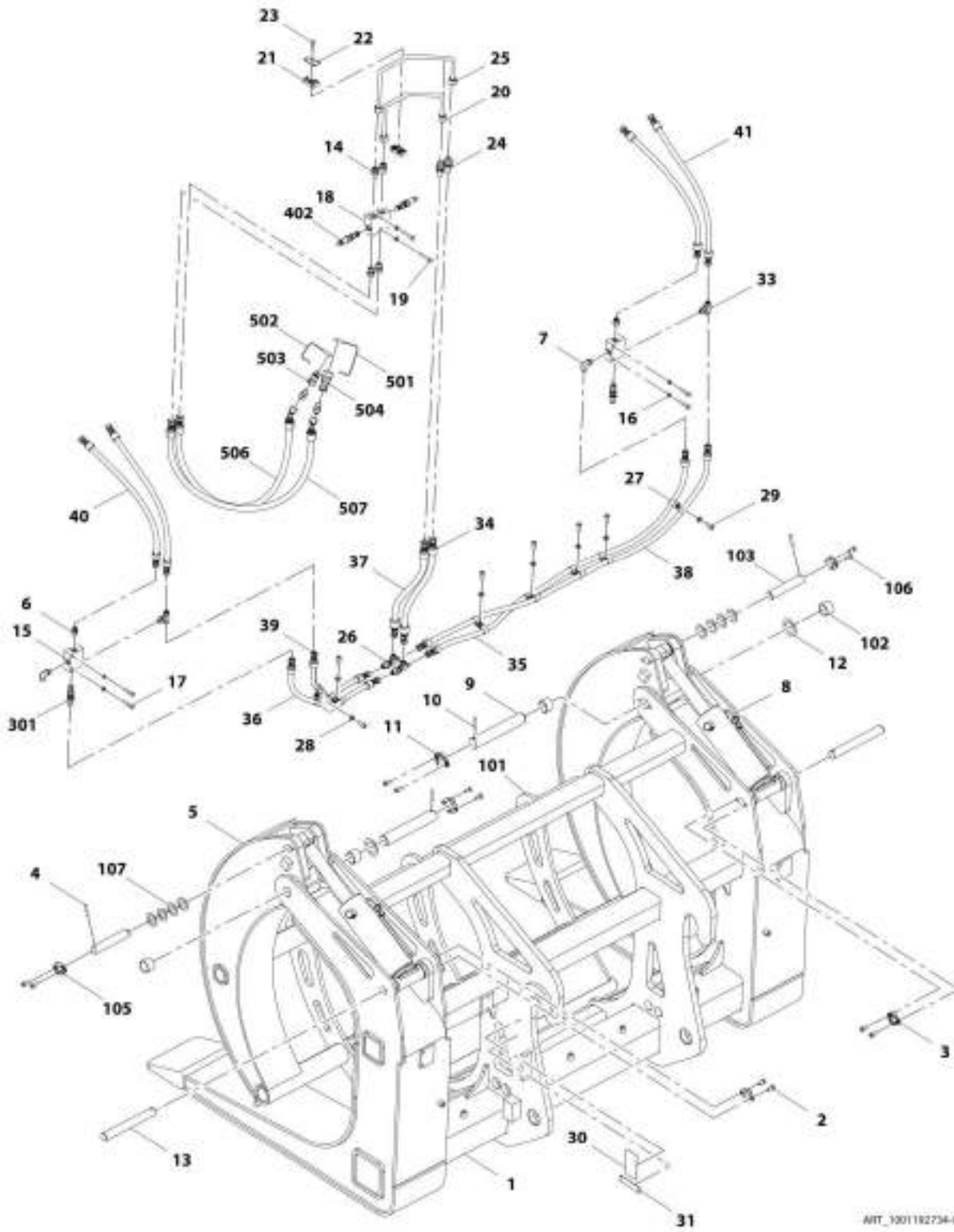
SECTION 3 - ATTACHMENTS

FIGURE 3-20. TIRE HANDLER CARRIAGE

ITEM	PART NUMBER	QTY	DESCRIPTION	REV
	1001192707	Ref	Tire Handler Carriage	B
1	70024538	2	Decal, Warning	
2	70024787	1	Decal, No Step	
3	70028785	1	Decal, Quick Change Hook	
4	70024731	1	Assembly, Check Valve	
5	70024732	1	Manifold	
6	70024733	2	Valve, Check	
7	70024734	2	Kit, Check Valve	
8	70028786	1	Motor, Drive	
9	70028114	1	Kit, Service	
10	70028787	2	Cartridge, Restrictor	
11	70028788	2	Assembly, Cylinder	
12	70028793	1	Kit, Service (includes Items 114 thru 116)	
13	70028794	1	Valve, Pressure Control	
14	70024721	2	Washer, M8	
15	70028681	2	Bolt, M8X90	
16	70022938	8	Fitting, Straight	
17	70028795	1	Pipe	
18	70026481	2	Clamp, Hose	
19	70026482	1	Washer	
20	70028672	1	Bolt, M10X20	
21	70028687	1	Clamp	
22	70028688	1	Cover	
23	70028689	1	Bolt, M8X35	
24	70028796	1	Pipe	
25	70024772	4	Valve, Relief	
26	70028115	4	Kit, Seal	
27	8420055	2	Plug, Dust	
28	8420053	2	Cap, Dust	
29	1001101041	2	Adapter, Male Quick Disconnect	
30	1001101042	2	Adapter, Female Quick Disconnect	
32	70028690	2	Bolt, M4X16	
33	1001227670	1	Tag, RFID	
101	70026503	1	Nut	
102	70028789	1	Piston	
103	Kit	1	Seal	
104	Kit	1	O-Ring	
105	70028790	1	Rod	
106	Kit	1	Shell	
107	Kit	1	O-Ring	
108	Kit	1	Backup Ring	
109	Kit	1	Seal	
110	Kit	1	Ring	
111	70028791	1	Retainer	
112	Kit	1	Wiper	
113	70028119	1	Plug	
114	Kit	1	Pin	
115	Kit	1	Retainer	
116	Kit	1	Nut	
117	70028792	1	Kit, Seal (includes items 101 thru 113)	

SECTION 3 - ATTACHMENTS

FIGURE 3-21. LOG HANDLER CARRIAGE



ART_3001182734-C

SECTION 3 - ATTACHMENTS

FIGURE 3-21. LOG HANDLER CARRIAGE

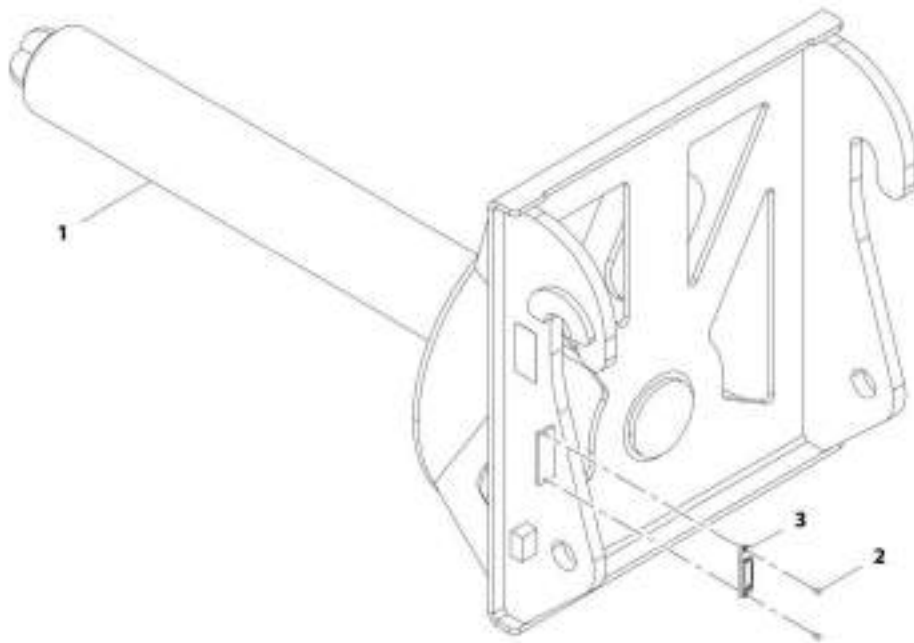
ITEM	PART NUMBER	QTY	DESCRIPTION	REV
	1001192734	Ref	Log Handler Carriage	C
1	N.S.S.	1	Frame	
2	70028701	8	Capscrew, M10X20	
3	70028702	2	Retainer	
4	70028703	4	Pin	
5	N.S.S.	1	Grapple	
6	70024130	2	Fitting, Straight	
7	70024123	2	Fitting, 90	
8	70028704	2	Assembly, Log Handler Carriage Cylinder (See Separate Breakdown in Hydraulic Components Section)	
9	70028705	2	Pin	
10	70028706	2	Pin	
11	70028707	2	Retainer	
12	70028708	2	Shim	
13	70028709	2	Pin	
14	70022938	4	Fitting, Straight	
15	N.S.S.	2	Valve	
16	70024721	6	Washer, M8	
17	70028710	4	Capscrew	
18	N.S.S.	1	Valve, Relief	
19	70028711	2	Capscrew	
20	70028712	1	Pipe	
21	70028687	1	Clamp	
22	70028688	1	Plate, Cover	
23	70028689	1	Bolt, M8X35	
24	70028713	2	Fitting, Straight	
25	70028714	1	Pipe	
26	70028267	2	Fitting, Tee	
27	70026481	14	Clamp, Hose	
28	70026482	7	Washer, M10	
29	70028672	7	Bolt, M10X20	
30	N.S.S.	1	Plate, Serial Number	
31	N.S.S.	1	Plate, Name	
33	70028715	2	Fitting, Tee	
34	70028716	1	Hose	
35	70028717	1	Hose	
36	70028718	1	Hose	
37	70028719	1	Hose	
38	70028720	1	Hose	
39	70028721	1	Hose	
40	70028722	2	Hose	
41	70028723	2	Hose	
101	70028724	1	Arm	
102	70028725	4	Bearing	
103	70028726	2	Pin	
107	70028727	8	Shim	
301	70026504	2	Valve, Counterbalance	
402	70024772	2	Valve, Relief	
501	8420055	1	Plug, Dust	
502	8420053	1	Plug, Cap	

SECTION 3 - ATTACHMENTS

ITEM	PART NUMBER	QTY	DESCRIPTION	REV
503	1001101041	1	Adapter, Male Quick Disconnect	
504	1001101042	1	Adapter, Female Quick Disconnect	
506	70028734	1	Hose	
507	70028697	1	Hose	

SECTION 3 - ATTACHMENTS

FIGURE 3-22. STEEL COIL HANDLER CARRIAGE



AWT_3001182735-E

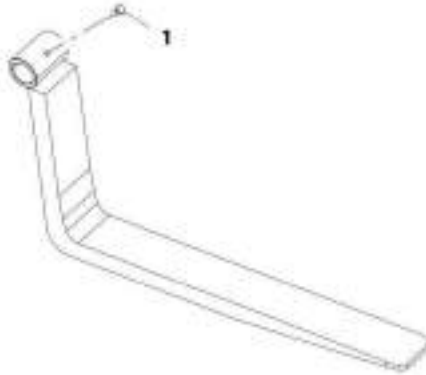
SECTION 3 - ATTACHMENTS

FIGURE 3-22. STEEL COIL HANDLER CARRIAGE

ITEM	PART NUMBER	QTY	DESCRIPTION	REV
	1001192735	1	Steel Coil Handler Carriage	E
2	70028554	2	Screw	
3	1001227670	1	Tag, RFID	

SECTION 3 - ATTACHMENTS

FIGURE 3-23. PALLET FORK (2.25X6X48)



ART_1801196452-B

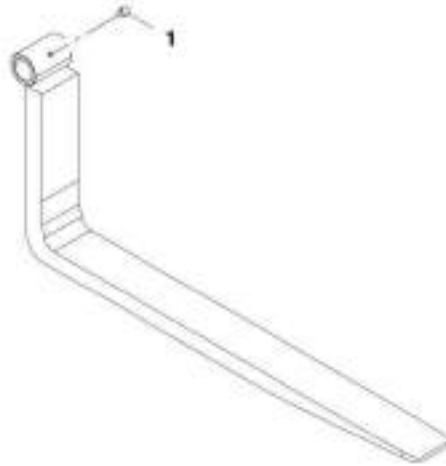
SECTION 3 - ATTACHMENTS

FIGURE 3-23. PALLET FORK (2.25X6X48)

ITEM	PART NUMBER	QTY	DESCRIPTION	REV
1	1001196952	1	Pallet Fork (2.25X6X48)	B
	70027180	1	Screw, M16X30	
	Note	Ref	<p>FORKS RATED LESS THAN THE ATTACHMENT OR MACHINE'S CAPACITY DECREASES CAPACITY OF THE ATTACHMENT OR MACHINE TO THAT OF THE FORKS. FORKS RATED MORE THAN THE ATTACHMENT OR MACHINE'S CAPACITY DO NOT INCREASE ATTACHMENT OR MACHINE'S CAPACITY.</p>	
	Note	Ref	<p>PLEASE CONSULT JLG PARTS DEPARTMENT TO DETERMINE THE CORRECT FORKS APPLICABLE TO YOUR SPECIFIC CARRIAGE ASSEMBLY AND APPLICATION.</p>	

SECTION 3 - ATTACHMENTS

FIGURE 3-24. PALLET FORK (2.25X6X60)



ART_1301196451-B

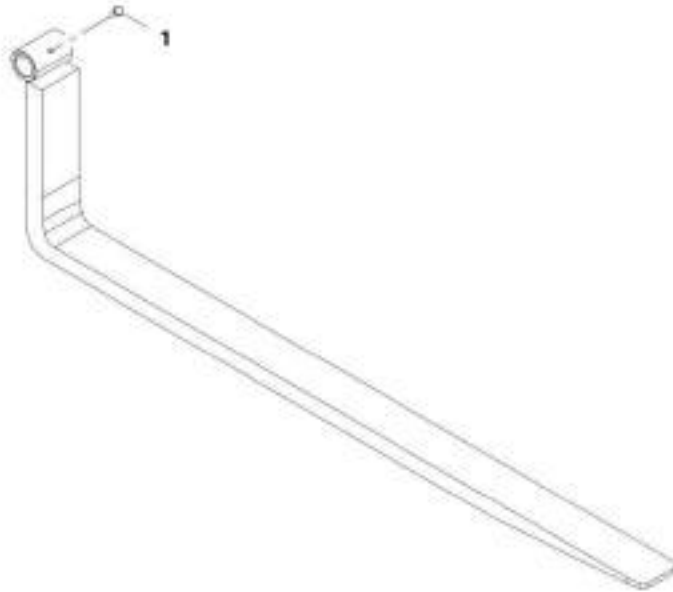
SECTION 3 - ATTACHMENTS

FIGURE 3-24. PALLET FORK (2.25X6X60)

ITEM	PART NUMBER	QTY	DESCRIPTION	REV
1	1001196951	1	Pallet Fork (2.25X6X60)	B
	70027180	1	Screw, M16X30	
	Note	Ref	<p>FORKS RATED LESS THAN THE ATTACHMENT OR MACHINE'S CAPACITY DECREASES CAPACITY OF THE ATTACHMENT OR MACHINE TO THAT OF THE FORKS. FORKS RATED MORE THAN THE ATTACHMENT OR MACHINE'S CAPACITY DO NOT INCREASE ATTACHMENT OR MACHINE'S CAPACITY.</p>	
	Note	Ref	<p>PLEASE CONSULT JLG PARTS DEPARTMENT TO DETERMINE THE CORRECT FORKS APPLICABLE TO YOUR SPECIFIC CARRIAGE ASSEMBLY AND APPLICATION.</p>	

SECTION 3 - ATTACHMENTS

FIGURE 3-25. PALLET FORK (2.25X6X72)



ART_1801196850-B

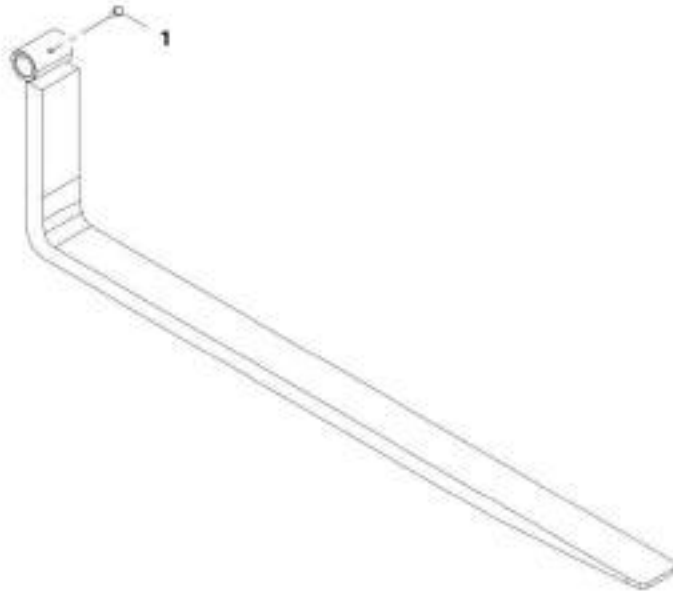
SECTION 3 - ATTACHMENTS

FIGURE 3-25. PALLET FORK (2.25X6X72)

ITEM	PART NUMBER	QTY	DESCRIPTION	REV
1	1001196950	1	Pallet Fork (2.25X6X72)	B
	70027180	1 2	Screw, M16X30	
	Note	Ref	<p>FORKS RATED LESS THAN THE ATTACHMENT OR MACHINE'S CAPACITY DECREASES CAPACITY OF THE ATTACHMENT OR MACHINE TO THAT OF THE FORKS. FORKS RATED MORE THAN THE ATTACHMENT OR MACHINE'S CAPACITY DO NOT INCREASE ATTACHMENT OR MACHINE'S CAPACITY.</p>	
	Note	Ref	<p>PLEASE CONSULT JLG PARTS DEPARTMENT TO DETERMINE THE CORRECT FORKS APPLICABLE TO YOUR SPECIFIC CARRIAGE ASSEMBLY AND APPLICATION.</p>	

SECTION 3 - ATTACHMENTS

FIGURE 3-26. PALLET FORK (2.25X6X96)



ART_100119049-0

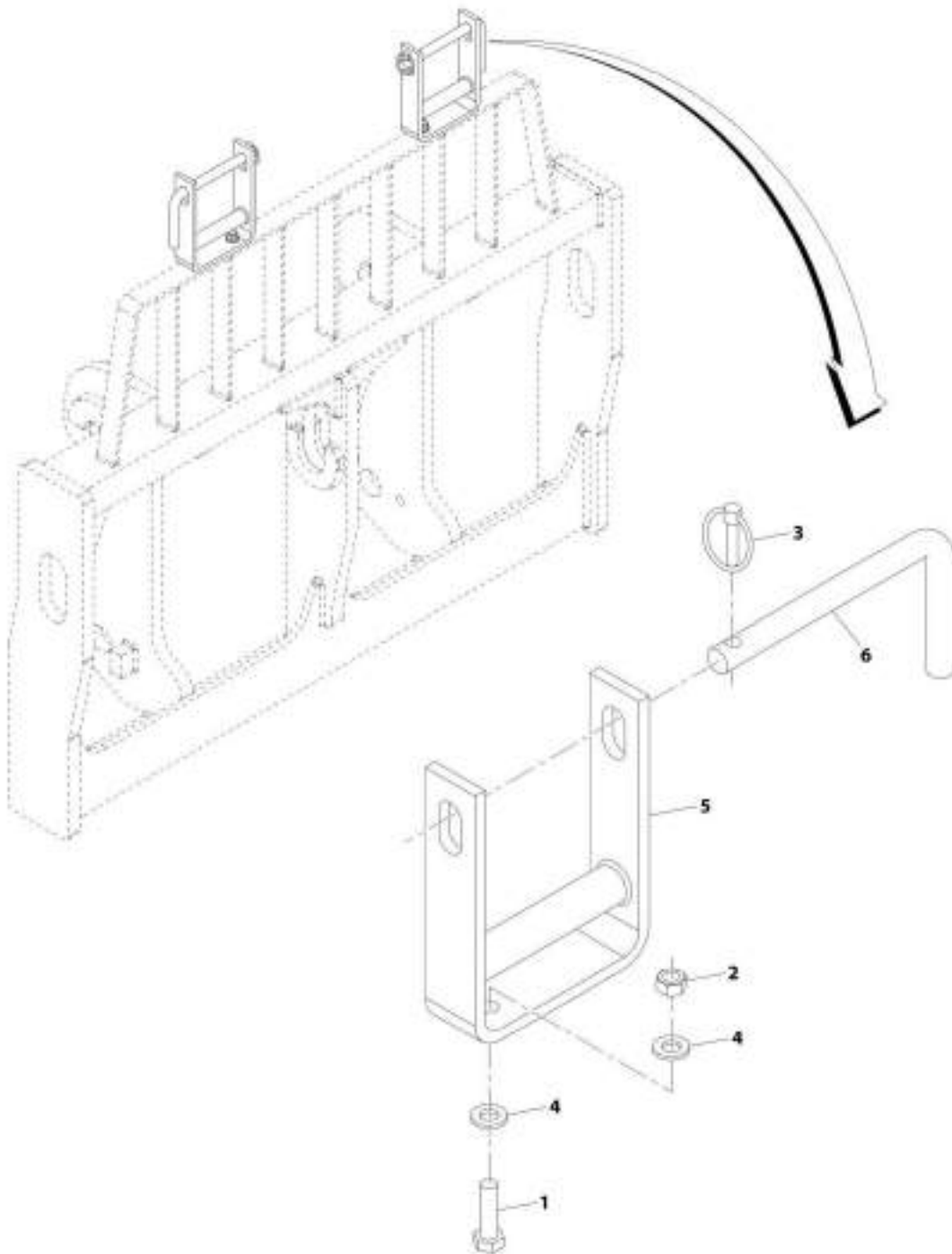
SECTION 3 - ATTACHMENTS

FIGURE 3-26. PALLET FORK (2.25X6X96)

ITEM	PART NUMBER	QTY	DESCRIPTION	REV
1	1001196949 70027180 Note	1 1 2 Ref	Pallet Fork (2.25X6X96) Screw, M16X30 FORKS RATED LESS THAN THE ATTACHMENT OR MACHINE'S CAPACITY DECREASES CAPACITY OF THE ATTACHMENT OR MACHINE TO THAT OF THE FORKS. FORKS RATED MORE THAN THE ATTACHMENT OR MACHINE'S CAPACITY DO NOT INCREASE ATTACHMENT OR MACHINE'S CAPACITY.	B
	Note	Ref	PLEASE CONSULT JLG PARTS DEPARTMENT TO DETERMINE THE CORRECT FORKS APPLICABLE TO YOUR SPECIFIC CARRIAGE ASSEMBLY AND APPLICATION.	

SECTION 3 - ATTACHMENTS

FIGURE 3-27. FORK RETENTION INSTALLATION



ARE_100190718-C

SECTION 3 - ATTACHMENTS

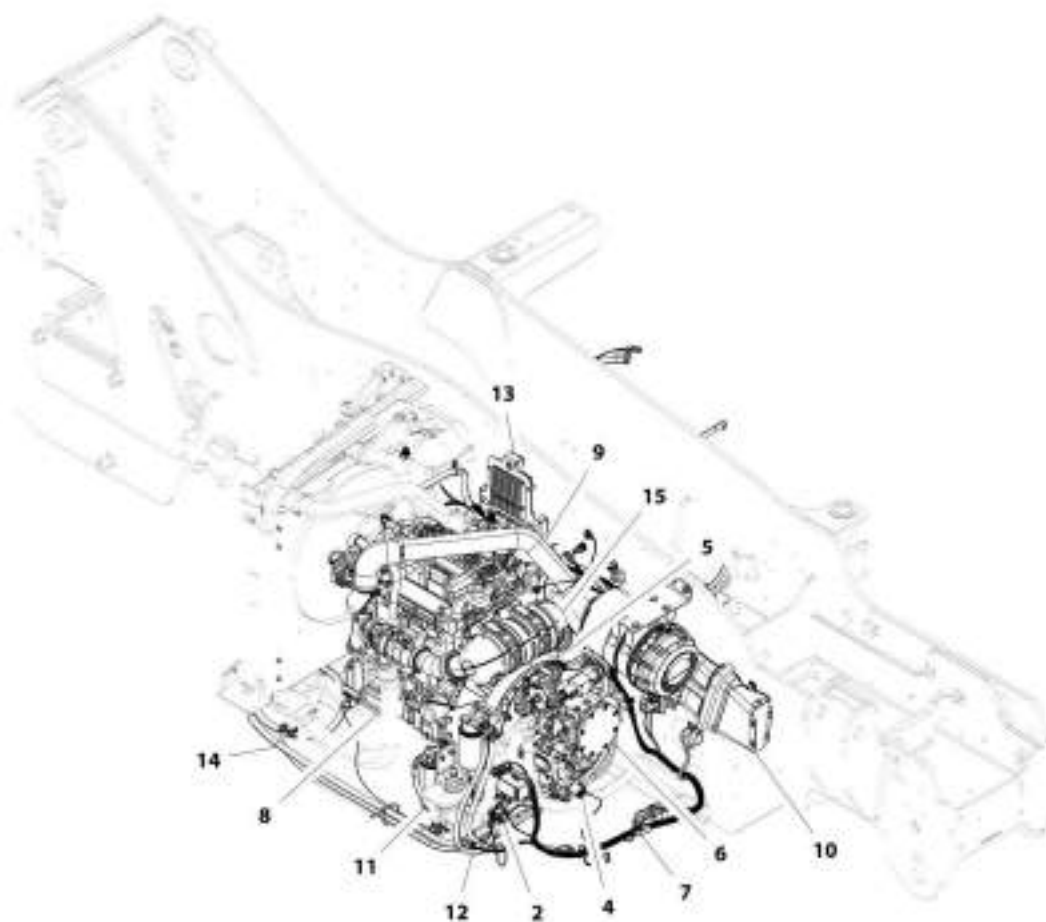
FIGURE 3-27. FORK RETENTION INSTALLATION

ITEM	PART NUMBER	QTY	DESCRIPTION	REV
	1001196778	Ref	Fork Retention Installation	C
	0761217	1	Bolt, M12X45	
	3291201	1	Nut, M12X1.75	
	1001109387	1	Pin, Linch	
	5241200	2	Washer, M12	
	1001196779	1	Bracket, Fork Retention	
	1001196782	1	Pin, Fork Retention	

SECTION 4 - ENGINE AND ATTACHING PARTS

SECTION 4 - ENGINE AND ATTACHING PARTS

FIGURE 4-1. ENGINE POD COMPONENT INSTALLATION (ULS)



ART_1801306443-D

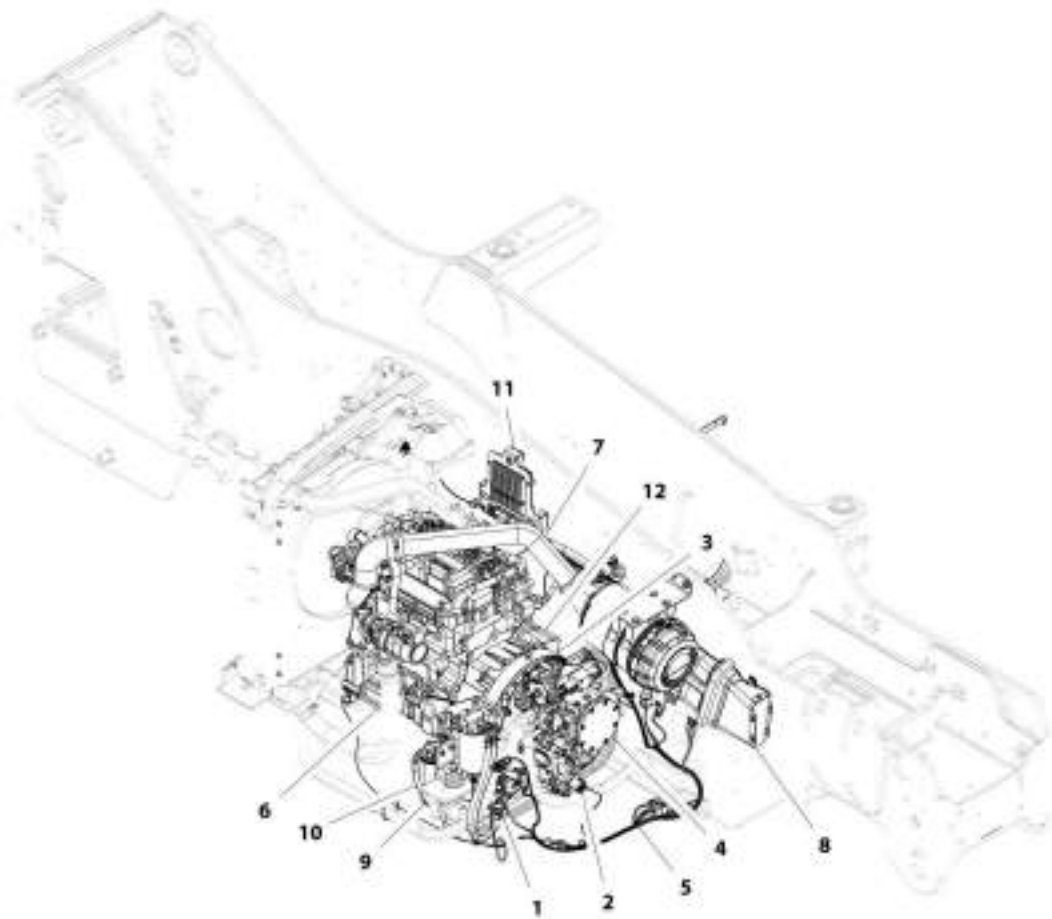
SECTION 4 - ENGINE AND ATTACHING PARTS

FIGURE 4-1. ENGINE POD COMPONENT INSTALLATION (ULS)

ITEM	PART NUMBER	QTY	DESCRIPTION	REV
	1001200443	Ref	Engine Pod Component Installation (ULS)	D
2	1001221041	1	Installation, Remote Fuel Pump (See Seperate Breakdown in this Section)	
4	1001193393	1	Installation, Implement Pump (See Seperate Breakdown in this Section)	
5	1001193703	1	Installation, Hydrostatic Adaptor (See Seperate Breakdown in this Section)	
6	1001193704	1	Installation, Hydrostatic Drive Pump (See Seperate Breakdown in this Section)	
7	1001200106	1	Installation, Engine Wiring (See Seperate Breakdown in Electrical Section)	
8	1001200862	1	Installation, Engine Mount (See Seperate Breakdown in this Section)	
9	1001200863	1	Installation, Air Intake (See Seperate Breakdown in this Section)	
10	1001200864	1	Installation, Air Cleaner (See Seperate Breakdown in this Section)	
11	1001200865	1	Installation, Primary Fuel Filter (See Seperate Breakdown in this Section)	
12	1001200866	1	Installation, Fuel Lines (See Seperate Breakdown in this Section)	
13	1001200869	1	Installation, Engine ECU (See Seperate Breakdown in Electrical Section)	
14	1001201298	1	Installation, DEF Coolant Lines (See Seperate Breakdown in this Section)	
15	1001201425	1	Installation, Engine (See Seperate Breakdown in this Section)	

SECTION 4 - ENGINE AND ATTACHING PARTS

FIGURE 4-2. ENGINE POD COMPONENT INSTALLATION (LS)



ART_1801200446-A

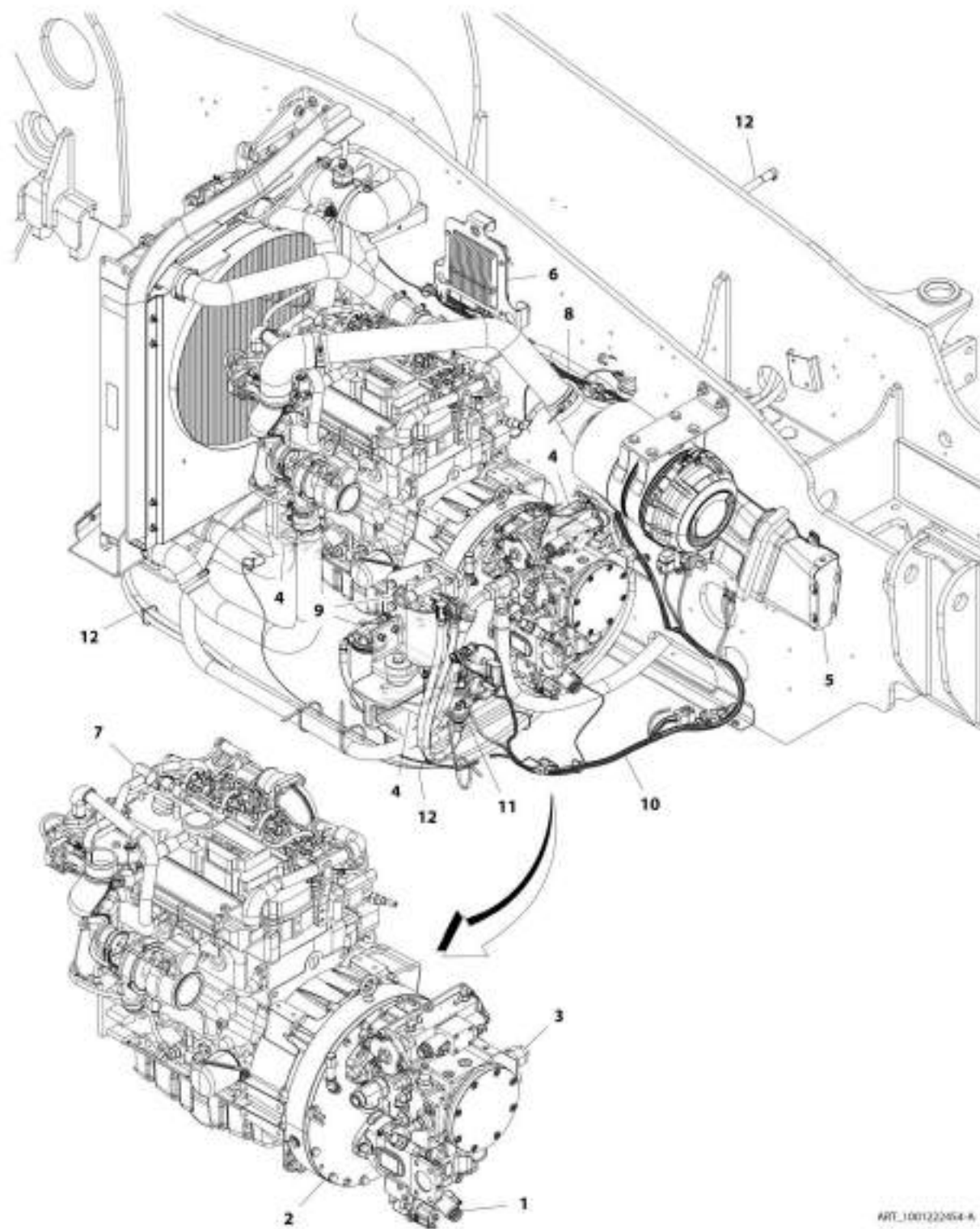
SECTION 4 - ENGINE AND ATTACHING PARTS

FIGURE 4-2. ENGINE POD COMPONENT INSTALLATION (LS)

ITEM	PART NUMBER	QTY	DESCRIPTION	REV
	1001200444	Ref	Engine Pod Component Installation (LS - no High Ambient)	A
1	1001221041	1	Installation, Remote Fuel Pump (See Seperate Breakdown in this Section)	
2	1001193393	1	Installation, Implement Pump (See Seperate Breakdown in this Section)	
3	1001193703	1	Installation, Hydrostatic Adaptor (See Seperate Breakdown in this Section)	
4	1001193704	1	Installation, Hydrostatic Drive Pump (See Seperate Breakdown in this Section)	
5	1001217752	1	Installation, Engine Wiring (See Seperate Breakdown in Electrical Section)	
6	1001200862	1	Installation, Engine Mount (See Seperate Breakdown in this Section)	
7	1001210600	1	Installation, Air Intake (See Seperate Breakdown in this Section)	
8	1001200864	1	Installation, Air Cleaner (See Seperate Breakdown in this Section)	
9	1001210602	1	Installation, Primary Fuel Filter (See Seperate Breakdown in this Section)	
10	1001210601	1	Installation, Fuel Lines (See Seperate Breakdown in this Section)	
11	1001200869	1	Installation, Engine ECU (See Seperate Breakdown in Electrical Section)	
12	1001209585	1	Installation, Engine (See Seperate Breakdown in this Section)	

SECTION 4 - ENGINE AND ATTACHING PARTS

FIGURE 4-3. ENGINE INSTALLATION (LS)



ART_100122454-R

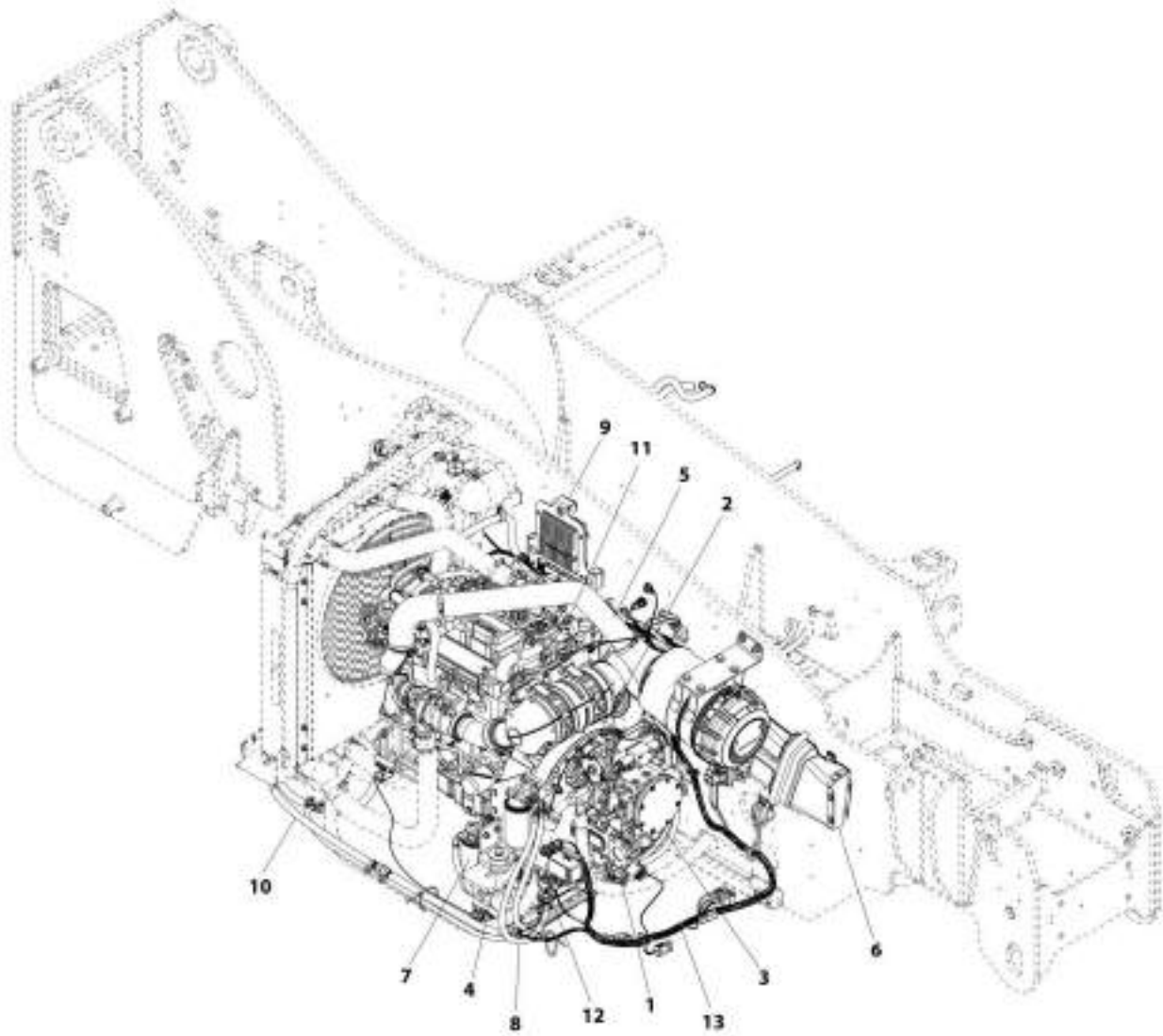
SECTION 4 - ENGINE AND ATTACHING PARTS

FIGURE 4-3. ENGINE INSTALLATION (LS)

ITEM	PART NUMBER	QTY	DESCRIPTION	REV
1	1001222454	Ref	Engine Installation (LS)	A
	1001193393	Ref	Installation, Main Hydraulic Pump (See Separate Breakdown in Hydraulic Circuits Section)	
2	1001193703	Ref	Installation, Transmission Hydrostatic Adapter (See Separate Breakdown in this Section)	
3	1001193704	Ref	Installation, Transmission Hydrostatic Drive Pump (See Separate Breakdown in this Section)	
4	1001200862	Ref	Installation, Engine Mounting (See Separate Breakdown in this Section)	
5	1001200864	Ref	Installation, Air Cleaner (See Separate Breakdown in this Section)	
6	1001200869	Ref	Installation, Engine ECU (See Separate Breakdown in Electrical Section)	
7	1001209585	Ref	Engine (LS) (See Separate Breakdown in this Section)	
8	1001210600	Ref	Installation, Air Intake Lines (LS) (See Separate Breakdown in this Section)	
9	1001210602	Ref	Installation, Primary Fuel Filter (LS) (See Separate Breakdown in this Section)	
10	1001217752	Ref	Installation, Engine Wiring (LS) (See Separate Breakdown in Electrical Section)	
11	1001221041	Ref	Installation, Remote Fuel Pump (See Separate Breakdown in this Section)	
12	1001222163	Ref	Installation, Fuel Lines (See Separate Breakdown in this Section)	

SECTION 4 - ENGINE AND ATTACHING PARTS

FIGURE 4-4. ENGINE POD COMPONENT INSTALLATION (MINING) (ULS)



ART_1001226727-A

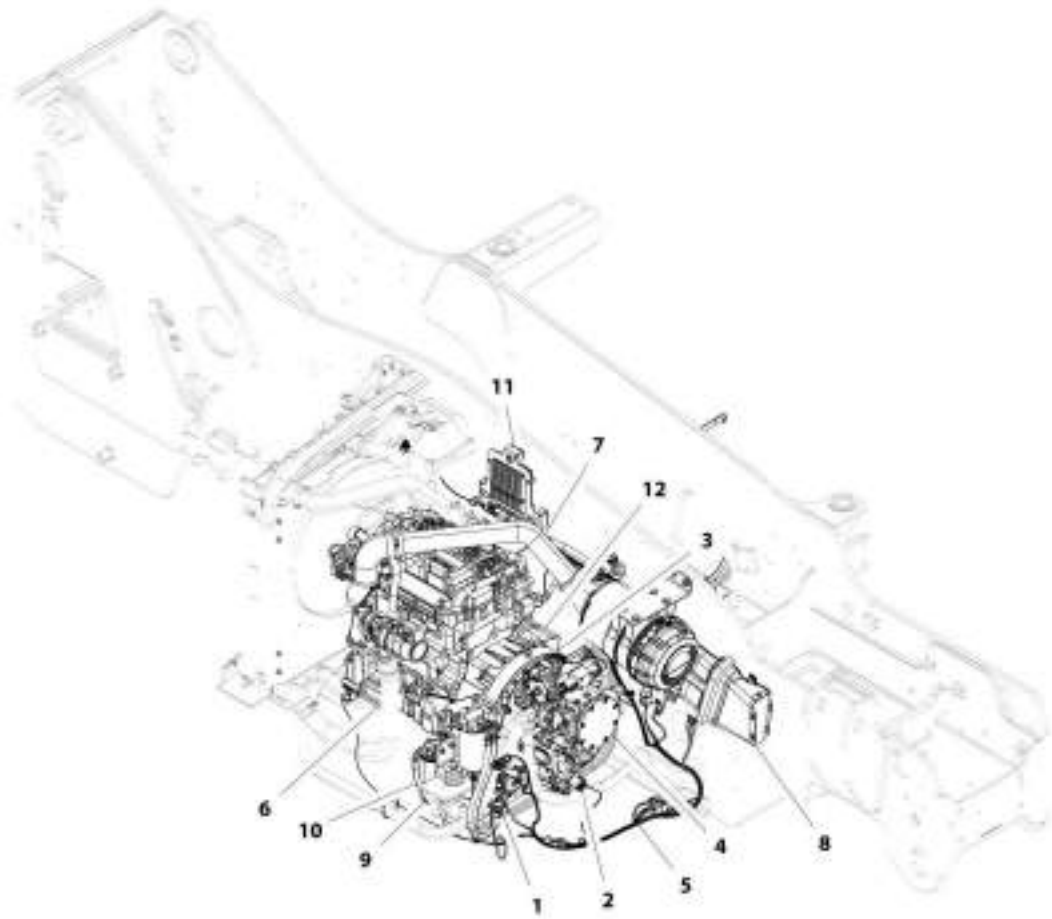
SECTION 4 - ENGINE AND ATTACHING PARTS

FIGURE 4-4. ENGINE POD COMPONENT INSTALLATION (MINING) (ULS)

ITEM	PART NUMBER	QTY	DESCRIPTION	REV
	1001228727	Ref	Engine Pod Component Installation (Mining) (ULS)	A
1	1001193393	1	Installation, Implement Pump (See Seperate Breakdown in this Section)	
2	1001193703	1	Installation, Hydrostatic Adaptor (See Seperate Breakdown in this Section)	
3	1001193704	1	Installation, Hydrostatic Drive Pump (See Seperate Breakdown in this Section)	
4	1001200862	1	Installation, Engine Mount (See Seperate Breakdown in this Section)	
5	1001200863	1	Installation, Air Intake (See Seperate Breakdown in this Section)	
6	1001200864	1	Installation, Air Cleaner (See Seperate Breakdown in this Section)	
7	1001200865	1	Installation, Primary Fuel Filter (See Seperate Breakdown in this Section)	
8	1001200866	1	Installation, Fuel Lines (See Seperate Breakdown in this Section)	
9	1001200869	1	Installation, Engine ECU (See Seperate Breakdown in Electrical Section)	
10	1001201298	1	Installation, DEF Coolant Lines (See Seperate Breakdown in this Section)	
11	1001201425	1	Installation, Engine (See Seperate Breakdown in this Section)	
12	1001221041	1	Installation, Remote Fuel Pump (See Seperate Breakdown in this Section)	
13	1001228728	1	Installation, Engine Wiring (See Seperate Breakdown in Electrical Section)	

SECTION 4 - ENGINE AND ATTACHING PARTS

FIGURE 4-5. ENGINE POD COMPONENT INSTALLATION (MINING) (LS)



ART_1801228734-A

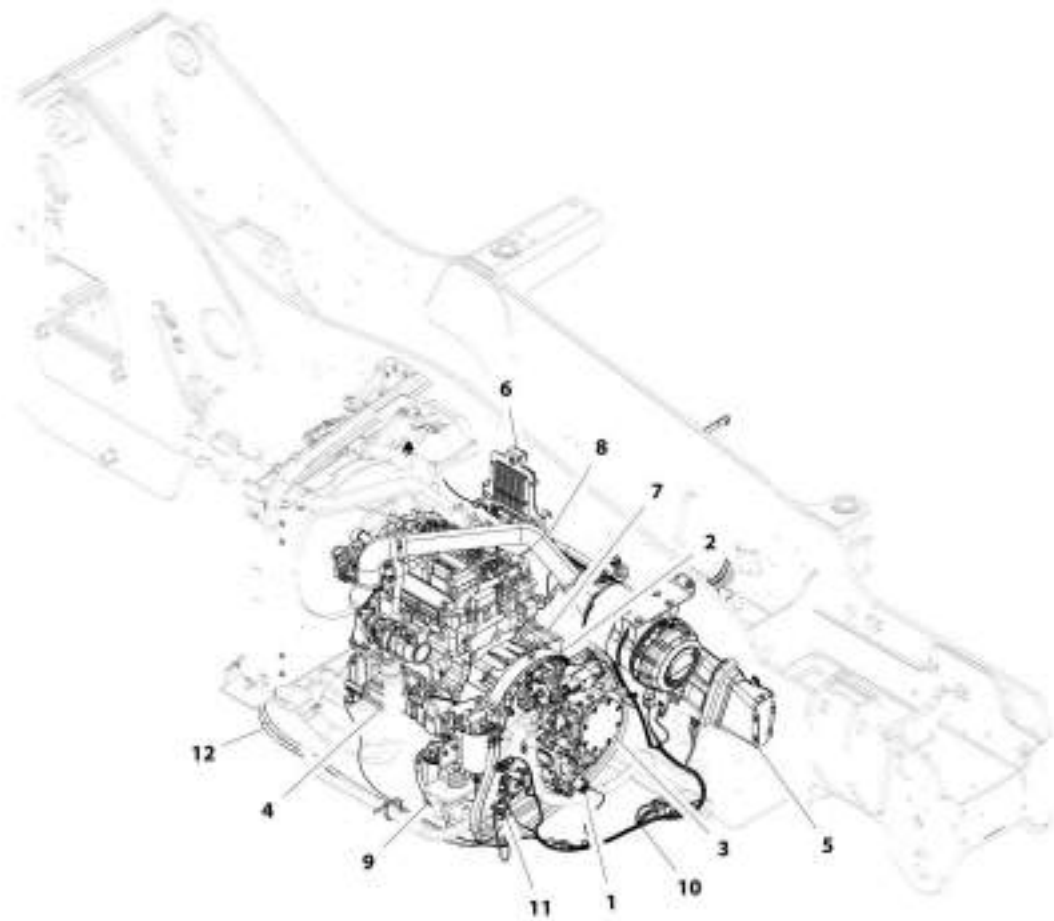
SECTION 4 - ENGINE AND ATTACHING PARTS

FIGURE 4-5. ENGINE POD COMPONENT INSTALLATION (MINING) (LS)

ITEM	PART NUMBER	QTY	DESCRIPTION	REV
	1001228734	Ref	Engine Pod Component Installation (Mining) (LS)	A
1	1001221041	1	Installation, Remote Fuel Pump (See Seperate Breakdown in this Section)	
2	1001193393	1	Installation, Implement Pump (See Seperate Breakdown in this Section)	
3	1001193703	1	Installation, Hydrostatic Adaptor (See Seperate Breakdown in this Section)	
4	1001193704	1	Installation, Hydrostatic Drive Pump (See Seperate Breakdown in this Section)	
5	1001228735	1	Installation, Engine Wiring (See Seperate Breakdown in Electrical Section)	
6	1001200862	1	Installation, Engine Mount (See Seperate Breakdown in this Section)	
7	1001210600	1	Installation, Air Intake (See Seperate Breakdown in this Section)	
8	1001200864	1	Installation, Air Cleaner (See Seperate Breakdown in this Section)	
9	1001210602	1	Installation, Primary Fuel Filter (See Seperate Breakdown in this Section)	
10	1001210601	1	Installation, Fuel Lines (See Seperate Breakdown in this Section)	
11	1001200869	1	Installation, Engine ECU (See Seperate Breakdown in Electrical Section)	
12	1001209585	1	Installation, Engine (See Seperate Breakdown in this Section)	

SECTION 4 - ENGINE AND ATTACHING PARTS

FIGURE 4-6. ENGINE POD INSTALLATION (MINING) (LS - HIGH AMBIENT)



ART_180128732-A

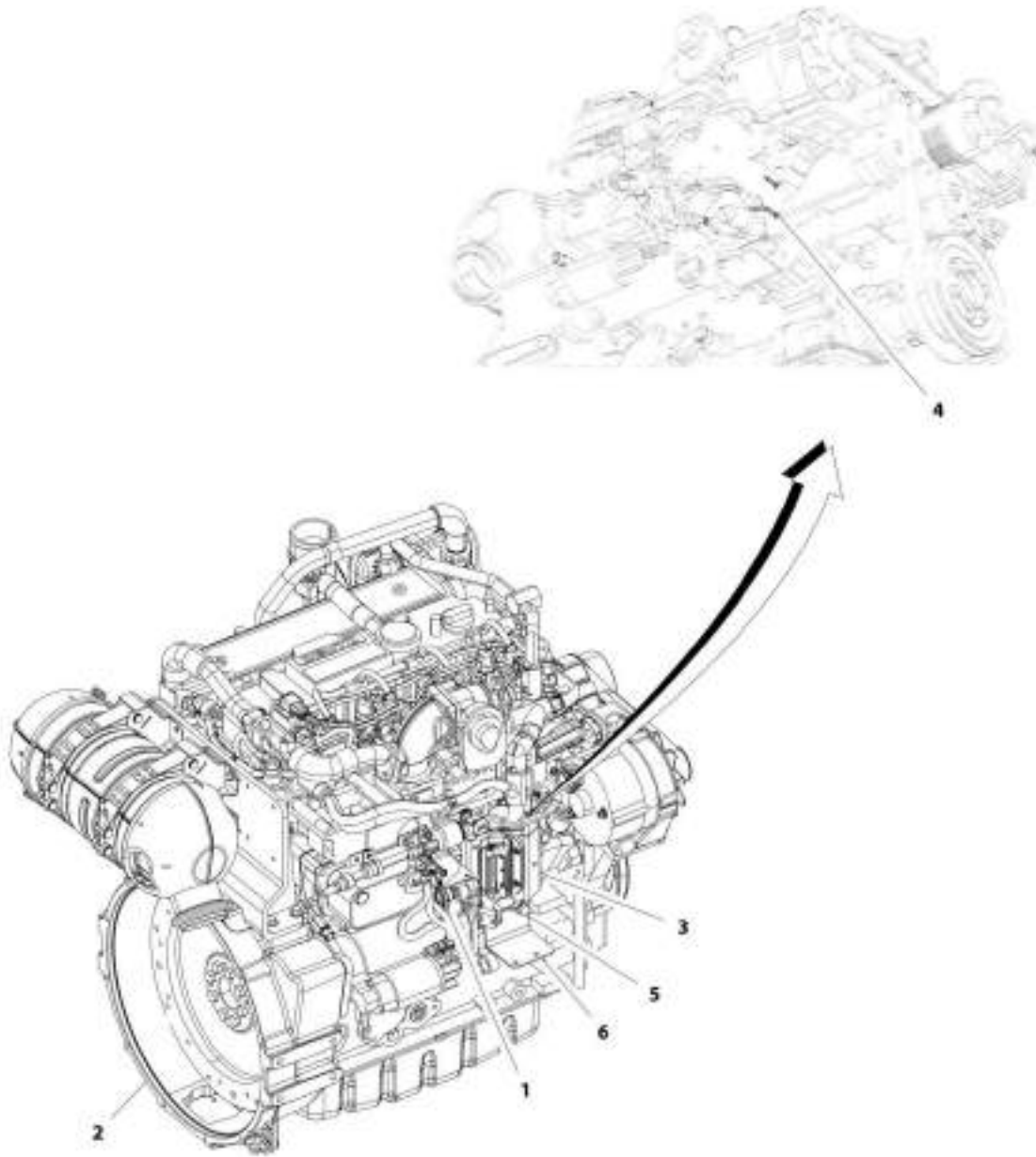
SECTION 4 - ENGINE AND ATTACHING PARTS

FIGURE 4-6. ENGINE POD INSTALLATION (MINING) (LS - HIGH AMBIENT)

ITEM	PART NUMBER	QTY	DESCRIPTION	REV
	1001228737	Ref	Engine Pod Component Installation (LS - High Ambient)	A
2	1001193393	1	Installation, Implement Pump (See Seperate Breakdown in this Section)	
3	1001193703	1	Installation, Hydrostatic Adaptor (See Seperate Breakdown in this Section)	
4	1001193704	1	Installation, Hydrostatic Drive Pump (See Seperate Breakdown in this Section)	
6	1001200862	1	Installation, Engine Mount (See Seperate Breakdown in this Section)	
8	1001200864	1	Installation, Air Cleaner (See Seperate Breakdown in this Section)	
11	1001200869	1	Installation, Engine ECU (See Seperate Breakdown in Electrical Section)	
12	1001209585	1	Installation, Engine (See Seperate Breakdown in this Section)	
7	1001210600	1	Installation, Air Intake (See Seperate Breakdown in this Section)	
9	1001210602	1	Installation, Primary Fuel Filter (See Seperate Breakdown in this Section)	
5	1001228735	1	Installation, Engine Wiring (See Seperate Breakdown in Electrical Section)	
1	1001221041	1	Installation, Remote Fuel Pump (See Seperate Breakdown in this Section)	
12	1001222163	1	Installation, Fuel Lines (See Seperate Breakdown in this Section)	

SECTION 4 - ENGINE AND ATTACHING PARTS

FIGURE 4-7. ENGINE INSTALLATION (ULS)



ART_1801301425-D

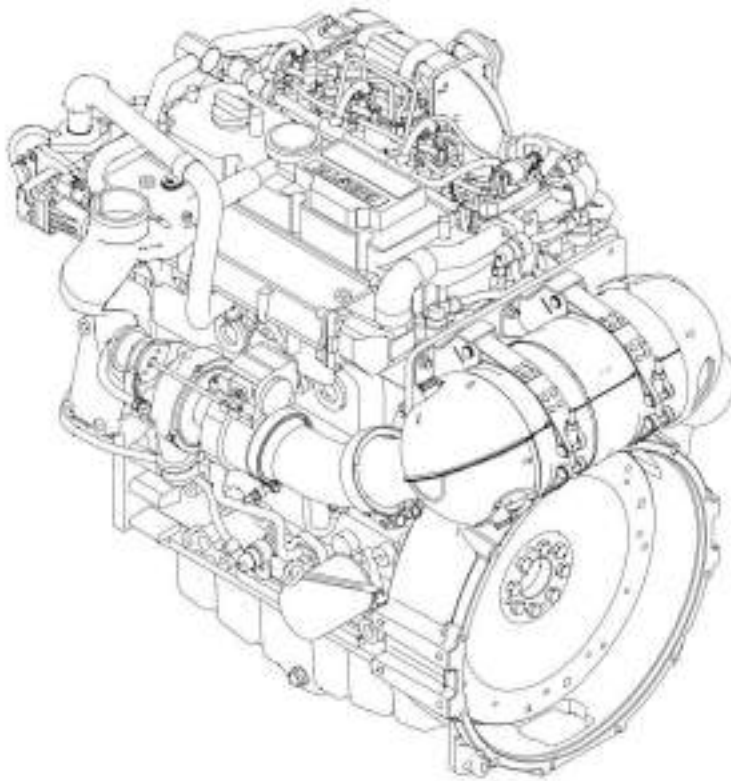
SECTION 4 - ENGINE AND ATTACHING PARTS

FIGURE 4-7. ENGINE INSTALLATION (ULS)

ITEM	PART NUMBER	QTY	DESCRIPTION	REV
	1001201425	Ref	Engine Installation (ULS)	D
1	1001004720	4	Strap, Cable	
2	1001197414	1	Engine (See Seperate breakdown in this Section)	
3	1001202901	1	Bracket, ECU Connector	
4	1001008559	2	Strap, Cable	
5	5251012	2	Bolt, M10X25	
6	1001222460	1	Bracket, Fuel Supply	

SECTION 4 - ENGINE AND ATTACHING PARTS

FIGURE 4-8. ENGINE (100KW - ULS)



AWT_3001197414-1

SECTION 4 - ENGINE AND ATTACHING PARTS

FIGURE 4-8. ENGINE (100KW - ULS)

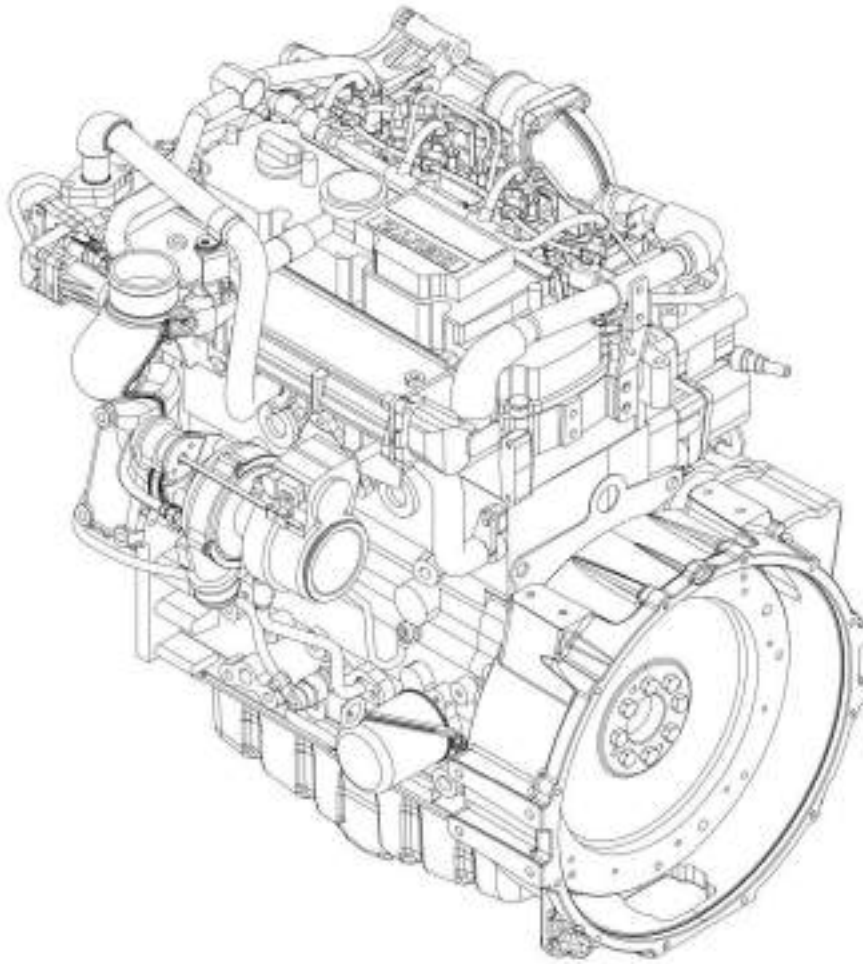
ITEM	PART NUMBER	QTY	DESCRIPTION	REV
	1001197414	Ref	Engine (100kW - ULS)	I
	70027657	1	Dipstick	
	7020442	1	O-Ring	
	70025755	1	Tube, Dipstick	
	70025765	1	Pan, Oil	
	70025786	1	Plug	
	70025757	1	Flywheel	
	7020208	1	Gear, Ring	
	70126616	1	Bearing	
	70027567	1	Belt	
	70025737	1	Sensor, Wheel	
	70025743	1	Pulley, V-Groove	
	70124445	1	Crankcase	
	70025763	1	Pump, Oil	
	70024494	1	Cooler, Oil	
	70024495	1	Gasket	
	7016331	1	Filter, Oil	
	70024504	1	Sensor, Pressure	
	70024489	1	Line, Lube	
	70005490	1	Line, Return	
	70005730	1	Pipe, Transfer	
	70025722	1	Line, Oil Suction	
	70024487	1	Pump, Fuel Injector	
	70027417	1	Filter, Fuel (Secondary)	
	70004512	1	Element, Fuel Filter (Secondary)	
	70024961	1	Filter, Fuel (Primary)	
	70025153	1	Element, Fuel Filter (Primary)	
	70006144	1	Pump, Fuel	
	70024507	1	Sensor, Pressure	
	70005492	1	Valve, Throttle	
	70025772	1	Manifold, Air Charge	
	70005495	1	Module, Engine Control	
	70026011	1	Pump, Water	
	70025775	1	Pulley, V-Ribbed Belt	
	70024918	1	Sensor, Temperature	
	70024493	1	Gasket	
	70005504	1	Sensor, Pressure	
	70005505	1	O-Ring	
	70027405	2	Sensor, Temperature	
	70005507	2	O-Ring	
	70005510	1	Manifold, Exhaust	
	70005511	1	Gasket	
	70027426	1	Module, EGR	
	70005513	1	Valve, Control	
	70025768	1	Valve, Shuttle	
	70028417	1	Turbocharger	
	70024484	1	Roller, Idler	
	70028418	1	Tensioner, Belt	
	70028419	1	Belt, V-Ribbed	
	70027404	1	Alternator	

SECTION 4 - ENGINE AND ATTACHING PARTS

ITEM	PART NUMBER	QTY	DESCRIPTION	REV
	70025535	1	Starter	
	70025780	1	Relay	
	70026210	1	Sensor, Speed	
	70005191	1	O-Ring	
	70025761	1	Connector	
	70024474	1	Plug, Glow	
	70025760	1	Rail, Connecting	
	70005544	1	Unit, Metering	
	70005548	1	Pump, DEF Supply	
	70005549	1	Filter, DEF	
	70005523	1	Sensor, Pressure	
	70024505	1	Sensor, Temperature	
	70005556	1	Sensor, Temperature	
	70005522	1	Sensor	
	70005524	1	Sensor	
	70005559	1	Sensor, Temperature	
	70005507	1	O-Ring	
	70005557	1	Pipe	
	70005558	1	Clip	
	70025877	3	Clamp	
	70025242	3	Gasket	
	70025707	1	Set, Gasket	

SECTION 4 - ENGINE AND ATTACHING PARTS

FIGURE 4-9. ENGINE (100KW - LS)



ANT_1001209585-G

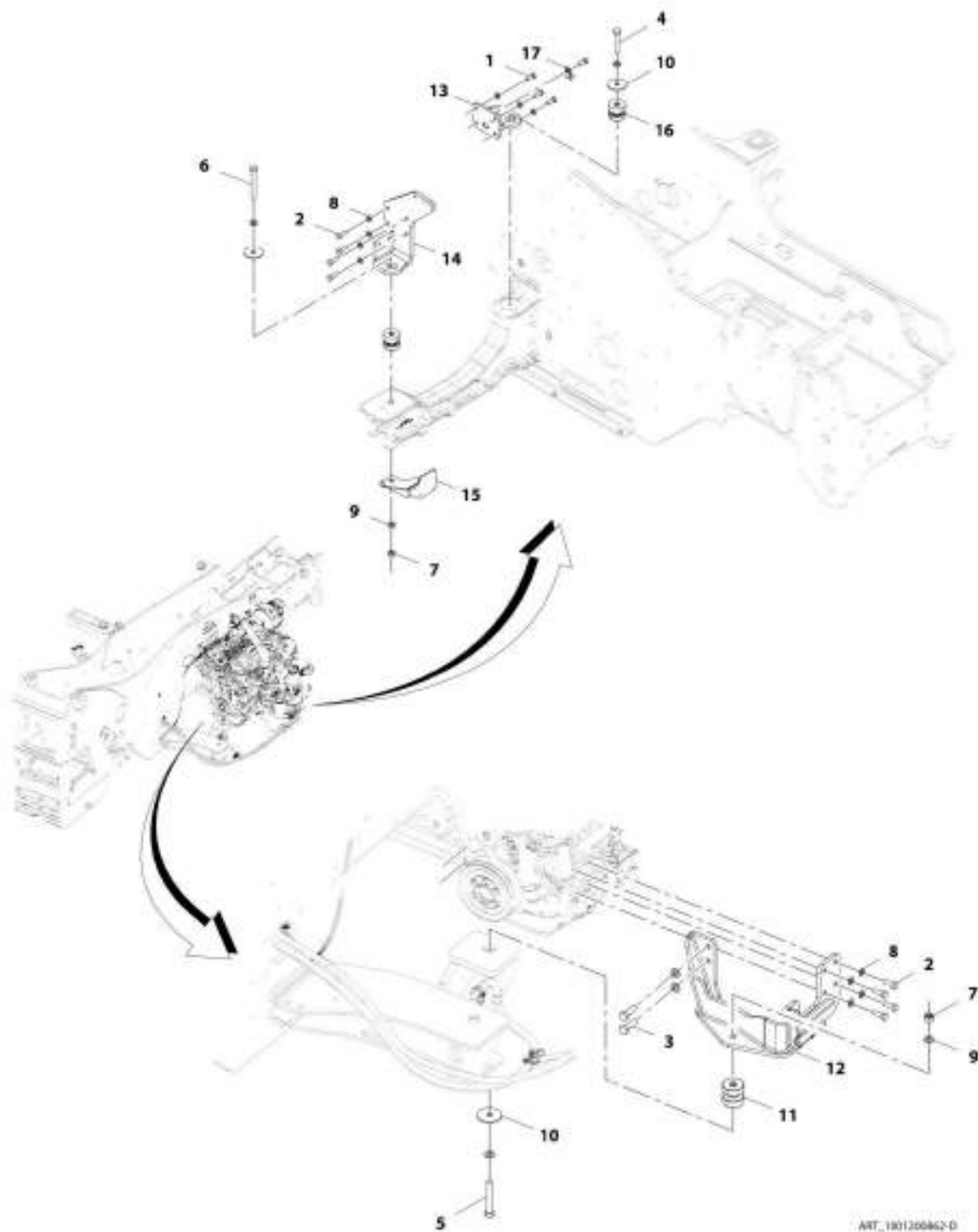
SECTION 4 - ENGINE AND ATTACHING PARTS

FIGURE 4-9. ENGINE (100KW - LS)

ITEM	PART NUMBER	QTY	DESCRIPTION	REV
	1001209585	Ref	Engine (100kW - LS)	G
	70004512	1	Fuel Filter - Use 1001225432	
	70005174	1	Pump, Fuel - Use 1001226098	
	70005490	1	Line, Oil Return	
	70005492	1	Valve, Throttle	
	70005495	1	Unit, Control Programmed To Sn	
	70005504	1	Sensor, Pressure	
	70005505	1	Ring, Sealing	
	70005507	2	O-Seal	
	70024487	1	Fuel Inject Pump	
	70024489	1	Lubrication Oil Line	
	70024493	1	Gasket	
	70024494	1	Oil Cooler	
	70024495	1	Gasket	
	70024504	1	Oil Pressure Sensor - Use 70028538	
	70024507	1	Air Temperature Sensor	
	70024918	1	Temperature Sensor, Coolnt - Use 70028540	
	70024961	1	Fuel Prefilt Assembly, Prim (No Br)	
	70025153	1	Fuel Element Prime - Use 1001225430	
	70025722	1	Oil Suction Line	
	70025730	1	Transfer Pipe	
	70025737	1	Sensor Wheel	
	70025743	1	V-Grooved Pulley	
	70025755	1	Guide Tube	
	70025757	1	Flywheel - Use 70028764	
	70025763	1	Oil Pump	
	70025765	1	Oil Pan	
	70025768	1	Shuttle Valve - Use 70028928	
	70025772	1	Charge Air Pipe - Use 70028927	
	70025775	1	V-Belt Pulley	
	70025786	24	Screw Plug	
	70026011	1	Water Pump	
	70027405	2	Temperature Sensor	
	70027417	1	Fuel Filter Assembly	
	70027567	1	Belt Pulley	
	70027657	1	Dipstick	
	70124445	1	Crankshaft - Use 70029365	
	70126616	1	Bearing Bush	
	7016331	1	Filter, Oil	
	7020208	1	Ring Gear (129 Teeth)	
	7020442	1	Dipstick O-Ring	

SECTION 4 - ENGINE AND ATTACHING PARTS

FIGURE 4-10. ENGINE MOUNT INSTALLATION



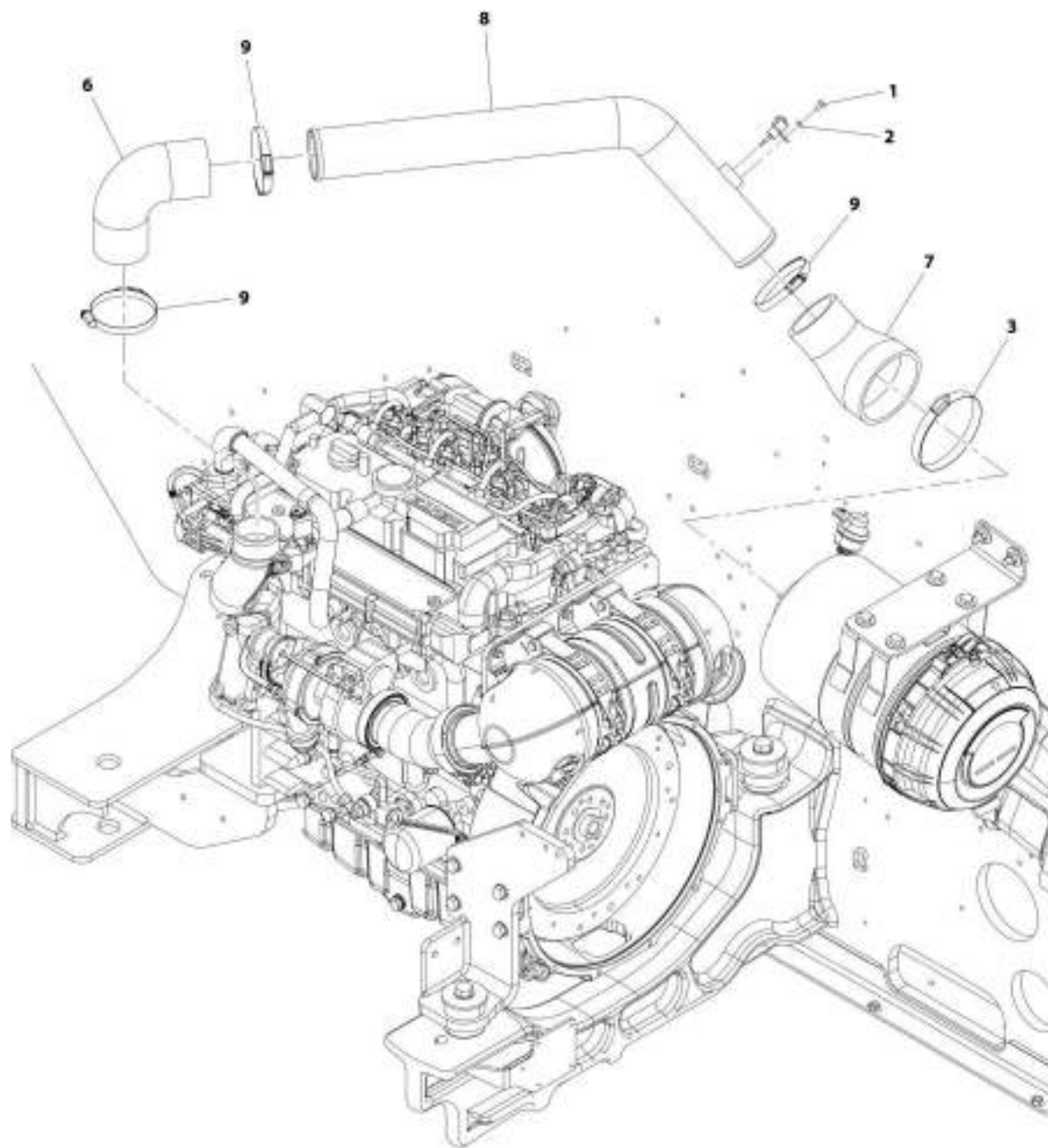
SECTION 4 - ENGINE AND ATTACHING PARTS

FIGURE 4-10. ENGINE MOUNT INSTALLATION

ITEM	PART NUMBER	QTY	DESCRIPTION	REV
	1001200862	Ref	Engine Mount Installation	D
1	0761214	4	Bolt, M12X30	
2	0761215	8	Bolt, M12X35	
3	0701618	2	Bolt M16 X 50	
4	0701626	1	Bolt, M16X90	
5	0701628	1	Bolt, M16X110	
6	0701630	1	Bolt, M16X130	
7	3291605	2	Nut, Lock M16X2	
8	4812100	11	Washer, M12	
9	4812300	7	Washer, M16	
10	7300435	3	Washer	
11	1001188757	1	Mount, Engine	
12	1001200871	1	Bracket, Engine Mount	
13	1001200872	1	Bracket, Engine Mount	
14	1001200873	1	Bracket, Engine Mount	
15	1001200874	1	Bracket, Fuel Pump	
16	1001197072	2	Mount, Engine	
17	8406105	1	Clip, Tube	

SECTION 4 - ENGINE AND ATTACHING PARTS

FIGURE 4-11. AIR INTAKE INSTALLATION (ULS)



ART_1001200863-B

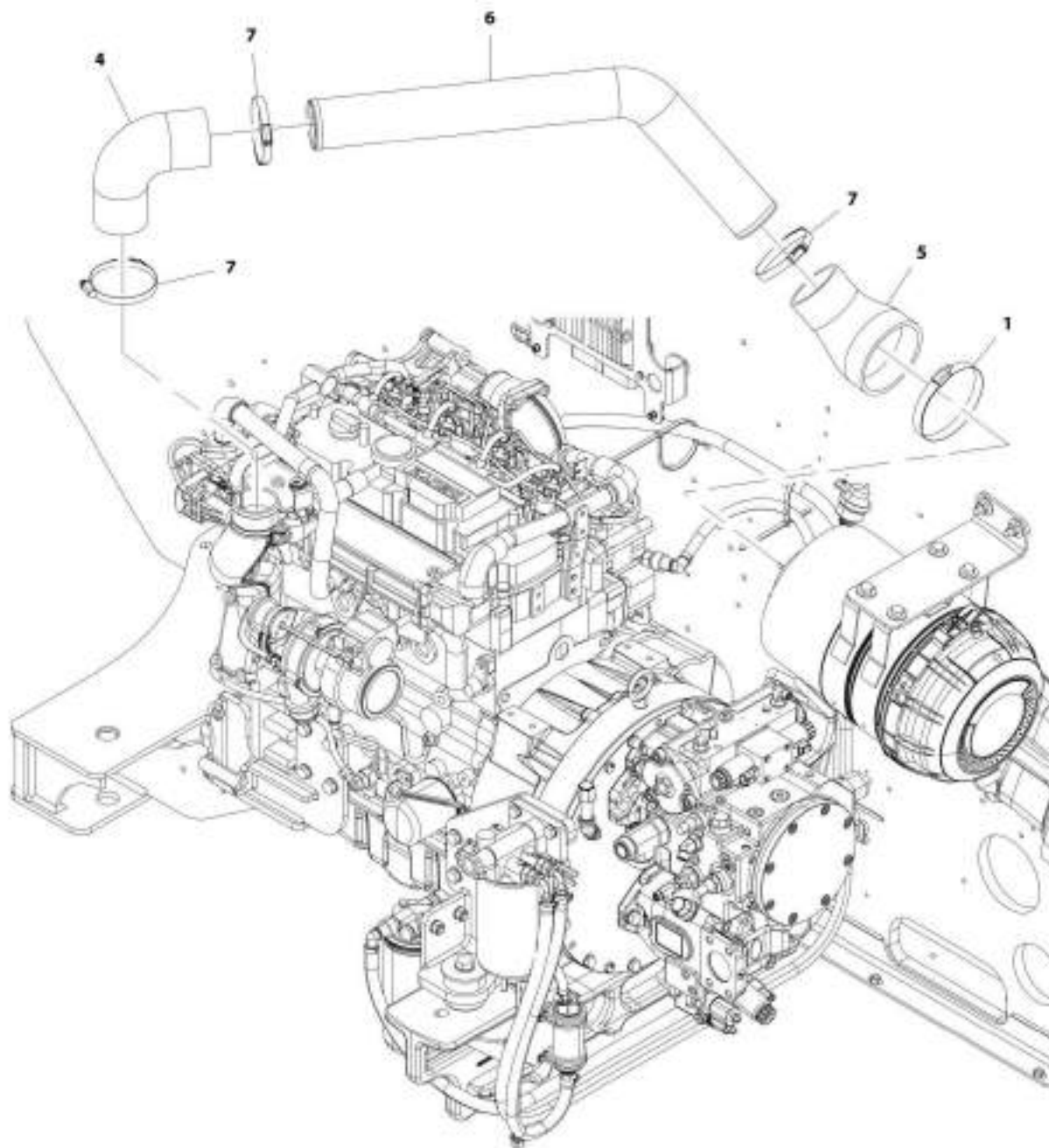
SECTION 4 - ENGINE AND ATTACHING PARTS

FIGURE 4-11. AIR INTAKE INSTALLATION (ULS)

ITEM	PART NUMBER	QTY	DESCRIPTION	REV
	1001200863	Ref	Air Intake Installation (ULS)	B
1	0760605	1	Bolt, M6X10	
2	4811700	1	Washer, M6	
3	8405402	1	Clamp	
6	1001182881	1	Hose	
7	1001200885	1	Hose	
8	1001200886	1	Tube	
9	1001226523	3	Clamp	

SECTION 4 - ENGINE AND ATTACHING PARTS

FIGURE 4-12. AIR INTAKE INSTALLATION (LS)



ART_3001210600-B

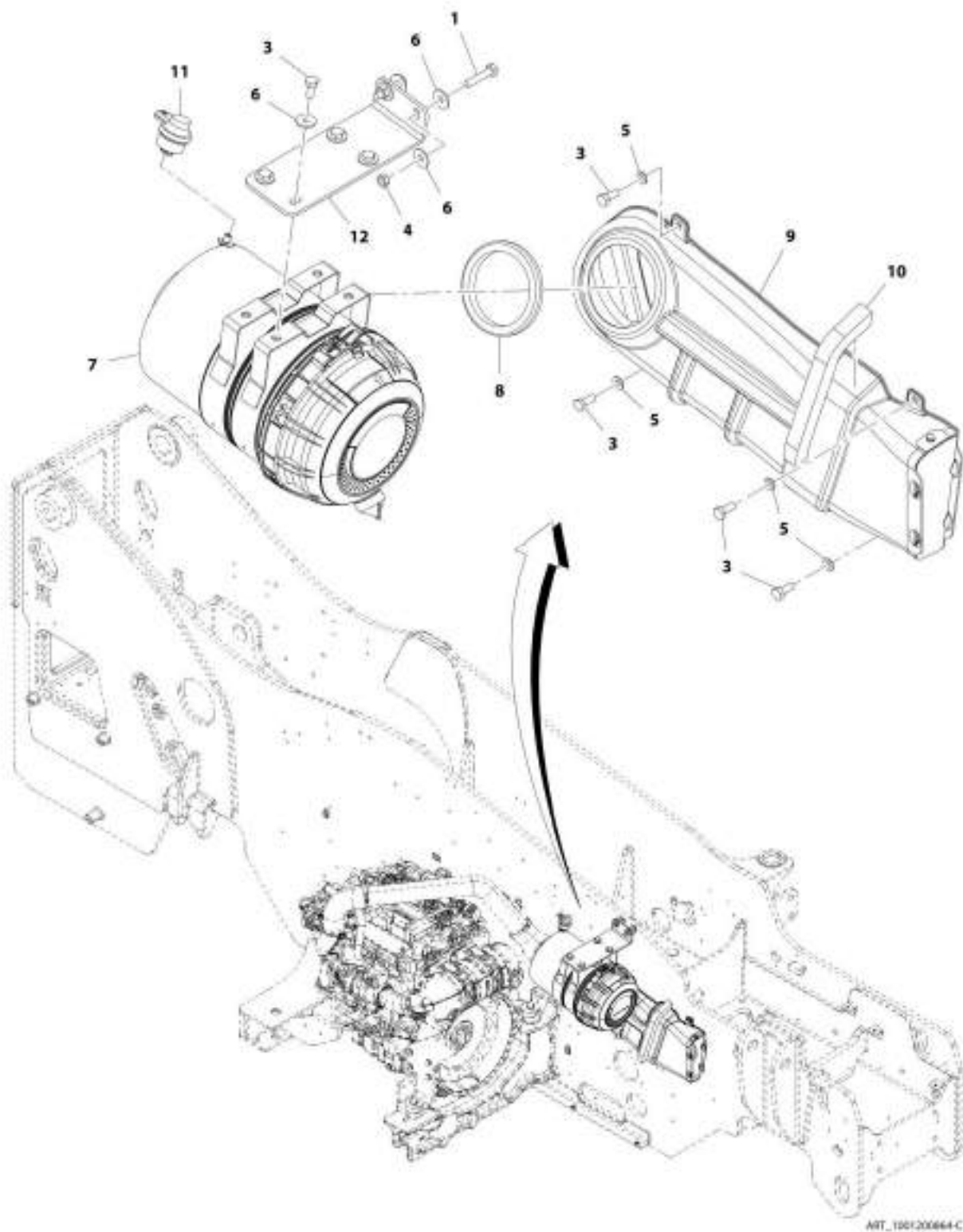
SECTION 4 - ENGINE AND ATTACHING PARTS

FIGURE 4-12. AIR INTAKE INSTALLATION (LS)

ITEM	PART NUMBER	QTY	DESCRIPTION	REV
	1001210600	Ref	Air Intake Installation (LS)	B
1	8405402	1	Clamp	
4	1001182881	1	Hose	
5	1001200885	1	Hose	
6	1001210603	1	Pipe	
7	1001226523	3	Clamp	

SECTION 4 - ENGINE AND ATTACHING PARTS

FIGURE 4-13. AIR CLEANER INSTALLATION



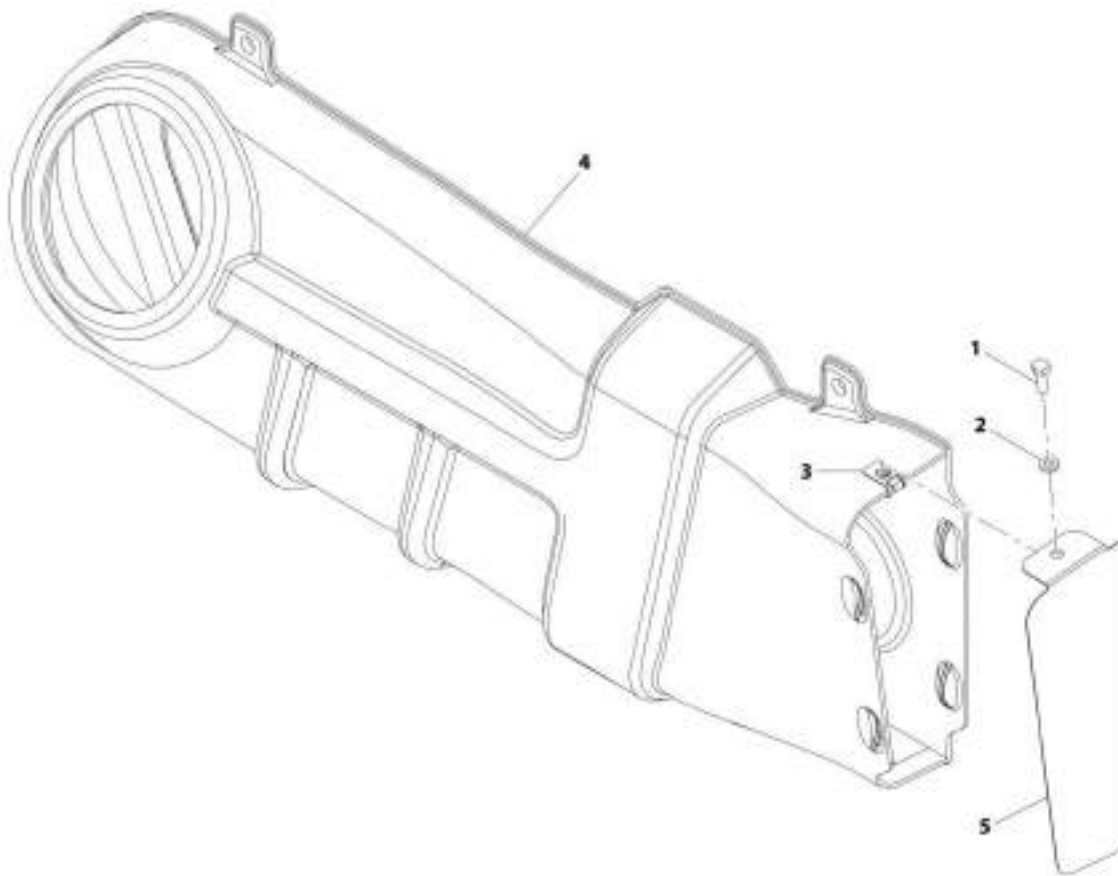
SECTION 4 - ENGINE AND ATTACHING PARTS

FIGURE 4-13. AIR CLEANER INSTALLATION

ITEM	PART NUMBER	QTY	DESCRIPTION	REV
	1001200864	Ref	Air Cleaner Installation	C
1	0701018	2	Bolt, M10X50	
3	0761012	8	Bolt, M10X25	
4	3291001	2	Nut, M10X1.5	
5	4812000	4	Washer, M10	
6	4812002	8	Washer, M10	
7	1001166565	1	Filter, Air Cleaner (See Seperate Breakdown in this Section)	
8	1001183831	1	Grommet	
9	1001183835	1	Air Intake Duct Installation (See Seperate Breakdown in this Section)	
10	1001186898	1	Seal	
11	1001166715	1	Indicator	
12	1001194534	1	Bracket, Air Cleaner Mount	

SECTION 4 - ENGINE AND ATTACHING PARTS

FIGURE 4-14. AIR INTAKE DUCT INSTALLATION



AHT_1001183825-C

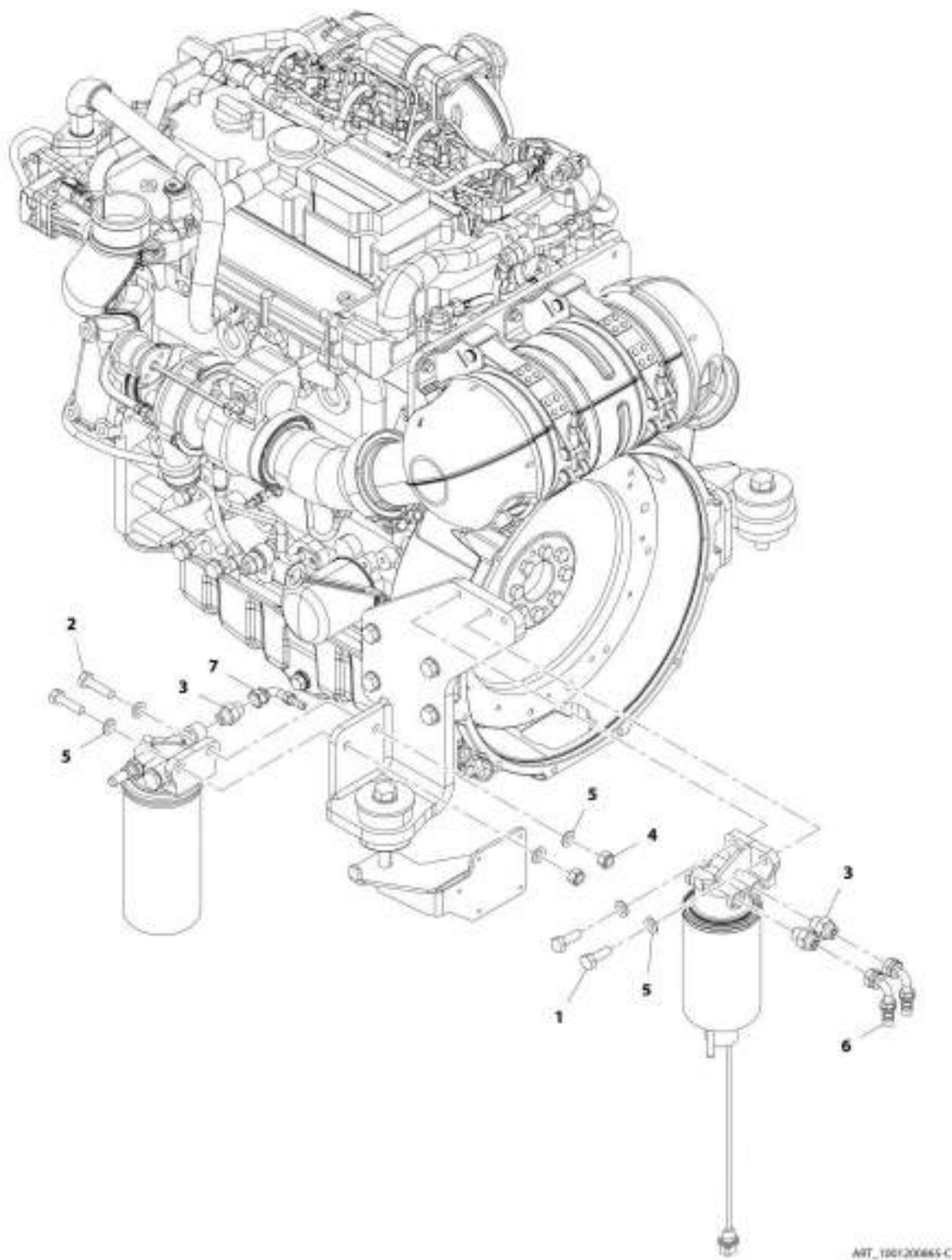
SECTION 4 - ENGINE AND ATTACHING PARTS

FIGURE 4-14. AIR INTAKE DUCT INSTALLATION

ITEM	PART NUMBER	QTY	DESCRIPTION	REV
	1001183835	Ref	Air Intake Duct Installation	C
1	0760608	1	Bolt, M6X16	
2	4811702	1	Washer, M6	
3	8305919	1	Nut	
4	1001183827	1	Duct	
5	1001183829	1	Plate	

SECTION 4 - ENGINE AND ATTACHING PARTS

FIGURE 4-15. PRIMARY FUEL FILTER INSTALLATION (ULS)



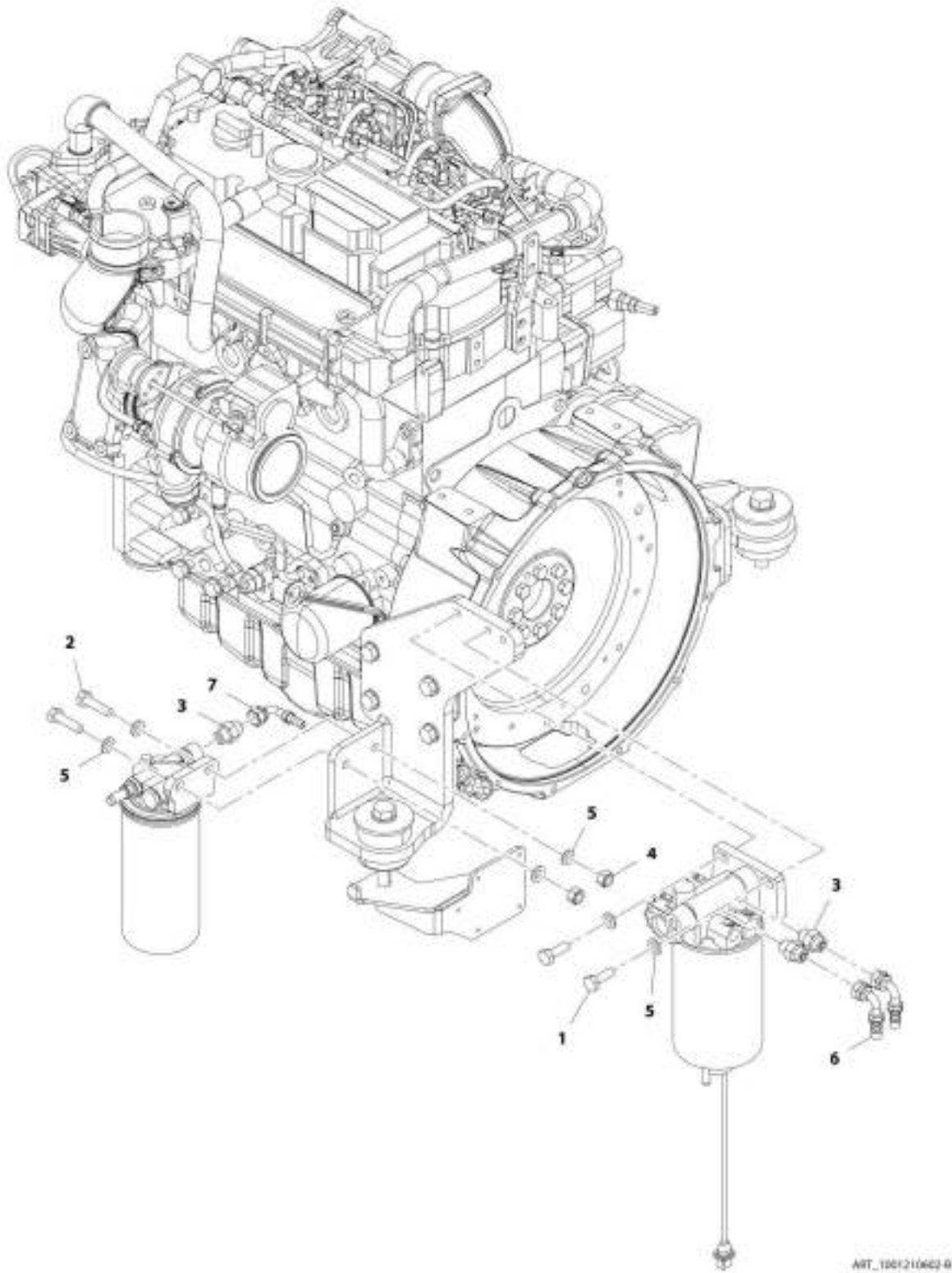
SECTION 4 - ENGINE AND ATTACHING PARTS

FIGURE 4-15. PRIMARY FUEL FILTER INSTALLATION (ULS)

ITEM	PART NUMBER	QTY	DESCRIPTION	REV
	1001200865	Ref	Primary Fuel Filter Installation	C
1	0701014	2	Bolt, M10X30	
2	0701016	2	Bolt, M10X40	
3	2144606	3	Fitting, Straight ORFS	
4	3291005	2	Nut, Lock M10X1.5	
5	4812000	6	Washer, M10	
6	1001095301	2	Fitting, 90 ORFS	
7	1001133793	1	Fitting, 90 ORFS	

SECTION 4 - ENGINE AND ATTACHING PARTS

FIGURE 4-16. PRIMARY FUEL FILTER INSTALLATION (LS)



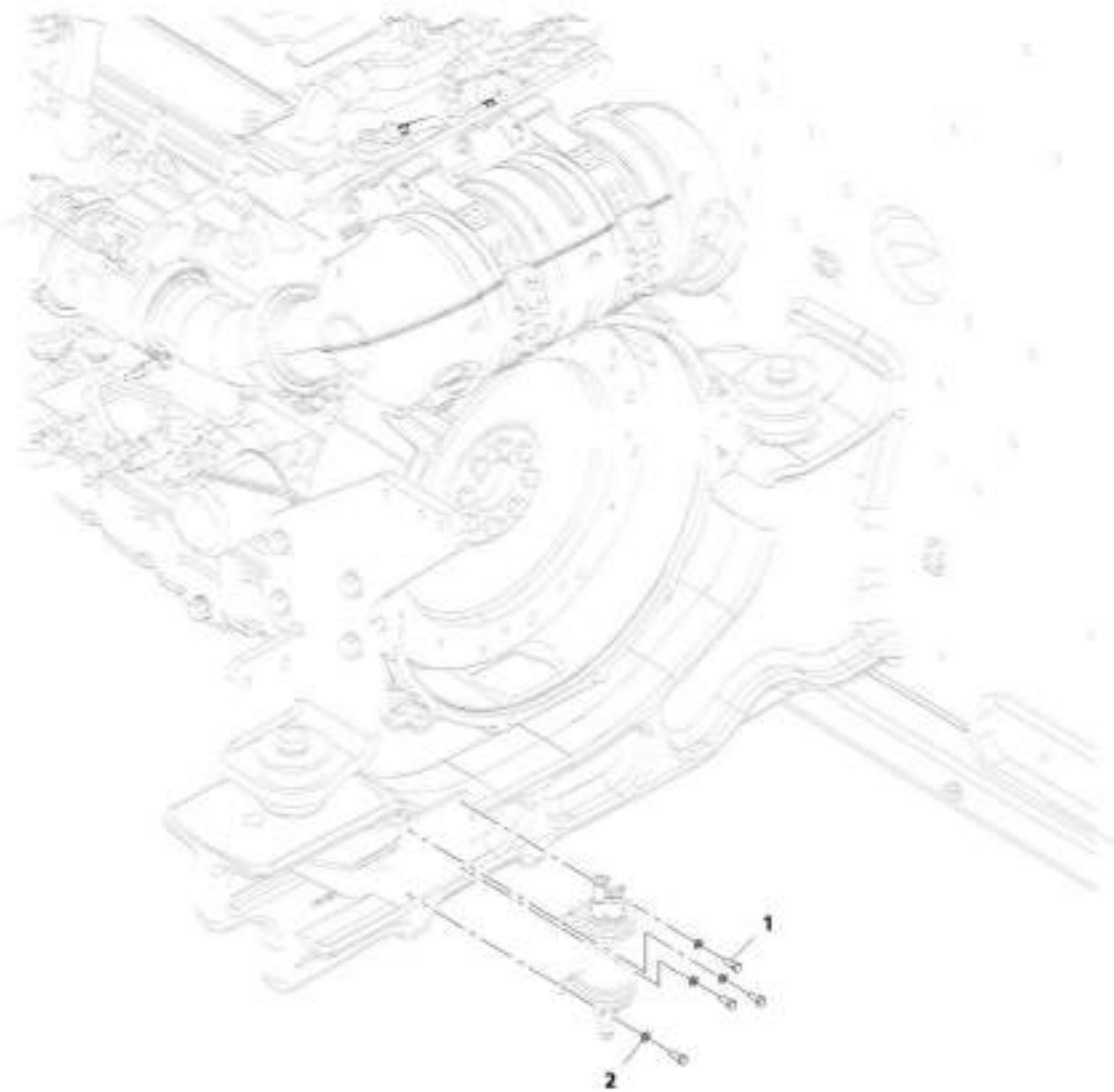
SECTION 4 - ENGINE AND ATTACHING PARTS

FIGURE 4-16. PRIMARY FUEL FILTER INSTALLATION (LS)

ITEM	PART NUMBER	QTY	DESCRIPTION	REV
	1001210602	Ref	Primary Fuel Filter Installation (LS)	B
1	0701014	2	Bolt, M10X30	
2	0701016	2	Bolt, M10X40	
3	2144606	3	Fitting, 90 ORFS	
4	3291005	2	Nut, Lock M10X1.5	
5	4812000	6	Washer, M10	
6	1001095301	2	Fitting, 90 ORFS	
7	1001133793	1	Fitting, 90 ORFS	

SECTION 4 - ENGINE AND ATTACHING PARTS

FIGURE 4-17. REMOTE FUEL PUMP INSTALLATION



ART_1801221341-B

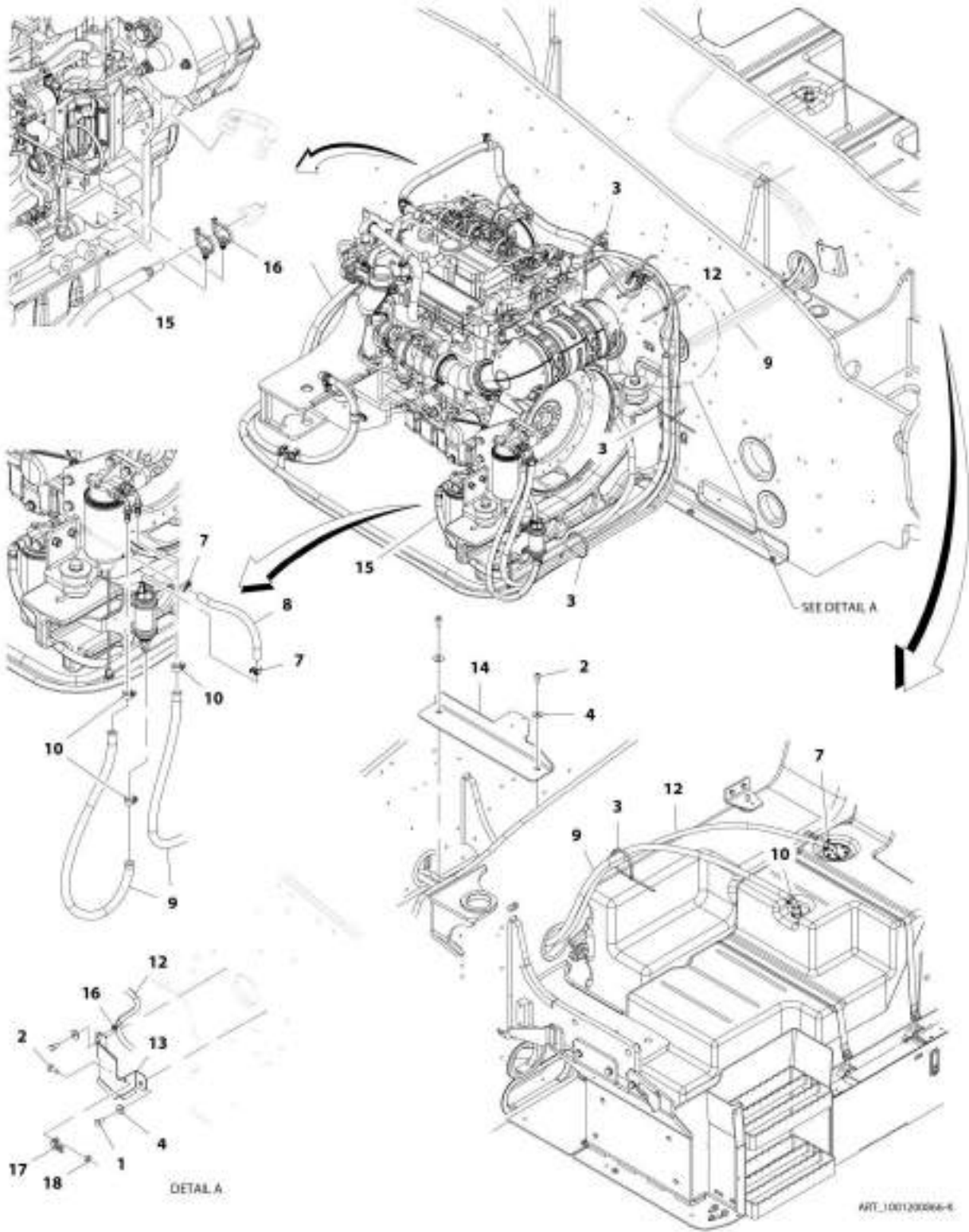
SECTION 4 - ENGINE AND ATTACHING PARTS

FIGURE 4-17. REMOTE FUEL PUMP INSTALLATION

ITEM	PART NUMBER	QTY	DESCRIPTION	REV
	1001221041	Ref	Remote Fuel Pump Installation	B
1	0760507	4	Bolt, M5X14	
2	4811600	4	Washer, M5	

SECTION 4 - ENGINE AND ATTACHING PARTS

FIGURE 4-18. FUEL LINES INSTALLATION



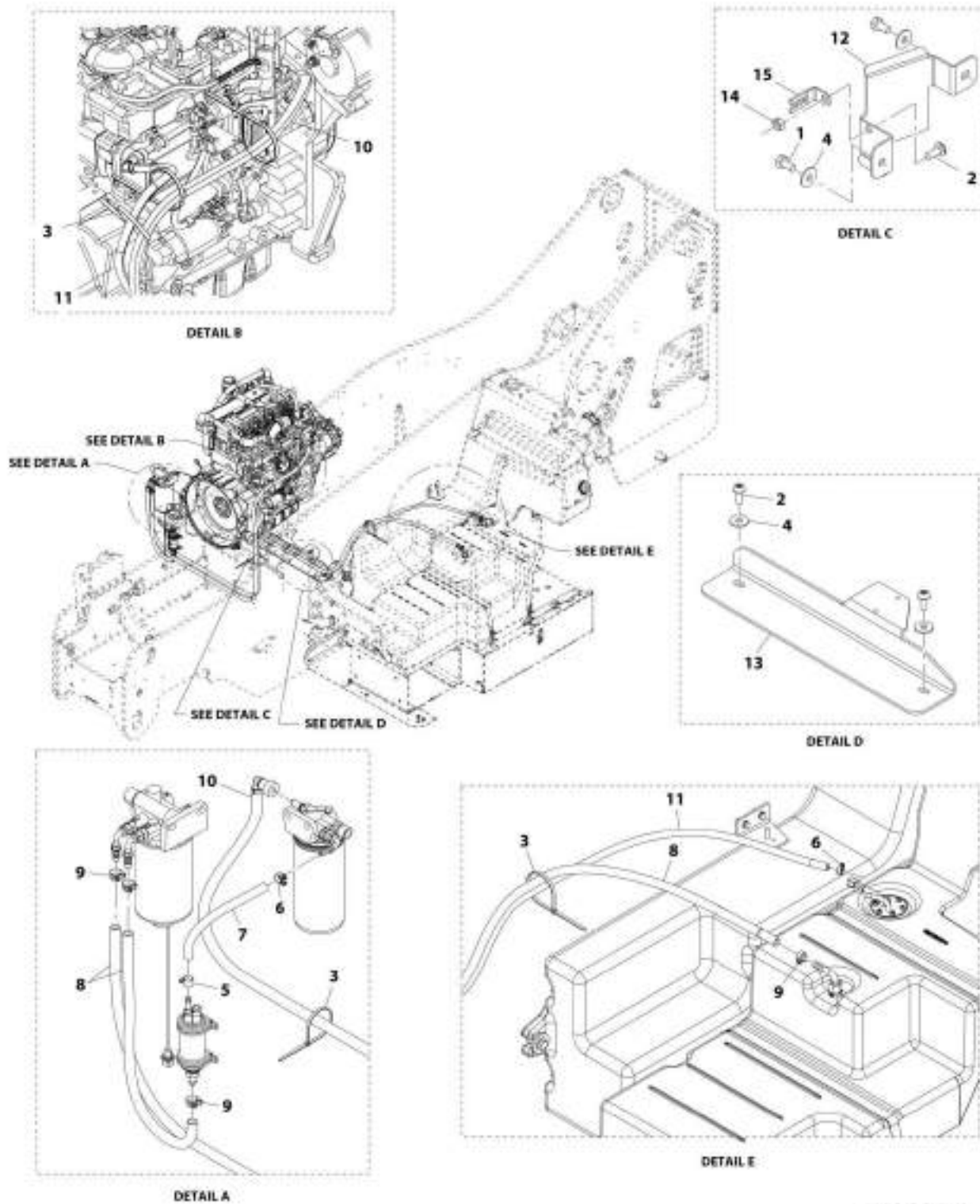
SECTION 4 - ENGINE AND ATTACHING PARTS

FIGURE 4-18. FUEL LINES INSTALLATION

ITEM	PART NUMBER	QTY	DESCRIPTION	REV
	1001200866	Ref	Fuel Lines Installation	K
1	0761010	2	Bolt, M10X20	
2	1001009325	3	Screw	
3	1062255	6	Strap, Tie	
4	4812002	4	Washer, M10	
7	1001136975	3	Clamp	
8	1001165035	260 mm	Hose	
9	1001172755	4060 mm	Hose	
10	1001175568	4	Clip	
12	1001228248	1	Hose	
13	1001210870	1	Plate	
14	1001221868	1	Channel, Frame	
15	1001232850	1	Hose	
16	1001146588	3	Strap, Tie	
17	1001003305	1	Clip	
18	3291001	1	Nut, M10X1.5 Grade 8	

SECTION 4 - ENGINE AND ATTACHING PARTS

FIGURE 4-19. FUEL LINES INSTALLATION



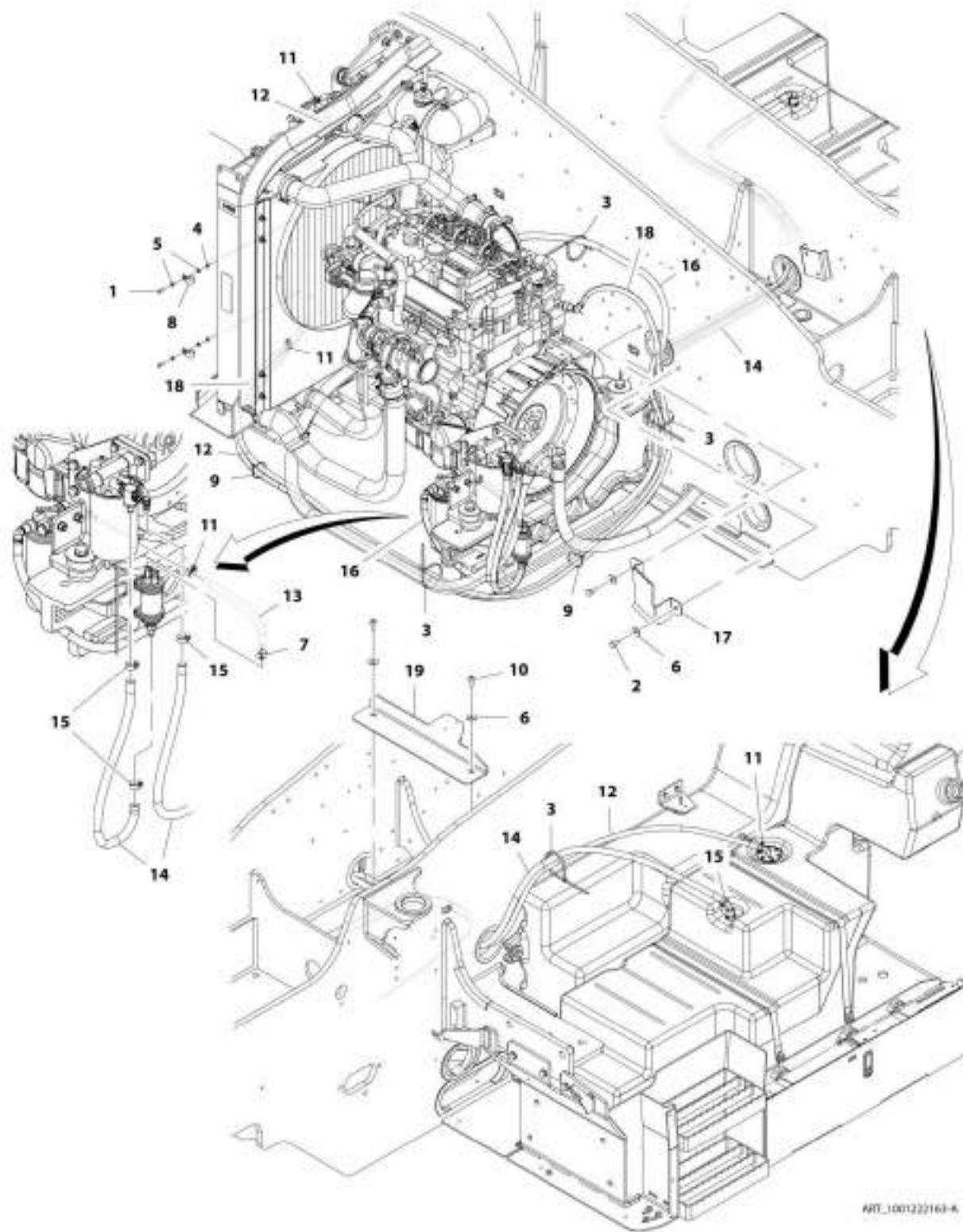
SECTION 4 - ENGINE AND ATTACHING PARTS

FIGURE 4-19. FUEL LINES INSTALLATION

ITEM	PART NUMBER	QTY	DESCRIPTION	REV
	1001210601	Ref	Fuel Line Installation	C
1	0761010	2	Bolt, M10X20	
2	1001009325	3	Screw, Torx Hd	
3	1062255	5	Strap, Tie	
4	4812002	4	Washer, M10	
5	8405006	1	Clamp	
6	1001136975	2	Clamp	
7	1001165035	235 mm	Hose	
8	1001172755	3946 mm	Hose	
9	1001175568	4	Clip	
10	1001200887	1	Hose	
11	1001228248	1	Hose	
12	1001210870	1	Plate	
13	1001221868	1	Channel, Hose	
14	3291001	1	Nut, M10X1.5 Grade 8	
15	1001003305	1	Clip	

SECTION 4 - ENGINE AND ATTACHING PARTS

FIGURE 4-20. FUEL LINES INSTALLATION



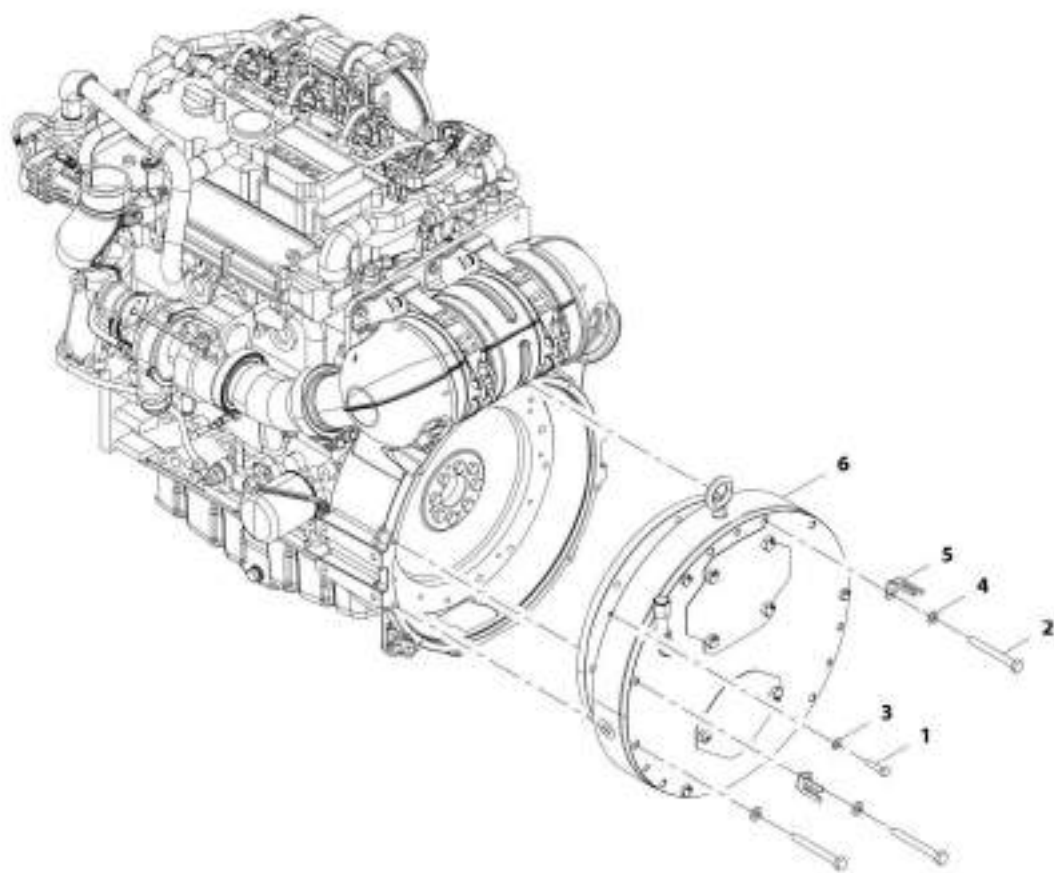
SECTION 4 - ENGINE AND ATTACHING PARTS

FIGURE 4-20. FUEL LINES INSTALLATION

ITEM	PART NUMBER	QTY	DESCRIPTION	REV
	1001222163	Ref	Fuel Lines Installation	A
1	0700610	2	Bolt, M6X20	
2	0761010	2	Bolt, M10X20	
3	1062255	4	Strap, Tie	
4	3290601	2	Nut, M6X1 Grade 8	
5	4811700	4	Washer, M6	
6	4812002	4	Washer, M10	
7	8405006	1	Clamp, Gear	
8	8406112	2	Clip, Tube	
9	1001008559	2	Strap, Cable	
10	1001009325	2	Screw	
11	1001136975	4	Clamp	
12	1001141400	5376 mm	Hose	
13	1001165035	235 mm	Hose	
14	1001172755	3946 mm	Hose	
15	1001175568	4	Clip	
16	1001200887	1	Hose	
17	1001210870	1	Plate, Hose Shield	
18	1001221702	1	Hose	
19	1001221868	1	Channel, Engine Lines	

SECTION 4 - ENGINE AND ATTACHING PARTS

FIGURE 4-21. HYDROSTATIC ADAPTOR INSTALLATION



ART_1801192703-D

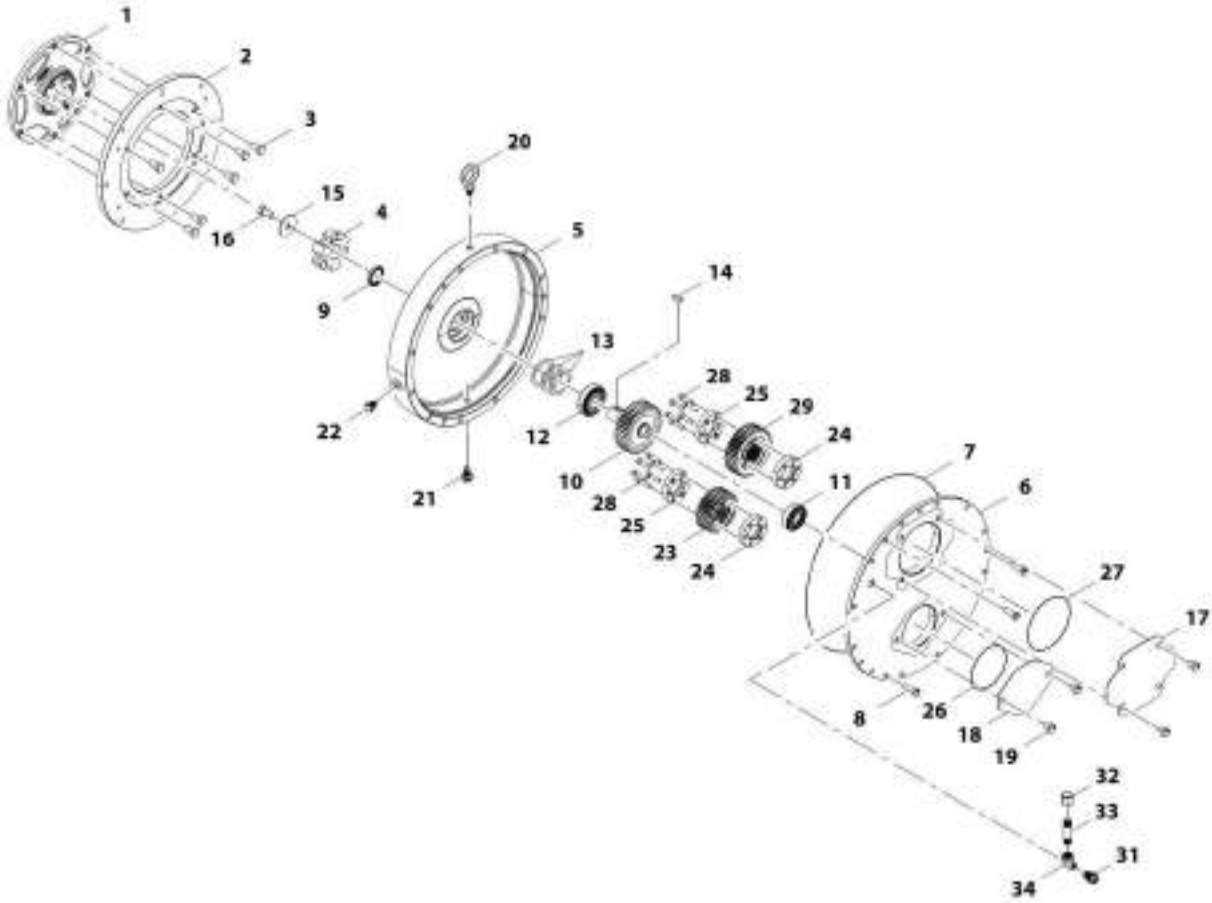
SECTION 4 - ENGINE AND ATTACHING PARTS

FIGURE 4-21. HYDROSTATIC ADAPTOR INSTALLATION

ITEM	PART NUMBER	QTY	DESCRIPTION	REV
	1001193703	Ref	Hydrostatic Adaptor Installation	D
1	0641510	6	Bolt, 5/16-18X1.25	
2	0701026	12	Bolt, M10X90	
3	4811900	6	Washer, M8	
4	4812000	10	Washer, M10	
5	1001003305	2	Clip	
6	1001193705	1	Assembly, Dual Drive Support (See Seperate Breakdown in this Section)	

SECTION 4 - ENGINE AND ATTACHING PARTS

FIGURE 4-22. DUAL DRIVE SUPPORT ASSEMBLY



ART_1801162705-E

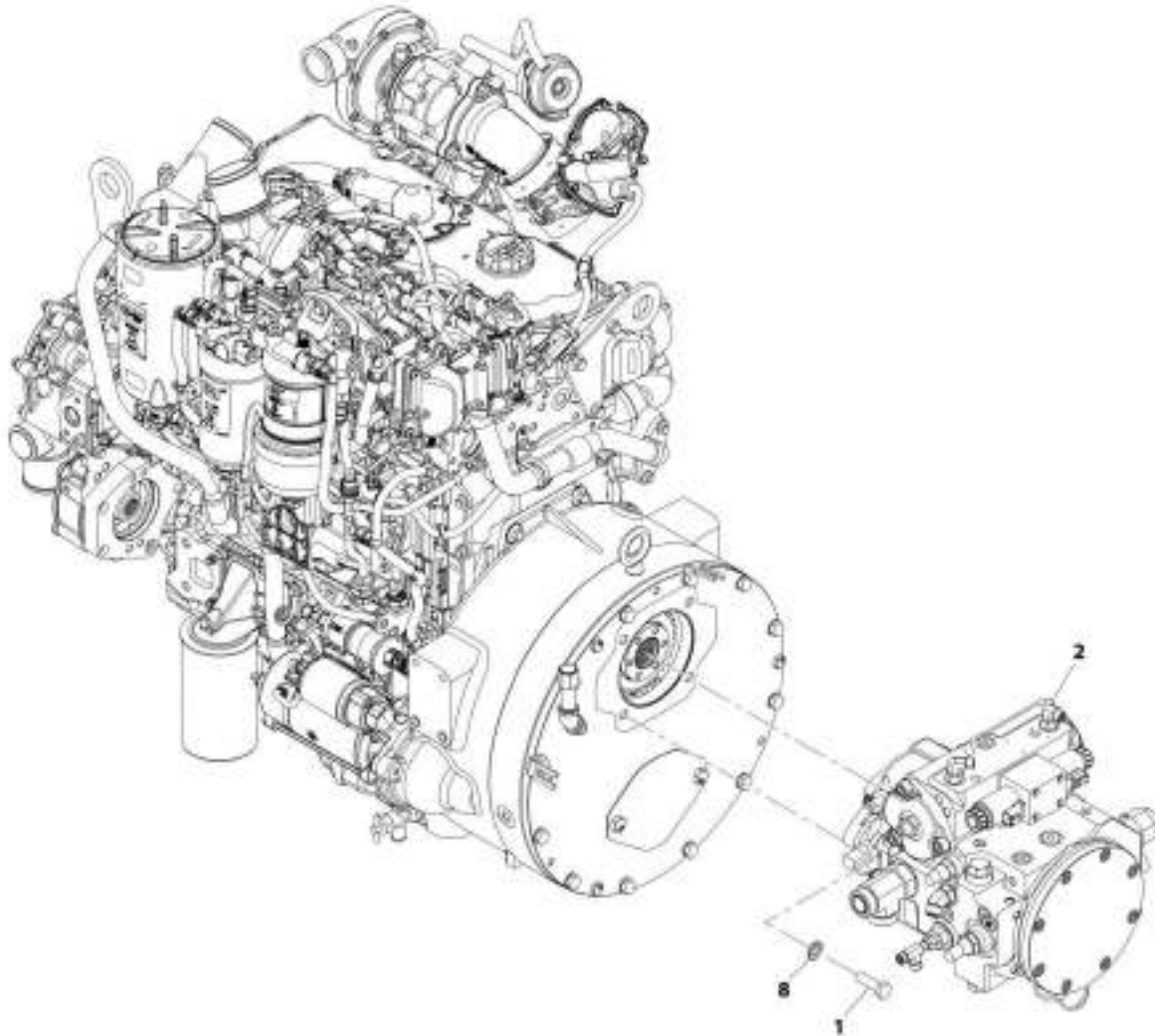
SECTION 4 - ENGINE AND ATTACHING PARTS

FIGURE 4-22. DUAL DRIVE SUPPORT ASSEMBLY

ITEM	PART NUMBER	QTY	DESCRIPTION	REV
	1001193705	Ref	Dual Drive Support Assembly	E
1	70028327	1	Plate, Flex	
2	70028328	1	Plate, Flywheel Adapter	
3	70028329	6	Bolt	
4	70028330	1	Hub, Flex	
5	70028331	1	Gear Box Half, Input Side	
6	70028332	1	Gear Box Half, Output Side	
7	70028333	1	O-Ring	
8	70028334	3	Bolt	
9	70028335	1	Seal, Shaft	
10	70028336	1	Gear, Input Shaft	
11	70028337	1	Bearing, Angular Contact	
12	70028338	1	Bearing, Angular Contact	
13	70028339	3	Washer	
14	70028340	1	Key	
15	70028341	1	Washer	
16	70028342	1	Bolt	
17	70028343	1	Cover, Pump Mount Implement	
18	70028344	1	Cover, Pump Mount Hydrastat	
19	70028345	6	Bolt	
20	70028346	1	Eyebolt, Modified	
21	70028347	1	Plug	
22	70028348	1	Plug	
23	70028349	1	Pump, Gear,30 Tooth	
24	70028350	2	Locking Ring, Tapered	
25	70028351	2	Locking Ring, Tapered	
26	70028352	1	O-Ring	
27	70028353	1	O-Ring	
28	70028354	12	Bolt	
29	70028355	1	Pump, Gear, 35 Tooth	
31	70028357	1	Adapter, 90	
32	70028358	1	Breather	
33	70028359	1	Nipple	
34	70028360	1	Adapter, 45	

SECTION 4 - ENGINE AND ATTACHING PARTS

FIGURE 4-23. HYDROSTATIC DRIVE PUMP INSTALLATION



ART-100193704-C

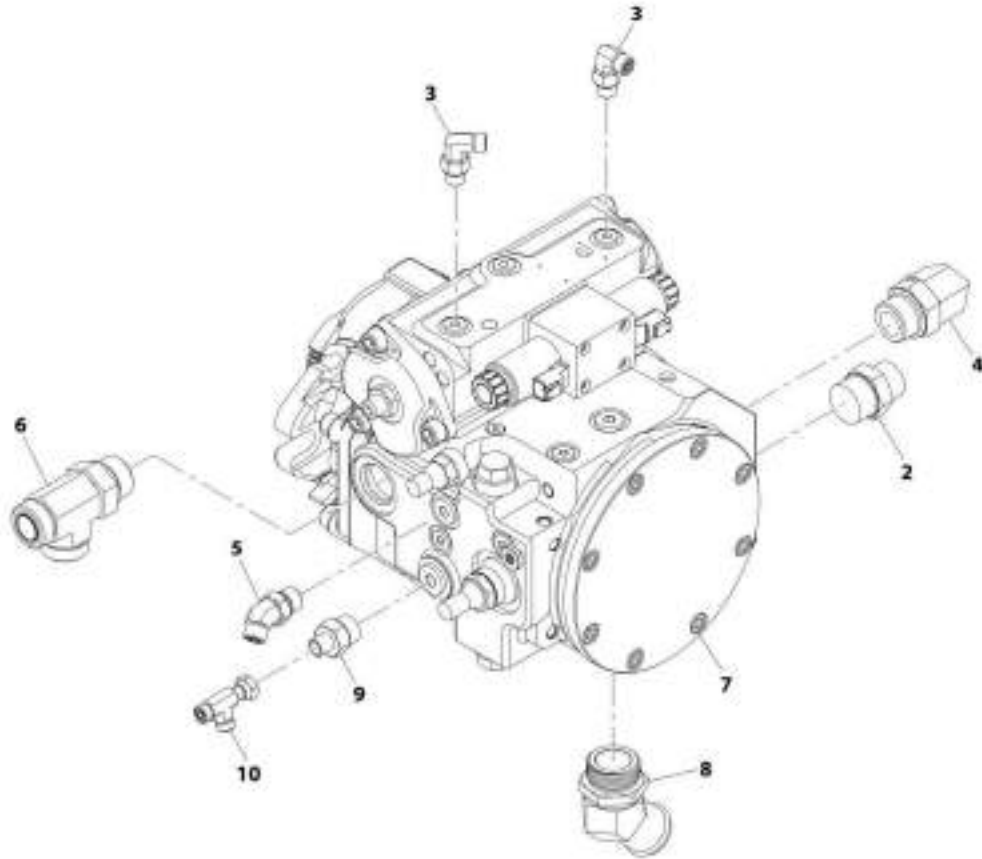
SECTION 4 - ENGINE AND ATTACHING PARTS

FIGURE 4-23. HYDROSTATIC DRIVE PUMP INSTALLATION

ITEM	PART NUMBER	QTY	DESCRIPTION	REV
	1001193704	Ref	Hydrostatic Drive Pump Installation	D
1	0711216	4	Bolt, M12X40	
2	1001210771	1	Assembly, Hydrostatic Drive Pump (See Seperate Breakdown in this Section)	
8	4740532	4	Washer, M12	

SECTION 4 - ENGINE AND ATTACHING PARTS

FIGURE 4-24. HYDROSTATIC DRIVE PUMP ASSEMBLY



ART_1001210771-C

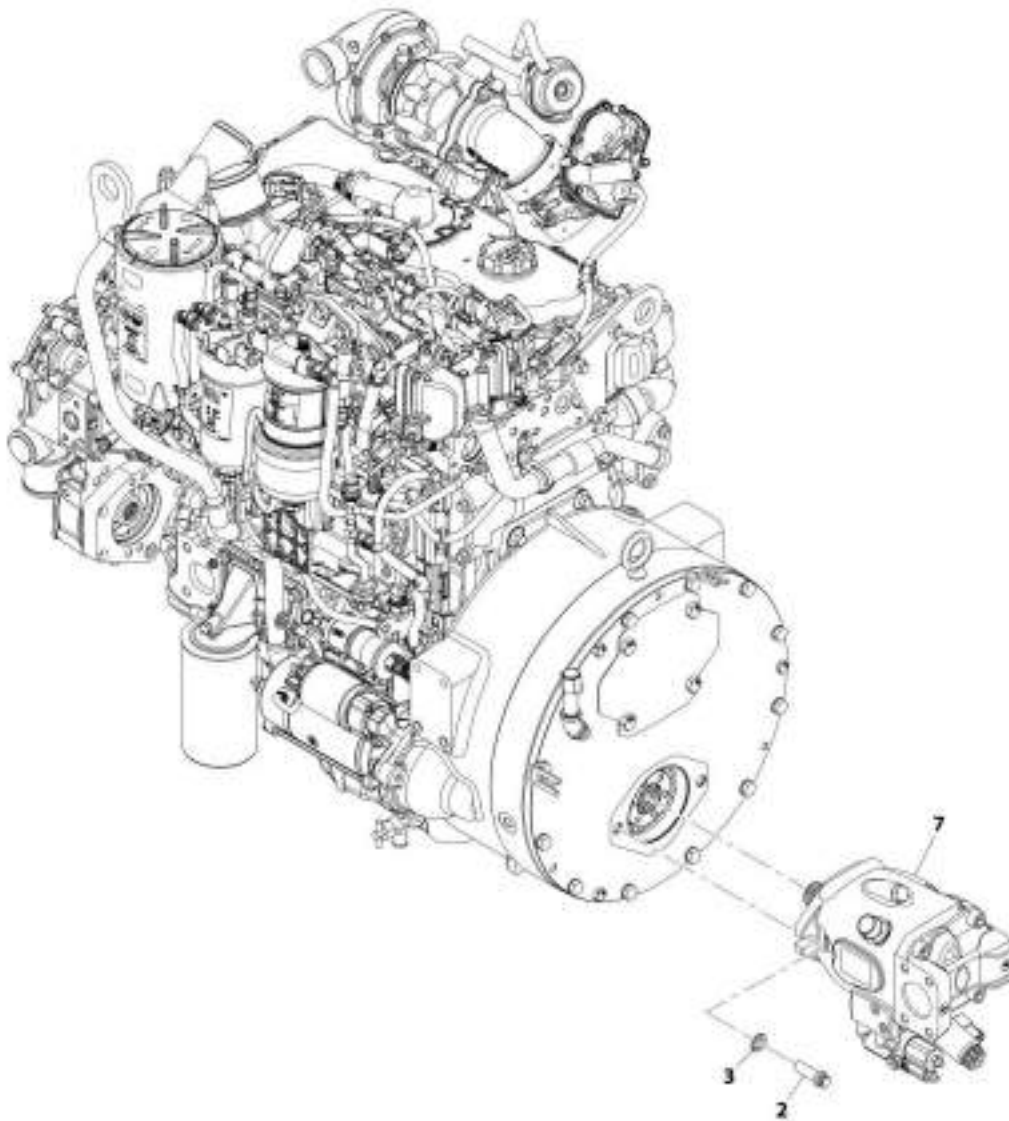
SECTION 4 - ENGINE AND ATTACHING PARTS

FIGURE 4-24. HYDROSTATIC DRIVE PUMP ASSEMBLY

ITEM	PART NUMBER	QTY	DESCRIPTION	REV
	1001210771	Ref	Hydrostatic Drive Pump Assembly	C
2	2111216	1	Fitting, Straight ORFS	
3	2130406	2	Fitting, 90 ORFS	
4	2131216	1	Fitting, 90 ORFS	
5	2150608	1	Fitting, 45 ORFS	
6	2170316	1	Fitting, TEE ORFS	
7	1001193307	1	Pump, Hydrostatic Drive (See Seperate Breakdown in Hydraulic Components Section)	
8	1001196664	1	Fitting, 45	
9	2110410	1	Fitting, Straight ORFS	
10	2170704	1	Fitting, Tee ORFS	

SECTION 4 - ENGINE AND ATTACHING PARTS

FIGURE 4-25. IMPLEMENT PUMP INSTALLATION



ART_100100389-E

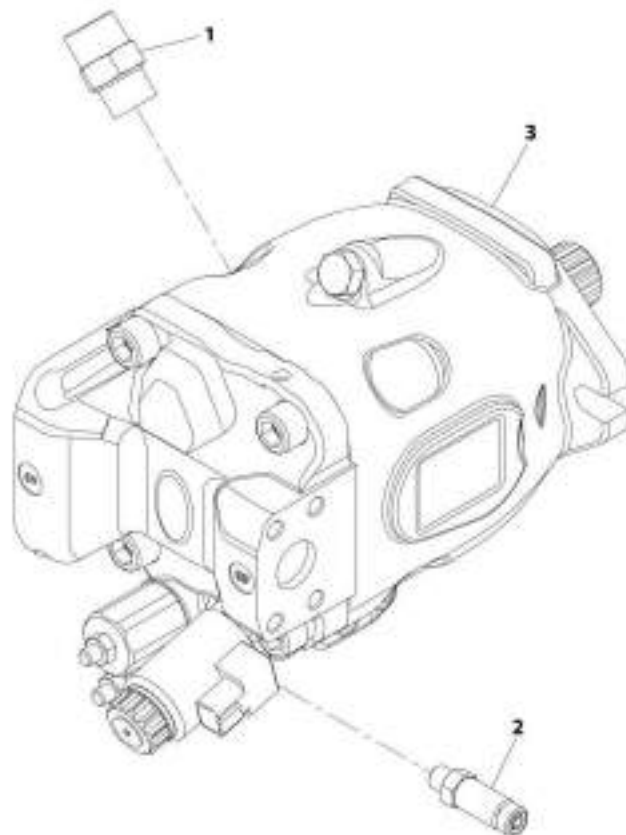
SECTION 4 - ENGINE AND ATTACHING PARTS

FIGURE 4-25. IMPLEMENT PUMP INSTALLATION

ITEM	PART NUMBER	QTY	DESCRIPTION	REV
	1001193393	Ref	Implement Pump Installation	E
2	1001238781	2	Screw Flange	
3	4740532	2	Washer	
7	1001212739	1	Assembly, Implement Pump (See Seperate Breakdown in this Section)	

SECTION 4 - ENGINE AND ATTACHING PARTS

FIGURE 4-26. IMPLEMENT PUMP ASSEMBLY



ART_106121273B-A

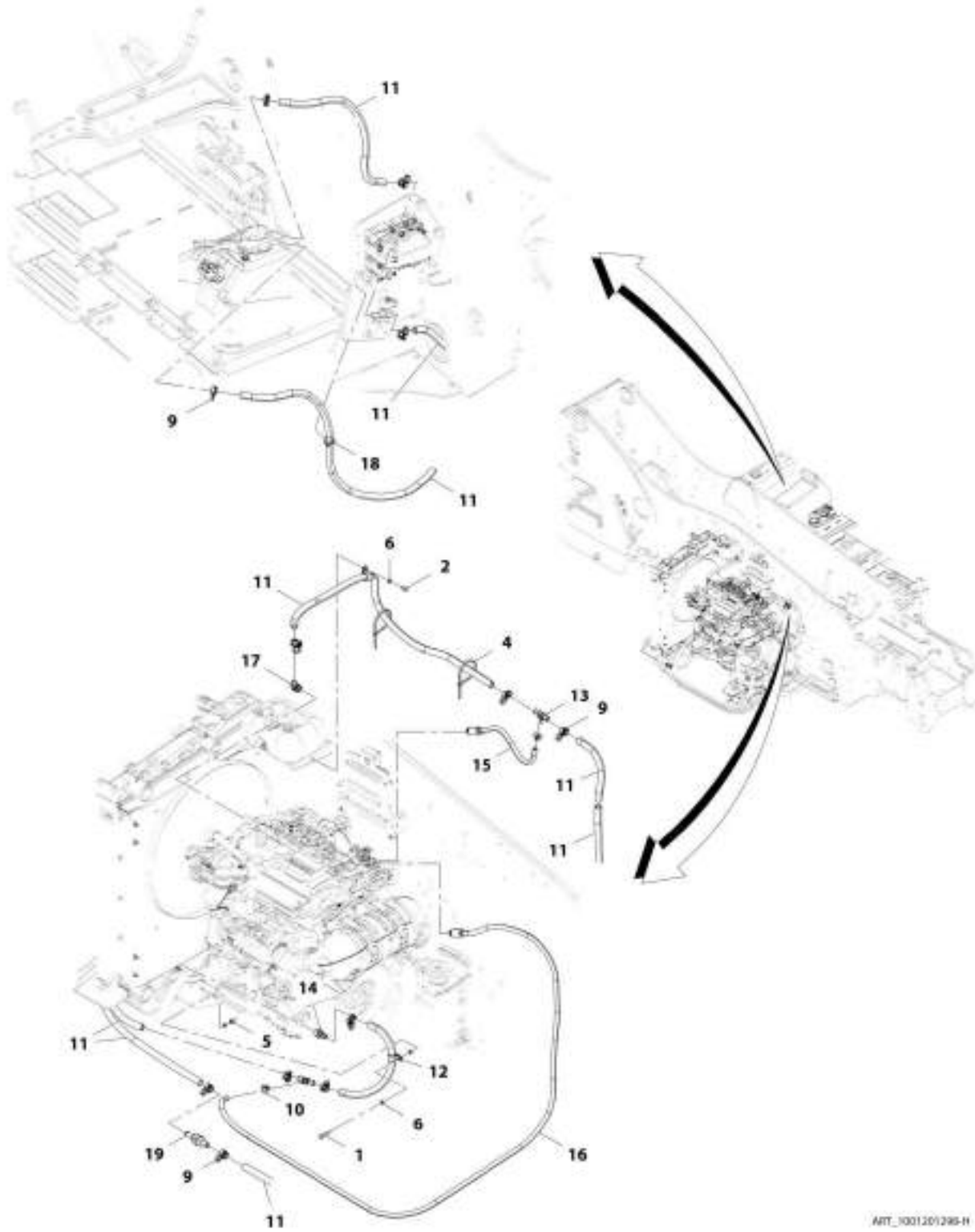
SECTION 4 - ENGINE AND ATTACHING PARTS

FIGURE 4-26. IMPLEMENT PUMP ASSEMBLY

ITEM	PART NUMBER	QTY	DESCRIPTION	REV
	1001212739	Ref	Implement Pump Assembly	A
1	2111010	1	Fitting, Straight ORFS	
2	2170104	1	Fitting, Straight ORFS	
3	1001180070	1	Pump, Implement (See Seperate Breakdown in Hydraulic Component Section)	

SECTION 4 - ENGINE AND ATTACHING PARTS

FIGURE 4-27. DEF COOLANT LINES INSTALLATION (ULS)



ART_1001201295-H

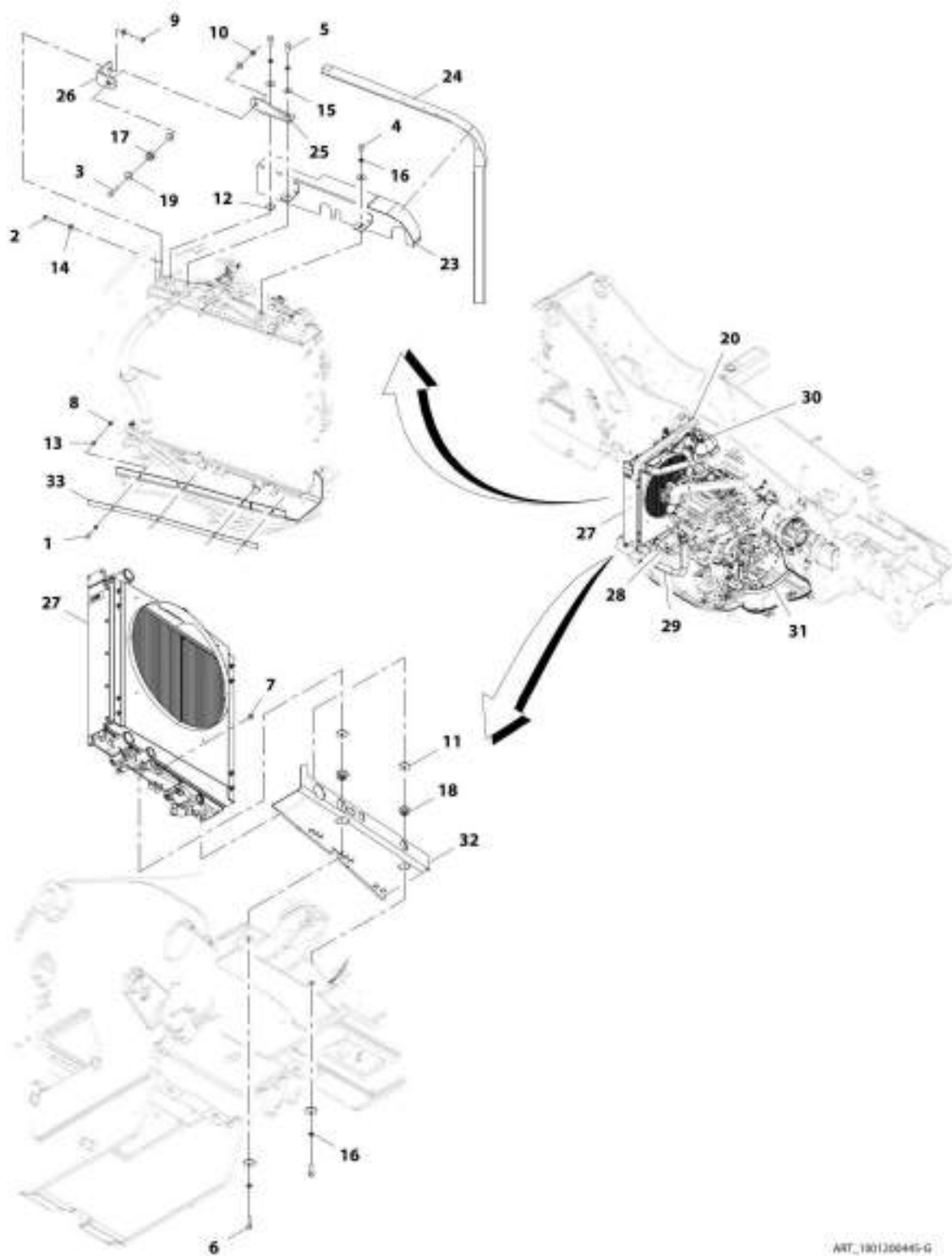
SECTION 4 - ENGINE AND ATTACHING PARTS

FIGURE 4-27. DEF COOLANT LINES INSTALLATION (ULS)

ITEM	PART NUMBER	QTY	DESCRIPTION	REV
	1001201298	Ref	DEF Coolant Lines Installation (ULS)	H
1	0700816	1	Bolt, M8X40	
2	0760810	1	Bolt, M8X20	
4	1062255	AR	Strap, Tie	
5	3290805	1	Nut, M8X1.25	
6	4811900	3	Washer, M8	
9	1001202526	12	Clamp	
10	8410013	2	Clamp	
11	82033995	9695 mm	Hose	
12	1001100319	2	Clip	
13	1001162212	2	Pipe	
14	1001167409	1	Pipe	
15	1001201299	1	Hose	
16	1001201300	1	Hose	
17	1001203005	1	Fitting, 45	
18	1001146588	1	Strap, Tie	
19	1001228872	1	Filter	

SECTION 4 - ENGINE AND ATTACHING PARTS

FIGURE 4-28. COOLING PACKAGE INSTALLATION



ART_1801306445-G

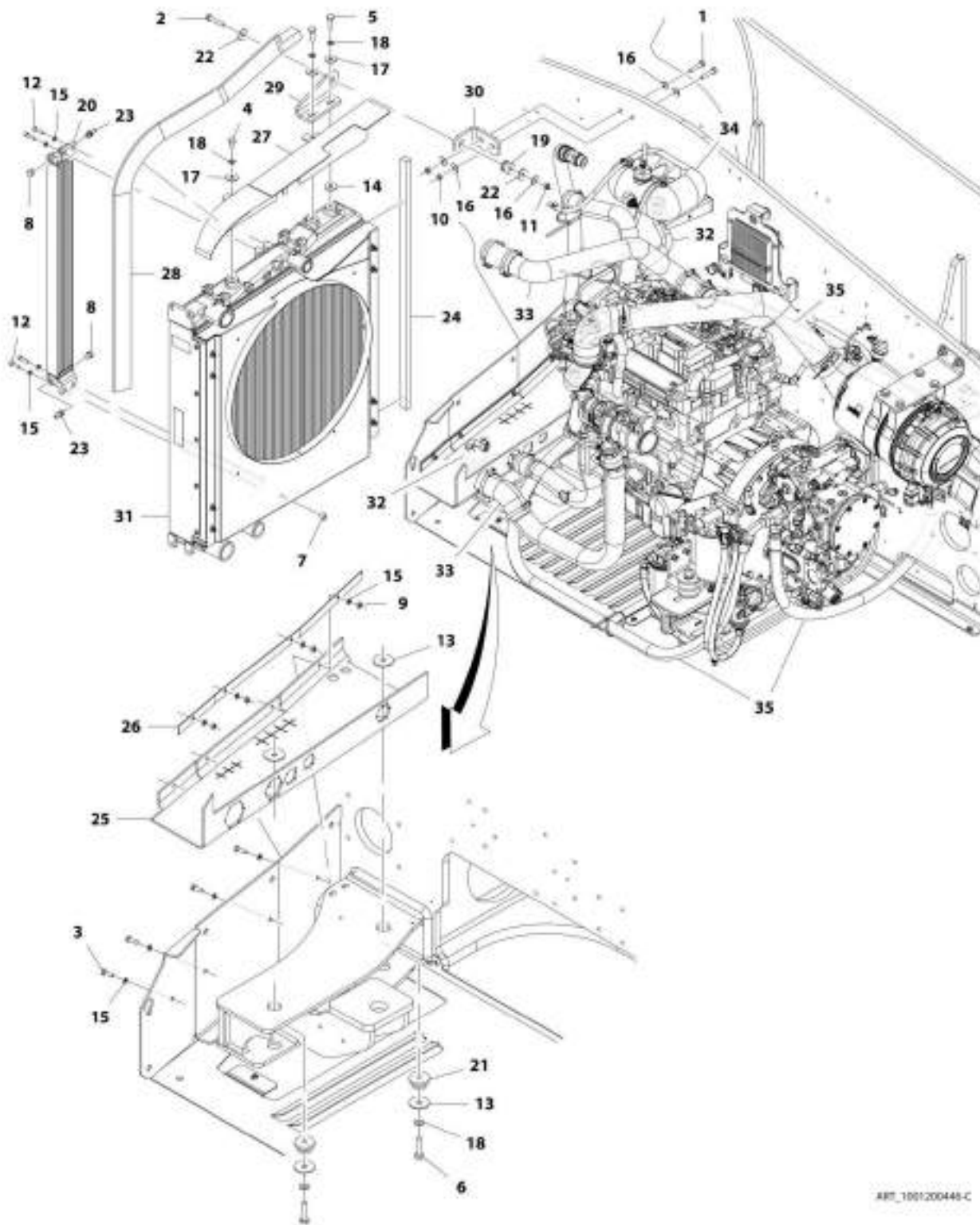
SECTION 4 - ENGINE AND ATTACHING PARTS

FIGURE 4-28. COOLING PACKAGE INSTALLATION

ITEM	PART NUMBER	QTY	DESCRIPTION	REV
	1001200445	Ref	Cooling Package Installation	G
1	0760812	4	Bolt,M8X25	
2	0701018	2	Bolt, M10X50	
3	0701020	1	Bolt, M10X60	
4	0761210	1	Bolt, M12X20	
5	0761215	2	Bolt, M12X35	
6	0761218	2	Bolt, M12X50	
7	2200223	1	Plug	
8	3290801	4	Nut, M8X1.25	
9	3291001	2	Nut, M10X1.5	
10	3291005	1	Nut, Lock M10X1.5	
11	4740274	4	Washer	
12	4740550	1	Washer, M12	
13	4811900	8	Washer, M8	
14	4812002	5	Washer, M10	
15	4812102	3	Washer, M12	
16	4832100	5	Washer, Lock M12	
17	8278020	1	Mount	
18	1001114803	2	Mount	
19	1001155540	2	Washer	
20	1001173457	1	Seal	
23	1001196191	1	Bracket, Air Baffle	
24	1001196193	1	Seal	
25	1001200498	1	Bracket, Radiator	
26	1001200499	1	Bracket, Frame	
27	1001201301	1	Radiator, (See Seperate Breakdown in this Section)	
28	1001201302	Ref	Installation, Coolant Lines (See Seperate Breakdown in this Section)	
29	1001201303	Ref	Installation, Radiator Lines (See Seperate Breakdown in this Section)	
30	1001201304	Ref	Installation, Surge Tank (See Seperate Breakdown in this Section)	
31	1001201305	Ref	Installation, Transmission Oil Cooler Lines (See Seperate Breakdown in this Section)	
32	1001203947	1	Panel, Air Dam	
33	1001203948	1	Plate, Air Dam	

SECTION 4 - ENGINE AND ATTACHING PARTS

FIGURE 4-29. COOLING PACKAGE INSTALLATION (LS)



APP_1001200448-C

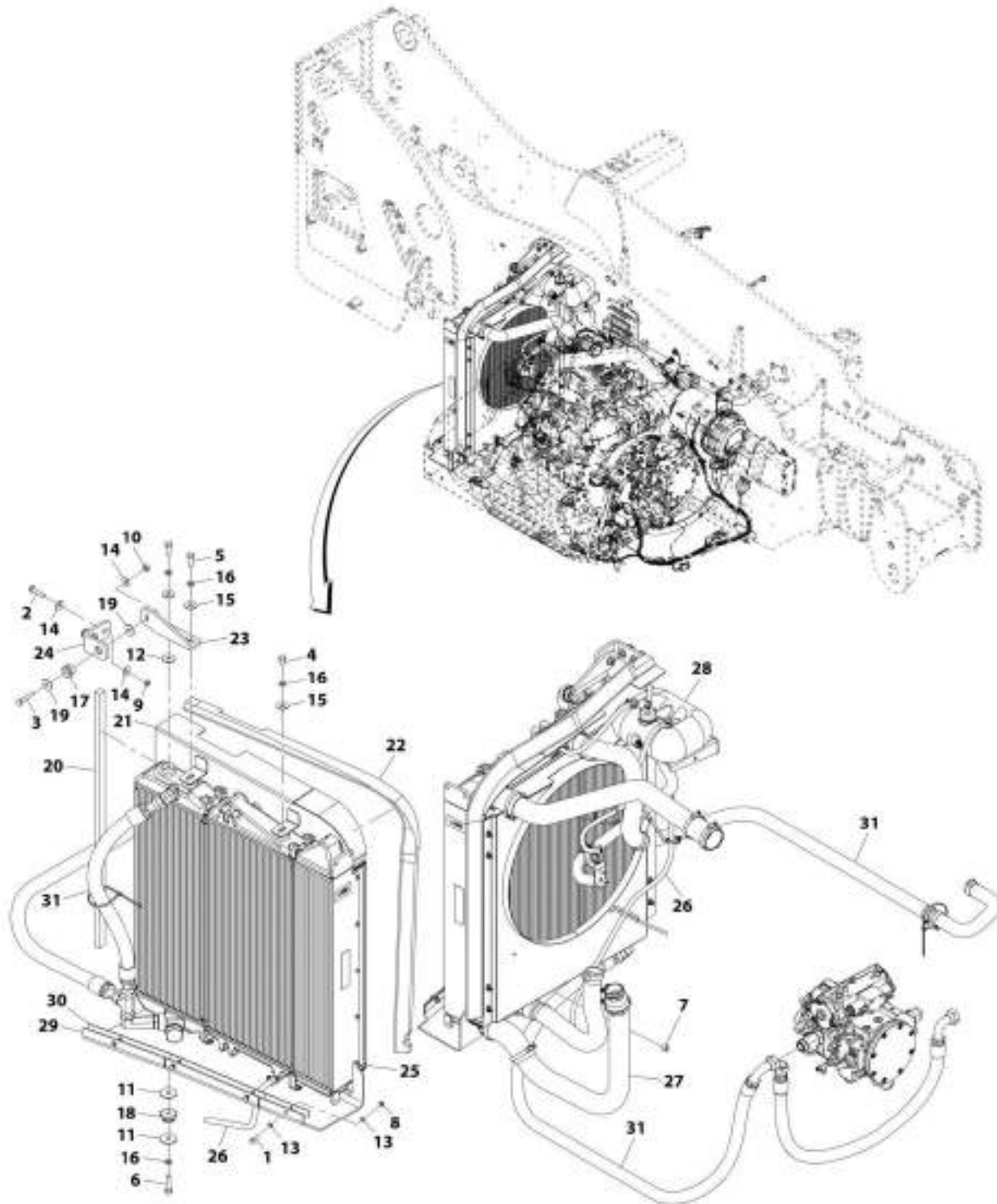
SECTION 4 - ENGINE AND ATTACHING PARTS

FIGURE 4-29. COOLING PACKAGE INSTALLATION (LS)

ITEM	PART NUMBER	QTY	DESCRIPTION	REV
	1001200446	Ref	Cooling Package Installation (LS)	C
1	0701018	2	Bolt, M8X50	
2	0701020	1	Bolt, M10X60	
3	0760812	4	Bolt, M8X25	
4	0761210	1	Bolt, M12X20	
5	0761215	2	Bolt, M12X35	
6	0761218	2	Bolt, M12X50	
7	2200223	1	Plug	
8	2220237	2	Plug	
9	3290801	4	Nut, M8X1.25 Grade 8	
10	3291001	2	Nut, M10X1.5 Grade 8	
11	3291005	1	Nut, Lock M0X1.5 Grade 8	
12	4031910	4	Bolt, M8X30	
13	4740274	4	Washer	
14	4740550	1	Washer, M12	
15	4811900	12	Washer, M8	
16	4812002	5	Washer, M10	
17	4812102	3	Washer, M12	
18	4832100	5	Washer, Lock M12	
19	8278020	1	Mount	
20	1001220337	1	Radiator, Fuel Cooler	
21	1001114803	2	Mount, Isolator	
22	1001155540	2	Washer	
23	1001168030	2	Barb, Hose	
24	1001173457	1	Seal, Foam Gasket	
25	1001203947	1	Panel	
26	1001203948	1	Plate	
27	1001196191	1	Bracket	
28	1001196193	1	Seal, Foam Gasket	
29	1001200498	1	Bracket	
30	1001200499	1	Bracket	
31	1001201301	1	Radiator, Cooling Package (See Separate Breakdown in this Section)	
32	1001201302	1	Installation, Coolant Lines (ULS) (See Separate Breakdown in this Section)	
33	1001201303	1	Installation, CAC Lines (See Separate Breakdown in this Section)	
34	1001201304	1	Installation, Surge Tank (See Separate Breakdown in this Section)	
35	1001201305	1	Installation, TOC Lines (See Separate Breakdown in this Section)	

SECTION 4 - ENGINE AND ATTACHING PARTS

FIGURE 4-30. COOLING PACKAGE INSTALLATION (TUV)



MIT_3901223720-B

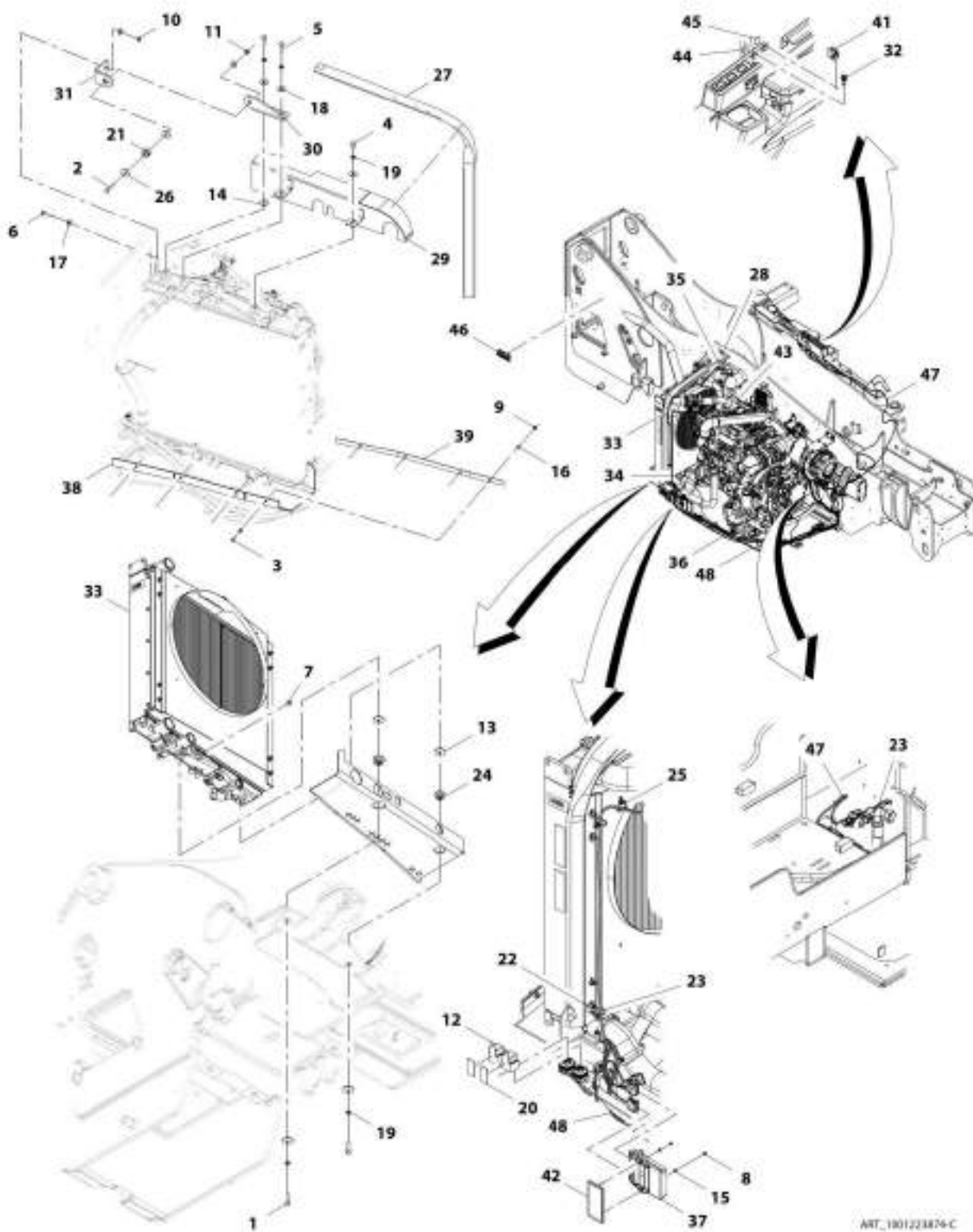
SECTION 4 - ENGINE AND ATTACHING PARTS

FIGURE 4-30. COOLING PACKAGE INSTALLATION (TUV)

ITEM	PART NUMBER	QTY	DESCRIPTION	REV
	1001223720	Ref	Cooling Package Installation (TUV)	B
1	0760812	4	Bolt, M8X25	
2	0701018	2	Bolt, M10X50	
3	0701020	1	Bolt, M10X60	
4	0761210	1	Bolt, M12X20	
5	0761215	2	Bolt, M12X35	
6	0761218	2	Bolt, M12X50	
7	2200223	1	Plug	
8	3290801	4	Nut, M8X1.25	
9	3291001	2	Nut, M10X1.5	
10	3291005	1	Nut, Lock M10X1.5	
11	4740274	4	Washer	
12	4740550	1	Washer, M12	
13	4811900	8	Washer, M8	
14	4812002	5	Washer, M10	
15	4812102	3	Washer, M12	
16	4832100	5	Washer, Lock M12	
17	8278020	1	Isolator	
18	1001114803	2	Isolator, Mount	
19	1001155540	2	Washer	
20	1001173457	1	Seal	
21	1001196191	1	Bracket	
22	1001173452	1	Seal	
23	1001200498	1	Bracket	
24	1001200499	1	Bracket	
25	1001201301	1	Radiator (See Separate Breakdown in this Section)	
26	1001201302	Ref	Installation, Coolant Lines (See Separate Breakdown in this Section)	
27	1001201303	Ref	Installation, Radiator Lines (See Separate Breakdown in this Section)	
28	1001201304	Ref	Installation, Surge Tank (See Separate Breakdown in this Section)	
29	1001203947	1	Panel	
30	1001203948	1	Plate	
31	1001223724	Ref	Installation, Transmission Oil Cooler Lines (See Separate Breakdown in this Section)	

SECTION 4 - ENGINE AND ATTACHING PARTS

FIGURE 4-31. COOLING PACKAGE INSTALLATION



ART_180123474-C

SECTION 4 - ENGINE AND ATTACHING PARTS

FIGURE 4-31. COOLING PACKAGE INSTALLATION

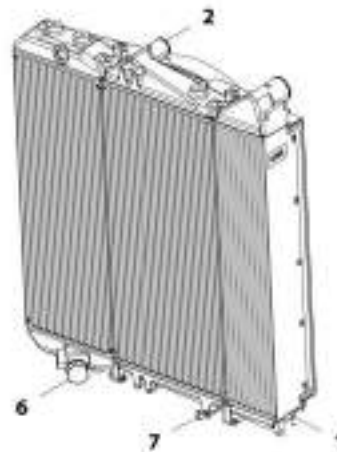
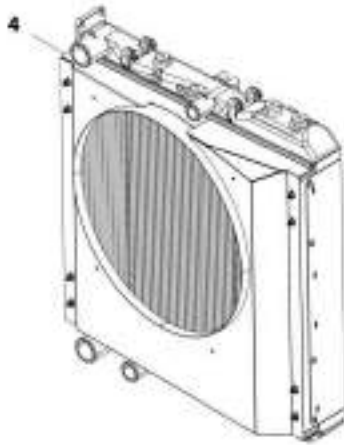
ITEM	PART NUMBER	QTY	DESCRIPTION	REV
	1001223874	Ref	Cooling Package Installation	C
1	0701018	2	Bolt, M10X50	
2	0701020	1	Bolt, M10X60	
3	0760812	4	Bolt, M8X25	
4	0761210	1	Bolt, M12X20	
5	0761215	2	Bolt, M12X35	
6	0761218	2	Bolt, M12X50	
7	2200223	1	Plug	
8	3290505	2	Nut, M5X0.8	
9	3290801	4	Nut, M8X1.25	
10	3291001	2	Nut, M10X1.5	
11	3291005	1	Nut, Lock M10X1.5	
12	3740080	2	Relay	
13	4740274	4	Washer	
14	4740550	1	Washer, M12	
15	4811600	2	Washer, M5	
16	4811900	8	Washer, M8	
17	4812002	5	Washer, M10	
18	4812102	3	Washer, M12	
19	4832100	5	Washer, Lock M12	
20	7169541	AR	Tape	
21	8278020	1	Mount	
22	1001003305	1	Clip	
23	1001008559	4	Strap, Cable	
24	1001114803	2	Mount	
25	1001146588	2	Strap, Cable	
26	1001155540	2	Washer	
27	1001173452	1	Seal, Foam Gasket	
28	1001173457	1	Seal	
29	1001196191	1	Bracket, Air Baffle	
30	1001200498	1	Bracket, Radiator	
31	1001200499	1	Bracket, Frame	
32	1001200631	1	Lamp, LED Indicator	
33	1001201301	1	Radiator, (See Seperate Breakdown in this Section)	
34	1001201302	Ref	Installation, Coolant Lines (See Seperate Breakdown in this Section)	
35	1001201304	Ref	Installation, Surge Tank (See Seperate Breakdown in this Section)	
36	1001201305	Ref	Installation, Transmission Oil Cooler Lines (See Seperate Breakdown in this Section)	
37	1001203181	1	Accessory, Control	
38	1001203947	1	Panel, Air Dam	
39	1001203948	1	Plate, Air Dam	
41	1001215941	1	Switch	
42	1001219082	1	Bracket	
43	1001223869	1	Installation, Radiator Lines (See Seperate Breakdown in this Section)	
44	1001227077	1	Decal, Air Shut Off	
45	1001227964	1	Decal, ASOV Test	
46	1001228643	1	Decal, ASOV Equipped	
47	1001231407	1	Harness, POSI Air Shutoff (See Separate Breakdown in Electrical	

SECTION 4 - ENGINE AND ATTACHING PARTS

ITEM	PART NUMBER	QTY	DESCRIPTION	REV
48	1001231483	1	Section) Harness, POSI Air Shutoff (See Separate Breakdown in Electrical Section)	

SECTION 4 - ENGINE AND ATTACHING PARTS

FIGURE 4-32. RADIATOR, COOLING PACKAGE



ART_1801301301-D

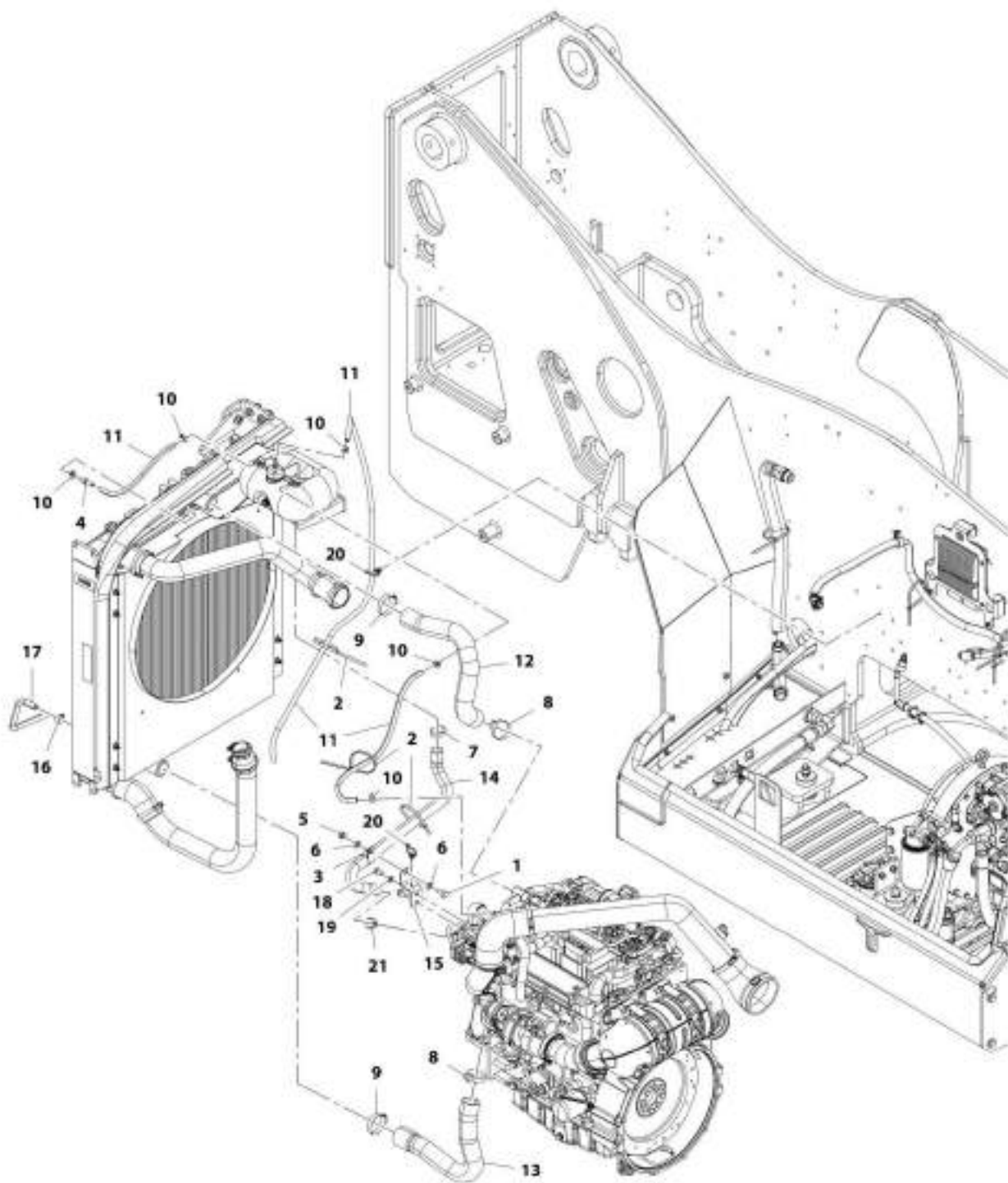
SECTION 4 - ENGINE AND ATTACHING PARTS

FIGURE 4-32. RADIATOR, COOLING PACKAGE

ITEM	PART NUMBER	QTY	DESCRIPTION	REV
	1001201301	Ref	Radiator, Cooling Package	D
1	70026353	1	Cooler, Air Charge	
2	70026354	1	Radiator	
4	70026359	2	Bracket, Shroud Mounting	
6	70026082	1	Valve, Bypass	
7	70026081	1	Petcock	

SECTION 4 - ENGINE AND ATTACHING PARTS

FIGURE 4-33. COOLANT LINES INSTALLATION



AWT_1001301300-E

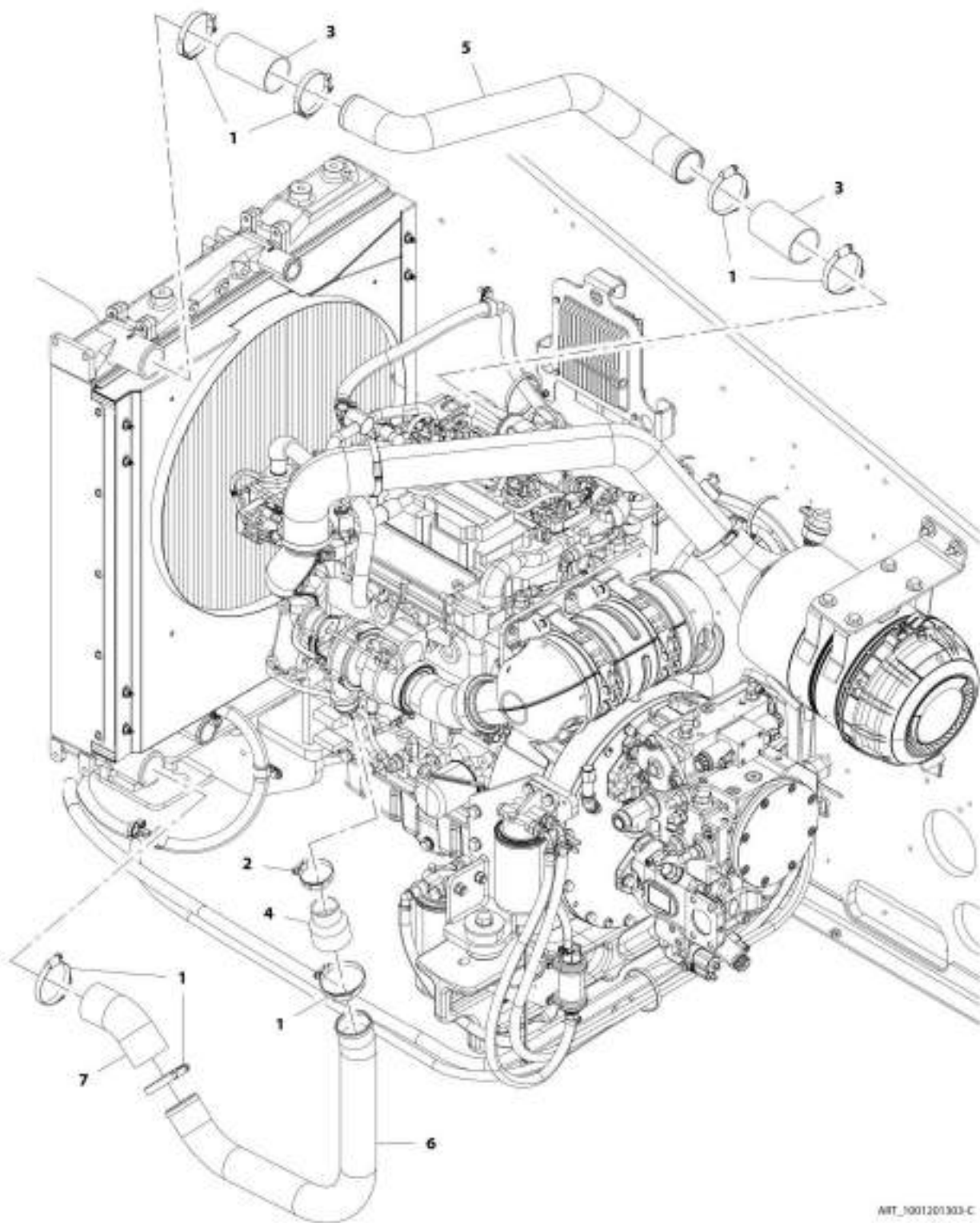
SECTION 4 - ENGINE AND ATTACHING PARTS

FIGURE 4-33. COOLANT LINES INSTALLATION

ITEM	PART NUMBER	QTY	DESCRIPTION	REV
	1001201302	Ref	Coolant Lines Installation	E
1	0761212	1	Bolt, M12X25	
2	1062255	3	Strap, Tie	
3	1320060	1	Clamp, Hose	
4	2220767	1	Fitting	
5	3291201	1	Nut, M12	
6	4812100	2	Washer, M12	
7	8405101	1	Clamp, Gear	
8	8405104	2	Clamp, Gear	
9	8405201	2	Clamp, Gear	
10	8405009	5	Clamp, Gear	
11	1001180542	2465 mm	Hose	
12	1001217762	1	Hose	
13	1001201309	1	Hose	
14	1001217763	1	Hose	
15	1001217761	1	Bracket	
16	8405006	1	Clamp, Gear	
17	1001180553	370 mm	Hose	
18	0761010	1	Bolt, M12X20	
19	4812000	1	Washer, M10	
20	1001146588	2	Strap, Tie	
21	8405007	1	Clamp, Gear	

SECTION 4 - ENGINE AND ATTACHING PARTS

FIGURE 4-34. RADIATOR LINES INSTALLATION



ART_7001201303-C

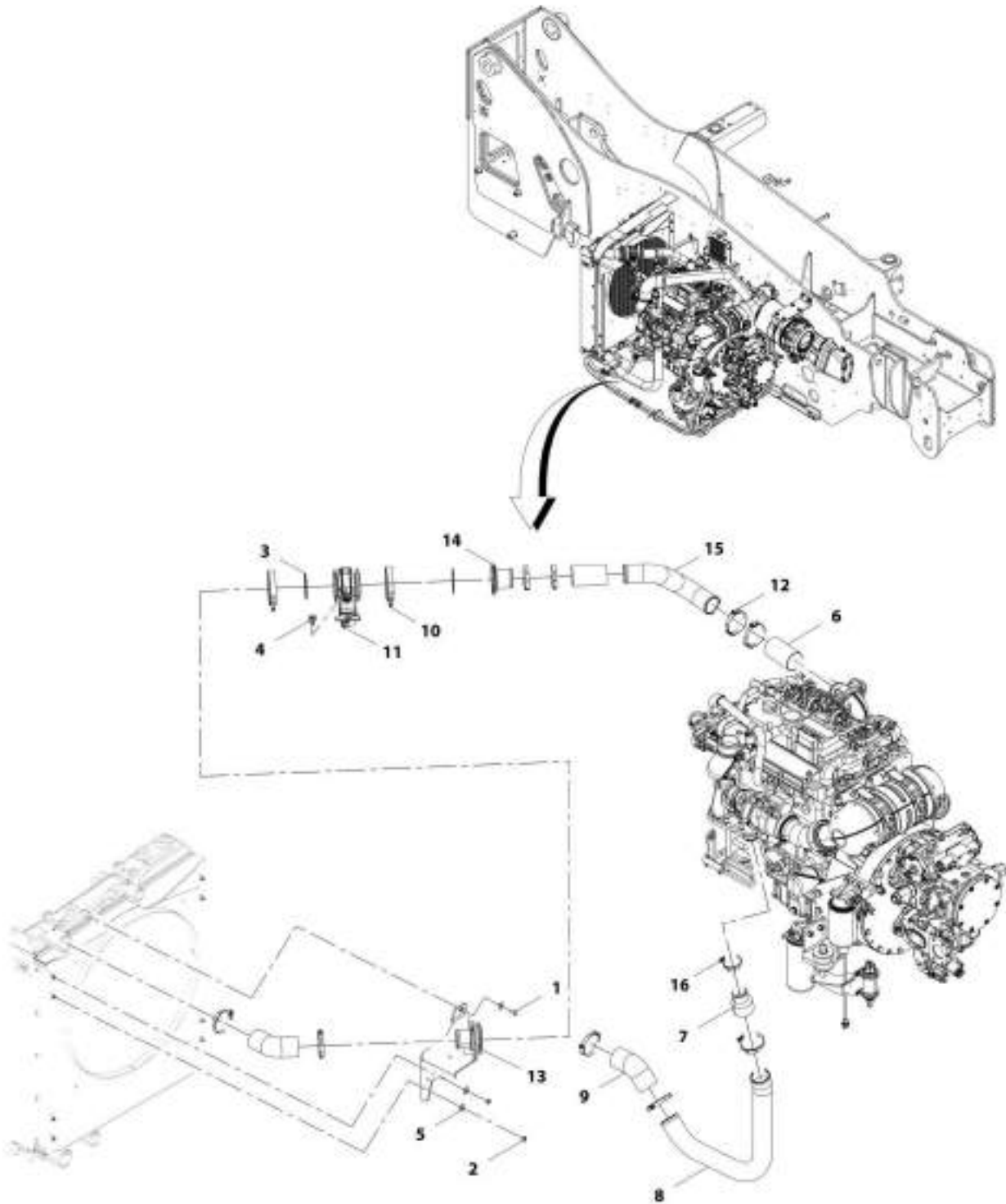
SECTION 4 - ENGINE AND ATTACHING PARTS

FIGURE 4-34. RADIATOR LINES INSTALLATION

ITEM	PART NUMBER	QTY	DESCRIPTION	REV
	1001201303	Ref	Radiator Lines Installation	C
1	1001215022	7	Clamp	
2	1001215024	1	Clamp	
3	1001114495	2	Hose	
4	1001173528	1	Coupling, Reducer	
5	1001201314	1	Pipe	
6	1001201315	1	Pipe	
7	1001201316	1	Elbow, 45	

SECTION 4 - ENGINE AND ATTACHING PARTS

FIGURE 4-35. CAC LINES INSTALLATION



AHT_1901225809-B

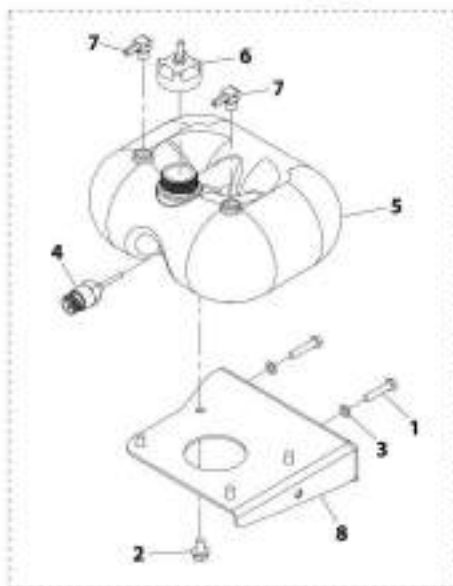
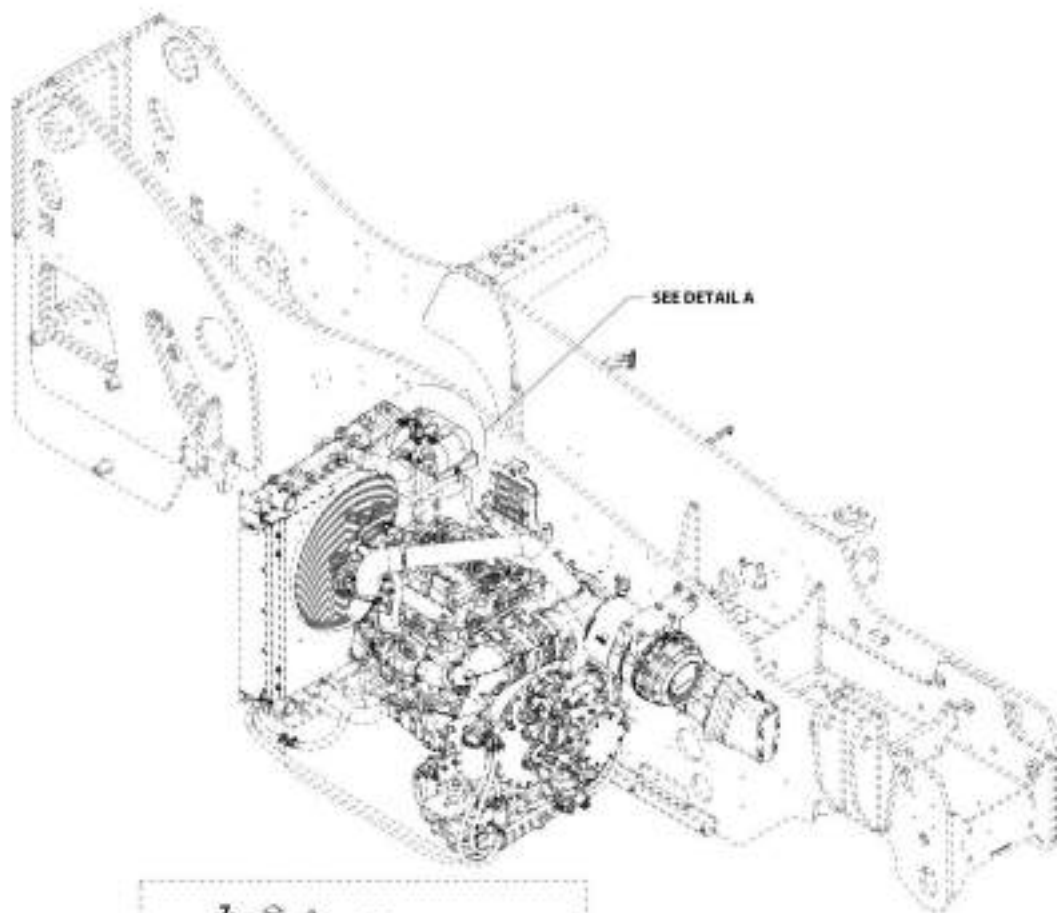
SECTION 4 - ENGINE AND ATTACHING PARTS

FIGURE 4-35. CAC LINES INSTALLATION

ITEM	PART NUMBER	QTY	DESCRIPTION	REV
	1001223869	Ref	CAC Lines Installation	B
1	0760810	1	Bolt, M8X20	
2	3290801	2	Nut, M8X1.25	
3	3790152	2	Ring	
4	4460742	1	Connector	
5	4811902	3	Washer, M8	
6	1001114495	2	Hose	
7	1001173528	1	Fitting, Straight	
8	1001201315	1	Pipe	
9	1001201316	2	Hose	
10	1001202247	2	Clamp	
11	1001204032	1	Valve, Shut Off (See Separate Breakdown in Hydraulic Components Section)	
12	1001215022	9	Clamp	
13	1001223618	1	Valve, ASO (See Separate Breakdown in Hydraulic Components Section)	
14	1001223628	1	Valve, ASO	
15	1001223645	1	Pipe	
16	1001215024	1	Clamp	

SECTION 4 - ENGINE AND ATTACHING PARTS

FIGURE 4-36. SURGE TANK INSTALLATION



DETAIL A

ART_1001201304-B

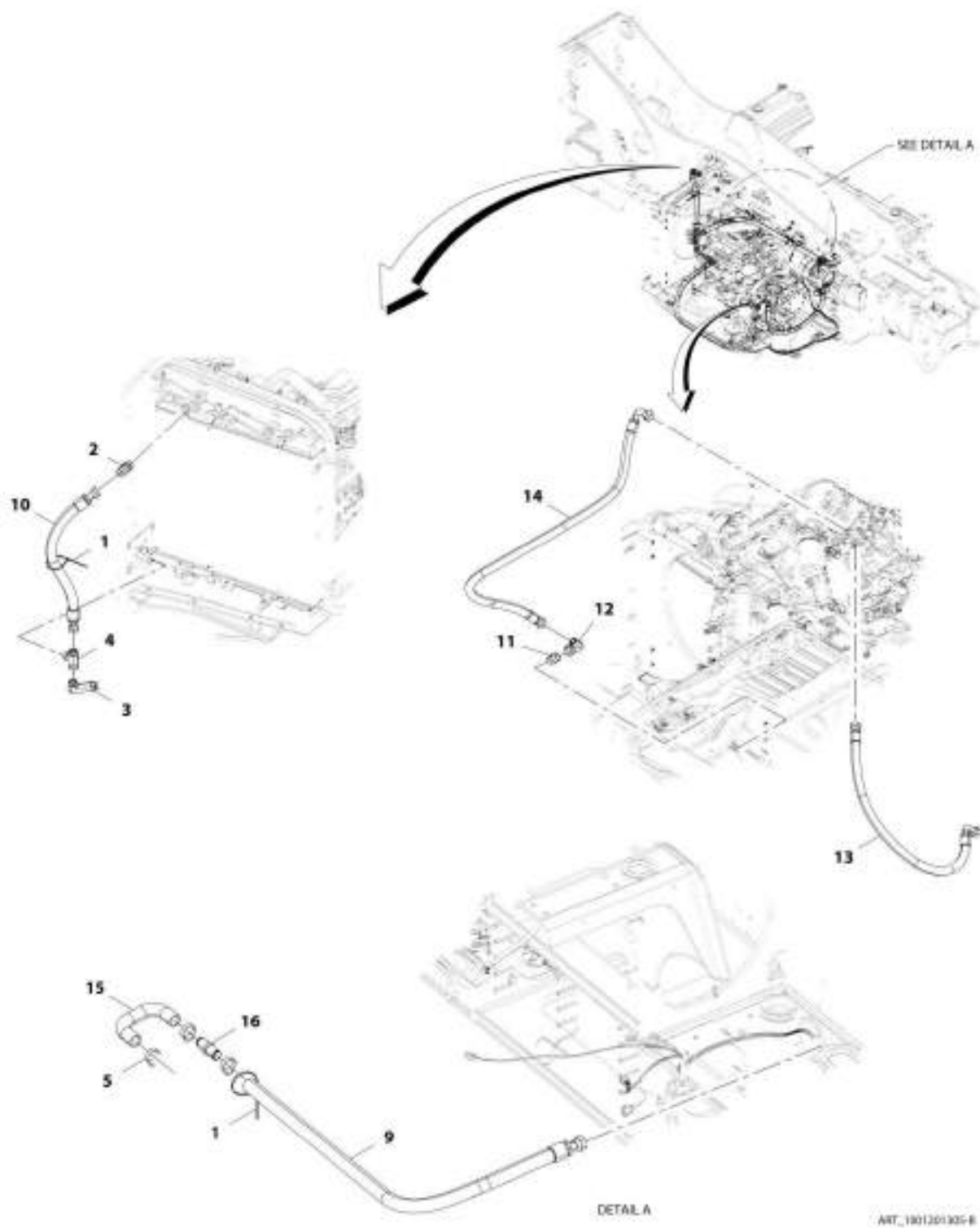
SECTION 4 - ENGINE AND ATTACHING PARTS

FIGURE 4-36. SURGE TANK INSTALLATION

ITEM	PART NUMBER	QTY	DESCRIPTION	REV
	1001201304	Ref	Surge Tank Installation	B
1	0700816	2	Bolt, M8X40	
2	0791605	4	Screw	
3	4811900	2	Washer, M8	
4	1001138827	1	Sensor, Coolant Level	
5	1001128144	1	Tank, Coolant	
6	1001128341	1	Cap	
7	1001169368	2	Fitting, Hose Barb	
8	1001201317	1	Bracket, Coolant Tank	

SECTION 4 - ENGINE AND ATTACHING PARTS

FIGURE 4-37. TRANSMISION OIL COOLER LINES INSTALLATION



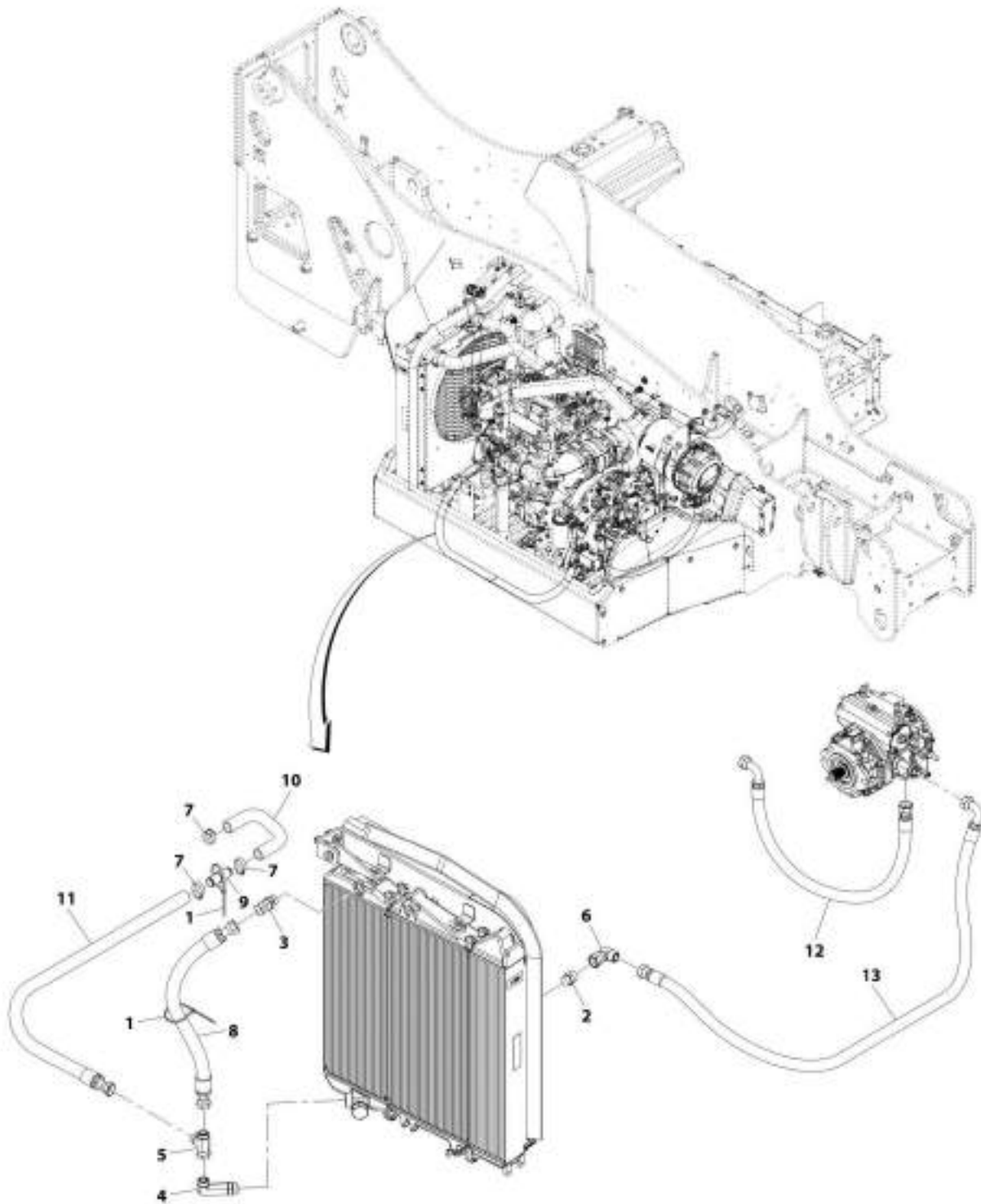
SECTION 4 - ENGINE AND ATTACHING PARTS

FIGURE 4-37. TRANSMISION OIL COOLER LINES INSTALLATION

ITEM	PART NUMBER	QTY	DESCRIPTION	REV
	1001201305	Ref	Transmission Oil Cooler Lines Installation	B
1	1062255	AR	Strap, Tie	
2	2151616	1	Fitting, 45 ORFS	
3	2170216	1	Fitting, 90 ORFS	
4	2170716	1	Fitting, Tee ORFS	
5	8405102	3	Clamp, Gear	
9	1001205564	1	Hose	
10	1001205565	1	Hose	
11	2111616	1	Fitting, Straight ORFS	
12	2172116	1	Fitting, 90 ORFS	
13	1001211616	1	Hose	
14	1001211617	1	Hose	
15	1001212920	1	Hose	
16	1001212921	1	Fitting, Straight	

SECTION 4 - ENGINE AND ATTACHING PARTS

FIGURE 4-38. TRANSMISION OIL COOLER LINES INSTALLATION (TUV)



AMT_1001223724-A

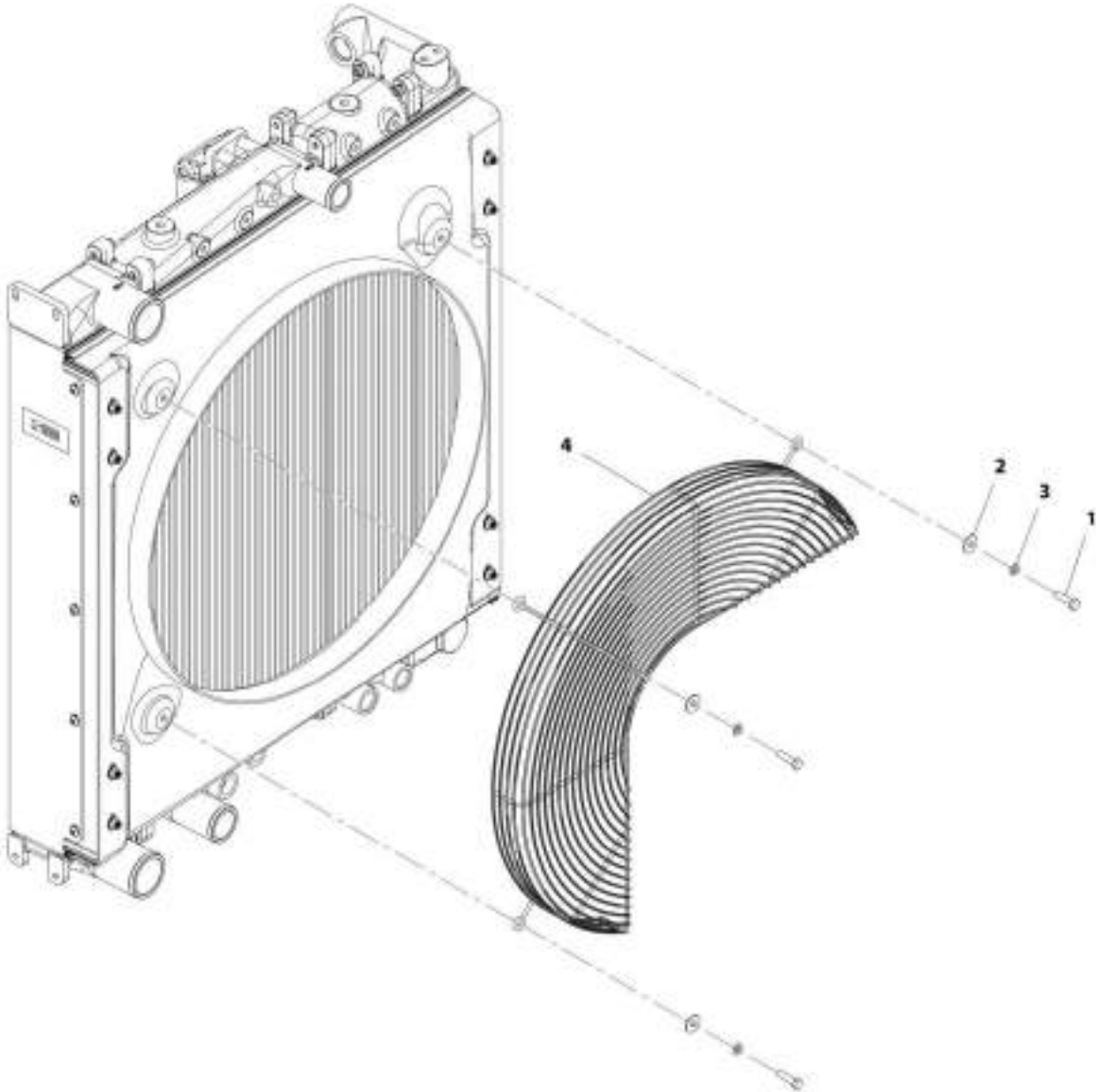
SECTION 4 - ENGINE AND ATTACHING PARTS

FIGURE 4-38. TRANSMISION OIL COOLER LINES INSTALLATION (TUV)

ITEM	PART NUMBER	QTY	DESCRIPTION	REV
	1001223724	Ref	Transmission Oil Cooler Lines Installation (TUV)	A
1	1062255	AR	Strap, Tie	
2	2111616	1	Fitting, Straight ORFS	
3	2151616	1	Fitting, 45 ORFS	
4	2170216	1	Fitting, 90 ORFS	
5	2170716	1	Fitting, Tee ORFS	
6	2172116	1	Fitting, 90 ORFS	
7	8405102	3	Clamp	
8	1001205565	1	Hose, ORFS	
9	1001212921	1	Adapter, M32	
10	1001223725	1	Hose, Return Tank	
11	1001205564	1	Hose, 1.25IN ORFS	
12	1001211616	1	Hose, M25 ORFS	
13	1001211617	1	Hose, M25 ORFS	

SECTION 4 - ENGINE AND ATTACHING PARTS

FIGURE 4-39. FAN GUARD INSTALLATION



ART_1001160420-D

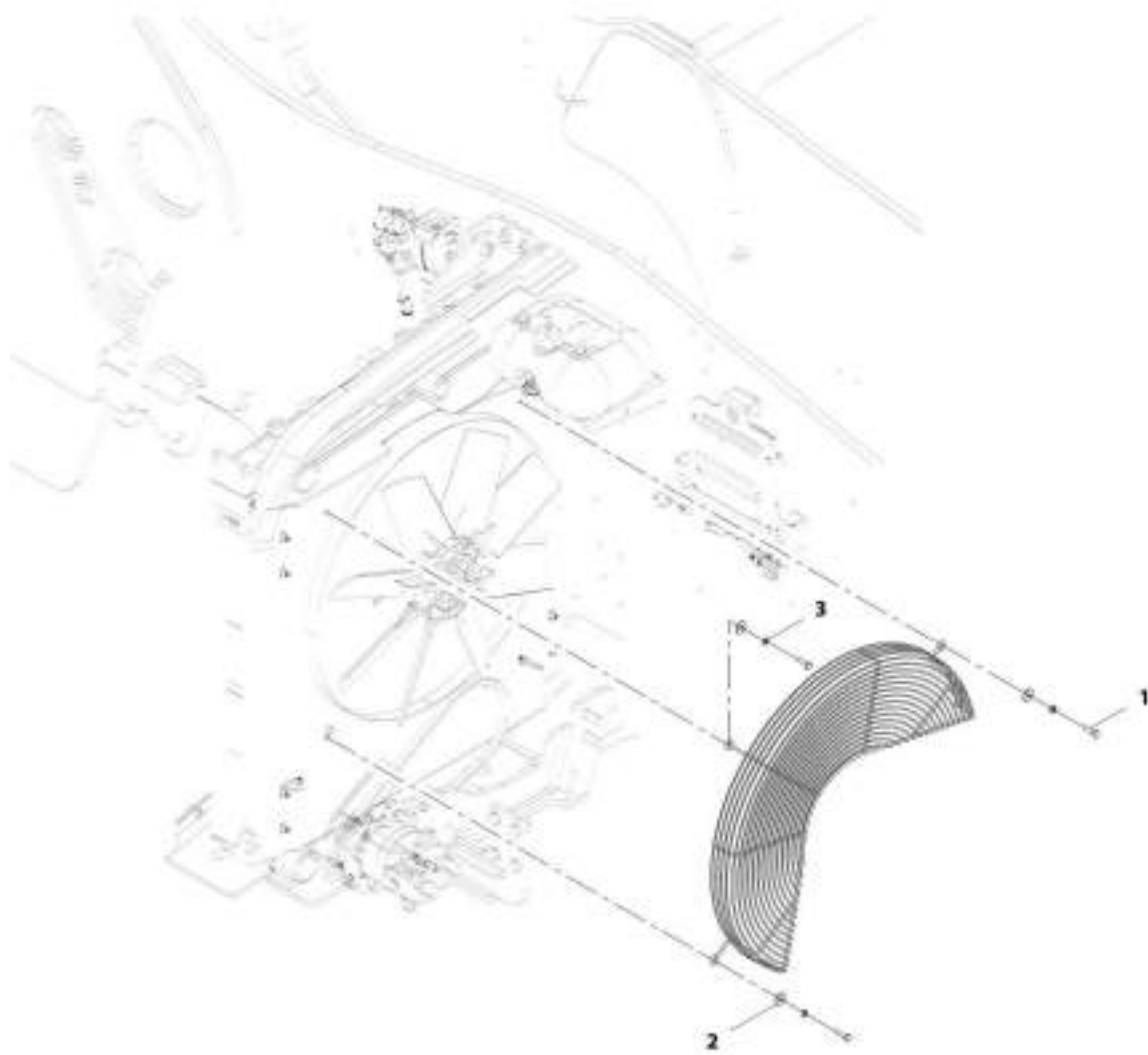
SECTION 4 - ENGINE AND ATTACHING PARTS

FIGURE 4-39. FAN GUARD INSTALLATION

ITEM	PART NUMBER	QTY	DESCRIPTION	REV
	1001160420	Ref	Fan Guard Installation	D
1	0700814	3	Bolt, M8X30	
2	4811902	3	Washer, M8	
3	4831900	3	Washer, Lock M8	
4	1001167186	1	Grill	

SECTION 4 - ENGINE AND ATTACHING PARTS

FIGURE 4-40. FAN GUARD (REVERSING) INSTALLATION



ART_000121754-B

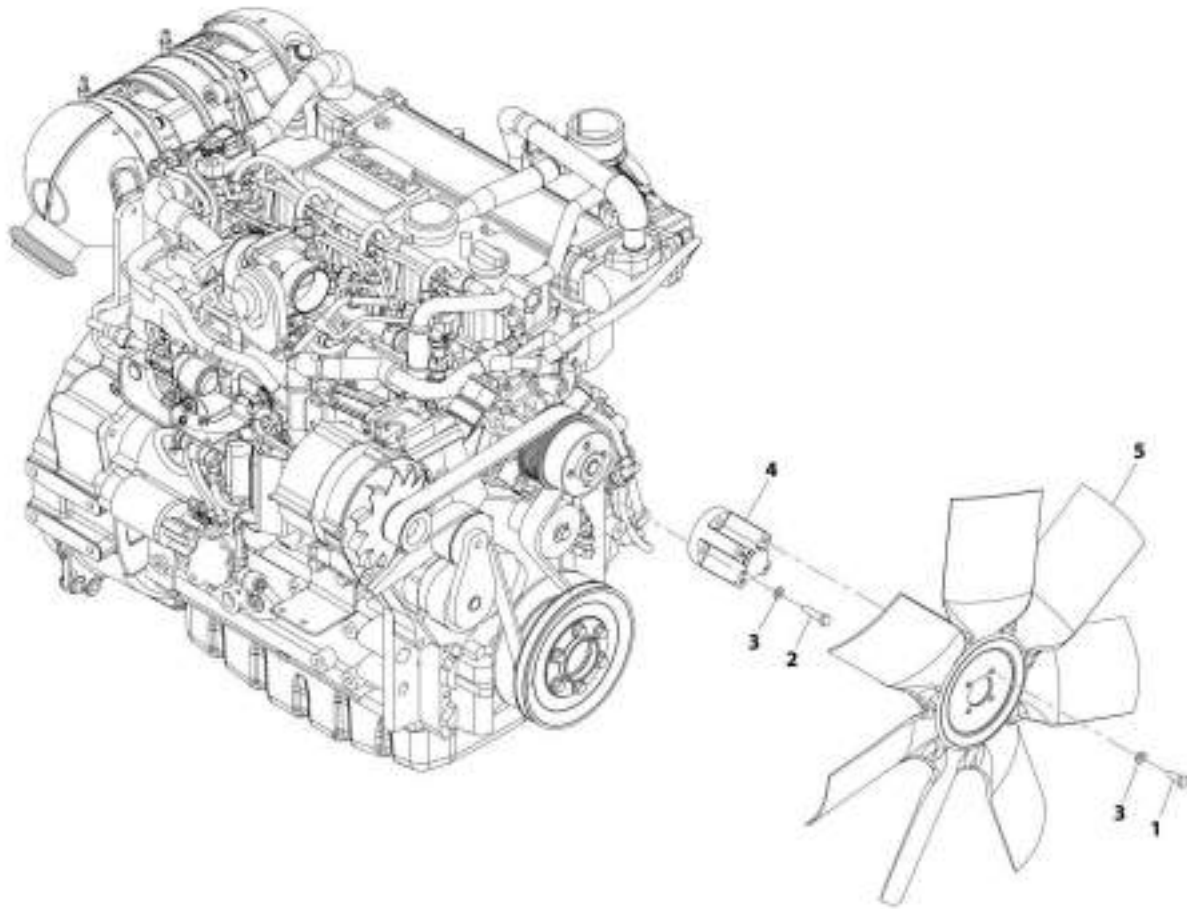
SECTION 4 - ENGINE AND ATTACHING PARTS

FIGURE 4-40. FAN GUARD (REVERSING) INSTALLATION

ITEM	PART NUMBER	QTY	DESCRIPTION	REV
	1001217754	1	Fan Guard (Reversing) Installation	B
1	0700814	3	Bolt, M8X30	
2	4811902	3	Washer, M8	
3	4831900	3	Washer, Lock M8	
4	1001217755	1	Grill	

SECTION 4 - ENGINE AND ATTACHING PARTS

FIGURE 4-41. COOLING FAN INSTALLATION



MT_10012-4123-A

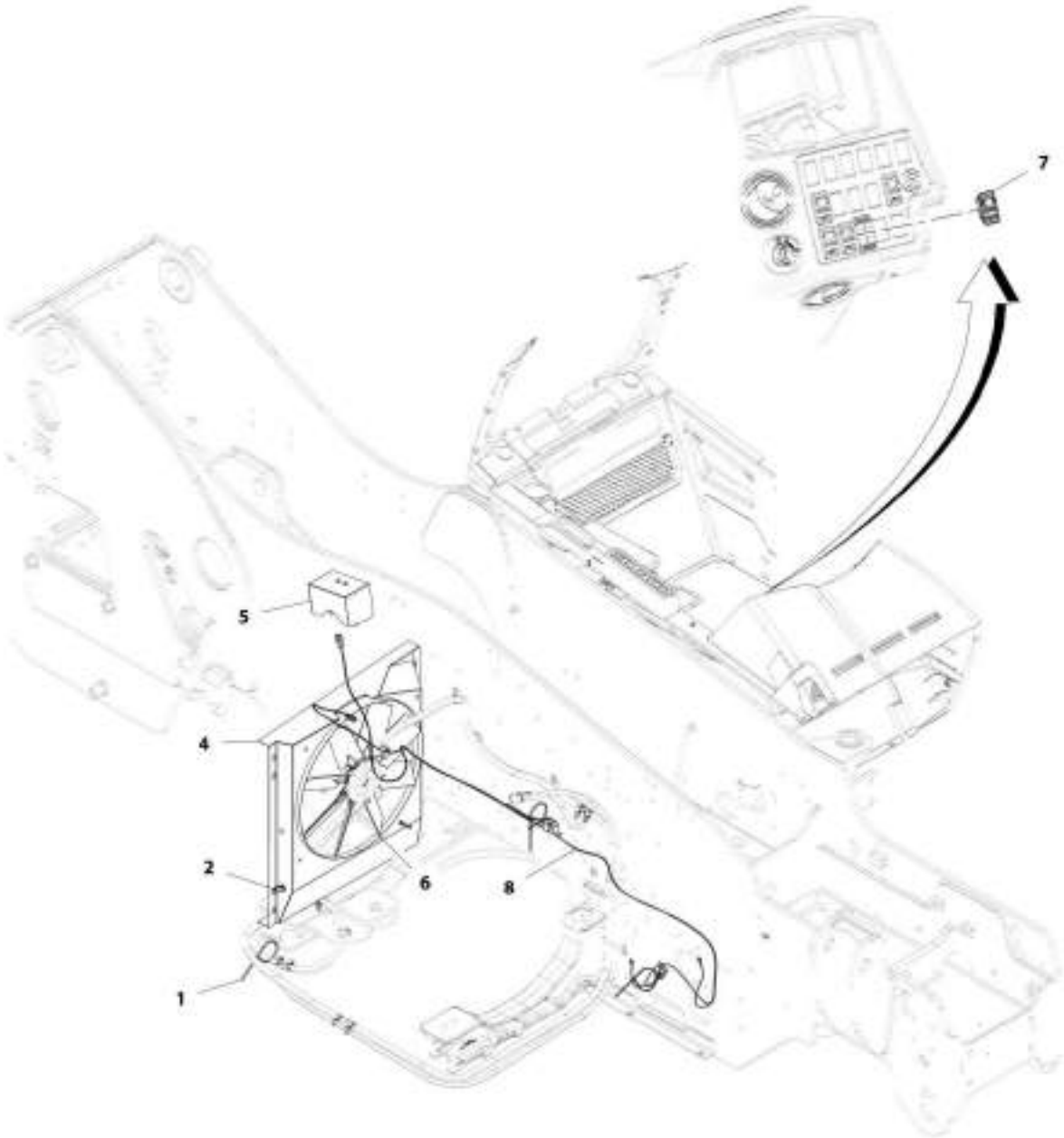
SECTION 4 - ENGINE AND ATTACHING PARTS

FIGURE 4-41. COOLING FAN INSTALLATION

ITEM	PART NUMBER	QTY	DESCRIPTION	REV
	1001214123	Ref	Cooling Fan Installation	A
1	0760810	4	Bolt, M8X20	
2	0770815	4	Bolt, M8X35 Grade 10.9	
3	4811900	8	Washer, M8	
4	1001170311	1	Adapter, Fan	
5	1001185026	1	Fan	

SECTION 4 - ENGINE AND ATTACHING PARTS

FIGURE 4-42. REVERSE COOLING FAN INSTALLATION



ART_000121753-C

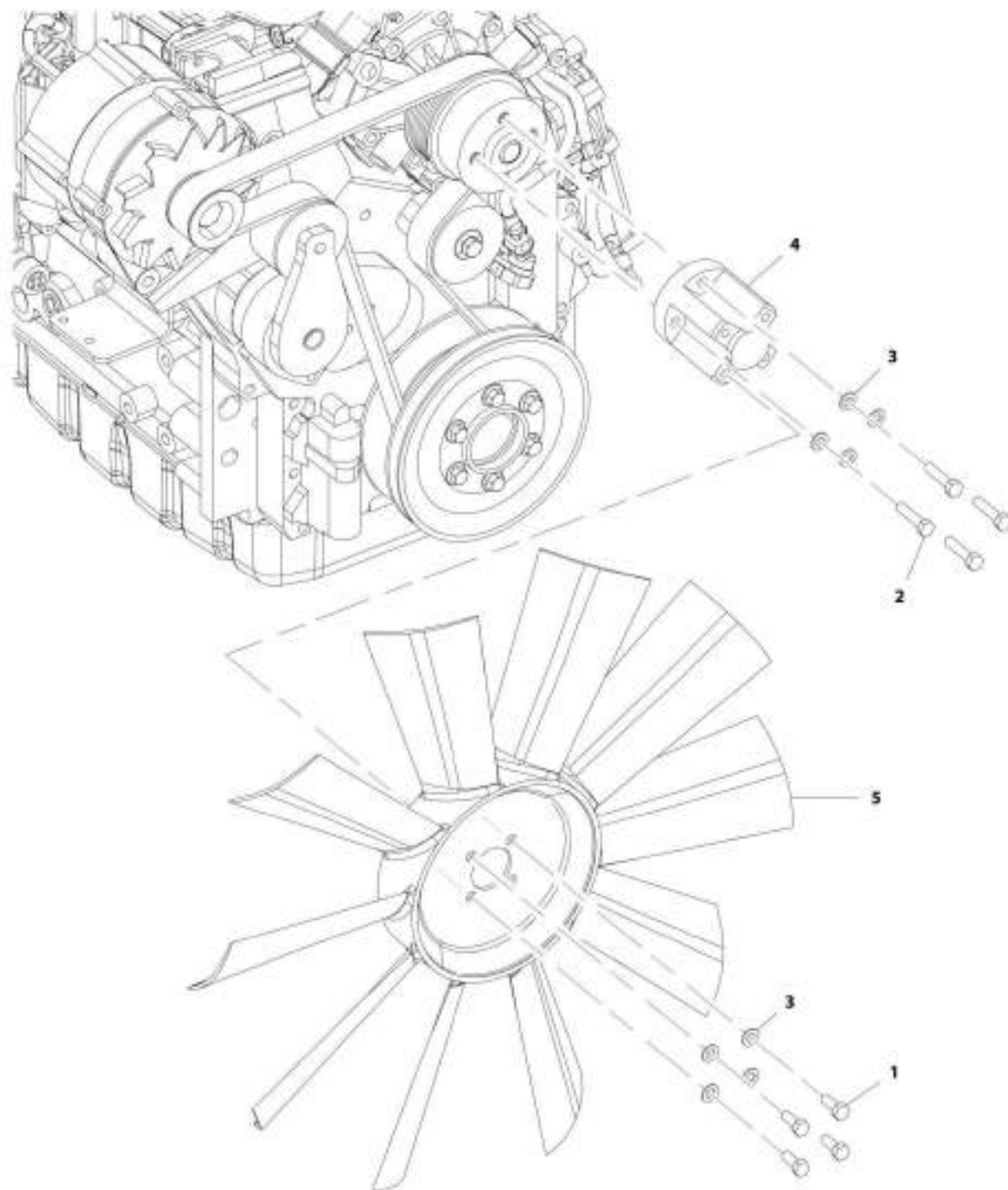
SECTION 4 - ENGINE AND ATTACHING PARTS

FIGURE 4-42. REVERSE COOLING FAN INSTALLATION

ITEM	PART NUMBER	QTY	DESCRIPTION	REV
	1001217753	Ref	Reverse Cooling Fan Installation	C
1	1062255	3	Strap, Tie	
2	1001146588	2	Strap, Fir Tree Cable Tie	
4	1001217756	1	Shroud	
5	1001217757	1	Installation, Cover (See Separate Breakdown in this Section)	
6	1001217760	1	Kit, Reversing Fan	
7	1001145204	1	Switch	
8	1001221493	1	Harness, Reversing Fan (See Separate Breakdown in Electrical Section)	

SECTION 4 - ENGINE AND ATTACHING PARTS

FIGURE 4-43. COOLING FAN INSTALLATION



ART_1001221918-A

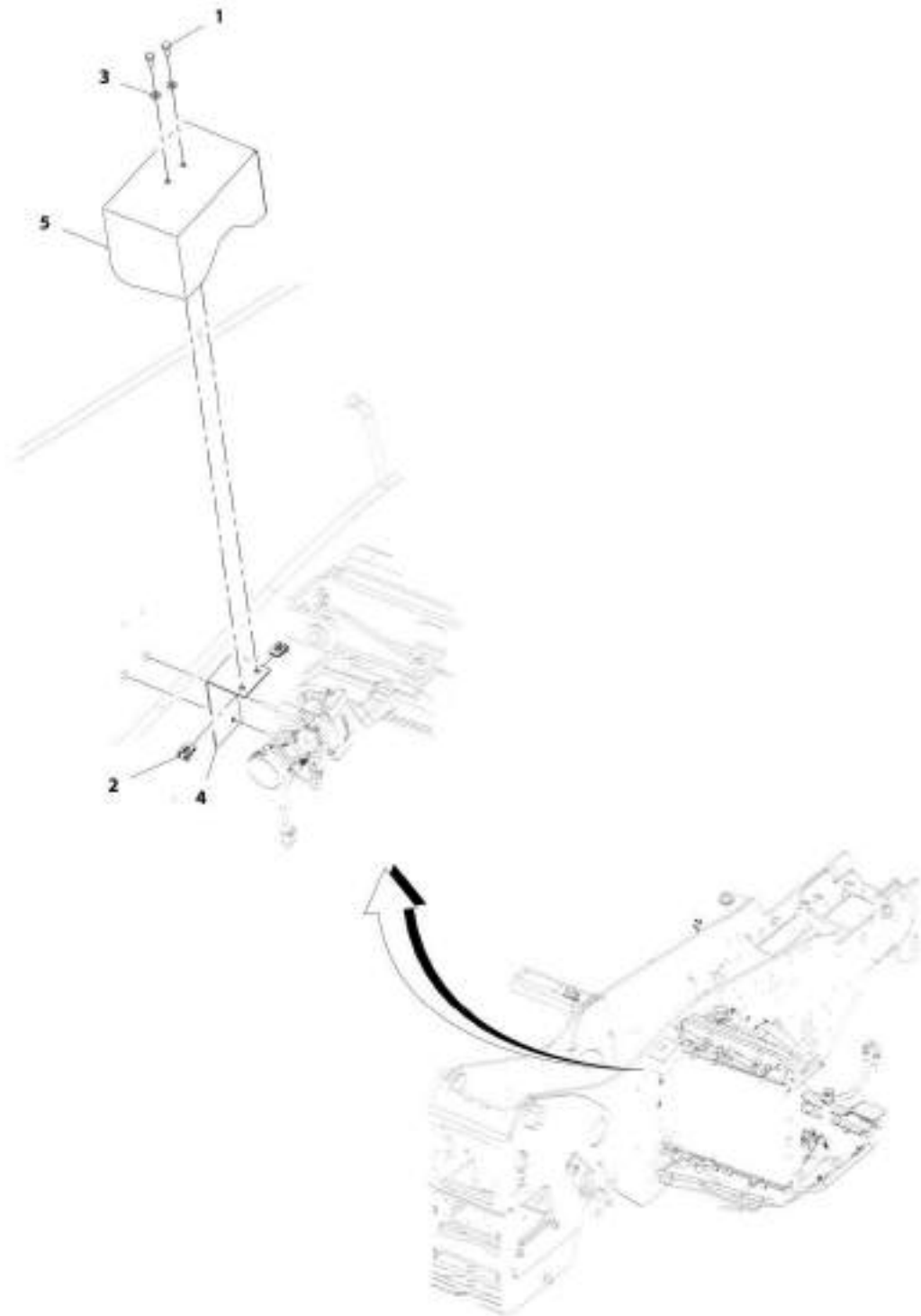
SECTION 4 - ENGINE AND ATTACHING PARTS

FIGURE 4-43. COOLING FAN INSTALLATION

ITEM	PART NUMBER	QTY	DESCRIPTION	REV
	1001221918	Ref	Cooling Fan Installation	A
1	0760810	4	Bolt, M8X20	
2	0770815	4	Bolt, M8X35 Grade 10.9	
3	4811900	8	Washer, M8	
4	1001170311	1	Adapter, Fan Hub	
5	1001148307	1	Fan, 23IN	

SECTION 4 - ENGINE AND ATTACHING PARTS

FIGURE 4-44. COMPRESSOR COVER INSTALLATION



ART_000121757-A

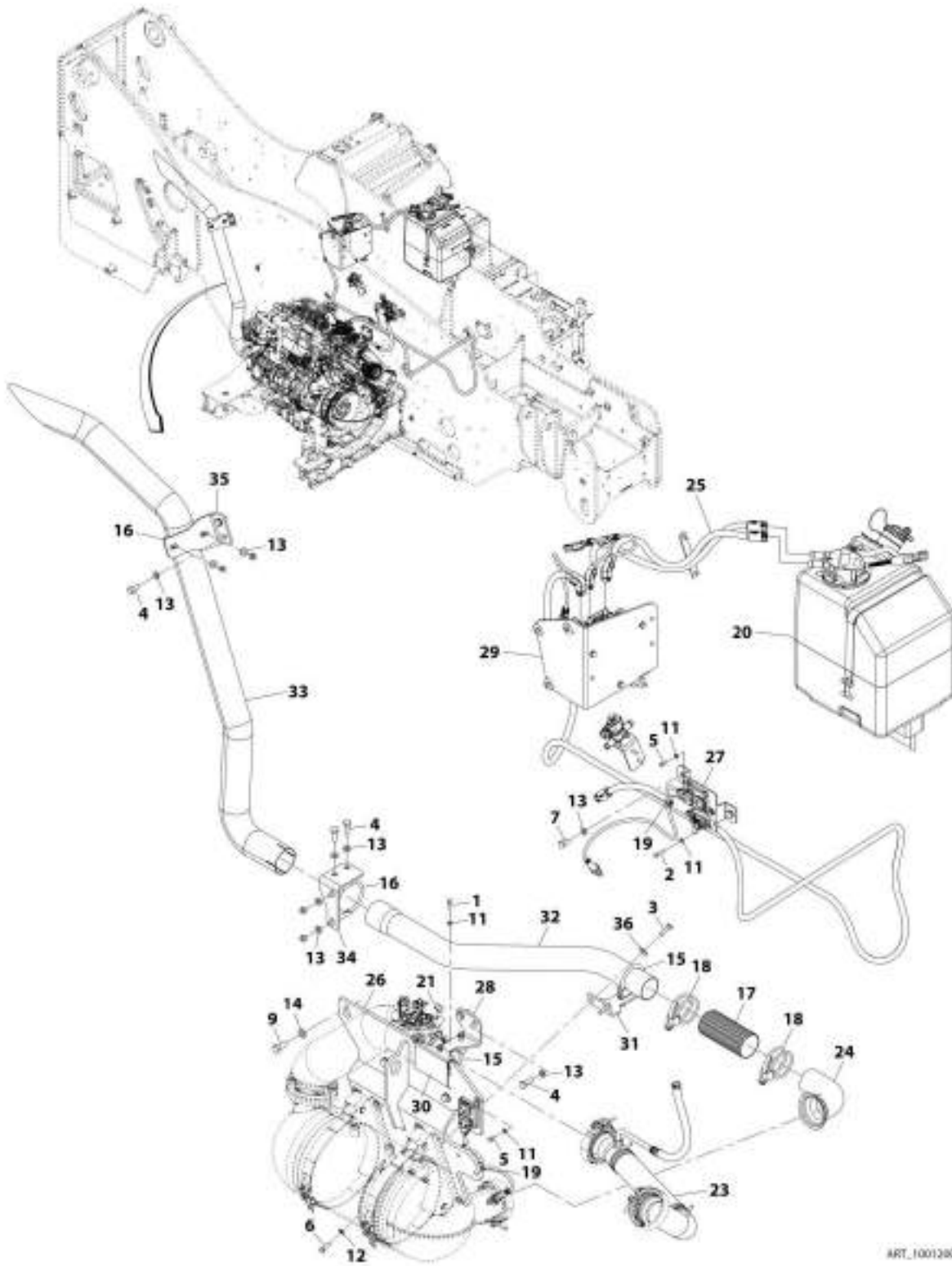
SECTION 4 - ENGINE AND ATTACHING PARTS

FIGURE 4-44. COMPRESSOR COVER INSTALLATION

ITEM	PART NUMBER	QTY	DESCRIPTION	REV
	1001217757	Ref	Compressor Cover Installation	A
1	0760607	2	Bolt, M6X14	
2	8305919	2	Nut, M6	
3	8307219	2	Washer, M6	
4	1001217758	1	Bracket	
5	1001217759	1	Cover	

SECTION 4 - ENGINE AND ATTACHING PARTS

FIGURE 4-45. EXHAUST INSTALLATION (ULS)



ART_1001280440-H

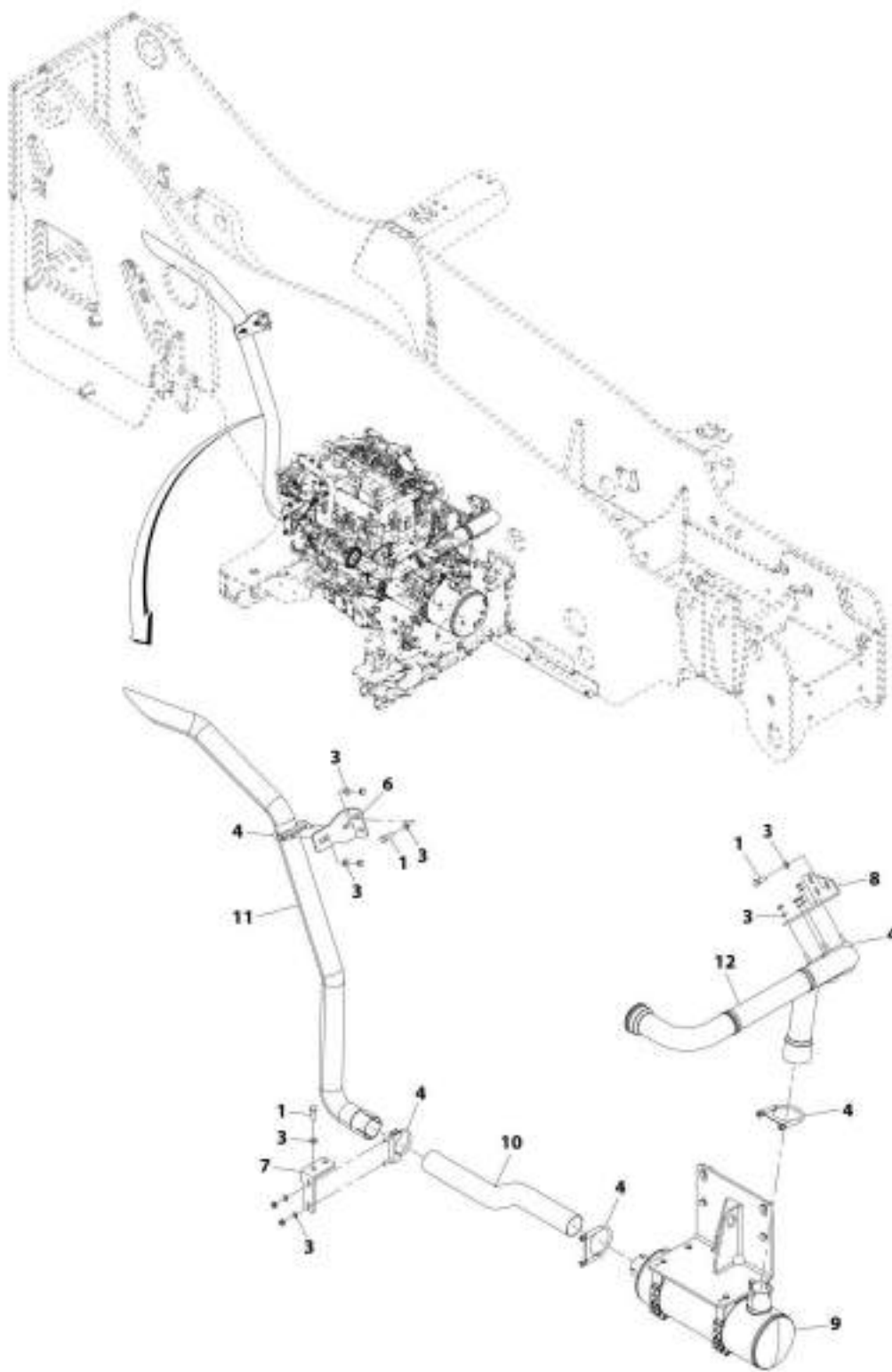
SECTION 4 - ENGINE AND ATTACHING PARTS

FIGURE 4-45. EXHAUST INSTALLATION (ULS)

ITEM	PART NUMBER	QTY	DESCRIPTION	REV
	1001200447	Ref	Exhaust Installation (ULS)	H
1	0700610	1	Bolt, M6X20	
2	0700614	2	Bolt, M6X30	
3	0700814	2	Bolt, M8X30	
4	0701014	6	Bolt, M10X30	
5	0760607	4	Bolt, M6X14	
6	0760812	8	Bolt, M8X25	
7	0761010	2	Bolt, M10X20	
9	0761214	4	Bolt, M12X30	
11	4811700	7	Washer, M6	
12	4811900	8	Washer, M8	
13	4812000	12	Washer, M10	
14	4812100	4	Washer, M12	
15	8275212	2	Clamp	
16	24921332	2	Clamp	
17	77213042	1	Tube, Flexible	
18	91163268	2	Clamp	
19	1001146588	3	Strap, Tie	
20	1001212923	Ref	Installation, DEF Tank, (See Seperate Breakdown in this Section)	
21	1001171913	1	Cap	
23	1001199902	1	Pipe	
24	1001200249	1	Pipe	
25	1001200867	Ref	Installation, DEF Lines (See Seperate Breakdown in this Section)	
26	1001201856	1	Bracket	
27	1001201857	1	Bracket	
28	1001201858	1	Support	
29	1001202018	Ref	Installation, DEF Control Module (See Seperate Breakdown in this Section)	
30	1001202021	1	Plate	
31	1001202899	1	Bracket	
32	1001204411	1	Pipe	
33	1001226797	1	Pipe, Tail	
34	1001204413	1	Bracket	
35	1001204414	1	Bracket	
36	4811902	2	Washer, M8	

SECTION 4 - ENGINE AND ATTACHING PARTS

FIGURE 4-46. EXHAUST INSTALLATION (LS)



ART_1001209460-E

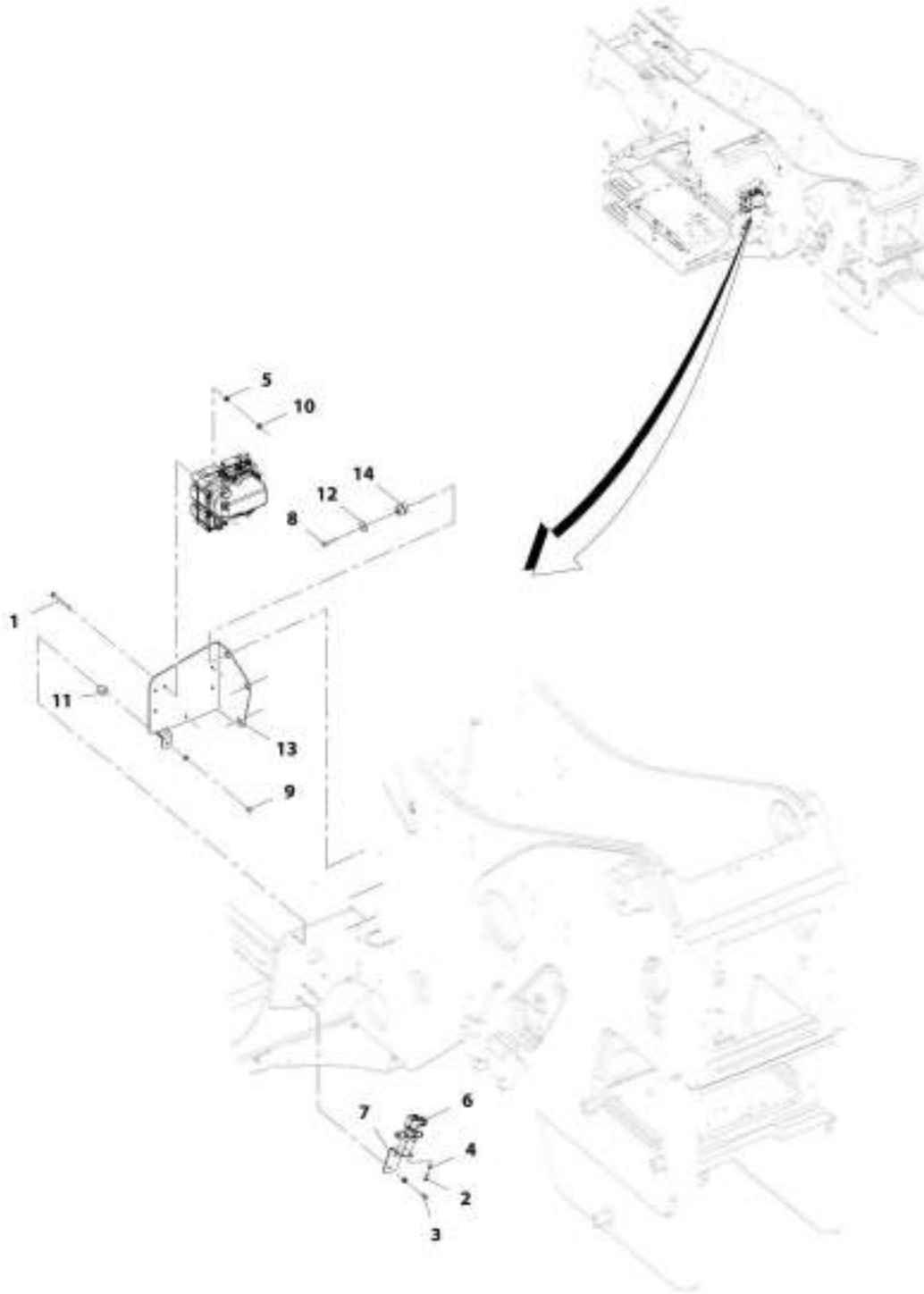
SECTION 4 - ENGINE AND ATTACHING PARTS

FIGURE 4-46. EXHAUST INSTALLATION (LS)

ITEM	PART NUMBER	QTY	DESCRIPTION	REV
	1001200448	Ref	Exhaust Installation (LS)	E
1	0701014	6	Bolt, M10X30	
3	4812000	14	Washer, M10	
4	8275212	4	Clamp	
6	1001182824	1	Bracket	
7	1001194155	1	Bracket	
8	1001214439	1	Bracket	
9	1001210761	1	Installation, Muffler (See Seperate Breakdown in this Section)	
10	1001214441	1	Pipe	
11	1001228174	1	Pipe, Tail	
12	1001214440	1	Pipe	

SECTION 4 - ENGINE AND ATTACHING PARTS

FIGURE 4-47. DEF CONTROL MODULE INSTALLATION



ART_100120010-E

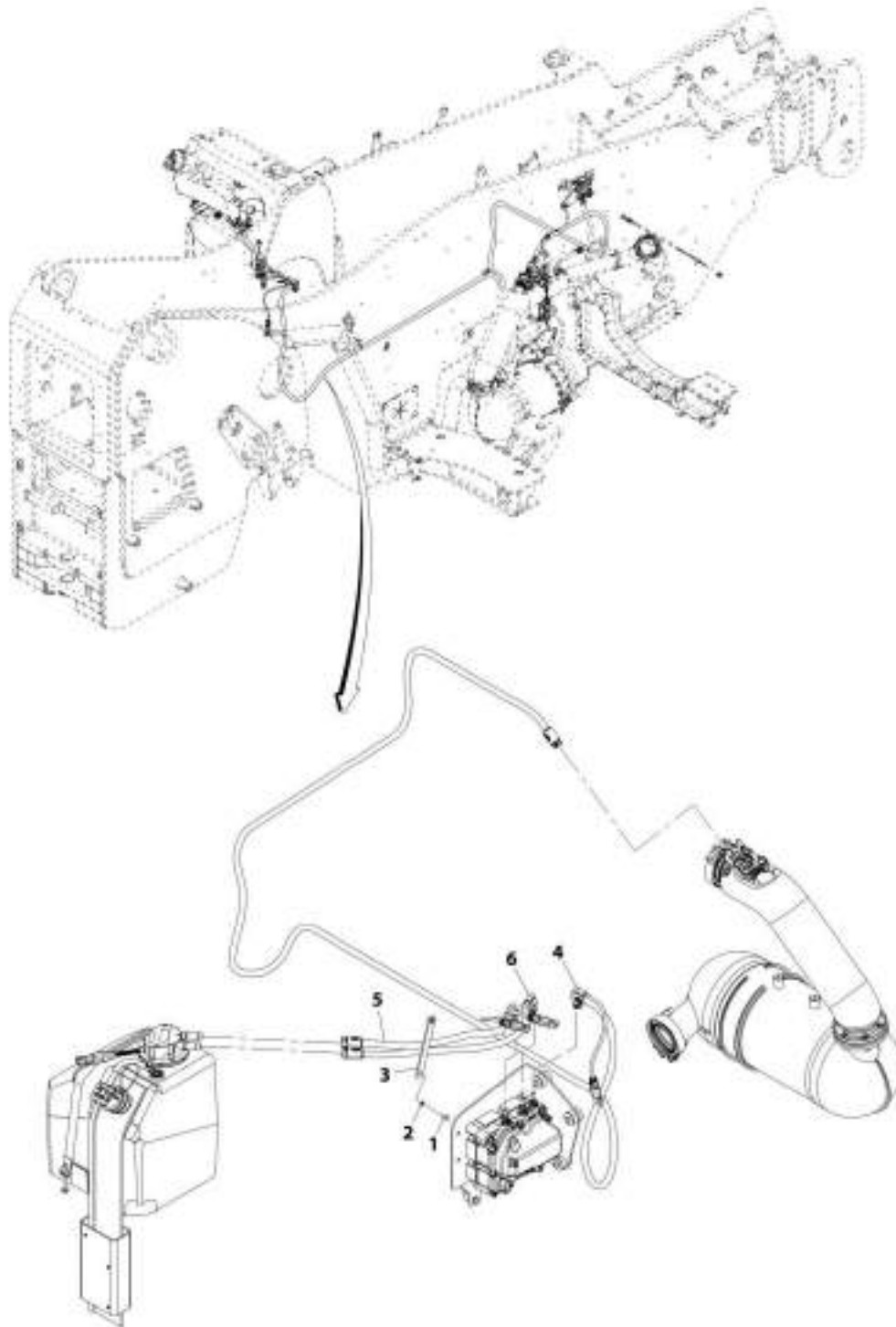
SECTION 4 - ENGINE AND ATTACHING PARTS

FIGURE 4-47. DEF CONTROL MODULE INSTALLATION

ITEM	PART NUMBER	QTY	DESCRIPTION	REV
	1001202018	Ref	DEF Control Module Installation	E
1	0700826	3	Bolt, M8X90	
2	0760608	4	Bolt, M6X16	
3	0760810	2	Bolt, M8X20	
4	4811700	4	Washer, M6	
5	4811900	9	Washer, M8	
6	1001199670	1	Valve, DEF Tank Coolant Flow	
7	1001223509	1	Bracket	
8	0700816	3	Bolt, M8X40	
9	0760806	1	Bolt, M8X12	
10	3290805	3	Nut, Lock M8X1.25 Grade 8	
11	1001179907	1	Mount, Isolator	
12	1001195089	3	Washer	
13	1001221349	1	Bracket	
14	1001221383	3	Mount, Isolator	

SECTION 4 - ENGINE AND ATTACHING PARTS

FIGURE 4-48. DEF LINES INSTALLATION



ART_1001200867-C

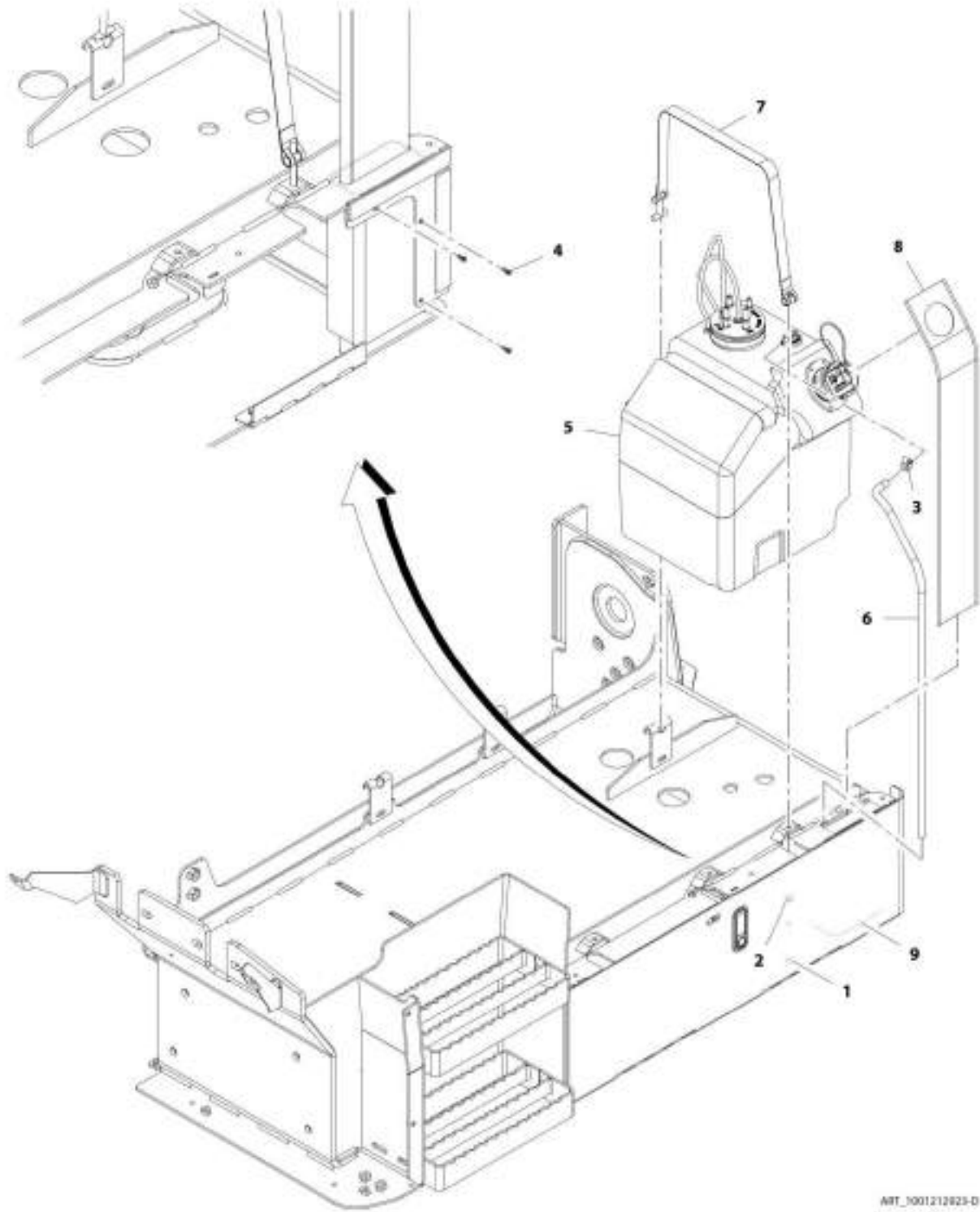
SECTION 4 - ENGINE AND ATTACHING PARTS

FIGURE 4-48. DEF LINES INSTALLATION

ITEM	PART NUMBER	QTY	DESCRIPTION	REV
	1001200867	Ref	DEF Lines Installation	D
1	0760607	2	Bolt, M6X14	
2	4831700	2	Washer, Lock M6	
3	1001173873	1	Plate	
4	1001180437	1	Hose	
5	1001199822	1	Hose	
6	1001199823	1	Hose	

SECTION 4 - ENGINE AND ATTACHING PARTS

FIGURE 4-49. DEF TANK INSTALLATION



ART_7001212825-D

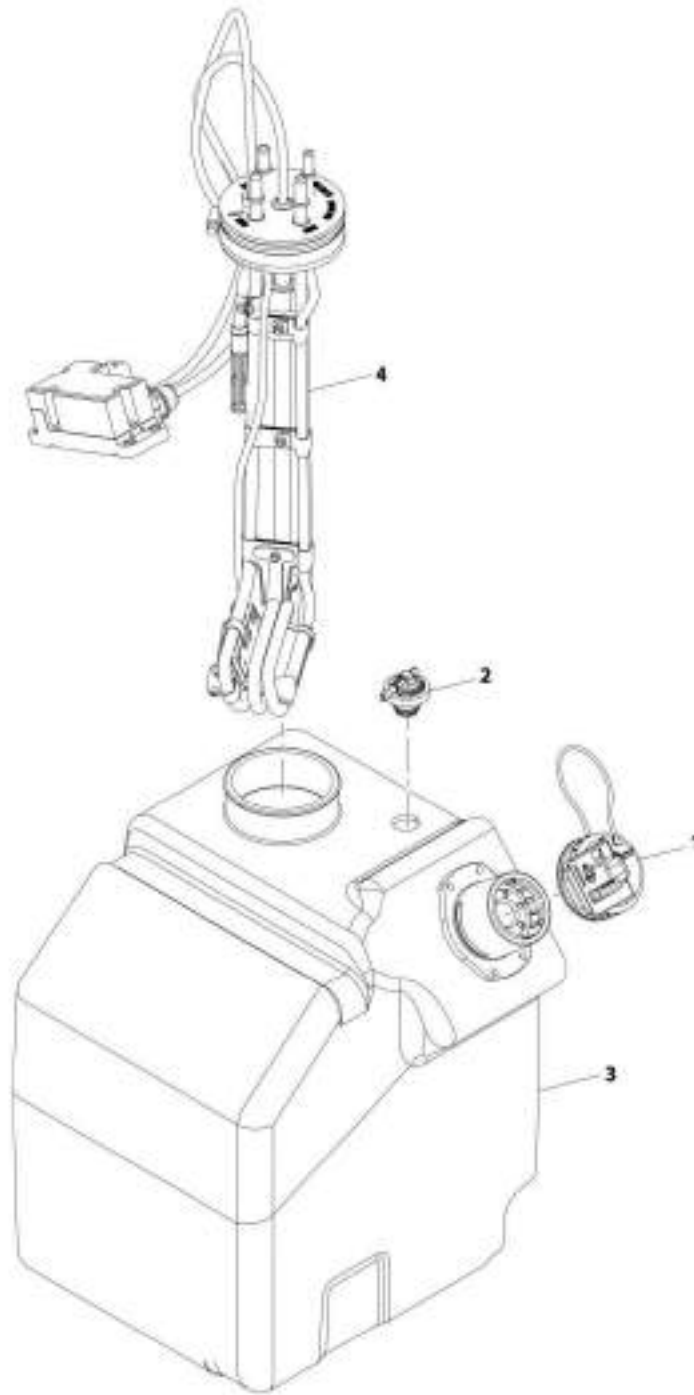
SECTION 4 - ENGINE AND ATTACHING PARTS

FIGURE 4-49. DEF TANK INSTALLATION

ITEM	PART NUMBER	QTY	DESCRIPTION	REV
	1001212923	Ref	DEF Tank Installation	D
1	0760823	1	Bolt, M8X75	
2	4811900	1	Washer, M8	
3	8405009	1	Clamp	
4	1001226681	3	Screw	
5	1001230423	1	Assembly, DEF Tank (See Seperate Breakdown in this Section)	
6	1001175201	813 mm	Hose	
7	1001178791	1	Strap, Tank	
8	1001212924	1	Guard, Spill	
9	1001212925	1	Tube, Drain	

SECTION 4 - ENGINE AND ATTACHING PARTS

FIGURE 4-50. DEF TANK ASSEMBLY



ART_1001230413-A

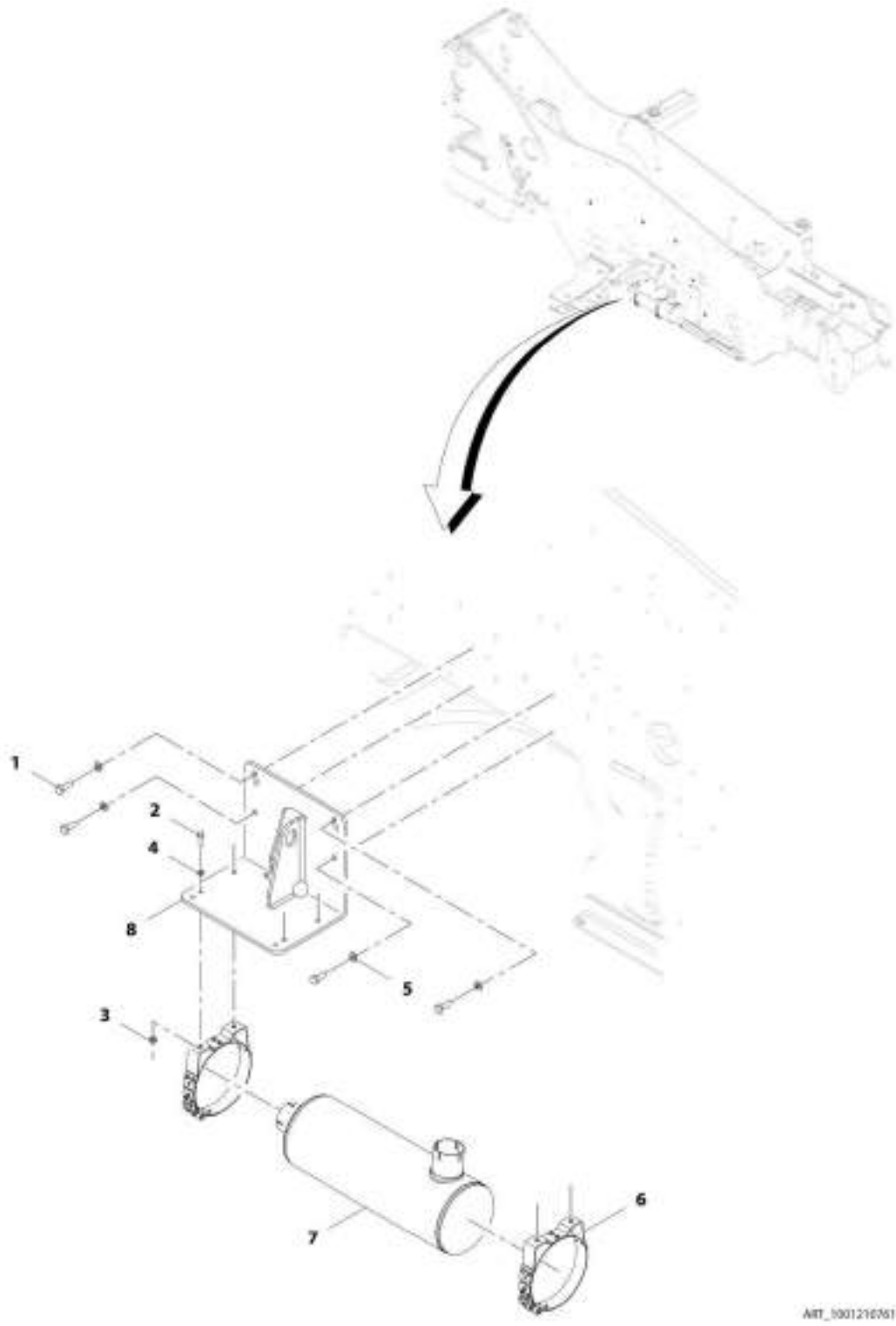
SECTION 4 - ENGINE AND ATTACHING PARTS

FIGURE 4-50. DEF TANK ASSEMBLY

ITEM	PART NUMBER	QTY	DESCRIPTION	REV
	1001230423	Ref	DEF Tank Assembly	A
1	1001174795	1	Cap Assembly, Reutter	
2	1001215319	1	Valve, Def Breather	
3	1001237897	1	DEF Tank	
4	1001238154	1	Electrical Assembly , DEF Header	

SECTION 4 - ENGINE AND ATTACHING PARTS

FIGURE 4-51. MUFFLER INSTALLATION (LS)



ART_000121051-A

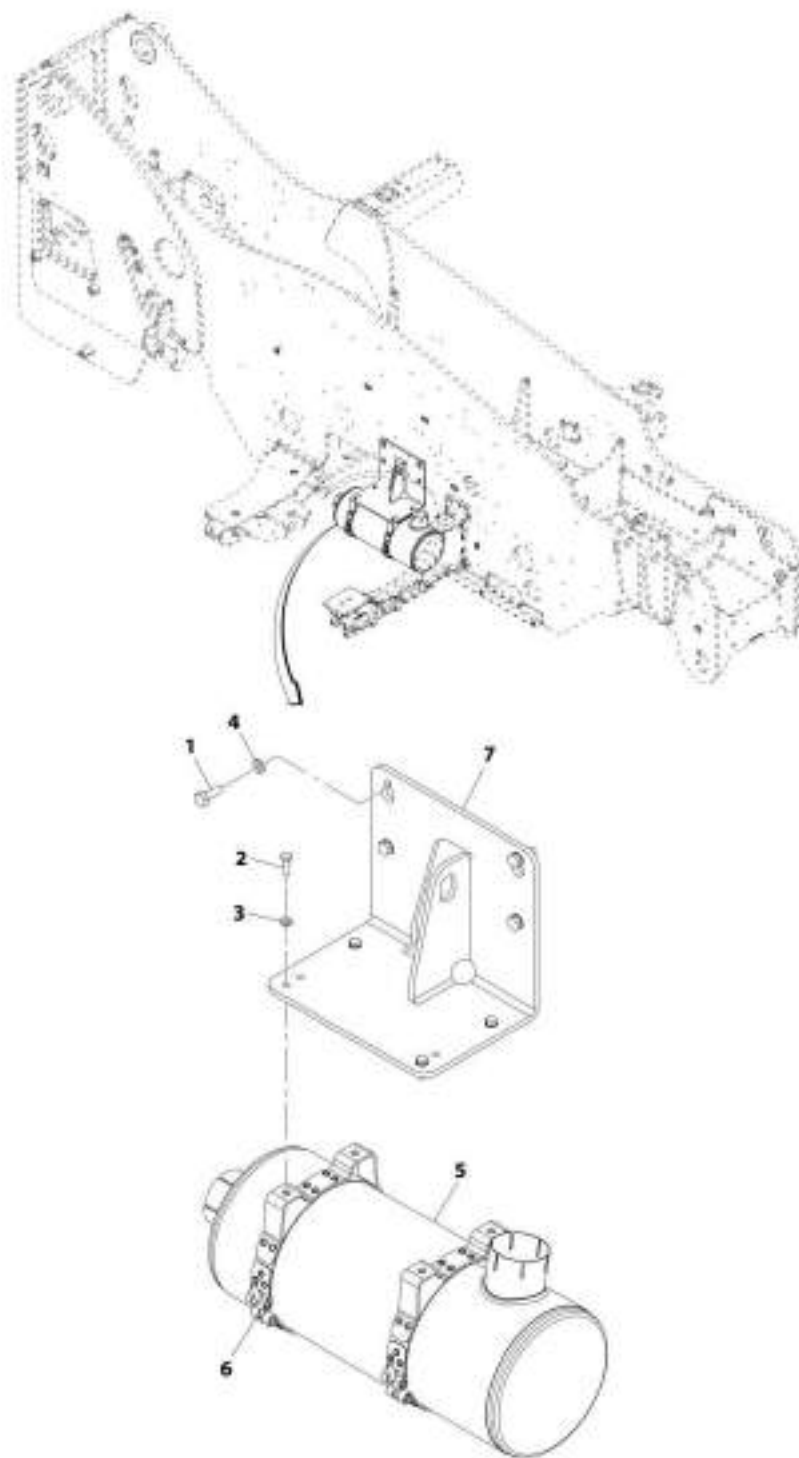
SECTION 4 - ENGINE AND ATTACHING PARTS

FIGURE 4-51. MUFFLER INSTALLATION (LS)

ITEM	PART NUMBER	QTY	DESCRIPTION	REV
	1001210761	Ref	Muffler Installation (LS)	A
1	0701014	4	Bolt, M10X30	
2	0760812	4	Bolt, M8X25	
3	3290801	4	Nut, M8X1.25 Grade 8	
4	4811900	8	Washer, M8	
5	4812000	4	Washer, M10	
6	1001119727	2	Clamp	
7	1001140671	1	Muffler	
8	1001214438	1	Bracket	

SECTION 4 - ENGINE AND ATTACHING PARTS

FIGURE 4-52. MUFFLER INSTALLATION (LS)



ART_3001215070-A

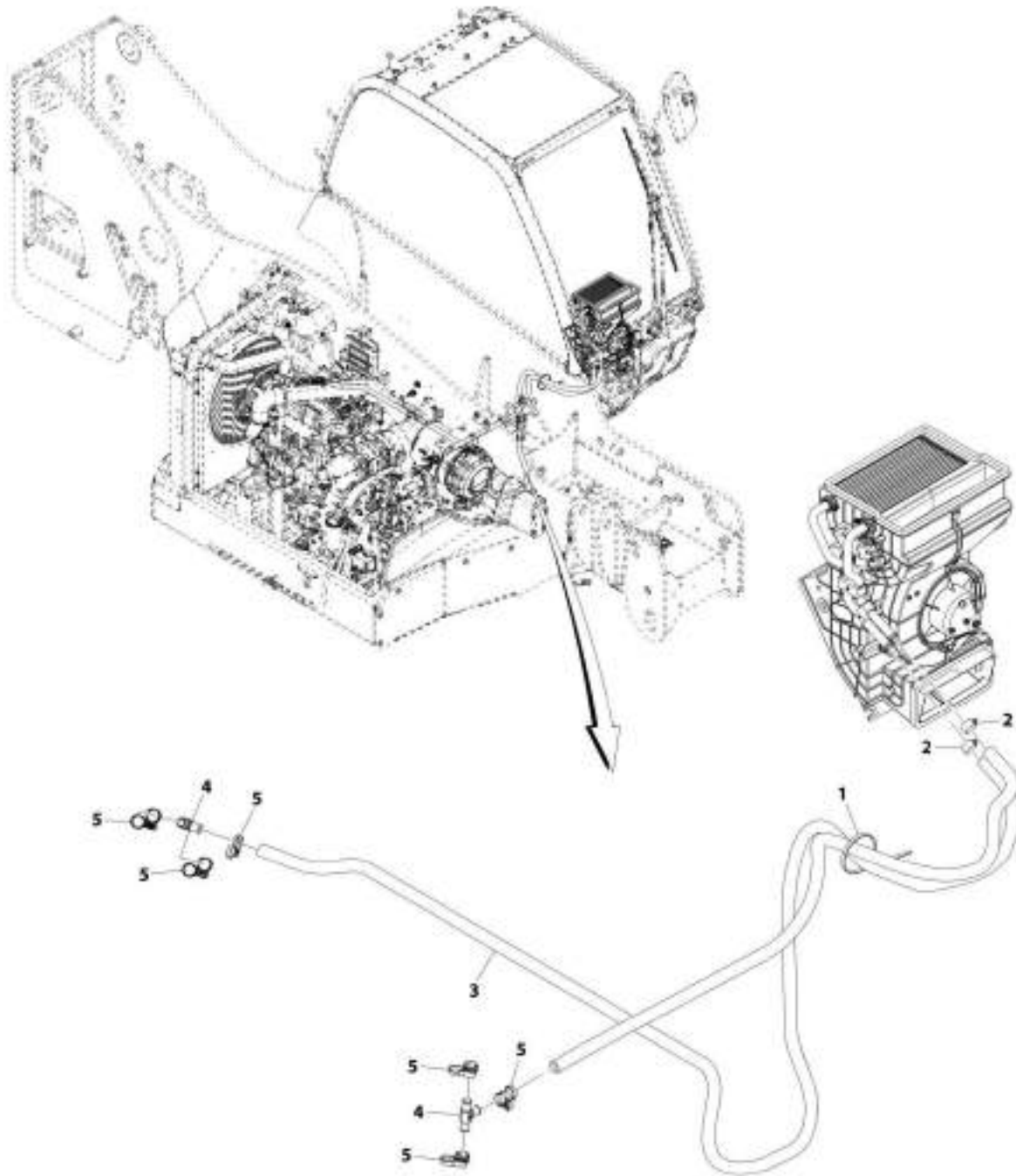
SECTION 4 - ENGINE AND ATTACHING PARTS

FIGURE 4-52. MUFFLER INSTALLATION (LS)

ITEM	PART NUMBER	QTY	DESCRIPTION	REV
	1001215078	Ref	Muffler Installation (LS)	A
1	0701014	4	Bolt, M10X30	
2	0760812	4	Bolt, M8X25	
3	4811900	4	Washer, M8	
4	4812000	4	Washer, M10	
5	1001180226	1	Muffler	
6	1001180227	2	Clamp	
7	1001214438	1	Bracket	

SECTION 4 - ENGINE AND ATTACHING PARTS

FIGURE 4-53. HEATER LINES INSTALLATION (ULS)



AIR_3001200451-D

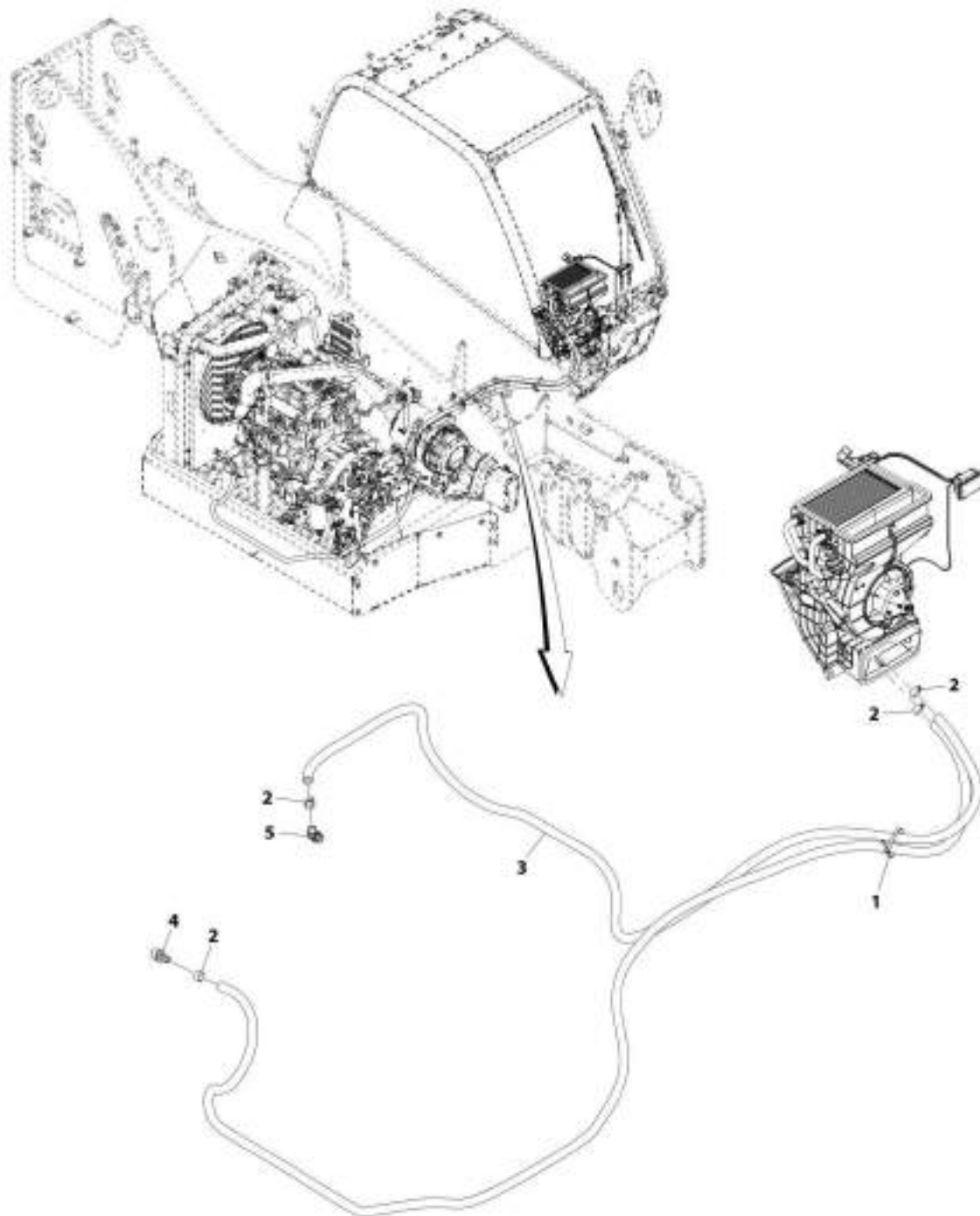
SECTION 4 - ENGINE AND ATTACHING PARTS

FIGURE 4-53. HEATER LINES INSTALLATION (ULS)

ITEM	PART NUMBER	QTY	DESCRIPTION	REV
	1001200451	Ref	Heater Lines Installation (ULS)	D
1	1062255	AR	Strap, Tie	
2	8410009	2	Clamp	
3	82033995	4620 mm	Hose	
4	1001170432	2	Fitting, Tee	
5	1001202526	6	Clamp	

SECTION 4 - ENGINE AND ATTACHING PARTS

FIGURE 4-54. HEATER LINES INSTALLATION (LS)



4RT_1001200453-A

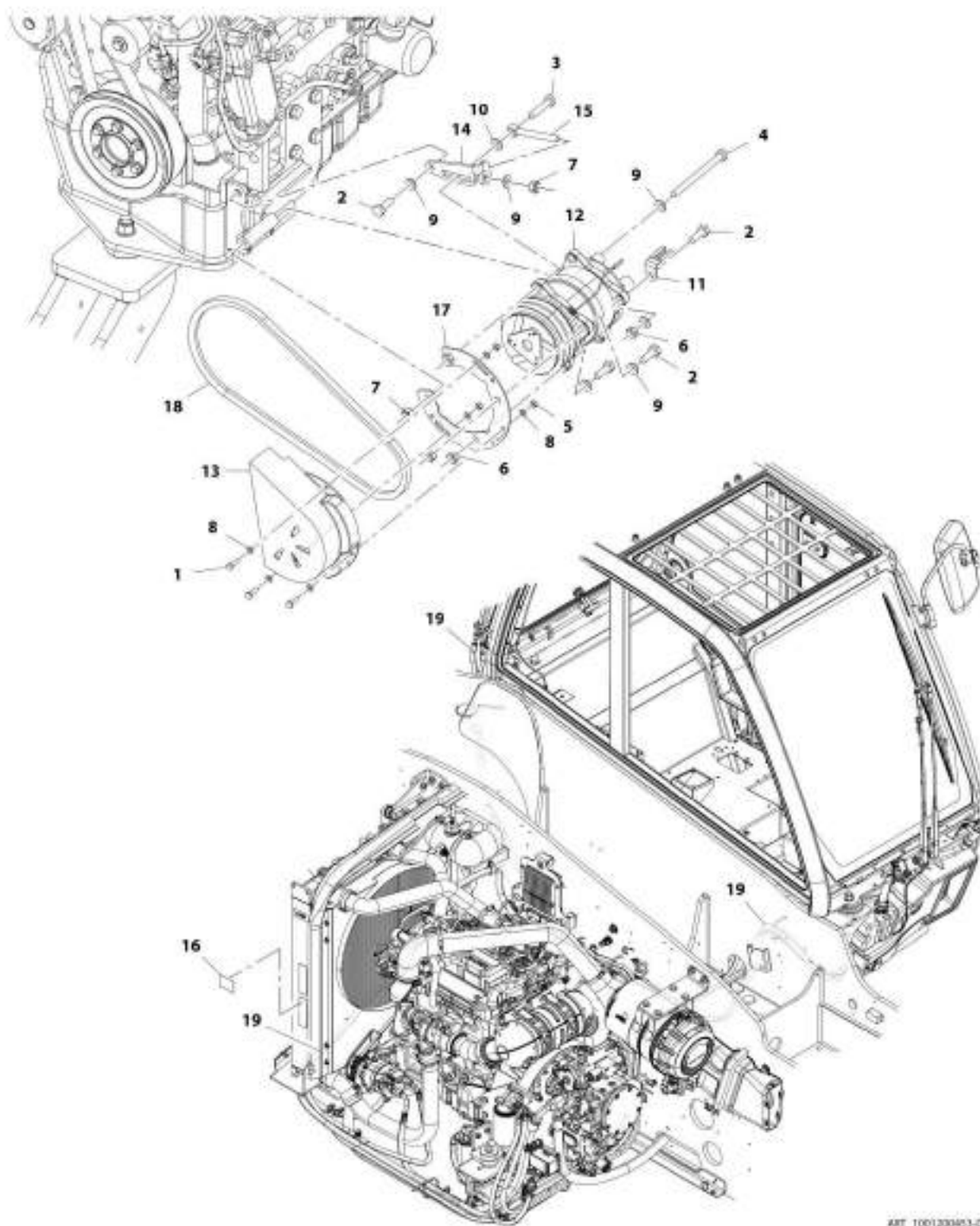
SECTION 4 - ENGINE AND ATTACHING PARTS

FIGURE 4-54. HEATER LINES INSTALLATION (LS)

ITEM	PART NUMBER	QTY	DESCRIPTION	REV
	1001200452	Ref	Heater Lines Installation (LS)	A
1	1062255	1	Strap, Tie	
2	8410009	4	Clamp	
3	82033995	6897 mm	Hose	
4	1001167409	1	Fitting, Straight	
5	1001203005	1	Fitting, 45	

SECTION 4 - ENGINE AND ATTACHING PARTS

FIGURE 4-55. A/C PUMP INSTALLATION



ART_1001200403-D

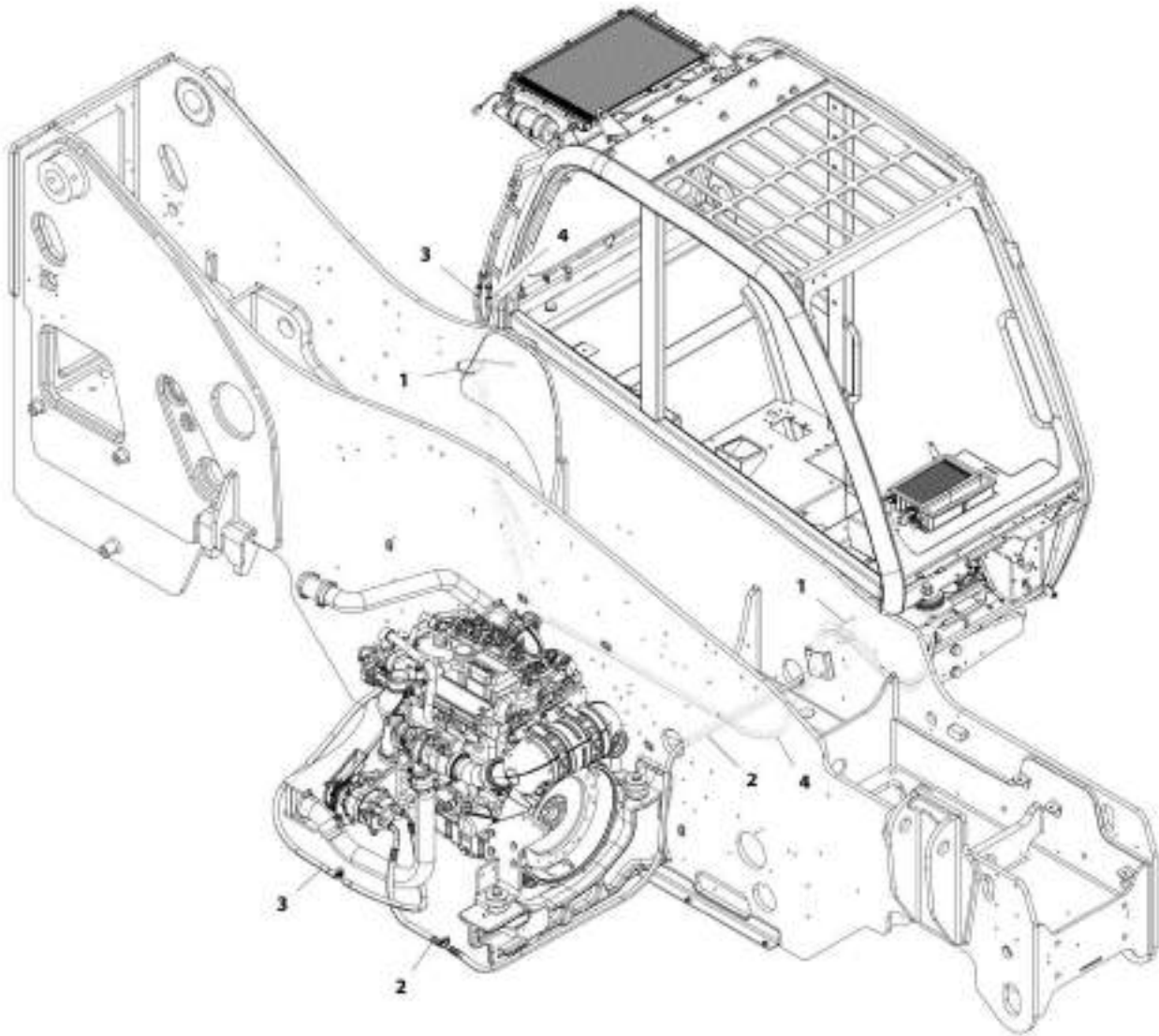
SECTION 4 - ENGINE AND ATTACHING PARTS

FIGURE 4-55. A/C PUMP INSTALLATION

ITEM	PART NUMBER	QTY	DESCRIPTION	REV
	1001200453	Ref	A/C Pump Installation	D
1	0700610	3	Bolt, M6X20	
2	0701014	4	Bolt, M10X30	
3	0701018	1	Bolt, M10X50	
4	0711030	1	Bolt, M10X130 Grade 10.9	
5	3290605	3	Nut, Lock M6X1	
6	3291001	3	Nut, M10X1.5	
7	3291005	2	Nut, lock M10X1.5	
8	4811700	6	Washer, M6	
9	4812000	6	Washer, M10	
10	5241000	1	Washer, M10	
11	1001003305	1	Clip	
12	1001107339	1	Compressor, A/C Clutch	
13	1001138945	1	Cover, Compressor	
14	1001188855	1	Plate, A/C Belt Tensioner	
15	1001188856	1	Rod, Tensioner	
16	1001227090	1	Decal, A/C Installation	
17	1001193797	1	Support, Cover	
18	1001200701	1	Belt, Drive	
19	1001202321	Ref	A/C Lines Installation (See Seperate Breakdown in this Section)	

SECTION 4 - ENGINE AND ATTACHING PARTS

FIGURE 4-56. A/C LINES INSTALLATION



ART_1001200331-D

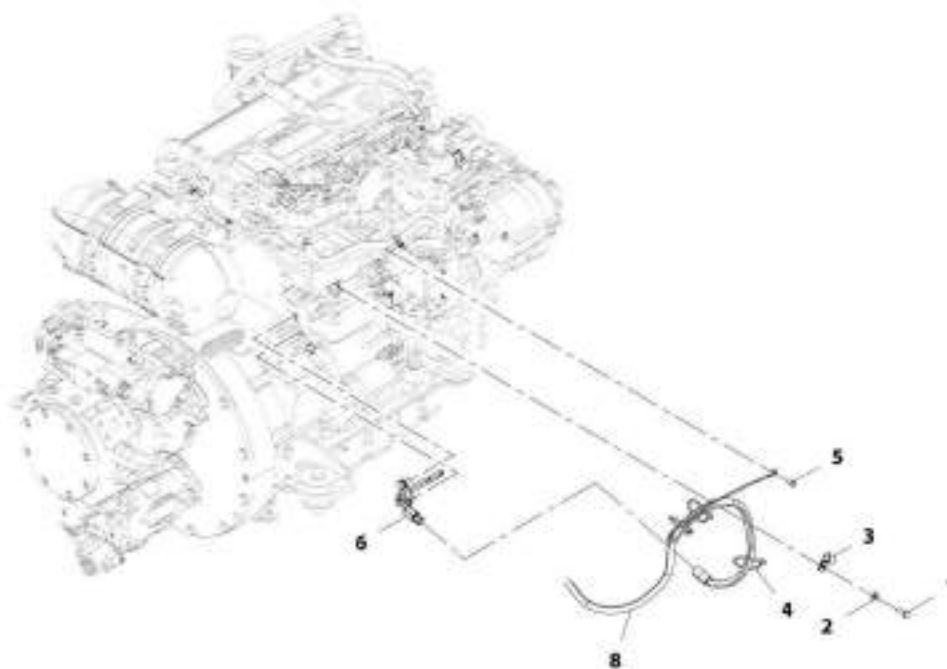
SECTION 4 - ENGINE AND ATTACHING PARTS

FIGURE 4-56. A/C LINES INSTALLATION

ITEM	PART NUMBER	QTY	DESCRIPTION	REV
	1001202321	Ref	A/C Lines Installation	D
1	1062255	2	Strap, Tie	
2	1001216798	1	Hose	
3	1001216799	1	Hose	
4	1001202325	1	Hose	

SECTION 4 - ENGINE AND ATTACHING PARTS

FIGURE 4-57. BLOCK HEATER INSTALLATION (230V) (ULS)



ART_1801301426-B

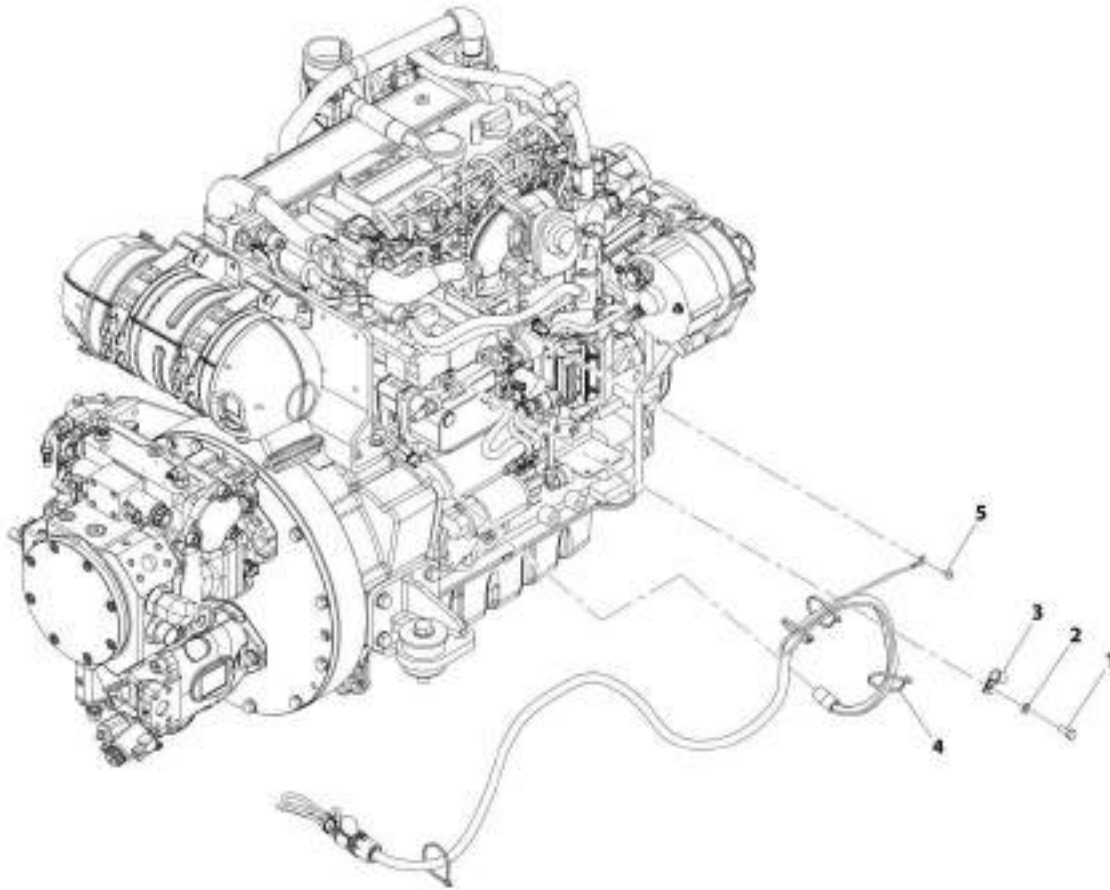
SECTION 4 - ENGINE AND ATTACHING PARTS

FIGURE 4-57. BLOCK HEATER INSTALLATION (230V) (ULS)

ITEM	PART NUMBER	QTY	DESCRIPTION	REV
	1001201426	Ref	Block Heater Installation (230V) (ULS)	B
1	0760810	1	Bolt, M8X20	
2	4811900	1	Washer, M8	
3	8406112	1	Clip	
4	1001008559	4	Strap, Cable	
5	1001099566	1	Screw, M6-1X12	
6	1001211571	1	Heater, Engine (230V)	
7	1001212014	1	Cord, Heater	
8	1001212055	1	Cord, Heater	

SECTION 4 - ENGINE AND ATTACHING PARTS

FIGURE 4-58. BLOCK HEATER INSTALLATION (115V) (ULS)



ART_1061214344-C

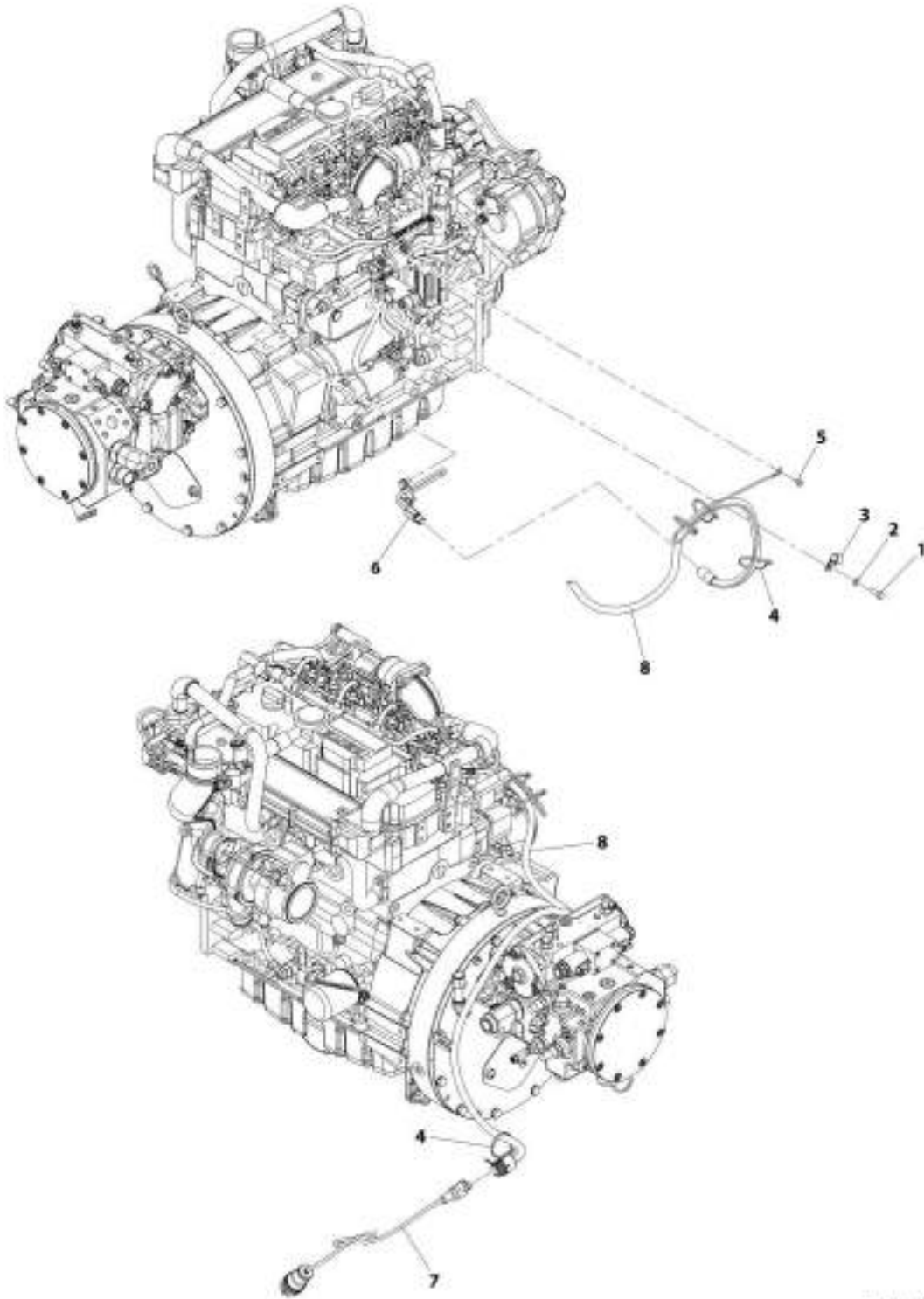
SECTION 4 - ENGINE AND ATTACHING PARTS

FIGURE 4-58. BLOCK HEATER INSTALLATION (115V) (ULS)

ITEM	PART NUMBER	QTY	DESCRIPTION	REV
	1001214349	1	Block Heater Installation (115V) (ULS)	C
1	0760810	1	Bolt, M8X20	
2	4811900	1	Washer, M8	
3	8406112	1	Clip	
4	1001008559	4	Strap, Cable	
5	1001099566	1	Screw, M6-1X12	

SECTION 4 - ENGINE AND ATTACHING PARTS

FIGURE 4-59. BLOCK HEATER INSTALLATION (230V) (LS)



ART_1000301427-B

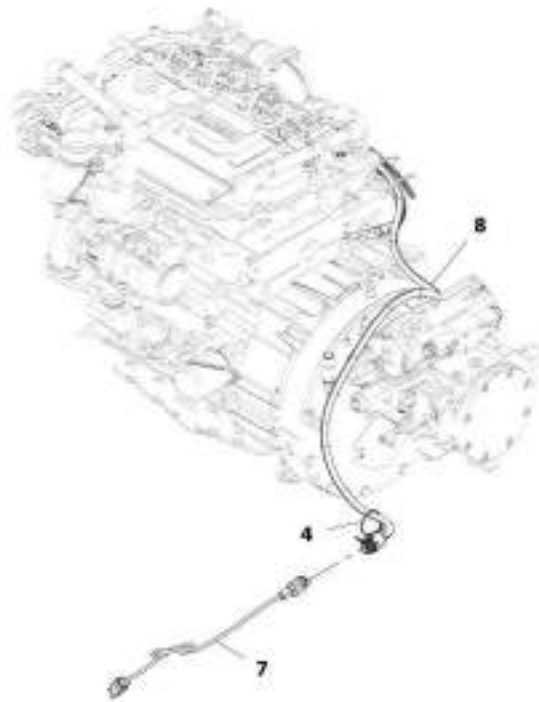
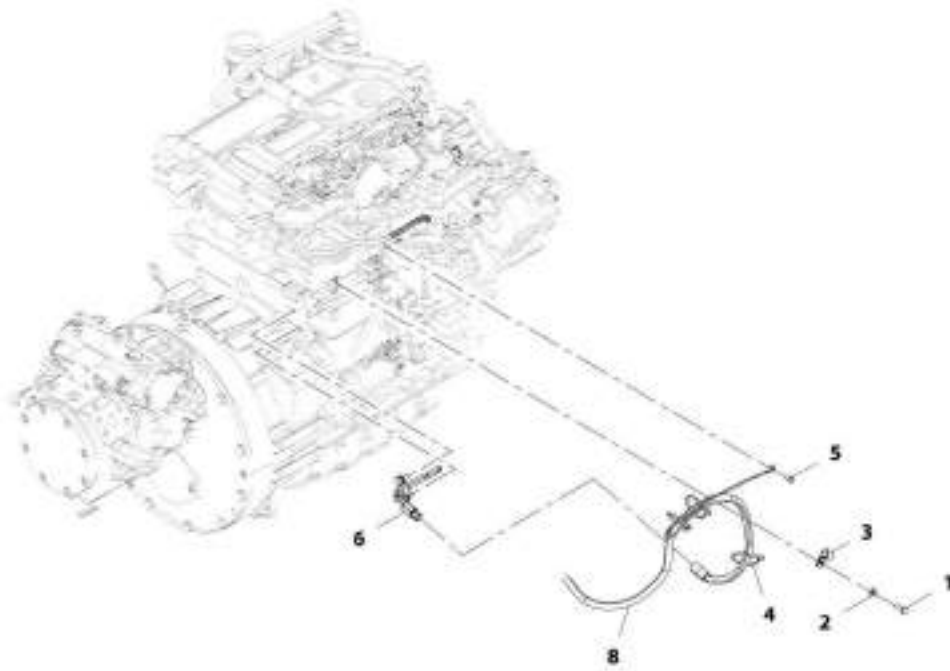
SECTION 4 - ENGINE AND ATTACHING PARTS

FIGURE 4-59. BLOCK HEATER INSTALLATION (230V) (LS)

ITEM	PART NUMBER	QTY	DESCRIPTION	REV
	1001201427	Ref	Block Heater Installation (230V) (LS)	B
1	0760810	1	Bolt, M8X20	
2	4811900	1	Washer, M8	
3	8406112	1	Clip	
4	1001008559	4	Strap, Cable	
5	1001099566	1	Screw, M6-1X12	
6	1001211571	1	Heater, Engine (230V)	
7	1001212014	1	Cord, Heater	
8	1001212055	1	Cord, Heater	

SECTION 4 - ENGINE AND ATTACHING PARTS

FIGURE 4-60. BLOCK HEATER INSTALLATION (115V) (LS)



ART_1801301429-B

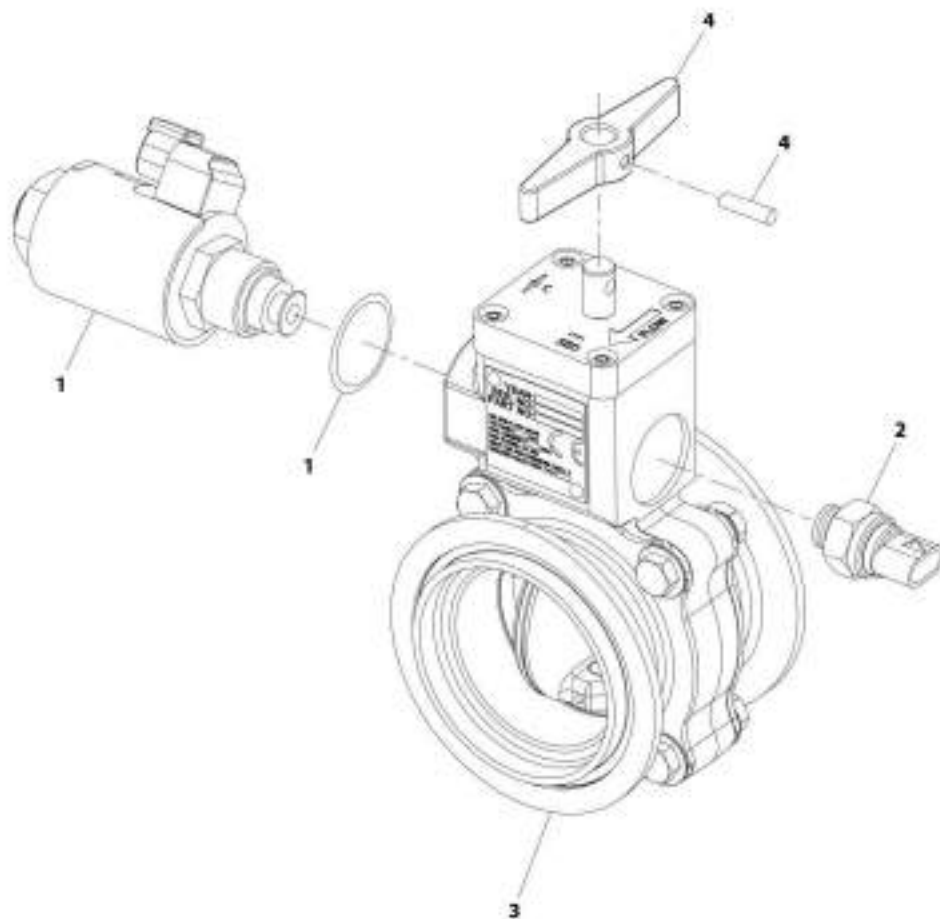
SECTION 4 - ENGINE AND ATTACHING PARTS

FIGURE 4-60. BLOCK HEATER INSTALLATION (115V) (LS)

ITEM	PART NUMBER	QTY	DESCRIPTION	REV
	1001201428	Ref	Block Heater Installation (115V) (LS)	B
1	0760810	1	Bolt, M8X20	
2	4811900	1	Washer, M8	
3	8406112	1	Clip	
4	1001008559	4	Cable, Strap	
5	1001099566	1	Screw, M6-1X12	
6	1001211570	1	Heater, Engine (115V)	
7	1001212013	1	Cord, Heater	
8	1001212054	1	Cord, Heater	

SECTION 4 - ENGINE AND ATTACHING PARTS

FIGURE 4-61. AIR SHUT OFF VALVE



ART_1001204603-A

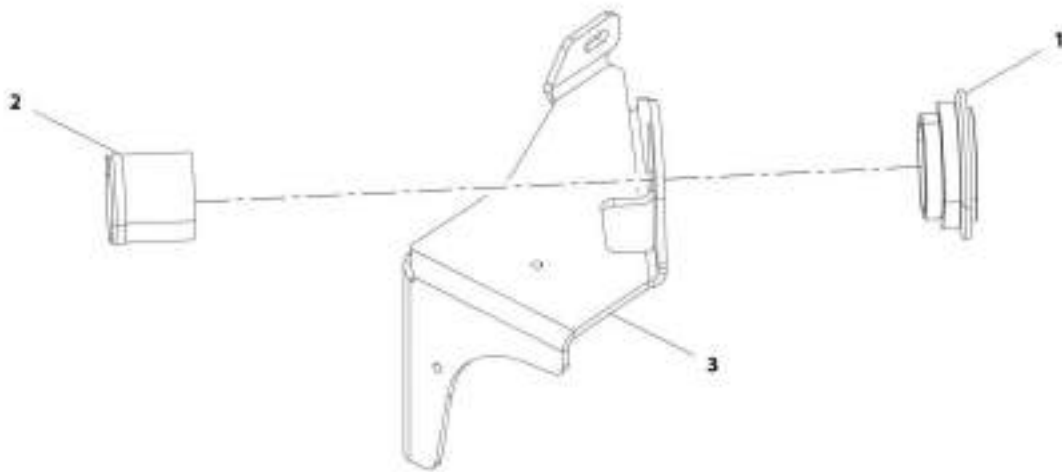
SECTION 4 - ENGINE AND ATTACHING PARTS

FIGURE 4-61. AIR SHUT OFF VALVE

ITEM	PART NUMBER	QTY	DESCRIPTION	REV
	1001204032	Ref	Air Shut Off Valve	A
1	70028514	1	Kit, Solenoid 12V	
	N.S.S.	1	Solenoid	
	N.S.S.	1	Coil, 12V	
	N.S.S.	1	O-Ring	
2	70028515	1	Kit, Switch	
	N.S.S.	1	Switch, Ball	
	N.S.S.	1	O-Ring	
3	70028516	1	Kit, Flange and Hardware	
	N.S.S.	1	Flange, Female	
	N.S.S.	1	Flange, Male	
	N.S.S.	4	Bolt	
	N.S.S.	8	Washer	
	N.S.S.	4	Locknut	
4	70028517	1	Handle	
	N.S.S.	1	Handle, Reset	
	N.S.S.	1	Pin	

SECTION 4 - ENGINE AND ATTACHING PARTS

FIGURE 4-62. ASO VALVE



40T_1901223016-A

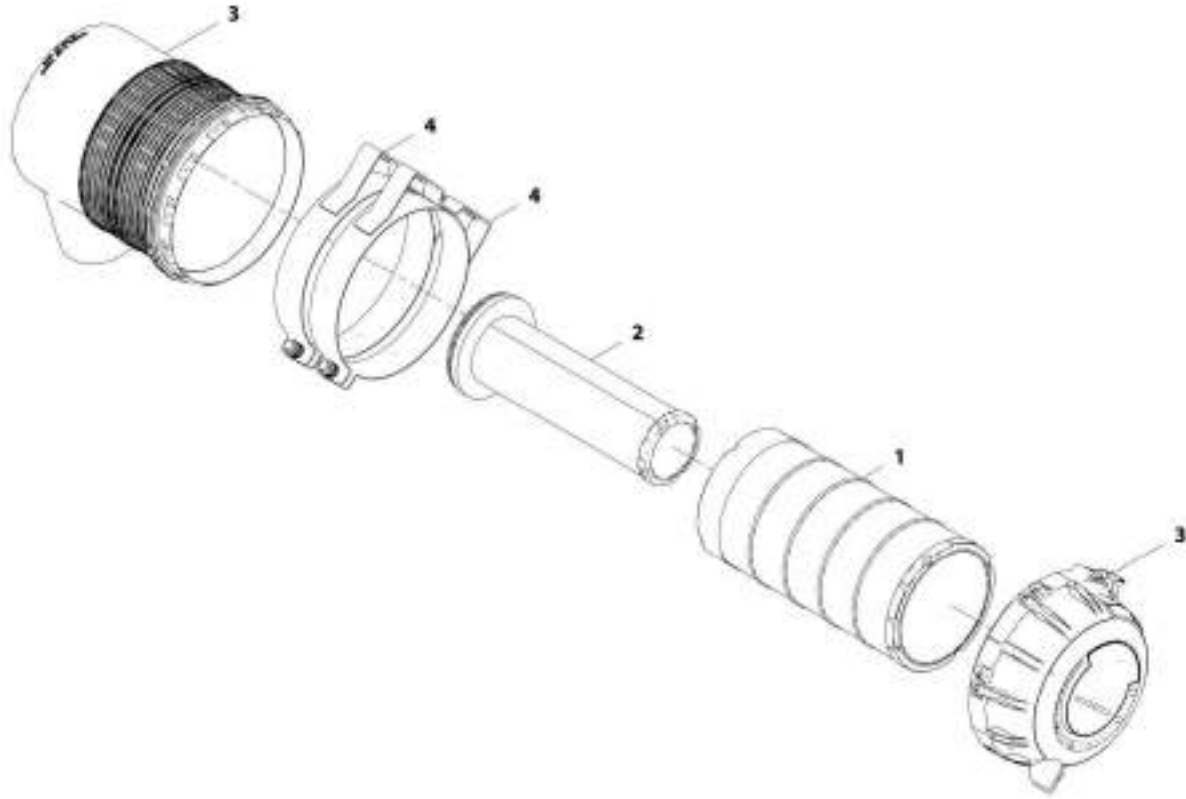
SECTION 4 - ENGINE AND ATTACHING PARTS

FIGURE 4-62. ASO VALVE

ITEM	PART NUMBER	QTY	DESCRIPTION	REV
	1001223618	Ref	ASO Valve	A
1	1001204057	1	Plate	
2	1001206954	1	Tube	
3	1001223622	1	Bracket	

SECTION 4 - ENGINE AND ATTACHING PARTS

FIGURE 4-63. AIR CLEANER FILTER ASSEMBLY



ART. 1001160305-E

SECTION 4 - ENGINE AND ATTACHING PARTS

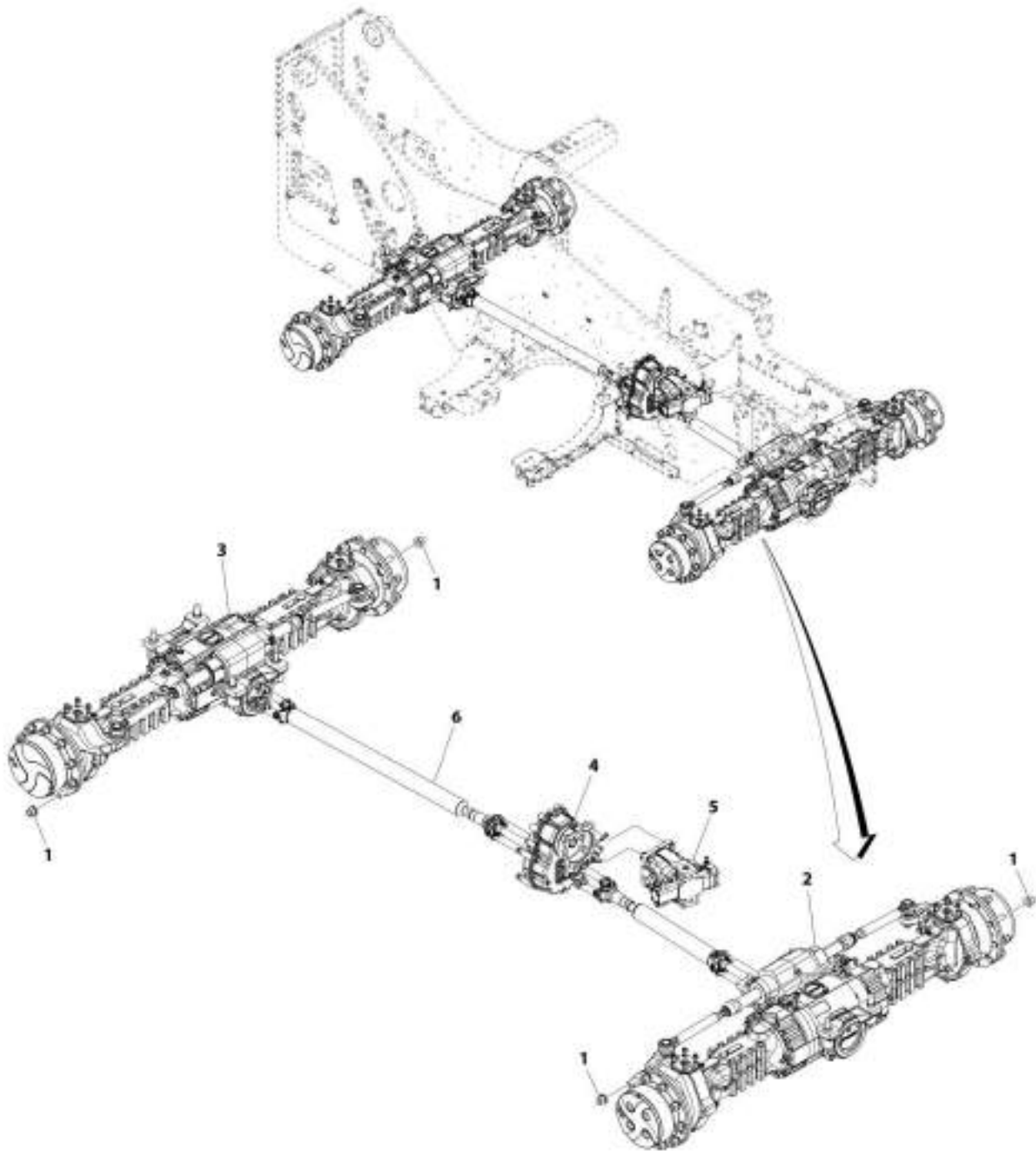
FIGURE 4-63. AIR CLEANER FILTER ASSEMBLY

ITEM	PART NUMBER	QTY	DESCRIPTION	REV
	1001166565	Ref	Air Cleaner Filter Assembly (90/100KW)	E
1	70025850	1	Filter, Cylindrical Air Primary	
2	70025851	1	Filter, Cylindrical Air Secondary	
3	70026395	1	Cover	
4	70026396	2	Bracket	

SECTION 5 - DRIVETRAIN

SECTION 5 - DRIVETRAIN

FIGURE 5-1. DRIVETRAIN INSTALLATION



AWF_1001104976-B

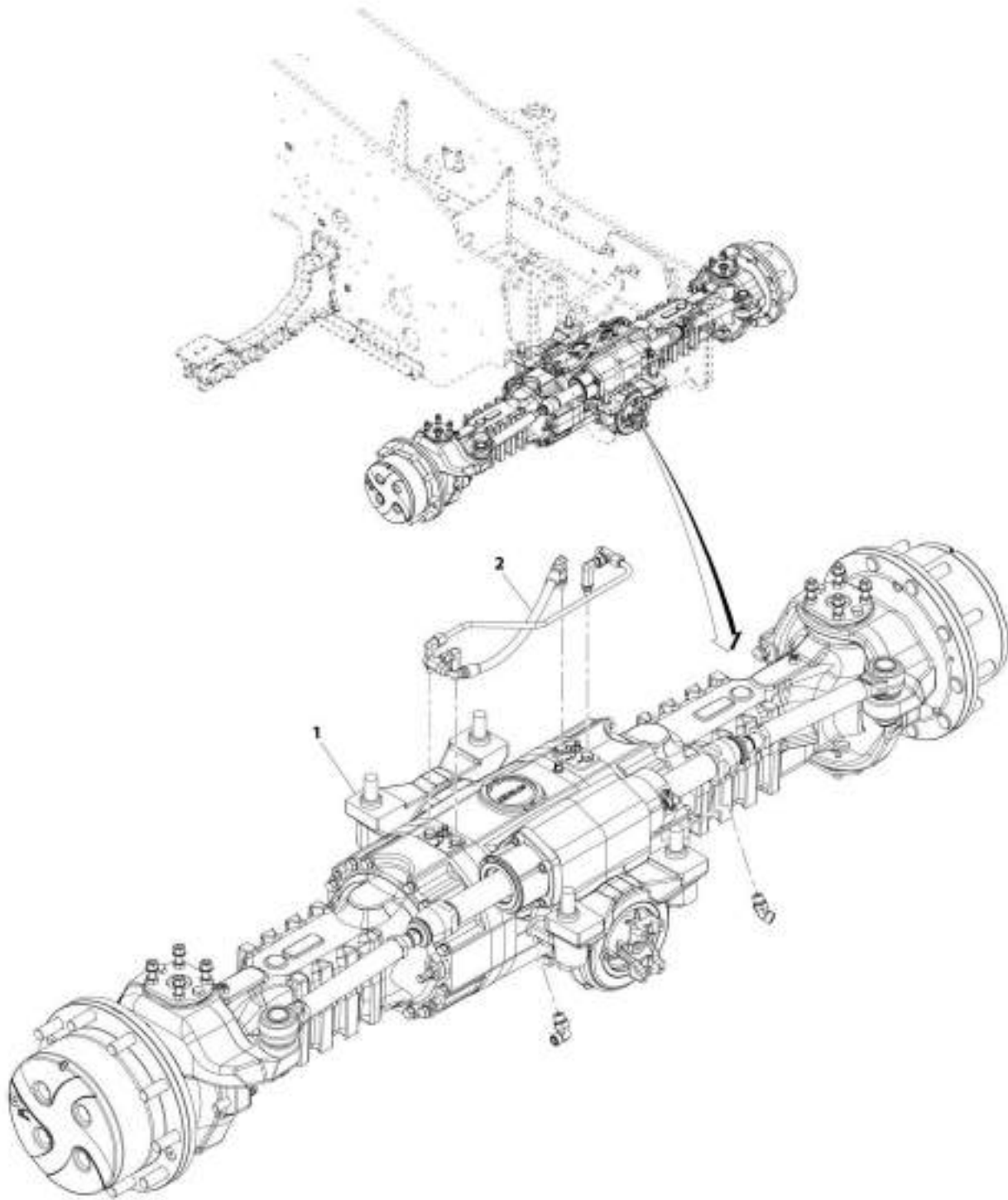
SECTION 5 - DRIVETRAIN

FIGURE 5-1. DRIVETRAIN INSTALLATION

ITEM	PART NUMBER	QTY	DESCRIPTION	REV
	1001184976	Ref	Drivetrain Installation	B
1	91403193	40	Nut, Lug M22X1.5	
2	1001184977	Ref	Installation, Front Axle (See Seperate Breakdown in this Section)	
3	1001184978	Ref	Installation, Rear Axle (See Seperate Breakdown in this Section)	
4	1001184979	Ref	Installation, Gearbox (See Seperate Breakdown in this Section)	
5	1001184980	Ref	Installation, Hydrostatic Motor (See Seperate Breakdown in this Section)	
6	1001184981	Ref	Installation, Drive Shaft (See Seperate Breakdown in this Section)	

SECTION 5 - DRIVETRAIN

FIGURE 5-2. FRONT AXLE INSTALLATION



ART_1001144972-B

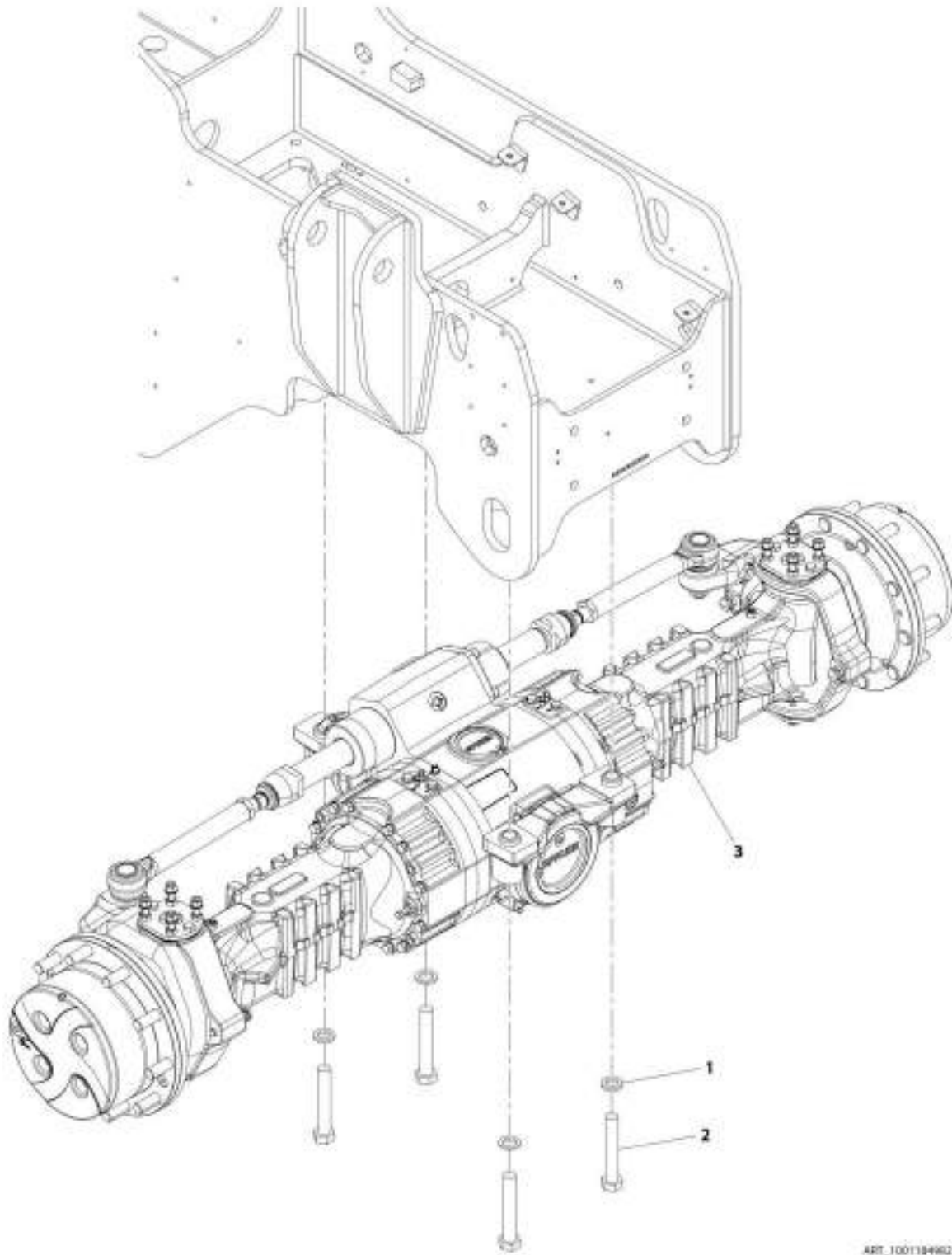
SECTION 5 - DRIVETRAIN

FIGURE 5-2. FRONT AXLE INSTALLATION

ITEM	PART NUMBER	QTY	DESCRIPTION	REV
1	1001184977	Ref	Front Axle Installation	B
	1001184982	Ref	Installation, Front Axle Mounting (See Seperate Breakdown in this Section)	
2	1001207898	Ref	Installation, Front Axle Lines (See Seperate Breakdown in this Section)	

SECTION 5 - DRIVETRAIN

FIGURE 5-3. FRONT AXLE MOUNTING INSTALLATION



ART_1001184902-B

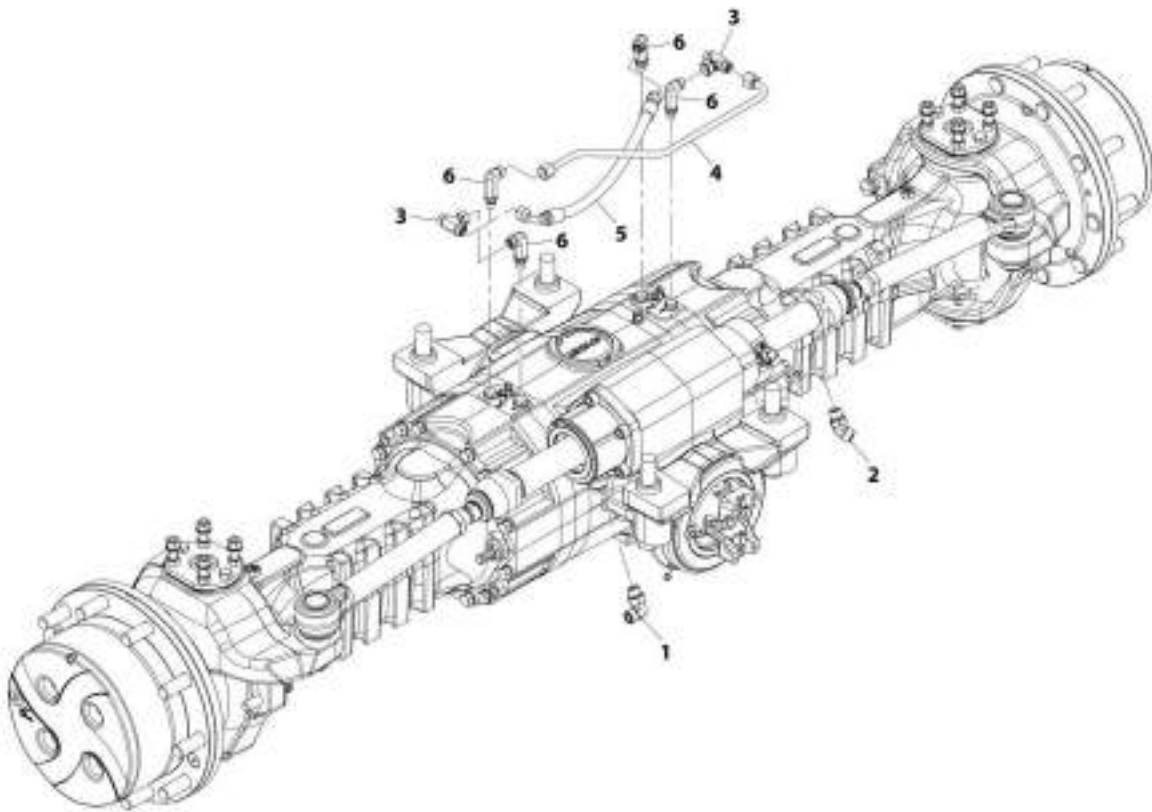
SECTION 5 - DRIVETRAIN

FIGURE 5-3. FRONT AXLE MOUNTING INSTALLATION

ITEM	PART NUMBER	QTY	DESCRIPTION	REV
	1001184982	Ref	Front Axle Mounting Installation	B
1	4892600	4	Washer	
2	1001097587	4	Bolt, M24-3X150 Grade 10.9	
3	1001184984	1	Axle, Front (See Seperate Breakdown in this Section)	

SECTION 5 - DRIVETRAIN

FIGURE 5-4. FRONT AXLE LINES INSTALLATION



ART_1001201890-C

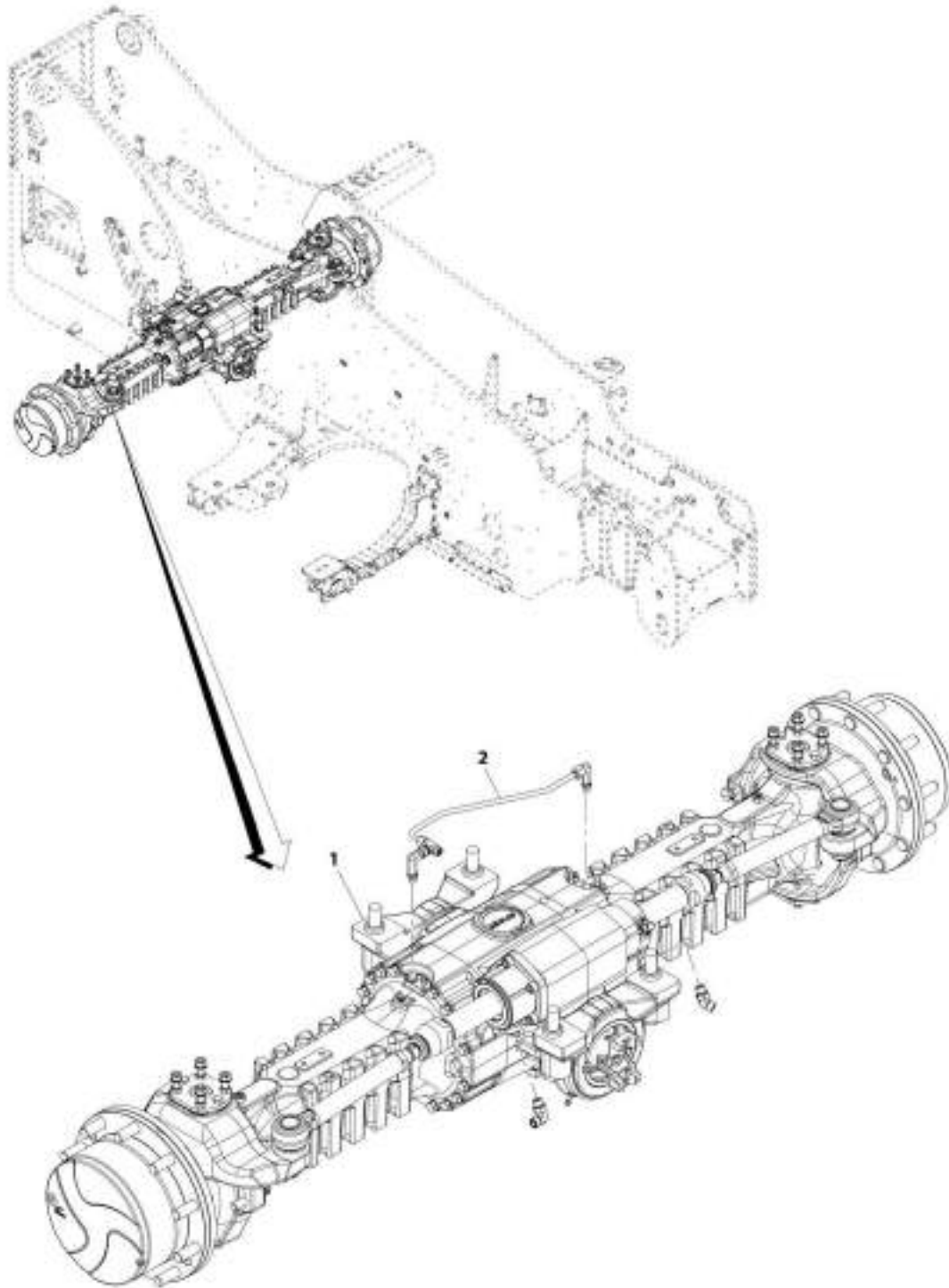
SECTION 5 - DRIVETRAIN

FIGURE 5-4. FRONT AXLE LINES INSTALLATION

ITEM	PART NUMBER	QTY	DESCRIPTION	REV
	1001207898	Ref	Front Axle Lines Installation	C
1	2130808	1	Fitting, 90 ORFS	
2	2150808	1	Fitting, 45 ORFS	
3	2170806	2	Fitting, Tee ORFS	
4	1001224598	1	Tube	
5	1001210281	1	Hose	
6	1001210769	4	Fitting, 90 ORFS	

SECTION 5 - DRIVETRAIN

FIGURE 5-5. REAR AXLE INSTALLATION



ART_3001184975-B

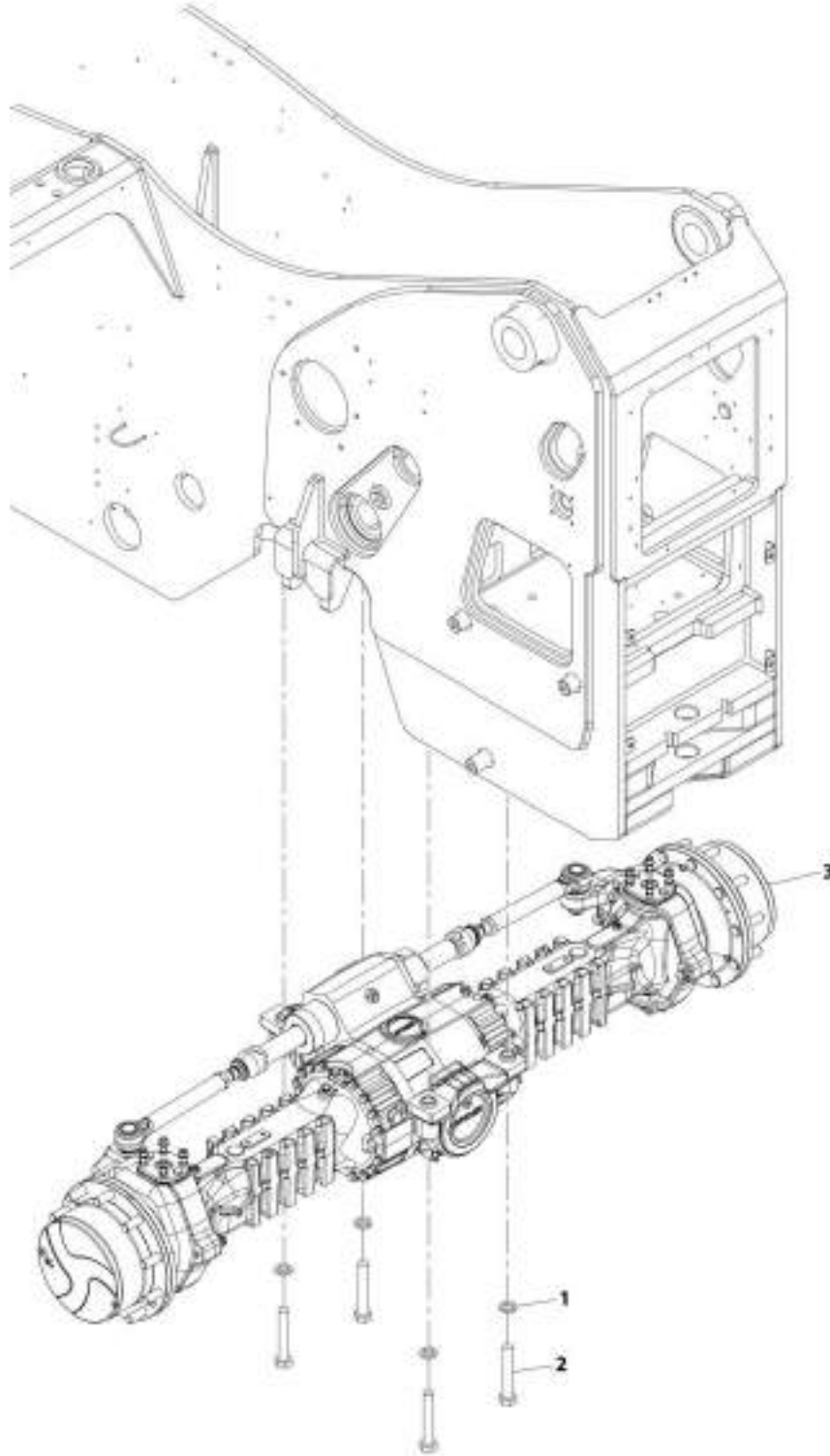
SECTION 5 - DRIVETRAIN

FIGURE 5-5. REAR AXLE INSTALLATION

ITEM	PART NUMBER	QTY	DESCRIPTION	REV
1	1001184978	Ref	Rear Axle Installation	B
	1001184983	Ref	Installation, Rear Axle Mounting (See Seperate Breakdown in this Section)	
2	1001207899	Ref	Installation, Rear Axle Lines (See Seperate Breakdown in this Section)	

SECTION 5 - DRIVETRAIN

FIGURE 5-6. REAR AXLE MOUNTING INSTALLATION



ART_1001104983-0

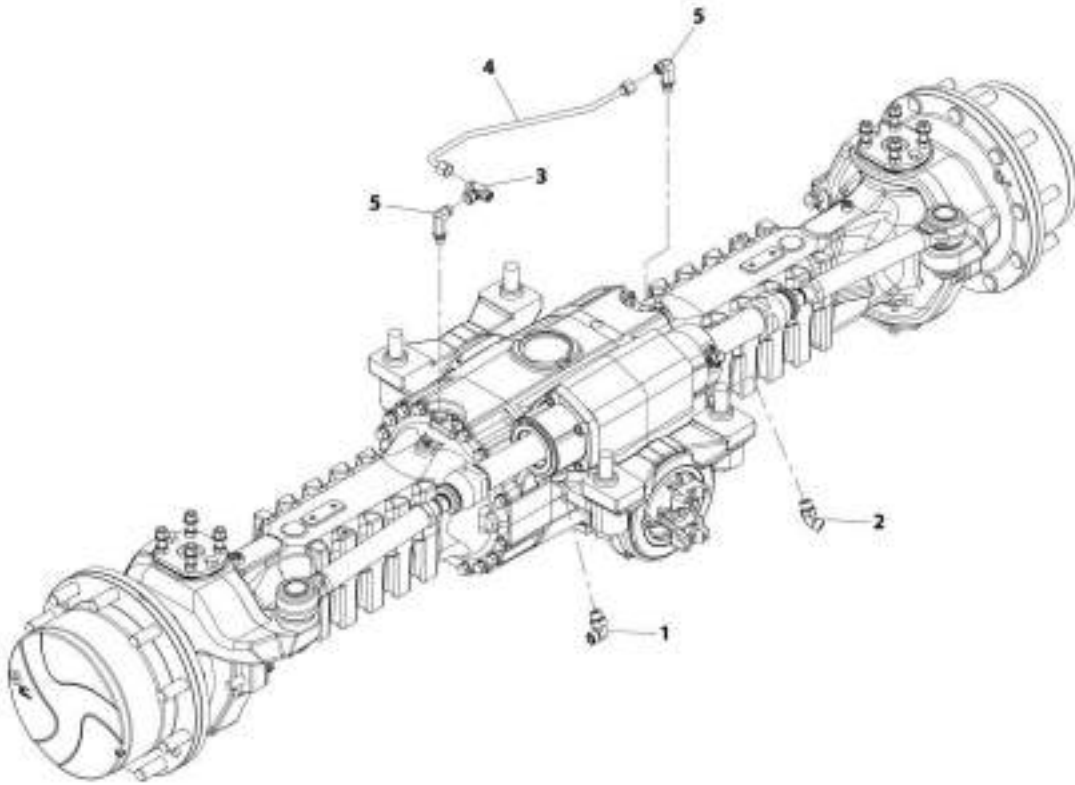
SECTION 5 - DRIVETRAIN

FIGURE 5-6. REAR AXLE MOUNTING INSTALLATION

ITEM	PART NUMBER	QTY	DESCRIPTION	REV
	1001184983	Ref	Rear Axle Mounting Installation	B
1	4892600	4	Washer	
2	1001097587	4	Bolt, M24-3X150 Grade 10.9	
3	1001184985	Ref	Axle, Rear (See Seperate Breakdown in this Section)	

SECTION 5 - DRIVETRAIN

FIGURE 5-7. REAR AXLE LINES INSTALLATION



ART_1001207804-C

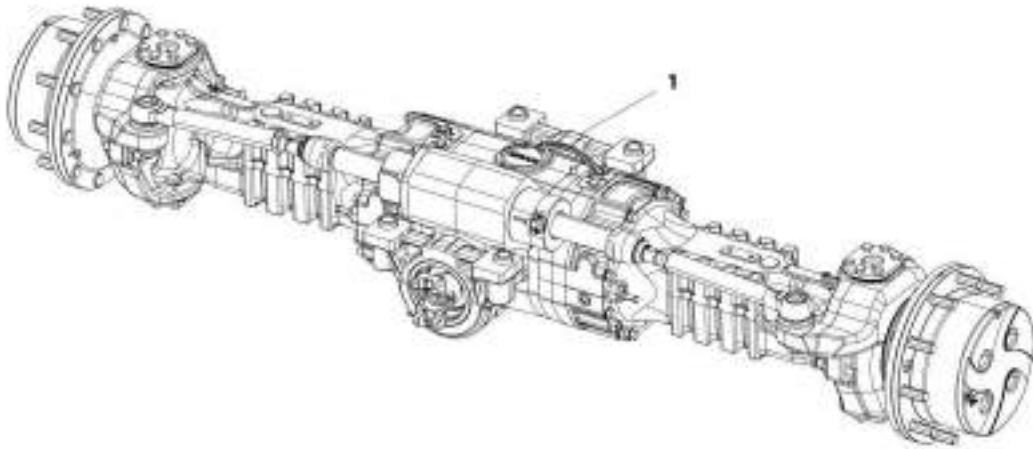
SECTION 5 - DRIVETRAIN

FIGURE 5-7. REAR AXLE LINES INSTALLATION

ITEM	PART NUMBER	QTY	DESCRIPTION	REV
	1001207899	Ref	Rear Axle Lines Installation	C
1	2130808	1	Fitting, 90 ORFS	
2	2150808	1	Fitting, 45 ORFS	
3	2170806	1	Fitting, Tee ORFS	
4	1001224938	1	Tube	
5	1001210769	2	Fitting, 90 ORFS	

SECTION 5 - DRIVETRAIN

FIGURE 5-8. FRONT AXLE



ART_1001164584-E

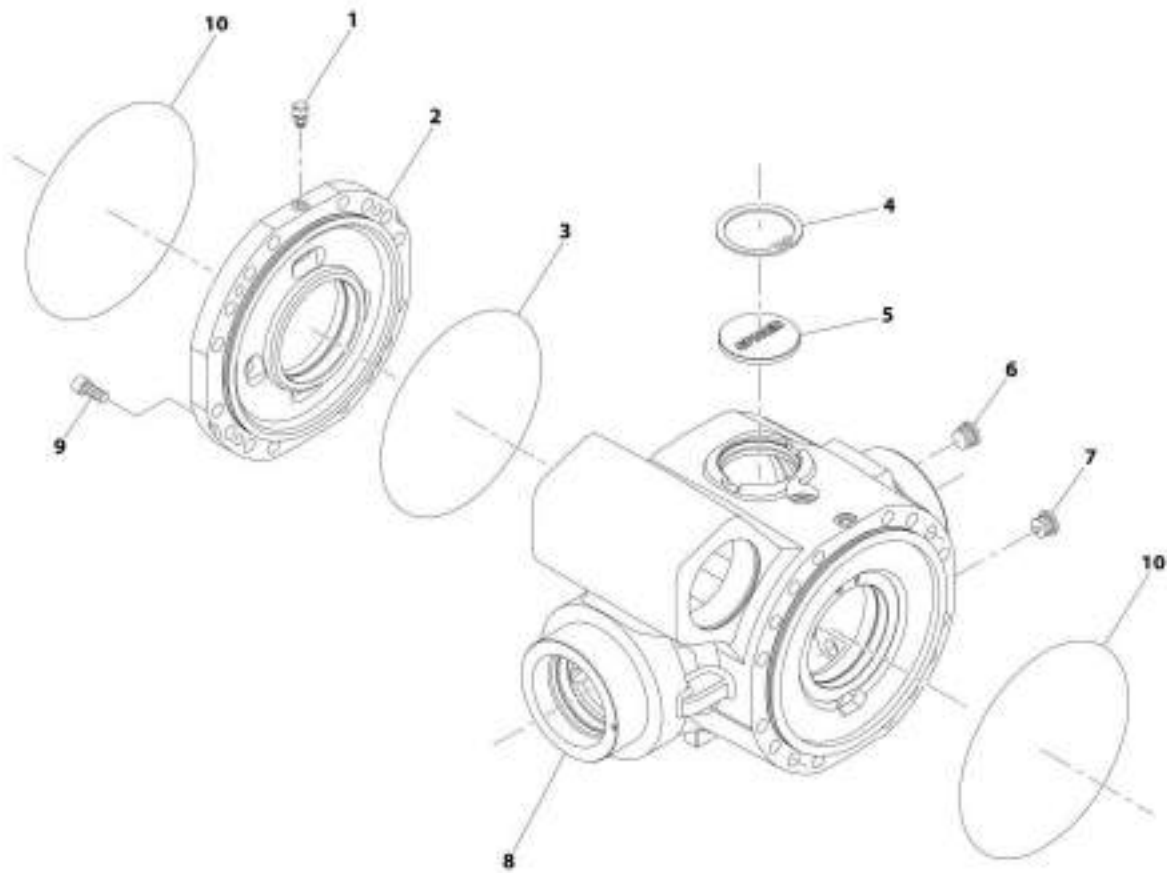
SECTION 5 - DRIVETRAIN

FIGURE 5-8. FRONT AXLE

ITEM	PART NUMBER	QTY	DESCRIPTION	REV
	1001184984	Ref	Front Axle	E
		Ref	Front Axle, Central Housing (See Separate Breakdown in this Section)	
		Ref	Front Axle, Differential (See Separate Breakdown in this Section)	
		Ref	Front Axle, Hub Reduction (See Separate Breakdown in this Section)	
		Ref	Front Axle, Brakes (See Separate Breakdown in this Section)	
		Ref	Front Axle, Steering (See Separate Breakdown in this Section)	
		Ref	Front Axle, Trunnion (See Separate Breakdown in this Section)	

SECTION 5 - DRIVETRAIN

FIGURE 5-9. FRONT AXLE, CENTRAL HOUSING



AMT_1001184004_1-E

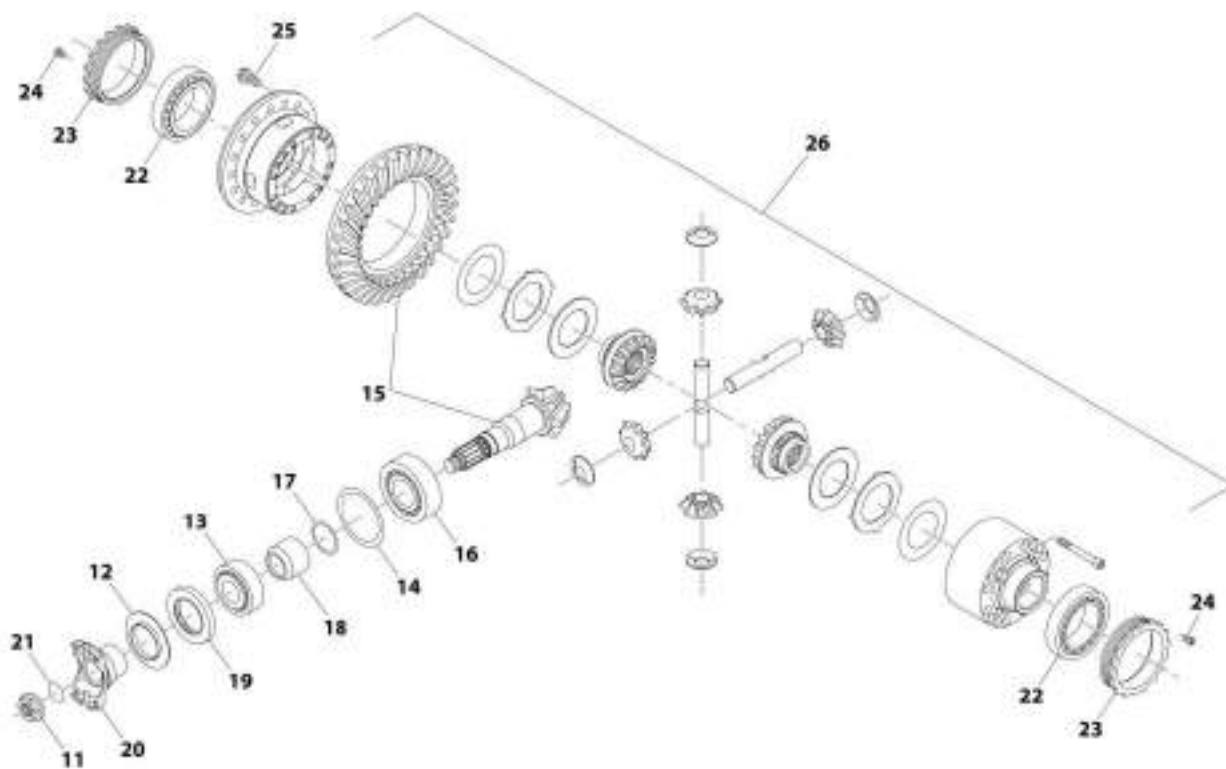
SECTION 5 - DRIVETRAIN

FIGURE 5-9. FRONT AXLE, CENTRAL HOUSING

ITEM	PART NUMBER	QTY	DESCRIPTION	REV
1	91474512	1	Vent	
2	7029288	1	Cover, Intermediate	
3	80204002	1	O-Ring	
4	80204005	1	Circlip	
5	91514098	1	Plug	
6	70028389	1	Plug	
7	70028388	1	Plug	
8	70025335	1	Housing	
9	91514101	4	Bolt	
10	91514089	2	O-Ring	

SECTION 5 - DRIVETRAIN

FIGURE 5-10. FRONT AXLE, DIFFERENTIAL



ART_1001184984_2-E

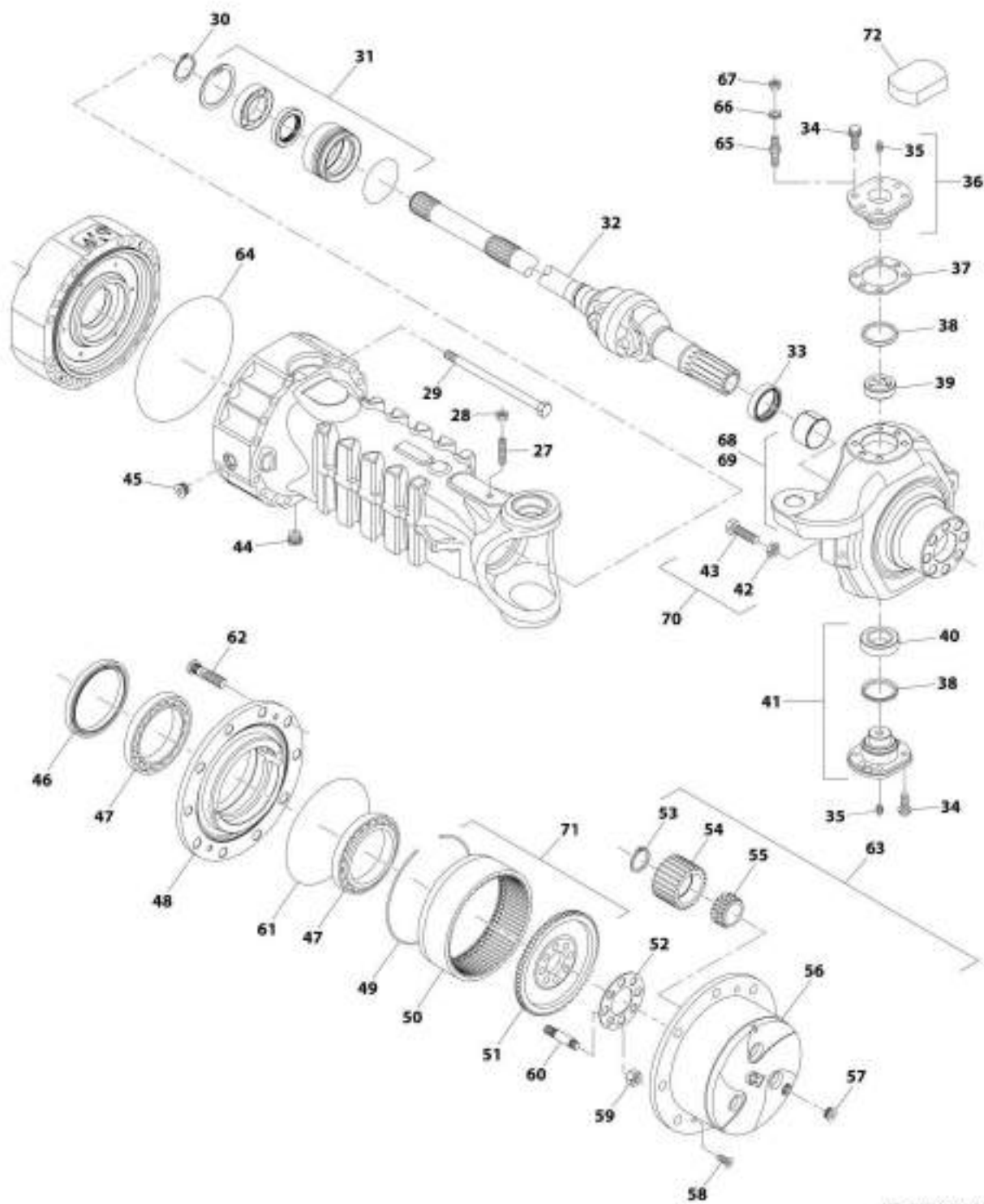
SECTION 5 - DRIVETRAIN

FIGURE 5-10. FRONT AXLE, DIFFERENTIAL

ITEM	PART NUMBER	QTY	DESCRIPTION	REV
11	80204043	1	Nut	
12	91514130	1	Plate, Cover	
13	80204048	1	Bearing, Tape Roller	
14	70023469	1	Shim	
15	70028391	1	Gear, Bevel Set	
16	80204035	1	Bearing, Tape Roller	
17	70023494	1	Ring	
18	70022140	1	Spacer	
19	70025887	1	Seal	
20	70028401	1	Flange	
21	10725554	1	O-Ring	
22	80204033	2	Bearing, Tape Roller	
23	91514133	2	Nut, Ring	
24	91514134	2	Bolt	
25	91514123	16	Bolt	
26	70028390	1	Kit, Differential (See Separate Breakdown in this Section)	

SECTION 5 - DRIVETRAIN

FIGURE 5-11. FRONT AXLE, HUB REDUCTION



ART_301164904_1-E

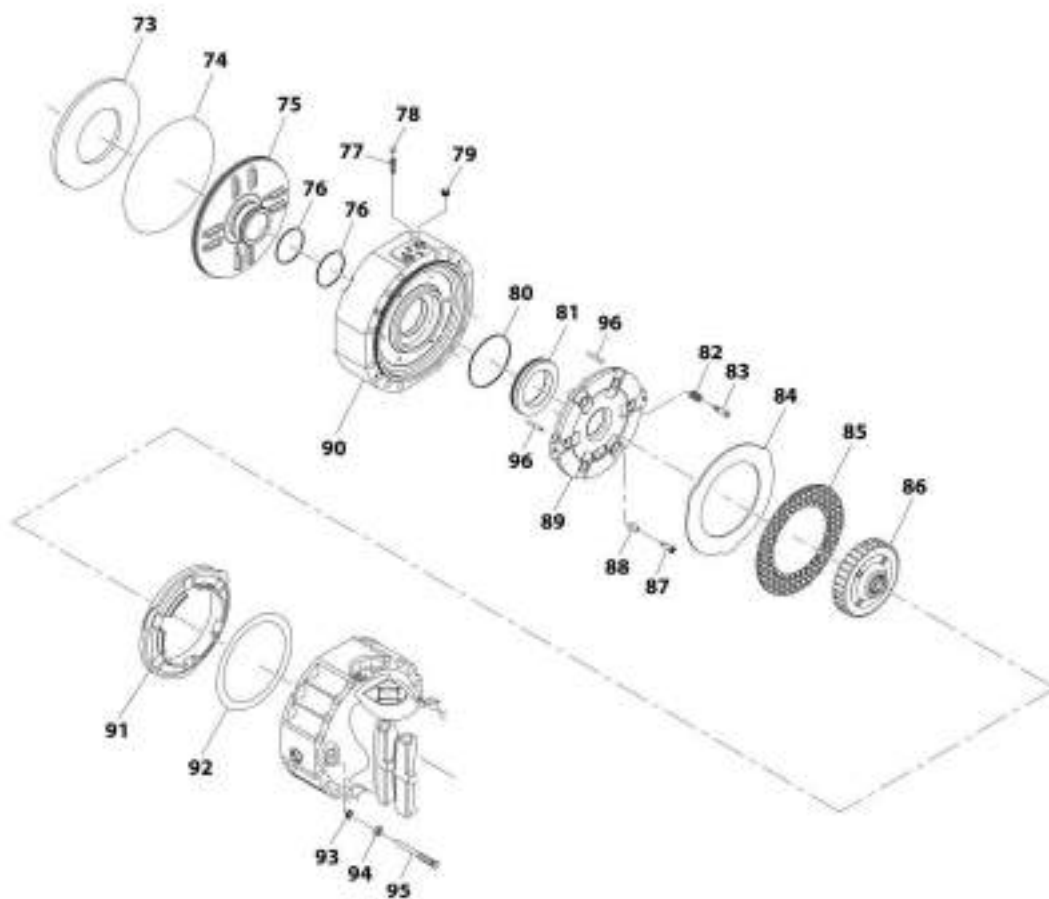
SECTION 5 - DRIVETRAIN

FIGURE 5-11. FRONT AXLE, HUB REDUCTION

ITEM	PART NUMBER	QTY	DESCRIPTION	REV
27	91514081	2	Bolt	
28	91514082	2	Nut	
29	70025012	24	Bolt	
30	80204071	2	Circlip	
31	91514149	2	Kit, Reduction Bushing (See Separate Breakdown in this Section)	
32	70028396	2	Joint, Double Universal	
33	70026238	2	Seal	
34	70025562	20	Bolt	
35	70024881	2	Fitting, Grease	
36	91514112	2	Pin	
37	70025561	1	Shim	
38	7028716	2	Seal, Dust	
39	7028714	2	Bushing	
40	91514095	2	Bearing	
41	7028715	2	Pin	
42	80204065	4	Nut	
43	91514117	4	Bolt	
44	70028388	2	Plug	
45	70028389	2	Plug	
46	70026002	2	Seal	
47	80204076	4	Bearing, Taper Roller	
48	91514174	2	Hub, Wheel	
49	91514175	2	Circlip	
50	70024147	2	Gear, Ring	
51	91514177	2	Support, Ring Gear	
52	91514178	2	Plate	
53	91514184	8	Circlip	
54	91514185	8	Gear, Planet	
55	91514186	8	Bearing	
56	7029317	2	Carrier, Planet Gear	
57	70028387	2	Plug	
58	91514189	4	Bolt, Countersunk	
59	91514179	16	Nut	
60	91514180	16	Stud	
61	91514181	2	O-Ring	
62	80214120	20	Stud	
63	7029743	2	Kit, Planet Gear Carrier	
64	91514089	2	O-Ring	
65	70025014	8	Stud	
66	91514084	8	Washer	
67	91514083	8	Nut	
68	70026260	1	Kit, Steering Case (left) (See Separate Breakdown in this Section)	
69	70026261	1	Kit, Steering Case (right) (See Separate Breakdown in this Section)	
70	7028733	4	Bolt, Steering Adjust	
71	70024146	2	Kit, Ring Gear Support (See Separate Breakdown in this Section)	
72	70028392	2	Cover	

SECTION 5 - DRIVETRAIN

FIGURE 5-12. FRONT AXLE, BRAKES



ART_1001104004_4-E

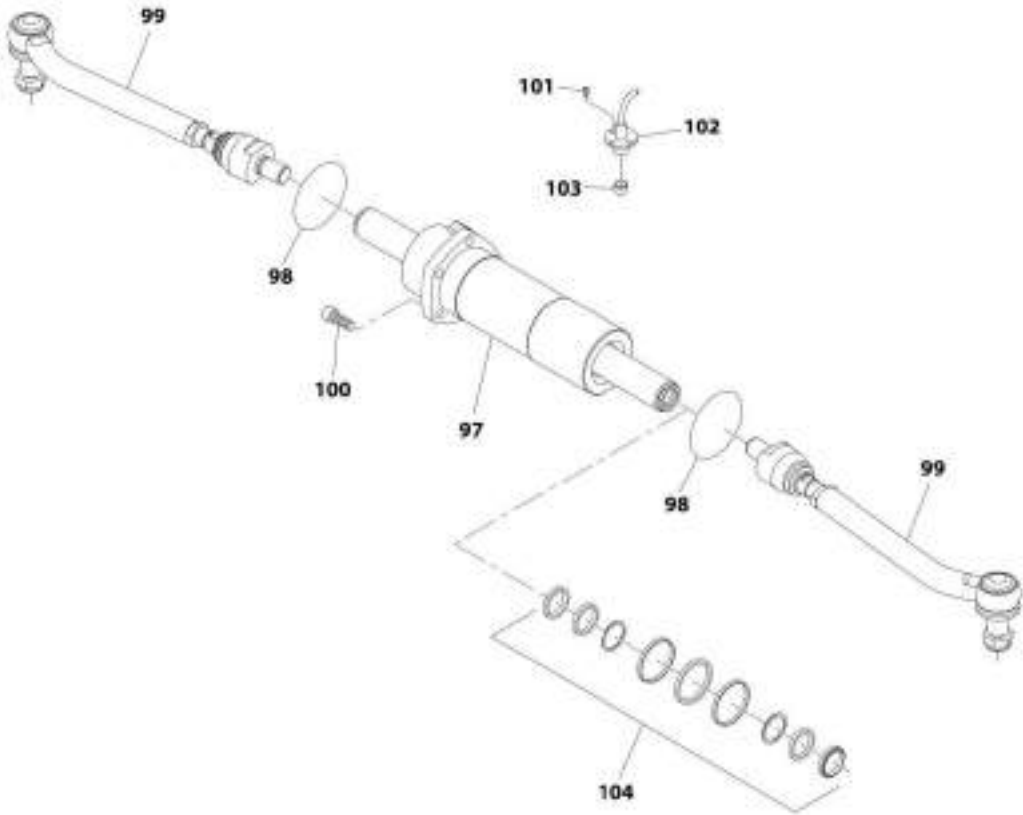
SECTION 5 - DRIVETRAIN

FIGURE 5-12. FRONT AXLE, BRAKES

ITEM	PART NUMBER	QTY	DESCRIPTION	REV
73	91514151	2	Washer	
74	91514089	2	O-Ring	
75	70027092	2	Piston	
76	70026262	4	Seal	
77	80204281	4	Bolt, Bleeding	
78	80204117	4	Plug	
79	91514154	4	Plug	
80	70026263	2	Seal	
81	70027796	2	Piston	
82	91514159	6	Spring	
83	70024210	6	Bolt, Adjusting	
84	70027022	6	Disc, Intermediate Brake	
85	7029735	6	Disc, Brake	
86	7029734	2	Bushing, Reduction	
87	7029787	6	Bolt, Adjusting	
88	70027317	6	Spring	
89	70024849	2	Disc, Intermediate Brake	
90	70024848	2	Cover	
91	70026264	2	Spacer	
92	70025970	1	Shim	
93	80204108	4	Washer, Lock	
94	80204060	4	Nut	
95	70024213	4	Bolt	
96	70024215	4	Dowel	

SECTION 5 - DRIVETRAIN

FIGURE 5-13. FRONT AXLE, STEERING



ART_100116490A_5-6

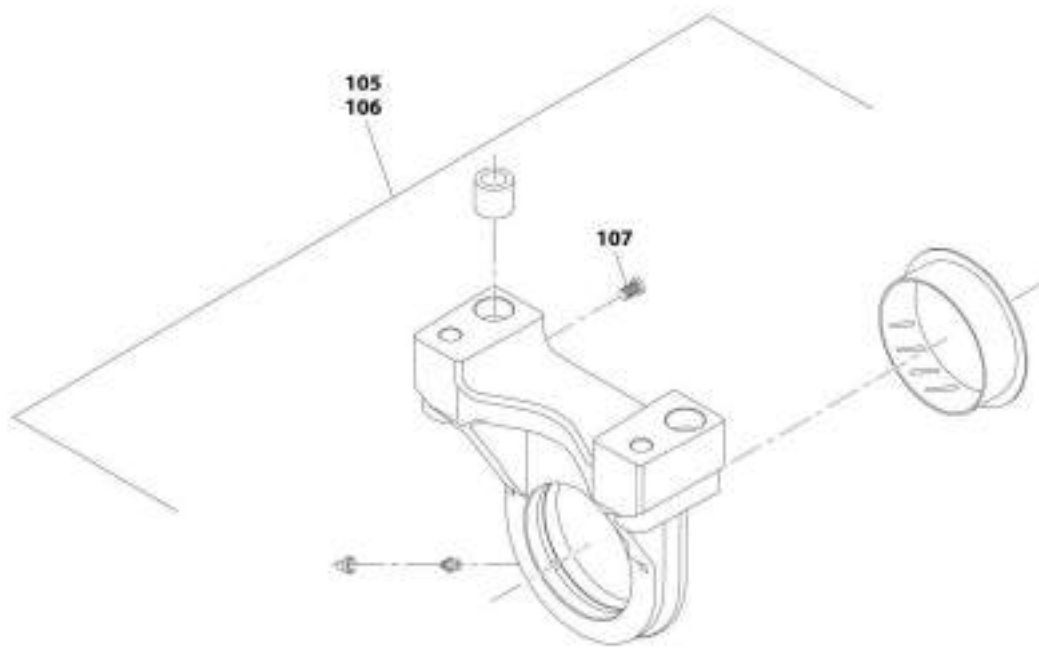
SECTION 5 - DRIVETRAIN

FIGURE 5-13. FRONT AXLE, STEERING

ITEM	PART NUMBER	QTY	DESCRIPTION	REV
97	70028393	1	Cylinder	
98	80204143	2	O-Ring	
99	70028394	2	Rod, Articulated Tie	
99	70022773	2	Nut	
100	80204144	5	Bolt	
101	8008175	2	Bolt	
102	70027986	1	Optical Sensor	
103	7029307	1	Plug	
104	7029127	1	Kit, Seal	

SECTION 5 - DRIVETRAIN

FIGURE 5-14. FRONT AXLE, TRUNION



AMT_100134R064_s-E

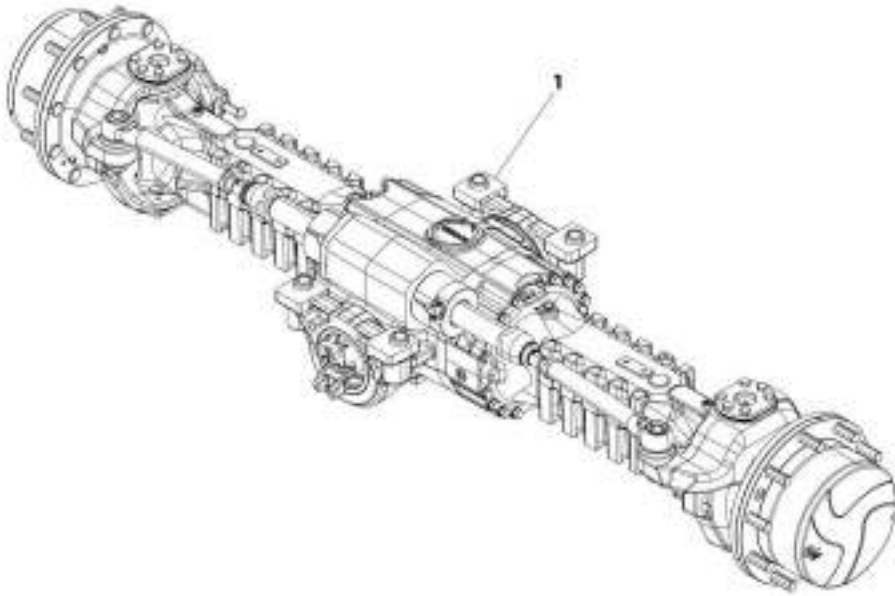
SECTION 5 - DRIVETRAIN

FIGURE 5-14. FRONT AXLE, TRUNION

ITEM	PART NUMBER	QTY	DESCRIPTION	REV
105	70026266	1	Kit, Trunnion (See Separate Breakdown in this Section)	
106	70026265	1	Support	
107	70025884	1	Bolt	

SECTION 5 - DRIVETRAIN

FIGURE 5-15. REAR AXLE



ART_1001164885-E

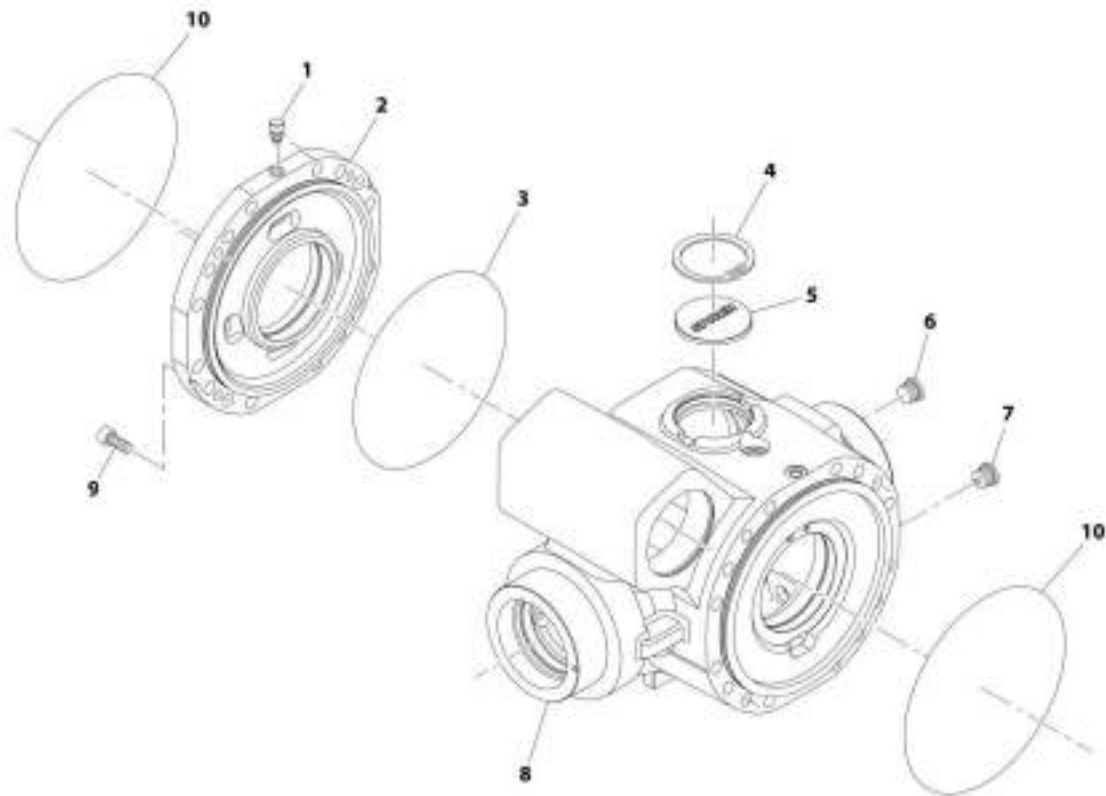
SECTION 5 - DRIVETRAIN

FIGURE 5-15. REAR AXLE

ITEM	PART NUMBER	QTY	DESCRIPTION	REV
1	1001184985	Ref	Rear Axle	E
		Ref	Rear Axle, Central Housing (See Separate Breakdown in this Section)	
		Ref	Rear Axle, Differential (See Separate Breakdown in this Section)	
		Ref	Rear Axle, Hub Reduction (See Separate Breakdown in this Section)	
		Ref	Rear Axle, Brakes (See Separate Breakdown in this Section)	
		Ref	Rear Axle, Steering (See Separate Breakdown in this Section)	
		Ref	Rear Axle, Trunnion (See Separate Breakdown in this Section)	

SECTION 5 - DRIVETRAIN

FIGURE 5-16. REAR AXLE, CENTRAL HOUSING



ART_1001164905_1-E

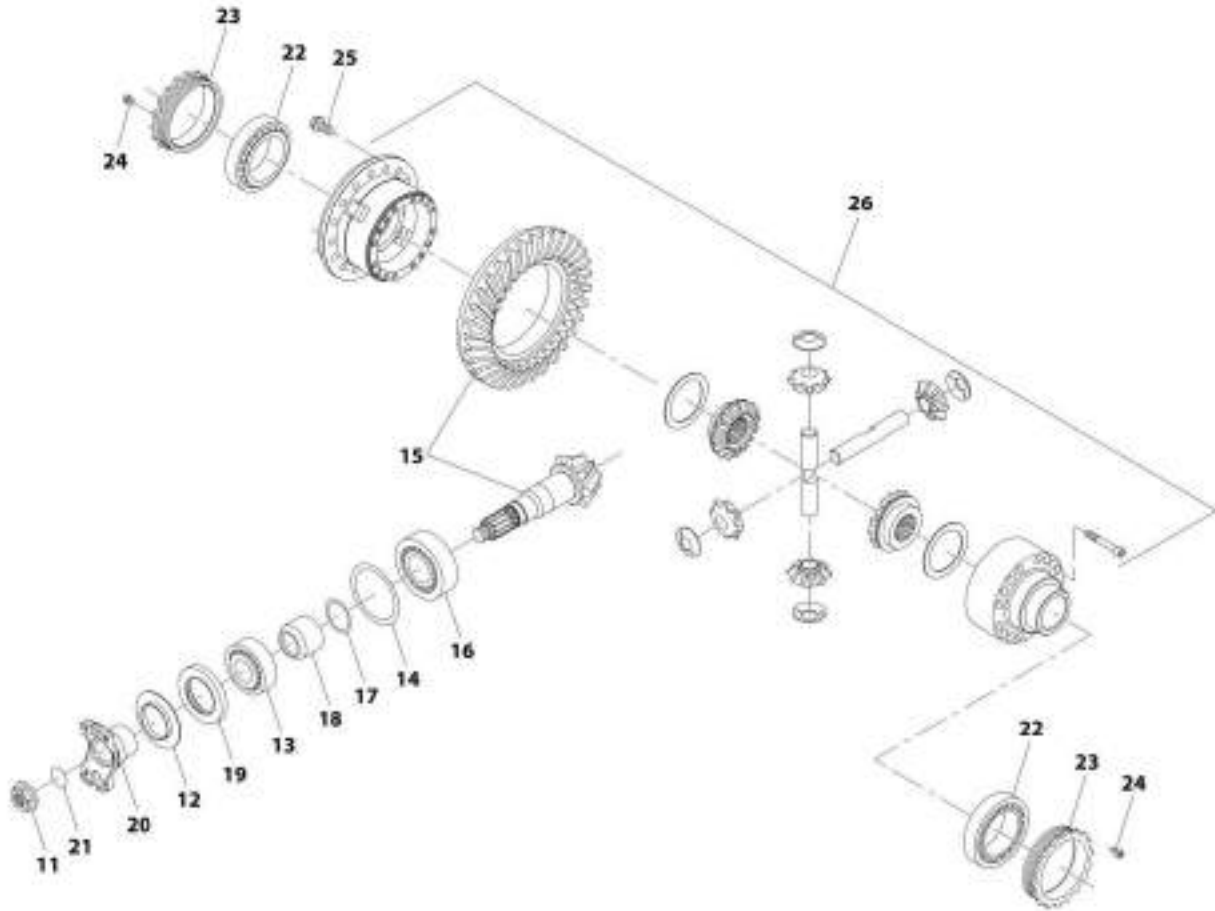
SECTION 5 - DRIVETRAIN

FIGURE 5-16. REAR AXLE, CENTRAL HOUSING

ITEM	PART NUMBER	QTY	DESCRIPTION	REV
1	91474512	1	Vent	
2	7029288	1	Cover, Intermediate	
3	80204002	1	O-Ring	
4	80204005	1	Circlip	
5	91514098	1	Plug	
6	70028389	1	Plug	
7	70028388	1	Plug	
8	70025335	1	Housing	
9	91514101	4	Bolt	
10	91514089	2	O-Ring	

SECTION 5 - DRIVETRAIN

FIGURE 5-17. REAR AXLE, DIFFERENTIAL



MIT_100184965_2-E

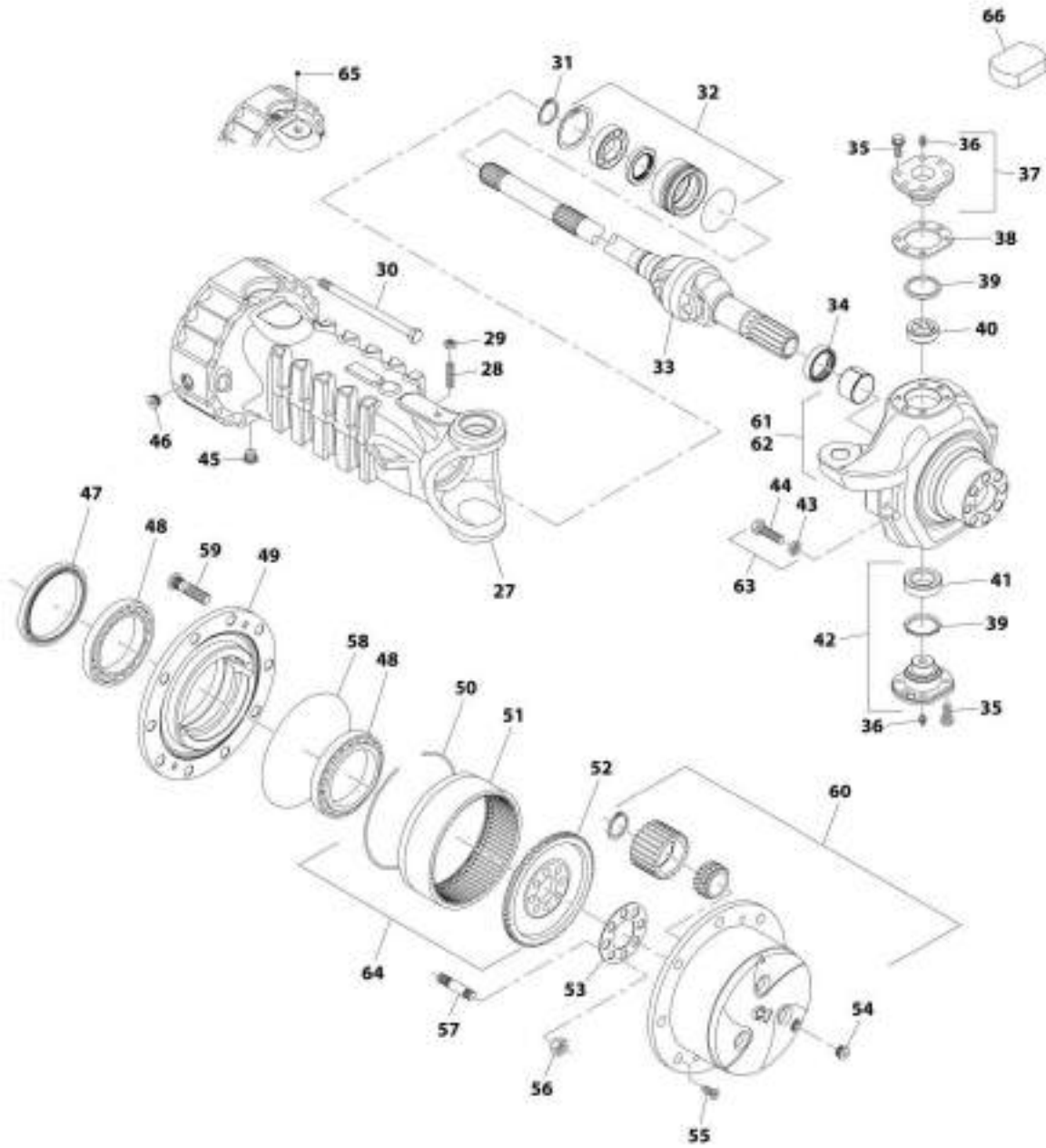
SECTION 5 - DRIVETRAIN

FIGURE 5-17. REAR AXLE, DIFFERENTIAL

ITEM	PART NUMBER	QTY	DESCRIPTION	REV
11	80204043	1	Nut	
12	91514130	1	Plate, Cover	
13	80204048	1	Bearing, Taper Roller	
14	70023469	1	Shim	
15	70028399	1	Gear, Bevel Set	
16	80204035	1	Bearing, Taper Roller	
17	70023494	1	Ring	
18	70022140	1	Spacer	
19	70025887	1	Seal	
20	70028401	1	Flange	
21	10725554	1	O-Ring	
22	80204033	2	Bearing, Taper Roller	
23	91514133	2	Nut, Ring	
24	91514134	2	Bolt	
25	39844923	16	Bolt	
26	70028398	1	Kit, Differential (See Separate Breakdown in this Section)	

SECTION 5 - DRIVETRAIN

FIGURE 5-18. REAR AXLE, HUB REDUCTION



AMT_100154925_3-E

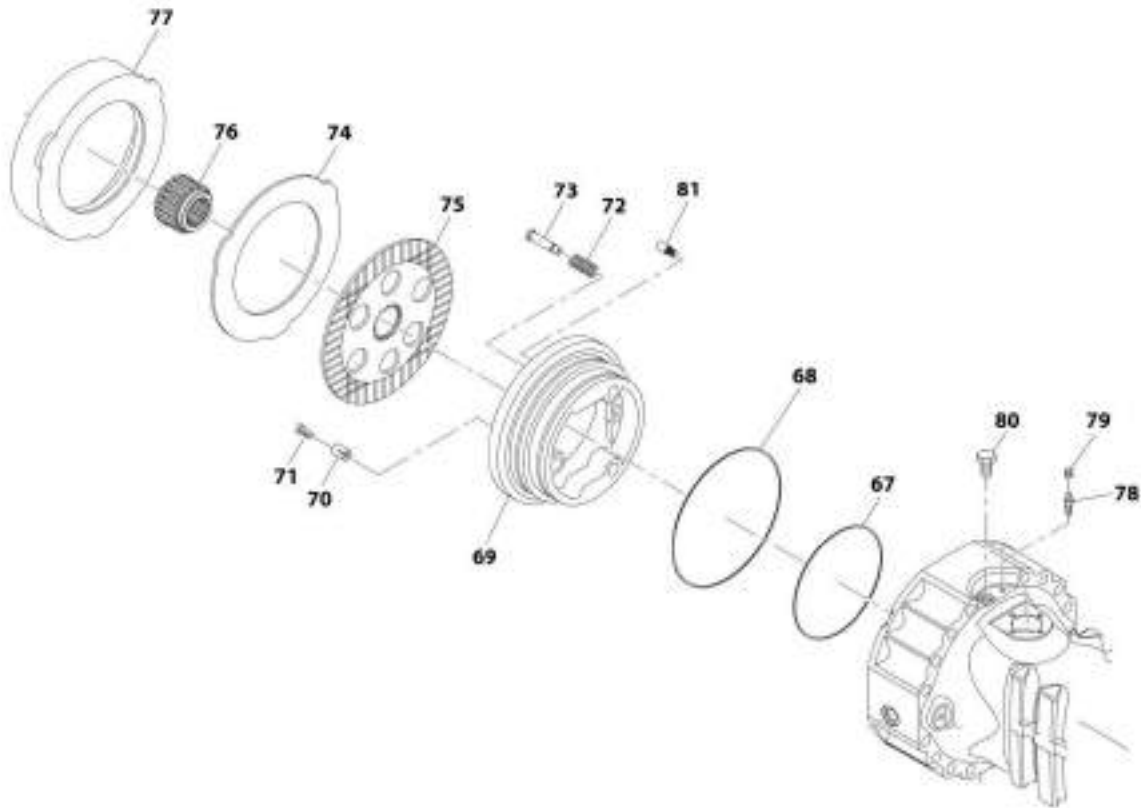
SECTION 5 - DRIVETRAIN

FIGURE 5-18. REAR AXLE, HUB REDUCTION

ITEM	PART NUMBER	QTY	DESCRIPTION	REV
27	70028400	2	Case, Axle	
28	91514081	2	Bolt	
29	91514082	2	Nut	
30	70028397	32	Bolt	
31	80204071	2	Circlip	
32	91514149	2	Kit, Reduction Bushing (See Separate Breakdown in this Section)	
33	70028396	2	Joint, Double Universal	
34	70026238	2	Seal	
35	70025562	20	Bolt	
36	70024881	2	Fitting, Grease	
37	91514112	2	Pin	
38	70025561	1	Shim	
39	7028716	2	Seal, Dust	
40	7028714	2	Bushing	
41	91514095	2	Bearing	
42	7028715	2	Pin	
43	80204065	4	Nut	
44	91514117	4	Bolt	
45	70028388	2	Plug	
46	70028387	2	Plug	
47	70026002	2	Seal	
48	80204076	4	Bearing, Taper Roller	
49	91514174	2	Hub, Wheel	
50	91514175	2	Circlip	
51	70024147	2	Gear, Ring	
52	91514177	2	Gear, Ring Support	
53	91514178	2	Plate, Locking	
54	70028389	2	Plug	
55	91514189	4	Bolt, Countersunk	
56	91514179	16	Nut	
57	91514180	16	Stud	
58	91514181	2	O-Ring	
59	80214120	20	Stud	
60	7029733	2	Kit, Planet Gear Carrier (See Separate Breakdown in this Section)	
61	70026260	1	Kit, Steering Case (Right) (See Separate Breakdown in this Section)	
62	70026261	1	Kit, Steering Case (left) (See Separate Breakdown in this Section)	
63	7028733	4	Bolt, Steering Adjust	
64	70024146	2	Kit, Ring Gear Support (See Separate Breakdown in this Section)	
65	80204012	2	Plug	
66	70028392	2	Cover	

SECTION 5 - DRIVETRAIN

FIGURE 5-19. REAR AXLE, BRAKES



ART_100134985_4E

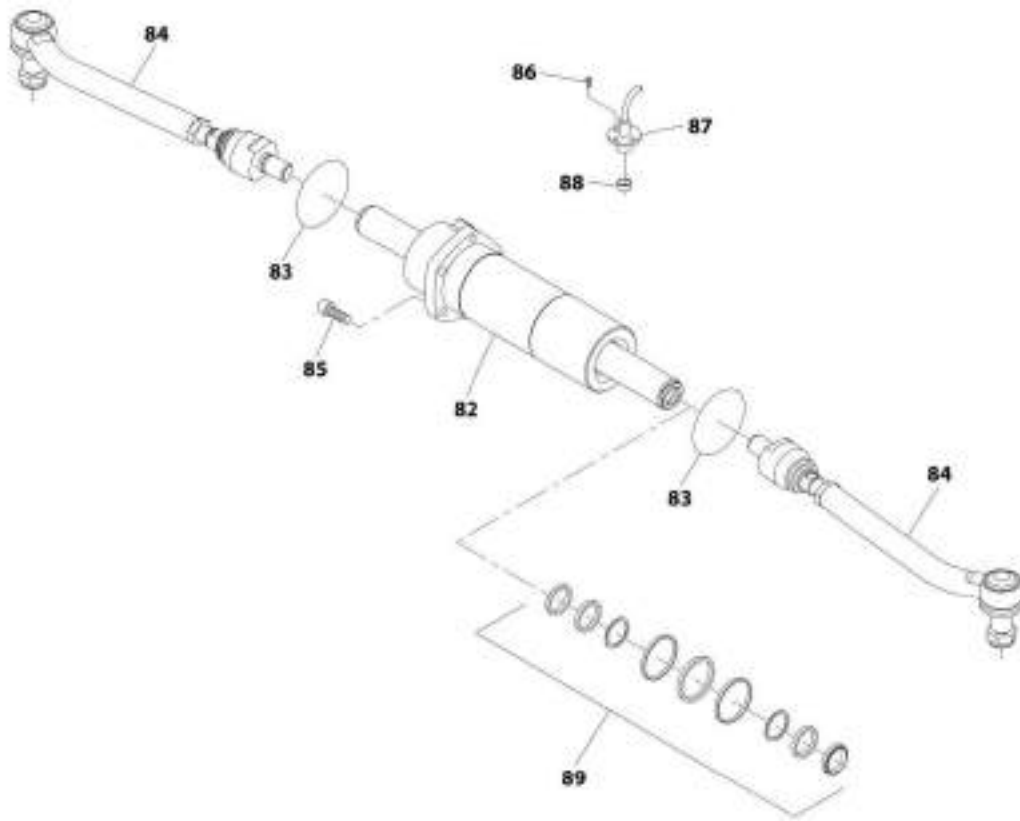
SECTION 5 - DRIVETRAIN

FIGURE 5-19. REAR AXLE, BRAKES

ITEM	PART NUMBER	QTY	DESCRIPTION	REV
67	70026747	2	Seal	
68	70026748	2	Seal	
69	70024216	2	Piston	
70	70027317	6	Spring	
71	7029785	6	Bolt, Adjusting	
72	91514159	6	Spring	
73	70024210	6	Bolt, Adjusting	
74	70027022	6	Disc, Intermediate Brake	
75	7029735	6	Disc, Brake	
76	7029734	2	Bushing, Reduction	
77	70021606	2	Spacer	
78	80204281	2	Bolt, Bleeding	
79	80204117	2	Plug	
80	91514154	2	Bolt	
81	70021613	2	Bolt, Pilot	

SECTION 5 - DRIVETRAIN

FIGURE 5-20. REAR AXLE, STEERING



ART_3001184885_3-E

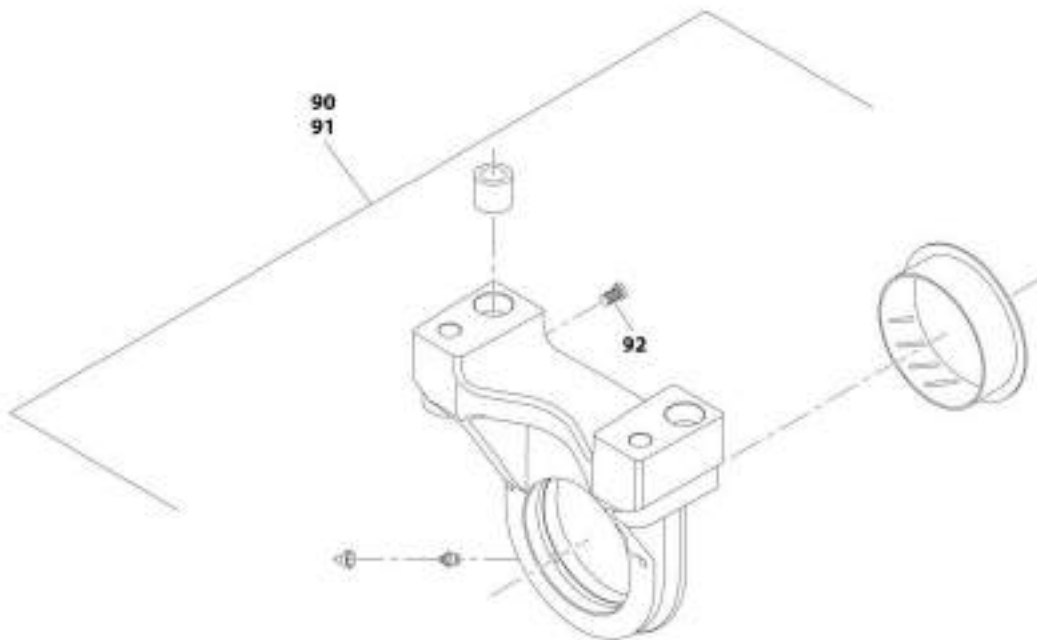
SECTION 5 - DRIVETRAIN

FIGURE 5-20. REAR AXLE, STEERING

ITEM	PART NUMBER	QTY	DESCRIPTION	REV
82	70028393	1	Cylinder	
83	80204143	2	O-Ring	
84	70028394	2	Rod, Articulated Tie	
84	70022773	2	Nut	
85	80204144	5	Bolt	
86	8008175	2	Bolt	
87	70027986	1	Sensor, Optical	
88	7029307	1	Plug	
89	7029127	1	Kit, Seal	

SECTION 5 - DRIVETRAIN

FIGURE 5-21. REAR AXLE, TRUNION



ART_100104963_6-E

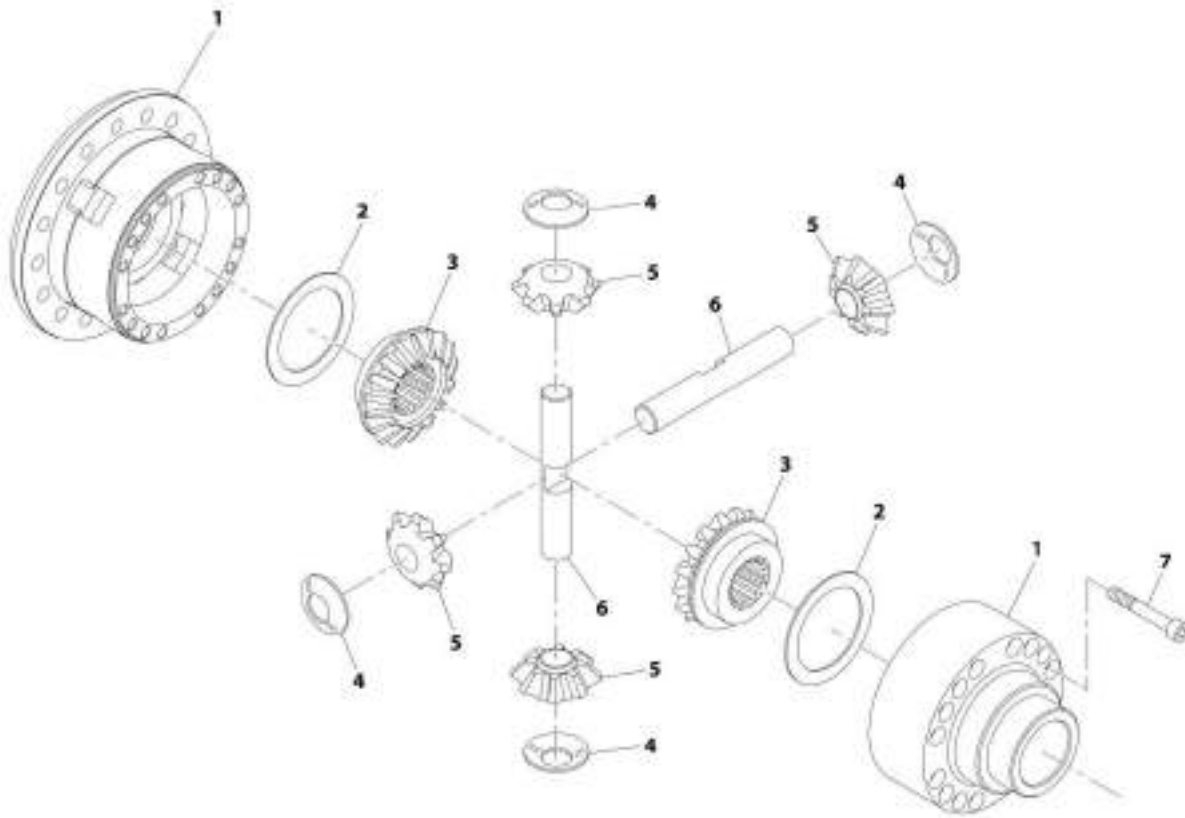
SECTION 5 - DRIVETRAIN

FIGURE 5-21. REAR AXLE, TRUNION

ITEM	PART NUMBER	QTY	DESCRIPTION	REV
90	70026266	1	Kit, Trunnion (See Separate Breakdown in this Section)	
91	70026265	1	Support	
92	70025884	1	Bolt	

SECTION 5 - DRIVETRAIN

FIGURE 5-22. DIFFERENTIAL KIT



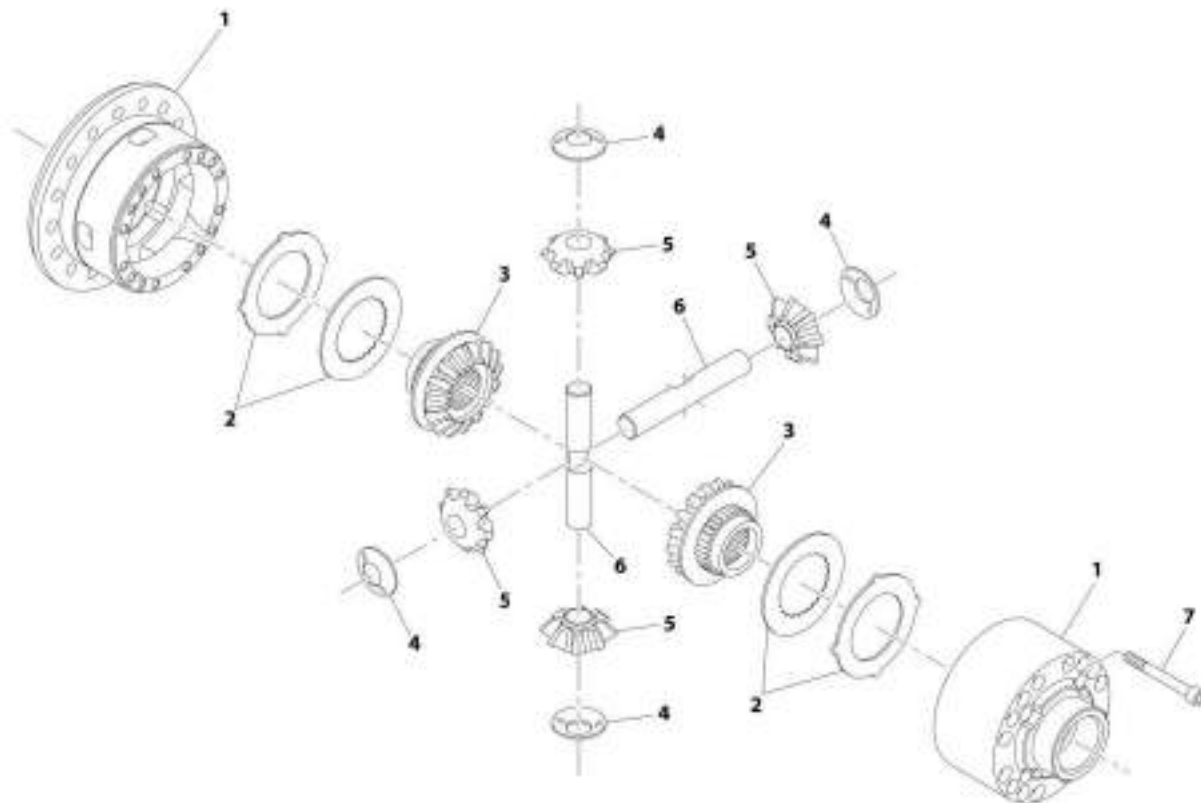
ART_7003390

FIGURE 5-22. DIFFERENTIAL KIT

ITEM	PART NUMBER	QTY	DESCRIPTION	REV
	70028398	Ref	Differential Kit	
1	70025337	1	Carrier, Differential	
2	70023493	2	Washer, Friction	
3	70025338	2	Gear, Differential Side	
4	70027105	4	Washer, Friction	
5	70025339	4	Pinion, Differential	
6	70023490	2	Shaft, Differential	
7	70023489	15	Bolt	

SECTION 5 - DRIVETRAIN

FIGURE 5-23. DIFFERENTIAL KIT



ART_20028190

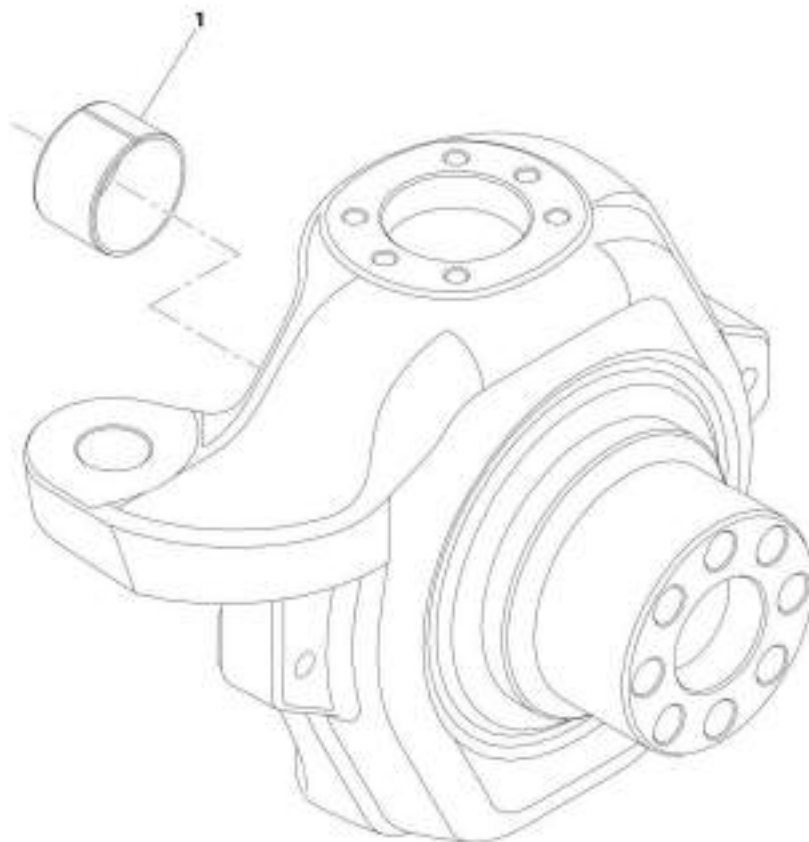
SECTION 5 - DRIVETRAIN

FIGURE 5-23. DIFFERENTIAL KIT

ITEM	PART NUMBER	QTY	DESCRIPTION	REV
	70028390	Ref	Differential Kit	
1	70024004	2	Carrier, Differential	
2	70026750	2	Disc, Clutch	
3	70025856	2	Gear, Differential Side	
4	70027105	4	Washer, Friction	
5	70025339	4	Pinion, Differential	
6	70023490	2	Shaft, Differential	
7	91514143	15	Bolt	

SECTION 5 - DRIVETRAIN

FIGURE 5-24. STEERING CASE KIT (RF, LR)



ART_70020385

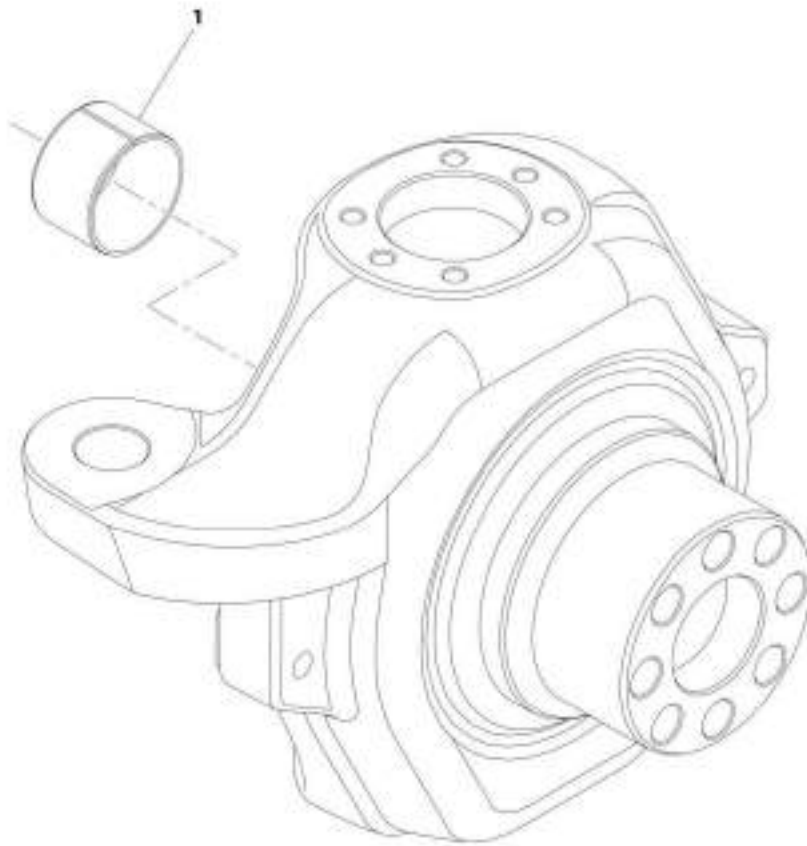
SECTION 5 - DRIVETRAIN

FIGURE 5-24. STEERING CASE KIT (RF, LR)

ITEM	PART NUMBER	QTY	DESCRIPTION	REV
1	70026260 91514111	Ref 1	Steering Case Kit (RF, LR) Bushing, Thrust	

SECTION 5 - DRIVETRAIN

FIGURE 5-25. STEERING CASE KIT (LF, RR)



ART_7002081

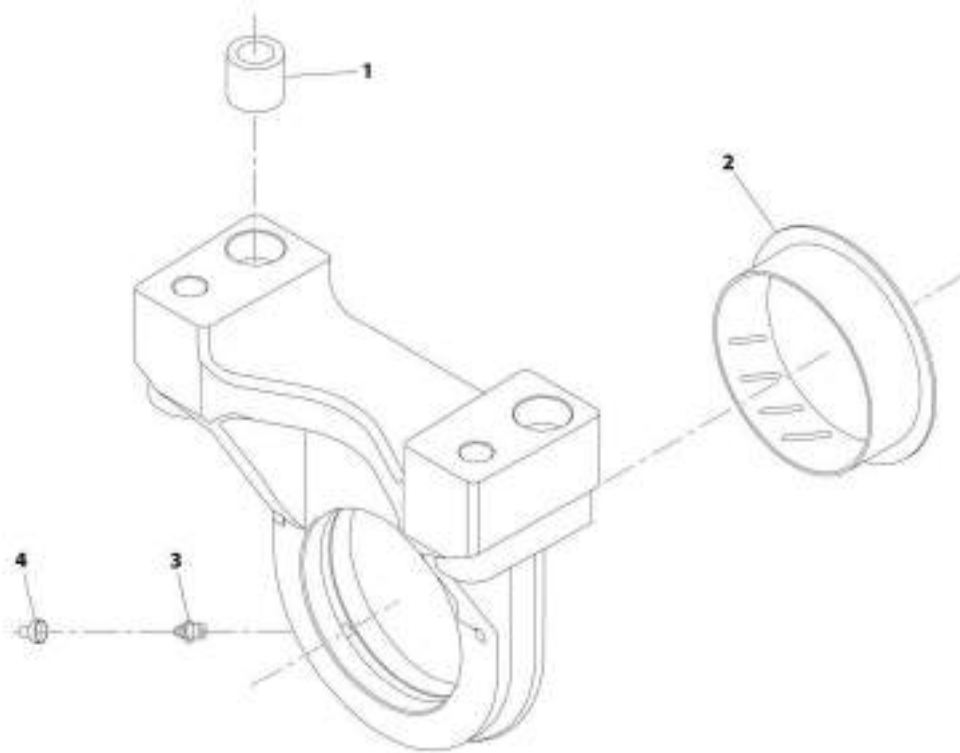
SECTION 5 - DRIVETRAIN

FIGURE 5-25. STEERING CASE KIT (LF, RR)

ITEM	PART NUMBER	QTY	DESCRIPTION	REV
1	70026261 91514111	Ref 1	Steering Case Kit (RR) Bushing, Thrust	

SECTION 5 - DRIVETRAIN

FIGURE 5-26. TRUNION KIT



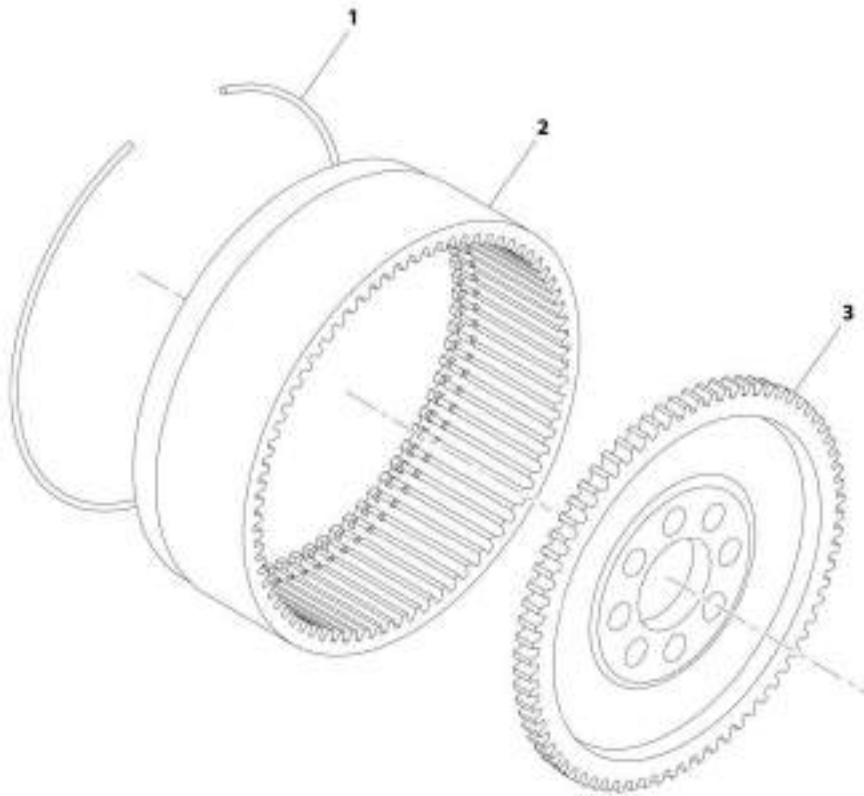
MIT_70026294

FIGURE 5-26. TRUNION KIT

ITEM	PART NUMBER	QTY	DESCRIPTION	REV
	70026266	Ref	Trunion Kit	
1	7029290	2	Bushing, Reduction	
2	91514090	1	Bushing, Thrust	
3	70024881	1	Fitting, Grease	
4	80204117	1	Plug	

SECTION 5 - DRIVETRAIN

FIGURE 5-27. RING GEAR SUPPORT KIT



ART. 70024146

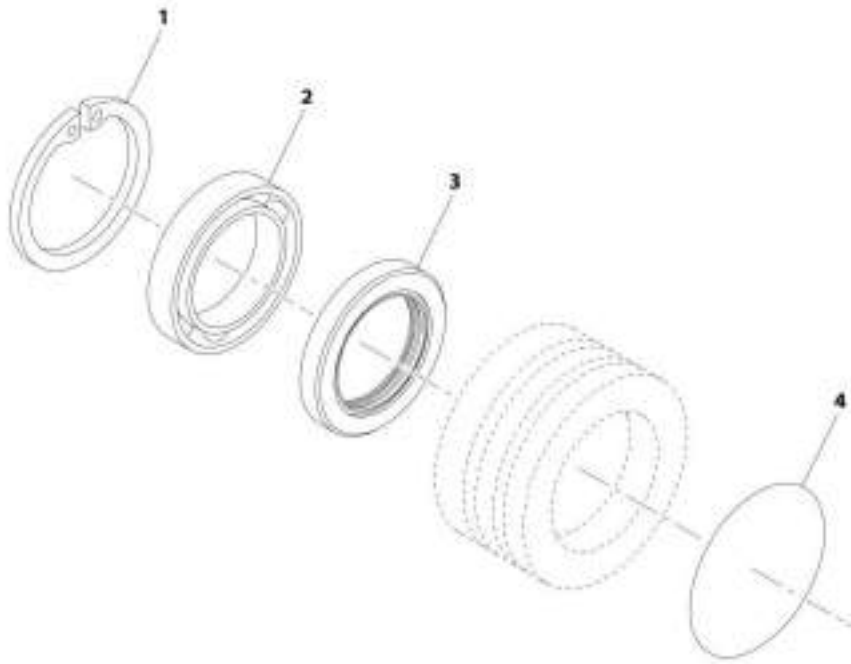
SECTION 5 - DRIVETRAIN

FIGURE 5-27. RING GEAR SUPPORT KIT

ITEM	PART NUMBER	QTY	DESCRIPTION	REV
	70024146	Ref	Ring Gear Support Kit	
1	91514175	1	Circlip	
2	70024147	1	Gear, Ring	
3	91514177	1	Gear, Ring Support	

SECTION 5 - DRIVETRAIN

FIGURE 5-28. REDUCTION BUSHING KIT



ART_81514348

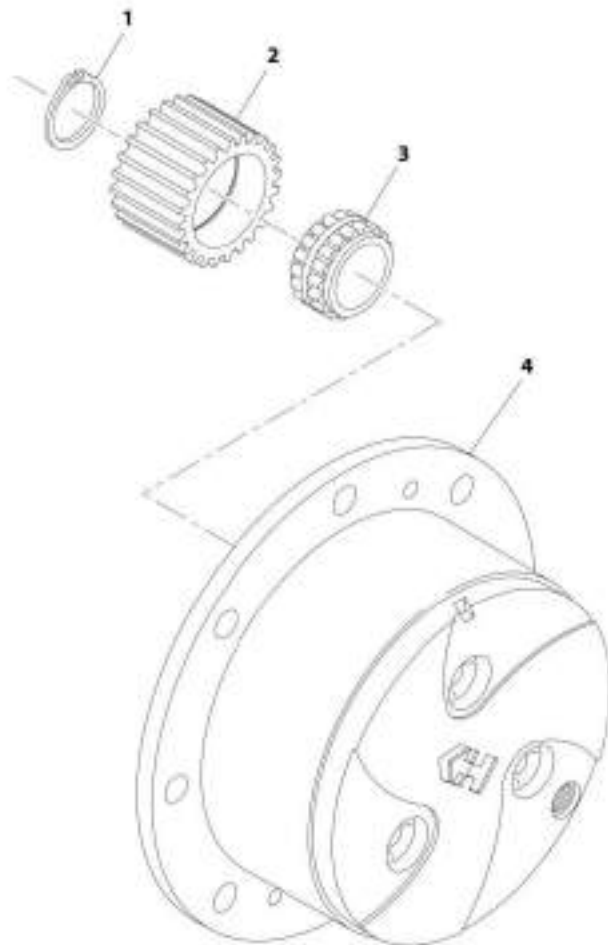
SECTION 5 - DRIVETRAIN

FIGURE 5-28. REDUCTION BUSHING KIT

ITEM	PART NUMBER	QTY	DESCRIPTION	REV
	91514149	Ref	Reduction Bushing Kit	
1	80204005	2	Circlip	
2	91514146	2	Bearing, Ball	
3	91514147	2	Seal	
4	91514148	2	O-Ring	

SECTION 5 - DRIVETRAIN

FIGURE 5-29. PLANET GEAR CARRIER KIT



ART_762073

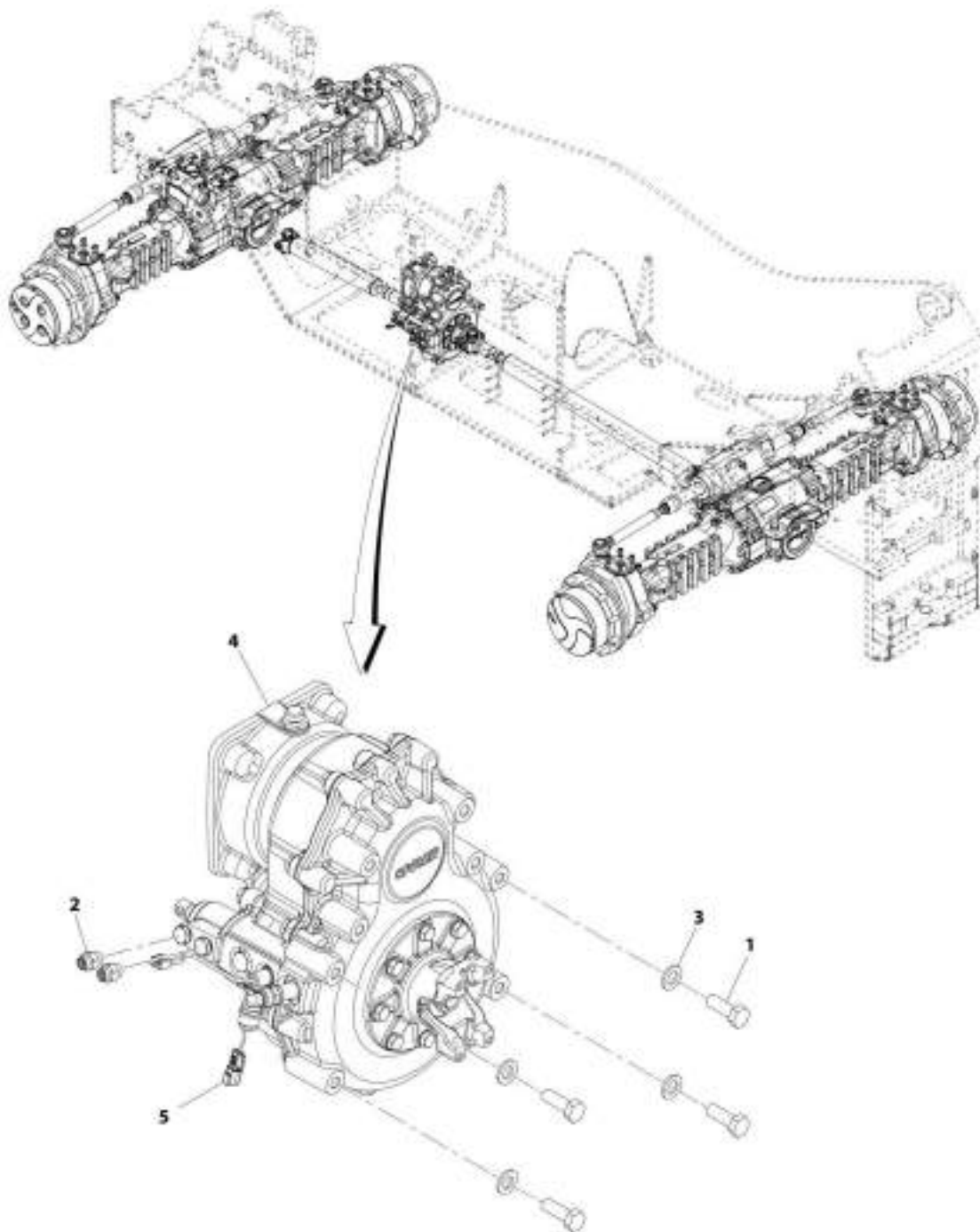
SECTION 5 - DRIVETRAIN

FIGURE 5-29. PLANET GEAR CARRIER KIT

ITEM	PART NUMBER	QTY	DESCRIPTION	REV
	7029733	Ref	Planet Gear Carrier Kit	
1	91514184	3	Circlip	
2	91514185	6	Gear, Planet	
3	91514186	6	Bearing	
4	7026731	1	Carrier, Planet Gear	

SECTION 5 - DRIVETRAIN

FIGURE 5-30. GEARBOX INSTALLATION



ART_1001184979-E

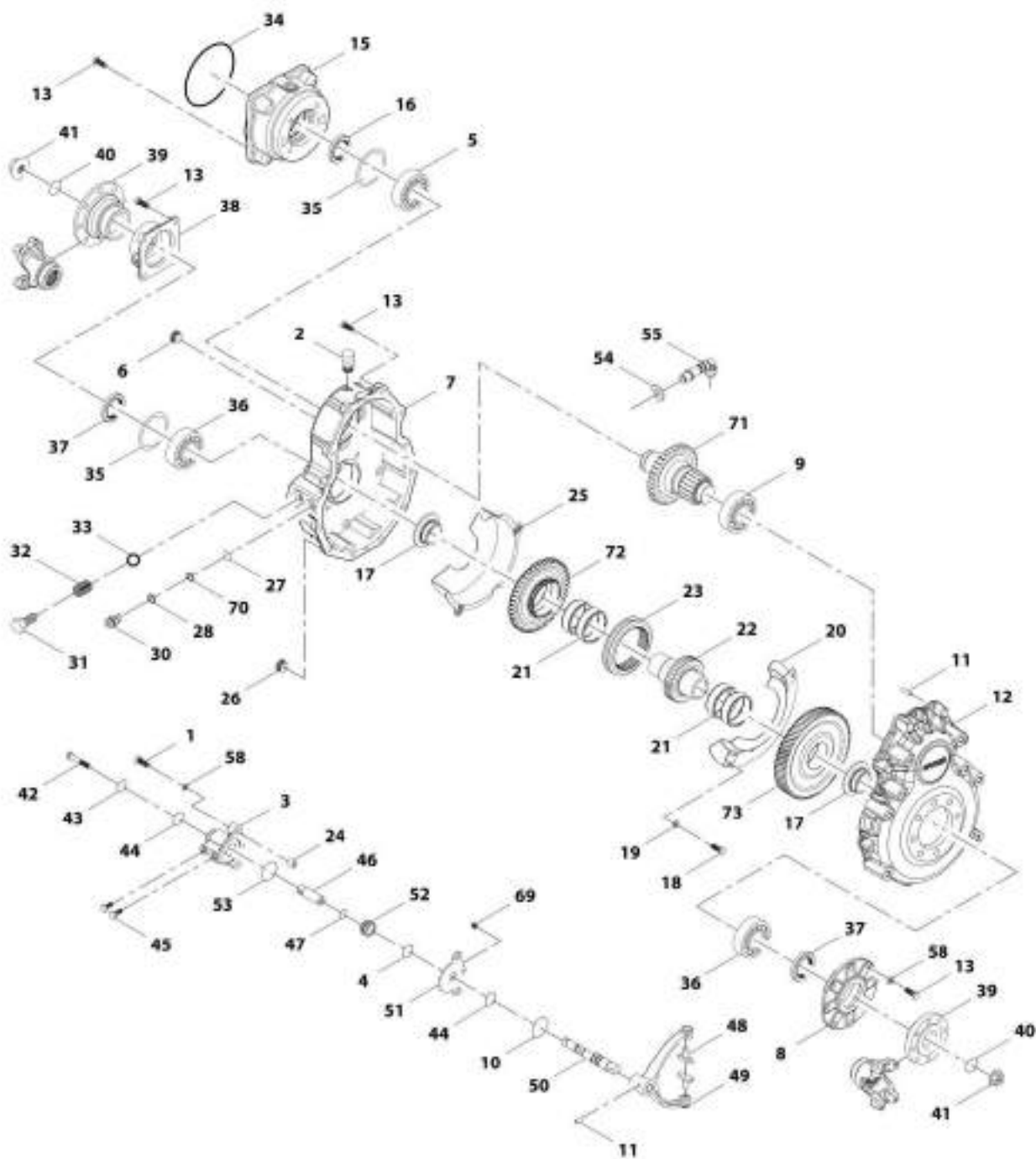
SECTION 5 - DRIVETRAIN

FIGURE 5-30. GEARBOX INSTALLATION

ITEM	PART NUMBER	QTY	DESCRIPTION	REV
	1001184979	Ref	Gearbox Installation	E
1	0771416	4	Bolt, M14-2X40 Grade 10.9	
2	2144603	1	Fitting, Straight ORFS	
3	5241400	4	Washer, M14	
4	1001184986	1	Gearbox (See Seperate Breakdown in this Section)	
5	1001229981	1	Harness, Vehicle Speed Pigtail	

SECTION 5 - DRIVETRAIN

FIGURE 5-31. GEAR BOX



AIT_3201184285-0

SECTION 5 - DRIVETRAIN

FIGURE 5-31. GEAR BOX

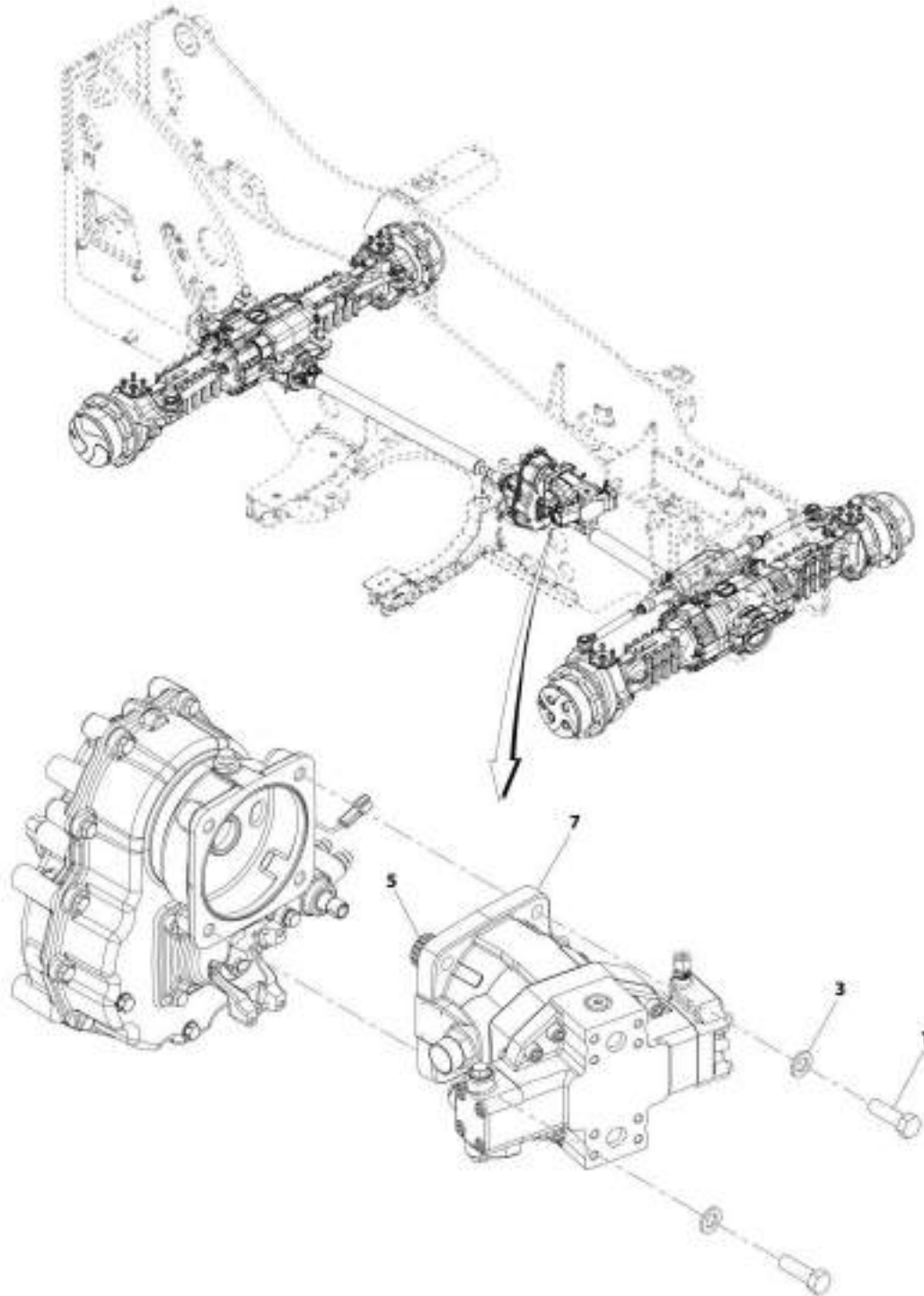
ITEM	PART NUMBER	QTY	DESCRIPTION	REV
	1001184986	Ref	Gear box	D
1	70028817	2	Bolt	
2	70028818	1	Plug	
3	70028819	1	Cylinder	
4	70028820	1	O-Ring	
5	91514146	1	Bearing, Ball	
6	80204016	1	Plug	
7	70028821	1	Housing	
8	70028822	1	Cover	
9	70026904	1	Bearing, Ball	
10	3986405	1	O-Ring	
11	70026892	3	Dowel	
12	70028823	1	Housing	
13	70026911	28	Bolt	
15	70026897	1	Cover	
16	70026896	1	Seal	
17	70028824	2	Spacer	
18	70026909	2	Bolt	
19	70027110	2	Washer, Lock	
20	70028825	1	Plate, Cover	
21	70028826	4	Bearing	
22	70028827	1	Shaft	
23	70028828	1	Sleeve	
24	70028829	2	Pin	
25	70026908	1	Sheet	
26	80204007	1	Plug	
27	1001081085	1	O-Ring	
28	80203020	1	Washer	
30	70028830	1	Switch	
31	70028831	1	Bolt	
32	80203021	1	Spring	
33	70020276	1	Ball, Detend	
34	80204176	1	O-Ring	
35	70027862	2	Kit, Shim	
36	91474364	2	Bearing, Ball	
37	70026901	2	Seal	
38	70028832	1	Cover	
39	70026898	2	Flange	
40	80204215	2	O-Ring	
41	70026631	2	Nut	
42	70028833	1	Bolt	
43	70028834	1	O-Ring	
44	70028835	2	Sleeve	
45	91514154	2	Bolt	
46	70028836	1	Bar	
47	70027109	1	O-Ring	
48	70028837	2	Pin	
49	70028838	1	Fork, Selector	
50	70028839	1	Shaft	
51	70028840	1	Plate, Cover	

SECTION 5 - DRIVETRAIN

ITEM	PART NUMBER	QTY	DESCRIPTION	REV
52	70028841	1	Piston	
53	70028842	1	O-Ring	
54	70028844	1	Washer	
55	70028801	1	Sensor, Speed	
58	70028843	10	Washer	
69	70028845	1	Bolt	
70	70026927	1	Washer, Seal	
71	70028846	1	Shaft, Input	
72	70028847	1	Gear	
73	70028848	1	Gear	

SECTION 5 - DRIVETRAIN

FIGURE 5-32. HYDROSTATIC MOTOR INSTALLATION



AWT_1001184980-D

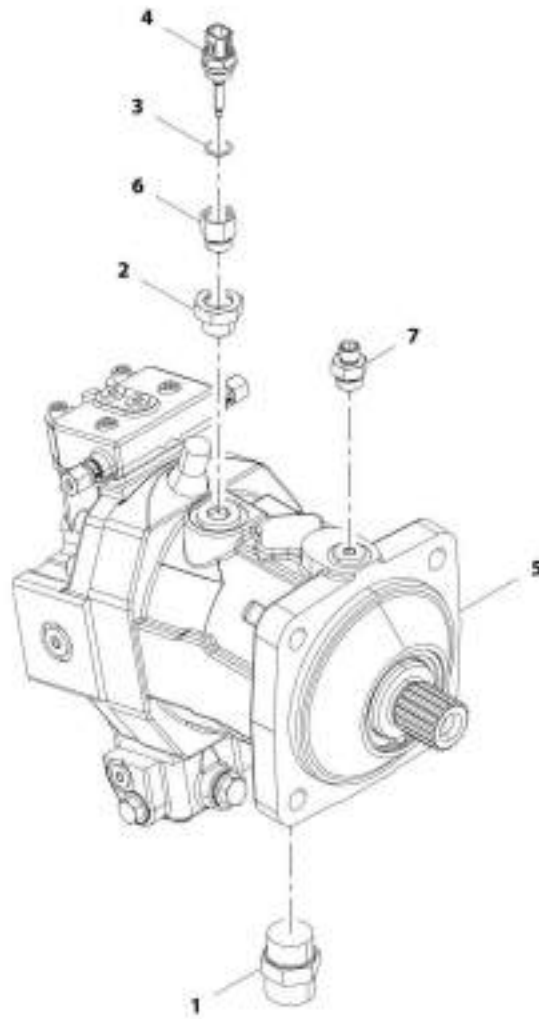
SECTION 5 - DRIVETRAIN

FIGURE 5-32. HYDROSTATIC MOTOR INSTALLATION

ITEM	PART NUMBER	QTY	DESCRIPTION	REV
	1001184980	Ref	Hydrostatic Motor Installation	D
1	0771618	4	Bolt, M16X50	
3	4812300	4	Washer, M16	
5	3020037	AR	Lube, Grease	
7	1001217620	1	Assembly, Hydrostatic Drive Motor (See Seperate Breakdown in this Section)	

SECTION 5 - DRIVETRAIN

FIGURE 5-33. HYDROSTATIC MOTOR ASSEMBLY



ART_1801217620-B

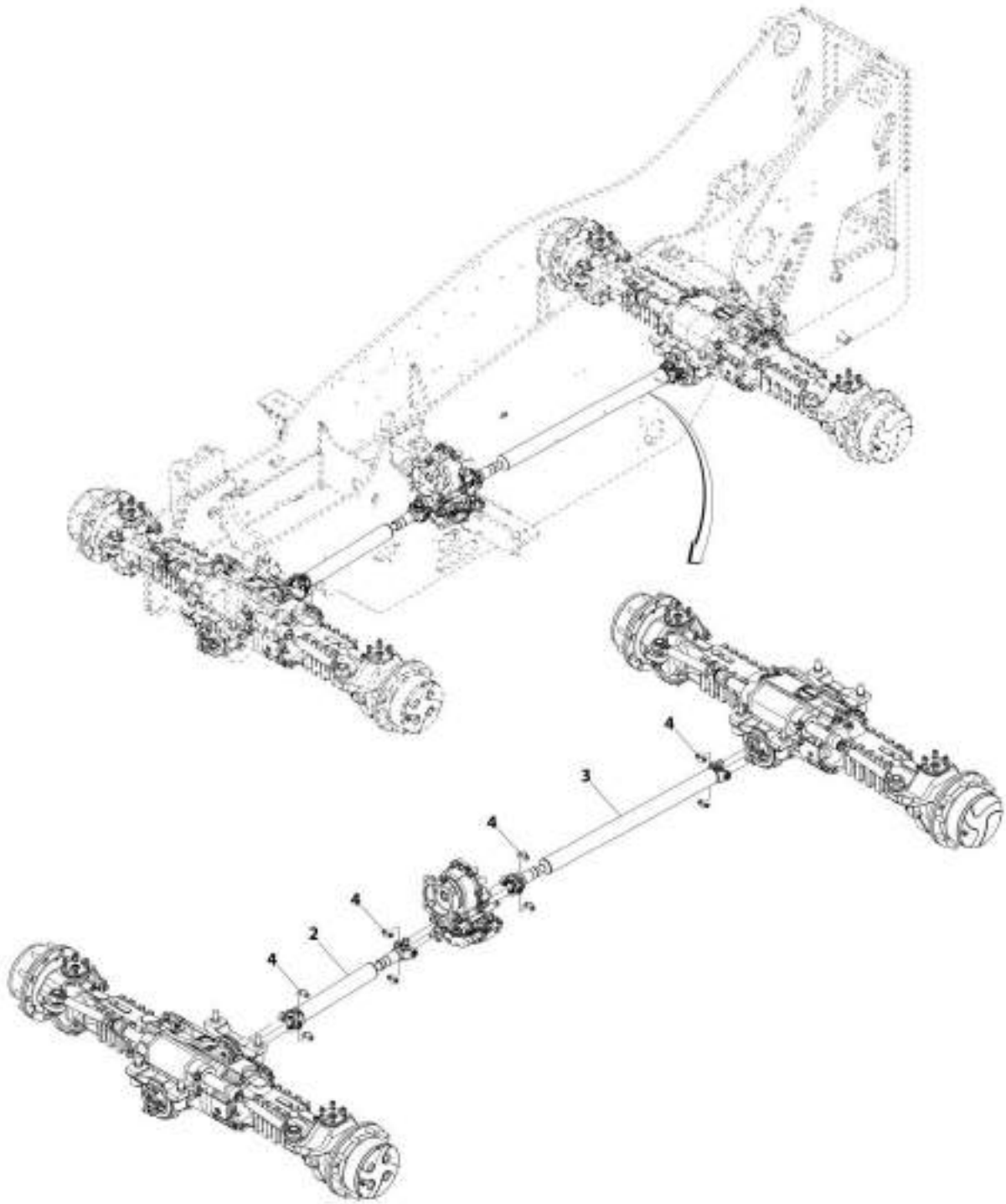
SECTION 5 - DRIVETRAIN

FIGURE 5-33. HYDROSTATIC MOTOR ASSEMBLY

ITEM	PART NUMBER	QTY	DESCRIPTION	REV
	1001217620	Ref	Hydrostatic Motor Assembly	B
1	2111616	1	Fitting, Straight ORFS	
2	2220811	1	Fitting, Straight	
3	1001009163	1	O-Ring	
4	1001128478	1	Sensor	
5	1001193308	1	Motor, Hydrostatic (See Separate Breakdown in Hydraulic Components Section)	
6	1001220760	1	Fitting, Straight	
7	1001217669	1	Fitting, Straight	

SECTION 5 - DRIVETRAIN

FIGURE 5-34. DRIVE SHAFT INSTALLATION



ART. 1001104001-B

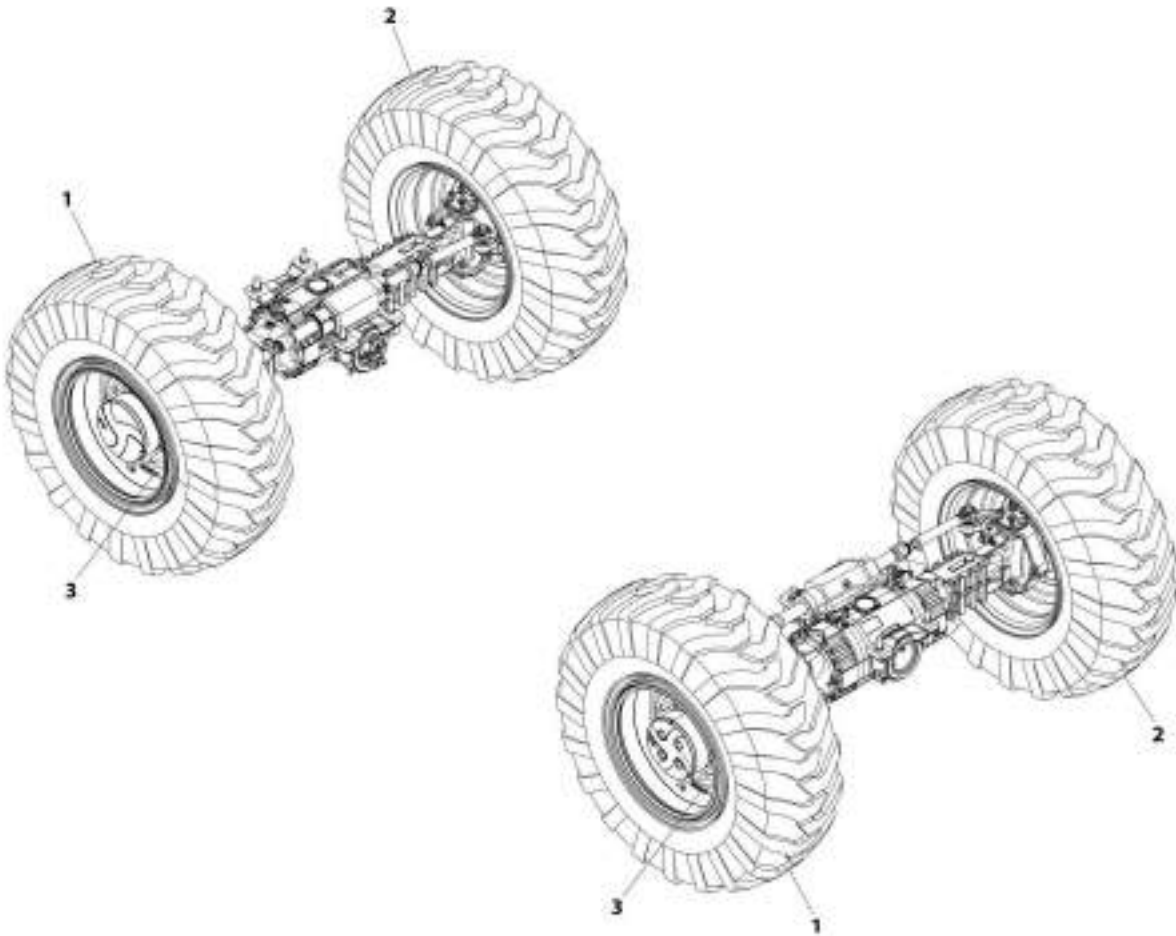
SECTION 5 - DRIVETRAIN

FIGURE 5-34. DRIVE SHAFT INSTALLATION

ITEM	PART NUMBER	QTY	DESCRIPTION	REV
	1001184981	Ref	Drive Shaft Installation	B
2	1001184987	1	Assembly, Drive Shaft	
3	1001184988	1	Assembly, Drive Shaft	
4	8880219-OM	4	Kit, Strap	

SECTION 5 - DRIVETRAIN

FIGURE 5-35. TIRE/WHEEL SET (AIR 17.5-25 - 20 PLY)



ART_1001182168-C

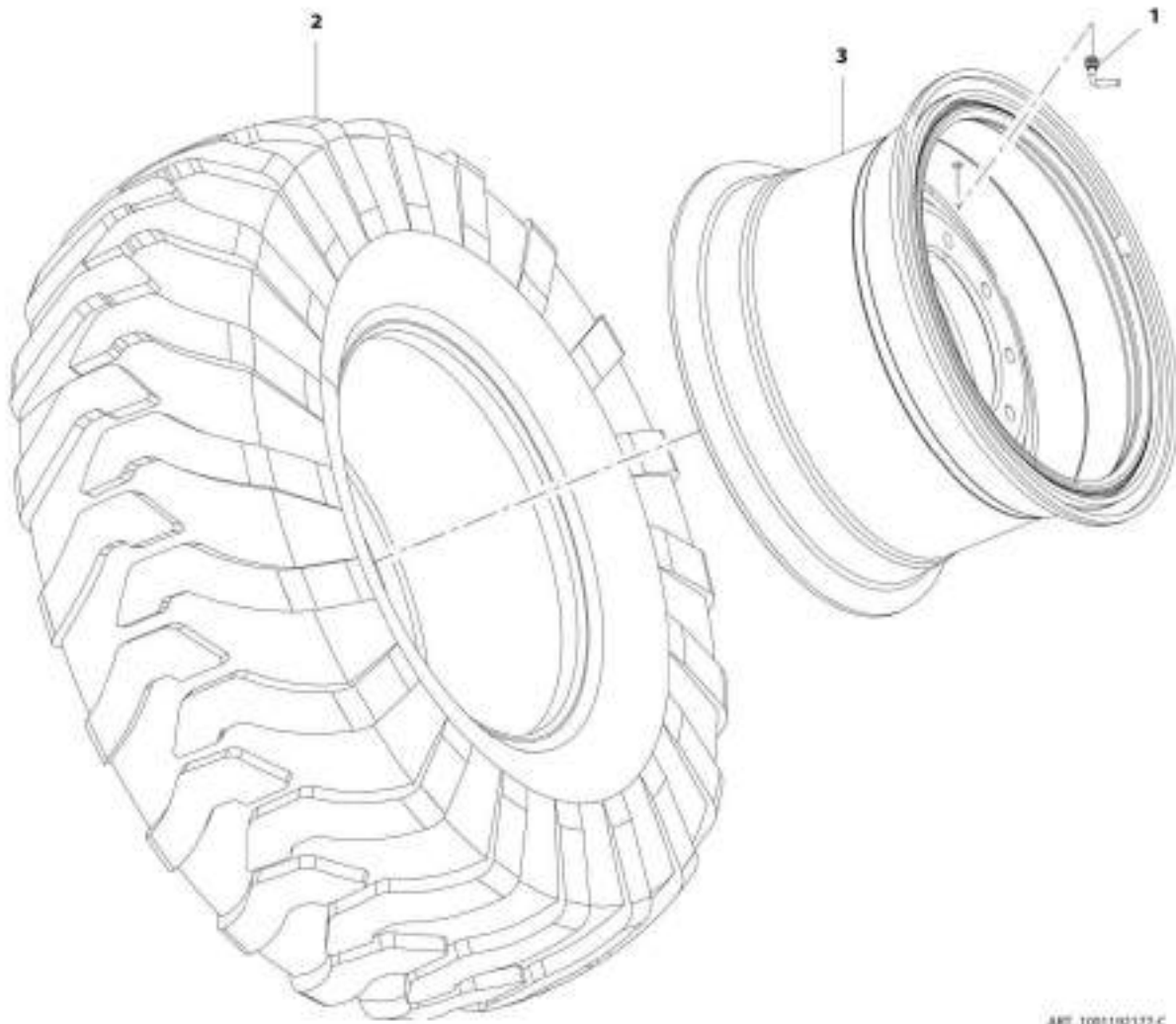
SECTION 5 - DRIVETRAIN

FIGURE 5-35. TIRE/WHEEL SET (AIR 17.5-25 - 20 PLY)

ITEM	PART NUMBER	QTY	DESCRIPTION	REV
1	1001192168 1001192177	1 2	Tire/Wheel Set (Air 17.5-25 - 20 PLY) Assembly, Right Tire/Wheel (Air 17.5-25 - 20 PLY) (See Seperate Breakdown in this Section)	C
2	1001192178	2	Assembly, Left Tire/Wheel (Air 17.5-25 - 20 PLY) (See Seperate Breakdown in this Section)	
3	1001229201	4	Decal	

SECTION 5 - DRIVETRAIN

FIGURE 5-36. RIGHT TIRE/WHEEL ASSEMBLY (AIR 17.5-25 - 20 PLY)



AIR_1081192177-C

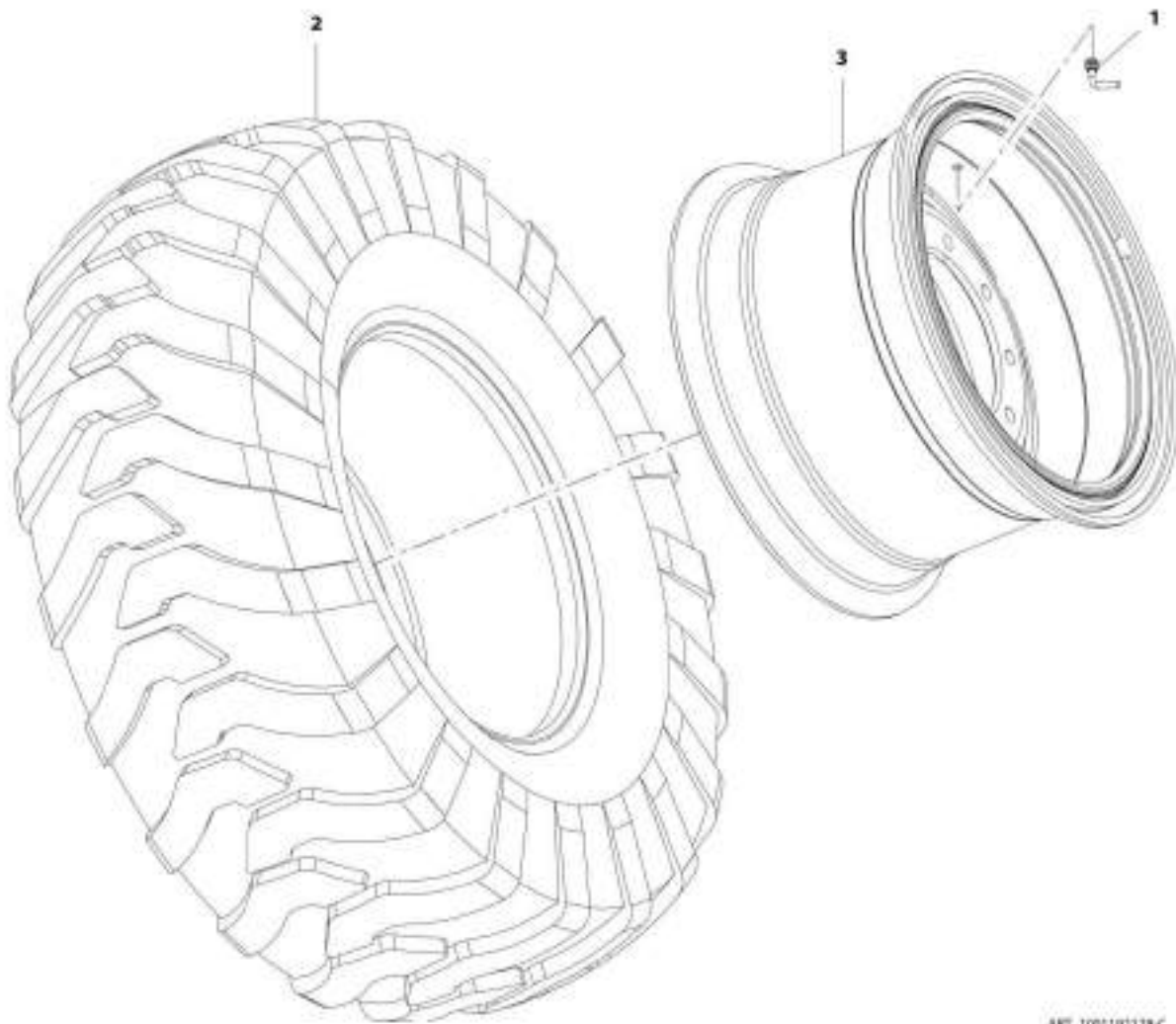
SECTION 5 - DRIVETRAIN

FIGURE 5-36. RIGHT TIRE/WHEEL ASSEMBLY (AIR 17.5-25 - 20 PLY)

ITEM	PART NUMBER	QTY	DESCRIPTION	REV
	1001192177	Ref	Right Tire/Wheel Assembly (Air 17.5-25 - 20 PLY)	C
1	8786549	1	Valve, Stem	
2	1001187423	1	Tire, 17.5-25 20 PLY	
3	1001189288J	1	Wheel, 25X14.0 DTU 10 Hole	

SECTION 5 - DRIVETRAIN

FIGURE 5-37. LEFT TIRE/WHEEL ASSEMBLY (AIR 17.5-25 - 20 PLY)



AKF_1081192178-C

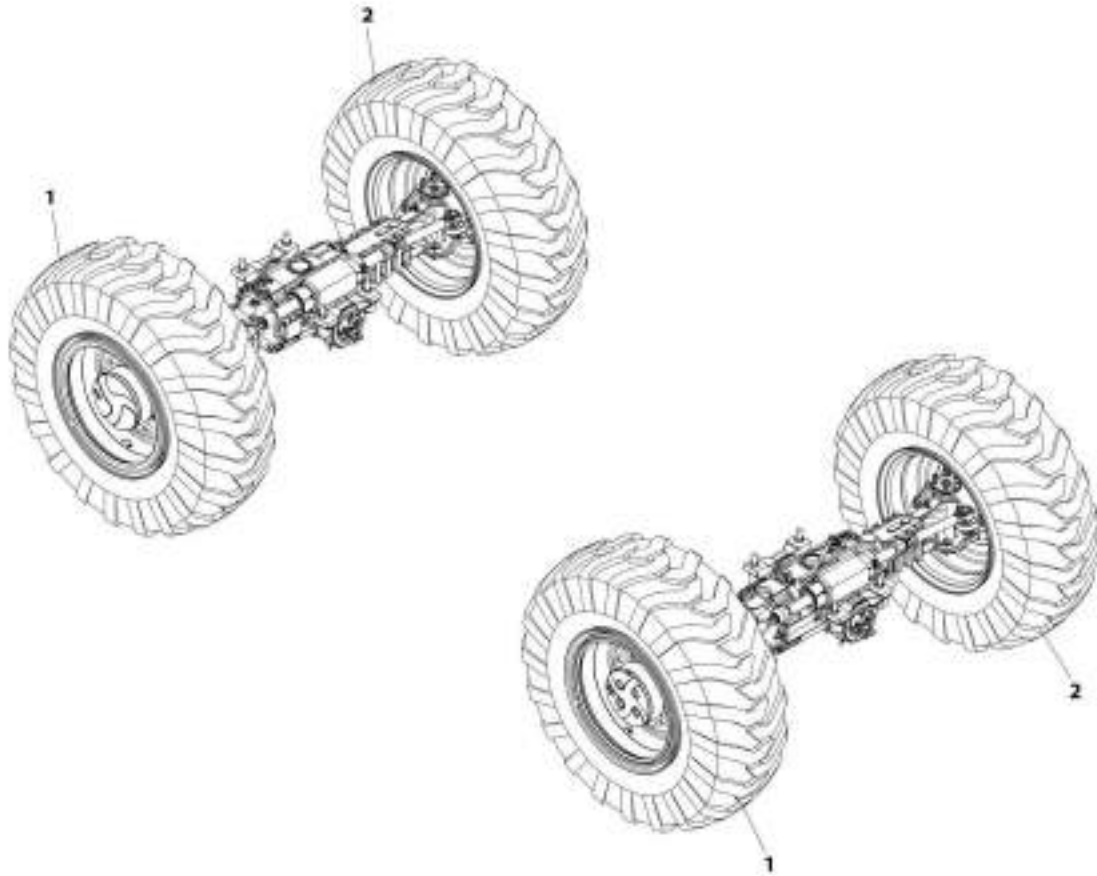
SECTION 5 - DRIVETRAIN

FIGURE 5-37. LEFT TIRE/WHEEL ASSEMBLY (AIR 17.5-25 - 20 PLY)

ITEM	PART NUMBER	QTY	DESCRIPTION	REV
	1001192178	Ref	Left Tire/Wheel Assembly (Air 17.5-25 - 20 PLY)	C
1	8786549	1	Valve, Stem	
2	1001187423	1	Tire, 17.5-25 20 PLY	
3	1001189288J	1	Wheel, 25X14.0 DTU 10 Hole	

SECTION 5 - DRIVETRAIN

FIGURE 5-38. TIRE/WHEEL SET (FOAM 17.5-25 - 20 PLY)



ART_3001100170-A

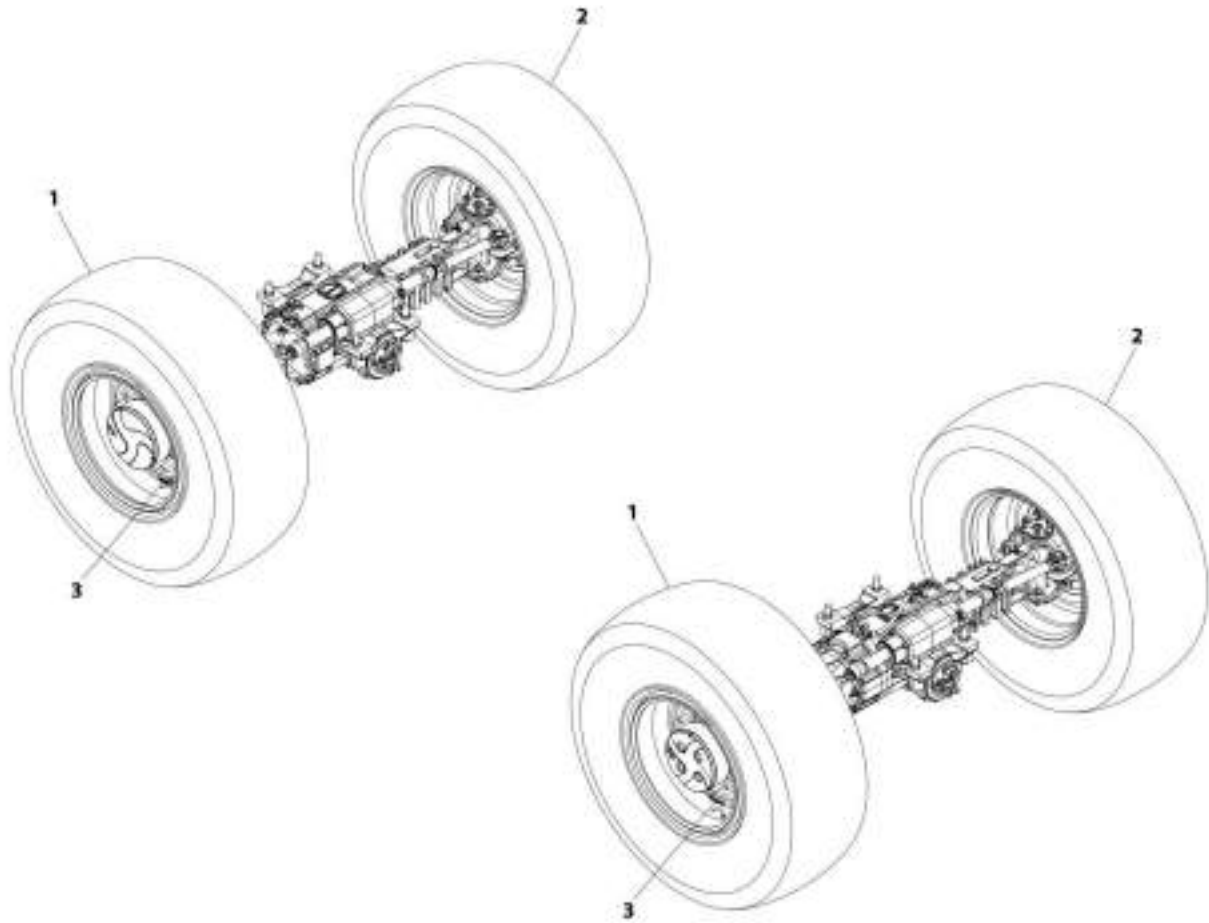
SECTION 5 - DRIVETRAIN

FIGURE 5-38. TIRE/WHEEL SET (FOAM 17.5-25 - 20 PLY)

ITEM	PART NUMBER	QTY	DESCRIPTION	REV
	1001192170	1	Tire/Wheel Set (Foam 17.5-25 - 20 PLY)	A
1	1001192180	2	Assembly, Right Tire/Wheel (Foam 17.5-25 - 20 PLY)	
2	1001192181	2	Assembly, Left Tire/Wheel (Foam 17.5-25 - 20 PLY)	

SECTION 5 - DRIVETRAIN

FIGURE 5-39. TIRE/WHEEL SET (AIR 17.5 R25 - RADIAL)



AWT_1001225270-A

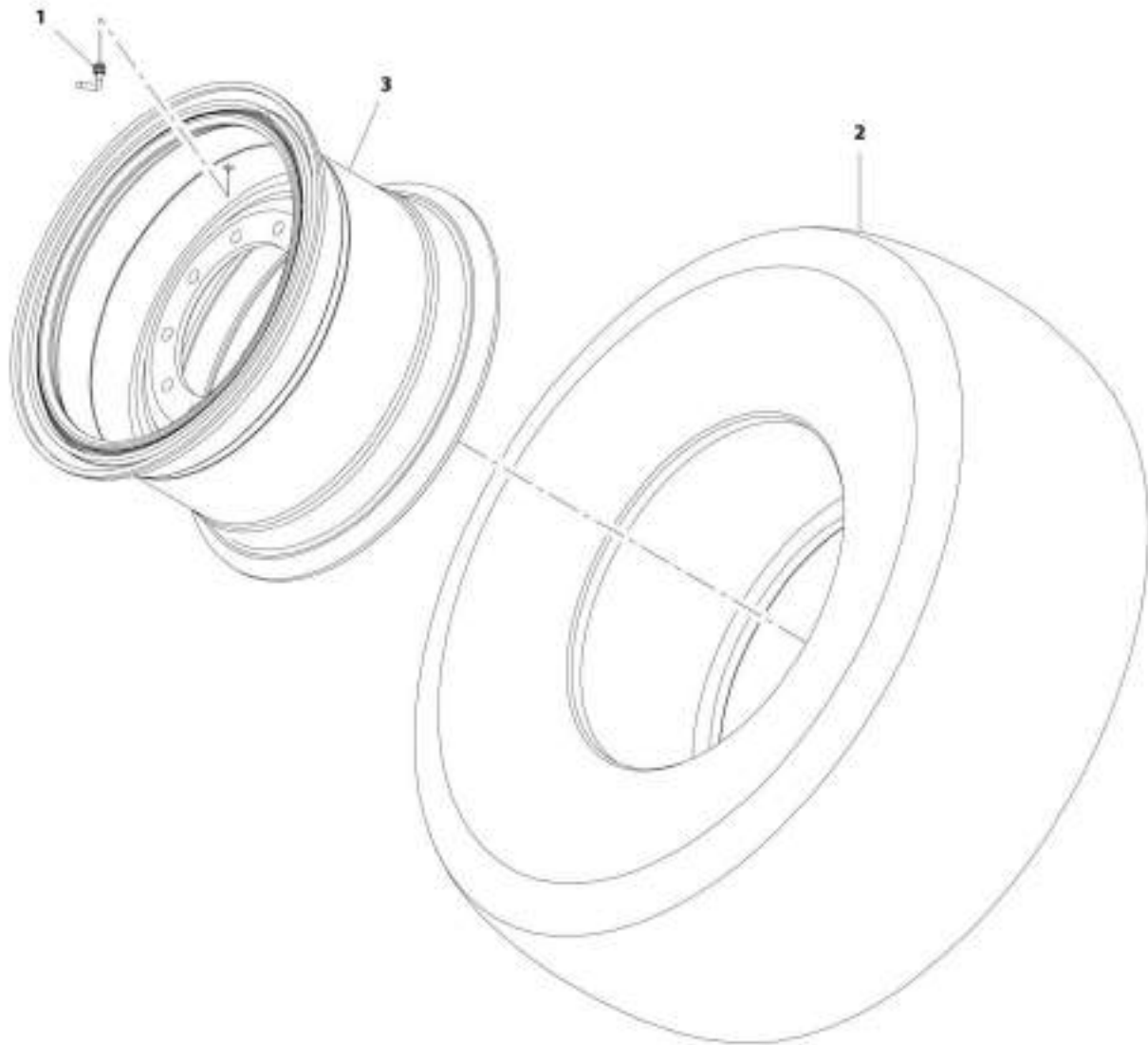
SECTION 5 - DRIVETRAIN

FIGURE 5-39. TIRE/WHEEL SET (AIR 17.5 R25 - RADIAL)

ITEM	PART NUMBER	QTY	DESCRIPTION	REV
1	1001221270	1	Tire/Wheel Set (Air 17.5 R25 - Radial)	A
	1001221157	2	Assembly, Right Tire/Wheel (Air 17.5 R25 - Radial) (See Sperate Breakdown in this Section)	
2	1001221321	2	Assembly, Left Tire/Wheel (Air 17.5 R25 - Radial) (See Seperate Breakdown in this Section)	
3	1001221734	4	Decal	

SECTION 5 - DRIVETRAIN

FIGURE 5-40. RIGHT TIRE/WHEEL ASSEMBLY (AIR 17.5 R25 - RADIAL)



AKF_1087221197-C

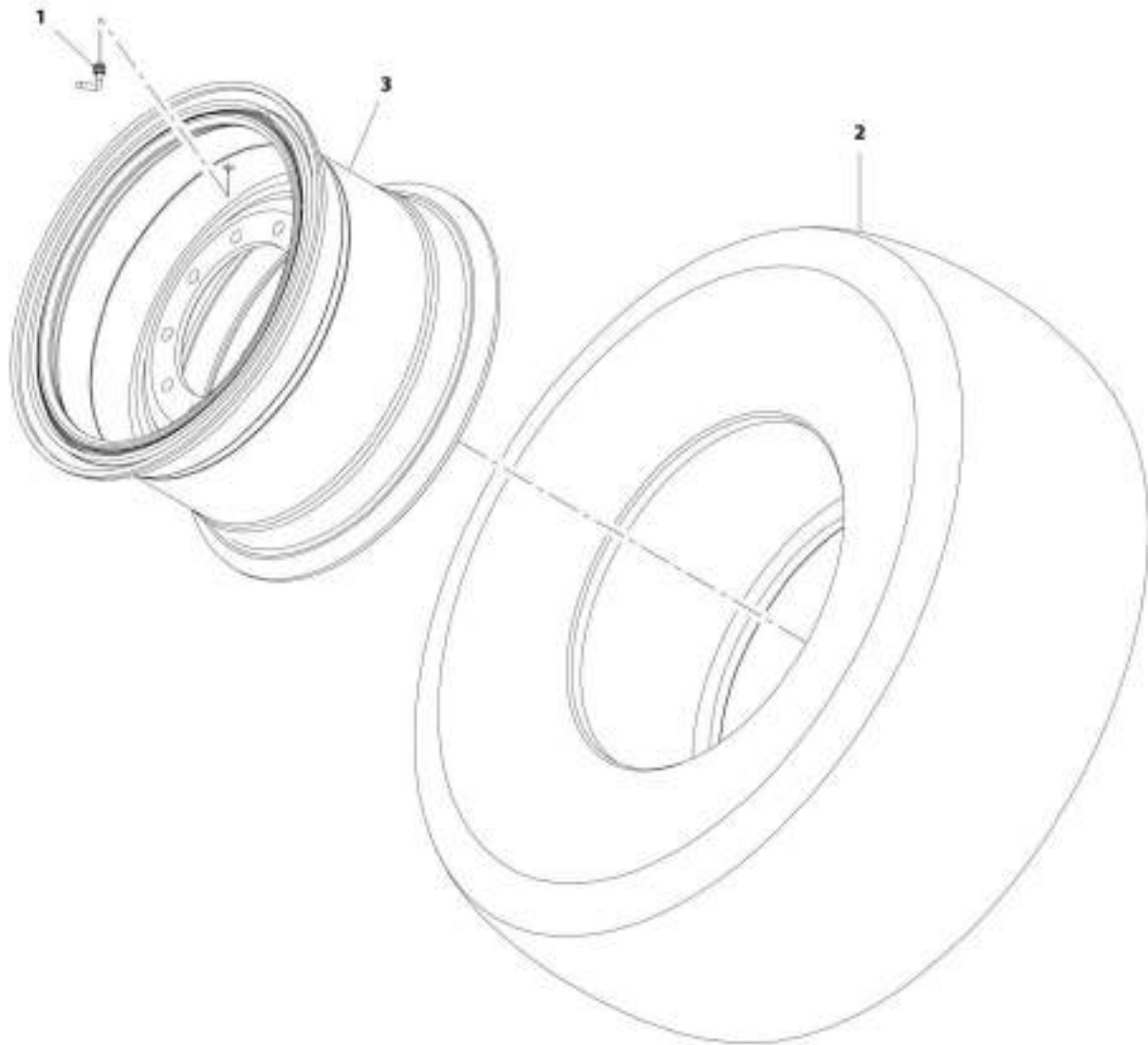
SECTION 5 - DRIVETRAIN

FIGURE 5-40. RIGHT TIRE/WHEEL ASSEMBLY (AIR 17.5 R25 - RADIAL)

ITEM	PART NUMBER	QTY	DESCRIPTION	REV
	1001221157	Ref	Right Tire/Wheel Assembly (Air 17.5 R25 - Radial)	C
1	8786549	1	Valve, Stem	
2	1001221087	1	Tire, 17.5 R25 Radial	
3	1001189288J	1	Wheel, 25X14.0 DTU 10 Hole	

SECTION 5 - DRIVETRAIN

FIGURE 5-41. LEFT TIRE/WHEEL ASSEMBLY (AIR 17.5 R25 - RADIAL)



AKF_1081221321-C

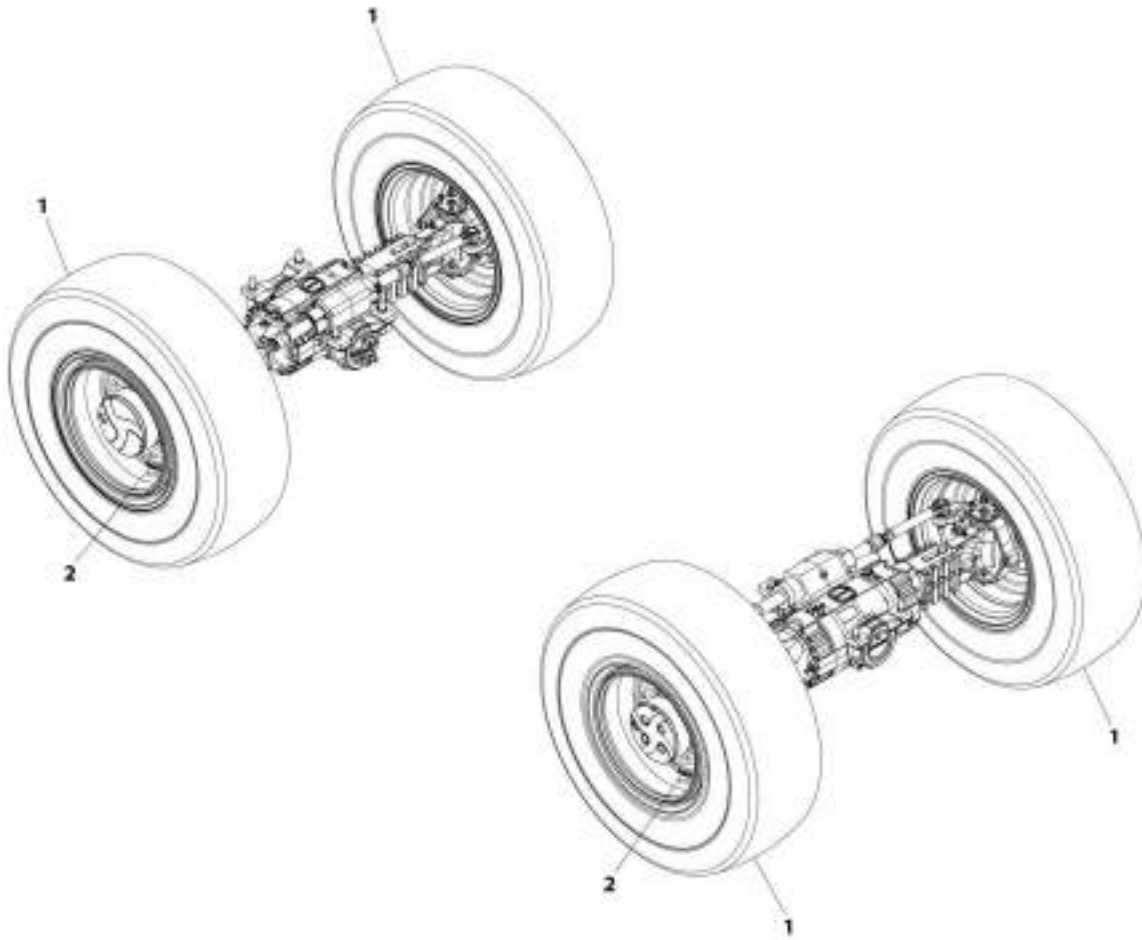
SECTION 5 - DRIVETRAIN

FIGURE 5-41. LEFT TIRE/WHEEL ASSEMBLY (AIR 17.5 R25 - RADIAL)

ITEM	PART NUMBER	QTY	DESCRIPTION	REV
	1001221321	Ref	Left Tire/Wheel Assembly (Air 17.5 R25 - Radial)	C
1	8786549	1	Valve, Stem	
2	1001221087	1	Tire, 17.5 R25 Radial	
3	1001189288J	1	Wheel, 25X14.0 DTU 10 Hole	

SECTION 5 - DRIVETRAIN

FIGURE 5-42. TIRE/WHEEL SET (AIR 17.5-25 - 22 PLY)



ART_1001221665-0

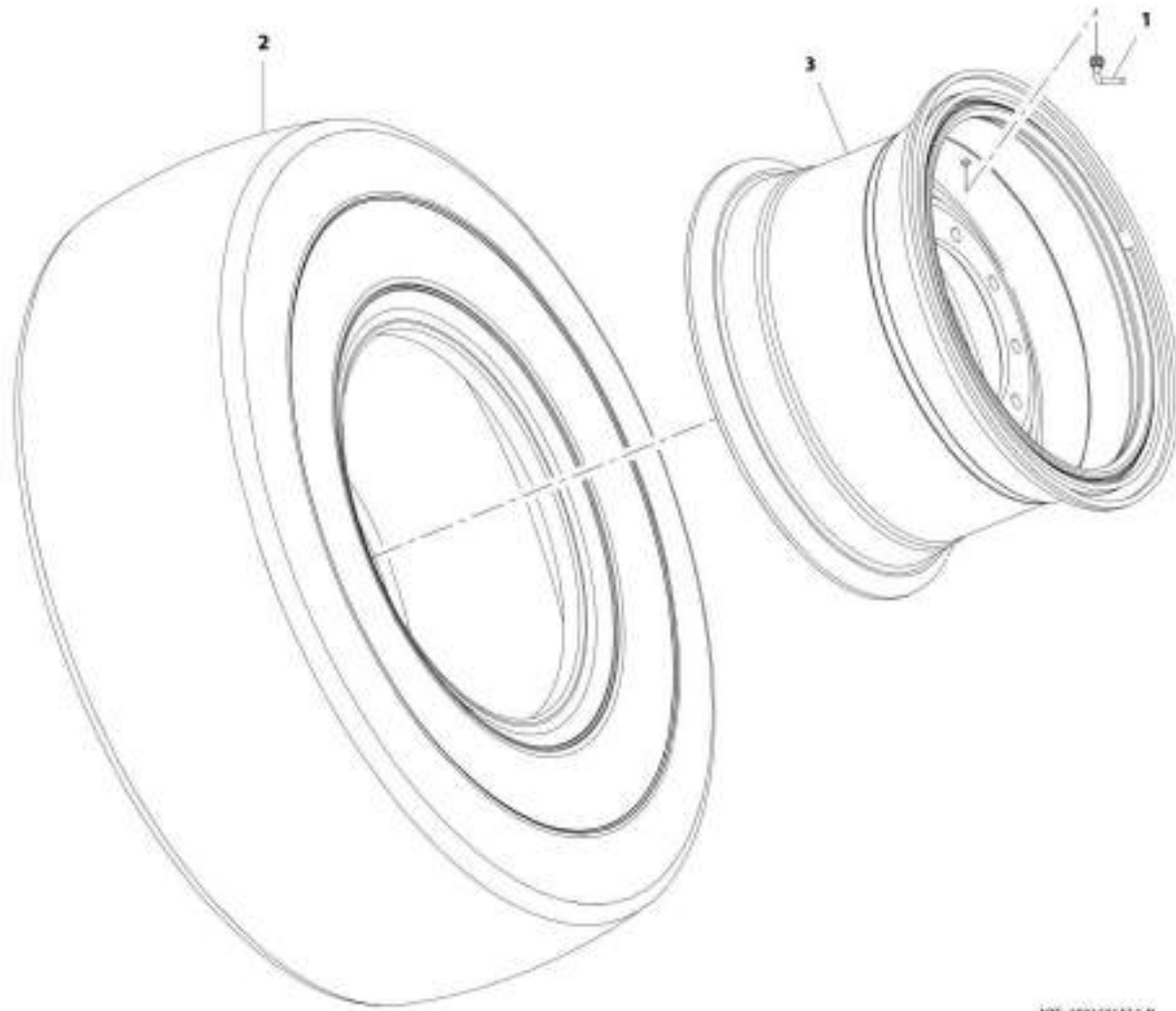
SECTION 5 - DRIVETRAIN

FIGURE 5-42. TIRE/WHEEL SET (AIR 17.5-25 - 22 PLY)

ITEM	PART NUMBER	QTY	DESCRIPTION	REV
1	1001221695	Ref	Tire/Wheel Set (Air 17.5-25 - 22 PLY)	B
	1001221554	4	Assembly, Tire/Wheel (Air 17.5-25 - 22 PLY) (See Seperate Breakdown in this Section)	
2	1001229201	4	Decal	

SECTION 5 - DRIVETRAIN

FIGURE 5-43. TIRE/WHEEL ASSEMBLY (AIR 17.5-25 - PLY)



ART_1001221554-D

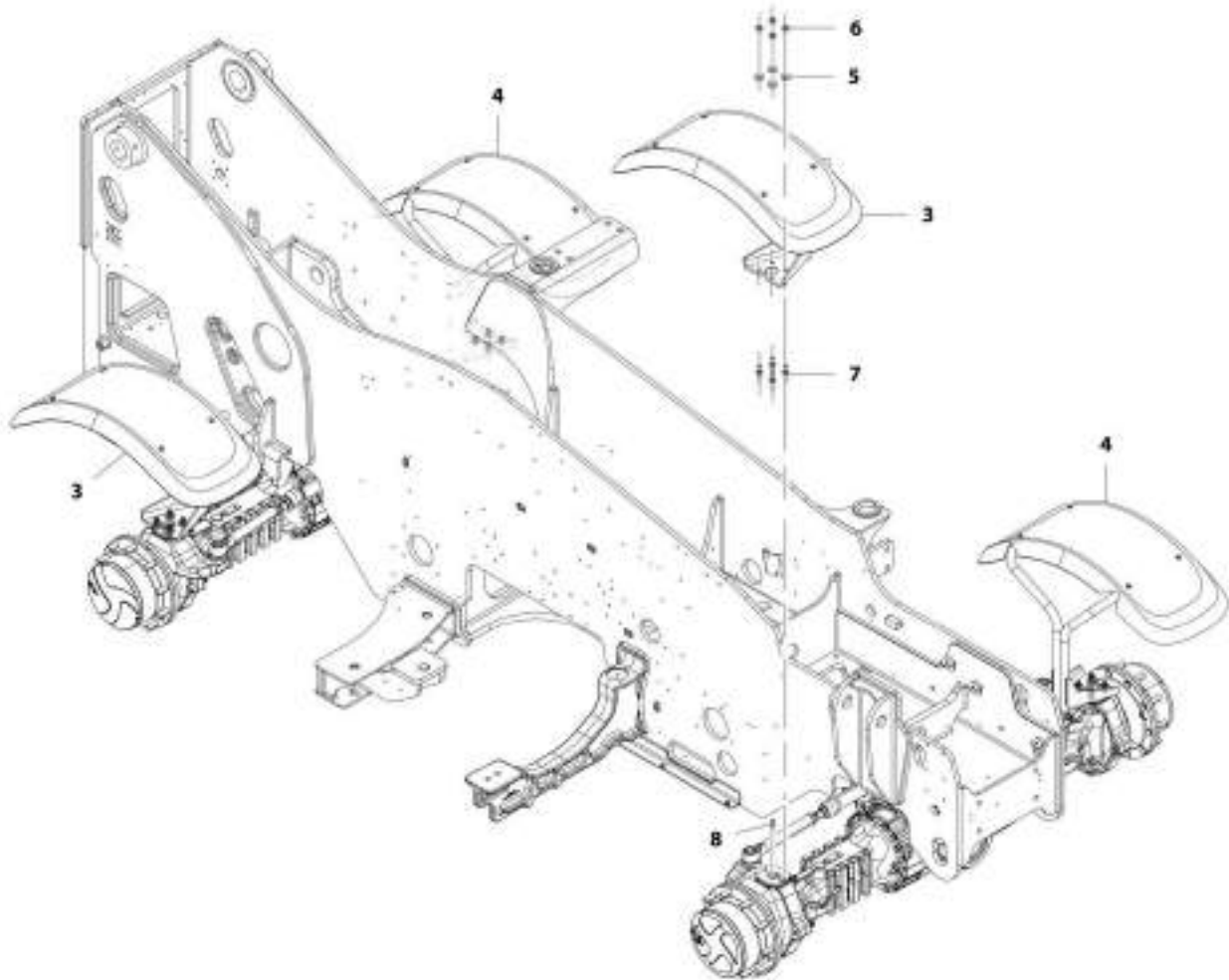
SECTION 5 - DRIVETRAIN

FIGURE 5-43. TIRE/WHEEL ASSEMBLY (AIR 17.5-25 - PLY)

ITEM	PART NUMBER	QTY	DESCRIPTION	REV
	1001221554	Ref	Tire/Wheel Assembly (Air 17.5-25 - PLY)	D
1	8786549	1	Valve, Stem	
2	1001221553	1	Tire, 17.5-25 EM60 22 PLY	
3	1001189288J	1	Wheel, 25X14.0 DTU 10 Hole	

SECTION 5 - DRIVETRAIN

FIGURE 5-44. FENDER INSTALLATION



ART_1001174129-E

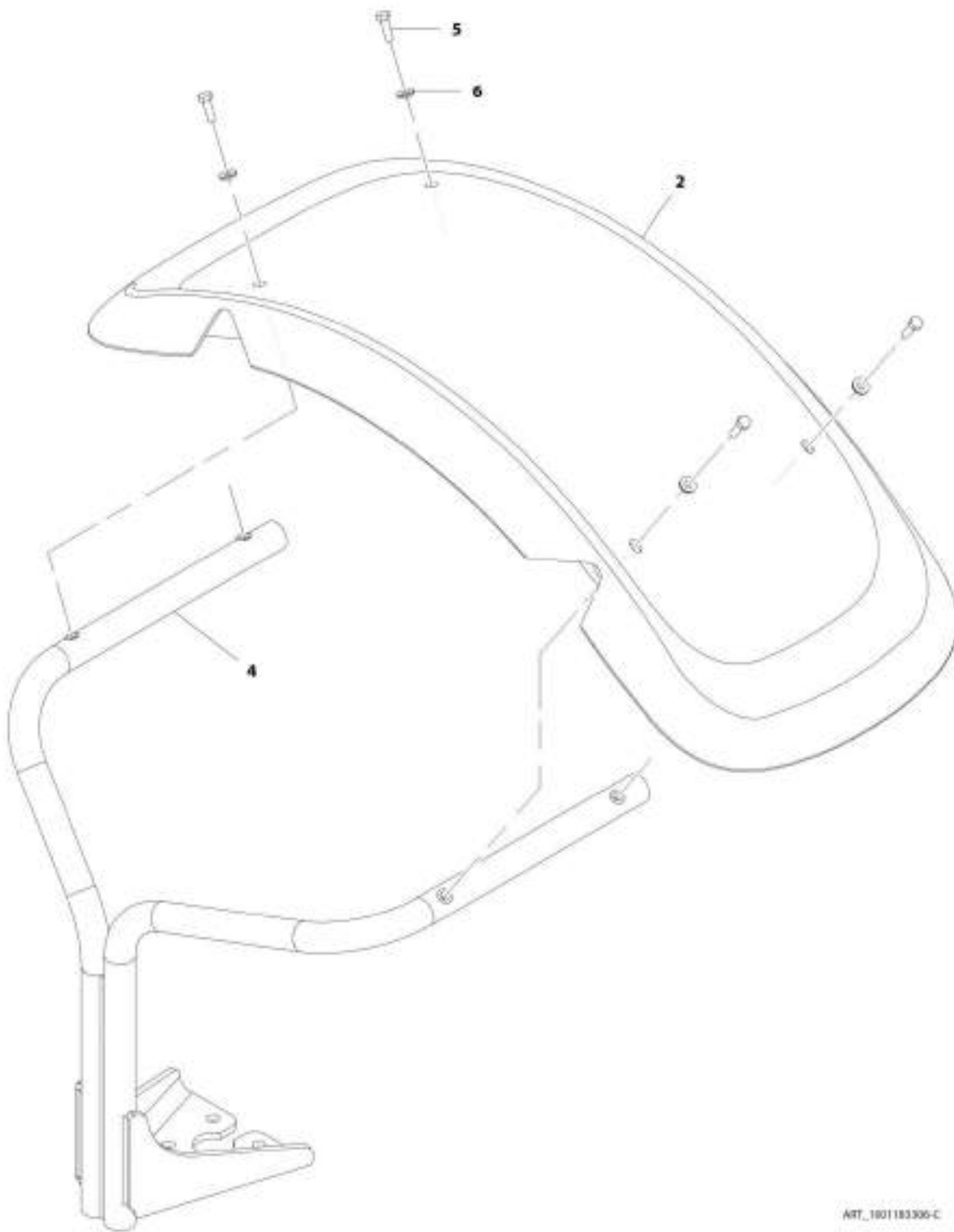
SECTION 5 - DRIVETRAIN

FIGURE 5-44. FENDER INSTALLATION

ITEM	PART NUMBER	QTY	DESCRIPTION	REV
	1001174129	Ref	Fender Installation	E
3	1001183306	2	Assembly, RH Fender (See Separate Breakdown in this Section)	
4	1001183307	2	Assembly, LH Fender (See Separate Breakdown in this Section)	
5	4812102	16	Washer, M12	
6	91513266	16	Nut, M12X1.25	
7	91514118	16	Stud, Fender	
8	1001225317	4	Fitting, Grease	

SECTION 5 - DRIVETRAIN

FIGURE 5-45. RH FENDER ASSEMBLY



ART_1801183300-C

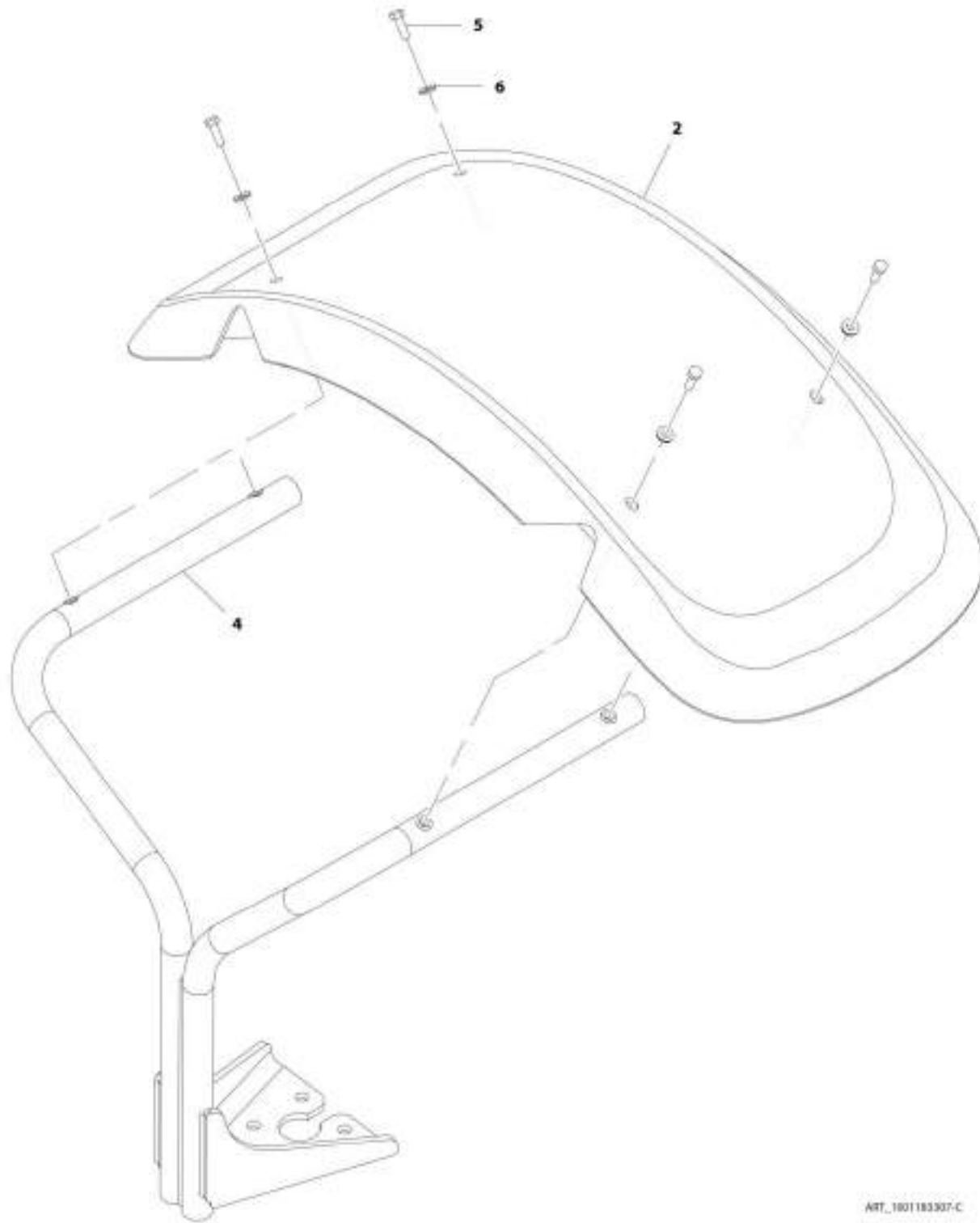
SECTION 5 - DRIVETRAIN

FIGURE 5-45. RH FENDER ASSEMBLY

ITEM	PART NUMBER	QTY	DESCRIPTION	REV
	1001183306	Ref	RH Fender Assembly	C
2	1001168264	1	Fender	
4	1001183308	1	Bracket	
5	0760812	4	Bolt, M8X25	
6	1001202786	4	Washer	

SECTION 5 - DRIVETRAIN

FIGURE 5-46. LH FENDER ASSEMBLY



ART_1801183307-C

SECTION 5 - DRIVETRAIN

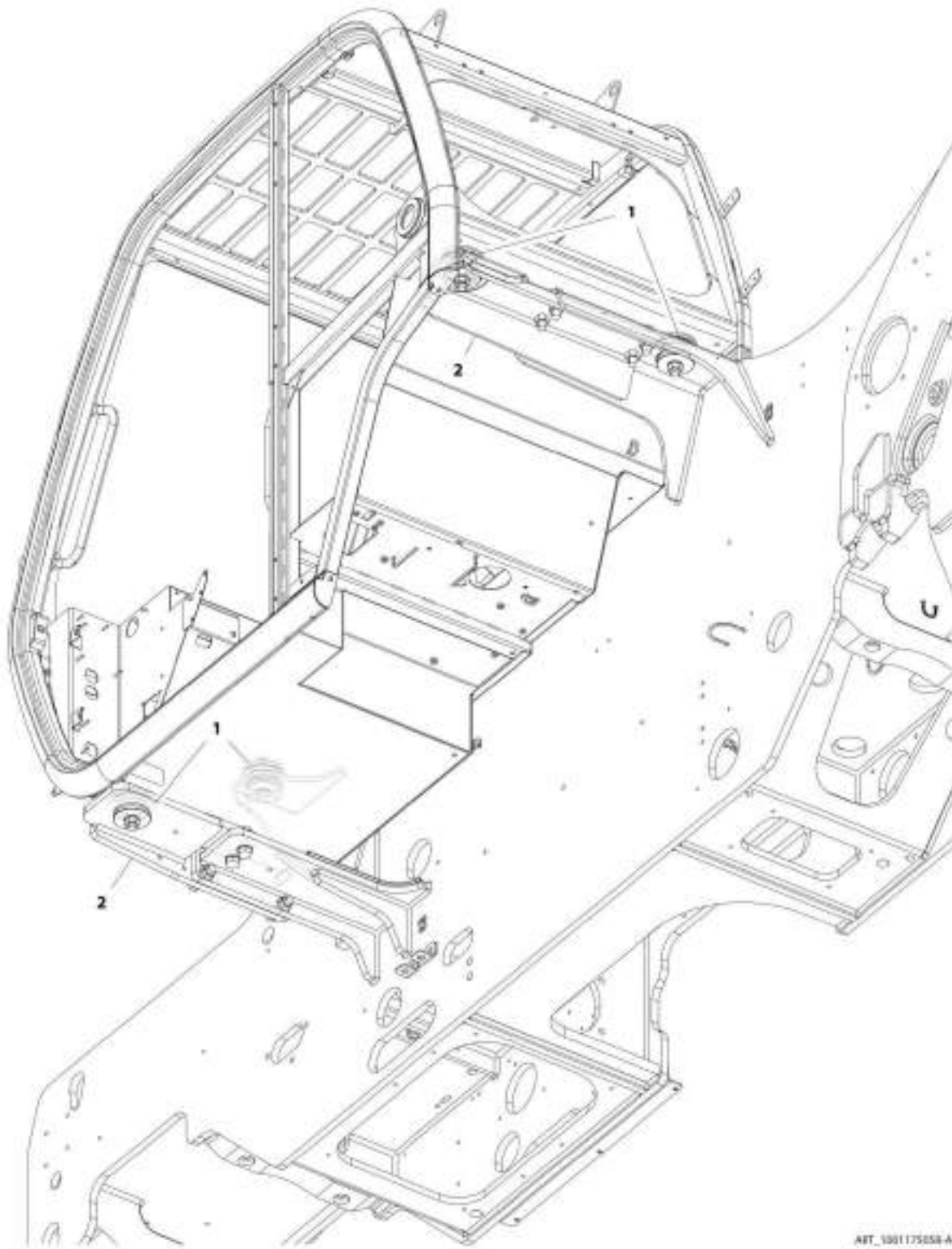
FIGURE 5-46. LH FENDER ASSEMBLY

ITEM	PART NUMBER	QTY	DESCRIPTION	REV
	1001183307	Ref	LH Fender Assembly	C
2	1001168264	1	Fender	
4	1001183309	1	Bracket	
5	0760812	4	Bolt, M8X25	
6	1001202786	4	Washer	

SECTION 6 - CAB

SECTION 6 - CAB

FIGURE 6-1. CAB MOUNTING INSTALLATION



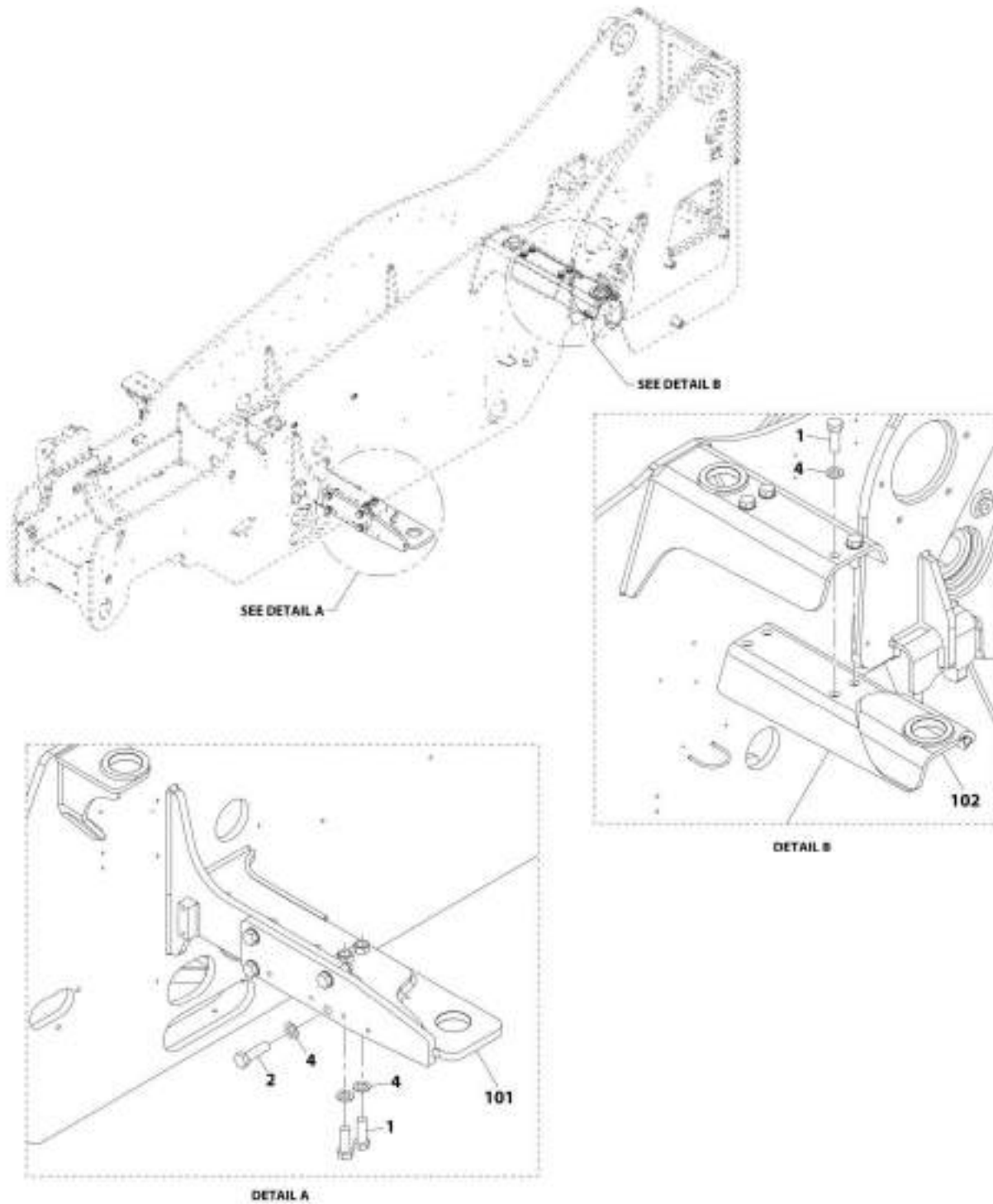
ART_1001175058-A

FIGURE 6-1. CAB MOUNTING INSTALLATION

ITEM	PART NUMBER	QTY	DESCRIPTION	REV
1	1001175058	Ref	Cab Mounting Installation	A
	1001155446	Ref	Installation, Cab Mount (See Separate Breakdown in this Section)	
	1001191255	Ref	Installation, Front Cab Mount Bracket (See Separate Breakdown in this Section)	

SECTION 6 - CAB

FIGURE 6-2. FRONT CAB MOUNT BRACKET INSTALLATION



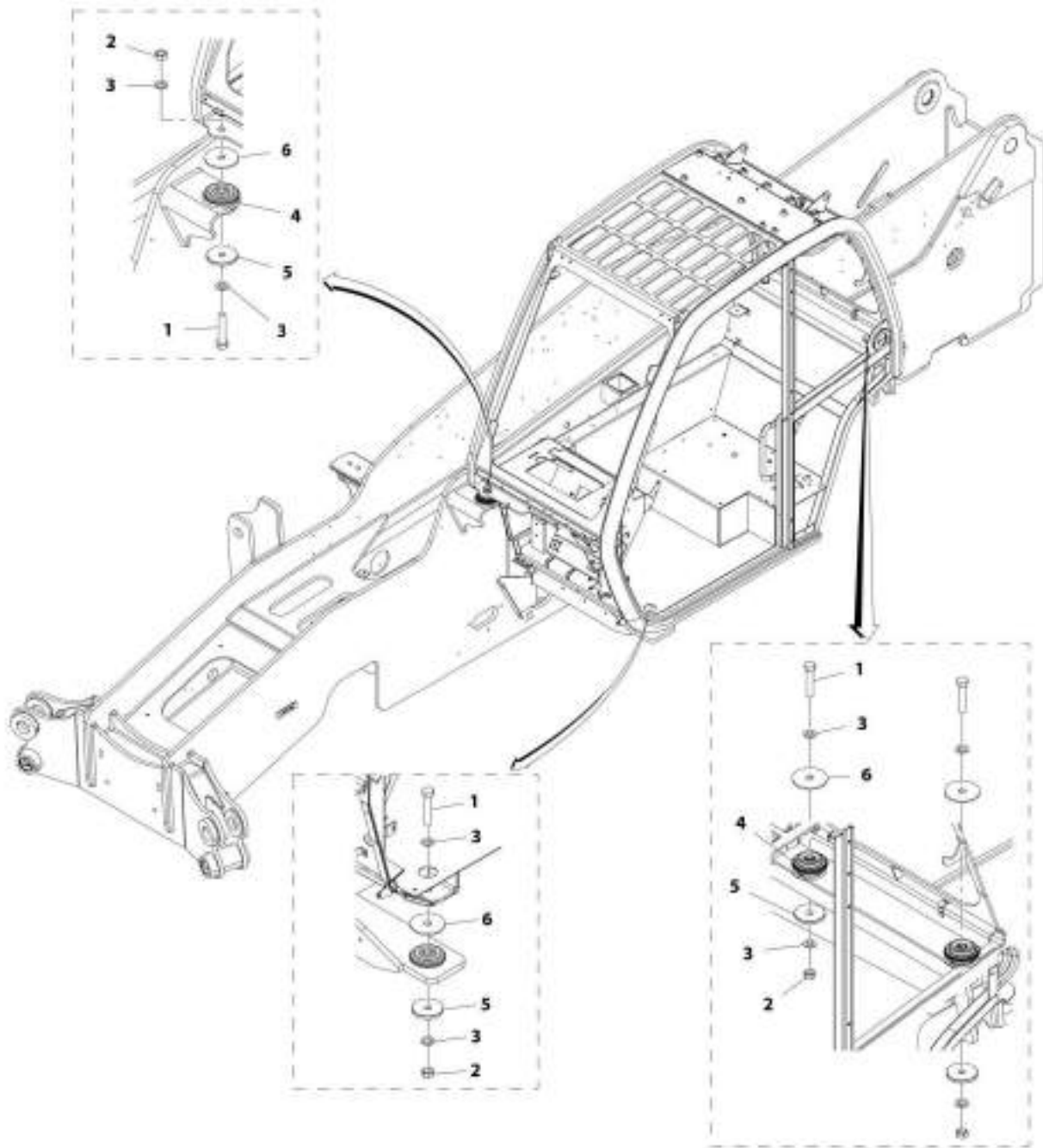
AWT_3001191255-E

FIGURE 6-2. FRONT CAB MOUNT BRACKET INSTALLATION

ITEM	PART NUMBER	QTY	DESCRIPTION	REV
	1001191255	Ref	Front Cab Mount Bracket Installation	E
1	0712020	6	Bolt, M20X60	
2	0712022	4	Bolt, M20X70	
4	4812500	10	Washer, M20	
101	1001191256	1	Bracket	
102	1001191257	1	Bracket	

SECTION 6 - CAB

FIGURE 6-3. CAB MOUNTS INSTALLATION



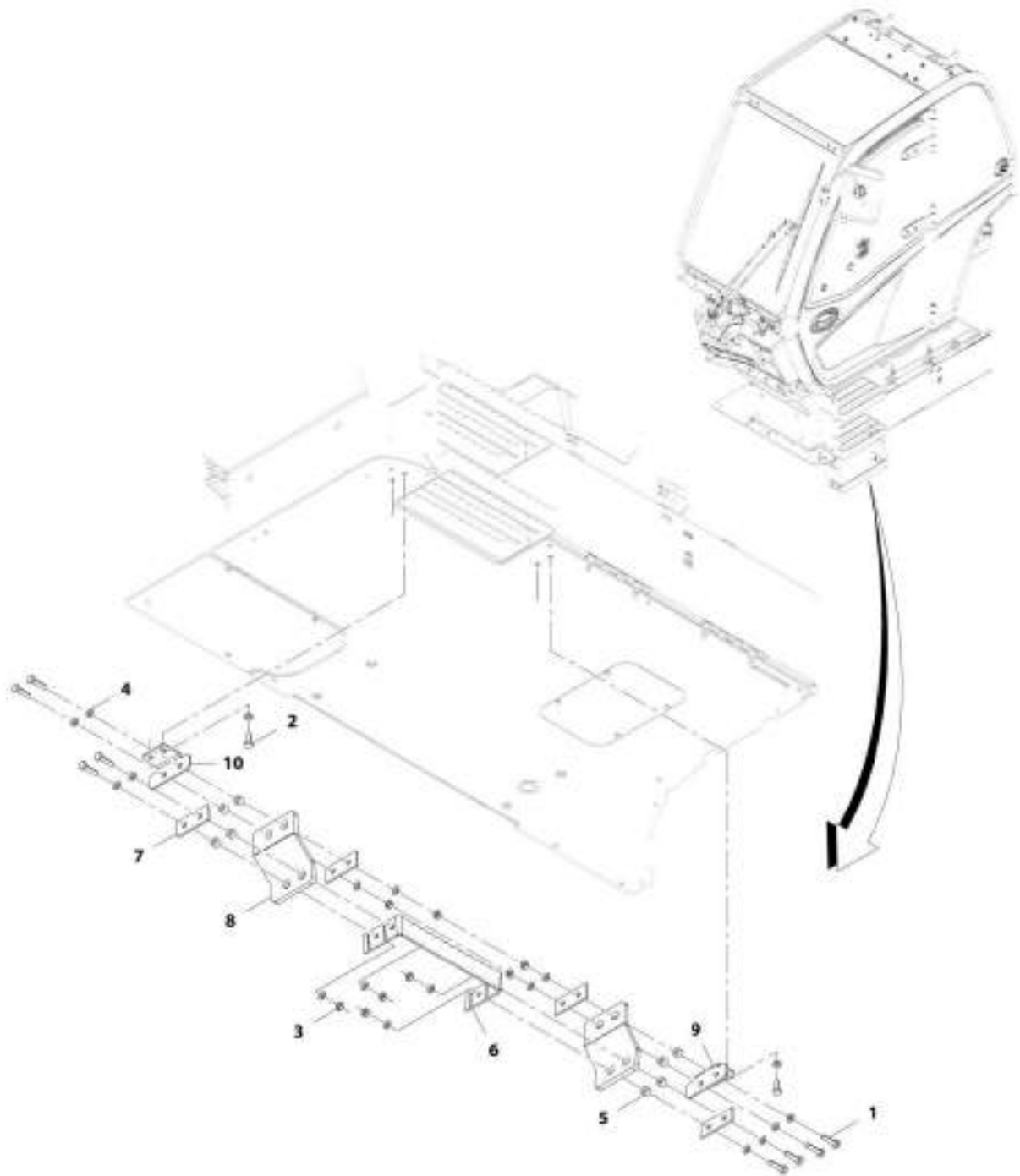
ART_100155446-2

FIGURE 6-3. CAB MOUNTS INSTALLATION

ITEM	PART NUMBER	QTY	DESCRIPTION	REV
	1001155446	Ref	Cab Mounts Installation	E
1	0712027	4	Bolt, M20X100	
2	3332011	4	Nut, M20X2.5	
3	4812500	8	Washer, M20	
4	1001166754	4	Mount, Cab Isolation	
5	1001166755	4	Washer, Cab Rebound	
6	1001220540	4	Washer, Cab Mount	

SECTION 6 - CAB

FIGURE 6-4. CAB STEP INSTALLATION



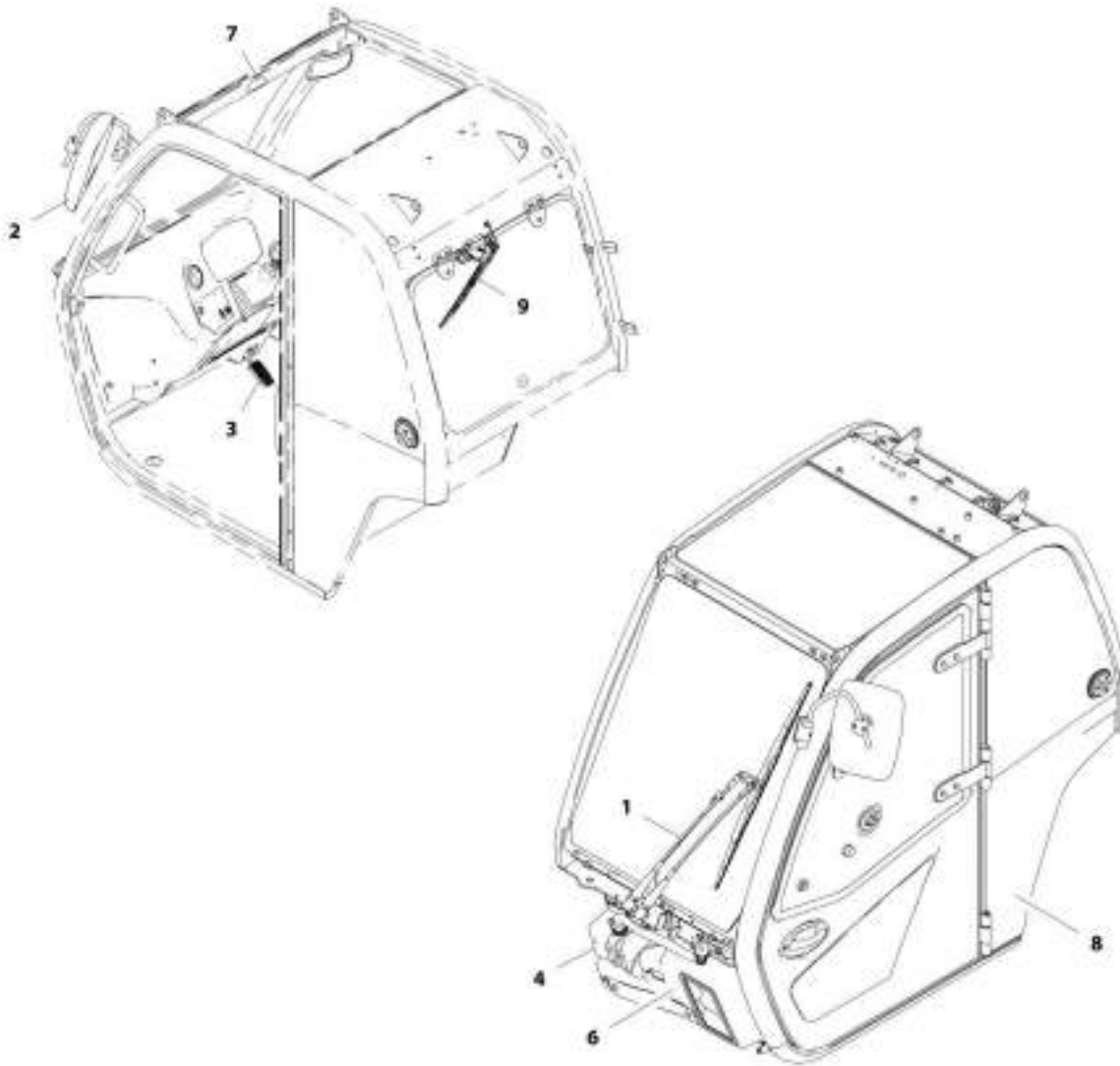
ART_1001221389-A

FIGURE 6-4. CAB STEP INSTALLATION

ITEM	PART NUMBER	QTY	DESCRIPTION	REV
	1001221389	Ref	Cab Step Installation	A
1	0701016	8	Bolt, M10X40	
2	0761012	4	Bolt, M10X25	
3	3291001	8	Nut, M10X1.5 Grade 8	
4	4812000	20	Washer, M10	
5	1001003254	8	Spacer	
6	1001168962	1	Bracket, Step	
7	1001178831	4	Plate	
8	1001221390	2	Belt, Step	
9	1001221391	1	Plate, Step, RH	
10	1001221392	1	Plate, Step, LH	

SECTION 6 - CAB

FIGURE 6-5. CAB COMPONENTS INSTALLATION



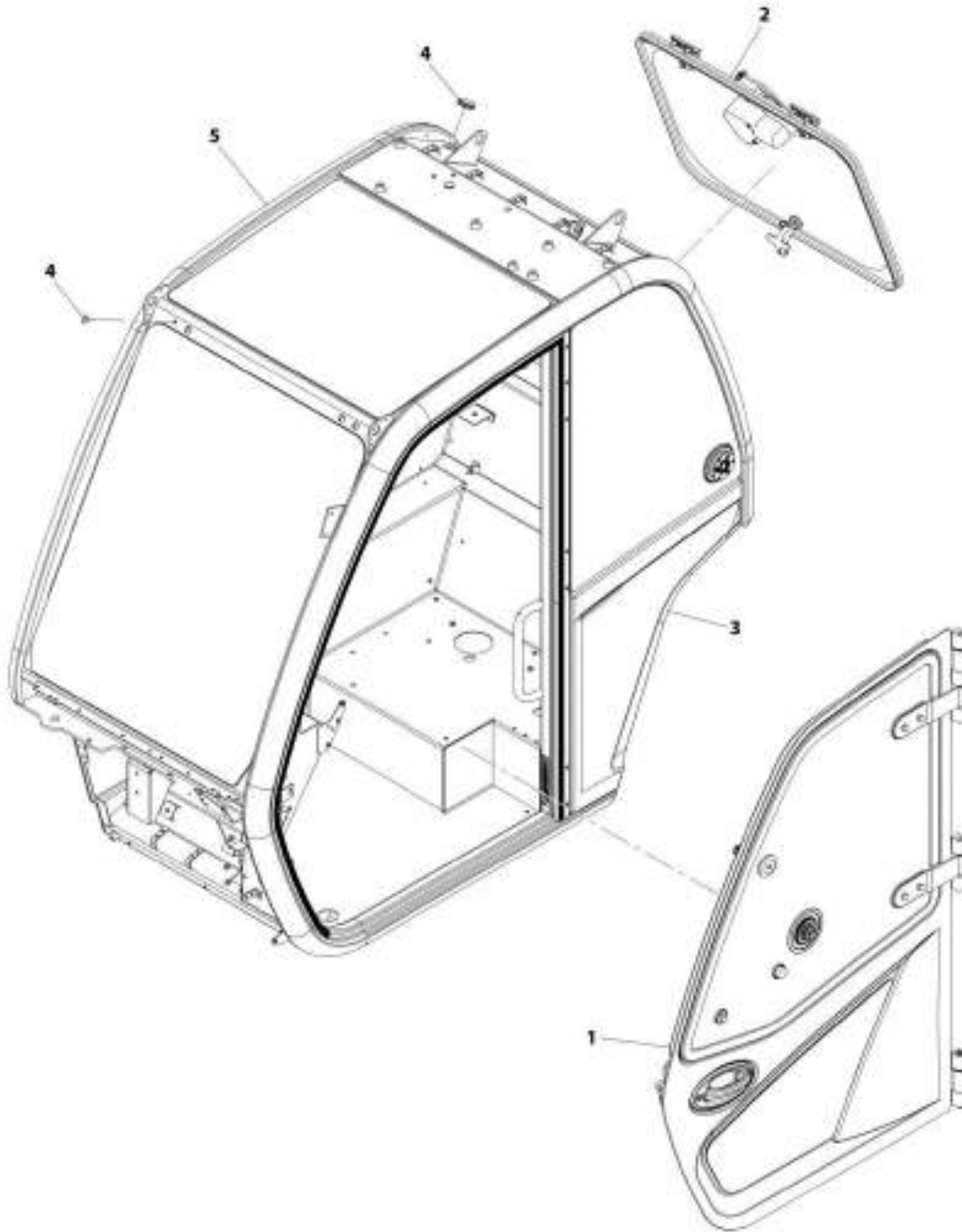
AIT_1001194090-E

FIGURE 6-5. CAB COMPONENTS INSTALLATION

ITEM	PART NUMBER	QTY	DESCRIPTION	REV
	1001194698	Ref	Cab Components Installation	E
1	1001155447	Ref	Installation, Front Wiper (See Seperate Breakdown in this Section)	
2	1001160508	Ref	Installation, Basic Mirror (See Seperate Breakdown in this Section)	
3	1001161499	Ref	Installation, Accelerator Pedal (See Seperate Breakdown in Controls Section)	
4	1001162789	Ref	Installation, Washer, Tank (See Seperate Breakdown in this Section)	
6	1001170366	Ref	Installation, Front Cover (See Seperate Breakdown in this Section)	
7	1001172401	Ref	Installation, Level Indicator (See Seperate Breakdown in this Section)	
8	1001194699	Ref	Installation, Cab (See Seperate Breakdown in this Section)	
9	1001220329	Ref	Installation, Rear Wiper (See Seperate Breakdown in this Section)	

SECTION 6 - CAB

FIGURE 6-6. CAB INSTALLATION



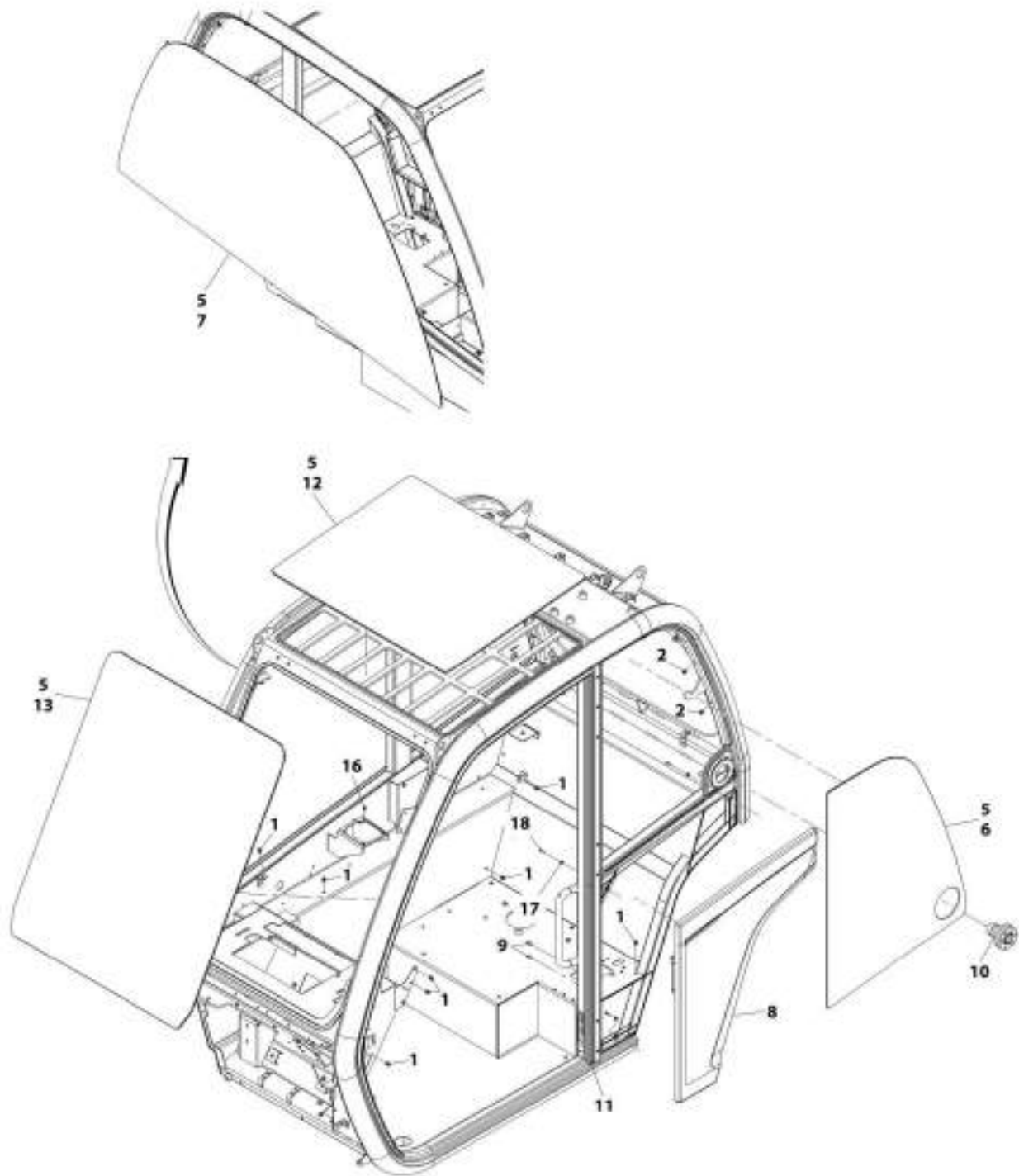
ART_1001194600-H

FIGURE 6-6. CAB INSTALLATION

ITEM	PART NUMBER	QTY	DESCRIPTION	REV
	1001194699	Ref	Cab Installation	H
1	1001155228	Ref	Installation, Cab Door (See Seperate Breakdown in this Section)	
2	1001220339	Ref	Installation, Rear Window (See Seperate Breakdown in this Section)	
3	1001194700	1	Assembly, Cab Group (See Seperate Breakdown in this Section)	
4	1001195814	1	Group, Cab Plug (See Seperate Breakdown in this Section)	
5	N.S.S.	1	Weldment, Cab	

SECTION 6 - CAB

FIGURE 6-7. CAB ASSEMBLY



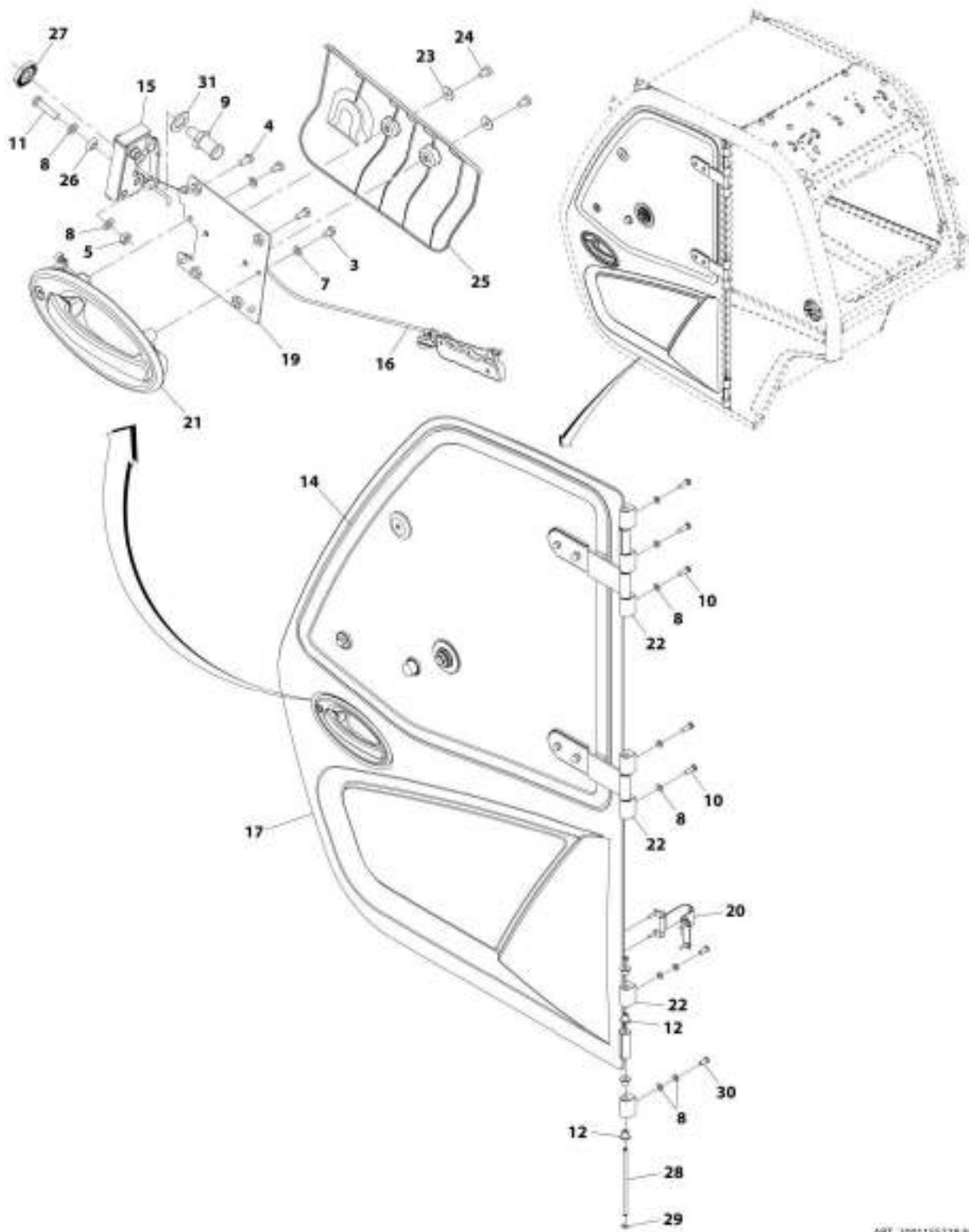
ART_1001194700-F

FIGURE 6-7. CAB ASSEMBLY

ITEM	PART NUMBER	QTY	DESCRIPTION	REV
	1001194700	Ref	Cab Assembly	F
1	2080086	25	Rivnut, M6X1	
2	2080087	16	Rivnut, M8X1.25	
5	1001111317	AR	Compound, Locking	
6	1001152915	1	Glass, LH Screen	
7	1001152947	1	Glass, RH Screen	
8	1001160345	1	Panel, Cab Quarter	
9	1001172193	2	Rivnut, M5X0.8	
10	1001174320	1	Latch, Top Window	
11	1001227186	1	Seal, Cab Door	
12	1001178159	1	Glass, Roof Laminated	
13	1001178160	1	Glass, Front Laminated	
16	1001195878	4	Rivnut, M5X0.8	
17	4811700	3	Washer, M6	
18	0750804	3	Screw	

SECTION 6 - CAB

FIGURE 6-8. DOOR INSTALLATION



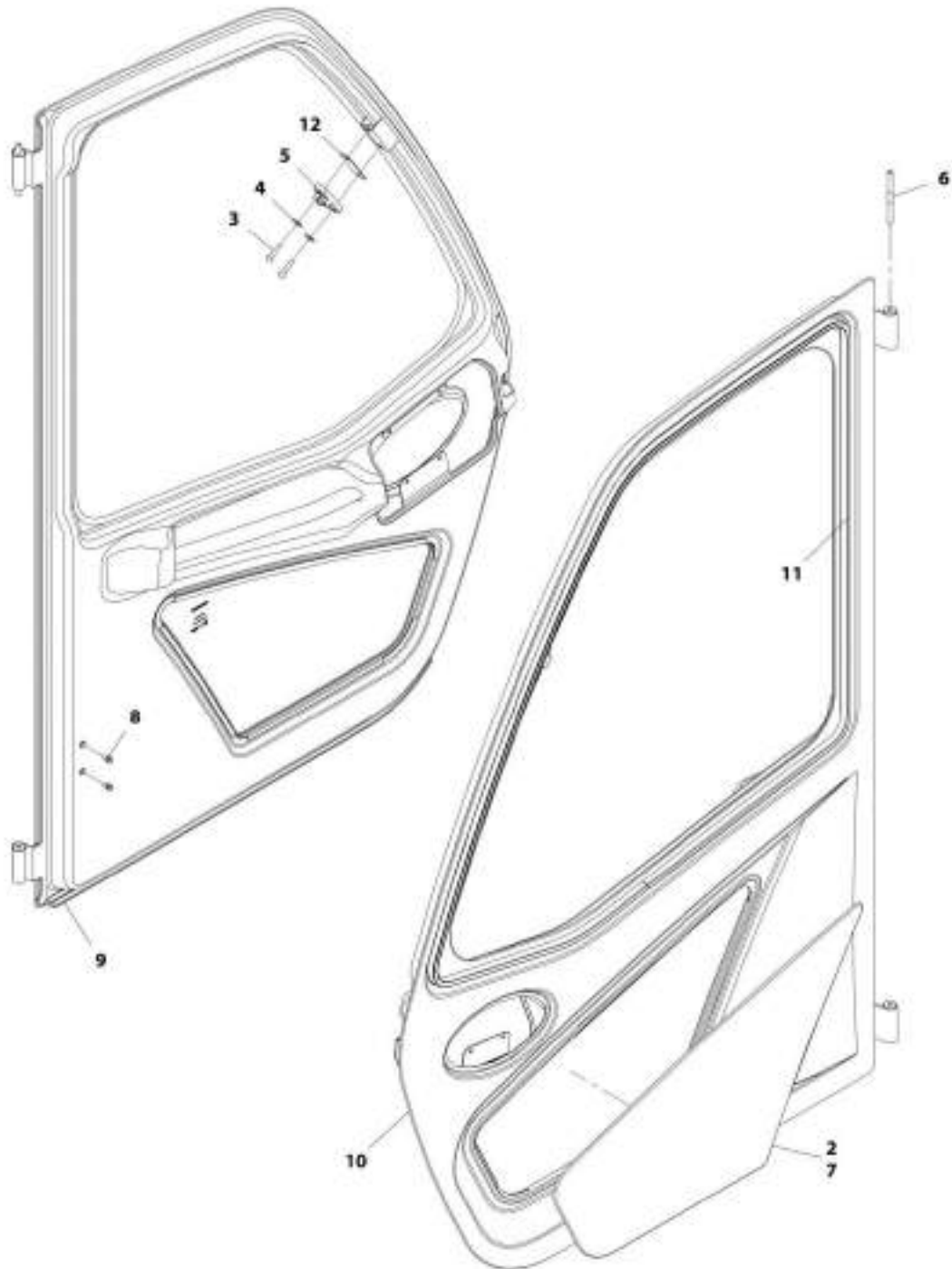
ART_100135228-04

FIGURE 6-8. DOOR INSTALLATION

ITEM	PART NUMBER	QTY	DESCRIPTION	REV
	1001155228	Ref	Door Installation	M
3	0760605	4	Bolt, M6X10	
4	0760607	4	Bolt, M6X14	
5	3290801	2	Nut, M8X1.25 Grade 8	
7	4811700	4	Washer, M6	
8	4811900	13	Washer, M8	
9	8000803	1	Pin, Door Striker	
10	1001008988	5	Screw M8X25	
11	1001047062	2	Screw, M8X35	
12	1001107192	10	Sleeve, Hinge	
14	1001205532	1	Assembly, Door Upper Glass (See Separate Breakdown in this Section)	
15	1001192766	1	Assembly, Cab Latch (See Separate Breakdown in this Section)	
16	1001167958	1	Assembly, Cab Door Trigger (See Separate Breakdown in this Section)	
17	1001170114	1	Assembly, Door (See Separate Breakdown in this Section)	
19	1001173298	1	Bracket	
20	1001174295	1	Installation, Door Strap (See Separate Breakdown in this Section)	
21	1001192646	1	Handle, Exterior Door	
22	1001170601J	7	Lug, Hinge	
23	4811702001	2	Washer, M6	
24	4010608002	2	Screw, Posi-Drive, M6X16	
25	1001175477	1	Cover, Cab Door Interior	
26	1001184439	2	Bushing	
27	1001192309	1	Nut, M12X1	
28	1001213791	1	Pin	
29	0498748	2	Washer, Lock M7	
30	1001164726	2	Bolt, M8X20	
31	1001227802	1	Washer	

SECTION 6 - CAB

FIGURE 6-9. DOOR ASSEMBLY (AG)



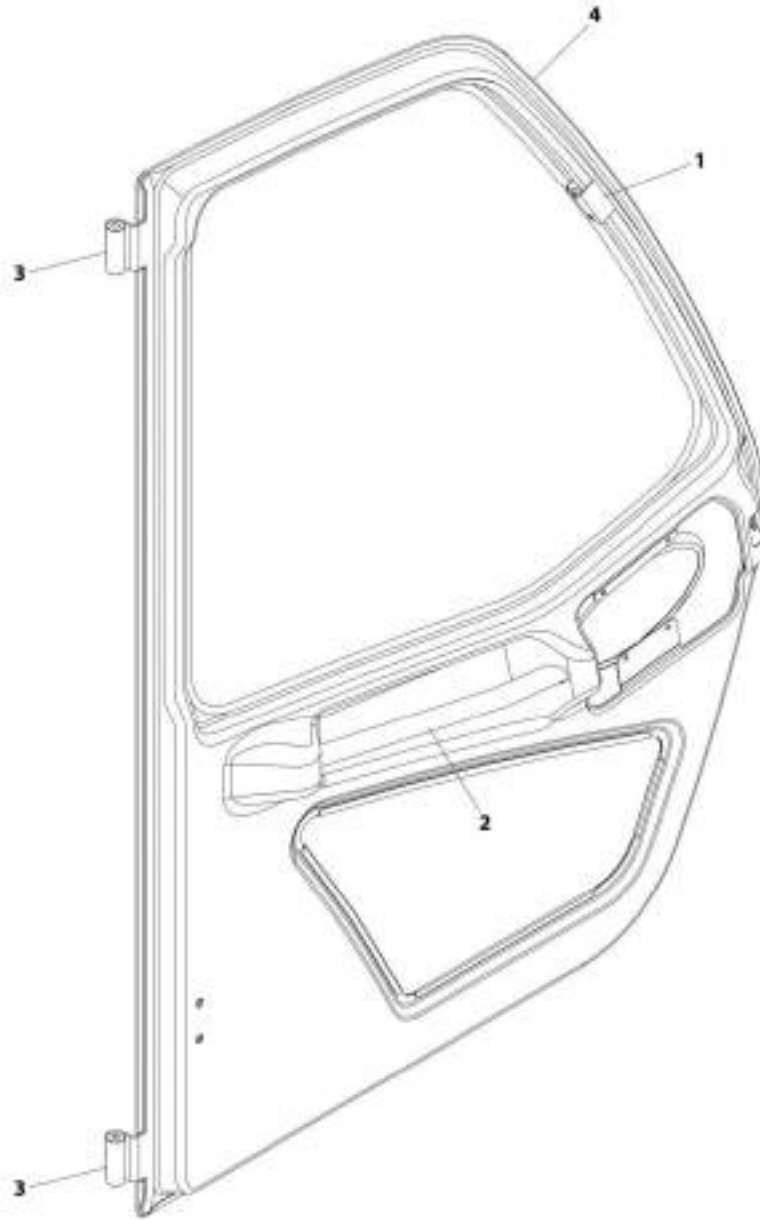
AMT_1001170114-L

FIGURE 6-9. DOOR ASSEMBLY (AG)

ITEM	PART NUMBER	QTY	DESCRIPTION	REV
	1001170114	Ref	Door Assembly	J
2	1001111317	AR	Compound, Locking	
3	4010612002	2	Screw, M6X25	
4	4811702001	2	Washer, 6MM	
5	1001165276	1	Plate, Window Latch Striker	
6	1001166634	1	Pin, Hinge	
7	1001169880	1	Window, Lower Glass	
8	1001172193	2	Rivnut, M5X0.8	
9	1001227188	1	Seal, Cab Door	
10	1001170113J	1	Door, Cab (See Separate Breakdown in this Section)	
11	1001227187	1	Seal, Cab Door Window	
12	1001193210	AR	Shim, Window Latch	

SECTION 6 - CAB

FIGURE 6-10. CAB DOOR



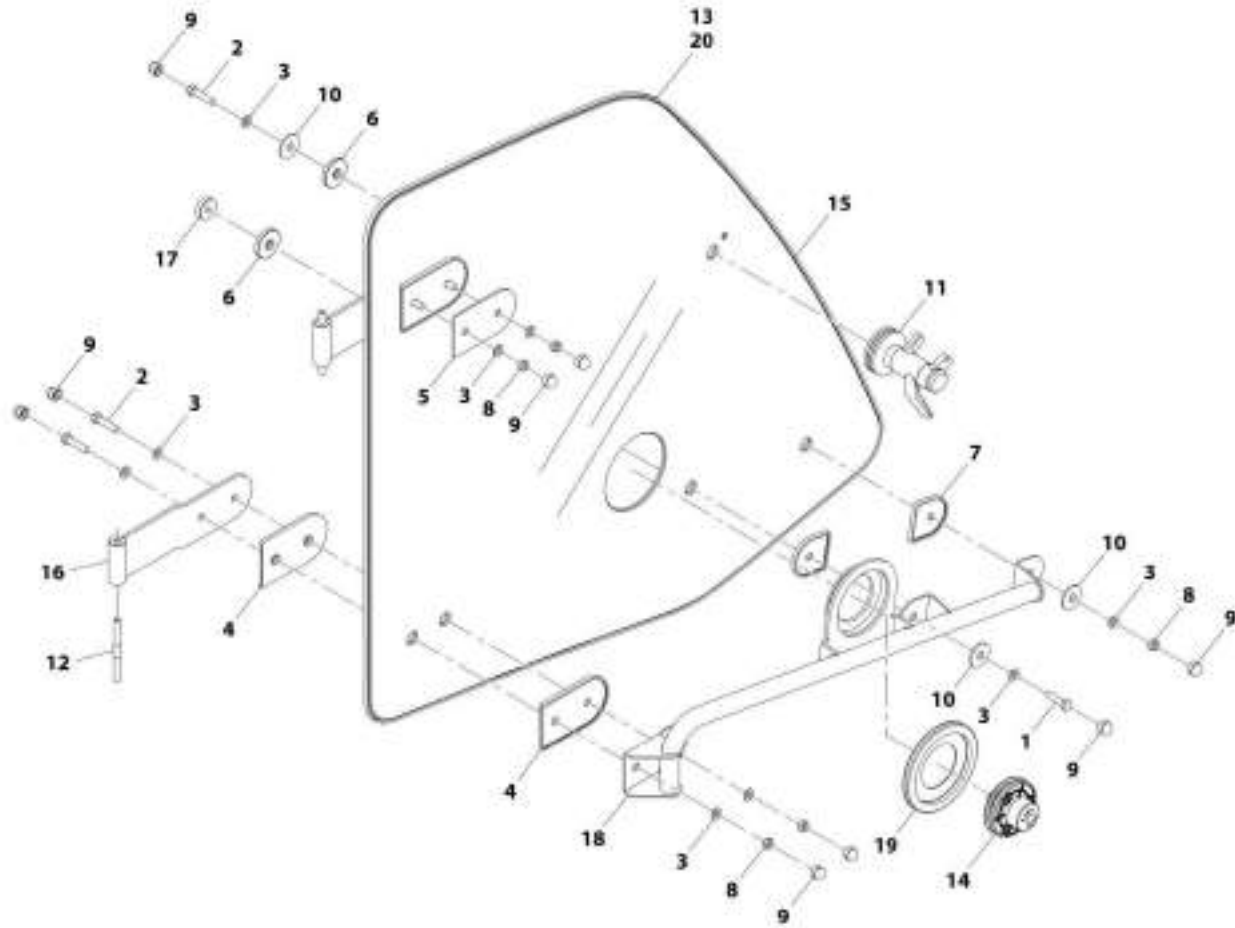
ART_10011701131-2

FIGURE 6-10. CAB DOOR

ITEM	PART NUMBER	QTY	DESCRIPTION	REV
	1001170113J	Ref	Cab Door	E
1	1001169883	1	Bracket, Window Latch	
2	1001169885	1	Handle, Interior Door	
3	1001171037	1	Plate, Hinge	
4	1001171635	1	Frame, Door	

SECTION 6 - CAB

FIGURE 6-11. DOOR UPPER GLASS ASSEMBLY



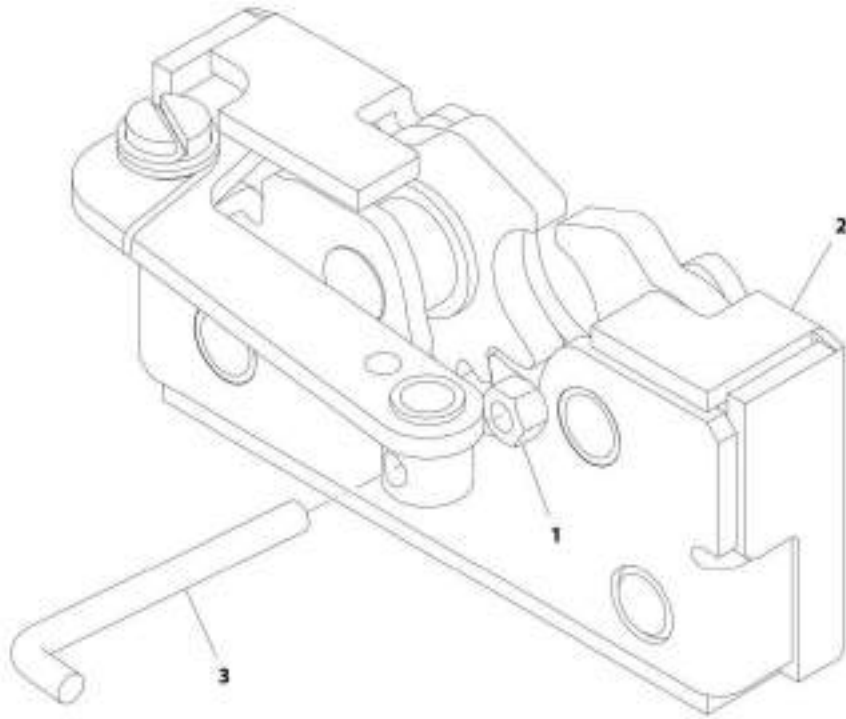
ART_1001205123-E

FIGURE 6-11. DOOR UPPER GLASS ASSEMBLY

ITEM	PART NUMBER	QTY	DESCRIPTION	REV
	1001205532	Ref	Door Upper Glass Assembly	E
1	0760812	1	Bolt, M8X25	
2	0760815	5	Bolt, M8X35	
3	4811900	11	Washer, 8MM	
4	1001002946	4	Mount, Hinge	
5	1001002947	1	Mount, Hinge	
6	1001002953	2	Mount, Rubber	
7	1001002957	2	Mount, Latch	
8	1001008857	5	Nut, Lock	
9	1001096365	11	Cap, M8	
10	1001141246	3	Mount, Rubber	
11	1001165275	1	Latch, Window	
12	1001166634	2	Pin, Hinge	
13	1001170944	1	Panel, Window Surround	
14	1001174321	1	Striker, Top Window	
15	1001204066	1	Glass, Window	
16	1001204115	2	Hinge	
17	1001222741	1	Buffer, Cab	
18	1001204120	1	Handle	
19	1001213331	1	Gasket	
20	1001215531	AR	Adhesive	

SECTION 6 - CAB

FIGURE 6-12. CAB LATCH ASSEMBLY



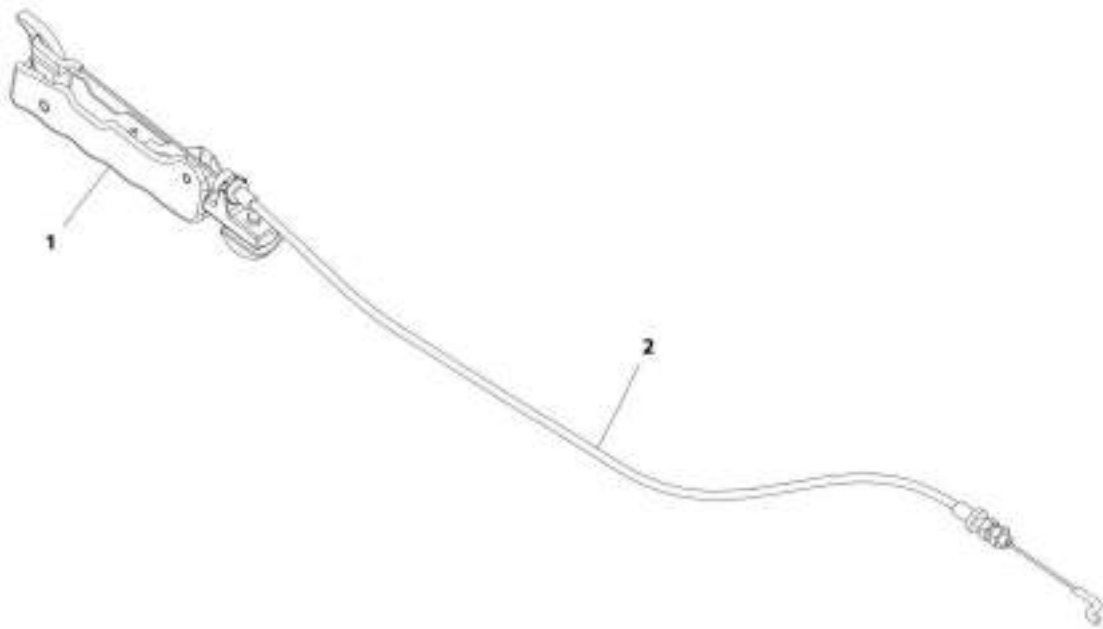
ART_1001182766-A

FIGURE 6-12. CAB LATCH ASSEMBLY

ITEM	PART NUMBER	QTY	DESCRIPTION	REV
	1001192766	Ref	Cab Latch Assembly	A
1	3290405	1	Nut, M4X0.7 Grade 8	
2	1001192643	1	Latch	
3	1001192755	1	Link, Door Handle	

SECTION 6 - CAB

FIGURE 6-13. CAB DOOR TRIGGER ASSEMBLY



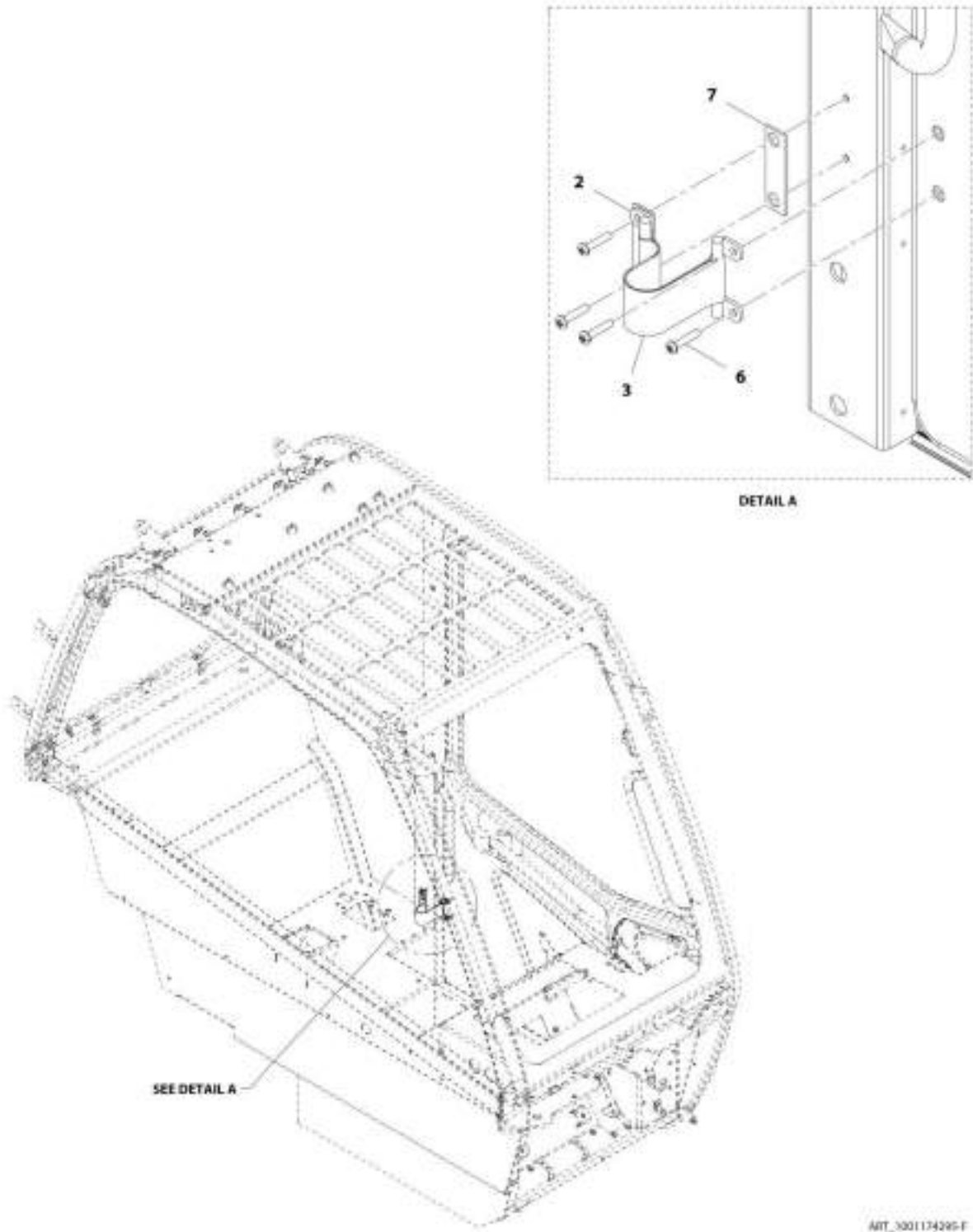
ART_1001107958-E

FIGURE 6-13. CAB DOOR TRIGGER ASSEMBLY

ITEM	PART NUMBER	QTY	DESCRIPTION	REV
	1001167958	Ref	Cab Door Trigger Assembly	E
1	1001167937	1	Trigger, Cab Interior Release	
2	1001192644	1	Cable, Cab Latch Release	

SECTION 6 - CAB

FIGURE 6-14. DOOR STRAP INSTALLATION



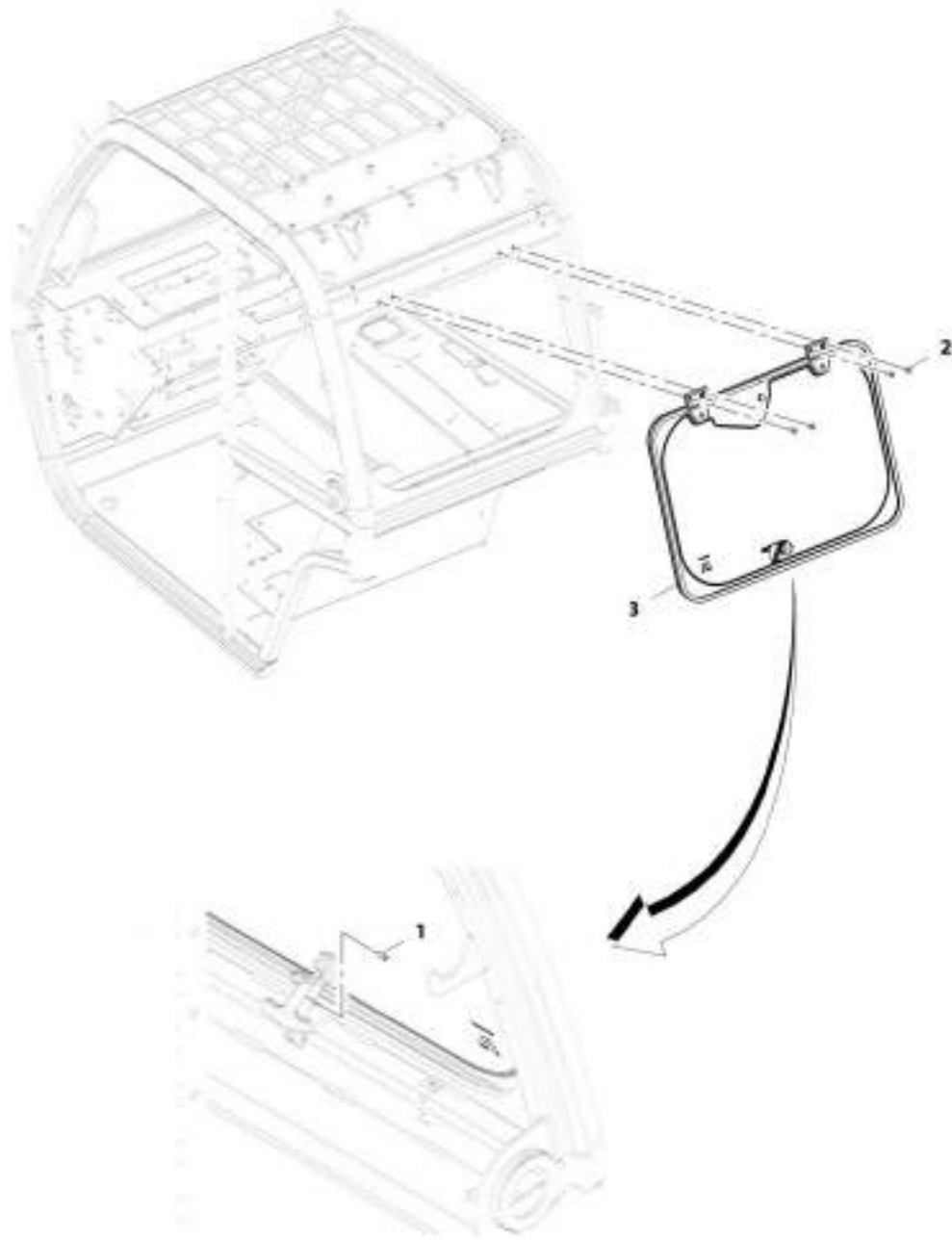
ART_3001174295-F

FIGURE 6-14. DOOR STRAP INSTALLATION

ITEM	PART NUMBER	QTY	DESCRIPTION	REV
	1001174295	Ref	Door Strap Installation	F
2	1001230163	2	Bracket, Strap Holder	
3	1001212011	1	Strap, Door Hold Open	
6	8310559	4	Screw	
7	1001191091	1	Plate, Cab Door Strap	

SECTION 6 - CAB

FIGURE 6-15. REAR WINDOW INSTALLATION



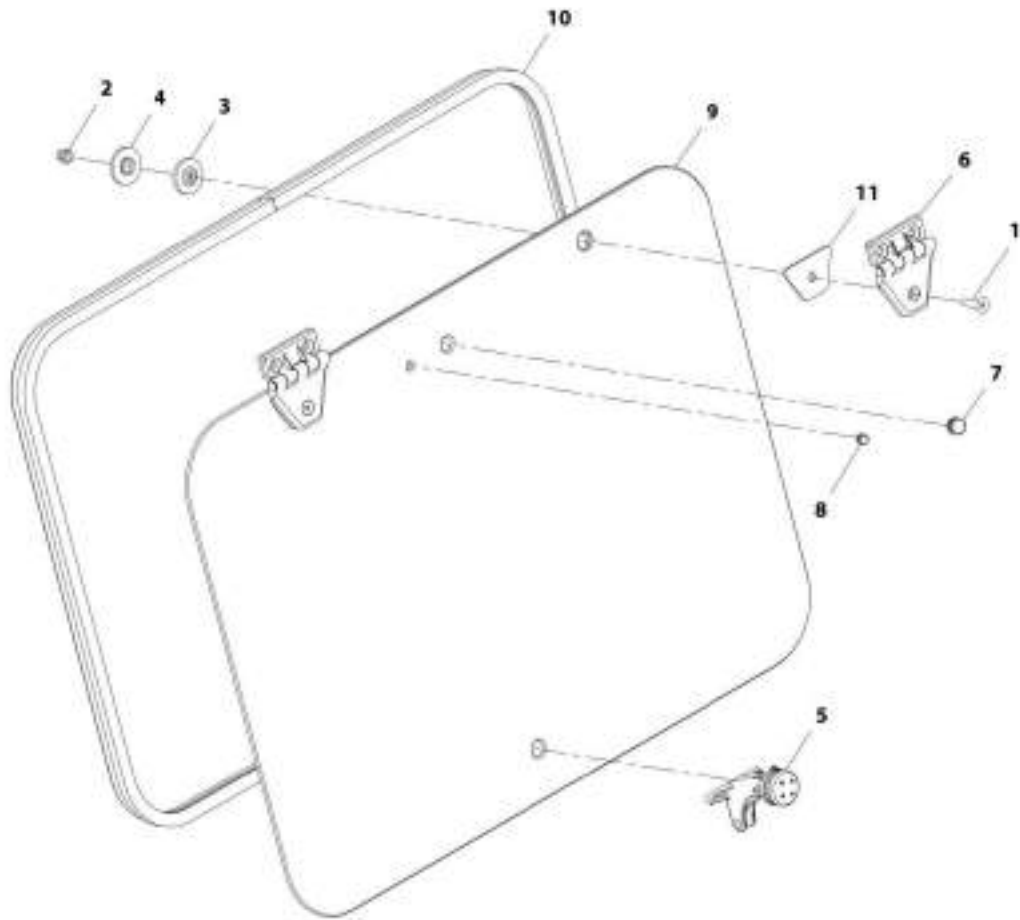
ART_100120330-A

FIGURE 6-15. REAR WINDOW INSTALLATION

ITEM	PART NUMBER	QTY	DESCRIPTION	REV
	1001220339	Ref	Rear Window Installation	A
1	1001003043	1	Pin, Spring	
2	1001097586	4	Screw, M8X1.25	
3	1001220338	1	Assembly, Rear Window (See Separate Breakdown in this Section)	

SECTION 6 - CAB

FIGURE 6-16. REAR WINDOW GROUP



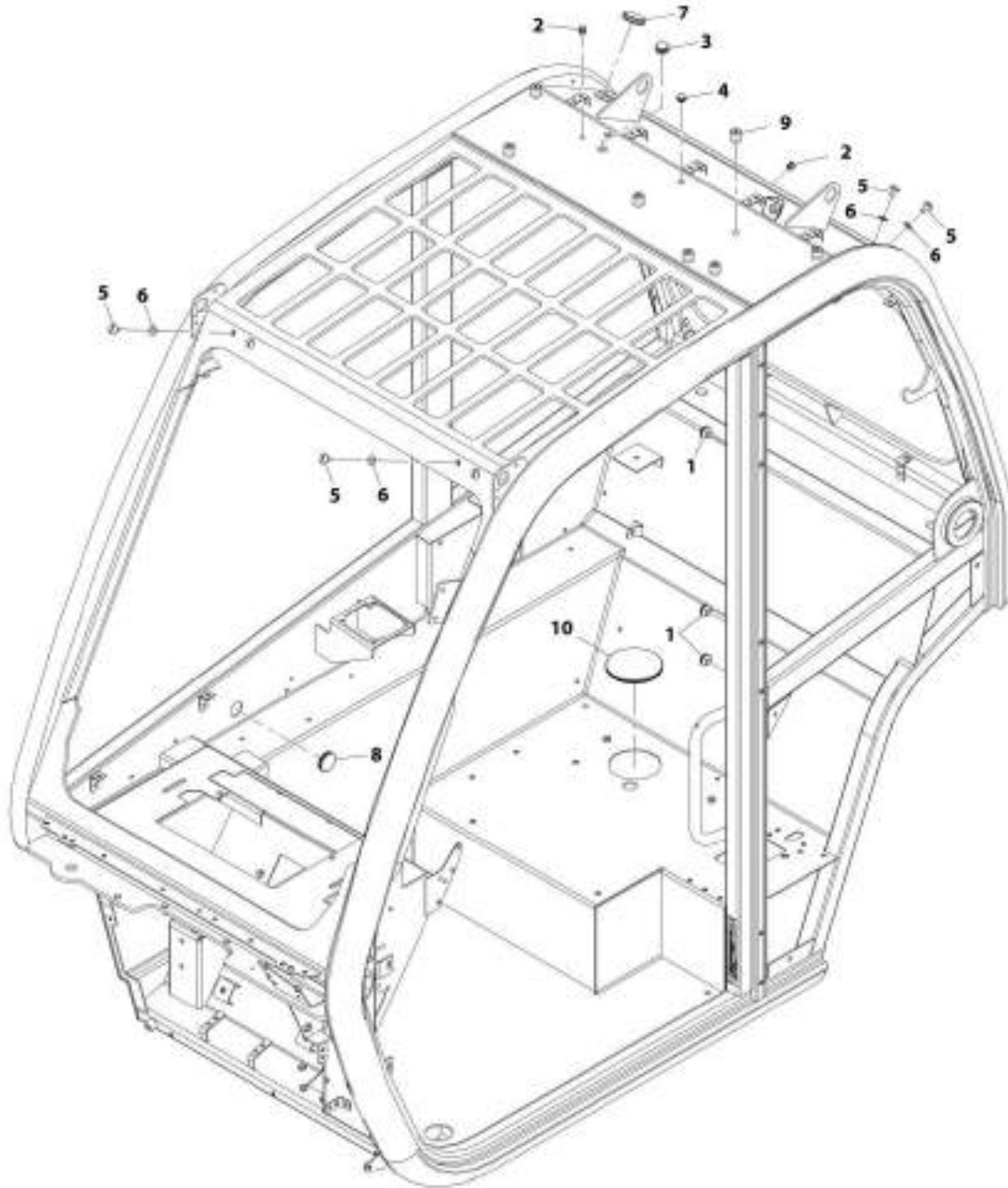
ART_180128338-A

FIGURE 6-16. REAR WINDOW GROUP

ITEM	PART NUMBER	QTY	DESCRIPTION	REV
	1001220338	Ref	Rear Window Group	A
1	2080078	2	Fastener, M8X30	
2	3290806	2	Nut, M8X1.25 Grade 8	
3	8000759	2	Spacer	
4	8004398	2	Spacer	
5	1001005368	1	Latch, Window	
6	1001139568	2	Hinge	
7	1001171182	1	Grommet	
8	1001171183	1	Grommet	
9	1001178680	1	Glass, Rear Window	
10	1001178681	1	Seal	
11	1001181411	2	Gasket, Rear Window Hinge	

SECTION 6 - CAB

FIGURE 6-17. CAB PLUG GROUP



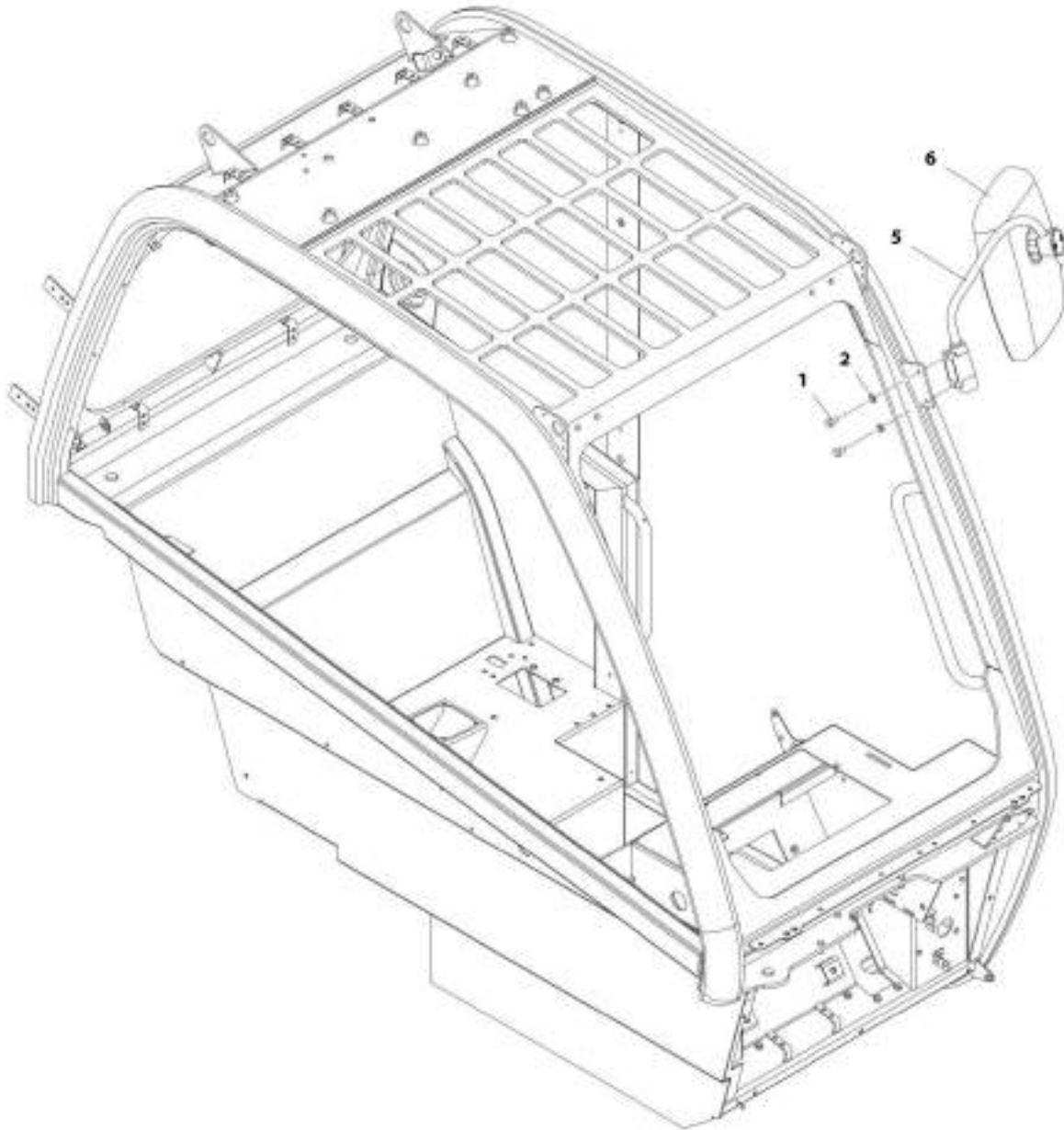
ART_100100814-C

FIGURE 6-17. CAB PLUG GROUP

ITEM	PART NUMBER	QTY	DESCRIPTION	REV
	1001195814	Ref	Cab Plug Group	C
1	1001143200	7	Plug	
2	1001176272	3	Plug	
3	1001176273	1	Plug	
4	1001176626	1	Plug	
5	1001181920	8	Screw, Nylon M8X16	
6	1001181921	8	Washer, Rubber M8	
7	1001182123	2	Plug	
8	1001182139	1	Plug	
9	1001219220	7	Plug	
10	1001209899	1	Plug	

SECTION 6 - CAB

FIGURE 6-18. BASIC MIRROR INSTALLATION



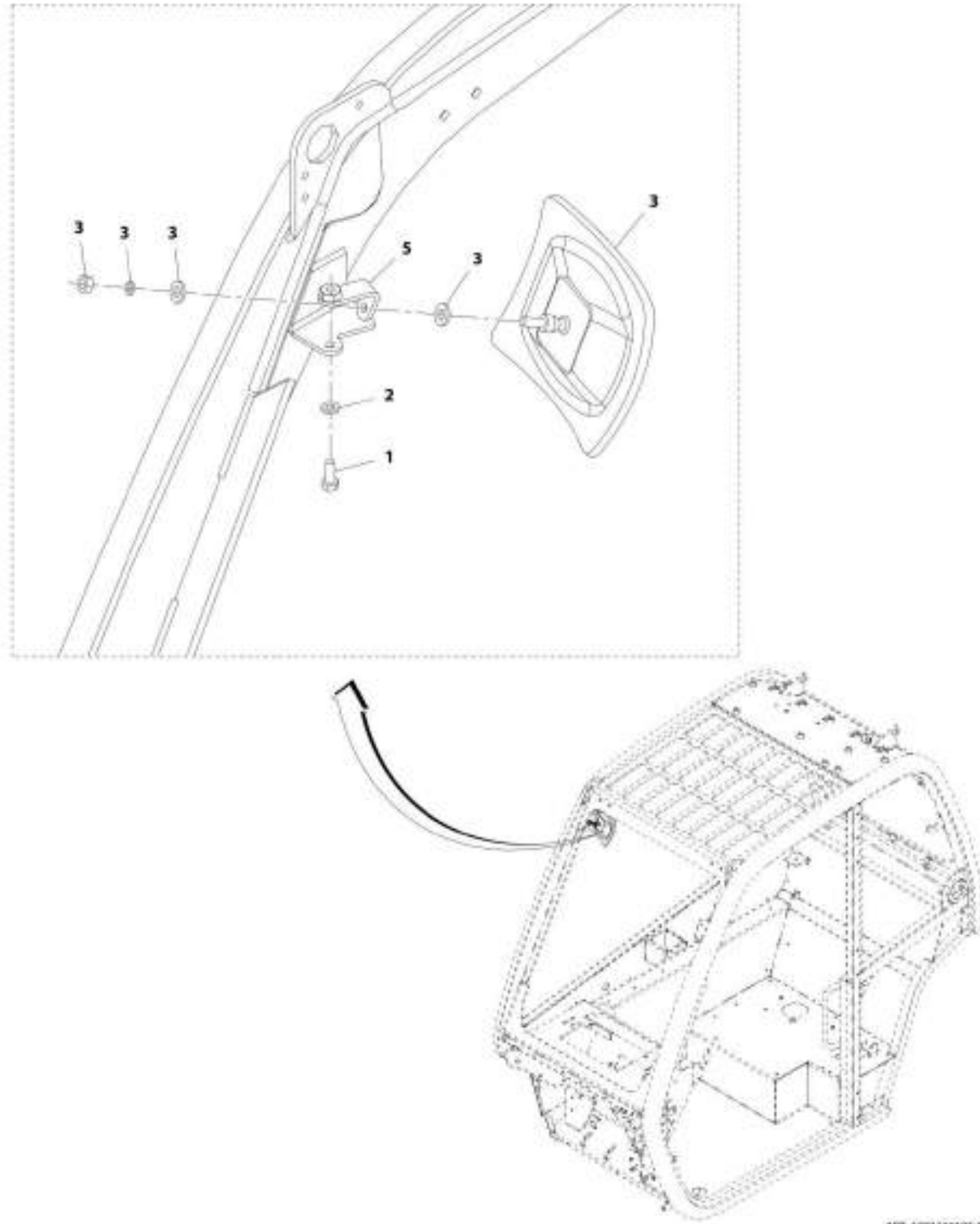
AWT_1001160509 E

FIGURE 6-18. BASIC MIRROR INSTALLATION

ITEM	PART NUMBER	QTY	DESCRIPTION	REV
	1001160508	Ref	Basic Mirror Installation	E
1	0760808	2	Bolt, M8X16	
2	4811900	2	Washer, M8	
5	1001164655	1	Bracket	
6	80363195	1	Mirror	

SECTION 6 - CAB

FIGURE 6-19. INTERIOR MIRROR INSTALLATION



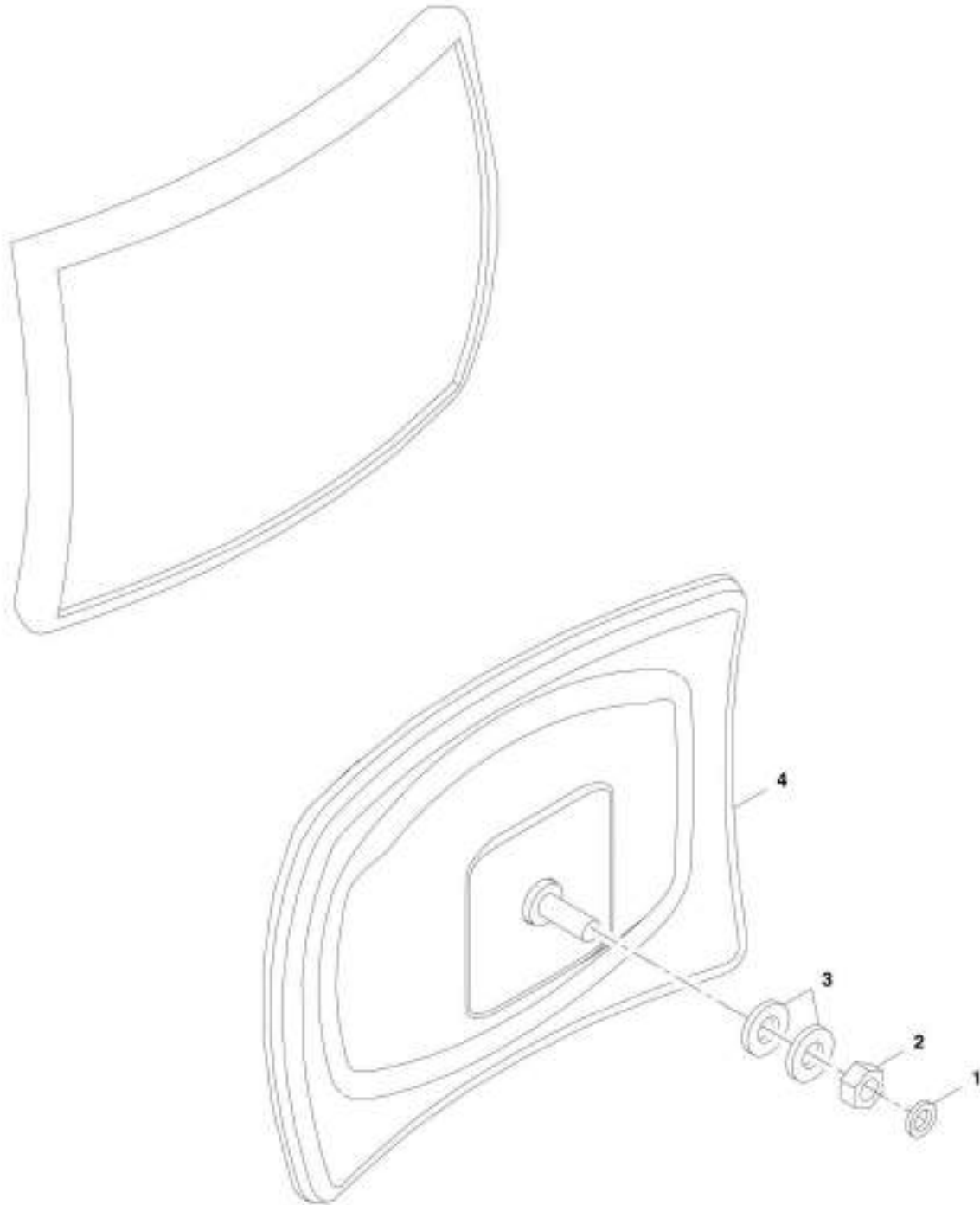
ART_1001166192-C

FIGURE 6-19. INTERIOR MIRROR INSTALLATION

ITEM	PART NUMBER	QTY	DESCRIPTION	REV
	1001166192	Ref	Interior Mirror Installation	C
1	0760608	1	Bolt, M6X16	
2	4811700	1	Washer, M6	
3	1001007641	1	Mirror, Interior (See Separate Breakdown in this Section)	
5	1001166191	1	Bracket	

SECTION 6 - CAB

FIGURE 6-20. INTERIOR MIRROR



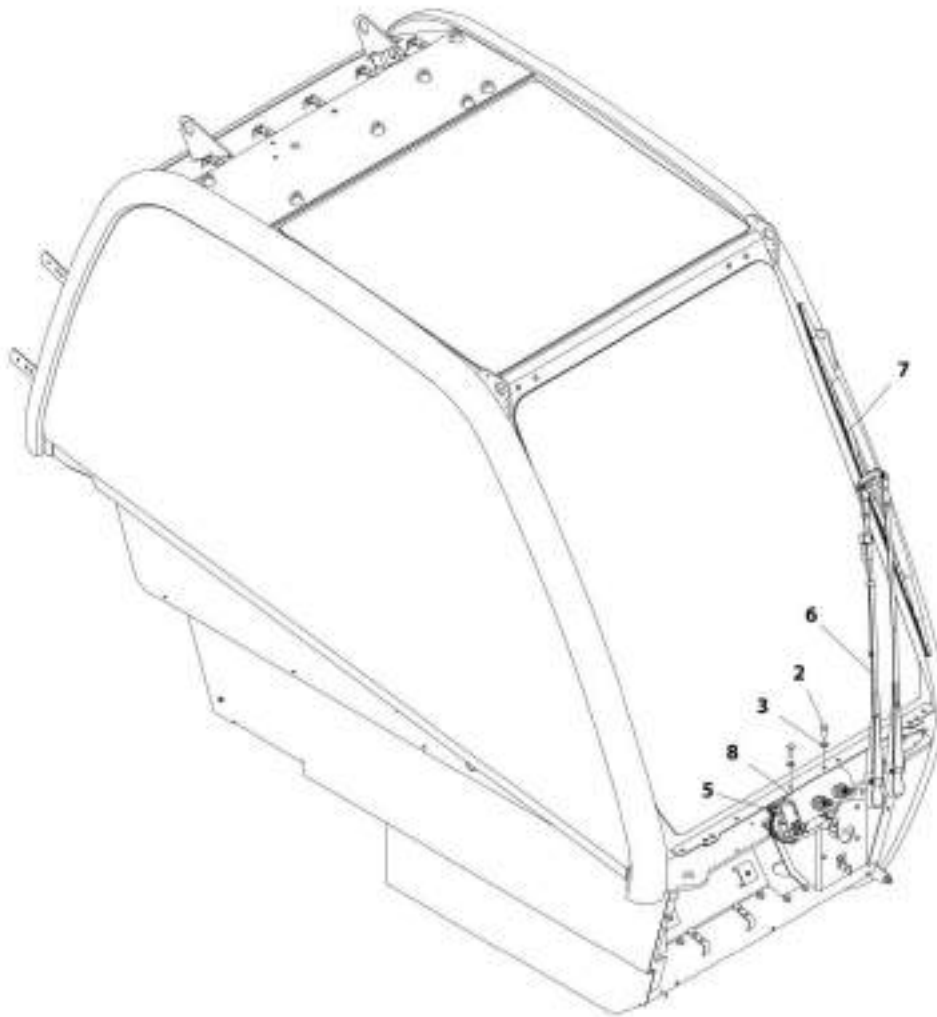
ART_1069007641-0

FIGURE 6-20. INTERIOR MIRROR

ITEM	PART NUMBER	QTY	DESCRIPTION	REV
	1001007641	Ref	Mirror, Interior	B
1	1001008475	1	Washer, Lock 12	
2	1001008604	1	Nut	
3	1001009124	2	Washer	
4	1001010839	1	Mirror	

SECTION 6 - CAB

FIGURE 6-21. FRONT WIPER INSTALLATION



ART_9001155447-G

FIGURE 6-21. FRONT WIPER INSTALLATION

ITEM	PART NUMBER	QTY	DESCRIPTION	REV
	1001155447	Ref	Front Wiper Installation	G
2	0760810	2	Bolt, M8X20	
3	4811900	2	Washer, M8	
5	1001214092	1	Motor, Front Wiper	
6	1001212369	1	Arm, Front Wiper	
7	1001141281	1	Blade, Wiper	
8	1001165637	1	Bracket	

SECTION 6 - CAB

FIGURE 6-22. WASHER TANK INSTALLATION

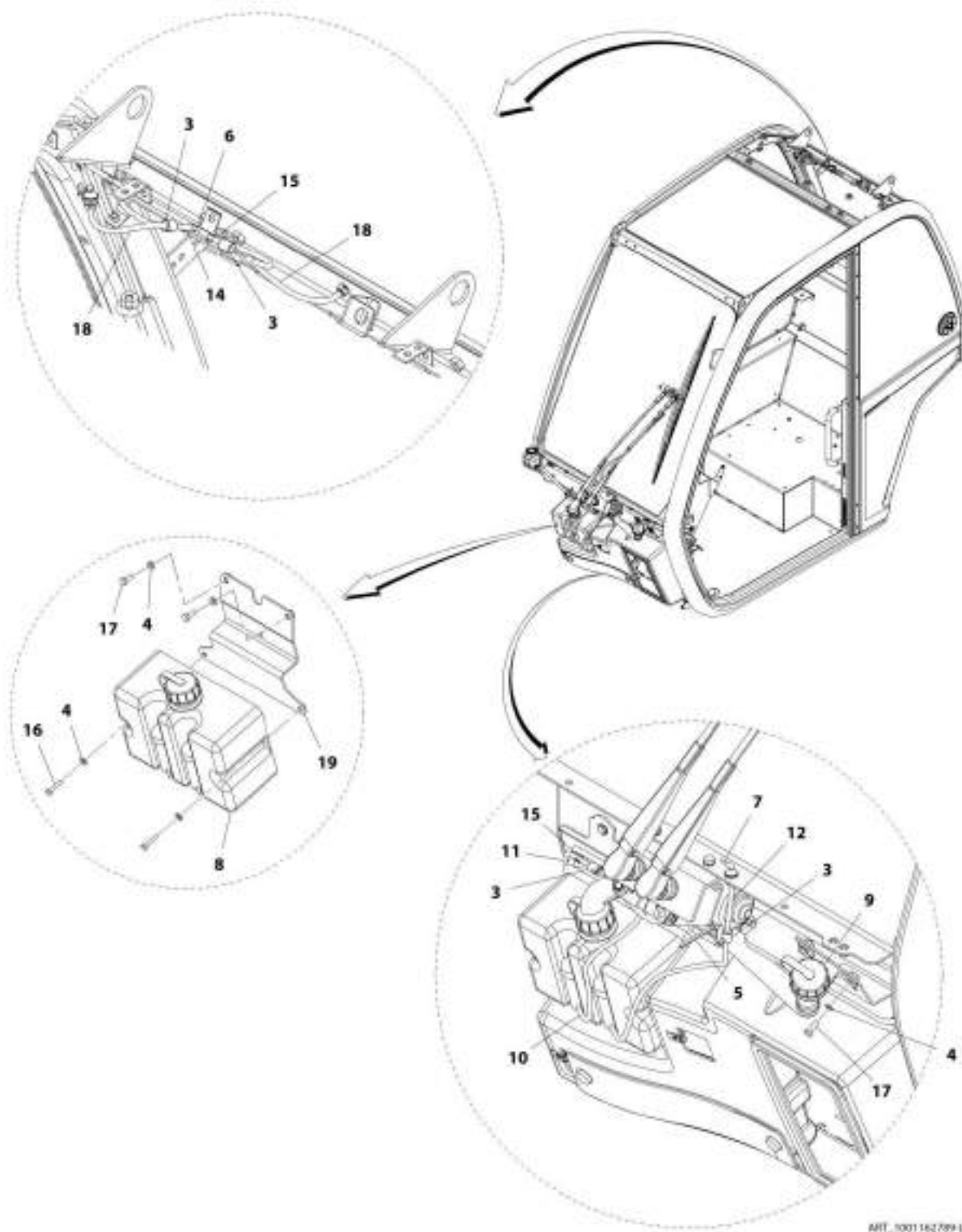
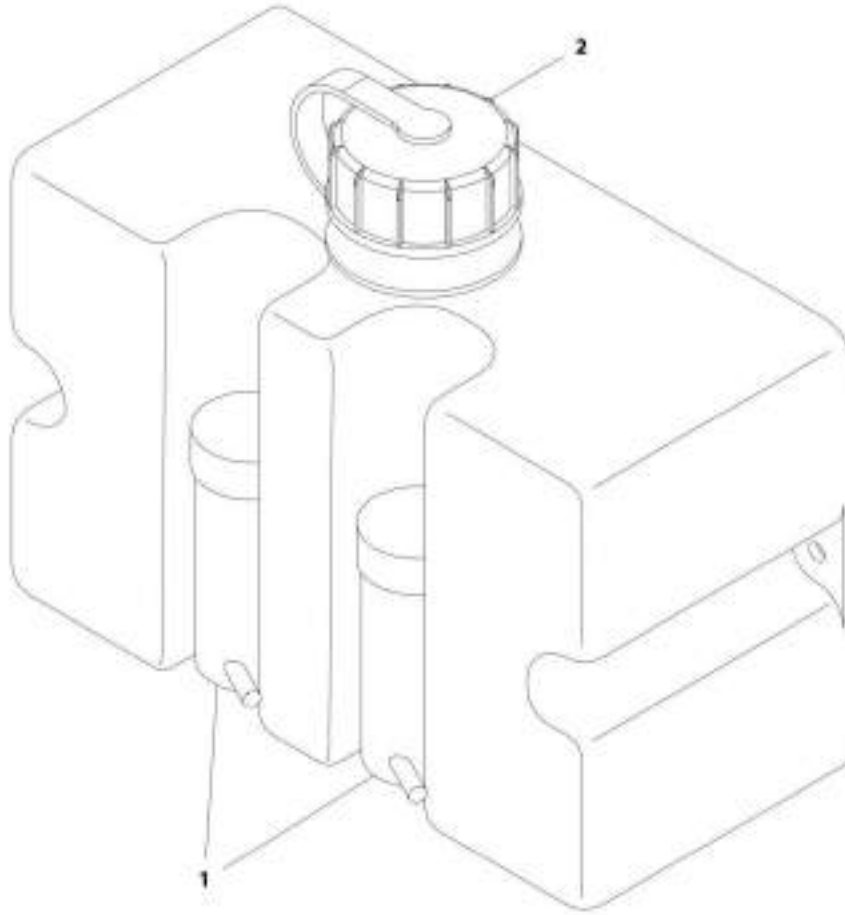


FIGURE 6-22. WASHER TANK INSTALLATION

ITEM	PART NUMBER	QTY	DESCRIPTION	REV
	1001162789	Ref	Washer Tank Installation	L
3	1001201331	4	Valve, Check	
4	4811700	6	Washer, M6	
5	471678	2	Strap, Tie	
6	1001008742	1	Coupling, Tee	
7	1001090343	1	Connector	
8	1001165269	1	Bottle, Washer (See Separate Breakdown in this Section)	
9	1001165270	1	Hose, Washer Filler	
10	1001165351	2	Hose	
11	1001165407	1	Hose	
12	1001165416	1	Hose	
14	1001165455	2	Hose	
15	1001165458	16	Hose	
16	0760512	2	Bolt M5X25	
17	0760608	4	Bolt, M6X16	
18	1001178123	2	Hose	
19	1001171756	1	Bracket	

SECTION 6 - CAB

FIGURE 6-23. WASHER BOTTLE



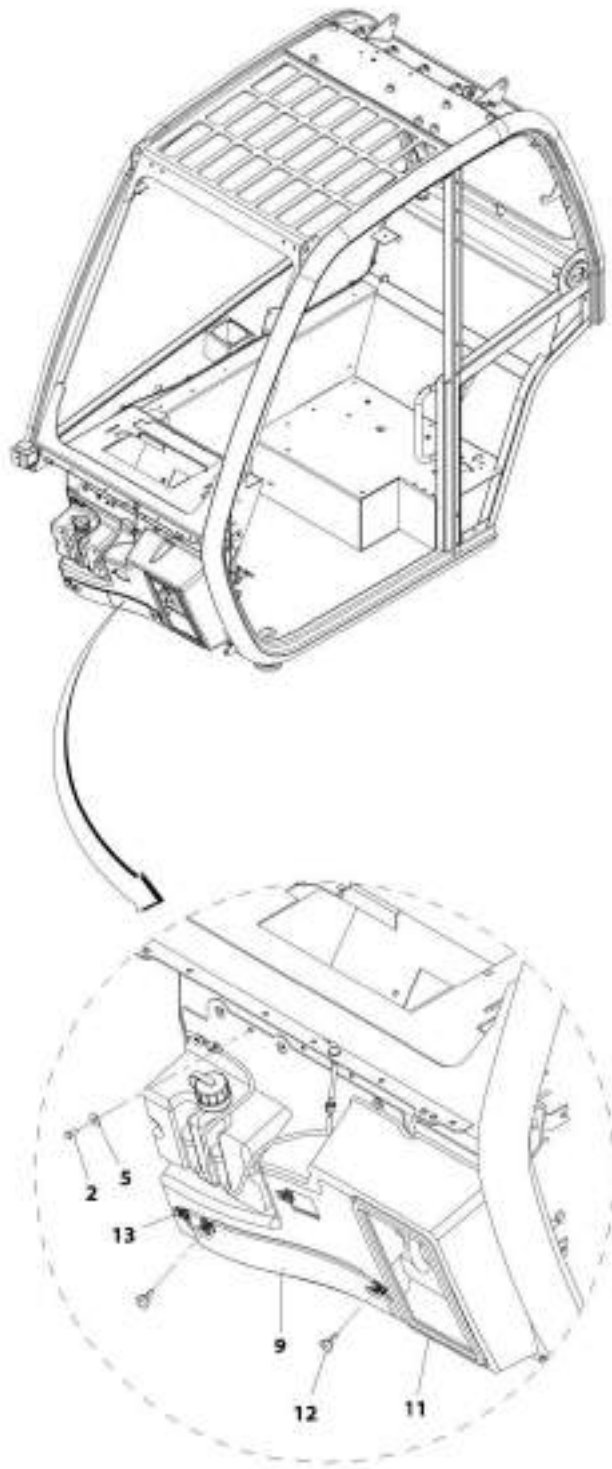
ART. 100193269-8

FIGURE 6-23. WASHER BOTTLE

ITEM	PART NUMBER	QTY	DESCRIPTION	REV
	1001165269	Ref	Washer Bottle	B
1	1001165327	2	Motor, Washer	
2	1001165273	1	Cap, Washer	

SECTION 6 - CAB

FIGURE 6-24. FRONT COVER INSTALLATION



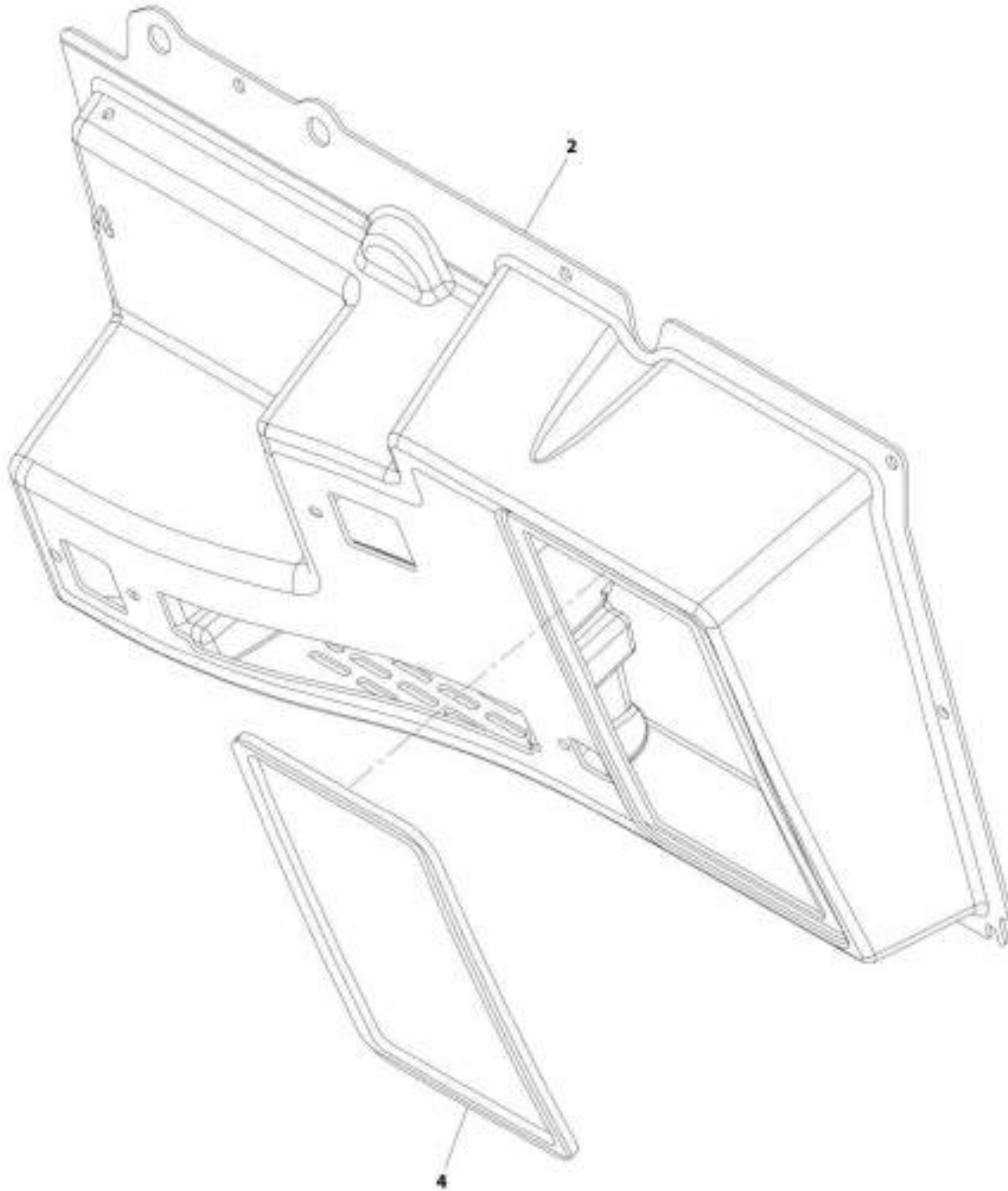
ART_100170M6-G

FIGURE 6-24. FRONT COVER INSTALLATION

ITEM	PART NUMBER	QTY	DESCRIPTION	REV
	1001170366	Ref	Front Cover Installation	G
2	0760608	7	Bolt, M6X16	
5	4811702	7	Washer, M6	
9	1001175471	1	Panel, Filter Tray (See Separate Breakdown in this Section)	
11	1001176121	1	Cover, Front Duct (See Separate Breakdown in this Section)	
12	2080092	2	Thumb Screw, M6X16	
13	8305919	4	Nut, M6	

SECTION 6 - CAB

FIGURE 6-25. FRONT DUCT COVER



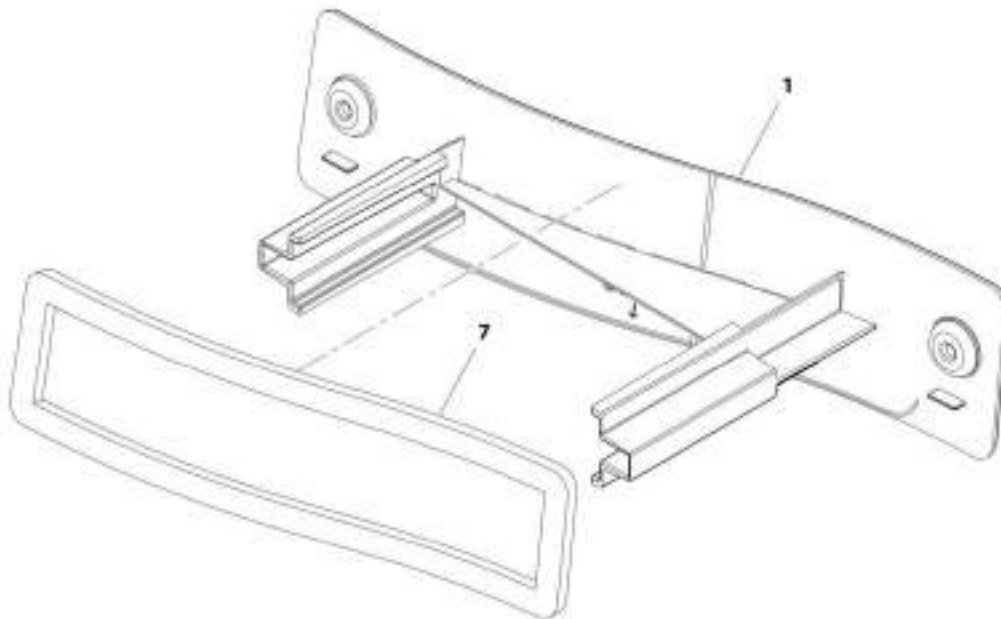
ART_3001176121-G

FIGURE 6-25. FRONT DUCT COVER

ITEM	PART NUMBER	QTY	DESCRIPTION	REV
	1001176121	Ref	Font Duct Cover	G
2	1001170326	1	Cover, Front	
4	1001175470	1	Seal, Front Cab Panel	

SECTION 6 - CAB

FIGURE 6-26. FILTER TRAY PANEL



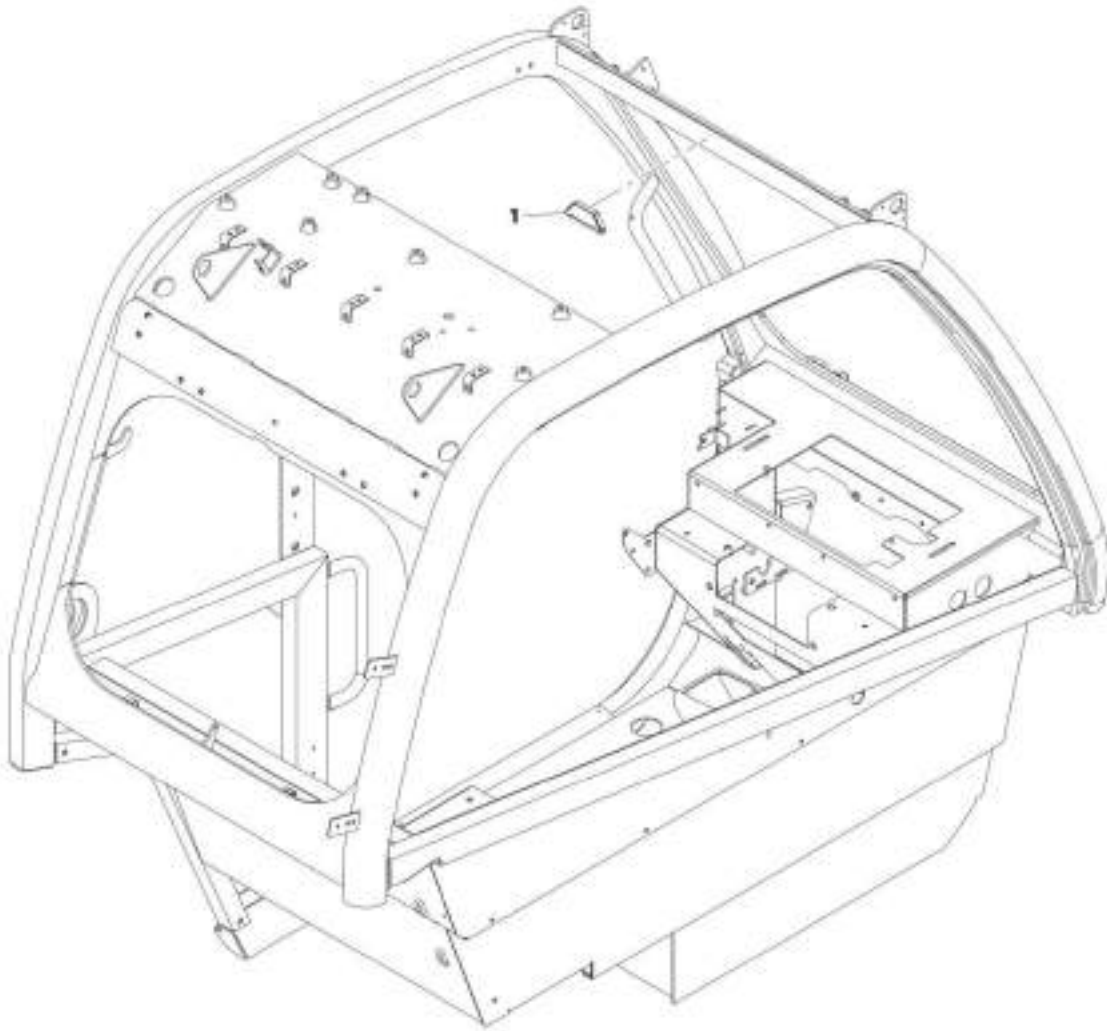
ART_100175471-D

FIGURE 6-26. FILTER TRAY PANEL

ITEM	PART NUMBER	QTY	DESCRIPTION	REV
	1001175471	Ref	Filter Tray Panel	D
1	1001170993	1	Panel, Front Inlet	
7	1001171767	1	Cab, Front Panel Seal	

SECTION 6 - CAB

FIGURE 6-27. LEVEL INDICATOR INSTALLATION



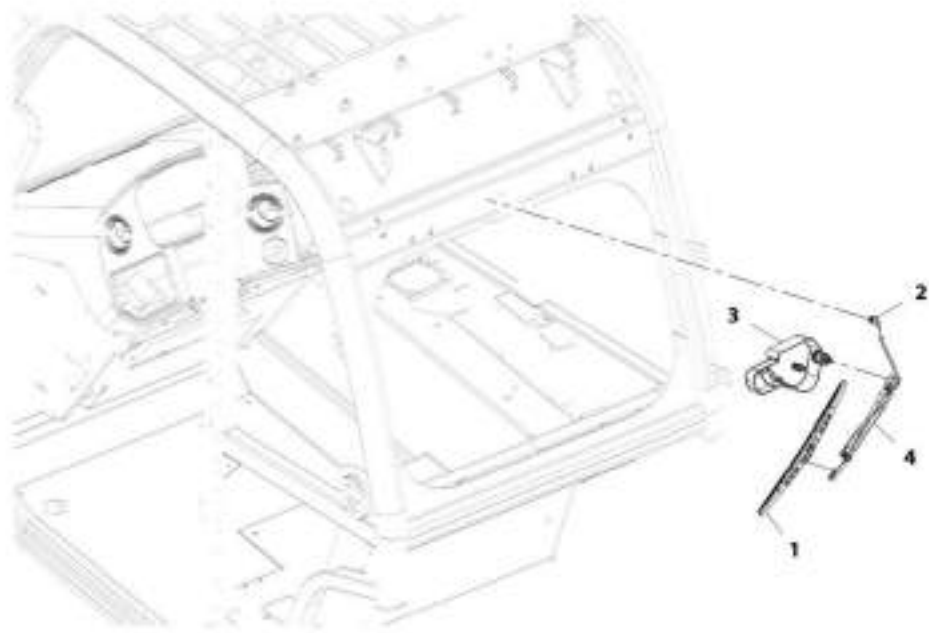
ART_100172401-C

FIGURE 6-27. LEVEL INDICATOR INSTALLATION

ITEM	PART NUMBER	QTY	DESCRIPTION	REV
1	1001172401 8466306	Ref 1	Level Indicator Installation Gauge, Tilt Angle	C

SECTION 6 - CAB

FIGURE 6-28. REAR WIPER INSTALLATION



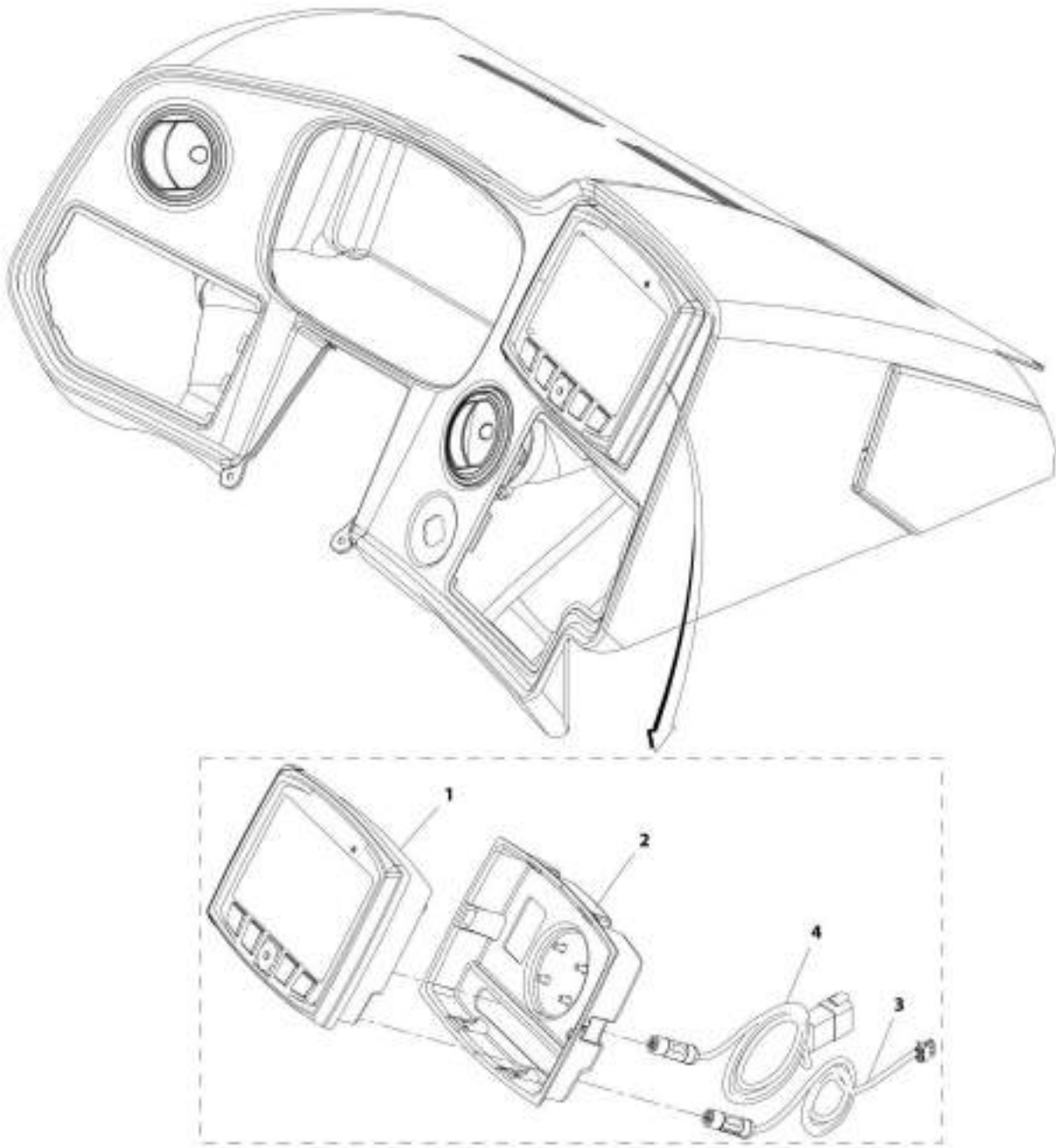
ART_100120320-A

FIGURE 6-28. REAR WIPER INSTALLATION

ITEM	PART NUMBER	QTY	DESCRIPTION	REV
	1001220329	Ref	Rear Wiper Installation	A
1	4807718	1	Wiper Blade, Oslv Italia	
2	1001090343	1	Connector	
3	1001139552	1	Motor, Wiper, Rear Window	
4	1001141312	1	Blade, Arm, Rear Window	

SECTION 6 - CAB

FIGURE 6-29. MULTIFUNCTION DISPLAY INSTALLATION



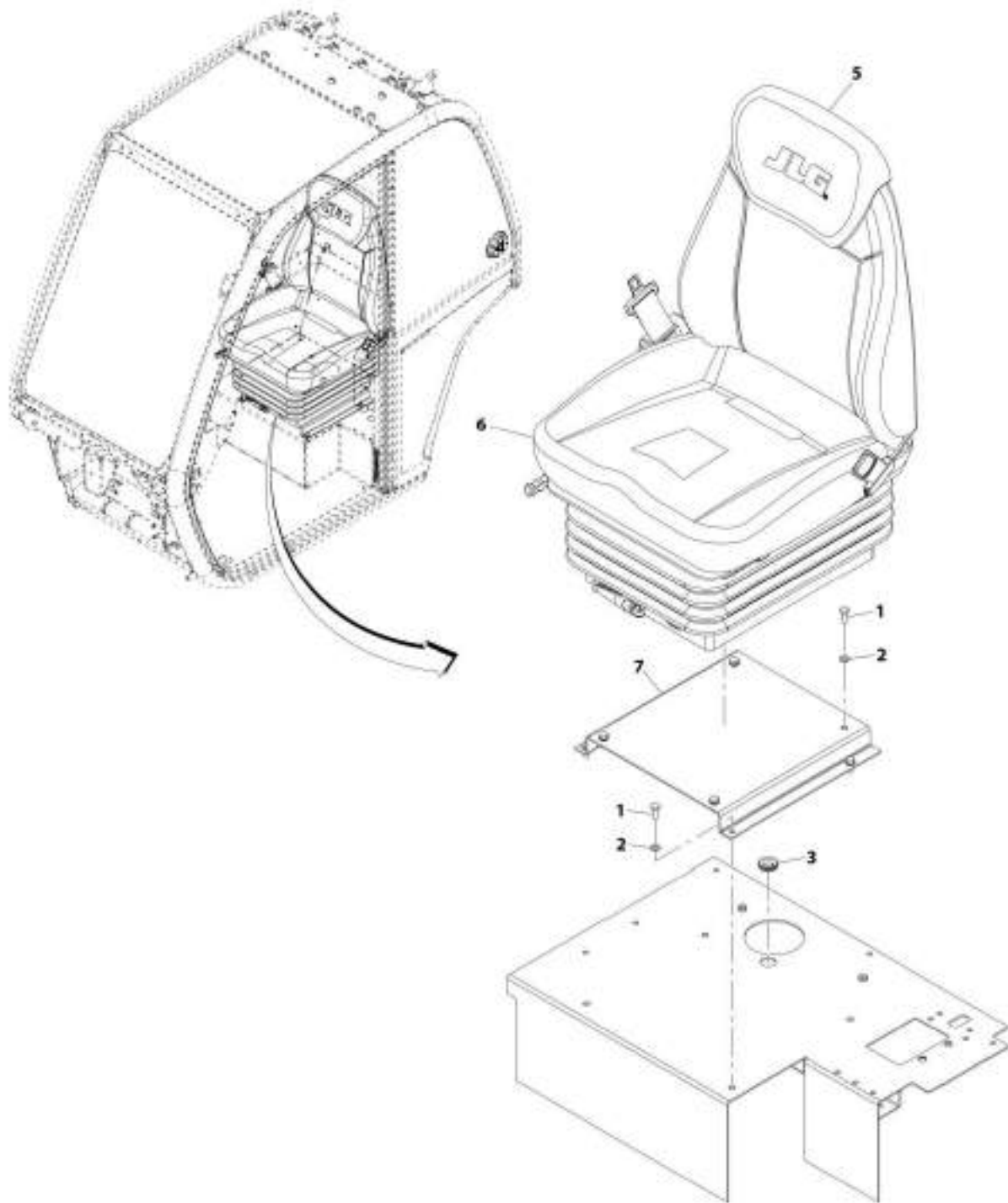
APP_1001176336-0

FIGURE 6-29. MULTIFUNCTION DISPLAY INSTALLATION

ITEM	PART NUMBER	QTY	DESCRIPTION	REV
	1001176338	Ref	Multifunction Display Installation	B
1	1001211357	1	Display	
2	1001178783	1	Bezel	
3	1001180682	1	Cable	
4	1001180683	1	Cable, Video	

SECTION 6 - CAB

FIGURE 6-30. SEAT INSTALLATION (CLOTH)



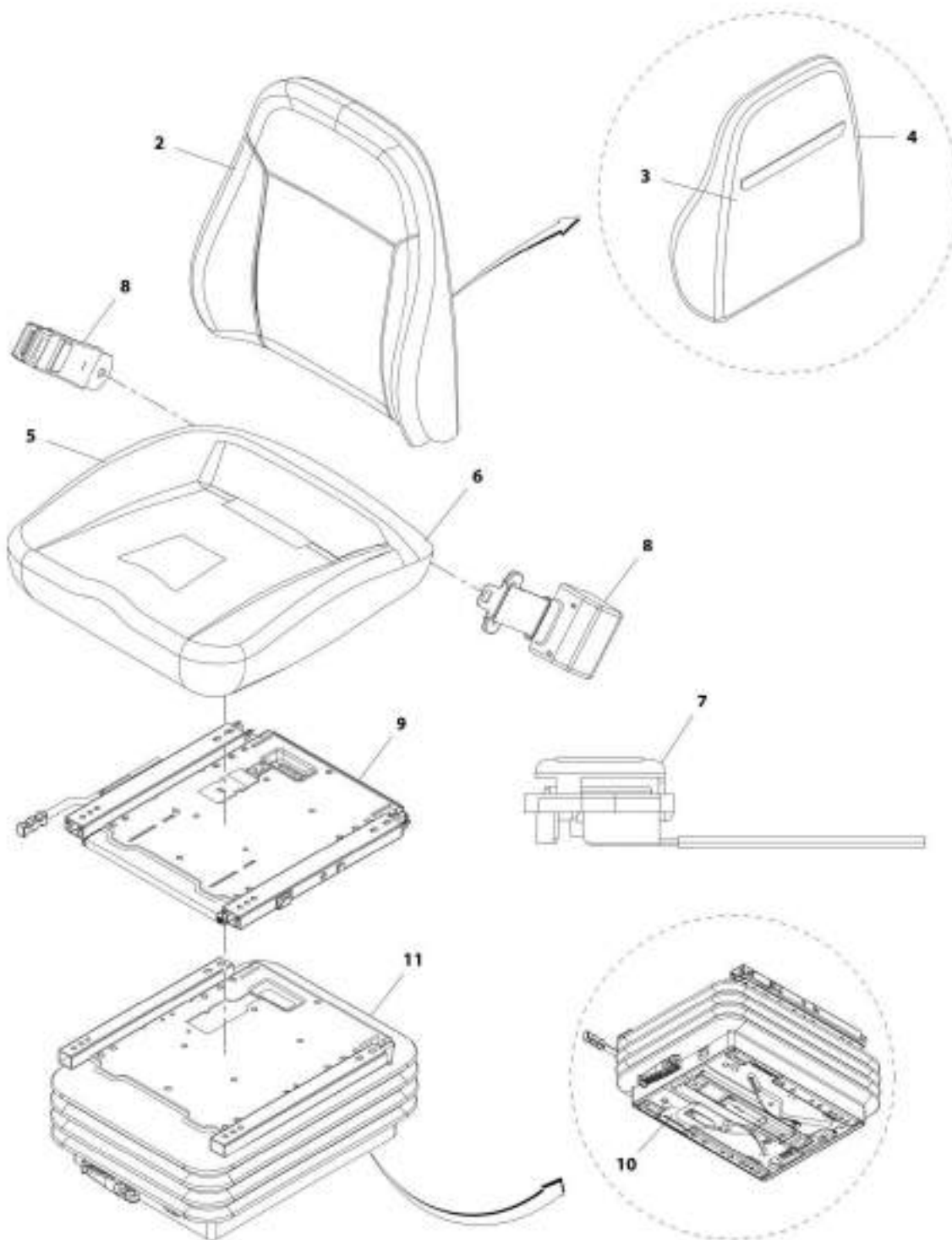
ART_100138601-0

FIGURE 6-30. SEAT INSTALLATION (CLOTH)

ITEM	PART NUMBER	QTY	DESCRIPTION	REV
	1001158601	Ref	Seat Installation (Cloth)	D
1	0760810	8	Bolt, M8X20	
2	4811900	8	Washer, M8	
3	1001216974	1	Grommet	
5	1001119467	1	Headrest, Cloth	
6	1001150294	1	Assembly, Seat (See Separate Breakdown in this Section)	
7	1001158738C	1	Plinth, Seat	

SECTION 6 - CAB

FIGURE 6-31. SEAT ASSEMBLY



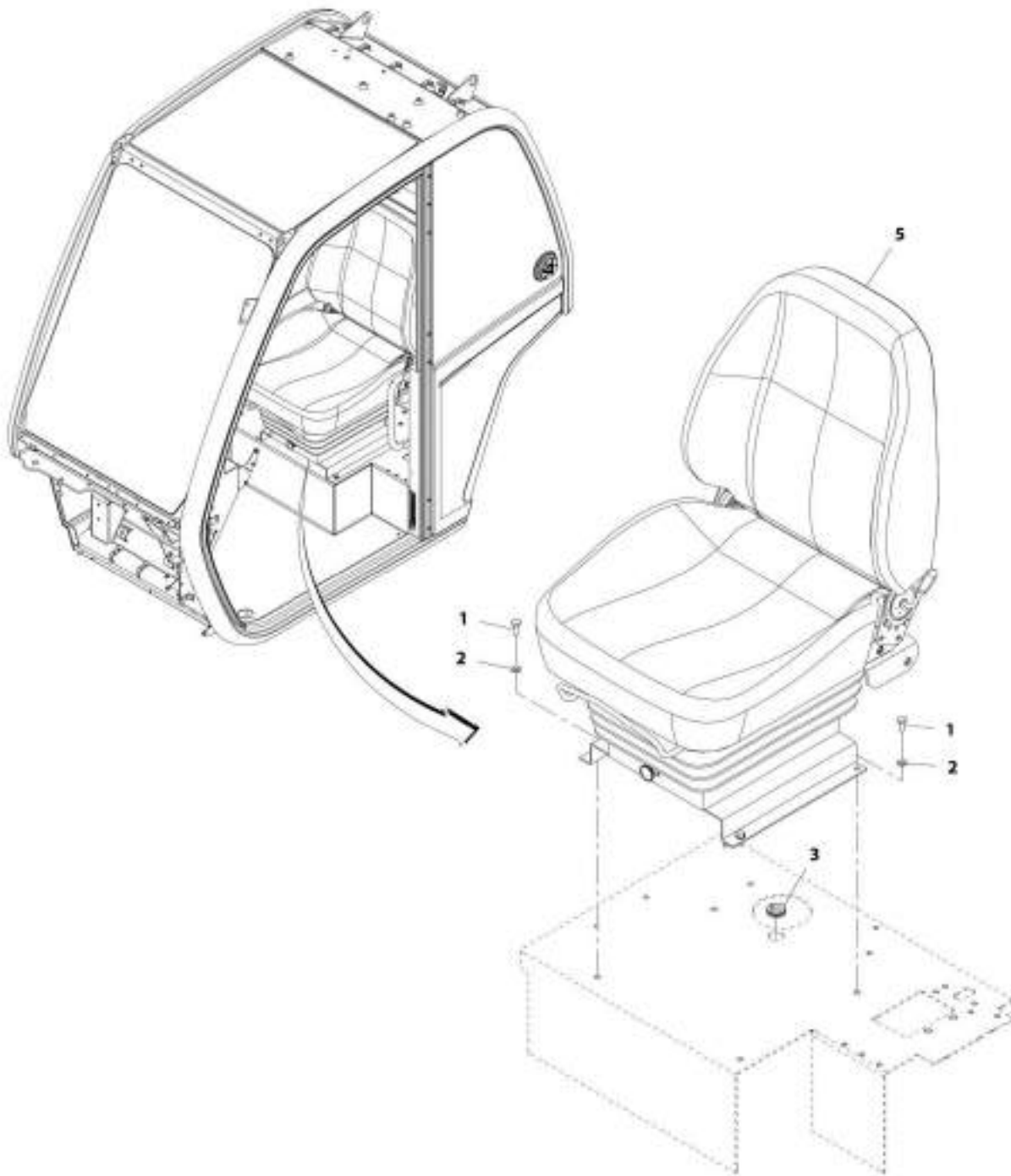
ART_1001190294-E

FIGURE 6-31. SEAT ASSEMBLY

ITEM	PART NUMBER	QTY	DESCRIPTION	REV
	1001150294	1	Seat Assembly	E
2	70025489	1	Fabric, Upper Seat	
3	70025490	1	Cover, Back	
4	70025483	1	Foam, Back	
5	70025491	1	Cover, Seat	
6	70025485	1	Foam, Seat	
7	70025486	1	Switch, Contact	
8	7029767	1	Belt, Seat	
9	70021252	1	Rail, Slide	
10	70021251	1	Unit, Suspension	
11	70022034	1	Cover, Rubber	

SECTION 6 - CAB

FIGURE 6-32. SEAT INSTALLATION (AIR SUSPENSION - STANDARD)



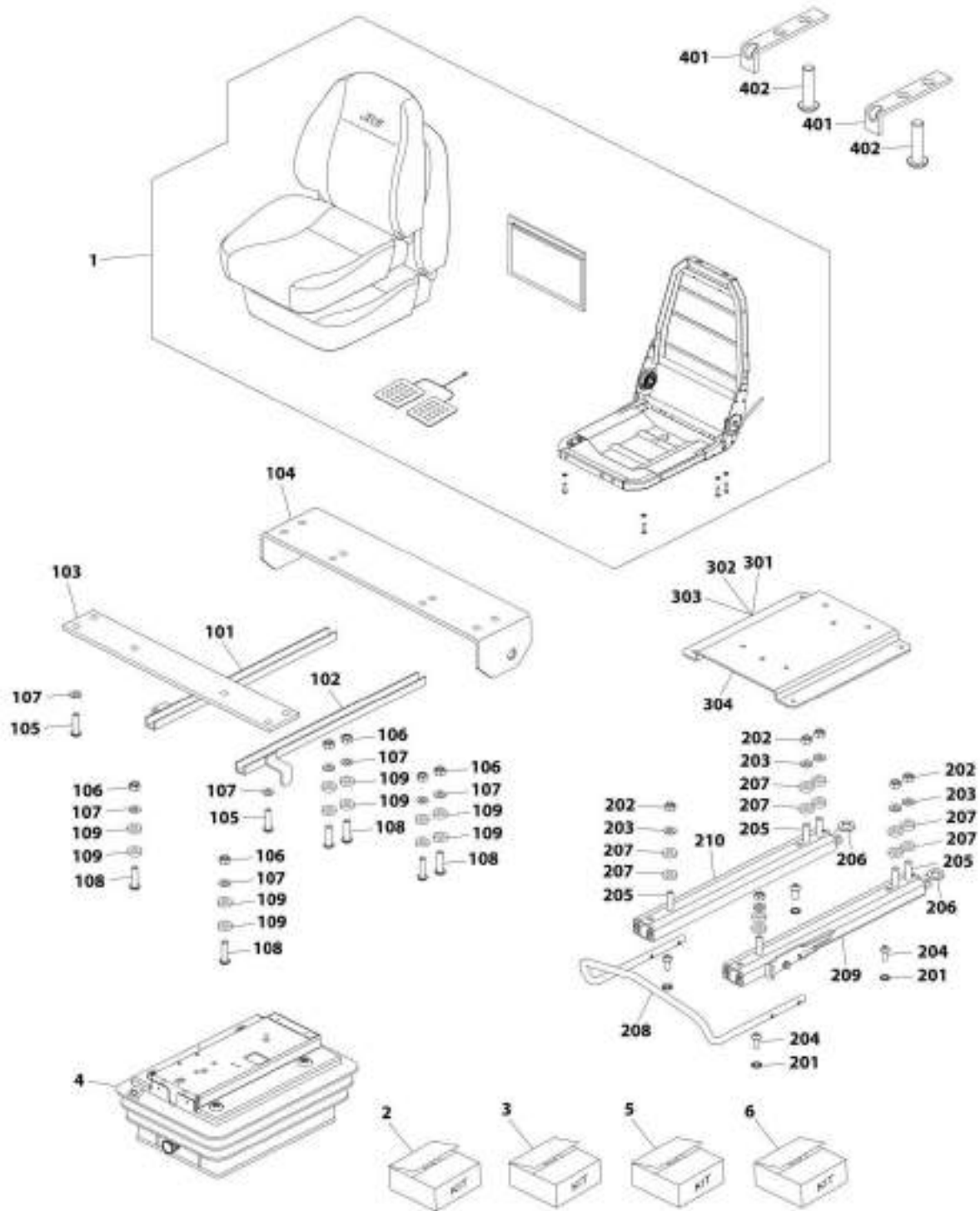
ART_100119836-D

FIGURE 6-32. SEAT INSTALLATION (AIR SUSPENSION - STANDARD)

ITEM	PART NUMBER	QTY	DESCRIPTION	REV
	1001158596	Ref	Seat Installation (Standard)	D
1	0760810	4	Bolt, M8X20	
2	4811900	4	Washer, M8	
3	1001216974	1	Grommet	
5	1001165573	1	Assembly, Seat (See Separate Breakdown in this Section)	

SECTION 6 - CAB

FIGURE 6-33. SEAT ASSEMBLY (AIR SUSPENSION - STANDARD)



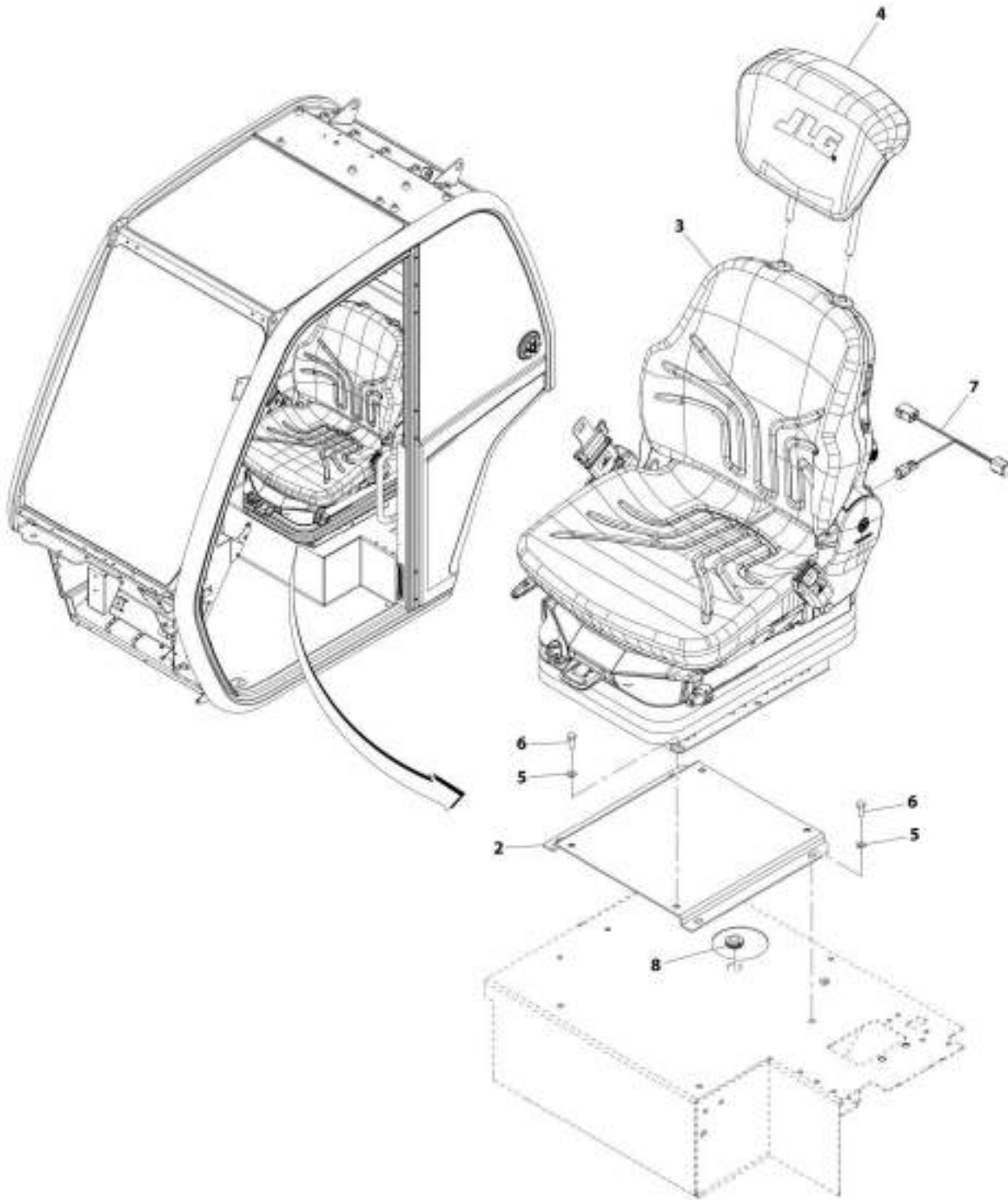
ART_1001185575-C

FIGURE 6-33. SEAT ASSEMBLY (AIR SUSPENSION - STANDARD)

ITEM	PART NUMBER	QTY	DESCRIPTION	REV
	1001165573	1	Seat Assembly	C
1	70027392	1	Assembly, Upper Seat (See Separate Breakdown in this Section)	
2	70021317	1	Kit, Cross Strap (includes items 101 thru 109)	
3	70021318	1	Kit, Fore and Aft Adjustment (includes items 201 thru 210)	
4	70021319	1	Kit, Suspension (See Separate Breakdown in this Section)	
5	70027395	1	Kit, Adapter Plate (includes items 301 thru 304)	
6	70021322	1	Kit, Slide Rail Stop (includes items 401 & 402)	
101	N.S.S.	1	Channel	
102	N.S.S.	1	Channel	
103	N.S.S.	1	Plate, Strap	
104	N.S.S.	1	Plate, Strap	
105	N.S.S.	4	Bolt, M8X25	
106	N.S.S.	6	Nut, M8	
107	N.S.S.	10	Washer	
108	N.S.S.	6	Bolt, M8X30	
109	N.S.S.	12	Spacer	
201	N.S.S.	4	Washer, Spring M8	
202	N.S.S.	1	Nut, M8	
203	N.S.S.	1	Washer	
204	N.S.S.	1	Bolt, M8X16	
205	N.S.S.	1	Bolt, M8X30	
206	N.S.S.	1	Washer	
207	N.S.S.	1	Spacer	
208	N.S.S.	1	Handle	
209	N.S.S.	1	Rail, Slide	
210	N.S.S.	1	Rail, Slide	
301	N.S.S.	1	Bolt, M8X25	
302	N.S.S.	1	Bolt, M8X16	
303	N.S.S.	1	Washer	
304	N.S.S.	1	Plate, Adapter	
401	N.S.S.	1	Stop, Sliderrail	
402	N.S.S.	1	Bolt, M8X16	

SECTION 6 - CAB

FIGURE 6-34. SEAT INSTALLATION (AIR SUSPENSION - PREMIUM)



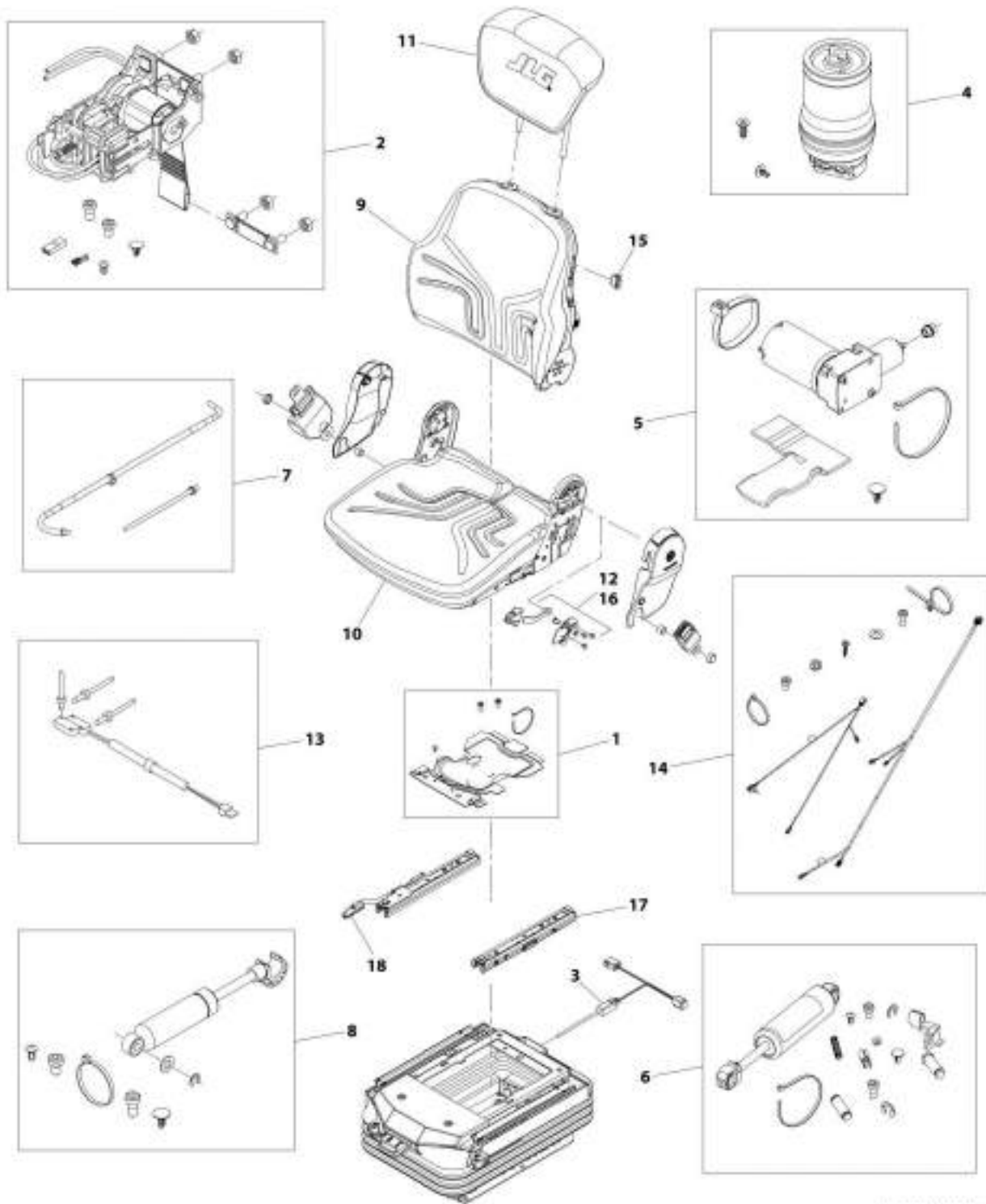
AWT_1001102530-F

FIGURE 6-34. SEAT INSTALLATION (AIR SUSPENSION - PREMIUM)

ITEM	PART NUMBER	QTY	DESCRIPTION	REV
	1001182530	Ref	Seat Installation (Air Suspension - Premium)	F
2	1001158736C	1	Plinth, Seat	
3	1001169135	1	Assembly, Seat (See Separate Breakdown in this Section)	
4	1001182529	1	Headrest	
5	4811900	8	Washer, M8	
6	0760810	8	Bolt, M8X20	
7	1001168531	1	Harness, Seat Adaptor (See Separate Breakdown in Electrical Section)	
8	1001216974	1	Grommet	

SECTION 6 - CAB

FIGURE 6-35. SEAT ASSEMBLY (AIR SUSPENSION - PREMIUM)



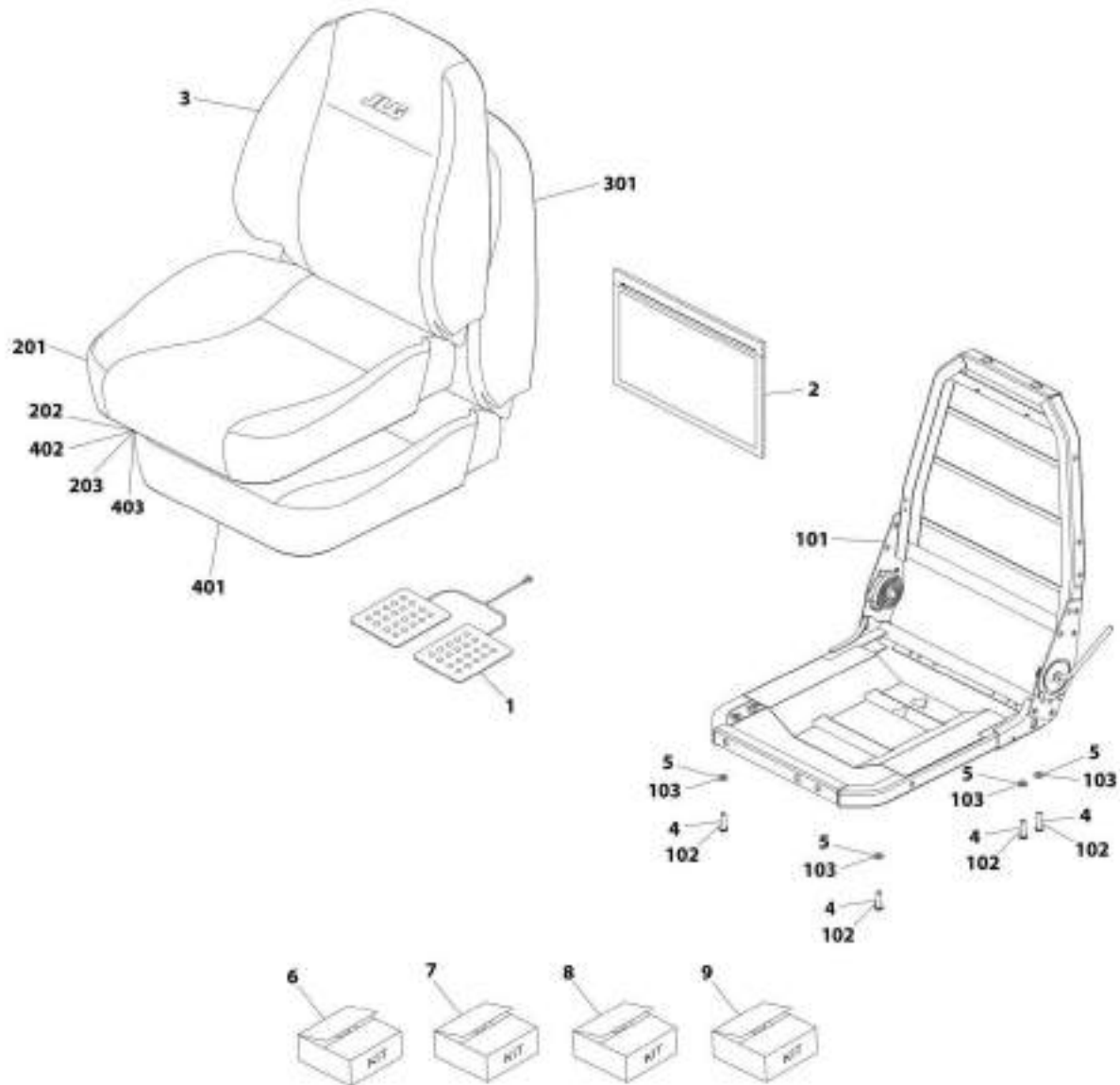
MT_3001166/125-B

FIGURE 6-35. SEAT ASSEMBLY (AIR SUSPENSION - PREMIUM)

ITEM	PART NUMBER	QTY	DESCRIPTION	REV
	1001169135	Ref	Seat Assembly	B
1	70024856	1	Cover	
2	70023182	1	Control Level Kit	
3	70023186	1	Wiring Harness, Air/Safeswitch	
4	70023184	1	Air Spring Kit	
5	70024857	1	Compressor, 12V	
6	70023181	1	Shock Absorber Kit	
7	70024459	1	Air Tubes Kit	
8	70023189	2	Shock Absorber Kit	
9	70023179	1	Back Cushion Kit	
10	70024858	1	Seat Cushion Kit	
11	1001182529	1	Headrest, Cloth	
12	70024859	1	Backrest Actuator	
13	70028326	1	Switch	
14	70024861	1	Wiring Harness	
15	70024107	1	Switch, Heater	
16	7028621	1	Handle, Backrest Angle Adjust	
17	3986643	1	Adjust Slide Kit	
18	3986610	1	Handle	

SECTION 6 - CAB

FIGURE 6-36. UPPER SEAT ASSEMBLY



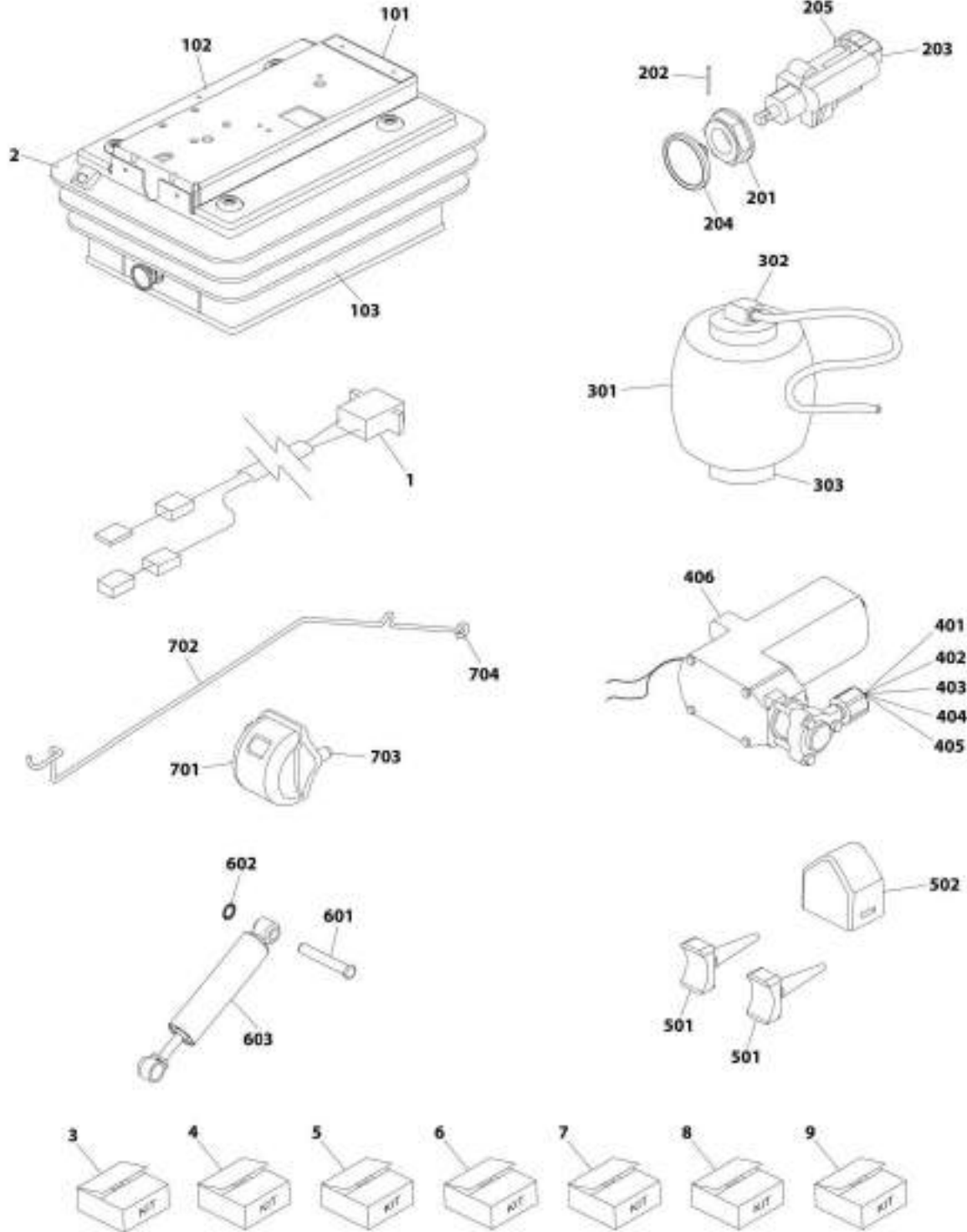
ART_30027182

FIGURE 6-36. UPPER SEAT ASSEMBLY

ITEM	PART NUMBER	QTY	DESCRIPTION	REV
	70027392	Ref	Upper Seat Assembly	
1	70025539	1	Pad, Sensor	
2	70021316	1	Bag	
3	70027393	1	Cover, Back	
4	N.S.S.	4	Bolt, M8X25	
5	N.S.S.	4	Washer	
6	70021314	1	Kit, Frame (includes items 101 thru 103)	
7	70027394	1	Kit, Bottom Seat Cover (includes items 201 thru 203)	
8	80264002	1	Kit, Back Foam (includes items 301 thru 303)	
9	80264004	1	Kit, Seat Foam (includes items 401 thru 403)	
101	N.S.S.	1	Frame, Seat	
102	N.S.S.	4	Bolt, M8X25	
103	N.S.S.	4	Washer	
201	N.S.S.	1	Cover, Seat	
202	N.S.S.	2	Clip	
203	N.S.S.	17	Clip	
301	N.S.S.	1	Foam, Back	
302	N.S.S.	3	Bar, Trim	
303	N.S.S.	4	Ring	
401	N.S.S.	1	Foam, Seat	
402	N.S.S.	2	Clip	
403	N.S.S.	17	Clip	

SECTION 6 - CAB

FIGURE 6-37. SUSPENSION KIT



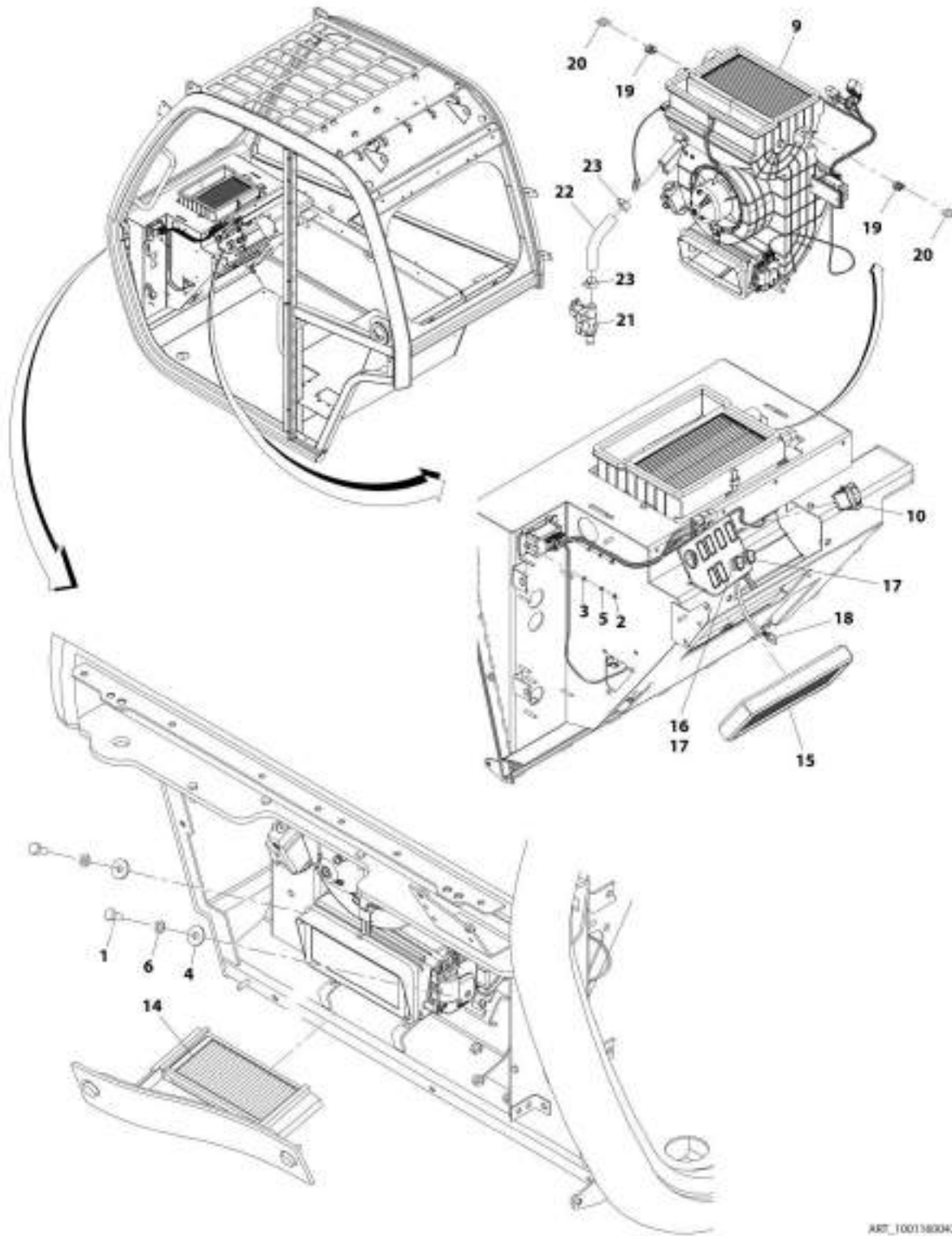
ART_70021318

FIGURE 6-37. SUSPENSION KIT

ITEM	PART NUMBER	QTY	DESCRIPTION	REV
	70021319	Ref	Suspension Kit	
1	70021330	1	Lead, Fly	
2	N.S.S.	1	Suspension	
3	70021321	1	Kit, Suspension Cover (includes items 101 thru 103)	
4	70021323	1	Kit, Air Valve (includes items 201 thru 205)	
5	70021324	1	Kit, Air Spring (includes items 301 thru 303)	
6	70021325	1	Kit, Compressor (includes items 401 thru 406)	
7	70021326	1	Kit, Upstop/Bumpstop (includes items 501 & 502)	
8	70021327	1	Kit, Damper (includes items 601 thru 603)	
9	70021328	1	Kit, Ride Indicator (includes items 701 thru 704)	
101	N.S.S.	6	Clip, Cover	
102	N.S.S.	1	Cover, Suspension	
103	N.S.S.	5	Clip, Cover	
201	N.S.S.	1	Nut, Air Valve	
202	N.S.S.	1	Pin, Retaining	
203	N.S.S.	1	Valve, Combination	
204	N.S.S.	1	Knob	
205	N.S.S.	2	Tie, Plastic	
301	N.S.S.	1	Spring, Air	
302	N.S.S.	1	Clip	
303	N.S.S.	1	Screw, Countersunk Self Tapping	
401	N.S.S.	1	Clip	
402	N.S.S.	1	Pad	
403	N.S.S.	1	Loom	
404	N.S.S.	2	Tie, Cable	
405	N.S.S.	3	Tie, Plastic	
406	N.S.S.	1	Compressor (with Elbow)	
501	N.S.S.	2	Upstop	
502	N.S.S.	1	Bumpstop	
601	N.S.S.	2	Pin	
602	N.S.S.	2	Washer, Starlock	
603	N.S.S.	1	Damper	
701	N.S.S.	1	Indicator, Ride	
702	N.S.S.	1	Wire, Ride Indicator	
703	N.S.S.	2	Washer, Starlock	
704	N.S.S.	1	Washer, Grip M4	

SECTION 6 - CAB

FIGURE 6-38. HEATER INSTALLATION



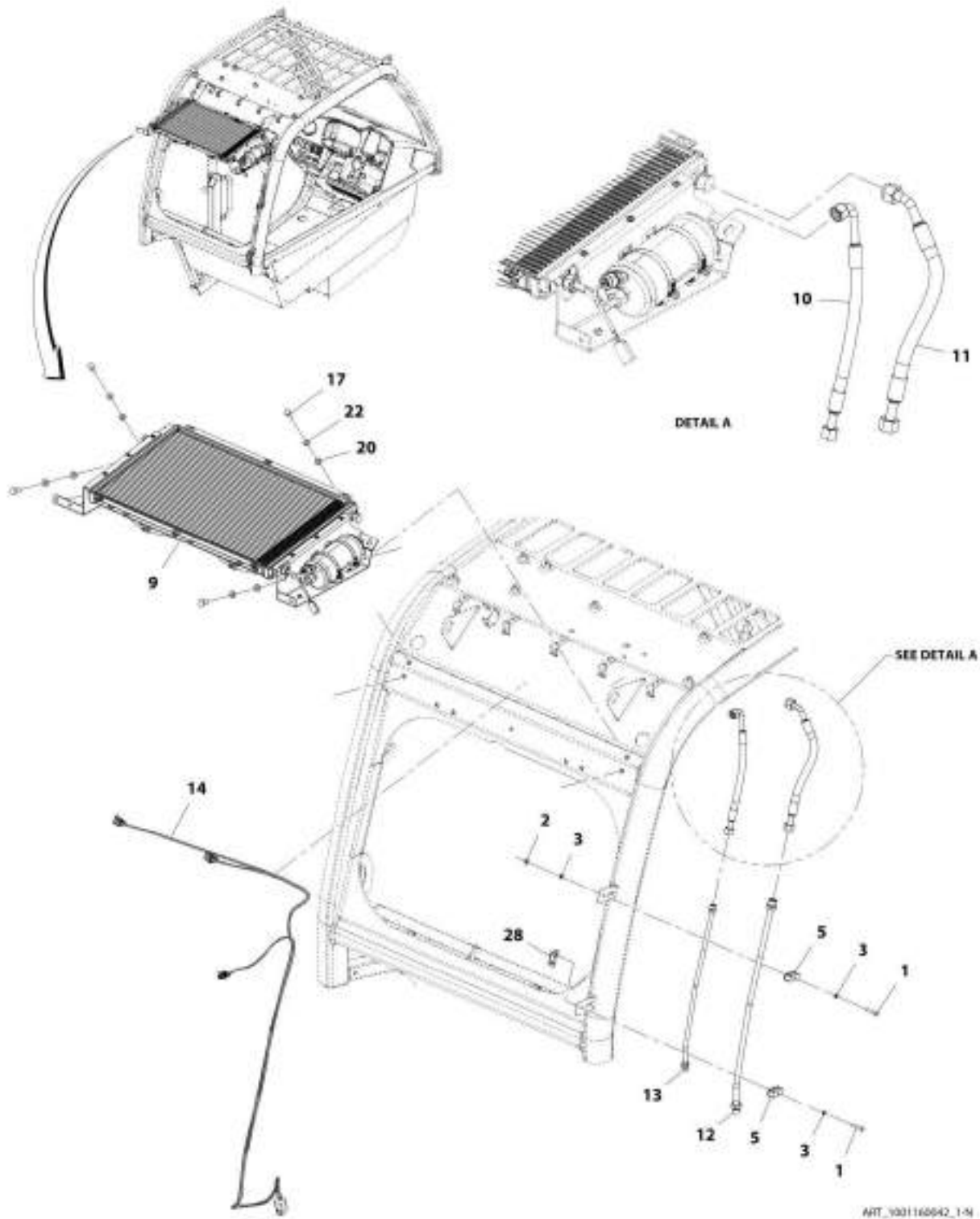
ART_1001580043-E

FIGURE 6-38. HEATER INSTALLATION

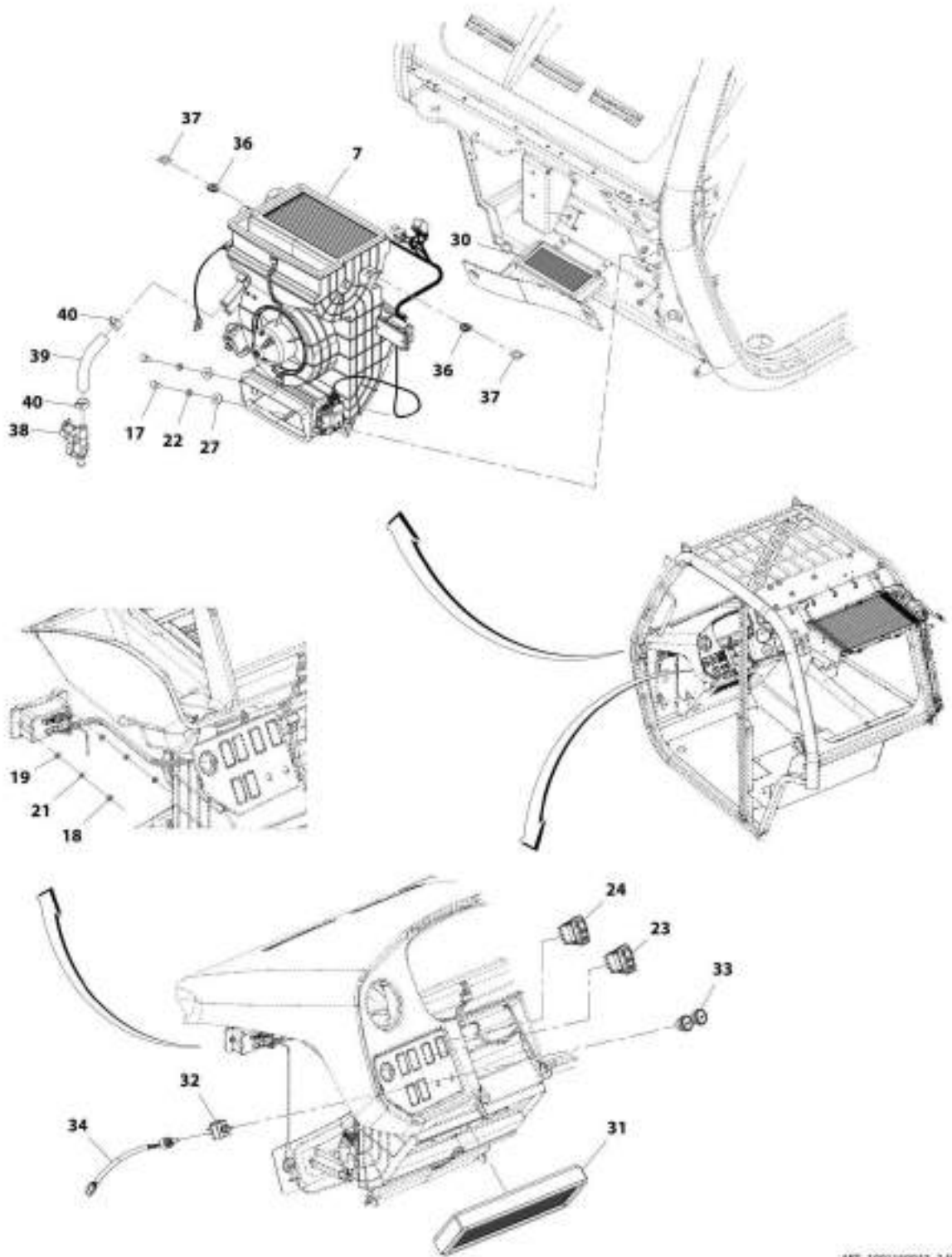
ITEM	PART NUMBER	QTY	DESCRIPTION	REV
	1001160043	Ref	Heater Installation	K
1	0760810	2	Bolt, M8X20	
2	3290401	2	Nut, M4X0.7	
3	4811400	2	Washer, M4	
4	4811902	2	Washer, M8	
5	4831400	2	Washer, Lock M4	
6	4831900	2	Washer, M8	
9	1001161858	1	Assembly, Heater (See Separate Breakdown in this Section)	
10	1001159925	1	Switch, HVAC Recycle	
14	1001218996	1	Filter, HVAC Air	
15	1001172553	1	Filter, HVAC Recirculation Air	
16	1001172547	1	Switch, HVAC Rotary 3 Speed	
17	1001172550	2	Knob, HVAC Control	
18	1001218529	1	Cable, HVAC	
19	1001188590	2	Grommet	
20	1001218542	2	Shim	
21	1001221059	1	Valve, Water	
22	1001221295	1	House	
23	8410009	2	Clamp	

SECTION 6 - CAB

FIGURE 6-39. HEATER AND A/C INSTALLATION (CAB PARTS)



SECTION 6 - CAB



AKF_100160042_2-R

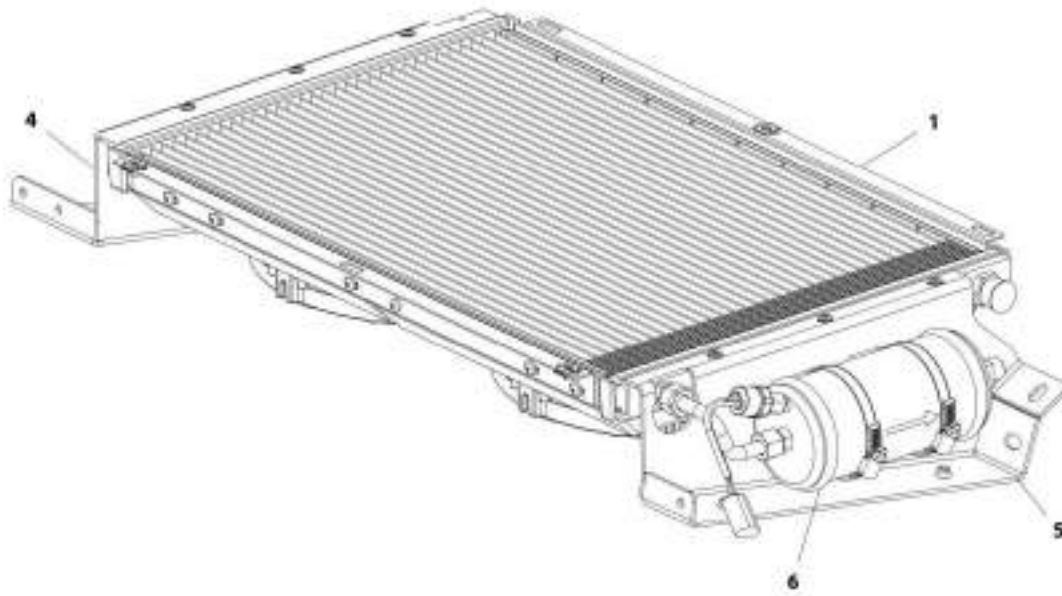
SECTION 6 - CAB

FIGURE 6-39. HEATER AND A/C INSTALLATION (CAB PARTS)

ITEM	PART NUMBER	QTY	DESCRIPTION	REV
	1001160042	Ref	Heater and A/C Installation (cab parts)	N
1	0700614	2	Bolt, M6X30	
2	3290601	1	Nut, M6X1	
3	4811700	3	Washer, M6	
5	1001145539	2	Support, Pipe	
7	1001188303	1	Assembly, Heater and A/C (See Separate Breakdown in this Section)	
9	1001162953	1	Assembly, Cab Condenser (See Separate Breakdown in this Section)	
10	1001168327	1	Hose	
11	1001168330	1	Hose	
12	1001168331	1	Tube	
13	1001168456	1	Tube	
14	1001169151	1	Harness, A/C Option (See Separate Breakdown in Electrical Section)	
17	0760810	6	Bolt, M8X20 GR8.8	
18	3290401	2	Nut, M4X0.7	
19	4811400	2	Washer, M4	
20	4811900	4	Washer, M8	
21	4831400	2	Washer, Lock M4	
22	4831900	6	Washer, Lock M8	
23	1001159925	1	Switch, HVAC Recycle	
24	1001160326	1	Switch, HVAC On/Off	
27	4811902	2	Washer, M8	
28	1001178170	1	Bracket	
30	1001218996	1	Filter, HVAC Fresh Air	
31	1001172553	1	Filter, HVAC Air Recirculation	
32	1001172547	1	Switch, HVAC Rotary 3 Speed	
33	1001172550	2	Knob, HVAC Control	
34	1001218529	1	Cable, HVAC	
35	1320022	1	Clamp	
36	1001188590	2	Grommet	
37	1001218542	2	Shim	
38	1001221059	1	Valve, Water	
39	1001221295	1	Hose	
40	8410009	2	Clamp	

SECTION 6 - CAB

FIGURE 6-40. CAB CONDENSER ASSEMBLY



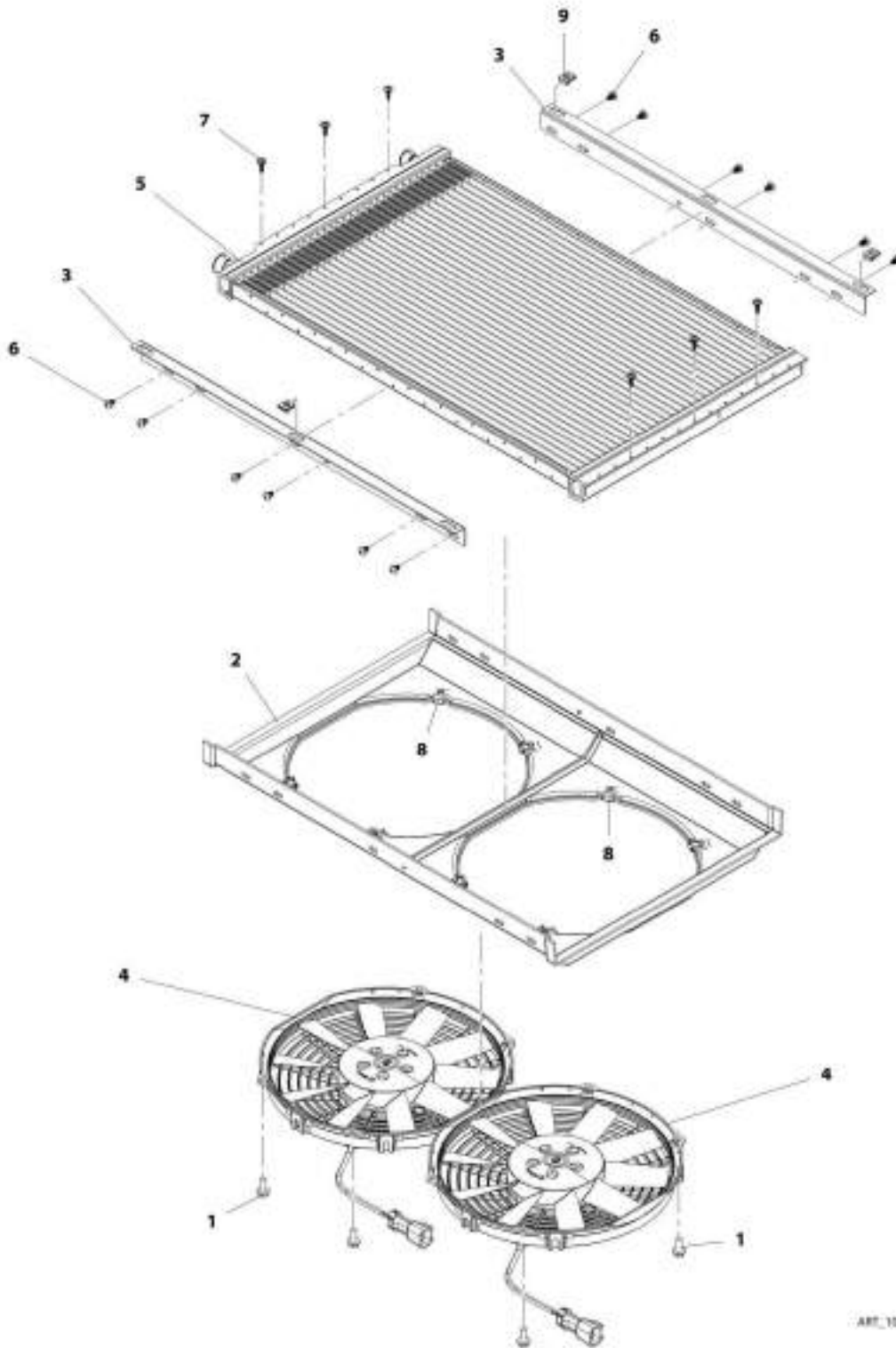
ART_3001162953-F

FIGURE 6-40. CAB CONDENSER ASSEMBLY

ITEM	PART NUMBER	QTY	DESCRIPTION	REV
	1001162953	Ref	Cab Condenser Assembly	F
1	1001167266	1	Condenser (See Separate Breakdown in this Section)	
4	1001179080	1	Bracket	
5	1001179081	1	Bracket	
6	1001179130	1	Drier, A/C Receiver (See Separate Breakdown in this Section)	

SECTION 6 - CAB

FIGURE 6-41. CONDENSER



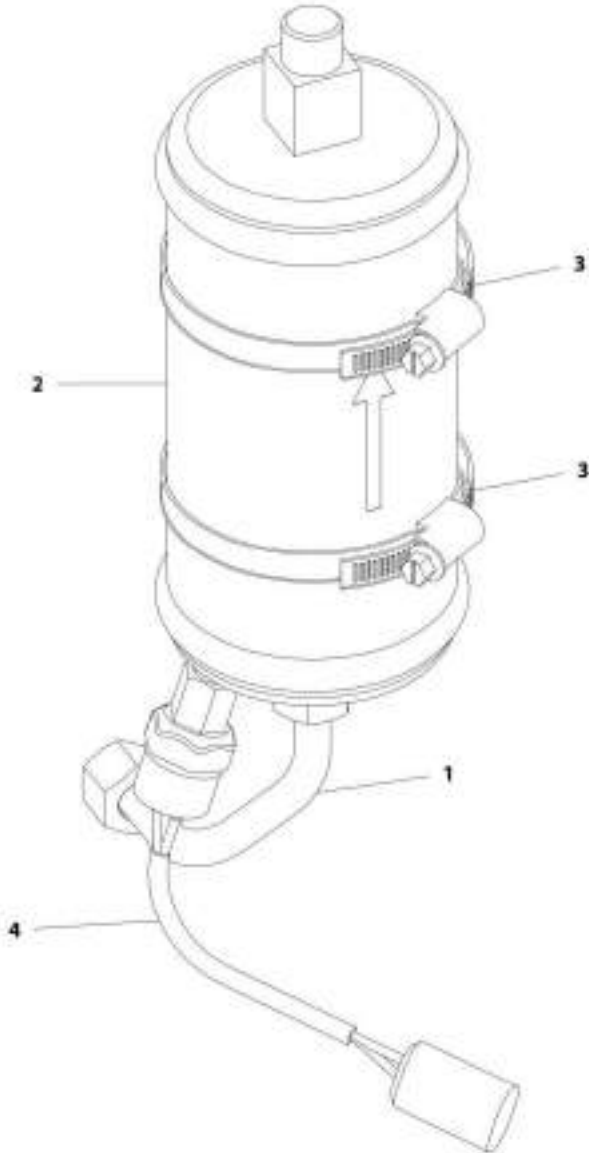
ART. 1001167200 C

FIGURE 6-41. CONDENSER

ITEM	PART NUMBER	QTY	DESCRIPTION	REV
	1001167266	Ref	Condenser	C
1	5250608	8	Bolt, M6X16	
2	1001195342	1	Bracket, Condenser Fan Mount	
3	1001195343	2	Support, Condenser	
4	1001195345	2	Fan, Condenser	
5	1001195346	1	Condenser	
6	1001195385	12	Screw, M3.9X9.5	
7	1001195386	6	Screw, M4.2X16	
8	1001195437	8	Clip, M6X1	
9	1001195438	3	Clip, M6X1	

SECTION 6 - CAB

FIGURE 6-42. A/C RECEIVER DRIER



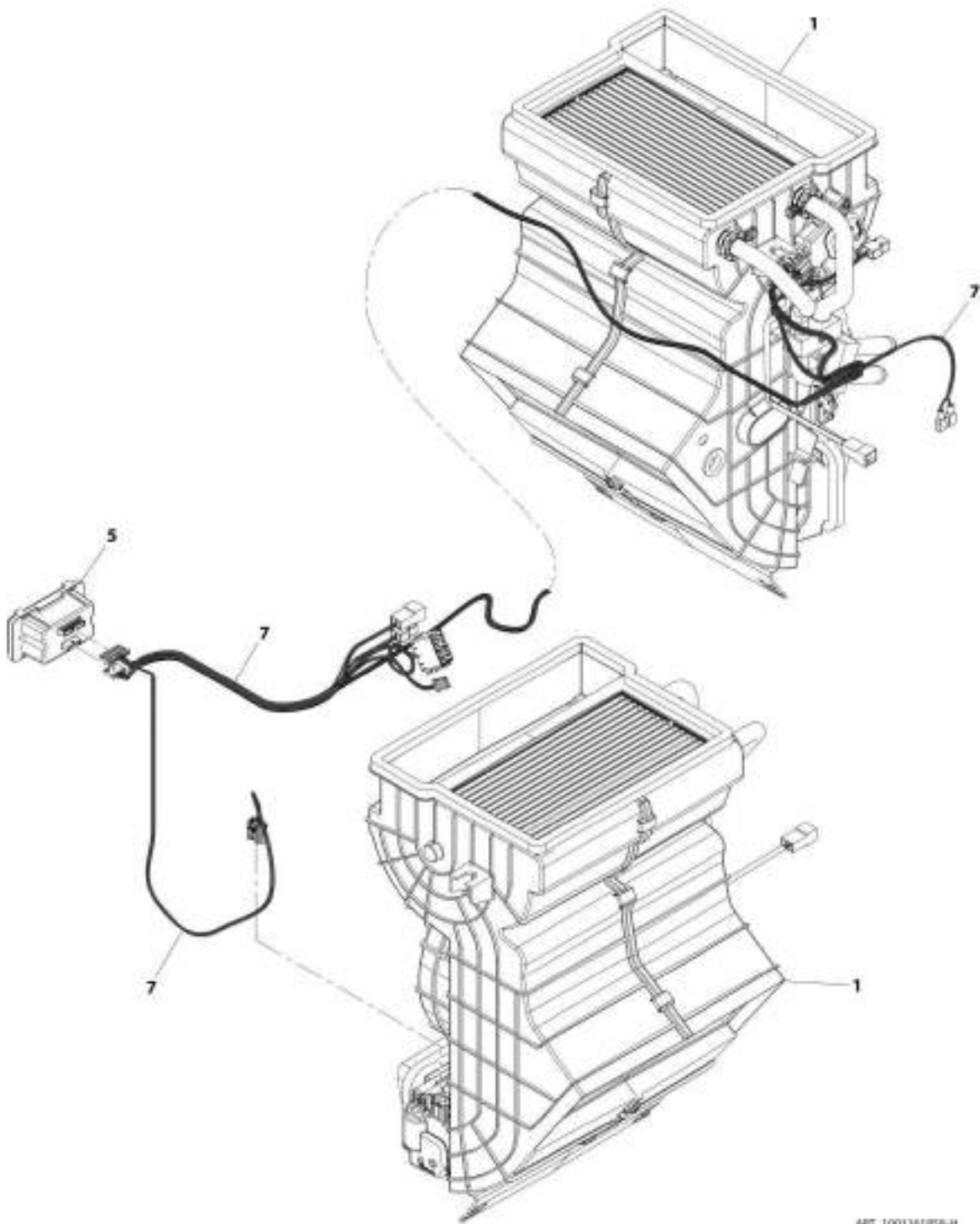
ART_1001/0130-B

FIGURE 6-42. A/C RECEIVER DRIER

ITEM	PART NUMBER	QTY	DESCRIPTION	REV
	1001179130	Ref	A/C Receiver Drier	B
1	1001184403	1	Tube, Heater	
2	1001184404	1	Receiver, Heater Drier	
3	1001184405	2	Clamp	
4	1001184406	1	Connector, Heater	

SECTION 6 - CAB

FIGURE 6-43. HEATER ASSEMBLY



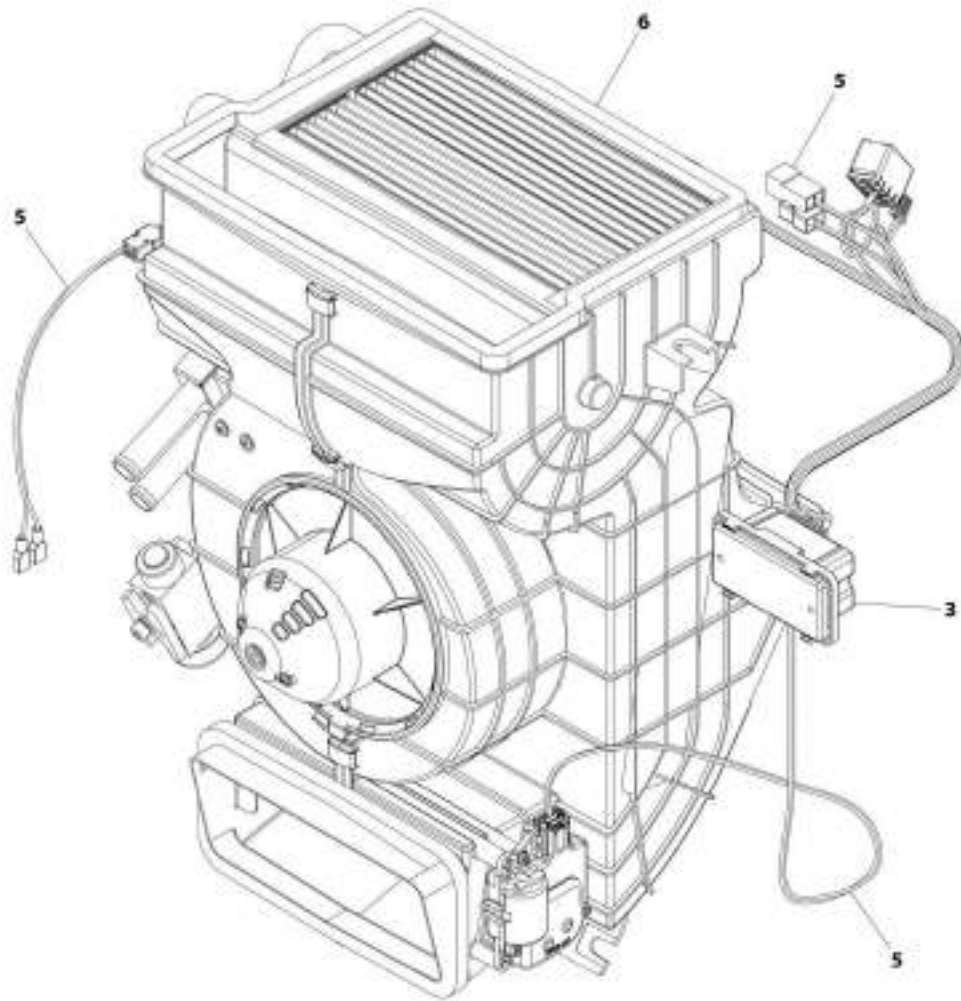
ARC_1001181056-H

FIGURE 6-43. HEATER ASSEMBLY

ITEM	PART NUMBER	QTY	DESCRIPTION	REV
	1001161858	Ref	Heater Assembly	H
1	1001152908	NLA	Heater, Cab (no longer available, use 1001221052), (For Service, See Separate Breakdown in this Section)	
5	1001221052	1	Heater, Cab (See Separate Breakdown in this Section)	
5	1001172551	1	Actuator, HVAC Cab (See Separate Breakdown in this Section)	
7	1001173571	1	Harness, HVAC Actuator	
7	1001221056	1	Harness, HVAC Actuator	

SECTION 6 - CAB

FIGURE 6-44. HEATER AND A/C ASSEMBLY



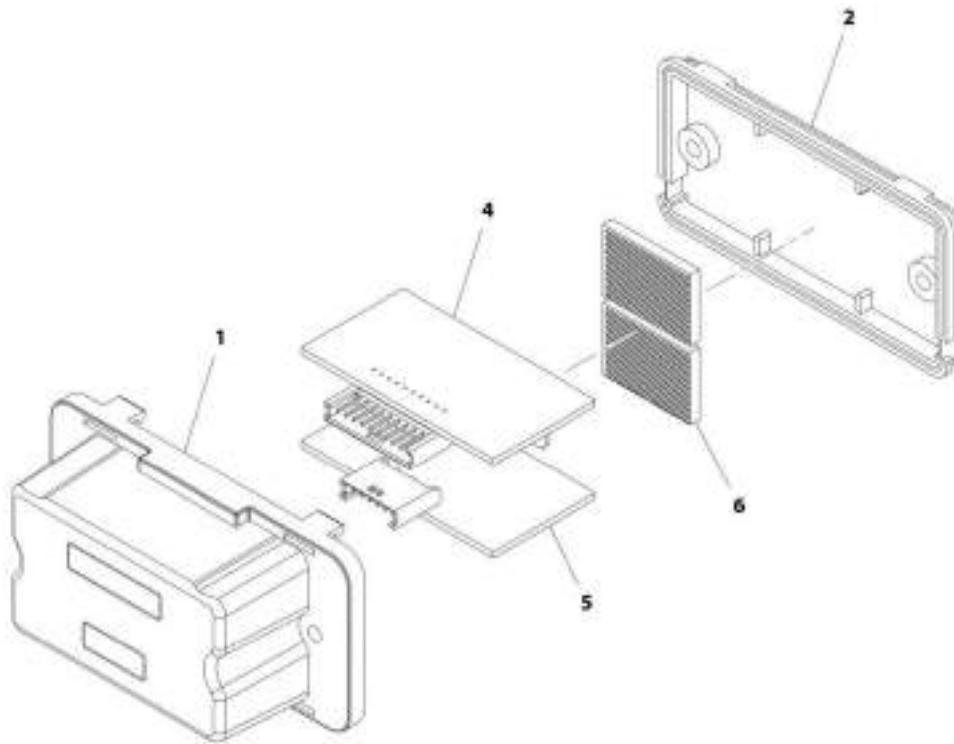
ART_1001188303-G

FIGURE 6-44. HEATER AND A/C ASSEMBLY

ITEM	PART NUMBER	QTY	DESCRIPTION	REV
	1001188303	Ref	Heater and A/C Assembly	G
3	1001172551	1	Actuator, HVAC Cab (See Separate Breakdown in this Section)	
5	1001221056	1	Harness, HVAC Actuator	
6	1001221054	1	Heater and A/C (See Separate Breakdown in this Section)	

SECTION 6 - CAB

FIGURE 6-45. HVAC CAB ACTUATOR



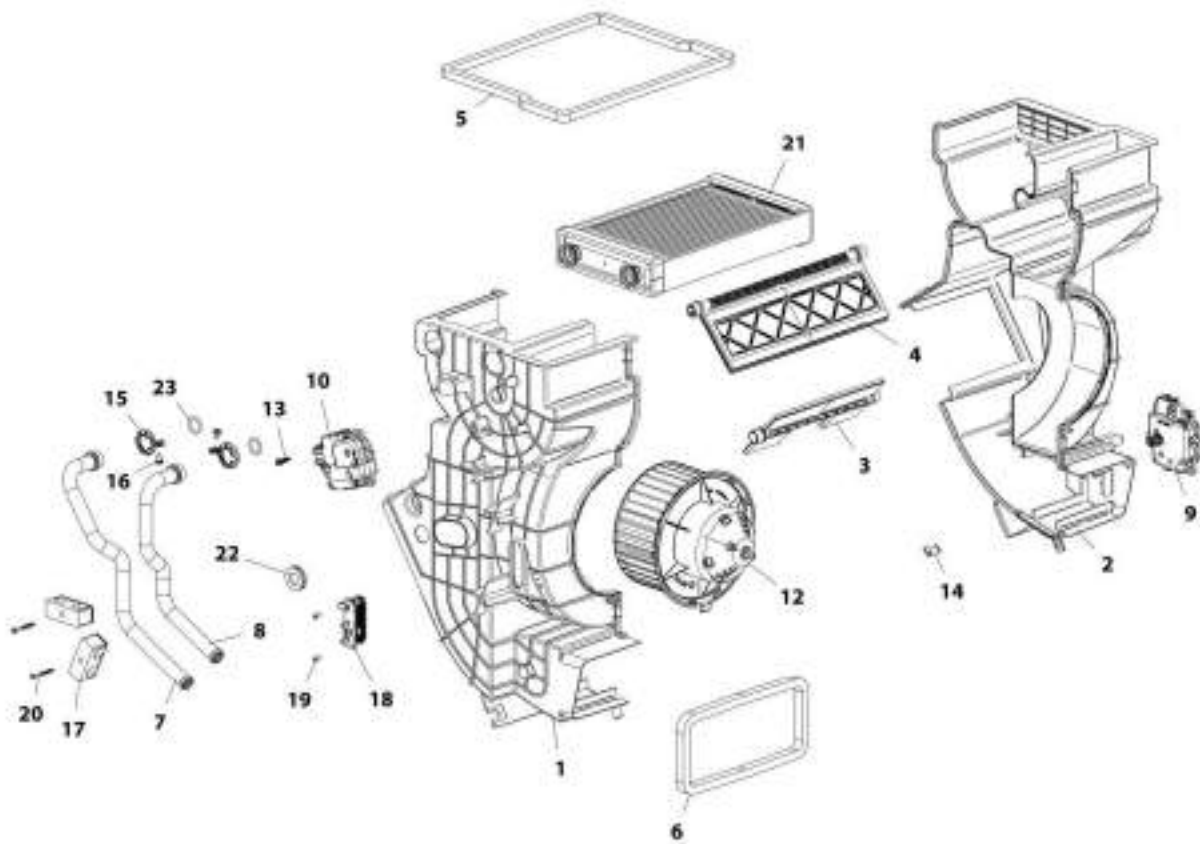
ART_1001172551-C

FIGURE 6-45. HVAC CAB ACTUATOR

ITEM	PART NUMBER	QTY	DESCRIPTION	REV
	1001172551	Ref	HVAC Cab Actuator	C
1	1001184306	1	Box, Heater Controller	
2	1001184307	1	Base, Heater Controller Box	
4	1001184309	1	Board, Heater Control	
5	1001184310	1	Board, Heater Control	
6	1001189980	2	Insulator, Heater Controller Box	

SECTION 6 - CAB

FIGURE 6-46. HEATER



ART_1001152908-E

FIGURE 6-46. HEATER

ITEM	PART NUMBER	QTY	DESCRIPTION	REV
	1001152908	NLA	Heater (no longer available, see items 1 through 23 for service or use 1001221052 for replacement)	E
1	1001166091	1	Housing, RH	
2	1001166092	1	Housing, LH	
3	1001184275	1	Flap, Recirculation with Foam	
4	1001184278	1	Flap, Mixing with Foam	
5	1001184294	1	Foam, Air Outlet	
6	1001184295	1	Foam, Air Inlet	
7	1001184296	1	Pipe, Water	
8	1001184297	1	Pipe, Water	
9	1001188577	1	Actuator, Fresh/Recirculation Air	
10	1001188578	1	Actuator, Hot/Cold	
12	1001188594	1	Fan, 12V	
13	1001188602	4	Screw	
14	1001188603	9	Clamp	
15	1001188604	2	Clamp	
16	1001188610	2	Screw	
17	1001188612	2	Clamp	
18	1001188614	1	Resistor	
19	1001188720	2	Screw	
20	1001188725	2	Screw	
21	1001188729	1	Radiator, Heater Core	
22	1001188733	1	Grommet	
23	1001189025	2	O-Ring	

SECTION 6 - CAB

FIGURE 6-47. HEATER

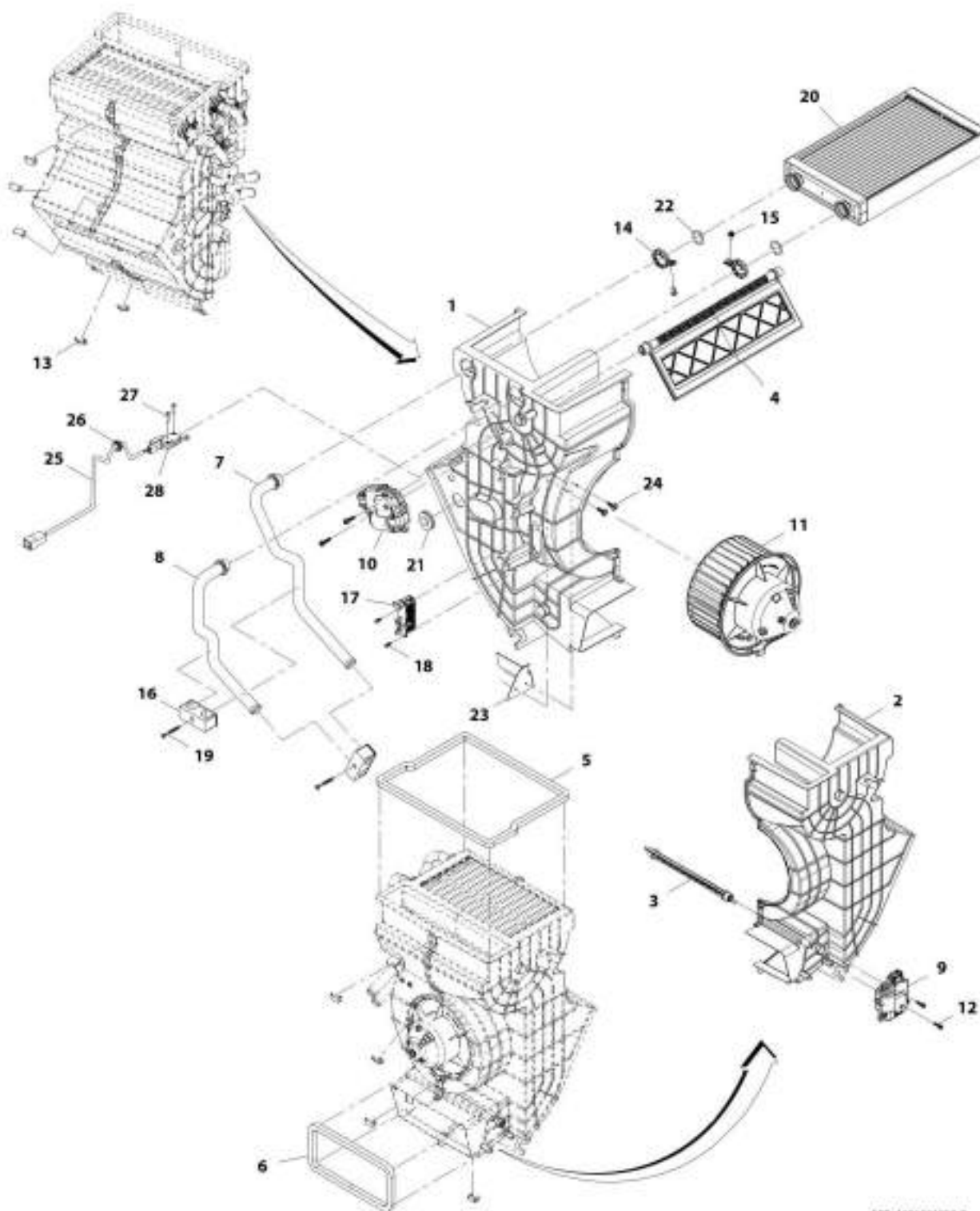
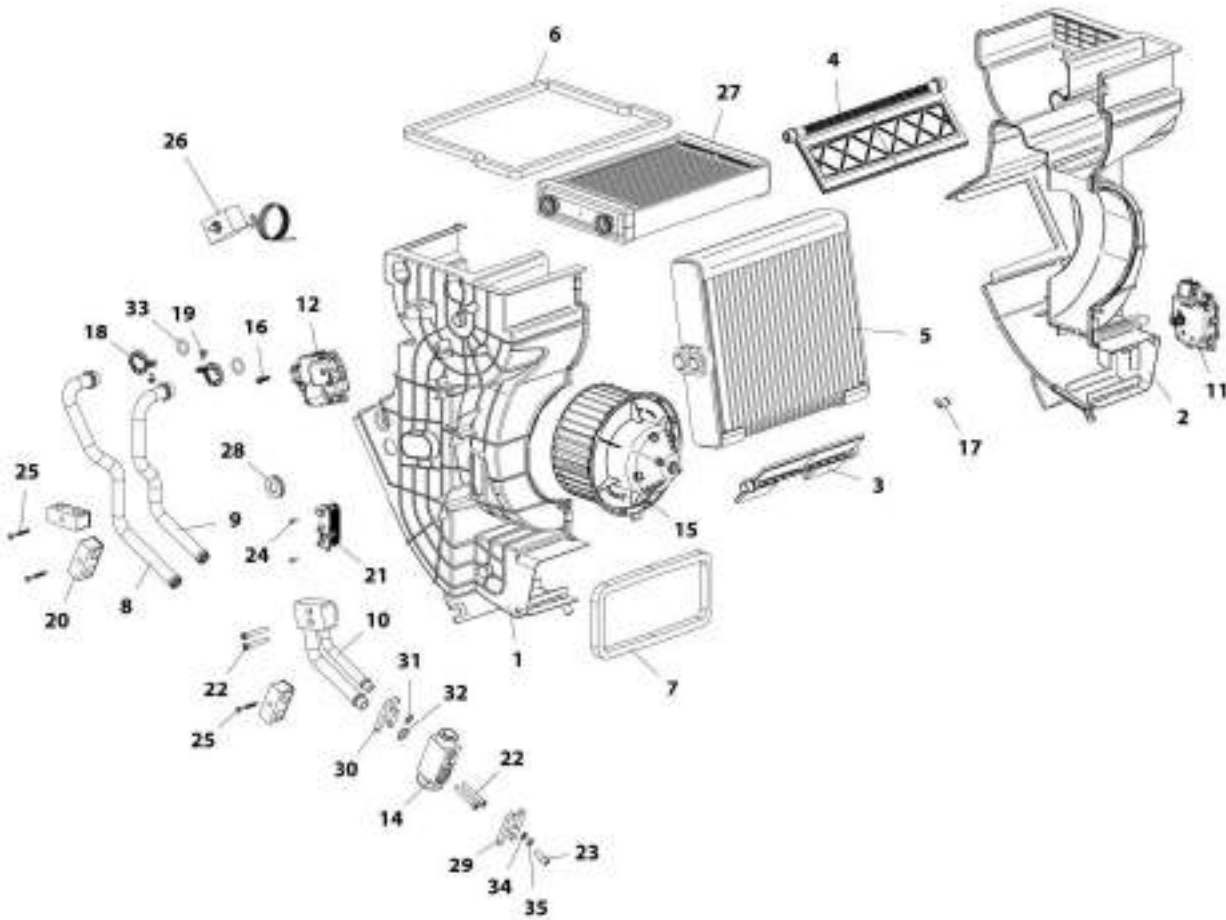


FIGURE 6-47. HEATER

ITEM	PART NUMBER	QTY	DESCRIPTION	REV
	1001221052	Ref	Heater	B
1	1001166091	1	Housing, RH	
2	1001166092	1	Housing, LH	
3	1001184275	1	Flap, Recirculation with Foam	
4	1001184278	1	Flap, Mixing with Foam	
5	1001184294	1	Foam, Air Outlet	
6	1001184295	1	Foam, Air Inlet	
7	1001184296	1	Pipe, Water	
8	1001184297	1	Pipe, Water	
9	1001188577	1	Actuator, Fresh/Recirculation Air	
10	1001188578	1	Actuator, Hot/Cold	
11	1001188594	1	Fan, 12V	
12	1001188602	4	Screw	
13	1001188603	9	Clamp	
14	1001188604	2	Clamp	
15	1001188610	2	Screw	
16	1001188612	2	Clamp	
17	1001188614	1	Resistor	
18	1001188720	2	Screw	
19	1001188725	2	Screw	
20	1001188729	1	Radiator, Heater Core	
21	1001188733	1	Grommet	
22	1001189025	2	O-Ring	
23	1001221057	1	Plate	
24	1001221058	2	Screw	
25	1001228132	1	Harness, HVAC Sensor	
26	1001228140	1	Grommet	
27	1001228141	2	Screw	
28	1001228147	1	Valve, Water	

SECTION 6 - CAB

FIGURE 6-48. HEATER AND A/C



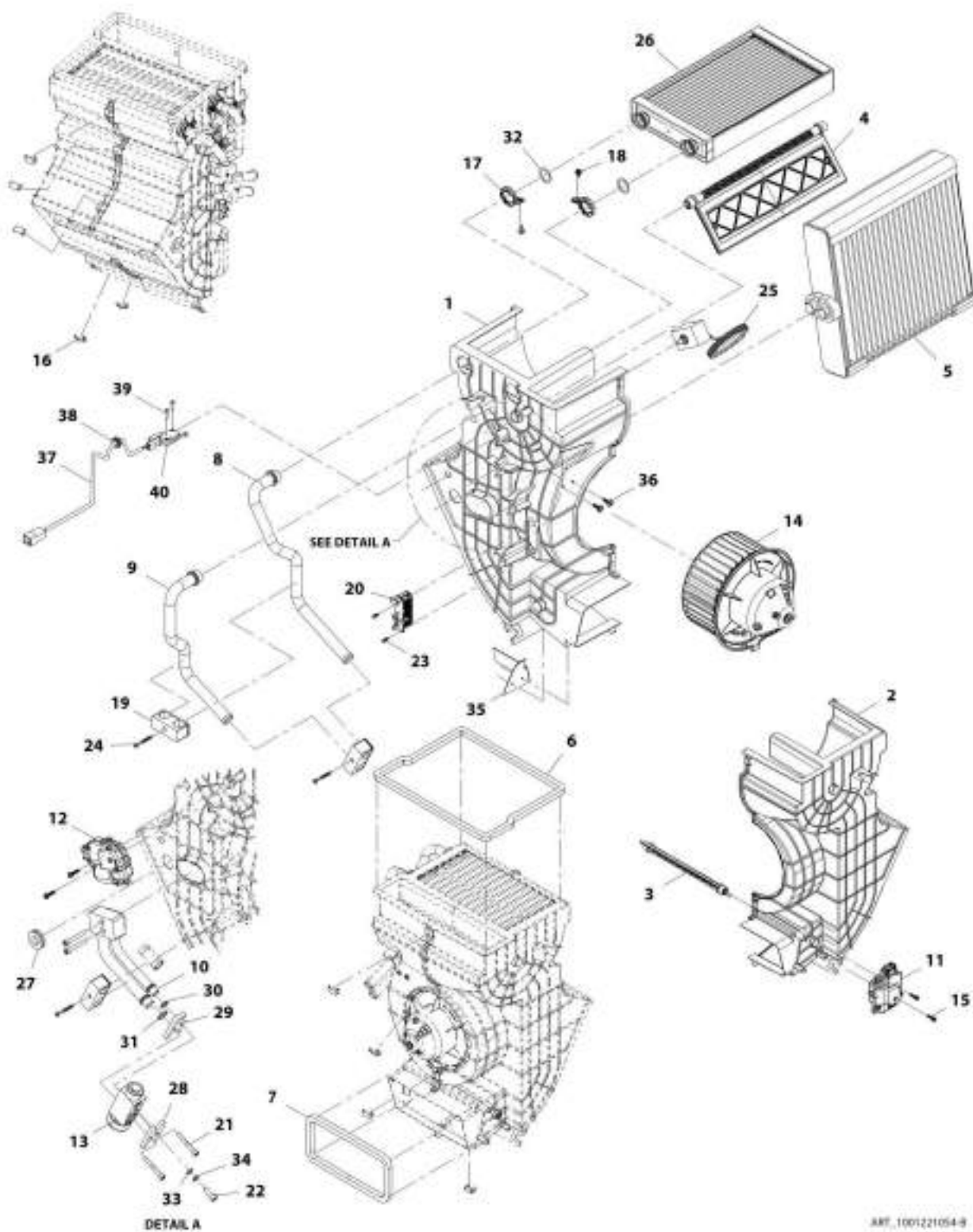
ART_1001180275-D

FIGURE 6-48. HEATER AND A/C

ITEM	PART NUMBER	QTY	DESCRIPTION	REV
	1001188275	NLA	Heater and A/C (no longer available, see items 1 through 35 for service or use 1001221054 for replacement)	D
1	1001166091	1	Housing, HVAC RH	
2	1001166092	1	Housing, HVAC LH	
3	1001184275	1	Foam, Heater Flap	
4	1001184278	1	Foam, Heater Mixing Flap	
5	1001184280	1	Evaporator, Heater	
6	1001184294	1	Seal, Heater Foam	
7	1001184295	1	Seal, Air Inlet Foam	
8	1001184296	1	Pipe, Heater Water	
9	1001184297	1	Pipe, Heater Water	
10	1001184427	1	Pipe, Heater	
11	1001188577	1	Actuator, Fresh/Recirculation Air	
12	1001188578	1	Actuator, Hot/Cold Mixing	
14	1001188592	1	Valve, HVAC Expansion	
15	1001188594	1	Fan, HVAC Centrifugal 12V	
16	1001188602	4	Screw, M4	
17	1001188603	9	Clamp, HVAC Case	
18	1001188604	2	Clamp, HVAC Pipe	
19	1001188610	2	Screw, M4X0.7	
20	1001188612	3	Clamp, Pipe	
21	1001188614	1	Resistor	
22	1001188618	4	Screw, M5	
23	1001188619	1	Screw, M6	
24	1001188720	2	Screw, M2.9X9.5	
25	1001188725	3	Screw, M4X35	
26	1001188728	1	Sensor, HVAC Thermostat	
27	1001188729	1	Radiator, Heater Core	
28	1001188733	1	Grommet	
29	1001188817	1	Clamp, Hose	
30	1001188818	1	Clamp, HVAC EVAP/Valve	
31	1001189023	1	O-Ring	
32	1001189024	1	O-Ring	
33	1001189025	2	O-Ring	
34	1001189048	1	Washer	
35	1001189054	1	Washer, Spring	

SECTION 6 - CAB

FIGURE 6-49. HEATER AND A/C



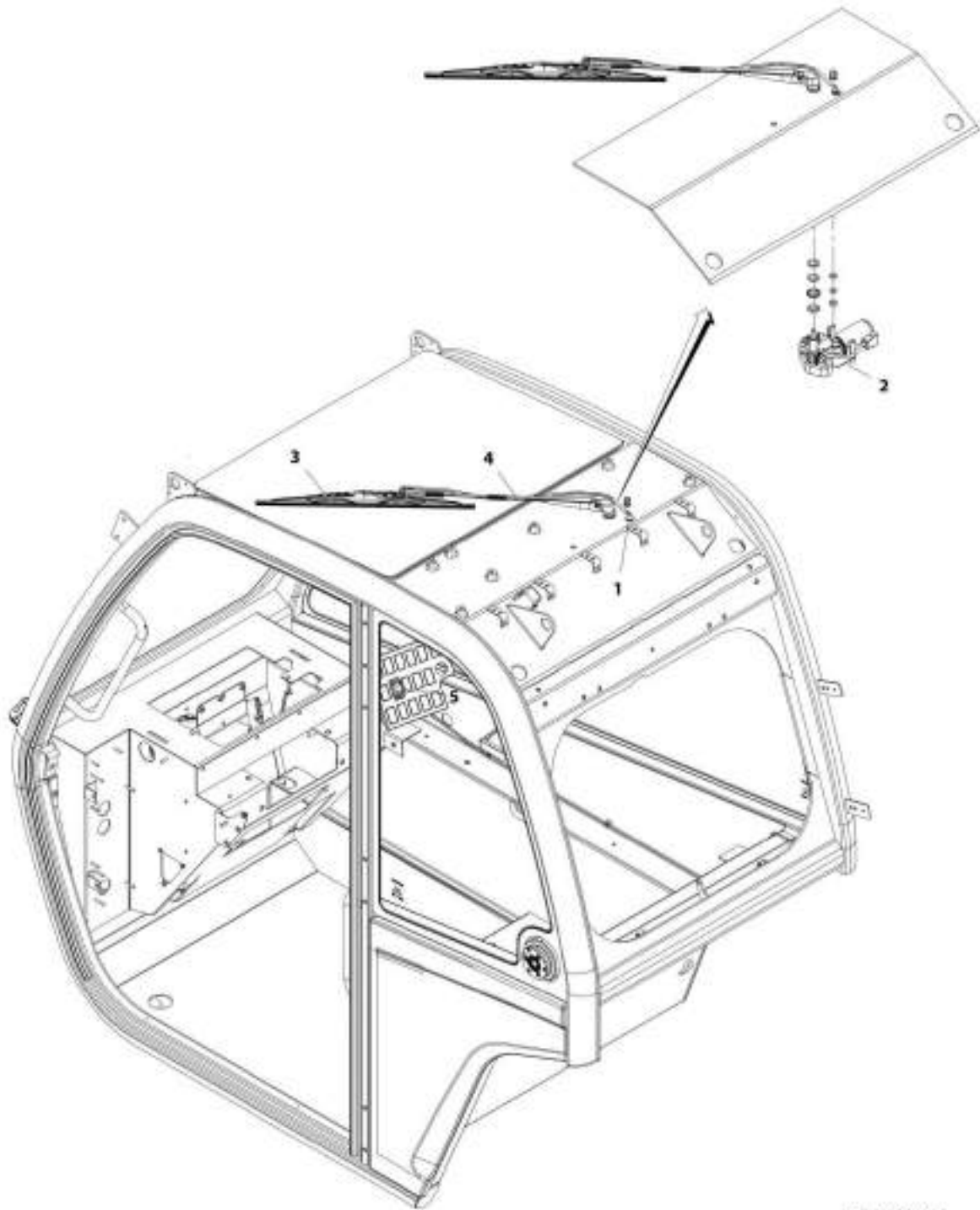
ART. 1001221054-9

FIGURE 6-49. HEATER AND A/C

ITEM	PART NUMBER	QTY	DESCRIPTION	REV
	1001221054	Ref	Heater and A/C	B
1	1001166091	1	Housing, HVAC RH	
2	1001166092	1	Housing, HVAC LH	
3	1001184275	1	Foam, Heater Flap	
4	1001184278	1	Foam, Heater Mixing Flap	
5	1001184280	1	Evaporator, Heater	
6	1001184294	1	Seal, Heater Foam	
7	1001184295	1	Seal, Air Inlet Foam	
8	1001184296	1	Pipe, Heater Water	
9	1001184297	1	Pipe, Heater Water	
10	1001184427	1	Pipe, Heater	
11	1001188577	1	Actuator, Fresh/Recirculation Air	
12	1001188578	1	Actuator, Hot/Cold Mixing	
13	1001188592	1	Valve, HVAC Expansion	
14	1001188594	1	Fan, HVAC Centrifugal 12V	
15	1001188602	4	Screw, M4	
16	1001188603	9	Clamp, HVAC Case	
17	1001188604	2	Clamp, HVAC Pipe	
18	1001188610	2	Screw, M4X0.7	
19	1001188612	3	Clamp, Pipe	
20	1001188614	1	Resistor	
21	1001188618	4	Screw, M5	
22	1001188619	1	Screw, M6	
23	1001188720	2	Screw, M2.9X9.5	
24	1001188725	3	Screw, M4X35	
25	1001188728	1	Sensor, HVAC Thermostat	
26	1001188729	1	Radiator, Heater Core	
27	1001188733	1	Grommet	
28	1001188817	1	Clamp, Hose	
29	1001188818	1	Clamp, HVAC EVAP/Valve	
30	1001189023	1	O-Ring	
31	1001189024	1	O-Ring	
32	1001189025	2	O-Ring	
33	1001189048	1	Washer	
34	1001189054	1	Washer, Spring	
35	1001221057	1	Plate	
36	1001221058	2	Screw	
37	1001228132	1	Harness, HVAC Sensor	
38	1001228140	1	Grommet	
39	1001228141	2	Screw	
40	1001228147	1	Valve, Water Sensor	

SECTION 6 - CAB

FIGURE 6-50. ROOF WIPER INSTALLATION



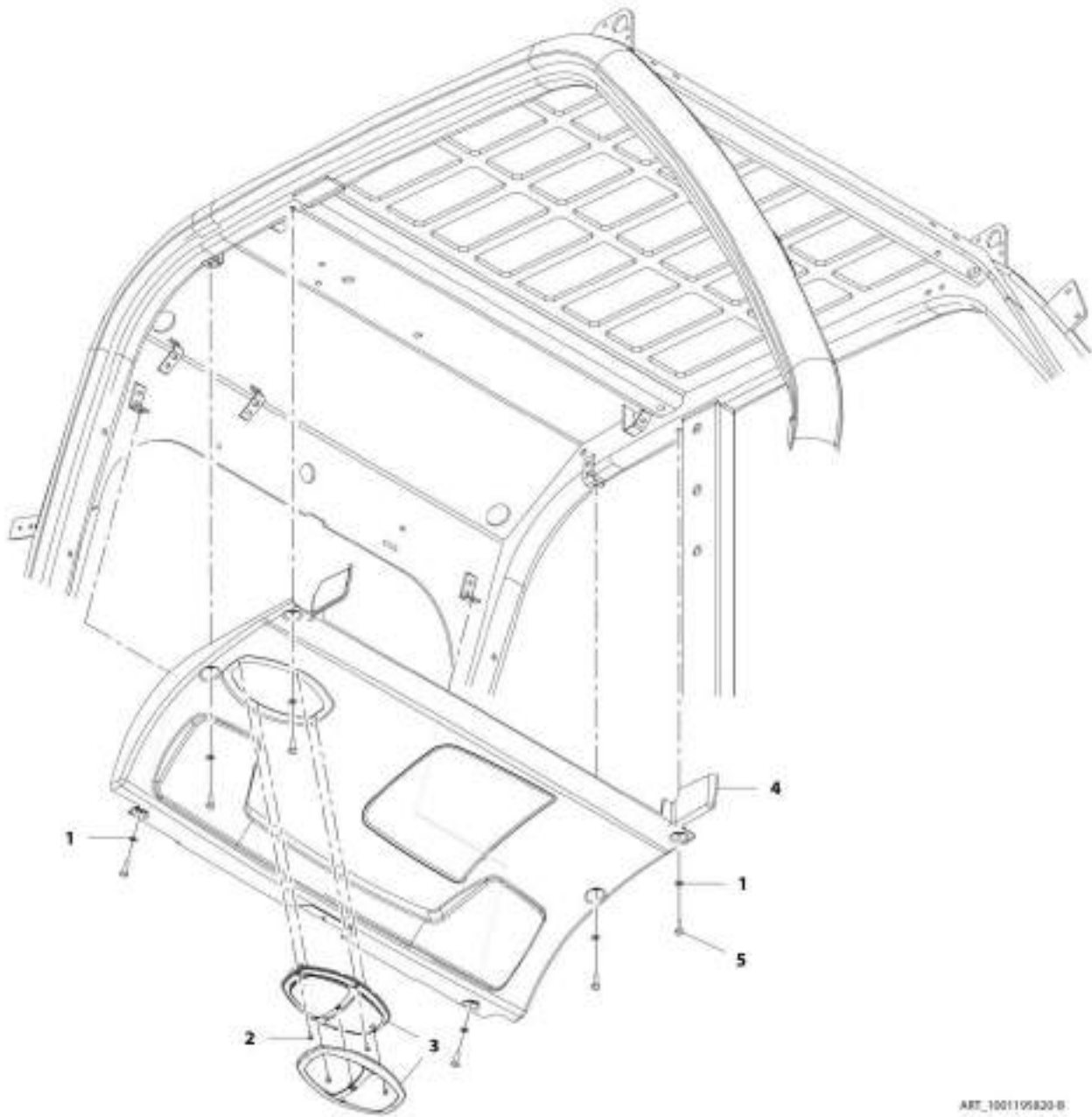
ART_100155486-B

FIGURE 6-50. ROOF WIPER INSTALLATION

ITEM	PART NUMBER	QTY	DESCRIPTION	REV
	1001155486	Ref	Roof Wiper Installation	B
1	1001090343	1	Connector	
2	1001139551	1	Motor, Roof Wiper	
3	1001141313	1	Blade, Roof Wiper	
4	1001141311	1	Arm, Roof Wiper Blade	
5	1001159736	1	Switch, Roof Wiper	

SECTION 6 - CAB

FIGURE 6-51. HEADLINER INSTALLATION



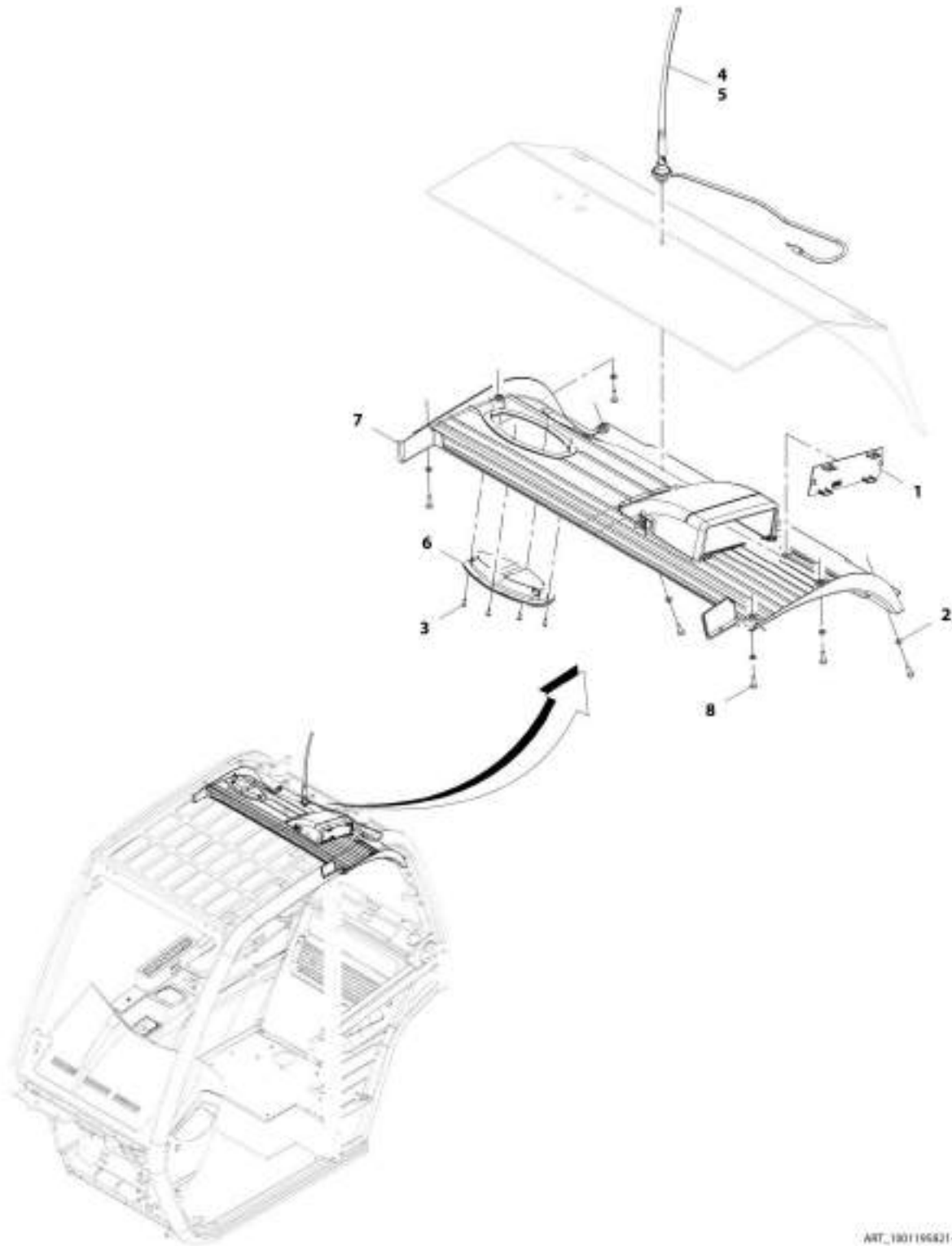
ART_100119820-B

FIGURE 6-51. HEADLINER INSTALLATION

ITEM	PART NUMBER	QTY	DESCRIPTION	REV
	1001195820	Ref	Headliner Installation	B
1	4811700	6	Washer, M6	
2	7029486	4	Screw	
3	1001167015	1	Lamp, Dome	
4	1001195822	1	Panel, Headliner	
5	4010610002	6	Screw, M6X20	

SECTION 6 - CAB

FIGURE 6-52. HEADLINER/RADIO READY PACKAGE INSTALLATION



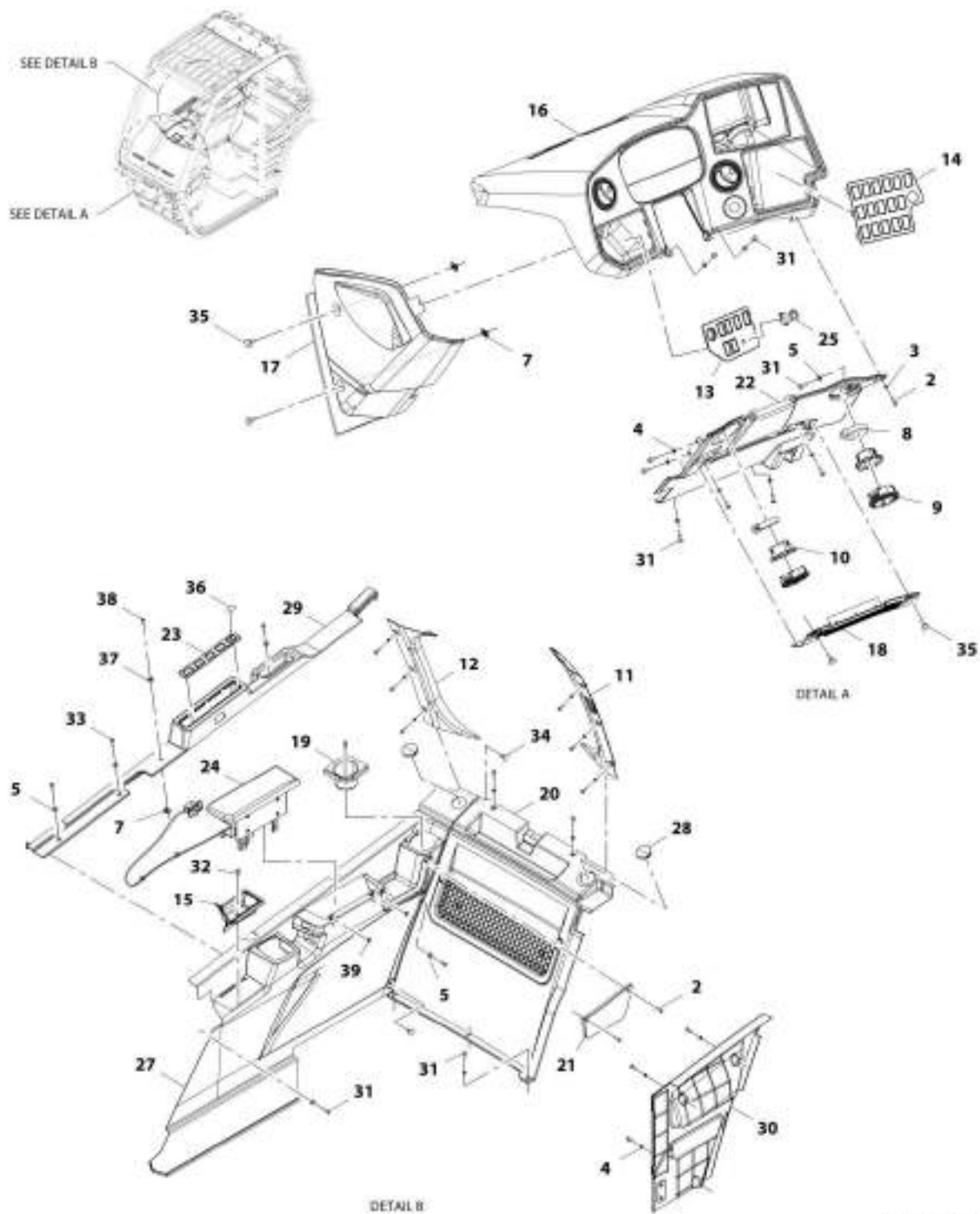
ART_1801106421-B

FIGURE 6-52. HEADLINER/RADIO READY PACKAGE INSTALLATION

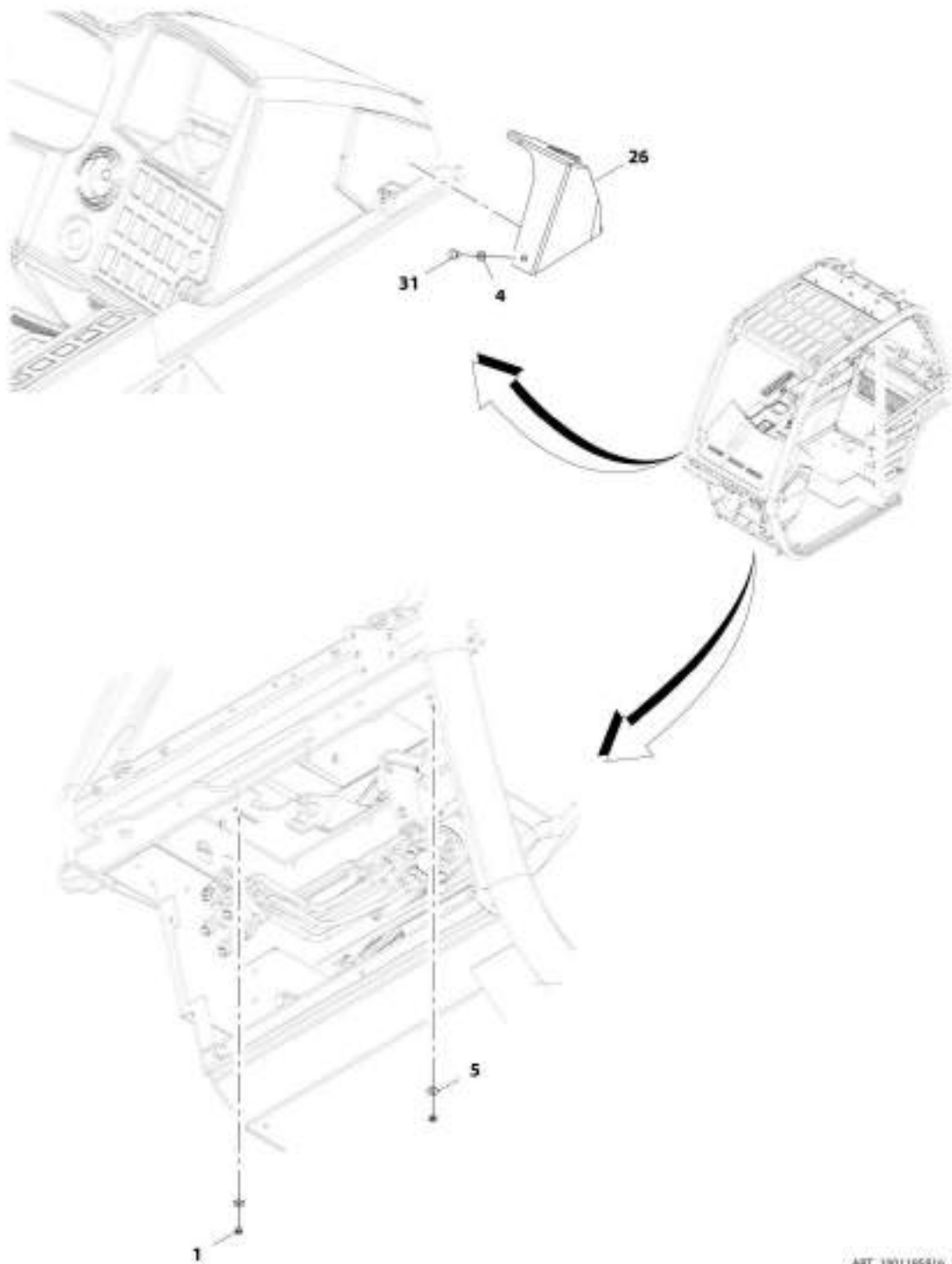
ITEM	PART NUMBER	QTY	DESCRIPTION	REV
	1001195821	Ref	Headliner/Radio Ready Package Installation	B
1	1001200968	1	Plate	
2	4811700	6	Washer, 6M	
3	7029486	4	Screw	
4	8005901	1	Antenna	
5	1001116128	AR	Sealant, Polysiloxane	
6	1001167015	1	Lamp	
7	1001195823	1	Cover, Headliner	
8	4010610002	6	Screw, M6X20	

SECTION 6 - CAB

FIGURE 6-53. CAB TRIM INSTALLATION



SECTION 6 - CAB



ART_1901195816_34

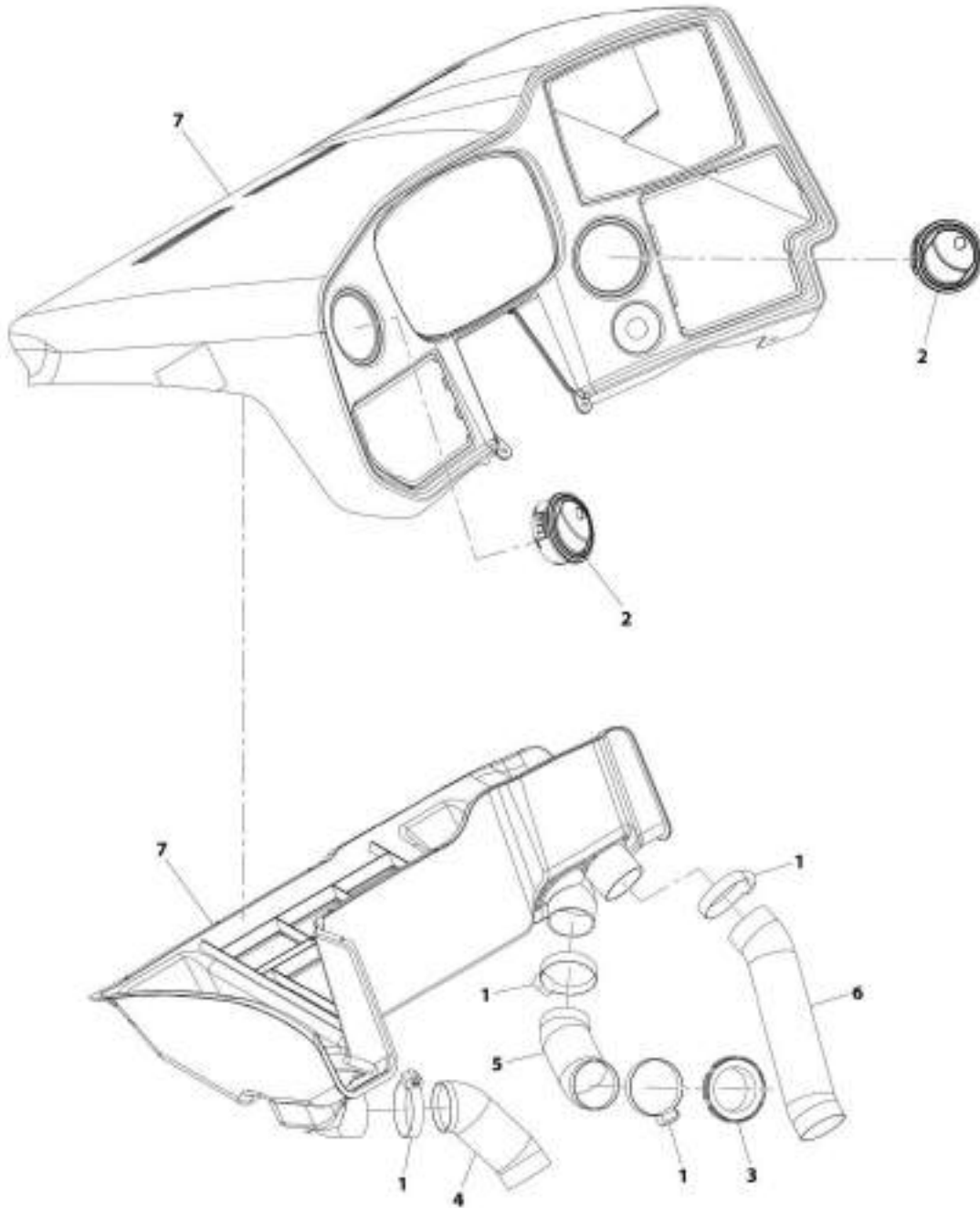
SECTION 6 - CAB

FIGURE 6-53. CAB TRIM INSTALLATION

ITEM	PART NUMBER	QTY	DESCRIPTION	REV
	1001195816	Ref	Cab Trim Installation	I
1	3290605	2	Nut, Lock M6X1	
2	4031608001	3	Screw, M5X20	
3	4811600	1	Washer, M5	
4	4811700001	23	Washer, M6	
5	4811702001	7	Washer, M6	
7	8305919	2	Nut, M6	
8	8405201	2	Clamp	
9	1001147449	2	Vent	
10	1001149278	2	Connector, Vent	
11	1001161252	1	Cover, LH C-Post	
12	1001161253	1	Cover, RH C-Post	
13	1001219864	1	Plate, Switch	
14	1001219865	1	Plate, Switch	
15	1001169603	1	Tray	
16	1001169604	1	Assembly, Dash Cover (See Seperate Breakdown in this Section)	
17	1001161855	1	Cover, Side Dash	
18	1001170504	1	Cover, Recirculation Grille	
19	1001170518	1	Holder, Cup	
20	1001170519	1	Assembly, Rear Panel Cover (See Seperate Breakdown in this Section)	
21	1001173965	1	Bezel, Net	
22	1001175903	1	Cover, Lower Dash	
23	1001219863	1	Plate, Switch	
24	1001181726	1	Installation, Armrest (See Seperate Breakdown in this Section)	
25	1001184975	1	Decal, HVAC	
26	1001185870	1	Cover, Lower A-Post	
27	1001189182	1	Cover, RH Side	
28	1001223265	2	Grommet	
29	1001195817	1	Cover, RH Extension	
30	1001195818	1	Panel, LH Side	
31	4010608002	26	Screw, M6X16	
32	4010610002	1	Screw, M6X20	
33	4010612002	3	Screw, M6X25	
34	1001211907	2	Screw	
35	1001208308	4	Thumb Screw, M6X15	
36	1001226481	1	Decal, Blank	
37	1001098150	1	Washer, M6	
38	1001132564	1	Screw, M6X20	
39	1001227133	2	Grommet	

SECTION 6 - CAB

FIGURE 6-54. DASH COVER ASSEMBLY



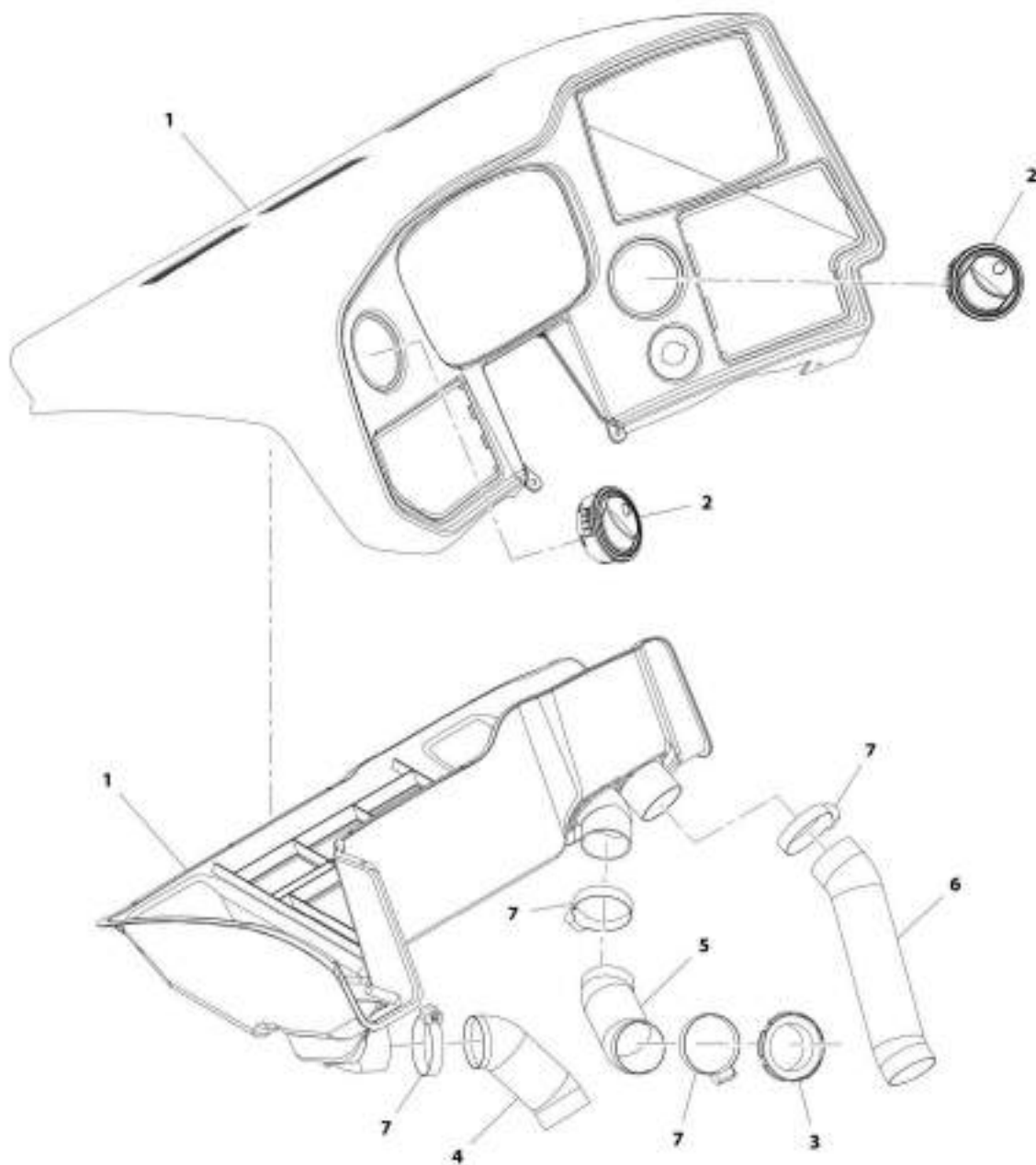
ANT_1001215134-A

FIGURE 6-54. DASH COVER ASSEMBLY

ITEM	PART NUMBER	QTY	DESCRIPTION	REV
	1001215154	Ref	Dash Cover Assembly	A
1	8405201	4	Clamp, Gear	
2	1001147449	2	Vent, Air	
3	1001149278	1	Vent, Connector	
4	1001174652	1	Hose	
5	1001174653	1	Hose	
6	1001174655	1	Hose	
7	1001214951	1	Panel, Top Dash	

SECTION 6 - CAB

FIGURE 6-55. DASH COVER ASSEMBLY



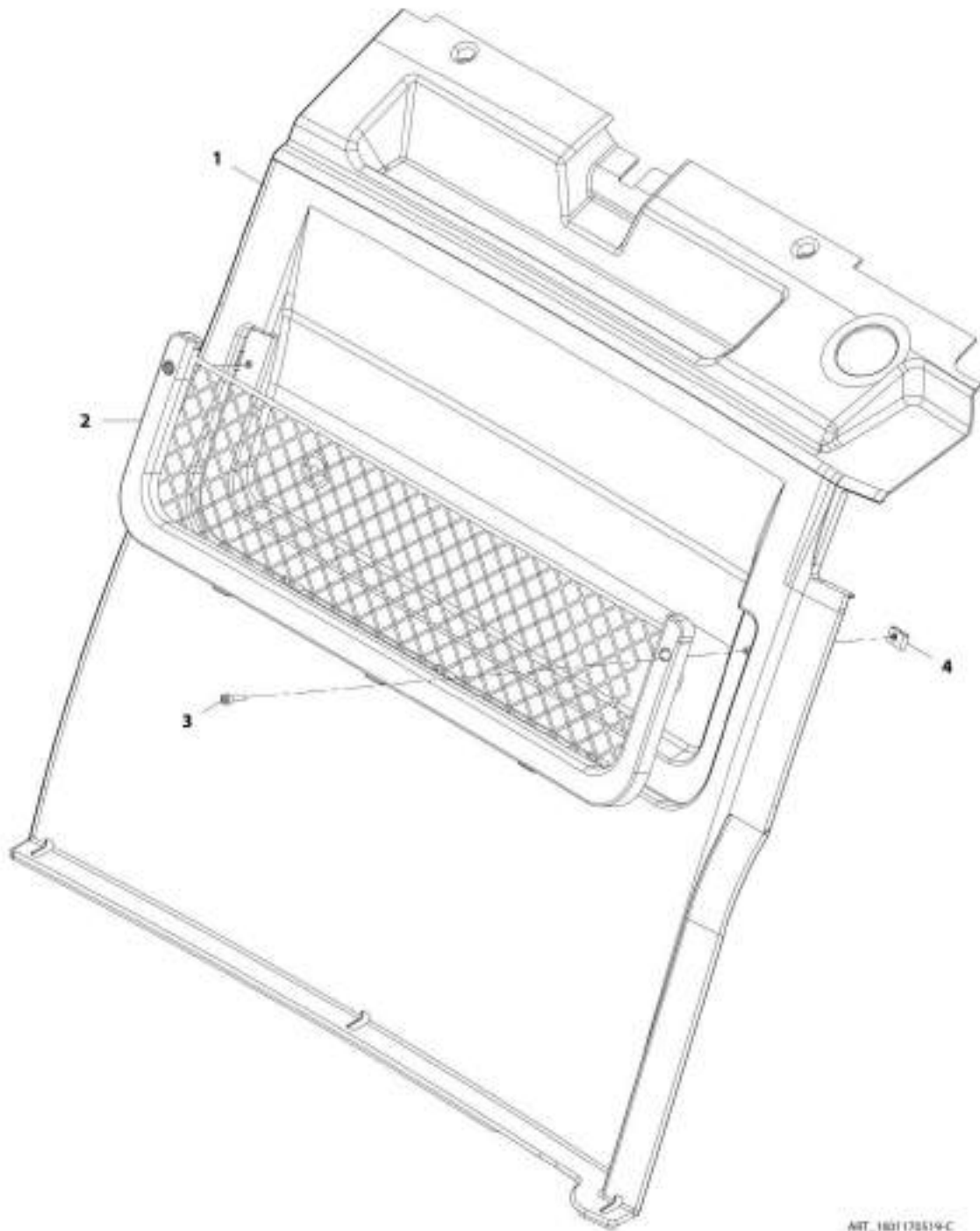
ART. 5301168604-C

FIGURE 6-55. DASH COVER ASSEMBLY

ITEM	PART NUMBER	QTY	DESCRIPTION	REV
	1001169604	Ref	Dash Cover Assembly (Construction)	C
1	1001161851	1	Panel, Top Dash	
2	1001147449	2	Vent, Air	
3	1001149278	1	Vent, Connector	
4	1001174652	1	Hose	
5	1001174653	1	Hose	
6	1001174655	1	Hose	
7	8405201	4	Clamp, Gear	

SECTION 6 - CAB

FIGURE 6-56. REAR PANEL COVER ASSEMBLY



MIT_180178519-C

FIGURE 6-56. REAR PANEL COVER ASSEMBLY

ITEM	PART NUMBER	QTY	DESCRIPTION	REV
	1001170519	Ref	Rear Panel Cover Assembly	C
1	1001161067	1	Panel, Rear	
2	1001170514	1	Storage Net, Rear Panel	
3	4031608	2	Bolt, M5X20	
4	1001183550	2	Nut, Cage M5	

SECTION 6 - CAB

FIGURE 6-57. ADJUSTABLE ARMREST INSTALLATION

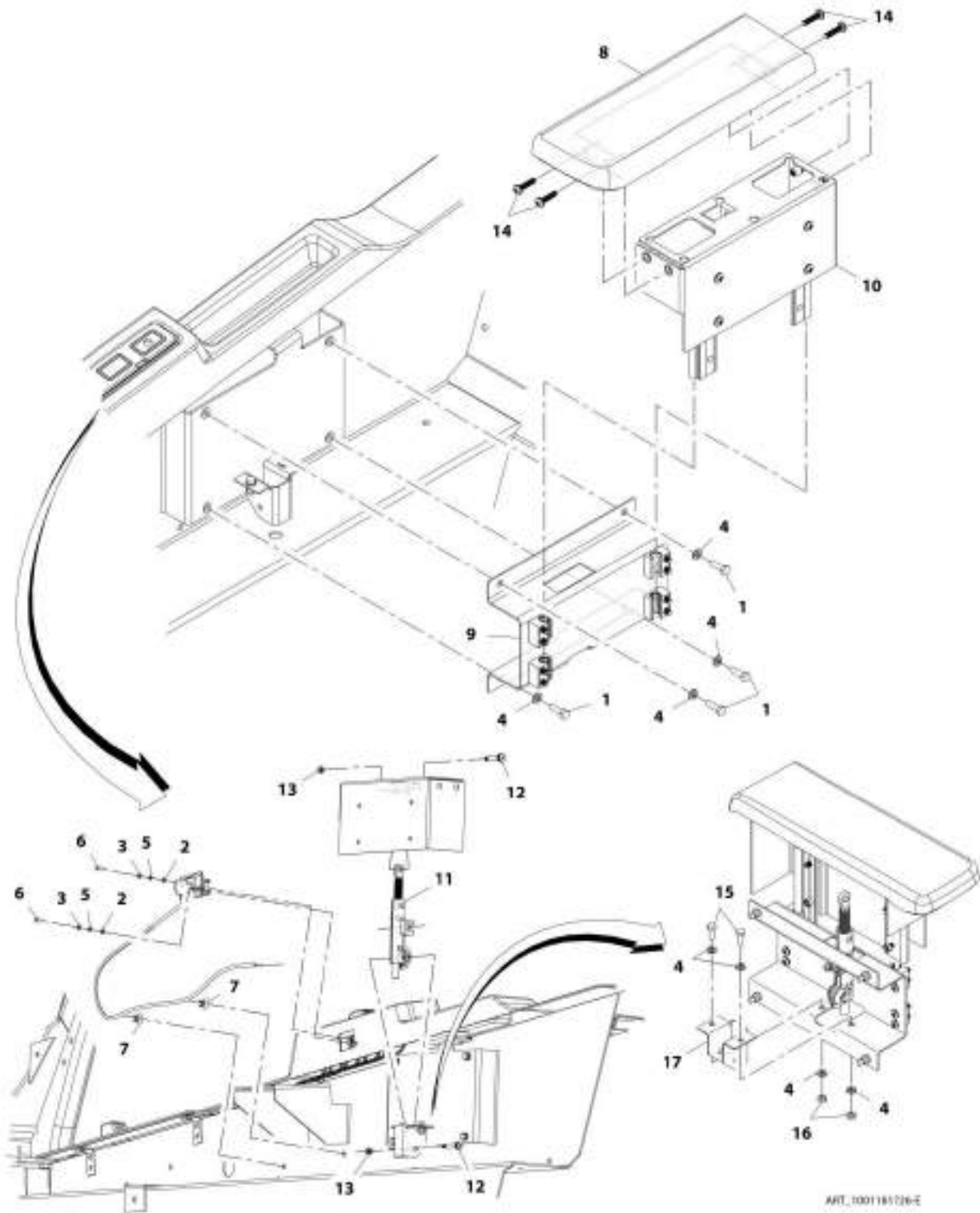
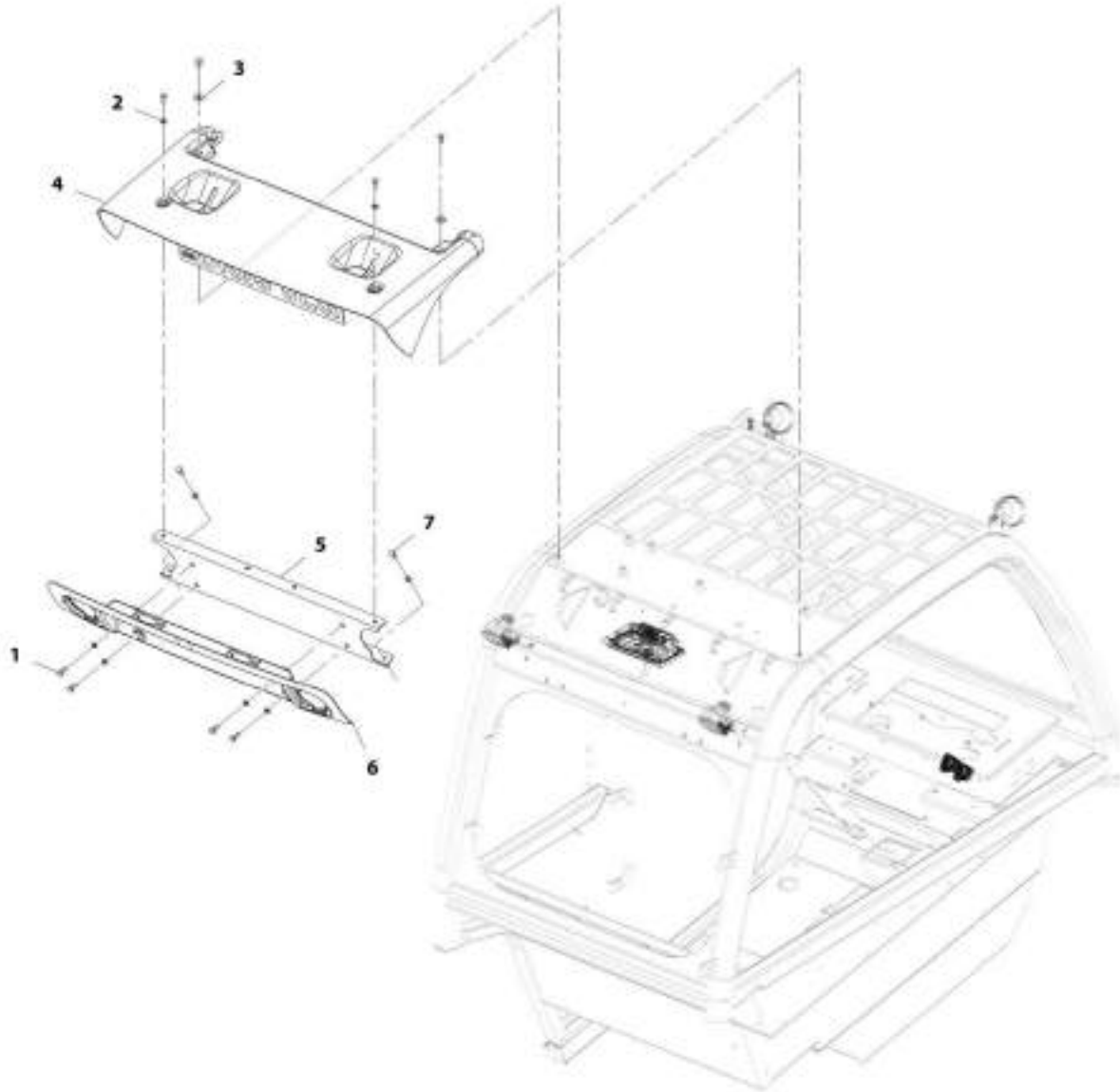


FIGURE 6-57. ADJUSTABLE ARMREST INSTALLATION

ITEM	PART NUMBER	QTY	DESCRIPTION	REV
	1001181726	Ref	Adjustable Armrest Installation	E
1	0700610	4	Bolt, M6X20	
2	3290401	2	Nut, M4X0.7	
3	4811400	2	Washer, M4	
4	4811700	8	Washer, M6	
5	4831400	2	Washer, Lock M4	
6	1001097244	2	Screw, M4X12	
7	1001165458	4	Hose	
8	1001191281	1	Armrest	
9	1001191283	1	Bracket, Fixed Armrest	
10	1001191284	1	Bracket, Moving Armrest	
11	1001191285	1	Spring	
12	1001191370	2	Screw, M6	
13	3290605	2	Nut, M6X1 Grade 8	
14	4010612002	4	Screw, M6X25	
15	0760608	2	Bolt, M6X16	
16	3290601	2	Nut, M6X1	
17	1001212468	1	Bracket, Locking Spring Mount	

SECTION 6 - CAB

FIGURE 6-58. ROOF CAP INSTALLATION (NO A/C)



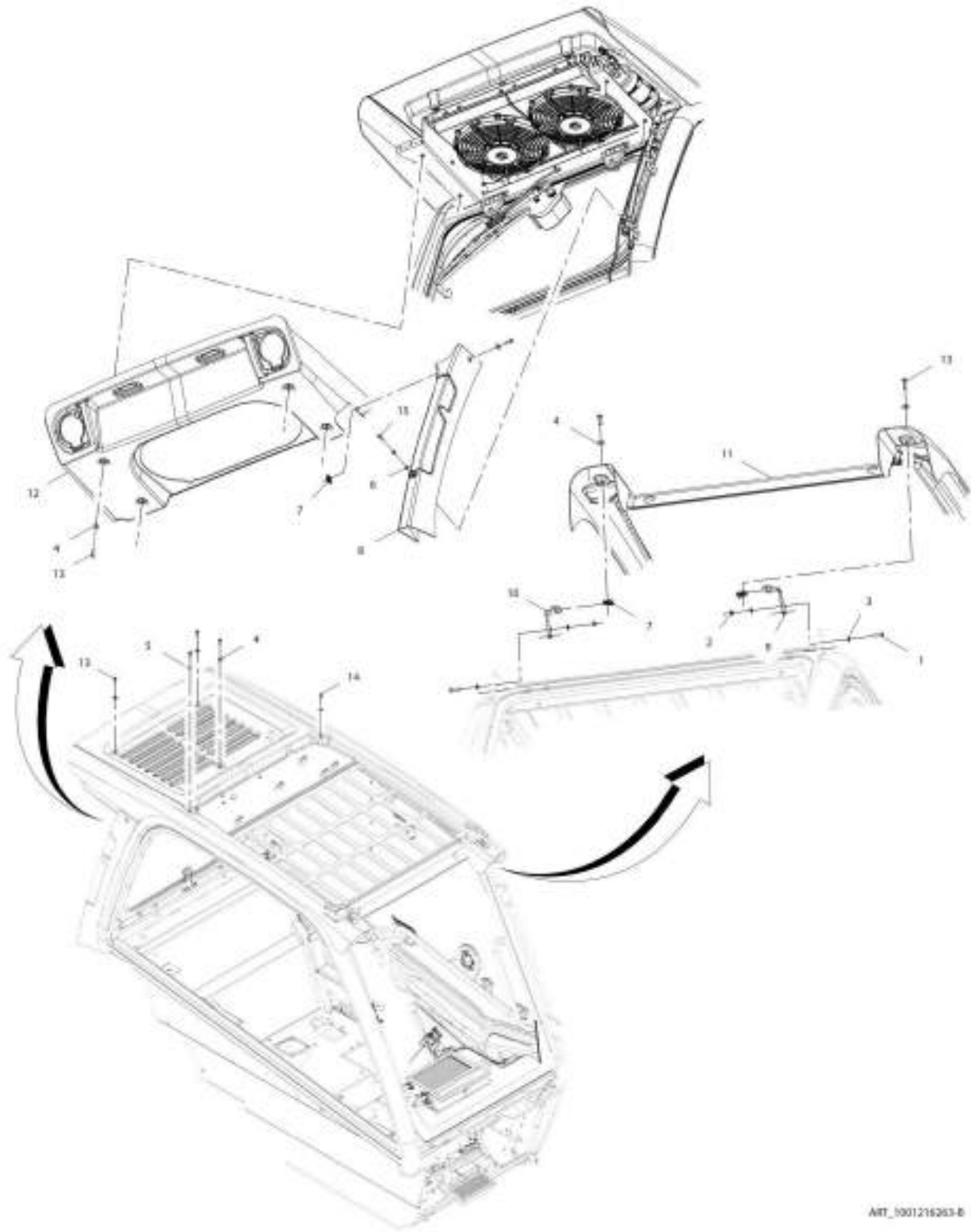
ART_1001216385-B

FIGURE 6-58. ROOF CAP INSTALLATION (NO A/C)

ITEM	PART NUMBER	QTY	DESCRIPTION	REV
	1001216265	Ref	Roof Cap Installation (no A/C)	B
1	0760810	8	Bolt, M8X20	
2	4811900	8	Washer, M8	
3	4811902	2	Washer, M8	
4	1001182330	1	Cover, Short Upper Roof Cap	
5	1001185633	1	Bracket, Roof Cap Mount	
6	1001216270	1	Cover, Short Lower Roof Cap	
7	0760808	2	Bolt, M8X16	

SECTION 6 - CAB

FIGURE 6-59. ROOF CAP INSTALLATION (A/C)



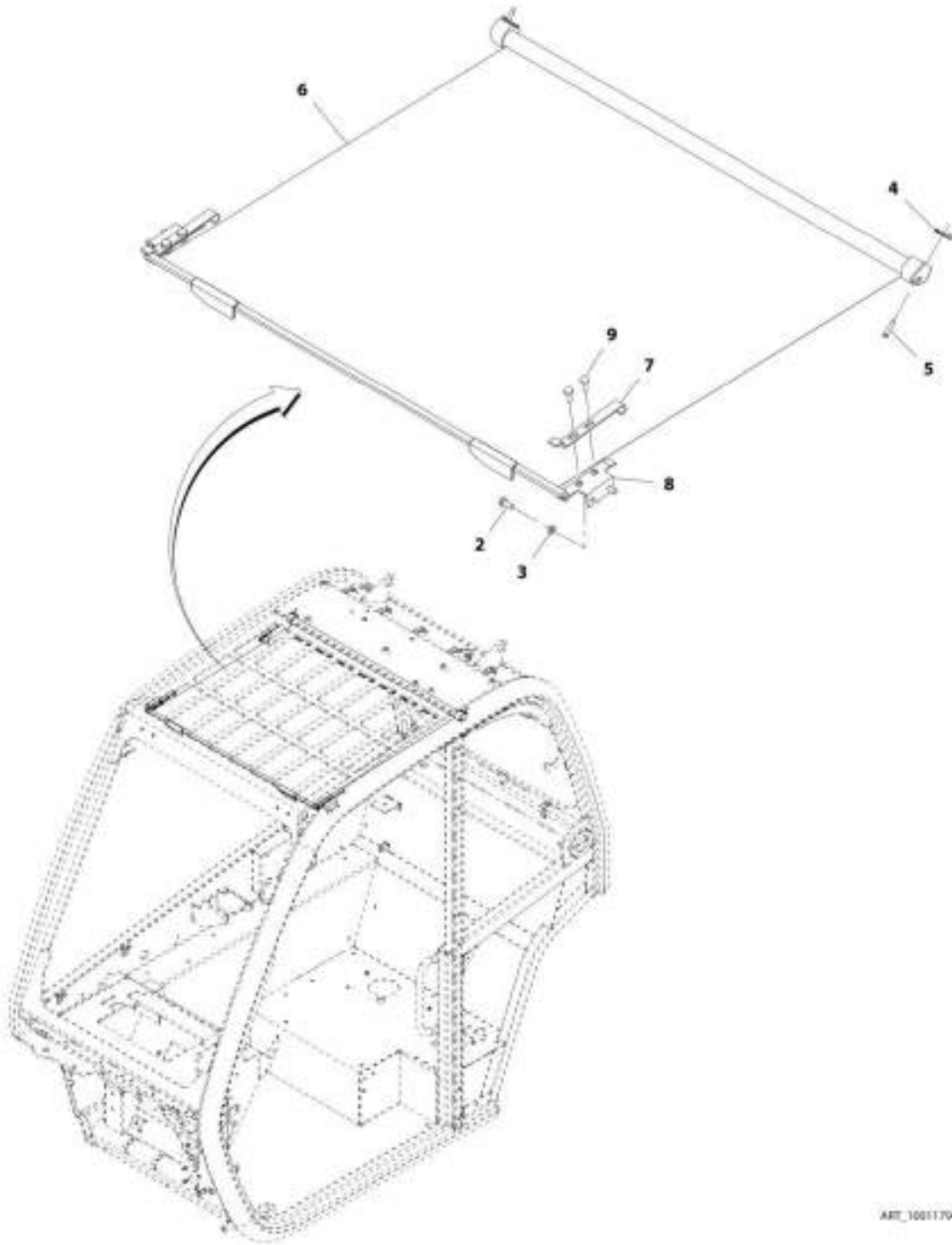
ART_0001216203-B

FIGURE 6-59. ROOF CAP INSTALLATION (A/C)

ITEM	PART NUMBER	QTY	DESCRIPTION	REV
	1001216263	Ref	Roof Cap (A/C) Installation	B
1	0700610	4	Bolt, M6X20	
2	3290601	4	Nut, M6X1	
3	4811700	9	Washer, M6	
4	4811702	10	Washer, M6	
5	4811902	2	Washer, M8	
6	4831700	1	Washer, Lock M6	
7	8305919	3	Nut, M6	
8	1001174741	1	Cover	
9	1001174800	1	Bracket	
10	1001174801	1	Bracket	
11	1001216267	1	Cover, Upper Roof Cap	
12	1001216269	1	Cover, Lower Roof Cap	
13	4010610002	10	Screw, Posi-Drive M6X20	
14	0760808	2	Bolt, M8X16	
15	4010608002	1	Screw, M6X16	

SECTION 6 - CAB

FIGURE 6-60. RETRACTABLE SUNSCREEN INSTALLATION



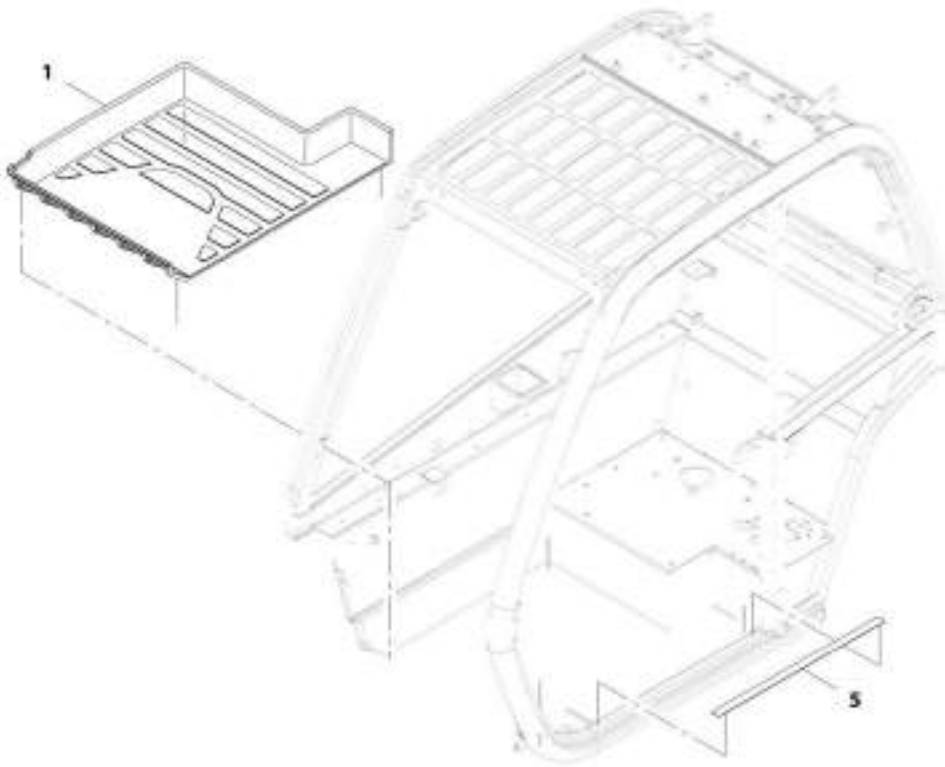
ART_1001170482-D

FIGURE 6-60. RETRACTABLE SUNSCREEN INSTALLATION

ITEM	PART NUMBER	QTY	DESCRIPTION	REV
	1001179482	Ref	Retractable Sunscreen Installation	D
2	0760608	4	Bolt, M6X16	
3	4811700	4	Washer, M6	
4	1001111076	2	Nut, Spire	
5	1001111147	2	Screw, Self Tapping	
6	1001179483	1	Cab, Sun Blind	
7	1001209463	2	Bracket	
8	1001166385	2	Bracket	
9	4010608002	4	Screw, Posi-Drive M6X16	

SECTION 6 - CAB

FIGURE 6-61. FLOOR MAT INSTALLATION



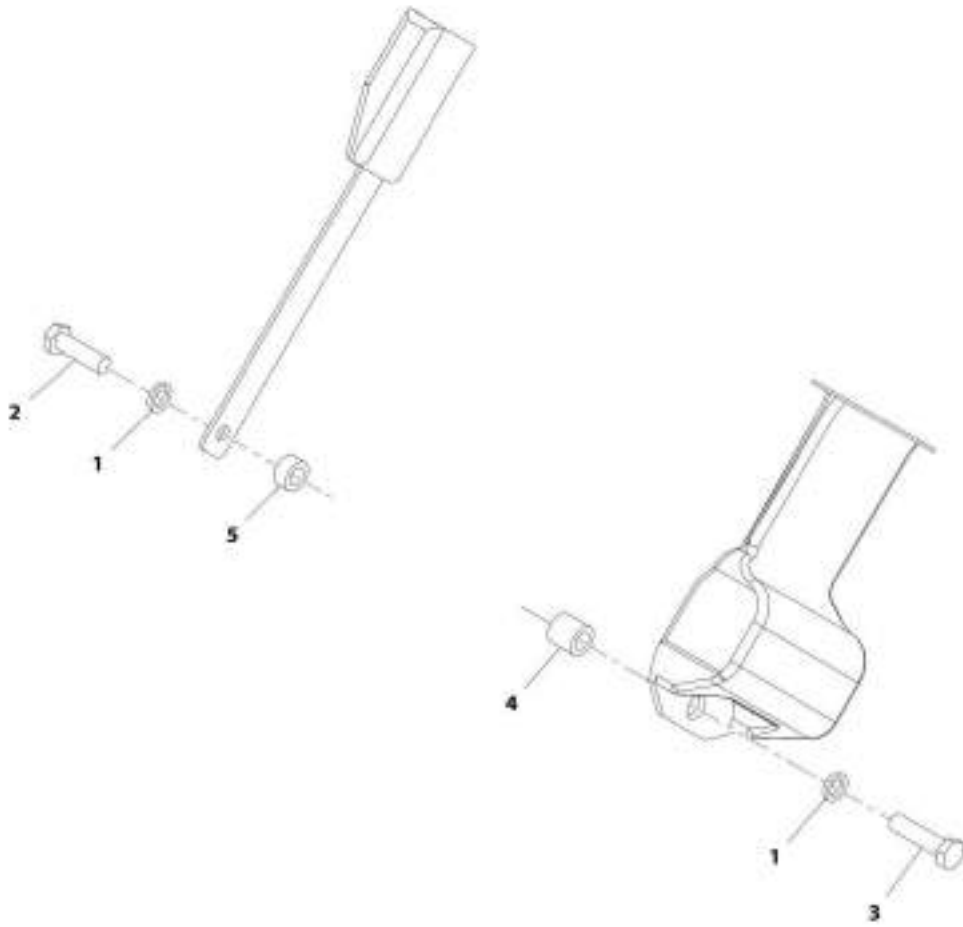
ART_1001561080-E

FIGURE 6-61. FLOOR MAT INSTALLATION

ITEM	PART NUMBER	QTY	DESCRIPTION	REV
	1001161080	Ref	Floor Mat Installation	E
1	1001161078	1	Cab, Floor Mat	
5	1001197259	1	Tape, Frame Non Skid	

SECTION 6 - CAB

FIGURE 6-62. SEAT BELT INSTALLATION (3IN)



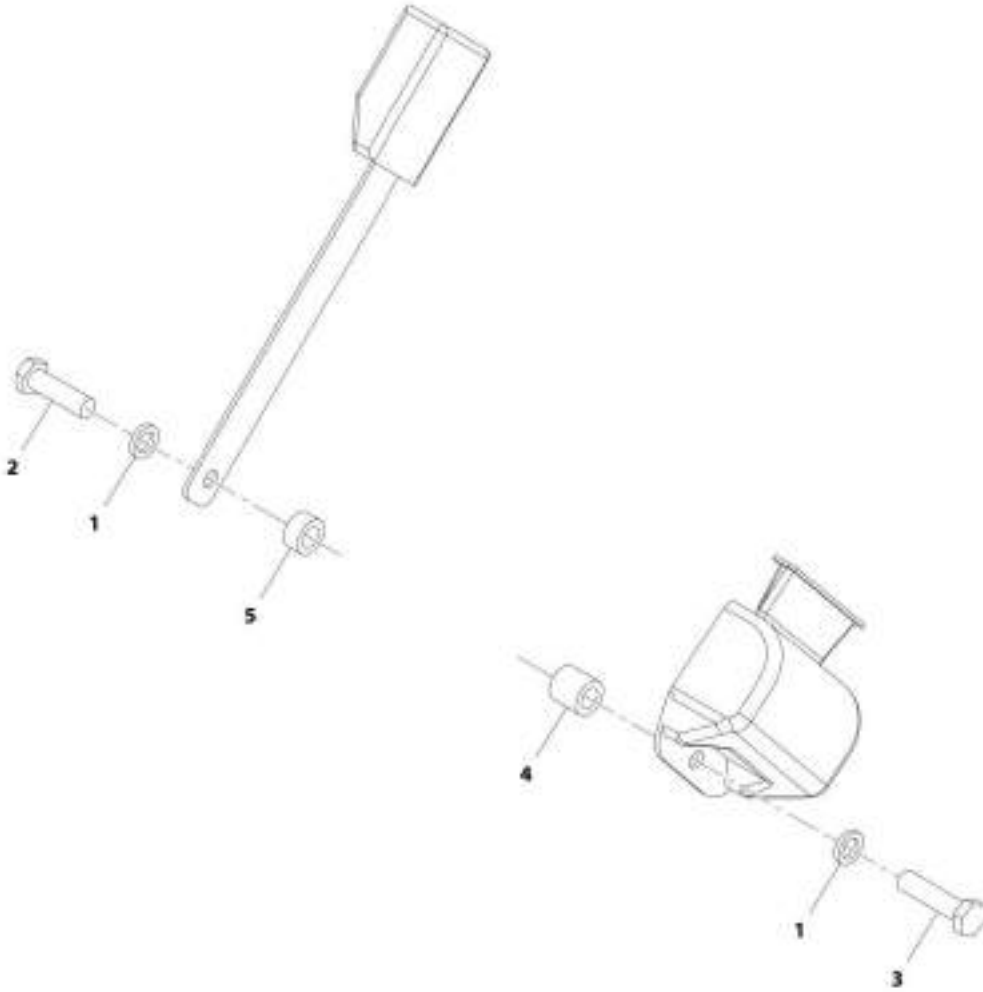
ARC_1001006731-0

FIGURE 6-62. SEAT BELT INSTALLATION (3IN)

ITEM	PART NUMBER	QTY	DESCRIPTION	REV
	1001006731	Ref	Seat Belt Installation (3IN)	B
1	1001010646	2	Washer	
2	1001010647	1	Bolt	
3	1001010648	1	Bolt	
4	1001010649	1	Spacer	
5	1001010650	1	Spacer	

SECTION 6 - CAB

FIGURE 6-63. SEAT BELT INSTALLATION (2IN)



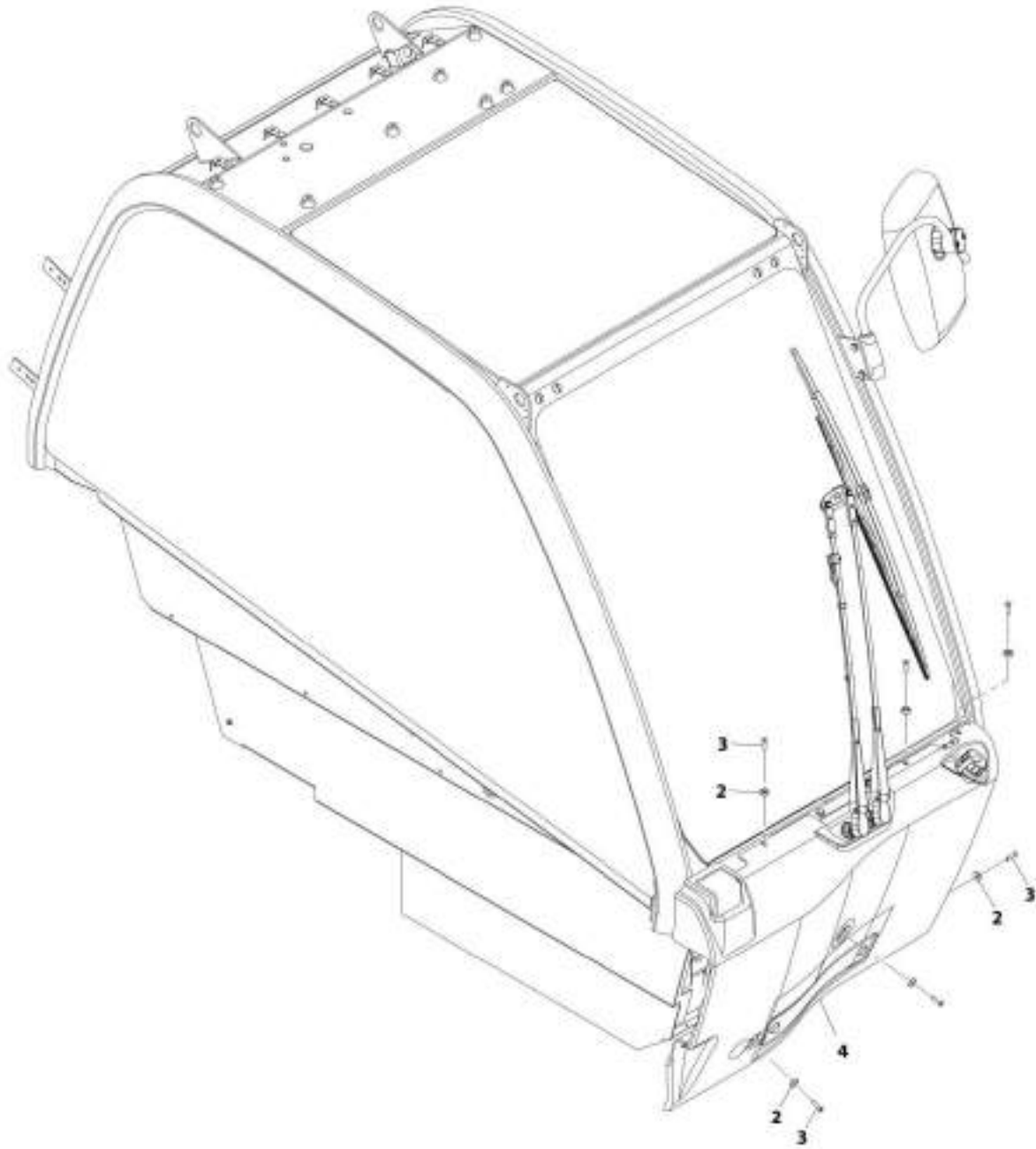
WIT_1001066730-E

FIGURE 6-63. SEAT BELT INSTALLATION (2IN)

ITEM	PART NUMBER	QTY	DESCRIPTION	REV
	1001006730	Ref	Seat Belt Installation (2IN)	E
1	1001010646	2	Washer	
2	1001010647	1	Bolt	
3	1001010648	1	Bolt	
4	1001010649	1	Spacer, Shim	
5	1001010650	1	Spacer, Shim	

SECTION 6 - CAB

FIGURE 6-64. ENCLOSED CAB FRONT COVER INSTALLATION



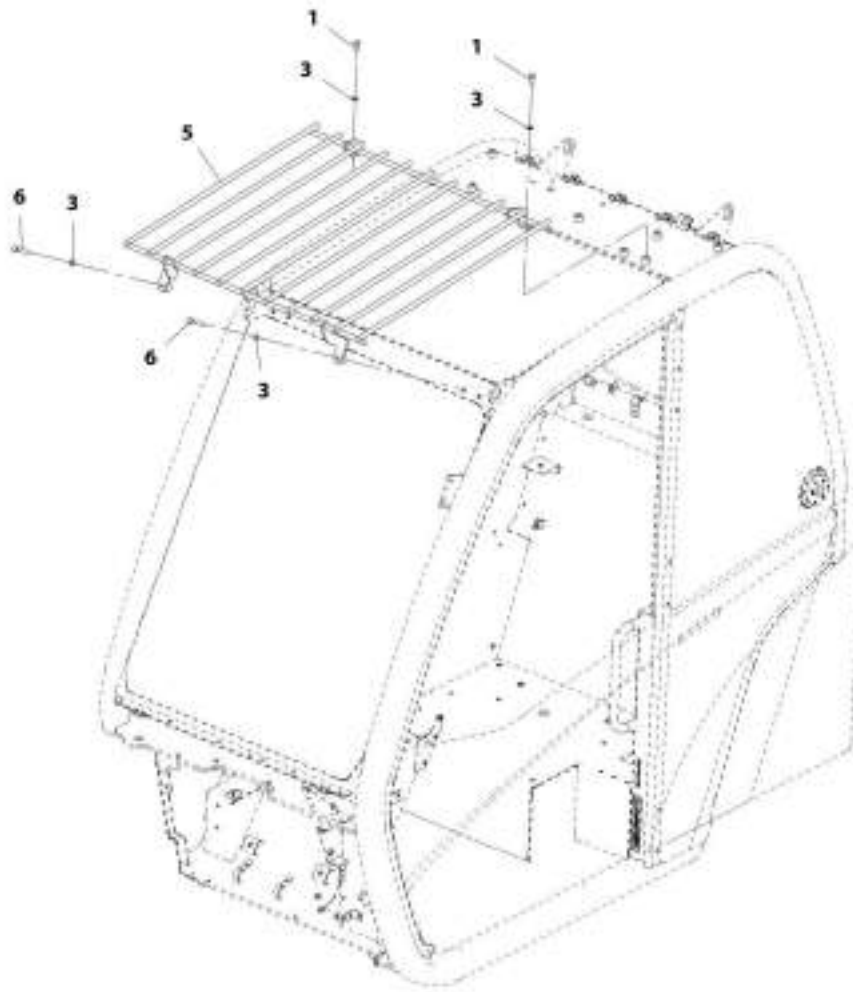
ART_1001170592-G

FIGURE 6-64. ENCLOSED CAB FRONT COVER INSTALLATION

ITEM	PART NUMBER	QTY	DESCRIPTION	REV
	1001179592	Ref	Front Nose Cone Installation (No Sidelight)	G
2	1001097540	6	Washer, M6	
3	3900379	6	Screw, M6-1X25 Grade 10.9	
4	1001170325	1	Cover, Front	

SECTION 6 - CAB

FIGURE 6-65. CAB GUARD INSTALLATION (TOP)



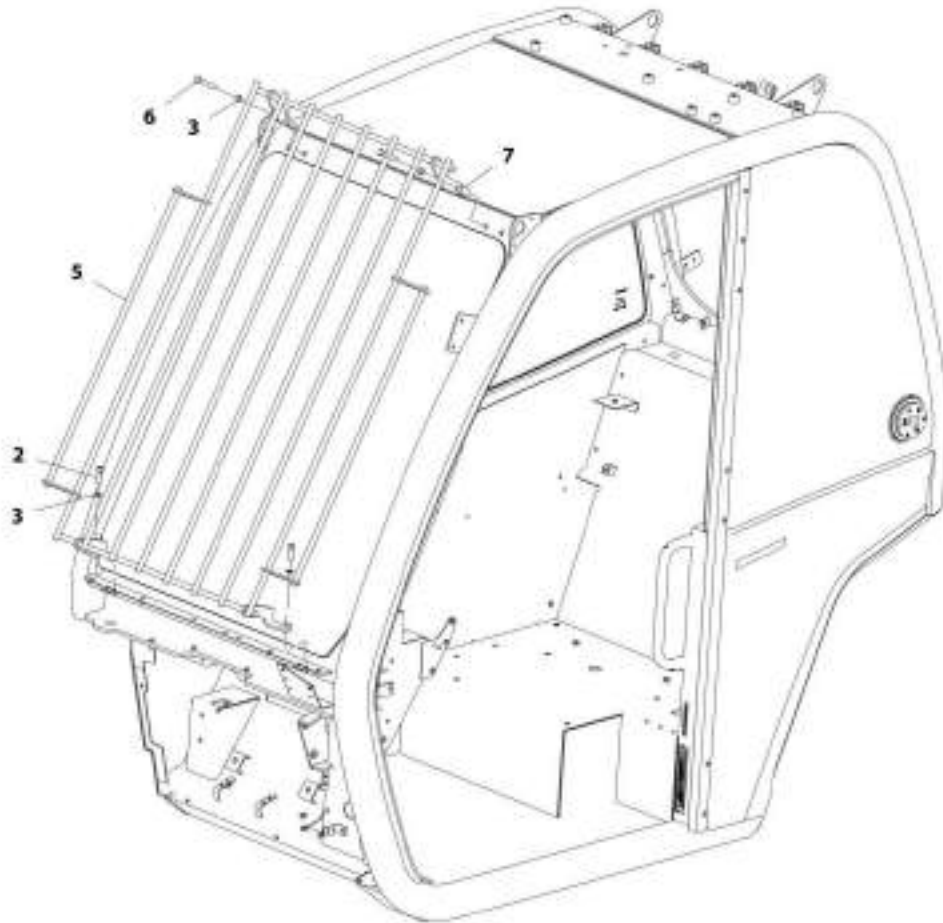
ART_1001100496-F

FIGURE 6-65. CAB GUARD INSTALLATION (TOP)

ITEM	PART NUMBER	QTY	DESCRIPTION	REV
	1001160496	Ref	Cab Guard Installation (Top)	F
1	0760810	2	Bolt, M8X20	
3	4811900	4	Washer, M8	
5	1001160503	1	Guard, Top Screen	
6	0700820	2	Bolt, M8X60	

SECTION 6 - CAB

FIGURE 6-66. CAB GUARD INSTALLATION (FRONT)



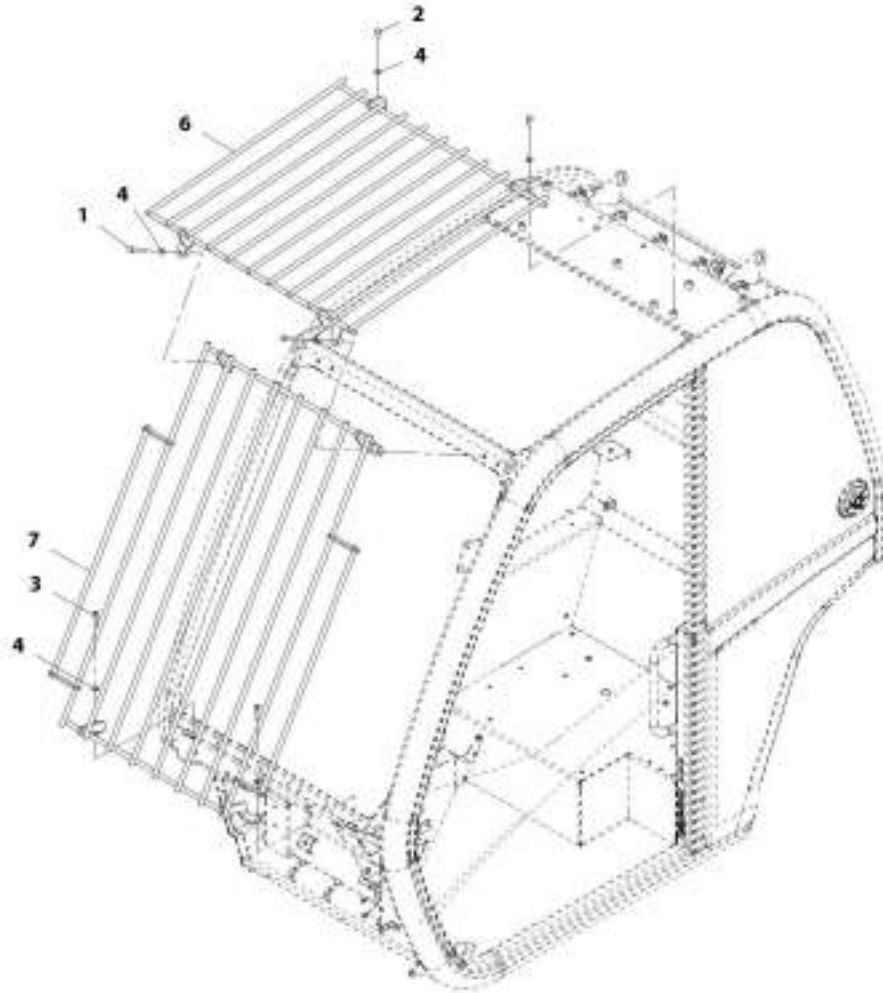
ART_1001590106-G

FIGURE 6-66. CAB GUARD INSTALLATION (FRONT)

ITEM	PART NUMBER	QTY	DESCRIPTION	REV
	1001160506	Ref	Cab Guard Installation (Front)	G
2	4031910	2	Bolt, M8X30	
3	4811900	4	Washer, M8	
5	1001180263	1	Guard, Front Screen	
6	0700820	2	Bolt, M8X60	
7	1001173257	2	Spacer	

SECTION 6 - CAB

FIGURE 6-67. CAB GUARD INSTALLATION (TOP AND FRONT)



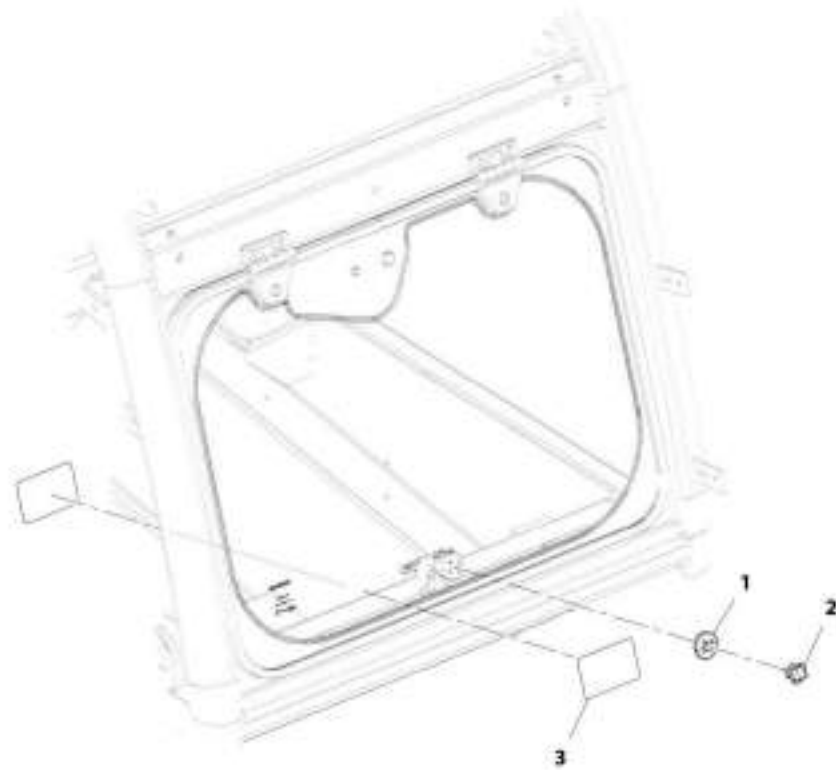
AWT_1001122774-F

FIGURE 6-67. CAB GUARD INSTALLATION (TOP AND FRONT)

ITEM	PART NUMBER	QTY	DESCRIPTION	REV
	1001172774	Ref	Cab Guard Installation (Top and Front)	F
1	0700820	2	Bolt, M8X60	
2	0760810	2	Bolt, M8X20	
3	4031910	2	Bolt, M8X30	
4	4811900	6	Washer, M8	
6	1001160503	1	Guard, Top Screen	
7	1001180263	1	Guard, Front Screen	

SECTION 6 - CAB

FIGURE 6-68. EXTERNAL WINDOW RELEASE INSTALLATION (ANSI - ENGLISH)



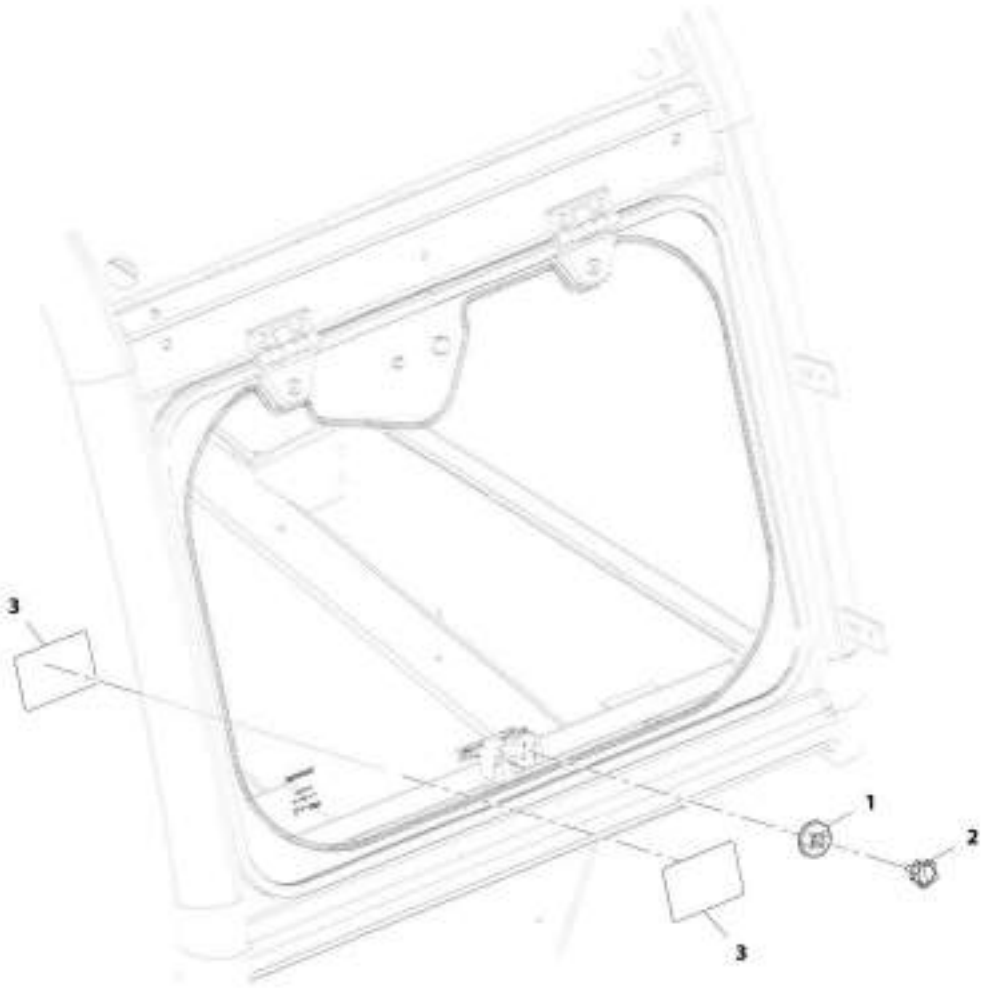
ART_1001212047-A

FIGURE 6-68. EXTERNAL WINDOW RELEASE INSTALLATION (ANSI - ENGLISH)

ITEM	PART NUMBER	QTY	DESCRIPTION	REV
	1001212047	Ref	External Window Release Installation (ANSI - English)	A
1	1001179008	1	Cap, Latch Window	
2	1001179009	1	Cap, Knob M6	
3	1001212049	2	Decal, Emergency Exit	

SECTION 6 - CAB

FIGURE 6-69. EXTERNAL WINDOW RELEASE INSTALLATION (ANSI - ENGLISH/FRENCH)



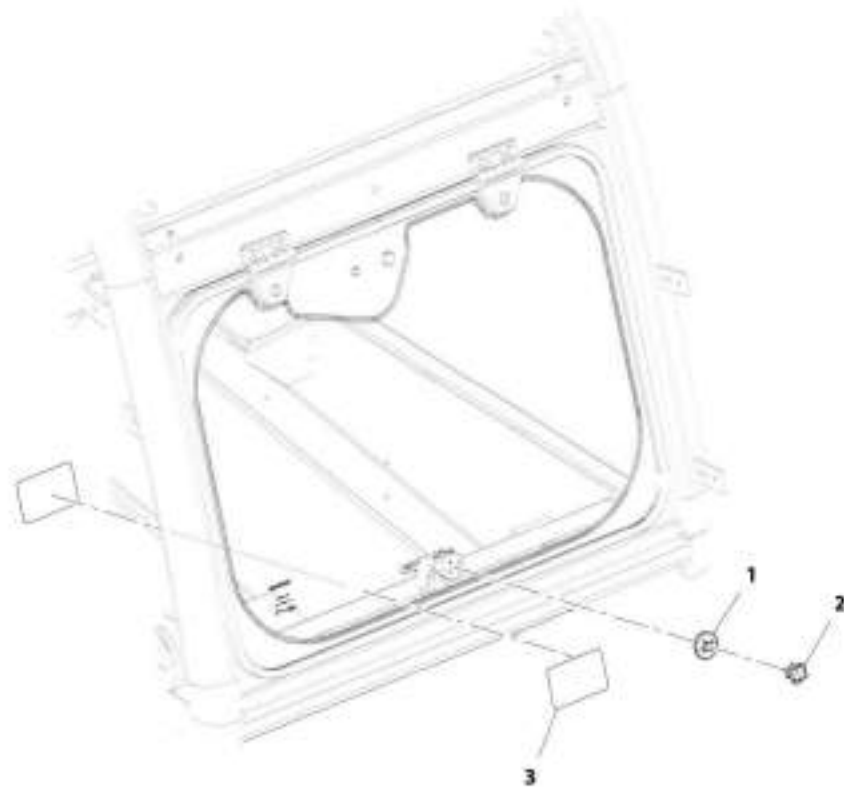
ART_100117826-C

FIGURE 6-69. EXTERNAL WINDOW RELEASE INSTALLATION (ANSI - ENGLISH/FRENCH)

ITEM	PART NUMBER	QTY	DESCRIPTION	REV
	1001178826	Ref	External Window Release Installation (ANSI - English/French)	C
1	1001179008	1	Cap, Latch Window	
2	1001179009	1	Knob	
3	1001204709	2	Decal, Emergency Exit (English/French)	

SECTION 6 - CAB

FIGURE 6-70. EXTERNAL WINDOW RELEASE INSTALLATION (ISO)



ART_1801212540-A

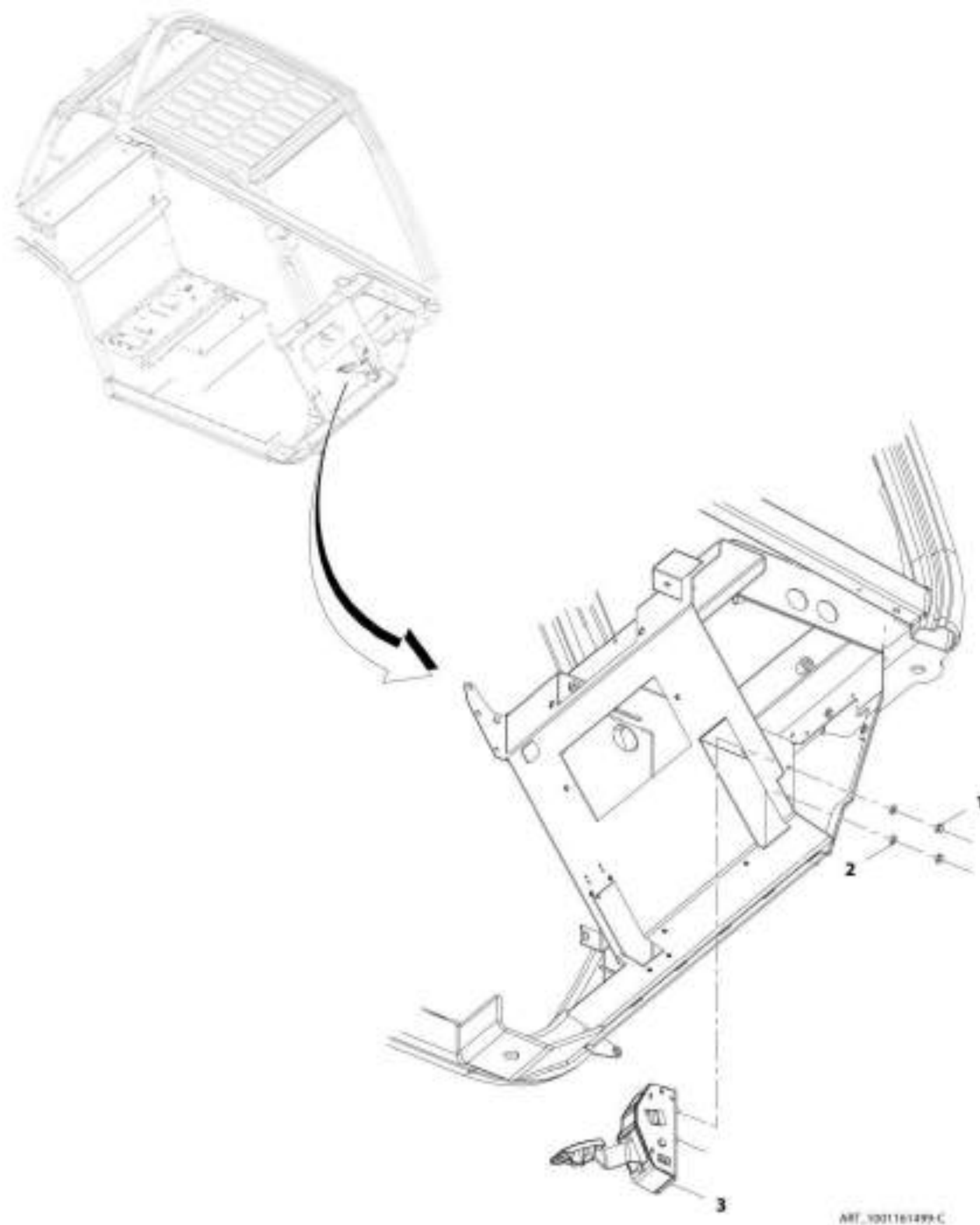
FIGURE 6-70. EXTERNAL WINDOW RELEASE INSTALLATION (ISO)

ITEM	PART NUMBER	QTY	DESCRIPTION	REV
	1001212048	Ref	Rear Window Installation (WO/Wiper) (ISO)	A
1	1001179008	1	Cap, Latch Window	
2	1001179009	1	Cap, Knob M6	
3	1001212050	2	Decal, Emergency Exit	

SECTION 7 - CONTROLS

SECTION 7 - CONTROLS

FIGURE 7-1. ACCELERATOR PEDAL INSTALLATION



ART. 1001161499-C

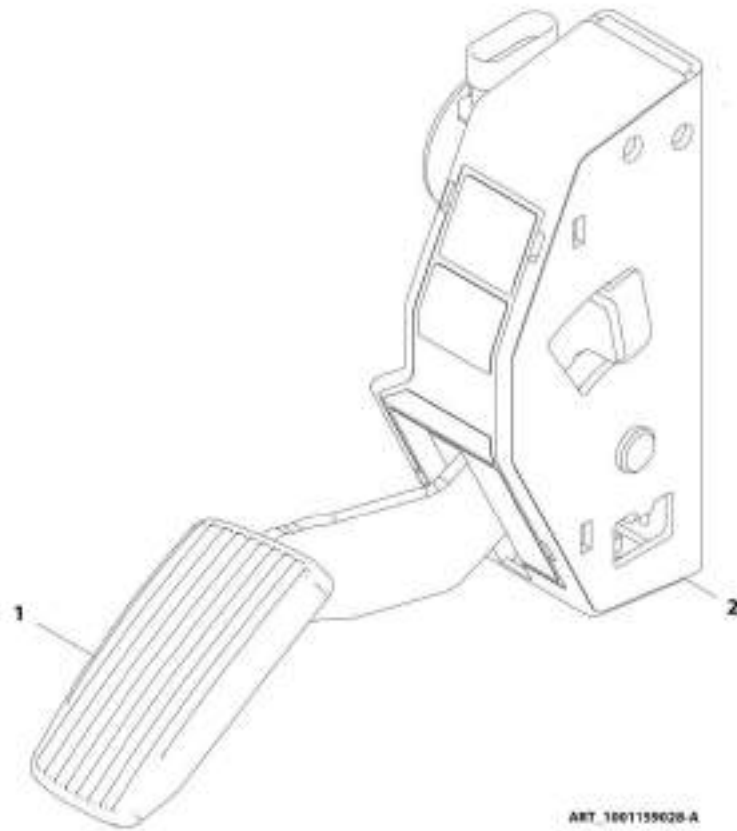
SECTION 7 - CONTROLS

FIGURE 7-1. ACCELERATOR PEDAL INSTALLATION

ITEM	PART NUMBER	QTY	DESCRIPTION	REV
	1001161499	Ref	Accelerator Pedal Installation	C
1	3290801	2	Nut, M8X1.25	
2	4811900	2	Washer, M8	
3	1001159028	1	Pedal, Accelerator (See Separate Breakdown in this Section)	

SECTION 7 - CONTROLS

FIGURE 7-2. ACCELERATOR PEDAL



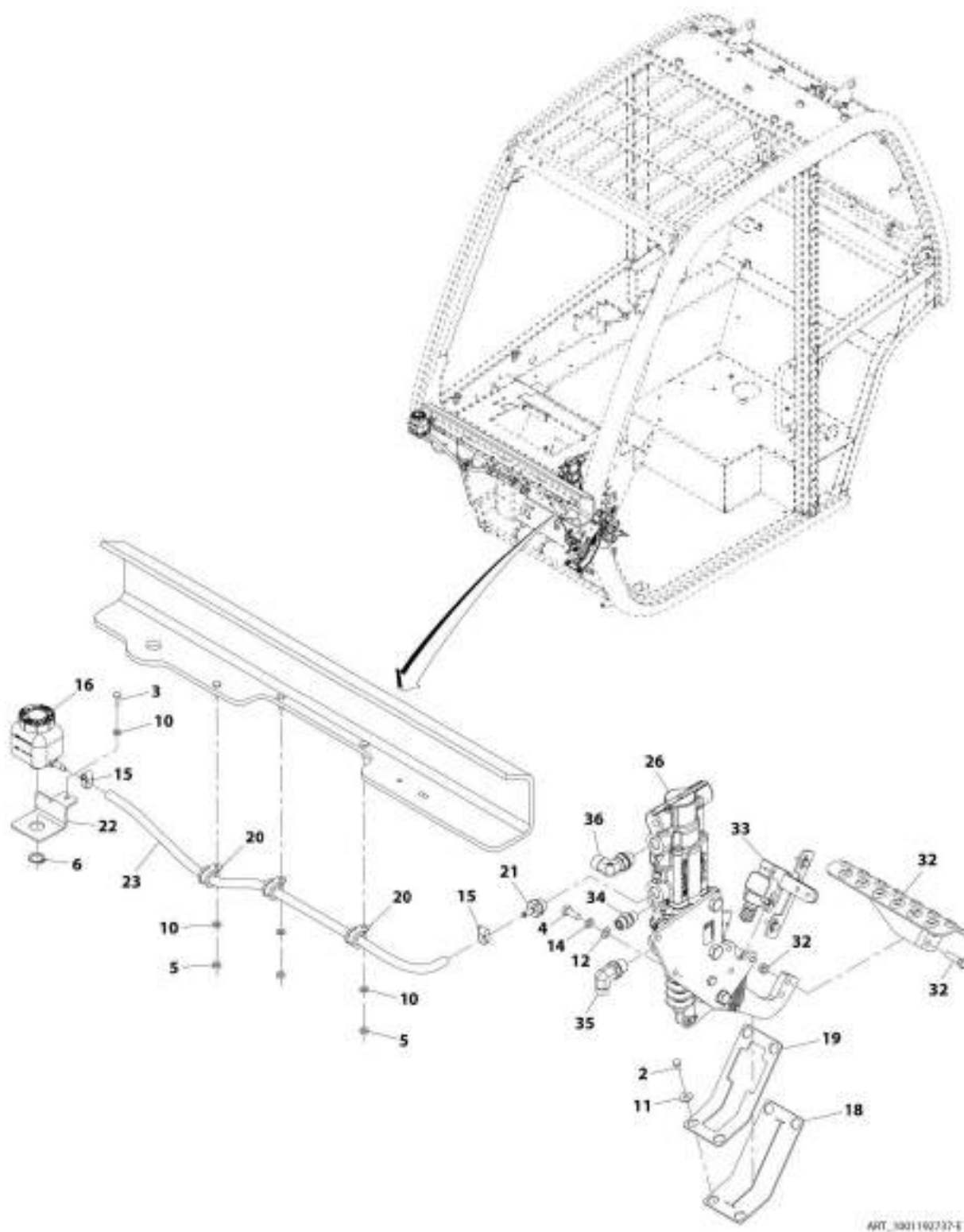
SECTION 7 - CONTROLS

FIGURE 7-2. ACCELERATOR PEDAL

ITEM	PART NUMBER	QTY	DESCRIPTION	REV
	1001159028	Ref	Accelerator Pedal	A
1	70025816	1	Pad, Rubber	
2	70025817	1	Cover, Rubber	

SECTION 7 - CONTROLS

FIGURE 7-3. BRAKE PEDAL INSTALLATION



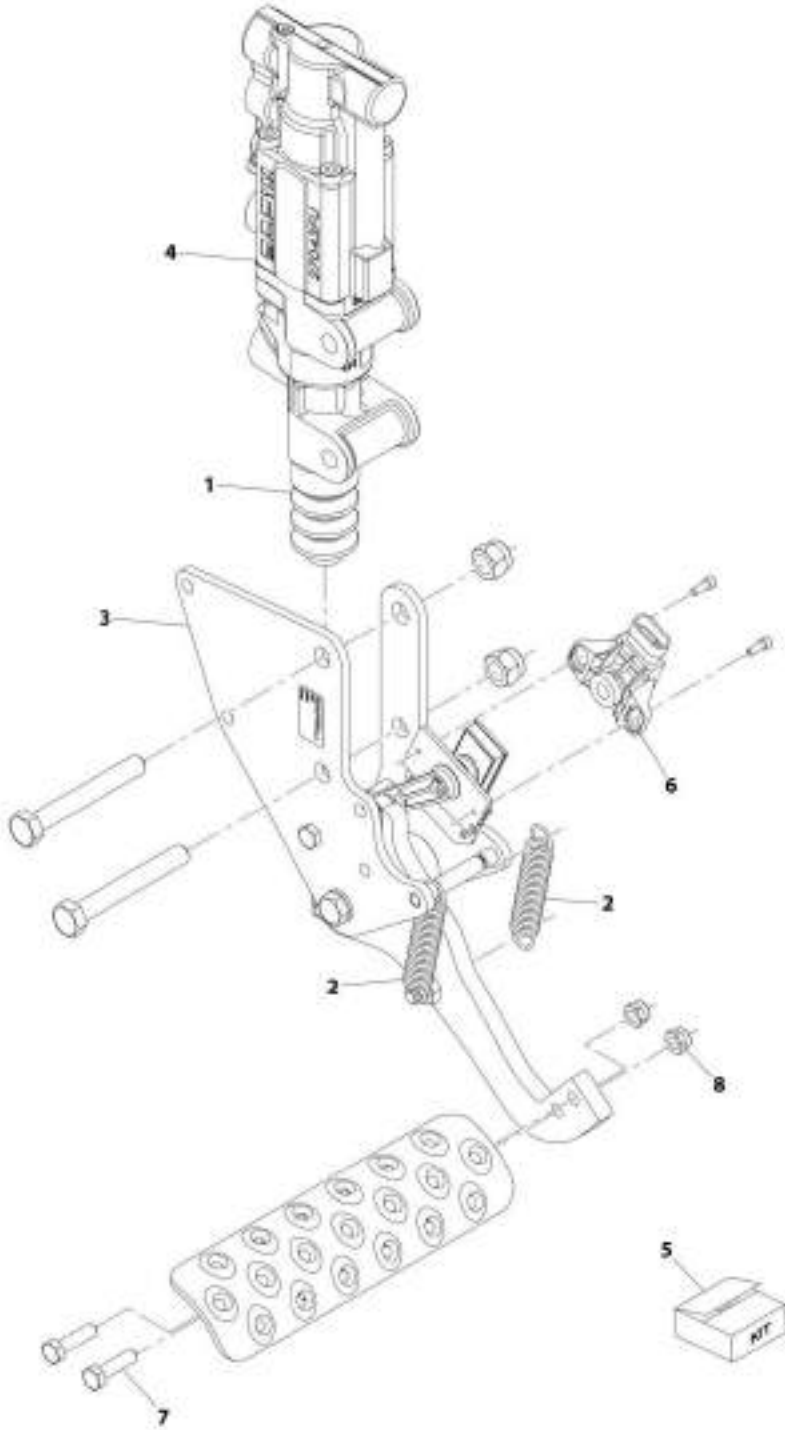
SECTION 7 - CONTROLS

FIGURE 7-3. BRAKE PEDAL INSTALLATION

ITEM	PART NUMBER	QTY	DESCRIPTION	REV
	1001192737	Ref	Brake Pedal Installation	E
2	0760605	4	Bolt, M6X10	
3	0760608	1	Bolt, M6X16	
4	0760810	3	Bolt, M8X20	
5	3290601	3	Nut, M6X1	
6	3760348	1	Ring, Retaining	
10	4811700	4	Washer, M6	
11	4811702	4	Washer, M6	
12	4811900	3	Washer, M8	
14	4831900	3	Washer, Lock M8	
15	8405009	2	Clamp	
16	1001214220	1	Reservoir, Brake	
18	1001162920	1	Seal	
19	1001162922	1	Plate	
20	1001170231	3	Clip	
21	1001171874	1	Fitting, Straight	
22	1001172088	1	Bracket	
23	1001172094	1	Hose	
26	1001213265	1	Assembly, Brake Pedal (See Seperate Breakdown in this Section)	
32	1001197139	1	Plate, Brake Pedal	
33	1001205061	Ref	Installation, Brake Sensor (See Seperate Breakdown in this Section)	
34	80233218	1	Fitting, Straight ORFS	
35	80333151	1	Fitting, 90 ORFS	
36	1001168054	1	Fitting, 90 ORFS	

SECTION 7 - CONTROLS

FIGURE 7-4. BRAKE PEDAL ASSEMBLY



ART. 1001211265-A

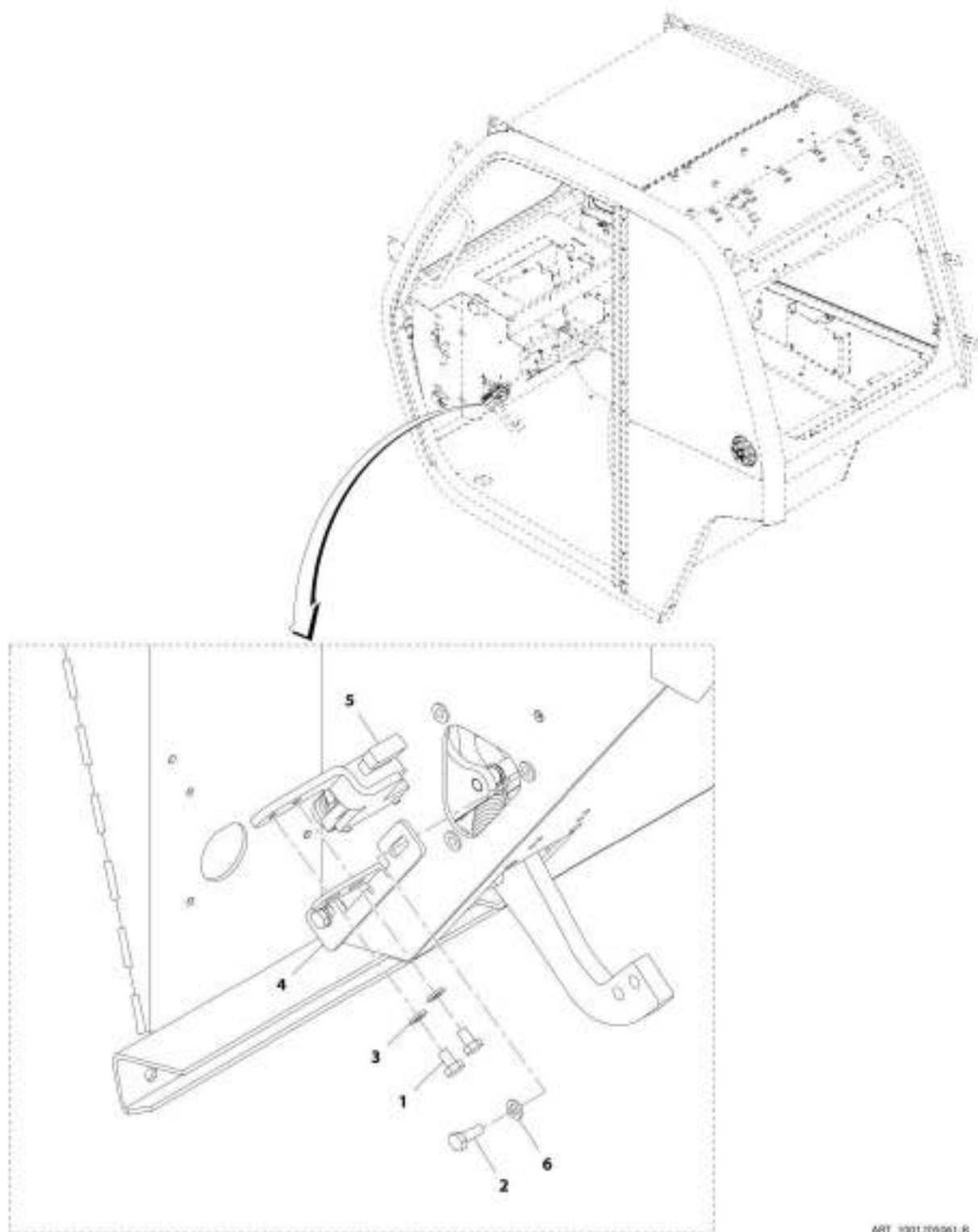
SECTION 7 - CONTROLS

FIGURE 7-4. BRAKE PEDAL ASSEMBLY

ITEM	PART NUMBER	QTY	DESCRIPTION	REV
	1001213265	Ref	Brake Pedal Assembly	A
1	70025859	1	Cover, Dust	
2	70025860	2	Spring, Return	
3	70028381	1	Support, Pedal	
4	70028382	1	Cylinder, Master	
5	70026434	1	Kit, Seal	
6	70028383	1	Sensor, Angle	
7	0770814	2	Bolt, M8X30 Grade 10.9	
8	3290805	2	Nut, Lock M8X1.25 Grade 8	

SECTION 7 - CONTROLS

FIGURE 7-5. BRAKE SENSOR INSTALLATION



ART. 1001209901-R

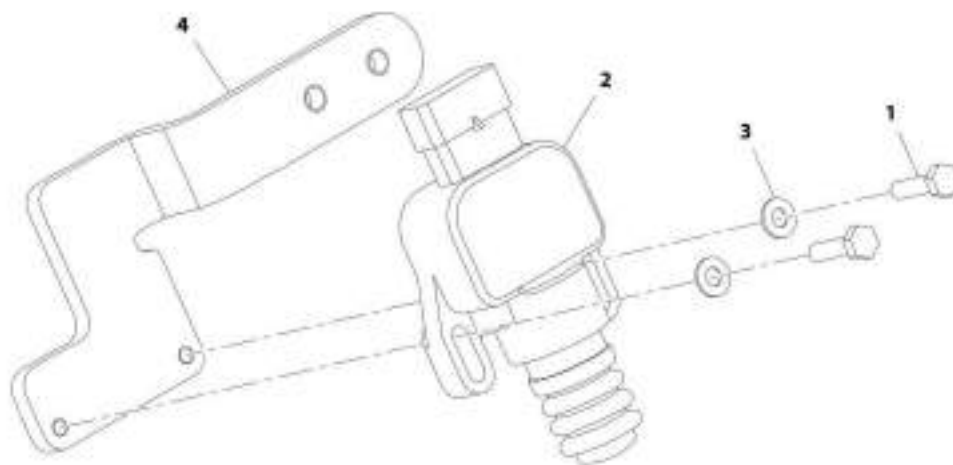
SECTION 7 - CONTROLS

FIGURE 7-5. BRAKE SENSOR INSTALLATION

ITEM	PART NUMBER	QTY	DESCRIPTION	REV
	1001205061	Ref	Brake Sensor Installation	B
1	0760605	2	Bolt, M6X10	
2	0760608	2	Bolt, M6X16	
3	4811700	2	Washer, M6	
4	1001201499	1	Plate, Switch Adjustment	
5	1001201501	1	Assembly, Switch Plate (See Separate Breakdown in this Section)	
6	4811702	2	Washer, M6	

SECTION 7 - CONTROLS

FIGURE 7-6. SWITCH PLATE ASSEMBLY



MFT_1001201301-4

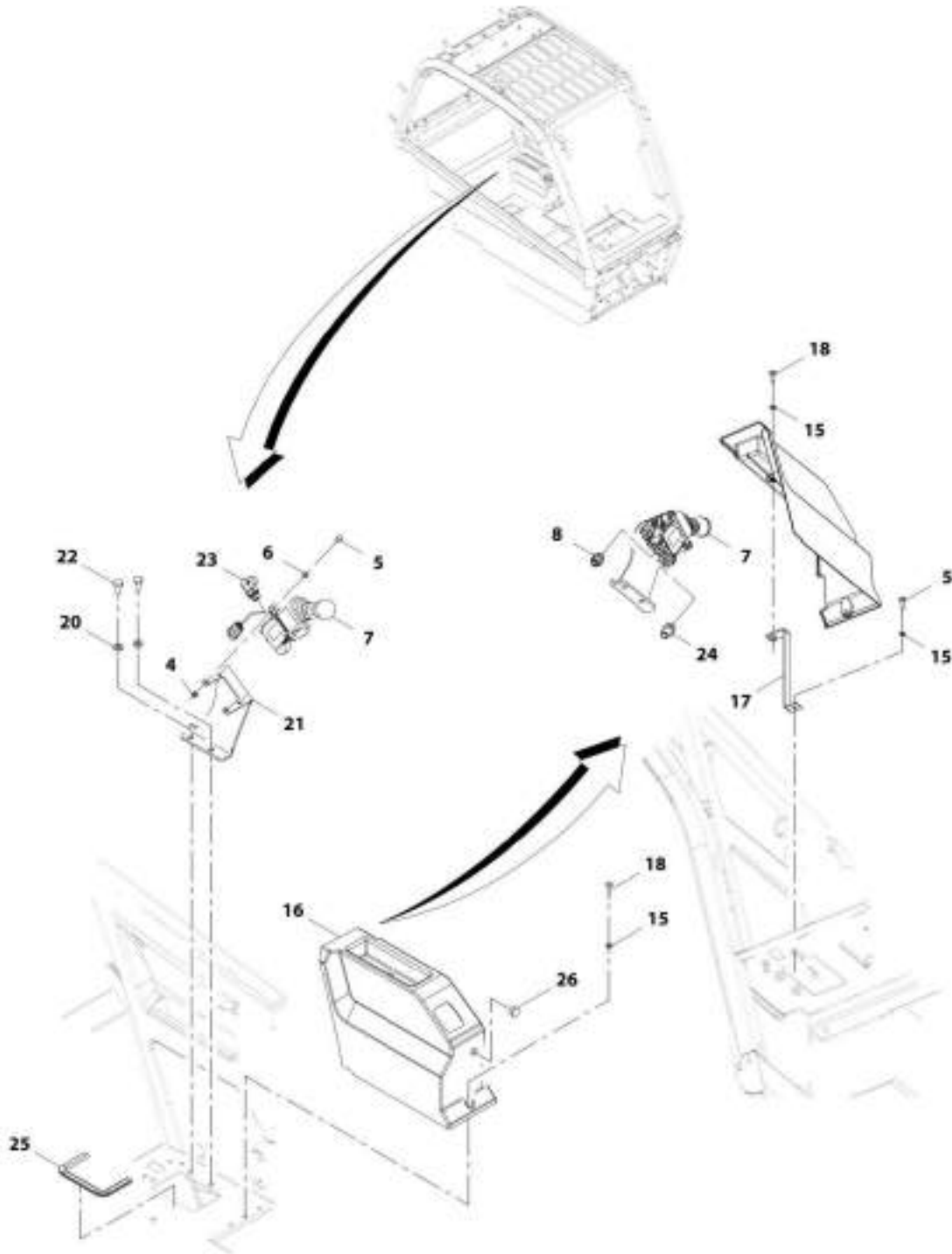
SECTION 7 - CONTROLS

FIGURE 7-6. SWITCH PLATE ASSEMBLY

ITEM	PART NUMBER	QTY	DESCRIPTION	REV
	1001201501	Ref	Switch Plate Assembly	A
1	0700408	2	Bolt, M4X16	
2	4360658	1	Switch, Brake Light	
3	4811400	2	Washer, M4	
4	1001201500	1	Plate	

SECTION 7 - CONTROLS

FIGURE 7-7. PARK BRAKE INSTALLATION



ART_1801163862-M

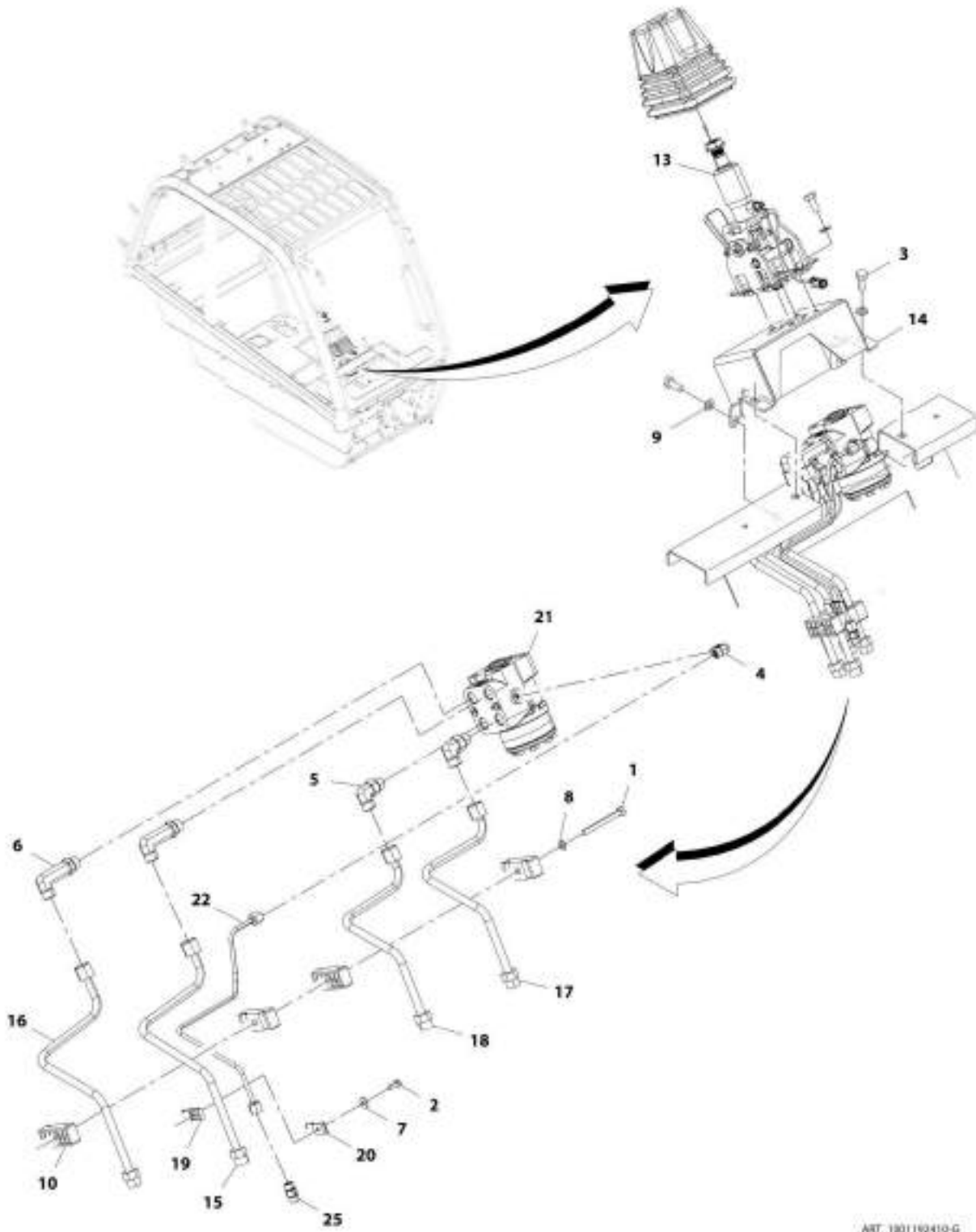
SECTION 7 - CONTROLS

FIGURE 7-7. PARK BRAKE INSTALLATION

ITEM	PART NUMBER	QTY	DESCRIPTION	REV
	1001162062	Ref	Park Brake Installation	M
4	3290601	4	Nut, M6X1	
5	0760608	5	Bolt, M6X16	
6	4831700	4	Washer, Lock M6	
7	1001207956	1	Hydraulic Hand Brake	
7	70020922	1	Kit, Seal	
8	1001101702	1	Fitting, Straight ORFS	
15	4811700	3	Washer, M6	
16	1001193474	1	Panel	
17	1001195254	1	Bracket	
18	4010610002	2	Screw, M6X20	
20	4812000	2	Washer, M10	
21	1001191915	1	Bracket	
22	0761010	2	Bolt, M10X20	
23	1001125222	1	Fitting, 90 ORFS	
24	1001206744	1	Fitting, Grease	
25	1001208037	1	Seal	
26	3520028	1	Plug	

SECTION 7 - CONTROLS

FIGURE 7-8. TILT STEERING COLUMN INSTALLATION



ART_1801102410-G

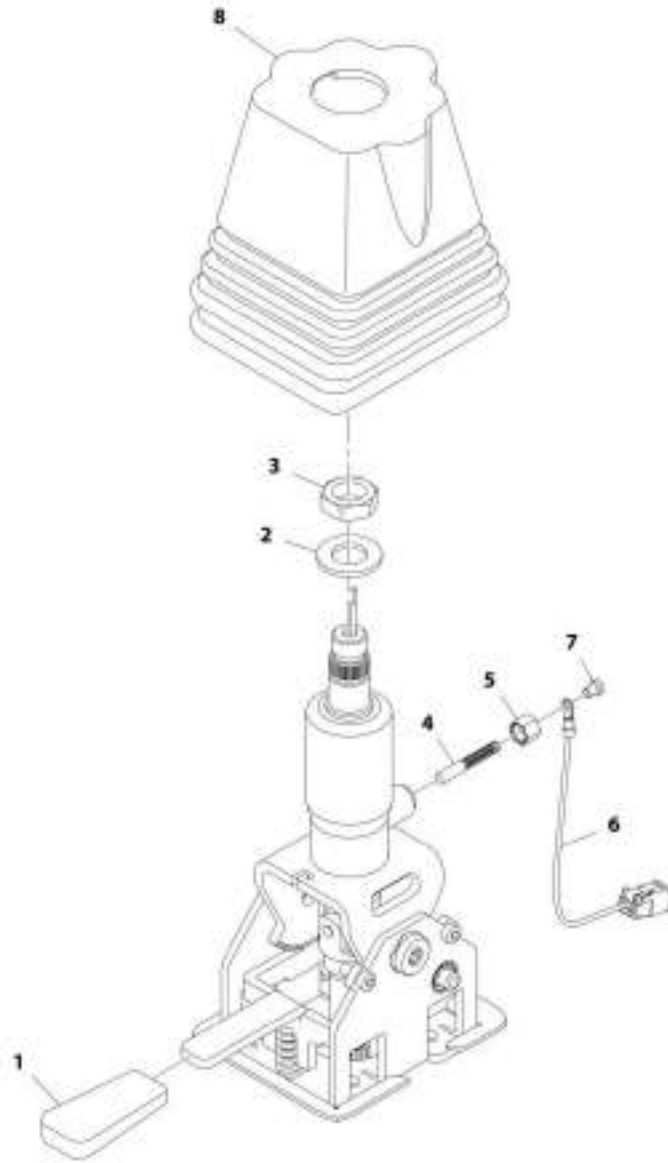
SECTION 7 - CONTROLS

FIGURE 7-8. TILT STEERING COLUMN INSTALLATION

ITEM	PART NUMBER	QTY	DESCRIPTION	REV
	1001192410	Ref	Tilt Steering Column Installation	G
1	0700824	1	Bolt, M8X80	
2	0760608	1	Bolt, M6X16	
3	0761012	8	Bolt, M10X25	
4	2130404	1	Fitting, 90 ORFS	
5	2130808	2	Fitting, 90 ORFS	
6	2170208	2	Fitting, 90 ORFS	
7	4811702	1	Washer, M6	
8	4811900	1	Washer, M8	
9	4812000	8	Washer, M10	
10	1001004640	4	Clamp	
13	1001155276	1	Column, Tilt Steering (See Separate Breakdown in this Section)	
14	1001156265	1	Bracket, Support	
15	1001161672	1	Pipe	
16	1001161896	1	Pipe	
17	1001161897	1	Pipe	
18	1001161898	1	Pipe	
19	1001168142	1	Bracket	
20	1001168151	1	Bracket	
21	1001178670	1	Valve, Steering Unit	
22	1001194282	1	Pipe	
25	1001227945	1	Valve, Check	

SECTION 7 - CONTROLS

FIGURE 7-9. TILT STEERING COLUMN



ART_100155234-F

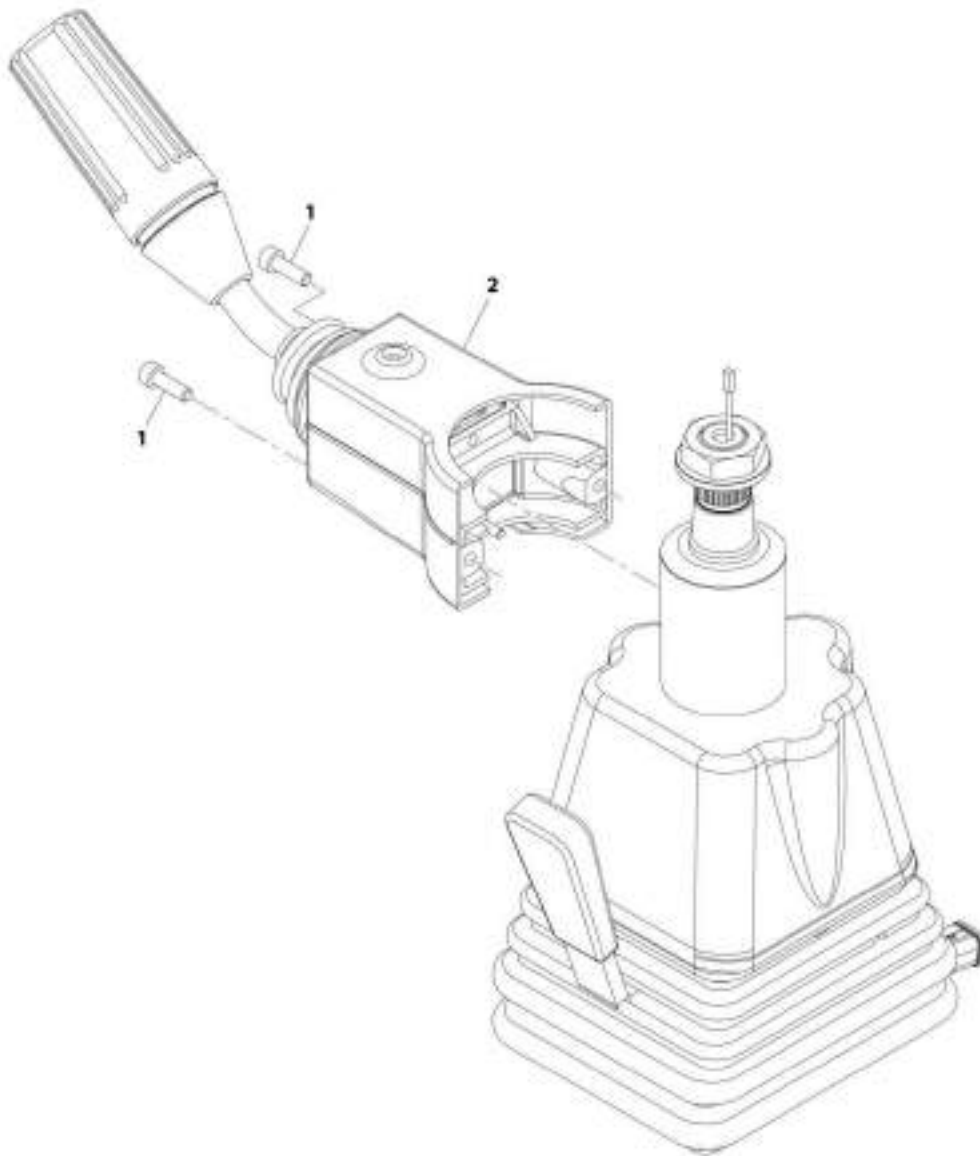
SECTION 7 - CONTROLS

FIGURE 7-9. TILT STEERING COLUMN

ITEM	PART NUMBER	QTY	DESCRIPTION	REV
	1001155276	Ref	Tilt Steering Column	F
1	70026366	1	Knob	
2	70026364	1	Washer	
3	70026363	1	Nut	
4	70026362	1	Contact, Sliding	
5	70026361	1	Cap, Brass	
6	70026367	1	Cable	
7	70026365	1	Screw, Cap	
8	1001184504	1	Gaiter	

SECTION 7 - CONTROLS

FIGURE 7-10. COLUMN SHIFT INSTALLATION (2 SPEED)



ART_1001220507-A

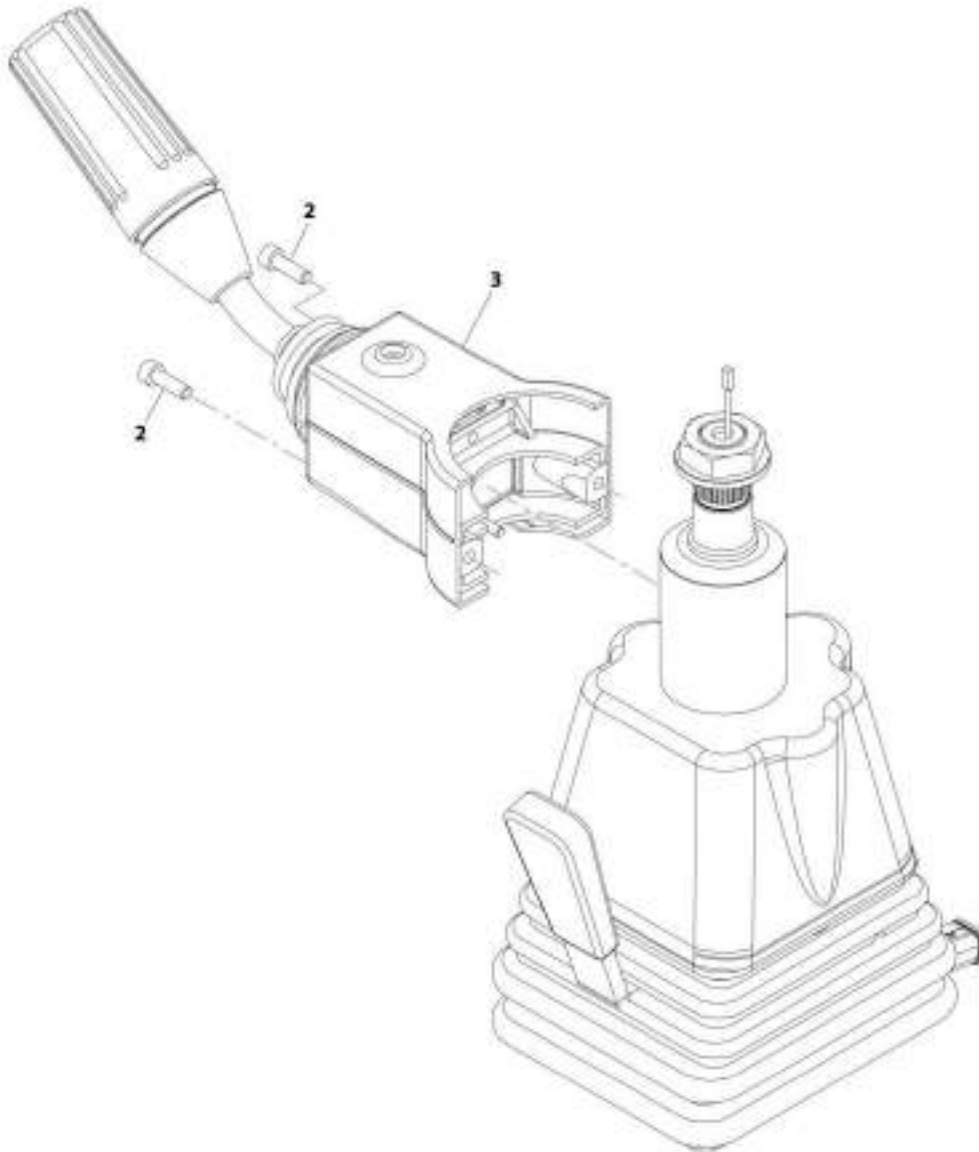
SECTION 7 - CONTROLS

FIGURE 7-10. COLUMN SHIFT INSTALLATION (2 SPEED)

ITEM	PART NUMBER	QTY	DESCRIPTION	REV
	1001220507	Ref	Column Shift Installation (2 Speed)	A
1	4031607	2	Bolt, M5-0.8X16	
2	1001197667	1	Lever, FNR (2 Speed)	

SECTION 7 - CONTROLS

FIGURE 7-11. COLUMN SHIFT INSTALLATION (0 SPEED)



ART_1001179931-C

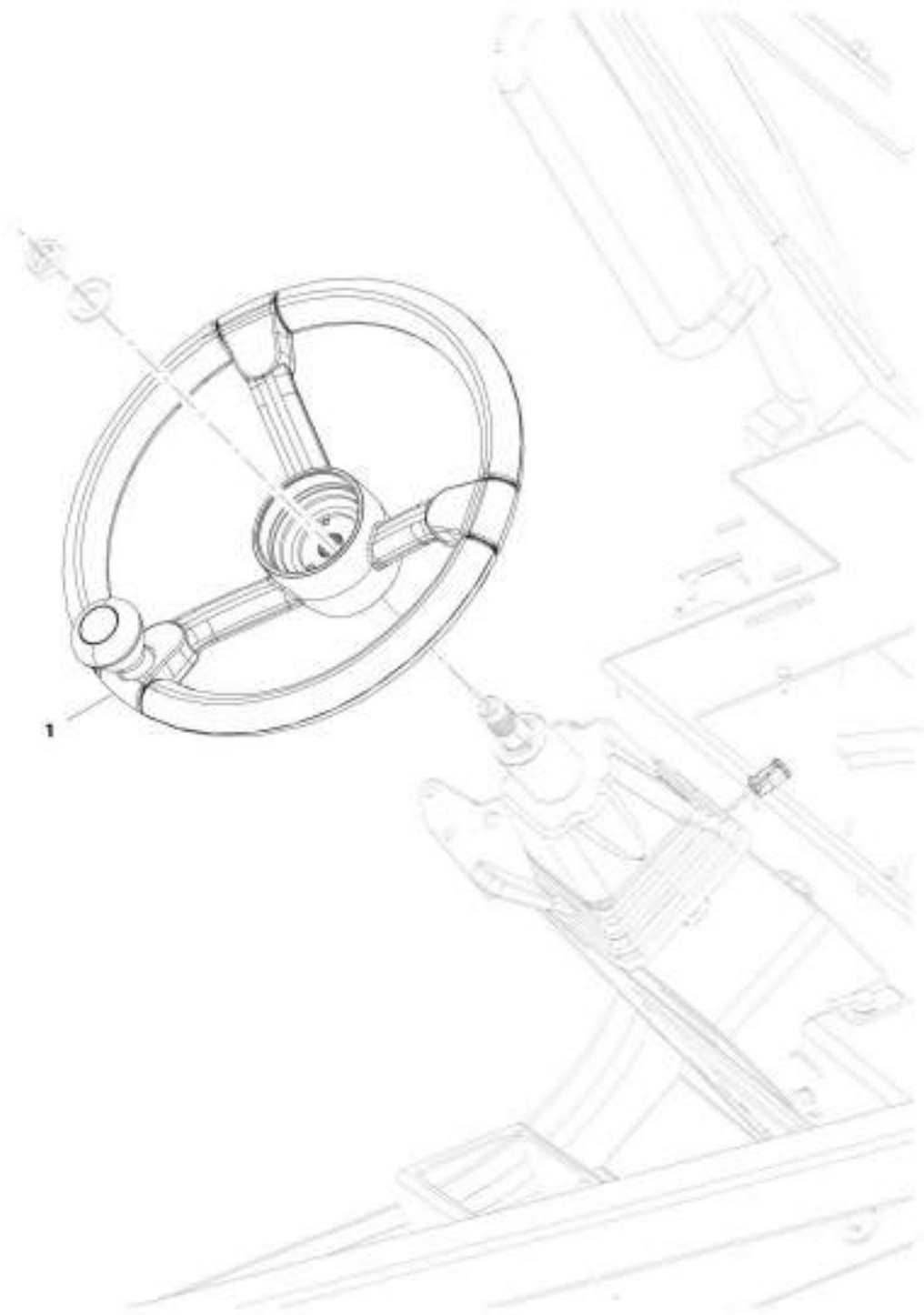
SECTION 7 - CONTROLS

FIGURE 7-11. COLUMN SHIFT INSTALLATION (0 SPEED)

ITEM	PART NUMBER	QTY	DESCRIPTION	REV
	1001179931	Ref	Column Shift Installation (0 Speed)	C
2	4031607	2	Bolt, M5-0.8X16	
3	1001163697	1	Lever, FNR (0 Speed)	

SECTION 7 - CONTROLS

FIGURE 7-12. STEERING WHEEL INSTALLATION



ART_100168751-C

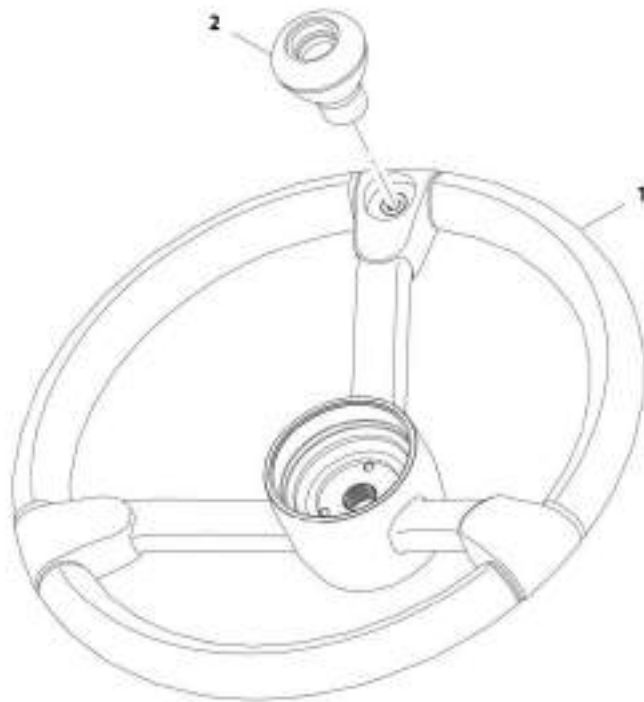
SECTION 7 - CONTROLS

FIGURE 7-12. STEERING WHEEL INSTALLATION

ITEM	PART NUMBER	QTY	DESCRIPTION	REV
1	1001169751 1001169354	Ref 1	Steering Wheel Installation Wheel, Steering (See Separate Breakdown in this Section)	C

SECTION 7 - CONTROLS

FIGURE 7-13. STEERING WHEEL



ART_1001169354-D

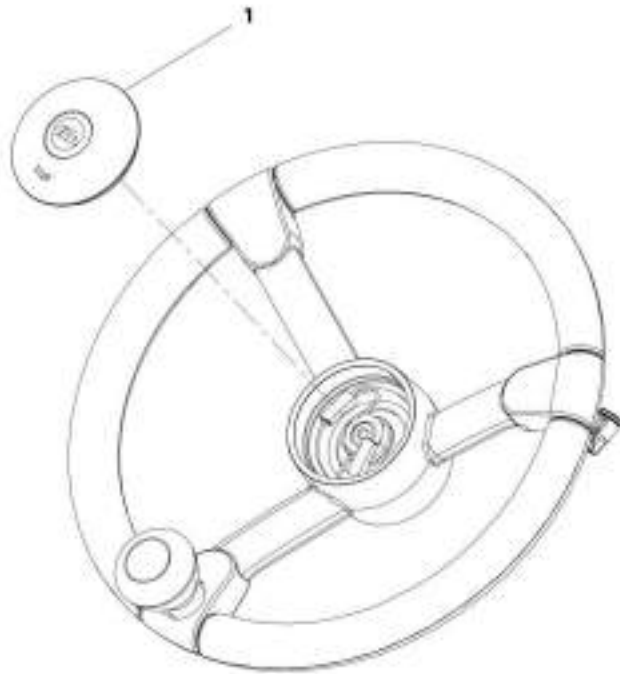
SECTION 7 - CONTROLS

FIGURE 7-13. STEERING WHEEL

ITEM	PART NUMBER	QTY	DESCRIPTION	REV
	1001169354	Ref	Steering Wheel	D
1	1001169367	1	Wheel, Steering	
2	1001169355	1	Handle, Steer Spinner	

SECTION 7 - CONTROLS

FIGURE 7-14. HORN BUTTON INSTALLATION



887_100160763-A

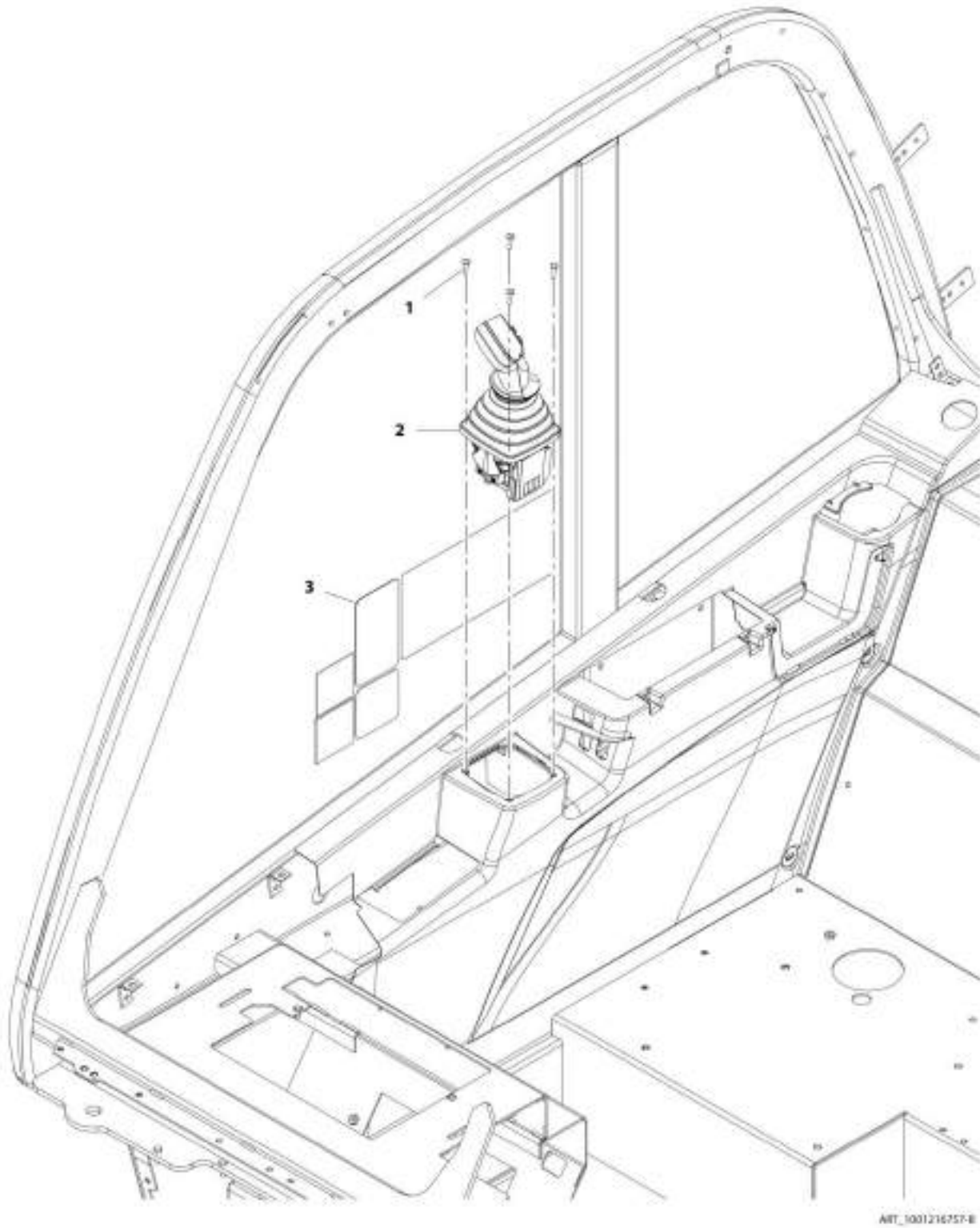
SECTION 7 - CONTROLS

FIGURE 7-14. HORN BUTTON INSTALLATION

ITEM	PART NUMBER	QTY	DESCRIPTION	REV
1	1001169763 1001169268	Ref 1	Horn Button Installation Button, Horn	A

SECTION 7 - CONTROLS

FIGURE 7-15. JOYSTICK INSTALLATION (2 SPEED)



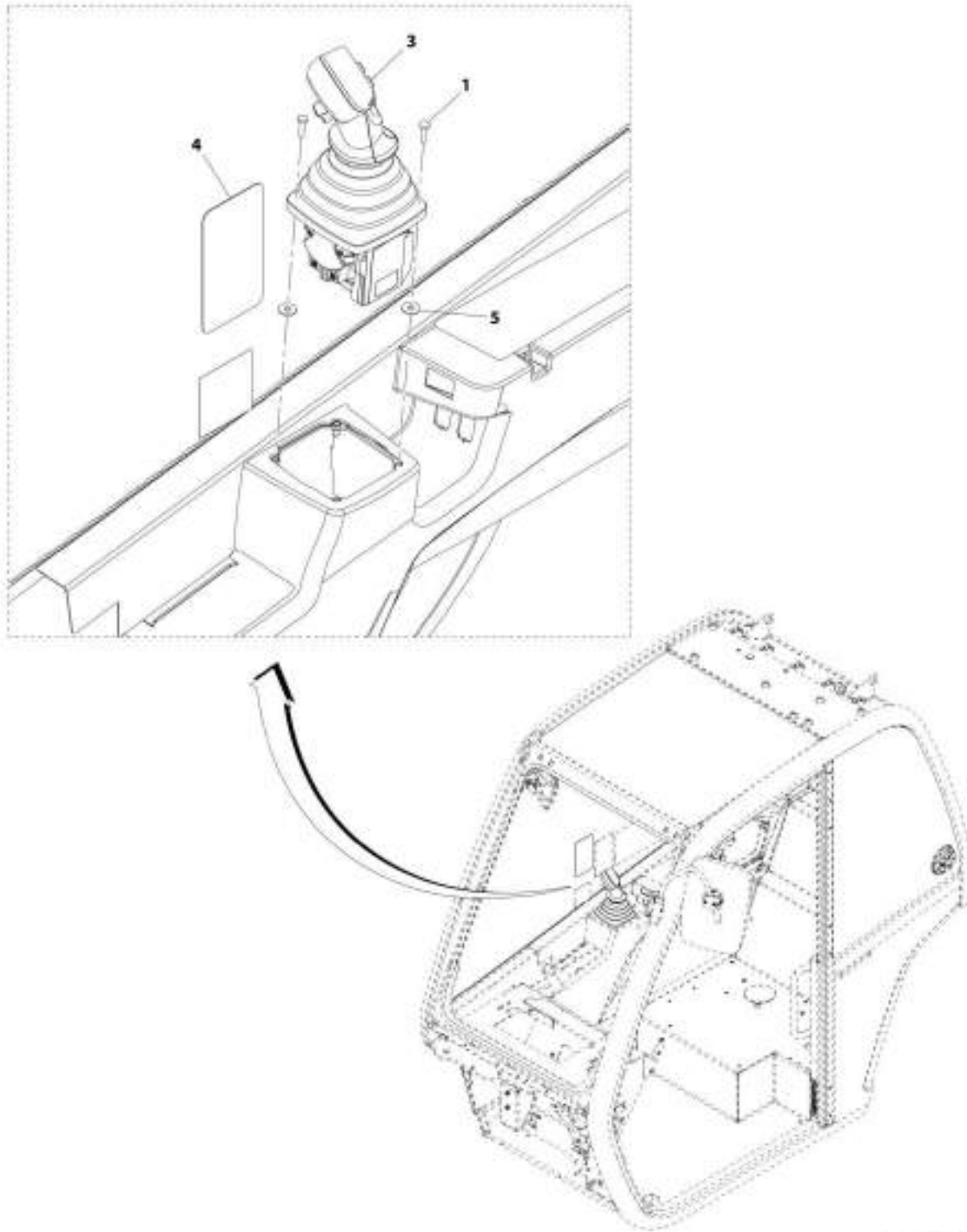
SECTION 7 - CONTROLS

FIGURE 7-15. JOYSTICK INSTALLATION (2 SPEED)

ITEM	PART NUMBER	QTY	DESCRIPTION	REV
	1001216757	Ref	Joystick Installation (2 Speed)	B
1	4010510	4	Screw, M5X20	
2	1001222606	1	Joystick, 2R2B	
3	1001216803	1	Decal	

SECTION 7 - CONTROLS

FIGURE 7-16. JOYSTICK INSTALLATION



ART. 100197004-F

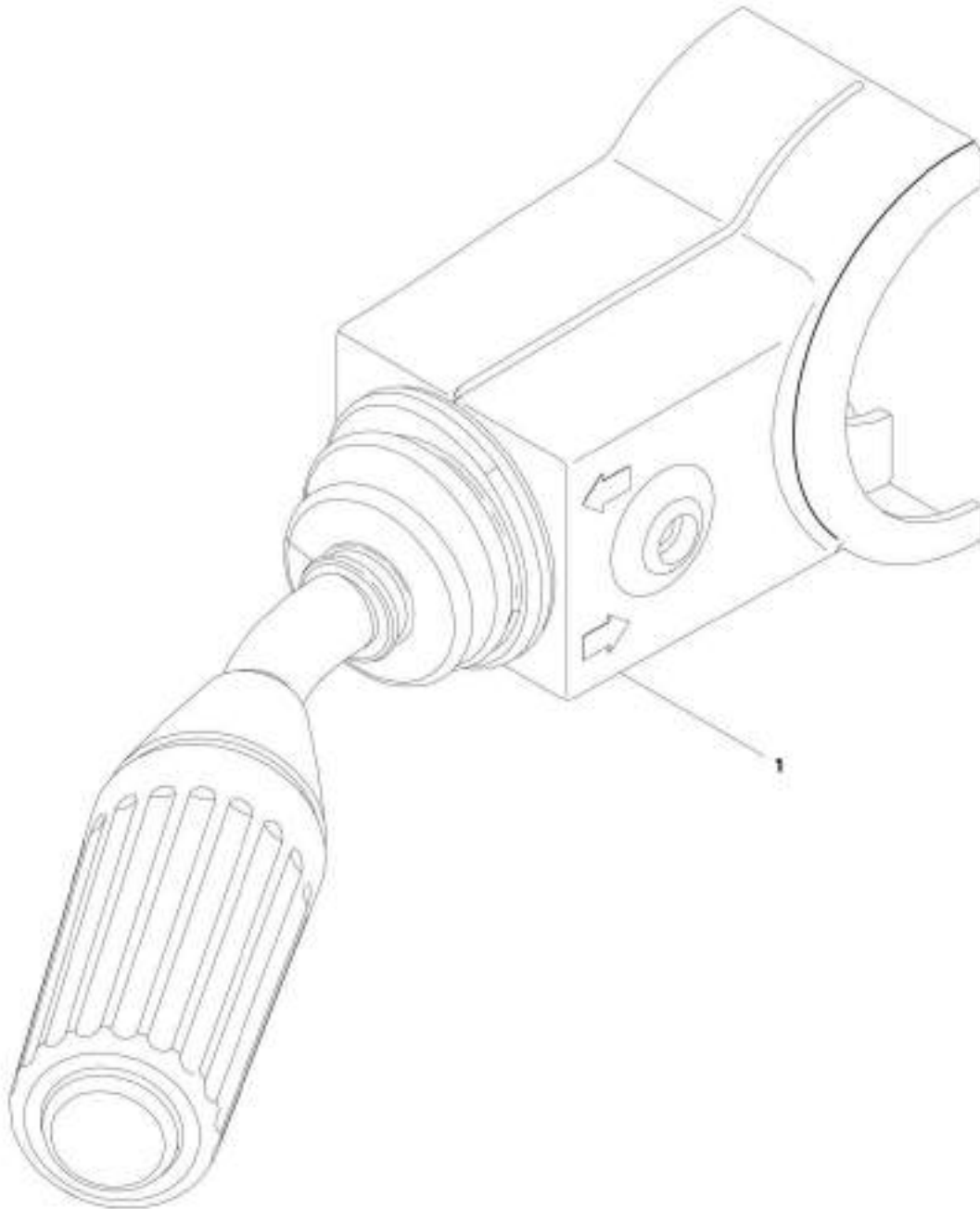
SECTION 7 - CONTROLS

FIGURE 7-16. JOYSTICK INSTALLATION

ITEM	PART NUMBER	QTY	DESCRIPTION	REV
	1001167004	Ref	Joystick Installation	F
1	4010510	4	Screw, M5X20	
3	1001222603	1	Joystick	
4	1001236404	1	Decal, Joystick	
5	4811702001	AR	Washer, M6	

SECTION 7 - CONTROLS

FIGURE 7-17. WIPER-TURN SWITCH



ART_1001103655-A

SECTION 7 - CONTROLS

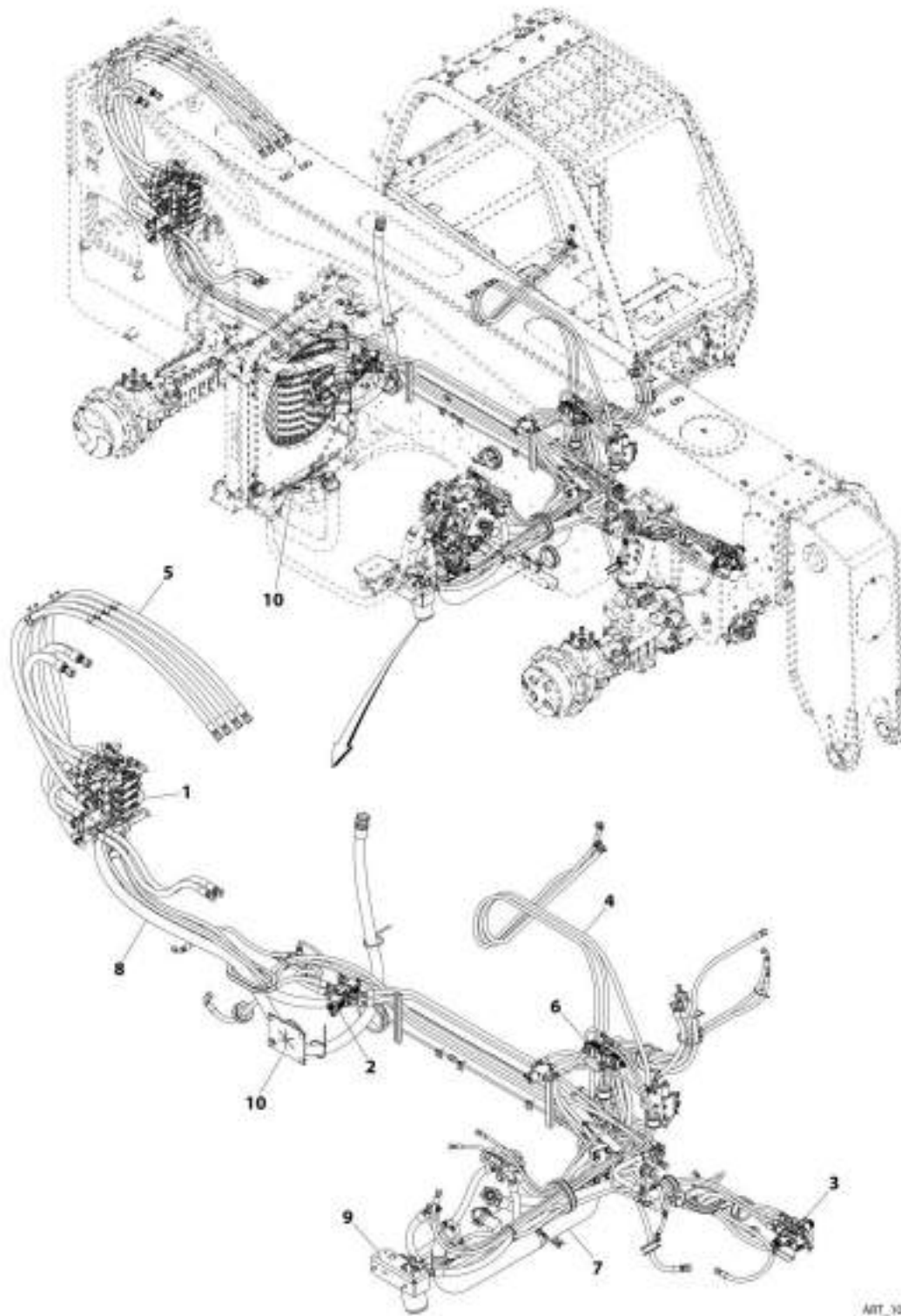
FIGURE 7-17. WIPER-TURN SWITCH

ITEM	PART NUMBER	QTY	DESCRIPTION	REV
1	1001163695	1	Wiper-Turn Switch	A

SECTION 8 - HYDRAULIC CIRCUITS

SECTION 8 - HYDRAULIC CIRCUITS

FIGURE 8-1. MAIN HYDRAULIC INSTALLATION



ART_3001201812-D

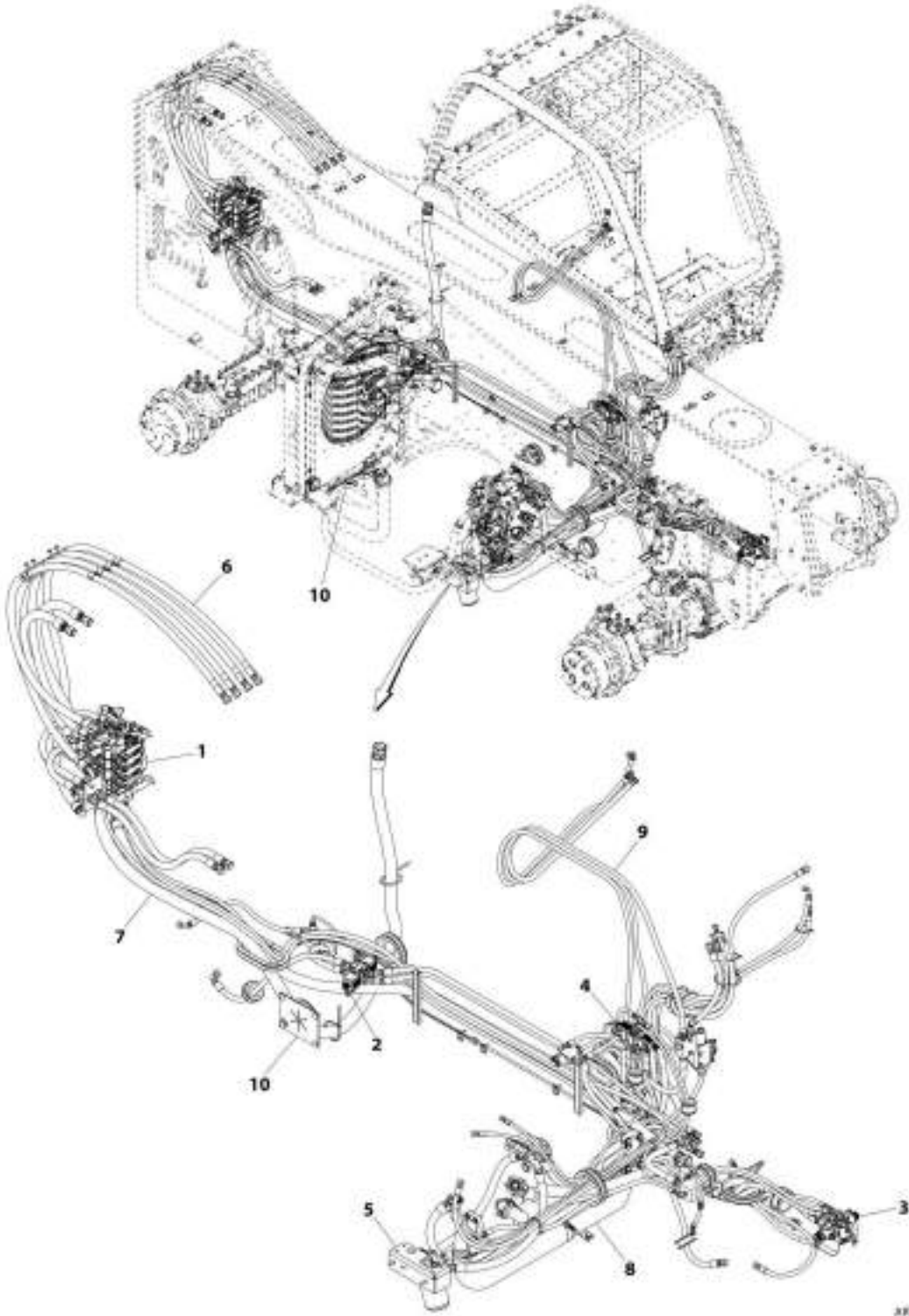
SECTION 8 - HYDRAULIC CIRCUITS

FIGURE 8-1. MAIN HYDRAULIC INSTALLATION

ITEM	PART NUMBER	QTY	DESCRIPTION	REV
1	1001201812	Ref	Main Hydraulic Installation	D
	1001192889	Ref	Installation, Main Control Valve (See Seperate Breakdown in this Section)	
2	1001193516	Ref	Installation, Steering Select Valve (See Seperate Breakdown in this Section)	
3	1001193517	Ref	Installation, Frame Level Valve (See Seperate Breakdown in this Section)	
4	1001193709	Ref	Installation, Cab Hydraulics (See Seperate Breakdown in this Section)	
5	1001211606	Ref	Installation, Boom Lines (See Seperate Breakdown in this Section)	
6	1001197196	Ref	Installation, Speed Control Valve (See Seperate Breakdown in this Section)	
7	1001202024	Ref	Installation, Engine Bay Hydraulic (See Seperate Breakdown in this Section)	
8	1001202025	Ref	Installation, Frame Hydraulics (See Seperate Breakdown in this Section)	
9	1001202026	Ref	Installation, Charge Filter Lines	
10	1001213026	Ref	Installation, Grommets (See Seperate Breakdown in Frame and Attaching Parts Section)	

SECTION 8 - HYDRAULIC CIRCUITS

FIGURE 8-2. MAIN HYDRAULIC INSTALLATION (TUV)



ART_1001229013-A

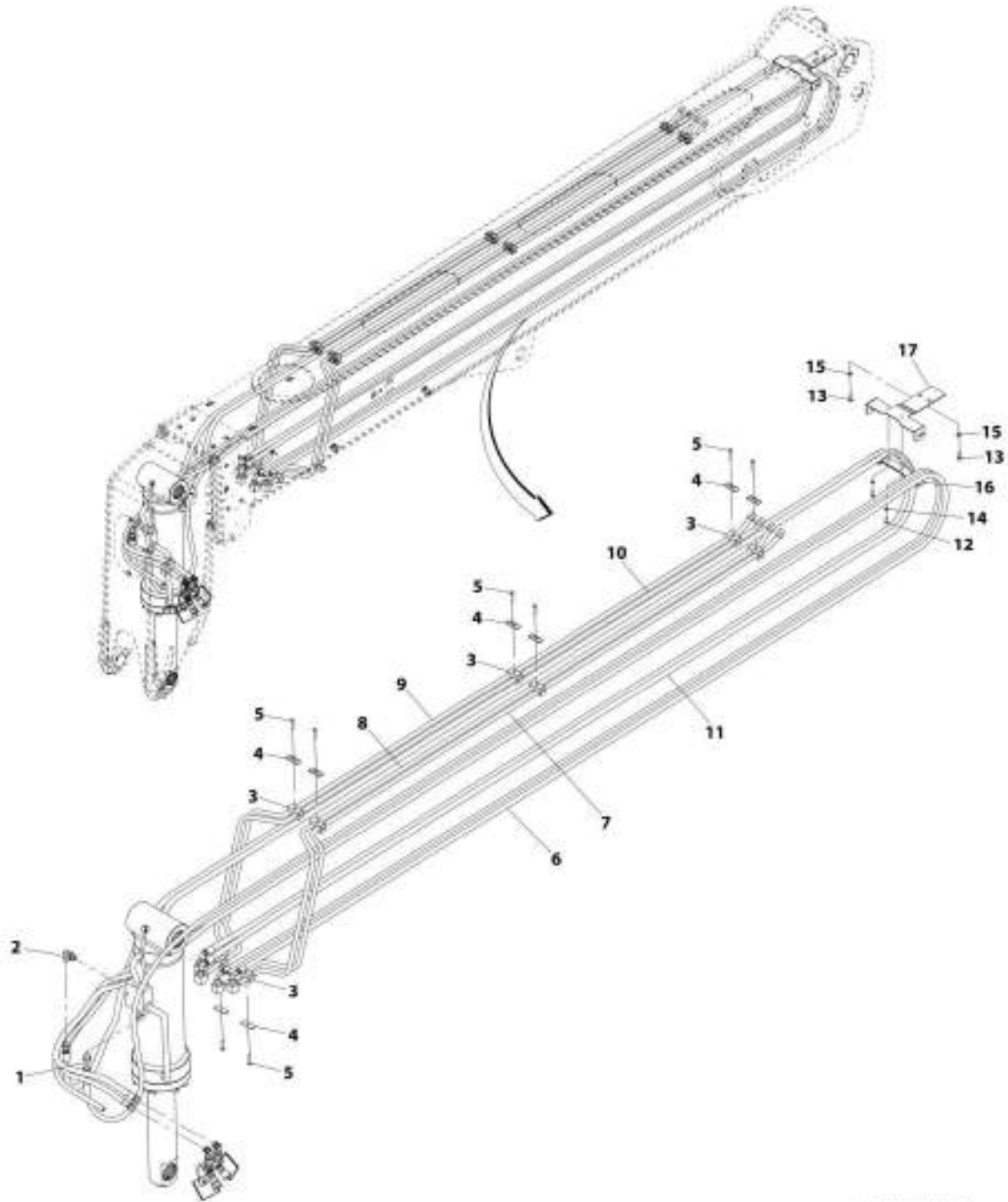
SECTION 8 - HYDRAULIC CIRCUITS

FIGURE 8-2. MAIN HYDRAULIC INSTALLATION (TUV)

ITEM	PART NUMBER	QTY	DESCRIPTION	REV
1	1001223613	Ref	Main Hydraulic Installation (TUV)	A
	1001192889	Ref	Installation, Main Control Valve (See Separate Breakdown in this Section)	
2	1001193516	Ref	Installation, Steering Select Valve (See Separate Breakdown in this Section)	
3	1001193517	Ref	Installation, Frame Level Valve (See Separate Breakdown in this Section)	
4	1001197196	Ref	Installation, Speed Control Valve (See Separate Breakdown in this Section)	
5	1001202026	Ref	Installation, Charge Filter Lines (See Separate Breakdown in this Section)	
6	1001211606	Ref	Installation, Boom Hydraulic Line (See Separate Breakdown in this Section)	
7	1001223462	Ref	Installation, Frame Hydraulic (TUV) (See Separate Breakdown in this Section)	
8	1001223518	Ref	Installation, Engine Bay Hydraulic (TUV) (See Separate Breakdown in this Section)	
9	1001223610	Ref	Installation, Cab Hydraulics (TUV) (See Separate Breakdown in this Section)	
10	1001213026	Ref	Installation, Grommets (See Separate Breakdown in Frame and Attaching Parts Section)	

SECTION 8 - HYDRAULIC CIRCUITS

FIGURE 8-3. BOOM HYDRAULIC INSTALLATION



ART_3301190100-F

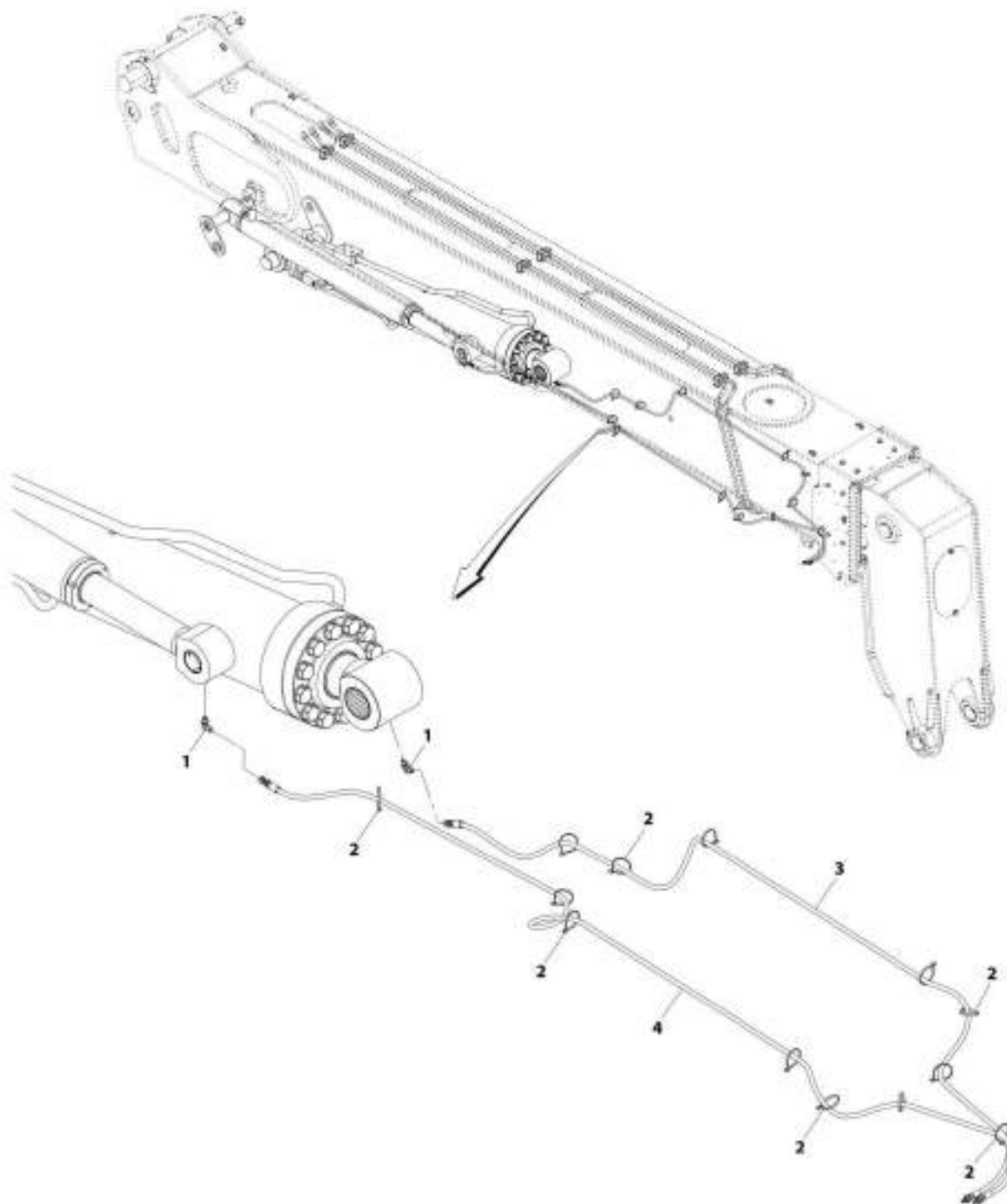
SECTION 8 - HYDRAULIC CIRCUITS

FIGURE 8-3. BOOM HYDRAULIC INSTALLATION

ITEM	PART NUMBER	QTY	DESCRIPTION	REV
	1001193100	Ref	Boom Hydraulic Installation	F
1	2111010	1	Fitting, Straight ORFS	
2	2131010	1	Fitting, ORFS	
3	77133136	8	Clamp	
4	77133137	8	Plate, Twin Hose Cover	
5	0700817	8	Bolt, M8X45	
6	1001206242	1	Hose	
7	1001209200	1	Pipe	
8	1001209201	1	Pipe	
9	1001209202	1	Pipe	
10	1001209203	1	Pipe	
11	1001193465	1	Hose	
12	0760810	2	Bolt, M8X20	
13	0761012	2	Bolt, M10X25	
14	4811900	2	Washer, M8	
15	4812000	2	Washer, M10	
16	1001214661	1	Plate	
17	1001215470	1	Support, Hose	

SECTION 8 - HYDRAULIC CIRCUITS

FIGURE 8-4. REMOTE GREASE INSTALLATION



ART_1001217352-B

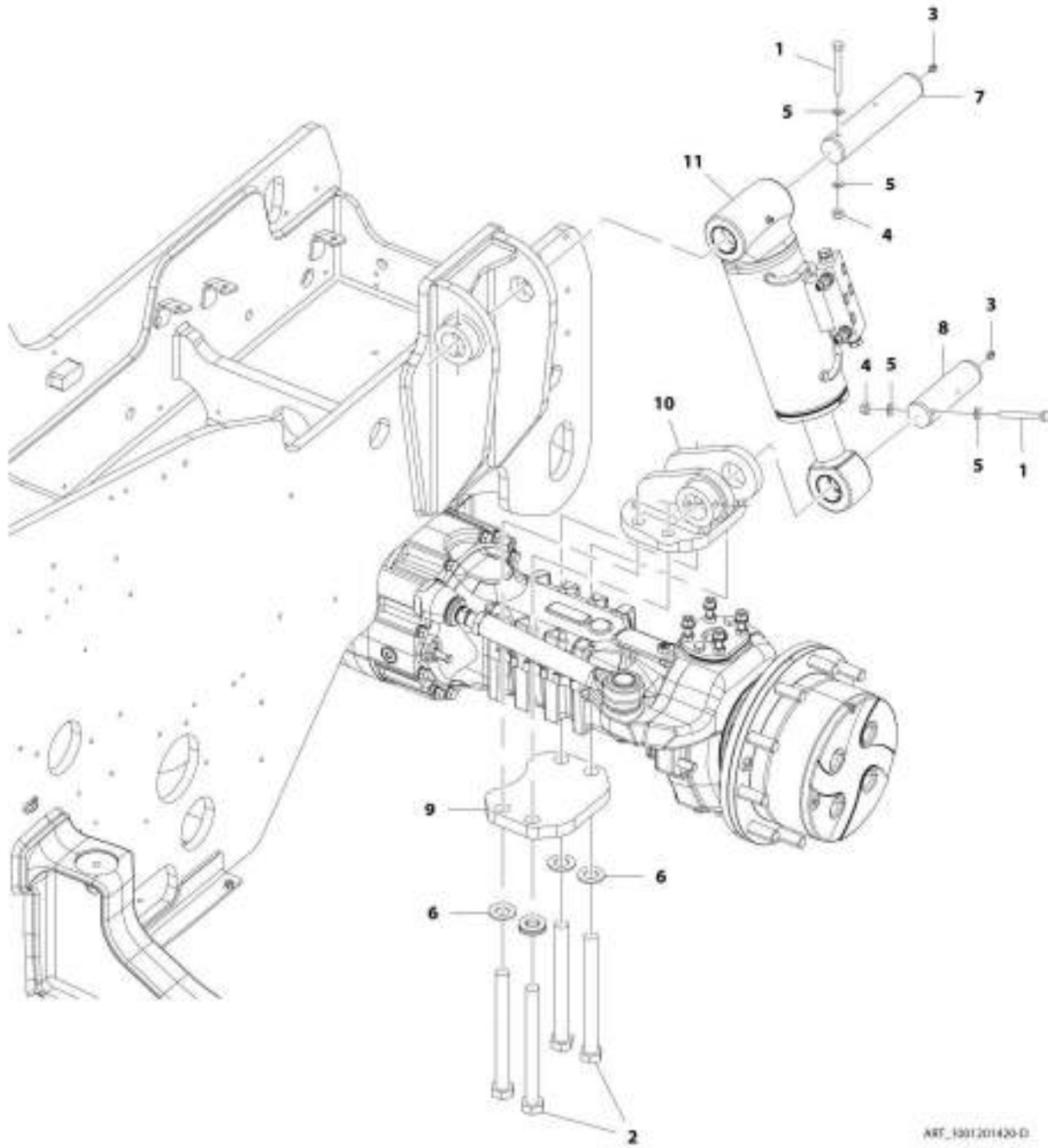
SECTION 8 - HYDRAULIC CIRCUITS

FIGURE 8-4. REMOTE GREASE INSTALLATION

ITEM	PART NUMBER	QTY	DESCRIPTION	REV
	1001217352	Ref	Remote Grease Installation	B
1	8770215	2	Fitting, 90 ORFS	
2	1001008559	13	Strap, Cable	
3	1001217354	1	Hose	
4	1001217355	1	Hose	

SECTION 8 - HYDRAULIC CIRCUITS

FIGURE 8-5. FRAME LEVEL INSTALLATION



ART_1901201420-D

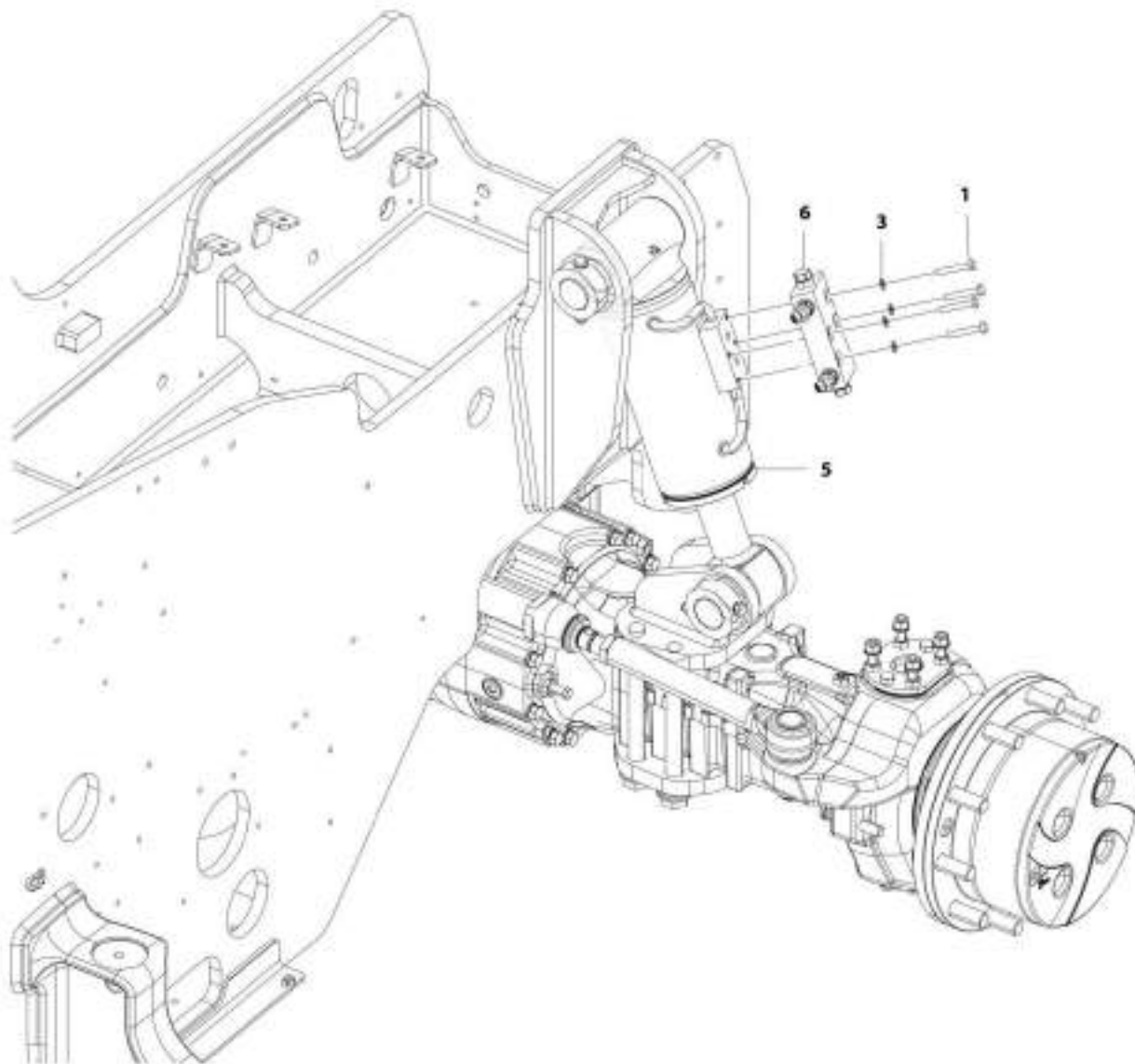
SECTION 8 - HYDRAULIC CIRCUITS

FIGURE 8-5. FRAME LEVEL INSTALLATION

ITEM	PART NUMBER	QTY	DESCRIPTION	REV
	1001201420	Ref	Frame Level Installation	D
1	0701027	2	Bolt, M10X100	
2	0712442	4	Bolt, M24X250 Grade 10.9	
3	2160016	2	Fitting, Grease	
4	3291005	2	Nut, Lock M0X1.5 Grade 8	
5	4812000	4	Washer, M10	
6	5242400	6	Washer, M24	
7	1001164971	1	Pin	
8	1001164972	1	Pin	
9	1001207325	1	Plate, Sway Bottom	
10	1001200226	1	Bracket, Axle Sway	
11	1001201074	Ref	Installation, Frame Level Cylinder (See Separate Breakdown in this Section)	

SECTION 8 - HYDRAULIC CIRCUITS

FIGURE 8-6. FRAME LEVEL CYLINDER INSTALLATION



ART_1001251074-8

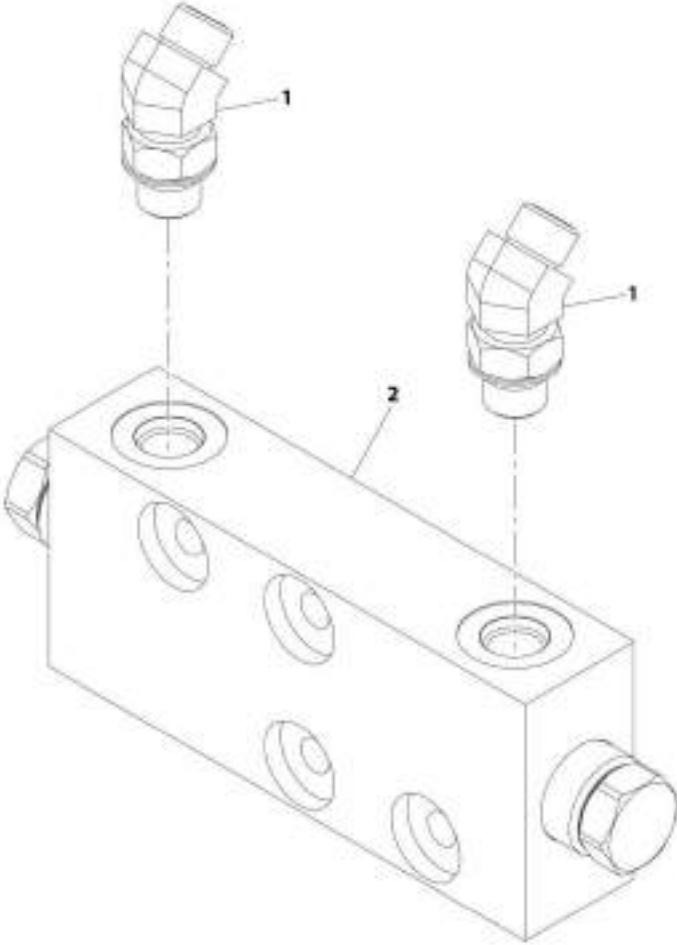
SECTION 8 - HYDRAULIC CIRCUITS

FIGURE 8-6. FRAME LEVEL CYLINDER INSTALLATION

ITEM	PART NUMBER	QTY	DESCRIPTION	REV
	1001201074	Ref	Frame Level Cylinder Installation	B
1	0700818	4	Bolt, M8X50	
3	4811900	4	Washer, M8	
5	1001201073	1	Cylinder, Frame Level (See Separate Breakdown in Hydraulic Components Section)	
6	1001217482	1	Assembly, Frame Level Valve (See Separate Breakdown in this Section)	

SECTION 8 - HYDRAULIC CIRCUITS

FIGURE 8-7. FRAME LEVEL VALVE ASSEMBLY



ARC_1001217463-A

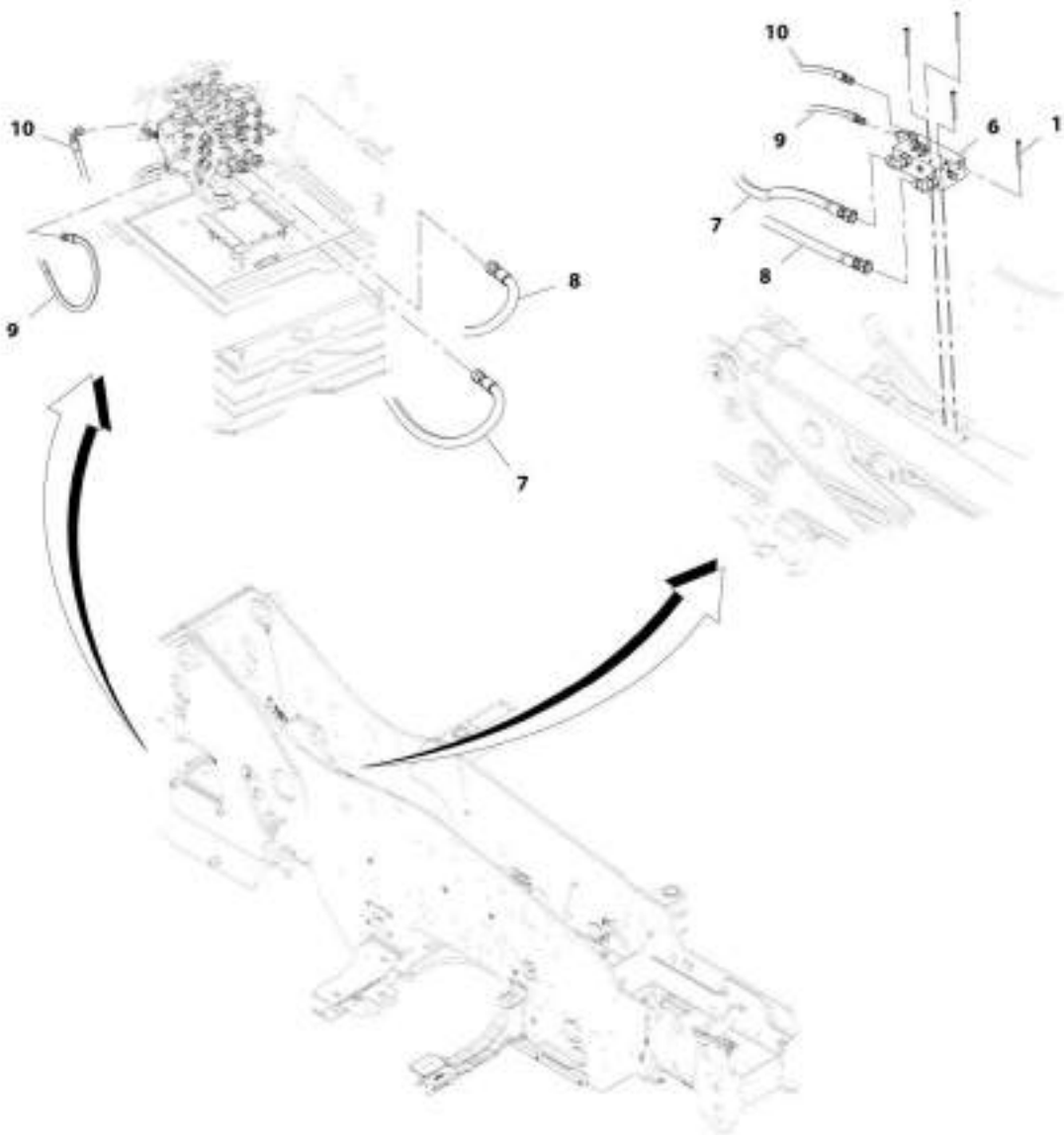
SECTION 8 - HYDRAULIC CIRCUITS

FIGURE 8-7. FRAME LEVEL VALVE ASSEMBLY

ITEM	PART NUMBER	QTY	DESCRIPTION	REV
	1001217482	Ref	Frame Level Valve Assembly	A
1	2150406	2	Fitting, 45 ORFS	
2	1001168599	1	Valve, Counterbalance (See Seperate Breakdown in the Hydraulic Component Section)	

SECTION 8 - HYDRAULIC CIRCUITS

FIGURE 8-8. BOOM RAISE HOSE INSTALLATION (NO RIDE CONTROL)



ART_1001194702-F

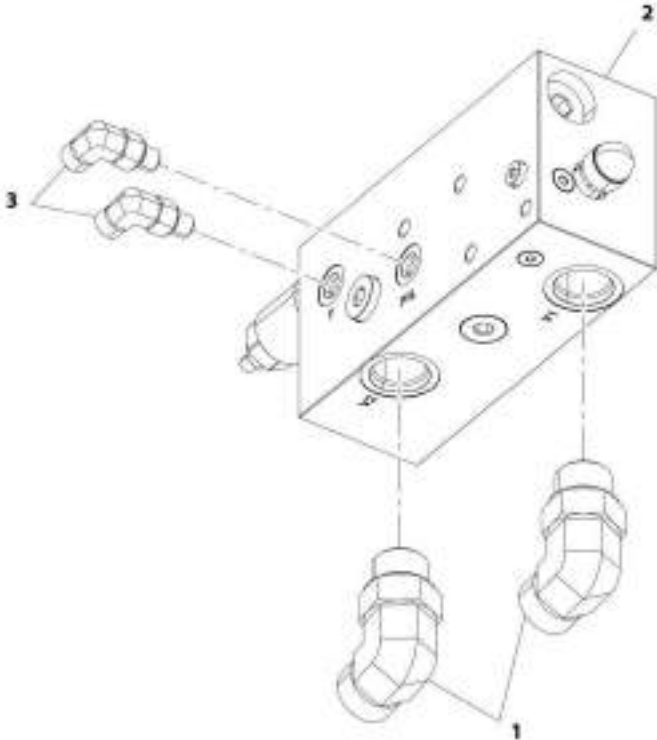
SECTION 8 - HYDRAULIC CIRCUITS

FIGURE 8-8. BOOM RAISE HOSE INSTALLATION (NO RIDE CONTROL)

ITEM	PART NUMBER	QTY	DESCRIPTION	REV
	1001194702	Ref	Boom Raise Hose Installation (no Ride Control)	F
1	4031921	4	Bolt, M8X85	
6	1001219764	1	Valve, Boom Raise Counterbalance (no Ride Control) (See Separate Breakdown in this Section)	
7	1001225392	1	Hose, ORFS	
8	1001225393	1	Hose, ORFS	
9	1001226828	1	Hose, ORFS	
10	1001226829	1	Hose, ORFS	

SECTION 8 - HYDRAULIC CIRCUITS

FIGURE 8-9. BOOM RAISE COUNTERBALANCE VALVE (NO RIDE CONTROL)



ART_1001219/04-C

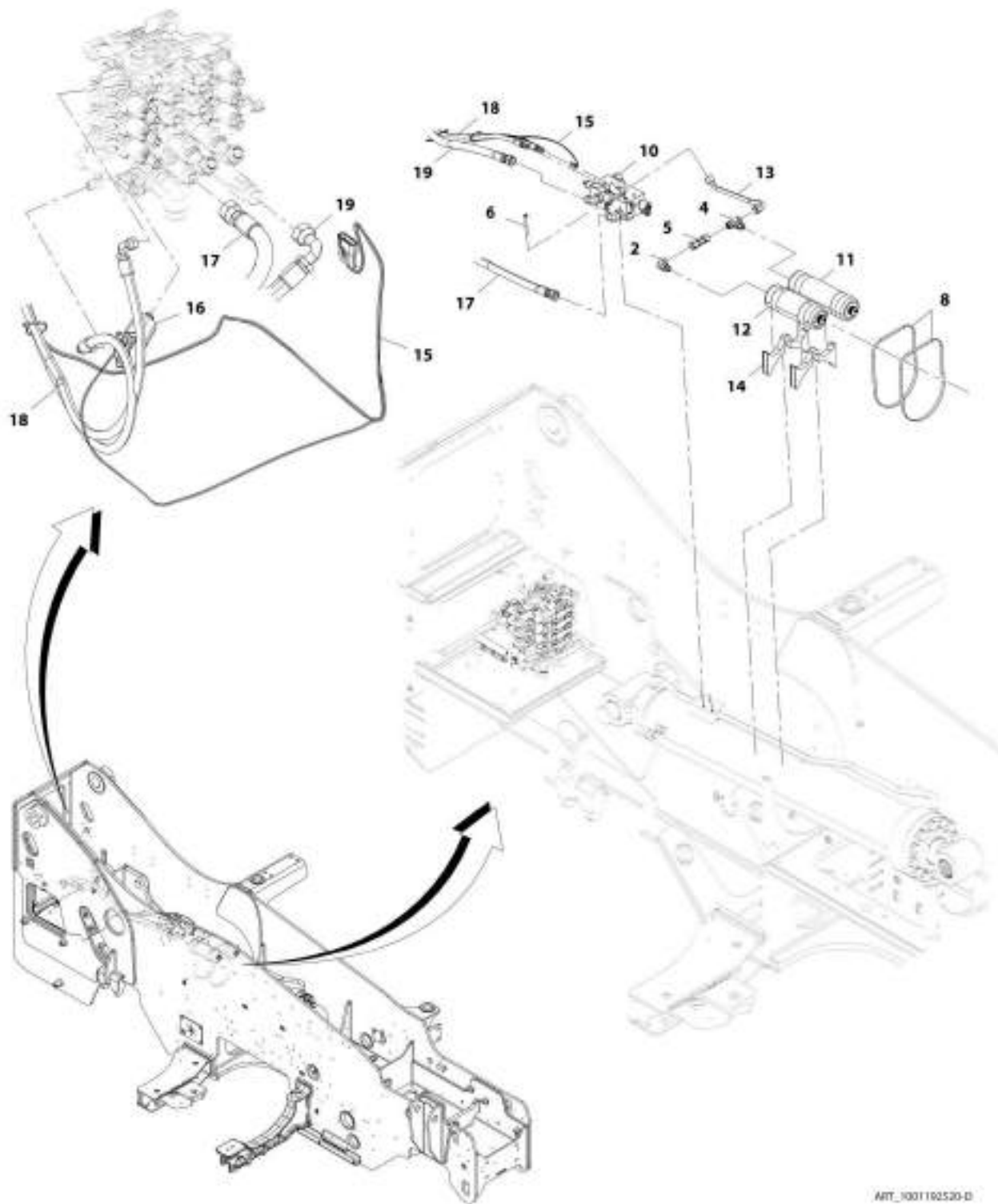
SECTION 8 - HYDRAULIC CIRCUITS

FIGURE 8-9. BOOM RAISE COUNTERBALANCE VALVE (NO RIDE CONTROL)

ITEM	PART NUMBER	QTY	DESCRIPTION	REV
	1001219764	Ref	Boom Raise Counterbalance Valve (no Ride Control)	C
1	2131212	2	Fitting, 90 ORFS	
2	1001224944	1	Valve, GLS (See Seperate Breakdown in Hydraulic Components Section)	
3	2130404	2	Fitting, 90 ORFS	

SECTION 8 - HYDRAULIC CIRCUITS

FIGURE 8-10. BOOM RAISE HOSE INSTALLATION (RIDE CONTROL)



ART_1001102520-D

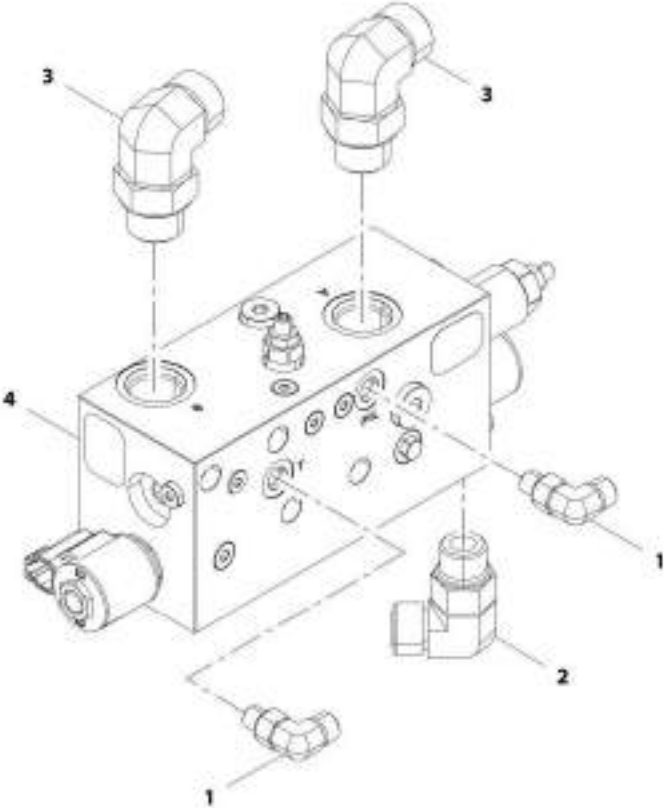
SECTION 8 - HYDRAULIC CIRCUITS

FIGURE 8-10. BOOM RAISE HOSE INSTALLATION (RIDE CONTROL)

ITEM	PART NUMBER	QTY	DESCRIPTION	REV
	1001192520	Ref	Boom Raise Hose Installation (Ride Control)	D
2	2131010	1	Fitting, 90 ORFS	
4	2170410	1	Fitting, Tee ORFS	
5	2172410	1	Fitting, Straight ORFS	
6	4031921	4	Bolt, M8X85	
8	1001214829	2	Clamp	
10	1001219765	1	Assembly, Ride and Float Valve (See Separate Breakdown in this Section)	
11	1001192771	1	Cylinder, Piston	
12	1001192772	1	Cylinder, Piston	
13	1001225390	1	Pipe	
14	1001196402	2	Bumper	
15	1001200105	1	Installation, Ride Control Wiring (See Separate Breakdown in Electrical Section)	
16	1001202020	1	Valve, MCV Tank Cartridge	
17	1001225393	1	Hose	
18	1001226829	2	Hose	
19	1001227440	1	Hose	

SECTION 8 - HYDRAULIC CIRCUITS

FIGURE 8-11. RIDE AND FLOAT VALVE ASSEMBLY



AWT_3001219702-B

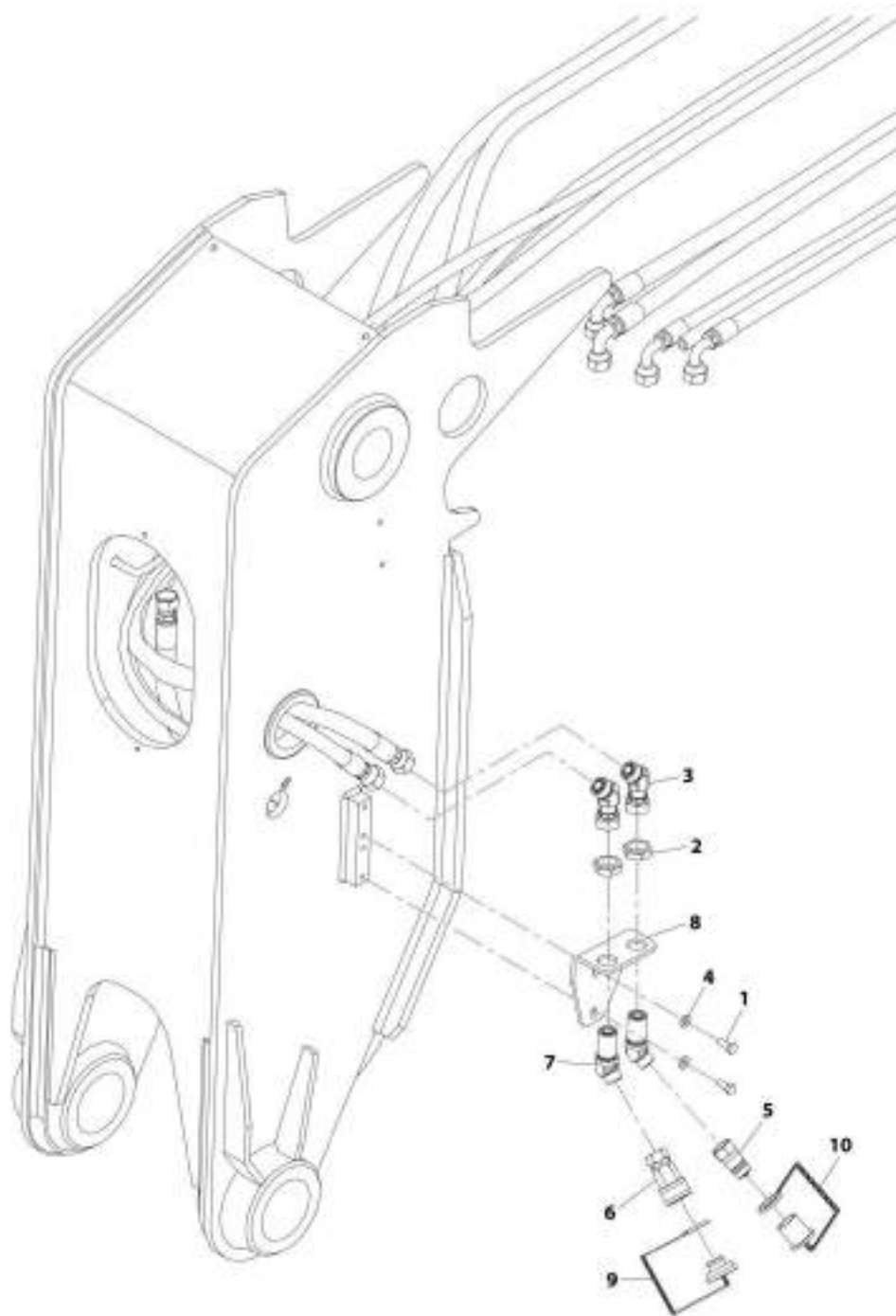
SECTION 8 - HYDRAULIC CIRCUITS

FIGURE 8-11. RIDE AND FLOAT VALVE ASSEMBLY

ITEM	PART NUMBER	QTY	DESCRIPTION	REV
	1001219765	1	Ride and Float Valve Assembly	B
1	2130404	2	Fitting, 90 ORFS	
2	2131010	1	Fitting, 90 ORFS	
3	2131212	2	Fitting, 90 ORFS	
4	1001224945	1	Valve, GLS (See Separate Breakdown in Hydraulic Components Section)	

SECTION 8 - HYDRAULIC CIRCUITS

FIGURE 8-12. BOOM AUX HYDRAULIC INSTALLATION (MANUAL - SINGLE)



AWT_1001192383-D

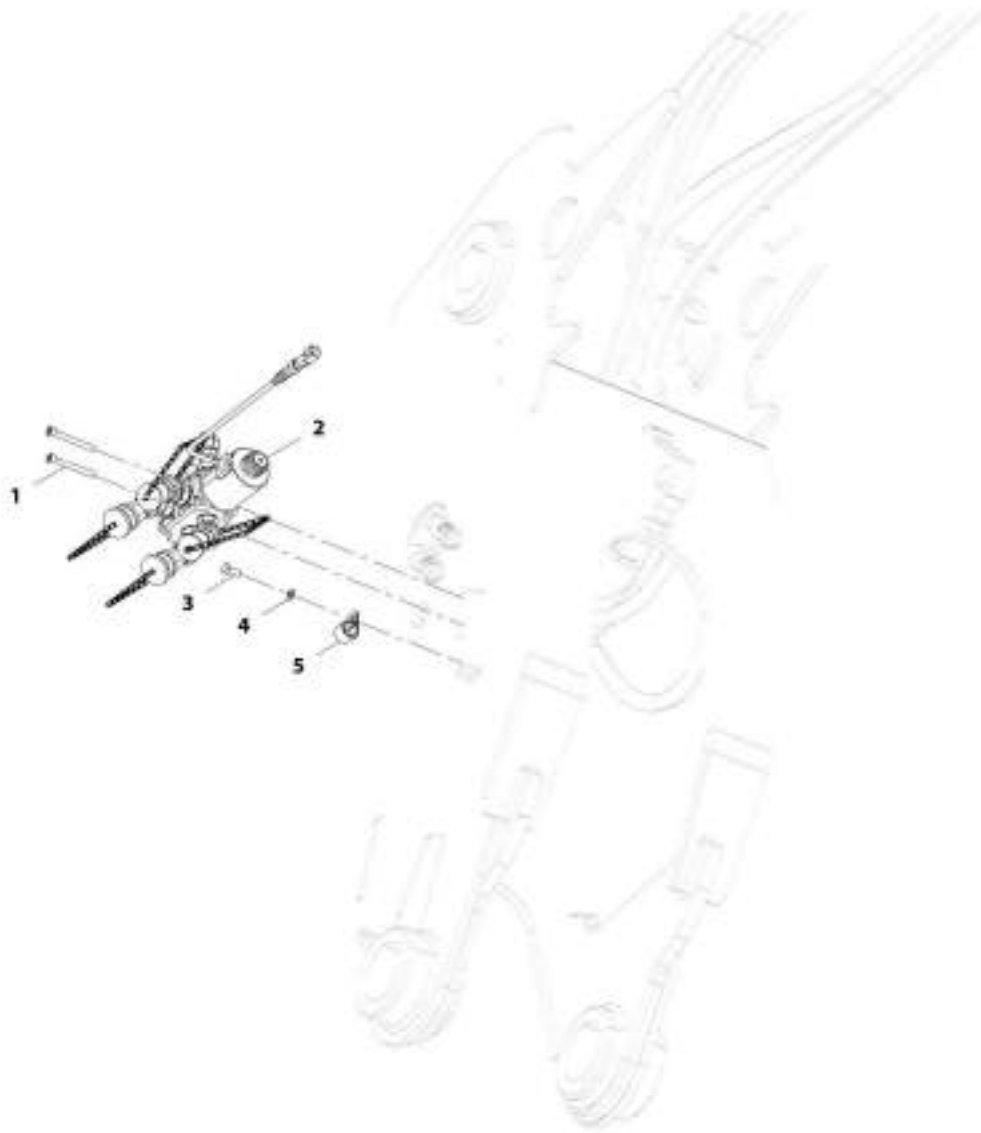
SECTION 8 - HYDRAULIC CIRCUITS

FIGURE 8-12. BOOM AUX HYDRAULIC INSTALLATION (MANUAL - SINGLE)

ITEM	PART NUMBER	QTY	DESCRIPTION	REV
	1001192363	Ref	Boom Aux Hydraulic Installation (manual - single)	D
1	0760810	2	Bolt, M8X20	
2	8770075	2	Fitting, ORFS	
3	1001147416	2	Fitting, 45 ORFS	
4	5240800	2	Washer, M8	
5	1001101041	1	Coupling, Male Quick Disconnect	
6	1001101042	1	Coupling, Female Quick Disconnect	
7	1001217553	2	Fitting, 45 ORFS	
8	1001217552	1	Bracket	
9	91043125	1	Plug	
10	91043126	1	Cap, Dust	

SECTION 8 - HYDRAULIC CIRCUITS

FIGURE 8-13. BOOM AUX HYDRAULIC INSTALLATION (MANUAL - TWIN)



ART_1001192186-C

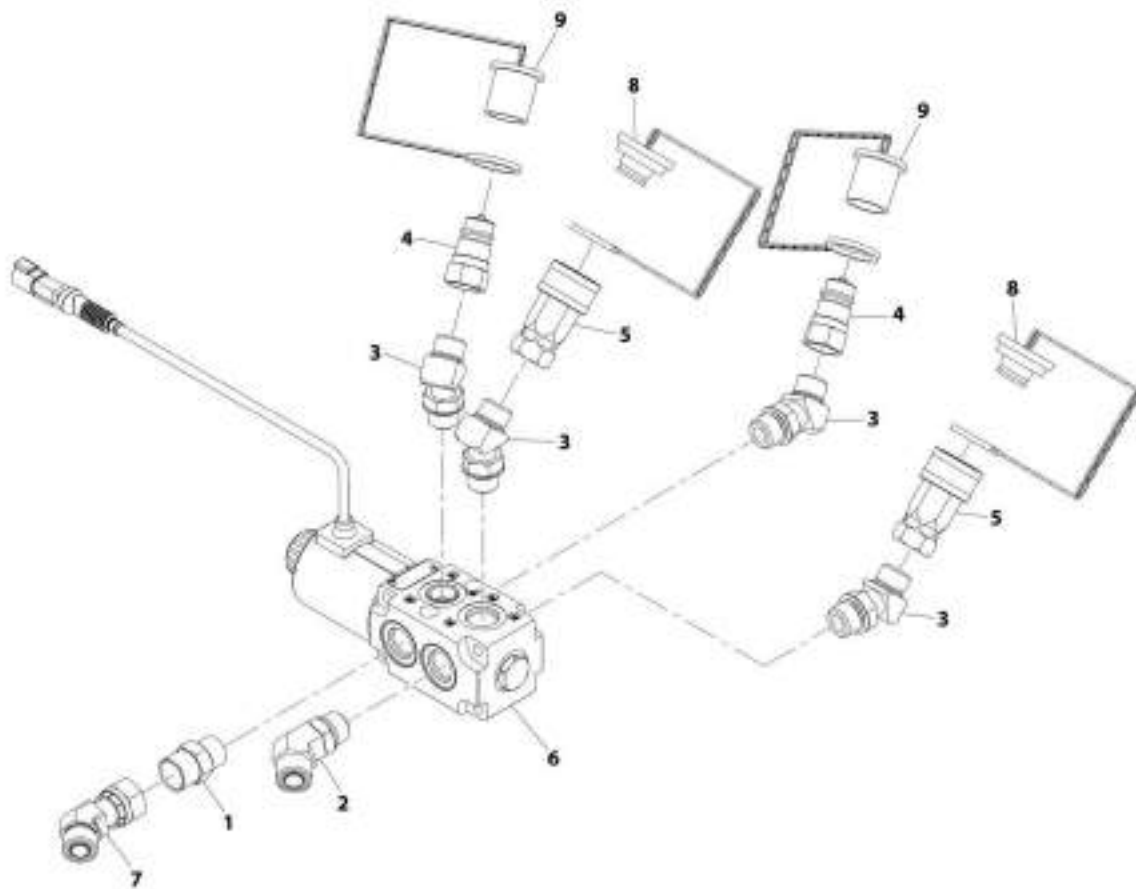
SECTION 8 - HYDRAULIC CIRCUITS

FIGURE 8-13. BOOM AUX HYDRAULIC INSTALLATION (MANUAL - TWIN)

ITEM	PART NUMBER	QTY	DESCRIPTION	REV
	1001192366	Ref	Boom Aux Hydraulic Installation (manual - twin)	C
1	4031918	2	Bolt, M8X70	
2	1001213318	1	Assembly, Diverter Valve (manual - twin) (See Seperate Breakdown in this Section)	
3	0760810	1	Bolt, M8X20	
4	4811900	1	Washer, M8	
5	8406202	1	Clip	

SECTION 8 - HYDRAULIC CIRCUITS

FIGURE 8-14. DIVERTER VALVE ASSEMBLY



AWT_1001215318-8

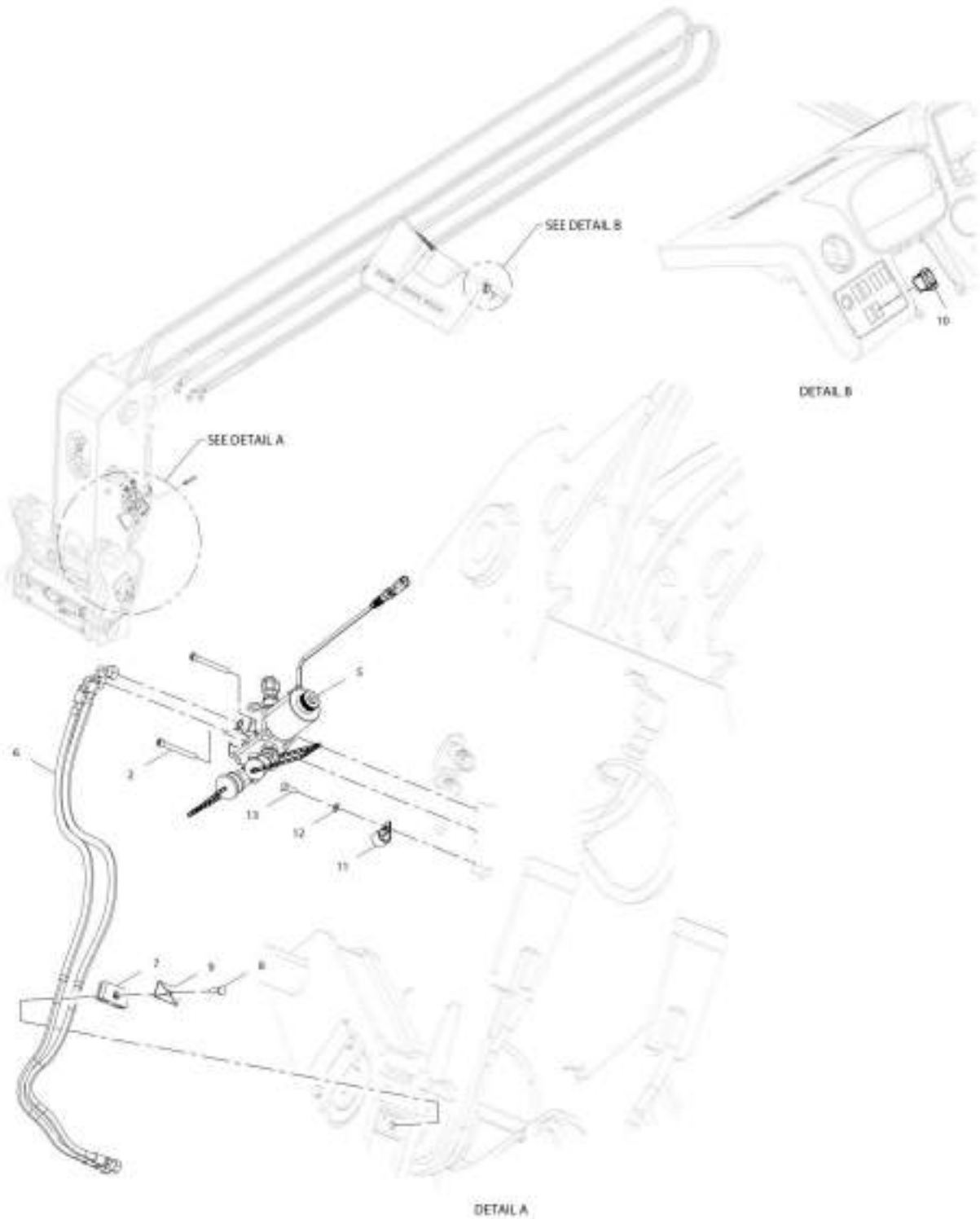
SECTION 8 - HYDRAULIC CIRCUITS

FIGURE 8-14. DIVERTER VALVE ASSEMBLY

ITEM	PART NUMBER	QTY	DESCRIPTION	REV
	1001213318	Ref	Diverter Valve Assembly	B
1	2111010	1	Fitting, Straight ORFS	
2	2151010	1	Fitting, 45 ORFS	
3	1001005904	4	Fitting, 45	
4	1001101041	2	Adapter, Male Quick Disconnect	
5	1001101042	2	Adapter, Female Quick Disconnect	
6	1001110023	1	Valve, Diverter (See Seperate Breakdown in Hydraulic Components Section)	
7	1001147416	1	Fitting, 45 ORFS	
8	91043125	2	Plug	
9	91043126	2	Cap	

SECTION 8 - HYDRAULIC CIRCUITS

FIGURE 8-15. BOOM AUX HYDRAULIC INSTALLATION (HYDRAULIC - SINGLE)



ART_0001192305-E

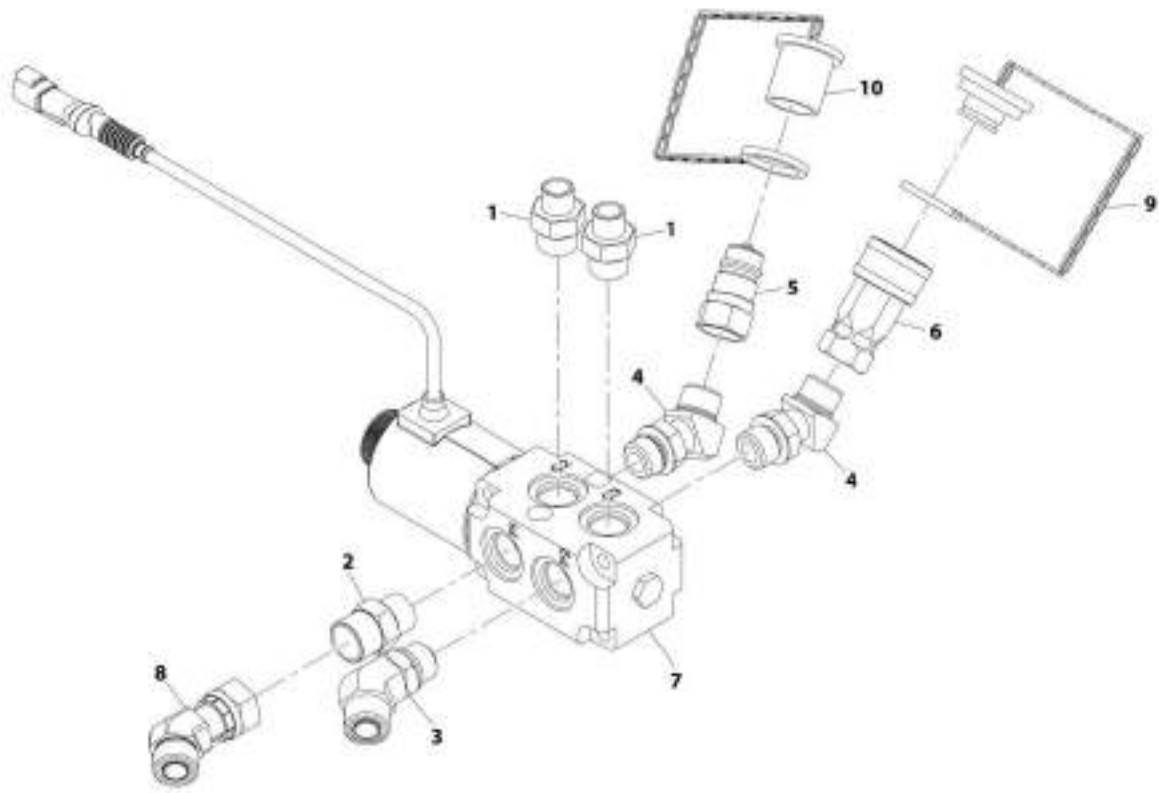
SECTION 8 - HYDRAULIC CIRCUITS

FIGURE 8-15. BOOM AUX HYDRAULIC INSTALLATION (HYDRAULIC - SINGLE)

ITEM	PART NUMBER	QTY	DESCRIPTION	REV
	1001192365	Ref	Boom Aux Hydraulic Installation (hydraulic - single)	E
2	4031918	2	Bolt, M8X70	
5	1001213317	1	Assembly, Diverter Valve (hydraulic - single) (See Seperate Breakdown in this Section)	
6	1001193111	2	Hose	
7	8769126	1	Clamp	
8	0760815	1	Bolt, M8X35	
9	8769123	1	Plate, Cover	
10	1001080375	1	Switch	
11	8406202	1	Clip	
12	4811900	1	Washer, M8	
13	0760810	1	Bolt, M8X20	

SECTION 8 - HYDRAULIC CIRCUITS

FIGURE 8-16. DIVERTER VALVE ASSEMBLY



447_1001211317-8

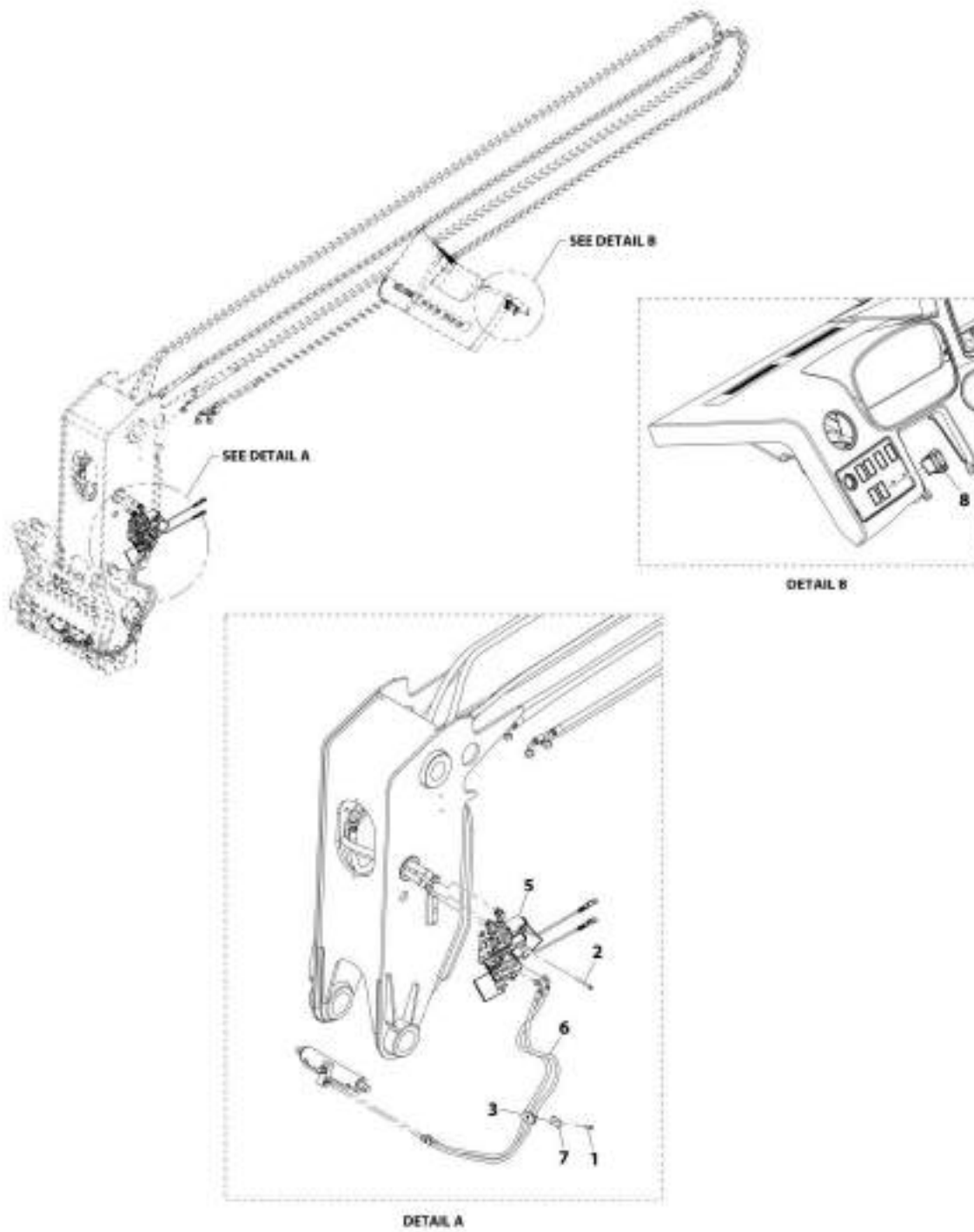
SECTION 8 - HYDRAULIC CIRCUITS

FIGURE 8-16. DIVERTER VALVE ASSEMBLY

ITEM	PART NUMBER	QTY	DESCRIPTION	REV
	1001213317	Ref	Diverter Valve Assembly	B
1	2110610	2	Fitting, Straight ORFS	
2	2111010	1	Fitting, Straight ORFS	
3	2151010	1	Fitting, 45 ORFS	
4	1001005904	2	Fitting, 45	
5	1001101041	1	Fitting, Male Quick Disconnect	
6	1001101042	1	Fitting, Female Quick Disconnect	
7	1001104477	1	Valve, Divertor (See Seperate Breakdown in Hydraulic Components Section)	
8	1001147416	1	Fitting, 45 ORFS	
9	91043125	1	Plug	
10	91043126	1	Cap, Dust	

SECTION 8 - HYDRAULIC CIRCUITS

FIGURE 8-17. BOOM AUX HYDRAULIC INSTALLATION (HYDRAULIC - TWIN)



ART_1001192367-C

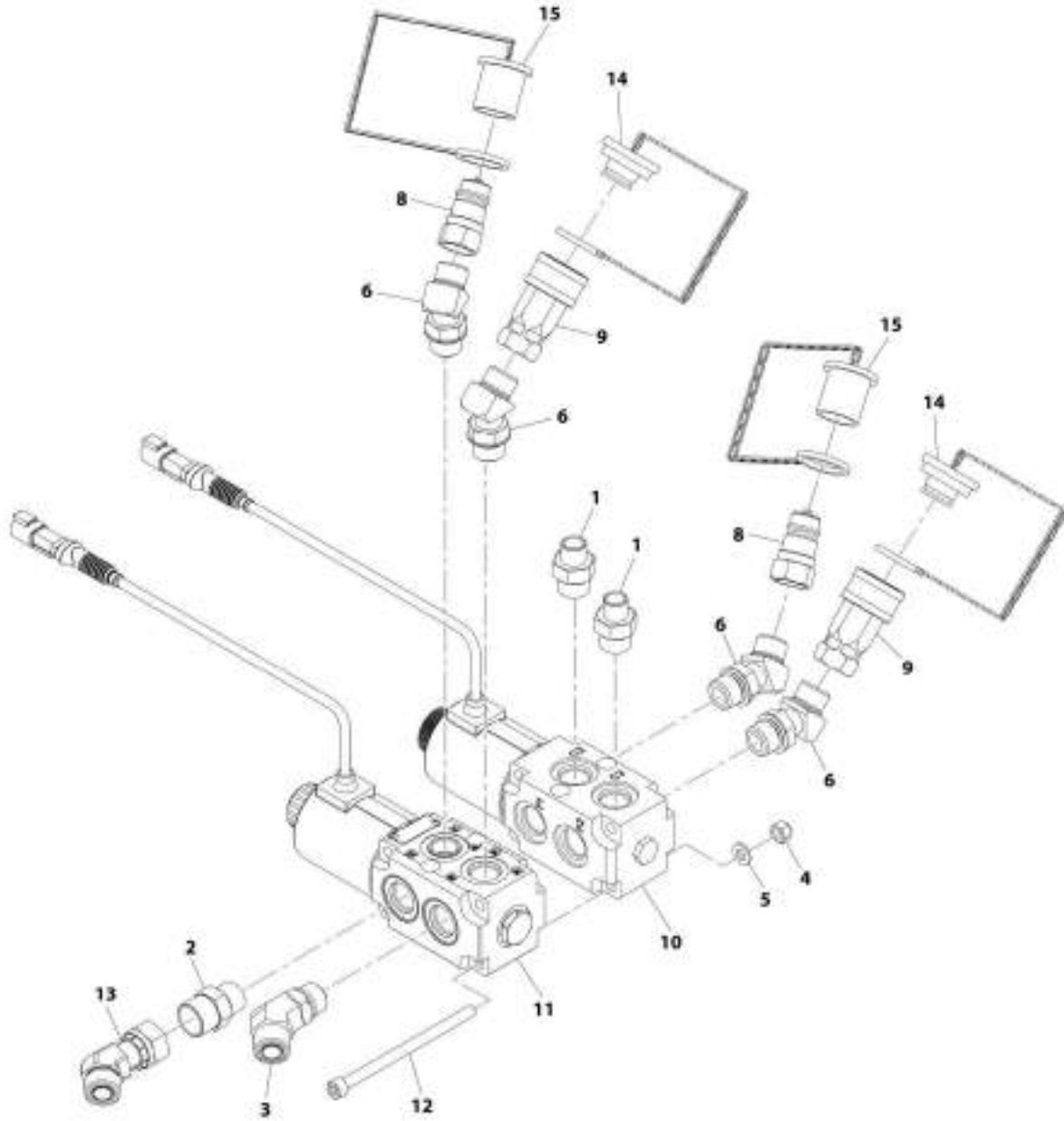
SECTION 8 - HYDRAULIC CIRCUITS

FIGURE 8-17. BOOM AUX HYDRAULIC INSTALLATION (HYDRAULIC - TWIN)

ITEM	PART NUMBER	QTY	DESCRIPTION	REV
	1001192367	Ref	Boom Aux Hydraulic Installation (hydraulic - twin)	C
1	0760815	1	Bolt, M8X35	
2	4031918	3	Bolt, M8X70	
3	8769126	1	Clamp	
5	1001213319	1	Assembly, Diverter Valve (hydraulic - twin) (See Seperate Breakdown in this Section)	
6	1001193111	2	Hose	
7	8769123	1	Plate, Cover	
8	1001080375	1	Switch	

SECTION 8 - HYDRAULIC CIRCUITS

FIGURE 8-18. DIVERTER VALVE ASSEMBLY



ART_3001213319-C

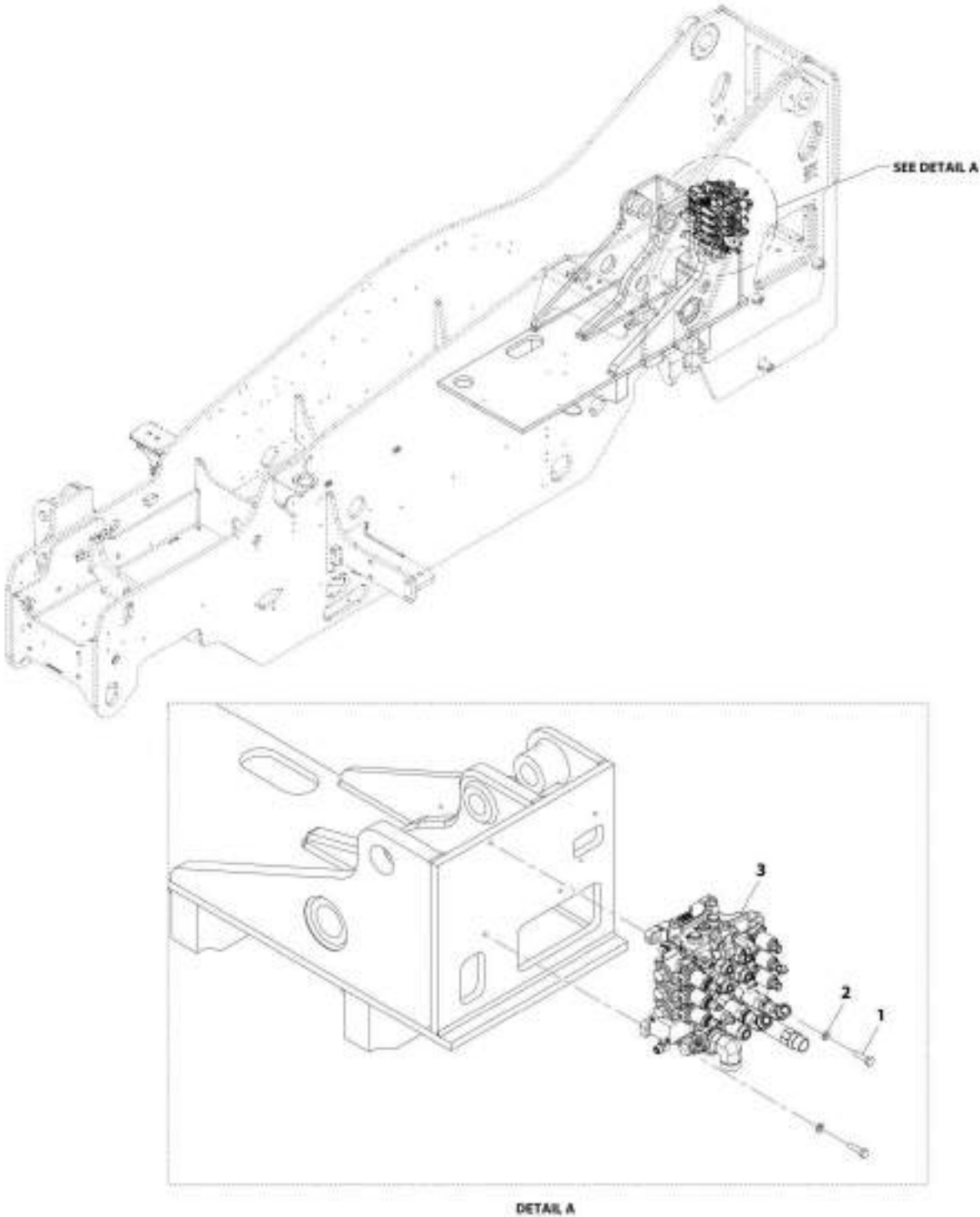
SECTION 8 - HYDRAULIC CIRCUITS

FIGURE 8-18. DIVERTER VALVE ASSEMBLY

ITEM	PART NUMBER	QTY	DESCRIPTION	REV
	1001213319	Ref	Diverter Valve Assembly	C
1	2110610	2	Fitting, Straight ORFS	
2	2111010	1	Fitting, Straight ORFS	
3	2151010	1	Fitting, 45 ORFS	
4	3290805	4	Nut, Lock M8X1.25	
5	4811900	4	Washer, M8	
6	1001005904	4	Fitting, 45	
8	1001101041	2	Fitting, Male Quick Disconnect	
9	1001101042	2	Fitting, Female Quick Disconnect	
10	1001104477	1	Valve, Divertor (See Seperate Breakdown in Hydraulic Component Section)	
11	1001110023	1	Valve, Divertor (See Seperate Breakdown in Hydraulic Components Section)	
12	1001110115	4	Bolt, M8X100	
13	1001147416	1	Fitting, 45 ORFS	
14	91043125	2	Plug	
15	91043126	2	Cap	

SECTION 8 - HYDRAULIC CIRCUITS

FIGURE 8-19. MAIN CONTROL VALVE INSTALLATION



ART_1001102889-C

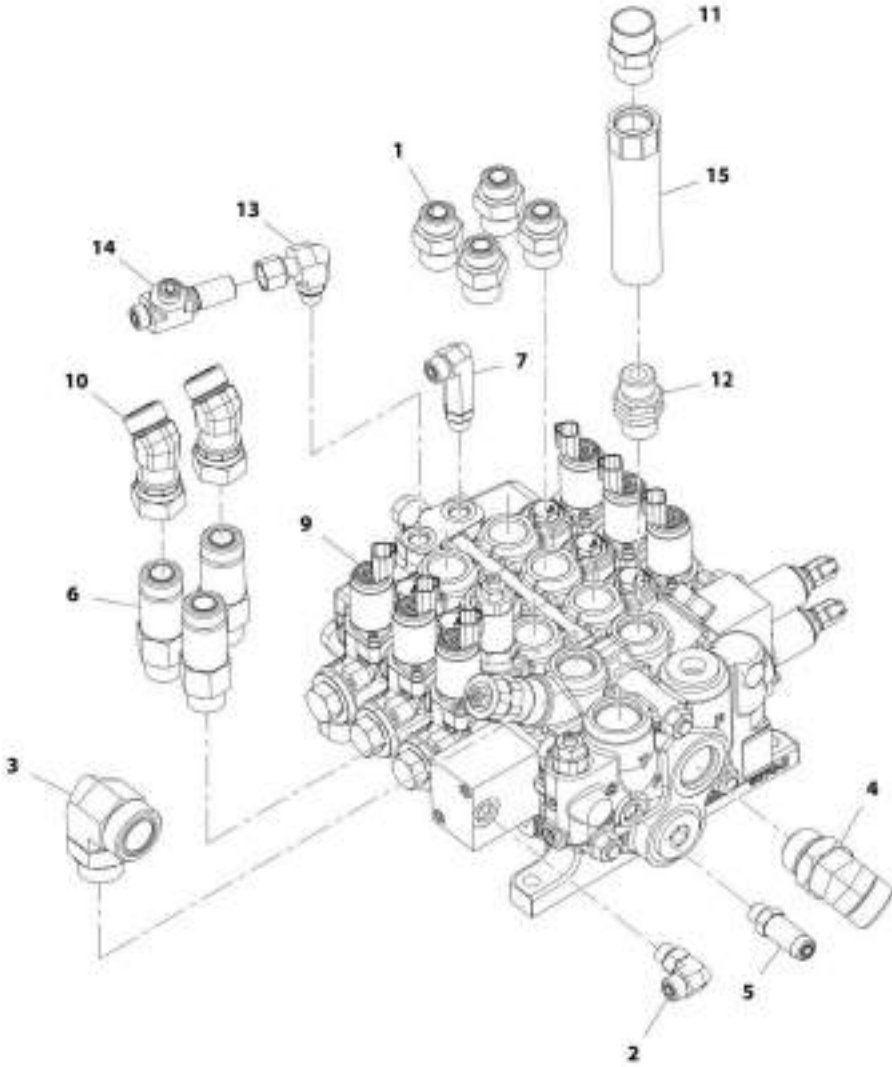
SECTION 8 - HYDRAULIC CIRCUITS

FIGURE 8-19. MAIN CONTROL VALVE INSTALLATION

ITEM	PART NUMBER	QTY	DESCRIPTION	REV
	1001192889	Ref	Main Control Valve Installation	C
1	0701016	3	Bolt, M10X40	
2	4812000	3	Washer, M10	
3	1001192890	1	Assembly, Main Control Valve (See Separate Breakdown in this Section)	

SECTION 8 - HYDRAULIC CIRCUITS

FIGURE 8-20. MAIN CONTROL VALVE ASSEMBLY



ART_1301192890-D

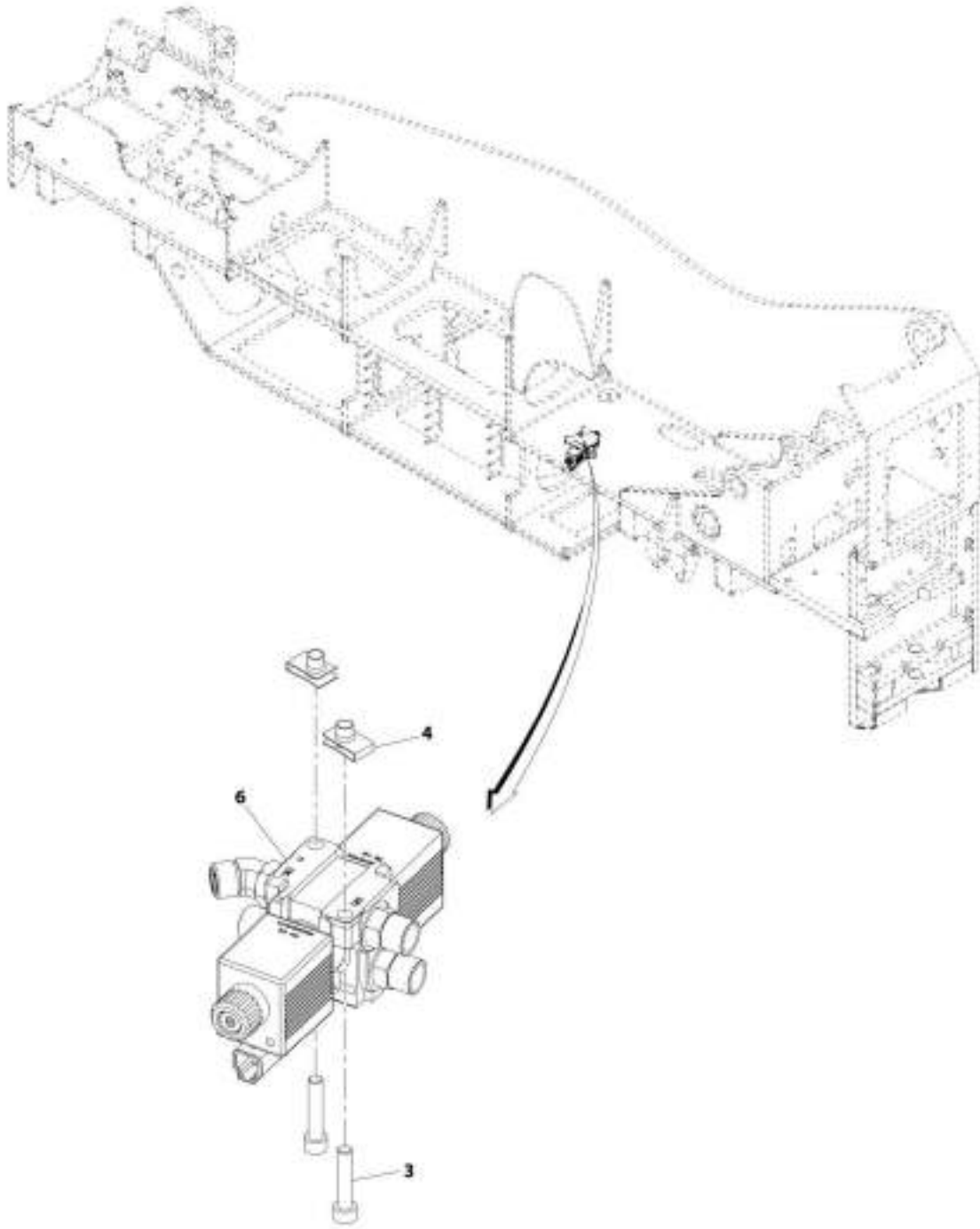
SECTION 8 - HYDRAULIC CIRCUITS

FIGURE 8-20. MAIN CONTROL VALVE ASSEMBLY

ITEM	PART NUMBER	QTY	DESCRIPTION	REV
	1001192890	Ref	Main Control Valve Assembly	D
1	2111012	4	Fitting, Straight ORFS	
2	2130606	1	Fitting, 90 ORFS	
3	2132016	1	Fitting, 90 ORFS	
4	2151616	1	Fitting, 45 ORFS	
5	2170106	1	Fitting, Straight ORFS	
6	2170112	3	Fitting, Straight ORFS	
7	2170206	1	Fitting, 90 ORFS	
9	1001192891	1	Valve, Main Control (See Separate Breakdown in Hydraulic Components Section)	
10	1001151238	2	Fitting, 45 ORFS	
11	2111212	1	Fitting, Straight ORFS	
12	8770030	1	Fitting, Straight ORFS	
13	8770104	1	Fitting, 90 ORFS	
14	8770286	1	Fitting, Tee ORFS	
15	1001224946	1	Valve, Check	

SECTION 8 - HYDRAULIC CIRCUITS

FIGURE 8-21. STEERING SELECT VALVE INSTALLATION



APP_1001105539-B

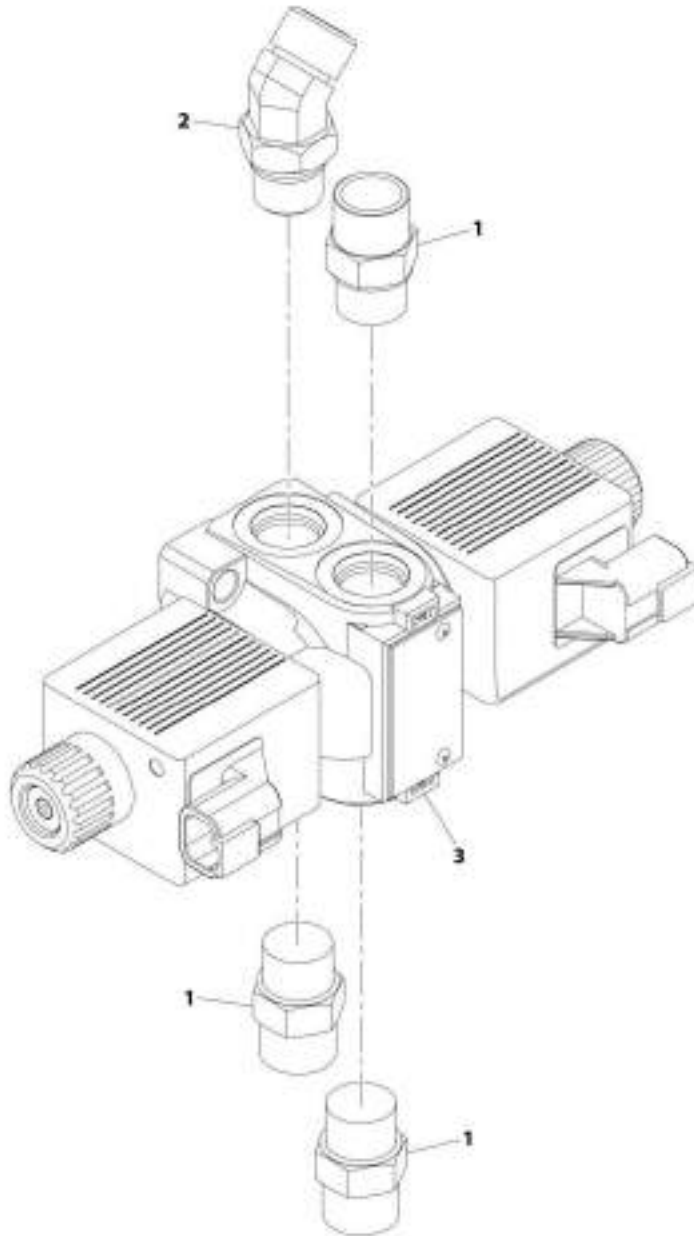
SECTION 8 - HYDRAULIC CIRCUITS

FIGURE 8-21. STEERING SELECT VALVE INSTALLATION

ITEM	PART NUMBER	QTY	DESCRIPTION	REV
	1001193516	Ref	Steering Select Valve Installation	B
3	4031912	2	Bolt, M8X40	
4	8310686	2	Nut, M8X12.5	
6	1001212418	1	Assembly, Steering Select Valve (See Seperate Breakdown in this Section)	

SECTION 8 - HYDRAULIC CIRCUITS

FIGURE 8-22. STEERING SELECT VALVE ASSEMBLY



ARE_1001212458-A

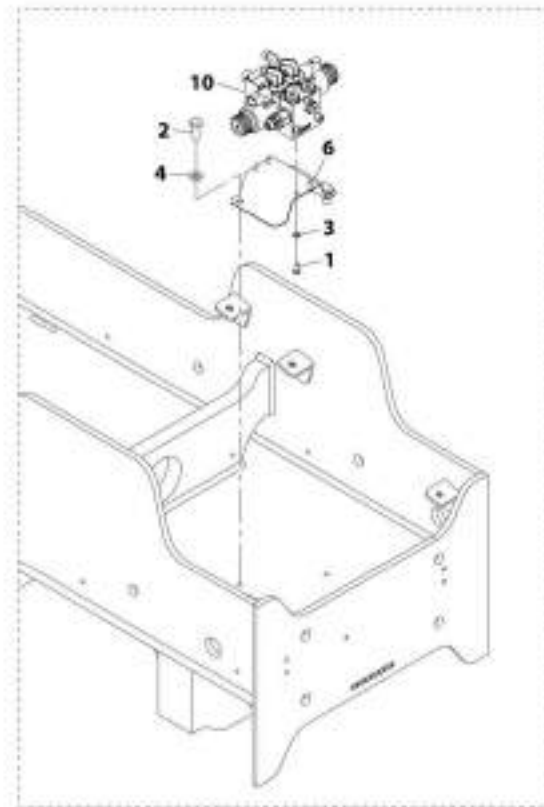
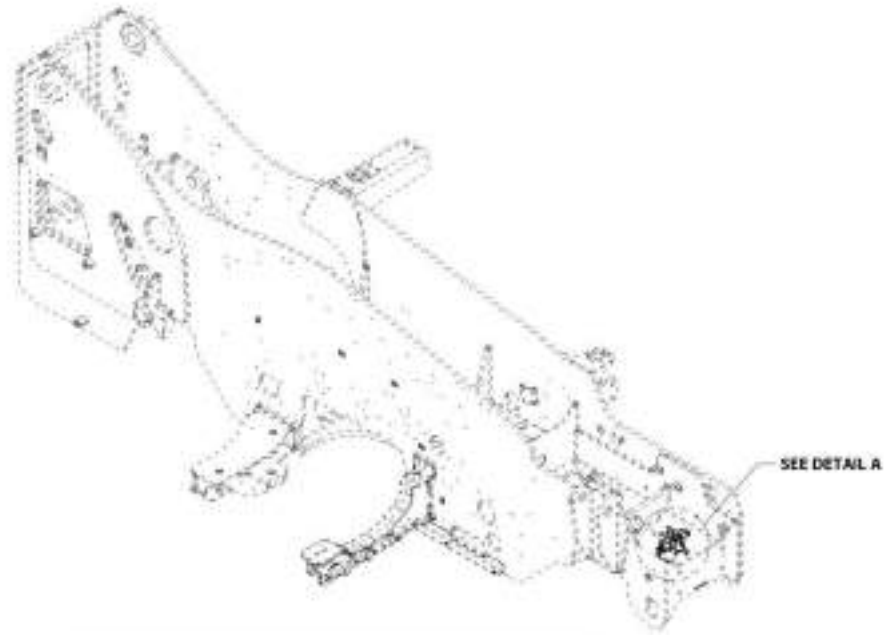
SECTION 8 - HYDRAULIC CIRCUITS

FIGURE 8-22. STEERING SELECT VALVE ASSEMBLY

ITEM	PART NUMBER	QTY	DESCRIPTION	REV
	1001212418	Ref	Steering Select Valve Assembly	A
1	2110808	3	Fitting, Straight ORFS	
2	2150808	1	Fitting, 45 ORFS	
3	1001153748	1	Valve, Steering Select (See Seperate Breakdown in Hydraulic Component Section)	

SECTION 8 - HYDRAULIC CIRCUITS

FIGURE 8-23. FRAME LEVEL VALVE INSTALLATION



DETAIL A

ART_1001193517-D

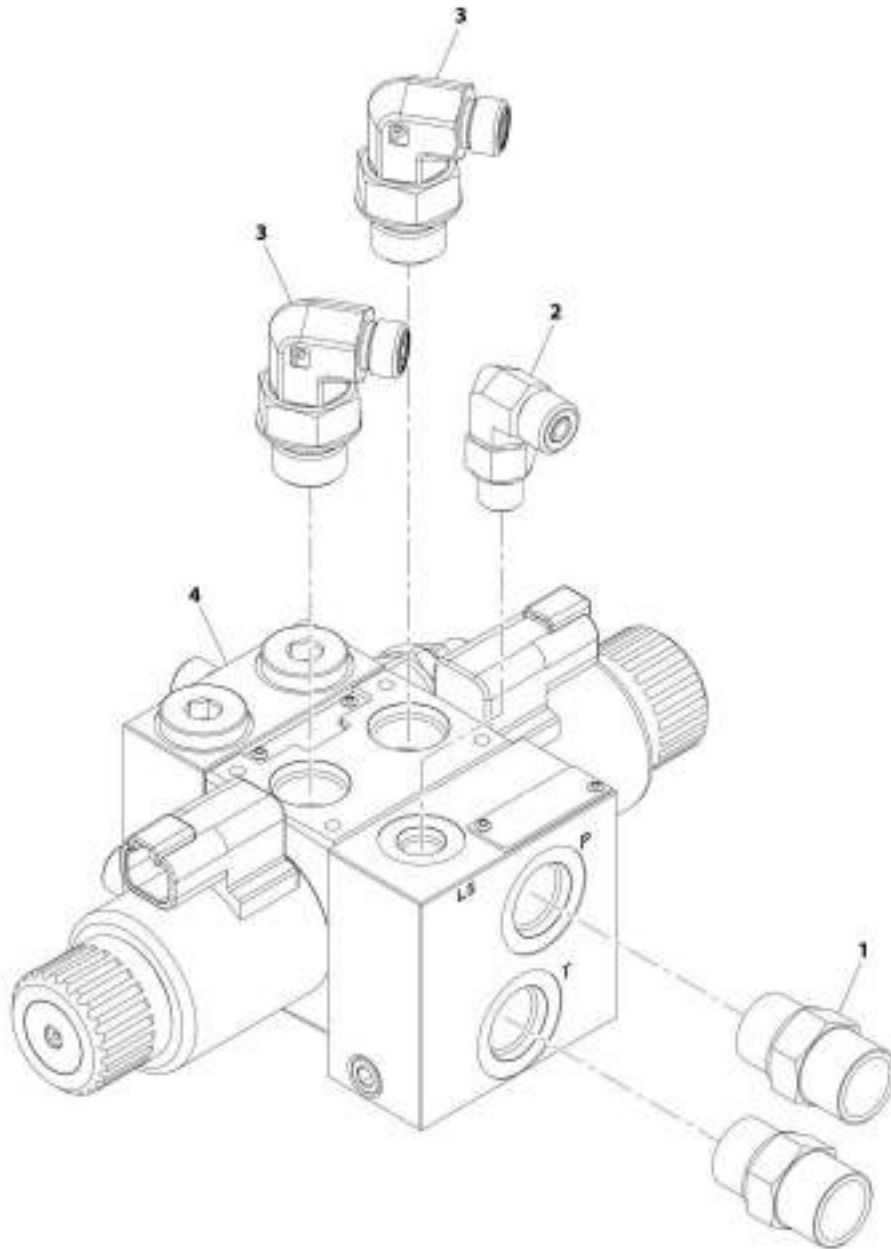
SECTION 8 - HYDRAULIC CIRCUITS

FIGURE 8-23. FRAME LEVEL VALVE INSTALLATION

ITEM	PART NUMBER	QTY	DESCRIPTION	REV
	1001193517	Ref	Frame Level Valve Installation	D
1	0760607	4	Bolt, M6X14	
2	0761012	2	Bolt, M10X25	
3	4811700	4	Washer, M6	
4	4812000	2	Washer, M10	
6	1001195733	1	Bracket	
10	1001215341	1	Assembly, Frame Level Valve (See Seperate Breakdown in this Section)	

SECTION 8 - HYDRAULIC CIRCUITS

FIGURE 8-24. FRAME LEVEL VALVE ASSEMBLY



ART_3001215341-B

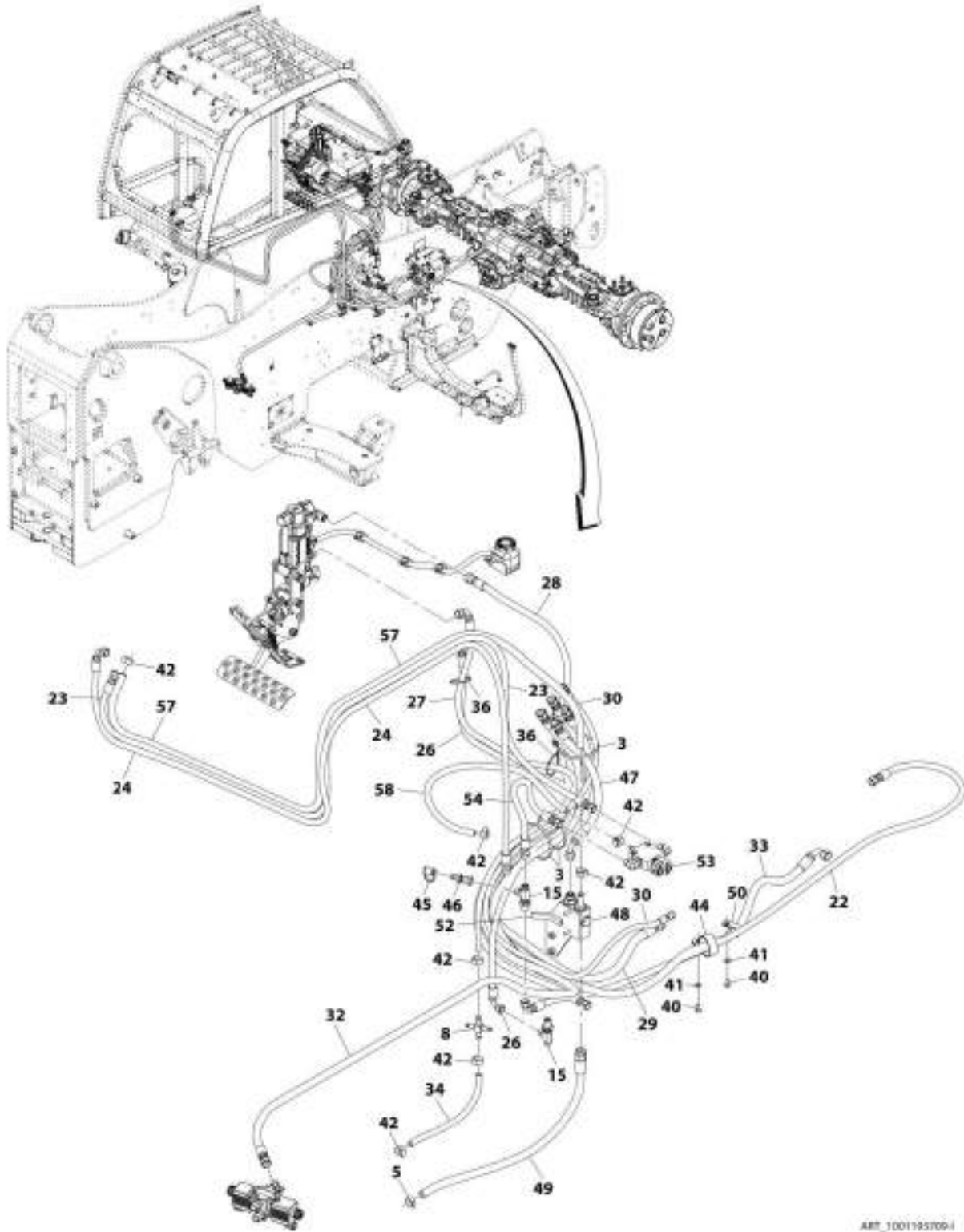
SECTION 8 - HYDRAULIC CIRCUITS

FIGURE 8-24. FRAME LEVEL VALVE ASSEMBLY

ITEM	PART NUMBER	QTY	DESCRIPTION	REV
	1001215341	Ref	Frame Level Valve Assembly	B
1	2110808	2	Fitting, Straight ORFS	
2	2130404	1	Fitting, 90 ORFS	
3	2130408	2	Fitting, 90 ORFS	
4	1001219615	1	Valve, Frame Level (See Seperate Breakdown in Hydraulic Components Section)	

SECTION 8 - HYDRAULIC CIRCUITS

FIGURE 8-25. CAB HYDRAULICS INSTALLATION



ARB_1001195706-1

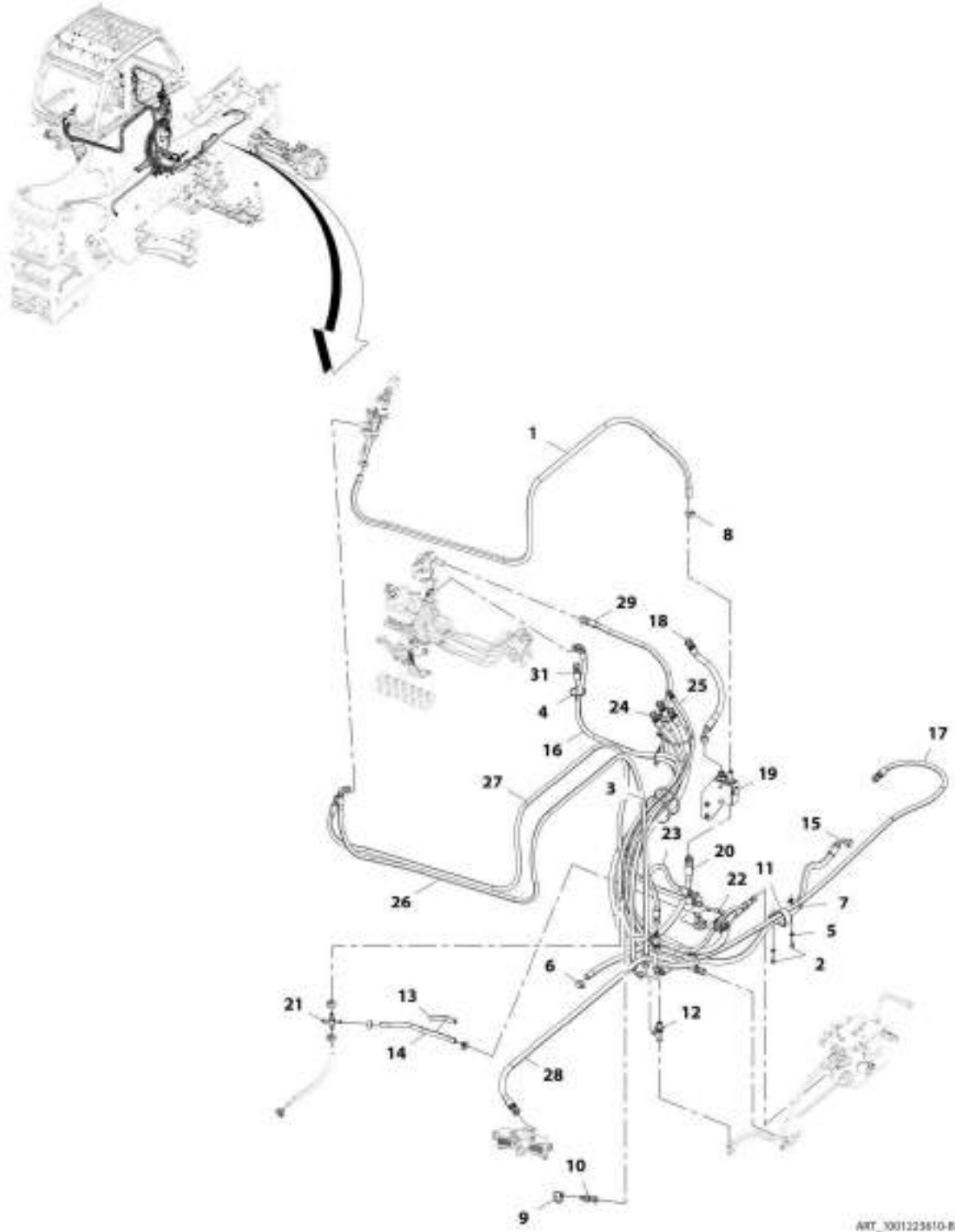
SECTION 8 - HYDRAULIC CIRCUITS

FIGURE 8-25. CAB HYDRAULICS INSTALLATION

ITEM	PART NUMBER	QTY	DESCRIPTION	REV
	1001193709	Ref	Cab Hydraulics Installation	1
3	4240018	3	Strap, Cable	
5	8405006	1	Clamp	
8	1001215256	1	Fitting, Cross Barb	
15	88662434	2	Fitting, Tee ORFS	
22	1001210800	1	Hose	
23	1001221989	1	Hose	
24	1001210327	1	Hose	
26	1001196989	1	Hose	
27	1001206709	1	Hose	
28	1001210282	1	Hose	
29	1001196992	1	Hose	
30	1001196993	1	Hose	
32	1001196995	1	Hose	
33	1001196996	1	Hose	
34	1001196997	1	Hose	
36	4240099	3	Tie, Wire	
40	0760807	2	Bolt, M8X14	
41	4811900	2	Washer, M8	
42	8410013	7	Clamp	
44	85941018	1	Clamp	
45	8430032	1	Plug	
46	8430081	1	Fitting, Straight ORFS	
47	1001212787	1	Hose	
48	1001212788	Ref	Installation, Check Valve (See Separate Breakdown in this Section)	
49	1001212880	1	Hose	
50	8406201	1	Clip	
52	90206198	186 mm	Compound, Locking	
53	1001221987	Ref	Installation, Solenoid Valve (See Separate Breakdown in this Section)	
54	1001221988	1	Hose	
57	2720160	2290 mm	Hose	
58	1001008654	750 mm	Hose	

SECTION 8 - HYDRAULIC CIRCUITS

FIGURE 8-26. CAB HYDRAULICS INSTALLATION (TUV)



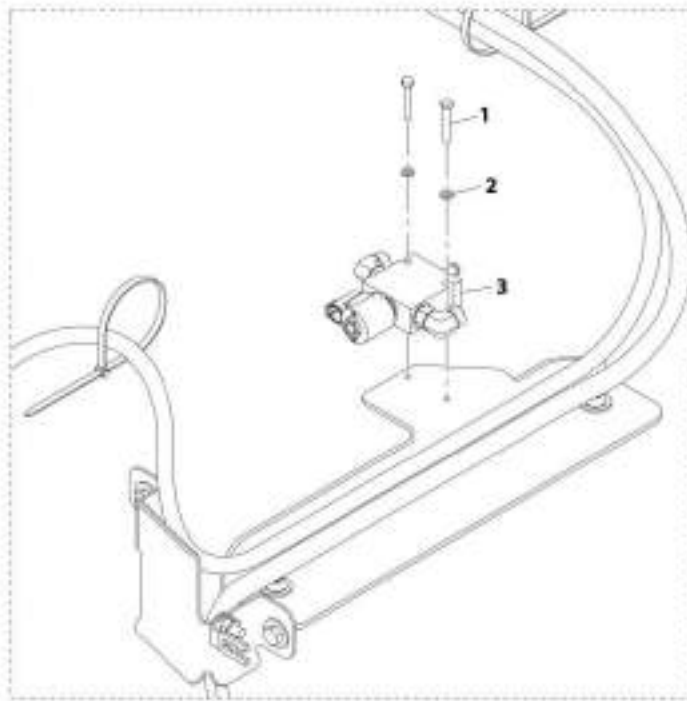
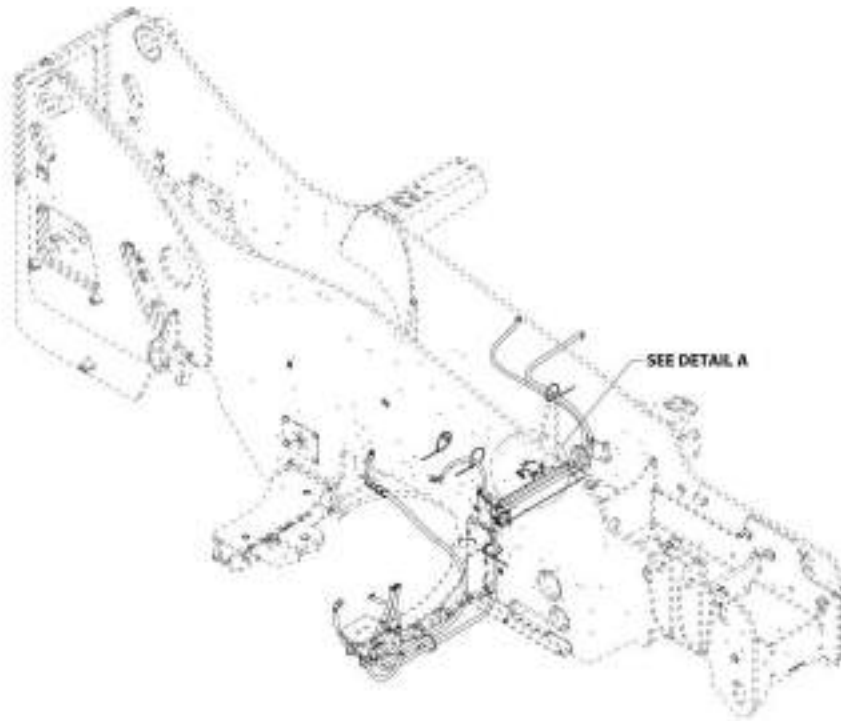
SECTION 8 - HYDRAULIC CIRCUITS

FIGURE 8-26. CAB HYDRAULICS INSTALLATION (TUV)

ITEM	PART NUMBER	QTY	DESCRIPTION	REV
	1001223610	Ref	Cab Hydraulics Installation (TUV)	B
1	2720160	2290 mm	Hose, Airline	
2	0760807	2	Bolt, M8X14	
3	4240018	3	Strap, Tie	
4	4240099	3	Strap, Tie	
5	4811900	2	Washer, M8	
6	8405006	1	Clamp, Gear	
7	8406201	1	Clamp, Gear	
8	8410013	7	Clamp, Gear	
9	8430032	1	Plug	
10	8430081	1	Fitting, Straight ORFS	
11	85941018	1	P-Clamp, 2IN	
12	88662434	2	Fitting, Tee ORFS	
13	90206198	186 mm	Clip, Trim Lock	
14	1001008654	380 mm	Hose, Bulk	
15	1001196997	1	Hose, M10	
16	1001206709	1	Hose, M10 ORFS	
17	1001210800	1	Hose, M10 ORFS	
18	1001212787	1	Hose, M12.7 ORFS	
19	1001212788	Ref	Installation, Check Valve (See Separate Breakdown in this Section)	
20	1001212880	1	Hose, M12.7	
21	1001215256	1	Pipe, Cross Barb	
22	1001221987	Ref	Installation, Solenoid Valve (See Separate Breakdown in this Section)	
23	1001221988	1	Hose, M10 ORFS	
24	1001225567	1	Hose, M12.7 ORFS	
25	1001225568	1	Hose, M6.3 ORFS	
26	1001225569	1	Hose, M10 ORFS	
27	1001225570	1	Hose, M10 ORFS	
28	1001225571	1	Hose, M12.7 ORFS	
29	1001225572	1	Hose, M10 ORFS	
30	1001225573	1	Hose, M12.7 ORFS	
31	1001225574	1	Hose, M10 ORFS	

SECTION 8 - HYDRAULIC CIRCUITS

FIGURE 8-27. SOLENOID VALVE INSTALLATION



DETAIL A

ART_3001221687-A

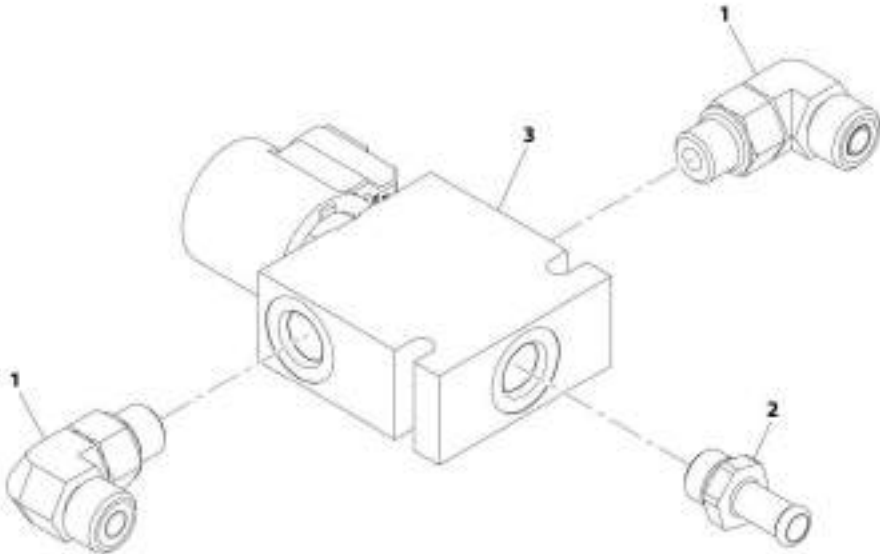
SECTION 8 - HYDRAULIC CIRCUITS

FIGURE 8-27. SOLENOID VALVE INSTALLATION

ITEM	PART NUMBER	QTY	DESCRIPTION	REV
	1001221987	Ref	Solenoid Valve Installation	A
1	0700616	2	Bolt, M6X40	
2	4811700	2	Washer, M6	
3	1001221986	1	Assembly, Solenoid Valve (See Seperate Breakdown in this Section)	

SECTION 8 - HYDRAULIC CIRCUITS

FIGURE 8-28. SOLENOID VALVE ASSEMBLY



ART_100221986-A

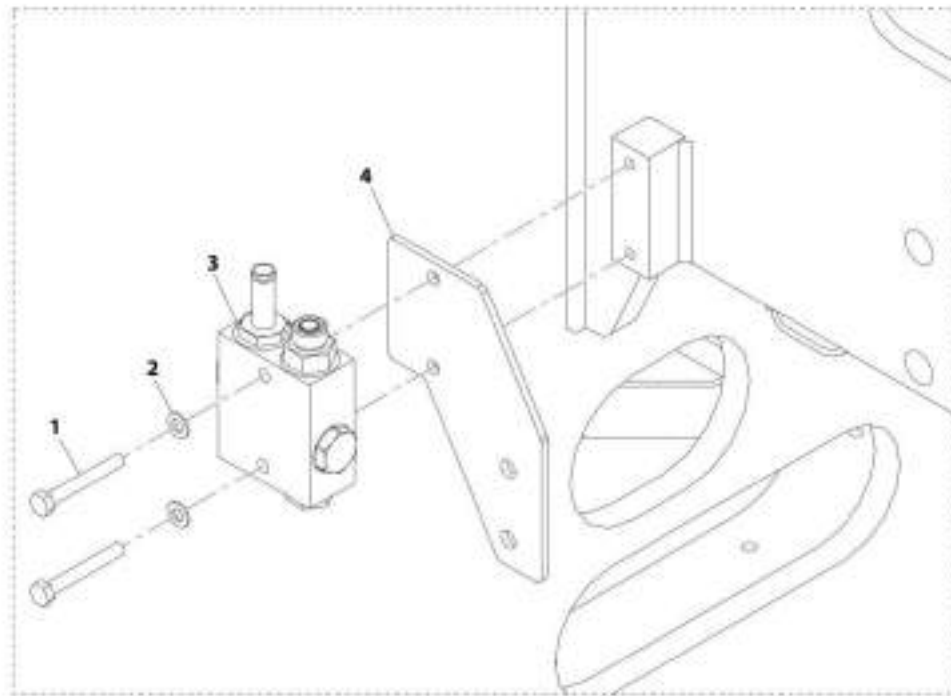
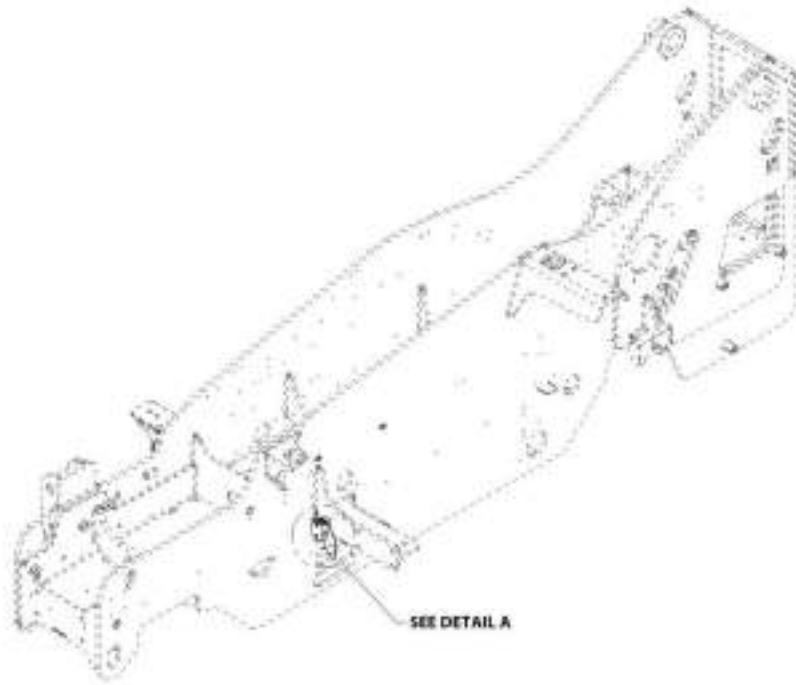
SECTION 8 - HYDRAULIC CIRCUITS

FIGURE 8-28. SOLENOID VALVE ASSEMBLY

ITEM	PART NUMBER	QTY	DESCRIPTION	REV
	1001221986	Ref	Solenoid Valve Assembly	A
1	2130606	2	Fitting, 90 ORFS	
2	1001168030	1	Fitting, Hose Barb	
3	1001221928	1	Valve, Solenoid (See Seperate Breakdown in Hydraulic Components Section)	

SECTION 8 - HYDRAULIC CIRCUITS

FIGURE 8-29. CHECK VALVE INSTALLATION



DETAIL A

ART_1801212786-A

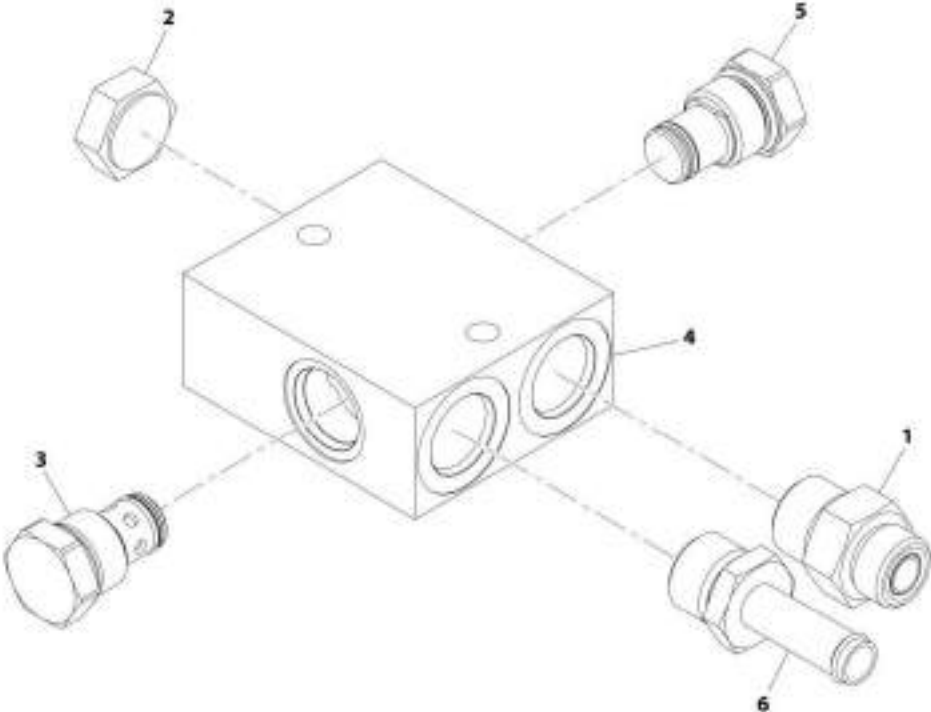
SECTION 8 - HYDRAULIC CIRCUITS

FIGURE 8-29. CHECK VALVE INSTALLATION

ITEM	PART NUMBER	QTY	DESCRIPTION	REV
	1001212788	Ref	Check Valve Installation	A
1	0700820	2	Bolt, M8X60	
2	4811900	2	Washer, M8	
3	1001212789	1	Assembly, Check Valve (See Seperate Breakdown in this Section)	
4	1001219659	1	Plate	

SECTION 8 - HYDRAULIC CIRCUITS

FIGURE 8-30. CHECK VALVE ASSEMBLY



ART_100121278-C

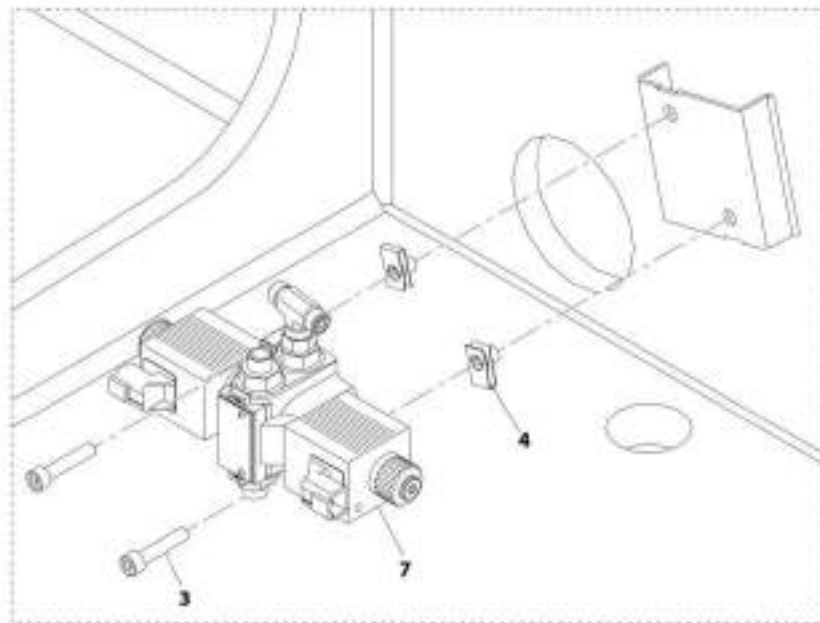
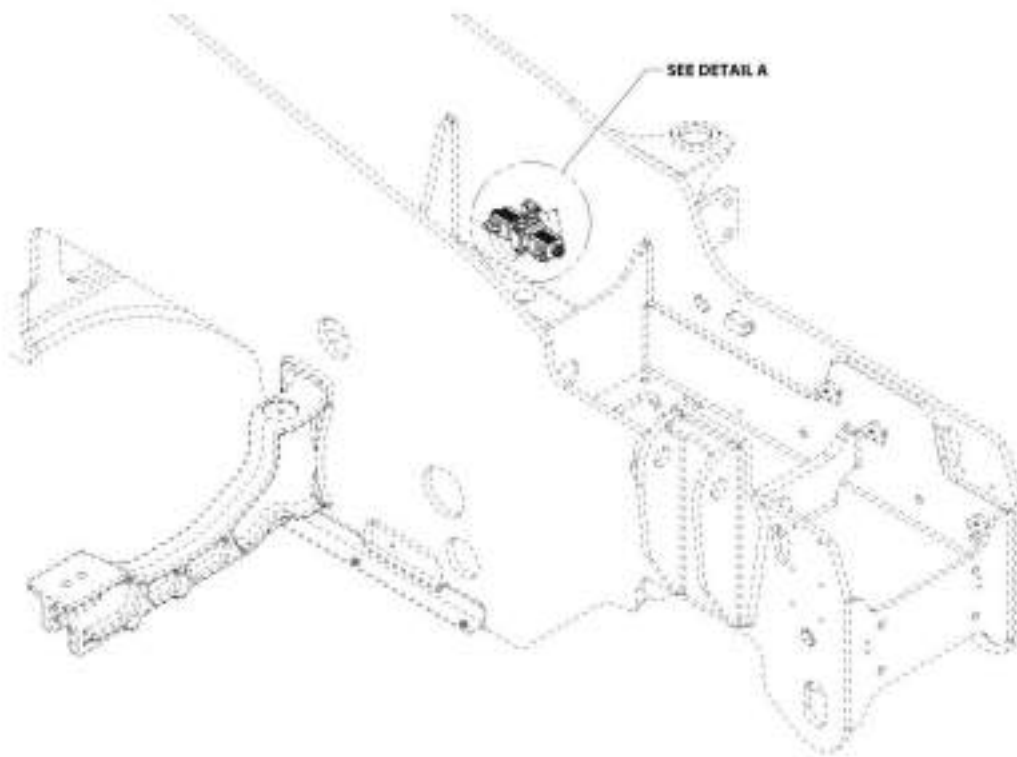
SECTION 8 - HYDRAULIC CIRCUITS

FIGURE 8-30. CHECK VALVE ASSEMBLY

ITEM	PART NUMBER	QTY	DESCRIPTION	REV
	1001212789	Ref	Check Valve Assembly	C
1	2110810	1	Fitting, Straight ORFS	
2	2220239	1	Plug	
3	1001231393	1	1001212789	
4	1001210780	1	Manifold, Dual Check Valve (See Seperate Breakdown in Hydraulic Components Section)	
5	1001210801	1	Valve, Check	
6	1001225656	1	Fitting, Barb	

SECTION 8 - HYDRAULIC CIRCUITS

FIGURE 8-31. SPEED CONTROL VALVE INSTALLATION



DETAIL A

MIT_1001187196-B

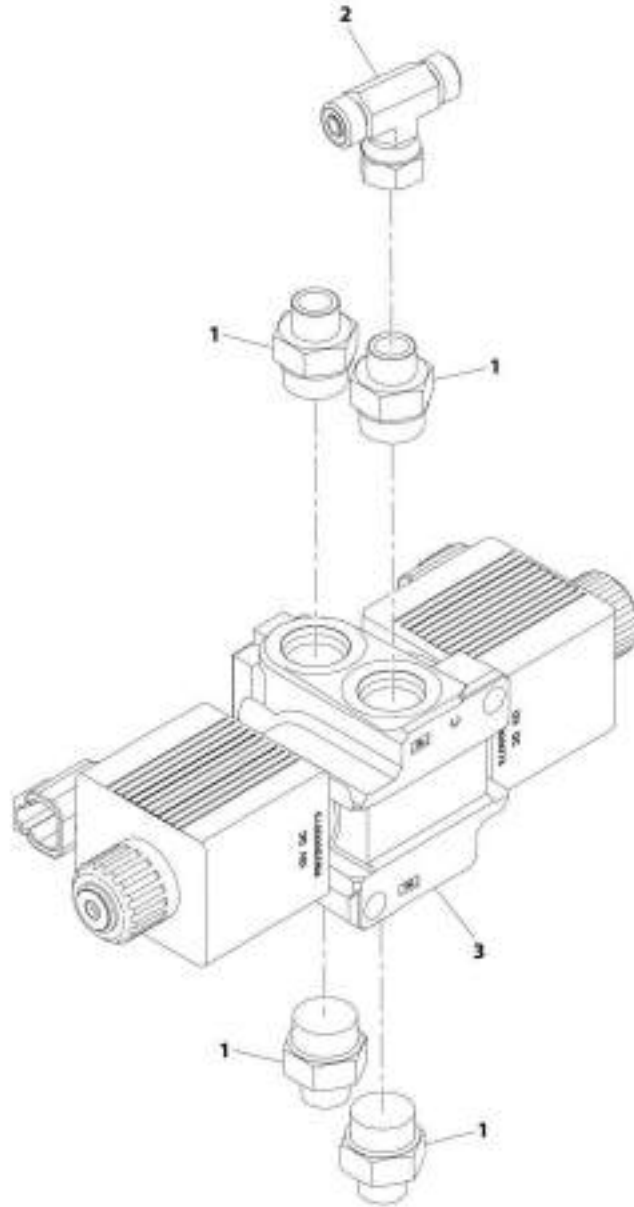
SECTION 8 - HYDRAULIC CIRCUITS

FIGURE 8-31. SPEED CONTROL VALVE INSTALLATION

ITEM	PART NUMBER	QTY	DESCRIPTION	REV
	1001197196	Ref	Speed Control Valve Installation	B
3	4031912	2	Bolt, M8X40	
4	8310686	2	Nut, M8X12.5	
7	1001220643	1	Assembly, Speed Control Valve (See Seperate Breakdown in this Section)	

SECTION 8 - HYDRAULIC CIRCUITS

FIGURE 8-32. SPEED CONTROL VALVE ASSEMBLY



ART_1001230643-A

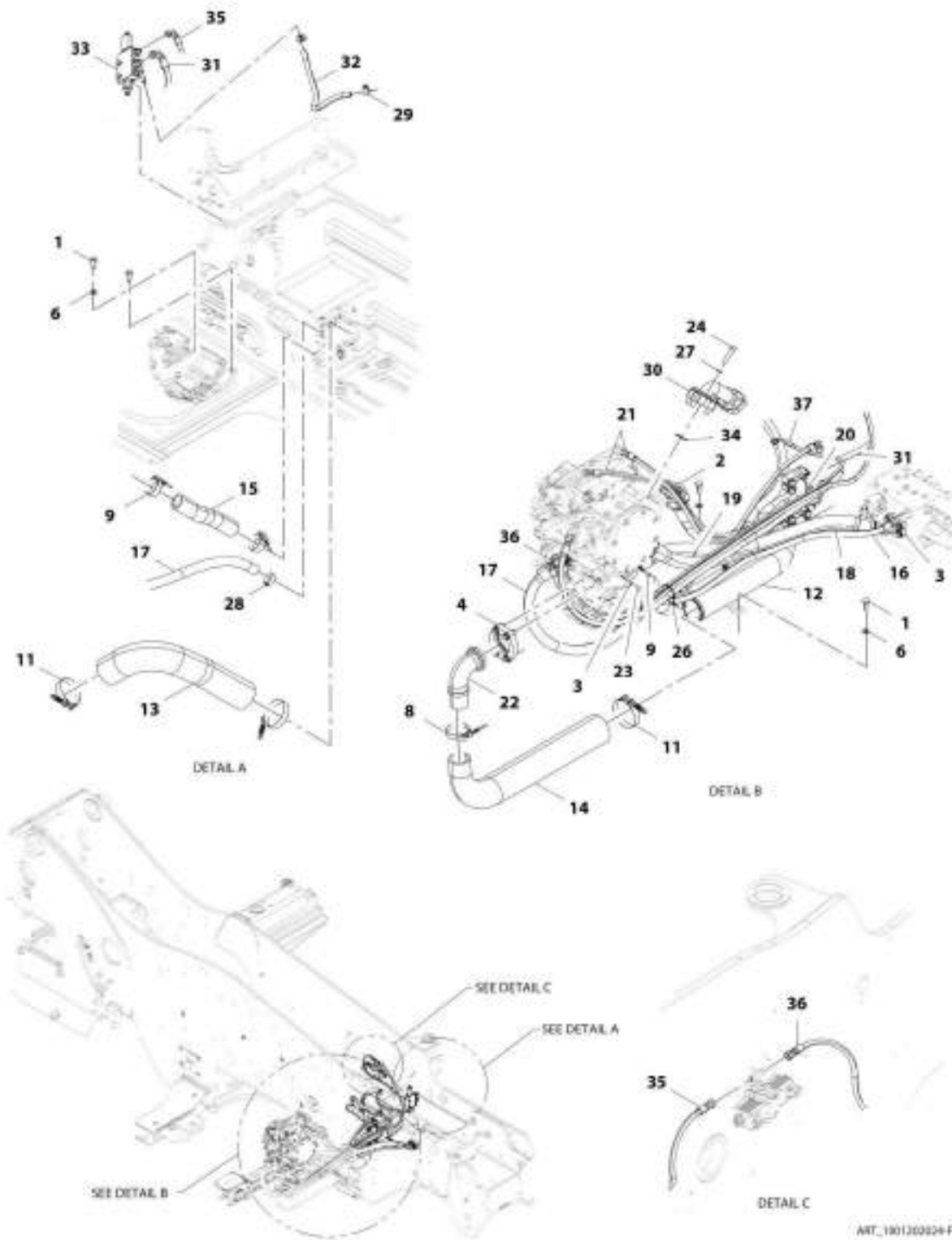
SECTION 8 - HYDRAULIC CIRCUITS

FIGURE 8-32. SPEED CONTROL VALVE ASSEMBLY

ITEM	PART NUMBER	QTY	DESCRIPTION	REV
	1001220643	Ref	Speed Control Valve Assembly	A
1	2110408	4	Fitting, Straight ORFS	
2	2170804	1	Fitting, Tee	
3	4641520	1	Valve, Speed Control (See Seperate Breakdown in Hydraulic Components Section)	

SECTION 8 - HYDRAULIC CIRCUITS

FIGURE 8-33. ENGINE BAY HYDRAULIC INSTALLATION



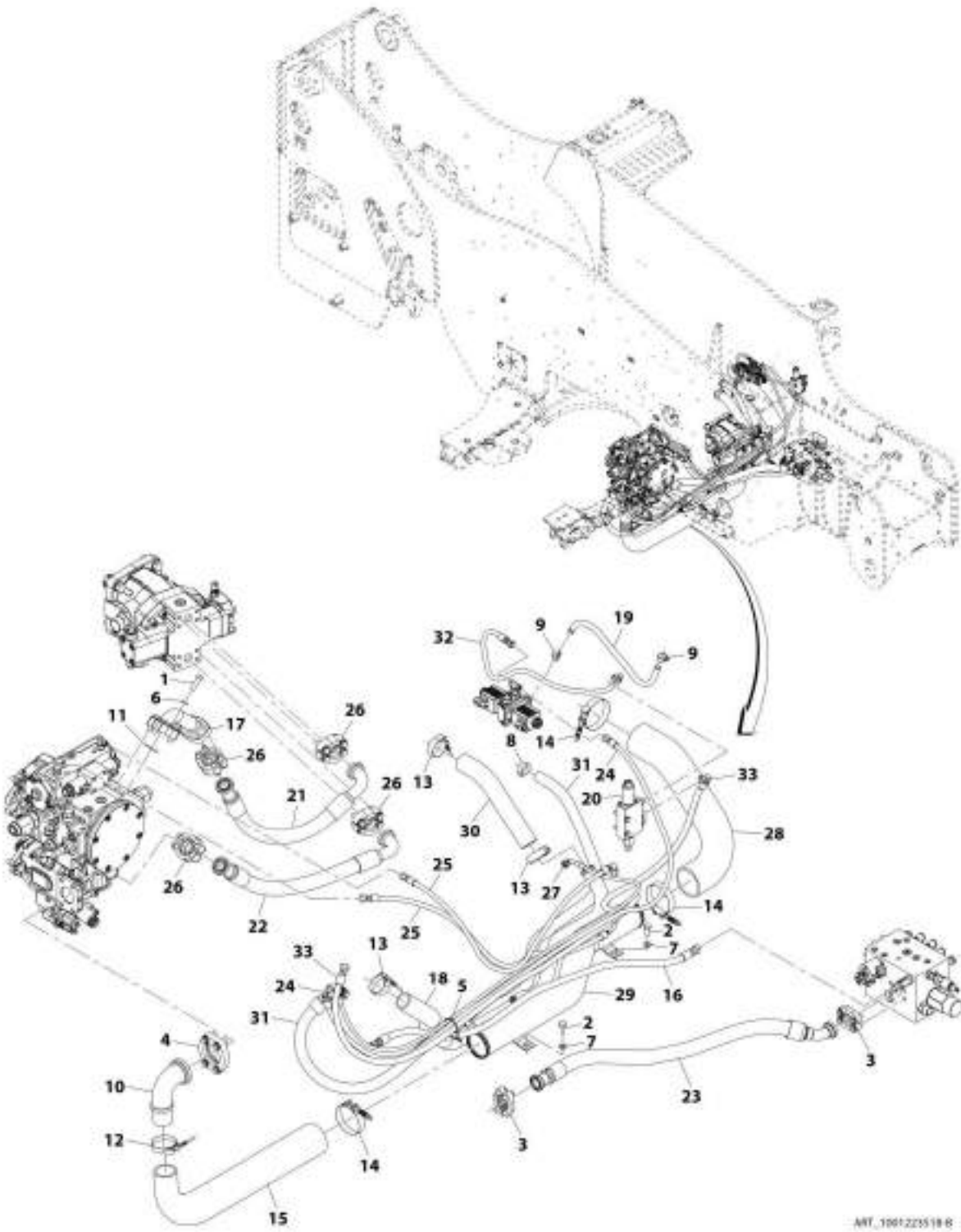
SECTION 8 - HYDRAULIC CIRCUITS

FIGURE 8-33. ENGINE BAY HYDRAULIC INSTALLATION

ITEM	PART NUMBER	QTY	DESCRIPTION	REV
	1001202024	Ref	Engine Bay Installation	F
1	0761012	4	Bolt, M10X25	
2	1001217948	4	Kit, Flange (includes mounting hardware and o-ring)	
3	2171816	2	Kit, Flange (includes mounting hardware and o-ring)	
4	2171832	1	Kit, Flange (includes mounting hardware and o-ring)	
6	4812000	4	Washer, M10	
8	1001005438	1	Clamp	
9	1001014231	4	Clamp	
11	1001186843	3	Clamp	
12	1001187272	1	Pipe	
13	1001187273	1	Hose	
14	1001187275	1	Hose	
15	1001193461	1	Hose	
16	1001196959	1	Hose	
17	1001215802	1	Hose	
18	1001214431	1	Hose	
19	1001214430	1	Hose	
20	1001214429	1	Hose	
21	1001215539	2	Hose	
22	8424233	1	Fitting, 90	
23	1001202027	1	Hose	
24	0681714	4	Bolt, 7/16-14X1 3/4 Grade 8	
26	4240099	AR	Tie, Wire	
27	4761700	4	Washer, Lock 7/16	
28	8405007	1	Clamp	
29	8410013	2	Clamp	
30	1001200870	1	Fitting, 90	
31	1001213306	1	Hose	
32	1001213307	1	Hose	
33	1001213308	1	Installation, Inching Valve (See Seperate Breakdown in this Section)	
34	91083106	1	O-Ring	
35	1001215093	1	Hose	
36	1001215212	1	Hose	
37	1001223109	1	Hose	

SECTION 8 - HYDRAULIC CIRCUITS

FIGURE 8-34. ENGINE BAY HYDRAULIC INSTALLATION (TUV)



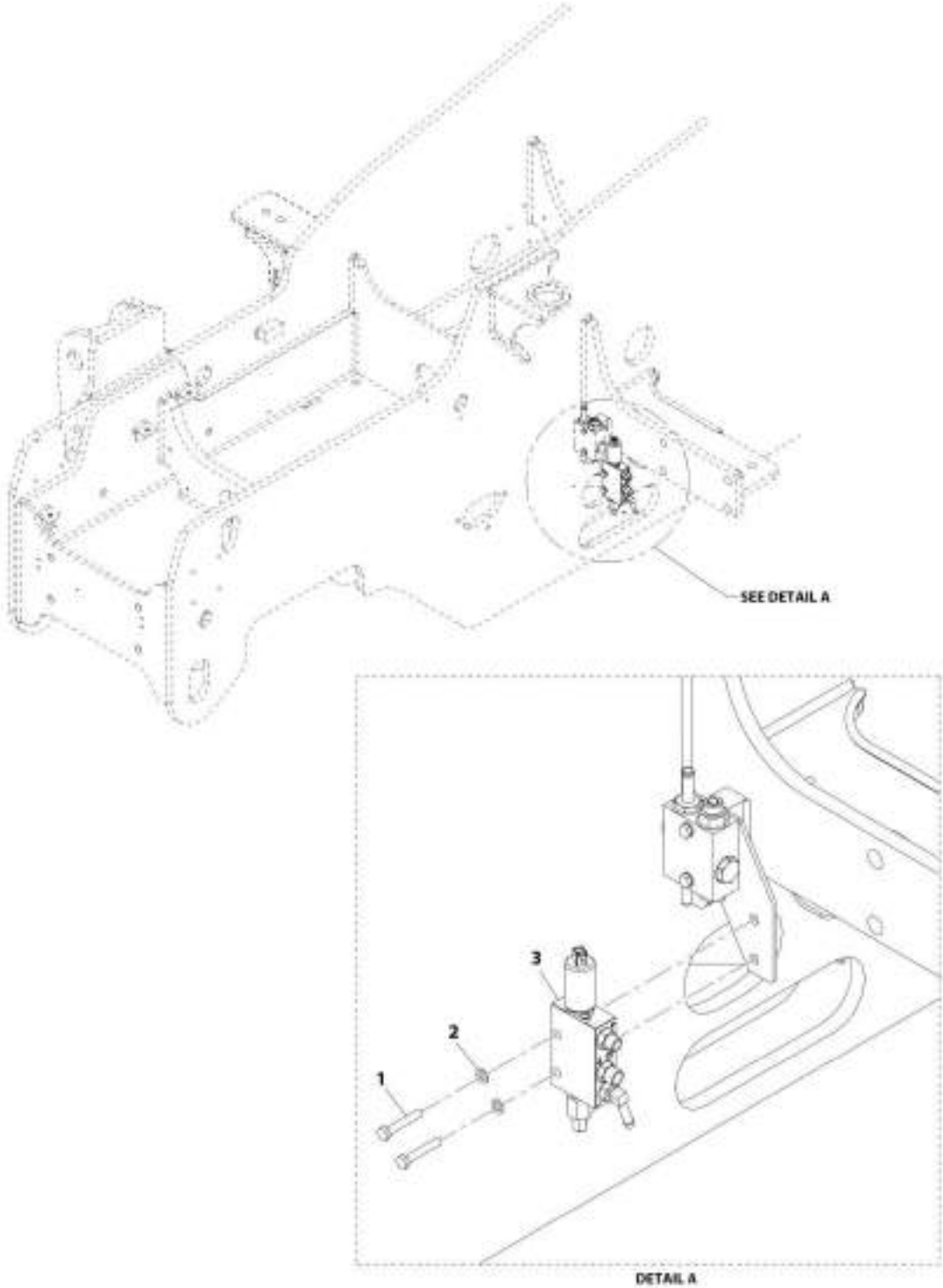
SECTION 8 - HYDRAULIC CIRCUITS

FIGURE 8-34. ENGINE BAY HYDRAULIC INSTALLATION (TUV)

ITEM	PART NUMBER	QTY	DESCRIPTION	REV
	1001223518	Ref	Engine Bay Hydraulic Installation (TUV)	B
1	0681714	4	Bolt, 7/16-14X1 3/4, Grade 8	
2	0761012	4	Bolt, M10X25	
3	2171816	2	Kit, Flange (includes mounting hardware and o-ring)	
4	2171832	1	Kit, Flange (includes mounting hardware and o-ring)	
5	4240099	1	Tie, Wire	
6	4761700	4	Washer, Lock 7/16	
7	4812000	4	Washer, M10	
8	8405007	1	Clamp	
9	8410013	2	Clamp	
10	8424233	1	Tube, 90 Elbow	
11	91083106	1	O-Ring	
12	1001005438	1	Clamp	
13	1001014231	4	Clamp	
14	1001186843	3	Clamp	
15	1001187275	1	Hose	
16	1001196959	1	Hose	
17	1001200870	1	Fitting, 90	
18	1001202027	1	Hose	
19	1001213307	1	Hose	
20	1001213308	1	Installation, Inching Valve (See Seperate Breakdown in this Section)	
21	1001214429	1	Hose	
22	1001214430	1	Hose	
23	1001214431	1	Hose	
24	1001215212	1	Hose	
25	1001215539	2	Hose	
26	1001217948	4	Kit, Flange (includes mounting hardware and o-ring)	
27	1001223109	1	Hose	
28	1001223640	1	Hose	
29	1001223642	1	Pipe	
30	1001223825	1	Hose	
31	1001225575	1	Hose	
32	1001225576	1	Hose	
33	1001226543	1	Hose	

SECTION 8 - HYDRAULIC CIRCUITS

FIGURE 8-35. INCHING VALVE INSTALLATION



ART_1001213308-A

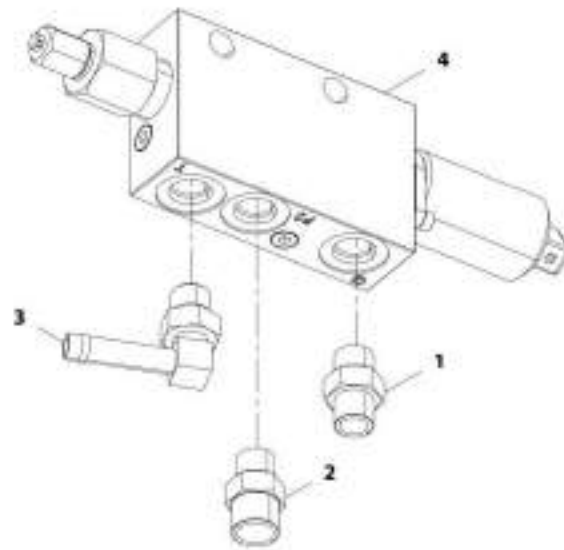
SECTION 8 - HYDRAULIC CIRCUITS

FIGURE 8-35. INCHING VALVE INSTALLATION

ITEM	PART NUMBER	QTY	DESCRIPTION	REV
	1001213308	Ref	Inching Valve Installation	A
1	0700818	2	Bolt, M8X50	
2	4811900	2	Washer, M8	
3	1001213309	1	Assembly, Inching Valve (See Seperate Breakdown in this Section)	

SECTION 8 - HYDRAULIC CIRCUITS

FIGURE 8-36. INCHING VALVE ASSEMBLY



ART_1001211300-B

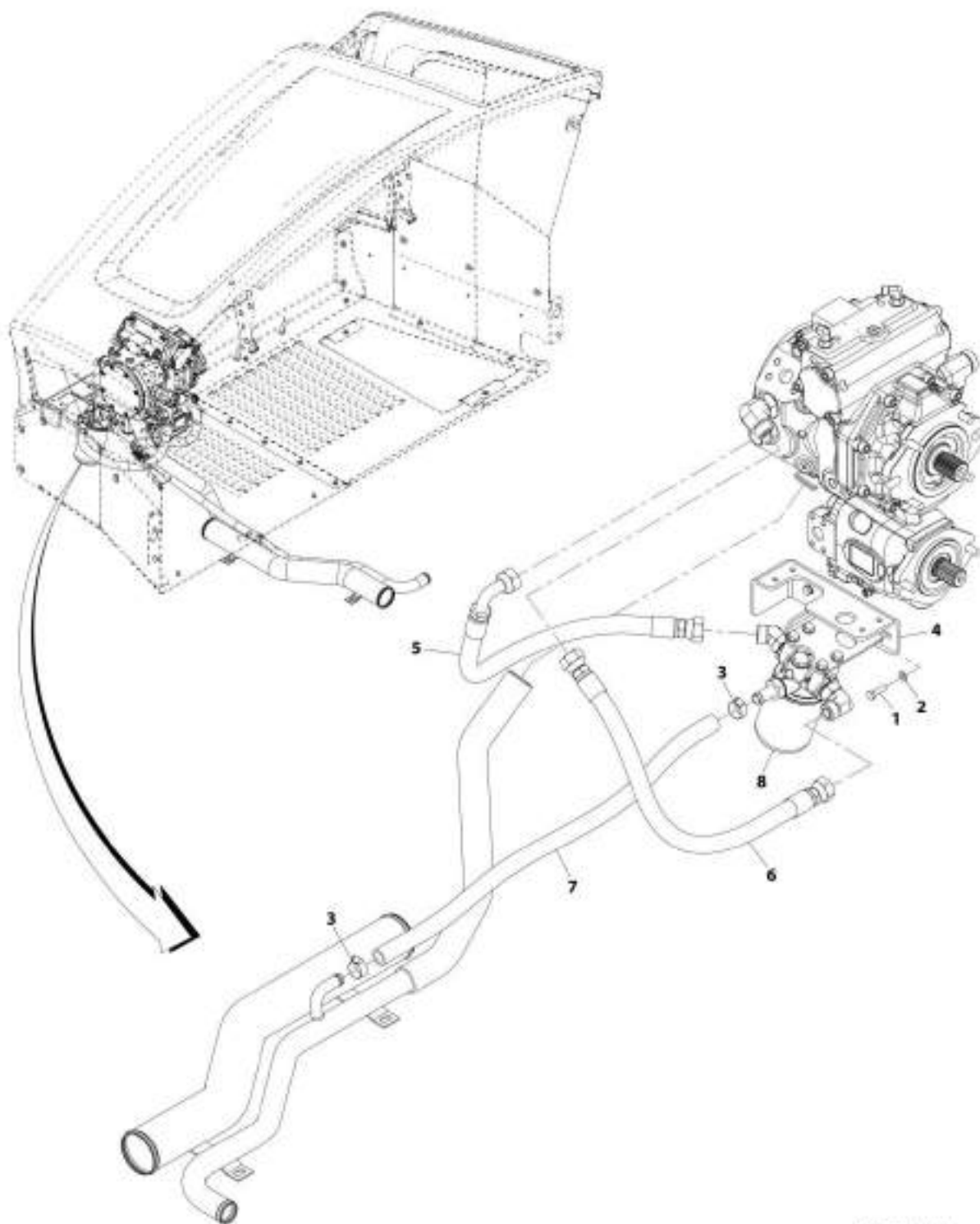
SECTION 8 - HYDRAULIC CIRCUITS

FIGURE 8-36. INCHING VALVE ASSEMBLY

ITEM	PART NUMBER	QTY	DESCRIPTION	REV
	1001213309	Ref	Inching Valve Assembly	B
1	2110406	1	Fitting, Straight ORFS	
2	2110606	1	Fitting, Straight ORFS	
3	8430034	1	Elbow, 90	
4	1001213311	1	Valve, Inching (See Seperate Breakdown in Hydraulic Component Section)	

SECTION 8 - HYDRAULIC CIRCUITS

FIGURE 8-37. CHARGE FILTER LINES INSTALLATION



ART_1001200526-B

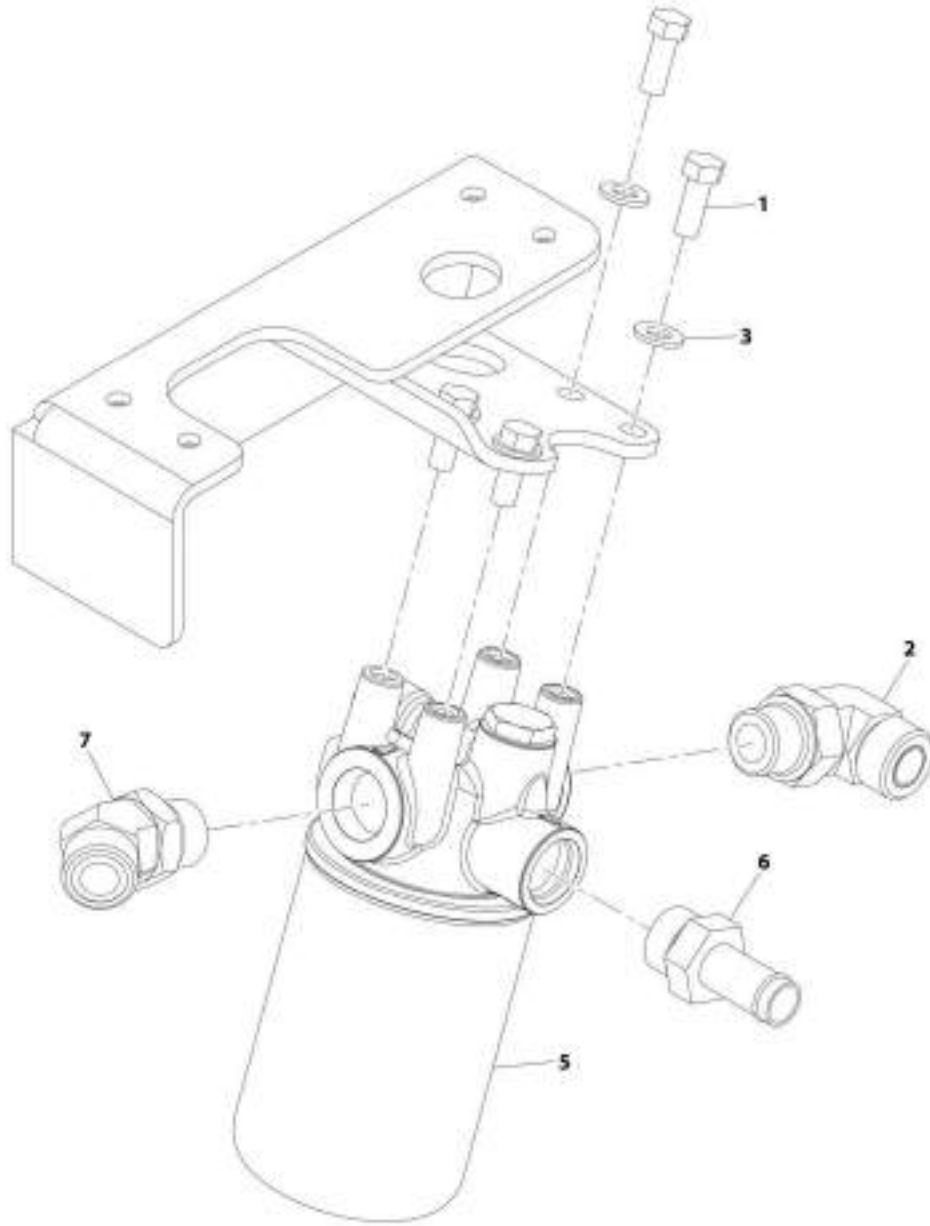
SECTION 8 - HYDRAULIC CIRCUITS

FIGURE 8-37. CHARGE FILTER LINES INSTALLATION

ITEM	PART NUMBER	QTY	DESCRIPTION	REV
	1001202026	Ref	Charge Filter Lines Installation	B
1	0700814	2	Bolt, M8X30	
2	4811900	2	Washer, M8	
3	8405007	2	Clamp	
4	1001195431	1	Bracket	
5	1001195433	1	Hose	
6	1001195434	1	Hose	
7	1001195435	1	Hose	
8	1001202038	Ref	Installation, Charge Filter (See Seperate Breakdown in this Section)	

SECTION 8 - HYDRAULIC CIRCUITS

FIGURE 8-38. CHARGE FILTER INSTALLATION



ART_100190435-C

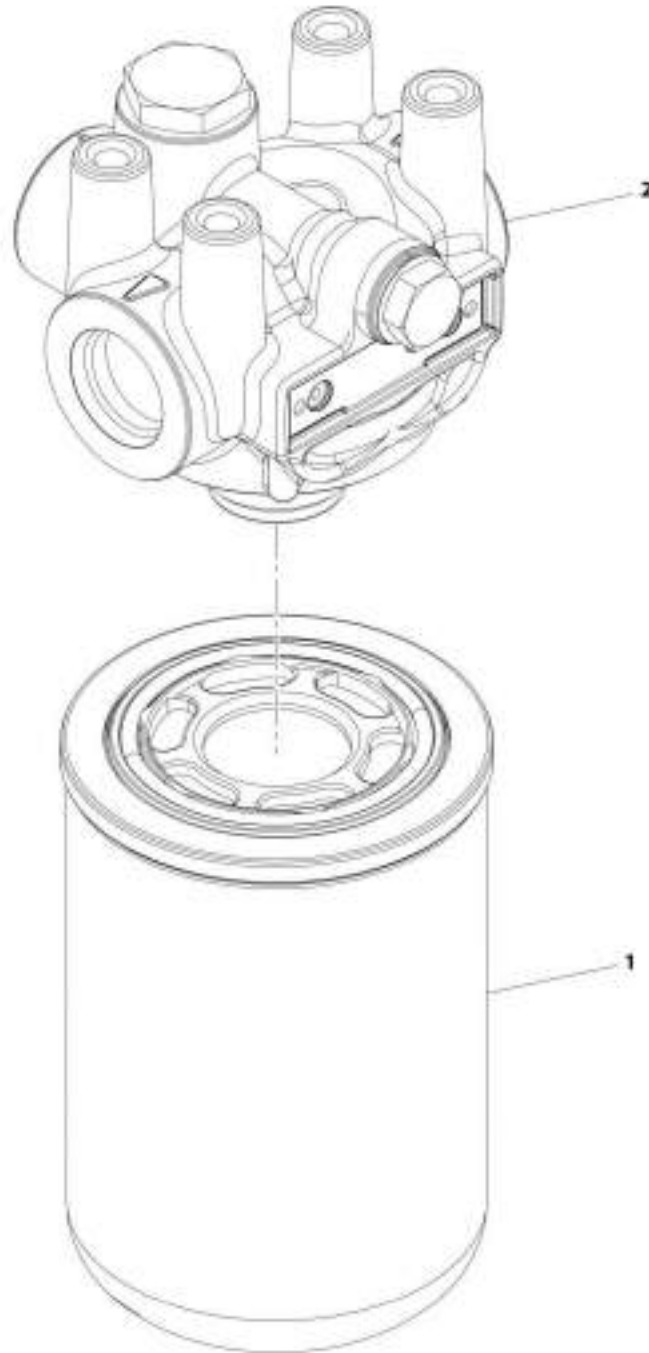
SECTION 8 - HYDRAULIC CIRCUITS

FIGURE 8-38. CHARGE FILTER INSTALLATION

ITEM	PART NUMBER	QTY	DESCRIPTION	REV
	1001195430	Ref	Charge Filter Installation	C
1	0641608	4	Bolt, 3/8-16X1	
2	2131212	1	Fitting, 90 ORFS	
3	4812000	4	Washer, M10	
5	1001141976	1	Assembly, Charge Filter (See Seperate Breakdown in this Section)	
6	1001183700	1	Fitting, Barb	
7	2151212	1	Fitting, 45 ORFS	

SECTION 8 - HYDRAULIC CIRCUITS

FIGURE 8-39. IMPLEMENT PUMP FILTER ASSEMBLY



ART_1001141035-A

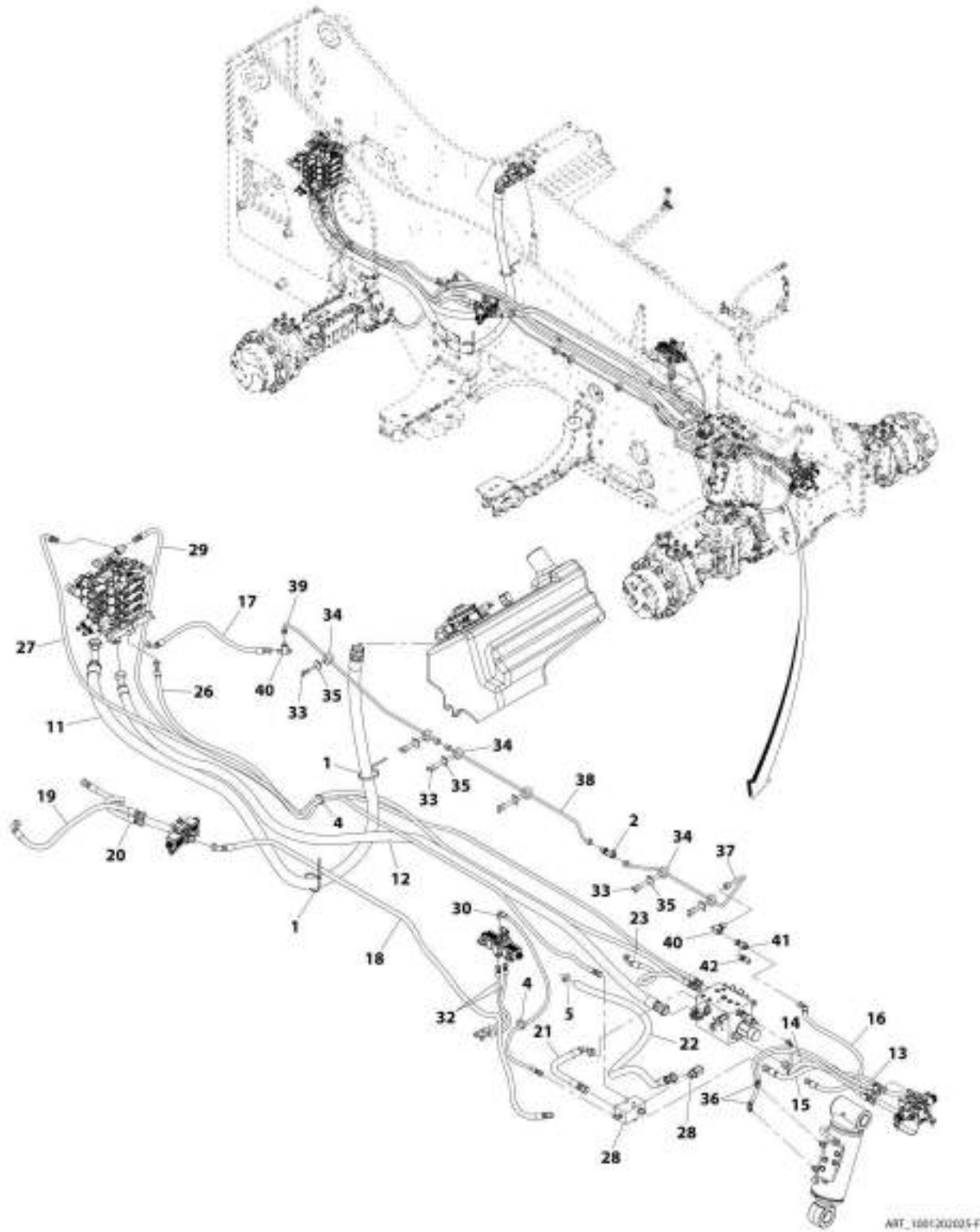
SECTION 8 - HYDRAULIC CIRCUITS

FIGURE 8-39. IMPLEMENT PUMP FILTER ASSEMBLY

ITEM	PART NUMBER	QTY	DESCRIPTION	REV
	1001141976	Ref	Implement Pump Filter Assembly	A
1	1001141461	1	Filter	
2	1001141462	1	Pump, Filter	

SECTION 8 - HYDRAULIC CIRCUITS

FIGURE 8-40. FRAME HYDRAULIC INSTALLATION



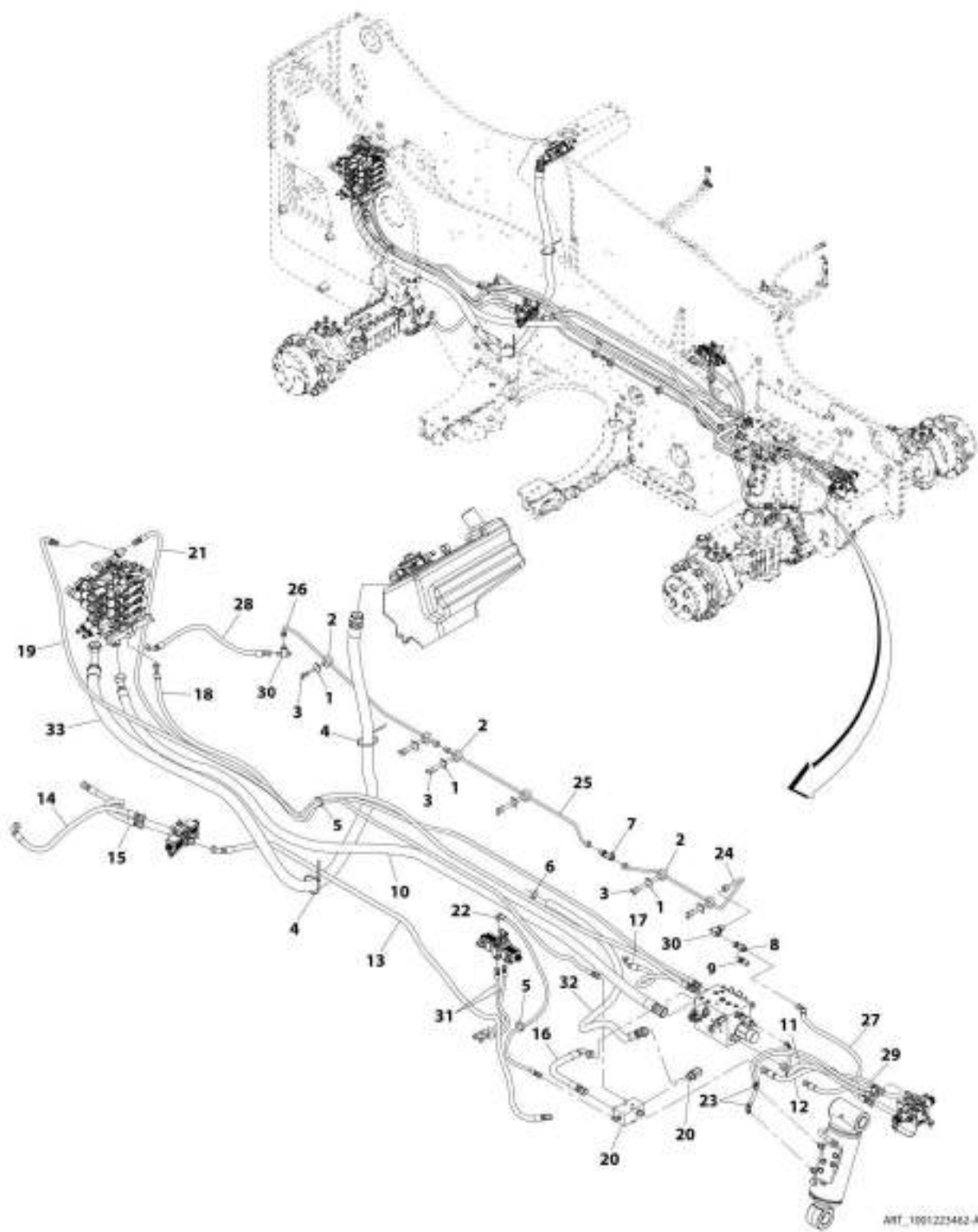
SECTION 8 - HYDRAULIC CIRCUITS

FIGURE 8-40. FRAME HYDRAULIC INSTALLATION

ITEM	PART NUMBER	QTY	DESCRIPTION	REV
	1001202025	Ref	Frame Hydraulic Installation	F
1	1062255	2	Strap, Tie	
2	88662434	1	Fitting, Tee ORFS	
4	4240018	2	Strap, Tie	
5	8405007	1	Clamp	
11	1001196964	1	Hose	
12	1001196967	1	Hose	
13	1001210635	1	Hose	
14	1001196969	1	Hose	
15	1001196970	1	Hose	
16	1001208532	1	Hose	
17	1001208534	1	Hose	
18	1001196973	1	Hose	
19	1001196974	1	Hose	
20	1001196975	1	Hose	
21	1001196976	1	Hose	
22	1001196977	1	Hose	
23	1001196978	1	Hose	
26	1001196981	1	Hose	
27	1001196982	1	Hose	
28	1001197197	Ref	Installation, Manifold (See Seperate Breakdown in this Section)	
29	1001197199	1	Hose	
30	1001197200	1	Hose	
32	1001211020	2	Hose	
33	0700614	12	Bolt, M6X30	
34	9106-3040	6	Clamp	
35	9106-3039	6	Plate, Cover	
36	1001205573	2	Hose	
37	1001207788	1	Pipe	
38	1001207789	1	Pipe	
39	1001207790	1	Pipe	
40	1001210797	2	Bleeder, Brake	
41	1001111140	1	Fitting, ORFS	
42	1001147340	1	Sensor, Pressure	

SECTION 8 - HYDRAULIC CIRCUITS

FIGURE 8-41. FRAME HYDRAULIC INSTALLATION (TUV)



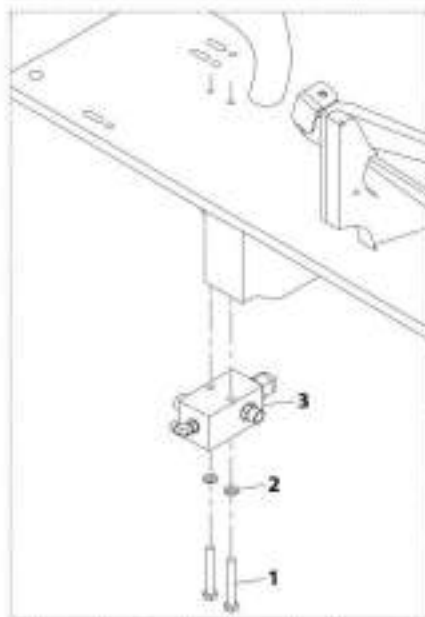
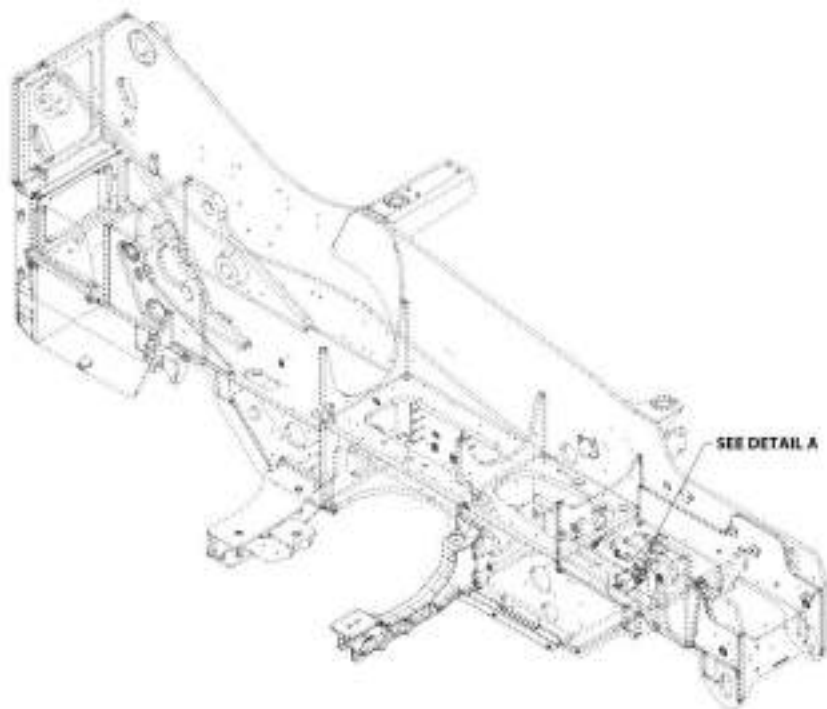
SECTION 8 - HYDRAULIC CIRCUITS

FIGURE 8-41. FRAME HYDRAULIC INSTALLATION (TUV)

ITEM	PART NUMBER	QTY	DESCRIPTION	REV
	1001223462	Ref	Frame Hydraulic Installation (TUV)	A
1	91063039	6	Cover, Plate	
2	91063040	6	Clamp	
3	0700614	12	Bolt, M6X30	
4	1062255	2	Strap, Tie	
5	4240018	2	Strap, Tie	
6	8405007	1	Clamp, Gear	
7	88662434	1	Fitting, Tee ORFS	
8	1001111140	1	Fitting, Straight ORFS	
9	1001147340	1	Sensor, Pressure Transducer	
10	1001196967	1	Hose, M25.4 ORFS	
11	1001196969	1	Hose, M12.7 ORFS	
12	1001196970	1	Hose, M12.7 ORFS	
13	1001196973	1	Hose, M12.7 ORFS	
14	1001196974	1	Hose, M12.7 ORFS	
15	1001196975	1	Hose, M12.7 ORFS	
16	1001196976	1	Hose, M16 ORFS	
17	1001196978	1	Hose, M10 ORFS	
18	1001196981	1	Hose, M10 ORFS	
19	1001196982	1	Hose, M10 ORFS	
20	1001197197	Ref	Installation, Manifold (See Separate Breakdown in this Section)	
21	1001197199	1	Hose, M10 ORFS	
22	1001197200	1	Hose, M6.3 ORFS	
23	1001205573	2	Hose, M6.3 ORFS	
24	1001207788	1	Pipe	
25	1001207789	1	Pipe	
26	1001207790	1	Pipe	
27	1001208532	1	Hose, M10 ORFS	
28	1001208534	1	Hose, M10 ORFS	
29	1001210635	1	Hose, M6.3 ORFS	
30	1001210797	2	Manifold, Brake Bleeder Elbow	
31	1001211020	2	Hose, M6.3 ORFS	
32	1001211020	2	Hose, M6.3 ORFS	
33	1001223475	1	Hose, M19 ORFS	
34	1001223476	1	Hose, M31.75 ORFS	

SECTION 8 - HYDRAULIC CIRCUITS

FIGURE 8-42. MANIFOLD INSTALLATION



DETAIL A

ART_1001197197-B

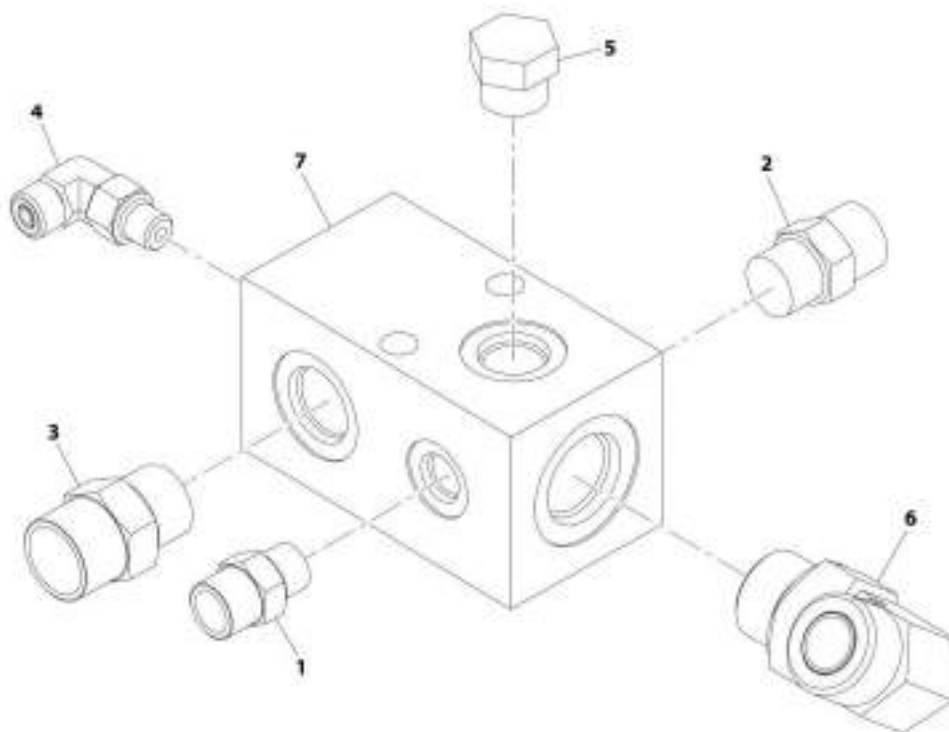
SECTION 8 - HYDRAULIC CIRCUITS

FIGURE 8-42. MANIFOLD INSTALLATION

ITEM	PART NUMBER	QTY	DESCRIPTION	REV
	1001197197	Ref	Manifold Installation	B
1	0701024	2	Bolt, M10X80	
2	4812000	2	Washer, M10	
3	1001197198	1	Assembly, Manifold (See Seperate Breakdown in this Section)	

SECTION 8 - HYDRAULIC CIRCUITS

FIGURE 8-43. MANIFOLD ASSEMBLY



ART_1001197199-D

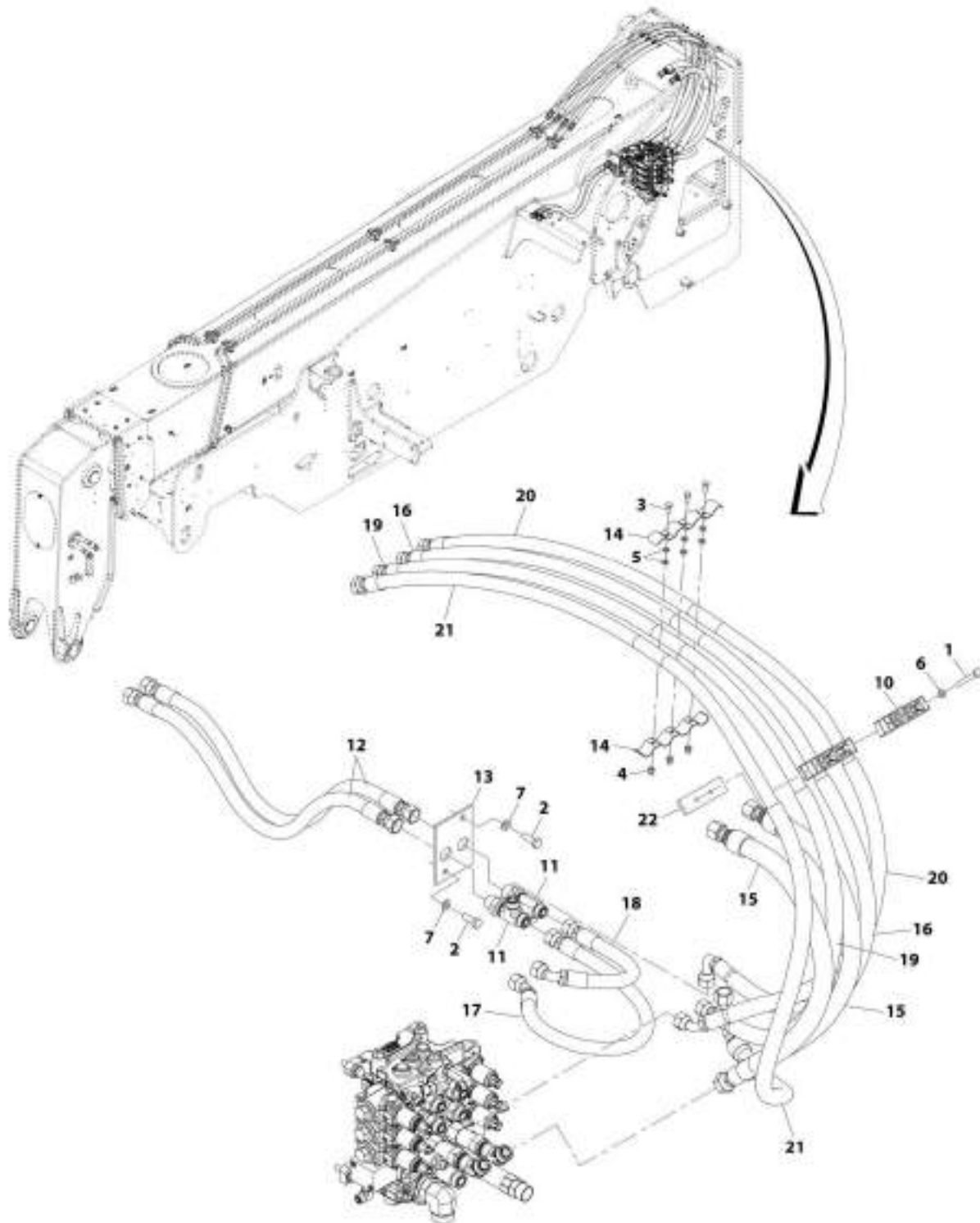
SECTION 8 - HYDRAULIC CIRCUITS

FIGURE 8-43. MANIFOLD ASSEMBLY

ITEM	PART NUMBER	QTY	DESCRIPTION	REV
	1001197198	Ref	Manifold Assembly	D
1	2110606	1	Fitting, Straight ORFS	
2	2110808	1	Fitting, Straight ORFS	
3	2111010	1	Fitting, Straight ORFS	
4	2130404	1	Fitting, 90 ORFS	
5	2220238	1	Plug	
6	2131212	1	Fitting, 90 ORFS	
7	1001228504	1	Manifold	

SECTION 8 - HYDRAULIC CIRCUITS

FIGURE 8-44. BOOM HYDRAULIC LINE INSTALLATION



ART_1001211805-F

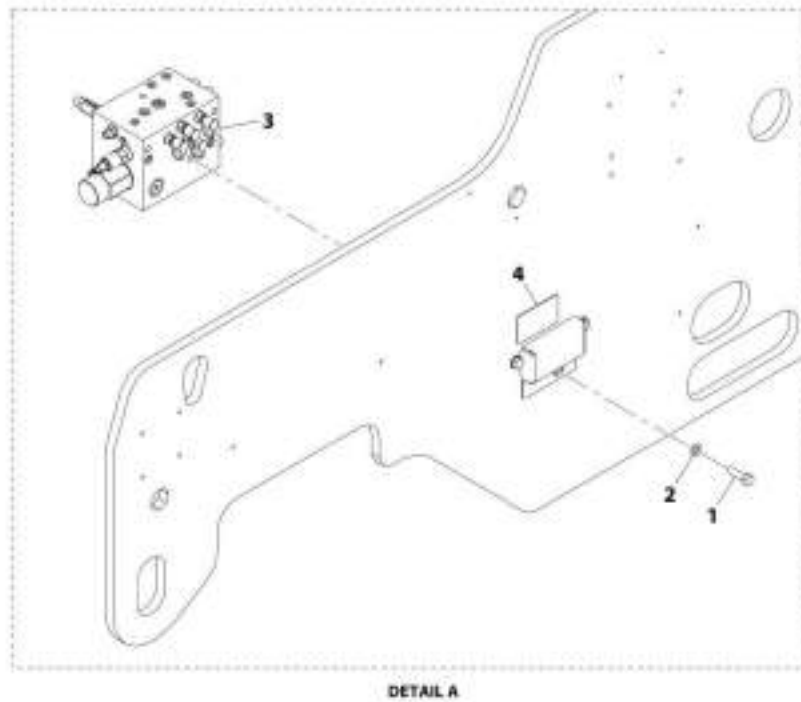
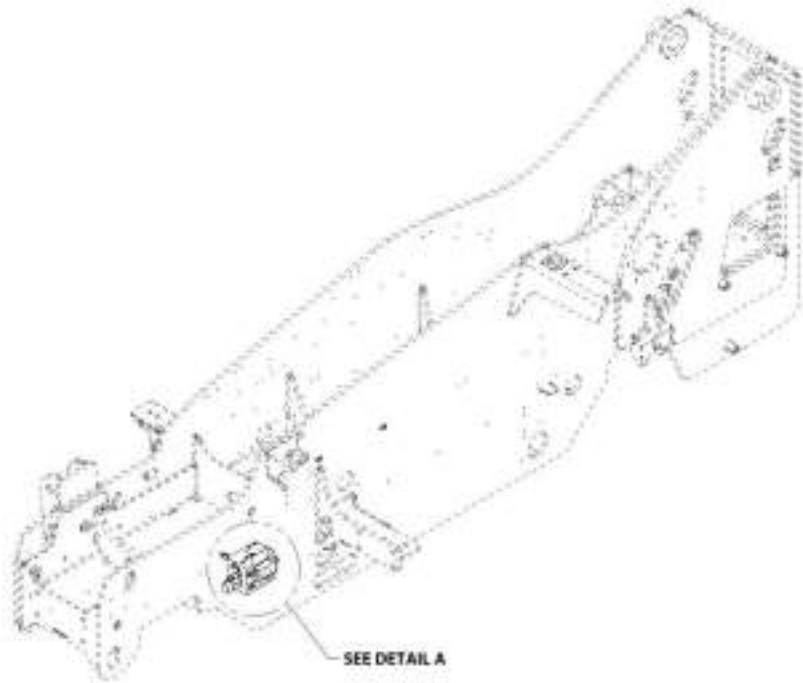
SECTION 8 - HYDRAULIC CIRCUITS

FIGURE 8-44. BOOM HYDRAULIC LINE INSTALLATION

ITEM	PART NUMBER	QTY	DESCRIPTION	REV
	1001211606	Ref	Boom Hydraulic Line Installation	F
1	0700821	4	Bolt, M8X65	
2	0701014	2	Bolt, M10X30	
3	0760608	3	Bolt, M6X16	
4	3290606	3	Nut, M6X1 Grade 8	
5	4811700	6	Washer, M6	
6	4811900	4	Washer, M8	
7	4812000	2	Washer, M10	
10	1001098128	2	Clamp, Triple	
11	1001192096	2	Fitting, Tee ORFS	
12	1001210525	2	Hose, M16 ORFS	
13	1001197011	1	Plate	
14	1001205618	2	Clamp, Hoses	
15	1001220473	2	Hose, M19 ORFS	
16	1001210524	1	Hose, M16 ORFS	
17	1001209418	1	Hose, M16 ORFS	
18	1001209419	1	Hose, M16 ORFS	
19	1001210526	1	Hose, M16 ORFS	
20	1001215859	1	Hose, M16 ORFS	
21	1001215860	1	Hose, M16 ORFS	
22	1001226557	2	Plate	

SECTION 8 - HYDRAULIC CIRCUITS

FIGURE 8-45. PRIORITY MANIFOLD INSTALLATION



ARC_1001192065-8

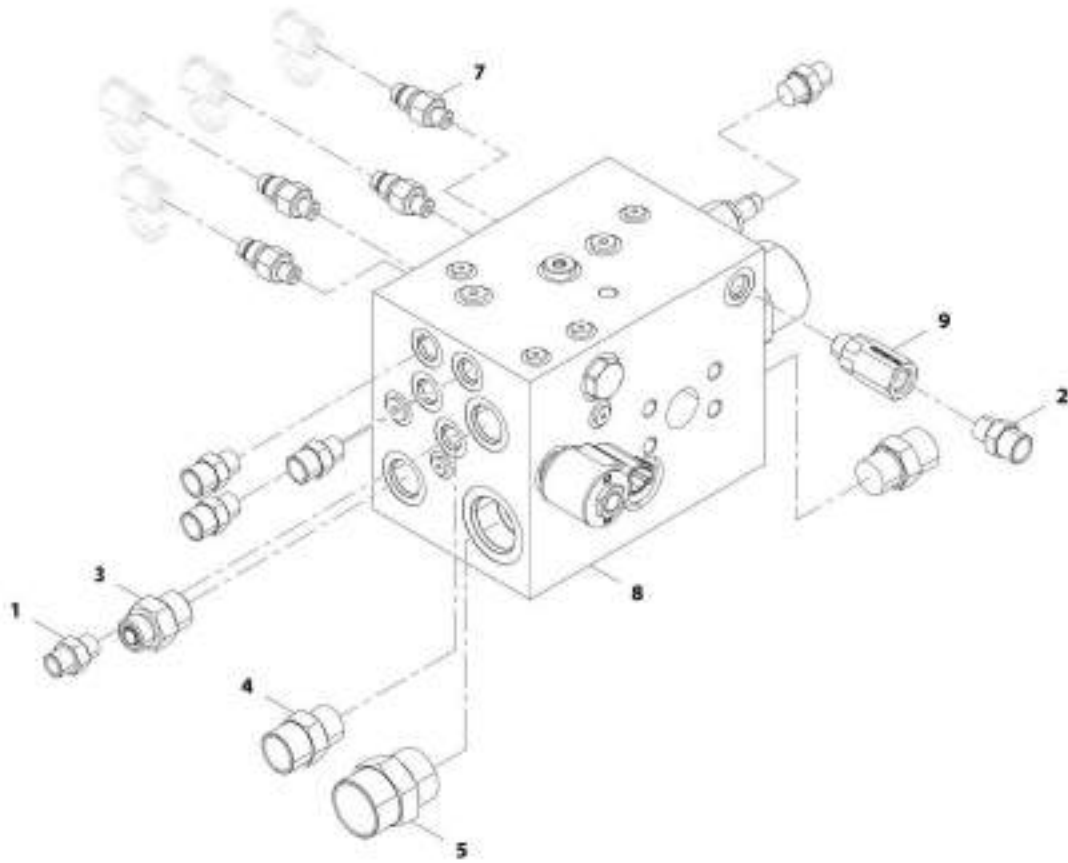
SECTION 8 - HYDRAULIC CIRCUITS

FIGURE 8-45. PRIORITY MANIFOLD INSTALLATION

ITEM	PART NUMBER	QTY	DESCRIPTION	REV
	1001192885	Ref	Priority Manifold Installation	B
1	0701216	3	Bolt, M12X40	
2	4812100	3	Washer, M12	
3	1001192886	1	Assembly, Priority Valve (See Seperate Breakdown in this Section)	
4	1001192887	1	Decal	

SECTION 8 - HYDRAULIC CIRCUITS

FIGURE 8-46. PRIORITY VALVE ASSEMBLY



ART_1001102880-D

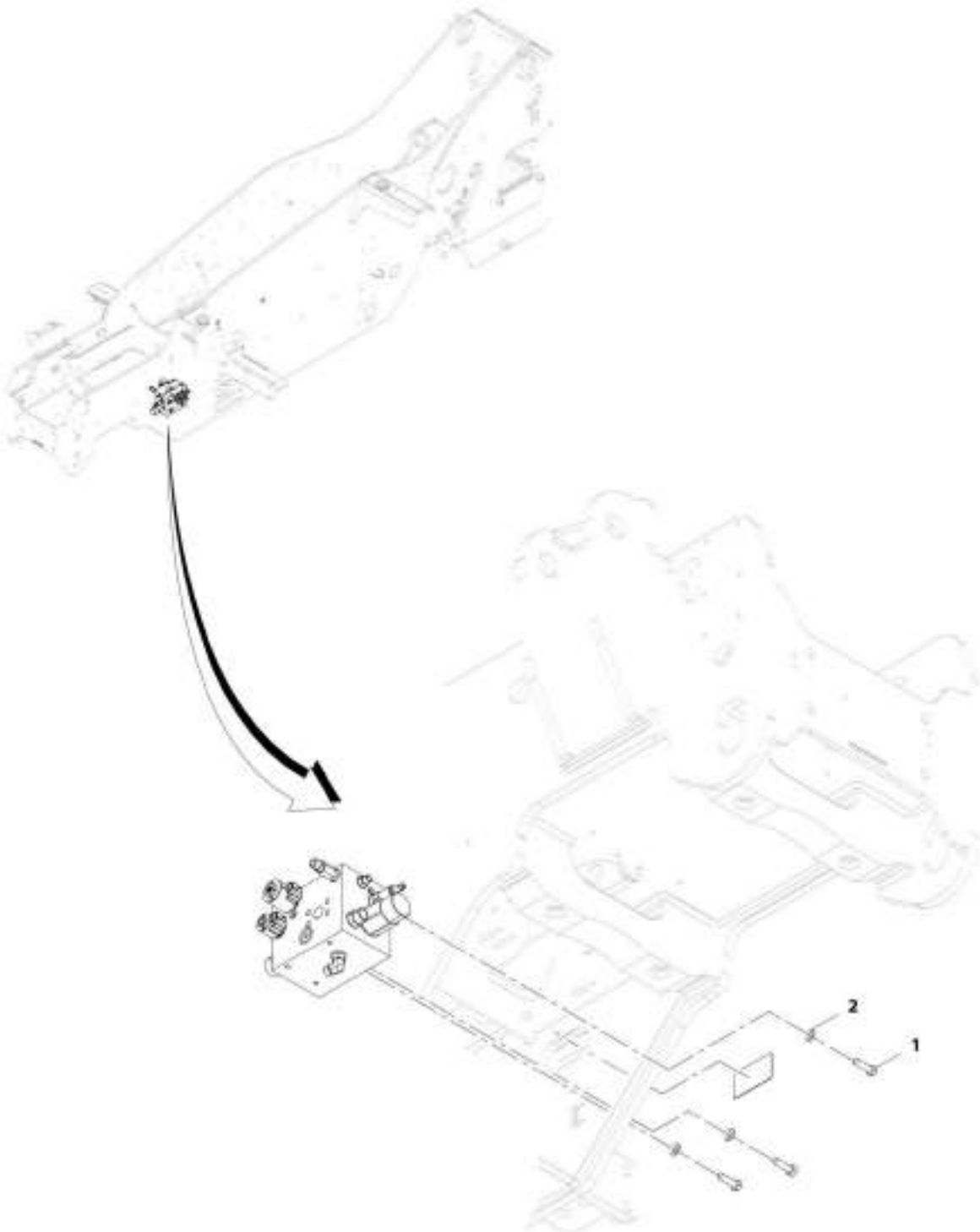
SECTION 8 - HYDRAULIC CIRCUITS

FIGURE 8-46. PRIORITY VALVE ASSEMBLY

ITEM	PART NUMBER	QTY	DESCRIPTION	REV
	1001192886	1	Priority Valve Assembly	D
1	2110406	2	Fitting, Straight ORFS	
2	2110606	4	Fitting, Straight ORFS	
3	2110810	1	Fitting, Straight ORFS	
4	2111010	2	Fitting, Straight ORFS	
5	2111616	1	Fitting, Straight ORFS	
7	8430033	4	Fitting, Straight	
8	1001192888	1	Assembly, Priority Valve(See Separate Breakdown in Hydraulic Components Section)	
9	1001187355	1	Valve, Check	

SECTION 8 - HYDRAULIC CIRCUITS

FIGURE 8-47. PRIORITY MANIFOLD INSTALLATION (PLATFORM READY)



ART_0001190836-B

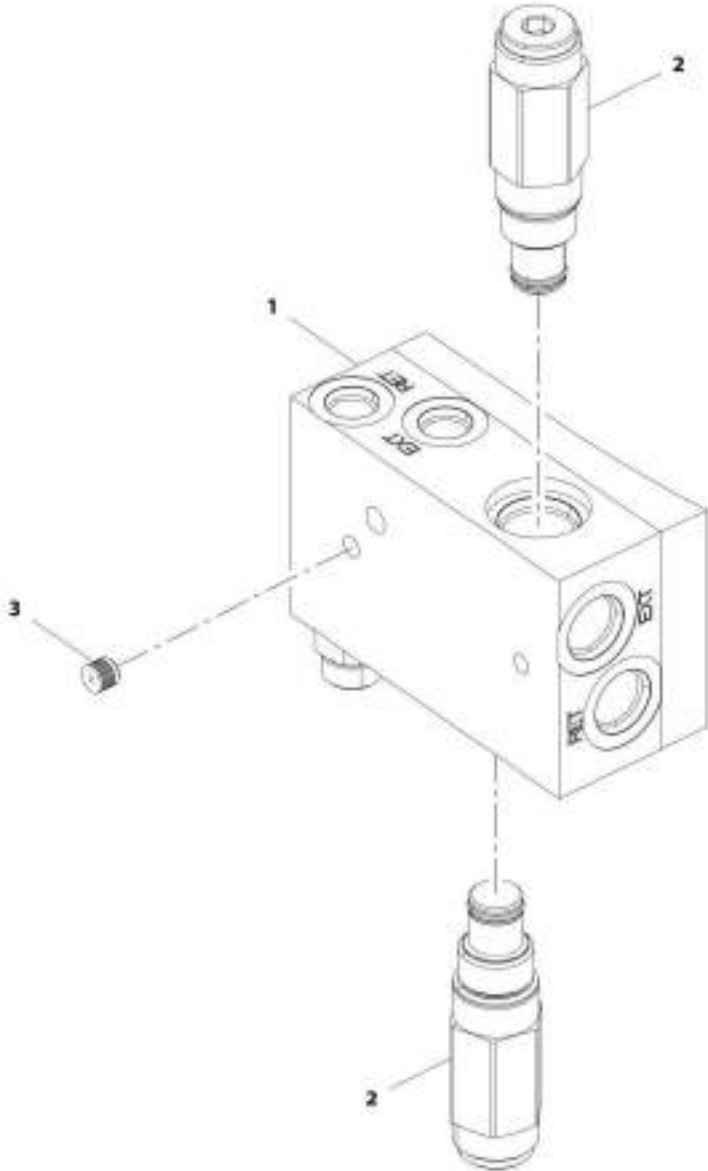
SECTION 8 - HYDRAULIC CIRCUITS

FIGURE 8-47. PRIORITY MANIFOLD INSTALLATION (PLATFORM READY)

ITEM	PART NUMBER	QTY	DESCRIPTION	REV
	1001193836	Ref	Priority Manifold Installation (Platform Ready)	B
1	0701216	3	Bolt, M12X40, Grade 10.9	
2	4812100	3	Washer, M12	
3	1001193838	1	Assembly, Priority Valve (Platform Ready) (See Seperate Breakdown in this Section)	
4	1001192887	1	Decal, Port ID	

SECTION 8 - HYDRAULIC CIRCUITS

FIGURE 8-48. 4 IN 1 BUCKET VALVE ASSEMBLY



ART_70028573-D

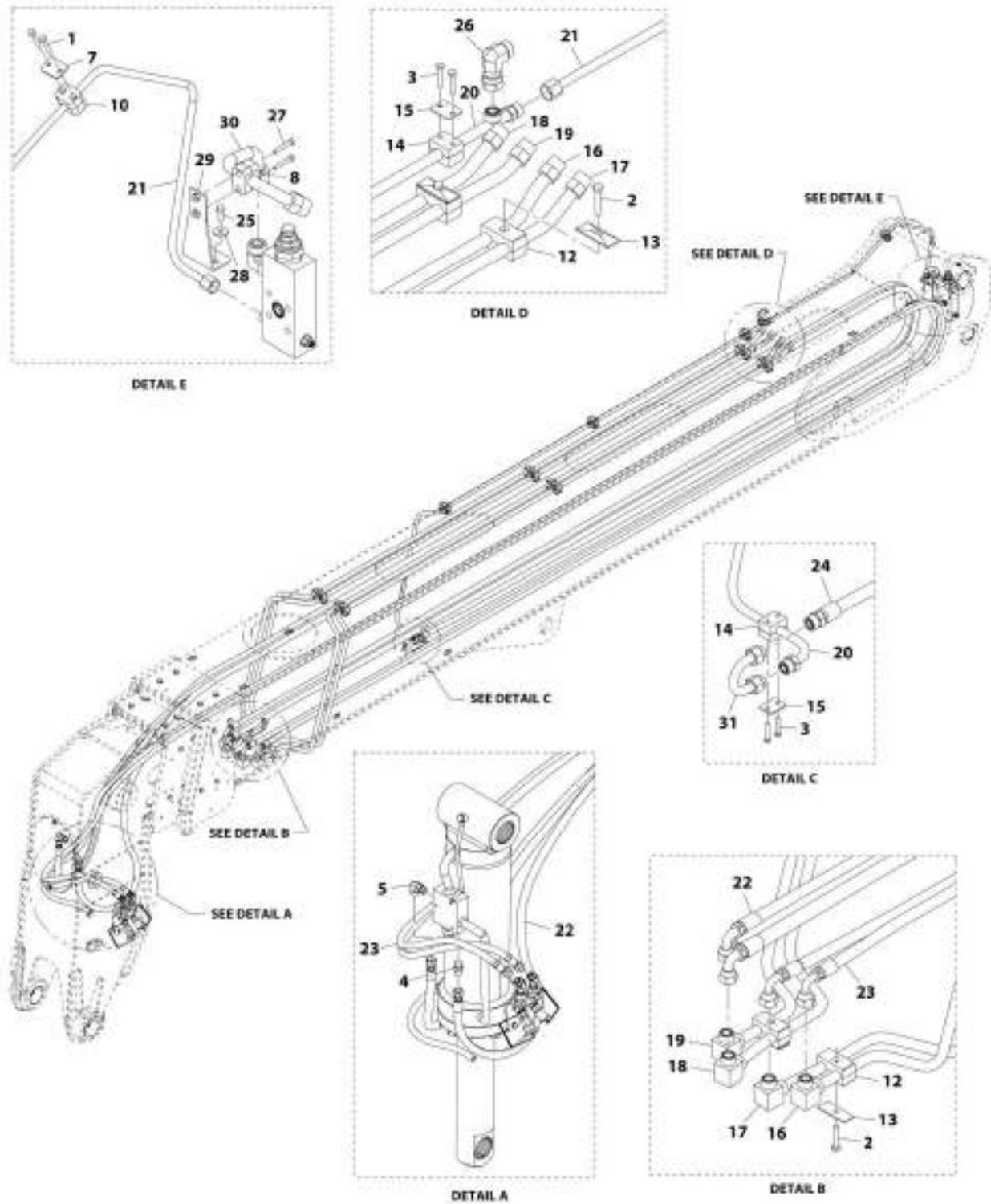
SECTION 8 - HYDRAULIC CIRCUITS

FIGURE 8-48. 4 IN 1 BUCKET VALVE ASSEMBLY

ITEM	PART NUMBER	QTY	DESCRIPTION	REV
	70028573	Ref	4 In 1 Bucket Valve Assembly (5.23 yd ³ /4.0m ³)	D
1	70026477	1	Manifold	
2	70028589	2	Cartridge, Relief	
3	70026614	2	Plug	

SECTION 8 - HYDRAULIC CIRCUITS

FIGURE 8-49. BOOM HYDRAULIC INSTALLATION



AWT_1001206175-F

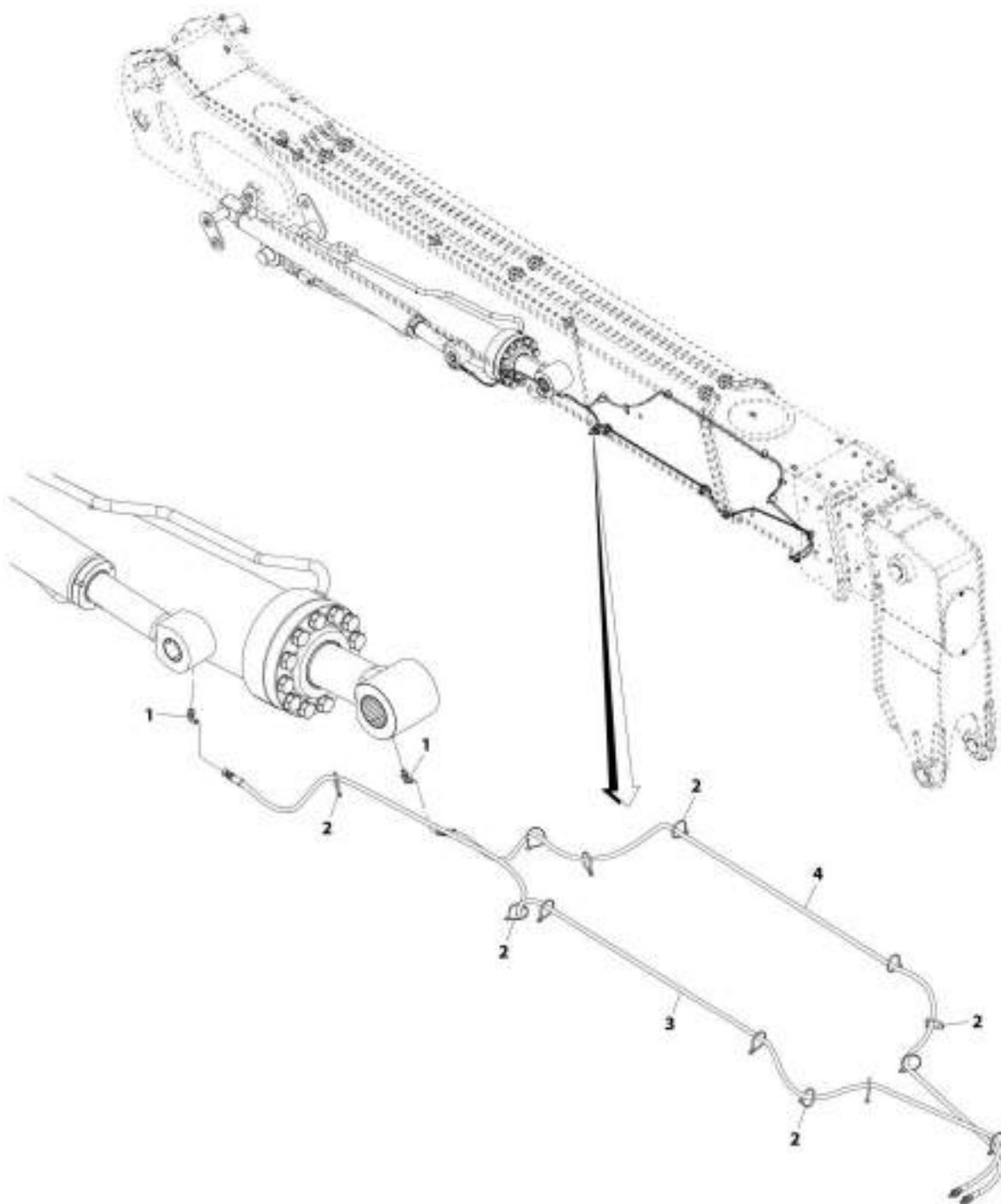
SECTION 8 - HYDRAULIC CIRCUITS

FIGURE 8-49. BOOM HYDRAULIC INSTALLATION

ITEM	PART NUMBER	QTY	DESCRIPTION	REV
	1001205375	Ref	Boom Hydraulic Installation	F
1	0700616	2	Bolt, M6X40	
2	0700817	8	Bolt, M8X45	
3	0760615	8	Bolt, M6X35	
4	2111010	1	Fitting, Straight ORFS	
5	2131010	1	Fitting, 90 ORFS	
7	8769146	1	Plate, Cover	
8	8769152	1	Clamp	
10	8769199	1	Clamp	
12	77133136	8	Clamp	
13	77133137	8	Plate, Cover	
14	77133497	4	Clamp	
15	1001105093	4	Plate, Cover	
16	1001209201	1	Pipe	
17	1001209200	1	Pipe	
18	1001209202	1	Pipe	
19	1001209203	1	Pipe	
20	1001205380	1	Pipe	
21	1001205381	1	Tube	
22	1001210568	1	Hose	
23	1001210569	1	Hose	
24	1001229422	1	Hose	
25	0760810	2	Bolt, M8X20	
26	2172110	1	Fitting, 90 ORFS	
27	4031712	2	Bolt, M6X40	
28	4811902	2	Washer, M8	
29	1001209972	1	Bracket	
30	1001210270	1	Tube	
31	1001220942	1	Pipe	

SECTION 8 - HYDRAULIC CIRCUITS

FIGURE 8-50. REMOTE GREASE INSTALLATION



ART_1001217355-B

SECTION 8 - HYDRAULIC CIRCUITS

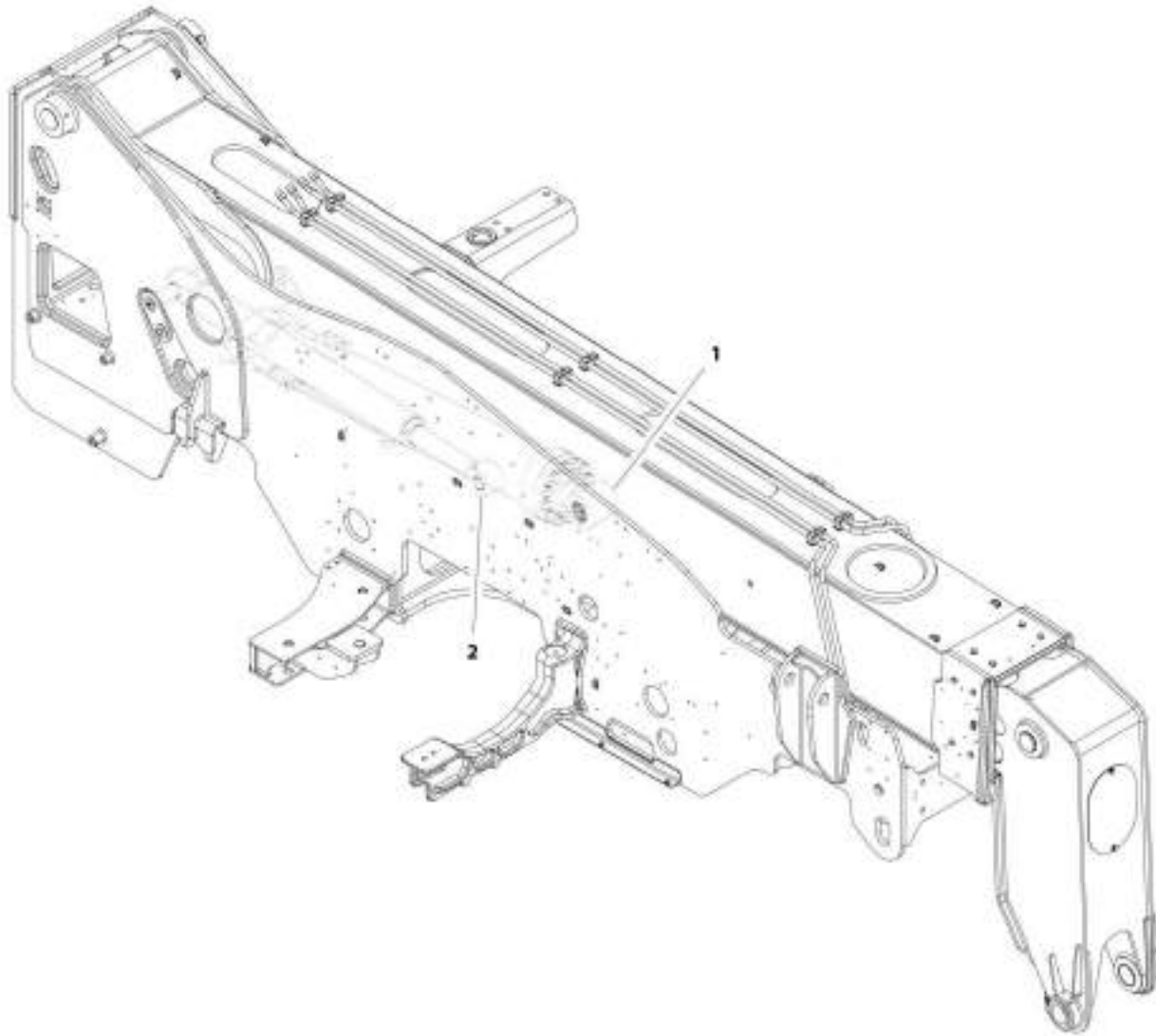
FIGURE 8-50. REMOTE GREASE INSTALLATION

ITEM	PART NUMBER	QTY	DESCRIPTION	REV
	1001217353	Ref	Remote Grease Installation	B
1	8770215	2	Fitting, 90 ORFS	
2	1001008559	13	Strap, Cable	
3	1001217355	1	Hose	
4	1001217354	1	Hose	

SECTION 9 - HYDRAULIC COMPONENTS

SECTION 9 - HYDRAULIC COMPONENTS

FIGURE 9-1. CYLINDER GROUP INSTALLATION



ART_108174107-B

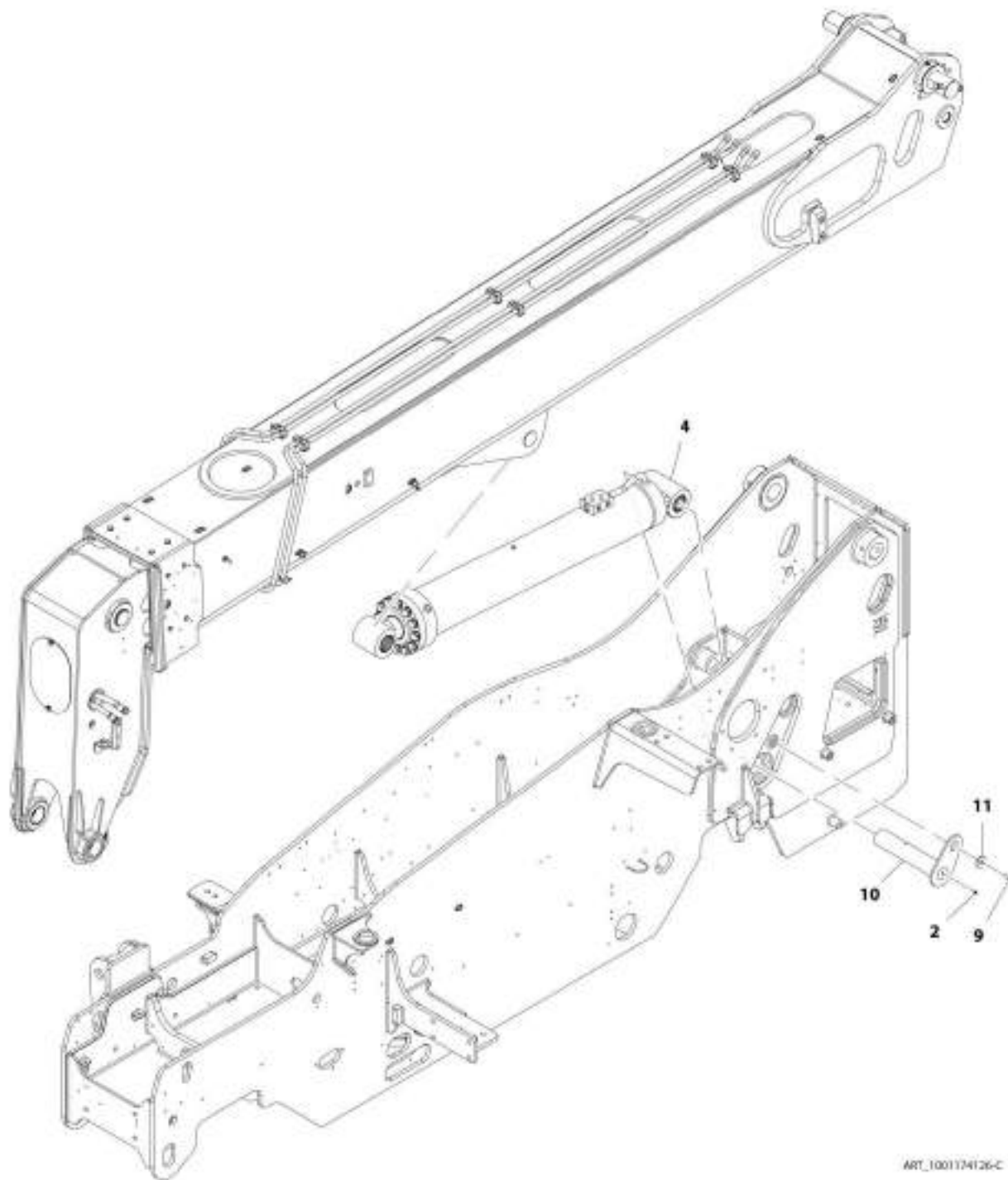
SECTION 9 - HYDRAULIC COMPONENTS

FIGURE 9-1. CYLINDER GROUP INSTALLATION

ITEM	PART NUMBER	QTY	DESCRIPTION	REV
1	1001174107	Ref	Cylinder Group Installation	B
	1001174126	Ref	Installation, Lift Cylinder (See Separate Breakdown in Hydraulic Components Section)	
2	1001177526	Ref	Installation, Compensation Cylinder (See Separate Breakdown in Hydraulic Components Section)	

SECTION 9 - HYDRAULIC COMPONENTS

FIGURE 9-2. LIFT CYLINDER INSTALLATION



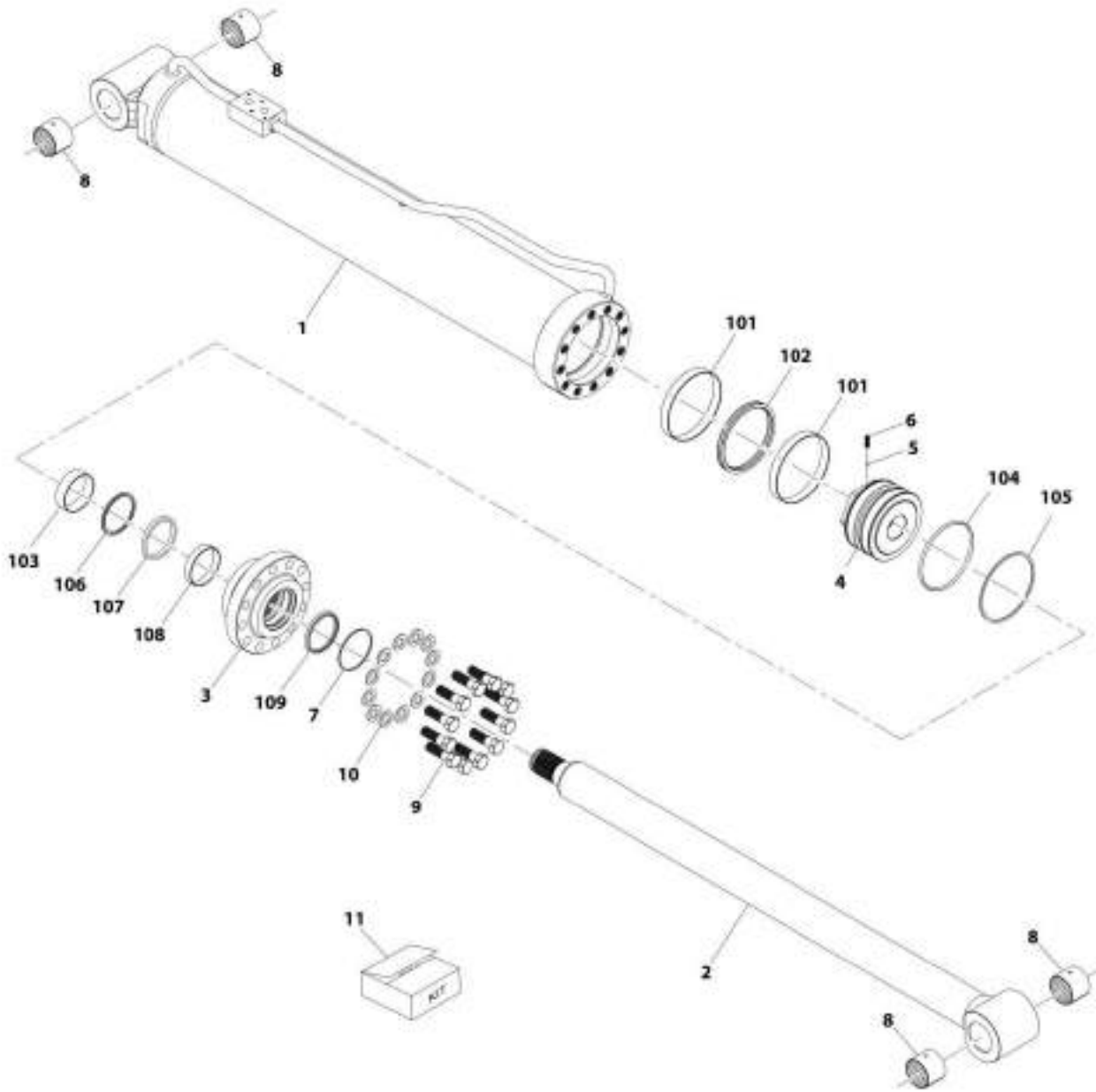
SECTION 9 - HYDRAULIC COMPONENTS

FIGURE 9-2. LIFT CYLINDER INSTALLATION

ITEM	PART NUMBER	QTY	DESCRIPTION	REV
	1001174126	Ref	Lift Cylinder Installation	C
2	2160016	1	Fitting, Grease	
4	1001174811	1	Cylinder, Lift (See Separate Breakdown in Hydraulic Components Section)	
9	0771414	1	Bolt, M14X30 Grade 10.9	
10	1001216331	1	Pin	
11	1001217226	1	Washer	

SECTION 9 - HYDRAULIC COMPONENTS

FIGURE 9-3. LIFT CYLINDER



AWT_1001174811-E

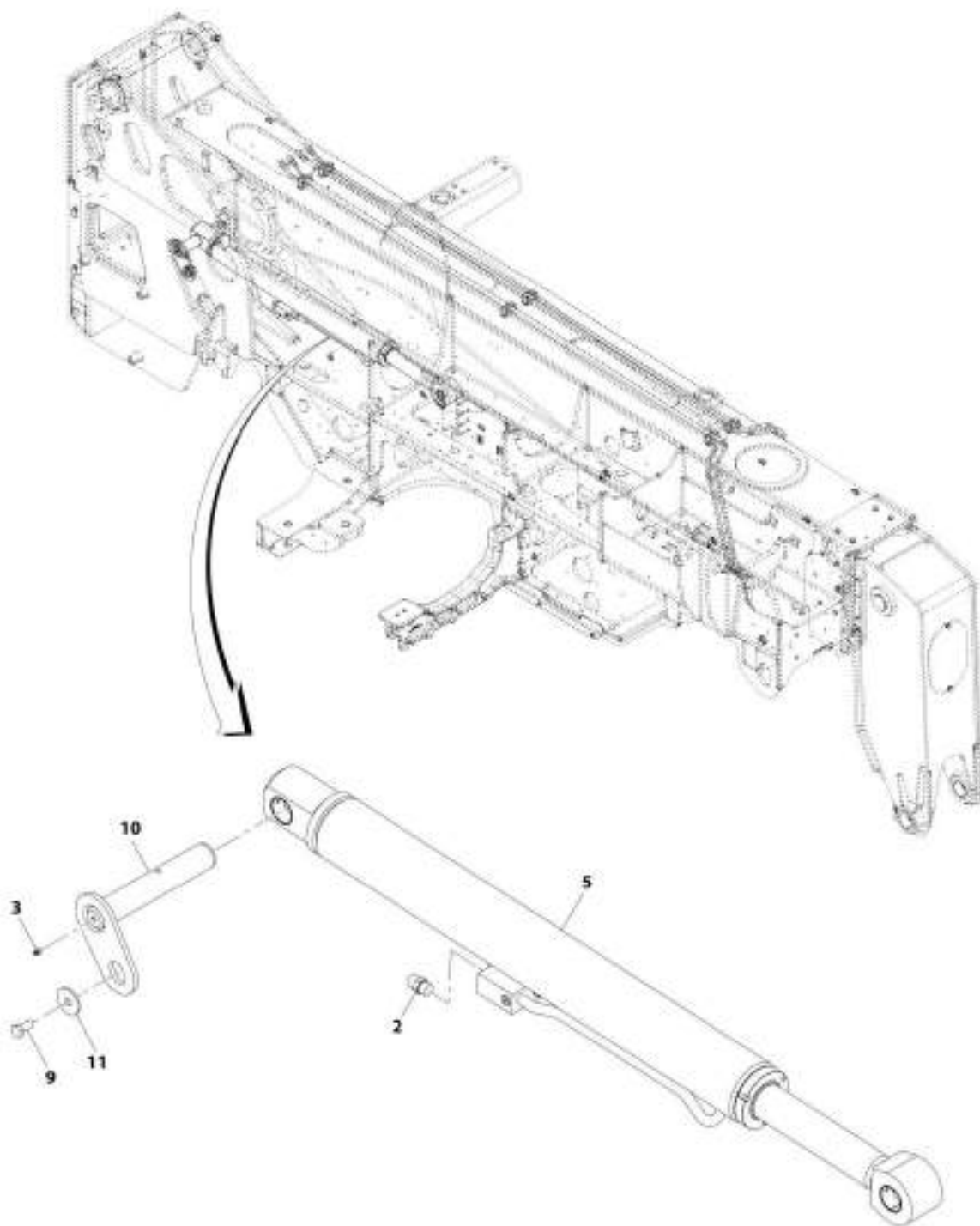
SECTION 9 - HYDRAULIC COMPONENTS

FIGURE 9-3. LIFT CYLINDER

ITEM	PART NUMBER	QTY	DESCRIPTION	REV
	1001174811	Ref	Lift Cylinder	E
1	N.S.S.	1	Barrel	
2	70028306	1	Rod	
3	70028307	1	Head	
4	70028308	1	Piston	
5	70025614	1	Bearing	
6	70028309	1	Screw, Locking	
7	70025590	1	Ring, Snap	
8	70028310	4	Bushing	
9	70028311	12	Bearing	
10	70028312	12	Washer	
11	70028313	1	Kit, Seal (includes items 101 thru 109)	
101	Kit	2	Ring, Wear	
102	Kit	1	Seal, Piston	
103	Kit	1	Ring, Wear	
104	Kit	1	O-Ring	
105	Kit	1	Ring, Back-up	
106	Kit	1	Seal, Rod	
107	Kit	1	Seal, Rod	
108	Kit	1	Ring, Wear	
109	Kit	1	Wiper	

SECTION 9 - HYDRAULIC COMPONENTS

FIGURE 9-4. COMPENSATION CYLINDER INSTALLATION



48E_100117526-C

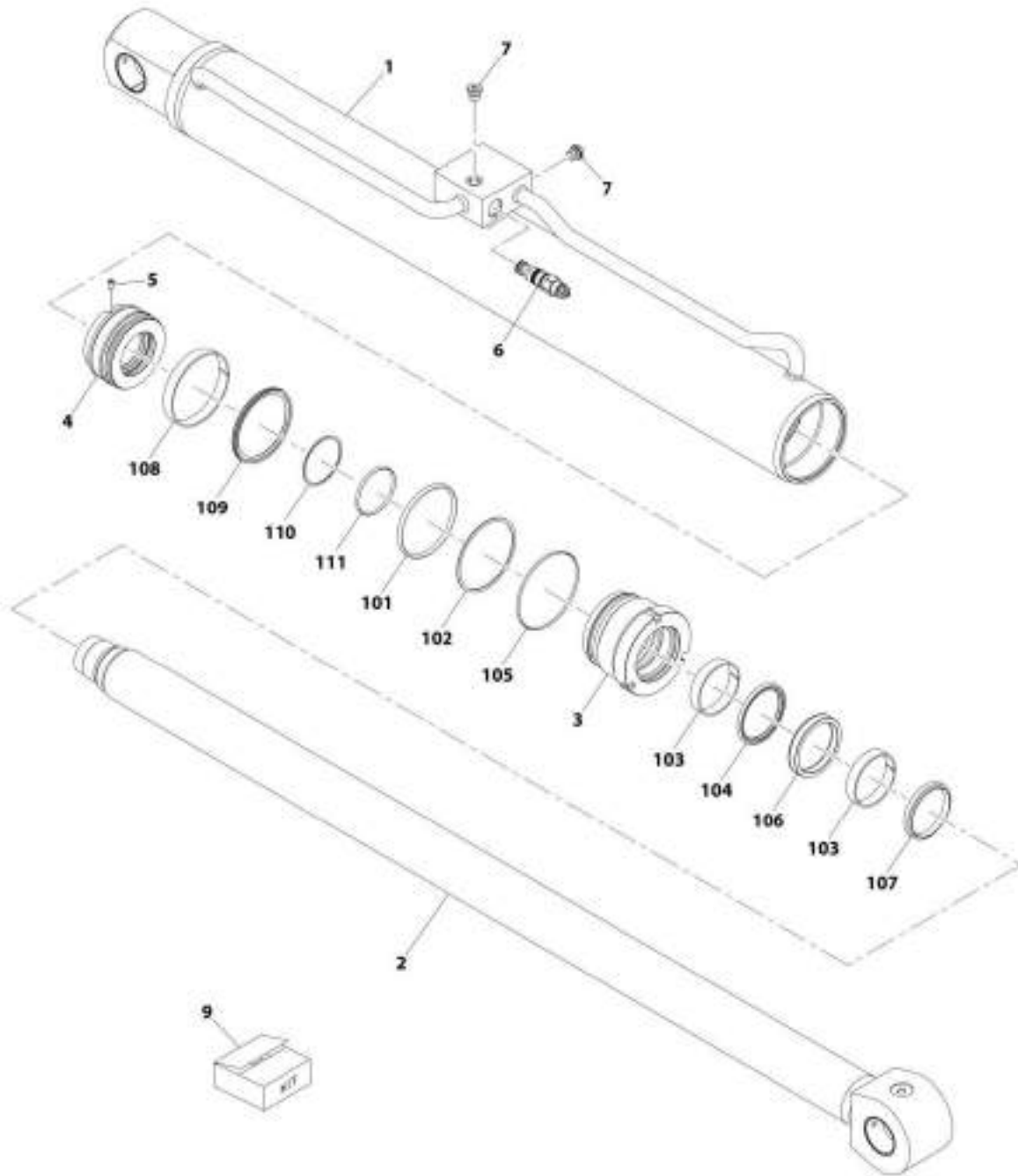
SECTION 9 - HYDRAULIC COMPONENTS

FIGURE 9-4. COMPENSATION CYLINDER INSTALLATION

ITEM	PART NUMBER	QTY	DESCRIPTION	REV
	1001177526	Ref	Compensation Cylinder Installation	C
2	2111010	2	Fitting, Straight ORFS	
3	2160016	1	Fitting, Grease	
5	1001174813	1	Cylinder, Compensation (See Seperate Breakdown in this Section)	
9	0771414	1	Bolt, M14X30	
10	1001216333	1	Pin	
11	1001217226	1	Washer	

SECTION 9 - HYDRAULIC COMPONENTS

FIGURE 9-5. COMPENSATION CYLINDER



WIT_3001174813-H

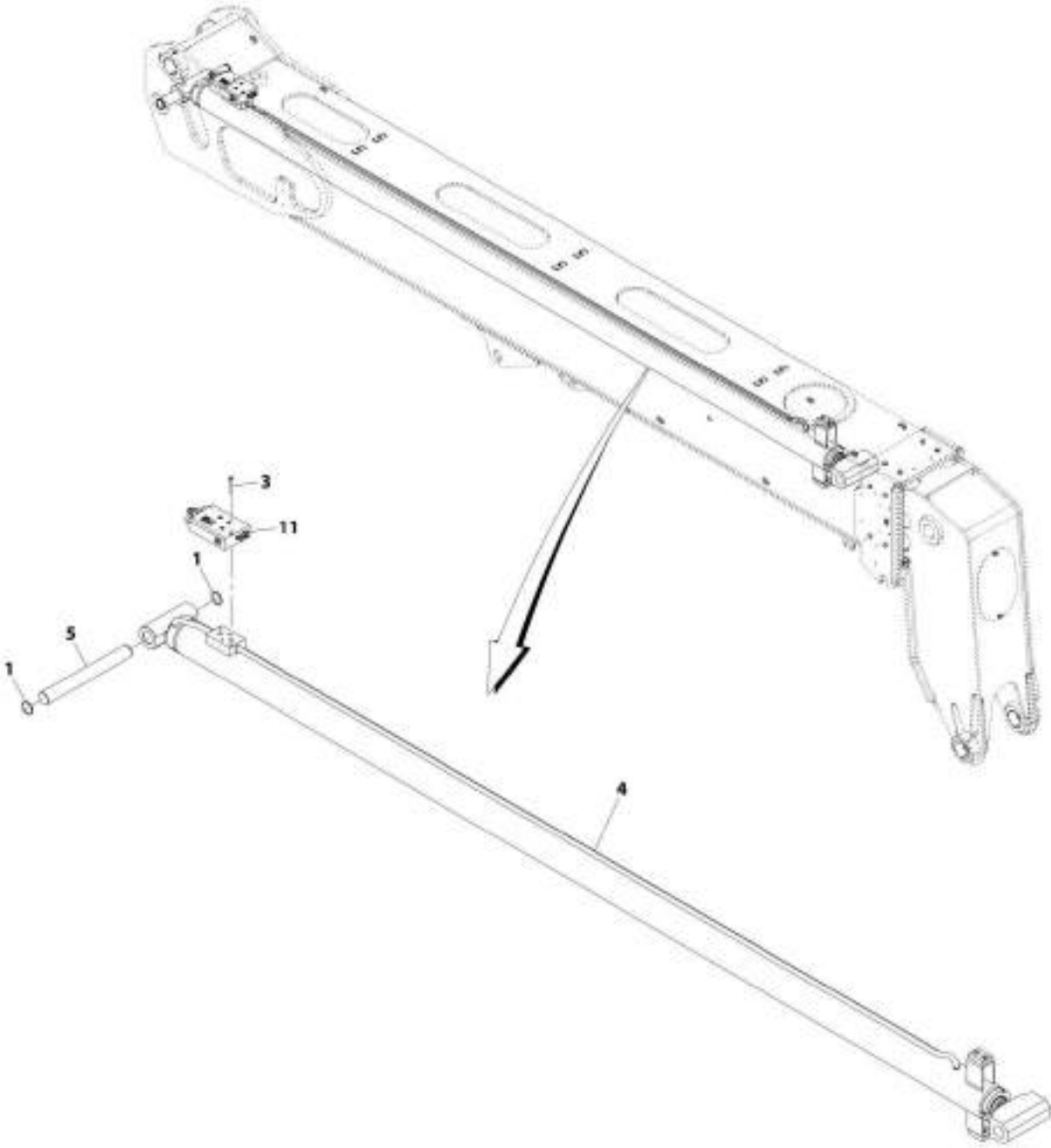
SECTION 9 - HYDRAULIC COMPONENTS

FIGURE 9-5. COMPENSATION CYLINDER

ITEM	PART NUMBER	QTY	DESCRIPTION	REV
	1001174813	Ref	Compensation Cylinder	H
1	N.S.S.	1	Assembled Body	
2	70028376	1	Assembled Rod	
3	70028377	1	Rod Guide	
4	70028378	1	Piston	
5	70026838	1	Screw	
6	70028384	1	Cartridge valve	
7	70028379	2	Plug	
9	70028380	1	Kit, Seal (includes items 101 thru 111)	
101	Kit	1	O-Ring	
102	Kit	1	Backup Ring	
103	Kit	2	Bearing	
104	Kit	1	Buffer	
105	Kit	1	O-Ring	
106	Kit	1	Rod Seal	
107	Kit	1	Wiper	
108	Kit	1	Bearing	
109	Kit	1	Piston Seal	
110	Kit	1	Backup Ring	
111	Kit	1	O-Ring	

SECTION 9 - HYDRAULIC COMPONENTS

FIGURE 9-6. EXTEND/RETRACT CYLINDER INSTALLATION



ART_1001128157-D

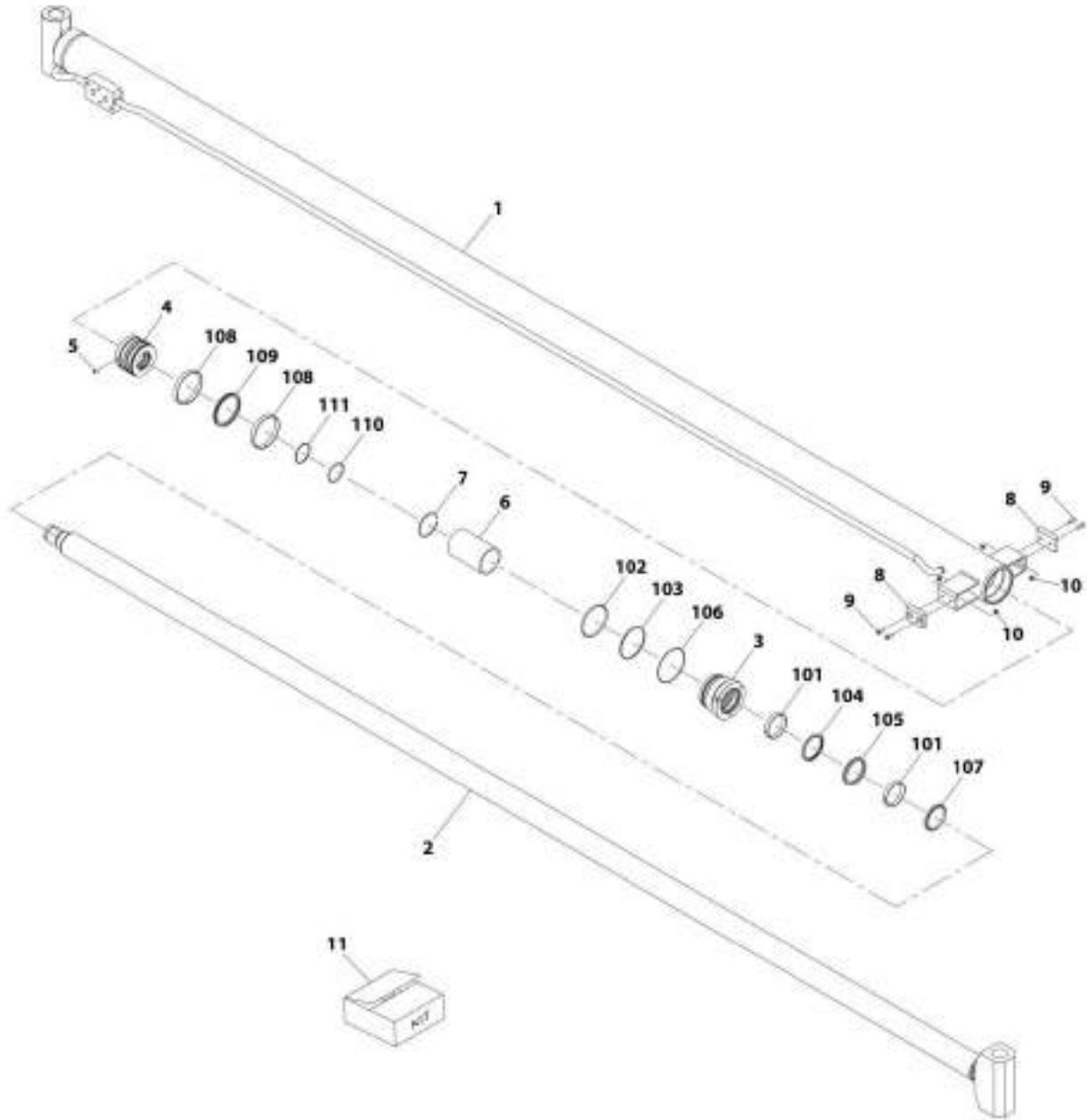
SECTION 9 - HYDRAULIC COMPONENTS

FIGURE 9-6. EXTEND/RETRACT CYLINDER INSTALLATION

ITEM	PART NUMBER	QTY	DESCRIPTION	REV
	1001178157	Ref	Extend/Retract Cylinder Installation	D
1	314689	2	Ring, Retaining	
3	4031916	4	Bolt, M8X60	
4	1001174814	1	Cylinder, Extend/Retract (See Seperate Breakdown in this Section)	
5	1001190259	1	Pin	
11	1001212312	1	Installation, Counterbalance Valve (see Seperate Breakdown in this Section)	

SECTION 9 - HYDRAULIC COMPONENTS

FIGURE 9-7. EXTEND/RETRACT CYLINDER



ART_1001174814-H

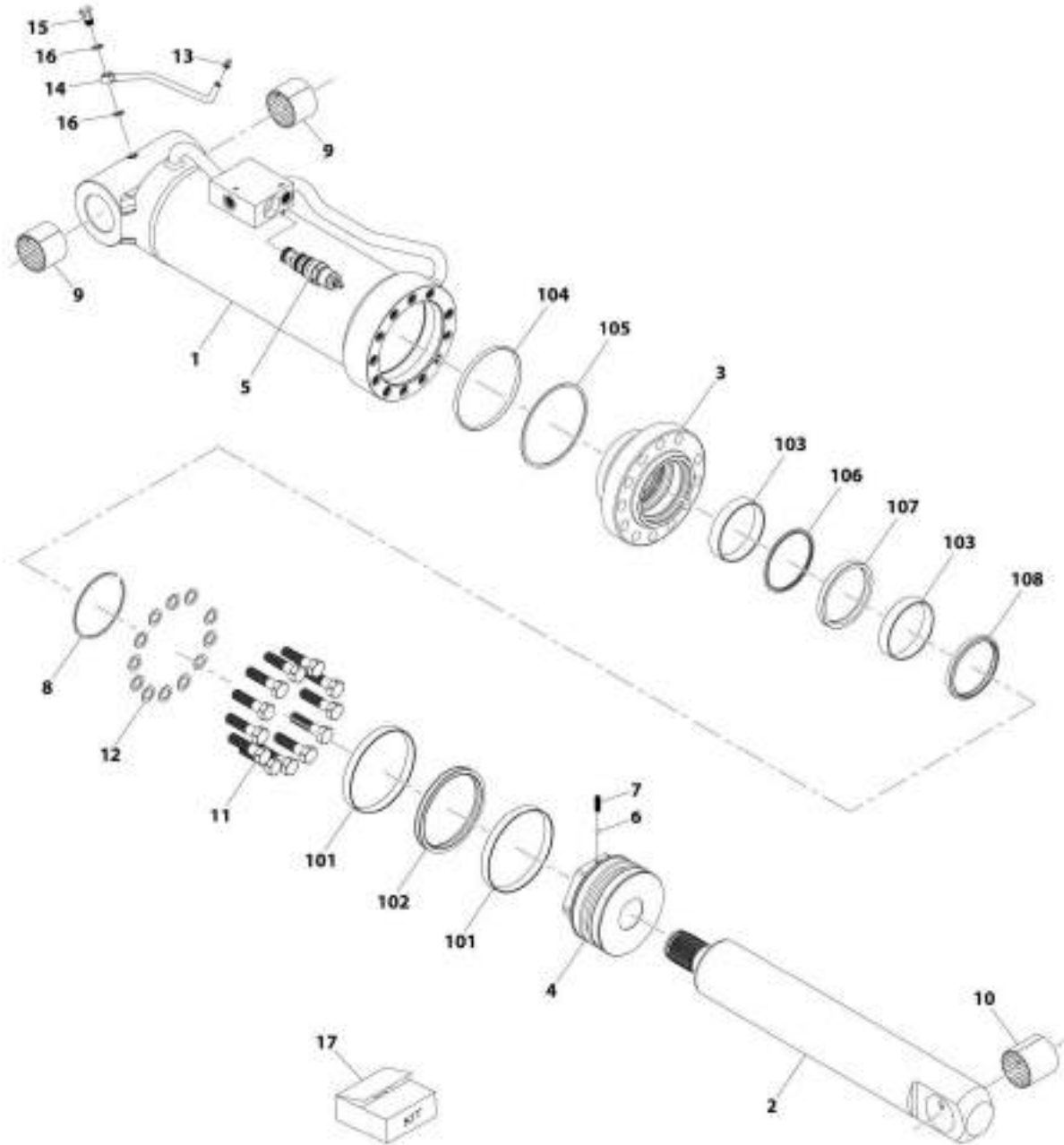
SECTION 9 - HYDRAULIC COMPONENTS

FIGURE 9-7. EXTEND/RETRACT CYLINDER

ITEM	PART NUMBER	QTY	DESCRIPTION	REV
	1001174814	Ref	Extend/Retract Cylinder	H
1	N.S.S.	1	Barrel	
2	70028371	1	Rod	
3	70028372	1	Head	
4	70026408	1	Piston	
5	70020438	1	Screw	
6	70026407	1	Spacer	
7	70026411	1	Ring	
8	70027811	2	Pad, Wear	
9	70028373	4	Screw	
10	70028374	4	Nut	
11	70028375	1	Seal kit (includes items 101 thru 111)	
101	Kit	2	Bearing	
102	Kit	1	O-Ring	
103	Kit	1	Ring, Backup	
104	Kit	1	Ring, Wear	
105	Kit	1	Seal, Rod	
106	Kit	1	O-Ring	
107	Kit	1	Wiper	
108	Kit	2	Bearing	
109	Kit	1	Seal, Piston	
110	Kit	1	O-Ring	
111	Kit	1	Ring, Backup	

SECTION 9 - HYDRAULIC COMPONENTS

FIGURE 9-8. TILT CYLINDER



ARE_1001174012-0

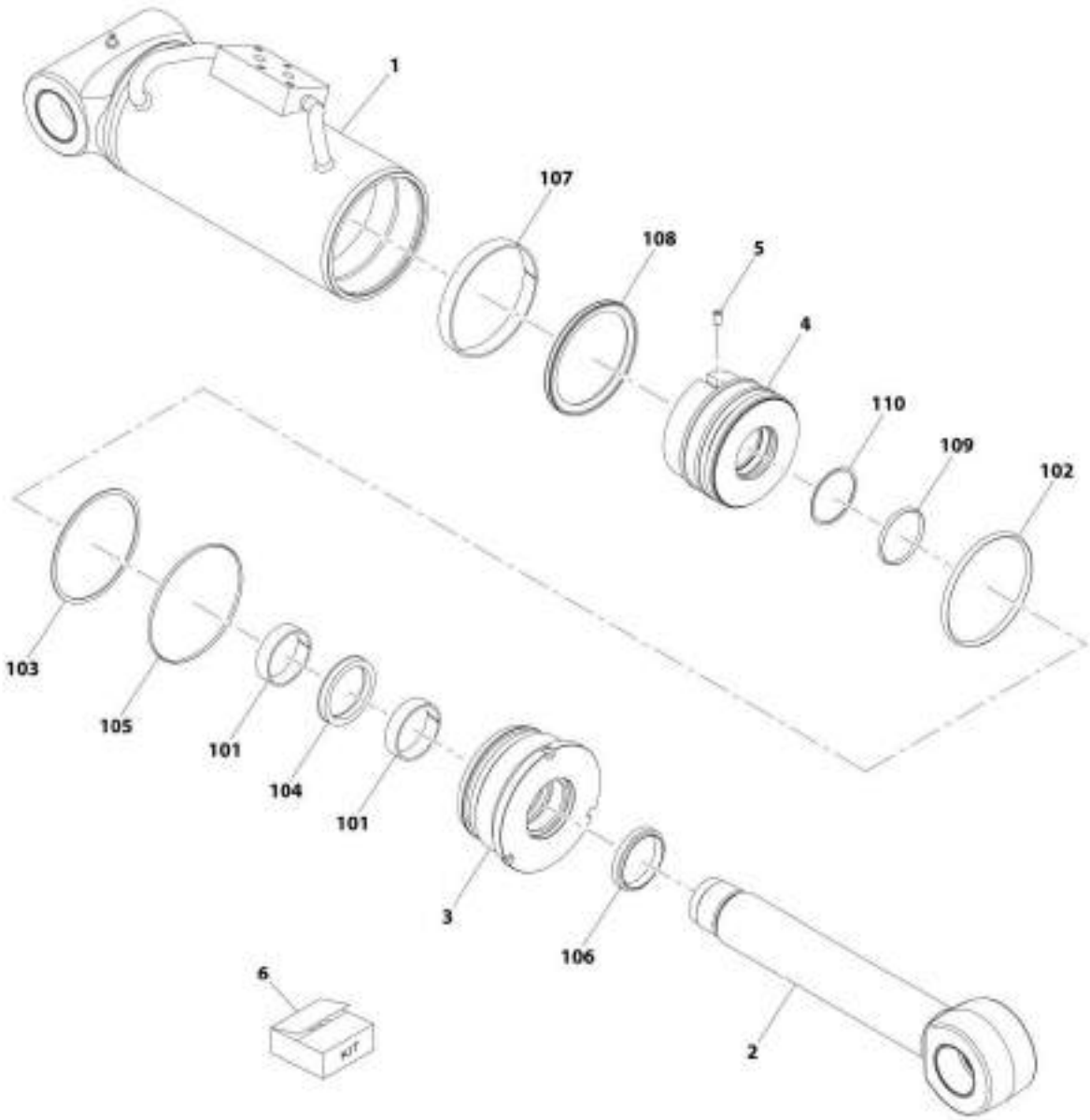
SECTION 9 - HYDRAULIC COMPONENTS

FIGURE 9-8. TILT CYLINDER

ITEM	PART NUMBER	QTY	DESCRIPTION	REV
	1001174812	Ref	Tilt Cylinder	D
1	N.S.S.	1	Barrel	
2	70028314	1	Rod	
3	70028315	1	Piston	
4	70028316	1	Head	
5	70028317	1	Valve, Counterbalance	
6	70025614	1	Bearing	
7	70028309	1	Screw, Locking	
8	70028318	1	Ring, Snap	
9	70028310	2	Bushing	
10	70028319	1	Bushing	
11	70028320	12	Bolt	
12	70028321	12	Washer	
13	70029941	2	Fitting, Grease	
14	70028322	1	Pipe	
15	70024035	1	Screw	
16	70028323	2	Washer	
17	70028324	1	Kit, Seal (includes items 101 thru 108)	
101	Kit	2	Ring, Piston	
102	Kit	1	Seal, Piston	
103	Kit	2	Ring, Rod	
104	Kit	1	"O" Ring	
105	Kit	1	Ring, Back-Up	
106	Kit	1	Seal, Rod	
107	Kit	1	Seal, Rod	
108	Kit	1	Wiper	

SECTION 9 - HYDRAULIC COMPONENTS

FIGURE 9-9. FRAME LEVEL CYLINDER



ART_1001201073-E

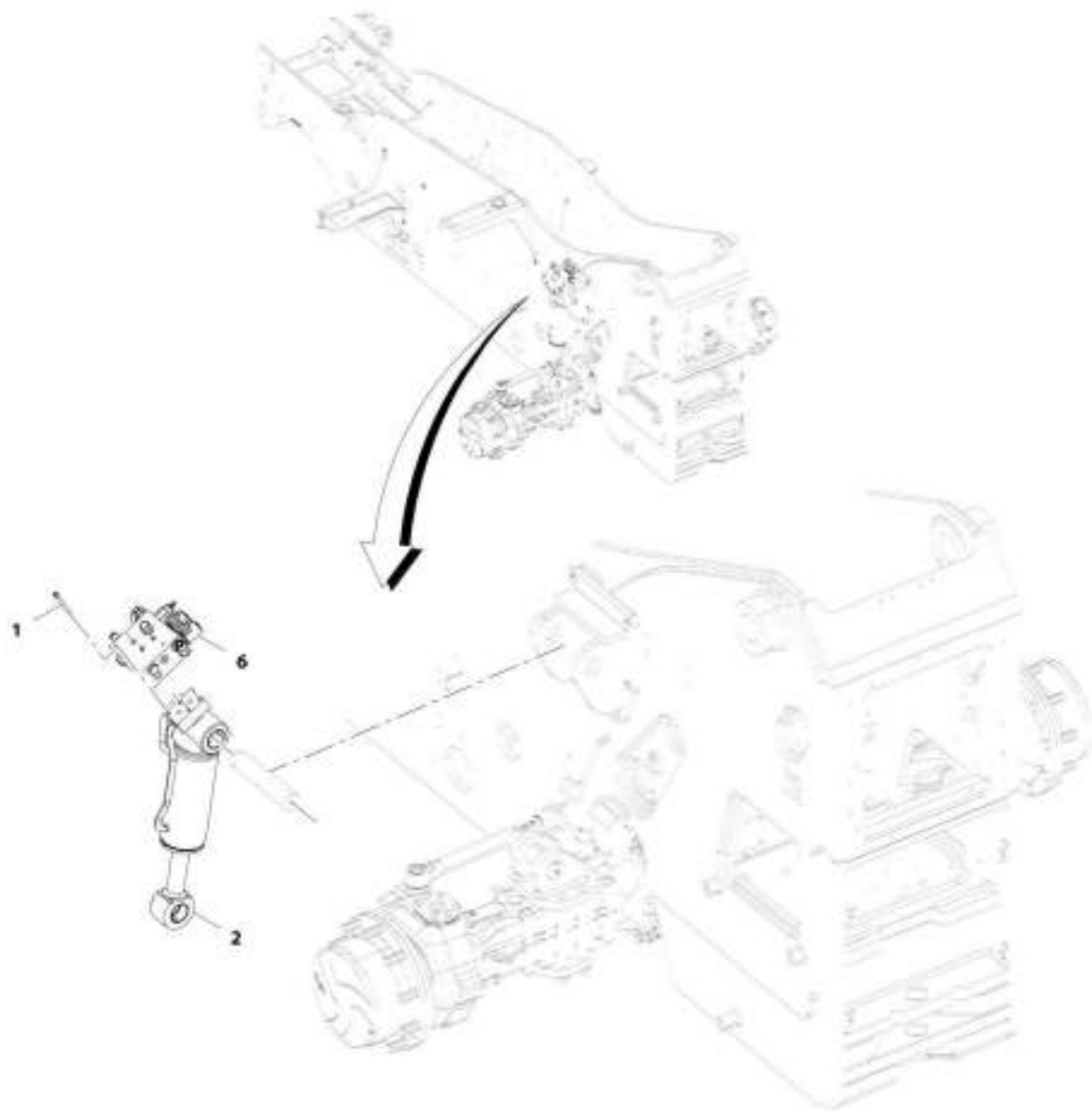
SECTION 9 - HYDRAULIC COMPONENTS

FIGURE 9-9. FRAME LEVEL CYLINDER

ITEM	PART NUMBER	QTY	DESCRIPTION	REV
	1001201073	Ref	Frame Level Cylinder	E
1	N.S.S.	1	Barrel	
2	70028362	1	Rod	
3	70026249	1	Head	
4	70026251	1	Piston	
5	70020438	1	Screw, Locking	
6	70026253	1	Seal kit (includes items 101 thru 110)	
101	Kit	2	Bearing	
102	Kit	1	O-Ring	
103	Kit	1	Backup Ring	
104	Kit	1	Rod Seal	
105	Kit	1	O-Ring	
106	Kit	1	Wiper	
107	Kit	1	Bearing	
108	Kit	1	Piston Seal	
109	Kit	1	O-Ring	
110	Kit	1	Backup Ring	

SECTION 9 - HYDRAULIC COMPONENTS

FIGURE 9-10. RALP CYLINDER INSTALLATION



ART_000110017-D

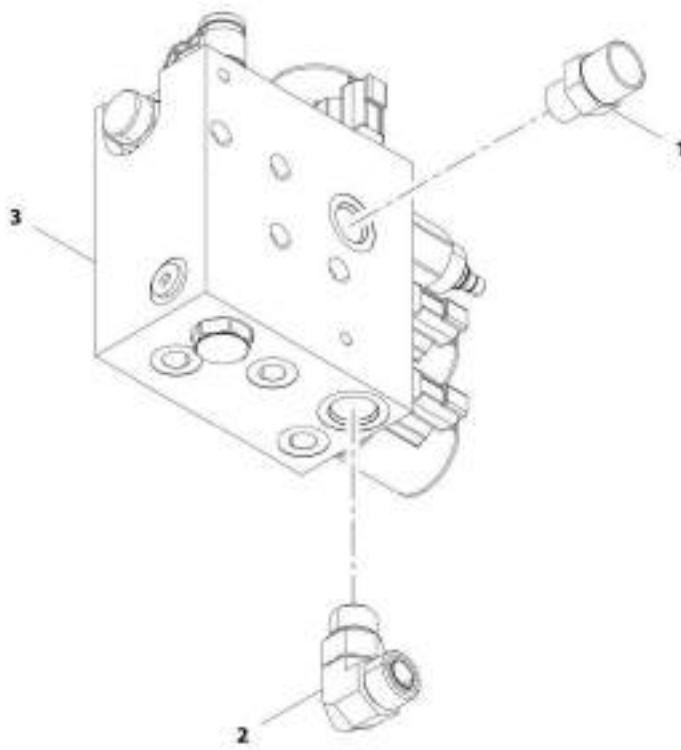
SECTION 9 - HYDRAULIC COMPONENTS

FIGURE 9-10. RALP CYLINDER INSTALLATION

ITEM	PART NUMBER	QTY	DESCRIPTION	REV
	1001193917	Ref	RALP Cylinder Installation	D
1	4031920	4	Screw, M8X1.25	
2	1001204576	1	Cylinder, RALP	
6	1001212511	1	Installation, Rear Axle Lock Valve (See Separate Breakdown in this Section)	

SECTION 9 - HYDRAULIC COMPONENTS

FIGURE 9-11. REAR AXLE LOCK VALVE INSTALLATION



ART_0001212511-A

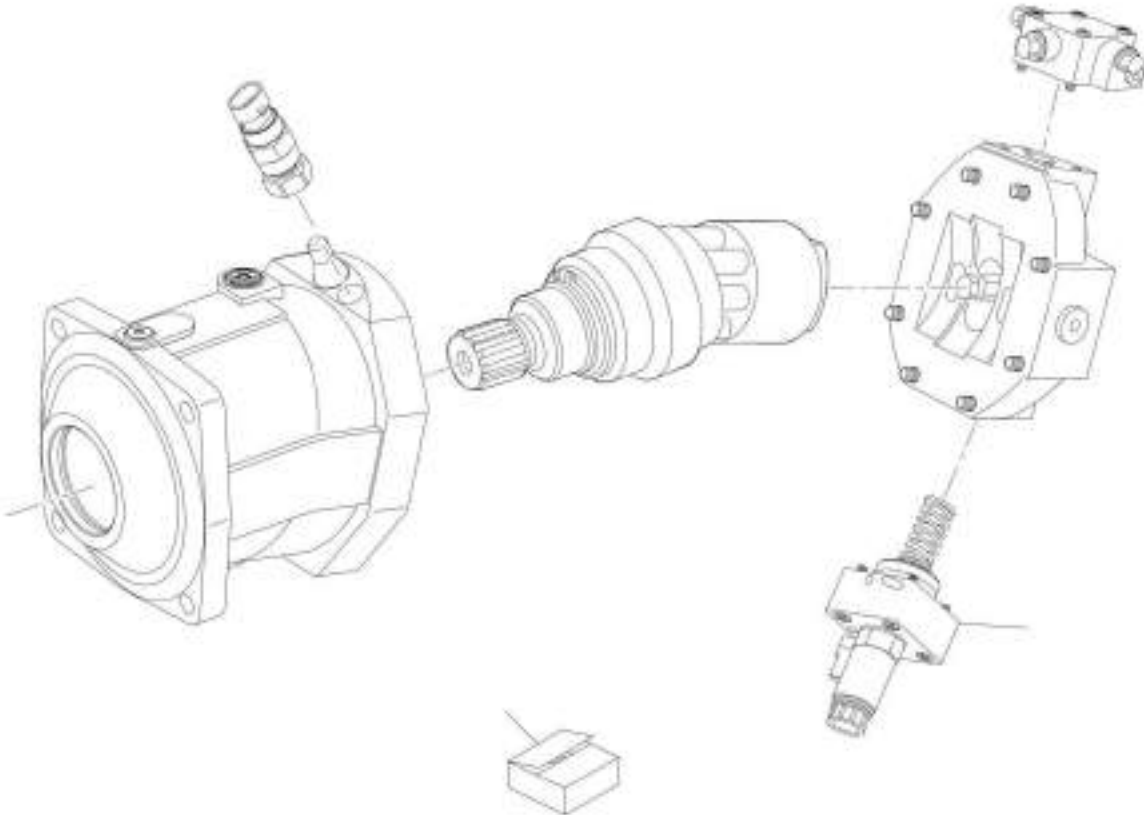
SECTION 9 - HYDRAULIC COMPONENTS

FIGURE 9-11. REAR AXLE LOCK VALVE INSTALLATION

ITEM	PART NUMBER	QTY	DESCRIPTION	REV
	1001212511	Ref	Rear Axle Lock Valve Installation	A
1	2111008	1	Fitting, Straight ORFS	
2	2131010	1	Fitting, ORFS	
3	1001188203	1	Valve, Rear Axle Lock	

SECTION 9 - HYDRAULIC COMPONENTS

FIGURE 9-12. HYDROSTATIC MOTOR



ART_100193308-C

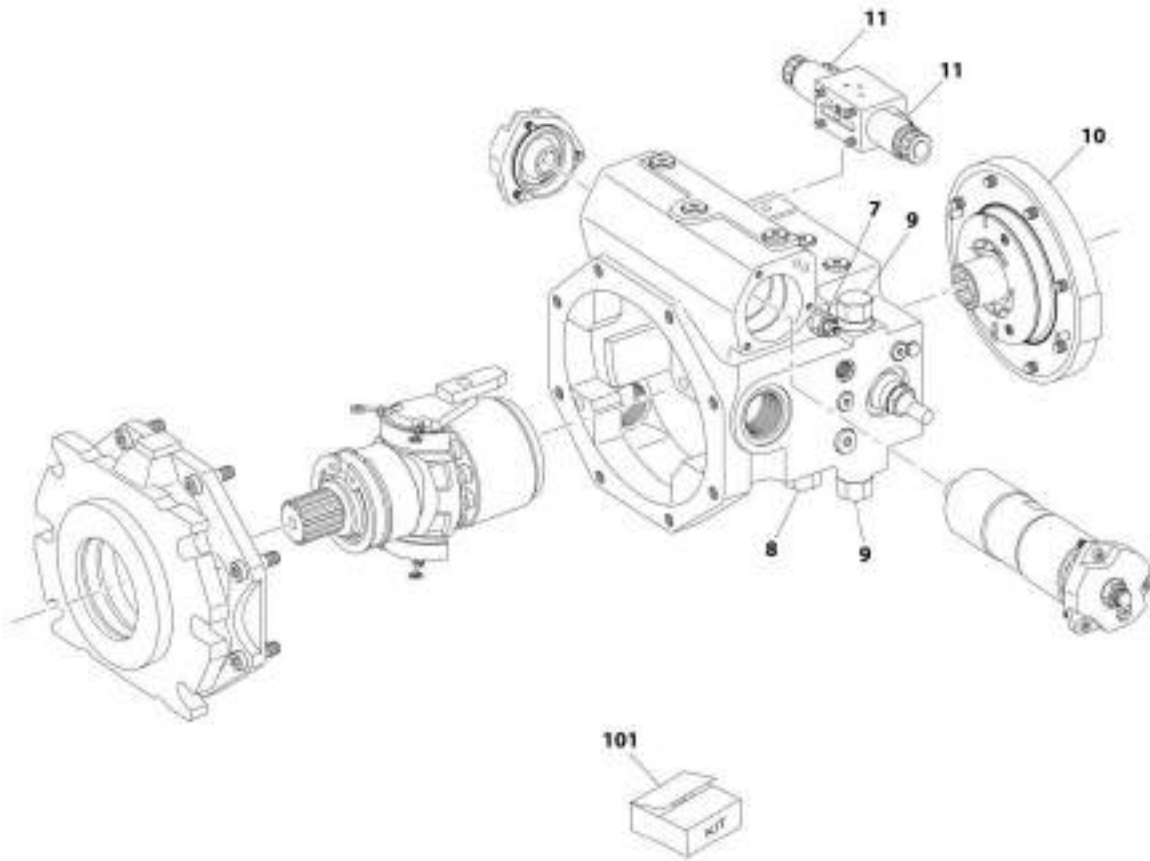
SECTION 9 - HYDRAULIC COMPONENTS

FIGURE 9-12. HYDROSTATIC MOTOR

ITEM	PART NUMBER	QTY	DESCRIPTION	REV
	1001193308	Ref	Hydrostatic Motor	C
6	70028420	1	Valve, Flushing	
101	70027601	1	Kit, Seal	
	Kit	1	Seal	
	Kit	1	O-Ring	
	Kit	2	Seal	
	Kit	7	O-Ring	
	Kit	1	O-Ring	
	Kit	2	O-Ring	
	Kit	2	O-Ring	
	Kit	3	O-Ring	
	Kit	2	O-Ring	
	Kit	2	Ring, Backup	
	Kit	1	Seal	
	Kit	1	O-Ring	
	Kit	2	O-Ring	
	Kit	1	O-Ring	
	Kit	1	O-Ring	
	Kit	1	O-Ring	
	Kit	1	O-Ring	
	Kit	1	O-Ring	
	Kit	1	O-Ring	
	Kit	1	O-Ring	
	Kit	1	O-Ring	
	Kit	1	O-Ring	
	Kit	1	O-Ring	
	Kit	1	Seal	

SECTION 9 - HYDRAULIC COMPONENTS

FIGURE 9-13. HYDROSTATIC PUMP



ART_1001103307-D

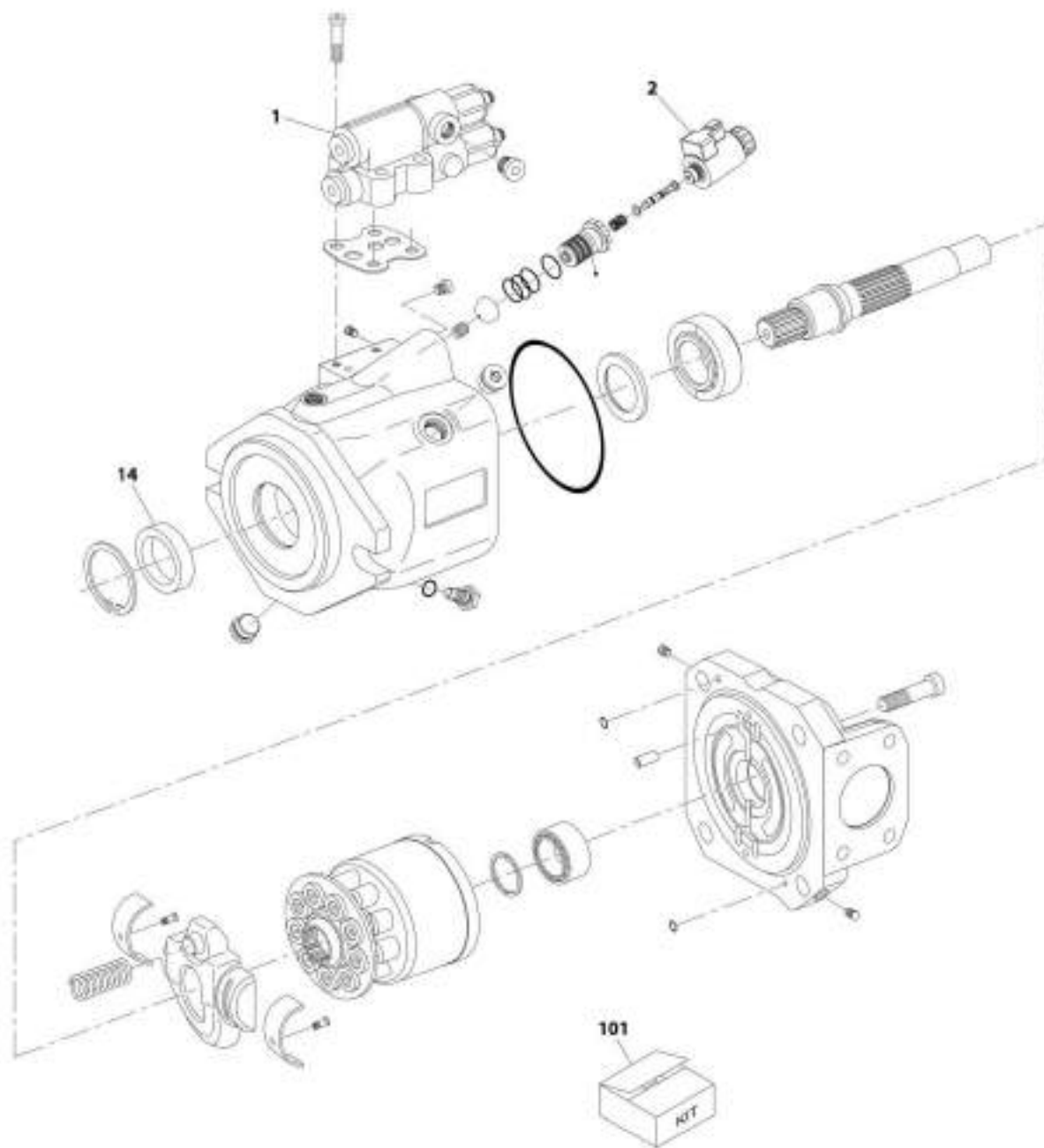
SECTION 9 - HYDRAULIC COMPONENTS

FIGURE 9-13. HYDROSTATIC PUMP

ITEM	PART NUMBER	QTY	DESCRIPTION	REV
	1001193307	Ref	Hydrostatic Pump	D
7	70024946	1	Valve, Relief	
8	70027598	1	Valve, Pressure Override	
9	70024945	2	Valve, Relief	
10	70028411	1	Pump, Charge	
11	70022726	2	Solenoid	
101	70028410	1	Kit, Seal	
	Kit	1	Seal, Shaft	
	Kit	2	Retaining Ring	
	Kit	2	O-Ring	
	Kit	1	O-Ring	
	Kit	2	Seal, Rod	
	Kit	1	Nut, Sealing	
	Kit	3	O-Ring	
	Kit	2	O-Ring	
	Kit	1	O-Ring	
	Kit	2	Nut, Sealing	
	Kit	1	O-Ring	
	Kit	1	O-Ring	
	Kit	1	O-Ring	
	Kit	1	O-Ring	
	Kit	1	O-Ring	
	Kit	1	O-Ring	
	Kit	1	O-Ring	
	Kit	1	O-Ring	
	Kit	1	O-Ring	
	Kit	1	O-Ring	
	Kit	1	Kit, Seal	
	Kit	1	O-Ring	
	Kit	1	O-Ring	
	Kit	1	O-Ring	
	Kit	1	O-Ring	
	Kit	1	O-Ring	
	Kit	1	O-Ring	
	Kit	1	Seal	
	Kit	1	Seal	
	Kit	1	O-Ring	
	Kit	2	O-Ring	
	Kit	2	O-Ring	
	Kit	2	O-Ring	
	Kit	2	O-Ring	

SECTION 9 - HYDRAULIC COMPONENTS

FIGURE 9-14. IMPLEMENT PUMP



ART_1001500370-F

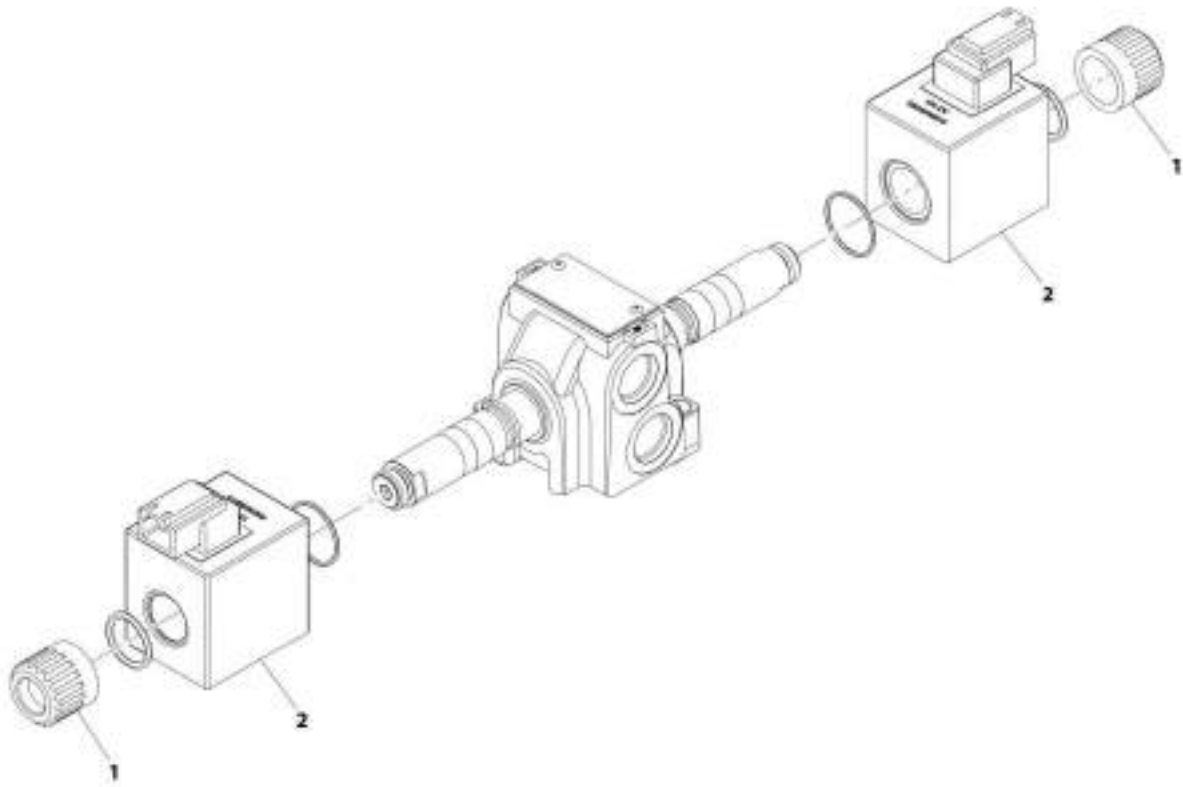
SECTION 9 - HYDRAULIC COMPONENTS

FIGURE 9-14. IMPLEMENT PUMP

ITEM	PART NUMBER	QTY	DESCRIPTION	REV
	1001180070	1	Implement Pump	F
1	70027595	1	Controller, DSR	
2	70028412	1	Controller, EK	
14	7024947	1	Seal, Shaft	
101	70028413	1	Kit, Seal	
	Kit	1	Seal	
	Kit	1	Plug	
	Kit	2	Plug	
	Kit	2	O-Ring	
	Kit	1	O-Ring	

SECTION 9 - HYDRAULIC COMPONENTS

FIGURE 9-15. STEERING SELECT VALVE



AMF_1001155748-C

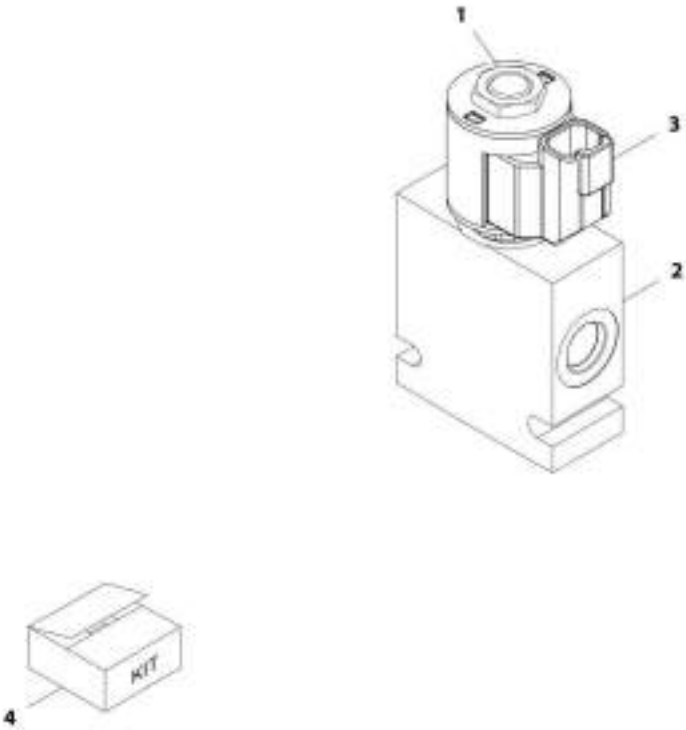
SECTION 9 - HYDRAULIC COMPONENTS

FIGURE 9-15. STEERING SELECT VALVE

ITEM	PART NUMBER	QTY	DESCRIPTION	REV
	1001153748	Ref	Steering Select Valve	C
1	70020867	2	Nut, Coil	
2	70026582	2	Coil	

SECTION 9 - HYDRAULIC COMPONENTS

FIGURE 9-16. SOLENOID VALVE



ART_1001221928-A

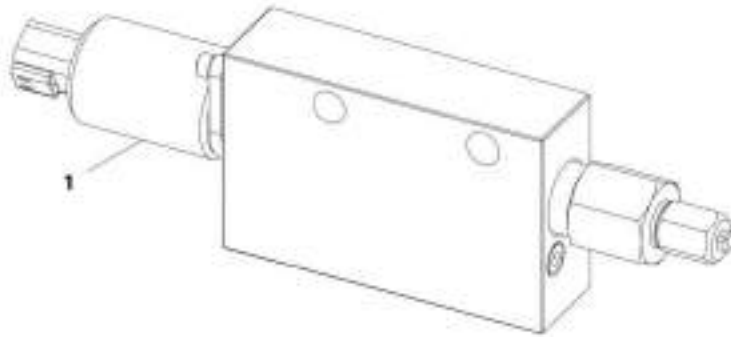
SECTION 9 - HYDRAULIC COMPONENTS

FIGURE 9-16. SOLENOID VALVE

ITEM	PART NUMBER	QTY	DESCRIPTION	REV
	1001221928	Ref	Solenoid Valve	A
1	70004387	1	Cartridge	
2	N.S.S.	Ref	Body	
3	70002963	1	Coil	
4	7010543	1	Kit, Seal	

SECTION 9 - HYDRAULIC COMPONENTS

FIGURE 9-17. INCHING VALVE



ART_3001213311-8

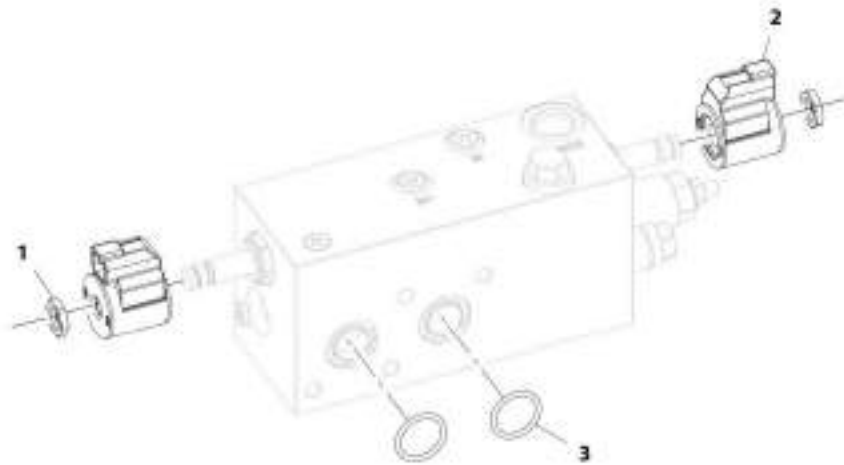
SECTION 9 - HYDRAULIC COMPONENTS

FIGURE 9-17. INCHING VALVE

ITEM	PART NUMBER	QTY	DESCRIPTION	REV
1	1001213311 70028361	Ref 1	Inching Valve Valve, Proportional	B

SECTION 9 - HYDRAULIC COMPONENTS

FIGURE 9-18. BOOM RAISE VALVE (RIDE CONTROL)



AWT_3001224945-C

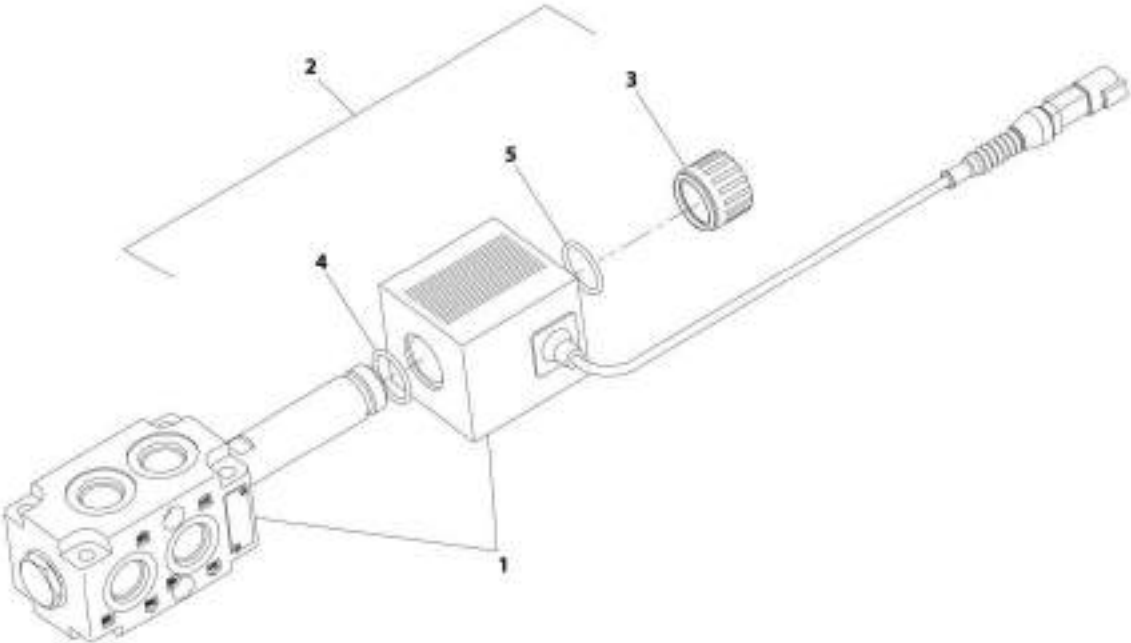
SECTION 9 - HYDRAULIC COMPONENTS

FIGURE 9-18. BOOM RAISE VALVE (RIDE CONTROL)

ITEM	PART NUMBER	QTY	DESCRIPTION	REV
	1001224945	Ref	Boom Raise Valve (Ride Control)	C
1	7022390	2	Nut	
2	70028281	2	Coil	
3	70028282	2	O-Ring	

SECTION 9 - HYDRAULIC COMPONENTS

FIGURE 9-19. DIVERTOR VALVE



ART_182184477-D

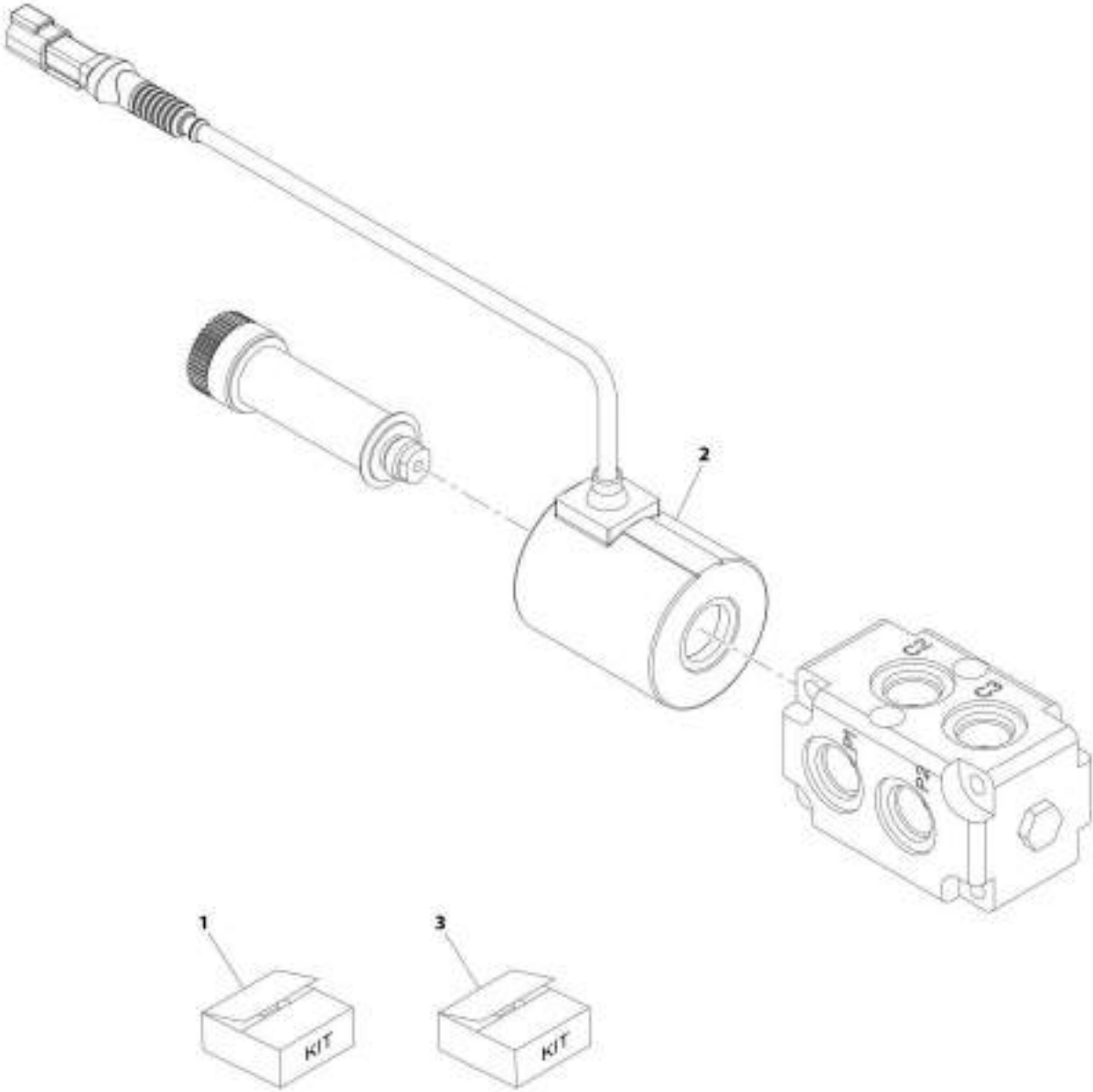
SECTION 9 - HYDRAULIC COMPONENTS

FIGURE 9-19. DIVERTOR VALVE

ITEM	PART NUMBER	QTY	DESCRIPTION	REV
	1001104477	Ref	Divertor Valve	D
1	70020764	1	Coil	
2	70021531	1	Kit, Retainer	
3	Kit	1	Nut	
4	Kit	1	O-Ring	
5	Kit	1	O-Ring	

SECTION 9 - HYDRAULIC COMPONENTS

FIGURE 9-20. DIVERTOR VALVE



ART_1001130023-B

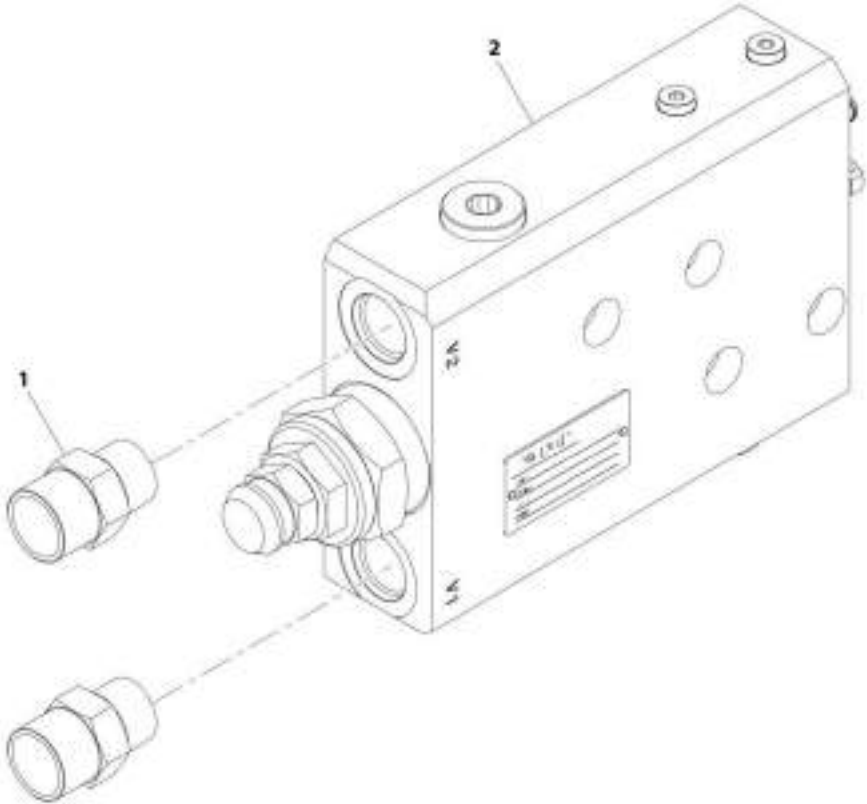
SECTION 9 - HYDRAULIC COMPONENTS

FIGURE 9-20. DIVERTOR VALVE

ITEM	PART NUMBER	QTY	DESCRIPTION	REV
	1001110023	Ref	Divertor Valve	B
1	70027596	1	Kit, Seal	
	Kit	2	O-Ring	
2	70020764	1	Coil	
3	70021531	1	Kit, Coil Nut	
	N.S.S.	1	O-Ring	
	N.S.S.	1	O-Ring	
	N.S.S.	1	Nut	

SECTION 9 - HYDRAULIC COMPONENTS

FIGURE 9-21. COUNTERBALANCE VALVE INSTALLATION



ART_1001212512-A

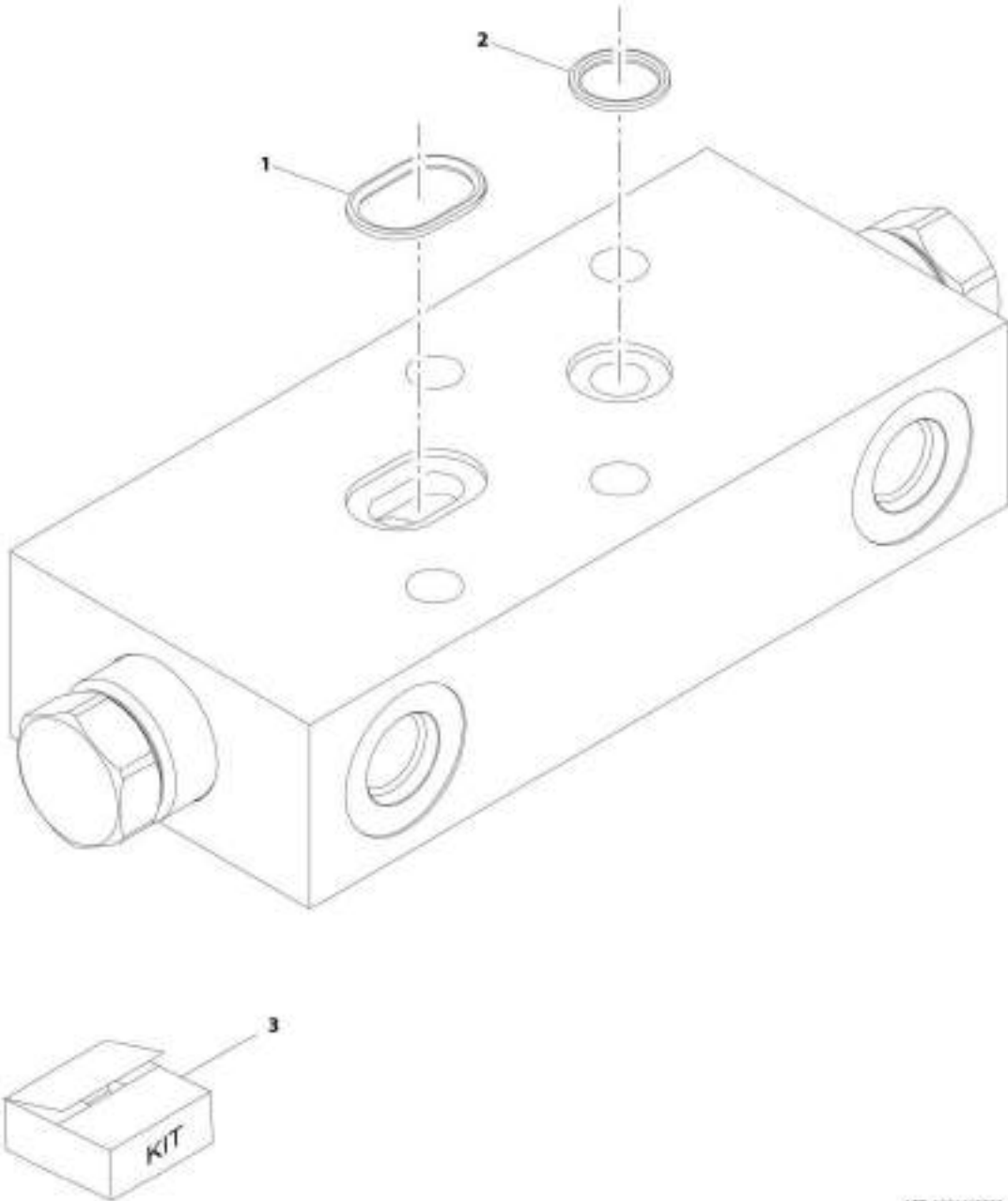
SECTION 9 - HYDRAULIC COMPONENTS

FIGURE 9-21. COUNTERBALANCE VALVE INSTALLATION

ITEM	PART NUMBER	QTY	DESCRIPTION	REV
	1001212312	Ref	Counterbalance Valve Installation	A
1	2111010	2	Fitting, Straight ORFS	
2	1001209862	1	Valve, Counterbalance (See Seperate Breakdown in this Section)	

SECTION 9 - HYDRAULIC COMPONENTS

FIGURE 9-22. COUNTERBALANCE VALVE



ART_1001198509-C

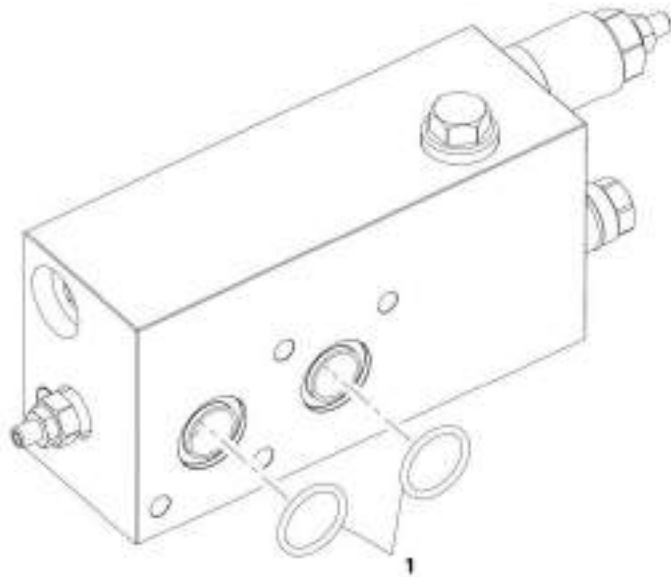
SECTION 9 - HYDRAULIC COMPONENTS

FIGURE 9-22. COUNTERBALANCE VALVE

ITEM	PART NUMBER	QTY	DESCRIPTION	REV
	1001168599	Ref	Counterbalance Valve	C
1	Kit	1	O-Ring	
2	Kit	1	O-Ring	
3	70028421	1	Kit, Seal (includes items 1 thru 2)	

SECTION 9 - HYDRAULIC COMPONENTS

FIGURE 9-23. COUNTERBALANCE VALVE



ART_300124994-C

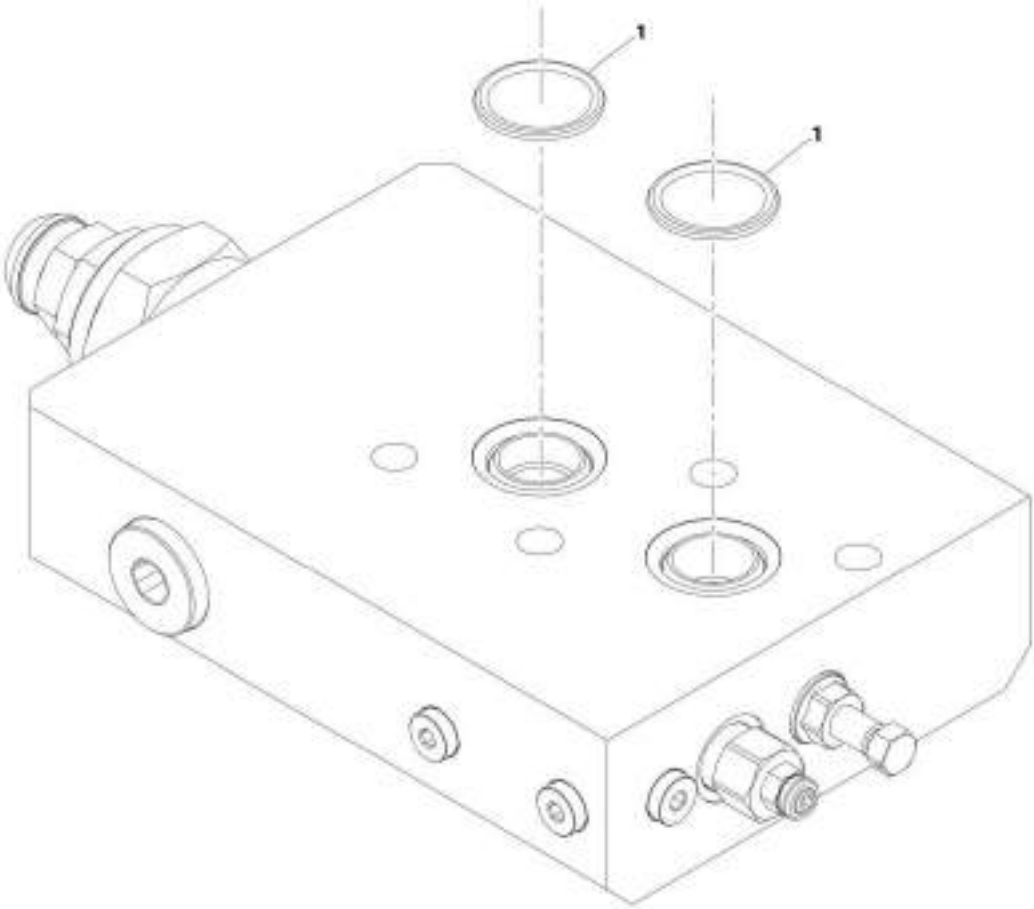
SECTION 9 - HYDRAULIC COMPONENTS

FIGURE 9-23. COUNTERBALANCE VALVE

ITEM	PART NUMBER	QTY	DESCRIPTION	REV
1	1001224944 70028282	Ref 1	Counterbalance Valve O-Ring	C

SECTION 9 - HYDRAULIC COMPONENTS

FIGURE 9-24. COUNTERBALANCE VALVE



ART_1001200602-E

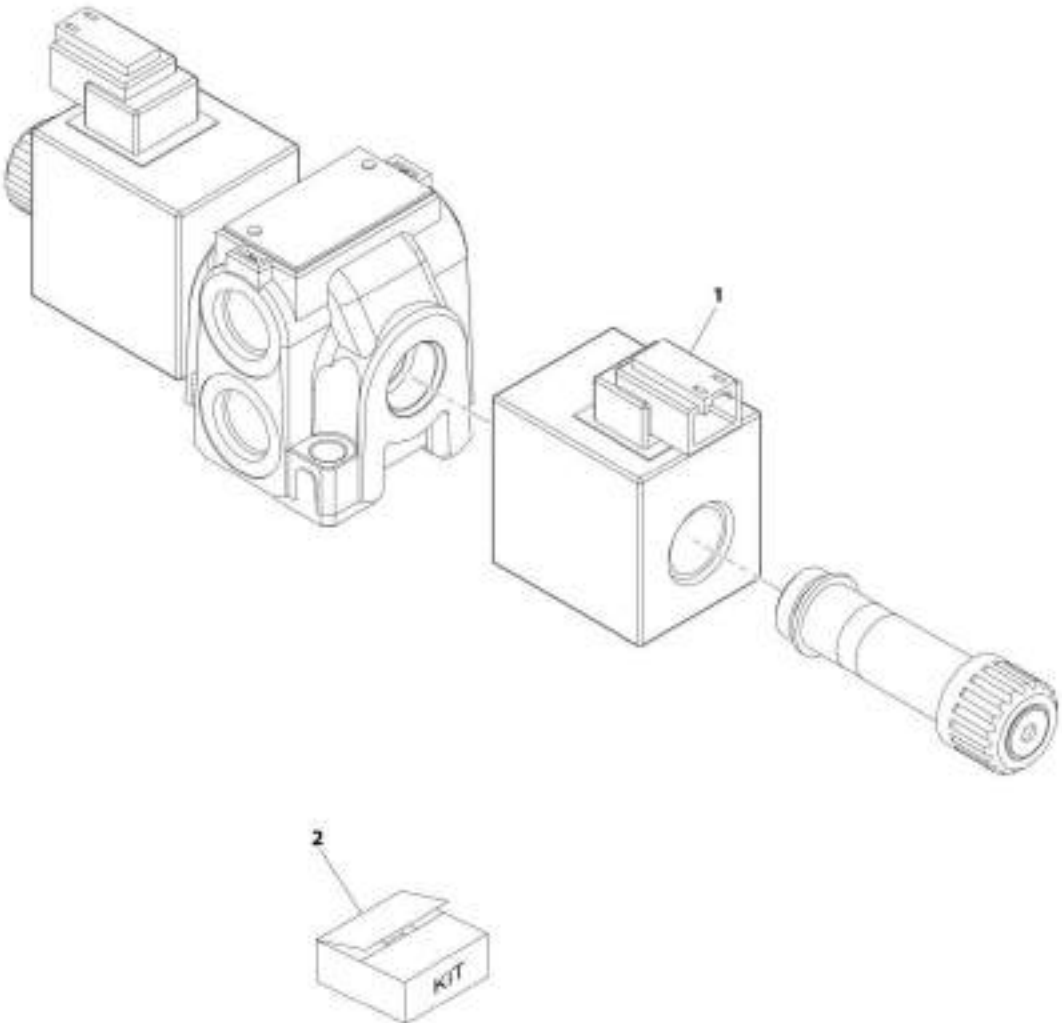
SECTION 9 - HYDRAULIC COMPONENTS

FIGURE 9-24. COUNTERBALANCE VALVE

ITEM	PART NUMBER	QTY	DESCRIPTION	REV
1	1001209862 70028422	Ref 2	Counterbalance Valve O-Ring	E

SECTION 9 - HYDRAULIC COMPONENTS

FIGURE 9-25. SPEED CONTROL VALVE



ART_484152D-B

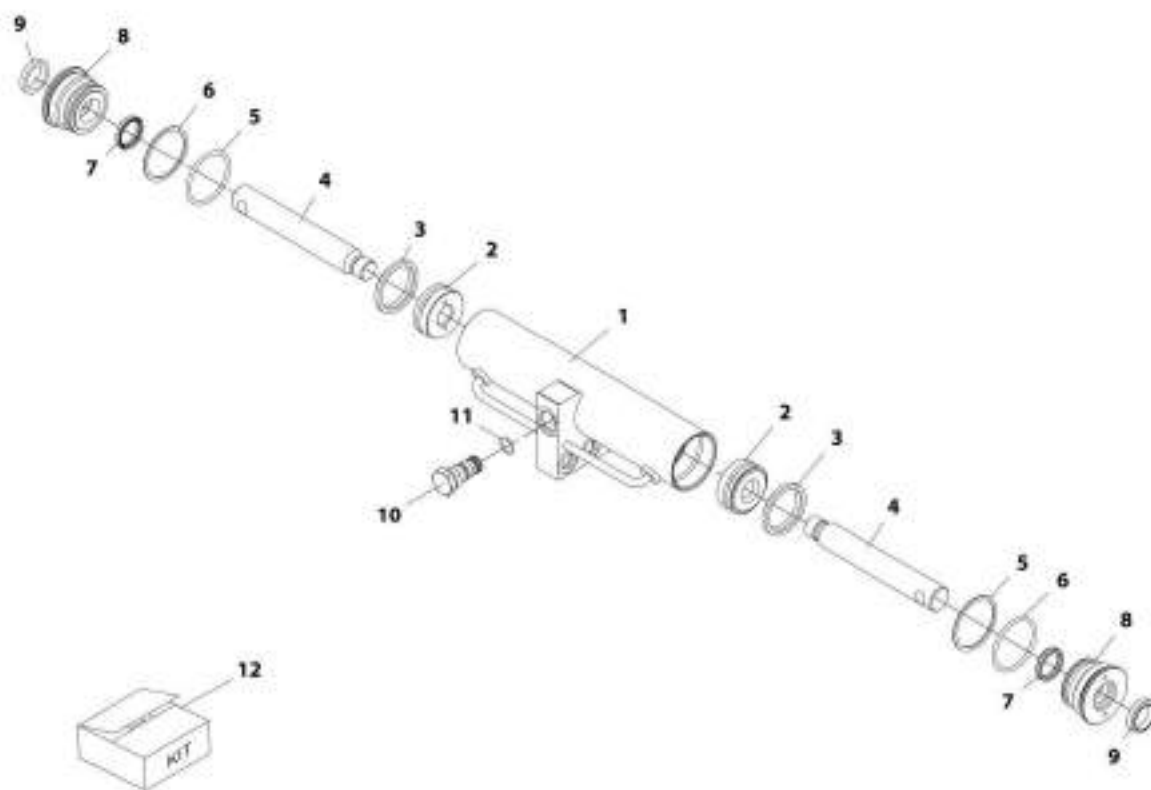
SECTION 9 - HYDRAULIC COMPONENTS

FIGURE 9-25. SPEED CONTROL VALVE

ITEM	PART NUMBER	QTY	DESCRIPTION	REV
	4641520	Ref	Speed Control Valve	B
1	70026582	1	Coil	
2	70020867	1	Kit, Coil Nut	
	N.S.S.	1	Seal	
	N.S.S.	1	Seal	
	N.S.S.	1	Nut, Coil	

SECTION 9 - HYDRAULIC COMPONENTS

FIGURE 9-26. COUPLER LOCKING CYLINDER



AME_1001345390-A

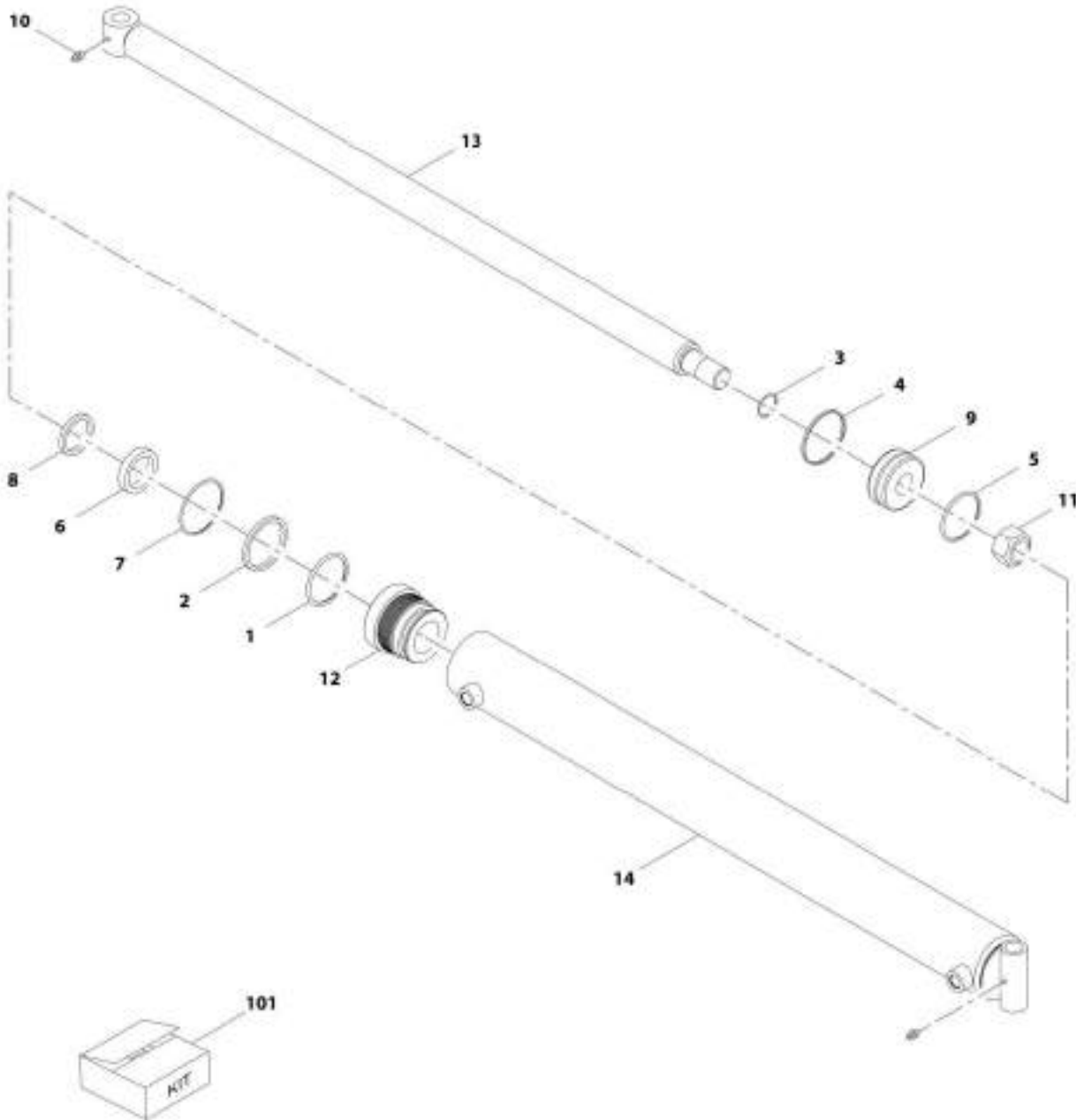
SECTION 9 - HYDRAULIC COMPONENTS

FIGURE 9-26. COUPLER LOCKING CYLINDER

ITEM	PART NUMBER	QTY	DESCRIPTION	REV
	1001145390	Ref	Coupler Locking Cylinder	A
1	70024164	2	Body	
2	70024165	2	Piston	
3	Kit	2	Seal, Piston	
4	70024166	2	Rod	
5	Kit	2	O-Ring	
6	Kit	2	Ring, Backup	
7	Kit	2	Seal, Rod	
8	70024167	2	Gland	
9	Kit	2	Seal, Wiper	
10	1001007056	1	Valve, Check	
11	91574001	1	Seal, Check Valve	
12	70024168	1	Kit, Seal (includes items 3, 5, 6, 7 & 9)	

SECTION 9 - HYDRAULIC COMPONENTS

FIGURE 9-27. FORK POSITIONING CYLINDER ASSEMBLY



ART_N0328594-C

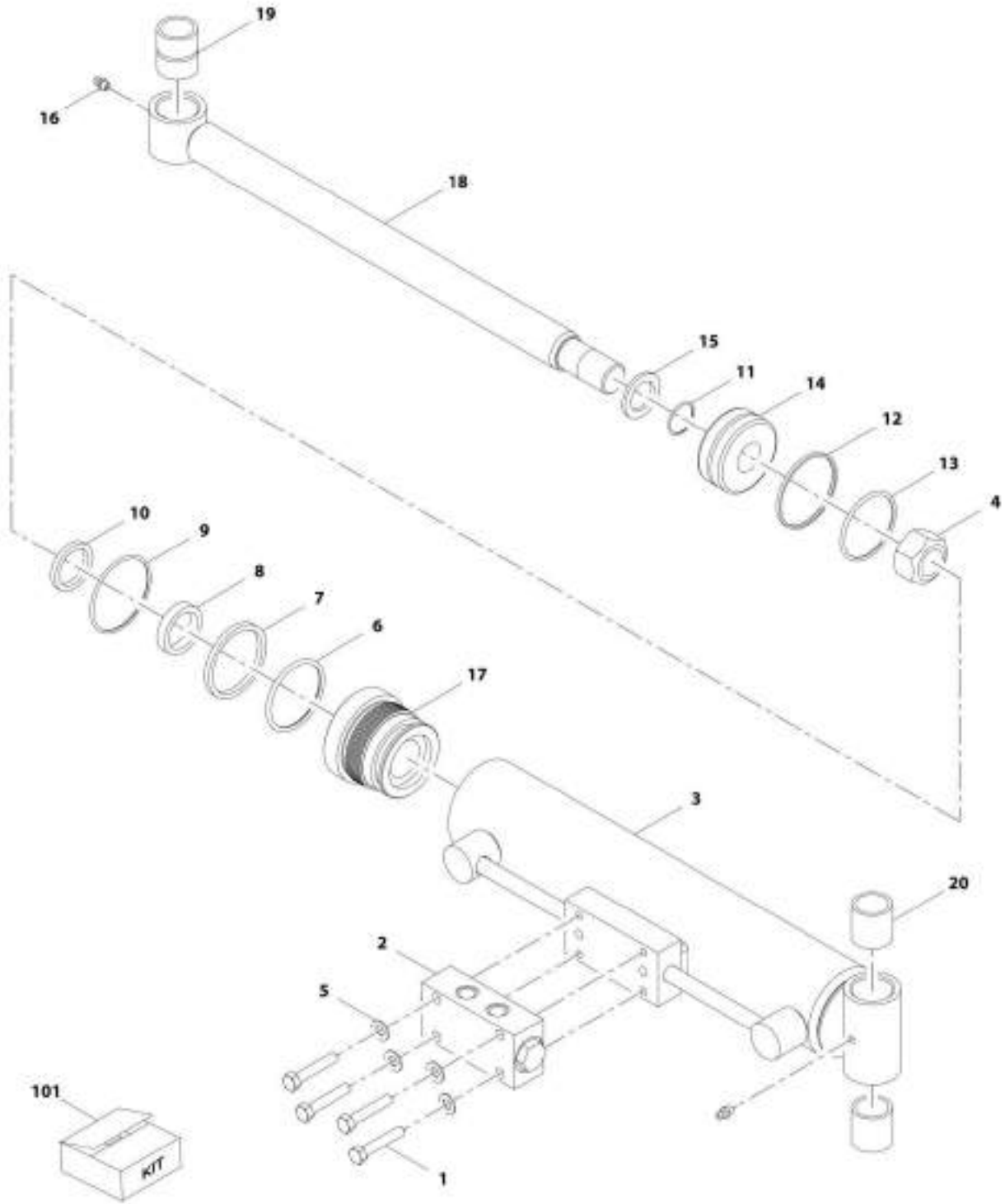
SECTION 9 - HYDRAULIC COMPONENTS

FIGURE 9-27. FORK POSITIONING CYLINDER ASSEMBLY

ITEM	PART NUMBER	QTY	DESCRIPTION	REV
	70028599	Ref	Fork Positioning Cylinder Assembly	C
1	Kit	1	O-Ring	
2	Kit	1	O-Ring	
3	Kit	1	O-Ring	
4	Kit	1	Seal	
5	Kit	1	O-Ring	
6	Kit	1	Seal	
7	Kit	1	O-Ring	
8	Kit	1	Seal	
9	70028609	1	Piston, Cylinder	
10	90554045	2	Fitting, Grease	
11	70021440	1	Nut	
12	70028610	1	Gland, Cylinder	
13	70028611	1	Rod	
14	N.S.S.	1	Tube	
101	Kit	1	Kit, Seal	

SECTION 9 - HYDRAULIC COMPONENTS

FIGURE 9-28. SIDE SHIFT CYLINDER ASSEMBLY



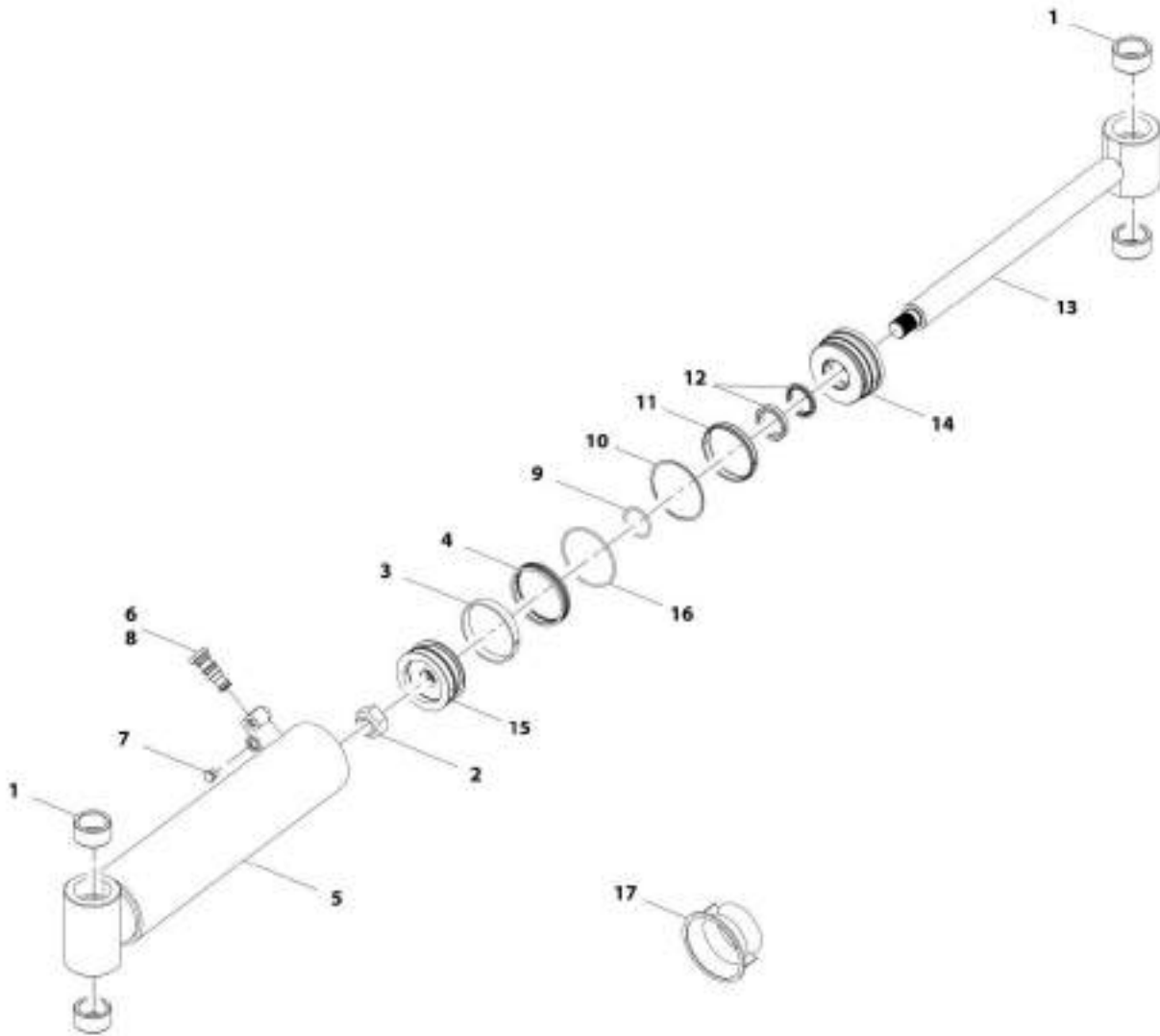
SECTION 9 - HYDRAULIC COMPONENTS

FIGURE 9-28. SIDE SHIFT CYLINDER ASSEMBLY

ITEM	PART NUMBER	QTY	DESCRIPTION	REV
	70028603	Ref	Side Shift Cylinder Assembly	C
1	70028612	4	Bolt	
2	70028613	1	Valve	
3	N.S.S.	1	Tube	
4	70021440	1	Nut	
5	70028614	4	Washer, Flat	
6	Kit	1	O-Ring	
7	Kit	1	O-Ring	
8	Kit	1	Seal	
9	Kit	1	O-Ring	
10	Kit	1	Seal	
11	Kit	1	O-Ring	
12	Kit	1	Seal	
13	Kit	1	O-Ring	
14	70021451	1	Piston	
15	70021444	1	Spacer	
16	90554045	2	Fitting, Grease	
17	70021446	1	Gland, Cylinder	
18	70021445	1	Rod	
19	70021447	1	Bushing	
20	70021448	2	Bushing	
101	70021452	1	Kit, Seal (includes items 6 thru 13)	

SECTION 9 - HYDRAULIC COMPONENTS

FIGURE 9-29. 4 IN 1BUCKET CYLINDER ASSEMBLY (5.23 YD³/4.0M³)



ART_70028573-D

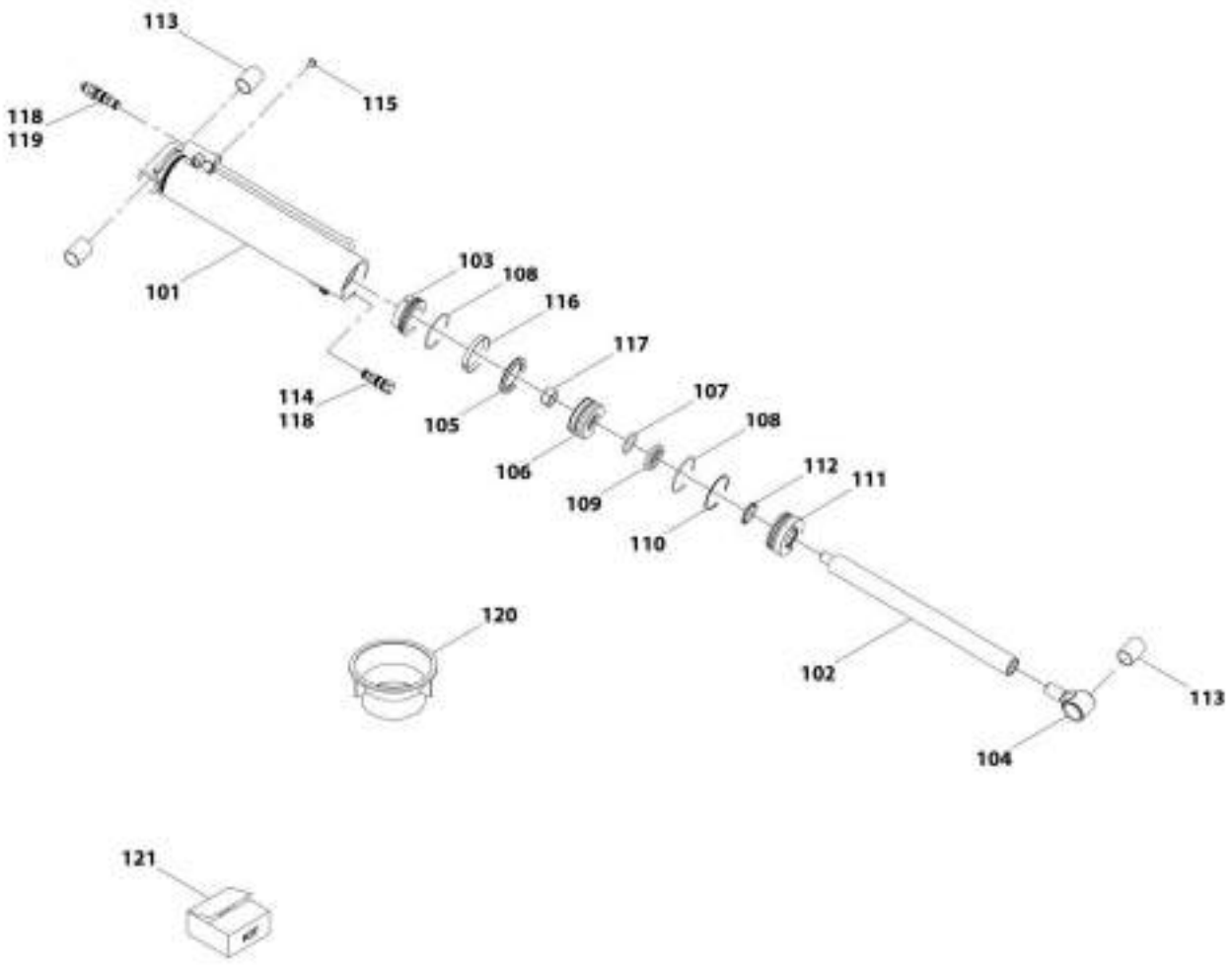
SECTION 9 - HYDRAULIC COMPONENTS

FIGURE 9-29. 4 IN 1BUCKET CYLINDER ASSEMBLY (5.23 YD³/4.0M³)

ITEM	PART NUMBER	QTY	DESCRIPTION	REV
	70028572	Ref	4 In 1Bucket Cylinder Assembly (5.23 yd ³ /4.0m ³)	D
1	70028581	4	Bearing	
2	70028582	1	Nut	
3	N.S.S.	1	Ring, Wear	
4	N.S.S.	1	Seal	
5	N.S.S.	1	Assembly, Barrel	
6	Kit	1	Kit, Check Valve	
7	70028583	1	Fitting, Straight	
8	70028584	1	Valve, Check	
9	N.S.S.	1	O-Ring	
10	N.S.S.	1	Ring, Back-up	
11	N.S.S.	1	Seal	
12	N.S.S.	2	Wiper	
13	70028585	1	Rod	
14	70028586	1	Retainer	
15	70028587	1	Piston	
16	N.S.S.	1	O-Ring	
17	70028588	1	Tool, Seal Loader	

SECTION 9 - HYDRAULIC COMPONENTS

FIGURE 9-30. GRAPPLE BUCKET CYLINDER ASSEMBLY (2.6 YD³/2.0M³)



AIT_7006469.C

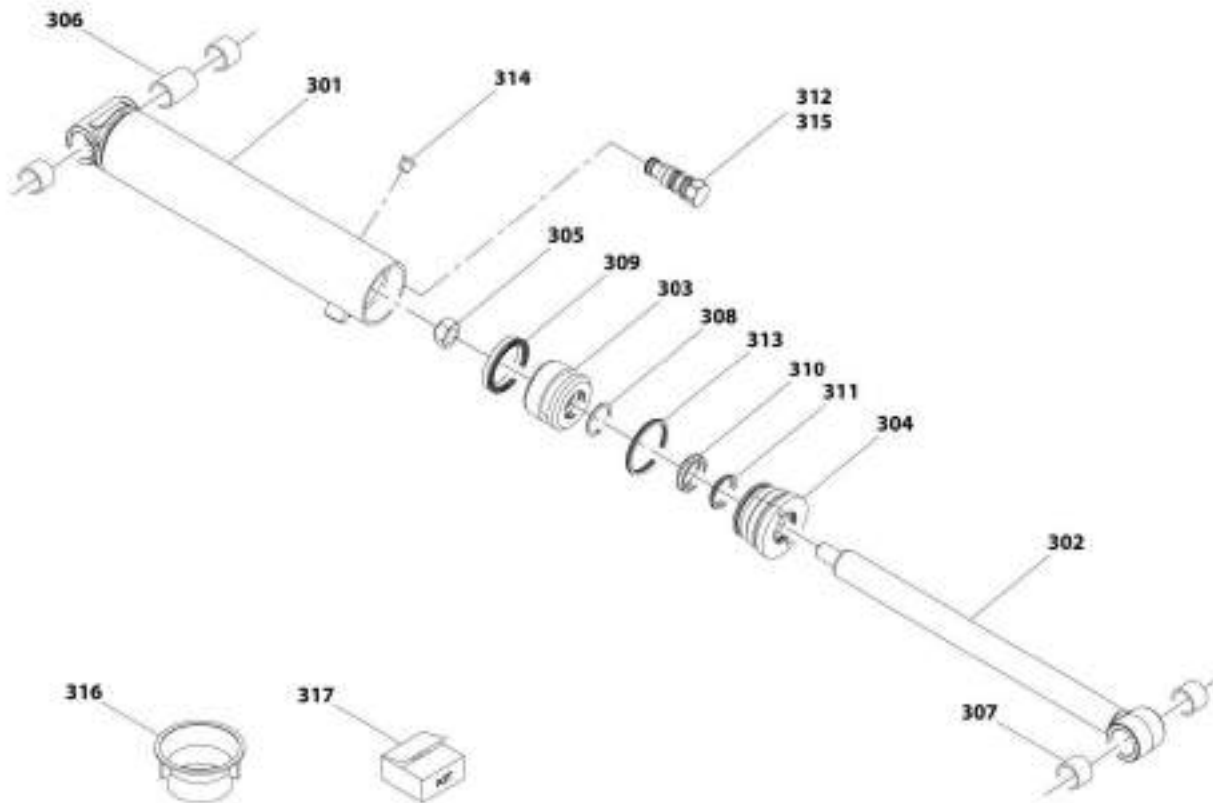
SECTION 9 - HYDRAULIC COMPONENTS

FIGURE 9-30. GRAPPLE BUCKET CYLINDER ASSEMBLY (2.6 YD³/2.0M³)

ITEM	PART NUMBER	QTY	DESCRIPTION	REV
	70026469	Ref	Grapple Bucket Cylinder Assembly (2.6 yd ³ /2.0m ³)	C
101	N.S.S.	1	Barrel	
102	70026496	1	Rod	
103	70026497	1	Spacer	
104	70026498	1	End, Rod	
105	Kit	1	Seal	
106	70026499	1	Piston	
107	Kit	1	O-Ring	
108	Kit	2	O-Ring	
109	Kit	1	Ring, Backup	
110	Kit	1	Seal	
111	70026500	1	Retainer	
112	Kit	1	Wiper	
113	70026501	3	Bushing	
114	70026502	1	Valve, Check	
115	70024129	4	Plug	
116	Kit	1	Ring, Wear	
117	70026503	1	Nut	
118	70024734	2	Kit, Check Valve Service	
119	70026504	1	Valve, Counterbalance	
120	70026505	1	Tool, Seal Loader	
121	70026506	1	Kit, Service	

SECTION 9 - HYDRAULIC COMPONENTS

FIGURE 9-31. UPPER CYLINDER ASSEMBLY



AWT_79028852-B

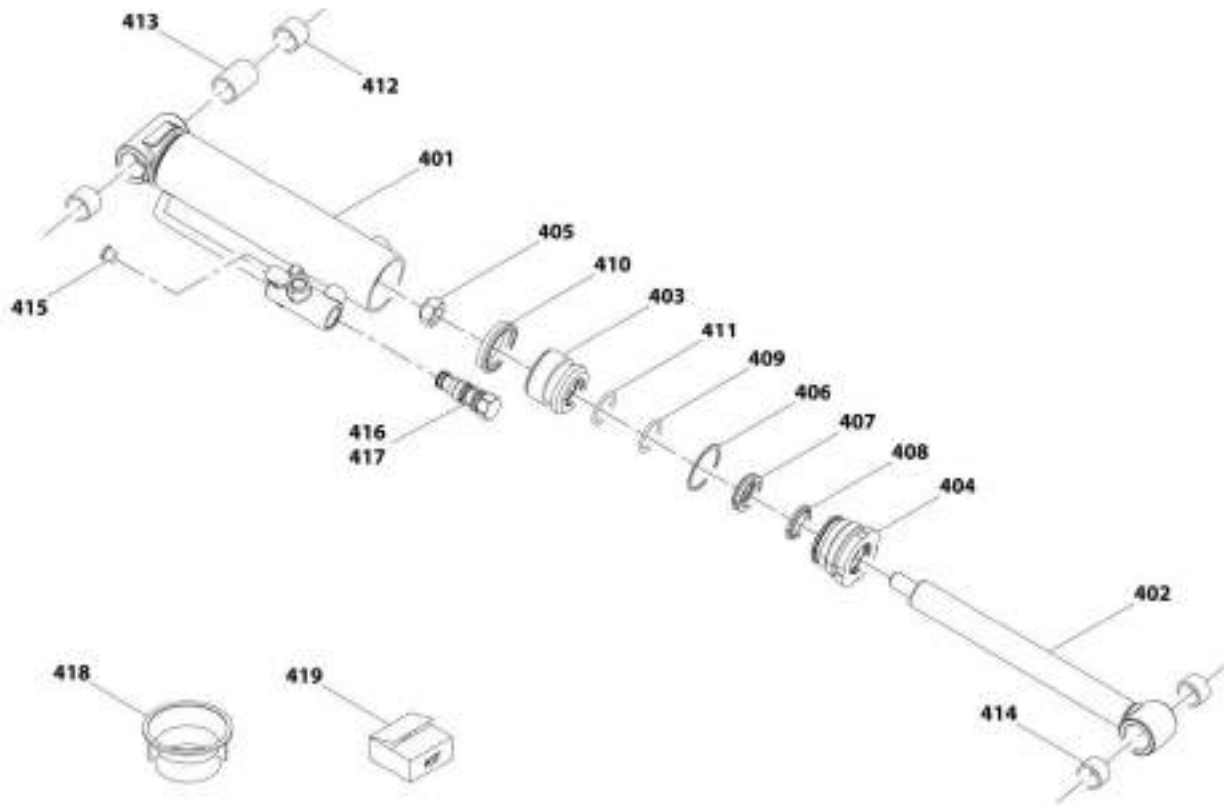
SECTION 9 - HYDRAULIC COMPONENTS

FIGURE 9-31. UPPER CYLINDER ASSEMBLY

ITEM	PART NUMBER	QTY	DESCRIPTION	REV
	70028652	Ref	Upper Cylinder Assembly	D
301	N.S.S.	1	Barrel	
302	70028270	1	Rod	
303	70028254	1	Piston	
304	70028255	1	Retainer	
305	70028258	1	Nut	
306	70028257	1	Spacer	
307	70028256	4	Bushing	
308	N.S.S.	1	O-Ring	
309	N.S.S.	1	Seal	
310	N.S.S.	1	Seal	
311	N.S.S.	1	Wiper	
312	70026502	1	Valve, Check	
313	N.S.S.	1	Seal	
314	70024129	2	Plug	
315	70024734	1	Kit, Check Valve	
316	70028691	1	Tool, Seal Loader	
317	70028770	1	Kit, Seal	

SECTION 9 - HYDRAULIC COMPONENTS

FIGURE 9-32. LOWER CYLINDER ASSEMBLY



AIT_70028853-B

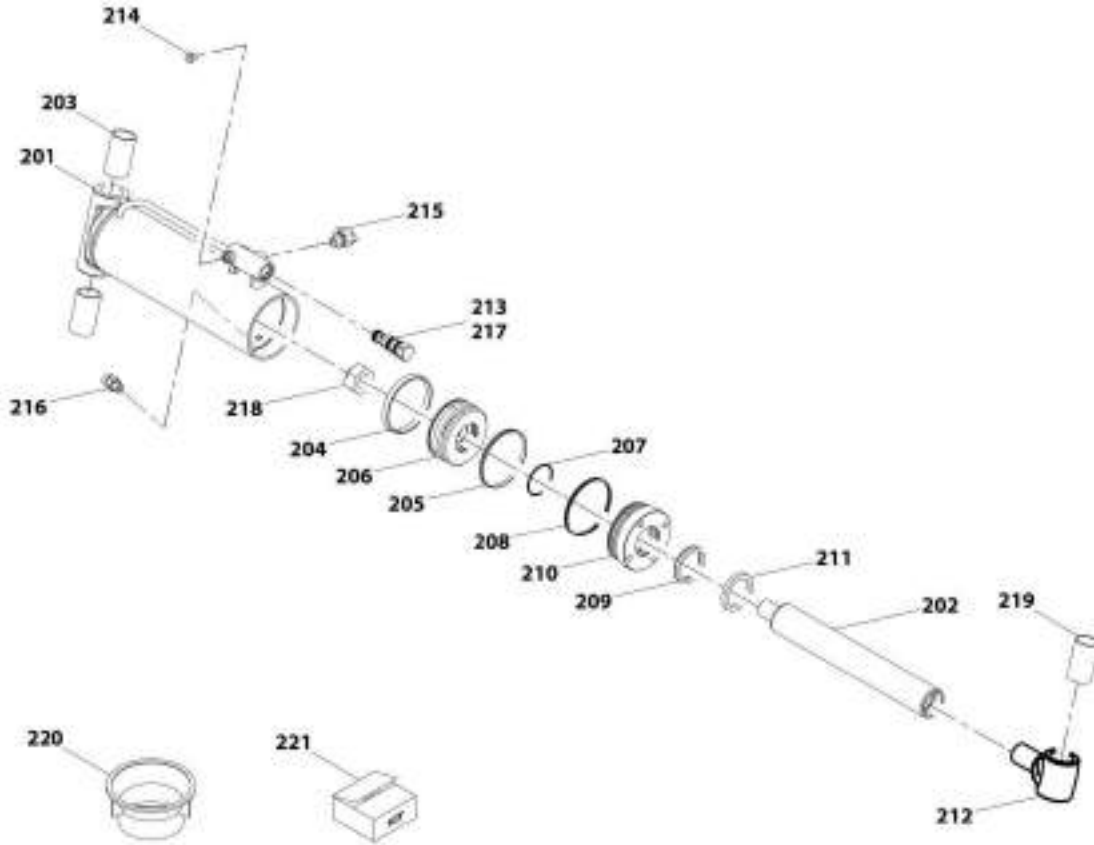
SECTION 9 - HYDRAULIC COMPONENTS

FIGURE 9-32. LOWER CYLINDER ASSEMBLY

ITEM	PART NUMBER	QTY	DESCRIPTION	REV
	70028653	Ref	Lower Cylinder Assembly	D
401	N.S.S.	1	Barrel	
402	70028692	1	Rod	
403	70024142	1	Piston	
404	70028693	1	Retainer	
405	70028258	1	Nut	
406	N.S.S.	1	Ring, Backup	
407	N.S.S.	1	Seal	
408	N.S.S.	1	Wiper	
409	N.S.S.	1	O-Ring	
410	N.S.S.	1	Seal	
411	N.S.S.	1	O-Ring	
412	70028256	2	Bushing	
413	70028257	1	Spacer	
414	70028694	2	Bushing	
415	70024129	2	Plug	
416	70026502	1	Valve, Check	
417	70024734	1	Kit, Check Valve	
418	70028691	1	Tool, Seal Loader	
419	70028771	1	Kit, Seal	

SECTION 9 - HYDRAULIC COMPONENTS

FIGURE 9-33. LOG HANDLER CARRIAGE CYLINDER ASSEMBLY



AWT_39026704.C

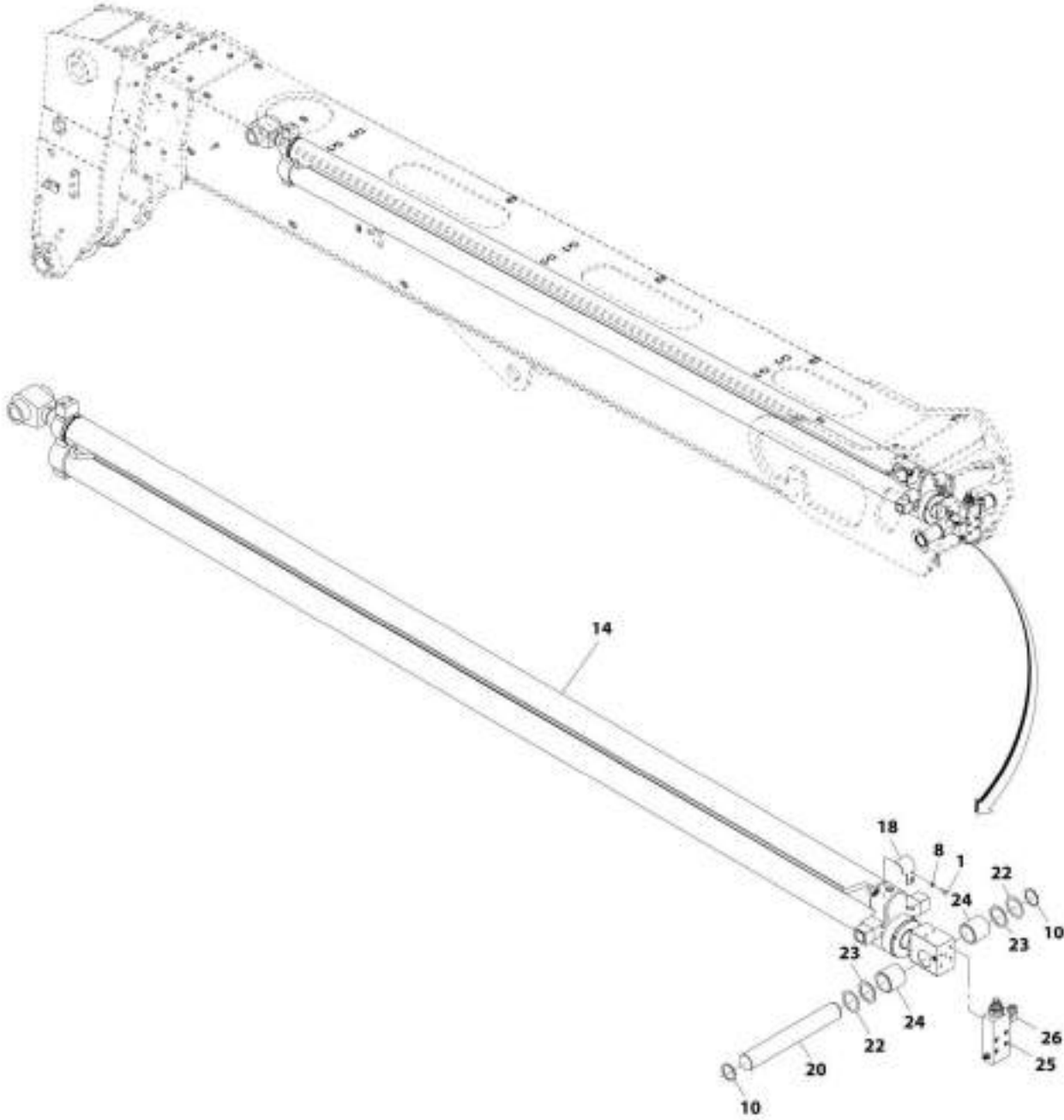
SECTION 9 - HYDRAULIC COMPONENTS

FIGURE 9-33. LOG HANDLER CARRIAGE CYLINDER ASSEMBLY

ITEM	PART NUMBER	QTY	DESCRIPTION	REV
	70028704	Ref	Log Handler Carriage Cylinder Assembly	C
201	N.S.S.	1	Barrel	
202	70028728	1	Rod	
203	70028729	2	Bushing	
204	N.S.S.	1	Ring, Wear	
205	N.S.S.	1	Seal	
206	70028730	1	Piston	
207	N.S.S.	1	O-Ring	
208	N.S.S.	1	Seal	
209	N.S.S.	1	Seal	
210	70028731	1	Retainer	
211	N.S.S.	1	Wiper	
212	N.S.S.	1	End, Rod (included with item 202)	
213	70024733	1	Valve, Check	
214	70024129	2	Plug	
215	70024123	1	Fitting, 90	
216	70024130	1	Fitting, Straight	
217	70024734	1	Kit, Check Valve	
218	70028732	1	Nut	
219	70028729	1	Bushing (included with item 202)	
220	70028588	1	Tool, Seal Loader	
221	70028733	1	Kit, Seal (includes items 204, 205, 207, 208, 208, 211, 220)	

SECTION 9 - HYDRAULIC COMPONENTS

FIGURE 9-34. EXTEND/RETRACT CYLINDER INSTALLATION



ART_100109335-H

SECTION 9 - HYDRAULIC COMPONENTS

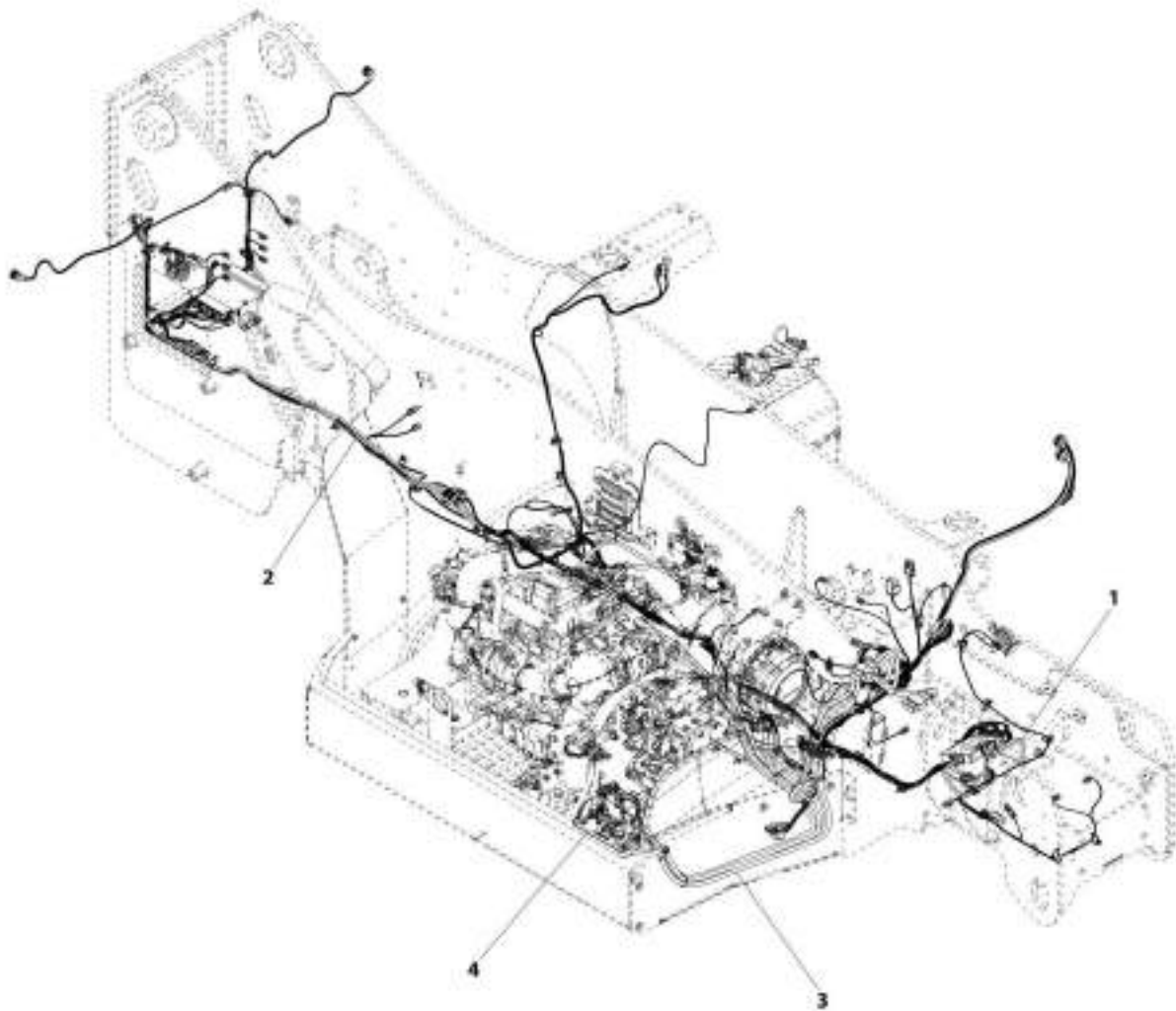
FIGURE 9-34. EXTEND/RETRACT CYLINDER INSTALLATION

ITEM	PART NUMBER	QTY	DESCRIPTION	REV
	1001199325	Ref	Extend/Retract Cylinder Installation	H
1	0760810	2	Bolt, M8X20	
8	4811900	2	Washer, M8	
10	8006258	2	Ring, Retaining	
14	1001226947	1	Cylinder, Extend/Retract	
18	1001213562	1	Plate	
20	1001205528	1	Pin	
22	1001100166	2	Shim	
23	1001100169	2	Shim	
24	1001208451	2	Spacer, M70X5X72	
25	2110806	1	Fitting, Straight ORFS	
26	2131212	1	Fitting, 90 ORFS	

SECTION 10 - ELECTRICAL

SECTION 10 - ELECTRICAL

FIGURE 10-1. MAIN ELECTRICAL INSTALLATION (ULS)



ART_1001192537-B

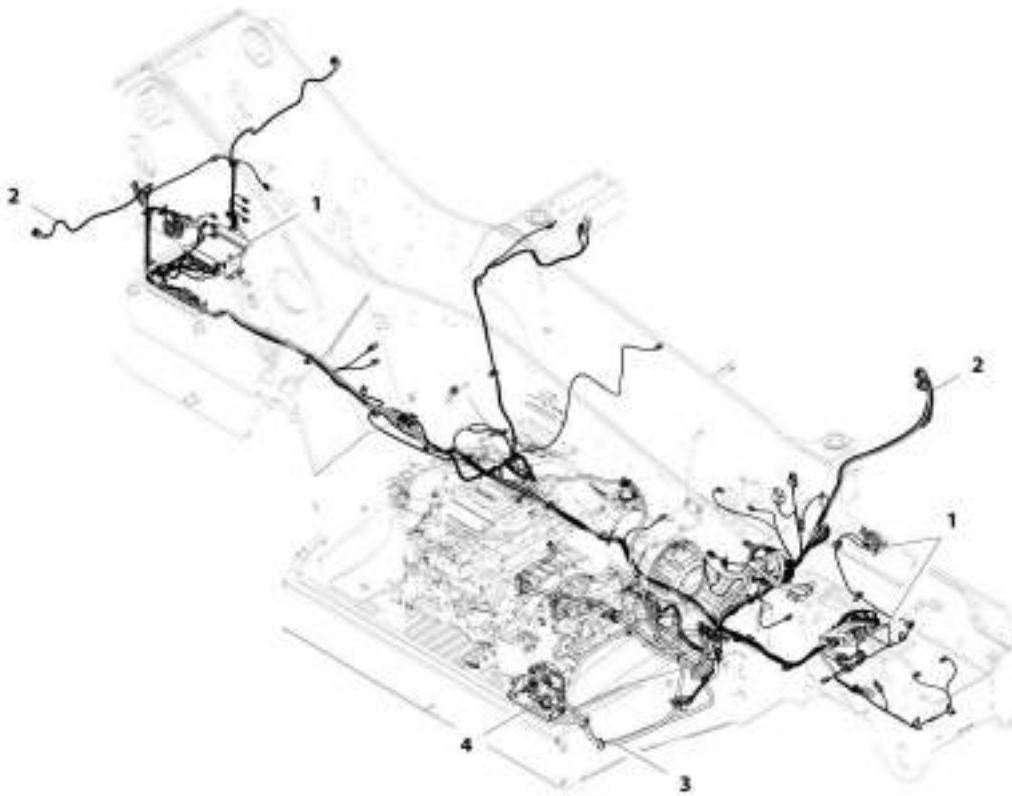
SECTION 10 - ELECTRICAL

FIGURE 10-1. MAIN ELECTRICAL INSTALLATION (ULS)

ITEM	PART NUMBER	QTY	DESCRIPTION	REV
1	1001192537	Ref	Main Electrical Installation (ULS)	B
	1001183272	Ref	Installation, Frame Electrical (See Seperate Breakdown in this Section)	
2	1001200159	Ref	Installation, Frame Wiring (See Seperate Breakdown in this Section)	
3	1001200160	Ref	Installation, Engine Bay Electrical	
4	1001202172	Ref	Installation, Engine Pod Electrical (ULS) (See Seperate Breakdown in this Section)	

SECTION 10 - ELECTRICAL

FIGURE 10-2. MAIN ELECTRICAL INSTALLATION (LS)



ART_1801163528-C

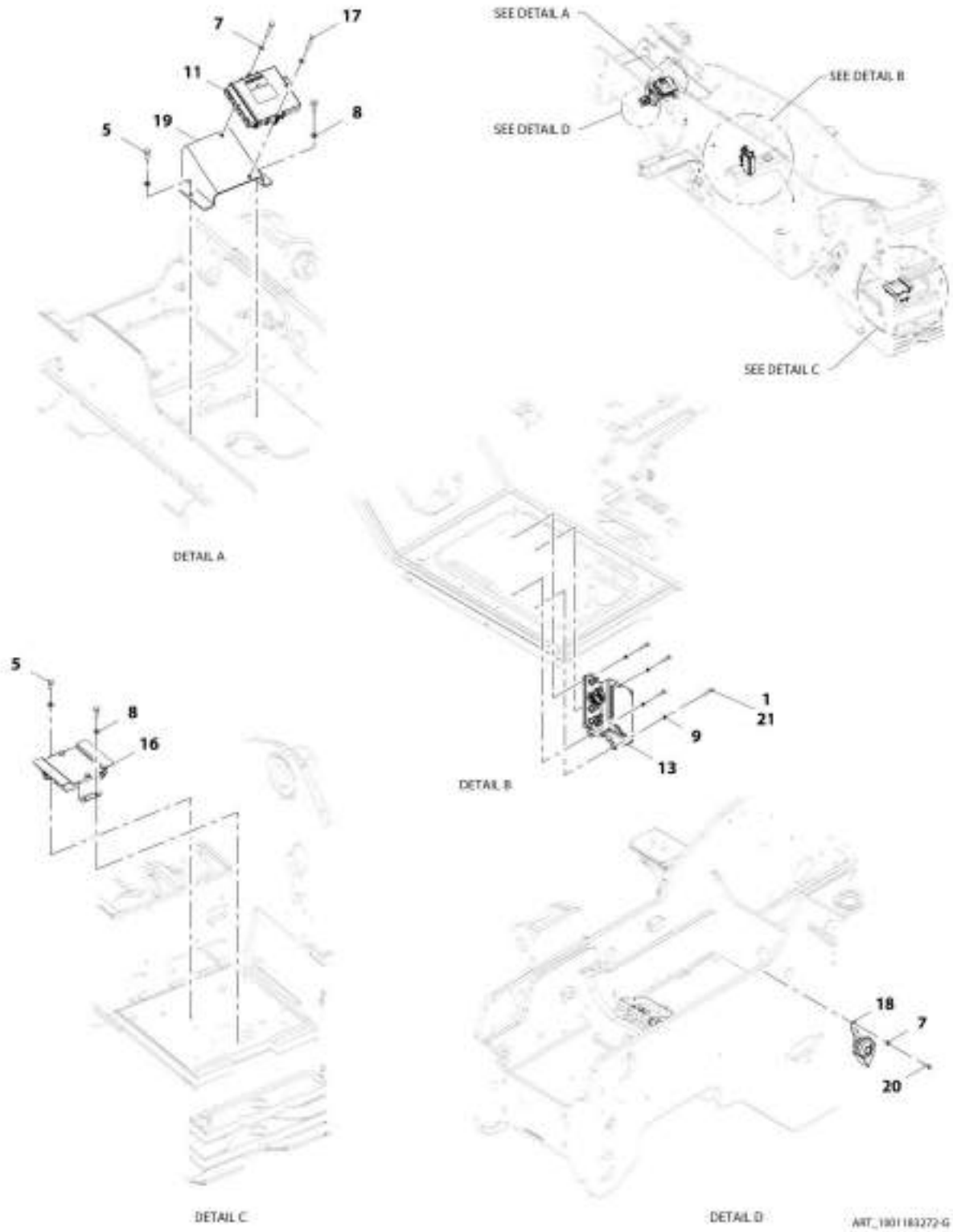
SECTION 10 - ELECTRICAL

FIGURE 10-2. MAIN ELECTRICAL INSTALLATION (LS)

ITEM	PART NUMBER	QTY	DESCRIPTION	REV
1	1001192538	Ref	Main Electrical Installation (LS)	C
	1001183272	Ref	Installation, Frame Electrical (See Seperate Breakdown in this Section)	
2	1001200159	Ref	Installation, Frame Electrical (See Seperate Breakdown in this Section)	
3	1001227469	Ref	Installation, Engine Bay Electrical (See Seperate Breakdown in this Section)	
4	1001223066	Ref	Installation, Engine Pod Electrical (LS) (See Seperate Breakdown in this Section)	

SECTION 10 - ELECTRICAL

FIGURE 10-3. FRAME ELECTRICAL INSTALLATION



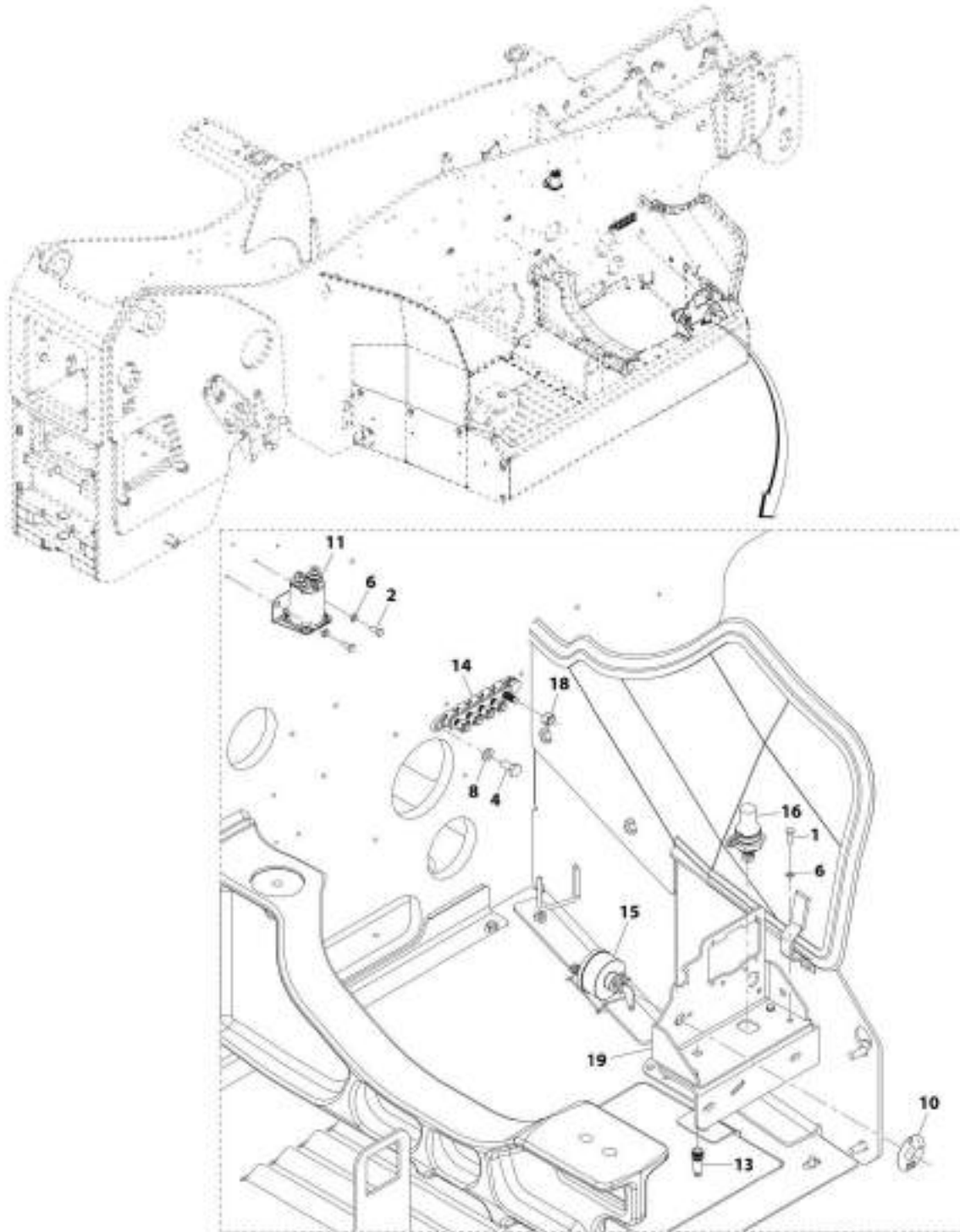
SECTION 10 - ELECTRICAL

FIGURE 10-3. FRAME ELECTRICAL INSTALLATION

ITEM	PART NUMBER	QTY	DESCRIPTION	REV
	1001183272	Ref	Frame Electrical Installation	G
1	0700614	4	Bolt, M6X30	
5	0761012	4	Bolt, M10X25	
7	4811900	3	Washer, M8	
8	4812000	4	Washer, M10	
9	4831700	4	Washer, Lock M6	
11	1001162253	1	Control, Front Frame Module	
13	1001164402	1	Box, Power Distribution Electrical (See Seperate Breakdown in this Section)	
16	1001210770	1	Installation, Rear Frame Module (See Seperate Breakdown in this Section)	
17	0700820	2	Bolt, M8X60	
18	10713707	1	Horn	
19	1001215208	1	Bracket	
20	0760812	1	Bolt, M8X25	
21	1001180620	AR	Adhesive, Loctite	

SECTION 10 - ELECTRICAL

FIGURE 10-4. ENGINE POD ELECTRICAL INSTALLATION (ULS)



ART_1001202(17)-4

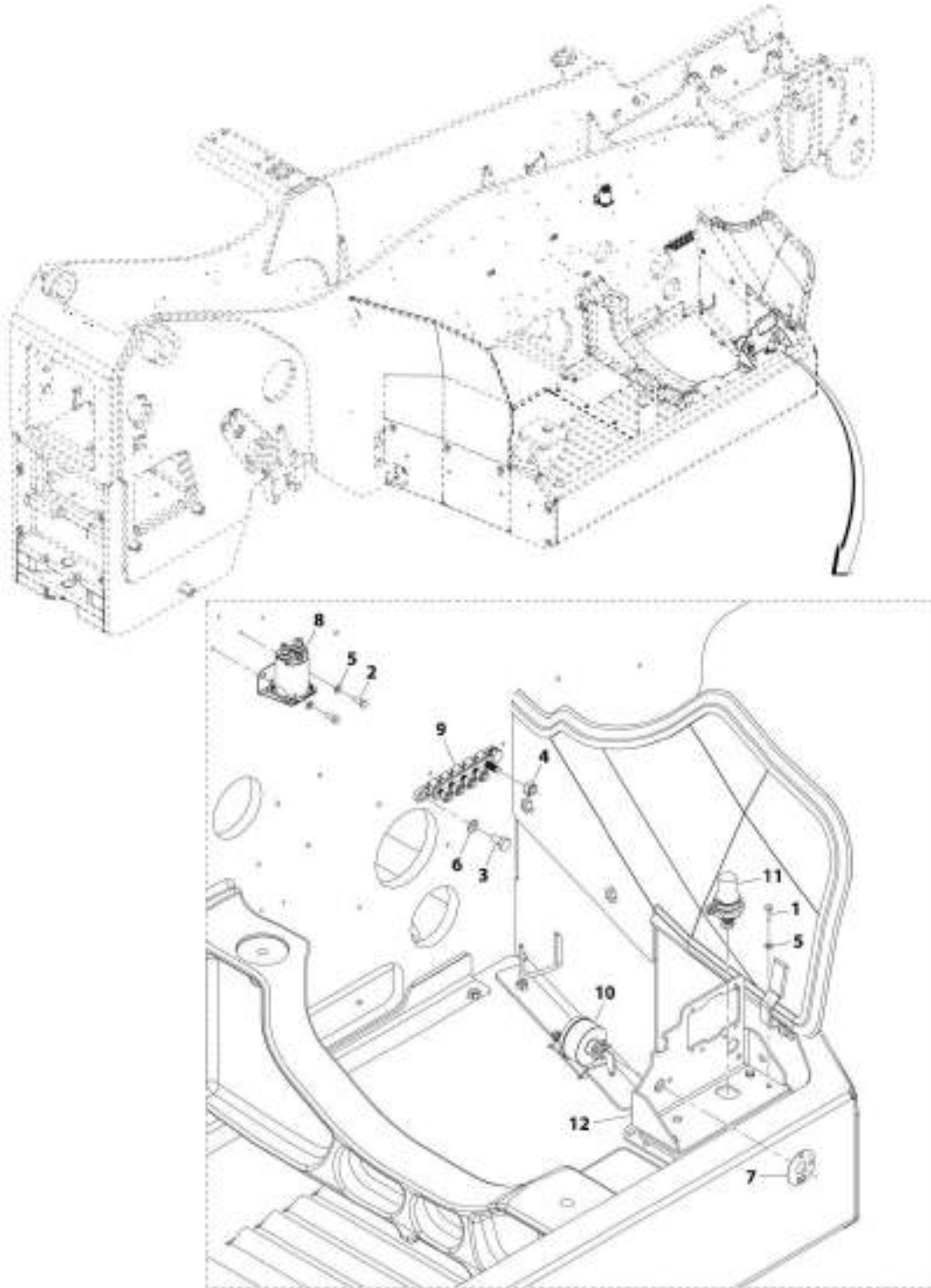
SECTION 10 - ELECTRICAL

FIGURE 10-4. ENGINE POD ELECTRICAL INSTALLATION (ULS)

ITEM	PART NUMBER	QTY	DESCRIPTION	REV
	1001202172	Ref	Engine Pod Electrical Installation (ULS)	B
1	0700610	4	Bolt, M6X20	
2	0760608	2	Bolt, M6X16	
4	0761010	2	Bolt, M10X20	
6	4811700	6	Washer, M6	
8	4812000	2	Washer, M10	
10	1001008540	1	Plate	
11	1001117308	1	Relay	
13	1001169825	1	Lamp, 12V Yellow	
14	1001181128	1	Bussbar	
15	1001192142	1	Switch, Disconnect	
16	1001193993	1	Terminal, Battery	
18	3291005	5	Nut, Lock M10X1.5	
19	1001212886	1	Bracket	

SECTION 10 - ELECTRICAL

FIGURE 10-5. ENGINE POD ELECTRICAL INSTALLATION (LS)



ART_1001223096-A

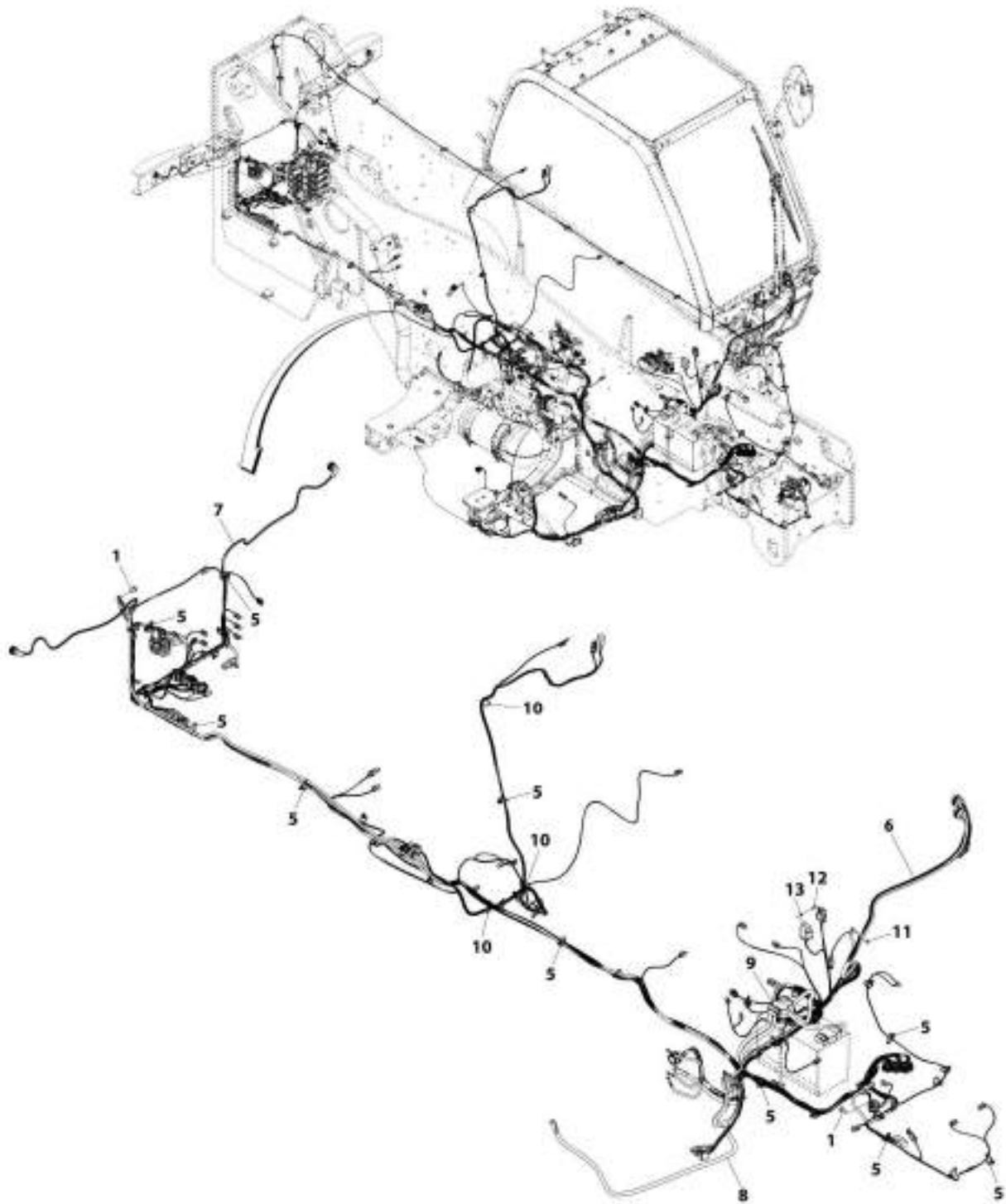
SECTION 10 - ELECTRICAL

FIGURE 10-5. ENGINE POD ELECTRICAL INSTALLATION (LS)

ITEM	PART NUMBER	QTY	DESCRIPTION	REV
	1001223066	Ref	Engine Pod Electrical Installation (LS)	A
1	0700610	4	Bolt, M6X20	
2	0760608	2	Bolt, M6X16	
3	0761010	2	Bolt, M10X20	
4	3291005	5	Nut, Lock M10X1.5	
5	4811700	6	Washer, M6	
6	4812000	2	Washer, M10	
7	1001008540	1	Plate	
8	1001117308	1	Relay	
9	1001181128	1	Bussbar	
10	1001192142	1	Switch, Disconnect	
11	1001193993	1	Stud, Terminal	
12	1001212886	1	Bracket	

SECTION 10 - ELECTRICAL

FIGURE 10-6. FRAME WIRING INSTALLATION



ART_1001200159-E

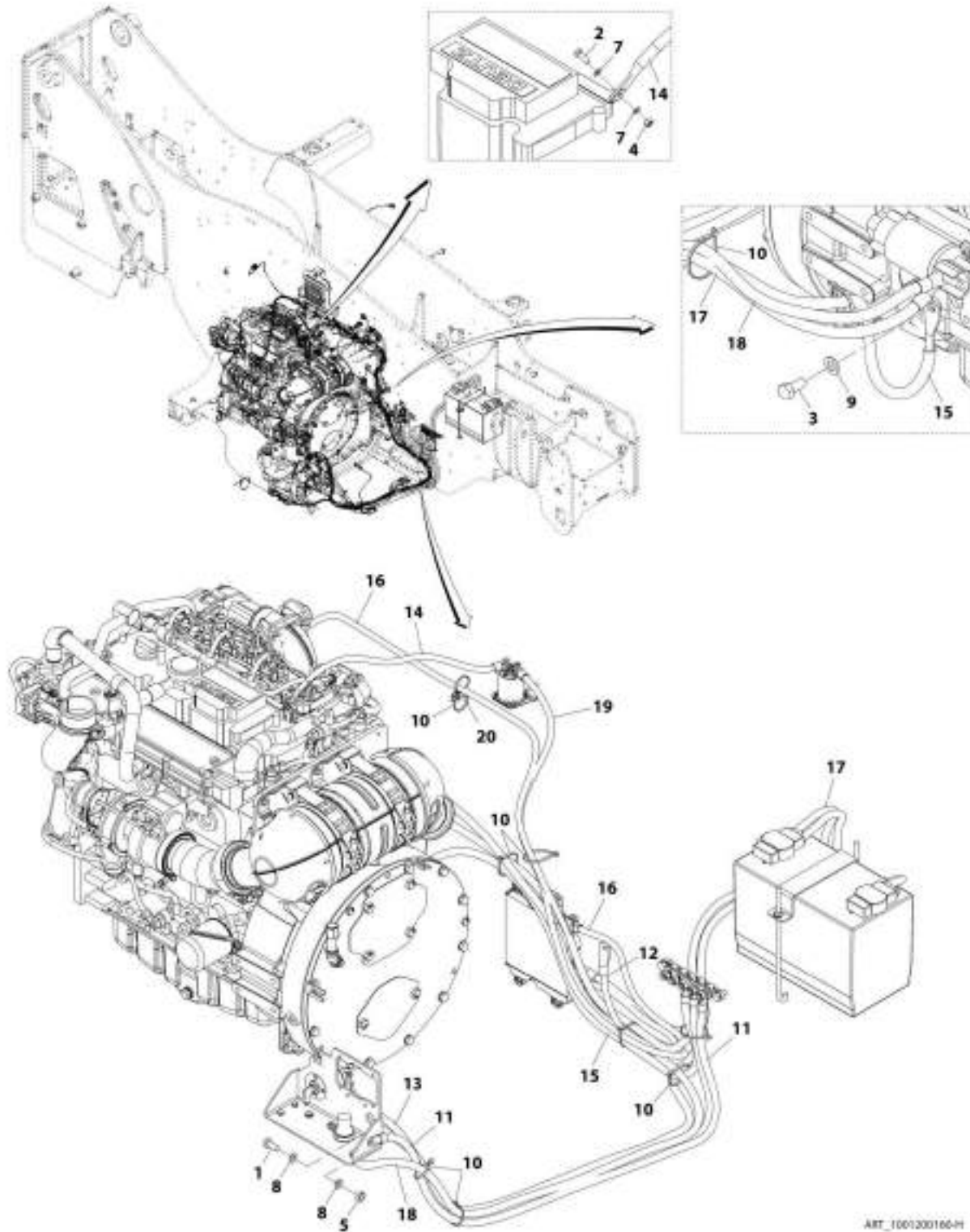
SECTION 10 - ELECTRICAL

FIGURE 10-6. FRAME WIRING INSTALLATION

ITEM	PART NUMBER	QTY	DESCRIPTION	REV
	1001200159	Ref	Frame Wiring Installation	G
1	0761010	2	Bolt, M10X20	
5	1001146588	25	Tie, Cable	
6	1001184396	1	Harness, Front Frame (See Seperate Breakdown in this Section)	
7	1001184397	1	Harness, Rear Frame (See Seperate Breakdown in this Section)	
8	1001200168	1	Cable, Negative Battery	
9	1001200169	1	Cable, Positive Battery	
10	1001008559	16	Strap, Cable	
11	3290601	1	Nut, M6X1	
12	0760607	1	Bolt, M6X14	
13	4811700	1	Washer, M6	
14	1001202986	13	Strap Push Mount	

SECTION 10 - ELECTRICAL

FIGURE 10-7. ENGINE BAY ELECTRICAL INSTALLATION (ULS)



ART_1001300160-H

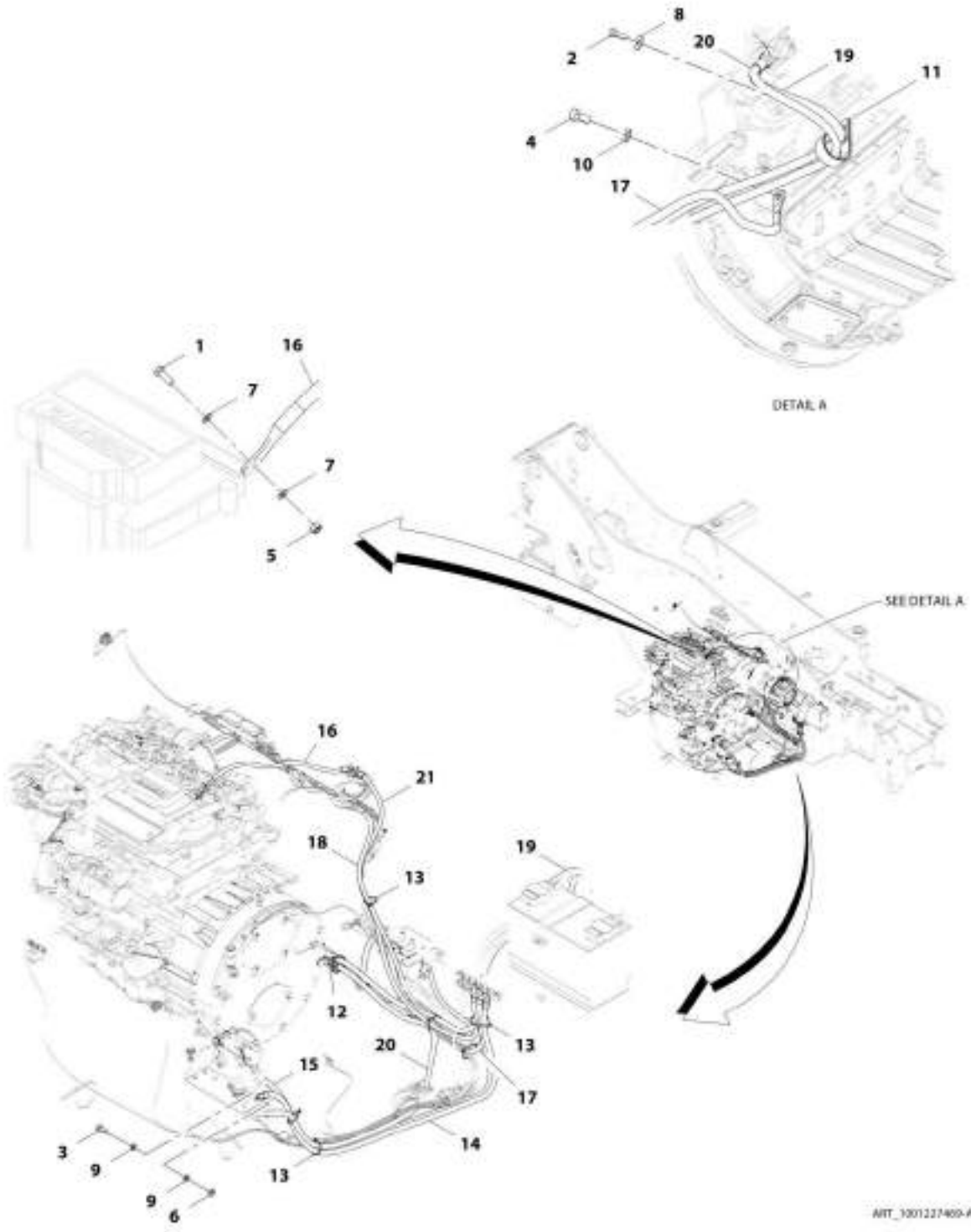
SECTION 10 - ELECTRICAL

FIGURE 10-7. ENGINE BAY ELECTRICAL INSTALLATION (ULS)

ITEM	PART NUMBER	QTY	DESCRIPTION	REV
	1001200160	Ref	Engine Bay Electrical Installation	H
1	0761012	1	Bolt, M10X25	
2	0760507	1	Bolt, M5X14	
3	0761212	1	Bolt, M12X25	
4	3290505	1	Nut, Lock M5X0.8	
5	3291001	1	Nut, M10X1.5	
7	4811600	2	Washer, M5	
8	4812000	2	Washer, M10	
9	4812100	1	Washer, M12	
10	1001008559	10	Tie, Strap	
11	1001194103	1	Cable	
12	1001194244	1	Cable	
13	1001196502	1	Cable	
14	1001200161	1	Cable	
15	1001200162	1	Cable	
16	1001200164	1	Cable	
17	1001200165	1	Cable	
18	1001200166	1	Cable	
19	1001200167	1	Cable	
20	1001004723	1	Saddle	

SECTION 10 - ELECTRICAL

FIGURE 10-8. ENGINE BAY ELECTRICAL INSTALLATION (LS)



AIT_3001227400-A

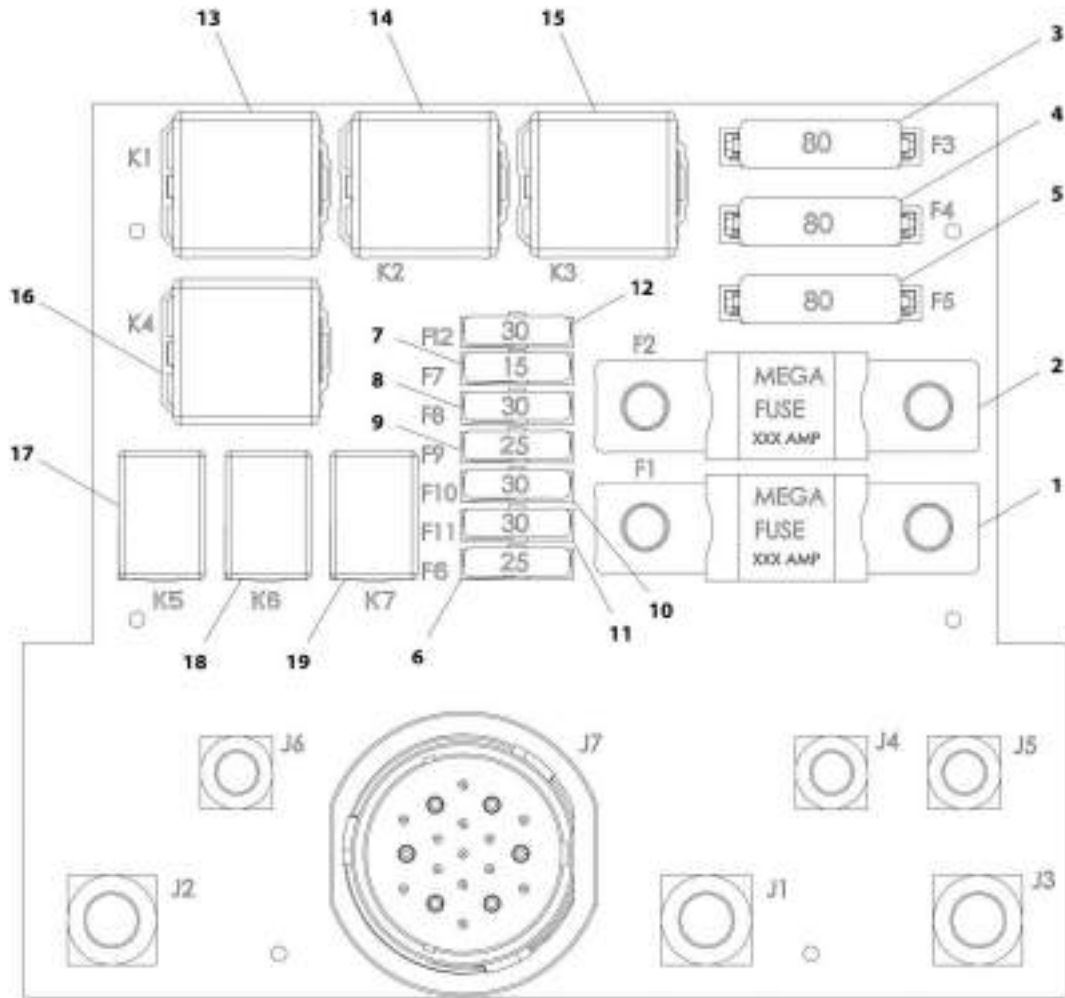
SECTION 10 - ELECTRICAL

FIGURE 10-8. ENGINE BAY ELECTRICAL INSTALLATION (LS)

ITEM	PART NUMBER	QTY	DESCRIPTION	REV
	1001227469	Ref	Engine Bay Electrical Installation	A
1	0760507	1	Bolt, M5X14	
2	0760812	1	Bolt, M8X25	
3	0761012	1	Bolt, M10X25	
4	0761212	1	Bolt, M12X25	
5	3290505	1	Nut, Lock M5X0.8 Grade 8	
6	3291001	1	Nut, M10X1.5 Grade 8	
7	4811600	2	Washer, M5	
8	4811902	1	Washer, M8	
9	4812000	2	Washer, M10	
10	4812100	1	Washer, M12	
11	85941018	1	Clamp	
12	1001003305	1	Clip	
13	1001008559	7	Tie, Strap	
14	1001194103	1	Cable	
15	1001196502	1	Cable	
16	1001200161	1	Cable	
17	1001200162	1	Cable	
18	1001200164	1	Cable	
19	1001200165	1	Cable	
20	1001200166	1	Cable	
21	1001200167	1	Cable	

SECTION 10 - ELECTRICAL

FIGURE 10-9. POWER DISTRIBUTION ELECTRICAL BOX



ART_100110402.F

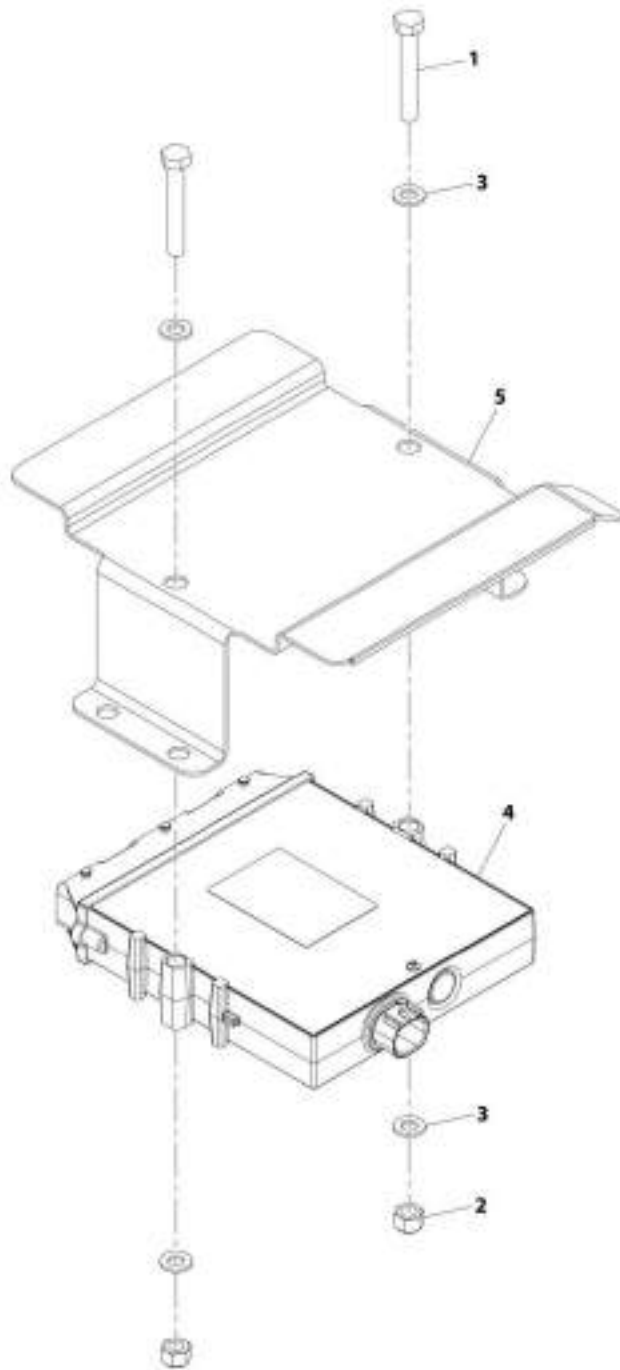
SECTION 10 - ELECTRICAL

FIGURE 10-9. POWER DISTRIBUTION ELECTRICAL BOX

ITEM	PART NUMBER	QTY	DESCRIPTION	REV
	1001164402	Ref	Power Distribution Electrical Box	F
1	1001095336	1	Fuse, 150AMP	
2	70026296	1	Fuse, 200AMP	
3	70026297	1	Fuse, 80AMP	
4	70026297	1	Fuse, 80AMP	
5	70026297	1	Fuse, 80AMP	
6	8229247	1	Fuse, 25AMP	
7	8229244	1	Fuse, 15AMP	
8	8229245	1	Fuse, 30AMP	
9	8229247	1	Fuse, 25AMP	
10	8229245	1	Fuse, 30AMP	
11	8229245	1	Fuse, 30AMP	
12	8229245	1	Fuse, 30AMP	
13	70026294	1	Fuse, 70AMP	
14	70026294	1	Fuse, 70AMP	
15	70026294	1	Fuse, 70AMP	
16	70026294	1	Fuse, 70AMP	
17	70026295	1	Fuse, 35AMP	
18	70026295	1	Fuse, 35AMP	
19	70026295	1	Fuse, 35AMP	

SECTION 10 - ELECTRICAL

FIGURE 10-10. REAR FRAME MODULE INSTALLATION



ART_1001210770-C

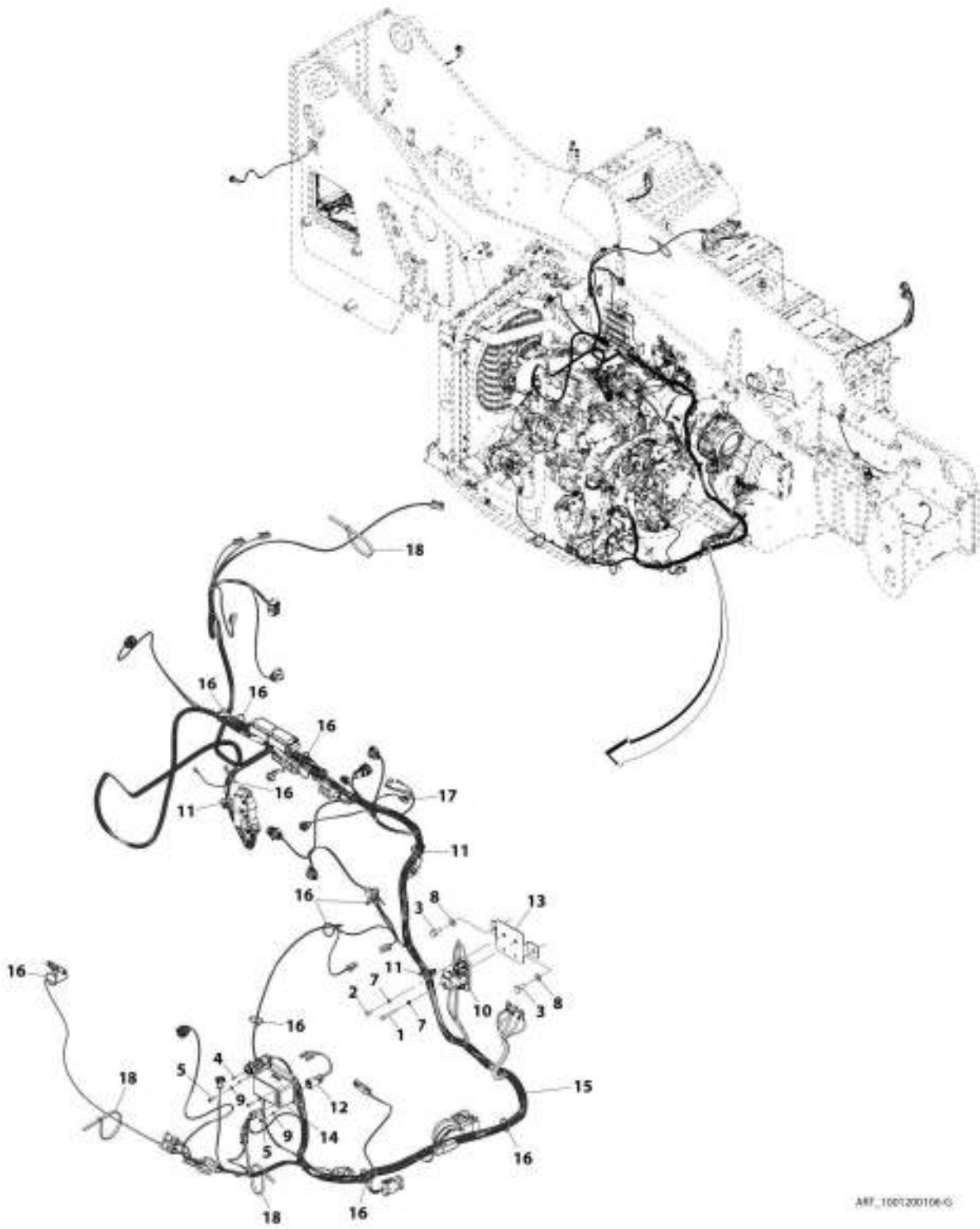
SECTION 10 - ELECTRICAL

FIGURE 10-10. REAR FRAME MODULE INSTALLATION

ITEM	PART NUMBER	QTY	DESCRIPTION	REV
	1001210770	Ref	Rear Frame Module Installation	C
1	0700819	2	Bolt, M8X55	
2	3290805	2	Nut, Lock M8X1.25	
3	4811900	4	Washer, M8	
4	1001162256	1	Control, Rear Frame Module	
5	1001225980	1	Bracket	

SECTION 10 - ELECTRICAL

FIGURE 10-11. ENGINE WIRING INSTALLATION (ULS)



ARF_1001200106-0

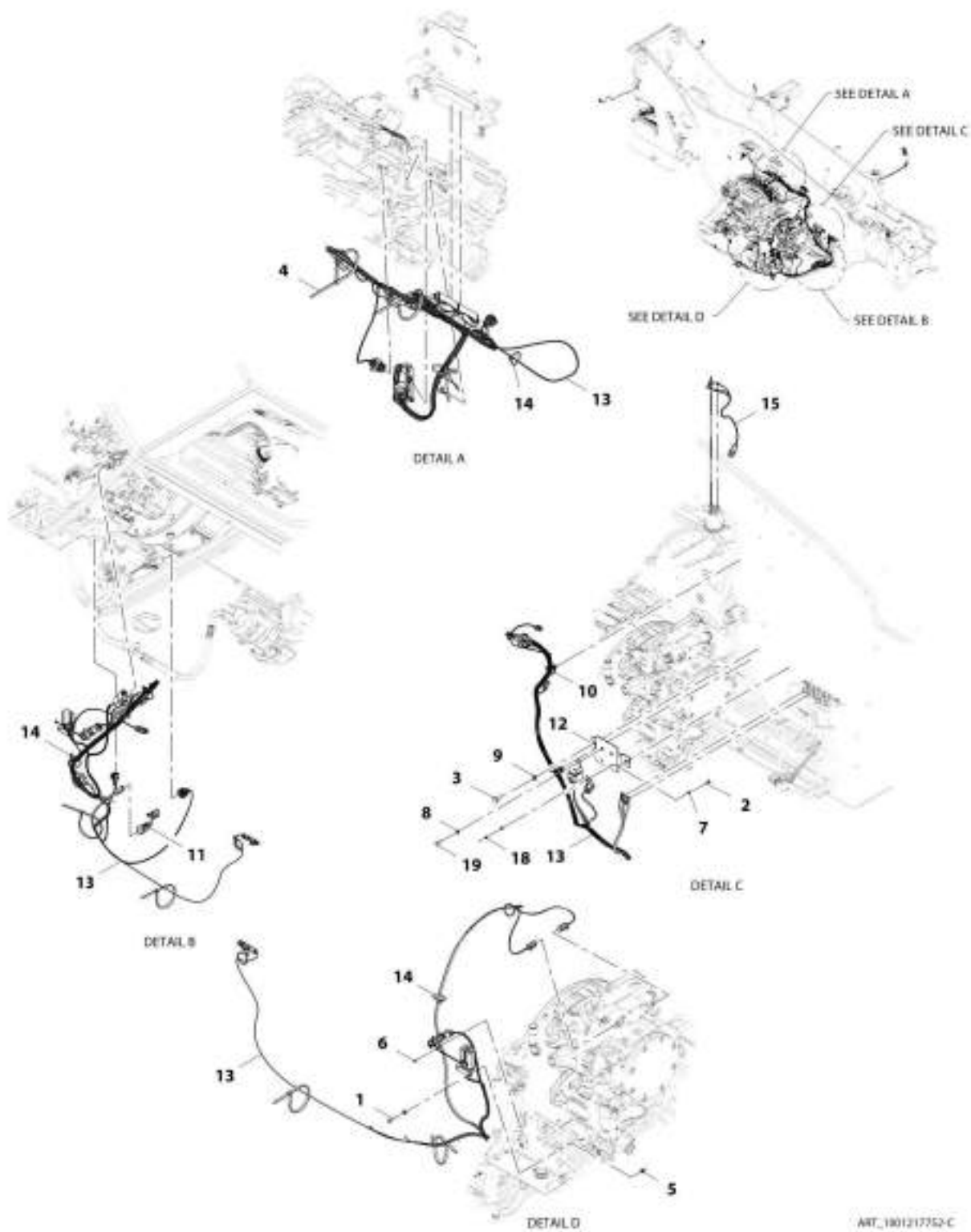
SECTION 10 - ELECTRICAL

FIGURE 10-11. ENGINE WIRING INSTALLATION (ULS)

ITEM	PART NUMBER	QTY	DESCRIPTION	REV
	1001200106	Ref	Engine Wiring Installation (ULS)	G
1	0700618	1	Bolt, M6X50	
2	0760607	1	Bolt, M6X14	
3	0761010	2	Bolt M10X20	
4	4031205	3	Bolt, M3X10	
5	4031607	4	Bolt, M5-0.8X16	
7	4811700	2	Washer, M6	
8	4812000	2	Washer, M10	
9	4831600	4	Washer, Lock M5	
10	1001131177	1	Fuse	
11	1001146588	3	Strap, Cable Tie	
12	1001182929	1	Harness, Fuel Pump (See Seperate Breakdown in this Section)	
13	1001189046	1	Bracket	
14	1001191546	1	Decal, Fuse	
15	1001200108	1	Harness, Engine (ULS) (See Seperate Breakdown in this Section)	
16	1001008559	11	Strap, Cable	
17	1001182930	1	Harness, Glow Plug Relay (See Seperate Breakdown in this Section)	
18	1062255	4	Strap, Tie	

SECTION 10 - ELECTRICAL

FIGURE 10-12. ENGINE WIRING INSTALLATION (LS)



ART_180121752-C

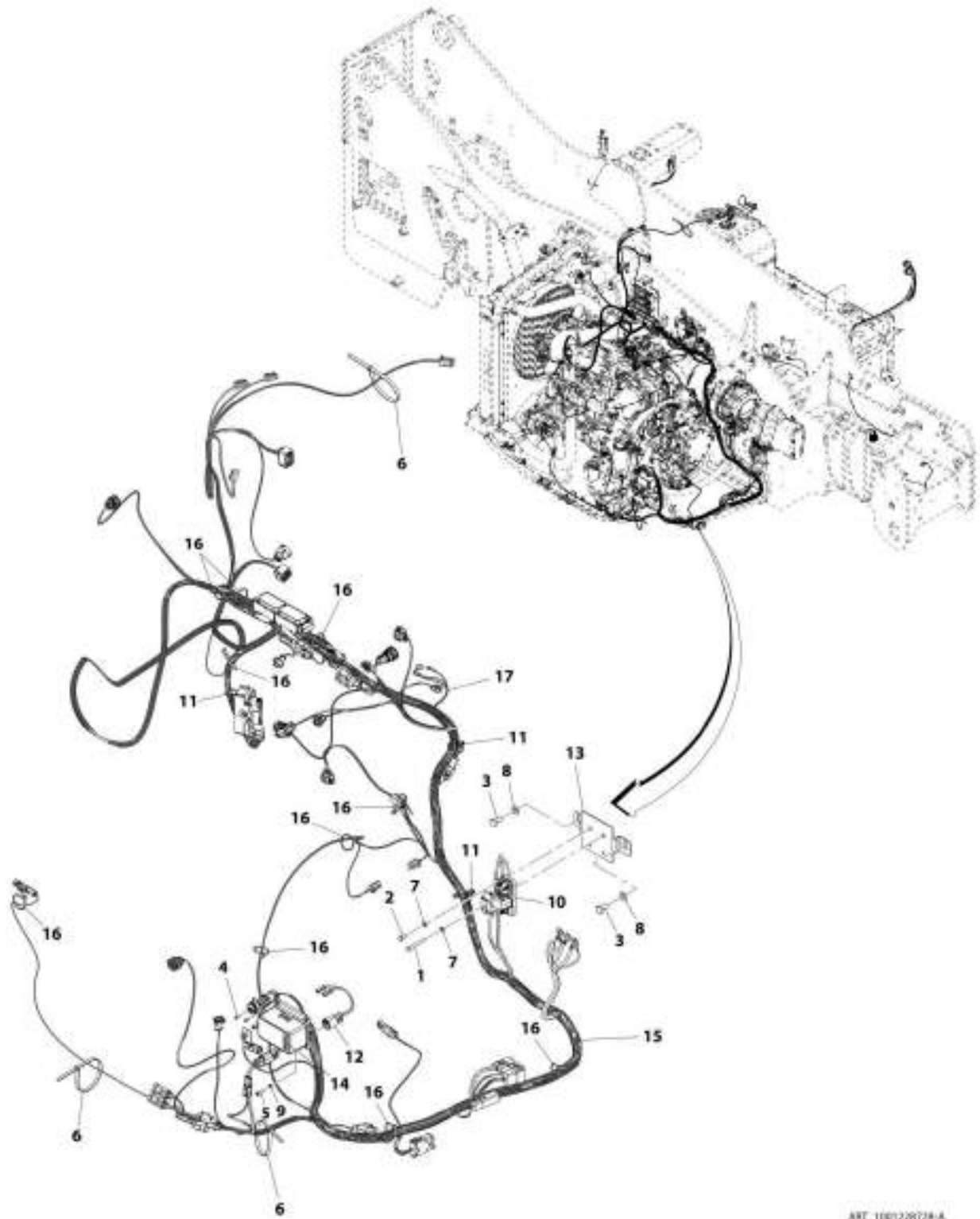
SECTION 10 - ELECTRICAL

FIGURE 10-12. ENGINE WIRING INSTALLATION (LS)

ITEM	PART NUMBER	QTY	DESCRIPTION	REV
	1001217752	Ref	Engine Wiring Installation (LS)	C
1	0700610	2	Bolt, M6X20	
2	0760507	1	Bolt, M5X14	
3	0761010	2	Bolt, M10X20	
4	1062255	2	Strap, Tie	
5	3290601	2	Nut, M6X1	
6	4031205	3	Bolt, M3X10	
7	4811600	2	Washer, M5	
8	4811700	3	Washer, M6	
9	4812000	2	Washer, M10	
10	1001146588	2	Strap, Cable Tie	
11	1001182929	1	Harness, Fuel Pump (See Seperate Breakdown in this Section)	
12	1001189046	1	Bracket	
13	1001217751	1	Harness, Engine (LS) (See Seperate Breakdown in this Section)	
14	1001008559	10	Strap, Cable	
15	1001182930	1	Harness, Glow Plug Relay (See Seperate Breakdown in this Section)	
18	3290501	1	Nut, M5X0.8	
19	0760607	1	Bolt, M6X14	

SECTION 10 - ELECTRICAL

FIGURE 10-13. ENGINE WIRING INSTALLATION (MINING) (ULS)



ART_100128728-A

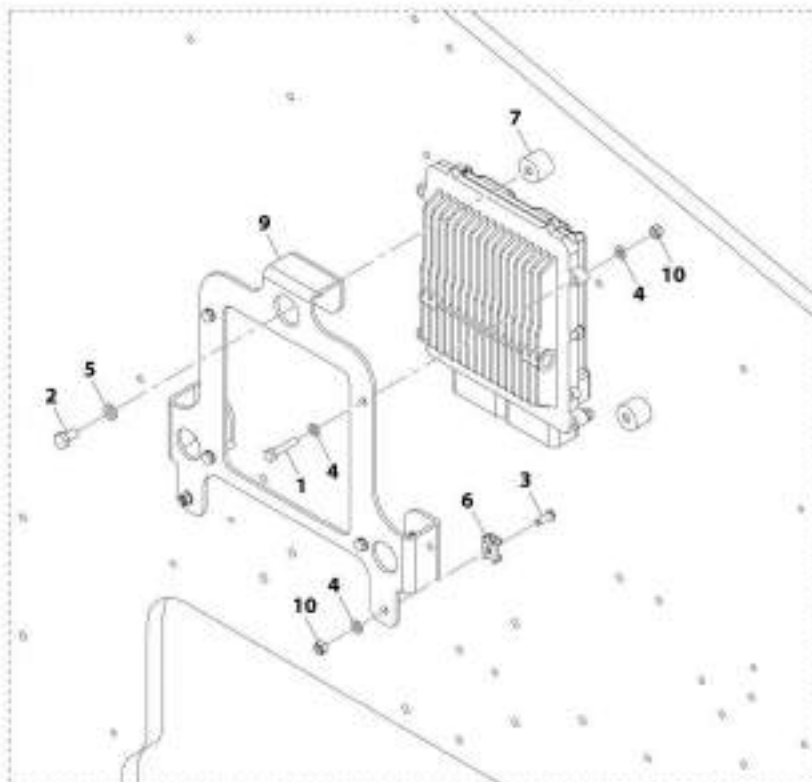
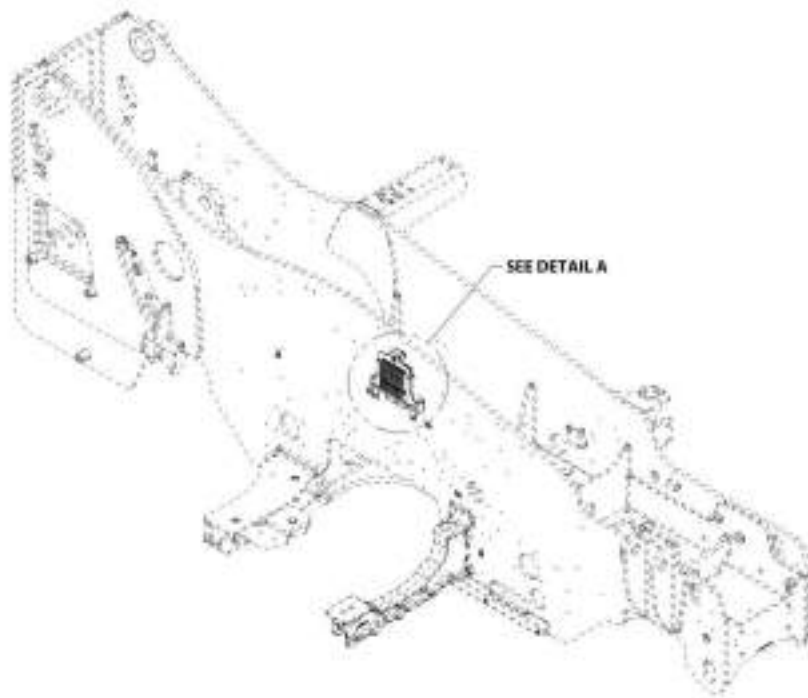
SECTION 10 - ELECTRICAL

FIGURE 10-13. ENGINE WIRING INSTALLATION (MINING) (ULS)

ITEM	PART NUMBER	QTY	DESCRIPTION	REV
	1001228728	Ref	Engine Wiring Installation (Mining) (ULS)	A
1	0700618	1	Bolt, M6X50	
2	0760607	1	Bolt, M6X14	
3	0761010	2	Bolt, M10X20	
4	4031205	3	Bolt, M3X10	
5	4031607	4	Bolt, M5X16	
6	1062255	4	Strap, Tie	
7	4811700	2	Washer, M6	
8	4812000	2	Washer, M10	
9	4831600	4	Washer, Lock M5	
10	1001131177	1	Fuse	
11	1001146588	3	Strap, Cable Tie	
12	1001228733	1	Harness, Fuel Pump (See Seperate Breakdown in this Section)	
13	1001189046	1	Bracket	
14	1001191546	1	Decal, Fuse	
15	1001228731	1	Harness, Engine (Mining) (ULS) (See Seperate Breakdown in this Section)	
16	1001008559	11	Strap, Cable	
17	1001228732	1	Harness, Glow Plug Relay (See Seperate Breakdown in this Section)	

SECTION 10 - ELECTRICAL

FIGURE 10-14. ENGINE ECU INSTALLATION



DETAIL A

AWT_1001208899-B

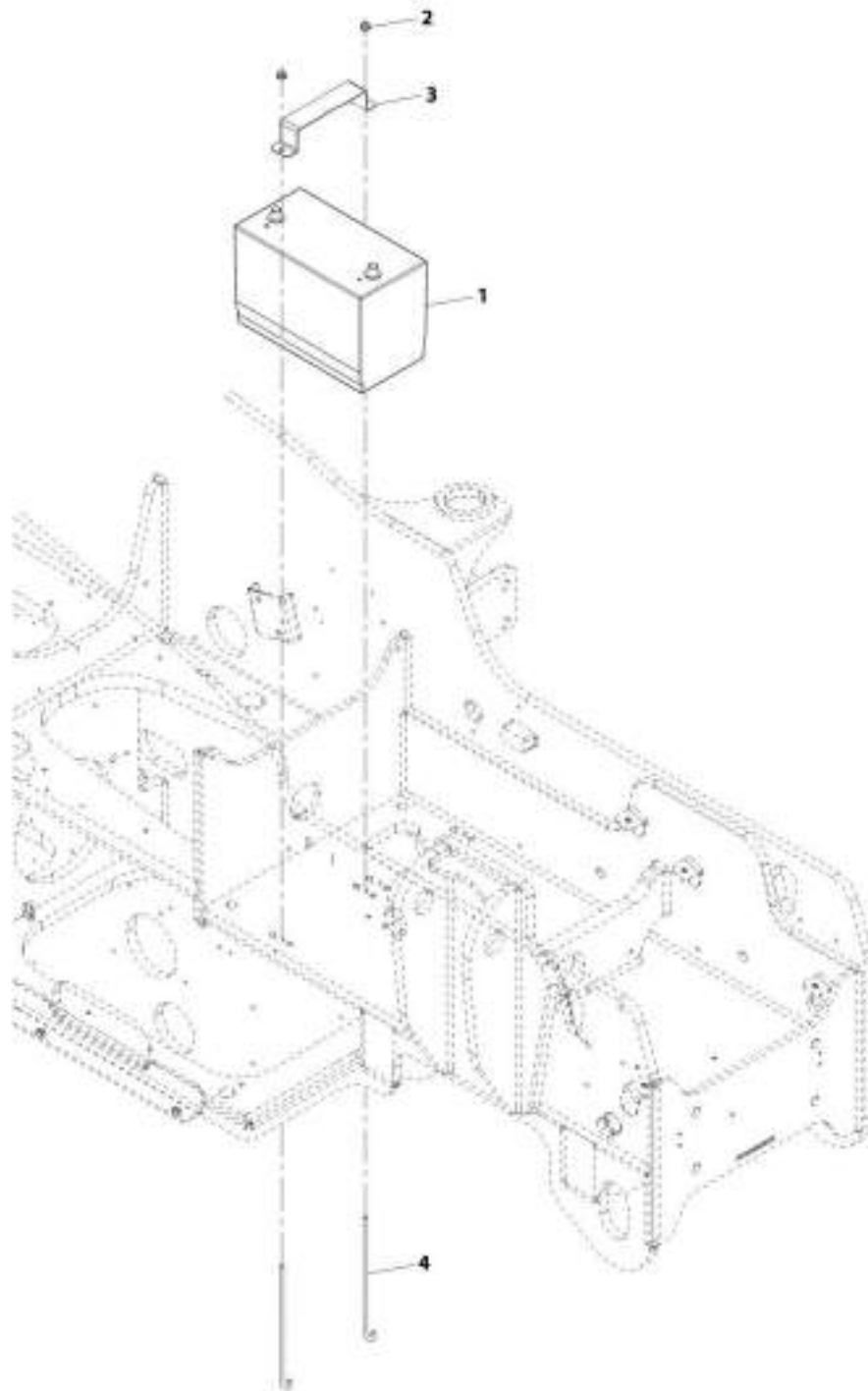
SECTION 10 - ELECTRICAL

FIGURE 10-14. ENGINE ECU INSTALLATION

ITEM	PART NUMBER	QTY	DESCRIPTION	REV
	1001200869	Ref	Engine ECU Installation	B
1	0700614	4	Bolt, M6X30	
2	0760807	3	Bolt, M8X14	
3	3900357	2	Capscrew, M6X16	
4	4811700	10	Washer, M6	
5	4831900	3	Washer, Lock M8	
6	1001138645	2	Mount, Cable Tie	
7	1001179907	3	Mount, Isolator	
9	1001210397	1	Plate	
10	3290605	6	Nut, Lock M6X1	

SECTION 10 - ELECTRICAL

FIGURE 10-15. BATTERY INSTALLATION



AWT_100138005-A

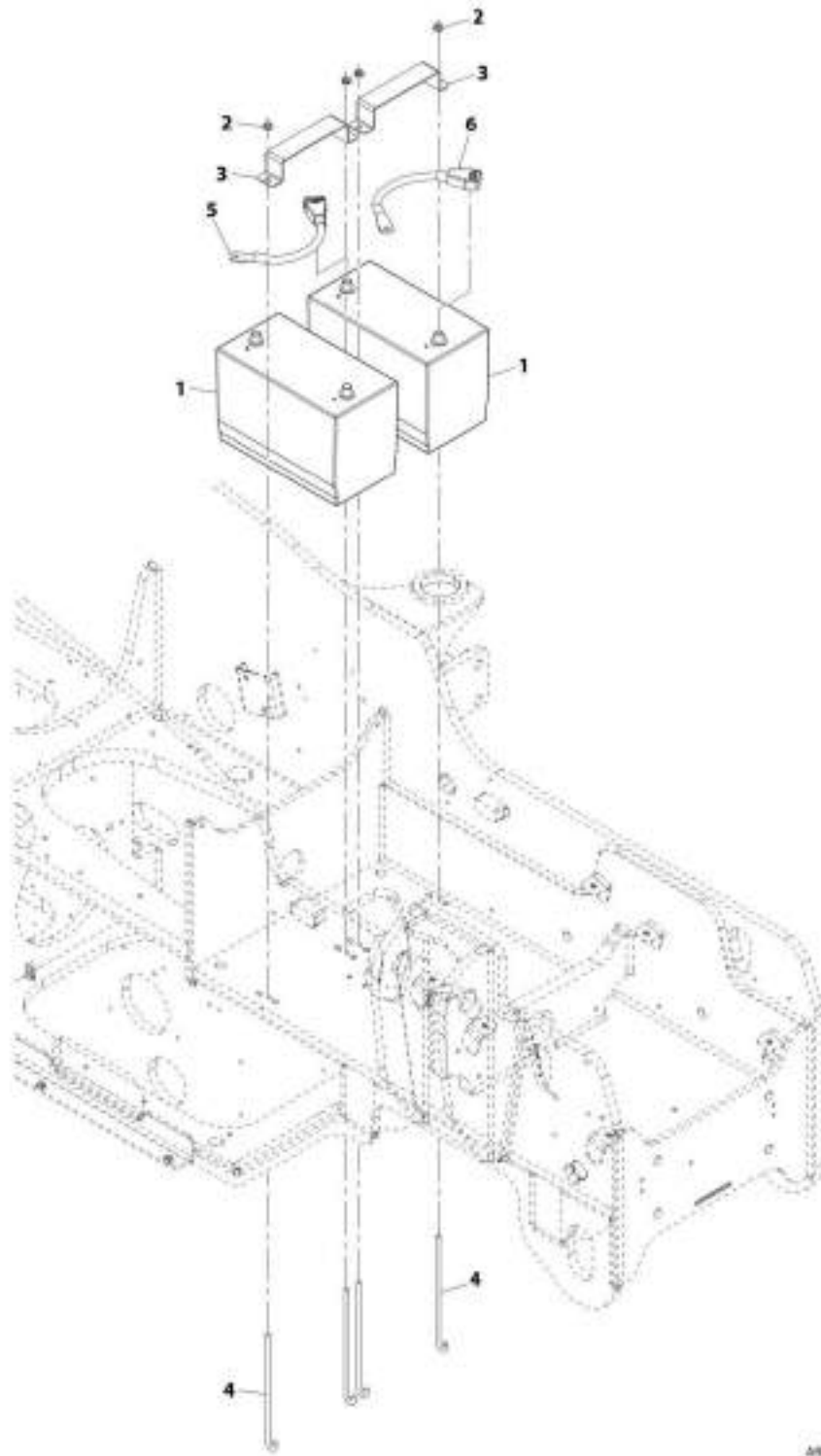
SECTION 10 - ELECTRICAL

FIGURE 10-15. BATTERY INSTALLATION

ITEM	PART NUMBER	QTY	DESCRIPTION	REV
	1001186855	Ref	Battery Installation	A
1	0400075	1	Battery, 12V	
2	5220800	2	Nut, Ripp M8	
3	1001160927	1	Plate	
4	1001160928	2	J-Bolt	

SECTION 10 - ELECTRICAL

FIGURE 10-16. DUAL BATTERY INSTALLATION



ART 300121148-B

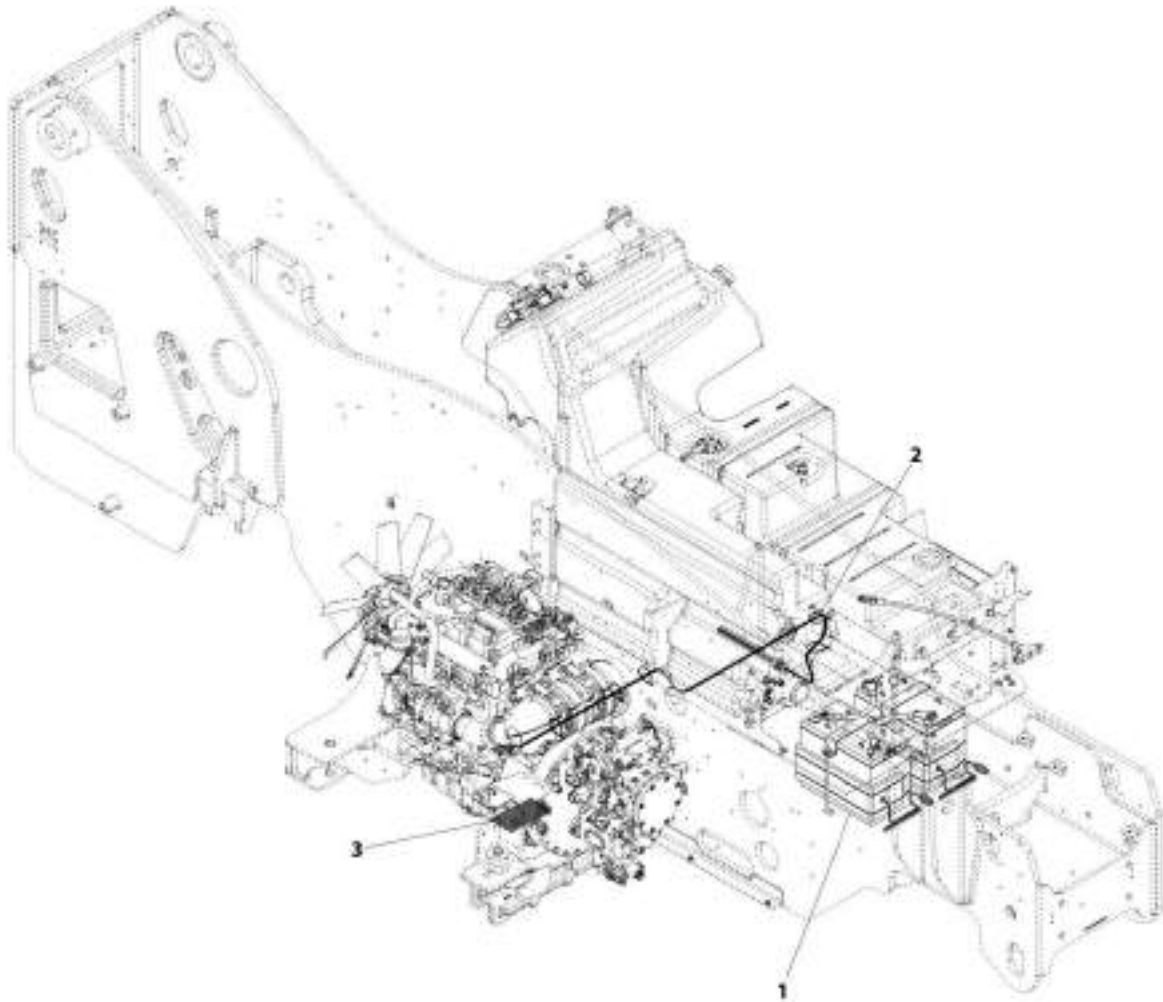
SECTION 10 - ELECTRICAL

FIGURE 10-16. DUAL BATTERY INSTALLATION

ITEM	PART NUMBER	QTY	DESCRIPTION	REV
	1001211445	Ref	Dual Battery Installation	B
1	0400075	2	Battery, 12V	
2	5220800	4	Nut, Ripp M8	
3	1001160927	2	Plate	
4	1001160928	4	J-Bolt	
5	1001172495	1	Cable, Positive Battery	
6	1001172496	1	Cable, Negative Battery	

SECTION 10 - ELECTRICAL

FIGURE 10-17. ARCTIC PACKAGE INSTALLATION (240V)



ART_1001204544-C

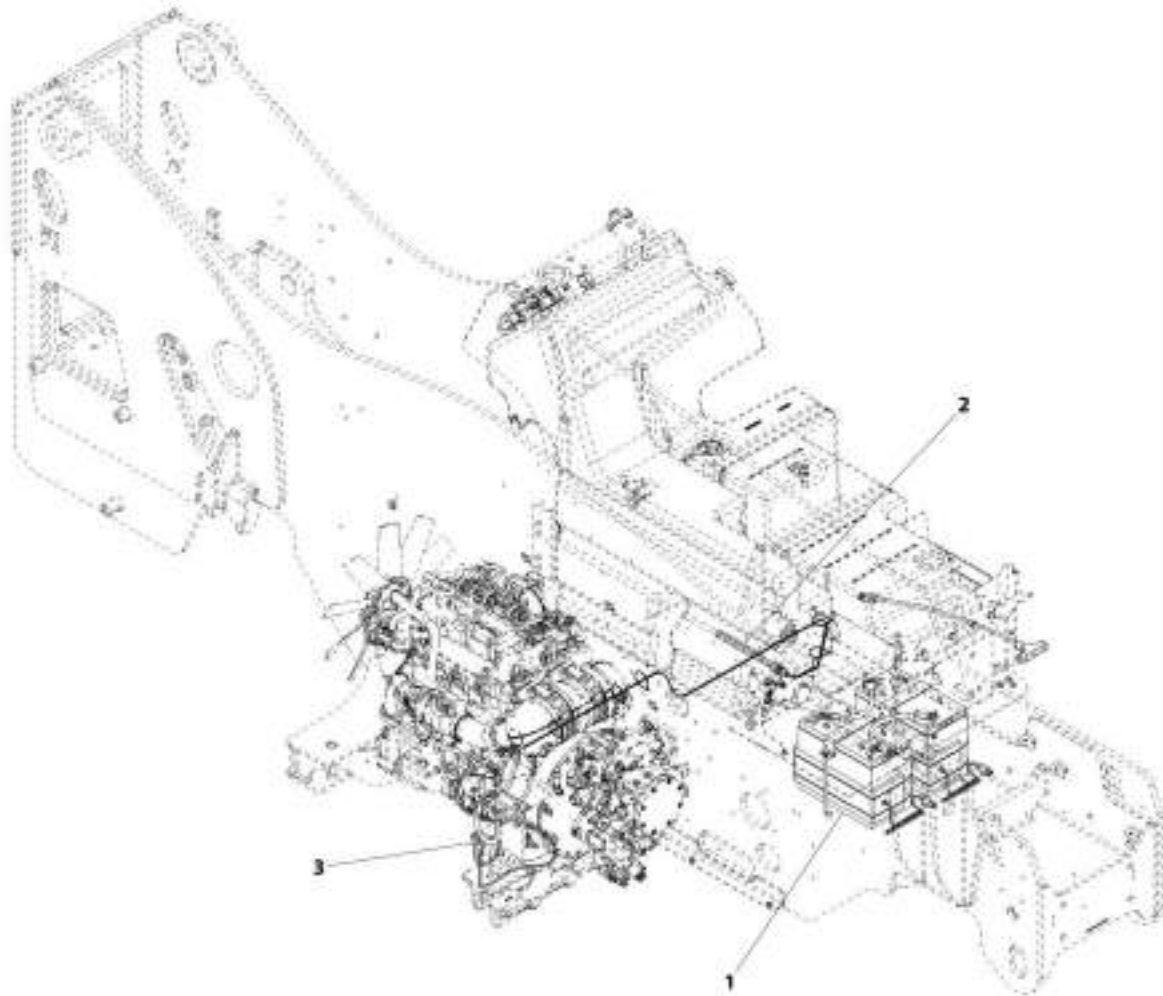
SECTION 10 - ELECTRICAL

FIGURE 10-17. ARCTIC PACKAGE INSTALLATION (240V)

ITEM	PART NUMBER	QTY	DESCRIPTION	REV
1	1001204544	Ref	Arctic Package Installation (240V)	C
	1001204548	Ref	Installation, Arctic Battery, (240V) (See Seperate Breakdown in this Section)	
2	1001204549	Ref	Installation, Hydraulic Tank Heater (240V) (See Seperate Breakdown in this Section)	
3	1001196332	1	Heater, Oil Pan	

SECTION 10 - ELECTRICAL

FIGURE 10-18. ARTIC BATTERY PACKAGE INSTALLATION (115V)



ART_5001184450-C

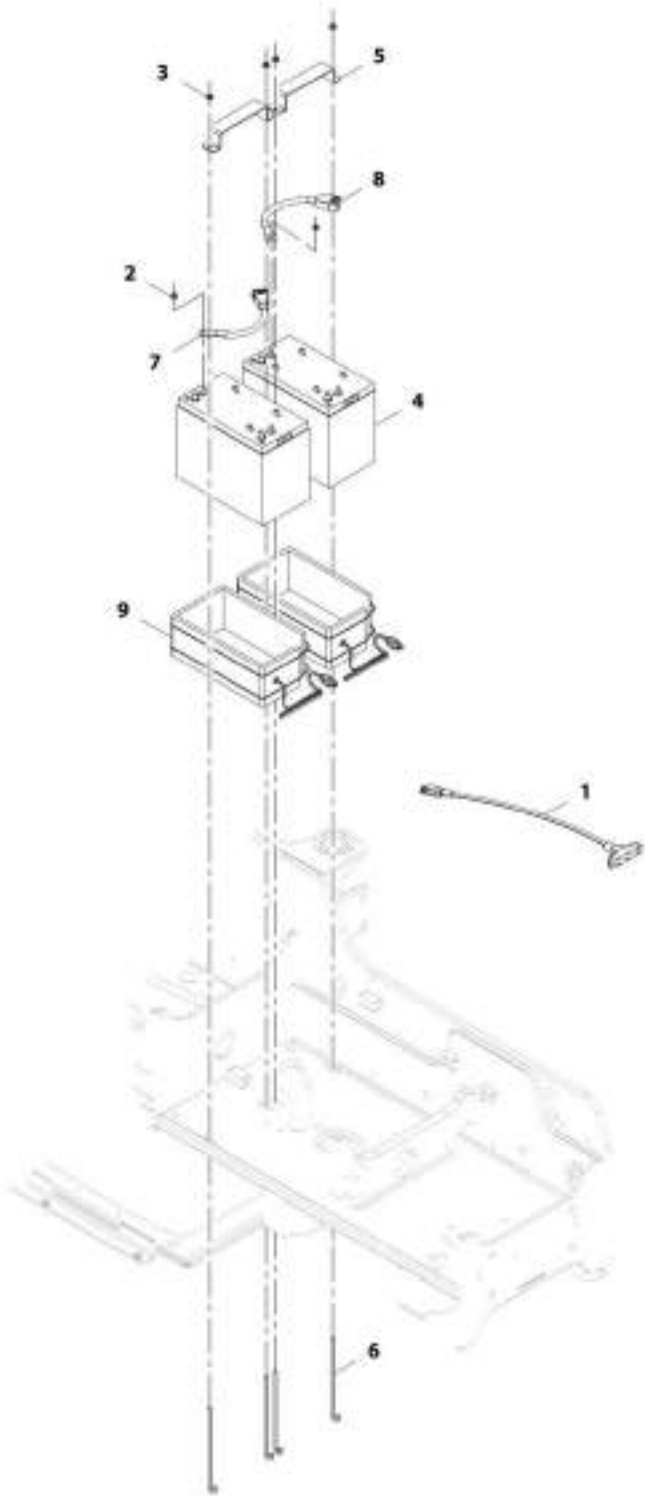
SECTION 10 - ELECTRICAL

FIGURE 10-18. ARTIC BATTERY PACKAGE INSTALLATION (115V)

ITEM	PART NUMBER	QTY	DESCRIPTION	REV
1	1001186856	Ref	INSTALL,COLD WEATHER PKG ARCTIC, JLG	C
	1001195582	Ref	Installation, Arctic Battery Package (115V) (See Seperate Breakdown in this Section)	
2	1001195593	Ref	Installation, Hydraulic Tank Heater (115V) (See Seperate Breakdown in this Section)	
3	2580040	1	Heater, Engine Oil Pan	

SECTION 10 - ELECTRICAL

FIGURE 10-19. ARCTIC BATTERIES INSTALLATION (240V)



ART_1801204540-A

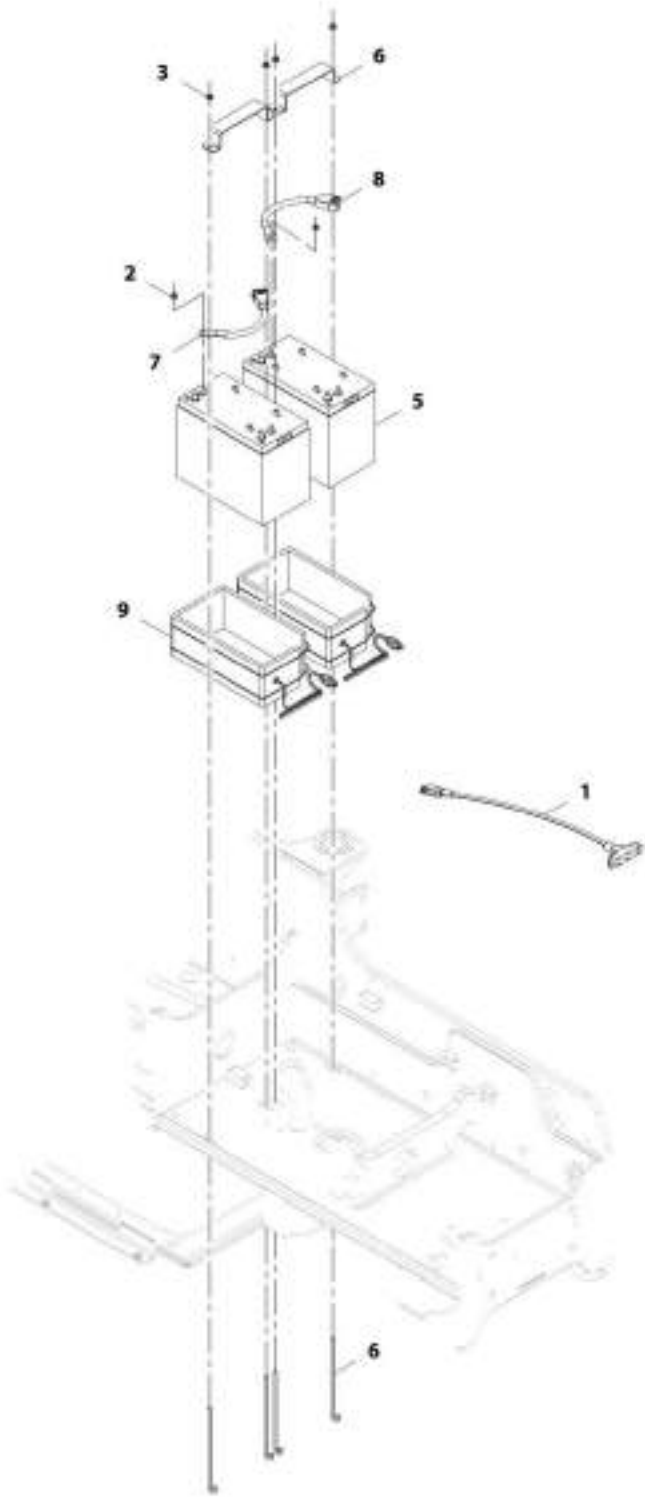
SECTION 10 - ELECTRICAL

FIGURE 10-19. ARCTIC BATTERIES INSTALLATION (240V)

ITEM	PART NUMBER	QTY	DESCRIPTION	REV
	1001204548	Ref	Artic Battery Package Installation (240V)	A
1	1060626	1	Cord, 3-Way Extension	
2	3311508	2	Nut, 5/16-18	
3	5220800	4	Nut, M8	
4	1001098762	2	Battery, 12V	
5	1001160927	2	Plate, Battery Hold Down	
6	1001160928	4	J-Bolt	
7	1001172495	1	Cable, Positive Battery	
8	1001172496	1	Cable, Negative Battery	
9	1001195469	2	Heater, Battery	

SECTION 10 - ELECTRICAL

FIGURE 10-20. ARCTIC BATTERIES INSTALLATION (115V)



ART_1801165582-B

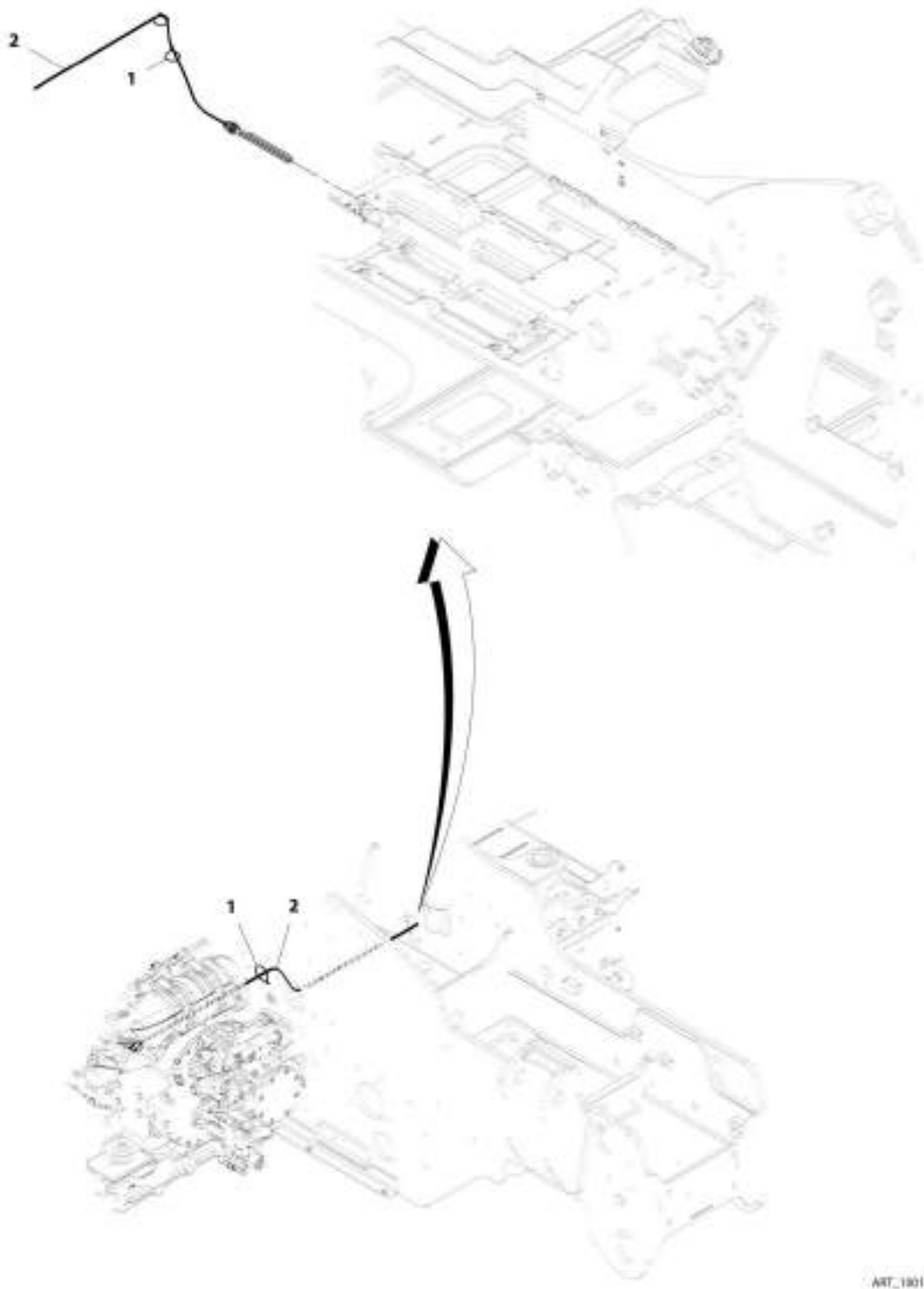
SECTION 10 - ELECTRICAL

FIGURE 10-20. ARCTIC BATTERIES INSTALLATION (115V)

ITEM	PART NUMBER	QTY	DESCRIPTION	REV
	1001195582	Ref	Arctic Batteries Installation (115V)	B
1	1060626	1	Cord, 3-Way Extension	
2	3311508	2	Nut, 5/16-18	
3	5220800	4	Nut, M8	
4	1001093564	2	Heater, Battery	
5	1001098762	2	Battery, 12V	
6	1001160927	2	Plate, Battery Hold Down	
7	1001160928	4	J-Bolt	
8	1001172495	1	Cable, Positive Battery	
9	1001172496	1	Cable, Negative Battery	

SECTION 10 - ELECTRICAL

FIGURE 10-21. HYDRAULIC TANK HEATER INSTALLATION (240V)



ART_1801204549-B

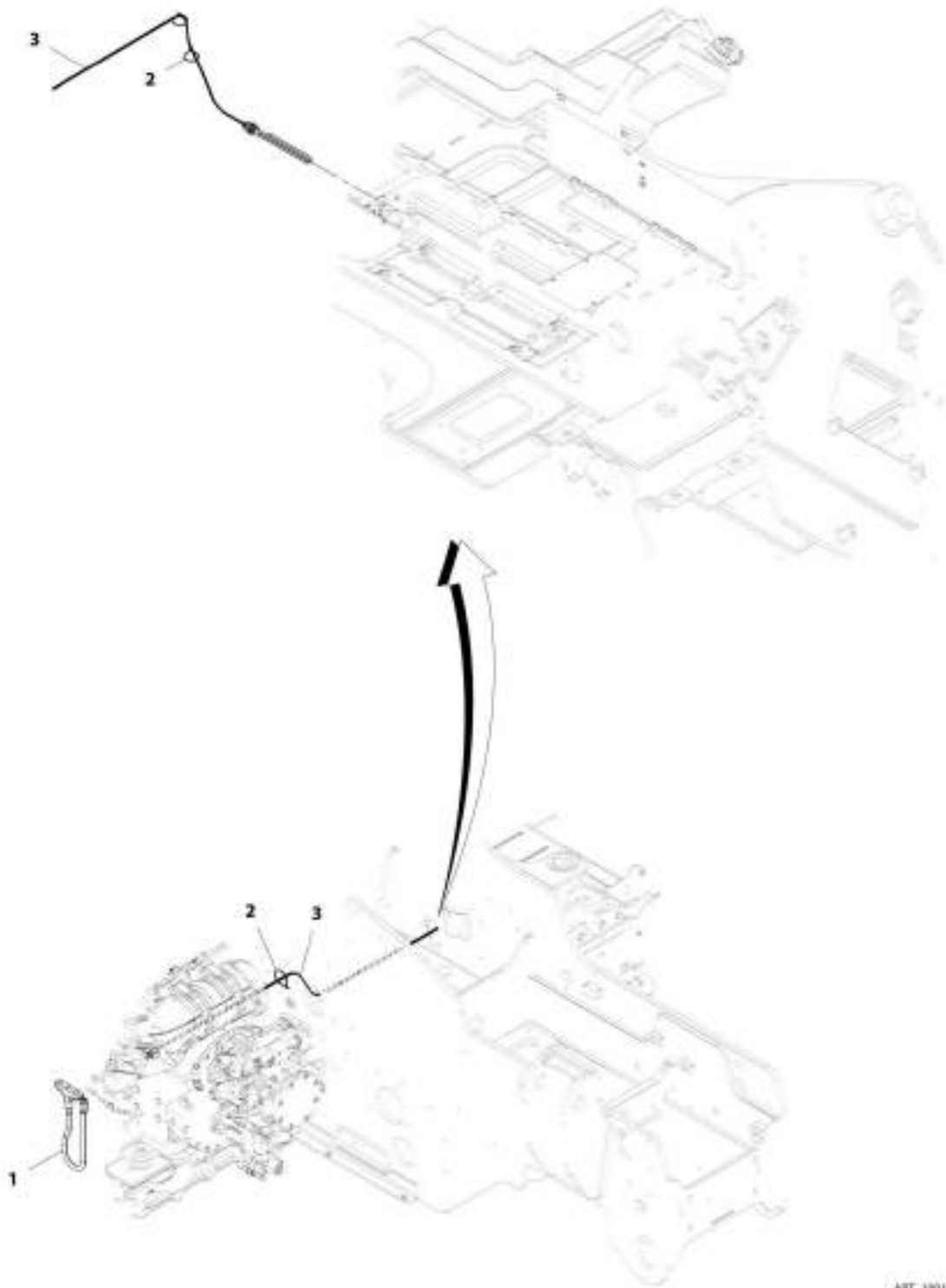
SECTION 10 - ELECTRICAL

FIGURE 10-21. HYDRAULIC TANK HEATER INSTALLATION (240V)

ITEM	PART NUMBER	QTY	DESCRIPTION	REV
1	1001204549	Ref	Hydraulic Tank Heater Installation (240V)	B
1	4240099	AR	Tie, Wire	
2	1001195439	1	Heater, Immersion	

SECTION 10 - ELECTRICAL

FIGURE 10-22. HYDRAULIC TANK HEATER INSTALLATION (115V)



ART_1801165593-B

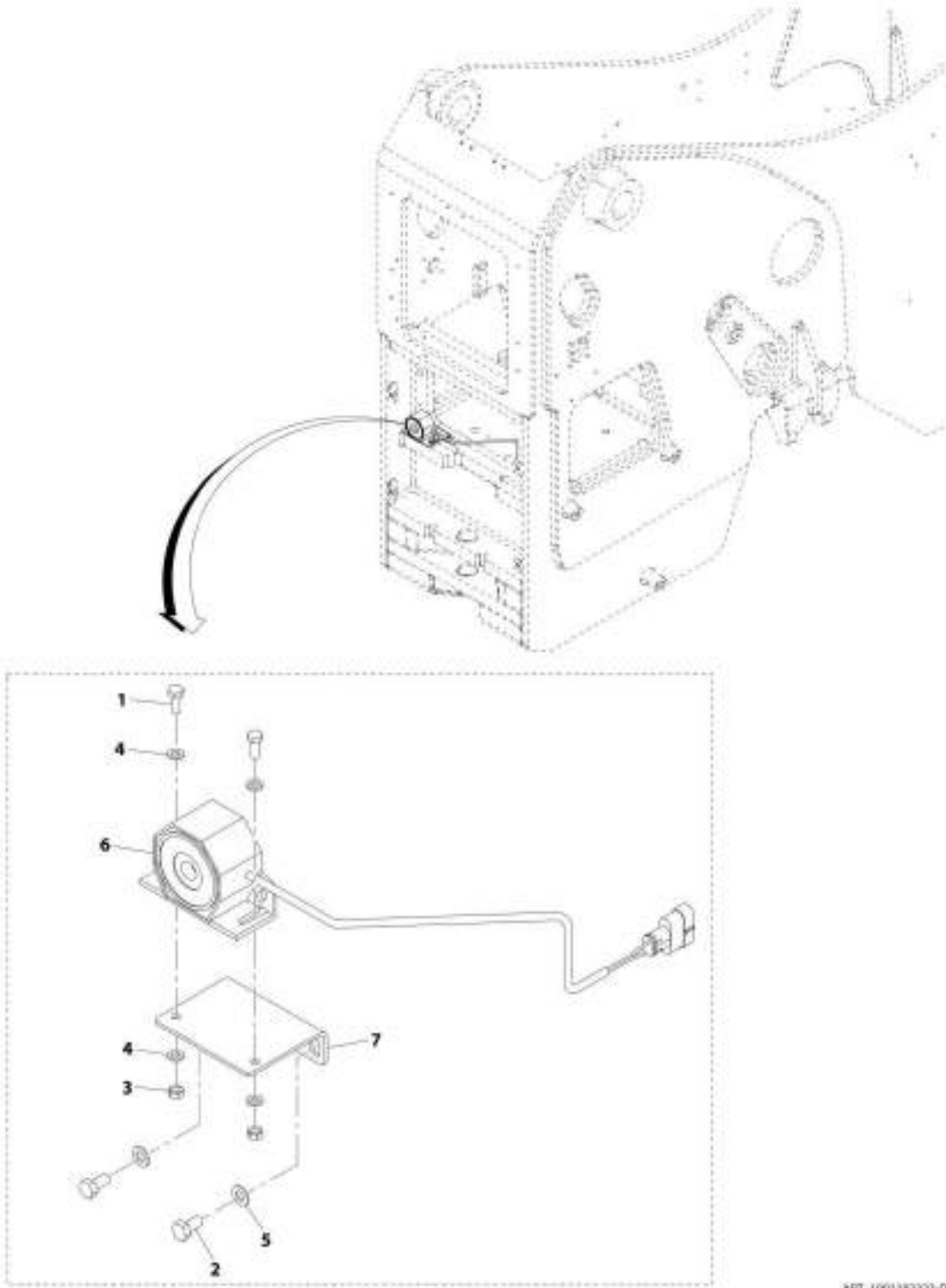
SECTION 10 - ELECTRICAL

FIGURE 10-22. HYDRAULIC TANK HEATER INSTALLATION (115V)

ITEM	PART NUMBER	QTY	DESCRIPTION	REV
	1001195593	Ref	Hydraulic Tank Heater Installation (115V)	B
1	1060626	1	Cord, 3-Way Extension	
2	4240099	AR	Tie, Wire	
3	1001105886	1	Heater, Immersion	

SECTION 10 - ELECTRICAL

FIGURE 10-23. BACKUP ALARM INSTALLATION



XRT_1001182023-0

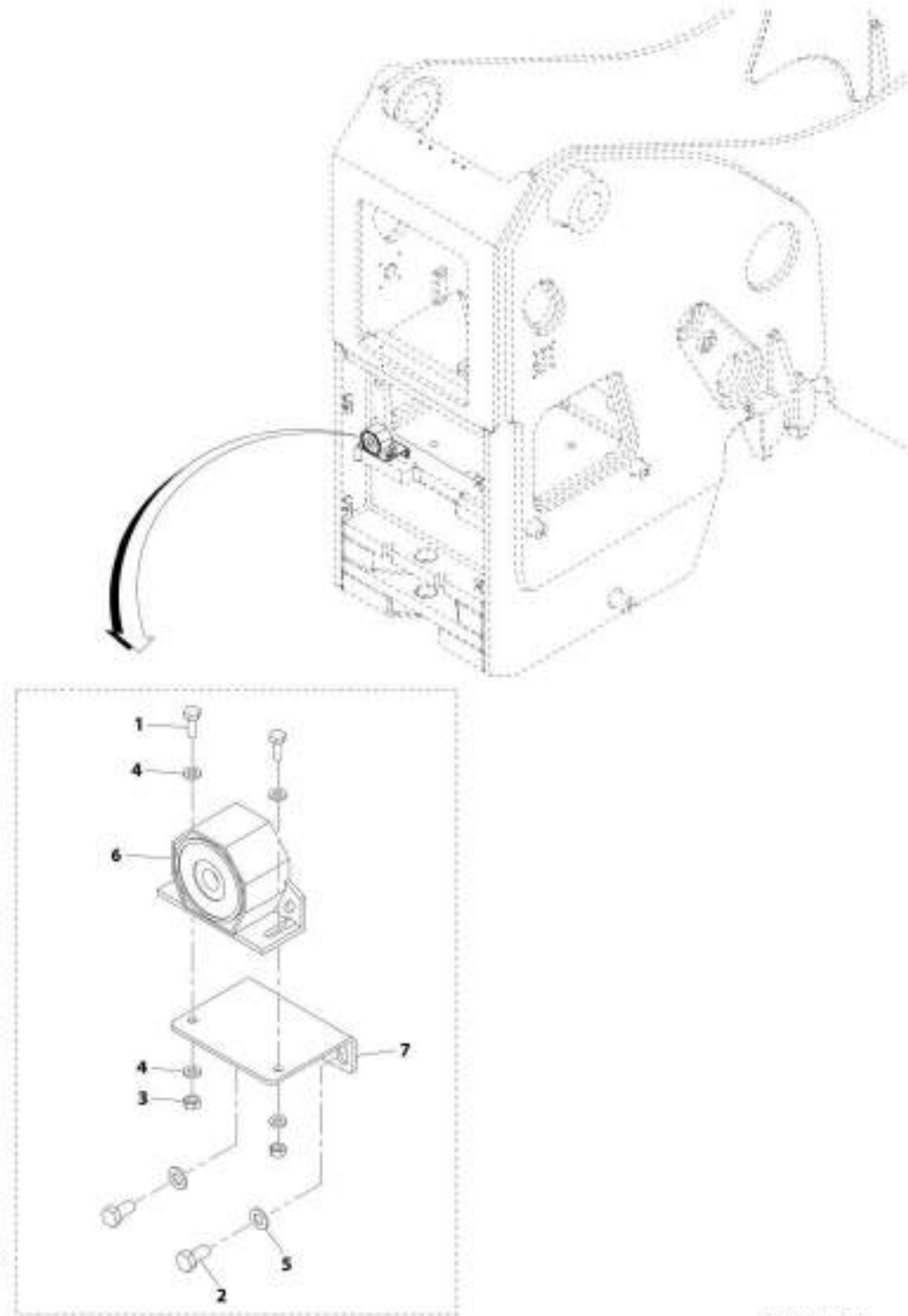
SECTION 10 - ELECTRICAL

FIGURE 10-23. BACKUP ALARM INSTALLATION

ITEM	PART NUMBER	QTY	DESCRIPTION	REV
	1001192323	Ref	Backup Alarm Installation	D
1	0760608	2	Bolt, M6X16	
2	0760808	2	Bolt, M8X16	
3	3290601	2	Nut, M6X1	
4	4811700	4	Washer, M6	
5	4811900	2	Washer, M8	
6	1001101808	1	Alarm, Backup	
7	1001193698	1	Bracket	

SECTION 10 - ELECTRICAL

FIGURE 10-24. BACKUP ALARM INSTALLATION (WHITE NOISE)



ART_1001185263-8

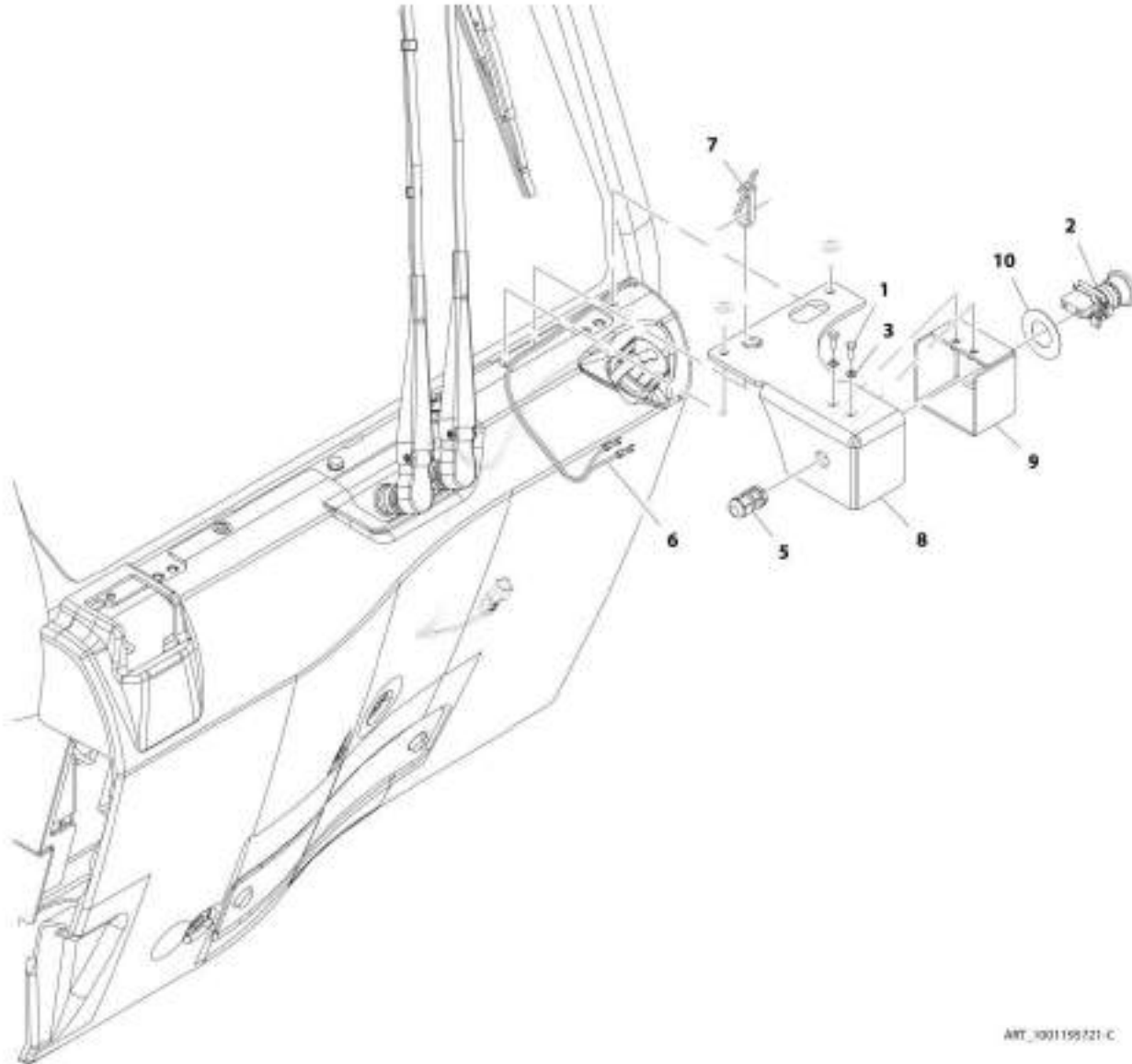
SECTION 10 - ELECTRICAL

FIGURE 10-24. BACKUP ALARM INSTALLATION (WHITE NOISE)

ITEM	PART NUMBER	QTY	DESCRIPTION	REV
	1001195263	Ref	Backup Alarm Installation (White Noise)	B
1	0760608	2	Bolt, M6X16	
2	0760808	2	Bolt, M8X16	
3	3290601	2	Nut, M6X1	
4	4811700	4	Washer, M6	
5	4811900	2	Washer, M8	
6	1001165827	1	Alarm, Backup (White Noise)	
7	1001193698	1	Bracket	

SECTION 10 - ELECTRICAL

FIGURE 10-25. EMERGENCY STOP EXTERNAL INSTALLATION



ART_1001199121-C

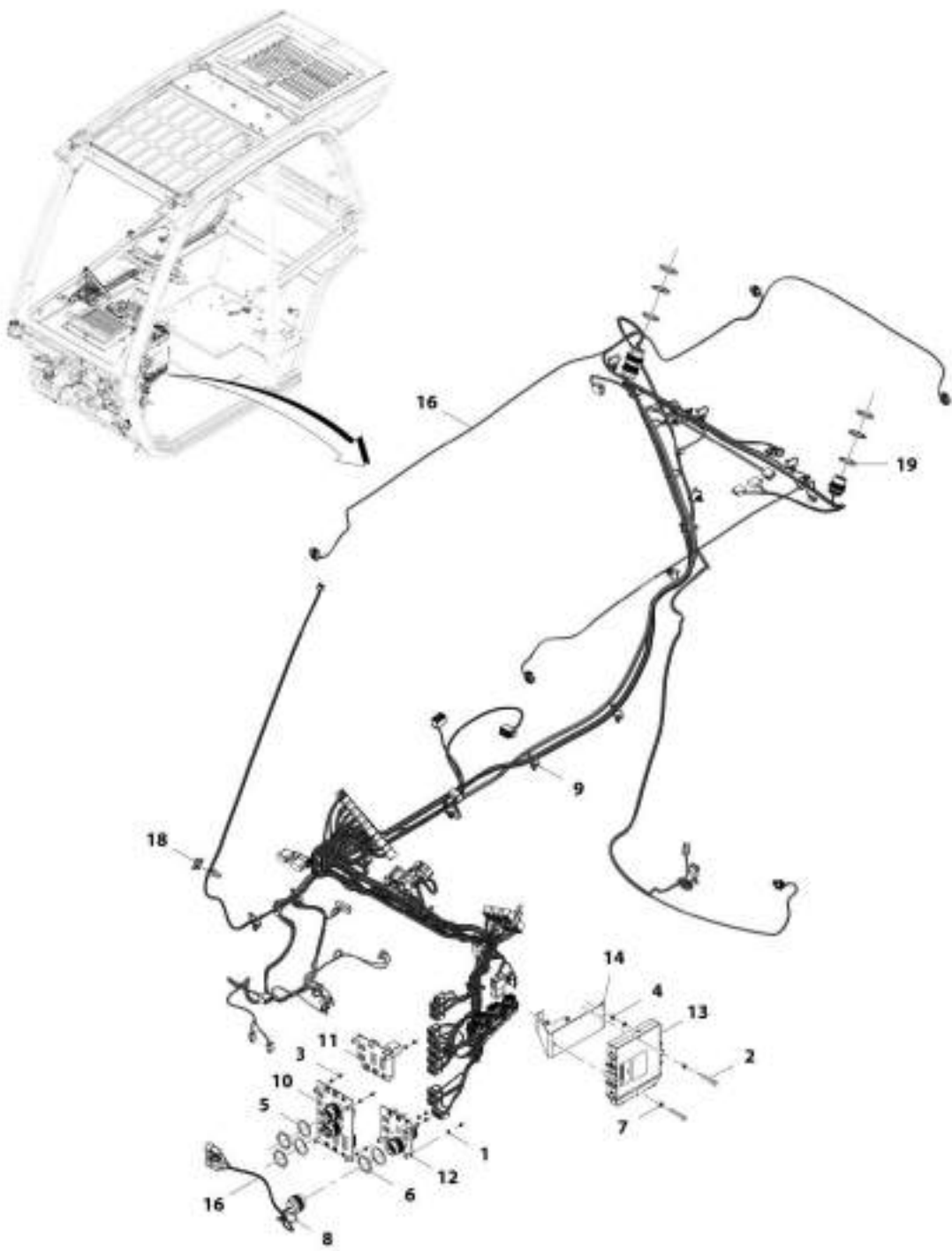
SECTION 10 - ELECTRICAL

FIGURE 10-25. EMERGENCY STOP EXTERNAL INSTALLATION

ITEM	PART NUMBER	QTY	DESCRIPTION	REV
	1001195721	Ref	Emergency Stop External Installation	C
1	0760507	2	Bolt, M5X14	
2	4360475	1	Switch, E-Stop	
3	4811600	2	Washer, M5	
5	4461000	1	Connector	
6	1001217320	1	Harness, External EMS	
7	1001008559	1	Strap, Tie	
8	1001220859	1	Bracket	
9	1001220861	1	Shield	
10	1704260	1	Decal, EMS	

SECTION 10 - ELECTRICAL

FIGURE 10-26. CAB ELECTRICAL INSTALLATION



ART_1001102598-H

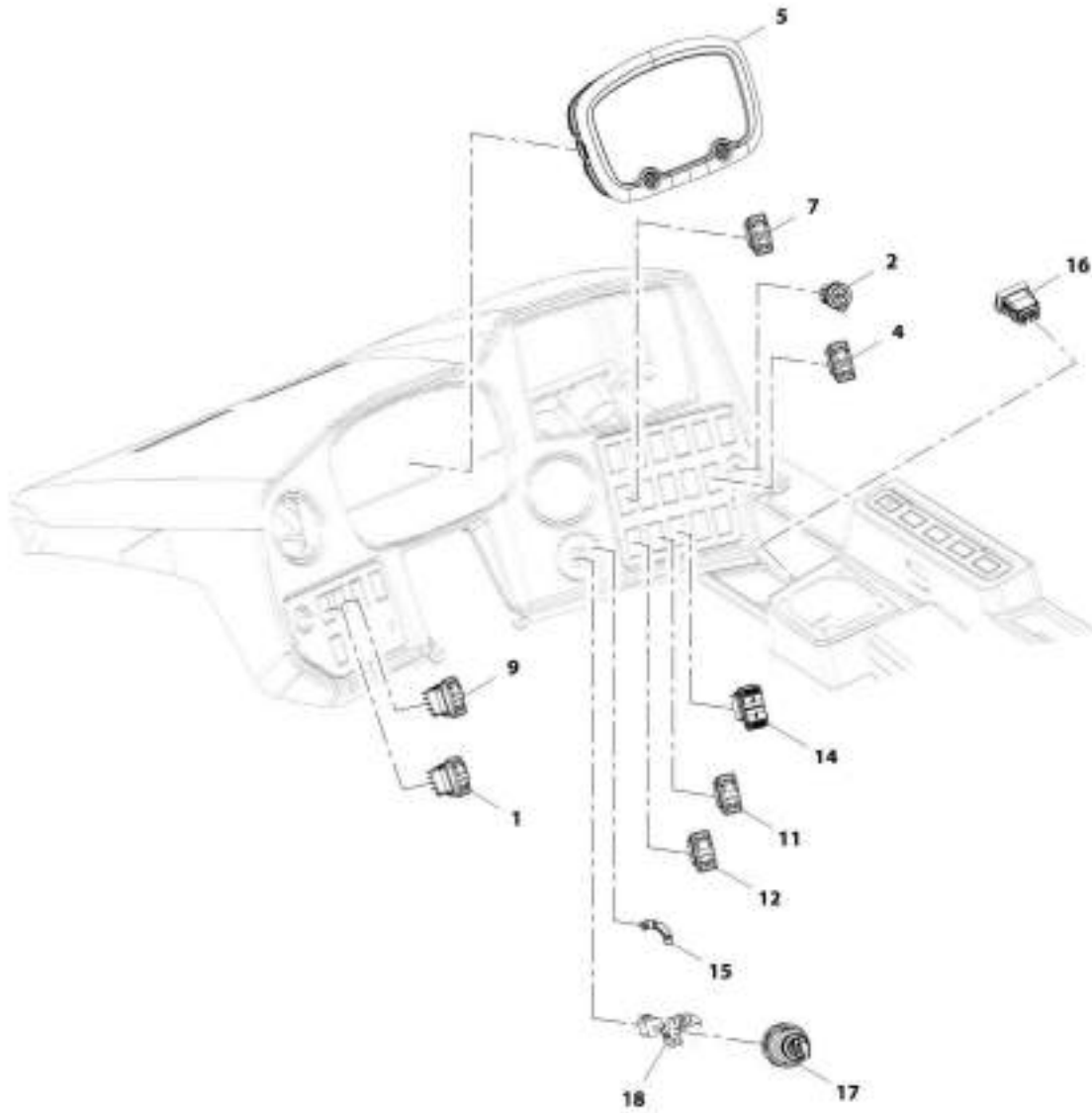
SECTION 10 - ELECTRICAL

FIGURE 10-26. CAB ELECTRICAL INSTALLATION

ITEM	PART NUMBER	QTY	DESCRIPTION	REV
	1001192558	Ref	Cab Electrical Installation	H
1	120034	7	Washer, Plastic	
2	0700618	2	Bolt, M6X50	
3	3290501	7	Nut, M5X0.8	
4	3290601	2	Nut, M6X1	
5	4460496	5	Washer, Terminal Lock	
6	4460497	5	Nut, Terminal	
7	4811700	4	Washer, M6	
8	1001008559	2	Strap, Cable Tie	
9	1001146588	24	Strap, Cable Tie	
10	1001161769	1	Assembly, Standard Electrical Board (See Separate Breakdown in Electrical Section)	
11	1001161770	1	Assembly, Option 1 Electrical Board (See Separate Breakdown in Electrical Section)	
12	1001161771	1	Assembly, Option 2 Electrical Board (See Separate Breakdown in Electrical Section)	
13	1001162249	1	Module, Cab Control	
14	1001178933	1	Bracket	
15	1001181681	1	Harness, Cab Option LBP (See Separate Breakdown in Electrical Section)	
16	1001193940	1	Harness, Cab (See Separate Breakdown in Electrical Section)	
18	4460234	1	Terminal, Mount Cable Tie	
19	1001211693	2	Seal	

SECTION 10 - ELECTRICAL

FIGURE 10-27. DASH ELECTRICAL INSTALLATION



ART_1801102560-F

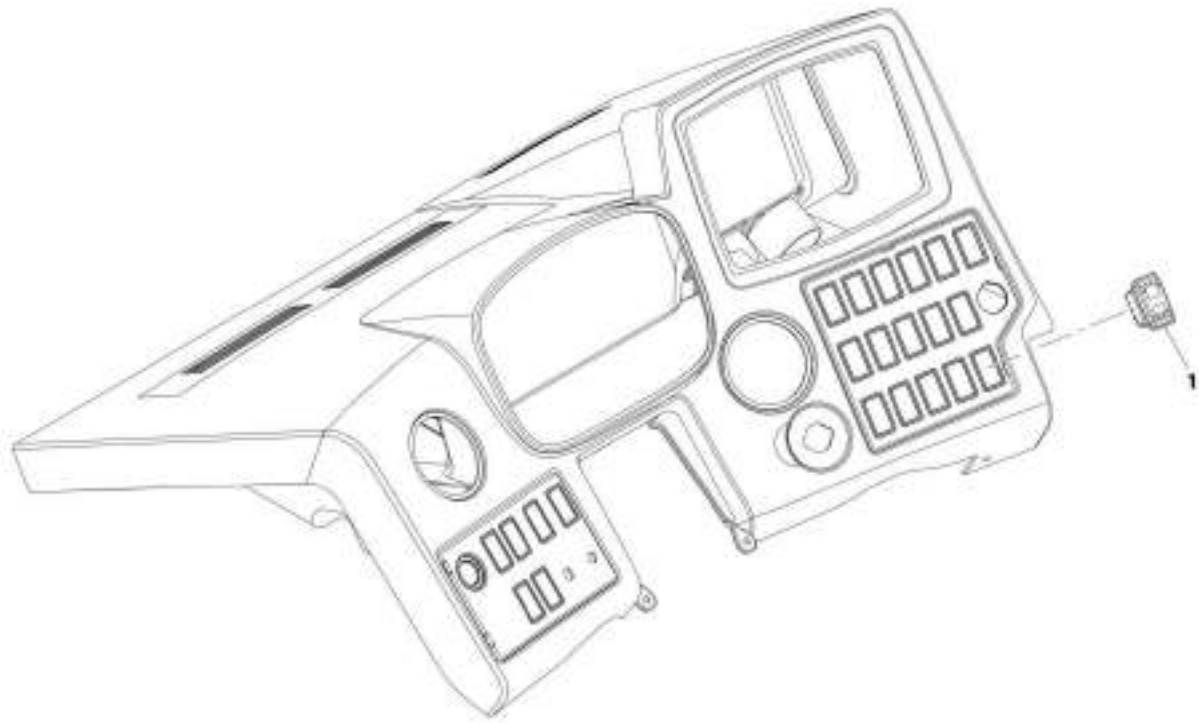
SECTION 10 - ELECTRICAL

FIGURE 10-27. DASH ELECTRICAL INSTALLATION

ITEM	PART NUMBER	QTY	DESCRIPTION	REV
	1001192560	Ref	Dash Electrical Installation	F
1	1001080978	1	Switch, Lift/Loader	
2	1001095804	1	Connector, 12V Power Socket	
4	1001104654	1	Switch, Aux Decomp	
5	1001158146	1	Cluster, Electrical Gauge	
7	1001159735	1	Switch, Rear Wiper	
9	1001159741	1	Switch, Constant AUX	
11	1001159743	1	Switch, Road Use	
12	1001159849	1	Switch, Steer Mode	
14	1001174712	1	Charger, USB	
15	1001181531	1	Decal, Ignition Switch	
16	1001212470	1	Switch, Frame Level	
17	1001102502	1	Switch, 4 Position Key	
17	70022765	1	Key, Ignition (set of 2)	
18	1001223968	1	Harness, Ignition Switch (See Separate Breakdown in this Section)	

SECTION 10 - ELECTRICAL

FIGURE 10-28. LIGHT SWITCH INSTALLATION



ARS_1001215121-A

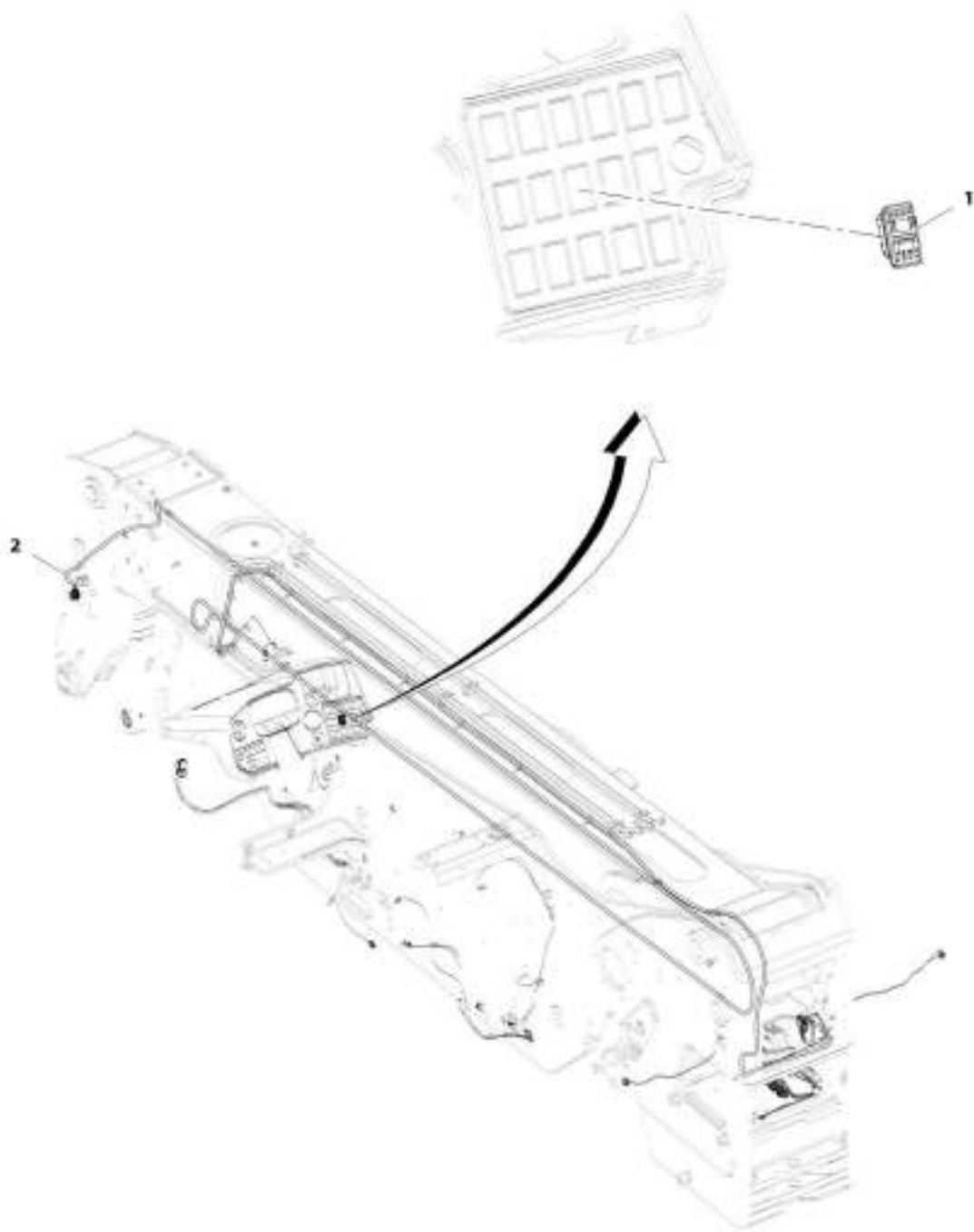
SECTION 10 - ELECTRICAL

FIGURE 10-28. LIGHT SWITCH INSTALLATION

ITEM	PART NUMBER	QTY	DESCRIPTION	REV
1	1001215121 1001163639	Ref 1	Light Switch Installation Switch, Light	A

SECTION 10 - ELECTRICAL

FIGURE 10-29. BOOM HARNESS INSTALLATION



ART_1801162575-B

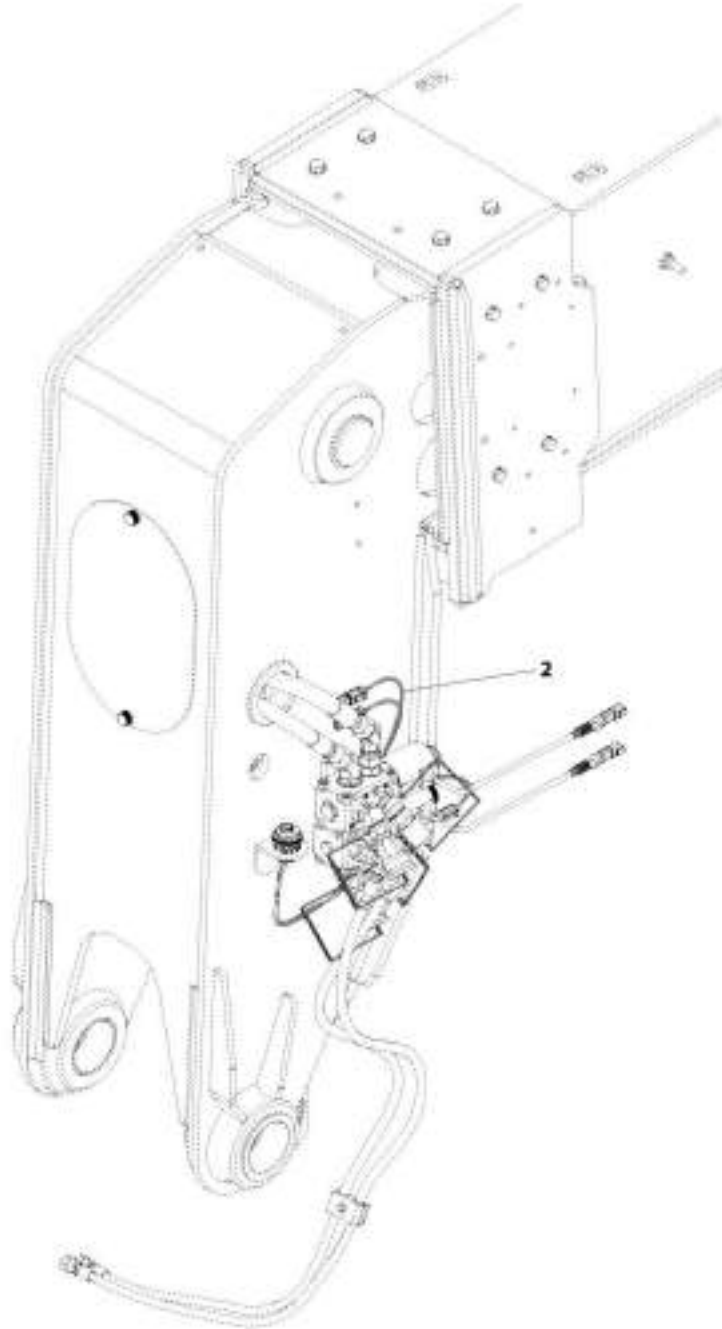
SECTION 10 - ELECTRICAL

FIGURE 10-29. BOOM HARNESS INSTALLATION

ITEM	PART NUMBER	QTY	DESCRIPTION	REV
	1001192575	Ref	Boom Harness Installation	B
	1001159746	1	Switch, Aux Electric	
	1001201124	1	Harness, Boom (See Seperate Breakdown in this Section)	

SECTION 10 - ELECTRICAL

FIGURE 10-30. BOOM AUX HARNESS INSTALLATION



ART_1001192370-C

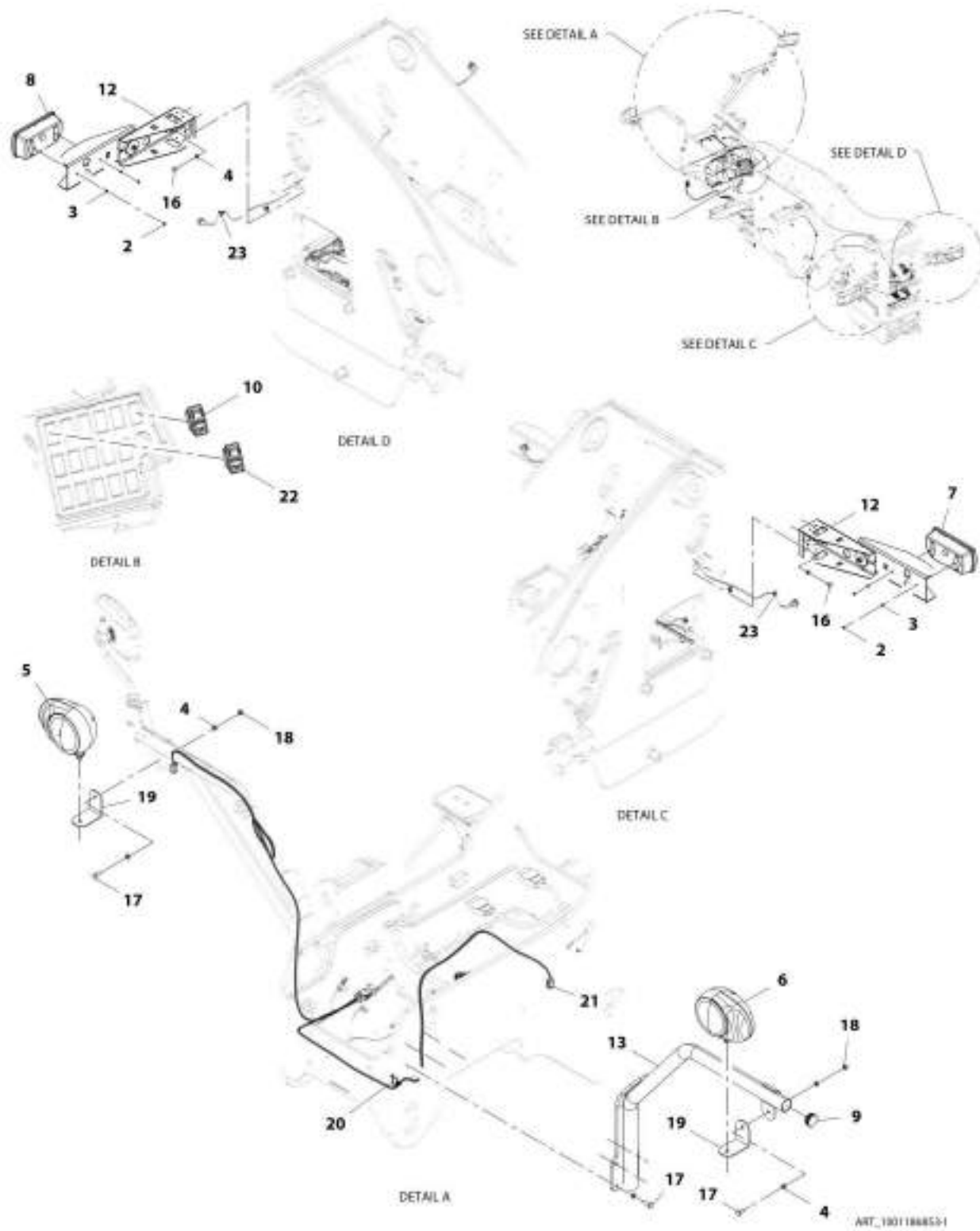
SECTION 10 - ELECTRICAL

FIGURE 10-30. BOOM AUX HARNESS INSTALLATION

ITEM	PART NUMBER	QTY	DESCRIPTION	REV
2	1001192370	Ref	Boom Aux Harness Installation	C
	1001206633	1	Harness, Boom AUX (See Seperate Breakdown in this Section)	

SECTION 10 - ELECTRICAL

FIGURE 10-31. DRIVING LIGHT INSTALLATION (RH DIP)



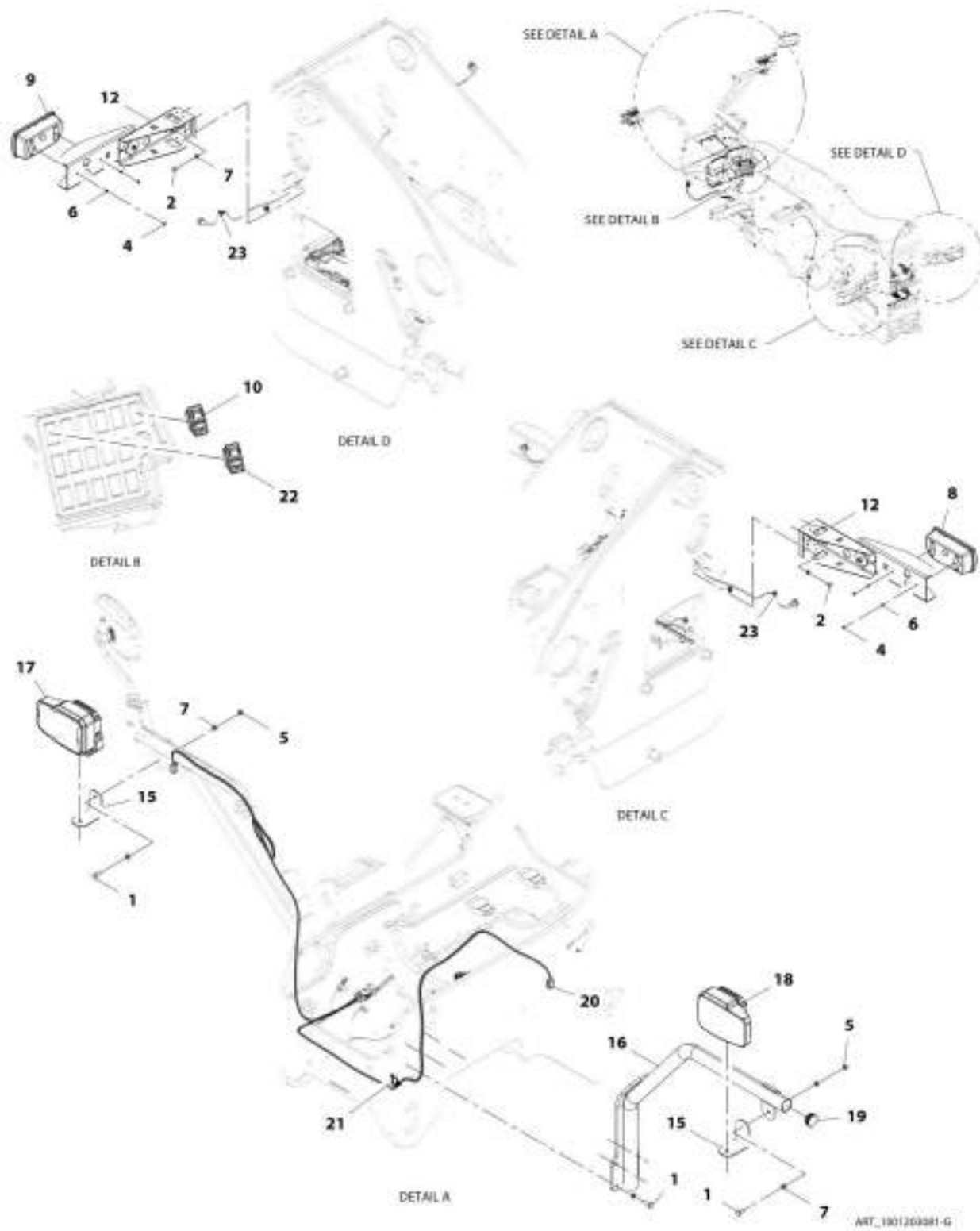
SECTION 10 - ELECTRICAL

FIGURE 10-31. DRIVING LIGHT INSTALLATION (RH DIP)

ITEM	PART NUMBER	QTY	DESCRIPTION	REV
	1001186853	Ref	Driving Light Installation (RH Dip)	1
2	3290607	4	Nut, Lock M6X1	
3	4811700	4	Washer, M6	
4	4812000	16	Washer, M10	
5	2920208	1	Light, Driving (RH) (RH Dip)	
	7029969	1	Bulb, 4W	
	7029970	1	Bulb, 55W	
	7029971	1	Bulb, 21W	
6	2920207	1	Light, Driving (LH) (RH Dip)	
	7029969	1	Bulb, 4W	
	7029970	1	Bulb, 55W	
	7029971	1	Bulb, 21W	
7	1001091715	1	Light, Rear (LH)	
	70021341	1	Bulb, 5W	
	70021340	1	Bulb, 21W	
	7029971	1	Bulb, 21W	
8	1001091716	1	Light, Rear (RH)	
	70021341	1	Bulb, 5W	
	70021340	1	Bulb, 21W	
	7029971	1	Bulb, 21W	
9	1001209697	1	Cap	
10	1001159734	1	Switch, Hazard	
12	1001183112	2	Assembly, Rear Light Bracket (See Seperate Breakdown in this Section)	
13	1001206100	1	Bracket	
16	0761010	8	Bolt, M10X20	
17	0701014	6	Bolt, M10X30	
18	3291001	2	Nut, M10X1.5	
19	1001203368	2	Bracket	
20	1001146588	1	Strap, Tie	
21	1001215693	1	Harness, Headlight (See Seperate Breakdown in this Section)	
22	1001159737	1	Switch, Fog Lights	
23	1001008559	4	Strap, Cable	

SECTION 10 - ELECTRICAL

FIGURE 10-32. DRIVING LIGHT INSTALLATION (LED) (RH DIP)



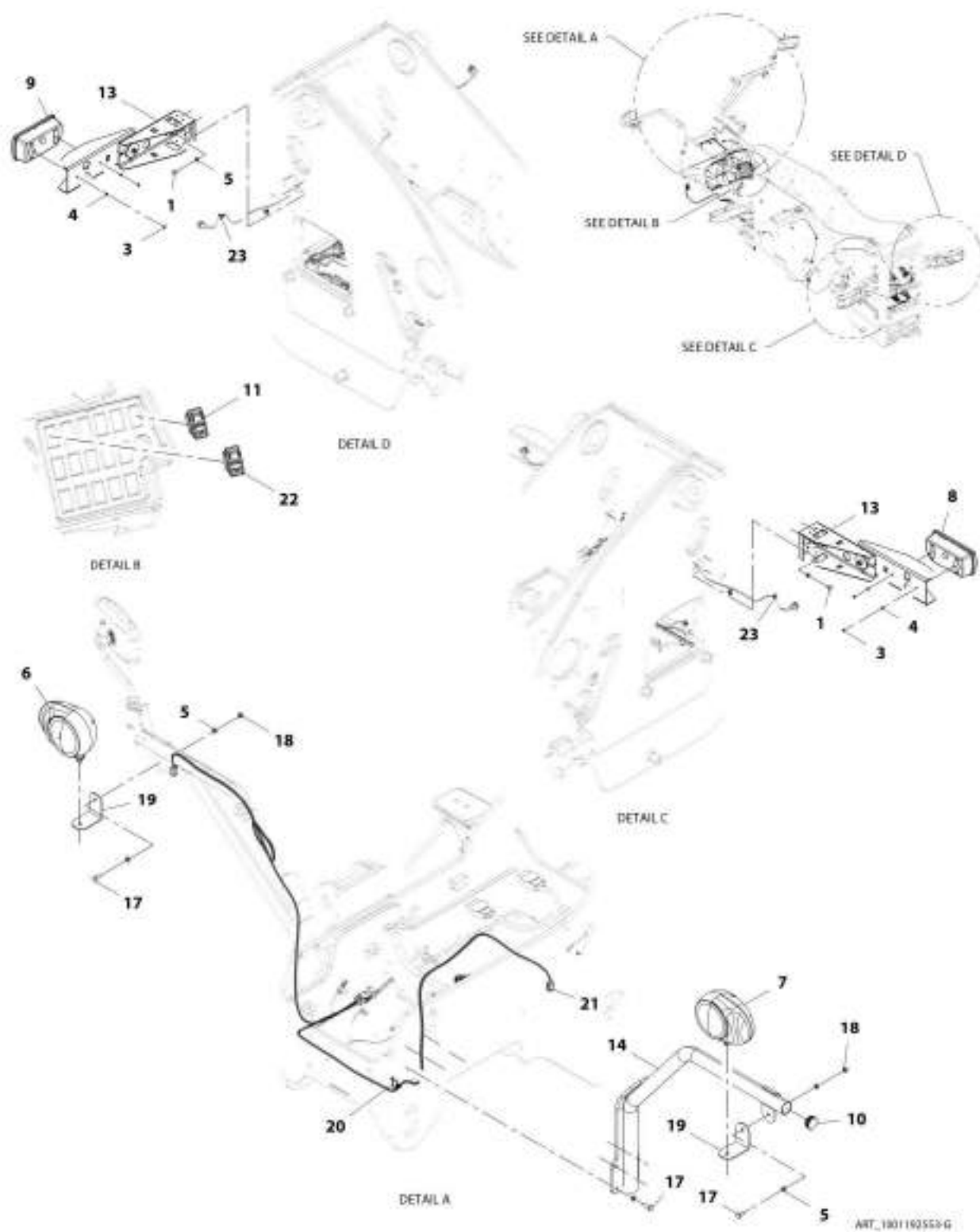
SECTION 10 - ELECTRICAL

FIGURE 10-32. DRIVING LIGHT INSTALLATION (LED) (RH DIP)

ITEM	PART NUMBER	QTY	DESCRIPTION	REV
	1001203081	Ref	Driving Light Installation (LED) (RH Dip)	G
1	0701014	6	Bolt, M10X30	
2	0761010	8	Bolt, M10X20	
4	3290607	4	Bolt, M6X1	
5	3291001	2	Nut, M10X1.5	
6	4811700	4	Washer, M6	
7	4812000	16	Washer, M10	
8	1001091715	1	Light, Rear (LH)	
	70021341	1	Bulb, 5W	
	70021340	1	Bulb, 21W	
	7029971	1	Bulb, 21W	
9	1001091716	1	Light, Rear (RH)	
	70021341	1	REPLACEMENT BULB, 12V-5W	
	70021340	1	Bulb, 21W	
	7029971	1	Bulb, 21W	
10	1001159734	1	Switch, Hazard	
12	1001183112	2	Assembly, Rear Light Bracket (See Seperate Breakdown in this Section)	
15	1001203368	2	Bracket	
16	1001206100	1	Bracket	
17	1001209690	1	Light, Driving (RH - LED) (RH Dip)	
18	1001209691	1	Light, Driving (LH - LED) (LH Dip)	
19	1001209697	1	Cap	
20	1001215693	1	Harness, Headlights (See Seperate Breakdown in this Section)	
21	1001146588	1	Strap, Cable Tie	
22	1001159737	1	Switch, Fog Lights	
23	1001008559	4	Strap, Cable Tie	

SECTION 10 - ELECTRICAL

FIGURE 10-33. DRIVING LIGHT INSTALLATION (LH DIP)



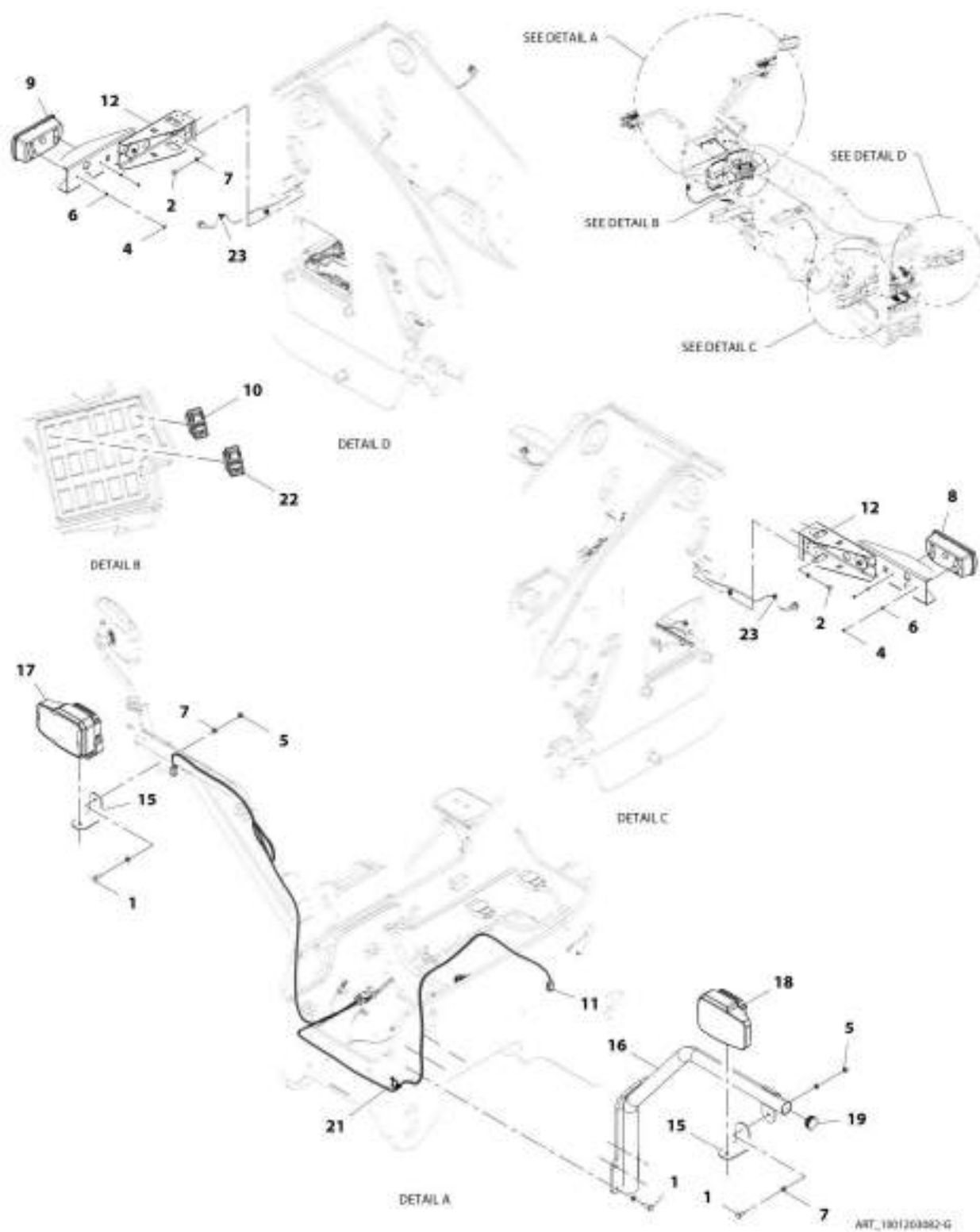
SECTION 10 - ELECTRICAL

FIGURE 10-33. DRIVING LIGHT INSTALLATION (LH DIP)

ITEM	PART NUMBER	QTY	DESCRIPTION	REV
	1001192553	Ref	Driving Light Installation (LH Dip)	G
1	0761010	8	Bolt, M10X20	
3	3290607	4	Nut, Lock M6X1	
4	4811700	4	Washer, M6	
5	4812000	16	Washer, M10	
6	1001002778	1	Light, Driving (RH) (LH Dip)	
	7029969	1	Bulb, 4W	
	7029970	1	Bulb, 55W	
	7029971	1	Bulb, 21W	
7	1001002779	1	Light, Driving (LH) (LH Dip)	
	7029969	1	Bulb, 4W	
	7029970	1	Bulb, 55W	
	7029971	1	Bulb, 21W	
8	1001091715	1	Light, Rear (LH)	
	70021341	1	Bulb, 5W	
	70021340	1	Bulb, 21W	
	7029971	1	Bulb, 21W	
9	1001091716	1	Light, Rear (RH)	
	70021341	1	Bulb, 5W	
	70021340	1	Bulb, 21W	
	7029971	1	Bulb, 21W	
10	1001209697	1	Cap	
11	1001159734	1	Switch, Hazard	
13	1001183112	2	Assembly, Rear Light Bracket (See Seperate Breakdown in this Section)	
14	1001206100	1	Bracket	
17	0701014	6	Bolt, M10X30	
18	3291001	2	Nut, M10X1.5	
19	1001203368	2	Bracket	
20	1001146588	1	Strap, Cable Tie	
21	1001215693	1	Harness, Headlights (See Seperate Breakdown in this Section)	
22	1001159737	1	Switch, Fog Lights	
23	1001008559	4	Strap, Cable Tie	

SECTION 10 - ELECTRICAL

FIGURE 10-34. DRIVING LIGHT INSTALLATION (LED) (LH DIP)



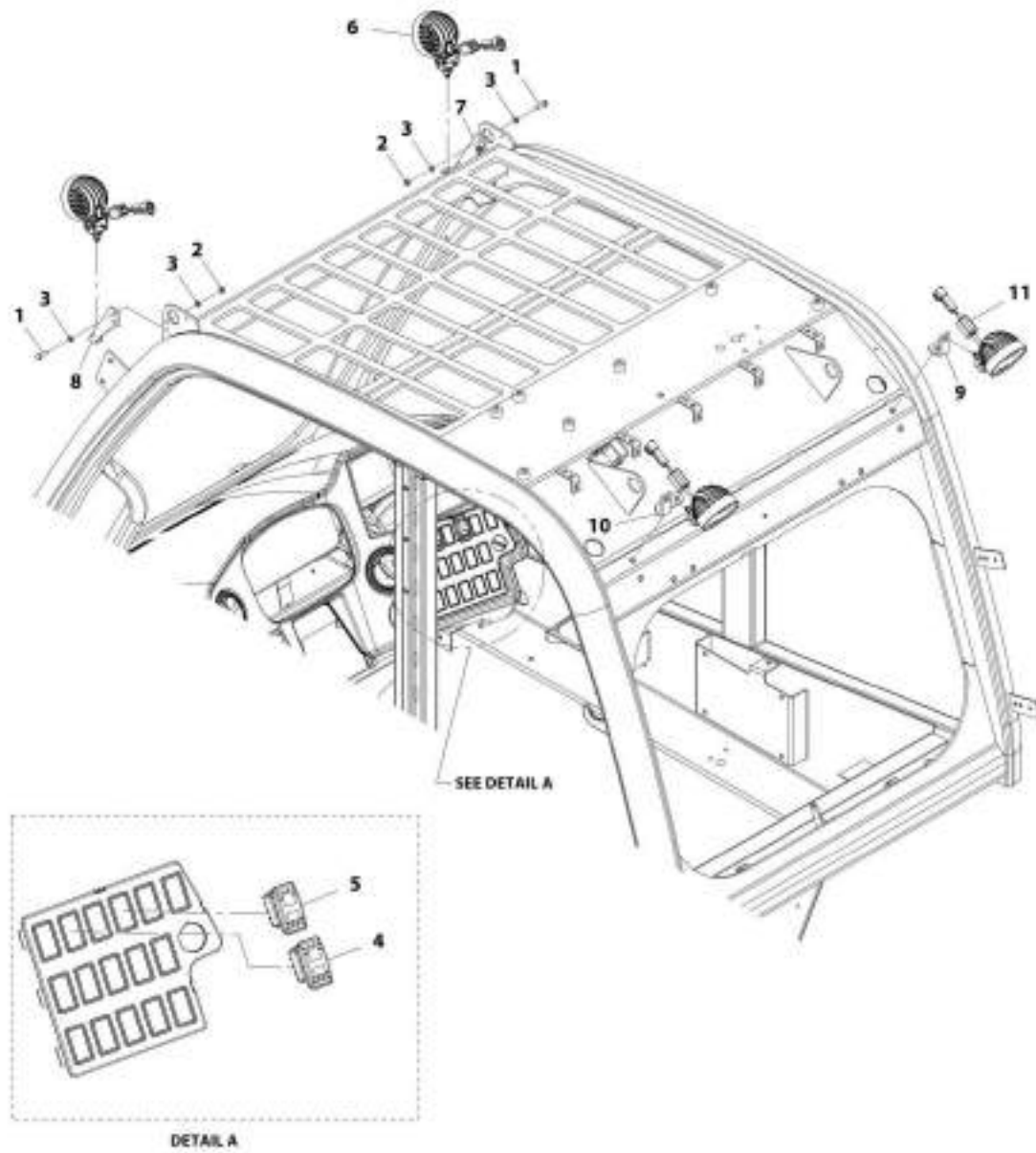
SECTION 10 - ELECTRICAL

FIGURE 10-34. DRIVING LIGHT INSTALLATION (LED) (LH DIP)

ITEM	PART NUMBER	QTY	DESCRIPTION	REV
	1001203082	Ref	Driving Light Installation (LED) (LH Dip)	G
1	0701014	6	Bolt, M10X30	
2	0761010	8	Bolt, M10X20	
4	3290607	4	Nut, Lock M6X1	
5	3291001	2	Nut, M10X1.5	
6	4811700	4	Washer, M6	
7	4812000	16	Washer, M10	
8	1001091715	1	Lamp, Rear (LH) (See Seperate Breakdown in this Section)	
	70021341	1	Bulb, 5W	
	70021340	1	Bulb, 21W	
	7029971	1	Bulb, 21W	
9	1001091716	1	Lamp, Rear (RH) (See Seperate Breakdown in this Section)	
	70021341	1	Bulb, 5W	
	70021340	1	Bulb, 21W	
	7029971	1	Bulb, 21W	
10	1001159734	1	Switch, Hazard	
11	1001215693	1	Harness, Headlights (See Seperate Breakdown in this Section)	
12	1001183112	2	Assembly, Rear Light Bracket (See Seperate Breakdown in this Section)	
15	1001203368	2	Bracket	
16	1001206100	1	Bracket	
17	1001209692	1	Light, Driving, (RH - LED) (LH Dip)	
18	1001209693	1	Light, Driving, (LH - LED) (LH Dip)	
19	1001209697	1	Cap	
21	1001146588	1	Strap, Cable Tie	
22	1001159737	1	Switch, Fog Lights	
23	1001008559	4	Strap, Cable	

SECTION 10 - ELECTRICAL

FIGURE 10-35. CAB WORKLIGHTS INSTALLATION (NO A/C - LED)



ART_1001200538-C

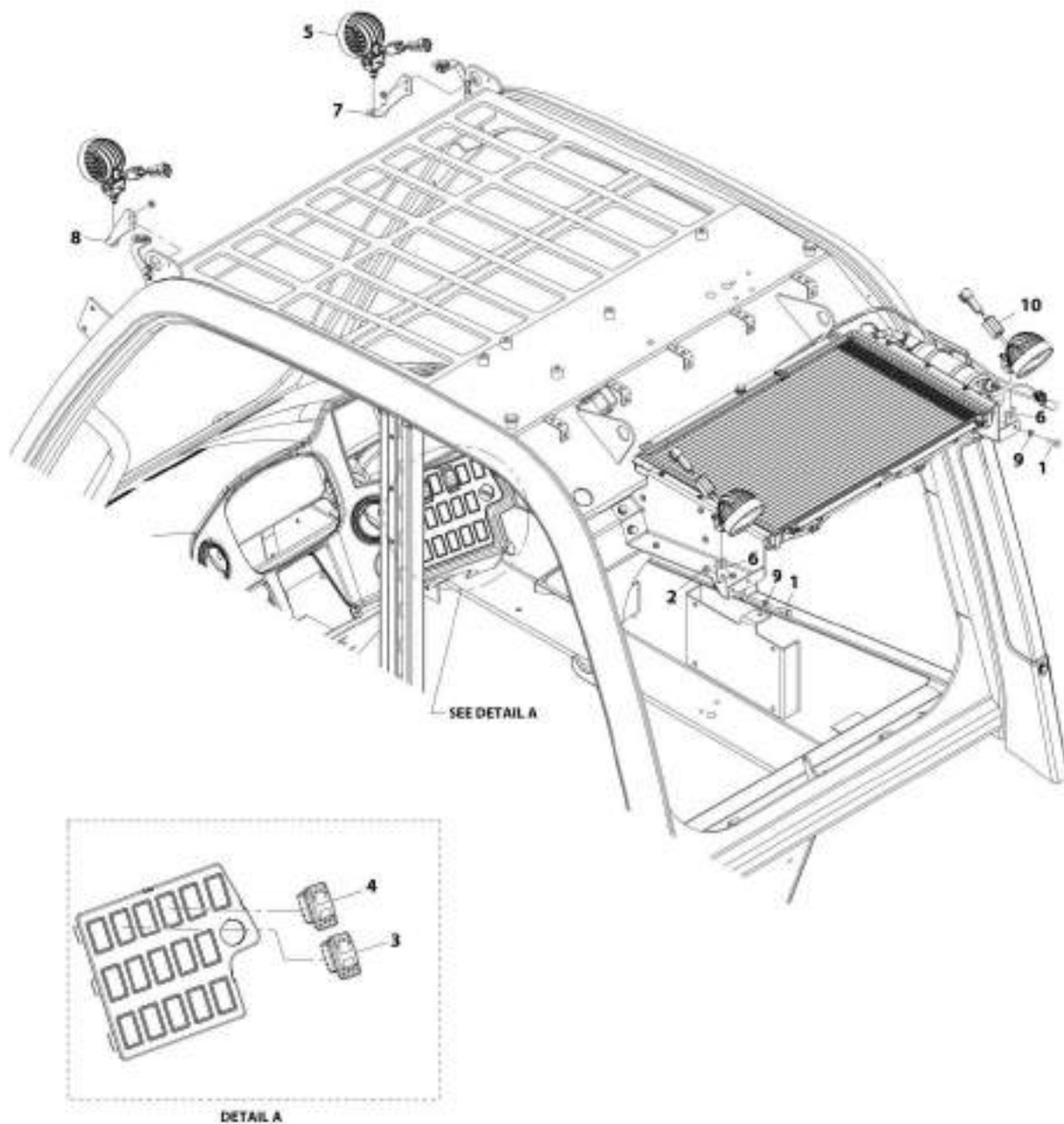
SECTION 10 - ELECTRICAL

FIGURE 10-35. CAB WORKLIGHTS INSTALLATION (NO A/C - LED)

ITEM	PART NUMBER	QTY	DESCRIPTION	REV
	1001200538	Ref	Cab Worklights Installation (No A/C - LED)	C
1	0700610	4	Bolt, M6X20	
2	3290601	4	Nut, M6X1	
3	4811700	8	Washer, M6	
4	1001159845	1	Switch, Front Worklights	
5	1001159846	1	Switch, Rear Worklights	
6	1001203640	4	Lamp, LED Work Light	
7	1001204444	1	Support, LED Work Light RH	
8	1001204445	1	Support, LED Work Light LH	
9	1001204528	1	Support, LED Work Light RH	
10	1001204530	1	Support, LED Work Light LH	
11	1001228989	4	Harness, Ferrite	

SECTION 10 - ELECTRICAL

FIGURE 10-36. CAB WORKLIGHTS INSTALLATION (A/C - LED)



ART_3001200539-C

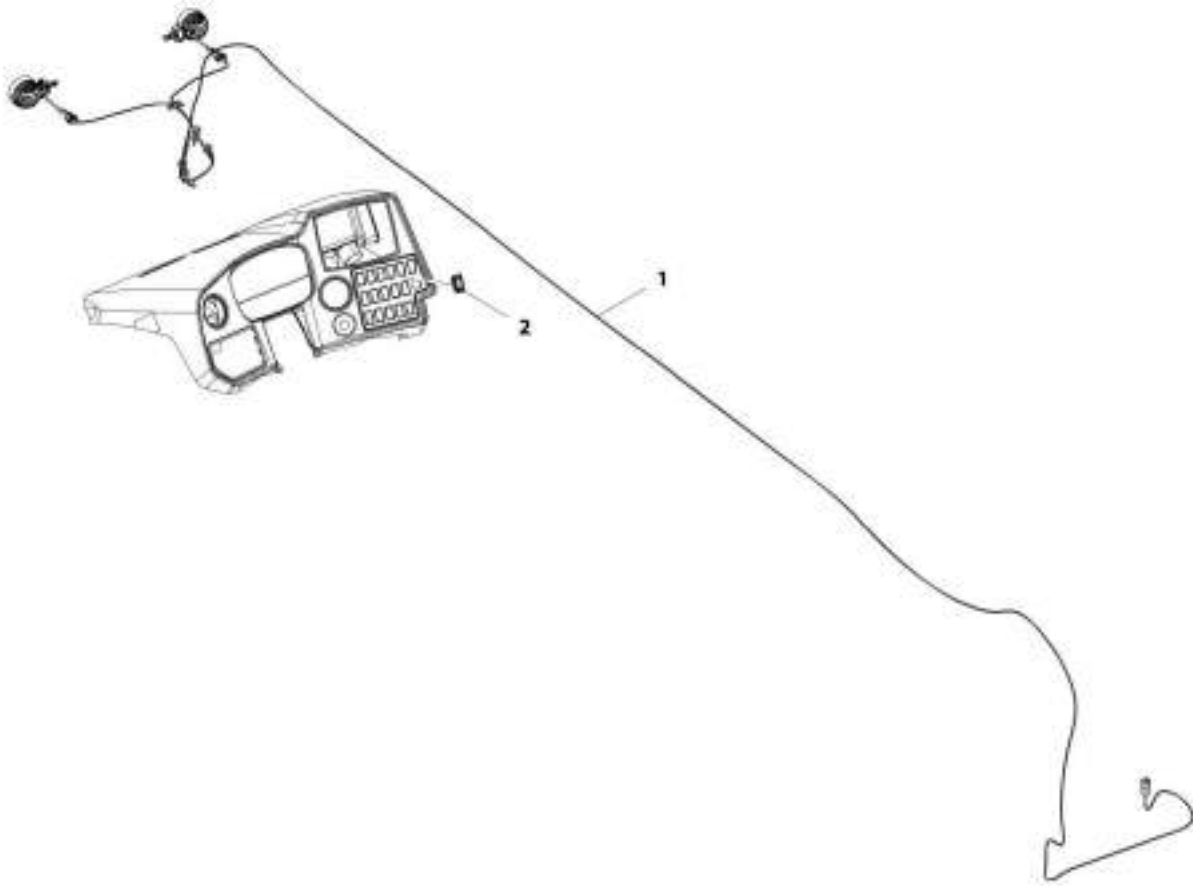
SECTION 10 - ELECTRICAL

FIGURE 10-36. CAB WORKLIGHTS INSTALLATION (A/C - LED)

ITEM	PART NUMBER	QTY	DESCRIPTION	REV
	1001200539	Ref	Cab Worklights Installation (A/C - LED)	C
1	0700610	2	Bolt, M6X20	
2	5220600	2	Nut, M6	
3	1001159845	1	Switch, Front Worklights	
4	1001159846	1	Switch, Rear Worklights	
5	1001203640	4	Lamp, LED Work Light	
6	1001204060	2	Bracket	
7	1001204444	1	Support, LED Work Light RH	
8	1001204445	1	Support, LED Work Light LH	
9	4811700	2	Washer, M6	
10	1001228989	4	Harness, Ferrite	

SECTION 10 - ELECTRICAL

FIGURE 10-37. BOOM WORK LIGHTS (LED)



ART_1001206427-0

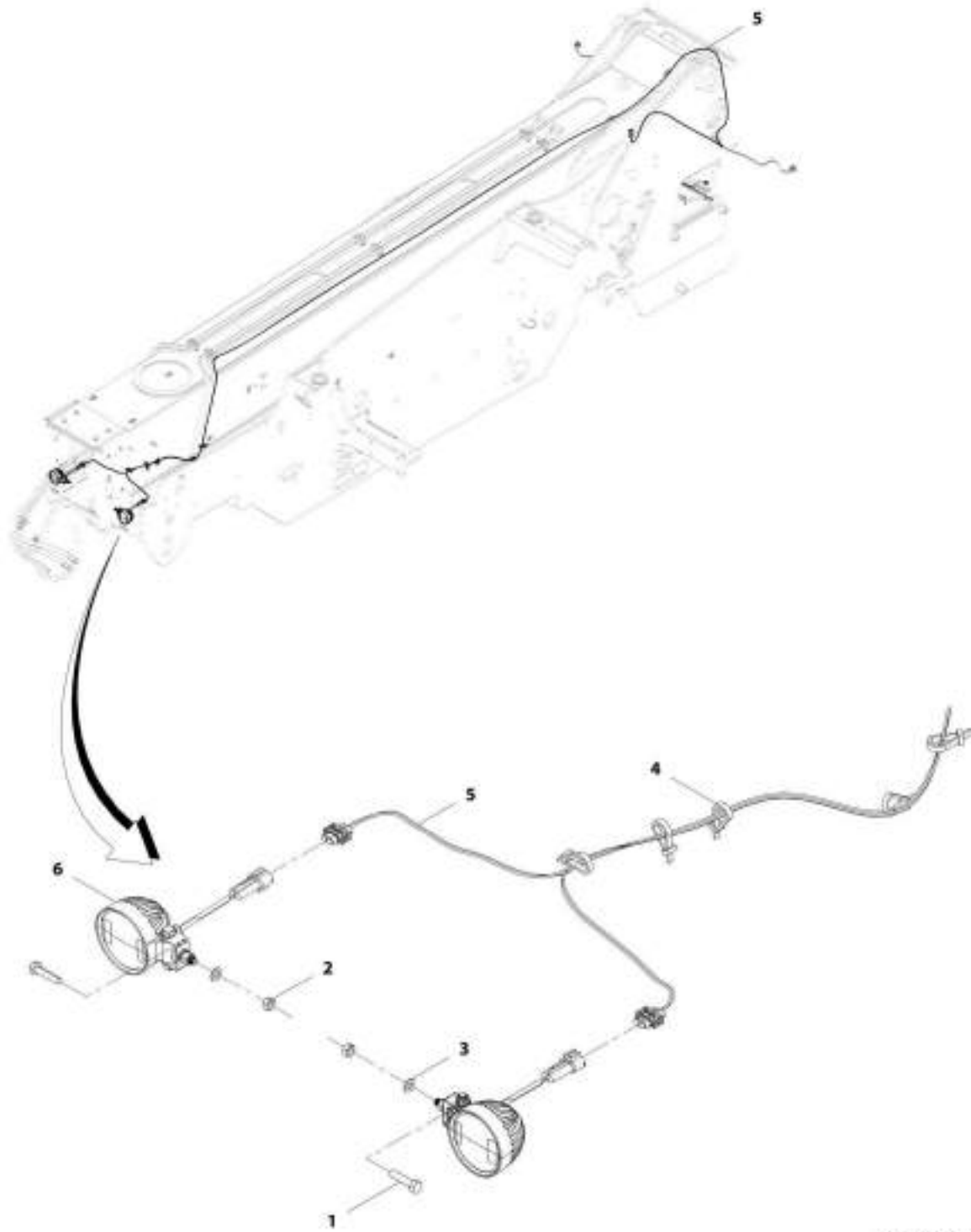
SECTION 10 - ELECTRICAL

FIGURE 10-37. BOOM WORK LIGHTS (LED)

ITEM	PART NUMBER	QTY	DESCRIPTION	REV
	1001209427	Ref	Boom Work Lights (LED)	B
1	1001159739	1	Switch, Boom Worklights	
2	1001209456	1	Installation, LED Boom Work lights (See Seperate Breakdown in this Section)	

SECTION 10 - ELECTRICAL

FIGURE 10-38. BOOM WORK LIGHT INSTALLATION (LED)



ART_1001209456-C

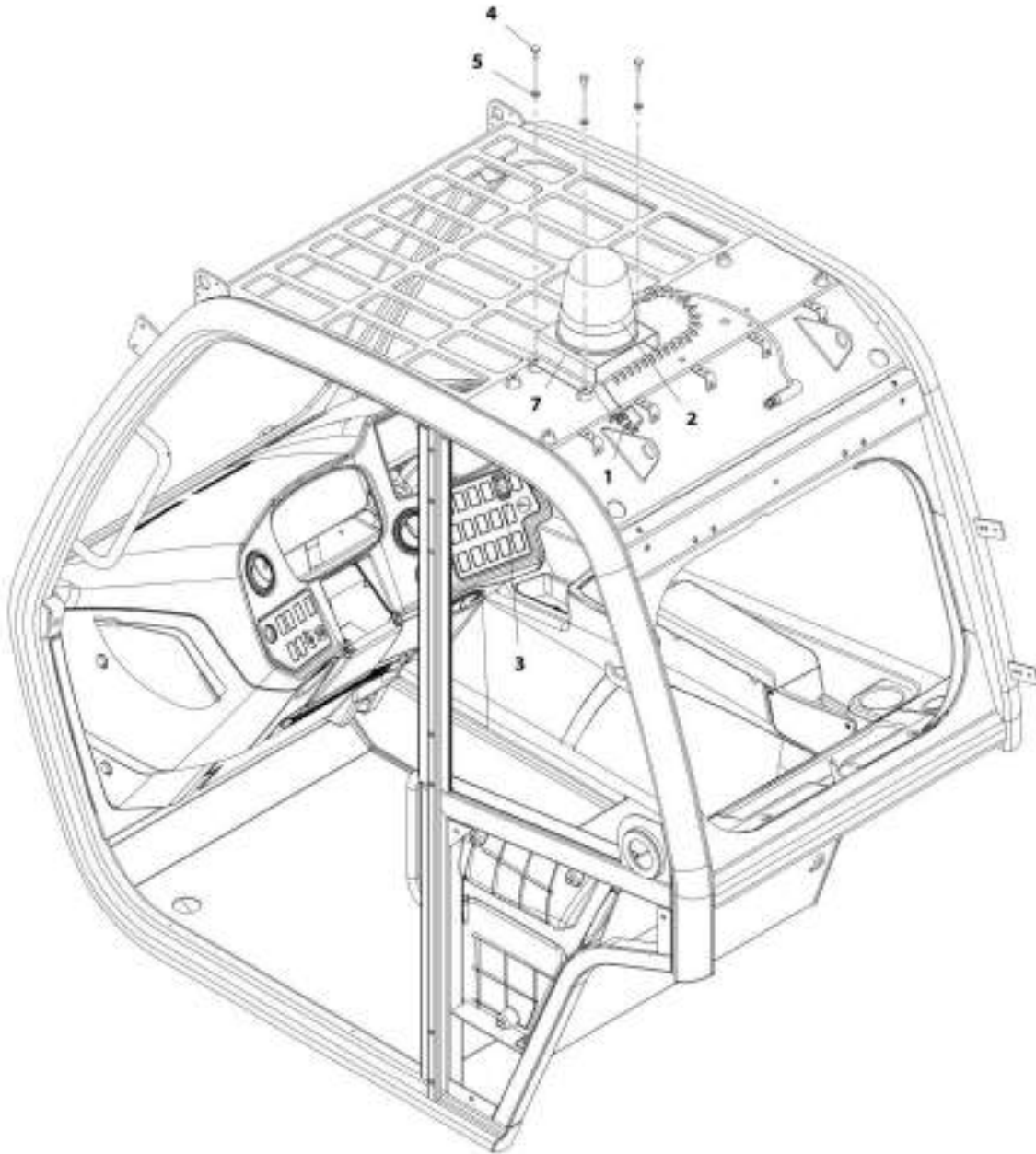
SECTION 10 - ELECTRICAL

FIGURE 10-38. BOOM WORK LIGHT INSTALLATION (LED)

ITEM	PART NUMBER	QTY	DESCRIPTION	REV
	1001209456	Ref	Boom Work Light Installation (LED)	C
1	0700815	2	Bolt, M8X35	
2	3290801	2	Nut, M8X1.25	
3	4811900	2	Washer, M8	
4	1001008923	5	Strap, Cable	
5	1001184796	1	Harness, Boom Work Lights (See Seperate Breakdown in this Section)	
6	1001203640	2	Lamp, LED Worklight (See Seperate Breakdown in this Section)	

SECTION 10 - ELECTRICAL

FIGURE 10-39. BEACON INSTALLATION



ART_1001171162-E

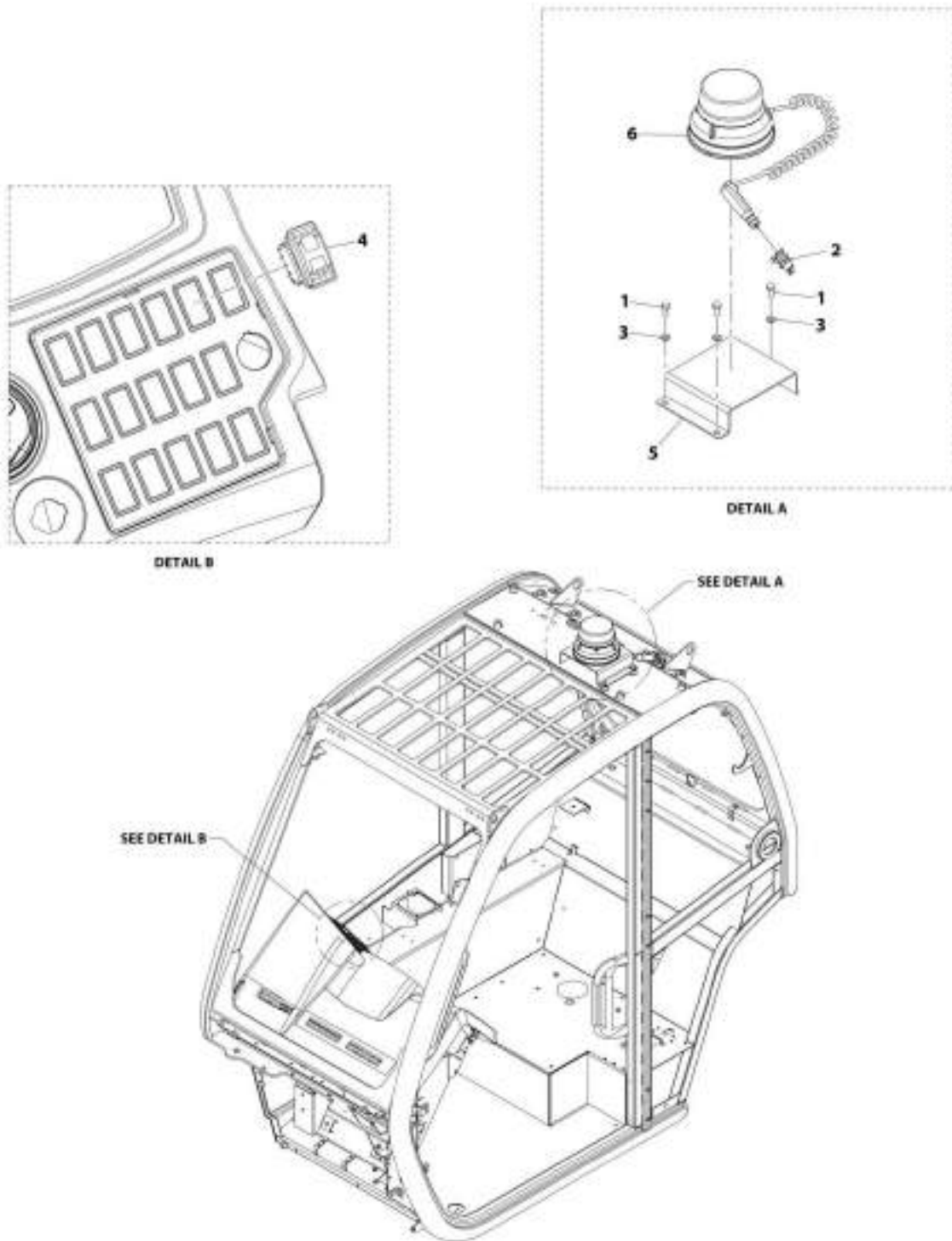
SECTION 10 - ELECTRICAL

FIGURE 10-39. BEACON INSTALLATION

ITEM	PART NUMBER	QTY	DESCRIPTION	REV
	1001171162	Ref	Beacon Installation	E
1	4461174	1	Terminal	
2	1001091573	NLA	Light, Warning, (no longer available, use 1001217623 for replacement)	
2	1001217623	1	Light, Warning	
3	1001159738	1	Switch	
4	0760808	3	Bolt, M8X16	
5	4811900	3	Washer, M8	
7	1001174796	1	Bracket	

SECTION 10 - ELECTRICAL

FIGURE 10-40. BEACON INSTALLATION (LED)



ART_1001095880-A

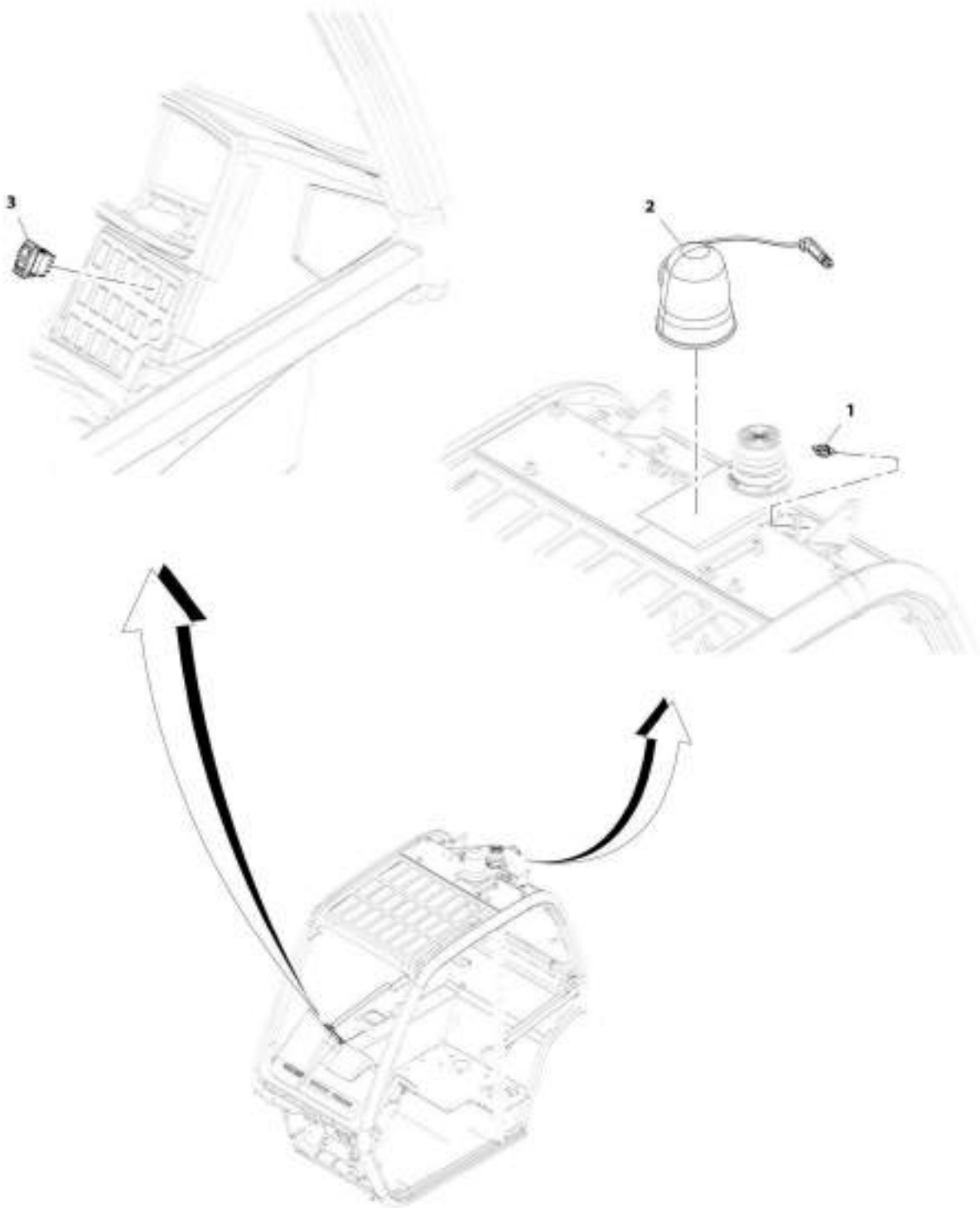
SECTION 10 - ELECTRICAL

FIGURE 10-40. BEACON INSTALLATION (LED)

ITEM	PART NUMBER	QTY	DESCRIPTION	REV
	1001195883	Ref	Beacon Installation (LED)	A
1	0760808	3	Bolt, M8X16	
2	4461174	1	Terminal	
3	4811900	3	Washer, M8	
4	1001159738	1	Switch	
5	1001174796	1	Bracket	
6	1001198893	1	Light, Beacon (LED)	

SECTION 10 - ELECTRICAL

FIGURE 10-41. BEACON (REMOTE BOOM CONTROL) INSTALLATION



ART_0001209357-0

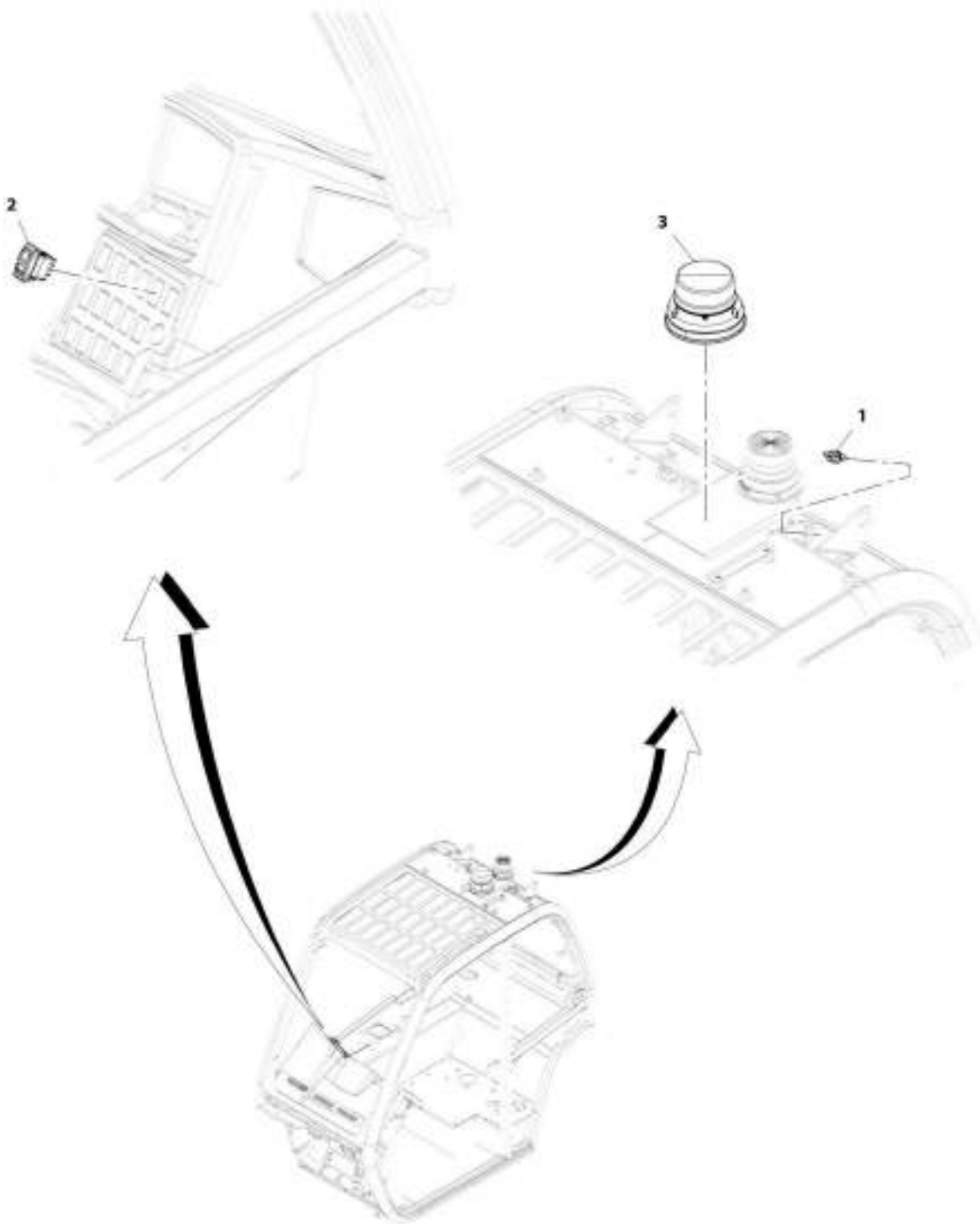
SECTION 10 - ELECTRICAL

FIGURE 10-41. BEACON (REMOTE BOOM CONTROL) INSTALLATION

ITEM	PART NUMBER	QTY	DESCRIPTION	REV
	1001209357	Ref	Beacon (Remote Boom Control) Installation	B
1	4461174	1	Terminal, 12 Volt	
2	1001217623	1	Light, Warning	
3	1001159738	1	Switch, Beacon	

SECTION 10 - ELECTRICAL

FIGURE 10-42. BEACON (LED) (REMOTE BOOM CONTROL) INSTALLATION



ART_0001209358-A

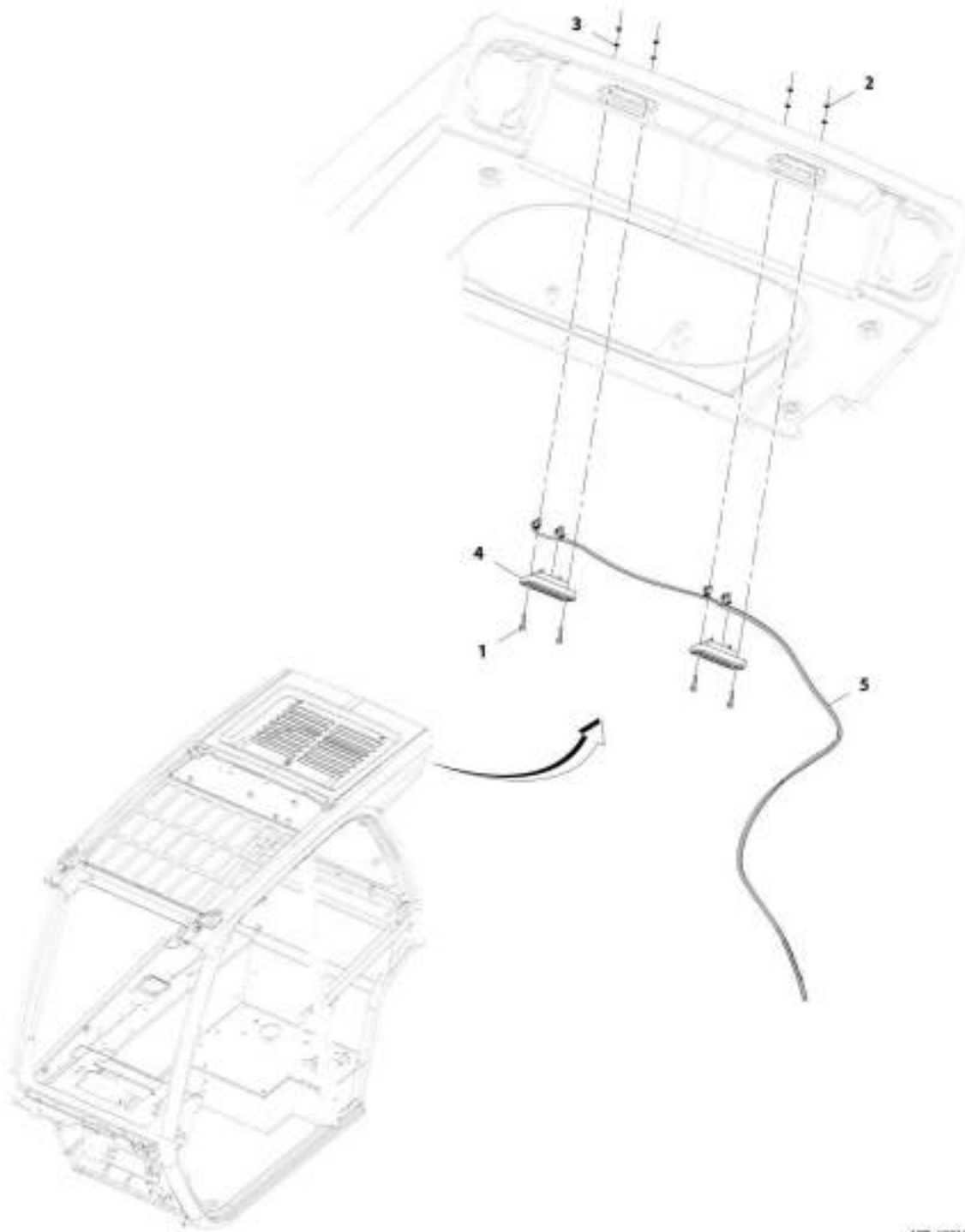
SECTION 10 - ELECTRICAL

FIGURE 10-42. BEACON (LED) (REMOTE BOOM CONTROL) INSTALLATION

ITEM	PART NUMBER	QTY	DESCRIPTION	REV
	1001209358	Ref	Beacon (LED) (Remote Boom Control) Installation	A
1	4461174	1	Terminal, 12 Volt	
2	1001159738	1	Switch, Beacon	
3	1001198893	1	Light, Warning	

SECTION 10 - ELECTRICAL

FIGURE 10-43. LICENSE PLATE LAMP INSTALLATION



ART_1001200383-B

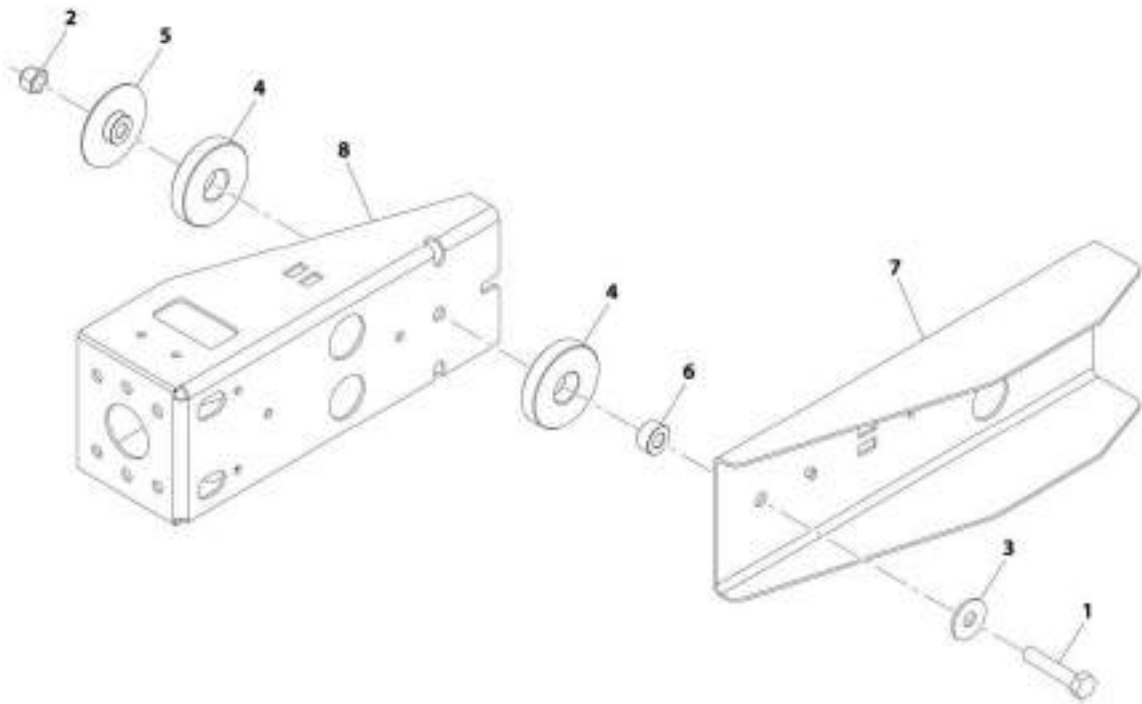
SECTION 10 - ELECTRICAL

FIGURE 10-43. LICENSE PLATE LAMP INSTALLATION

ITEM	PART NUMBER	QTY	DESCRIPTION	REV
	1001200383	Ref	License Plate Lamp Installation	B
1	0760410	4	Bolt, M4X20	
2	3290401	4	Nut, M4X0.7 Grade 8	
3	4831400	4	Washer, Lock M4	
4	1001173829	2	Lamp, License Plate	
5	1001178053	1	Harness, License Light (See Separate Breakdown in Electrical Section)	

SECTION 10 - ELECTRICAL

FIGURE 10-44. REAR LIGHT BRACKET ASSEMBLY



ART_100180112-8

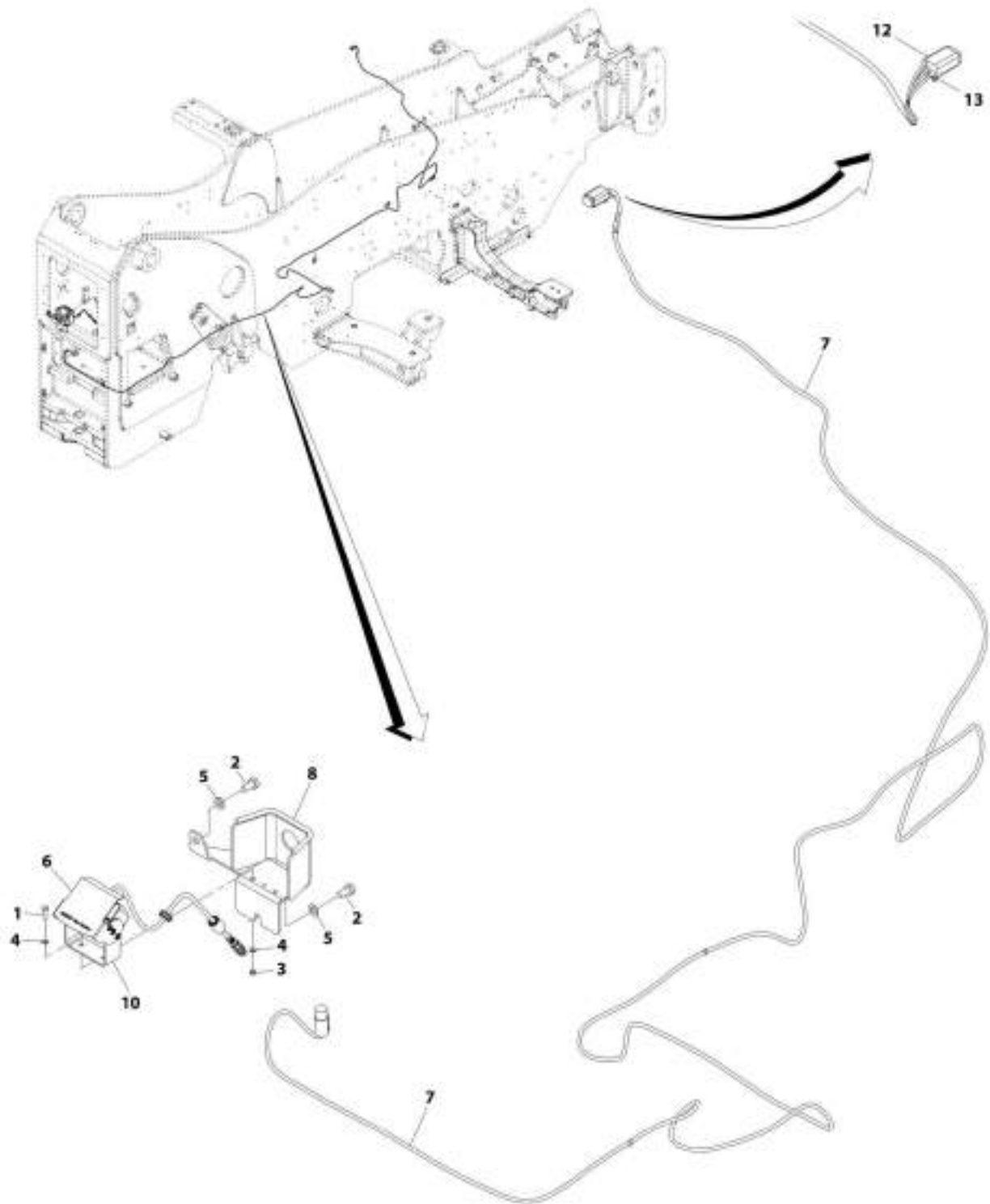
SECTION 10 - ELECTRICAL

FIGURE 10-44. REAR LIGHT BRACKET ASSEMBLY

ITEM	PART NUMBER	QTY	DESCRIPTION	REV
	1001183112	Ref	Rear Light Bracket Assembly	B
1	0701220	1	Bolt, M12X60	
2	3291205	1	Nut, Lock M12X1.75	
3	4812102	1	Washer, M12	
4	8000565	2	Washer, Rubber	
5	1001182490	1	Washer, Top Hat	
6	1001182495	1	Washer	
7	1001196217	1	Bracket	
8	1001196100	1	Bracket	

SECTION 10 - ELECTRICAL

FIGURE 10-45. REVERSE CAMERA INSTALLATION



AWT_1001192321-0

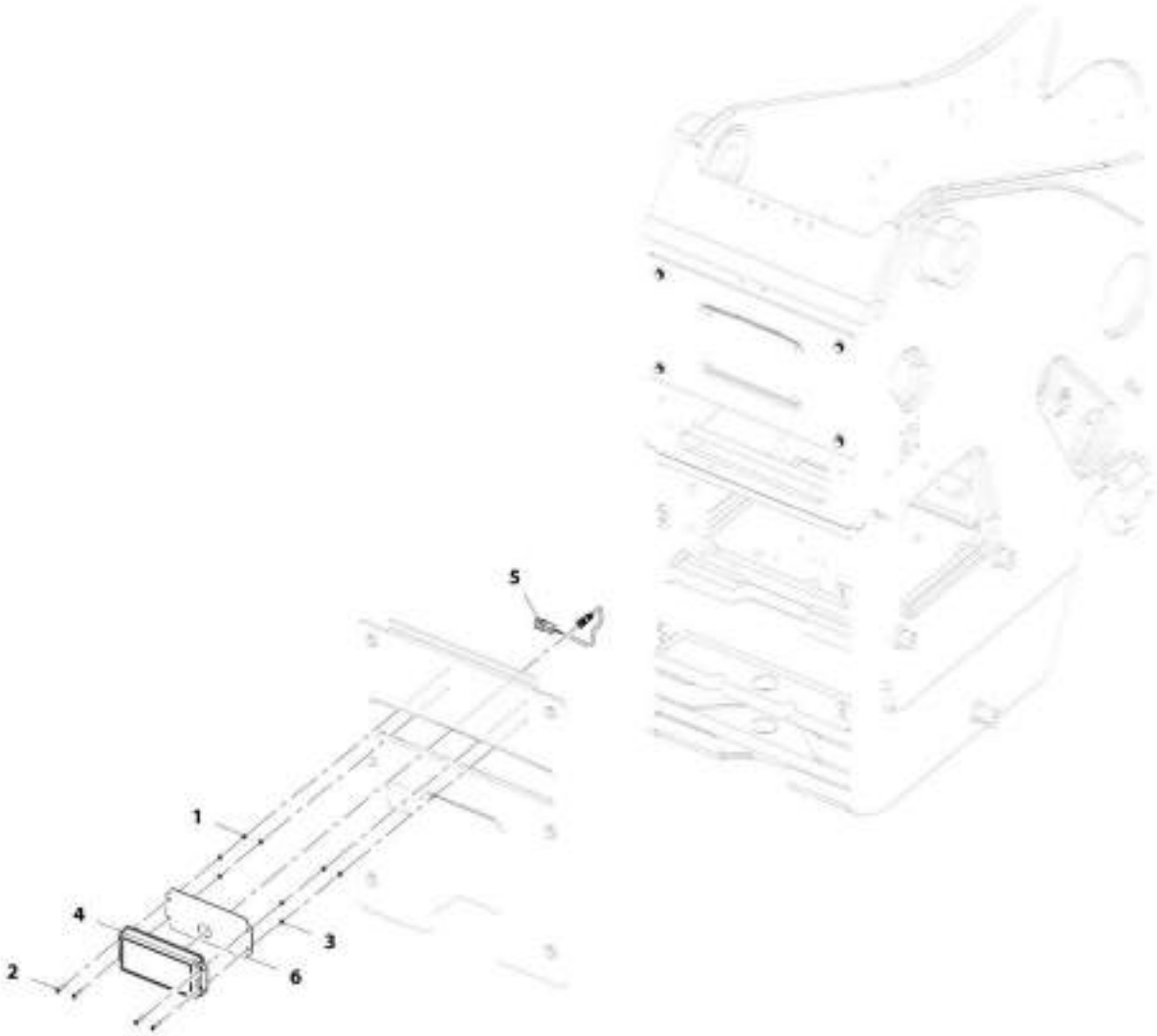
SECTION 10 - ELECTRICAL

FIGURE 10-45. REVERSE CAMERA INSTALLATION

ITEM	PART NUMBER	QTY	DESCRIPTION	REV
	1001192321	Ref	Reverse Camera Installation	G
1	0700408	2	Bolt, M4X16	
2	0760808	2	Bolt, M8X16	
3	3290401	2	Nut, M4X0.7	
4	4811400	4	Washer, M4	
5	4811900	2	Washer, M8	
6	1001167017	1	Camera, Reverse	
7	1001171962	1	Cable, Camera	
8	1001205307	1	Bracket	
10	1001202621	1	Bracket	
12	4460884	1	Connector	
13	4460466	1	Terminal	

SECTION 10 - ELECTRICAL

FIGURE 10-46. REVERSE SENSOR INSTALLATION



ART_180110332-E

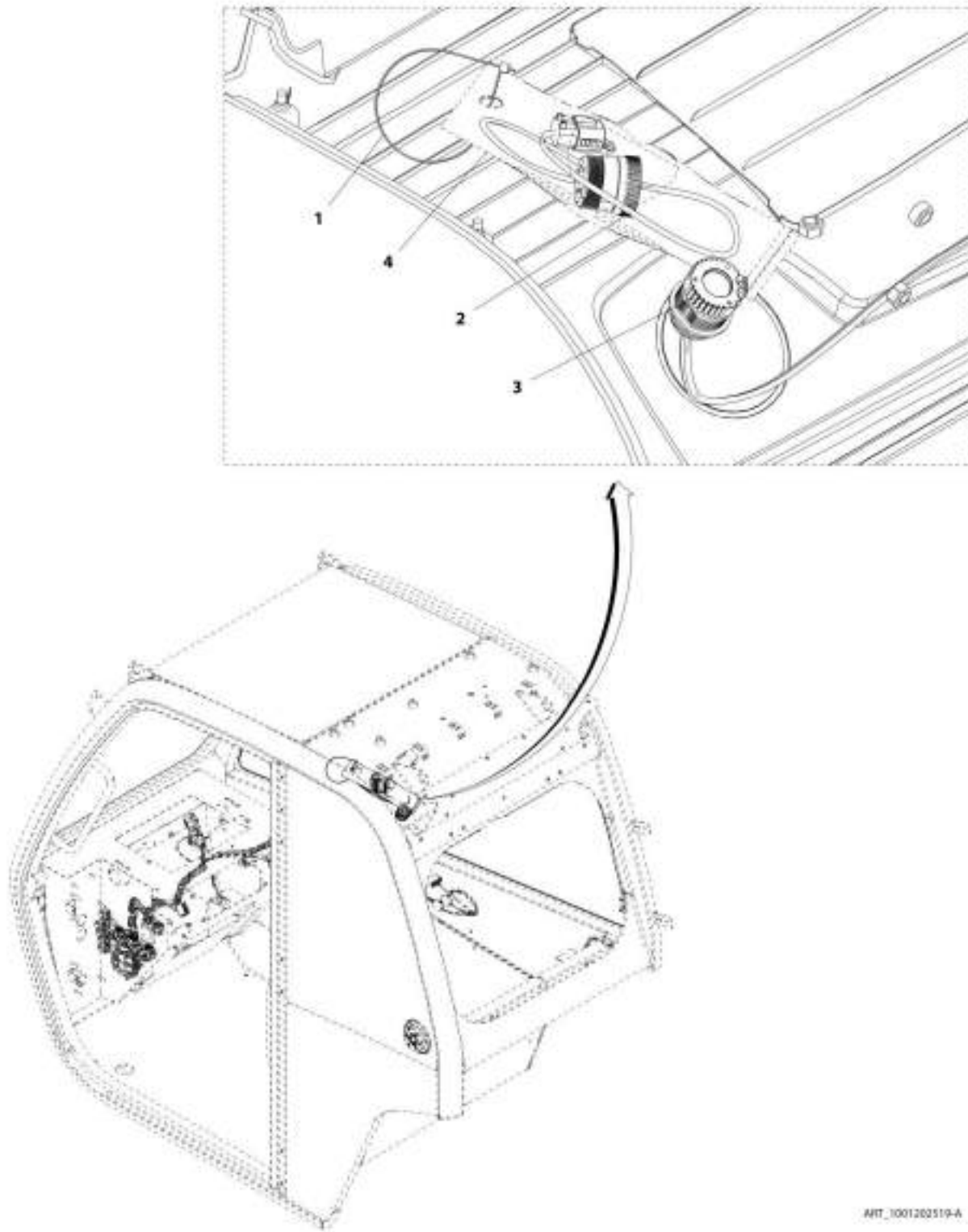
SECTION 10 - ELECTRICAL

FIGURE 10-46. REVERSE SENSOR INSTALLATION

ITEM	PART NUMBER	QTY	DESCRIPTION	REV
	1001192322	Ref	Reverse Sensor Installation	E
1	3290501	4	Nut, M5X0.8	
2	5271609	4	Screw, M5X25	
3	4811600	4	Washer, M5	
4	1001189997	1	Sensor, Reverse	
5	1001175776	1	Harness, Reverse Sensor (See Seperate Breakdown in this Section)	
6	1001231217	1	Plate	

SECTION 10 - ELECTRICAL

FIGURE 10-47. TELEMATICS READY INSTALLATION



AHT_1001202519-A

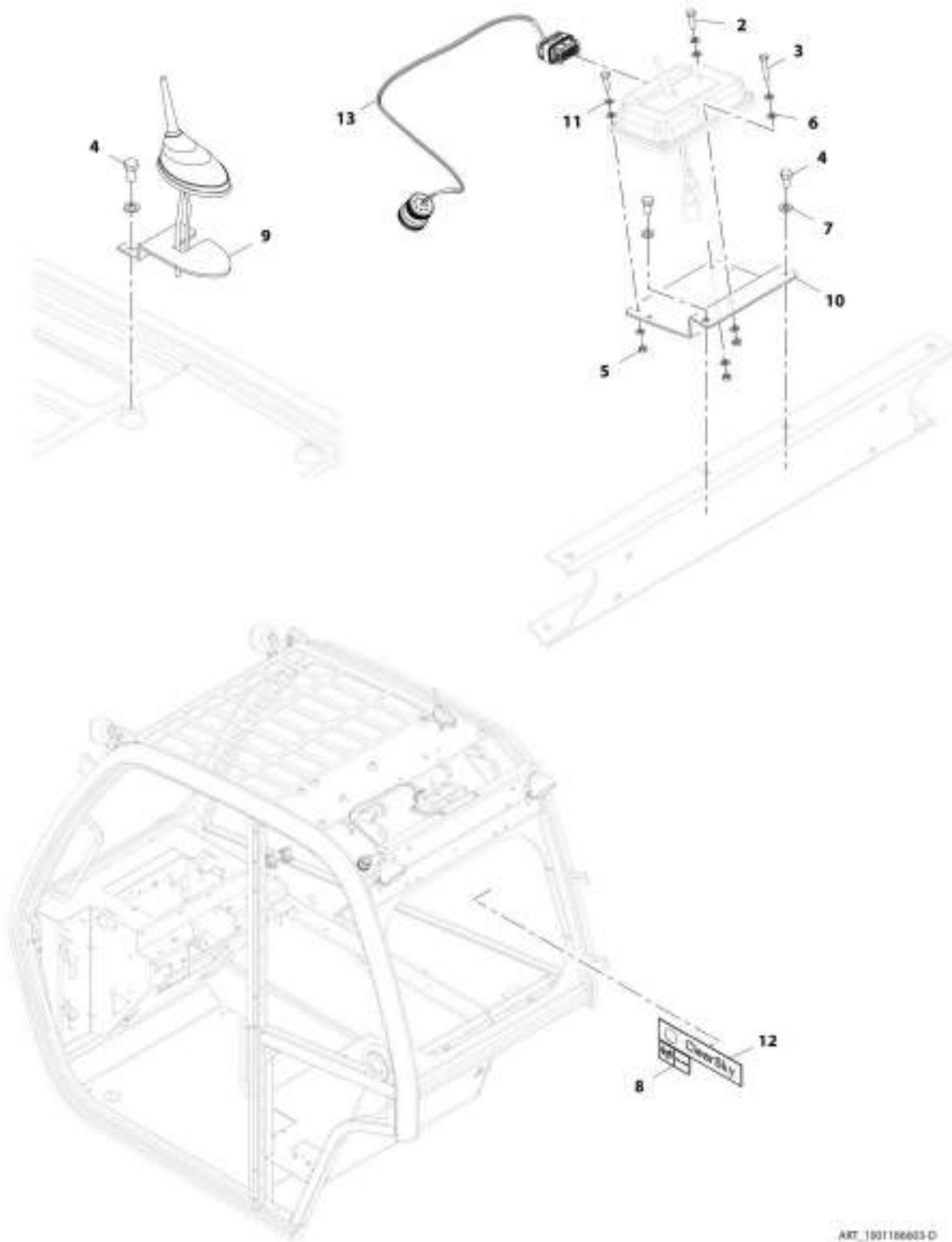
SECTION 10 - ELECTRICAL

FIGURE 10-47. TELEMATICS READY INSTALLATION

ITEM	PART NUMBER	QTY	DESCRIPTION	REV
	1001202519	Ref	Telematics Ready Installation	A
1	8584003	1	Strap, Tie	
2	1001196289	1	Harness, Telematics Ready (See Separate Breakdown in this Section)	
3	1001201162	1	Cap	
4	1001202617	1	Bag	

SECTION 10 - ELECTRICAL

FIGURE 10-48. CLEARSKY INSTALLATION (NO A/C - SHORT ROOF CAP)



ART_1901186603-D

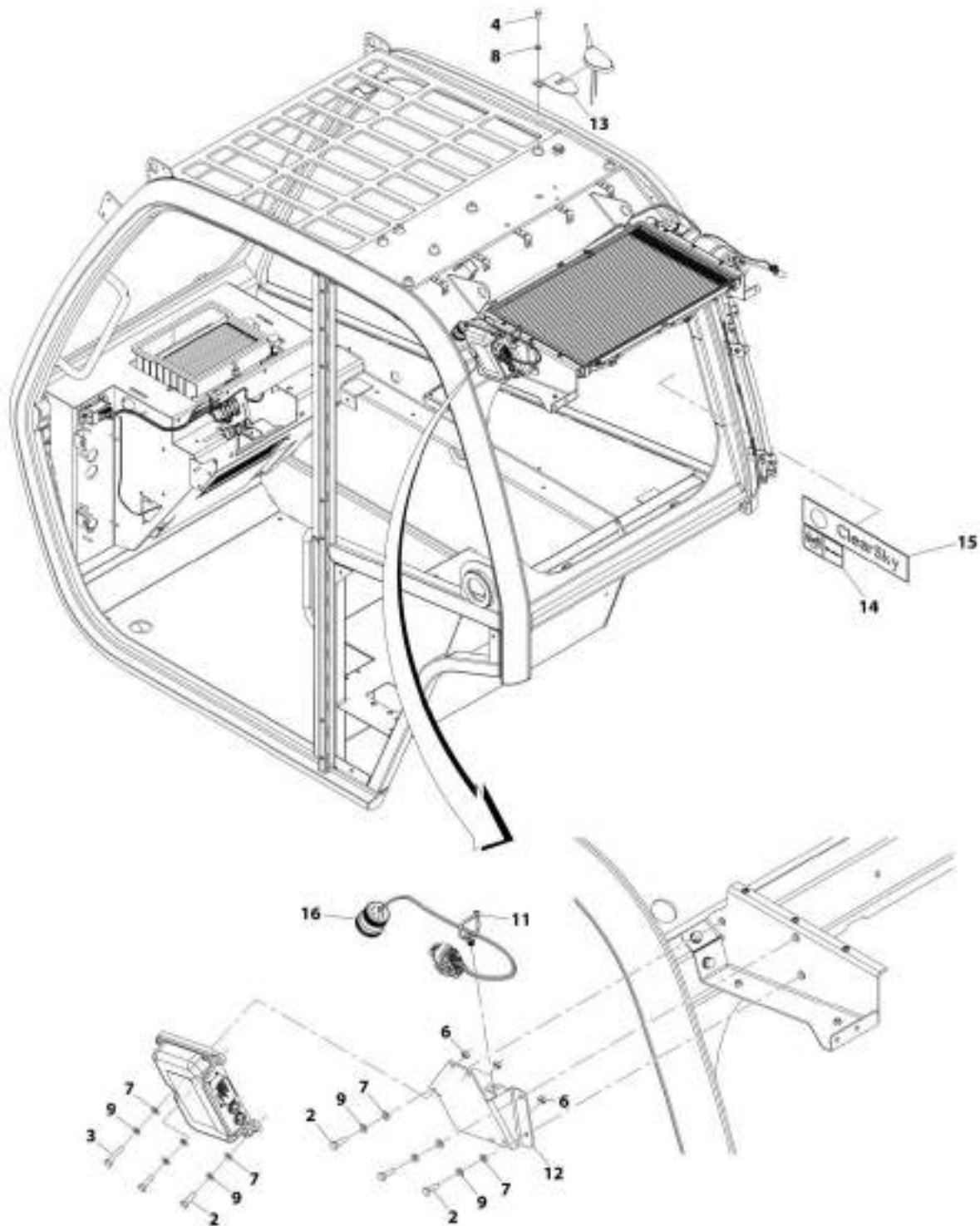
SECTION 10 - ELECTRICAL

FIGURE 10-48. CLEARSKY INSTALLATION (NO A/C - SHORT ROOF CAP)

ITEM	PART NUMBER	QTY	DESCRIPTION	REV
	1001186603	Ref	Clearsky Installation (No A/C - Short Roof Cap)	D
2	0700610	2	Bolt, M6X20	
3	0700614	1	Bolt, M6X30	
4	0760808	3	Bolt, M8X16	
5	3290601	3	Nut, M6X1 Grade 8	
6	4811700	6	Washer, M6	
7	4811900	3	Washer, M8	
8	1001120989	1	Decal, Radio Frequency	
9	1001174372	1	Bracket, Antenna	
10	1001185722	1	Bracket	
11	4831700	3	Washer, Lock M6	
12	1001116208	1	Decal, Clearsky	
13	1001196452	1	Harness, Clearsky (See Separate Breakdown in this Section)	

SECTION 10 - ELECTRICAL

FIGURE 10-49. CLEARSKY INSTALLATION (A/C - LONG ROOF CAP)



ART_1001174308-G

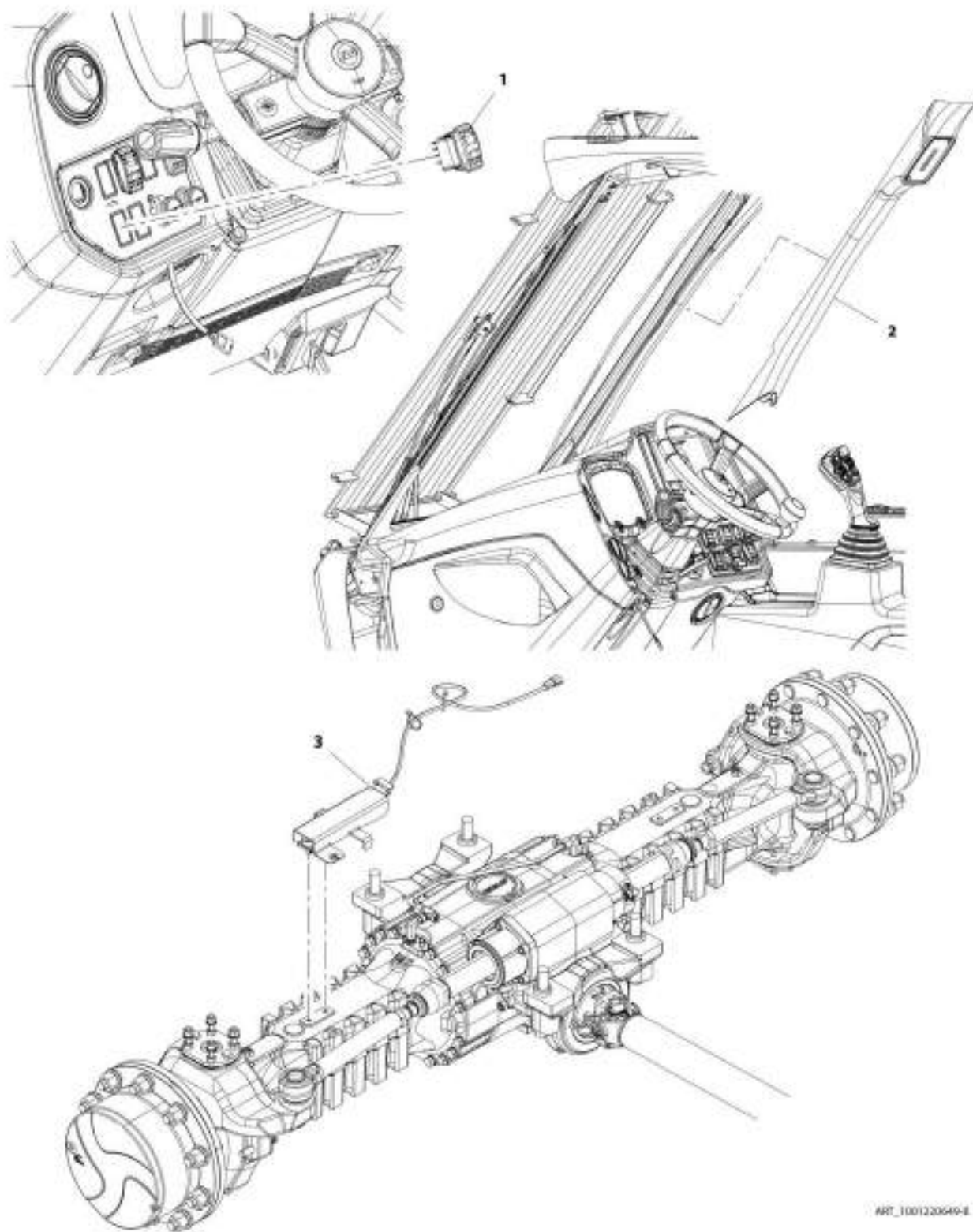
SECTION 10 - ELECTRICAL

FIGURE 10-49. CLEARSKY INSTALLATION (A/C - LONG ROOF CAP)

ITEM	PART NUMBER	QTY	DESCRIPTION	REV
	1001174368	Ref	Clearsky Installation (A/C - Long Roof Cap)	G
2	0700610	5	Bolt, M6X20	
3	0700614	1	Bolt, M6X30	
4	0760808	1	Bolt, M8X16	
6	3290601	3	Nut, M6X1 Grade 8	
7	4811700	6	Washer, M6	
8	4811900	1	Washer, M8	
9	4831700	6	Washer, Lock M6	
11	1001146588	1	Strap, Cable	
12	1001220947	1	Bracket	
13	1001174372	1	Bracket, Antenna	
14	1001120989	1	Decal, Radio Frequency	
15	1001116208	1	Decal, Clearsky	
16	1001196452	1	Harness, Clearsky (See Separate Breakdown in this Section)	

SECTION 10 - ELECTRICAL

FIGURE 10-50. LSI INSTALLATION



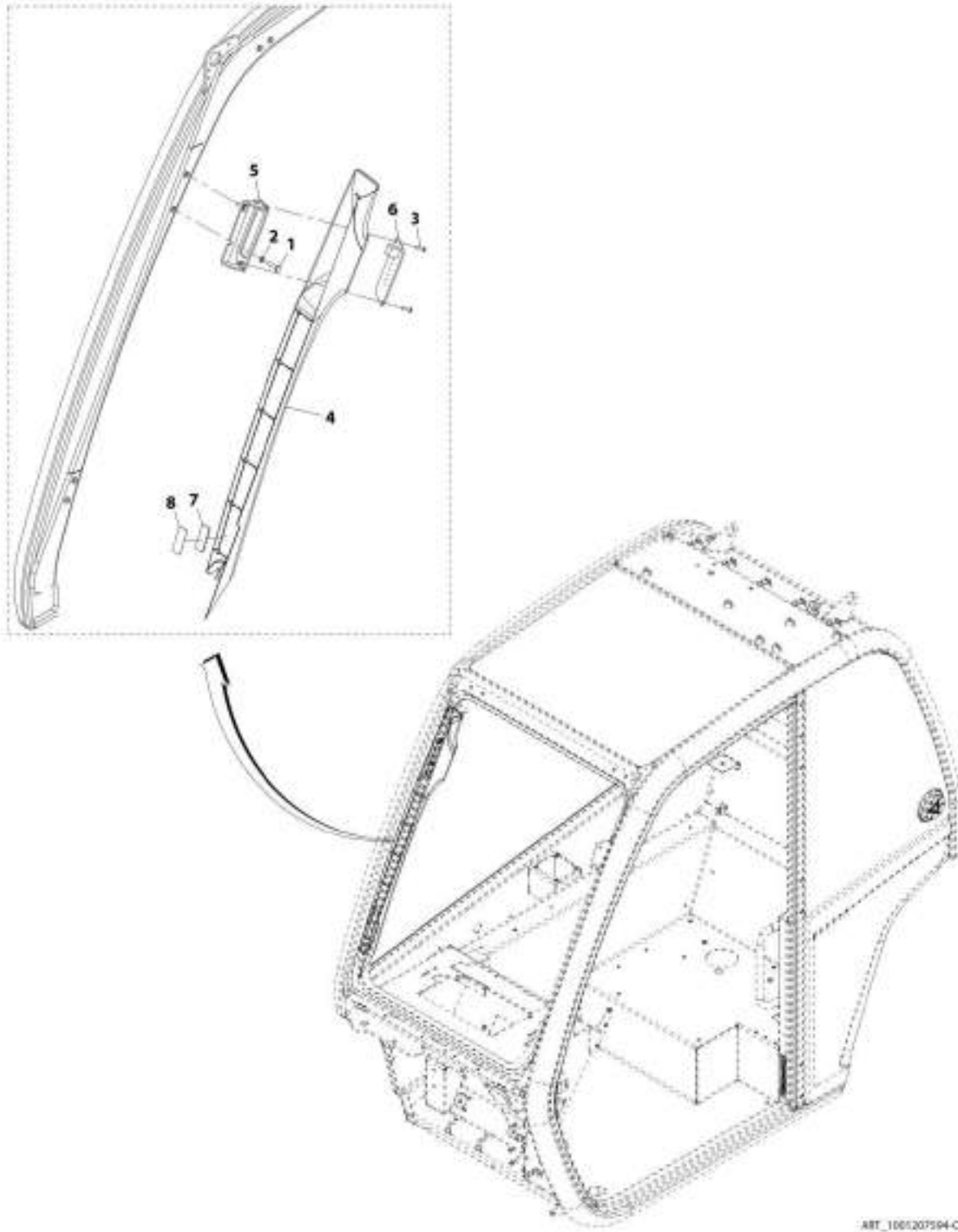
SECTION 10 - ELECTRICAL

FIGURE 10-50. LSI INSTALLATION

ITEM	PART NUMBER	QTY	DESCRIPTION	REV
	1001220649	Ref	LSI Installation	B
1	1001159742	1	Switch, LSI Override	
2	1001207594	Ref	Installation, LSI Display (See Seperate Breakdown in this Section)	
3	1001220650	Ref	Installation, LSI Sensor (See Seperate breakdown in this Section)	

SECTION 10 - ELECTRICAL

FIGURE 10-51. LSI DISPLAY INSTALLATION



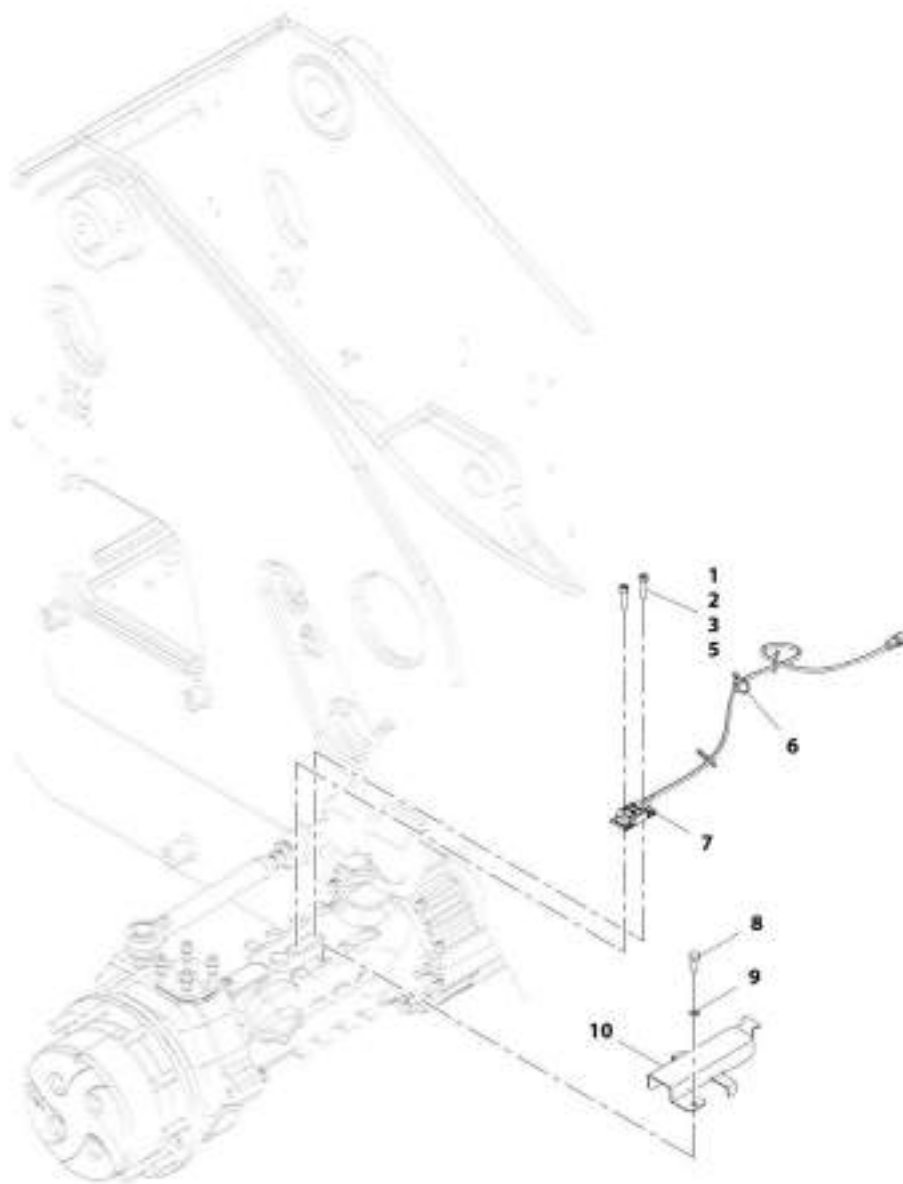
SECTION 10 - ELECTRICAL

FIGURE 10-51. LSI DISPLAY INSTALLATION

ITEM	PART NUMBER	QTY	DESCRIPTION	REV
	1001207594	Ref	LSI Display Installation	C
1	0760610	2	Bolt, M6X20	
2	4811700	2	Washer, M6	
3	1001126837	2	Screw, M4X16	
4	1001182839	1	Cover	
5	1001214401	1	Bracket	
6	1001213752	1	Display, LSI	
7	1001221318	1	Tape, Hook Fastener	
8	1001221319	1	Tape, Hook Fastener	

SECTION 10 - ELECTRICAL

FIGURE 10-52. LSI SENSOR INSTALLATION



ART_180122850-B

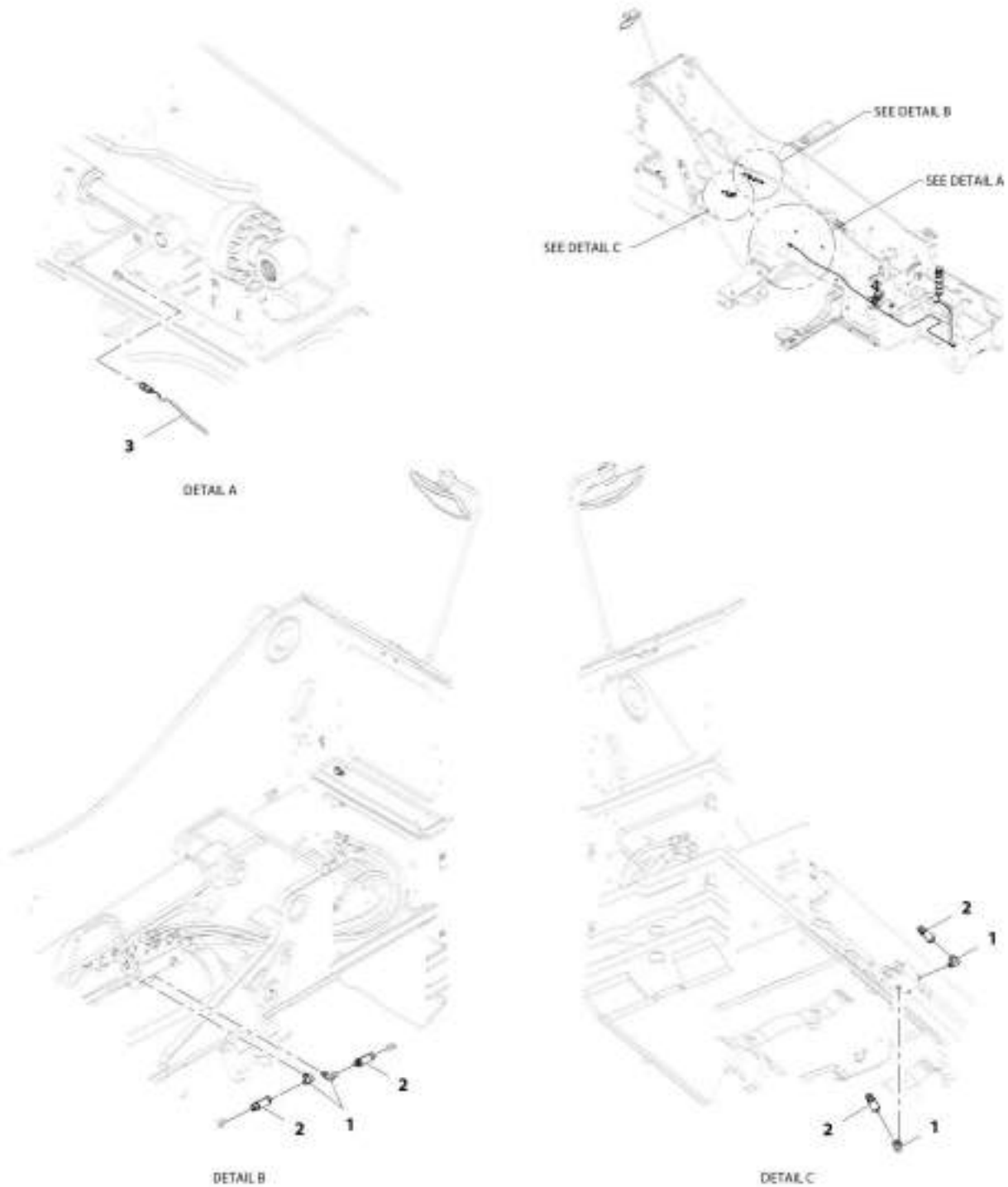
SECTION 10 - ELECTRICAL

FIGURE 10-52. LSI SENSOR INSTALLATION

ITEM	PART NUMBER	QTY	DESCRIPTION	REV
	1001220650	Ref	LSI Sensor Installation	B
1	5272012	2	Bolt, M10X40	
2	1001116128	AR	Sealant	
3	1001125465	AR	Compound, Locking	
5	1001129425	AR	Compound, Locking	
6	1001008559	3	Strap, Cable	
7	1001160730	1	Sensor, LSI	
8	0761010	1	Bolt, M10X20	
9	4812000	1	Washer, M10	
10	1001230850	1	Bracket, LSI Cover	

SECTION 10 - ELECTRICAL

FIGURE 10-53. LMIS INSTALLATION (HIGH END DISPLAY)



ART_1801182549-B

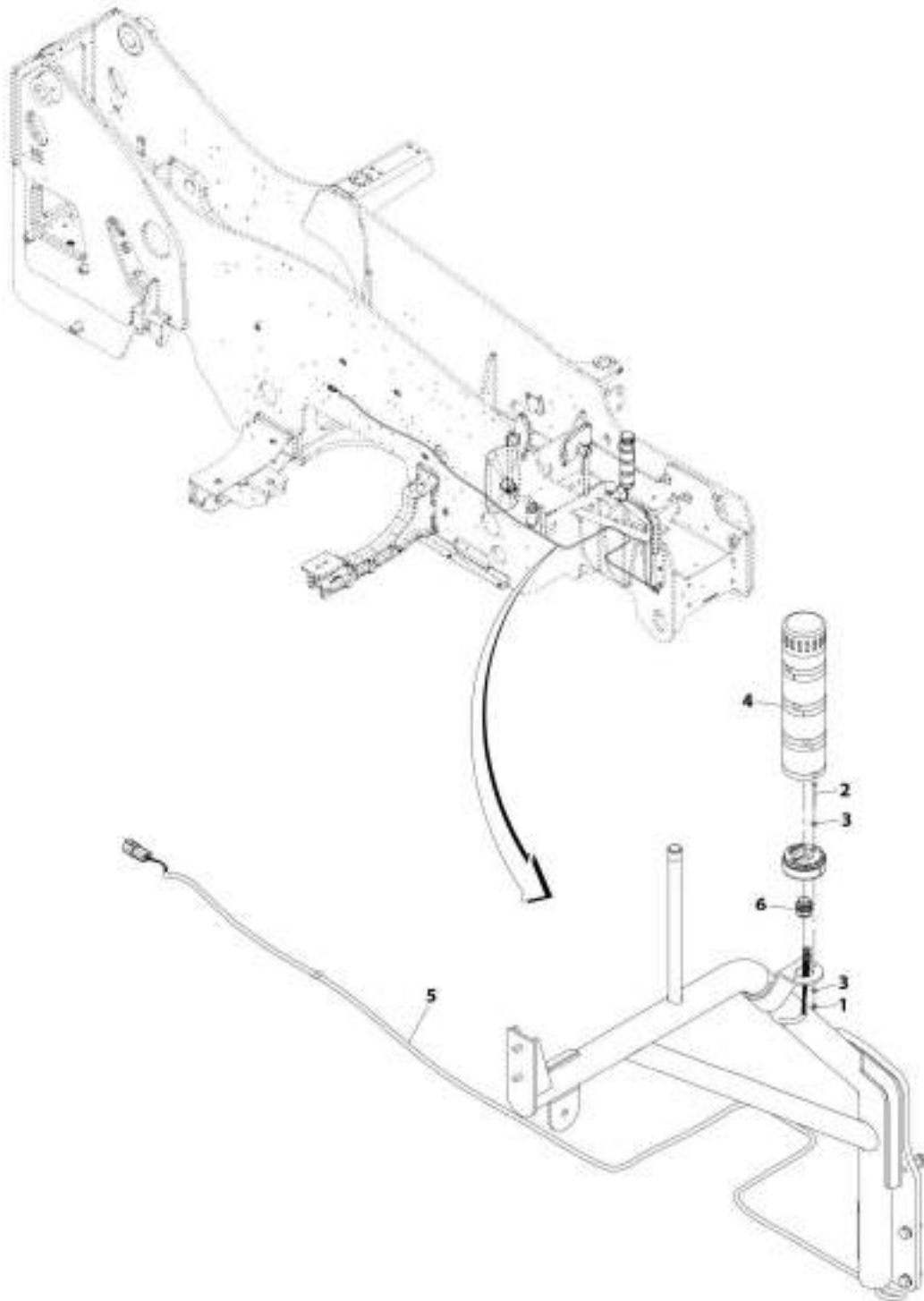
SECTION 10 - ELECTRICAL

FIGURE 10-53. LMIS INSTALLATION (HIGH END DISPLAY)

ITEM	PART NUMBER	QTY	DESCRIPTION	REV
	1001183549	Ref	LMIS Installation (High End Display)	B
1	1001101855	4	Fitting, 90	
2	1001162885	4	Sensor, LMIS	
3	1001195591	1	Installation, LMIS Beacon Light (See Seperate Breakdown in this Section)	

SECTION 10 - ELECTRICAL

FIGURE 10-54. LMIS BEACON LIGHT INSTALLATION



ART_100195581-D

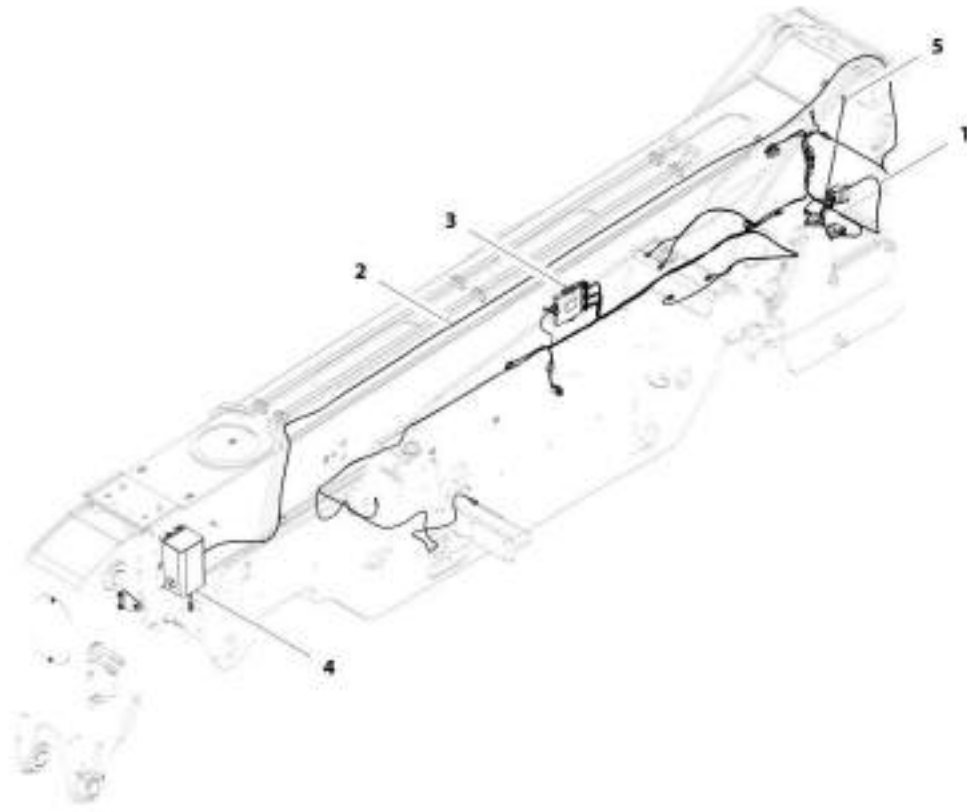
SECTION 10 - ELECTRICAL

FIGURE 10-54. LMIS BEACON LIGHT INSTALLATION

ITEM	PART NUMBER	QTY	DESCRIPTION	REV
	1001195591	Ref	LMIS Beacon Light Installation	D
1	3290405	2	Nut, Lock M4X0.7	
2	4010416	2	Screw, M4X40	
3	4811400	4	Washer, M4	
4	1001108661	1	Light, LMIS Beacon	
5	1001117247	1	Harness, LMIS Beacon Option (See Seperate Breakdown in this Section)	
6	E000269	1	Relief, Strain	

SECTION 10 - ELECTRICAL

FIGURE 10-55. LMIS CONTROL PACKAGE INSTALLATION



ART_1801160431-F

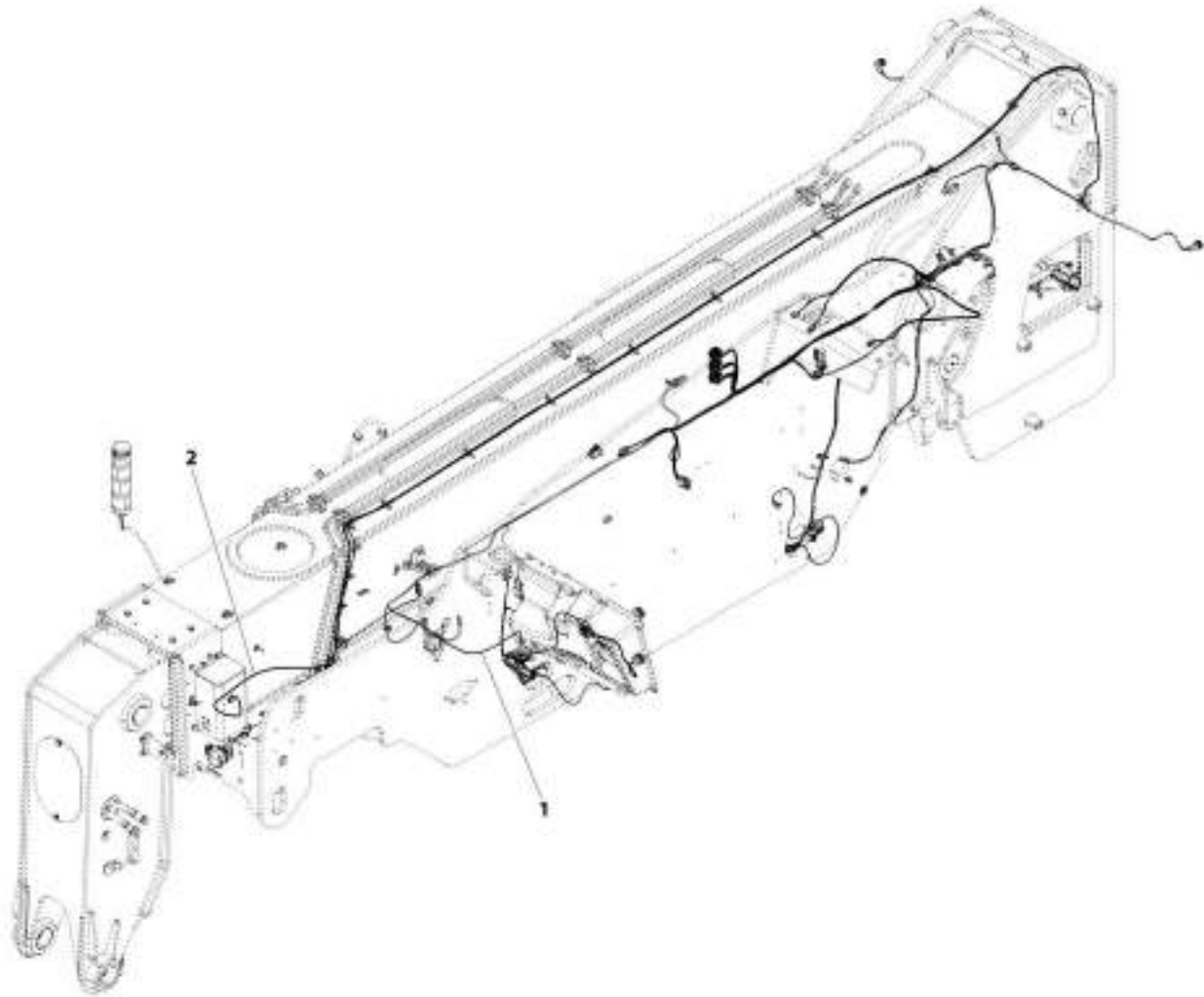
SECTION 10 - ELECTRICAL

FIGURE 10-55. LMIS CONTROL PACKAGE INSTALLATION

ITEM	PART NUMBER	QTY	DESCRIPTION	REV
	1001192431	Ref	LMIS Control Package Installation	F
1	1001195200	1	Installation, Tilt Sensor (See Seperate Breakdown in this Section)	
2	1001195201	1	Installation, LMIS Wiring (See Seperate Breakdown in this Section)	
3	1001195471	1	Installation, LMIS Controller (See Seperate Breakdown in this Section)	
4	1001195473	1	Installation, LMIS Cable Reel (See Seperate Breakdown in this Section)	
5	1001195590	1	Installation, Boom Angle Sensor (LMIS) (See Seperate Breakdown in this Section)	

SECTION 10 - ELECTRICAL

FIGURE 10-56. LMIS WIRING INSTALLATION



ART. 100195201-0

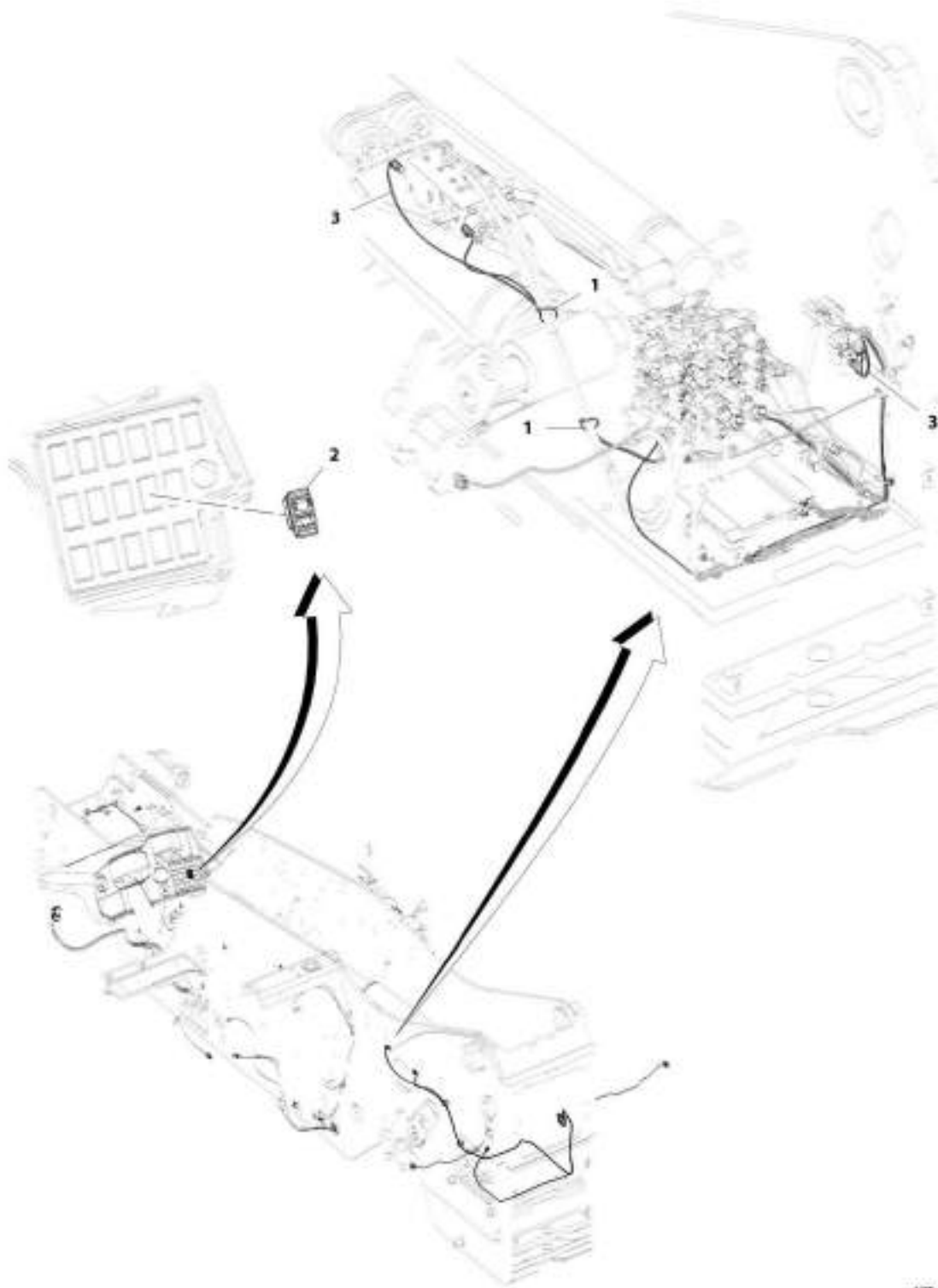
SECTION 10 - ELECTRICAL

FIGURE 10-56. LMIS WIRING INSTALLATION

ITEM	PART NUMBER	QTY	DESCRIPTION	REV
1	1001195201	Ref	LMIS Wiring Installation	D
	1001184795	1	Harness, Chassis Option (See Seperate Breakdown in this Section)	
2	1001192619	1	Harness, LMIS Boom (See Seperate Breakdown in this Section)	

SECTION 10 - ELECTRICAL

FIGURE 10-57. RIDE CONTROL WIRING INSTALLATION



AWT_3301200105-B

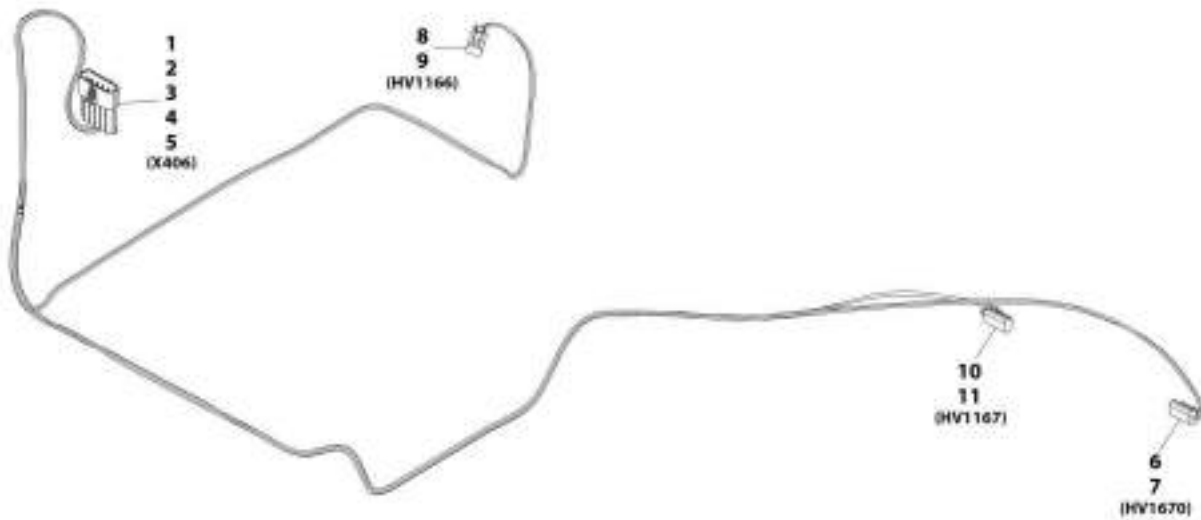
SECTION 10 - ELECTRICAL

FIGURE 10-57. RIDE CONTROL WIRING INSTALLATION

ITEM	PART NUMBER	QTY	DESCRIPTION	REV
	1001200105	Ref	Ride Control Wiring Installation	B
1	1001008559	2	Strap, Cable Tie	
2	1001159745	1	Switch, Boom Ride	
3	1001197668	1	Harness, Boom Ride Float (See Separate Breakdown in this Section)	

SECTION 10 - ELECTRICAL

FIGURE 10-58. BOOM RIDE CONTROL HARNESS



MIT_1001157855-C

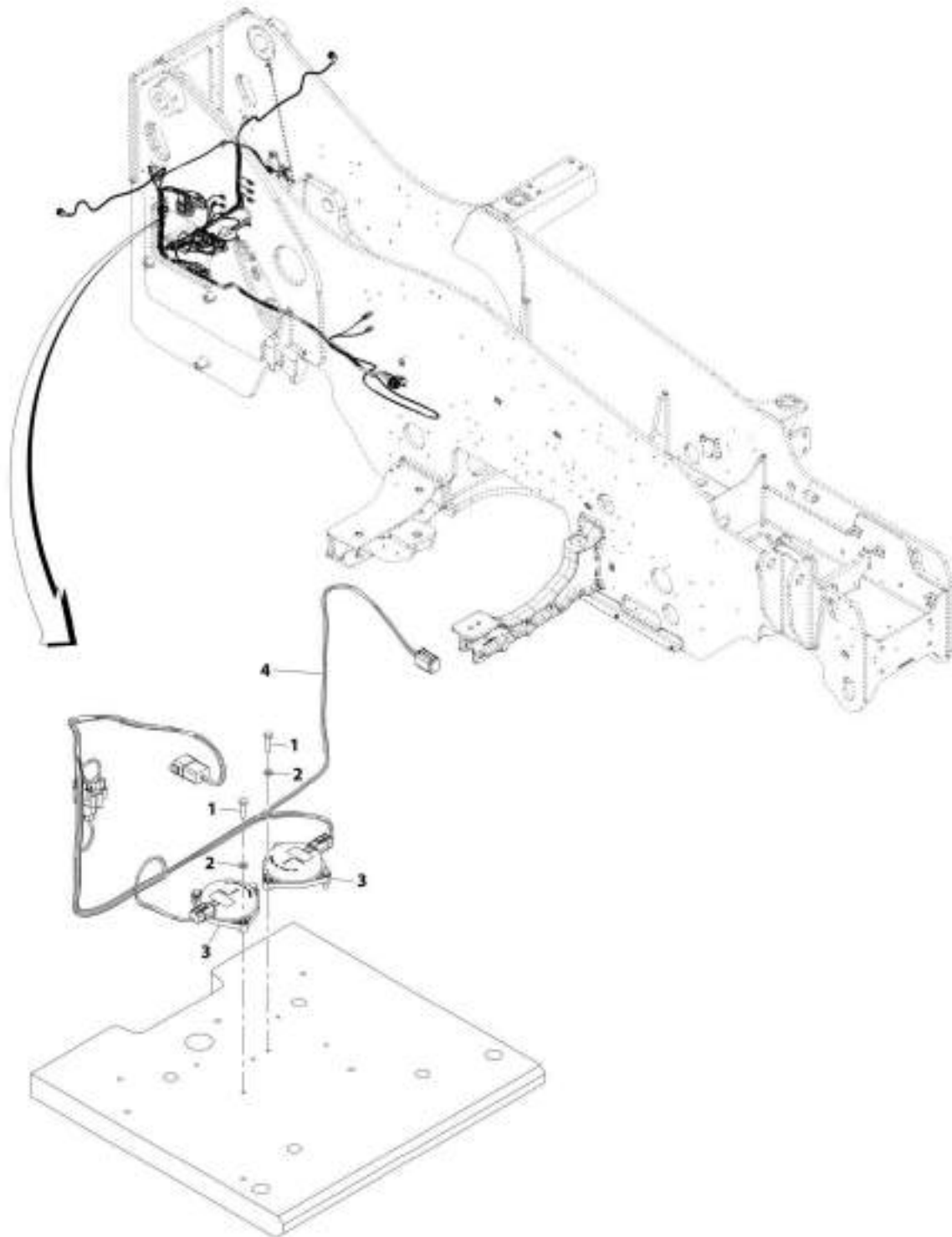
SECTION 10 - ELECTRICAL

FIGURE 10-58. BOOM RIDE CONTROL HARNESS

ITEM	PART NUMBER	QTY	DESCRIPTION	REV
	1001197668	Ref	Boom Ride Control Harness	C
1	1001121727	1	Connector	
2	1001116745	3	Terminal	
3	1001116729	1	Terminal	
4	4460458	4	Terminal Seal	
5	1001116727	1	Plug	
6	4460891	1	Connector	
7	4460465	2	Terminal	
8	4460891	1	Connector	
9	4460465	2	Terminal	
10	4460891	1	Connector	
11	4460465	2	Terminal	

SECTION 10 - ELECTRICAL

FIGURE 10-59. TILT SENSOR INSTALLATION



ART_1001195200-B

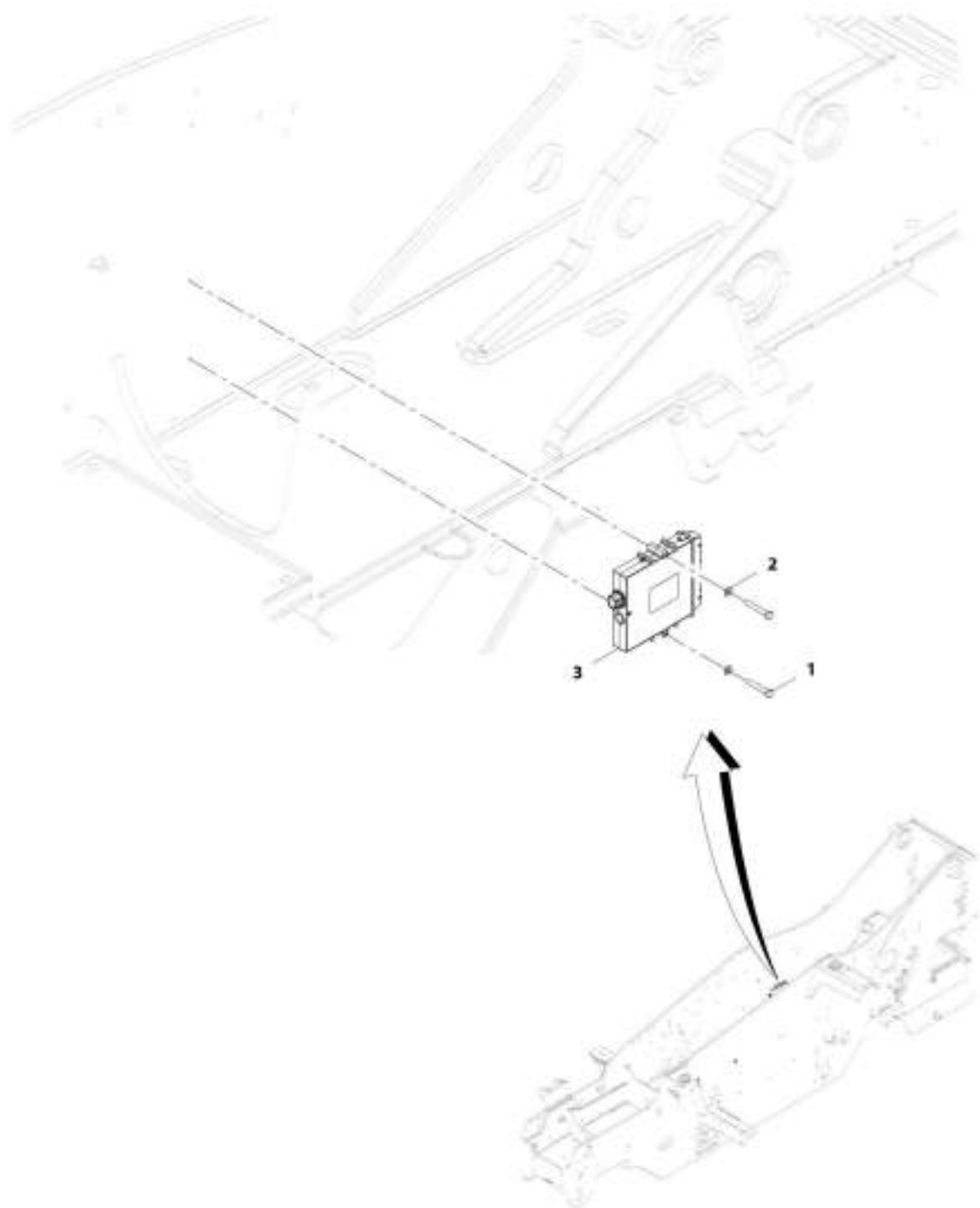
SECTION 10 - ELECTRICAL

FIGURE 10-59. TILT SENSOR INSTALLATION

ITEM	PART NUMBER	QTY	DESCRIPTION	REV
	1001195200	Ref	Tilt Sensor Installation	B
1	0700612	6	Bolt, M6X25	
2	4811700	6	Washer, M6	
3	1001163095	2	Sensor, Tilt	
4	1001195202	1	Harness, Platform Ready (See Seperate Breakdown in this Section)	

SECTION 10 - ELECTRICAL

FIGURE 10-60. LMIS CONTROLLER INSTALLATION



ART_1801195471-B

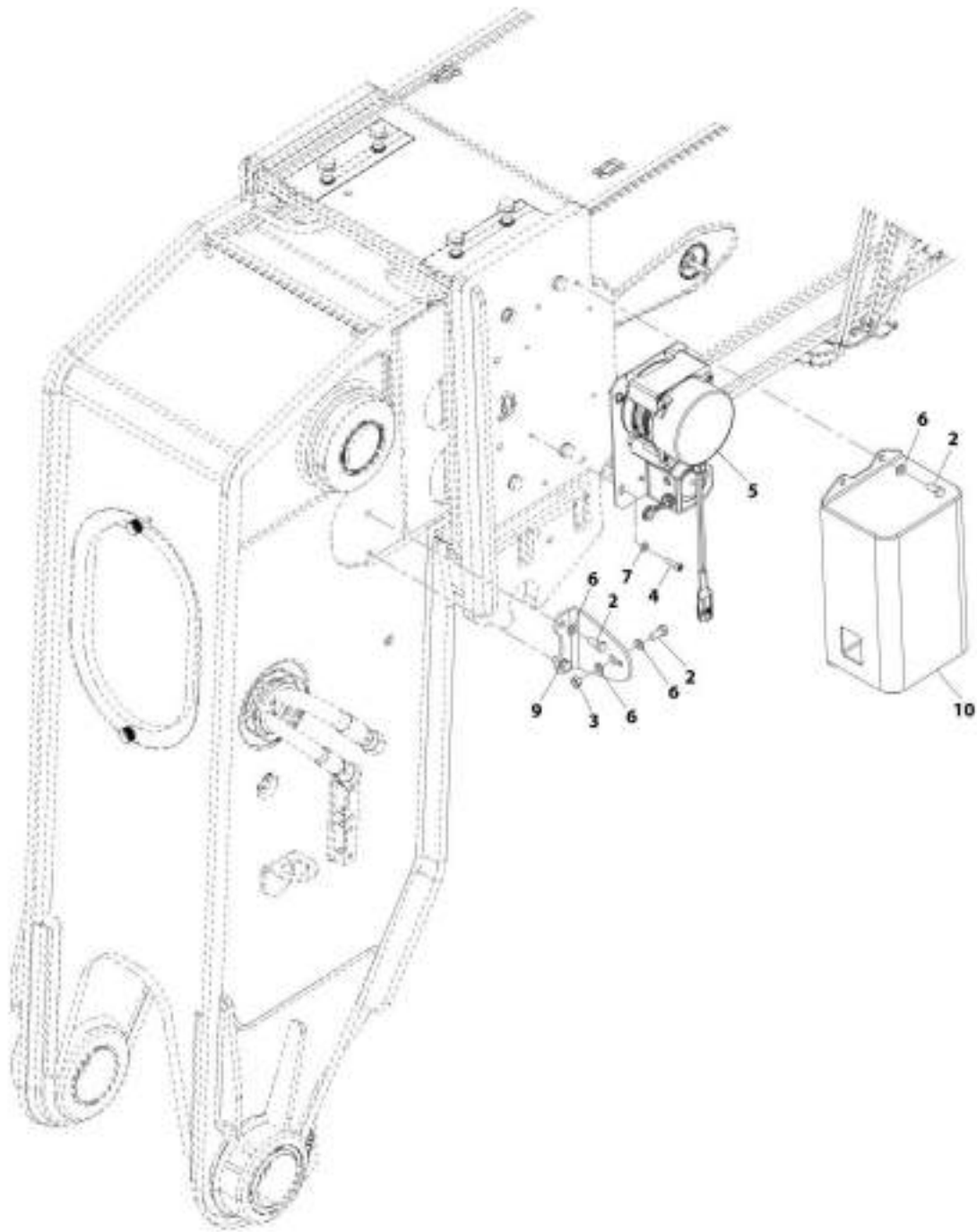
SECTION 10 - ELECTRICAL

FIGURE 10-60. LMIS CONTROLLER INSTALLATION

ITEM	PART NUMBER	QTY	DESCRIPTION	REV
	1001195471	Ref	LMIS Controller Installation	B
1	0700818	2	Bolt, M8X50	
2	4811900	2	Washer, M8	
3	1001179901	1	Module, LMIS Control	

SECTION 10 - ELECTRICAL

FIGURE 10-61. LMIS CABLE REEL INSTALLATION



KRT_1001185473-D

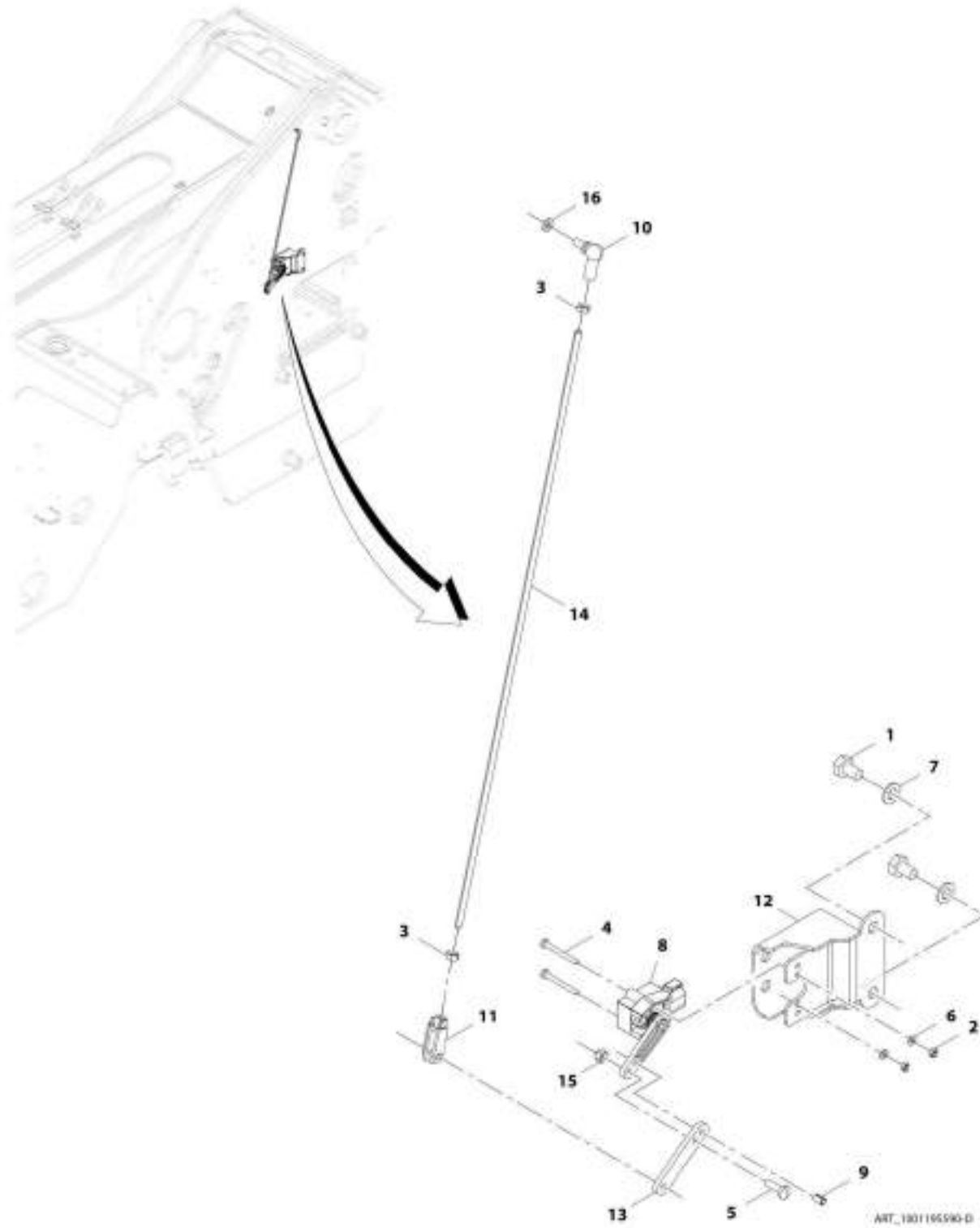
SECTION 10 - ELECTRICAL

FIGURE 10-61. LMIS CABLE REEL INSTALLATION

ITEM	PART NUMBER	QTY	DESCRIPTION	REV
	1001195473	Ref	LMIS Cable Reel Installation	D
2	0760810	7	Bolt, M8X20	
3	3290801	1	Nut, M8X1.25	
4	4031708	4	Screw, M6X20	
5	1001223903	1	Sensor, Boom Length	
6	4811900	8	Washer, M8	
7	5240600	4	Washer, M6	
9	1001224127	1	Bracket	
10	1001224128	1	Panel	

SECTION 10 - ELECTRICAL

FIGURE 10-62. BOOM ANGLE SENSOR INSTALLATION (LMIS)



SECTION 10 - ELECTRICAL

FIGURE 10-62. BOOM ANGLE SENSOR INSTALLATION (LMIS)

ITEM	PART NUMBER	QTY	DESCRIPTION	REV
	1001195590	Ref	Boom Angle Sensor Installation (LMIS)	D
1	0761008	2	Bolt, M10X16	
2	3290405	2	Nut, Lock M4X0.7	
3	3290601	2	Nut, M6X1	
4	4010416	2	Screw, M4X40	
5	4010610	1	Screw, M6X20	
6	4811400	2	Washer, M4	
7	4812000	2	Washer, M10	
8	1001099717	1	Sensor, Boom Angle	
9	1001103156	1	Pin	
10	1001103300	1	Fitting, Ball Joint	
11	1001134274	1	Clevis	
12	1001213775	1	Bracket	
13	1001195731	1	Link, Boom Angle Sensor	
14	1001195732	1	Rod	
15	3290605	1	Nut, Lock M6X1	
16	4811700	1	Washer, M6	

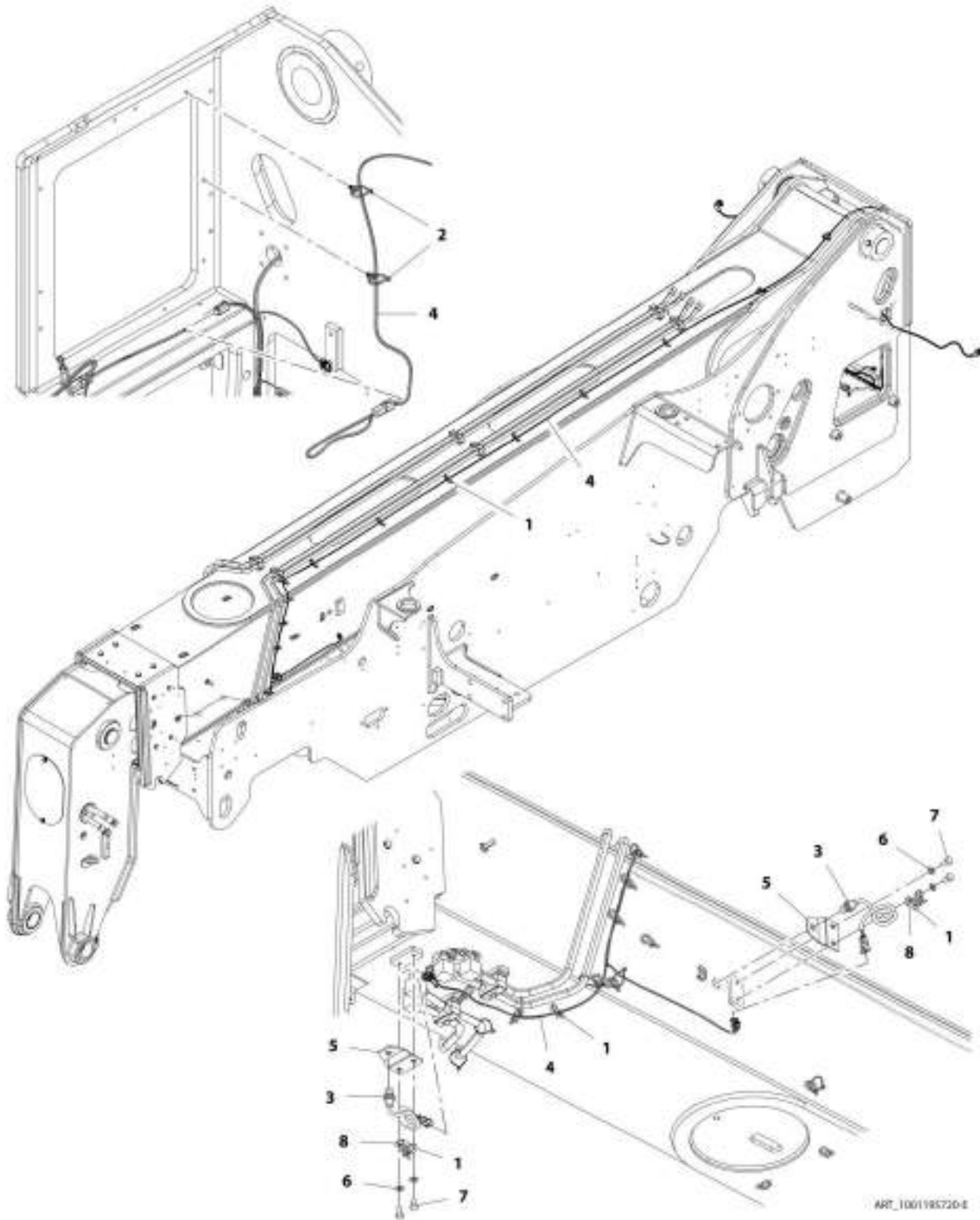
SECTION 10 - ELECTRICAL

FIGURE 10-63. BOOM ANGLE SENSOR INSTALLATION (NO LMIS)

ITEM	PART NUMBER	QTY	DESCRIPTION	REV
	1001192430	Ref	Boom Angle Sensor Installation (no LMIS)	D
1	0761008	2	Bolt, M10X16	
2	3290405	2	Nut, Lock M4X0.7	
3	3290601	2	Nut, M6X1	
4	4000015	1	Sensor, Boom Angle	
5	4010610	1	Screw, M6X20	
6	4811400	2	Washer, M4	
7	4812000	2	Washer, M10	
8	1001103156	1	Pin	
9	1001103300	1	Fitting, Ball Joint	
10	1001126837	2	Screw, M4X16	
11	1001134274	1	Clevis	
12	1001213775	1	Bracket	
13	1001195731	1	Link	
14	1001195732	1	Rod	
15	3290605	1	Nut, Lock M6X1	
16	4811700	1	Washer, M6	

SECTION 10 - ELECTRICAL

FIGURE 10-64. BOOM RETRACT SENSOR INSTALLATION



SECTION 10 - ELECTRICAL

FIGURE 10-64. BOOM RETRACT SENSOR INSTALLATION

ITEM	PART NUMBER	QTY	DESCRIPTION	REV
	1001195720	Ref	Boom Retract Sensor Installation	E
1	1001008923	19	Strap, Cable	
2	1001146588	2	Strap, Fir Tree Cable Tie	
3	1001183024	2	Sensor	
4	1001195953	1	Harness, Proximity Sensor	
5	1001210567	2	Bracket	
6	4812000	4	Washer, M10	
7	0761009	4	Bolt	
8	1001003305	2	Clip	

SECTION 10 - ELECTRICAL

FIGURE 10-65. ENGINE HARNESS (ULS)

ITEM	PART NUMBER	QTY	DESCRIPTION	REV
	1001200108	Ref	Engine Harness (ULS)	I
1	1001202723	1	Connector	
2	1001167623	5	Plug	
3	1001166555	13	Terminal	
4	1001167621	50	Terminal	
5	1001167622	37	Plug	
6	4460539	1	Connector	
7	4460465	3	Terminal	
8	1001126487	1	Connector	
9	1001167635	2	Terminal	
10	1001126485	2	Terminal Seal	
11	1001167631	1	Connector	
12	1001167630	4	Terminal	
13	1001126485	4	Terminal Seal	
14	1001187070	1	Ring Terminal	
15	1001148842	1	Connector	
16	1001148841	3	Terminal	
17	1001135651	1	Plug	
18	1001135650	3	Terminal Seal	
19	1001202722	1	Connector	
20	1001166551	6	Terminal	
21	1001126353	6	Terminal Seal	
22	1001167622	58	Plug	
23	1001167621	21	Terminal	
24	1001167623	6	Plug	
25	1001138116	1	Connector	
26	1001187882	1	Cover	
27	1001133715	3	Terminal	
28	1001135650	4	Terminal Seal	
29	1001126487	1	Connector	
30	1001167634	2	Terminal	
31	1001126485	2	Terminal Seal	
32	1001209097	1	Connector	
33	8220124	2	Terminal	
34	4460608	2	Terminal Seal	
35	1001126362	1	Connector	
36	1001166556	30	Terminal	
37	1001126393	40	Terminal Seal	
38	1001126391	16	Plug	
39	4461008	2	Plug	
40	4461008	2	Terminal Seal	
41	4461054	2	Terminal Wire Seal	
42	1001166543	4	Terminal	
43	1001166774	10	Terminal	
44	1001126487	1	Connector	
45	1001167634	2	Terminal	
46	1001126485	2	Terminal Seal	
47	1001116811	1	Connector	
48	1001150610	2	Terminal	
49	4460508	1	Terminal	

SECTION 10 - ELECTRICAL

ITEM	PART NUMBER	QTY	DESCRIPTION	REV
50	4460466	1	Plug	
51	1001144147	1	Connector	
52	4460464	2	Terminal	
53	4460466	1	Plug	
54	4460894	1	Connector	
55	4460892	1	Mating Connector	
56	4460466	1	Plug	
57	4460465	5	Terminal	
58	1001126245	1	Connector	
59	1001126008	2	Terminal	
60	1001167629	1	Connector	
61	1001167630	4	Terminal	
62	1001126485	4	Terminal Seal	
63	1001207171	1	Ring Terminal, (with boot)	
64	1001207171	1	Ring Terminal, (with boot)	
65	1001118282	1	Connector	
66	1001116734	2	Terminal	
67	1001116732	2	Terminal	
68	1001128128	1	Plug	
69	1001187080	1	Ring Terminal	
70	1001187080	1	Ring Terminal	
71	1001187078	1	Ring Terminal	
72	1001187080	1	Ring Terminal	
73	1001187080	1	Ring Terminal	
74	4460970	1	Connector	
75	4460464	9	Terminal	
76	4460466	2	Plug	
77	1001167616	1	Connector	
78	1001190921	1	Fuse Box Foam Seal	
79	4460748	9	Plug	
80	8220097	21	Terminal	
81	1001175265	19	Terminal Seal	
82	8220098	9	Terminal	
83	4460458	11	Terminal Seal	
84	1001116725	6	Terminal	
85	80963067	1	Terminal Seal	
86	1001190037	5	Terminal Seal	
87	2902443	1	Connector	
88	4461071	6	Terminal	
89	1001201885	1	Faston Terminal	
90	1001201885	1	Faston Terminal	
91	4460891	1	Connector	
92	4460465	2	Terminal	
93	4460891	1	Connector	
94	4460465	2	Terminal	
95	4460891	1	Connector	
96	4460465	2	Terminal	
97	4460897	1	Mating Connector	
98	1001167636	1	Connector	
99	1001166707	2	Terminal	
100	4461006	2	Terminal Seal	

SECTION 10 - ELECTRICAL

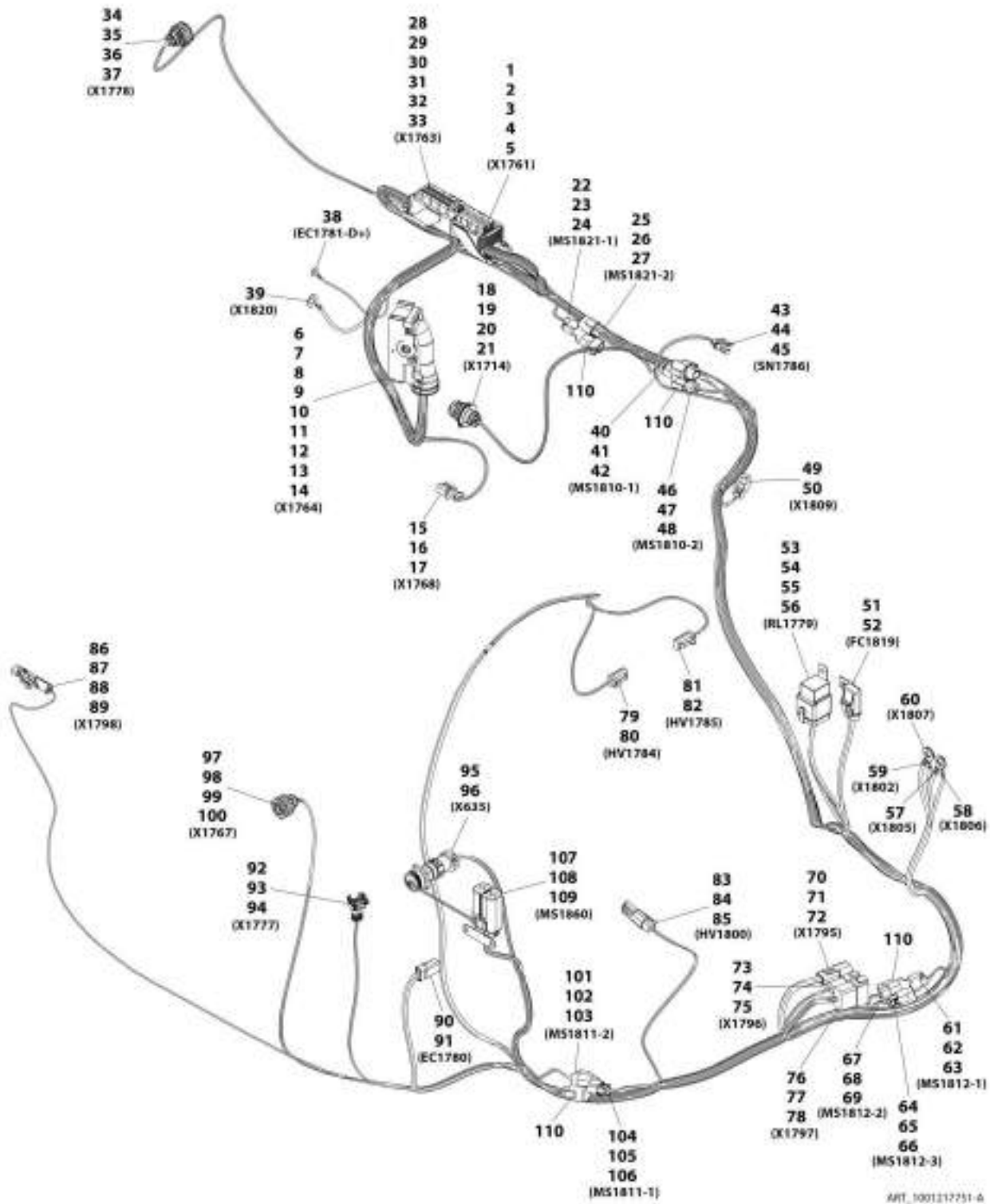
ITEM	PART NUMBER	QTY	DESCRIPTION	REV
101	1001116812	1	Connector	
102	4460944	2	Terminal	
103	4460466	1	Plug	
104	4461095	1	Connector	
105	4461070	1	Terminator Resistor	
106	4460944	2	Terminal	
107	4460466	1	Plug	
108	4460891	1	Connector	
109	4460897	1	Mating Connector	
110	4460465	2	Terminal	
111	4460539	1	Connector	
112	4460944	2	Terminal	
113	4460466	1	Plug	
114	4460933	1	Connector	
115	1001125677	1	Mating Connector	
116	4460465	12	Terminal	
117	4461018	1	Connector	
118	4460509	2	Terminal	
119	80963056	1	Connector	
120	80963055	1	Mating Connector	
121	4460979	1	Terminal	
122	1001175265	1	Terminal Seal	
123	4461095	1	Connector	
124	4461070	1	Terminator Resistor	
125	4460944	2	Terminal	
126	4460466	1	Plug	
127	1001133714	1	Connector	
128	1001133715	3	Terminal	
129	1001135650	3	Terminal Seal	
130	1001135651	1	Plug	
131	1001116812	1	Connector	
132	4460944	2	Terminal	
133	4460466	1	Plug	
134	1001133714	1	Connector	
135	1001133715	3	Terminal	
136	1001135650	3	Terminal Seal	
137	1001135651	1	Plug	
138	4460891	1	Connector	
139	4460942	2	Terminal	
140	4460891	1	Connector	
141	4460942	2	Terminal	
142	4460884	1	Connector	
143	4460465	4	Terminal	
144	1001165194	1	Connector	
145	1001126391	2	Plug	
146	1001166556	8	Terminal	
147	1001166774	2	Terminal	
148	1001126393	8	Terminal Seal	
149	1001223459	2	Terminal Seal	
150	4460891	1	Connector	
151	4460942	2	Terminal	

SECTION 10 - ELECTRICAL

ITEM	PART NUMBER	QTY	DESCRIPTION	REV
152	1001167620	1	Connector	
153	1001176004	2	Terminal	
154	1001176002	2	Terminal Seal	
155	1001167624	2	Plug	

SECTION 10 - ELECTRICAL

FIGURE 10-66. ENGINE HARNESS, (LS)



SECTION 10 - ELECTRICAL

FIGURE 10-66. ENGINE HARNESS, (LS)

ITEM	PART NUMBER	QTY	DESCRIPTION	REV
	1001217751	Ref	Engine Harness, (LS)	A
1	1001126360	1	Connector	
2	1001126357	11	Plug	
3	1001126351	13	Terminal	
4	1001126356	19	Plug	
5	1001126384	17	Terminal	
6	1001126362	1	Connector	
7	1001166556	24	Terminal	
8	1001166701	24	Terminal Seal	
9	1001126391	22	Plug	
10	1001166774	10	Terminal	
11	1001126393	10	Terminal Seal	
12	4461008	4	Plug	
13	1001166543	2	Terminal	
14	4461054	2	Terminal Seal	
15	1001138110	1	Connector	
16	1001138111	2	Terminal	
17	1001138113	2	Terminal Seal	
18	1001148842	1	Connector	
19	1001148841	3	Terminal	
20	1001135650	3	Terminal Seal	
21	1001135651	1	Plug	
22	1001116812	1	Connector	
23	4460944	2	Terminal	
24	4460466	1	Plug	
25	4460539	1	Connector	
26	4460944	2	Terminal	
27	4460466	1	Plug	
28	1001126349	1	Connector	
29	1001126352	6	Terminal	
30	1001126353	6	Terminal Seal	
31	1001126357	2	Plug	
32	1001126356	65	Plug	
33	1001126384	21	Terminal	
34	1001133714	1	Connector	
35	1001133715	3	Terminal	
36	1001135650	3	Terminal Seal	
37	1001135651	1	Plug	
38	1001187070	1	Ring Terminal	
39	1001187078	1	Ring Terminal	
40	1001116812	1	Connector	
41	4460944	2	Terminal	
42	4460466	1	Plug	
43	1001117068	1	Connector	
44	8220124	2	Terminal	
45	4460608	2	Terminal Seal	
46	4460539	1	Connector	
47	4460944	2	Terminal	
48	4460466	1	Plug	
49	4460539	1	Connector	

SECTION 10 - ELECTRICAL

ITEM	PART NUMBER	QTY	DESCRIPTION	REV
50	4460465	3	Terminal	
51	1001117018	1	Connector	
52	1001116734	2	Terminal	
53	1001118282	1	Connector	
54	1001116734	2	Terminal	
55	1001116733	2	Terminal	
56	1001128128	1	Plug	
57	1001187079	1	Ring Terminal	
58	1001187078	1	Ring Terminal	
59	1001187079	1	Ring Terminal	
60	1001187078	1	Ring Terminal	
61	1001116812	1	Connector	
62	4460944	2	Terminal	
63	4460466	1	Plug	
64	1001116812	1	Connector	
65	4460944	2	Terminal	
66	4460466	1	Plug	
67	4460539	1	Connector	
68	4460944	2	Terminal	
69	4460466	1	Plug	
70	1001116811	1	Connector	
71	1001150610	3	Terminal	
72	4460466	1	Plug	
73	1001144147	1	Connector	
74	4460944	2	Terminal	
75	4460466	1	Plug	
76	4460970	1	Connector	
77	4460464	8	Terminal	
78	4460466	4	Plug	
79	4460891	1	Connector	
80	4460465	2	Terminal	
81	4460891	1	Connector	
82	4460465	2	Terminal	
83	4460891	1	Connector	
84	4460465	2	Terminal	
85	4460897	1	Mating Connector	
86	80963056	1	Connector	
87	80963055	1	Mating Connector	
88	4460979	1	Terminal	
89	1001175265	1	Terminal Seal	
90	4461018	1	Connector	
91	4460509	2	Terminal	
92	1001116983	1	Connector	
93	1001116710	2	Terminal	
94	4461006	2	Terminal Seal	
95	2902443	1	Connector	
96	4461071	6	Terminal	
97	1001133714	1	Connector	
98	1001133715	3	Terminal	
99	1001135650	3	Terminal Seal	
100	1001135651	1	Plug	

SECTION 10 - ELECTRICAL

ITEM	PART NUMBER	QTY	DESCRIPTION	REV
101	4460539	1	Connector	
102	4460944	2	Terminal	
103	4460466	1	Plug	
104	1001116812	1	Connector	
105	4460944	2	Terminal	
106	4460466	1	Plug	
107	1001184551	1	Connector	
108	1001116728	8	Terminal	
109	1001175265	8	Terminal Seal	
110	4460945	4	Connector, 3 Way	

SECTION 10 - ELECTRICAL

FIGURE 10-67. ENGINE HARNESS (MINING) (ULS)

ITEM	PART NUMBER	QTY	DESCRIPTION	REV
	1001228731	Ref	Engine Harness (Mining) (ULS)	B
1	1001202723	1	Connector	
2	1001167623	5	Plug	
3	1001166555	13	Terminal	
4	1001167621	50	Terminal	
5	1001167622	37	Plug	
6	4460539	1	Connector	
7	4460465	3	Terminal	
8	1001126487	1	Connector	
9	1001167635	2	Terminal	
10	1001126485	2	Terminal Seal	
11	1001167631	1	Connector	
12	1001167630	4	Terminal	
13	1001126485	4	Terminal Seal	
14	1001187070	1	Ring Terminal	
15	1001148842	1	Connector	
16	1001148841	3	Terminal	
17	1001135651	1	Plug	
18	1001135650	3	Terminal Seal	
19	1001202722	1	Connector	
20	1001166551	6	Terminal	
21	1001126353	6	Terminal Seal	
22	1001167622	58	Plug	
23	1001167621	21	Terminal	
24	1001167623	6	Plug	
25	1001138116	1	Connector	
26	1001187882	1	Cover	
27	1001133715	3	Terminal	
28	1001135650	4	Terminal Seal	
29	1001126487	1	Connector	
30	1001167634	2	Terminal	
31	1001126485	2	Terminal Seal	
32	1001209097	1	Connector	
33	8220124	2	Terminal	
34	4460608	2	Terminal Seal	
35	1001126362	1	Connector	
36	1001166556	26	Terminal	
37	1001126393	36	Terminal Seal	
38	1001126391	20	Plug	
39	4461008	2	Plug	
40	4461006	2	Seal	
41	4461054	2	Terminal Wire Seal	
42	1001166543	4	Terminal	
43	1001166774	10	Terminal	
44	1001126487	1	Connector	
45	1001167634	2	Terminal	
46	1001126485	2	Terminal Seal	
47	1001116812	1	Connector	
48	4460944	2	Terminal	
49	4460466	1	Plug	

SECTION 10 - ELECTRICAL

ITEM	PART NUMBER	QTY	DESCRIPTION	REV
50	4460539	1	Connector	
51	4460944	2	Terminal	
52	4460466	1	Plug	
53	4460891	1	Connector	
54	4460897	1	Mating Connector	
55	4460465	2	Terminal	
56	4460466	1	Plug	
57	4460539	1	Connector	
58	4460944	2	Terminal	
59	4460466	1	Plug	
60	1001116812	1	Connector	
61	4460944	2	Terminal	
62	4460466	1	Plug	
63	1001116811	1	Connector	
64	1001150610	2	Terminal	
65	4460508	1	Terminal	
66	4460466	1	Plug	
67	1001144147	1	Connector	
68	4460464	2	Terminal	
69	4460466	1	Plug	
70	4460894	1	Connector	
71	4460892	1	Mating Connector	
72	4460466	1	Plug	
73	4460465	5	Terminal	
74	1001126245	1	Connector	
75	1001126008	2	Terminal	
76	1001167629	1	Connector	
77	1001167630	4	Terminal	
78	1001126485	4	Terminal Seal	
79	1001207171	1	Ring Terminal, (with boot)	
80	1001207171	1	Ring Terminal, (with boot)	
81	1001118282	1	Connector	
82	1001116734	2	Terminal	
83	1001116732	2	Terminal	
84	1001128128	1	Plug	
85	1001187080	1	Ring Terminal	
86	1001187080	1	Ring Terminal	
87	1001187078	1	Ring Terminal	
88	1001187080	1	Ring Terminal	
89	1001187080	1	Ring Terminal	
90	4460970	1	Connector	
91	4460464	9	Terminal	
92	4460466	2	Plug	
93	1001167616	1	Connector	
94	1001190921	1	Fuse Box Foam Seal	
95	4460748	9	Plug	
96	8220097	21	Terminal	
97	1001175265	19	Terminal Seal	
98	8220098	9	Terminal	
99	4460458	11	Terminal Seal	
100	1001116725	6	Terminal	

SECTION 10 - ELECTRICAL

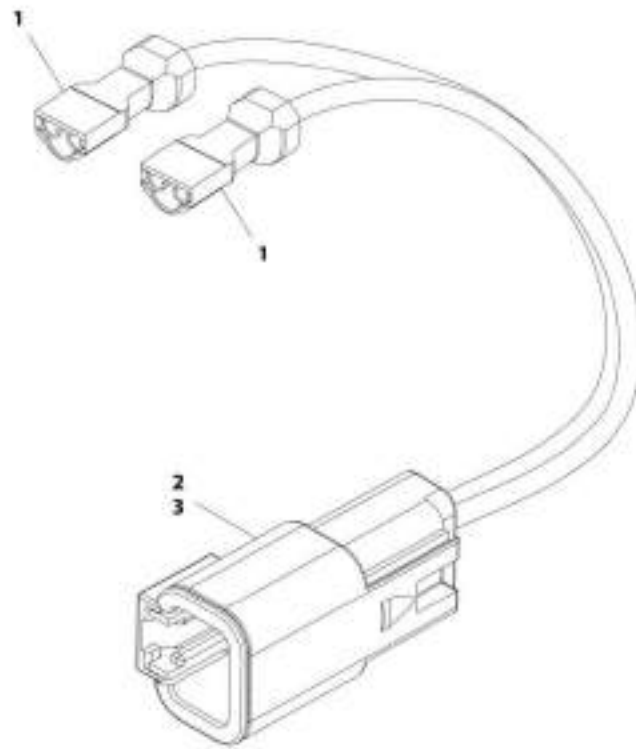
ITEM	PART NUMBER	QTY	DESCRIPTION	REV
101	80963067	1	Terminal Seal	
102	1001190037	5	Terminal Seal	
103	2902443	1	Connector	
104	4461071	6	Terminal	
105	1001201885	1	Faston Terminal	
106	1001201885	1	Faston Terminal	
107	4460891	1	Connector	
108	4460465	2	Terminal	
109	4460891	1	Connector	
110	4460465	2	Terminal	
111	4460891	1	Connector	
112	4460465	2	Terminal	
113	4460897	1	Mating Connector	
114	4460466	1	Plug	
115	1001167636	1	Connector	
116	1001166707	2	Terminal	
117	4461006	2	Terminal Seal	
118	1001116812	1	Connector	
119	4460944	2	Terminal	
120	4460466	1	Plug	
121	4461095	1	Connector	
122	4461070	1	Terminator Resistor	
123	4460944	2	Terminal	
124	4460466	1	Plug	
125	4460891	1	Connector	
126	4460897	1	Mating Connector	
127	4460465	2	Terminal	
128	4460466	1	Plug	
129	4460539	1	Connector	
130	4460944	2	Terminal	
131	4460466	1	Plug	
132	4460933	1	Connector	
133	1001125677	1	Mating Connector	
134	4460465	12	Terminal	
135	4461018	1	Connector	
136	4460509	2	Terminal	
137	80963056	1	Connector	
138	80963055	1	Mating Connector	
139	4460979	1	Terminal	
140	1001175265	1	Terminal Seal	
141	1001116727	1	Plug	
142	4461095	1	Connector	
143	4461070	1	Terminator Resistor	
144	4460944	2	Terminal	
145	4460466	1	Plug	
146	1001133714	1	Connector	
147	1001133715	3	Terminal	
148	1001135650	3	Terminal Seal	
149	1001135651	1	Plug	
150	1001116812	1	Connector	
151	4460944	2	Terminal	

SECTION 10 - ELECTRICAL

ITEM	PART NUMBER	QTY	DESCRIPTION	REV
152	4460466	1	Plug	
153	4460539	1	Connector	
154	4460944	2	Terminal	
155	4460466	1	Plug	
156	1001116812	1	Connector	
157	4460944	2	Terminal	
158	4460466	1	Plug	
159	1001133714	1	Connector	
160	1001133715	3	Terminal	
161	1001135650	3	Terminal Seal	
162	1001135651	1	Plug	
163	4460891	1	Connector	
164	4460942	2	Terminal	
165	4460891	1	Connector	
166	4460942	2	Terminal	
167	4460884	1	Connector	
168	4460465	4	Terminal	
169	1001165194	1	Connector	
170	1001126391	2	Plug	
171	1001166556	8	Terminal	
172	1001166774	2	Terminal	
173	1001126393	10	Terminal Seal	
174	4460891	1	Connector	
175	4460942	2	Terminal	
176	1001167620	1	Connector	
177	1001176004	2	Terminal	
178	1001176002	2	Terminal Seal	
179	1001167624	2	Plug	
180	1001116815	3	Connector	
181	4460945	4	Connector, 3 Way	

SECTION 10 - ELECTRICAL

FIGURE 10-68. FUEL PUMP HARNESS



APP_1001182926-E

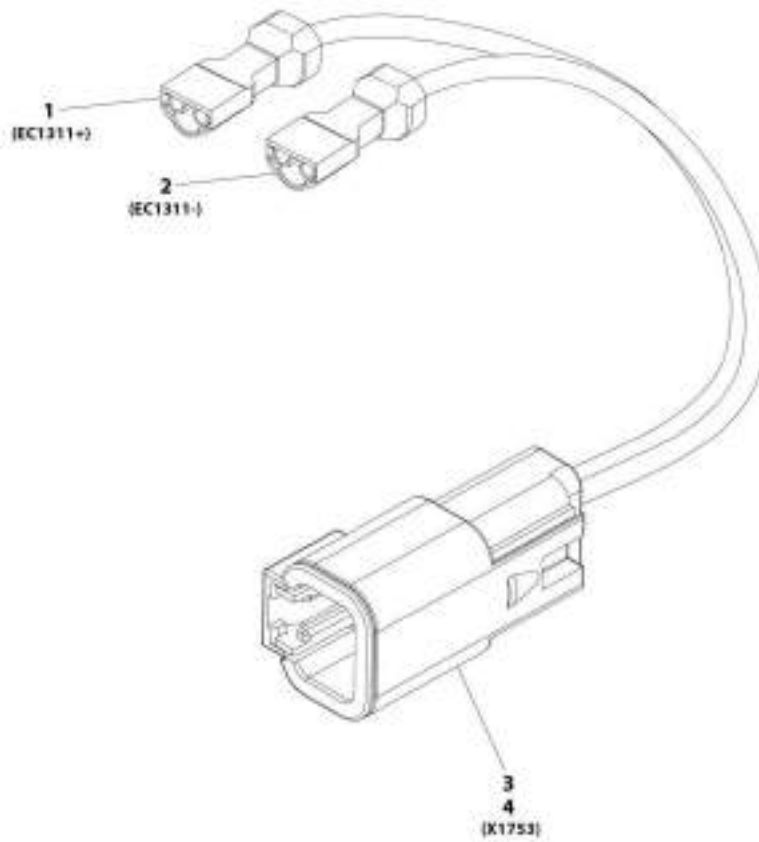
SECTION 10 - ELECTRICAL

FIGURE 10-68. FUEL PUMP HARNESS

ITEM	PART NUMBER	QTY	DESCRIPTION	REV
	1001182929	Ref	Fuel Pump Harness	E
1	8220043	2	Connector	
2	4461017	1	Connector	
3	4460508	2	Terminal	

SECTION 10 - ELECTRICAL

FIGURE 10-69. FUEL PUMP HARNESS (MINING) (ULS)



ART_1001228733-A

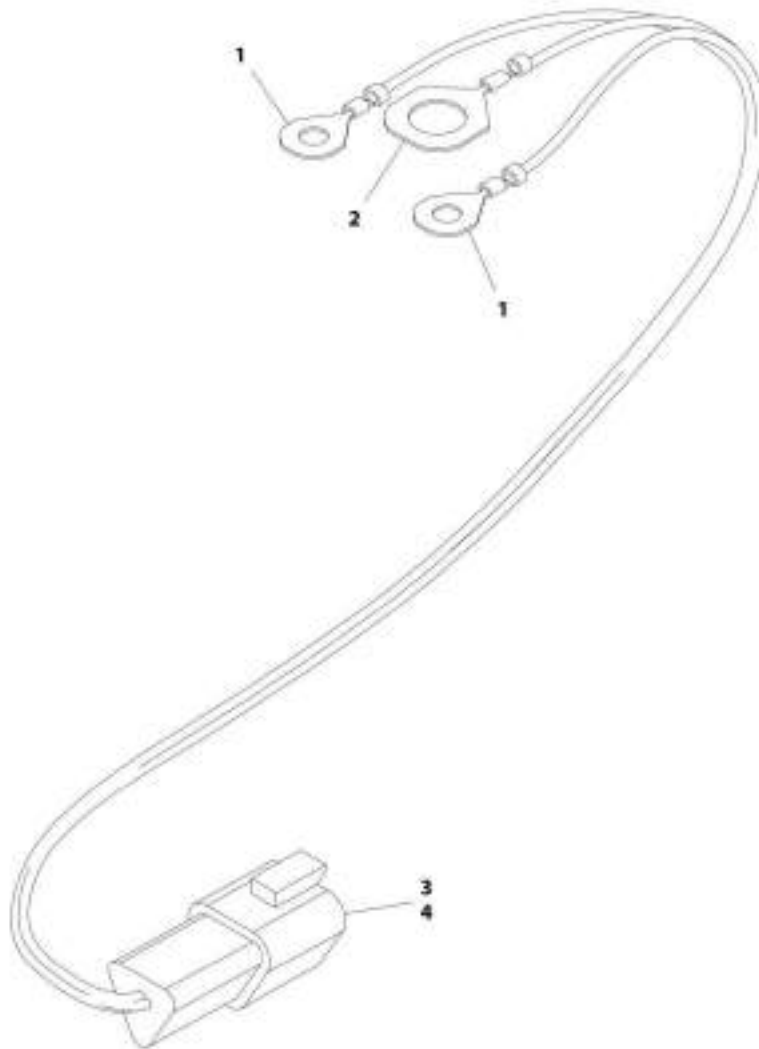
SECTION 10 - ELECTRICAL

FIGURE 10-69. FUEL PUMP HARNESS (MINING) (ULS)

ITEM	PART NUMBER	QTY	DESCRIPTION	REV
	1001228733	Ref	Fuel Pump Harness (Mining) (ULS)	A
1	8220043	1	Connector	
2	8220043	1	Connector	
3	4461017	1	Connector	
4	4460508	2	Terminal	

SECTION 10 - ELECTRICAL

FIGURE 10-70. GLOW PLUG RELAY HARNESS



ART_100118/2930-C

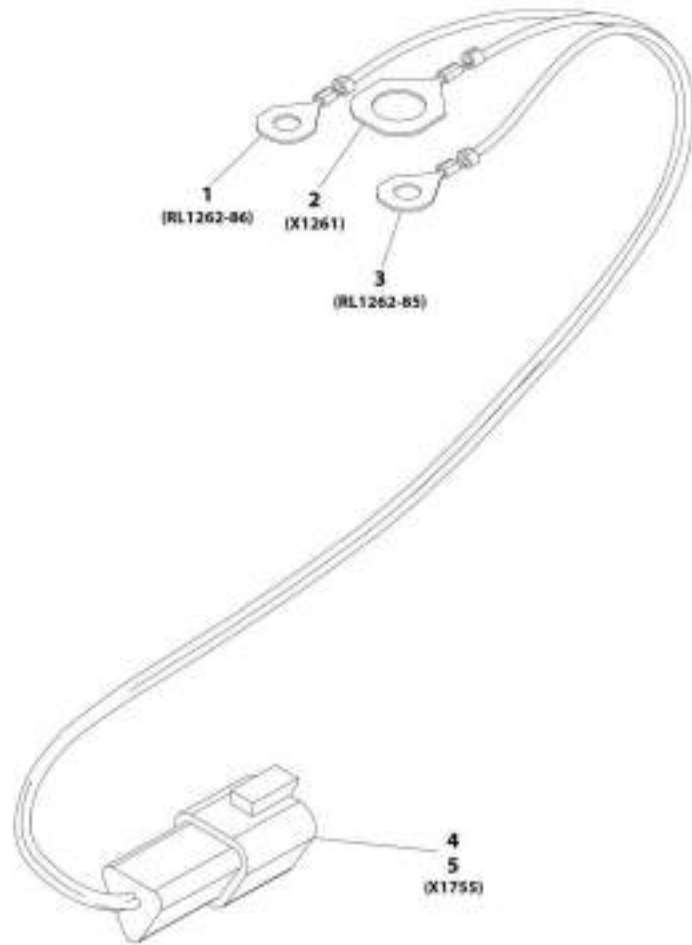
SECTION 10 - ELECTRICAL

FIGURE 10-70. GLOW PLUG RELAY HARNESS

ITEM	PART NUMBER	QTY	DESCRIPTION	REV
	1001182930	Ref	Glow Plug Relay Harness	C
1	1001187070	2	Ring, Terminal	
2	1001187077	1	Ring, Terminal	
3	4460536	1	Connector	
4	4460464	3	Terminal	

SECTION 10 - ELECTRICAL

FIGURE 10-71. GLOW PLUG RELAY HARNESS (MINING) (ULS)



ART_1001228732-A

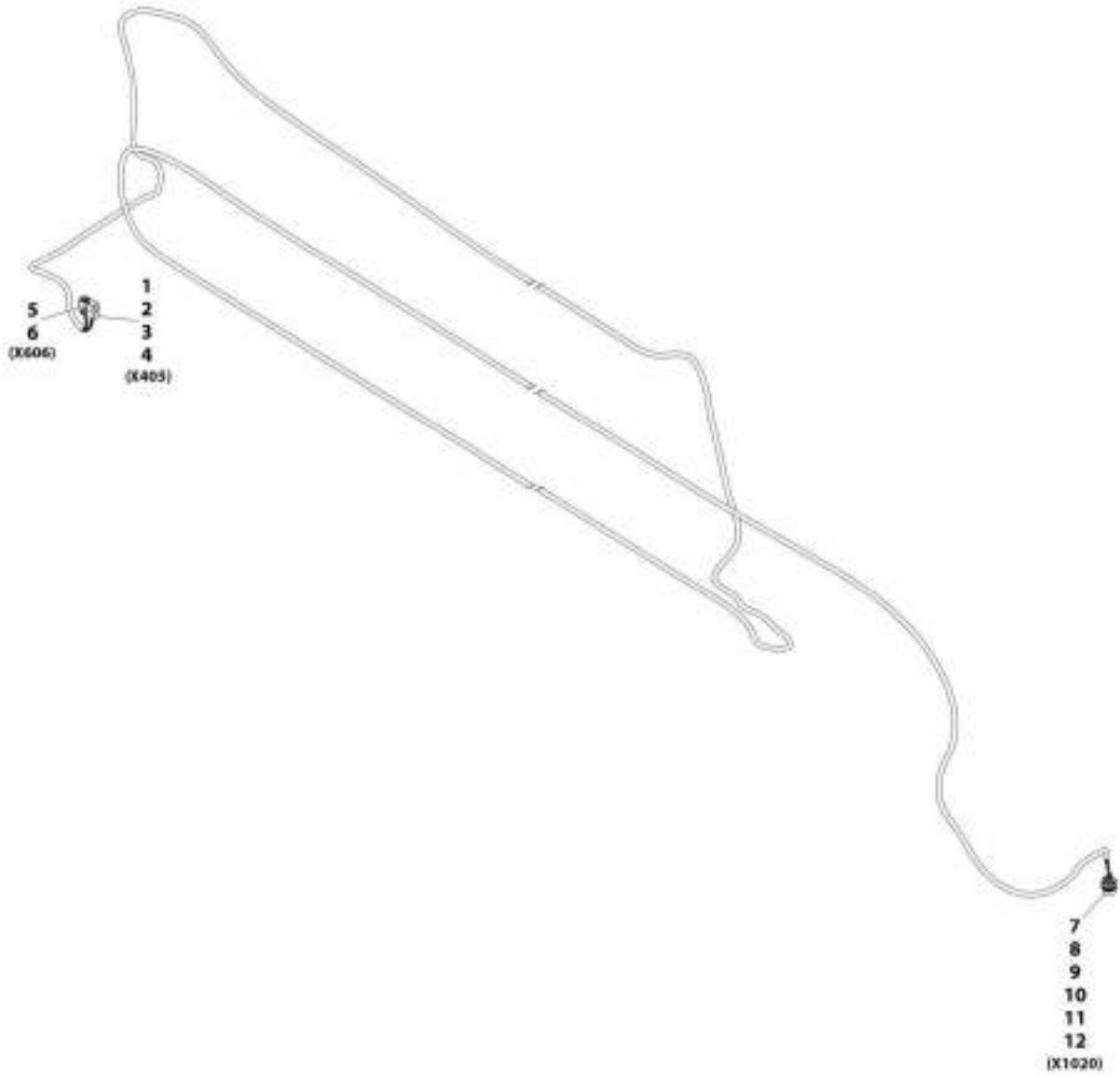
SECTION 10 - ELECTRICAL

FIGURE 10-71. GLOW PLUG RELAY HARNESS (MINING) (ULS)

ITEM	PART NUMBER	QTY	DESCRIPTION	REV
	1001228732	Ref	Glow Plug Relay Harness (Mining) (ULS)	A
1	1001187070	1	Ring, Terminal	
2	1001187077	1	Ring, Terminal	
3	1001187070	1	Ring, Terminal	
4	4460536	1	Connector	
5	4460464	3	Terminal	

SECTION 10 - ELECTRICAL

FIGURE 10-72. BOOM HARNESS



ART_1001201124-B

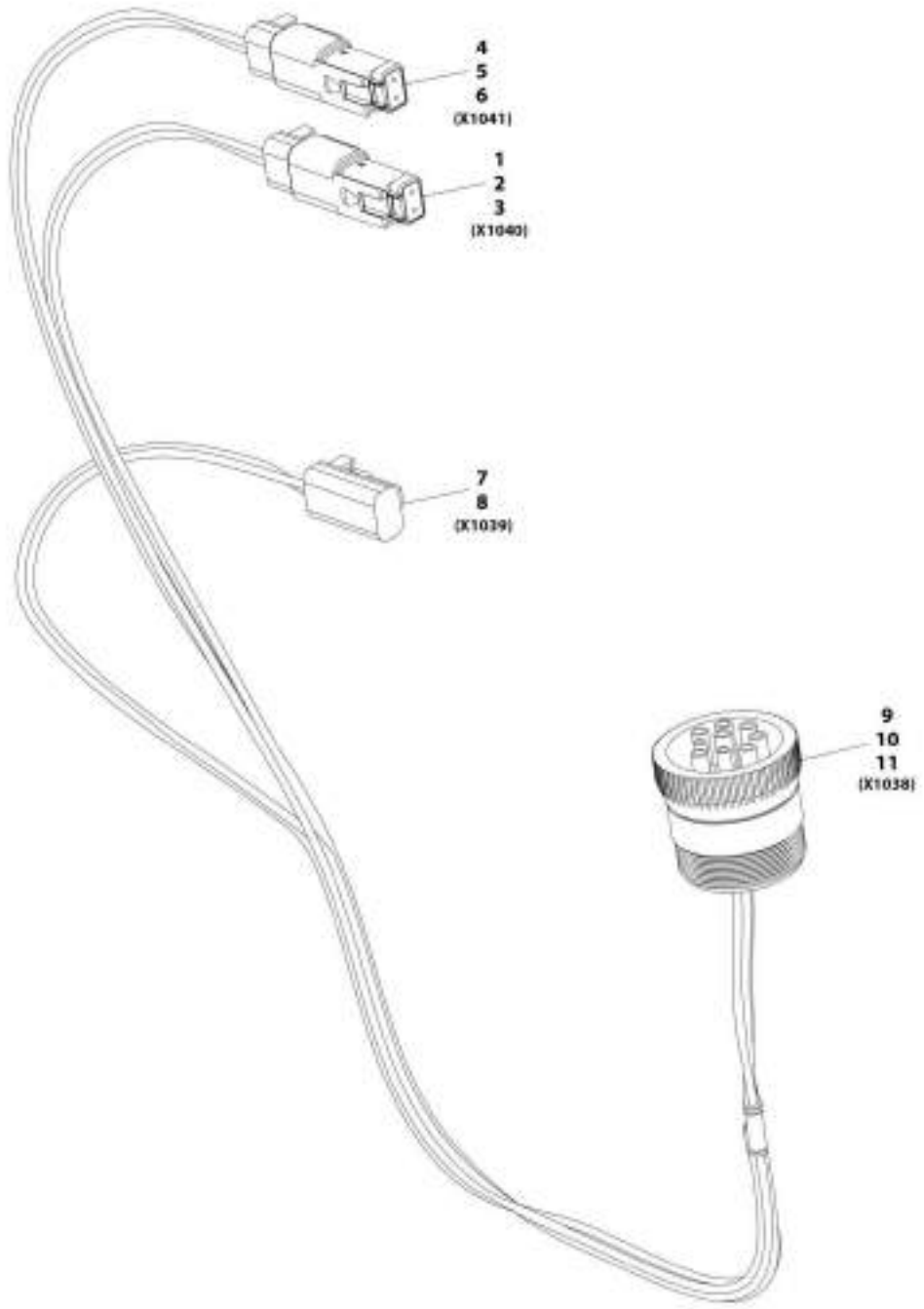
SECTION 10 - ELECTRICAL

FIGURE 10-72. BOOM HARNESS

ITEM	PART NUMBER	QTY	DESCRIPTION	REV
	1001201124	Ref	Boom Harness	B
1	4460931	1	Connector	
2	4460943	2	Terminal	
3	4460464	4	Terminal	
4	4460466	2	Plug	
5	4461017	1	Connector	
6	4460508	2	Terminal	
7	1001112612	1	Connector	
8	1001183221	1	Boot	
9	1001157891	2	Terminal	
10	4460464	4	Terminal	
11	4460943	2	Terminal	
12	4460466	1	Plug	

SECTION 10 - ELECTRICAL

FIGURE 10-73. BOOM AUX HARNESS



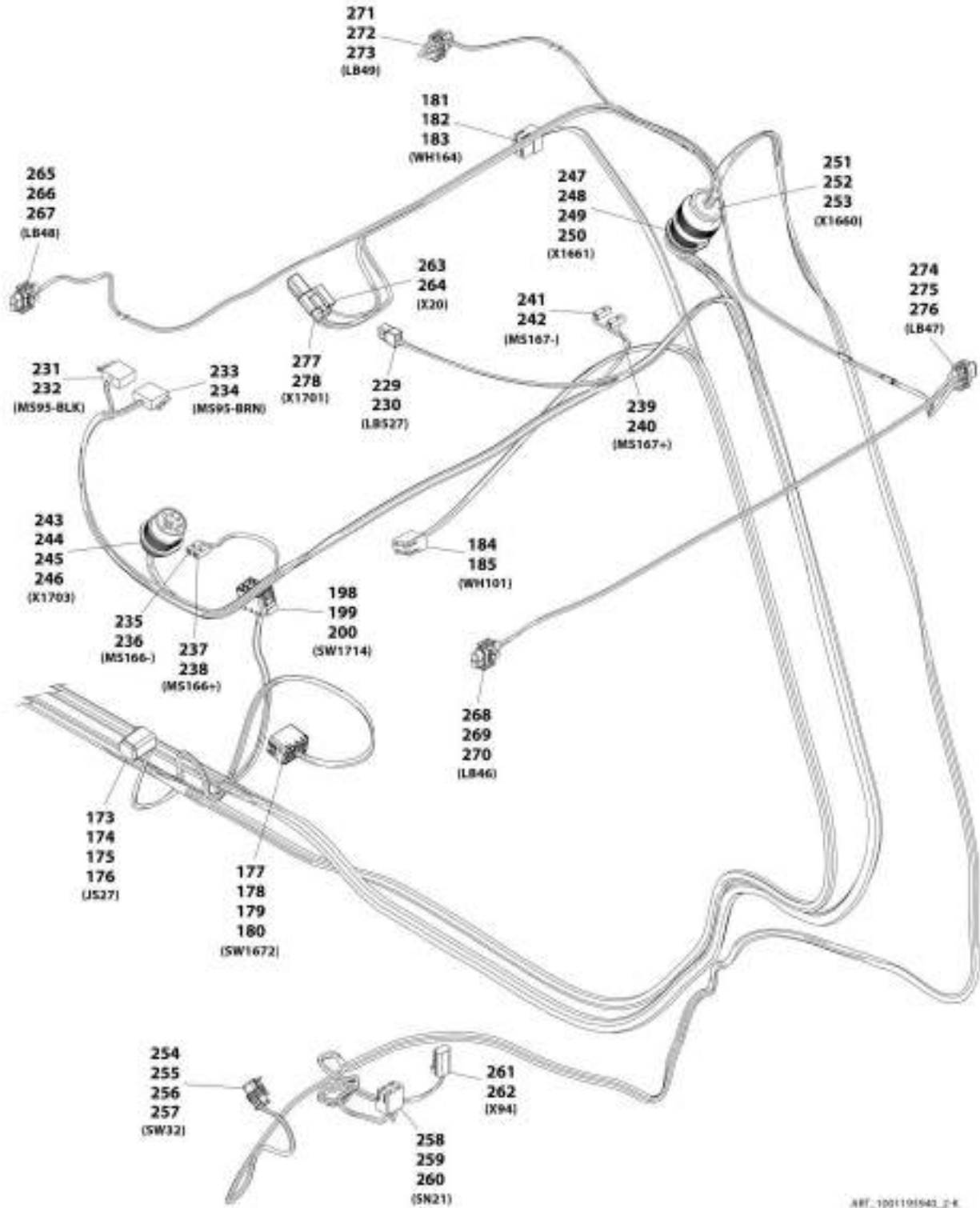
MTT_100120653-6

SECTION 10 - ELECTRICAL

FIGURE 10-73. BOOM AUX HARNESS

ITEM	PART NUMBER	QTY	DESCRIPTION	REV
	1001206633	Ref	Boom Aux Harness	A
1	4460891	1	Connector	
2	7760897	1	Mating Connector	
3	4460465	2	Terminal	
4	4460891	1	Connector	
5	7760897	1	Mating Connector	
6	4460465	2	Terminal	
7	4460891	1	Connector	
8	4460465	2	Terminal	
9	1001112796	1	Connector	
10	4460465	4	Terminal	
11	4460466	5	Plug	

SECTION 10 - ELECTRICAL



REF. 1001101540_2-R

SECTION 10 - ELECTRICAL

FIGURE 10-74. CAB HARNESS

ITEM	PART NUMBER	QTY	DESCRIPTION	REV
	1001193940	Ref	Cab Harness	K
1	4460343	1	Connector	
2	4460267	3	Terminal	
3	4460434	1	Connector	
4	4460268	9	Terminal	
5	4460343	1	Connector	
6	4460268	8	Terminal	
7	10011223457	1	Terminal	
8	4460434	1	Connector	
9	4460268	15	Terminal	
10	4460343	1	Connector	
11	4460267	8	Terminal	
12	1001223456	1	Terminal	
13	4460265	1	Connector	
14	1001223457	3	Terminal	
15	4460268	6	Terminal	
16	4460225	1	Connector	
17	4460267	4	Terminal	
18	4460225	1	Connector	
19	4460268	5	Terminal	
20	4460343	1	Connector	
21	4460268	8	Terminal	
22	1001161959	1	Connector	
23	943191201	1	Cover	
24	1001161100	10	Plug	
25	1001161097	14	Terminal	
26	1001161098	1	Terminal	
27	1001161101	7	Plug	
28	1001160502	1	Connector	
29	643201301	1	Cover	
30	1001161097	20	Terminal	
31	1001161100	20	Plug	
32	1001161098	5	Terminal	
33	1001161099	1	Terminal	
34	1001161101	2	Plug	
35	1001103012	1	Connector	
36	1001116698	2	Plug	
37	1001116697	2	Terminal	
38	1001104498	2	Terminal Seal	
39	4461262	1	Connector	
40	1001107854	3	Terminal	
41	1001104498	3	Terminal Seal	
42	1001160498	1	Connector	
43	643191201	1	Cover	
44	1001161097	19	Terminal	
45	1001161100	5	Plug	
46	1001161098	5	Terminal	
47	1001161101	2	Plug	
48	1001161099	1	Terminal	
49	1001162886	1	Connector	

SECTION 10 - ELECTRICAL

ITEM	PART NUMBER	QTY	DESCRIPTION	REV
50	1001163340	13	Plug	
51	1001162887	7	Terminal	
52	1001117081	1	Connector	
53	1001116723	6	Terminal	
54	1001222455	1	Terminal	
55	1001117081	1	Connector	
56	1001116723	6	Terminal	
57	1001223455	1	Terminal	
58	1001173411	1	Connector	
59	1001116716	3	Terminal	
60	1001104519	3	Terminal	
61	1001116999	1	Connector	
62	1001116700	4	Terminal	
63	4460343	1	Connector	
64	4460267	7	Terminal	
65	1001116991	1	Connector	
66	1001116723	2	Terminal	
67	4460933	1	Connector	
68	4460466	6	Plug	
69	4460465	6	Terminal	
70	1001117081	1	Connector	
71	1001116723	6	Terminal	
72	1001223455	1	Terminal	
73	1001117081	1	Connector	
74	1001116723	4	Terminal	
75	1001118384	2	Terminal	
76	4460343	1	Connector	
77	4460268	8	Terminal	
78	4460906	1	Terminal	
79	1001223457	1	Terminal	
80	1001117081	1	Connector	
81	1001116723	6	Terminal	
82	1001223455	1	Terminal	
83	4460225	1	Connector	
84	4460267	5	Terminal	
85	4460705	1	Terminal	
86	4460836	1	Connector	
87	4460942	4	Terminal	
88	4460465	8	Terminal	
89	4460894	1	Connector	
90	4460465	4	Terminal	
91	4460466	2	Plug	
92	4460933	1	Connector	
93	1001125677	1	Mating Connector	
94	4460465	12	Terminal	
95	1001116812	1	Connector	
96	1001144296	1	Cap	
97	4460944	2	Terminal	
98	4460466	1	Plug	
99	4460320	1	Connector	
100	4460267	2	Terminal	

SECTION 10 - ELECTRICAL

ITEM	PART NUMBER	QTY	DESCRIPTION	REV
101	4460320	1	Connector	
102	4460267	2	Terminal	
103	4460424	1	Connector	
104	4460268	2	Terminal	
105	4460897	1	Connector	
106	4460464	1	Terminal	
107	4460466	1	Plug	
108	4460424	1	Connector	
109	4460268	2	Terminal	
119	1001117081	1	Connector	
120	1001116723	6	Terminal	
121	1001223455	1	Terminal	
122	1001117081	1	Connector	
123	1001116723	6	Terminal	
124	1001118384	4	Terminal	
125	1001117081	1	Connector	
126	1001116723	6	Terminal	
127	1001223455	2	Terminal	
128	1001118384	2	Terminal	
129	1001117081	1	Connector	
130	1001116723	6	Terminal	
131	1001223455	1	Terminal	
132	1001194421	1	Terminal	
133	1001194421	1	Terminal	
134	1001117081	1	Connector	
135	1001116723	6	Terminal	
136	1001223455	3	Terminal	
137	1001118384	2	Terminal	
138	1001118684	1	Connector	
139	1001116754	2	Terminal	
140	1001117081	1	Connector	
141	1001116723	4	Terminal	
142	1001118384	3	Terminal	
143	1001117081	1	Connector	
144	1001116723	6	Terminal	
145	1001118384	1	Terminal	
146	1001117081	1	Connector	
147	1001116723	6	Terminal	
148	1001118384	1	Terminal	
149	1001117081	1	Connector	
150	1001116723	6	Terminal	
151	1001223455	1	Terminal	
152	4460994	1	Connector	
153	1001118384	2	Terminal	
154	8220051	1	Terminal	
155	4460994	1	Connector	
156	1001118384	1	Terminal	
157	1001116723	2	Terminal	
158	1001194421	1	Terminal	
159	1001194421	1	Terminal	
160	1001116997	1	Connector	

SECTION 10 - ELECTRICAL

ITEM	PART NUMBER	QTY	DESCRIPTION	REV
161	1001118384	4	Terminal	
162	1001116723	1	Terminal	
163	8220051	1	Terminal	
164	8220051	1	Terminal	
165	8220051	1	Terminal	
166	8220051	1	Terminal	
167	1001116812	1	Connector	
168	4460944	2	Terminal	
169	4460466	1	Plug	
170	4460539	1	Connector	
171	4460944	2	Terminal	
172	4460466	1	Plug	
173	4460894	1	Connector	
174	4460465	3	Terminal	
175	4460466	1	Plug	
176	4460944	2	Terminal	
177	1001117081	1	Connector	
178	1001116723	2	Terminal	
179	1001223455	2	Terminal	
180	1001118384	2	Terminal	
181	1001116986	1	Connector	
182	1001117011	1	Mating Connector	
183	1001118384	4	Terminal	
184	1001116986	1	Connector	
185	1001118384	4	Terminal	
186	1001116995	1	Connector	
187	1001118379	1	Terminal	
188	1001116995	1	Connector	
189	1001118379	1	Terminal	
190	1001117064	1	Connector	
191	91554014	6	Terminal	
192	1001117081	1	Connector	
193	1001116723	4	Terminal	
194	1001118384	2	Terminal	
195	1001117081	1	Connector	
196	1001116723	4	Terminal	
197	1001118384	2	Terminal	
198	1001117081	1	Connector	
199	1001223455	2	Terminal	
200	1001118384	4	Terminal	
201	1001117081	1	Connector	
202	1001116723	4	Terminal	
203	1001118384	2	Terminal	
204	1001117081	1	Connector	
205	1001116723	4	Terminal	
206	1001118384	2	Terminal	
207	1001150735	1	Connector	
208	1001150737	7	Terminal	
209	1001117079	1	Connector	
210	1001223455	2	Terminal	
211	1001116723	6	Terminal	

SECTION 10 - ELECTRICAL

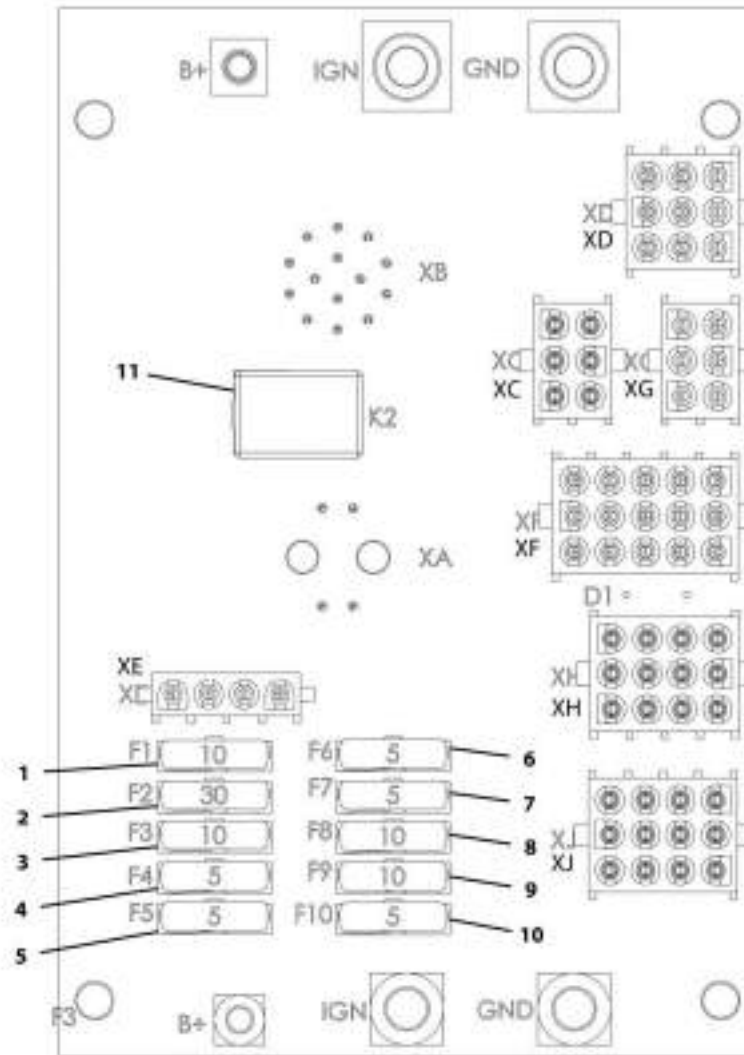
ITEM	PART NUMBER	QTY	DESCRIPTION	REV
212	1001117081	1	Connector	
213	1001116723	8	Terminal	
214	1001118384	1	Terminal	
215	1001223455	1	Terminal	
216	1001176333	1	Connector	
217	4460466	11	Plug	
218	4460465	3	Terminal	
219	4460944	4	Terminal	
220	1001116812	1	Connector	
221	4460944	2	Terminal	
222	4460466	1	Plug	
223	4460539	1	Connector	
224	4460944	2	Terminal	
225	4460466	1	Plug	
226	4460930	1	Connector	
227	4460931	1	Mating Connector	
228	4460466	6	Plug	
229	1001116991	1	Connector	
230	1001118384	2	Terminal	
231	1001116985	1	Connector	
232	1001118386	3	Terminal	
233	1001116984	1	Connector	
234	1001118386	4	Terminal	
235	1001116998	1	Connector	
236	1001118387	1	Terminal	
237	1001116998	1	Connector	
238	1001118387	1	Terminal	
239	1001116998	1	Connector	
240	1001118387	1	Terminal	
241	1001116998	1	Connector	
242	1001118387	1	Terminal	
243	1001112612	1	Connector	
244	4460464	3	Terminal	
245	4460943	2	Terminal	
246	4460466	4	Plug	
247	1001137000	1	Connector	
248	4460928	3	Terminal	
249	1001126008	13	Terminal	
250	4460518	5	Plug	
251	1001136999	1	Connector	
252	1001126011	16	Terminal	
253	4460518	5	Plug	
254	4461262	1	Connector	
255	1001107854	2	Terminal	
256	1001116698	1	Terminal	
257	1001104498	3	Terminal Seal	
258	1001116986	1	Connector	
259	1001118384	3	Terminal	
260	1001116723	2	Terminal	
261	4460891	1	Connector	
262	4460465	2	Terminal	

SECTION 10 - ELECTRICAL

ITEM	PART NUMBER	QTY	DESCRIPTION	REV
263	4460944	1	Connector	
264	1001118384	2	Terminal	
265	4461115	1	Connector	
266	4460746	2	Terminal	
267	4460458	2	Terminal Seal	
268	4461115	1	Connector	
269	4460746	2	Terminal	
270	4460458	2	Terminal Seal	
271	4461115	1	Connector	
272	4460746	2	Terminal	
273	4460458	2	Terminal Seal	
274	4461115	1	Connector	
275	4460746	2	Terminal	
276	4460458	2	Terminal Seal	
277	4460891	1	Connector	
278	4460465	2	Terminal	
279	1001116815	1	Connector	
280	4460945	1	Connector, 3 Way	

SECTION 10 - ELECTRICAL

FIGURE 10-75. STANDARD ELECTRICAL BOARD ASSEMBLY



ART_100161709-C

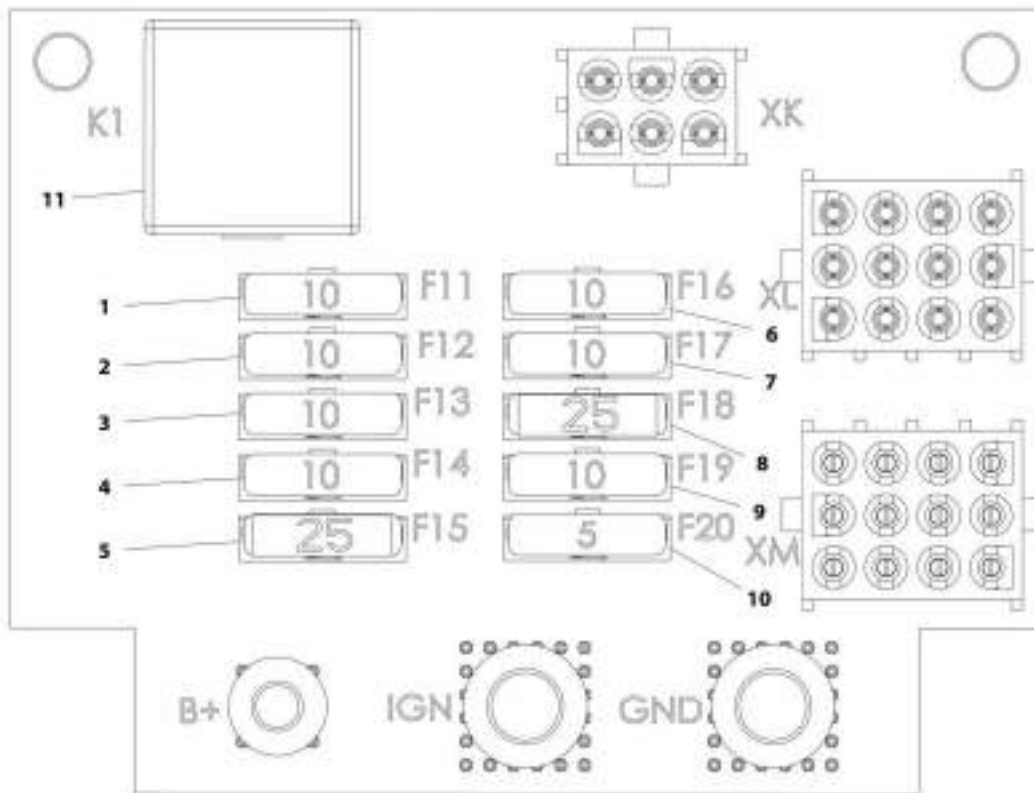
SECTION 10 - ELECTRICAL

FIGURE 10-75. STANDARD ELECTRICAL BOARD ASSEMBLY

ITEM	PART NUMBER	QTY	DESCRIPTION	REV
	1001161769	Ref	Standard Electrical Board Assembly	C
1	80983191	1	Fuse, 10AMP	
2	8229245	1	Fuse, 30AMP	
3	80983191	1	Fuse, 10AMP	
4	8229242	1	Fuse, 5AMP	
5	8229242	1	Fuse, 5AMP	
6	8229242	1	Fuse, 5AMP	
7	8229242	1	Fuse, 5AMP	
8	80983191	1	Fuse, 10AMP	
9	80983191	1	Fuse, 10AMP	
10	8229242	1	Fuse, 5AMP	
11	70026292	1	Fuse, 35AMP	

SECTION 10 - ELECTRICAL

FIGURE 10-76. OPTION 1 ELECTRICAL BOARD ASSEMBLY



ART_100159177D/C

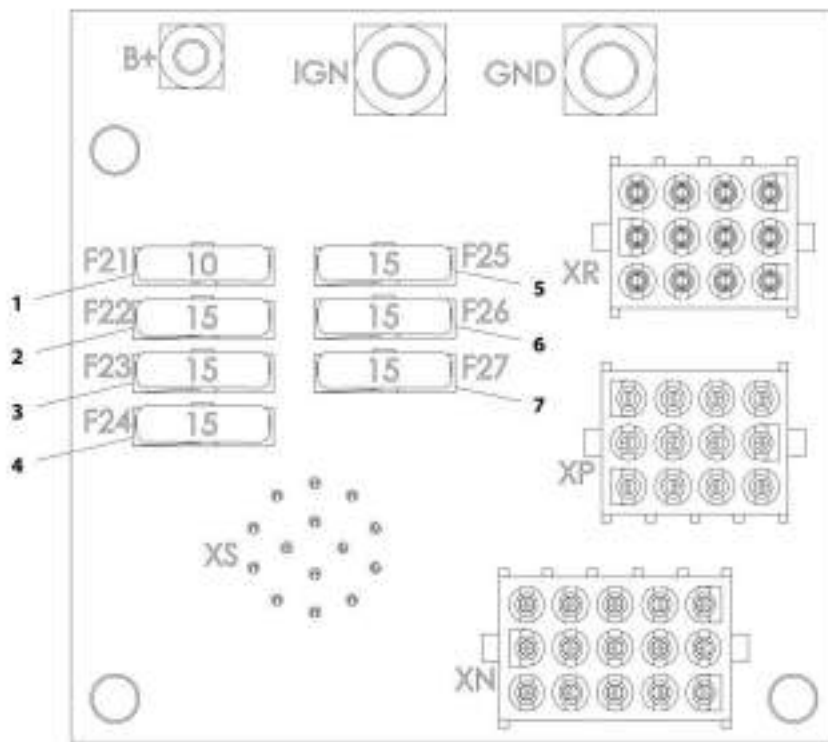
SECTION 10 - ELECTRICAL

FIGURE 10-76. OPTION 1 ELECTRICAL BOARD ASSEMBLY

ITEM	PART NUMBER	QTY	DESCRIPTION	REV
	1001161770	Ref	Option 1 Electrical Board Assembly	C
1	80983191	1	Fuse, 10AMP	
2	80983191	1	Fuse, 10AMP	
3	80983191	1	Fuse, 10AMP	
4	80983191	1	Fuse, 10AMP	
5	8229247	1	Fuse, 25AMP	
6	80983191	1	Fuse, 10AMP	
7	80983191	1	Fuse, 10AMP	
8	8229247	1	Fuse, 25AMP	
9	80983191	1	Fuse, 10AMP	
10	8229242	1	Fuse, 5AMP	
11	70026293	1	Fuse, 50AMP	

SECTION 10 - ELECTRICAL

FIGURE 10-77. OPTION 2 ELECTRICAL BOARD ASSEMBLY



ART_300161771-8

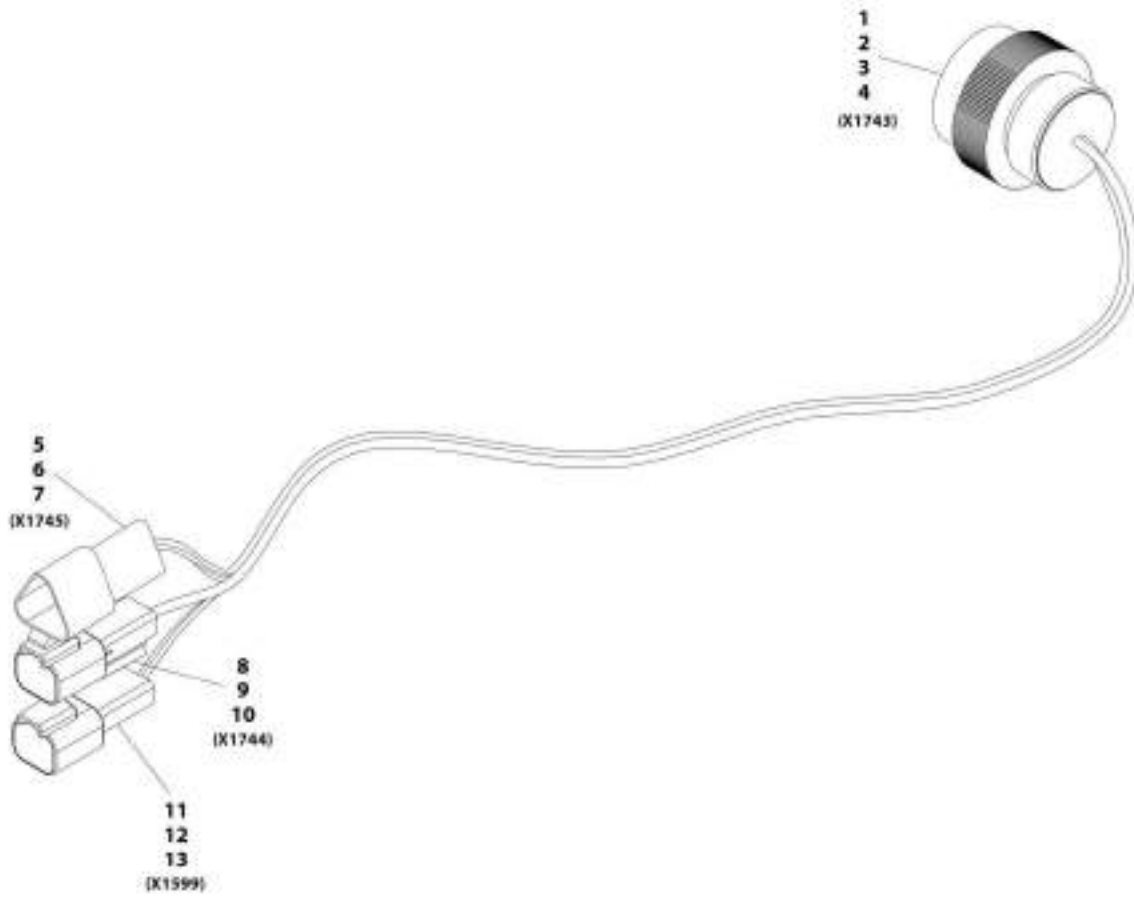
SECTION 10 - ELECTRICAL

FIGURE 10-77. OPTION 2 ELECTRICAL BOARD ASSEMBLY

ITEM	PART NUMBER	QTY	DESCRIPTION	REV
	1001161771	Ref	Option 2 Electrical Board Assembly	B
1	80983191	1	Fuse, 10AMP	
2	8229244	1	Fuse, 15AMP	
3	8229244	1	Fuse, 15AMP	
4	8229244	1	Fuse, 15AMP	
5	8229244	1	Fuse, 15AMP	
6	8229244	1	Fuse, 15AMP	
7	8229244	1	Fuse, 15AMP	

SECTION 10 - ELECTRICAL

FIGURE 10-78. CAB OPTION HARNESS



WRT_1001181681-C

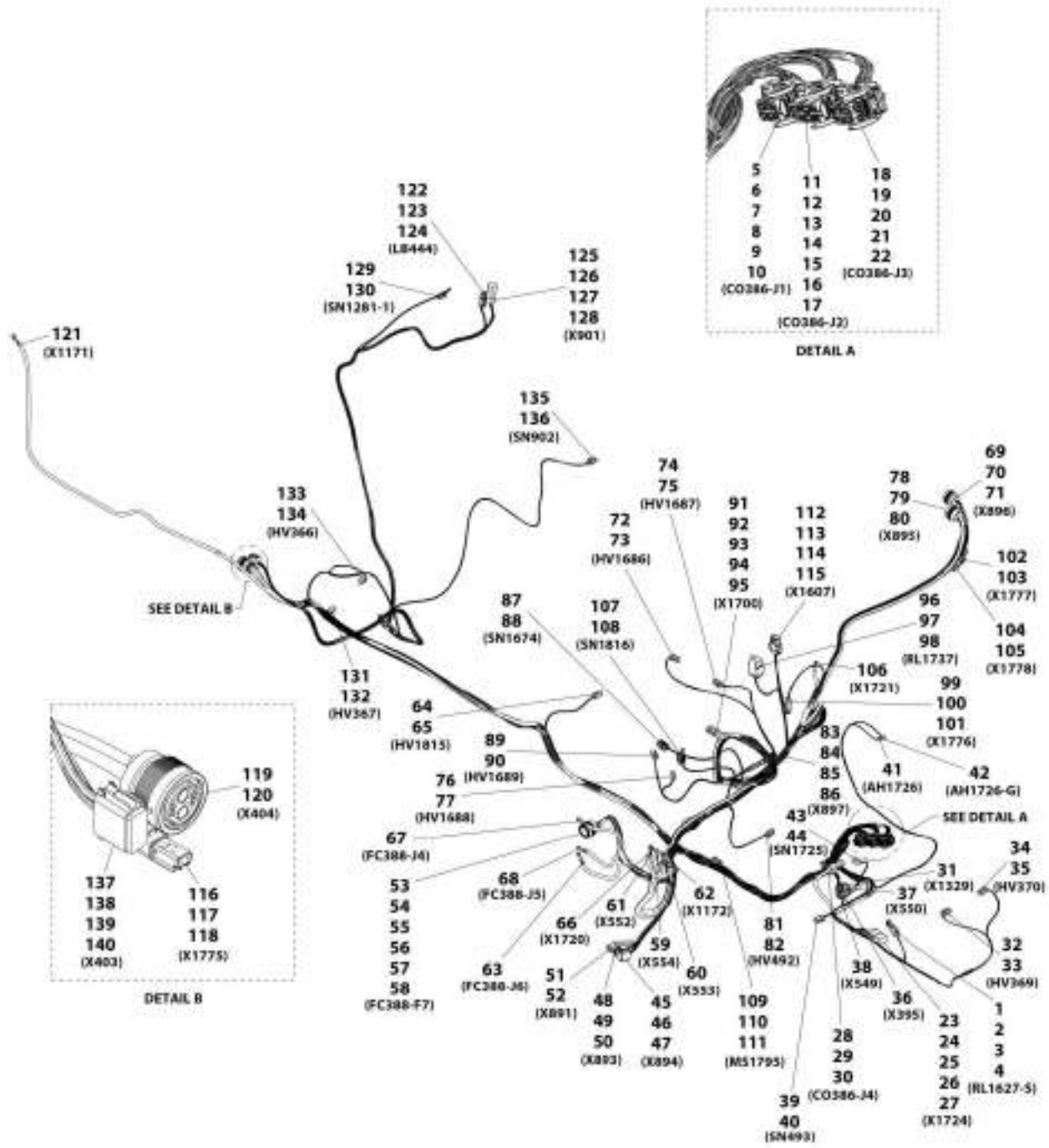
SECTION 10 - ELECTRICAL

FIGURE 10-78. CAB OPTION HARNESS

ITEM	PART NUMBER	QTY	DESCRIPTION	REV
	1001181681	Ref	Cab Option Harness	C
1	4461015	1	Connector	
2	4460465	5	Terminal	
3	4460466	8	Plug	
4	4460942	1	Terminal	
5	1001144147	1	Connector	
6	4460943	2	Terminal	
7	4460466	1	Plug	
8	4460897	1	Connector	
9	4460941	1	Terminal	
10	4460466	1	Plug	
11	4460932	1	Connector	
12	4460464	3	Terminal	
13	4460466	1	Plug	

SECTION 10 - ELECTRICAL

FIGURE 10-79. FRONT FRAME HARNESS



ART_1001184396-J

SECTION 10 - ELECTRICAL

FIGURE 10-79. FRONT FRAME HARNESS

ITEM	PART NUMBER	QTY	DESCRIPTION	REV
	1001184396	Ref	Front Frame Harness	J
1	4460891	1	Connector	
2	4460897	1	Mating Connector	
3	4460466	2	Plug	
4	4460465	2	Terminal	
5	1001161957	1	Connector	
6	643191201	1	Cover	
7	1001161100	12	Plug	
8	1001161097	12	Terminal	
9	1001161101	5	Plug	
10	1001161098	3	Terminal	
11	1001161963	1	Connector	
12	643201301	1	Cover	
13	1001161097	21	Terminal	
14	1001161100	19	Plug	
15	1001161099	6	Terminal	
16	1001161098	1	Terminal	
17	1001161101	1	Plug	
18	1001160500	1	Connector	
19	643191201	1	Cover	
20	1001161097	10	Terminal	
21	1001161100	15	Plug	
22	1001161099	7	Terminal	
23	4460933	1	Connector	
24	4460970	1	Mating Connector	
25	4460466	2	Plug	
26	4460942	10	Terminal	
27	4460466	2	Plug	
28	1001160509	1	Connector	
29	1001160510	1	Terminal	
30	1001175267	1	Seal	
31	1001187080	1	Ring Terminal	
32	4460891	1	Connector	
33	4460465	2	Terminal	
34	4460891	1	Connector	
35	4460465	2	Terminal	
36	1001187080	1	Ring Terminal	
37	1001187079	1	Ring Terminal	
38	1001187079	1	Ring Terminal	
39	4460539	1	Connector	
40	4460465	3	Terminal	
41	8220051	1	Ring Terminal	
42	1001187073	1	Ring Terminal	
43	4460539	1	Connector	
44	4460465	3	Terminal	
45	4460933	1	Connector	
46	4460465	11	Terminal	
47	4460466	1	Plug	
48	1001116812	1	Connector	
49	4460465	2	Terminal	

SECTION 10 - ELECTRICAL

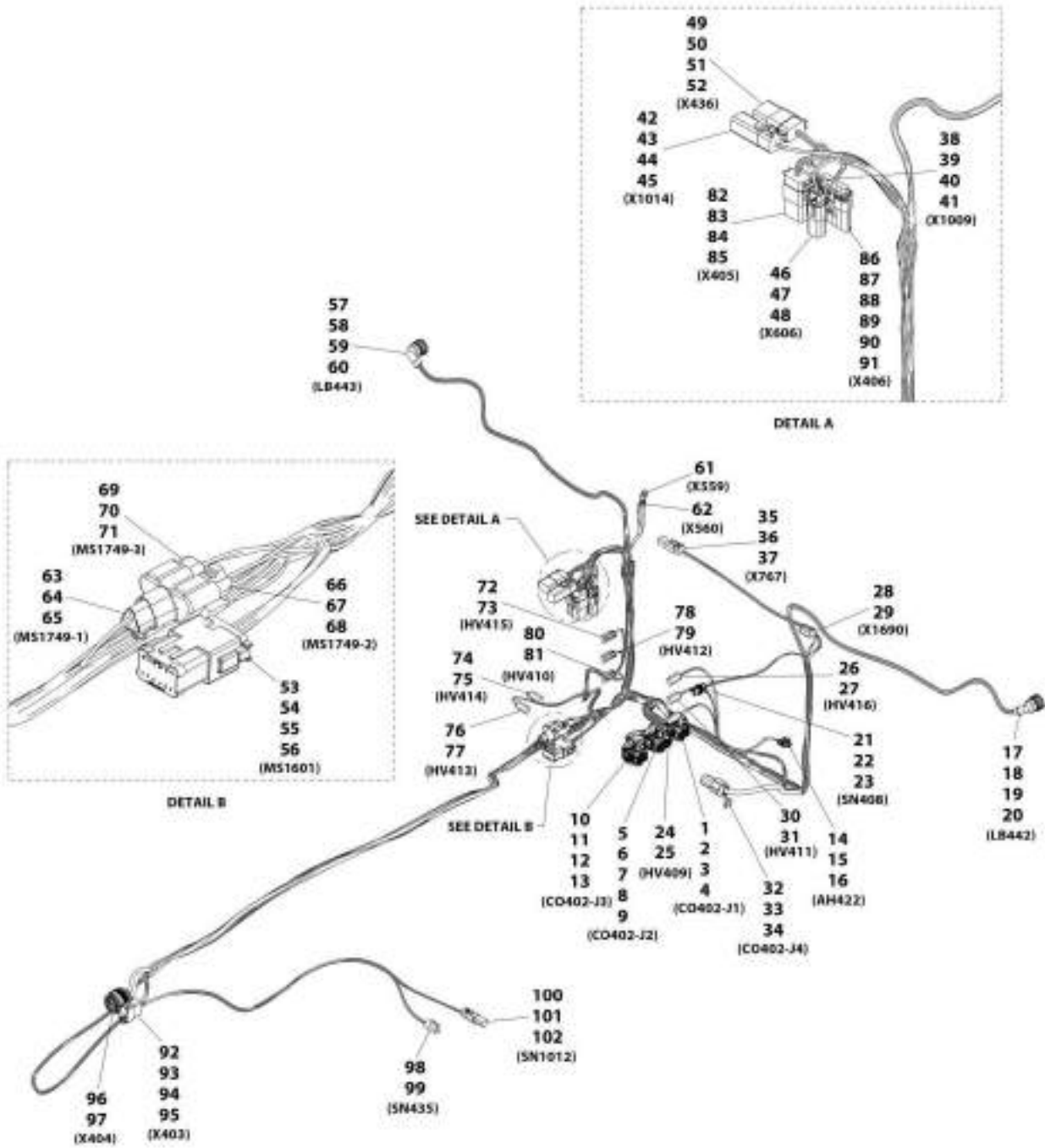
ITEM	PART NUMBER	QTY	DESCRIPTION	REV
50	4460466	1	Plug	
51	1001116810	1	Connector	
52	1001150611	4	Terminal	
53	1001165309	1	Connector	
54	4460466	2	Plug	
55	4460465	9	Terminal	
56	4460942	2	Terminal	
57	4460509	3	Terminal	
58	1001150611	3	Terminal	
59	1001187079	1	Ring Terminal	
60	1001187076	1	Ring Terminal	
61	1001187079	1	Ring Terminal	
62	1001187076	1	Ring Terminal	
63	1001187075	1	Ring Terminal	
64	4460891	1	Connector	
65	4460465	2	Terminal	
66	1001117109	1	Ring Terminal	
67	1001187075	1	Ring Terminal	
68	1001187075	1	Ring Terminal	
69	4461015	1	Connector	
70	4460465	12	Terminal	
71	4460466	2	Plug	
72	4460891	1	Connector	
73	4460465	2	Terminal	
74	4460891	1	Connector	
75	4460465	2	Terminal	
76	4461290	1	Connector	
77	4460928	2	Terminal	
78	1001118323	1	Connector	
79	4460942	4	Terminal	
80	91013192	2	Terminal	
81	4460891	1	Connector	
82	4460465	2	Terminal	
83	4460891	1	Connector	
84	4460897	1	Mating Connector	
85	4460942	1	Terminal	
86	4460466	1	Plug	
87	1001116950	1	Connector	
88	4460465	2	Terminal	
89	4460891	1	Connector	
90	4460465	2	Terminal	
91	4460884	1	Connector	
92	4460932	1	Mating Connector	
93	4460466	1	Sealing Plug	
94	4460465	3	Terminal	
95	4460942	1	Terminal	
96	1001118202	1	Connector	
97	1001116732	4	Terminal	
98	1001128128	1	Plug	
99	4460891	1	Connector	
100	4460897	1	Mating Connector	

SECTION 10 - ELECTRICAL

ITEM	PART NUMBER	QTY	DESCRIPTION	REV
101	4460465	2	Terminal	
102	4460891	1	Connector	
103	4460465	2	Terminal	
104	4460897	1	Connector	
105	4460464	2	Terminal	
106	8220116	1	Ring Terminal	
107	1001116950	1	Connector	
108	4460465	2	Terminal	
109	4460930	1	Connector	
110	4460984	1	Mating Connector	
111	4460465	8	Terminal	
112	1001116774	1	Connector	
113	1001132169	1	Mating Connector	
114	4460518	7	Plug	
115	1001126008	5	Terminal	
116	4460891	1	Connector	
117	4460897	1	Mating Connector	
118	4460465	2	Terminal	
119	1001165310	1	Connector	
120	91013192	2	Terminal	
121	1001187076	1	Ring Terminal	
122	4460891	1	Connector	
123	4460897	1	Mating Connector	
124	4460942	2	Terminal	
125	4460894	1	Connector	
126	4460899	1	Mating Connector	
127	4460465	2	Terminal	
128	4460942	4	Terminal	
129	4460891	1	Connector	
130	4460465	2	Terminal	
131	4460891	1	Connector	
132	4460465	2	Terminal	
133	4460891	1	Connector	
134	4460465	2	Terminal	
135	4460891	1	Connector	
136	4460465	2	Terminal	
137	4460933	1	Connector	
138	4460465	6	Terminal	
139	4460942	1	Terminal	
140	4460466	5	Plug	

SECTION 10 - ELECTRICAL

FIGURE 10-80. REAR FRAME HARNESS



ART_100106307-H

SECTION 10 - ELECTRICAL

FIGURE 10-80. REAR FRAME HARNESS

ITEM	PART NUMBER	QTY	DESCRIPTION	REV
	1001184397	Ref	Rear Frame Harness	H
1	1001161957	1	Connector	
2	1001161097	6	Terminal	
3	1001161100	18	Plug	
4	1001161101	8	Plug	
5	1001161963	1	Connector	
6	1001161097	26	Terminal	
7	1001161100	14	Plug	
8	1001161099	6	Terminal	
9	1001161101	2	Plug	
10	1001160500	1	Connector	
11	1001161100	18	Plug	
12	1001161097	6	Terminal	
13	1001161099	8	Terminal	
14	4461118	1	Connector	
15	1001107854	2	Terminal	
16	1001116763	2	Terminal Seal	
17	1001116996	1	Connector	
18	1001118392	6	Terminal	
19	1001116696	1	Plug	
20	4461054	6	Terminal Seal	
21	4461262	1	Connector	
22	1001107854	3	Terminal	
23	1001104498	3	Terminal Seal	
24	4460891	1	Connector	
25	4460465	2	Terminal	
26	4460891	1	Connector	
27	4460465	2	Terminal	
28	4460884	1	Connector	
29	4460465	4	Terminal	
30	4460891	1	Connector	
31	4460465	2	Terminal	
32	1001160509	1	Connector	
33	1001160510	1	Terminal	
34	1001175267	1	Terminal Seal	
35	4460884	1	Connector	
36	4460932	1	Mating Connector	
37	4460465	4	Terminal	
38	4460884	1	Connector	
39	4460932	1	Mating Connector	
40	4460466	2	Plug	
41	4460465	2	Terminal	
42	4460894	1	Connector	
43	4460899	1	Mating Connector	
44	4460466	3	Plug	
45	4460465	3	Terminal	
46	4461018	1	Connector	
47	4461017	1	Mating Connector	
48	4460509	2	Terminal	
49	4460930	1	Connector	

SECTION 10 - ELECTRICAL

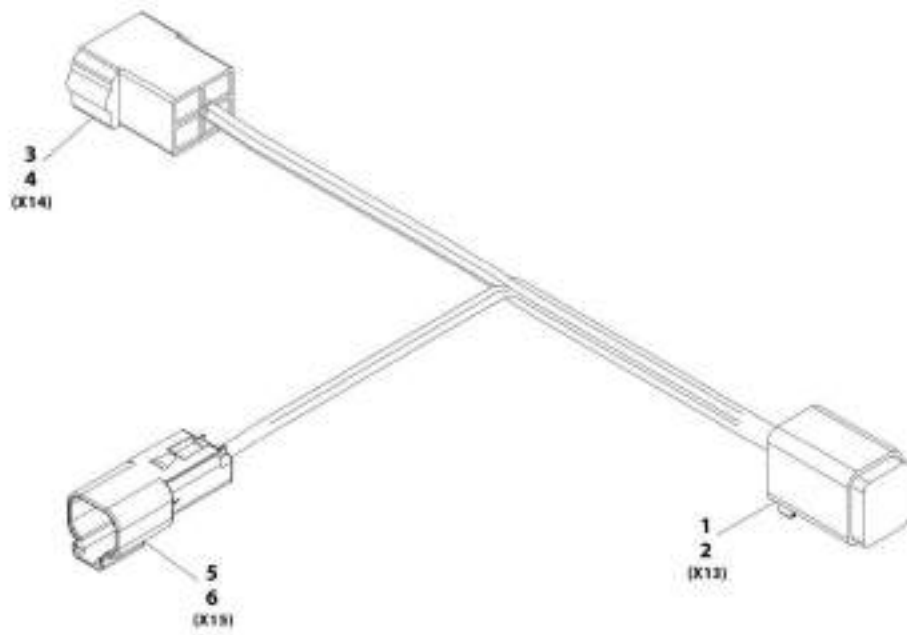
ITEM	PART NUMBER	QTY	DESCRIPTION	REV
50	4460931	1	Mating Connector	
51	4460466	2	Plug	
52	4460465	6	Terminal	
53	4460933	1	Connector	
54	1001125677	1	Bussbar Connector	
55	4460465	10	Terminal	
56	4460466	2	Plug	
57	1001116996	1	Connector	
58	1001118392	6	Terminal	
59	1001116696	1	Plug	
60	4461054	6	Terminal Seal	
61	1001187080	1	Ring Terminal	
62	1001187079	1	Ring Terminal	
63	1001116812	1	Connector	
64	4460944	2	Terminal	
65	4460466	1	Plug	
66	4460539	1	Connector	
67	4460944	2	Terminal	
68	4460466	1	Plug	
69	1001116812	1	Connector	
70	4460944	2	Terminal	
71	4460466	1	Plug	
72	4460891	1	Connector	
73	4460465	2	Terminal	
74	4460891	1	Connector	
75	4460465	2	Terminal	
76	4460891	1	Connector	
77	4460465	2	Terminal	
78	4460891	1	Connector	
79	4460465	2	Terminal	
80	4460891	1	Connector	
81	4460465	2	Terminal	
82	4460930	1	Connector	
83	4460931	1	Mating Connector	
84	4460466	2	Plug	
85	4460465	6	Terminal	
86	1001121726	1	Connector	
87	1001121727	1	Mating Connector	
88	1001116728	4	Terminal	
89	4460748	1	Plug	
90	1001175265	3	Terminal Seal	
91	4460458	1	Terminal Seal	
92	4460970	1	Connector	
93	4460464	6	Terminal	
94	4460941	1	Terminal	
95	4460466	5	Plug	
96	1001165311	1	Connector	
97	91013191	2	Terminal	
98	4460539	1	Connector	
99	4460944	3	Terminal	
100	4460539	1	Connector	

SECTION 10 - ELECTRICAL

ITEM	PART NUMBER	QTY	DESCRIPTION	REV
101	4460536	1	Mating Connector	
102	4460465	3	Terminal	

SECTION 10 - ELECTRICAL

FIGURE 10-81. SEAT ADAPTOR HARNESS



ART_300168531-A

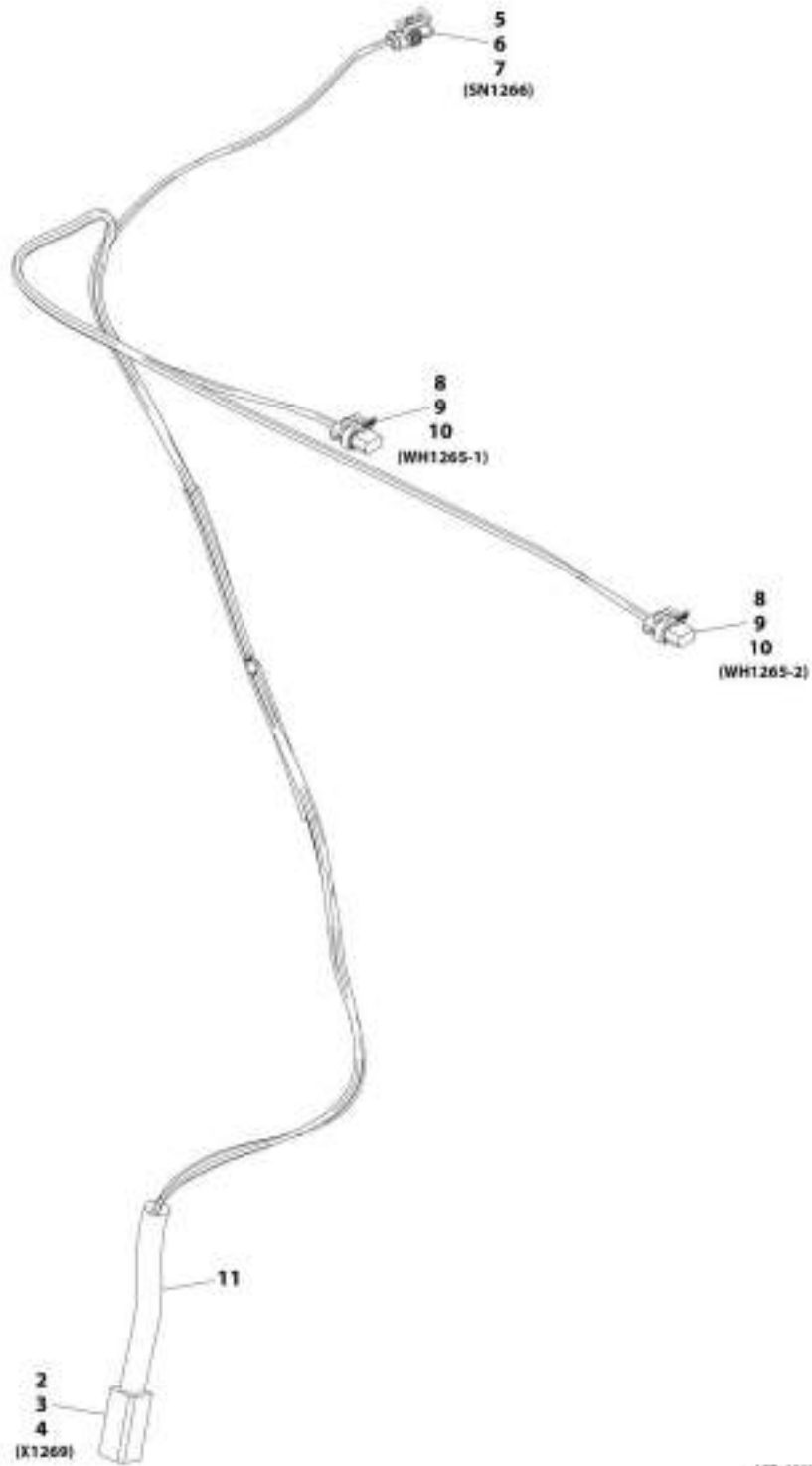
SECTION 10 - ELECTRICAL

FIGURE 10-81. SEAT ADAPTOR HARNESS

ITEM	PART NUMBER	QTY	DESCRIPTION	REV
	1001168531	Ref	Seat Adaptor Harness	A
1	4460894	1	Connector	
2	91504107	1	Lock, Connector	
3	4460465	6	Terminal	
4	1001117011	1	Connector	
5	1001116700	3	Terminal	
6	4460897	1	Connector	
7	80604017	1	Lock, Connector	
8	4460943	2	Terminal	

SECTION 10 - ELECTRICAL

FIGURE 10-82. A/C OPTION HARNESS



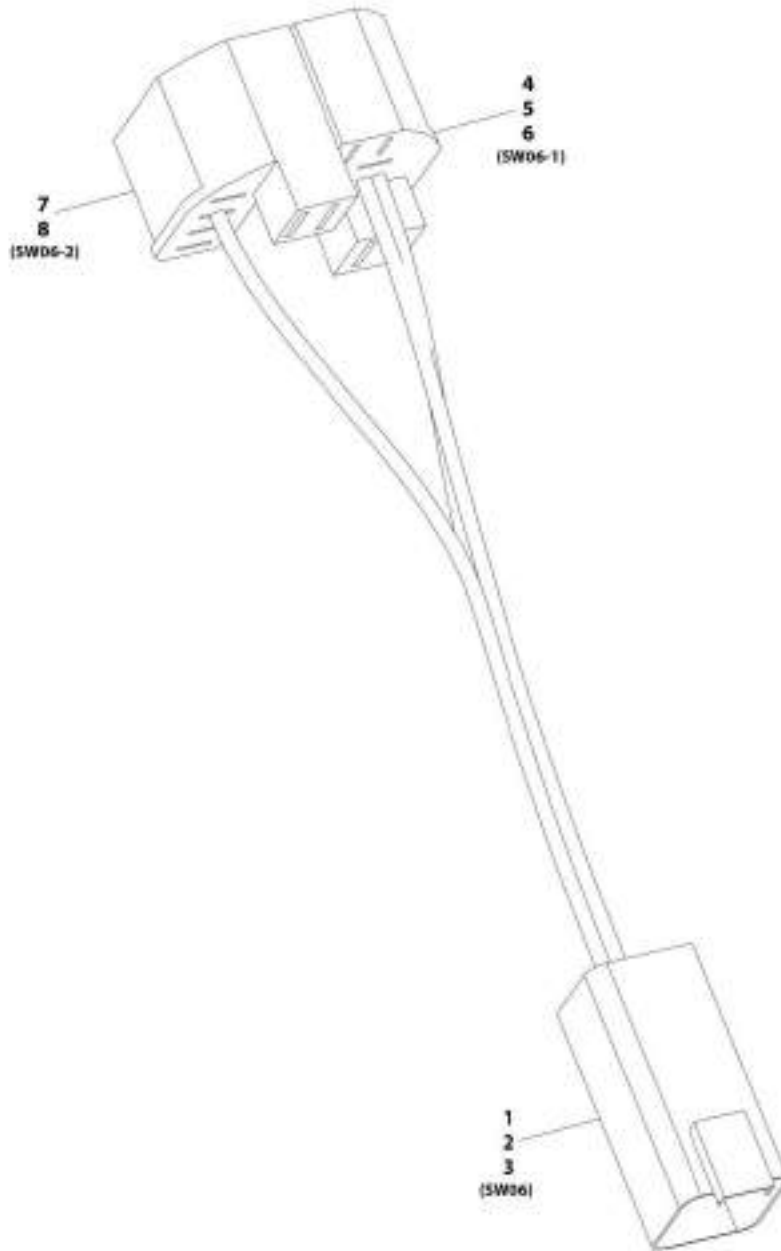
SECTION 10 - ELECTRICAL

FIGURE 10-82. A/C OPTION HARNESS

ITEM	PART NUMBER	QTY	DESCRIPTION	REV
	1001169151	Ref	A/C Option Harness	E
2	4460899	1	Connector	
3	4460941	4	Terminal	
4	4460464	2	Terminal	
5	4461118	1	Connector	
6	1001107854	2	Terminal	
7	1001116763	2	Seal	
8	1001117021	2	Connector	
9	1001116747	4	Terminal	
10	4460789	4	Seal	
11	70028546	1	Backshell	

SECTION 10 - ELECTRICAL

FIGURE 10-83. IGNITION SWITCH HARNESS



ART_100123969-A

SECTION 10 - ELECTRICAL

FIGURE 10-83. IGNITION SWITCH HARNESS

ITEM	PART NUMBER	QTY	DESCRIPTION	REV
	1001223968	Ref	Ignition Switch Harness	A
1	4460899	1	Connector	
2	4460464	3	Terminal	
3	4460466	3	Plug	
4	1001118685	1	Connector	
5	1001104519	1	Terminal	
6	1001118383	1	Terminal	
7	1001117121	1	Connector	
8	1001104519	1	Terminal	

SECTION 10 - ELECTRICAL

FIGURE 10-84. REVERSE SENSOR HARNESS



ART_300125734-C

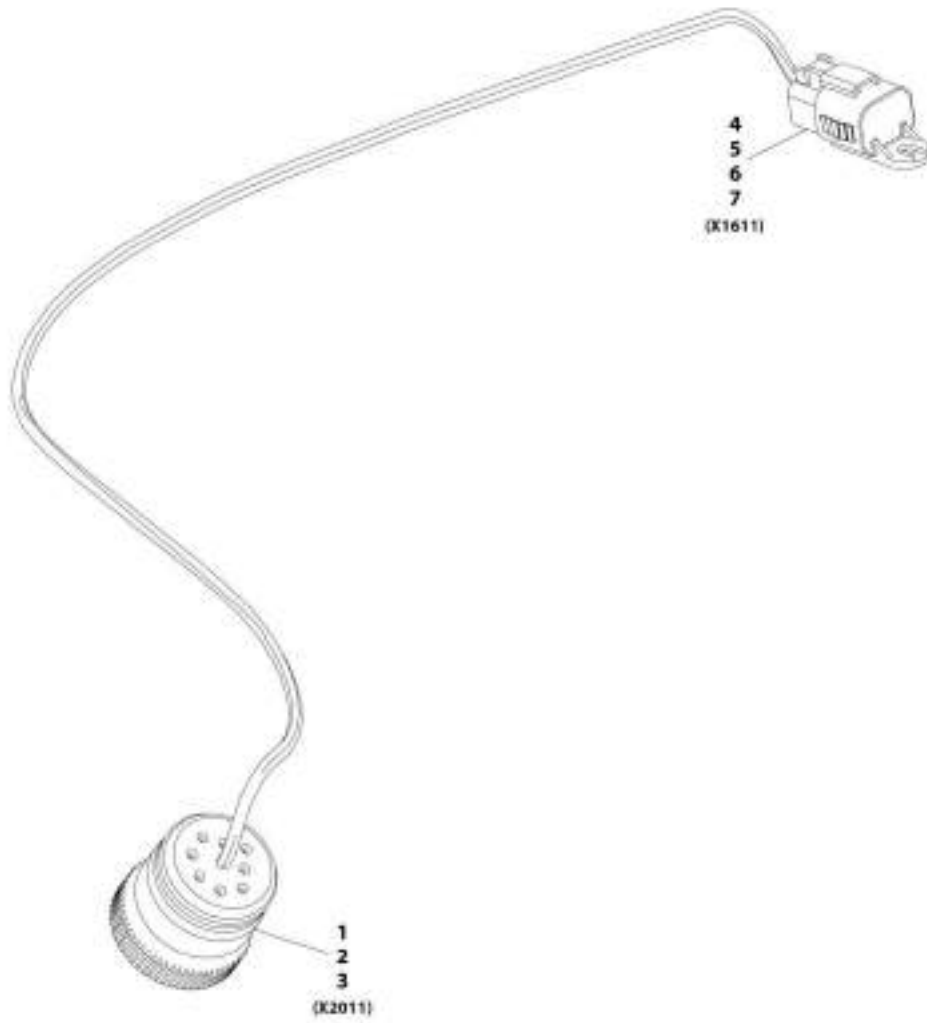
SECTION 10 - ELECTRICAL

FIGURE 10-84. REVERSE SENSOR HARNESS

ITEM	PART NUMBER	QTY	DESCRIPTION	REV
	1001175776	Ref	Reverse Sensor Harness	C
1	4460932	1	Connector	
2	4460464	4	Terminal	
3	1001175733	1	Connector	

SECTION 10 - ELECTRICAL

FIGURE 10-85. TELEMATICS READY HARNESS



ARC_1001196200-A

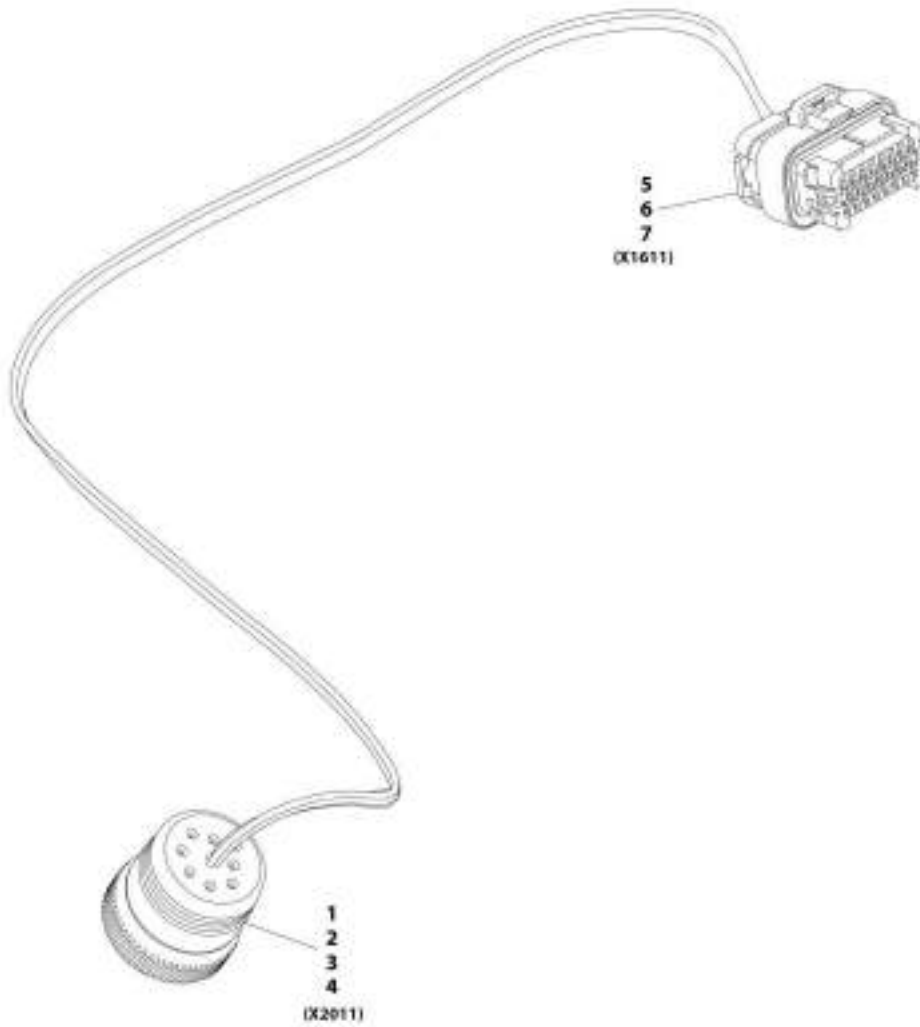
SECTION 10 - ELECTRICAL

FIGURE 10-85. TELEMATICS READY HARNESS

ITEM	PART NUMBER	QTY	DESCRIPTION	REV
	1001196289	Ref	Telematics Ready Harness	A
1	1001112796	1	Connector	
2	4460465	3	Terminal	
3	4460466	6	Plug	
4	4460884	1	Connector	
5	4460465	3	Terminal	
6	4460466	1	Plug	
7	80604021	1	Lock, Connector	

SECTION 10 - ELECTRICAL

FIGURE 10-86. CLEARSKY HARNESS (A/C)



ART. 3001196452-A

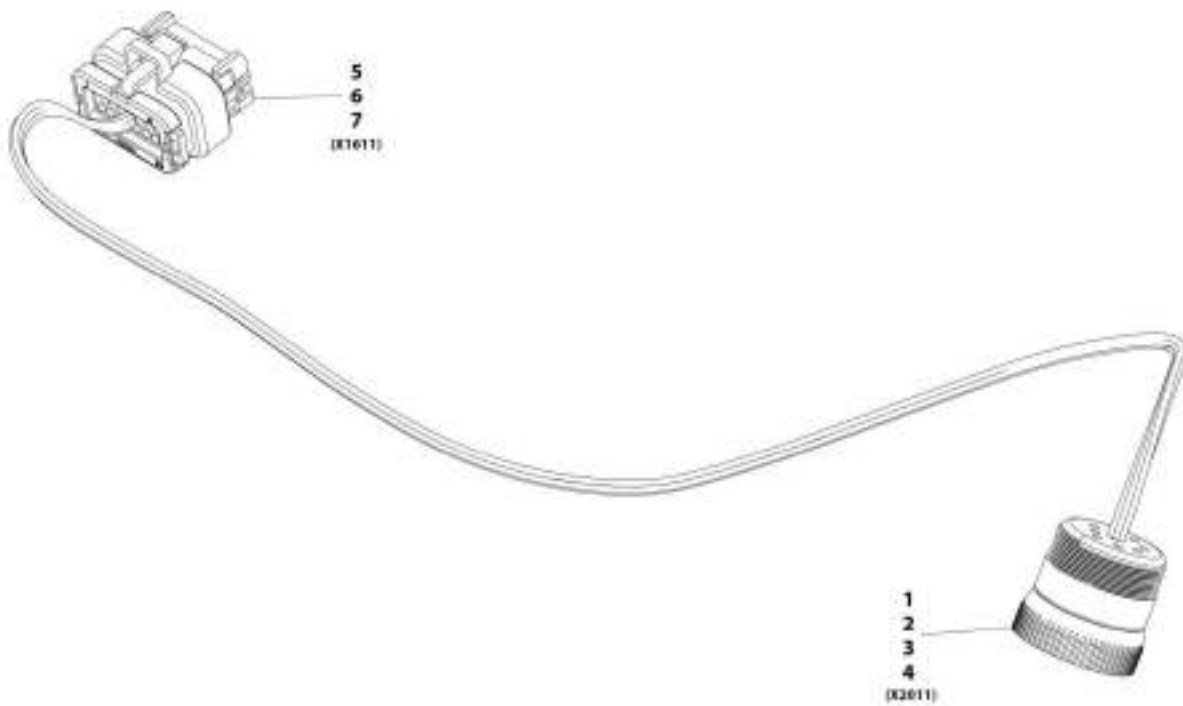
SECTION 10 - ELECTRICAL

FIGURE 10-86. CLEARSKY HARNESS (A/C)

ITEM	PART NUMBER	QTY	DESCRIPTION	REV
	1001196452	Ref	Clearsky Harness (A/C)	A
1	1001112796	1	Connector	
2	4460465	3	Terminal	
3	4460944	2	Terminal	
4	4460466	4	Plug	
5	1001116994	1	Connector	
6	4460871	5	Terminal	
7	4460905	18	Plug	

SECTION 10 - ELECTRICAL

FIGURE 10-87. CLEARSKY HARNESS (NO A/C)



ART_100176587-C

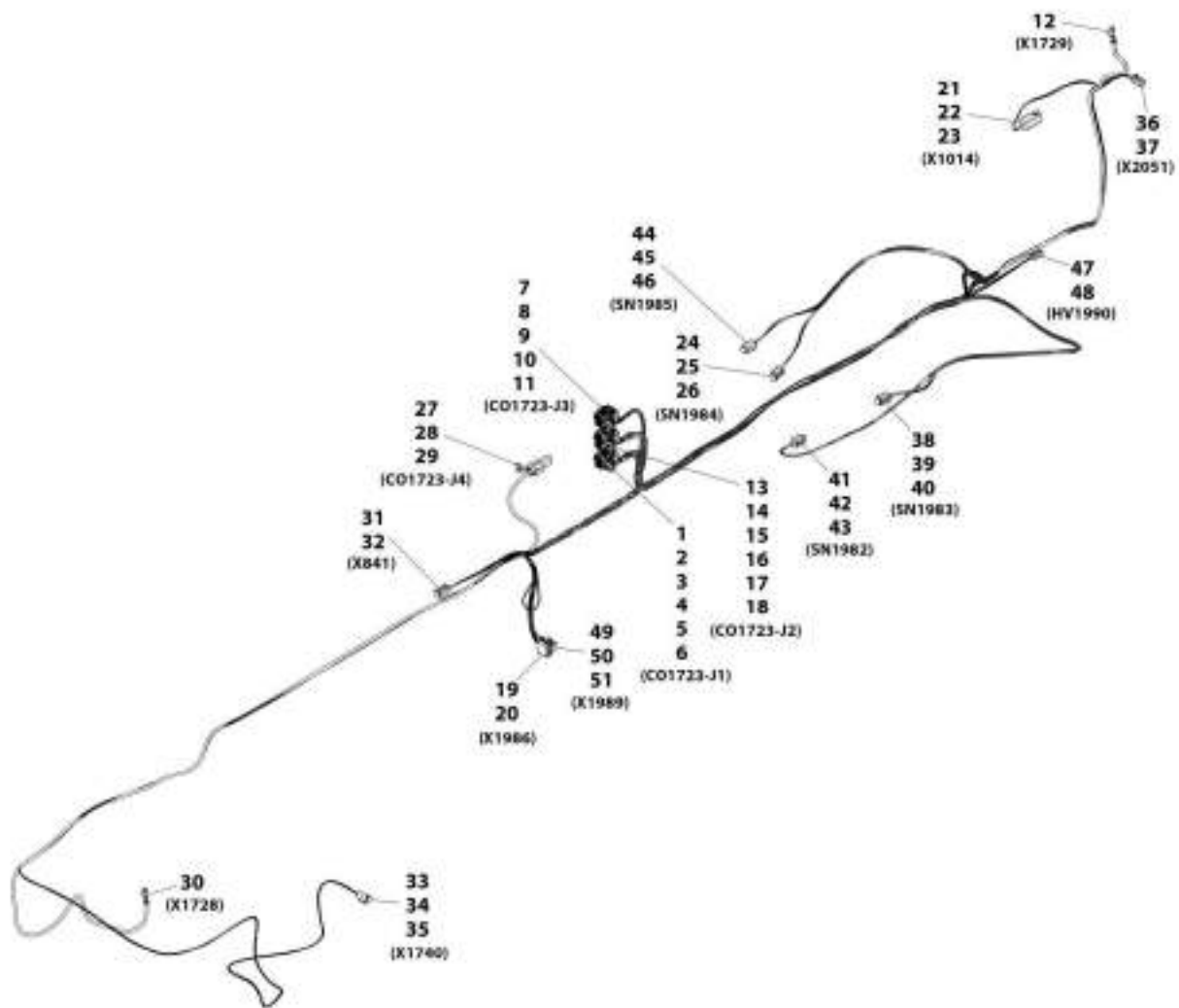
SECTION 10 - ELECTRICAL

FIGURE 10-87. CLEARSKY HARNESS (NO A/C)

ITEM	PART NUMBER	QTY	DESCRIPTION	REV
	1001176587	Ref	Clearsky Harness (no A/C)	C
1	1001112796	1	Connector	
2	4460465	3	Terminal	
3	4460944	2	Terminal	
4	4460466	4	Plug	
5	1001116994	1	Connector	
6	4460871	5	Terminal	
7	4460905	18	Plug	

SECTION 10 - ELECTRICAL

FIGURE 10-88. LMIS CHASSIS OPTION HARNESS



ART. 1001184795-E

SECTION 10 - ELECTRICAL

FIGURE 10-88. LMIS CHASSIS OPTION HARNESS

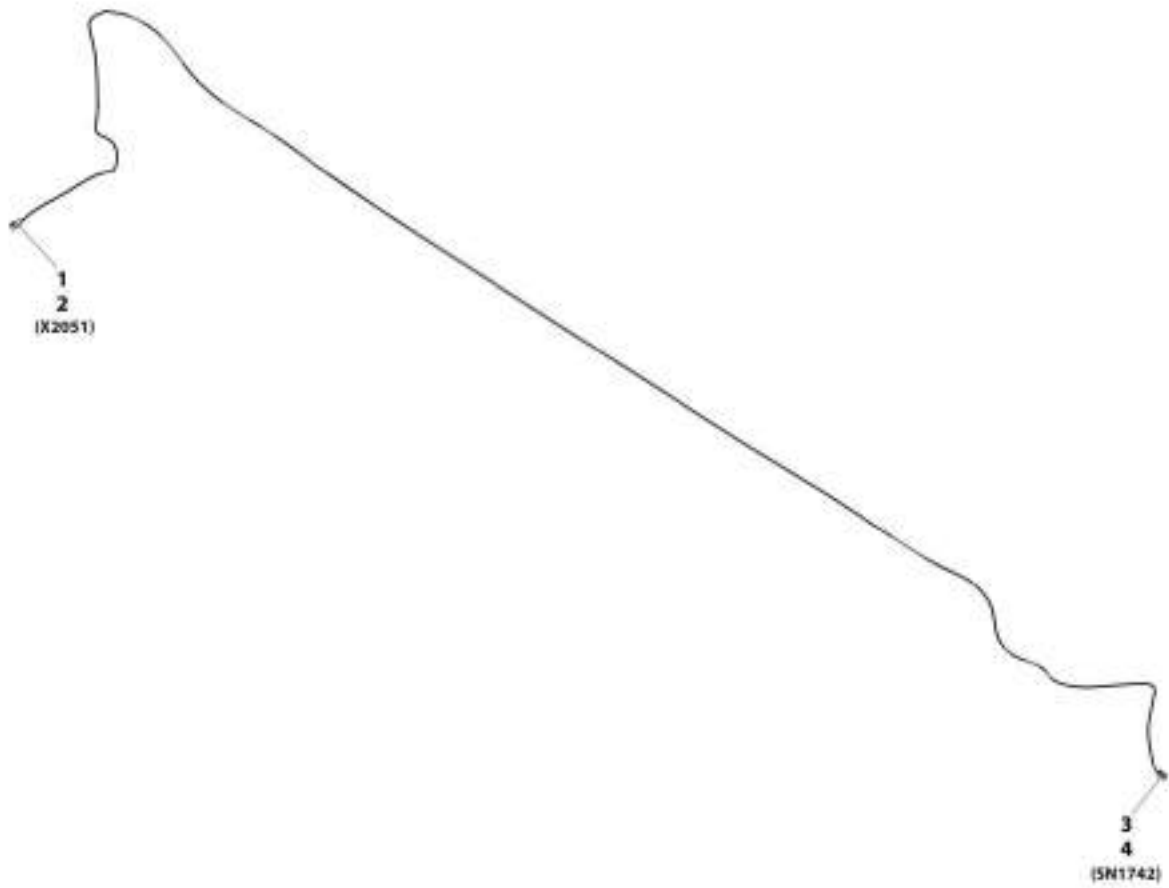
ITEM	PART NUMBER	QTY	DESCRIPTION	REV
	1001184795	Ref	LMIS Chassis Option Harness	E
1	1001161957	1	Connector	
2	1001161097	17	Terminal	
3	1001161100	7	Plug	
4	1001161101	2	Plug	
5	1001161098	2	Terminal	
6	1001161099	4	Terminal	
7	1001160500	1	Connector	
8	1001161100	16	Plug	
9	1001161097	8	Terminal	
10	1001161101	7	Plug	
11	1001161098	1	Terminal	
12	1001187076	1	Ring Terminal	
13	1001161963	1	Connector	
14	1001161097	24	Terminal	
15	1001161100	16	Plug	
16	1001161095	1	Terminal	
17	1001161099	3	Terminal	
18	1001161101	4	Plug	
19	1001116774	1	Connector	
20	4460928	12	Terminal	
21	4460899	1	Connector	
22	4460464	3	Terminal	
23	4460466	3	Plug	
24	4460884	1	Connector	
25	4460942	1	Terminal	
26	4460465	3	Terminal	
27	1001160509	1	Connector	
28	1001160510	1	Terminal	
29	1001175266	1	Terminal Seal	
30	1001187075	1	Ring Terminal	
31	4460884	1	Connector	
32	4460465	4	Terminal	
33	1001116812	1	Connector	
34	4460944	2	Terminal	
35	4460466	1	Plug	
36	4460539	1	Connector	
37	4460465	3	Terminal	
38	4460884	1	Connector	
39	4460942	1	Terminal	
40	4460465	3	Terminal	
41	4460884	1	Connector	
42	4460942	1	Terminal	
43	4460465	3	Terminal	
44	4460884	1	Connector	
45	4460942	1	Terminal	
46	4460465	3	Terminal	
47	4460891	1	Connector	
48	4460465	2	Terminal	
49	4460891	1	Connector	

SECTION 10 - ELECTRICAL

ITEM	PART NUMBER	QTY	DESCRIPTION	REV
50	4460465	1	Terminal	
51	4460942	1	Terminal	

SECTION 10 - ELECTRICAL

FIGURE 10-89. LMIS BOOM HARNESS



ART_100100019-C

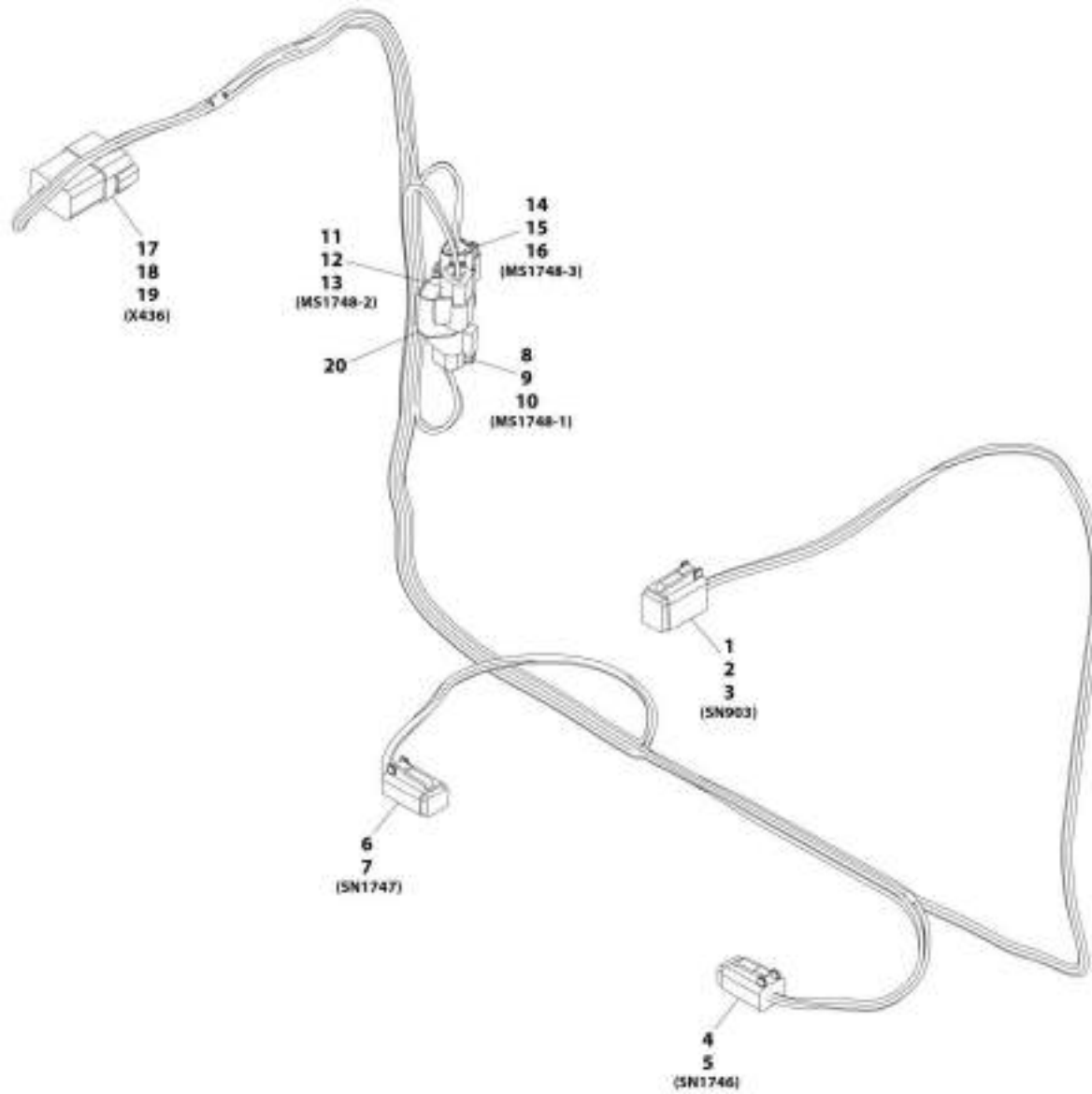
SECTION 10 - ELECTRICAL

FIGURE 10-89. LMIS BOOM HARNESS

ITEM	PART NUMBER	QTY	DESCRIPTION	REV
	1001192619	Ref	LMIS Boom Harness	C
1	4460536	1	Connector	
2	4460464	3	Terminal	
3	4460539	1	Connector	
4	4460465	3	Terminal	

SECTION 10 - ELECTRICAL

FIGURE 10-90. PLATFORM READY HARNESS



AWT_1001195202-A

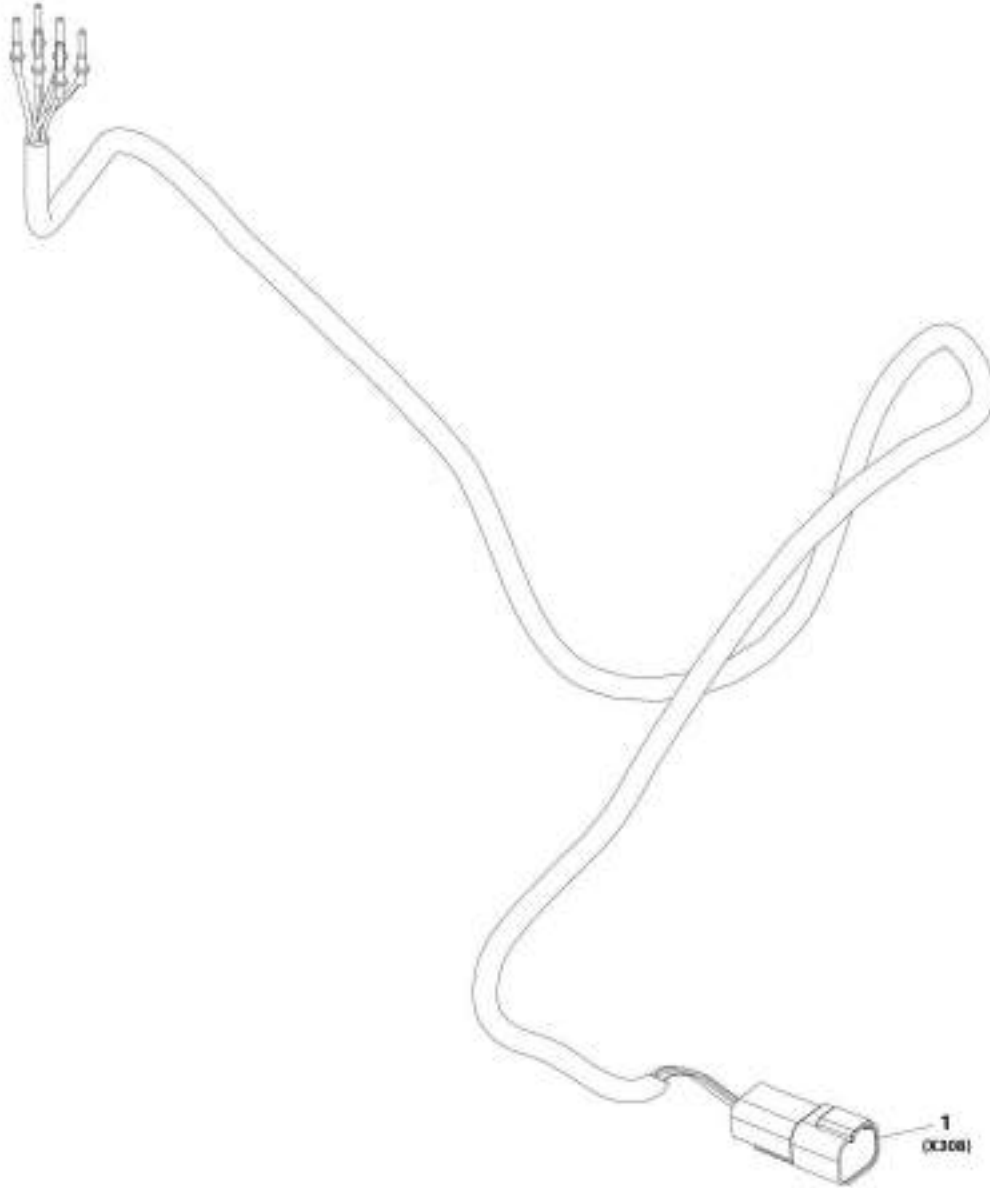
SECTION 10 - ELECTRICAL

FIGURE 10-90. PLATFORM READY HARNESS

ITEM	PART NUMBER	QTY	DESCRIPTION	REV
	1001195202	Ref	Platform Ready Harness	A
1	4460894	1	Connector	
2	4460465	4	Terminal	
3	4460466	2	Plug	
4	4460884	1	Connector	
5	4460944	4	Terminal	
6	4460884	1	Connector	
7	4460944	4	Terminal	
8	1001116812	1	Connector	
9	4460944	2	Terminal	
10	4460466	1	Plug	
11	4460539	1	Connector	
12	4460944	2	Terminal	
13	4460466	1	Plug	
14	1001116812	1	Connector	
15	4460944	2	Terminal	
16	4460466	1	Plug	
17	4460931	1	Connector	
18	4460464	6	Terminal	
19	4460466	2	Plug	
20	4460945	1	Connector, 3 Way	

SECTION 10 - ELECTRICAL

FIGURE 10-91. LMIS BEACON OPTION HARNESS



ART_308117247-B

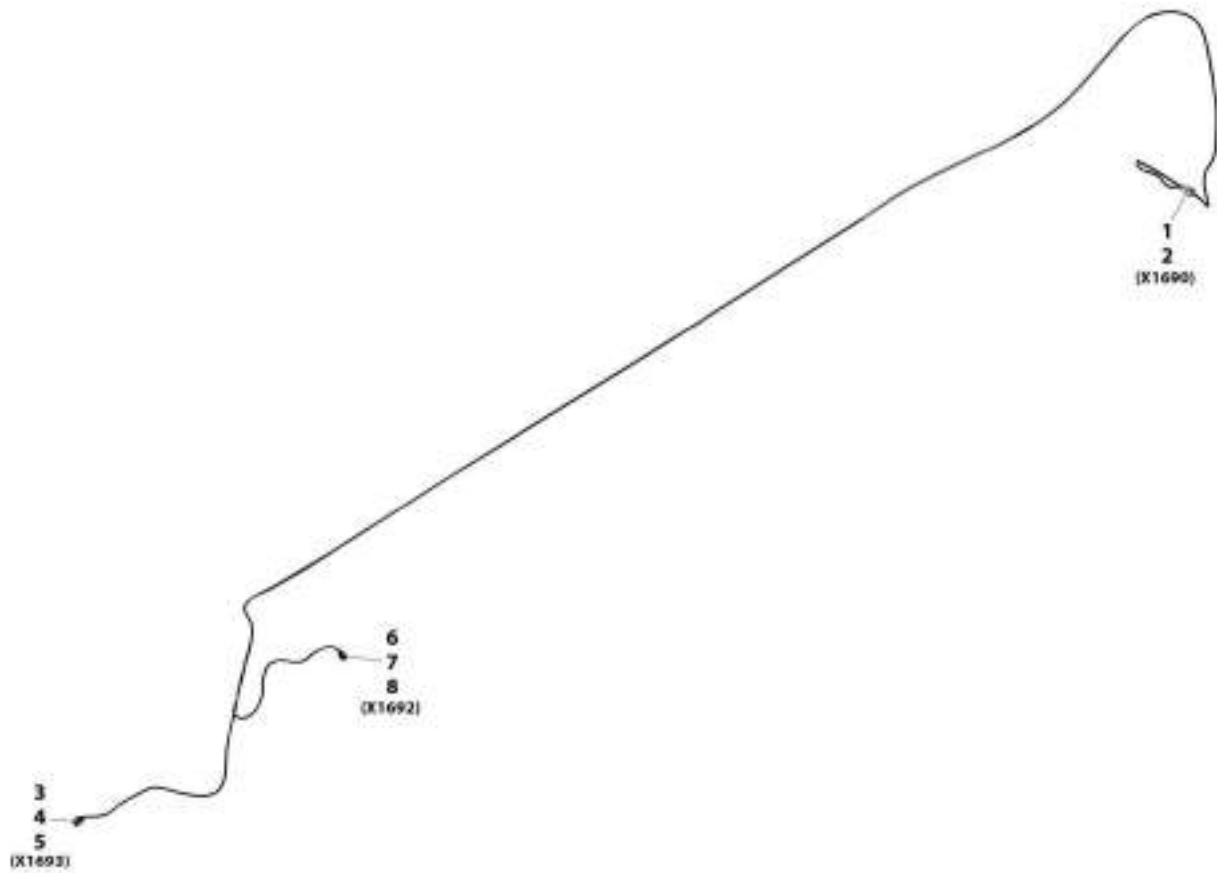
SECTION 10 - ELECTRICAL

FIGURE 10-91. LMIS BEACON OPTION HARNESS

ITEM	PART NUMBER	QTY	DESCRIPTION	REV
1	1001117247 4460932	Ref 1	LMIS Beacon Option Harness Connector	B

SECTION 10 - ELECTRICAL

FIGURE 10-92. PROXIMITY SENSOR HARNESS



AWT_1001105953-F

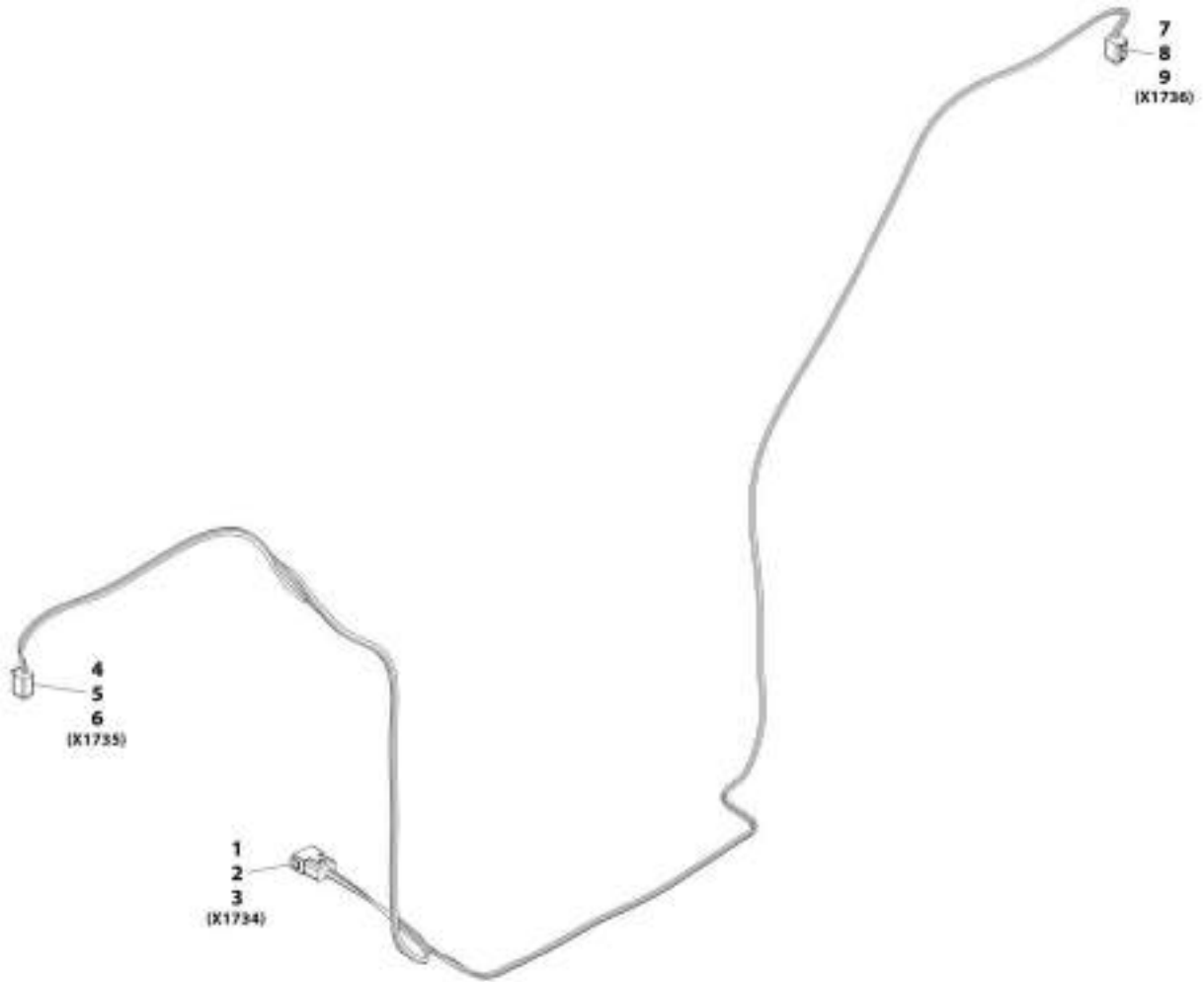
SECTION 10 - ELECTRICAL

FIGURE 10-92. PROXIMITY SENSOR HARNESS

ITEM	PART NUMBER	QTY	DESCRIPTION	REV
	1001195953	Ref	Proximity Sensor Harness	F
1	4460932	1	Connector	
2	4460464	4	Terminal	
3	4461262	1	Connector	
4	1001107854	3	Terminal	
5	1001104498	3	Terminal Seal	
6	4461262	1	Connector	
7	1001107854	3	Terminal	
8	1001104498	3	Terminal Seal	

SECTION 10 - ELECTRICAL

FIGURE 10-93. HEADLIGHT HARNESS



ARC_1001215683-B

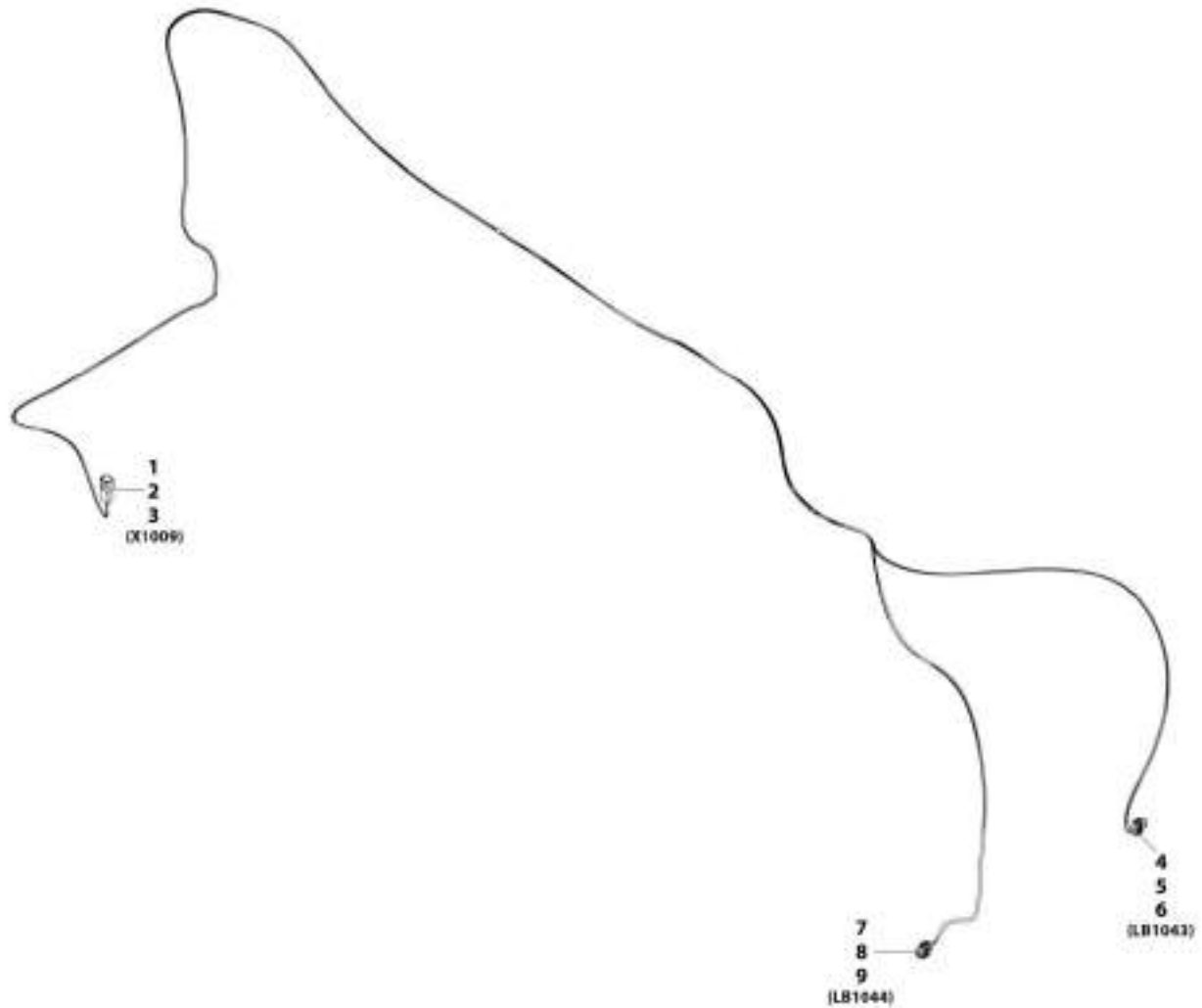
SECTION 10 - ELECTRICAL

FIGURE 10-93. HEADLIGHT HARNESS

ITEM	PART NUMBER	QTY	DESCRIPTION	REV
	1001215693	Ref	Headlight Harness	B
1	4460970	1	Connector	
2	4460941	10	Terminal	
3	4460466	2	Plug	
4	4460894	1	Connector	
5	4460942	5	Terminal	
6	4460466	1	Plug	
7	4460894	1	Connector	
8	4460942	5	Terminal	
9	4460466	1	Plug	

SECTION 10 - ELECTRICAL

FIGURE 10-94. BOOM WORKLIGHTS HARNESS



AWT_1001184796-D

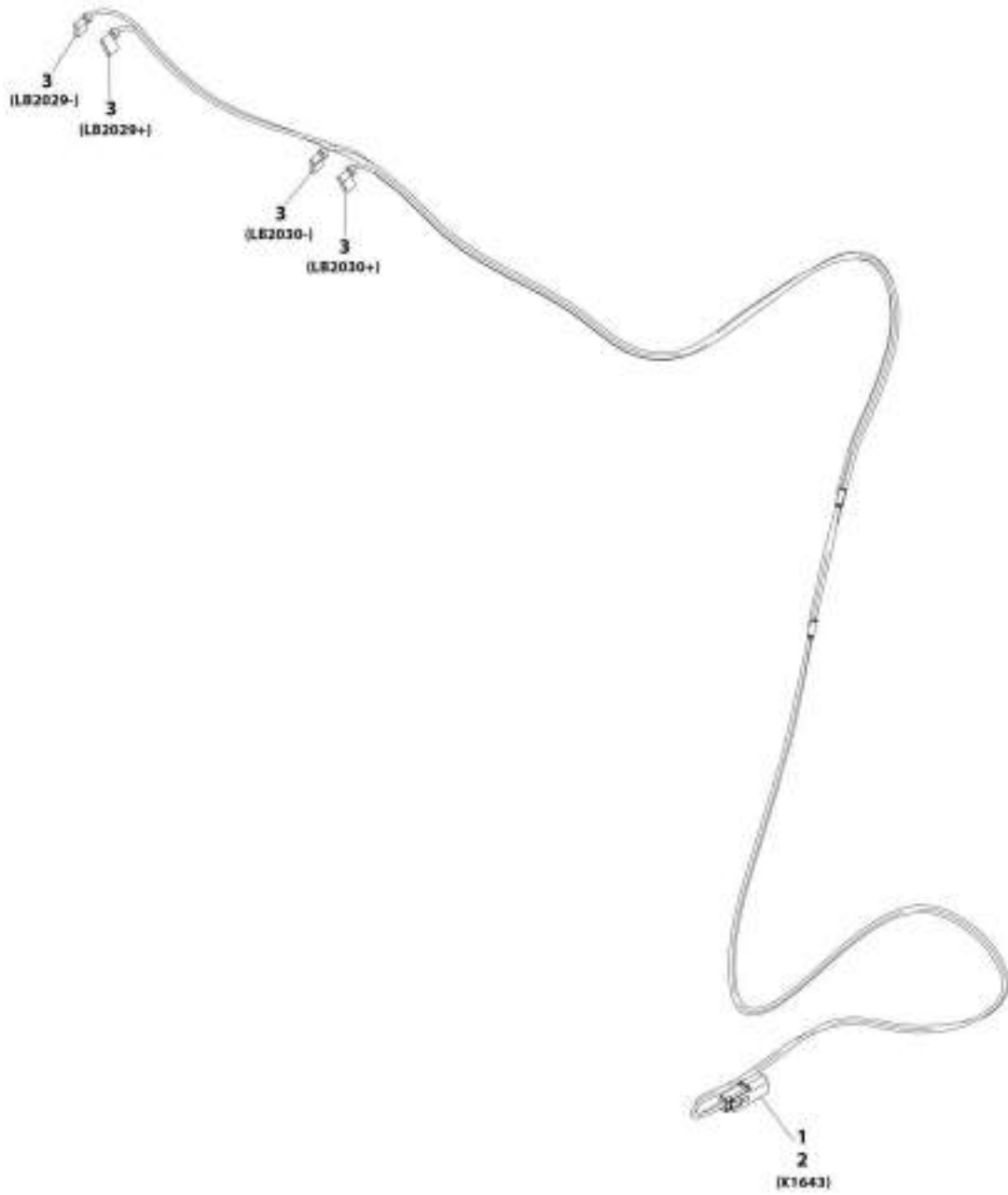
SECTION 10 - ELECTRICAL

FIGURE 10-94. BOOM WORKLIGHTS HARNESS

ITEM	PART NUMBER	QTY	DESCRIPTION	REV
	1001184796	Ref	Boom Worklights Harness	D
1	4460932	1	Connector	
2	4460464	2	Terminal	
3	4460466	2	Plug	
4	4461115	1	Connector	
5	1001116728	2	Terminal	
6	4460458	2	Terminal Seal	
7	4461115	1	Connector	
8	1001116728	2	Terminal	
9	4460458	2	Terminal Seal	

SECTION 10 - ELECTRICAL

FIGURE 10-95. LICENSE LIGHT HARNESS



ART_1001178055-C

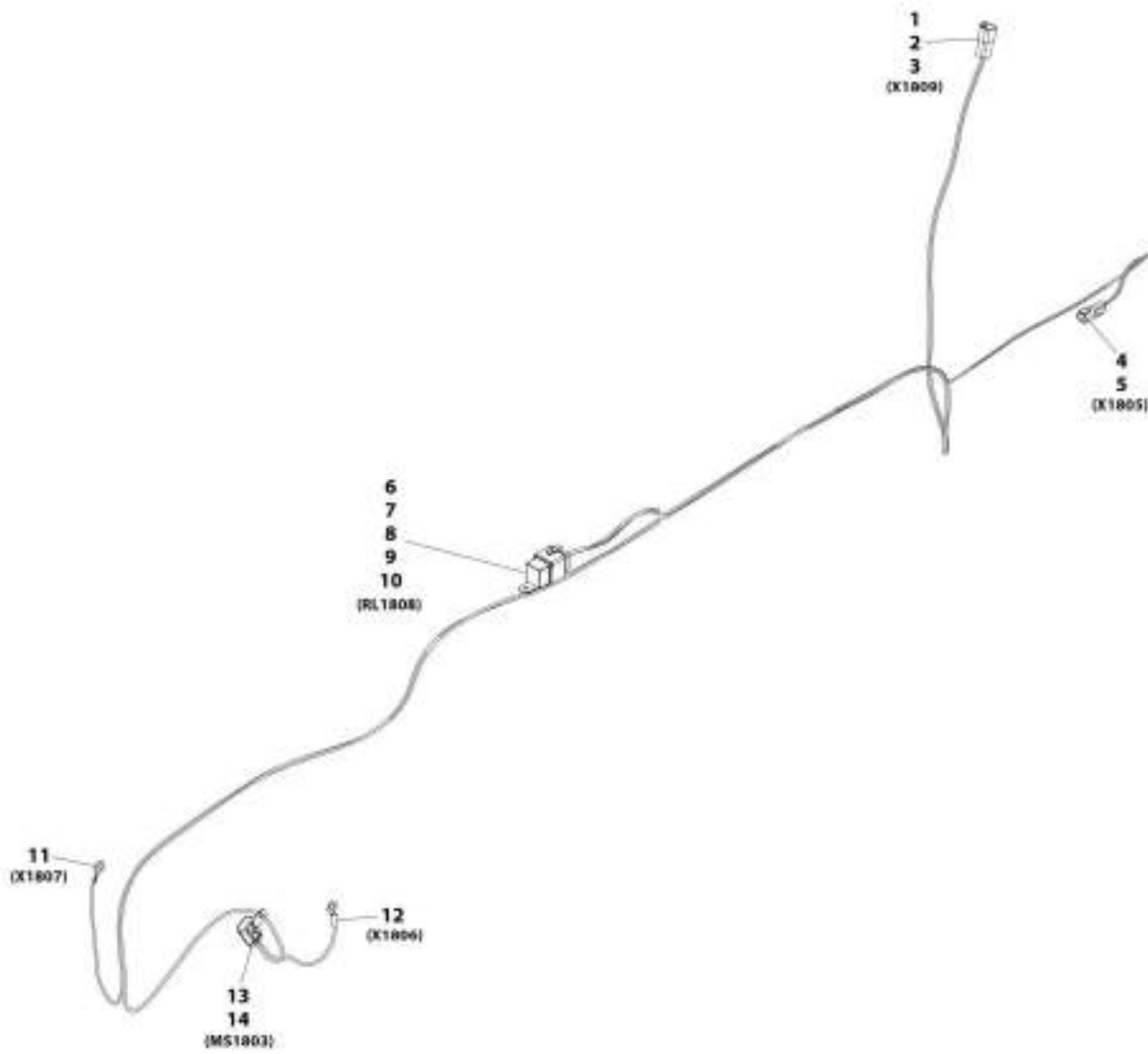
SECTION 10 - ELECTRICAL

FIGURE 10-95. LICENSE LIGHT HARNESS

ITEM	PART NUMBER	QTY	DESCRIPTION	REV
	1001178053	Ref	License Light Harness	C
1	4460897	1	Connector	
2	4460941	2	Terminal	
3	1001190396	4	Connector	

SECTION 10 - ELECTRICAL

FIGURE 10-96. REVERSING FAN HARNESS



WIT_1001221495-A

SECTION 10 - ELECTRICAL

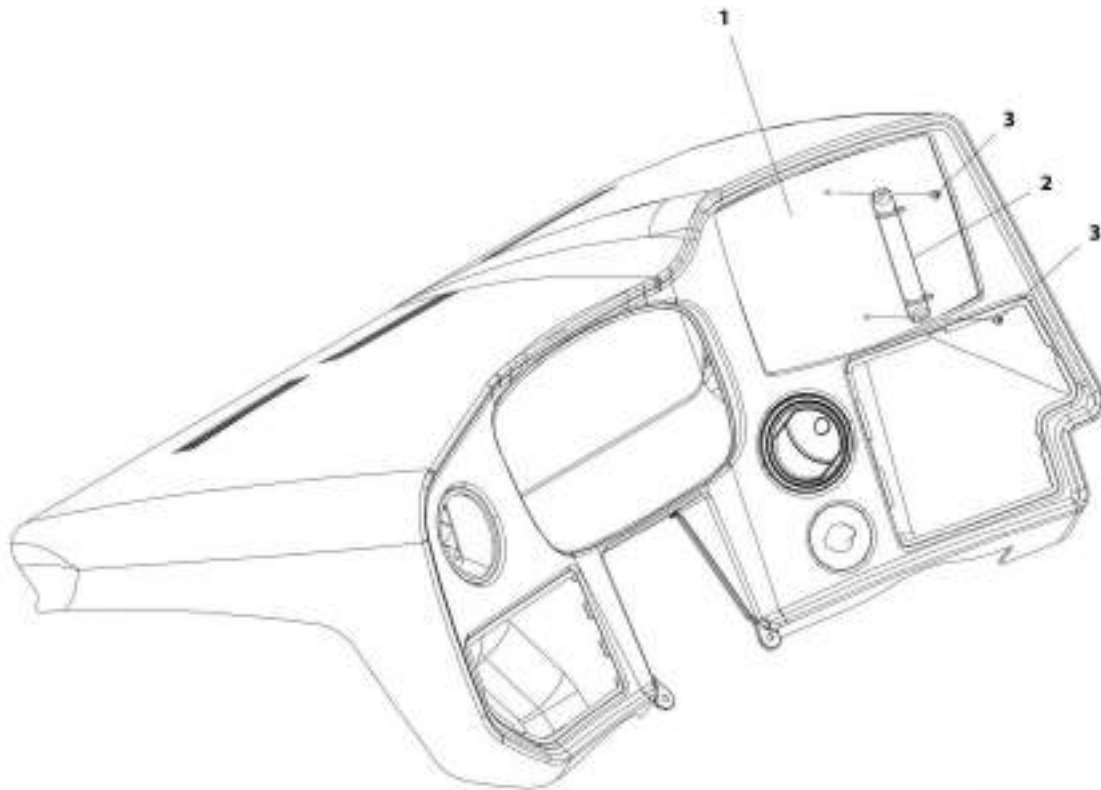
FIGURE 10-96. REVERSING FAN HARNESS

ITEM	PART NUMBER	QTY	DESCRIPTION	REV
	1001221493	Ref	Reversing Fan Harness	A
1	4460932	1	Connector	
2	4460941	2	Terminal	
3	4460466	2	Plug	
4	4460897	1	Connector	
5	4460464	2	Terminal	
6	1001118282	1	Connector	
7	1001116734	1	Terminal	
8	1001116732	2	Terminal	
9	1001128128	1	Plug	
10	1001116733	1	Terminal	
11	1001187078	1	Ring Terminal	
12	8220045	1	Ring Terminal	
13	1001117024	1	Connector	
14	1001116734	2	Terminal	

SECTION 11 - DECALS

SECTION 11 - DECALS

FIGURE 11-1. CAPACITY CHART HOLDER INSTALLATION



ART_1001178200-A

SECTION 11 - DECALS

FIGURE 11-1. CAPACITY CHART HOLDER INSTALLATION

ITEM	PART NUMBER	QTY	DESCRIPTION	REV
	1001178706	Ref	Capacity Chart Holder Installation	A
1	1001179297	1	Load Chart, Bezel	
2	1001005960	1	Holder	
3	7029486	2	Screw	

SECTION 11 - DECALS

FIGURE 11-2. REVERSE SENSOR SYSTEM DECAL (ENGLISH)



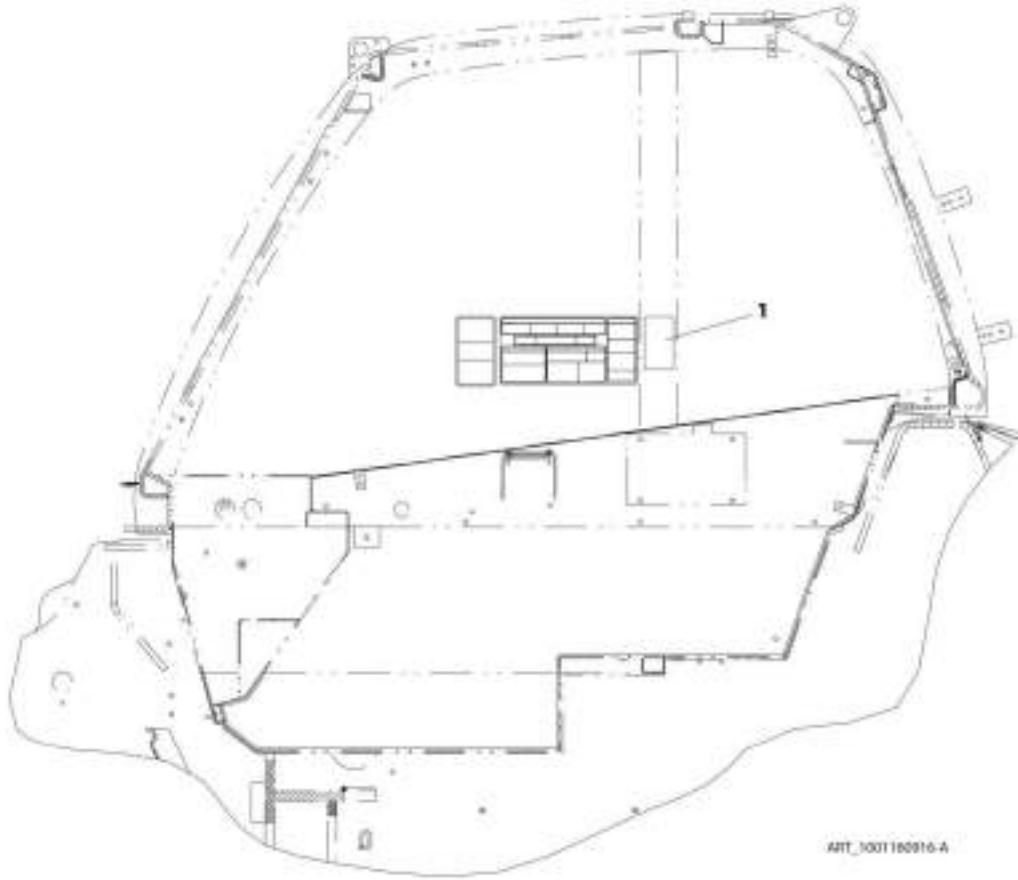
SECTION 11 - DECALS

FIGURE 11-2. REVERSE SENSOR SYSTEM DECAL (ENGLISH)

ITEM	PART NUMBER	QTY	DESCRIPTION	REV
1	1001160072	1	Reverse Sensor System Decal (English)	A

SECTION 11 - DECALS

FIGURE 11-3. REVERSE SENSOR SYSTEM DECAL



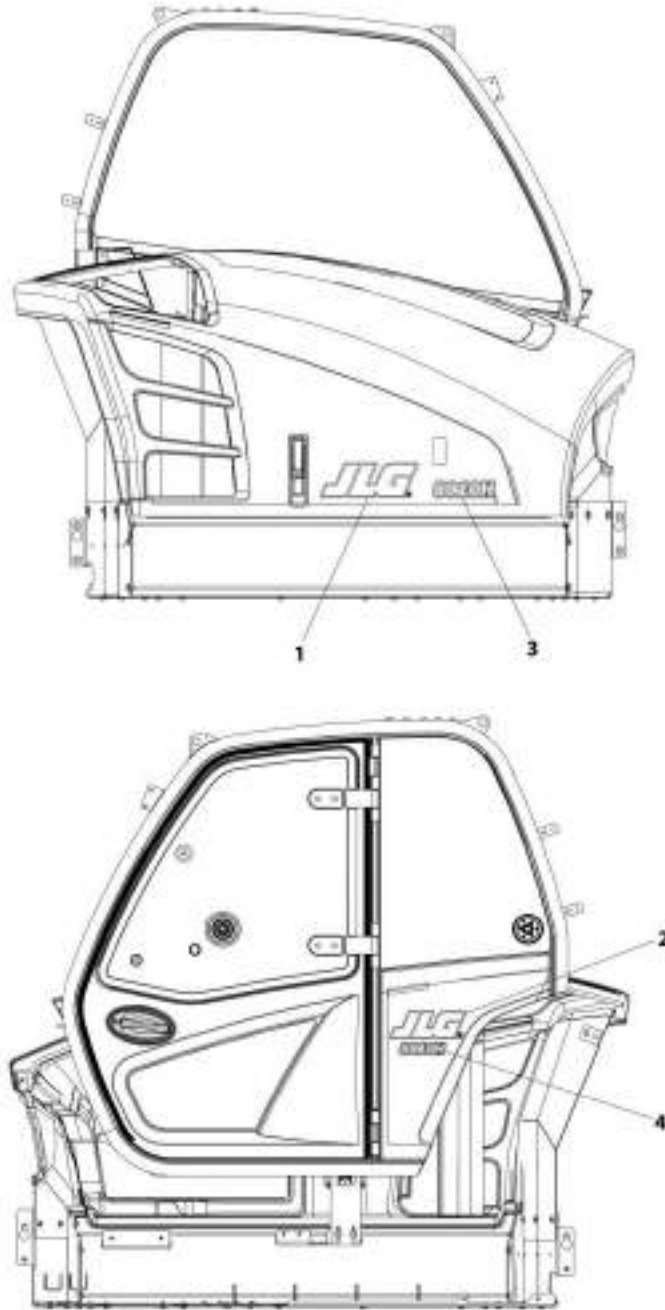
SECTION 11 - DECALS

FIGURE 11-3. REVERSE SENSOR SYSTEM DECAL

ITEM	PART NUMBER	QTY	DESCRIPTION	REV
1	1001160916	1	Reverse Sensing System Decal (ISO)	A

SECTION 11 - DECALS

FIGURE 11-4. 8010H DECAL INSTALLATION



ART_1001192799-B

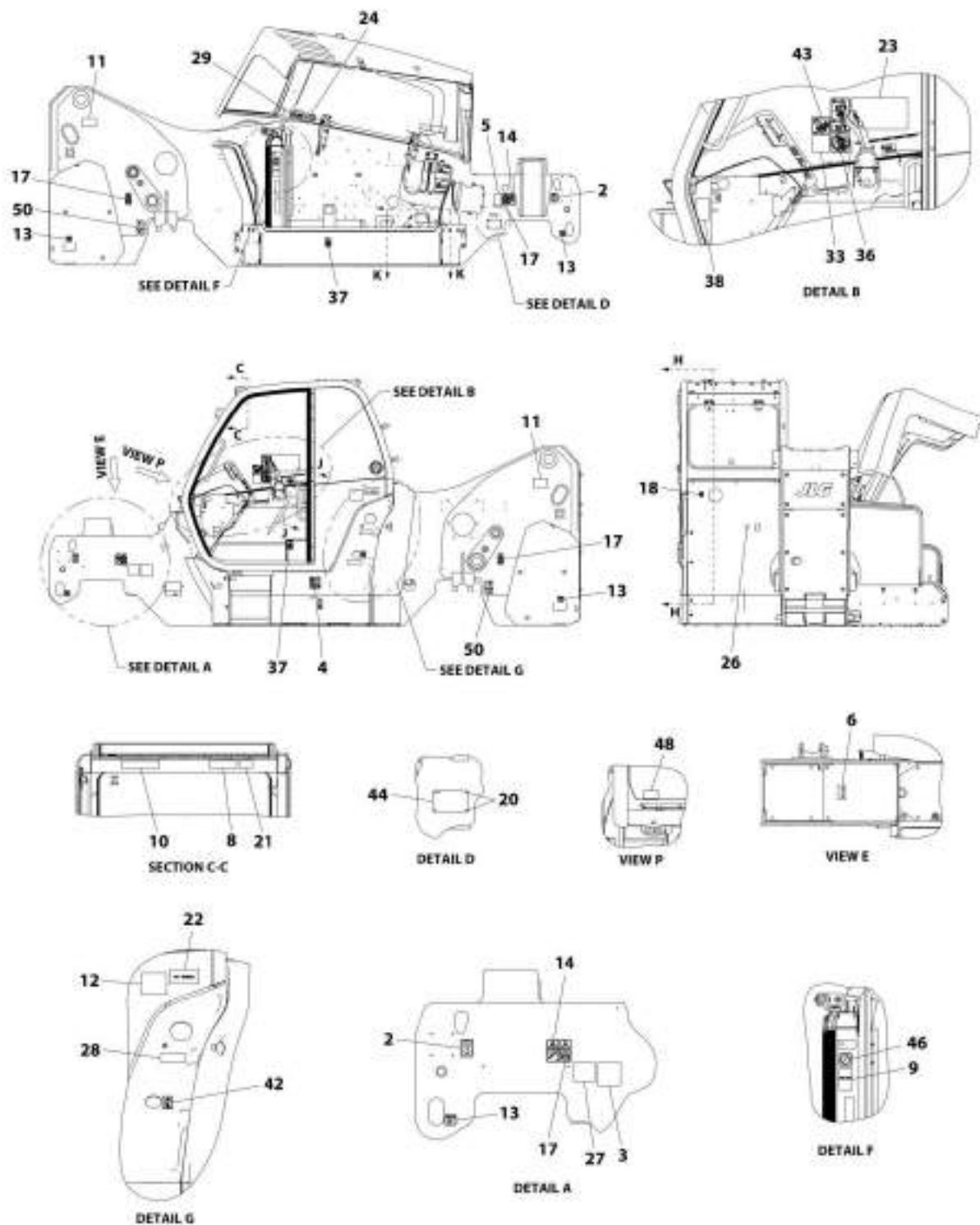
SECTION 11 - DECALS

FIGURE 11-4. 8010H DECAL INSTALLATION

ITEM	PART NUMBER	QTY	DESCRIPTION	REV
	1001192739	Ref	8010H Decal Installation	B
1	1001160775	1	Decal, JLG 5 Black	
2	1001169674	1	Decal, JLG M100X285	
3	1001211528	1	Decal, JLG 8010 Hood	
4	1001211529	1	Decal, JLG 8010 Cab	

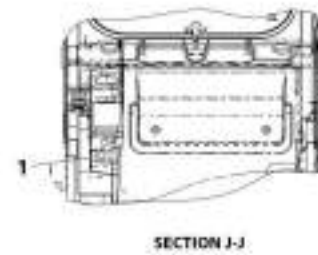
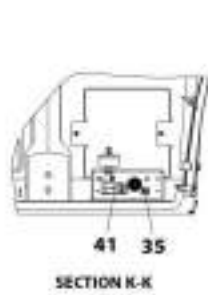
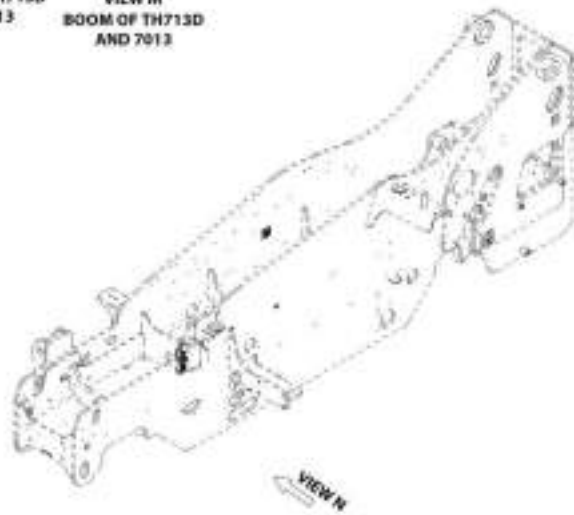
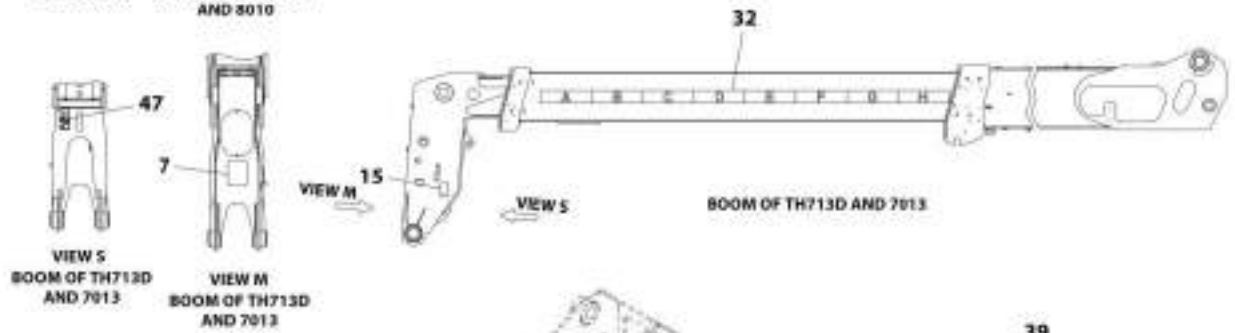
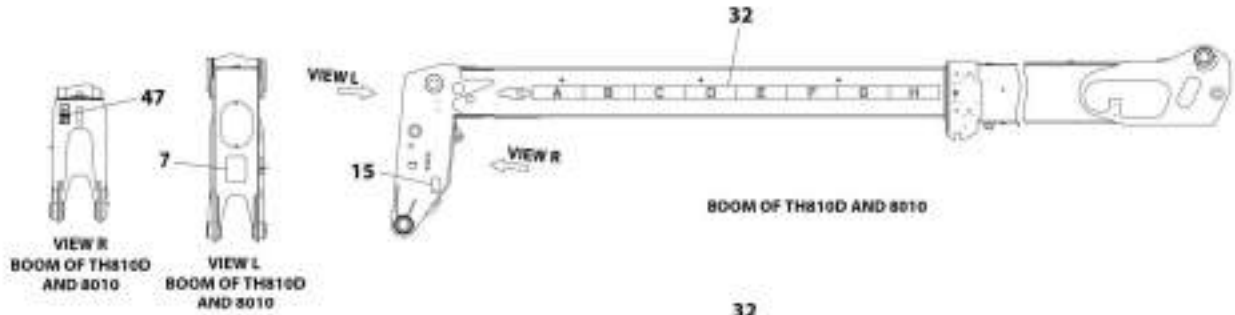
SECTION 11 - DECALS

FIGURE 11-5. DECAL INSTALLATION (ULS)



ART. 3001192741_1-0

SECTION 11 - DECALS



ART_100192741_2-D

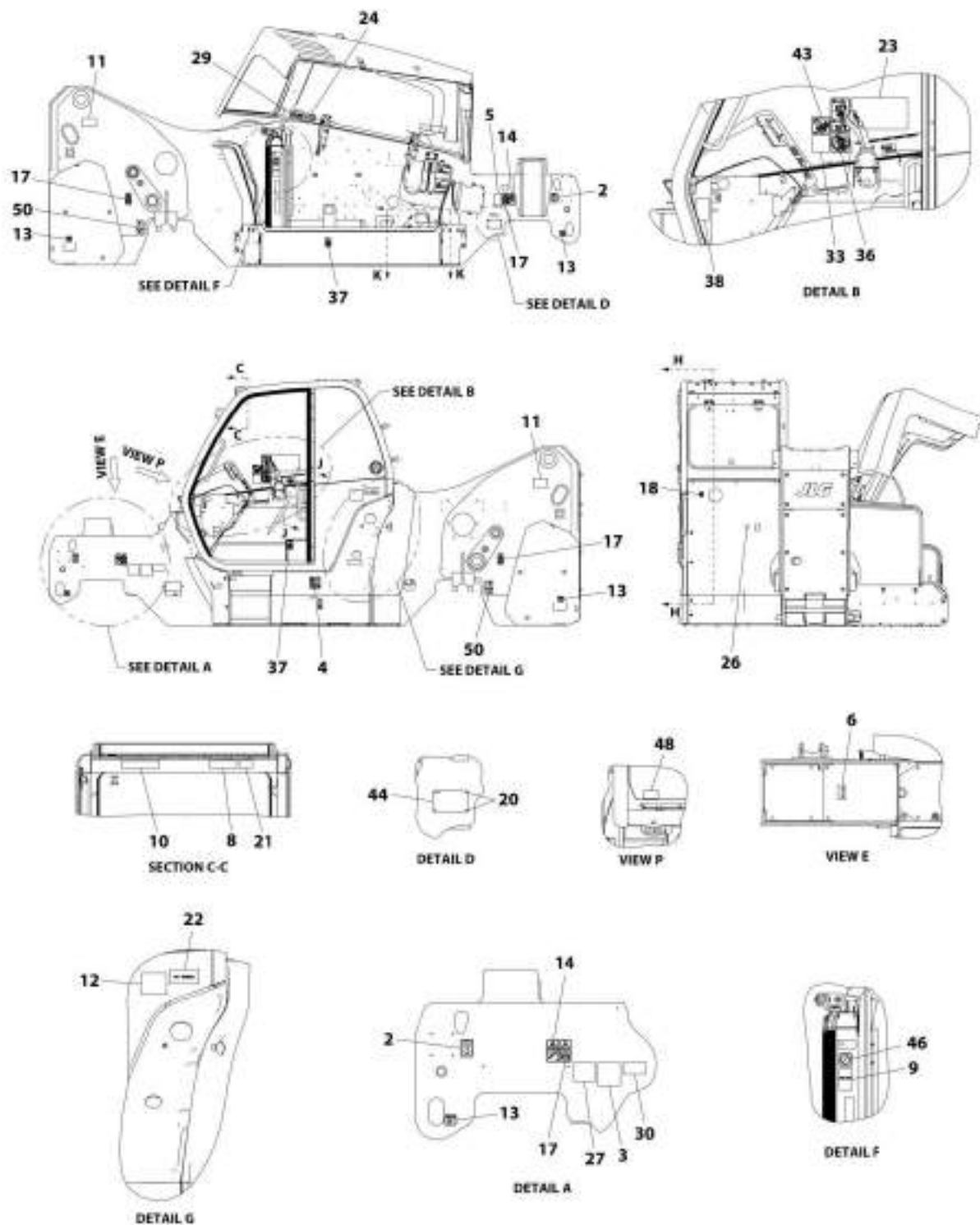
SECTION 11 - DECALS

FIGURE 11-5. DECAL INSTALLATION (ULS)

ITEM	PART NUMBER	QTY	DESCRIPTION	REV
	1001192741	Ref	Decal Installation (ULS)	D
1	1670836	1	Cover, Boom	
2	1701500	2	Decal, Lift	
3	1702631	1	Decal, Bar Code	
4	1705980	1	Decal, Acoustic Power 106db	
5	1706098	1	Decal, Warning Ether Start	
6	1706281	1	Decal, Battery Warning (ISO)	
7	1706282	1	Decal, Carry Personnel (ISO) (SN 0160040120 to Present)	
8	1706284	1	Decal, Electrocutation Hazard (ISO)	
9	1706285	1	Decal, Moving Parts (ISO)	
10	1706288	1	Decal, Tip Over Warning	
11	1706292	2	Decal, Pinch Point Boom Holes (SN 0160040120 to Present)	
12	3251813	1	Decal, USA	
13	4109801	4	Decal, Tie Down Point	
14	8005671	2	Decal, Cylinder Lock Warning	
15	8005675	2	Decal, Watch for Raised Boom Warning	
17	8008657	4	Decal, Set Brake Lever Warning	
18	1001094708	1	Decal, Hydraulic Oil	
20	1001009178	4	Tack, Metal	
21	1001092877	1	Decal, Crush Hazard Warning	
22	1001092878	1	Decal, No Riders	
23	1001101895	1	Decal, Cab Warning	
24	1001109053	1	Decal, Coolant Fill	
26	1001130323	1	Decal, Oil Level	
27	1001131271	1	Decal, Patent Telehandlers USA/Canada	
28	1001218704	1	Decal, Ultra Low Sulfur Diesel	
29	1001139942	1	Decal, Hot Fluid Warning	
32	1001171277	1	Decal, Boom Extend	
33	1001172035	1	Decal, No Weld or Drill	
35	1001184632	1	Decal, Battery Positive	
36	1001188372	1	Decal, Sway	
37	1001189154	2	Decal, Read Operators Manual	
38	1001191229	1	Decal, Fuse Panel	
39	1001191487	1	Decal, Fuse Panel	
41	1001195855	1	Decal, Battery Disconnect	
42	1001196806	1	Decal, Diesel Exhaust Fluid	
43	1001227287	1	Decal, Manual	
44	1001098487	1	Decal, SN Plate JLG	
45	1001214206	1	Decal, Park Brake	
46	AU2105	1	Decal, No Karcher	
47	1001207218	1	Decal, Danger Swinging Load	
48	1001219211	1	Decal, Brake Fluid	
50	1001222650	2	Decal, Axle Lift	

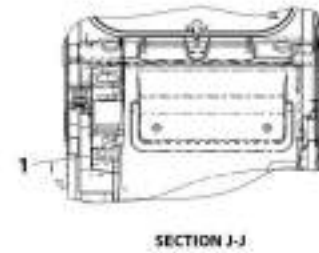
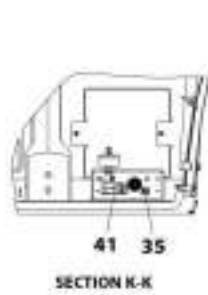
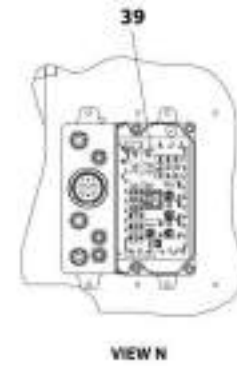
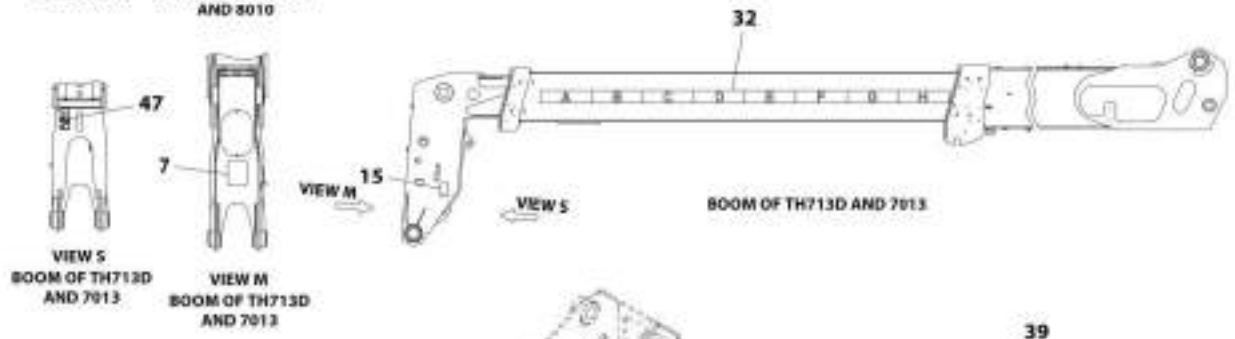
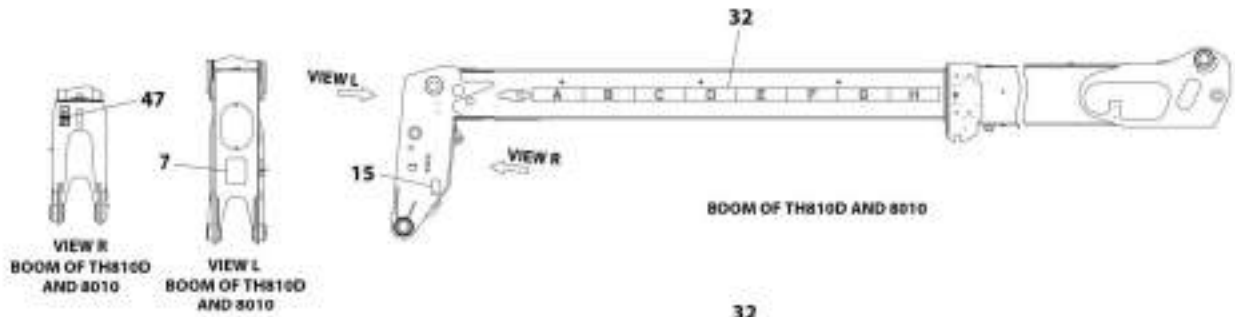
SECTION 11 - DECALS

FIGURE 11-6. DECAL INSTALLATION (LS)



ART. 3001220707_1-C

SECTION 11 - DECALS



ART_1001220707_2-C

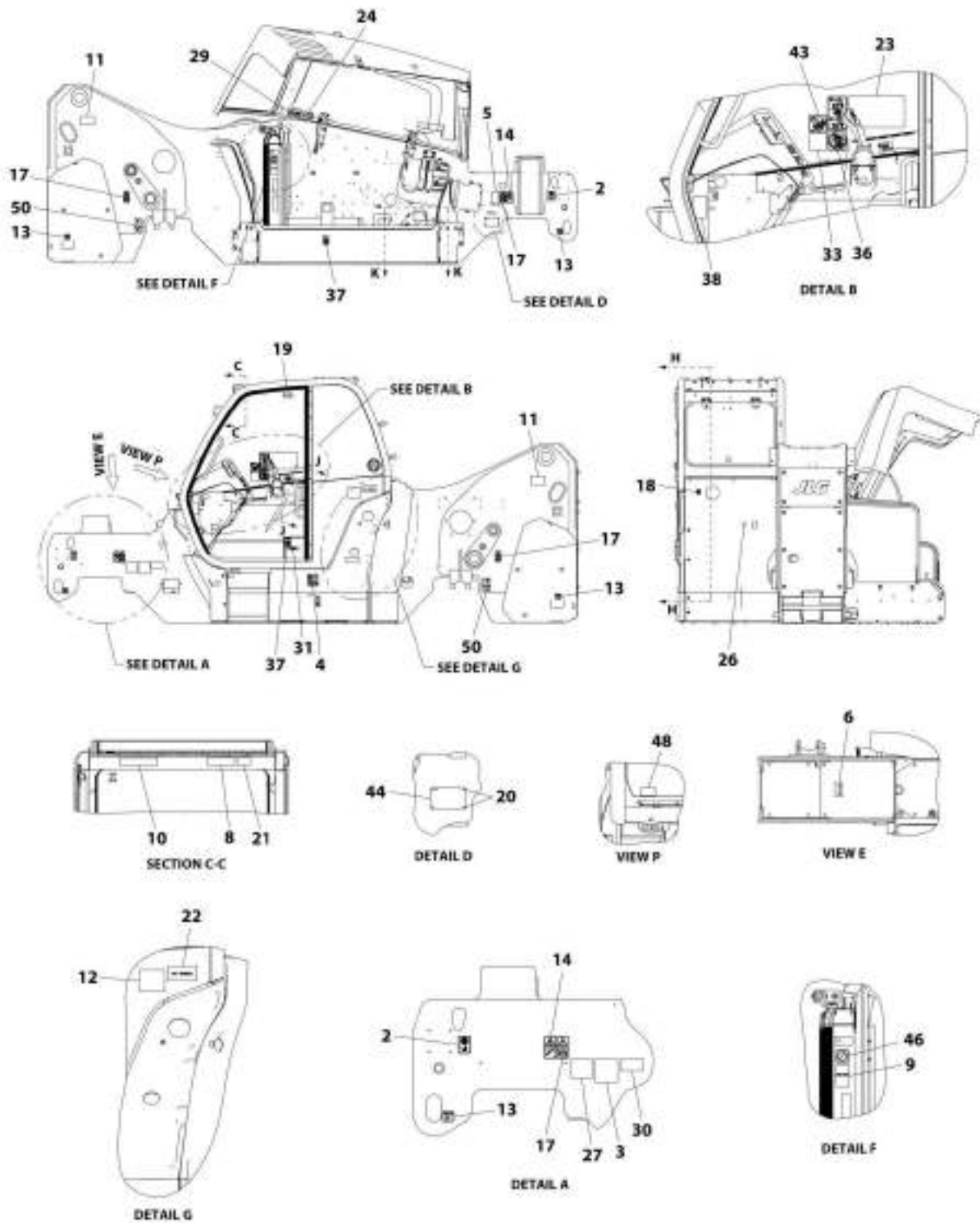
SECTION 11 - DECALS

FIGURE 11-6. DECAL INSTALLATION (LS)

ITEM	PART NUMBER	QTY	DESCRIPTION	REV
	1001220707	Ref	Decal Installation (LS)	C
1	1670836	1	Cover, Boom	
2	1701500	2	Decal, Lift	
3	1702631	1	Decal, Bar Code	
4	1705980	1	Decal, Acoustic Power 106db	
5	1706098	1	Decal, Warning Ether Start	
6	1706281	1	Decal, Battery Warning (ISO)	
7	1706282	1	Decal, Carry Personnel (ISO) (SN 0160040120 to Present)	
8	1706284	1	Decal, Electrocutation Hazard (ISO)	
9	1706285	1	Decal, Moving Parts (ISO)	
10	1706288	1	Decal, Tip Over Warning	
11	1706292	2	Decal, Pinch Point Boom Holes (SN 0160040120 to Present)	
12	3251813	1	Decal, USA	
13	4109801	4	Decal, Tie Down Point	
14	8005671	2	Decal, Cylinder Lock Warning	
15	8005675	2	Decal, Watch for Raised Boom Warning	
17	8008657	4	Decal, Set Brake Lever Warning	
18	1001094708	1	Decal, Hydraulic Oil	
20	1001009178	4	Tack, Metal	
21	1001092877	1	Decal, Crush Hazard Warning	
22	1001092878	1	Decal, No Riders	
23	1001101895	1	Decal, Cab Warning	
24	1001109053	1	Decal, Coolant Fill	
26	1001130323	1	Decal, Oil Level	
27	1001131271	1	Decal, Patent Telehandlers USA/Canada	
29	1001139942	1	Decal, Hot Fluid Warning	
30	1001143852	1	Decal, LRC EPA	
32	1001171277	1	Decal, Boom Extend	
33	1001172035	1	Decal, No Weld or Drill	
35	1001184632	1	Decal, Battery Positive	
36	1001188372	1	Decal, Sway	
37	1001189154	2	Decal, Read Operators Manual	
38	1001191229	1	Decal, Fuse Panel	
39	1001191487	1	Decal, Fuse Panel	
41	1001195855	1	Decal, Battery Disconnect	
43	1001227287	1	Decal, Manual	
44	1001098487	1	Decal, SN Plate JLG	
45	1001214206	1	Decal, Park Brake	
46	AU2105	1	Decal, No Karcher	
47	1001207218	1	Decal, Danger Swinging Load	
48	1001219211	1	Decal, Brake Fluid	
50	1001222650	2	Decal, Axle Lift	

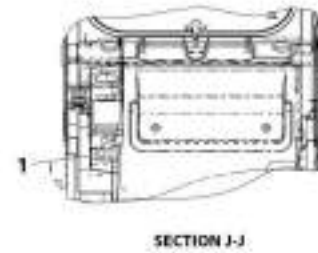
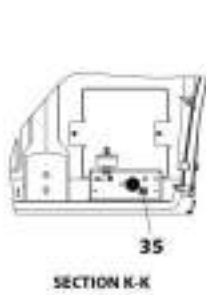
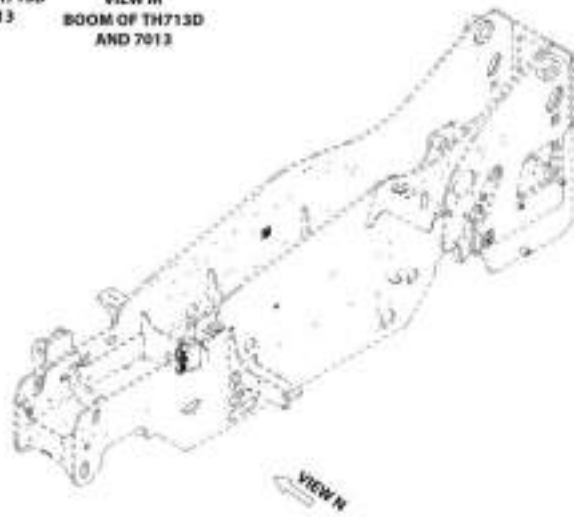
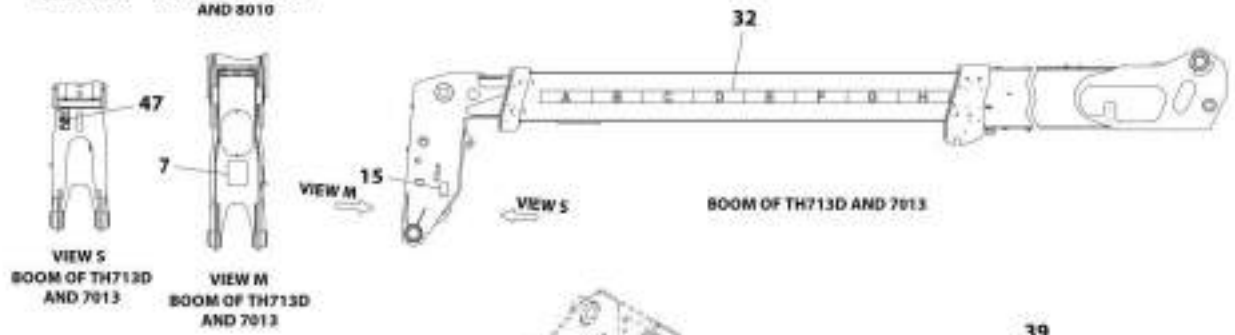
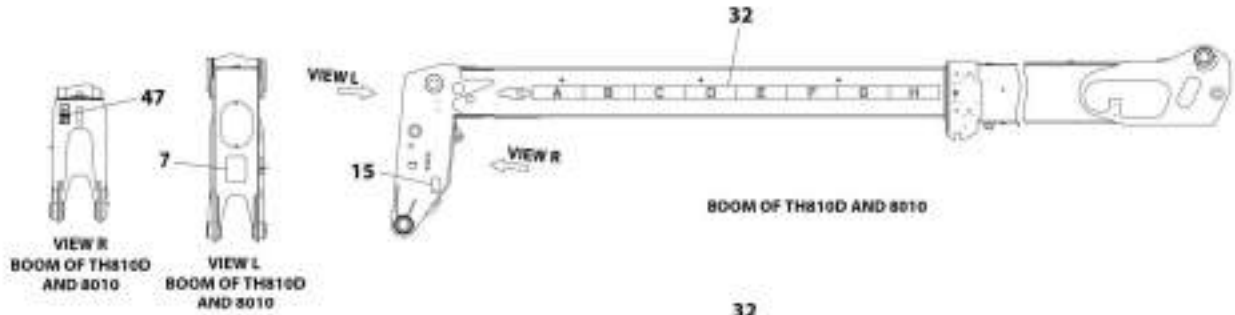
SECTION 11 - DECALS

FIGURE 11-7. DECAL INSTALLATION (AUS)



ART. 1001192743_1-0

SECTION 11 - DECALS



ART_100192743_2-D

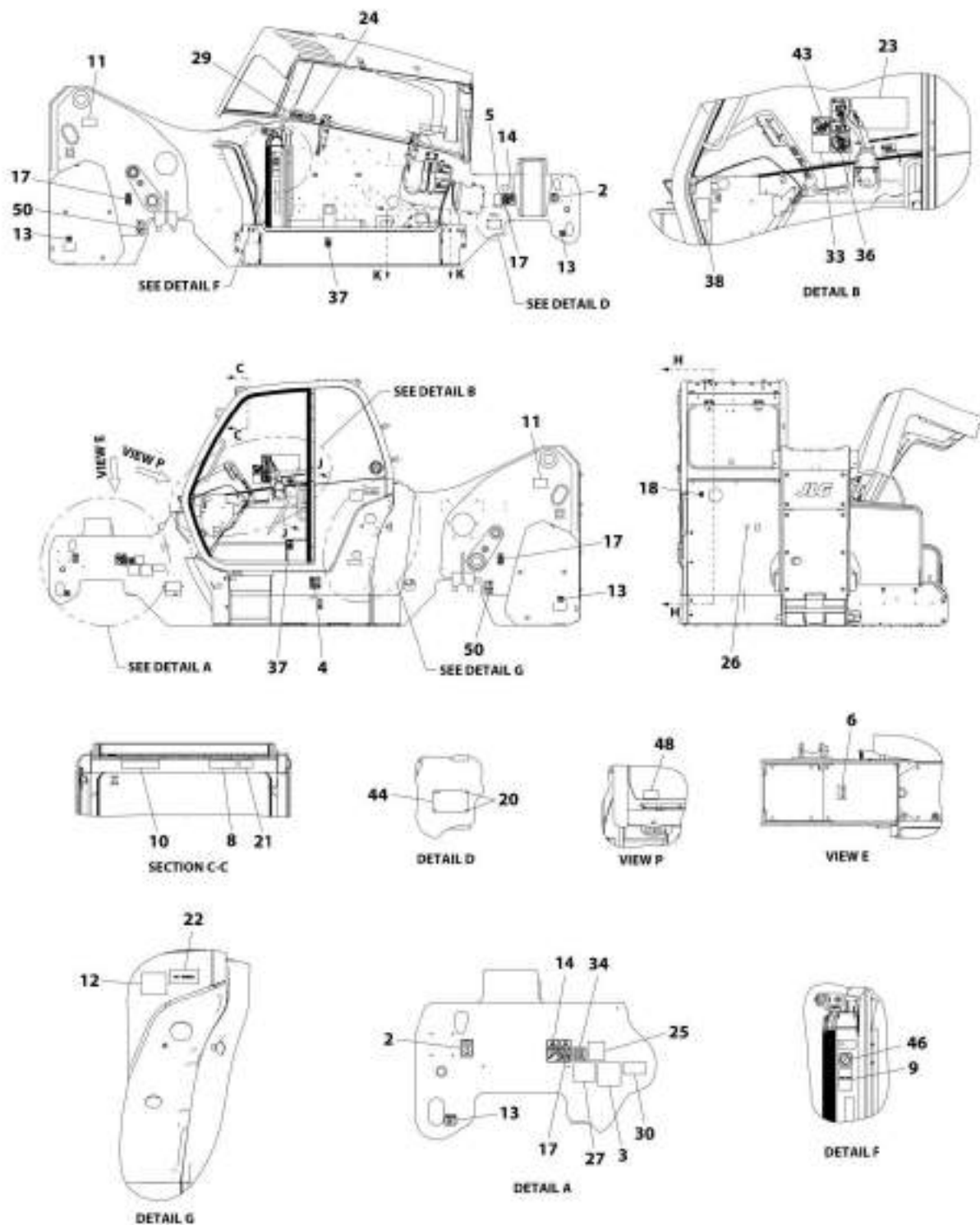
SECTION 11 - DECALS

FIGURE 11-7. DECAL INSTALLATION (AUS)

ITEM	PART NUMBER	QTY	DESCRIPTION	REV
	1001192743	Ref	Decal Installation (AUS)	D
1	1670836	1	Cover, Boom	
2	1701500	2	Decal, Lift	
3	1702631	1	Decal, Bar Code	
4	1705980	1	Decal, Acoustic Power 106db	
5	1706098	1	Decal, Warning Ether Start	
6	1706281	1	Decal, Battery Warning (ISO)	
7	1706282	1	Decal, Carry Personnel (ISO) (SN 0160040120 to Present)	
8	1706284	1	Decal, Electrocutation Hazard (ISO)	
9	1706285	1	Decal, Moving Parts (ISO)	
10	1706288	1	Decal, Tip Over Warning	
11	1706292	2	Decal, Pinch Point Boom Holes (SN 0160040120 to Present)	
12	3251813	1	Decal, USA	
13	4109801	4	Decal, Tie Down Point	
14	8005671	2	Decal, Cylinder Lock Warning	
15	8005675	2	Decal, Watch for Raised Boom Warning	
17	8008657	3	Decal, Set Brake Lever Warning	
18	1001094708	1	Decal, Hydraulic Oil	
19	8466306	1	Gauge, Tilt Angle	
20	1001009178	4	Tack, Metal	
21	1001092877	1	Decal, Crush Hazard Warning	
22	1001092878	1	Decal, No Riders	
23	1001101895	1	Decal, Cab Warning	
24	1001109053	1	Decal, Coolant Fill	
26	1001130323	1	Decal, Oil Level	
27	1001131271	1	Decal, Patent	
29	1001139942	1	Decal, Hot Fluid Warning	
30	1001143852	1	Decal, LRC EPA	
31	1001155230	1	Decal, Cab AUS Safety	
32	1001171277	1	Decal, Boom Extend	
33	1001172035	1	Decal, No Weld or Drill	
35	1001184632	1	Decal, Battery Positive	
36	1001188372	1	Decal, Sway	
37	1001189154	2	Decal, Read Operators Manual	
38	1001191229	1	Decal, Fuse Panel	
39	1001191487	1	Decal, Fuse Panel	
43	1001227287	1	Decal, Manual	
44	1001118252	1	Decal, SN Plate JLG	
45	1001214206	1	Decal, Park Brake	
46	AU2105	1	Decal, No Karcher	
47	1001207218	1	Decal, Danger Swinging Load	
48	1001219211	1	Decal, Brake Fluid	
50	1001222650	2	Decal, Axle Lift	

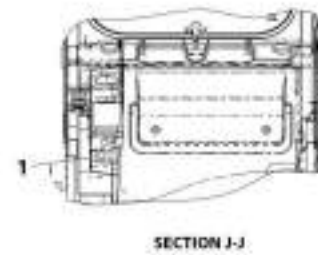
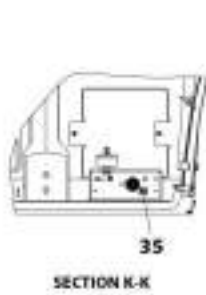
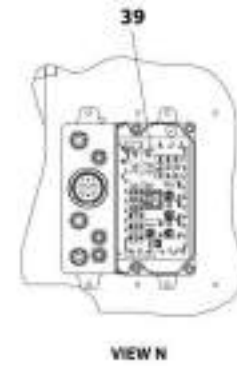
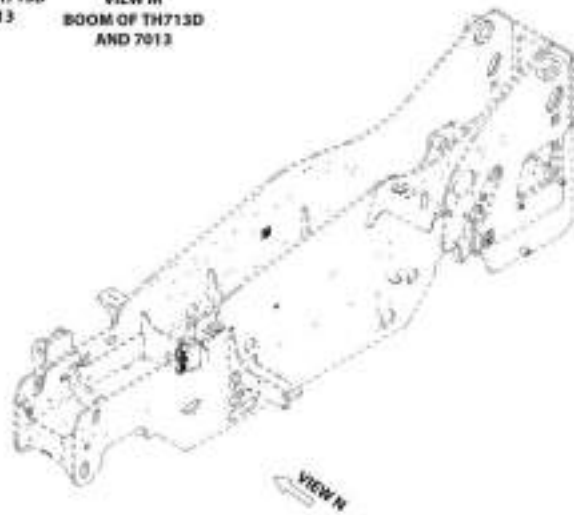
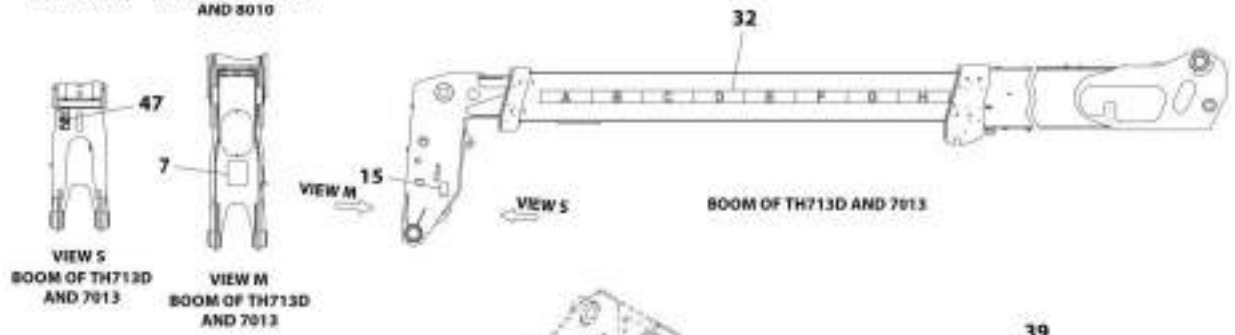
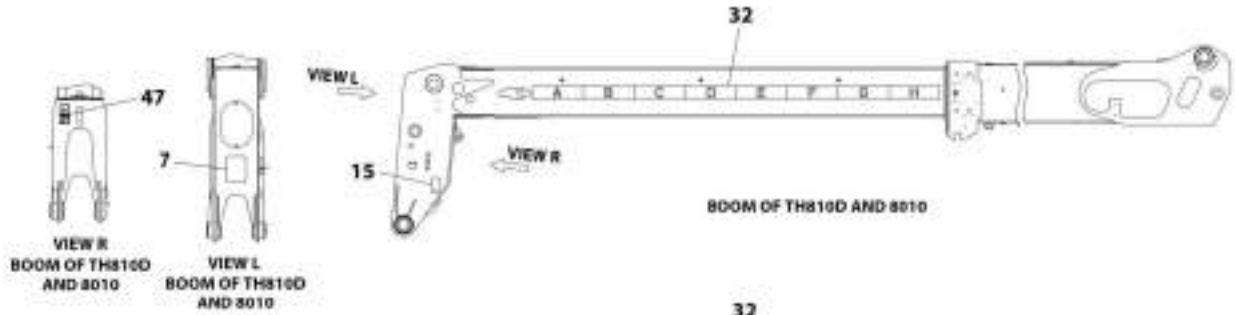
SECTION 11 - DECALS

FIGURE 11-8. DECAL INSTALLATION (CIS)



ART. 30011953TS_1-0

SECTION 11 - DECALS



ART_100195313_2-D

SECTION 11 - DECALS

FIGURE 11-8. DECAL INSTALLATION (CIS)

ITEM	PART NUMBER	QTY	DESCRIPTION	REV
	1001195313	Ref	Decal Installation (CIS)	D
1	1670836	1	Cover, Boom	
2	1701500	2	Decal, Lift	
3	1702631	1	Decal, Bar Code	
4	1705980	1	Decal, Acoustic Power 106db	
5	1706098	1	Decal, Warning Ether Start	
6	1706281	1	Decal, Battery Warning (ISO)	
7	1706282	1	Decal, Carry Personnel (ISO) (SN 0160040120 to Present)	
8	1706284	1	Decal, Electrocutation Hazard (ISO)	
9	1706285	1	Decal, Moving Parts (ISO)	
10	1706288	1	Decal, Tip Over Warning	
11	1706292	2	Decal, Pinch Point Boom Holes (SN 0160040120 to Present)	
12	3251813	1	Decal, USA	
13	4109801	4	Decal, Tie Down Point	
14	8005671	2	Decal, Cylinder Lock Warning	
15	8005675	2	Decal, Watch for Raised Boom Warning	
17	8008657	4	Decal, Set Brake Lever Warning	
18	1001094708	1	Decal, Hydraulic Oil	
20	1001009178	4	Tack, Metal	
21	1001092877	1	Decal, Crush Hazard Warning	
22	1001092878	1	Decal, No Riders	
23	1001101895	1	Decal, Cab Warning	
24	1001109053	1	Decal, Coolant Fill	
25	1001121555	1	Decal, PCT Russia	
26	1001130323	1	Decal, Oil Level	
27	1001131271	1	Decal, Patent	
29	1001139942	1	Decal, Hot Fluid Warning	
30	1001143852	1	Decal, LRC EPA	
32	1001171277	1	Decal, Boom Extend	
33	1001172035	1	Decal, No Weld or Drill	
34	1001173703	1	Decal, EAC	
35	1001184632	1	Decal, Battery Positive	
36	1001188372	1	Decal, Sway	
37	1001189154	2	Decal, Read Operators Manual	
38	1001191229	1	Decal, Fuse Panel	
39	1001191487	1	Decal, Fuse Panel	
43	1001227287	1	Decal, Manual	
44	1001098487	1	Decal, SN Plate JLG	
45	1001214206	1	Decal, Park Brake	
46	AU2105	1	Decal, No Karcher	
47	1001207218	1	Decal, Danger Swinging Load	
48	1001219211	1	Decal, Brake Fluid	
50	1001222650	2	Decal, Axle Lift	

SECTION 12 - RECOMMENDED SPARE PARTS

SECTION 12 - RECOMMENDED SPARE PARTS

SECTION 12 - RECOMMENDED SPARE PARTS

FIGURE 12-1. RECOMENDED SPARE PARTS

ITEM	PART NUMBER	QTY	DESCRIPTION	REV
		Ref	Frame and Attaching Parts	
	1001194980	1	Cap, Locking Fuel	
	1001194981	1	Cap, Hydraulic	
	1001191685	1	Filter, Hydraulic	
		Ref	Boom	
	1001219953	AR	Shim	
	1001219905	AR	Shim	
	8008640	AR	Shim	
	1001003031	AR	Shim	
	1001195194	AR	Shim	
	1001195737	AR	Shim	
	1001195738	AR	Shim	
	1001195739	AR	Shim	
	1001215464	AR	Shim	
	1001195655	AR	Pad, M44X50X160	
	8002200	AR	Pad, M15X50X200	
	1001227337	AR	Pad, M39X70X200	
	1001227334	AR	Pad, M17X67X198	
	1001165175	AR	Pad, M34X54X165	
		Ref	Engine & Attaching Parts	
	7016331	1	Filter, Oil	
	70024961	1	Filter, Fuel (Primary)	
	70027417	1	Filter, Fuel (Secondary)	
	70005549	1	Filter, DEF	
	70027657	1	Dipstick	
	70028419	1	Belt, V-Ribbed	
	1001166565	1	Filter, Air Cleaner	
		Ref	Cab	
	1001218996	1	Filter, HVAC Air	
	1001172553	1	Filter, HVAC Recirculation Air	
	4807718	1	Blade, Rear Wiper	
	1001141281	1	Blade, Front Wiper	
	1001141313	1	Blade, Roof Wiper	
		Ref	Hydraulic Components	
	70028313	1	Kit, Lift Cylinder Seal	
	70028380	1	Kit, Compensation Cylinder Seal	
	70028375	1	Kit, Extend Retract Cylinder Seal	
	70028324	1	Kit, Tilt Cylinder Seal	
	70026253	1	Kit, Frame Level Cylinder Seal	
	70027601	1	Kit, Hydrostatic Motor Seal	
	70028410	1	Kit, Hydrostatic Pump Seal	
	70028413	1	Kit, Implement Pump Seal	
		Ref	Electrical	
	0400075	1	Battery, 12V	
	70022765	1	Key, Ignition (Set of 2)	

PART NUMBER INDEX

PART NUMBER INDEX

0100081.....33	0750804.....407	0771416.....357	1001028377.....21
0400075.....777, 779, 988	0760405....109, 111, 113	0771618.....363	1001028400.....21
0498748.....409	0760407.....107	0791605.....241	1001028415.....85
0630576.....51, 53	0760410.....833	1001002778.....813	1001047062.....409
0641510.....209	0760507...201, 761, 763, 771, 797	1001002779.....813	1001080375.....605, 609
0641608.....651	0760512.....437	1001002946.....415	1001080978.....801
0681714.....641, 643	0760605...189, 409, 545, 549	1001002947.....415	1001081085.....359
0700408.....551, 837	076060751, 53, 257, 259, 265, 409, 621, 759, 769, 771, 773	1001002953.....415	1001090343.....437, 449, 495
0700610....27, 33, 51, 53, 57, 207, 259, 279, 511, 515, 755, 757, 771, 817, 819, 843, 845	0760608...195, 263, 431, 437, 441, 511, 517, 545, 549, 553, 555, 663, 755, 757, 793, 795	1001002957.....415	1001091573.....825
0700612...51, 53, 65, 865	0760610.....849	1001003031...79, 81, 83, 85, 87, 988	1001091715.....809, 811, 813, 815
0700614....259, 472, 655, 657, 753, 775, 843, 845	0760615.....673	1001003043.....423	1001091716.....809, 811, 813, 815
0700616.....629, 673	0760806.....263	1001003227.....45	1001092877.....974, 978, 982, 986
0700618.....769, 773, 799	0760807....45, 625, 627, 775	1001003254.....401	1001092878.....974, 978, 982, 986
0700814....45, 247, 249, 259, 649	0760808....45, 429, 513, 515, 793, 795, 825, 827, 837, 843, 845	1001003301.....39	1001093564.....787
0700815.....823	0760810...43, 55, 63, 65, 67, 71, 73, 75, 85, 87, 97, 221, 239, 251, 255, 263, 283, 285, 287, 289, 435, 453, 457, 461, 469, 472, 513, 527, 531, 545, 581, 599, 601, 605, 673, 745, 869	1001003305....203, 205, 209, 229, 279, 763, 875	1001094516.....41
0700816....221, 241, 263	0760812....31, 223, 225, 227, 229, 259, 271, 273, 389, 391, 415, 753, 763	1001003427.....35	1001094708.....974, 978, 982, 986
0700817.....581, 673	0760815....415, 605, 609	1001003803.....89	1001095301.....197, 199
0700818....587, 645, 867	0760823.....27, 29, 267	1001004640.....555	1001095336.....765
0700819.....767	0761008.....871, 873	1001004720.....179	1001095804.....801
0700820....527, 529, 531, 633, 753	0761009.....875	1001004723.....761	1001096365.....415
0700821.....663	0761010...43, 45, 47, 55, 107, 203, 205, 207, 235, 259, 553, 755, 757, 759, 769, 771, 773, 809, 811, 813, 815, 851	1001005368.....425	1001097244.....511
0700824.....555	0761012...29, 39, 43, 51, 53, 89, 91, 193, 401, 555, 581, 621, 641, 643, 753, 761, 763	1001005438....641, 643	1001097540....51, 53, 57, 525
0700826.....263	0761210...101, 223, 225, 227, 229	1001005904....603, 607, 611	1001097586.....423
0701014....45, 55, 63, 65, 99, 197, 199, 259, 261, 271, 273, 279, 663, 809, 811, 813, 815	0761212...235, 761, 763	1001005960.....965	1001097587.....303, 309
0701016....197, 199, 401, 613	0761214.27, 29, 187, 259	1001006730.....523	1001098128.....663
0701018....193, 223, 225, 227, 229, 279	0761215...187, 223, 225, 227, 229	1001006731.....521	1001098150.....502
0701020....31, 223, 225, 227, 229	0761217.....163	1001007056.....93, 729	1001098487.....974, 978, 986
0701024.....659	0761218...223, 225, 227, 229	1001007641....431, 433	1001098762.....785, 787
0701026.....209	0770814.....547	1001008475.....433	1001098769.....95
0701027.....585	0770815.....251, 255	1001008540....755, 757	1001099566.....283, 285, 287, 289
070121627, 29, 101, 665, 669	0771010.....83, 87	1001008559....179, 207, 229, 283, 285, 287, 289, 583, 675, 759, 761, 763, 769, 771, 773, 797, 799, 809, 811, 813, 815, 851, 861	1001099717.....871
0701220.....835	0771012.....83, 85	1001008575.....31	1001100166.....745
0701230.....73	0771012.....83, 85	1001008604.....433	1001100169.....745
0701618.....187	0771212.....83, 87	1001008654....625, 627	1001100319.....221
0701626.....187	0771212.....83, 87	1001008742.....437	1001101041....115, 117, 123, 125, 127, 129, 137, 141, 144, 147, 150, 599, 603, 607, 611
0701628....109, 111, 113, 187	0771414.....681, 685	1001008834.....117	1001101042....115, 117, 123, 125, 127, 129, 137, 141, 144, 147, 150, 599, 603, 607, 611
0701630.....187		1001008857.....415	1001101702.....553
0711015.....75		1001008923....823, 875	1001101808.....793
0711016.....81, 83		1001008988.....409	1001101855.....853
0711017.....79		1001008999.....45	1001101895.....974, 978, 982, 986
0711030.....279		1001009018.....21	1001102157.....59
0711215.....83, 85		1001009124.....433	1001102502.....801
0711216...79, 81, 83, 213		1001009163.....365	1001103012.....906
0711217.....79		1001009178....974, 978, 982, 986	1001103156.....871, 873
0711218.....81		100100932585, 203, 205, 207	1001103300.....871, 873
0711230.....71		1001010646....521, 523	1001104477....607, 611, 715
0711630.....41		1001010647....521, 523	1001104498.....906, 910, 925, 953
0711635.....71, 73		1001010648....521, 523	1001104519.....907, 933
0712020.....397		1001010649....521, 523	
0712022.....397		1001010650....521, 523	
0712027.....399		1001010839.....433	
0712442.....585		1001010839.....433	
		1001014231....641, 643	
		1001028264.....21	
		1001028291.....21	
		1001028306.....21	
		1001028308.....21	

PART NUMBER INDEX

1001104654 801	1001116998..... 910	1001128144.....241	1001147416 599, 603,
1001105093 673	1001116999..... 907	1001128341.....241	607, 611
1001105886 791	1001117011..... 909, 929	1001128478.....39, 365	1001147449 502, 505,
1001107192 409	1001117018..... 884	1001129425..... 851	507
1001107339 279	1001117021..... 931	1001130220..... 51, 53, 57	1001148307 255
1001107854 906, 910,	1001117024..... 961	1001130323..... 974, 978,	1001148841 877, 883,
925, 931, 953	1001117064..... 909	982, 986	887
1001108661 855	1001117068..... 883	1001131177..... 769, 773	1001148842 877, 883,
1001109053 974, 978,	1001117079..... 909	1001131271..... 974, 978,	887
982, 986	1001117081..... 907, 908,	982, 986	1001149278 502, 505,
1001109387 163	909, 910	1001132168..... 47	507
1001110023 603, 611,	1001117109..... 922	1001132169..... 923	1001150294 453, 455
717	1001117121..... 933	1001132564..... 502	1001150610 877, 884,
1001110115 611	1001117247..... 855, 951	1001133714..... 879, 883,	888
1001111076 517	1001117308..... 755, 757	884, 889, 890	1001150611 922
1001111140 655, 657	1001118202..... 922	1001133715..... 877, 879,	1001150735 909
1001111147 517	1001118252..... 982	883, 884, 887, 889, 890	1001150737 909
1001111317 407, 411	1001118282..... 878, 884,	1001133793..... 197, 199	1001151238 615
1001112612 901, 910	888, 961	1001134274..... 871, 873	1001152908 481, 487
1001112796 903, 937,	1001118323..... 922	1001135650..... 877, 879,	1001152915 407
939, 941	1001118379..... 909	883, 884, 887, 889, 890	1001152947 407
1001114495 237, 239	1001118383..... 933	1001135651..... 877, 879,	1001153748 619, 707
1001114803 223, 225,	1001118384..... 907, 908,	883, 884, 887, 889, 890	1001155228 405, 409
227, 229	909, 910, 911	1001136975..... 203, 205,	1001155230 982
1001116128 499, 851	1001118386..... 910	207	1001155276 555, 557
1001116208 843, 845	1001118387..... 910	1001136999..... 910	1001155446 395, 399
1001116696 925, 926	1001118392..... 925, 926	1001137000..... 910	1001155447 403, 435
1001116697 906	1001118684..... 908	1001138110..... 883	1001155486 495
1001116698 906, 910	1001118685..... 933	1001138111..... 883	1001155540 223, 225,
1001116700 907, 929	1001119467..... 453	1001138113..... 883	227, 229
1001116710 884	1001119727..... 271	1001138116..... 877, 887	1001156265 555
1001116716 907	1001120989..... 843, 845	1001138645..... 775	1001157891 901
1001116723 907, 908,	1001121555..... 986	1001138827..... 241	1001158146 801
909, 910	1001121726..... 926	1001138945..... 279	1001158596 457
1001116725 878, 888	1001121727..... 863, 926	1001139551..... 495	1001158601 453
1001116727 863, 889	10011223457..... 906	1001139552..... 449	1001158736C..... 461
1001116728 885, 926,	1001125117..... 79, 81, 83,	1001139568..... 425	1001158738C..... 453
957	85, 87, 101	1001139942..... 974, 978,	1001159028 541, 543
1001116729 863	1001125222..... 553	982, 986	1001159734 809, 811,
1001116732 878, 888,	1001125465..... 851	1001140671..... 271	813, 815
922, 961	1001125677..... 879, 889,	1001141246..... 415	1001159735 801
1001116733 884, 961	907, 926	1001141281 435, 988	1001159736 495
1001116734 878, 884,	1001126008..... 878, 888,	1001141311..... 495	1001159737 809, 811,
888, 961	910, 923	1001141312..... 449	813, 815
1001116745 863	1001126011..... 910	1001141313..... 495, 988	1001159738 825, 827,
1001116747 931	1001126245..... 878, 888	1001141400..... 207	829, 831
1001116754 908	1001126349..... 883	1001141461 653	1001159739 821
1001116763 925, 931	1001126351..... 883	1001141462..... 653	1001159741 801
1001116774 923, 943	1001126352..... 883	1001141976..... 651, 653	1001159742 847
1001116810 922	1001126353..... 877, 883,	1001142724..... 65	1001159743 801
1001116811 877, 884,	887	1001143200..... 427	1001159745 861
888	1001126356..... 883	1001143852..... 978, 982,	1001159746 805
1001116812 879, 883,	1001126357..... 883	986	1001159845 817, 819
884, 885, 887, 888,	1001126360..... 883	1001144147..... 878, 884,	1001159846 817, 819
889, 890, 907, 909,	1001126362..... 877, 883,	888, 919	1001159849 801
910, 921, 926, 943, 949	887	1001144296..... 907	1001159925 469, 472
1001116815 890, 911	1001126384..... 883	1001145204..... 253	1001160042 472
1001116950 922, 923	1001126391..... 877, 879,	1001145390..... 93, 729	1001160043 469
1001116983 884	883, 887, 890	1001145391..... 91, 93	1001160072 967
1001116984 910	1001126393..... 877, 879,	1001145539..... 472	1001160326 472
1001116985 910	883, 887, 890	1001146588..... 203, 221,	1001160345 407
1001116986 909, 910	1001126485..... 877, 878,	229, 235, 253, 259,	1001160420 247
1001116991 907, 910	887, 888	759, 769, 771, 773,	1001160496 527
1001116994 939, 941	1001126487..... 877, 887	799, 809, 811, 813,	1001160498 906
1001116995 909	1001126837..... 849, 873	815, 845, 875	1001160500 921, 925,
1001116996 925, 926	1001128128..... 878, 884,	1001147340..... 655, 657	943
1001116997 908	888, 922, 961		1001160502 906

PART NUMBER INDEX

1001160503.....527, 531	1001164402..... 753, 765	1001167636 878, 889	1001172035.....974, 978,
1001160506.....529	1001164655 429	1001167937 419	982, 986
1001160508.....403, 429	1001164726 409	1001167958 409, 419	1001172088.....545
1001160509.....921, 925,	1001164971 585	1001168030 225, 631	1001172094.....545
943	1001164972 585	1001168054 545	1001172110.....47, 49
1001160510.....921, 925,	1001165035 203, 205,	1001168142 555	1001172112.....49
943	207	1001168151 555	1001172113.....49
1001160730.....851	1001165175 85, 988	1001168264 389, 391	1001172114.....49
1001160775.....971	1001165194 879, 890	1001168327 472	1001172115.....49
1001160916.....969	1001165269 437, 439	1001168330 472	1001172146.....31
1001160927.....777, 779,	1001165270 437	1001168331 472	1001172147.....31
785, 787	1001165273 439	1001168429 65	1001172193.....407, 411
1001160928.....777, 779,	1001165275 415	1001168456 472	1001172401.....403, 447
785, 787	1001165276 411	1001168531 461, 929	1001172495.....779, 785,
1001161067.....509	1001165309 922	1001168599 589, 721	787
1001161078.....519	1001165310 923	1001168758 51	1001172496.....779, 785,
1001161080.....519	1001165311 926	1001168962 401	787
1001161095.....943	1001165327 439	1001169135 461, 463	1001172547.....469, 472
1001161097.....906, 921,	1001165351 437	1001169151 472, 931	1001172550.....469, 472
925, 943	1001165407 437	1001169265 45	1001172551.....481, 483,
1001161098.....906, 921,	1001165416 437	1001169268 567	485
943	1001165455 437	1001169354 563, 565	1001172553.....469, 472,
1001161099.....906, 921,	1001165458 437, 511	1001169355 565	988
925, 943	1001165573 457, 459	1001169367 565	1001172693.....35
1001161100.....906, 921,	1001165637 435	1001169368 241	1001172755.....203, 205,
925, 943	1001165827 795	1001169454 27, 29	207
1001161101.....906, 921,	1001166091 487, 489,	1001169603 502	1001172774.....531
925, 943	491, 493	1001169604 502, 507	1001172829.....53
1001161252.....502	1001166092 487, 489,	1001169674 971	1001172999.....101
1001161253.....502	491, 493	1001169751 563	1001173257.....529
1001161439.....51, 53, 85,	1001166191 431	1001169763 567	1001173298.....409
87	1001166192 65, 431	1001169825 755	1001173411.....907
1001161499.....403, 541	1001166385 517	1001169880 411	1001173452.....227, 229
1001161672.....555	1001166543 877, 883,	1001169883 413	1001173457.....223, 225,
1001161769.....799, 913	887	1001169885 413	227, 229
1001161770.....799, 915	1001166551 877, 887	1001170106 35	1001173528.....237, 239
1001161771.....799, 917	1001166555 877, 887	1001170113J.....411, 413	1001173571.....481
1001161851.....507	1001166556 877, 879,	1001170114 409, 411	1001173679.....101
1001161855.....502	883, 887, 890	1001170231 545	1001173703.....986
1001161858.....469, 481	1001166565 193, 295,	1001170311 251, 255	1001173829.....833
1001161896.....555	988	1001170325 525	1001173873.....265
1001161897.....555	1001166634 411, 415	1001170326 443	1001173965.....502
1001161898.....555	1001166701 883	1001170366 403, 441	1001174103.....73, 77
1001161957.....921, 925,	1001166707 878, 889	1001170432 275	1001174104.....89
943	1001166715 193	1001170504 502	1001174107.....679
1001161959.....906	1001166754 399	1001170514 509	1001174126.....679, 681
1001161963.....921, 925,	1001166755 399	1001170518 502	1001174129.....387
943	1001166774 877, 879,	1001170519 502, 509	1001174295.....409, 421
1001162062.....553	883, 887, 890	1001170601J.....409	1001174320.....407
1001162212.....221	1001167004 571	1001170944 415	1001174321.....415
1001162249.....799	1001167015 497, 499	1001170993 445	1001174368.....845
1001162253.....753	1001167017 837	1001171037 413	1001174372.....843, 845
1001162256.....767	1001167186 247	1001171162 825	1001174419.....97
1001162662.....39	1001167266 475, 477	1001171179 31	1001174420.....41
1001162789.....403, 437	1001167409 221, 277	1001171182 425	1001174431.....101
1001162885.....853	1001167616 878, 888	1001171183 425	1001174652.....505, 507
1001162886.....906	1001167620 880, 890	1001171277 974, 978,	1001174653.....505, 507
1001162887.....907	1001167621 877, 887	982, 986	1001174655.....505, 507
1001162920.....545	1001167622 877, 887	1001171635 413	1001174712.....801
1001162922.....545	1001167623 877, 887	1001171756 437	1001174741.....515
1001162953.....472, 475	1001167624 880, 890	1001171767 445	1001174795.....269
1001163095.....865	1001167629 878, 888	1001171808 95	1001174796.....825, 827
1001163104.....85	1001167630 877, 878,	1001171874 545	1001174800.....515
1001163340.....907	887, 888	1001171885 43	1001174801.....515
1001163639.....803	1001167631 877, 887	1001171913 259	1001174811.....681, 683
1001163695.....573	1001167634 877, 887	1001171962 837	1001174812.....75, 77, 693
1001163697.....561	1001167635 877, 887		1001174813.....685, 687

PART NUMBER INDEX

1001174814 689, 691	1001180437.....265	1001184406.....479	1001187848 89, 91
1001175058 395	1001180542.....235	1001184427491, 493	1001187882 877, 887
1001175201 267	1001180553.....235	1001184439.....409	1001188203 699
1001175265 878, 879, 884, 885, 888, 889, 926	1001180620.....753	1001184504.....557	1001188275 491
1001175266 943	1001180682.....451	1001184551.....885	1001188303 472, 483
1001175267 921, 925	1001180683.....451	1001184610.....91	1001188372 974, 978, 982, 986
1001175347 21	1001181128.....755, 757	1001184632.....974, 978, 982, 986	1001188577 487, 489, 491, 493
1001175470 443	1001181411.....425	1001184795.....859, 943	1001188578 487, 489, 491, 493
1001175471 441, 445	1001181531.....801	1001184796.....823, 957	1001188590 469, 472
1001175477 409	1001181681.....799, 919	1001184869.....51	1001188592 491, 493
1001175568 203, 205, 207	1001181726.....502, 511	1001184870.....53	1001188594 487, 489, 491, 493
1001175733 935	1001181920.....427	1001184871.....57	1001188602 487, 489, 491, 493
1001175776 839, 935	1001181921.....427	1001184872.....51, 53	1001188603 487, 489, 491, 493
1001175812 65	1001182123.....427	1001184874.....51, 53	1001188604 487, 489, 491, 493
1001175903 502	1001182139.....427	1001184975.....502	1001188610 487, 489, 491, 493
1001176002 880, 890	1001182330.....513	1001184976.....299	1001188612 487, 489, 491, 493
1001176004 880, 890	1001182490.....835	1001184977.....299, 301	1001188614 487, 489, 491, 493
1001176121 441, 443	1001182495.....835	1001184978.....299, 307	1001188618 491, 493
1001176272 427	1001182529.....461, 463	1001184979.....299, 357	1001188619 491, 493
1001176273 427	1001182530.....461	1001184980.....299, 363	1001188620 487, 489, 491, 493
1001176333 910	1001182824.....261	1001184981.....299, 367	1001188625 487, 489, 491, 493
1001176338 451	1001182839.....849	1001184982.....301, 303	1001188626 487, 489, 491, 493
1001176587 941	1001182881.....189, 191	1001184983.....307, 309	1001188627 487, 489, 491, 493
1001176626 427	1001182929.....769, 771, 893	1001184984.....303, 313	1001188628 487, 489, 491, 493
1001177082 31	1001182930.....769, 771, 897	1001184985.....309, 327	1001188629 487, 489, 491, 493
1001177526 679, 685	1001183024.....875	1001184986.....357, 359	1001188630 487, 489, 491, 493
1001178053 833, 959	1001183112.....809, 811, 813, 815, 835	1001184987.....367	1001188631 487, 489, 491, 493
1001178123 437	1001183221.....901	1001184988.....367	1001188632 487, 489, 491, 493
1001178157 77, 689	1001183272.....749, 751, 753	1001185026.....251	1001188633 487, 489, 491, 493
1001178159 407	1001183306.....387, 389	1001185633.....513	1001188634 487, 489, 491, 493
1001178160 407	1001183307.....387, 391	1001185722.....843	1001188635 487, 489, 491, 493
1001178170 472	1001183308.....389	1001185870.....502	1001188636 487, 489, 491, 493
1001178474 27, 29	1001183309.....391	1001185927.....23	1001188637 487, 489, 491, 493
1001178670 555	1001183347.....109	1001185929.....23, 27	1001188638 487, 489, 491, 493
1001178680 425	1001183447.....109	1001185930.....27, 29, 33	1001188639 487, 489, 491, 493
1001178681 425	1001183549.....853	1001185931.....33	1001188640 487, 489, 491, 493
1001178693 27, 29	1001183550.....509	1001185933.....33	1001188641 487, 489, 491, 493
1001178706 965	1001183700.....651	1001185935.....33	1001188642 487, 489, 491, 493
1001178783 451	1001183827.....195	1001186603.....843	1001188643 487, 489, 491, 493
1001178791 267	1001183829.....195	1001186843.....641, 643	1001188644 487, 489, 491, 493
1001178826 535	1001183831.....193	1001186853.....809	1001188645 487, 489, 491, 493
1001178831 401	1001183835.....193, 195	1001186855.....777	1001188646 487, 489, 491, 493
1001178933 799	1001184275.....487, 489, 491, 493	1001186856.....783	1001188647 487, 489, 491, 493
1001179008 533, 535, 537	1001184278.....487, 489, 491, 493	1001186881.....65	1001188648 487, 489, 491, 493
1001179009 533, 535, 537	1001184280.....491, 493	1001186898.....193	1001188649 487, 489, 491, 493
1001179080 475	1001184294.....487, 489, 491, 493	1001187070.....877, 883, 887, 897, 899	1001188650 487, 489, 491, 493
1001179081 475	1001184295.....487, 489, 491, 493	1001187073.....921	1001188651 487, 489, 491, 493
1001179130 475, 479	1001184296.....487, 489, 491, 493	1001187075.....922, 943	1001188652 487, 489, 491, 493
1001179297 965	1001184297.....487, 489, 491, 493	1001187076.....922, 923, 943	1001188653 487, 489, 491, 493
1001179482 517	1001184306.....485	1001187077.....897, 899	1001188654 487, 489, 491, 493
1001179483 517	1001184307.....485	1001187078.....878, 883, 884, 888, 961	1001188655 487, 489, 491, 493
1001179592 525	1001184309.....485	1001187079.....884, 921, 922, 926	1001188656 487, 489, 491, 493
1001179850 23, 25, 31	1001184310.....485	1001187080.....878, 888, 921, 926	1001188657 487, 489, 491, 493
1001179851 31, 39	1001184310.....485	1001187272.....641	1001188658 487, 489, 491, 493
1001179852 39	1001184396.....759, 921	1001187273.....641	1001188659 487, 489, 491, 493
1001179901 867	1001184397.....759, 925	1001187275.....641, 643	1001188660 487, 489, 491, 493
1001179907 263, 775	1001184403.....479	1001187355.....667	1001188661 487, 489, 491, 493
1001179931 561	1001184404.....479	1001187423.....371, 373	1001188662 487, 489, 491, 493
1001180070 219, 705	1001184405.....479	1001187820.....89, 91	1001188663 487, 489, 491, 493
1001180226 273		1001187821.....89	1001188664 487, 489, 491, 493
1001180227 273		1001187847.....89, 91	1001188665 487, 489, 491, 493
1001180263 529, 531			1001188666 487, 489, 491, 493
1001180306 21			1001188667 487, 489, 491, 493

PART NUMBER INDEX

1001190260.....71, 73	1001192560..... 801	1001194103 761, 763	1001195953.....875, 953
1001190264.....89, 91	1001192575 805	1001194155 261	1001196100.....835
1001190396.....959	1001192614 123	1001194244 761	1001196191.....223, 225, 227, 229
1001190921.....878, 888	1001192615 119	1001194282 555	1001196193.....223, 225
1001191035.....97	1001192616 121	1001194421 908	1001196217.....835
1001191091.....421	1001192617 129	1001194534 193	1001196289.....841, 937
1001191108.....109	1001192619 859, 947	1001194698 403	1001196332.....781
1001191110.....75, 77	1001192622 43, 45	1001194699 403, 405	1001196402.....595
1001191157.....39	1001192623J 45	1001194700 405, 407	1001196452.....843, 845, 939
1001191163.....39	1001192627 45	1001194702 591	1001196502.....761, 763
1001191229.....974, 978, 982, 986	1001192631 45	1001194969 45	1001196664.....215
1001191255.....395, 397	1001192643 417	1001194980 37, 988	1001196778.....163
1001191256.....397	1001192644 419	1001194981 39, 988	1001196779.....163
1001191257.....397	1001192646 409	1001195089 263	1001196782.....163
1001191281.....511	1001192649 137	1001195194 ... 79, 81, 83, 87, 988	1001196806.....974
1001191283.....511	1001192650 141	1001195200 857, 865	1001196878.....101
1001191284.....511	1001192700 133	1001195201 857, 859	1001196879.....101
1001191285.....511	1001192702 135	1001195202 865, 949	1001196949.....161
1001191370.....511	1001192707 147	1001195254 553	1001196950.....159
1001191487974, 978, 982, 986	1001192722 143	1001195263 795	1001196951.....157
1001191546.....769, 773	1001192723 131	1001195313 986	1001196952.....155
1001191635.....63	1001192734 149	1001195342 477	1001196959.....641, 643
1001191685.....39, 988	1001192735 153	1001195343 477	1001196964.....655
1001191752.....77, 85	1001192737 545	1001195345 477	1001196967.....655, 657
1001191753.....85	1001192739 971	1001195346 477	1001196969.....655, 657
1001191789.....85, 87	1001192741 974	1001195385 477	1001196970.....655, 657
1001191915.....553	1001192743 982	1001195386 477	1001196973.....655, 657
1001192096.....663	1001192755 417	1001195430 651	1001196974.....655, 657
1001192124.....35	1001192766 409, 417	1001195431 649	1001196975.....655, 657
1001192125.....27, 29, 35	1001192771 595	1001195433 649	1001196976.....655, 657
1001192142.....755, 757	1001192772 595	1001195434 649	1001196977.....655
1001192168.....369	1001192885 665	1001195435 649	1001196978.....655, 657
1001192170.....375	1001192886 665, 667	1001195437 477	1001196981.....655, 657
1001192177.....369, 371	1001192887 665, 669	1001195438 477	1001196982.....655, 657
1001192178.....369, 373	1001192888 667	1001195439 789	1001196989.....625
1001192180.....375	1001192889 577, 579, 613	1001195469 785	1001196992.....625
1001192181.....375	1001192890 613, 615	1001195471 857, 867	1001196993.....625
1001192309.....409	1001192891 615	1001195473 857, 869	1001196995.....625
1001192318.....43	1001193100 77, 581	1001195582 783, 787	1001196996.....625
1001192321.....837	1001193111 605, 609	1001195590 857, 871	1001196997.....625, 627
1001192322.....839	1001193210 411	1001195591 853, 855	1001197011.....663
1001192323.....793	1001193307 215, 703	1001195593 783, 791	1001197056.....55
1001192324.....63	1001193308 365, 701	1001195636 77, 81	1001197057.....55
1001192336.....67	1001193393 167, 169, 171, 173, 175, 177, 217	1001195637J.....81	1001197072.....187
1001192339.....113	1001193461 641	1001195655 .. 71, 73, 988	1001197139.....545
1001192342.....117	1001193465 581	1001195720 875	1001197196.....577, 579, 637
1001192344.....115	1001193474 553	1001195721 797	1001197197.....655, 657, 659
1001192352.....73	1001193477 553	1001195731 871, 873	1001197198.....659, 661
1001192354.....71	1001193516 577, 579, 617	1001195732 871, 873	1001197199.....655, 657
1001192358.....91	1001193517 577, 579, 621	1001195733 621	1001197200.....655, 657
1001192363.....599	1001193698 793, 795	1001195737 ... 79, 81, 83, 85, 87, 988	1001197259.....519
1001192364.....95	1001193703 167, 169, 171, 173, 175, 177, 209	1001195738 81, 988	1001197262.....75, 77
1001192365.....605	1001193704 167, 169, 171, 173, 175, 177, 213	1001195739 81, 988	1001197339.....43
1001192366.....601	1001193705 209, 211	1001195814 405, 427	1001197414.....179, 181
1001192367.....609	1001193709 577, 625	1001195816 502	1001197480.....27
1001192370.....807	1001193797 279	1001195817 502	1001197481.....33
1001192392.....35	1001193836 669	1001195818 502	1001197667.....559
1001192410.....555	1001193838 669	1001195820 497	1001197668.....861, 863
1001192430.....873	1001193887 97	1001195821 499	1001197733.....55
1001192431.....857	1001193917 697	1001195822 497	1001197734.....55
1001192520.....595	1001193940 799, 906	1001195823 499	1001197955.....41
1001192537.....749	1001193993 755, 757	1001195855 974, 978	1001198307.....51, 53, 55
1001192538.....751		1001195878 407	1001198893.....827, 831
1001192553.....813		1001195881 105	
1001192558.....799		1001195883 827	

PART NUMBER INDEX

1001199325 75, 745	1001201162..... 841	1001203368..... 809, 811, 813, 815	1001207788 655, 657
1001199670 263	1001201266..... 75, 79	1001203640..... 817, 819, 823	1001207789 655, 657
1001199822 265	1001201267J..... 79	1001203932..... 43	1001207790 655, 657
1001199823 265	1001201269..... 79	1001203933..... 43	1001207866 105, 107
1001199902 259	1001201298..... 167, 173, 221	1001203934..... 43	1001207898 301, 305
1001200105 595, 861	1001201299..... 221	1001203947 223, 225, 227, 229	1001207899 307, 311
1001200106 167, 769	1001201300..... 221	1001203948..... 223, 225, 227, 229	1001207956 553
1001200108 769, 877	1001201301..... 223, 225, 227, 229, 233	1001203985..... 75, 87	1001208037 553
1001200159 749, 751, 759	1001201302..... 223, 225, 227, 229, 235	1001203986..... 87	1001208308 502
1001200160 749, 761	1001201303..... 223, 225, 227, 237	1001203987..... 85, 87	1001208451 745
1001200161 761, 763	1001201304..... 223, 225, 227, 229, 241	1001203989..... 75, 77	1001208532 655, 657
1001200162 761, 763	1001201305..... 223, 225, 229, 243	1001203990..... 75	1001208534 655, 657
1001200164 761, 763	1001201309..... 235	1001204032..... 239, 291	1001209097 877, 887
1001200165 761, 763	1001201314..... 237	1001204057..... 293	1001209200 581, 673
1001200166 761, 763	1001201315..... 237, 239	1001204060..... 819	1001209201 581, 673
1001200167 761, 763	1001201316..... 237, 239	1001204066..... 415	1001209202 581, 673
1001200168 759	1001201317..... 241	1001204115..... 415	1001209203 581, 673
1001200169 759	1001201331..... 437	1001204120..... 415	1001209345 65
1001200226 585	1001201418J..... 17	1001204177..... 75, 83	1001209346 63
1001200249 259	1001201420..... 585	1001204178..... 83	1001209357 829
1001200344 61	1001201425..... 167, 173, 179	1001204198..... 83	1001209358 831
1001200383 833	1001201426..... 283	1001204199..... 83	1001209387 47
1001200393 89, 91	1001201427..... 287	1001204200..... 83	1001209388 45
1001200395 91	1001201428..... 289	1001204411..... 259	1001209418 663
1001200443 167	1001201499..... 549	1001204413..... 259	1001209419 663
1001200444 169	1001201500..... 551	1001204414..... 259	1001209427 821
1001200445 223	1001201501..... 549, 551	1001204444..... 817, 819	1001209456 821, 823
1001200446 225	1001201812..... 577	1001204486..... 45	1001209463 517
1001200447 259	1001201848..... 51, 53, 57	1001204528..... 817	1001209585 169, 171, 175, 177, 185
1001200448 261	1001201856..... 259	1001204530..... 817	1001209690 811
1001200451 275	1001201857..... 259	1001204544..... 817, 819	1001209691 811
1001200452 277	1001201858..... 259	1001204548..... 781, 785	1001209692 815
1001200453 279	1001201885..... 878, 889	1001204549..... 781, 789	1001209693 815
1001200498 223, 225, 227, 229	1001202018..... 259, 263	1001204576..... 697	1001209697 809, 811, 813, 815
1001200499 223, 225, 227, 229	1001202020..... 595	1001204709..... 535	1001209862 719, 725
1001200538 817	1001202021..... 259	1001205061..... 545, 549	1001209899 427
1001200539 819	1001202024..... 577, 641	1001205307..... 837	1001209972 673
1001200631 229	1001202025..... 577, 655	1001205375..... 75, 673	1001210270 673
1001200701 279	1001202026..... 577, 579, 649	1001205380..... 673	1001210281 305
1001200862 167, 169, 171, 173, 175, 177, 187	1001202027..... 641, 643	1001205381..... 673	1001210282 625
1001200863 167, 173, 189	1001202038..... 649	1001205528..... 745	1001210327 625
1001200864 167, 169, 171, 173, 175, 177, 193	1001202172..... 749, 755	1001205532..... 409, 415	1001210329 775
1001200865 167, 173, 197	1001202247..... 239	1001205564..... 243, 245	1001210524 663
1001200866 167, 173, 203	1001202321..... 279, 281	1001205565..... 243, 245	1001210525 663
1001200867 259, 265	1001202325..... 281	1001205573..... 655, 657	1001210526 663
1001200869 167, 169, 171, 173, 175, 177, 775	1001202519..... 841	1001205618..... 663	1001210567 875
1001200870 641, 643	1001202526..... 221, 275	1001206098..... 65	1001210568 673
1001200871 187	1001202617..... 841	1001206099..... 63	1001210569 673
1001200872 187	1001202621..... 837	1001206100..... 809, 811, 813, 815	1001210600 169, 171, 175, 177, 191
1001200873 187	1001202722..... 877, 887	1001206242..... 581	1001210601 169, 175, 205
1001200874 187	1001202723..... 877, 887	1001206633..... 807, 903	1001210602 169, 171, 175, 177, 199
1001200885 189, 191	1001202786..... 389, 391	1001206709..... 625, 627	1001210603 191
1001200886 189	1001202899..... 259	1001206725..... 107	1001210635 655, 657
1001200887 205, 207	1001202901..... 179	1001206744..... 553	1001210761 261, 271
1001200968 499	1001202986..... 759	1001206843..... 105	1001210769 305, 311
1001201073 587, 695	1001203005..... 221, 277	1001206954..... 293	1001210770 753, 767
1001201074 585, 587	1001203081..... 811	1001207171 878, 888	1001210771 213, 215
1001201124 805, 901	1001203082..... 815	1001207218..... 974, 978, 982, 986	1001210780 635
	1001203181..... 229	1001207325..... 585	1001210797 655, 657
		1001207594..... 847, 849	1001210800 625, 627
			1001210801 635

PART NUMBER INDEX

1001210870.....203, 205, 207	1001213959 75	1001217751 771, 883	1001221059.....469, 472
1001211020.....655, 657	1001213961 75	1001217752 169, 171, 771	1001221087.....379, 381
1001211357451	1001214092 435	1001217753 253	1001221157.....377, 379
100121142771, 75	1001214123 251	1001217754 249	1001221270.....377
1001211445779	1001214206 974, 978, 982, 986	1001217755 249	1001221295.....469, 472
1001211528971	1001214220 545	1001217756 253	1001221318849
1001211529971	1001214254 111	1001217757 253, 257	1001221319.....849
1001211570289	1001214349 285	1001217758 257	1001221321.....377, 381
1001211571283, 287	1001214401 849	1001217759 257	1001221349.....263
1001211606577, 579, 663	1001214415 111	1001217760 253	1001221383.....263
1001211616243, 245	1001214429 641, 643	1001217761 235	1001221389.....401
1001211617243, 245	1001214430 641, 643	1001217762 235	1001221390.....401
1001211693799	1001214431 641, 643	1001217763 235	1001221391.....401
100121189955	1001214438 271, 273	1001217763 235	1001221392.....401
100121190055	1001214439 261	1001217948 641, 643	1001221493.....253, 961
1001211907502	1001214440 261	1001218071J..... 19	1001221553.....385
1001212011421	1001214441 261	1001218529 469, 472	1001221554.....383, 385
1001212013289	1001214661 581	1001218542 469, 472	1001221695.....383
1001212014283, 287	1001214829 595	1001218694 55	1001221702.....207
1001212047533	1001214951 505	1001218704 974	1001221734.....377
1001212048537	1001215022 237, 239	1001218754 113	1001221868.....203, 205, 207
1001212049533	1001215024 237, 239	1001218755 109, 111, 113	1001221918.....255
1001212050537	1001215078 273	1001218996 469, 472, 988	1001221928.....631, 709
1001212054289	1001215093 641	1001219082 229	1001221986.....629, 631
1001212055283, 287	1001215121 803	1001219113J..... 45	1001221987.....625, 627, 629
1001212312689, 719	1001215154 505	1001219115 45	1001221988.....625, 627
1001212369435	1001215208 753	1001219211 974, 978, 982, 986	1001221989.....625
1001212418617, 619	1001215212 641, 643	1001219220 427	1001222163.....171, 177, 207
1001212468511	1001215256 625, 627	1001219250 45	1001222188.....35
1001212470801	1001215319 269	1001219615 623	1001222190.....35
1001212511697, 699	1001215341 621, 623	1001219659 633	1001222454.....171
1001212739217, 219	1001215464 85, 988	1001219764 591, 593	1001222455.....907
1001212787625, 627	1001215470 581	1001219765 595, 597	1001222460.....179
1001212788625, 627, 633	1001215531 415	1001219863 502	1001222603.....571
1001212789633, 635	1001215539 641, 643	1001219864 502	1001222606.....569
1001212880625, 627	1001215693 809, 811, 813, 815, 955	1001219865 502	1001222650.....974, 978, 982, 986
1001212886755, 757	1001215802 641	1001219905 .. 71, 73, 988	1001222741.....415
1001212920243	1001215859 663	1001219953 .. 71, 73, 988	1001223066.....751, 757
1001212921243, 245	1001215860 663	1001220248 99	1001223109.....641, 643
1001212923259, 267	1001215941 229	1001220286 101	1001223265.....502
1001212924267	1001216263 515	1001220329 403, 449	1001223435.....127
1001212925267	1001216265 513	1001220337 225	1001223455.....907, 908, 909, 910
100121302621, 577, 579	1001216267 515	1001220338 423, 425	1001223456.....906
1001213265545, 547	1001216269 515	1001220339 405, 423	1001223457.....906, 907
1001213306641	1001216270 513	1001220473 663	1001223459.....879
1001213307641, 643	1001216331 681	1001220507 559	1001223462.....579, 657
1001213308641, 643, 645	1001216333 685	1001220540 399	1001223475.....657
1001213309645, 647	1001216757 569	1001220641 99	1001223476.....657
1001213311647, 711	1001216798 281	1001220643 637, 639	1001223509.....263
1001213317605, 607	1001216799 281	1001220649 847	1001223518.....579, 643
1001213318601, 603	1001216803 569	1001220650 847, 851	1001223610.....579, 627
1001213319609, 611	1001216974 453, 457, 461	1001220707 978	1001223613.....579
100121332241	1001217226 681, 685	1001220760 365	1001223618.....239, 293
1001213325J41	1001217320 797	1001220859 797	1001223622.....293
1001213326J41	1001217352 77, 583	1001220861 797	1001223628.....239
1001213331415	1001217353 75, 675	1001220942 673	1001223640.....643
100121346275	1001217354 583, 675	1001220947 845	1001223642.....643
1001213562745	1001217355 583, 675	1001221041 167, 169, 171, 173, 175, 177, 201	1001223645.....239
1001213752849	1001217482 587, 589	1001221052 481, 489	1001223705.....25
1001213775871, 873	1001217552 599	1001221054 483, 493	1001223706.....25, 29
1001213791409	1001217553 599	1001221056 481, 483	1001223720.....227
100121383351, 53	1001217620 363, 365	1001221057 489, 493	1001223724.....227, 245
100121383451, 53	1001217623 825, 829	1001221058 489, 493	
	1001217669 365		

PART NUMBER INDEX

1001223725	245	1001228141.....	489, 493	1706281....	974, 978, 982, 986	2170716	243, 245
1001223825	643	1001228147.....	489, 493	1706282....	974, 978, 982, 986	2170804	639
1001223869	229, 239	1001228174.....	261	1706284....	974, 978, 982, 986	2170806	305, 311
1001223870	29	1001228248.....	203, 205	1706285....	974, 978, 982, 986	2171816	641, 643
1001223874	229	1001228427.....	125	1706288....	974, 978, 982, 986	2171832	641, 643
1001223902	83	1001228504.....	661	1706292....	974, 978, 982, 986	2172110	673
1001223903	869	1001228643.....	229	2080078.....	425	2172116	243, 245
1001223911	29	1001228727.....	173	2080086.....	407	2172410	595
1001223920	83	1001228728.....	173, 773	2080087.....	407	2200223 ...	223, 225, 227, 229
1001223948	83	1001228731.....	773, 887	2080092.....	441	2220237	225
1001223968	801, 933	1001228732.....	773, 899	2110406.....	647, 667	2220238	661
1001223983	83	1001228733.....	773, 895	2110408.....	639	2220239	39, 635
1001224127	869	1001228734.....	175	2110410.....	215	2220240	39
1001224128	869	1001228735.....	175, 177	2110606.....	91, 117, 647, 661, 667	2220767	235
1001224450J	45	1001228737.....	177	2110610.....	607, 611	2220811	365
1001224598	305	1001228860.....	97	2110806.....	745	24921332	259
1001224938	311	1001228872.....	221	2110808....	619, 623, 661	2580040	783
1001224944	593, 723	1001228989.....	817, 819	2110810.....	635, 667	2720160	625, 627
1001224945	597, 713	1001229056.....	85	2111008.....	699	2902443 ...	878, 884, 889
1001224946	615	1001229057.....	87	2111010....	219, 581, 603, 607, 611, 661, 667, 673, 685, 719	2920207	809
1001225317	387	1001229201.....	369, 383	2111012.....	615	2920208	809
1001225390	595	1001229422.....	673	2111212.....	615	3020037	363
1001225392	591	1001229609.....	43	2111216.....	215	314689	75, 77, 689
1001225393	591, 595	1001229981.....	357	2111616....	243, 245, 365, 667	3251813 ...	974, 978, 982, 986
1001225567	627	1001230163.....	421	2130404....	555, 593, 597, 623, 661	3290401 ...	469, 472, 511, 833, 837
1001225568	627	1001230423.....	267, 269	2130406.....	215	3290405 ...	107, 417, 855, 871, 873
1001225569	627	1001230850.....	851	2130408.....	623	3290501 ...	771, 799, 839
1001225570	627	1001230967.....	75	2130606.....	615, 631	3290505 ...	101, 107, 229, 761, 763
1001225571	627	1001230986.....	75	2130808....	305, 311, 555	3290507	107
1001225572	627	1001231217.....	839	2131010....	581, 595, 597, 673, 699	3290601 ...	207, 472, 511, 515, 545, 553, 759, 771, 793, 795, 799, 817, 843, 845, 871, 873
1001225573	627	1001231385.....	51, 53	2131212....	593, 597, 651, 661, 745	3290605	47, 279, 502, 511, 775, 871, 873
1001225574	627	1001231393.....	635	2131216.....	215	3290606	663
1001225575	643	1001231407.....	229	2144603.....	357	3290607 ...	809, 811, 813, 815
1001225576	643	1001231483.....	230	2144606.....	197, 199	3290801 ...	223, 225, 227, 229, 239, 271, 409, 541, 823, 869
1001225656	635	1001232850.....	203	2150406.....	589	3290805 ...	221, 263, 547, 611, 767
1001225980	767	1001232988.....	107	2150606.....	117	3290806	425
1001226481	502	1001234395.....	107	2150608.....	215	3291001 ...	193, 203, 205, 223, 225, 227, 229, 279, 401, 761, 763, 809, 811, 813, 815
1001226523	189, 191	1001234455.....	47	2150808....	305, 311, 619	3291005	95, 197, 199, 223, 225, 227, 229, 279, 585, 755, 757
1001226543	643	1001234596.....	107	2151010....	603, 607, 611	3291201	163, 235
1001226557	663	1001234802.....	107	2151212.....	651	3291205	71, 73, 835
1001226681	267	1001235965.....	43, 47	2151616....	243, 245, 615	329160571, 73, 109, 111, 113, 187	
1001226797	259	1001236404.....	571	2152020.....	39	3311508	785, 787
1001226828	591	1001237897.....	269	2160016....	79, 81, 89, 91, 585, 681, 685	3332011	399
1001226829	591, 595	1001238154.....	269	2170104.....	219	3520028	553
1001226947	745	1001238781.....	217	2170106.....	615	3520193	41, 79, 81
1001227077	229	1060626	785, 787, 791	2170112.....	615	3700015	61
1001227090	279	1062255 ...	203, 205, 207, 221, 235, 243, 245, 253, 275, 277, 281, 655, 657, 769, 771, 773	2170206.....	117, 615	3700016	61
1001227133	502	10713707	753	2170208.....	555	3740080	229
1001227186	407	10725554	317, 331	2170216.....	243, 245		
1001227187	411	120034	799	2170316.....	215		
1001227188	411	1320022	472	2170410.....	595		
1001227287	974, 978, 982, 986	1320060	235	2170704.....	215		
1001227334 ...	79, 81, 83, 85, 87, 988	1670836 ...	974, 978, 982, 986				
1001227337 ..	79, 81, 988	1701500 ...	974, 978, 982, 986				
1001227440	595	1702631 ...	974, 978, 982, 986				
1001227469	751, 763	1704260	797				
1001227670	109, 111, 113, 115, 117, 119, 121, 131, 135, 137, 144, 147, 153	1705980 ...	974, 978, 982, 986				
1001227802	409	1706098 ...	974, 978, 982, 986				
1001227945	555						
1001227964	229						
1001228132	489, 493						
1001228140	489, 493						

PART NUMBER INDEX

3760348.....545	939, 941, 943, 944,	890, 907, 909, 910,	255, 259, 263, 267,
3790152.....239	947, 949	911, 926, 939, 941,	271, 273, 283, 285,
3900357.....775	4460466 ... 837, 878, 879,	943, 949	287, 289, 409, 415,
3900379.....57, 525	883, 884, 885, 887,	4460945 ... 885, 890, 911,	429, 435, 453, 457,
39844923.....331	888, 889, 890, 901,	949	461, 472, 513, 527,
3986405.....359	903, 907, 908, 909,	4460970 ... 878, 884, 888,	529, 531, 541, 545,
3986610.....463	910, 919, 921, 922,	921, 926, 955	555, 581, 587, 601,
3986643.....463	923, 925, 926, 933,	4460979 879, 884, 889	605, 611, 625, 627,
4000015.....873	937, 939, 941, 943,	4460984 923	633, 645, 649, 663,
4010416.....855, 871	949, 955, 957, 961	4460994 908	745, 753, 767, 793,
4010510.....569, 571	4460496 799	4461000 797	795, 823, 825, 827,
4010608002.....409, 502,	4460497 799	4461006 ... 878, 884, 887,	837, 843, 845, 867, 869
515, 517	4460508 ... 877, 888, 893,	889	4811902....43, 45, 85, 87,
4010610.....871, 873	895, 901	4461008 877, 883, 887	239, 247, 249, 259,
4010610002.....497, 499,	4460509 ... 879, 884, 889,	4461015 919, 922	469, 472, 513, 515,
502, 515, 553	922, 925	4461017 ... 893, 895, 901,	673, 763
4010612002.....411, 502,	4460518 910, 923	925	4812000....29, 39, 47, 55,
511	4460536 ... 897, 899, 927,	4461018 ... 879, 884, 889,	63, 65, 71, 73, 75, 79,
4031205.....769, 771, 773	947	925	81, 83, 85, 87, 89, 91,
4031607 35, 39, 559, 561,	4460539 ... 877, 879, 883,	4461054 ... 877, 883, 887,	95, 99, 107, 193, 197,
769, 773	884, 885, 887, 888,	925, 926	199, 209, 235, 259,
4031608.....509	889, 890, 909, 910,	4461070 879, 889	261, 271, 273, 279,
4031608001.....502	921, 926, 943, 947, 949	4461071 878, 884, 889	401, 553, 555, 581,
4031708.....869	4460608 877, 883, 887	4461095 879, 889	585, 613, 621, 641,
4031712.....673	4460705 907	4461115 911, 957	643, 651, 659, 663,
4031910.....225, 529, 531	4460742 239	4461118 925, 931	753, 755, 757, 761,
4031912.....617, 637	4460746 911	4461174 ... 825, 827, 829,	763, 769, 771, 773,
4031916.....689	4460748 878, 888, 926	831	809, 811, 813, 815,
4031918.....601, 605, 609	4460789 931	4461262 ... 906, 910, 925,	851, 871, 873, 875
4031920.....697	4460836 907	953	4812002....31, 43, 45, 51,
4031921.....591, 595	4460871 939, 941	4461290 922	53, 55, 89, 91, 193,
4032010.....71, 73	4460884 ... 837, 879, 890,	4641520 639, 727	203, 205, 207, 223,
4032314.....75	922, 925, 937, 943, 949	471678 437	225, 227, 229
4060919.....21	4460891 ... 863, 878, 879,	4740274 ... 223, 225, 227,	4812100....27, 29, 71, 73,
4105262.....95	884, 888, 889, 890,	229	187, 235, 259, 665,
4109801....974, 978, 982,	903, 910, 911, 921,	4740532 213, 217	669, 761, 763
986	922, 923, 925, 926, 943	4740550 ... 223, 225, 227,	481210227, 29, 223, 225,
4110422.....135	4460892 878, 888	229	227, 229, 387, 835
4240018....625, 627, 655,	4460894 ... 878, 888, 907,	4761700 641, 643	4812300....41, 71, 73, 75,
657	909, 923, 925, 929,	4807718 449, 988	187, 363
4240099....625, 627, 641,	949, 955	4811400 ... 107, 109, 111,	4812500.....397, 399
643, 789, 791	4460897 ... 878, 879, 884,	113, 469, 472, 511,	4831400....469, 472, 511,
4280307.....33	888, 889, 908, 919,	551, 837, 855, 871, 873	833
4360475.....797	921, 922, 923, 929,	4811600 ... 101, 107, 201,	4831600.....39, 769, 773
4360658.....551	959, 961	229, 502, 761, 763,	483170051, 53, 265, 515,
4460225.....906, 907	4460899 ... 923, 925, 931,	771, 797, 839	553, 753, 843, 845
4460234.....799	933, 943	4811700 ... 27, 33, 47, 51,	4831900....247, 249, 469,
4460265.....906	4460905 939, 941	53, 57, 65, 189, 207,	472, 545, 775
4460267....906, 907, 908	4460906 907	259, 263, 279, 407,	4832100....223, 225, 227,
4460268....906, 907, 908	4460928 910, 922, 943	409, 431, 437, 472,	229
4460320.....907, 908	4460930 ... 910, 923, 925,	497, 499, 511, 515,	4892600.....303, 309
4460343.....906, 907	926	517, 545, 549, 553,	5220600.....819
4460424.....908	4460931 ... 901, 910, 926,	621, 629, 663, 755,	5220800....777, 779, 785,
4460434.....906	949	757, 759, 769, 771,	787
4460458....863, 878, 888,	4460932 ... 919, 922, 925,	773, 775, 793, 795,	5240600.....869
911, 926, 957	935, 951, 953, 957, 961	799, 809, 811, 813,	5240800.....599
4460464....878, 884, 888,	4460933 ... 879, 889, 907,	815, 817, 819, 843,	5241000.....279
897, 899, 901, 908,	921, 923, 926	845, 849, 865, 871, 873	5241200.....163
910, 919, 923, 926,	4460941 ... 919, 926, 931,	4811700001 502	5241400.....357
931, 933, 935, 943,	955, 959, 961	4811702 ... 195, 441, 515,	5242400.....585
947, 949, 953, 957, 961	4460942 ... 879, 890, 907,	545, 549, 555	5250608.....477
4460465....863, 877, 878,	919, 921, 922, 923,	4811702001 409, 411,	5251012.....179
879, 884, 887, 888,	943, 944, 955	502, 571	5271609.....839
889, 890, 903, 907,	4460943 ... 901, 910, 919,	4811900 ... 27, 29, 31, 55,	5272012.....851
909, 910, 911, 919,	929	63, 65, 67, 71, 73, 75,	643191201.....906, 921
921, 922, 923, 925,	4460944 ... 879, 883, 884,	97, 209, 221, 223, 225,	643201301.....906, 921
926, 927, 929, 937,	885, 887, 888, 889,	227, 229, 241, 251,	70002963.....709

PART NUMBER INDEX

70004387	709	70021531	715, 717	70024849	321	70026260 ..	319, 333, 345
70004512	181, 185	70021606	335	70024856	463	70026261 ..	319, 333, 347
70005174	185	70021613	335	70024857	463	70026262	321
70005191	182	70021979	135	70024858	463	70026263	321
70005490	181, 185	70022034	455	70024859	463	70026264	321
70005492	181, 185	70022140	317, 331	70024861	463	70026265	325, 339
70005495	181, 185	70022528	135	70024881 ...	319, 333, 349	70026266 ..	325, 339, 349
70005504	181, 185	70022726	703	70024918	181, 185	70026292	913
70005505	181, 185	70022765	801, 988	70024945	703	70026293	915
70005507 ..	181, 182, 185	70022773	323, 337	70024946	703	70026294	765
70005510	181	70022938 .	123, 125, 127, 129, 144, 147, 149	70024961 ...	181, 185, 988	70026295	765
70005511	181	70023179	463	70025012	319	70026296	765
70005513	181	70023181	463	70025014	319	70026297	765
70005522	182	70023182	463	70025153	181, 185	70026353	233
70005523	182	70023184	463	70025242	182	70026354	233
70005524	182	70023186	463	70025335	315, 329	70026359	233
70005544	182	70023189	463	70025337	341	70026361	557
70005548	182	70023189	463	70025338	341	70026362	557
70005549	182, 988	70023469	317, 331	70025339	341, 343	70026363	557
70005556	182	70023489	341	70025483	455	70026364	557
70005557	182	70023490	341, 343	70025485	455	70026365	557
70005558	182	70023493	341	70025486	455	70026366	557
70005559	182	70023494	317, 331	70025489	455	70026367	557
70005730	181	70024004	343	70025490	455	70026395	295
70006144	181	70024035	693	70025491	455	70026396	295
70020276	359	70024059	135	70025535	182	70026407	691
70020438	691, 695	70024064	135	70025539	465	70026408	691
70020555	131, 133	70024107	463	70025561	319, 333	70026411	691
70020764	715, 717	70024123 .	127, 129, 143, 149, 743	70025562	319, 333	70026434	547
70020867	707, 727	70024129 .	737, 739, 741, 743	70025590	683	70026469 ..	127, 129, 737
70020922	553	70024130 .	123, 125, 127, 129, 144, 149, 743	70025614	683, 693	70026470	127, 129
70021251	455	70024142	741	70025707	182	70026471 ..	127, 129, 143
70021252	455	70024146 ..	319, 333, 351	70025722	181, 185	70026472 ..	127, 129, 143
70021314	465	70024147 ..	319, 333, 351	70025730	185	70026473 ..	127, 129, 143
70021316	465	70024164	729	70025737	181, 185	70026474	127, 129
70021317	459	70024165	729	70025743	181, 185	70026475	127, 129
70021318	459	70024166	729	70025755	181, 185	70026476 ..	127, 129, 143
70021319	459, 467	70024167	729	70025757	181, 185	70026477 .	125, 127, 129, 671
70021321	467	70024168	729	70025760	182	70026478	127, 129
70021322	459	70024210	321, 335	70025761	182	70026479 .	123, 125, 127, 129
70021323	467	70024213	321	70025763	181, 185	70026480 .	123, 125, 127, 129
70021324	467	70024215	321	70025765	181, 185	70026481 .	123, 125, 127, 129, 143, 147, 149
70021325	467	70024216	335	70025768	181, 185	70026482 .	123, 125, 127, 129, 143, 147, 149
70021326	467	70024459	463	70025772	181, 185	70026483	123, 125
70021328	467	70024474	182	70025775	181, 185	70026496	737
70021330	467	70024484	181	70025780	182	70026497	737
70021340 .	809, 811, 813, 815	70024487	181, 185	70025786	181, 185	70026498	737
70021341 .	809, 811, 813, 815	70024488	181, 185	70025816	543	70026499	737
70021349 .	115, 135, 137, 141	70024489	181, 185	70025817	543	70026500	737
70021350	137, 141	70024493	181, 185	70025850	295	70026501	143, 737
70021367	141	70024494	181, 185	70025851	295	70026502 ..	737, 739, 741
70021387	135	70024495	181, 185	70025856	343	70026503	147, 737
70021397	135	70024499	181, 185	70025859	547	70026504	149, 737
70021415	135	70024504	181, 185	70025860	547	70026505	737
70021422	141	70024505	182	70025877	182	70026506	737
70021440	731, 733	70024507	181, 185	70025884	325, 339	70026582	707, 727
70021444	733	70024538 ..	129, 143, 147	70025887	317, 331	70026614 .	125, 127, 129, 671
70021445	733	70024721 ..	144, 147, 149	70025970	321	70026616	127, 129
70021446	733	70024727 ..	144, 147, 149	70026002	319, 333	70026631	359
70021447	733	70024731	147	70026011	181, 185	70026745	131, 133
70021448	733	70024732	147	70026081	233	70026746	131, 133
70021451	733	70024733	147, 743	70026082	233		
70021452	733	70024734 .	147, 737, 739, 741, 743	70026210	182		
		70024772 ..	144, 147, 149	70026238	319, 333		
		70024787	147	70026249	695		
		70024848	321	70026251	695		
				70026253	695, 988		

PART NUMBER INDEX

70026747.....335	70028306.....683	70028383.....547	70028565.....123, 125
70026748.....335	70028307.....683	70028384.....687	70028566.....123, 125
70026750.....343	70028308.....683	70028387.....319, 333	70028567.....123, 125
70026838.....687	70028309.....683, 693	70028388..315, 319, 329, 333	70028568.....123, 125
70026892.....359	70028310.....683, 693	70028389..315, 319, 329, 333	70028569.....123, 125
70026896.....359	70028311.....683	70028390.....317, 343	70028570.....123, 125
70026897.....359	70028312.....683	70028391.....317	70028571.....123, 125
70026898.....359	70028313.....683, 988	70028392.....319, 333	70028572...123, 125, 735
70026901.....359	70028314.....693	70028393.....323, 337	70028573...123, 125, 671
70026904.....359	70028315.....693	70028394.....323, 337	70028574.....123, 125
70026908.....359	70028316.....693	70028396.....319, 333	70028575.....125
70026909.....359	70028317.....693	70028397.....333	70028576.....125
70026911.....359	70028318.....693	70028398.....331, 341	70028577.....125
70026927.....360	70028319.....693	70028399.....331	70028578.....125
70027022.....321, 335	70028320.....693	70028400.....333	70028579.....125
70027092.....321	70028322.....693	70028401.....317, 331	70028580.....125
70027105.....341, 343	70028323.....693	70028405.....143	70028581.....735
70027109.....359	70028324.....693, 988	70028406.....143	70028582.....735
70027110.....359	70028326.....463	70028410.....703, 988	70028583.....735
70027180..155, 157, 159, 161	70028327.....211	70028411.....703	70028584.....735
70027317.....321, 335	70028328.....211	70028412.....705	70028585.....735
70027392.....459, 465	70028329.....211	70028413.....705, 988	70028586.....735
70027393.....465	70028330.....211	70028417.....181	70028587.....735, 743
70027394.....465	70028331.....211	70028418.....181	70028588.....125, 671
70027395.....459	70028332.....211	70028419.....181, 988	70028591.....115
70027404.....181	70028333.....211	70028420.....701	70028592.....115
70027405.....181, 185	70028334.....211	70028421.....721	70028593.....115
70027417...181, 185, 988	70028335.....211	70028422.....725	70028594.....115
70027426.....181	70028336.....211	70028485..115, 137, 141	70028595.....115
70027567.....181, 185	70028337.....211	70028486.....115, 141	70028596.....115
70027595.....705	70028338.....211	70028487.....141	70028597.....115
70027596.....717	70028339.....211	70028488.....115, 141	70028598.....115
70027598.....703	70028340.....211	70028489.....137, 141	70028599.....115, 731
70027601.....701, 988	70028341.....211	70028490.....137, 141	70028600.....115
70027657...181, 185, 988	70028342.....211	70028491.....141	70028601.....115
70027773.....137	70028343.....211	70028492.....141	70028602.....115
70027796.....321	70028344.....211	70028493.....141	70028603.....115, 733
70027811.....691	70028345.....211	70028494.....141	70028604.....115
70027862.....359	70028346.....211	70028495..115, 137, 141	70028605.....115
70027879.....117	70028347.....211	70028496..115, 137, 141	70028606.....115
70027880.....117	70028348.....211	70028497.....141	70028607.....115
70027881.....117	70028349.....211	70028498.....141	70028609.....731
70027882.....117	70028350.....211	70028499.....141	70028610.....731
70027887.....117	70028351.....211	70028500.....141	70028611.....731
70027888.....117	70028352.....211	70028501.....141	70028612.....733
70027889.....117	70028353.....211	70028505.....117	70028613.....733
70027890.....117	70028354.....211	70028506.....117	70028614.....733
70027896.....117	70028355.....211	70028507.....117	70028615.....137
70027899.....117	70028357.....211	70028508.....117	70028616.....137
70027986.....323, 337	70028358.....211	70028509.....117	70028617.....137
70027989.....115	70028359.....211	70028510.....117	70028618.....137
70028114.....147	70028360.....211	70028511.....117	70028619.....137
70028115.....147	70028361.....711	70028512.....117	70028620.....137
70028119.....147	70028362.....695	70028513.....117	70028621.....137
70028253.....143	70028371.....691	70028514.....291	70028622.....137
70028254.....739	70028372.....691	70028515.....291	70028623.....137
70028255.....739	70028373.....691	70028516.....291	70028624.....137
70028256.....739, 741	70028374.....691	70028517.....291	70028625.....137
70028257.....739, 741	70028375.....691, 988	70028525.....115	70028626.....137
70028258.....739, 741	70028376.....687	70028526.....115	70028627.....137
70028262.....143	70028377.....687	70028546.....931	70028628.....137
70028263.....123, 125	70028378.....687	70028554..115, 131, 135, 137, 153	70028629.....137
70028267.....144, 149	70028379.....687	70028563.....123, 125	70028630.....137
70028270.....739	70028380.....687, 988	70028564.....123, 125	70028631.....137
70028281.....713	70028381.....547		70028632.....137
70028282.....713, 723	70028382.....547		70028633.....137

PART NUMBER INDEX

70028634	138	70028712	149	70028828	359	7029971 ...	809, 811, 813, 815
70028635	137	70028713	149	70028829	359	7169541	229
70028636	137	70028714	149	70028830	359	7300435	187
70028637	137	70028715	149	70028831	359	77133136	581, 673
70028638	137	70028716	149	70028832	359	77133137	581, 673
70028648	143	70028717	149	70028833	359	77133497	673
70028649	143	70028718	149	70028834	359	77213042	259
70028650	143	70028719	149	70028835	359	7760897	903
70028651	143	70028720	149	70028836	359	8000565	835
70028652	143, 739	70028721	149	70028837	359	8000759	425
70028653	143, 741	70028722	149	70028838	359	8000803	409
70028654	143	70028723	149	70028839	359	8002200 ...	79, 81, 83, 85, 87, 988
70028655	143	70028724	149	70028840	359	8004398	425
70028656	143	70028725	149	70028841	360	8005671 ...	974, 978, 982, 986
70028657	143	70028726	149	70028842	360	8005675 ...	974, 978, 982, 986
70028658	143	70028727	149	70028843	360	8005901	499
70028659	143	70028728	743	70028844	360	8006258	745
70028660	143	70028729	743	70028845	360	8008175	323, 337
70028661	143	70028730	743	70028846	360	8008640 ...	79, 81, 83, 85, 87, 988
70028662	143	70028731	743	70028847	360	8008657 ...	974, 978, 982, 986
70028663	143	70028732	743	70028848	360	80203020	359
70028664	143	70028733	743	70028849	360	80203021	359
70028665	143	70028734	129, 150	70028860	135	80204002	315, 329
70028666	143	70028738	129	70028861	135	80204005 ..	315, 329, 353
70028667	143	70028739	129	70028862	135	80204007	359
70028668	143	70028740	129	70028863	135	80204012	333
70028669	143	70028741	129	70028864	135	80204016	359
70028670	143	70028742	129	70028865	135	80204033	317, 331
70028671	143	70028743	129	70028866	135	80204035	317, 331
70028672 ..	127, 129, 143, 147, 149	70028744	123	70028867	135	80204043	317, 331
70028673	143	70028745	123	70028868	135	80204048	317, 331
70028674	143	70028746	123	70028869	135	80204060	321
70028675	143	70028747	123	7010543	709	80204065	319, 333
70028676	143	70028748	123	70124445	181, 185	80204071	319, 333
70028677	143	70028749	127	70126616	181, 185	80204076	319, 333
70028678	144	70028750	127	7016331	181, 185, 988	80204108	321
70028679	144	70028751	127	7020208	181, 185	80204117 ..	321, 335, 349
70028680	144	70028752	127	7020442	181, 185	80204143	323, 337
70028681	144, 147	70028753	127	7022390	713	80204144	323, 337
70028682	144	70028754	127	7024947	705	80204176	359
70028683	144	70028755	127	7026731	355	80204215	359
70028684	144	70028756	127	7028621	463	80204281	321, 335
70028685	144	70028757	127	7028714	319, 333	80214120	319, 333
70028686	144	70028758	127	7028715	319, 333	80233218	545
70028687 ..	144, 147, 149	70028759	127	7028716	319, 333	80264002	465
70028688 ..	144, 147, 149	70028760	739	7028717	319, 333	80264004	465
70028689 ..	144, 147, 149	70028761	739	7028718	319, 333	80333151	545
70028690	144, 147	70028762	739	7028719	319, 333	80363195	429
70028691	739, 741	70028763	739	7028720	319, 333	80604017	929
70028692	741	70028764	739	7028721	319, 333	80604021	937
70028693	741	70028765	739	7028722	319, 333	806253	67
70028694	741	70028766	739	7028723	319, 333	806264	67
70028695	144	70028767	739	7028724	319, 333	80963055 ..	879, 884, 889
70028696	144	70028768	739	7028725	319, 333	80963056 ..	879, 884, 889
70028697 ..	127, 144, 150	70028769	739	7028726	319, 333	80963067	878, 889
70028701	149	70028770	739	7028727	319, 333	80983191 ..	913, 915, 917
70028702	149	70028771	741	7028728	319, 333	82033995 ..	221, 275, 277
70028703	149	70028772	741	7028729	319, 333	8220043	893, 895
70028704	149, 743	70028773	741	7028730	319, 333	8220045	961
70028705	149	70028774	741	7028731	319, 333	8220051	908, 909, 921
70028706	149	70028775	741	7028732	319, 333	8220097	878, 888
70028707	149	70028776	741	7028733	319, 333		
70028708	149	70028777	741	7028734	319, 333		
70028709	149	70028778	741	7028735	319, 333		
70028710	149	70028779	741	7028736	319, 333		
70028711	149	70028780	741	7028737	319, 333		
		70028781	741	7028738	319, 333		
		70028782	741	7028739	319, 333		
		70028783	741	7028740	319, 333		
		70028784	741	7028741	319, 333		
		70028785	741	7028742	319, 333		
		70028786	741	7028743	319, 333		
		70028787	741	7028744	319, 333		
		70028788	741	7028745	319, 333		
		70028789	741	7028746	319, 333		
		70028790	741	7028747	319, 333		
		70028791	741	7028748	319, 333		
		70028792	741	7028749	319, 333		
		70028793	741	7028750	319, 333		
		70028794	741	7028751	319, 333		
		70028795	741	7028752	319, 333		
		70028796	741	7028753	319, 333		
		70028797	741	7028754	319, 333		
		70028798	741	7028755	319, 333		
		70028799	741	7028756	319, 333		
		70028800	741	7028757	319, 333		
		70028801	741	7028758	319, 333		
		70028802	741	7028759	319, 333		
		70028803	741	7028760	319, 333		
		70028804	741	7028761	319, 333		
		70028805	741	7028762	319, 333		
		70028806	741	7028763	319, 333		
		70028807	741	7028764	319, 333		
		70028808	741	7028765	319, 333		
		70028809	741	7028766	319, 333		
		70028810	741	7028767	319, 333		
		70028811	741	7028768	319, 333		
		70028812	741	7028769	319, 333		
		70028813	741	7028770	319, 333		
		70028814	741	7028771	319, 333		
		70028815	741	7028772	319, 333		
		70028816	741	7028773	319, 333		
		70028817	741	7028774	319, 333		
		70028818	741	7028775	319, 333		
		70028819	741	7028776	319, 333		
		70028820	741	7028777	319, 333		
		70028821	741	7028778	319, 333		
		70028822	741	7028779	319, 333		
		70028823	741	7028780	319, 333		
		70028824	741	7028781	319, 333		
		70028825	741	7028782	319, 333		
		70028826	741	7028783	319, 333		
		70028827	741	7028784	319, 333		

PART NUMBER INDEX

8220098.....878, 888	8420053 ... 115, 117, 123, 125, 127, 129, 135, 137, 141, 144, 147, 149	90554042 . 115, 135, 137, 141	91514101.....315, 329
8220116.....923	8420055 ... 115, 117, 123, 125, 127, 129, 135, 137, 141, 144, 147, 149	90554045 . 115, 135, 137, 141, 731, 733	91514111.....345, 347
8220124.....877, 883, 887	8430032 625, 627	90554054 135	91514112.....319, 333
8229242.....913, 915	8430033 667	90554065 137	91514117.....319, 333
8229244.....765, 917	8430034 647	90554066 137	91514118.....387
8229245.....765, 913	8430081 625, 627	90554067 115, 137	91514123.....317
8229247.....765, 915	8466306 447, 982	91013191 926	91514130.....317, 331
8275212.....259, 261	8584003 841	91013192 922, 923	91514133.....317, 331
8278020....223, 225, 227, 229	85941018.. 625, 627, 763	91043125 . 599, 603, 607, 611	91514134.....317, 331
8305919....195, 257, 441, 502, 515	8769123 605, 609	91043126 . 599, 603, 607, 611	91514143.....343
8307219.....257	8769126 605, 609	91063039 657	91514146.....353, 359
8310559.....421	8769146 673	9106-3039 655	91514147.....353
8310686.....617, 637	8769152 673	91063040 657	91514148.....353
8342813.....59	8769199 673	9106-3040 655	91514149...319, 333, 353
8405006....205, 207, 235, 625, 627	8770030 615	91083106 641, 643	91514151.....321
8405007....235, 641, 643, 649, 655, 657	8770075 599	91163268 259	91514154...321, 335, 359
8405009....235, 267, 545	8770104 615	91403193 299	91514159.....321, 335
8405101.....235	8770215 583, 675	91403413 135	91514174.....319, 333
8405102.....243, 245	8770286 615	91403414 135	91514175...319, 333, 351
8405104.....235	8786549... 371, 373, 379, 381, 385	91474364 359	91514177...319, 333, 351
8405201....235, 502, 505, 507	88662434 . 625, 627, 655, 657	91474512 315, 329	91514178.....319, 333
8405402.....189, 191	8880219-OM 367	91504107 929	91514179.....319, 333
8406105.....187	90206196 55	91513266 387	91514180.....319, 333
8406112....207, 283, 285, 287, 289	90206198 625, 627	91514081 319, 333	91514181.....319, 333
8406201.....625, 627	90206202 21	91514082 319, 333	91514184.....319, 355
8406202.....601, 605	90554016 133	91514083 319	91514185.....319, 355
8410009....275, 277, 469, 472	90554017 115	91514084 319	91514186.....319, 355
8410013....221, 625, 627, 641, 643	90554020 115, 135	91514089 . 315, 319, 321, 329	91514189.....319, 333
		91514090 349	91554014.....909
		91514095 319, 333	91574001.....729
		91514098 315, 329	943191201.....906
			AU2105.....974, 978, 982, 986
			E000269855
			N.S.S. 109, 111, 113, 709



31211278



An Oshkosh Corporation Company

Corporate Office
JLG Industries, Inc.
1 JLG Drive
McConnellsburg, PA 17233-9533 USA
☎ **(717) 485-5161 (Corporate)**
☎ **(877) 554-5438 (Customer Support)**
☎ **(717) 485-6417**

Visit our website for JLG Worldwide Locations.
www.jlg.com