



Illustrated Parts Manual

Models

7013H

31211279

September 17, 2018 - Rev A



EFFECTIVITY PAGE

September 17, 2018 - A - Original Issue of Manual

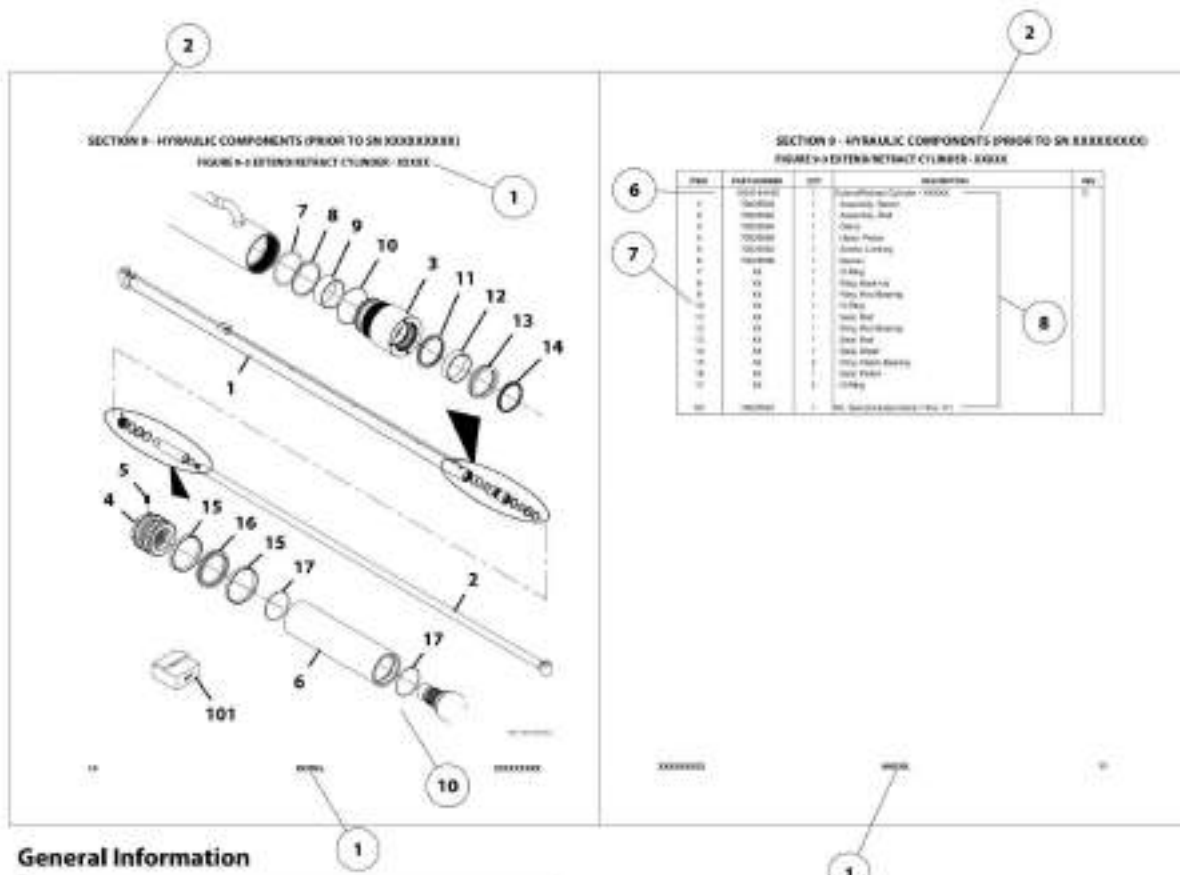
Machine Configuration



Two configurations of each machine are included in this manual. Determine if machine is equipped with Ultra Low Sulfur Fuel Decal (1).

If equipped with the Ultra Low Sulfur decal, all specific references to this machine configuration will be referred to as Ultra Low Sulfur (ULS) from this point forward.

If not equipped with the Ultra Low Sulfur decal, all specific references to this machine configuration will be referred to as Low Sulfur (LS) from this point forward.



General Information

1. MACHINE IDENTIFICATION

Machines are identified by model and in some cases a combination of model, serial number (S/N) or regional standard (e.g. ANSI, CE, CSA, AUS). Components may also be identified by S/N or manufacturer. Common components that may be identified by these characteristics are attachments, engine, transmission and hydraulic components.

2. PARTS MANUAL ORGANIZATION

Product information in this manual is organized under section titles. Frame, Engine and Electrical are a few examples. Each section is organized by Figure and page number. The information within the Figure is then organized by item number, part number, description and corresponding illustration(s).

3. TABLE OF CONTENTS

A table of contents (TOC) is found toward the beginning of the manual. Figure number, description and page number are provided for quick reference to the page containing the related information.

4. RECOMMENDED SPARE PARTS

The Recommended Spare Parts, located near the end of the manual, references most frequently used maintenance parts.

5. PARTS NUMBER INDEX

A numerical index listing all part numbers and the corresponding page number(s) appears at the back of the manual.

6. NON-SERVICED PARTS

In some instances it is necessary to display non-serviced parts, assemblies or installations. In the case of assemblies and installations there will be a Ref in the QTY column and a note after the item description stating what is available for service within. In the case of parts that are not available for service within assemblies or components there will be a NSS (Not Sold Separately) listed in the part number column of the manual.

7. PARTS LIST ITEM NUMBERS

Numbers shown in the Item column correspond to numbers used in the associated illustration(s). Item numbers which are missing from sequence and are not shown in the illustration(s) are not used on that page.

8. INDENTED PART DESCRIPTION

An indented part description is included in the item under which it is indented.

9. ABBREVIATIONS AND SYMBOLS

AC	Alternating Current
A/C	Air Conditioning
ADE	Advanced Design Electronics
AG	Agriculture
AAMP	Amperage
ANSI	American National Standards Institute
AR	As Required
ASSY	Assembly
AUS	Australia
AUX	Auxiliary
AWG	American Wire Gauge
CAC	Charge Air Cooler
CE	European Conformity
CM	Centimeter
CONST	Construction
CSA	Canadian Standards Association
DEF	Diesel Exhaust Fluid
DIA	Diameter
DC	Direct Current
DTZ	Decentralized Transmission Zeros
ECU	Electronic Control Unit
EMS	Emergency Stop
FNR	Forward Neutral Reverse
FT	Foot
GA	Gauge
GR	Grade
HBP	High Boom Pivot
HHP	High Horse Power
HOC	Hydraulic Oil Cooler
HVAC	Heating, Ventilating, and Air Conditioning
ID	Inside Diameter
IN	Inch
ISO	International Organization for Standards
ITSDF	Industrial Truck Standards Development Foundation
JK	Joint Industry Council
KG	Kilogram
KW	Kilowatt
L	Liter

LB	Pound
LBP	Low Boom Pivot
LCD	Liquid Crystal Display
LED	Light Emitting Diode
LH	Left Hand
LHD	Left Hand Drive
LHP	Low Horse Power
LMIS	Load Management Indicator System
LS	Low Sulfur
LSI	Load Stability Indicator
LSS	Load Sensing System
M ³	Cubic Meter
MA	Milliamp
M(m)	Metric/Meter
MM	Millimeter
N	Newton
NACD	North America Construction Division
NLA	No Longer Available
NSS	Not Sold Separately
OD	Outside Diameter
ORB	O-Ring Boss
ORFS	O-Ring Face Seal
OZ	Ounce
PR	Ply Rating
QT	Quart
QTY	Quantity
REF	Reference
REV	Revision
RH	Right Hand
RHD	Right Hand Drive
RHOC	Remote Hydraulic Oil Cooler
RUS	Russia
SAE	Society of Automotive Engineers
SAHR	Spring Applied Hydraulically Released
SN	Serial Number
SPD	Speed
TLLU	Torque Lock Up
UGM	Universal Ground Module

10. ILLUSTRATION REFERENCE LETTERS

When necessary, illustrations may contain reference letters that are intended to track information from one point to another in the illustration such as harnesses and hoses or any other information that has been separated in the illustration.

Note: Due to continuous product improvements, JLG Industries, Inc. reserves the right to make specification changes without prior notification. Contact JLG Industries, Inc. for updated information.

TABLE OF CONTENTS

SECTION 1 - FRAME AND ATTACHING PARTS.....	15
FIGURE 1-1. FRAME WELDMENT.....	16
FIGURE 1-2. FRAME WELDMENT (TUV).....	18
FIGURE 1-3. GROMMETS INSTALLATION.....	20
FIGURE 1-4. TANK INSTALLATION.....	22
FIGURE 1-5. FUEL TANK INSTALLATION.....	24
FIGURE 1-6. HYDRAULIC TANK INSTALLATION.....	26
FIGURE 1-7. TANK SUPPORT INSTALLATION.....	28
FIGURE 1-8. FUEL TANK ASSEMBLY.....	30
FIGURE 1-9. LOCKING FUEL CAP.....	32
FIGURE 1-10. HYDRAULIC TANK ASSEMBLY.....	34
FIGURE 1-11. COUNTERWEIGHT INSTALLATION.....	36
FIGURE 1-12. ENGINE ENCLOSURE INSTALLATION.....	38
FIGURE 1-13. ENGINE ENCLOSURE ASSEMBLY.....	40
FIGURE 1-14. ENGINE HOOD ASSEMBLY.....	42
FIGURE 1-15. ENGINE HOOD INSULATION INSTALLATION.....	44
FIGURE 1-16. COVER INSTALLATION (ULS).....	46
FIGURE 1-17. COVER INSTALLATION (LS).....	48
FIGURE 1-18. FRAME COVER INSTALLATION.....	50
FIGURE 1-19. FRONT LOWER COVER INSTALLATION.....	52
FIGURE 1-20. PAD LOCK.....	54
FIGURE 1-21. REFLECTORS INSTALLATION.....	56
FIGURE 1-22. MIRROR INSTALLATION.....	58
FIGURE 1-23. MIRROR INSTALLATION.....	60
FIGURE 1-24. WHEEL CHOCK INSTALLATION.....	62
FIGURE 1-25. TANK INSTALLATION.....	64
FIGURE 1-26. TANK INSTALLATION (TUV).....	66
FIGURE 1-27. FUEL TANK INSTALLATION.....	68
FIGURE 1-28. FUEL TANK INSTALLATION (TUV).....	70
FIGURE 1-29. TANK SUPPORT INSTALLATION.....	72
SECTION 2 - BOOM.....	75
FIGURE 2-1. BOOM INSTALLATION.....	76
FIGURE 2-2. BOOM INSTALLATION.....	78
FIGURE 2-3. BOOM ASSEMBLY.....	80
FIGURE 2-4. BOOM ASSEMBLY.....	82
FIGURE 2-5. FIRST BOOM SECTION ASSEMBLY.....	84
FIGURE 2-6. FIRST BOOM SECTION ASSEMBLY.....	86
FIGURE 2-7. SECOND BOOM SECTION ASSEMBLY.....	88
FIGURE 2-8. SECOND BOOM SECTION ASSEMBLY.....	90
FIGURE 2-9. THIRD BOOM SECTION ASSEMBLY.....	92
FIGURE 2-10. COUPLER INSTALLATION (MANUAL).....	94
FIGURE 2-11. COUPLER INSTALLATION (HYDRAULIC).....	96
FIGURE 2-12. COUPLER LOCKING CYLINDER ASSEMBLY.....	98
FIGURE 2-13. BOOM ANGLE INDICATOR INSTALLATION (LS - AUS).....	100
FIGURE 2-14. BOOM PROP INSTALLATION.....	102
FIGURE 2-15. MANUAL COUPLER PIN HOLDER INSTALLATION.....	104
FIGURE 2-16. BOOM BRUSHES INSTALLATION.....	106
SECTION 3 - ATTACHMENTS.....	109
FIGURE 3-1. ATTACHMENT RECOGNITION INSTALLATION.....	110
FIGURE 3-2. COMPONENTS ATTACHMENT RECOGNITION INSTALLATION.....	112
FIGURE 3-3. CARRIAGE ASSEMBLY, (60IN/1524MM).....	114
FIGURE 3-4. CARRIAGE ASSEMBLY, (72IN/1829MM).....	116
FIGURE 3-5. CARRIAGE ASSEMBLY, (87IN/2290MM).....	118
FIGURE 3-6. DUAL FORK POSITIONING SIDE SHIFT CARRIAGE, (75IN/1899MM).....	120
FIGURE 3-7. DUAL FORK POSITIONING CARRIAGE, (72IN/1829MM).....	122
FIGURE 3-8. BUCKET (2.6 YD ³ /2.0M ³).....	124
FIGURE 3-9. BUCKET (5.23 YD ³).....	126
FIGURE 3-10. 4 IN 1 BUCKET (2.6 YD ³ /2.0M ³).....	128
FIGURE 3-11. 4 IN 1 BUCKET (1.3 YD ³ /1.0M ³).....	130
FIGURE 3-12. GRAPPLE BUCKET (1.7 YD ³ /1.3M ³).....	132
FIGURE 3-13. GRAPPLE BUCKET (2.6 YD ³ /2.0M ³).....	134

TABLE OF CONTENTS

FIGURE 3-14. TRUSS BOOM (7.6 TON).....	136
FIGURE 3-15. CRANE HOOK (7.6 TON).....	138
FIGURE 3-16. COUPLER MOUNTED WINCH.....	140
FIGURE 3-17. BALE HANDLER (ROUND).....	142
FIGURE 3-18. BALE HANDLER (SQUARE).....	146
FIGURE 3-19. PIPE HANDLER CARRIAGE.....	148
FIGURE 3-20. TIRE HANDLER CARRIAGE.....	152
FIGURE 3-21. LOG HANDLER CARRIAGE.....	154
FIGURE 3-22. STEEL COIL HANDLER CARRIAGE.....	158
FIGURE 3-23. PALLET FORK (2.25X6X48).....	160
FIGURE 3-24. PALLET FORK (2.25X6X60).....	162
FIGURE 3-25. PALLET FORK (2.25X6X72).....	164
FIGURE 3-26. PALLET FORK (2.25X6X96).....	166
FIGURE 3-27. FORK RETENTION INSTALLATION.....	168
SECTION 4 - ENGINE AND ATTACHING PARTS.....	171
FIGURE 4-1. ENGINE POD COMPONENT INSTALLATION (ULS).....	172
FIGURE 4-2. ENGINE POD COMPONENT INSTALLATION (LS).....	174
FIGURE 4-3. ENGINE INSTALLATION (LS).....	176
FIGURE 4-4. ENGINE POD COMPONENT INSTALLATION (MINING) (ULS).....	178
FIGURE 4-5. ENGINE POD COMPONENT INSTALLATION (MINING) (LS).....	180
FIGURE 4-6. ENGINE POD COMPONENT INSTALLATION (LS).....	182
FIGURE 4-7. ENGINE INSTALLATION (ULS).....	184
FIGURE 4-8. ENGINE (100KW - ULS).....	186
FIGURE 4-9. ENGINE (100KW - LS).....	190
FIGURE 4-10. ENGINE MOUNT INSTALLATION.....	192
FIGURE 4-11. AIR INTAKE INSTALLATION (ULS).....	194
FIGURE 4-12. AIR INTAKE INSTALLATION (LS).....	196
FIGURE 4-13. AIR CLEANER INSTALLATION.....	198
FIGURE 4-14. AIR CLEANER ASSEMBLY (90/100KW).....	200
FIGURE 4-15. AIR INTAKE DUCT INSTALLATION.....	202
FIGURE 4-16. PRIMARY FUEL FILTER INSTALLATION (ULS).....	204
FIGURE 4-17. PRIMARY FUEL FILTER INSTALLATION (LS).....	206
FIGURE 4-18. REMOTE FUEL PUMP INSTALLATION.....	208
FIGURE 4-19. FUEL LINES INSTALLATION.....	210
FIGURE 4-20. FUEL LINES INSTALLATION.....	212
FIGURE 4-21. FUEL LINES INSTALLATION.....	214
FIGURE 4-22. HYDROSTATIC ADAPTOR INSTALLATION.....	216
FIGURE 4-23. DUAL DRIVE SUPPORT ASSEMBLY.....	218
FIGURE 4-24. HYDROSTATIC DRIVE PUMP INSTALLATION.....	220
FIGURE 4-25. HYDROSTATIC DRIVE PUMP ASSEMBLY.....	222
FIGURE 4-26. IMPLEMENT PUMP INSTALLATION.....	224
FIGURE 4-27. IMPLEMENT PUMP ASSEMBLY.....	226
FIGURE 4-28. DEF COOLANT LINES INSTALLATION (ULS).....	228
FIGURE 4-29. COOLING PACKAGE INSTALLATION.....	230
FIGURE 4-30. COOLING PACKAGE INSTALLATION (LS).....	232
FIGURE 4-31. COOLING PACKAGE INSTALLATION (TUV).....	234
FIGURE 4-32. COOLING PACKAGE INSTALLATION.....	236
FIGURE 4-33. RADIATOR COOLING PACKAGE.....	240
FIGURE 4-34. COOLANT LINES INSTALLATION.....	242
FIGURE 4-35. RADIATOR LINES INSTALLATION.....	244
FIGURE 4-36. CAC LINES INSTALLATION.....	246
FIGURE 4-37. SURGE TANK INSTALLATION.....	248
FIGURE 4-38. TRANSMISION OIL COOLER LINES INSTALLATION.....	250
FIGURE 4-39. TRANSMISION OIL COOLER LINES INSTALLATION (TUV).....	252
FIGURE 4-40. FAN GUARD INSTALLATION.....	254
FIGURE 4-41. FAN GUARD (REVERSING) INSTALLATION.....	256
FIGURE 4-42. COOLING FAN INSTALLATION.....	258
FIGURE 4-43. REVERSE COOLING FAN INSTALLATION.....	260
FIGURE 4-44. COOLING FAN INSTALLATION.....	262
FIGURE 4-45. COMPRESSOR COVER INSTALLATION.....	264
FIGURE 4-46. EXHAUST INSTALLATION (ULS).....	266
FIGURE 4-47. EXHAUST INSTALLATION (LS).....	268
FIGURE 4-48. DEF CONTROL MODULE INSTALLATION.....	270
FIGURE 4-49. DEF LINES INSTALLATION.....	272
FIGURE 4-50. DEF TANK INSTALLATION.....	274

TABLE OF CONTENTS

FIGURE 4-51. DEF TANK ASSEMBLY	276
FIGURE 4-52. MUFFLER INSTALLATION (LS)	278
FIGURE 4-53. MUFFLER INSTALLATION (LS)	280
FIGURE 4-54. HEATER LINES INSTALLATION (ULS)	282
FIGURE 4-55. HEATER LINES INSTALLATION (LS)	284
FIGURE 4-56. A/C PUMP INSTALLATION	286
FIGURE 4-57. A/C LINES INSTALLATION	288
FIGURE 4-58. BLOCK HEATER INSTALLATION (230V) (ULS)	290
FIGURE 4-59. BLOCK HEATER INSTALLATION (115V) (ULS)	292
FIGURE 4-60. BLOCK HEATER INSTALLATION (230V) (LS)	294
FIGURE 4-61. BLOCK HEATER INSTALLATION (115V) (LS)	296
FIGURE 4-62. AIR SHUT OFF VALVE	298
FIGURE 4-63. AIR SHUT OFF VALVE	300
FIGURE 4-64. HEATED BREATHER TUBE INSTALLATION	302
FIGURE 4-65. EXTEND/RETRACT CYLINDER	304
FIGURE 4-66. COUNTERBALANCE VALVE INSTALLATION	306
SECTION 5 - DRIVETRAIN	309
FIGURE 5-1. DRIVETRAIN INSTALLATION	310
FIGURE 5-2. FRONT AXLE INSTALLATION	312
FIGURE 5-3. FRONT AXLE MOUNTING INSTALLATION	314
FIGURE 5-4. FRONT AXLE LINES INSTALLATION	316
FIGURE 5-5. REAR AXLE INSTALLATION	318
FIGURE 5-6. REAR AXLE MOUNTING INSTALLATION	320
FIGURE 5-7. REAR AXLE LINES INSTALLATION	322
FIGURE 5-8. FRONT AXLE	324
FIGURE 5-9. FRONT AXLE, CENTRAL HOUSING	326
FIGURE 5-10. FRONT AXLE, DIFFERENTIAL	328
FIGURE 5-11. FRONT AXLE, HUB REDUCTION	330
FIGURE 5-12. FRONT AXLE, BRAKES	332
FIGURE 5-13. FRONT AXLE, STEERING	334
FIGURE 5-14. FRONT AXLE, TRUNION	336
FIGURE 5-15. REAR AXLE	338
FIGURE 5-16. REAR AXLE, CENTRAL HOUSING	340
FIGURE 5-17. REAR AXLE, DIFFERENTIAL	342
FIGURE 5-18. REAR AXLE, HUB REDUCTION	344
FIGURE 5-19. REAR AXLE, BRAKES	346
FIGURE 5-20. REAR AXLE, STEERING	348
FIGURE 5-21. REAR AXLE, TRUNION	350
FIGURE 5-22. DIFFERENTIAL KIT	352
FIGURE 5-23. DIFFERENTIAL KIT	354
FIGURE 5-24. STEERING CASE KIT (RF, LR)	356
FIGURE 5-25. STEERING CASE KIT (LF, RR)	358
FIGURE 5-26. TRUNION KIT	360
FIGURE 5-27. RING GEAR SUPPORT KIT	362
FIGURE 5-28. REDUCTION BUSHING KIT	364
FIGURE 5-29. PLANET GEAR CARRIER KIT	366
FIGURE 5-30. GEARBOX INSTALLATION	368
FIGURE 5-31. GEAR BOX	370
FIGURE 5-32. HYDROSTATIC MOTOR INSTALLATION	374
FIGURE 5-33. HYDROSTATIC MOTOR ASSEMBLY	376
FIGURE 5-34. DRIVE SHAFT INSTALLATION	378
FIGURE 5-35. TIRE/WHEEL SET (AIR 17.5-25 - 20 PLY)	380
FIGURE 5-36. RIGHT TIRE/WHEEL ASSEMBLY (AIR 17.5-25 - 20 PLY)	382
FIGURE 5-37. LEFT TIRE/WHEEL ASSEMBLY (AIR 17.5-25 - 20 PLY)	384
FIGURE 5-38. TIRE/WHEEL SET (FOAM 17.5-25 - 20 PLY)	386
FIGURE 5-39. TIRE/WHEEL SET (AIR 17.5 R25 - RADIAL)	388
FIGURE 5-40. RIGHT TIRE/WHEEL ASSEMBLY (AIR 17.5 R25 - RADIAL)	390
FIGURE 5-41. TIRE/WHEEL SET (AIR 17.5-25 - 22 PLY)	392
FIGURE 5-42. TIRE/WHEEL ASSEMBLY (AIR 17.5-25 - PLY)	394
FIGURE 5-43. LEFT TIRE/WHEEL ASSEMBLY (AIR 17.5 R25 - RADIAL)	396
FIGURE 5-44. FENDER INSTALLATION	398
FIGURE 5-45. RH FENDER ASSEMBLY	400
FIGURE 5-46. LH FENDER ASSEMBLY	402
SECTION 6 - CAB	405

TABLE OF CONTENTS

FIGURE 6-1. CAB MOUNTING INSTALLATION	406
FIGURE 6-2. FRONT CAB MOUNT BRACKET INSTALLATION	408
FIGURE 6-3. CAB MOUNTS INSTALLATION	410
FIGURE 6-4. CAB STEP INSTALLATION	412
FIGURE 6-5. CAB COMPONENTS INSTALLATION	414
FIGURE 6-6. CAB INSTALLATION	416
FIGURE 6-7. CAB ASSEMBLY	418
FIGURE 6-8. DOOR INSTALLATION	420
FIGURE 6-9. DOOR ASSEMBLY	422
FIGURE 6-10. CAB DOOR	424
FIGURE 6-11. DOOR UPPER GLASS ASSEMBLY	426
FIGURE 6-12. CAB LATCH ASSEMBLY	428
FIGURE 6-13. CAB DOOR TRIGGER ASSEMBLY	430
FIGURE 6-14. DOOR STRAP INSTALLATION	432
FIGURE 6-15. REAR WINDOW INSTALLATION	434
FIGURE 6-16. REAR WINDOW GROUP	436
FIGURE 6-17. CAB PLUG GROUP	438
FIGURE 6-18. BASIC MIRROR INSTALLATION	440
FIGURE 6-19. INTERIOR MIRROR INSTALLATION	442
FIGURE 6-20. INTERIOR MIRROR	444
FIGURE 6-21. FRONT WIPER INSTALLATION	446
FIGURE 6-22. WASHER TANK INSTALLATION	448
FIGURE 6-23. WASHER BOTTLE	450
FIGURE 6-24. FRONT COVER INSTALLATION	452
FIGURE 6-25. FRONT DUCT COVER	454
FIGURE 6-26. FILTER TRAY PANEL	456
FIGURE 6-27. LEVEL INDICATOR INSTALLATION	458
FIGURE 6-28. REAR WIPER INSTALLATION	460
FIGURE 6-29. MULTIFUNCTION DISPLAY INSTALLATION	462
FIGURE 6-30. SEAT INSTALLATION (CLOTH)	464
FIGURE 6-31. SEAT ASSEMBLY	466
FIGURE 6-32. SEAT INSTALLATION (AIR SUSPENSION - STANDARD)	468
FIGURE 6-33. SEAT ASSEMBLY (AIR SUSPENSION - STANDARD)	470
FIGURE 6-34. SEAT INSTALLATION (AIR SUSPENSION - PREMIUM)	472
FIGURE 6-35. SEAT ASSEMBLY (AIR SUSPENSION - PREMIUM)	474
FIGURE 6-36. UPPER SEAT ASSEMBLY	476
FIGURE 6-37. SUSPENSION KIT	478
FIGURE 6-38. HEATER INSTALLATION	480
FIGURE 6-39. HEATER AND A/C INSTALLATION (CAB PARTS)	482
FIGURE 6-40. CAB CONDENSER ASSEMBLY	486
FIGURE 6-41. CONDENSER	488
FIGURE 6-42. A/C RECEIVER DRIER	490
FIGURE 6-43. HEATER ASSEMBLY	492
FIGURE 6-44. HEATER AND A/C ASSEMBLY	494
FIGURE 6-45. HVAC CAB ACTUATOR	496
FIGURE 6-46. HEATER	498
FIGURE 6-47. CAB HEATER	500
FIGURE 6-48. HEATER AND A/C	502
FIGURE 6-49. HEATER AND A/C	504
FIGURE 6-50. ROOF WIPER INSTALLATION	506
FIGURE 6-51. HEADLINER INSTALLATION	508
FIGURE 6-52. HEADLINER/RADIO READY PACKAGE INSTALLATION	510
FIGURE 6-53. CAB TRIM INSTALLATION	512
FIGURE 6-54. DASH COVER ASSEMBLY	514
FIGURE 6-55. DASH COVER ASSEMBLY	516
FIGURE 6-56. REAR PANEL COVER ASSEMBLY	518
FIGURE 6-57. ADJUSTABLE ARMREST INSTALLATION	520
FIGURE 6-58. ROOF CAP INSTALLATION (NO A/C)	522
FIGURE 6-59. ROOF CAP INSTALLATION (A/C)	524
FIGURE 6-60. RETRACTABLE SUNSCREEN INSTALLATION	526
FIGURE 6-61. FLOOR MAT INSTALLATION	528
FIGURE 6-62. SEAT BELT INSTALLATION (3IN)	530
FIGURE 6-63. SEAT BELT INSTALLATION (2IN)	532
FIGURE 6-64. ENCLOSED CAB FRONT COVER INSTALLATION	534
FIGURE 6-65. CAB GUARD INSTALLATION (TOP)	536
FIGURE 6-66. CAB GUARD INSTALLATION (FRONT)	538
FIGURE 6-67. CAB GUARD INSTALLATION (TOP AND FRONT)	540

TABLE OF CONTENTS

FIGURE 6-68. EXTERNAL WINDOW RELEASE INSTALLATION (ANSI - ENGLISH)	542
FIGURE 6-69. EXTERNAL WINDOW RELEASE INSTALLATION(CAN & ISO)	544
FIGURE 6-70. EXTERNAL WINDOW RELEASE INSTALLATION (ISO)	546
SECTION 7 - CONTROLS	549
FIGURE 7-1. ACCELERATOR PEDAL INSTALLATION	550
FIGURE 7-2. ACCELERATOR PEDAL	552
FIGURE 7-3. BRAKE PEDAL INSTALLATION	554
FIGURE 7-4. BRAKE PEDAL ASSEMBLY	556
FIGURE 7-5. BRAKE SENSOR INSTALLATION	558
FIGURE 7-6. SWITCH PLATE ASSEMBLY	560
FIGURE 7-7. PARK BRAKE INSTALLATION	562
FIGURE 7-8. TILT STEERING COLUMN INSTALLATION	564
FIGURE 7-9. TILT STEERING COLUMN	566
FIGURE 7-10. COLUMN SHIFT INSTALLATION (2 SPEED)	568
FIGURE 7-11. COLUMN SHIFT INSTALLATION (0 SPEED)	570
FIGURE 7-12. STEERING WHEEL INSTALLATION	572
FIGURE 7-13. STEERING WHEEL	574
FIGURE 7-14. HORN BUTTON INSTALLATION	576
FIGURE 7-15. JOYSTICK INSTALLATION (2 SPEED)	578
FIGURE 7-16. JOYSTICK INSTALLATION	580
FIGURE 7-17. WIPER-TURN SWITCH	582
SECTION 8 - HYDRAULIC CIRCUITS	585
FIGURE 8-1. MAIN HYDRAULIC INSTALLATION	586
FIGURE 8-2. MAIN HYDRAULIC INSTALLATION (TUV)	588
FIGURE 8-3. BOOM HYDRAULIC INSTALLATION	590
FIGURE 8-4. REMOTE GREASE INSTALLATION	592
FIGURE 8-5. FRAME LEVEL INSTALLATION	594
FIGURE 8-6. FRAME LEVEL CYLINDER INSTALLATION	596
FIGURE 8-7. FRAME LEVEL VALVE ASSEMBLY	598
FIGURE 8-8. BOOM RAISE HOSE INSTALLATION (NO RIDE CONTROL)	600
FIGURE 8-9. BOOM RAISE COUNTERBALANCE VALVE (NO RIDE CONTROL)	602
FIGURE 8-10. BOOM RAISE HOSE INSTALLATION (RIDE CONTROL)	604
FIGURE 8-11. RIDE AND FLOAT VALVE ASSEMBLY	606
FIGURE 8-12. BOOM AUX HYDRAULIC INSTALLATION (MANUAL - SINGLE)	608
FIGURE 8-13. BOOM AUX HYDRAULIC INSTALLATION (MANUAL - TWIN)	610
FIGURE 8-14. DIVERTER VALVE ASSEMBLY	612
FIGURE 8-15. BOOM AUX HYDRAULIC INSTALLATION (HYDRAULIC - SINGLE)	614
FIGURE 8-16. DIVERTER VALVE ASSEMBLY	616
FIGURE 8-17. BOOM AUX HYDRAULIC INSTALLATION (HYDRAULIC - TWIN)	618
FIGURE 8-18. DIVERTER VALVE ASSEMBLY	620
FIGURE 8-19. MAIN CONTROL VALVE INSTALLATION	622
FIGURE 8-20. MAIN CONTROL VALVE ASSEMBLY	624
FIGURE 8-21. STEERING SELECT VALVE INSTALLATION	626
FIGURE 8-22. STEERING SELECT VALVE ASSEMBLY	628
FIGURE 8-23. FRAME LEVEL VALVE INSTALLATION	630
FIGURE 8-24. FRAME LEVEL VALVE ASSEMBLY	632
FIGURE 8-25. CAB HYDRAULICS INSTALLATION	634
FIGURE 8-26. CAB HYDRAULICS INSTALLATION (TUV)	636
FIGURE 8-27. SOLENOID VALVE INSTALLATION	638
FIGURE 8-28. SOLENOID VALVE ASSEMBLY	640
FIGURE 8-29. CHECK VALVE INSTALLATION	642
FIGURE 8-30. CHECK VALVE ASSEMBLY	644
FIGURE 8-31. SPEED CONTROL VALVE INSTALLATION	646
FIGURE 8-32. SPEED CONTROL VALVE ASSEMBLY	648
FIGURE 8-33. ENGINE BAY HYDRAULIC INSTALLATION	650
FIGURE 8-34. ENGINE BAY HYDRAULIC INSTALLATION (TUV)	652
FIGURE 8-35. INCHING VALVE INSTALLATION	654
FIGURE 8-36. INCHING VALVE ASSEMBLY	656
FIGURE 8-37. CHARGE FILTER LINES INSTALLATION	658
FIGURE 8-38. CHARGE FILTER INSTALLATION	660
FIGURE 8-39. IMPLEMENT PUMP FILTER ASSEMBLY	662
FIGURE 8-40. FRAME HYDRAULIC INSTALLATION	664
FIGURE 8-41. FRAME HYDRAULIC INSTALLATION (TUV)	666

TABLE OF CONTENTS

FIGURE 8-42. MANIFOLD INSTALLATION.....	668
FIGURE 8-43. MANIFOLD ASSEMBLY.....	670
FIGURE 8-44. BOOM HYDRAULIC LINES INSTALLATION.....	672
FIGURE 8-45. PRIORITY MANIFOLD INSTALLATION.....	674
FIGURE 8-46. PRIORITY VALVE ASSEMBLY.....	676
FIGURE 8-47. PRIORITY MANIFOLD INSTALLATION (PLATFORM READY).....	678
FIGURE 8-48. REMOTE GREASE INSTALLATION.....	680
FIGURE 8-49. BOOM HYDRAULIC INSTALLATION.....	682
SECTION 9 - HYDRAULIC COMPONENTS.....	685
FIGURE 9-1. CYLINDER GROUP INSTALLATION.....	686
FIGURE 9-2. LIFT CYLINDER INSTALLATION.....	688
FIGURE 9-3. LIFT CYLINDER.....	690
FIGURE 9-4. COMPENSATION CYLINDER INSTALLATION.....	692
FIGURE 9-5. EXTEND/RETRACT CYLINDER INSTALLATION.....	694
FIGURE 9-6. EXTEND/RETRACT CYLINDER.....	696
FIGURE 9-7. TILT CYLINDER.....	698
FIGURE 9-8. FRAME LEVEL CYLINDER.....	700
FIGURE 9-9. RALP CYLINDER INSTALLATION.....	702
FIGURE 9-10. REAR AXLE LOCK VALVE INSTALLATION.....	704
FIGURE 9-11. HYDROSTATIC MOTOR.....	706
FIGURE 9-12. HYDROSTATIC PUMP.....	708
FIGURE 9-13. IMPLEMENT PUMP.....	710
FIGURE 9-14. STEERING SELECT VALVE.....	712
FIGURE 9-15. SOLENOID VALVE.....	714
FIGURE 9-16. INCHING VALVE.....	716
FIGURE 9-17. BOOM RAISE VALVE (RIDE CONTROL).....	718
FIGURE 9-18. DIVERTOR VALVE.....	720
FIGURE 9-19. DIVERTOR VALVE.....	722
FIGURE 9-20. COUNTERBALANCE VALVE INSTALLATION.....	724
FIGURE 9-21. COUNTERBALANCE VALVE.....	726
FIGURE 9-22. COUNTERBALANCE VALVE.....	728
FIGURE 9-23. COUNTERBALANCE VALVE.....	730
FIGURE 9-24. COUNTERBALANCE VALVE.....	732
FIGURE 9-25. SPEED CONTROL VALVE.....	734
FIGURE 9-26. COUPLER LOCKING CYLINDER.....	736
FIGURE 9-27. FORK POSITIONING CYLINDER ASSEMBLY.....	738
FIGURE 9-28. SIDE SHIFT CYLINDER ASSEMBLY.....	740
FIGURE 9-29. CYLINDER ASSEMBLY.....	742
FIGURE 9-30. CYLINDER ASSEMBLY.....	744
FIGURE 9-31. BUCKET VALVE ASSEMBLY (5.23 YD ³ /4.0M ³).....	746
FIGURE 9-32. UPPER CYLINDER ASSEMBLY.....	748
FIGURE 9-33. LOWER CYLINDER ASSEMBLY.....	750
FIGURE 9-34. CYLINDER ASSEMBLY.....	752
FIGURE 9-35. EXTEND/RETRACT CYLINDER INSTALLATION.....	754
SECTION 10 - ELECTRICAL.....	757
FIGURE 10-1. MAIN ELECTRICAL INSTALLATION (ULS).....	758
FIGURE 10-2. MAIN ELECTRICAL INSTALLATION (LS).....	760
FIGURE 10-3. FRAME ELECTRICAL INSTALLATION.....	762
FIGURE 10-4. ENGINE POD ELECTRICAL INSTALLATION (ULS).....	764
FIGURE 10-5. ENGINE POD ELECTRICAL INSTALLATION (LS).....	766
FIGURE 10-6. FRAME WIRING INSTALLATION.....	768
FIGURE 10-7. ENGINE BAY ELECTRICAL INSTALLATION (ULS).....	770
FIGURE 10-8. ENGINE BAY ELECTRICAL INSTALLATION (LS).....	772
FIGURE 10-9. POWER DISTRIBUTION ELECTRICAL BOX.....	774
FIGURE 10-10. REAR FRAME MODULE INSTALLATION.....	776
FIGURE 10-11. ENGINE WIRING INSTALLATION (ULS).....	778
FIGURE 10-12. ENGINE WIRING INSTALLATION (LS).....	780
FIGURE 10-13. ENGINE WIRING INSTALLATION (MINING) (ULS).....	782
FIGURE 10-14. ENGINE ECU INSTALLATION.....	784
FIGURE 10-15. BATTERY INSTALLATION.....	786
FIGURE 10-16. DUAL BATTERY INSTALLATION.....	788
FIGURE 10-17. ARCTIC PACKAGE INSTALLATION (240V).....	790
FIGURE 10-18. ARTIC BATTERY PACKAGE INSTALLATION (115V).....	792

TABLE OF CONTENTS

FIGURE 10-19. ARCTIC BATTERIES INSTALLATION (240V).....	794
FIGURE 10-20. ARCTIC BATTERIES INSTALLATION (115V).....	796
FIGURE 10-21. HYDRAULIC TANK HEATER INSTALLATION (240V)	798
FIGURE 10-22. HYDRAULIC TANK HEATER INSTALLATION (115V)	800
FIGURE 10-23. BACKUP ALARM INSTALLATION.....	802
FIGURE 10-24. BACKUP ALARM INSTALLATION (WHITE NOISE).....	804
FIGURE 10-25. EMERGENCY STOP EXTERNAL INSTALLATION	806
FIGURE 10-26. CAB ELECTRICAL INSTALLATION	808
FIGURE 10-27. DASH ELECTRICAL INSTALLATION.....	810
FIGURE 10-28. LIGHT SWITCH INSTALLATION	812
FIGURE 10-29. BOOM HARNESS INSTALLATION	814
FIGURE 10-30. BOOM AUX HARNESS INSTALLATION	816
FIGURE 10-31. DRIVING LIGHT INSTALLATION (RH DIP).....	818
FIGURE 10-32. DRIVING LIGHT INSTALLATION (LED) (RH DIP)	820
FIGURE 10-33. DRIVING LIGHT INSTALLATION (LH DIP)	822
FIGURE 10-34. DRIVING LIGHT INSTALLATION (LED) (LH DIP).....	824
FIGURE 10-35. CAB WORKLIGHTS INSTALLATION (NO A/C - LED)	826
FIGURE 10-36. CAB WORKLIGHTS INSTALLATION (A/C - LED).....	828
FIGURE 10-37. BOOM WORK LIGHTS (LED).....	830
FIGURE 10-38. BOOM WORK LIGHT INSTALLATION (LED).....	832
FIGURE 10-39. BEACON INSTALLATION	834
FIGURE 10-40. BEACON INSTALLATION (LED)	836
FIGURE 10-41. BEACON (REMOTE BOOM CONTROL) INSTALLATION	838
FIGURE 10-42. BEACON (LED) (REMOTE BOOM CONTROL) INSTALLATION	840
FIGURE 10-43. LICENSE PLATE LAMP INSTALLATION	842
FIGURE 10-44. REAR LIGHT BRACKET ASSEMBLY	844
FIGURE 10-45. REVERSE CAMERA INSTALLATION	846
FIGURE 10-46. REVERSE SENSOR INSTALLATION	848
FIGURE 10-47. TELEMATICS READY INSTALLATION.....	850
FIGURE 10-48. CLEARSKY INSTALLATION (NO A/C - SHORT ROOF CAP)	852
FIGURE 10-49. CLEARSKY INSTALLATION (A/C - LONG ROOF CAP)	854
FIGURE 10-50. LSI INSTALLATION	856
FIGURE 10-51. LSI DISPLAY INSTALLATION	858
FIGURE 10-52. LSI SENSOR INSTALLATION	860
FIGURE 10-53. LMIS INSTALLATION (HIGH END DISPLAY)	862
FIGURE 10-54. LMIS BEACON LIGHT INSTALLATION.....	864
FIGURE 10-55. LMIS CONTROL PACKAGE INSTALLATION	866
FIGURE 10-56. LMIS WIRING INSTALLATION.....	868
FIGURE 10-57. RIDE CONTROL WIRING INSTALLATION	870
FIGURE 10-58. BOOM RIDE CONTROL HARNESS.....	872
FIGURE 10-59. TILT SENSOR INSTALLATION	874
FIGURE 10-60. LMIS CONTROLLER INSTALLATION	876
FIGURE 10-61. LMIS CABLE REEL INSTALLATION	878
FIGURE 10-62. BOOM ANGLE SENSOR INSTALLATION (LMIS).....	880
FIGURE 10-63. BOOM ANGLE SENSOR INSTALLATION (NO LMIS)	882
FIGURE 10-64. BOOM RETRACT SENSOR INSTALLATION.....	884
FIGURE 10-65. ENGINE HARNESS (ULS).....	886
FIGURE 10-66. ENGINE HARNESS, (LS)	892
FIGURE 10-67. ENGINE HARNESS (MINING) (ULS)	896
FIGURE 10-68. FUEL PUMP HARNESS	902
FIGURE 10-69. FUEL PUMP HARNESS (MINING) (ULS).....	904
FIGURE 10-70. GLOW PLUG RELAY HARNESS	906
FIGURE 10-71. GLOW PLUG RELAY HARNESS (MINING) (ULS).....	908
FIGURE 10-72. BOOM HARNESS.....	910
FIGURE 10-73. BOOM AUX HARNESS	912
FIGURE 10-74. CAB HARNESS	914
FIGURE 10-75. STANDARD ELECTRICAL BOARD ASSEMBLY	922
FIGURE 10-76. OPTION 1 ELECTRICAL BOARD ASSEMBLY	924
FIGURE 10-77. OPTION 2 ELECTRICAL BOARD ASSEMBLY	926
FIGURE 10-78. CAB OPTION HARNESS.....	928
FIGURE 10-79. FRONT FRAME HARNESS.....	930
FIGURE 10-80. REAR FRAME HARNESS	934
FIGURE 10-81. SEAT ADAPTOR HARNESS	938
FIGURE 10-82. A/C OPTION HARNESS.....	940
FIGURE 10-83. IGNITION SWITCH HARNESS.....	942
FIGURE 10-84. REVERSE SENSOR HARNESS.....	944
FIGURE 10-85. TELEMATICS READY HARNESS.....	946

TABLE OF CONTENTS

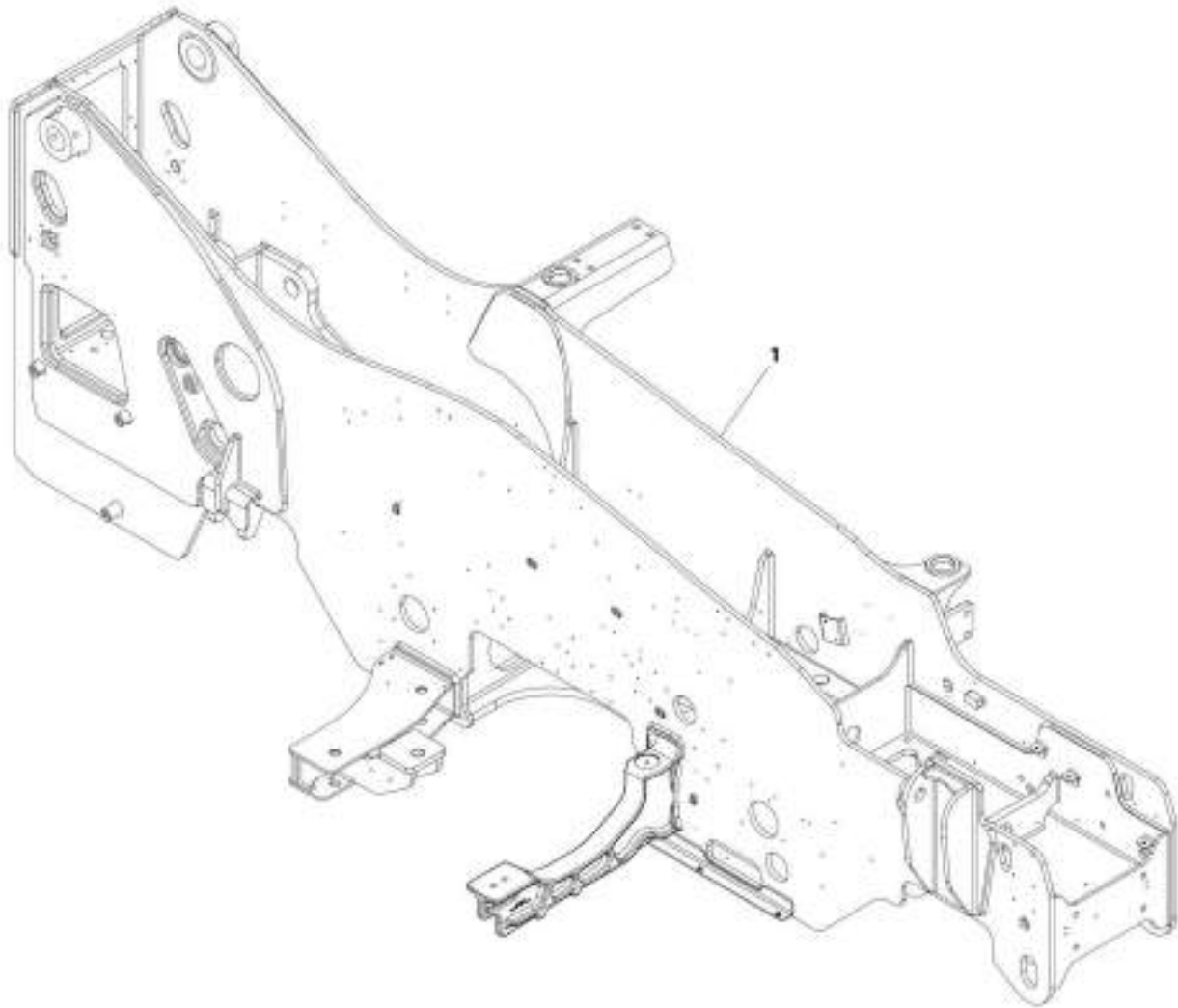
FIGURE 10-86. CLEARSKY HARNESS (A/C).....	948
FIGURE 10-87. CLEARSKY HARNESS (NO A/C)	950
FIGURE 10-88. LMIS CHASSIS OPTION HARNESS.....	952
FIGURE 10-89. LMIS BOOM HARNESS.....	956
FIGURE 10-90. PLATFORM READY HARNESS	958
FIGURE 10-91. LMIS BEACON OPTION HARNESS	960
FIGURE 10-92. PROXIMITY SENSOR HARNESS.....	962
FIGURE 10-93. HEADLIGHT HARNESS.....	964
FIGURE 10-94. BOOM WORKLIGHTS HARNESS	966
FIGURE 10-95. LICENSE LIGHT HARNESS	968
FIGURE 10-96. AIR SHUTOFF VALVE HARNESS.....	970
FIGURE 10-97. AIR SHUT OFF VALVE HARNESS (ENGINE).....	972
SECTION 11 - DECALS	975
FIGURE 11-1. CAPACITY CHART HOLDER INSTALLATION	976
FIGURE 11-2. REVERSE SENSOR SYSTEM DECAL.....	978
FIGURE 11-3. 7013H DECAL INSTALLATION.....	980
FIGURE 11-4. DECAL INSTALLATION (ULS).....	982
FIGURE 11-5. DECAL INSTALLATION (LS)	986
FIGURE 11-6. DECAL INSTALLATION (AUS)	990
FIGURE 11-7. DECAL INSTALLATION (CIS).....	994
SECTION 12 - RECOMMENDED SPARE PARTS.....	997
FIGURE 12-1. RECOMMENDED SPARE PARTS.....	998
PART NUMBER INDEX.....	999

SECTION 1 - FRAME AND ATTACHING PARTS

SECTION 1 - FRAME AND ATTACHING PARTS

SECTION 1 - FRAME AND ATTACHING PARTS

FIGURE 1-1. FRAME WELDMENT



ART_10012014181-0

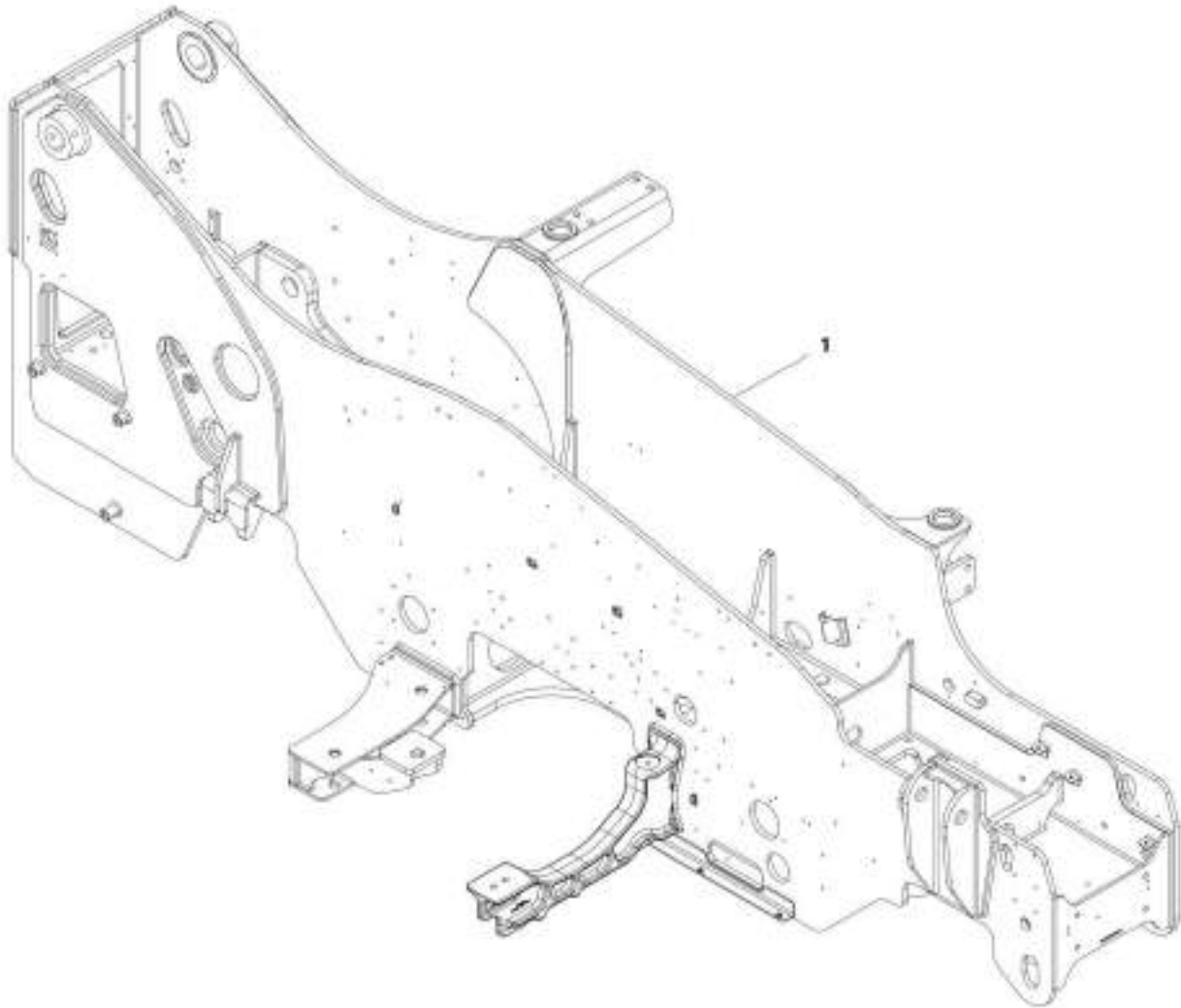
SECTION 1 - FRAME AND ATTACHING PARTS

FIGURE 1-1. FRAME WELDMENT

ITEM	PART NUMBER	QTY	DESCRIPTION	REV
1	1001201418J	1	Frame Weldment	0

SECTION 1 - FRAME AND ATTACHING PARTS

FIGURE 1-2. FRAME WELDMENT (TUV)



ART_1001258071J-B

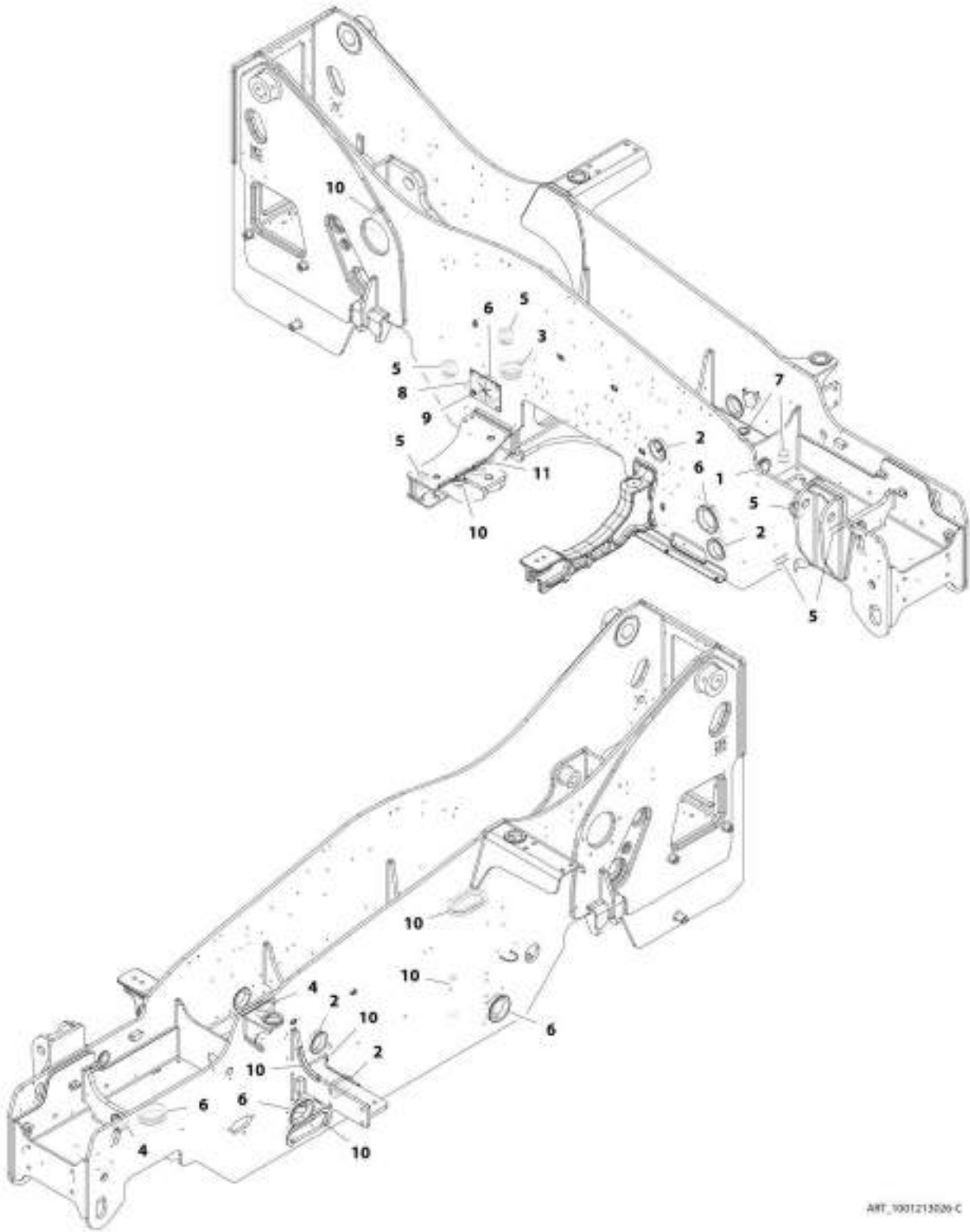
SECTION 1 - FRAME AND ATTACHING PARTS

FIGURE 1-2. FRAME WELDMENT (TUV)

ITEM	PART NUMBER	QTY	DESCRIPTION	REV
1	1001218071J	1	Frame Weldment (TUV)	B

SECTION 1 - FRAME AND ATTACHING PARTS

FIGURE 1-3. GROMMETS INSTALLATION



AWT_100121300-C

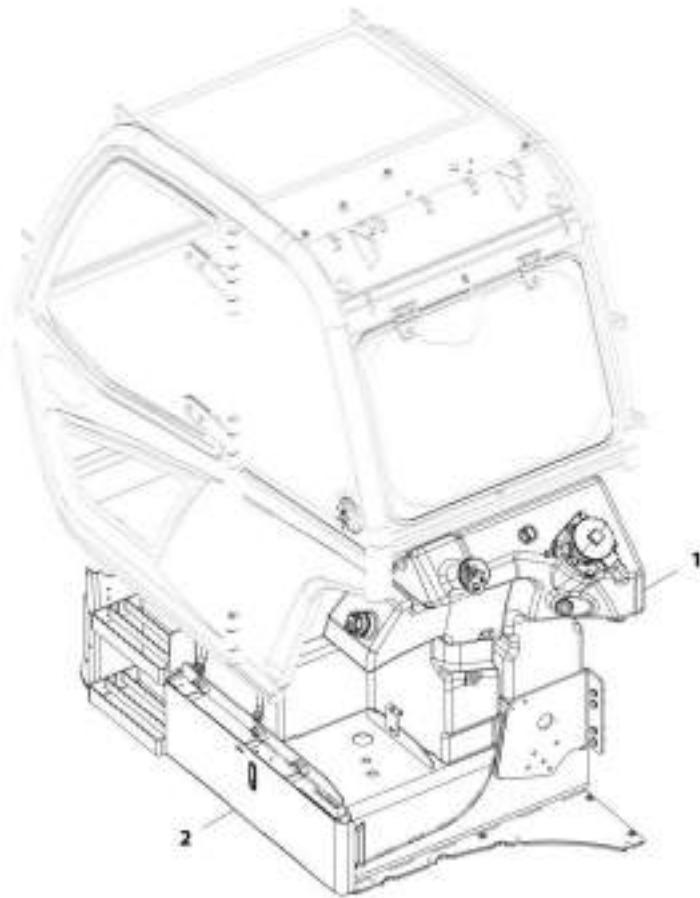
SECTION 1 - FRAME AND ATTACHING PARTS

FIGURE 1-3. GROMMETS INSTALLATION

ITEM	PART NUMBER	QTY	DESCRIPTION	REV
	1001213026	Ref	Grommets Installation	C
1	1001009018	1	Grommet	
2	1001028264	4	Grommet	
3	1001028291	1	Grommet	
4	1001028306	2	Grommet	
5	1001028308	6	Grommet	
6	1001028377	5	Grommet	
7	1001028400	2	Grommet	
8	1001175347	1	Grommet	
9	1001180306	4	Screw	
10	4060919	2030 mm	Trim,Hose Protection	
11	90206202	270 mm	Trim Lock	

SECTION 1 - FRAME AND ATTACHING PARTS

FIGURE 1-4. TANK INSTALLATION



ART_1001385927-C

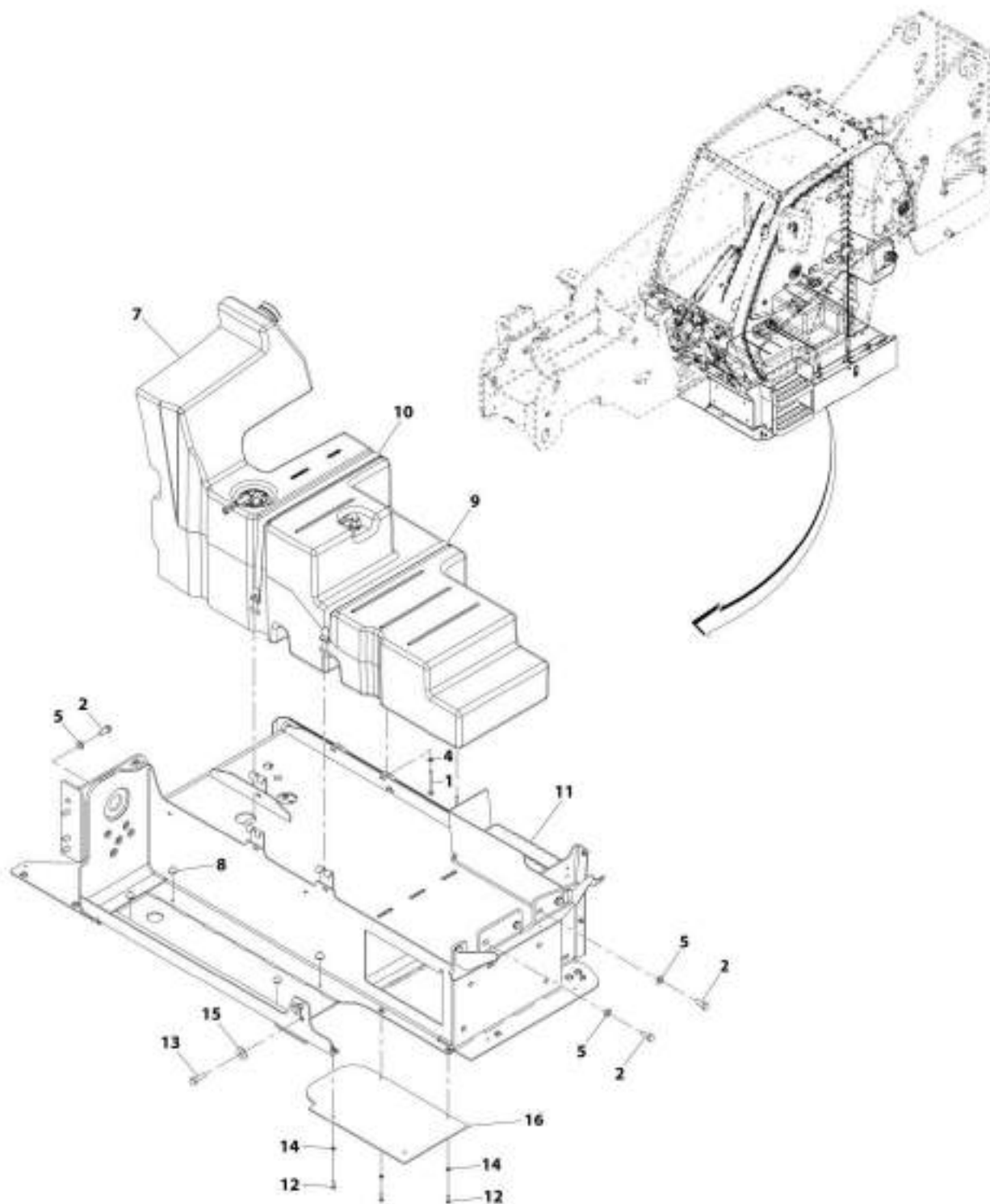
SECTION 1 - FRAME AND ATTACHING PARTS

FIGURE 1-4. TANK INSTALLATION

ITEM	PART NUMBER	QTY	DESCRIPTION	REV
1	1001185927	Ref	Tank Installation	C
	1001179850	Ref	Installation, Hydraulic Tank (See Separate Breakdown in this Section)	
2	1001185929	Ref	Installation, Fuel Tank (See Separate Breakdown in this Section)	

SECTION 1 - FRAME AND ATTACHING PARTS

FIGURE 1-5. FUEL TANK INSTALLATION



ART_3001185929-01

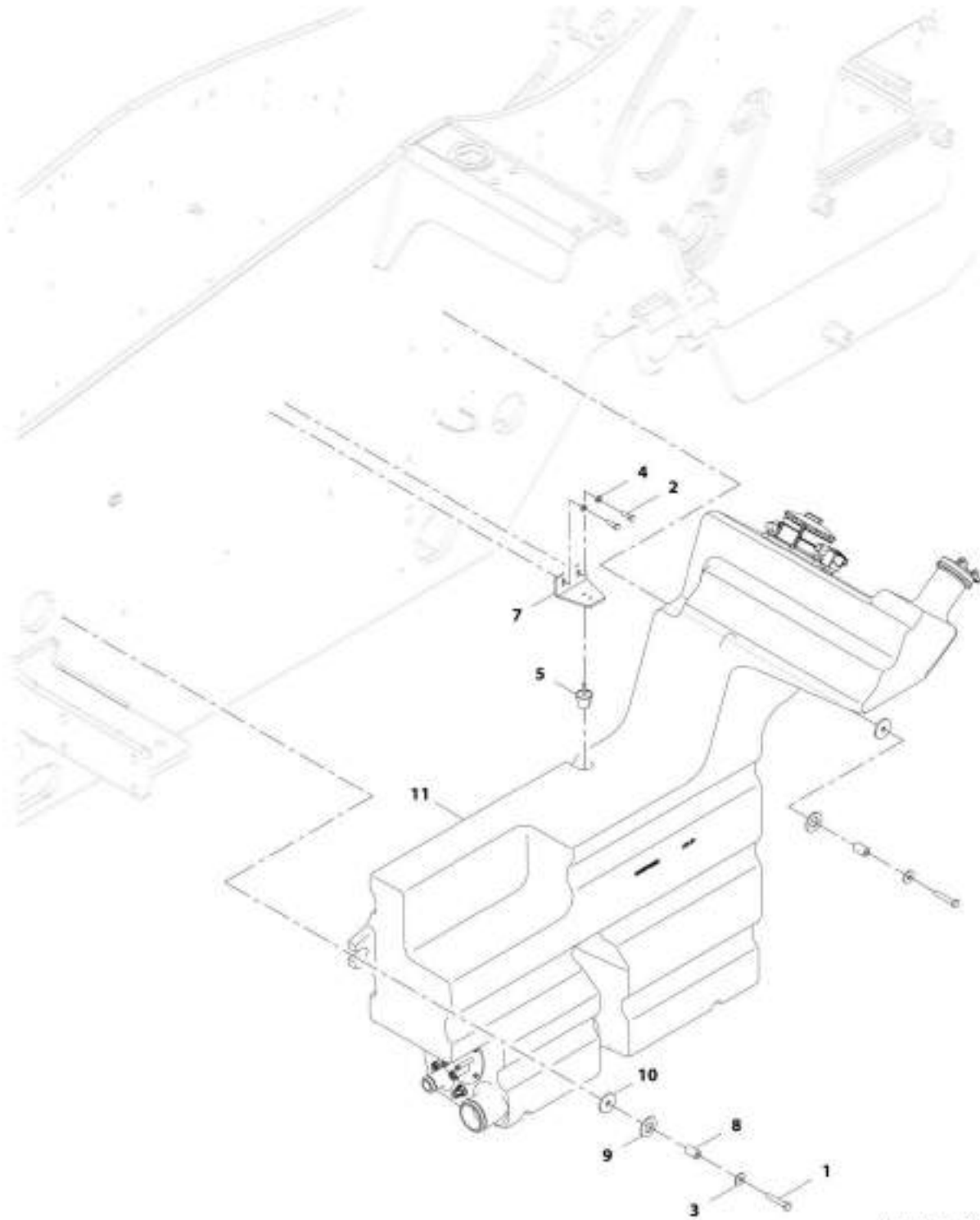
SECTION 1 - FRAME AND ATTACHING PARTS

FIGURE 1-5. FUEL TANK INSTALLATION

ITEM	PART NUMBER	QTY	DESCRIPTION	REV
	1001185929	Ref	Fuel Tank Installation	G
1	0760823	2	Bolt, M8X75	
2	0761214	8	Bolt, M12X30	
4	4811900	2	Washer, M8	
5	4812100	8	Washer, M12	
7	1001192125	1	Assembly, Fuel Tank (See Separate Breakdown in this Section)	
8	1001169454	4	Buffer	
9	1001178474	1	Strap	
10	1001178693	1	Strap	
11	1001185930	Ref	Installation, Tank Support (See Separate Breakdown in this Section)	
12	0700610	3	Bolt, M6X20	
13	0701216	2	Bolt, M12X40	
14	4811700	3	Washer, M6	
15	4812102	2	Washer, M12	
16	1001197480	1	Plate	

SECTION 1 - FRAME AND ATTACHING PARTS

FIGURE 1-6. HYDRAULIC TANK INSTALLATION



ART_1801178850-C

SECTION 1 - FRAME AND ATTACHING PARTS

FIGURE 1-6. HYDRAULIC TANK INSTALLATION

ITEM	PART NUMBER	QTY	DESCRIPTION	REV
	1001179850	Ref	Hydraulic Tank Installation	C
1	0701020	2	Bolt, M10X60	
2	0760812	2	Bolt, M8X25	
3	4812002	2	Washer, M10	
4	4811900	2	Washer, M8	
5	1001008575	1	Bumper, Conical	
7	1001177082	1	Bracket	
8	1001171179	2	Spacer	
9	1001172146	2	Washer, Rubber	
10	1001172147	2	Washer, M10	
11	1001179851	1	Assembly, Hydraulic Tank (See Separate Breakdown in this Section)	

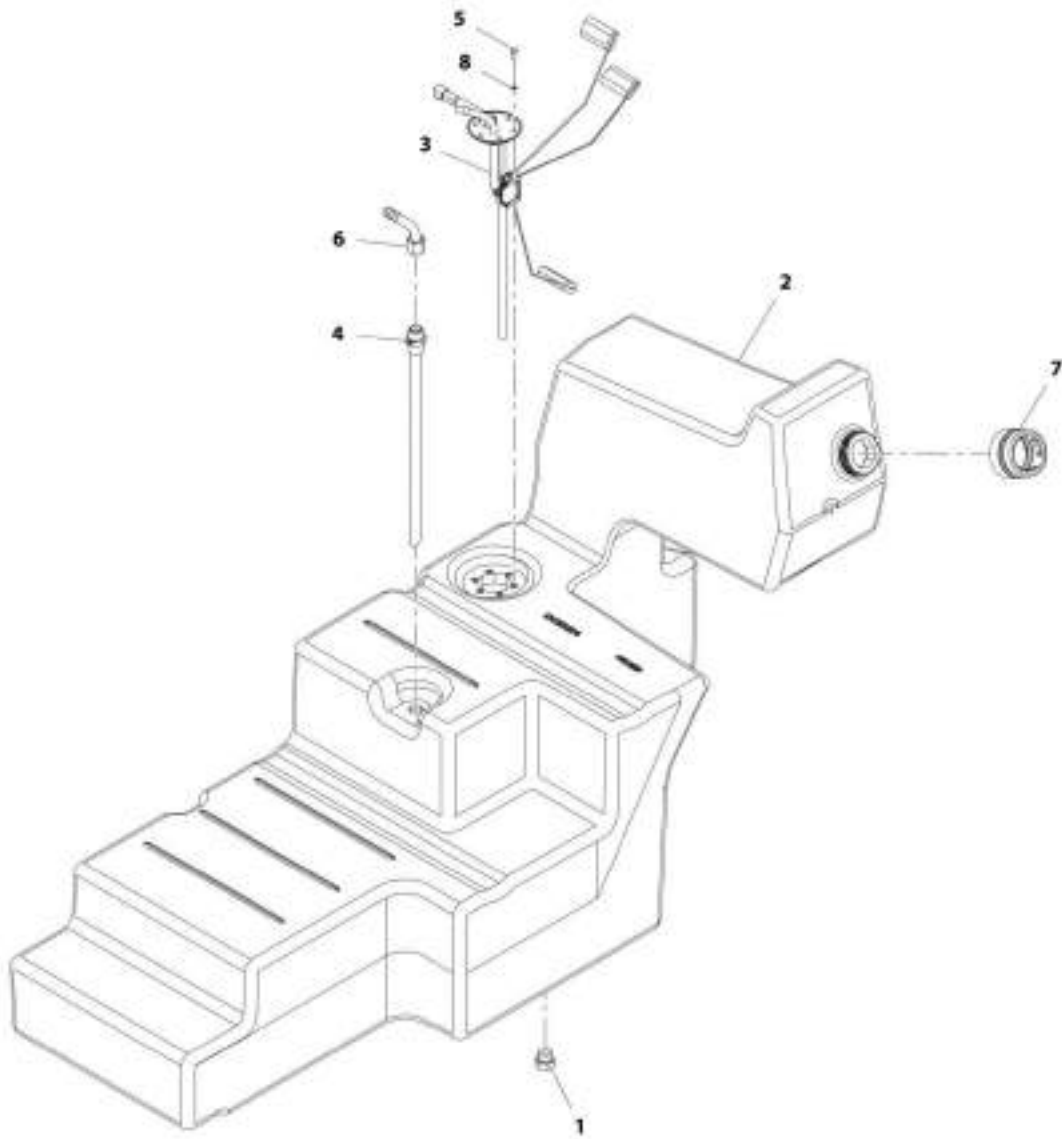
SECTION 1 - FRAME AND ATTACHING PARTS

FIGURE 1-7. TANK SUPPORT INSTALLATION

ITEM	PART NUMBER	QTY	DESCRIPTION	REV
	1001185930	Ref	Tank Support Installation	K
1	0700610	9	Bolt, M6X20	
2	4280307	3	Strip	
3	4811700	9	Washer, M6	
5	1001185931	1	Plate, Support	
6	1001185933	1	Cover	
7	1001185935	1	Cover	
8	1001189246	1	Latch, Locking	
10	1001197481	1	Plate	
11	0100081	AR	Compound, Locking	

SECTION 1 - FRAME AND ATTACHING PARTS

FIGURE 1-8. FUEL TANK ASSEMBLY



ART 3001192125-C

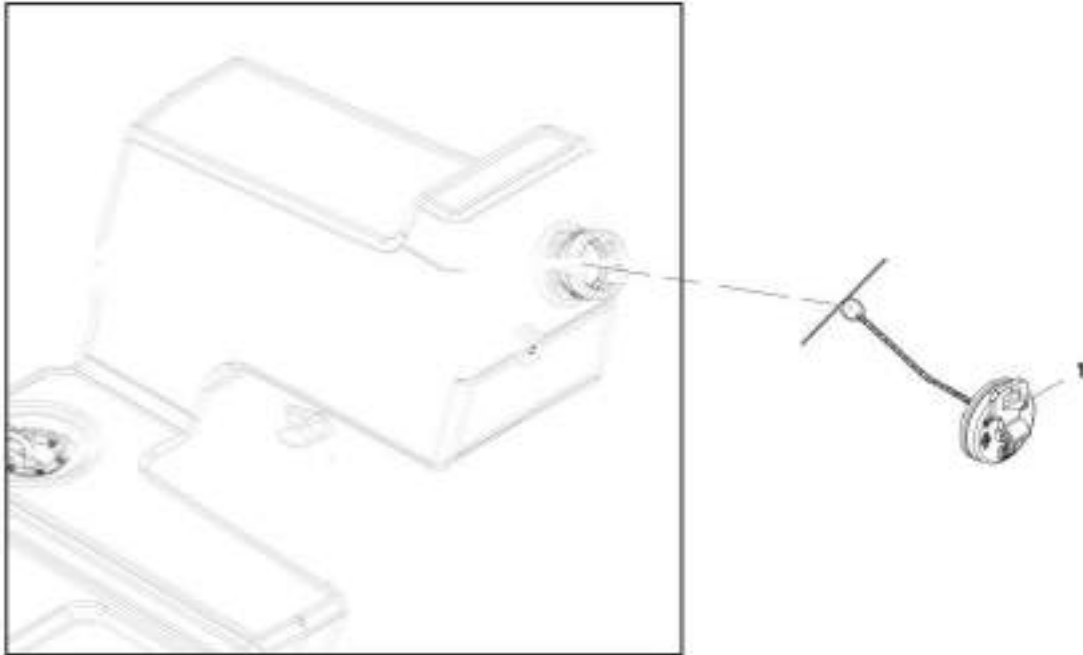
SECTION 1 - FRAME AND ATTACHING PARTS

FIGURE 1-8. FUEL TANK ASSEMBLY

ITEM	PART NUMBER	QTY	DESCRIPTION	REV
	1001192125	Ref	Fuel Tank Assembly	C
1	1001003427	1	Plug	
2	1001192124	1	Tank, Fuel	
3	1001222188	1	Sender, Fuel Level	
4	1001170106	1	Pipe, Fuel Supply	
5	4031607	6	Bolt, M5X16	
6	1001172693	1	Fitting, 90	
7	1001192392	1	Adapter	
8	1001222190	6	Washer	

SECTION 1 - FRAME AND ATTACHING PARTS

FIGURE 1-9. LOCKING FUEL CAP



ART_1001184300_6

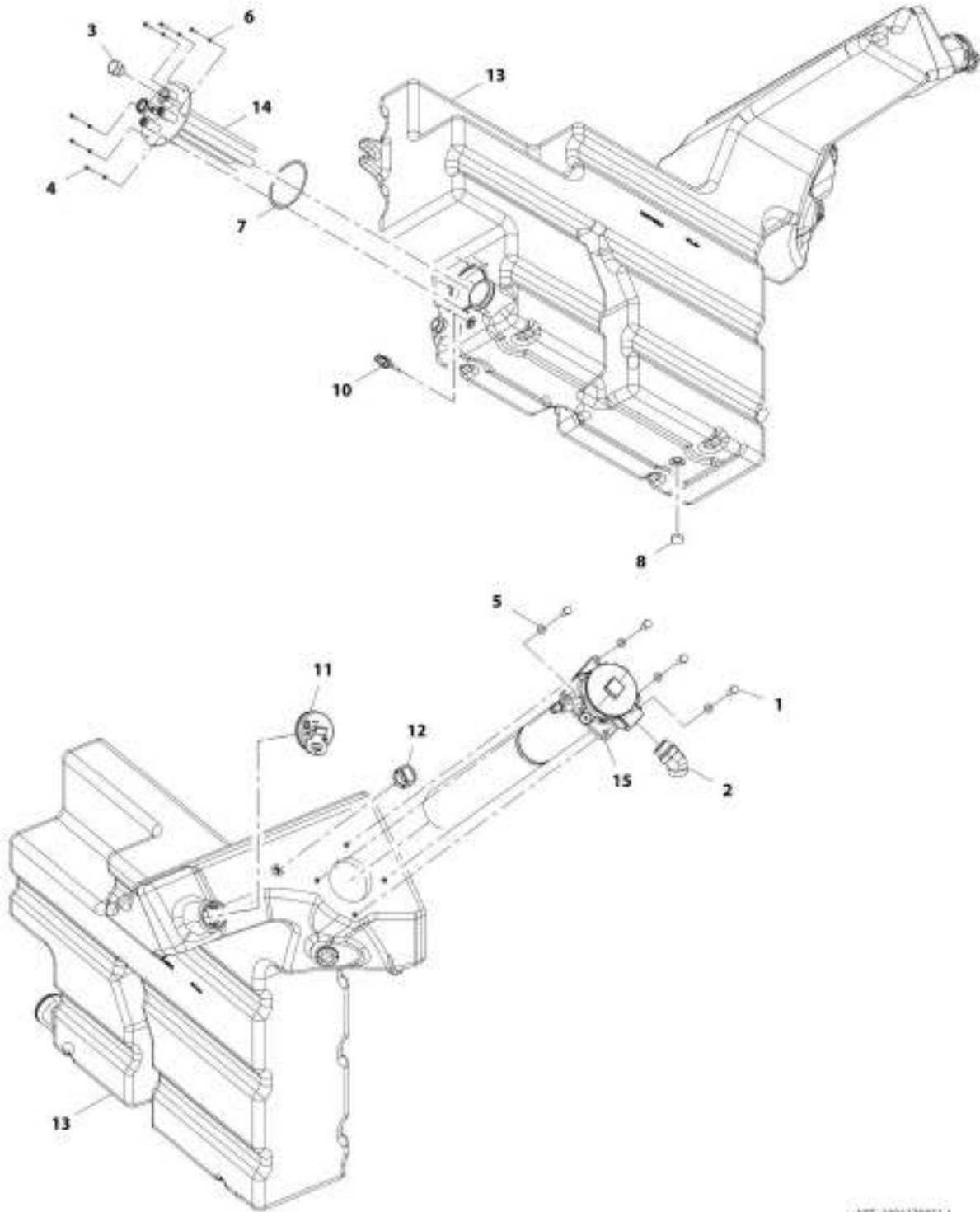
SECTION 1 - FRAME AND ATTACHING PARTS

FIGURE 1-9. LOCKING FUEL CAP

ITEM	PART NUMBER	QTY	DESCRIPTION	REV
1	1001194980	Ref	Locking Fuel Cap	A

SECTION 1 - FRAME AND ATTACHING PARTS

FIGURE 1-10. HYDRAULIC TANK ASSEMBLY



ART_1801178851-1

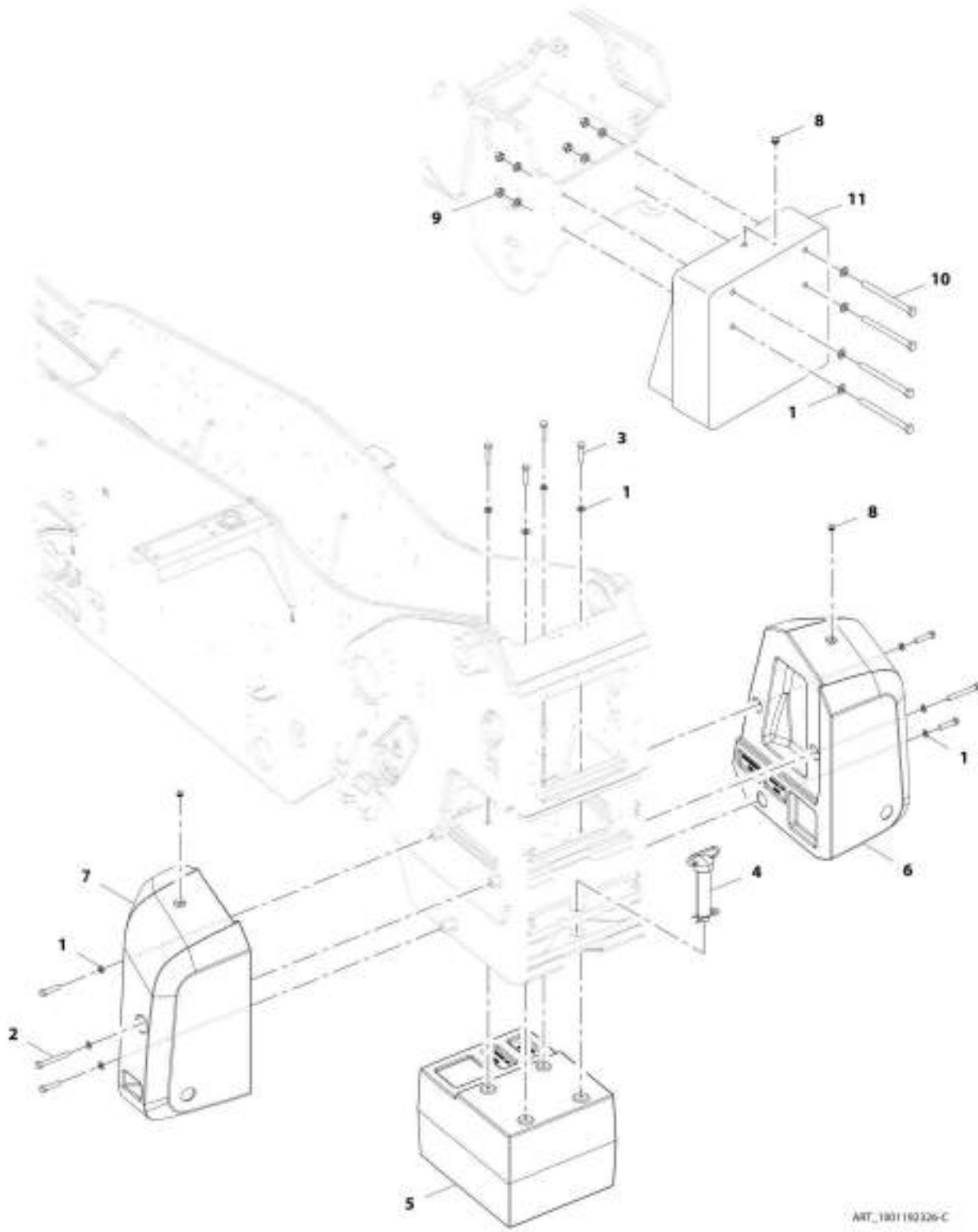
SECTION 1 - FRAME AND ATTACHING PARTS

FIGURE 1-10. HYDRAULIC TANK ASSEMBLY

ITEM	PART NUMBER	QTY	DESCRIPTION	REV
	1001179851	Ref	Hydraulic Tank Assembly	I
1	0761012	4	Bolt, M10X25	
2	2152020	1	Fitting, 45 ORFS	
3	2220240	1	Fitting, Straight	
4	4031607	6	Bolt, M5-.8X16	
5	4812000	4	Washer, M10	
6	4831600	6	Washer, Lock M5	
7	1001003301	1	Seal O-Ring	
8	2220239	1	Plug	
10	1001128478	1	Sensor	
11	1001194981	1	Cap, Hydraulic	
12	1001162662	1	Filter, Breather	
13	1001179852	1	Tank, Hydraulic	
14	1001191157	1	Manifold, Hydraulic Return	
15	1001191163	1	Filter	
15	1001191685	1	Element, Filter	

SECTION 1 - FRAME AND ATTACHING PARTS

FIGURE 1-11. COUNTERWEIGHT INSTALLATION



ART_180110326-C

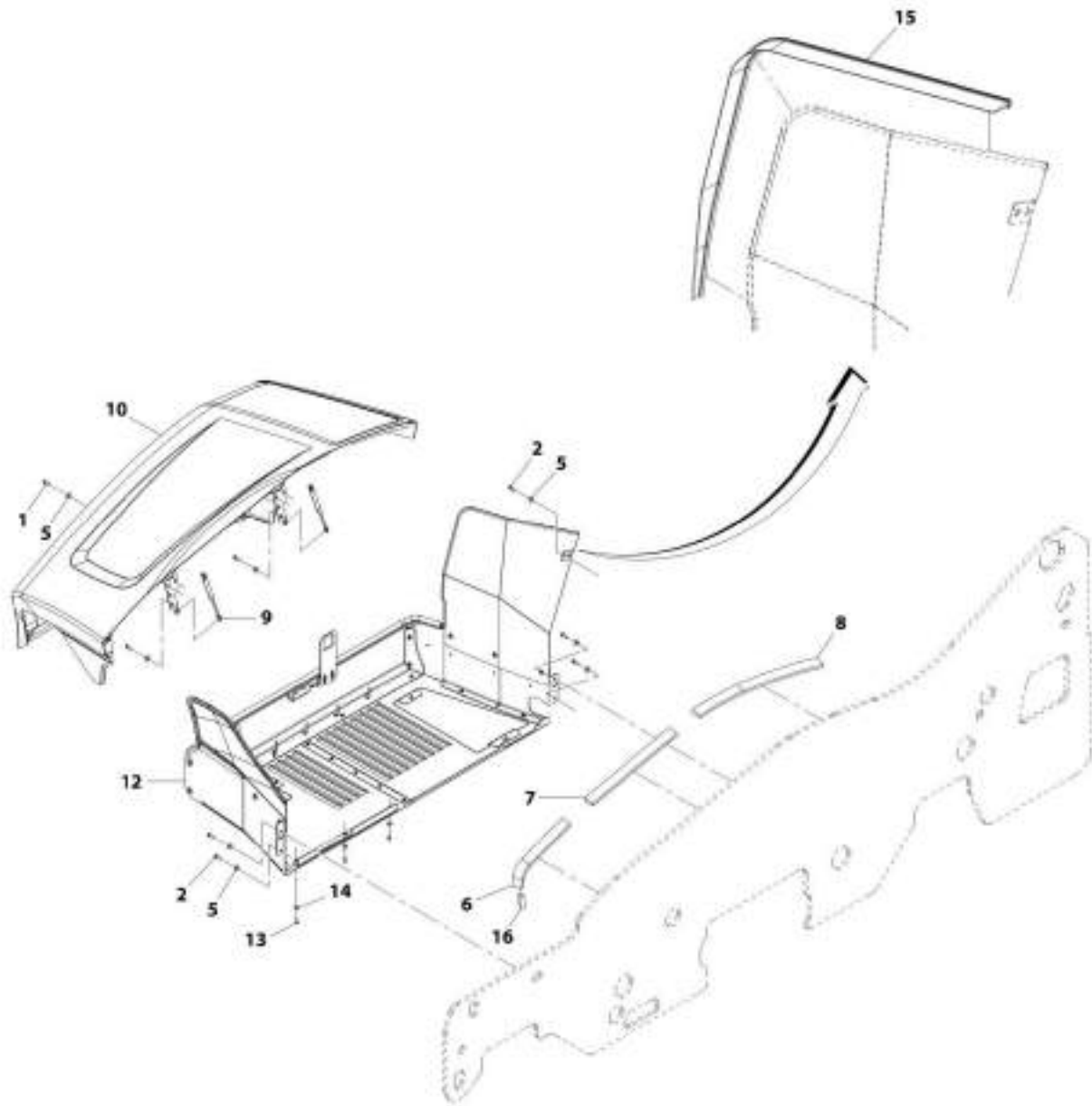
SECTION 1 - FRAME AND ATTACHING PARTS

FIGURE 1-11. COUNTERWEIGHT INSTALLATION

ITEM	PART NUMBER	QTY	DESCRIPTION	REV
	1001192326	Ref	Counterweight Installation	C
1	4812300	18	Washer, M6	
2	0711630	2	Bolt, M16X130	
3	1001094516	8	Bolt, M16X70 Grade 10.9	
4	1001197955	1	Pin	
5	1001213322	1	Counterweight	
6	1001213323J	1	Counterweight	
7	1001213324J	1	Counterweight	
8	3520193	3	Plug	
9	3291601	4	Nut, M16X2 Grade 8	
10	1001091951	4	Bolt, M16X200	
11	1001229407	1	Counterweight	

SECTION 1 - FRAME AND ATTACHING PARTS

FIGURE 1-12. ENGINE ENCLOSURE INSTALLATION



ART. 1001782318-E

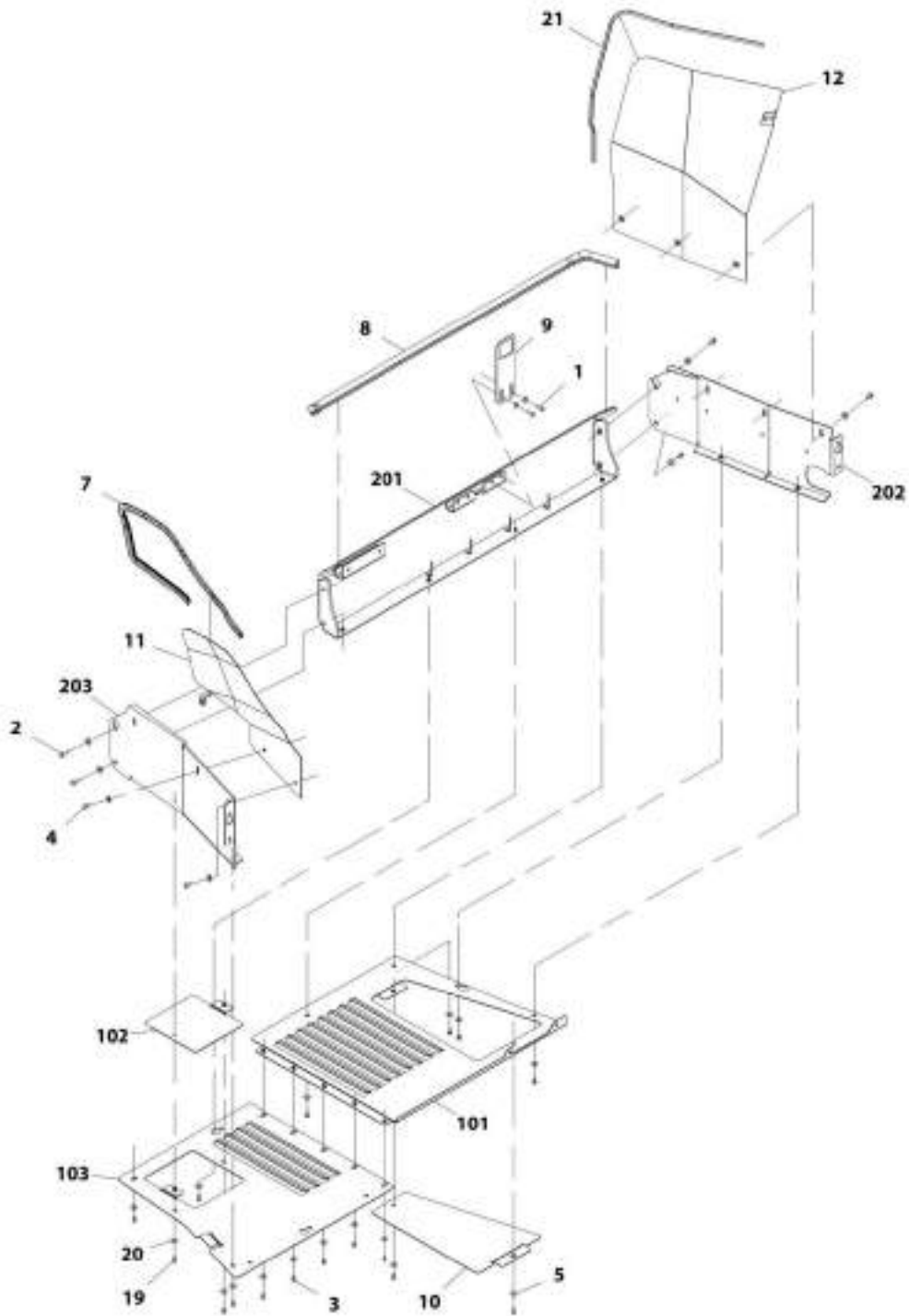
SECTION 1 - FRAME AND ATTACHING PARTS

FIGURE 1-12. ENGINE ENCLOSURE INSTALLATION

ITEM	PART NUMBER	QTY	DESCRIPTION	REV
	1001192318	Ref	Engine Enclosure Installation	J
1	0761010	1	Bolt, M10X20	
2	0761012	11	Bolt, M10X25	
5	4812002	12	Washer, M10	
6	1001203932	1	Seal	
7	1001203933	1	Seal	
8	1001203934	1	Seal	
9	1001171885	2	Spring, Gas	
10	1001235965	1	Assembly, Engine Hood (See Separate Breakdown in this Section)	
12	1001192622	1	Assembly, Engine Enclosure (See Separate Breakdown in this Section)	
13	0760810	3	Bolt, M8X20	
14	4811902	3	Washer, M8	
15	1001197339	1	Seal	
16	1001229609	1	Seal, Foam Gasket	

SECTION 1 - FRAME AND ATTACHING PARTS

FIGURE 1-13. ENGINE ENCLOSURE ASSEMBLY



ART_180110322-1

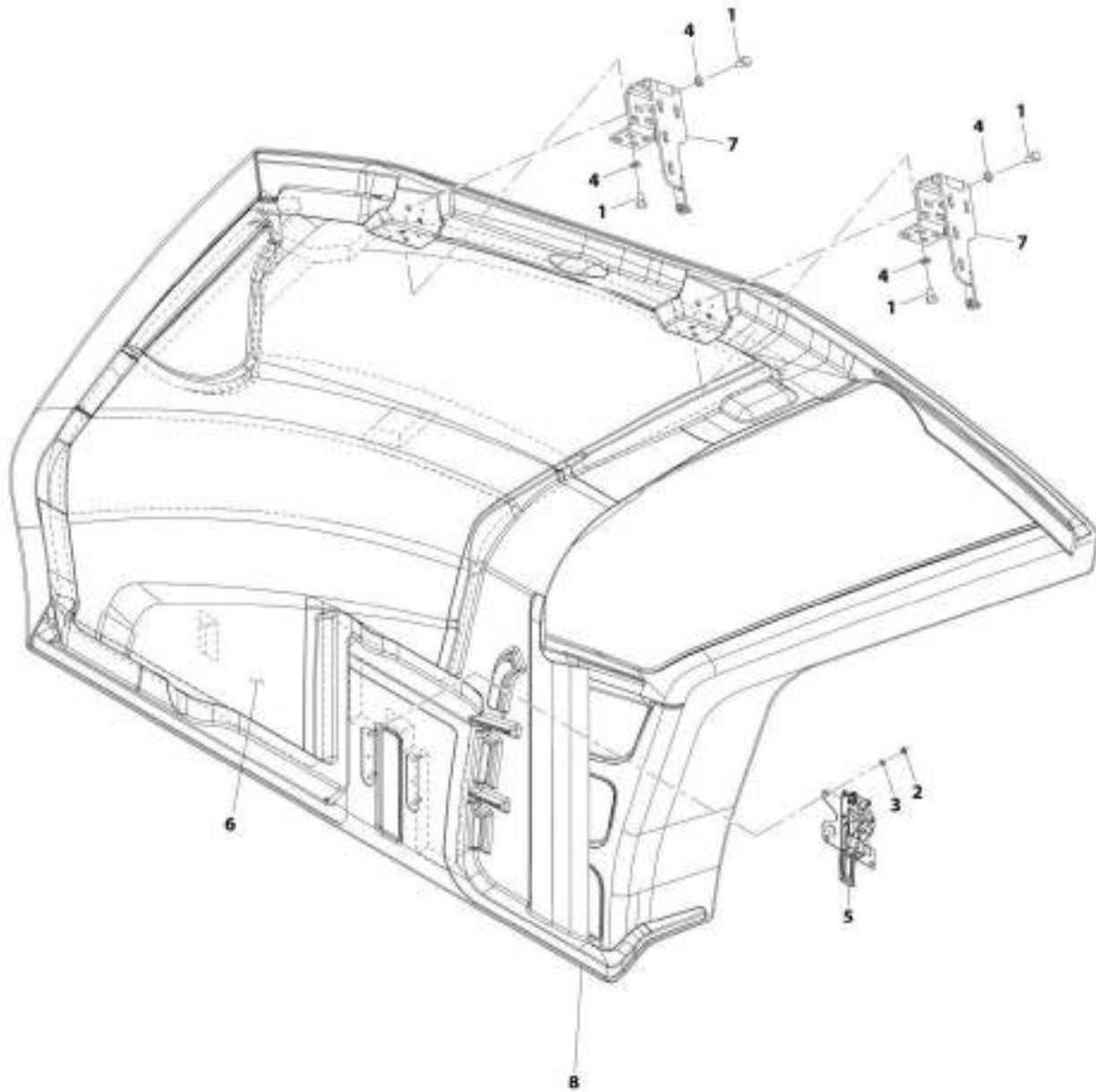
SECTION 1 - FRAME AND ATTACHING PARTS

FIGURE 1-13. ENGINE ENCLOSURE ASSEMBLY

ITEM	PART NUMBER	QTY	DESCRIPTION	REV
	1001192622	Ref	Engine Enclosure Assembly	I
1	0700814	2	Bolt, M8X30	
2	0701014	4	Bolt, M10X30	
3	0760807	5	Bolt, M8X14	
4	0761010	6	Bolt, M10X20	
5	4811902	19	Washer, M8	
7	1001003227	1573 mm	Seal	
8	1001204486	1785 mm	Seal	
9	1001209388	1	Latch, Hood	
10	1001169265	1	Plate, Access Panel	
11	1001219115	1	Panel, Front Wheel	
12	1001192627	1	Panel, Rear Cover	
19	0760808	12	Bolt, M8X16	
20	4812002	10	Washer, M10	
21	1001008999	1381 mm	Trim, Edge	
101	1001192631	1	Panel, Bottom Cover	
102	1001194969	1	Panel, Access	
103	1001219250	1	Panel, Bottom Front Cover	
201	1001192623J	1	Panel, Side Skirt	
202	1001224450J	1	Panel, Rear Skirt	
203	1001219113J	1	Panel, Front Skirt	

SECTION 1 - FRAME AND ATTACHING PARTS

FIGURE 1-14. ENGINE HOOD ASSEMBLY



ART_100125065-A

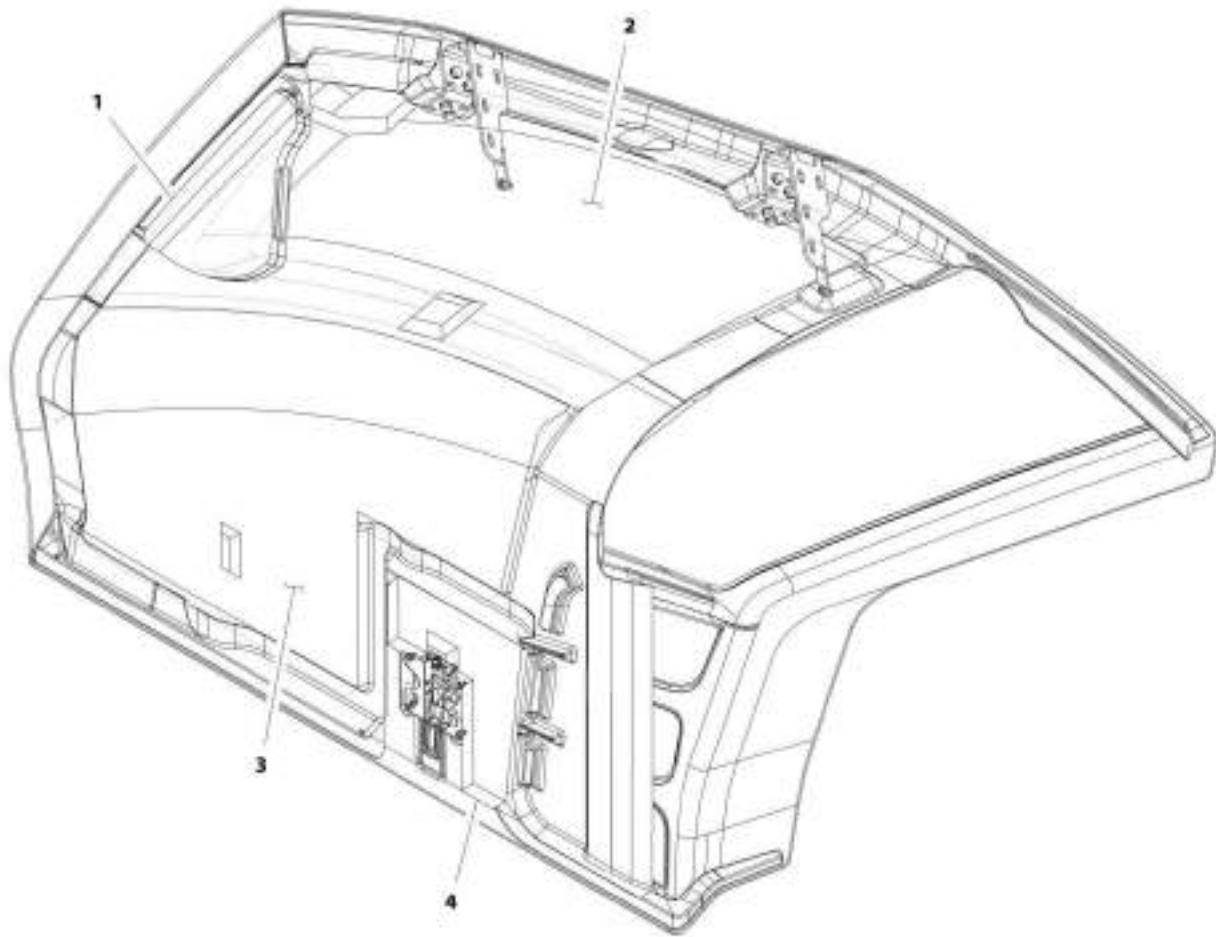
SECTION 1 - FRAME AND ATTACHING PARTS

FIGURE 1-14. ENGINE HOOD ASSEMBLY

ITEM	PART NUMBER	QTY	DESCRIPTION	REV
	1001235965	Ref	Engine Hood Assembly	A
1	0761010	8	Bolt, M10X20	
2	3290605	4	Nut, Lock M6X1	
3	4811700	4	Washer, M6	
4	4812000	8	Washer, M10	
5	1001132168	1	Latch, Hood	
6	1001172110	1	Installation, Engine Hood Insulation (See Separate Breakdown in this Section)	
7	1001209387	2	Hinge	
8	1001234455	1	Hood	

SECTION 1 - FRAME AND ATTACHING PARTS

FIGURE 1-15. ENGINE HOOD INSULATION INSTALLATION



ART_100172110-G

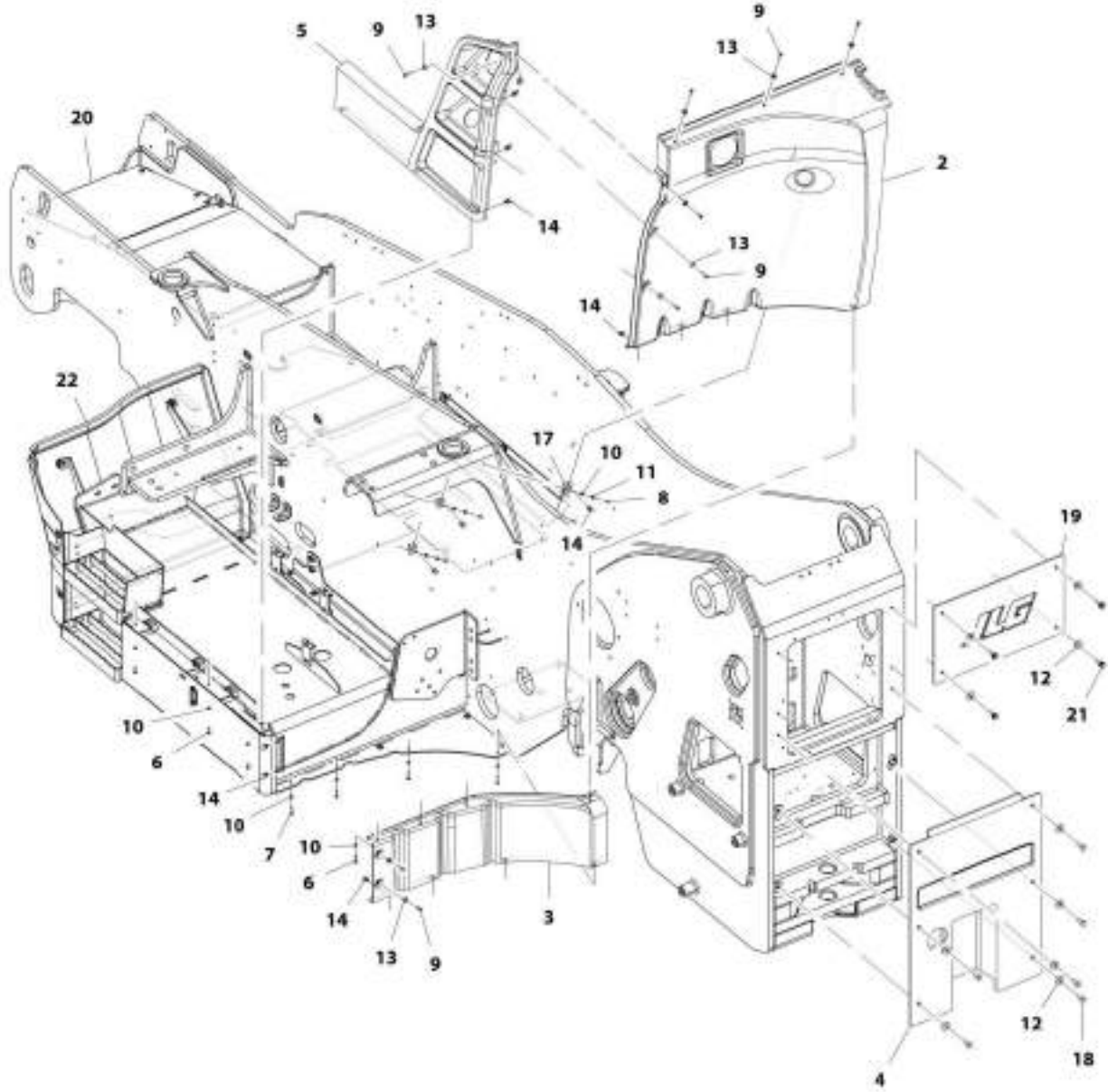
SECTION 1 - FRAME AND ATTACHING PARTS

FIGURE 1-15. ENGINE HOOD INSULATION INSTALLATION

ITEM	PART NUMBER	QTY	DESCRIPTION	REV
	1001172110	Ref	Engine Hood Insulation Installation	G
1	1001172112	1	Insulation, Front	
2	1001172113	1	Insulation, Top	
3	1001172114	1	Insulation, Side	
4	1001172115	1	Insulation, Hood Latch	

SECTION 1 - FRAME AND ATTACHING PARTS

FIGURE 1-16. COVER INSTALLATION (ULS)



ART_10B1104884-1

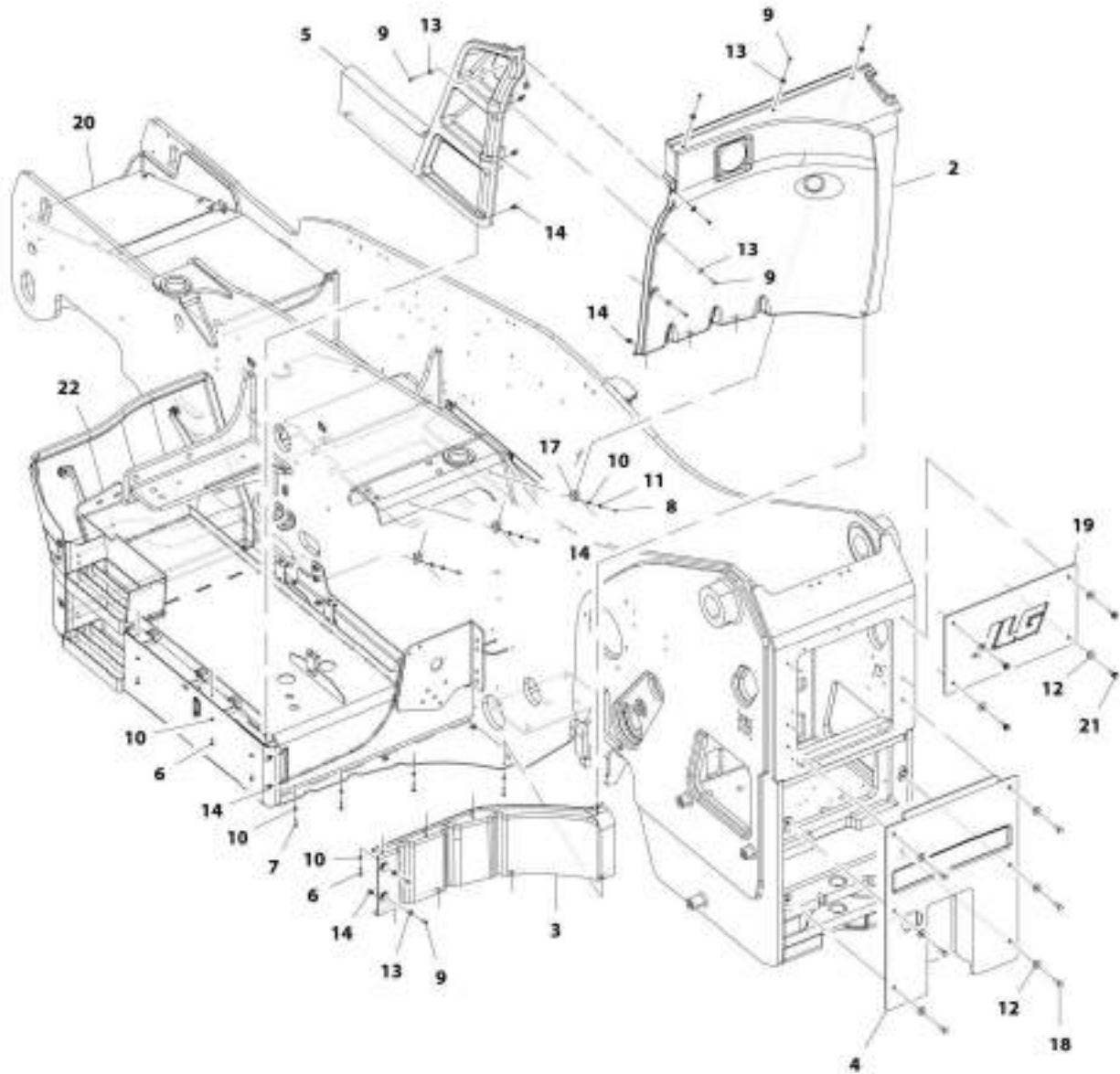
SECTION 1 - FRAME AND ATTACHING PARTS

FIGURE 1-16. COVER INSTALLATION (ULS)

ITEM	PART NUMBER	QTY	DESCRIPTION	REV
	1001184869	Ref	Cover Installation (ULS)	I
2	1001184872	1	Cover, Rear Tank	
3	1001184874	1	Cover, Lower Rear Tank	
4	1001213834	1	Cover, Rear Frame	
5	1001168758	1	Cover, Side Tank	
6	0700610	7	Bolt, M6X20	
7	0700612	4	Bolt, M6X25	
8	0760607	3	Bolt, M6X14	
9	0630576	9	Screw, M6X20	
10	4811700	14	Washer, M6	
11	4831700	3	Washer, Lock M6	
12	4812002	10	Washer, M10	
13	1001097540	9	Washer, M6	
14	1001130220	19	Nut, M6	
17	1001231385	3	Plate, Angle Mount	
18	0761012	6	Bolt, M10X25	
19	1001213833	1	Cover, Rear Frame	
20	1001198307	Ref	Installation, Frame Cover (See Separate Breakdown in this Section)	
21	1001161439	4	Screw	
22	1001201848	Ref	Installation, Front Lower Cover (See Separate Breakdown in this Section)	

SECTION 1 - FRAME AND ATTACHING PARTS

FIGURE 1-17. COVER INSTALLATION (LS)



ART_10811948794

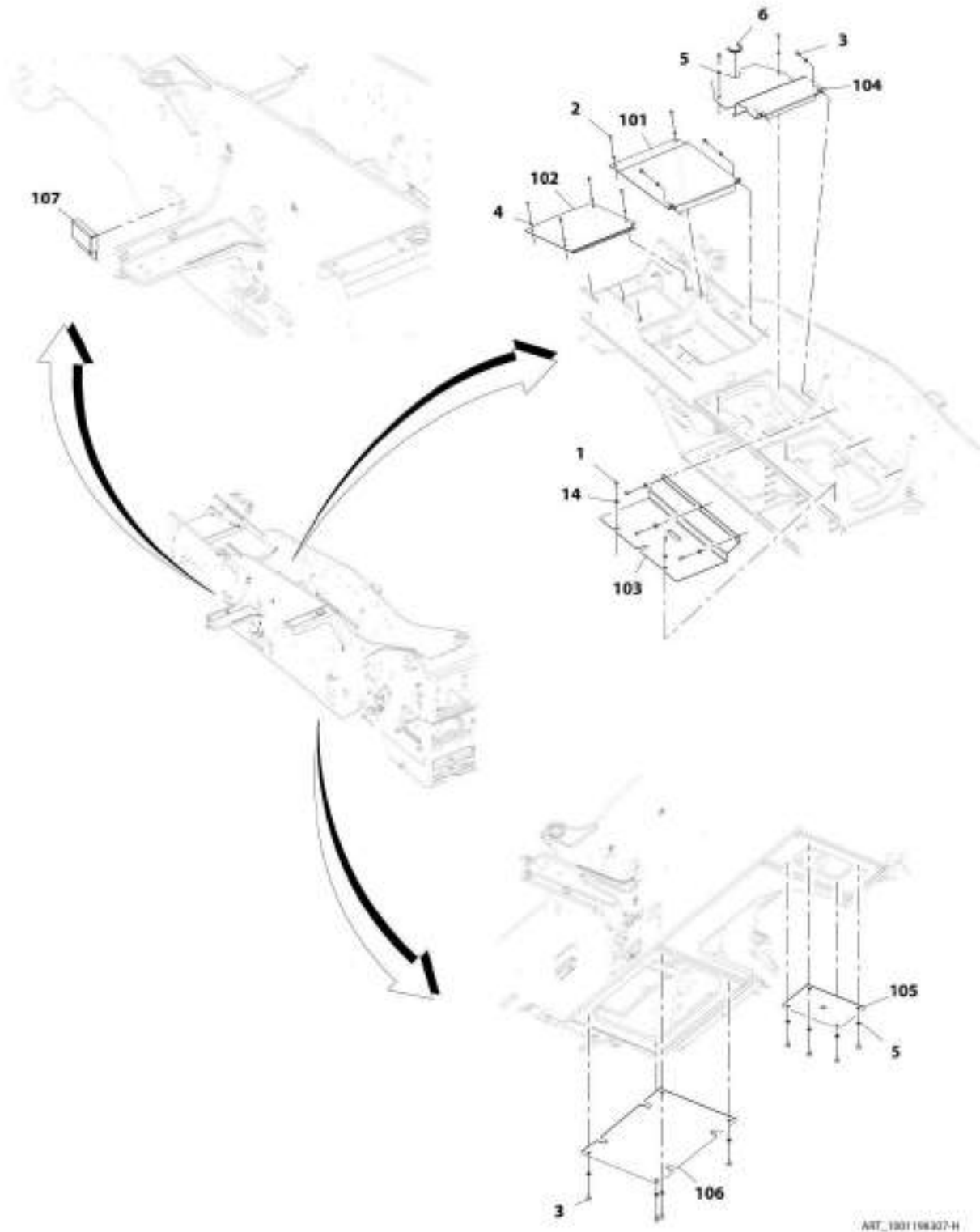
SECTION 1 - FRAME AND ATTACHING PARTS

FIGURE 1-17. COVER INSTALLATION (LS)

ITEM	PART NUMBER	QTY	DESCRIPTION	REV
	1001184870	Ref	Cover Installation (LS)	1
2	1001184872	1	Cover, Rear Tank	
3	1001184874	1	Cover, Lower Rear Tank	
4	1001213834	1	Cover, Rear Frame	
5	1001172829	1	Cover, Side Tank	
6	0700610	7	Bolt, M6X20	
7	0700612	4	Bolt, M6X25	
8	0760607	3	Bolt, M6X14	
9	0630576	9	Screw, M6X20	
10	4811700	14	Washer, M6	
11	4831700	3	Washer, Lock M6	
12	4812002	10	Washer, M10	
13	1001097540	9	Washer, M6	
14	1001130220	19	Nut, M6	
17	1001231385	3	Plate, Angle Mount	
18	0761012	6	Bolt, M10X25	
19	1001213833	1	Cover, Rear Frame	
20	1001198307	Ref	Installation, Frame Cover (See Separate Breakdown in this Section)	
21	1001161439	4	Screw	
22	1001201848	Ref	Installation, Front Lower Cover (See Separate Breakdown in this Section)	

SECTION 1 - FRAME AND ATTACHING PARTS

FIGURE 1-18. FRAME COVER INSTALLATION



ART_1001198307-H

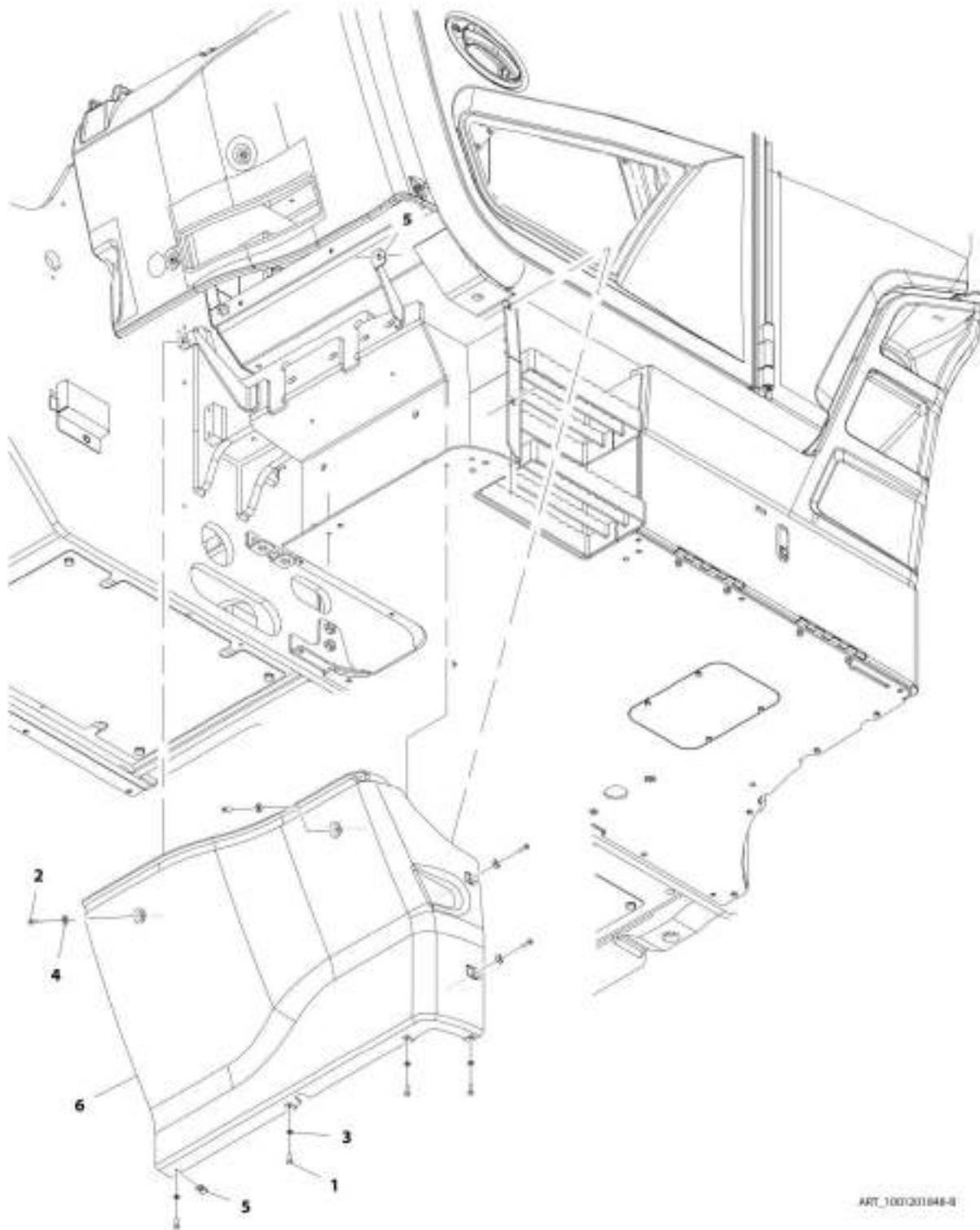
SECTION 1 - FRAME AND ATTACHING PARTS

FIGURE 1-18. FRAME COVER INSTALLATION

ITEM	PART NUMBER	QTY	DESCRIPTION	REV
	1001198307	Ref	Frame Cover Installation	H
1	0701014	4	Bolt, M10X30	
2	0760810	6	Bolt, M8X20	
3	0761010	15	Bolt, M10X20	
4	4811900	6	Washer, M8	
5	4812000	14	Washer, M10	
6	90206196	0.15 m	Gasket	
14	4812002	5	Washer, M10	
101	1001197056	1	Cover, Battery	
102	1001197057	1	Plate, Valve Cover	
103	1001197733	1	Plate, Frame Cover	
104	1001197734	1	Plate, Frame Cover	
105	1001211899	1	Plate, Frame Cover	
106	1001211900	1	Plate, Frame Cover	
107	1001218694	1	Cover	

SECTION 1 - FRAME AND ATTACHING PARTS

FIGURE 1-19. FRONT LOWER COVER INSTALLATION



ART_1001301948-0

SECTION 1 - FRAME AND ATTACHING PARTS

FIGURE 1-19. FRONT LOWER COVER INSTALLATION

ITEM	PART NUMBER	QTY	DESCRIPTION	REV
	1001201848	Ref	Installation, Front Lower Cover	B
1	0700610	4	Bolt, M6X20	
2	3900379	4	Screw, M6-1.00X25	
3	4811700	4	Washer, M6	
4	1001097540	4	Washer, M6	
5	1001130220	6	Nut, M6	
6	1001184871	1	Cover, Front Lower	

SECTION 1 - FRAME AND ATTACHING PARTS

FIGURE 1-20. PAD LOCK



ART. 3001102152-A

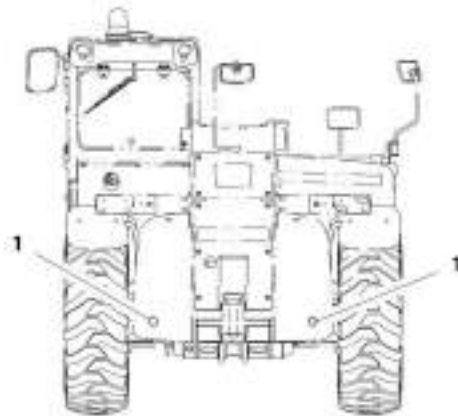
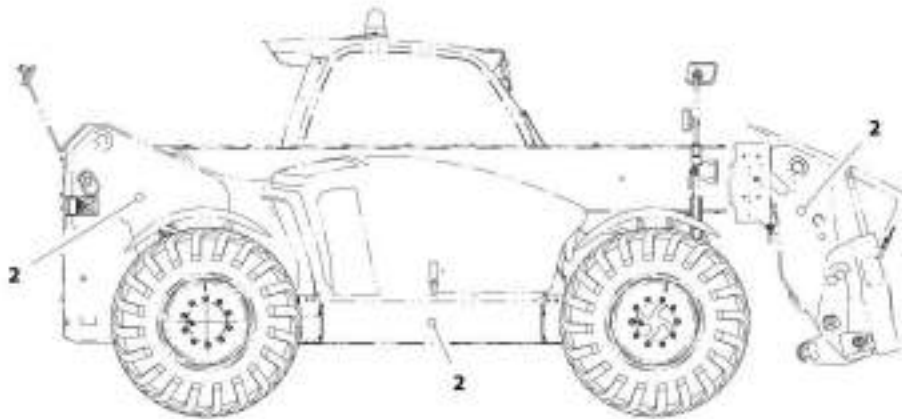
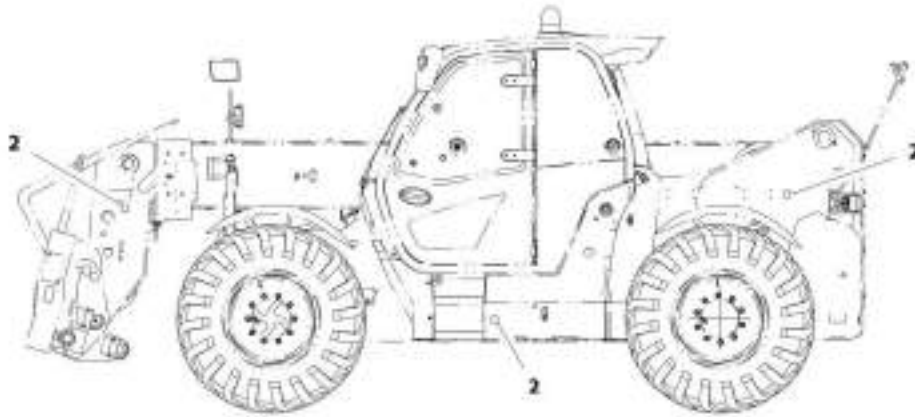
SECTION 1 - FRAME AND ATTACHING PARTS

FIGURE 1-20. PAD LOCK

ITEM	PART NUMBER	QTY	DESCRIPTION	REV
1	1001102157 8342813	Ref 1	Pad Lock Key	A

SECTION 1 - FRAME AND ATTACHING PARTS

FIGURE 1-21. REFLECTORS INSTALLATION



ART_1801360346-D

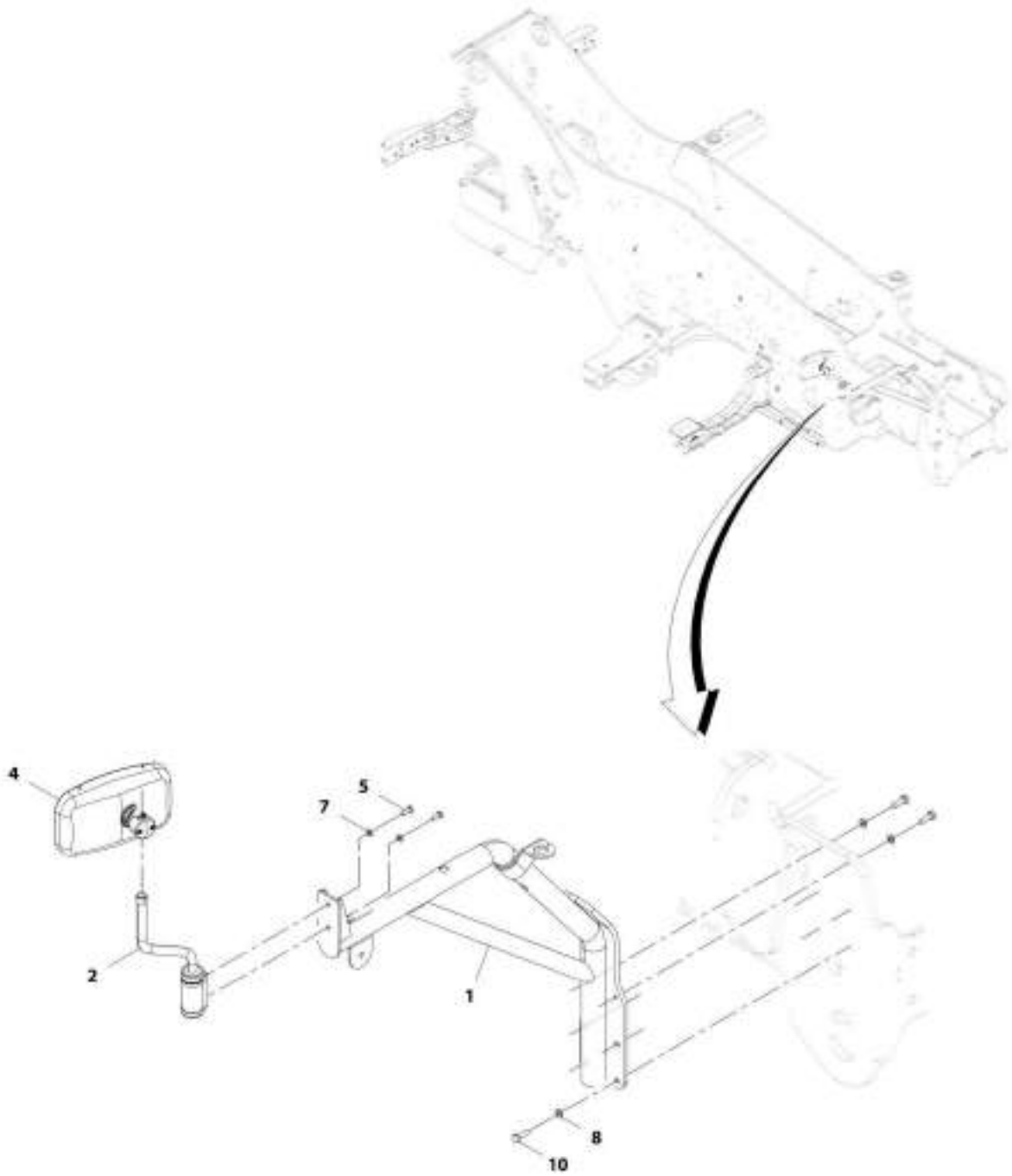
SECTION 1 - FRAME AND ATTACHING PARTS

FIGURE 1-21. REFLECTORS INSTALLATION

ITEM	PART NUMBER	QTY	DESCRIPTION	REV
	1001200344	Ref	Reflectors Installation	D
1	3700015	2	Reflector, Rear	
2	3700016	6	Reflector, Side	

SECTION 1 - FRAME AND ATTACHING PARTS

FIGURE 1-22. MIRROR INSTALLATION



ART_180118224-E

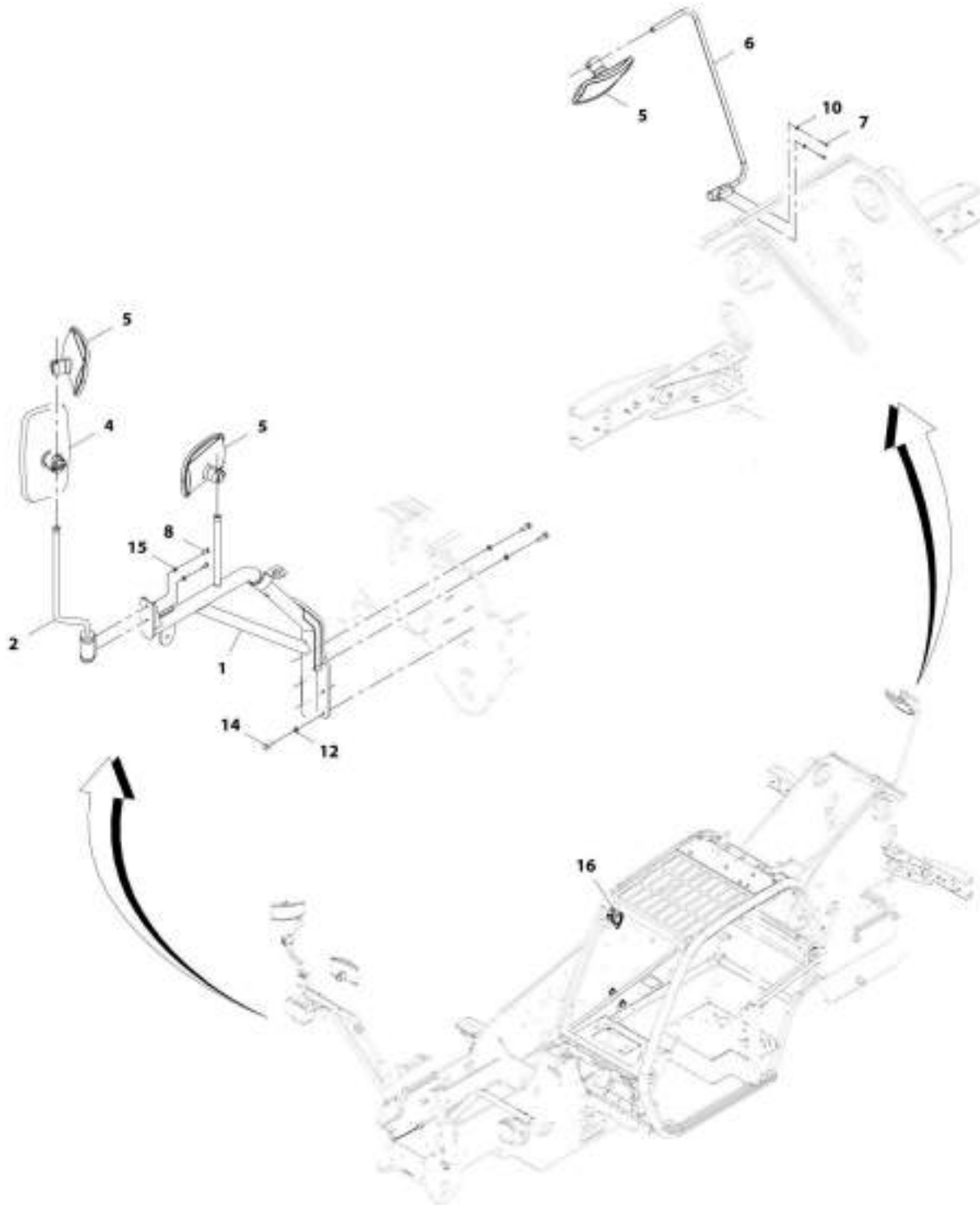
SECTION 1 - FRAME AND ATTACHING PARTS

FIGURE 1-22. MIRROR INSTALLATION

ITEM	PART NUMBER	QTY	DESCRIPTION	REV
	1001192324	Ref	Mirror Installation	E
1	1001206099	1	Bracket	
2	1001209346	1	Bracket	
4	1001191635	1	Mirror, Convex	
5	0760810	2	Bolt, M8X20	
7	4811900	2	Bolt, M8X20	
8	4812000	6	Washer, M10	
10	0701014	6	Bolt, M10X30	

SECTION 1 - FRAME AND ATTACHING PARTS

FIGURE 1-23. MIRROR INSTALLATION



ART_1901184891-F

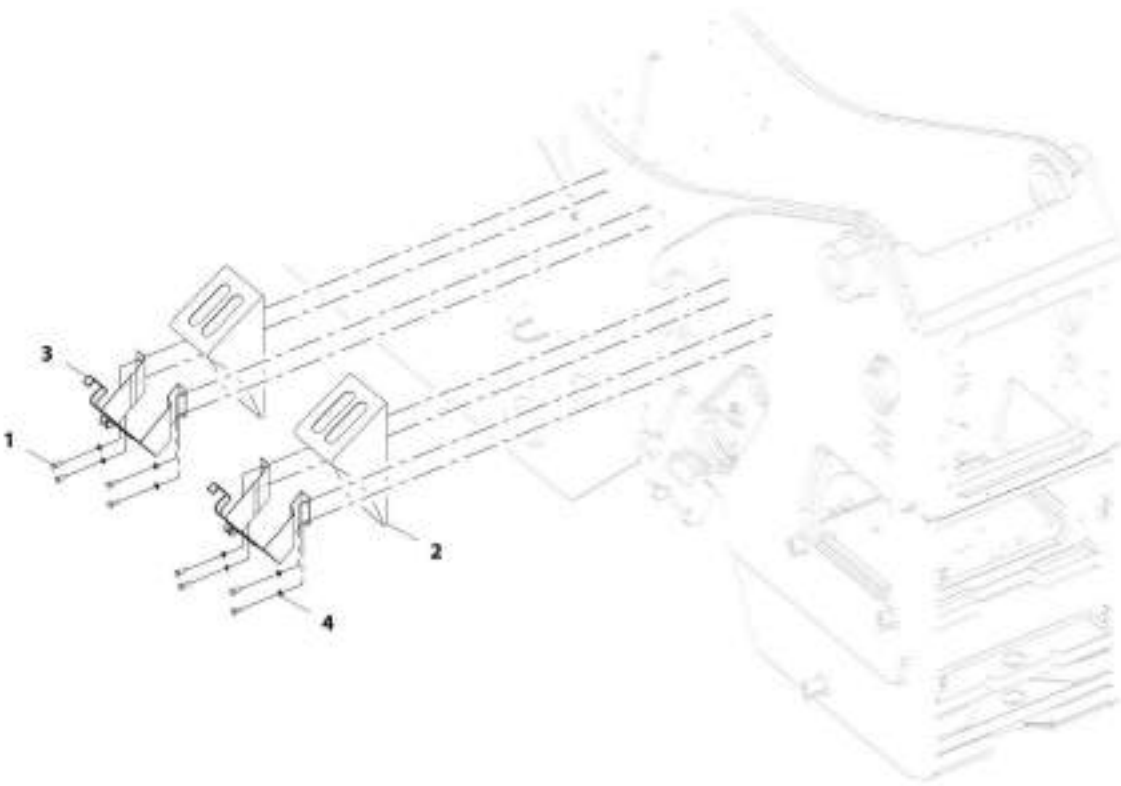
SECTION 1 - FRAME AND ATTACHING PARTS

FIGURE 1-23. MIRROR INSTALLATION

ITEM	PART NUMBER	QTY	DESCRIPTION	REV
	1001186881	Ref	Mirror Installation	F
1	1001206098	1	Bracket	
2	1001209345	1	Bracket	
4	1001175812	1	Mirror, Dual Lens	
5	1001142724	3	Mirror, Convex	
6	1001168429	1	Support, Arm	
7	0700612	2	Bolt, M6X25	
8	0760810	2	Bolt, M8X20	
10	4811700	2	Washer, M6	
12	4812000	6	Washer, M10	
14	0701014	6	Bolt, M10X30	
15	4811900	2	Washer, M8	
16	1001166192	1	Installation, Internal Mirror (See Separate Breakdown in CAB Section)	

SECTION 1 - FRAME AND ATTACHING PARTS

FIGURE 1-24. WHEEL CHOCK INSTALLATION



ART_180110236-B

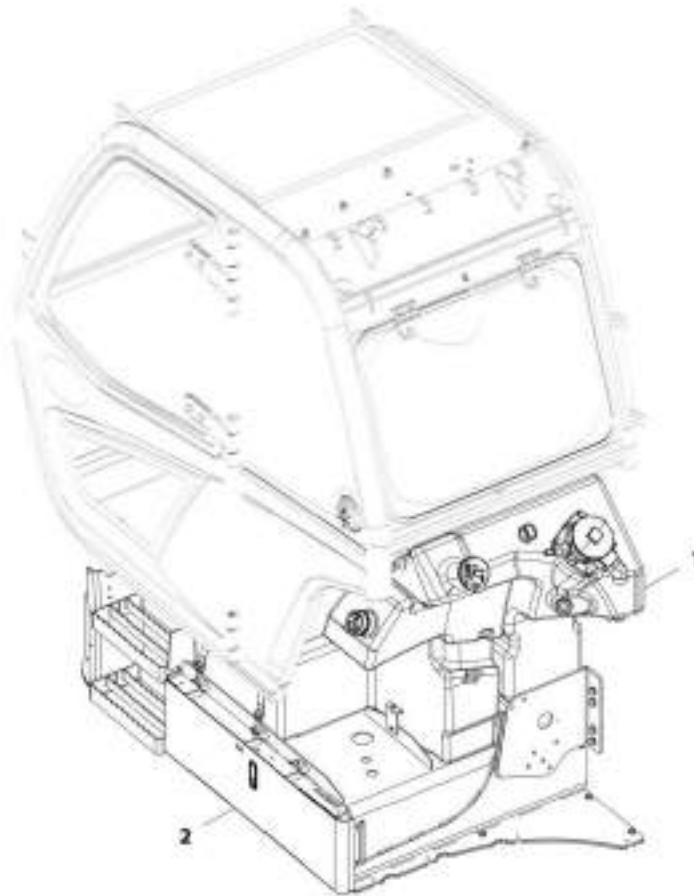
SECTION 1 - FRAME AND ATTACHING PARTS

FIGURE 1-24. WHEEL CHOCK INSTALLATION

ITEM	PART NUMBER	QTY	DESCRIPTION	REV
	1001192336	Ref	Wheel Chock Installation	B
1	0760810	8	Bolt, M8X20	
2	806253	2	Wedge	
3	806264	2	Holder, Wedge	
4	4811900	8	Washer, M8	

SECTION 1 - FRAME AND ATTACHING PARTS

FIGURE 1-25. TANK INSTALLATION



ART_180121781-B

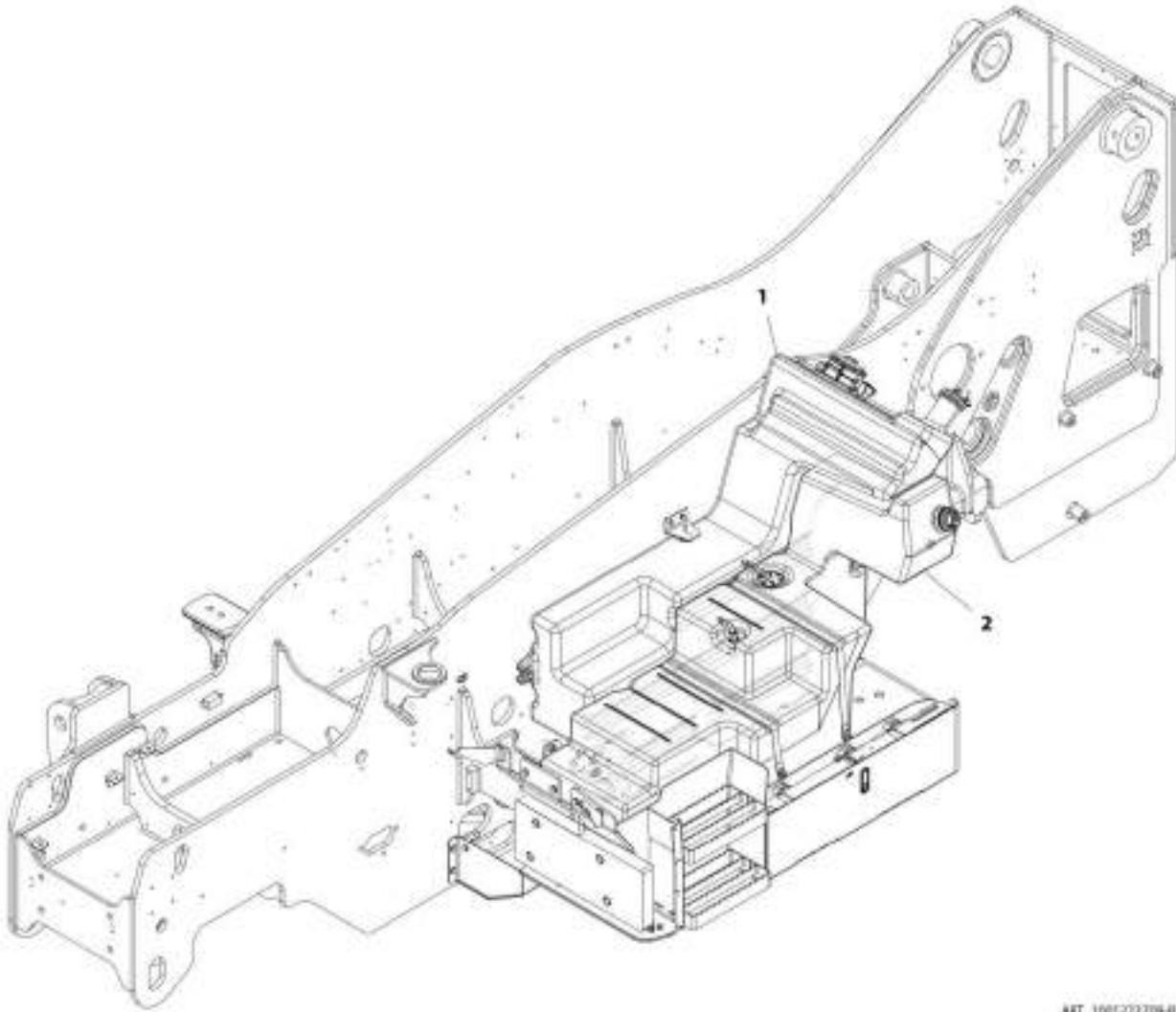
SECTION 1 - FRAME AND ATTACHING PARTS

FIGURE 1-25. TANK INSTALLATION

ITEM	PART NUMBER	QTY	DESCRIPTION	REV
1	1001217931	Ref	Tank Installation	B
	1001179850	1	Installation, Hydraulic Tank (See Separate Breakdown in this Section)	
2	1001217932	1	Installation, Fuel Tank (See Separate Breakdown in this Section)	

SECTION 1 - FRAME AND ATTACHING PARTS

FIGURE 1-26. TANK INSTALLATION (TUV)



ART_1001231704-B

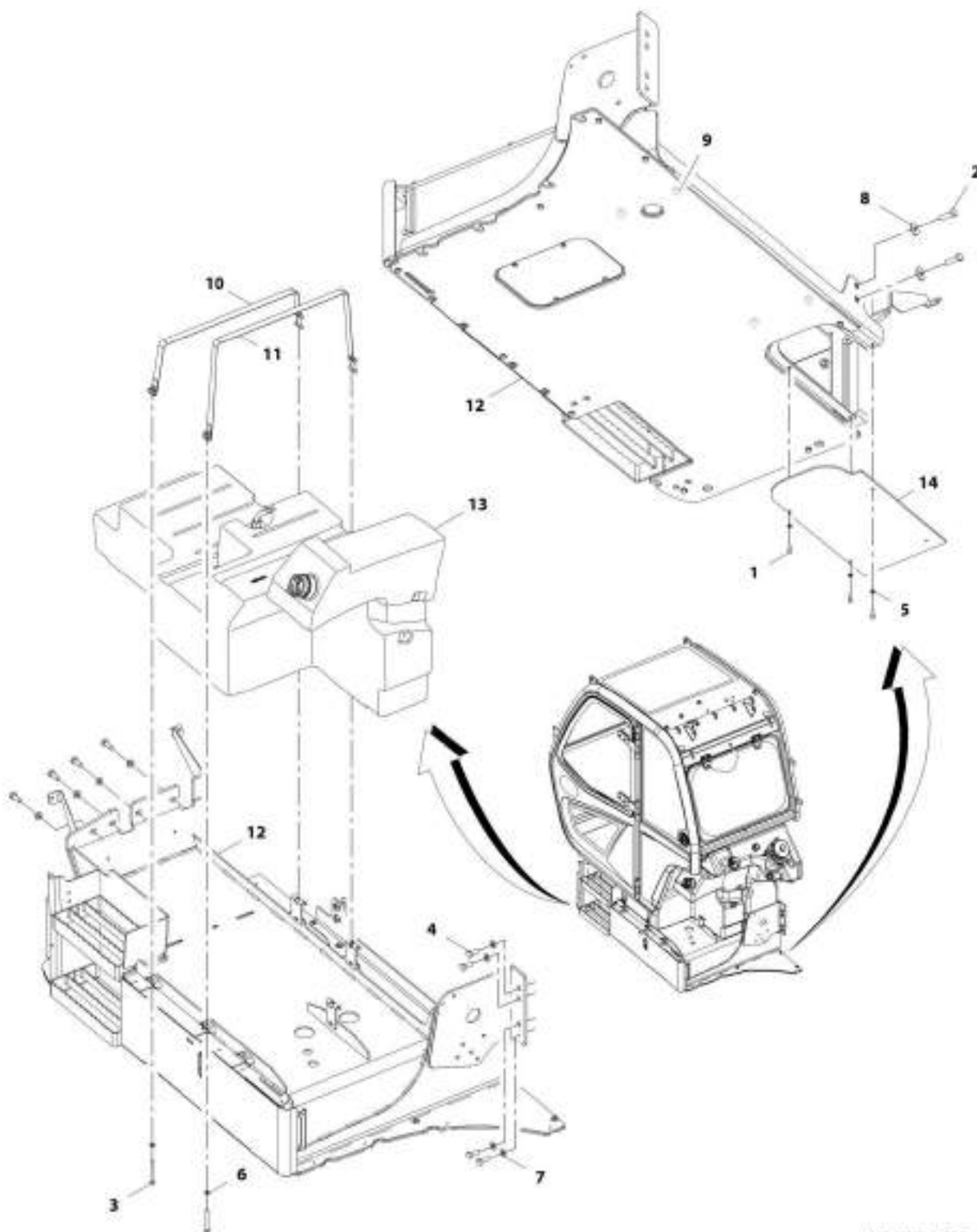
SECTION 1 - FRAME AND ATTACHING PARTS

FIGURE 1-26. TANK INSTALLATION (TUV)

ITEM	PART NUMBER	QTY	DESCRIPTION	REV
1	1001223709	REF	Tank Installation (TUV)	B
	1001179850	REF	Installation, Hydraulic Tank (See Separate Breakdown in this Section)	
2	1001223710	REF	Installation , Fuel Tank (TUV) (See Separate Breakdown in this Section)	

SECTION 1 - FRAME AND ATTACHING PARTS

FIGURE 1-27. FUEL TANK INSTALLATION



ART_1801217432-C

SECTION 1 - FRAME AND ATTACHING PARTS

FIGURE 1-27. FUEL TANK INSTALLATION

ITEM	PART NUMBER	QTY	DESCRIPTION	REV
	1001217932	Ref	Fuel Tank Installation	C
1	0700610	3	Bolt, M6X20	
2	0701216	2	Bolt, M12X40	
3	0760823	2	Bolt, M8X75	
4	0761214	8	Bolt, M12X30	
5	4811700	3	Washer, M6	
6	4811900	2	Washer, M8	
7	4812100	8	Washer, M12	
8	4812102	2	Washer, M12	
9	1001169454	4	Mount	
10	1001178474	1	Strap, Tank	
11	1001178693	1	Strap, Tank	
12	1001217933	Ref	Installation, Tank Support (See Separate Breakdown in this Section)	
13	1001192125	1	Assembly, Fuel Tank (See Separate Breakdown in this Section)	
14	1001197480	1	Plate	

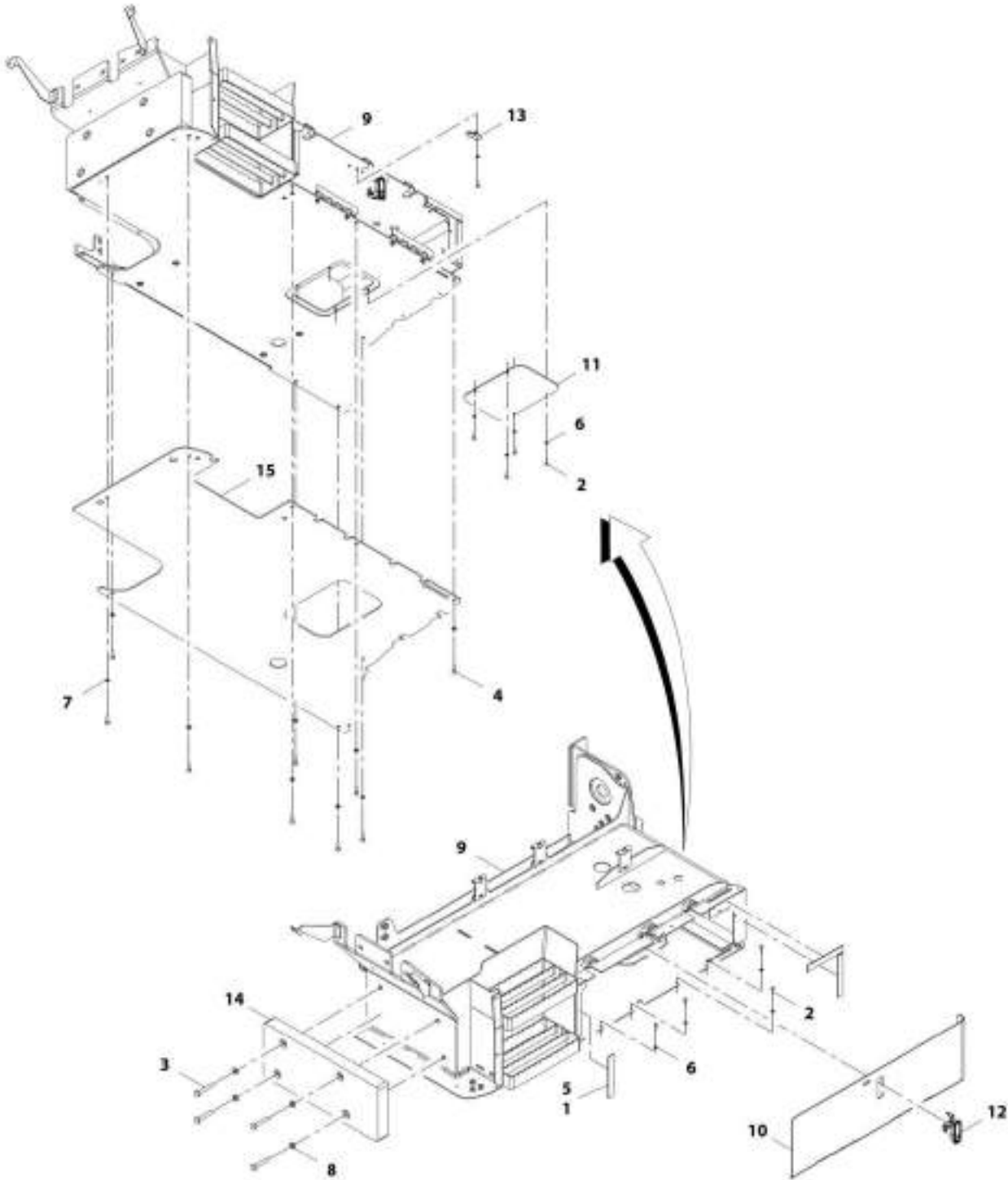
SECTION 1 - FRAME AND ATTACHING PARTS

FIGURE 1-28. FUEL TANK INSTALLATION (TUV)

ITEM	PART NUMBER	QTY	DESCRIPTION	REV
	1001223710	Ref	Fuel Tank Installation (TUV)	B
1	0701216	2	Bolt, M12X40	
2	0760823	2	Bolt, M8X75	
3	0761010	1	Bolt, M10X20	
4	0761012	4	Bolt, M10X20	
5	0761214	8	Bolt, M12X30	
6	4811900	2	Washer, M8	
7	4812000	5	Washer, M10	
8	4812100	8	Washer, M12	
9	4812102	2	Washer, M12	
10	1001169454	4	Mount, Buffer	
11	1001178474	1	Strap, Tank	
12	1001178693	1	Strap, Tank	
13	1001217933	Ref	Installation, Tank Support (See Separate Breakdown in this Section)	
14	1001192125	1	Assembly, Fuel Tank (See Separate Breakdown in this Section)	
15	1001223870	1	Cover	
16	1001223911	1	Plate	

SECTION 1 - FRAME AND ATTACHING PARTS

FIGURE 1-29. TANK SUPPORT INSTALLATION



ART_180121782-D

SECTION 1 - FRAME AND ATTACHING PARTS

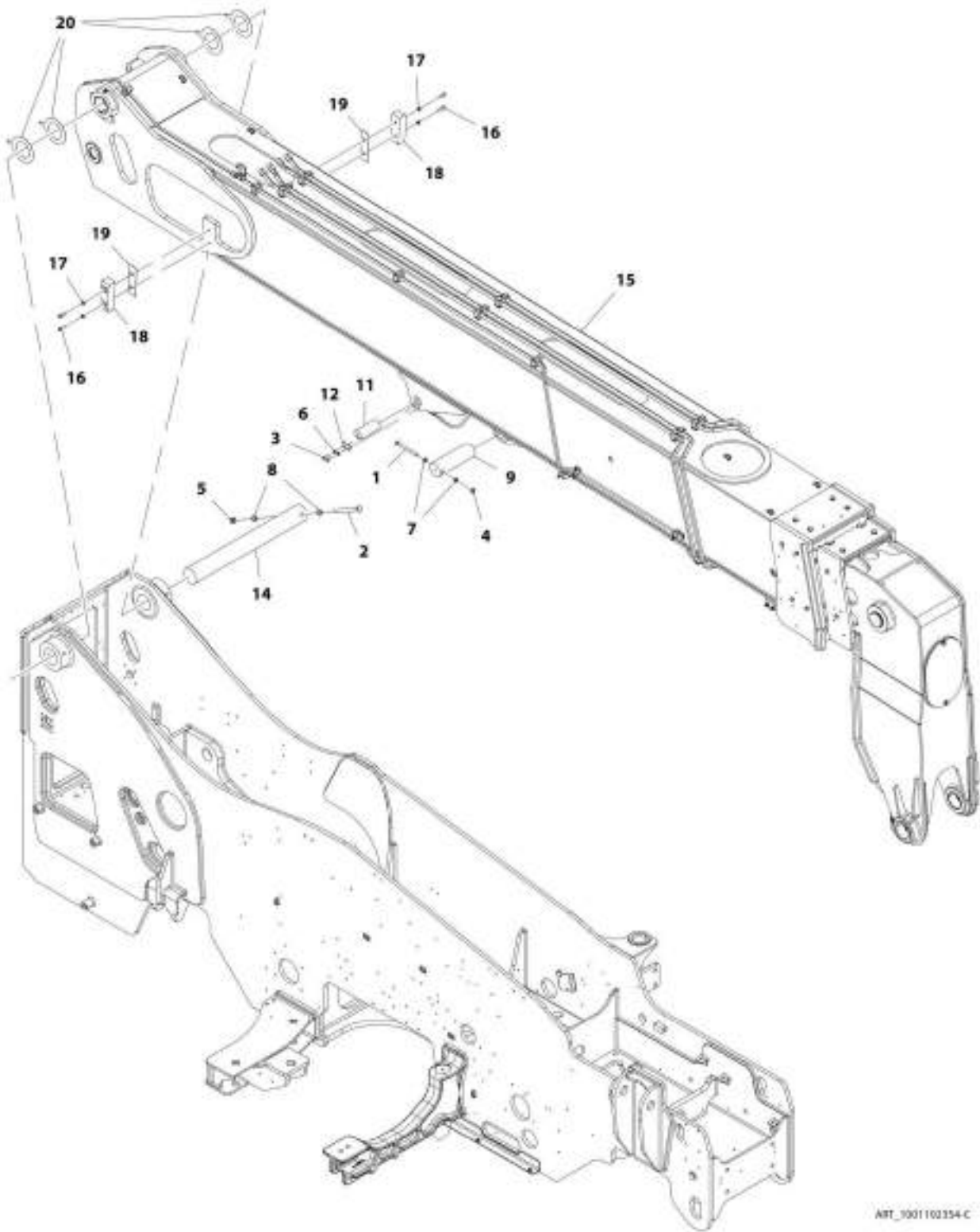
FIGURE 1-29. TANK SUPPORT INSTALLATION

ITEM	PART NUMBER	QTY	DESCRIPTION	REV
	1001217933	Ref	Tank Support Installation	D
1	0100081	AR	Adhesive, Loctite	
2	0700610	9	Bolt, M6X20	
3	0701222	4	Bolt, M12X70	
4	0760812	9	Bolt, M8X25	
5	4280307	3	Strip, Rubber	
6	4811700	9	Washer, M6	
7	4811900	9	Washer, M8	
8	4812100	4	Washer, M12	
9	1001185931	1	Plate, Support	
10	1001185933	1	Cover	
11	1001185935	1	Cover	
12	1001189246	1	Latch	
13	1001197481	1	Plate, Padlock	
14	1001201588	1	Weight, Front Tank Support	
15	1001201589	1	Weight, Bottom Tank Support	

SECTION 2 - BOOM

SECTION 2 - BOOM

FIGURE 2-1. BOOM INSTALLATION



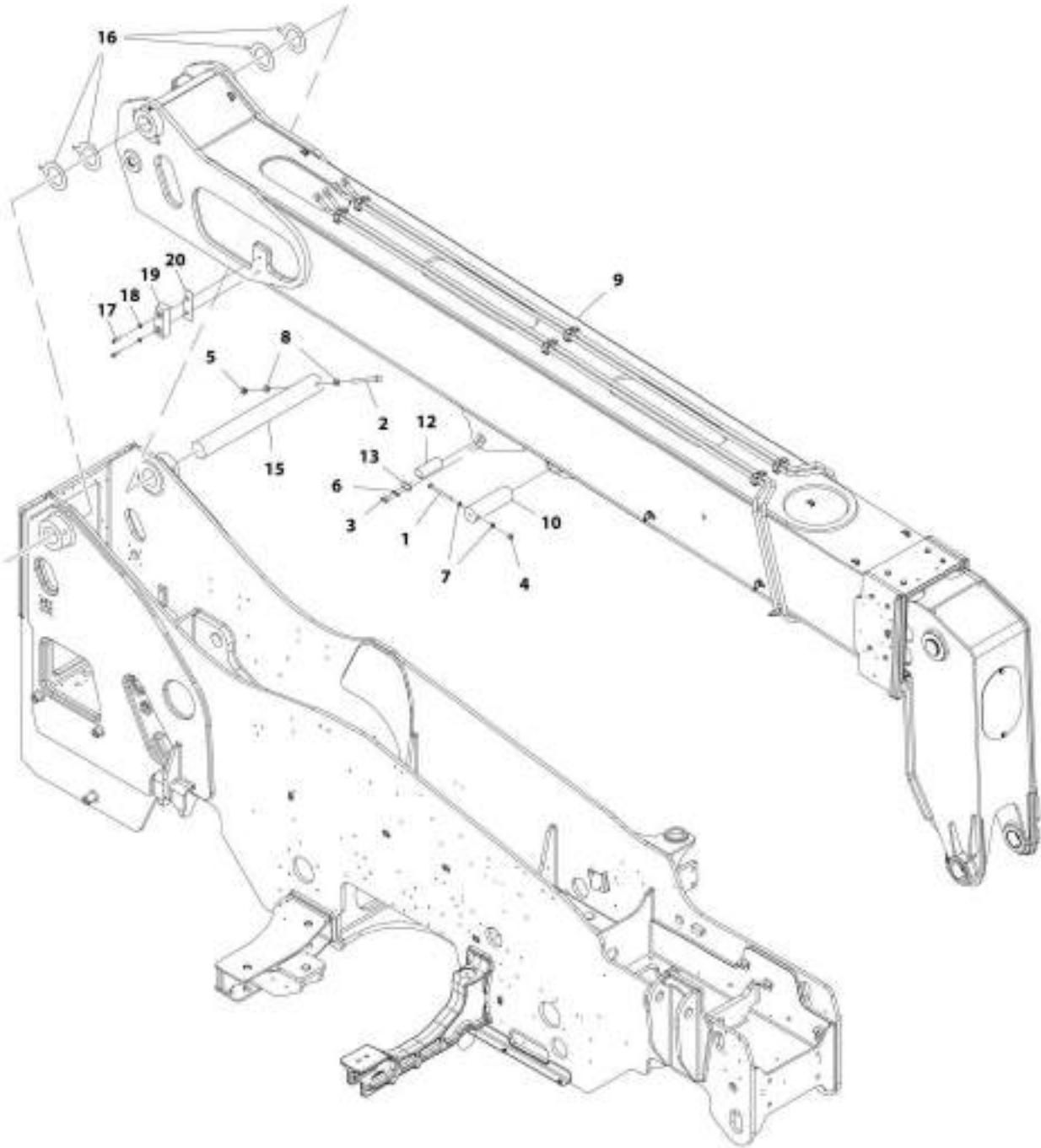
ART_3001102354-C

FIGURE 2-1. BOOM INSTALLATION

ITEM	PART NUMBER	QTY	DESCRIPTION	REV
	1001192354	Ref	Boom Installation	C
1	0711230	1	Bolt, M12X130	
2	0711635	1	Bolt, M16X180	
3	0760810	2	Bolt, M8X20	
4	3291205	1	Nut, Lock M12X1.75	
5	3291605	1	Nut, Lock M16X2	
6	4811900	2	Washer, M8	
7	4812100	2	Washer, M12	
8	4812300	2	Washer, M16	
9	1001190254	1	Pin, Lift Cylinder	
11	1001190256	1	Pin, Compensation Cylinder	
12	1001190257	1	Plate, Pin Retainer	
14	1001190260	1	Pin, Boom Pivot	
15	1001211427	1	Assembly, Boom (See Seperate Breakdown in this Section)	
16	4032010	4	Bolt, M10X30	
17	4812000	4	Washer, M10	
18	1001195655	2	Pad, M44X50X160	
19	1001219905	AR	Shim, M50X169X1	
20	1001219953	AR	Shim, Boom Pivot	

SECTION 2 - BOOM

FIGURE 2-2. BOOM INSTALLATION



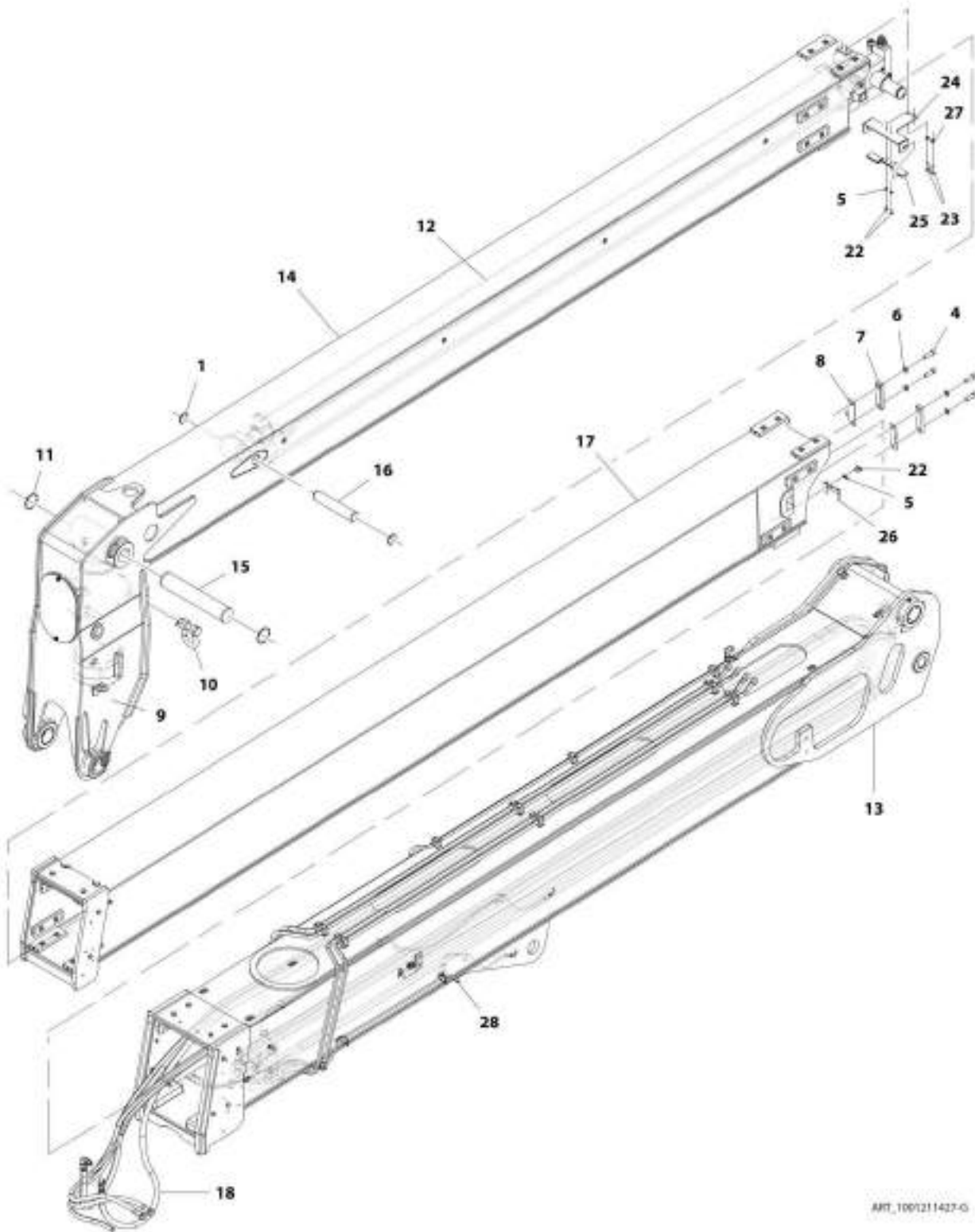
ART_3001102263-C

FIGURE 2-2. BOOM INSTALLATION

ITEM	PART NUMBER	QTY	DESCRIPTION	REV
	1001192352	Ref	Boom Installation	C
1	0701230	1	Bolt, M12X130	
2	0711635	1	Bolt, M16X180 Grade 10.9	
3	0760810	2	Bolt, M8X20	
4	3291205	1	Nut, Lock M12X1.75 Grade 8	
5	3291605	1	Nut, Lock M16X2 Grade 8	
6	4811900	2	Washer, M8	
7	4812100	2	Washer, M12	
8	4812300	2	Washer, M16	
9	1001174103	1	Assembly, Boom Section (See Separate Breakdown in this Section)	
10	1001190254	1	Pin	
12	1001190256	1	Pin	
13	1001190257	1	Plate	
15	1001190260	1	Pin	
16	1001219953	4	Shim	
17	4032010	4	Bolt, M10X30	
18	4812000	4	Washer, M10	
19	1001195655	2	Pad, M44X50X160	
20	1001219905	AR	Shim	

SECTION 2 - BOOM

FIGURE 2-3. BOOM ASSEMBLY



ART_1001211437-G

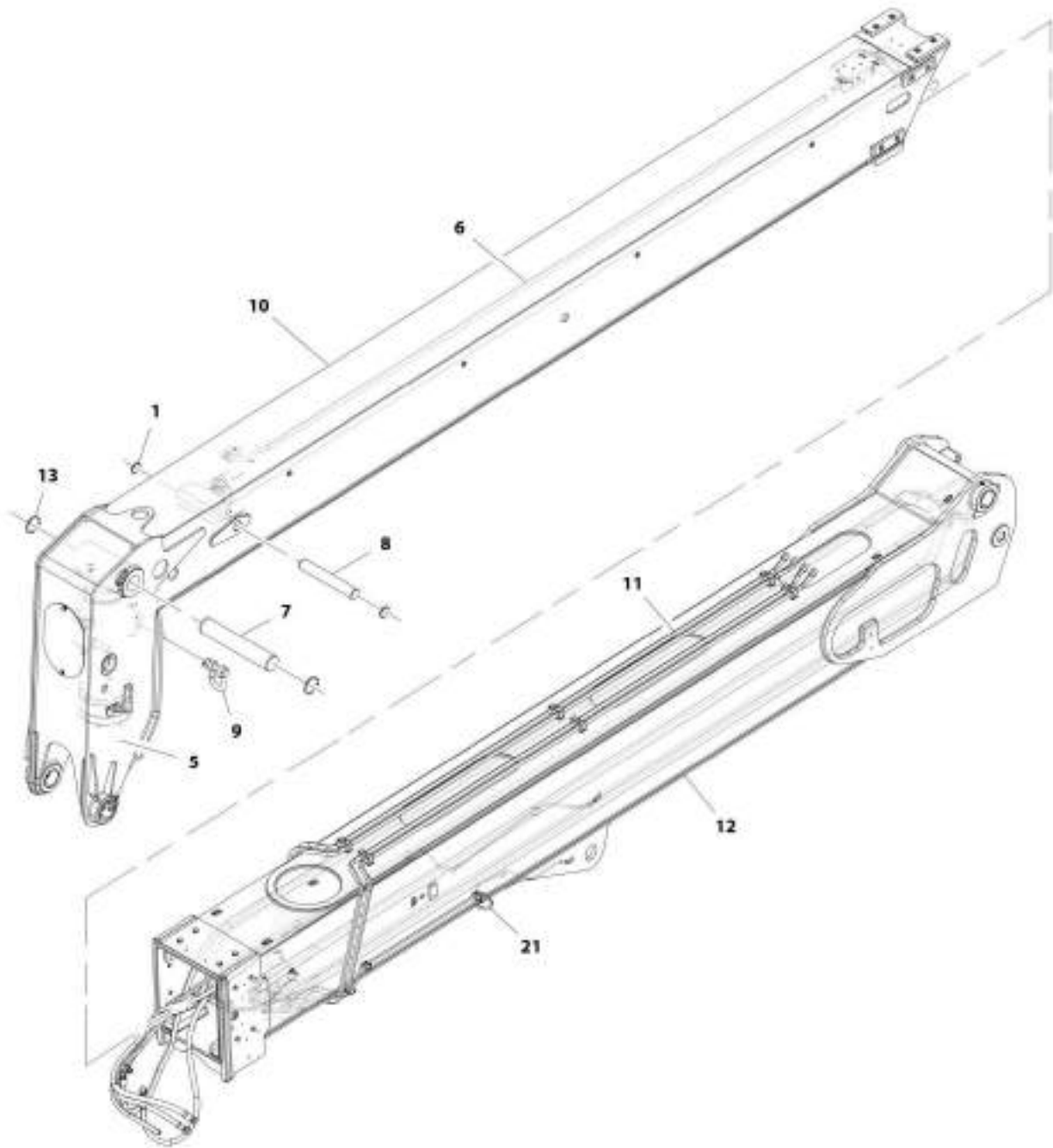
SECTION 2 - BOOM

FIGURE 2-3. BOOM ASSEMBLY

ITEM	PART NUMBER	QTY	DESCRIPTION	REV
	1001211427	Ref	Boom Assembly	G
1	314689	2	Ring, Retaining M50	
4	4032314	4	Bolt, M16X50	
5	4811900	4	Washer, M8	
6	4812300	4	Washer, M16	
7	1001213959	2	Plate, Clamp	
8	1001213961	2	Plate, Trunion Block Guide	
9	1001174812	1	Cylinder, Tilt (See Seperate Breakdown in Hydraulic Components Section)	
10	1001191110	1	Shackle	
11	1001197262	2	Ring, Snap M75	
12	1001199325	Ref	Installation, Extend/Retract Cylinder (See Seperate Breakdown in Hydraulic Components Section)	
13	1001201266	1	Assembly, First Boom Section (See Seperate Breakdown in this Section)	
14	1001203985	1	Assembly, Third Boom Section (See Seperate Breakdown in this Section)	
15	1001203989	1	Pin, Tilt	
16	1001203990	1	Pin, Extend/Retract	
17	1001204177	1	Assembly, Second Boom Section (See Seperate Breakdown in this Section)	
18	1001205375	Ref	Installation, Boom Hydraulic (See Seperate Breakdown in Hydraulic Circuit Section)	
22	0760810	4	Bolt, M8X20	
23	0711015	2	Bolt, M10X35	
24	1001230986	1	Support, Hose	
25	1001230967	1	Plate, Support	
26	1001213462	1	Support, Hose	
27	4812000	2	Washer, M10	
28	1001217353	Ref	Installation, Remote Grease (See Seperate Breakdown in Hydraulic Circuit Section)	

SECTION 2 - BOOM

FIGURE 2-4. BOOM ASSEMBLY



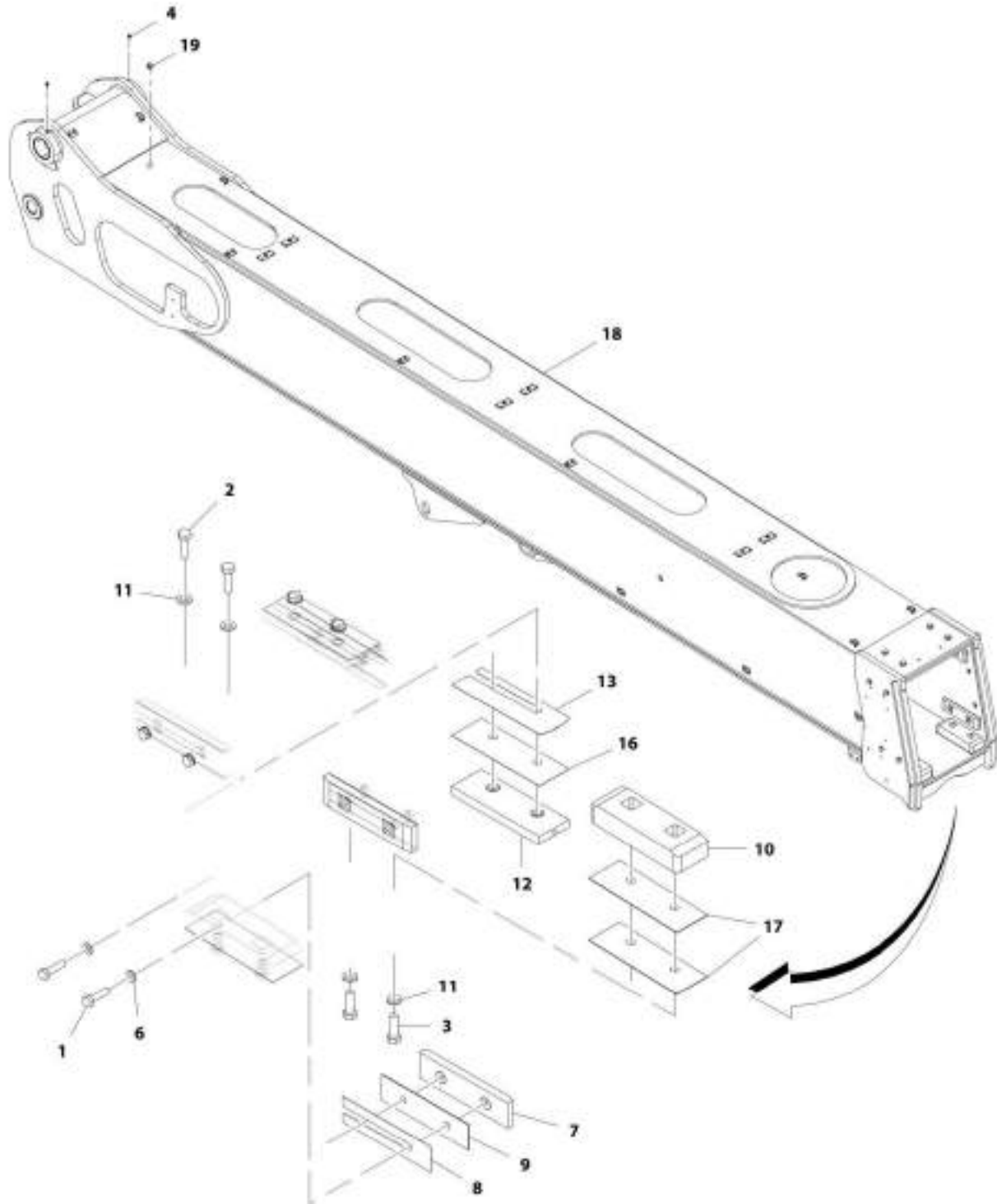
ART_3001174102-E

FIGURE 2-4. BOOM ASSEMBLY

ITEM	PART NUMBER	QTY	DESCRIPTION	REV
	1001174103	Ref	Boom Assembly	E
1	314689	2	Ring, Retaining M50	
5	1001174812	1	Cylinder, Tilt (See Separate Breakdown in Hydraulic Components Section)	
6	1001178157	1	Cylinder, Inner Extend/Retract (See Separate Breakdown in Hydraulic Components Section)	
7	1001203989	1	Pin	
8	1001190253	1	Pin	
9	1001191110	1	Shackle, M25	
10	1001191752	1	Assembly, Boom Section (See Separate Breakdown in this Section)	
11	1001193100	1	Installation, Boom Hydraulic Tubes (See Separate Breakdown in Hydraulic Circuits Section)	
12	1001195636	1	Assembly, First Boom Section (See Separate Breakdown in this Section)	
13	1001197262	2	Ring, Retaining	
21	1001217352	1	Installation, Boom Remote Grease (See Separate Breakdown in Hydraulic Circuits Section)	

SECTION 2 - BOOM

FIGURE 2-5. FIRST BOOM SECTION ASSEMBLY



AWT_1901201266-0

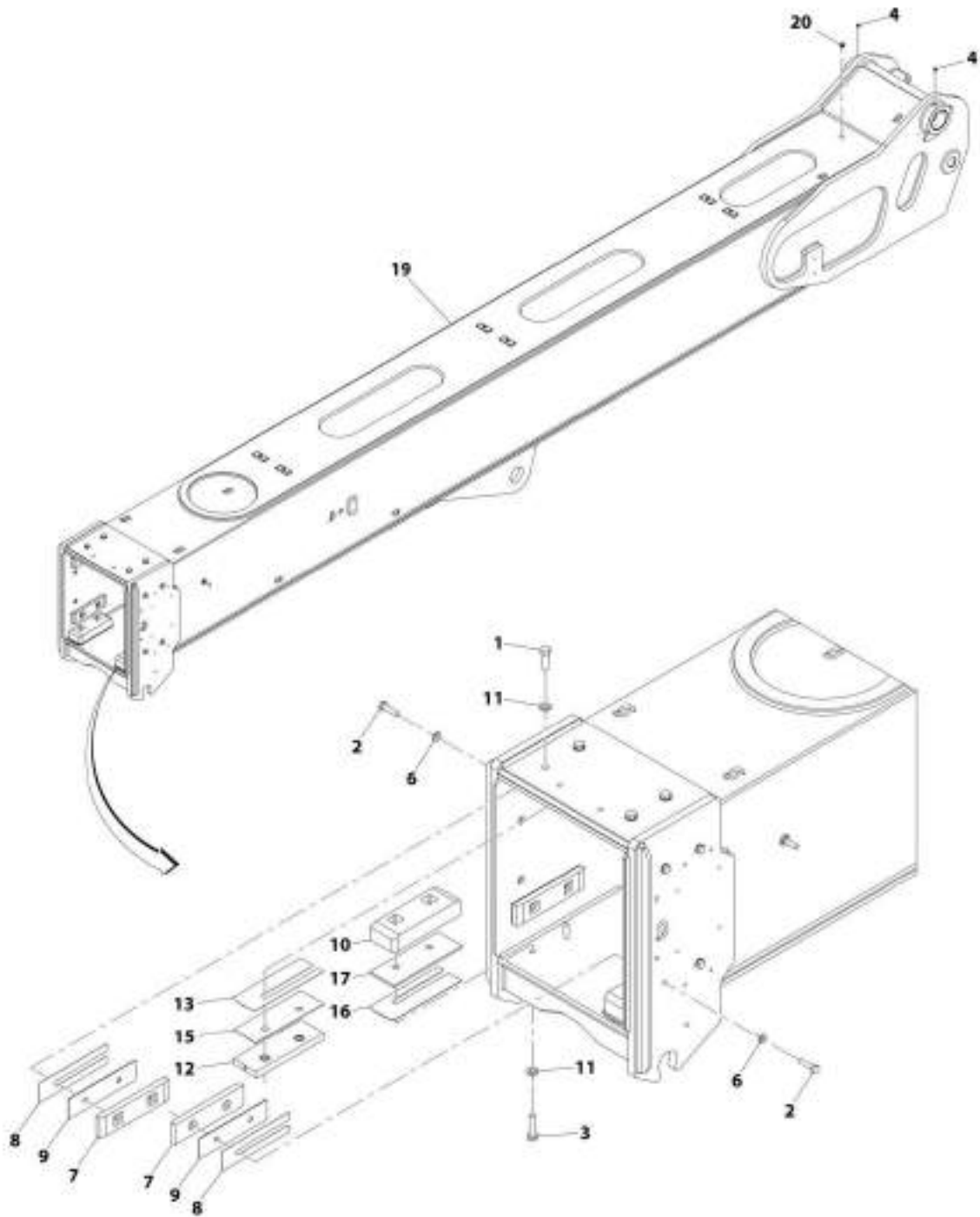
SECTION 2 - BOOM

FIGURE 2-5. FIRST BOOM SECTION ASSEMBLY

ITEM	PART NUMBER	QTY	DESCRIPTION	REV
	1001201266	Ref	First Boom Section Assembly	G
1	0711017	8	Bolt, M10X45	
2	0711216	4	Bolt, M12X40	
3	0711217	4	Bolt, M12X45	
4	2160016	2	Fitting, Grease	
6	4812000	AR	Washer, M10	
7	8002200	4	Pad, M15X50X200	
8	8008640	AR	Shim, M50X200X0.5	
9	1001003031	4	Shim, M50X198X1.5	
10	1001227337	2	Pad, M70X200X39	
11	1001125117	AR	Washer, M12	
12	1001227334	2	Pad, Wear	
13	1001195194	AR	Shim, M67X204X0.5	
16	1001195737	2	Shim	
17	1001201269	AR	Shim, M70X200X1	
18	1001201267J	1	Weldment, Boom	
19	3520193	1	Plug	

SECTION 2 - BOOM

FIGURE 2-6. FIRST BOOM SECTION ASSEMBLY



ART_1001195635-H

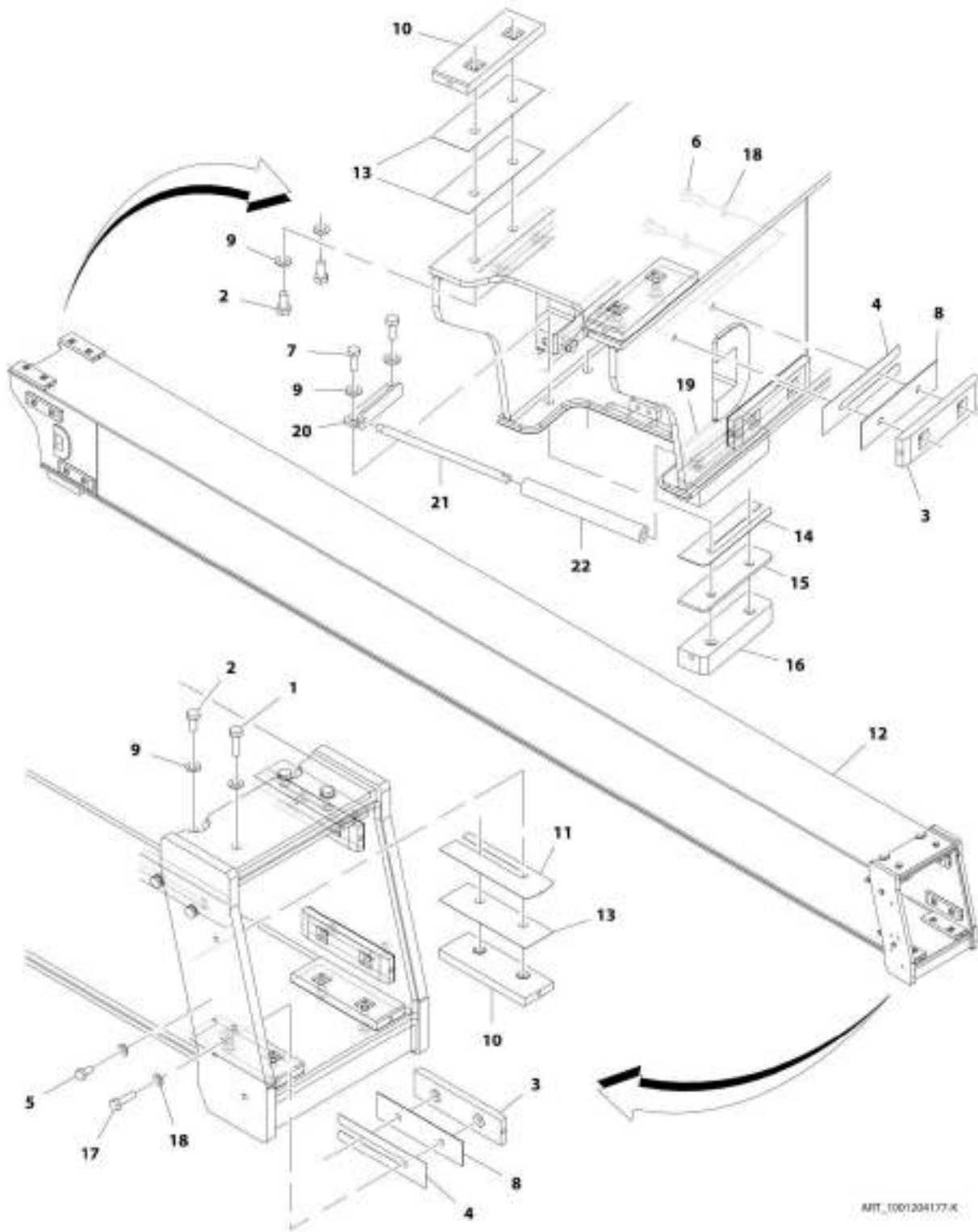
SECTION 2 - BOOM

FIGURE 2-6. FIRST BOOM SECTION ASSEMBLY

ITEM	PART NUMBER	QTY	DESCRIPTION	REV
	1001195636	Ref	First Boom Section Assembly	H
1	0711216	4	Bolt, M12X40 Grade 10.9	
2	0711016	8	Bolt, M10X40 Grade 10.9	
3	0711218	4	Bolt, M12X50 Grade 10.9	
4	2160016	2	Fitting, Grease	
6	4812000	AR	Washer, M10	
7	8002200	4	Pad	
8	8008640	AR	Shim	
9	1001003031	4	Shim	
10	1001227337	2	Pad	
11	1001125117	AR	Washer, M12	
12	1001227334	2	Pad	
13	1001195194	AR	Shim	
15	1001195737	2	Shim	
16	1001195738	AR	Shim	
17	1001195739	2	Shim	
19	1001195637J	1	Boom	
20	3520193	1	Plug	

SECTION 2 - BOOM

FIGURE 2-7. SECOND BOOM SECTION ASSEMBLY



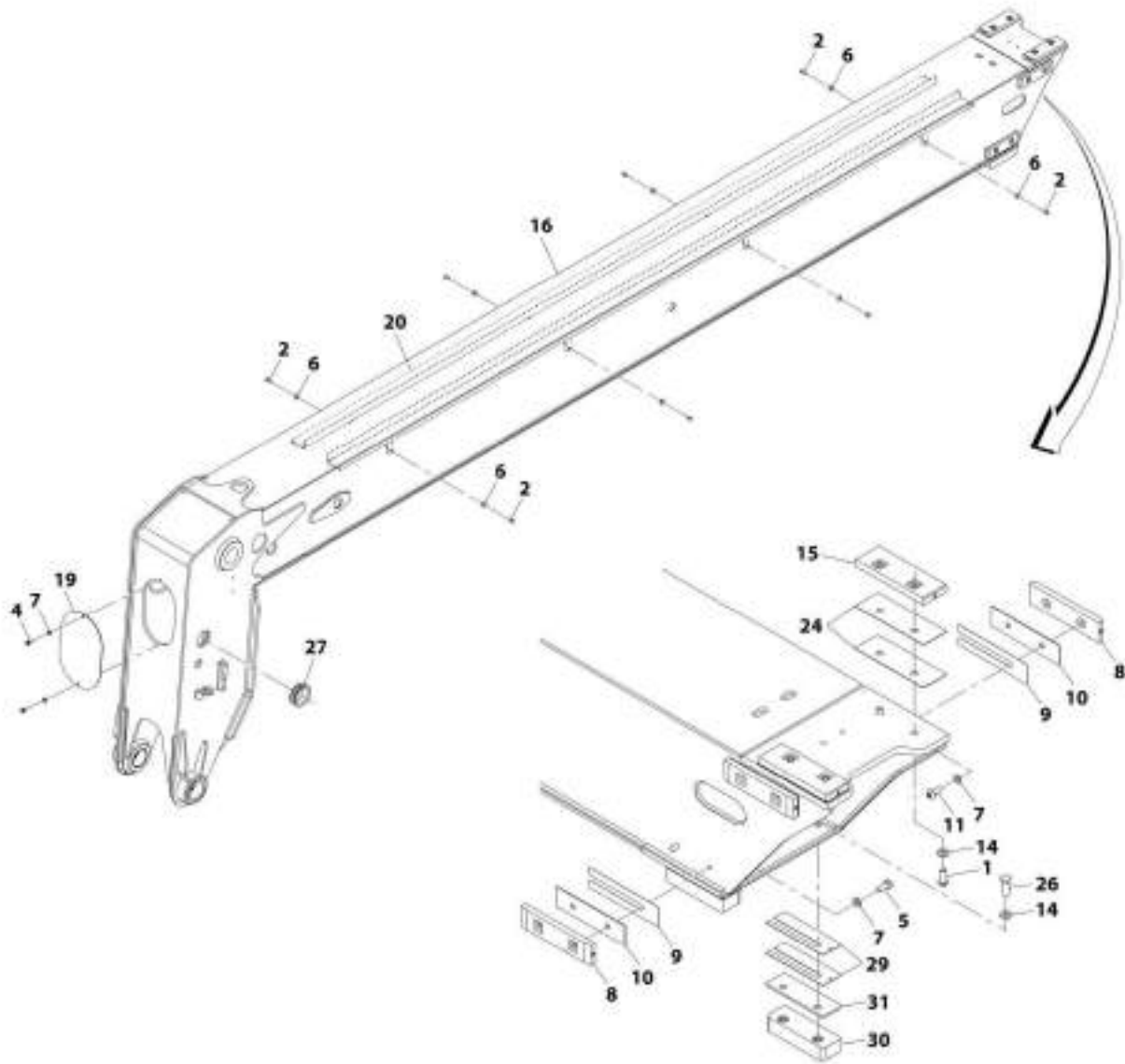
SECTION 2 - BOOM

FIGURE 2-7. SECOND BOOM SECTION ASSEMBLY

ITEM	PART NUMBER	QTY	DESCRIPTION	REV
	1001204177	Ref	Second Boom Section Assembly	K
1	0711216	4	Bolt, M12X40 Grade 10.9	
2	0771212	8	Bolt, M12X25 Grade 10.9	
3	8002200	8	Pad, M15X50X200	
4	8008640	AR	Shim, M50X200X0.5	
5	0771010	4	Bolt, M10X20 Grade 10.9	
6	0771012	8	Bolt, M10X25 Grade 10.9	
7	0711215	4	Bolt, M12X35 Grade 10.9	
8	1001003031	8	Shim, M50X198X1.5	
9	1001125117	AR	Washer, M12	
10	1001227334	6	Pad, M34X54X165	
11	1001195194	AR	Shim, M0.5X67X204	
12	1001204178	1	Boom, Second	
13	1001195737	AR	Shim	
14	1001204198	AR	Shim, M1X49X181	
15	1001204199	2	Shim, M49X181X5	
16	1001204200	2	Pad, M35X49X181	
17	0711016	4	Bolt, M10X40 Grade 10.9	
18	4812000	AR	Washer, M10	
19	1001223902	1	Bracket, RH	
20	1001223920	1	Bracket, LH	
21	1001223948	1	Pin	
22	1001223983	1	Roller	

SECTION 2 - BOOM

FIGURE 2-8. SECOND BOOM SECTION ASSEMBLY



ART_1001181752-L

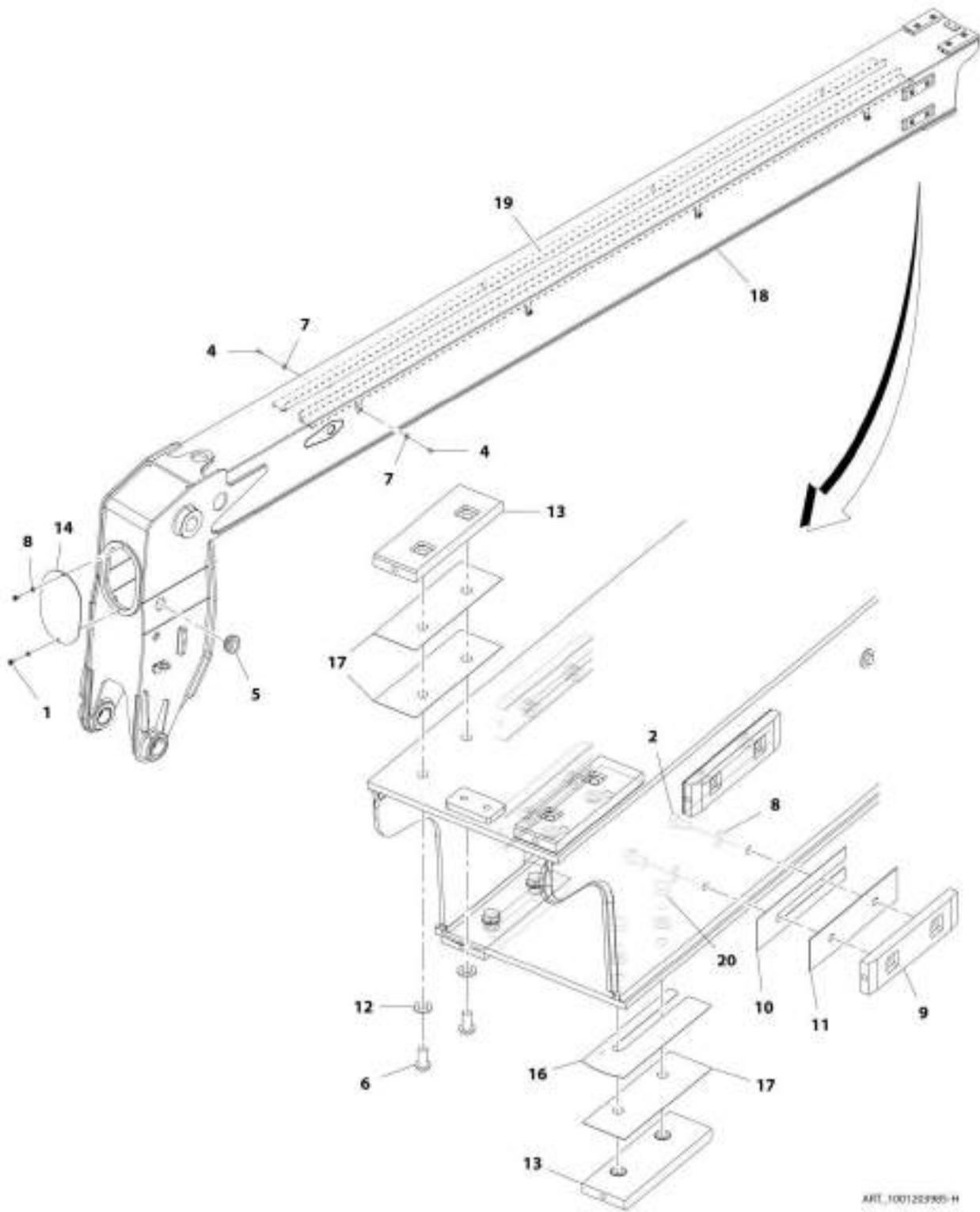
SECTION 2 - BOOM

FIGURE 2-8. SECOND BOOM SECTION ASSEMBLY

ITEM	PART NUMBER	QTY	DESCRIPTION	REV
	1001191752	Ref	Second Boom Section Assembly	L
1	1001229056	1	Screw, M12X30	
2	0760810	8	Bolt, M8X20	
4	1001161439	2	Screw	
5	0771012	4	Bolt, M10X25 Grade 10.9	
6	4811902	8	Washer, M8	
7	4812000	AR	Washer, M10	
8	8002200	4	Pad	
9	8008640	AR	Shim	
10	1001003031	4	Shim	
11	1001009325	4	Screw	
14	1001125117	AR	Washer, M12	
15	1001227334	2	Pad	
16	1001191753	1	Boom	
19	1001191789	1	Plate	
20	1001203987	2	Bracket	
24	1001195737	4	Shim	
26	0711215	4	Bolt, M12X35 Grade 10.9	
27	1001028415	1	Grommet	
29	1001163104	AR	Plate	
30	1001165175	2	Pad	
31	1001215464	2	Shim	

SECTION 2 - BOOM

FIGURE 2-9. THIRD BOOM SECTION ASSEMBLY



ARL100120980-H

SECTION 2 - BOOM

FIGURE 2-9. THIRD BOOM SECTION ASSEMBLY

ITEM	PART NUMBER	QTY	DESCRIPTION	REV
	1001203985	Ref	Third Boom Section Assembly	H
1	1001161439	2	Screw	
2	0771010	8	Bolt, M10X20 Grade 10.9	
4	0760810	8	Bolt, M8X20	
5	1001188971	1	Grommet	
6	1001229057	4	Screw, M12X25	
7	4811902	8	Washer, M8	
8	4812000	AR	Washer, M10	
9	8002200	4	Pad, M15X50X200	
10	8008640	AR	Shim, M50X200X0.5	
11	1001003031	4	Shim, M50X198X1.5	
12	1001125117	AR	Washer, M12	
13	1001227334	4	Pad	
14	1001191789	1	Plate, Boom Front Cover	
16	1001195194	AR	Shim, M0.5X67X204	
17	1001195737	AR	Shim	
18	1001203986	1	Weldment, Third Boom Section	
19	1001203987	2	Bracket, Hose Support Tray	
20	0771212	4	Bolt, M12X25	

FIGURE 2-10. COUPLER INSTALLATION (MANUAL)

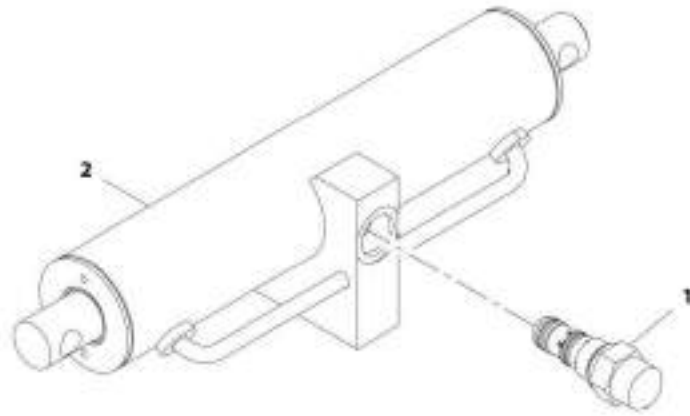
ITEM	PART NUMBER	QTY	DESCRIPTION	REV
	1001174104	Ref	Coupler Installation (Manual)	G
2	2160016	2	Fitting, Grease	
5	1001187820	1	Coupling, Manual	
6	1001187821	1	Pin	
8	1001187847	AR	Shim	
9	1001187848	AR	Shim	
10	1001190250	1	Pin, Tilt	
11	1001190264	1	Pin	
12	0761012	8	Bolt, M10X25	
13	4812000	4	Washer, M10	
14	1001200393	1	Plate, Front Cover	
15	1001210326	2	Plate	
16	1001003803	1	Pin	
17	4812002	4	Washer, M10	

FIGURE 2-11. COUPLER INSTALLATION (HYDRAULIC)

ITEM	PART NUMBER	QTY	DESCRIPTION	REV
	1001192358	Ref	Coupler Installation (Hydraulic)	D
2	0761012	8	Bolt, M10X25	
3	2110606	2	Fitting, Straight ORFS	
4	2160016	2	Fitting, Grease	
6	4812000	4	Washer, M10	
7	1001145391	1	Assembly, Coupler Locking Cylinder (See Seperate Breakdown in this Section)	
8	1001187820	1	Carriage	
10	1001187847	AR	Shim, M76X115X1.5	
11	1001187848	AR	Shim, M81X120X1.5	
12	1001190250	1	Pin, Tilt	
13	1001190264	1	Pin, Coupler	
14	1001200393	1	Plate, Front Cover	
15	1001200395	2	Pin	
16	1001184610	2	Pin	
17	1001210326	2	Plate, Pin Retention	
18	4812002	4	Washer, M10	

SECTION 2 - BOOM

FIGURE 2-12. COUPLER LOCKING CYLINDER ASSEMBLY



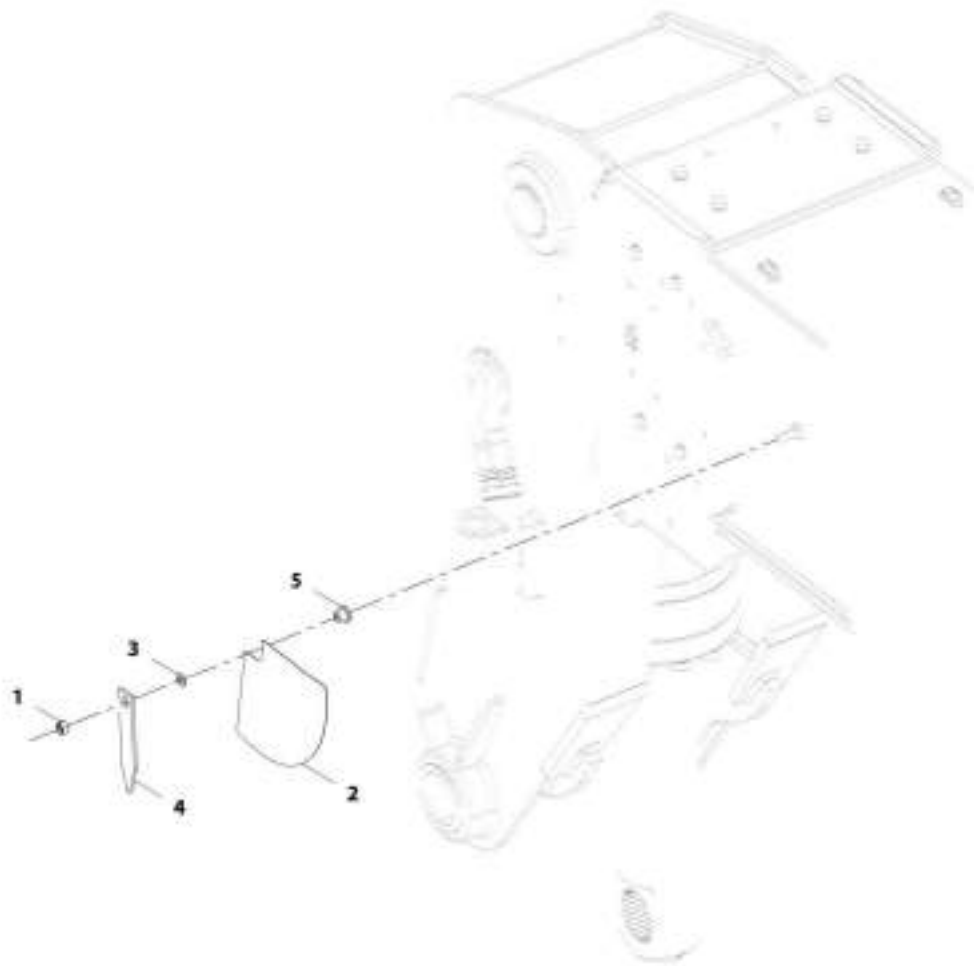
ART_1801145391-A

FIGURE 2-12. COUPLER LOCKING CYLINDER ASSEMBLY

ITEM	PART NUMBER	QTY	DESCRIPTION	REV
	1001145391	Ref	Coupler Locking Cylinder Assembly	A
1	1001007056	1	Valve, Check	
2	1001145390	1	Cylinder, Coupler Locking (See Seperate Breakdown in Hydraulic Components Section)	

SECTION 2 - BOOM

FIGURE 2-13. BOOM ANGLE INDICATOR INSTALLATION (LS - AUS)



ART_180116266-A

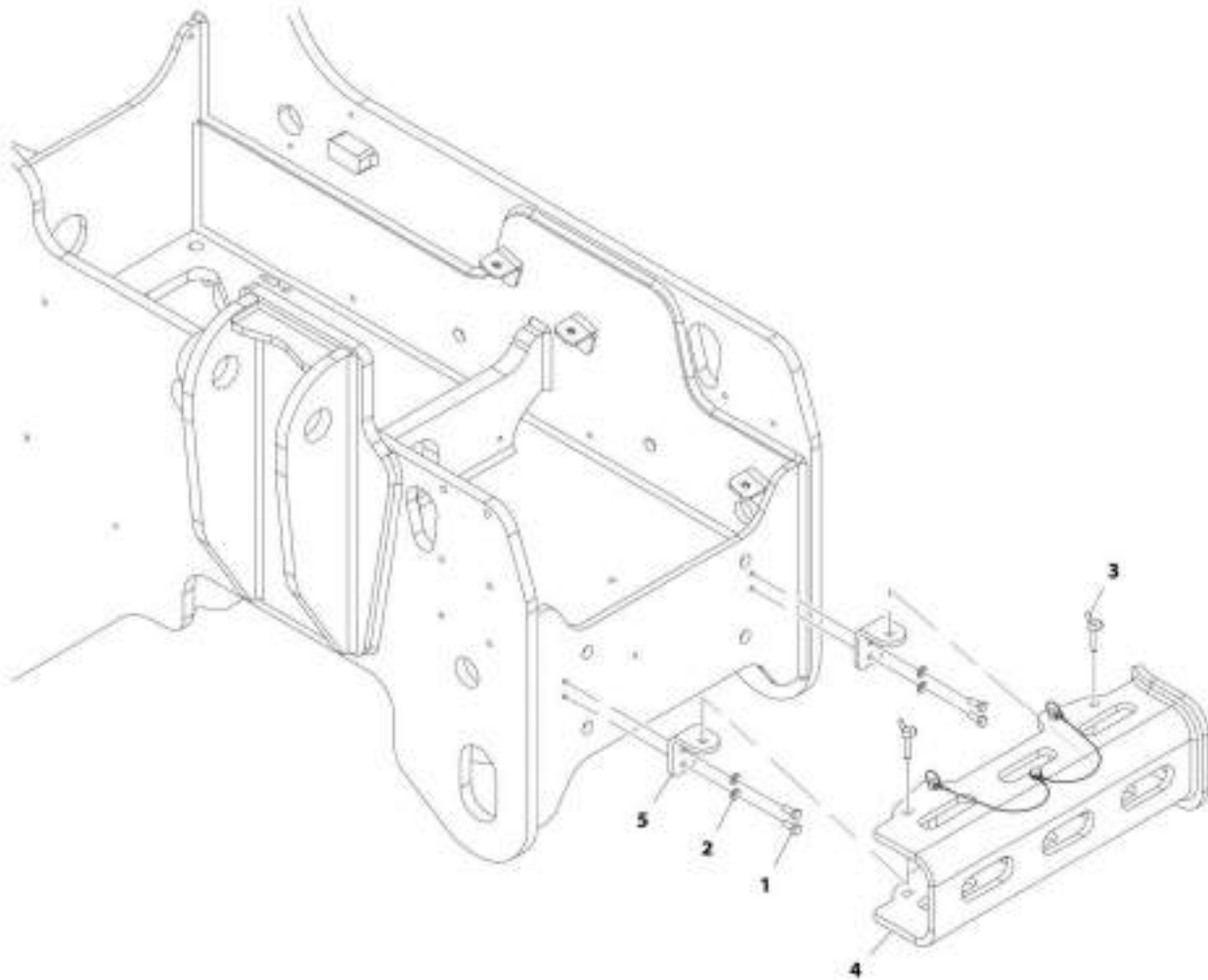
SECTION 2 - BOOM

FIGURE 2-13. BOOM ANGLE INDICATOR INSTALLATION (LS - AUS)

ITEM	PART NUMBER	QTY	DESCRIPTION	REV
	1001192364	Ref	Boom Angle Indicator Installation	A
1	3291005	1	Nut, Lock M10X1.5	
2	4105262	1	Decal, Boom Angle Indicator	
3	4812000	1	Washer, M10	
4	1001098769	1	Plate, Boom Angle Indicator	
5	1001171808	1	Spacer	

SECTION 2 - BOOM

FIGURE 2-14. BOOM PROP INSTALLATION



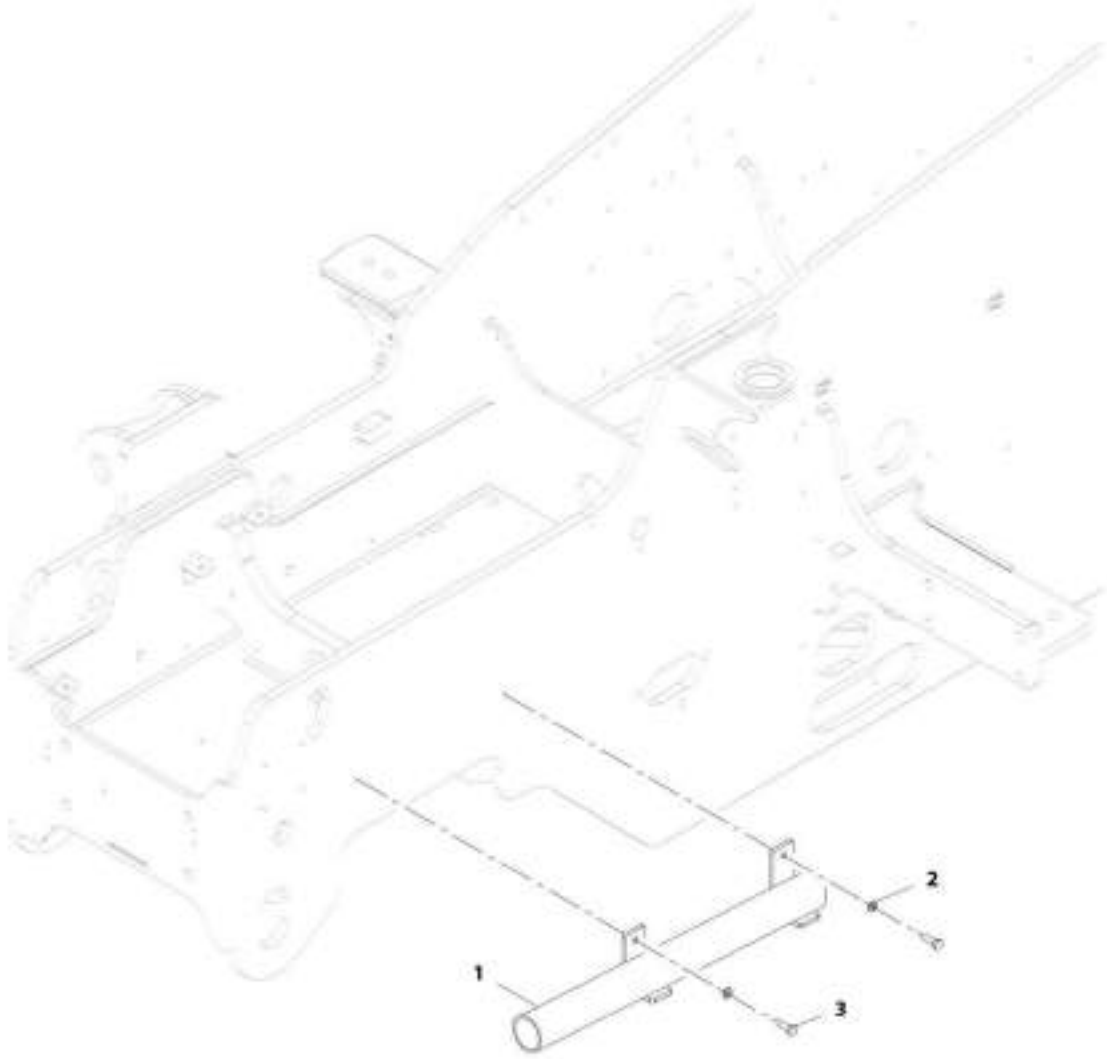
ART_100117419-C

FIGURE 2-14. BOOM PROP INSTALLATION

ITEM	PART NUMBER	QTY	DESCRIPTION	REV
	1001174419	Ref	Boom Prop Installation	C
1	0760810	4	Bolt, M8X20	
2	4811900	4	Washer, M8	
3	1001228860	2	Bolt, Wing M8X30	
4	1001191035	1	Bracket, Boom Prop	
5	1001193887	2	Bracket	

SECTION 2 - BOOM

FIGURE 2-15. MANUAL COUPLER PIN HOLDER INSTALLATION



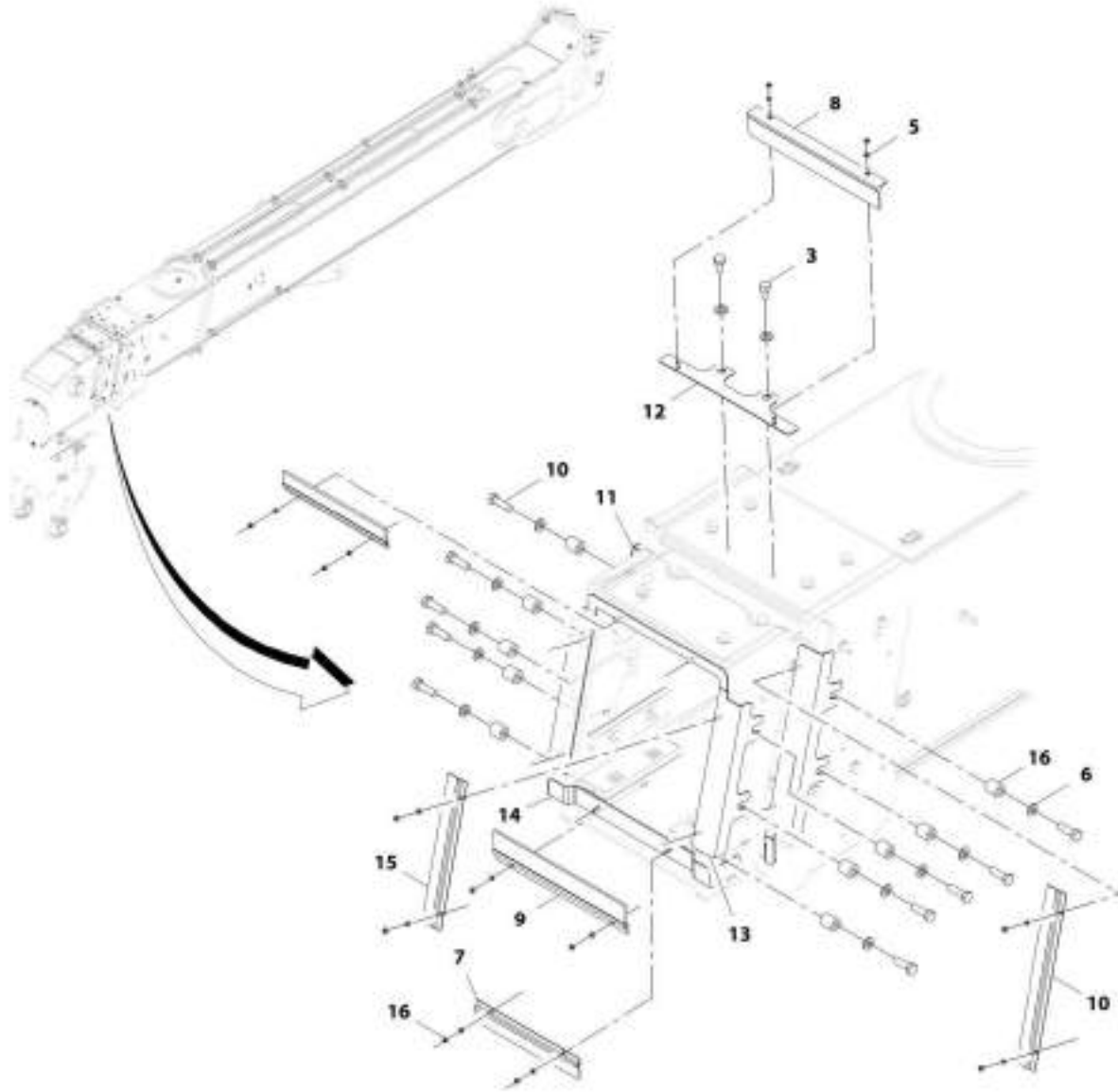
ART_180122841-A

FIGURE 2-15. MANUAL COUPLER PIN HOLDER INSTALLATION

ITEM	PART NUMBER	QTY	DESCRIPTION	REV
	1001220641	Ref	Manual Coupler Pin Holder Installation	A
1	1001220248	1	Bracket, Pin Holder	
2	4812000	2	Washer, M10	
3	0701014	2	Bolt, M10X30	

SECTION 2 - BOOM

FIGURE 2-16. BOOM BRUSHES INSTALLATION



ART_1801301432-C

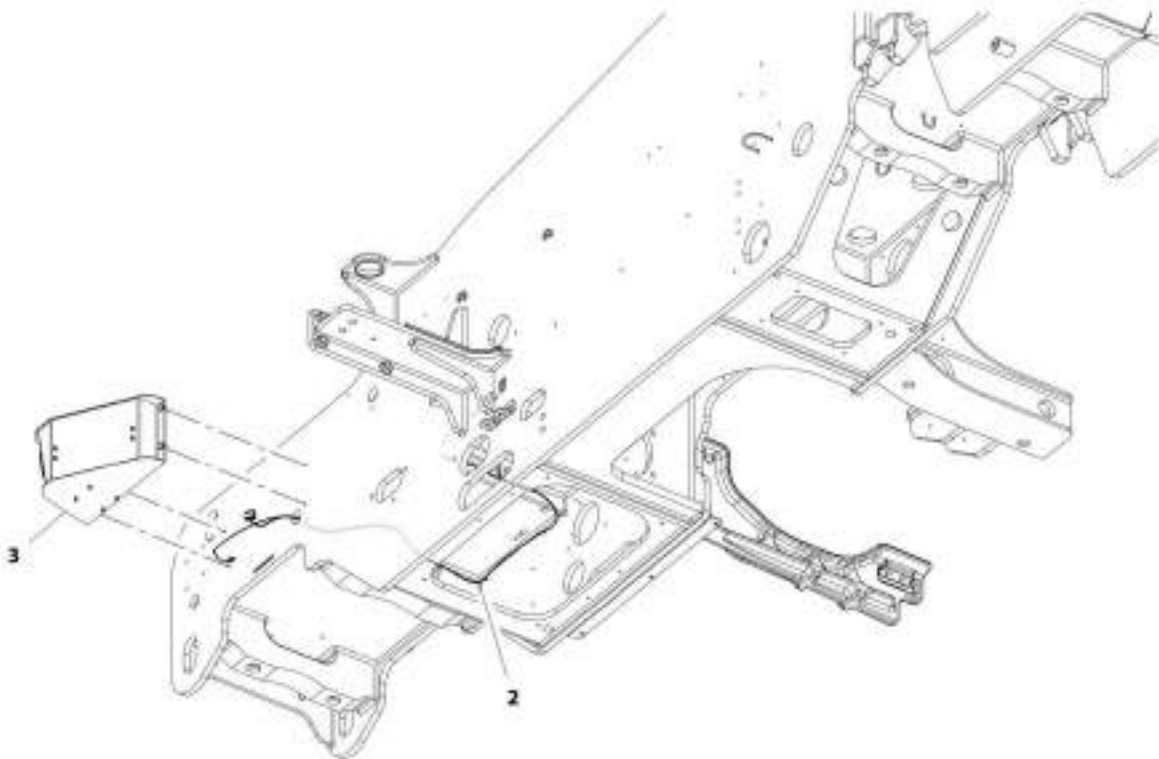
FIGURE 2-16. BOOM BRUSHES INSTALLATION

ITEM	PART NUMBER	QTY	DESCRIPTION	REV
	1001201432	Ref	Boom Brushes Installation	C
1	0701216	10	Bolt, M12X40	
3	0761210	2	Bolt, M12X20	
4	3290505	16	Nut, Lock M5X0.8	
5	4811600	16	Washer, M5	
6	1001125117	12	Washer, M12	
7	1001172995	2	Brush, Boom	
8	1001172999	1	Brush, Boom	
9	1001173679	1	Brush, Boom	
10	1001173739	2	Brush, Boom	
11	1001205619	1	Bracket, Boom Brush	
12	1001196879	1	Bracket, Boom Brush	
13	1001205621	1	Bracket, Boom Brush	
14	1001205622	1	Bracket, Boom Brush	
15	1001205627	2	Brush, Boom	
16	1001220286	10	Spacer	

SECTION 3 - ATTACHMENTS

SECTION 3 - ATTACHMENTS

FIGURE 3-1. ATTACHMENT RECOGNITION INSTALLATION



ART_0001185801-C

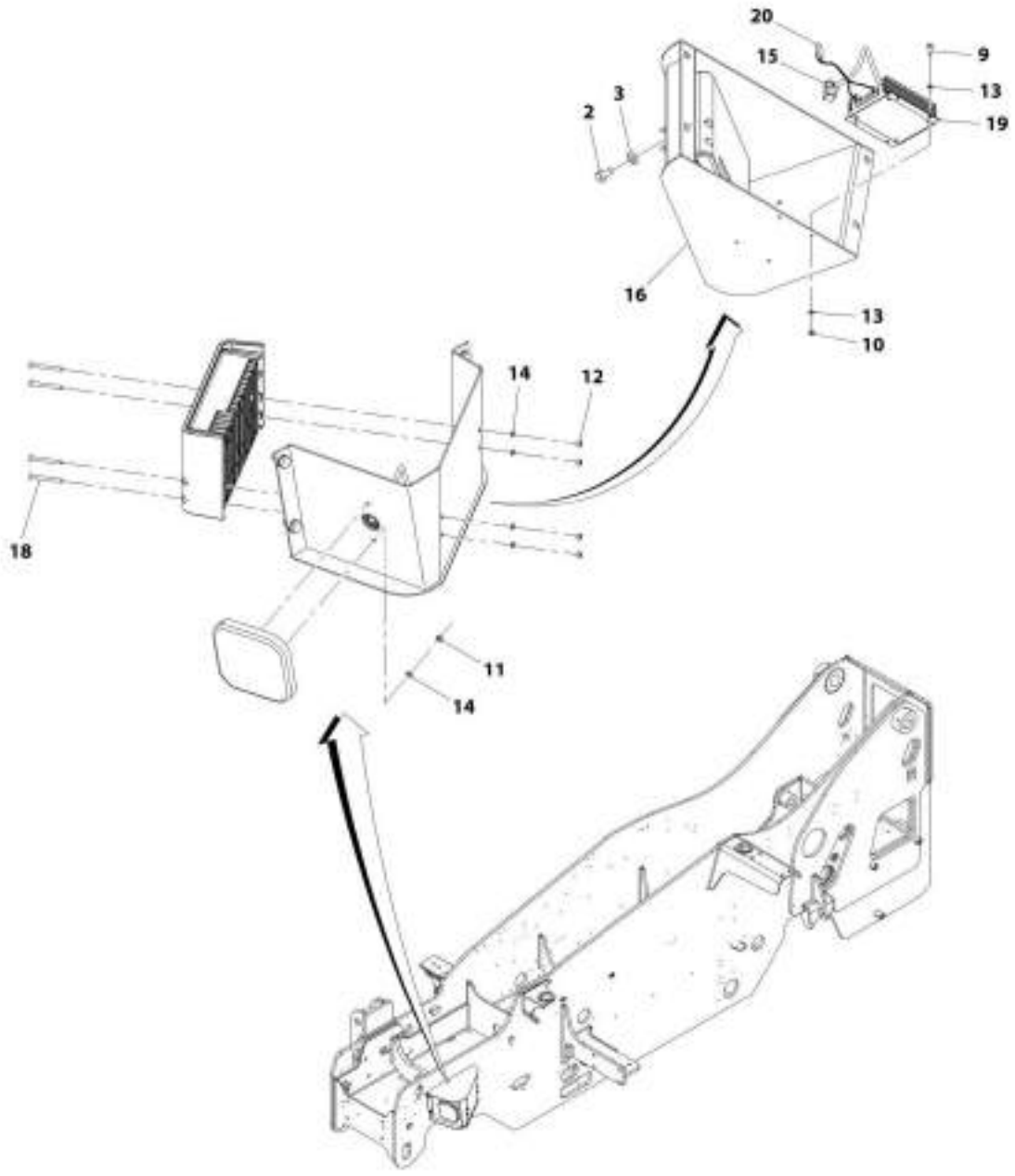
SECTION 3 - ATTACHMENTS

FIGURE 3-1. ATTACHMENT RECOGNITION INSTALLATION

ITEM	PART NUMBER	QTY	DESCRIPTION	REV
	1001195881	Ref	Attachment Recognition Installation	C
2	1001206843	1	Cable	
3	1001207866	1	Installation, Components Attachment Recognition (See Separate Breakdown in this Section)	

SECTION 3 - ATTACHMENTS

FIGURE 3-2. COMPONENTS ATTACHMENT RECOGNITION INSTALLATION



ART_1001207066-E

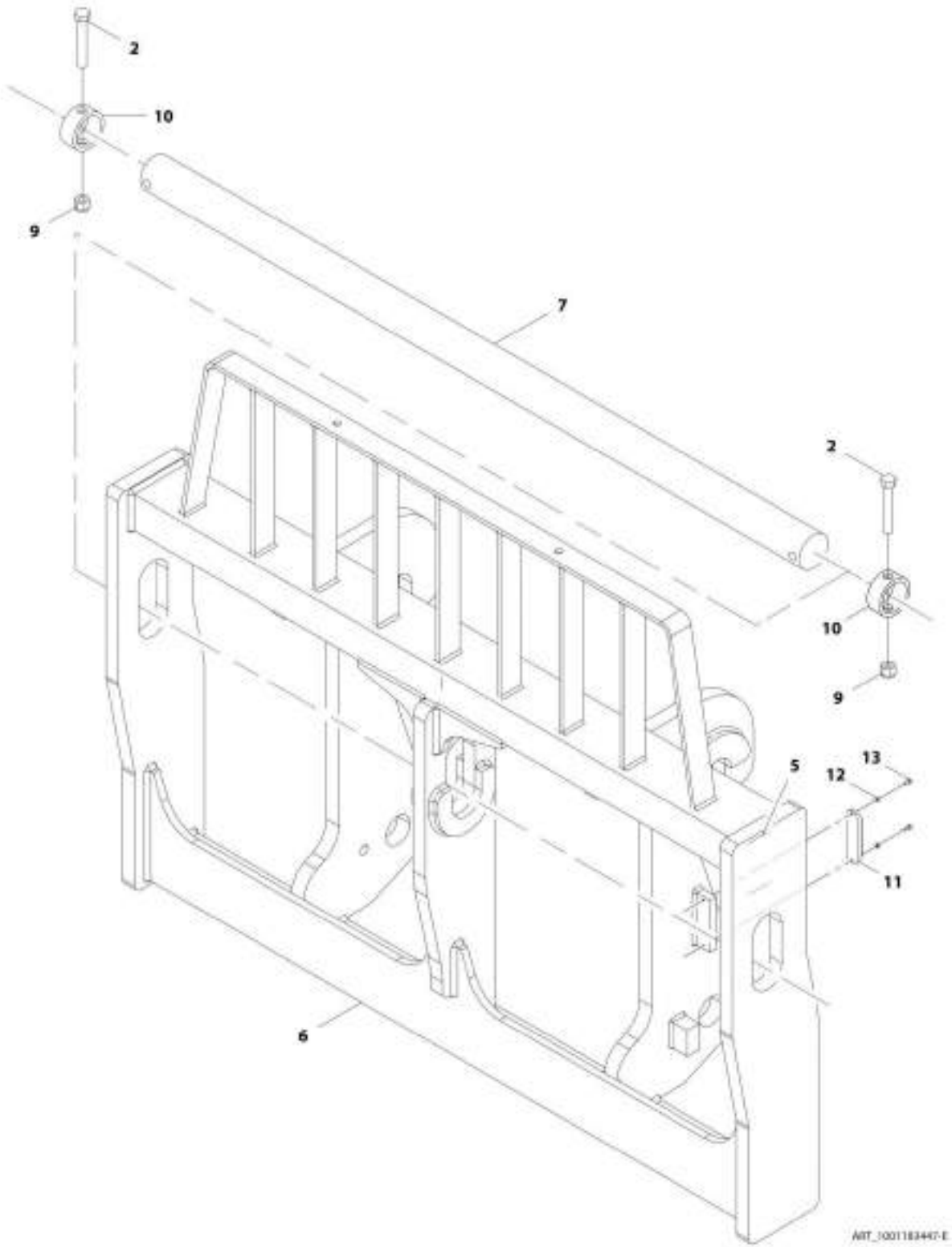
SECTION 3 - ATTACHMENTS

FIGURE 3-2. COMPONENTS ATTACHMENT RECOGNITION INSTALLATION

ITEM	PART NUMBER	QTY	DESCRIPTION	REV
	1001207866	Ref	Components Attachment Recognition Installation	E
2	0761010	4	Bolt, M10X20	
3	4812000	4	Washer, M10	
9	0760407	4	Bolt, M4X14	
10	3290405	4	Nut, Lock M4X0.7 Grade 8	
11	3290505	2	Nut, Lock M5X0.8 Grade 8	
12	3290507	4	Nut, Lock M5X0.8	
13	4811400	8	Washer, M4	
14	4811600	6	Washer, M5	
15	1001206725	1	Cable	
16	1001232988	1	Bracket, Attachment Recognition	
18	1001234395	4	Screw, M5X50	
19	1001234596	1	Control, Voltage	
20	1001234802	1	Harness	

SECTION 3 - ATTACHMENTS

FIGURE 3-3. CARRIAGE ASSEMBLY, (60IN/1524MM)



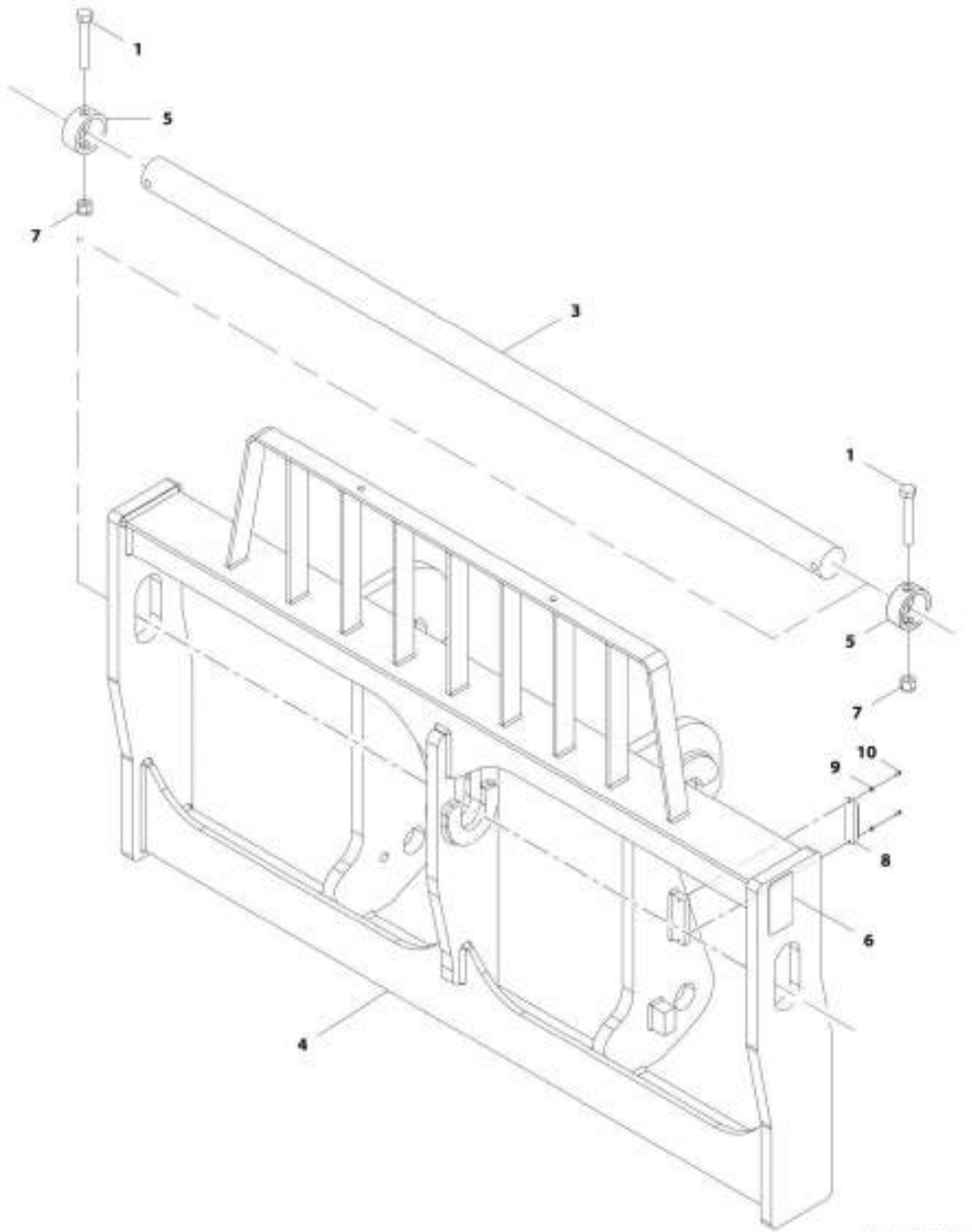
SECTION 3 - ATTACHMENTS

FIGURE 3-3. CARRIAGE ASSEMBLY, (60IN/1524MM)

ITEM	PART NUMBER	QTY	DESCRIPTION	REV
	1001183447	1	Carriage Assembly, (60in/1524mm)	E
2	0701628	2	Bolt, M16X110	
5	N.S.S.	1	Plate, Serial Number	
6	N.S.S.	1	Weldment, Carriage	
7	1001191108	1	Pin	
9	3291605	2	Nut, Lock M16X2 Grade 8	
10	1001218755	2	Collar, Shaft	
11	1001227670	1	Tag, RFID	
12	4811400	2	Washer, M4	
13	0760405	2	Bolt, M4X10	

SECTION 3 - ATTACHMENTS

FIGURE 3-4. CARRIAGE ASSEMBLY, (72IN/1829MM)



MIT_1001214415-D

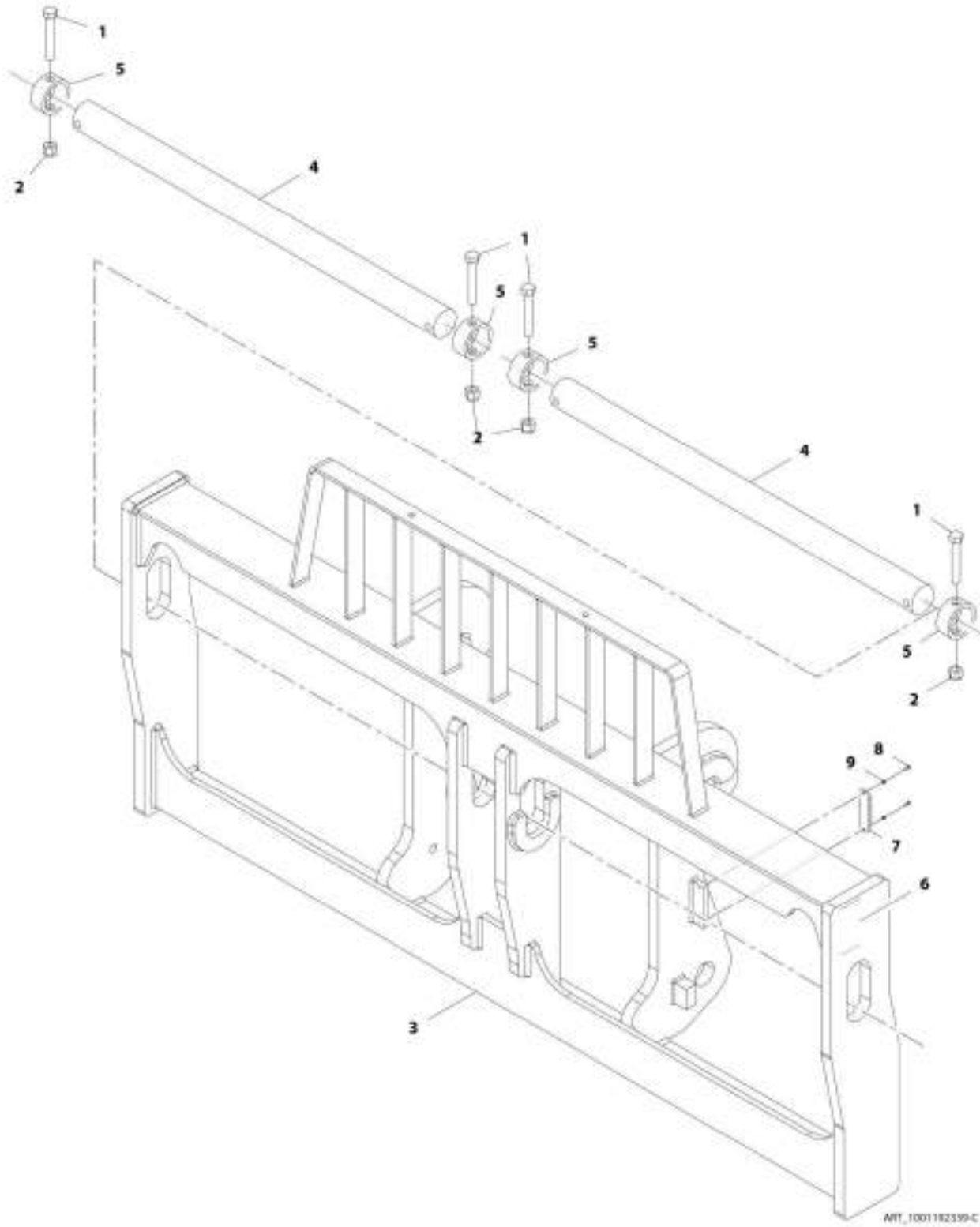
SECTION 3 - ATTACHMENTS

FIGURE 3-4. CARRIAGE ASSEMBLY, (72IN/1829MM)

ITEM	PART NUMBER	QTY	DESCRIPTION	REV
	1001214415	1	Carriage Assembly, (72in/1829mm)	D
1	0701628	2	Bolt, M16X110	
3	1001214254	1	Pin	
4	N.S.S.	1	Weldment, Carriage	
5	1001218755	2	Collar, Shaft	
6	N.S.S.	1	Plate, Serial Number	
7	3291605	2	Nut, Lock M16X2 Grade 8	
8	1001227670	1	Tag, RFID	
9	4811400	2	Washer, M4	
10	0760405	2	Bolt, M4X10	

SECTION 3 - ATTACHMENTS

FIGURE 3-5. CARRIAGE ASSEMBLY, (87IN/2290MM)



AWT_1001182399-C

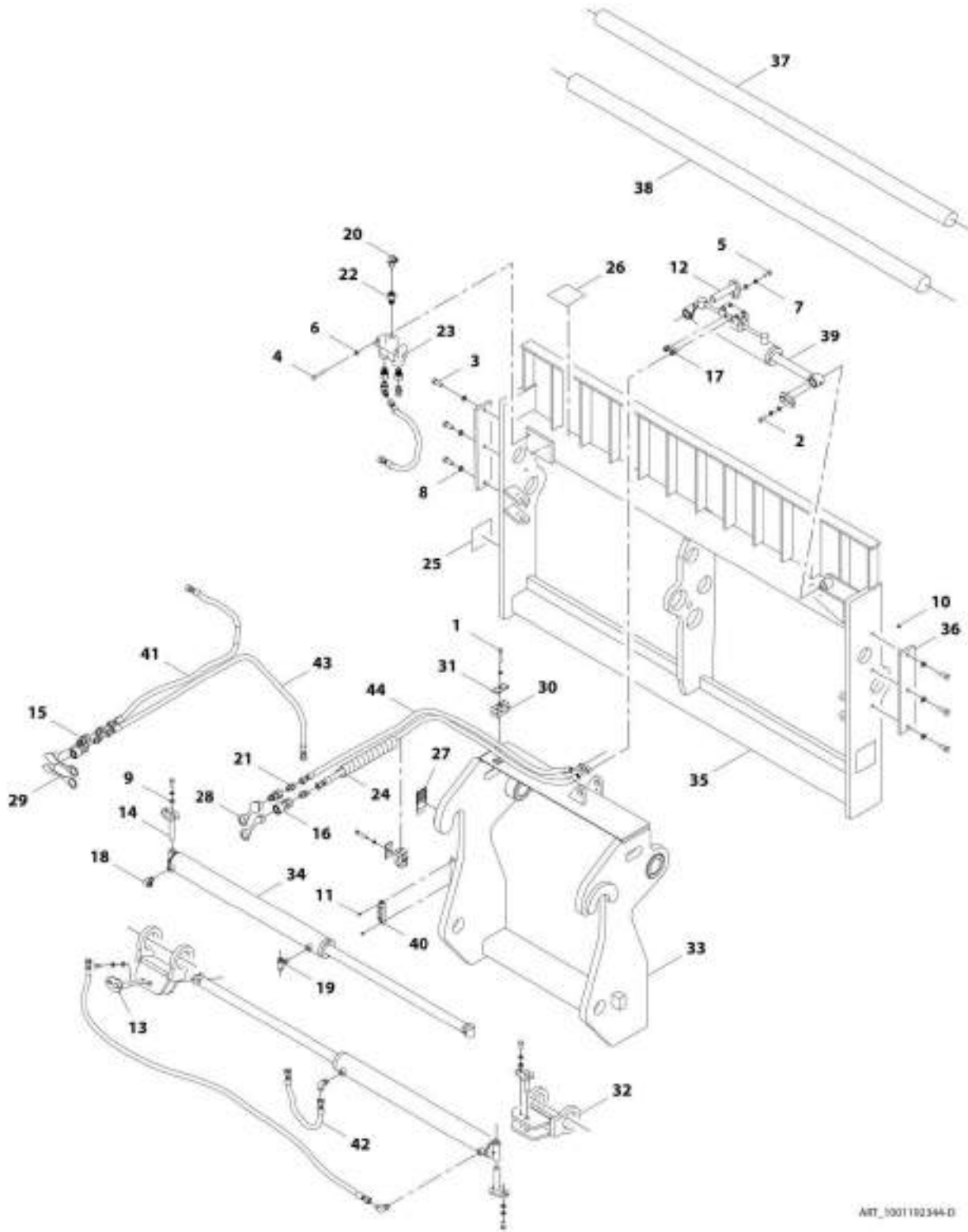
SECTION 3 - ATTACHMENTS

FIGURE 3-5. CARRIAGE ASSEMBLY, (87IN/2290MM)

ITEM	PART NUMBER	QTY	DESCRIPTION	REV
	1001192339	1	Carriage Assembly, (87in/2290mm)	C
1	0701628	4	Bolt, M16X110	
2	3291605	4	Nut, Lock M16X2 Grade 8	
3	N.S.S.	1	Weldment, Carriage	
4	1001218754	2	Pin	
5	1001218755	4	Collar, Shaft	
6	N.S.S.	1	Plate, Serial Number	
7	1001227670	1	Tag, RFID	
8	0760405	2	Bolt, M4X10	
9	4811400	2	Washer, M4	

SECTION 3 - ATTACHMENTS

FIGURE 3-6. DUAL FORK POSITIONING SIDE SHIFT CARRIAGE, (75IN/1899MM)



ART_0001192344-D

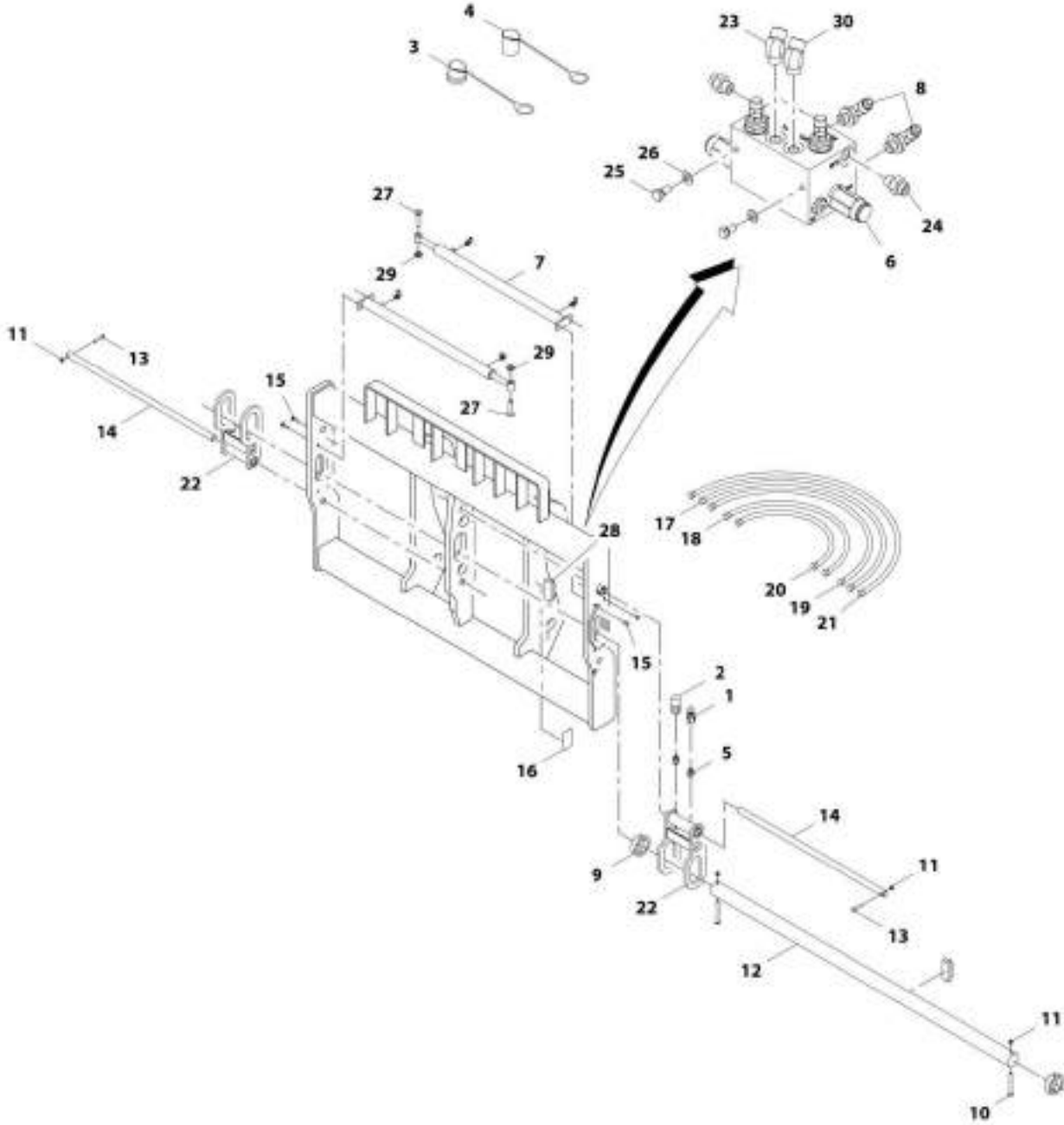
SECTION 3 - ATTACHMENTS

FIGURE 3-6. DUAL FORK POSITIONING SIDE SHIFT CARRIAGE, (75IN/1899MM)

ITEM	PART NUMBER	QTY	DESCRIPTION	REV
	1001192344	1	Dual Fork Positioning Side Shift Carriage, (75in/1899mm)	D
1	70028485	2	Bolt	
2	70021349	1	Bolt, 3/8X1	
3	70027989	6	Bolt	
4	70028591	3	Bolt	
5	7029704	5	Bolt, 3/8-24X1	
6	90554067	5	Washer, Lock 5/16	
7	90554042	6	Washer, Lock 3/8	
8	90554020	6	Washer, Lock 1/2	
9	7029703	6	Washer, Flat	
10	90554045	1	Zerk, Grease	
11	70028554	2	Screw	
12	7029702	2	Pin	
13	70028592	2	Pin	
14	70028593	2	Pin	
15	1001101041	2	Adapter, Male Quick Disconnect	
16	1001101042	2	Adapter, Female Quick Disconnect	
17	70028486	2	Fitting	
18	70028525	3	Elbow, 90	
19	70028594	1	Fitting	
20	70028526	2	Elbow, 90	
21	70028488	5	Fitting	
22	70028595	3	Fitting	
23	70028596	1	Valve	
24	70028597	1	Protector, Hose	
25	90554017	2	Decal, Danger Pinch Point	
26	7029711	1	Decal, High Pressure	
27	N.S.S.	1	Plate, Serial Number	
28	8420053	2	Plug, Dust	
29	8420055	2	Plug, Dust	
30	70028495	2	Clamp	
31	70028496	2	Plate, Clamp	
32	70028598	2	Clevis	
33	N.S.S.	1	Weldment	
34	70028599	2	Assembly, Fork Positioning Cylinder (See Separate Breakdown in Hydraulic Components Section)	
35	N.S.S.	1	Weldment	
36	70028600	2	Pin	
37	70028601	1	Pin	
38	70028602	1	Pin	
39	70028603	1	Assembly, Side Shift Cylinder (See Separate Breakdown in Hydraulic Components Section)	
40	1001227670	1	Tag, RFID	
41	70028604	2	Hose	
42	70028605	2	Hose	
43	70028606	1	Hose	
44	70028607	2	Hose	

SECTION 3 - ATTACHMENTS

FIGURE 3-7. DUAL FORK POSITIONING CARRIAGE, (72IN/1829MM)



ART_3001192342-D

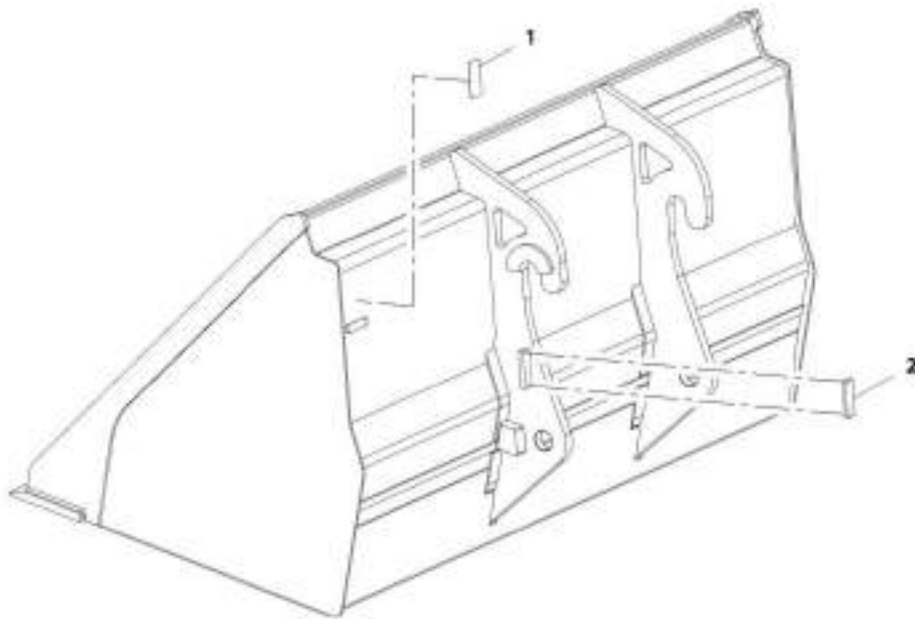
SECTION 3 - ATTACHMENTS

FIGURE 3-7. DUAL FORK POSITIONING CARRIAGE, (72IN/1829MM)

ITEM	PART NUMBER	QTY	DESCRIPTION	REV
	1001192342	1	Dual Fork Positioning Carriage, (72in/1829mm)	D
1	1001101041	1	Coupler, Male Hydraulic	
2	1001101042	1	Coupler, Female Hydraulic	
3	8420053	1	Cap	
4	8420055	1	Cap	
5	1001008834	2	Fitting, Straight	
6	70027896	1	Valve	
7	70028505	2	Cylinder, Forkpositioner	
8	2150606	4	Fitting, 45 ORFS	
9	70028506	2	Collar	
10	70027889	2	Bolt, M10x120	
11	70027890	4	Nut M10	
12	70028507	1	Shaft, Floating	
13	70027881	2	Bolt, M10x55	
14	70028508	2	Shaft, Forkpositioner	
15	70027880	4	Bolt, M10x30	
16	N.S.S.	1	Plate, Serial Number	
17	70028509	1	Hose	
18	70028510	1	Hose	
19	70028511	1	Hose	
20	70028512	1	Hose	
21	70027899	2	Hose	
22	70028513	2	Cage, Fork	
23	2150606	1	Fitting, 45 ORFS	
24	2110606	2	Fitting, Straight ORFS	
25	70027882	2	Bolt, M8X16	
26	70027879	2	Washer	
27	70027888	3	Screw, Countersunk M20x80	
28	1001227670	1	Tag, RFID	
29	70027887	2	Nut, M20	
30	2170206	1	Fitting, 90 ORFS	

SECTION 3 - ATTACHMENTS

FIGURE 3-8. BUCKET (2.6 YD³/2.0M³)



ART_100192815-E

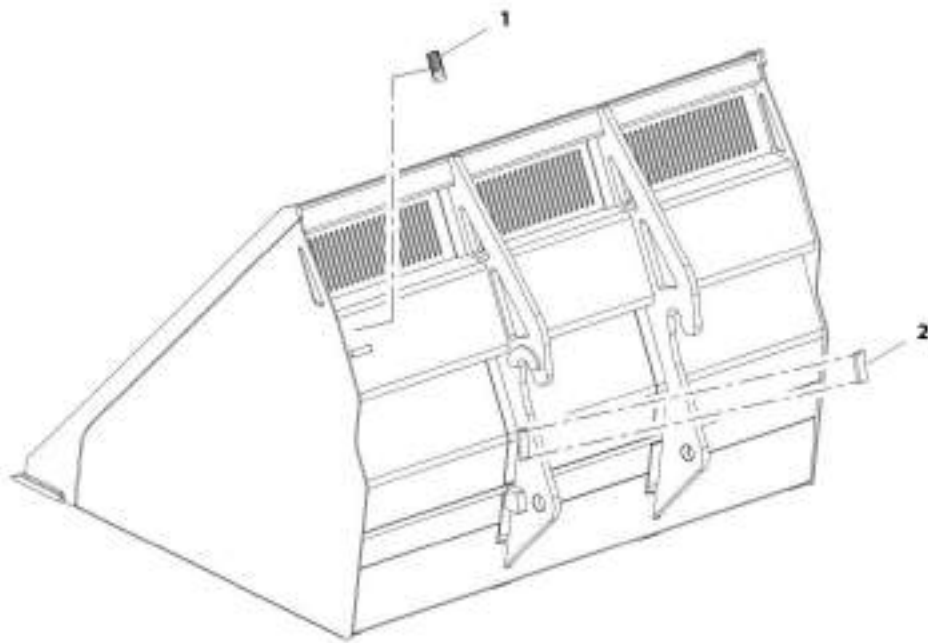
SECTION 3 - ATTACHMENTS

FIGURE 3-8. BUCKET (2.6 YD³/2.0M³)

ITEM	PART NUMBER	QTY	DESCRIPTION	REV
	1001192615	Ref	Bucket (2.6 yd ³ /2.0m ³)	E
1	N.S.S.	1	Plate, Serial Number	
2	1001227670	1	Tag, RFID	

SECTION 3 - ATTACHMENTS

FIGURE 3-9. BUCKET (5.23 YD3)



ART_100192816-D

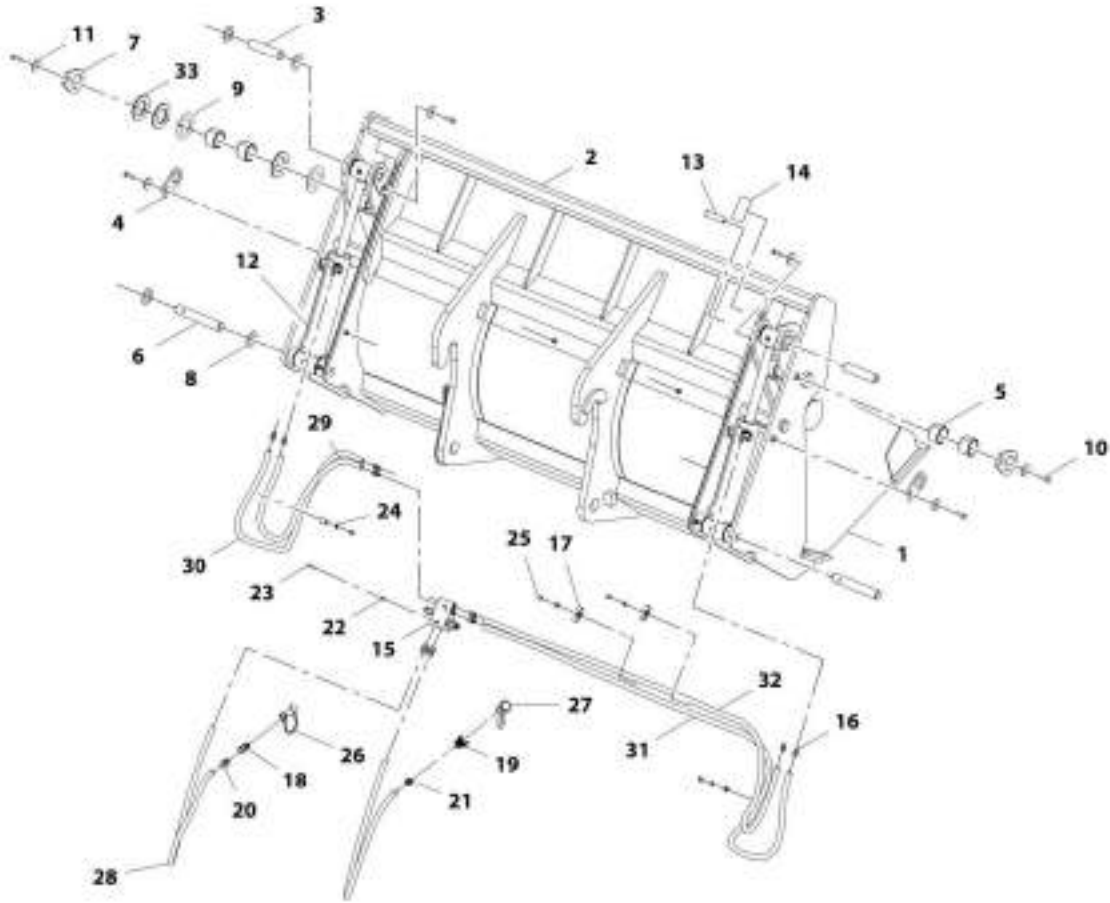
SECTION 3 - ATTACHMENTS

FIGURE 3-9. BUCKET (5.23 YD3)

ITEM	PART NUMBER	QTY	DESCRIPTION	REV
	1001192616	Ref	Bucket (5.23 yd ³ /4.0m ³)	D
1	N.S.S.	1	Plate, Serial Number	
2	1001227670	1	Tag, RFID	

SECTION 3 - ATTACHMENTS

FIGURE 3-10. 4 IN 1 BUCKET (2.6 YD³/2.0M³)



ART_0001192614-D

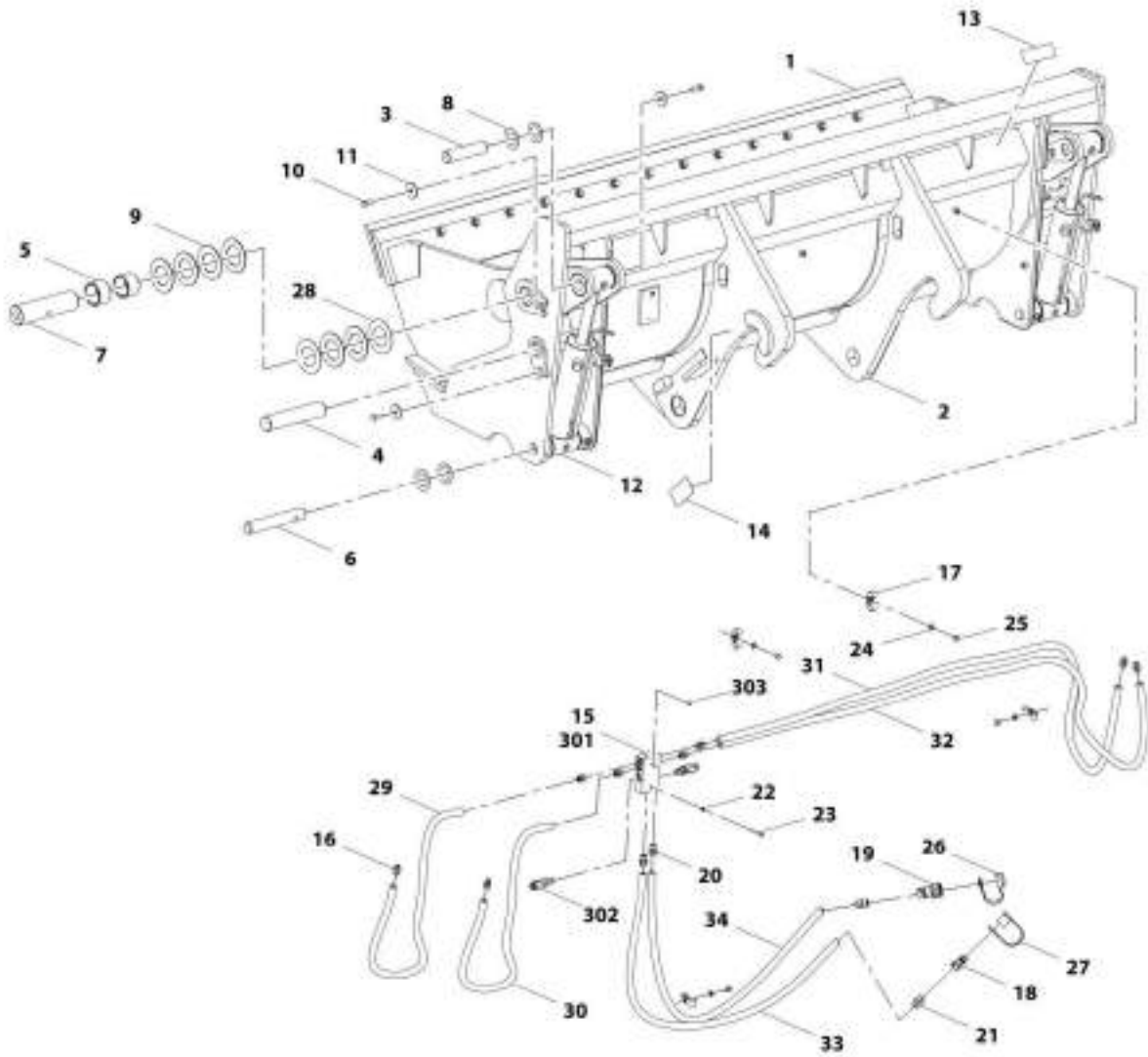
SECTION 3 - ATTACHMENTS

FIGURE 3-10. 4 IN 1 BUCKET (2.6 YD³/2.0M³)

ITEM	PART NUMBER	QTY	DESCRIPTION	REV
	1001192614	Ref	4 in 1 Bucket (2.6 yd ³ /2.0m ³)	D
1	N.S.S.	1	Assembly, Scarifier	
2	N.S.S.	1	Assembly, Bucket	
3	70028563	2	Pin	
4	70028564	2	Pin	
5	70028565	4	Bushing	
6	70028566	2	Pin	
7	70028567	2	Pin	
8	70028568	8	Shim	
9	70028569	6	Shim	
10	70028570	6	Capscrew	
11	70028571	6	Washer	
12	70028572	2	Cylinder, 4 in 1 Bucket (See Separate Breakdown in Hydraulic Components Section)	
13	N.S.S.	1	Plate, Serial Number	
14	N.S.S.	1	Plate, Serial Number JLG	
15	70028573	1	Valve Assembly, 4 in 1 Bucket (See Separate Breakdown in Hydraulic Circuits Section)	
16	70024130	8	Fitting	
17	70026481	8	Clamp	
18	1001101041	1	Adapter, Male Quick Disconnect	
19	1001101042	1	Adapter, Female Quick Disconnect	
20	70022938	2	Fitting, Straight	
21	70028263	2	Fitting, Straight	
22	70026480	2	Fitting, Straight	
23	70026479	2	Bolt, M6X50	
24	70026482	4	Washer, M10	
25	70026483	4	Bolt, M10X16	
26	8420055	1	Cap, Dust	
27	8420053	1	Cap, Dust	
28	70028744	1	Hose	
29	70028745	1	Hose	
30	70028746	1	Hose	
31	70028747	1	Hose	
32	70028748	1	Hose	
33	70028574	12	Shim	

SECTION 3 - ATTACHMENTS

FIGURE 3-11. 4 IN 1 BUCKET (1.3 YD³/1.0M³)



AWT_3001228427-A

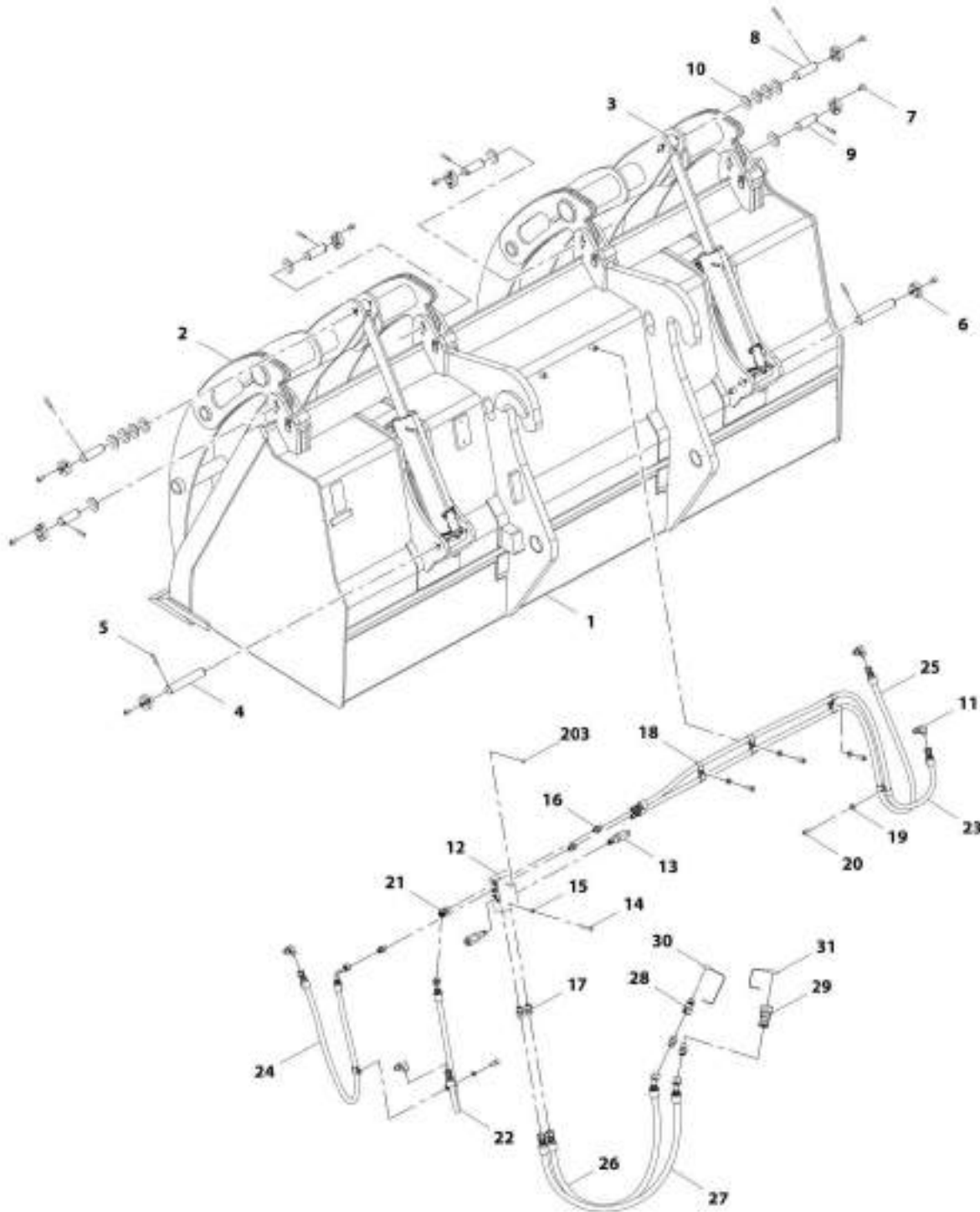
SECTION 3 - ATTACHMENTS

FIGURE 3-11. 4 IN 1 BUCKET (1.3 YD³/1.0M³)

ITEM	PART NUMBER	QTY	DESCRIPTION	REV
	1001228427	Ref	4 in 1 Bucket (1.3 yd ³ /1.0m ³)	A
1	N.S.S.	1	Assembly, Front Bucket	
2	N.S.S.	1	Assembly, Back Bucket	
3	70028563	2	Pin	
4	70028564	2	Pin	
5	70028565	4	Bushing	
6	70028566	2	Pin	
7	70028567	2	Pin	
8	70028568	8	Shim	
9	70028569	6	Shim	
10	70028570	6	Capscrew	
11	70028571	6	Washer	
12	70028572	2	Assembly, 4 In 1 Bucket Cylinder (5.23 yd ³ /4.0m ³) (See Separate Breakdown in Hydraulic Components Section)	
13	N.S.S.	1	Plate, Name	
14	N.S.S.	1	Plate, Serial Number	
15	70028573	1	Assembly, 4 In 1 Bucket Valve (5.23 yd ³ /4.0m ³) (See Separate Breakdown in Hydraulic Circuits Section)	
16	70024130	8	Fitting, Straight	
17	70026481	8	Clamp, Hose	
18	1001101041	1	Adapter, Male Quick Disconnect	
19	1001101042	1	Adapter, Female Quick Disconnect	
20	70022938	2	Fitting, Straight	
21	70028263	2	Fitting, Straight	
22	70026480	2	Washer, M6	
23	70026479	2	Bolt, M6X50	
24	70026482	4	Washer, M10	
25	70026483	4	Bolt, M10X16	
26	8420055	1	Plug, Dust	
27	8420053	1	Plug, Cap	
28	70028574	12	Shim	
29	70028575	1	Hose	
30	70028576	1	Hose	
31	70028577	1	Hose	
32	70028578	1	Hose	
33	70028579	1	Hose	
34	70028580	1	Hose	
301	70026477	1	Manifold	
302	70028589	2	Cartridge, Relief	
303	70026614	2	Plug	

SECTION 3 - ATTACHMENTS

FIGURE 3-12. GRAPPLE BUCKET (1.7 YD³/1.3M³)



ART_3001223405-B

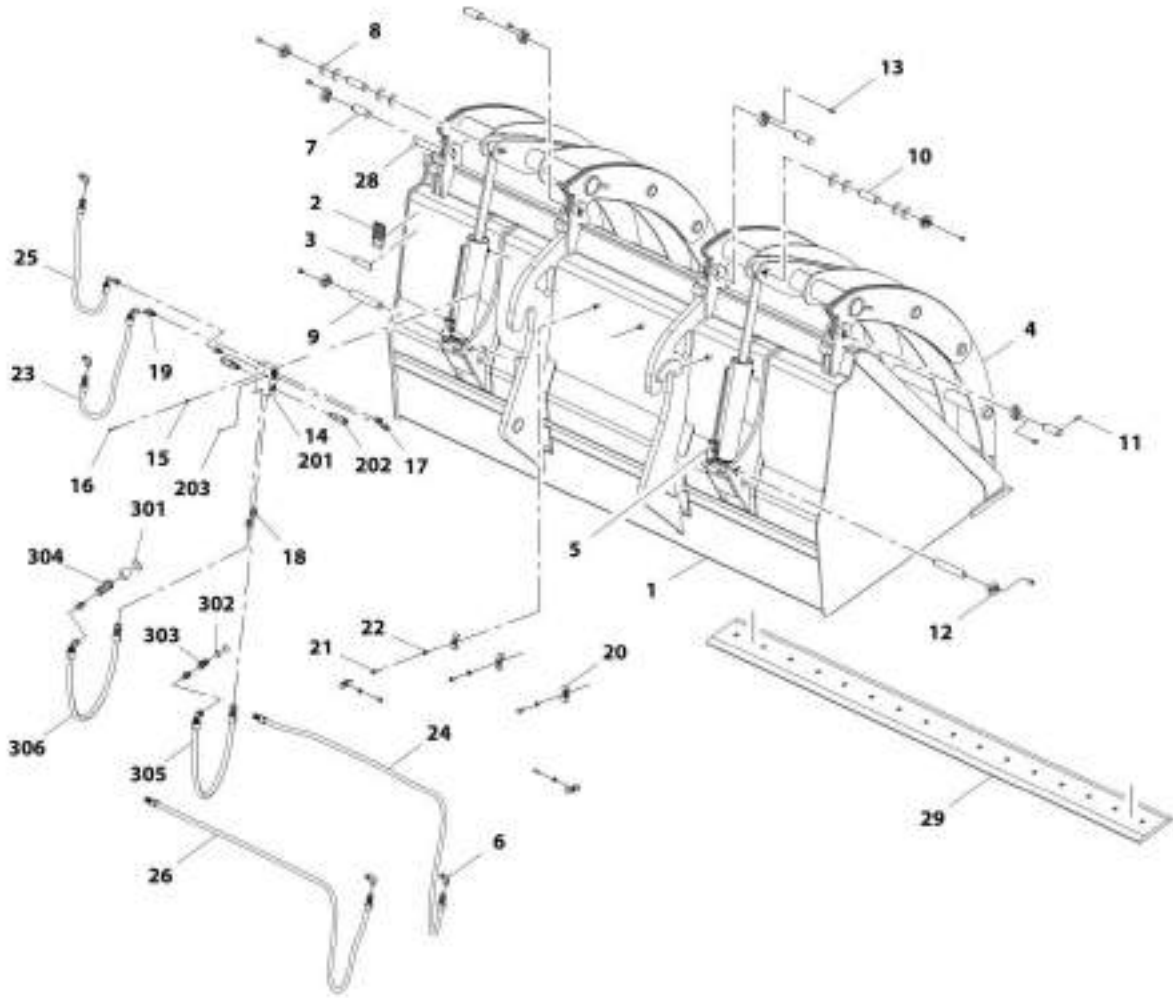
SECTION 3 - ATTACHMENTS

FIGURE 3-12. GRAPPLE BUCKET (1.7 YD³/1.3M³)

ITEM	PART NUMBER	QTY	DESCRIPTION	REV
	1001223435	Ref	Grapple Bucket (1.7 yd ³ /1.3m ³)	B
1	N.S.S.	1	Bucket	
2	N.S.S.	1	Grapple	
3	70026469	2	Assembly, Cylinder, (See Separate Breakdown in Hydraulic Components Section)	
4	70026470	2	Pin	
5	70026471	8	Pin Drive - Lock	
6	70026472	8	Retainer	
7	70026473	16	Capscrew, M10X12	
8	70026474	2	Pin	
9	70026475	4	Pin	
10	70026476	32	Shim	
11	70024123	4	Fitting, 90	
12	70026477	1	Manifold	
13	70026478	2	Cartridge, Relief Valve	
14	70026479	2	Bolt, M6X50	
15	70026480	2	Washer, M6	
16	70024130	3	Fitting, Straight	
17	70022938	4	Fitting, Straight	
18	70026481	10	Clamp, Hose	
19	70026482	5	Washer, M10	
20	70028672	5	Bolt, M10X20	
21	70026616	1	Fitting, 45	
22	70028749	1	Hose	
23	70028750	1	Hose	
24	70028751	1	Hose	
25	70028752	1	Hose	
26	70028753	1	Hose	
27	70028697	1	Hose	
28	1001101041	1	Adapter, Male Quick Disconnect	
29	1001101042	1	Adapter, Female Quick Disconnect	
30	8420053	1	Cap, Dust	
31	8420055	1	Plug, Dust	
203	70026614	2	Plug	

SECTION 3 - ATTACHMENTS

FIGURE 3-13. GRAPPLE BUCKET (2.6 YD³/2.0M³)



ART_3001182017-C

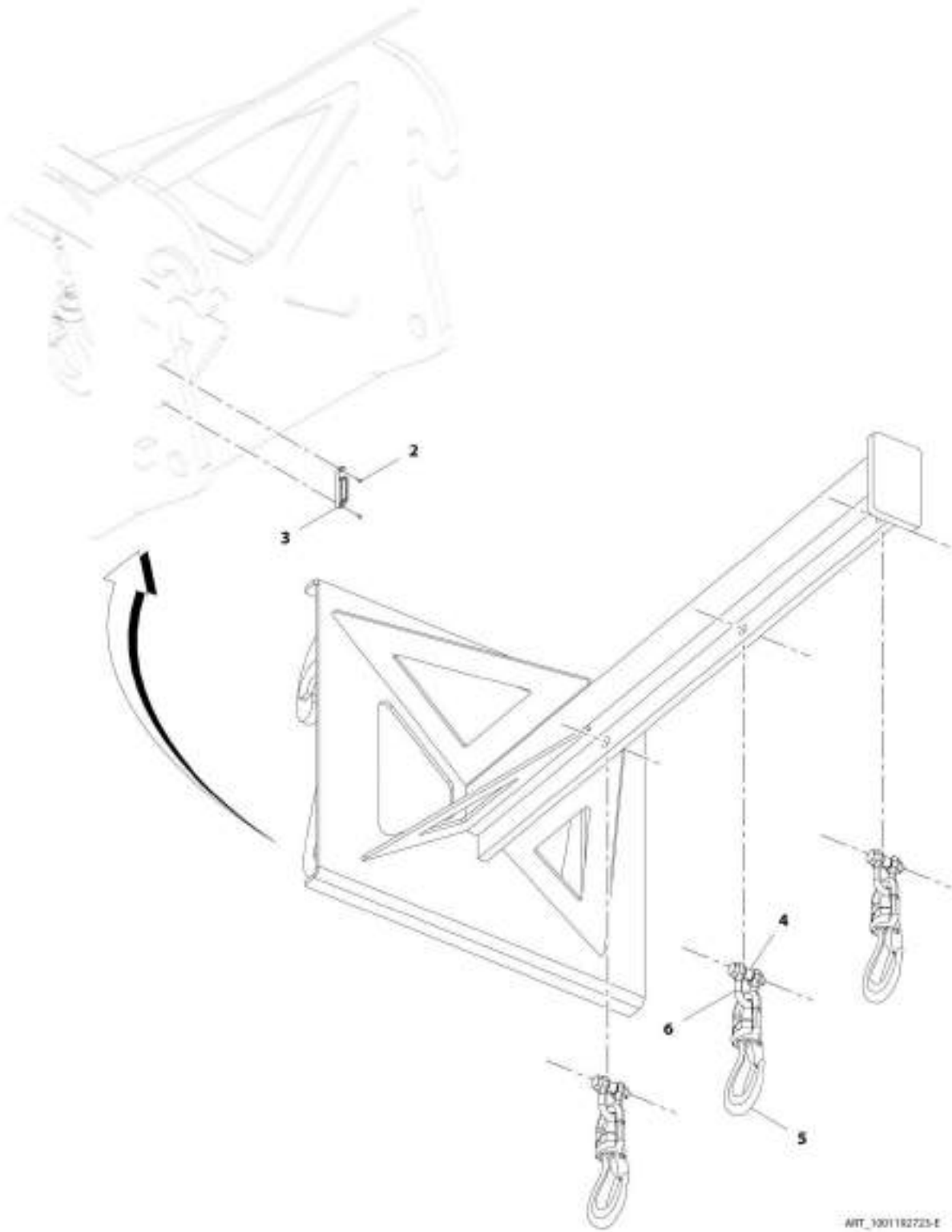
SECTION 3 - ATTACHMENTS

FIGURE 3-13. GRAPPLE BUCKET (2.6 YD³/2.0M³)

ITEM	PART NUMBER	QTY	DESCRIPTION	REV
	1001192617	Ref	Grapple Bucket (2.6 yd ³ /2.0m ³)	C
1	N.S.S.	1	Bucket	
2	N.S.S.	1	Plate, Serial Number	
3	N.S.S.	1	Nameplate	
4	N.S.S.	1	Grapple	
5	70026469	2	Assembly, Cylinder (See Separate Breakdown in Hydraulic Components Section)	
6	70024123	4	Fitting, 90	
7	70026475	4	Pin	
8	70026476	12	Shim	
9	70026470	2	Pin	
10	70026474	2	Pin	
11	70026471	8	Pin, Lock	
12	70026472	8	Retainer	
13	70026473	16	Capscrew, M10X12	
14	N.S.S.	1	Valve, Relief	
15	70026480	2	Washer, M6	
16	70026479	2	Bolt, M6X50	
17	70024130	3	Fitting, Straight	
18	70022938	4	Fitting, Straight	
19	70026616	1	Fitting, 45	
20	70026481	10	Clamp, Hose	
21	70028672	5	Bolt, M10X20	
22	70026482	5	Washer, M10	
23	70028738	1	Hose	
24	70028739	1	Hose	
25	70028740	1	Hose	
26	70028741	1	Hose	
28	70024538	8	Decal, Pinch Point	
29	70028742	1	Guard, Edge	
201	70026477	1	Manifold	
202	70026478	2	Cartridge, Relief Valve	
203	70026614	2	Plug	
301	8420055	1	Plug, Dust	
302	8420053	1	Cap, Dust	
303	1001101041	1	Coupler, Male Hydraulic	
304	1001101042	1	Coupler, Female Hydraulic	
305	70028743	1	Hose	
306	70028734	1	Hose	

SECTION 3 - ATTACHMENTS

FIGURE 3-14. TRUSS BOOM (7.6 TON)



ART_3001182723-E

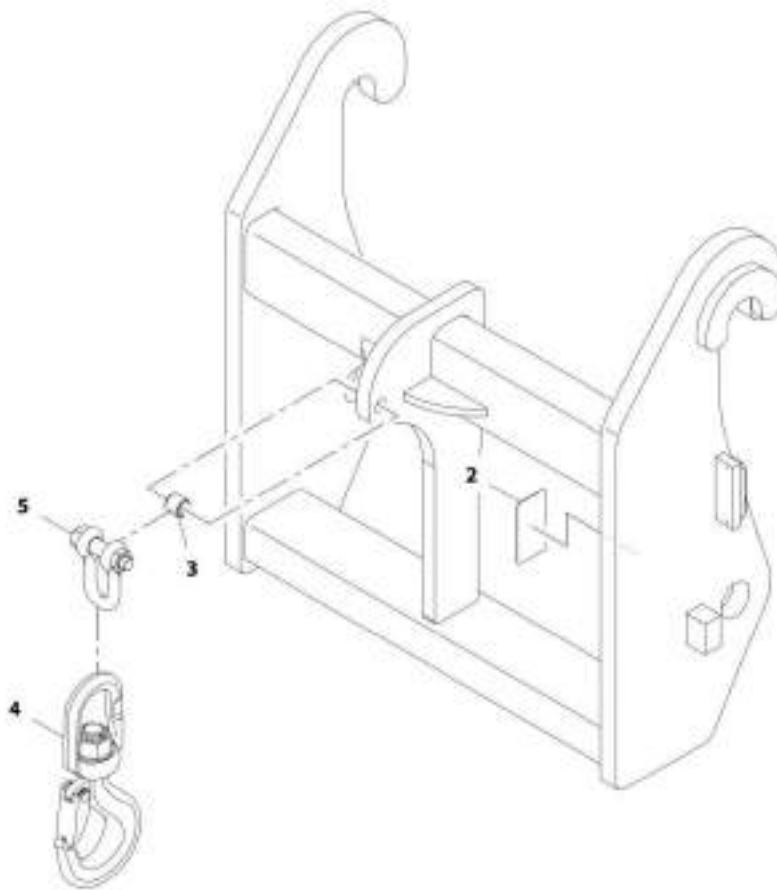
SECTION 3 - ATTACHMENTS

FIGURE 3-14. TRUSS BOOM (7.6 TON)

ITEM	PART NUMBER	QTY	DESCRIPTION	REV
	1001192723	1	Truss Boom (7.6 ton)	E
2	70028554	2	Screw	
3	1001227670	1	Tag, RFID	
4	70020555	3	Bushing	
5	70026745	3	Hook	
6	70026746	3	Shackle, Chain	

SECTION 3 - ATTACHMENTS

FIGURE 3-15. CRANE HOOK (7.6 TON)



ART_3301182700-0

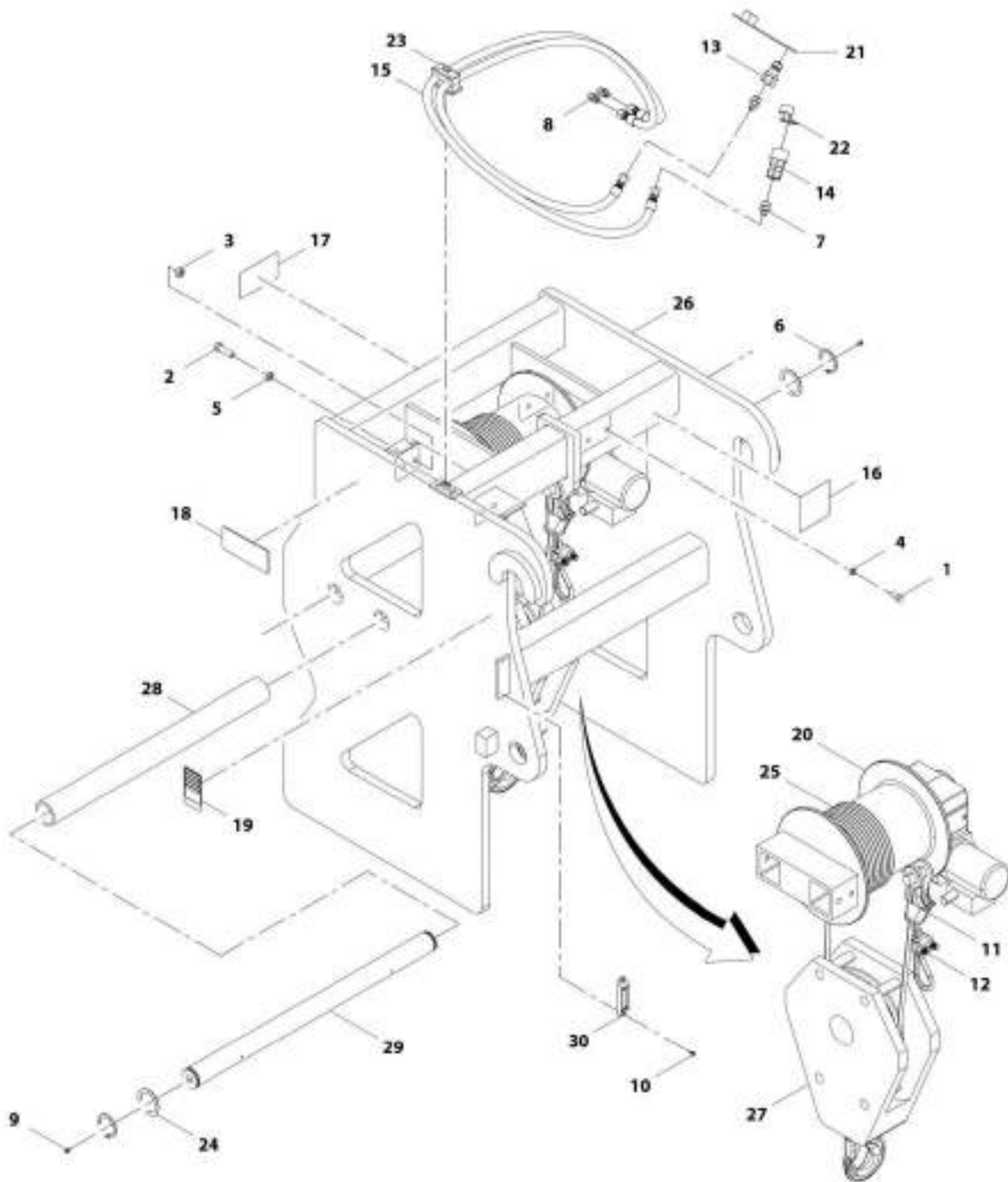
SECTION 3 - ATTACHMENTS

FIGURE 3-15. CRANE HOOK (7.6 TON)

ITEM	PART NUMBER	QTY	DESCRIPTION	REV
	1001192700	1	Crane Hook, (7.6 ton)	D
2	90554016	1	Decal, Made in USA	
3	70020555	1	Bushing	
4	70026745	1	Hook, Swivel	
5	70026746	1	Shackle, Chain	

SECTION 3 - ATTACHMENTS

FIGURE 3-16. COUPLER MOUNTED WINCH



ART_0001182702-B

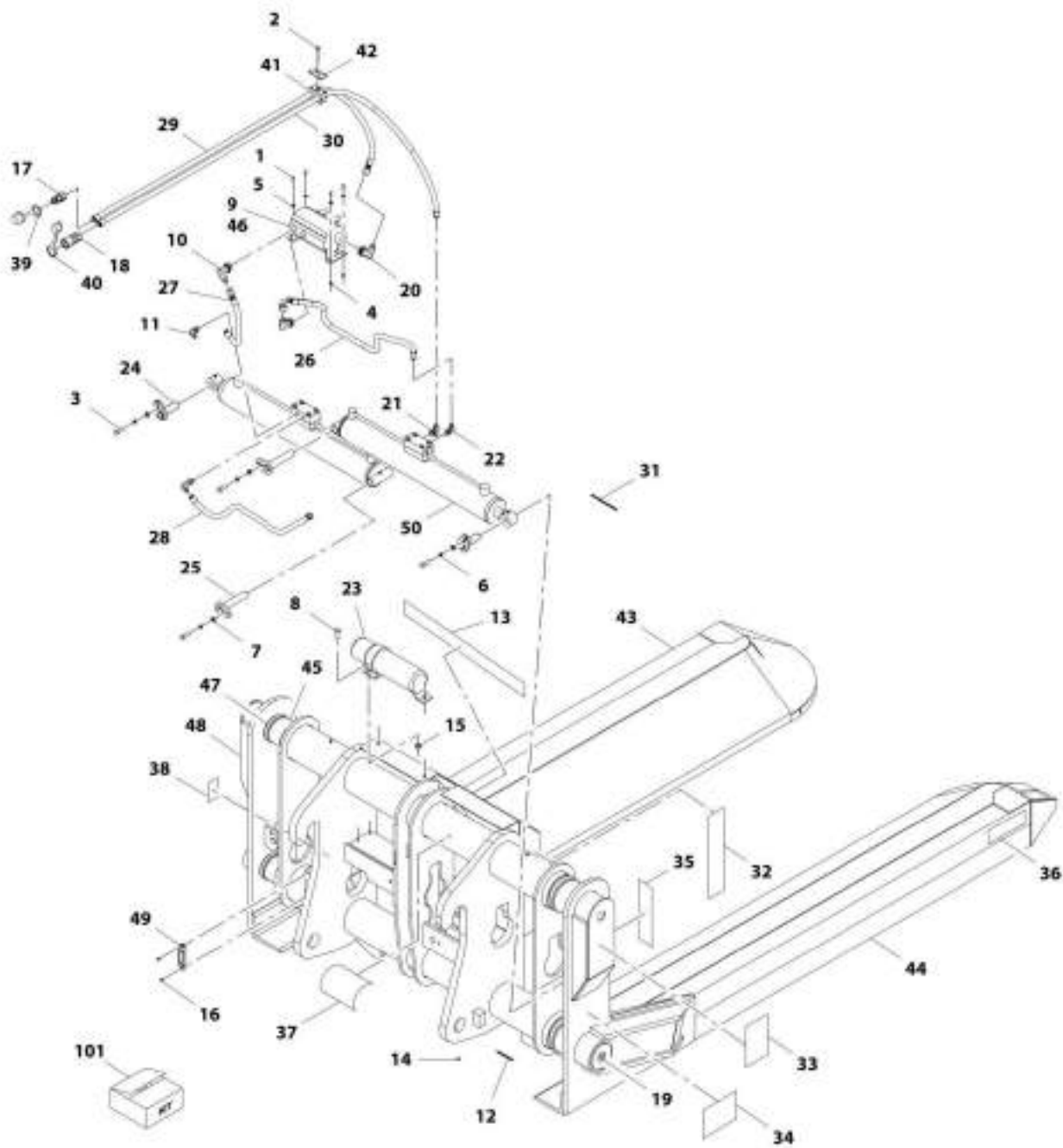
SECTION 3 - ATTACHMENTS

FIGURE 3-16. COUPLER MOUNTED WINCH

ITEM	PART NUMBER	QTY	DESCRIPTION	REV
	1001192702	Ref	Coupler Mounted Winch	B
1	70021349	4	Bolt, 3/8X1	
2	70024059	4	Bolt, 1/2X1-3/4	
3	90554054	4	Nut, 1/2	
4	90554042	4	Washer, Lock 3/8	
5	90554020	4	Washer, Lock 1/2	
6	70028860	4	Ring, Snap	
7	70021397	2	Fitting, Straight	
8	70021415	2	Fitting, Straight	
9	90554045	4	Grease, Fitting	
10	70028554	2	Screw	
11	70021979	1	Assembly, Socket (includes pin and cotter pin)	
12	70022528	1	Clamp	
13	91403414	1	Adapter, Male Quick Disconnect	
14	91403413	1	Adapter, Female Quick Disconnect	
15	70028861	2	Hose	
16	7029711	1	Decal, High Pressure	
17	70024064	1	Decal, Do Not Tow	
18	4110422	2	Decal, Warning Swinging Loads	
19	N.S.S.	1	Plate, Serial Number	
20	70028862	1	Winch	
21	8420053	1	Cap, Dust	
22	8420055	1	Cap, Dust	
23	70021387	1	Clamp, Hose	
24	70028863	4	Washer	
25	70028864	1	Cable	
26	N.S.S.	1	Weldment, Frame	
27	70028865	1	Hook	
28	70028866	2	Roller Tube, Winch	
29	70028867	2	Roller Bar, Winch	
30	1001227670	1	Tag, RFID	

SECTION 3 - ATTACHMENTS

FIGURE 3-17. BALE HANDLER (ROUND)



ART_3201182549-C

SECTION 3 - ATTACHMENTS

FIGURE 3-17. BALE HANDLER (ROUND)

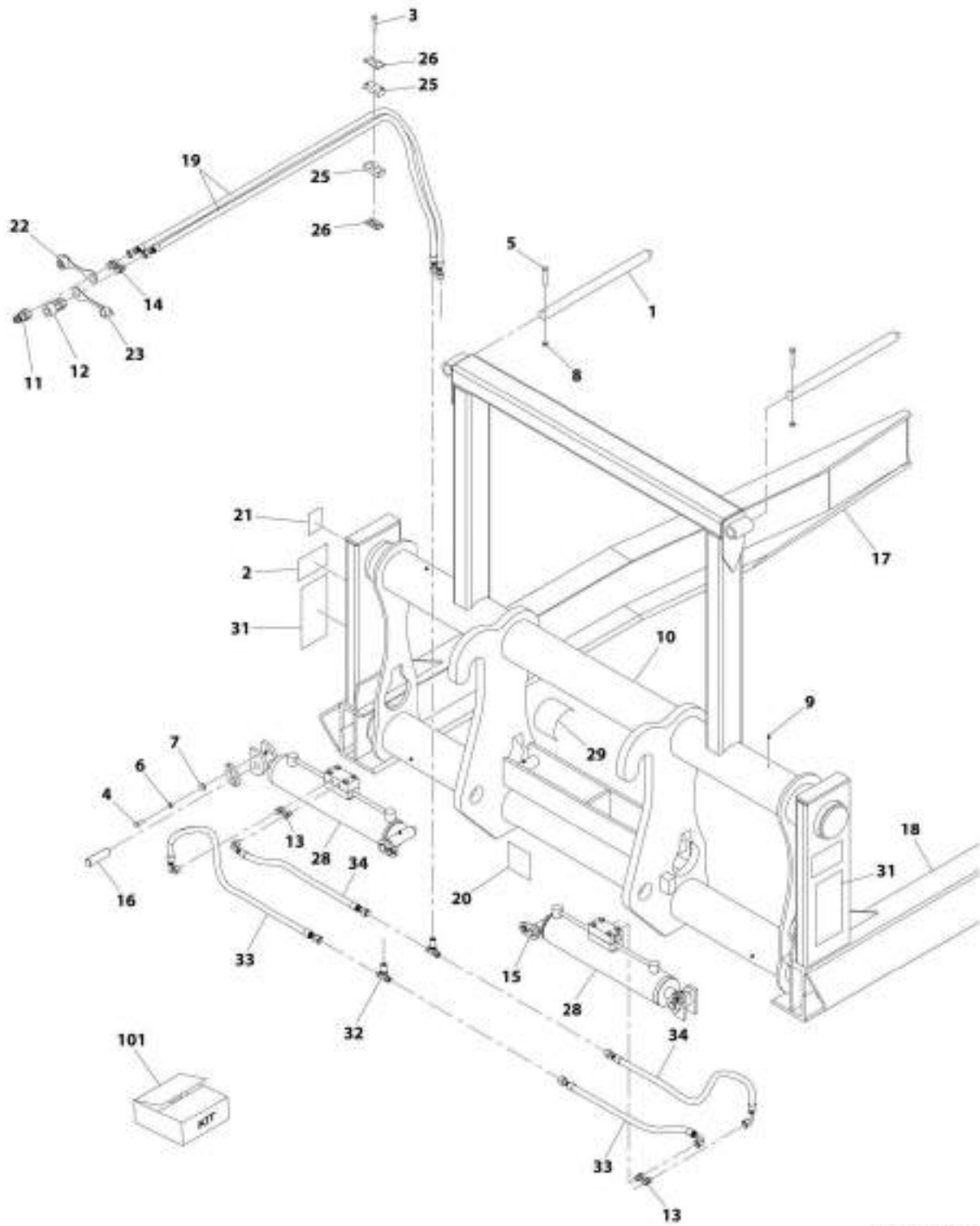
ITEM	PART NUMBER	QTY	DESCRIPTION	REV
	1001192649	Ref	Bale Handler (round)	C
1	70027773	4	Bolt	
2	70028485	1	Screw	
3	70021349	4	Bolt, 3/8X1	
4	90554066	4	Nut	
5	90554067	4	Washer, Lock	
6	90554042	4	Washer, Lock	
7	70021350	4	Washer	
8	70028635	3	Bolt	
9	70028636	1	Plug w/O-Ring	
10	70028637	2	Fitting, 90	
11	90554065	1	Fitting, 90	
12	7029712	4	Decal, Grease	
13	70028638	1	Decal, Stand Clear Warning	
14	90554045	4	Fitting, Grease	
15	70028615	3	Nut	
16	70028554	2	Screw	
17	1001101041	1	Adapter, Male Quick Disconnect	
18	70028616	1	Fitting, Straight	
19	70028617	4	Plug	
20	70028618	1	Fitting, 90	
21	70028619	1	Fitting, Tee	
22	70028620	1	Fitting, 90	
23	1001101042	1	Adapter, Female Quick Disconnect	
24	70028489	2	Pin	
25	70028490	2	Pin	
26	70028621	1	Hose	
27	70028622	1	Hose	
28	70028623	1	Hose	
29	70028624	1	Hose	
30	7029709	1	Hose	
31	7029711	1	Decal, High Pressure Warning	
32	70028625	2	Decal, Pinch Point	
33	70028626	1	Decal, Transport Warning	
34	70028627	1	Decal, Safety Warning	
35	70028628	6	Decal, Red Reflexite	
36	70028629	6	Decal, Amber Reflexite	
37	70028630	1	Decal, Module Staging	
38	N.S.S.	1	Plate, Serial Number	
39	8420053	1	Cap, Dust	
40	8420055	1	Cap, Dust	
41	70028495	1	Clamp	
42	70028496	1	Plate, Clamp	
43	N.S.S.	1	Arm, RH	
44	N.S.S.	1	Arm, LH	
45	70028631	4	Wrap	
46	70028632	1	Valve, Flow Divider	
47	70028633	8	Clamp	
48	N.S.S.	1	Weldment	
49	1001227670	1	Tag, RFID	

SECTION 3 - ATTACHMENTS

ITEM	PART NUMBER	QTY	DESCRIPTION	REV
50	70028634	2	Assembly, Cylinder	
101	Kit	1	Kit, Seal	

SECTION 3 - ATTACHMENTS

FIGURE 3-18. BALE HANDLER (SQUARE)



MIT_3901192693-D

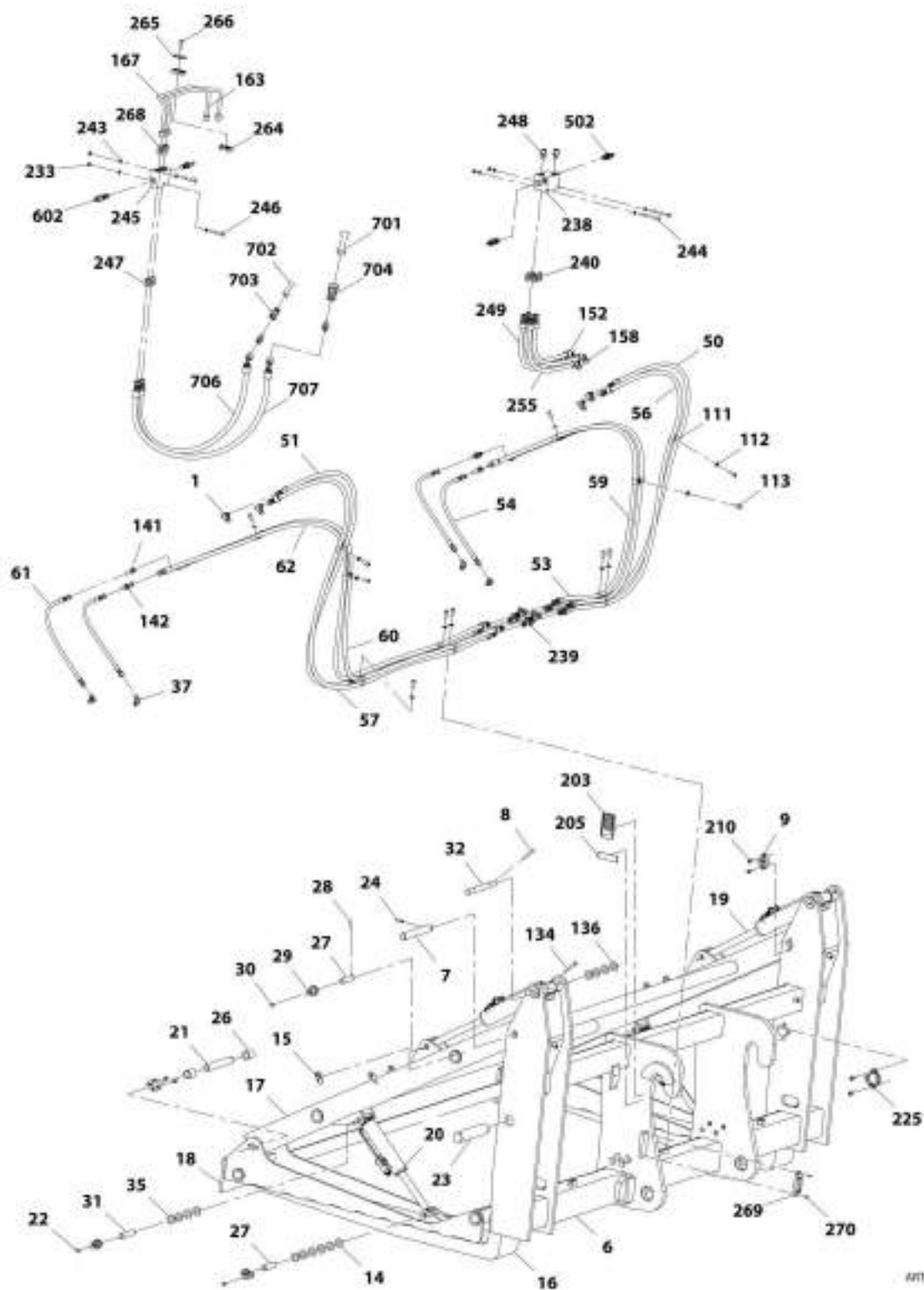
SECTION 3 - ATTACHMENTS

FIGURE 3-18. BALE HANDLER (SQUARE)

ITEM	PART NUMBER	QTY	DESCRIPTION	REV
	1001192650	Ref	Bale Handler (square)	D
1	70028499	2	Spear	
2	70028500	2	Decal, Pinch Point	
3	70028485	2	Screw	
4	70021349	4	Bolt, 3/8X1	
5	70021422	2	Screw	
6	90554042	4	Washer, Lock 3/8	
7	70021350	4	Washer, Flat	
8	70021367	2	Nut, Lock 3/8	
9	90554045	4	Fitting, Grease	
10	N.S.S.	1	Weldment, Main Frame	
11	1001101041	1	Coupler, Male Hydraulic	
12	1001101042	1	Coupler, Female Hydraulic	
13	70028486	4	Fitting	
14	70028488	2	Fitting	
15	70028489	2	Pin	
16	70028490	2	Pin	
17	N.S.S.	1	Weldment, Left Bale Arm	
18	N.S.S.	1	Weldment, Right Bale Arm	
19	70028491	2	Hose	
20	7029711	1	Decal, High Pressure Warning	
21	N.S.S.	1	Plate, Serial Number	
22	8420053	1	Cap, Dust	
23	8420055	1	Cap, Dust	
25	70028495	2	Clamp	
26	70028496	2	Plate, Clamp	
28	70028497	2	Assembly, Cylinder	
29	70028498	1	Decal, Read Manual	
31	70028501	2	Decal, Falling Load	
32	70028487	2	Fitting, Tee	
33	70028492	1	Hose	
34	70028493	1	Hose	
101	70028494	1	Kit, Seal	

SECTION 3 - ATTACHMENTS

FIGURE 3-19. PIPE HANDLER CARRIAGE



SECTION 3 - ATTACHMENTS

FIGURE 3-19. PIPE HANDLER CARRIAGE

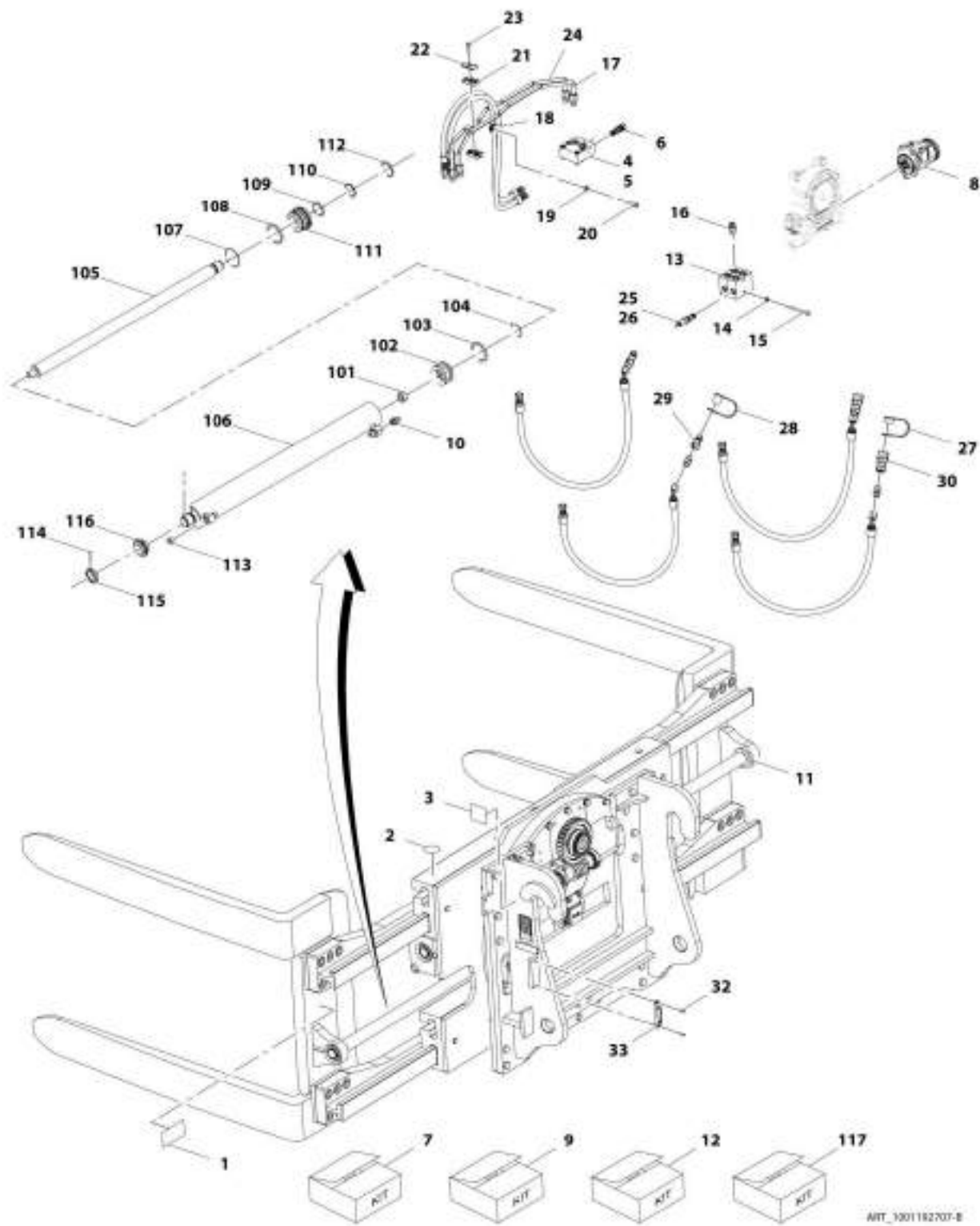
ITEM	PART NUMBER	QTY	DESCRIPTION	REV
	1001192722	Ref	Pipe Handler Carriage	D
1	70024123	4	Adapter, 90 (includes o-ring)	
6	N.S.S.	1	Carriage	
7	70028648	2	Pin	
8	70026471	4	Pin	
9	70026472	4	Retainer	
14	70026476	12	Shim	
15	70024538	2	Decal, Pinch Point	
16	70028649	2	Fork	
17	70028650	1	Arm	
18	70028651	1	Pad, Contact	
19	70028652	1	Assembly, Upper Cylinder (See Separate Breakdown in Hydraulic Components Section)	
20	70028653	1	Assembly, Lower Cylinder (See Separate Breakdown in Hydraulic Components Section)	
21	70028654	2	Pin	
22	70026473	4	Capscrew, M10X12	
23	70028655	2	Pin	
24	70028405	2	Pin	
26	70026501	8	Bushing	
27	70028656	4	Pin	
28	70028253	6	Pin	
29	70028262	6	Retainer	
30	70028657	6	Bolt, M8X16	
31	70028658	2	Pin	
32	70028659	2	Pin	
35	70028660	8	Shim	
37	70028661	4	Fittin, 90	
50	70028662	1	Hose	
51	70028663	1	Hose	
53	70028664	1	Hose	
54	70028665	2	Hose	
56	70028666	1	Hose	
57	70028667	1	Hose	
59	70028668	1	Hose	
60	70028669	1	Hose	
61	70028670	2	Hose	
62	70028671	1	Hose	
111	70026481	24	Clamp, Hose	
112	70026482	12	Washer	
113	70028672	12	Bolt, M10X20	
134	70028406	2	Capscrew	
136	70028767	4	Shim	
141	70028768	2	Fitting, Straight	
142	70028673	2	Fitting, 45	
152	70028674	1	Hose	
158	70028675	1	Hose	
163	70028676	1	Pipe	
167	70028677	1	Pipe	
203	N.S.S.	1	Plate, Serial Number	

SECTION 3 - ATTACHMENTS

ITEM	PART NUMBER	QTY	DESCRIPTION	REV
205	N.S.S.	1	Plate, Name	
210	70028678	8	Bolt	
225	70028679	2	Retainer	
233	70028680	6	Nut, M8	
238	N.S.S.	1	Valve	
239	70028267	4	Fitting, Straight	
240	70024130	4	Fitting, Straight	
243	70024721	8	Washer, M8	
244	70028681	2	Bolt, M8X90	
245	N.S.S.	1	Valve, Relief	
246	70028682	2	Bolt, M8X60	
247	70028683	2	Fitting, Straight	
248	70028684	2	Fitting, Straight	
249	70028685	1	Hose	
255	70028686	1	Hose	
264	70028687	1	Clamp	
265	70028688	1	Cover	
266	70028689	1	Bolt, M8X35	
268	70022938	4	Fitting, Straight	
269	1001227670	1	Tag, RFID	
270	70028690	2	Bolt, M4X16	
501	N.S.S.	1	Valve, Relief	
502	70024772	2	Valve, Cartridge	
601	N.S.S.	1	Valve, Sequence	
602	70028695	2	Valve, Cartridge	
701	8420055	1	Plug, Dust	
702	8420053	1	Plug, Cap	
703	1001101041	1	Adapter, Male Quick Disconnect	
704	1001101042	1	Adapter, Female Quick Disconnect	
706	70028696	1	Hose	
707	70028697	1	Hose	

SECTION 3 - ATTACHMENTS

FIGURE 3-20. TIRE HANDLER CARRIAGE



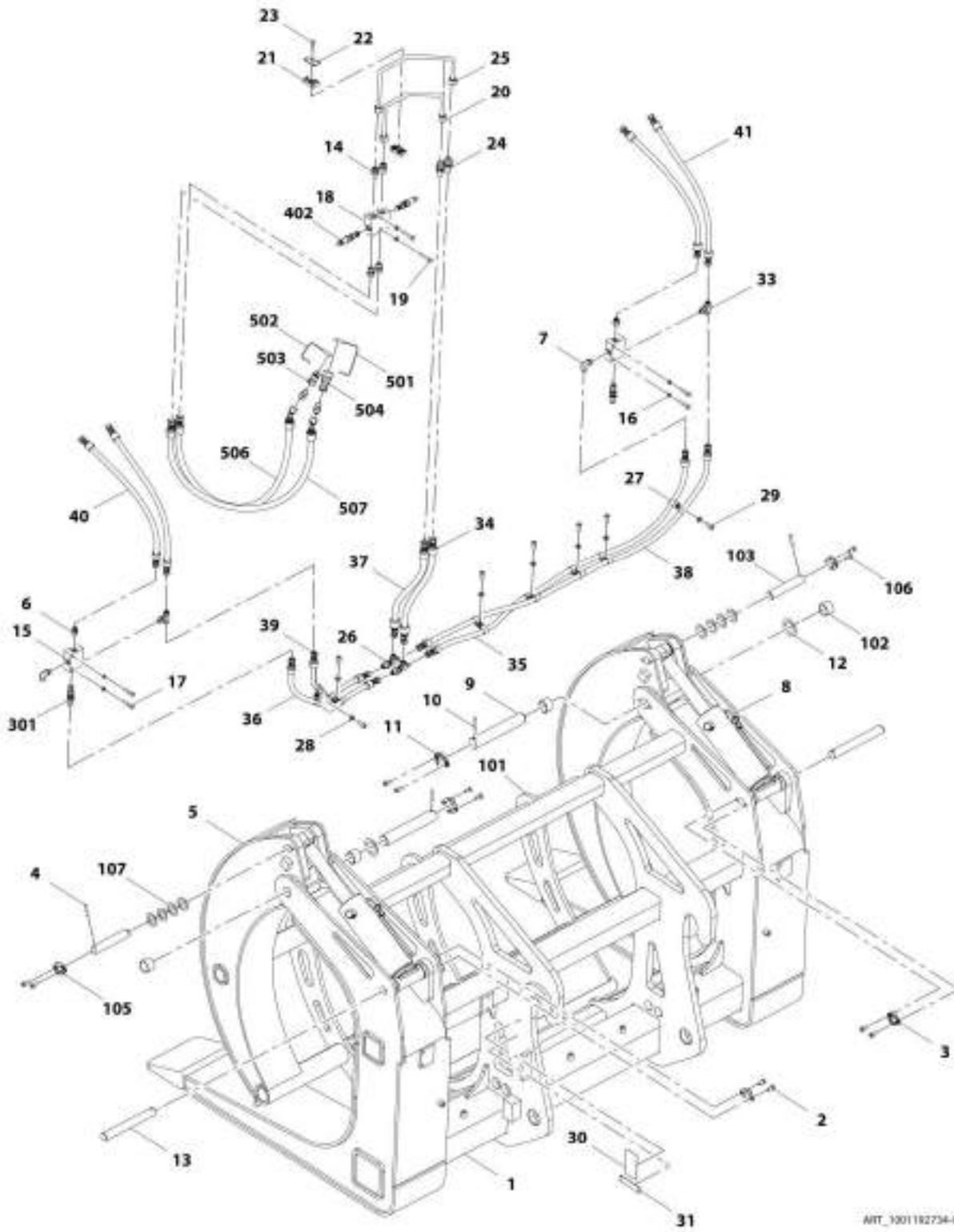
SECTION 3 - ATTACHMENTS

FIGURE 3-20. TIRE HANDLER CARRIAGE

ITEM	PART NUMBER	QTY	DESCRIPTION	REV
	1001192707	Ref	Tire Handler Carriage	B
1	70024538	2	Decal, Warning	
2	70024787	1	Decal, No Step	
3	70028785	1	Decal, Quick Change Hook	
4	70024731	1	Assembly, Check Valve	
5	70024732	1	Manifold	
6	70024733	2	Valve, Check	
7	70024734	2	Kit, Check Valve	
8	70028786	1	Motor, Drive	
9	70028114	1	Kit, Service	
10	70028787	2	Cartridge, Restrictor	
11	70028788	2	Assembly, Cylinder	
12	70028793	1	Kit, Service (includes Items 114 thru 116)	
13	70028794	1	Valve, Pressure Control	
14	70024721	2	Washer, M8	
15	70028681	2	Bolt, M8X90	
16	70022938	8	Fitting, Straight	
17	70028795	1	Pipe	
18	70026481	2	Clamp, Hose	
19	70026482	1	Washer	
20	70028672	1	Bolt, M10X20	
21	70028687	1	Clamp	
22	70028688	1	Cover	
23	70028689	1	Bolt, M8X35	
24	70028796	1	Pipe	
25	70024772	4	Valve, Relief	
26	70028115	4	Kit, Seal	
27	8420055	2	Plug, Dust	
28	8420053	2	Cap, Dust	
29	1001101041	2	Adapter, Male Quick Disconnect	
30	1001101042	2	Adapter, Female Quick Disconnect	
32	70028690	2	Bolt, M4X16	
33	1001227670	1	Tag, RFID	
101	70026503	1	Nut	
102	70028789	1	Piston	
103	Kit	1	Seal	
104	Kit	1	O-Ring	
105	70028790	1	Rod	
106	Kit	1	Shell	
107	Kit	1	O-Ring	
108	Kit	1	Backup Ring	
109	Kit	1	Seal	
110	Kit	1	Ring	
111	70028791	1	Retainer	
112	Kit	1	Wiper	
113	70028119	1	Plug	
114	Kit	1	Pin	
115	Kit	1	Retainer	
116	Kit	1	Nut	
117	70028792	1	Kit, Seal (includes items 101 thru 113)	

SECTION 3 - ATTACHMENTS

FIGURE 3-21. LOG HANDLER CARRIAGE



ART_3001182734-C

SECTION 3 - ATTACHMENTS

FIGURE 3-21. LOG HANDLER CARRIAGE

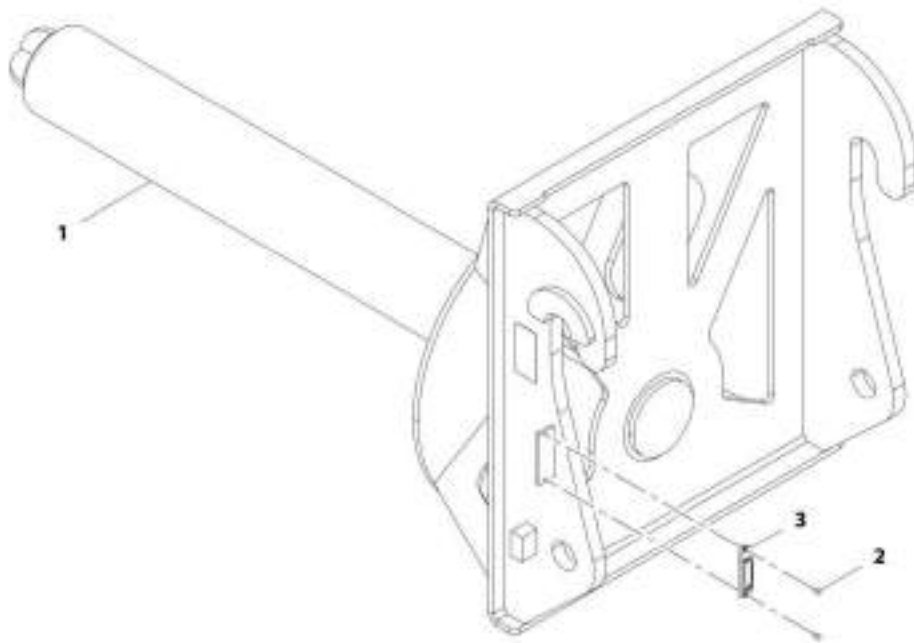
ITEM	PART NUMBER	QTY	DESCRIPTION	REV
	1001192734	Ref	Log Handler Carriage	C
1	N.S.S.	1	Frame	
2	70028701	8	Capscrew, M10X20	
3	70028702	2	Retainer	
4	70028703	4	Pin	
5	N.S.S.	1	Grapple	
6	70024130	2	Fitting, Straight	
7	70024123	2	Fitting, 90	
8	70028704	2	Assembly, Log Handler Carriage Cylinder (See Separate Breakdown in Hydraulic Components Section)	
9	70028705	2	Pin	
10	70028706	2	Pin	
11	70028707	2	Retainer	
12	70028708	2	Shim	
13	70028709	2	Pin	
14	70022938	4	Fitting, Straight	
15	N.S.S.	2	Valve	
16	70024721	6	Washer, M8	
17	70028710	4	Capscrew	
18	N.S.S.	1	Valve, Relief	
19	70028711	2	Capscrew	
20	70028712	1	Pipe	
21	70028687	1	Clamp	
22	70028688	1	Plate, Cover	
23	70028689	1	Bolt, M8X35	
24	70028713	2	Fitting, Straight	
25	70028714	1	Pipe	
26	70028267	2	Fitting, Tee	
27	70026481	14	Clamp, Hose	
28	70026482	7	Washer, M10	
29	70028672	7	Bolt, M10X20	
30	N.S.S.	1	Plate, Serial Number	
31	N.S.S.	1	Plate, Name	
33	70028715	2	Fitting, Tee	
34	70028716	1	Hose	
35	70028717	1	Hose	
36	70028718	1	Hose	
37	70028719	1	Hose	
38	70028720	1	Hose	
39	70028721	1	Hose	
40	70028722	2	Hose	
41	70028723	2	Hose	
101	70028724	1	Arm	
102	70028725	4	Bearing	
103	70028726	2	Pin	
107	70028727	8	Shim	
301	70026504	2	Valve, Counterbalance	
402	70024772	2	Valve, Relief	
501	8420055	1	Plug, Dust	
502	8420053	1	Plug, Cap	

SECTION 3 - ATTACHMENTS

ITEM	PART NUMBER	QTY	DESCRIPTION	REV
503	1001101041	1	Adapter, Male Quick Disconnect	
504	1001101042	1	Adapter, Female Quick Disconnect	
506	70028734	1	Hose	
507	70028697	1	Hose	

SECTION 3 - ATTACHMENTS

FIGURE 3-22. STEEL COIL HANDLER CARRIAGE



AWT_3001182735-E

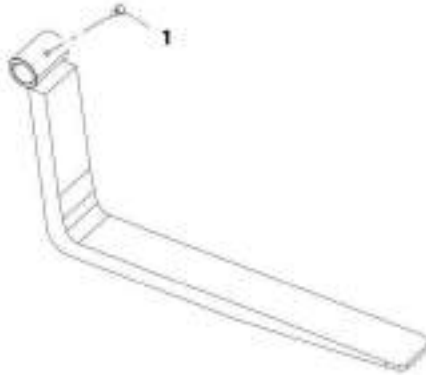
SECTION 3 - ATTACHMENTS

FIGURE 3-22. STEEL COIL HANDLER CARRIAGE

ITEM	PART NUMBER	QTY	DESCRIPTION	REV
	1001192735	1	Steel Coil Handler Carriage	E
2	70028554	2	Screw	
3	1001227670	1	Tag, RFID	

SECTION 3 - ATTACHMENTS

FIGURE 3-23. PALLET FORK (2.25X6X48)



ART_1801196452-B

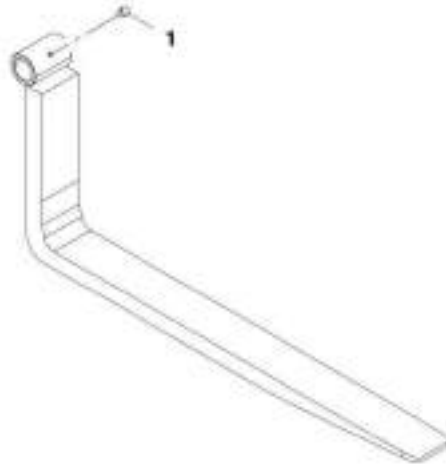
SECTION 3 - ATTACHMENTS

FIGURE 3-23. PALLET FORK (2.25X6X48)

ITEM	PART NUMBER	QTY	DESCRIPTION	REV
1	1001196952	1	Pallet Fork (2.25X6X48)	B
	70027180	1	Screw, M16X30	
	Note	Ref	<p>FORKS RATED LESS THAN THE ATTACHMENT OR MACHINE'S CAPACITY DECREASES CAPACITY OF THE ATTACHMENT OR MACHINE TO THAT OF THE FORKS. FORKS RATED MORE THAN THE ATTACHMENT OR MACHINE'S CAPACITY DO NOT INCREASE ATTACHMENT OR MACHINE'S CAPACITY.</p>	
	Note	Ref	<p>PLEASE CONSULT JLG PARTS DEPARTMENT TO DETERMINE THE CORRECT FORKS APPLICABLE TO YOUR SPECIFIC CARRIAGE ASSEMBLY AND APPLICATION.</p>	

SECTION 3 - ATTACHMENTS

FIGURE 3-24. PALLET FORK (2.25X6X60)



ART_1001196451-B

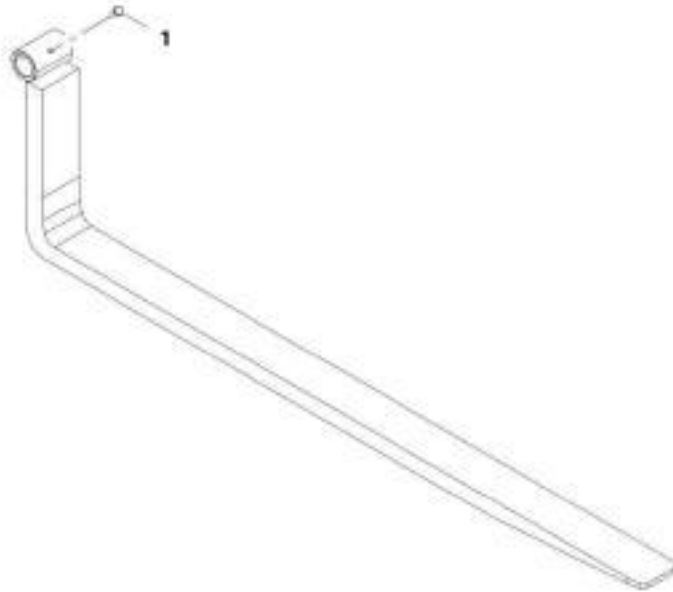
SECTION 3 - ATTACHMENTS

FIGURE 3-24. PALLET FORK (2.25X6X60)

ITEM	PART NUMBER	QTY	DESCRIPTION	REV
1	1001196951	1	Pallet Fork (2.25X6X60)	B
	70027180	1	Screw, M16X30	
	Note	Ref	<p>FORKS RATED LESS THAN THE ATTACHMENT OR MACHINE'S CAPACITY DECREASES CAPACITY OF THE ATTACHMENT OR MACHINE TO THAT OF THE FORKS. FORKS RATED MORE THAN THE ATTACHMENT OR MACHINE'S CAPACITY DO NOT INCREASE ATTACHMENT OR MACHINE'S CAPACITY.</p>	
	Note	Ref	<p>PLEASE CONSULT JLG PARTS DEPARTMENT TO DETERMINE THE CORRECT FORKS APPLICABLE TO YOUR SPECIFIC CARRIAGE ASSEMBLY AND APPLICATION.</p>	

SECTION 3 - ATTACHMENTS

FIGURE 3-25. PALLET FORK (2.25X6X72)



ART_1801196850-B

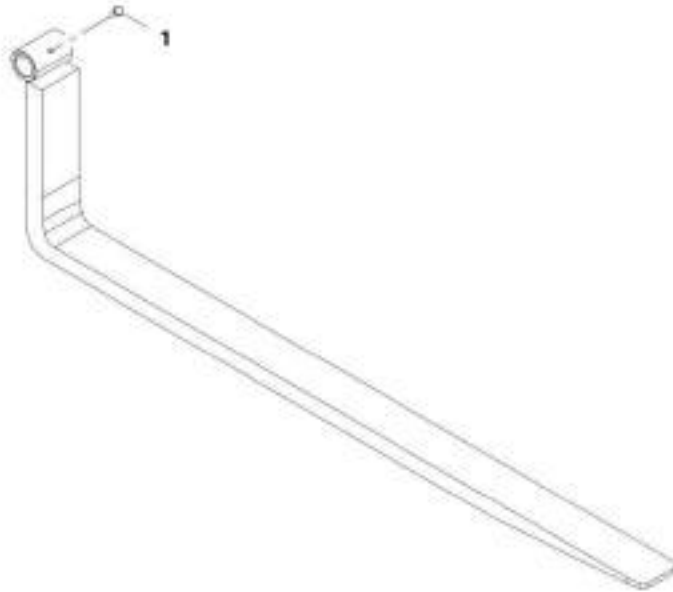
SECTION 3 - ATTACHMENTS

FIGURE 3-25. PALLET FORK (2.25X6X72)

ITEM	PART NUMBER	QTY	DESCRIPTION	REV
1	1001196950	1	Pallet Fork (2.25X6X72)	B
	70027180	1 2	Screw, M16X30	
	Note	Ref	FORKS RATED LESS THAN THE ATTACHMENT OR MACHINE'S CAPACITY DECREASES CAPACITY OF THE ATTACHMENT OR MACHINE TO THAT OF THE FORKS. FORKS RATED MORE THAN THE ATTACHMENT OR MACHINE'S CAPACITY DO NOT INCREASE ATTACHMENT OR MACHINE'S CAPACITY.	
	Note	Ref	PLEASE CONSULT JLG PARTS DEPARTMENT TO DETERMINE THE CORRECT FORKS APPLICABLE TO YOUR SPECIFIC CARRIAGE ASSEMBLY AND APPLICATION.	

SECTION 3 - ATTACHMENTS

FIGURE 3-26. PALLET FORK (2.25X6X96)



ART_100119049-0

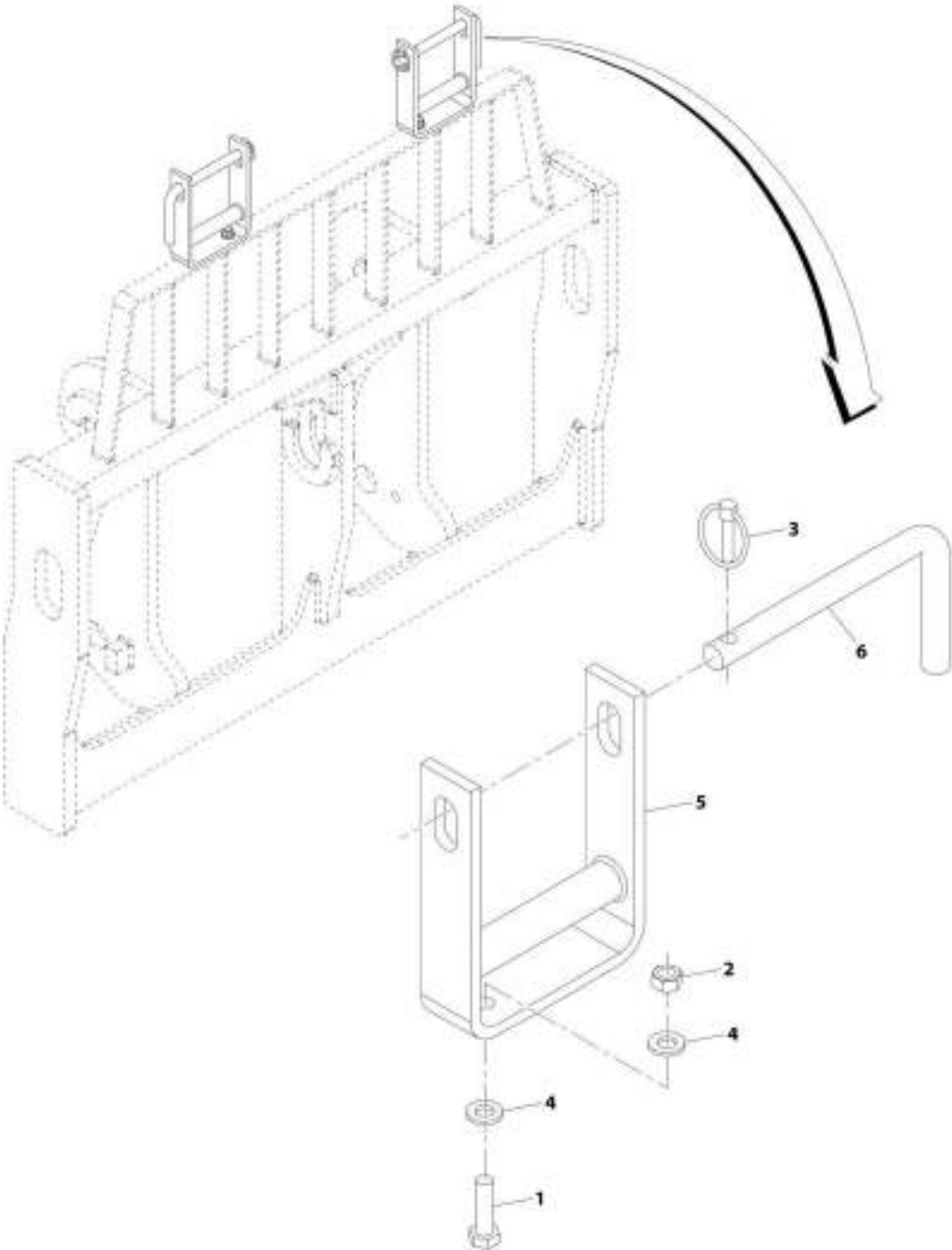
SECTION 3 - ATTACHMENTS

FIGURE 3-26. PALLET FORK (2.25X6X96)

ITEM	PART NUMBER	QTY	DESCRIPTION	REV
1	1001196949	1	Pallet Fork (2.25X6X96)	B
	70027180	1 2	Screw, M16X30	
	Note	Ref	<p>FORKS RATED LESS THAN THE ATTACHMENT OR MACHINE'S CAPACITY DECREASES CAPACITY OF THE ATTACHMENT OR MACHINE TO THAT OF THE FORKS. FORKS RATED MORE THAN THE ATTACHMENT OR MACHINE'S CAPACITY DO NOT INCREASE ATTACHMENT OR MACHINE'S CAPACITY.</p>	
	Note	Ref	<p>PLEASE CONSULT JLG PARTS DEPARTMENT TO DETERMINE THE CORRECT FORKS APPLICABLE TO YOUR SPECIFIC CARRIAGE ASSEMBLY AND APPLICATION.</p>	

SECTION 3 - ATTACHMENTS

FIGURE 3-27. FORK RETENTION INSTALLATION



ARE_100190718-C

SECTION 3 - ATTACHMENTS

FIGURE 3-27. FORK RETENTION INSTALLATION

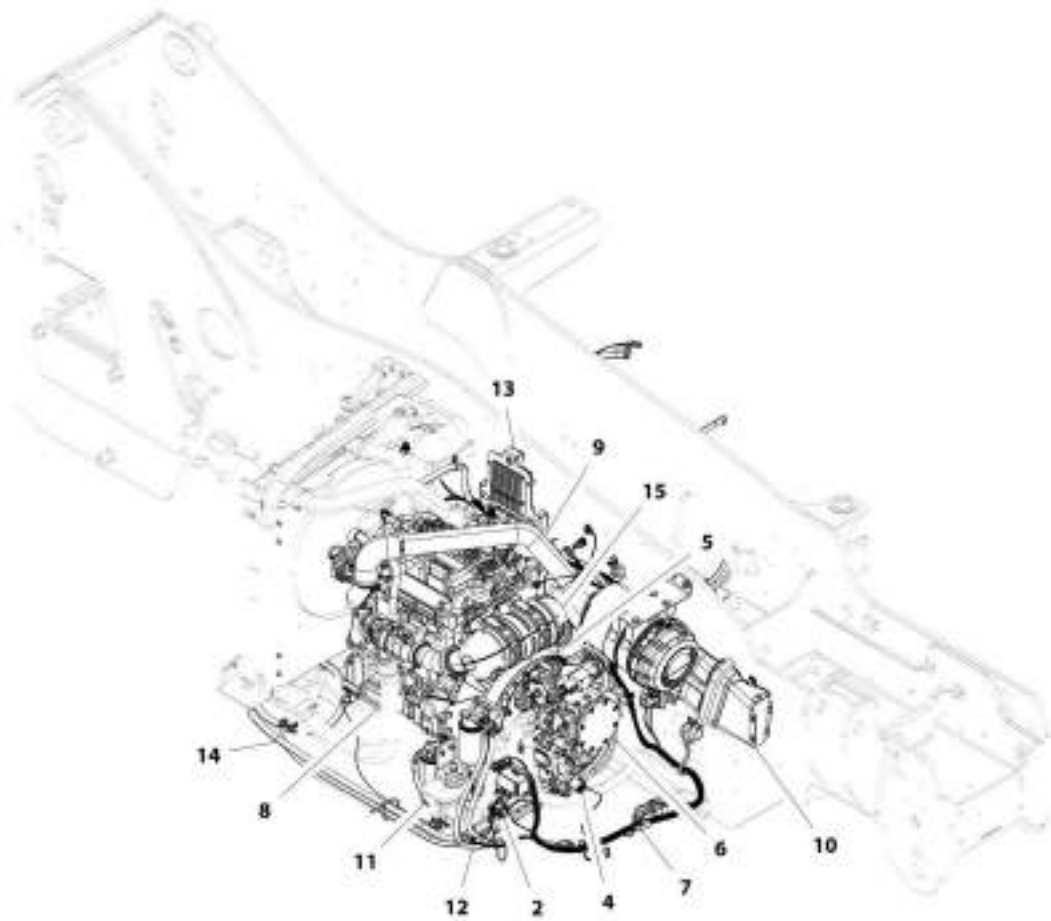
ITEM	PART NUMBER	QTY	DESCRIPTION	REV
	1001196778	Ref	Fork Retention Installation	C
	0761217	1	Bolt, M12X45	
	3291201	1	Nut, M12X1.75	
	1001109387	1	Pin, Linch	
	5241200	2	Washer, M12	
	1001196779	1	Bracket, Fork Retention	
	1001196782	1	Pin, Fork Retention	

SECTION 4 - ENGINE AND ATTACHING PARTS

SECTION 4 - ENGINE AND ATTACHING PARTS

SECTION 4 - ENGINE AND ATTACHING PARTS

FIGURE 4-1. ENGINE POD COMPONENT INSTALLATION (ULS)



ART_1801306443-D

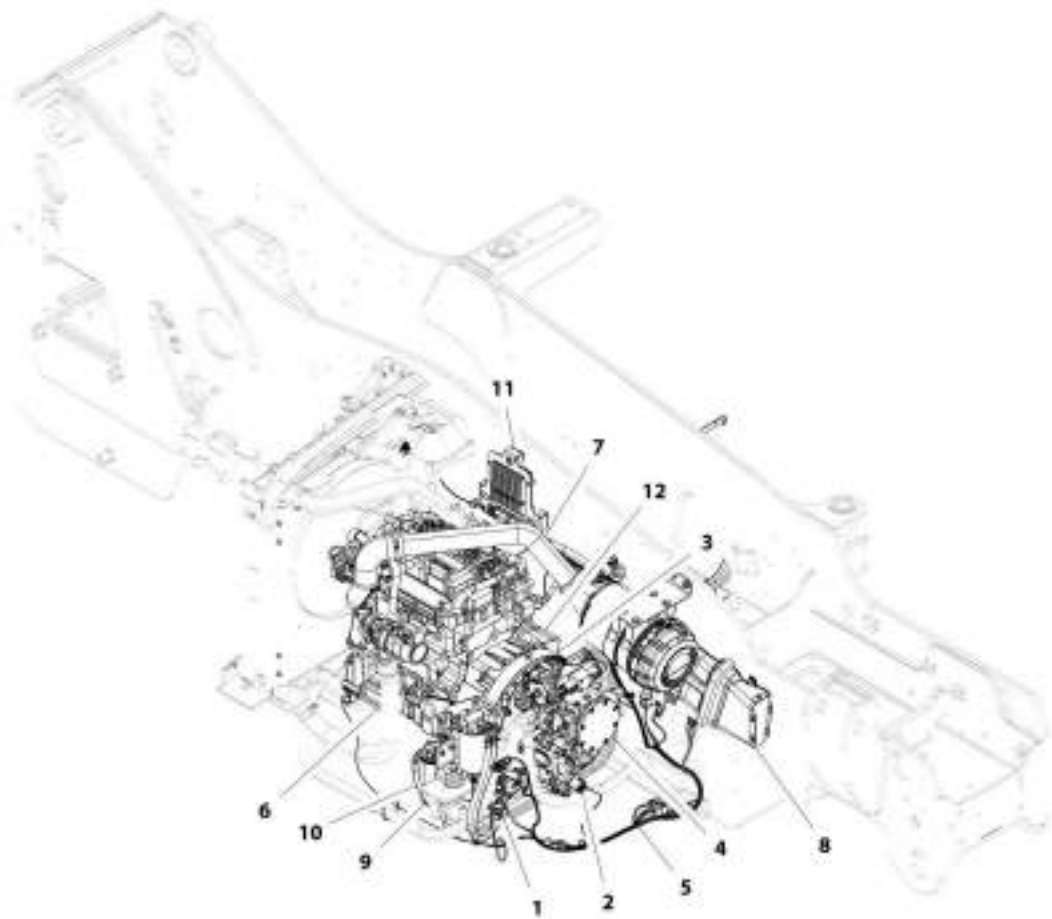
SECTION 4 - ENGINE AND ATTACHING PARTS

FIGURE 4-1. ENGINE POD COMPONENT INSTALLATION (ULS)

ITEM	PART NUMBER	QTY	DESCRIPTION	REV
	1001200443	Ref	Engine Pod Component Installation (ULS)	D
2	1001221041	1	Installation, Remote Fuel Pump (See Seperate Breakdown in this Section)	
4	1001193393	1	Installation, Implement Pump (See Seperate Breakdown in this Section)	
5	1001193703	1	Installation, Hydrostatic Adaptor (See Seperate Breakdown in this Section)	
6	1001193704	1	Installation, Hydrostatic Drive Pump (See Seperate Breakdown in this Section)	
7	1001200106	1	Installation, Engine Wiring (See Seperate Breakdown in Electrical Section)	
8	1001200862	1	Installation, Engine Mount (See Seperate Breakdown in this Section)	
9	1001200863	1	Installation, Air Intake (See Seperate Breakdown in this Section)	
10	1001200864	1	Installation, Air Cleaner (See Seperate Breakdown in this Section)	
11	1001200865	1	Installation, Primary Fuel Filter (See Seperate Breakdown in this Section)	
12	1001200866	1	Installation, Fuel Lines (See Seperate Breakdown in this Section)	
13	1001200869	1	Installation, Engine ECU (See Seperate Breakdown in Electrical Section)	
14	1001201298	1	Installation, DEF Coolant Lines (See Seperate Breakdown in this Section)	
15	1001201425	1	Installation, Engine (See Seperate Breakdown in this Section)	

SECTION 4 - ENGINE AND ATTACHING PARTS

FIGURE 4-2. ENGINE POD COMPONENT INSTALLATION (LS)



ART_1801200446-A

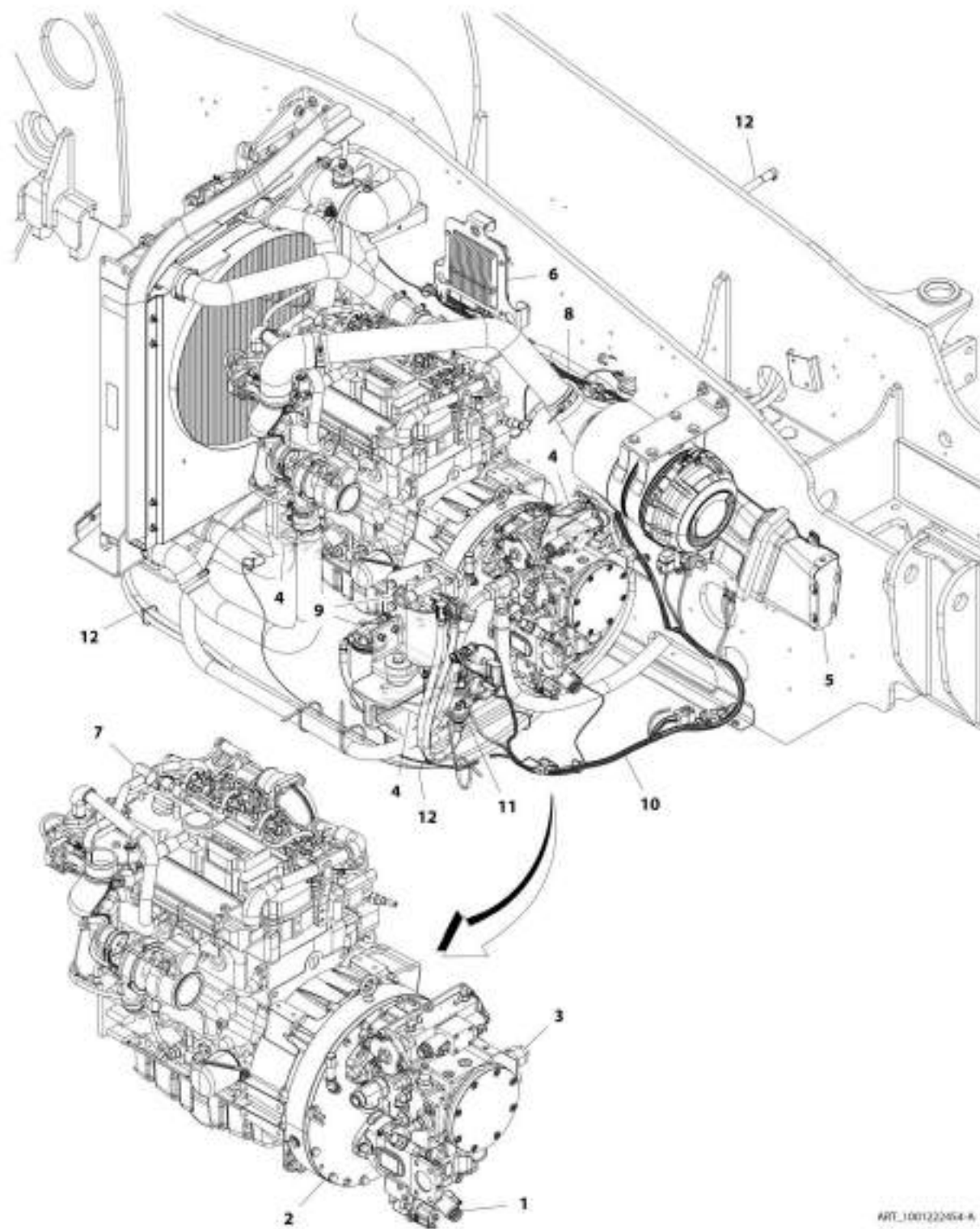
SECTION 4 - ENGINE AND ATTACHING PARTS

FIGURE 4-2. ENGINE POD COMPONENT INSTALLATION (LS)

ITEM	PART NUMBER	QTY	DESCRIPTION	REV
	1001200444	Ref	Engine Pod Component Installation (LS - no High Ambient)	A
1	1001221041	1	Installation, Remote Fuel Pump (See Seperate Breakdown in this Section)	
2	1001193393	1	Installation, Implement Pump (See Seperate Breakdown in this Section)	
3	1001193703	1	Installation, Hydrostatic Adaptor (See Seperate Breakdown in this Section)	
4	1001193704	1	Installation, Hydrostatic Drive Pump (See Seperate Breakdown in this Section)	
5	1001217752	1	Installation, Engine Wiring (See Seperate Breakdown in Electrical Section)	
6	1001200862	1	Installation, Engine Mount (See Seperate Breakdown in this Section)	
7	1001210600	1	Installation, Air Intake (See Seperate Breakdown in this Section)	
8	1001200864	1	Installation, Air Cleaner (See Seperate Breakdown in this Section)	
9	1001210602	1	Installation, Primary Fuel Filter (See Seperate Breakdown in this Section)	
10	1001210601	1	Installation, Fuel Lines (See Seperate Breakdown in this Section)	
11	1001200869	1	Installation, Engine ECU (See Seperate Breakdown in Electrical Section)	
12	1001209585	1	Installation, Engine (See Seperate Breakdown in this Section)	

SECTION 4 - ENGINE AND ATTACHING PARTS

FIGURE 4-3. ENGINE INSTALLATION (LS)



ART_100122454-R

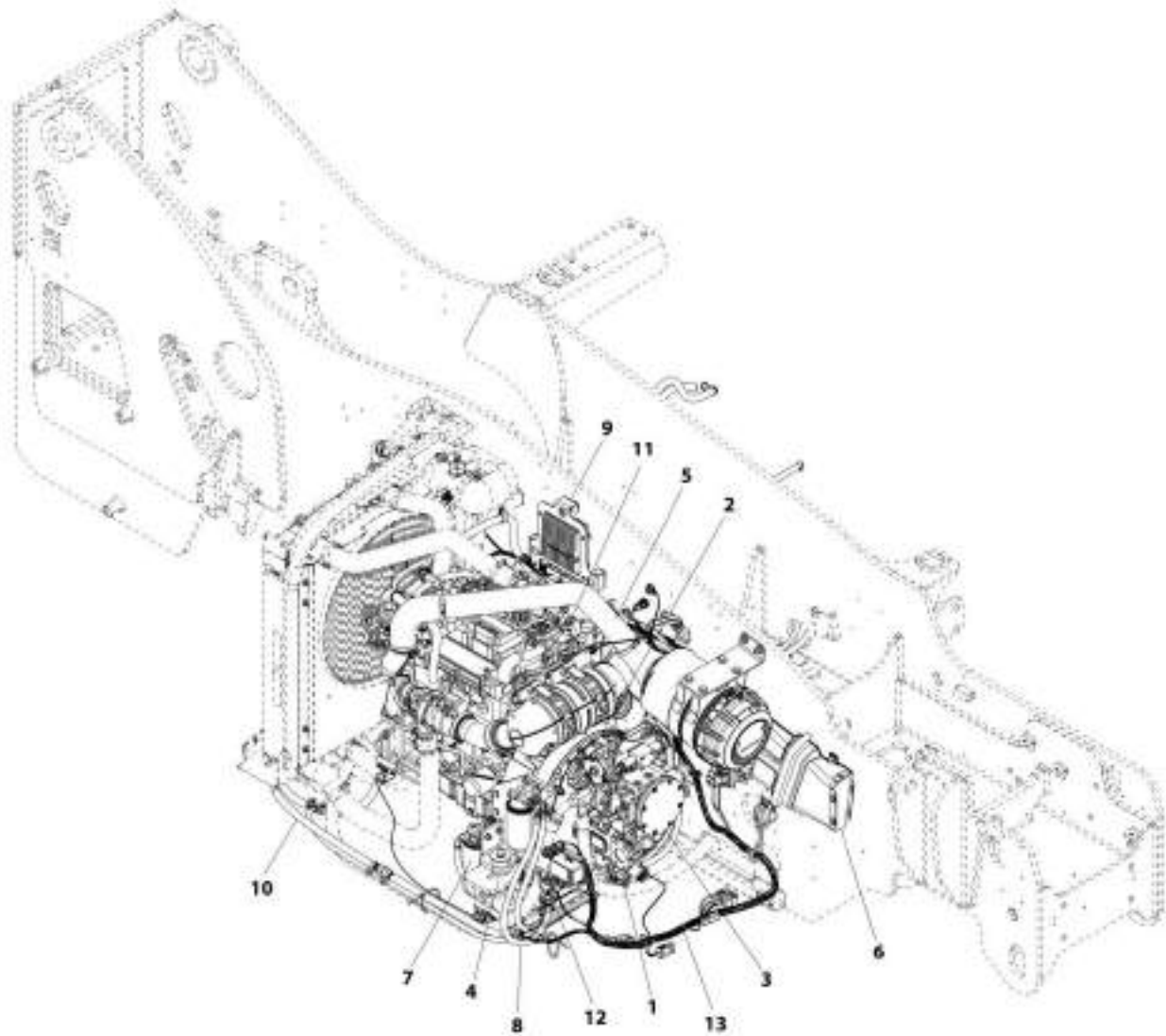
SECTION 4 - ENGINE AND ATTACHING PARTS

FIGURE 4-3. ENGINE INSTALLATION (LS)

ITEM	PART NUMBER	QTY	DESCRIPTION	REV
1	1001222454	Ref	Engine Installation (LS)	A
	1001193393	Ref	Installation, Main Hydraulic Pump (See Separate Breakdown in Hydraulic Circuits Section)	
2	1001193703	Ref	Installation, Transmission Hydrostatic Adapter (See Separate Breakdown in this Section)	
3	1001193704	Ref	Installation, Transmission Hydrostatic Drive Pump (See Separate Breakdown in this Section)	
4	1001200862	Ref	Installation, Engine Mounting (See Separate Breakdown in this Section)	
5	1001200864	Ref	Installation, Air Cleaner (See Separate Breakdown in this Section)	
6	1001200869	Ref	Installation, Engine ECU (See Separate Breakdown in Electrical Section)	
7	1001209585	Ref	Engine (LS) (See Separate Breakdown in this Section)	
8	1001210600	Ref	Installation, Air Intake Lines (LS) (See Separate Breakdown in this Section)	
9	1001210602	Ref	Installation, Primary Fuel Filter (LS) (See Separate Breakdown in this Section)	
10	1001217752	Ref	Installation, Engine Wiring (LS) (See Separate Breakdown in Electrical Section)	
11	1001221041	Ref	Installation, Remote Fuel Pump (See Separate Breakdown in this Section)	
12	1001222163	Ref	Installation, Fuel Lines (See Separate Breakdown in this Section)	

SECTION 4 - ENGINE AND ATTACHING PARTS

FIGURE 4-4. ENGINE POD COMPONENT INSTALLATION (MINING) (ULS)



ART_1001226727-A

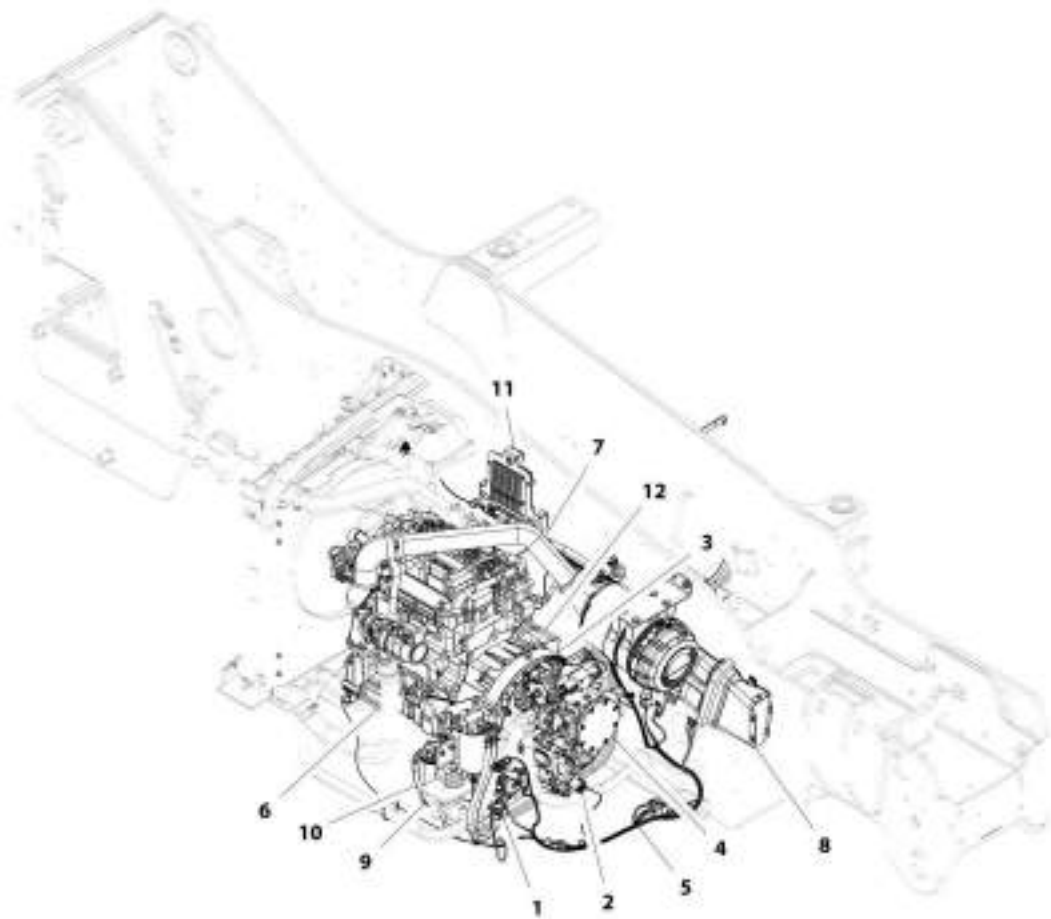
SECTION 4 - ENGINE AND ATTACHING PARTS

FIGURE 4-4. ENGINE POD COMPONENT INSTALLATION (MINING) (ULS)

ITEM	PART NUMBER	QTY	DESCRIPTION	REV
	1001228727	Ref	Engine Pod Component Installation (Mining) (ULS)	A
1	1001193393	1	Installation, Implement Pump (See Seperate Breakdown in this Section)	
2	1001193703	1	Installation, Hydrostatic Adaptor (See Seperate Breakdown in this Section)	
3	1001193704	1	Installation, Hydrostatic Drive Pump (See Seperate Breakdown in this Section)	
4	1001200862	1	Installation, Engine Mount (See Seperate Breakdown in this Section)	
5	1001200863	1	Installation, Air Intake (See Seperate Breakdown in this Section)	
6	1001200864	1	Installation, Air Cleaner (See Seperate Breakdown in this Section)	
7	1001200865	1	Installation, Primary Fuel Filter (See Seperate Breakdown in this Section)	
8	1001200866	1	Installation, Fuel Lines (See Seperate Breakdown in this Section)	
9	1001200869	1	Installation, Engine ECU (See Seperate Breakdown in Electrical Section)	
10	1001201298	1	Installation, DEF Coolant Lines (See Seperate Breakdown in this Section)	
11	1001201425	1	Installation, Engine (See Seperate Breakdown in this Section)	
12	1001221041	1	Installation, Remote Fuel Pump (See Seperate Breakdown in this Section)	
13	1001228728	1	Installation, Engine Wiring (See Seperate Breakdown in Electrical Section)	

SECTION 4 - ENGINE AND ATTACHING PARTS

FIGURE 4-5. ENGINE POD COMPONENT INSTALLATION (MINING) (LS)



ART_1801228734-A

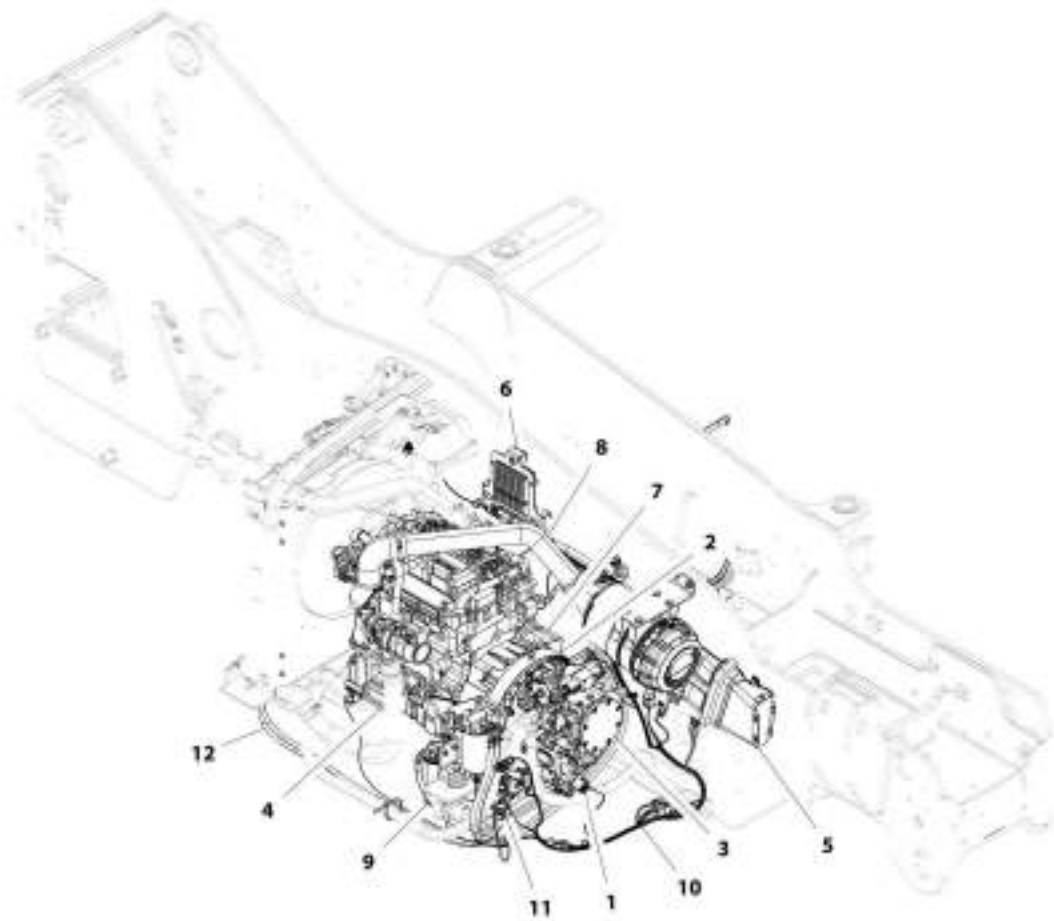
SECTION 4 - ENGINE AND ATTACHING PARTS

FIGURE 4-5. ENGINE POD COMPONENT INSTALLATION (MINING) (LS)

ITEM	PART NUMBER	QTY	DESCRIPTION	REV
	1001228734	Ref	Engine Pod Component Installation (Mining) (LS)	A
1	1001221041	1	Installation, Remote Fuel Pump (See Seperate Breakdown in this Section)	
2	1001193393	1	Installation, Implement Pump (See Seperate Breakdown in this Section)	
3	1001193703	1	Installation, Hydrostatic Adaptor (See Seperate Breakdown in this Section)	
4	1001193704	1	Installation, Hydrostatic Drive Pump (See Seperate Breakdown in this Section)	
5	1001228735	1	Installation, Engine Wiring (See Seperate Breakdown in Electrical Section)	
6	1001200862	1	Installation, Engine Mount (See Seperate Breakdown in this Section)	
7	1001210600	1	Installation, Air Intake (See Seperate Breakdown in this Section)	
8	1001200864	1	Installation, Air Cleaner (See Seperate Breakdown in this Section)	
9	1001210602	1	Installation, Primary Fuel Filter (See Seperate Breakdown in this Section)	
10	1001210601	1	Installation, Fuel Lines (See Seperate Breakdown in this Section)	
11	1001200869	1	Installation, Engine ECU (See Seperate Breakdown in Electrical Section)	
12	1001209585	1	Installation, Engine (See Seperate Breakdown in this Section)	

SECTION 4 - ENGINE AND ATTACHING PARTS

FIGURE 4-6. ENGINE POD COMPONENT INSTALLATION (LS)



ART_180128732-A

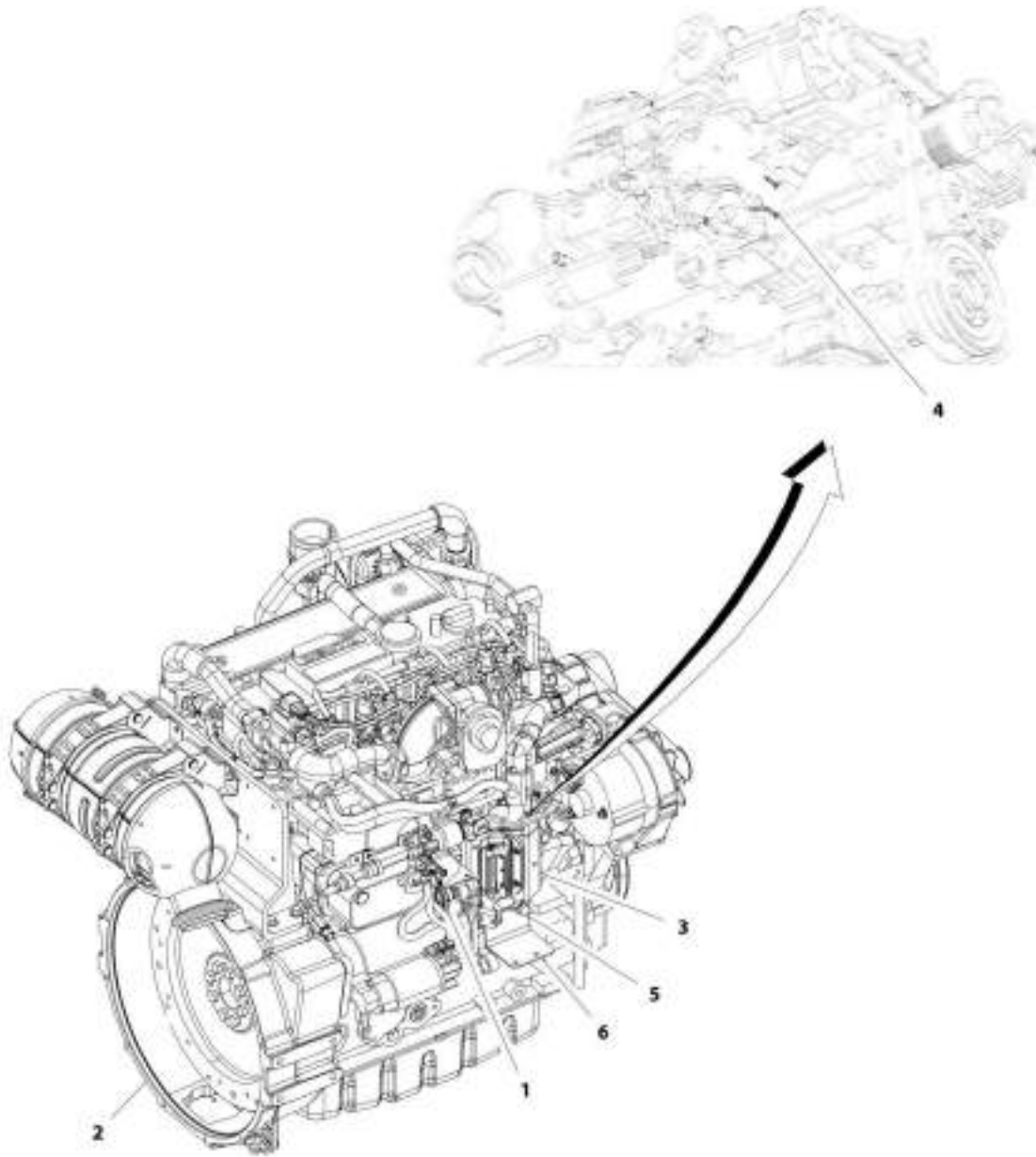
SECTION 4 - ENGINE AND ATTACHING PARTS

FIGURE 4-6. ENGINE POD COMPONENT INSTALLATION (LS)

ITEM	PART NUMBER	QTY	DESCRIPTION	REV
	1001228737	Ref	Engine Pod Component Installation (LS - High Ambient)	A
2	1001193393	1	Installation, Implement Pump (See Seperate Breakdown in this Section)	
3	1001193703	1	Installation, Hydrostatic Adaptor (See Seperate Breakdown in this Section)	
4	1001193704	1	Installation, Hydrostatic Drive Pump (See Seperate Breakdown in this Section)	
6	1001200862	1	Installation, Engine Mount (See Seperate Breakdown in this Section)	
8	1001200864	1	Installation, Air Cleaner (See Seperate Breakdown in this Section)	
11	1001200869	1	Installation, Engine ECU (See Seperate Breakdown in Electrical Section)	
12	1001209585	1	Installation, Engine (See Seperate Breakdown in this Section)	
7	1001210600	1	Installation, Air Intake (See Seperate Breakdown in this Section)	
9	1001210602	1	Installation, Primary Fuel Filter (See Seperate Breakdown in this Section)	
5	1001228735	1	Installation, Engine Wiring (See Seperate Breakdown in Electrical Section)	
1	1001221041	1	Installation, Remote Fuel Pump (See Seperate Breakdown in this Section)	
12	1001222163	1	Installation, Fuel Lines (See Seperate Breakdown in this Section)	

SECTION 4 - ENGINE AND ATTACHING PARTS

FIGURE 4-7. ENGINE INSTALLATION (ULS)



ART_1801301425-D

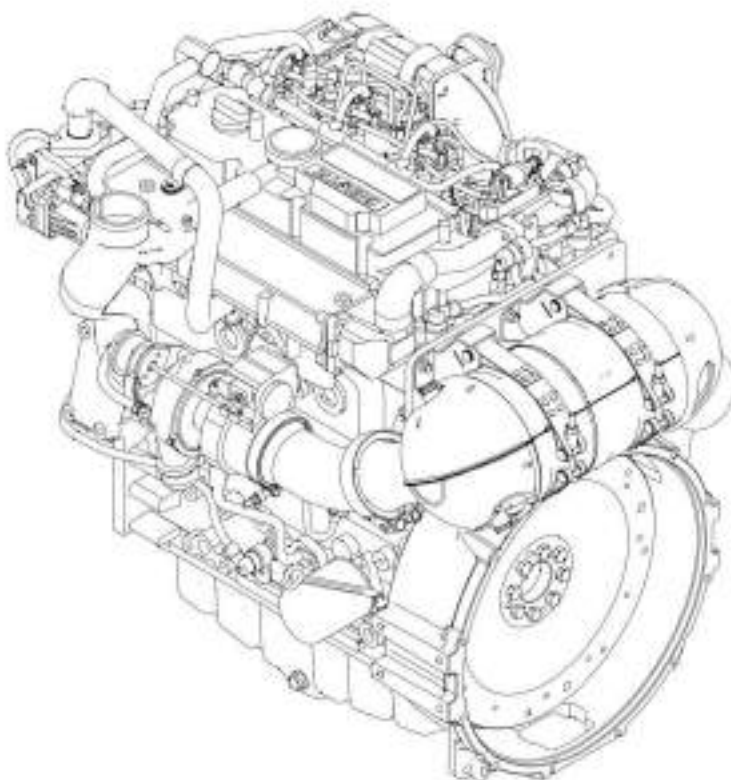
SECTION 4 - ENGINE AND ATTACHING PARTS

FIGURE 4-7. ENGINE INSTALLATION (ULS)

ITEM	PART NUMBER	QTY	DESCRIPTION	REV
	1001201425	Ref	Engine Installation (ULS)	D
1	1001004720	4	Strap, Cable	
2	1001197414	1	Engine (See Seperate breakdown in this Section)	
3	1001202901	1	Bracket, ECU Connector	
4	1001008559	2	Strap, Cable	
5	5251012	2	Bolt, M10X25	
6	1001222460	1	Bracket, Fuel Supply	

SECTION 4 - ENGINE AND ATTACHING PARTS

FIGURE 4-8. ENGINE (100KW - ULS)



AWT_3001197414-1

SECTION 4 - ENGINE AND ATTACHING PARTS

FIGURE 4-8. ENGINE (100KW - ULS)

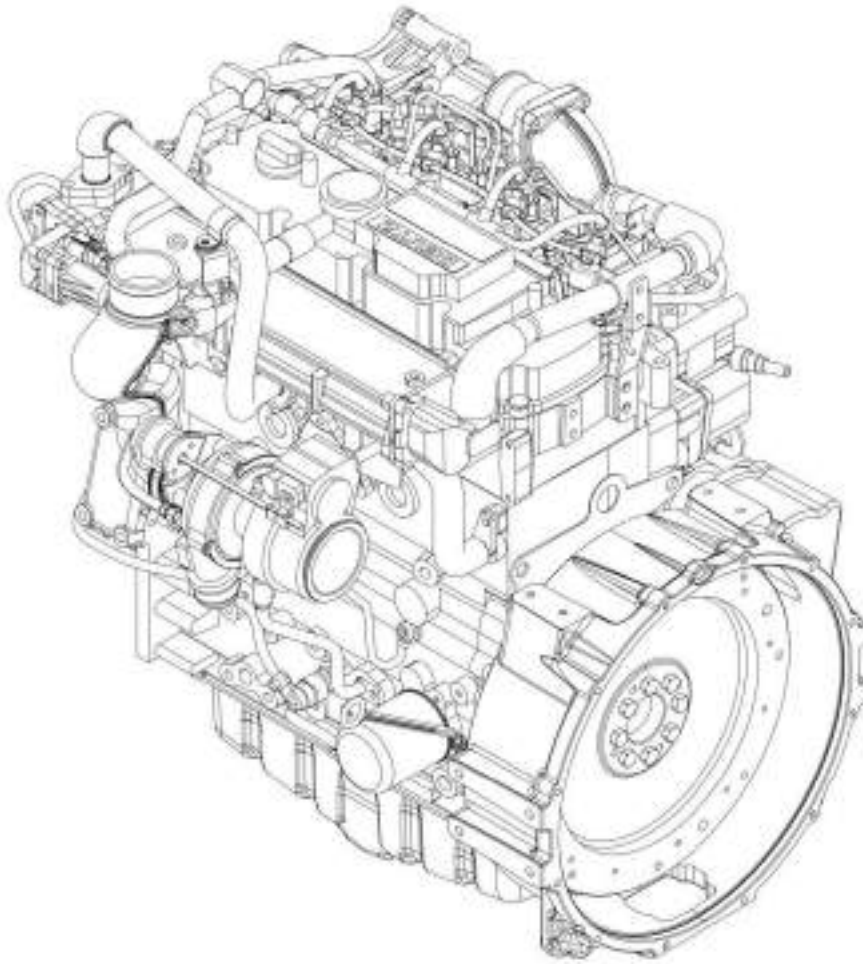
ITEM	PART NUMBER	QTY	DESCRIPTION	REV
	1001197414	Ref	Engine (100kW - ULS)	1
	70027657	1	Dipstick	
	7020442	1	O-Ring	
	70025755	1	Tube, Dipstick	
	70025765	1	Pan, Oil	
	70025786	1	Plug	
	70025757	1	Flywheel	
	7020208	1	Gear, Ring	
	70126616	1	Bearing	
	70027567	1	Belt	
	70025737	1	Sensor, Wheel	
	70025743	1	Pulley, V-Groove	
	70124445	1	Crankcase	
	70025763	1	Pump, Oil	
	70024494	1	Cooler, Oil	
	70024495	1	Gasket	
	7016331	1	Filter, Oil	
	70024504	1	Sensor, Pressure	
	70024489	1	Line, Lube	
	70005490	1	Line, Return	
	70005730	1	Pipe, Transfer	
	70025722	1	Line, Oil Suction	
	70024487	1	Pump, Fuel Injector	
	70027417	1	Filter, Fuel (Secondary)	
	70004512	1	Element, Fuel Filter (Secondary)	
	70024961	1	Filter, Fuel (Primary)	
	70025153	1	Element, Fuel Filter (Primary)	
	70006144	1	Pump, Fuel	
	70024507	1	Sensor, Pressure	
	70005492	1	Valve, Throttle	
	70025772	1	Manifold, Air Charge	
	70005495	1	Module, Engine Control	
	70026011	1	Pump, Water	
	70025775	1	Pulley, V-Ribbed Belt	
	70024918	1	Sensor, Temperature	
	70024493	1	Gasket	
	70005504	1	Sensor, Pressure	
	70005505	1	O-Ring	
	70027405	2	Sensor, Temperature	
	70005507	2	O-Ring	
	70005510	1	Manifold, Exhaust	
	70005511	1	Gasket	
	70027426	1	Module, EGR	
	70005513	1	Valve, Control	
	70025768	1	Valve, Shuttle	
	70028417	1	Turbocharger	
	70024484	1	Roller, Idler	
	70028418	1	Tensioner, Belt	
	70028419	1	Belt, V-Ribbed	
	70027404	1	Alternator	

SECTION 4 - ENGINE AND ATTACHING PARTS

ITEM	PART NUMBER	QTY	DESCRIPTION	REV
	70025535	1	Starter	
	70025780	1	Relay	
	70026210	1	Sensor, Speed	
	70005191	1	O-Ring	
	70025761	1	Connector	
	70024474	1	Plug, Glow	
	70025760	1	Rail, Connecting	
	70005544	1	Unit, Metering	
	70005548	1	Pump, DEF Supply	
	70005549	1	Filter, DEF	
	70005523	1	Sensor, Pressure	
	70024505	1	Sensor, Temperature	
	70005556	1	Sensor, Temperature	
	70005522	1	Sensor	
	70005524	1	Sensor	
	70005559	1	Sensor, Temperature	
	70005507	1	O-Ring	
	70005557	1	Pipe	
	70005558	1	Clip	
	70025877	3	Clamp	
	70025242	3	Gasket	
	70025707	1	Set, Gasket	

SECTION 4 - ENGINE AND ATTACHING PARTS

FIGURE 4-9. ENGINE (100KW - LS)



ANT_1001209585-G

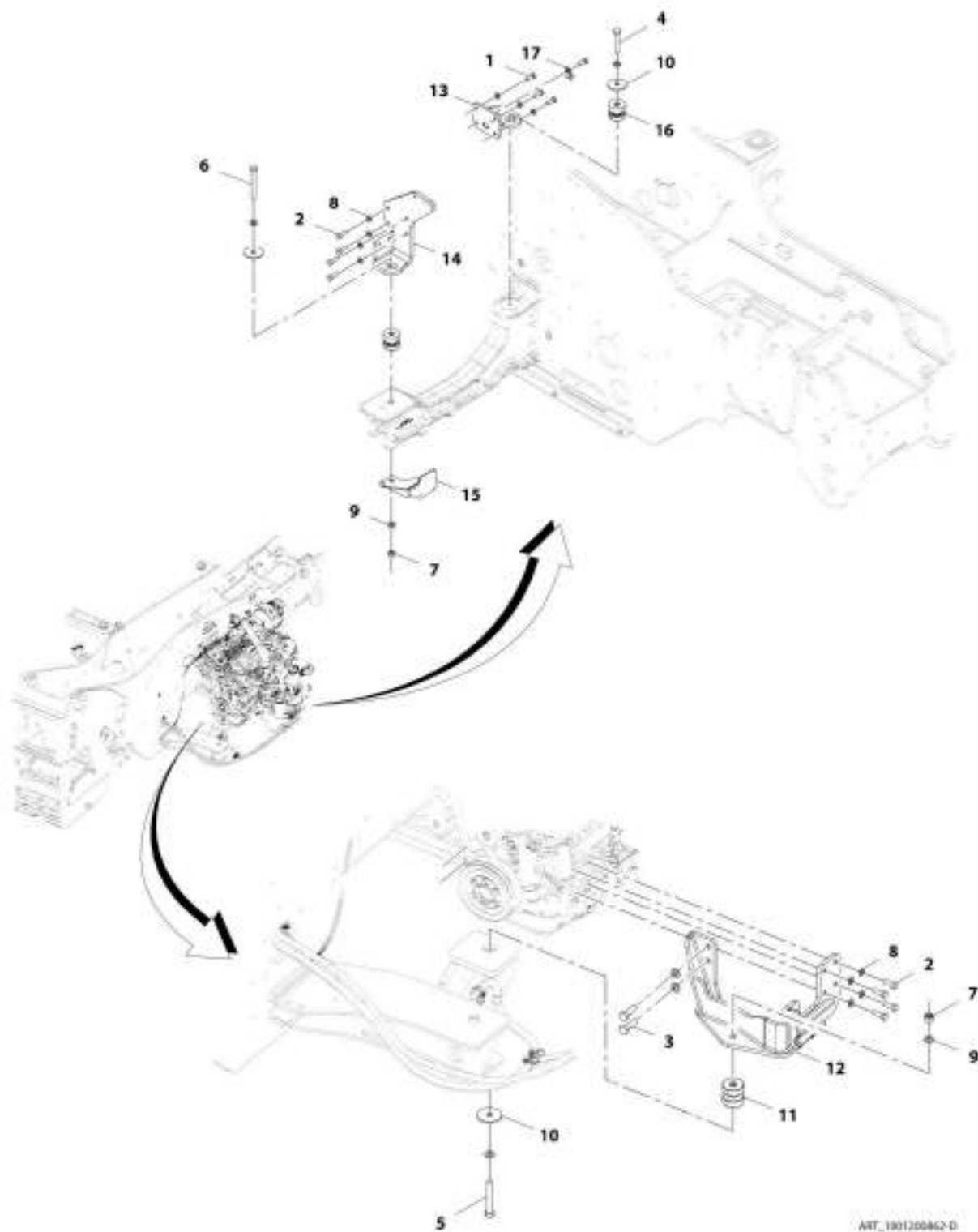
SECTION 4 - ENGINE AND ATTACHING PARTS

FIGURE 4-9. ENGINE (100KW - LS)

ITEM	PART NUMBER	QTY	DESCRIPTION	REV
	1001209585	Ref	Engine (100kW - LS)	G
	70004512	1	Fuel Filter - Use 1001225432	
	70005174	1	Pump, Fuel - Use 1001226098	
	70005490	1	Line, Oil Return	
	70005492	1	Valve, Throttle	
	70005495	1	Unit, Control Programmed To Sn	
	70005504	1	Sensor, Pressure	
	70005505	1	Ring, Sealing	
	70005507	2	O-Seal	
	70024487	1	Fuel Inject Pump	
	70024489	1	Lubrication Oil Line	
	70024493	1	Gasket	
	70024494	1	Oil Cooler	
	70024495	1	Gasket	
	70024504	1	Oil Pressure Sensor - Use 70028538	
	70024507	1	Air Temperature Sensor	
	70024918	1	Temperature Sensor, Coolnt - Use 70028540	
	70024961	1	Fuel Prefilt Assembly, Prim (No Br)	
	70025153	1	Fuel Element Prime - Use 1001225430	
	70025722	1	Oil Suction Line	
	70025730	1	Transfer Pipe	
	70025737	1	Sensor Wheel	
	70025743	1	V-Grooved Pulley	
	70025755	1	Guide Tube	
	70025757	1	Flywheel - Use 70028764	
	70025763	1	Oil Pump	
	70025765	1	Oil Pan	
	70025768	1	Shuttle Valve - Use 70028928	
	70025772	1	Charge Air Pipe - Use 70028927	
	70025775	1	V-Belt Pulley	
	70025786	24	Screw Plug	
	70026011	1	Water Pump	
	70027405	2	Temperature Sensor	
	70027417	1	Fuel Filter Assembly	
	70027567	1	Belt Pulley	
	70027657	1	Dipstick	
	70124445	1	Crankshaft - Use 70029365	
	70126616	1	Bearing Bush	
	7016331	1	Filter, Oil	
	7020208	1	Ring Gear (129 Teeth)	
	7020442	1	Dipstick O-Ring	

SECTION 4 - ENGINE AND ATTACHING PARTS

FIGURE 4-10. ENGINE MOUNT INSTALLATION



ART_180130862-D

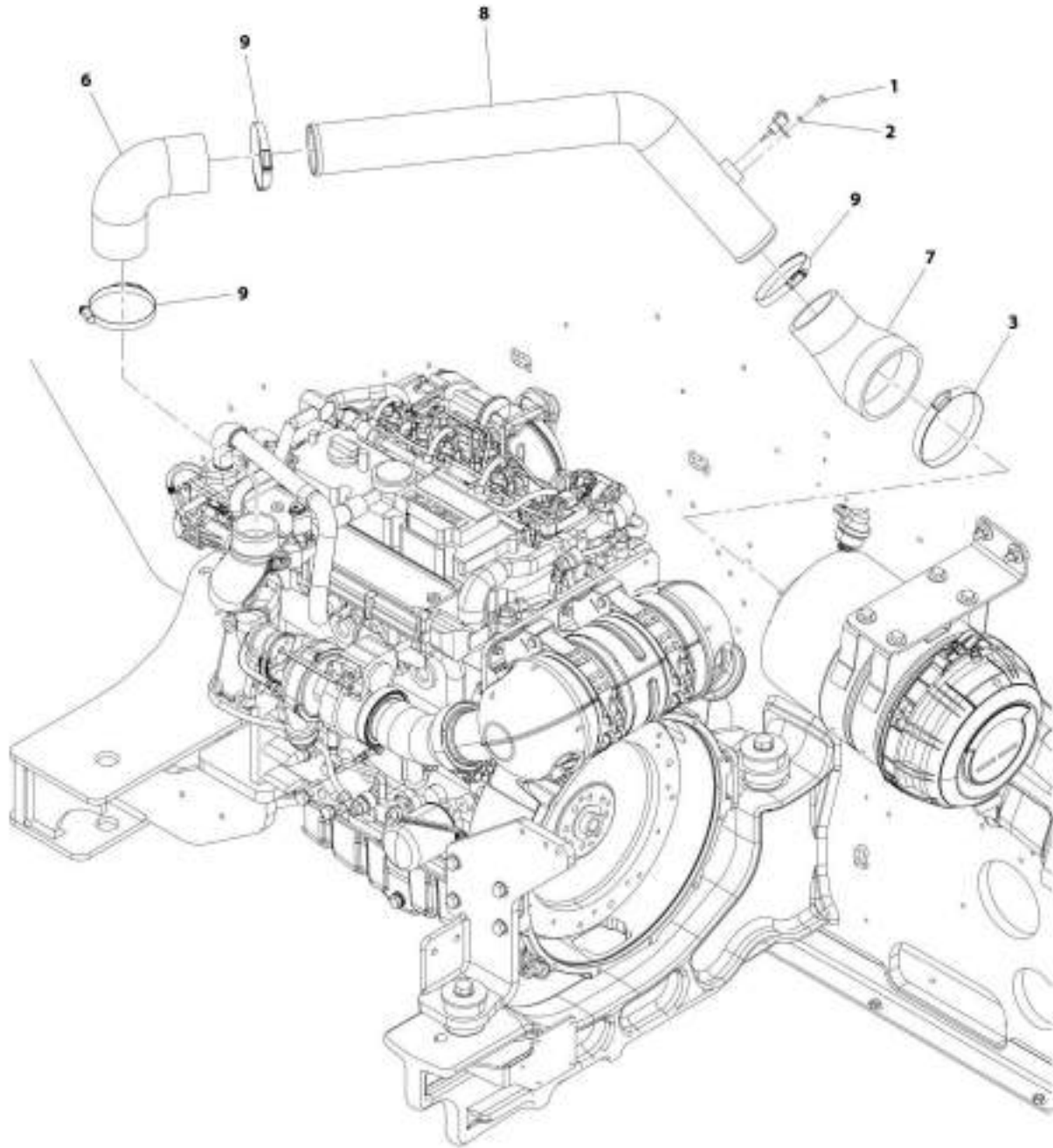
SECTION 4 - ENGINE AND ATTACHING PARTS

FIGURE 4-10. ENGINE MOUNT INSTALLATION

ITEM	PART NUMBER	QTY	DESCRIPTION	REV
	1001200862	Ref	Engine Mount Installation	D
1	0761214	4	Bolt, M12X30	
2	0761215	8	Bolt, M12X35	
3	0701618	2	Bolt M16 X 50	
4	0701626	1	Bolt, M16X90	
5	0701628	1	Bolt, M16X110	
6	0701630	1	Bolt, M16X130	
7	3291605	2	Nut, Lock M16X2	
8	4812100	11	Washer, M12	
9	4812300	7	Washer, M16	
10	7300435	3	Washer	
11	1001188757	1	Mount, Engine	
12	1001200871	1	Bracket, Engine Mount	
13	1001200872	1	Bracket, Engine Mount	
14	1001200873	1	Bracket, Engine Mount	
15	1001200874	1	Bracket, Fuel Pump	
16	1001197072	2	Mount, Engine	
17	8406105	1	Clip, Tube	

SECTION 4 - ENGINE AND ATTACHING PARTS

FIGURE 4-11. AIR INTAKE INSTALLATION (ULS)



ART_1001200863-B

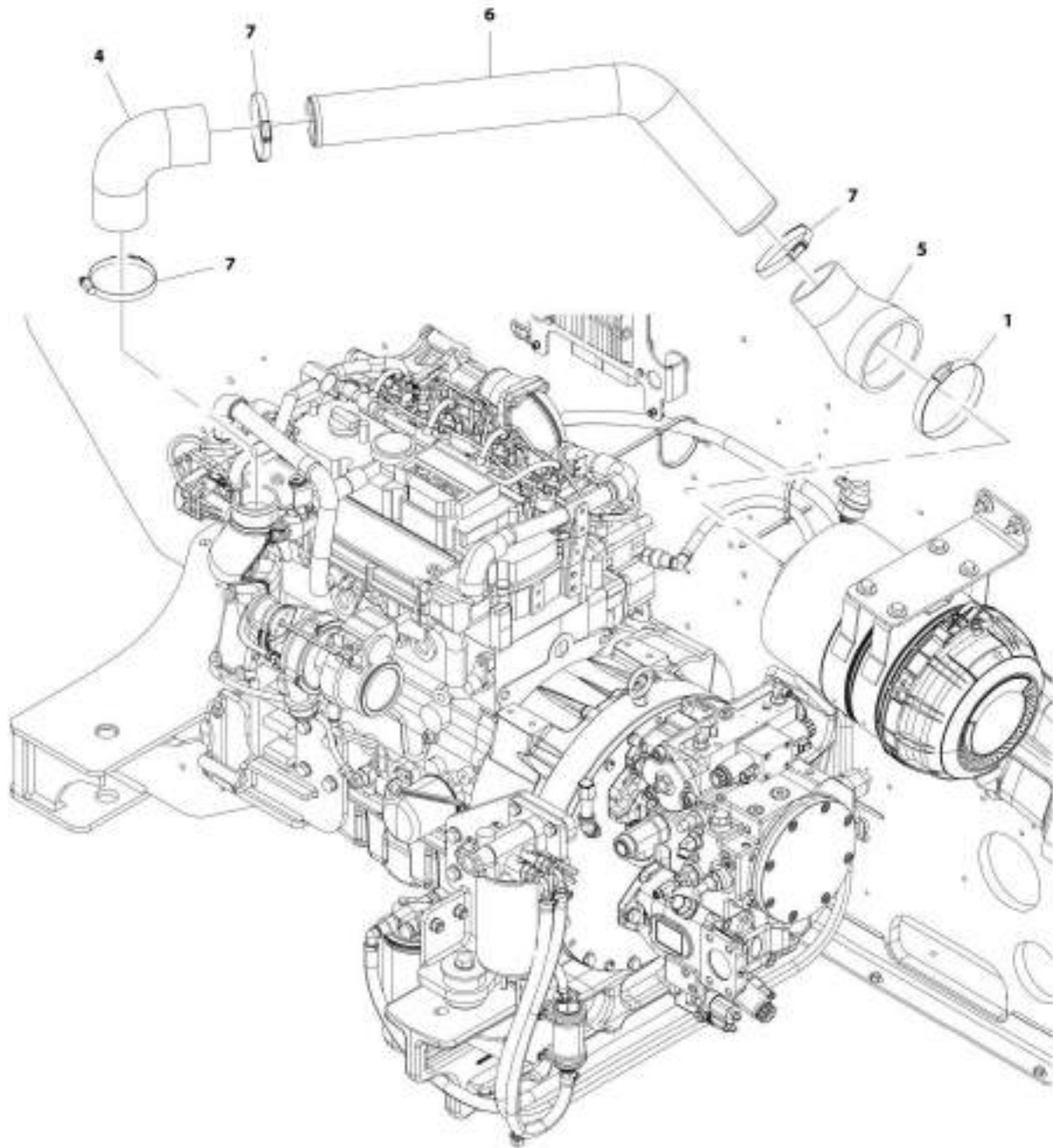
SECTION 4 - ENGINE AND ATTACHING PARTS

FIGURE 4-11. AIR INTAKE INSTALLATION (ULS)

ITEM	PART NUMBER	QTY	DESCRIPTION	REV
	1001200863	Ref	Air Intake Installation (ULS)	B
1	0760605	1	Bolt, M6X10	
2	4811700	1	Washer, M6	
3	8405402	1	Clamp	
6	1001182881	1	Hose	
7	1001200885	1	Hose	
8	1001200886	1	Tube	
9	1001226523	3	Clamp	

SECTION 4 - ENGINE AND ATTACHING PARTS

FIGURE 4-12. AIR INTAKE INSTALLATION (LS)



ART_3001210600-B

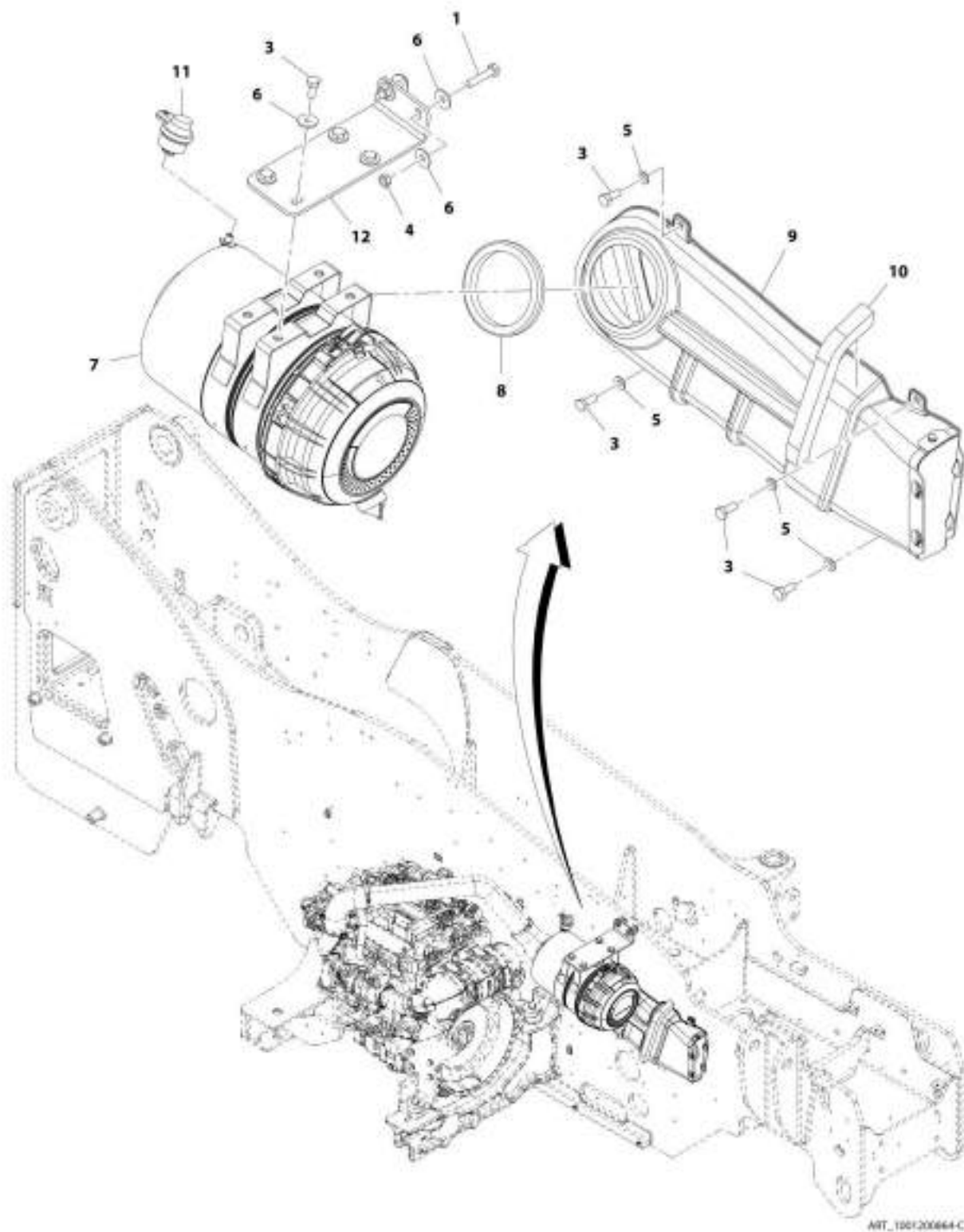
SECTION 4 - ENGINE AND ATTACHING PARTS

FIGURE 4-12. AIR INTAKE INSTALLATION (LS)

ITEM	PART NUMBER	QTY	DESCRIPTION	REV
	1001210600	Ref	Air Intake Installation (LS)	B
1	8405402	1	Clamp	
4	1001182881	1	Hose	
5	1001200885	1	Hose	
6	1001210603	1	Pipe	
7	1001226523	3	Clamp	

SECTION 4 - ENGINE AND ATTACHING PARTS

FIGURE 4-13. AIR CLEANER INSTALLATION



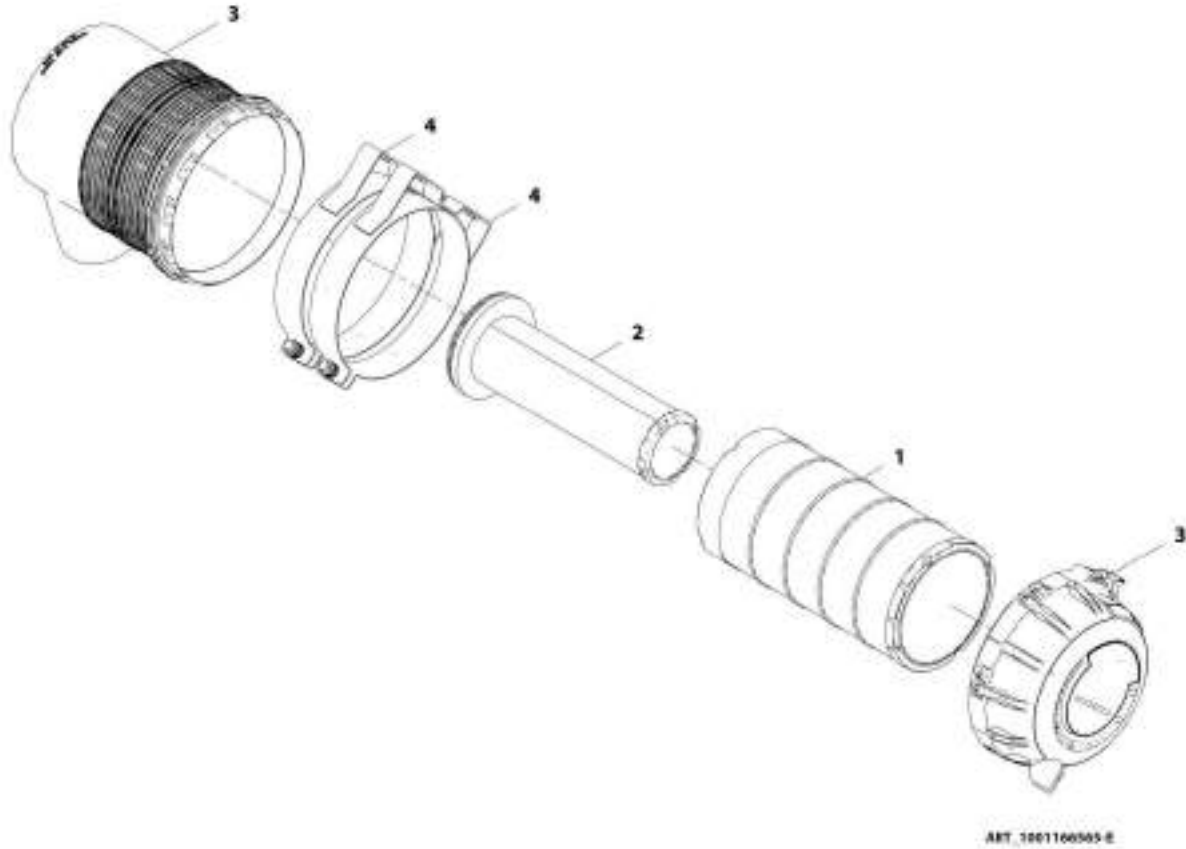
SECTION 4 - ENGINE AND ATTACHING PARTS

FIGURE 4-13. AIR CLEANER INSTALLATION

ITEM	PART NUMBER	QTY	DESCRIPTION	REV
	1001200864	Ref	Air Cleaner Installation	C
1	0701018	2	Bolt, M10X50	
3	0761012	8	Bolt, M10X25	
4	3291001	2	Nut, M10X1.5	
5	4812000	4	Washer, M10	
6	4812002	8	Washer, M10	
7	1001166565	1	Filter, Air Cleaner (See Seperate Breakdown in this Section)	
8	1001183831	1	Grommet	
9	1001183835	1	Air Intake Duct Installation (See Seperate Breakdown in this Section)	
10	1001186898	1	Seal	
11	1001166715	1	Indicator	
12	1001194534	1	Bracket, Air Cleaner Mount	

SECTION 4 - ENGINE AND ATTACHING PARTS

FIGURE 4-14. AIR CLEANER ASSEMBLY (90/100KW)



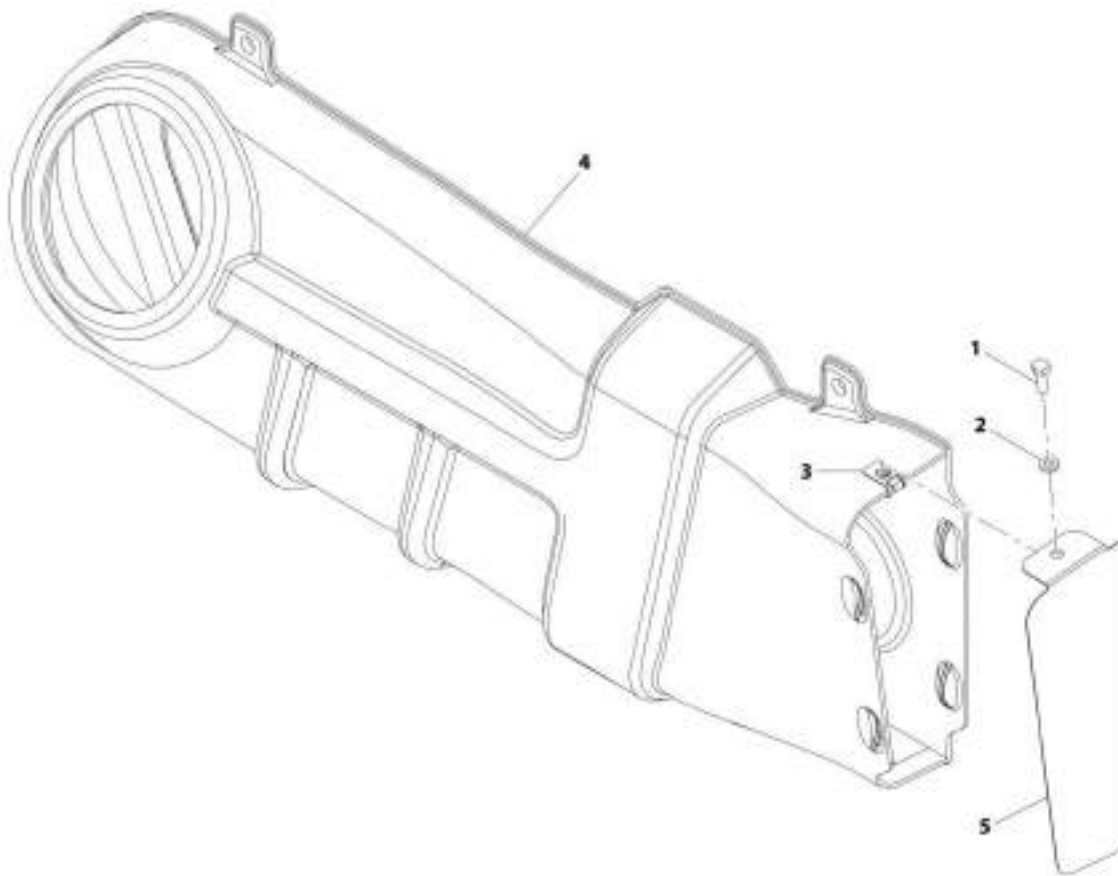
SECTION 4 - ENGINE AND ATTACHING PARTS

FIGURE 4-14. AIR CLEANER ASSEMBLY (90/100KW)

ITEM	PART NUMBER	QTY	DESCRIPTION	REV
	1001166565	Ref	Air Cleaner Filter Assembly (90/100KW)	E
1	70025850	1	Filter, Cylindrical Air Primary	
2	70025851	1	Filter, Cylindrical Air Secondary	
3	70026395	1	Cover	
4	70026396	2	Bracket	

SECTION 4 - ENGINE AND ATTACHING PARTS

FIGURE 4-15. AIR INTAKE DUCT INSTALLATION



AHT_1001183825-C

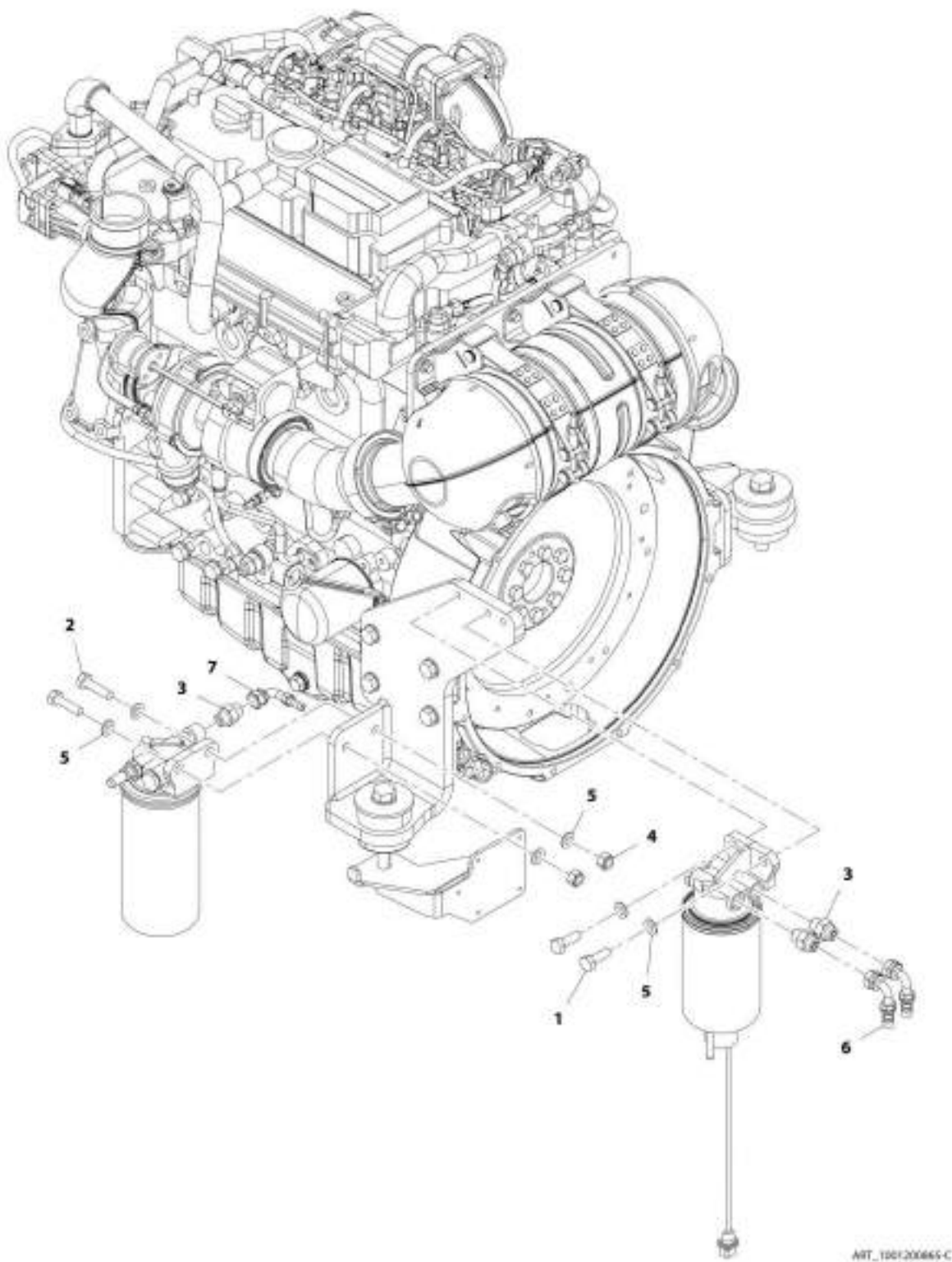
SECTION 4 - ENGINE AND ATTACHING PARTS

FIGURE 4-15. AIR INTAKE DUCT INSTALLATION

ITEM	PART NUMBER	QTY	DESCRIPTION	REV
	1001183835	Ref	Air Intake Duct Installation	C
1	0760608	1	Bolt, M6X16	
2	4811702	1	Washer, M6	
3	8305919	1	Nut	
4	1001183827	1	Duct	
5	1001183829	1	Plate	

SECTION 4 - ENGINE AND ATTACHING PARTS

FIGURE 4-16. PRIMARY FUEL FILTER INSTALLATION (ULS)



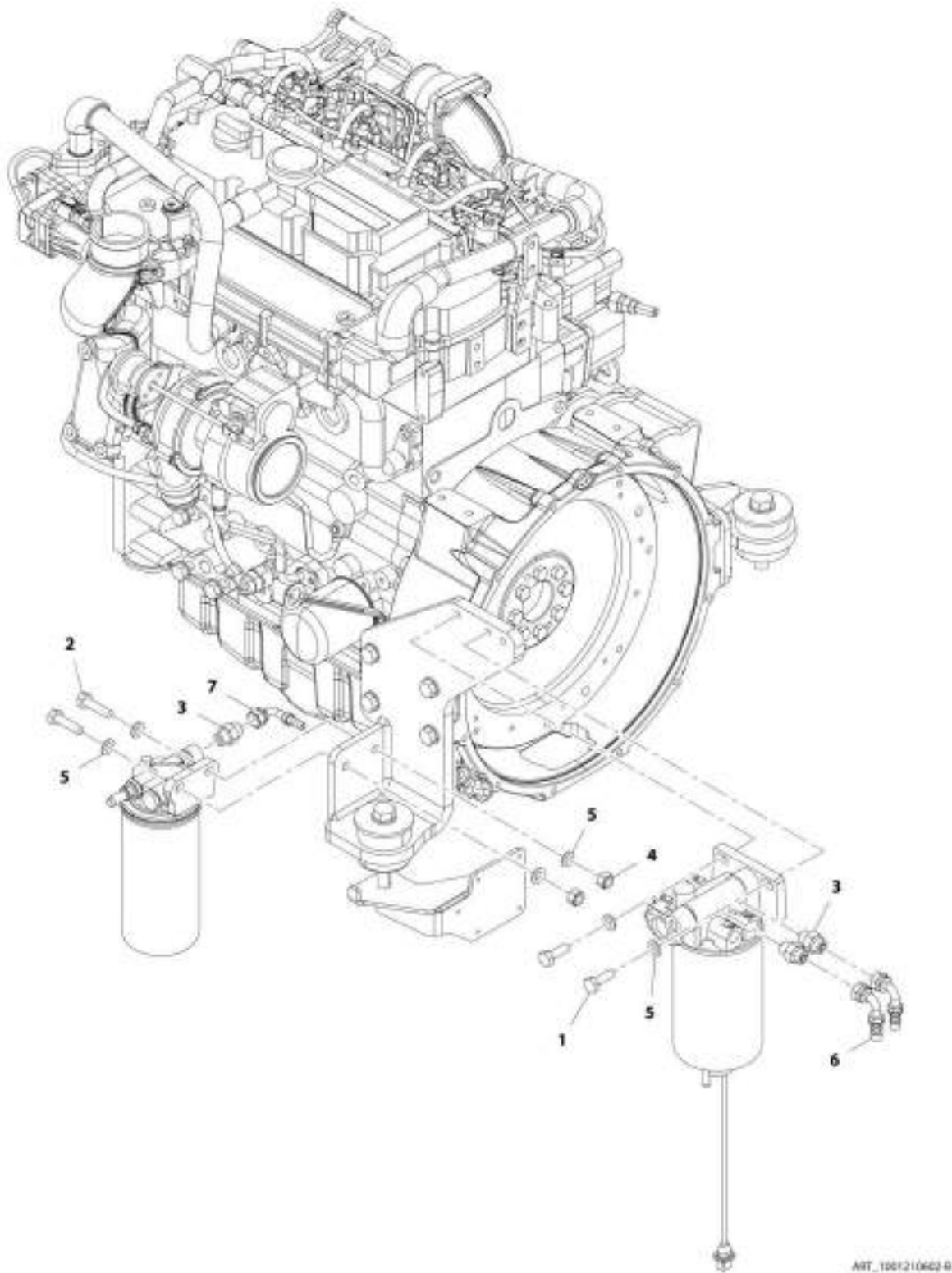
SECTION 4 - ENGINE AND ATTACHING PARTS

FIGURE 4-16. PRIMARY FUEL FILTER INSTALLATION (ULS)

ITEM	PART NUMBER	QTY	DESCRIPTION	REV
	1001200865	Ref	Primary Fuel Filter Installation	C
1	0701014	2	Bolt, M10X30	
2	0701016	2	Bolt, M10X40	
3	2144606	3	Fitting, Straight ORFS	
4	3291005	2	Nut, Lock M10X1.5	
5	4812000	6	Washer, M10	
6	1001095301	2	Fitting, 90 ORFS	
7	1001133793	1	Fitting, 90 ORFS	

SECTION 4 - ENGINE AND ATTACHING PARTS

FIGURE 4-17. PRIMARY FUEL FILTER INSTALLATION (LS)



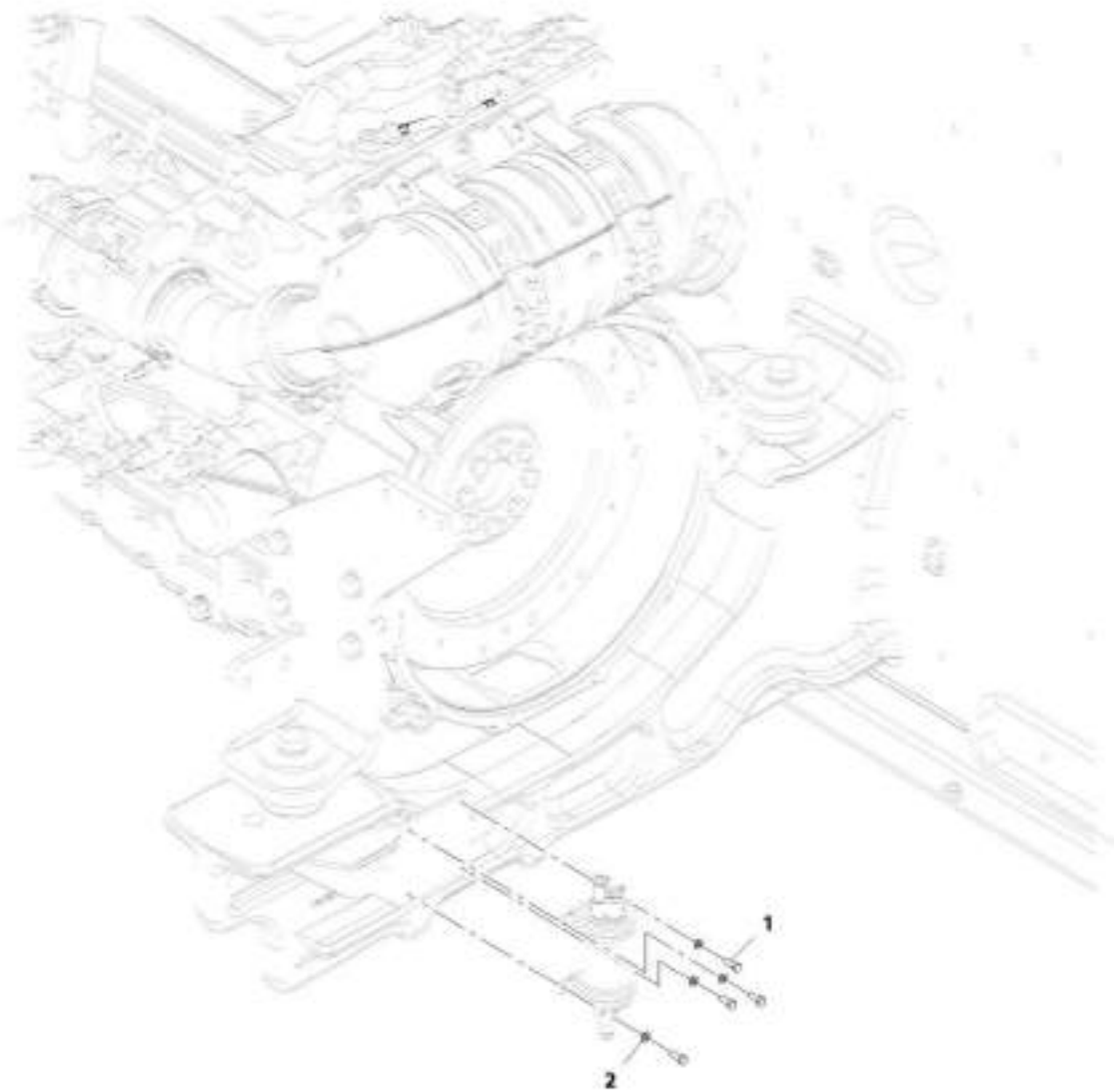
SECTION 4 - ENGINE AND ATTACHING PARTS

FIGURE 4-17. PRIMARY FUEL FILTER INSTALLATION (LS)

ITEM	PART NUMBER	QTY	DESCRIPTION	REV
	1001210602	Ref	Primary Fuel Filter Installation (LS)	B
1	0701014	2	Bolt, M10X30	
2	0701016	2	Bolt, M10X40	
3	2144606	3	Fitting, 90 ORFS	
4	3291005	2	Nut, Lock M10X1.5	
5	4812000	6	Washer, M10	
6	1001095301	2	Fitting, 90 ORFS	
7	1001133793	1	Fitting, 90 ORFS	

SECTION 4 - ENGINE AND ATTACHING PARTS

FIGURE 4-18. REMOTE FUEL PUMP INSTALLATION



ART_1801221341-B

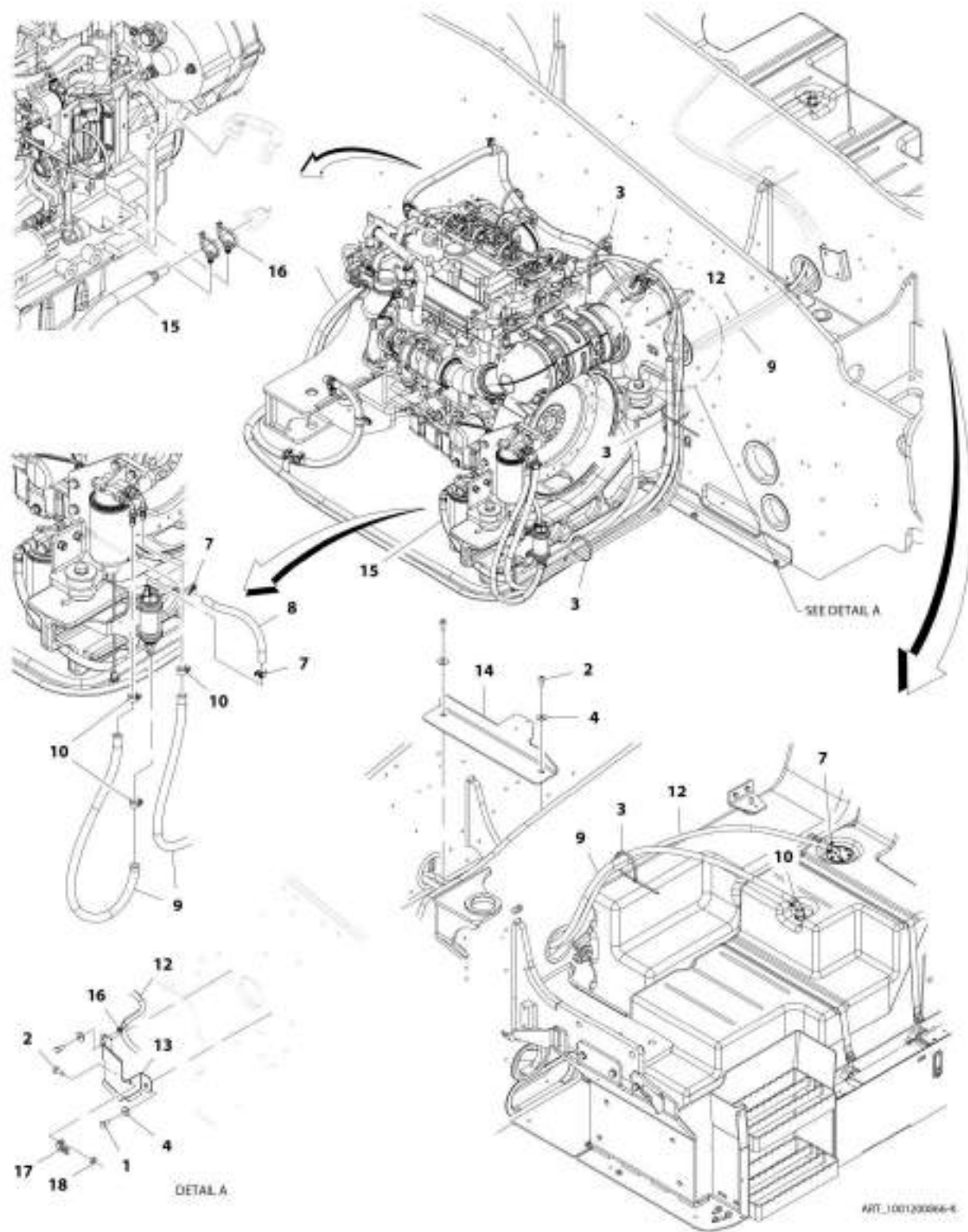
SECTION 4 - ENGINE AND ATTACHING PARTS

FIGURE 4-18. REMOTE FUEL PUMP INSTALLATION

ITEM	PART NUMBER	QTY	DESCRIPTION	REV
	1001221041	Ref	Remote Fuel Pump Installation	B
1	0760507	4	Bolt, M5X14	
2	4811600	4	Washer, M5	

SECTION 4 - ENGINE AND ATTACHING PARTS

FIGURE 4-19. FUEL LINES INSTALLATION



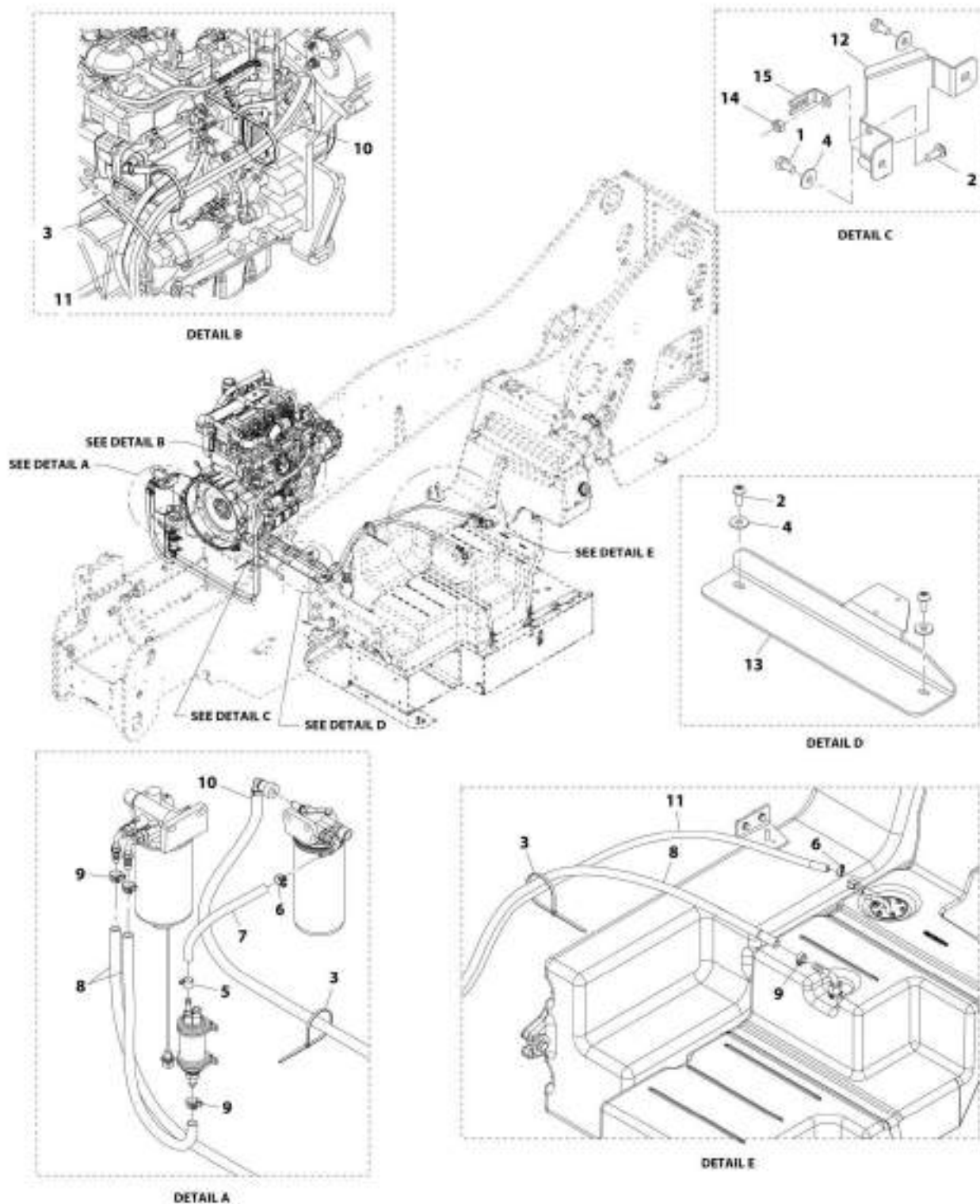
SECTION 4 - ENGINE AND ATTACHING PARTS

FIGURE 4-19. FUEL LINES INSTALLATION

ITEM	PART NUMBER	QTY	DESCRIPTION	REV
	1001200866	Ref	Fuel Lines Installation	K
1	0761010	2	Bolt, M10X20	
2	1001009325	3	Screw	
3	1062255	6	Strap, Tie	
4	4812002	4	Washer, M10	
7	1001136975	3	Clamp	
8	1001165035	260 mm	Hose	
9	1001172755	4060 mm	Hose	
10	1001175568	4	Clip	
12	1001228248	1	Hose	
13	1001210870	1	Plate	
14	1001221868	1	Channel, Frame	
15	1001232850	1	Hose	
16	1001146588	3	Strap, Tie	
17	1001003305	1	Clip	
18	3291001	1	Nut, M10X1.5 Grade 8	

SECTION 4 - ENGINE AND ATTACHING PARTS

FIGURE 4-20. FUEL LINES INSTALLATION



ART_3001210001-C

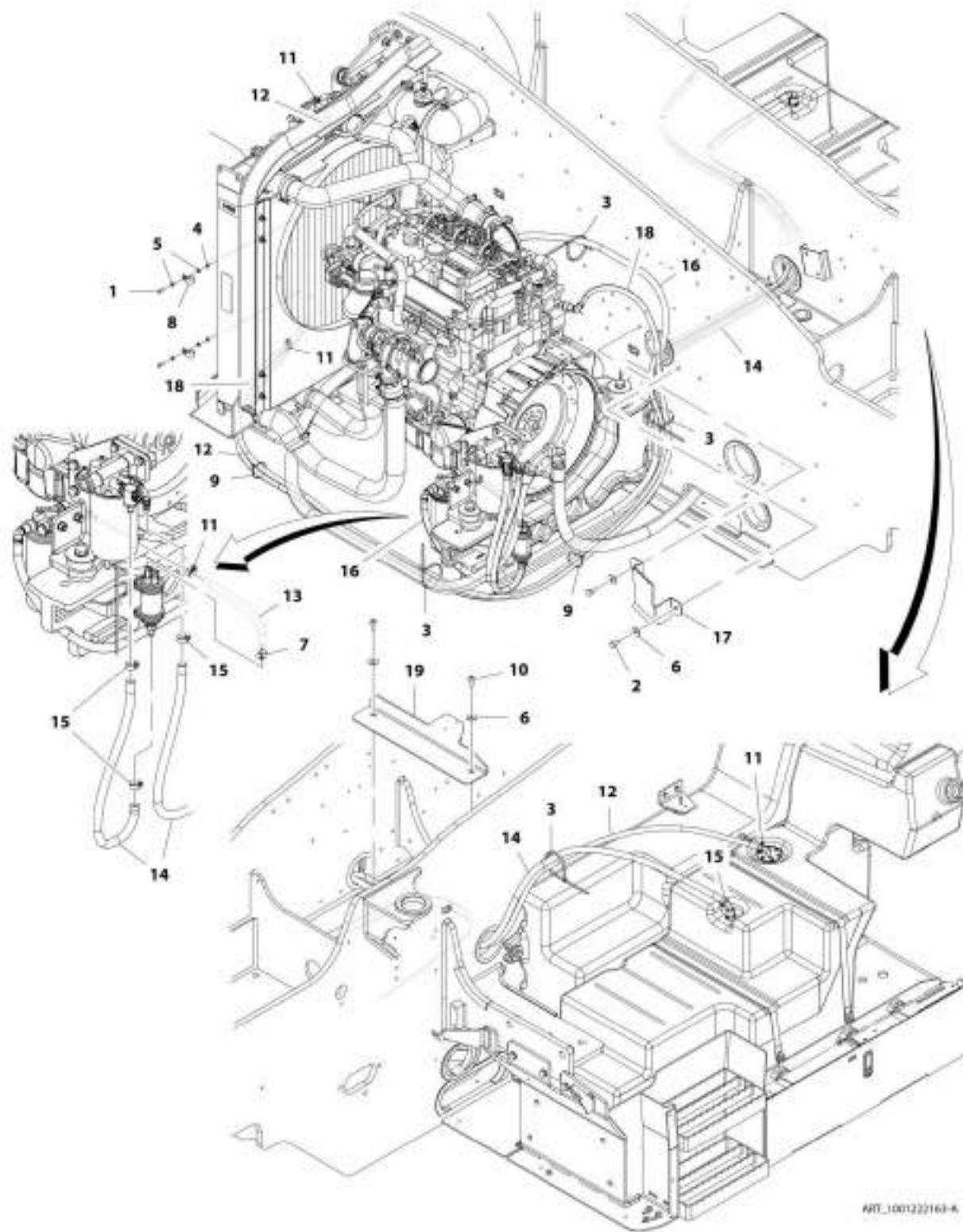
SECTION 4 - ENGINE AND ATTACHING PARTS

FIGURE 4-20. FUEL LINES INSTALLATION

ITEM	PART NUMBER	QTY	DESCRIPTION	REV
	1001210601	Ref	Fuel Line Installation	C
1	0761010	2	Bolt, M10X20	
2	1001009325	3	Screw, Torx Hd	
3	1062255	5	Strap, Tie	
4	4812002	4	Washer, M10	
5	8405006	1	Clamp	
6	1001136975	2	Clamp	
7	1001165035	235 mm	Hose	
8	1001172755	3946 mm	Hose	
9	1001175568	4	Clip	
10	1001200887	1	Hose	
11	1001228248	1	Hose	
12	1001210870	1	Plate	
13	1001221868	1	Channel, Hose	
14	3291001	1	Nut, M10X1.5 Grade 8	
15	1001003305	1	Clip	

SECTION 4 - ENGINE AND ATTACHING PARTS

FIGURE 4-21. FUEL LINES INSTALLATION



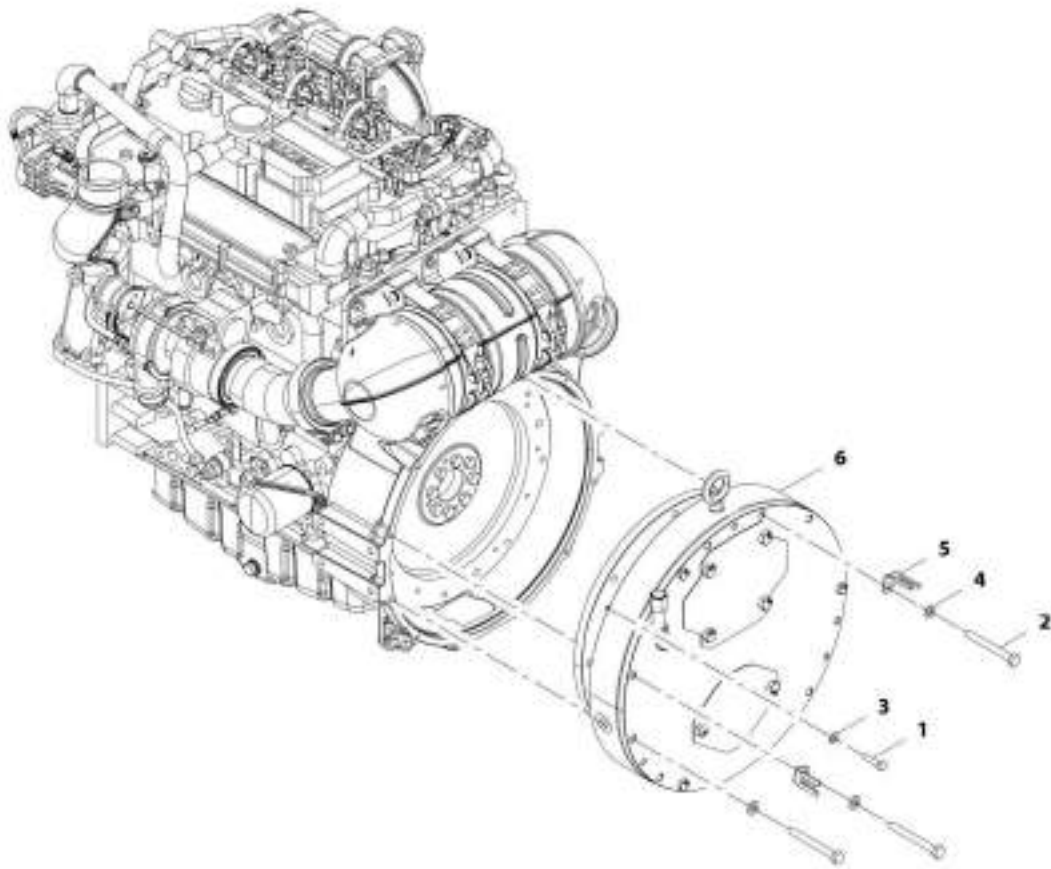
SECTION 4 - ENGINE AND ATTACHING PARTS

FIGURE 4-21. FUEL LINES INSTALLATION

ITEM	PART NUMBER	QTY	DESCRIPTION	REV
	1001222163	Ref	Fuel Lines Installation	A
1	0700610	2	Bolt, M6X20	
2	0761010	2	Bolt, M10X20	
3	1062255	4	Strap, Tie	
4	3290601	2	Nut, M6X1 Grade 8	
5	4811700	4	Washer, M6	
6	4812002	4	Washer, M10	
7	8405006	1	Clamp, Gear	
8	8406112	2	Clip, Tube	
9	1001008559	2	Strap, Cable	
10	1001009325	2	Screw	
11	1001136975	4	Clamp	
12	1001141400	5376 mm	Hose	
13	1001165035	235 mm	Hose	
14	1001172755	3946 mm	Hose	
15	1001175568	4	Clip	
16	1001200887	1	Hose	
17	1001210870	1	Plate, Hose Shield	
18	1001221702	1	Hose	
19	1001221868	1	Channel, Engine Lines	

SECTION 4 - ENGINE AND ATTACHING PARTS

FIGURE 4-22. HYDROSTATIC ADAPTOR INSTALLATION



ART_1801192703-D

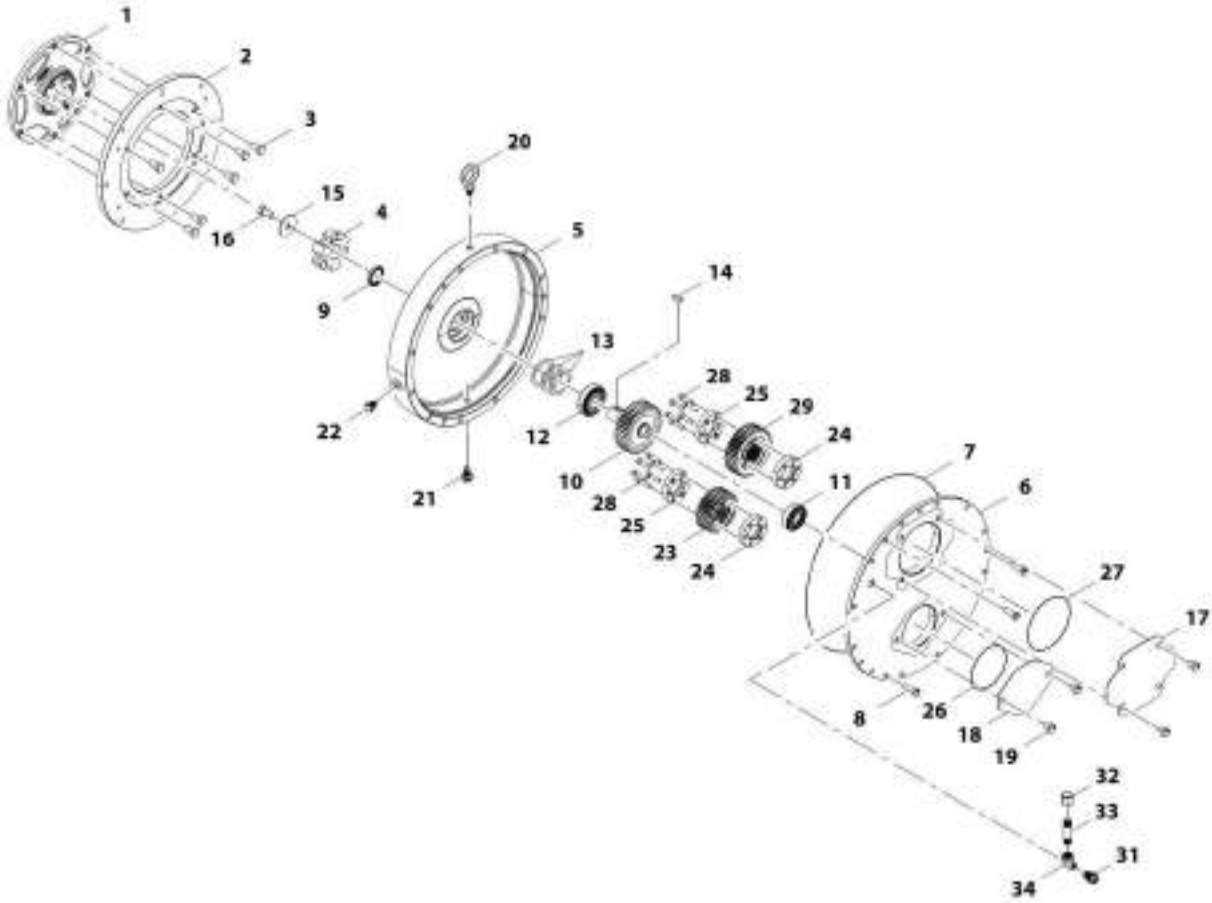
SECTION 4 - ENGINE AND ATTACHING PARTS

FIGURE 4-22. HYDROSTATIC ADAPTOR INSTALLATION

ITEM	PART NUMBER	QTY	DESCRIPTION	REV
	1001193703	Ref	Hydrostatic Adaptor Installation	D
1	0641510	6	Bolt, 5/16-18X1.25	
2	0701026	12	Bolt, M10X90	
3	4811900	6	Washer, M8	
4	4812000	10	Washer, M10	
5	1001003305	2	Clip	
6	1001193705	1	Assembly, Dual Drive Support (See Seperate Breakdown in this Section)	

SECTION 4 - ENGINE AND ATTACHING PARTS

FIGURE 4-23. DUAL DRIVE SUPPORT ASSEMBLY



ART_1801162705-E

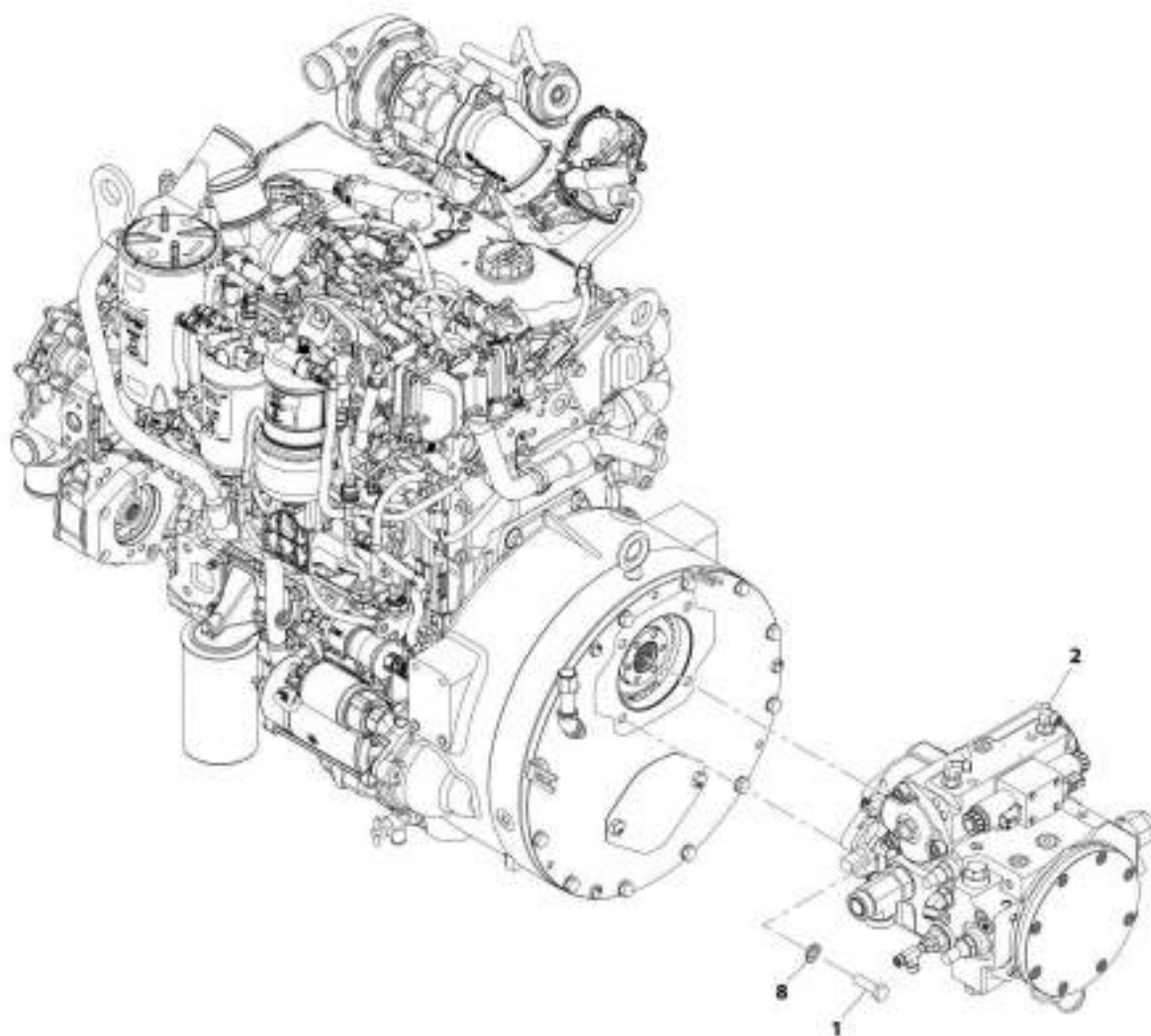
SECTION 4 - ENGINE AND ATTACHING PARTS

FIGURE 4-23. DUAL DRIVE SUPPORT ASSEMBLY

ITEM	PART NUMBER	QTY	DESCRIPTION	REV
	1001193705	Ref	Dual Drive Support Assembly	E
1	70028327	1	Plate, Flex	
2	70028328	1	Plate, Flywheel Adapter	
3	70028329	6	Bolt	
4	70028330	1	Hub, Flex	
5	70028331	1	Gear Box Half, Input Side	
6	70028332	1	Gear Box Half, Output Side	
7	70028333	1	O-Ring	
8	70028334	3	Bolt	
9	70028335	1	Seal, Shaft	
10	70028336	1	Gear, Input Shaft	
11	70028337	1	Bearing, Angular Contact	
12	70028338	1	Bearing, Angular Contact	
13	70028339	3	Washer	
14	70028340	1	Key	
15	70028341	1	Washer	
16	70028342	1	Bolt	
17	70028343	1	Cover, Pump Mount Implement	
18	70028344	1	Cover, Pump Mount Hydrastat	
19	70028345	6	Bolt	
20	70028346	1	Eyebolt, Modified	
21	70028347	1	Plug	
22	70028348	1	Plug	
23	70028349	1	Pump, Gear,30 Tooth	
24	70028350	2	Locking Ring, Tapered	
25	70028351	2	Locking Ring, Tapered	
26	70028352	1	O-Ring	
27	70028353	1	O-Ring	
28	70028354	12	Bolt	
29	70028355	1	Pump, Gear, 35 Tooth	
31	70028357	1	Adapter, 90	
32	70028358	1	Breather	
33	70028359	1	Nipple	
34	70028360	1	Adapter, 45	

SECTION 4 - ENGINE AND ATTACHING PARTS

FIGURE 4-24. HYDROSTATIC DRIVE PUMP INSTALLATION



ART-100193704-C

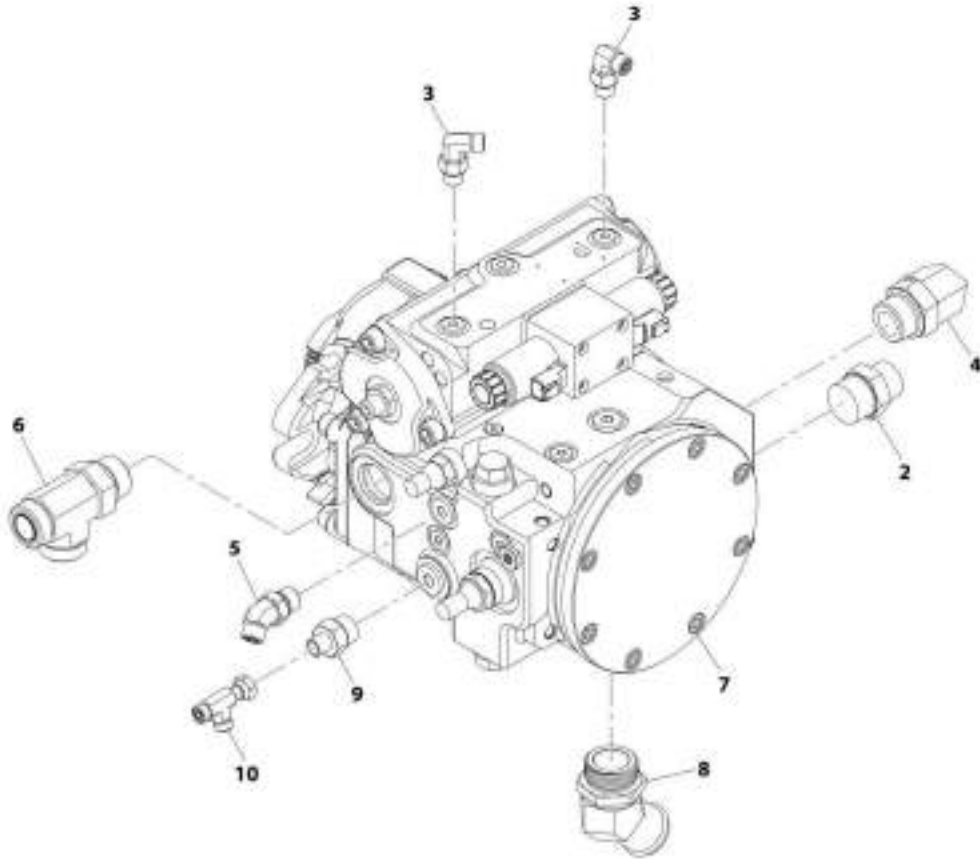
SECTION 4 - ENGINE AND ATTACHING PARTS

FIGURE 4-24. HYDROSTATIC DRIVE PUMP INSTALLATION

ITEM	PART NUMBER	QTY	DESCRIPTION	REV
	1001193704	Ref	Hydrostatic Drive Pump Installation	D
1	0711216	4	Bolt, M12X40	
2	1001210771	1	Assembly, Hydrostatic Drive Pump (See Seperate Breakdown in this Section)	
8	4740532	4	Washer, M12	

SECTION 4 - ENGINE AND ATTACHING PARTS

FIGURE 4-25. HYDROSTATIC DRIVE PUMP ASSEMBLY



ART_1001210771-C

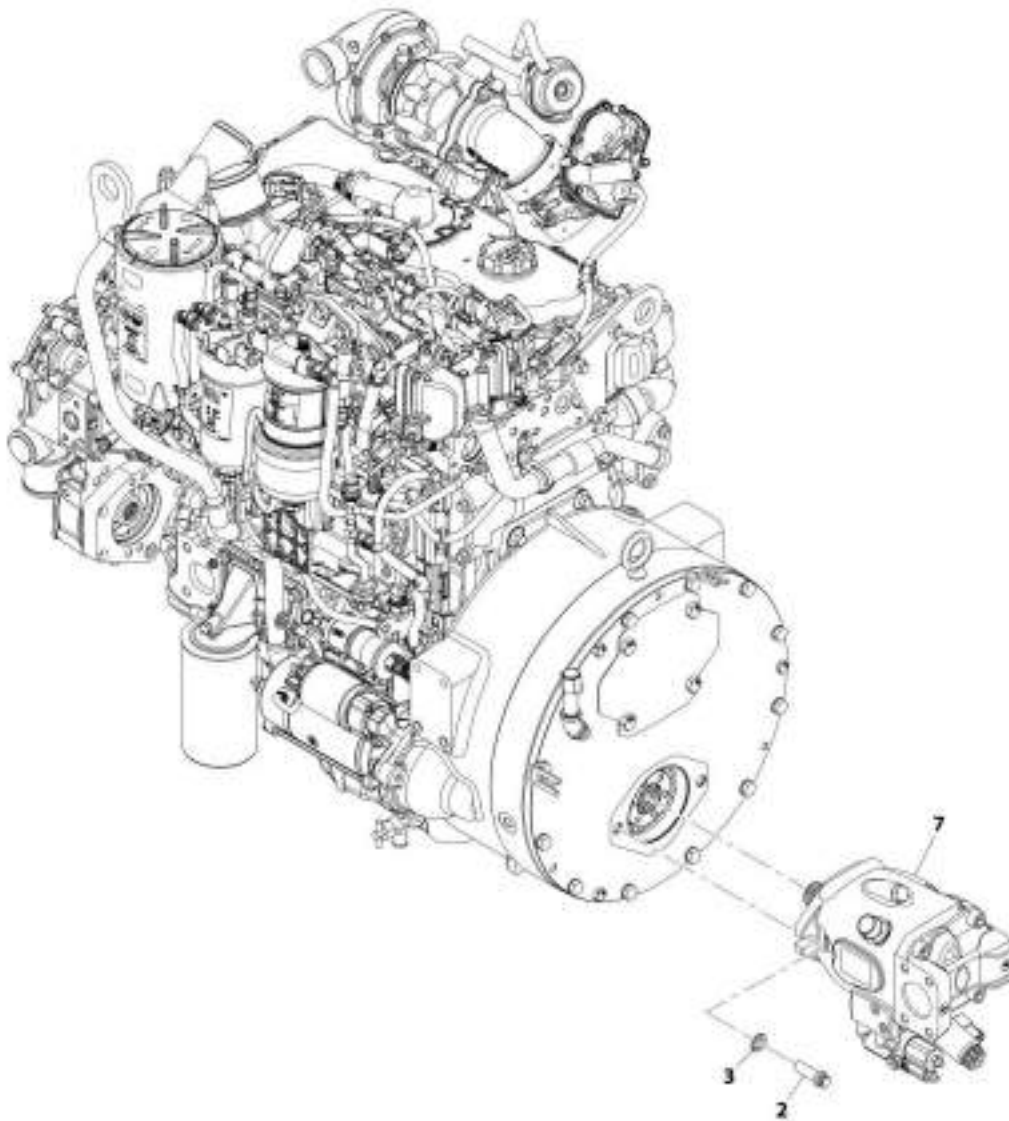
SECTION 4 - ENGINE AND ATTACHING PARTS

FIGURE 4-25. HYDROSTATIC DRIVE PUMP ASSEMBLY

ITEM	PART NUMBER	QTY	DESCRIPTION	REV
	1001210771	Ref	Hydrostatic Drive Pump Assembly	C
2	2111216	1	Fitting, Straight ORFS	
3	2130406	2	Fitting, 90 ORFS	
4	2131216	1	Fitting, 90 ORFS	
5	2150608	1	Fitting, 45 ORFS	
6	2170316	1	Fitting, TEE ORFS	
7	1001193307	1	Pump, Hydrostatic Drive (See Seperate Breakdown in Hydraulic Components Section)	
8	1001196664	1	Fitting, 45	
9	2110410	1	Fitting, Straight ORFS	
10	2170704	1	Fitting, Tee ORFS	

SECTION 4 - ENGINE AND ATTACHING PARTS

FIGURE 4-26. IMPLEMENT PUMP INSTALLATION



ART_1001103303-E

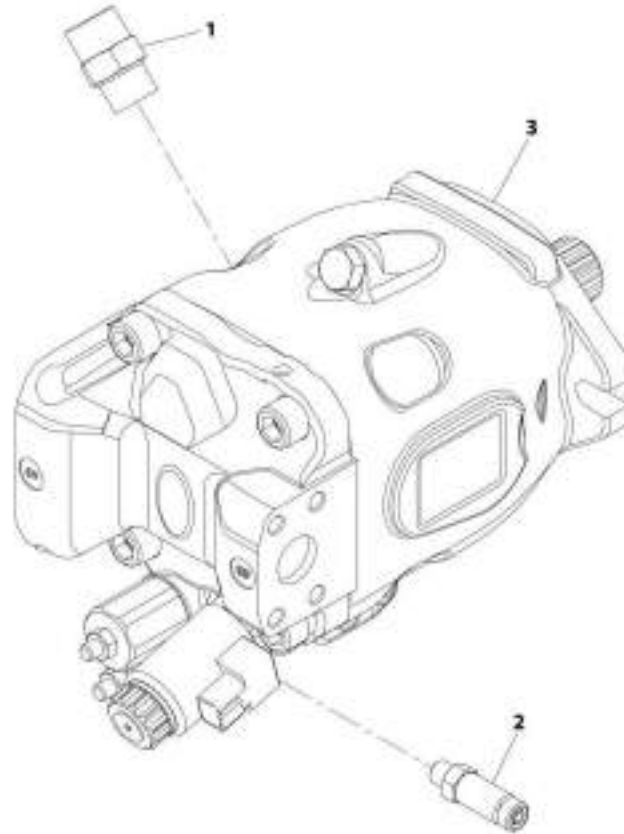
SECTION 4 - ENGINE AND ATTACHING PARTS

FIGURE 4-26. IMPLEMENT PUMP INSTALLATION

ITEM	PART NUMBER	QTY	DESCRIPTION	REV
	1001193393	Ref	Implement Pump Installation	E
2	1001238781	2	Screw Flange	
3	4740532	2	Washer	
7	1001212739	1	Assembly, Implement Pump (See Seperate Breakdown in this Section)	

SECTION 4 - ENGINE AND ATTACHING PARTS

FIGURE 4-27. IMPLEMENT PUMP ASSEMBLY



ART_106121273B-A

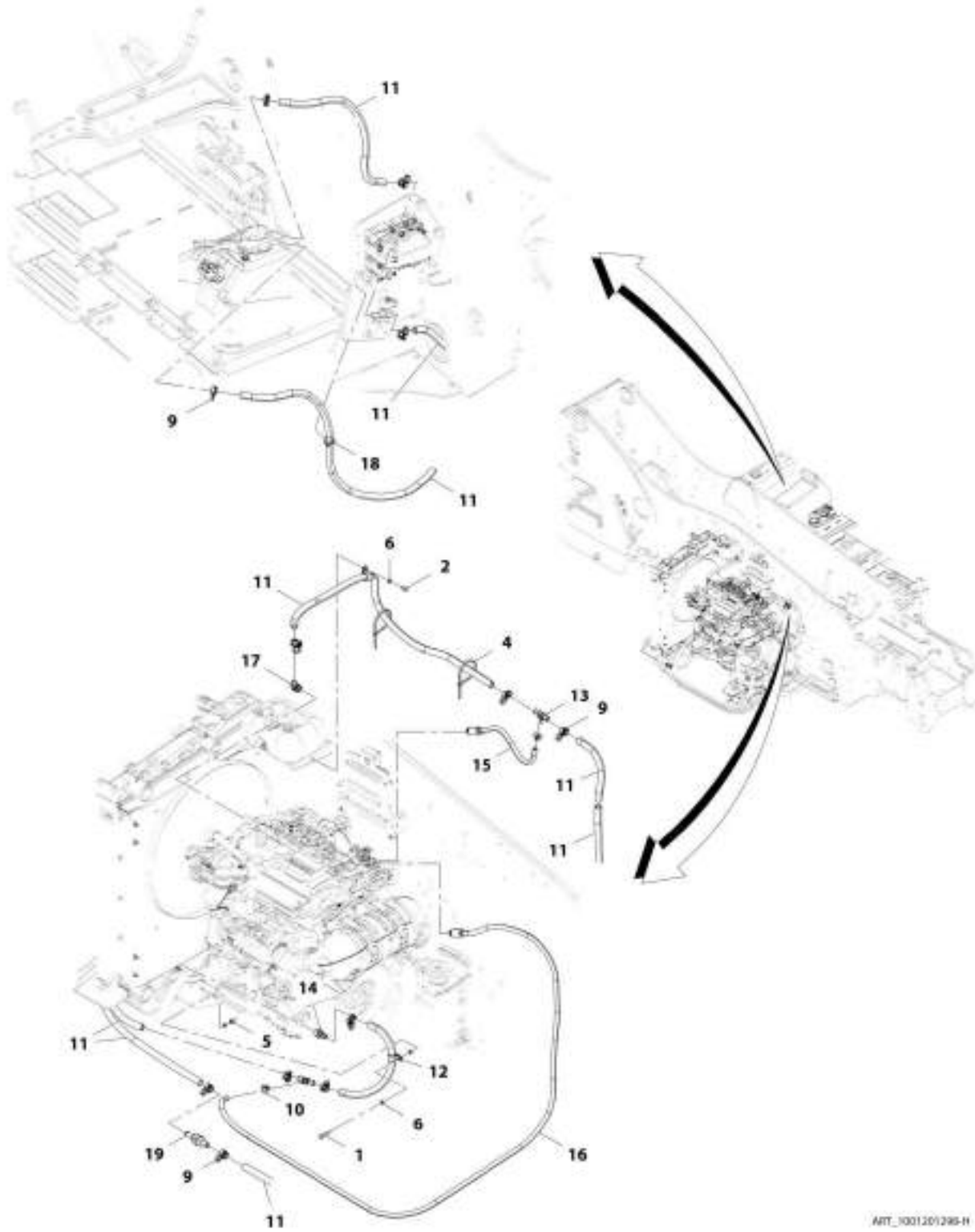
SECTION 4 - ENGINE AND ATTACHING PARTS

FIGURE 4-27. IMPLEMENT PUMP ASSEMBLY

ITEM	PART NUMBER	QTY	DESCRIPTION	REV
	1001212739	Ref	Implement Pump Assembly	A
1	2111010	1	Fitting, Straight ORFS	
2	2170104	1	Fitting, Straight ORFS	
3	1001180070	1	Pump, Implement (See Seperate Breakdown in Hydraulic Component Section)	

SECTION 4 - ENGINE AND ATTACHING PARTS

FIGURE 4-28. DEF COOLANT LINES INSTALLATION (ULS)



ART_1001201295-H

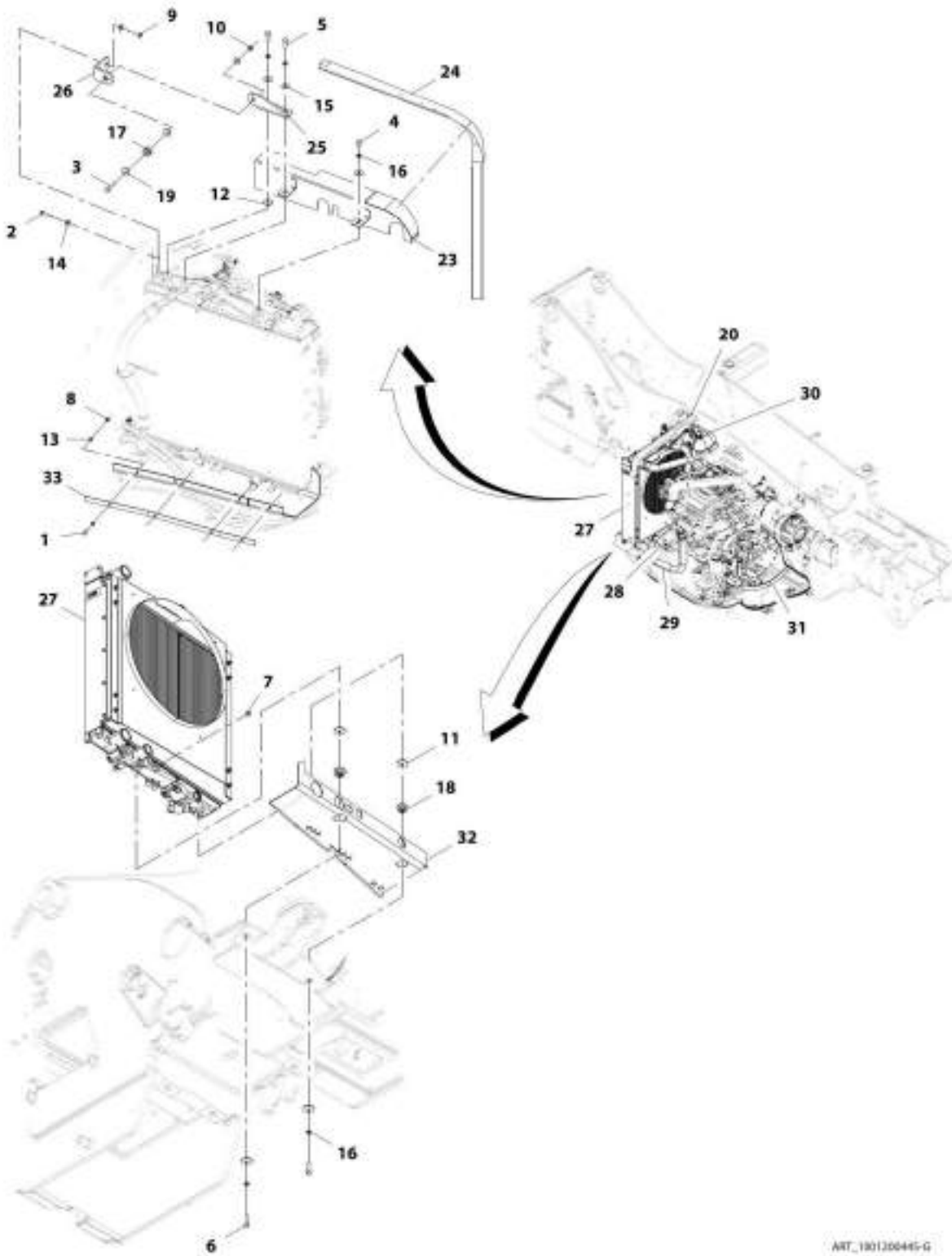
SECTION 4 - ENGINE AND ATTACHING PARTS

FIGURE 4-28. DEF COOLANT LINES INSTALLATION (ULS)

ITEM	PART NUMBER	QTY	DESCRIPTION	REV
	1001201298	Ref	DEF Coolant Lines Installation (ULS)	H
1	0700816	1	Bolt, M8X40	
2	0760810	1	Bolt, M8X20	
4	1062255	AR	Strap, Tie	
5	3290805	1	Nut, M8X1.25	
6	4811900	3	Washer, M8	
9	1001202526	12	Clamp	
10	8410013	2	Clamp	
11	82033995	9695 mm	Hose	
12	1001100319	2	Clip	
13	1001162212	2	Pipe	
14	1001167409	1	Pipe	
15	1001201299	1	Hose	
16	1001201300	1	Hose	
17	1001203005	1	Fitting, 45	
18	1001146588	1	Strap, Tie	
19	1001228872	1	Filter	

SECTION 4 - ENGINE AND ATTACHING PARTS

FIGURE 4-29. COOLING PACKAGE INSTALLATION



ART_1801306445-G

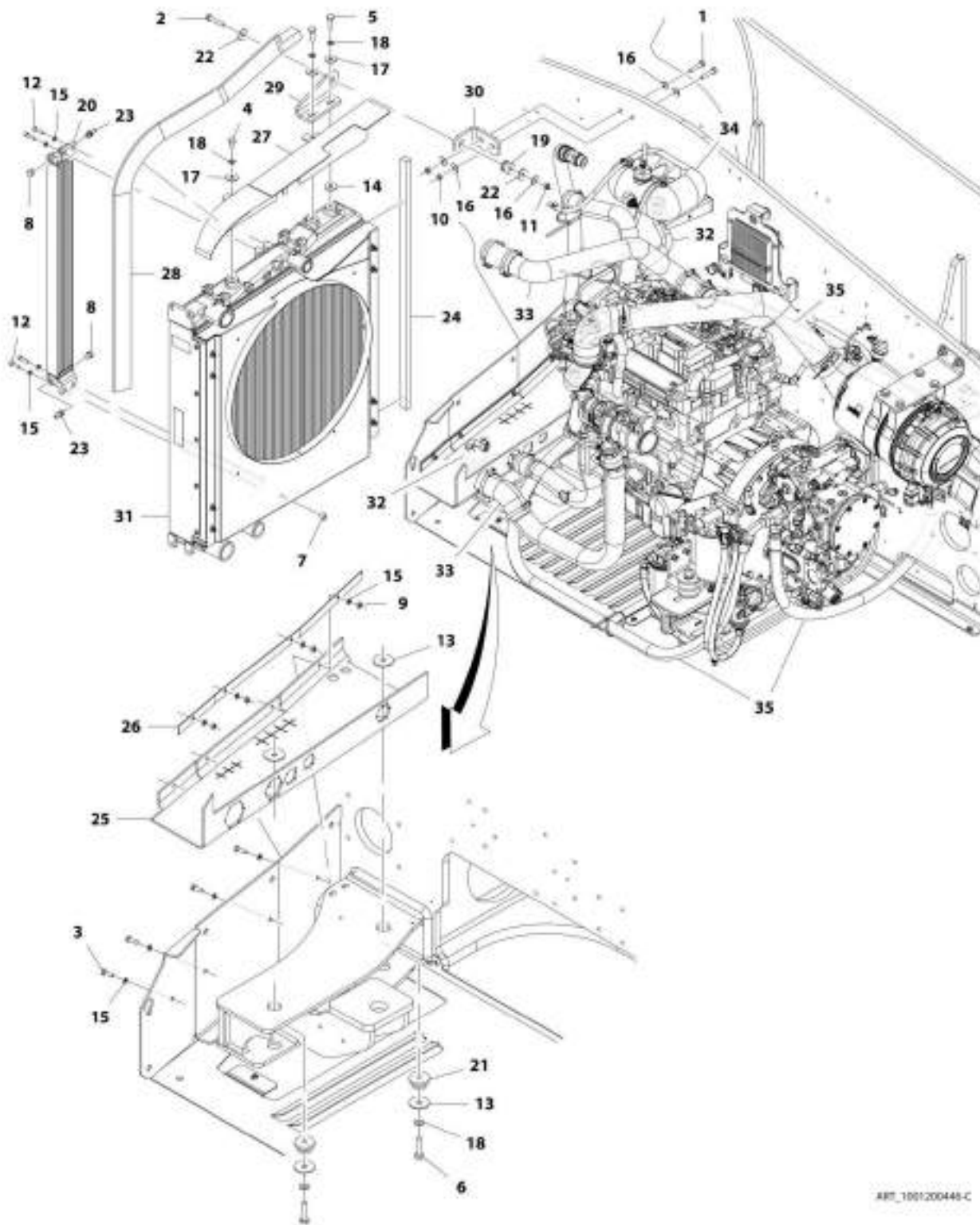
SECTION 4 - ENGINE AND ATTACHING PARTS

FIGURE 4-29. COOLING PACKAGE INSTALLATION

ITEM	PART NUMBER	QTY	DESCRIPTION	REV
	1001200445	Ref	Cooling Package Installation	G
1	0760812	4	Bolt,M8X25	
2	0701018	2	Bolt, M10X50	
3	0701020	1	Bolt, M10X60	
4	0761210	1	Bolt, M12X20	
5	0761215	2	Bolt, M12X35	
6	0761218	2	Bolt, M12X50	
7	2200223	1	Plug	
8	3290801	4	Nut, M8X1.25	
9	3291001	2	Nut, M10X1.5	
10	3291005	1	Nut, Lock M10X1.5	
11	4740274	4	Washer	
12	4740550	1	Washer, M12	
13	4811900	8	Washer, M8	
14	4812002	5	Washer, M10	
15	4812102	3	Washer, M12	
16	4832100	5	Washer, Lock M12	
17	8278020	1	Mount	
18	1001114803	2	Mount	
19	1001155540	2	Washer	
20	1001173457	1	Seal	
23	1001196191	1	Bracket, Air Baffle	
24	1001196193	1	Seal	
25	1001200498	1	Bracket, Radiator	
26	1001200499	1	Bracket, Frame	
27	1001201301	1	Radiator, (See Seperate Breakdown in this Section)	
28	1001201302	Ref	Installation, Coolant Lines (See Seperate Breakdown in this Section)	
29	1001201303	Ref	Installation, Radiator Lines (See Seperate Breakdown in this Section)	
30	1001201304	Ref	Installation, Surge Tank (See Seperate Breakdown in this Section)	
31	1001201305	Ref	Installation, Transmission Oil Cooler Lines (See Seperate Breakdown in this Section)	
32	1001203947	1	Panel, Air Dam	
33	1001203948	1	Plate, Air Dam	

SECTION 4 - ENGINE AND ATTACHING PARTS

FIGURE 4-30. COOLING PACKAGE INSTALLATION (LS)



APP_1001200448-C

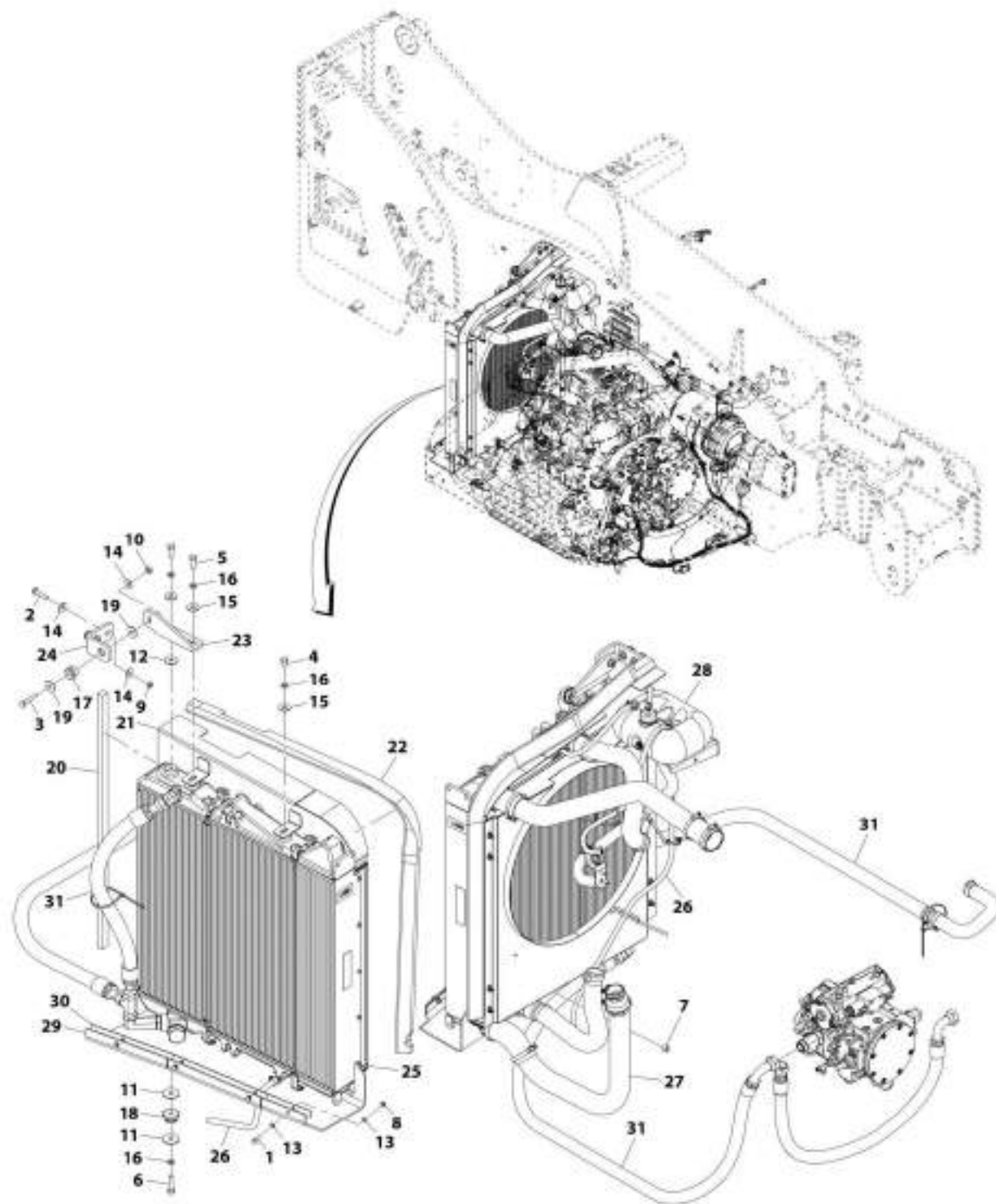
SECTION 4 - ENGINE AND ATTACHING PARTS

FIGURE 4-30. COOLING PACKAGE INSTALLATION (LS)

ITEM	PART NUMBER	QTY	DESCRIPTION	REV
	1001200446	Ref	Cooling Package Installation (LS)	C
1	0701018	2	Bolt, M8X50	
2	0701020	1	Bolt, M10X60	
3	0760812	4	Bolt, M8X25	
4	0761210	1	Bolt, M12X20	
5	0761215	2	Bolt, M12X35	
6	0761218	2	Bolt, M12X50	
7	2200223	1	Plug	
8	2220237	2	Plug	
9	3290801	4	Nut, M8X1.25 Grade 8	
10	3291001	2	Nut, M10X1.5 Grade 8	
11	3291005	1	Nut, Lock M0X1.5 Grade 8	
12	4031910	4	Bolt, M8X30	
13	4740274	4	Washer	
14	4740550	1	Washer, M12	
15	4811900	12	Washer, M8	
16	4812002	5	Washer, M10	
17	4812102	3	Washer, M12	
18	4832100	5	Washer, Lock M12	
19	8278020	1	Mount	
20	1001220337	1	Radiator, Fuel Cooler	
21	1001114803	2	Mount, Isolator	
22	1001155540	2	Washer	
23	1001168030	2	Barb, Hose	
24	1001173457	1	Seal, Foam Gasket	
25	1001203947	1	Panel	
26	1001203948	1	Plate	
27	1001196191	1	Bracket	
28	1001196193	1	Seal, Foam Gasket	
29	1001200498	1	Bracket	
30	1001200499	1	Bracket	
31	1001201301	1	Radiator, Cooling Package (See Separate Breakdown in this Section)	
32	1001201302	1	Installation, Coolant Lines (ULS) (See Separate Breakdown in this Section)	
33	1001201303	1	Installation, CAC Lines (See Separate Breakdown in this Section)	
34	1001201304	1	Installation, Surge Tank (See Separate Breakdown in this Section)	
35	1001201305	1	Installation, TOC Lines (See Separate Breakdown in this Section)	

SECTION 4 - ENGINE AND ATTACHING PARTS

FIGURE 4-31. COOLING PACKAGE INSTALLATION (TUV)



MIT_3901223720-B

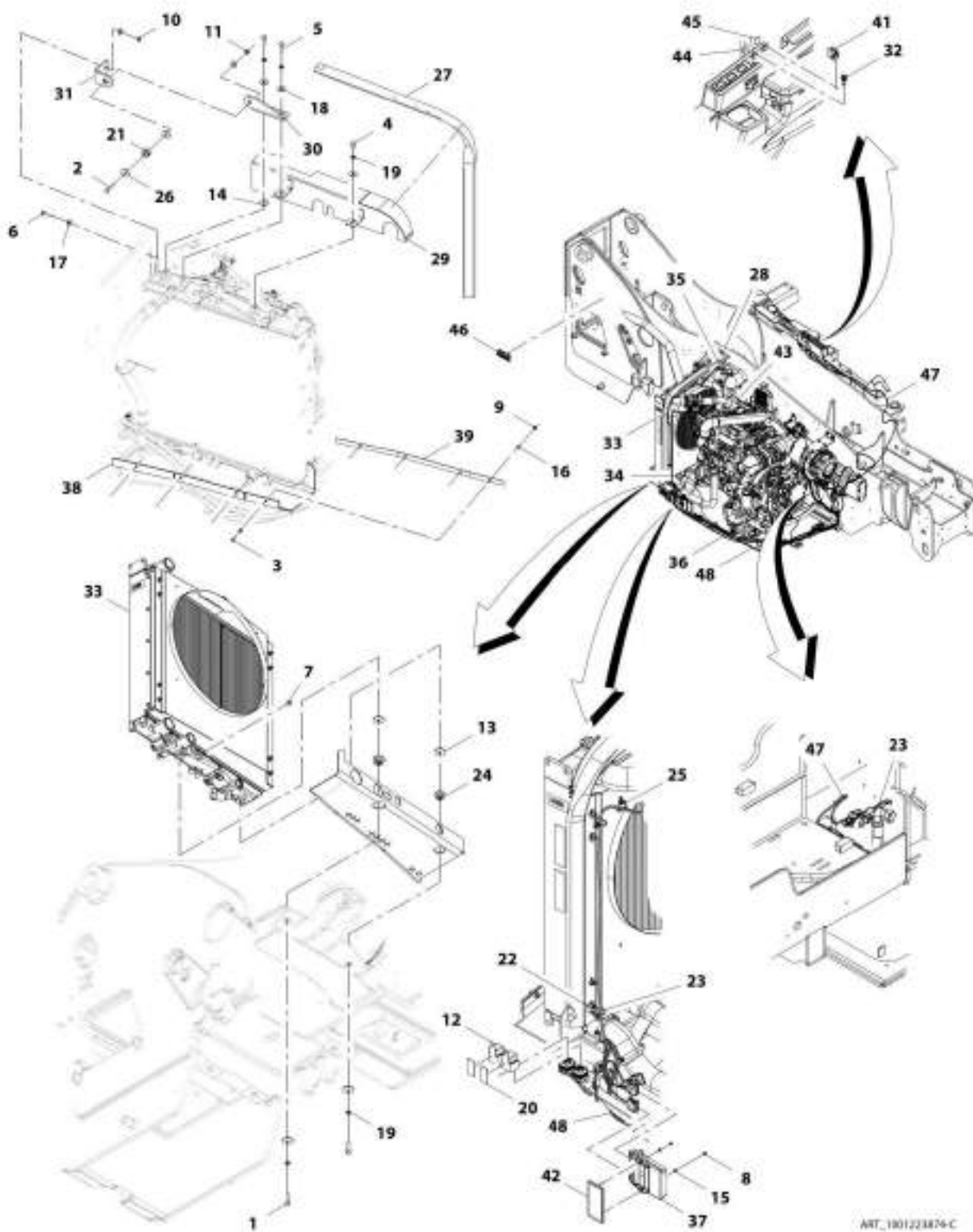
SECTION 4 - ENGINE AND ATTACHING PARTS

FIGURE 4-31. COOLING PACKAGE INSTALLATION (TUV)

ITEM	PART NUMBER	QTY	DESCRIPTION	REV
	1001223720	Ref	Cooling Package Installation (TUV)	B
1	0760812	4	Bolt, M8X25	
2	0701018	2	Bolt, M10X50	
3	0701020	1	Bolt, M10X60	
4	0761210	1	Bolt, M12X20	
5	0761215	2	Bolt, M12X35	
6	0761218	2	Bolt, M12X50	
7	2200223	1	Plug	
8	3290801	4	Nut, M8X1.25	
9	3291001	2	Nut, M10X1.5	
10	3291005	1	Nut, Lock M10X1.5	
11	4740274	4	Washer	
12	4740550	1	Washer, M12	
13	4811900	8	Washer, M8	
14	4812002	5	Washer, M10	
15	4812102	3	Washer, M12	
16	4832100	5	Washer, Lock M12	
17	8278020	1	Isolator	
18	1001114803	2	Isolator, Mount	
19	1001155540	2	Washer	
20	1001173457	1	Seal	
21	1001196191	1	Bracket	
22	1001173452	1	Seal	
23	1001200498	1	Bracket	
24	1001200499	1	Bracket	
25	1001201301	1	Radiator (See Separate Breakdown in this Section)	
26	1001201302	Ref	Installation, Coolant Lines (See Separate Breakdown in this Section)	
27	1001201303	Ref	Installation, Radiator Lines (See Separate Breakdown in this Section)	
28	1001201304	Ref	Installation, Surge Tank (See Separate Breakdown in this Section)	
29	1001203947	1	Panel	
30	1001203948	1	Plate	
31	1001223724	Ref	Installation, Transmission Oil Cooler Lines (See Separate Breakdown in this Section)	

SECTION 4 - ENGINE AND ATTACHING PARTS

FIGURE 4-32. COOLING PACKAGE INSTALLATION



ART_180123474-C

SECTION 4 - ENGINE AND ATTACHING PARTS

FIGURE 4-32. COOLING PACKAGE INSTALLATION

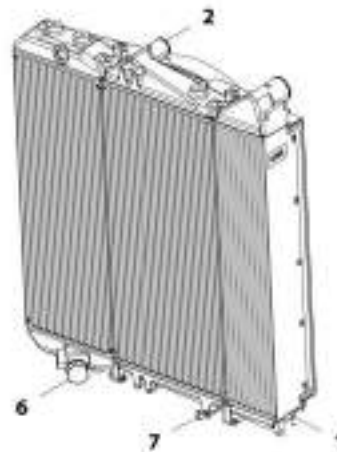
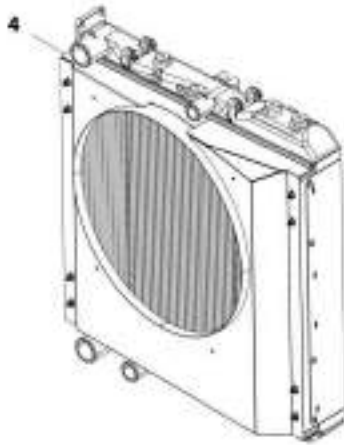
ITEM	PART NUMBER	QTY	DESCRIPTION	REV
	1001223874	Ref	Cooling Package Installation	C
1	0701018	2	Bolt, M10X50	
2	0701020	1	Bolt, M10X60	
3	0760812	4	Bolt, M8X25	
4	0761210	1	Bolt, M12X20	
5	0761215	2	Bolt, M12X35	
6	0761218	2	Bolt, M12X50	
7	2200223	1	Plug	
8	3290505	2	Nut, M5X0.8	
9	3290801	4	Nut, M8X1.25	
10	3291001	2	Nut, M10X1.5	
11	3291005	1	Nut, Lock M10X1.5	
12	3740080	2	Relay	
13	4740274	4	Washer	
14	4740550	1	Washer, M12	
15	4811600	2	Washer, M5	
16	4811900	8	Washer, M8	
17	4812002	5	Washer, M10	
18	4812102	3	Washer, M12	
19	4832100	5	Washer, Lock M12	
20	7169541	AR	Tape	
21	8278020	1	Mount	
22	1001003305	1	Clip	
23	1001008559	4	Strap, Cable	
24	1001114803	2	Mount	
25	1001146588	2	Strap, Cable	
26	1001155540	2	Washer	
27	1001173452	1	Seal, Foam Gasket	
28	1001173457	1	Seal	
29	1001196191	1	Bracket, Air Baffle	
30	1001200498	1	Bracket, Radiator	
31	1001200499	1	Bracket, Frame	
32	1001200631	1	Lamp, LED Indicator	
33	1001201301	1	Radiator, (See Seperate Breakdown in this Section)	
34	1001201302	Ref	Installation, Coolant Lines (See Seperate Breakdown in this Section)	
35	1001201304	Ref	Installation, Surge Tank (See Seperate Breakdown in this Section)	
36	1001201305	Ref	Installation, Transmission Oil Cooler Lines (See Seperate Breakdown in this Section)	
37	1001203181	1	Accessory, Control	
38	1001203947	1	Panel, Air Dam	
39	1001203948	1	Plate, Air Dam	
41	1001215941	1	Switch	
42	1001219082	1	Bracket	
43	1001223869	1	Installation, Radiator Lines (See Seperate Breakdown in this Section)	
44	1001227077	1	Decal, Air Shut Off	
45	1001227964	1	Decal, ASOV Test	
46	1001228643	1	Decal, ASOV Equipped	
47	1001231407	1	Harness, POSI Air Shutoff (See Separate Breakdown in Electrical	

SECTION 4 - ENGINE AND ATTACHING PARTS

ITEM	PART NUMBER	QTY	DESCRIPTION	REV
48	1001231483	1	Section) Harness, POSI Air Shutoff (See Separate Breakdown in Electrical Section)	

SECTION 4 - ENGINE AND ATTACHING PARTS

FIGURE 4-33. RADIATOR COOLING PACKAGE



ART_1801301301-D

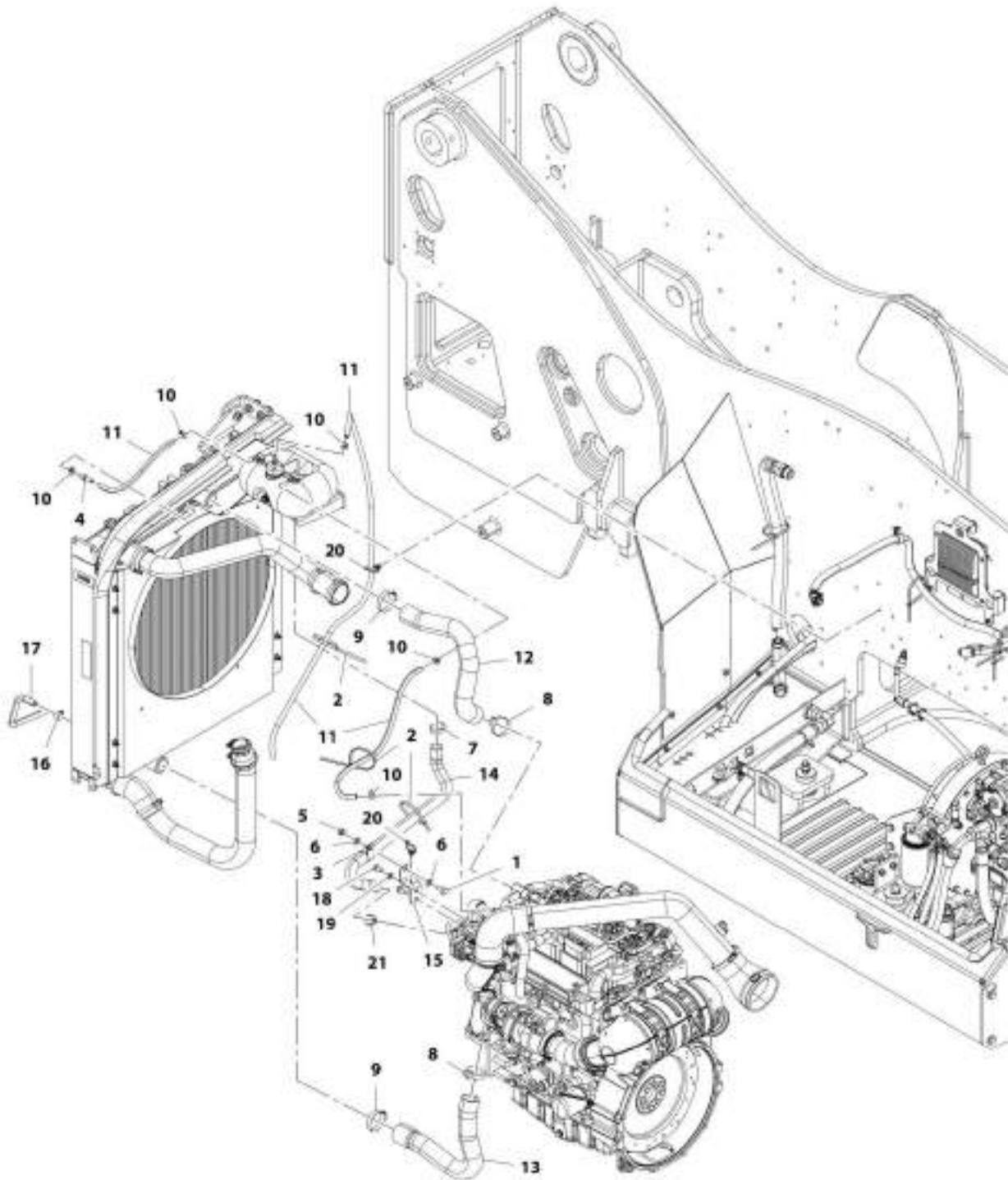
SECTION 4 - ENGINE AND ATTACHING PARTS

FIGURE 4-33. RADIATOR COOLING PACKAGE

ITEM	PART NUMBER	QTY	DESCRIPTION	REV
	1001201301	Ref	Radiator, Cooling Package	D
1	70026353	1	Cooler, Air Charge	
2	70026354	1	Radiator	
4	70026359	2	Bracket, Shroud Mounting	
6	70026082	1	Valve, Bypass	
7	70026081	1	Petcock	

SECTION 4 - ENGINE AND ATTACHING PARTS

FIGURE 4-34. COOLANT LINES INSTALLATION



AWT_1001301300-E

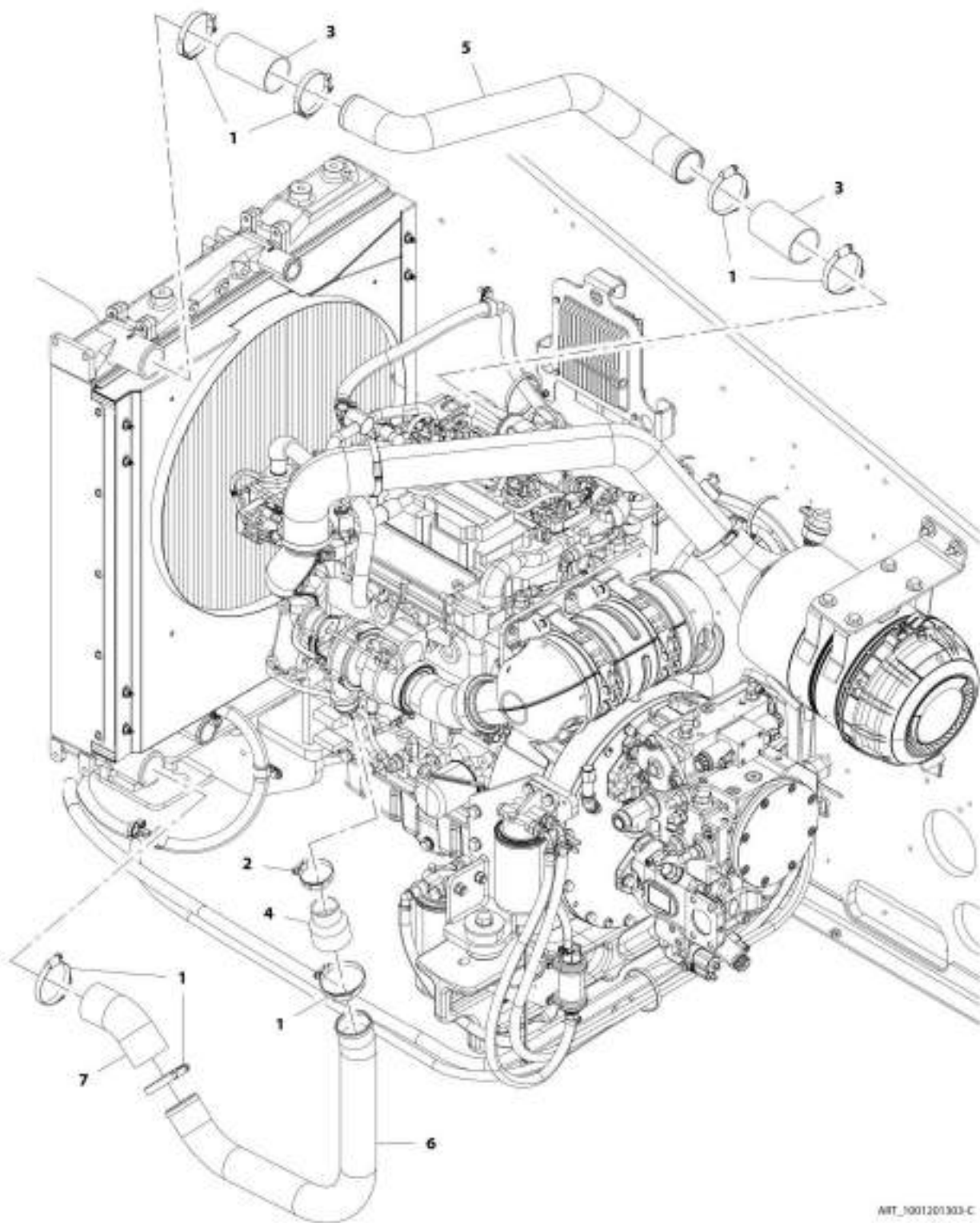
SECTION 4 - ENGINE AND ATTACHING PARTS

FIGURE 4-34. COOLANT LINES INSTALLATION

ITEM	PART NUMBER	QTY	DESCRIPTION	REV
	1001201302	Ref	Coolant Lines Installation	E
1	0761212	1	Bolt, M12X25	
2	1062255	3	Strap, Tie	
3	1320060	1	Clamp, Hose	
4	2220767	1	Fitting	
5	3291201	1	Nut, M12	
6	4812100	2	Washer, M12	
7	8405101	1	Clamp, Gear	
8	8405104	2	Clamp, Gear	
9	8405201	2	Clamp, Gear	
10	8405009	5	Clamp, Gear	
11	1001180542	2465 mm	Hose	
12	1001217762	1	Hose	
13	1001201309	1	Hose	
14	1001217763	1	Hose	
15	1001217761	1	Bracket	
16	8405006	1	Clamp, Gear	
17	1001180553	370 mm	Hose	
18	0761010	1	Bolt, M12X20	
19	4812000	1	Washer, M10	
20	1001146588	2	Strap, Tie	
21	8405007	1	Clamp, Gear	

SECTION 4 - ENGINE AND ATTACHING PARTS

FIGURE 4-35. RADIATOR LINES INSTALLATION



ART_7001201303-C

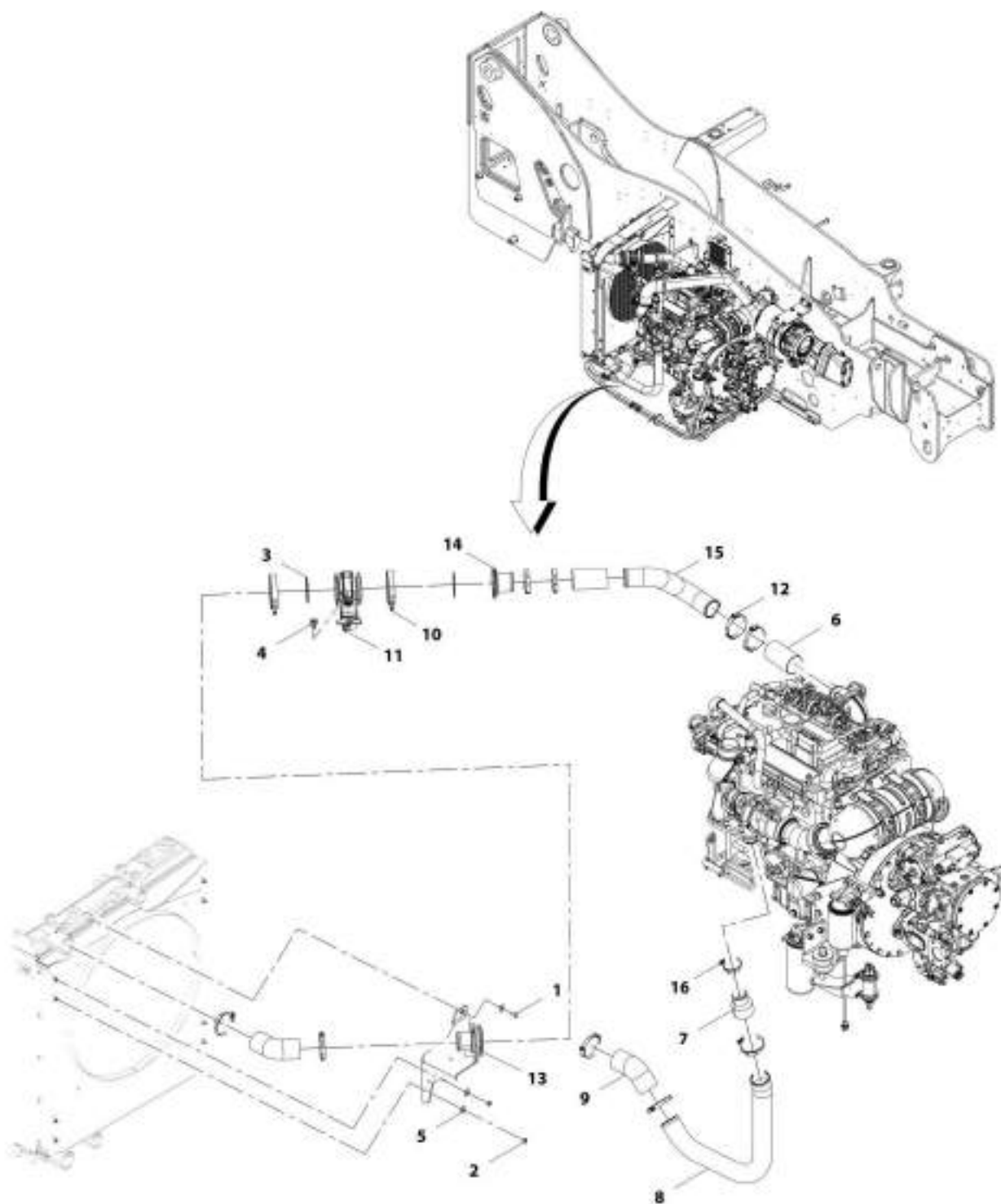
SECTION 4 - ENGINE AND ATTACHING PARTS

FIGURE 4-35. RADIATOR LINES INSTALLATION

ITEM	PART NUMBER	QTY	DESCRIPTION	REV
	1001201303	Ref	Radiator Lines Installation	C
1	1001215022	7	Clamp	
2	1001215024	1	Clamp	
3	1001114495	2	Hose	
4	1001173528	1	Coupling, Reducer	
5	1001201314	1	Pipe	
6	1001201315	1	Pipe	
7	1001201316	1	Elbow, 45	

SECTION 4 - ENGINE AND ATTACHING PARTS

FIGURE 4-36. CAC LINES INSTALLATION



AHT_1901225809-8

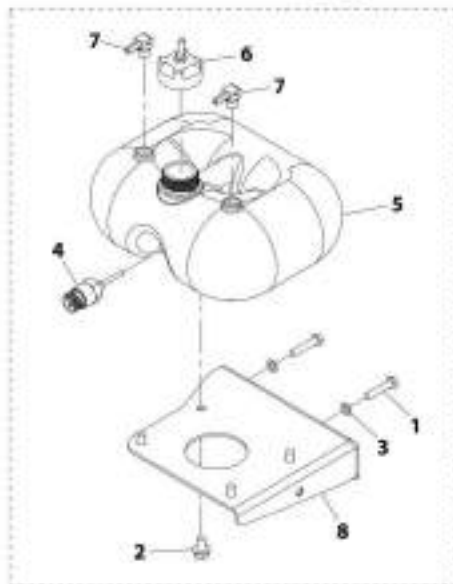
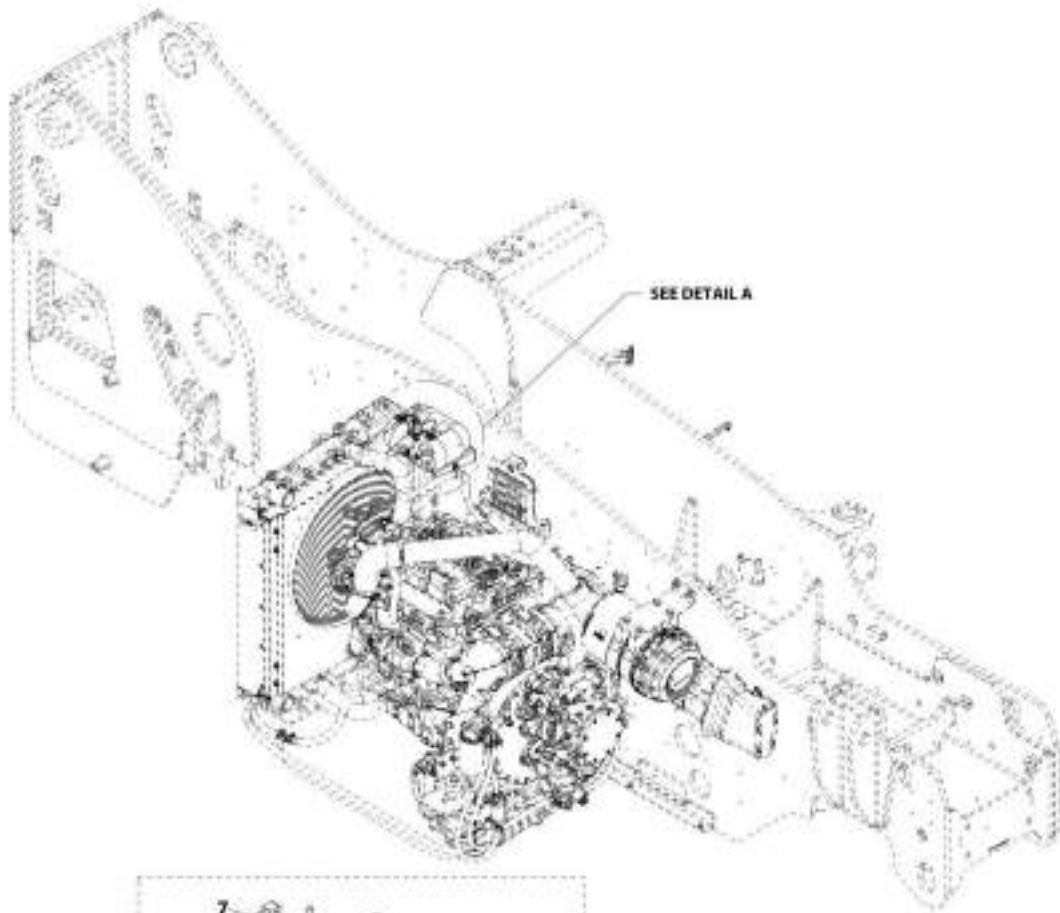
SECTION 4 - ENGINE AND ATTACHING PARTS

FIGURE 4-36. CAC LINES INSTALLATION

ITEM	PART NUMBER	QTY	DESCRIPTION	REV
	1001223869	Ref	CAC Lines Installation	B
1	0760810	1	Bolt, M8X20	
2	3290801	2	Nut, M8X1.25	
3	3790152	2	Ring	
4	4460742	1	Connector	
5	4811902	3	Washer, M8	
6	1001114495	2	Hose	
7	1001173528	1	Fitting, Straight	
8	1001201315	1	Pipe	
9	1001201316	2	Hose	
10	1001202247	2	Clamp	
11	1001204032	1	Valve, Shut Off (See Separate Breakdown in Hydraulic Components Section)	
12	1001215022	9	Clamp	
13	1001223618	1	Valve, ASO (See Separate Breakdown in Hydraulic Components Section)	
14	1001223628	1	Valve, ASO	
15	1001223645	1	Pipe	
16	1001215024	1	Clamp	

SECTION 4 - ENGINE AND ATTACHING PARTS

FIGURE 4-37. SURGE TANK INSTALLATION



DETAIL A

ART_1001201304-B

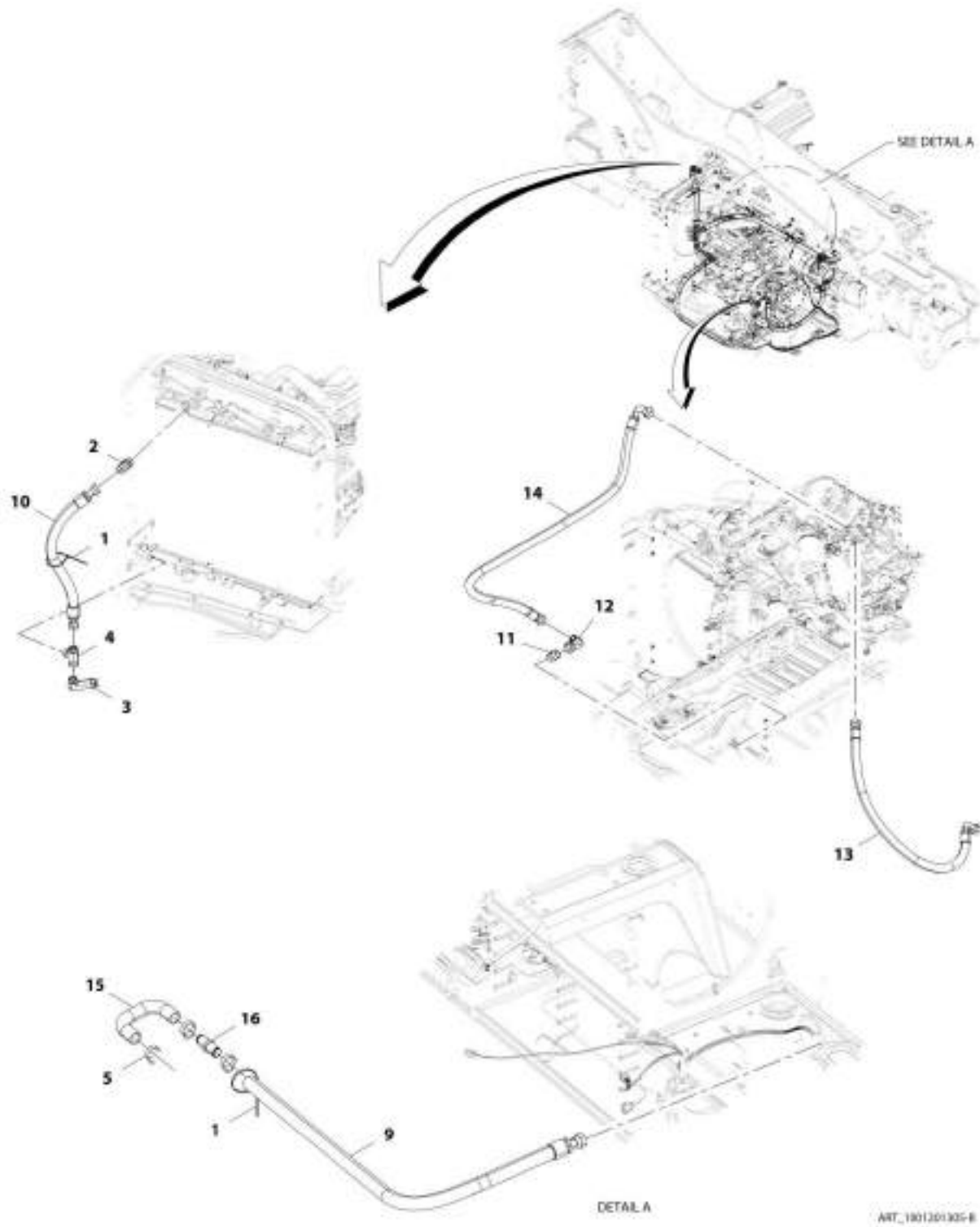
SECTION 4 - ENGINE AND ATTACHING PARTS

FIGURE 4-37. SURGE TANK INSTALLATION

ITEM	PART NUMBER	QTY	DESCRIPTION	REV
	1001201304	Ref	Surge Tank Installation	B
1	0700816	2	Bolt, M8X40	
2	0791605	4	Screw	
3	4811900	2	Washer, M8	
4	1001138827	1	Sensor, Coolant Level	
5	1001128144	1	Tank, Coolant	
6	1001128341	1	Cap	
7	1001169368	2	Fitting, Hose Barb	
8	1001201317	1	Bracket, Coolant Tank	

SECTION 4 - ENGINE AND ATTACHING PARTS

FIGURE 4-38. TRANSMISION OIL COOLER LINES INSTALLATION



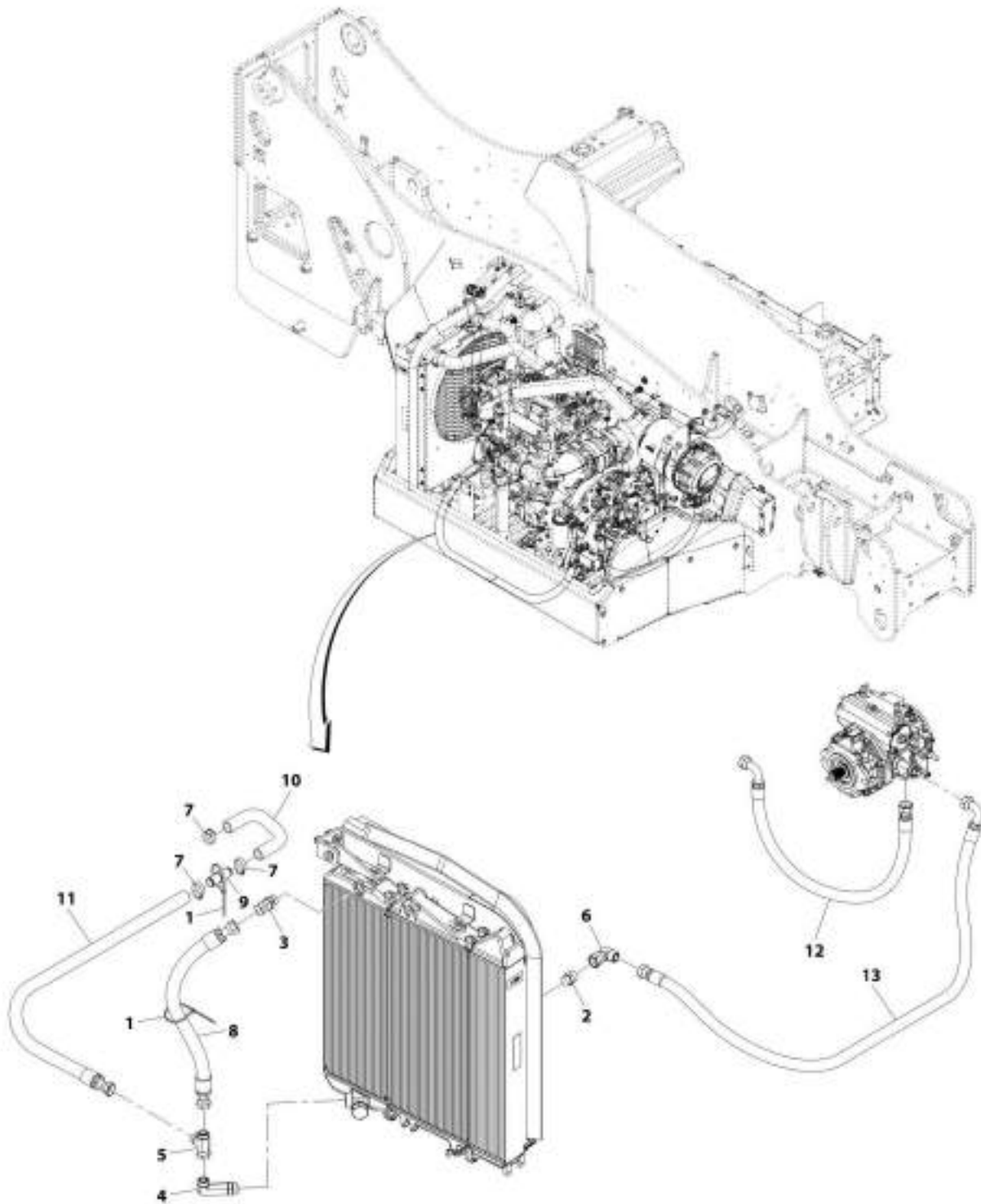
SECTION 4 - ENGINE AND ATTACHING PARTS

FIGURE 4-38. TRANSMISION OIL COOLER LINES INSTALLATION

ITEM	PART NUMBER	QTY	DESCRIPTION	REV
	1001201305	Ref	Transmission Oil Cooler Lines Installation	B
1	1062255	AR	Strap, Tie	
2	2151616	1	Fitting, 45 ORFS	
3	2170216	1	Fitting, 90 ORFS	
4	2170716	1	Fitting, Tee ORFS	
5	8405102	3	Clamp, Gear	
9	1001205564	1	Hose	
10	1001205565	1	Hose	
11	2111616	1	Fitting, Straight ORFS	
12	2172116	1	Fitting, 90 ORFS	
13	1001211616	1	Hose	
14	1001211617	1	Hose	
15	1001212920	1	Hose	
16	1001212921	1	Fitting, Straight	

SECTION 4 - ENGINE AND ATTACHING PARTS

FIGURE 4-39. TRANSMISION OIL COOLER LINES INSTALLATION (TUV)



AMT_1001229724-A

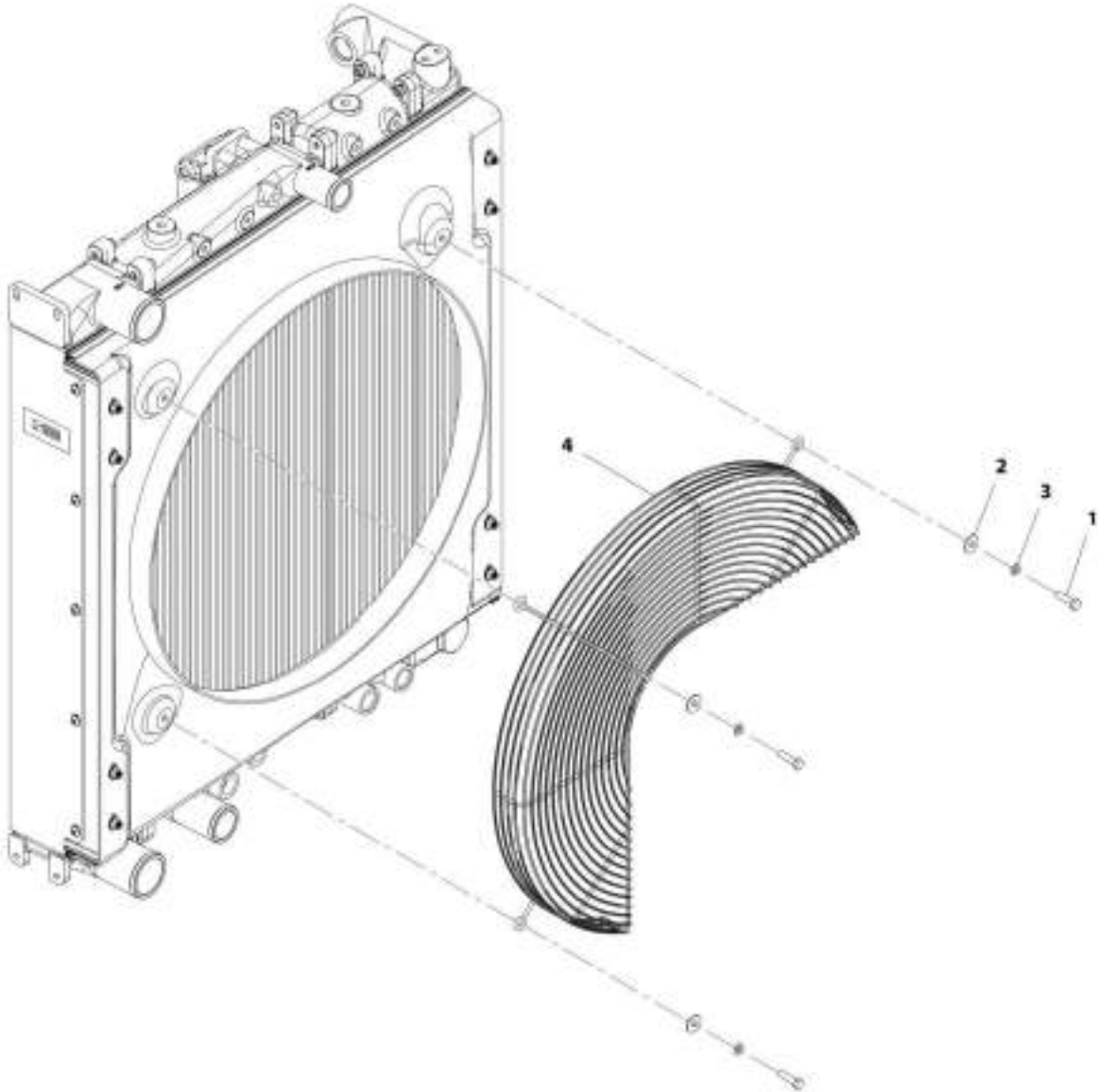
SECTION 4 - ENGINE AND ATTACHING PARTS

FIGURE 4-39. TRANSMISION OIL COOLER LINES INSTALLATION (TUV)

ITEM	PART NUMBER	QTY	DESCRIPTION	REV
	1001223724	Ref	Transmission Oil Cooler Lines Installation (TUV)	A
1	1062255	AR	Strap, Tie	
2	2111616	1	Fitting, Straight ORFS	
3	2151616	1	Fitting, 45 ORFS	
4	2170216	1	Fitting, 90 ORFS	
5	2170716	1	Fitting, Tee ORFS	
6	2172116	1	Fitting, 90 ORFS	
7	8405102	3	Clamp	
8	1001205565	1	Hose, ORFS	
9	1001212921	1	Adapter, M32	
10	1001223725	1	Hose, Return Tank	
11	1001205564	1	Hose, 1.25IN ORFS	
12	1001211616	1	Hose, M25 ORFS	
13	1001211617	1	Hose, M25 ORFS	

SECTION 4 - ENGINE AND ATTACHING PARTS

FIGURE 4-40. FAN GUARD INSTALLATION



ART_1001160420-D

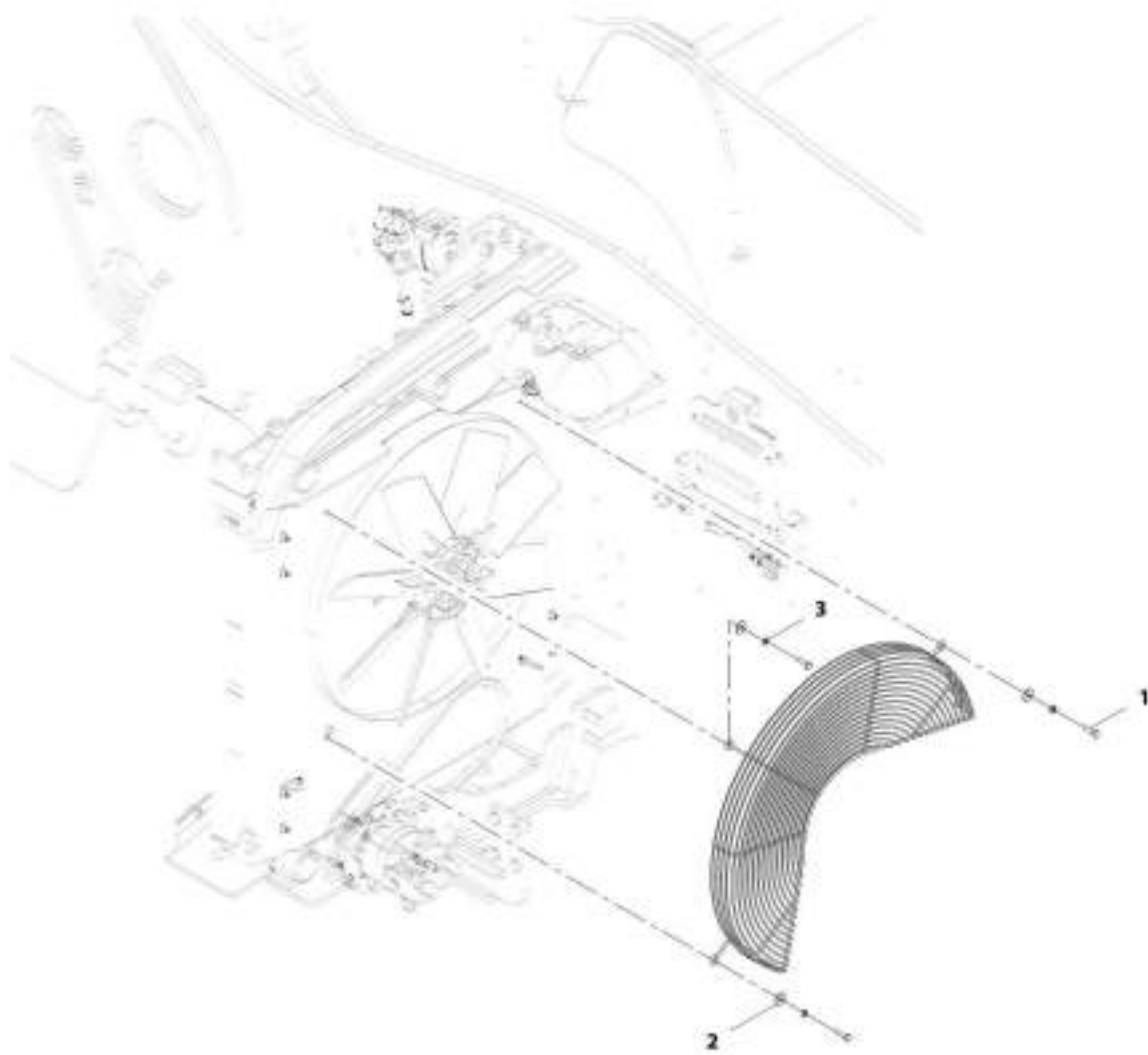
SECTION 4 - ENGINE AND ATTACHING PARTS

FIGURE 4-40. FAN GUARD INSTALLATION

ITEM	PART NUMBER	QTY	DESCRIPTION	REV
	1001160420	Ref	Fan Guard Installation	D
1	0700814	3	Bolt, M8X30	
2	4811902	3	Washer, M8	
3	4831900	3	Washer, Lock M8	
4	1001167186	1	Grill	

SECTION 4 - ENGINE AND ATTACHING PARTS

FIGURE 4-41. FAN GUARD (REVERSING) INSTALLATION



ART_000121754-B

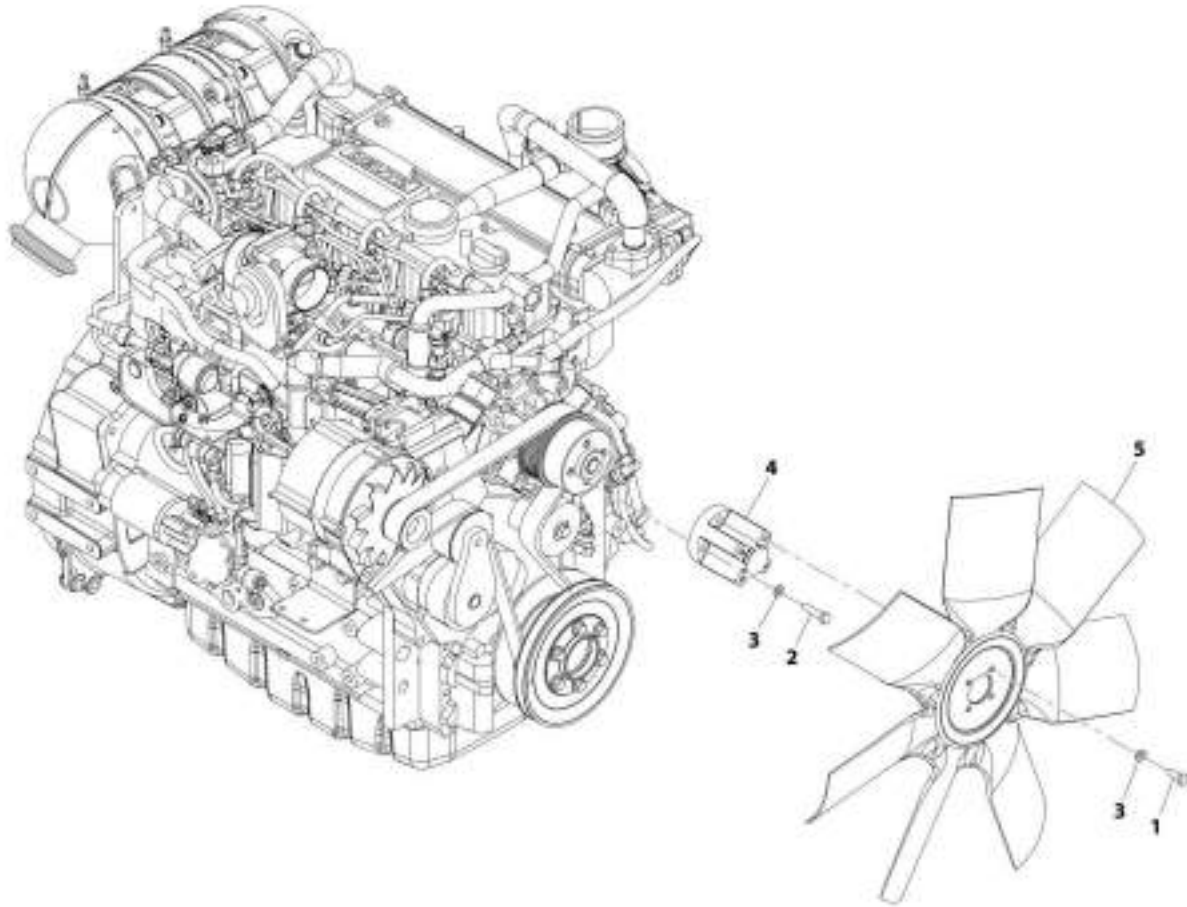
SECTION 4 - ENGINE AND ATTACHING PARTS

FIGURE 4-41. FAN GUARD (REVERSING) INSTALLATION

ITEM	PART NUMBER	QTY	DESCRIPTION	REV
	1001217754	1	Fan Guard (Reversing) Installation	B
1	0700814	3	Bolt, M8X30	
2	4811902	3	Washer, M8	
3	4831900	3	Washer, Lock M8	
4	1001217755	1	Grill	

SECTION 4 - ENGINE AND ATTACHING PARTS

FIGURE 4-42. COOLING FAN INSTALLATION



MT_10012-4123-A

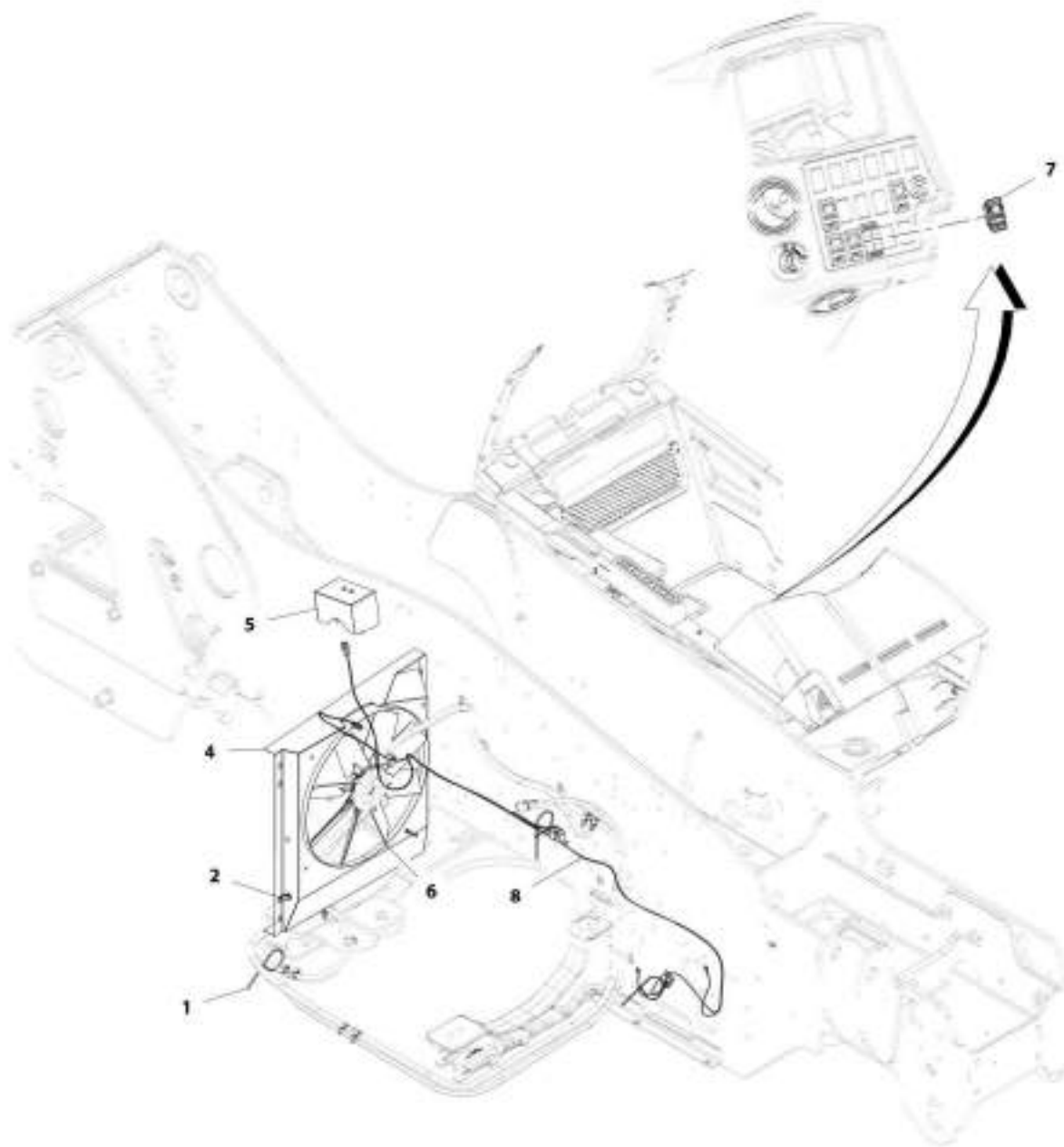
SECTION 4 - ENGINE AND ATTACHING PARTS

FIGURE 4-42. COOLING FAN INSTALLATION

ITEM	PART NUMBER	QTY	DESCRIPTION	REV
	1001214123	Ref	Cooling Fan Installation	A
1	0760810	4	Bolt, M8X20	
2	0770815	4	Bolt, M8X35 Grade 10.9	
3	4811900	8	Washer, M8	
4	1001170311	1	Adapter, Fan	
5	1001185026	1	Fan	

SECTION 4 - ENGINE AND ATTACHING PARTS

FIGURE 4-43. REVERSE COOLING FAN INSTALLATION



ART_000121753-C

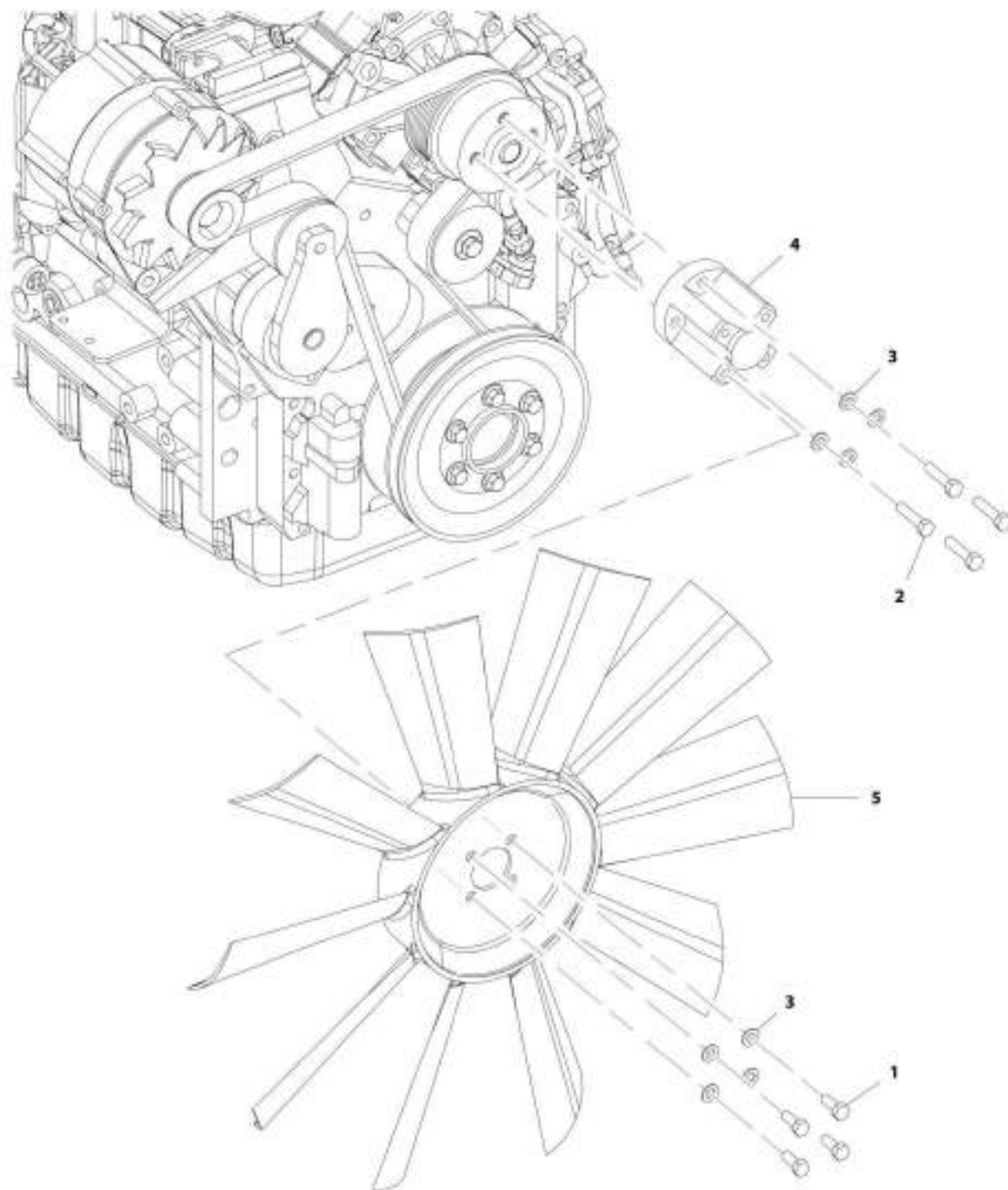
SECTION 4 - ENGINE AND ATTACHING PARTS

FIGURE 4-43. REVERSE COOLING FAN INSTALLATION

ITEM	PART NUMBER	QTY	DESCRIPTION	REV
	1001217753	Ref	Reverse Cooling Fan Installation	C
1	1062255	3	Strap, Tie	
2	1001146588	2	Strap, Fir Tree Cable Tie	
4	1001217756	1	Shroud	
5	1001217757	1	Installation, Cover (See Separate Breakdown in this Section)	
6	1001217760	1	Kit, Reversing Fan	
7	1001145204	1	Switch	
8	1001221493	1	Harness, Reversing Fan (See Separate Breakdown in Electrical Section)	

SECTION 4 - ENGINE AND ATTACHING PARTS

FIGURE 4-44. COOLING FAN INSTALLATION



ART_1001221918-A

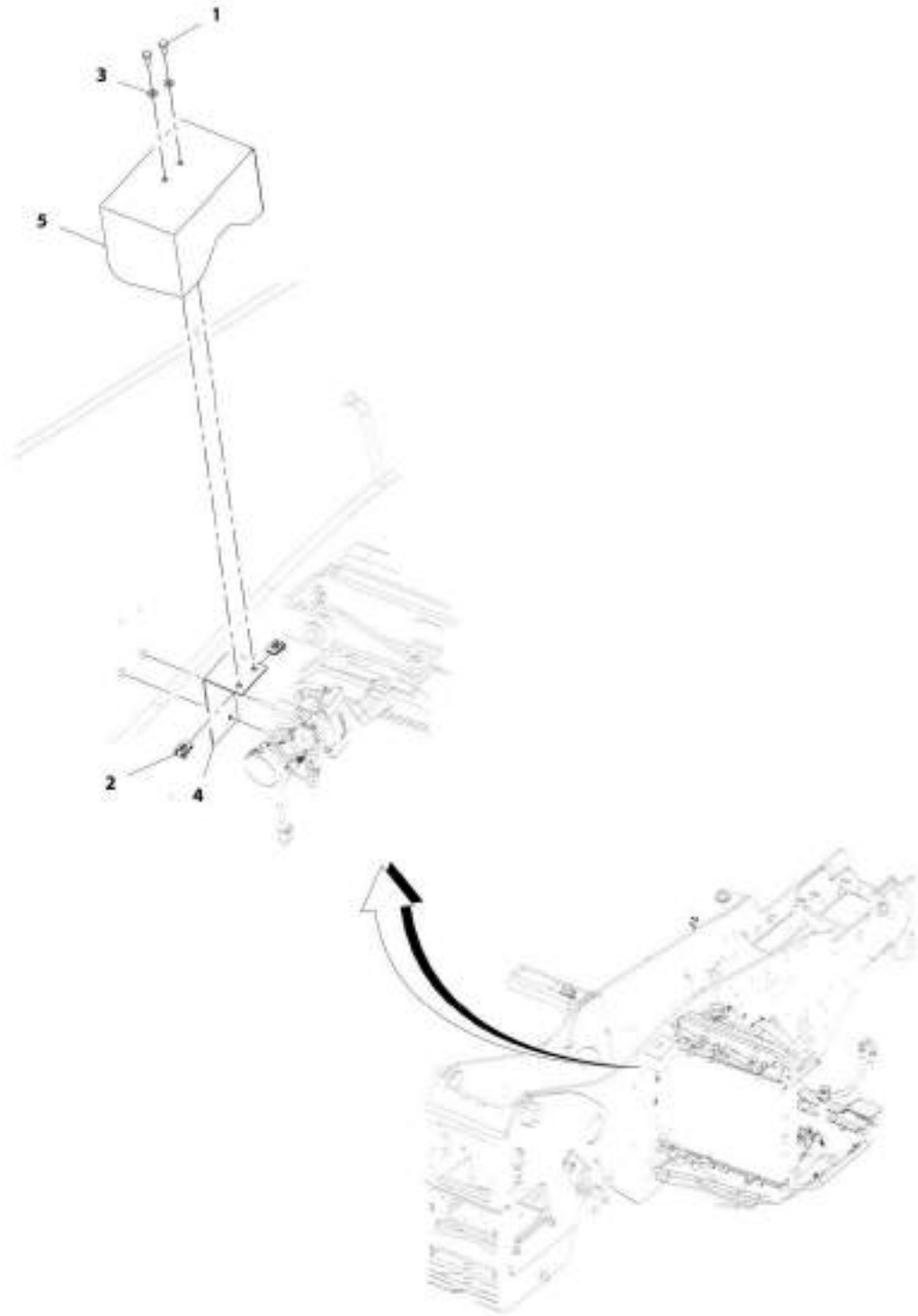
SECTION 4 - ENGINE AND ATTACHING PARTS

FIGURE 4-44. COOLING FAN INSTALLATION

ITEM	PART NUMBER	QTY	DESCRIPTION	REV
	1001221918	Ref	Cooling Fan Installation	A
1	0760810	4	Bolt, M8X20	
2	0770815	4	Bolt, M8X35 Grade 10.9	
3	4811900	8	Washer, M8	
4	1001170311	1	Adapter, Fan Hub	
5	1001148307	1	Fan, 23IN	

SECTION 4 - ENGINE AND ATTACHING PARTS

FIGURE 4-45. COMPRESSOR COVER INSTALLATION



ART_000121757-A

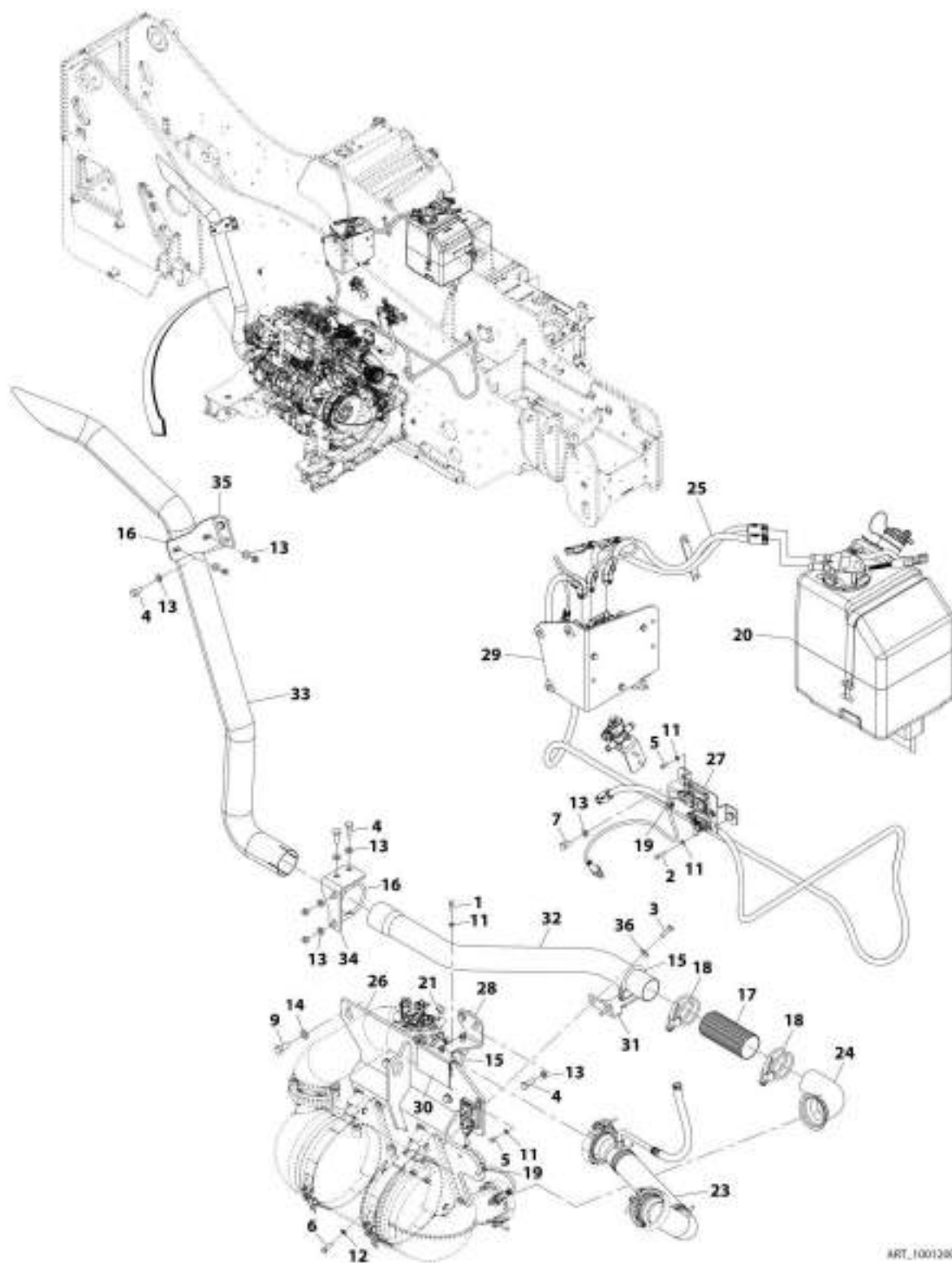
SECTION 4 - ENGINE AND ATTACHING PARTS

FIGURE 4-45. COMPRESSOR COVER INSTALLATION

ITEM	PART NUMBER	QTY	DESCRIPTION	REV
	1001217757	Ref	Compressor Cover Installation	A
1	0760607	2	Bolt, M6X14	
2	8305919	2	Nut, M6	
3	8307219	2	Washer, M6	
4	1001217758	1	Bracket	
5	1001217759	1	Cover	

SECTION 4 - ENGINE AND ATTACHING PARTS

FIGURE 4-46. EXHAUST INSTALLATION (ULS)



ART_1001280440-H

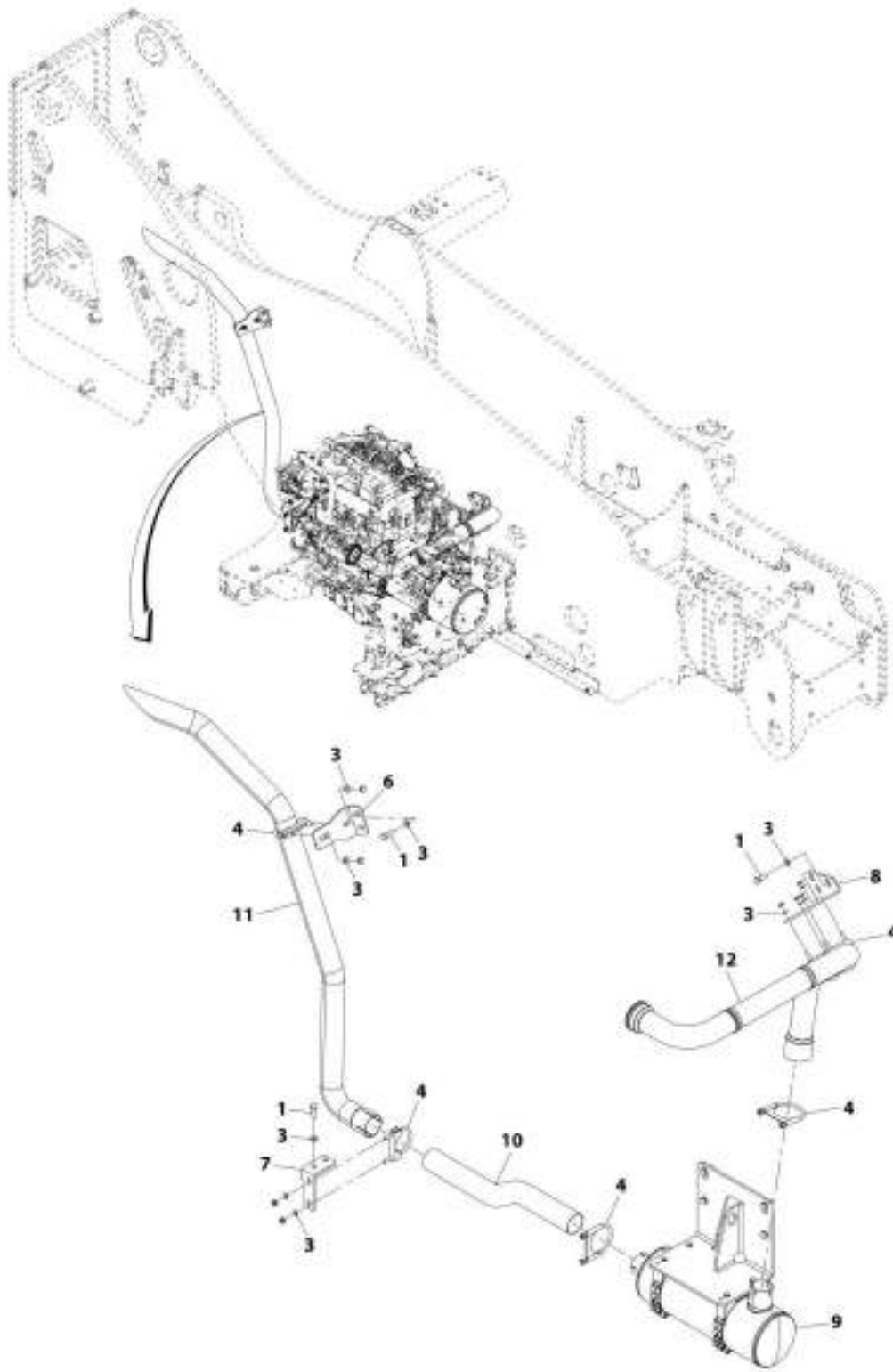
SECTION 4 - ENGINE AND ATTACHING PARTS

FIGURE 4-46. EXHAUST INSTALLATION (ULS)

ITEM	PART NUMBER	QTY	DESCRIPTION	REV
	1001200447	Ref	Exhaust Installation (ULS)	H
1	0700610	1	Bolt, M6X20	
2	0700614	2	Bolt, M6X30	
3	0700814	2	Bolt, M8X30	
4	0701014	6	Bolt, M10X30	
5	0760607	4	Bolt, M6X14	
6	0760812	8	Bolt, M8X25	
7	0761010	2	Bolt, M10X20	
9	0761214	4	Bolt, M12X30	
11	4811700	7	Washer, M6	
12	4811900	8	Washer, M8	
13	4812000	12	Washer, M10	
14	4812100	4	Washer, M12	
15	8275212	2	Clamp	
16	24921332	2	Clamp	
17	77213042	1	Tube, Flexible	
18	91163268	2	Clamp	
19	1001146588	3	Strap, Tie	
20	1001212923	Ref	Installation, DEF Tank, (See Seperate Breakdown in this Section)	
21	1001171913	1	Cap	
23	1001199902	1	Pipe	
24	1001200249	1	Pipe	
25	1001200867	Ref	Installation, DEF Lines (See Seperate Breakdown in this Section)	
26	1001201856	1	Bracket	
27	1001201857	1	Bracket	
28	1001201858	1	Support	
29	1001202018	Ref	Installation, DEF Control Module (See Seperate Breakdown in this Section)	
30	1001202021	1	Plate	
31	1001202899	1	Bracket	
32	1001204411	1	Pipe	
33	1001226797	1	Pipe, Tail	
34	1001204413	1	Bracket	
35	1001204414	1	Bracket	
36	4811902	2	Washer, M8	

SECTION 4 - ENGINE AND ATTACHING PARTS

FIGURE 4-47. EXHAUST INSTALLATION (LS)



ART_1001209480-E

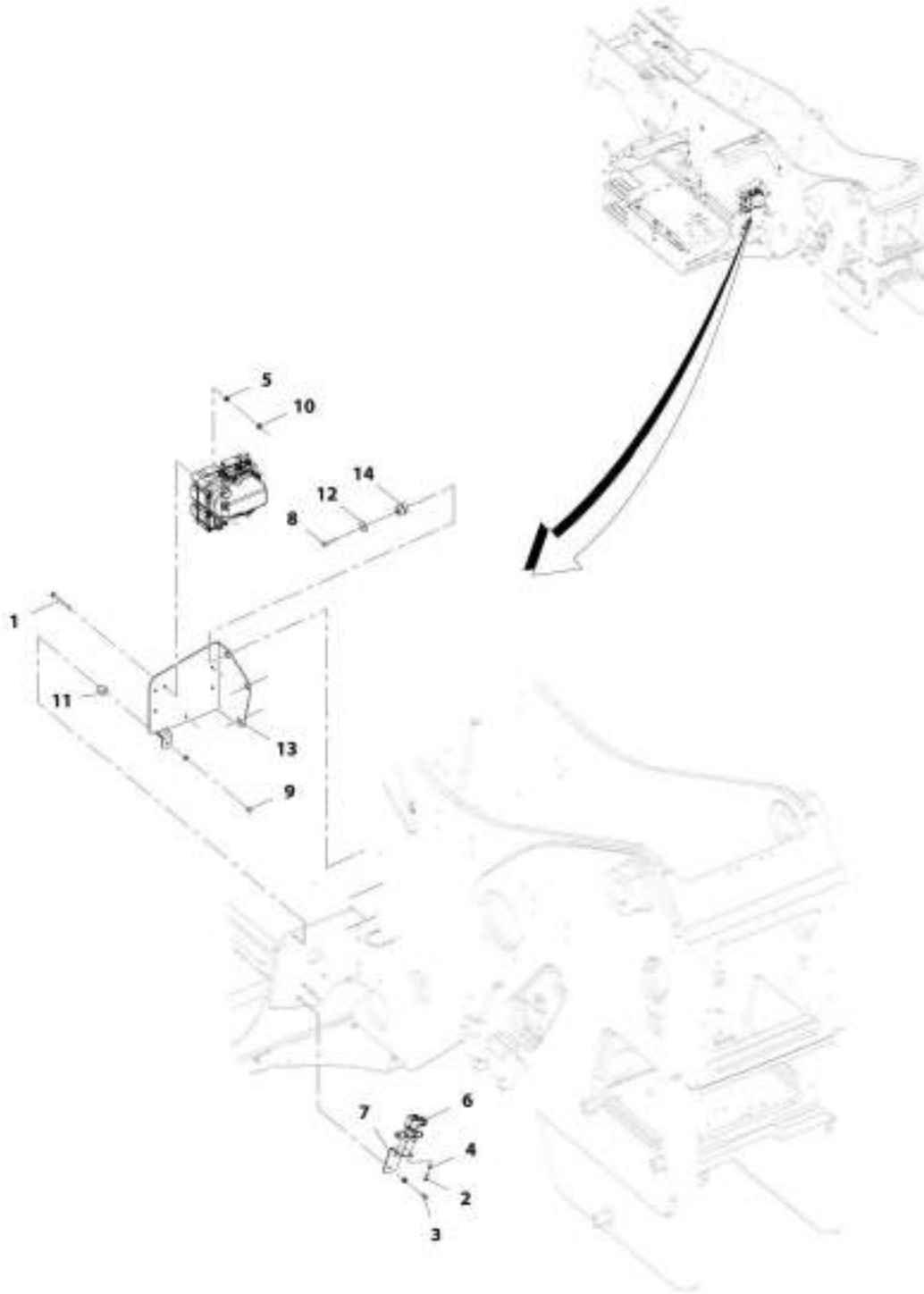
SECTION 4 - ENGINE AND ATTACHING PARTS

FIGURE 4-47. EXHAUST INSTALLATION (LS)

ITEM	PART NUMBER	QTY	DESCRIPTION	REV
	1001200448	Ref	Exhaust Installation (LS)	E
1	0701014	6	Bolt, M10X30	
3	4812000	14	Washer, M10	
4	8275212	4	Clamp	
6	1001182824	1	Bracket	
7	1001194155	1	Bracket	
8	1001214439	1	Bracket	
9	1001210761	1	Installation, Muffler (See Seperate Breakdown in this Section)	
10	1001214441	1	Pipe	
11	1001228174	1	Pipe, Tail	
12	1001214440	1	Pipe	

SECTION 4 - ENGINE AND ATTACHING PARTS

FIGURE 4-48. DEF CONTROL MODULE INSTALLATION



ART_100120010-E

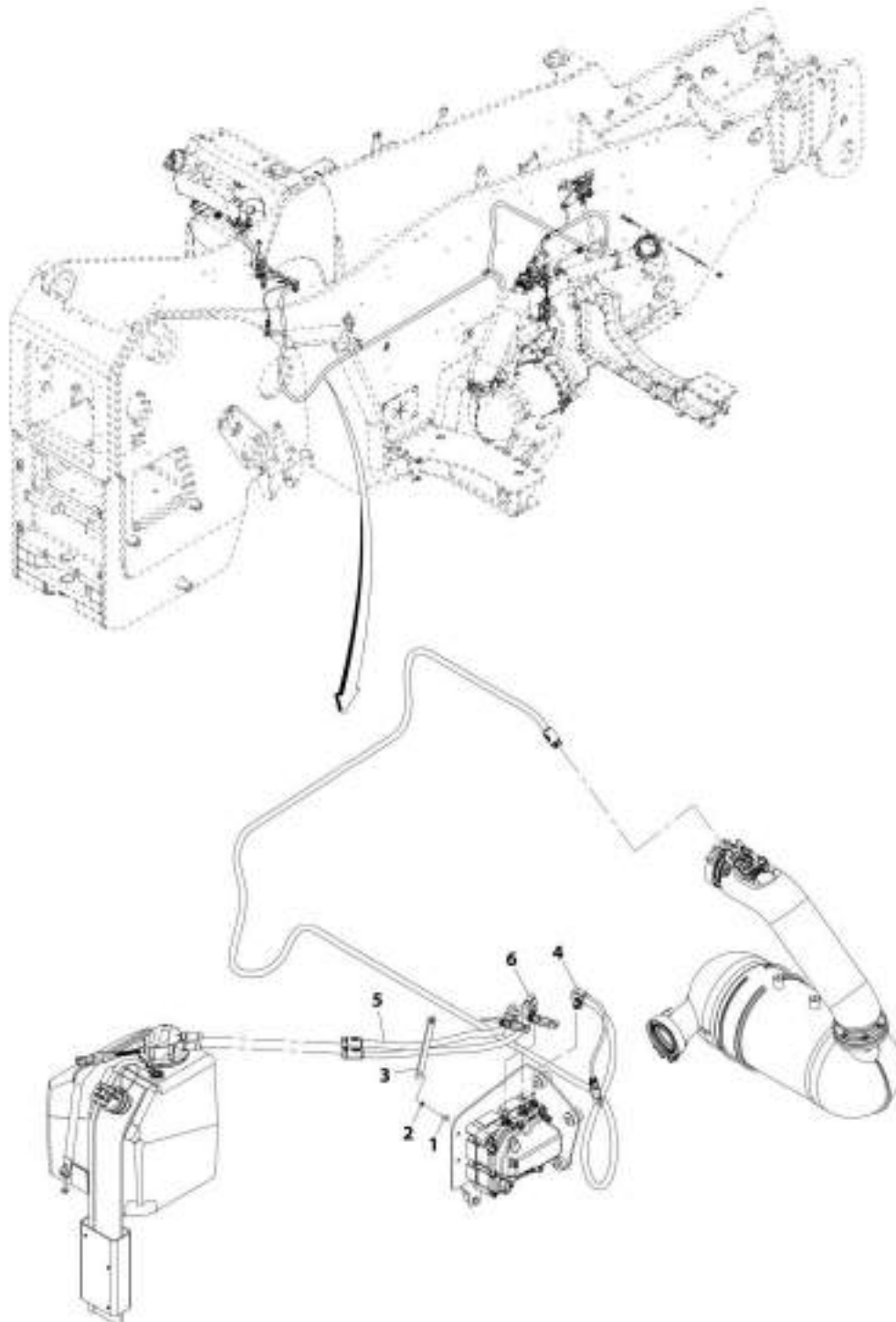
SECTION 4 - ENGINE AND ATTACHING PARTS

FIGURE 4-48. DEF CONTROL MODULE INSTALLATION

ITEM	PART NUMBER	QTY	DESCRIPTION	REV
	1001202018	Ref	DEF Control Module Installation	E
1	0700826	3	Bolt, M8X90	
2	0760608	4	Bolt, M6X16	
3	0760810	2	Bolt, M8X20	
4	4811700	4	Washer, M6	
5	4811900	9	Washer, M8	
6	1001199670	1	Valve, DEF Tank Coolant Flow	
7	1001223509	1	Bracket	
8	0700816	3	Bolt, M8X40	
9	0760806	1	Bolt, M8X12	
10	3290805	3	Nut, Lock M8X1.25 Grade 8	
11	1001179907	1	Mount, Isolator	
12	1001195089	3	Washer	
13	1001221349	1	Bracket	
14	1001221383	3	Mount, Isolator	

SECTION 4 - ENGINE AND ATTACHING PARTS

FIGURE 4-49. DEF LINES INSTALLATION



ART_1001200867-C

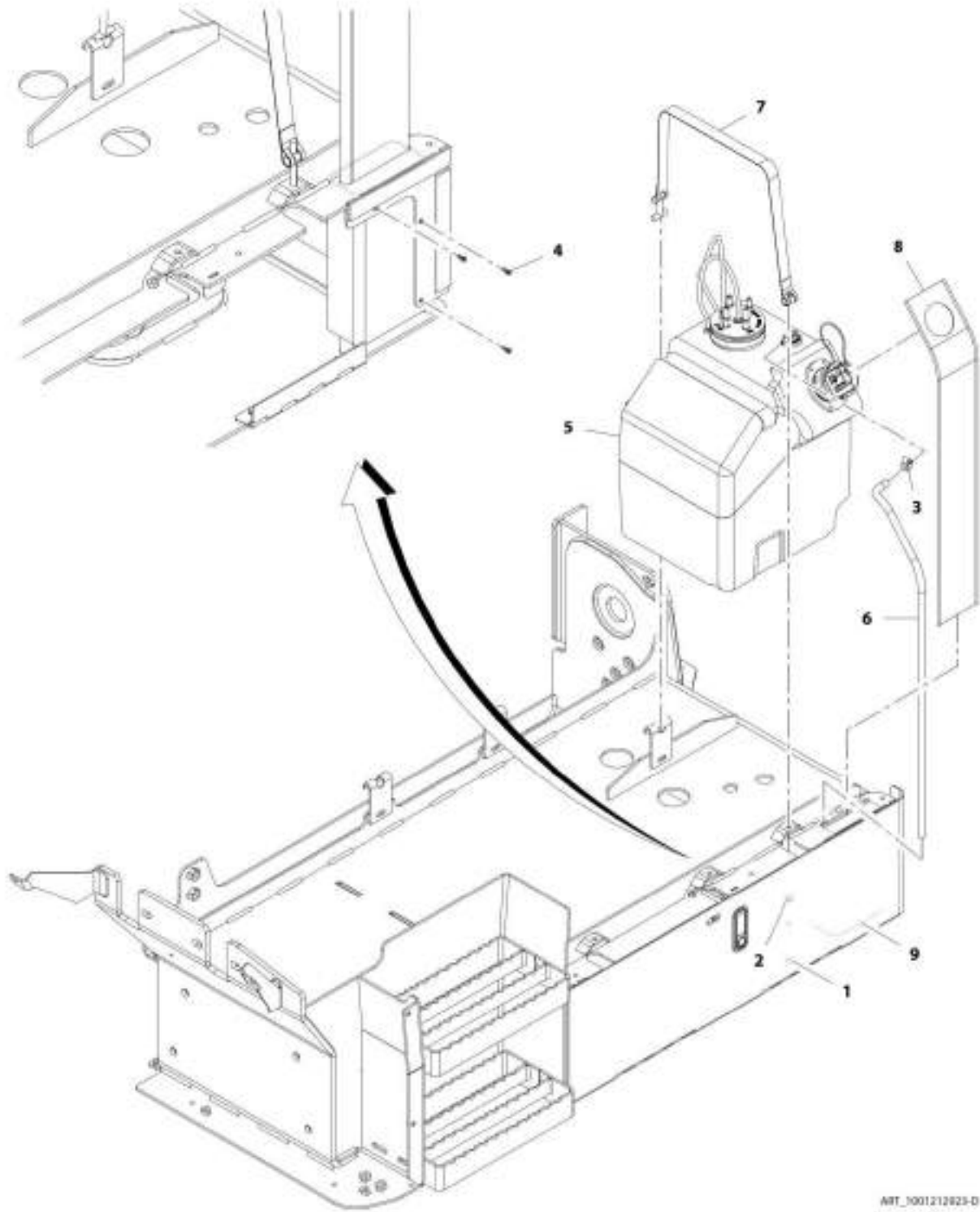
SECTION 4 - ENGINE AND ATTACHING PARTS

FIGURE 4-49. DEF LINES INSTALLATION

ITEM	PART NUMBER	QTY	DESCRIPTION	REV
	1001200867	Ref	DEF Lines Installation	D
1	0760607	2	Bolt, M6X14	
2	4831700	2	Washer, Lock M6	
3	1001173873	1	Plate	
4	1001180437	1	Hose	
5	1001199822	1	Hose	
6	1001199823	1	Hose	

SECTION 4 - ENGINE AND ATTACHING PARTS

FIGURE 4-50. DEF TANK INSTALLATION



ART_7001212825-D

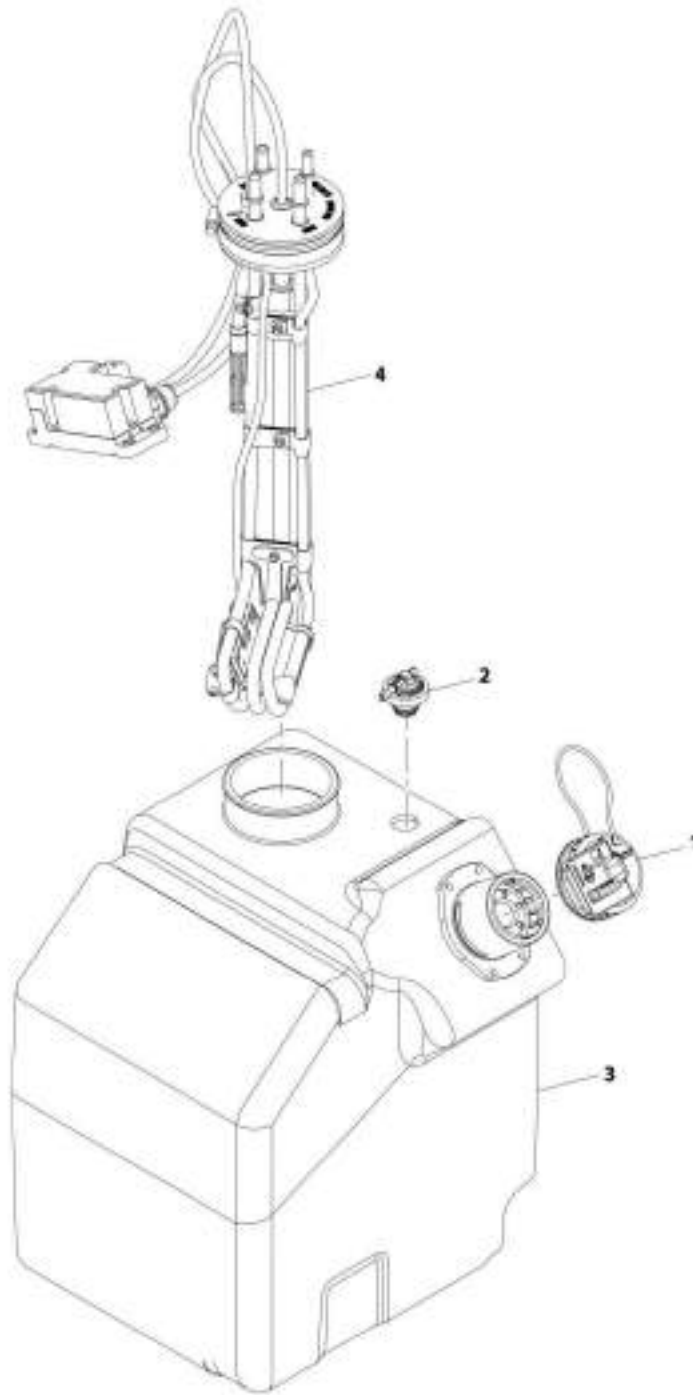
SECTION 4 - ENGINE AND ATTACHING PARTS

FIGURE 4-50. DEF TANK INSTALLATION

ITEM	PART NUMBER	QTY	DESCRIPTION	REV
	1001212923	Ref	DEF Tank Installation	D
1	0760823	1	Bolt, M8X75	
2	4811900	1	Washer, M8	
3	8405009	1	Clamp	
4	1001226681	3	Screw	
5	1001230423	1	Assembly, DEF Tank (See Seperate Breakdown in this Section)	
6	1001175201	813 mm	Hose	
7	1001178791	1	Strap, Tank	
8	1001212924	1	Guard, Spill	
9	1001212925	1	Tube, Drain	

SECTION 4 - ENGINE AND ATTACHING PARTS

FIGURE 4-51. DEF TANK ASSEMBLY



ART_1001230413-A

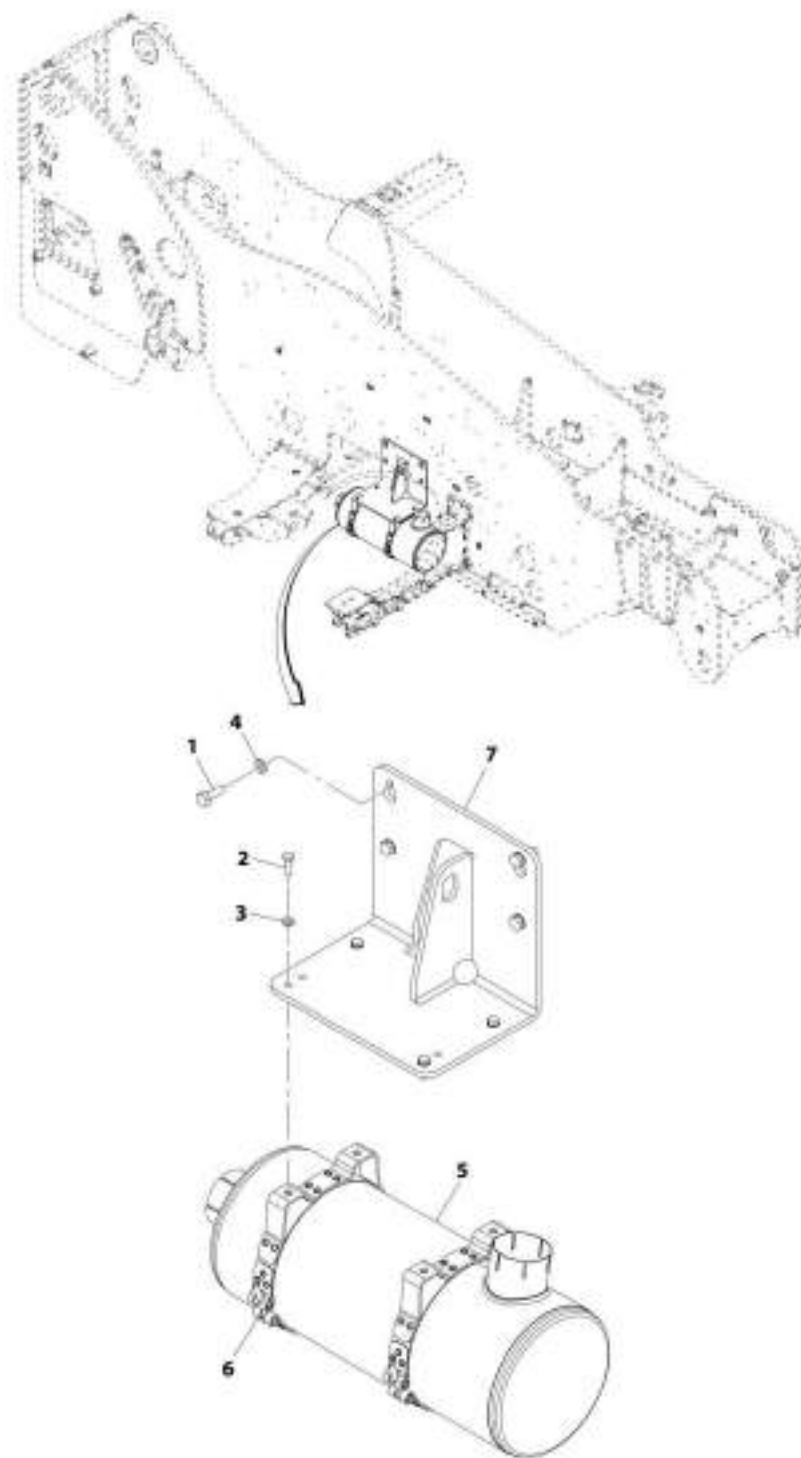
SECTION 4 - ENGINE AND ATTACHING PARTS

FIGURE 4-51. DEF TANK ASSEMBLY

ITEM	PART NUMBER	QTY	DESCRIPTION	REV
	1001230423	Ref	DEF Tank Assembly	A
1	1001174795	1	Cap Assembly, Reutter	
2	1001215319	1	Valve, Def Breather	
3	1001237897	1	DEF Tank	
4	1001238154	1	Electrical Assembly , DEF Header	

SECTION 4 - ENGINE AND ATTACHING PARTS

FIGURE 4-52. MUFFLER INSTALLATION (LS)



ART_3001215070-A

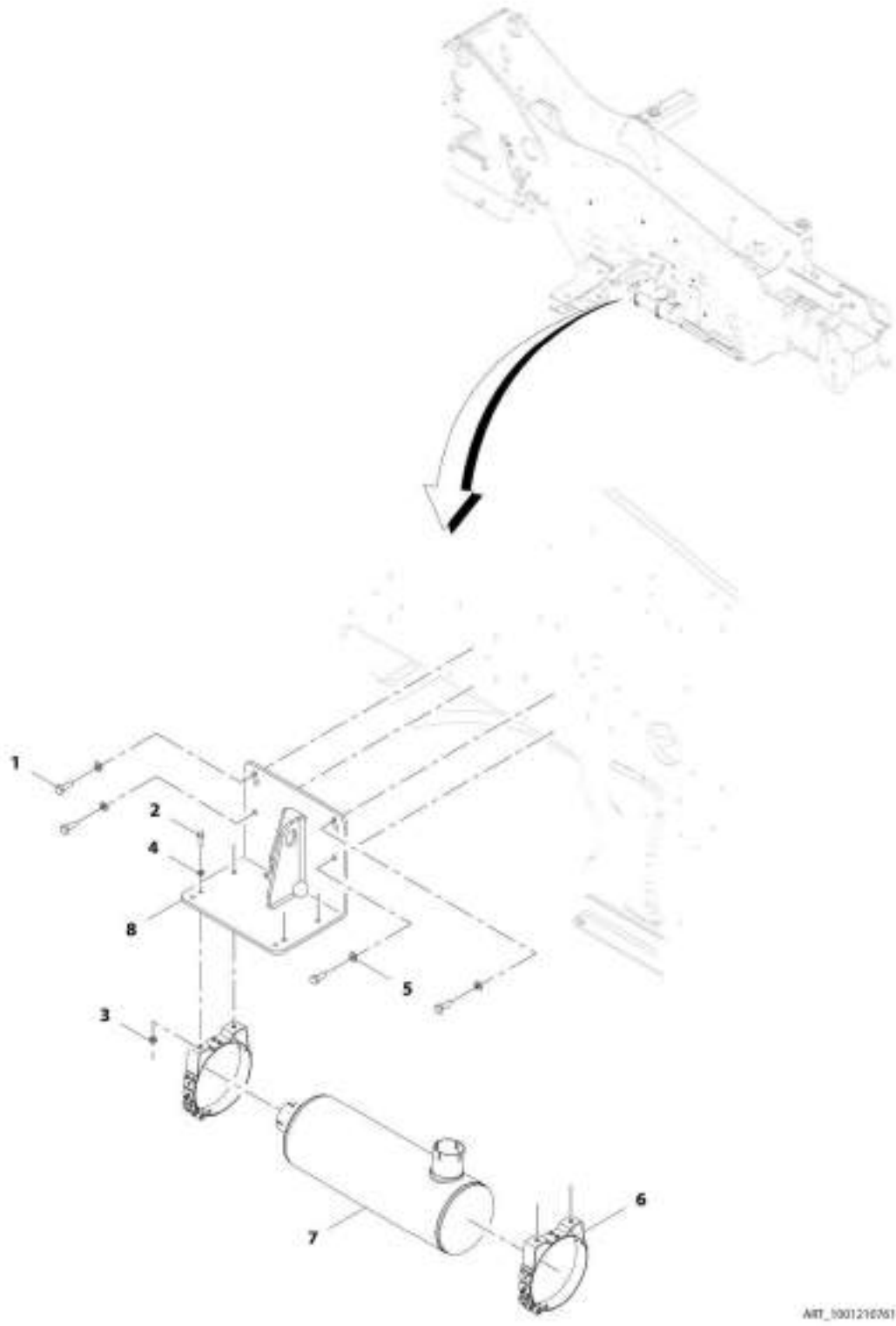
SECTION 4 - ENGINE AND ATTACHING PARTS

FIGURE 4-52. MUFFLER INSTALLATION (LS)

ITEM	PART NUMBER	QTY	DESCRIPTION	REV
	1001215078	Ref	Muffler Installation (LS)	A
1	0701014	4	Bolt, M10X30	
2	0760812	4	Bolt, M8X25	
3	4811900	4	Washer, M8	
4	4812000	4	Washer, M10	
5	1001180226	1	Muffler	
6	1001180227	2	Clamp	
7	1001214438	1	Bracket	

SECTION 4 - ENGINE AND ATTACHING PARTS

FIGURE 4-53. MUFFLER INSTALLATION (LS)



ART_000121051-A

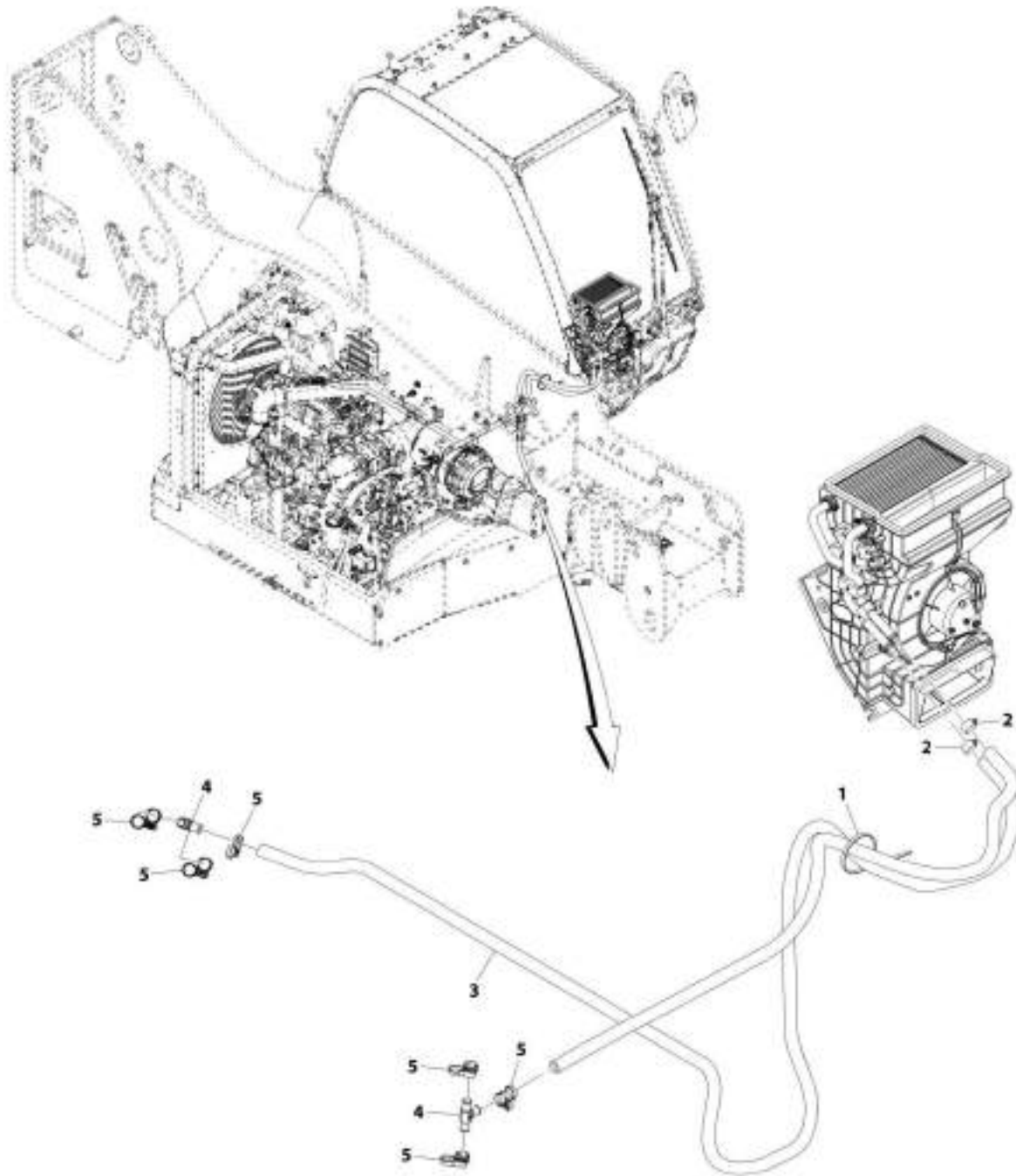
SECTION 4 - ENGINE AND ATTACHING PARTS

FIGURE 4-53. MUFFLER INSTALLATION (LS)

ITEM	PART NUMBER	QTY	DESCRIPTION	REV
	1001210761	Ref	Muffler Installation (LS)	A
1	0701014	4	Bolt, M10X30	
2	0760812	4	Bolt, M8X25	
3	3290801	4	Nut, M8X1.25 Grade 8	
4	4811900	8	Washer, M8	
5	4812000	4	Washer, M10	
6	1001119727	2	Clamp	
7	1001140671	1	Muffler	
8	1001214438	1	Bracket	

SECTION 4 - ENGINE AND ATTACHING PARTS

FIGURE 4-54. HEATER LINES INSTALLATION (ULS)



AIR_3001200451-D

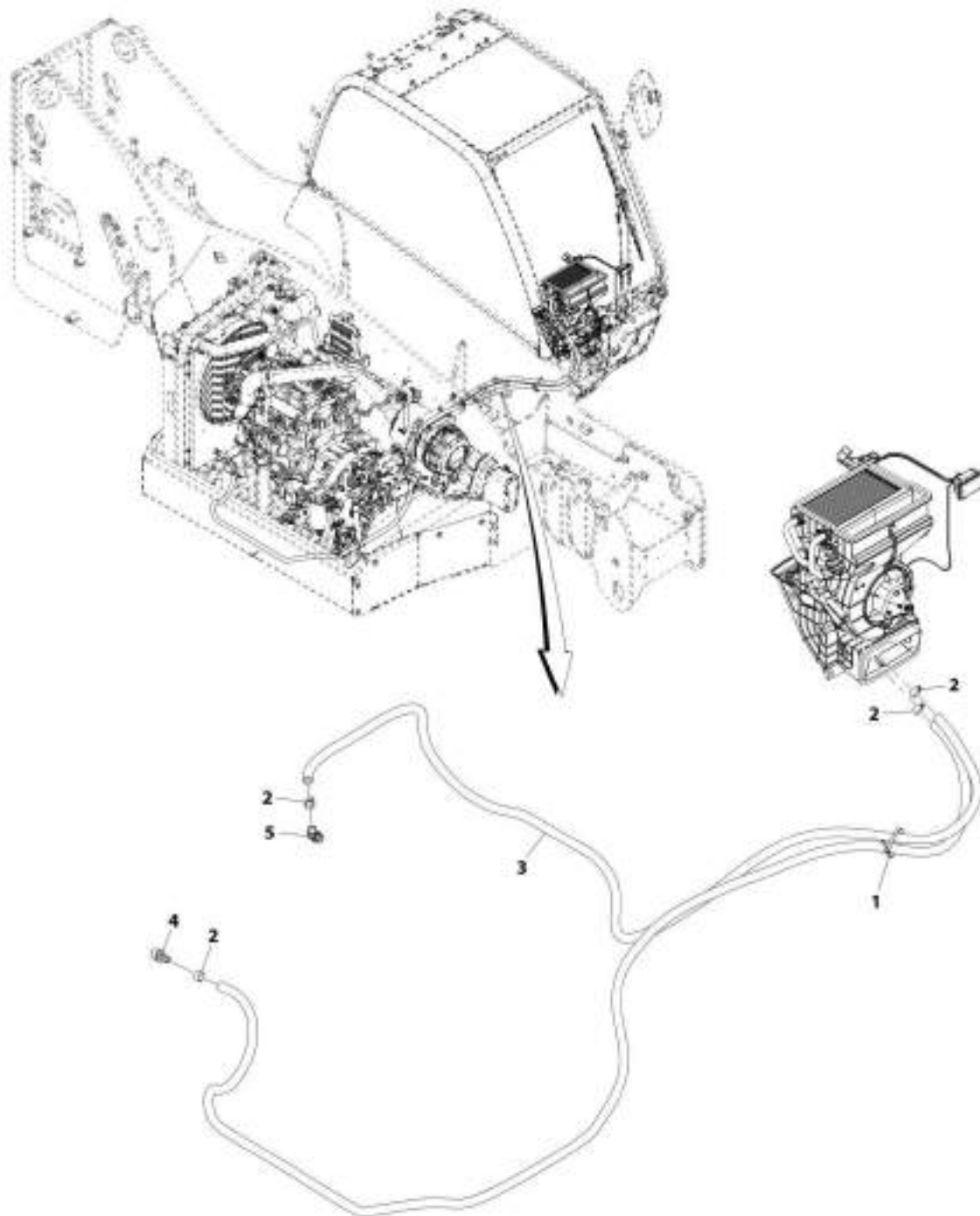
SECTION 4 - ENGINE AND ATTACHING PARTS

FIGURE 4-54. HEATER LINES INSTALLATION (ULS)

ITEM	PART NUMBER	QTY	DESCRIPTION	REV
	1001200451	Ref	Heater Lines Installation (ULS)	D
1	1062255	AR	Strap, Tie	
2	8410009	2	Clamp	
3	82033995	4620 mm	Hose	
4	1001170432	2	Fitting, Tee	
5	1001202526	6	Clamp	

SECTION 4 - ENGINE AND ATTACHING PARTS

FIGURE 4-55. HEATER LINES INSTALLATION (LS)



4RT_1001200453-A

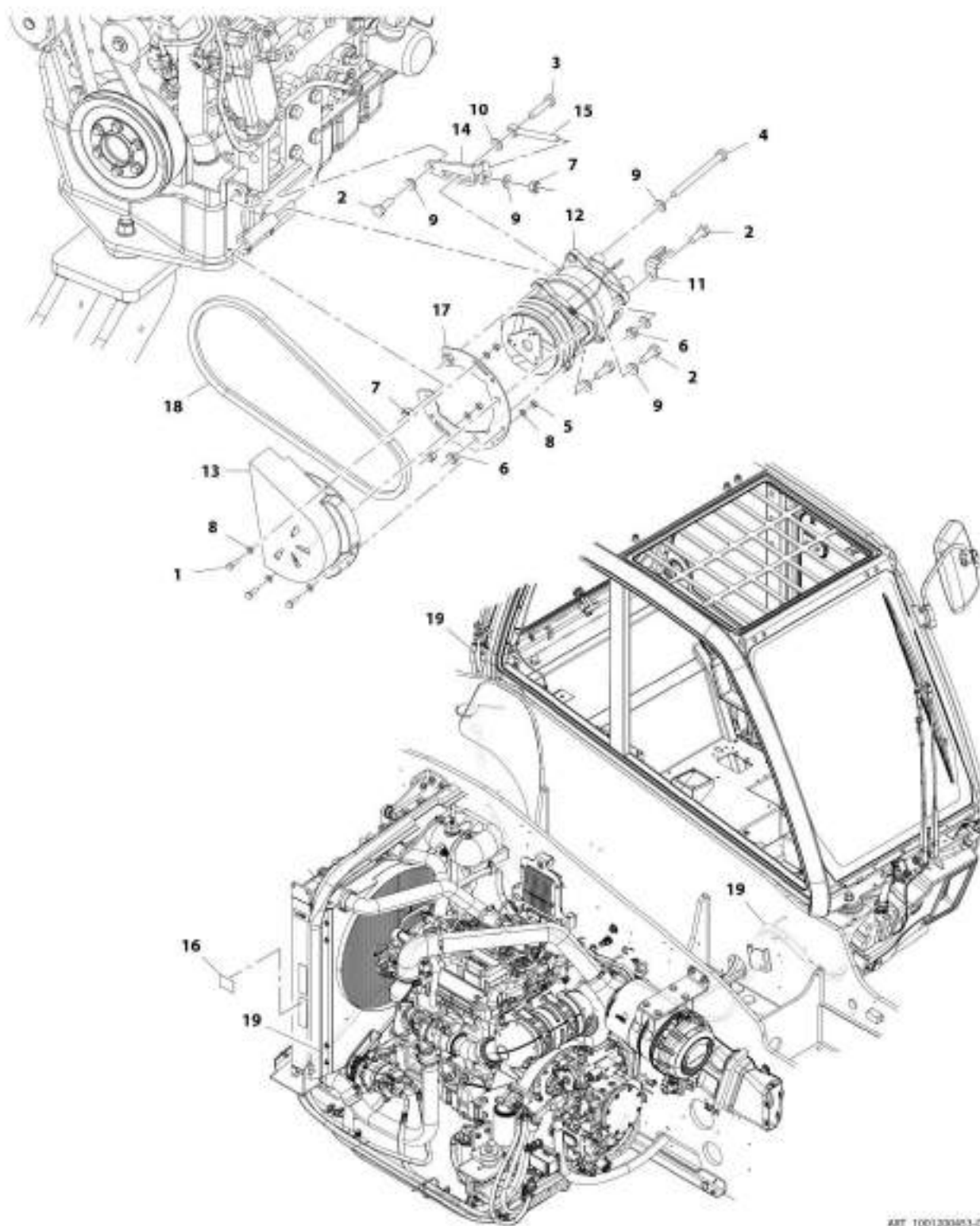
SECTION 4 - ENGINE AND ATTACHING PARTS

FIGURE 4-55. HEATER LINES INSTALLATION (LS)

ITEM	PART NUMBER	QTY	DESCRIPTION	REV
	1001200452	Ref	Heater Lines Installation (LS)	A
1	1062255	1	Strap, Tie	
2	8410009	4	Clamp	
3	82033995	6897 mm	Hose	
4	1001167409	1	Fitting, Straight	
5	1001203005	1	Fitting, 45	

SECTION 4 - ENGINE AND ATTACHING PARTS

FIGURE 4-56. A/C PUMP INSTALLATION



ART_1001200403-D

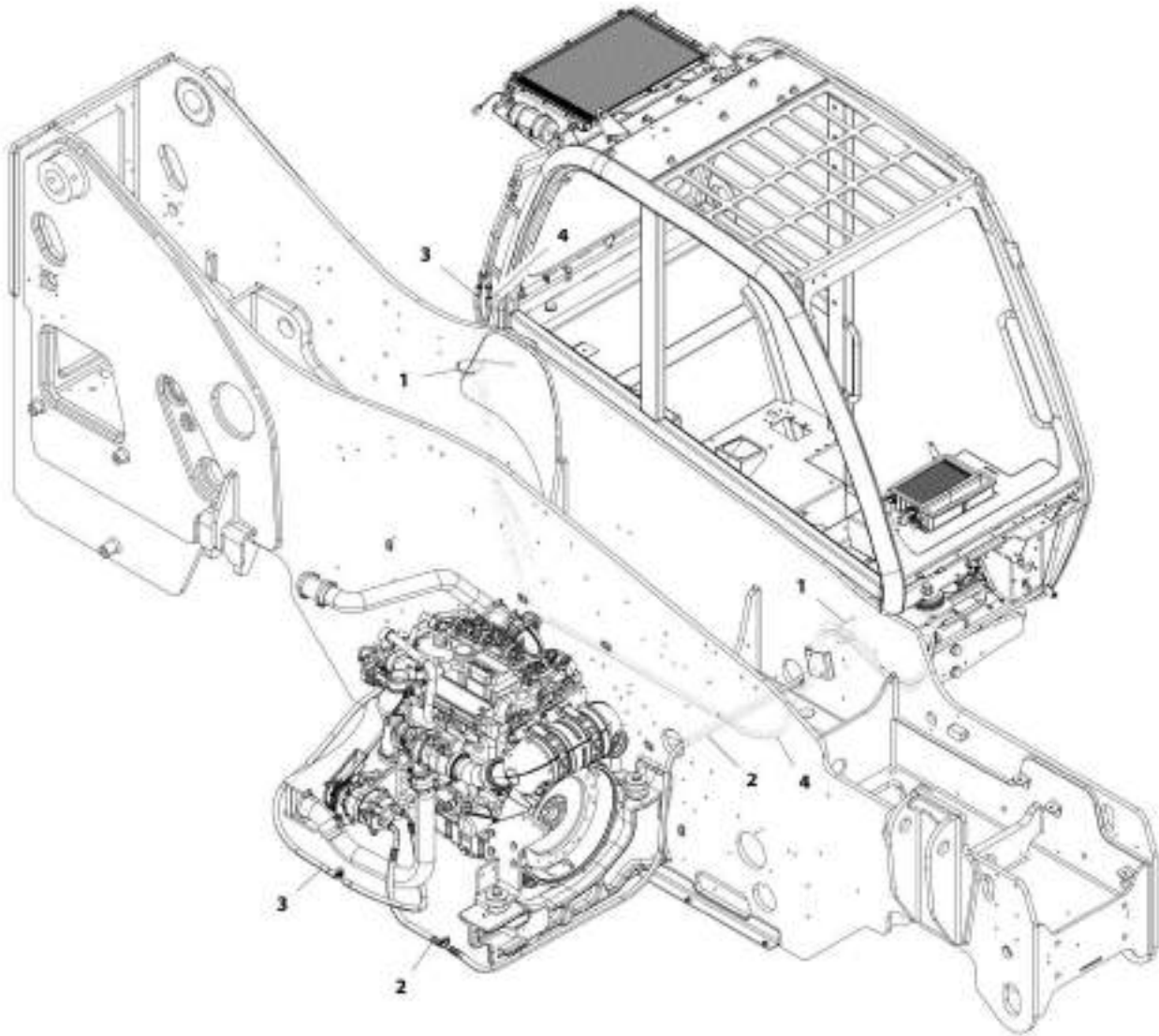
SECTION 4 - ENGINE AND ATTACHING PARTS

FIGURE 4-56. A/C PUMP INSTALLATION

ITEM	PART NUMBER	QTY	DESCRIPTION	REV
	1001200453	Ref	A/C Pump Installation	D
1	0700610	3	Bolt, M6X20	
2	0701014	4	Bolt, M10X30	
3	0701018	1	Bolt, M10X50	
4	0711030	1	Bolt, M10X130 Grade 10.9	
5	3290605	3	Nut, Lock M6X1	
6	3291001	3	Nut, M10X1.5	
7	3291005	2	Nut, lock M10X1.5	
8	4811700	6	Washer, M6	
9	4812000	6	Washer, M10	
10	5241000	1	Washer, M10	
11	1001003305	1	Clip	
12	1001107339	1	Compressor, A/C Clutch	
13	1001138945	1	Cover, Compressor	
14	1001188855	1	Plate, A/C Belt Tensioner	
15	1001188856	1	Rod, Tensioner	
16	1001227090	1	Decal, A/C Installation	
17	1001193797	1	Support, Cover	
18	1001200701	1	Belt, Drive	
19	1001202321	Ref	A/C Lines Installation (See Seperate Breakdown in this Section)	

SECTION 4 - ENGINE AND ATTACHING PARTS

FIGURE 4-57. A/C LINES INSTALLATION



ART_1001200331-D

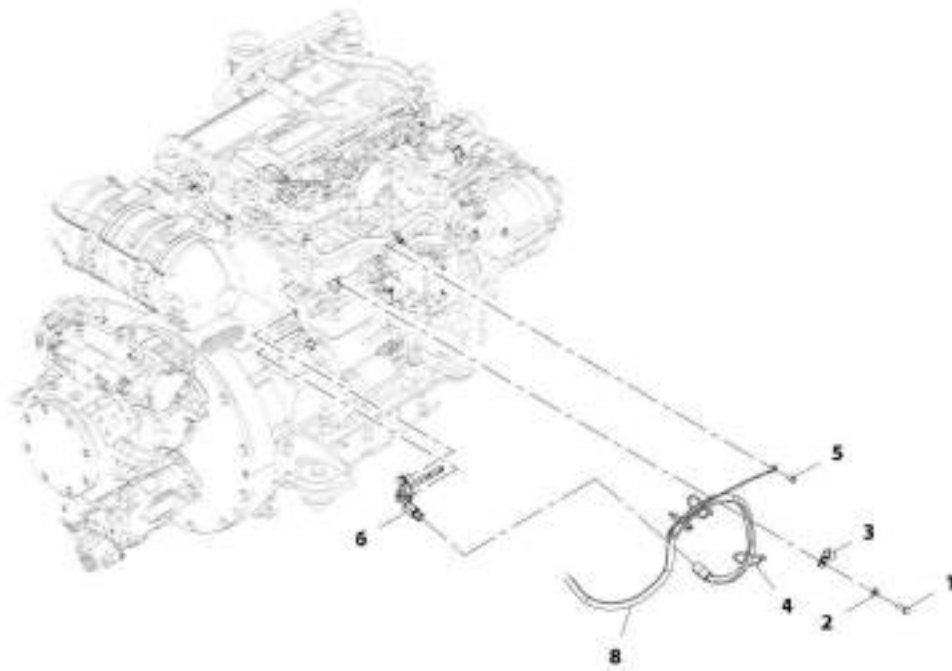
SECTION 4 - ENGINE AND ATTACHING PARTS

FIGURE 4-57. A/C LINES INSTALLATION

ITEM	PART NUMBER	QTY	DESCRIPTION	REV
	1001202321	Ref	A/C Lines Installation	D
1	1062255	2	Strap, Tie	
2	1001216798	1	Hose	
3	1001216799	1	Hose	
4	1001202325	1	Hose	

SECTION 4 - ENGINE AND ATTACHING PARTS

FIGURE 4-58. BLOCK HEATER INSTALLATION (230V) (ULS)



ART_1801301426-B

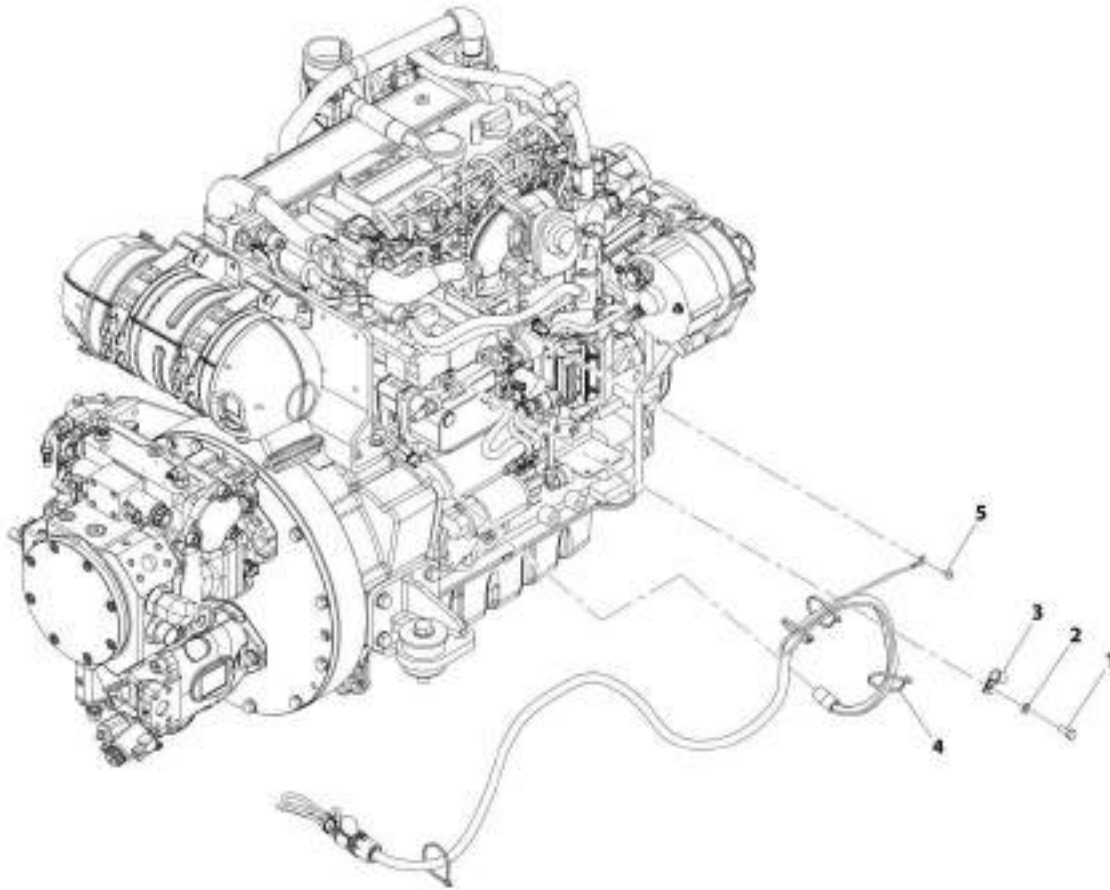
SECTION 4 - ENGINE AND ATTACHING PARTS

FIGURE 4-58. BLOCK HEATER INSTALLATION (230V) (ULS)

ITEM	PART NUMBER	QTY	DESCRIPTION	REV
	1001201426	Ref	Block Heater Installation (230V) (ULS)	B
1	0760810	1	Bolt, M8X20	
2	4811900	1	Washer, M8	
3	8406112	1	Clip	
4	1001008559	4	Strap, Cable	
5	1001099566	1	Screw, M6-1X12	
6	1001211571	1	Heater, Engine (230V)	
7	1001212014	1	Cord, Heater	
8	1001212055	1	Cord, Heater	

SECTION 4 - ENGINE AND ATTACHING PARTS

FIGURE 4-59. BLOCK HEATER INSTALLATION (115V) (ULS)



ART_1061214344-C

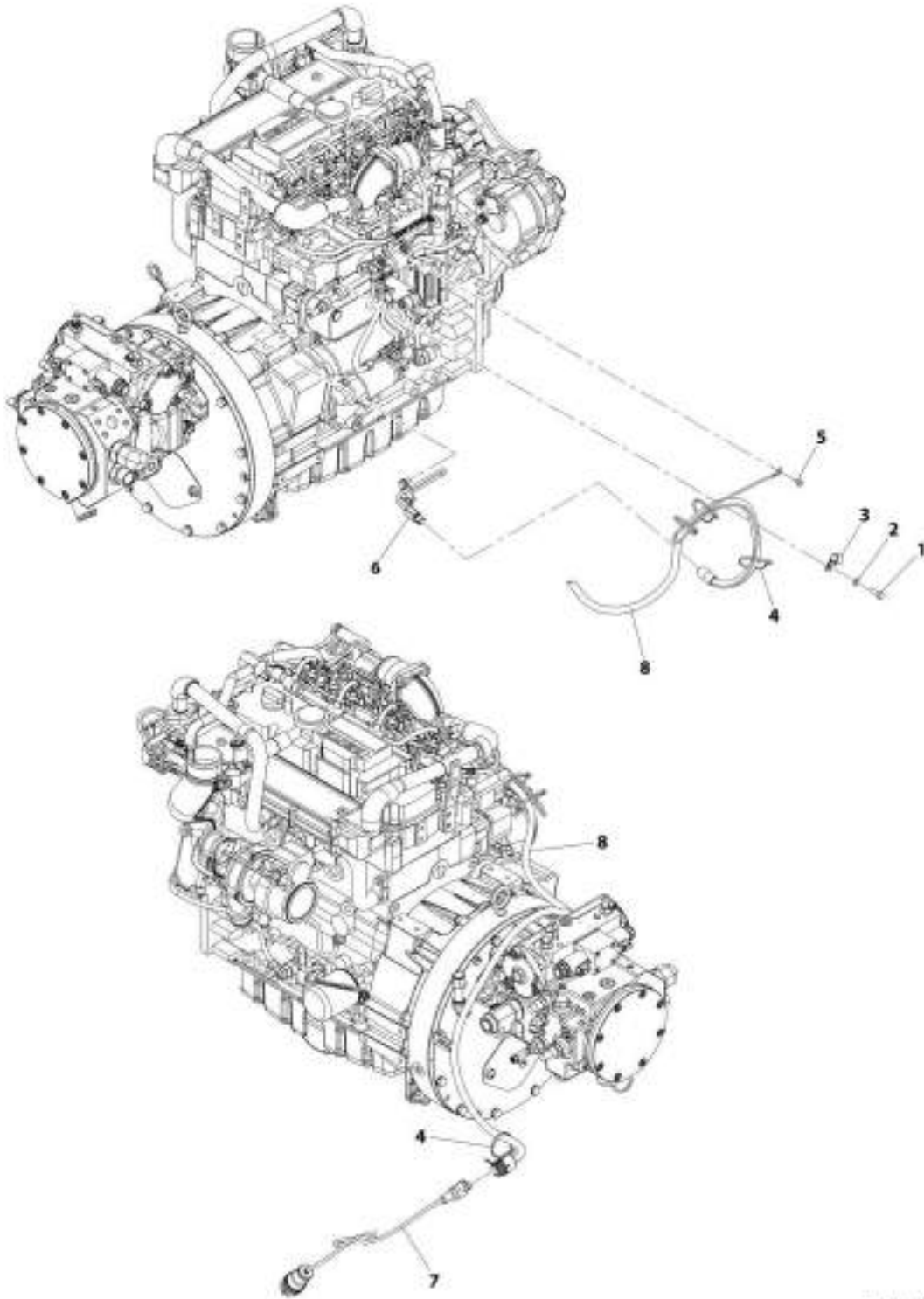
SECTION 4 - ENGINE AND ATTACHING PARTS

FIGURE 4-59. BLOCK HEATER INSTALLATION (115V) (ULS)

ITEM	PART NUMBER	QTY	DESCRIPTION	REV
	1001214349	1	Block Heater Installation (115V) (ULS)	C
1	0760810	1	Bolt, M8X20	
2	4811900	1	Washer, M8	
3	8406112	1	Clip	
4	1001008559	4	Strap, Cable	
5	1001099566	1	Screw, M6-1X12	

SECTION 4 - ENGINE AND ATTACHING PARTS

FIGURE 4-60. BLOCK HEATER INSTALLATION (230V) (LS)



ART_1000301427-B

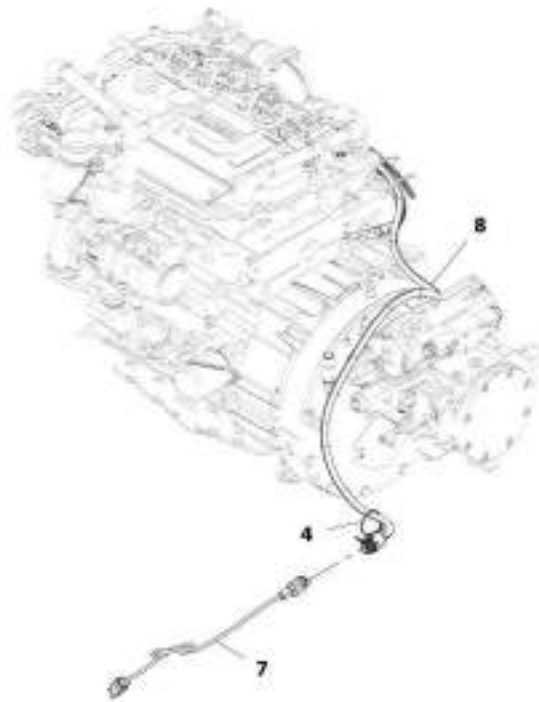
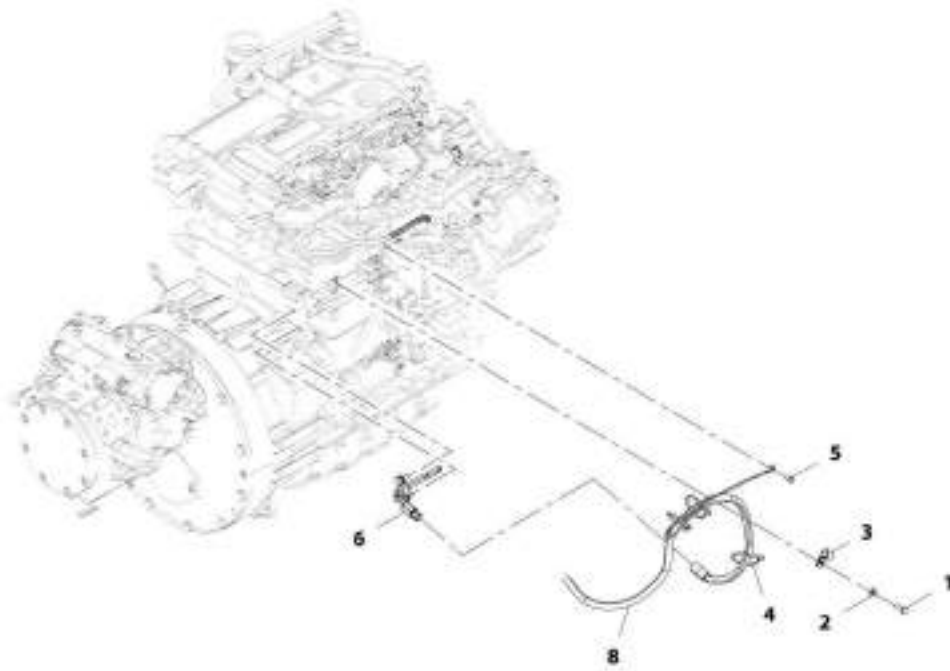
SECTION 4 - ENGINE AND ATTACHING PARTS

FIGURE 4-60. BLOCK HEATER INSTALLATION (230V) (LS)

ITEM	PART NUMBER	QTY	DESCRIPTION	REV
	1001201427	Ref	Block Heater Installation (230V) (LS)	B
1	0760810	1	Bolt, M8X20	
2	4811900	1	Washer, M8	
3	8406112	1	Clip	
4	1001008559	4	Strap, Cable	
5	1001099566	1	Screw, M6-1X12	
6	1001211571	1	Heater, Engine (230V)	
7	1001212014	1	Cord, Heater	
8	1001212055	1	Cord, Heater	

SECTION 4 - ENGINE AND ATTACHING PARTS

FIGURE 4-61. BLOCK HEATER INSTALLATION (115V) (LS)



ART_1801301429-B

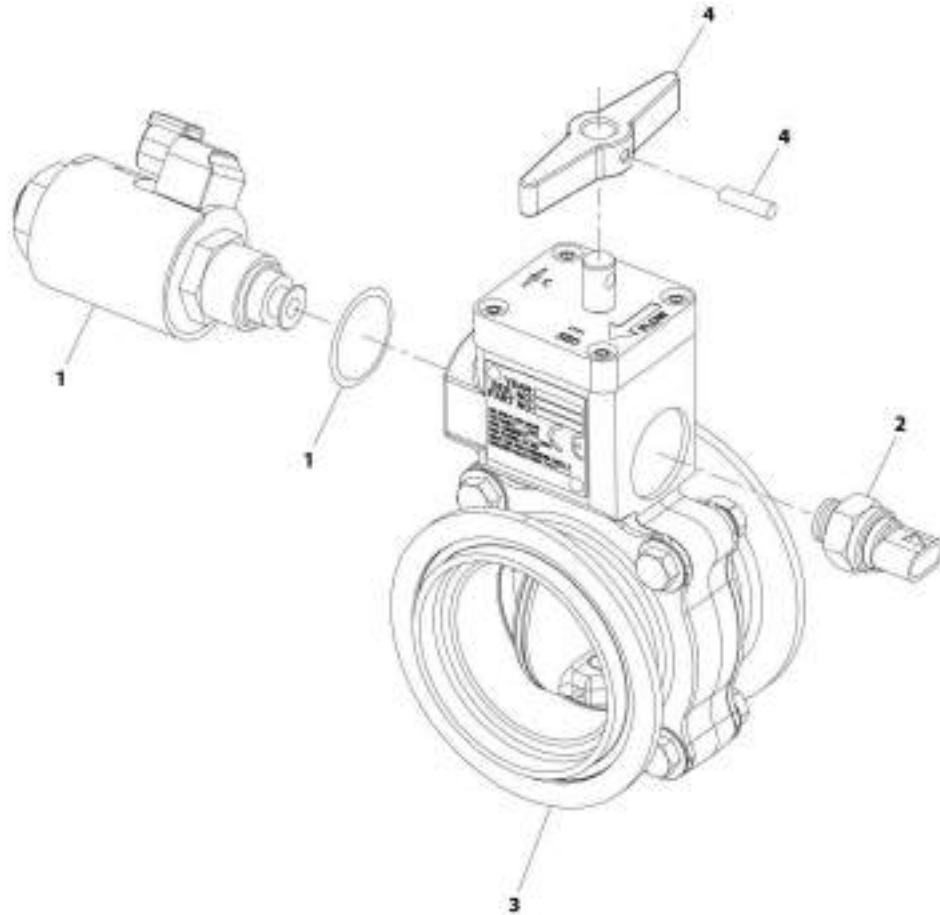
SECTION 4 - ENGINE AND ATTACHING PARTS

FIGURE 4-61. BLOCK HEATER INSTALLATION (115V) (LS)

ITEM	PART NUMBER	QTY	DESCRIPTION	REV
	1001201428	Ref	Block Heater Installation (115V) (LS)	B
1	0760810	1	Bolt, M8X20	
2	4811900	1	Washer, M8	
3	8406112	1	Clip	
4	1001008559	4	Cable, Strap	
5	1001099566	1	Screw, M6-1X12	
6	1001211570	1	Heater, Engine (115V)	
7	1001212013	1	Cord, Heater	
8	1001212054	1	Cord, Heater	

SECTION 4 - ENGINE AND ATTACHING PARTS

FIGURE 4-62. AIR SHUT OFF VALVE



ART_1001204603-A

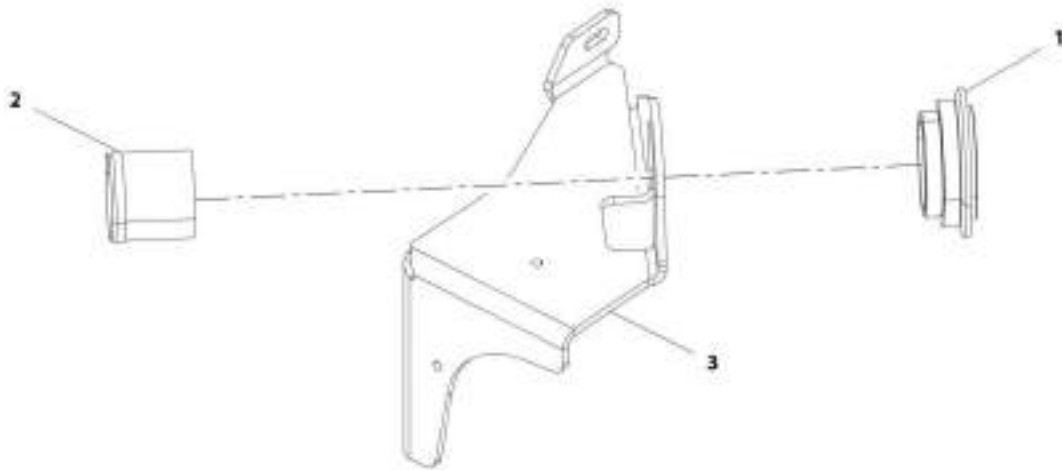
SECTION 4 - ENGINE AND ATTACHING PARTS

FIGURE 4-62. AIR SHUT OFF VALVE

ITEM	PART NUMBER	QTY	DESCRIPTION	REV
	1001204032	Ref	Air Shut Off Valve	A
1	70028514	1	Kit, Solenoid 12V	
	N.S.S.	1	Solenoid	
	N.S.S.	1	Coil, 12V	
	N.S.S.	1	O-Ring	
2	70028515	1	Kit, Switch	
	N.S.S.	1	Switch, Ball	
	N.S.S.	1	O-Ring	
3	70028516	1	Kit, Flange and Hardware	
	N.S.S.	1	Flange, Female	
	N.S.S.	1	Flange, Male	
	N.S.S.	4	Bolt	
	N.S.S.	8	Washer	
	N.S.S.	4	Locknut	
4	70028517	1	Handle	
	N.S.S.	1	Handle, Reset	
	N.S.S.	1	Pin	

SECTION 4 - ENGINE AND ATTACHING PARTS

FIGURE 4-63. AIR SHUT OFF VALVE



49T_1901223616-A

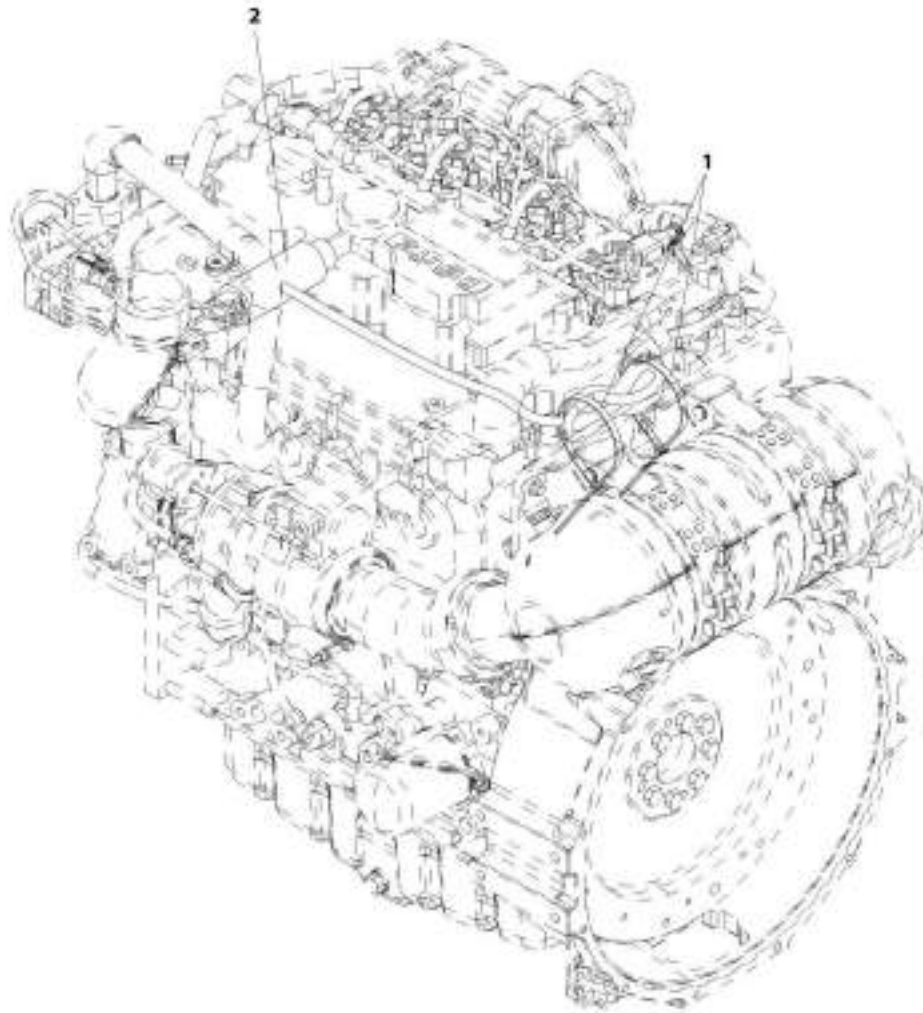
SECTION 4 - ENGINE AND ATTACHING PARTS

FIGURE 4-63. AIR SHUT OFF VALVE

ITEM	PART NUMBER	QTY	DESCRIPTION	REV
	1001223618	Ref	ASO Valve	A
1	1001204057	1	Plate	
2	1001206954	1	Tube	
3	1001223622	1	Bracket	

SECTION 4 - ENGINE AND ATTACHING PARTS

FIGURE 4-64. HEATED BREATHER TUBE INSTALLATION



ART_1001231004-A

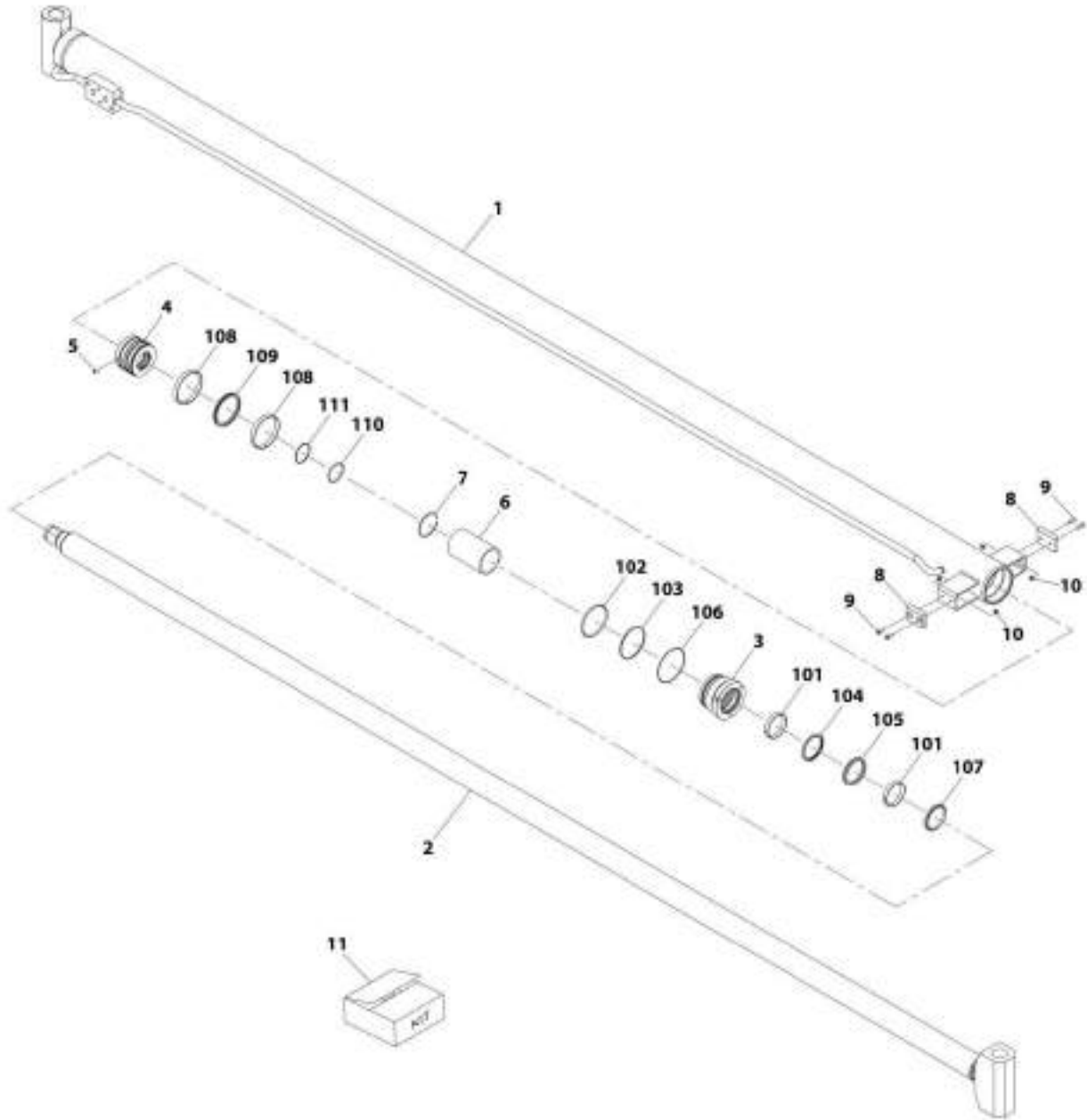
SECTION 4 - ENGINE AND ATTACHING PARTS

FIGURE 4-64. HEATED BREATHER TUBE INSTALLATION

ITEM	PART NUMBER	QTY	DESCRIPTION	REV
	1001233024	Ref	Heated Breather Tube Installation	A
1	1062255	2	Strap, Tie	
2	1001232509	1	Hose	

SECTION 4 - ENGINE AND ATTACHING PARTS

FIGURE 4-65. EXTEND/RETRACT CYLINDER



ART_1001174814-H

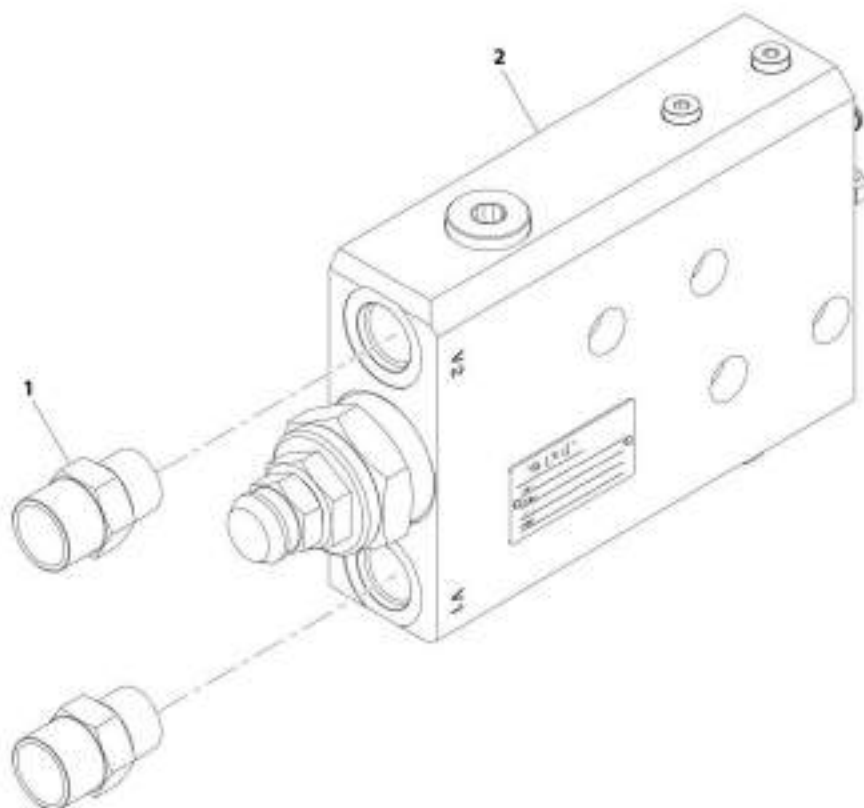
SECTION 4 - ENGINE AND ATTACHING PARTS

FIGURE 4-65. EXTEND/RETRACT CYLINDER

ITEM	PART NUMBER	QTY	DESCRIPTION	REV
	1001174814	Ref	Extend/Retract Cylinder	H
1	N.S.S.	1	Barrel	
2	70028371	1	Rod	
3	70028372	1	Head	
4	70026408	1	Piston	
5	70020438	1	Screw	
6	70026407	1	Spacer	
7	70026411	1	Ring	
8	70027811	2	Pad, Wear	
9	70028373	4	Screw	
10	70028374	4	Nut	
11	70028375	1	Seal kit (includes items 101 thru 111)	
101	Kit	2	Bearing	
102	Kit	1	O-Ring	
103	Kit	1	Ring, Backup	
104	Kit	1	Ring, Wear	
105	Kit	1	Seal, Rod	
106	Kit	1	O-Ring	
107	Kit	1	Wiper	
108	Kit	2	Bearing	
109	Kit	1	Seal, Piston	
110	Kit	1	O-Ring	
111	Kit	1	Ring, Backup	

SECTION 4 - ENGINE AND ATTACHING PARTS

FIGURE 4-66. COUNTERBALANCE VALVE INSTALLATION



ART_1001212512-A

SECTION 4 - ENGINE AND ATTACHING PARTS

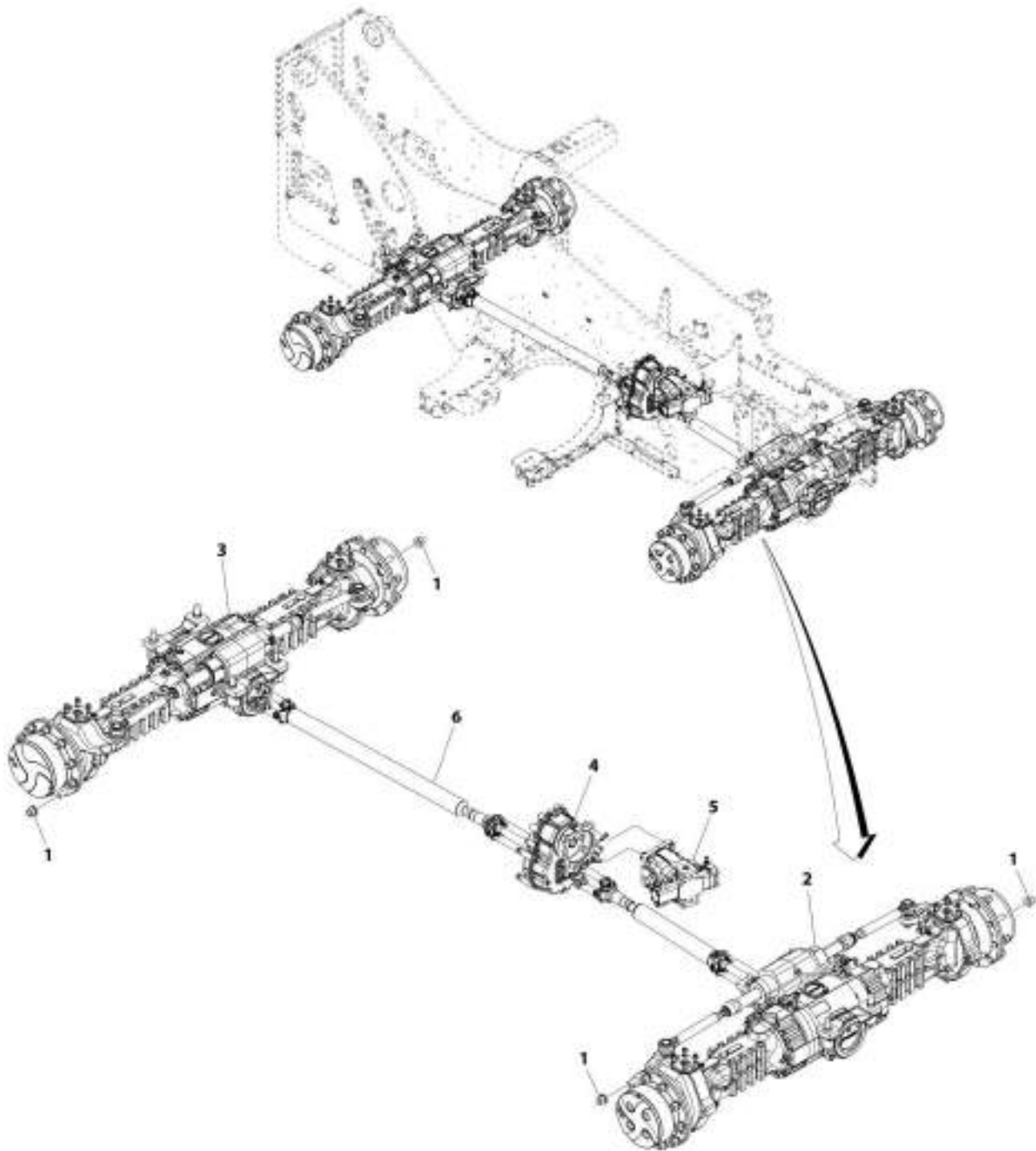
FIGURE 4-66. COUNTERBALANCE VALVE INSTALLATION

ITEM	PART NUMBER	QTY	DESCRIPTION	REV
	1001212312	Ref	Counterbalance Valve Installation	A
1	2111010	2	Fitting, Straight ORFS	
2	1001209862	1	Valve, Counterbalance (See Seperate Breakdown in this Section)	

SECTION 5 - DRIVETRAIN

SECTION 5 - DRIVETRAIN

FIGURE 5-1. DRIVETRAIN INSTALLATION



AWF_1001104976-B

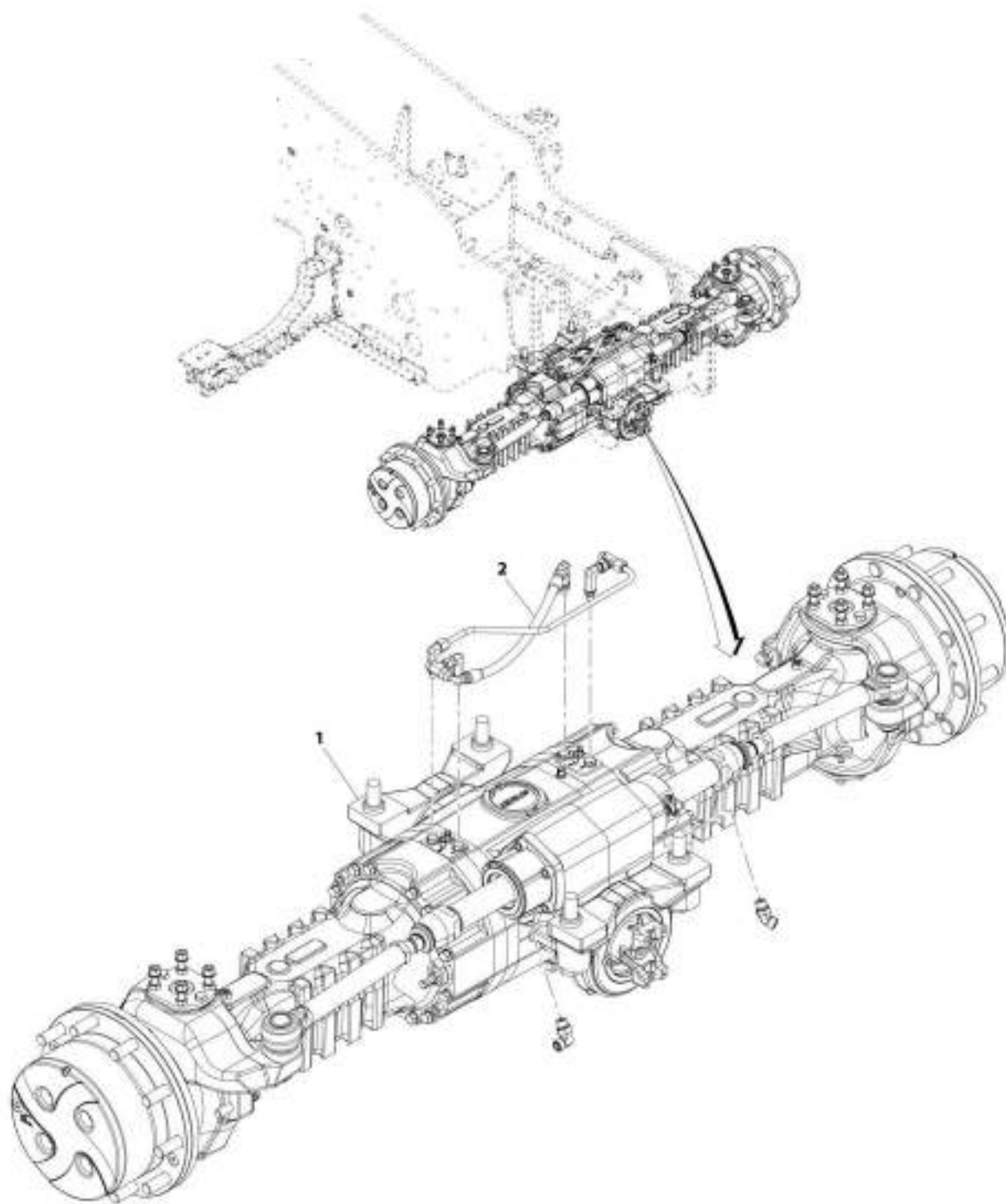
SECTION 5 - DRIVETRAIN

FIGURE 5-1. DRIVETRAIN INSTALLATION

ITEM	PART NUMBER	QTY	DESCRIPTION	REV
	1001184976	Ref	Drivetrain Installation	B
1	91403193	40	Nut, Lug M22X1.5	
2	1001184977	Ref	Installation, Front Axle (See Seperate Breakdown in this Section)	
3	1001184978	Ref	Installation, Rear Axle (See Seperate Breakdown in this Section)	
4	1001184979	Ref	Installation, Gearbox (See Seperate Breakdown in this Section)	
5	1001184980	Ref	Installation, Hydrostatic Motor (See Seperate Breakdown in this Section)	
6	1001184981	Ref	Installation, Drive Shaft (See Seperate Breakdown in this Section)	

SECTION 5 - DRIVETRAIN

FIGURE 5-2. FRONT AXLE INSTALLATION



ART_1001144972-B

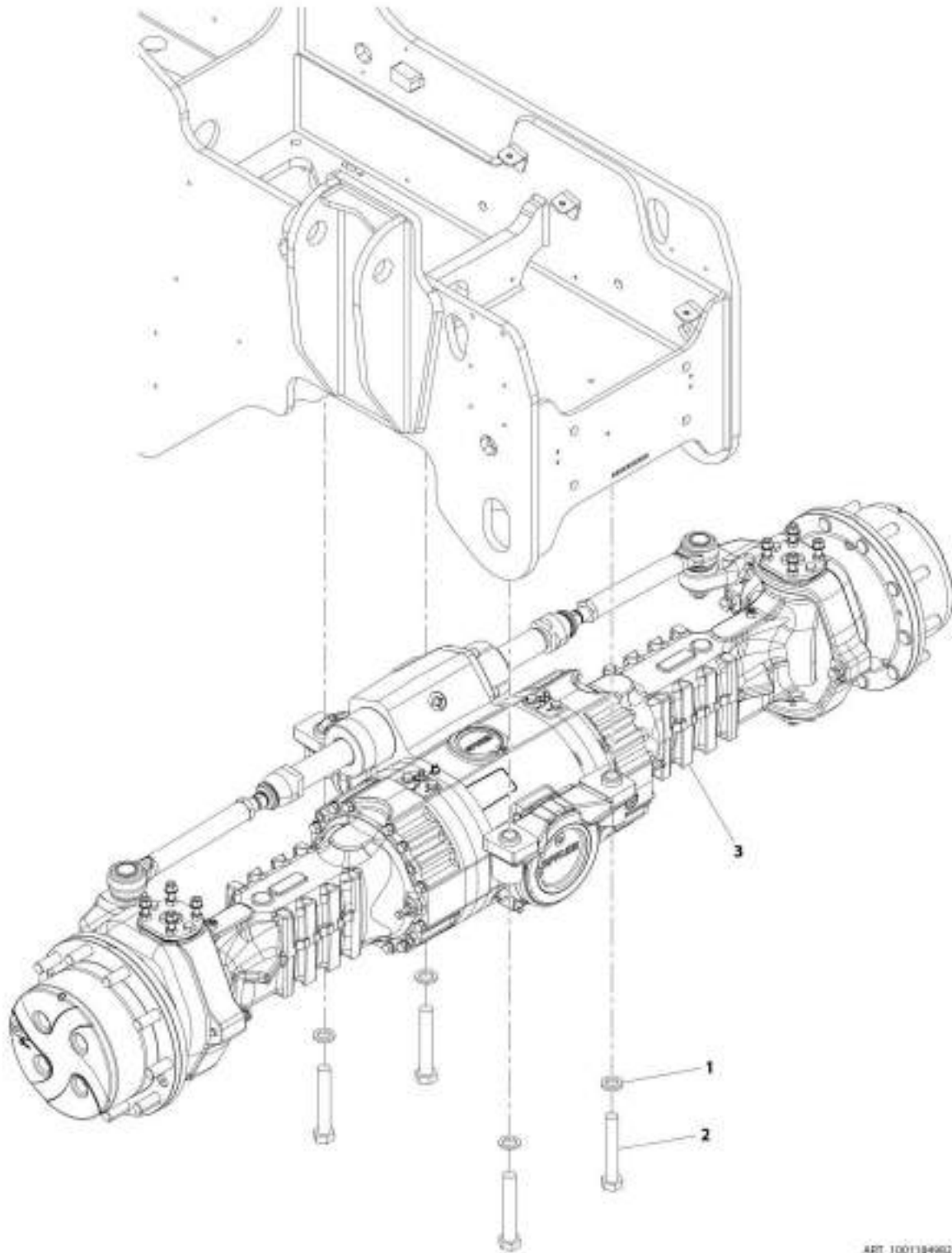
SECTION 5 - DRIVETRAIN

FIGURE 5-2. FRONT AXLE INSTALLATION

ITEM	PART NUMBER	QTY	DESCRIPTION	REV
1	1001184977	Ref	Front Axle Installation	B
	1001184982	Ref	Installation, Front Axle Mounting (See Seperate Breakdown in this Section)	
2	1001207898	Ref	Installation, Front Axle Lines (See Seperate Breakdown in this Section)	

SECTION 5 - DRIVETRAIN

FIGURE 5-3. FRONT AXLE MOUNTING INSTALLATION



ART_1001184902-B

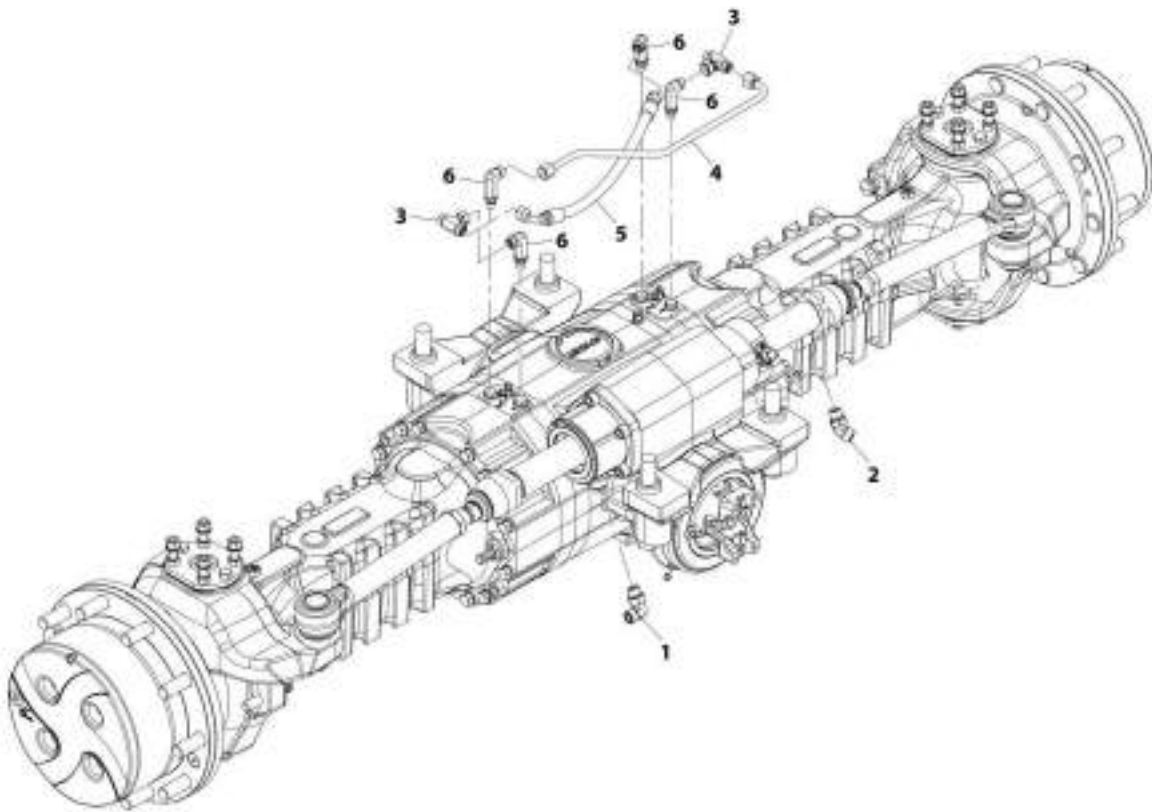
SECTION 5 - DRIVETRAIN

FIGURE 5-3. FRONT AXLE MOUNTING INSTALLATION

ITEM	PART NUMBER	QTY	DESCRIPTION	REV
	1001184982	Ref	Front Axle Mounting Installation	B
1	4892600	4	Washer	
2	1001097587	4	Bolt, M24-3X150 Grade 10.9	
3	1001184984	1	Axle, Front (See Seperate Breakdown in this Section)	

SECTION 5 - DRIVETRAIN

FIGURE 5-4. FRONT AXLE LINES INSTALLATION



ART_1001207898-C

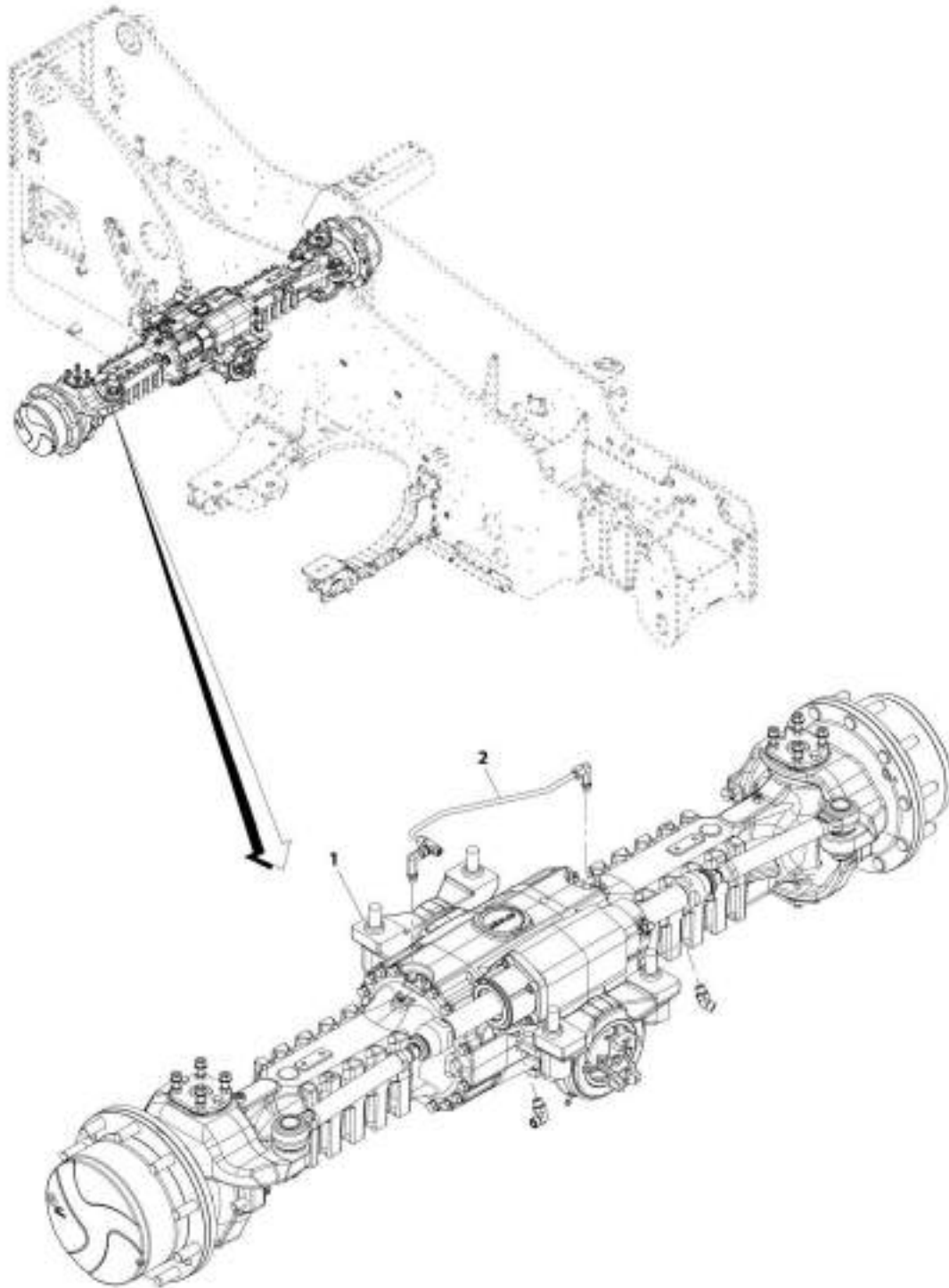
SECTION 5 - DRIVETRAIN

FIGURE 5-4. FRONT AXLE LINES INSTALLATION

ITEM	PART NUMBER	QTY	DESCRIPTION	REV
	1001207898	Ref	Front Axle Lines Installation	C
1	2130808	1	Fitting, 90 ORFS	
2	2150808	1	Fitting, 45 ORFS	
3	2170806	2	Fitting, Tee ORFS	
4	1001224598	1	Tube	
5	1001210281	1	Hose	
6	1001210769	4	Fitting, 90 ORFS	

SECTION 5 - DRIVETRAIN

FIGURE 5-5. REAR AXLE INSTALLATION



ART_3001184975-B

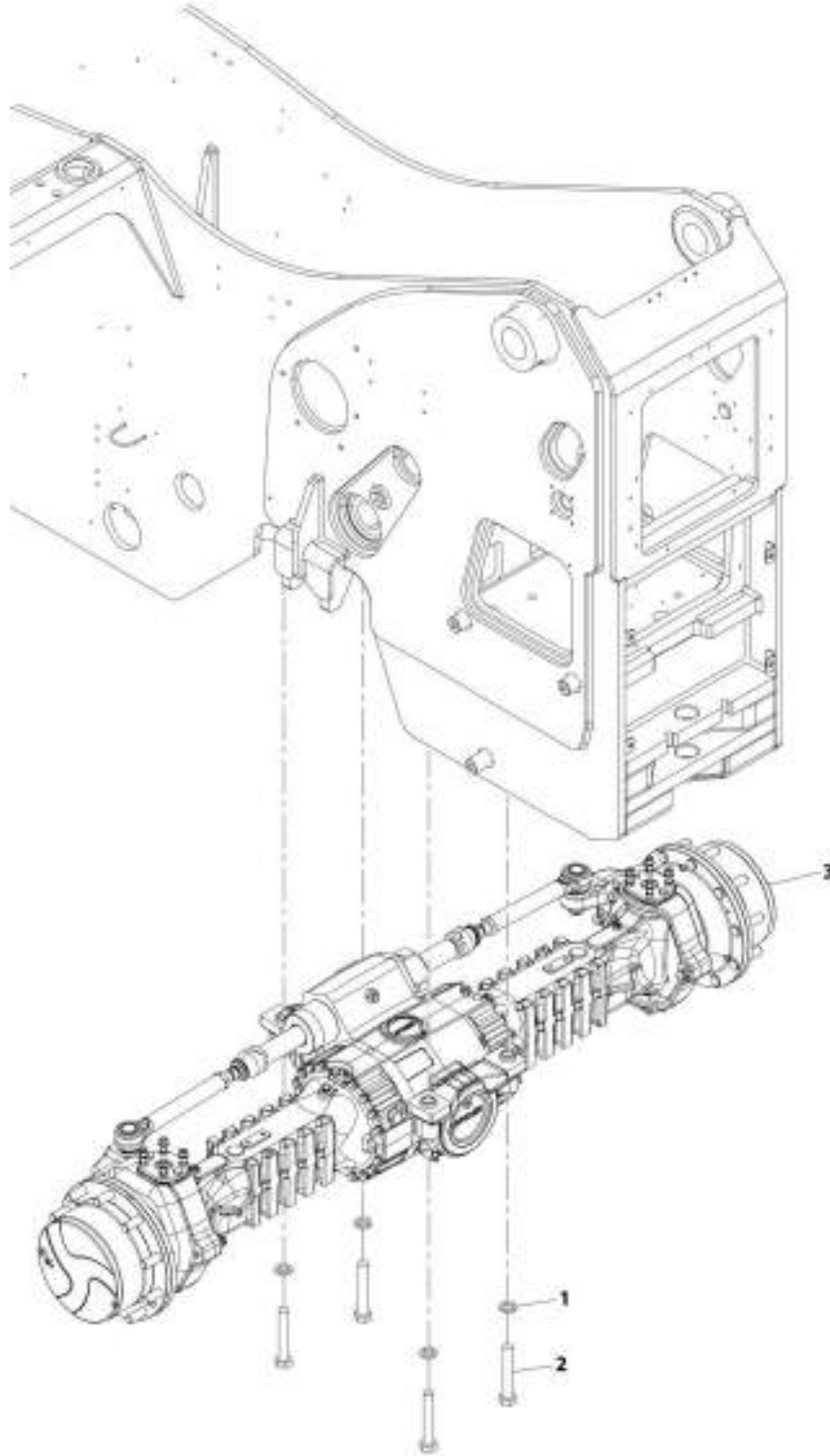
SECTION 5 - DRIVETRAIN

FIGURE 5-5. REAR AXLE INSTALLATION

ITEM	PART NUMBER	QTY	DESCRIPTION	REV
1	1001184978	Ref	Rear Axle Installation	B
	1001184983	Ref	Installation, Rear Axle Mounting (See Seperate Breakdown in this Section)	
2	1001207899	Ref	Installation, Rear Axle Lines (See Seperate Breakdown in this Section)	

SECTION 5 - DRIVETRAIN

FIGURE 5-6. REAR AXLE MOUNTING INSTALLATION



ART_1001104983-0

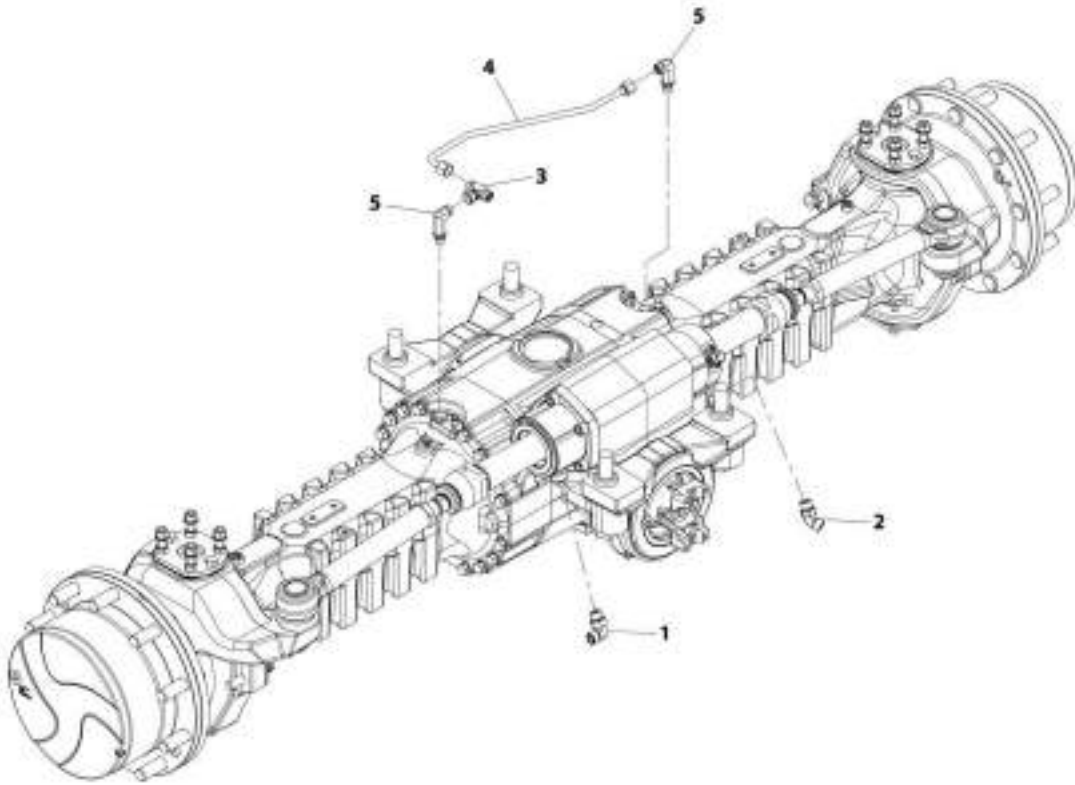
SECTION 5 - DRIVETRAIN

FIGURE 5-6. REAR AXLE MOUNTING INSTALLATION

ITEM	PART NUMBER	QTY	DESCRIPTION	REV
	1001184983	Ref	Rear Axle Mounting Installation	B
1	4892600	4	Washer	
2	1001097587	4	Bolt, M24-3X150 Grade 10.9	
3	1001184985	Ref	Axle, Rear (See Seperate Breakdown in this Section)	

SECTION 5 - DRIVETRAIN

FIGURE 5-7. REAR AXLE LINES INSTALLATION



ART_1001207804-C

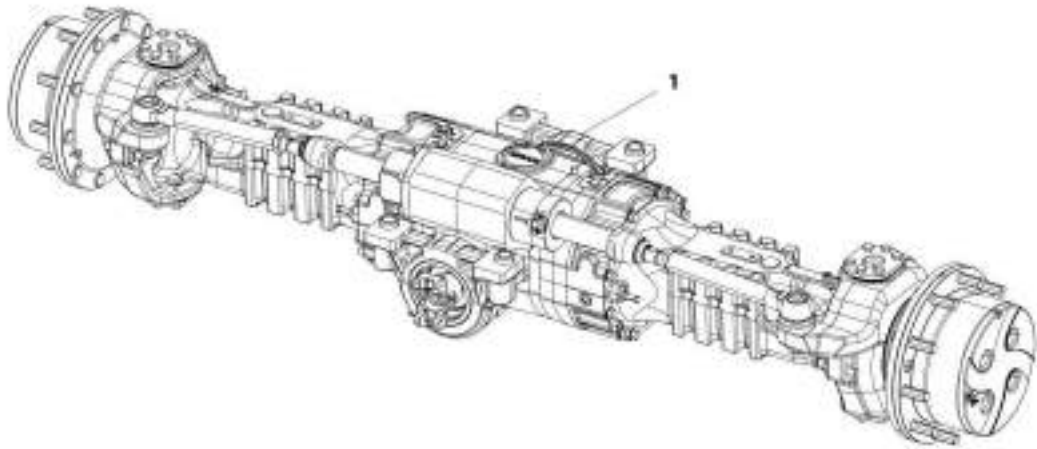
SECTION 5 - DRIVETRAIN

FIGURE 5-7. REAR AXLE LINES INSTALLATION

ITEM	PART NUMBER	QTY	DESCRIPTION	REV
	1001207899	Ref	Rear Axle Lines Installation	C
1	2130808	1	Fitting, 90 ORFS	
2	2150808	1	Fitting, 45 ORFS	
3	2170806	1	Fitting, Tee ORFS	
4	1001224938	1	Tube	
5	1001210769	2	Fitting, 90 ORFS	

SECTION 5 - DRIVETRAIN

FIGURE 5-8. FRONT AXLE



ART_1001164584-E

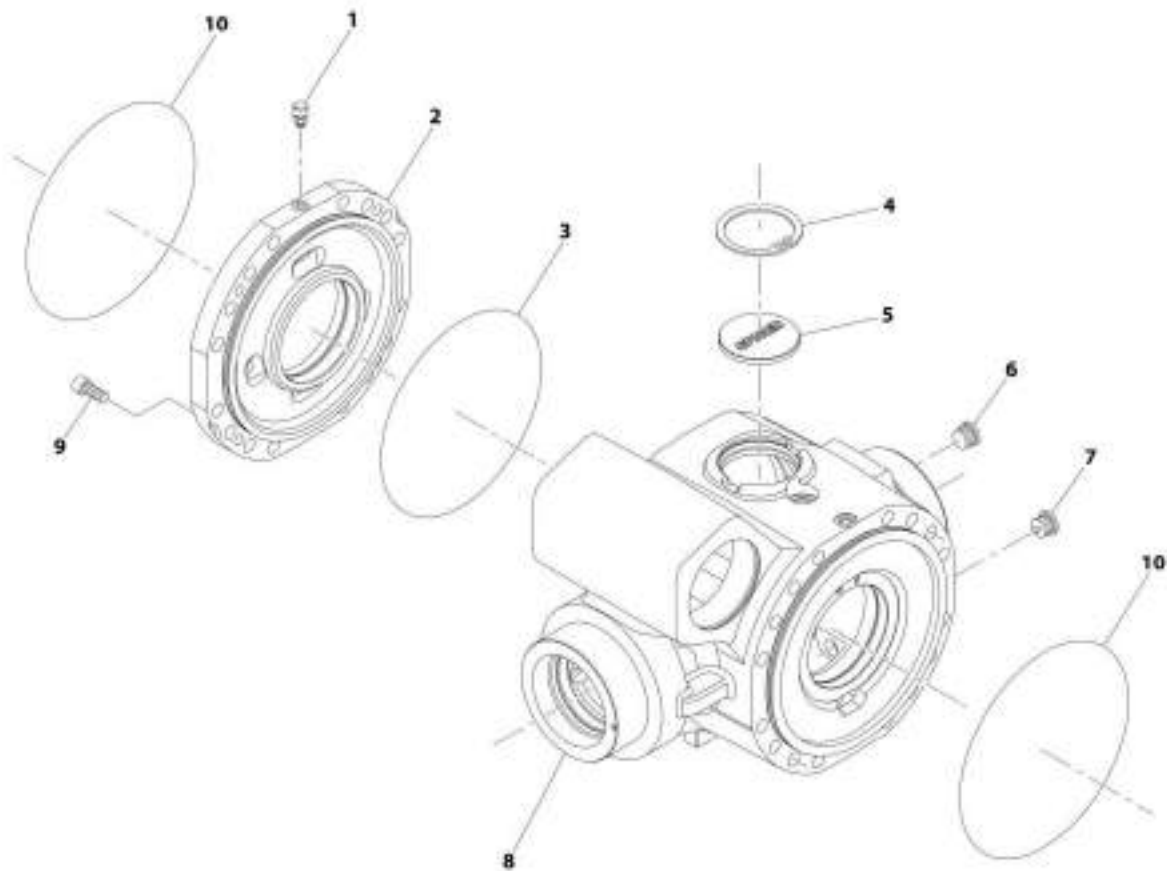
SECTION 5 - DRIVETRAIN

FIGURE 5-8. FRONT AXLE

ITEM	PART NUMBER	QTY	DESCRIPTION	REV
	1001184984	Ref	Front Axle	E
		Ref	Front Axle, Central Housing (See Separate Breakdown in this Section)	
		Ref	Front Axle, Differential (See Separate Breakdown in this Section)	
		Ref	Front Axle, Hub Reduction (See Separate Breakdown in this Section)	
		Ref	Front Axle, Brakes (See Separate Breakdown in this Section)	
		Ref	Front Axle, Steering (See Separate Breakdown in this Section)	
		Ref	Front Axle, Trunnion (See Separate Breakdown in this Section)	

SECTION 5 - DRIVETRAIN

FIGURE 5-9. FRONT AXLE, CENTRAL HOUSING



AMT_1001184004_1-E

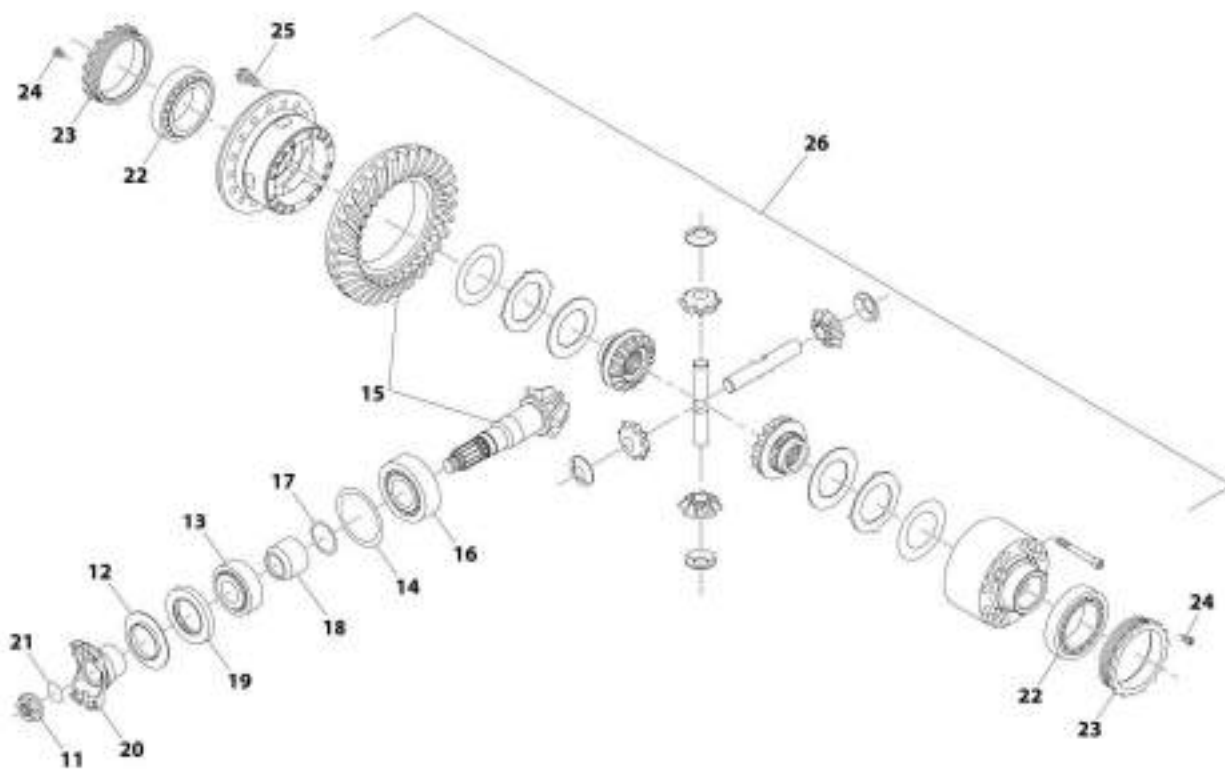
SECTION 5 - DRIVETRAIN

FIGURE 5-9. FRONT AXLE, CENTRAL HOUSING

ITEM	PART NUMBER	QTY	DESCRIPTION	REV
1	91474512	1	Vent	
2	7029288	1	Cover, Intermediate	
3	80204002	1	O-Ring	
4	80204005	1	Circlip	
5	91514098	1	Plug	
6	70028389	1	Plug	
7	70028388	1	Plug	
8	70025335	1	Housing	
9	91514101	4	Bolt	
10	91514089	2	O-Ring	

SECTION 5 - DRIVETRAIN

FIGURE 5-10. FRONT AXLE, DIFFERENTIAL



ART_1001184984_2-E

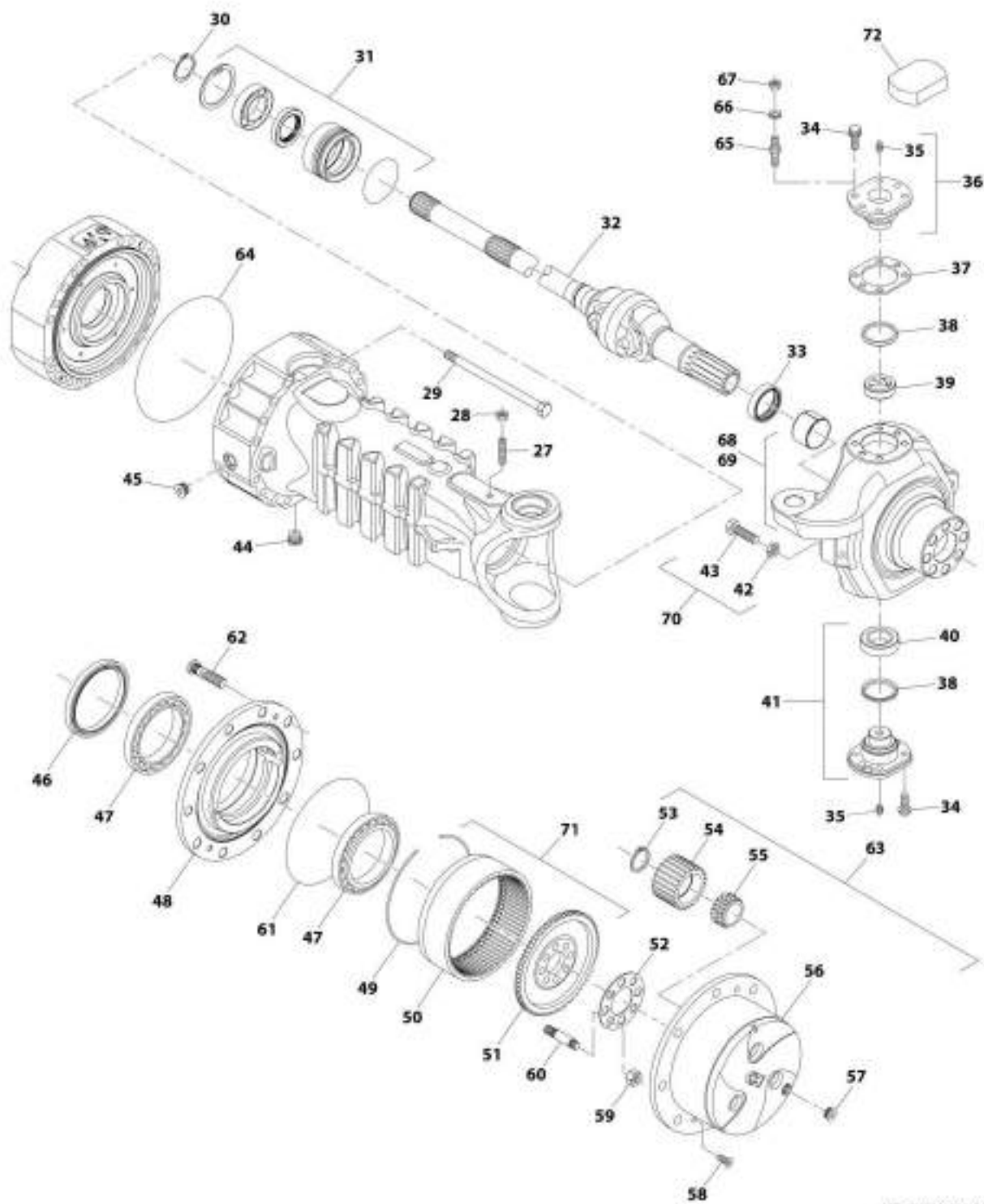
SECTION 5 - DRIVETRAIN

FIGURE 5-10. FRONT AXLE, DIFFERENTIAL

ITEM	PART NUMBER	QTY	DESCRIPTION	REV
11	80204043	1	Nut	
12	91514130	1	Plate, Cover	
13	80204048	1	Bearing, Tape Roller	
14	70023469	1	Shim	
15	70028391	1	Gear, Bevel Set	
16	80204035	1	Bearing, Tape Roller	
17	70023494	1	Ring	
18	70022140	1	Spacer	
19	70025887	1	Seal	
20	70028401	1	Flange	
21	10725554	1	O-Ring	
22	80204033	2	Bearing, Tape Roller	
23	91514133	2	Nut, Ring	
24	91514134	2	Bolt	
25	91514123	16	Bolt	
26	70028390	1	Kit, Differential (See Separate Breakdown in this Section)	

SECTION 5 - DRIVETRAIN

FIGURE 5-11. FRONT AXLE, HUB REDUCTION



ART_301164904_1-E

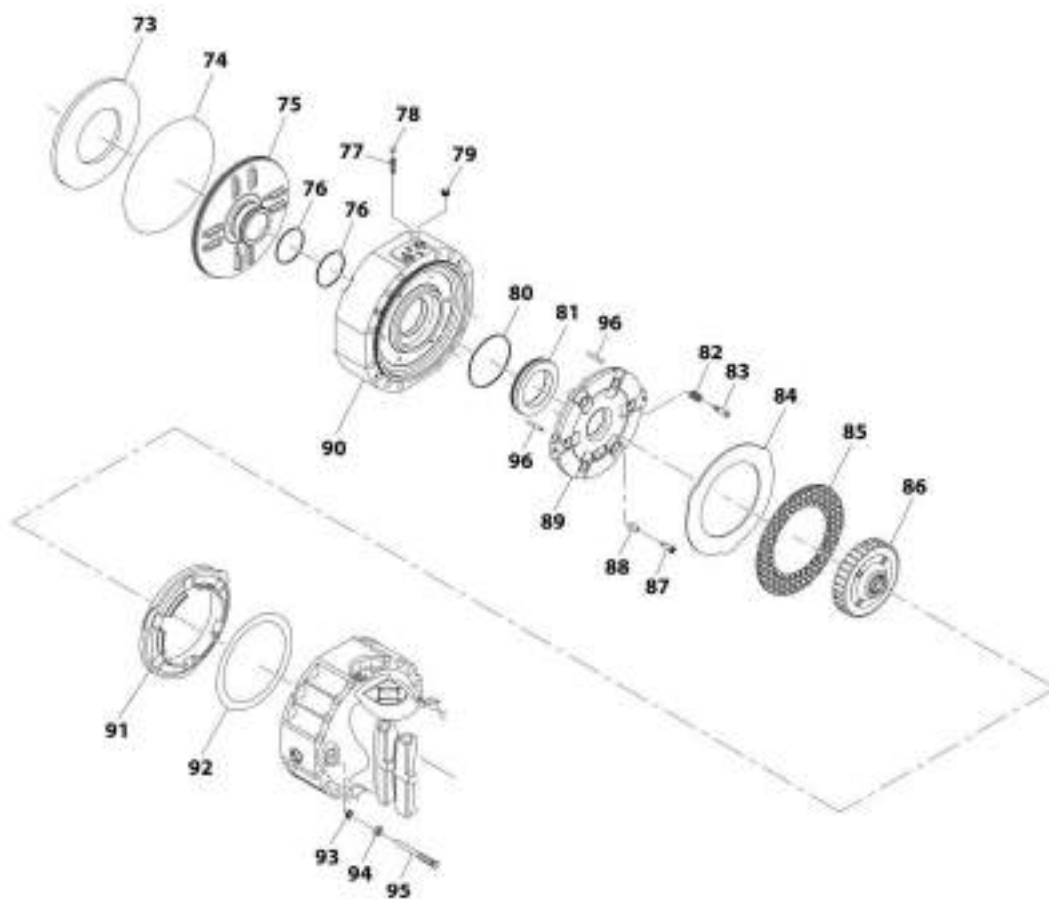
SECTION 5 - DRIVETRAIN

FIGURE 5-11. FRONT AXLE, HUB REDUCTION

ITEM	PART NUMBER	QTY	DESCRIPTION	REV
27	91514081	2	Bolt	
28	91514082	2	Nut	
29	70025012	24	Bolt	
30	80204071	2	Circlip	
31	91514149	2	Kit, Reduction Bushing (See Separate Breakdown in this Section)	
32	70028396	2	Joint, Double Universal	
33	70026238	2	Seal	
34	70025562	20	Bolt	
35	70024881	2	Fitting, Grease	
36	91514112	2	Pin	
37	70025561	1	Shim	
38	7028716	2	Seal, Dust	
39	7028714	2	Bushing	
40	91514095	2	Bearing	
41	7028715	2	Pin	
42	80204065	4	Nut	
43	91514117	4	Bolt	
44	70028388	2	Plug	
45	70028389	2	Plug	
46	70026002	2	Seal	
47	80204076	4	Bearing, Taper Roller	
48	91514174	2	Hub, Wheel	
49	91514175	2	Circlip	
50	70024147	2	Gear, Ring	
51	91514177	2	Support, Ring Gear	
52	91514178	2	Plate	
53	91514184	8	Circlip	
54	91514185	8	Gear, Planet	
55	91514186	8	Bearing	
56	7029317	2	Carrier, Planet Gear	
57	70028387	2	Plug	
58	91514189	4	Bolt, Countersunk	
59	91514179	16	Nut	
60	91514180	16	Stud	
61	91514181	2	O-Ring	
62	80214120	20	Stud	
63	7029743	2	Kit, Planet Gear Carrier	
64	91514089	2	O-Ring	
65	70025014	8	Stud	
66	91514084	8	Washer	
67	91514083	8	Nut	
68	70026260	1	Kit, Steering Case (left) (See Separate Breakdown in this Section)	
69	70026261	1	Kit, Steering Case (right) (See Separate Breakdown in this Section)	
70	7028733	4	Bolt, Steering Adjust	
71	70024146	2	Kit, Ring Gear Support (See Separate Breakdown in this Section)	
72	70028392	2	Cover	

SECTION 5 - DRIVETRAIN

FIGURE 5-12. FRONT AXLE, BRAKES



ART_1001104004_4-E

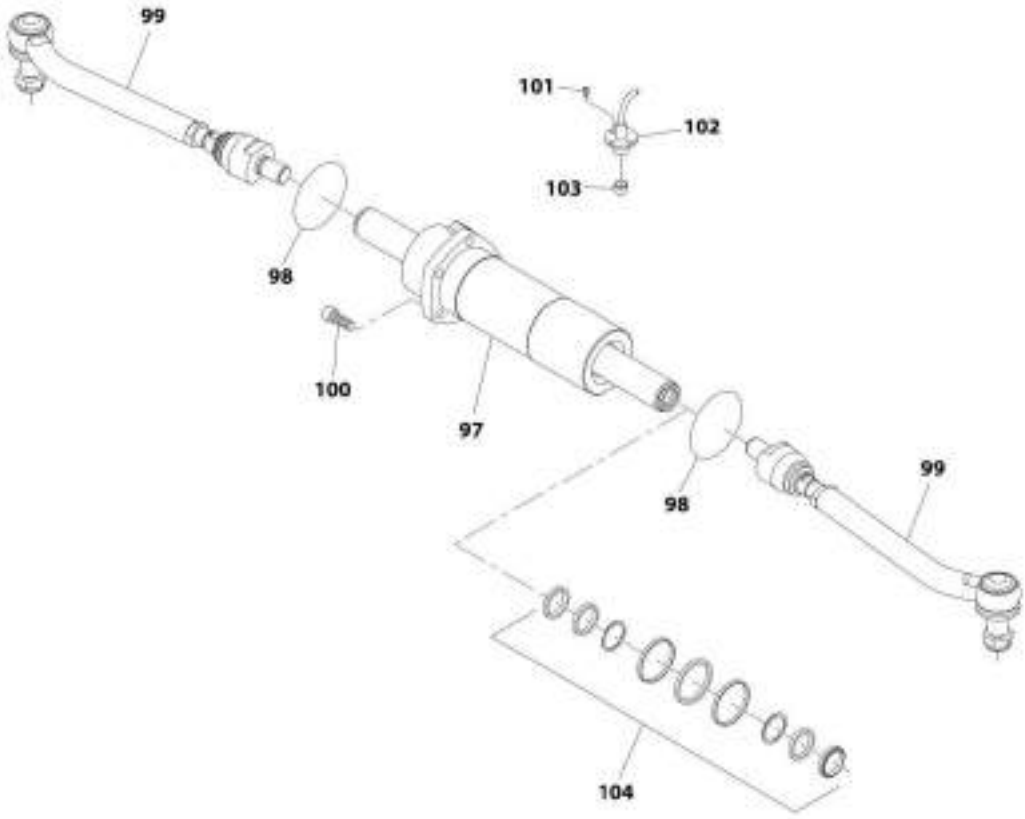
SECTION 5 - DRIVETRAIN

FIGURE 5-12. FRONT AXLE, BRAKES

ITEM	PART NUMBER	QTY	DESCRIPTION	REV
73	91514151	2	Washer	
74	91514089	2	O-Ring	
75	70027092	2	Piston	
76	70026262	4	Seal	
77	80204281	4	Bolt, Bleeding	
78	80204117	4	Plug	
79	91514154	4	Plug	
80	70026263	2	Seal	
81	70027796	2	Piston	
82	91514159	6	Spring	
83	70024210	6	Bolt, Adjusting	
84	70027022	6	Disc, Intermediate Brake	
85	7029735	6	Disc, Brake	
86	7029734	2	Bushing, Reduction	
87	7029787	6	Bolt, Adjusting	
88	70027317	6	Spring	
89	70024849	2	Disc, Intermediate Brake	
90	70024848	2	Cover	
91	70026264	2	Spacer	
92	70025970	1	Shim	
93	80204108	4	Washer, Lock	
94	80204060	4	Nut	
95	70024213	4	Bolt	
96	70024215	4	Dowel	

SECTION 5 - DRIVETRAIN

FIGURE 5-13. FRONT AXLE, STEERING



ART_100116490A_5-6

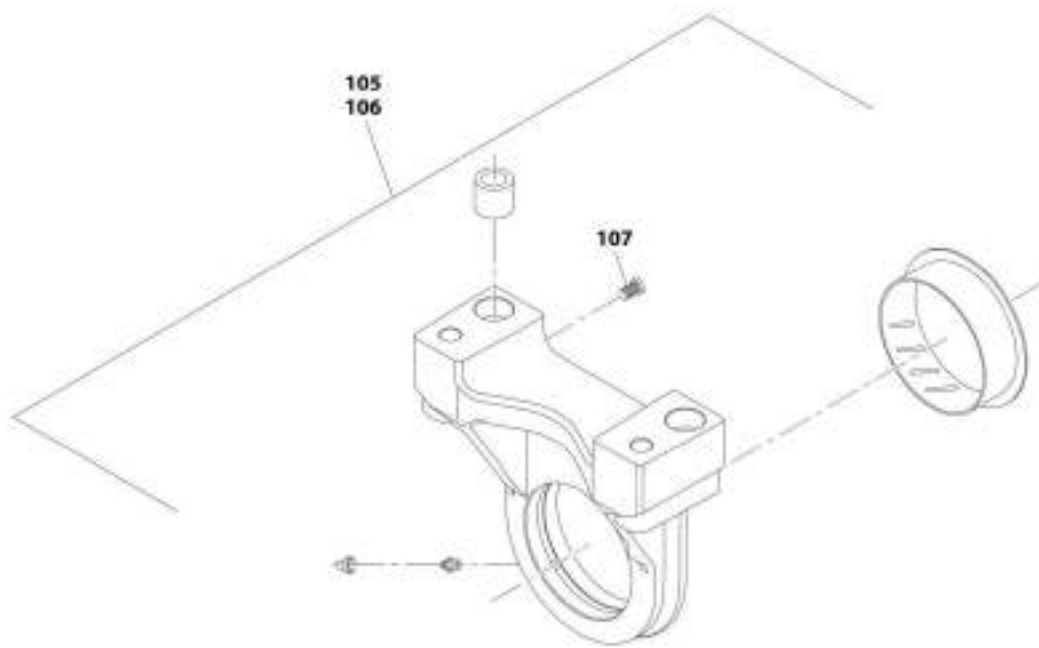
SECTION 5 - DRIVETRAIN

FIGURE 5-13. FRONT AXLE, STEERING

ITEM	PART NUMBER	QTY	DESCRIPTION	REV
97	70028393	1	Cylinder	
98	80204143	2	O-Ring	
99	70028394	2	Rod, Articulated Tie	
99	70022773	2	Nut	
100	80204144	5	Bolt	
101	8008175	2	Bolt	
102	70027986	1	Optical Sensor	
103	7029307	1	Plug	
104	7029127	1	Kit, Seal	

SECTION 5 - DRIVETRAIN

FIGURE 5-14. FRONT AXLE, TRUNION



AMT_100134R064_s-E

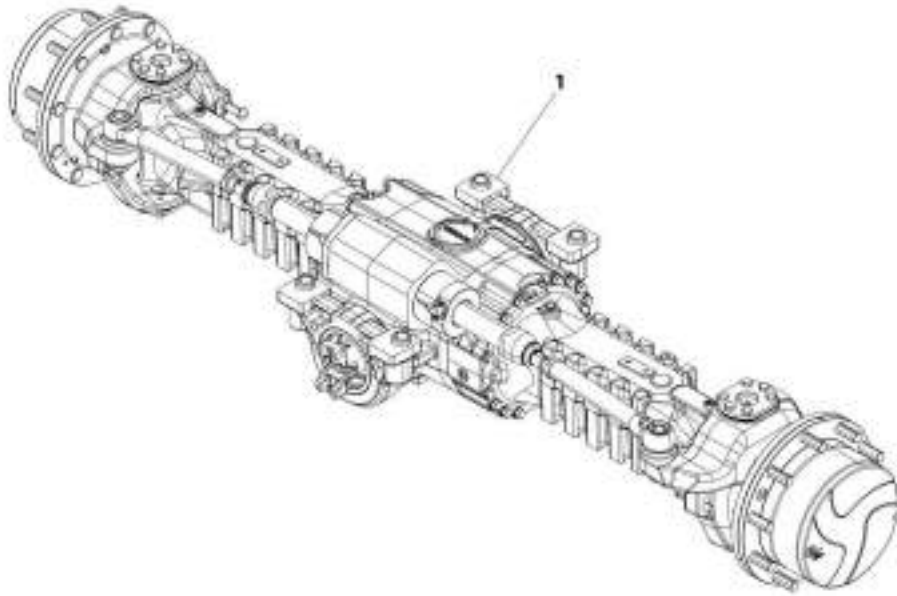
SECTION 5 - DRIVETRAIN

FIGURE 5-14. FRONT AXLE, TRUNION

ITEM	PART NUMBER	QTY	DESCRIPTION	REV
105	70026266	1	Kit, Trunnion (See Separate Breakdown in this Section)	
106	70026265	1	Support	
107	70025884	1	Bolt	

SECTION 5 - DRIVETRAIN

FIGURE 5-15. REAR AXLE



ART_1001164985-E

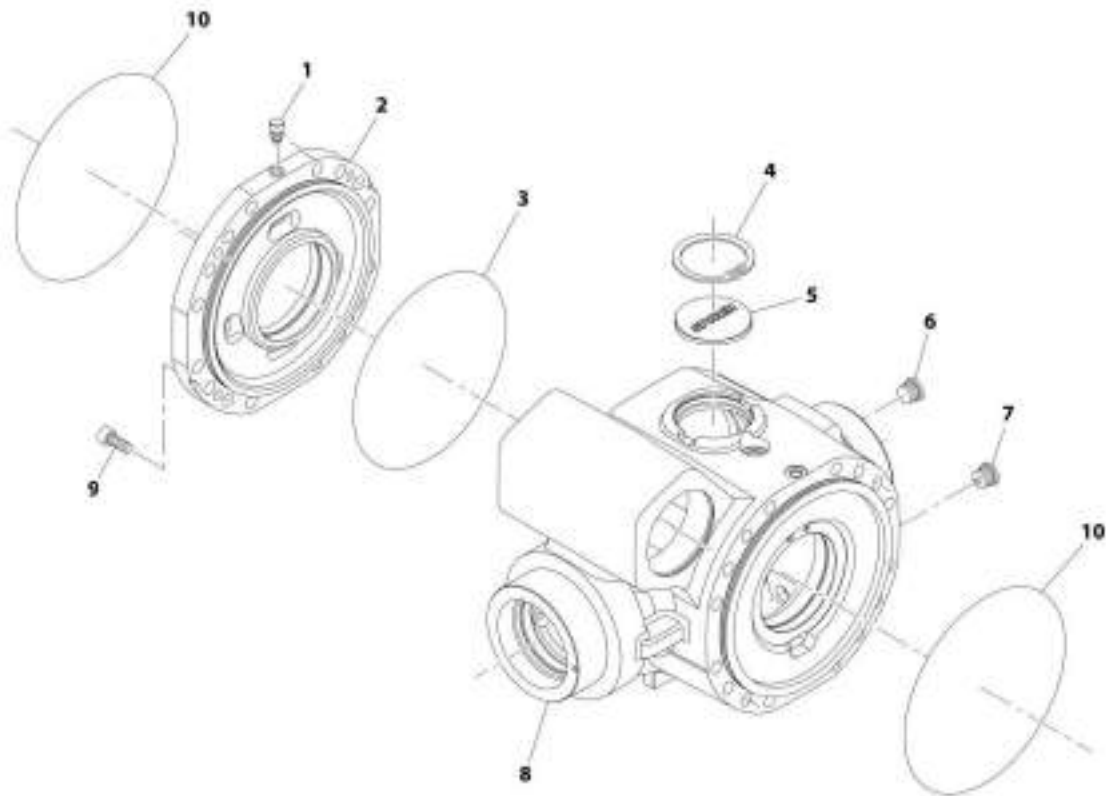
SECTION 5 - DRIVETRAIN

FIGURE 5-15. REAR AXLE

ITEM	PART NUMBER	QTY	DESCRIPTION	REV
1	1001184985	Ref	Rear Axle	E
		Ref	Rear Axle, Central Housing (See Separate Breakdown in this Section)	
		Ref	Rear Axle, Differential (See Separate Breakdown in this Section)	
		Ref	Rear Axle, Hub Reduction (See Separate Breakdown in this Section)	
		Ref	Rear Axle, Brakes (See Separate Breakdown in this Section)	
		Ref	Rear Axle, Steering (See Separate Breakdown in this Section)	
		Ref	Rear Axle, Trunnion (See Separate Breakdown in this Section)	

SECTION 5 - DRIVETRAIN

FIGURE 5-16. REAR AXLE, CENTRAL HOUSING



ART_1001164905_1-E

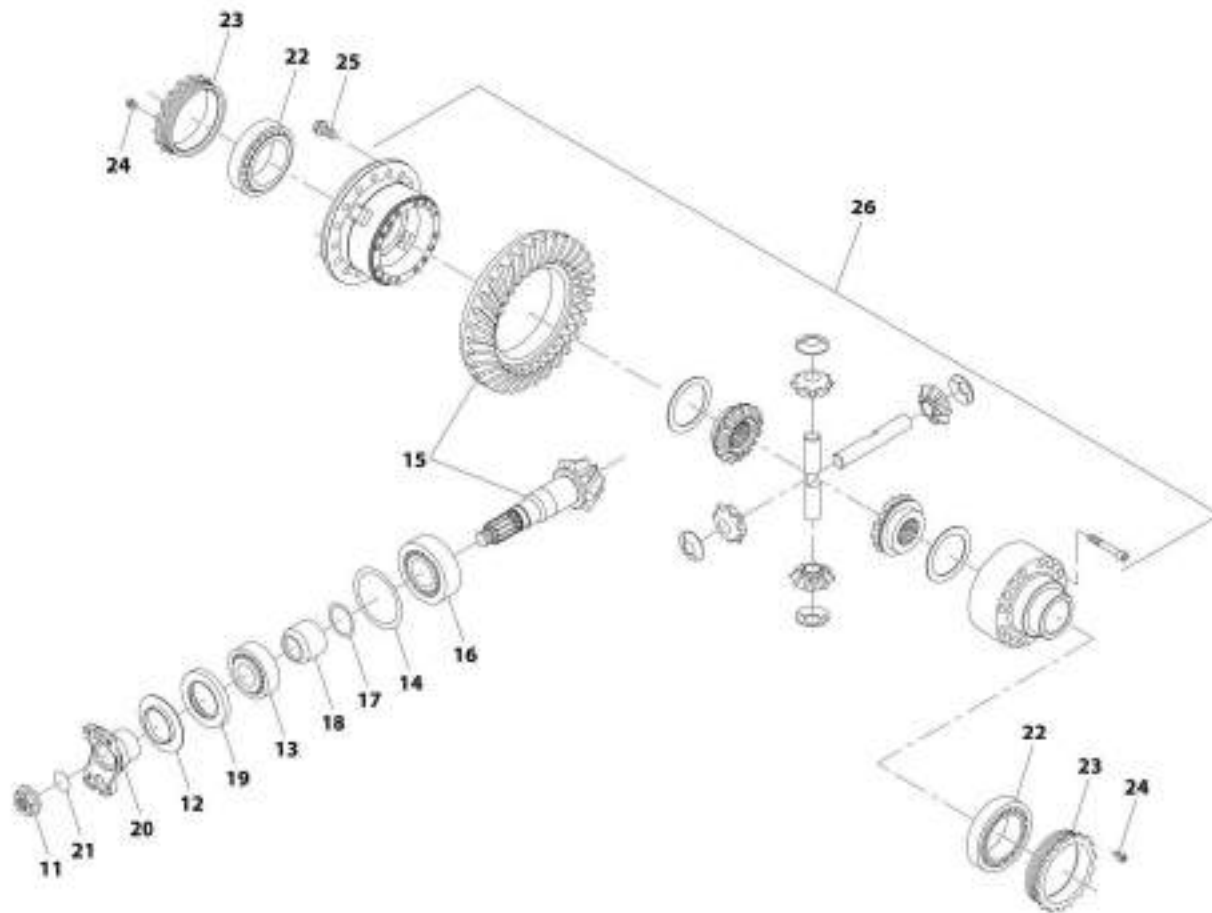
SECTION 5 - DRIVETRAIN

FIGURE 5-16. REAR AXLE, CENTRAL HOUSING

ITEM	PART NUMBER	QTY	DESCRIPTION	REV
1	91474512	1	Vent	
2	7029288	1	Cover, Intermediate	
3	80204002	1	O-Ring	
4	80204005	1	Circlip	
5	91514098	1	Plug	
6	70028389	1	Plug	
7	70028388	1	Plug	
8	70025335	1	Housing	
9	91514101	4	Bolt	
10	91514089	2	O-Ring	

SECTION 5 - DRIVETRAIN

FIGURE 5-17. REAR AXLE, DIFFERENTIAL



MIT_100184965_2-E

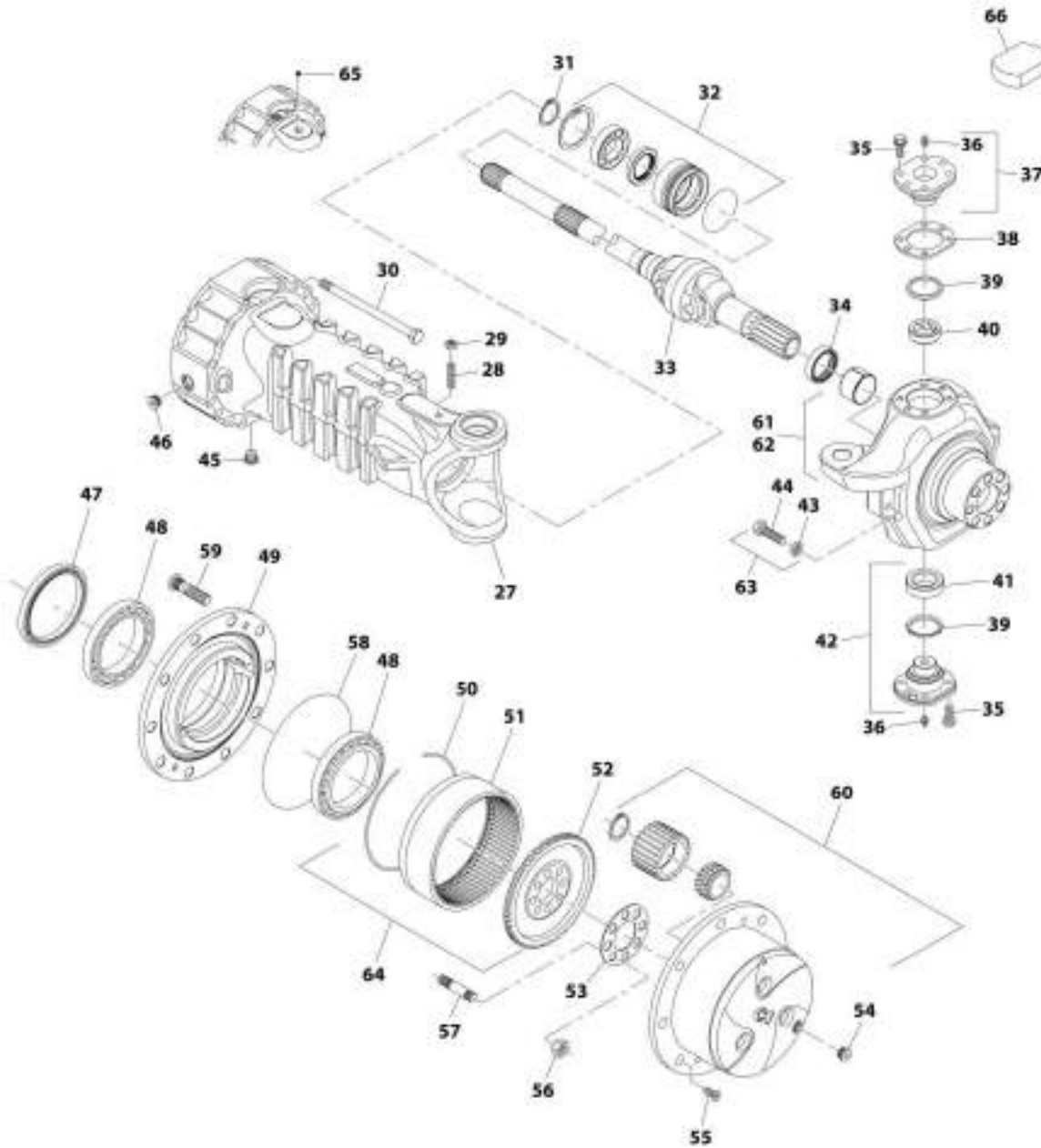
SECTION 5 - DRIVETRAIN

FIGURE 5-17. REAR AXLE, DIFFERENTIAL

ITEM	PART NUMBER	QTY	DESCRIPTION	REV
11	80204043	1	Nut	
12	91514130	1	Plate, Cover	
13	80204048	1	Bearing, Taper Roller	
14	70023469	1	Shim	
15	70028399	1	Gear, Bevel Set	
16	80204035	1	Bearing, Taper Roller	
17	70023494	1	Ring	
18	70022140	1	Spacer	
19	70025887	1	Seal	
20	70028401	1	Flange	
21	10725554	1	O-Ring	
22	80204033	2	Bearing, Taper Roller	
23	91514133	2	Nut, Ring	
24	91514134	2	Bolt	
25	39844923	16	Bolt	
26	70028398	1	Kit, Differential (See Separate Breakdown in this Section)	

SECTION 5 - DRIVETRAIN

FIGURE 5-18. REAR AXLE, HUB REDUCTION



AMT_100154925_3-E

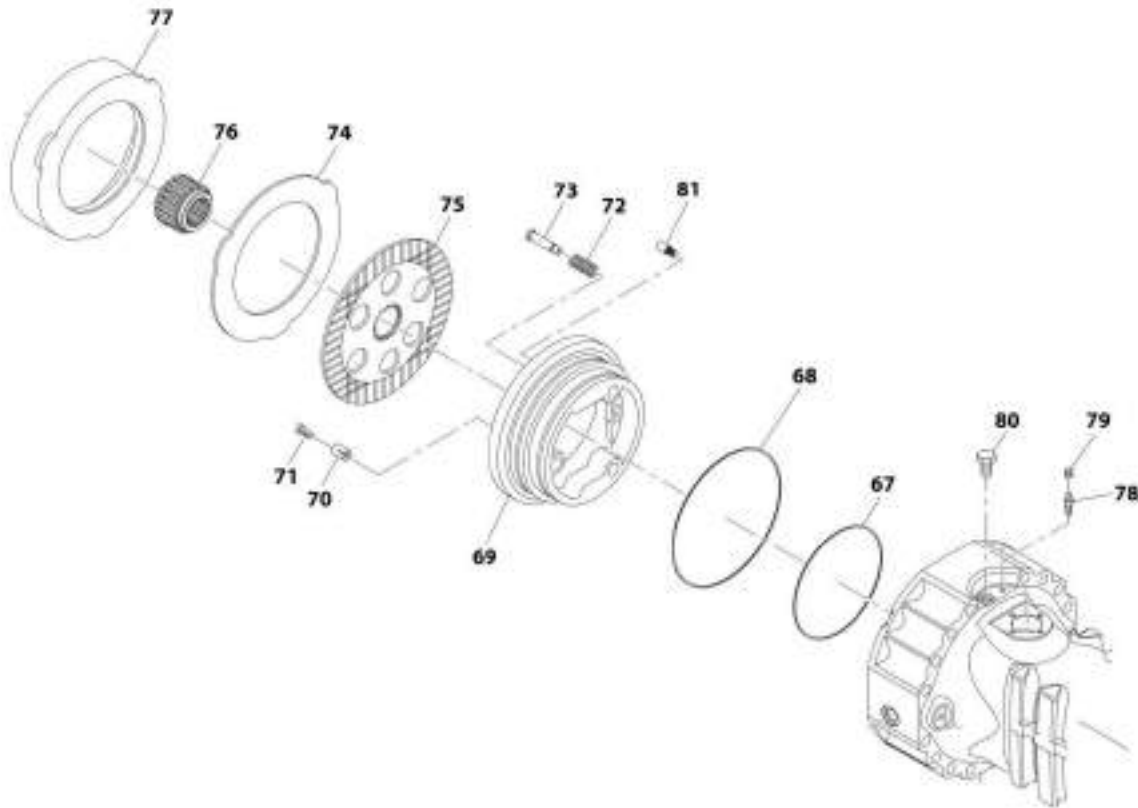
SECTION 5 - DRIVETRAIN

FIGURE 5-18. REAR AXLE, HUB REDUCTION

ITEM	PART NUMBER	QTY	DESCRIPTION	REV
27	70028400	2	Case, Axle	
28	91514081	2	Bolt	
29	91514082	2	Nut	
30	70028397	32	Bolt	
31	80204071	2	Circlip	
32	91514149	2	Kit, Reduction Bushing (See Separate Breakdown in this Section)	
33	70028396	2	Joint, Double Universal	
34	70026238	2	Seal	
35	70025562	20	Bolt	
36	70024881	2	Fitting, Grease	
37	91514112	2	Pin	
38	70025561	1	Shim	
39	7028716	2	Seal, Dust	
40	7028714	2	Bushing	
41	91514095	2	Bearing	
42	7028715	2	Pin	
43	80204065	4	Nut	
44	91514117	4	Bolt	
45	70028388	2	Plug	
46	70028387	2	Plug	
47	70026002	2	Seal	
48	80204076	4	Bearing, Taper Roller	
49	91514174	2	Hub, Wheel	
50	91514175	2	Circlip	
51	70024147	2	Gear, Ring	
52	91514177	2	Gear, Ring Support	
53	91514178	2	Plate, Locking	
54	70028389	2	Plug	
55	91514189	4	Bolt, Countersunk	
56	91514179	16	Nut	
57	91514180	16	Stud	
58	91514181	2	O-Ring	
59	80214120	20	Stud	
60	7029733	2	Kit, Planet Gear Carrier (See Separate Breakdown in this Section)	
61	70026260	1	Kit, Steering Case (Right) (See Separate Breakdown in this Section)	
62	70026261	1	Kit, Steering Case (left) (See Separate Breakdown in this Section)	
63	7028733	4	Bolt, Steering Adjust	
64	70024146	2	Kit, Ring Gear Support (See Separate Breakdown in this Section)	
65	80204012	2	Plug	
66	70028392	2	Cover	

SECTION 5 - DRIVETRAIN

FIGURE 5-19. REAR AXLE, BRAKES



ART_100134985_4E

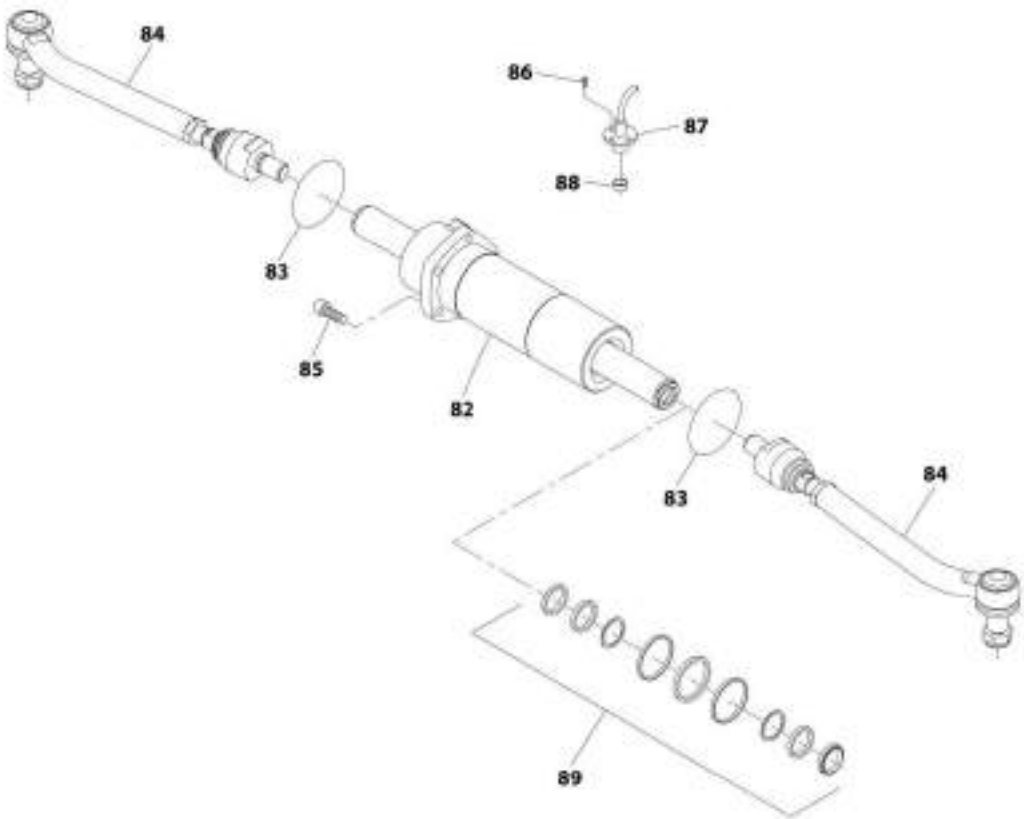
SECTION 5 - DRIVETRAIN

FIGURE 5-19. REAR AXLE, BRAKES

ITEM	PART NUMBER	QTY	DESCRIPTION	REV
67	70026747	2	Seal	
68	70026748	2	Seal	
69	70024216	2	Piston	
70	70027317	6	Spring	
71	7029785	6	Bolt, Adjusting	
72	91514159	6	Spring	
73	70024210	6	Bolt, Adjusting	
74	70027022	6	Disc, Intermediate Brake	
75	7029735	6	Disc, Brake	
76	7029734	2	Bushing, Reduction	
77	70021606	2	Spacer	
78	80204281	2	Bolt, Bleeding	
79	80204117	2	Plug	
80	91514154	2	Bolt	
81	70021613	2	Bolt, Pilot	

SECTION 5 - DRIVETRAIN

FIGURE 5-20. REAR AXLE, STEERING



ART_300118485_3-E

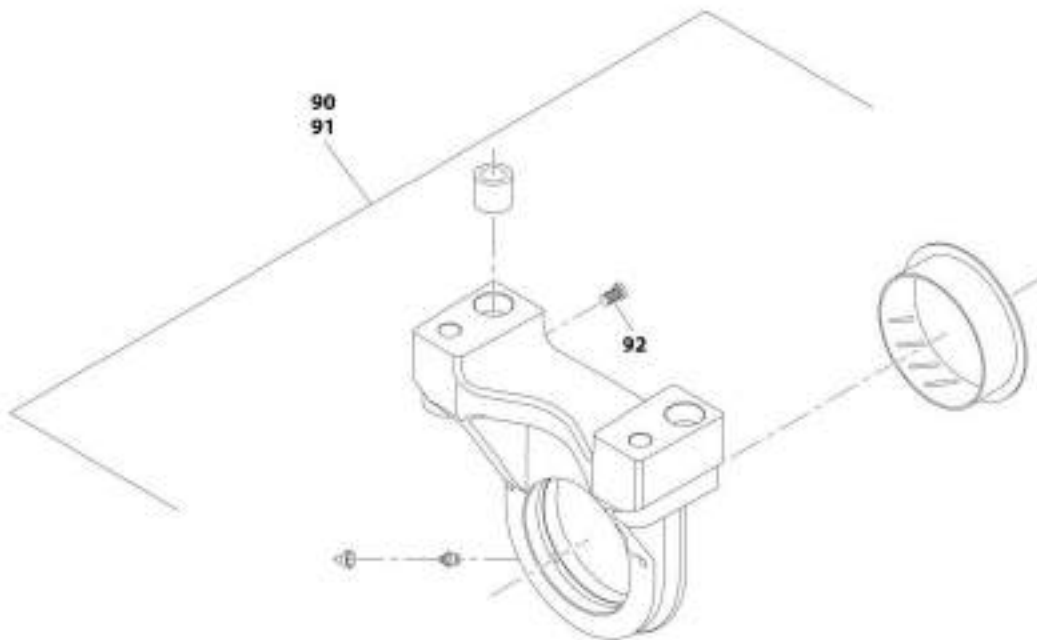
SECTION 5 - DRIVETRAIN

FIGURE 5-20. REAR AXLE, STEERING

ITEM	PART NUMBER	QTY	DESCRIPTION	REV
82	70028393	1	Cylinder	
83	80204143	2	O-Ring	
84	70028394	2	Rod, Articulated Tie	
84	70022773	2	Nut	
85	80204144	5	Bolt	
86	8008175	2	Bolt	
87	70027986	1	Sensor, Optical	
88	7029307	1	Plug	
89	7029127	1	Kit, Seal	

SECTION 5 - DRIVETRAIN

FIGURE 5-21. REAR AXLE, TRUNION



ART_100104963_6-E

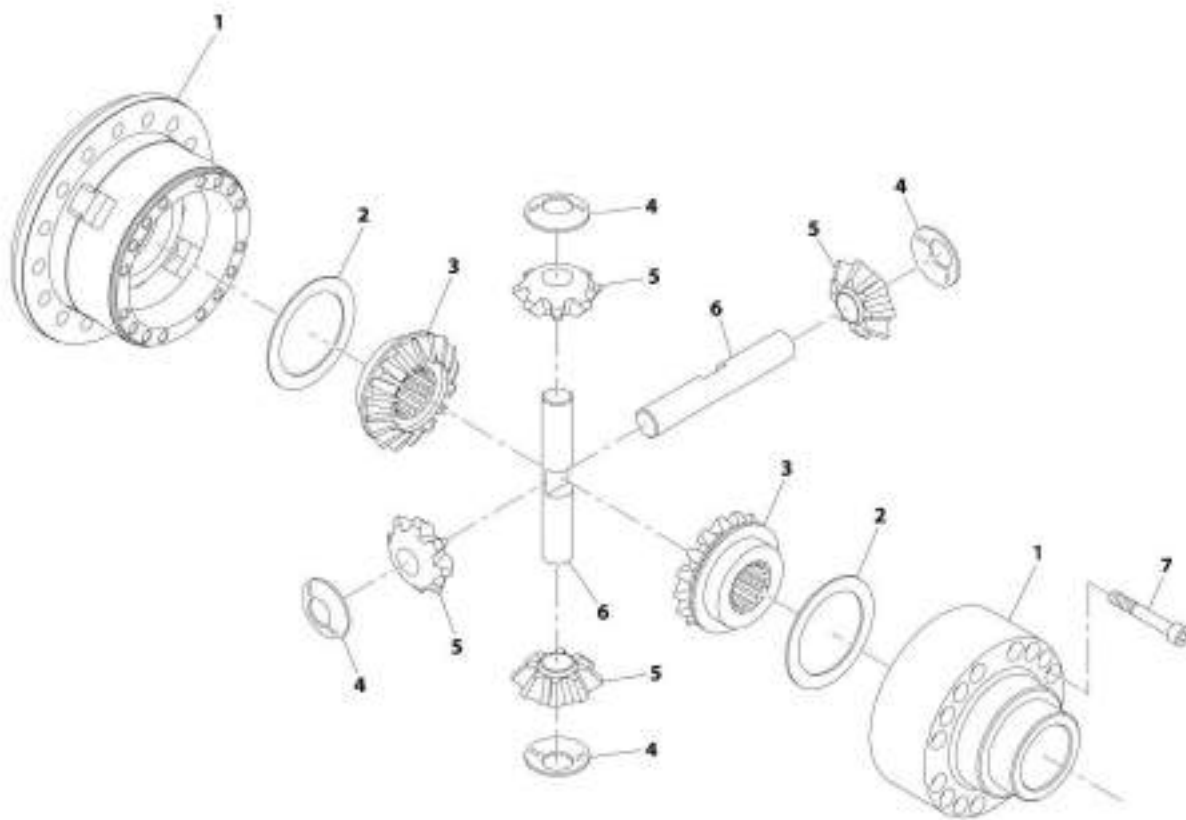
SECTION 5 - DRIVETRAIN

FIGURE 5-21. REAR AXLE, TRUNION

ITEM	PART NUMBER	QTY	DESCRIPTION	REV
90	70026266	1	Kit, Trunnion (See Separate Breakdown in this Section)	
91	70026265	1	Support	
92	70025884	1	Bolt	

SECTION 5 - DRIVETRAIN

FIGURE 5-22. DIFFERENTIAL KIT



ART_7003390

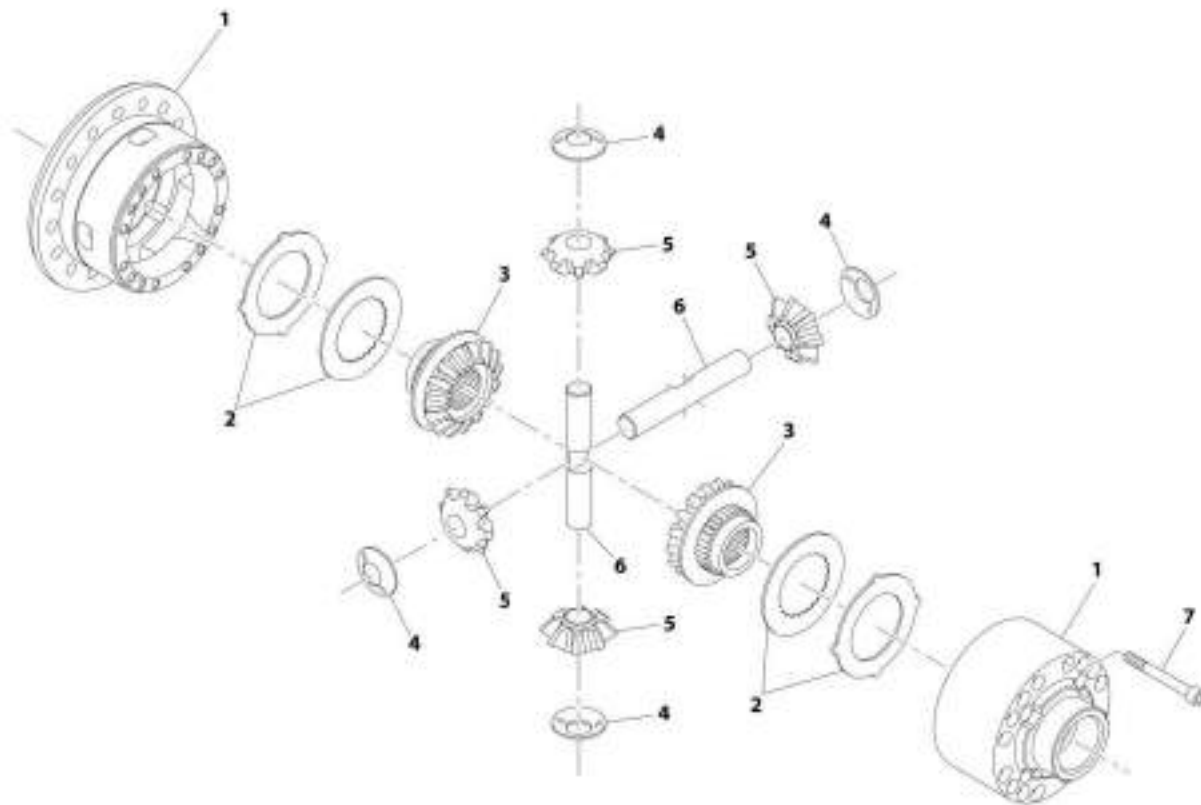
SECTION 5 - DRIVETRAIN

FIGURE 5-22. DIFFERENTIAL KIT

ITEM	PART NUMBER	QTY	DESCRIPTION	REV
	70028398	Ref	Differential Kit	
1	70025337	1	Carrier, Differential	
2	70023493	2	Washer, Friction	
3	70025338	2	Gear, Differential Side	
4	70027105	4	Washer, Friction	
5	70025339	4	Pinion, Differential	
6	70023490	2	Shaft, Differential	
7	70023489	15	Bolt	

SECTION 5 - DRIVETRAIN

FIGURE 5-23. DIFFERENTIAL KIT



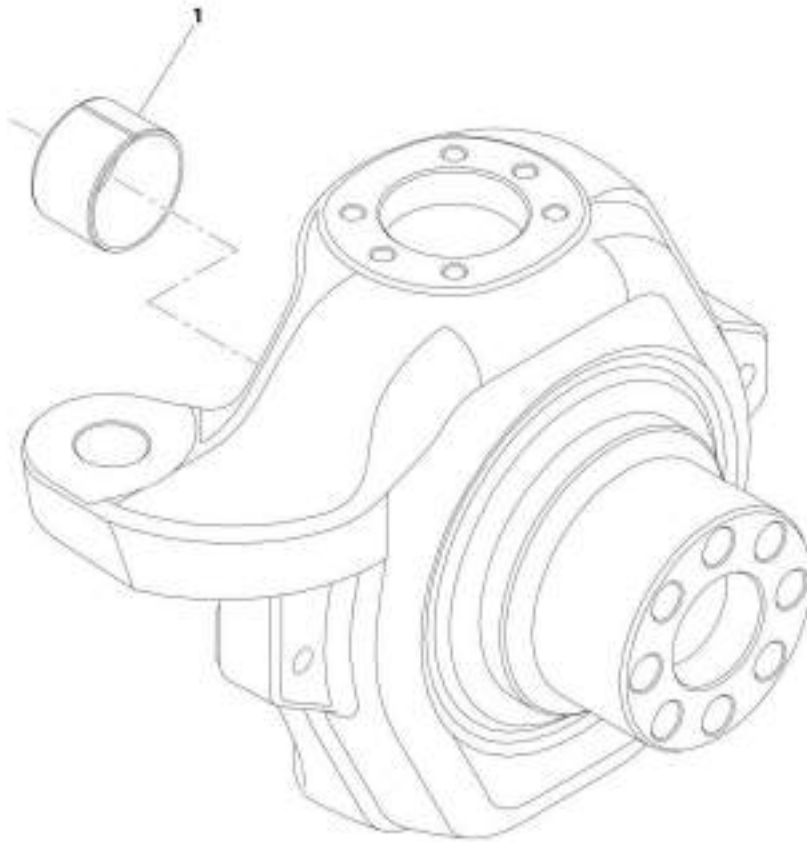
ART_20028190

FIGURE 5-23. DIFFERENTIAL KIT

ITEM	PART NUMBER	QTY	DESCRIPTION	REV
	70028390	Ref	Differential Kit	
1	70024004	2	Carrier, Differential	
2	70026750	2	Disc, Clutch	
3	70025856	2	Gear, Differential Side	
4	70027105	4	Washer, Friction	
5	70025339	4	Pinion, Differential	
6	70023490	2	Shaft, Differential	
7	91514143	15	Bolt	

SECTION 5 - DRIVETRAIN

FIGURE 5-24. STEERING CASE KIT (RF, LR)



ART_70020385

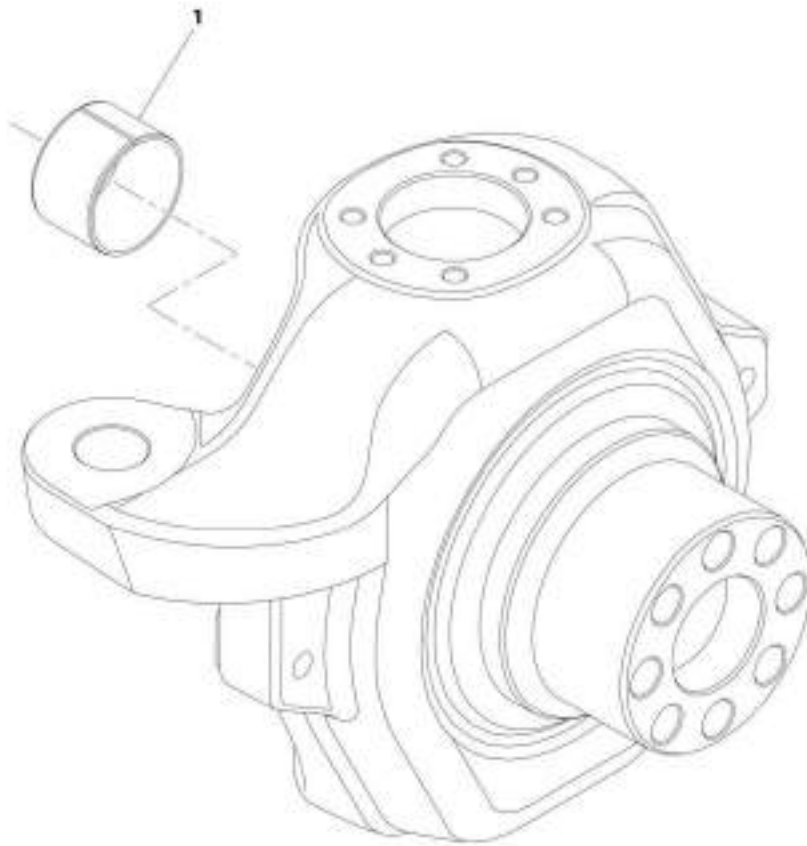
SECTION 5 - DRIVETRAIN

FIGURE 5-24. STEERING CASE KIT (RF, LR)

ITEM	PART NUMBER	QTY	DESCRIPTION	REV
1	70026260 91514111	Ref 1	Steering Case Kit (RF, LR) Bushing, Thrust	

SECTION 5 - DRIVETRAIN

FIGURE 5-25. STEERING CASE KIT (LF, RR)



ART_7002081

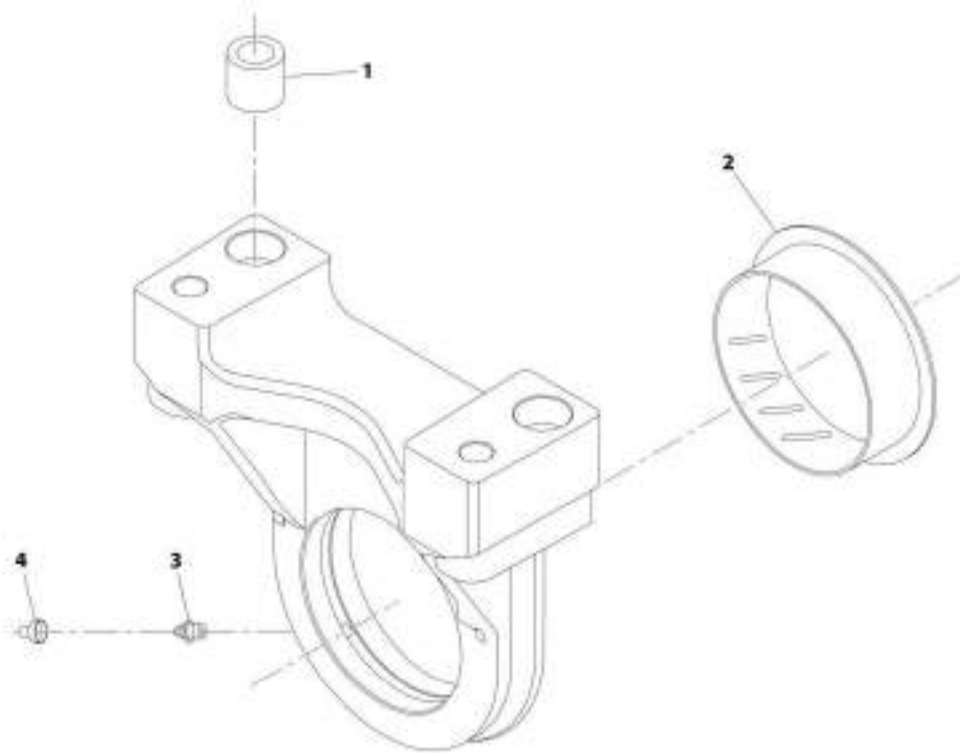
SECTION 5 - DRIVETRAIN

FIGURE 5-25. STEERING CASE KIT (LF, RR)

ITEM	PART NUMBER	QTY	DESCRIPTION	REV
1	70026261 91514111	Ref 1	Steering Case Kit (RR) Bushing, Thrust	

SECTION 5 - DRIVETRAIN

FIGURE 5-26. TRUNION KIT



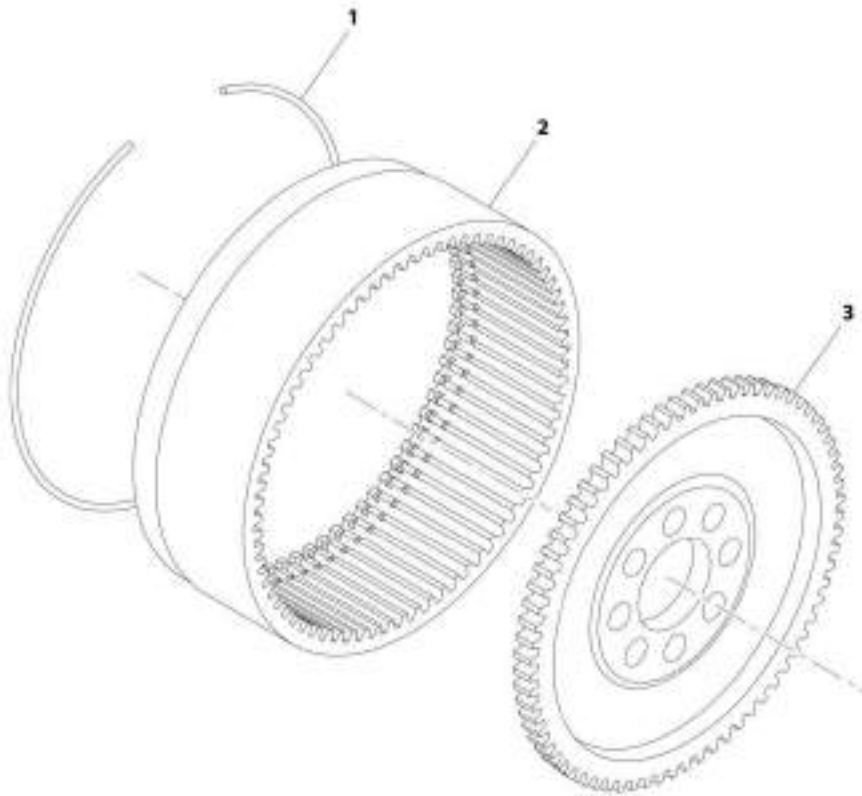
MIT_70026294

FIGURE 5-26. TRUNION KIT

ITEM	PART NUMBER	QTY	DESCRIPTION	REV
	70026266	Ref	Trunion Kit	
1	7029290	2	Bushing, Reduction	
2	91514090	1	Bushing, Thrust	
3	70024881	1	Fitting, Grease	
4	80204117	1	Plug	

SECTION 5 - DRIVETRAIN

FIGURE 5-27. RING GEAR SUPPORT KIT



ART. 70024146

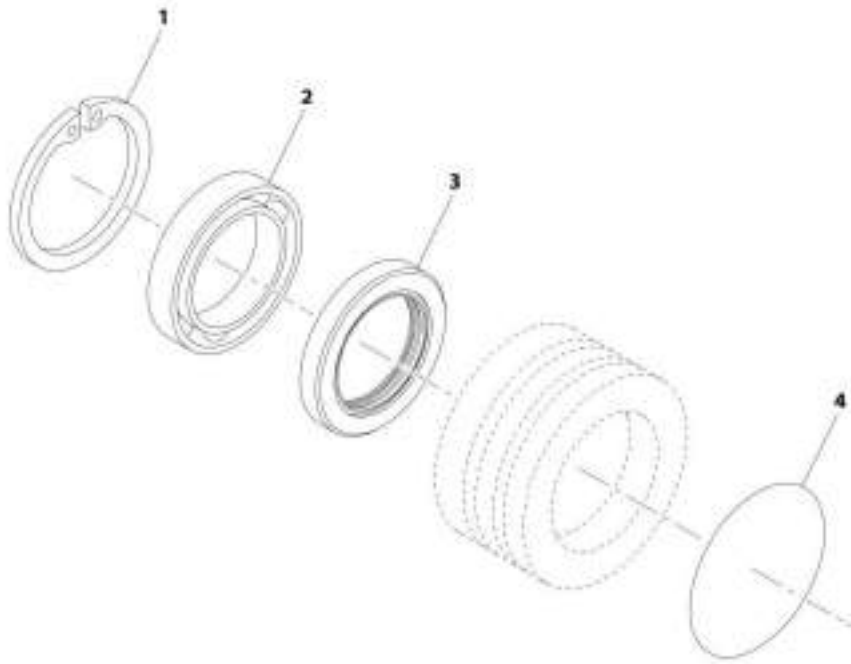
SECTION 5 - DRIVETRAIN

FIGURE 5-27. RING GEAR SUPPORT KIT

ITEM	PART NUMBER	QTY	DESCRIPTION	REV
	70024146	Ref	Ring Gear Support Kit	
1	91514175	1	Circlip	
2	70024147	1	Gear, Ring	
3	91514177	1	Gear, Ring Support	

SECTION 5 - DRIVETRAIN

FIGURE 5-28. REDUCTION BUSHING KIT



ART_81514348

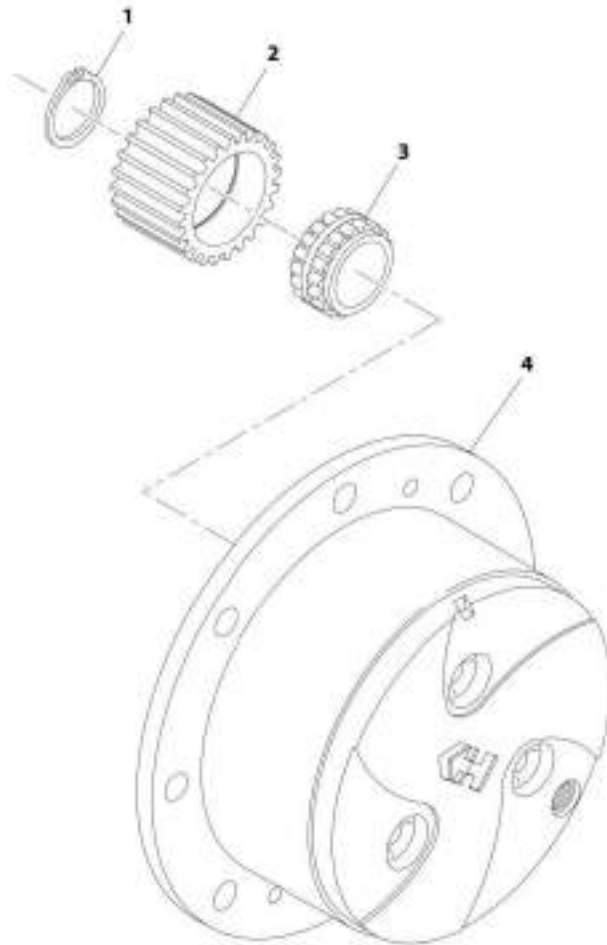
SECTION 5 - DRIVETRAIN

FIGURE 5-28. REDUCTION BUSHING KIT

ITEM	PART NUMBER	QTY	DESCRIPTION	REV
	91514149	Ref	Reduction Bushing Kit	
1	80204005	2	Circlip	
2	91514146	2	Bearing, Ball	
3	91514147	2	Seal	
4	91514148	2	O-Ring	

SECTION 5 - DRIVETRAIN

FIGURE 5-29. PLANET GEAR CARRIER KIT



ART_702073

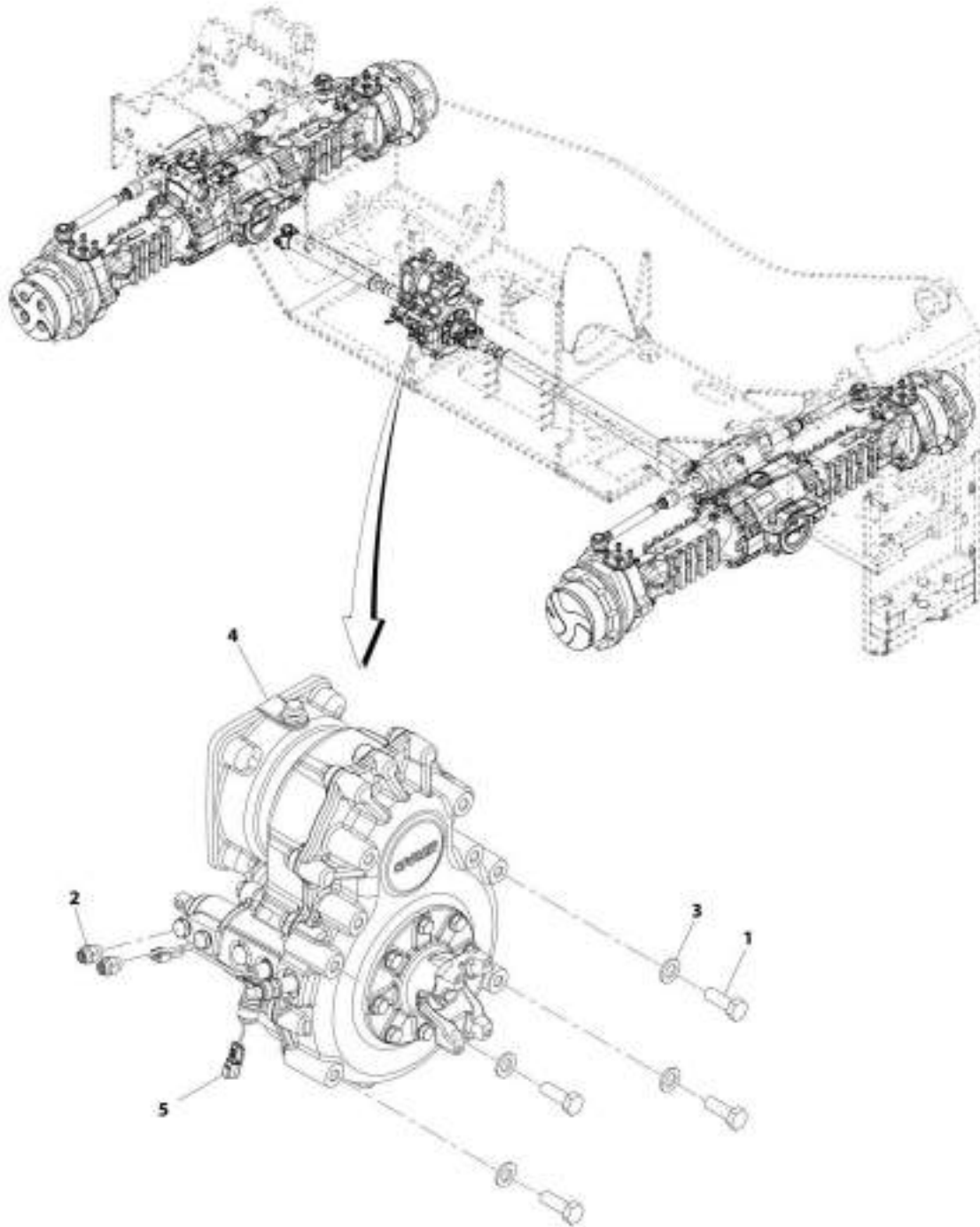
SECTION 5 - DRIVETRAIN

FIGURE 5-29. PLANET GEAR CARRIER KIT

ITEM	PART NUMBER	QTY	DESCRIPTION	REV
	7029733	Ref	Planet Gear Carrier Kit	
1	91514184	3	Circlip	
2	91514185	6	Gear, Planet	
3	91514186	6	Bearing	
4	7026731	1	Carrier, Planet Gear	

SECTION 5 - DRIVETRAIN

FIGURE 5-30. GEARBOX INSTALLATION



ART_1001184979-E

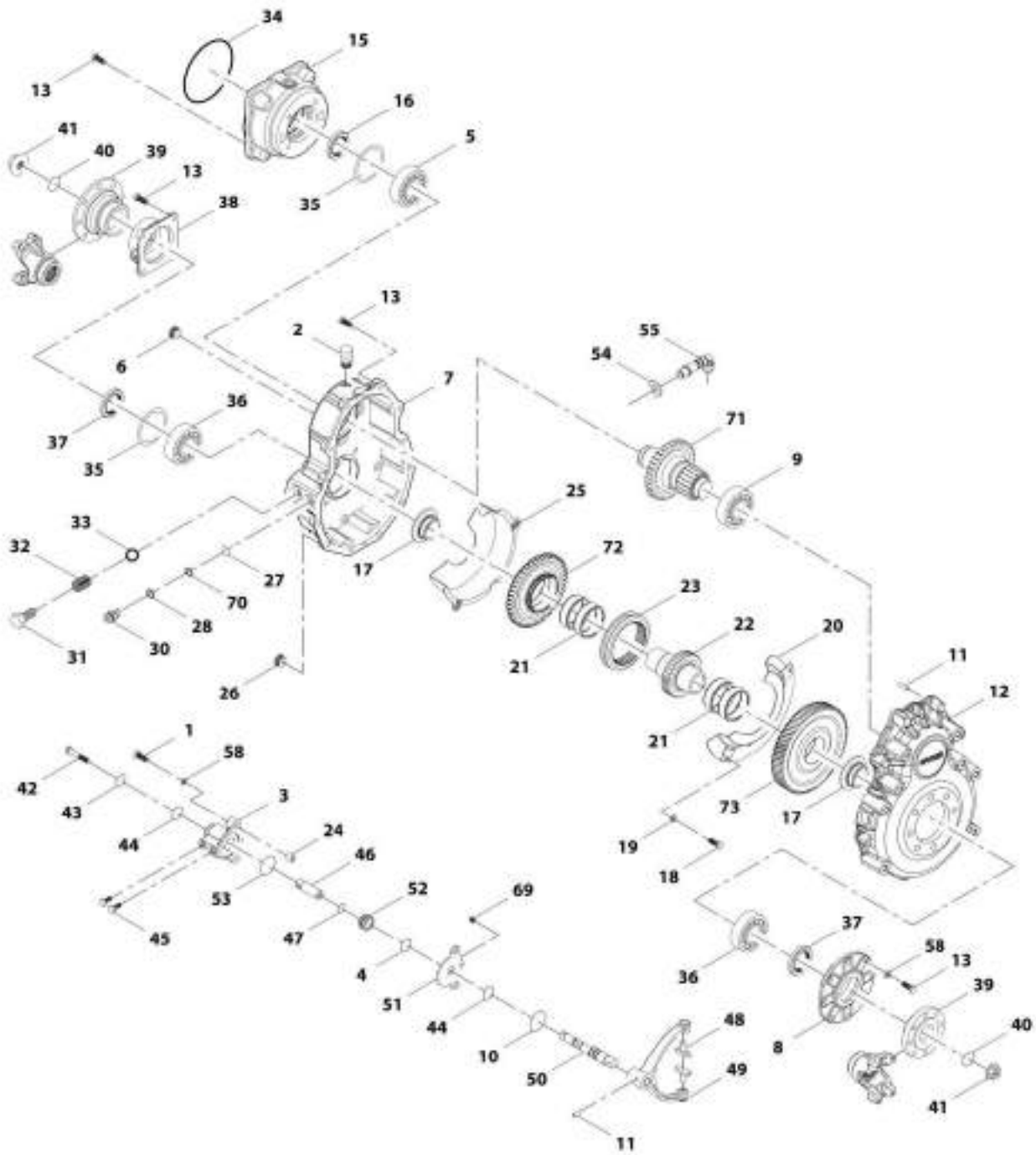
SECTION 5 - DRIVETRAIN

FIGURE 5-30. GEARBOX INSTALLATION

ITEM	PART NUMBER	QTY	DESCRIPTION	REV
	1001184979	Ref	Gearbox Installation	E
1	0771416	4	Bolt, M14-2X40 Grade 10.9	
2	2144603	1	Fitting, Straight ORFS	
3	5241400	4	Washer, M14	
4	1001184986	1	Gearbox (See Seperate Breakdown in this Section)	
5	1001229981	1	Harness, Vehicle Speed Pigtail	

SECTION 5 - DRIVETRAIN

FIGURE 5-31. GEAR BOX



AIT_3201184285-0

SECTION 5 - DRIVETRAIN

FIGURE 5-31. GEAR BOX

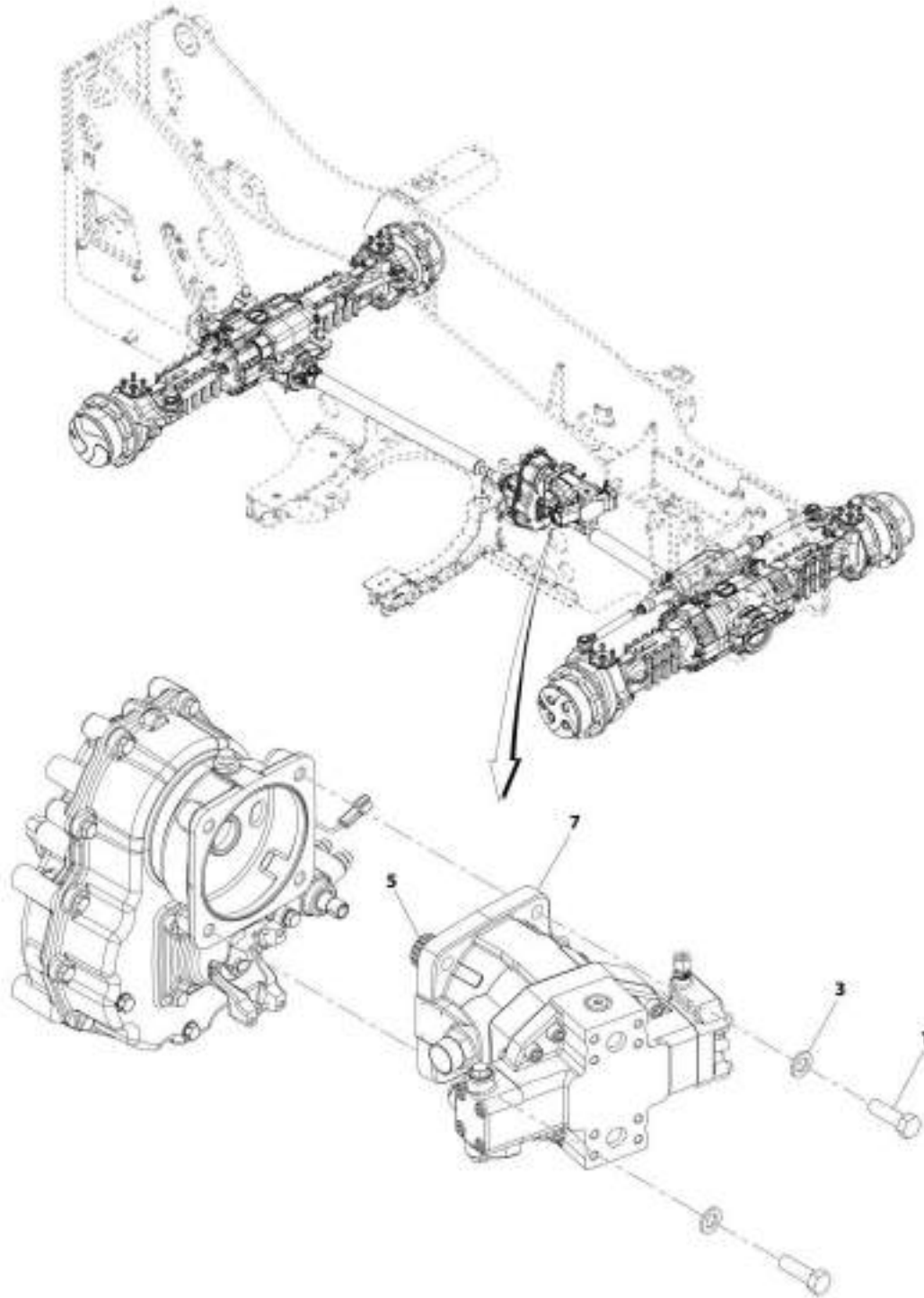
ITEM	PART NUMBER	QTY	DESCRIPTION	REV
	1001184986	Ref	Gear box	D
1	70028817	2	Bolt	
2	70028818	1	Plug	
3	70028819	1	Cylinder	
4	70028820	1	O-Ring	
5	91514146	1	Bearing, Ball	
6	80204016	1	Plug	
7	70028821	1	Housing	
8	70028822	1	Cover	
9	70026904	1	Bearing, Ball	
10	3986405	1	O-Ring	
11	70026892	3	Dowel	
12	70028823	1	Housing	
13	70026911	28	Bolt	
15	70026897	1	Cover	
16	70026896	1	Seal	
17	70028824	2	Spacer	
18	70026909	2	Bolt	
19	70027110	2	Washer, Lock	
20	70028825	1	Plate, Cover	
21	70028826	4	Bearing	
22	70028827	1	Shaft	
23	70028828	1	Sleeve	
24	70028829	2	Pin	
25	70026908	1	Sheet	
26	80204007	1	Plug	
27	1001081085	1	O-Ring	
28	80203020	1	Washer	
30	70028830	1	Switch	
31	70028831	1	Bolt	
32	80203021	1	Spring	
33	70020276	1	Ball, Detend	
34	80204176	1	O-Ring	
35	70027862	2	Kit, Shim	
36	91474364	2	Bearing, Ball	
37	70026901	2	Seal	
38	70028832	1	Cover	
39	70026898	2	Flange	
40	80204215	2	O-Ring	
41	70026631	2	Nut	
42	70028833	1	Bolt	
43	70028834	1	O-Ring	
44	70028835	2	Sleeve	
45	91514154	2	Bolt	
46	70028836	1	Bar	
47	70027109	1	O-Ring	
48	70028837	2	Pin	
49	70028838	1	Fork, Selector	
50	70028839	1	Shaft	
51	70028840	1	Plate, Cover	

SECTION 5 - DRIVETRAIN

ITEM	PART NUMBER	QTY	DESCRIPTION	REV
52	70028841	1	Piston	
53	70028842	1	O-Ring	
54	70028844	1	Washer	
55	70028801	1	Sensor, Speed	
58	70028843	10	Washer	
69	70028845	1	Bolt	
70	70026927	1	Washer, Seal	
71	70028846	1	Shaft, Input	
72	70028847	1	Gear	
73	70028848	1	Gear	

SECTION 5 - DRIVETRAIN

FIGURE 5-32. HYDROSTATIC MOTOR INSTALLATION



AWT_1001184980-D

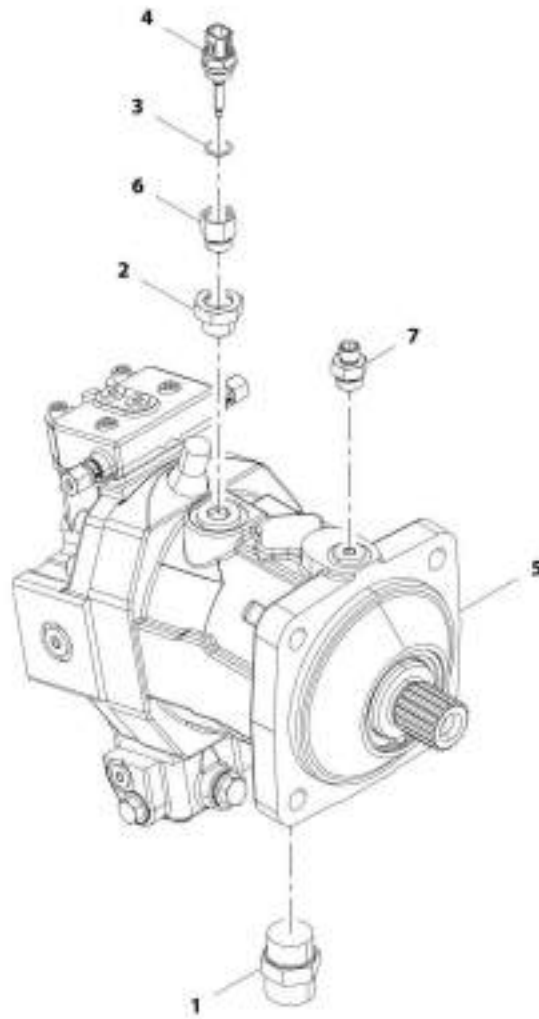
SECTION 5 - DRIVETRAIN

FIGURE 5-32. HYDROSTATIC MOTOR INSTALLATION

ITEM	PART NUMBER	QTY	DESCRIPTION	REV
	1001184980	Ref	Hydrostatic Motor Installation	D
1	0771618	4	Bolt, M16X50	
3	4812300	4	Washer, M16	
5	3020037	AR	Lube, Grease	
7	1001217620	1	Assembly, Hydrostatic Drive Motor (See Seperate Breakdown in this Section)	

SECTION 5 - DRIVETRAIN

FIGURE 5-33. HYDROSTATIC MOTOR ASSEMBLY



ART_1801217620-B

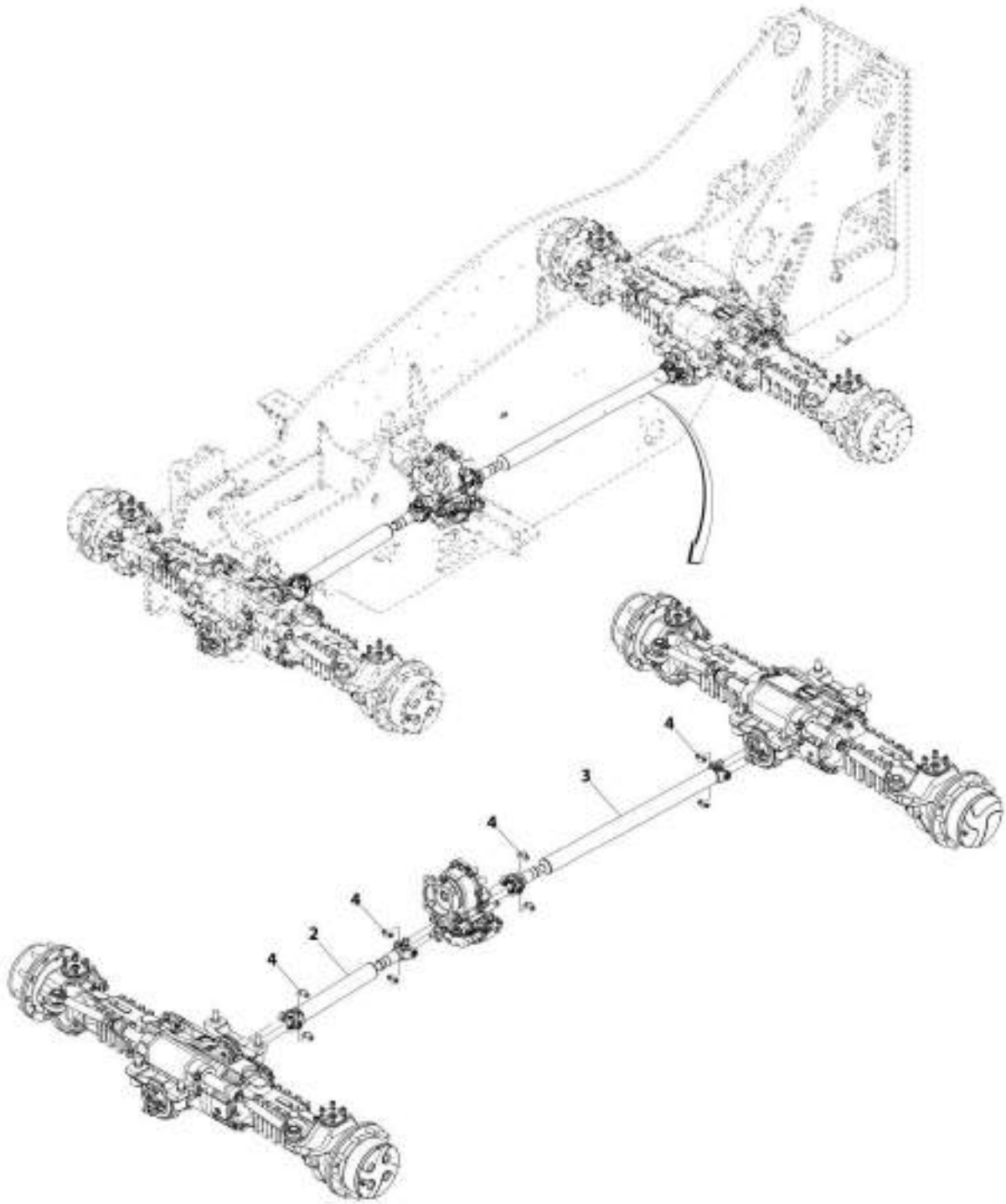
SECTION 5 - DRIVETRAIN

FIGURE 5-33. HYDROSTATIC MOTOR ASSEMBLY

ITEM	PART NUMBER	QTY	DESCRIPTION	REV
	1001217620	Ref	Hydrostatic Motor Assembly	B
1	2111616	1	Fitting, Straight ORFS	
2	2220811	1	Fitting, Straight	
3	1001009163	1	O-Ring	
4	1001128478	1	Sensor	
5	1001193308	1	Motor, Hydrostatic (See Separate Breakdown in Hydraulic Components Section)	
6	1001220760	1	Fitting, Straight	
7	1001217669	1	Fitting, Straight	

SECTION 5 - DRIVETRAIN

FIGURE 5-34. DRIVE SHAFT INSTALLATION



ART. 1001104001-B

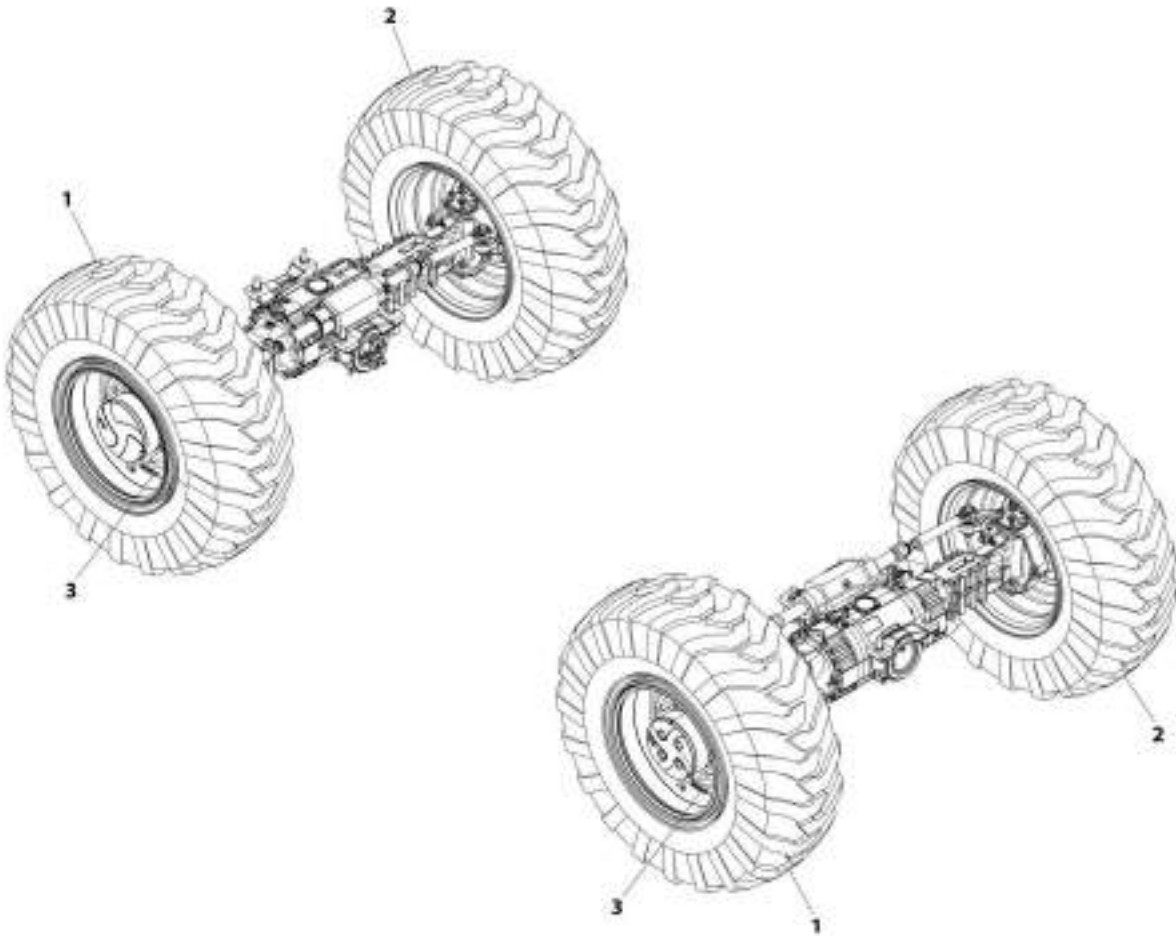
SECTION 5 - DRIVETRAIN

FIGURE 5-34. DRIVE SHAFT INSTALLATION

ITEM	PART NUMBER	QTY	DESCRIPTION	REV
	1001184981	Ref	Drive Shaft Installation	B
2	1001184987	1	Assembly, Drive Shaft	
3	1001184988	1	Assembly, Drive Shaft	
4	8880219-OM	4	Kit, Strap	

SECTION 5 - DRIVETRAIN

FIGURE 5-35. TIRE/WHEEL SET (AIR 17.5-25 - 20 PLY)



ART_1001182168-C

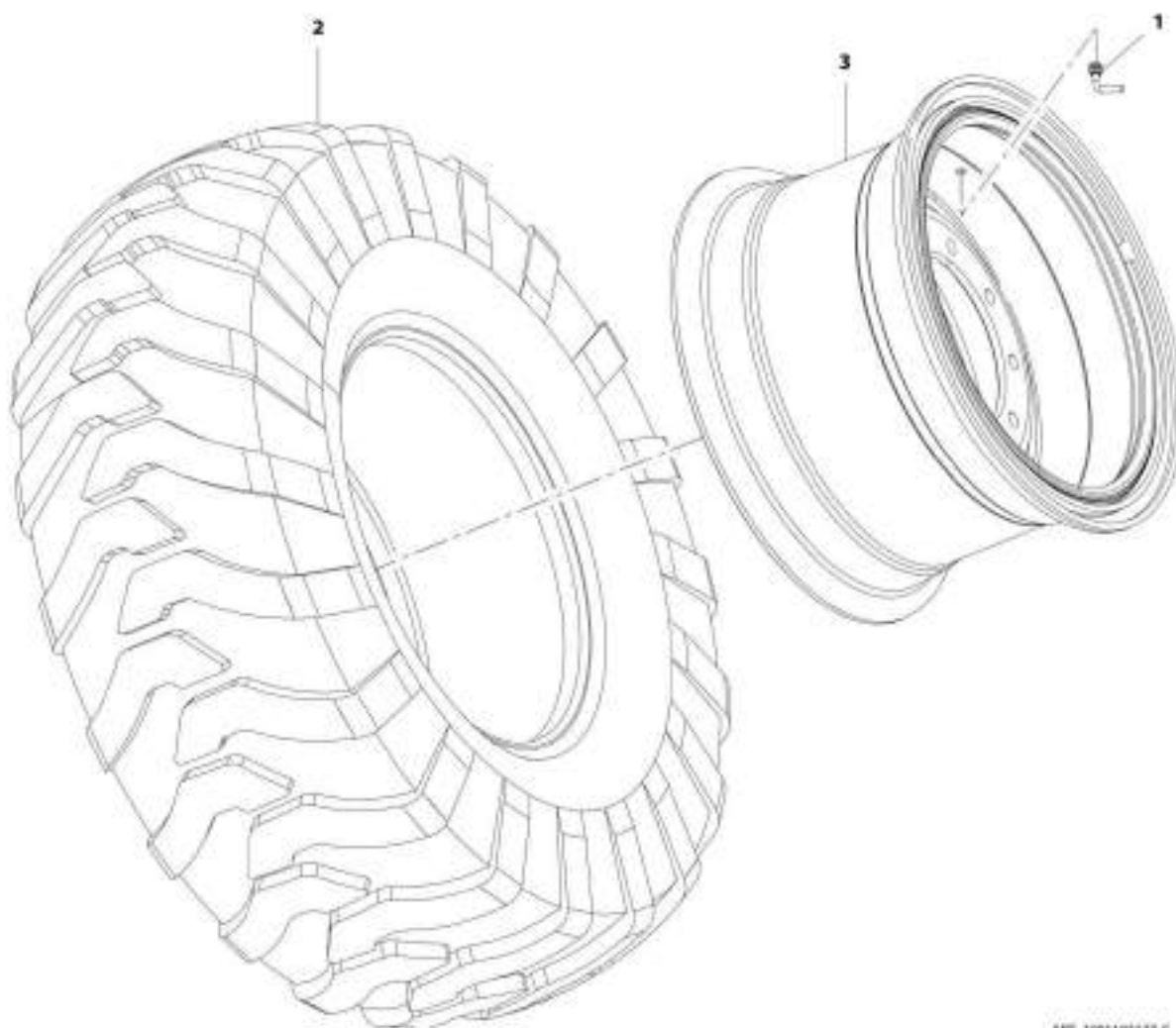
SECTION 5 - DRIVETRAIN

FIGURE 5-35. TIRE/WHEEL SET (AIR 17.5-25 - 20 PLY)

ITEM	PART NUMBER	QTY	DESCRIPTION	REV
	1001192168	1	Tire/Wheel Set (Air 17.5-25 - 20 PLY)	C
1	1001192177	2	Assembly, Right Tire/Wheel (Air 17.5-25 - 20 PLY) (See Seperate Breakdown in this Section)	
2	1001192178	2	Assembly, Left Tire/Wheel (Air 17.5-25 - 20 PLY) (See Seperate Breakdown in this Section)	
3	1001229201	4	Decal	

SECTION 5 - DRIVETRAIN

FIGURE 5-36. RIGHT TIRE/WHEEL ASSEMBLY (AIR 17.5-25 - 20 PLY)



AIR_1081192177-C

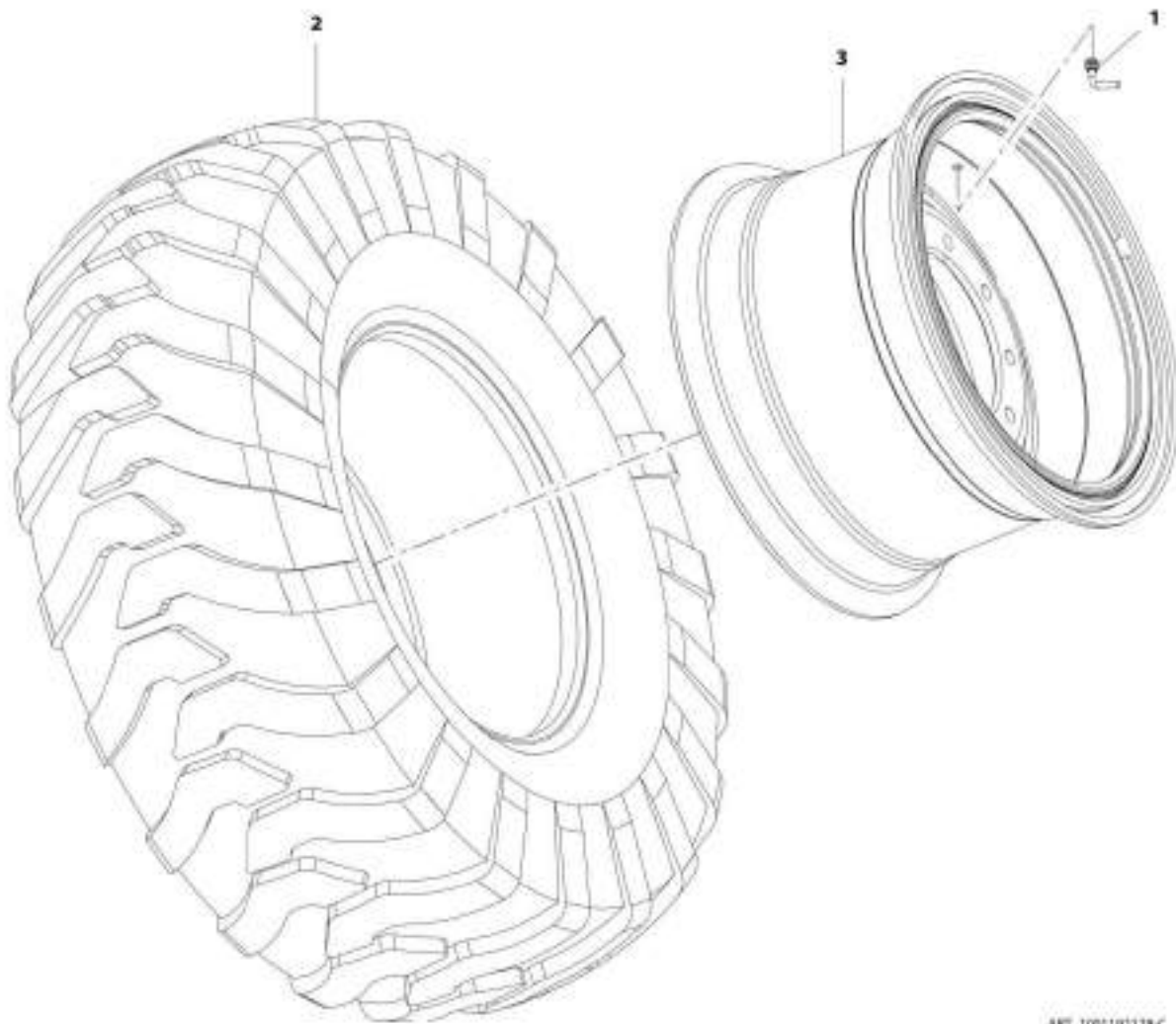
SECTION 5 - DRIVETRAIN

FIGURE 5-36. RIGHT TIRE/WHEEL ASSEMBLY (AIR 17.5-25 - 20 PLY)

ITEM	PART NUMBER	QTY	DESCRIPTION	REV
	1001192177	Ref	Right Tire/Wheel Assembly (Air 17.5-25 - 20 PLY)	C
1	8786549	1	Valve, Stem	
2	1001187423	1	Tire, 17.5-25 20 PLY	
3	1001189288J	1	Wheel, 25X14.0 DTU 10 Hole	

SECTION 5 - DRIVETRAIN

FIGURE 5-37. LEFT TIRE/WHEEL ASSEMBLY (AIR 17.5-25 - 20 PLY)



AKF_1081102178-C

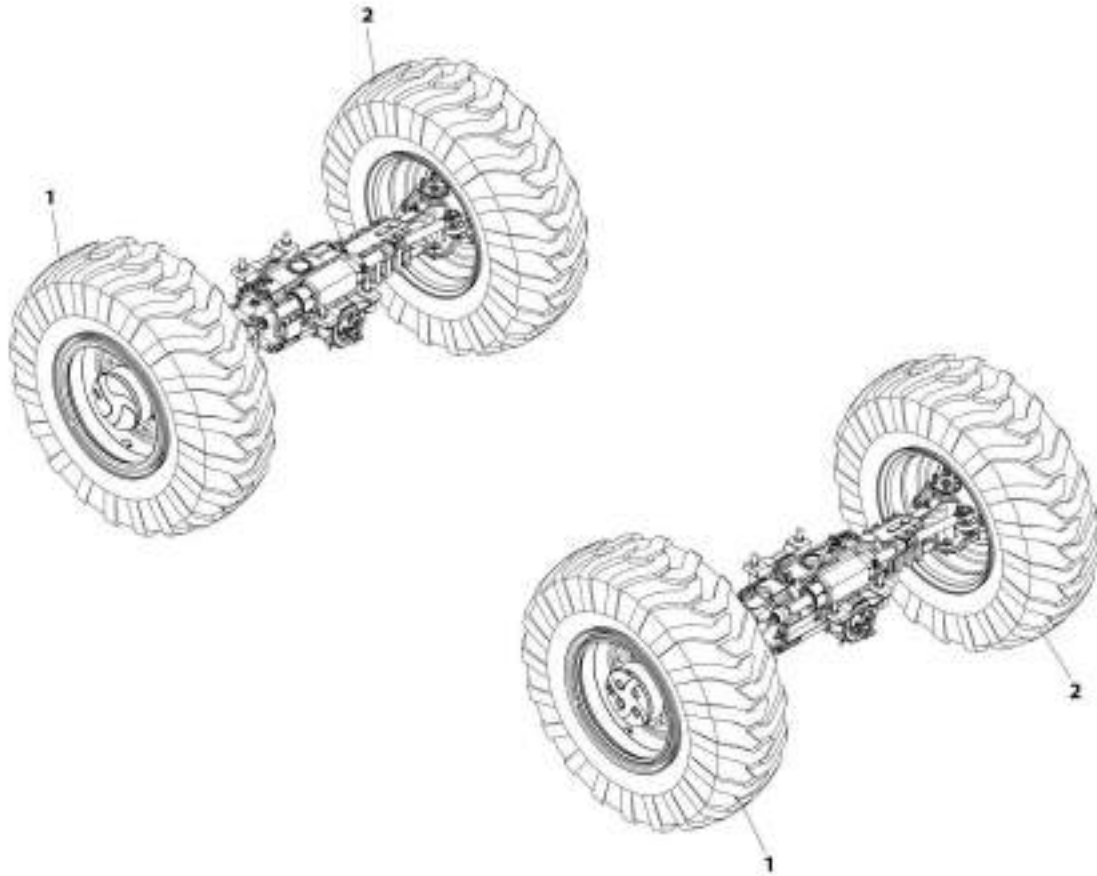
SECTION 5 - DRIVETRAIN

FIGURE 5-37. LEFT TIRE/WHEEL ASSEMBLY (AIR 17.5-25 - 20 PLY)

ITEM	PART NUMBER	QTY	DESCRIPTION	REV
	1001192178	Ref	Left Tire/Wheel Assembly (Air 17.5-25 - 20 PLY)	C
1	8786549	1	Valve, Stem	
2	1001187423	1	Tire, 17.5-25 20 PLY	
3	1001189288J	1	Wheel, 25X14.0 DTU 10 Hole	

SECTION 5 - DRIVETRAIN

FIGURE 5-38. TIRE/WHEEL SET (FOAM 17.5-25 - 20 PLY)



ART_3001102170-A

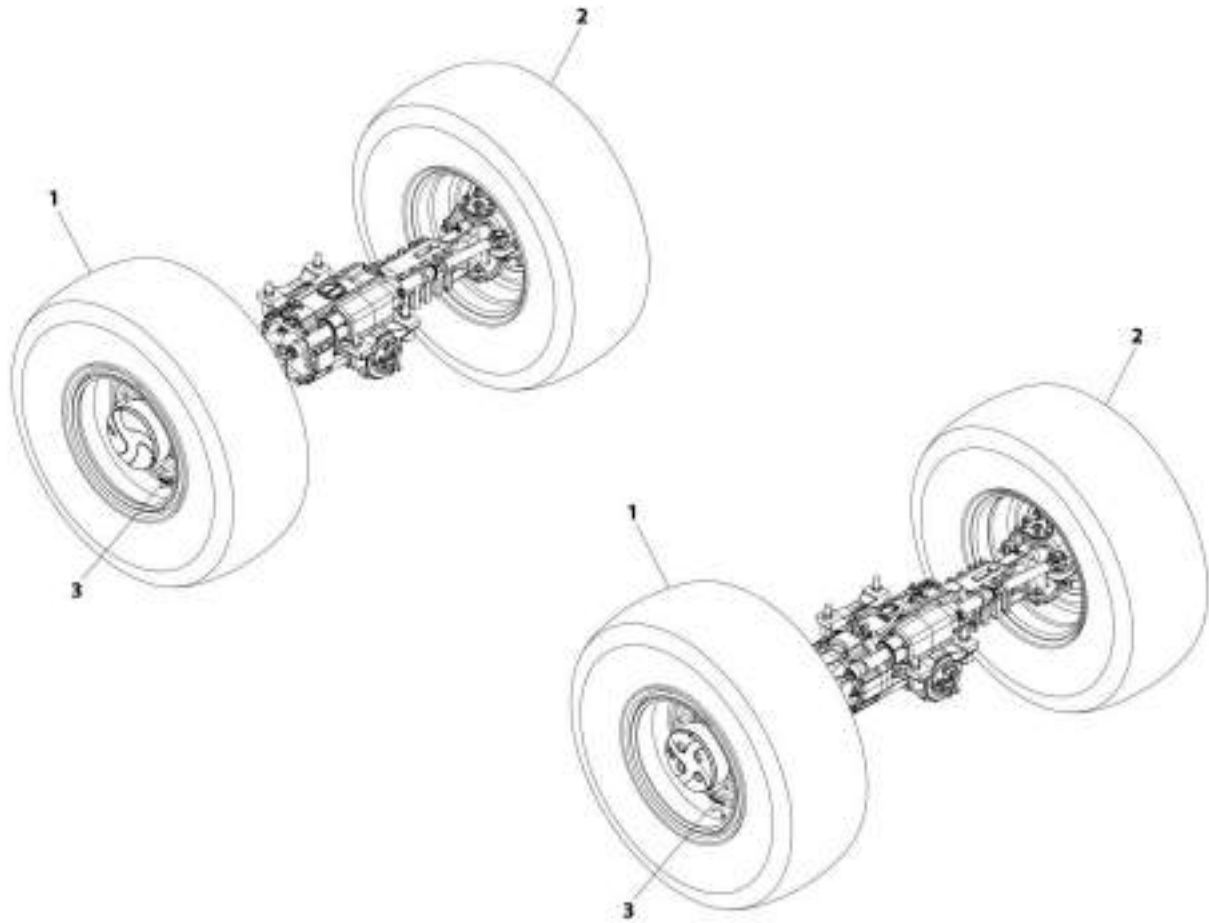
SECTION 5 - DRIVETRAIN

FIGURE 5-38. TIRE/WHEEL SET (FOAM 17.5-25 - 20 PLY)

ITEM	PART NUMBER	QTY	DESCRIPTION	REV
	1001192170	1	Tire/Wheel Set (Foam 17.5-25 - 20 PLY)	A
1	1001192180	2	Assembly, Right Tire/Wheel (Foam 17.5-25 - 20 PLY)	
2	1001192181	2	Assembly, Left Tire/Wheel (Foam 17.5-25 - 20 PLY)	

SECTION 5 - DRIVETRAIN

FIGURE 5-39. TIRE/WHEEL SET (AIR 17.5 R25 - RADIAL)



AWT_1001225270-A

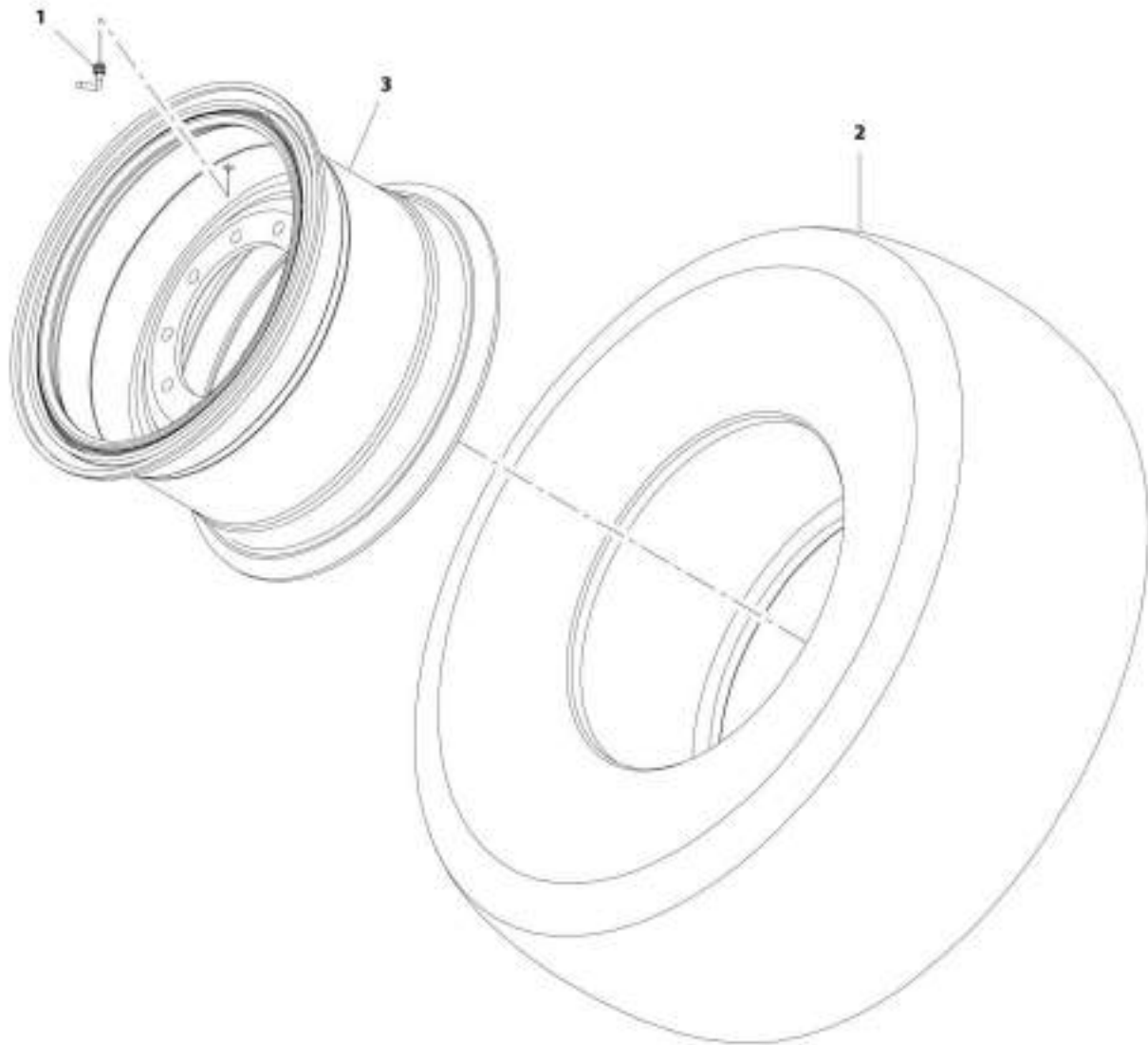
SECTION 5 - DRIVETRAIN

FIGURE 5-39. TIRE/WHEEL SET (AIR 17.5 R25 - RADIAL)

ITEM	PART NUMBER	QTY	DESCRIPTION	REV
1	1001221270	1	Tire/Wheel Set (Air 17.5 R25 - Radial)	A
	1001221157	2	Assembly, Right Tire/Wheel (Air 17.5 R25 - Radial) (See Sperate Breakdown in this Section)	
2	1001221321	2	Assembly, Left Tire/Wheel (Air 17.5 R25 - Radial) (See Seperate Breakdown in this Section)	
3	1001221734	4	Decal	

SECTION 5 - DRIVETRAIN

FIGURE 5-40. RIGHT TIRE/WHEEL ASSEMBLY (AIR 17.5 R25 - RADIAL)



AKF_1081221117-C

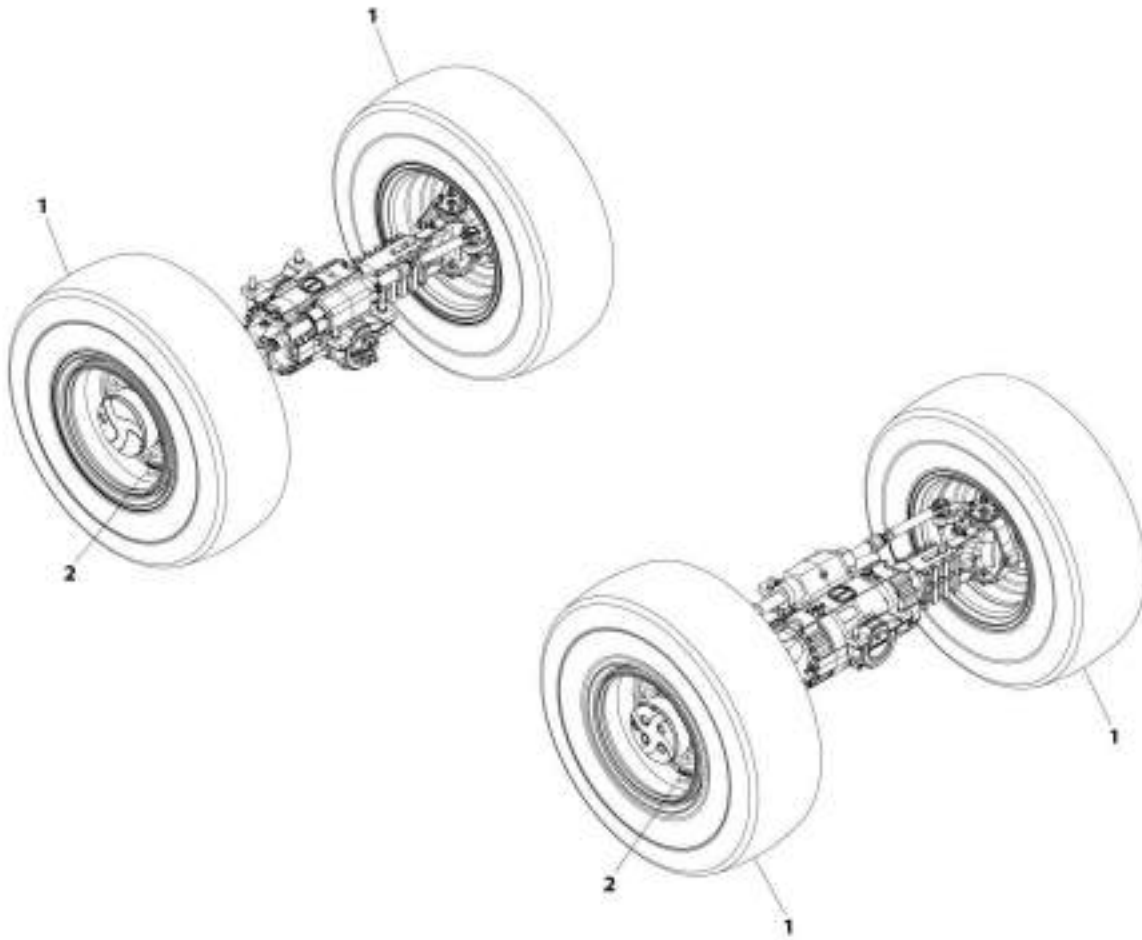
SECTION 5 - DRIVETRAIN

FIGURE 5-40. RIGHT TIRE/WHEEL ASSEMBLY (AIR 17.5 R25 - RADIAL)

ITEM	PART NUMBER	QTY	DESCRIPTION	REV
	1001221157	Ref	Right Tire/Wheel Assembly (Air 17.5 R25 - Radial)	C
1	8786549	1	Valve, Stem	
2	1001221087	1	Tire, 17.5 R25 Radial	
3	1001189288J	1	Wheel, 25X14.0 DTU 10 Hole	

SECTION 5 - DRIVETRAIN

FIGURE 5-41. TIRE/WHEEL SET (AIR 17.5-25 - 22 PLY)



ART_1001221665-0

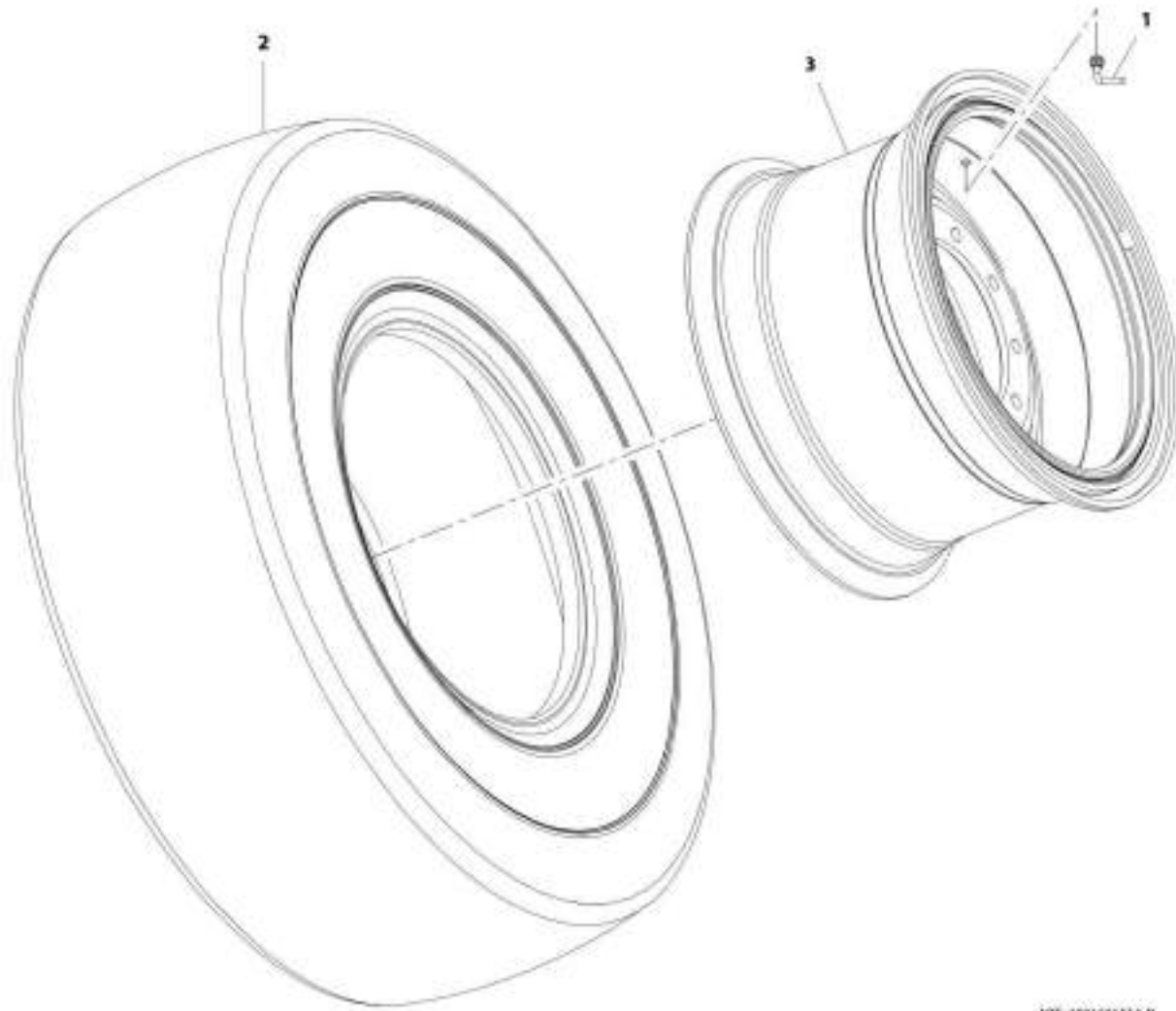
SECTION 5 - DRIVETRAIN

FIGURE 5-41. TIRE/WHEEL SET (AIR 17.5-25 - 22 PLY)

ITEM	PART NUMBER	QTY	DESCRIPTION	REV
1	1001221695	Ref	Tire/Wheel Set (Air 17.5-25 - 22 PLY)	B
	1001221554	4	Assembly, Tire/Wheel (Air 17.5-25 - 22 PLY) (See Seperate Breakdown in this Section)	
2	1001229201	4	Decal	

SECTION 5 - DRIVETRAIN

FIGURE 5-42. TIRE/WHEEL ASSEMBLY (AIR 17.5-25 - PLY)



ART_1001221554-D

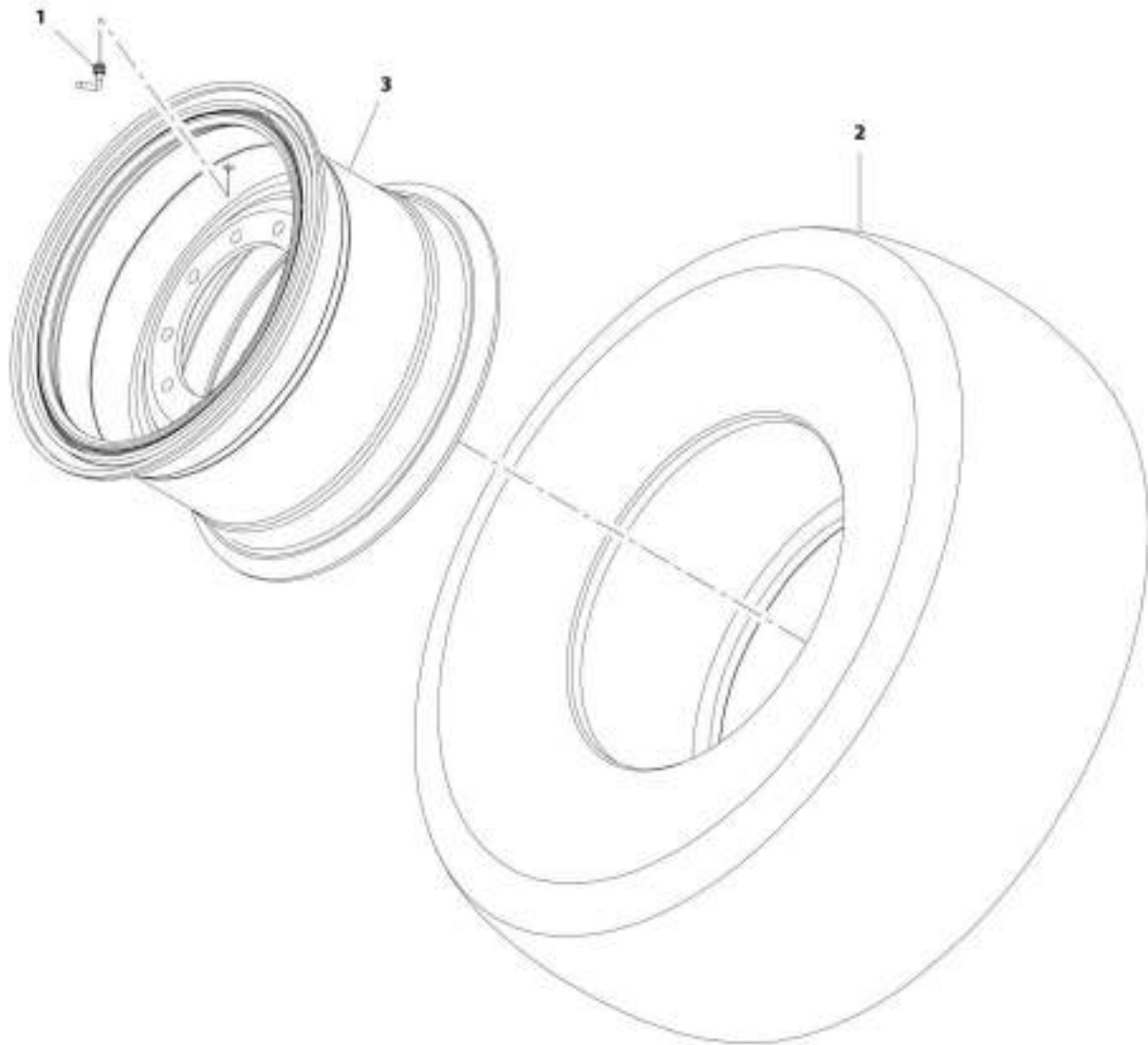
SECTION 5 - DRIVETRAIN

FIGURE 5-42. TIRE/WHEEL ASSEMBLY (AIR 17.5-25 - PLY)

ITEM	PART NUMBER	QTY	DESCRIPTION	REV
	1001221554	Ref	Tire/Wheel Assembly (Air 17.5-25 - PLY)	D
1	8786549	1	Valve, Stem	
2	1001221553	1	Tire, 17.5-25 EM60 22 PLY	
3	1001189288J	1	Wheel, 25X14.0 DTU 10 Hole	

SECTION 5 - DRIVETRAIN

FIGURE 5-43. LEFT TIRE/WHEEL ASSEMBLY (AIR 17.5 R25 - RADIAL)



AKF_1081221321-C

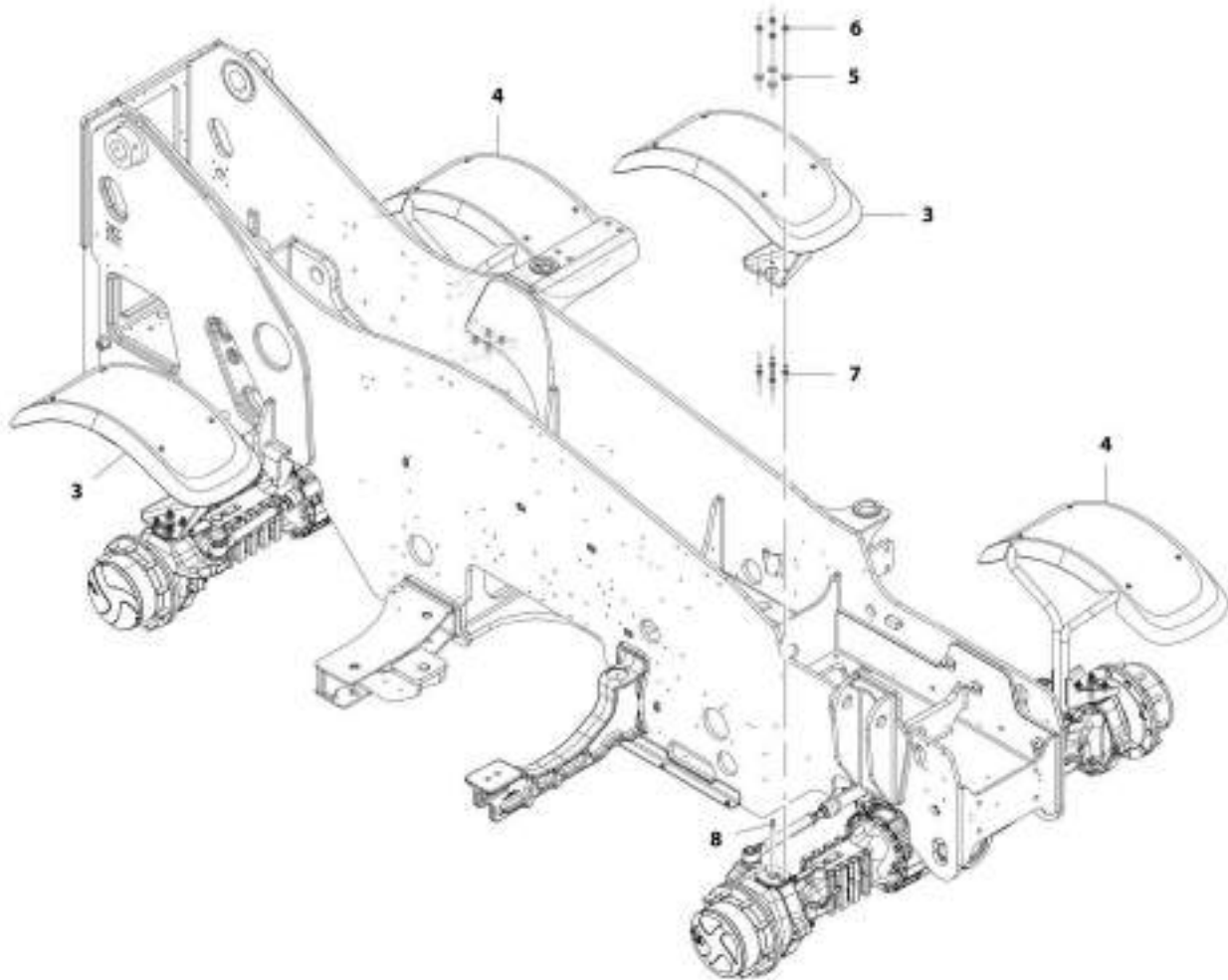
SECTION 5 - DRIVETRAIN

FIGURE 5-43. LEFT TIRE/WHEEL ASSEMBLY (AIR 17.5 R25 - RADIAL)

ITEM	PART NUMBER	QTY	DESCRIPTION	REV
	1001221321	Ref	Left Tire/Wheel Assembly (Air 17.5 R25 - Radial)	C
1	8786549	1	Valve, Stem	
2	1001221087	1	Tire, 17.5 R25 Radial	
3	1001189288J	1	Wheel, 25X14.0 DTU 10 Hole	

SECTION 5 - DRIVETRAIN

FIGURE 5-44. FENDER INSTALLATION



ART_1001174129-E

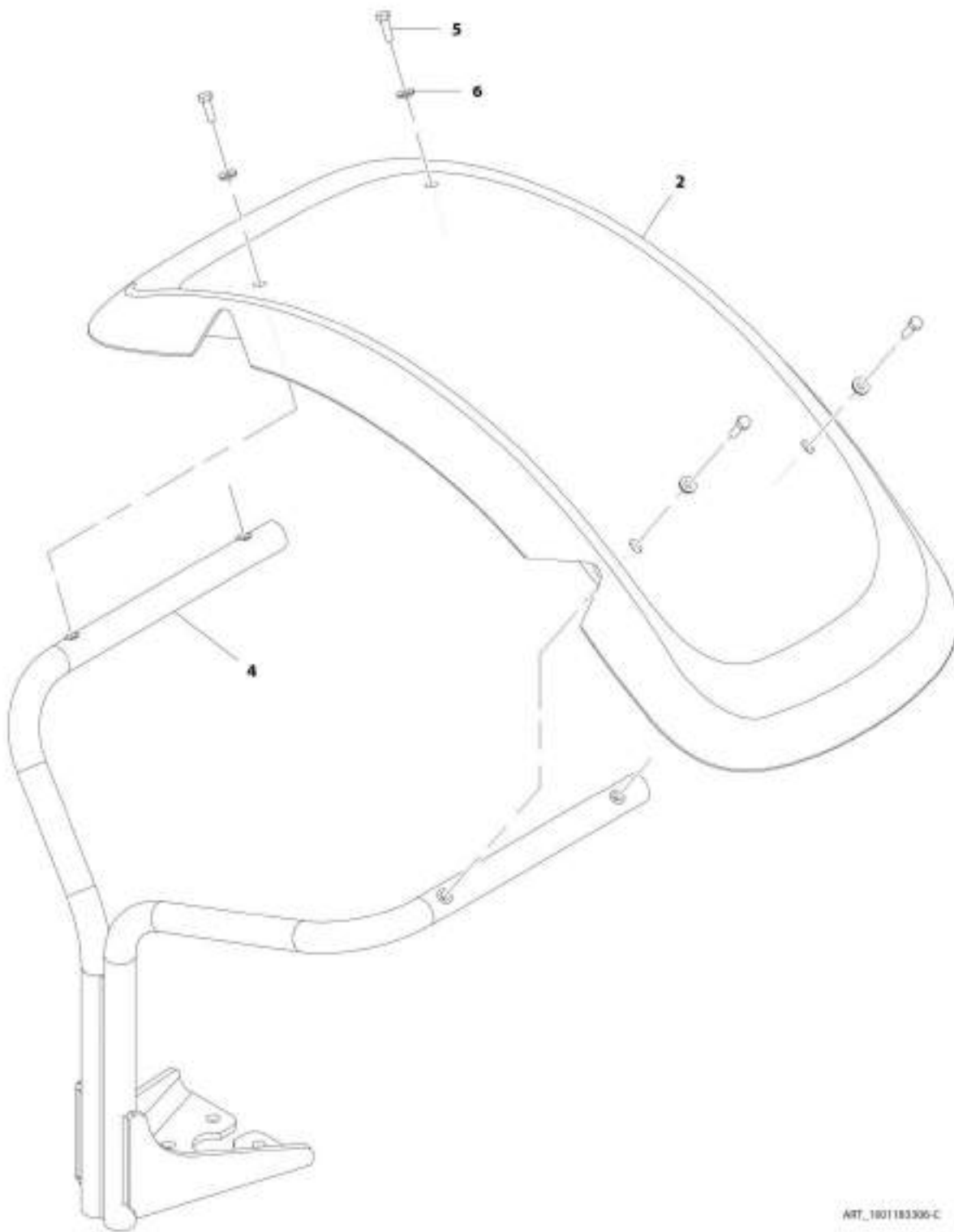
SECTION 5 - DRIVETRAIN

FIGURE 5-44. FENDER INSTALLATION

ITEM	PART NUMBER	QTY	DESCRIPTION	REV
	1001174129	Ref	Fender Installation	E
3	1001183306	2	Assembly, RH Fender (See Separate Breakdown in this Section)	
4	1001183307	2	Assembly, LH Fender (See Separate Breakdown in this Section)	
5	4812102	16	Washer, M12	
6	91513266	16	Nut, M12X1.25	
7	91514118	16	Stud, Fender	
8	1001225317	4	Fitting, Grease	

SECTION 5 - DRIVETRAIN

FIGURE 5-45. RH FENDER ASSEMBLY



ART_1801183300-C

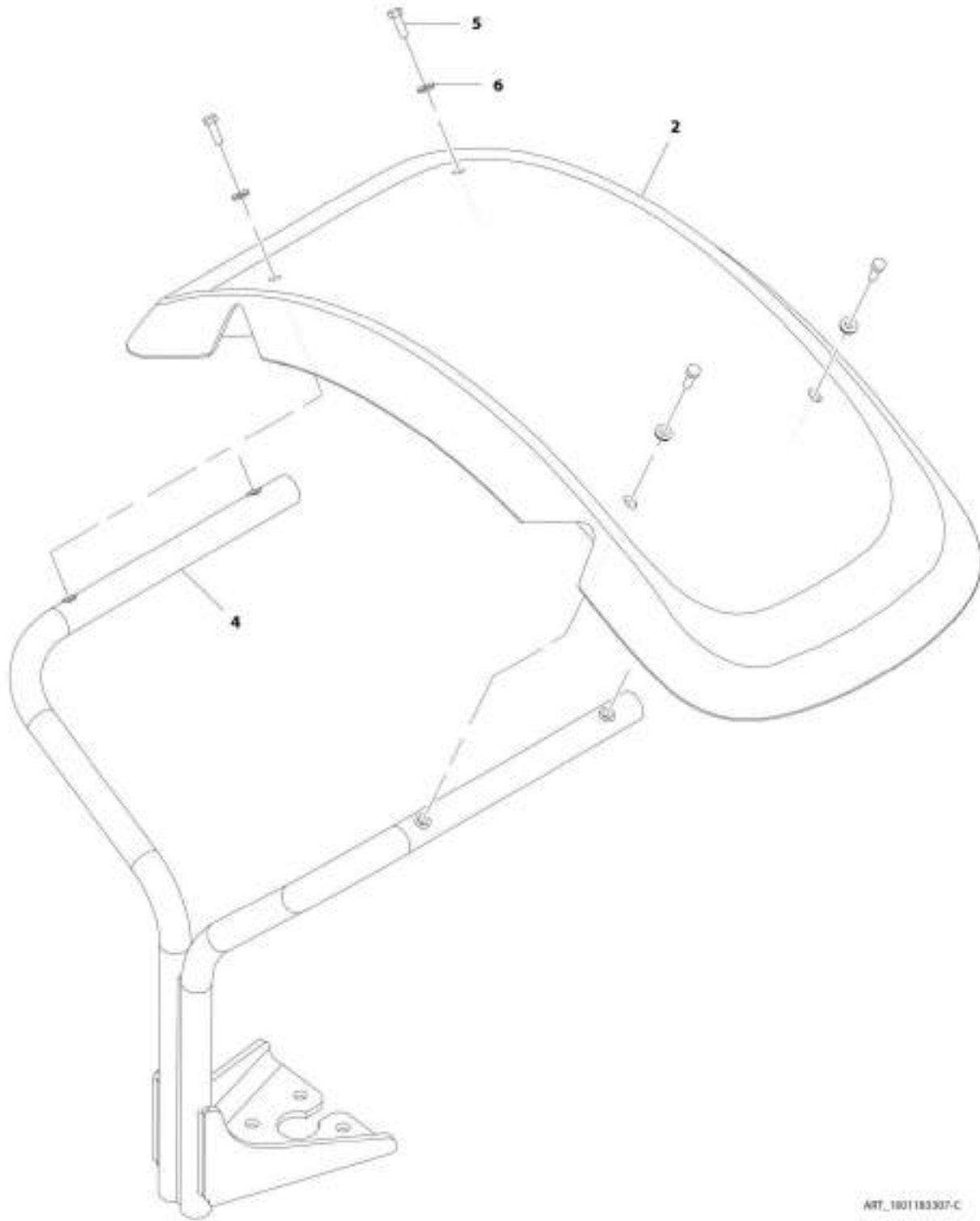
SECTION 5 - DRIVETRAIN

FIGURE 5-45. RH FENDER ASSEMBLY

ITEM	PART NUMBER	QTY	DESCRIPTION	REV
	1001183306	Ref	RH Fender Assembly	C
2	1001168264	1	Fender	
4	1001183308	1	Bracket	
5	0760812	4	Bolt, M8X25	
6	1001202786	4	Washer	

SECTION 5 - DRIVETRAIN

FIGURE 5-46. LH FENDER ASSEMBLY



ART_1801183307-C

SECTION 5 - DRIVETRAIN

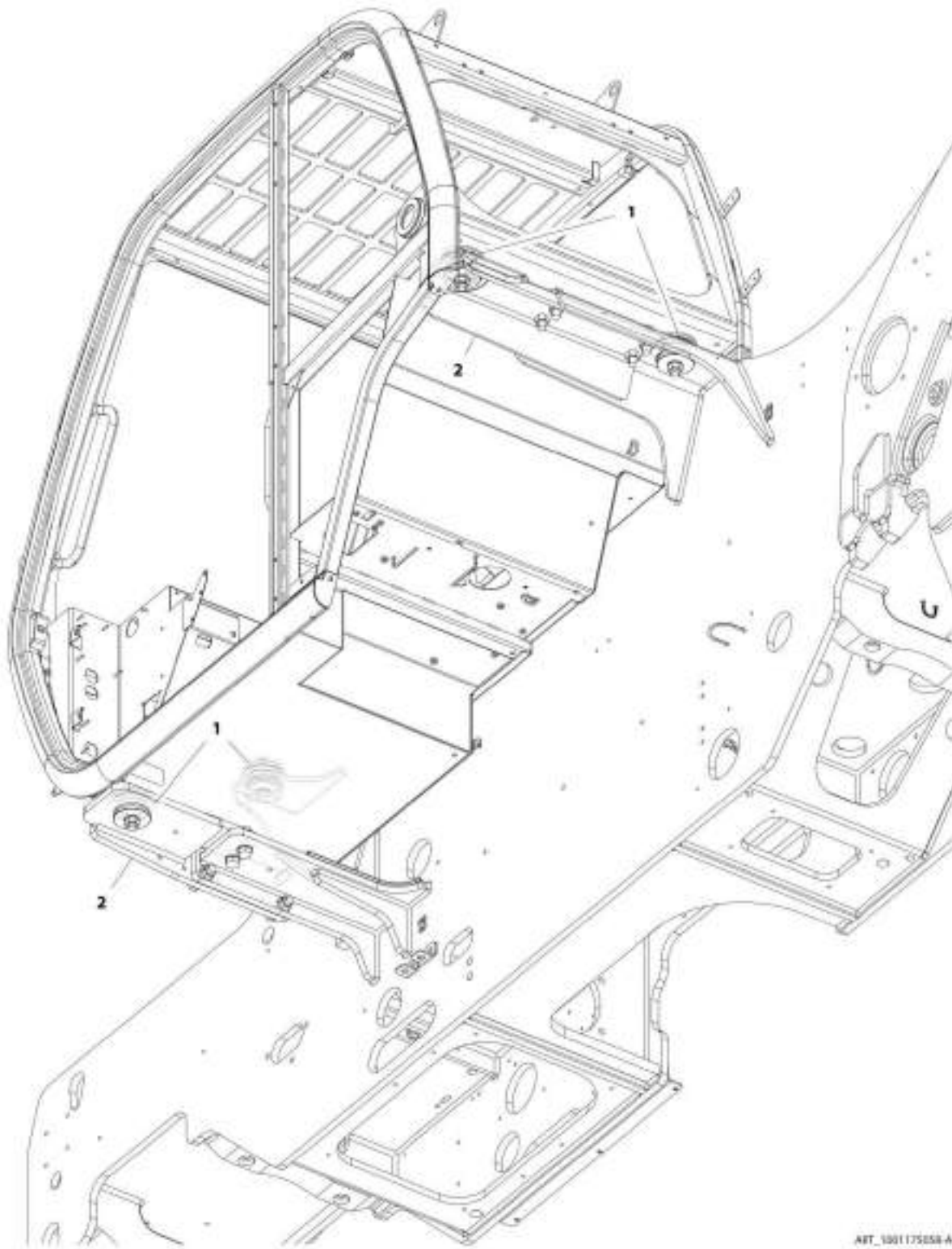
FIGURE 5-46. LH FENDER ASSEMBLY

ITEM	PART NUMBER	QTY	DESCRIPTION	REV
	1001183307	Ref	LH Fender Assembly	C
2	1001168264	1	Fender	
4	1001183309	1	Bracket	
5	0760812	4	Bolt, M8X25	
6	1001202786	4	Washer	

SECTION 6 - CAB

SECTION 6 - CAB

FIGURE 6-1. CAB MOUNTING INSTALLATION



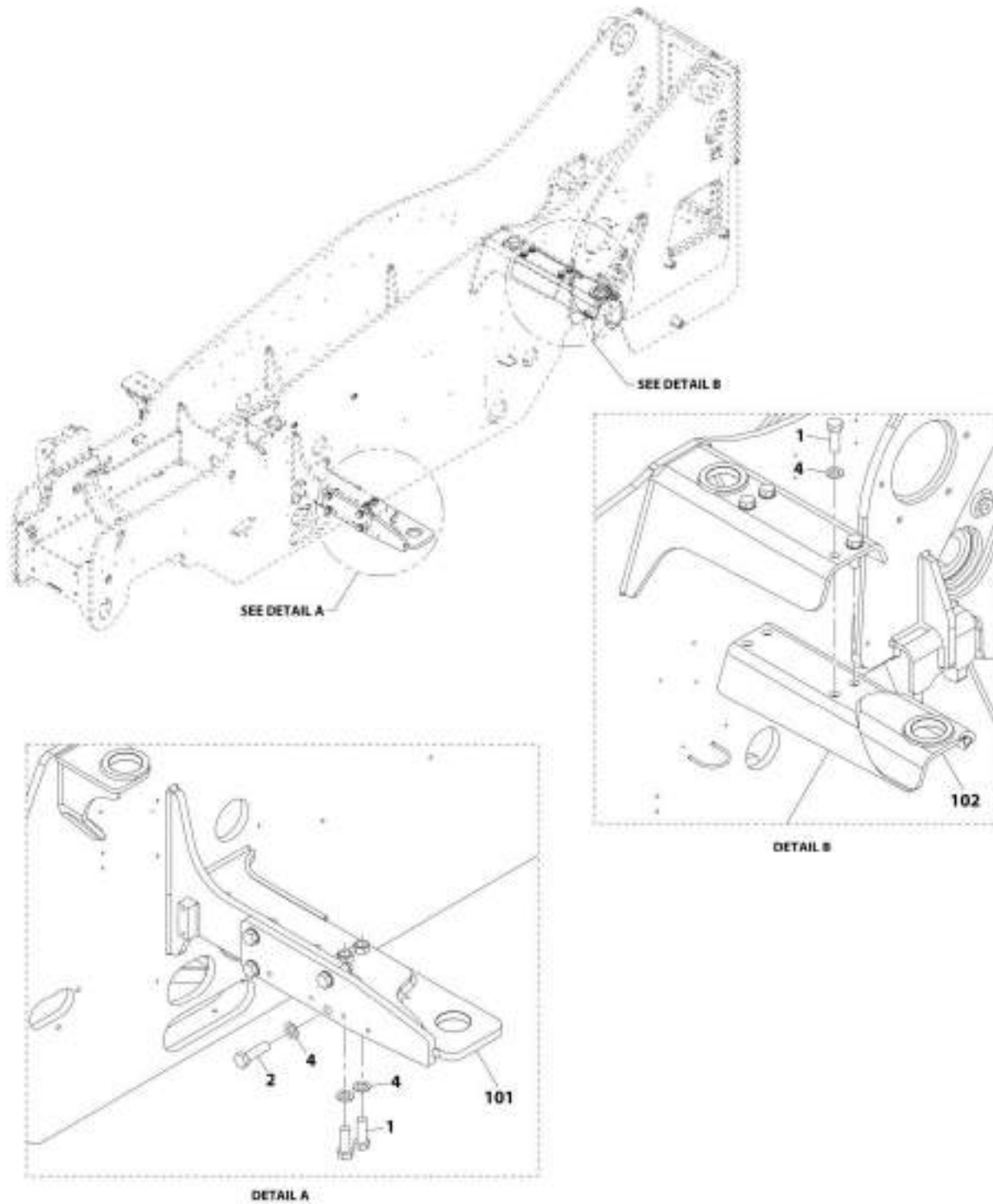
ART_1001175058-A

FIGURE 6-1. CAB MOUNTING INSTALLATION

ITEM	PART NUMBER	QTY	DESCRIPTION	REV
1	1001175058	Ref	Cab Mounting Installation	A
	1001155446	Ref	Installation, Cab Mount (See Separate Breakdown in this Section)	
	1001191255	Ref	Installation, Front Cab Mount Bracket (See Separate Breakdown in this Section)	

SECTION 6 - CAB

FIGURE 6-2. FRONT CAB MOUNT BRACKET INSTALLATION



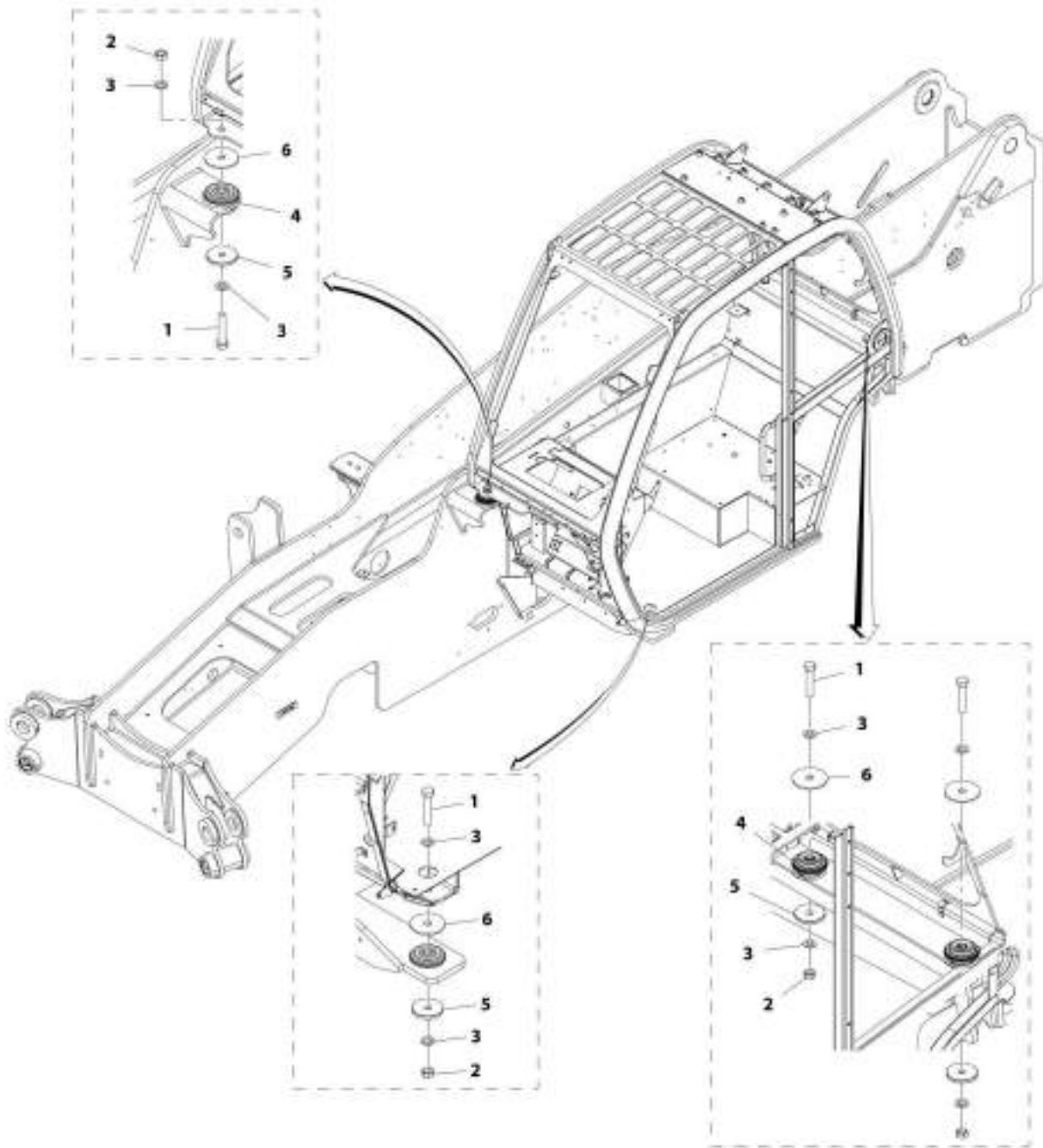
AWT_3001191255-E

FIGURE 6-2. FRONT CAB MOUNT BRACKET INSTALLATION

ITEM	PART NUMBER	QTY	DESCRIPTION	REV
	1001191255	Ref	Front Cab Mount Bracket Installation	E
1	0712020	6	Bolt, M20X60	
2	0712022	4	Bolt, M20X70	
4	4812500	10	Washer, M20	
101	1001191256	1	Bracket	
102	1001191257	1	Bracket	

SECTION 6 - CAB

FIGURE 6-3. CAB MOUNTS INSTALLATION



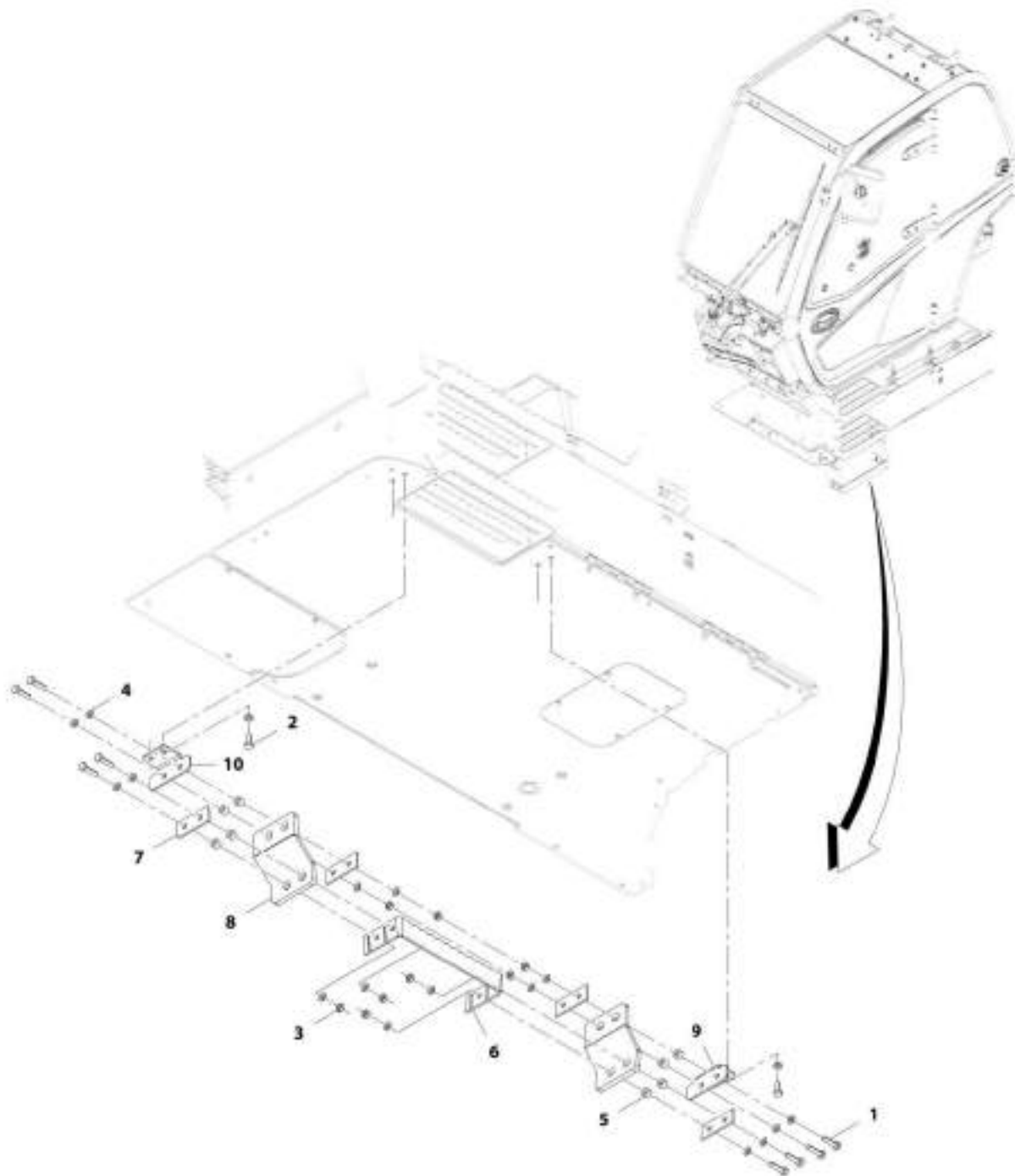
ART_100155446-2

FIGURE 6-3. CAB MOUNTS INSTALLATION

ITEM	PART NUMBER	QTY	DESCRIPTION	REV
	1001155446	Ref	Cab Mounts Installation	E
1	0712027	4	Bolt, M20X100	
2	3332011	4	Nut, M20X2.5	
3	4812500	8	Washer, M20	
4	1001166754	4	Mount, Cab Isolation	
5	1001166755	4	Washer, Cab Rebound	
6	1001220540	4	Washer, Cab Mount	

SECTION 6 - CAB

FIGURE 6-4. CAB STEP INSTALLATION



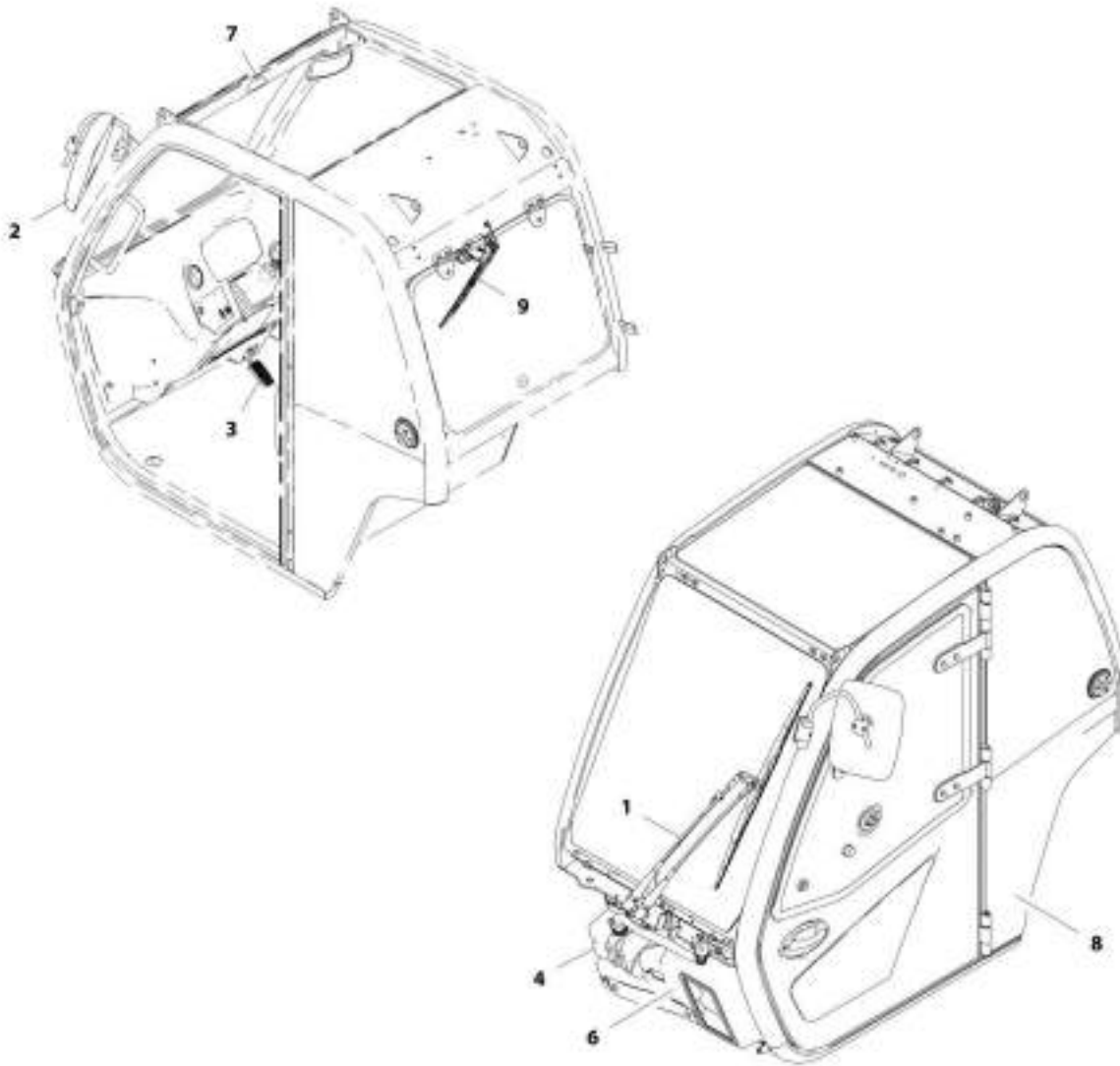
ART_1001221389-A

FIGURE 6-4. CAB STEP INSTALLATION

ITEM	PART NUMBER	QTY	DESCRIPTION	REV
	1001221389	Ref	Cab Step Installation	A
1	0701016	8	Bolt, M10X40	
2	0761012	4	Bolt, M10X25	
3	3291001	8	Nut, M10X1.5 Grade 8	
4	4812000	20	Washer, M10	
5	1001003254	8	Spacer	
6	1001168962	1	Bracket, Step	
7	1001178831	4	Plate	
8	1001221390	2	Belt, Step	
9	1001221391	1	Plate, Step, RH	
10	1001221392	1	Plate, Step, LH	

SECTION 6 - CAB

FIGURE 6-5. CAB COMPONENTS INSTALLATION



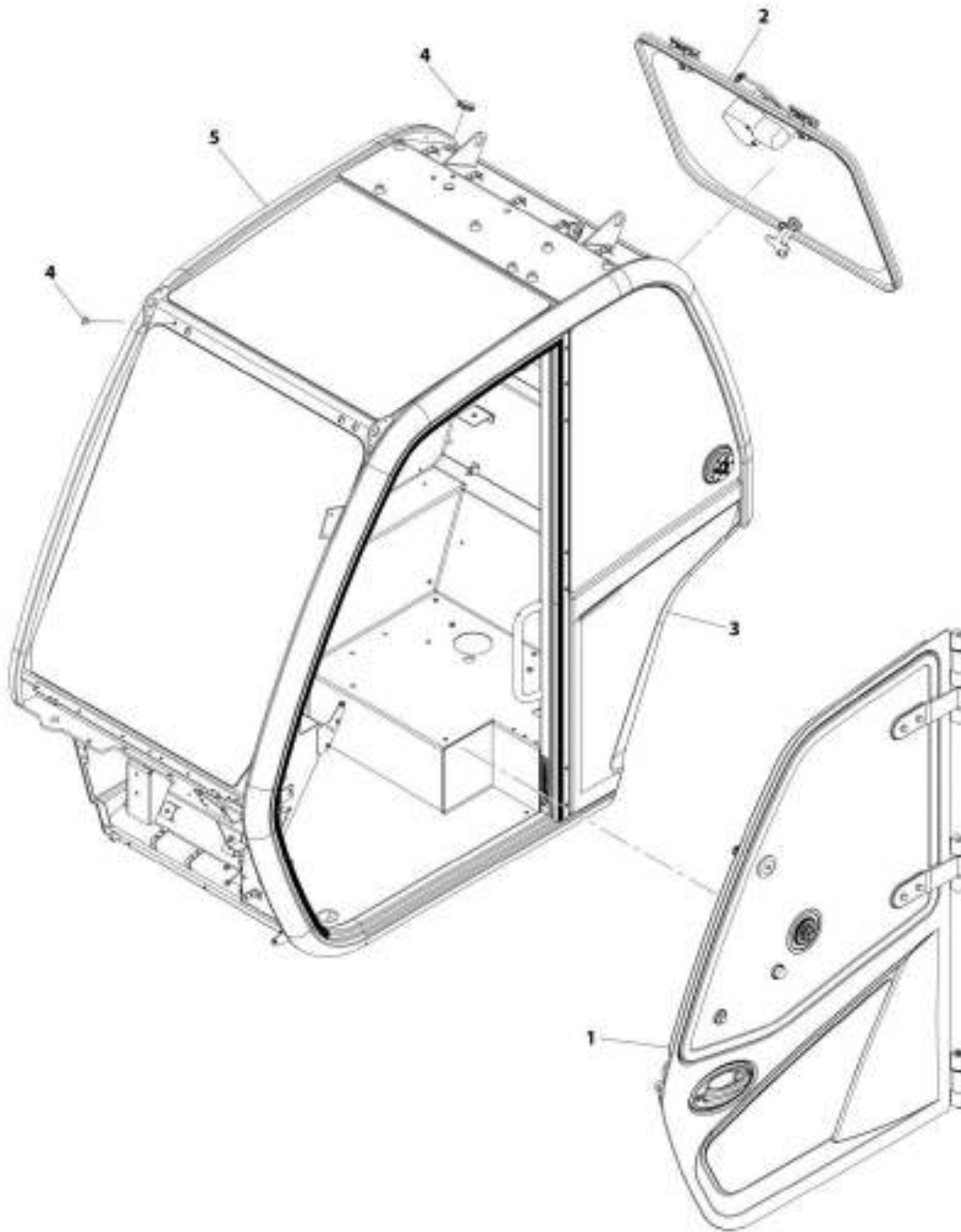
AIT_1001194090-E

FIGURE 6-5. CAB COMPONENTS INSTALLATION

ITEM	PART NUMBER	QTY	DESCRIPTION	REV
	1001194698	Ref	Cab Components Installation	E
1	1001155447	Ref	Installation, Front Wiper (See Seperate Breakdown in this Section)	
2	1001160508	Ref	Installation, Basic Mirror (See Seperate Breakdown in this Section)	
3	1001161499	Ref	Installation, Accelerator Pedal (See Seperate Breakdown in Controls Section)	
4	1001162789	Ref	Installation, Washer, Tank (See Seperate Breakdown in this Section)	
6	1001170366	Ref	Installation, Front Cover (See Seperate Breakdown in this Section)	
7	1001172401	Ref	Installation, Level Indicator (See Seperate Breakdown in this Section)	
8	1001194699	Ref	Installation, Cab (See Seperate Breakdown in this Section)	
9	1001220329	Ref	Installation, Rear Wiper (See Seperate Breakdown in this Section)	

SECTION 6 - CAB

FIGURE 6-6. CAB INSTALLATION



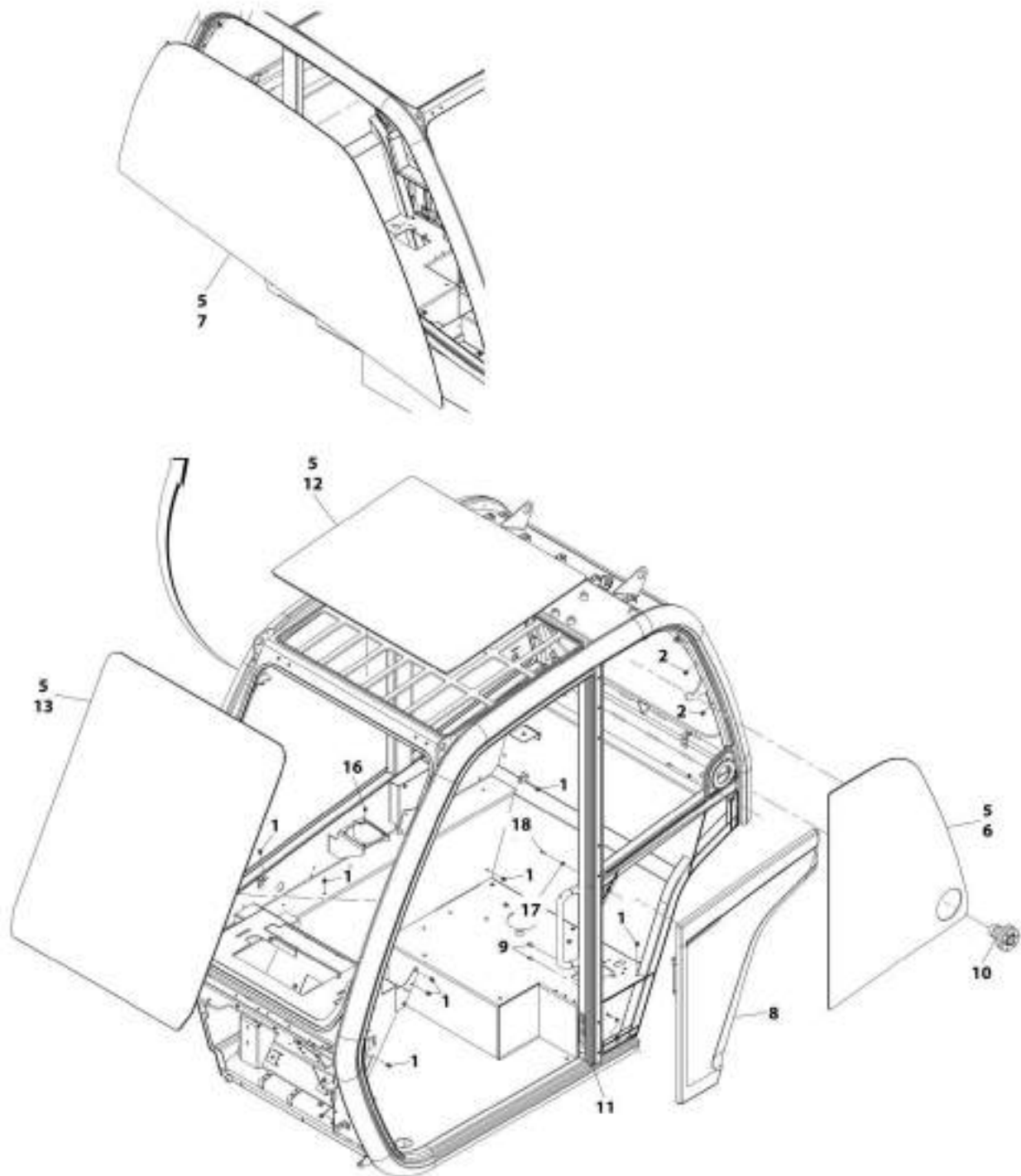
ART_1001194600-H

FIGURE 6-6. CAB INSTALLATION

ITEM	PART NUMBER	QTY	DESCRIPTION	REV
	1001194699	Ref	Cab Installation	H
1	1001155228	Ref	Installation, Cab Door (See Seperate Breakdown in this Section)	
2	1001220339	Ref	Installation, Rear Window (See Seperate Breakdown in this Section)	
3	1001194700	1	Assembly, Cab Group (See Seperate Breakdown in this Section)	
4	1001195814	1	Group, Cab Plug (See Seperate Breakdown in this Section)	
5	N.S.S.	1	Weldment, Cab	

SECTION 6 - CAB

FIGURE 6-7. CAB ASSEMBLY



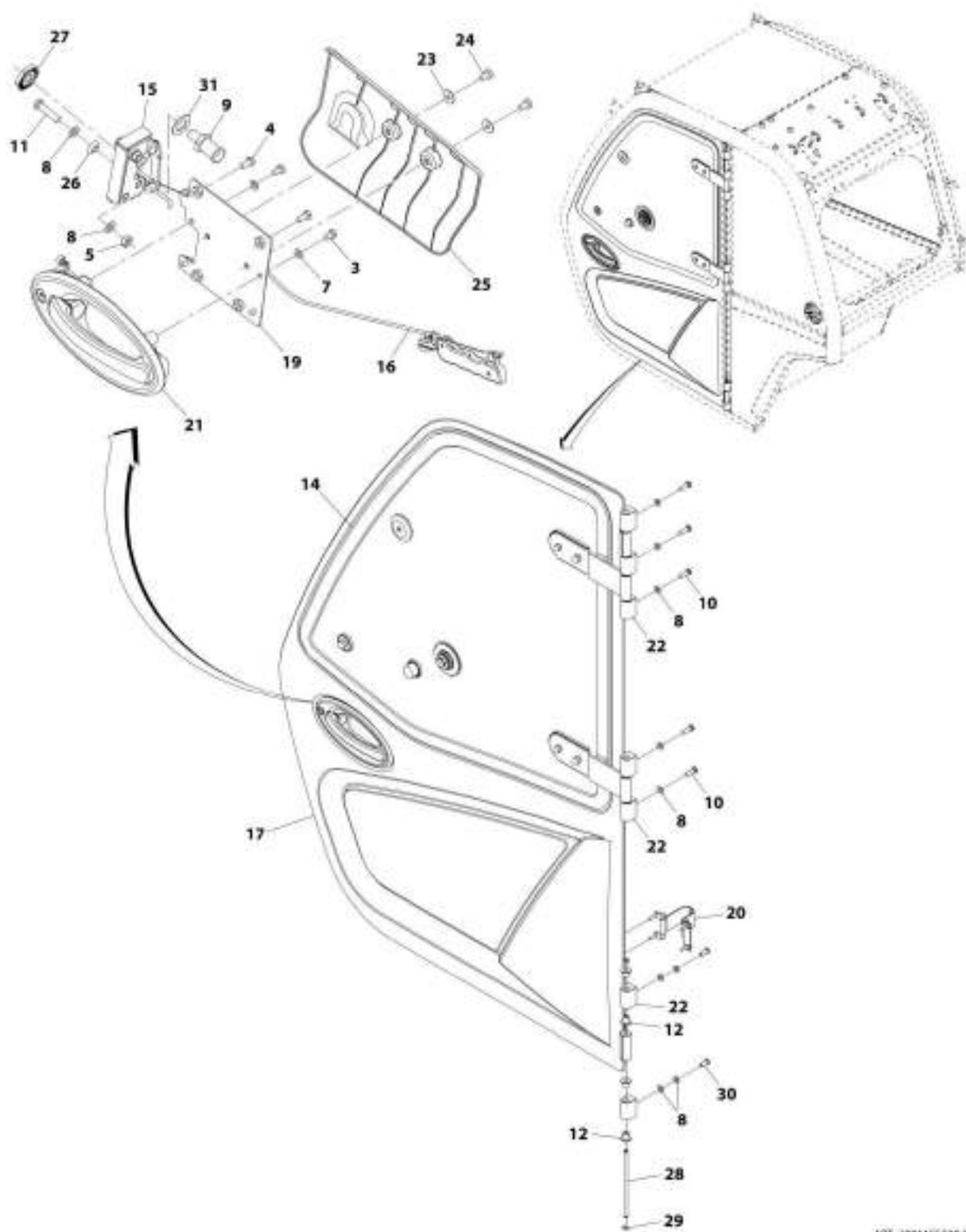
ART_1001194700-F

FIGURE 6-7. CAB ASSEMBLY

ITEM	PART NUMBER	QTY	DESCRIPTION	REV
	1001194700	Ref	Cab Assembly	F
1	2080086	25	Rivnut, M6X1	
2	2080087	16	Rivnut, M8X1.25	
5	1001111317	AR	Compound, Locking	
6	1001152915	1	Glass, LH Screen	
7	1001152947	1	Glass, RH Screen	
8	1001160345	1	Panel, Cab Quarter	
9	1001172193	2	Rivnut, M5X0.8	
10	1001174320	1	Latch, Top Window	
11	1001227186	1	Seal, Cab Door	
12	1001178159	1	Glass, Roof Laminated	
13	1001178160	1	Glass, Front Laminated	
16	1001195878	4	Rivnut, M5X0.8	
17	4811700	3	Washer, M6	
18	0750804	3	Screw	

SECTION 6 - CAB

FIGURE 6-8. DOOR INSTALLATION



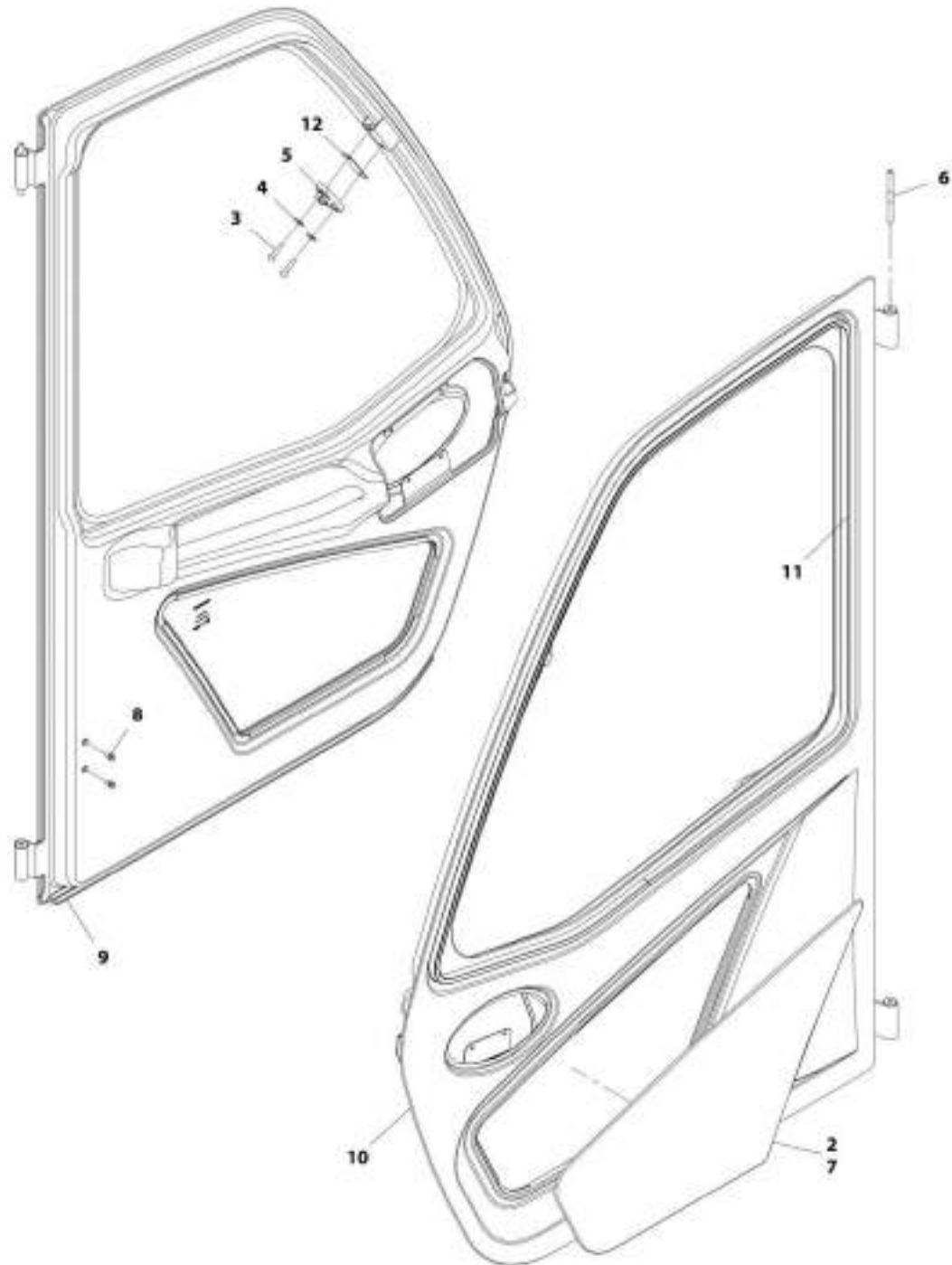
ART_100135228-04

FIGURE 6-8. DOOR INSTALLATION

ITEM	PART NUMBER	QTY	DESCRIPTION	REV
	1001155228	Ref	Door Installation	M
3	0760605	4	Bolt, M6X10	
4	0760607	4	Bolt, M6X14	
5	3290801	2	Nut, M8X1.25 Grade 8	
7	4811700	4	Washer, M6	
8	4811900	13	Washer, M8	
9	8000803	1	Pin, Door Striker	
10	1001008988	5	Screw M8X25	
11	1001047062	2	Screw, M8X35	
12	1001107192	10	Sleeve, Hinge	
14	1001205532	1	Assembly, Door Upper Glass (See Separate Breakdown in this Section)	
15	1001192766	1	Assembly, Cab Latch (See Separate Breakdown in this Section)	
16	1001167958	1	Assembly, Cab Door Trigger (See Separate Breakdown in this Section)	
17	1001170114	1	Assembly, Door (See Separate Breakdown in this Section)	
19	1001173298	1	Bracket	
20	1001174295	1	Installation, Door Strap (See Separate Breakdown in this Section)	
21	1001192646	1	Handle, Exterior Door	
22	1001170601J	7	Lug, Hinge	
23	4811702001	2	Washer, M6	
24	4010608002	2	Screw, Posi-Drive, M6X16	
25	1001175477	1	Cover, Cab Door Interior	
26	1001184439	2	Bushing	
27	1001192309	1	Nut, M12X1	
28	1001213791	1	Pin	
29	0498748	2	Washer, Lock M7	
30	1001164726	2	Bolt, M8X20	
31	1001227802	1	Washer	

SECTION 6 - CAB

FIGURE 6-9. DOOR ASSEMBLY



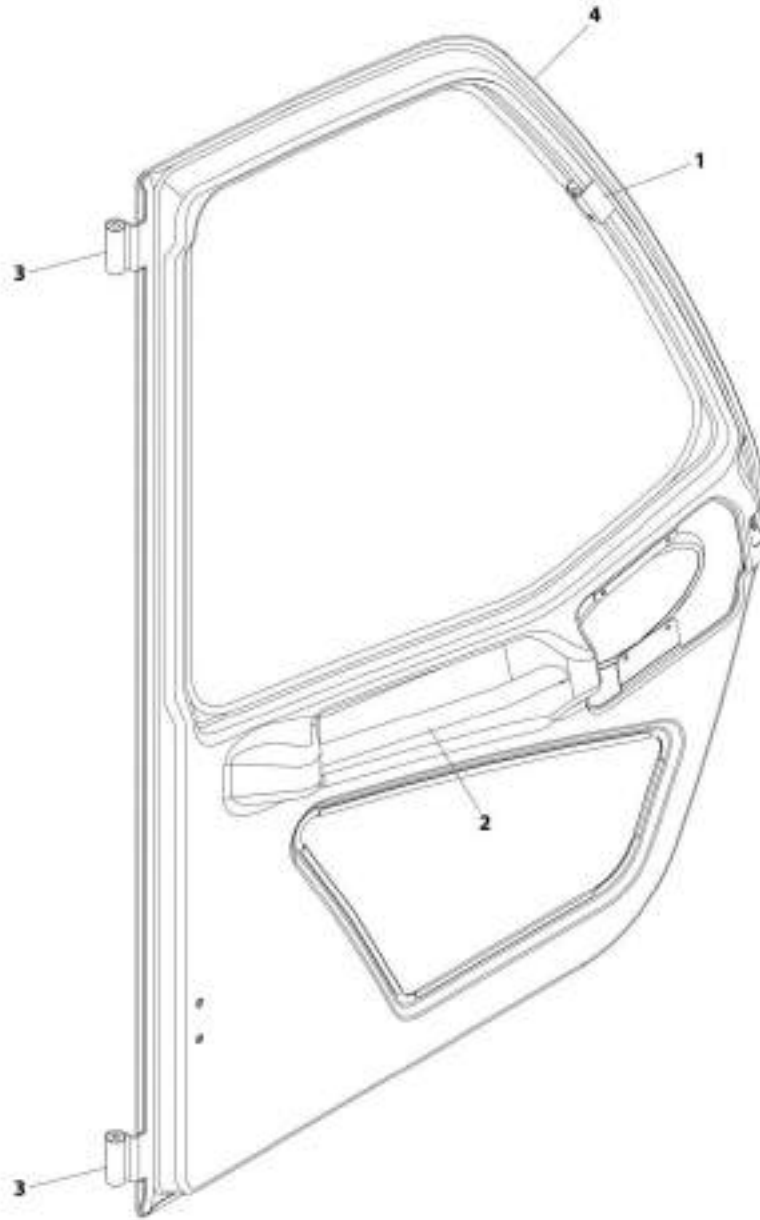
AMT_1001170114-L

FIGURE 6-9. DOOR ASSEMBLY

ITEM	PART NUMBER	QTY	DESCRIPTION	REV
	1001170114	Ref	Door Assembly	J
2	1001111317	AR	Compound, Locking	
3	4010612002	2	Screw, M6X25	
4	4811702001	2	Washer, 6MM	
5	1001165276	1	Plate, Window Latch Striker	
6	1001166634	1	Pin, Hinge	
7	1001169880	1	Window, Lower Glass	
8	1001172193	2	Rivnut, M5X0.8	
9	1001227188	1	Seal, Cab Door	
10	1001170113J	1	Door, Cab (See Separate Breakdown in this Section)	
11	1001227187	1	Seal, Cab Door Window	
12	1001193210	AR	Shim, Window Latch	

SECTION 6 - CAB

FIGURE 6-10. CAB DOOR



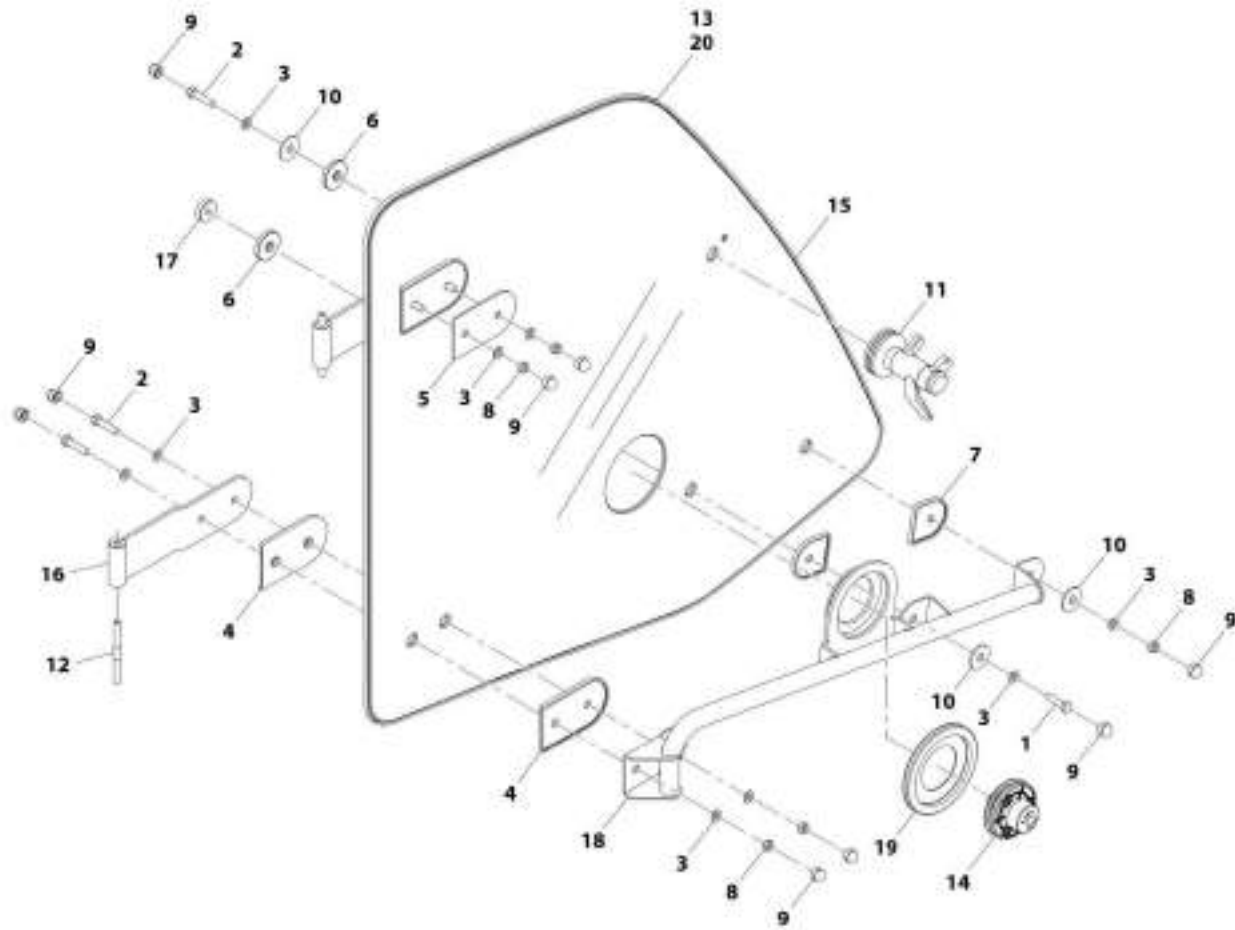
ART_10011701131-2

FIGURE 6-10. CAB DOOR

ITEM	PART NUMBER	QTY	DESCRIPTION	REV
	1001170113J	Ref	Cab Door	E
1	1001169883	1	Bracket, Window Latch	
2	1001169885	1	Handle, Interior Door	
3	1001171037	1	Plate, Hinge	
4	1001171635	1	Frame, Door	

SECTION 6 - CAB

FIGURE 6-11. DOOR UPPER GLASS ASSEMBLY



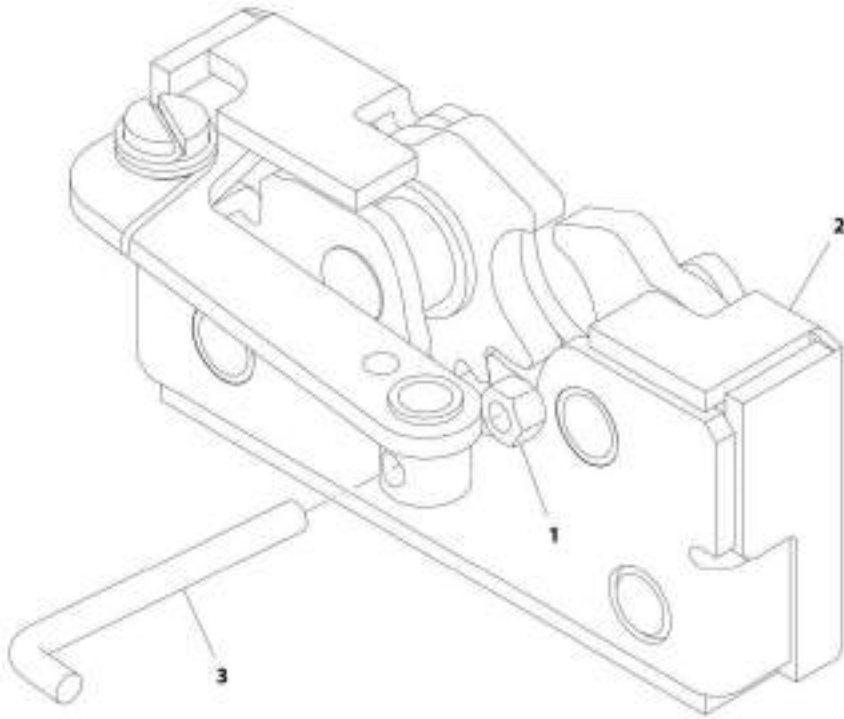
ART_1001205123-E

FIGURE 6-11. DOOR UPPER GLASS ASSEMBLY

ITEM	PART NUMBER	QTY	DESCRIPTION	REV
	1001205532	Ref	Door Upper Glass Assembly	E
1	0760812	1	Bolt, M8X25	
2	0760815	5	Bolt, M8X35	
3	4811900	11	Washer, 8MM	
4	1001002946	4	Mount, Hinge	
5	1001002947	1	Mount, Hinge	
6	1001002953	2	Mount, Rubber	
7	1001002957	2	Mount, Latch	
8	1001008857	5	Nut, Lock	
9	1001096365	11	Cap, M8	
10	1001141246	3	Mount, Rubber	
11	1001165275	1	Latch, Window	
12	1001166634	2	Pin, Hinge	
13	1001170944	1	Panel, Window Surround	
14	1001174321	1	Striker, Top Window	
15	1001204066	1	Glass, Window	
16	1001204115	2	Hinge	
17	1001222741	1	Buffer, Cab	
18	1001204120	1	Handle	
19	1001213331	1	Gasket	
20	1001215531	AR	Adhesive	

SECTION 6 - CAB

FIGURE 6-12. CAB LATCH ASSEMBLY



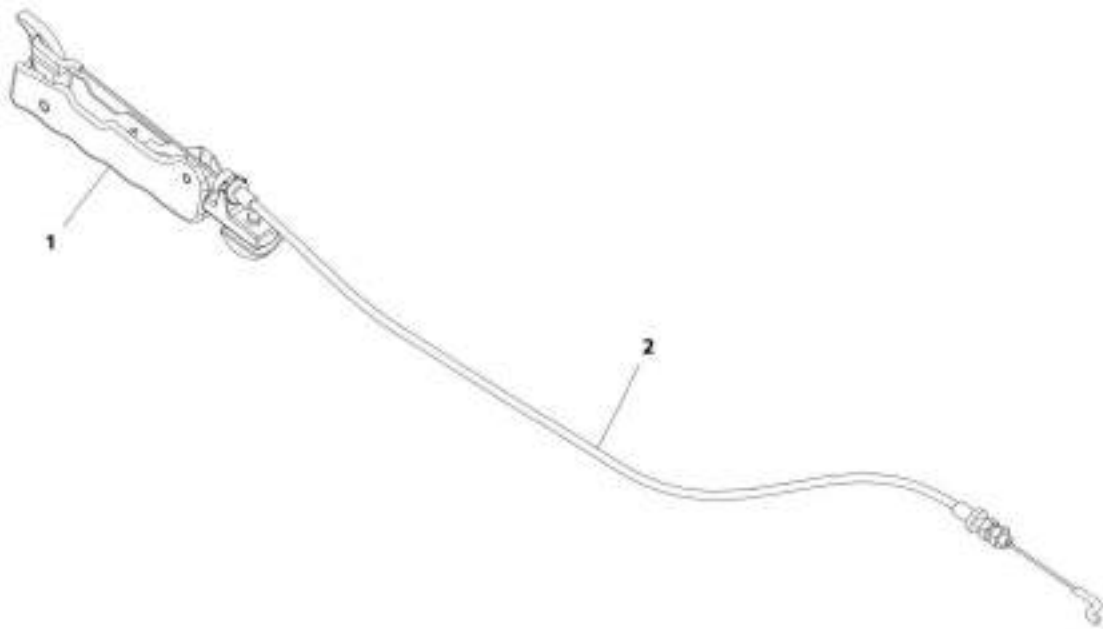
ART_1001182766-A

FIGURE 6-12. CAB LATCH ASSEMBLY

ITEM	PART NUMBER	QTY	DESCRIPTION	REV
	1001192766	Ref	Cab Latch Assembly	A
1	3290405	1	Nut, M4X0.7 Grade 8	
2	1001192643	1	Latch	
3	1001192755	1	Link, Door Handle	

SECTION 6 - CAB

FIGURE 6-13. CAB DOOR TRIGGER ASSEMBLY



ART_1001107958-E

FIGURE 6-13. CAB DOOR TRIGGER ASSEMBLY

ITEM	PART NUMBER	QTY	DESCRIPTION	REV
	1001167958	Ref	Cab Door Trigger Assembly	E
1	1001167937	1	Trigger, Cab Interior Release	
2	1001192644	1	Cable, Cab Latch Release	

SECTION 6 - CAB

FIGURE 6-14. DOOR STRAP INSTALLATION

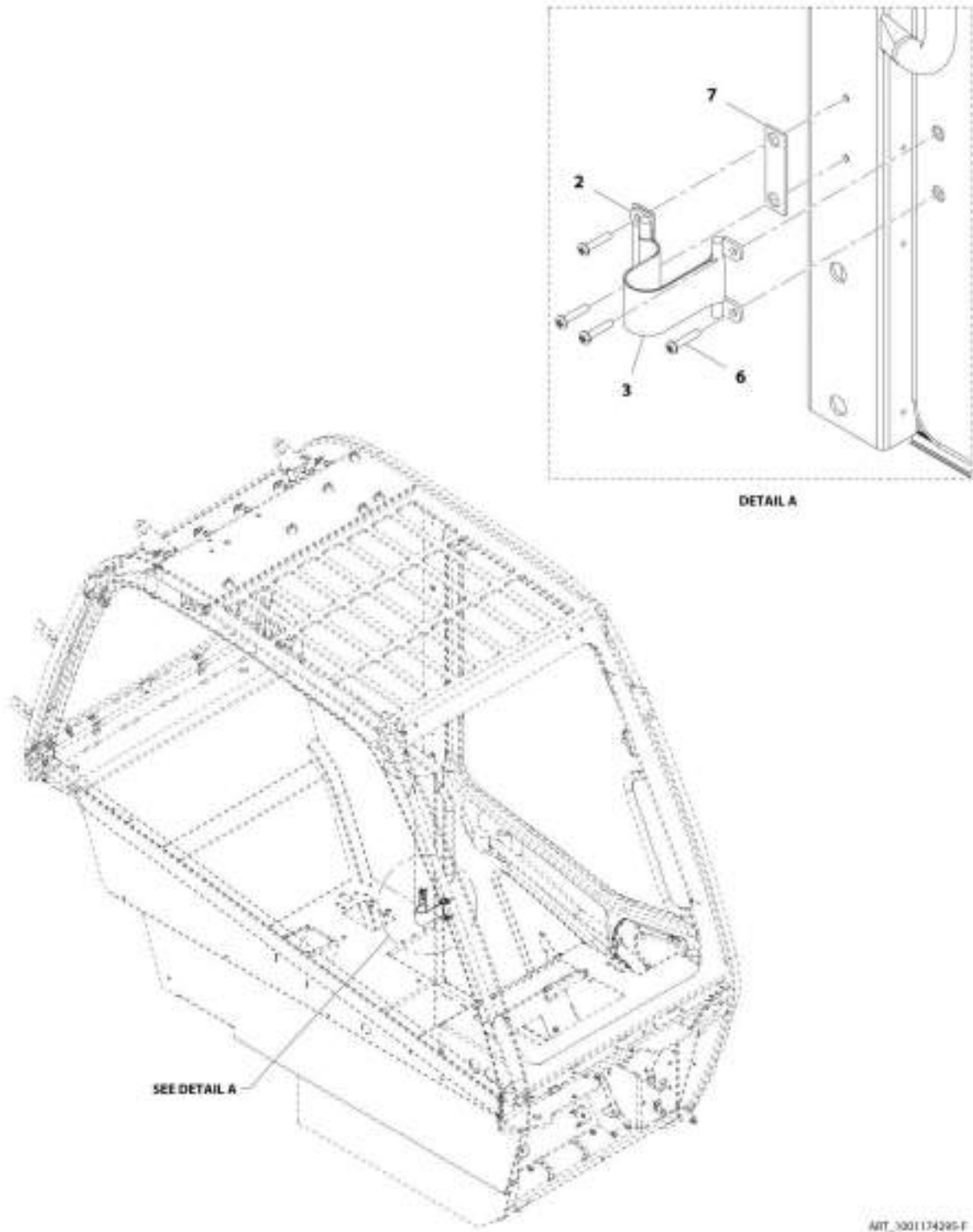
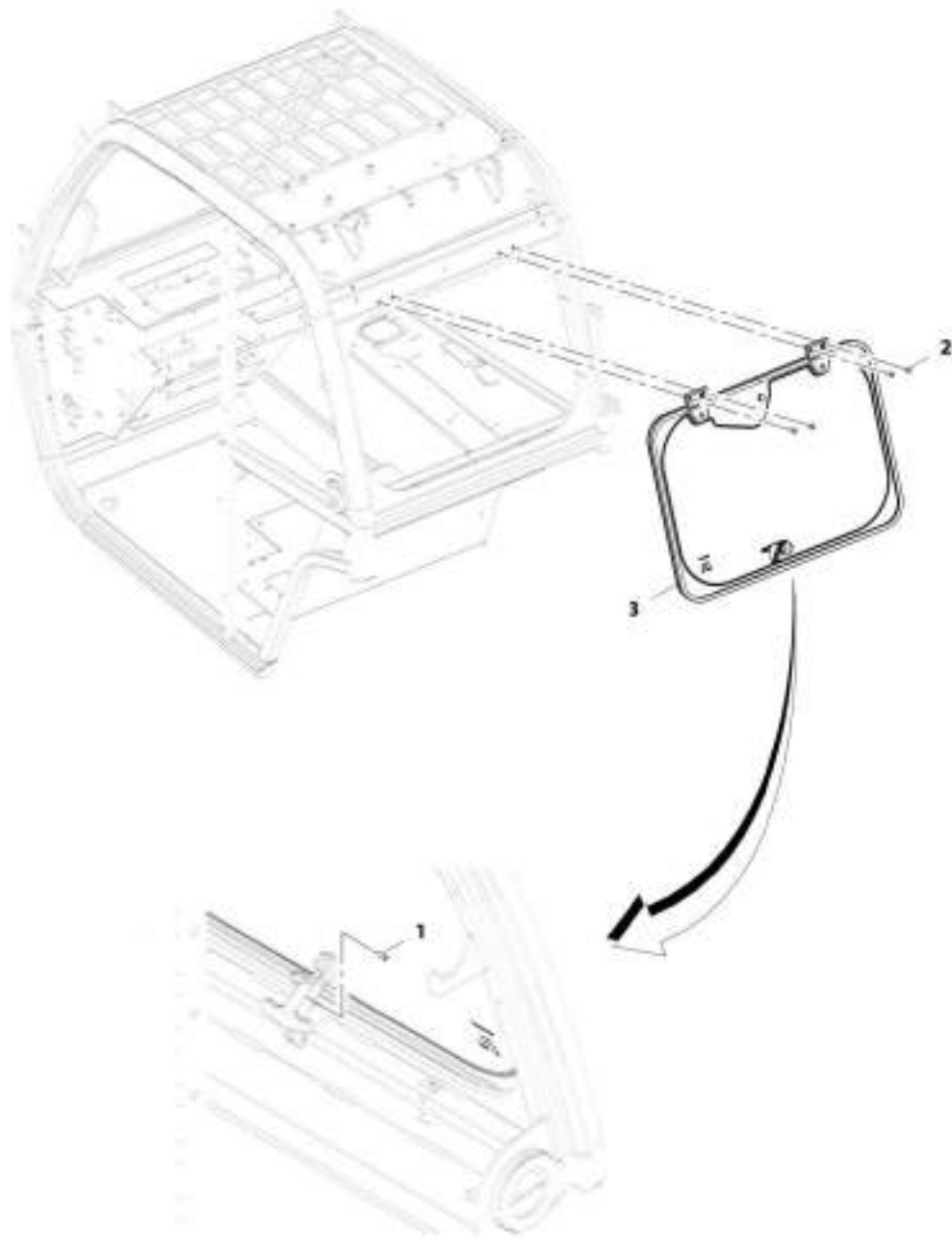


FIGURE 6-14. DOOR STRAP INSTALLATION

ITEM	PART NUMBER	QTY	DESCRIPTION	REV
	1001174295	Ref	Door Strap Installation	F
2	1001230163	2	Bracket, Strap Holder	
3	1001212011	1	Strap, Door Hold Open	
6	8310559	4	Screw	
7	1001191091	1	Plate, Cab Door Strap	

SECTION 6 - CAB

FIGURE 6-15. REAR WINDOW INSTALLATION



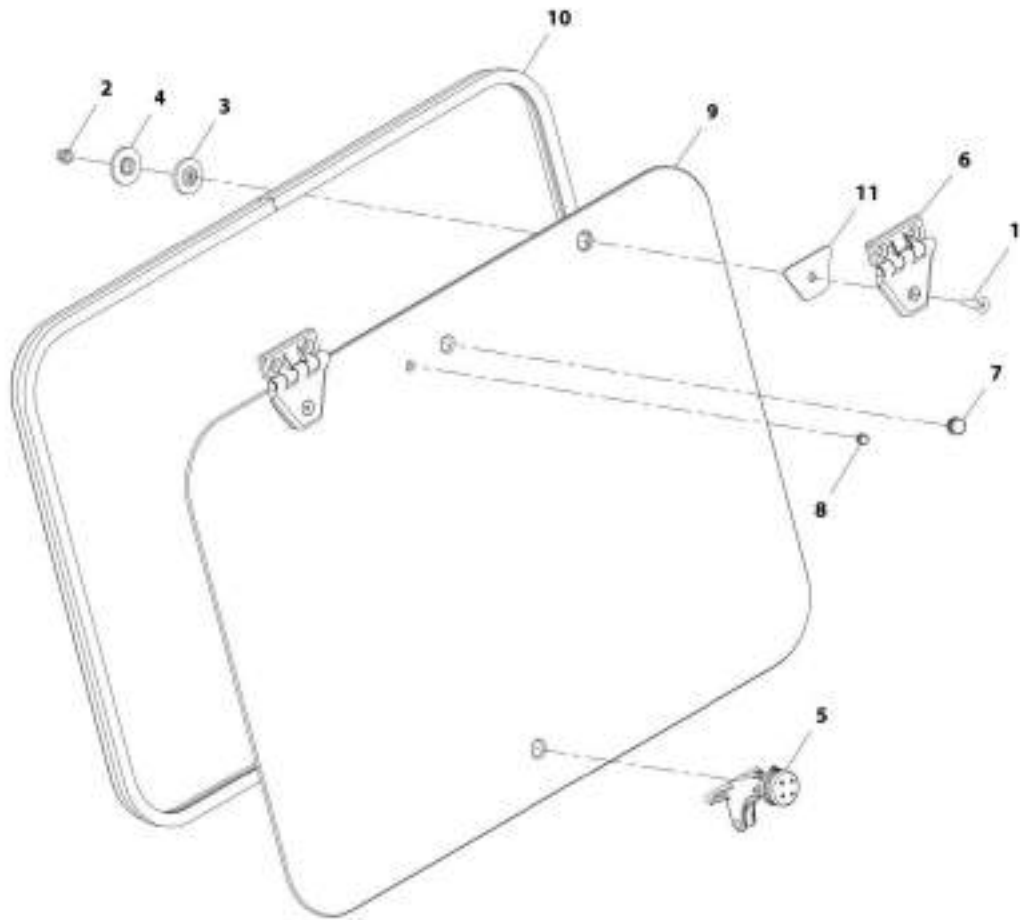
ART_100120330-A

FIGURE 6-15. REAR WINDOW INSTALLATION

ITEM	PART NUMBER	QTY	DESCRIPTION	REV
	1001220339	Ref	Rear Window Installation	A
1	1001003043	1	Pin, Spring	
2	1001097586	4	Screw, M8X1.25	
3	1001220338	1	Assembly, Rear Window (See Separate Breakdown in this Section)	

SECTION 6 - CAB

FIGURE 6-16. REAR WINDOW GROUP



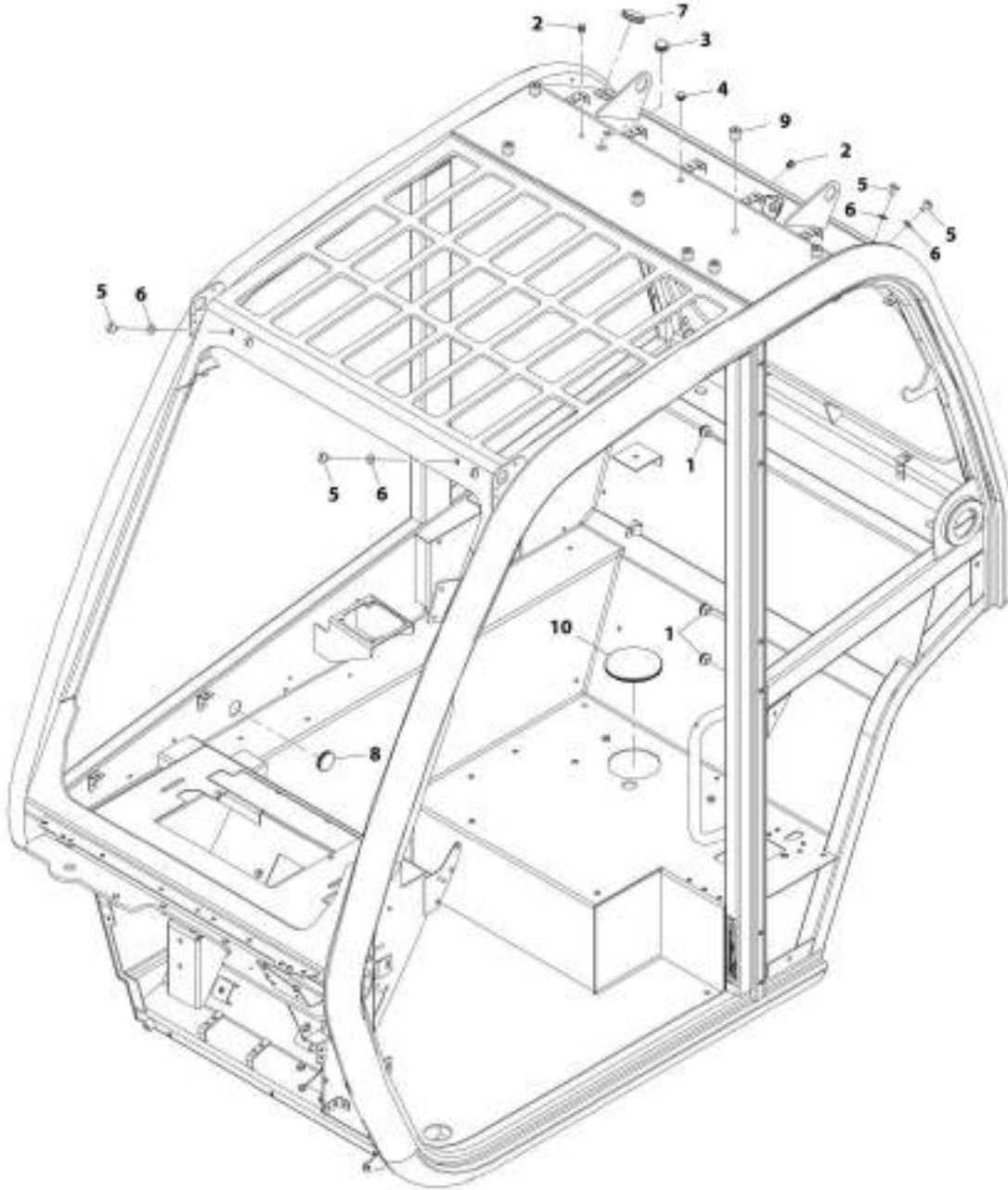
ART_180128338-A

FIGURE 6-16. REAR WINDOW GROUP

ITEM	PART NUMBER	QTY	DESCRIPTION	REV
	1001220338	Ref	Rear Window Group	A
1	2080078	2	Fastener, M8X30	
2	3290806	2	Nut, M8X1.25 Grade 8	
3	8000759	2	Spacer	
4	8004398	2	Spacer	
5	1001005368	1	Latch, Window	
6	1001139568	2	Hinge	
7	1001171182	1	Grommet	
8	1001171183	1	Grommet	
9	1001178680	1	Glass, Rear Window	
10	1001178681	1	Seal	
11	1001181411	2	Gasket, Rear Window Hinge	

SECTION 6 - CAB

FIGURE 6-17. CAB PLUG GROUP



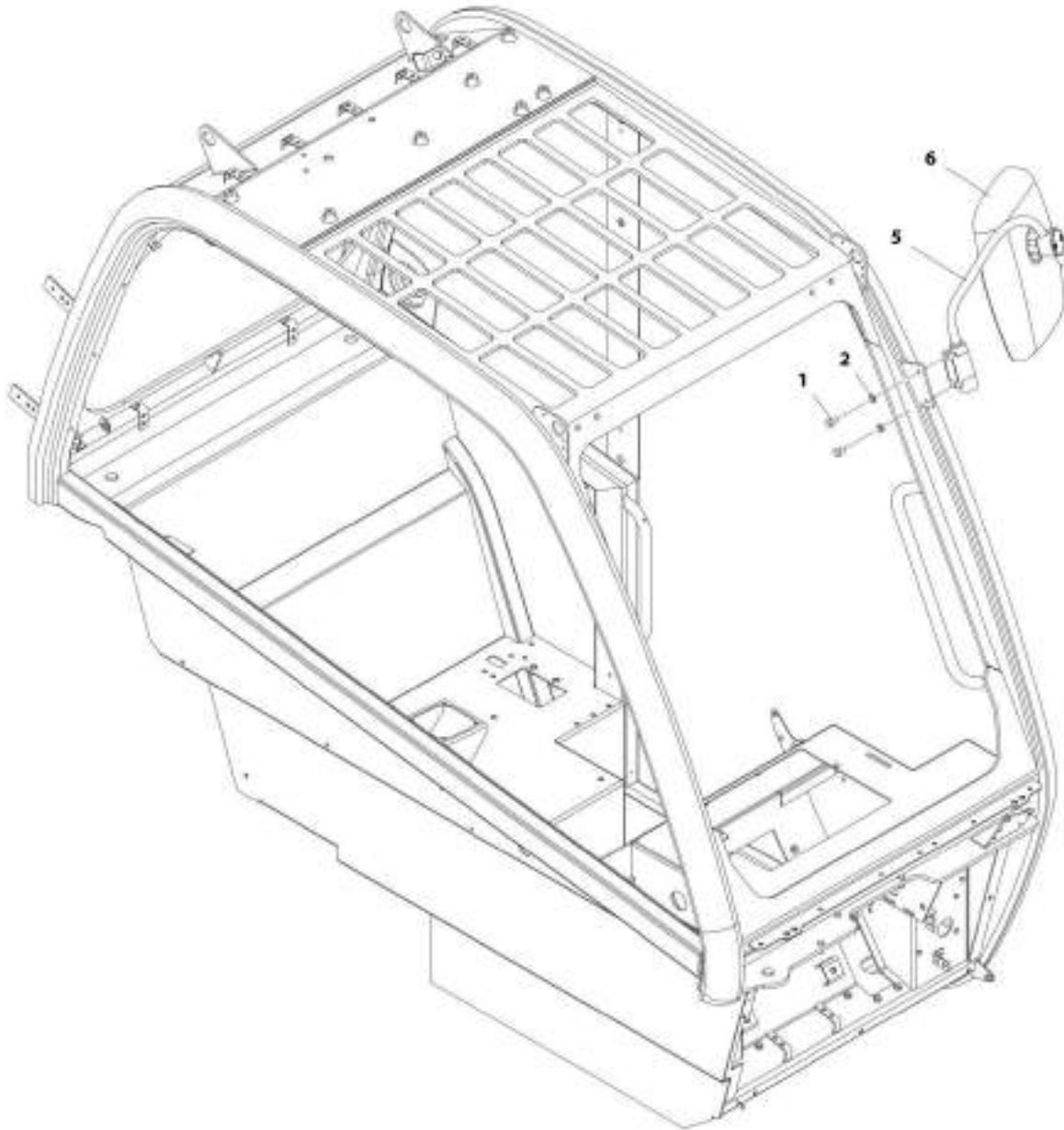
ART_1001100814-C

FIGURE 6-17. CAB PLUG GROUP

ITEM	PART NUMBER	QTY	DESCRIPTION	REV
	1001195814	Ref	Cab Plug Group	C
1	1001143200	7	Plug	
2	1001176272	3	Plug	
3	1001176273	1	Plug	
4	1001176626	1	Plug	
5	1001181920	8	Screw, Nylon M8X16	
6	1001181921	8	Washer, Rubber M8	
7	1001182123	2	Plug	
8	1001182139	1	Plug	
9	1001219220	7	Plug	
10	1001209899	1	Plug	

SECTION 6 - CAB

FIGURE 6-18. BASIC MIRROR INSTALLATION



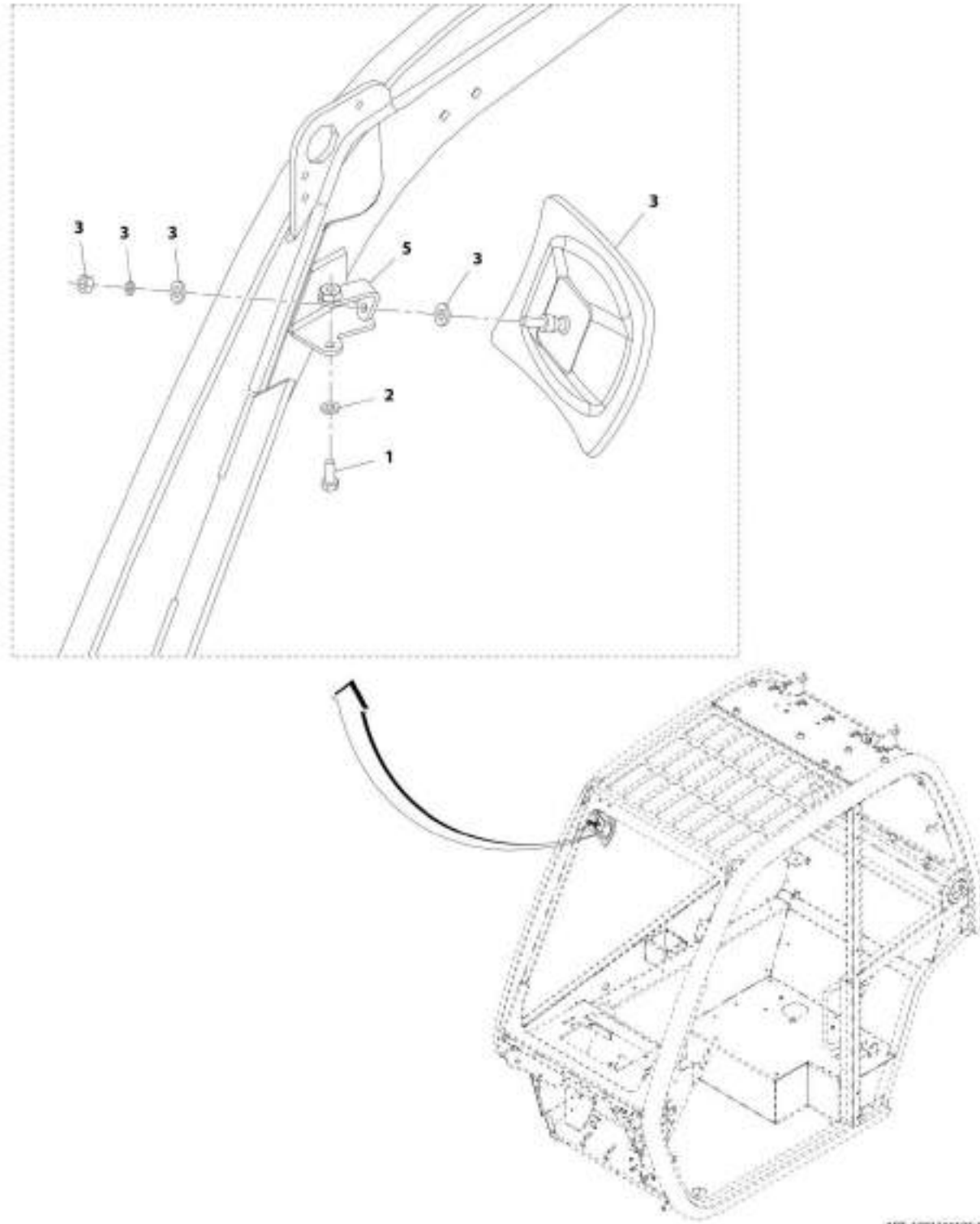
AWT_1001160509 E

FIGURE 6-18. BASIC MIRROR INSTALLATION

ITEM	PART NUMBER	QTY	DESCRIPTION	REV
	1001160508	Ref	Basic Mirror Installation	E
1	0760808	2	Bolt, M8X16	
2	4811900	2	Washer, M8	
5	1001164655	1	Bracket	
6	80363195	1	Mirror	

SECTION 6 - CAB

FIGURE 6-19. INTERIOR MIRROR INSTALLATION



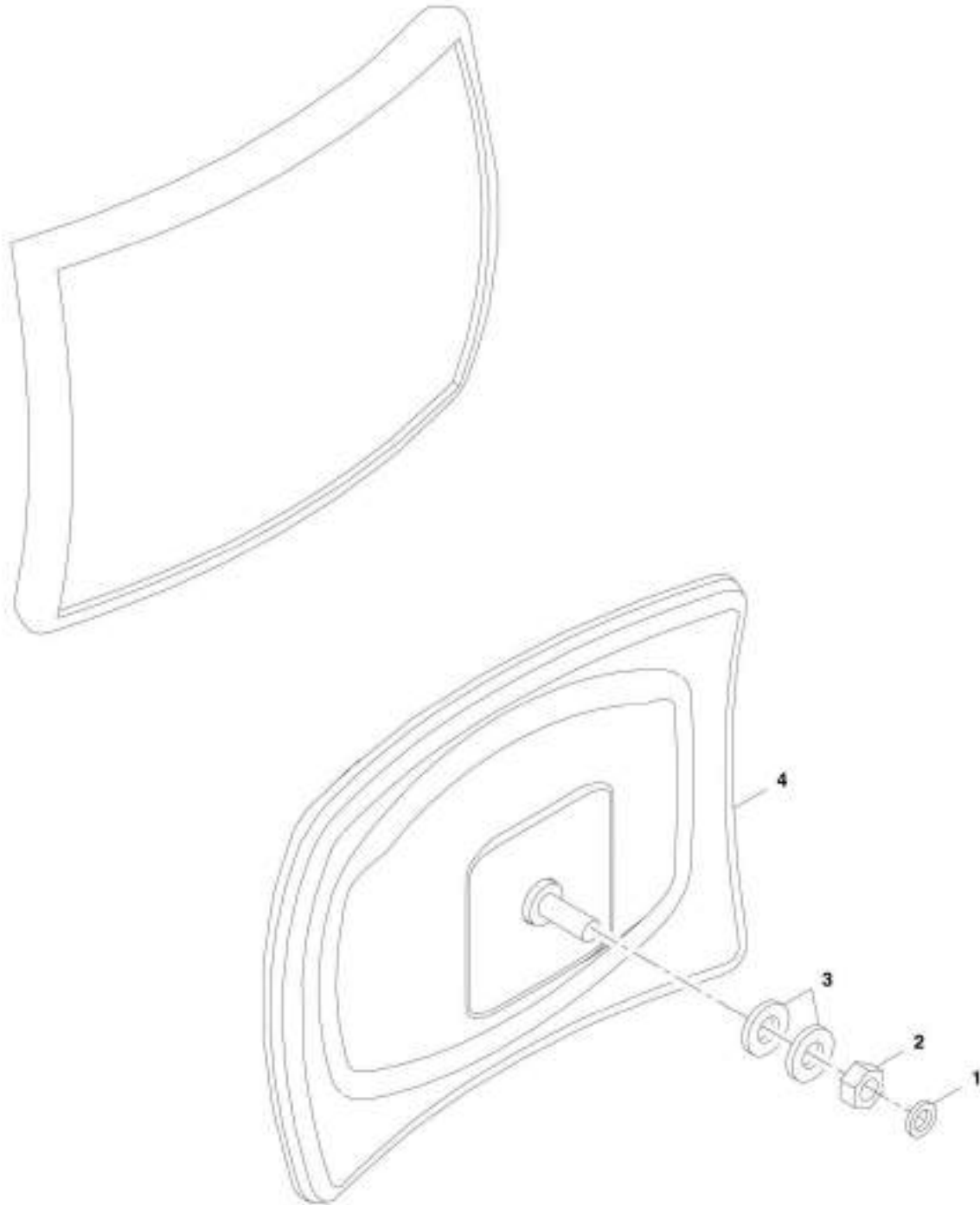
ART_1001166192-C

FIGURE 6-19. INTERIOR MIRROR INSTALLATION

ITEM	PART NUMBER	QTY	DESCRIPTION	REV
	1001166192	Ref	Interior Mirror Installation	C
1	0760608	1	Bolt, M6X16	
2	4811700	1	Washer, M6	
3	1001007641	1	Mirror, Interior (See Separate Breakdown in this Section)	
5	1001166191	1	Bracket	

SECTION 6 - CAB

FIGURE 6-20. INTERIOR MIRROR



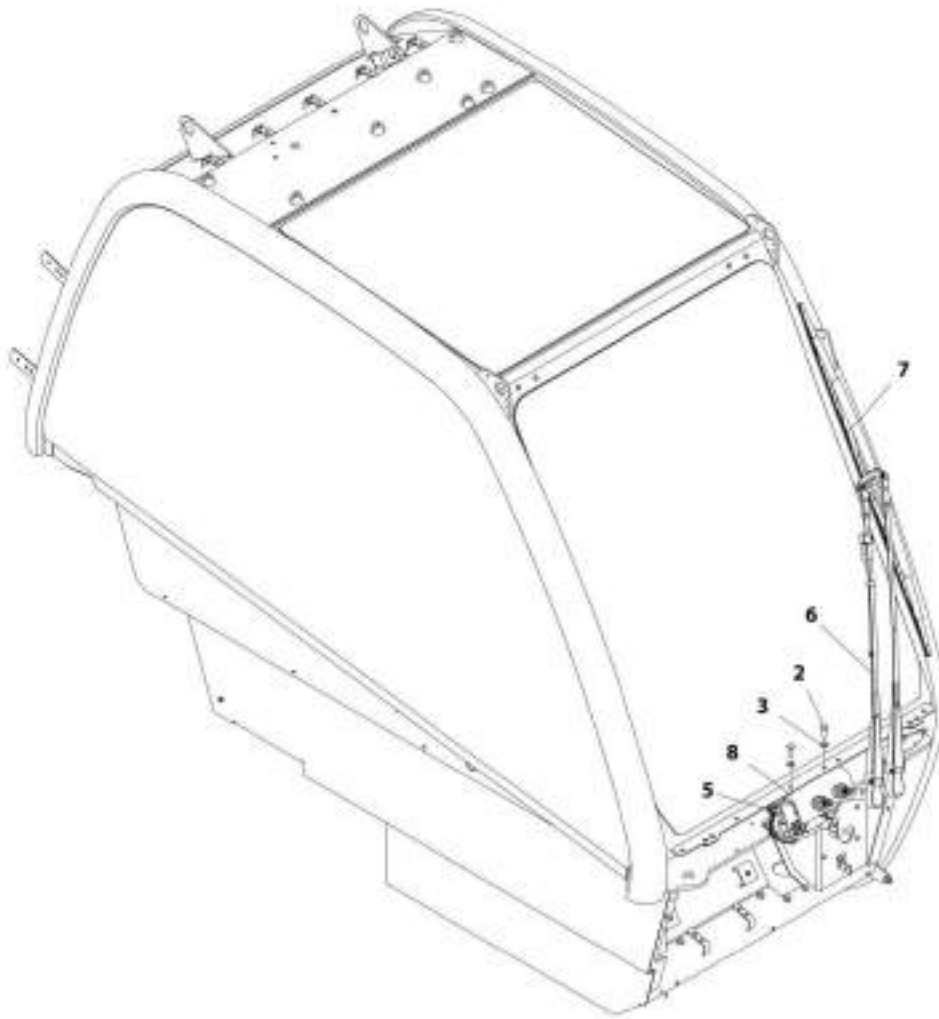
ART_1069007641-0

FIGURE 6-20. INTERIOR MIRROR

ITEM	PART NUMBER	QTY	DESCRIPTION	REV
	1001007641	Ref	Mirror, Interior	B
1	1001008475	1	Washer, Lock 12	
2	1001008604	1	Nut	
3	1001009124	2	Washer	
4	1001010839	1	Mirror	

SECTION 6 - CAB

FIGURE 6-21. FRONT WIPER INSTALLATION



ART_9001155447-G

FIGURE 6-21. FRONT WIPER INSTALLATION

ITEM	PART NUMBER	QTY	DESCRIPTION	REV
	1001155447	Ref	Front Wiper Installation	G
2	0760810	2	Bolt, M8X20	
3	4811900	2	Washer, M8	
5	1001214092	1	Motor, Front Wiper	
6	1001212369	1	Arm, Front Wiper	
7	1001141281	1	Blade, Wiper	
8	1001165637	1	Bracket	

SECTION 6 - CAB

FIGURE 6-22. WASHER TANK INSTALLATION

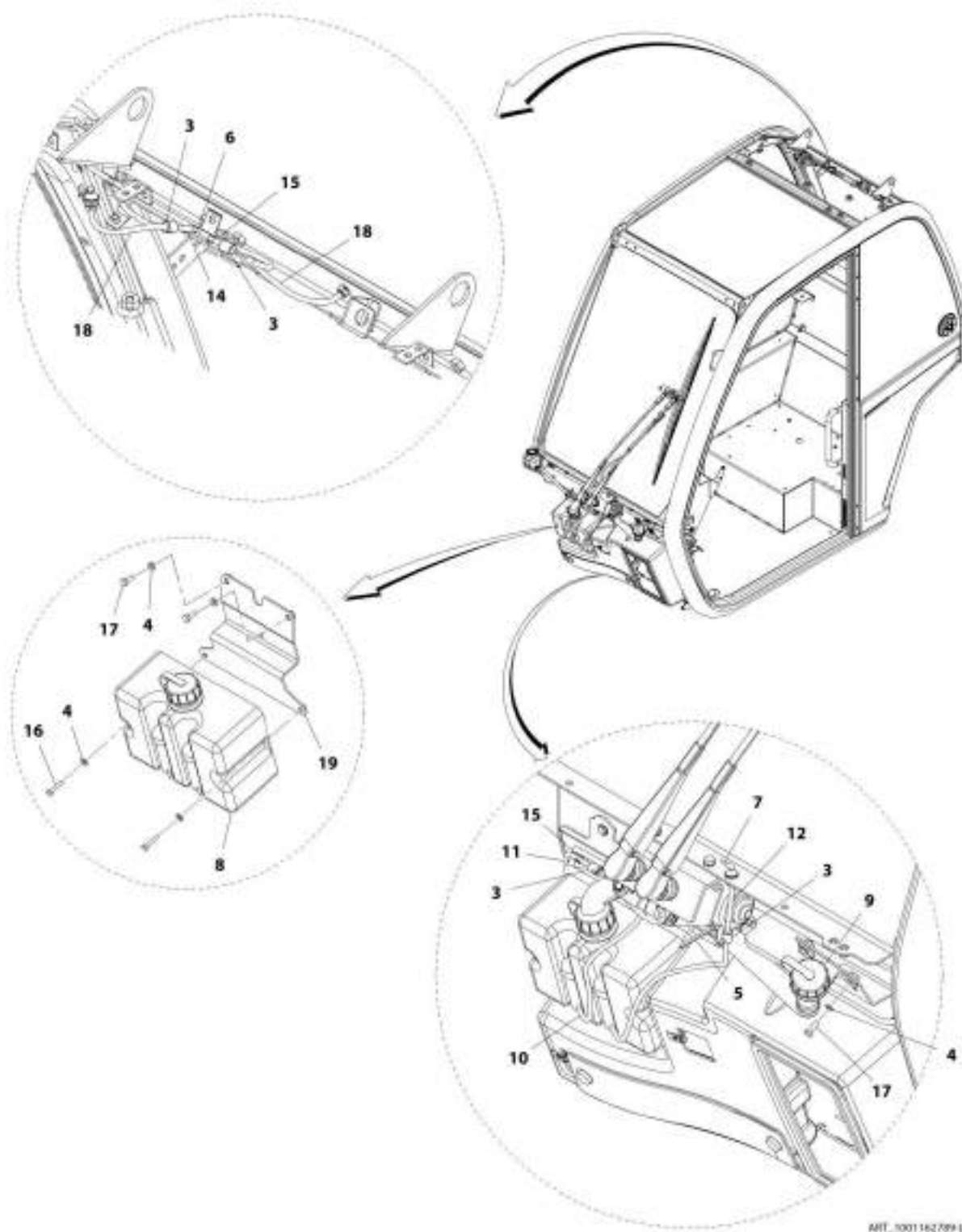
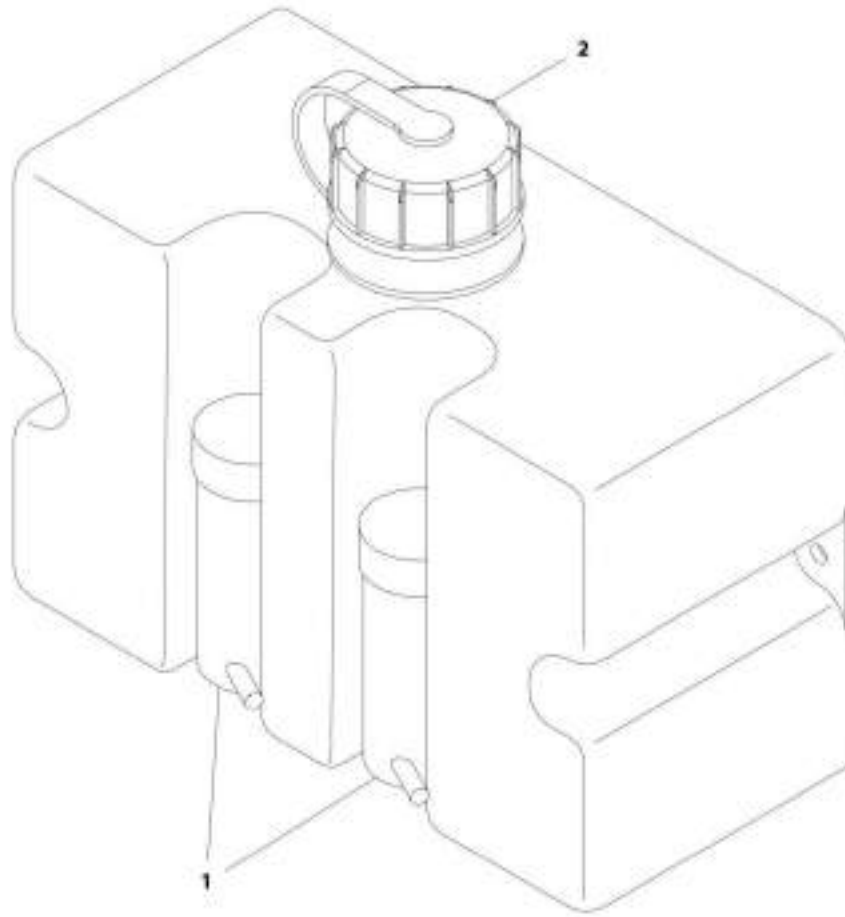


FIGURE 6-22. WASHER TANK INSTALLATION

ITEM	PART NUMBER	QTY	DESCRIPTION	REV
	1001162789	Ref	Washer Tank Installation	L
3	1001201331	4	Valve, Check	
4	4811700	6	Washer, M6	
5	471678	2	Strap, Tie	
6	1001008742	1	Coupling, Tee	
7	1001090343	1	Connector	
8	1001165269	1	Bottle, Washer (See Separate Breakdown in this Section)	
9	1001165270	1	Hose, Washer Filler	
10	1001165351	2	Hose	
11	1001165407	1	Hose	
12	1001165416	1	Hose	
14	1001165455	2	Hose	
15	1001165458	16	Hose	
16	0760512	2	Bolt M5X25	
17	0760608	4	Bolt, M6X16	
18	1001178123	2	Hose	
19	1001171756	1	Bracket	

SECTION 6 - CAB

FIGURE 6-23. WASHER BOTTLE



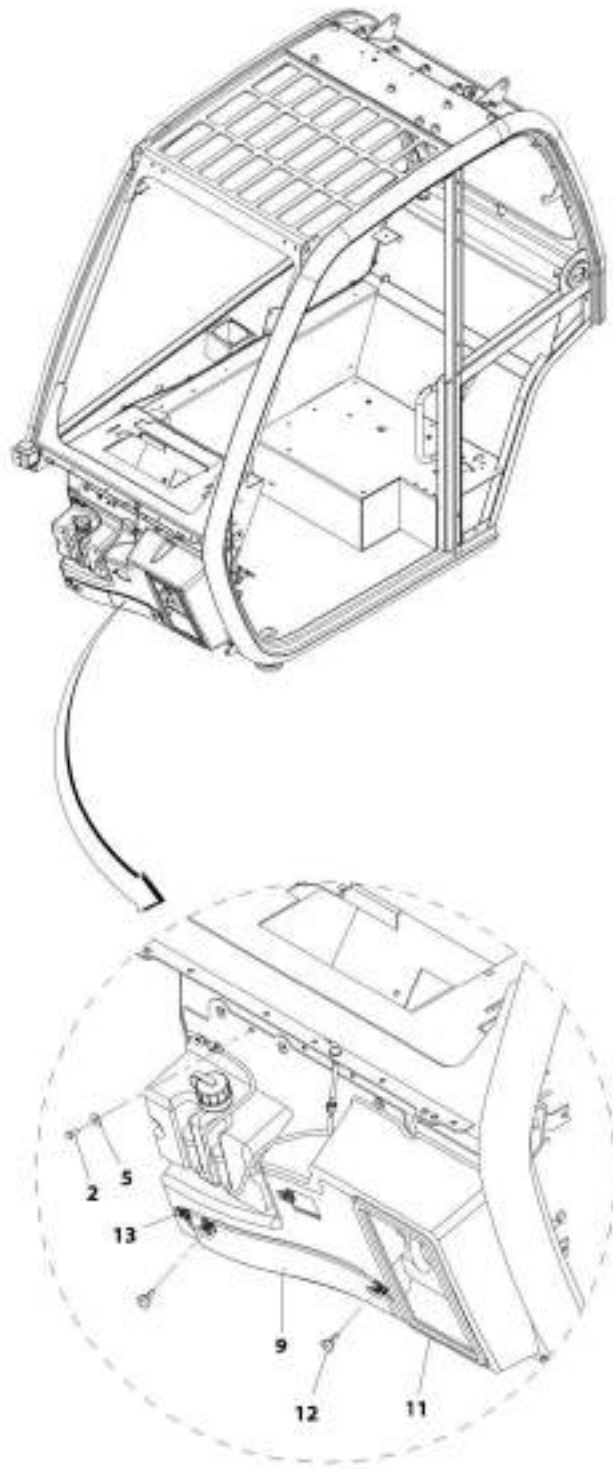
ART. 100193269-8

FIGURE 6-23. WASHER BOTTLE

ITEM	PART NUMBER	QTY	DESCRIPTION	REV
	1001165269	Ref	Washer Bottle	B
1	1001165327	2	Motor, Washer	
2	1001165273	1	Cap, Washer	

SECTION 6 - CAB

FIGURE 6-24. FRONT COVER INSTALLATION



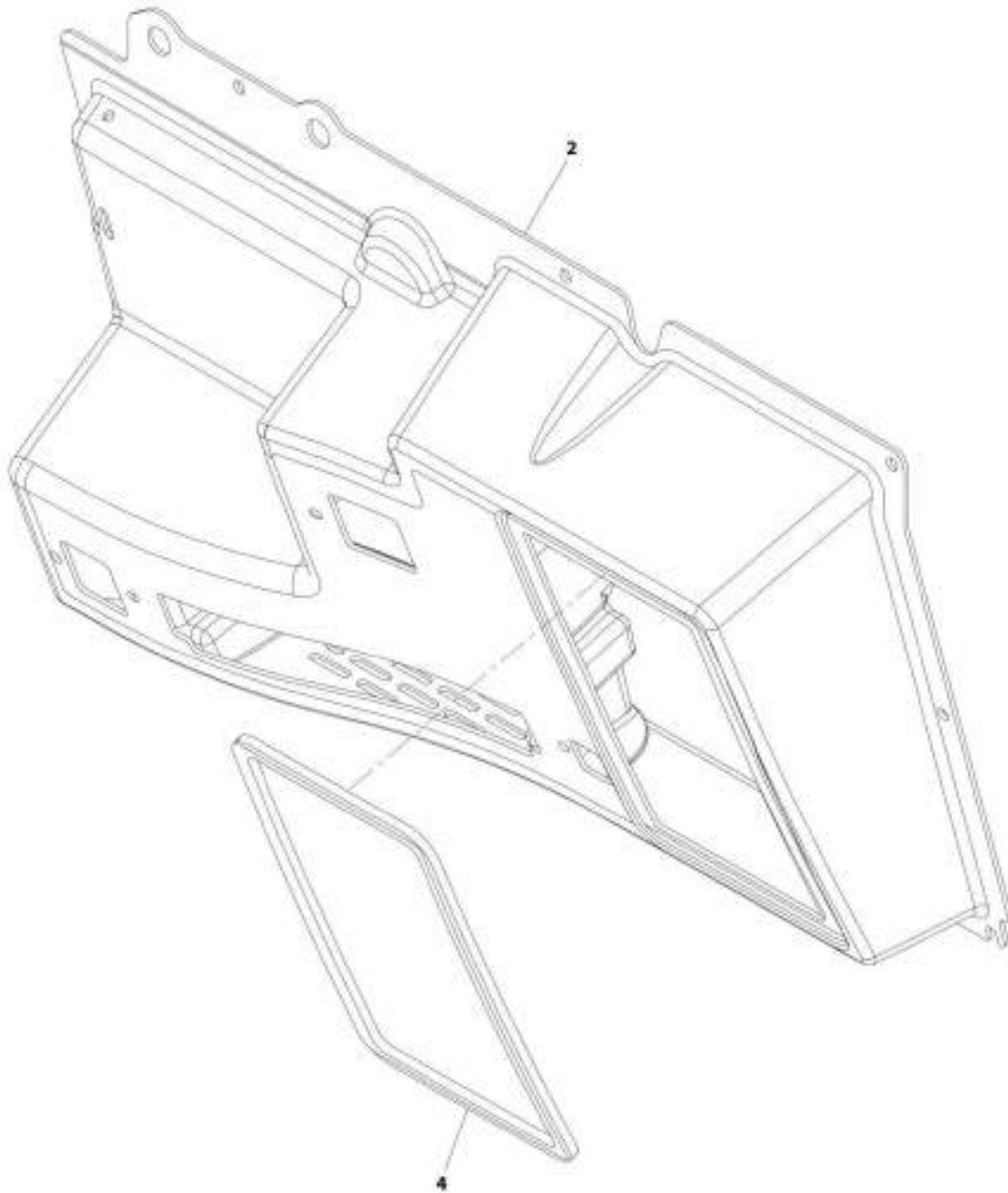
ART_100170M6-G

FIGURE 6-24. FRONT COVER INSTALLATION

ITEM	PART NUMBER	QTY	DESCRIPTION	REV
	1001170366	Ref	Front Cover Installation	G
2	0760608	7	Bolt, M6X16	
5	4811702	7	Washer, M6	
9	1001175471	1	Panel, Filter Tray (See Separate Breakdown in this Section)	
11	1001176121	1	Cover, Front Duct (See Separate Breakdown in this Section)	
12	2080092	2	Thumb Screw, M6X16	
13	8305919	4	Nut, M6	

SECTION 6 - CAB

FIGURE 6-25. FRONT DUCT COVER



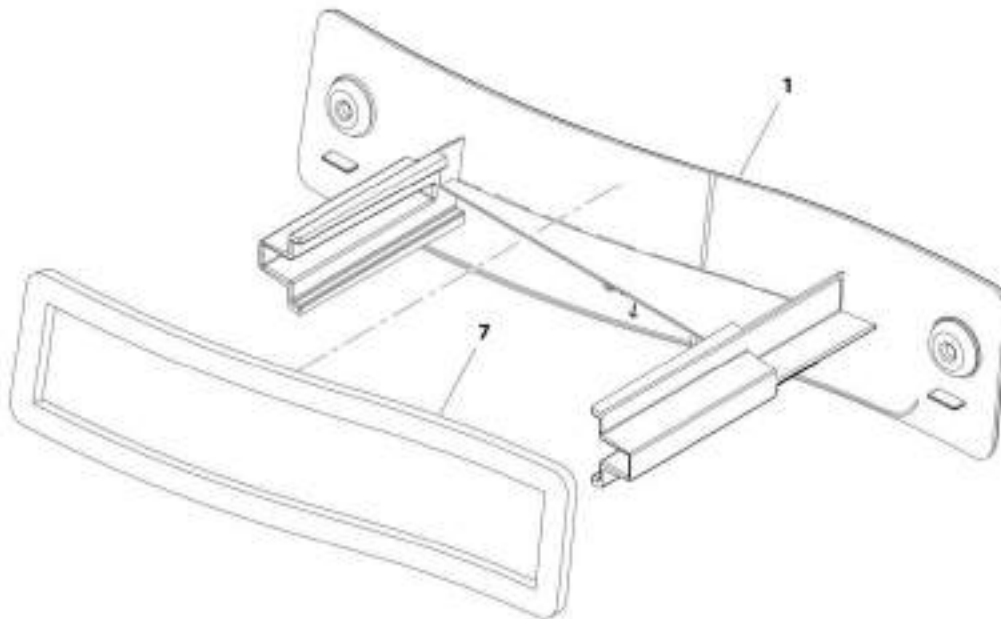
ART_3001176121-G

FIGURE 6-25. FRONT DUCT COVER

ITEM	PART NUMBER	QTY	DESCRIPTION	REV
	1001176121	Ref	Font Duct Cover	G
2	1001170326	1	Cover, Front	
4	1001175470	1	Seal, Front Cab Panel	

SECTION 6 - CAB

FIGURE 6-26. FILTER TRAY PANEL



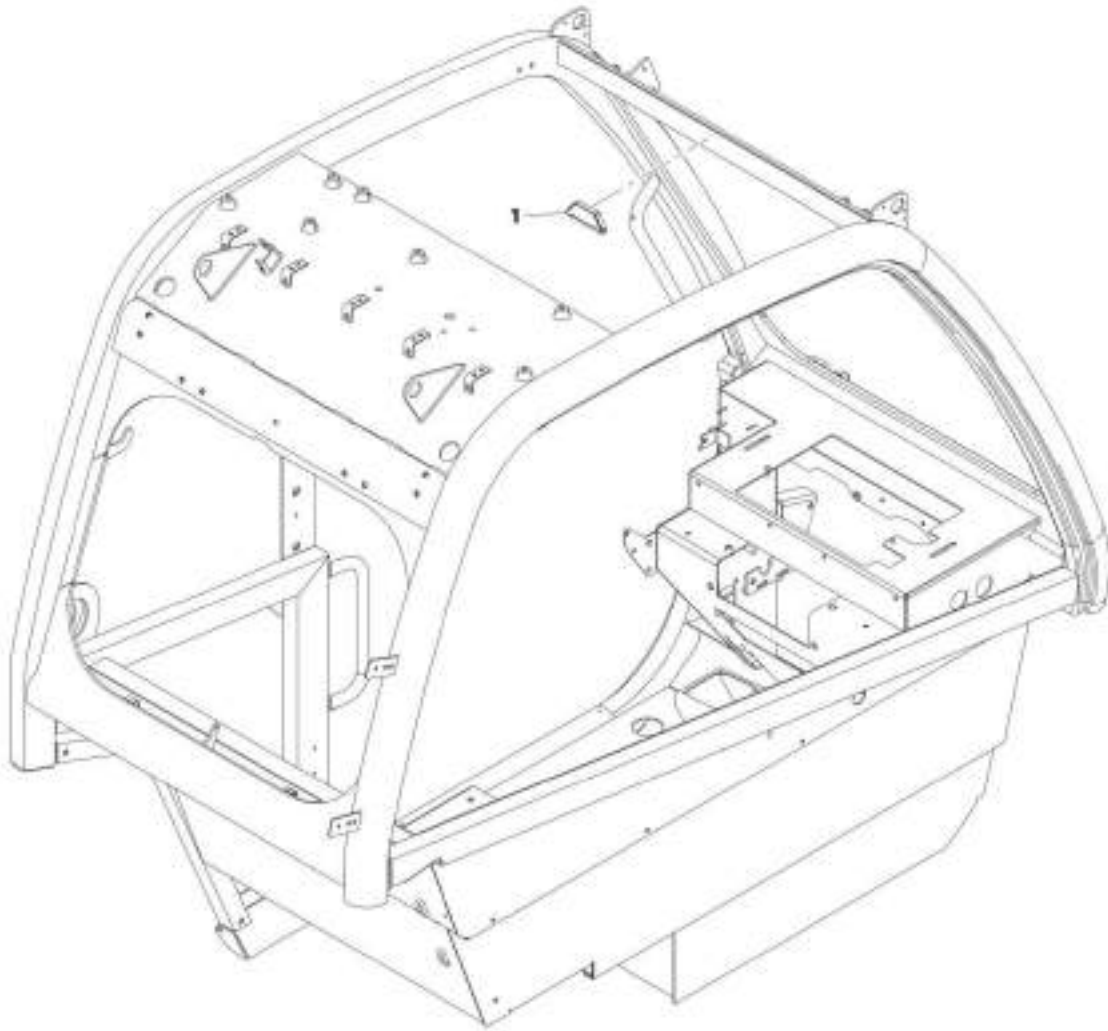
ART_100175471-D

FIGURE 6-26. FILTER TRAY PANEL

ITEM	PART NUMBER	QTY	DESCRIPTION	REV
	1001175471	Ref	Filter Tray Panel	D
1	1001170993	1	Panel, Front Inlet	
7	1001171767	1	Cab, Front Panel Seal	

SECTION 6 - CAB

FIGURE 6-27. LEVEL INDICATOR INSTALLATION



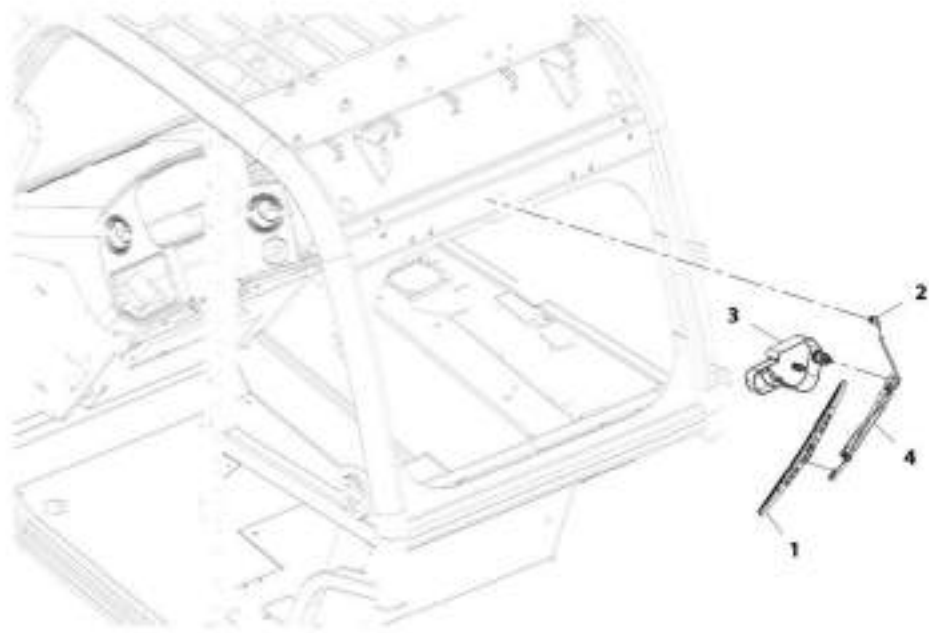
ART_100172401-C

FIGURE 6-27. LEVEL INDICATOR INSTALLATION

ITEM	PART NUMBER	QTY	DESCRIPTION	REV
1	1001172401 8466306	Ref 1	Level Indicator Installation Gauge, Tilt Angle	C

SECTION 6 - CAB

FIGURE 6-28. REAR WIPER INSTALLATION



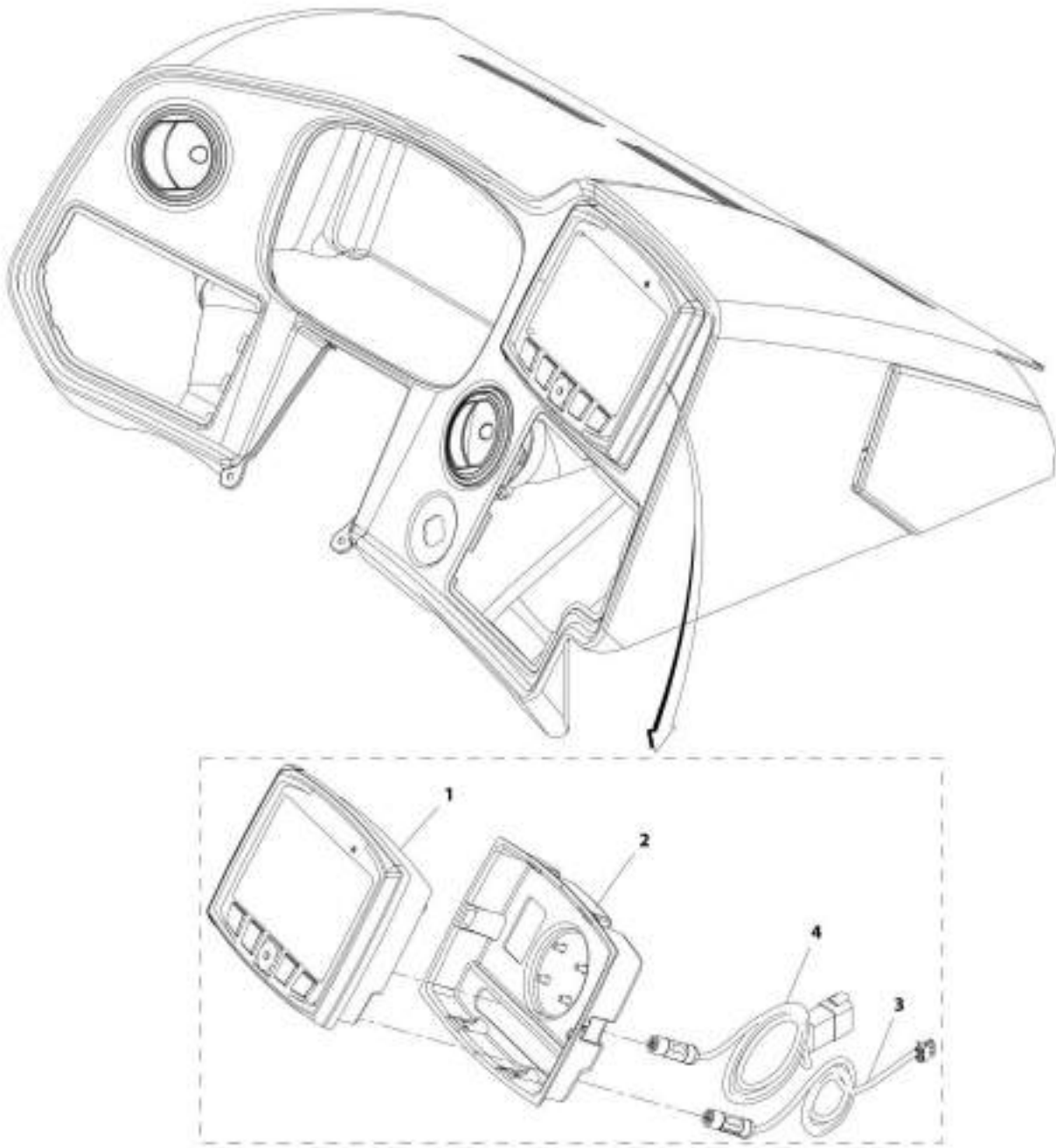
ART_100120320-A

FIGURE 6-28. REAR WIPER INSTALLATION

ITEM	PART NUMBER	QTY	DESCRIPTION	REV
	1001220329	Ref	Rear Wiper Installation	A
1	4807718	1	Wiper Blade, Oslv Italia	
2	1001090343	1	Connector	
3	1001139552	1	Motor, Wiper, Rear Window	
4	1001141312	1	Blade, Arm, Rear Window	

SECTION 6 - CAB

FIGURE 6-29. MULTIFUNCTION DISPLAY INSTALLATION



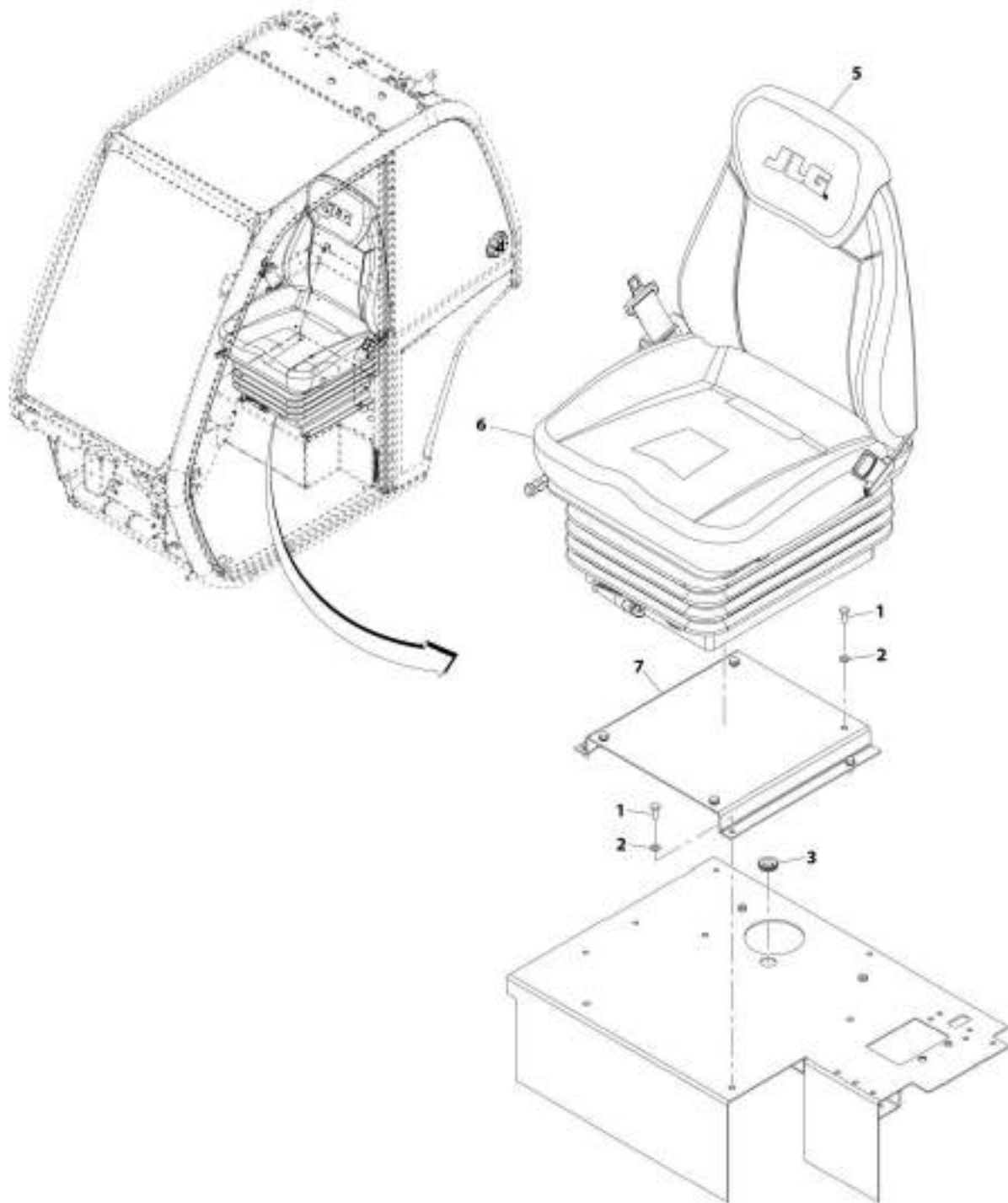
APP_1001170336-0

FIGURE 6-29. MULTIFUNCTION DISPLAY INSTALLATION

ITEM	PART NUMBER	QTY	DESCRIPTION	REV
	1001176338	Ref	Multifunction Display Installation	B
1	1001211357	1	Display	
2	1001178783	1	Bezel	
3	1001180682	1	Cable	
4	1001180683	1	Cable, Video	

SECTION 6 - CAB

FIGURE 6-30. SEAT INSTALLATION (CLOTH)



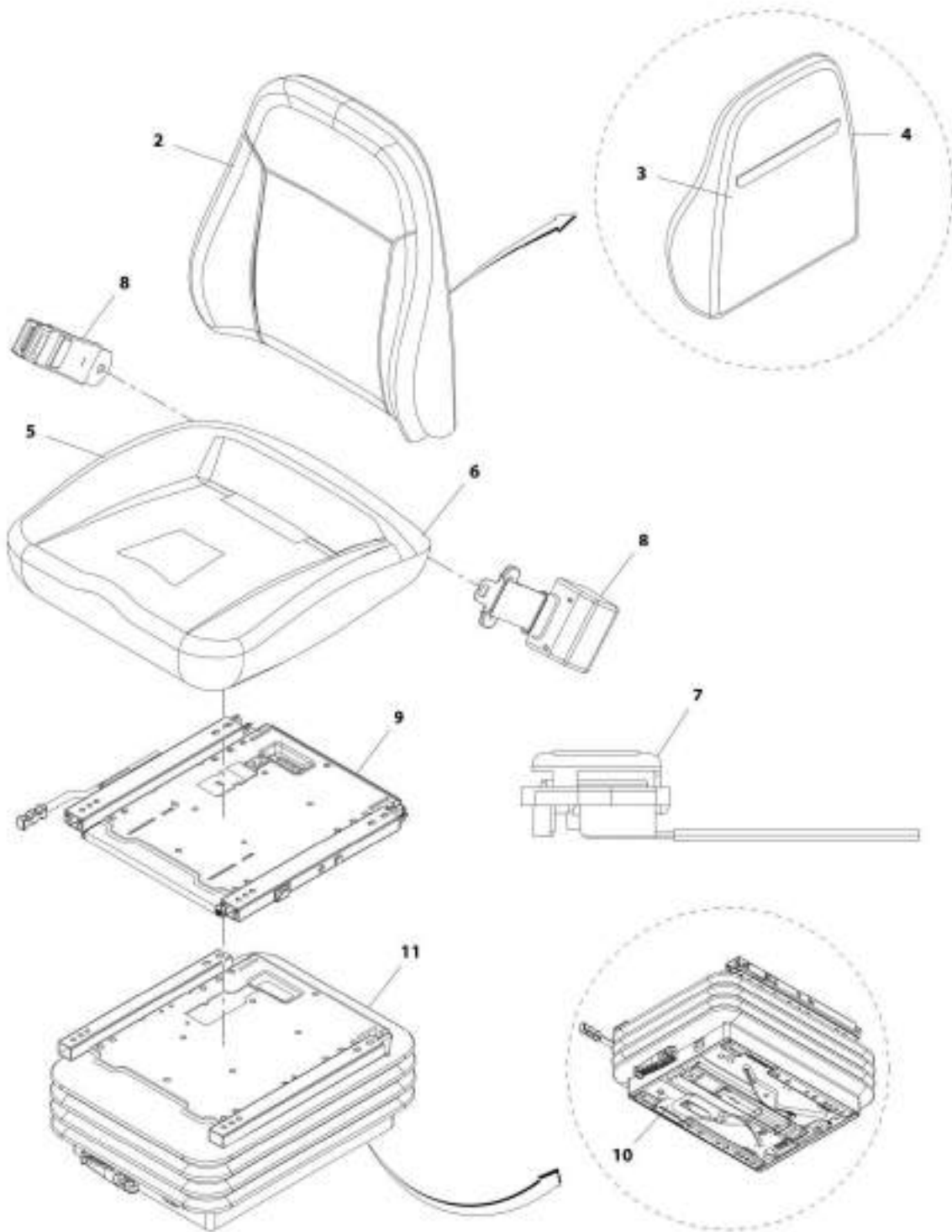
ART_100138601-0

FIGURE 6-30. SEAT INSTALLATION (CLOTH)

ITEM	PART NUMBER	QTY	DESCRIPTION	REV
	1001158601	Ref	Seat Installation (Cloth)	D
1	0760810	8	Bolt, M8X20	
2	4811900	8	Washer, M8	
3	1001216974	1	Grommet	
5	1001119467	1	Headrest, Cloth	
6	1001150294	1	Assembly, Seat (See Separate Breakdown in this Section)	
7	1001158738C	1	Plinth, Seat	

SECTION 6 - CAB

FIGURE 6-31. SEAT ASSEMBLY



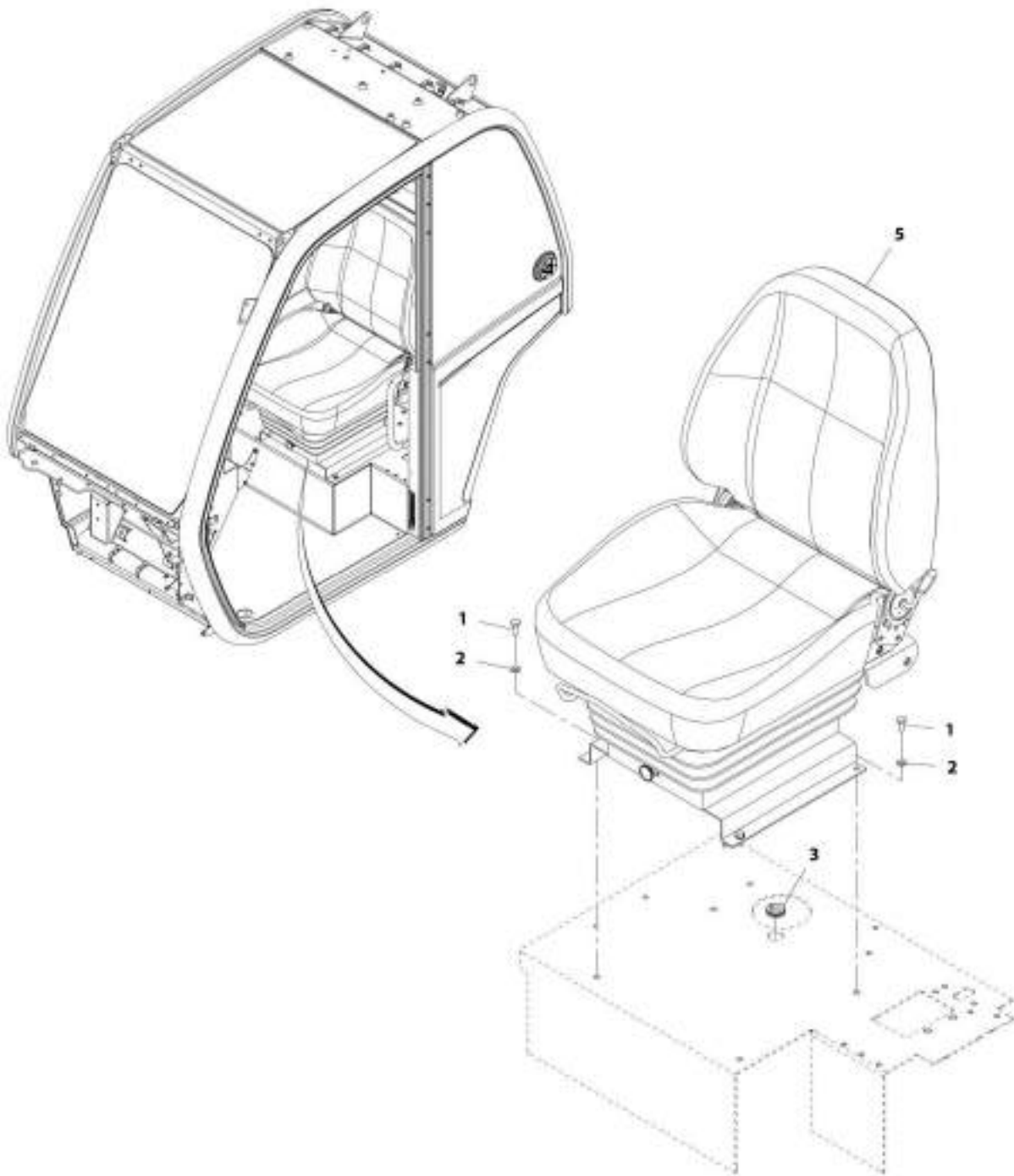
ART_1001190294-E

FIGURE 6-31. SEAT ASSEMBLY

ITEM	PART NUMBER	QTY	DESCRIPTION	REV
	1001150294	1	Seat Assembly	E
2	70025489	1	Fabric, Upper Seat	
3	70025490	1	Cover, Back	
4	70025483	1	Foam, Back	
5	70025491	1	Cover, Seat	
6	70025485	1	Foam, Seat	
7	70025486	1	Switch, Contact	
8	7029767	1	Belt, Seat	
9	70021252	1	Rail, Slide	
10	70021251	1	Unit, Suspension	
11	70022034	1	Cover, Rubber	

SECTION 6 - CAB

FIGURE 6-32. SEAT INSTALLATION (AIR SUSPENSION - STANDARD)



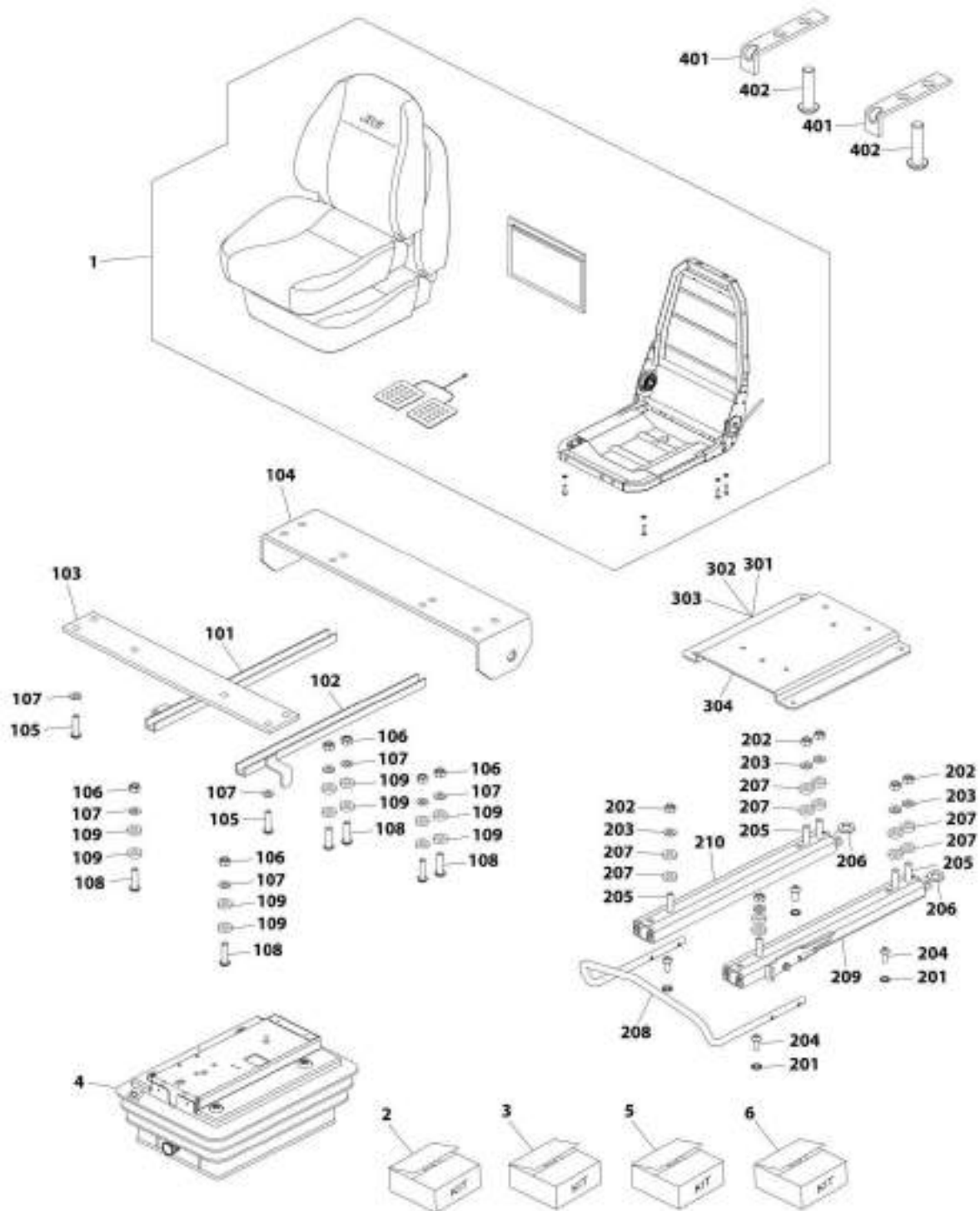
ART_100119836-D

FIGURE 6-32. SEAT INSTALLATION (AIR SUSPENSION - STANDARD)

ITEM	PART NUMBER	QTY	DESCRIPTION	REV
	1001158596	Ref	Seat Installation (Standard)	D
1	0760810	4	Bolt, M8X20	
2	4811900	4	Washer, M8	
3	1001216974	1	Grommet	
5	1001165573	1	Assembly, Seat (See Separate Breakdown in this Section)	

SECTION 6 - CAB

FIGURE 6-33. SEAT ASSEMBLY (AIR SUSPENSION - STANDARD)



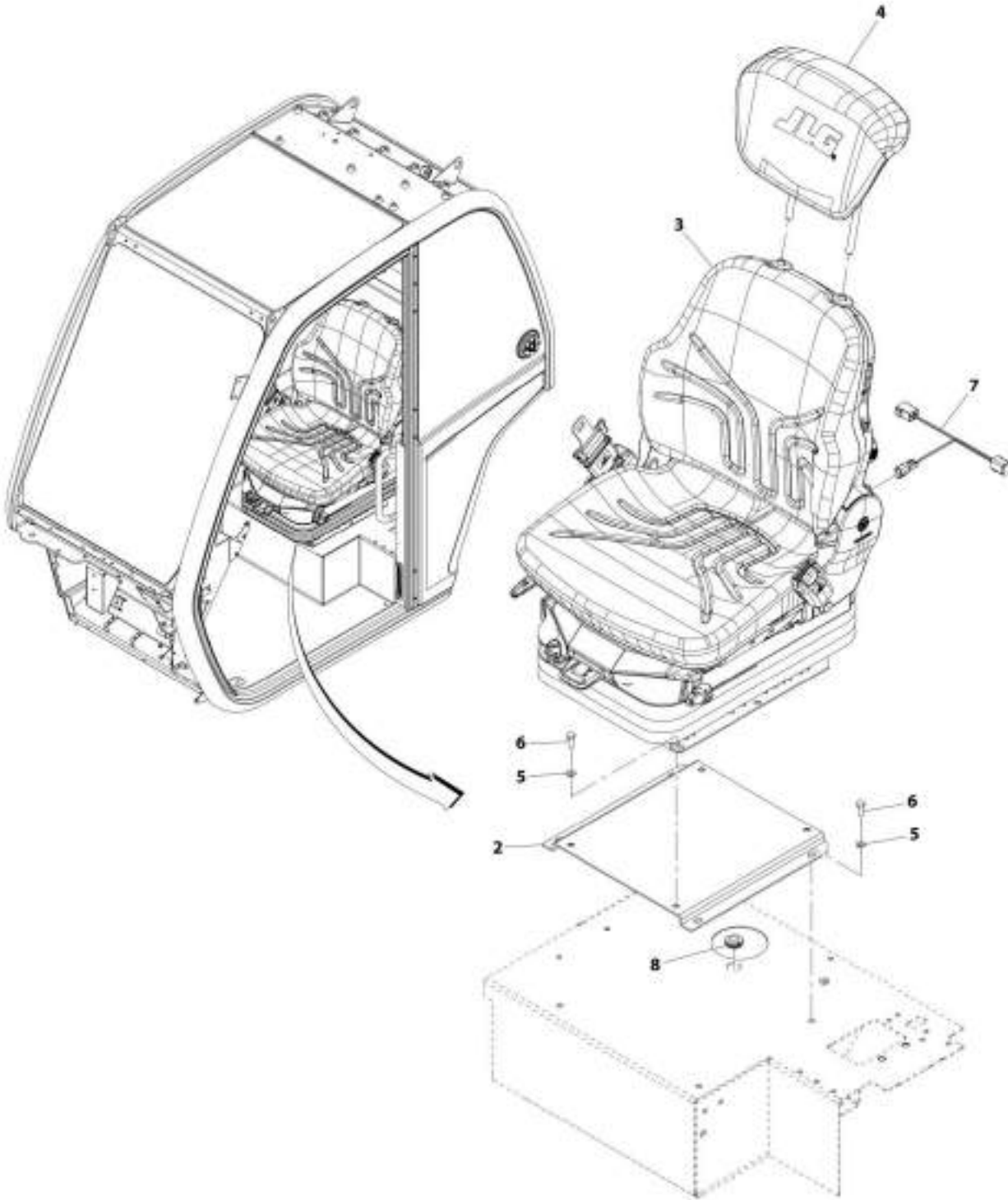
ART_1001185575-C

FIGURE 6-33. SEAT ASSEMBLY (AIR SUSPENSION - STANDARD)

ITEM	PART NUMBER	QTY	DESCRIPTION	REV
	1001165573	1	Seat Assembly	C
1	70027392	1	Assembly, Upper Seat (See Separate Breakdown in this Section)	
2	70021317	1	Kit, Cross Strap (includes items 101 thru 109)	
3	70021318	1	Kit, Fore and Aft Adjustment (includes items 201 thru 210)	
4	70021319	1	Kit, Suspension (See Separate Breakdown in this Section)	
5	70027395	1	Kit, Adapter Plate (includes items 301 thru 304)	
6	70021322	1	Kit, Slide Rail Stop (includes items 401 & 402)	
101	N.S.S.	1	Channel	
102	N.S.S.	1	Channel	
103	N.S.S.	1	Plate, Strap	
104	N.S.S.	1	Plate, Strap	
105	N.S.S.	4	Bolt, M8X25	
106	N.S.S.	6	Nut, M8	
107	N.S.S.	10	Washer	
108	N.S.S.	6	Bolt, M8X30	
109	N.S.S.	12	Spacer	
201	N.S.S.	4	Washer, Spring M8	
202	N.S.S.	1	Nut, M8	
203	N.S.S.	1	Washer	
204	N.S.S.	1	Bolt, M8X16	
205	N.S.S.	1	Bolt, M8X30	
206	N.S.S.	1	Washer	
207	N.S.S.	1	Spacer	
208	N.S.S.	1	Handle	
209	N.S.S.	1	Rail, Slide	
210	N.S.S.	1	Rail, Slide	
301	N.S.S.	1	Bolt, M8X25	
302	N.S.S.	1	Bolt, M8X16	
303	N.S.S.	1	Washer	
304	N.S.S.	1	Plate, Adapter	
401	N.S.S.	1	Stop, Sliderrail	
402	N.S.S.	1	Bolt, M8X16	

SECTION 6 - CAB

FIGURE 6-34. SEAT INSTALLATION (AIR SUSPENSION - PREMIUM)



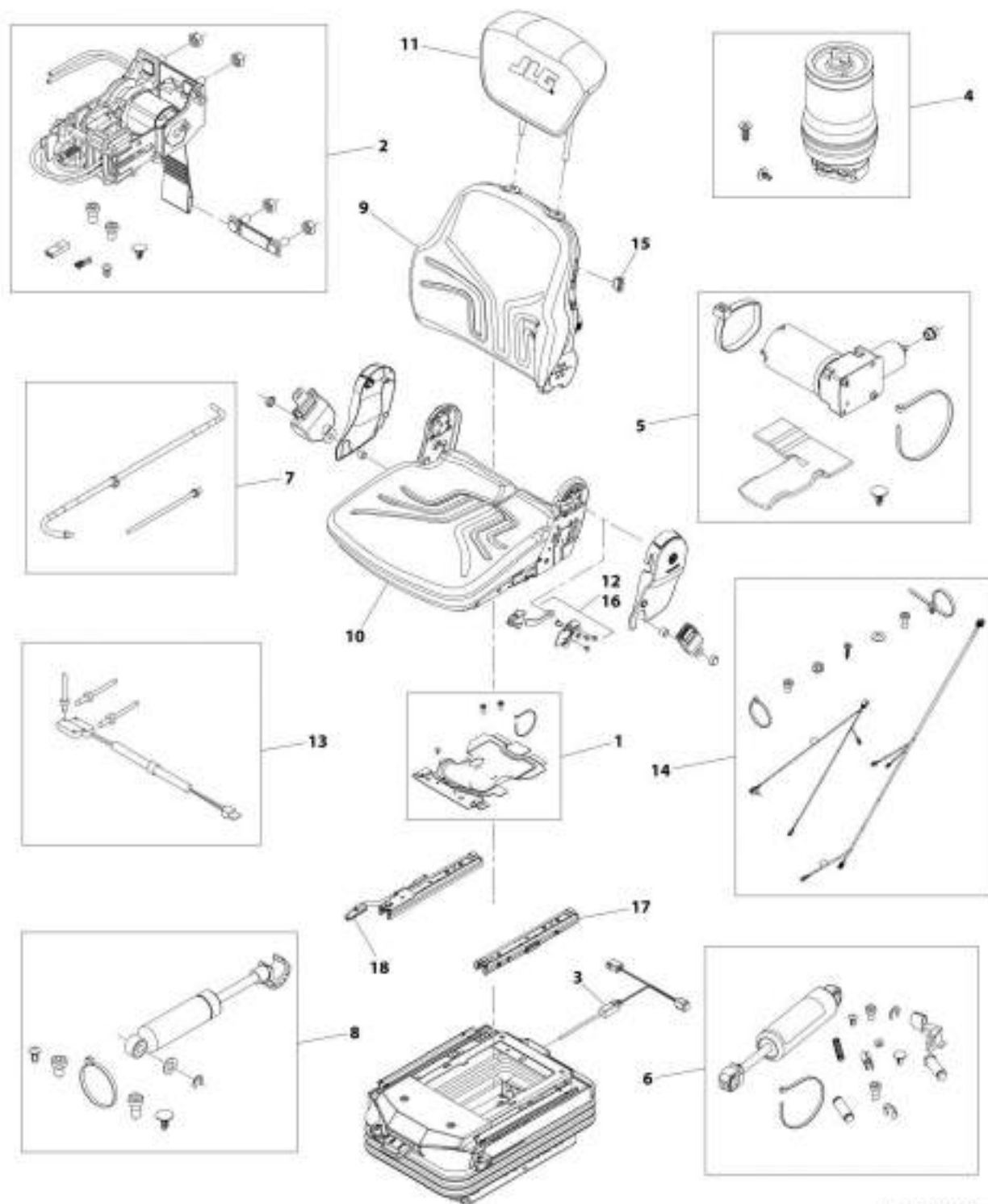
AWT_1001102530-F

FIGURE 6-34. SEAT INSTALLATION (AIR SUSPENSION - PREMIUM)

ITEM	PART NUMBER	QTY	DESCRIPTION	REV
	1001182530	Ref	Seat Installation (Air Suspension - Premium)	F
2	1001158736C	1	Plinth, Seat	
3	1001169135	1	Assembly, Seat (See Separate Breakdown in this Section)	
4	1001182529	1	Headrest	
5	4811900	8	Washer, M8	
6	0760810	8	Bolt, M8X20	
7	1001168531	1	Harness, Seat Adaptor (See Separate Breakdown in Electrical Section)	
8	1001216974	1	Grommet	

SECTION 6 - CAB

FIGURE 6-35. SEAT ASSEMBLY (AIR SUSPENSION - PREMIUM)



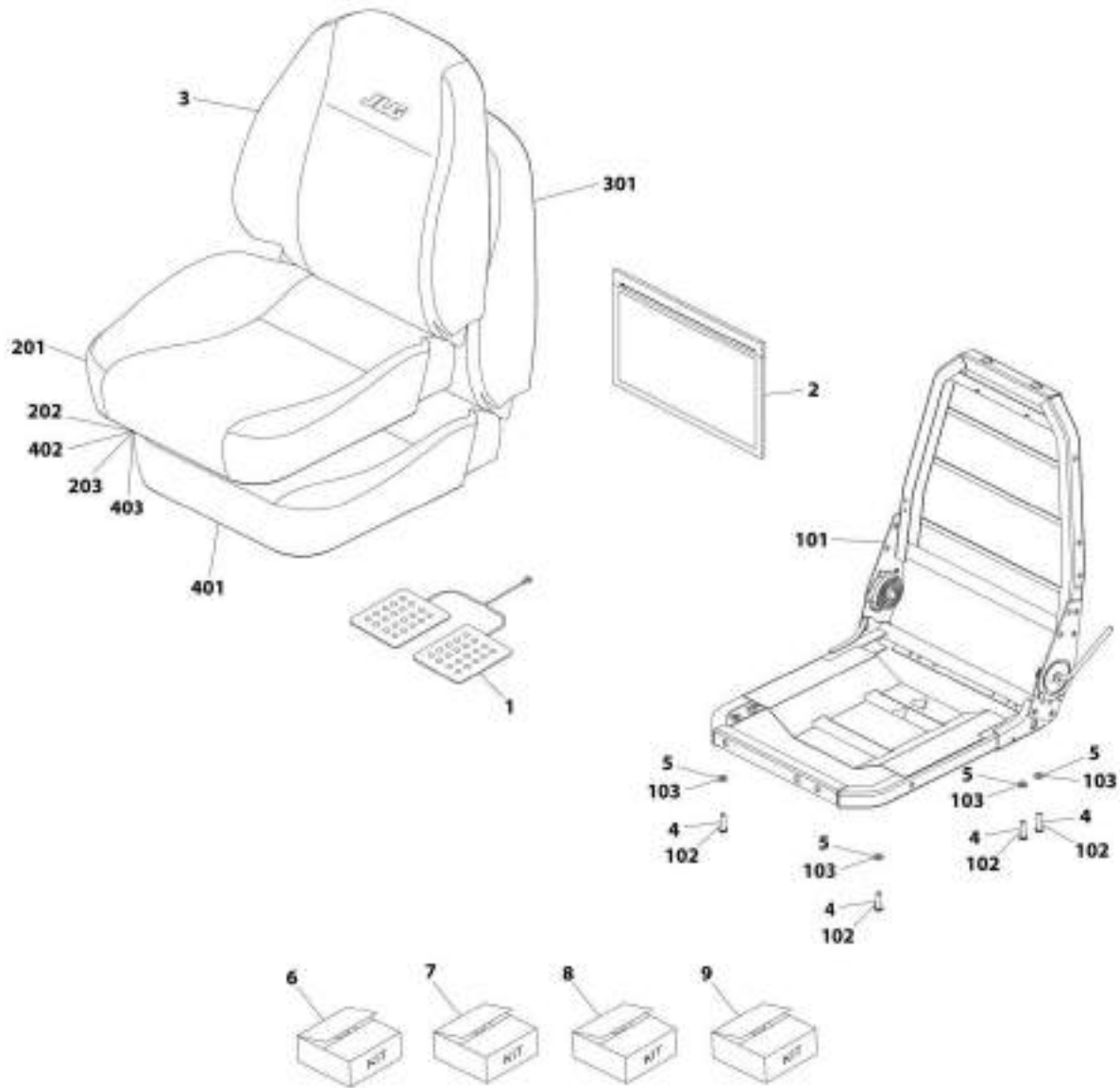
MIT_3001166/125-B

FIGURE 6-35. SEAT ASSEMBLY (AIR SUSPENSION - PREMIUM)

ITEM	PART NUMBER	QTY	DESCRIPTION	REV
	1001169135	Ref	Seat Assembly	B
1	70024856	1	Cover	
2	70023182	1	Control Level Kit	
3	70023186	1	Wiring Harness, Air/Safeswitch	
4	70023184	1	Air Spring Kit	
5	70024857	1	Compressor, 12V	
6	70023181	1	Shock Absorber Kit	
7	70024459	1	Air Tubes Kit	
8	70023189	2	Shock Absorber Kit	
9	70023179	1	Back Cushion Kit	
10	70024858	1	Seat Cushion Kit	
11	1001182529	1	Headrest, Cloth	
12	70024859	1	Backrest Actuator	
13	70028326	1	Switch	
14	70024861	1	Wiring Harness	
15	70024107	1	Switch, Heater	
16	7028621	1	Handle, Backrest Angle Adjust	
17	3986643	1	Adjust Slide Kit	
18	3986610	1	Handle	

SECTION 6 - CAB

FIGURE 6-36. UPPER SEAT ASSEMBLY



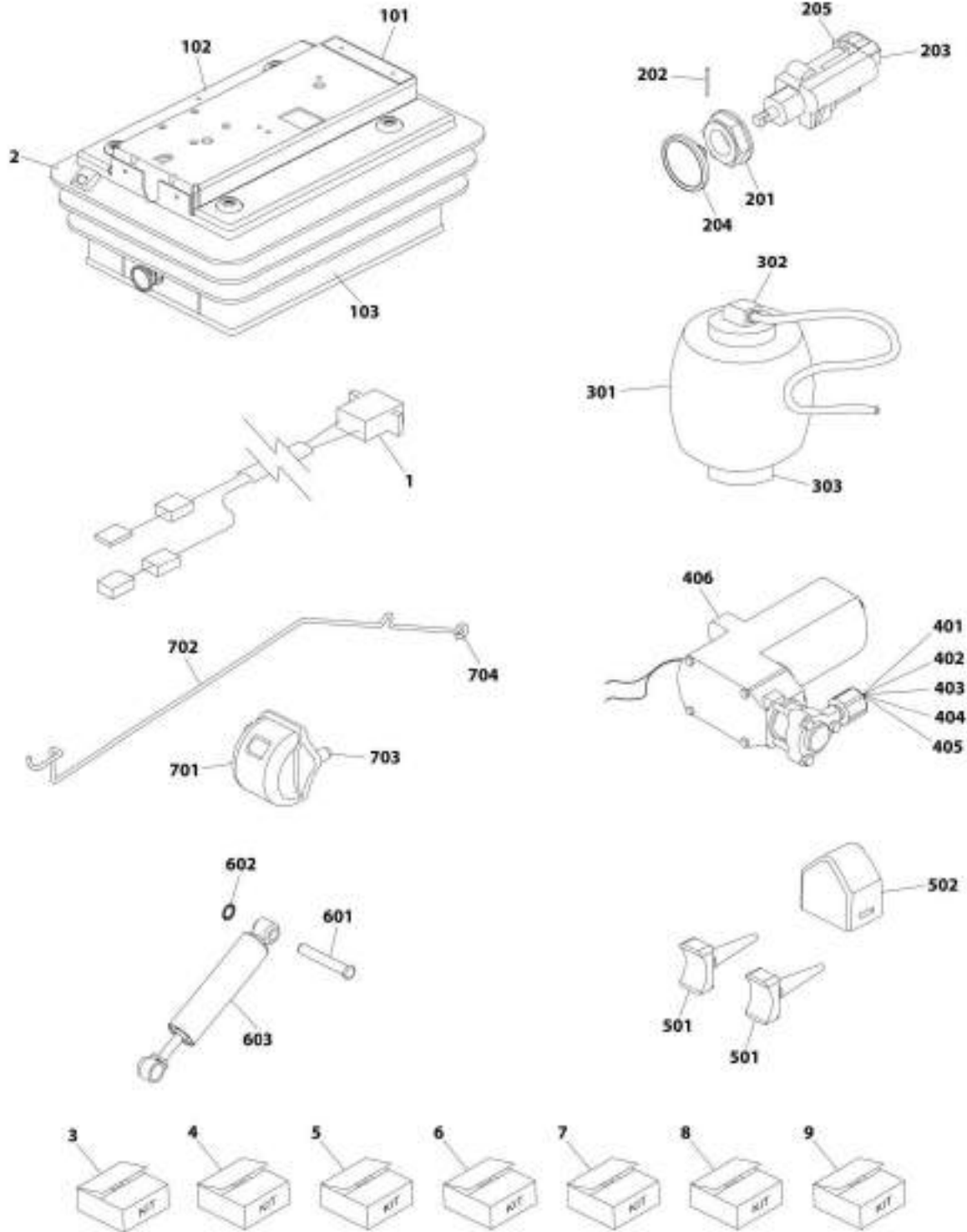
ART_30027182

FIGURE 6-36. UPPER SEAT ASSEMBLY

ITEM	PART NUMBER	QTY	DESCRIPTION	REV
	70027392	Ref	Upper Seat Assembly	
1	70025539	1	Pad, Sensor	
2	70021316	1	Bag	
3	70027393	1	Cover, Back	
4	N.S.S.	4	Bolt, M8X25	
5	N.S.S.	4	Washer	
6	70021314	1	Kit, Frame (includes items 101 thru 103)	
7	70027394	1	Kit, Bottom Seat Cover (includes items 201 thru 203)	
8	80264002	1	Kit, Back Foam (includes items 301 thru 303)	
9	80264004	1	Kit, Seat Foam (includes items 401 thru 403)	
101	N.S.S.	1	Frame, Seat	
102	N.S.S.	4	Bolt, M8X25	
103	N.S.S.	4	Washer	
201	N.S.S.	1	Cover, Seat	
202	N.S.S.	2	Clip	
203	N.S.S.	17	Clip	
301	N.S.S.	1	Foam, Back	
302	N.S.S.	3	Bar, Trim	
303	N.S.S.	4	Ring	
401	N.S.S.	1	Foam, Seat	
402	N.S.S.	2	Clip	
403	N.S.S.	17	Clip	

SECTION 6 - CAB

FIGURE 6-37. SUSPENSION KIT



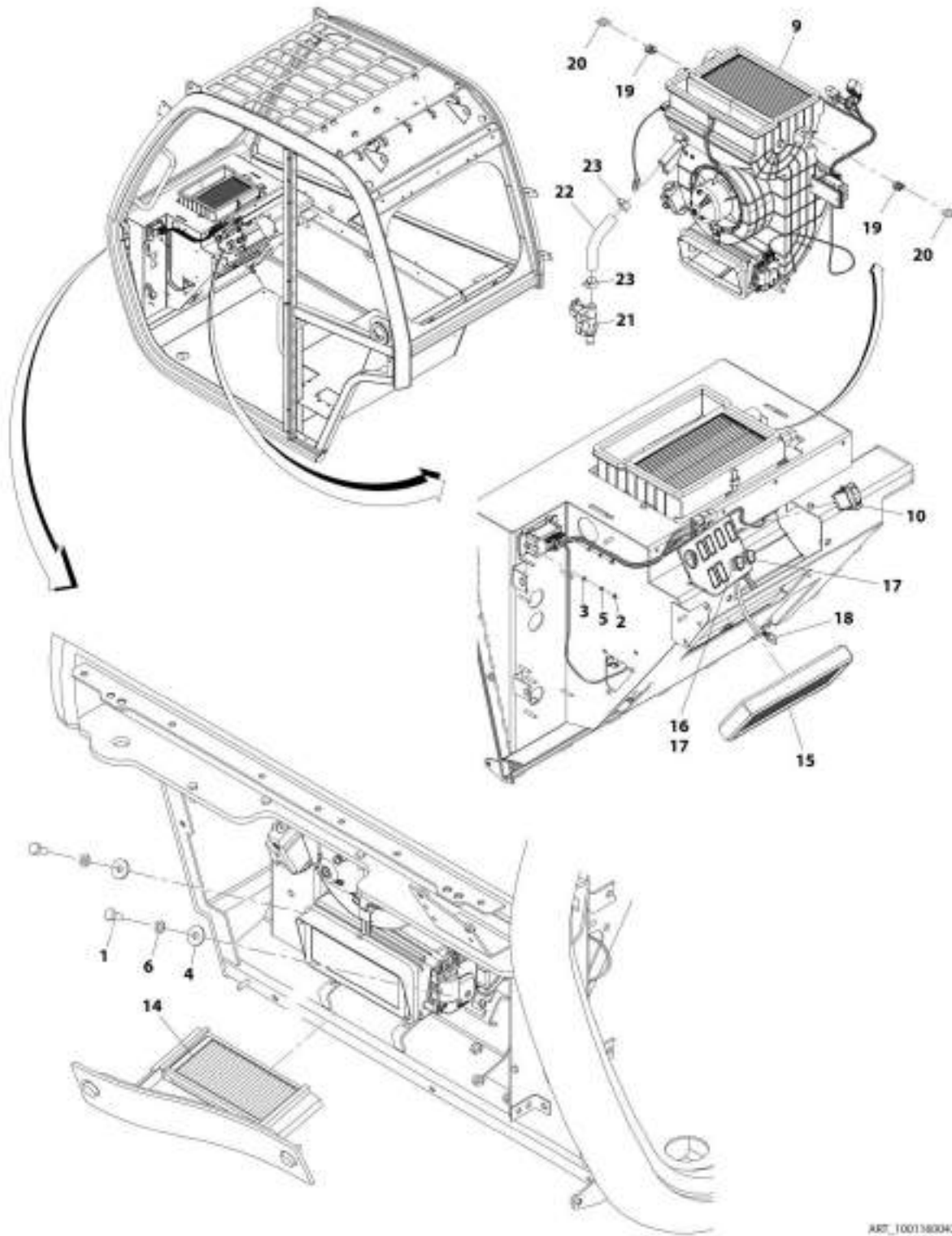
ART_70021313

FIGURE 6-37. SUSPENSION KIT

ITEM	PART NUMBER	QTY	DESCRIPTION	REV
	70021319	Ref	Suspension Kit	
1	70021330	1	Lead, Fly	
2	N.S.S.	1	Suspension	
3	70021321	1	Kit, Suspension Cover (includes items 101 thru 103)	
4	70021323	1	Kit, Air Valve (includes items 201 thru 205)	
5	70021324	1	Kit, Air Spring (includes items 301 thru 303)	
6	70021325	1	Kit, Compressor (includes items 401 thru 406)	
7	70021326	1	Kit, Upstop/Bumpstop (includes items 501 & 502)	
8	70021327	1	Kit, Damper (includes items 601 thru 603)	
9	70021328	1	Kit, Ride Indicator (includes items 701 thru 704)	
101	N.S.S.	6	Clip, Cover	
102	N.S.S.	1	Cover, Suspension	
103	N.S.S.	5	Clip, Cover	
201	N.S.S.	1	Nut, Air Valve	
202	N.S.S.	1	Pin, Retaining	
203	N.S.S.	1	Valve, Combination	
204	N.S.S.	1	Knob	
205	N.S.S.	2	Tie, Plastic	
301	N.S.S.	1	Spring, Air	
302	N.S.S.	1	Clip	
303	N.S.S.	1	Screw, Countersunk Self Tapping	
401	N.S.S.	1	Clip	
402	N.S.S.	1	Pad	
403	N.S.S.	1	Loom	
404	N.S.S.	2	Tie, Cable	
405	N.S.S.	3	Tie, Plastic	
406	N.S.S.	1	Compressor (with Elbow)	
501	N.S.S.	2	Upstop	
502	N.S.S.	1	Bumpstop	
601	N.S.S.	2	Pin	
602	N.S.S.	2	Washer, Starlock	
603	N.S.S.	1	Damper	
701	N.S.S.	1	Indicator, Ride	
702	N.S.S.	1	Wire, Ride Indicator	
703	N.S.S.	2	Washer, Starlock	
704	N.S.S.	1	Washer, Grip M4	

SECTION 6 - CAB

FIGURE 6-38. HEATER INSTALLATION



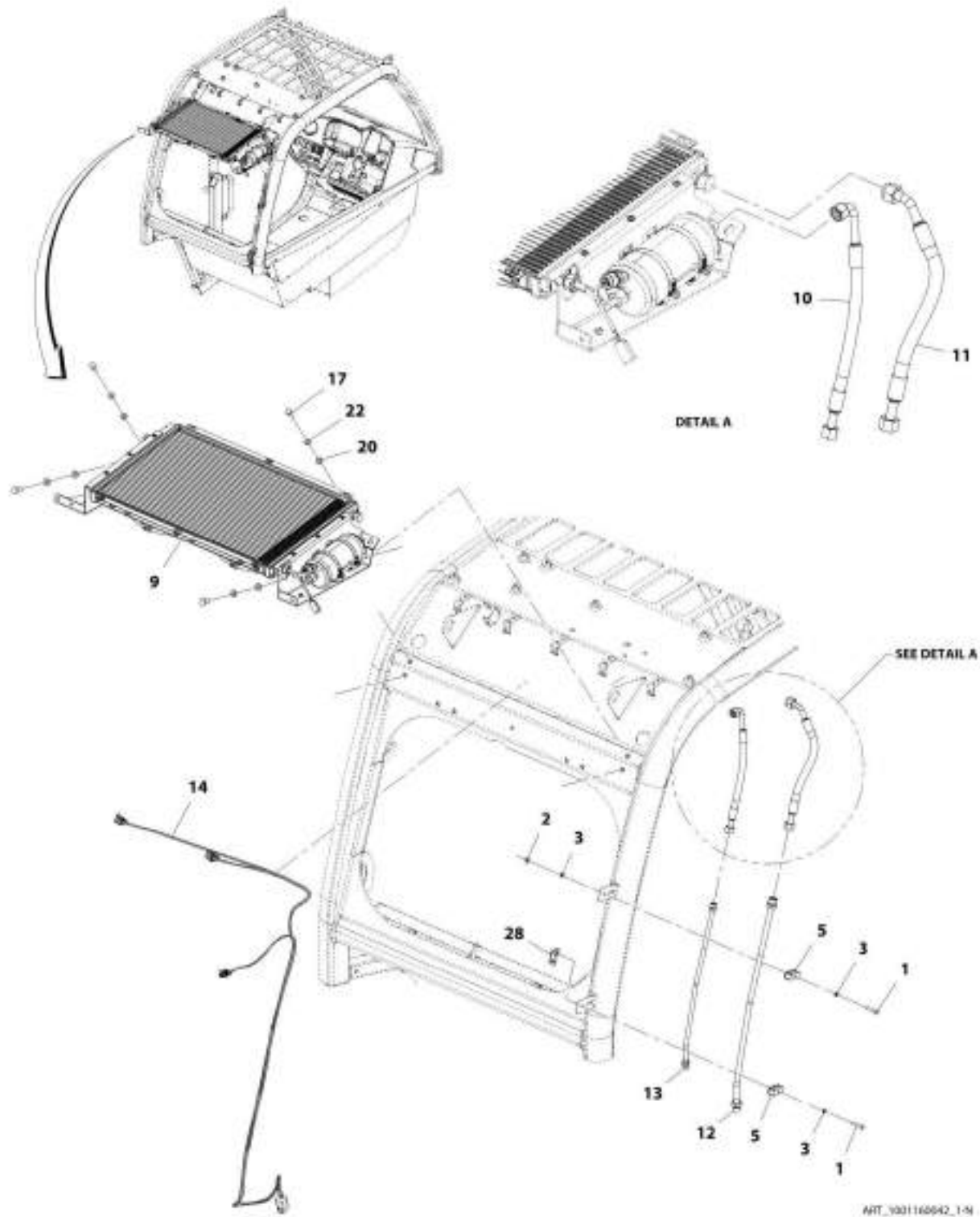
ART_1001580043-E

FIGURE 6-38. HEATER INSTALLATION

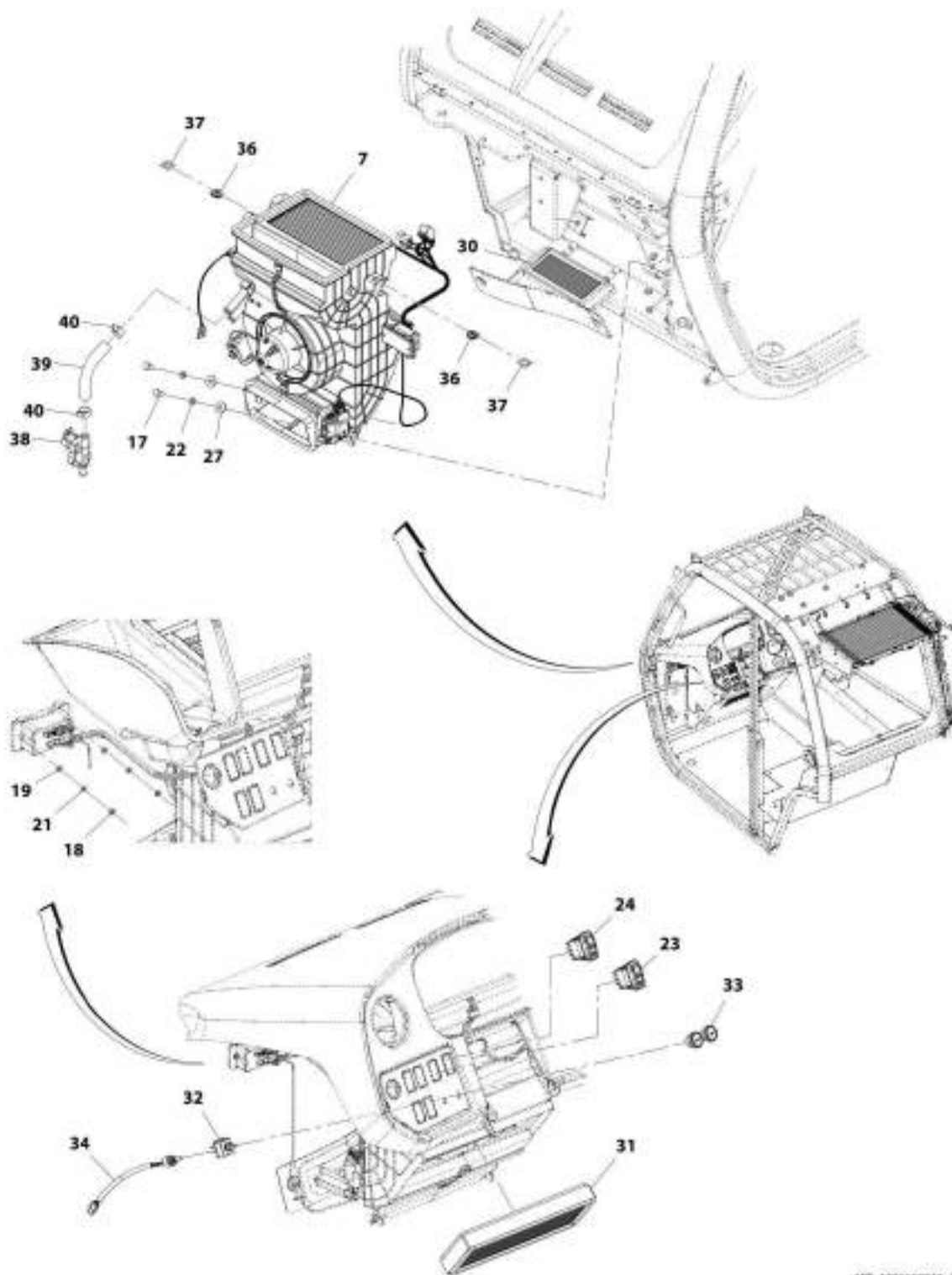
ITEM	PART NUMBER	QTY	DESCRIPTION	REV
	1001160043	Ref	Heater Installation	K
1	0760810	2	Bolt, M8X20	
2	3290401	2	Nut, M4X0.7	
3	4811400	2	Washer, M4	
4	4811902	2	Washer, M8	
5	4831400	2	Washer, Lock M4	
6	4831900	2	Washer, M8	
9	1001161858	1	Assembly, Heater (See Separate Breakdown in this Section)	
10	1001159925	1	Switch, HVAC Recycle	
14	1001218996	1	Filter, HVAC Air	
15	1001172553	1	Filter, HVAC Recirculation Air	
16	1001172547	1	Switch, HVAC Rotary 3 Speed	
17	1001172550	2	Knob, HVAC Control	
18	1001218529	1	Cable, HVAC	
19	1001188590	2	Grommet	
20	1001218542	2	Shim	
21	1001221059	1	Valve, Water	
22	1001221295	1	House	
23	8410009	2	Clamp	

SECTION 6 - CAB

FIGURE 6-39. HEATER AND A/C INSTALLATION (CAB PARTS)



SECTION 6 - CAB



AKF_100160042_2-H

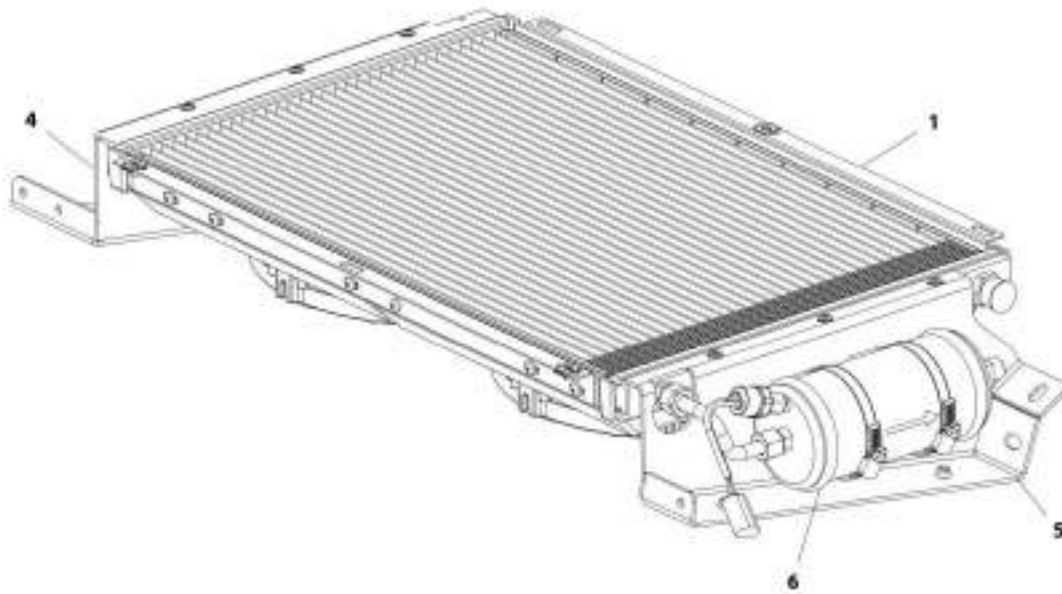
SECTION 6 - CAB

FIGURE 6-39. HEATER AND A/C INSTALLATION (CAB PARTS)

ITEM	PART NUMBER	QTY	DESCRIPTION	REV
	1001160042	Ref	Heater and A/C Installation (cab parts)	N
1	0700614	2	Bolt, M6X30	
2	3290601	1	Nut, M6X1	
3	4811700	3	Washer, M6	
5	1001145539	2	Support, Pipe	
7	1001188303	1	Assembly, Heater and A/C (See Separate Breakdown in this Section)	
9	1001162953	1	Assembly, Cab Condenser (See Separate Breakdown in this Section)	
10	1001168327	1	Hose	
11	1001168330	1	Hose	
12	1001168331	1	Tube	
13	1001168456	1	Tube	
14	1001169151	1	Harness, A/C Option (See Separate Breakdown in Electrical Section)	
17	0760810	6	Bolt, M8X20 GR8.8	
18	3290401	2	Nut, M4X0.7	
19	4811400	2	Washer, M4	
20	4811900	4	Washer, M8	
21	4831400	2	Washer, Lock M4	
22	4831900	6	Washer, Lock M8	
23	1001159925	1	Switch, HVAC Recycle	
24	1001160326	1	Switch, HVAC On/Off	
27	4811902	2	Washer, M8	
28	1001178170	1	Bracket	
30	1001218996	1	Filter, HVAC Fresh Air	
31	1001172553	1	Filter, HVAC Air Recirculation	
32	1001172547	1	Switch, HVAC Rotary 3 Speed	
33	1001172550	2	Knob, HVAC Control	
34	1001218529	1	Cable, HVAC	
35	1320022	1	Clamp	
36	1001188590	2	Grommet	
37	1001218542	2	Shim	
38	1001221059	1	Valve, Water	
39	1001221295	1	Hose	
40	8410009	2	Clamp	

SECTION 6 - CAB

FIGURE 6-40. CAB CONDENSER ASSEMBLY



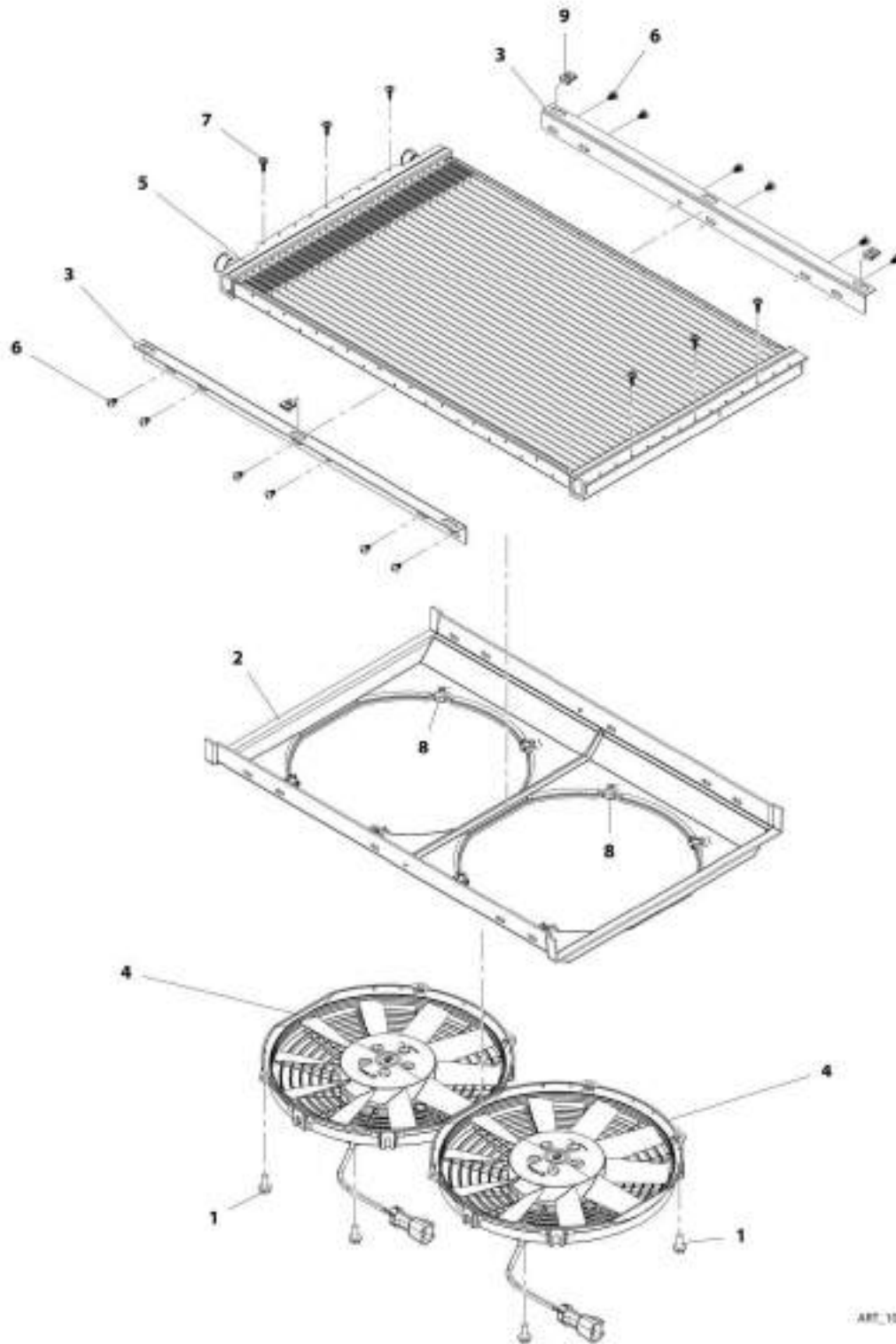
ART_3001162953-F

FIGURE 6-40. CAB CONDENSER ASSEMBLY

ITEM	PART NUMBER	QTY	DESCRIPTION	REV
	1001162953	Ref	Cab Condenser Assembly	F
1	1001167266	1	Condenser (See Separate Breakdown in this Section)	
4	1001179080	1	Bracket	
5	1001179081	1	Bracket	
6	1001179130	1	Drier, A/C Receiver (See Separate Breakdown in this Section)	

SECTION 6 - CAB

FIGURE 6-41. CONDENSER



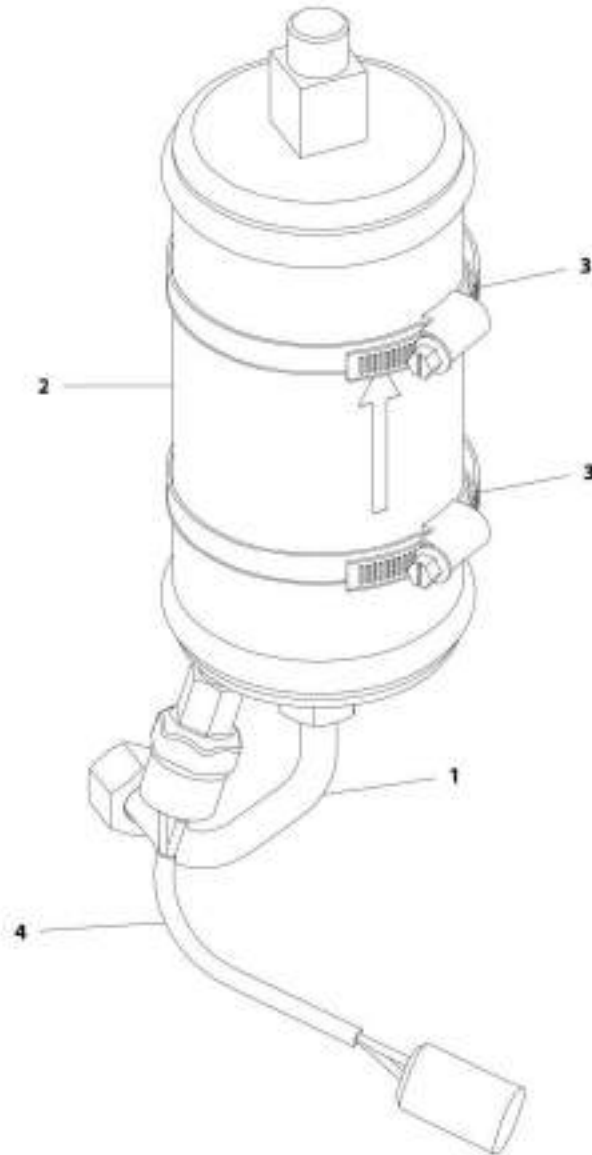
ART. 1001167200 C

FIGURE 6-41. CONDENSER

ITEM	PART NUMBER	QTY	DESCRIPTION	REV
	1001167266	Ref	Condenser	C
1	5250608	8	Bolt, M6X16	
2	1001195342	1	Bracket, Condenser Fan Mount	
3	1001195343	2	Support, Condenser	
4	1001195345	2	Fan, Condenser	
5	1001195346	1	Condenser	
6	1001195385	12	Screw, M3.9X9.5	
7	1001195386	6	Screw, M4.2X16	
8	1001195437	8	Clip, M6X1	
9	1001195438	3	Clip, M6X1	

SECTION 6 - CAB

FIGURE 6-42. A/C RECEIVER DRIER



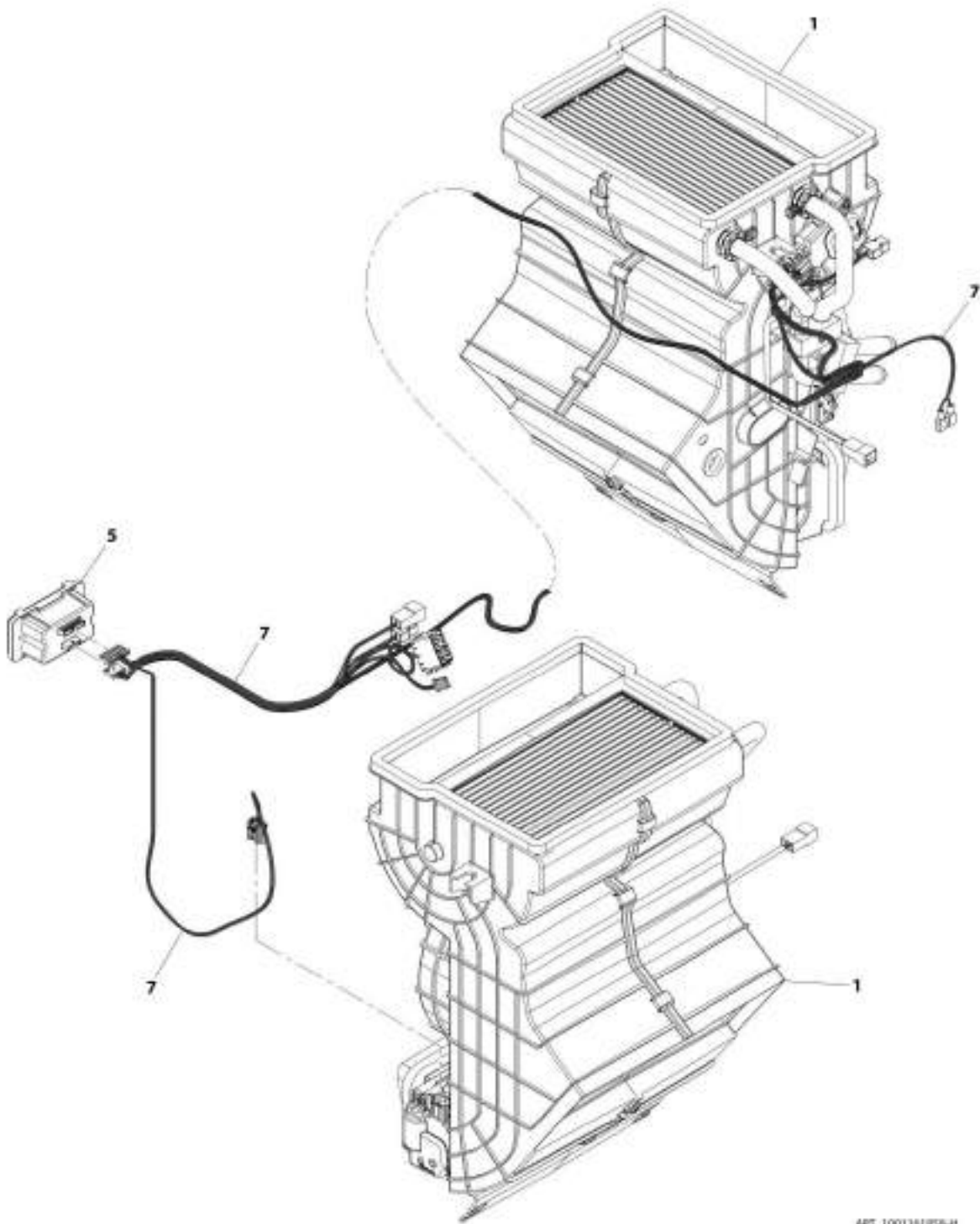
ART_100179130-B

FIGURE 6-42. A/C RECEIVER DRIER

ITEM	PART NUMBER	QTY	DESCRIPTION	REV
	1001179130	Ref	A/C Receiver Drier	B
1	1001184403	1	Tube, Heater	
2	1001184404	1	Receiver, Heater Drier	
3	1001184405	2	Clamp	
4	1001184406	1	Connector, Heater	

SECTION 6 - CAB

FIGURE 6-43. HEATER ASSEMBLY



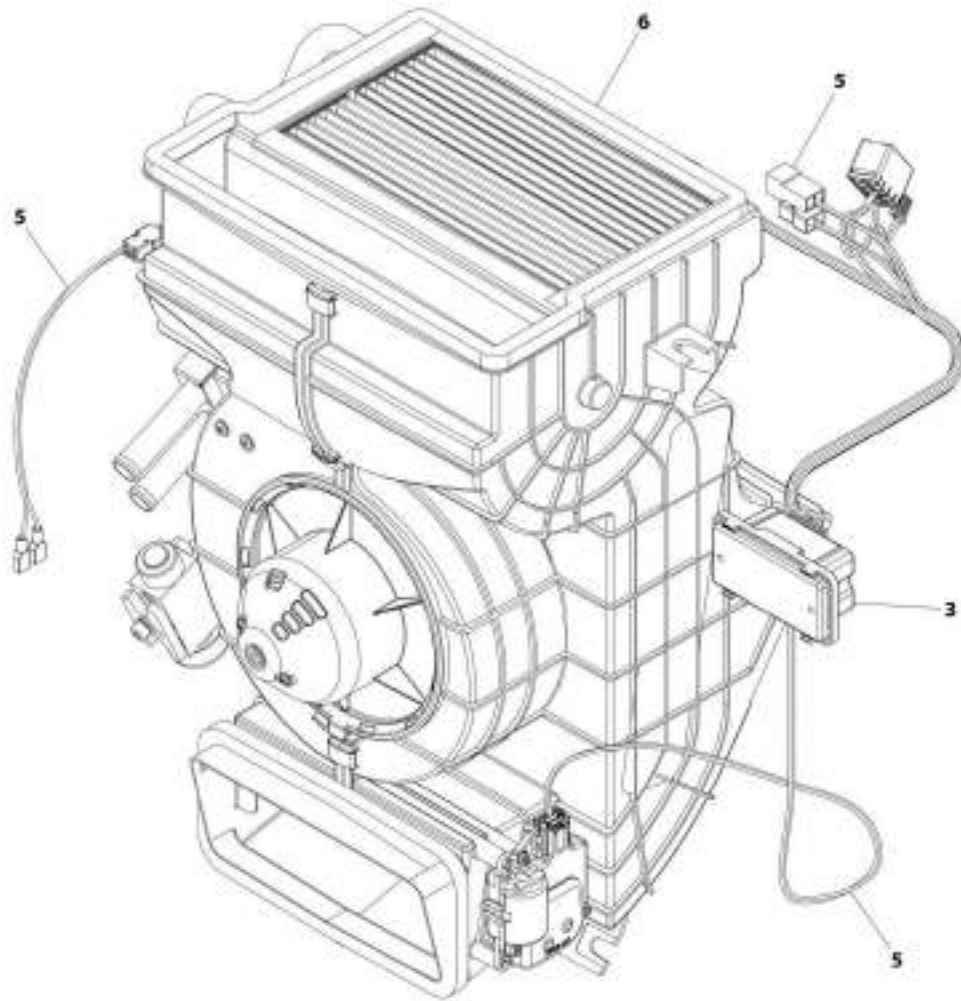
ARC_1001181856-H

FIGURE 6-43. HEATER ASSEMBLY

ITEM	PART NUMBER	QTY	DESCRIPTION	REV
1	1001161858	Ref	Heater Assembly	H
	1001152908	NLA	Heater, Cab (no longer available, use 1001221052), (For Service, See Separate Breakdown in this Section)	
5	1001221052	1	Heater, Cab (See Separate Breakdown in this Section)	
5	1001172551	1	Actuator, HVAC Cab (See Separate Breakdown in this Section)	
7	1001173571	1	Harness, HVAC Actuator	
7	1001221056	1	Harness, HVAC Actuator	

SECTION 6 - CAB

FIGURE 6-44. HEATER AND A/C ASSEMBLY



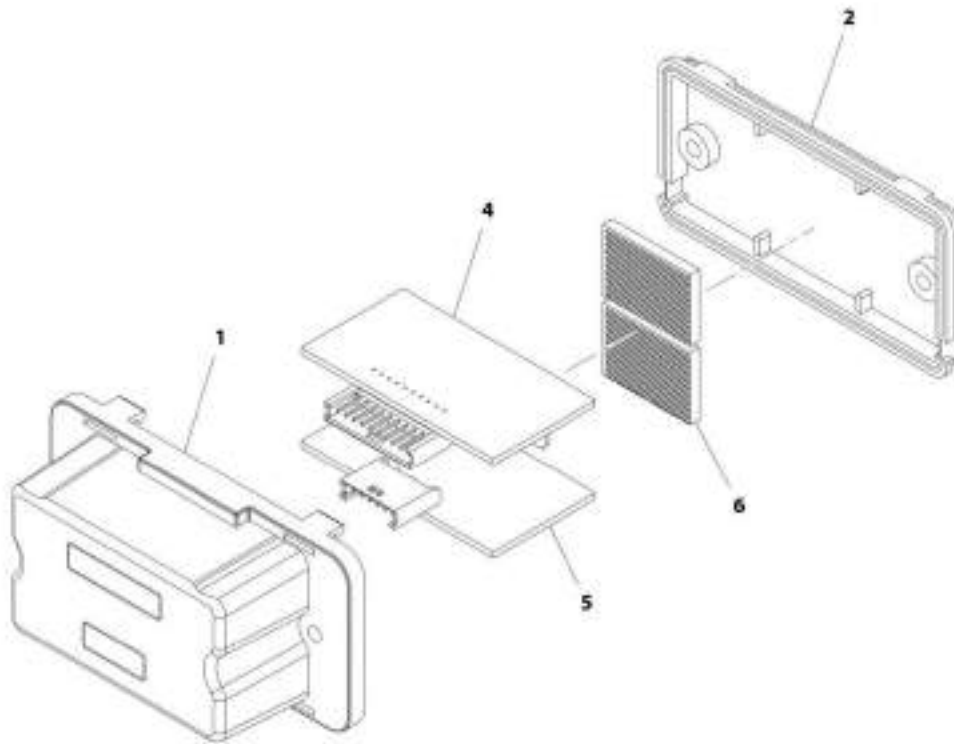
ART_1001188303-G

FIGURE 6-44. HEATER AND A/C ASSEMBLY

ITEM	PART NUMBER	QTY	DESCRIPTION	REV
	1001188303	Ref	Heater and A/C Assembly	G
3	1001172551	1	Actuator, HVAC Cab (See Separate Breakdown in this Section)	
5	1001221056	1	Harness, HVAC Actuator	
6	1001221054	1	Heater and A/C (See Separate Breakdown in this Section)	

SECTION 6 - CAB

FIGURE 6-45. HVAC CAB ACTUATOR



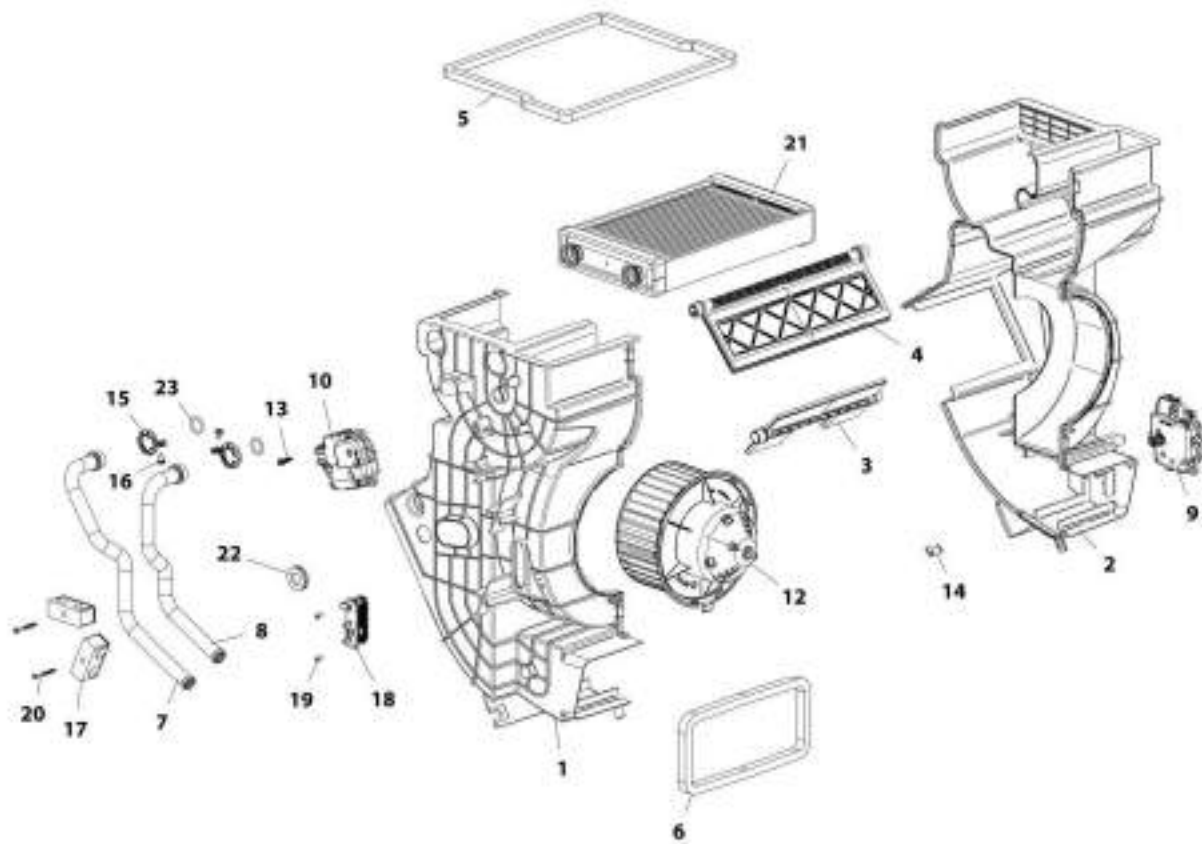
ART_1001172551-C

FIGURE 6-45. HVAC CAB ACTUATOR

ITEM	PART NUMBER	QTY	DESCRIPTION	REV
	1001172551	Ref	HVAC Cab Actuator	C
1	1001184306	1	Box, Heater Controller	
2	1001184307	1	Base, Heater Controller Box	
4	1001184309	1	Board, Heater Control	
5	1001184310	1	Board, Heater Control	
6	1001189980	2	Insulator, Heater Controller Box	

SECTION 6 - CAB

FIGURE 6-46. HEATER



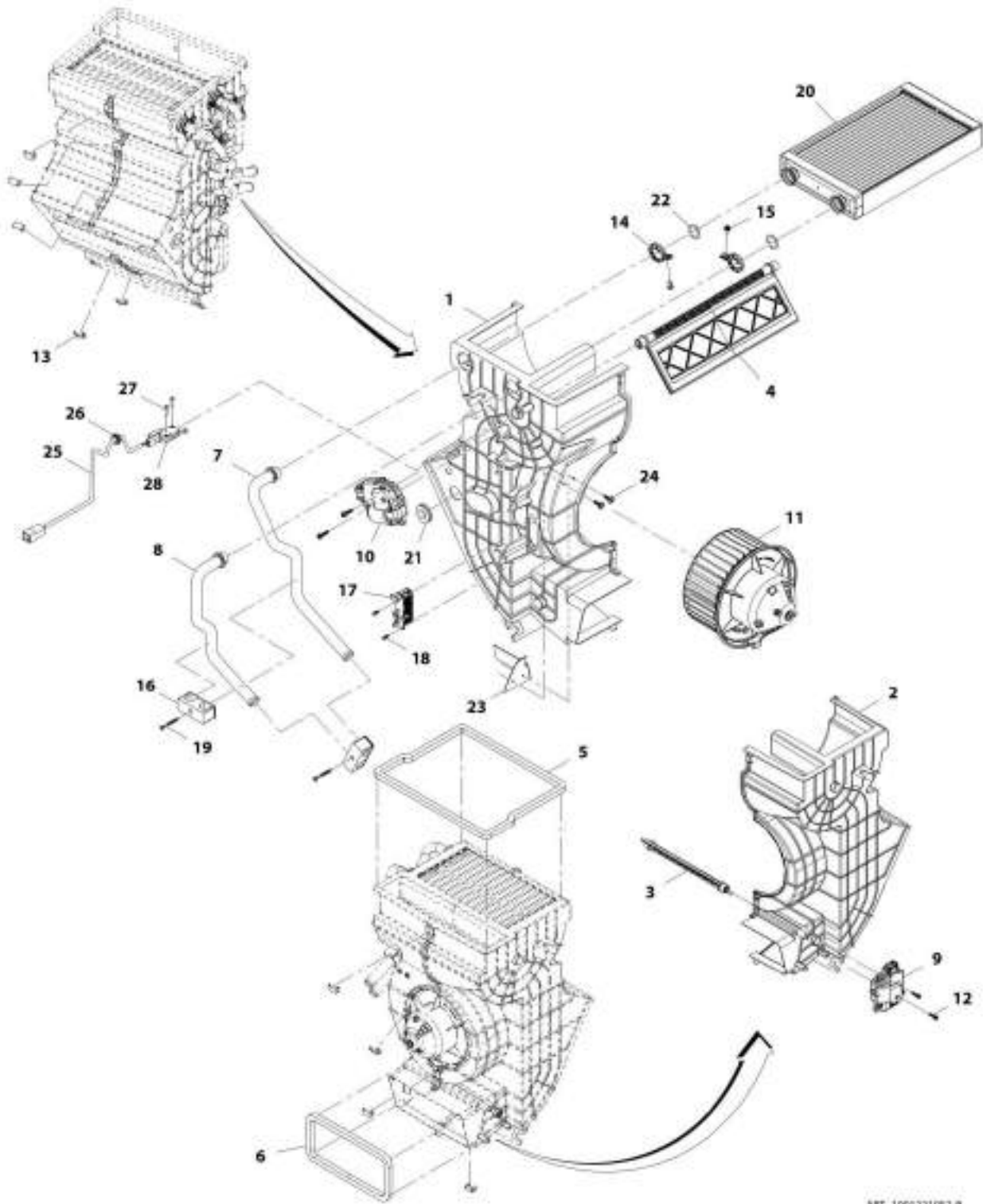
ART_1001152908-E

FIGURE 6-46. HEATER

ITEM	PART NUMBER	QTY	DESCRIPTION	REV
	1001152908	NLA	Heater (no longer available, see items 1 through 23 for service or use 1001221052 for replacement)	E
1	1001166091	1	Housing, RH	
2	1001166092	1	Housing, LH	
3	1001184275	1	Flap, Recirculation with Foam	
4	1001184278	1	Flap, Mixing with Foam	
5	1001184294	1	Foam, Air Outlet	
6	1001184295	1	Foam, Air Inlet	
7	1001184296	1	Pipe, Water	
8	1001184297	1	Pipe, Water	
9	1001188577	1	Actuator, Fresh/Recirculation Air	
10	1001188578	1	Actuator, Hot/Cold	
12	1001188594	1	Fan, 12V	
13	1001188602	4	Screw	
14	1001188603	9	Clamp	
15	1001188604	2	Clamp	
16	1001188610	2	Screw	
17	1001188612	2	Clamp	
18	1001188614	1	Resistor	
19	1001188720	2	Screw	
20	1001188725	2	Screw	
21	1001188729	1	Radiator, Heater Core	
22	1001188733	1	Grommet	
23	1001189025	2	O-Ring	

SECTION 6 - CAB

FIGURE 6-47. CAB HEATER



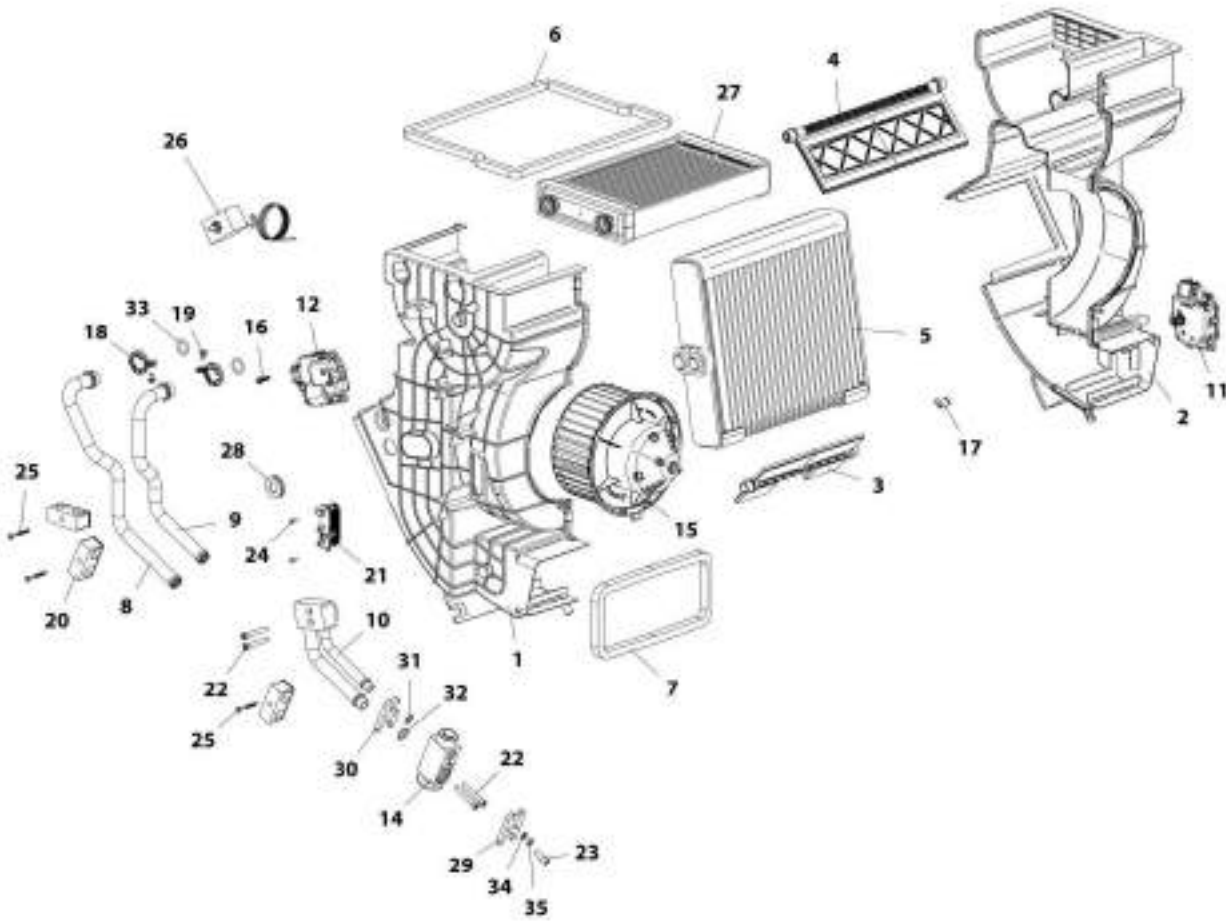
ART_1001221053-B

FIGURE 6-47. CAB HEATER

ITEM	PART NUMBER	QTY	DESCRIPTION	REV
	1001221052	Ref	Heater	B
1	1001166091	1	Housing, RH	
2	1001166092	1	Housing, LH	
3	1001184275	1	Flap, Recirculation with Foam	
4	1001184278	1	Flap, Mixing with Foam	
5	1001184294	1	Foam, Air Outlet	
6	1001184295	1	Foam, Air Inlet	
7	1001184296	1	Pipe, Water	
8	1001184297	1	Pipe, Water	
9	1001188577	1	Actuator, Fresh/Recirculation Air	
10	1001188578	1	Actuator, Hot/Cold	
11	1001188594	1	Fan, 12V	
12	1001188602	4	Screw	
13	1001188603	9	Clamp	
14	1001188604	2	Clamp	
15	1001188610	2	Screw	
16	1001188612	2	Clamp	
17	1001188614	1	Resistor	
18	1001188720	2	Screw	
19	1001188725	2	Screw	
20	1001188729	1	Radiator, Heater Core	
21	1001188733	1	Grommet	
22	1001189025	2	O-Ring	
23	1001221057	1	Plate	
24	1001221058	2	Screw	
25	1001228132	1	Harness, HVAC Sensor	
26	1001228140	1	Grommet	
27	1001228141	2	Screw	
28	1001228147	1	Valve, Water	

SECTION 6 - CAB

FIGURE 6-48. HEATER AND A/C



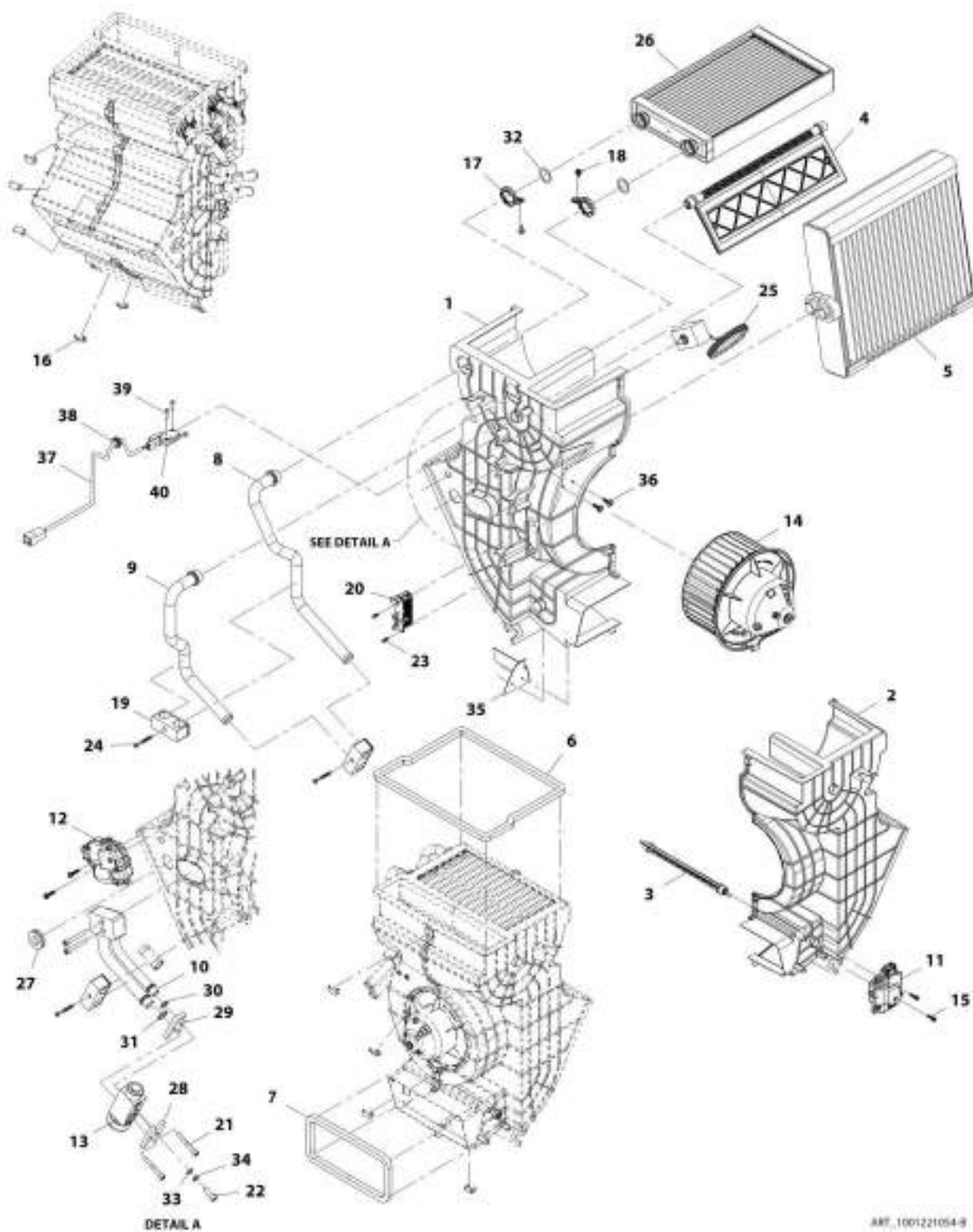
ART_1001180275-D

FIGURE 6-48. HEATER AND A/C

ITEM	PART NUMBER	QTY	DESCRIPTION	REV
	1001188275	NLA	Heater and A/C (no longer available, see items 1 through 35 for service or use 1001221054 for replacement)	D
1	1001166091	1	Housing, HVAC RH	
2	1001166092	1	Housing, HVAC LH	
3	1001184275	1	Foam, Heater Flap	
4	1001184278	1	Foam, Heater Mixing Flap	
5	1001184280	1	Evaporator, Heater	
6	1001184294	1	Seal, Heater Foam	
7	1001184295	1	Seal, Air Inlet Foam	
8	1001184296	1	Pipe, Heater Water	
9	1001184297	1	Pipe, Heater Water	
10	1001184427	1	Pipe, Heater	
11	1001188577	1	Actuator, Fresh/Recirculation Air	
12	1001188578	1	Actuator, Hot/Cold Mixing	
14	1001188592	1	Valve, HVAC Expansion	
15	1001188594	1	Fan, HVAC Centrifugal 12V	
16	1001188602	4	Screw, M4	
17	1001188603	9	Clamp, HVAC Case	
18	1001188604	2	Clamp, HVAC Pipe	
19	1001188610	2	Screw, M4X0.7	
20	1001188612	3	Clamp, Pipe	
21	1001188614	1	Resistor	
22	1001188618	4	Screw, M5	
23	1001188619	1	Screw, M6	
24	1001188720	2	Screw, M2.9X9.5	
25	1001188725	3	Screw, M4X35	
26	1001188728	1	Sensor, HVAC Thermostat	
27	1001188729	1	Radiator, Heater Core	
28	1001188733	1	Grommet	
29	1001188817	1	Clamp, Hose	
30	1001188818	1	Clamp, HVAC EVAP/Valve	
31	1001189023	1	O-Ring	
32	1001189024	1	O-Ring	
33	1001189025	2	O-Ring	
34	1001189048	1	Washer	
35	1001189054	1	Washer, Spring	

SECTION 6 - CAB

FIGURE 6-49. HEATER AND A/C



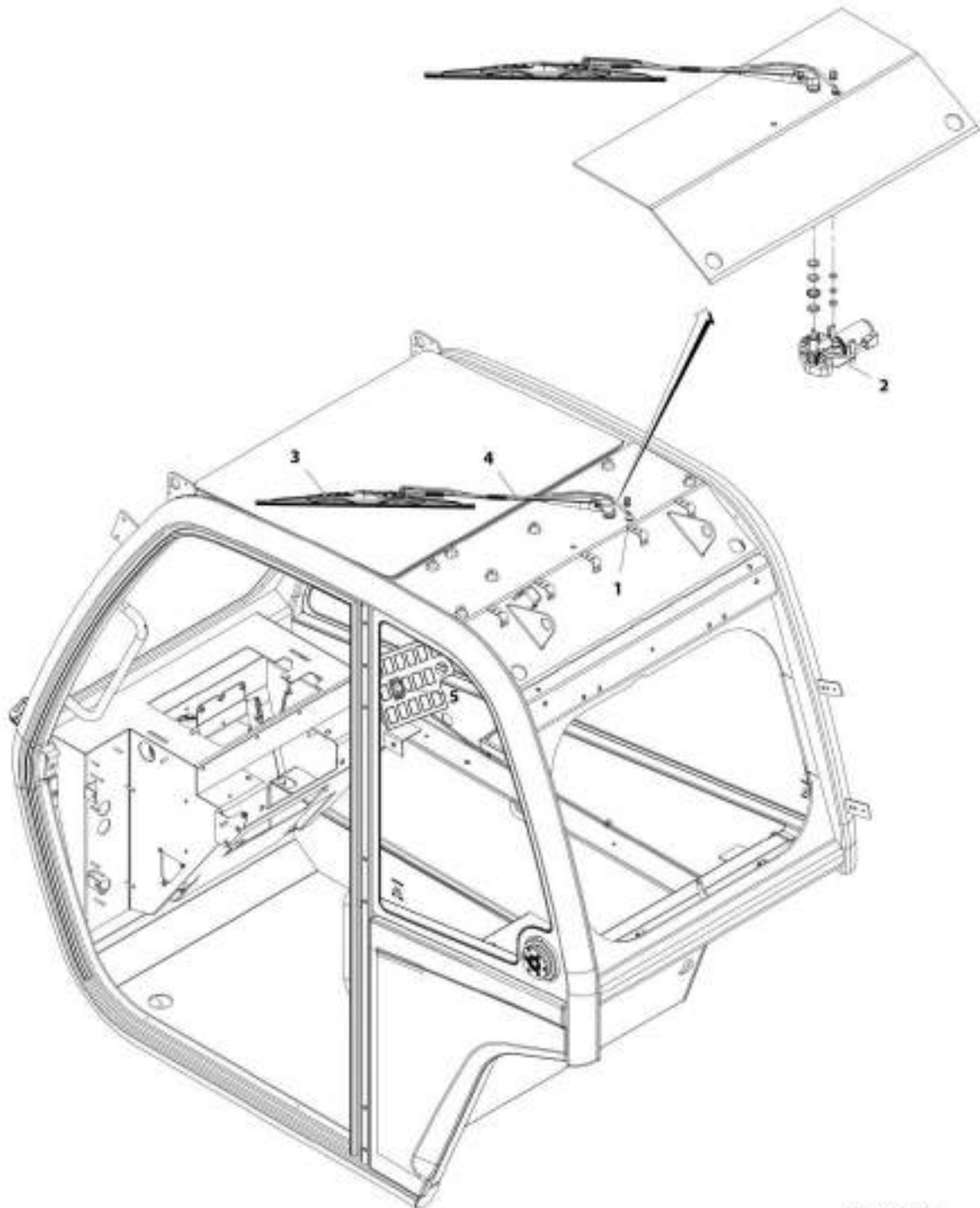
ART. 1001221054-9

FIGURE 6-49. HEATER AND A/C

ITEM	PART NUMBER	QTY	DESCRIPTION	REV
	1001221054	Ref	Heater and A/C	B
1	1001166091	1	Housing, HVAC RH	
2	1001166092	1	Housing, HVAC LH	
3	1001184275	1	Foam, Heater Flap	
4	1001184278	1	Foam, Heater Mixing Flap	
5	1001184280	1	Evaporator, Heater	
6	1001184294	1	Seal, Heater Foam	
7	1001184295	1	Seal, Air Inlet Foam	
8	1001184296	1	Pipe, Heater Water	
9	1001184297	1	Pipe, Heater Water	
10	1001184427	1	Pipe, Heater	
11	1001188577	1	Actuator, Fresh/Recirculation Air	
12	1001188578	1	Actuator, Hot/Cold Mixing	
13	1001188592	1	Valve, HVAC Expansion	
14	1001188594	1	Fan, HVAC Centrifugal 12V	
15	1001188602	4	Screw, M4	
16	1001188603	9	Clamp, HVAC Case	
17	1001188604	2	Clamp, HVAC Pipe	
18	1001188610	2	Screw, M4X0.7	
19	1001188612	3	Clamp, Pipe	
20	1001188614	1	Resistor	
21	1001188618	4	Screw, M5	
22	1001188619	1	Screw, M6	
23	1001188720	2	Screw, M2.9X9.5	
24	1001188725	3	Screw, M4X35	
25	1001188728	1	Sensor, HVAC Thermostat	
26	1001188729	1	Radiator, Heater Core	
27	1001188733	1	Grommet	
28	1001188817	1	Clamp, Hose	
29	1001188818	1	Clamp, HVAC EVAP/Valve	
30	1001189023	1	O-Ring	
31	1001189024	1	O-Ring	
32	1001189025	2	O-Ring	
33	1001189048	1	Washer	
34	1001189054	1	Washer, Spring	
35	1001221057	1	Plate	
36	1001221058	2	Screw	
37	1001228132	1	Harness, HVAC Sensor	
38	1001228140	1	Grommet	
39	1001228141	2	Screw	
40	1001228147	1	Valve, Water Sensor	

SECTION 6 - CAB

FIGURE 6-50. ROOF WIPER INSTALLATION



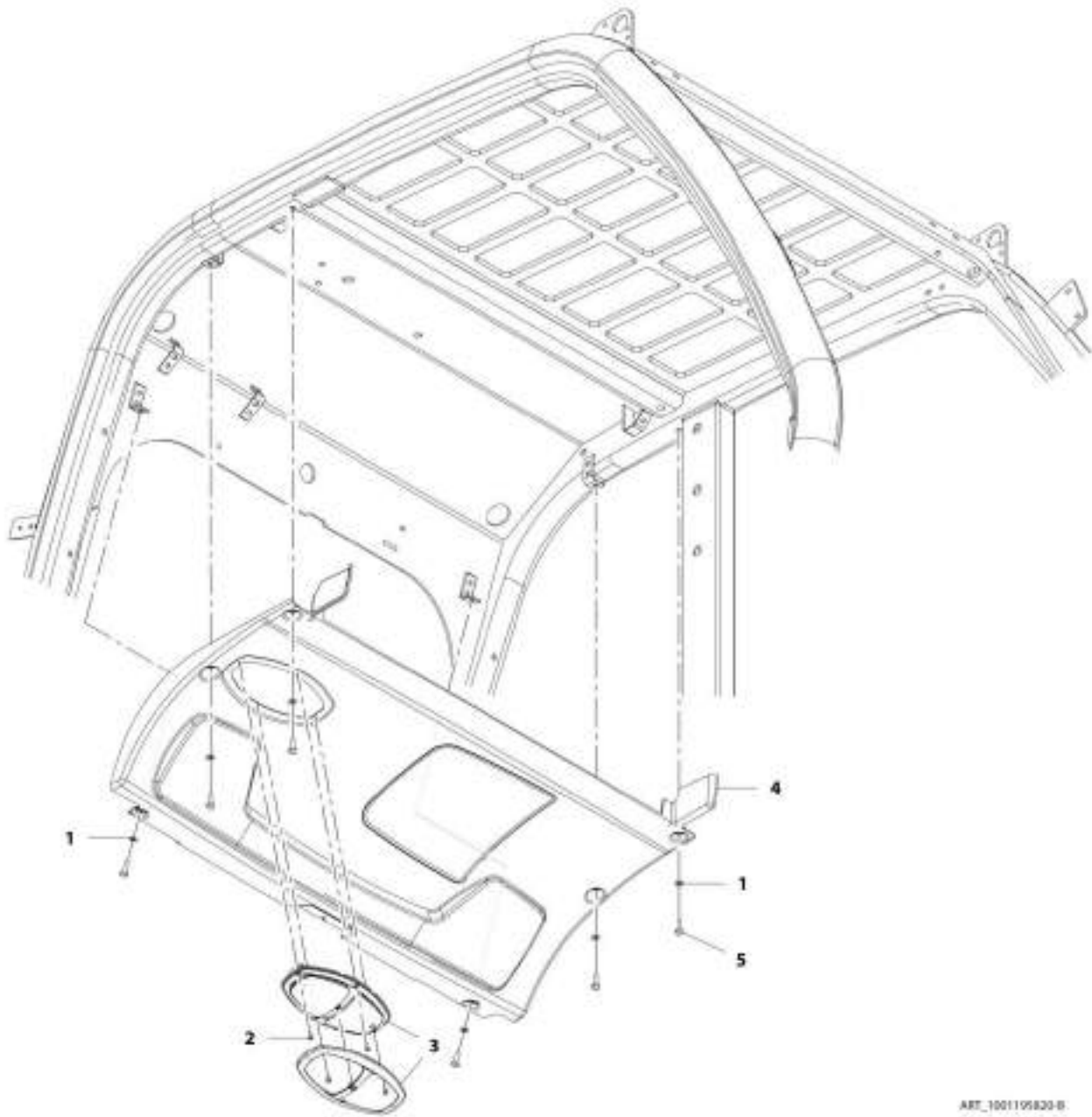
ART_100155486-B

FIGURE 6-50. ROOF WIPER INSTALLATION

ITEM	PART NUMBER	QTY	DESCRIPTION	REV
	1001155486	Ref	Roof Wiper Installation	B
1	1001090343	1	Connector	
2	1001139551	1	Motor, Roof Wiper	
3	1001141313	1	Blade, Roof Wiper	
4	1001141311	1	Arm, Roof Wiper Blade	
5	1001159736	1	Switch, Roof Wiper	

SECTION 6 - CAB

FIGURE 6-51. HEADLINER INSTALLATION



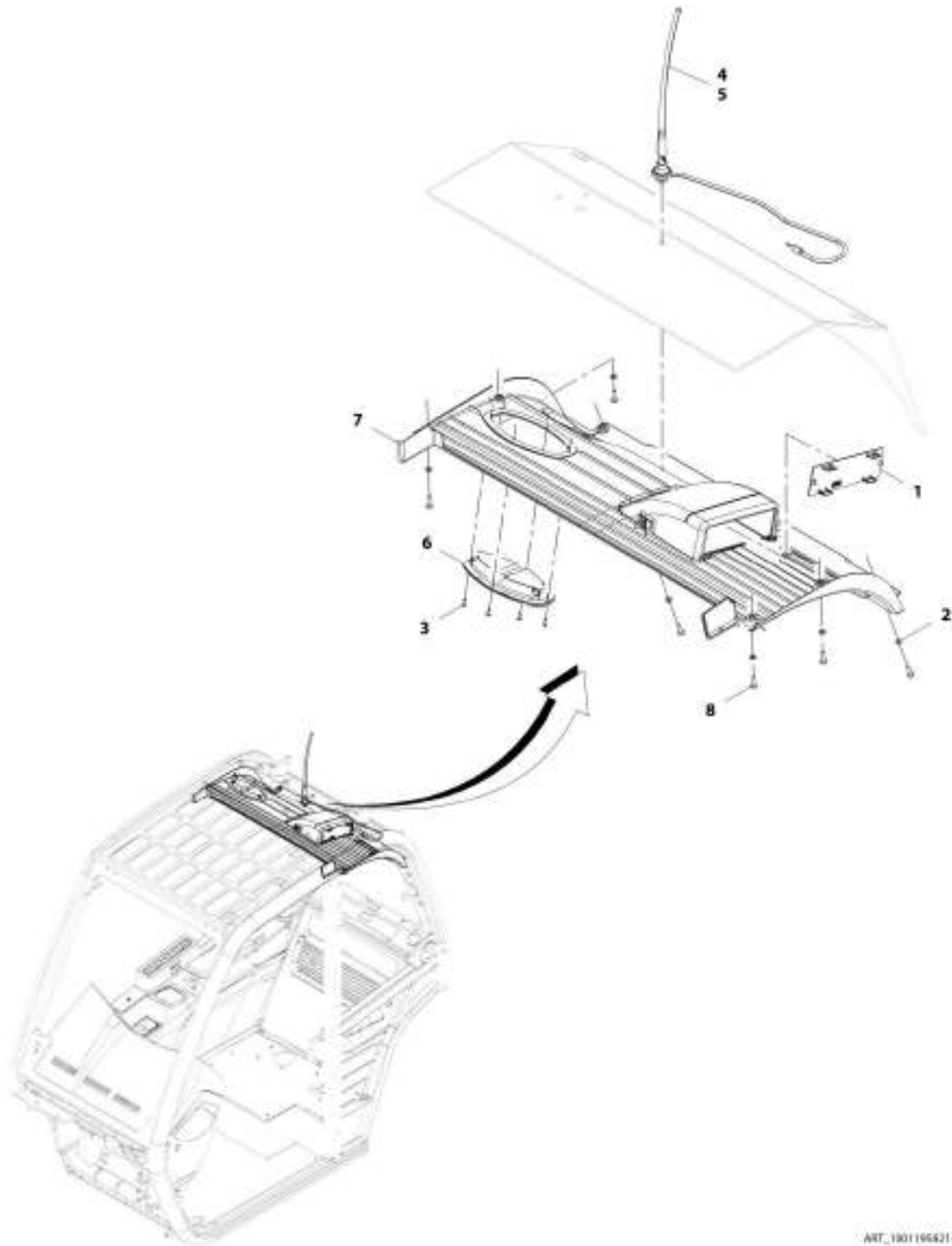
ART_100119820-B

FIGURE 6-51. HEADLINER INSTALLATION

ITEM	PART NUMBER	QTY	DESCRIPTION	REV
	1001195820	Ref	Headliner Installation	B
1	4811700	6	Washer, M6	
2	7029486	4	Screw	
3	1001167015	1	Lamp, Dome	
4	1001195822	1	Panel, Headliner	
5	4010610002	6	Screw, M6X20	

SECTION 6 - CAB

FIGURE 6-52. HEADLINER/RADIO READY PACKAGE INSTALLATION



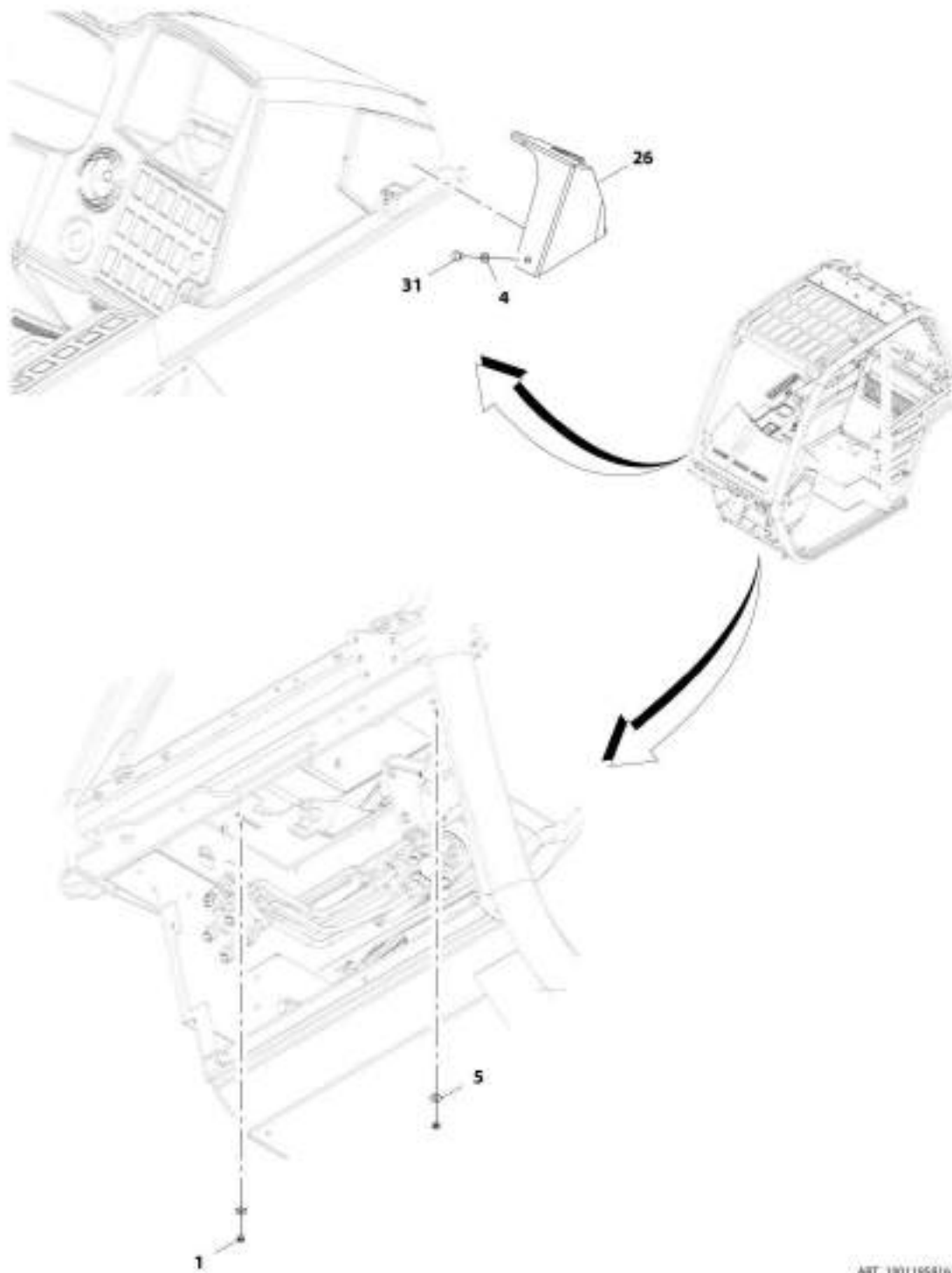
ART_1801106421-B

FIGURE 6-52. HEADLINER/RADIO READY PACKAGE INSTALLATION

ITEM	PART NUMBER	QTY	DESCRIPTION	REV
	1001195821	Ref	Headliner/Radio Ready Package Installation	B
1	1001200968	1	Plate	
2	4811700	6	Washer, 6M	
3	7029486	4	Screw	
4	8005901	1	Antenna	
5	1001116128	AR	Sealant, Polysiloxane	
6	1001167015	1	Lamp	
7	1001195823	1	Cover, Headliner	
8	4010610002	6	Screw, M6X20	

SECTION 6 - CAB

FIGURE 6-53. CAB TRIM INSTALLATION



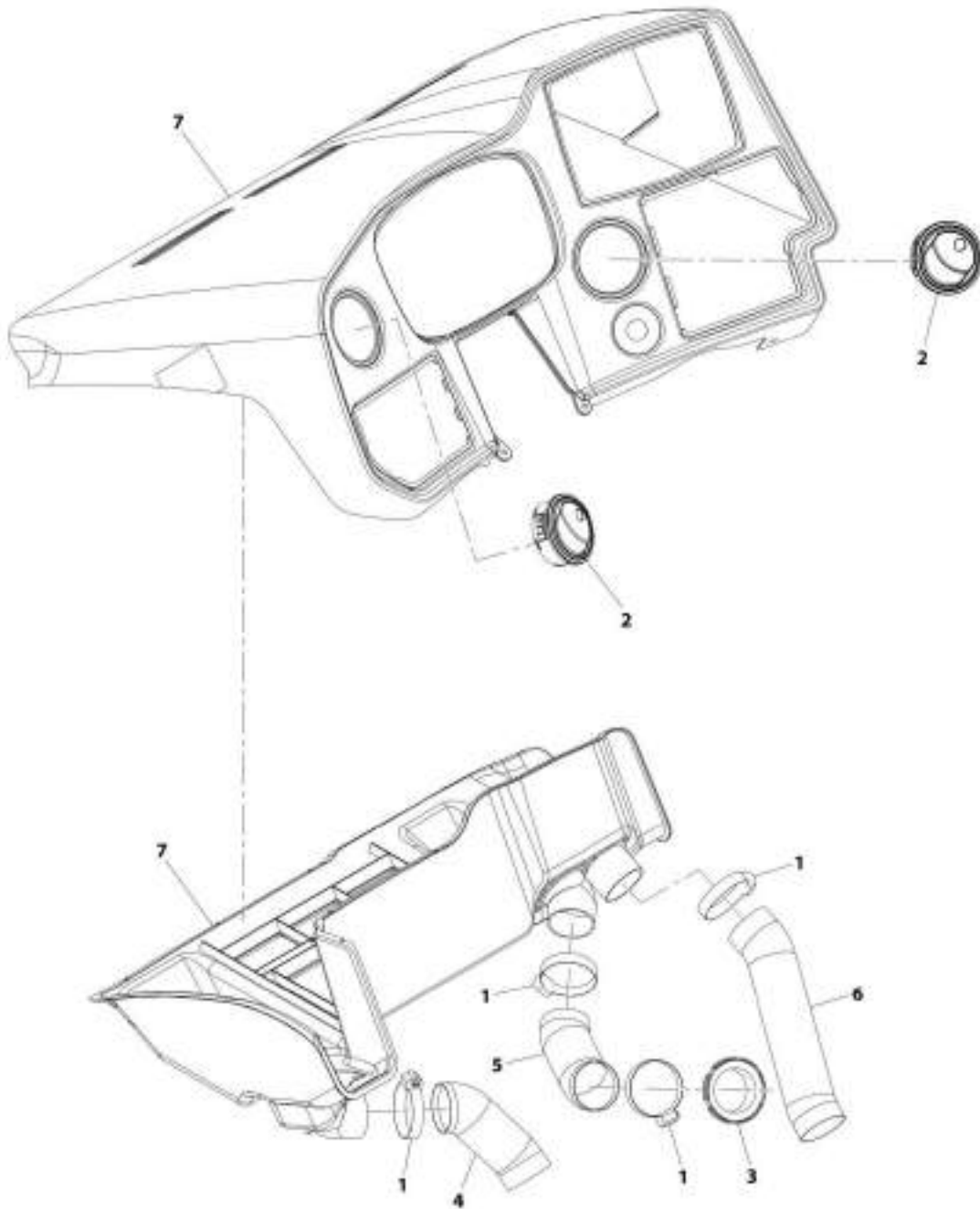
ART_1801195816_34

FIGURE 6-53. CAB TRIM INSTALLATION

ITEM	PART NUMBER	QTY	DESCRIPTION	REV
	1001195816	Ref	Cab Trim Installation	I
1	3290605	2	Nut, Lock M6X1	
2	4031608001	3	Screw, M5X20	
3	4811600	1	Washer, M5	
4	4811700001	23	Washer, M6	
5	4811702001	7	Washer, M6	
7	8305919	2	Nut, M6	
8	8405201	2	Clamp	
9	1001147449	2	Vent	
10	1001149278	2	Connector, Vent	
11	1001161252	1	Cover, LH C-Post	
12	1001161253	1	Cover, RH C-Post	
13	1001219864	1	Plate, Switch	
14	1001219865	1	Plate, Switch	
15	1001169603	1	Tray	
16	1001169604	1	Assembly, Dash Cover (See Seperate Breakdown in this Section)	
17	1001161855	1	Cover, Side Dash	
18	1001170504	1	Cover, Recirculation Grille	
19	1001170518	1	Holder, Cup	
20	1001170519	1	Assembly, Rear Panel Cover (See Seperate Breakdown in this Section)	
21	1001173965	1	Bezel, Net	
22	1001175903	1	Cover, Lower Dash	
23	1001219863	1	Plate, Switch	
24	1001181726	1	Installation, Armrest (See Seperate Breakdown in this Section)	
25	1001184975	1	Decal, HVAC	
26	1001185870	1	Cover, Lower A-Post	
27	1001189182	1	Cover, RH Side	
28	1001223265	2	Grommet	
29	1001195817	1	Cover, RH Extension	
30	1001195818	1	Panel, LH Side	
31	4010608002	26	Screw, M6X16	
32	4010610002	1	Screw, M6X20	
33	4010612002	3	Screw, M6X25	
34	1001211907	2	Screw	
35	1001208308	4	Thumb Screw, M6X15	
36	1001226481	1	Decal, Blank	
37	1001098150	1	Washer, M6	
38	1001132564	1	Screw, M6X20	
39	1001227133	2	Grommet	

SECTION 6 - CAB

FIGURE 6-54. DASH COVER ASSEMBLY



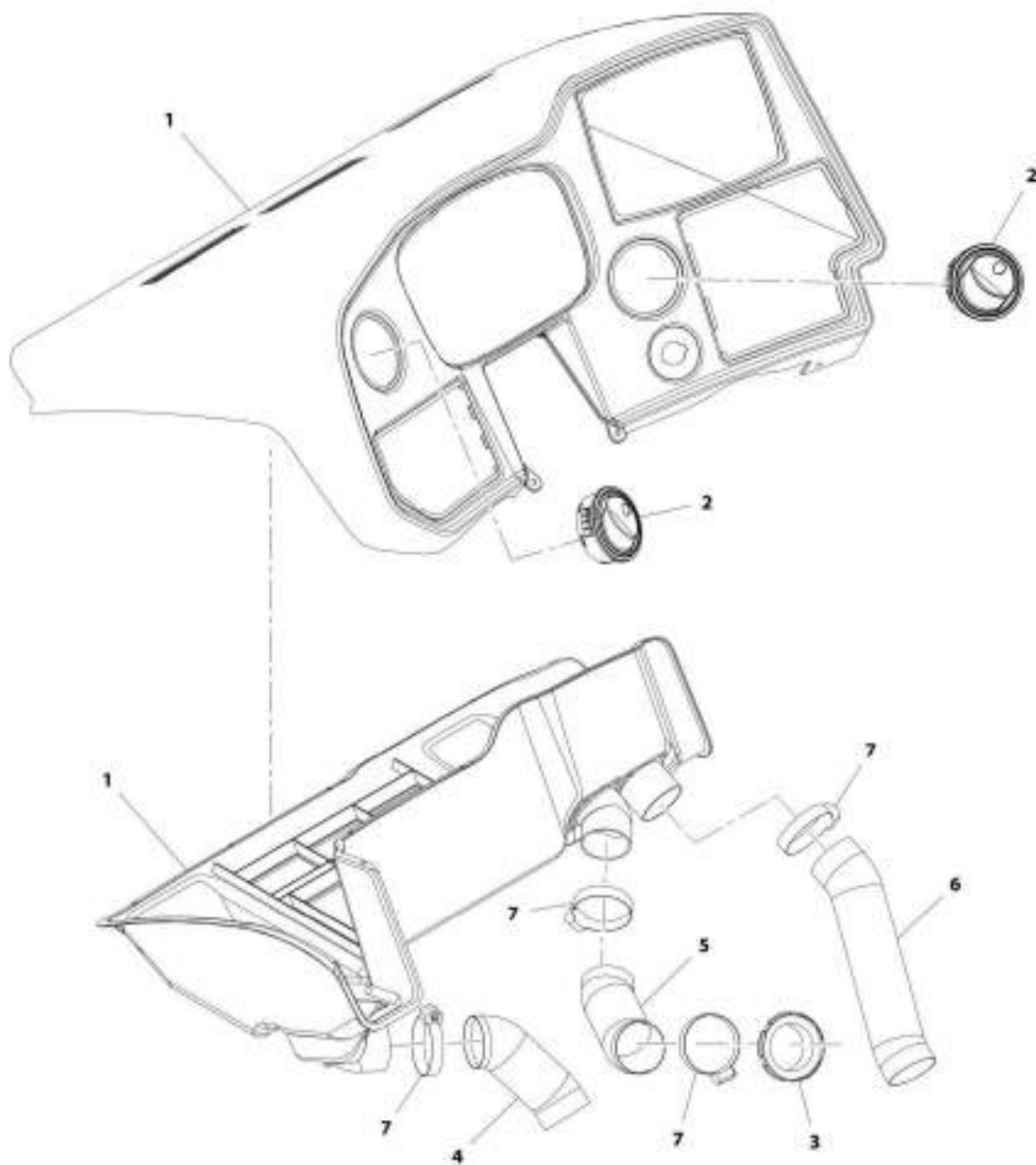
ANT_1001215134-A

FIGURE 6-54. DASH COVER ASSEMBLY

ITEM	PART NUMBER	QTY	DESCRIPTION	REV
	1001215154	Ref	Dash Cover Assembly	A
1	8405201	4	Clamp, Gear	
2	1001147449	2	Vent, Air	
3	1001149278	1	Vent, Connector	
4	1001174652	1	Hose	
5	1001174653	1	Hose	
6	1001174655	1	Hose	
7	1001214951	1	Panel, Top Dash	

SECTION 6 - CAB

FIGURE 6-55. DASH COVER ASSEMBLY



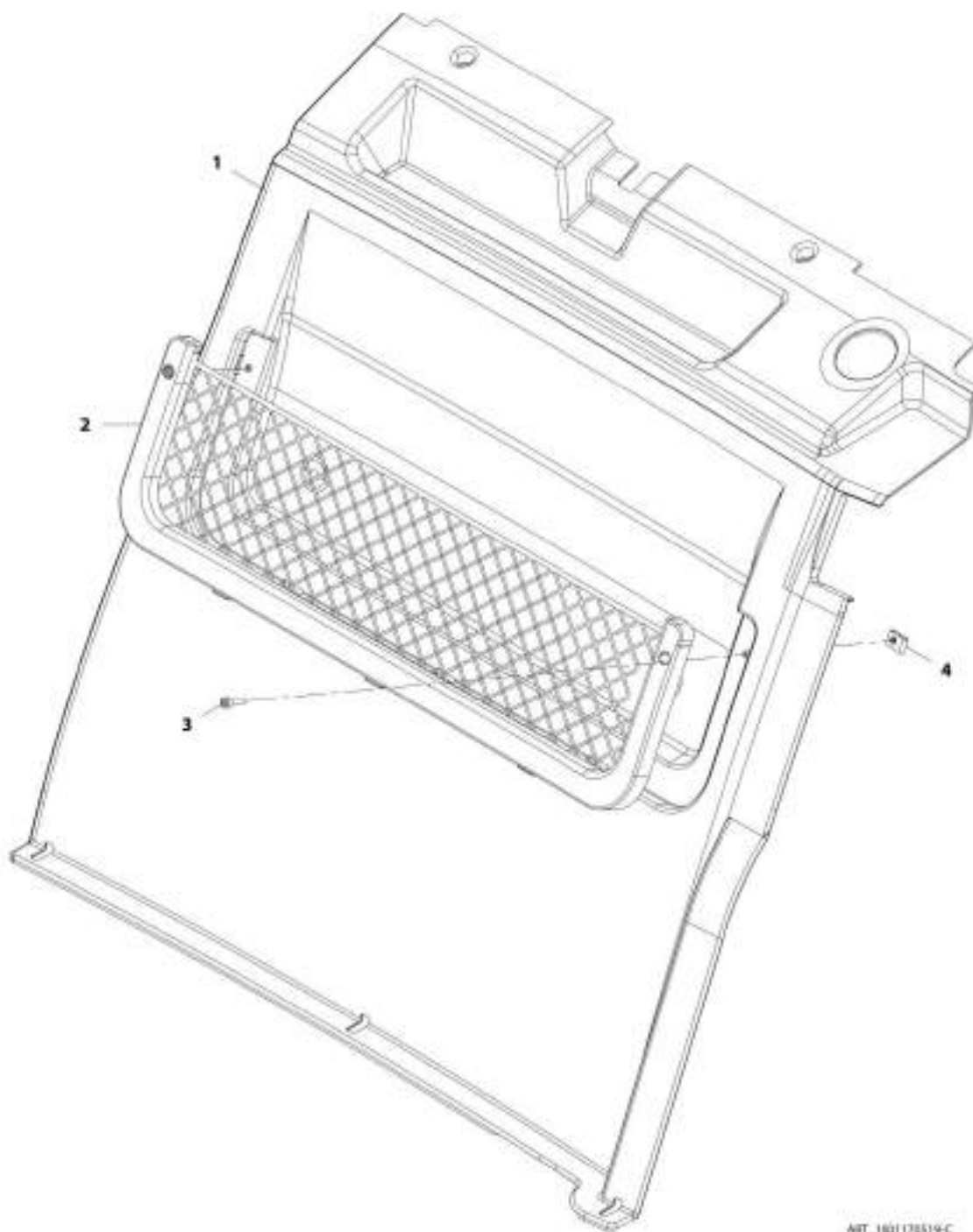
ART. 5301168604-C

FIGURE 6-55. DASH COVER ASSEMBLY

ITEM	PART NUMBER	QTY	DESCRIPTION	REV
	1001169604	Ref	Dash Cover Assembly (Construction)	C
1	1001161851	1	Panel, Top Dash	
2	1001147449	2	Vent, Air	
3	1001149278	1	Vent, Connector	
4	1001174652	1	Hose	
5	1001174653	1	Hose	
6	1001174655	1	Hose	
7	8405201	4	Clamp, Gear	

SECTION 6 - CAB

FIGURE 6-56. REAR PANEL COVER ASSEMBLY



MIT_180178519-C

FIGURE 6-56. REAR PANEL COVER ASSEMBLY

ITEM	PART NUMBER	QTY	DESCRIPTION	REV
	1001170519	Ref	Rear Panel Cover Assembly	C
1	1001161067	1	Panel, Rear	
2	1001170514	1	Storage Net, Rear Panel	
3	4031608	2	Bolt, M5X20	
4	1001183550	2	Nut, Cage M5	

SECTION 6 - CAB

FIGURE 6-57. ADJUSTABLE ARMREST INSTALLATION

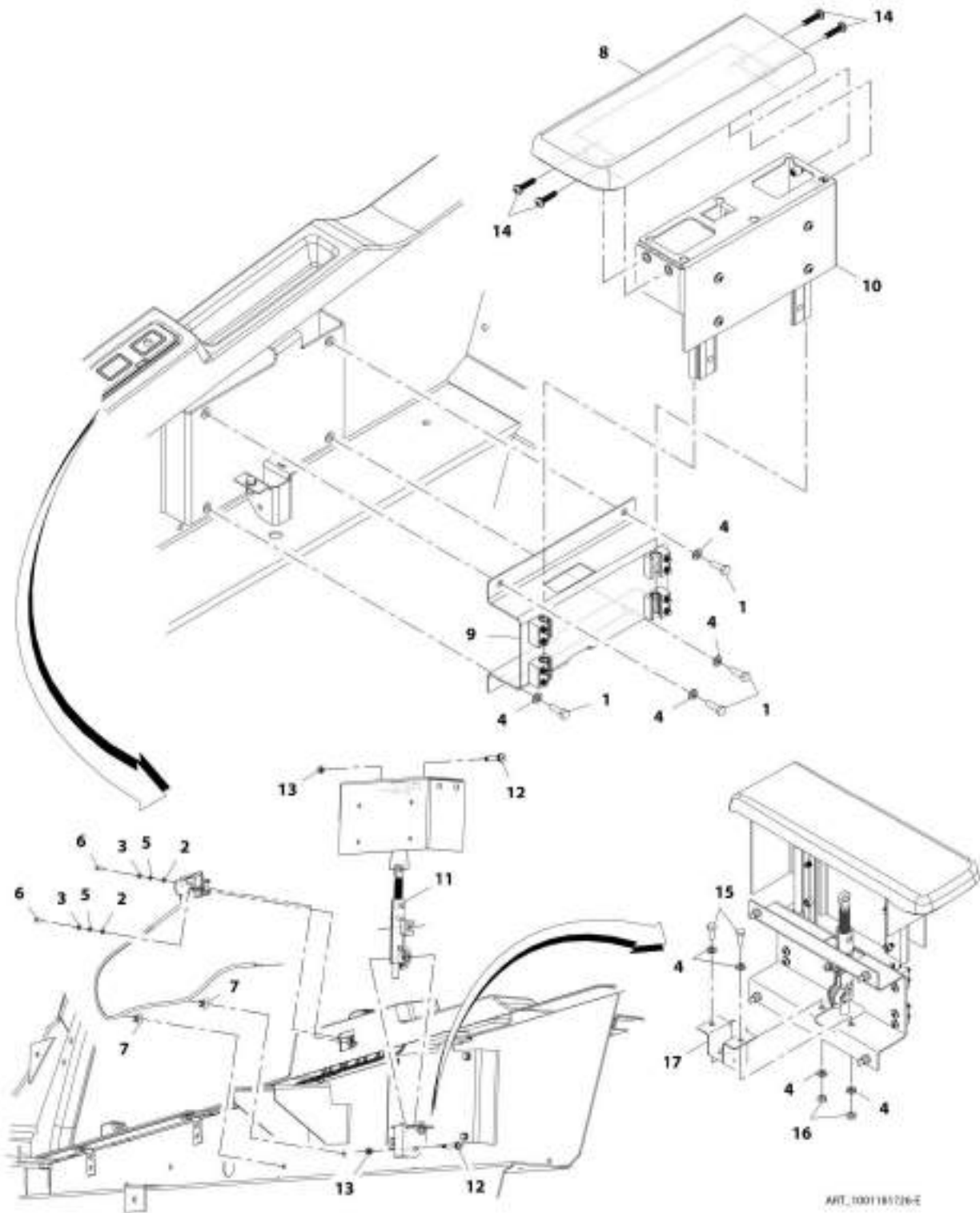
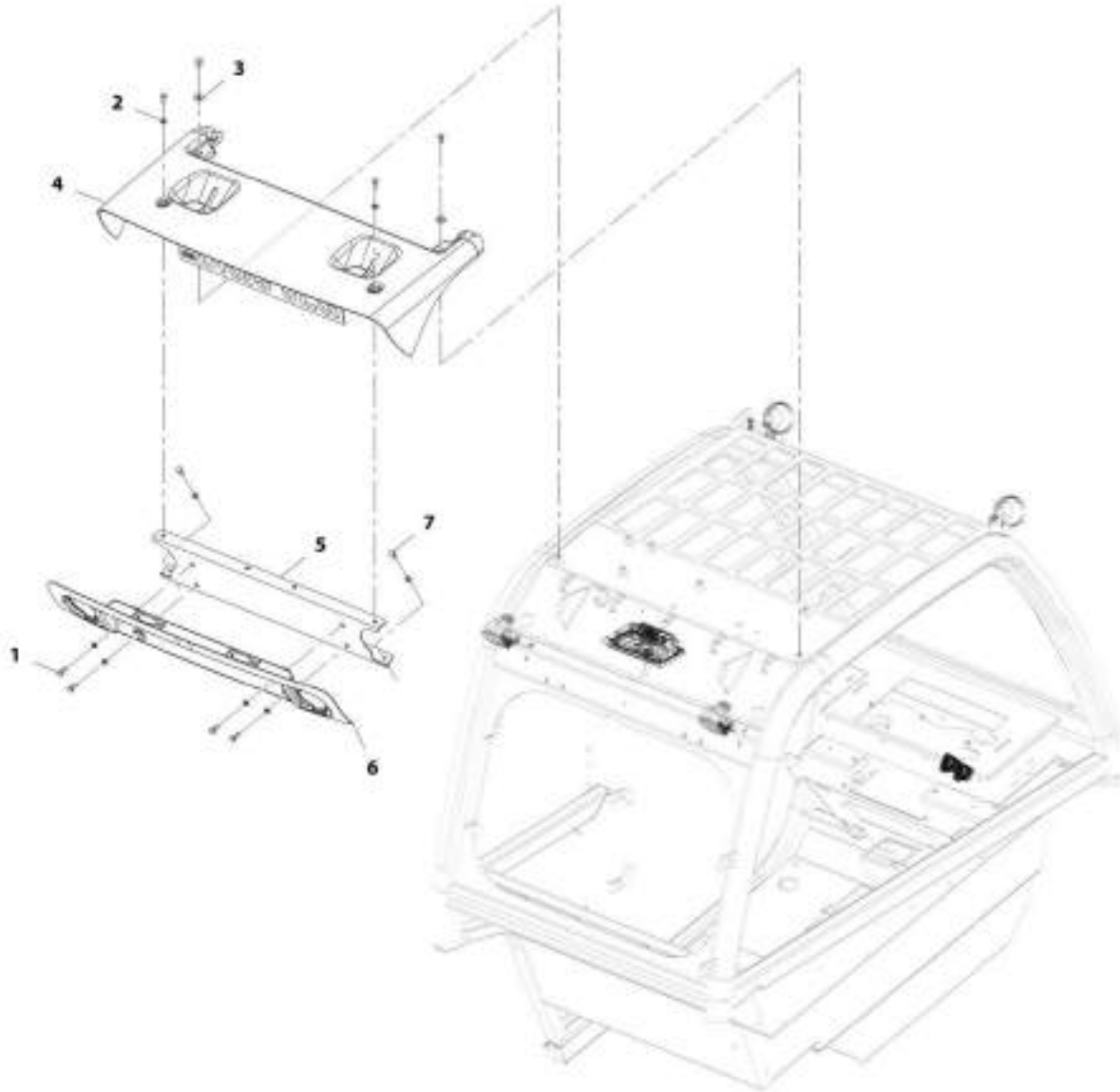


FIGURE 6-57. ADJUSTABLE ARMREST INSTALLATION

ITEM	PART NUMBER	QTY	DESCRIPTION	REV
	1001181726	Ref	Adjustable Armrest Installation	E
1	0700610	4	Bolt, M6X20	
2	3290401	2	Nut, M4X0.7	
3	4811400	2	Washer, M4	
4	4811700	8	Washer, M6	
5	4831400	2	Washer, Lock M4	
6	1001097244	2	Screw, M4X12	
7	1001165458	4	Hose	
8	1001191281	1	Armrest	
9	1001191283	1	Bracket, Fixed Armrest	
10	1001191284	1	Bracket, Moving Armrest	
11	1001191285	1	Spring	
12	1001191370	2	Screw, M6	
13	3290605	2	Nut, M6X1 Grade 8	
14	4010612002	4	Screw, M6X25	
15	0760608	2	Bolt, M6X16	
16	3290601	2	Nut, M6X1	
17	1001212468	1	Bracket, Locking Spring Mount	

SECTION 6 - CAB

FIGURE 6-58. ROOF CAP INSTALLATION (NO A/C)



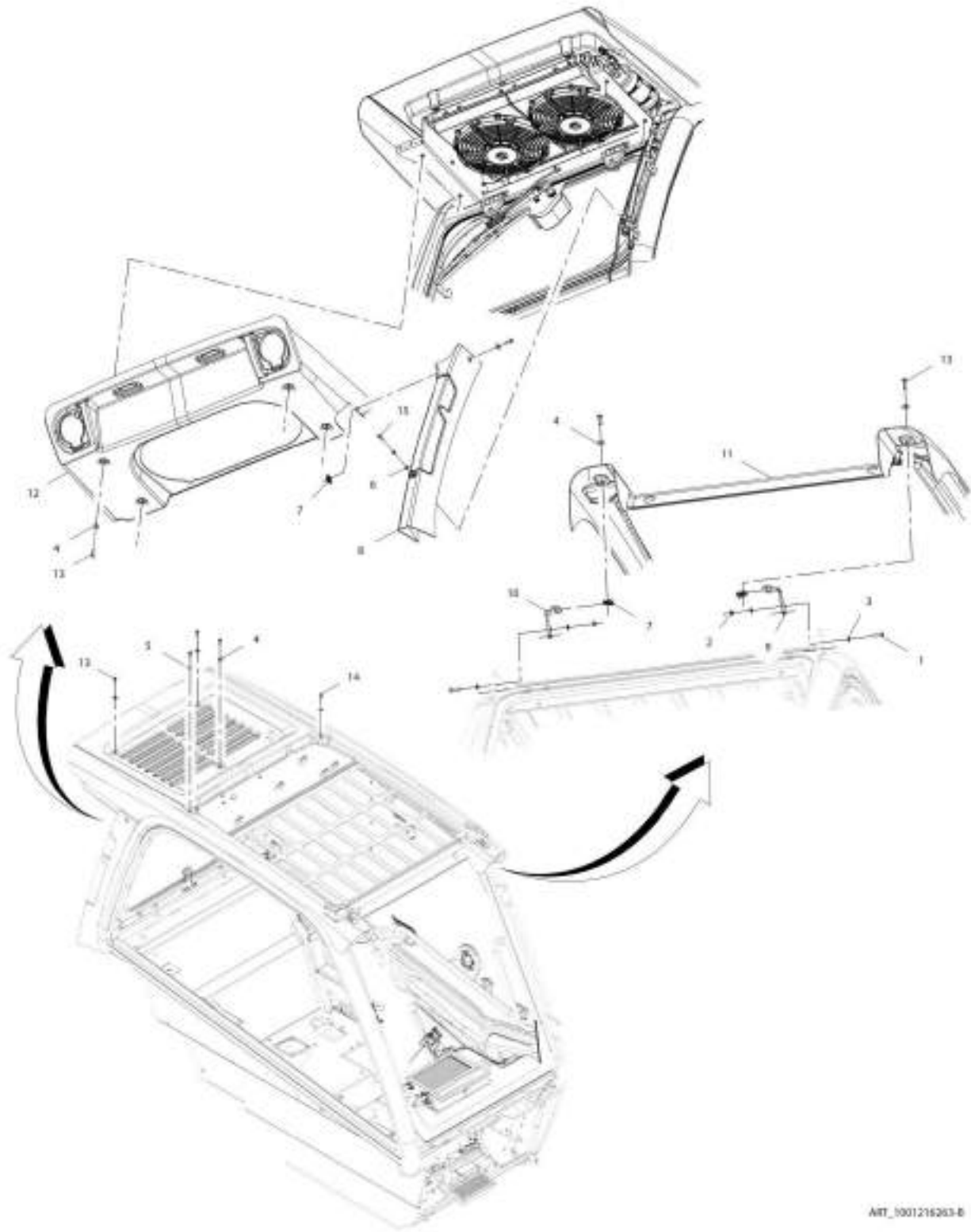
ART_100121635-B

FIGURE 6-58. ROOF CAP INSTALLATION (NO A/C)

ITEM	PART NUMBER	QTY	DESCRIPTION	REV
	1001216265	Ref	Roof Cap Installation (no A/C)	B
1	0760810	8	Bolt, M8X20	
2	4811900	8	Washer, M8	
3	4811902	2	Washer, M8	
4	1001182330	1	Cover, Short Upper Roof Cap	
5	1001185633	1	Bracket, Roof Cap Mount	
6	1001216270	1	Cover, Short Lower Roof Cap	
7	0760808	2	Bolt, M8X16	

SECTION 6 - CAB

FIGURE 6-59. ROOF CAP INSTALLATION (A/C)



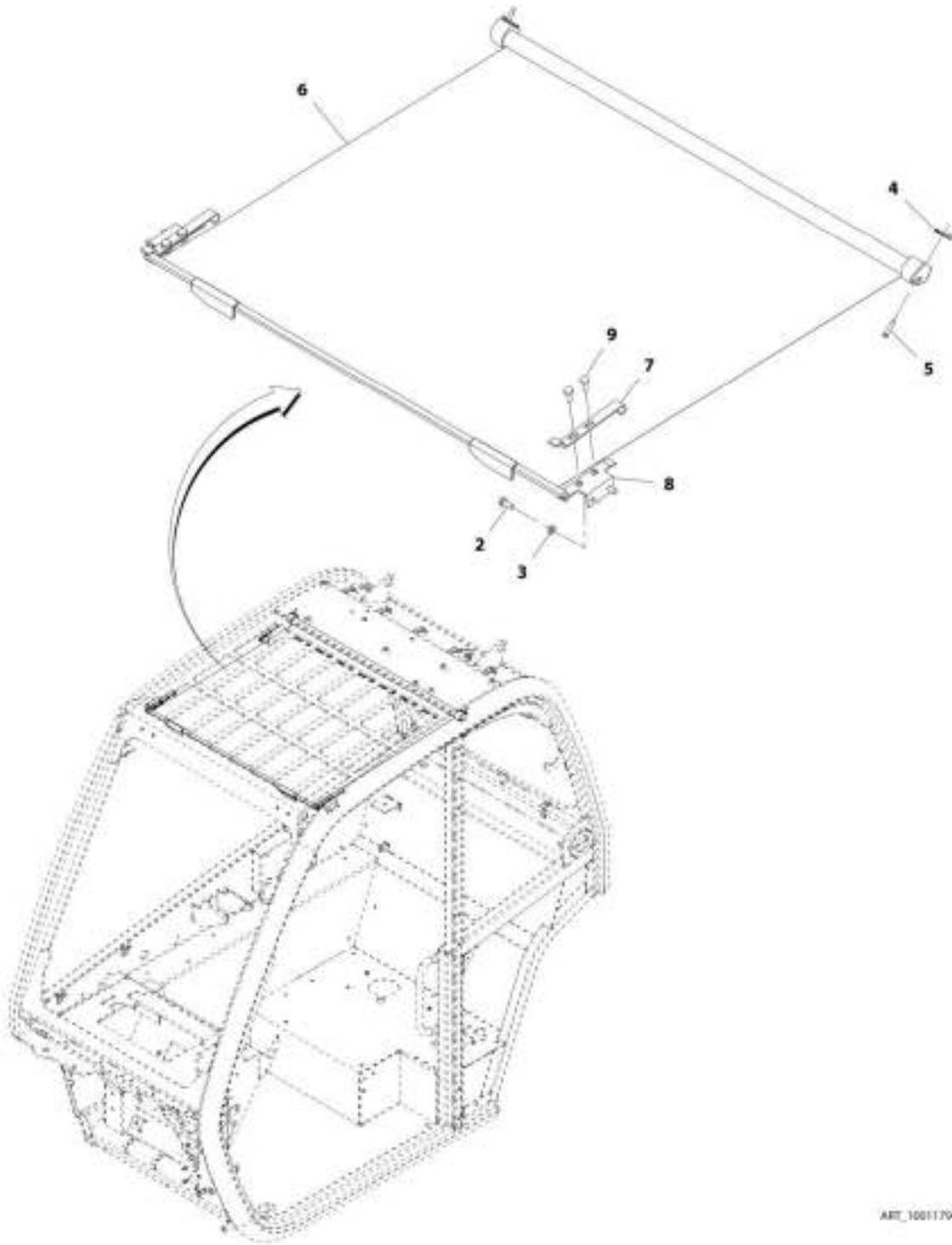
ART_0001216203-B

FIGURE 6-59. ROOF CAP INSTALLATION (A/C)

ITEM	PART NUMBER	QTY	DESCRIPTION	REV
	1001216263	Ref	Roof Cap (A/C) Installation	B
1	0700610	4	Bolt, M6X20	
2	3290601	4	Nut, M6X1	
3	4811700	9	Washer, M6	
4	4811702	10	Washer, M6	
5	4811902	2	Washer, M8	
6	4831700	1	Washer, Lock M6	
7	8305919	3	Nut, M6	
8	1001174741	1	Cover	
9	1001174800	1	Bracket	
10	1001174801	1	Bracket	
11	1001216267	1	Cover, Upper Roof Cap	
12	1001216269	1	Cover, Lower Roof Cap	
13	4010610002	10	Screw, Posi-Drive M6X20	
14	0760808	2	Bolt, M8X16	
15	4010608002	1	Screw, M6X16	

SECTION 6 - CAB

FIGURE 6-60. RETRACTABLE SUNSCREEN INSTALLATION



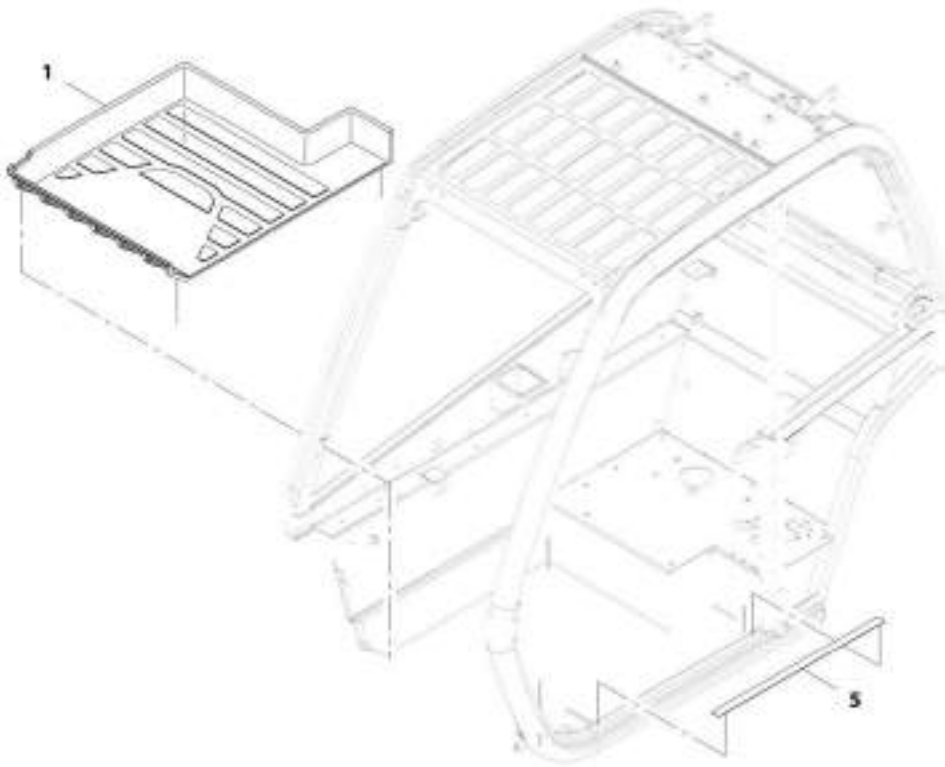
ART_1001170482-D

FIGURE 6-60. RETRACTABLE SUNSCREEN INSTALLATION

ITEM	PART NUMBER	QTY	DESCRIPTION	REV
	1001179482	Ref	Retractable Sunscreen Installation	D
2	0760608	4	Bolt, M6X16	
3	4811700	4	Washer, M6	
4	1001111076	2	Nut, Spire	
5	1001111147	2	Screw, Self Tapping	
6	1001179483	1	Cab, Sun Blind	
7	1001209463	2	Bracket	
8	1001166385	2	Bracket	
9	4010608002	4	Screw, Posi-Drive M6X16	

SECTION 6 - CAB

FIGURE 6-61. FLOOR MAT INSTALLATION



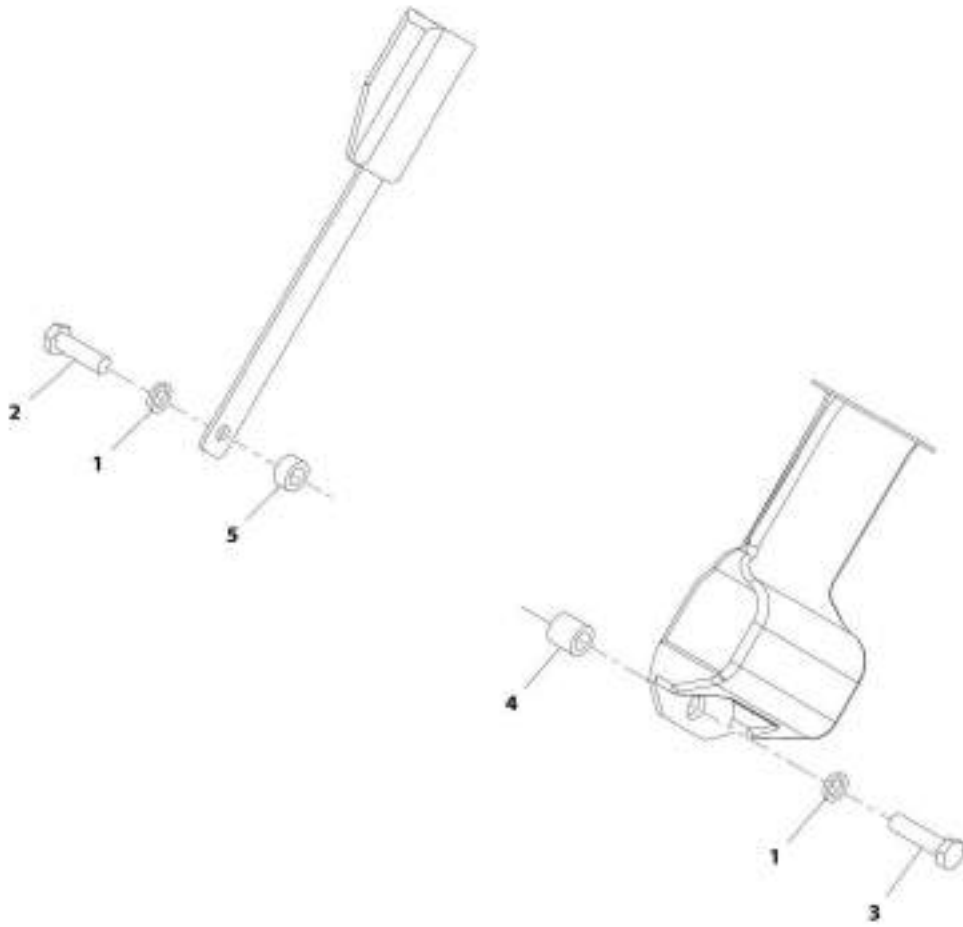
ART_1001561080-E

FIGURE 6-61. FLOOR MAT INSTALLATION

ITEM	PART NUMBER	QTY	DESCRIPTION	REV
	1001161080	Ref	Floor Mat Installation	E
1	1001161078	1	Cab, Floor Mat	
5	1001197259	1	Tape, Frame Non Skid	

SECTION 6 - CAB

FIGURE 6-62. SEAT BELT INSTALLATION (3IN)



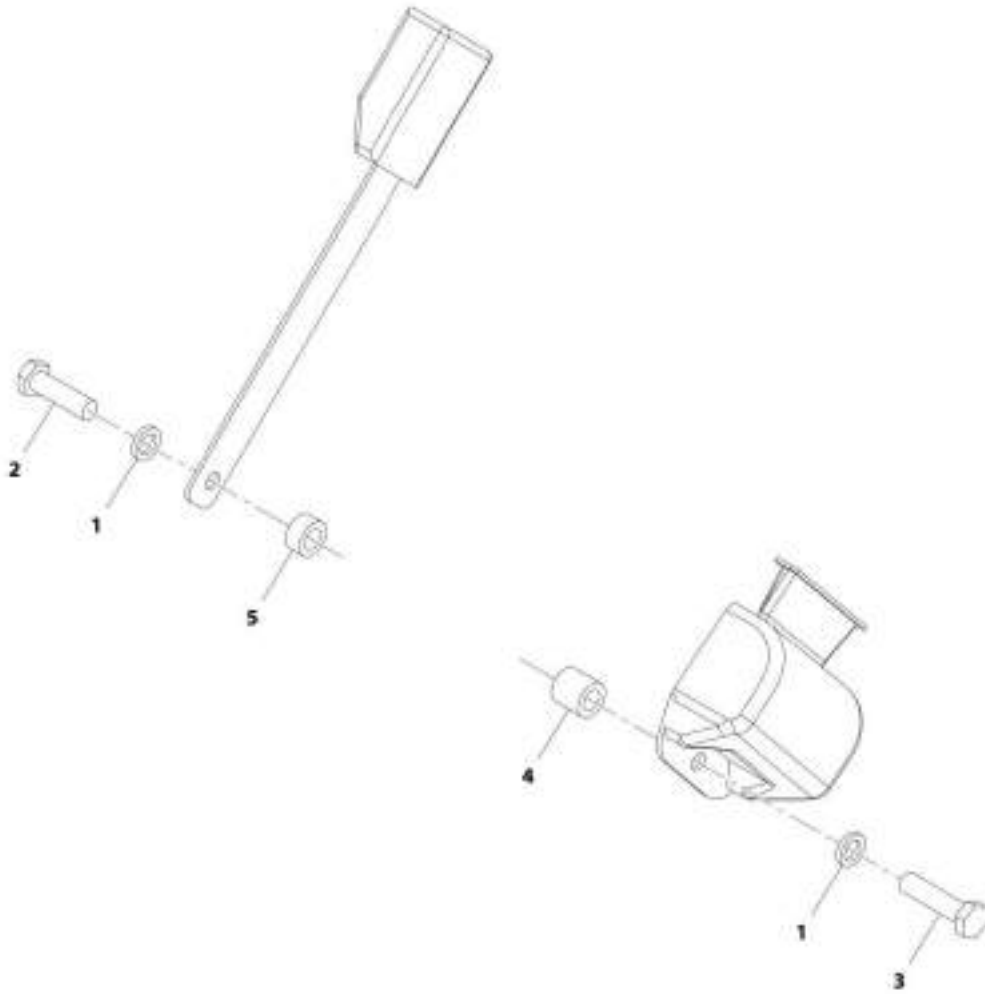
ARC_1001006731-0

FIGURE 6-62. SEAT BELT INSTALLATION (3IN)

ITEM	PART NUMBER	QTY	DESCRIPTION	REV
	1001006731	Ref	Seat Belt Installation (3IN)	B
1	1001010646	2	Washer	
2	1001010647	1	Bolt	
3	1001010648	1	Bolt	
4	1001010649	1	Spacer	
5	1001010650	1	Spacer	

SECTION 6 - CAB

FIGURE 6-63. SEAT BELT INSTALLATION (2IN)



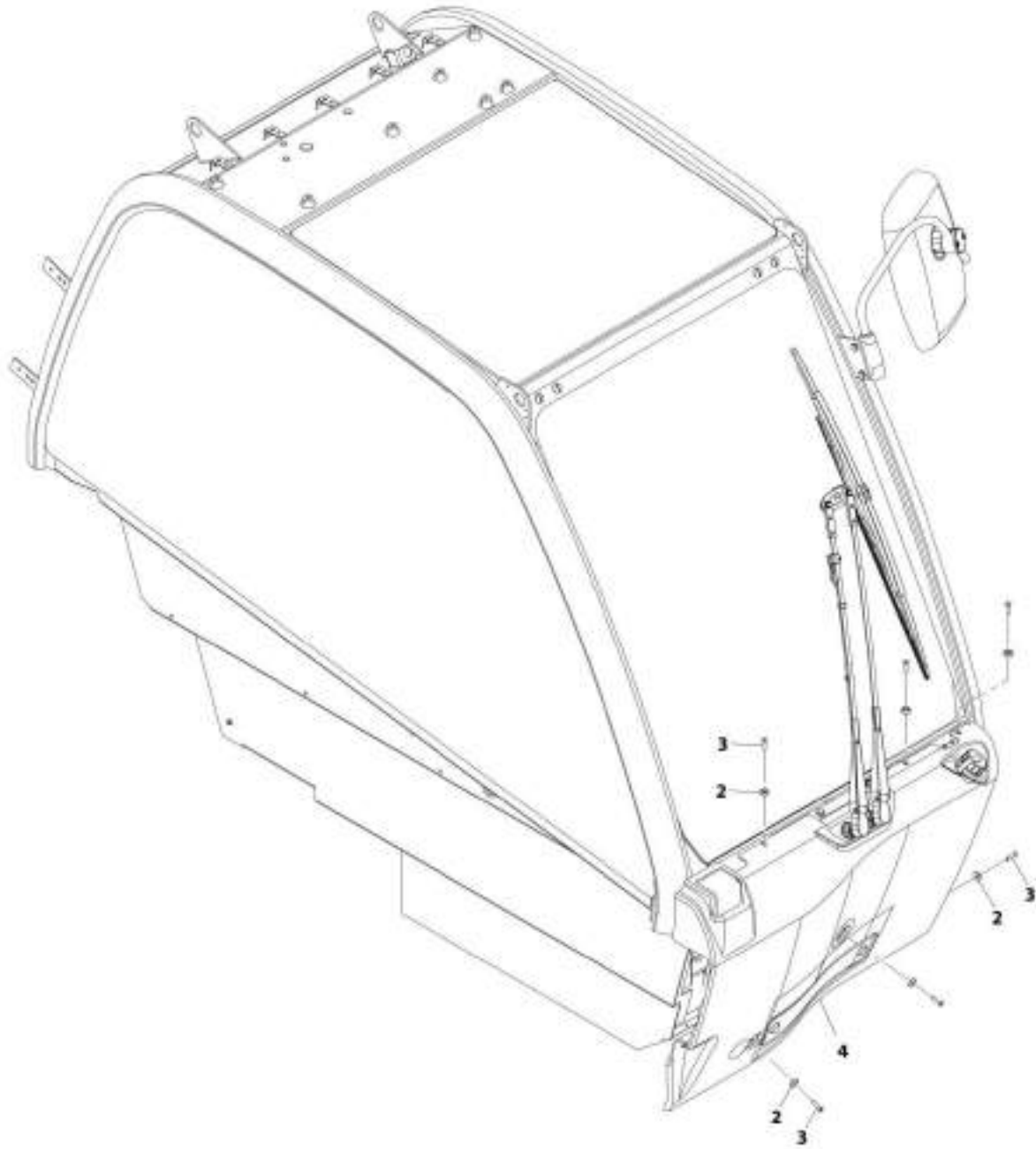
WIT_1001066730-E

FIGURE 6-63. SEAT BELT INSTALLATION (2IN)

ITEM	PART NUMBER	QTY	DESCRIPTION	REV
	1001006730	Ref	Seat Belt Installation (2IN)	E
1	1001010646	2	Washer	
2	1001010647	1	Bolt	
3	1001010648	1	Bolt	
4	1001010649	1	Spacer, Shim	
5	1001010650	1	Spacer, Shim	

SECTION 6 - CAB

FIGURE 6-64. ENCLOSED CAB FRONT COVER INSTALLATION



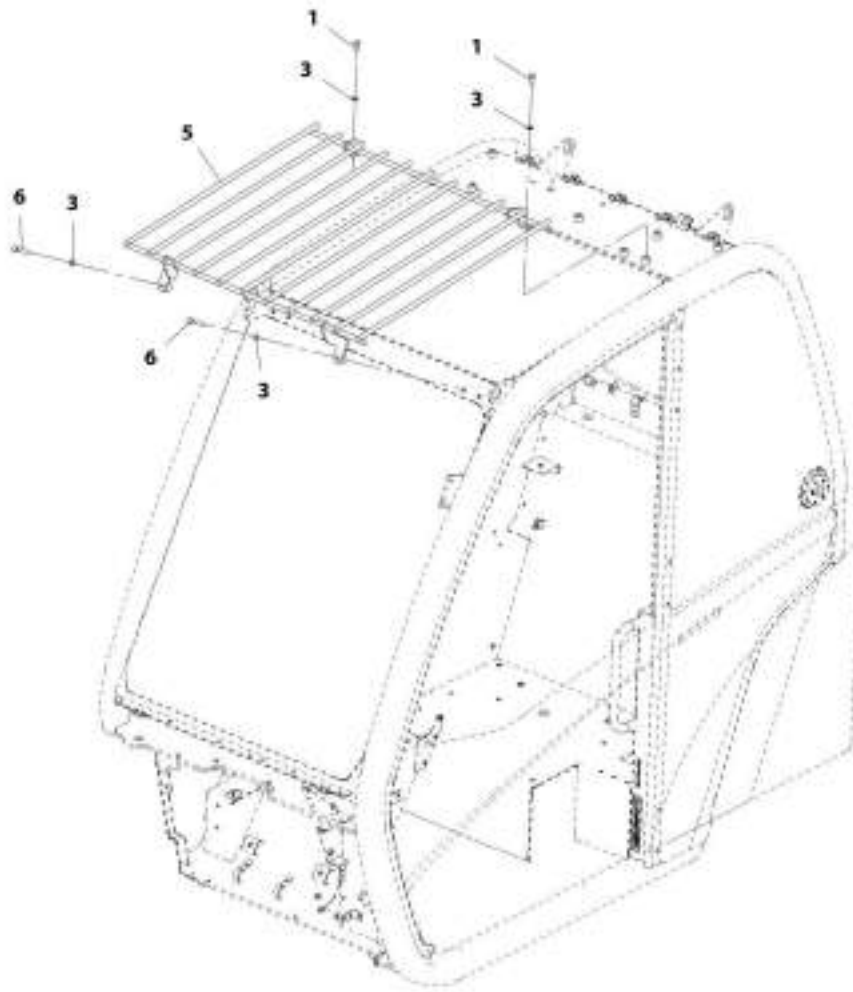
ART_1001170592-G

FIGURE 6-64. ENCLOSED CAB FRONT COVER INSTALLATION

ITEM	PART NUMBER	QTY	DESCRIPTION	REV
	1001179592	Ref	Front Nose Cone Installation (No Sidelight)	G
2	1001097540	6	Washer, M6	
3	3900379	6	Screw, M6-1X25 Grade 10.9	
4	1001170325	1	Cover, Front	

SECTION 6 - CAB

FIGURE 6-65. CAB GUARD INSTALLATION (TOP)



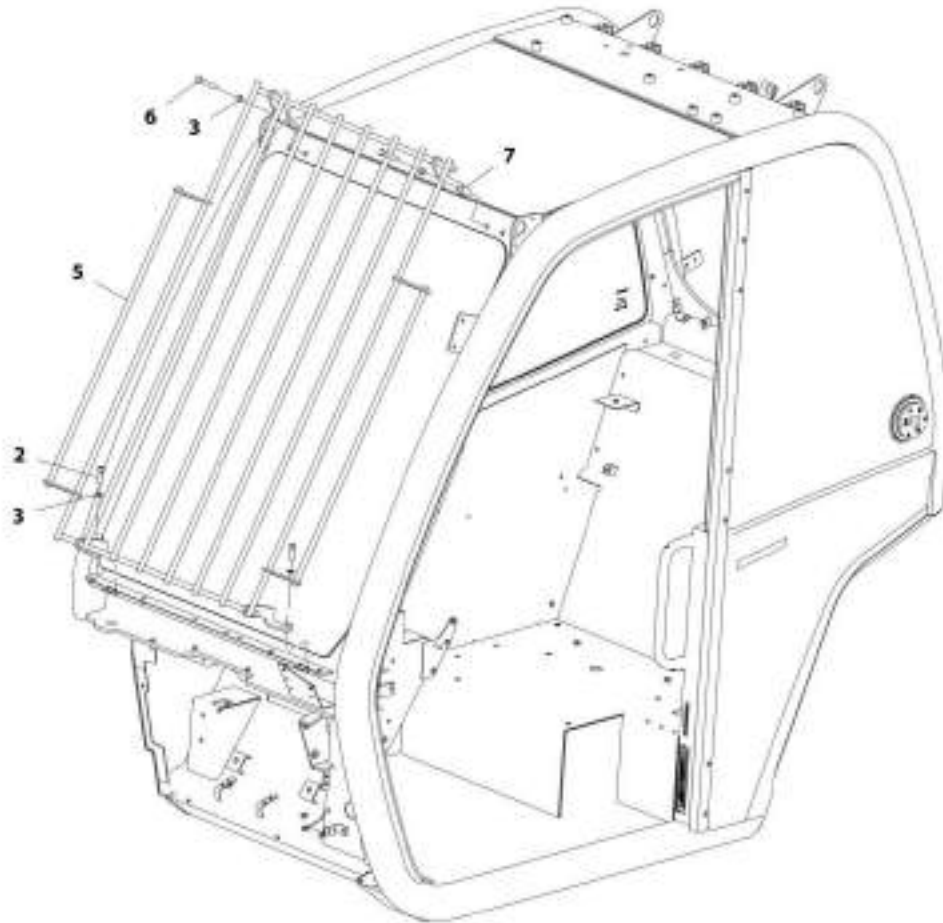
ART_1001100496-F

FIGURE 6-65. CAB GUARD INSTALLATION (TOP)

ITEM	PART NUMBER	QTY	DESCRIPTION	REV
	1001160496	Ref	Cab Guard Installation (Top)	F
1	0760810	2	Bolt, M8X20	
3	4811900	4	Washer, M8	
5	1001160503	1	Guard, Top Screen	
6	0700820	2	Bolt, M8X60	

SECTION 6 - CAB

FIGURE 6-66. CAB GUARD INSTALLATION (FRONT)



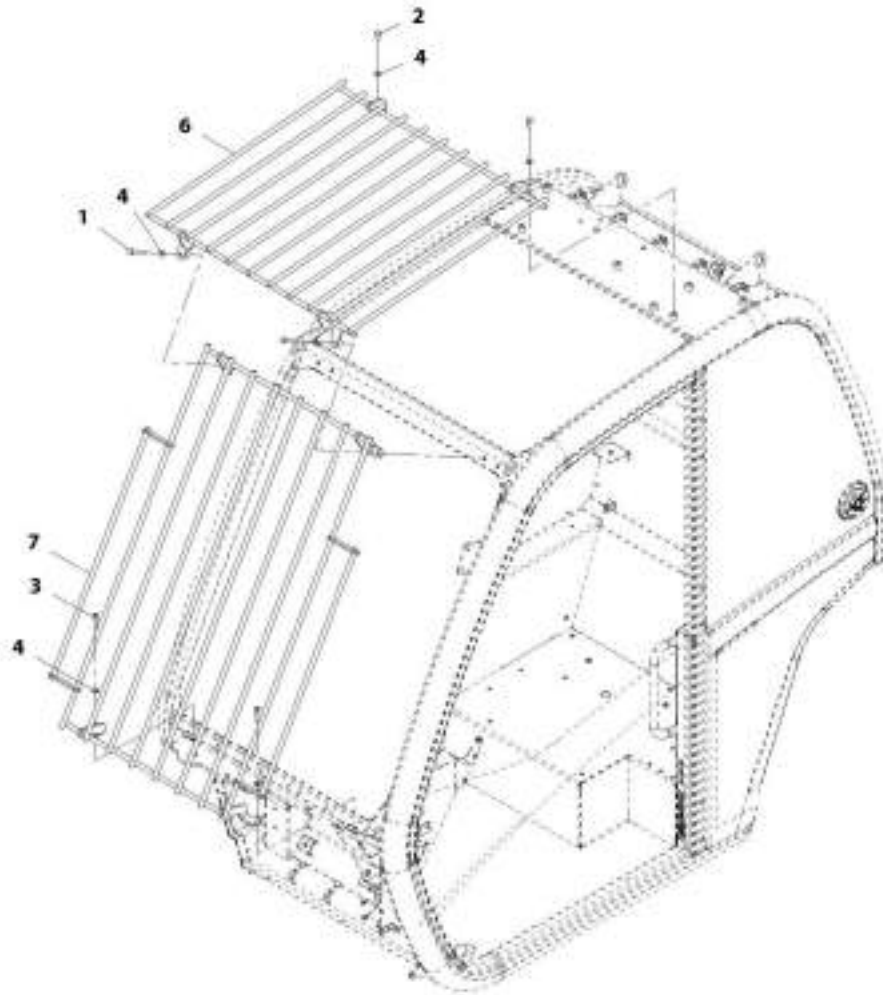
ART_1001590106-G

FIGURE 6-66. CAB GUARD INSTALLATION (FRONT)

ITEM	PART NUMBER	QTY	DESCRIPTION	REV
	1001160506	Ref	Cab Guard Installation (Front)	G
2	4031910	2	Bolt, M8X30	
3	4811900	4	Washer, M8	
5	1001180263	1	Guard, Front Screen	
6	0700820	2	Bolt, M8X60	
7	1001173257	2	Spacer	

SECTION 6 - CAB

FIGURE 6-67. CAB GUARD INSTALLATION (TOP AND FRONT)



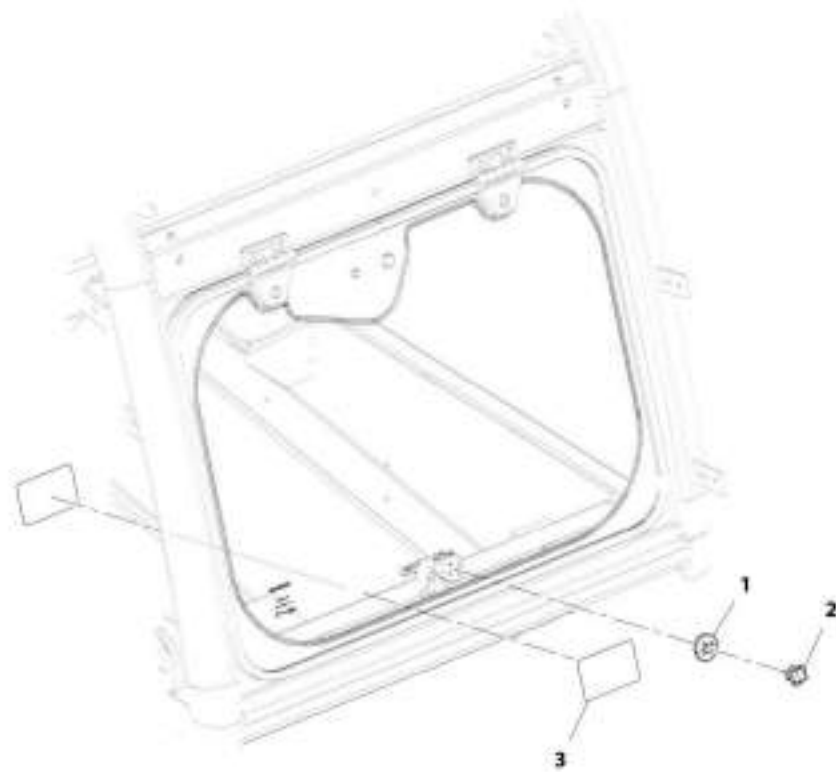
AWT_1001122774-F

FIGURE 6-67. CAB GUARD INSTALLATION (TOP AND FRONT)

ITEM	PART NUMBER	QTY	DESCRIPTION	REV
	1001172774	Ref	Cab Guard Installation (Top and Front)	F
1	0700820	2	Bolt, M8X60	
2	0760810	2	Bolt, M8X20	
3	4031910	2	Bolt, M8X30	
4	4811900	6	Washer, M8	
6	1001160503	1	Guard, Top Screen	
7	1001180263	1	Guard, Front Screen	

SECTION 6 - CAB

FIGURE 6-68. EXTERNAL WINDOW RELEASE INSTALLATION (ANSI - ENGLISH)



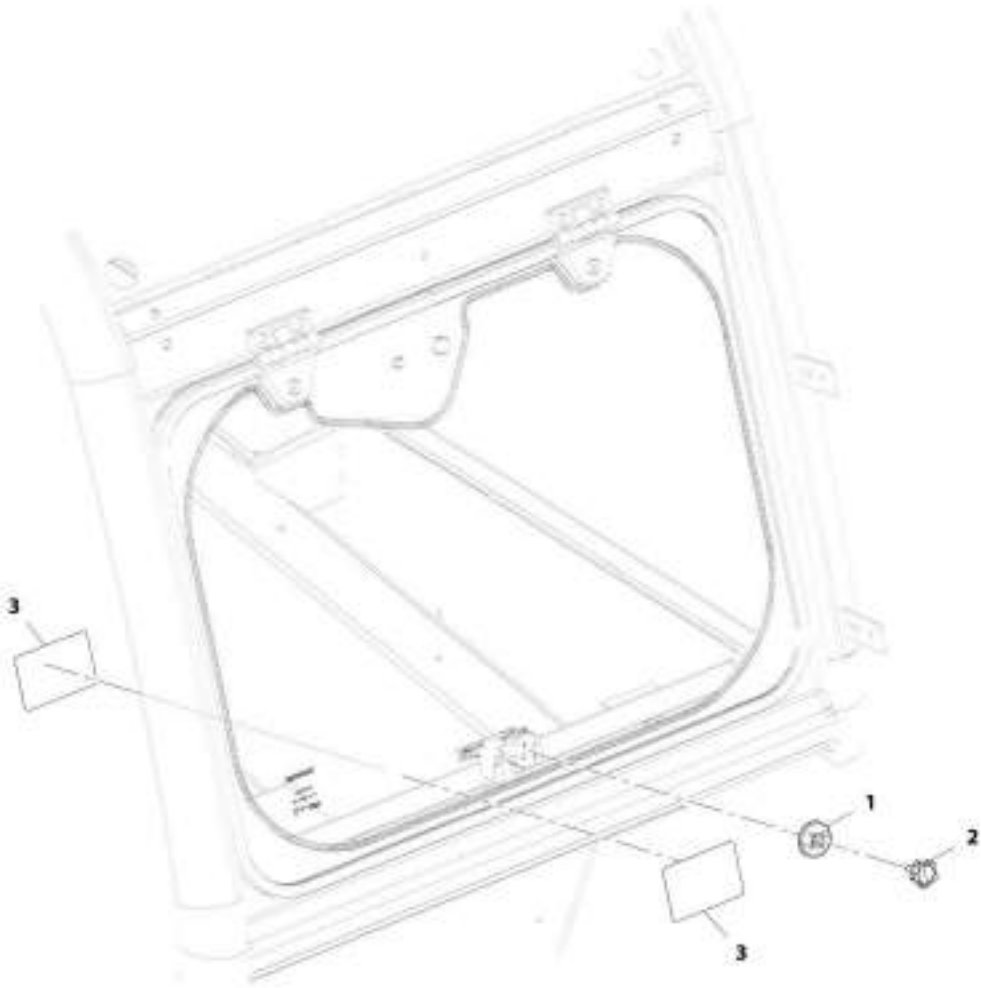
ART_1001212047-A

FIGURE 6-68. EXTERNAL WINDOW RELEASE INSTALLATION (ANSI - ENGLISH)

ITEM	PART NUMBER	QTY	DESCRIPTION	REV
	1001212047	Ref	Rear Window Installation (WO/Wiper) (ANSI)	A
1	1001179008	1	Cap, Latch Window	
2	1001179009	1	Cap, Knob M6	
3	1001212049	2	Decal, Emergency Exit	

SECTION 6 - CAB

FIGURE 6-69. EXTERNAL WINDOW RELEASE INSTALLATION(CAN & ISO)



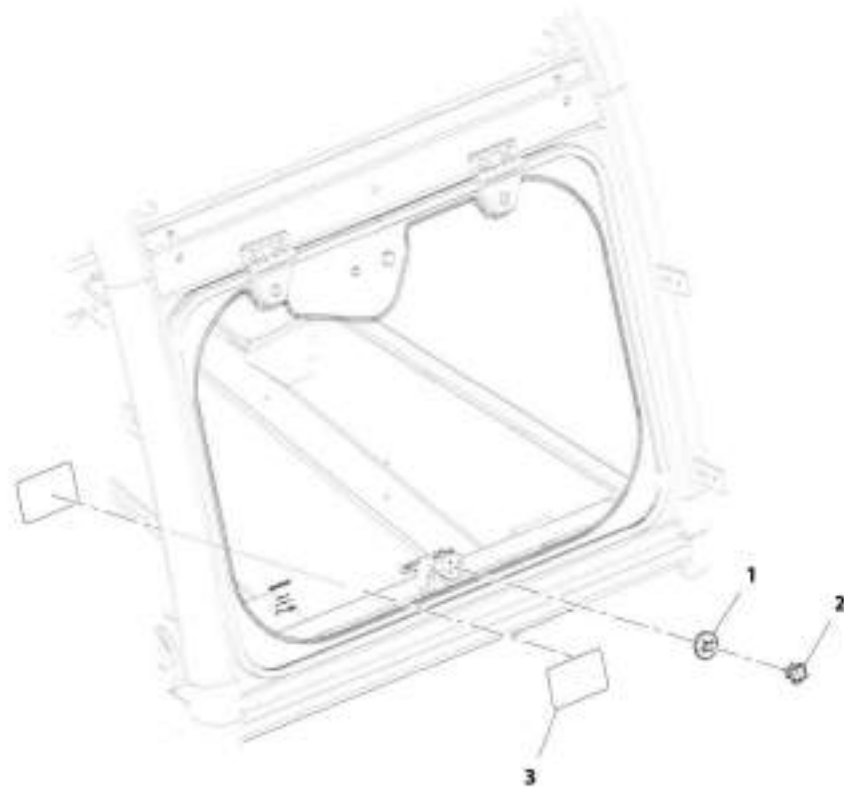
ART_100117826-C

FIGURE 6-69. EXTERNAL WINDOW RELEASE INSTALLATION(CAN & ISO)

ITEM	PART NUMBER	QTY	DESCRIPTION	REV
	1001178826	Ref	External Window Release Installation (ANSI - English/French)	C
1	1001179008	1	Cap, Latch Window	
2	1001179009	1	Knob	
3	1001204709	2	Decal, Emergency Exit (English/French)	

SECTION 6 - CAB

FIGURE 6-70. EXTERNAL WINDOW RELEASE INSTALLATION (ISO)



ART_1801212540-A

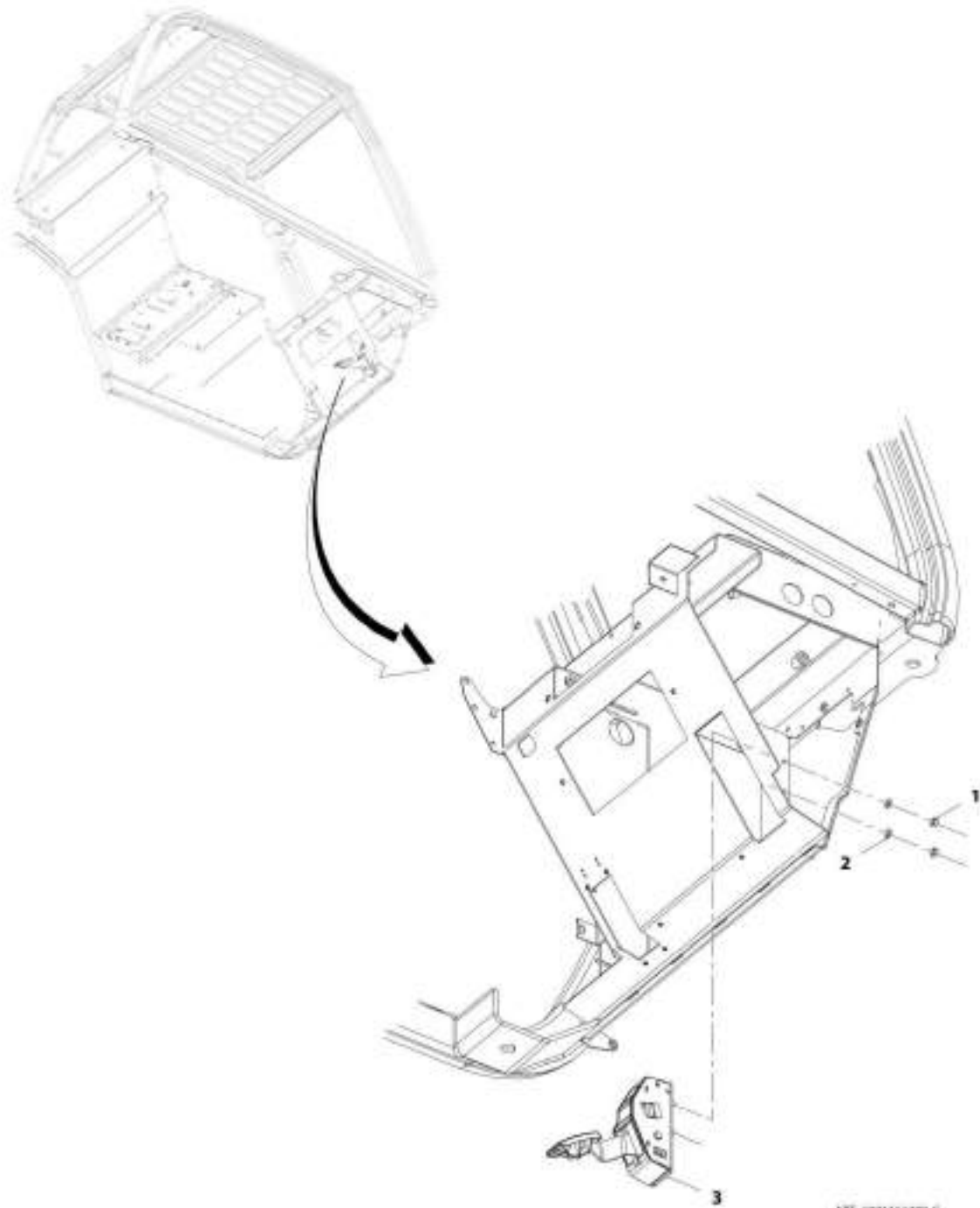
FIGURE 6-70. EXTERNAL WINDOW RELEASE INSTALLATION (ISO)

ITEM	PART NUMBER	QTY	DESCRIPTION	REV
	1001212048	Ref	Rear Window Installation (WO/Wiper) (ISO)	A
1	1001179008	1	Cap, Latch Window	
2	1001179009	1	Cap, Knob M6	
3	1001212050	2	Decal, Emergency Exit	

SECTION 7 - CONTROLS

SECTION 7 - CONTROLS

FIGURE 7-1. ACCELERATOR PEDAL INSTALLATION



ART. 1001161499-C

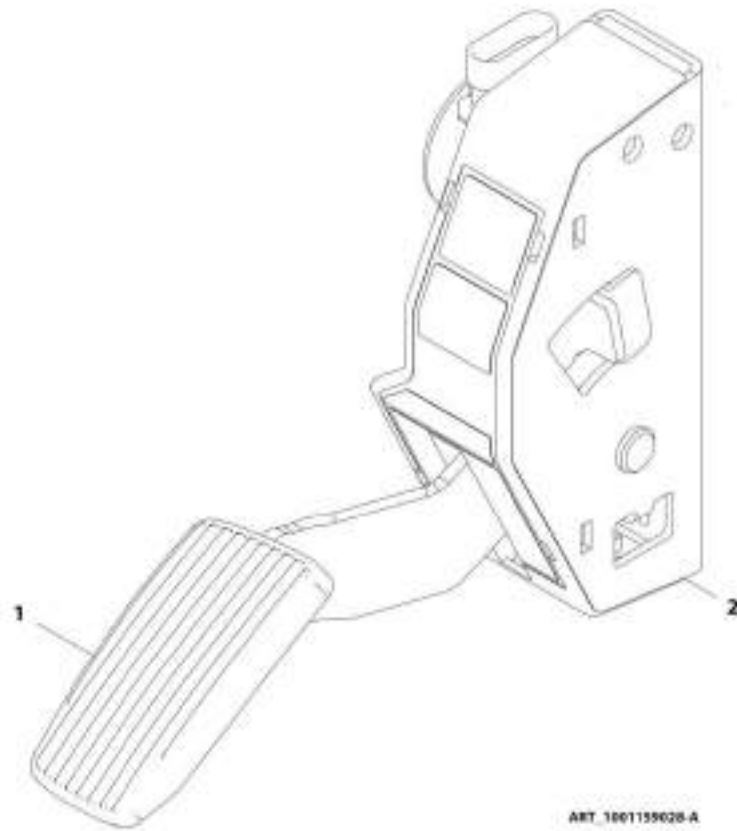
SECTION 7 - CONTROLS

FIGURE 7-1. ACCELERATOR PEDAL INSTALLATION

ITEM	PART NUMBER	QTY	DESCRIPTION	REV
	1001161499	Ref	Accelerator Pedal Installation	C
1	3290801	2	Nut, M8X1.25	
2	4811900	2	Washer, M8	
3	1001159028	1	Pedal, Accelerator (See Separate Breakdown in this Section)	

SECTION 7 - CONTROLS

FIGURE 7-2. ACCELERATOR PEDAL



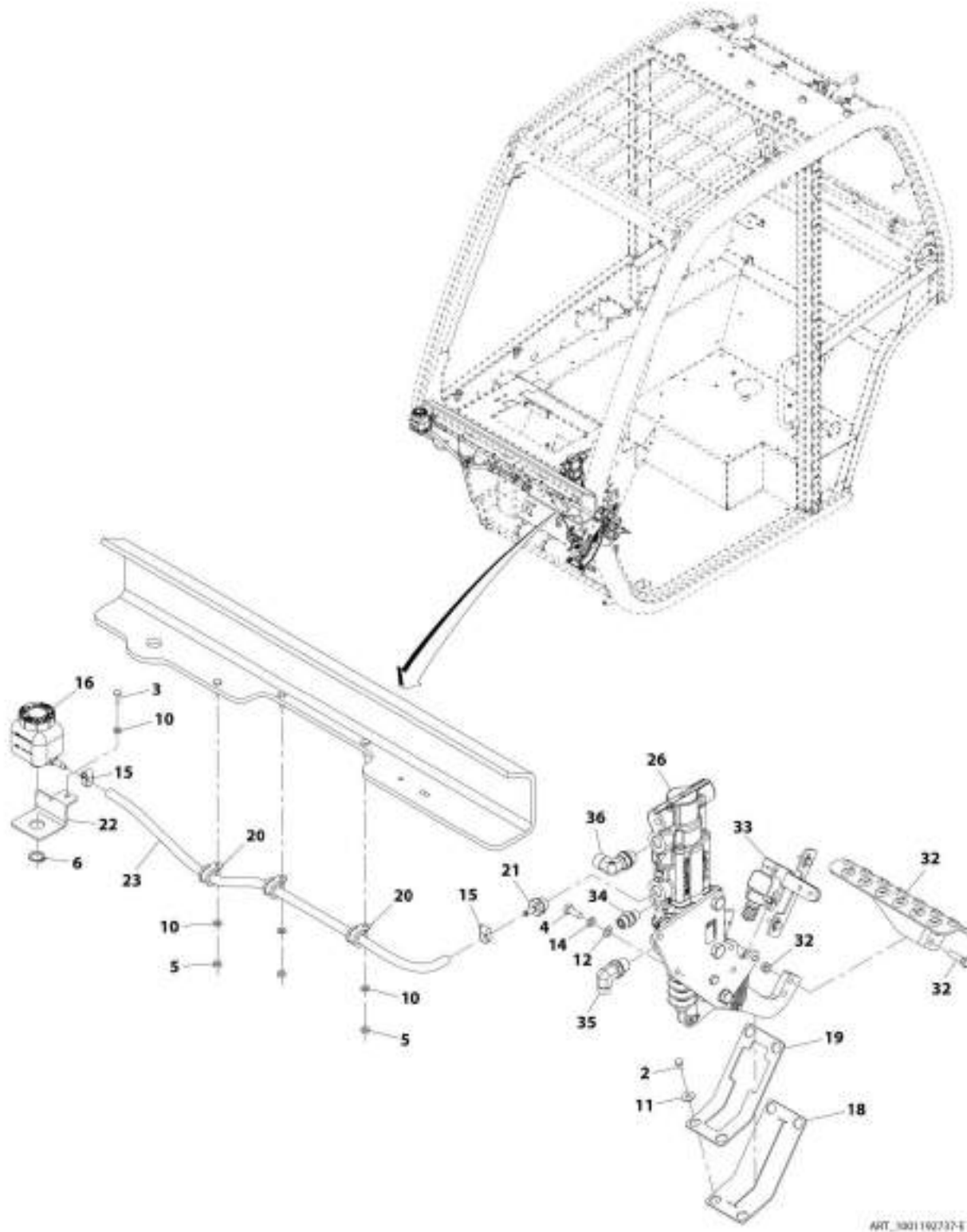
SECTION 7 - CONTROLS

FIGURE 7-2. ACCELERATOR PEDAL

ITEM	PART NUMBER	QTY	DESCRIPTION	REV
	1001159028	Ref	Accelerator Pedal	A
1	70025816	1	Pad, Rubber	
2	70025817	1	Cover, Rubber	

SECTION 7 - CONTROLS

FIGURE 7-3. BRAKE PEDAL INSTALLATION



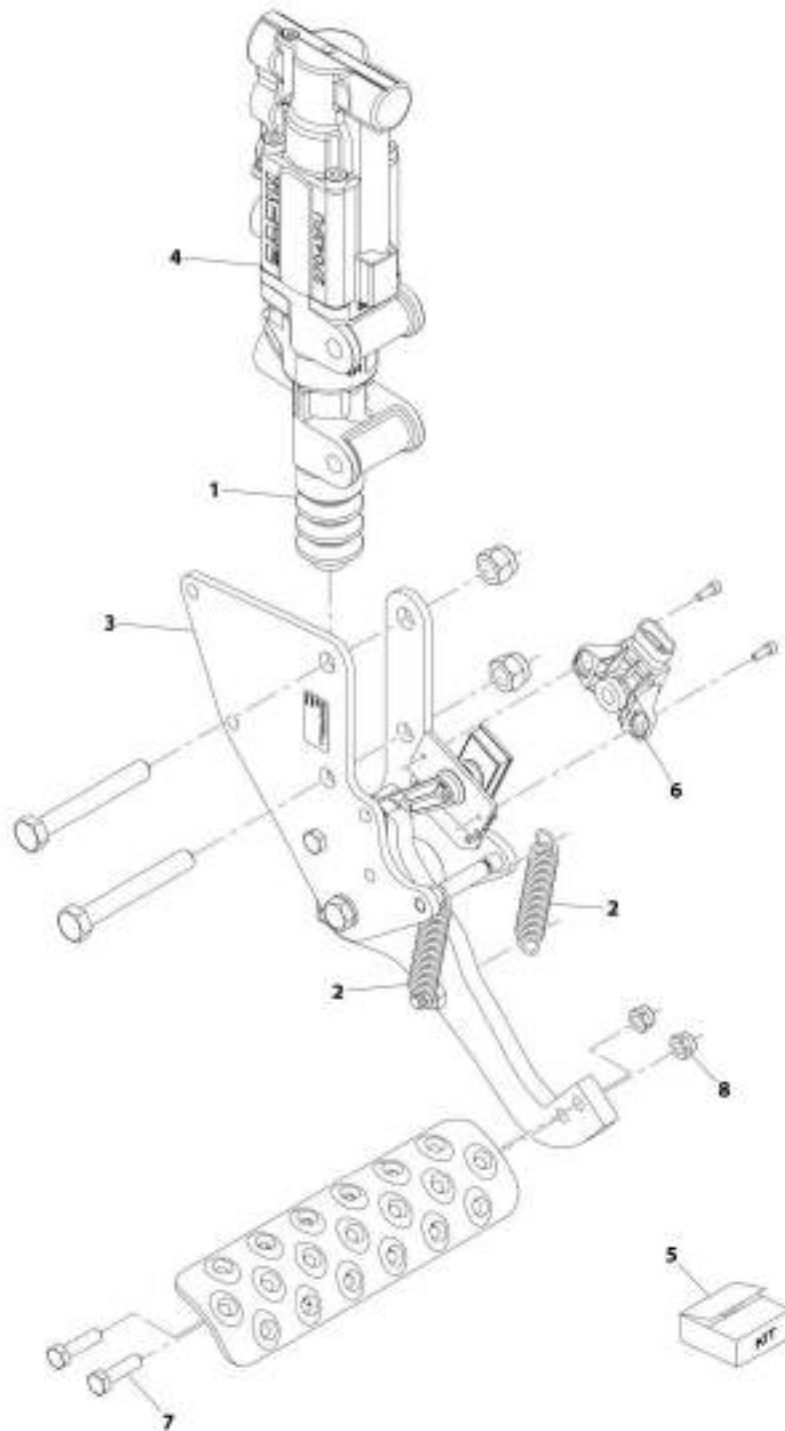
SECTION 7 - CONTROLS

FIGURE 7-3. BRAKE PEDAL INSTALLATION

ITEM	PART NUMBER	QTY	DESCRIPTION	REV
	1001192737	Ref	Brake Pedal Installation	E
2	0760605	4	Bolt, M6X10	
3	0760608	1	Bolt, M6X16	
4	0760810	3	Bolt, M8X20	
5	3290601	3	Nut, M6X1	
6	3760348	1	Ring, Retaining	
10	4811700	4	Washer, M6	
11	4811702	4	Washer, M6	
12	4811900	3	Washer, M8	
14	4831900	3	Washer, Lock M8	
15	8405009	2	Clamp	
16	1001214220	1	Reservoir, Brake	
18	1001162920	1	Seal	
19	1001162922	1	Plate	
20	1001170231	3	Clip	
21	1001171874	1	Fitting, Straight	
22	1001172088	1	Bracket	
23	1001172094	1	Hose	
26	1001213265	1	Assembly, Brake Pedal (See Seperate Breakdown in this Section)	
32	1001197139	1	Plate, Brake Pedal	
33	1001205061	Ref	Installation, Brake Sensor (See Seperate Breakdown in this Section)	
34	80233218	1	Fitting, Straight ORFS	
35	80333151	1	Fitting, 90 ORFS	
36	1001168054	1	Fitting, 90 ORFS	

SECTION 7 - CONTROLS

FIGURE 7-4. BRAKE PEDAL ASSEMBLY



ART. 1001211265-A

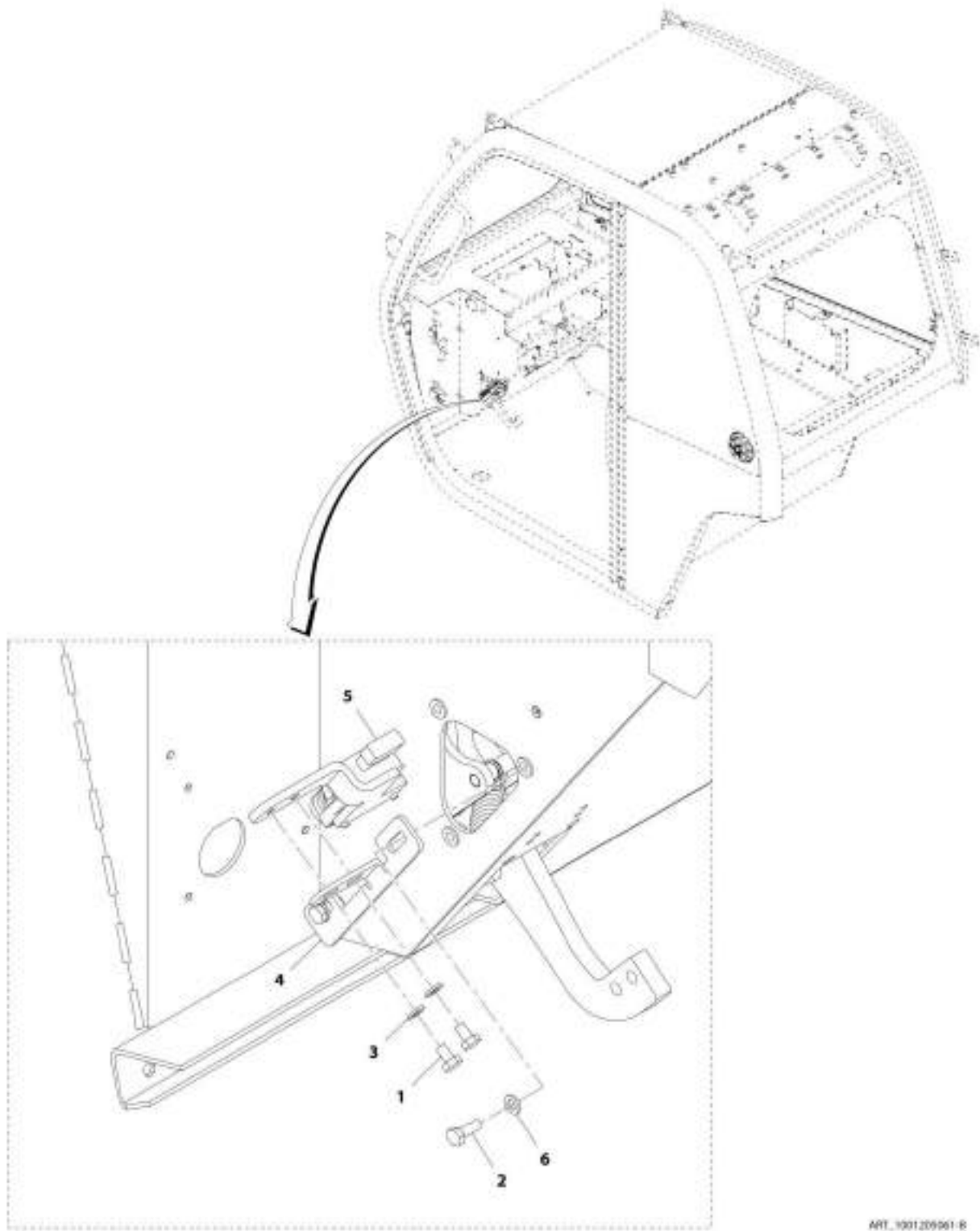
SECTION 7 - CONTROLS

FIGURE 7-4. BRAKE PEDAL ASSEMBLY

ITEM	PART NUMBER	QTY	DESCRIPTION	REV
	1001213265	Ref	Brake Pedal Assembly	A
1	70025859	1	Cover, Dust	
2	70025860	2	Spring, Return	
3	70028381	1	Support, Pedal	
4	70028382	1	Cylinder, Master	
5	70026434	1	Kit, Seal	
6	70028383	1	Sensor, Angle	
7	0770814	2	Bolt, M8X30 Grade 10.9	
8	3290805	2	Nut, Lock M8X1.25 Grade 8	

SECTION 7 - CONTROLS

FIGURE 7-5. BRAKE SENSOR INSTALLATION



ART. 1001209501-R

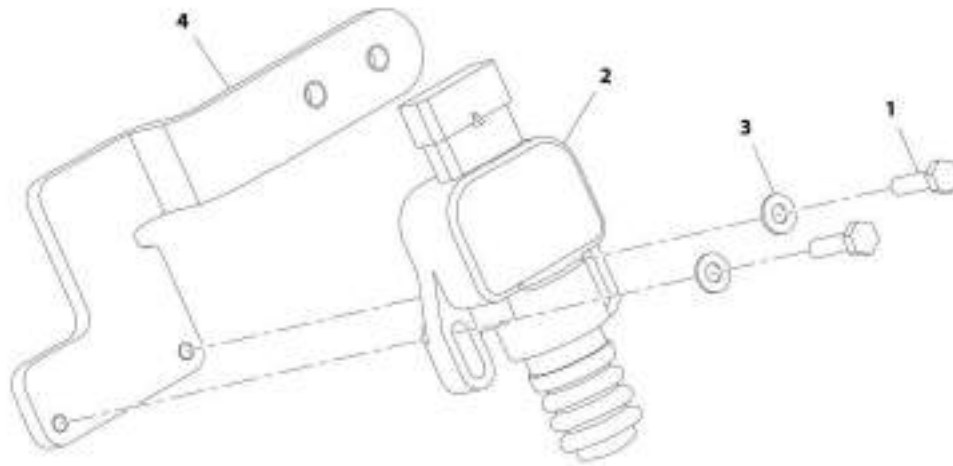
SECTION 7 - CONTROLS

FIGURE 7-5. BRAKE SENSOR INSTALLATION

ITEM	PART NUMBER	QTY	DESCRIPTION	REV
	1001205061	Ref	Brake Sensor Installation	B
1	0760605	2	Bolt, M6X10	
2	0760608	2	Bolt, M6X16	
3	4811700	2	Washer, M6	
4	1001201499	1	Plate, Switch Adjustment	
5	1001201501	1	Assembly, Switch Plate (See Separate Breakdown in this Section)	
6	4811702	2	Washer, M6	

SECTION 7 - CONTROLS

FIGURE 7-6. SWITCH PLATE ASSEMBLY



MFT_1001201301-4

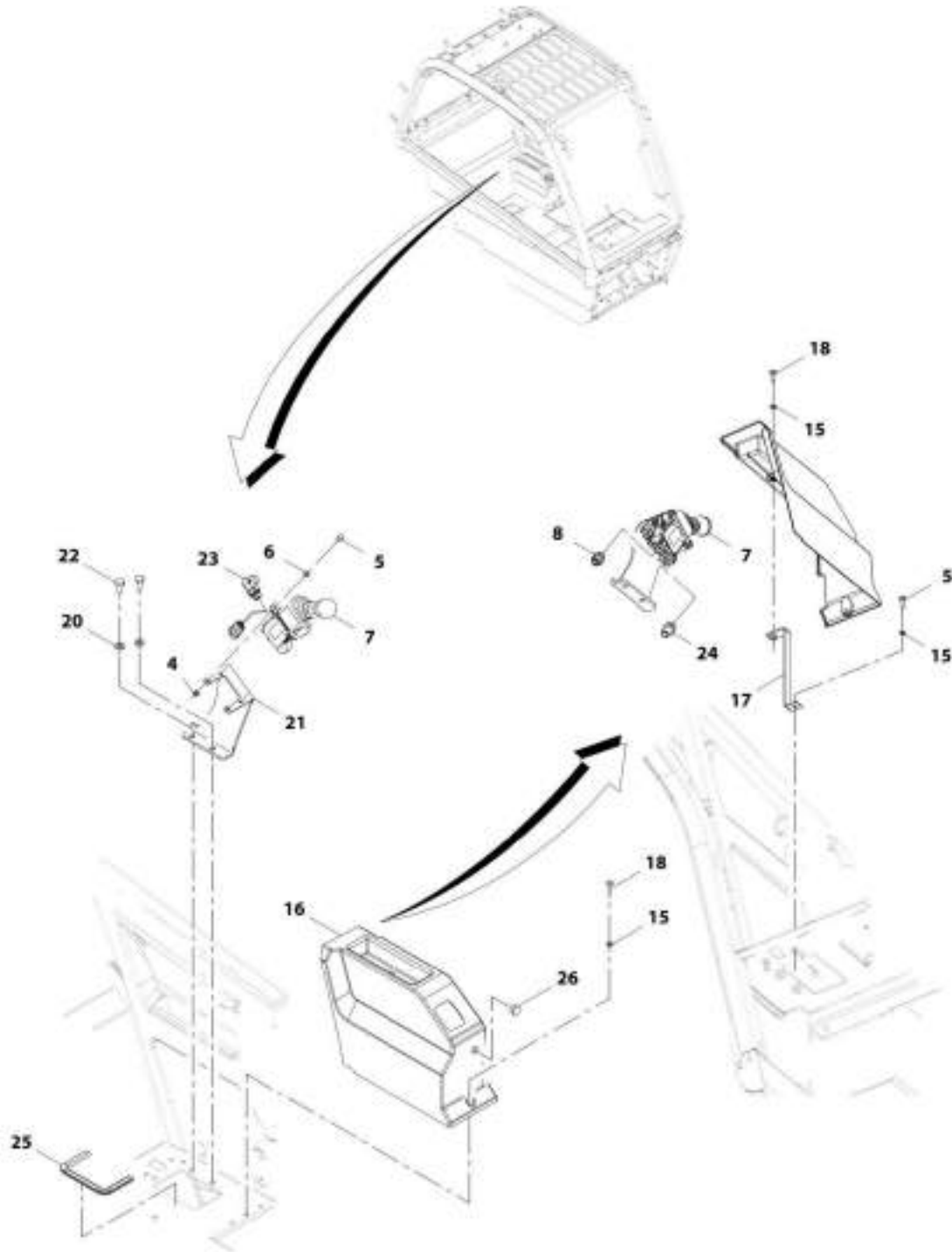
SECTION 7 - CONTROLS

FIGURE 7-6. SWITCH PLATE ASSEMBLY

ITEM	PART NUMBER	QTY	DESCRIPTION	REV
	1001201501	Ref	Switch Plate Assembly	A
1	0700408	2	Bolt, M4X16	
2	4360658	1	Switch, Brake Light	
3	4811400	2	Washer, M4	
4	1001201500	1	Plate	

SECTION 7 - CONTROLS

FIGURE 7-7. PARK BRAKE INSTALLATION



ART_1801163862-M

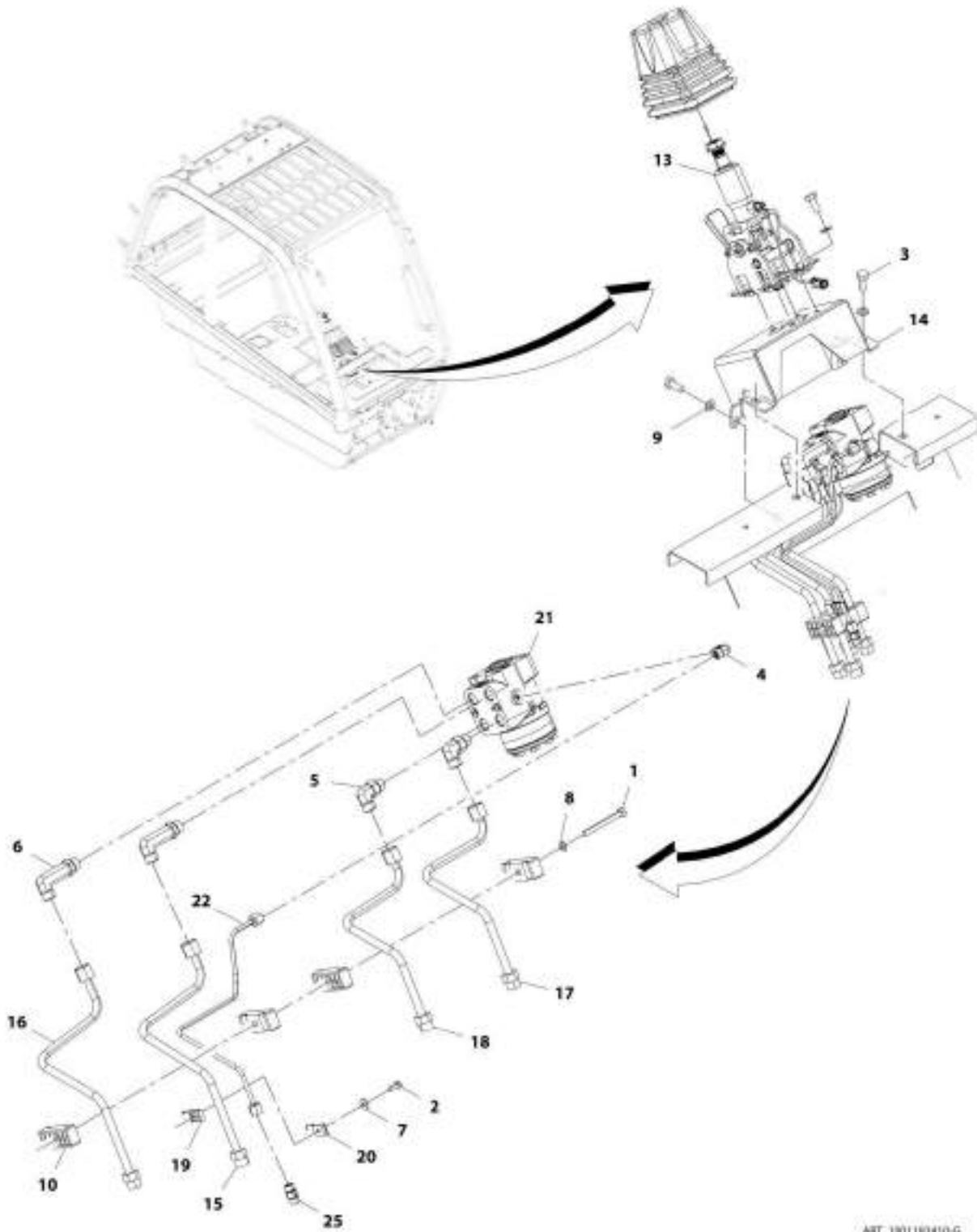
SECTION 7 - CONTROLS

FIGURE 7-7. PARK BRAKE INSTALLATION

ITEM	PART NUMBER	QTY	DESCRIPTION	REV
	1001162062	Ref	Park Brake Installation	M
4	3290601	4	Nut, M6X1	
5	0760608	5	Bolt, M6X16	
6	4831700	4	Washer, Lock M6	
7	1001207956	1	Hydraulic Hand Brake	
7	70020922	1	Kit, Seal	
8	1001101702	1	Fitting, Straight ORFS	
15	4811700	3	Washer, M6	
16	1001193474	1	Panel	
17	1001195254	1	Bracket	
18	4010610002	2	Screw, M6X20	
20	4812000	2	Washer, M10	
21	1001191915	1	Bracket	
22	0761010	2	Bolt, M10X20	
23	1001125222	1	Fitting, 90 ORFS	
24	1001206744	1	Fitting, Grease	
25	1001208037	1	Seal	
26	3520028	1	Plug	

SECTION 7 - CONTROLS

FIGURE 7-8. TILT STEERING COLUMN INSTALLATION



ART_1801102410-G

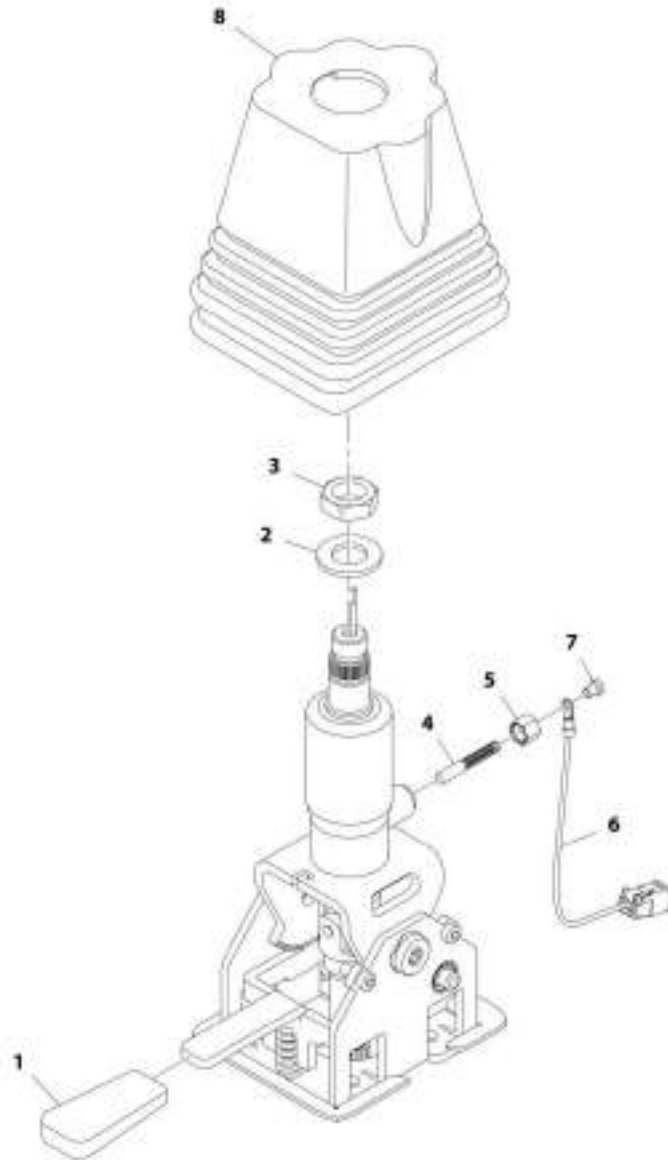
SECTION 7 - CONTROLS

FIGURE 7-8. TILT STEERING COLUMN INSTALLATION

ITEM	PART NUMBER	QTY	DESCRIPTION	REV
	1001192410	Ref	Tilt Steering Column Installation	G
1	0700824	1	Bolt, M8X80	
2	0760608	1	Bolt, M6X16	
3	0761012	8	Bolt, M10X25	
4	2130404	1	Fitting, 90 ORFS	
5	2130808	2	Fitting, 90 ORFS	
6	2170208	2	Fitting, 90 ORFS	
7	4811702	1	Washer, M6	
8	4811900	1	Washer, M8	
9	4812000	8	Washer, M10	
10	1001004640	4	Clamp	
13	1001155276	1	Column, Tilt Steering (See Separate Breakdown in this Section)	
14	1001156265	1	Bracket, Support	
15	1001161672	1	Pipe	
16	1001161896	1	Pipe	
17	1001161897	1	Pipe	
18	1001161898	1	Pipe	
19	1001168142	1	Bracket	
20	1001168151	1	Bracket	
21	1001178670	1	Valve, Steering Unit	
22	1001194282	1	Pipe	
25	1001227945	1	Valve, Check	

SECTION 7 - CONTROLS

FIGURE 7-9. TILT STEERING COLUMN



ART_100155234-F

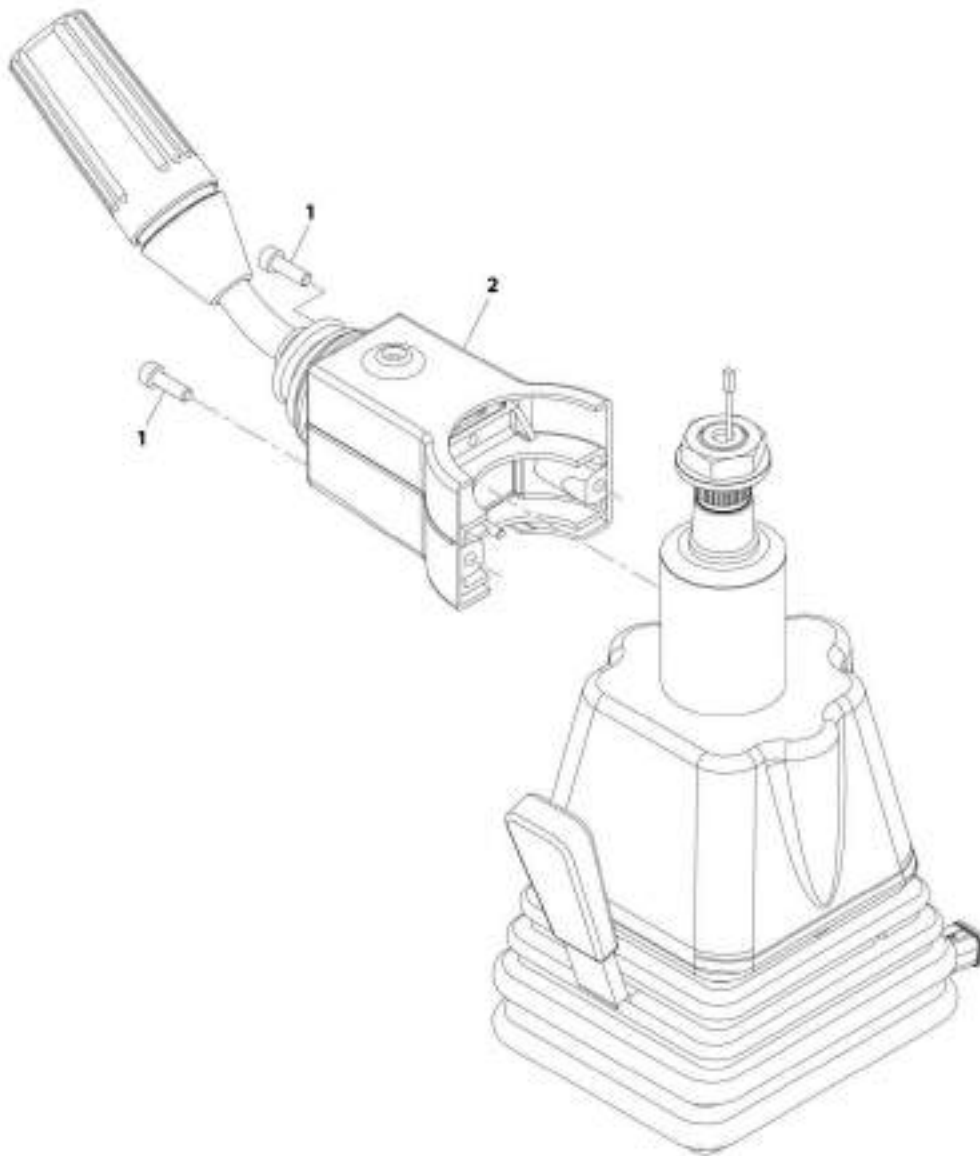
SECTION 7 - CONTROLS

FIGURE 7-9. TILT STEERING COLUMN

ITEM	PART NUMBER	QTY	DESCRIPTION	REV
	1001155276	Ref	Tilt Steering Column	F
1	70026366	1	Knob	
2	70026364	1	Washer	
3	70026363	1	Nut	
4	70026362	1	Contact, Sliding	
5	70026361	1	Cap, Brass	
6	70026367	1	Cable	
7	70026365	1	Screw, Cap	
8	1001184504	1	Gaiter	

SECTION 7 - CONTROLS

FIGURE 7-10. COLUMN SHIFT INSTALLATION (2 SPEED)



ART_1001220507-A

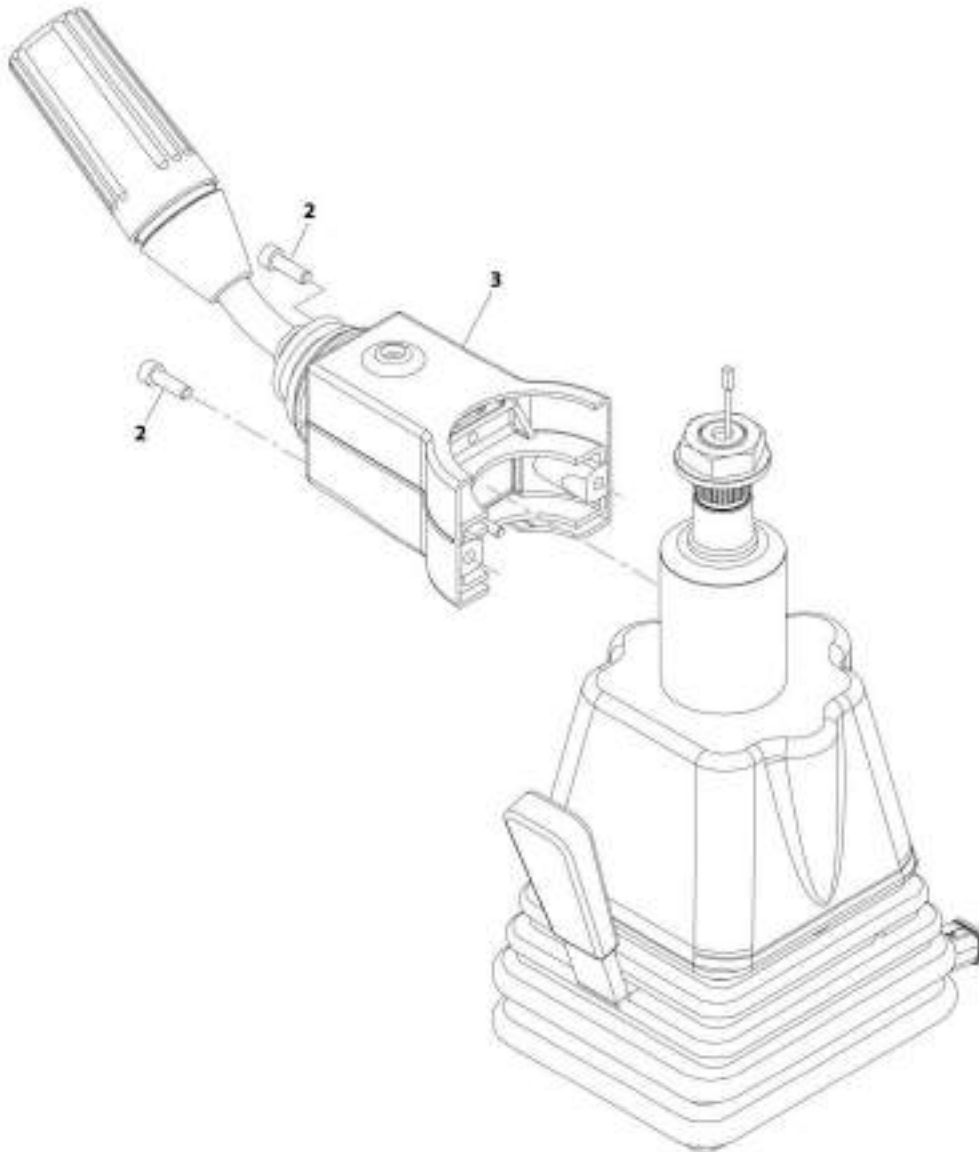
SECTION 7 - CONTROLS

FIGURE 7-10. COLUMN SHIFT INSTALLATION (2 SPEED)

ITEM	PART NUMBER	QTY	DESCRIPTION	REV
	1001220507	Ref	Column Shift Installation (2 Speed)	A
1	4031607	2	Bolt, M5-0.8X16	
2	1001197667	1	Lever, FNR (2 Speed)	

SECTION 7 - CONTROLS

FIGURE 7-11. COLUMN SHIFT INSTALLATION (0 SPEED)



ART_1001179951-C

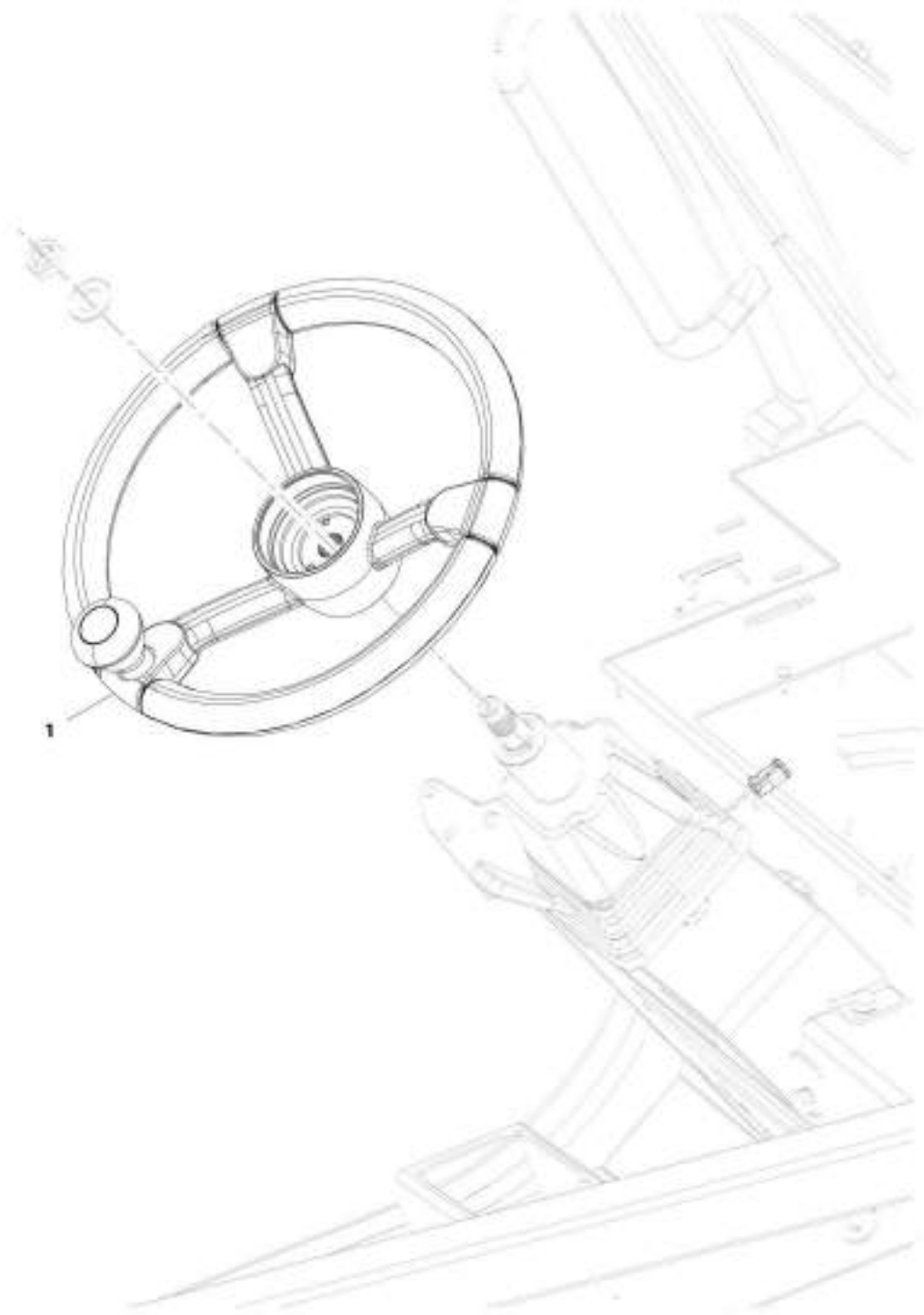
SECTION 7 - CONTROLS

FIGURE 7-11. COLUMN SHIFT INSTALLATION (0 SPEED)

ITEM	PART NUMBER	QTY	DESCRIPTION	REV
	1001179931	Ref	Column Shift Installation (0 Speed)	C
2	4031607	2	Bolt, M5-0.8X16	
3	1001163697	1	Lever, FNR (0 Speed)	

SECTION 7 - CONTROLS

FIGURE 7-12. STEERING WHEEL INSTALLATION



ART_100168751-C

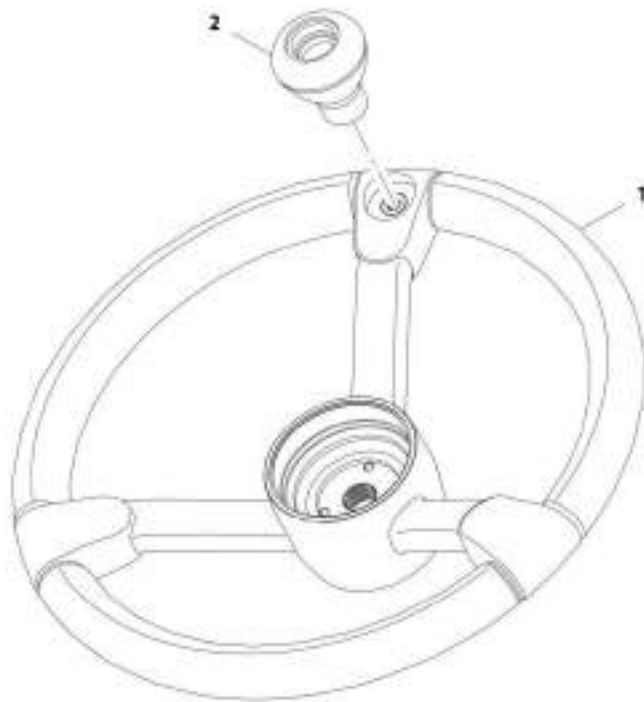
SECTION 7 - CONTROLS

FIGURE 7-12. STEERING WHEEL INSTALLATION

ITEM	PART NUMBER	QTY	DESCRIPTION	REV
1	1001169751 1001169354	Ref 1	Steering Wheel Installation Wheel, Steering (See Separate Breakdown in this Section)	C

SECTION 7 - CONTROLS

FIGURE 7-13. STEERING WHEEL



ART_1001169354-D

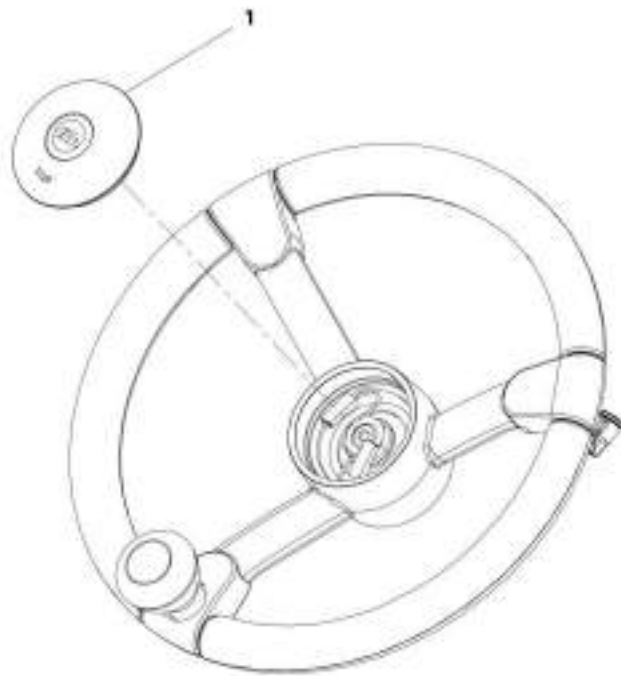
SECTION 7 - CONTROLS

FIGURE 7-13. STEERING WHEEL

ITEM	PART NUMBER	QTY	DESCRIPTION	REV
	1001169354	Ref	Steering Wheel	D
1	1001169367	1	Wheel, Steering	
2	1001169355	1	Handle, Steer Spinner	

SECTION 7 - CONTROLS

FIGURE 7-14. HORN BUTTON INSTALLATION



887_100160763-A

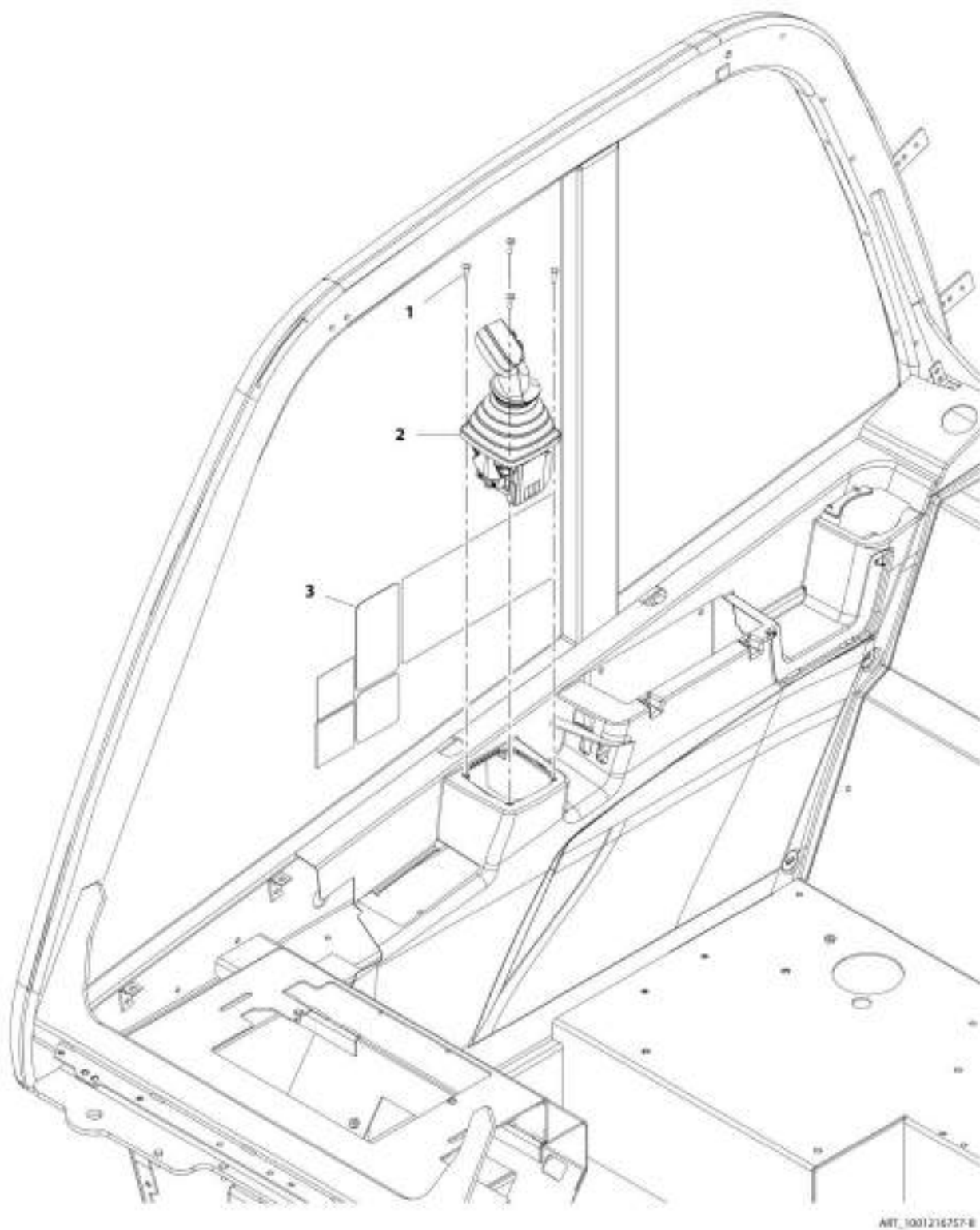
SECTION 7 - CONTROLS

FIGURE 7-14. HORN BUTTON INSTALLATION

ITEM	PART NUMBER	QTY	DESCRIPTION	REV
1	1001169763 1001169268	Ref 1	Horn Button Installation Button, Horn	A

SECTION 7 - CONTROLS

FIGURE 7-15. JOYSTICK INSTALLATION (2 SPEED)



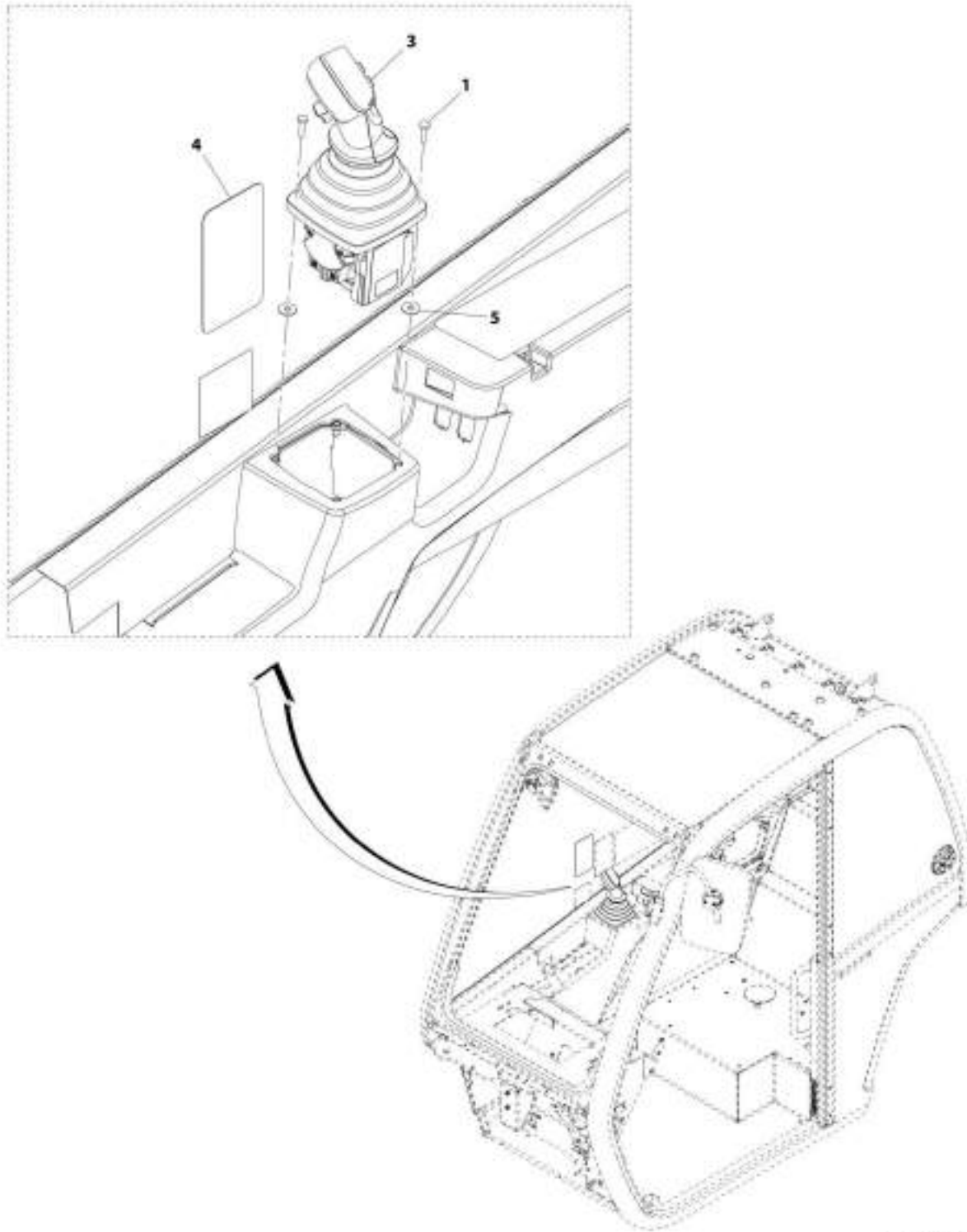
SECTION 7 - CONTROLS

FIGURE 7-15. JOYSTICK INSTALLATION (2 SPEED)

ITEM	PART NUMBER	QTY	DESCRIPTION	REV
	1001216757	Ref	Joystick Installation (2 Speed)	B
1	4010510	4	Screw, M5X20	
2	1001222606	1	Joystick, 2R2B	
3	1001216803	1	Decal	

SECTION 7 - CONTROLS

FIGURE 7-16. JOYSTICK INSTALLATION



ART. 100197004-F

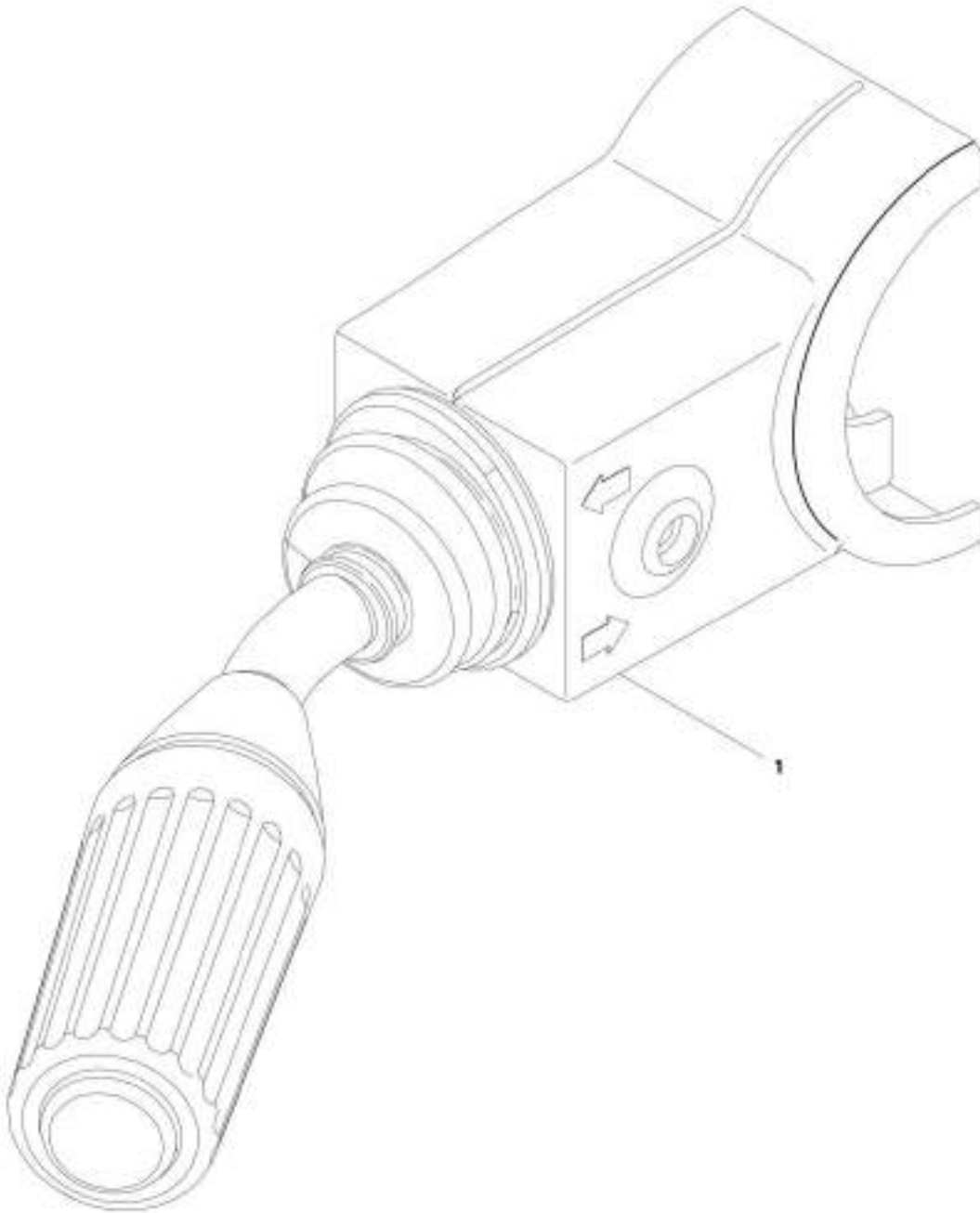
SECTION 7 - CONTROLS

FIGURE 7-16. JOYSTICK INSTALLATION

ITEM	PART NUMBER	QTY	DESCRIPTION	REV
	1001167004	Ref	Joystick Installation	F
1	4010510	4	Screw, M5X20	
3	1001222603	1	Joystick	
4	1001236404	1	Decal, Joystick	
5	4811702001	AR	Washer, M6	

SECTION 7 - CONTROLS

FIGURE 7-17. WIPER-TURN SWITCH



ART_1001105655-A

SECTION 7 - CONTROLS

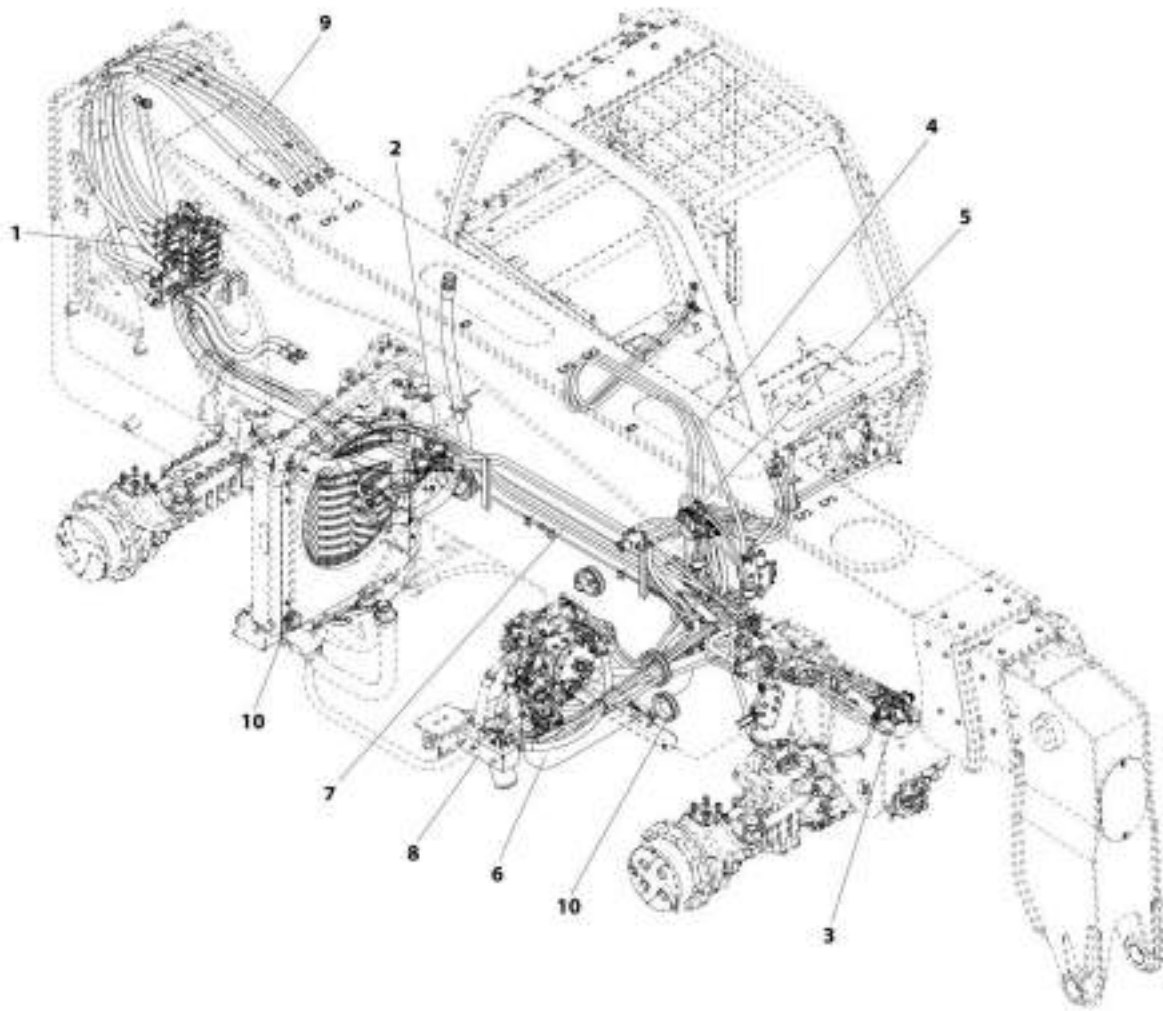
FIGURE 7-17. WIPER-TURN SWITCH

ITEM	PART NUMBER	QTY	DESCRIPTION	REV
1	1001163695	1	Wiper-Turn Switch	A

SECTION 8 - HYDRAULIC CIRCUITS

SECTION 8 - HYDRAULIC CIRCUITS

FIGURE 8-1. MAIN HYDRAULIC INSTALLATION



ARE_1001302645-0

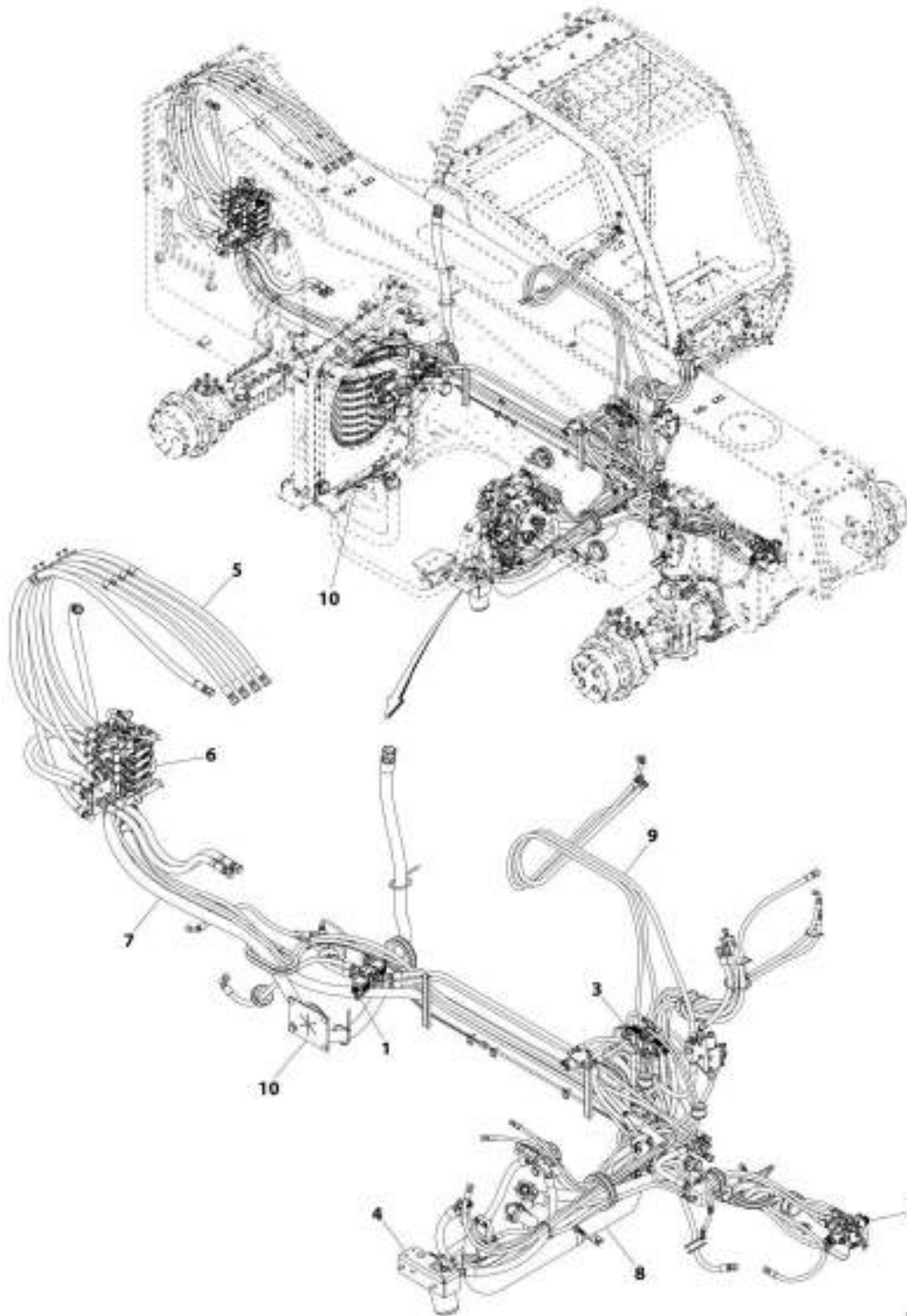
SECTION 8 - HYDRAULIC CIRCUITS

FIGURE 8-1. MAIN HYDRAULIC INSTALLATION

ITEM	PART NUMBER	QTY	DESCRIPTION	REV
1	1001202645	Ref	Main Hydraulic Installation	D
	1001220457	Ref	Installation, Main Control Valve (See Seperate Breakdown in this Section)	
2	1001193516	Ref	Installation, Steering Select Valve (See Seperate Breakdown in this Section)	
3	1001193517	Ref	Installation, Frame Level Valve (See Seperate Breakdown in this Section)	
4	1001193709	Ref	Installation, Cab Hydraulics (See Seperate Breakdown in this Section)	
5	1001197196	Ref	Installation, Speed Control Valve (See Seperate Breakdown in this Section)	
6	1001202024	Ref	Installation, Engine Bay Hydraulic (See Seperate Breakdown in this Section)	
7	1001202025	Ref	Installation, Frame Hydraulics (See Seperate Breakdown in this Section)	
8	1001202026	Ref	Installation, Charge Filter Lines	
9	1001210522	Ref	Installation, Boom Lines (See Seperate Breakdown in this Section)	
10	1001213026	Ref	Installation, Grommets (See Seperate Breakdown in Frame and Attaching Parts Section)	

SECTION 8 - HYDRAULIC CIRCUITS

FIGURE 8-2. MAIN HYDRAULIC INSTALLATION (TUV)



ART_100122908-A

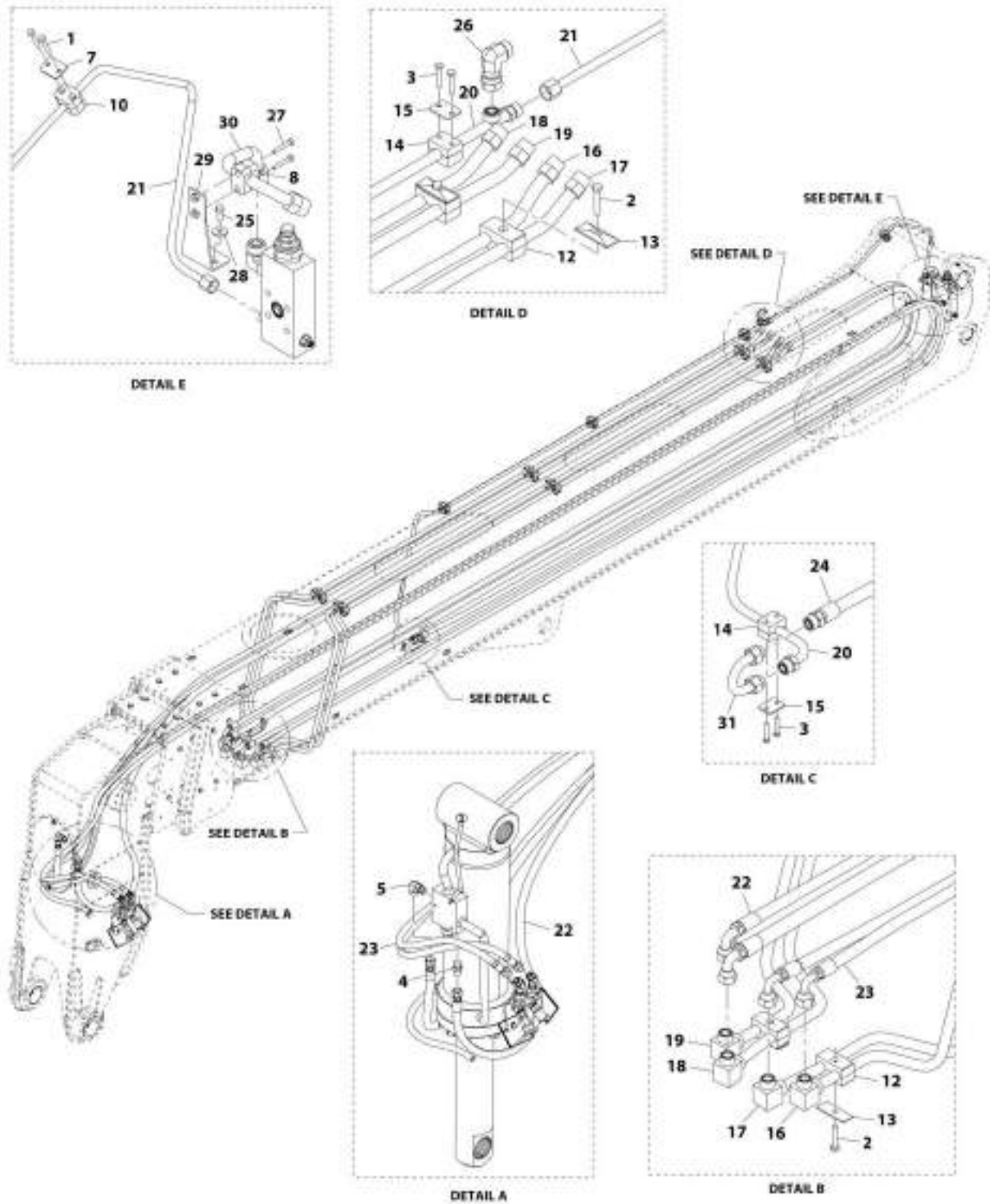
SECTION 8 - HYDRAULIC CIRCUITS

FIGURE 8-2. MAIN HYDRAULIC INSTALLATION (TUV)

ITEM	PART NUMBER	QTY	DESCRIPTION	REV
1	1001223608	Ref	Main Hydraulic Installation (TUV)	A
	1001193516	Ref	Installation, Steering Select Valve (See Separate Breakdown in this Section)	
2	1001193517	Ref	Installation, Frame Level Valve (See Separate Breakdown in this Section)	
3	1001197196	Ref	Installation, Speed Control Valve (See Separate Breakdown in this Section)	
4	1001202026	Ref	Installation, Charge Filter Lines (See Separate Breakdown in this Section)	
5	1001210522	Ref	Installation, Boom Hydraulic Line (See Separate Breakdown in this Section)	
6	1001220457	Ref	Installation, Main Control Valve (See Separate Breakdown in this Section)	
7	1001223462	Ref	Installation, Frame Hydraulic (TUV) (See Separate Breakdown in this Section)	
8	1001223518	Ref	Installation, Engine Bay Hydraulic (TUV) (See Separate Breakdown in this Section)	
9	1001223610	Ref	Installation, Cab Hydraulics (TUV) (See Separate Breakdown in this Section)	
10	1001213026	Ref	Installation, Grommets (See Separate Breakdown in Frame and Attaching Parts Section)	

SECTION 8 - HYDRAULIC CIRCUITS

FIGURE 8-3. BOOM HYDRAULIC INSTALLATION



AWT_1001205175-F

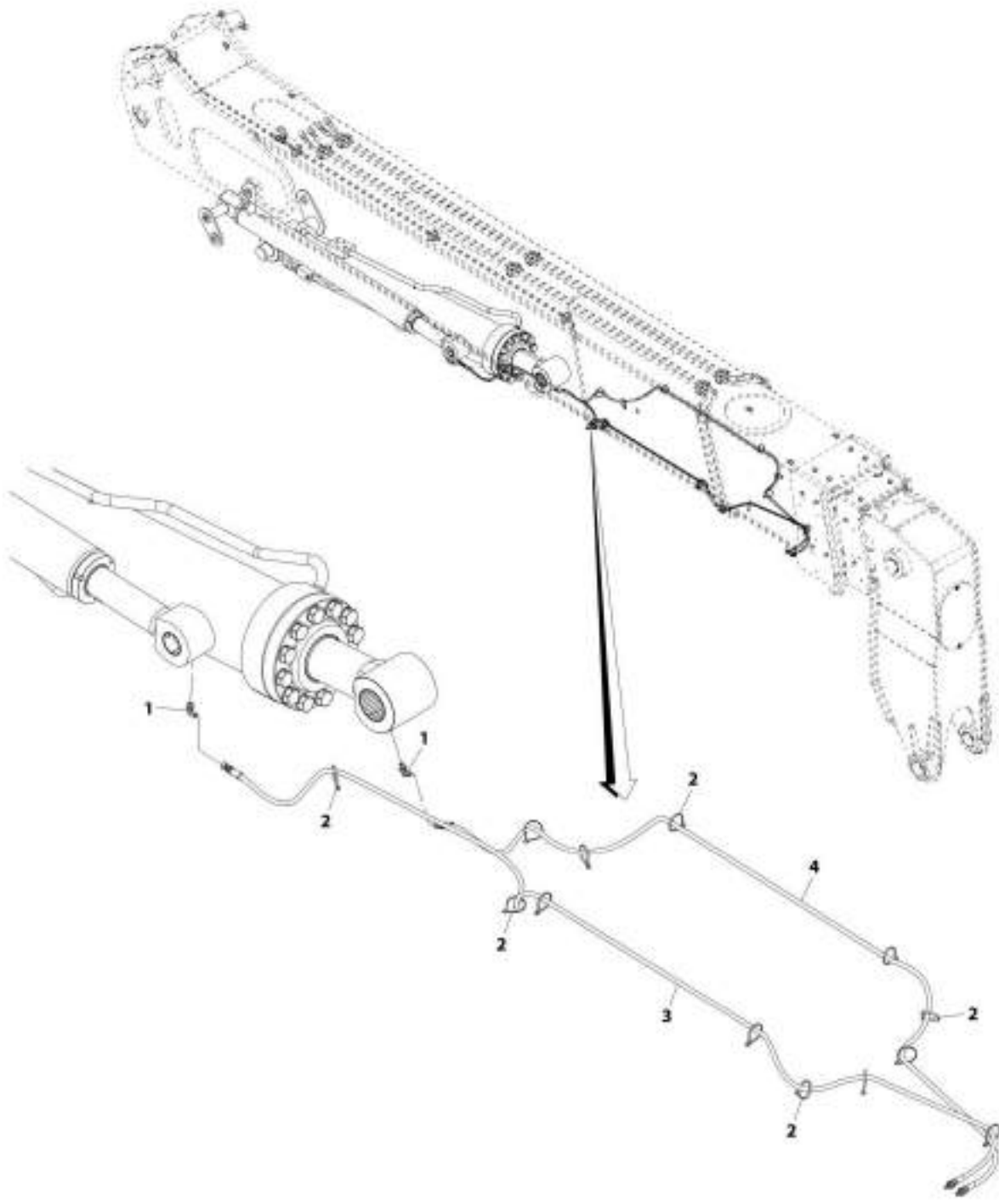
SECTION 8 - HYDRAULIC CIRCUITS

FIGURE 8-3. BOOM HYDRAULIC INSTALLATION

ITEM	PART NUMBER	QTY	DESCRIPTION	REV
	1001205375	Ref	Boom Hydraulic Installation	F
1	0700616	2	Bolt, M6X40	
2	0700817	8	Bolt, M8X45	
3	0760615	8	Bolt, M6X35	
4	2111010	1	Fitting, Straight ORFS	
5	2131010	1	Fitting, 90 ORFS	
7	8769146	1	Plate, Cover	
8	8769152	1	Clamp	
10	8769199	1	Clamp	
12	77133136	8	Clamp	
13	77133137	8	Plate, Cover	
14	77133497	4	Clamp	
15	1001105093	4	Plate, Cover	
16	1001209201	1	Pipe	
17	1001209200	1	Pipe	
18	1001209202	1	Pipe	
19	1001209203	1	Pipe	
20	1001205380	1	Pipe	
21	1001205381	1	Tube	
22	1001210568	1	Hose	
23	1001210569	1	Hose	
24	1001229422	1	Hose	
25	0760810	2	Bolt, M8X20	
26	2172110	1	Fitting, 90 ORFS	
27	4031712	2	Bolt, M6X40	
28	4811902	2	Washer, M8	
29	1001209972	1	Bracket	
30	1001210270	1	Tube	
31	1001220942	1	Pipe	

SECTION 8 - HYDRAULIC CIRCUITS

FIGURE 8-4. REMOTE GREASE INSTALLATION



ART_1001217355-8

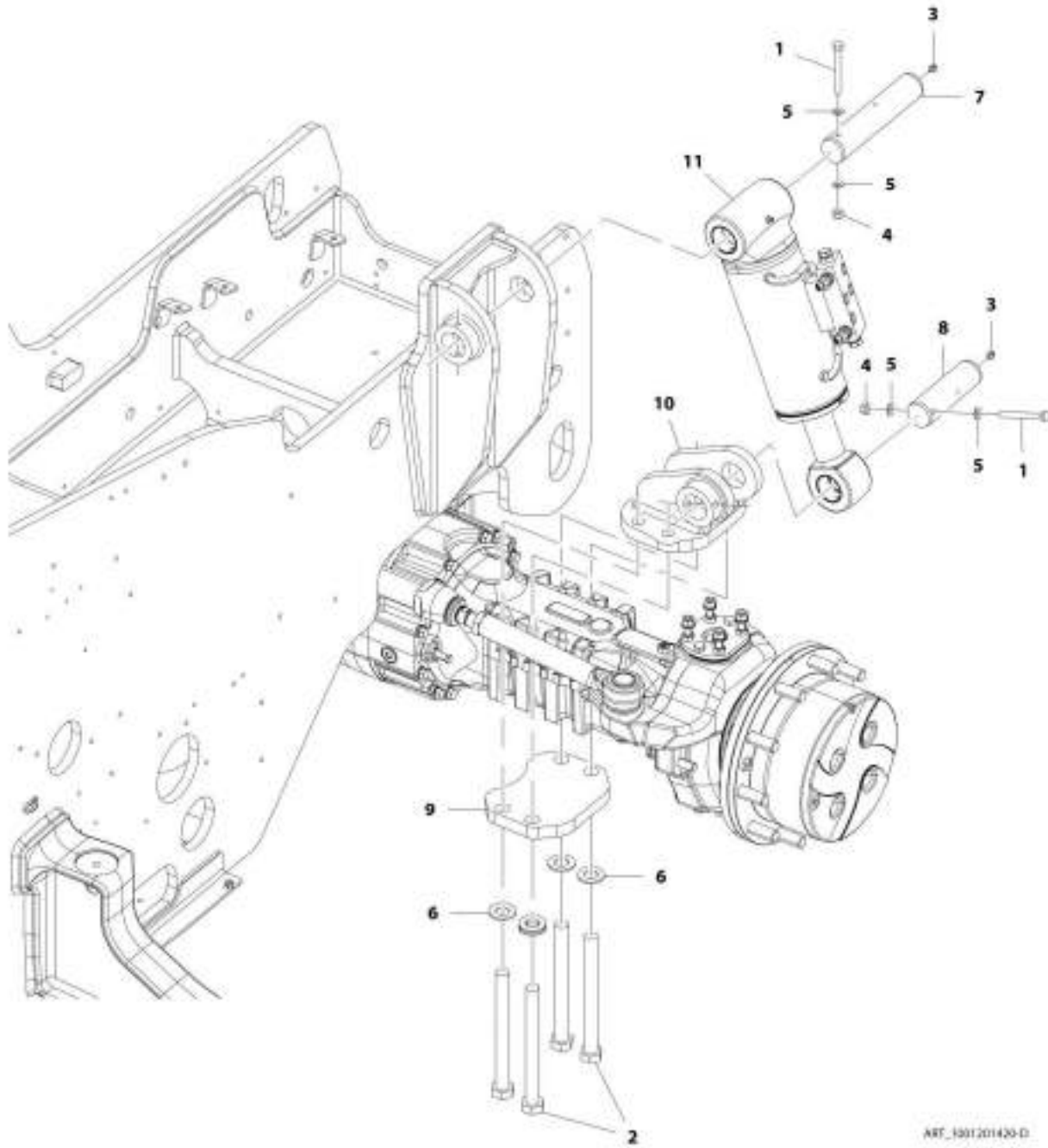
SECTION 8 - HYDRAULIC CIRCUITS

FIGURE 8-4. REMOTE GREASE INSTALLATION

ITEM	PART NUMBER	QTY	DESCRIPTION	REV
	1001217353	Ref	Remote Grease Installation	B
1	8770215	2	Fitting, 90 ORFS	
2	1001008559	13	Strap, Cable	
3	1001217355	1	Hose	
4	1001217354	1	Hose	

SECTION 8 - HYDRAULIC CIRCUITS

FIGURE 8-5. FRAME LEVEL INSTALLATION



ART_1901201420-D

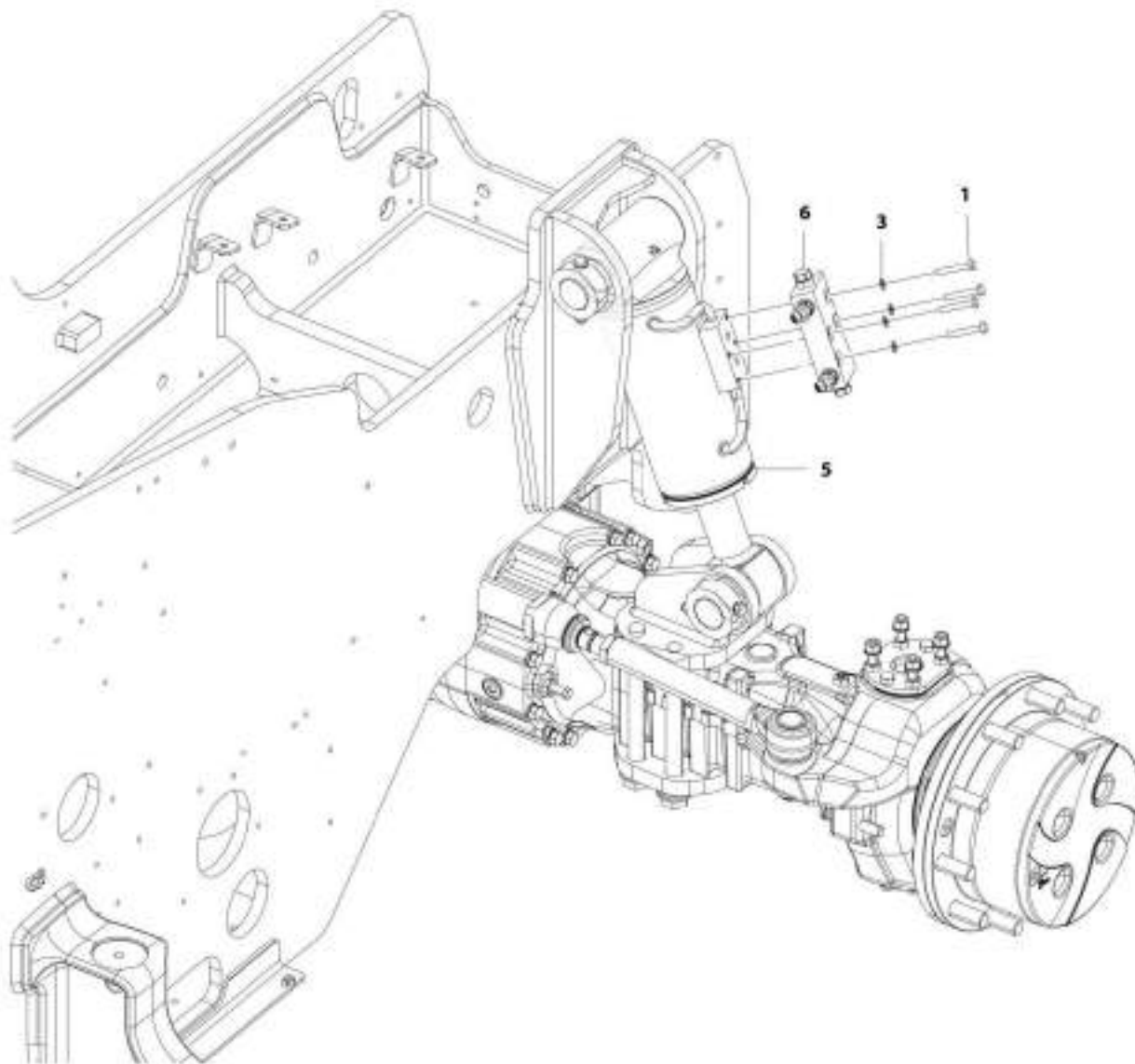
SECTION 8 - HYDRAULIC CIRCUITS

FIGURE 8-5. FRAME LEVEL INSTALLATION

ITEM	PART NUMBER	QTY	DESCRIPTION	REV
	1001201420	Ref	Frame Level Installation	D
1	0701027	2	Bolt, M10X100	
2	0712442	4	Bolt, M24X250 Grade 10.9	
3	2160016	2	Fitting, Grease	
4	3291005	2	Nut, Lock M0X1.5 Grade 8	
5	4812000	4	Washer, M10	
6	5242400	6	Washer, M24	
7	1001164971	1	Pin	
8	1001164972	1	Pin	
9	1001207325	1	Plate, Sway Bottom	
10	1001200226	1	Bracket, Axle Sway	
11	1001201074	Ref	Installation, Frame Level Cylinder (See Separate Breakdown in this Section)	

SECTION 8 - HYDRAULIC CIRCUITS

FIGURE 8-6. FRAME LEVEL CYLINDER INSTALLATION



ART_1001251074-8

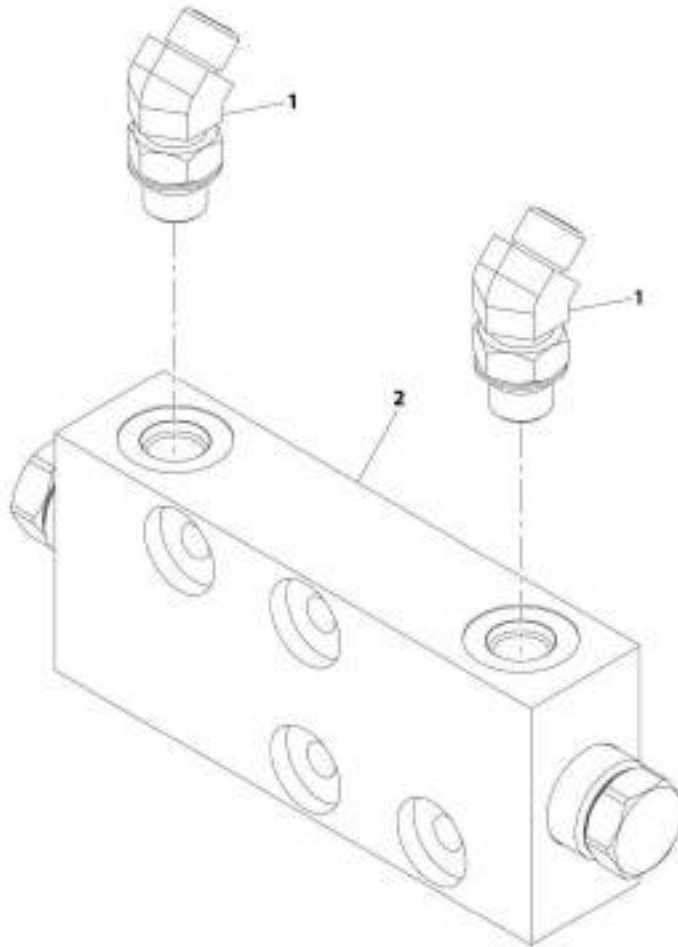
SECTION 8 - HYDRAULIC CIRCUITS

FIGURE 8-6. FRAME LEVEL CYLINDER INSTALLATION

ITEM	PART NUMBER	QTY	DESCRIPTION	REV
	1001201074	Ref	Frame Level Cylinder Installation	B
1	0700818	4	Bolt, M8X50	
3	4811900	4	Washer, M8	
5	1001201073	1	Cylinder, Frame Level (See Separate Breakdown in Hydraulic Components Section)	
6	1001217482	1	Assembly, Frame Level Valve (See Separate Breakdown in this Section)	

SECTION 8 - HYDRAULIC CIRCUITS

FIGURE 8-7. FRAME LEVEL VALVE ASSEMBLY



ARC_1001217463-A

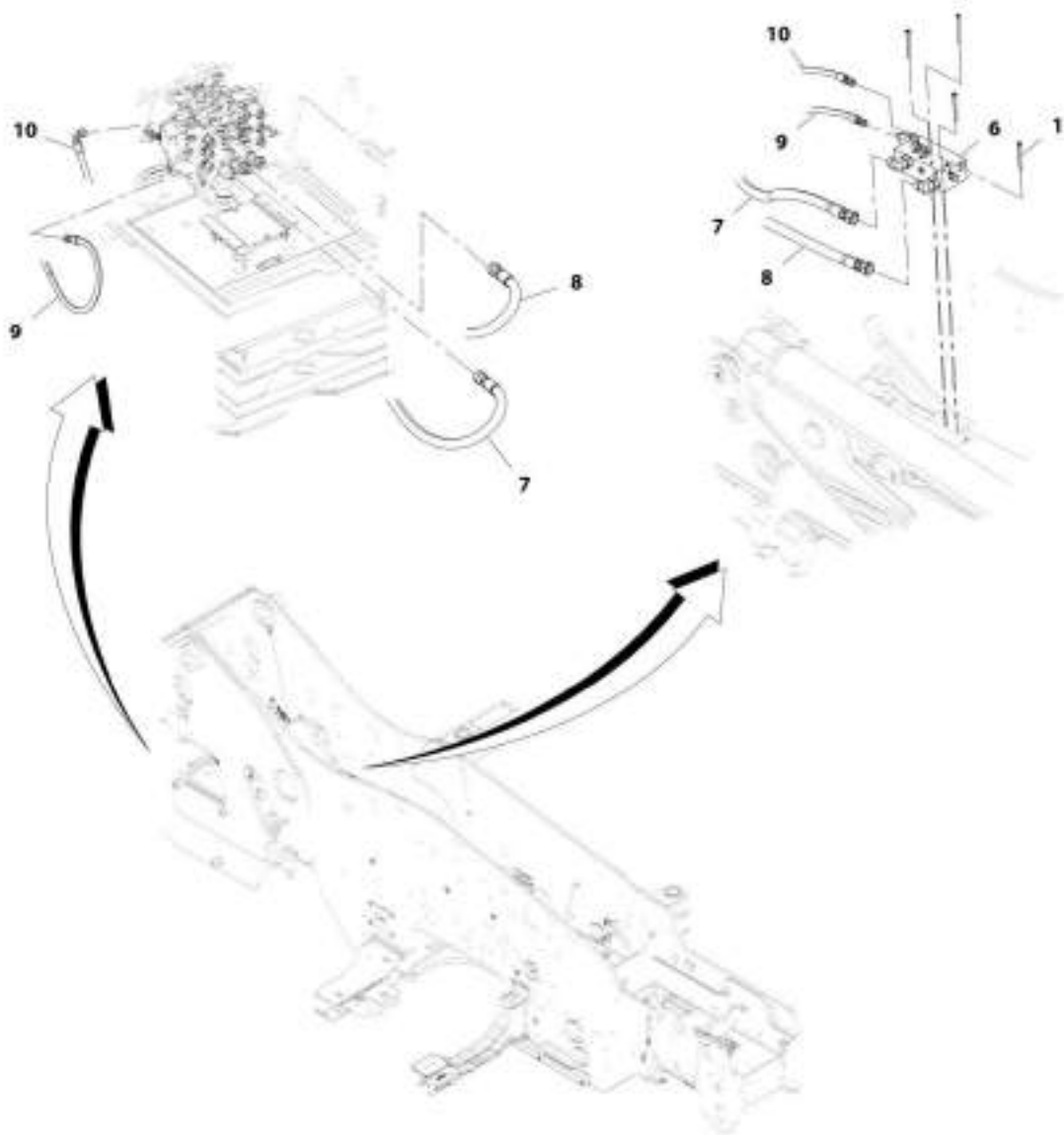
SECTION 8 - HYDRAULIC CIRCUITS

FIGURE 8-7. FRAME LEVEL VALVE ASSEMBLY

ITEM	PART NUMBER	QTY	DESCRIPTION	REV
	1001217482	Ref	Frame Level Valve Assembly	A
1	2150406	2	Fitting, 45 ORFS	
2	1001168599	1	Valve, Counterbalance (See Seperate Breakdown in the Hydraulic Component Section)	

SECTION 8 - HYDRAULIC CIRCUITS

FIGURE 8-8. BOOM RAISE HOSE INSTALLATION (NO RIDE CONTROL)



ART_1001194702-F

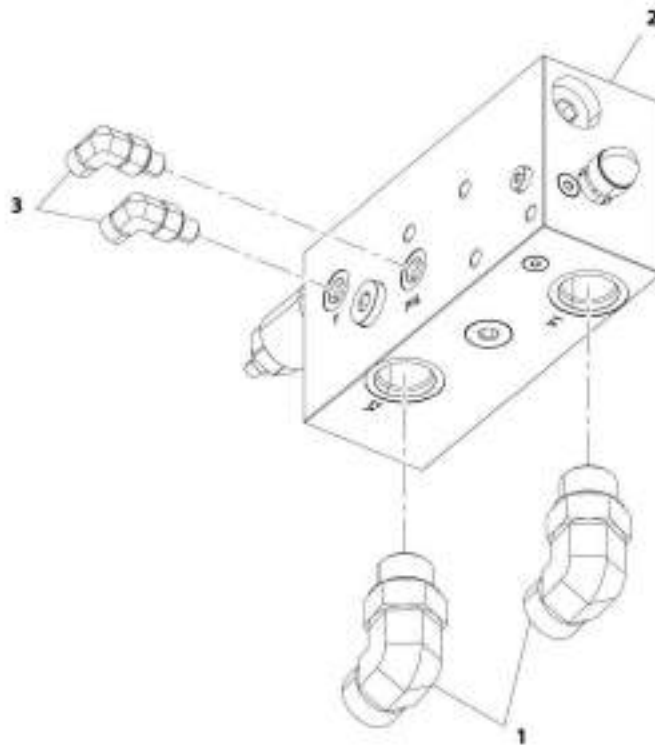
SECTION 8 - HYDRAULIC CIRCUITS

FIGURE 8-8. BOOM RAISE HOSE INSTALLATION (NO RIDE CONTROL)

ITEM	PART NUMBER	QTY	DESCRIPTION	REV
	1001194702	Ref	Boom Raise Hose Installation (no Ride Control)	F
1	4031921	4	Bolt, M8X85	
6	1001219764	1	Valve, Boom Raise Counterbalance (no Ride Control) (See Separate Breakdown in this Section)	
7	1001225392	1	Hose, ORFS	
8	1001225393	1	Hose, ORFS	
9	1001226828	1	Hose, ORFS	
10	1001226829	1	Hose, ORFS	

SECTION 8 - HYDRAULIC CIRCUITS

FIGURE 8-9. BOOM RAISE COUNTERBALANCE VALVE (NO RIDE CONTROL)



ART_1001219/04-C

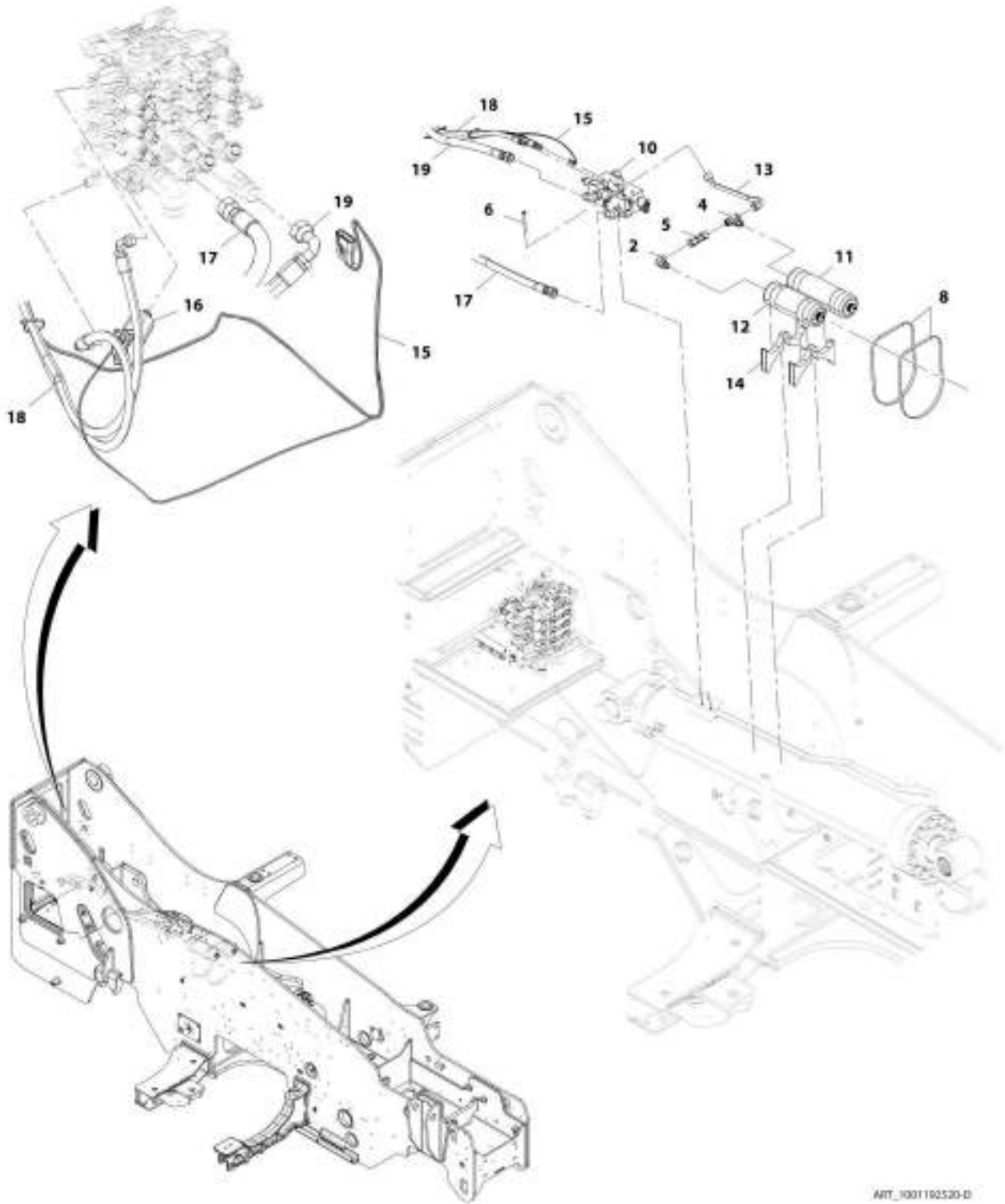
SECTION 8 - HYDRAULIC CIRCUITS

FIGURE 8-9. BOOM RAISE COUNTERBALANCE VALVE (NO RIDE CONTROL)

ITEM	PART NUMBER	QTY	DESCRIPTION	REV
	1001219764	Ref	Boom Raise Counterbalance Valve (no Ride Control)	C
1	2131212	2	Fitting, 90 ORFS	
2	1001224944	1	Valve, GLS (See Seperate Breakdown in Hydraulic Components Section)	
3	2130404	2	Fitting, 90 ORFS	

SECTION 8 - HYDRAULIC CIRCUITS

FIGURE 8-10. BOOM RAISE HOSE INSTALLATION (RIDE CONTROL)



ART_1001102520-D

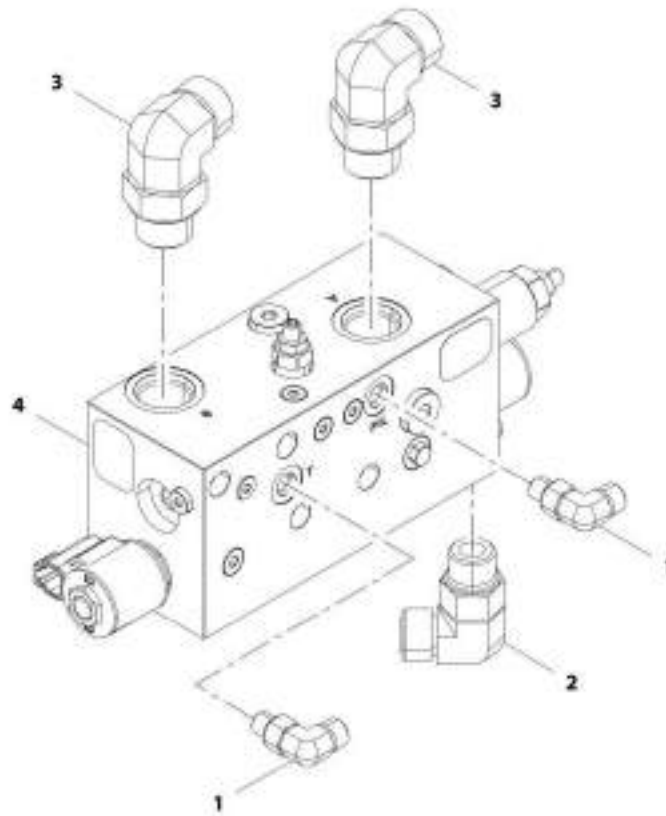
SECTION 8 - HYDRAULIC CIRCUITS

FIGURE 8-10. BOOM RAISE HOSE INSTALLATION (RIDE CONTROL)

ITEM	PART NUMBER	QTY	DESCRIPTION	REV
	1001192520	Ref	Boom Raise Hose Installation (Ride Control)	D
2	2131010	1	Fitting, 90 ORFS	
4	2170410	1	Fitting, Tee ORFS	
5	2172410	1	Fitting, Straight ORFS	
6	4031921	4	Bolt, M8X85	
8	1001214829	2	Clamp	
10	1001219765	1	Assembly, Ride and Float Valve (See Separate Breakdown in this Section)	
11	1001192771	1	Cylinder, Piston	
12	1001192772	1	Cylinder, Piston	
13	1001225390	1	Pipe	
14	1001196402	2	Bumper	
15	1001200105	1	Installation, Ride Control Wiring (See Separate Breakdown in Electrical Section)	
16	1001202020	1	Valve, MCV Tank Cartridge	
17	1001225393	1	Hose	
18	1001226829	2	Hose	
19	1001227440	1	Hose	

SECTION 8 - HYDRAULIC CIRCUITS

FIGURE 8-11. RIDE AND FLOAT VALVE ASSEMBLY



AHT_3301219702-B

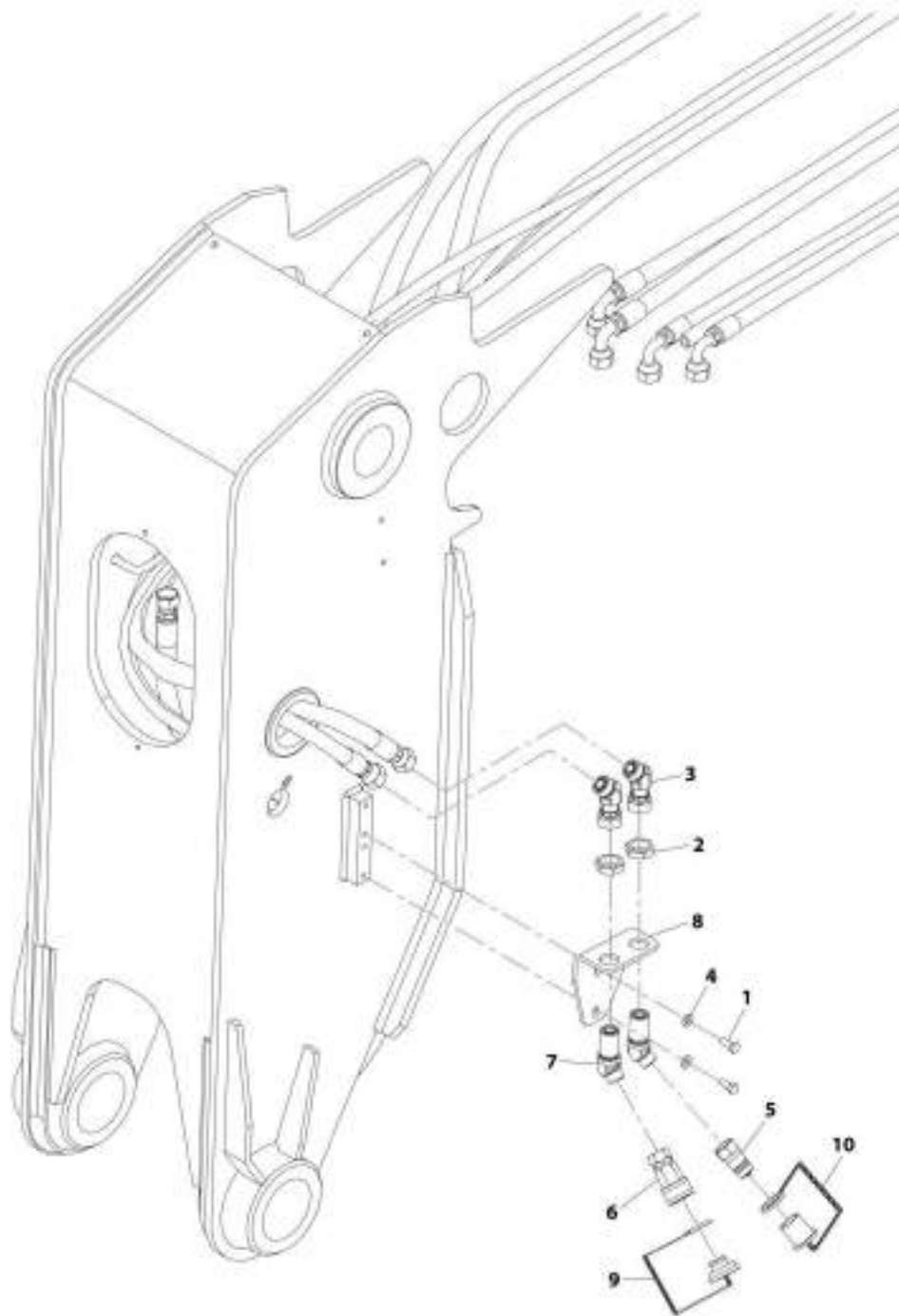
SECTION 8 - HYDRAULIC CIRCUITS

FIGURE 8-11. RIDE AND FLOAT VALVE ASSEMBLY

ITEM	PART NUMBER	QTY	DESCRIPTION	REV
	1001219765	1	Ride and Float Valve Assembly	B
1	2130404	2	Fitting, 90 ORFS	
2	2131010	1	Fitting, 90 ORFS	
3	2131212	2	Fitting, 90 ORFS	
4	1001224945	1	Valve, GLS (See Separate Breakdown in Hydraulic Components Section)	

SECTION 8 - HYDRAULIC CIRCUITS

FIGURE 8-12. BOOM AUX HYDRAULIC INSTALLATION (MANUAL - SINGLE)



AWT_1001192383-D

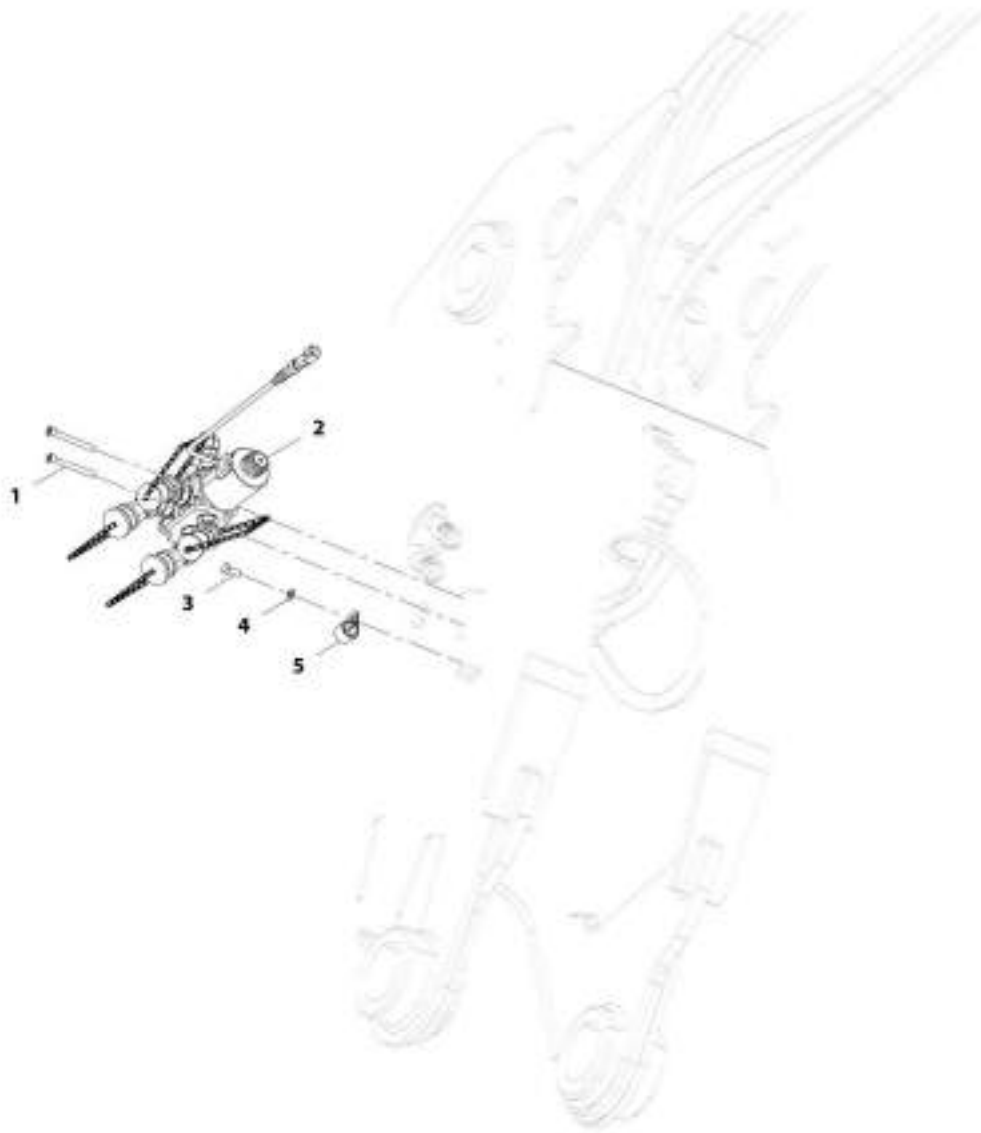
SECTION 8 - HYDRAULIC CIRCUITS

FIGURE 8-12. BOOM AUX HYDRAULIC INSTALLATION (MANUAL - SINGLE)

ITEM	PART NUMBER	QTY	DESCRIPTION	REV
	1001192363	Ref	Boom Aux Hydraulic Installation (manual - single)	D
1	0760810	2	Bolt, M8X20	
2	8770075	2	Fitting, ORFS	
3	1001147416	2	Fitting, 45 ORFS	
4	5240800	2	Washer, M8	
5	1001101041	1	Coupling, Male Quick Disconnect	
6	1001101042	1	Coupling, Female Quick Disconnect	
7	1001217553	2	Fitting, 45 ORFS	
8	1001217552	1	Bracket	
9	91043125	1	Plug	
10	91043126	1	Cap, Dust	

SECTION 8 - HYDRAULIC CIRCUITS

FIGURE 8-13. BOOM AUX HYDRAULIC INSTALLATION (MANUAL - TWIN)



ART_1001192186-C

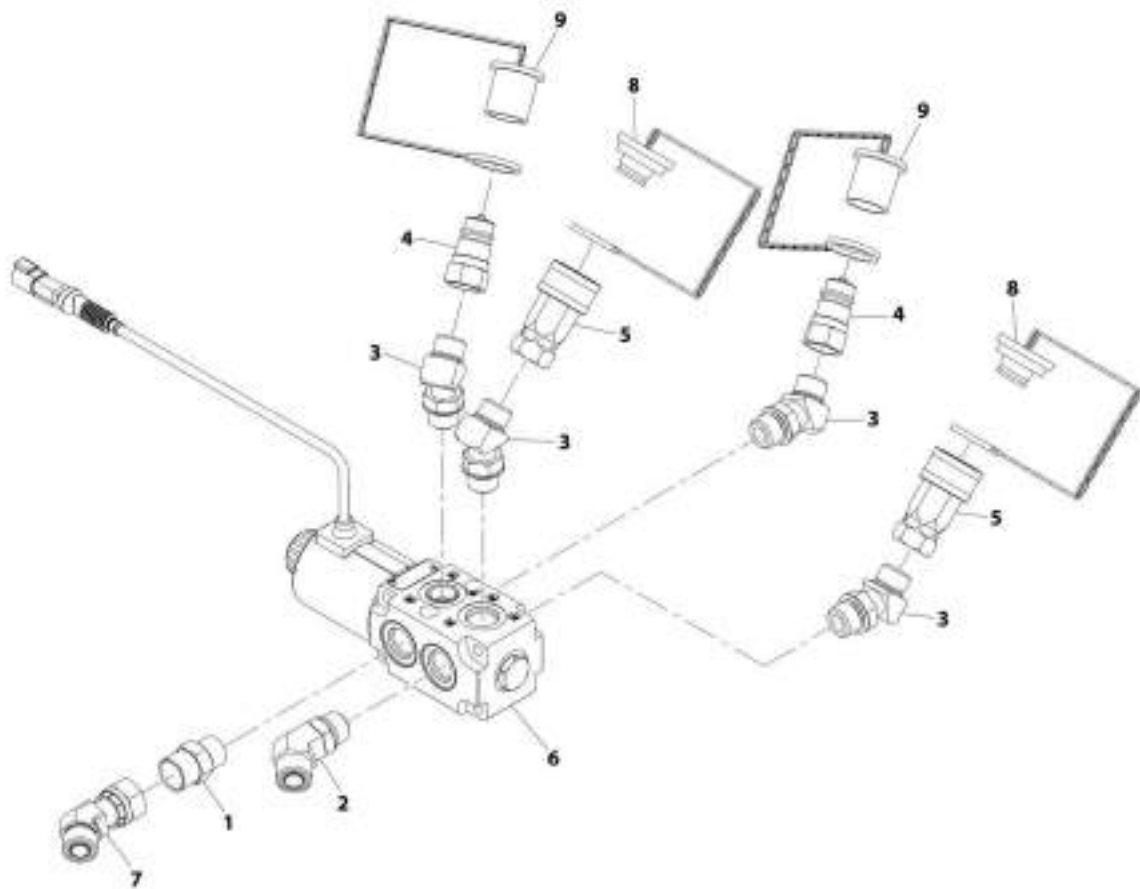
SECTION 8 - HYDRAULIC CIRCUITS

FIGURE 8-13. BOOM AUX HYDRAULIC INSTALLATION (MANUAL - TWIN)

ITEM	PART NUMBER	QTY	DESCRIPTION	REV
	1001192366	Ref	Boom Aux Hydraulic Installation (manual - twin)	C
1	4031918	2	Bolt, M8X70	
2	1001213318	1	Assembly, Diverter Valve (manual - twin) (See Seperate Breakdown in this Section)	
3	0760810	1	Bolt, M8X20	
4	4811900	1	Washer, M8	
5	8406202	1	Clip	

SECTION 8 - HYDRAULIC CIRCUITS

FIGURE 8-14. DIVERTER VALVE ASSEMBLY



AWT_1001215318-8

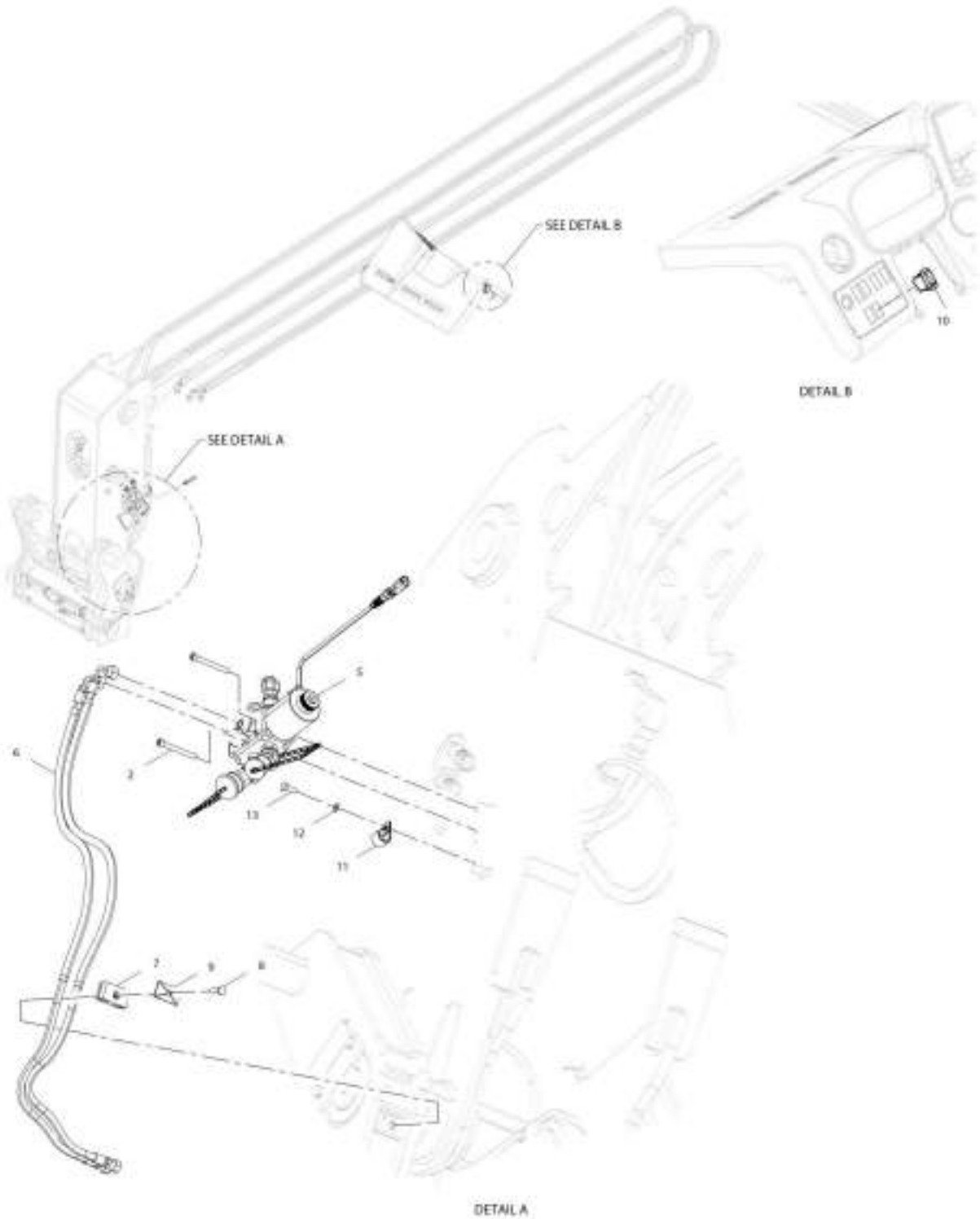
SECTION 8 - HYDRAULIC CIRCUITS

FIGURE 8-14. DIVERTER VALVE ASSEMBLY

ITEM	PART NUMBER	QTY	DESCRIPTION	REV
	1001213318	Ref	Diverter Valve Assembly	B
1	2111010	1	Fitting, Straight ORFS	
2	2151010	1	Fitting, 45 ORFS	
3	1001005904	4	Fitting, 45	
4	1001101041	2	Adapter, Male Quick Disconnect	
5	1001101042	2	Adapter, Female Quick Disconnect	
6	1001110023	1	Valve, Diverter (See Seperate Breakdown in Hydraulic Components Section)	
7	1001147416	1	Fitting, 45 ORFS	
8	91043125	2	Plug	
9	91043126	2	Cap	

SECTION 8 - HYDRAULIC CIRCUITS

FIGURE 8-15. BOOM AUX HYDRAULIC INSTALLATION (HYDRAULIC - SINGLE)



ART_0001192305-E

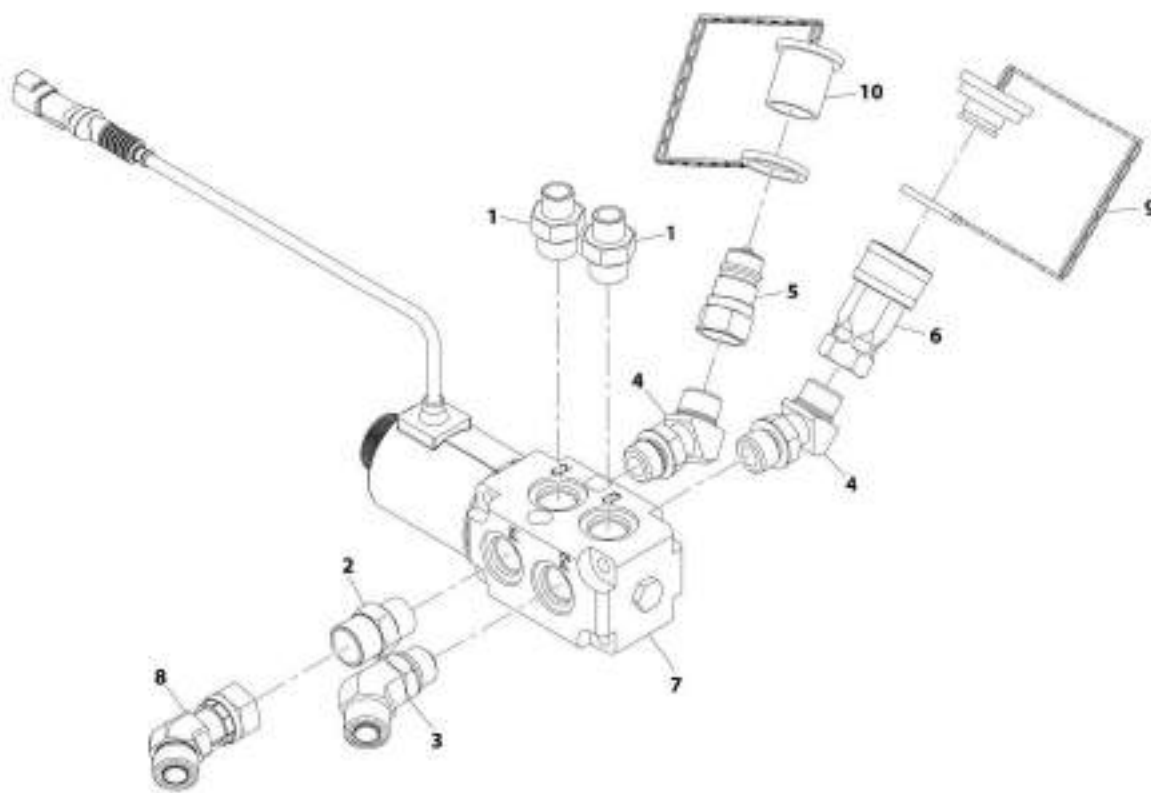
SECTION 8 - HYDRAULIC CIRCUITS

FIGURE 8-15. BOOM AUX HYDRAULIC INSTALLATION (HYDRAULIC - SINGLE)

ITEM	PART NUMBER	QTY	DESCRIPTION	REV
	1001192365	Ref	Boom Aux Hydraulic Installation (hydraulic - single)	E
2	4031918	2	Bolt, M8X70	
5	1001213317	1	Assembly, Diverter Valve (hydraulic - single) (See Seperate Breakdown in this Section)	
6	1001193111	2	Hose	
7	8769126	1	Clamp	
8	0760815	1	Bolt, M8X35	
9	8769123	1	Plate, Cover	
10	1001080375	1	Switch	
11	8406202	1	Clip	
12	4811900	1	Washer, M8	
13	0760810	1	Bolt, M8X20	

SECTION 8 - HYDRAULIC CIRCUITS

FIGURE 8-16. DIVERTER VALVE ASSEMBLY



44RT_100121E017-B

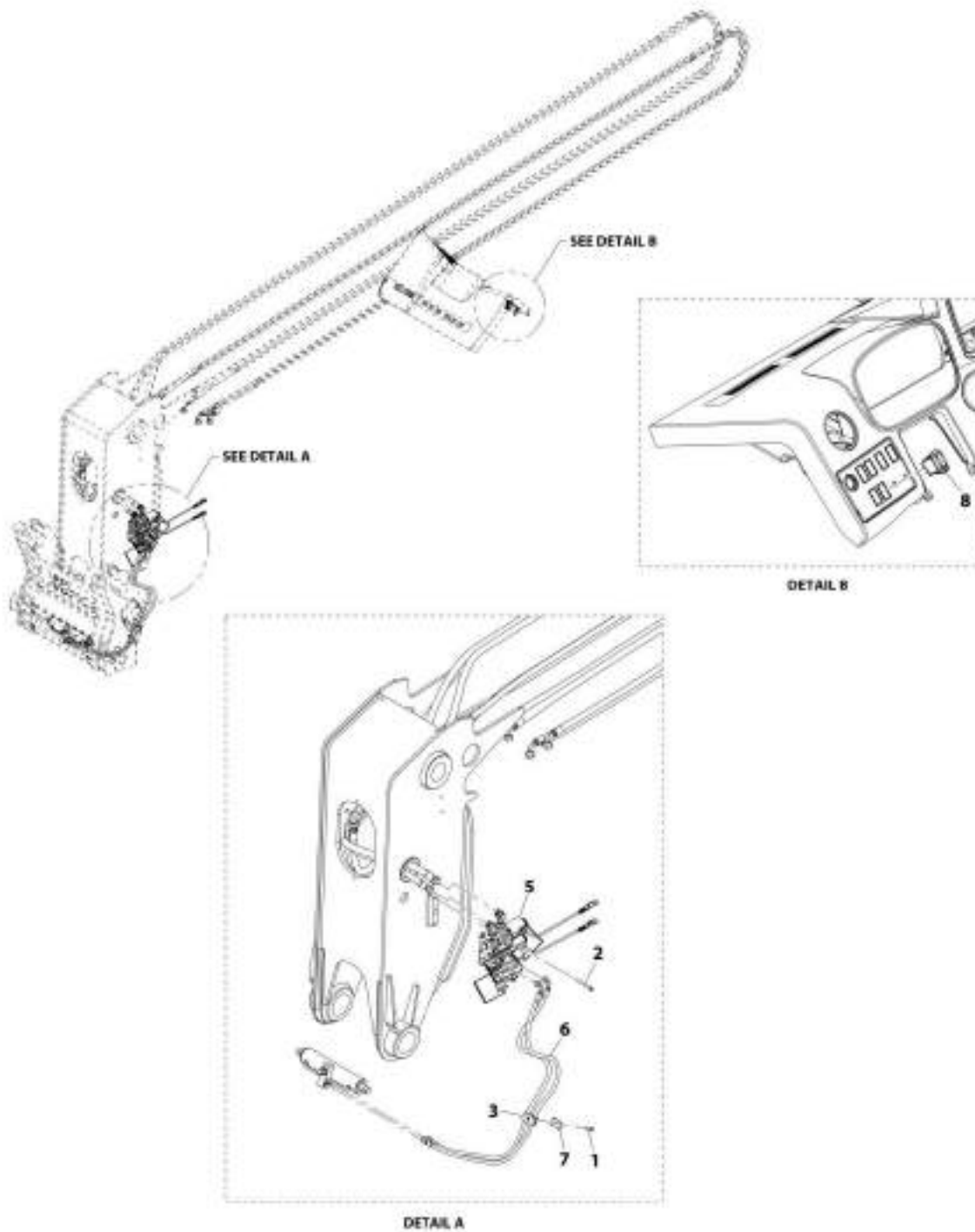
SECTION 8 - HYDRAULIC CIRCUITS

FIGURE 8-16. DIVERTER VALVE ASSEMBLY

ITEM	PART NUMBER	QTY	DESCRIPTION	REV
	1001213317	Ref	Diverter Valve Assembly	B
1	2110610	2	Fitting, Straight ORFS	
2	2111010	1	Fitting, Straight ORFS	
3	2151010	1	Fitting, 45 ORFS	
4	1001005904	2	Fitting, 45	
5	1001101041	1	Fitting, Male Quick Disconnect	
6	1001101042	1	Fitting, Female Quick Disconnect	
7	1001104477	1	Valve, Divertor (See Seperate Breakdown in Hydraulic Components Section)	
8	1001147416	1	Fitting, 45 ORFS	
9	91043125	1	Plug	
10	91043126	1	Cap, Dust	

SECTION 8 - HYDRAULIC CIRCUITS

FIGURE 8-17. BOOM AUX HYDRAULIC INSTALLATION (HYDRAULIC - TWIN)



ART_1001192367-C

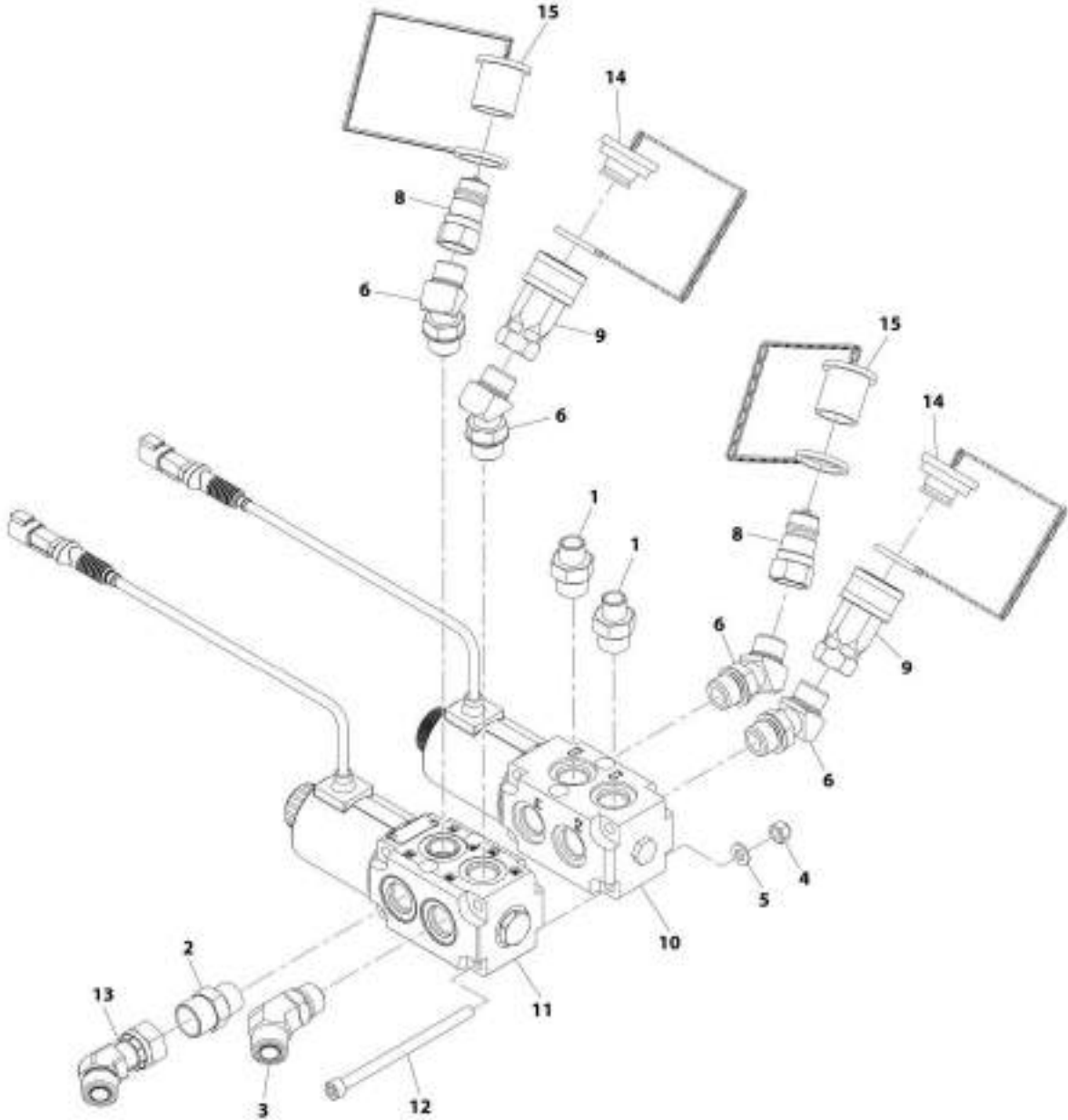
SECTION 8 - HYDRAULIC CIRCUITS

FIGURE 8-17. BOOM AUX HYDRAULIC INSTALLATION (HYDRAULIC - TWIN)

ITEM	PART NUMBER	QTY	DESCRIPTION	REV
	1001192367	Ref	Boom Aux Hydraulic Installation (hydraulic - twin)	C
1	0760815	1	Bolt, M8X35	
2	4031918	3	Bolt, M8X70	
3	8769126	1	Clamp	
5	1001213319	1	Assembly, Diverter Valve (hydraulic - twin) (See Seperate Breakdown in this Section)	
6	1001193111	2	Hose	
7	8769123	1	Plate, Cover	
8	1001080375	1	Switch	

SECTION 8 - HYDRAULIC CIRCUITS

FIGURE 8-18. DIVERTER VALVE ASSEMBLY



ART_3001213319-C

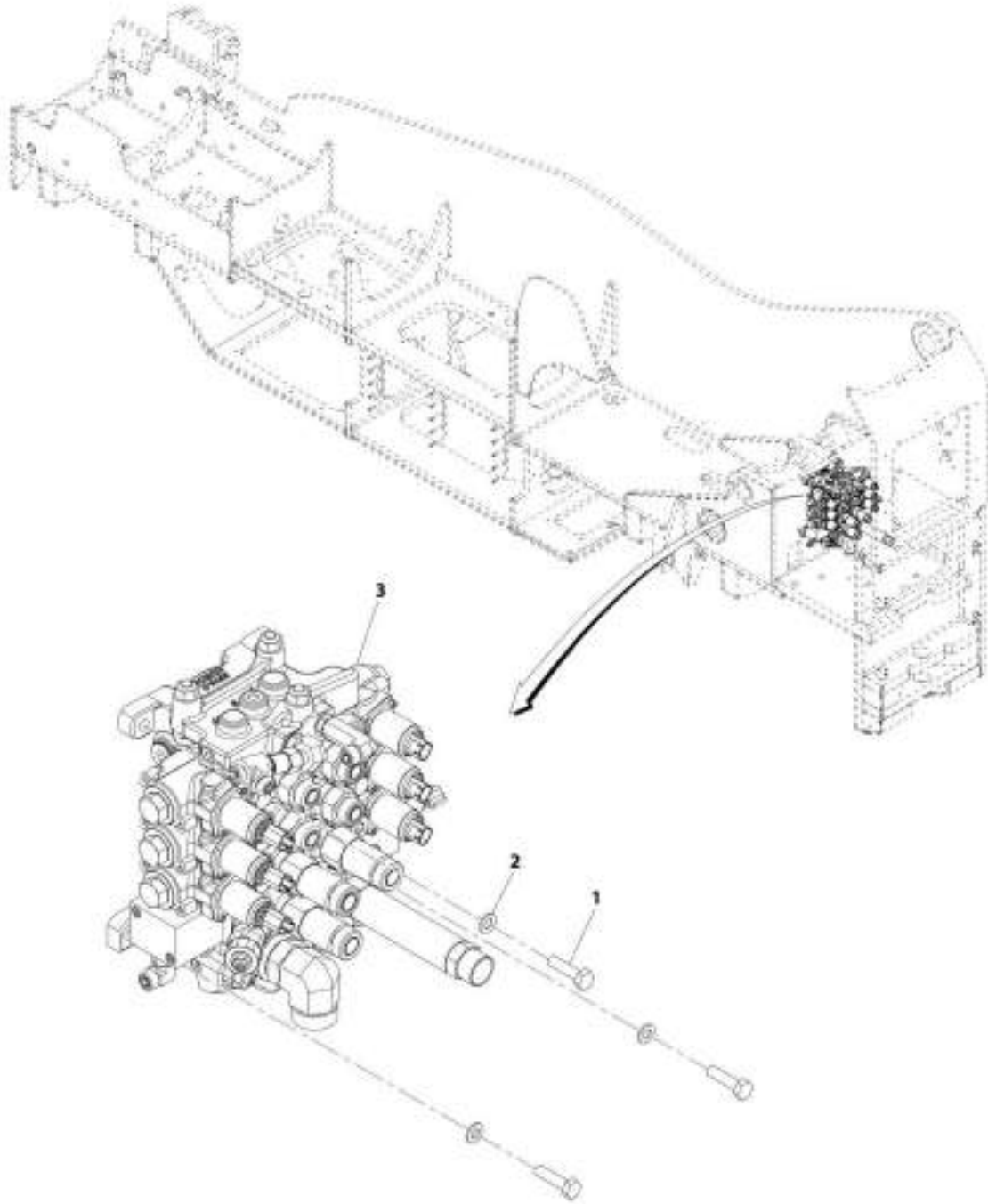
SECTION 8 - HYDRAULIC CIRCUITS

FIGURE 8-18. DIVERTER VALVE ASSEMBLY

ITEM	PART NUMBER	QTY	DESCRIPTION	REV
	1001213319	Ref	Diverter Valve Assembly	C
1	2110610	2	Fitting, Straight ORFS	
2	2111010	1	Fitting, Straight ORFS	
3	2151010	1	Fitting, 45 ORFS	
4	3290805	4	Nut, Lock M8X1.25	
5	4811900	4	Washer, M8	
6	1001005904	4	Fitting, 45	
8	1001101041	2	Fitting, Male Quick Disconnect	
9	1001101042	2	Fitting, Female Quick Disconnect	
10	1001104477	1	Valve, Divertor (See Seperate Breakdown in Hydraulic Component Section)	
11	1001110023	1	Valve, Divertor (See Seperate Breakdown in Hydraulic Components Section)	
12	1001110115	4	Bolt, M8X100	
13	1001147416	1	Fitting, 45 ORFS	
14	91043125	2	Plug	
15	91043126	2	Cap	

SECTION 8 - HYDRAULIC CIRCUITS

FIGURE 8-19. MAIN CONTROL VALVE INSTALLATION



AFE_1001220457-A

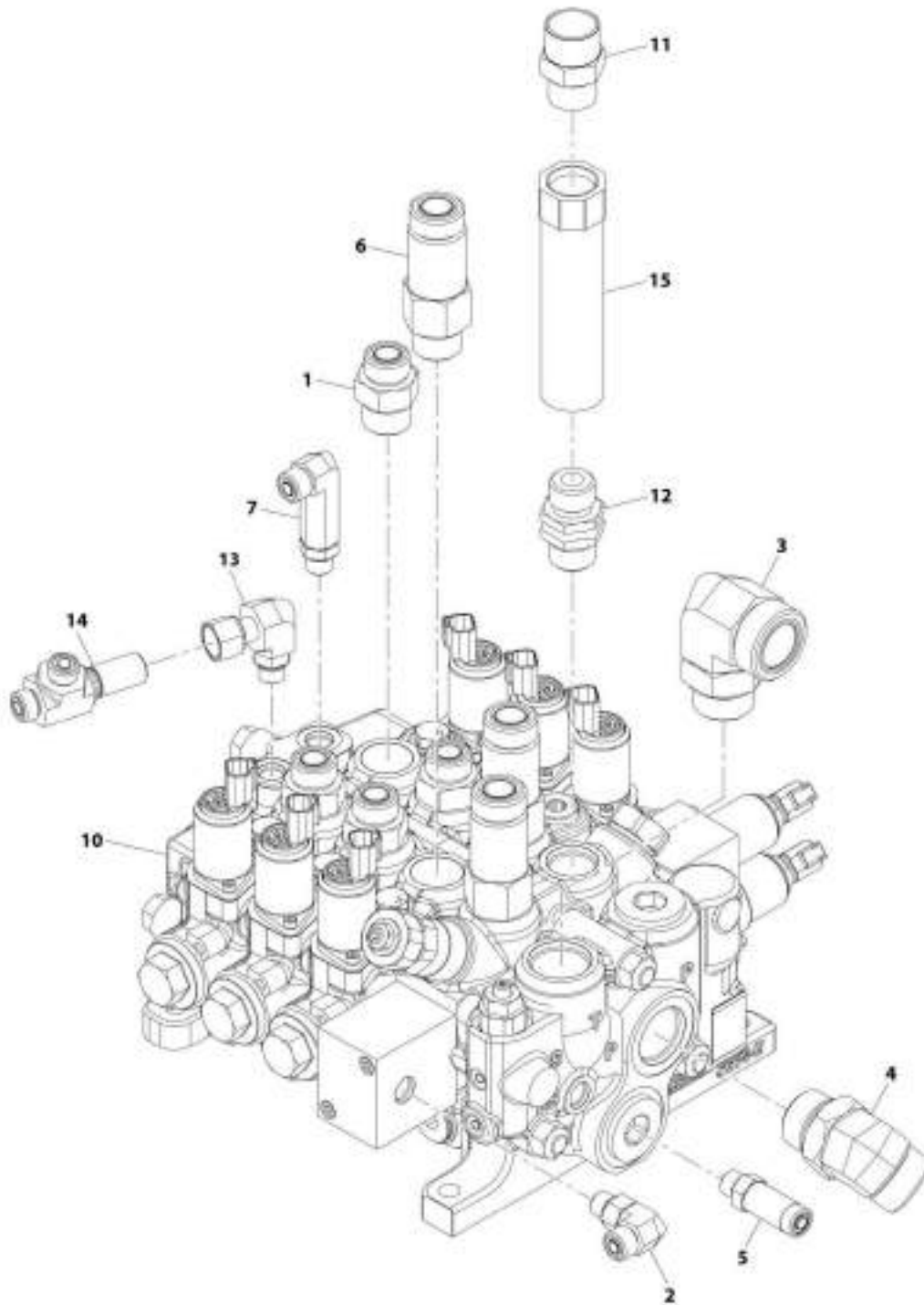
SECTION 8 - HYDRAULIC CIRCUITS

FIGURE 8-19. MAIN CONTROL VALVE INSTALLATION

ITEM	PART NUMBER	QTY	DESCRIPTION	REV
	1001220457	Ref	Main Control Valve Installation	A
1	0701016	3	Bolt, M10X40	
2	4812000	3	Washer, M10	
3	1001220456	1	Assembly, Main Control Valve (See Seperate Breakdown in this Section)	

SECTION 8 - HYDRAULIC CIRCUITS

FIGURE 8-20. MAIN CONTROL VALVE ASSEMBLY



ART_100120450-B

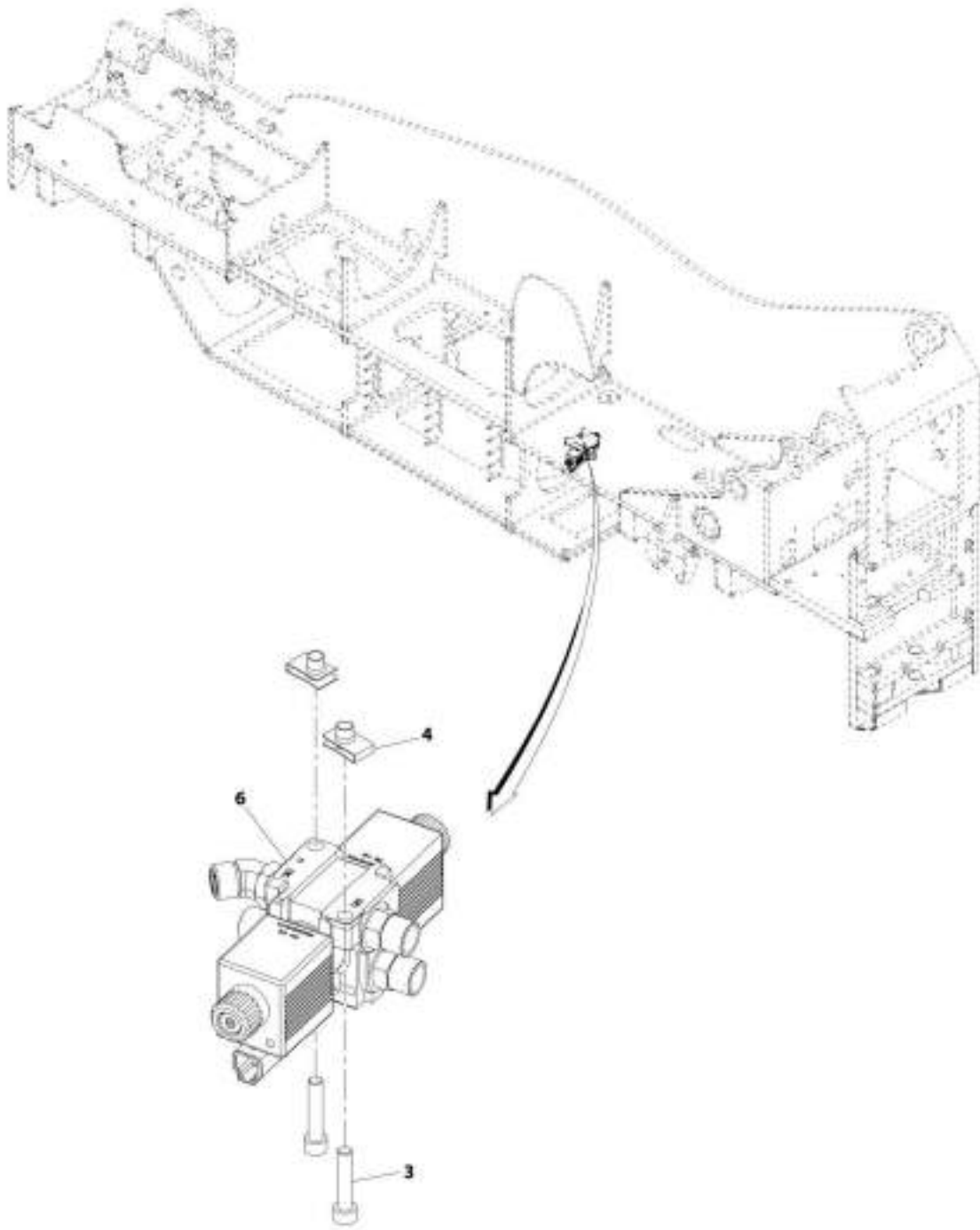
SECTION 8 - HYDRAULIC CIRCUITS

FIGURE 8-20. MAIN CONTROL VALVE ASSEMBLY

ITEM	PART NUMBER	QTY	DESCRIPTION	REV
	1001220456	Ref	Main Control Valve Assembly	B
1	2111012	4	Fitting, Straight ORFS	
2	2130606	1	Fitting, 90 ORFS	
3	2132016	1	Fitting, 90 ORFS	
4	2151616	1	Fitting, 45 ORFS	
5	2170106	1	Fitting, Straight ORFS	
6	2170112	3	Fitting, Straight ORFS	
7	2170206	1	Fitting, 90 ORFS	
10	1001220295	1	Valve, Main Control (See Seperate Breakdown in Hydraulic Components Section)	
11	2111212	1	Fitting, Straight ORFS	
12	8770030	1	Fitting, Straight ORFS	
13	8770104	1	Fitting, 90 ORFS	
14	8770286	1	Fitting, 90 ORFS	
15	1001224946	1	Valve, Check	

SECTION 8 - HYDRAULIC CIRCUITS

FIGURE 8-21. STEERING SELECT VALVE INSTALLATION



APP_1001105539-B

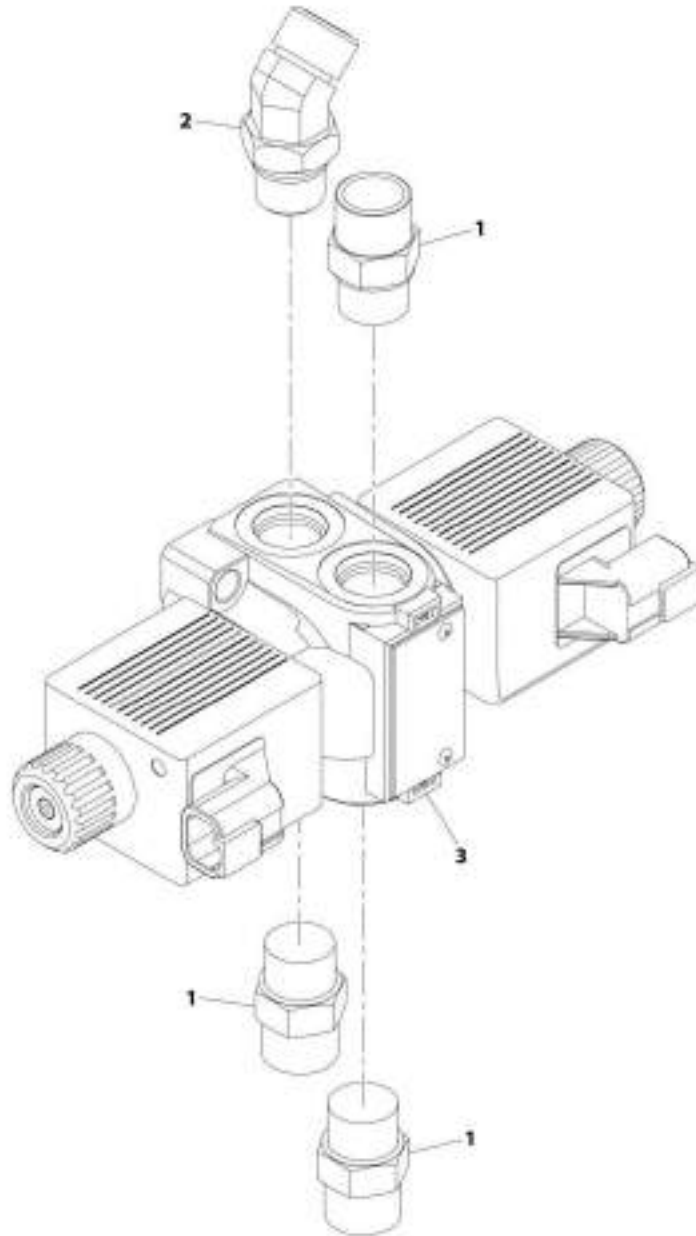
SECTION 8 - HYDRAULIC CIRCUITS

FIGURE 8-21. STEERING SELECT VALVE INSTALLATION

ITEM	PART NUMBER	QTY	DESCRIPTION	REV
	1001193516	Ref	Steering Select Valve Installation	B
3	4031912	2	Bolt, M8X40	
4	8310686	2	Nut, M8X12.5	
6	1001212418	1	Assembly, Steering Select Valve (See Seperate Breakdown in this Section)	

SECTION 8 - HYDRAULIC CIRCUITS

FIGURE 8-22. STEERING SELECT VALVE ASSEMBLY



ARE_1001212458-A

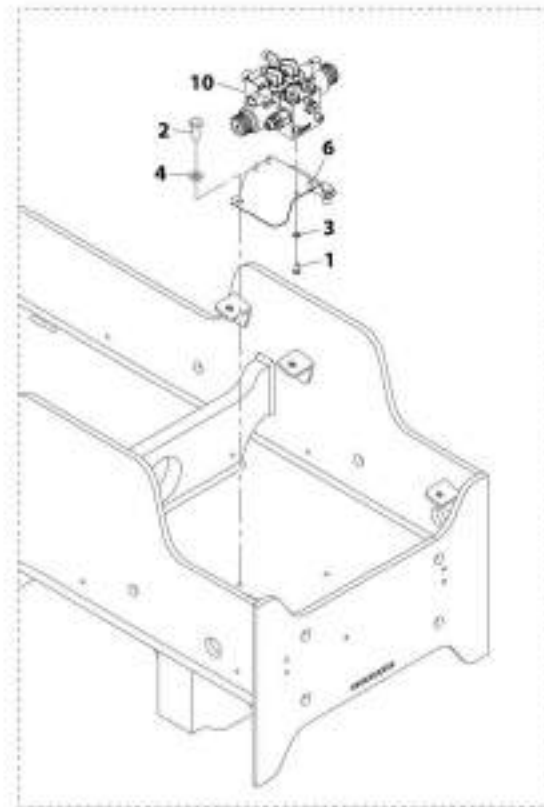
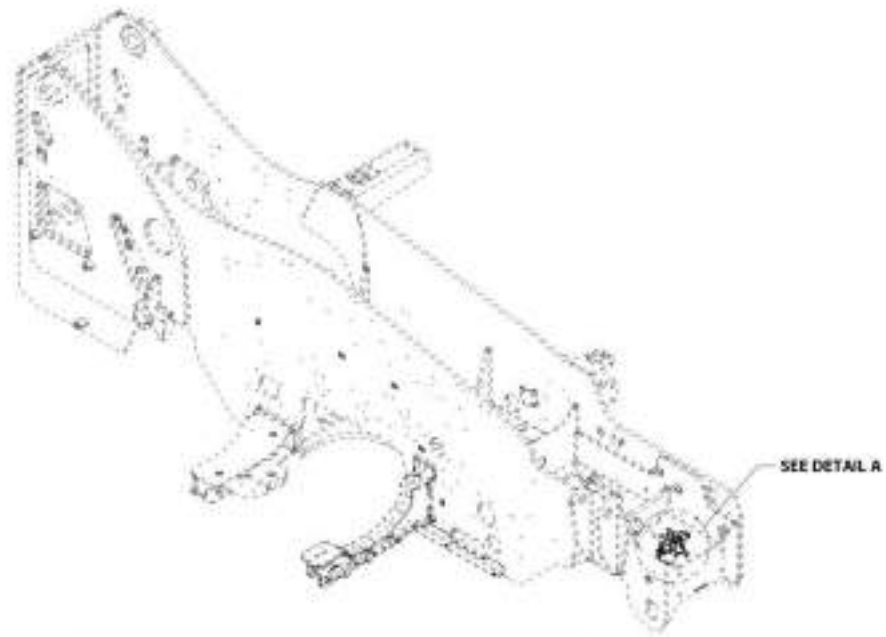
SECTION 8 - HYDRAULIC CIRCUITS

FIGURE 8-22. STEERING SELECT VALVE ASSEMBLY

ITEM	PART NUMBER	QTY	DESCRIPTION	REV
	1001212418	Ref	Steering Select Valve Assembly	A
1	2110808	3	Fitting, Straight ORFS	
2	2150808	1	Fitting, 45 ORFS	
3	1001153748	1	Valve, Steering Select (See Seperate Breakdown in Hydraulic Component Section)	

SECTION 8 - HYDRAULIC CIRCUITS

FIGURE 8-23. FRAME LEVEL VALVE INSTALLATION



DETAIL A

ART_1001193517-D

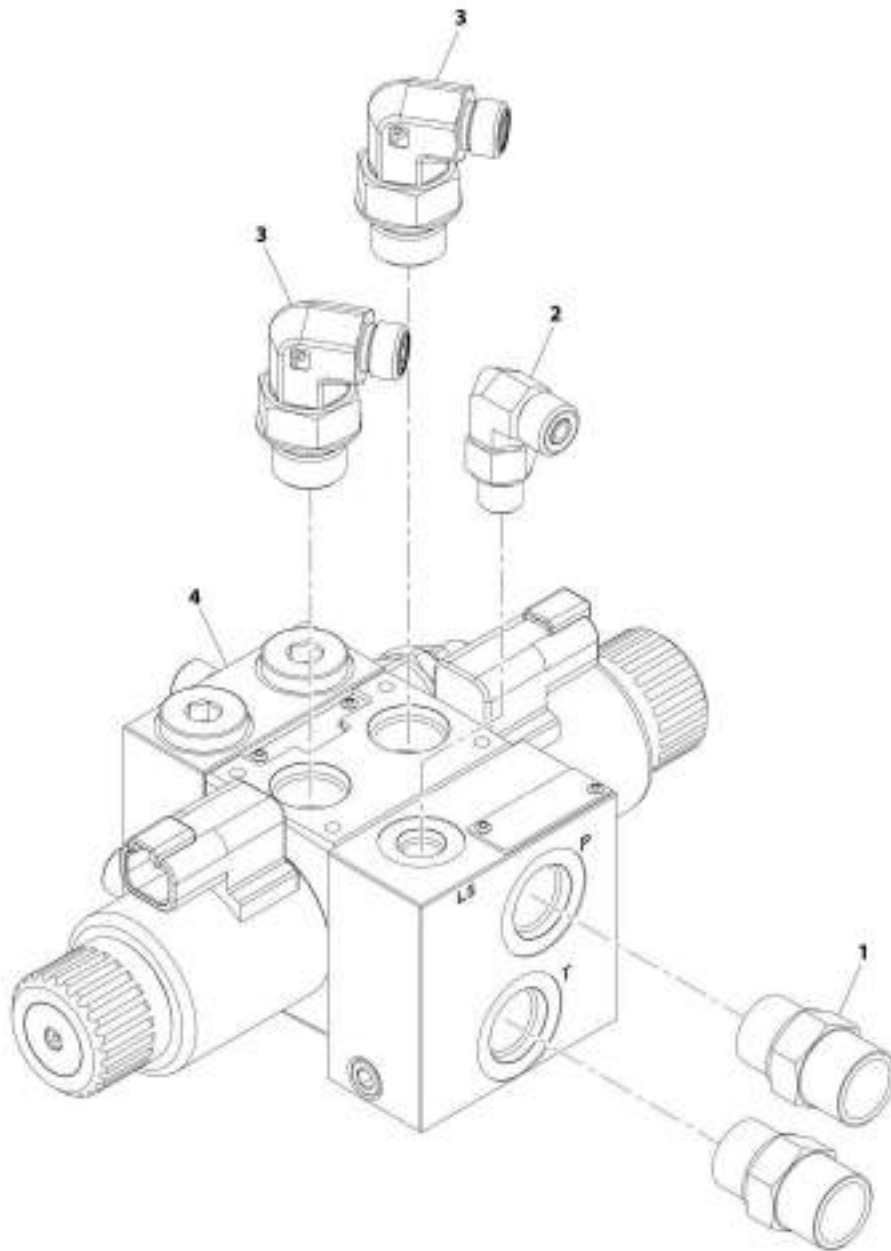
SECTION 8 - HYDRAULIC CIRCUITS

FIGURE 8-23. FRAME LEVEL VALVE INSTALLATION

ITEM	PART NUMBER	QTY	DESCRIPTION	REV
	1001193517	Ref	Frame Level Valve Installation	D
1	0760607	4	Bolt, M6X14	
2	0761012	2	Bolt, M10X25	
3	4811700	4	Washer, M6	
4	4812000	2	Washer, M10	
6	1001195733	1	Bracket	
10	1001215341	1	Assembly, Frame Level Valve (See Seperate Breakdown in this Section)	

SECTION 8 - HYDRAULIC CIRCUITS

FIGURE 8-24. FRAME LEVEL VALVE ASSEMBLY



ART_3001215341-B

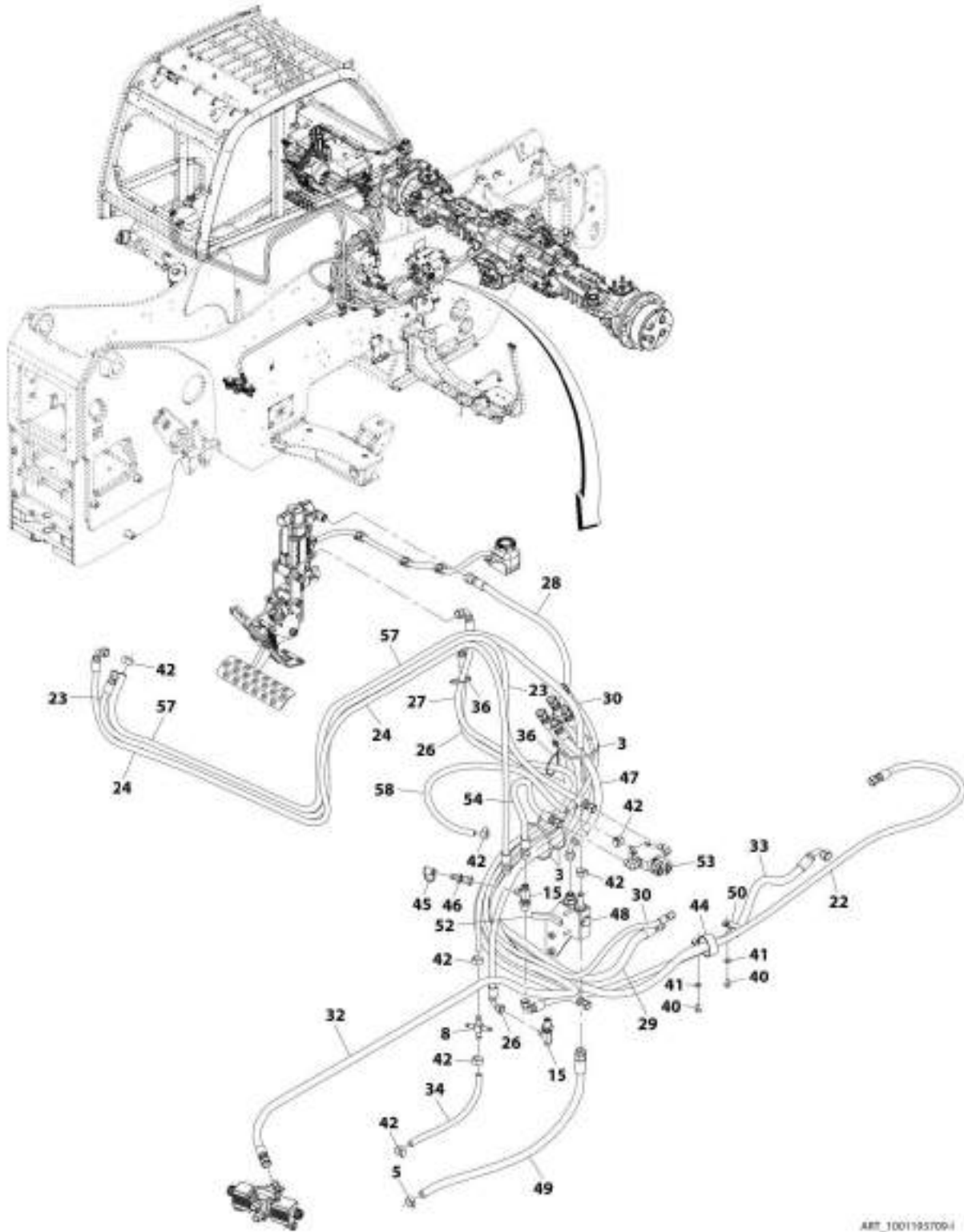
SECTION 8 - HYDRAULIC CIRCUITS

FIGURE 8-24. FRAME LEVEL VALVE ASSEMBLY

ITEM	PART NUMBER	QTY	DESCRIPTION	REV
	1001215341	Ref	Frame Level Valve Assembly	B
1	2110808	2	Fitting, Straight ORFS	
2	2130404	1	Fitting, 90 ORFS	
3	2130408	2	Fitting, 90 ORFS	
4	1001219615	1	Valve, Frame Level (See Seperate Breakdown in Hydraulic Components Section)	

SECTION 8 - HYDRAULIC CIRCUITS

FIGURE 8-25. CAB HYDRAULICS INSTALLATION



ARB_1001195706-1

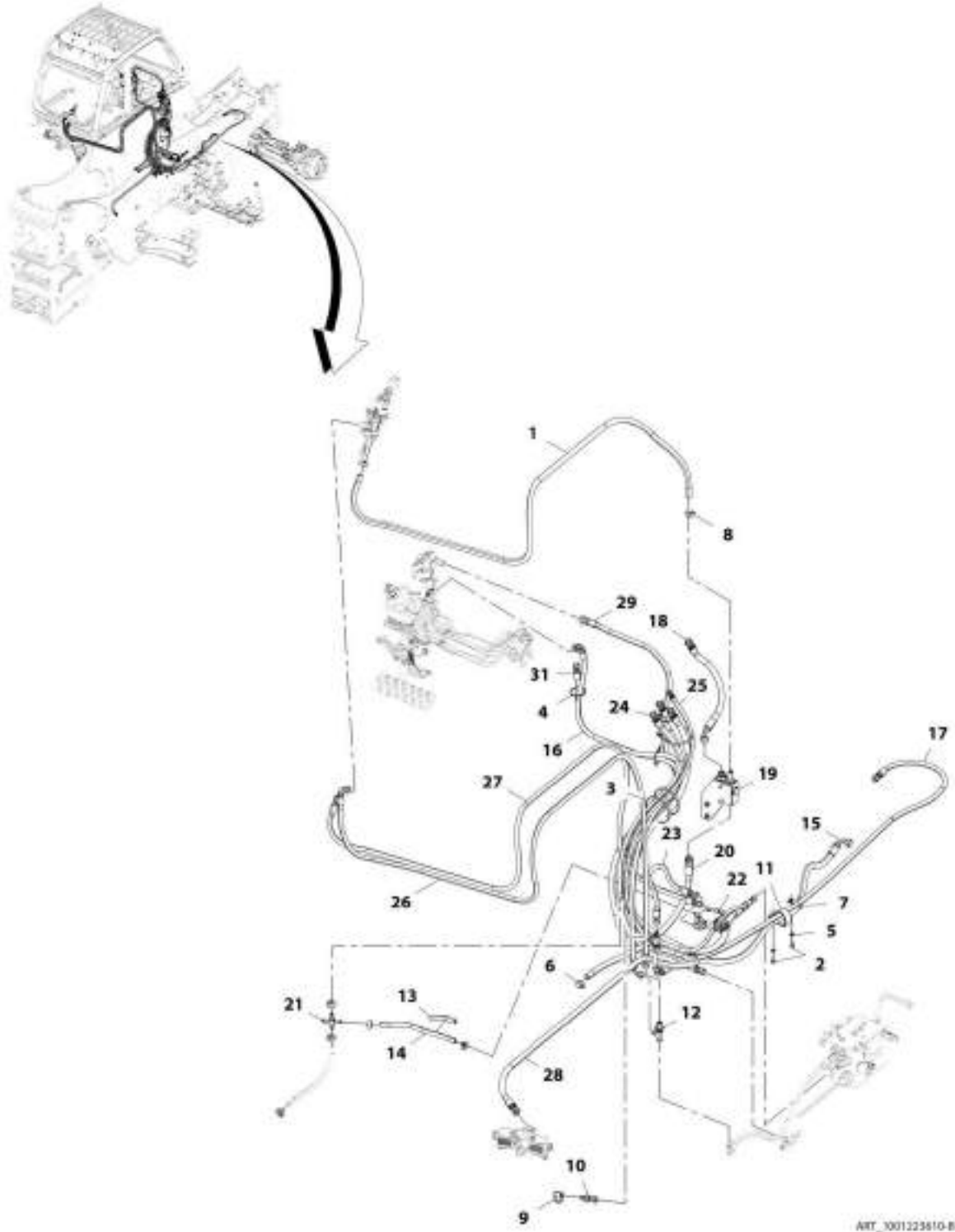
SECTION 8 - HYDRAULIC CIRCUITS

FIGURE 8-25. CAB HYDRAULICS INSTALLATION

ITEM	PART NUMBER	QTY	DESCRIPTION	REV
	1001193709	Ref	Cab Hydraulics Installation	1
3	4240018	3	Strap, Cable	
5	8405006	1	Clamp	
8	1001215256	1	Fitting, Cross Barb	
15	88662434	2	Fitting, Tee ORFS	
22	1001210800	1	Hose	
23	1001221989	1	Hose	
24	1001210327	1	Hose	
26	1001196989	1	Hose	
27	1001206709	1	Hose	
28	1001210282	1	Hose	
29	1001196992	1	Hose	
30	1001196993	1	Hose	
32	1001196995	1	Hose	
33	1001196996	1	Hose	
34	1001196997	1	Hose	
36	4240099	3	Tie, Wire	
40	0760807	2	Bolt, M8X14	
41	4811900	2	Washer, M8	
42	8410013	7	Clamp	
44	85941018	1	Clamp	
45	8430032	1	Plug	
46	8430081	1	Fitting, Straight ORFS	
47	1001212787	1	Hose	
48	1001212788	Ref	Installation, Check Valve (See Separate Breakdown in this Section)	
49	1001212880	1	Hose	
50	8406201	1	Clip	
52	90206198	186 mm	Compound, Locking	
53	1001221987	Ref	Installation, Solenoid Valve (See Separate Breakdown in this Section)	
54	1001221988	1	Hose	
57	2720160	2290 mm	Hose	
58	1001008654	750 mm	Hose	

SECTION 8 - HYDRAULIC CIRCUITS

FIGURE 8-26. CAB HYDRAULICS INSTALLATION (TUV)



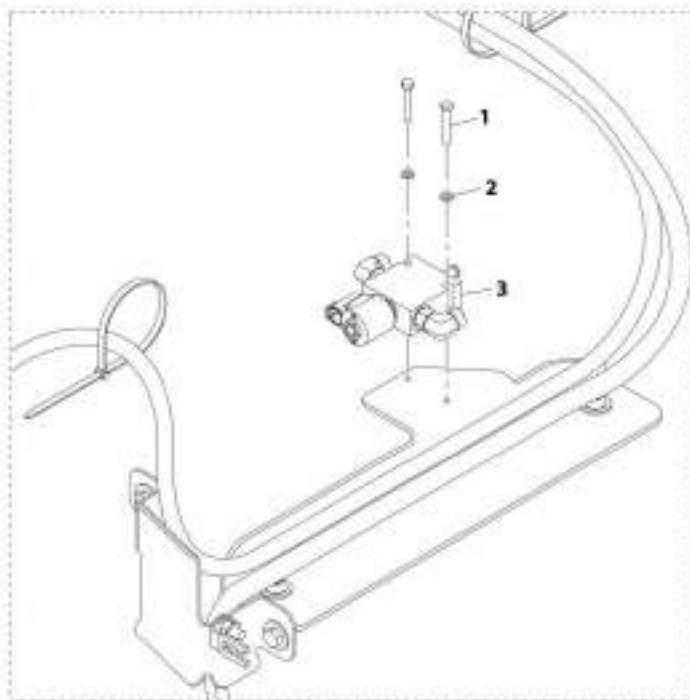
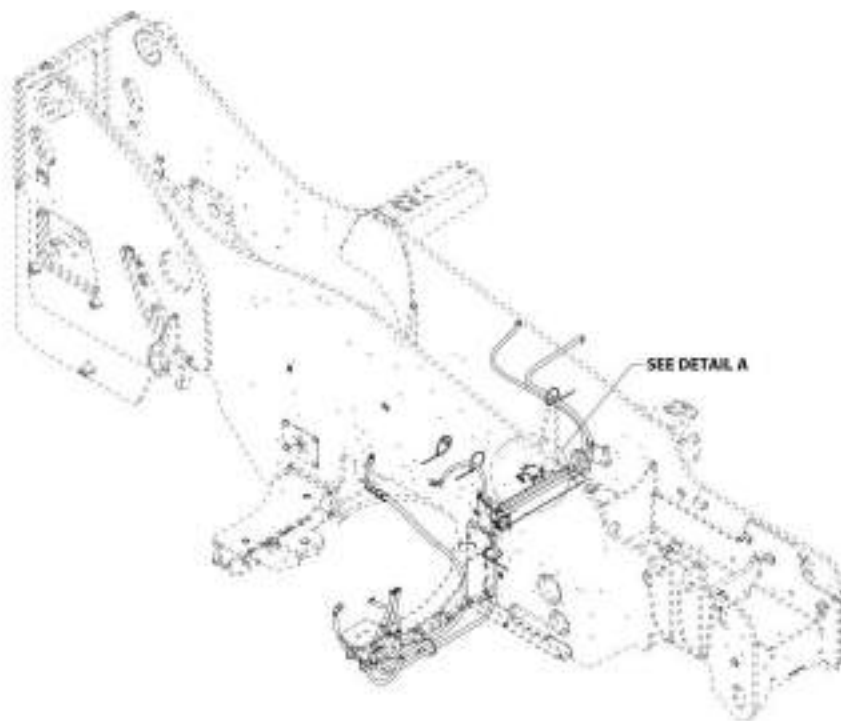
SECTION 8 - HYDRAULIC CIRCUITS

FIGURE 8-26. CAB HYDRAULICS INSTALLATION (TUV)

ITEM	PART NUMBER	QTY	DESCRIPTION	REV
	1001223610	Ref	Cab Hydraulics Installation (TUV)	B
1	2720160	2290 mm	Hose, Airline	
2	0760807	2	Bolt, M8X14	
3	4240018	3	Strap, Tie	
4	4240099	3	Strap, Tie	
5	4811900	2	Washer, M8	
6	8405006	1	Clamp, Gear	
7	8406201	1	Clamp, Gear	
8	8410013	7	Clamp, Gear	
9	8430032	1	Plug	
10	8430081	1	Fitting, Straight ORFS	
11	85941018	1	P-Clamp, 2IN	
12	88662434	2	Fitting, Tee ORFS	
13	90206198	186 mm	Clip, Trim Lock	
14	1001008654	380 mm	Hose, Bulk	
15	1001196997	1	Hose, M10	
16	1001206709	1	Hose, M10 ORFS	
17	1001210800	1	Hose, M10 ORFS	
18	1001212787	1	Hose, M12.7 ORFS	
19	1001212788	Ref	Installation, Check Valve (See Separate Breakdown in this Section)	
20	1001212880	1	Hose, M12.7	
21	1001215256	1	Pipe, Cross Barb	
22	1001221987	Ref	Installation, Solenoid Valve (See Separate Breakdown in this Section)	
23	1001221988	1	Hose, M10 ORFS	
24	1001225567	1	Hose, M12.7 ORFS	
25	1001225568	1	Hose, M6.3 ORFS	
26	1001225569	1	Hose, M10 ORFS	
27	1001225570	1	Hose, M10 ORFS	
28	1001225571	1	Hose, M12.7 ORFS	
29	1001225572	1	Hose, M10 ORFS	
30	1001225573	1	Hose, M12.7 ORFS	
31	1001225574	1	Hose, M10 ORFS	

SECTION 8 - HYDRAULIC CIRCUITS

FIGURE 8-27. SOLENOID VALVE INSTALLATION



DETAIL A

ART_3001221687-A

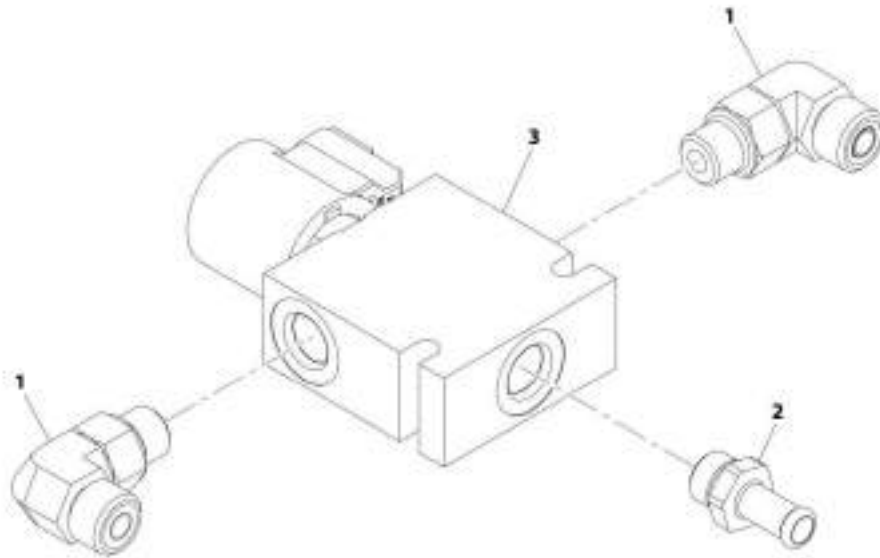
SECTION 8 - HYDRAULIC CIRCUITS

FIGURE 8-27. SOLENOID VALVE INSTALLATION

ITEM	PART NUMBER	QTY	DESCRIPTION	REV
	1001221987	Ref	Solenoid Valve Installation	A
1	0700616	2	Bolt, M6X40	
2	4811700	2	Washer, M6	
3	1001221986	1	Assembly, Solenoid Valve (See Seperate Breakdown in this Section)	

SECTION 8 - HYDRAULIC CIRCUITS

FIGURE 8-28. SOLENOID VALVE ASSEMBLY



ARF_1000221986-A

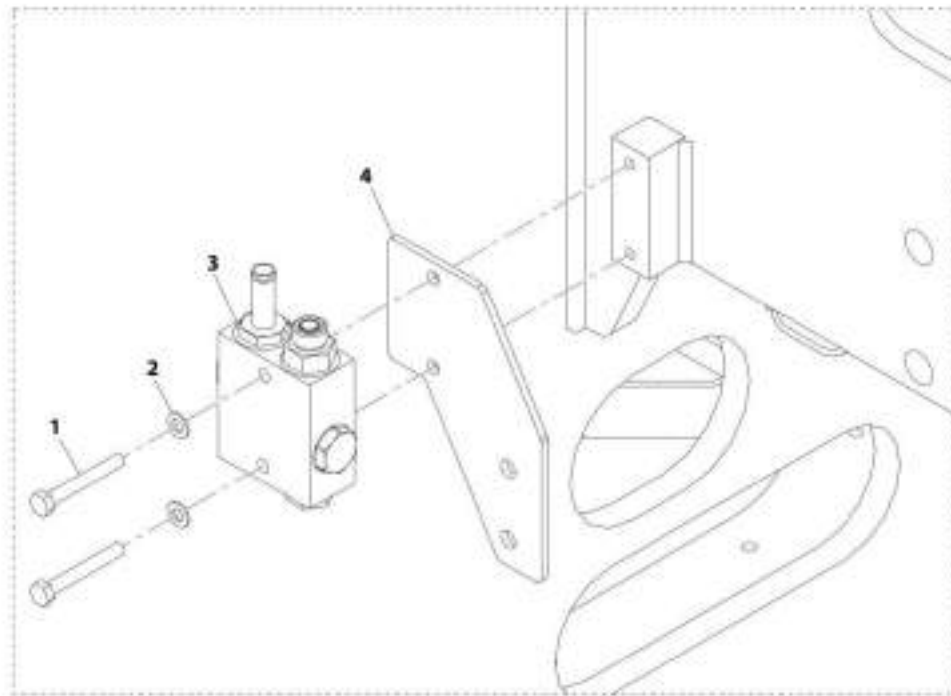
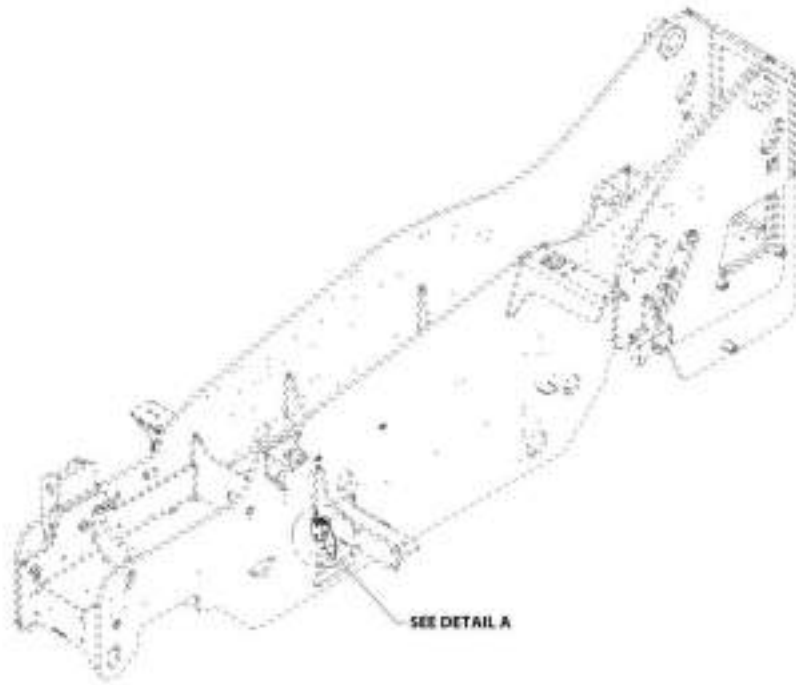
SECTION 8 - HYDRAULIC CIRCUITS

FIGURE 8-28. SOLENOID VALVE ASSEMBLY

ITEM	PART NUMBER	QTY	DESCRIPTION	REV
	1001221986	Ref	Solenoid Valve Assembly	A
1	2130606	2	Fitting, 90 ORFS	
2	1001168030	1	Fitting, Hose Barb	
3	1001221928	1	Valve, Solenoid (See Seperate Breakdown in Hydraulic Components Section)	

SECTION 8 - HYDRAULIC CIRCUITS

FIGURE 8-29. CHECK VALVE INSTALLATION



DETAIL A

ART_1801212786-A

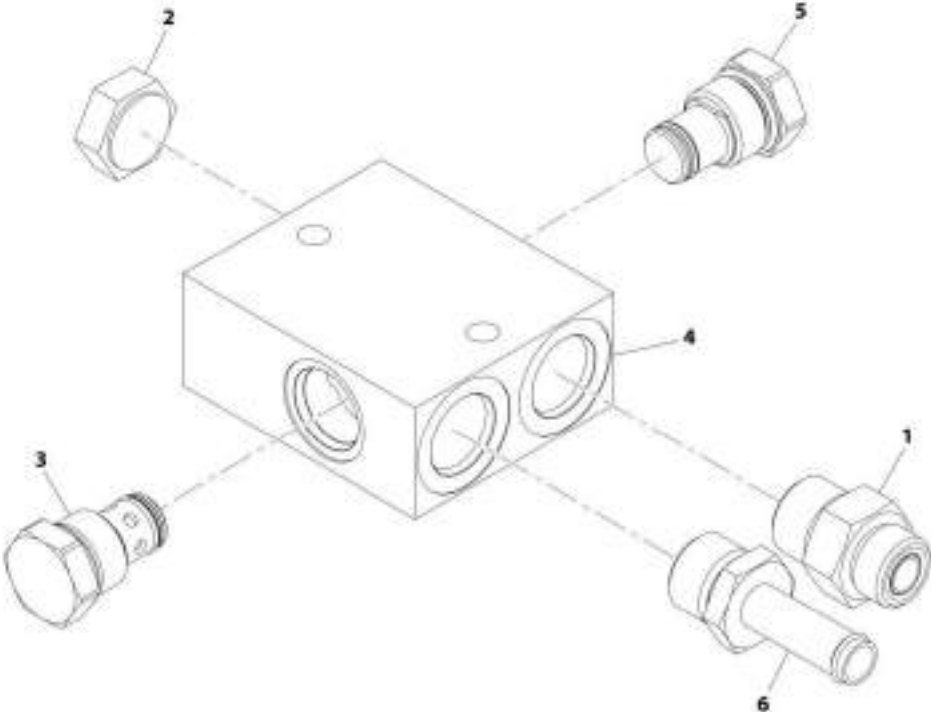
SECTION 8 - HYDRAULIC CIRCUITS

FIGURE 8-29. CHECK VALVE INSTALLATION

ITEM	PART NUMBER	QTY	DESCRIPTION	REV
	1001212788	Ref	Check Valve Installation	A
1	0700820	2	Bolt, M8X60	
2	4811900	2	Washer, M8	
3	1001212789	1	Assembly, Check Valve (See Seperate Breakdown in this Section)	
4	1001219659	1	Plate	

SECTION 8 - HYDRAULIC CIRCUITS

FIGURE 8-30. CHECK VALVE ASSEMBLY



ART_100121284-C

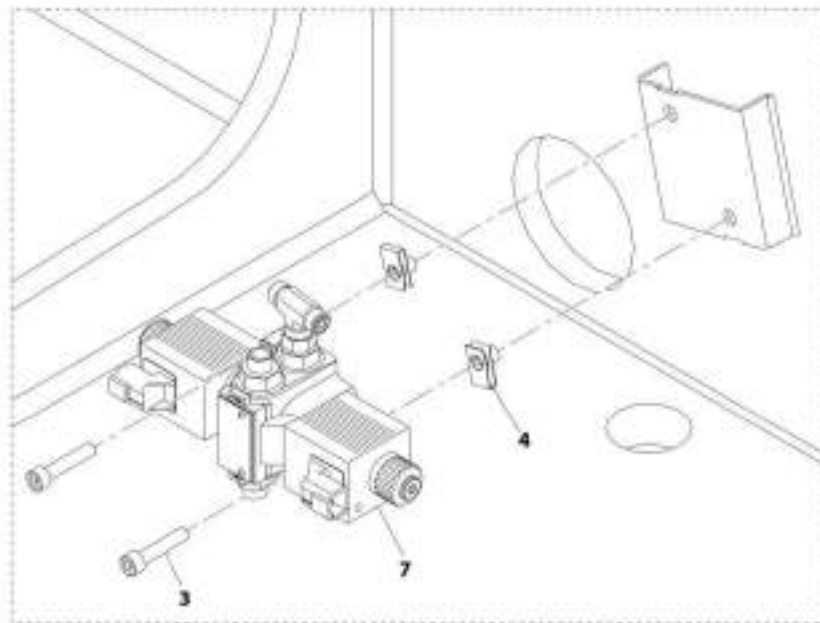
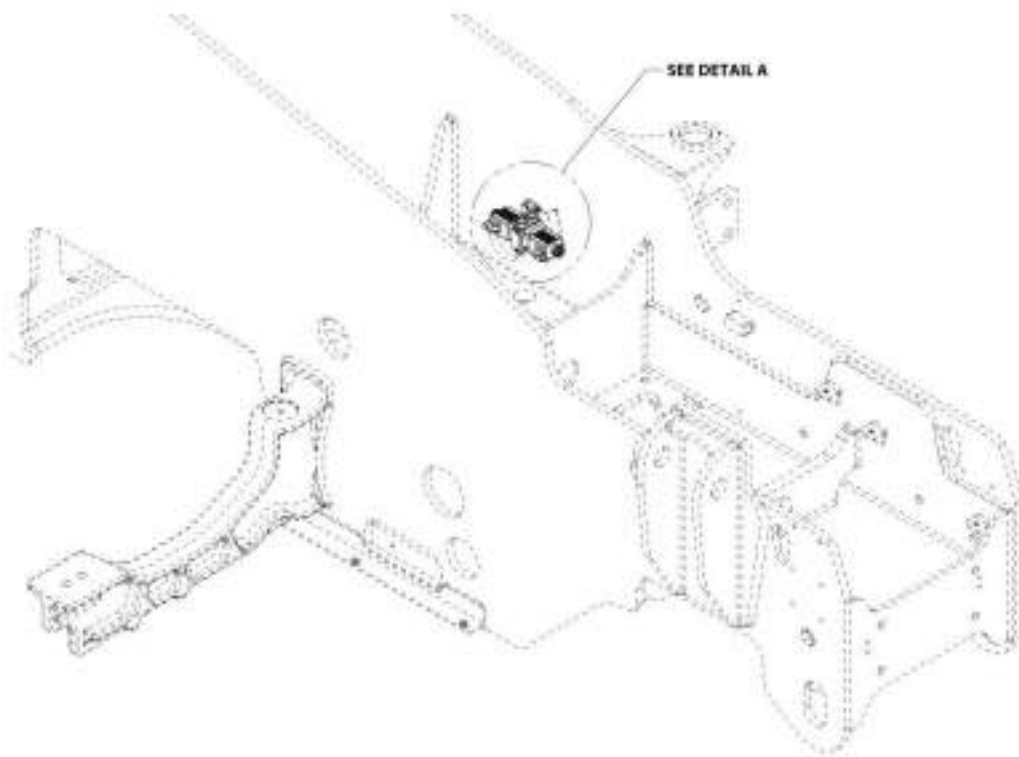
SECTION 8 - HYDRAULIC CIRCUITS

FIGURE 8-30. CHECK VALVE ASSEMBLY

ITEM	PART NUMBER	QTY	DESCRIPTION	REV
	1001212789	Ref	Check Valve Assembly	C
1	2110810	1	Fitting, Straight ORFS	
2	2220239	1	Plug	
3	1001231393	1	1001212789	
4	1001210780	1	Manifold, Dual Check Valve (See Seperate Breakdown in Hydraulic Components Section)	
5	1001210801	1	Valve, Check	
6	1001225656	1	Fitting, Barb	

SECTION 8 - HYDRAULIC CIRCUITS

FIGURE 8-31. SPEED CONTROL VALVE INSTALLATION



DETAIL A

MIT_1001187196-B

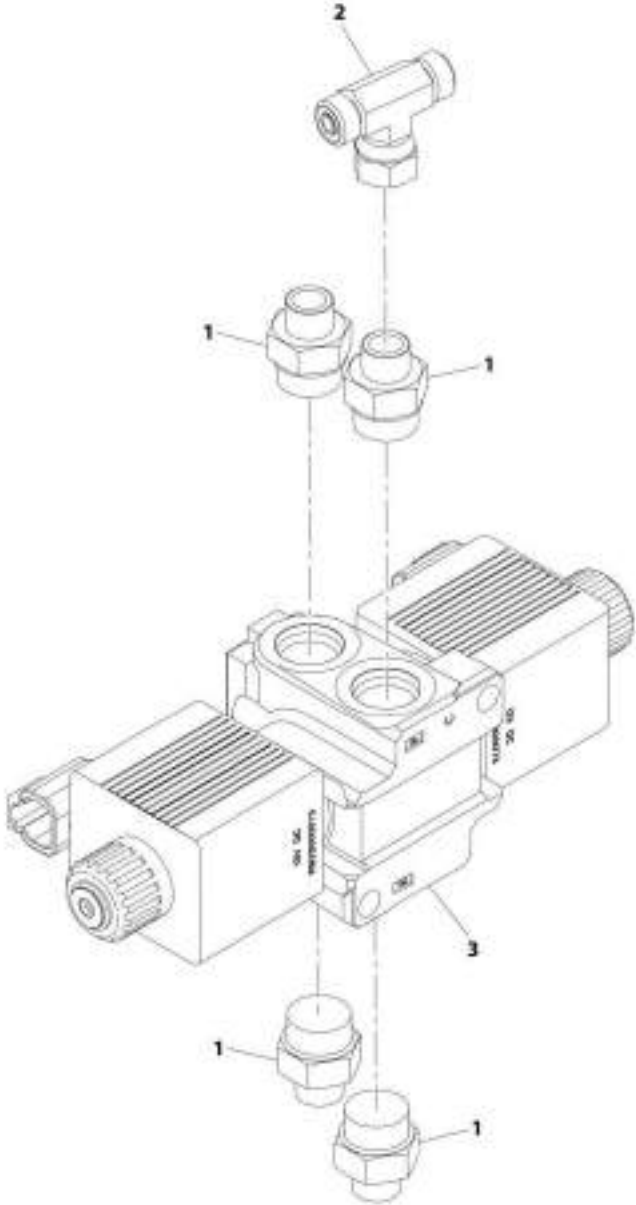
SECTION 8 - HYDRAULIC CIRCUITS

FIGURE 8-31. SPEED CONTROL VALVE INSTALLATION

ITEM	PART NUMBER	QTY	DESCRIPTION	REV
	1001197196	Ref	Speed Control Valve Installation	B
3	4031912	2	Bolt, M8X40	
4	8310686	2	Nut, M8X12.5	
7	1001220643	1	Assembly, Speed Control Valve (See Seperate Breakdown in this Section)	

SECTION 8 - HYDRAULIC CIRCUITS

FIGURE 8-32. SPEED CONTROL VALVE ASSEMBLY



ART_1001230643-A

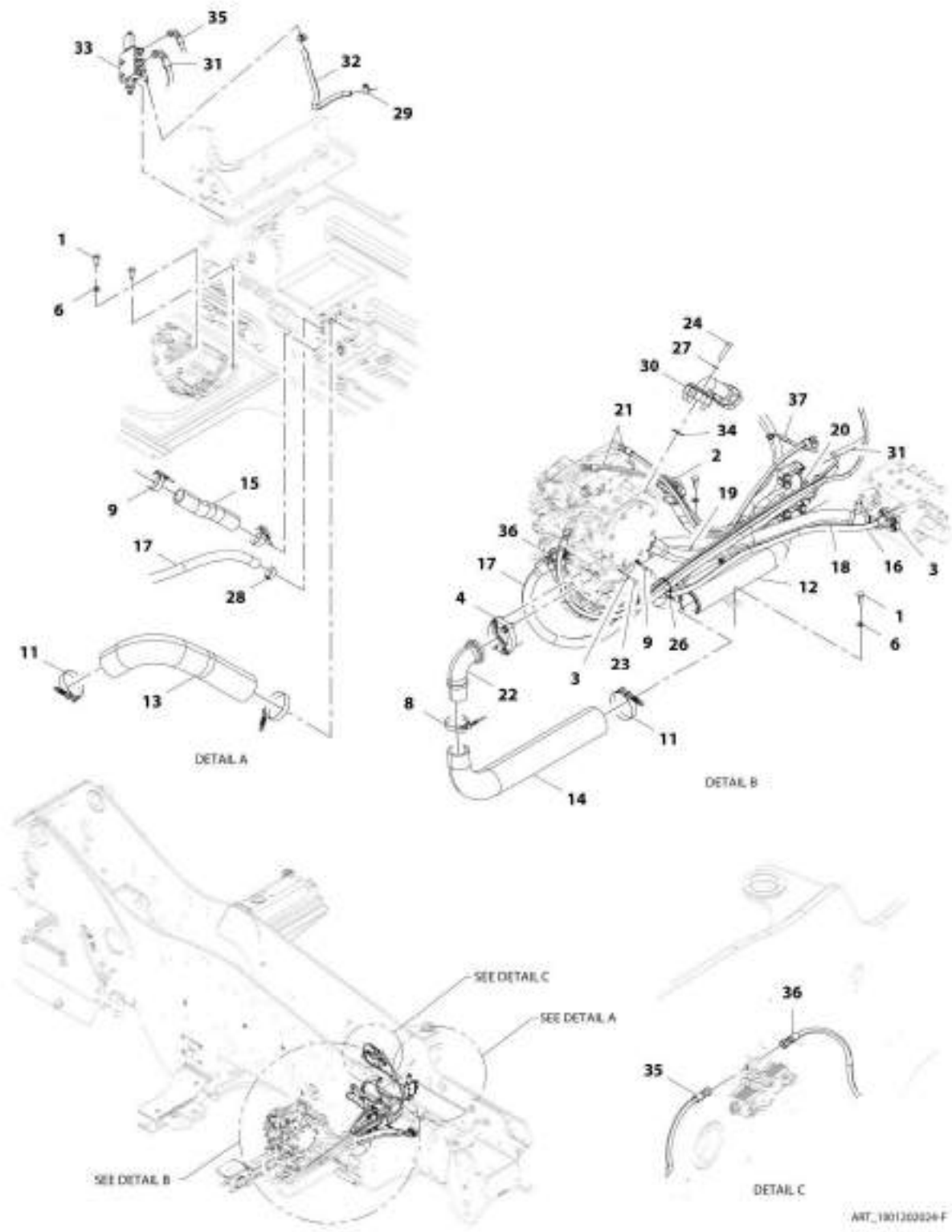
SECTION 8 - HYDRAULIC CIRCUITS

FIGURE 8-32. SPEED CONTROL VALVE ASSEMBLY

ITEM	PART NUMBER	QTY	DESCRIPTION	REV
	1001220643	Ref	Speed Control Valve Assembly	A
1	2110408	4	Fitting, Straight ORFS	
2	2170804	1	Fitting, Tee	
3	4641520	1	Valve, Speed Control (See Seperate Breakdown in Hydraulic Components Section)	

SECTION 8 - HYDRAULIC CIRCUITS

FIGURE 8-33. ENGINE BAY HYDRAULIC INSTALLATION



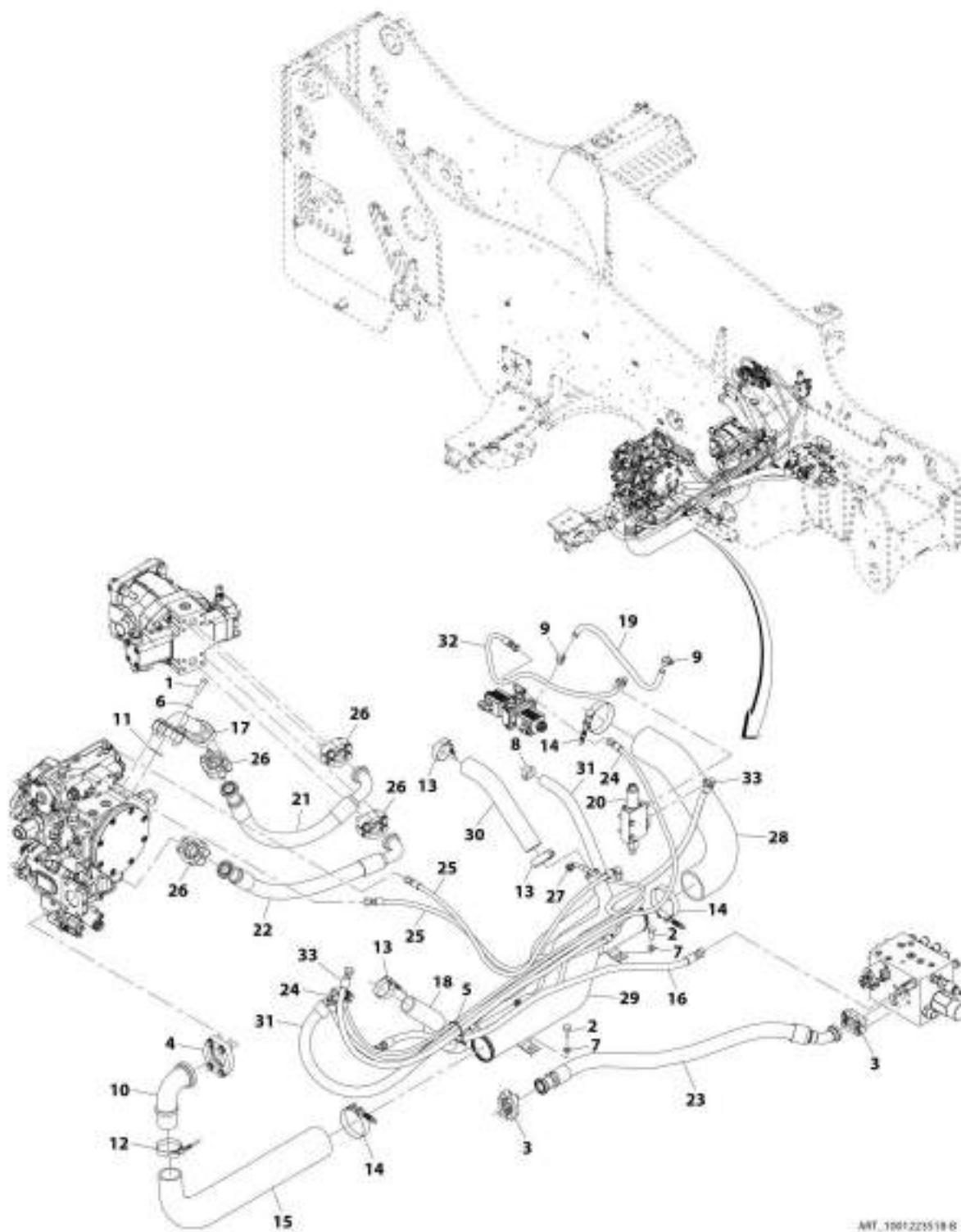
SECTION 8 - HYDRAULIC CIRCUITS

FIGURE 8-33. ENGINE BAY HYDRAULIC INSTALLATION

ITEM	PART NUMBER	QTY	DESCRIPTION	REV
	1001202024	Ref	Engine Bay Installation	F
1	0761012	4	Bolt, M10X25	
2	1001217948	4	Kit, Flange (includes mounting hardware and o-ring)	
3	2171816	2	Kit, Flange (includes mounting hardware and o-ring)	
4	2171832	1	Kit, Flange (includes mounting hardware and o-ring)	
6	4812000	4	Washer, M10	
8	1001005438	1	Clamp	
9	1001014231	4	Clamp	
11	1001186843	3	Clamp	
12	1001187272	1	Pipe	
13	1001187273	1	Hose	
14	1001187275	1	Hose	
15	1001193461	1	Hose	
16	1001196959	1	Hose	
17	1001215802	1	Hose	
18	1001214431	1	Hose	
19	1001214430	1	Hose	
20	1001214429	1	Hose	
21	1001215539	2	Hose	
22	8424233	1	Fitting, 90	
23	1001202027	1	Hose	
24	0681714	4	Bolt, 7/16-14X1 3/4 Grade 8	
26	4240099	AR	Tie, Wire	
27	4761700	4	Washer, Lock 7/16	
28	8405007	1	Clamp	
29	8410013	2	Clamp	
30	1001200870	1	Fitting, 90	
31	1001213306	1	Hose	
32	1001213307	1	Hose	
33	1001213308	1	Installation, Inching Valve (See Seperate Breakdown in this Section)	
34	91083106	1	O-Ring	
35	1001215093	1	Hose	
36	1001215212	1	Hose	
37	1001223109	1	Hose	

SECTION 8 - HYDRAULIC CIRCUITS

FIGURE 8-34. ENGINE BAY HYDRAULIC INSTALLATION (TUV)



AWT_1001225518-8

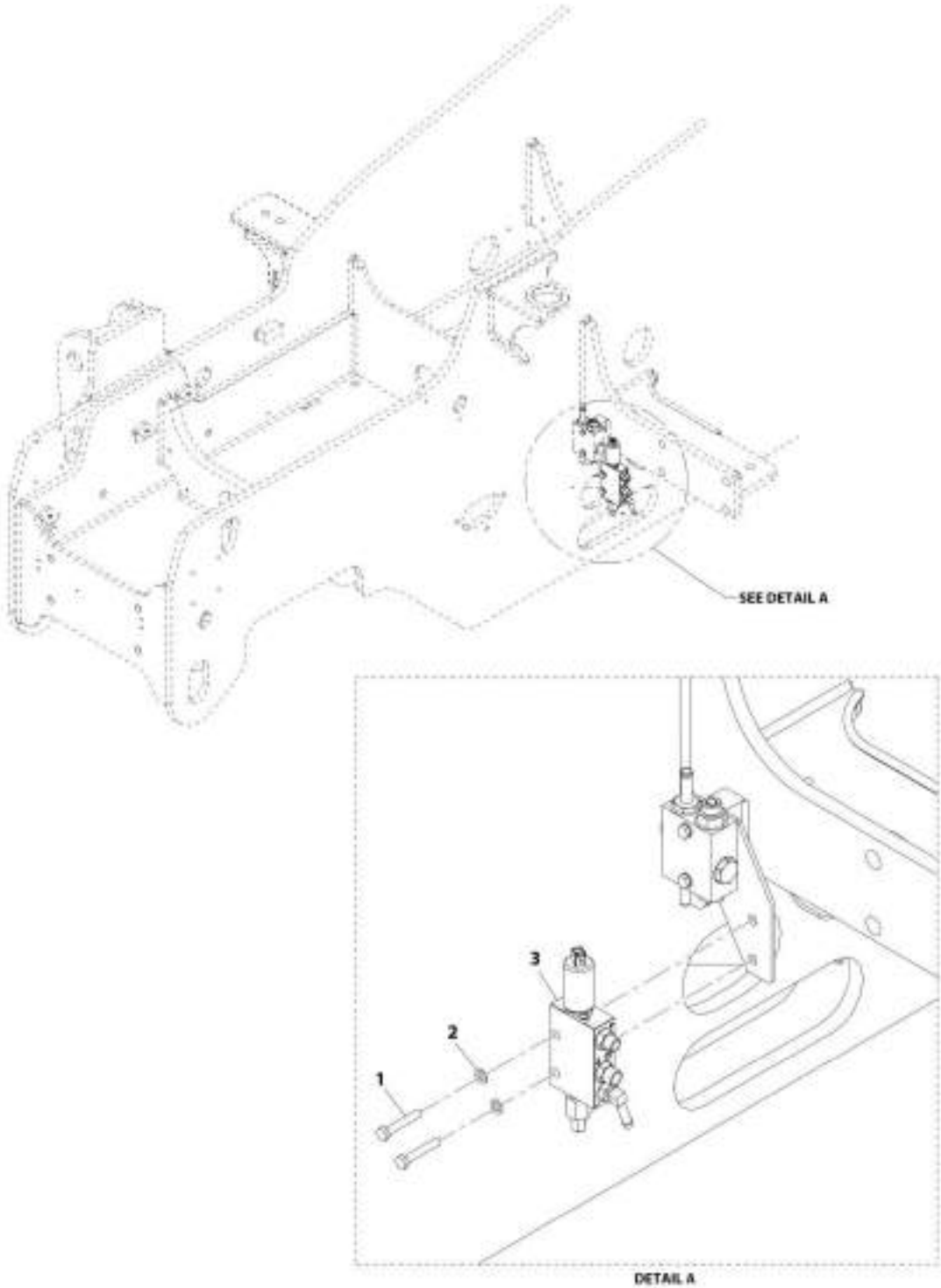
SECTION 8 - HYDRAULIC CIRCUITS

FIGURE 8-34. ENGINE BAY HYDRAULIC INSTALLATION (TUV)

ITEM	PART NUMBER	QTY	DESCRIPTION	REV
	1001223518	Ref	Engine Bay Hydraulic Installation (TUV)	B
1	0681714	4	Bolt, 7/16-14X1 3/4, Grade 8	
2	0761012	4	Bolt, M10X25	
3	2171816	2	Kit, Flange (includes mounting hardware and o-ring)	
4	2171832	1	Kit, Flange (includes mounting hardware and o-ring)	
5	4240099	1	Tie, Wire	
6	4761700	4	Washer, Lock 7/16	
7	4812000	4	Washer, M10	
8	8405007	1	Clamp	
9	8410013	2	Clamp	
10	8424233	1	Tube, 90 Elbow	
11	91083106	1	O-Ring	
12	1001005438	1	Clamp	
13	1001014231	4	Clamp	
14	1001186843	3	Clamp	
15	1001187275	1	Hose	
16	1001196959	1	Hose	
17	1001200870	1	Fitting, 90	
18	1001202027	1	Hose	
19	1001213307	1	Hose	
20	1001213308	1	Installation, Inching Valve (See Seperate Breakdown in this Section)	
21	1001214429	1	Hose	
22	1001214430	1	Hose	
23	1001214431	1	Hose	
24	1001215212	1	Hose	
25	1001215539	2	Hose	
26	1001217948	4	Kit, Flange (includes mounting hardware and o-ring)	
27	1001223109	1	Hose	
28	1001223640	1	Hose	
29	1001223642	1	Pipe	
30	1001223825	1	Hose	
31	1001225575	1	Hose	
32	1001225576	1	Hose	
33	1001226543	1	Hose	

SECTION 8 - HYDRAULIC CIRCUITS

FIGURE 8-35. INCHING VALVE INSTALLATION



ART_1001213308-A

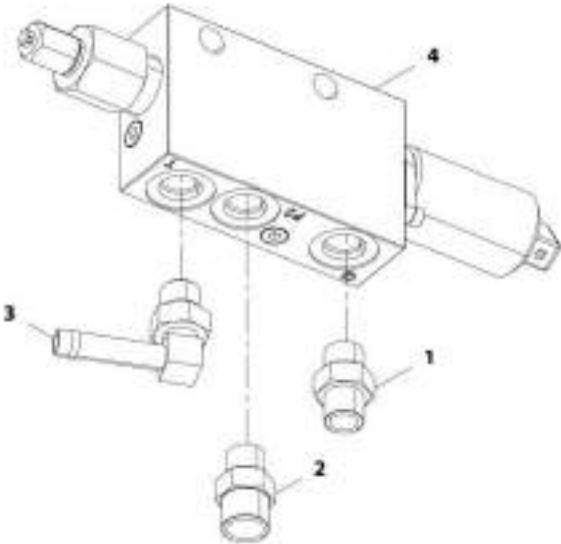
SECTION 8 - HYDRAULIC CIRCUITS

FIGURE 8-35. INCHING VALVE INSTALLATION

ITEM	PART NUMBER	QTY	DESCRIPTION	REV
	1001213308	Ref	Inching Valve Installation	A
1	0700818	2	Bolt, M8X50	
2	4811900	2	Washer, M8	
3	1001213309	1	Assembly, Inching Valve (See Seperate Breakdown in this Section)	

SECTION 8 - HYDRAULIC CIRCUITS

FIGURE 8-36. INCHING VALVE ASSEMBLY



ART_1001211300-B

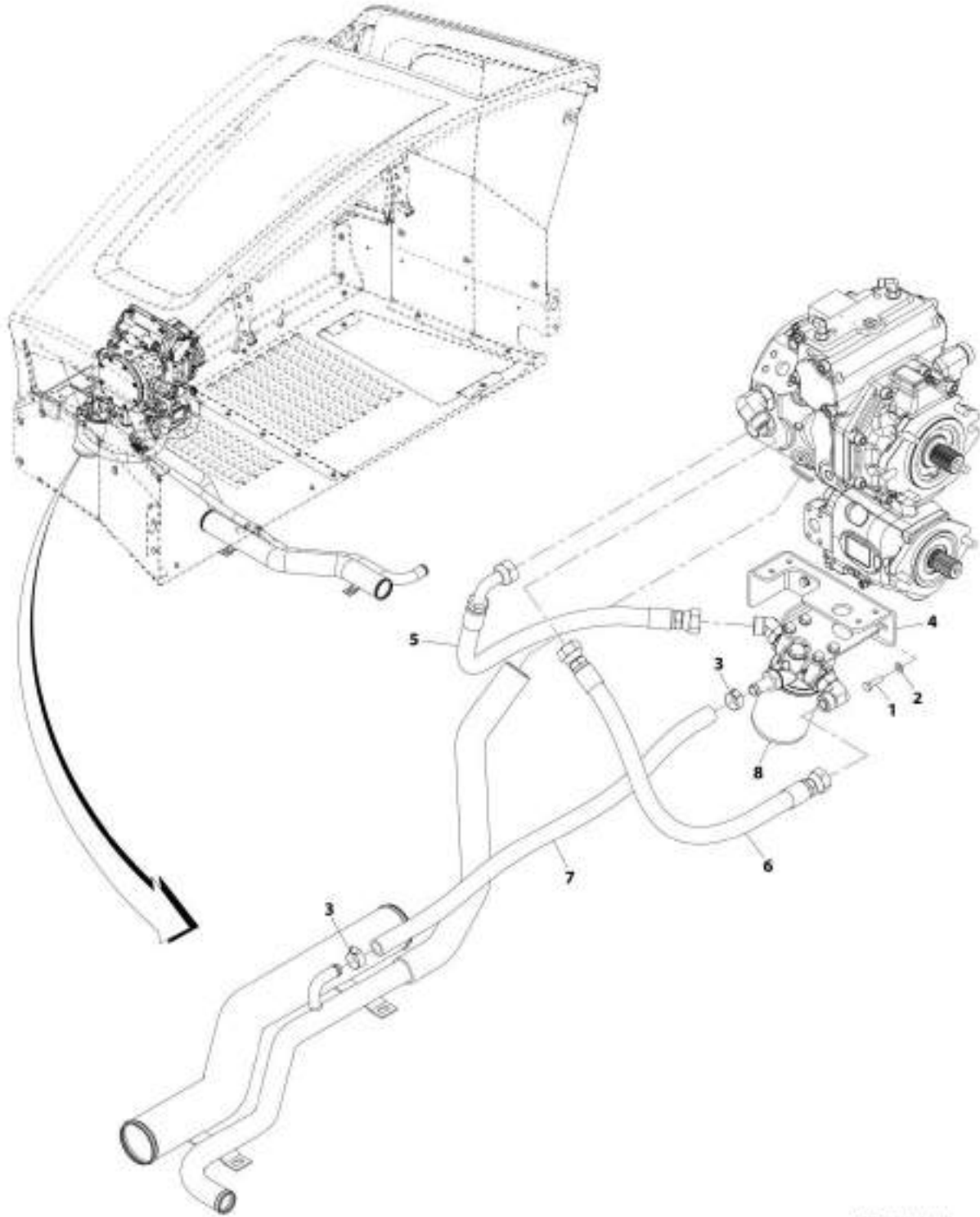
SECTION 8 - HYDRAULIC CIRCUITS

FIGURE 8-36. INCHING VALVE ASSEMBLY

ITEM	PART NUMBER	QTY	DESCRIPTION	REV
	1001213309	Ref	Inching Valve Assembly	B
1	2110406	1	Fitting, Straight ORFS	
2	2110606	1	Fitting, Straight ORFS	
3	8430034	1	Elbow, 90	
4	1001213311	1	Valve, Inching (See Seperate Breakdown in Hydraulic Component Section)	

SECTION 8 - HYDRAULIC CIRCUITS

FIGURE 8-37. CHARGE FILTER LINES INSTALLATION



ART_1001200526-6

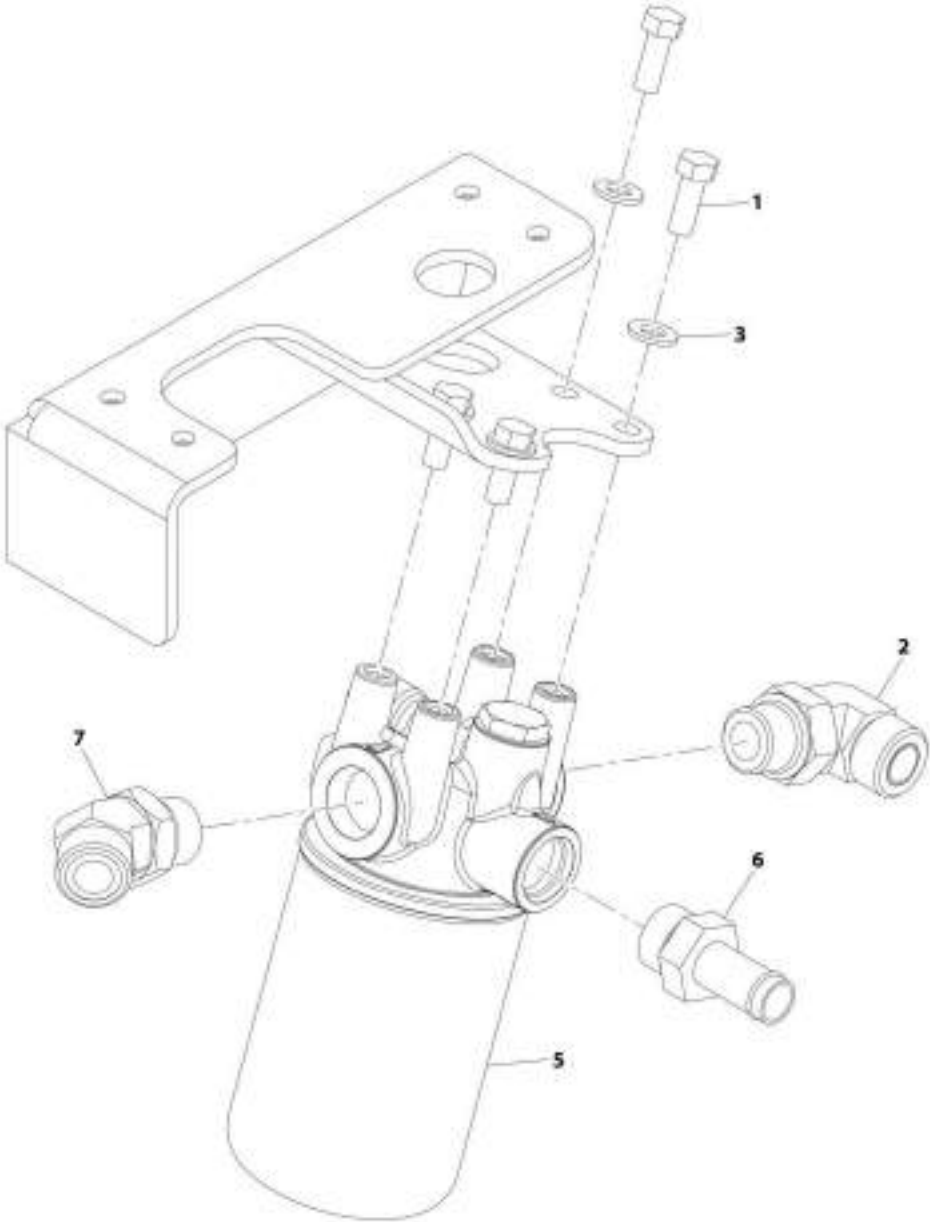
SECTION 8 - HYDRAULIC CIRCUITS

FIGURE 8-37. CHARGE FILTER LINES INSTALLATION

ITEM	PART NUMBER	QTY	DESCRIPTION	REV
	1001202026	Ref	Charge Filter Lines Installation	B
1	0700814	2	Bolt, M8X30	
2	4811900	2	Washer, M8	
3	8405007	2	Clamp	
4	1001195431	1	Bracket	
5	1001195433	1	Hose	
6	1001195434	1	Hose	
7	1001195435	1	Hose	
8	1001202038	Ref	Installation, Charge Filter (See Seperate Breakdown in this Section)	

SECTION 8 - HYDRAULIC CIRCUITS

FIGURE 8-38. CHARGE FILTER INSTALLATION



ART_100190435-C

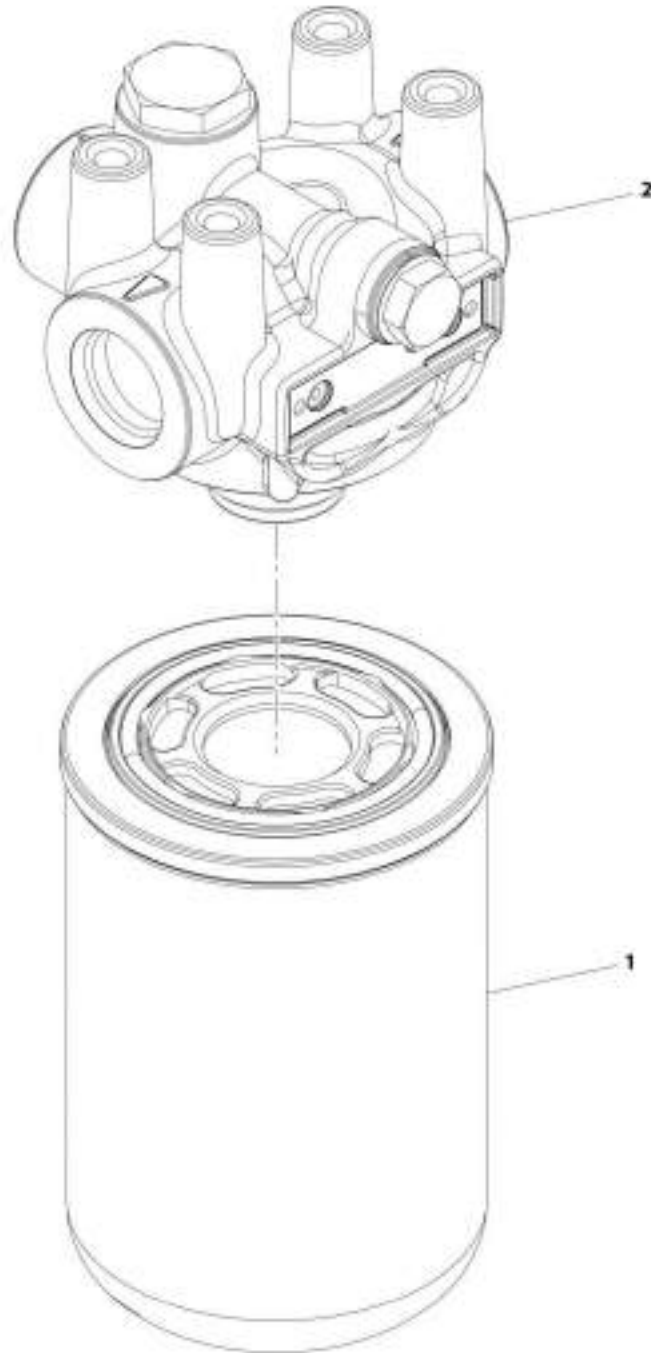
SECTION 8 - HYDRAULIC CIRCUITS

FIGURE 8-38. CHARGE FILTER INSTALLATION

ITEM	PART NUMBER	QTY	DESCRIPTION	REV
	1001195430	Ref	Charge Filter Installation	C
1	0641608	4	Bolt, 3/8-16X1	
2	2131212	1	Fitting, 90 ORFS	
3	4812000	4	Washer, M10	
5	1001141976	1	Assembly, Charge Filter (See Seperate Breakdown in this Section)	
6	1001183700	1	Fitting, Barb	
7	2151212	1	Fitting, 45 ORFS	

SECTION 8 - HYDRAULIC CIRCUITS

FIGURE 8-39. IMPLEMENT PUMP FILTER ASSEMBLY



ART_1001141035-A

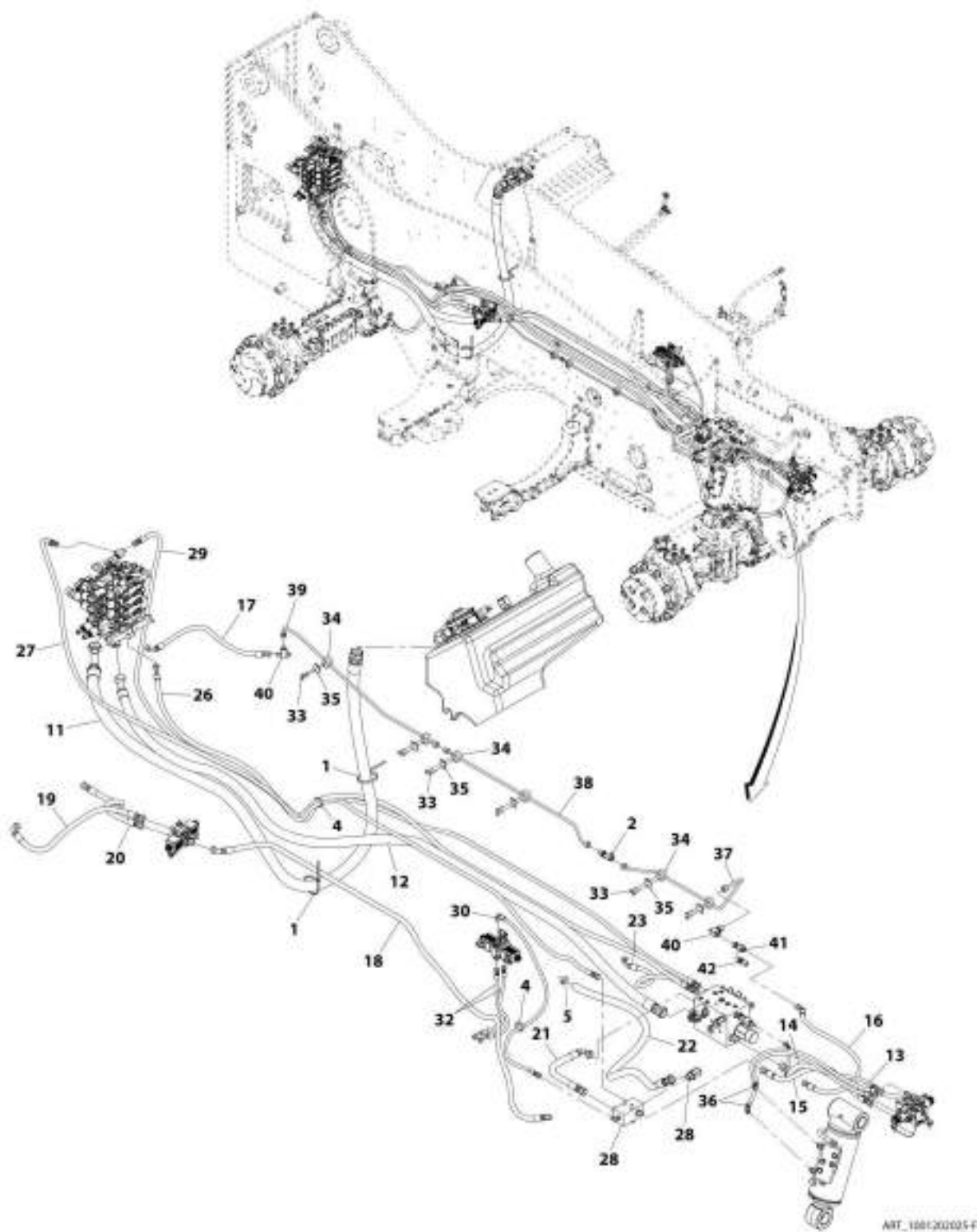
SECTION 8 - HYDRAULIC CIRCUITS

FIGURE 8-39. IMPLEMENT PUMP FILTER ASSEMBLY

ITEM	PART NUMBER	QTY	DESCRIPTION	REV
	1001141976	Ref	Implement Pump Filter Assembly	A
1	1001141461	1	Filter	
2	1001141462	1	Pump, Filter	

SECTION 8 - HYDRAULIC CIRCUITS

FIGURE 8-40. FRAME HYDRAULIC INSTALLATION



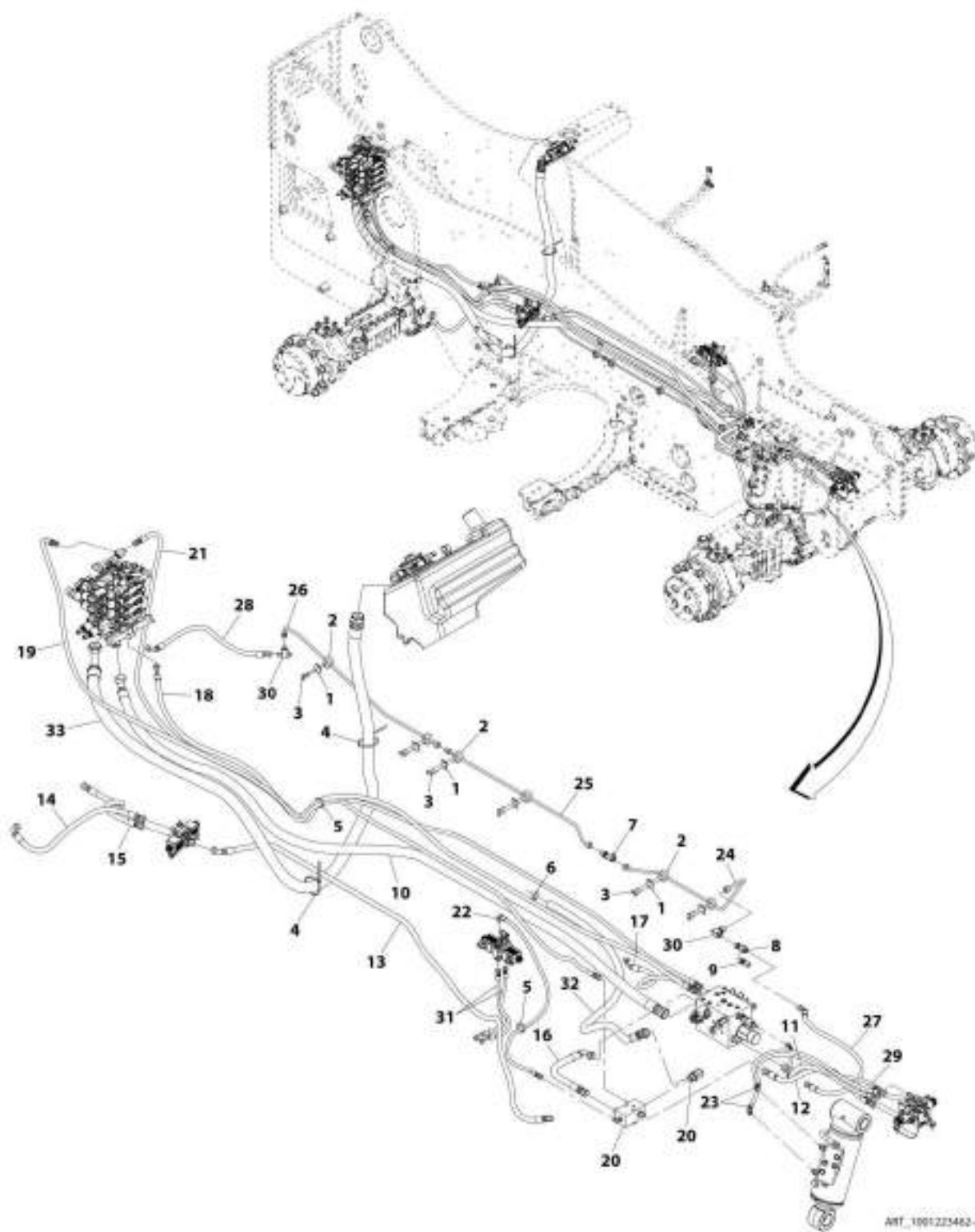
SECTION 8 - HYDRAULIC CIRCUITS

FIGURE 8-40. FRAME HYDRAULIC INSTALLATION

ITEM	PART NUMBER	QTY	DESCRIPTION	REV
	1001202025	Ref	Frame Hydraulic Installation	F
1	1062255	2	Strap, Tie	
2	88662434	1	Fitting, Tee ORFS	
4	4240018	2	Strap, Tie	
5	8405007	1	Clamp	
11	1001196964	1	Hose	
12	1001196967	1	Hose	
13	1001210635	1	Hose	
14	1001196969	1	Hose	
15	1001196970	1	Hose	
16	1001208532	1	Hose	
17	1001208534	1	Hose	
18	1001196973	1	Hose	
19	1001196974	1	Hose	
20	1001196975	1	Hose	
21	1001196976	1	Hose	
22	1001196977	1	Hose	
23	1001196978	1	Hose	
26	1001196981	1	Hose	
27	1001196982	1	Hose	
28	1001197197	Ref	Installation, Manifold (See Seperate Breakdown in this Section)	
29	1001197199	1	Hose	
30	1001197200	1	Hose	
32	1001211020	2	Hose	
33	0700614	12	Bolt, M6X30	
34	9106-3040	6	Clamp	
35	9106-3039	6	Plate, Cover	
36	1001205573	2	Hose	
37	1001207788	1	Pipe	
38	1001207789	1	Pipe	
39	1001207790	1	Pipe	
40	1001210797	2	Bleeder, Brake	
41	1001111140	1	Fitting, ORFS	
42	1001147340	1	Sensor, Pressure	

SECTION 8 - HYDRAULIC CIRCUITS

FIGURE 8-41. FRAME HYDRAULIC INSTALLATION (TUV)



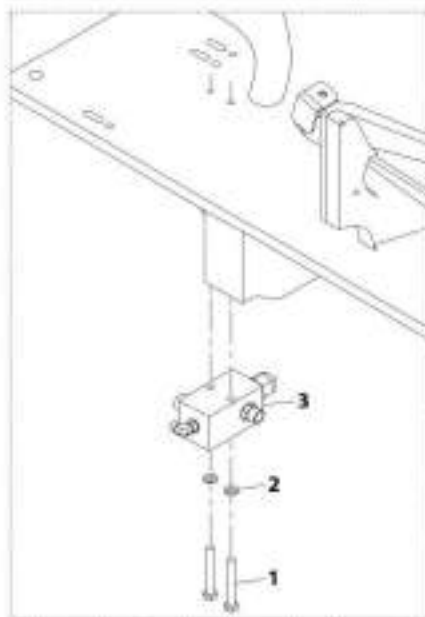
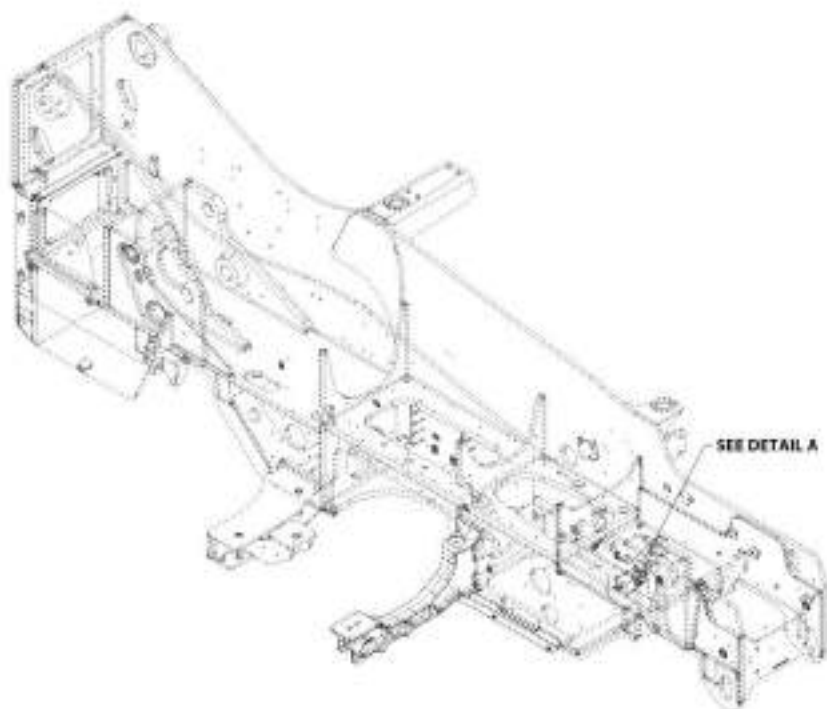
SECTION 8 - HYDRAULIC CIRCUITS

FIGURE 8-41. FRAME HYDRAULIC INSTALLATION (TUV)

ITEM	PART NUMBER	QTY	DESCRIPTION	REV
	1001223462	Ref	Frame Hydraulic Installation (TUV)	A
1	91063039	6	Cover, Plate	
2	91063040	6	Clamp	
3	0700614	12	Bolt, M6X30	
4	1062255	2	Strap, Tie	
5	4240018	2	Strap, Tie	
6	8405007	1	Clamp, Gear	
7	88662434	1	Fitting, Tee ORFS	
8	1001111140	1	Fitting, Straight ORFS	
9	1001147340	1	Sensor, Pressure Transducer	
10	1001196967	1	Hose, M25.4 ORFS	
11	1001196969	1	Hose, M12.7 ORFS	
12	1001196970	1	Hose, M12.7 ORFS	
13	1001196973	1	Hose, M12.7 ORFS	
14	1001196974	1	Hose, M12.7 ORFS	
15	1001196975	1	Hose, M12.7 ORFS	
16	1001196976	1	Hose, M16 ORFS	
17	1001196978	1	Hose, M10 ORFS	
18	1001196981	1	Hose, M10 ORFS	
19	1001196982	1	Hose, M10 ORFS	
20	1001197197	Ref	Installation, Manifold (See Separate Breakdown in this Section)	
21	1001197199	1	Hose, M10 ORFS	
22	1001197200	1	Hose, M6.3 ORFS	
23	1001205573	2	Hose, M6.3 ORFS	
24	1001207788	1	Pipe	
25	1001207789	1	Pipe	
26	1001207790	1	Pipe	
27	1001208532	1	Hose, M10 ORFS	
28	1001208534	1	Hose, M10 ORFS	
29	1001210635	1	Hose, M6.3 ORFS	
30	1001210797	2	Manifold, Brake Bleeder Elbow	
31	1001211020	2	Hose, M6.3 ORFS	
32	1001211020	2	Hose, M6.3 ORFS	
33	1001223475	1	Hose, M19 ORFS	
34	1001223476	1	Hose, M31.75 ORFS	

SECTION 8 - HYDRAULIC CIRCUITS

FIGURE 8-42. MANIFOLD INSTALLATION



DETAIL A

ART_1001197197-B

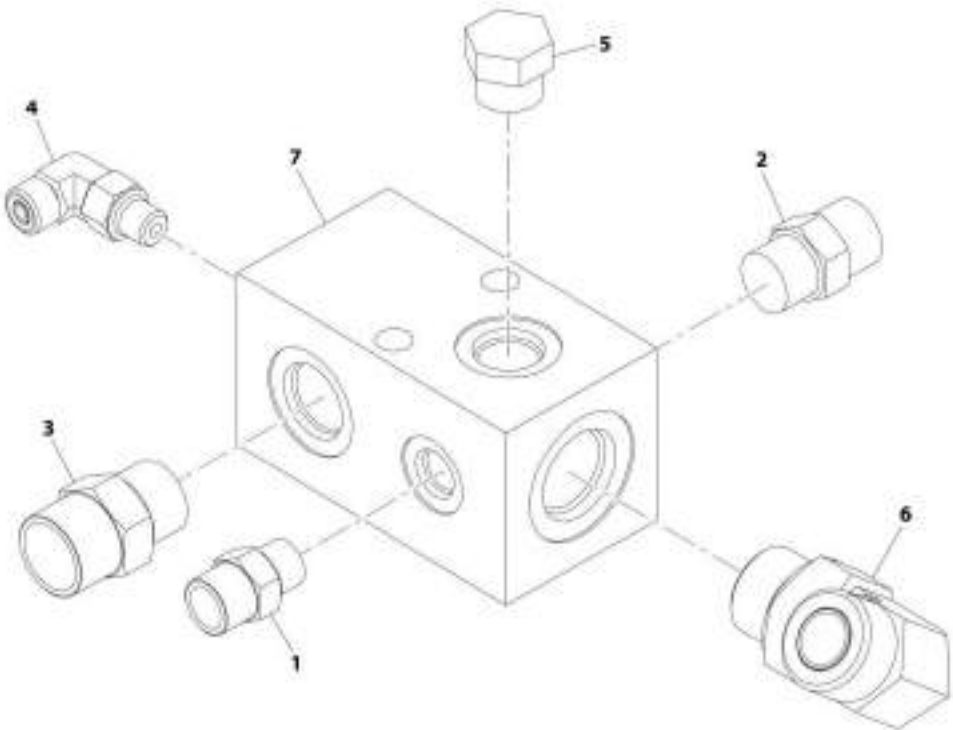
SECTION 8 - HYDRAULIC CIRCUITS

FIGURE 8-42. MANIFOLD INSTALLATION

ITEM	PART NUMBER	QTY	DESCRIPTION	REV
	1001197197	Ref	Manifold Installation	B
1	0701024	2	Bolt, M10X80	
2	4812000	2	Washer, M10	
3	1001197198	1	Assembly, Manifold (See Seperate Breakdown in this Section)	

SECTION 8 - HYDRAULIC CIRCUITS

FIGURE 8-43. MANIFOLD ASSEMBLY



ART_1001197198-D

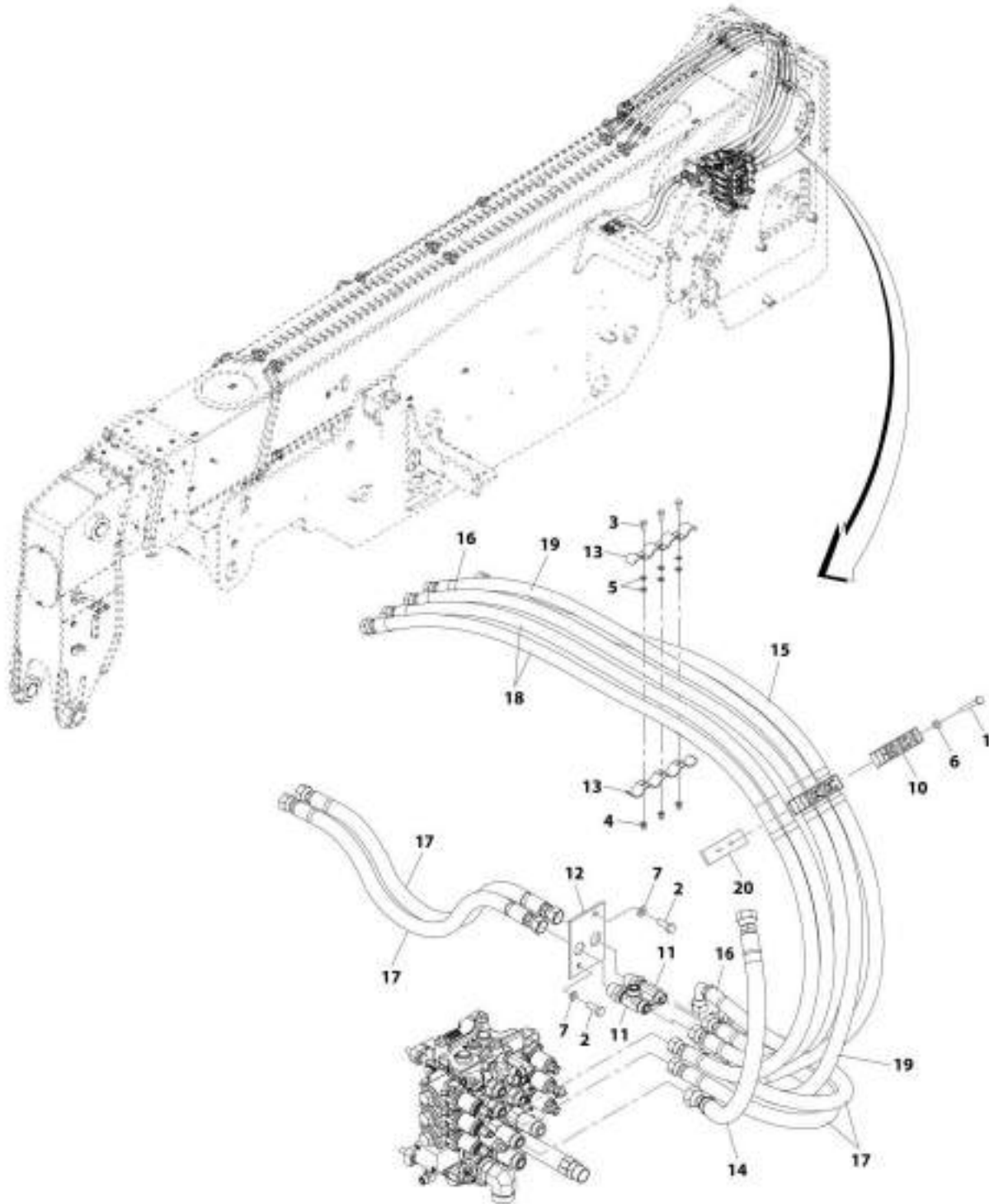
SECTION 8 - HYDRAULIC CIRCUITS

FIGURE 8-43. MANIFOLD ASSEMBLY

ITEM	PART NUMBER	QTY	DESCRIPTION	REV
	1001197198	Ref	Manifold Assembly	D
1	2110606	1	Fitting, Straight ORFS	
2	2110808	1	Fitting, Straight ORFS	
3	2111010	1	Fitting, Straight ORFS	
4	2130404	1	Fitting, 90 ORFS	
5	2220238	1	Plug	
6	2131212	1	Fitting, 90 ORFS	
7	1001228504	1	Manifold	

SECTION 8 - HYDRAULIC CIRCUITS

FIGURE 8-44. BOOM HYDRAULIC LINES INSTALLATION



AWT_1001210522-F

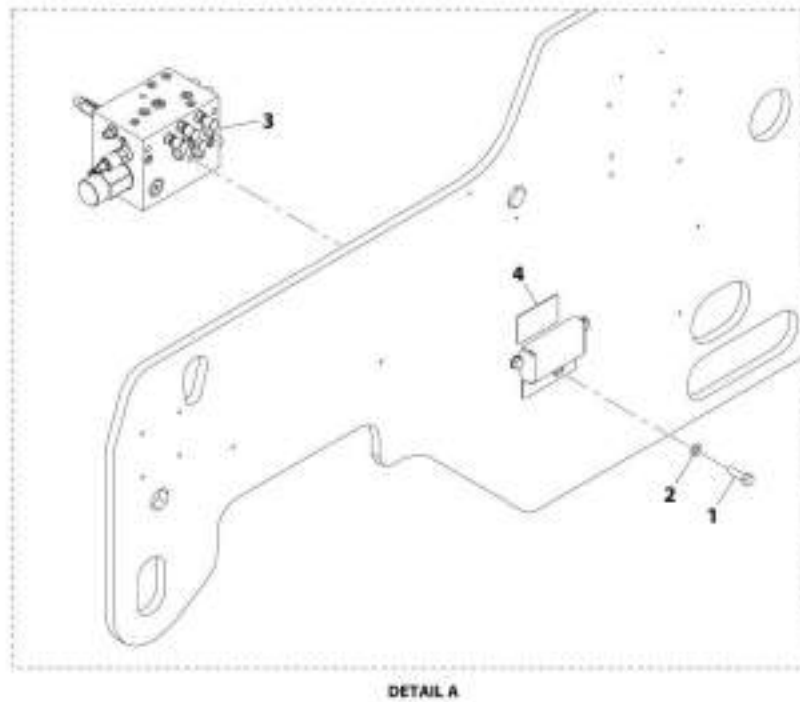
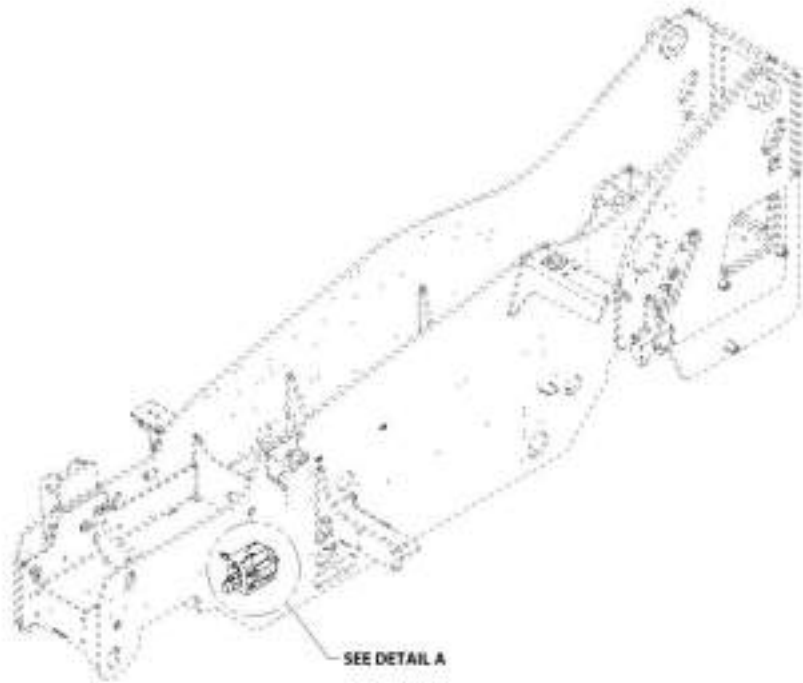
SECTION 8 - HYDRAULIC CIRCUITS

FIGURE 8-44. BOOM HYDRAULIC LINES INSTALLATION

ITEM	PART NUMBER	QTY	DESCRIPTION	REV
	1001210522	Ref	Boom Hydraulic Lines Installation	F
1	0700821	4	Bolt, M8X65	
2	0701014	2	Bolt, M10X30	
3	0760608	3	Bolt, M6X16	
4	3290606	3	Nut, M6X1	
5	4811700	6	Washer, M6	
6	4811900	4	Washer, M8	
7	4812000	2	Washer, M10	
10	1001098128	2	Clamp	
11	1001192096	2	Fitting, Tee ORFS	
12	1001197011	1	Plate	
13	1001205618	2	Clamp	
14	1001210271	1	Hose	
15	1001210523	1	Hose	
16	1001210524	1	Hose	
17	1001210525	4	Hose	
18	1001210526	2	Hose	
19	1001218997	1	Hose	
20	1001226557	2	Plate	

SECTION 8 - HYDRAULIC CIRCUITS

FIGURE 8-45. PRIORITY MANIFOLD INSTALLATION



ARC_1001192065-8

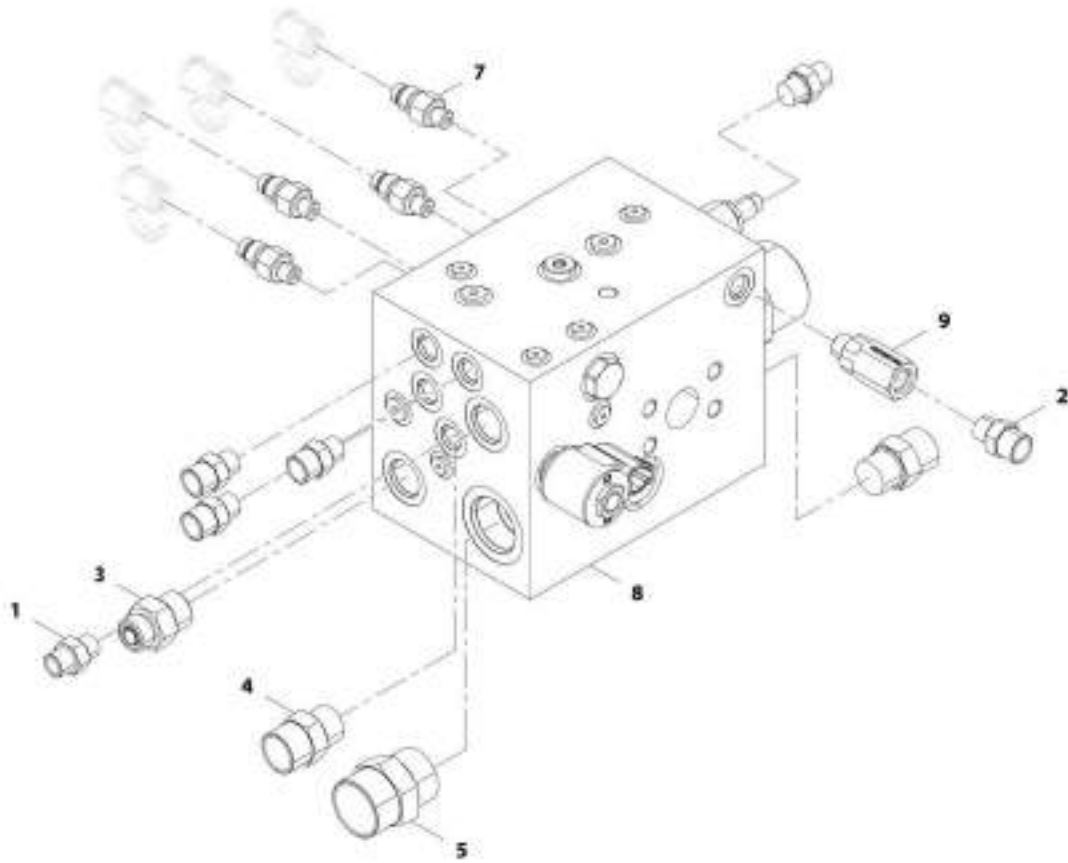
SECTION 8 - HYDRAULIC CIRCUITS

FIGURE 8-45. PRIORITY MANIFOLD INSTALLATION

ITEM	PART NUMBER	QTY	DESCRIPTION	REV
	1001192885	Ref	Priority Manifold Installation	B
1	0701216	3	Bolt, M12X40	
2	4812100	3	Washer, M12	
3	1001192886	1	Assembly, Priority Valve (See Seperate Breakdown in this Section)	
4	1001192887	1	Decal	

SECTION 8 - HYDRAULIC CIRCUITS

FIGURE 8-46. PRIORITY VALVE ASSEMBLY



ART_1001192880-D

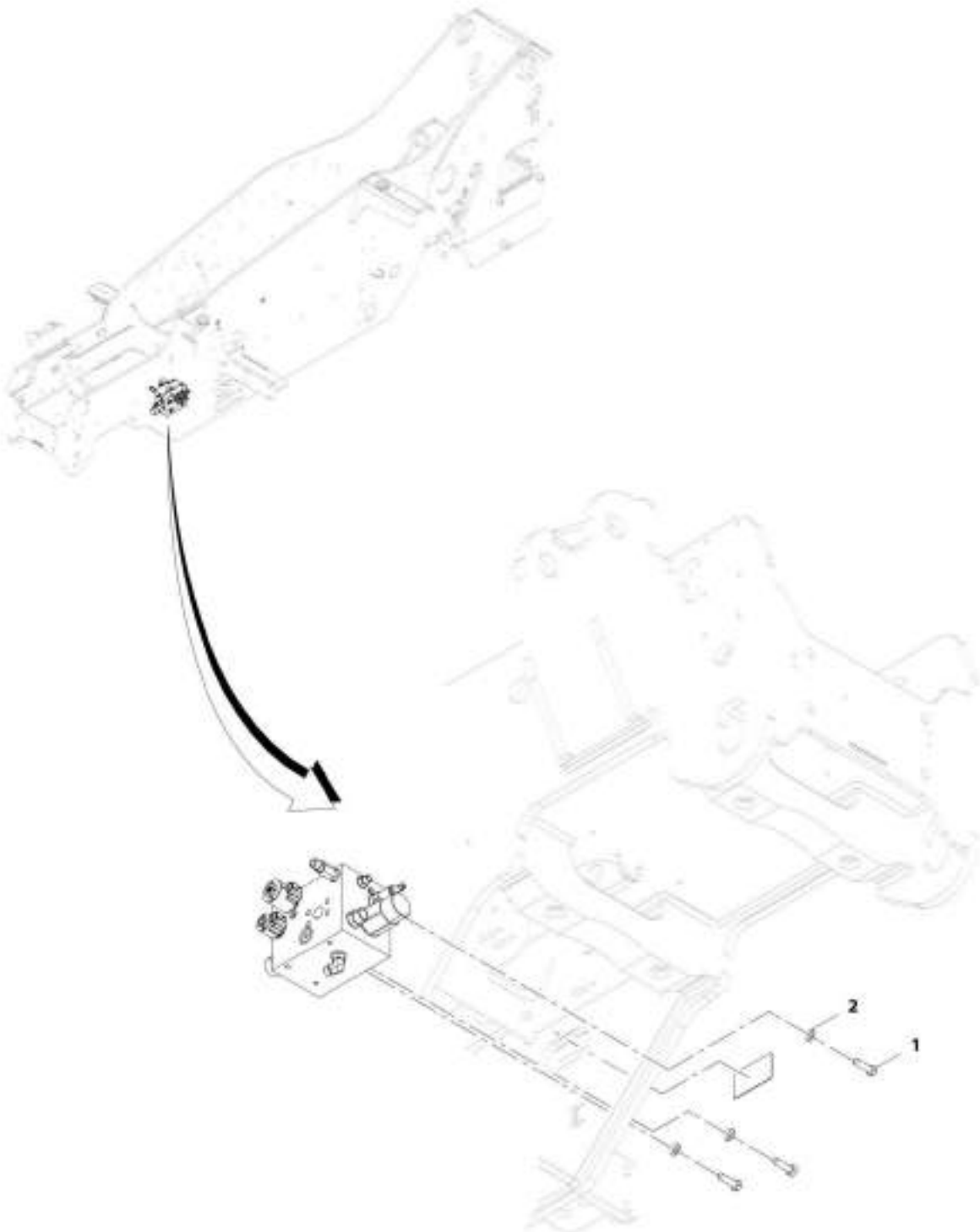
SECTION 8 - HYDRAULIC CIRCUITS

FIGURE 8-46. PRIORITY VALVE ASSEMBLY

ITEM	PART NUMBER	QTY	DESCRIPTION	REV
	1001192886	1	Priority Valve Assembly	D
1	2110406	2	Fitting, Straight ORFS	
2	2110606	4	Fitting, Straight ORFS	
3	2110810	1	Fitting, Straight ORFS	
4	2111010	2	Fitting, Straight ORFS	
5	2111616	1	Fitting, Straight ORFS	
7	8430033	4	Fitting, Straight	
8	1001192888	1	Assembly, Priority Valve(See Separate Breakdown in Hydraulic Components Section)	
9	1001187355	1	Valve, Check	

SECTION 8 - HYDRAULIC CIRCUITS

FIGURE 8-47. PRIORITY MANIFOLD INSTALLATION (PLATFORM READY)



ART_0001190836-B

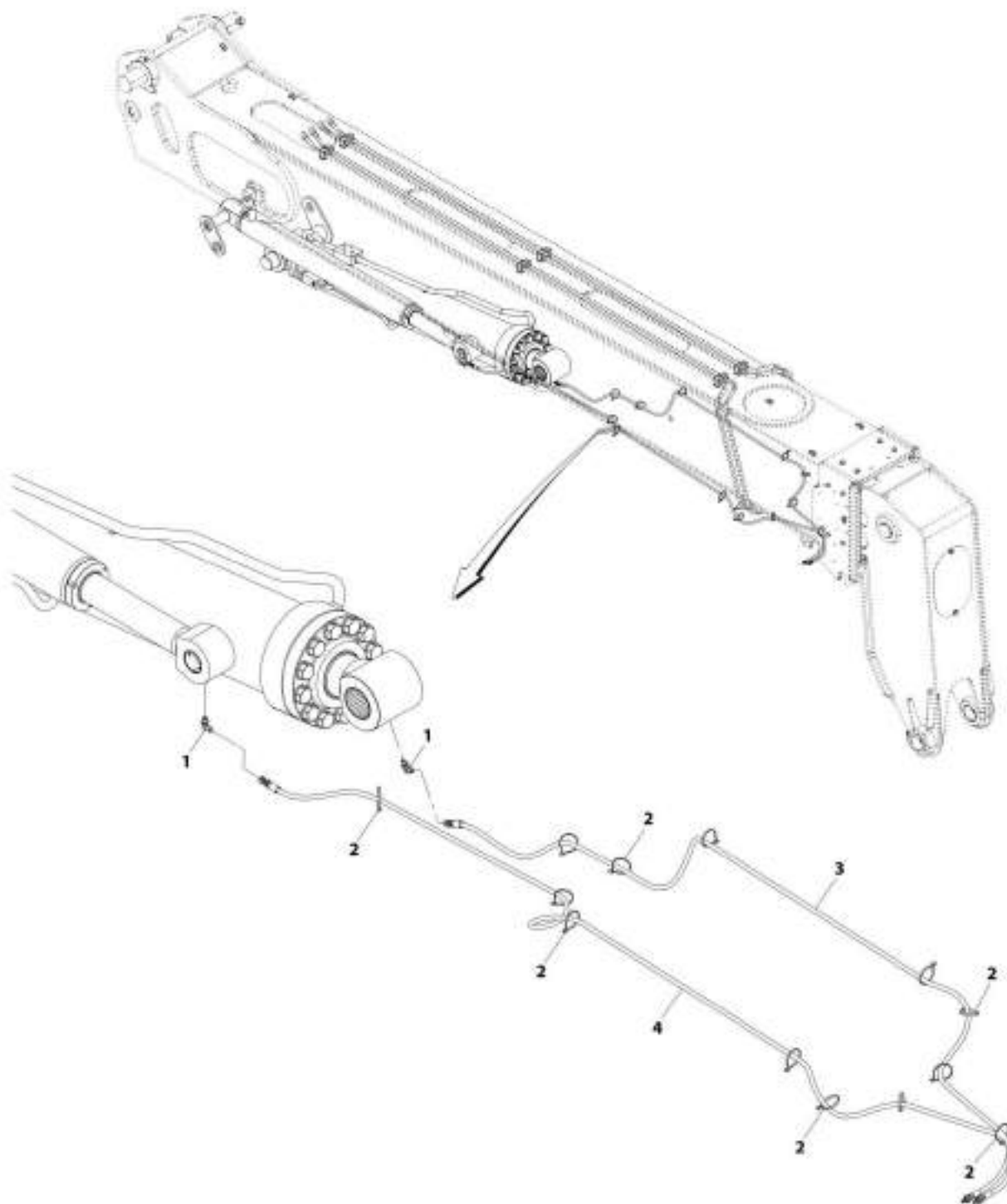
SECTION 8 - HYDRAULIC CIRCUITS

FIGURE 8-47. PRIORITY MANIFOLD INSTALLATION (PLATFORM READY)

ITEM	PART NUMBER	QTY	DESCRIPTION	REV
	1001193836	Ref	Priority Manifold Installation (Platform Ready)	B
1	0701216	3	Bolt, M12X40, Grade 10.9	
2	4812100	3	Washer, M12	
3	1001193838	1	Assembly, Priority Valve (Platform Ready) (See Seperate Breakdown in this Section)	
4	1001192887	1	Decal, Port ID	

SECTION 8 - HYDRAULIC CIRCUITS

FIGURE 8-48. REMOTE GREASE INSTALLATION



ART_1001217352-B

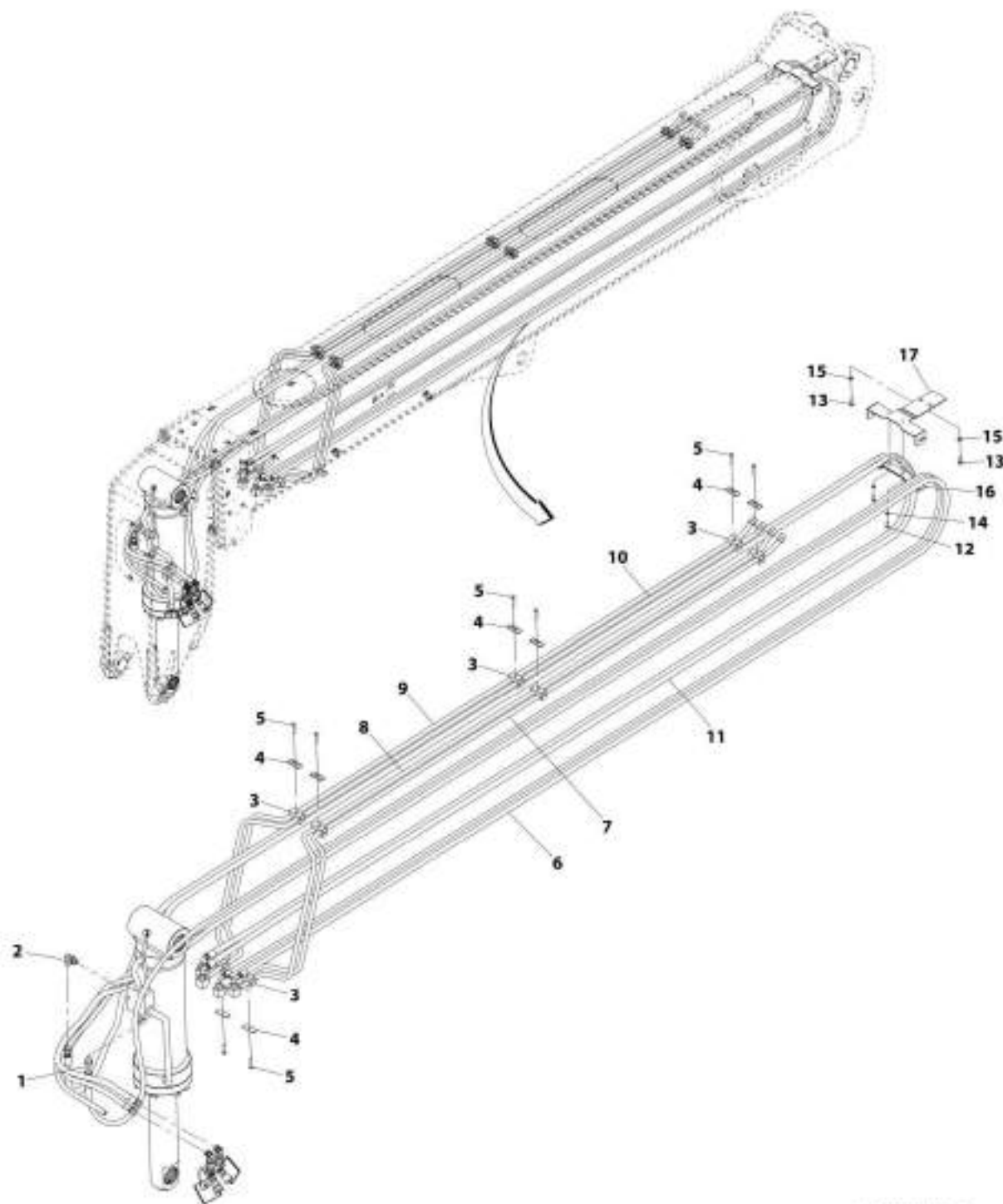
SECTION 8 - HYDRAULIC CIRCUITS

FIGURE 8-48. REMOTE GREASE INSTALLATION

ITEM	PART NUMBER	QTY	DESCRIPTION	REV
	1001217352	Ref	Remote Grease Installation	B
1	8770215	2	Fitting, 90 ORFS	
2	1001008559	13	Strap, Cable	
3	1001217354	1	Hose	
4	1001217355	1	Hose	

SECTION 8 - HYDRAULIC CIRCUITS

FIGURE 8-49. BOOM HYDRAULIC INSTALLATION



ART_3301190100-F

SECTION 8 - HYDRAULIC CIRCUITS

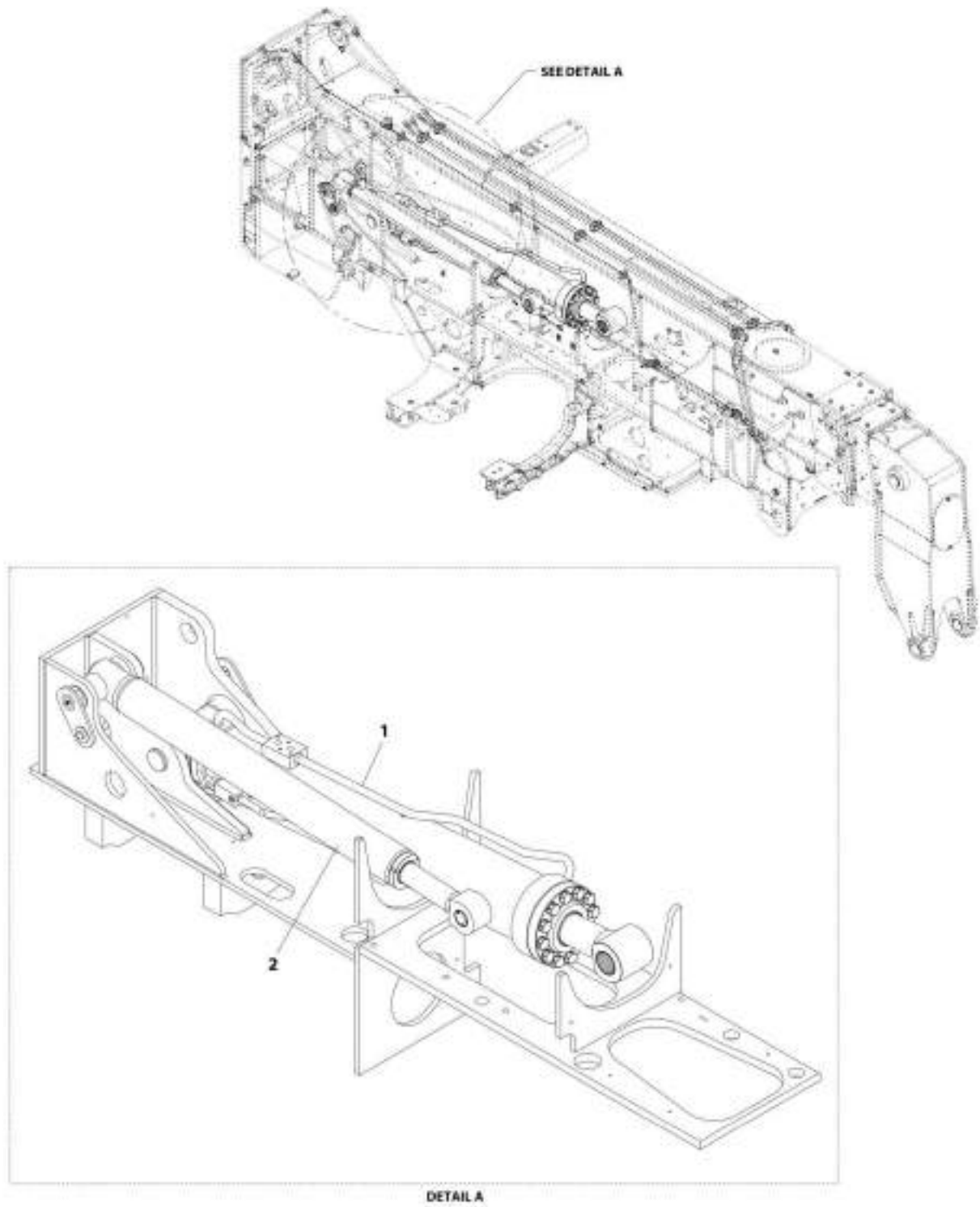
FIGURE 8-49. BOOM HYDRAULIC INSTALLATION

ITEM	PART NUMBER	QTY	DESCRIPTION	REV
	1001193100	Ref	Boom Hydraulic Installation	F
1	2111010	1	Fitting, Straight ORFS	
2	2131010	1	Fitting, ORFS	
3	77133136	8	Clamp	
4	77133137	8	Plate, Twin Hose Cover	
5	0700817	8	Bolt, M8X45	
6	1001206242	1	Hose	
7	1001209200	1	Pipe	
8	1001209201	1	Pipe	
9	1001209202	1	Pipe	
10	1001209203	1	Pipe	
11	1001193465	1	Hose	
12	0760810	2	Bolt, M8X20	
13	0761012	2	Bolt, M10X25	
14	4811900	2	Washer, M8	
15	4812000	2	Washer, M10	
16	1001214661	1	Plate	
17	1001215470	1	Support, Hose	

SECTION 9 - HYDRAULIC COMPONENTS

SECTION 9 - HYDRAULIC COMPONENTS

FIGURE 9-1. CYLINDER GROUP INSTALLATION



ART_1001192427-B

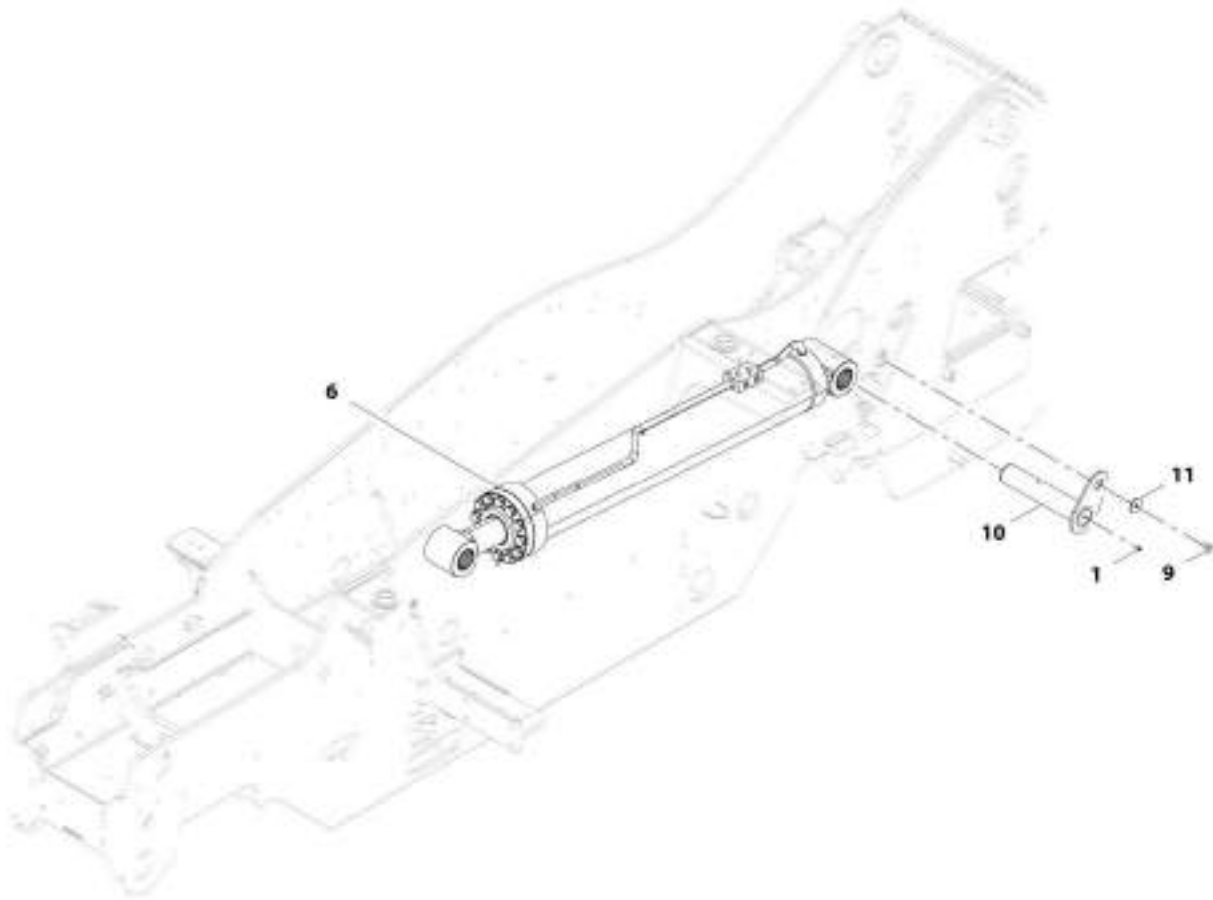
SECTION 9 - HYDRAULIC COMPONENTS

FIGURE 9-1. CYLINDER GROUP INSTALLATION

ITEM	PART NUMBER	QTY	DESCRIPTION	REV
1	1001192427	Ref	Cylinder Group Installation	B
	1001198577	Ref	Installation, Lift Cylinder (See Seperate Breakdown in this Section)	
2	1001198578	ref	Installation, Compensation Cylinder (See Seperate Breakdown in this Section)	

SECTION 9 - HYDRAULIC COMPONENTS

FIGURE 9-2. LIFT CYLINDER INSTALLATION



ART_1801198577-C

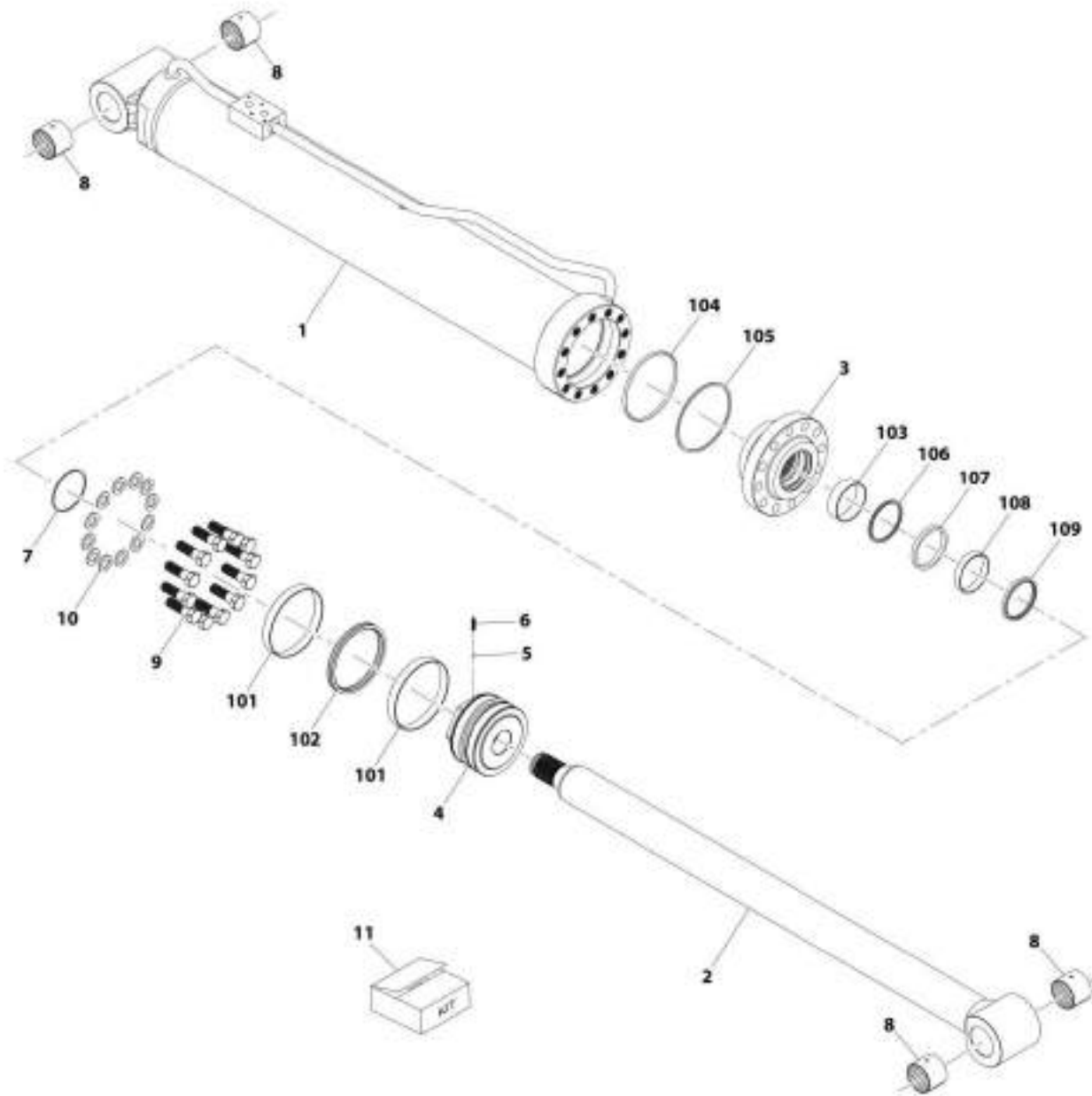
SECTION 9 - HYDRAULIC COMPONENTS

FIGURE 9-2. LIFT CYLINDER INSTALLATION

ITEM	PART NUMBER	QTY	DESCRIPTION	REV
	1001198577	Ref	Lift Cylinder Installation	C
2	2160016	1	Fitting, Grease	
6	1001198715	1	Cylinder, Lift (See Seperate Breakdown in this Section)	
9	0771414	1	Bolt, M14X30	
10	1001216331	1	Pin	
11	1001217226	1	Washer	

SECTION 9 - HYDRAULIC COMPONENTS

FIGURE 9-3. LIFT CYLINDER



AWT_1801198715-G

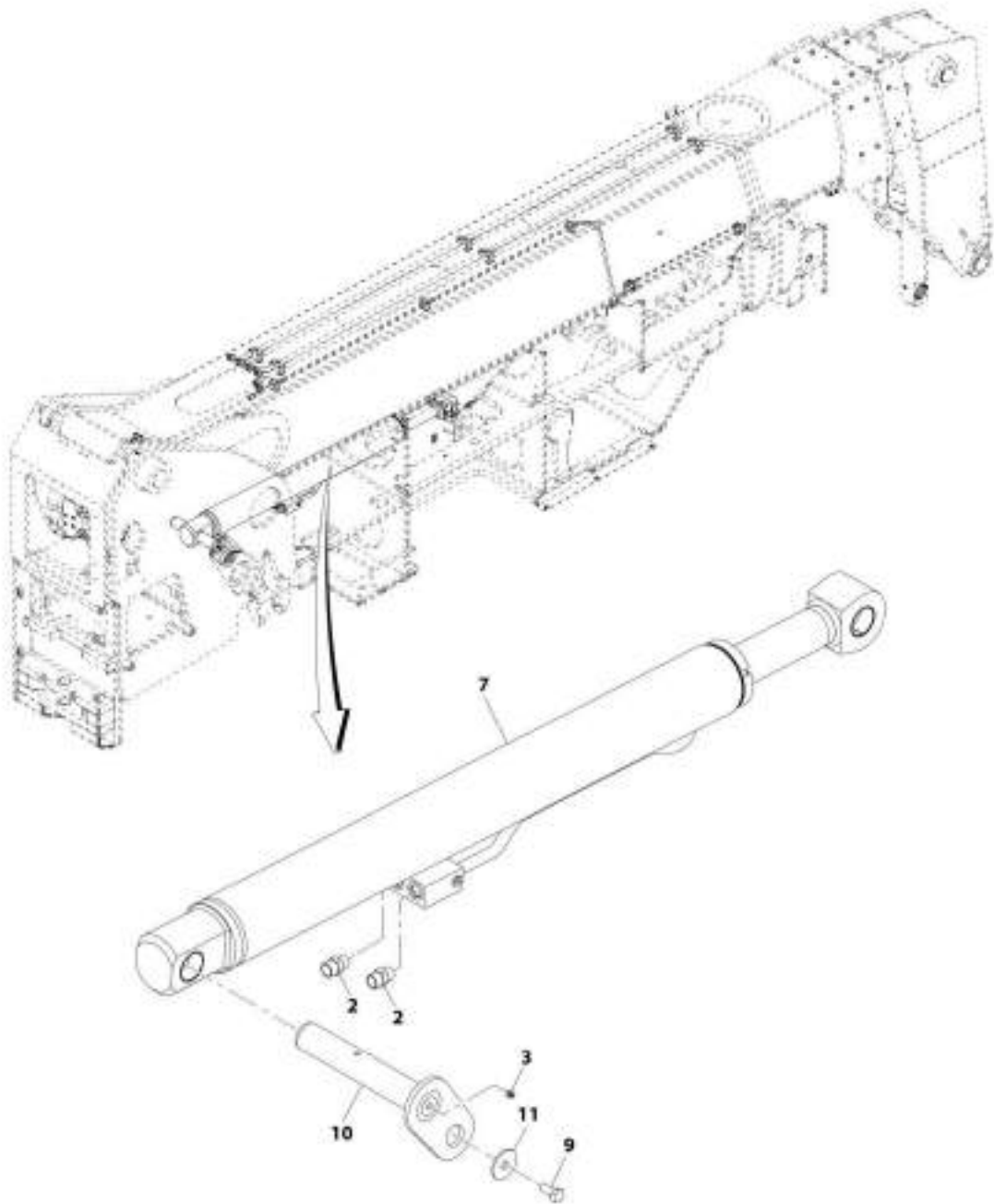
SECTION 9 - HYDRAULIC COMPONENTS

FIGURE 9-3. LIFT CYLINDER

ITEM	PART NUMBER	QTY	DESCRIPTION	REV
	1001198715	Ref	Lift Cylinder	G
1	N.S.S.	1	Barrel	
2	70028325	1	Rod	
3	70028307	1	Guide, Rod	
4	70028308	1	Piston	
5	70025614	1	Bearing	
6	70028309	1	Screw, Locking	
7	70025590	1	Ring, Snap	
8	70028310	4	Bushing	
9	70028311	12	Bolt	
10	70028312	12	Washer	
11	70028324	1	Kit, Seal (includes items 101 thru 109)	
101	Kit	2	Ring, Piston	
102	Kit	1	Seal	
103	Kit	1	Wiper, Rod	
104	Kit	1	O-Ring	
105	Kit	1	Ring, Backup	
106	Kit	1	Seal	
107	Kit	1	Seal	
108	Kit	1	Wiper, Rod	
109	Kit	1	Seal	

SECTION 9 - HYDRAULIC COMPONENTS

FIGURE 9-4. COMPENSATION CYLINDER INSTALLATION



ART_9001198578-C

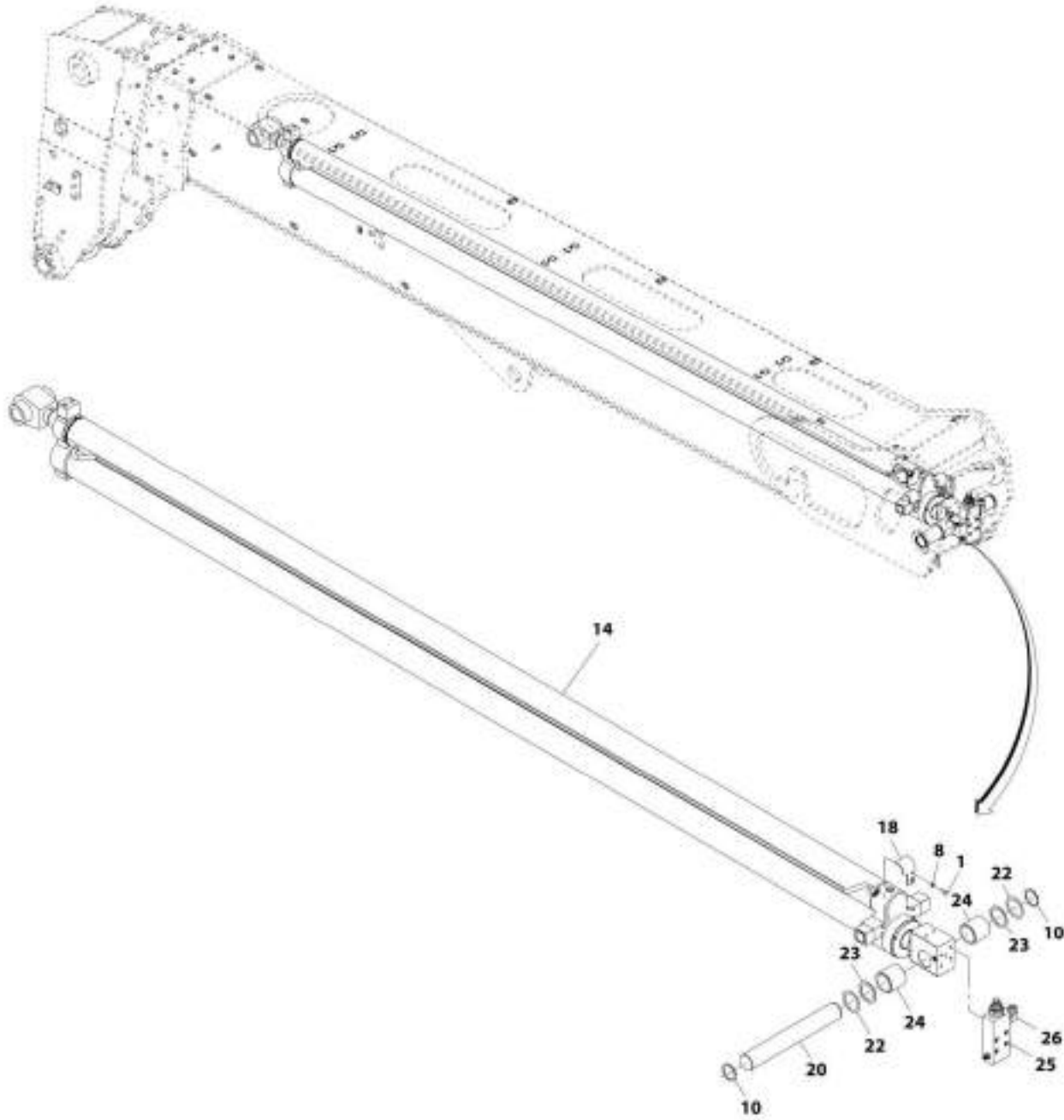
SECTION 9 - HYDRAULIC COMPONENTS

FIGURE 9-4. COMPENSATION CYLINDER INSTALLATION

ITEM	PART NUMBER	QTY	DESCRIPTION	REV
	1001198578	Ref	Compensation Cylinder Installation	C
2	2111010	2	Fitting, Straight ORFS	
3	2160016	1	Fitting, Grease	
7	1001198717	1	Cylinder, Compensation (See Separate Breakdown in this Section)	
9	0771414	1	Bolt, M14X30	
10	1001216333	1	Pin	
11	1001217226	1	Washer	

SECTION 9 - HYDRAULIC COMPONENTS

FIGURE 9-5. EXTEND/RETRACT CYLINDER INSTALLATION



ART_100109335-H

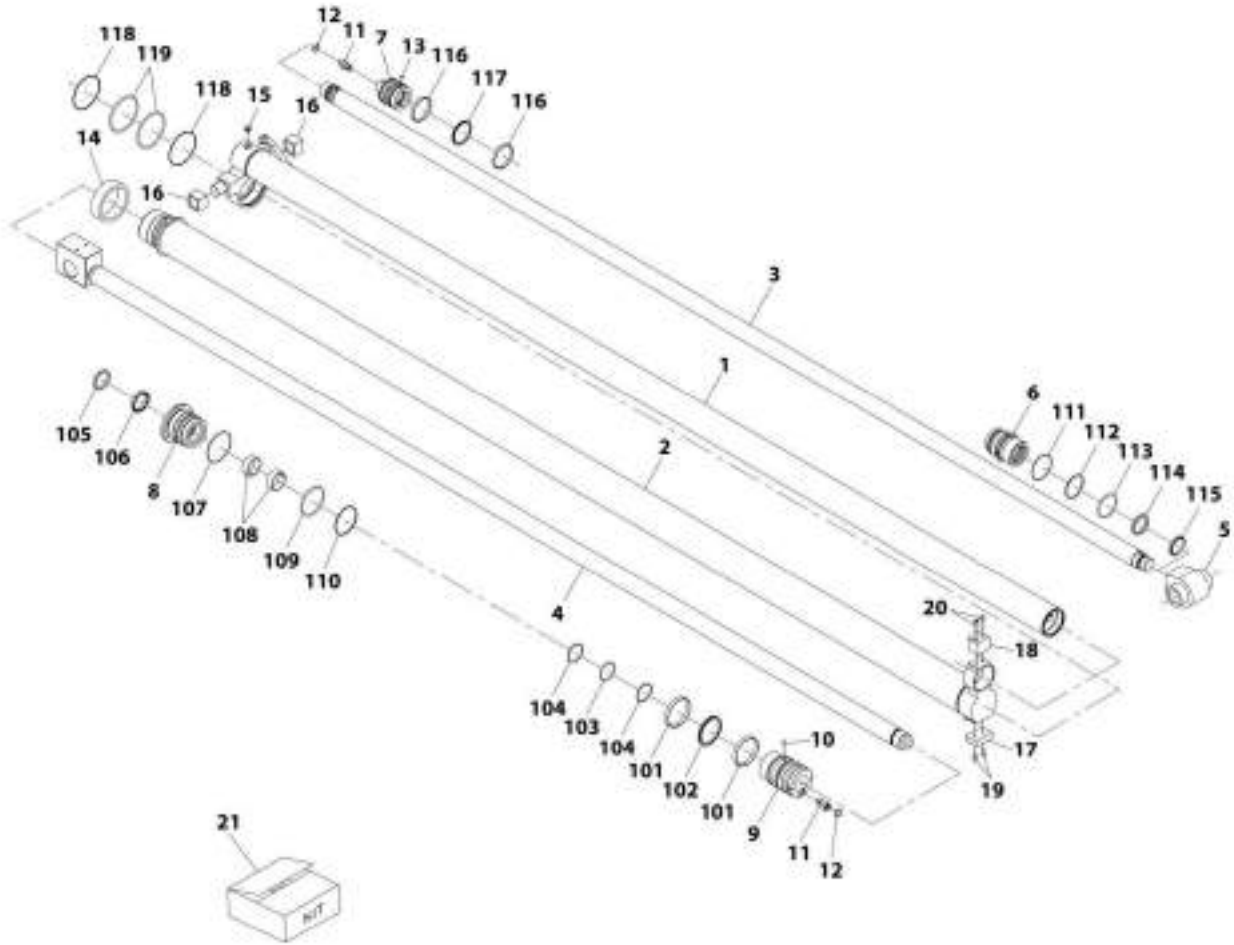
SECTION 9 - HYDRAULIC COMPONENTS

FIGURE 9-5. EXTEND/RETRACT CYLINDER INSTALLATION

ITEM	PART NUMBER	QTY	DESCRIPTION	REV
	1001199325	Ref	Extend/Retract Cylinder Installation	H
1	0760810	2	Bolt, M8X20	
8	4811900	2	Washer, M8	
10	8006258	2	Ring, Retaining	
14	1001226947	1	Cylinder, Extend/Retract	
18	1001213562	1	Plate	
20	1001205528	1	Pin	
22	1001100166	2	Shim	
23	1001100169	2	Shim	
24	1001208451	2	Spacer, M70X5X72	
25	2110806	1	Fitting, Straight ORFS	
26	2131212	1	Fitting, 90 ORFS	

SECTION 9 - HYDRAULIC COMPONENTS

FIGURE 9-6. EXTEND/RETRACT CYLINDER



ART_100118931-2

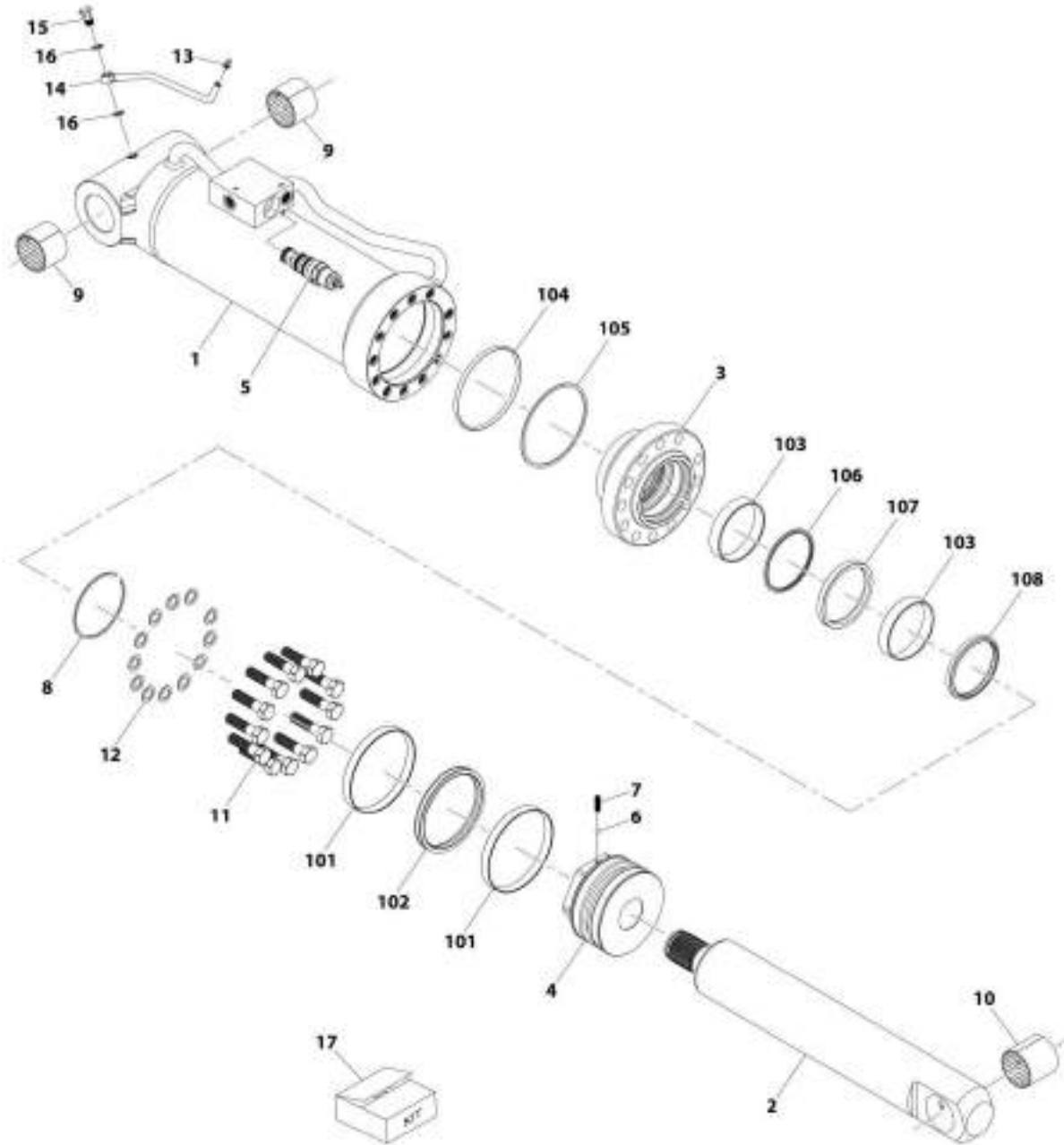
SECTION 9 - HYDRAULIC COMPONENTS

FIGURE 9-6. EXTEND/RETRACT CYLINDER

ITEM	PART NUMBER	QTY	DESCRIPTION	REV
	1001198931	1	Extend/Retract Cylinder	J
1	N.S.S.	1	Assembled Body	
2	N.S.S.	1	Assembled Body	
3	70028363	1	Assembled Rod	
4	70027800	1	Assembled Rod	
5	70028364	1	Assembled attachment	
6	70024228	1	Rod Guide	
7	70028365	1	Piston	
8	70024235	1	Rod Guide	
9	70024236	1	Piston	
10	70020438	1	Screw	
11	1001200111	2	Valve	
12	70028366	2	Circlip	
13	70026838	1	Screw	
14	70024234	1	Spacer	
15	70024237	1	Plug	
16	70024239	2	Bearing	
17	70028367	1	Guide pad	
18	70028368	1	Guide pad	
19	70028369	2	Screw	
20	70028370	2	Screw	
21	70027806	1	Seal kit (includes items 101 thru 119)	
101	Kit	2	Bearing	
102	Kit	1	Piston Seal	
103	Kit	1	O-ring	
104	Kit	2	Backup ring	
105	Kit	1	Wipper	
106	Kit	1	Rod seal	
107	Kit	1	O-ring	
108	Kit	2	Bearing	
109	Kit	1	O-ring	
110	Kit	1	Backup ring	
111	Kit	1	O-ring	
112	Kit	1	Backup ring	
113	Kit	1	O-ring	
114	Kit	1	Rod seal	
115	Kit	1	Wipper	
116	Kit	2	Bearing	
117	Kit	1	Piston Seal	
118	Kit	2	O-ring	
119	Kit	2	Backup ring	

SECTION 9 - HYDRAULIC COMPONENTS

FIGURE 9-7. TILT CYLINDER



ARE_1001174012-0

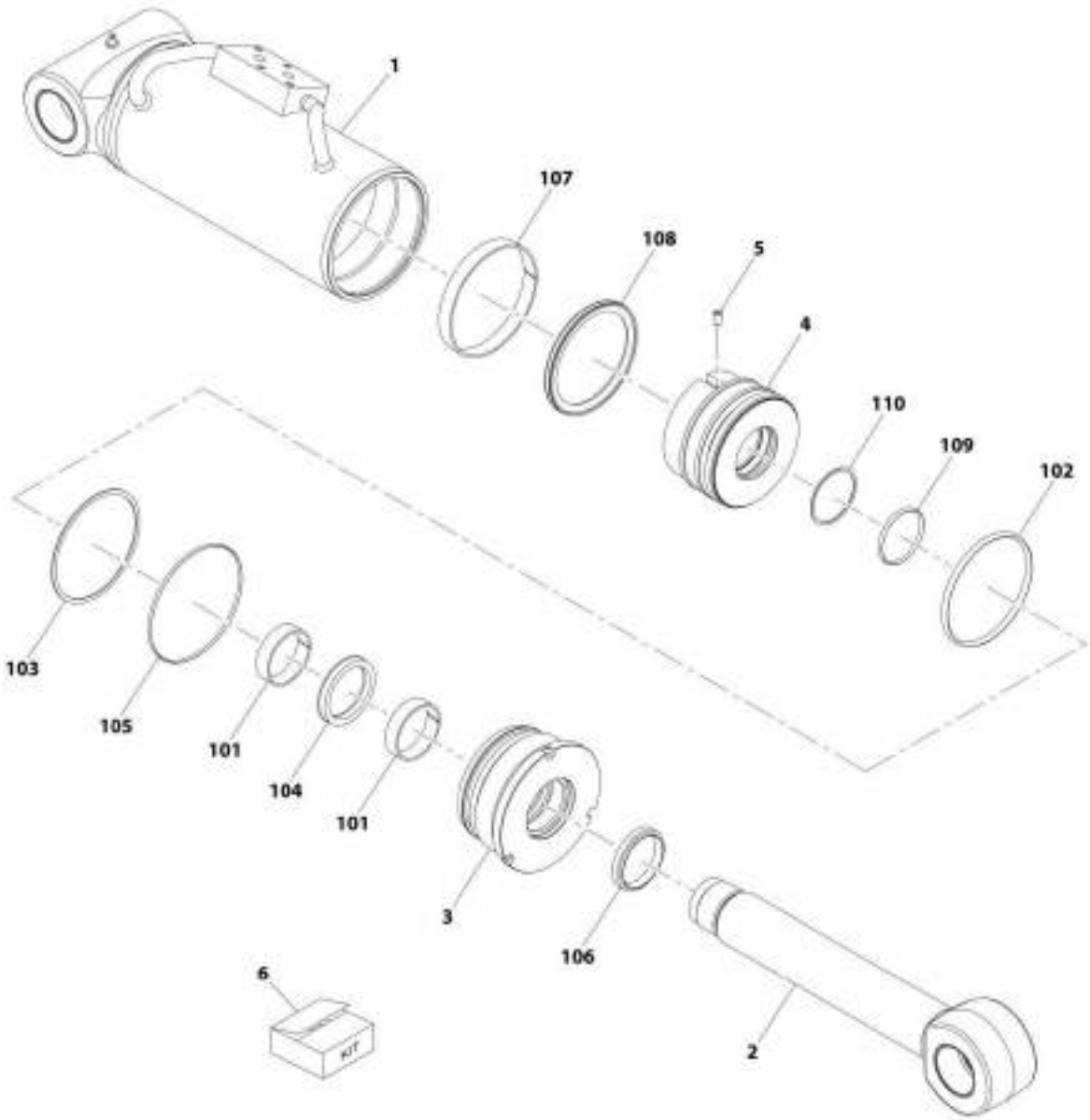
SECTION 9 - HYDRAULIC COMPONENTS

FIGURE 9-7. TILT CYLINDER

ITEM	PART NUMBER	QTY	DESCRIPTION	REV
	1001174812	Ref	Tilt Cylinder	D
1	N.S.S.	1	Barrel	
2	70028314	1	Rod	
3	70028315	1	Piston	
4	70028316	1	Head	
5	70028317	1	Valve, Counterbalance	
6	70025614	1	Bearing	
7	70028309	1	Screw, Locking	
8	70028318	1	Ring, Snap	
9	70028310	2	Bushing	
10	70028319	1	Bushing	
11	70028320	12	Bolt	
12	70028321	12	Washer	
13	70029941	2	Fitting, Grease	
14	70028322	1	Pipe	
15	70024035	1	Screw	
16	70028323	2	Washer	
17	70028324	1	Kit, Seal (includes items 101 thru 108)	
101	Kit	2	Ring, Piston	
102	Kit	1	Seal, Piston	
103	Kit	2	Ring, Rod	
104	Kit	1	"O" Ring	
105	Kit	1	Ring, Back-Up	
106	Kit	1	Seal, Rod	
107	Kit	1	Seal, Rod	
108	Kit	1	Wiper	

SECTION 9 - HYDRAULIC COMPONENTS

FIGURE 9-8. FRAME LEVEL CYLINDER



ART_1001201073-E

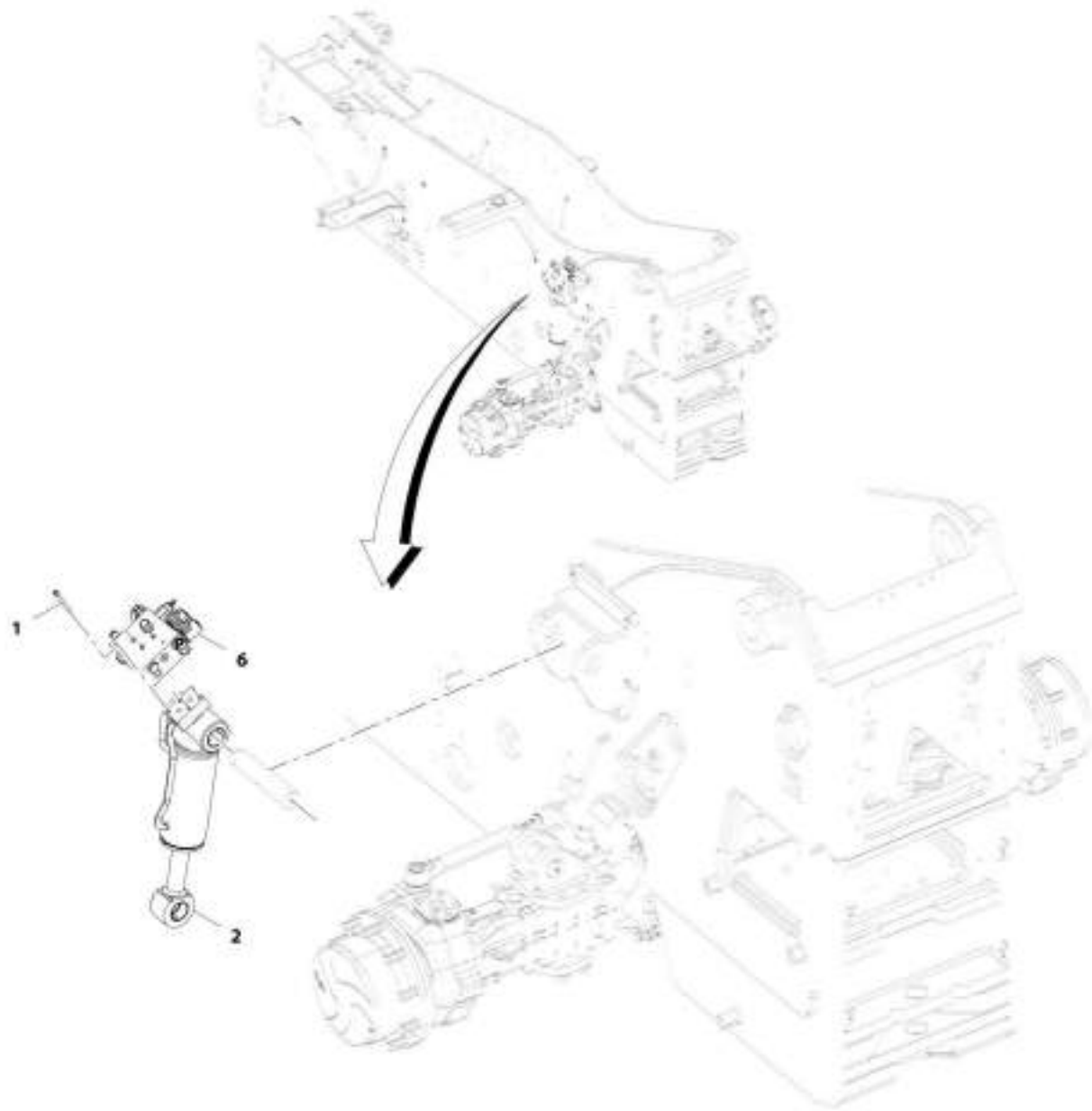
SECTION 9 - HYDRAULIC COMPONENTS

FIGURE 9-8. FRAME LEVEL CYLINDER

ITEM	PART NUMBER	QTY	DESCRIPTION	REV
	1001201073	Ref	Frame Level Cylinder	E
1	N.S.S.	1	Barrel	
2	70028362	1	Rod	
3	70026249	1	Head	
4	70026251	1	Piston	
5	70020438	1	Screw, Locking	
6	70026253	1	Seal kit (includes items 101 thru 110)	
101	Kit	2	Bearing	
102	Kit	1	O-Ring	
103	Kit	1	Backup Ring	
104	Kit	1	Rod Seal	
105	Kit	1	O-Ring	
106	Kit	1	Wiper	
107	Kit	1	Bearing	
108	Kit	1	Piston Seal	
109	Kit	1	O-Ring	
110	Kit	1	Backup Ring	

SECTION 9 - HYDRAULIC COMPONENTS

FIGURE 9-9. RALP CYLINDER INSTALLATION



ART_000110017-D

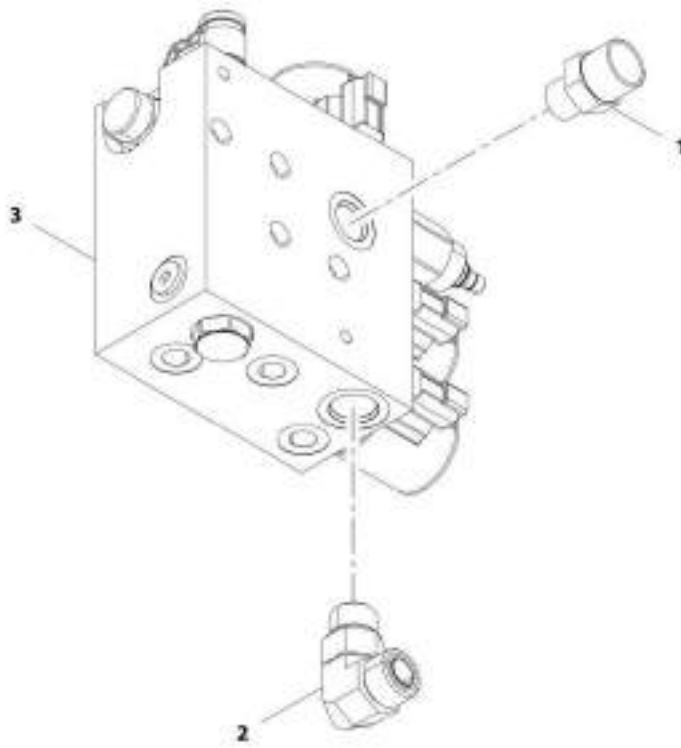
SECTION 9 - HYDRAULIC COMPONENTS

FIGURE 9-9. RALP CYLINDER INSTALLATION

ITEM	PART NUMBER	QTY	DESCRIPTION	REV
	1001193917	Ref	RALP Cylinder Installation	D
1	4031920	4	Screw, M8X1.25	
2	1001204576	1	Cylinder, RALP	
6	1001212511	1	Installation, Rear Axle Lock Valve (See Separate Breakdown in this Section)	

SECTION 9 - HYDRAULIC COMPONENTS

FIGURE 9-10. REAR AXLE LOCK VALVE INSTALLATION



ART_0001212511-A

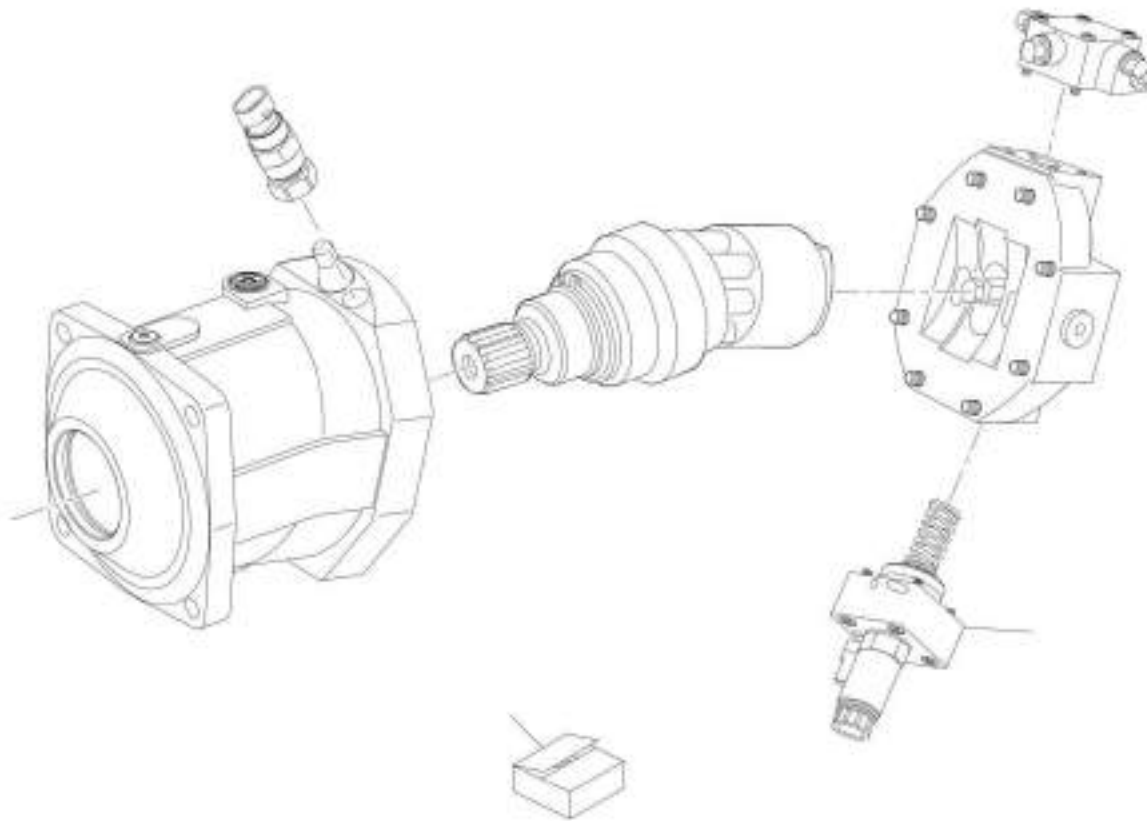
SECTION 9 - HYDRAULIC COMPONENTS

FIGURE 9-10. REAR AXLE LOCK VALVE INSTALLATION

ITEM	PART NUMBER	QTY	DESCRIPTION	REV
	1001212511	Ref	Rear Axle Lock Valve Installation	A
1	2111008	1	Fitting, Straight ORFS	
2	2131010	1	Fitting, ORFS	
3	1001188203	1	Valve, Rear Axle Lock	

SECTION 9 - HYDRAULIC COMPONENTS

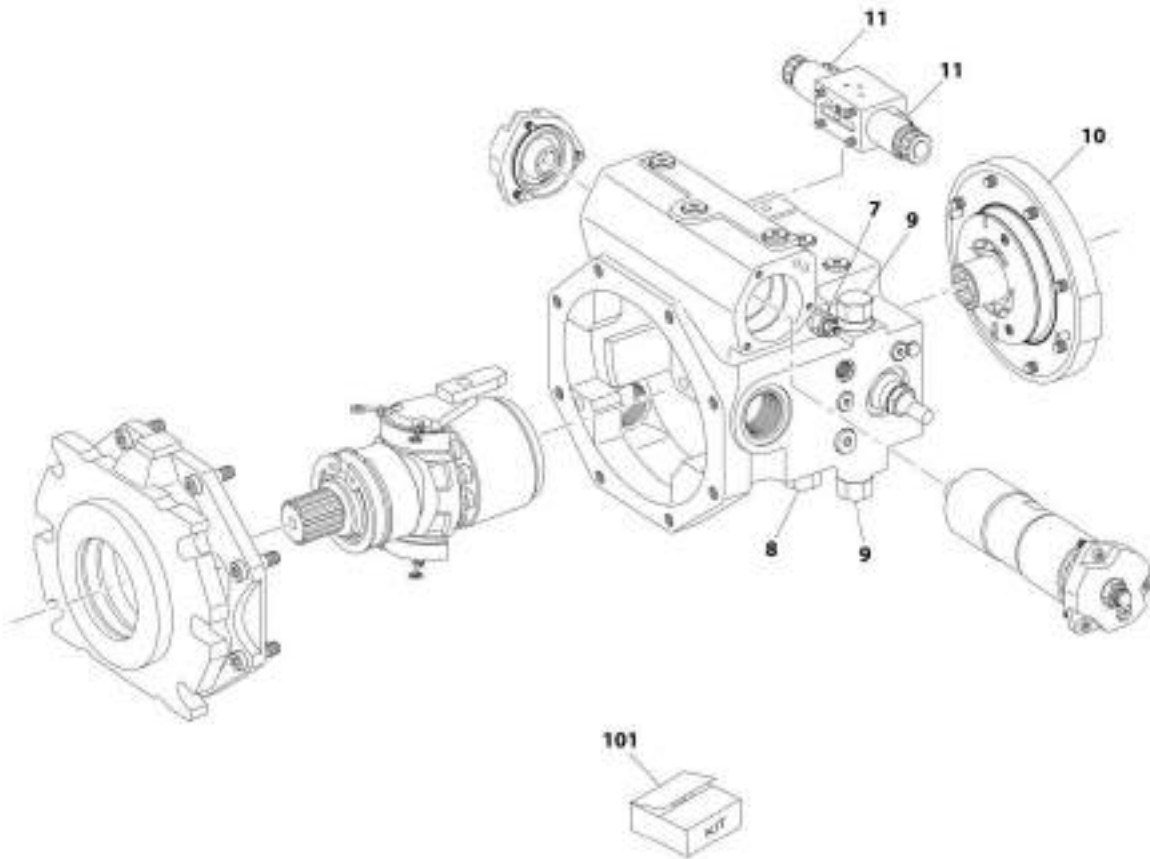
FIGURE 9-11. HYDROSTATIC MOTOR



ART_100193308-C

SECTION 9 - HYDRAULIC COMPONENTS

FIGURE 9-12. HYDROSTATIC PUMP



ART_1001103307-D

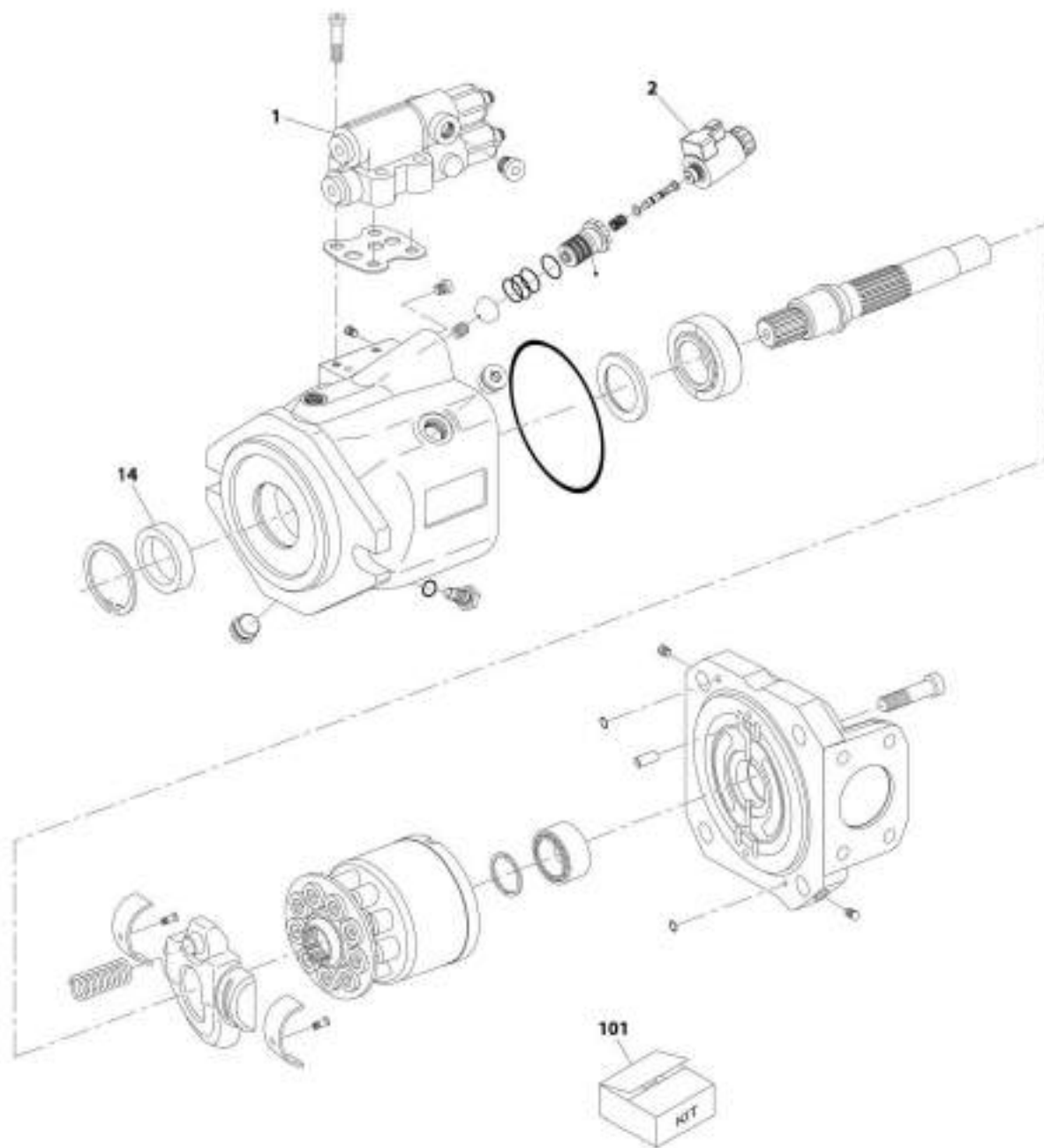
SECTION 9 - HYDRAULIC COMPONENTS

FIGURE 9-12. HYDROSTATIC PUMP

ITEM	PART NUMBER	QTY	DESCRIPTION	REV
	1001193307	Ref	Hydrostatic Pump	D
7	70024946	1	Valve, Relief	
8	70027598	1	Valve, Pressure Override	
9	70024945	2	Valve, Relief	
10	70028411	1	Pump, Charge	
11	70022726	2	Solenoid	
101	70028410	1	Kit, Seal	
	Kit	1	Seal, Shaft	
	Kit	2	Retaining Ring	
	Kit	2	O-Ring	
	Kit	1	O-Ring	
	Kit	2	Seal, Rod	
	Kit	1	Nut, Sealing	
	Kit	3	O-Ring	
	Kit	2	O-Ring	
	Kit	1	O-Ring	
	Kit	2	Nut, Sealing	
	Kit	1	O-Ring	
	Kit	1	O-Ring	
	Kit	1	O-Ring	
	Kit	1	O-Ring	
	Kit	1	O-Ring	
	Kit	1	O-Ring	
	Kit	1	O-Ring	
	Kit	1	O-Ring	
	Kit	1	O-Ring	
	Kit	1	O-Ring	
	Kit	1	O-Ring	
	Kit	1	Kit, Seal	
	Kit	1	O-Ring	
	Kit	1	O-Ring	
	Kit	1	O-Ring	
	Kit	1	O-Ring	
	Kit	1	O-Ring	
	Kit	1	O-Ring	
	Kit	1	Seal	
	Kit	1	Seal	
	Kit	1	O-Ring	
	Kit	2	O-Ring	
	Kit	2	O-Ring	
	Kit	2	O-Ring	
	Kit	2	O-Ring	

SECTION 9 - HYDRAULIC COMPONENTS

FIGURE 9-13. IMPLEMENT PUMP



ART_1001500370-F

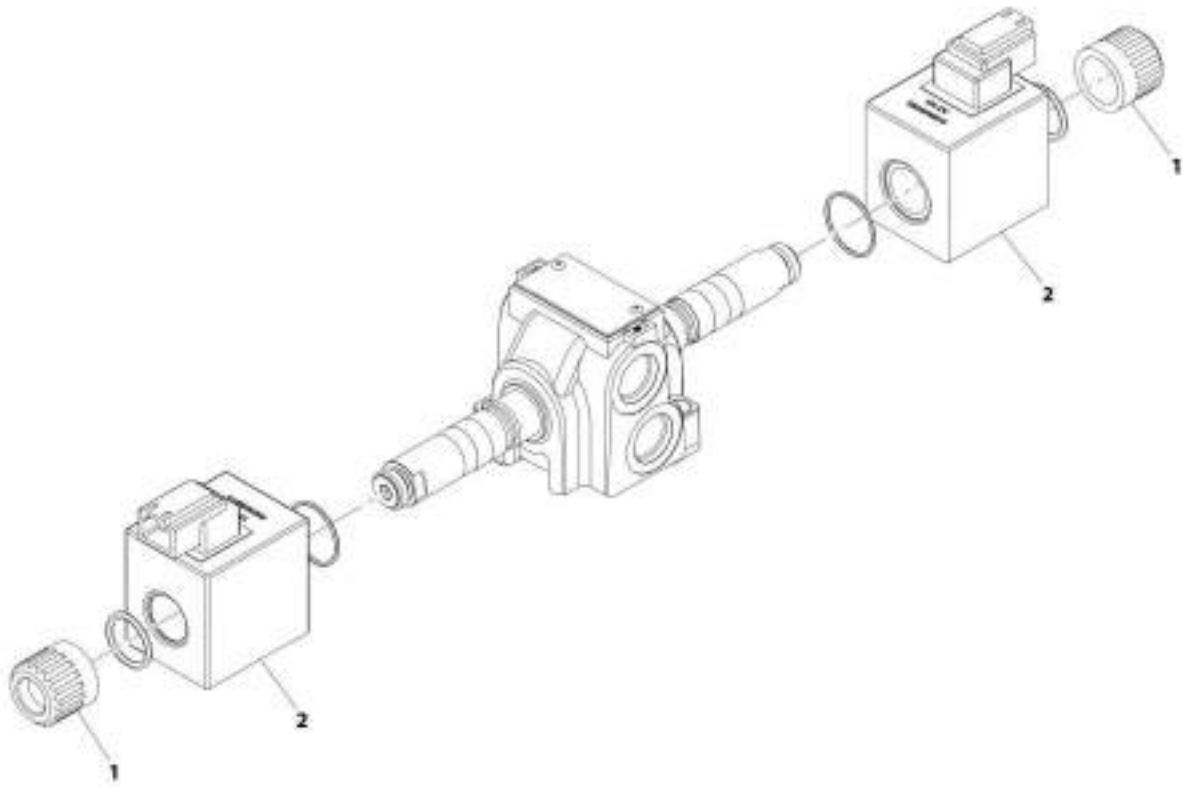
SECTION 9 - HYDRAULIC COMPONENTS

FIGURE 9-13. IMPLEMENT PUMP

ITEM	PART NUMBER	QTY	DESCRIPTION	REV
	1001180070	1	Implement Pump	F
1	70027595	1	Controller, DSR	
2	70028412	1	Controller, EK	
14	7024947	1	Seal, Shaft	
101	70028413	1	Kit, Seal	
	Kit	1	Seal	
	Kit	1	Plug	
	Kit	2	Plug	
	Kit	2	O-Ring	
	Kit	1	O-Ring	

SECTION 9 - HYDRAULIC COMPONENTS

FIGURE 9-14. STEERING SELECT VALVE



AMF_1001155748-C

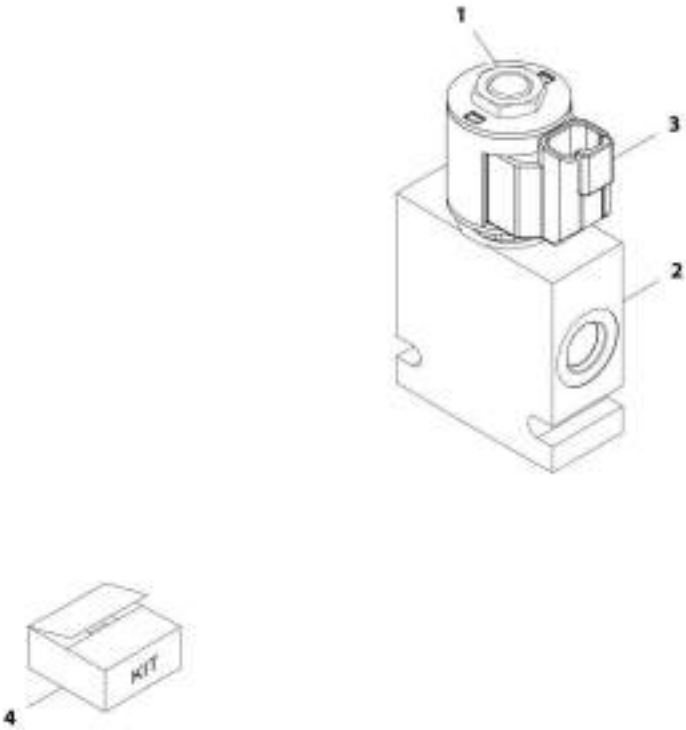
SECTION 9 - HYDRAULIC COMPONENTS

FIGURE 9-14. STEERING SELECT VALVE

ITEM	PART NUMBER	QTY	DESCRIPTION	REV
	1001153748	Ref	Steering Select Valve	C
1	70020867	2	Nut, Coil	
2	70026582	2	Coil	

SECTION 9 - HYDRAULIC COMPONENTS

FIGURE 9-15. SOLENOID VALVE



ART_1001221928-A

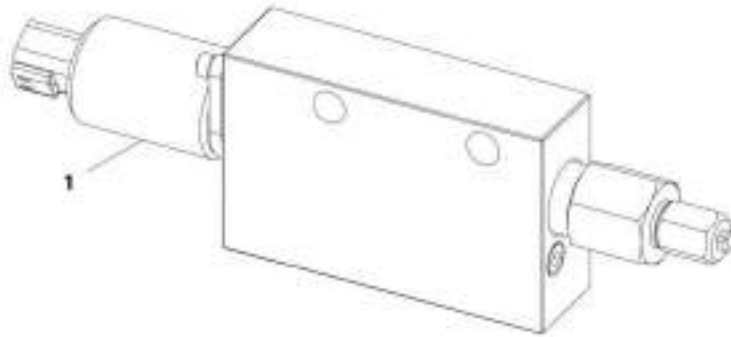
SECTION 9 - HYDRAULIC COMPONENTS

FIGURE 9-15. SOLENOID VALVE

ITEM	PART NUMBER	QTY	DESCRIPTION	REV
	1001221928	Ref	Solenoid Valve	A
1	70004387	1	Cartridge	
2	N.S.S.	Ref	Body	
3	70002963	1	Coil	
4	7010543	1	Kit, Seal	

SECTION 9 - HYDRAULIC COMPONENTS

FIGURE 9-16. INCHING VALVE



ART_3001213311-8

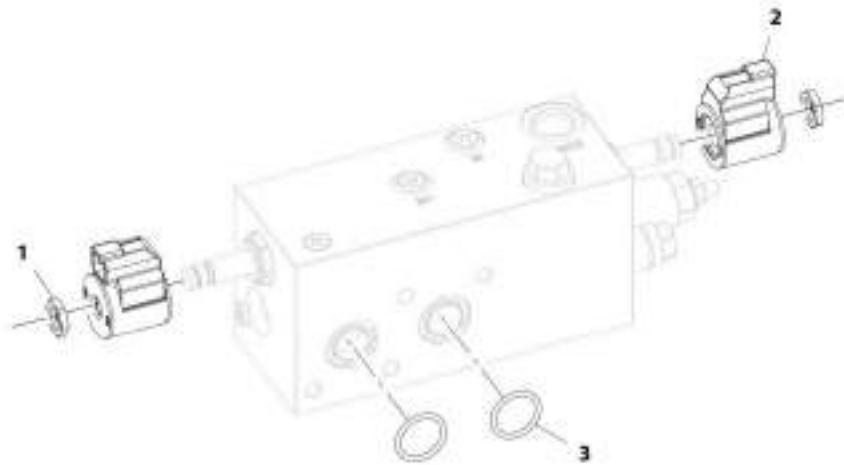
SECTION 9 - HYDRAULIC COMPONENTS

FIGURE 9-16. INCHING VALVE

ITEM	PART NUMBER	QTY	DESCRIPTION	REV
1	1001213311 70028361	Ref 1	Inching Valve Valve, Proportional	B

SECTION 9 - HYDRAULIC COMPONENTS

FIGURE 9-17. BOOM RAISE VALVE (RIDE CONTROL)



AWT_3001224945-C

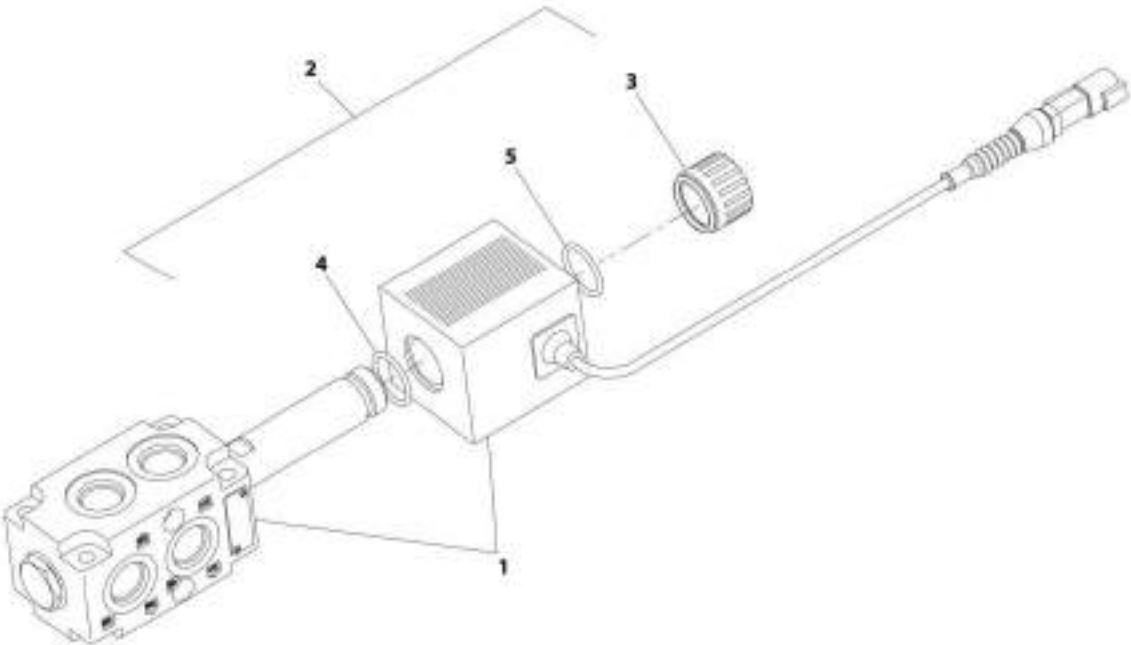
SECTION 9 - HYDRAULIC COMPONENTS

FIGURE 9-17. BOOM RAISE VALVE (RIDE CONTROL)

ITEM	PART NUMBER	QTY	DESCRIPTION	REV
	1001224945	Ref	Boom Raise Valve (Ride Control)	C
1	7022390	2	Nut	
2	70028281	2	Coil	
3	70028282	2	O-Ring	

SECTION 9 - HYDRAULIC COMPONENTS

FIGURE 9-18. DIVERTOR VALVE



ART_182184477-D

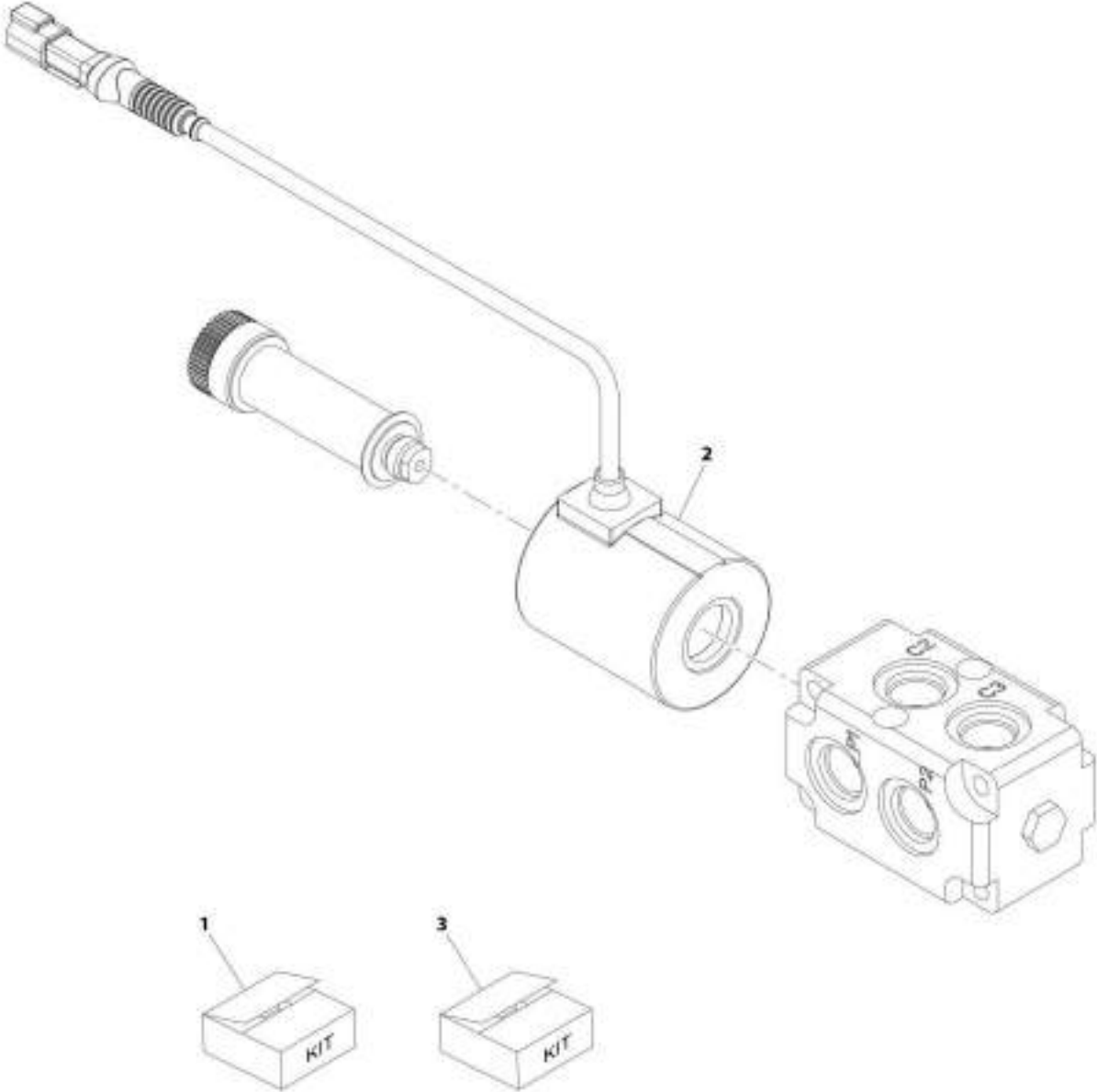
SECTION 9 - HYDRAULIC COMPONENTS

FIGURE 9-18. DIVERTOR VALVE

ITEM	PART NUMBER	QTY	DESCRIPTION	REV
	1001104477	Ref	Divertor Valve	D
1	70020764	1	Coil	
2	70021531	1	Kit, Retainer	
3	Kit	1	Nut	
4	Kit	1	O-Ring	
5	Kit	1	O-Ring	

SECTION 9 - HYDRAULIC COMPONENTS

FIGURE 9-19. DIVERTOR VALVE



ART_1001130023-B

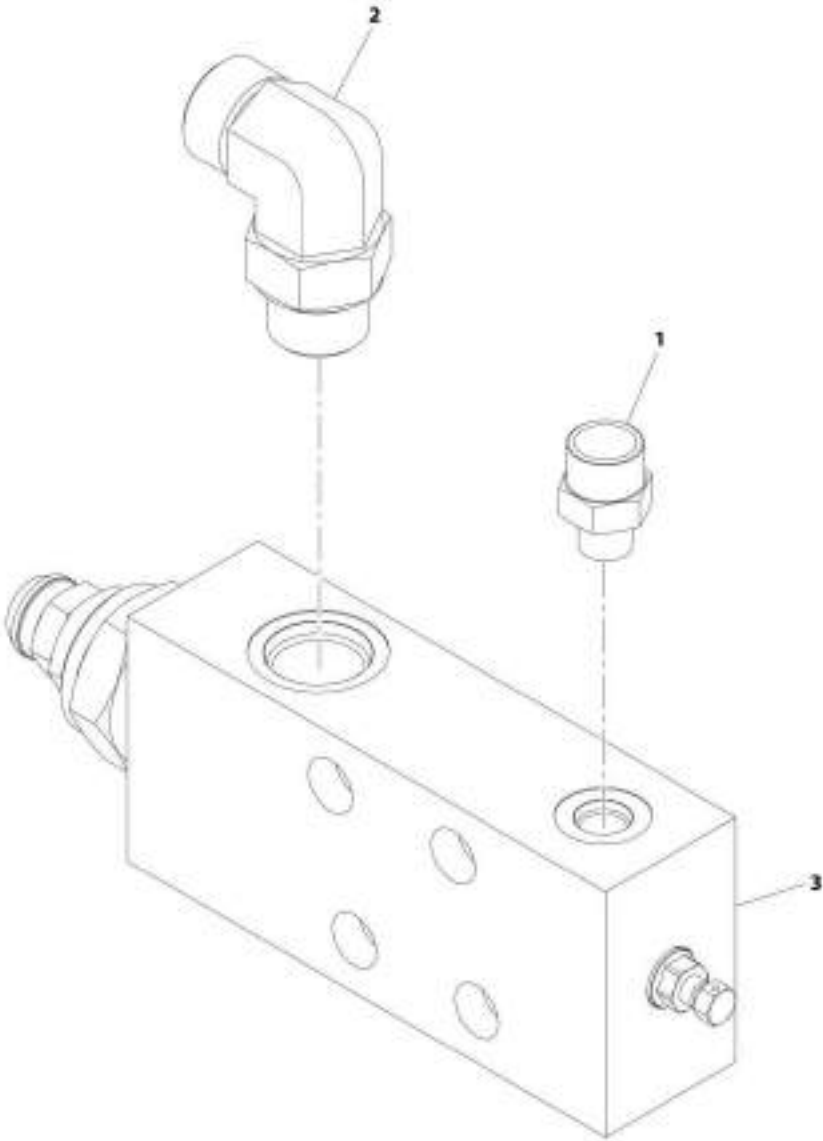
SECTION 9 - HYDRAULIC COMPONENTS

FIGURE 9-19. DIVERTOR VALVE

ITEM	PART NUMBER	QTY	DESCRIPTION	REV
	1001110023	Ref	Divertor Valve	B
1	70027596	1	Kit, Seal	
	Kit	2	O-Ring	
2	70020764	1	Coil	
3	70021531	1	Kit, Coil Nut	
	N.S.S.	1	O-Ring	
	N.S.S.	1	O-Ring	
	N.S.S.	1	Nut	

SECTION 9 - HYDRAULIC COMPONENTS

FIGURE 9-20. COUNTERBALANCE VALVE INSTALLATION



ART_100121289-A

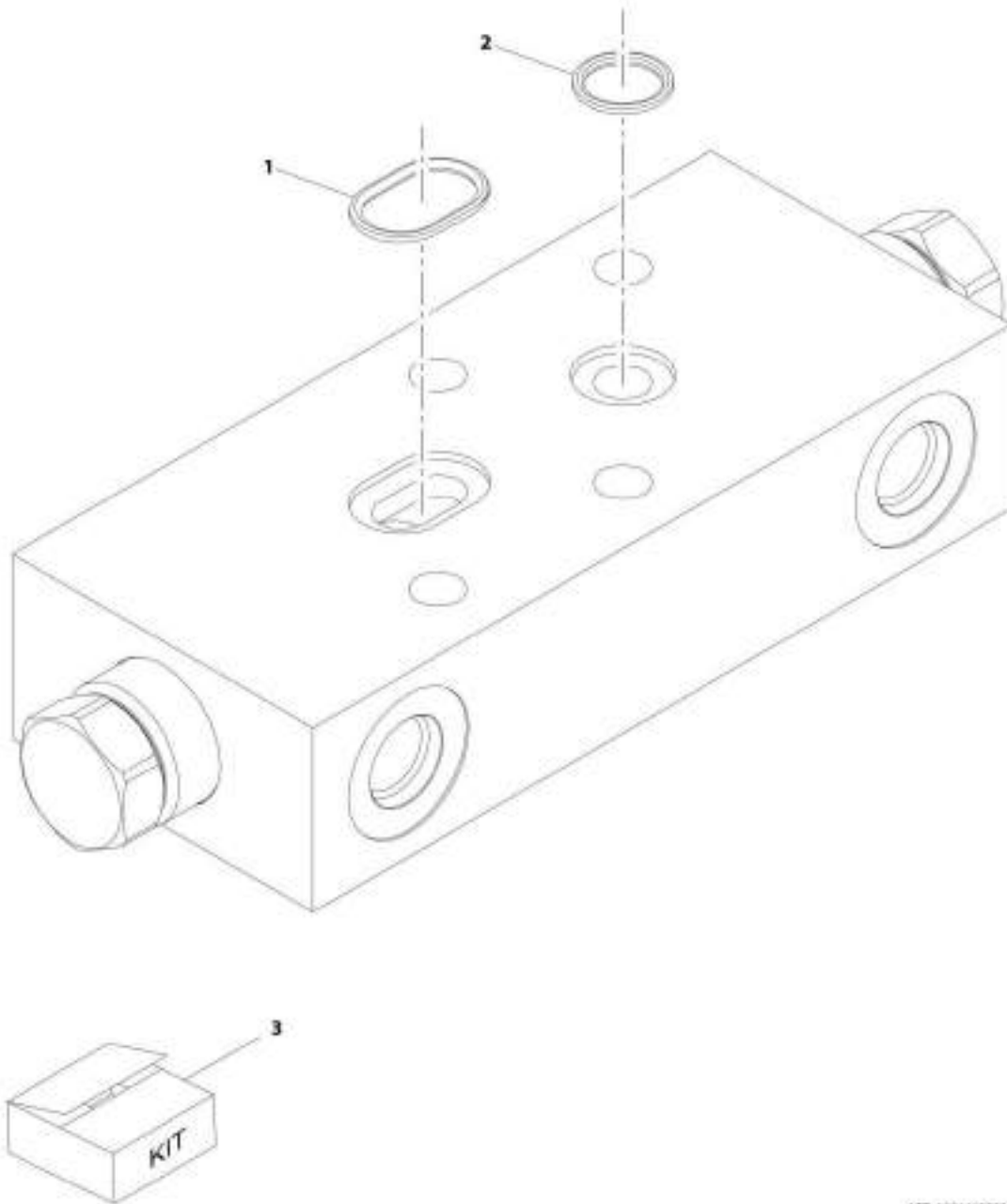
SECTION 9 - HYDRAULIC COMPONENTS

FIGURE 9-20. COUNTERBALANCE VALVE INSTALLATION

ITEM	PART NUMBER	QTY	DESCRIPTION	REV
	1001212349	Ref	Counterbalance Valve Installation	A
1	2110806	1	Fitting, Straight ORFS	
2	2131212	1	Fitting, 90 ORFS	
3	1001200111	1	Valve, Counterbalance (See Seperate Breakdown in this Section)	

SECTION 9 - HYDRAULIC COMPONENTS

FIGURE 9-21. COUNTERBALANCE VALVE



ART_1001198509-C

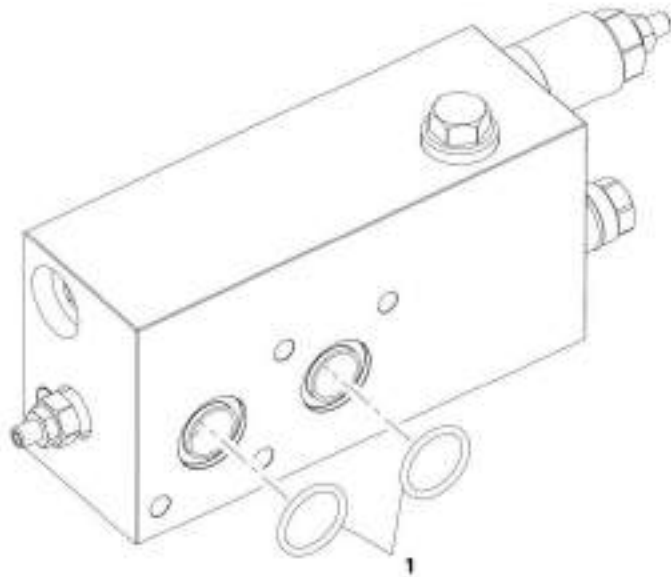
SECTION 9 - HYDRAULIC COMPONENTS

FIGURE 9-21. COUNTERBALANCE VALVE

ITEM	PART NUMBER	QTY	DESCRIPTION	REV
	1001168599	Ref	Counterbalance Valve	C
1	Kit	1	O-Ring	
2	Kit	1	O-Ring	
3	70028421	1	Kit, Seal (includes items 1 thru 2)	

SECTION 9 - HYDRAULIC COMPONENTS

FIGURE 9-22. COUNTERBALANCE VALVE



ART_300124994-C

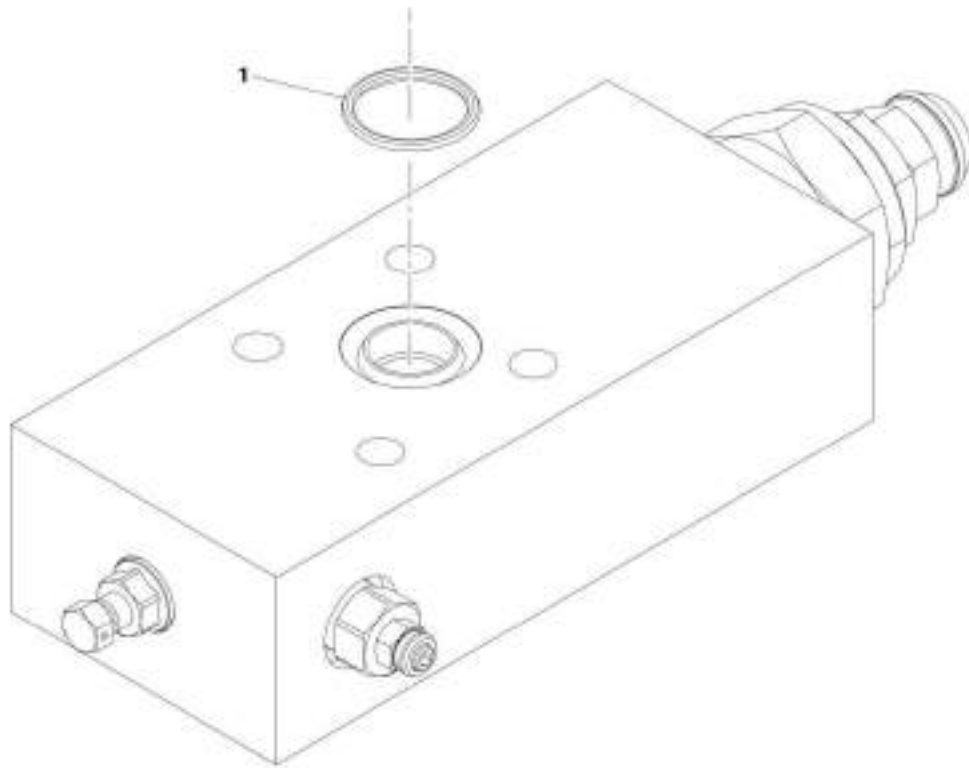
SECTION 9 - HYDRAULIC COMPONENTS

FIGURE 9-22. COUNTERBALANCE VALVE

ITEM	PART NUMBER	QTY	DESCRIPTION	REV
1	1001224944 70028282	Ref 1	Counterbalance Valve O-Ring	C

SECTION 9 - HYDRAULIC COMPONENTS

FIGURE 9-23. COUNTERBALANCE VALVE



ART_3001200111-D

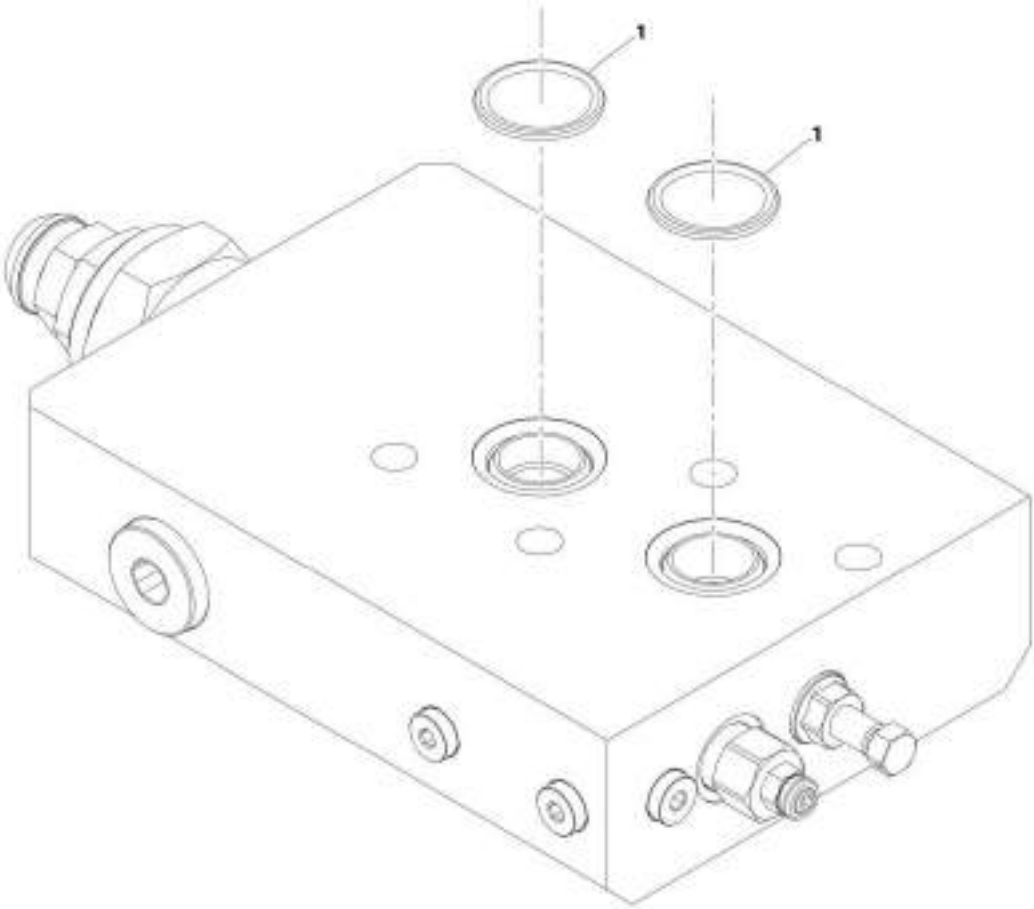
SECTION 9 - HYDRAULIC COMPONENTS

FIGURE 9-23. COUNTERBALANCE VALVE

ITEM	PART NUMBER	QTY	DESCRIPTION	REV
1	1001200111 70028422	Ref 1	Counterbalance Valve O-Ring	D

SECTION 9 - HYDRAULIC COMPONENTS

FIGURE 9-24. COUNTERBALANCE VALVE



ART_1001200602-E

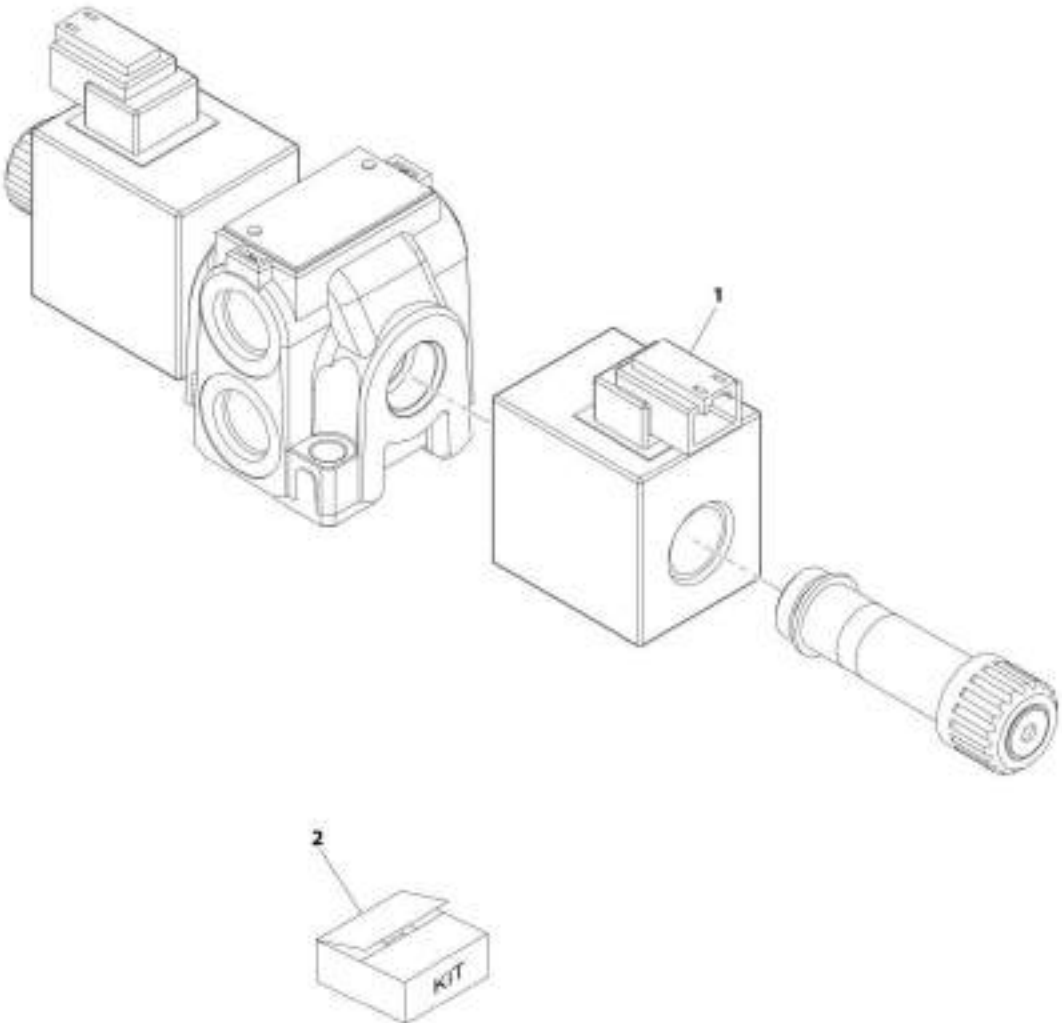
SECTION 9 - HYDRAULIC COMPONENTS

FIGURE 9-24. COUNTERBALANCE VALVE

ITEM	PART NUMBER	QTY	DESCRIPTION	REV
1	1001209862 70028422	Ref 2	Counterbalance Valve O-Ring	E

SECTION 9 - HYDRAULIC COMPONENTS

FIGURE 9-25. SPEED CONTROL VALVE



ART_484152D-B

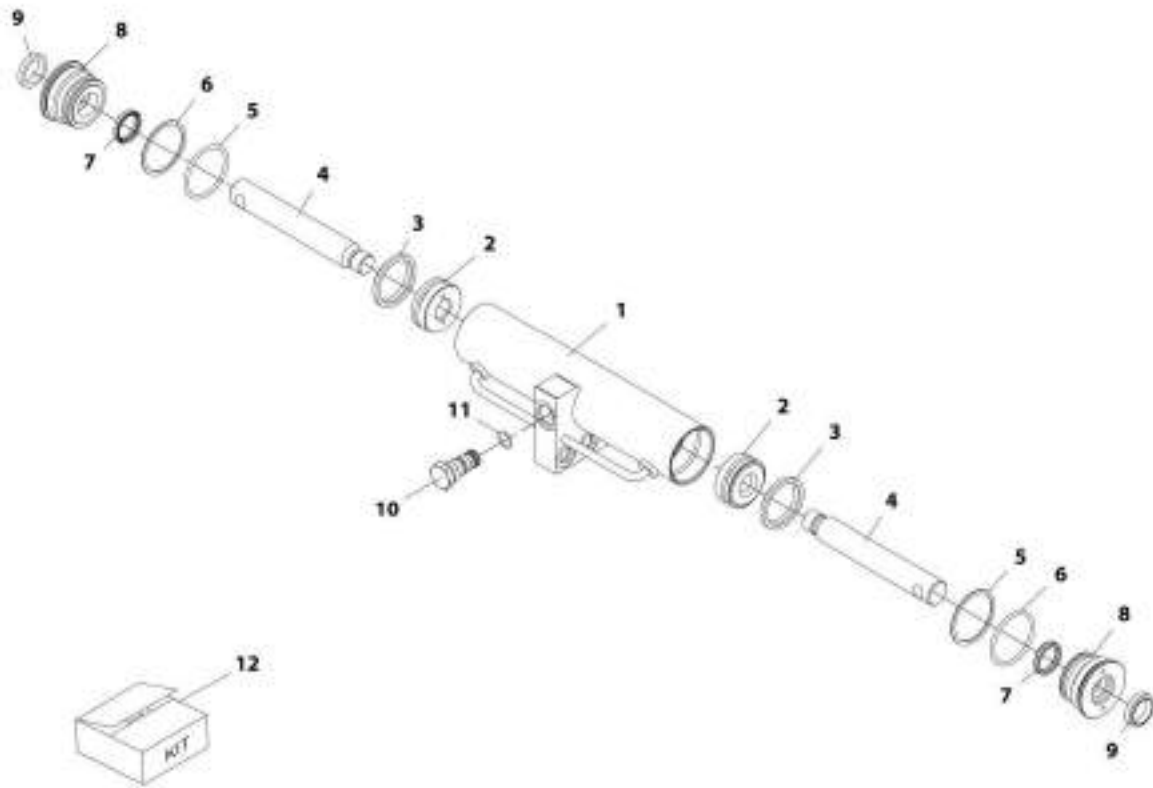
SECTION 9 - HYDRAULIC COMPONENTS

FIGURE 9-25. SPEED CONTROL VALVE

ITEM	PART NUMBER	QTY	DESCRIPTION	REV
	4641520	Ref	Speed Control Valve	B
1	70026582	1	Coil	
2	70020867	1	Kit, Coil Nut	
	N.S.S.	1	Seal	
	N.S.S.	1	Seal	
	N.S.S.	1	Nut, Coil	

SECTION 9 - HYDRAULIC COMPONENTS

FIGURE 9-26. COUPLER LOCKING CYLINDER



AME_1001345390-A

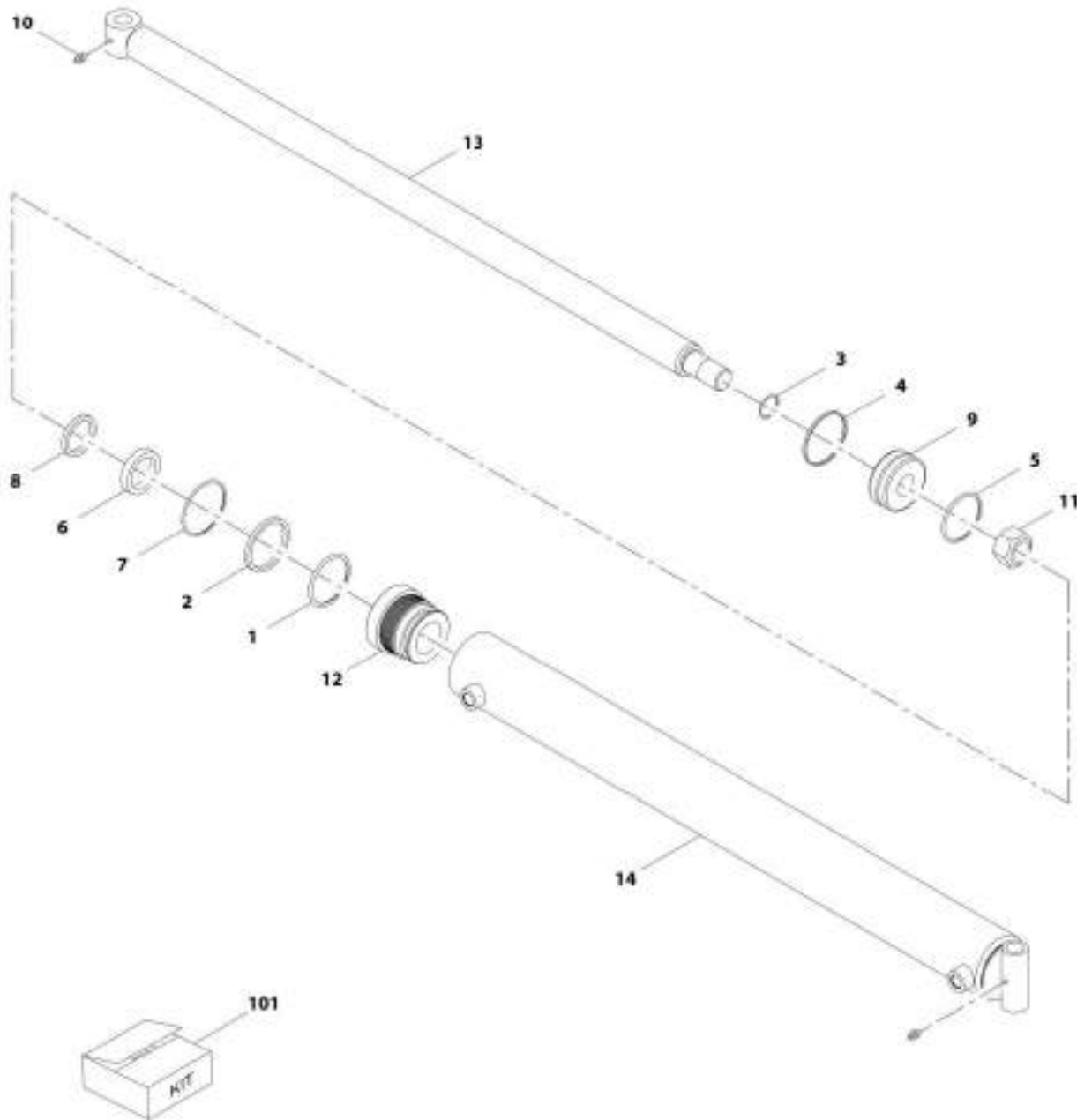
SECTION 9 - HYDRAULIC COMPONENTS

FIGURE 9-26. COUPLER LOCKING CYLINDER

ITEM	PART NUMBER	QTY	DESCRIPTION	REV
	1001145390	Ref	Coupler Locking Cylinder	A
1	70024164	2	Body	
2	70024165	2	Piston	
3	Kit	2	Seal, Piston	
4	70024166	2	Rod	
5	Kit	2	O-Ring	
6	Kit	2	Ring, Backup	
7	Kit	2	Seal, Rod	
8	70024167	2	Gland	
9	Kit	2	Seal, Wiper	
10	1001007056	1	Valve, Check	
11	91574001	1	Seal, Check Valve	
12	70024168	1	Kit, Seal (includes items 3, 5, 6, 7 & 9)	

SECTION 9 - HYDRAULIC COMPONENTS

FIGURE 9-27. FORK POSITIONING CYLINDER ASSEMBLY



ART_7028594-C

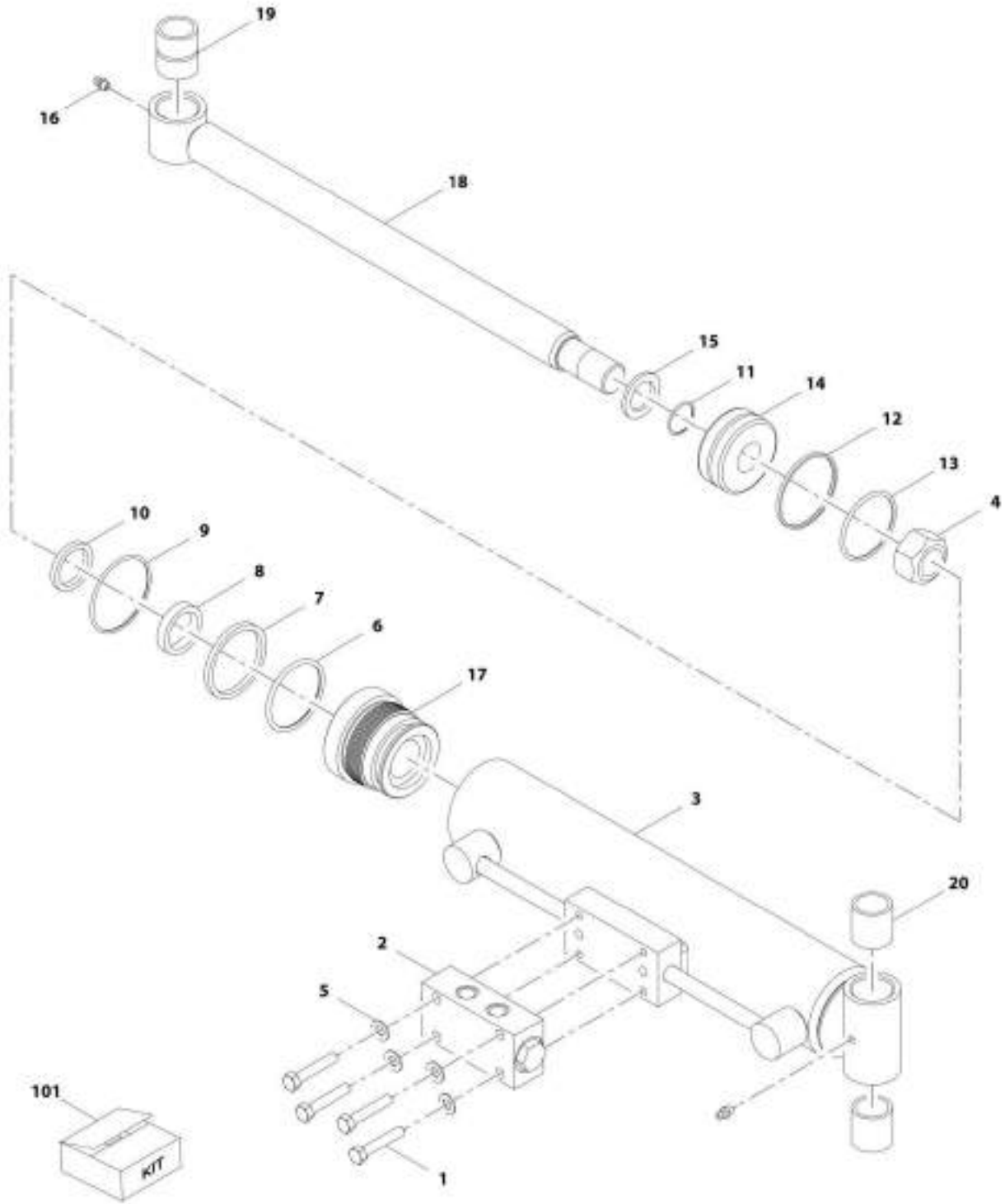
SECTION 9 - HYDRAULIC COMPONENTS

FIGURE 9-27. FORK POSITIONING CYLINDER ASSEMBLY

ITEM	PART NUMBER	QTY	DESCRIPTION	REV
	70028599	Ref	Fork Positioning Cylinder Assembly	C
1	Kit	1	O-Ring	
2	Kit	1	O-Ring	
3	Kit	1	O-Ring	
4	Kit	1	Seal	
5	Kit	1	O-Ring	
6	Kit	1	Seal	
7	Kit	1	O-Ring	
8	Kit	1	Seal	
9	70028609	1	Piston, Cylinder	
10	90554045	2	Fitting, Grease	
11	70021440	1	Nut	
12	70028610	1	Gland, Cylinder	
13	70028611	1	Rod	
14	N.S.S.	1	Tube	
101	Kit	1	Kit, Seal	

SECTION 9 - HYDRAULIC COMPONENTS

FIGURE 9-28. SIDE SHIFT CYLINDER ASSEMBLY



ART_70328601-C

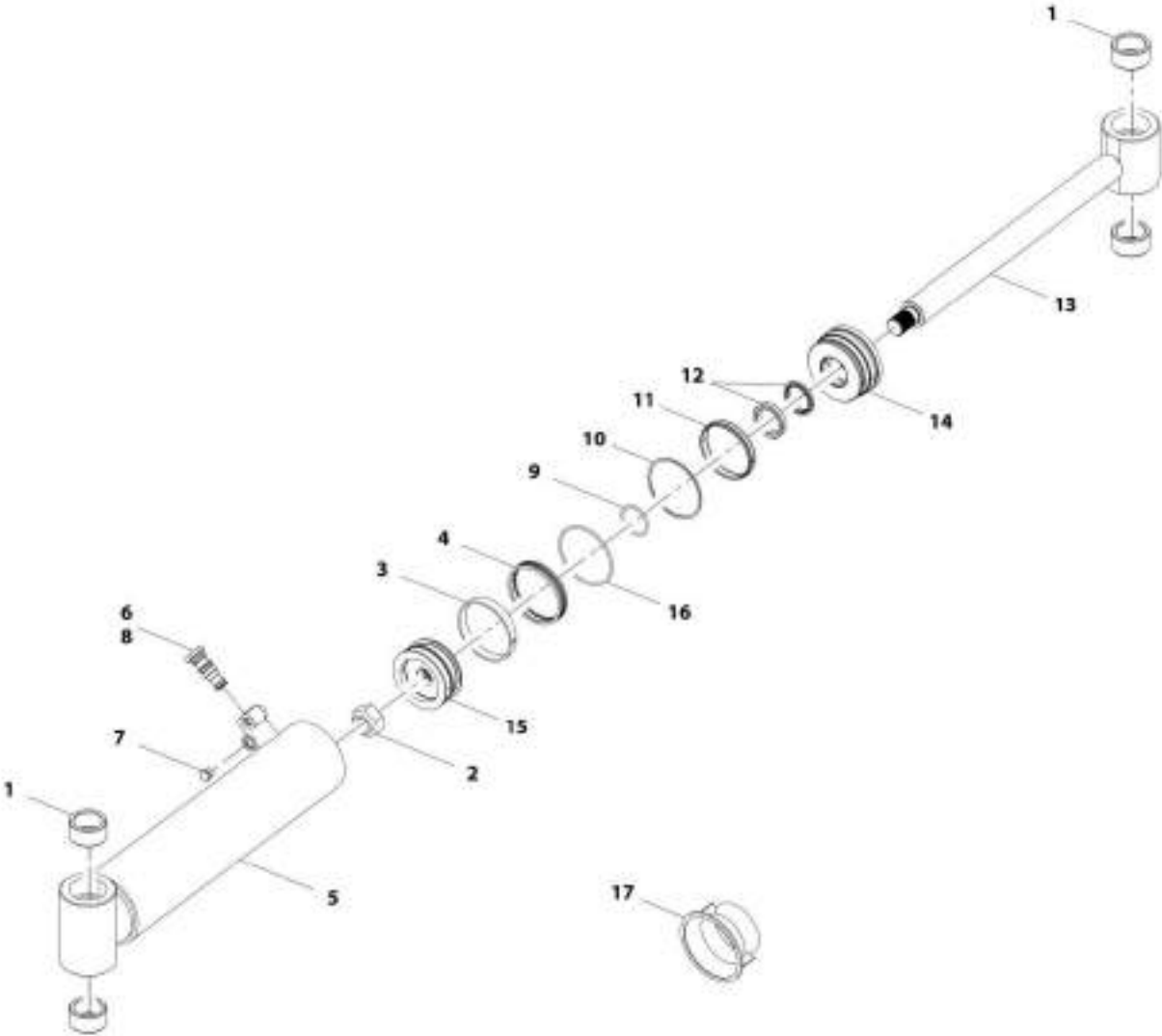
SECTION 9 - HYDRAULIC COMPONENTS

FIGURE 9-28. SIDE SHIFT CYLINDER ASSEMBLY

ITEM	PART NUMBER	QTY	DESCRIPTION	REV
	70028603	Ref	Side Shift Cylinder Assembly	C
1	70028612	4	Bolt	
2	70028613	1	Valve	
3	N.S.S.	1	Tube	
4	70021440	1	Nut	
5	70028614	4	Washer, Flat	
6	Kit	1	O-Ring	
7	Kit	1	O-Ring	
8	Kit	1	Seal	
9	Kit	1	O-Ring	
10	Kit	1	Seal	
11	Kit	1	O-Ring	
12	Kit	1	Seal	
13	Kit	1	O-Ring	
14	70021451	1	Piston	
15	70021444	1	Spacer	
16	90554045	2	Fitting, Grease	
17	70021446	1	Gland, Cylinder	
18	70021445	1	Rod	
19	70021447	1	Bushing	
20	70021448	2	Bushing	
101	70021452	1	Kit, Seal (includes items 6 thru 13)	

SECTION 9 - HYDRAULIC COMPONENTS

FIGURE 9-29. CYLINDER ASSEMBLY



ART_70028573-D

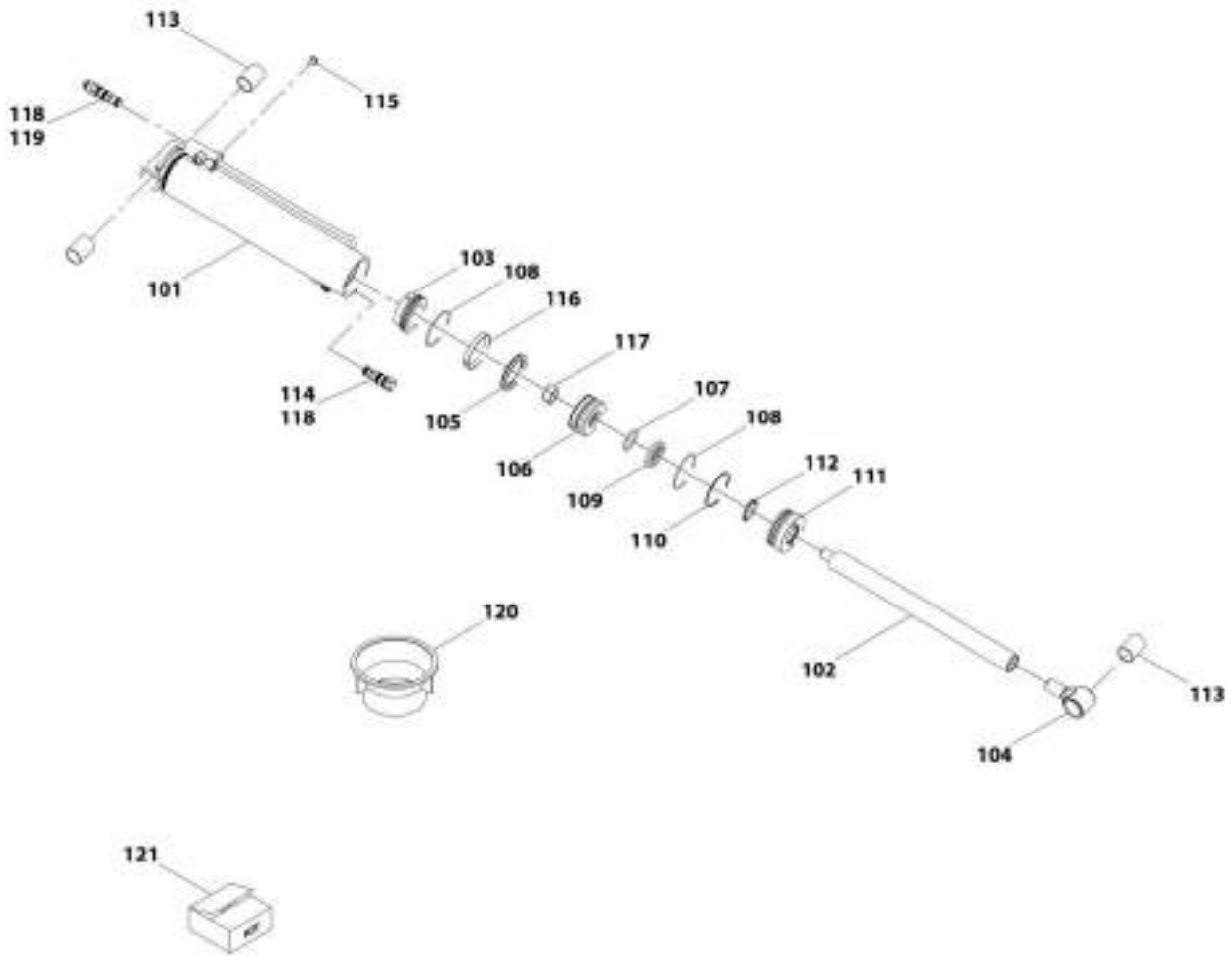
SECTION 9 - HYDRAULIC COMPONENTS

FIGURE 9-29. CYLINDER ASSEMBLY

ITEM	PART NUMBER	QTY	DESCRIPTION	REV
	70028572	Ref	4 In 1Bucket Cylinder Assembly (5.23 yd ³ /4.0m ³)	D
1	70028581	4	Bearing	
2	70028582	1	Nut	
3	N.S.S.	1	Ring, Wear	
4	N.S.S.	1	Seal	
5	N.S.S.	1	Assembly, Barrel	
6	Kit	1	Kit, Check Valve	
7	70028583	1	Fitting, Straight	
8	70028584	1	Valve, Check	
9	N.S.S.	1	O-Ring	
10	N.S.S.	1	Ring, Back-up	
11	N.S.S.	1	Seal	
12	N.S.S.	2	Wiper	
13	70028585	1	Rod	
14	70028586	1	Retainer	
15	70028587	1	Piston	
16	N.S.S.	1	O-Ring	
17	70028588	1	Tool, Seal Loader	

SECTION 9 - HYDRAULIC COMPONENTS

FIGURE 9-30. CYLINDER ASSEMBLY



AIT_7006469.C

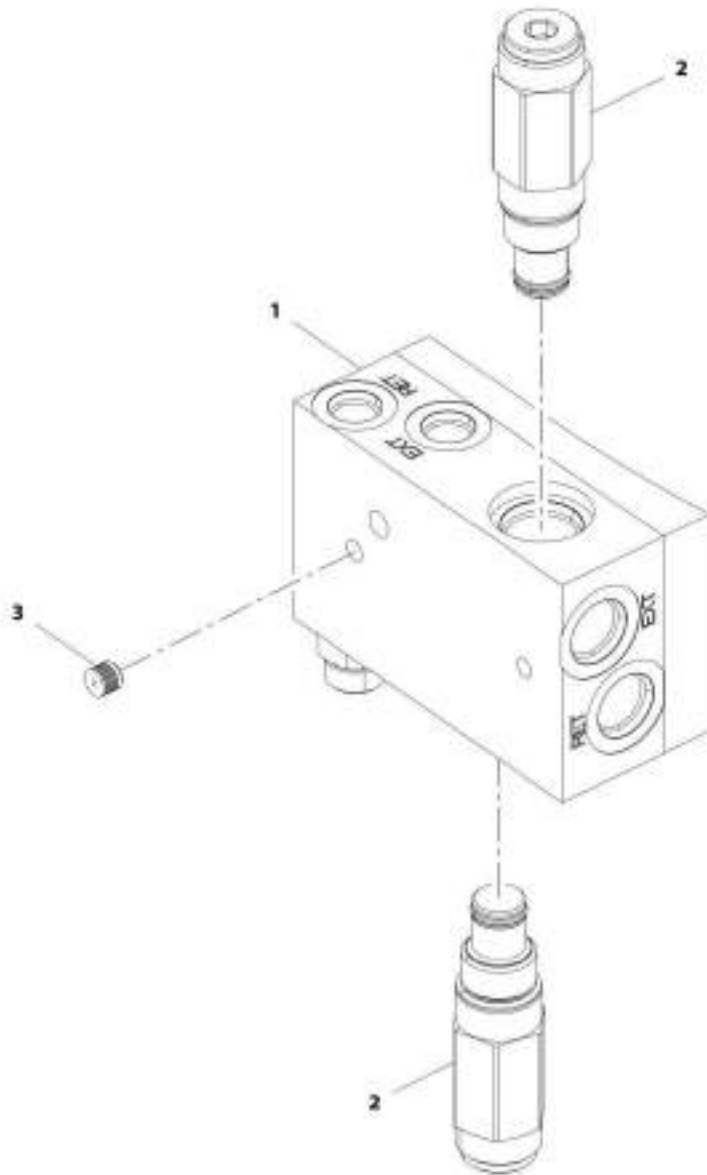
SECTION 9 - HYDRAULIC COMPONENTS

FIGURE 9-30. CYLINDER ASSEMBLY

ITEM	PART NUMBER	QTY	DESCRIPTION	REV
	70026469	Ref	Grapple Bucket Cylinder Assembly (2.6 yd ³ /2.0m ³)	C
101	N.S.S.	1	Barrel	
102	70026496	1	Rod	
103	70026497	1	Spacer	
104	70026498	1	End, Rod	
105	Kit	1	Seal	
106	70026499	1	Piston	
107	Kit	1	O-Ring	
108	Kit	2	O-Ring	
109	Kit	1	Ring, Backup	
110	Kit	1	Seal	
111	70026500	1	Retainer	
112	Kit	1	Wiper	
113	70026501	3	Bushing	
114	70026502	1	Valve, Check	
115	70024129	4	Plug	
116	Kit	1	Ring, Wear	
117	70026503	1	Nut	
118	70024734	2	Kit, Check Valve Service	
119	70026504	1	Valve, Counterbalance	
120	70026505	1	Tool, Seal Loader	
121	70026506	1	Kit, Service	

SECTION 9 - HYDRAULIC COMPONENTS

FIGURE 9-31. BUCKET VALVE ASSEMBLY (5.23 YD³/4.0M³)



ART_70028573-D

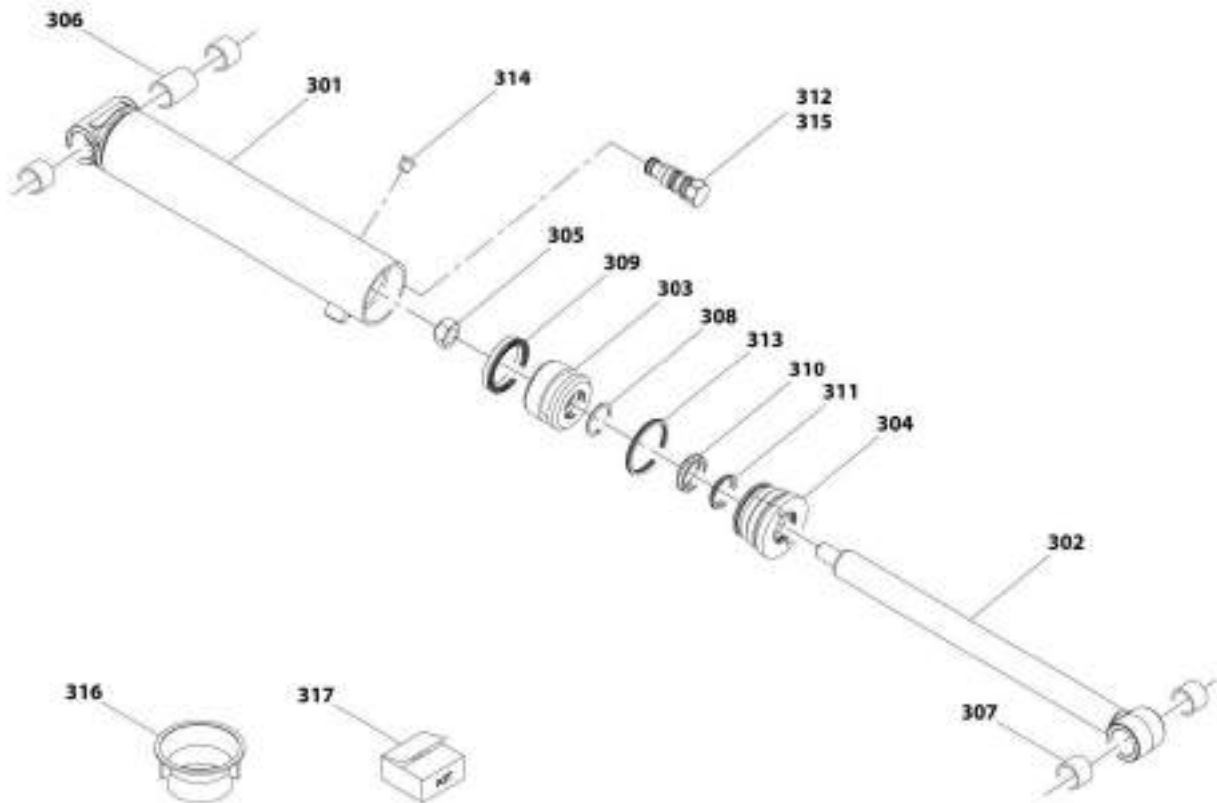
SECTION 9 - HYDRAULIC COMPONENTS

FIGURE 9-31. BUCKET VALVE ASSEMBLY (5.23 YD³/4.0M³)

ITEM	PART NUMBER	QTY	DESCRIPTION	REV
	70028573	Ref	4 In 1 Bucket Valve Assembly (5.23 yd ³ /4.0m ³)	D
1	70026477	1	Manifold	
2	70028589	2	Cartridge, Relief	
3	70026614	2	Plug	

SECTION 9 - HYDRAULIC COMPONENTS

FIGURE 9-32. UPPER CYLINDER ASSEMBLY



INT_7002852-B

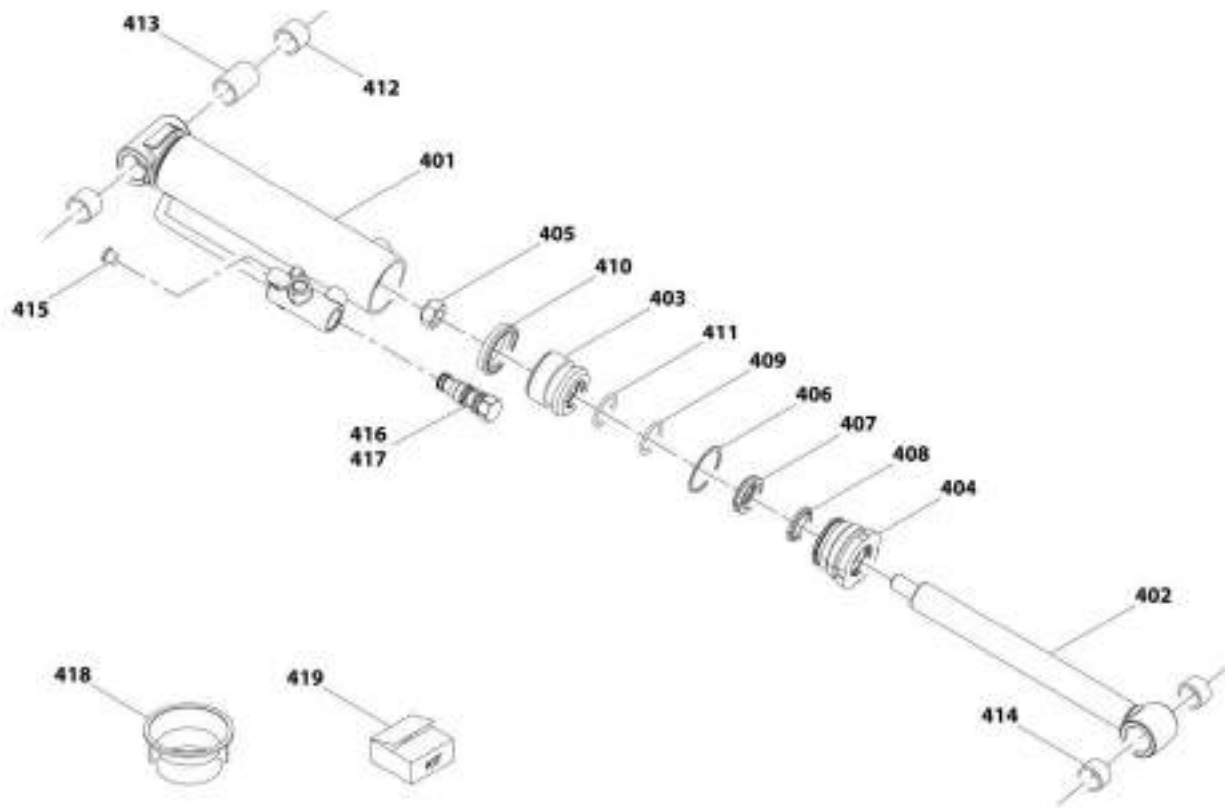
SECTION 9 - HYDRAULIC COMPONENTS

FIGURE 9-32. UPPER CYLINDER ASSEMBLY

ITEM	PART NUMBER	QTY	DESCRIPTION	REV
	70028652	Ref	Upper Cylinder Assembly	D
301	N.S.S.	1	Barrel	
302	70028270	1	Rod	
303	70028254	1	Piston	
304	70028255	1	Retainer	
305	70028258	1	Nut	
306	70028257	1	Spacer	
307	70028256	4	Bushing	
308	N.S.S.	1	O-Ring	
309	N.S.S.	1	Seal	
310	N.S.S.	1	Seal	
311	N.S.S.	1	Wiper	
312	70026502	1	Valve, Check	
313	N.S.S.	1	Seal	
314	70024129	2	Plug	
315	70024734	1	Kit, Check Valve	
316	70028691	1	Tool, Seal Loader	
317	70028770	1	Kit, Seal	

SECTION 9 - HYDRAULIC COMPONENTS

FIGURE 9-33. LOWER CYLINDER ASSEMBLY



AIT_70028853-B

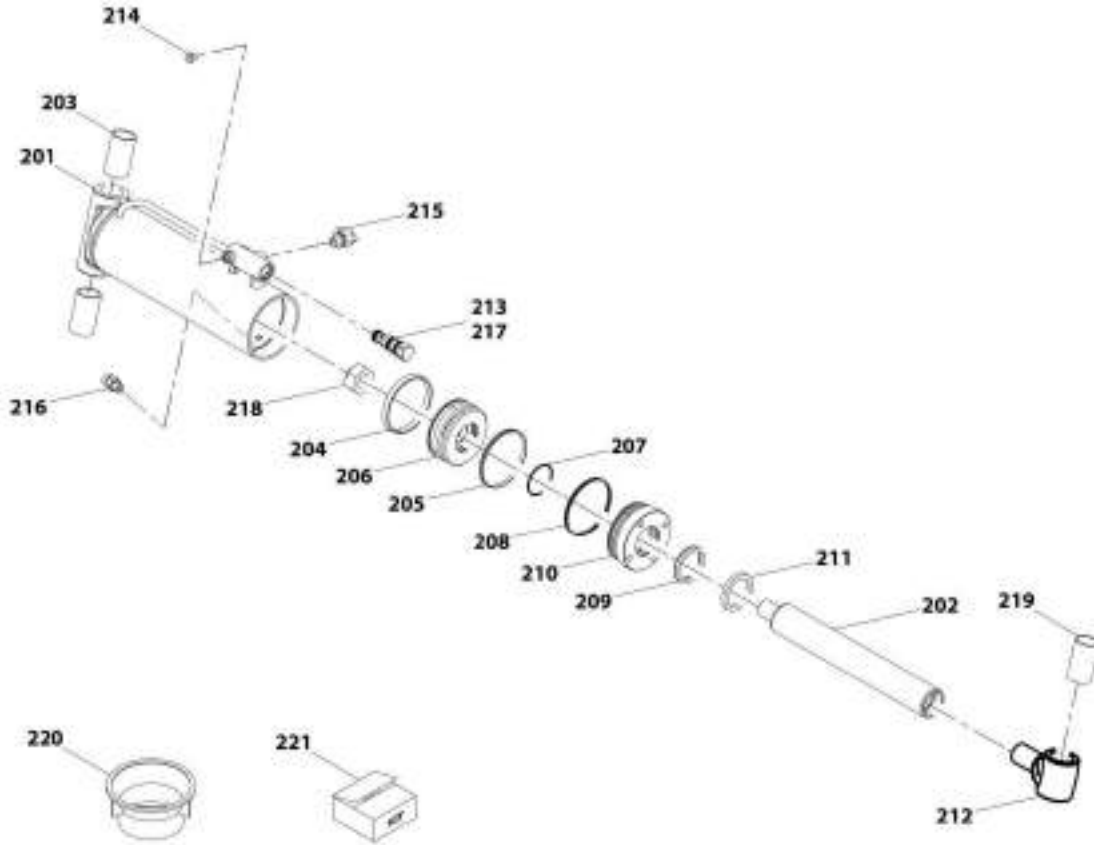
SECTION 9 - HYDRAULIC COMPONENTS

FIGURE 9-33. LOWER CYLINDER ASSEMBLY

ITEM	PART NUMBER	QTY	DESCRIPTION	REV
	70028653	Ref	Lower Cylinder Assembly	D
401	N.S.S.	1	Barrel	
402	70028692	1	Rod	
403	70024142	1	Piston	
404	70028693	1	Retainer	
405	70028258	1	Nut	
406	N.S.S.	1	Ring, Backup	
407	N.S.S.	1	Seal	
408	N.S.S.	1	Wiper	
409	N.S.S.	1	O-Ring	
410	N.S.S.	1	Seal	
411	N.S.S.	1	O-Ring	
412	70028256	2	Bushing	
413	70028257	1	Spacer	
414	70028694	2	Bushing	
415	70024129	2	Plug	
416	70026502	1	Valve, Check	
417	70024734	1	Kit, Check Valve	
418	70028691	1	Tool, Seal Loader	
419	70028771	1	Kit, Seal	

SECTION 9 - HYDRAULIC COMPONENTS

FIGURE 9-34. CYLINDER ASSEMBLY



AHT_79026704.C

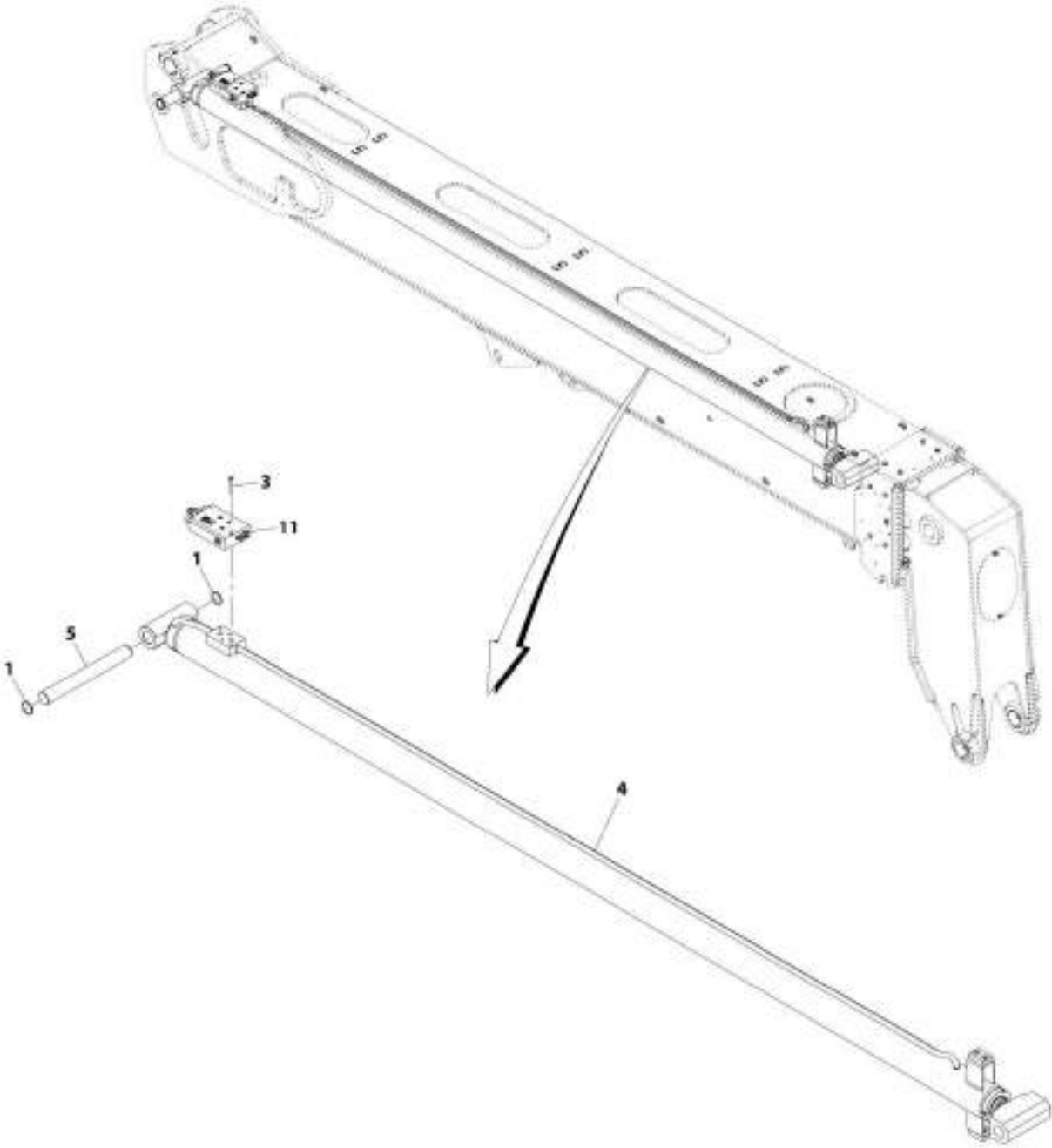
SECTION 9 - HYDRAULIC COMPONENTS

FIGURE 9-34. CYLINDER ASSEMBLY

ITEM	PART NUMBER	QTY	DESCRIPTION	REV
	70028704	Ref	Log Handler Carriage Cylinder Assembly	C
201	N.S.S.	1	Barrel	
202	70028728	1	Rod	
203	70028729	2	Bushing	
204	N.S.S.	1	Ring, Wear	
205	N.S.S.	1	Seal	
206	70028730	1	Piston	
207	N.S.S.	1	O-Ring	
208	N.S.S.	1	Seal	
209	N.S.S.	1	Seal	
210	70028731	1	Retainer	
211	N.S.S.	1	Wiper	
212	N.S.S.	1	End, Rod (included with item 202)	
213	70024733	1	Valve, Check	
214	70024129	2	Plug	
215	70024123	1	Fitting, 90	
216	70024130	1	Fitting, Straight	
217	70024734	1	Kit, Check Valve	
218	70028732	1	Nut	
219	70028729	1	Bushing (included with item 202)	
220	70028588	1	Tool, Seal Loader	
221	70028733	1	Kit, Seal (includes items 204, 205, 207, 208, 208, 211, 220)	

SECTION 9 - HYDRAULIC COMPONENTS

FIGURE 9-35. EXTEND/RETRACT CYLINDER INSTALLATION



ART_1001129157-D

SECTION 9 - HYDRAULIC COMPONENTS

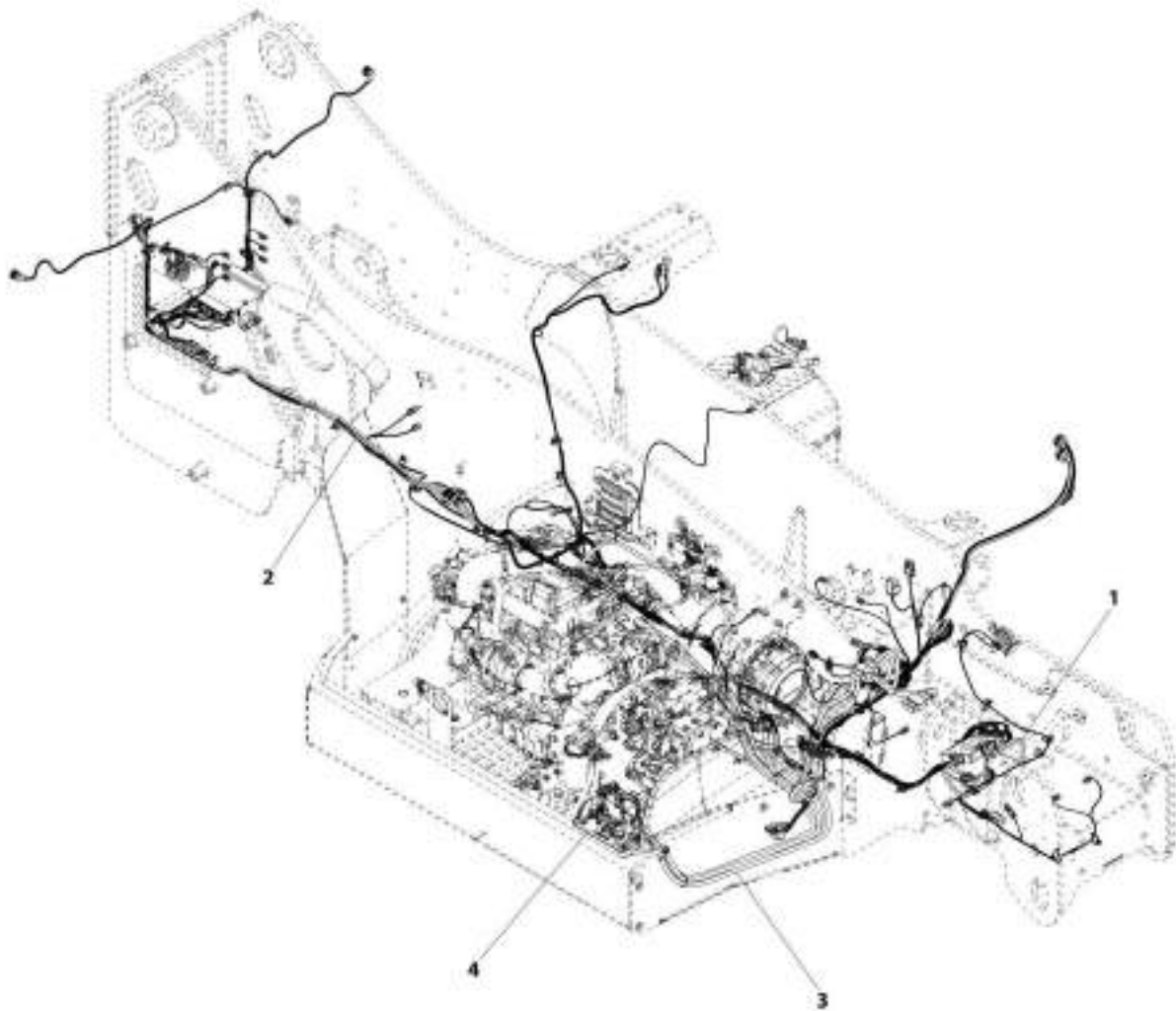
FIGURE 9-35. EXTEND/RETRACT CYLINDER INSTALLATION

ITEM	PART NUMBER	QTY	DESCRIPTION	REV
	1001178157	Ref	Extend/Retract Cylinder Installation	D
1	314689	2	Ring, Retaining	
3	4031916	4	Bolt, M8X60	
4	1001174814	1	Cylinder, Extend/Retract (See Seperate Breakdown in this Section)	
5	1001190259	1	Pin	
11	1001212312	1	Installation, Counterbalance Valve (see Seperate Breakdown in this Section)	

SECTION 10 - ELECTRICAL

SECTION 10 - ELECTRICAL

FIGURE 10-1. MAIN ELECTRICAL INSTALLATION (ULS)



ART_1001192537-B

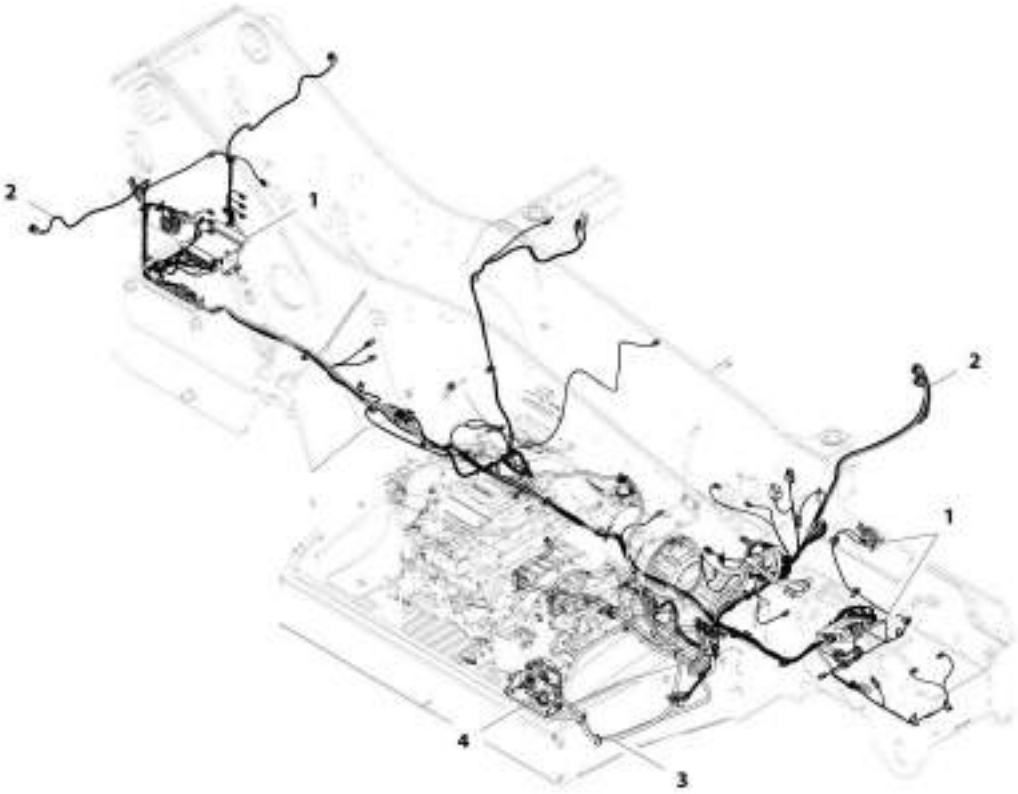
SECTION 10 - ELECTRICAL

FIGURE 10-1. MAIN ELECTRICAL INSTALLATION (ULS)

ITEM	PART NUMBER	QTY	DESCRIPTION	REV
1	1001192537	Ref	Main Electrical Installation (ULS)	B
	1001183272	Ref	Installation, Frame Electrical (See Seperate Breakdown in this Section)	
2	1001200159	Ref	Installation, Frame Wiring (See Seperate Breakdown in this Section)	
3	1001200160	Ref	Installation, Engine Bay Electrical	
4	1001202172	Ref	Installation, Engine Pod Electrical (ULS) (See Seperate Breakdown in this Section)	

SECTION 10 - ELECTRICAL

FIGURE 10-2. MAIN ELECTRICAL INSTALLATION (LS)



ART_1801163528-C

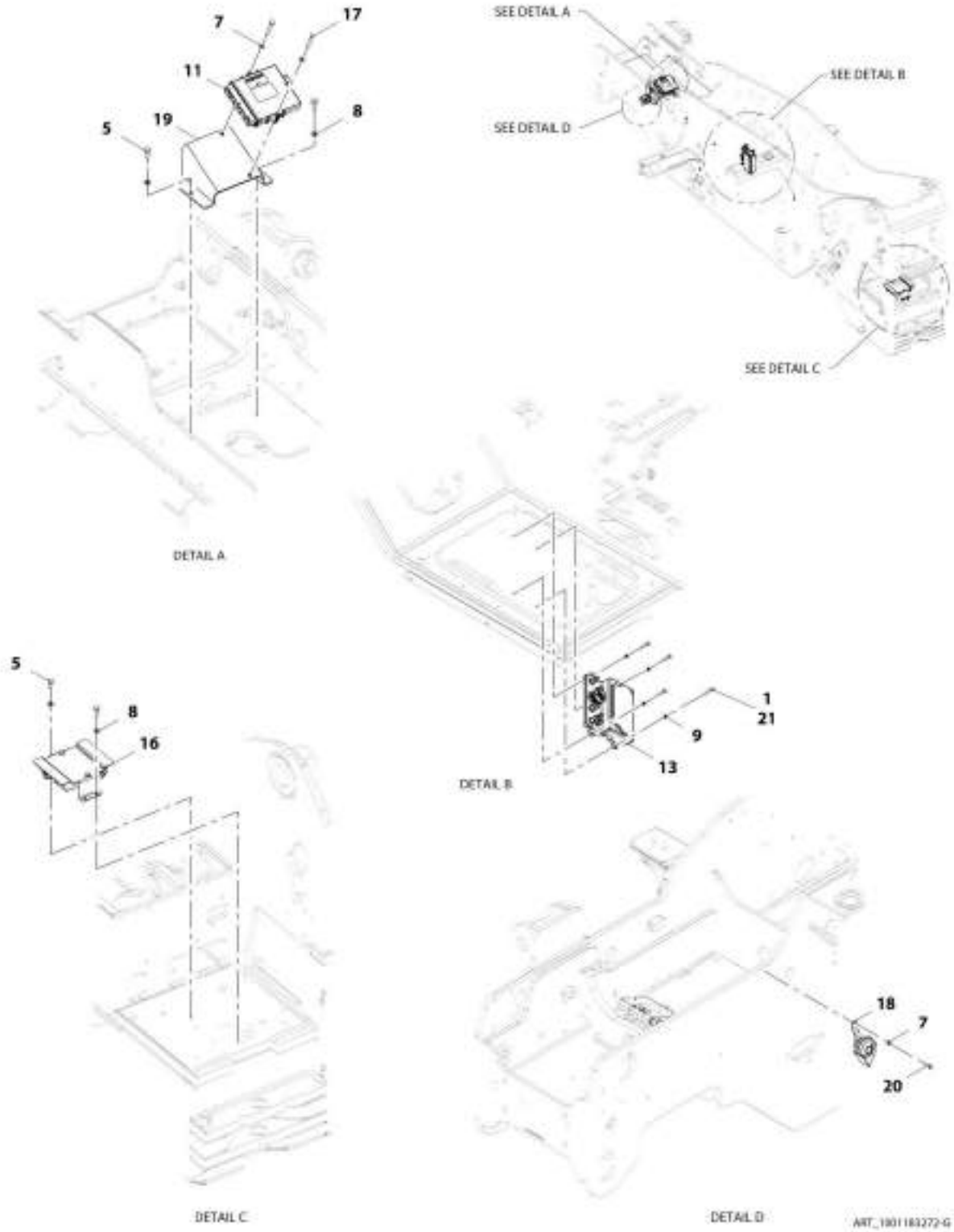
SECTION 10 - ELECTRICAL

FIGURE 10-2. MAIN ELECTRICAL INSTALLATION (LS)

ITEM	PART NUMBER	QTY	DESCRIPTION	REV
1	1001192538	Ref	Main Electrical Installation (LS)	C
	1001183272	Ref	Installation, Frame Electrical (See Seperate Breakdown in this Section)	
2	1001200159	Ref	Installation, Frame Electrical (See Seperate Breakdown in this Section)	
3	1001227469	Ref	Installation, Engine Bay Electrical (See Seperate Breakdown in this Section)	
4	1001223066	Ref	Installation, Engine Pod Electrical (LS) (See Seperate Breakdown in this Section)	

SECTION 10 - ELECTRICAL

FIGURE 10-3. FRAME ELECTRICAL INSTALLATION



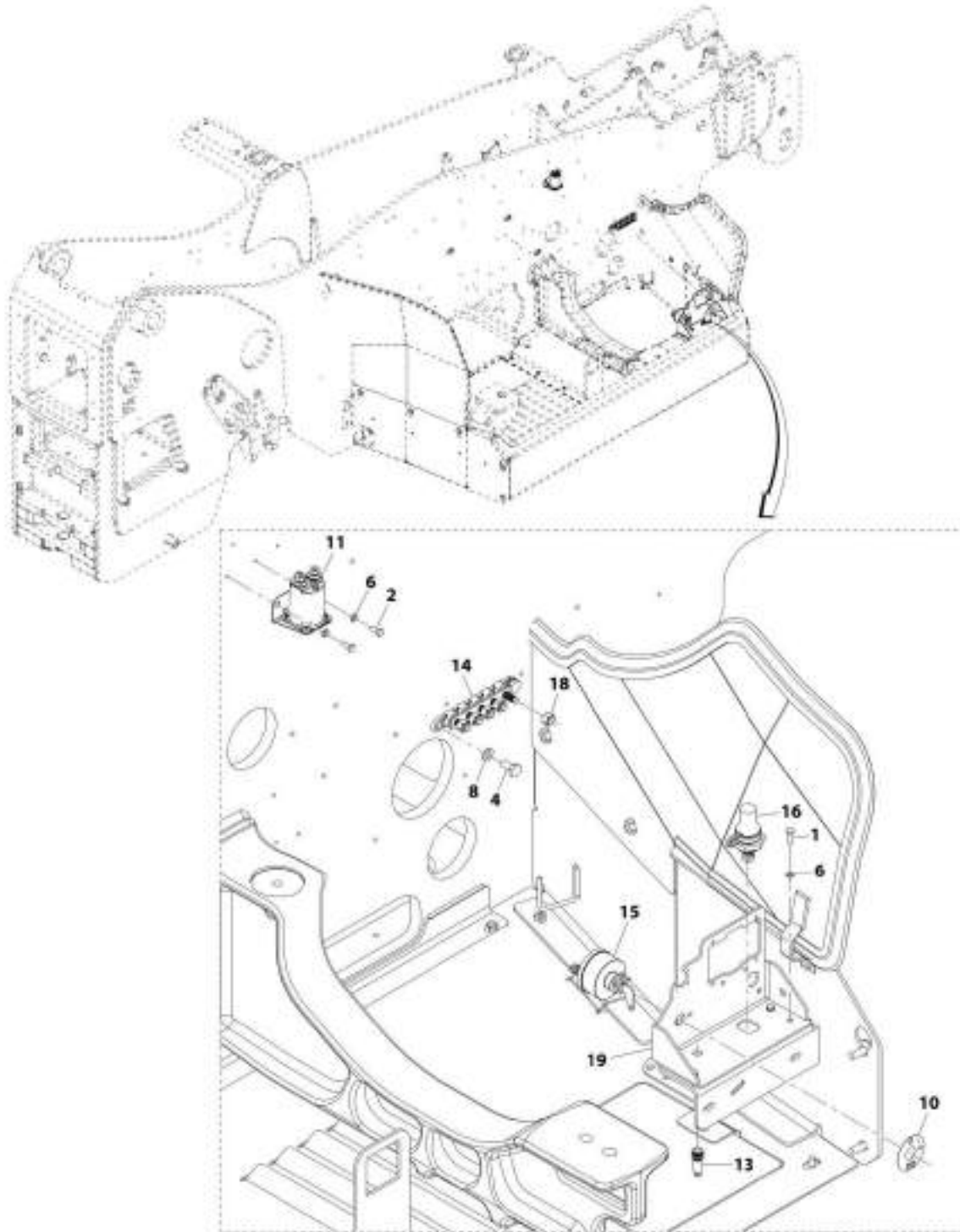
SECTION 10 - ELECTRICAL

FIGURE 10-3. FRAME ELECTRICAL INSTALLATION

ITEM	PART NUMBER	QTY	DESCRIPTION	REV
	1001183272	Ref	Frame Electrical Installation	G
1	0700614	4	Bolt, M6X30	
5	0761012	4	Bolt, M10X25	
7	4811900	3	Washer, M8	
8	4812000	4	Washer, M10	
9	4831700	4	Washer, Lock M6	
11	1001162253	1	Control, Front Frame Module	
13	1001164402	1	Box, Power Distribution Electrical (See Seperate Breakdown in this Section)	
16	1001210770	1	Installation, Rear Frame Module (See Seperate Breakdown in this Section)	
17	0700820	2	Bolt, M8X60	
18	10713707	1	Horn	
19	1001215208	1	Bracket	
20	0760812	1	Bolt, M8X25	
21	1001180620	AR	Adhesive, Loctite	

SECTION 10 - ELECTRICAL

FIGURE 10-4. ENGINE POD ELECTRICAL INSTALLATION (ULS)



ART_1001202(17)-4

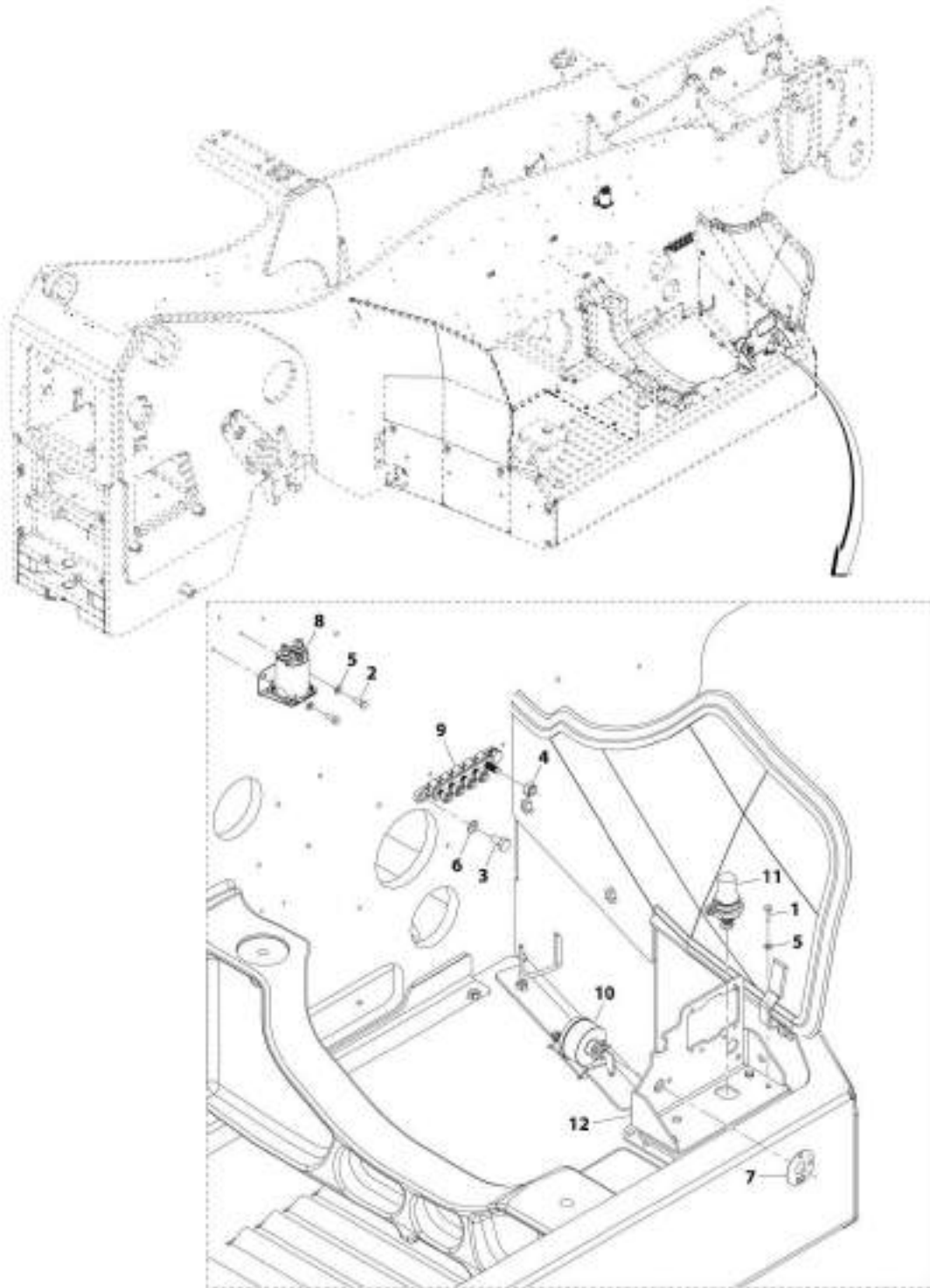
SECTION 10 - ELECTRICAL

FIGURE 10-4. ENGINE POD ELECTRICAL INSTALLATION (ULS)

ITEM	PART NUMBER	QTY	DESCRIPTION	REV
	1001202172	Ref	Engine Pod Electrical Installation (ULS)	B
1	0700610	4	Bolt, M6X20	
2	0760608	2	Bolt, M6X16	
4	0761010	2	Bolt, M10X20	
6	4811700	6	Washer, M6	
8	4812000	2	Washer, M10	
10	1001008540	1	Plate	
11	1001117308	1	Relay	
13	1001169825	1	Lamp, 12V Yellow	
14	1001181128	1	Bussbar	
15	1001192142	1	Switch, Disconnect	
16	1001193993	1	Terminal, Battery	
18	3291005	5	Nut, Lock M10X1.5	
19	1001212886	1	Bracket	

SECTION 10 - ELECTRICAL

FIGURE 10-5. ENGINE POD ELECTRICAL INSTALLATION (LS)



ART_1001223096-A

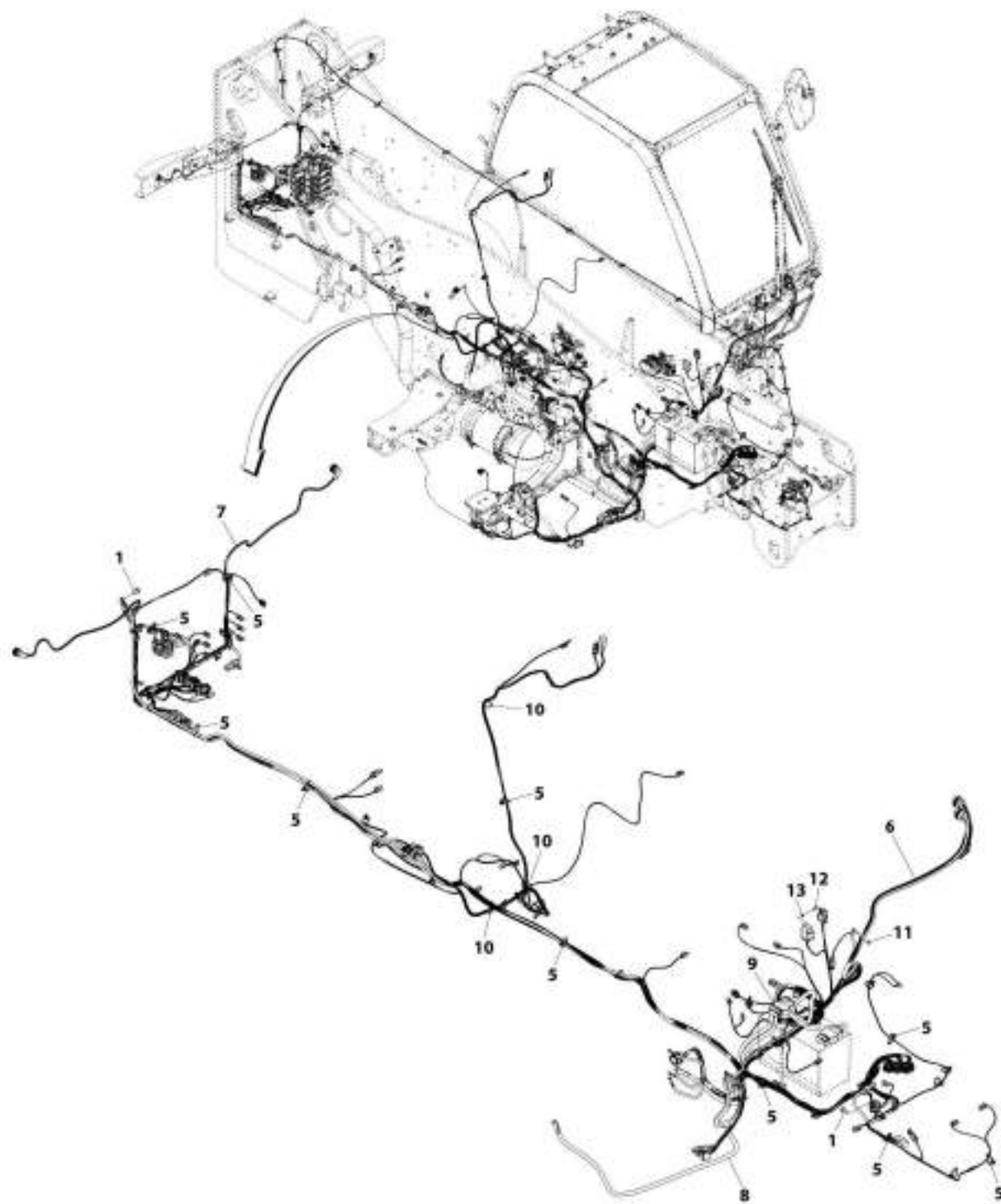
SECTION 10 - ELECTRICAL

FIGURE 10-5. ENGINE POD ELECTRICAL INSTALLATION (LS)

ITEM	PART NUMBER	QTY	DESCRIPTION	REV
	1001223066	Ref	Engine Pod Electrical Installation (LS)	A
1	0700610	4	Bolt, M6X20	
2	0760608	2	Bolt, M6X16	
3	0761010	2	Bolt, M10X20	
4	3291005	5	Nut, Lock M10X1.5	
5	4811700	6	Washer, M6	
6	4812000	2	Washer, M10	
7	1001008540	1	Plate	
8	1001117308	1	Relay	
9	1001181128	1	Bussbar	
10	1001192142	1	Switch, Disconnect	
11	1001193993	1	Stud, Terminal	
12	1001212886	1	Bracket	

SECTION 10 - ELECTRICAL

FIGURE 10-6. FRAME WIRING INSTALLATION



ART_1001200159-E

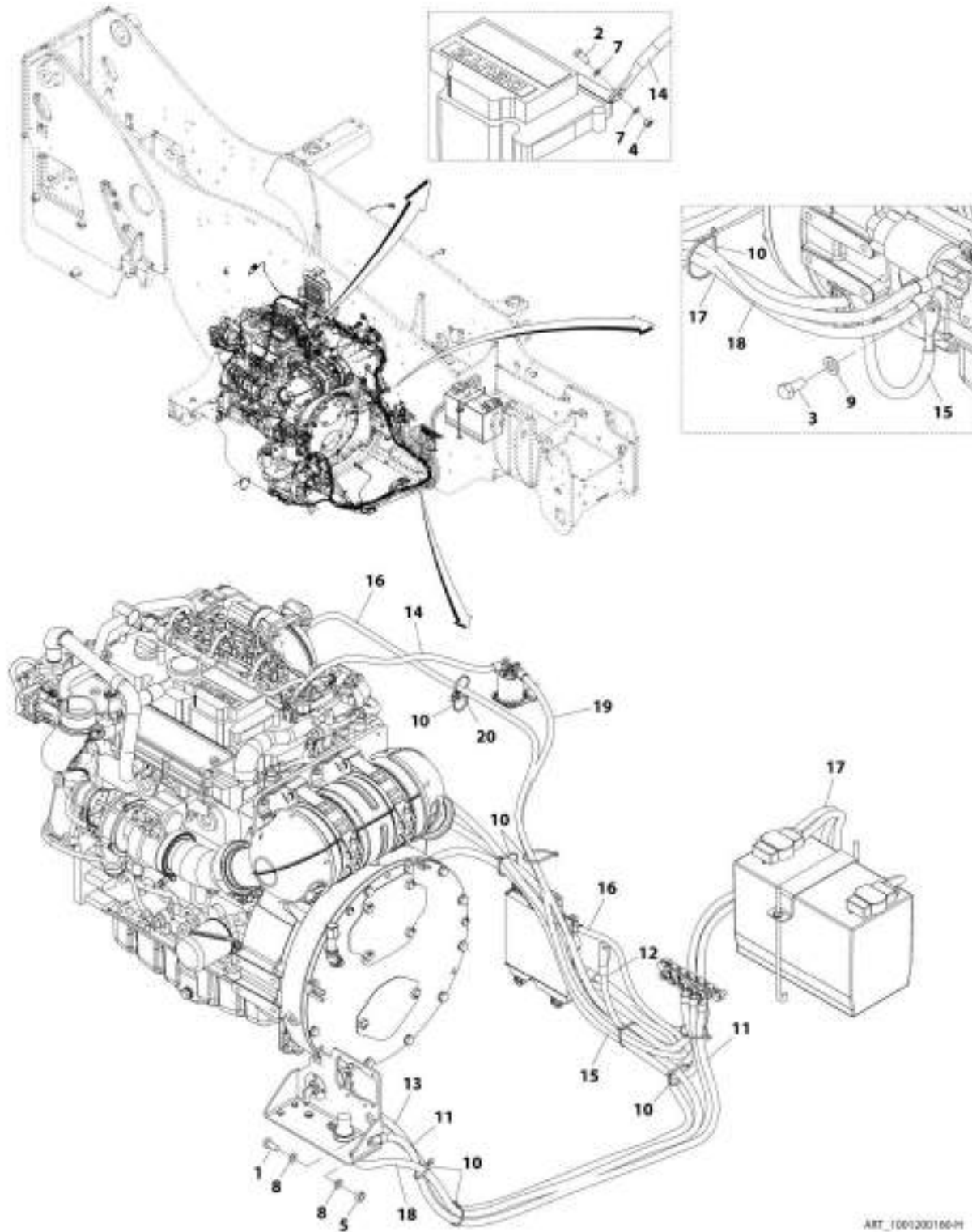
SECTION 10 - ELECTRICAL

FIGURE 10-6. FRAME WIRING INSTALLATION

ITEM	PART NUMBER	QTY	DESCRIPTION	REV
	1001200159	Ref	Frame Wiring Installation	G
1	0761010	2	Bolt, M10X20	
5	1001146588	25	Tie, Cable	
6	1001184396	1	Harness, Front Frame (See Seperate Breakdown in this Section)	
7	1001184397	1	Harness, Rear Frame (See Seperate Breakdown in this Section)	
8	1001200168	1	Cable, Negative Battery	
9	1001200169	1	Cable, Positive Battery	
10	1001008559	16	Strap, Cable	
11	3290601	1	Nut, M6X1	
12	0760607	1	Bolt, M6X14	
13	4811700	1	Washer, M6	
14	1001202986	13	Strap Push Mount	

SECTION 10 - ELECTRICAL

FIGURE 10-7. ENGINE BAY ELECTRICAL INSTALLATION (ULS)



ART_1001300160-H

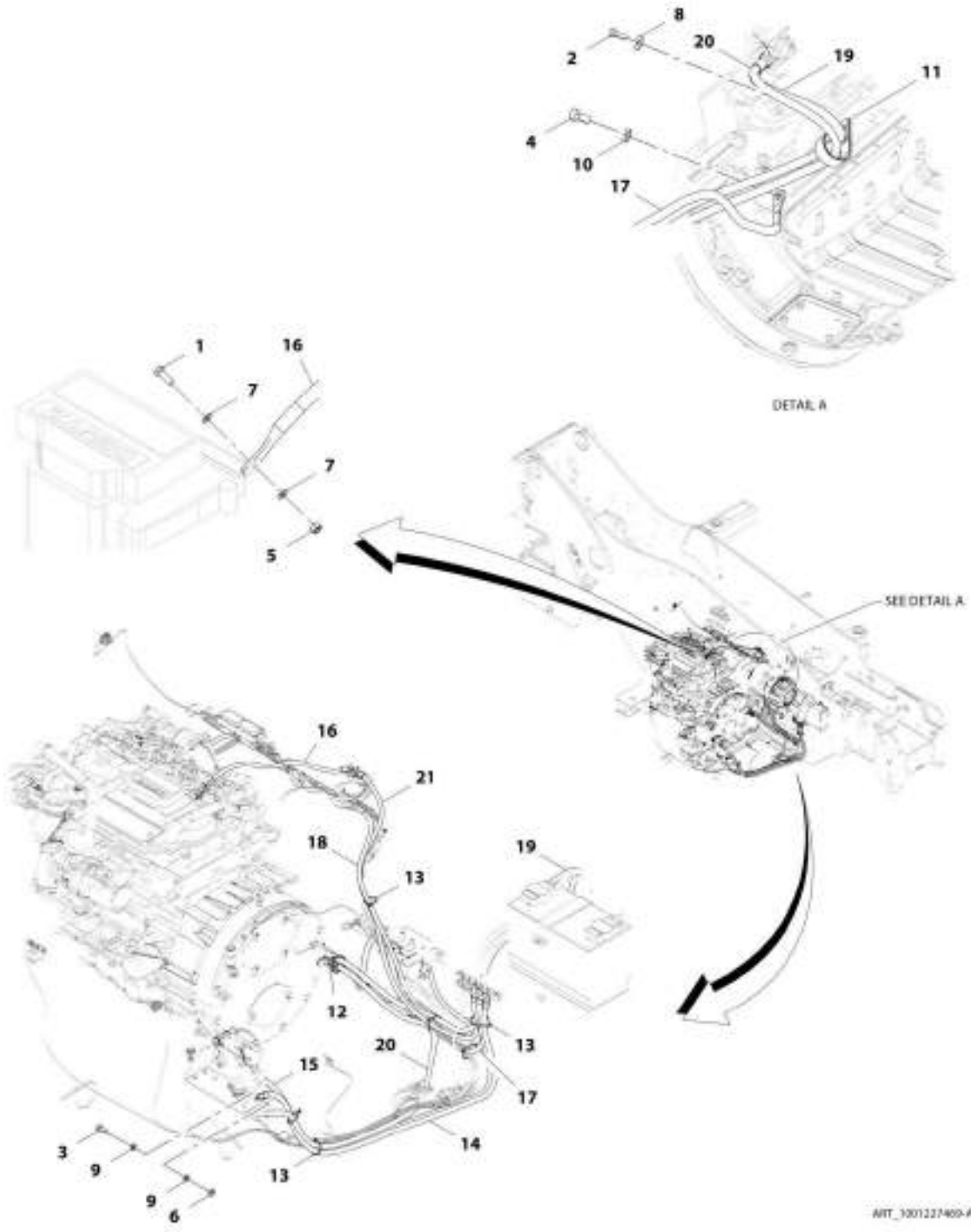
SECTION 10 - ELECTRICAL

FIGURE 10-7. ENGINE BAY ELECTRICAL INSTALLATION (ULS)

ITEM	PART NUMBER	QTY	DESCRIPTION	REV
	1001200160	Ref	Engine Bay Electrical Installation	H
1	0761012	1	Bolt, M10X25	
2	0760507	1	Bolt, M5X14	
3	0761212	1	Bolt, M12X25	
4	3290505	1	Nut, Lock M5X0.8	
5	3291001	1	Nut, M10X1.5	
7	4811600	2	Washer, M5	
8	4812000	2	Washer, M10	
9	4812100	1	Washer, M12	
10	1001008559	10	Tie, Strap	
11	1001194103	1	Cable	
12	1001194244	1	Cable	
13	1001196502	1	Cable	
14	1001200161	1	Cable	
15	1001200162	1	Cable	
16	1001200164	1	Cable	
17	1001200165	1	Cable	
18	1001200166	1	Cable	
19	1001200167	1	Cable	
20	1001004723	1	Saddle	

SECTION 10 - ELECTRICAL

FIGURE 10-8. ENGINE BAY ELECTRICAL INSTALLATION (LS)



AIT_3001227400-A

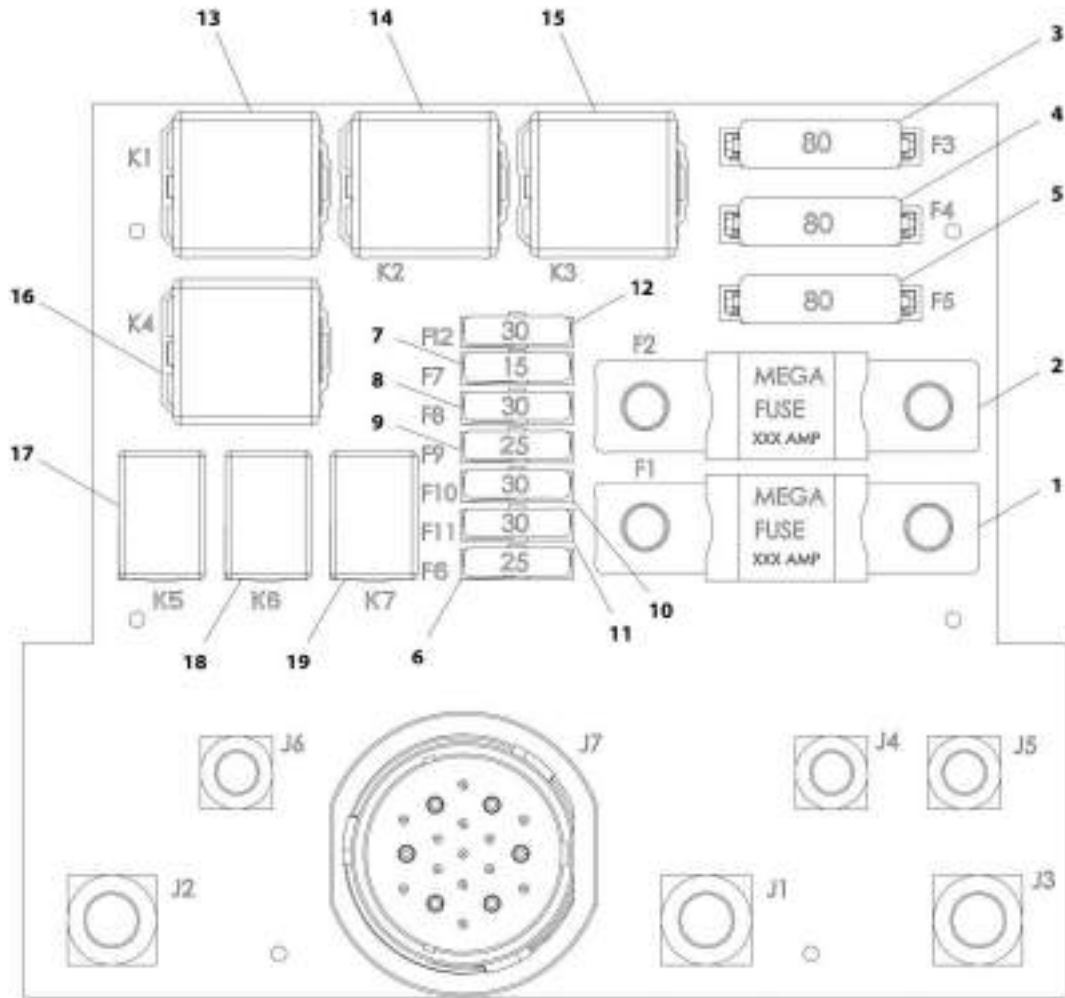
SECTION 10 - ELECTRICAL

FIGURE 10-8. ENGINE BAY ELECTRICAL INSTALLATION (LS)

ITEM	PART NUMBER	QTY	DESCRIPTION	REV
	1001227469	Ref	Engine Bay Electrical Installation	A
1	0760507	1	Bolt, M5X14	
2	0760812	1	Bolt, M8X25	
3	0761012	1	Bolt, M10X25	
4	0761212	1	Bolt, M12X25	
5	3290505	1	Nut, Lock M5X0.8 Grade 8	
6	3291001	1	Nut, M10X1.5 Grade 8	
7	4811600	2	Washer, M5	
8	4811902	1	Washer, M8	
9	4812000	2	Washer, M10	
10	4812100	1	Washer, M12	
11	85941018	1	Clamp	
12	1001003305	1	Clip	
13	1001008559	7	Tie, Strap	
14	1001194103	1	Cable	
15	1001196502	1	Cable	
16	1001200161	1	Cable	
17	1001200162	1	Cable	
18	1001200164	1	Cable	
19	1001200165	1	Cable	
20	1001200166	1	Cable	
21	1001200167	1	Cable	

SECTION 10 - ELECTRICAL

FIGURE 10-9. POWER DISTRIBUTION ELECTRICAL BOX



ART_100110402.F

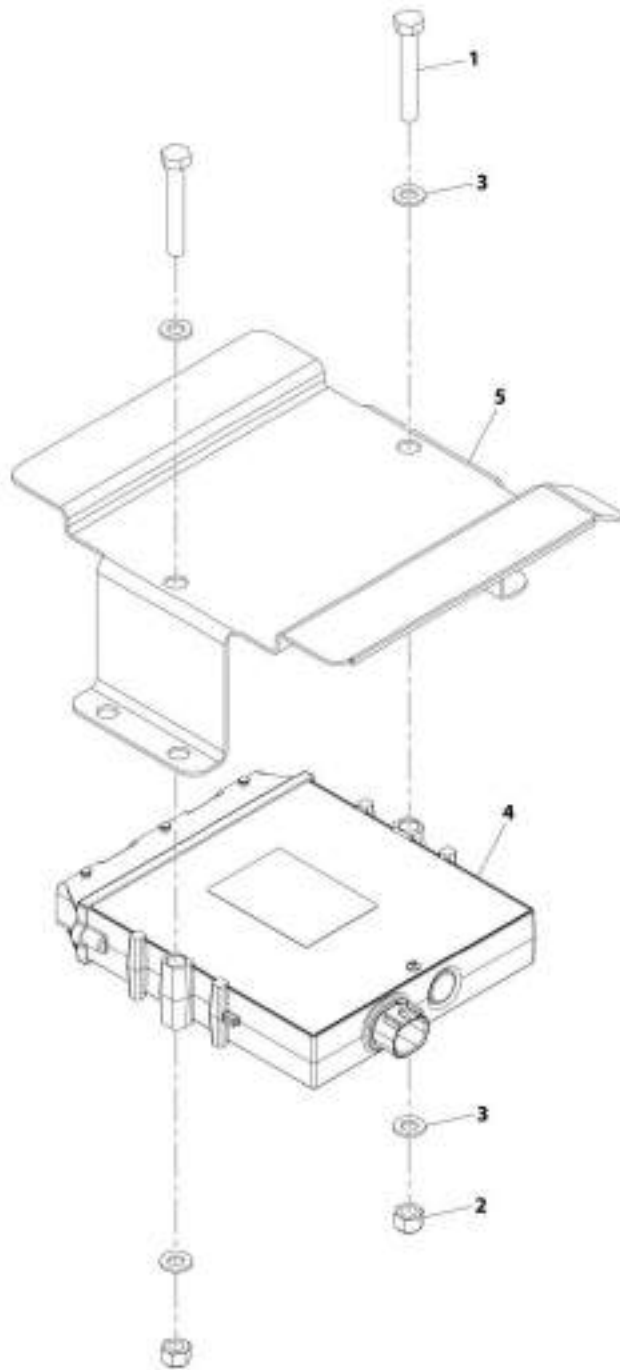
SECTION 10 - ELECTRICAL

FIGURE 10-9. POWER DISTRIBUTION ELECTRICAL BOX

ITEM	PART NUMBER	QTY	DESCRIPTION	REV
	1001164402	Ref	Power Distribution Electrical Box	F
1	1001095336	1	Fuse, 150AMP	
2	70026296	1	Fuse, 200AMP	
3	70026297	1	Fuse, 80AMP	
4	70026297	1	Fuse, 80AMP	
5	70026297	1	Fuse, 80AMP	
6	8229247	1	Fuse, 25AMP	
7	8229244	1	Fuse, 15AMP	
8	8229245	1	Fuse, 30AMP	
9	8229247	1	Fuse, 25AMP	
10	8229245	1	Fuse, 30AMP	
11	8229245	1	Fuse, 30AMP	
12	8229245	1	Fuse, 30AMP	
13	70026294	1	Fuse, 70AMP	
14	70026294	1	Fuse, 70AMP	
15	70026294	1	Fuse, 70AMP	
16	70026294	1	Fuse, 70AMP	
17	70026295	1	Fuse, 35AMP	
18	70026295	1	Fuse, 35AMP	
19	70026295	1	Fuse, 35AMP	

SECTION 10 - ELECTRICAL

FIGURE 10-10. REAR FRAME MODULE INSTALLATION



ART_1001210770-C

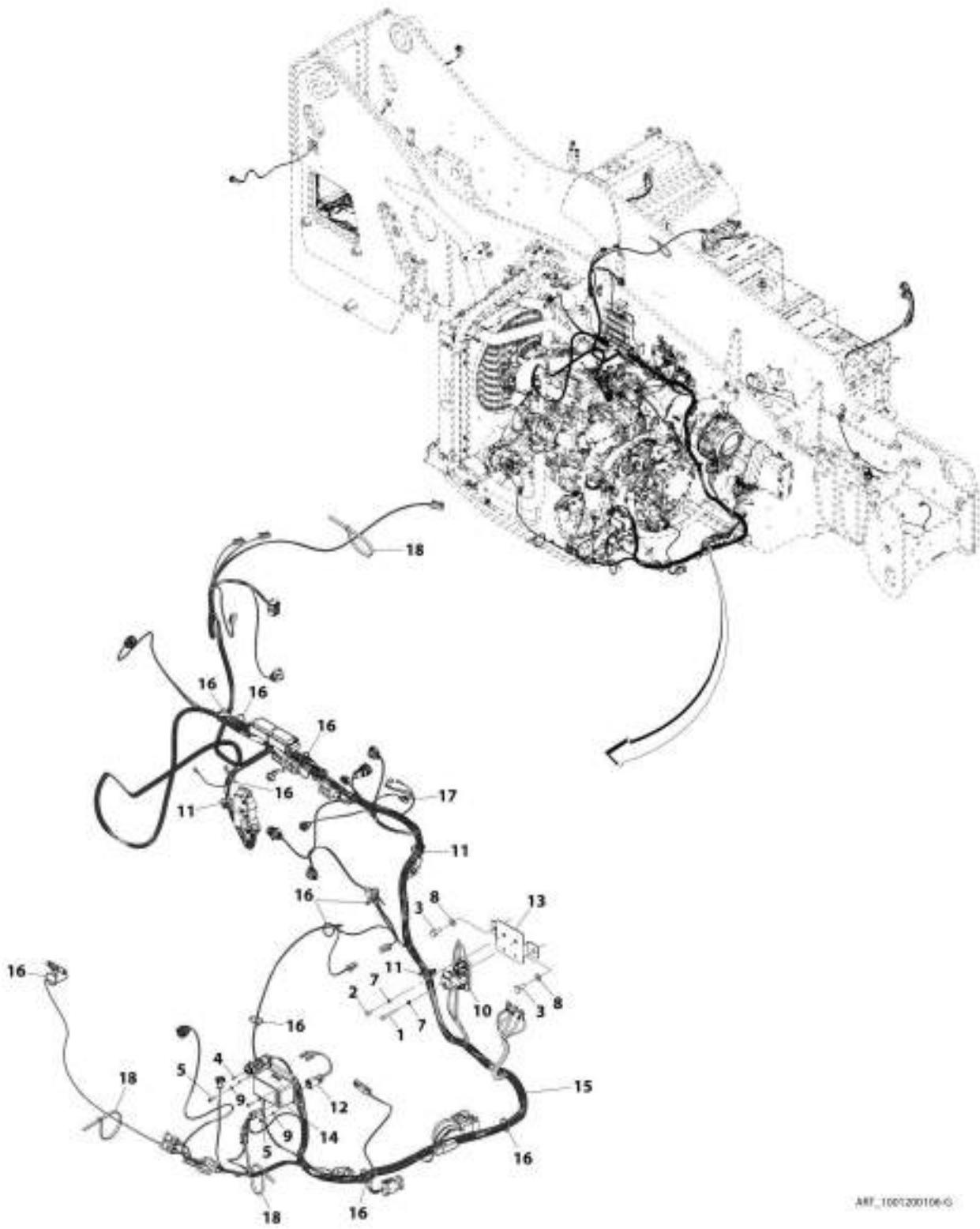
SECTION 10 - ELECTRICAL

FIGURE 10-10. REAR FRAME MODULE INSTALLATION

ITEM	PART NUMBER	QTY	DESCRIPTION	REV
	1001210770	Ref	Rear Frame Module Installation	C
1	0700819	2	Bolt, M8X55	
2	3290805	2	Nut, Lock M8X1.25	
3	4811900	4	Washer, M8	
4	1001162256	1	Control, Rear Frame Module	
5	1001225980	1	Bracket	

SECTION 10 - ELECTRICAL

FIGURE 10-11. ENGINE WIRING INSTALLATION (ULS)



ARF_1001200106-0

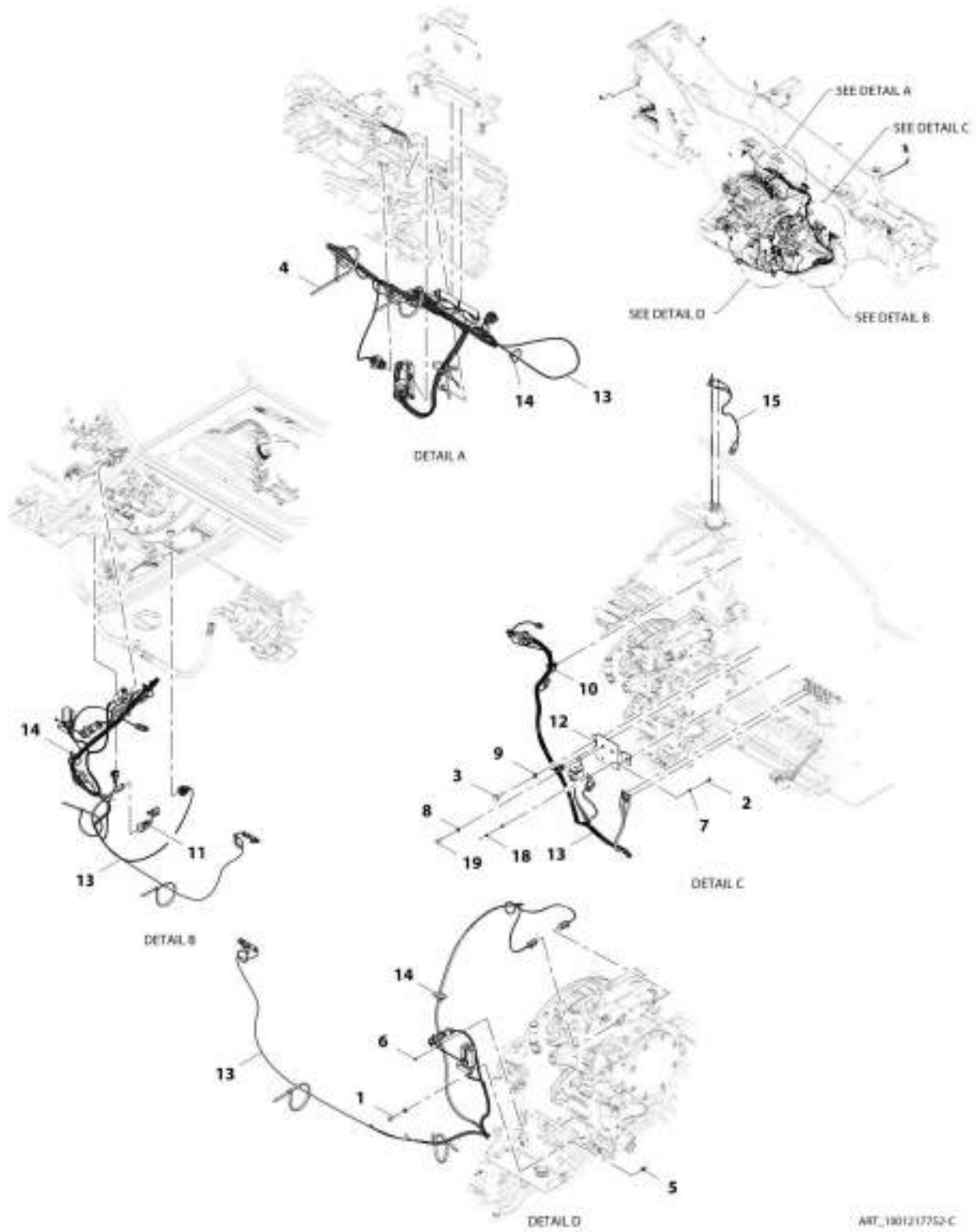
SECTION 10 - ELECTRICAL

FIGURE 10-11. ENGINE WIRING INSTALLATION (ULS)

ITEM	PART NUMBER	QTY	DESCRIPTION	REV
	1001200106	Ref	Engine Wiring Installation (ULS)	G
1	0700618	1	Bolt, M6X50	
2	0760607	1	Bolt, M6X14	
3	0761010	2	Bolt M10X20	
4	4031205	3	Bolt, M3X10	
5	4031607	4	Bolt, M5-0.8X16	
7	4811700	2	Washer, M6	
8	4812000	2	Washer, M10	
9	4831600	4	Washer, Lock M5	
10	1001131177	1	Fuse	
11	1001146588	3	Strap, Cable Tie	
12	1001182929	1	Harness, Fuel Pump (See Seperate Breakdown in this Section)	
13	1001189046	1	Bracket	
14	1001191546	1	Decal, Fuse	
15	1001200108	1	Harness, Engine (ULS) (See Seperate Breakdown in this Section)	
16	1001008559	11	Strap, Cable	
17	1001182930	1	Harness, Glow Plug Relay (See Seperate Breakdown in this Section)	
18	1062255	4	Strap, Tie	

SECTION 10 - ELECTRICAL

FIGURE 10-12. ENGINE WIRING INSTALLATION (LS)



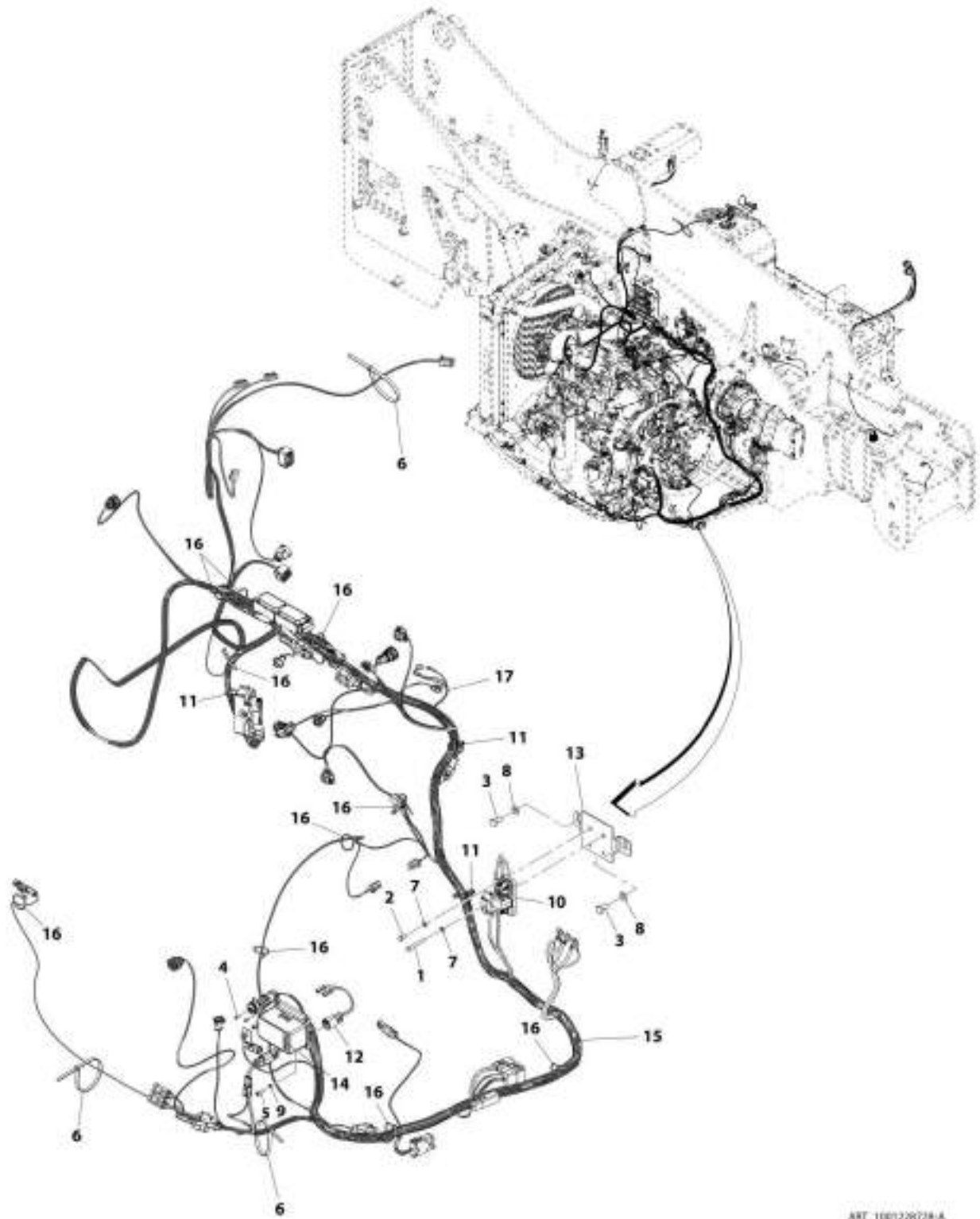
SECTION 10 - ELECTRICAL

FIGURE 10-12. ENGINE WIRING INSTALLATION (LS)

ITEM	PART NUMBER	QTY	DESCRIPTION	REV
	1001217752	Ref	Engine Wiring Installation (LS)	C
1	0700610	2	Bolt, M6X20	
2	0760507	1	Bolt, M5X14	
3	0761010	2	Bolt, M10X20	
4	1062255	2	Strap, Tie	
5	3290601	2	Nut, M6X1	
6	4031205	3	Bolt, M3X10	
7	4811600	2	Washer, M5	
8	4811700	3	Washer, M6	
9	4812000	2	Washer, M10	
10	1001146588	2	Strap, Cable Tie	
11	1001182929	1	Harness, Fuel Pump (See Seperate Breakdown in this Section)	
12	1001189046	1	Bracket	
13	1001217751	1	Harness, Engine (LS) (See Seperate Breakdown in this Section)	
14	1001008559	10	Strap, Cable	
15	1001182930	1	Harness, Glow Plug Relay (See Seperate Breakdown in this Section)	
18	3290501	1	Nut, M5X0.8	
19	0760607	1	Bolt, M6X14	

SECTION 10 - ELECTRICAL

FIGURE 10-13. ENGINE WIRING INSTALLATION (MINING) (ULS)



ART_100128728-A

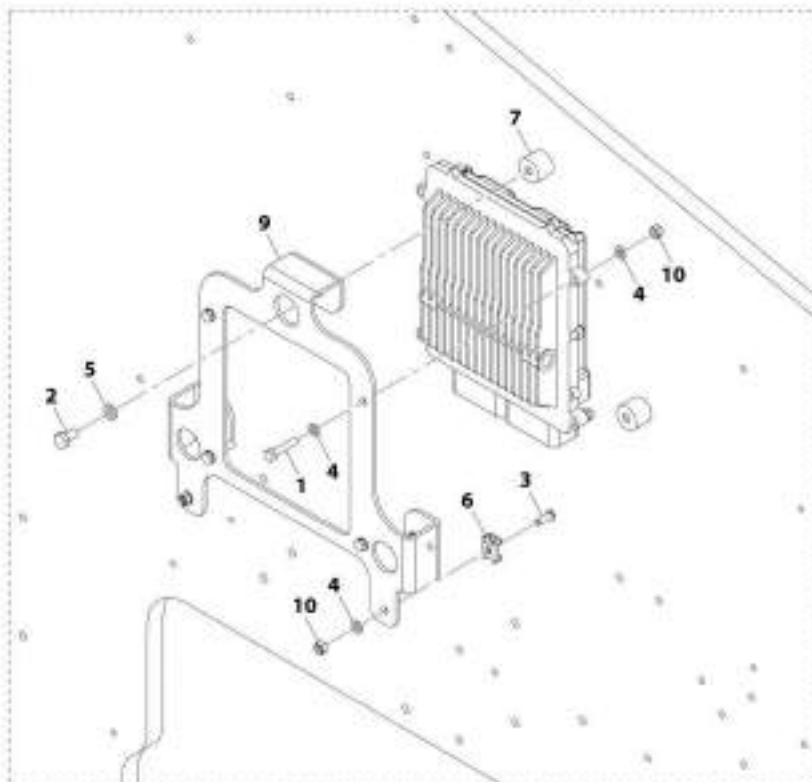
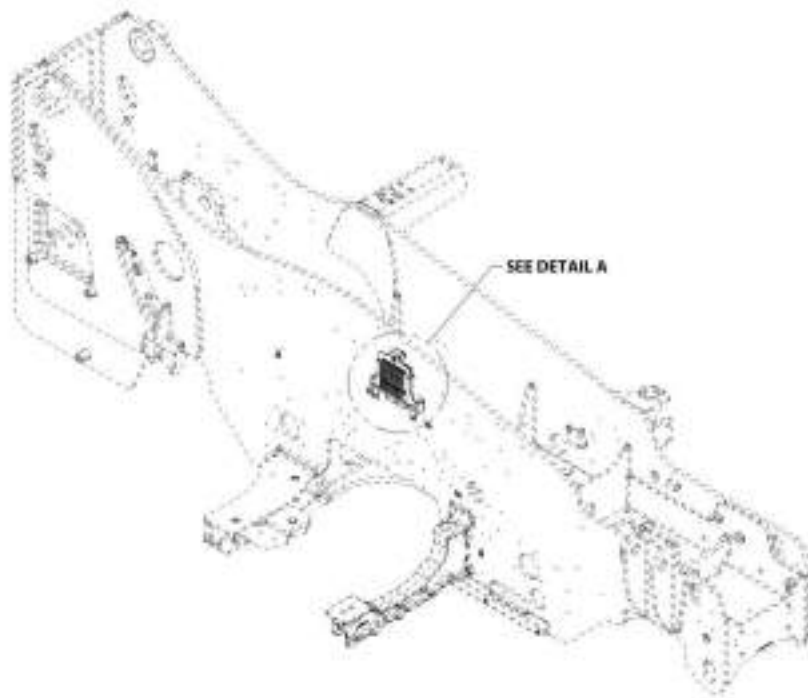
SECTION 10 - ELECTRICAL

FIGURE 10-13. ENGINE WIRING INSTALLATION (MINING) (ULS)

ITEM	PART NUMBER	QTY	DESCRIPTION	REV
	1001228728	Ref	Engine Wiring Installation (Mining) (ULS)	A
1	0700618	1	Bolt, M6X50	
2	0760607	1	Bolt, M6X14	
3	0761010	2	Bolt, M10X20	
4	4031205	3	Bolt, M3X10	
5	4031607	4	Bolt, M5X16	
6	1062255	4	Strap, Tie	
7	4811700	2	Washer, M6	
8	4812000	2	Washer, M10	
9	4831600	4	Washer, Lock M5	
10	1001131177	1	Fuse	
11	1001146588	3	Strap, Cable Tie	
12	1001228733	1	Harness, Fuel Pump (See Seperate Breakdown in this Section)	
13	1001189046	1	Bracket	
14	1001191546	1	Decal, Fuse	
15	1001228731	1	Harness, Engine (Mining) (ULS) (See Seperate Breakdown in this Section)	
16	1001008559	11	Strap, Cable	
17	1001228732	1	Harness, Glow Plug Relay (See Seperate Breakdown in this Section)	

SECTION 10 - ELECTRICAL

FIGURE 10-14. ENGINE ECU INSTALLATION



DETAIL A

AWT_1001208899-B

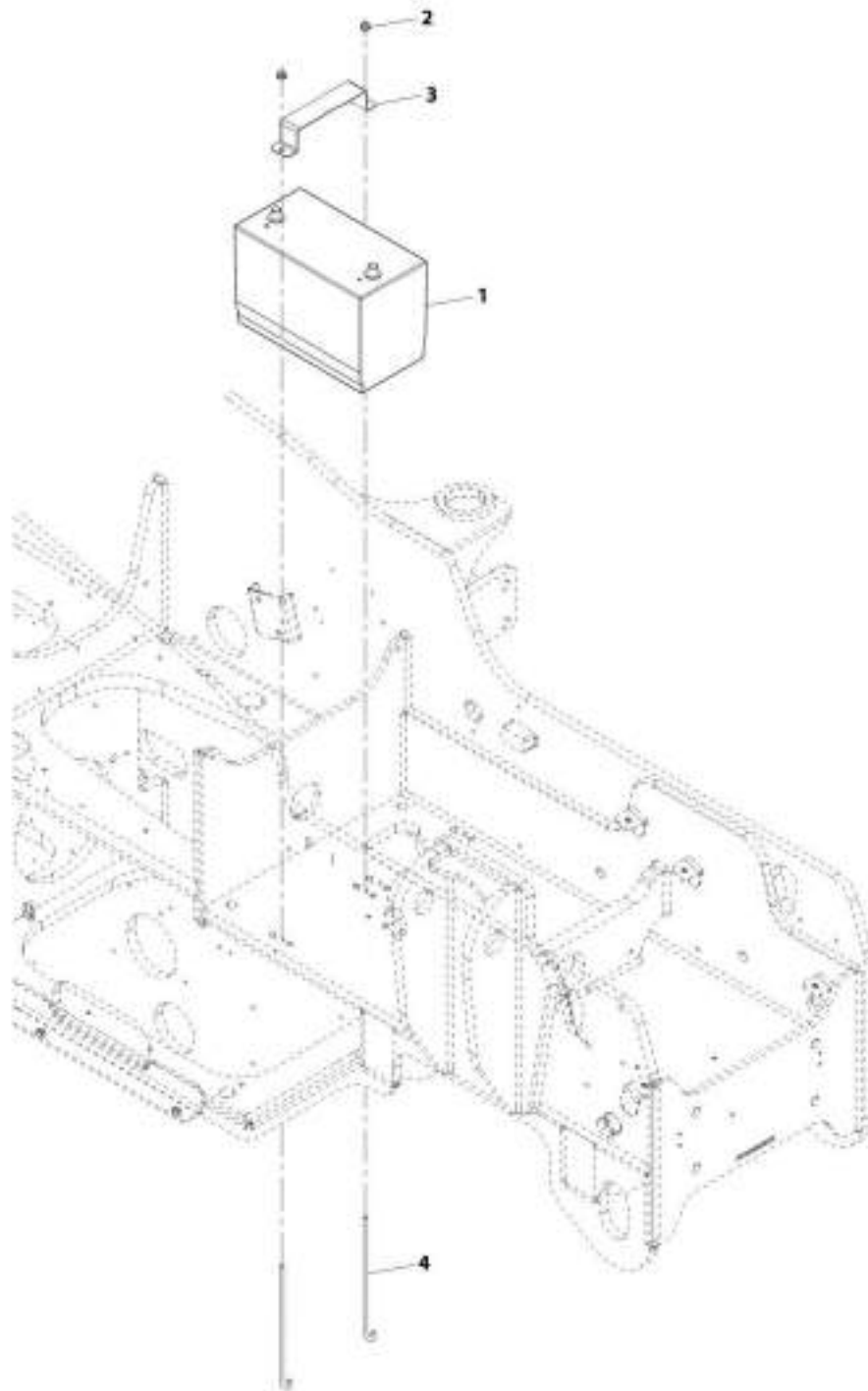
SECTION 10 - ELECTRICAL

FIGURE 10-14. ENGINE ECU INSTALLATION

ITEM	PART NUMBER	QTY	DESCRIPTION	REV
	1001200869	Ref	Engine ECU Installation	B
1	0700614	4	Bolt, M6X30	
2	0760807	3	Bolt, M8X14	
3	3900357	2	Capscrew, M6X16	
4	4811700	10	Washer, M6	
5	4831900	3	Washer, Lock M8	
6	1001138645	2	Mount, Cable Tie	
7	1001179907	3	Mount, Isolator	
9	1001210397	1	Plate	
10	3290605	6	Nut, Lock M6X1	

SECTION 10 - ELECTRICAL

FIGURE 10-15. BATTERY INSTALLATION



AWT_100138005-A

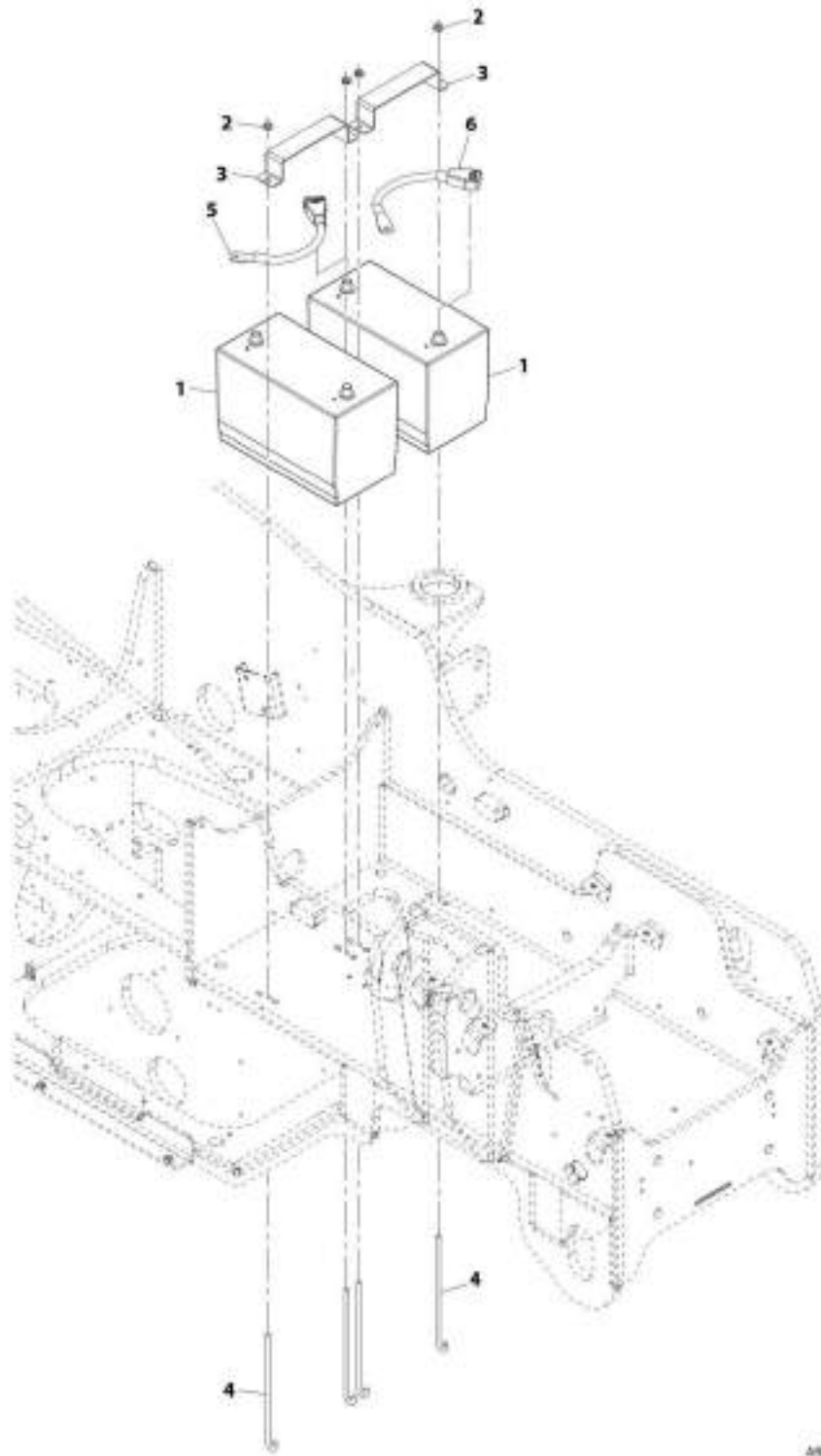
SECTION 10 - ELECTRICAL

FIGURE 10-15. BATTERY INSTALLATION

ITEM	PART NUMBER	QTY	DESCRIPTION	REV
	1001186855	Ref	Battery Installation	A
1	0400075	1	Battery, 12V	
2	5220800	2	Nut, Ripp M8	
3	1001160927	1	Plate	
4	1001160928	2	J-Bolt	

SECTION 10 - ELECTRICAL

FIGURE 10-16. DUAL BATTERY INSTALLATION



ART 3001211445-B

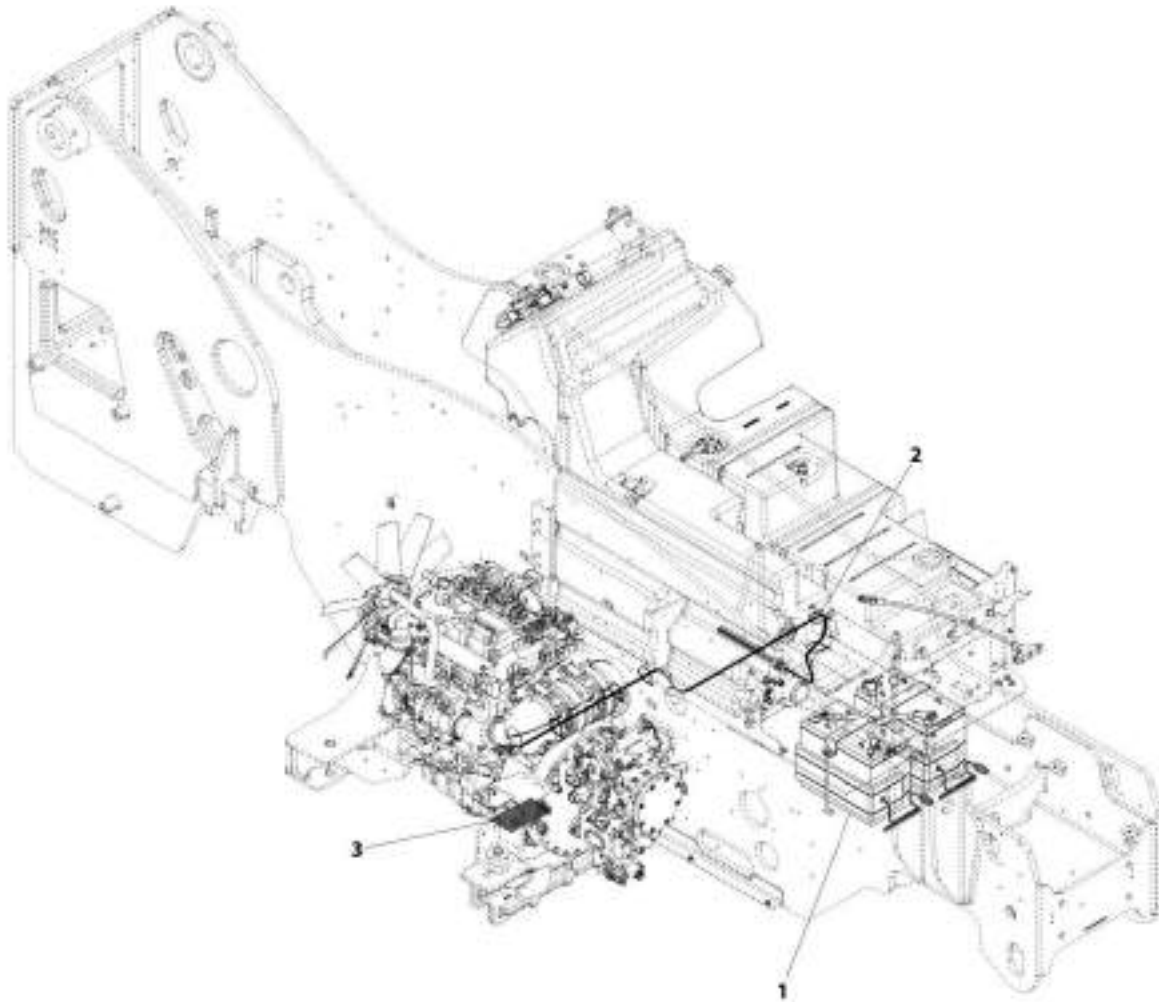
SECTION 10 - ELECTRICAL

FIGURE 10-16. DUAL BATTERY INSTALLATION

ITEM	PART NUMBER	QTY	DESCRIPTION	REV
	1001211445	Ref	Dual Battery Installation	B
1	0400075	2	Battery, 12V	
2	5220800	4	Nut, Ripp M8	
3	1001160927	2	Plate	
4	1001160928	4	J-Bolt	
5	1001172495	1	Cable, Positive Battery	
6	1001172496	1	Cable, Negative Battery	

SECTION 10 - ELECTRICAL

FIGURE 10-17. ARCTIC PACKAGE INSTALLATION (240V)



ART_1001204544-C

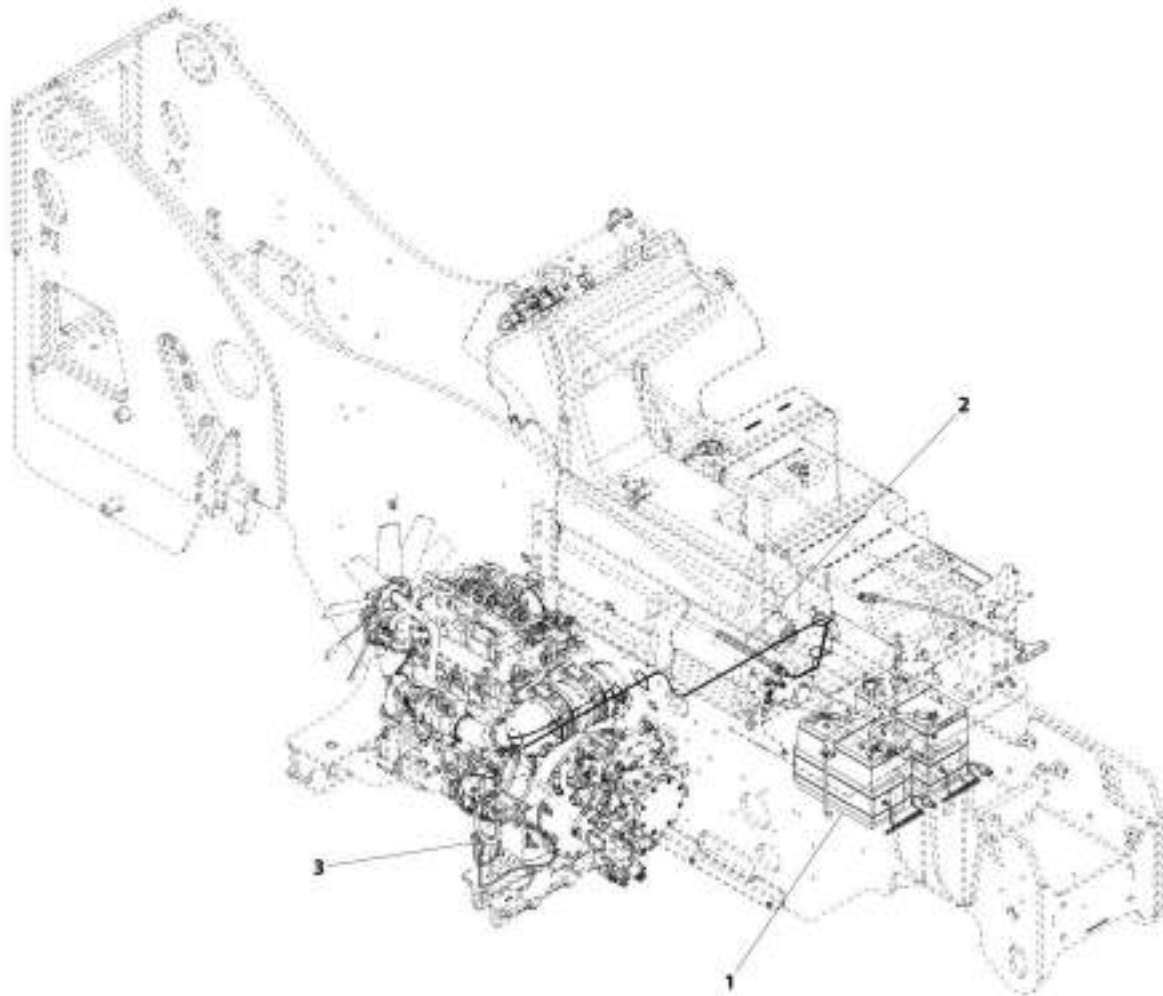
SECTION 10 - ELECTRICAL

FIGURE 10-17. ARCTIC PACKAGE INSTALLATION (240V)

ITEM	PART NUMBER	QTY	DESCRIPTION	REV
1	1001204544	Ref	Arctic Package Installation (240V)	C
	1001204548	Ref	Installation, Arctic Battery, (240V) (See Seperate Breakdown in this Section)	
2	1001204549	Ref	Installation, Hydraulic Tank Heater (240V) (See Seperate Breakdown in this Section)	
3	1001196332	1	Heater, Oil Pan	

SECTION 10 - ELECTRICAL

FIGURE 10-18. ARTIC BATTERY PACKAGE INSTALLATION (115V)



ART_5001184450-C

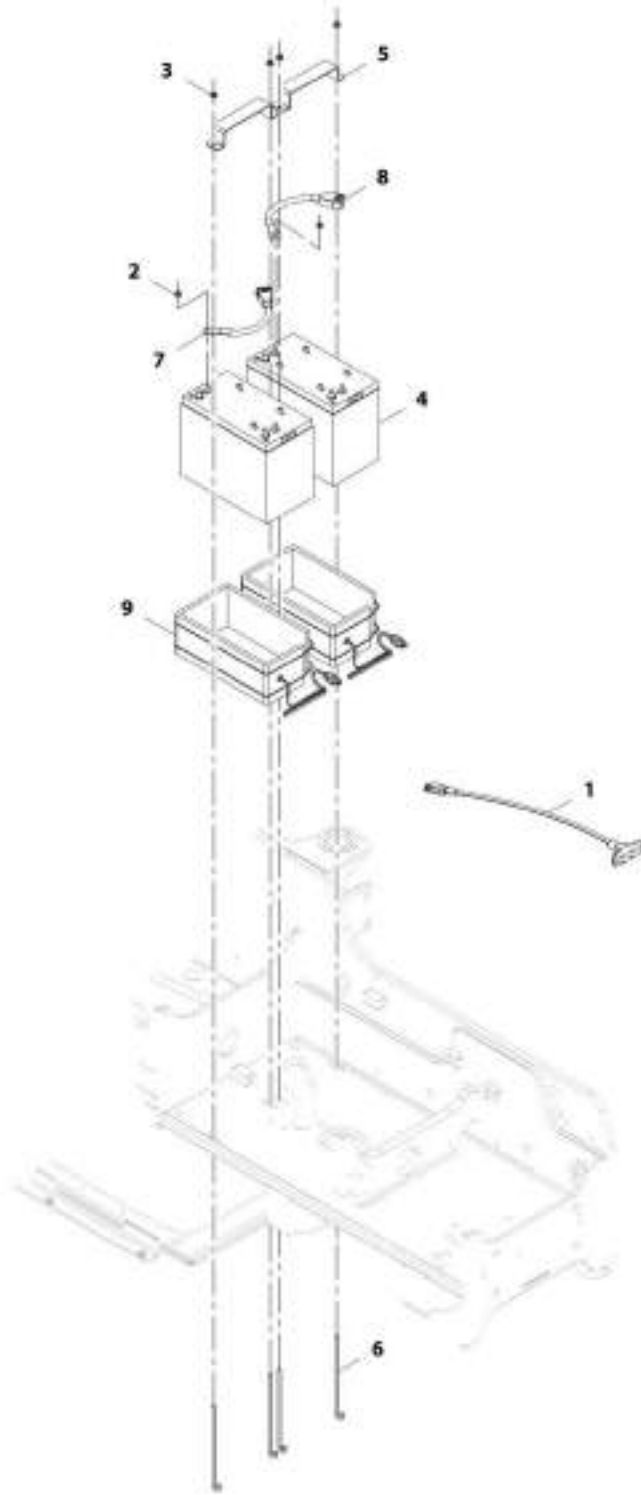
SECTION 10 - ELECTRICAL

FIGURE 10-18. ARTIC BATTERY PACKAGE INSTALLATION (115V)

ITEM	PART NUMBER	QTY	DESCRIPTION	REV
1	1001186856	Ref	INSTALL,COLD WEATHER PKG ARCTIC, JLG	C
	1001195582	Ref	Installation, Arctic Battery Package (115V) (See Seperate Breakdown in this Section)	
2	1001195593	Ref	Installation, Hydraulic Tank Heater (115V) (See Seperate Breakdown in this Section)	
3	2580040	1	Heater, Engine Oil Pan	

SECTION 10 - ELECTRICAL

FIGURE 10-19. ARCTIC BATTERIES INSTALLATION (240V)



ART_1801204540-A

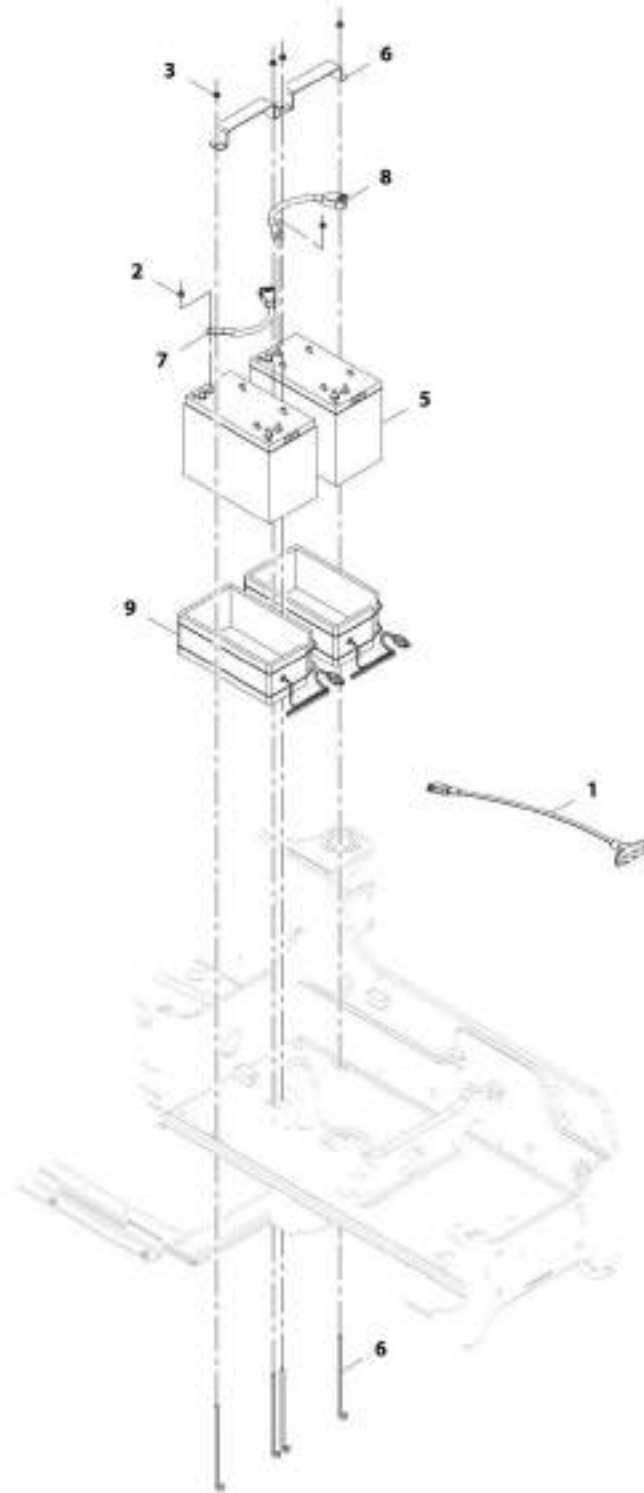
SECTION 10 - ELECTRICAL

FIGURE 10-19. ARCTIC BATTERIES INSTALLATION (240V)

ITEM	PART NUMBER	QTY	DESCRIPTION	REV
	1001204548	Ref	Arctic Battery Package Installation (240V)	A
1	1060626	1	Cord, 3-Way Extension	
2	3311508	2	Nut, 5/16-18	
3	5220800	4	Nut, M8	
4	1001098762	2	Battery, 12V	
5	1001160927	2	Plate, Battery Hold Down	
6	1001160928	4	J-Bolt	
7	1001172495	1	Cable, Positive Battery	
8	1001172496	1	Cable, Negative Battery	
9	1001195469	2	Heater, Battery	

SECTION 10 - ELECTRICAL

FIGURE 10-20. ARCTIC BATTERIES INSTALLATION (115V)



ART_1801165582-B

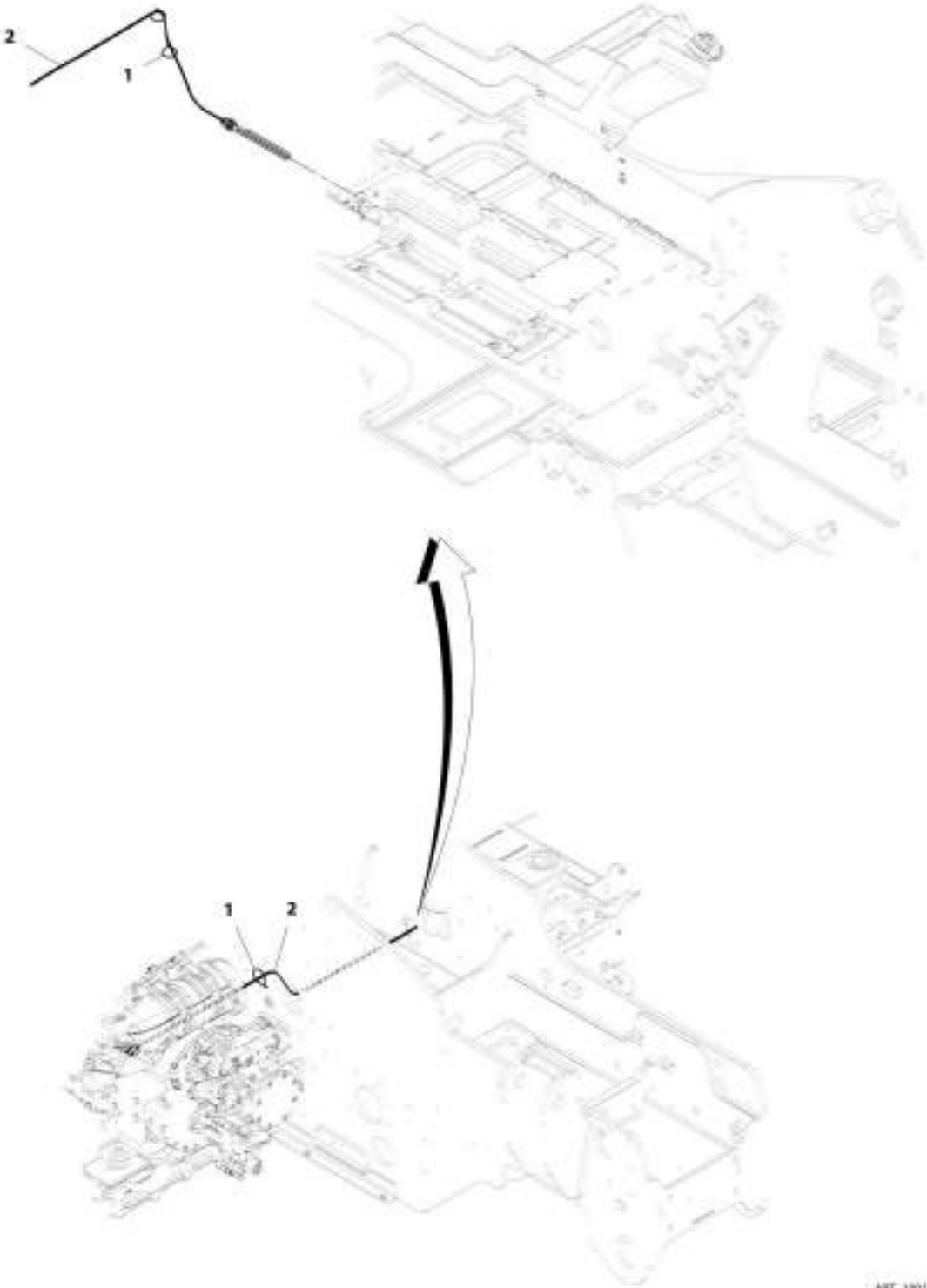
SECTION 10 - ELECTRICAL

FIGURE 10-20. ARCTIC BATTERIES INSTALLATION (115V)

ITEM	PART NUMBER	QTY	DESCRIPTION	REV
	1001195582	Ref	Arctic Batteries Installation (115V)	B
1	1060626	1	Cord, 3-Way Extension	
2	3311508	2	Nut, 5/16-18	
3	5220800	4	Nut, M8	
4	1001093564	2	Heater, Battery	
5	1001098762	2	Battery, 12V	
6	1001160927	2	Plate, Battery Hold Down	
7	1001160928	4	J-Bolt	
8	1001172495	1	Cable, Positive Battery	
9	1001172496	1	Cable, Negative Battery	

SECTION 10 - ELECTRICAL

FIGURE 10-21. HYDRAULIC TANK HEATER INSTALLATION (240V)



ART_1801204549-B

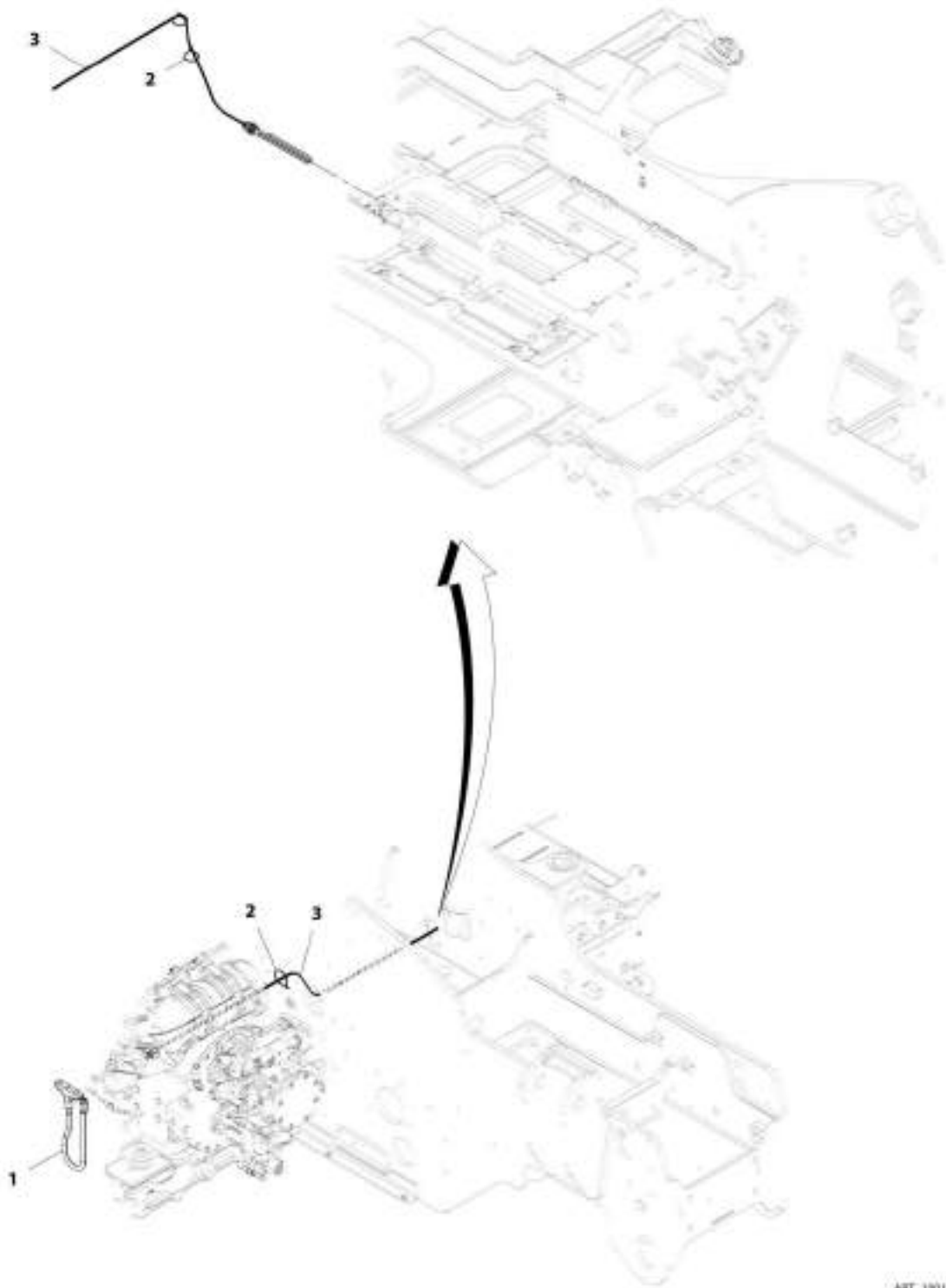
SECTION 10 - ELECTRICAL

FIGURE 10-21. HYDRAULIC TANK HEATER INSTALLATION (240V)

ITEM	PART NUMBER	QTY	DESCRIPTION	REV
1	1001204549	Ref	Hydraulic Tank Heater Installation (240V)	B
	4240099	AR	Tie, Wire	
2	1001195439	1	Heater, Immersion	

SECTION 10 - ELECTRICAL

FIGURE 10-22. HYDRAULIC TANK HEATER INSTALLATION (115V)



ART_1801105593-B

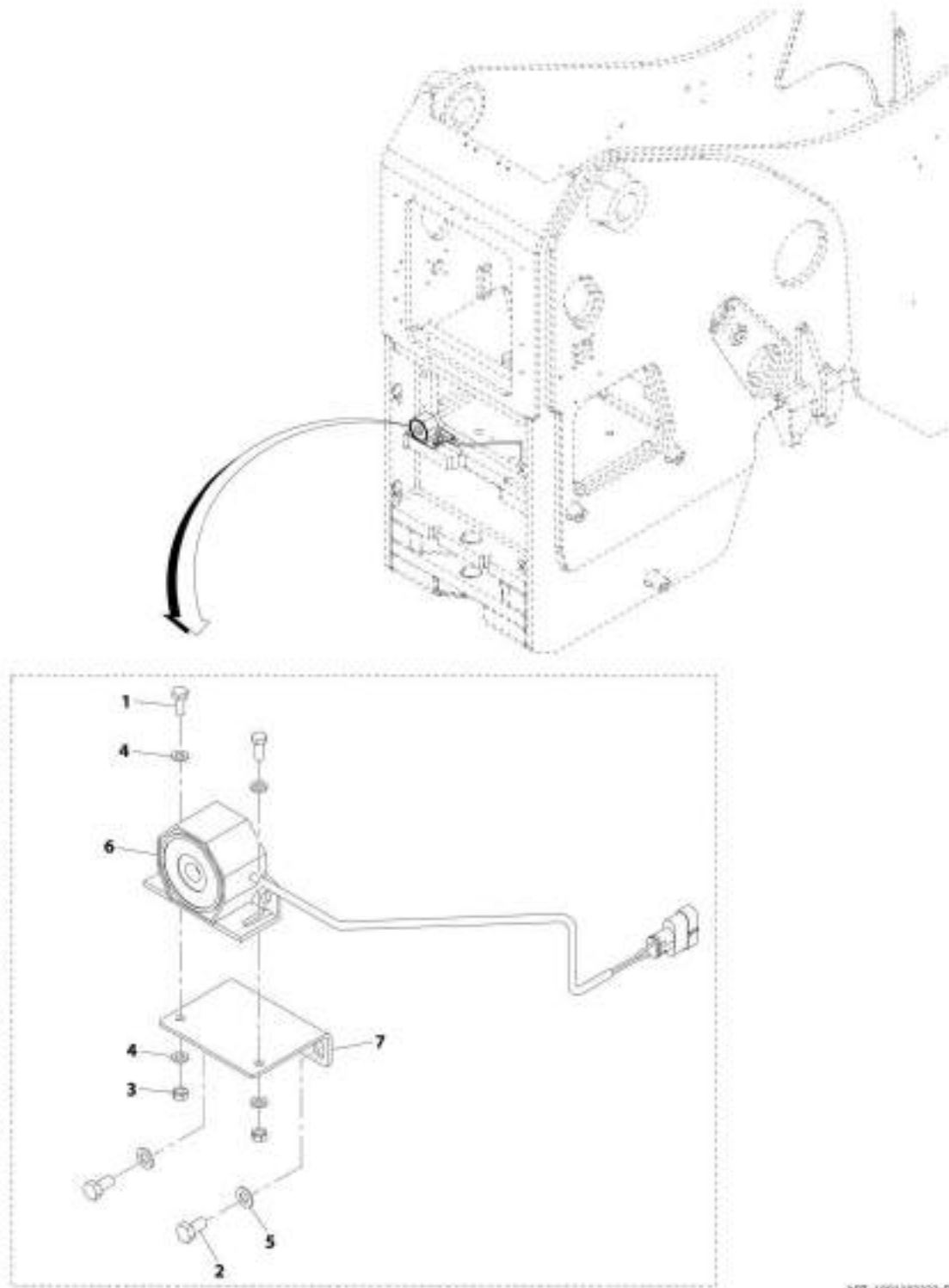
SECTION 10 - ELECTRICAL

FIGURE 10-22. HYDRAULIC TANK HEATER INSTALLATION (115V)

ITEM	PART NUMBER	QTY	DESCRIPTION	REV
	1001195593	Ref	Hydraulic Tank Heater Installation (115V)	B
1	1060626	1	Cord, 3-Way Extension	
2	4240099	AR	Tie, Wire	
3	1001105886	1	Heater, Immersion	

SECTION 10 - ELECTRICAL

FIGURE 10-23. BACKUP ALARM INSTALLATION



XRT_1001192323-0

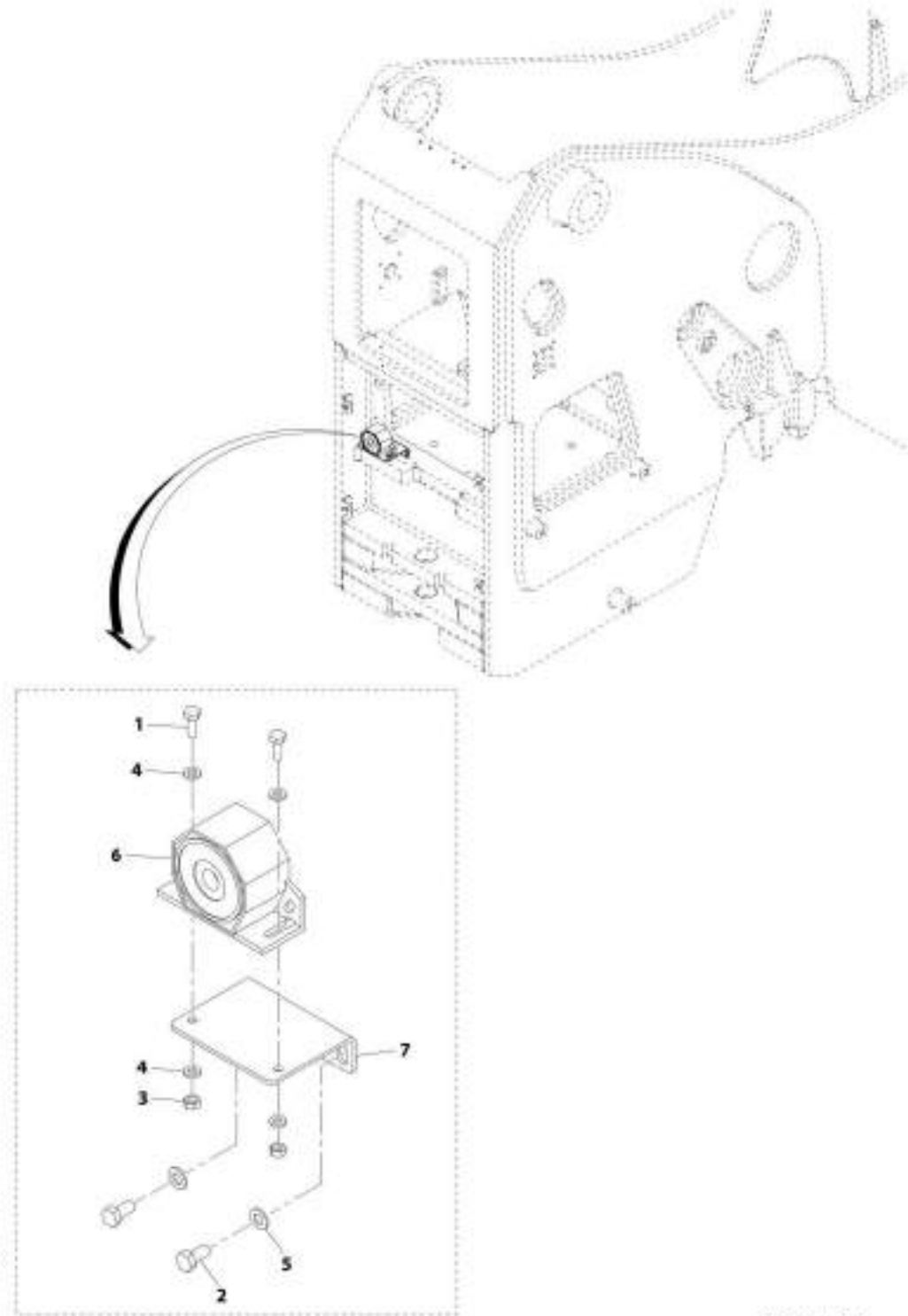
SECTION 10 - ELECTRICAL

FIGURE 10-23. BACKUP ALARM INSTALLATION

ITEM	PART NUMBER	QTY	DESCRIPTION	REV
	1001192323	Ref	Backup Alarm Installation	D
1	0760608	2	Bolt, M6X16	
2	0760808	2	Bolt, M8X16	
3	3290601	2	Nut, M6X1	
4	4811700	4	Washer, M6	
5	4811900	2	Washer, M8	
6	1001101808	1	Alarm, Backup	
7	1001193698	1	Bracket	

SECTION 10 - ELECTRICAL

FIGURE 10-24. BACKUP ALARM INSTALLATION (WHITE NOISE)



ART_1001185263-8

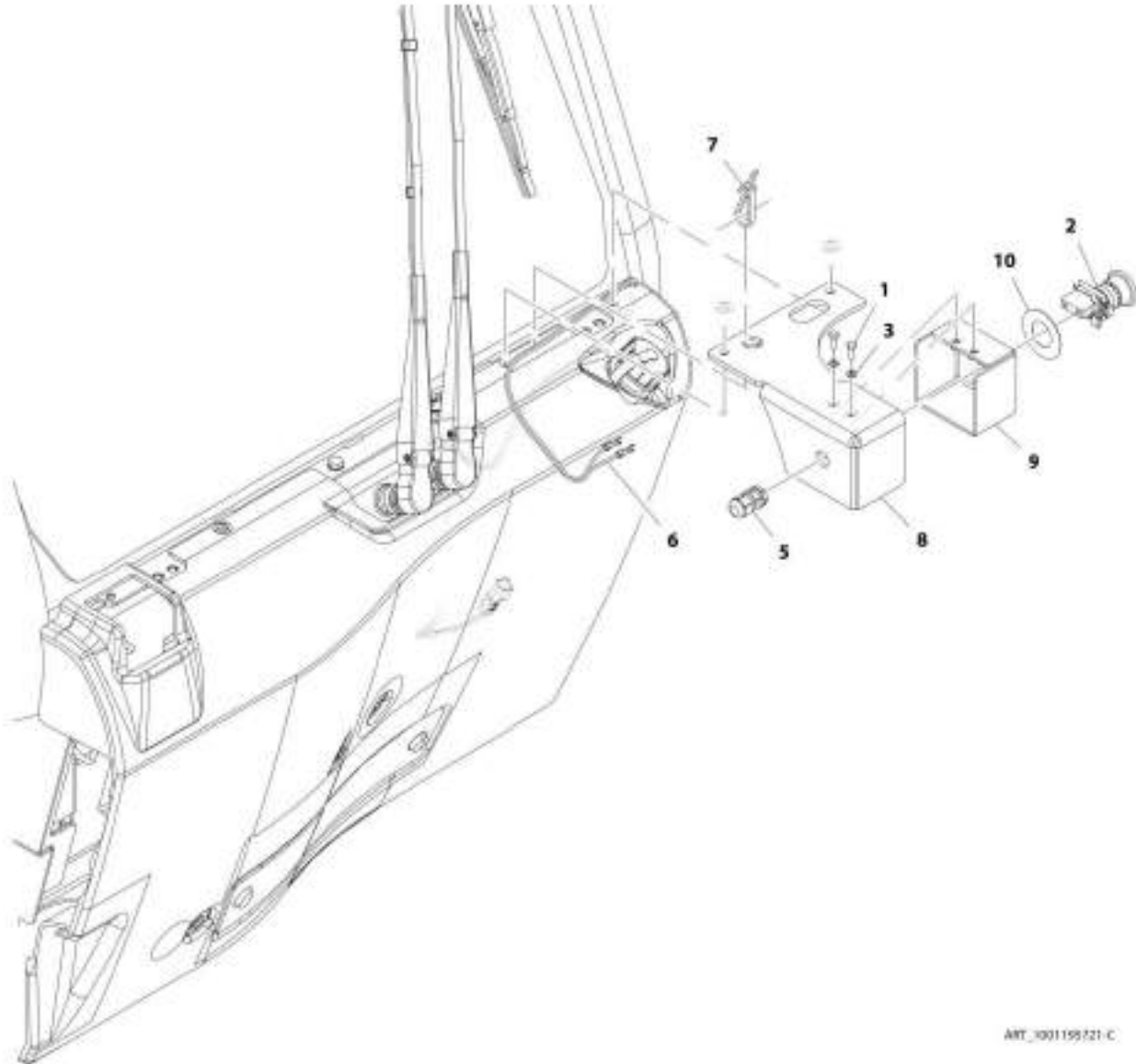
SECTION 10 - ELECTRICAL

FIGURE 10-24. BACKUP ALARM INSTALLATION (WHITE NOISE)

ITEM	PART NUMBER	QTY	DESCRIPTION	REV
	1001195263	Ref	Backup Alarm Installation (White Noise)	B
1	0760608	2	Bolt, M6X16	
2	0760808	2	Bolt, M8X16	
3	3290601	2	Nut, M6X1	
4	4811700	4	Washer, M6	
5	4811900	2	Washer, M8	
6	1001165827	1	Alarm, Backup (White Noise)	
7	1001193698	1	Bracket	

SECTION 10 - ELECTRICAL

FIGURE 10-25. EMERGENCY STOP EXTERNAL INSTALLATION



ART_1001199121-C

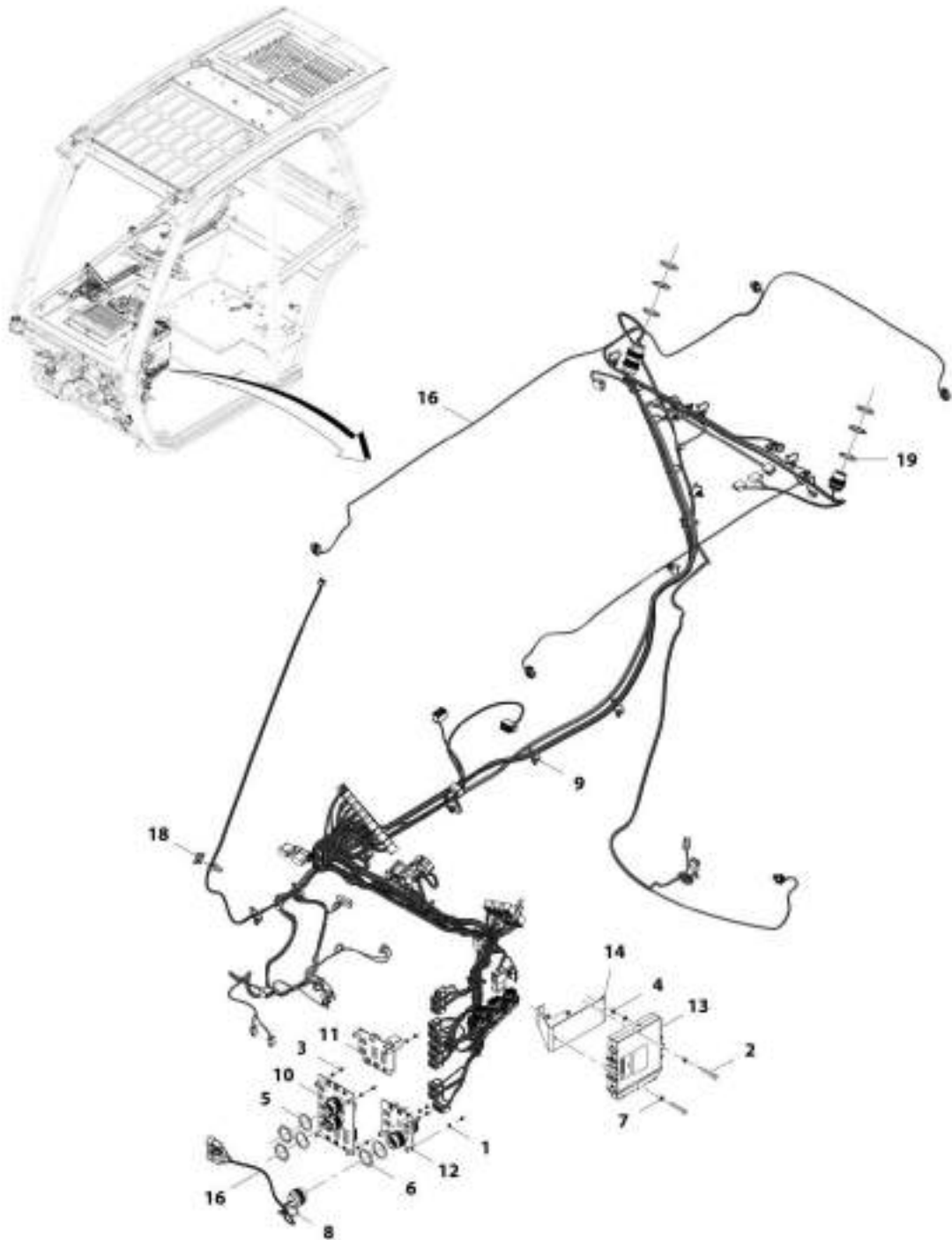
SECTION 10 - ELECTRICAL

FIGURE 10-25. EMERGENCY STOP EXTERNAL INSTALLATION

ITEM	PART NUMBER	QTY	DESCRIPTION	REV
	1001195721	Ref	Emergency Stop External Installation	C
1	0760507	2	Bolt, M5X14	
2	4360475	1	Switch, E-Stop	
3	4811600	2	Washer, M5	
5	4461000	1	Connector	
6	1001217320	1	Harness, External EMS	
7	1001008559	1	Strap, Tie	
8	1001220859	1	Bracket	
9	1001220861	1	Shield	
10	1704260	1	Decal, EMS	

SECTION 10 - ELECTRICAL

FIGURE 10-26. CAB ELECTRICAL INSTALLATION



ART_1001102598-H

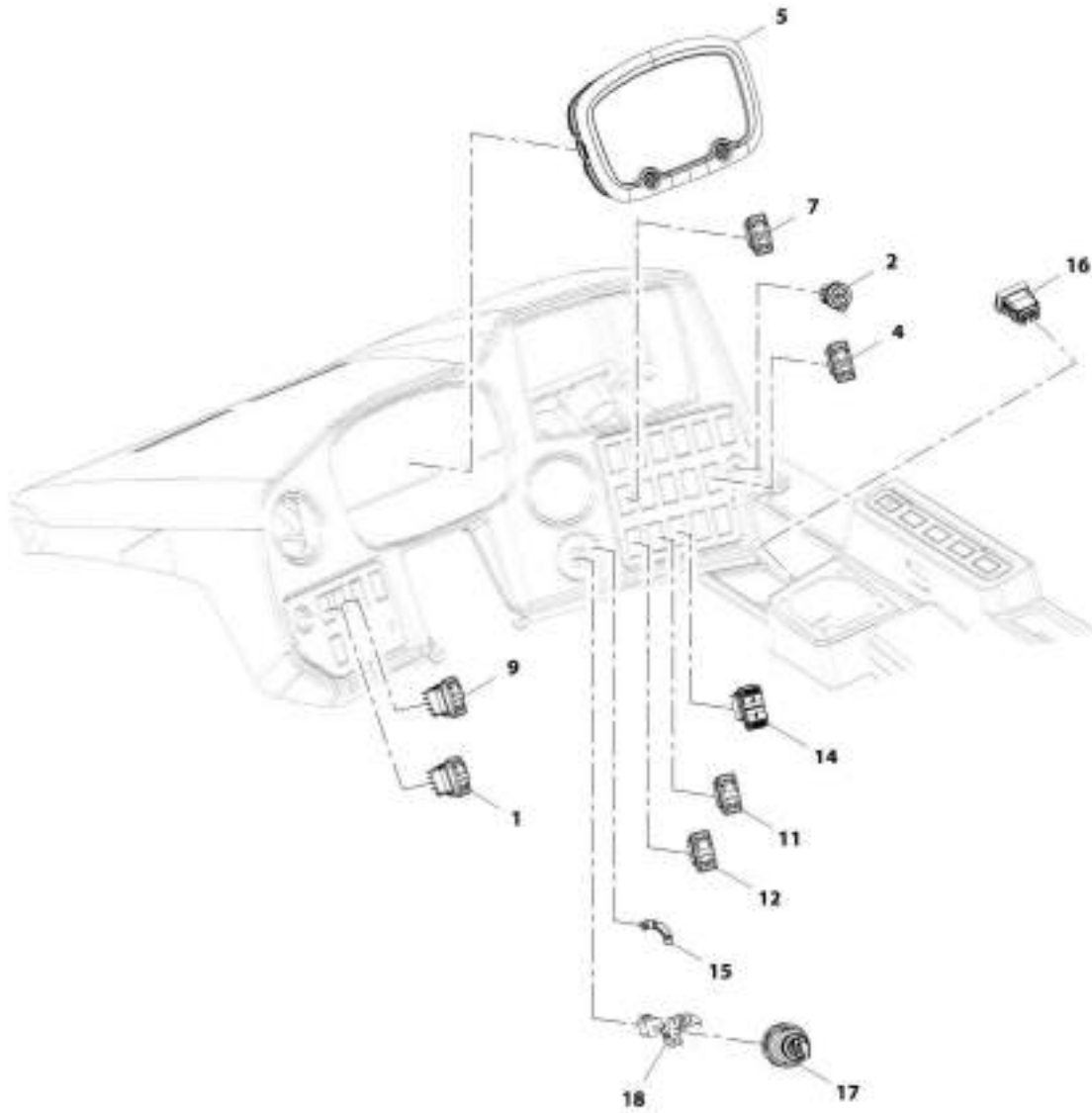
SECTION 10 - ELECTRICAL

FIGURE 10-26. CAB ELECTRICAL INSTALLATION

ITEM	PART NUMBER	QTY	DESCRIPTION	REV
	1001192558	Ref	Cab Electrical Installation	H
1	120034	7	Washer, Plastic	
2	0700618	2	Bolt, M6X50	
3	3290501	7	Nut, M5X0.8	
4	3290601	2	Nut, M6X1	
5	4460496	5	Washer, Terminal Lock	
6	4460497	5	Nut, Terminal	
7	4811700	4	Washer, M6	
8	1001008559	2	Strap, Cable Tie	
9	1001146588	24	Strap, Cable Tie	
10	1001161769	1	Assembly, Standard Electrical Board (See Separate Breakdown in Electrical Section)	
11	1001161770	1	Assembly, Option 1 Electrical Board (See Separate Breakdown in Electrical Section)	
12	1001161771	1	Assembly, Option 2 Electrical Board (See Separate Breakdown in Electrical Section)	
13	1001162249	1	Module, Cab Control	
14	1001178933	1	Bracket	
15	1001181681	1	Harness, Cab Option LBP (See Separate Breakdown in Electrical Section)	
16	1001193940	1	Harness, Cab (See Separate Breakdown in Electrical Section)	
18	4460234	1	Terminal, Mount Cable Tie	
19	1001211693	2	Seal	

SECTION 10 - ELECTRICAL

FIGURE 10-27. DASH ELECTRICAL INSTALLATION



ART_1801102560-F

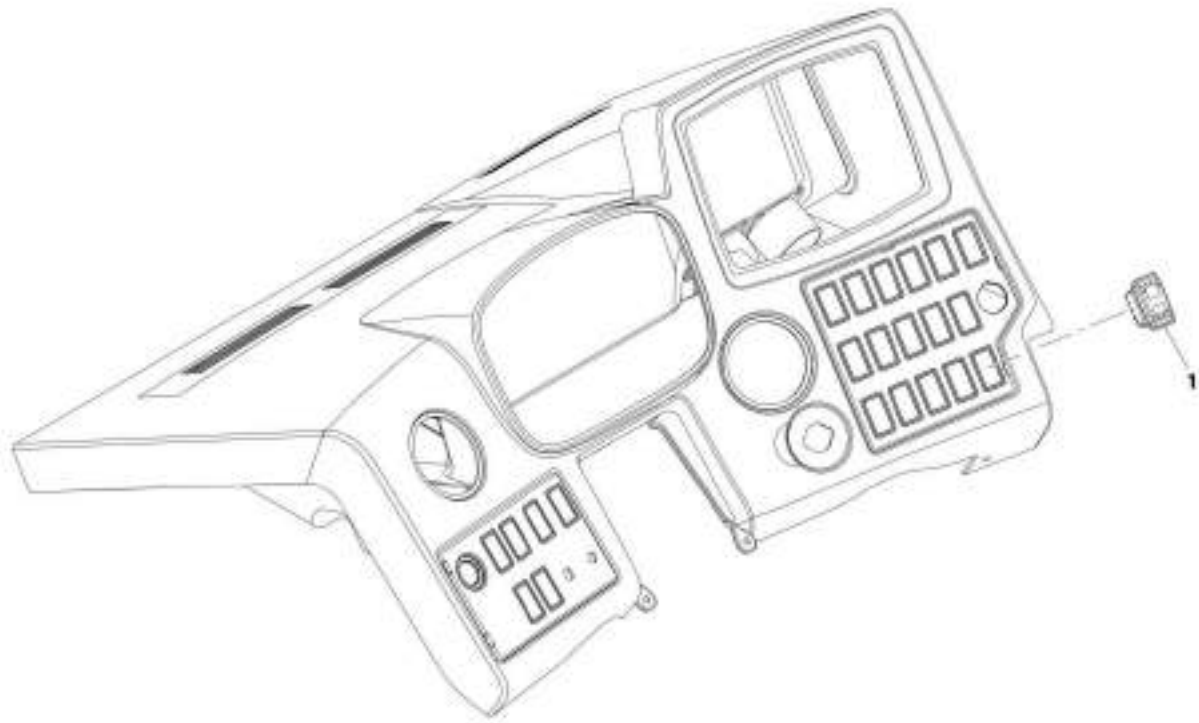
SECTION 10 - ELECTRICAL

FIGURE 10-27. DASH ELECTRICAL INSTALLATION

ITEM	PART NUMBER	QTY	DESCRIPTION	REV
	1001192560	Ref	Dash Electrical Installation	F
1	1001080978	1	Switch, Lift/Loader	
2	1001095804	1	Connector, 12V Power Socket	
4	1001104654	1	Switch, Aux Decomp	
5	1001158146	1	Cluster, Electrical Gauge	
7	1001159735	1	Switch, Rear Wiper	
9	1001159741	1	Switch, Constant AUX	
11	1001159743	1	Switch, Road Use	
12	1001159849	1	Switch, Steer Mode	
14	1001174712	1	Charger, USB	
15	1001181531	1	Decal, Ignition Switch	
16	1001212470	1	Switch, Frame Level	
17	1001102502	1	Switch, 4 Position Key	
17	70022765	1	Key, Ignition (set of 2)	
18	1001223968	1	Harness, Ignition Switch (See Separate Breakdown in this Section)	

SECTION 10 - ELECTRICAL

FIGURE 10-28. LIGHT SWITCH INSTALLATION



ARS_1001215121-A

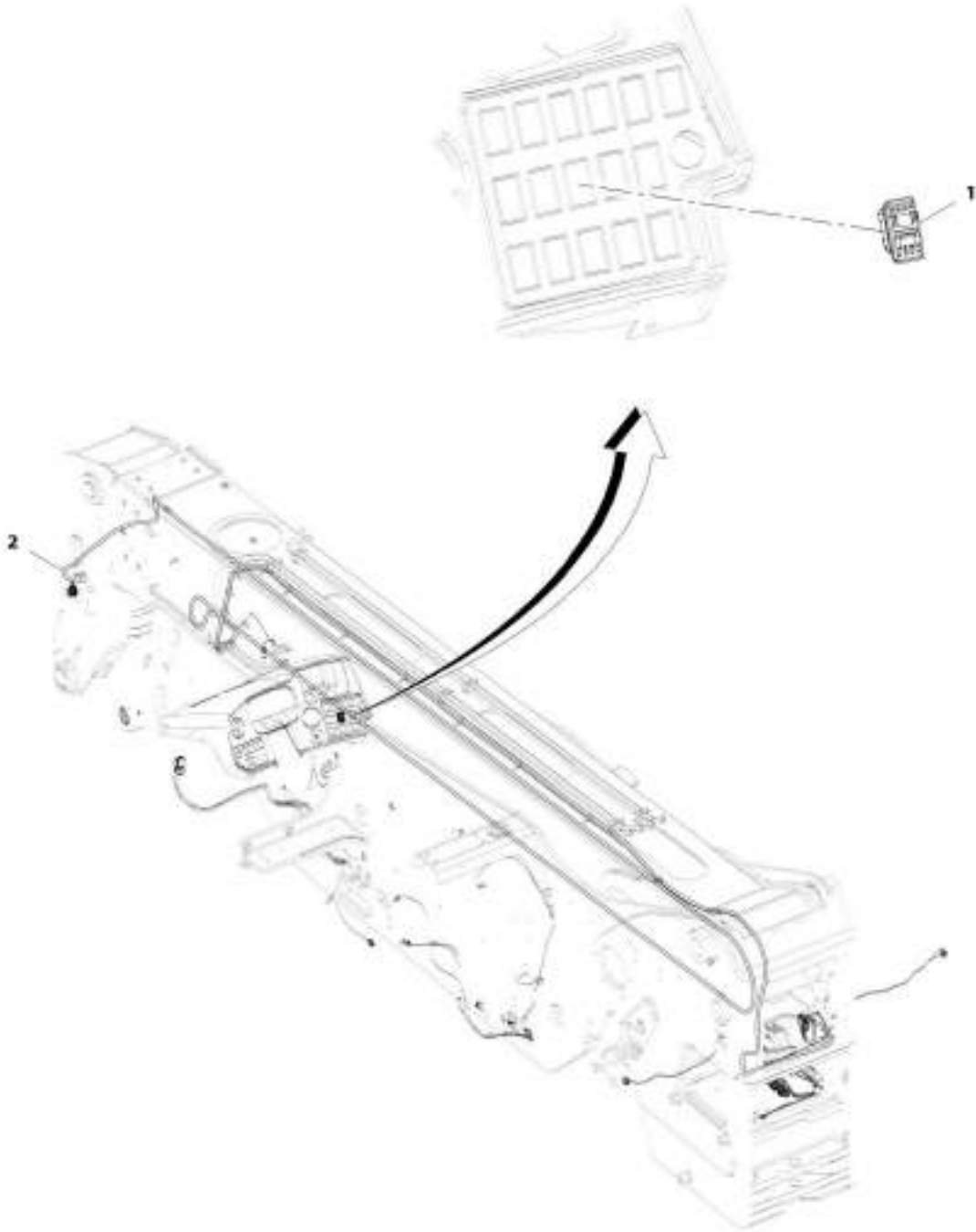
SECTION 10 - ELECTRICAL

FIGURE 10-28. LIGHT SWITCH INSTALLATION

ITEM	PART NUMBER	QTY	DESCRIPTION	REV
1	1001215121 1001163639	Ref 1	Light Switch Installation Switch, Light	A

SECTION 10 - ELECTRICAL

FIGURE 10-29. BOOM HARNESS INSTALLATION



ART_1801162575-B

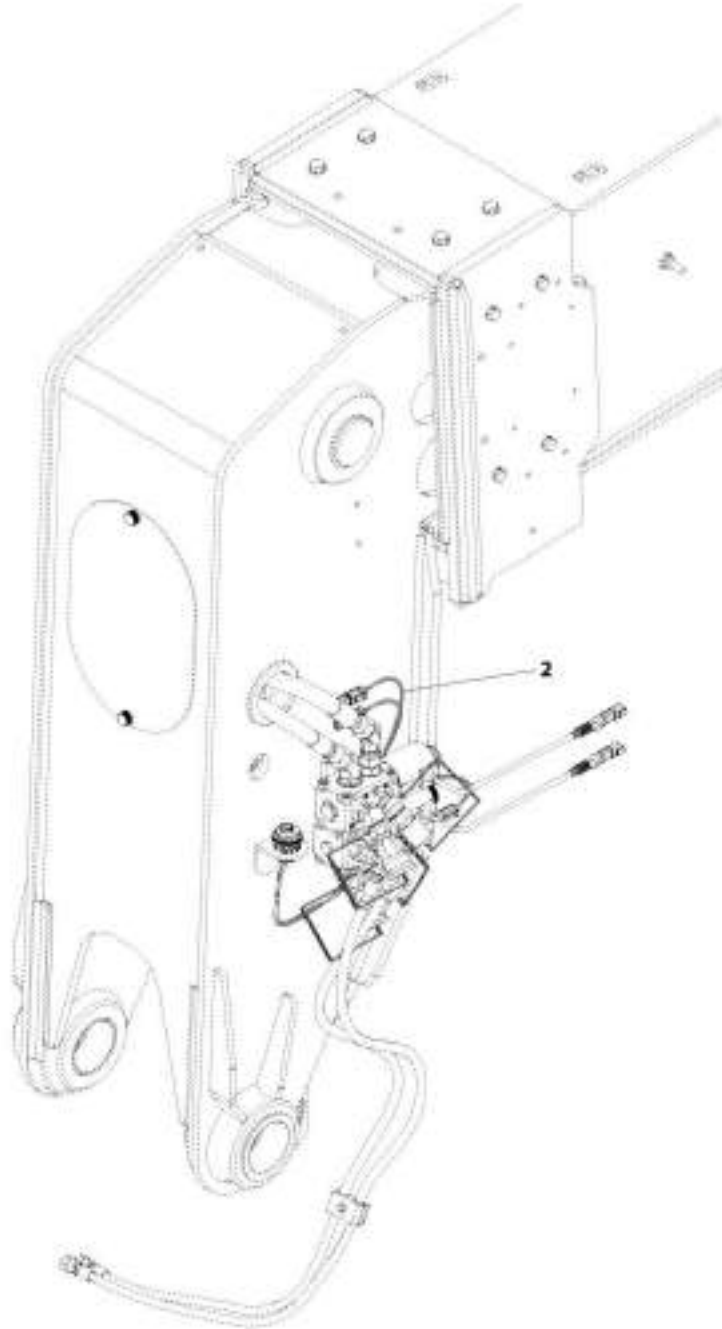
SECTION 10 - ELECTRICAL

FIGURE 10-29. BOOM HARNESS INSTALLATION

ITEM	PART NUMBER	QTY	DESCRIPTION	REV
	1001192575	Ref	Boom Harness Installation	B
	1001159746	1	Switch, Aux Electric	
	1001201124	1	Harness, Boom (See Seperate Breakdown in this Section)	

SECTION 10 - ELECTRICAL

FIGURE 10-30. BOOM AUX HARNESS INSTALLATION



ART_1001192370-C

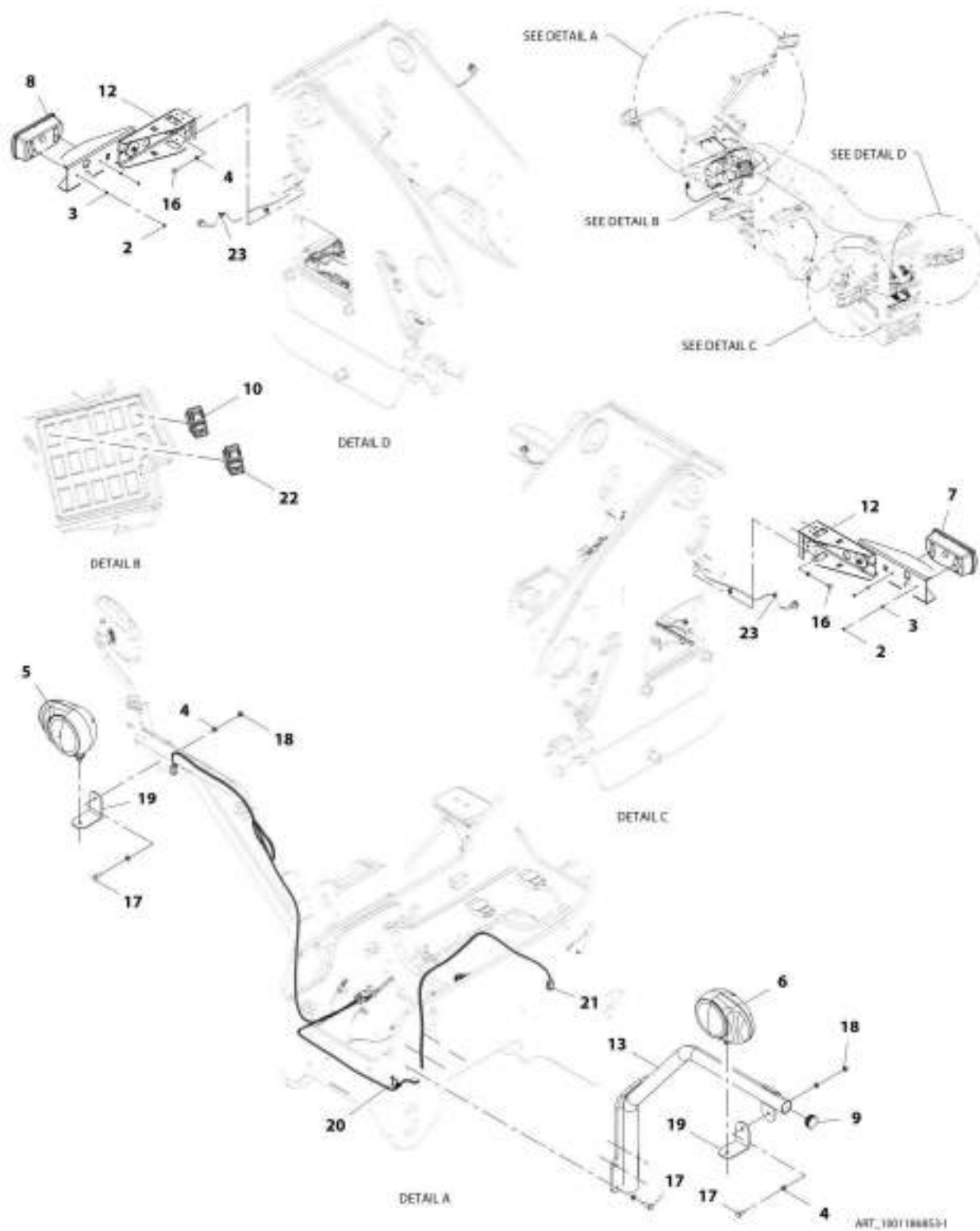
SECTION 10 - ELECTRICAL

FIGURE 10-30. BOOM AUX HARNESS INSTALLATION

ITEM	PART NUMBER	QTY	DESCRIPTION	REV
2	1001192370	Ref	Boom Aux Harness Installation	C
	1001206633	1	Harness, Boom AUX (See Seperate Breakdown in this Section)	

SECTION 10 - ELECTRICAL

FIGURE 10-31. DRIVING LIGHT INSTALLATION (RH DIP)



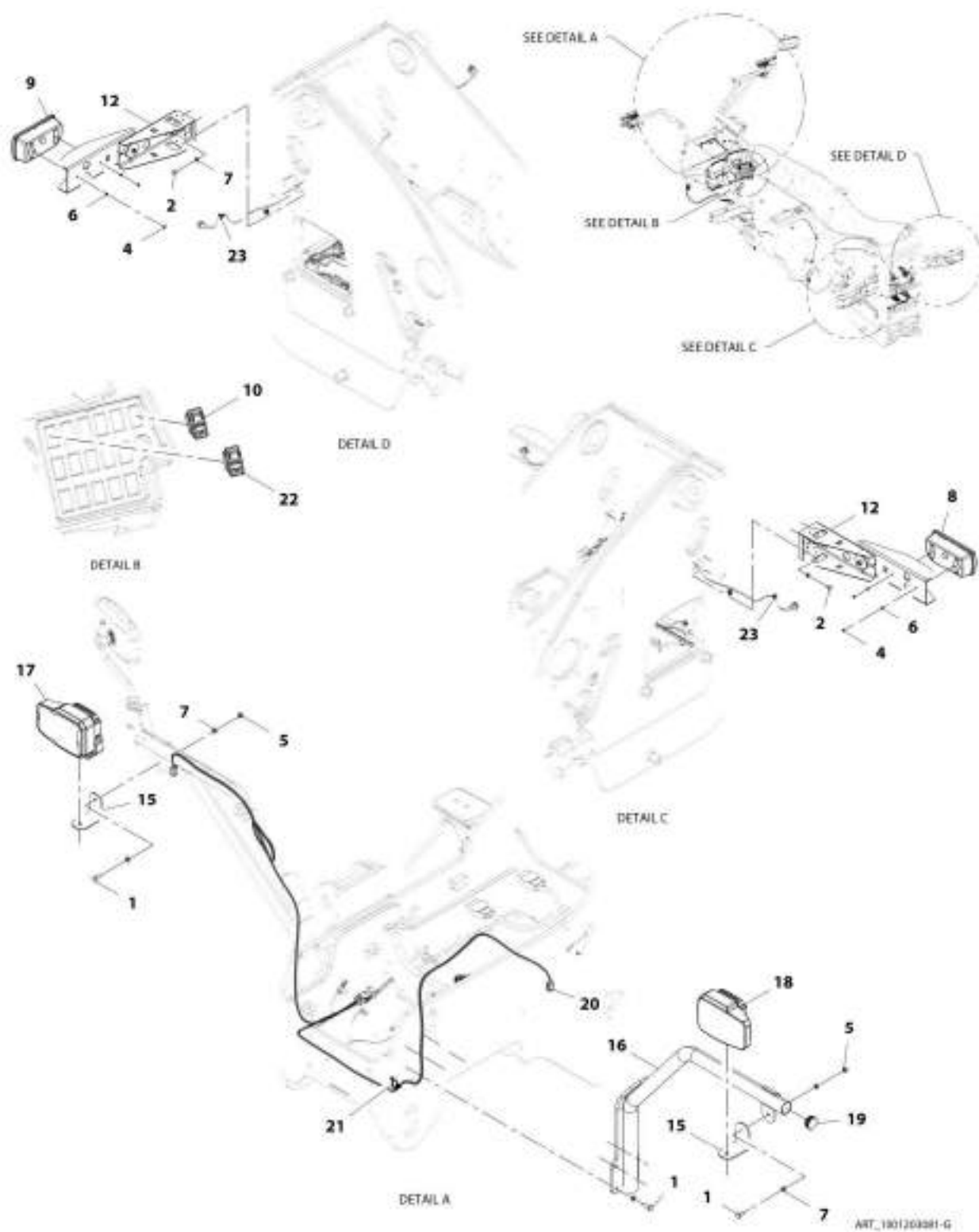
SECTION 10 - ELECTRICAL

FIGURE 10-31. DRIVING LIGHT INSTALLATION (RH DIP)

ITEM	PART NUMBER	QTY	DESCRIPTION	REV
	1001186853	Ref	Driving Light Installation (RH Dip)	1
2	3290607	4	Nut, Lock M6X1	
3	4811700	4	Washer, M6	
4	4812000	16	Washer, M10	
5	2920208	1	Light, Driving (RH) (RH Dip)	
	7029969	1	Bulb, 4W	
	7029970	1	Bulb, 55W	
	7029971	1	Bulb, 21W	
6	2920207	1	Light, Driving (LH) (RH Dip)	
	7029969	1	Bulb, 4W	
	7029970	1	Bulb, 55W	
	7029971	1	Bulb, 21W	
7	1001091715	1	Light, Rear (LH)	
	70021341	1	Bulb, 5W	
	70021340	1	Bulb, 21W	
	7029971	1	Bulb, 21W	
8	1001091716	1	Light, Rear (RH)	
	70021341	1	Bulb, 5W	
	70021340	1	Bulb, 21W	
	7029971	1	Bulb, 21W	
9	1001209697	1	Cap	
10	1001159734	1	Switch, Hazard	
12	1001183112	2	Assembly, Rear Light Bracket (See Seperate Breakdown in this Section)	
13	1001206100	1	Bracket	
16	0761010	8	Bolt, M10X20	
17	0701014	6	Bolt, M10X30	
18	3291001	2	Nut, M10X1.5	
19	1001203368	2	Bracket	
20	1001146588	1	Strap, Tie	
21	1001215693	1	Harness, Headlight (See Seperate Breakdown in this Section)	
22	1001159737	1	Switch, Fog Lights	
23	1001008559	4	Strap, Cable	

SECTION 10 - ELECTRICAL

FIGURE 10-32. DRIVING LIGHT INSTALLATION (LED) (RH DIP)



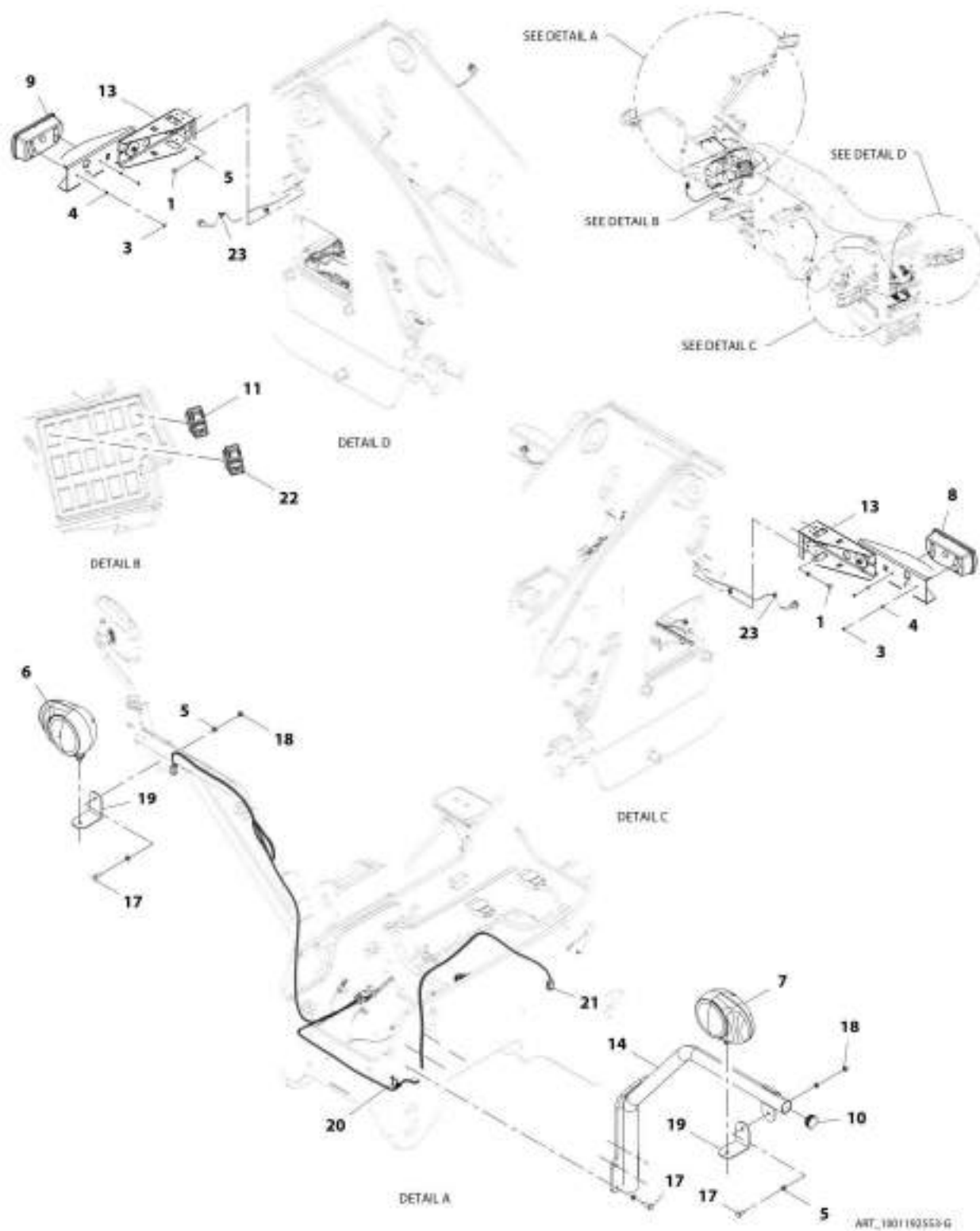
SECTION 10 - ELECTRICAL

FIGURE 10-32. DRIVING LIGHT INSTALLATION (LED) (RH DIP)

ITEM	PART NUMBER	QTY	DESCRIPTION	REV
	1001203081	Ref	Driving Light Installation (LED) (RH Dip)	G
1	0701014	6	Bolt, M10X30	
2	0761010	8	Bolt, M10X20	
4	3290607	4	Bolt, M6X1	
5	3291001	2	Nut, M10X1.5	
6	4811700	4	Washer, M6	
7	4812000	16	Washer, M10	
8	1001091715	1	Light, Rear (LH)	
	70021341	1	Bulb, 5W	
	70021340	1	Bulb, 21W	
	7029971	1	Bulb, 21W	
9	1001091716	1	Light, Rear (RH)	
	70021341	1	REPLACEMENT BULB, 12V-5W	
	70021340	1	Bulb, 21W	
	7029971	1	Bulb, 21W	
10	1001159734	1	Switch, Hazard	
12	1001183112	2	Assembly, Rear Light Bracket (See Seperate Breakdown in this Section)	
15	1001203368	2	Bracket	
16	1001206100	1	Bracket	
17	1001209690	1	Light, Driving (RH - LED) (RH Dip)	
18	1001209691	1	Light, Driving (LH - LED) (LH Dip)	
19	1001209697	1	Cap	
20	1001215693	1	Harness, Headlights (See Seperate Breakdown in this Section)	
21	1001146588	1	Strap, Cable Tie	
22	1001159737	1	Switch, Fog Lights	
23	1001008559	4	Strap, Cable Tie	

SECTION 10 - ELECTRICAL

FIGURE 10-33. DRIVING LIGHT INSTALLATION (LH DIP)



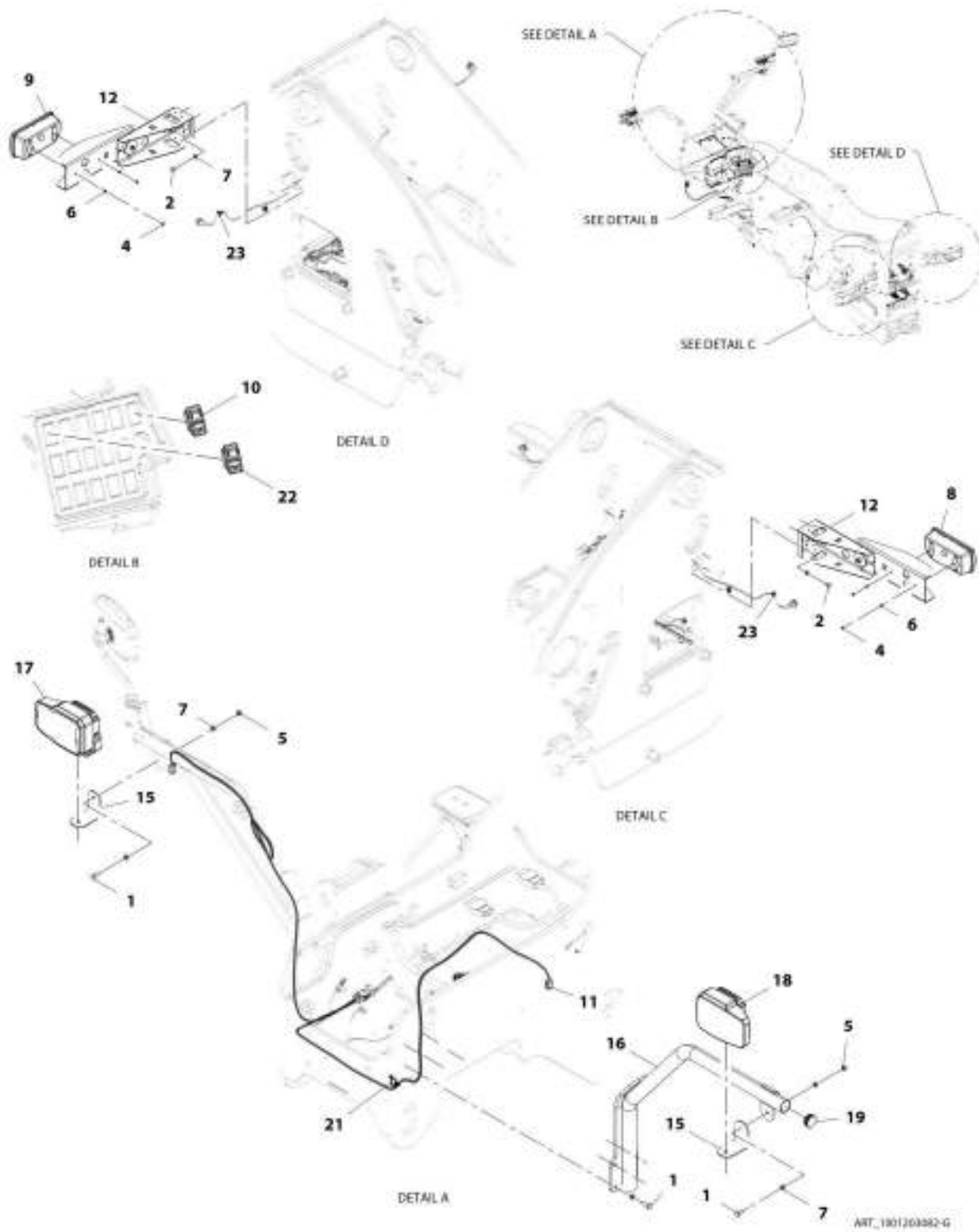
SECTION 10 - ELECTRICAL

FIGURE 10-33. DRIVING LIGHT INSTALLATION (LH DIP)

ITEM	PART NUMBER	QTY	DESCRIPTION	REV
	1001192553	Ref	Driving Light Installation (LH Dip)	G
1	0761010	8	Bolt, M10X20	
3	3290607	4	Nut, Lock M6X1	
4	4811700	4	Washer, M6	
5	4812000	16	Washer, M10	
6	1001002778	1	Light, Driving (RH) (LH Dip)	
	7029969	1	Bulb, 4W	
	7029970	1	Bulb, 55W	
	7029971	1	Bulb, 21W	
7	1001002779	1	Light, Driving (LH) (LH Dip)	
	7029969	1	Bulb, 4W	
	7029970	1	Bulb, 55W	
	7029971	1	Bulb, 21W	
8	1001091715	1	Light, Rear (LH)	
	70021341	1	Bulb, 5W	
	70021340	1	Bulb, 21W	
	7029971	1	Bulb, 21W	
9	1001091716	1	Light, Rear (RH)	
	70021341	1	Bulb, 5W	
	70021340	1	Bulb, 21W	
	7029971	1	Bulb, 21W	
10	1001209697	1	Cap	
11	1001159734	1	Switch, Hazard	
13	1001183112	2	Assembly, Rear Light Bracket (See Seperate Breakdown in this Section)	
14	1001206100	1	Bracket	
17	0701014	6	Bolt, M10X30	
18	3291001	2	Nut, M10X1.5	
19	1001203368	2	Bracket	
20	1001146588	1	Strap, Cable Tie	
21	1001215693	1	Harness, Headlights (See Seperate Breakdown in this Section)	
22	1001159737	1	Switch, Fog Lights	
23	1001008559	4	Strap, Cable Tie	

SECTION 10 - ELECTRICAL

FIGURE 10-34. DRIVING LIGHT INSTALLATION (LED) (LH DIP)



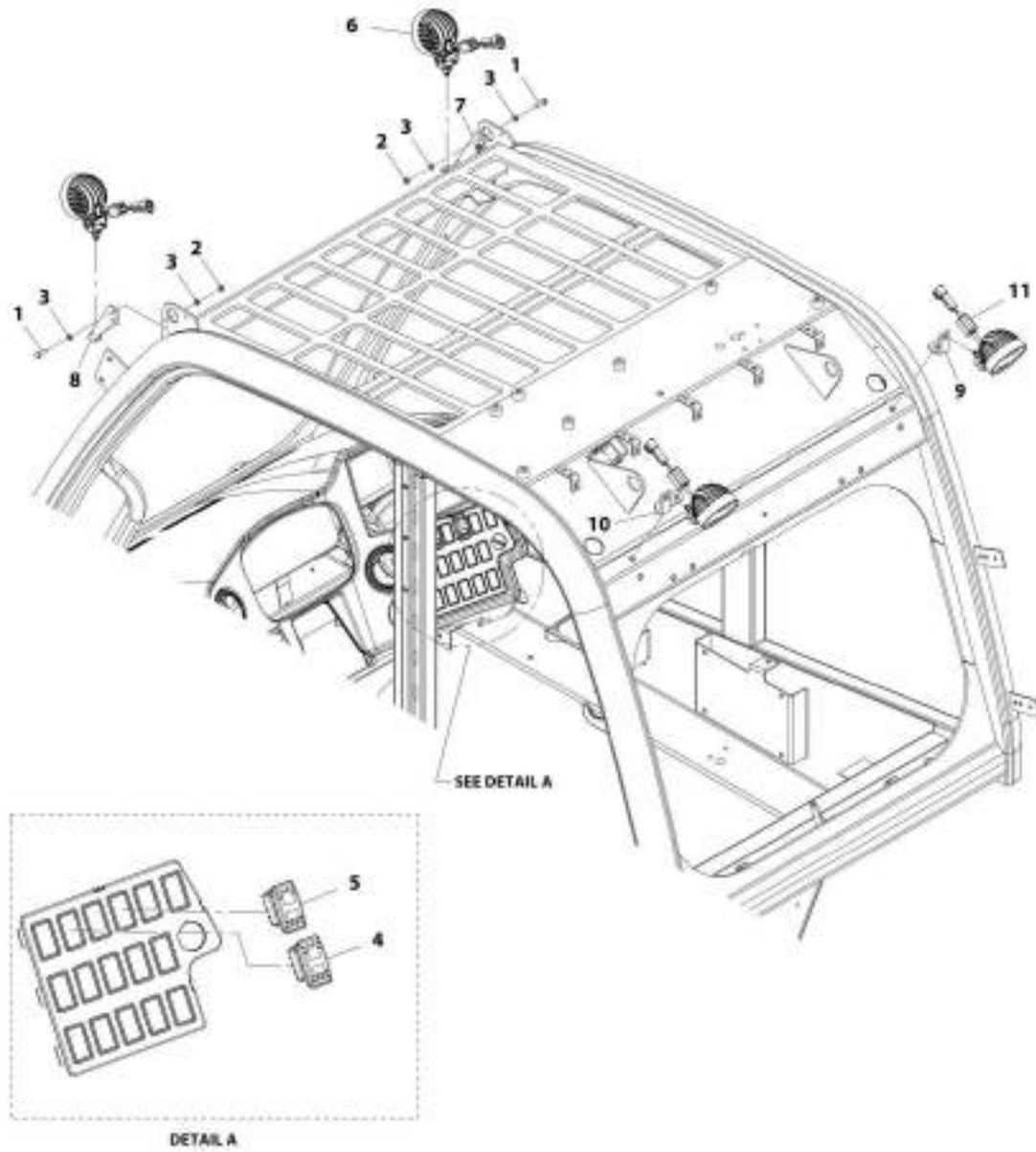
SECTION 10 - ELECTRICAL

FIGURE 10-34. DRIVING LIGHT INSTALLATION (LED) (LH DIP)

ITEM	PART NUMBER	QTY	DESCRIPTION	REV
	1001203082	Ref	Driving Light Installation (LED) (LH Dip)	G
1	0701014	6	Bolt, M10X30	
2	0761010	8	Bolt, M10X20	
4	3290607	4	Nut, Lock M6X1	
5	3291001	2	Nut, M10X1.5	
6	4811700	4	Washer, M6	
7	4812000	16	Washer, M10	
8	1001091715	1	Lamp, Rear (LH) (See Seperate Breakdown in this Section)	
	70021341	1	Bulb, 5W	
	70021340	1	Bulb, 21W	
	7029971	1	Bulb, 21W	
9	1001091716	1	Lamp, Rear (RH) (See Seperate Breakdown in this Section)	
	70021341	1	Bulb, 5W	
	70021340	1	Bulb, 21W	
	7029971	1	Bulb, 21W	
10	1001159734	1	Switch, Hazard	
11	1001215693	1	Harness, Headlights (See Seperate Breakdown in this Section)	
12	1001183112	2	Assembly, Rear Light Bracket (See Seperate Breakdown in this Section)	
15	1001203368	2	Bracket	
16	1001206100	1	Bracket	
17	1001209692	1	Light, Driving, (RH - LED) (LH Dip)	
18	1001209693	1	Light, Driving, (LH - LED) (LH Dip)	
19	1001209697	1	Cap	
21	1001146588	1	Strap, Cable Tie	
22	1001159737	1	Switch, Fog Lights	
23	1001008559	4	Strap, Cable	

SECTION 10 - ELECTRICAL

FIGURE 10-35. CAB WORKLIGHTS INSTALLATION (NO A/C - LED)



ART_1001200538-C

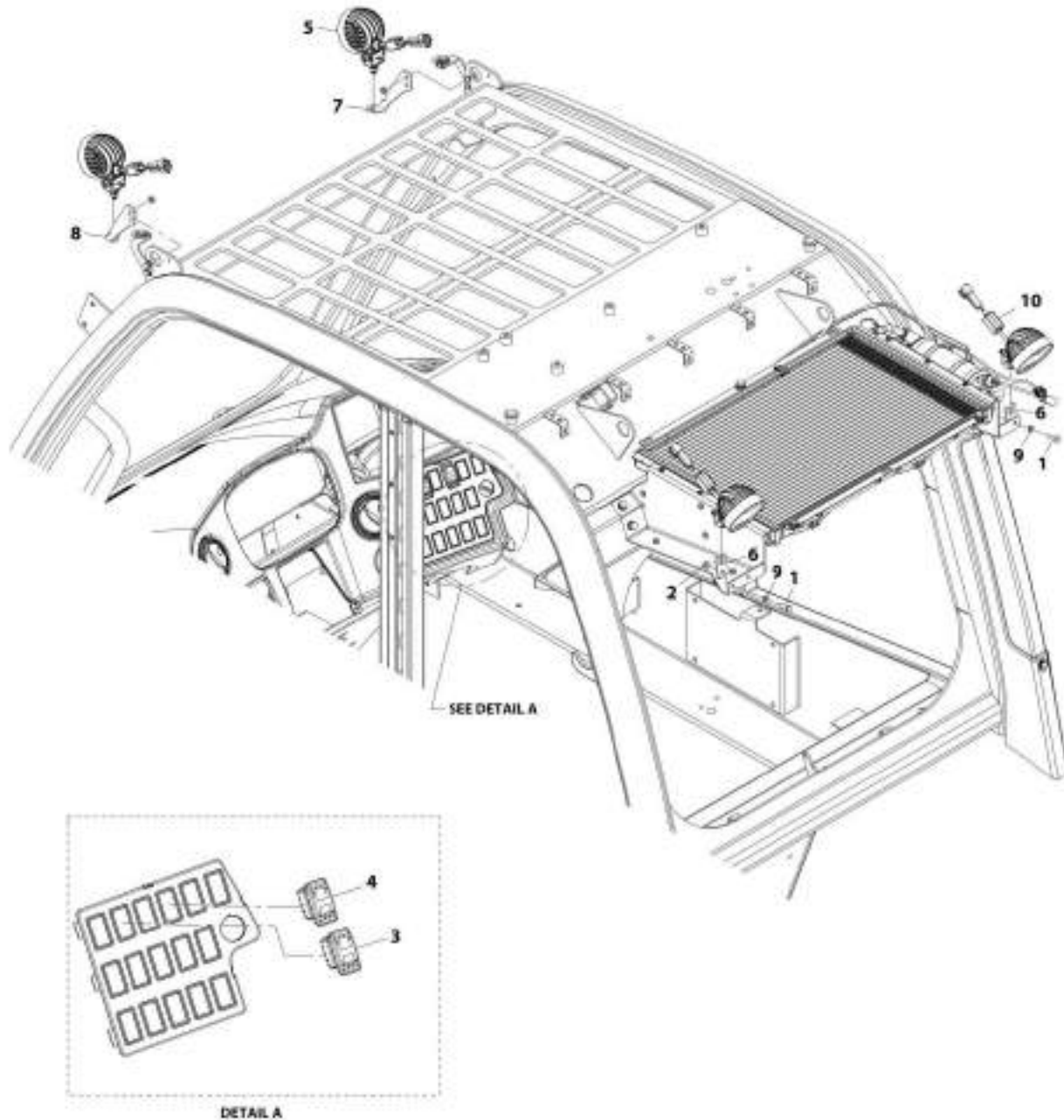
SECTION 10 - ELECTRICAL

FIGURE 10-35. CAB WORKLIGHTS INSTALLATION (NO A/C - LED)

ITEM	PART NUMBER	QTY	DESCRIPTION	REV
	1001200538	Ref	Cab Worklights Installation (No A/C - LED)	C
1	0700610	4	Bolt, M6X20	
2	3290601	4	Nut, M6X1	
3	4811700	8	Washer, M6	
4	1001159845	1	Switch, Front Worklights	
5	1001159846	1	Switch, Rear Worklights	
6	1001203640	4	Lamp, LED Work Light	
7	1001204444	1	Support, LED Work Light RH	
8	1001204445	1	Support, LED Work Light LH	
9	1001204528	1	Support, LED Work Light RH	
10	1001204530	1	Support, LED Work Light LH	
11	1001228989	4	Harness, Ferrite	

SECTION 10 - ELECTRICAL

FIGURE 10-36. CAB WORKLIGHTS INSTALLATION (A/C - LED)



ART_3001200539-C

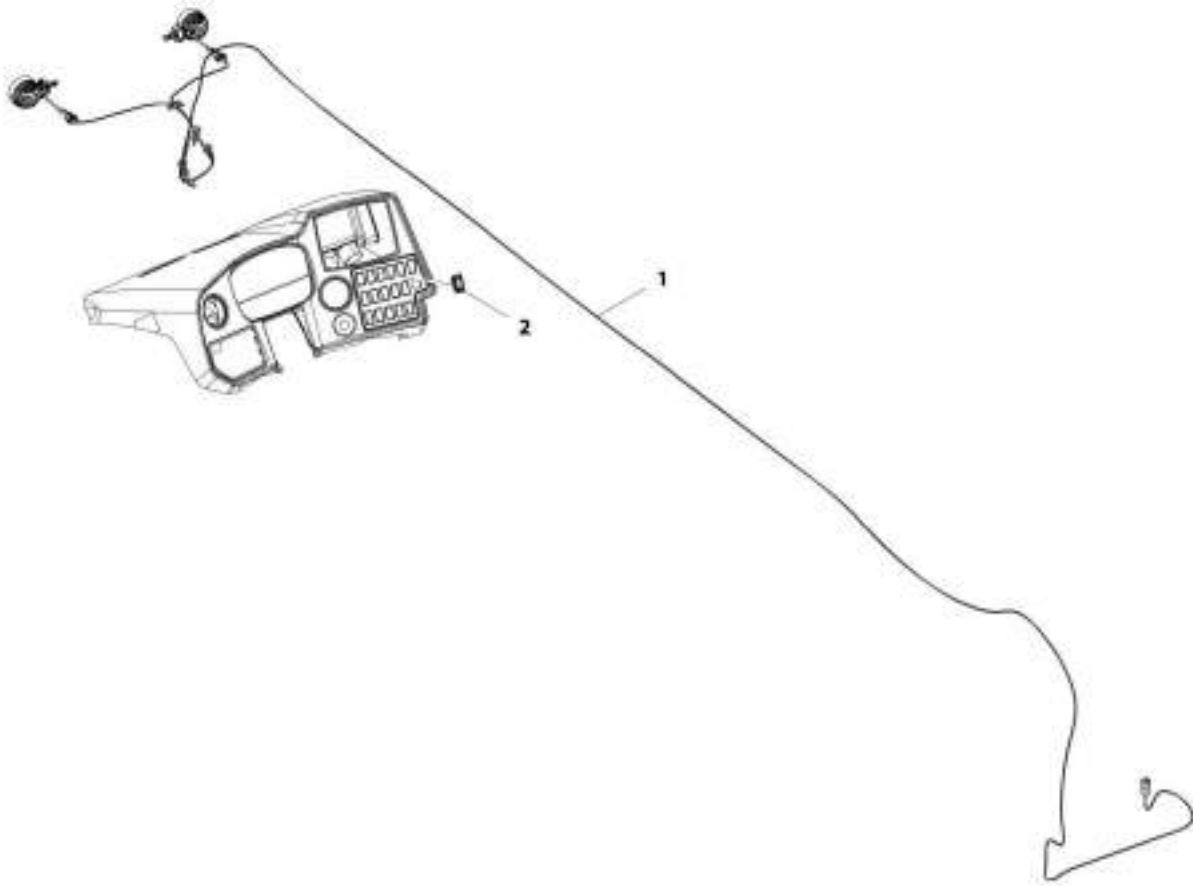
SECTION 10 - ELECTRICAL

FIGURE 10-36. CAB WORKLIGHTS INSTALLATION (A/C - LED)

ITEM	PART NUMBER	QTY	DESCRIPTION	REV
	1001200539	Ref	Cab Worklights Installation (A/C - LED)	C
1	0700610	2	Bolt, M6X20	
2	5220600	2	Nut, M6	
3	1001159845	1	Switch, Front Worklights	
4	1001159846	1	Switch, Rear Worklights	
5	1001203640	4	Lamp, LED Work Light	
6	1001204060	2	Bracket	
7	1001204444	1	Support, LED Work Light RH	
8	1001204445	1	Support, LED Work Light LH	
9	4811700	2	Washer, M6	
10	1001228989	4	Harness, Ferrite	

SECTION 10 - ELECTRICAL

FIGURE 10-37. BOOM WORK LIGHTS (LED)



ART_1001206427-0

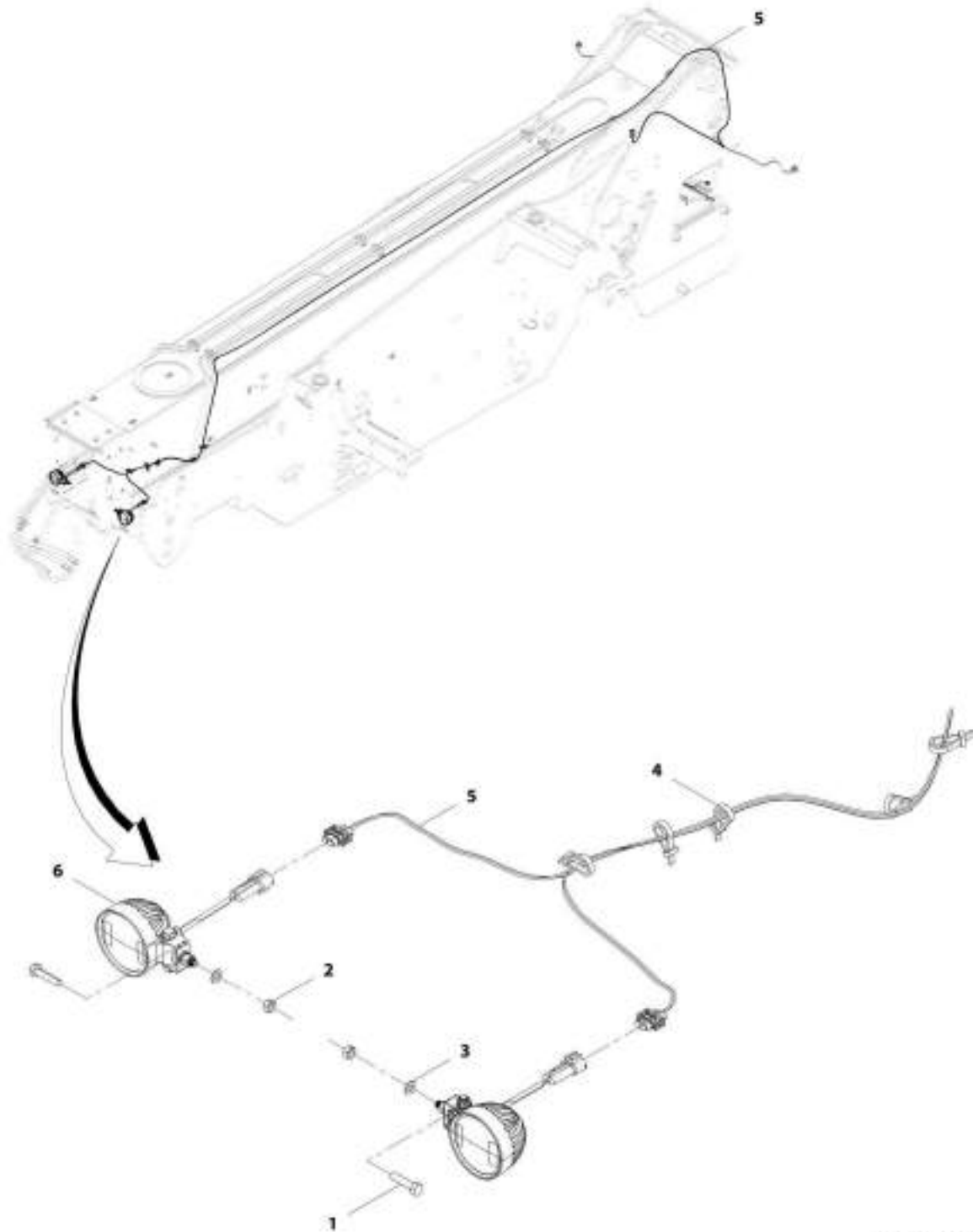
SECTION 10 - ELECTRICAL

FIGURE 10-37. BOOM WORK LIGHTS (LED)

ITEM	PART NUMBER	QTY	DESCRIPTION	REV
	1001209427	Ref	Boom Work Lights (LED)	B
1	1001159739	1	Switch, Boom Worklights	
2	1001209456	1	Installation, LED Boom Work lights (See Seperate Breakdown in this Section)	

SECTION 10 - ELECTRICAL

FIGURE 10-38. BOOM WORK LIGHT INSTALLATION (LED)



ART_1001209456-C

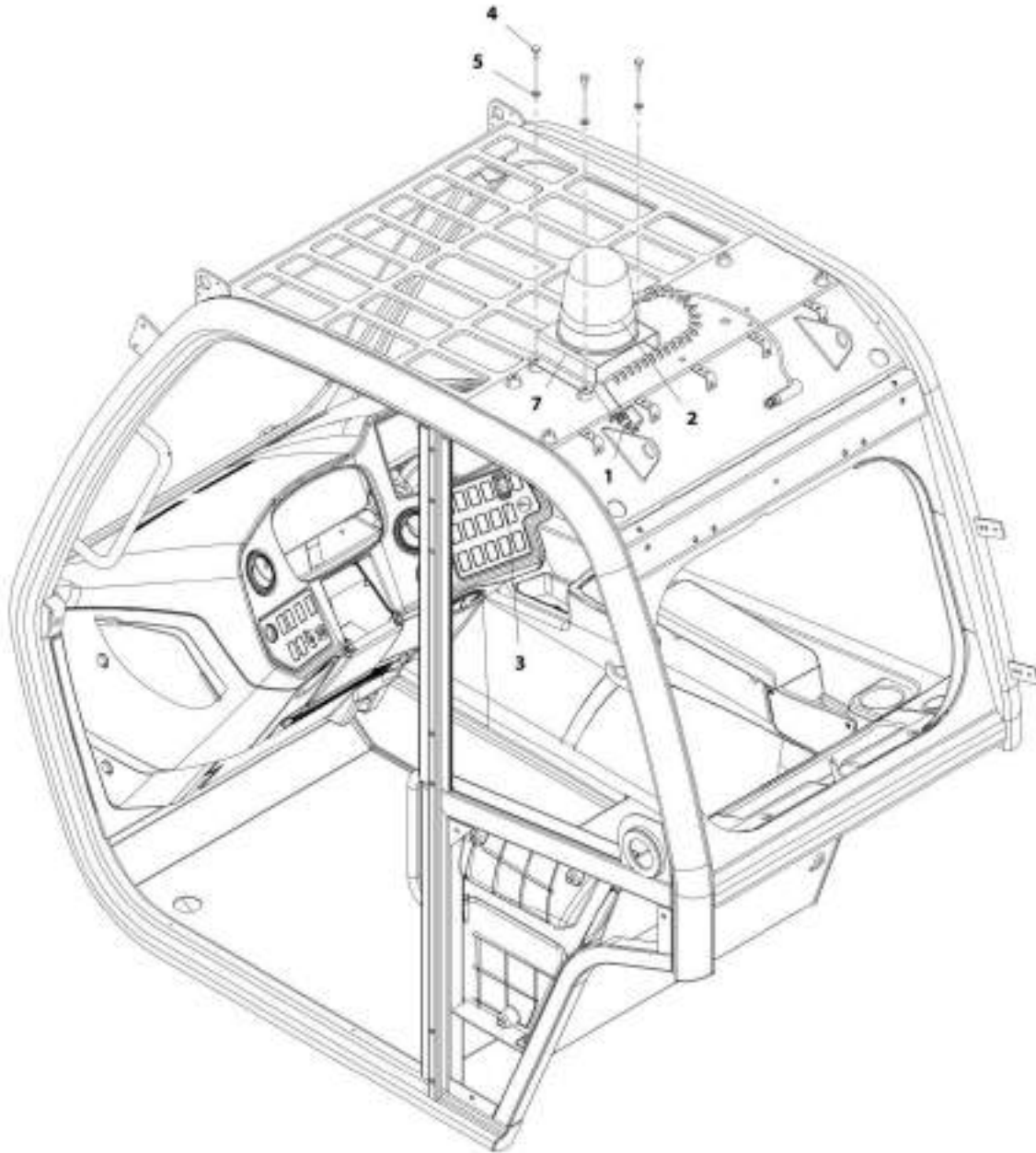
SECTION 10 - ELECTRICAL

FIGURE 10-38. BOOM WORK LIGHT INSTALLATION (LED)

ITEM	PART NUMBER	QTY	DESCRIPTION	REV
	1001209456	Ref	Boom Work Light Installation (LED)	C
1	0700815	2	Bolt, M8X35	
2	3290801	2	Nut, M8X1.25	
3	4811900	2	Washer, M8	
4	1001008923	5	Strap, Cable	
5	1001184796	1	Harness, Boom Work Lights (See Seperate Breakdown in this Section)	
6	1001203640	2	Lamp, LED Worklight (See Seperate Breakdown in this Section)	

SECTION 10 - ELECTRICAL

FIGURE 10-39. BEACON INSTALLATION



ART_1001171162-E

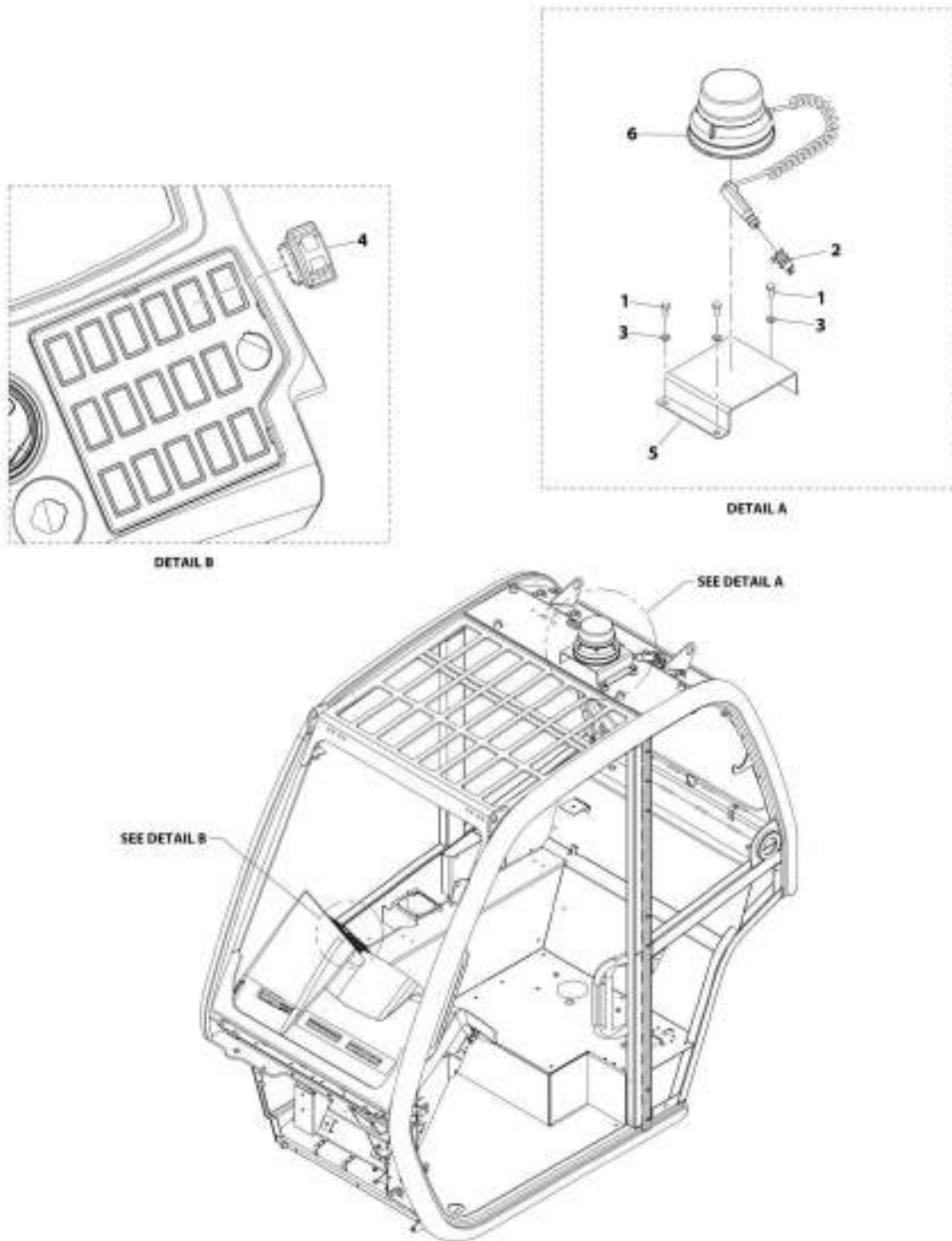
SECTION 10 - ELECTRICAL

FIGURE 10-39. BEACON INSTALLATION

ITEM	PART NUMBER	QTY	DESCRIPTION	REV
	1001171162	Ref	Beacon Installation	E
1	4461174	1	Terminal	
2	1001091573	NLA	Light, Warning, (no longer available, use 1001217623 for replacement)	
2	1001217623	1	Light, Warning	
3	1001159738	1	Switch	
4	0760808	3	Bolt, M8X16	
5	4811900	3	Washer, M8	
7	1001174796	1	Bracket	

SECTION 10 - ELECTRICAL

FIGURE 10-40. BEACON INSTALLATION (LED)



ART_1001095880-A

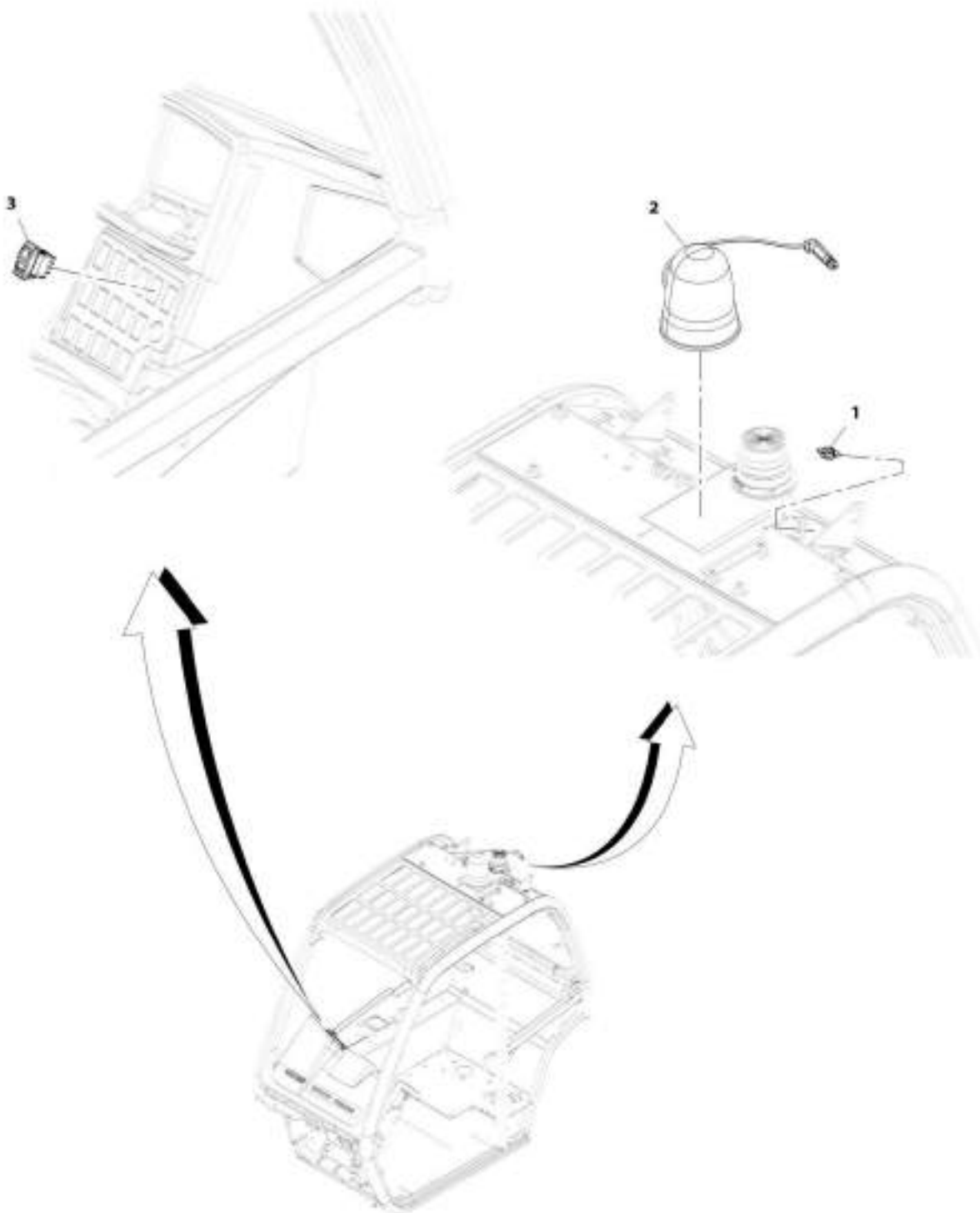
SECTION 10 - ELECTRICAL

FIGURE 10-40. BEACON INSTALLATION (LED)

ITEM	PART NUMBER	QTY	DESCRIPTION	REV
	1001195883	Ref	Beacon Installation (LED)	A
1	0760808	3	Bolt, M8X16	
2	4461174	1	Terminal	
3	4811900	3	Washer, M8	
4	1001159738	1	Switch	
5	1001174796	1	Bracket	
6	1001198893	1	Light, Beacon (LED)	

SECTION 10 - ELECTRICAL

FIGURE 10-41. BEACON (REMOTE BOOM CONTROL) INSTALLATION



ART_0001209357-0

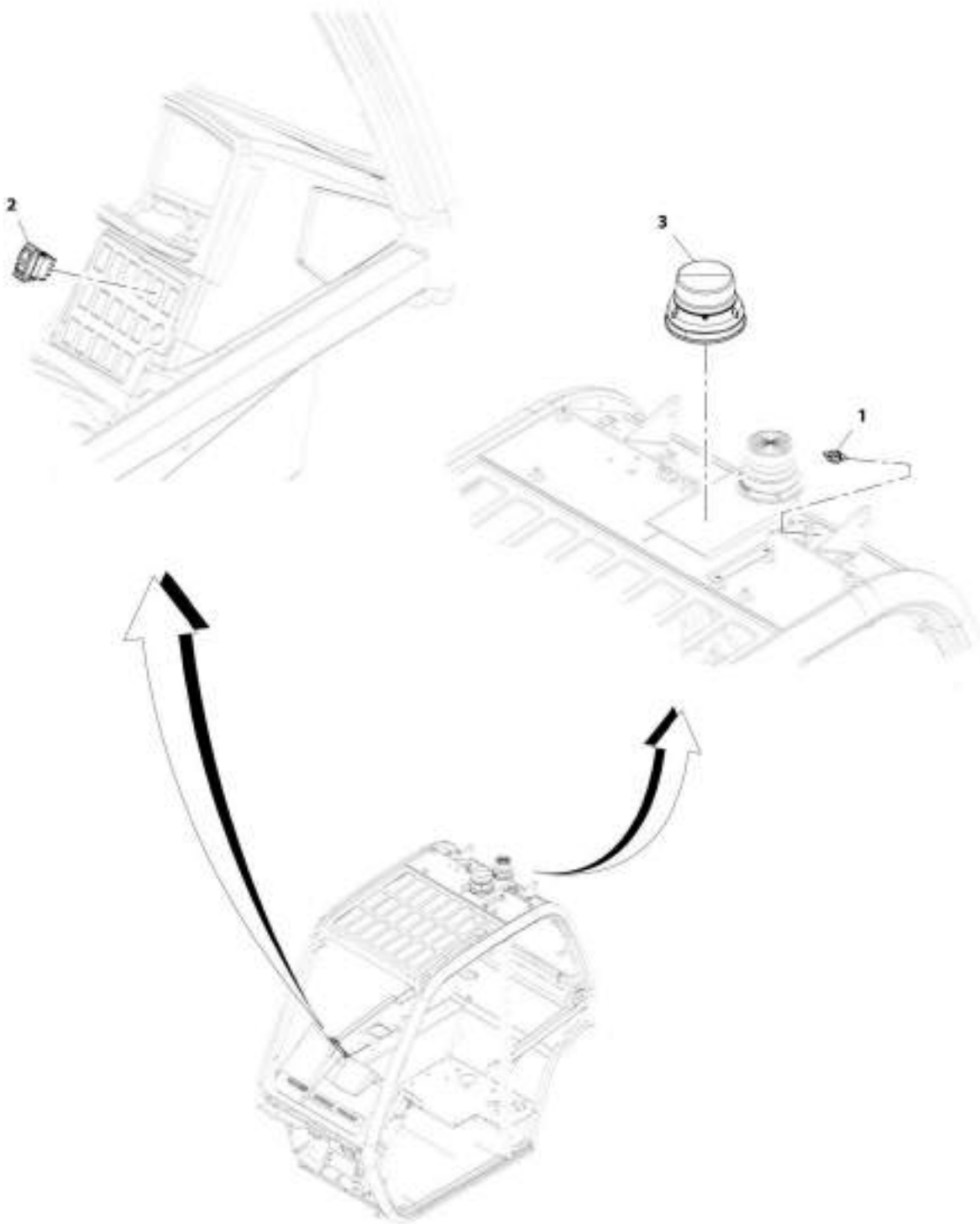
SECTION 10 - ELECTRICAL

FIGURE 10-41. BEACON (REMOTE BOOM CONTROL) INSTALLATION

ITEM	PART NUMBER	QTY	DESCRIPTION	REV
	1001209357	Ref	Beacon (Remote Boom Control) Installation	B
1	4461174	1	Terminal, 12 Volt	
2	1001217623	1	Light, Warning	
3	1001159738	1	Switch, Beacon	

SECTION 10 - ELECTRICAL

FIGURE 10-42. BEACON (LED) (REMOTE BOOM CONTROL) INSTALLATION



ART_0001209358-A

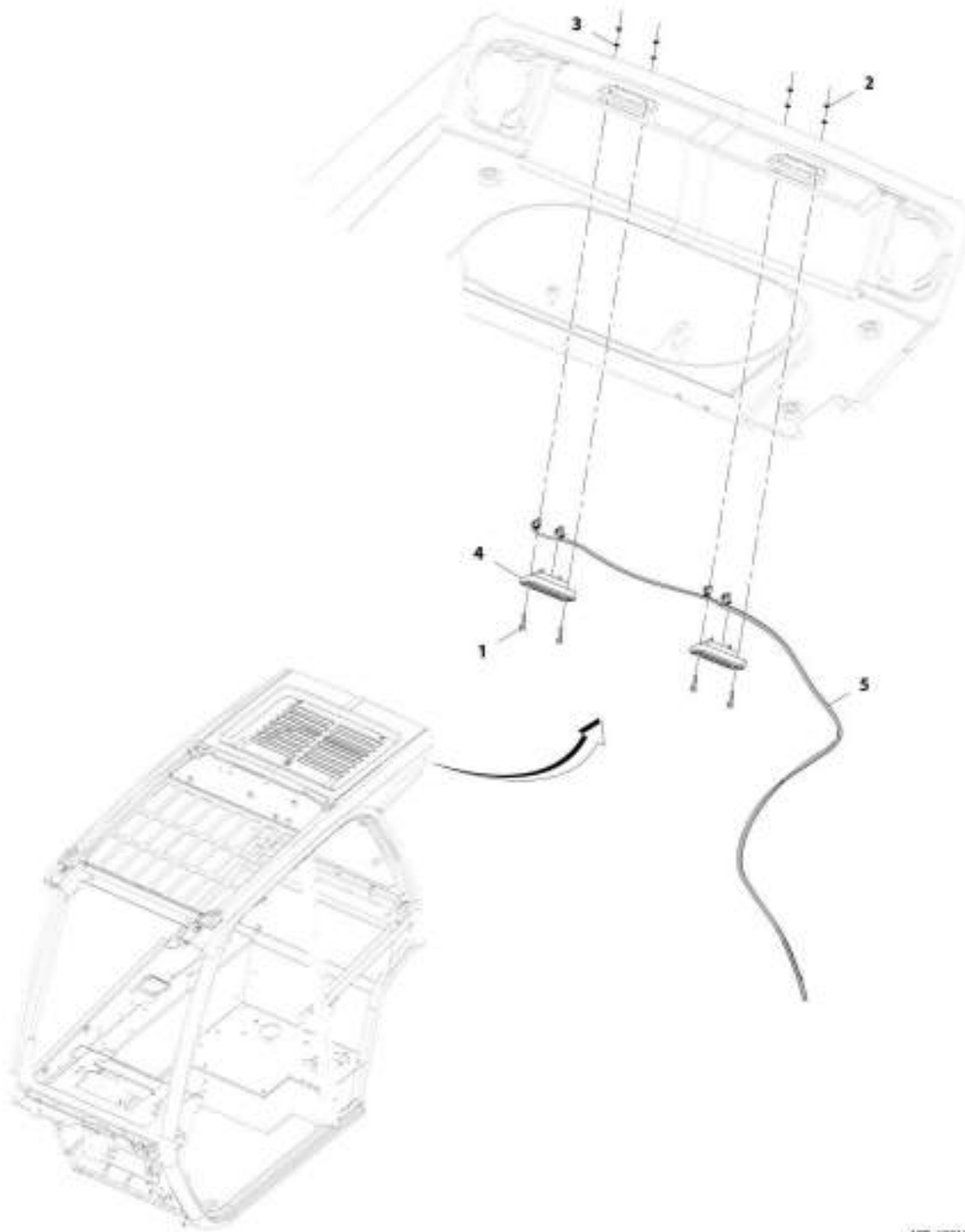
SECTION 10 - ELECTRICAL

FIGURE 10-42. BEACON (LED) (REMOTE BOOM CONTROL) INSTALLATION

ITEM	PART NUMBER	QTY	DESCRIPTION	REV
	1001209358	Ref	Beacon (LED) (Remote Boom Control) Installation	A
1	4461174	1	Terminal, 12 Volt	
2	1001159738	1	Switch, Beacon	
3	1001198893	1	Light, Warning	

SECTION 10 - ELECTRICAL

FIGURE 10-43. LICENSE PLATE LAMP INSTALLATION



ART_1001200383-B

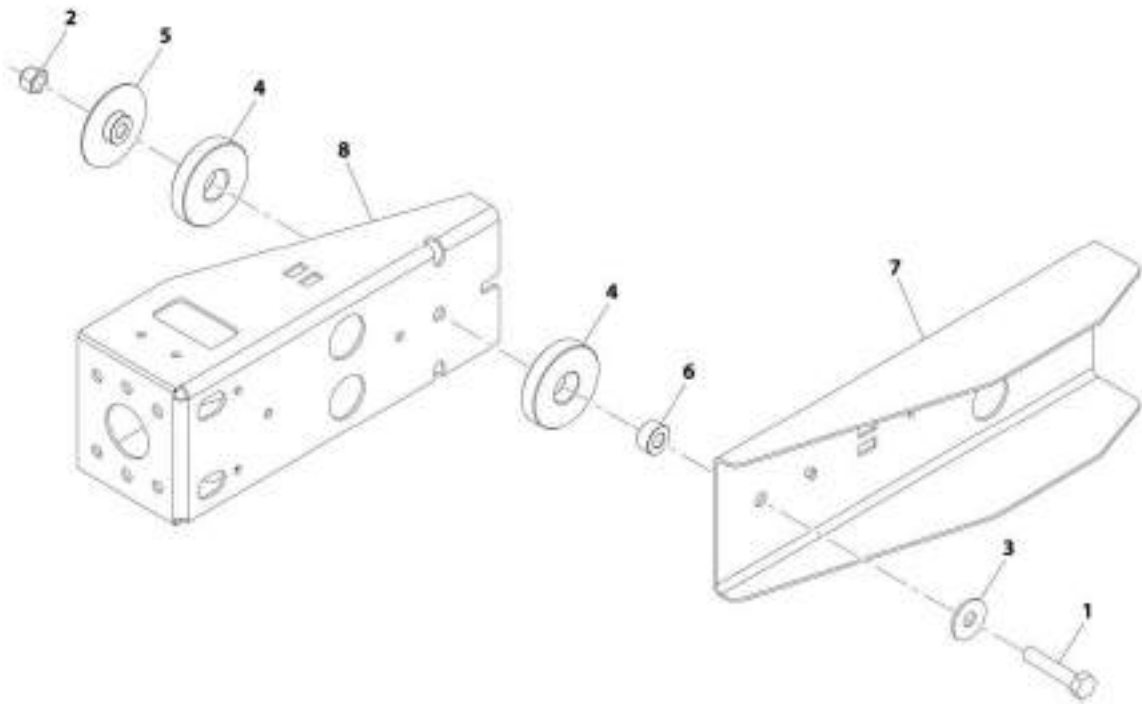
SECTION 10 - ELECTRICAL

FIGURE 10-43. LICENSE PLATE LAMP INSTALLATION

ITEM	PART NUMBER	QTY	DESCRIPTION	REV
	1001200383	Ref	License Plate Lamp Installation	B
1	0760410	4	Bolt, M4X20	
2	3290401	4	Nut, M4X0.7 Grade 8	
3	4831400	4	Washer, Lock M4	
4	1001173829	2	Lamp, License Plate	
5	1001178053	1	Harness, License Light (See Separate Breakdown in Electrical Section)	

SECTION 10 - ELECTRICAL

FIGURE 10-44. REAR LIGHT BRACKET ASSEMBLY



ART_100180112-8

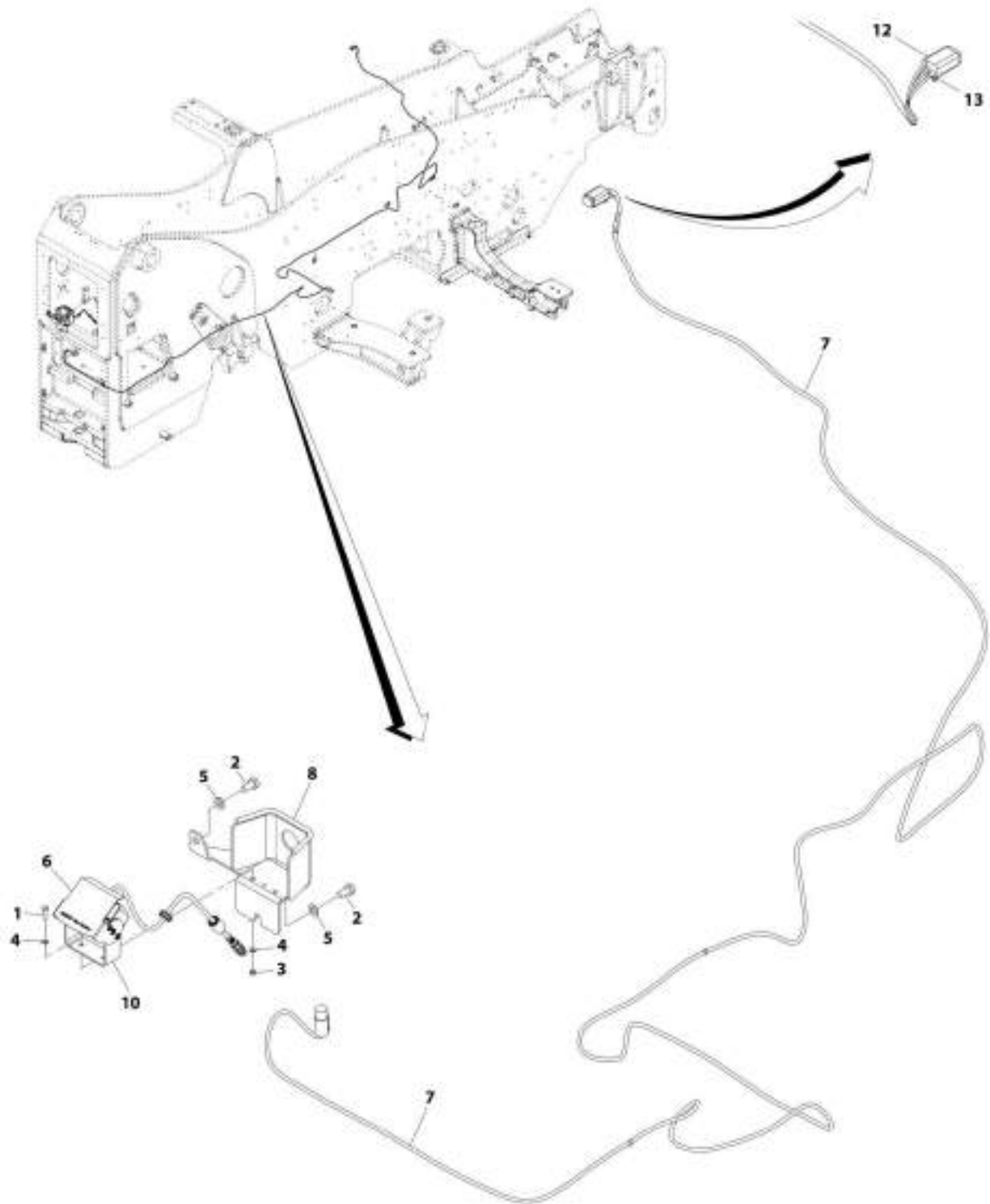
SECTION 10 - ELECTRICAL

FIGURE 10-44. REAR LIGHT BRACKET ASSEMBLY

ITEM	PART NUMBER	QTY	DESCRIPTION	REV
	1001183112	Ref	Rear Light Bracket Assembly	B
1	0701220	1	Bolt, M12X60	
2	3291205	1	Nut, Lock M12X1.75	
3	4812102	1	Washer, M12	
4	8000565	2	Washer, Rubber	
5	1001182490	1	Washer, Top Hat	
6	1001182495	1	Washer	
7	1001196217	1	Bracket	
8	1001196100	1	Bracket	

SECTION 10 - ELECTRICAL

FIGURE 10-45. REVERSE CAMERA INSTALLATION



AWT_1001192321-0

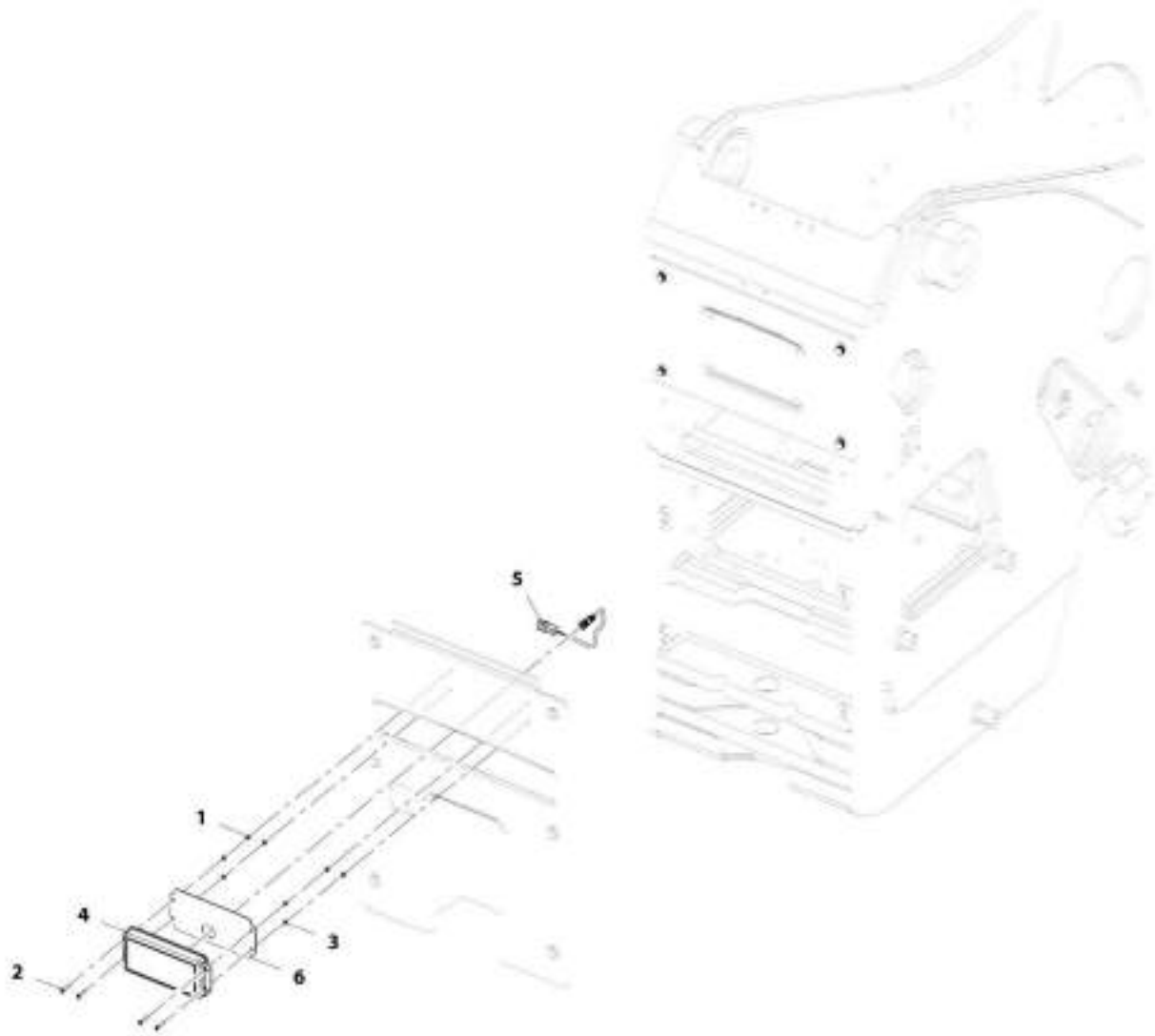
SECTION 10 - ELECTRICAL

FIGURE 10-45. REVERSE CAMERA INSTALLATION

ITEM	PART NUMBER	QTY	DESCRIPTION	REV
	1001192321	Ref	Reverse Camera Installation	G
1	0700408	2	Bolt, M4X16	
2	0760808	2	Bolt, M8X16	
3	3290401	2	Nut, M4X0.7	
4	4811400	4	Washer, M4	
5	4811900	2	Washer, M8	
6	1001167017	1	Camera, Reverse	
7	1001171962	1	Cable, Camera	
8	1001205307	1	Bracket	
10	1001202621	1	Bracket	
12	4460884	1	Connector	
13	4460466	1	Terminal	

SECTION 10 - ELECTRICAL

FIGURE 10-46. REVERSE SENSOR INSTALLATION



ART_180110332-E

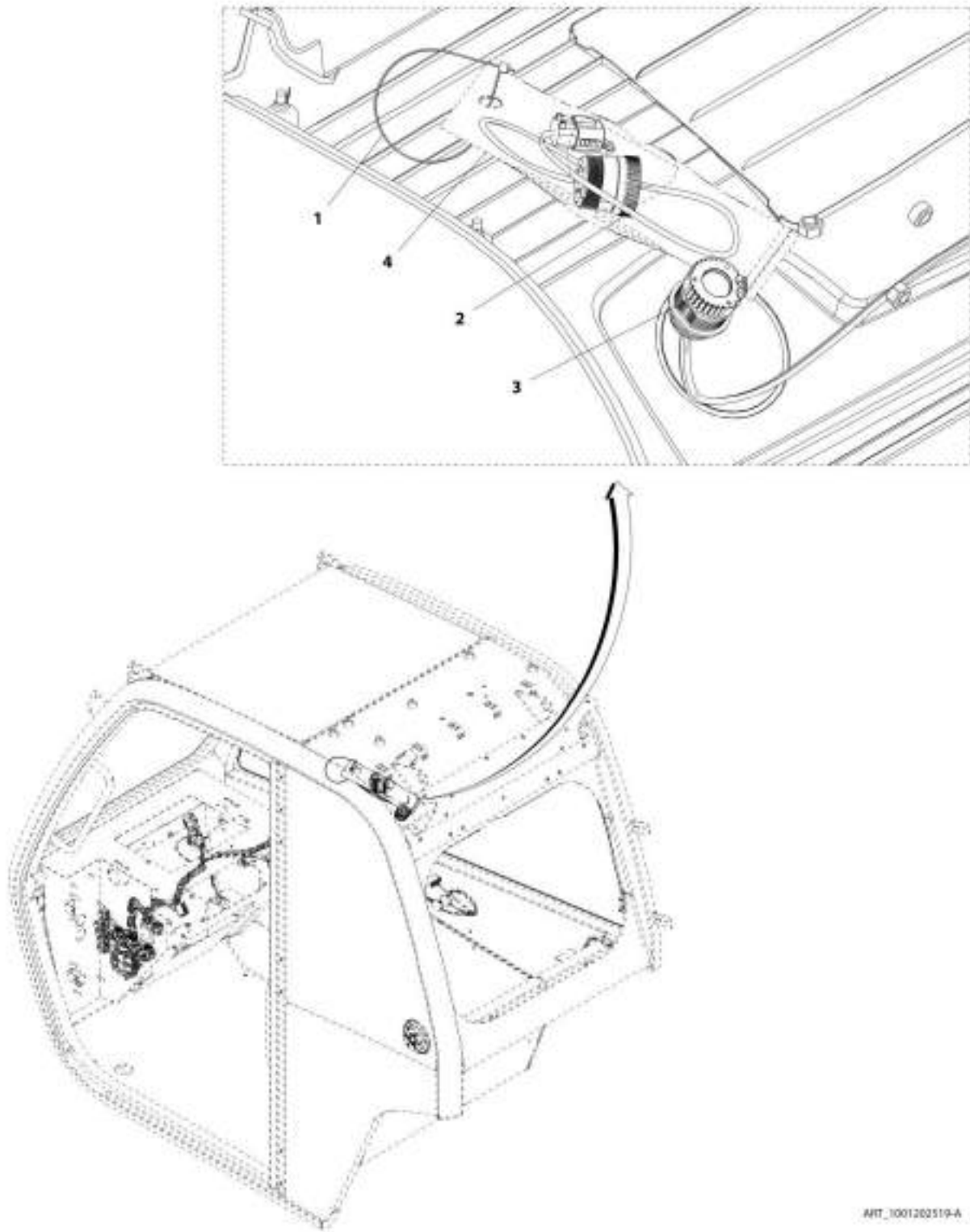
SECTION 10 - ELECTRICAL

FIGURE 10-46. REVERSE SENSOR INSTALLATION

ITEM	PART NUMBER	QTY	DESCRIPTION	REV
	1001192322	Ref	Reverse Sensor Installation	E
1	3290501	4	Nut, M5X0.8	
2	5271609	4	Screw, M5X25	
3	4811600	4	Washer, M5	
4	1001189997	1	Sensor, Reverse	
5	1001175776	1	Harness, Reverse Sensor (See Seperate Breakdown in this Section)	
6	1001231217	1	Plate	

SECTION 10 - ELECTRICAL

FIGURE 10-47. TELEMATICS READY INSTALLATION



AHT_1001202519-A

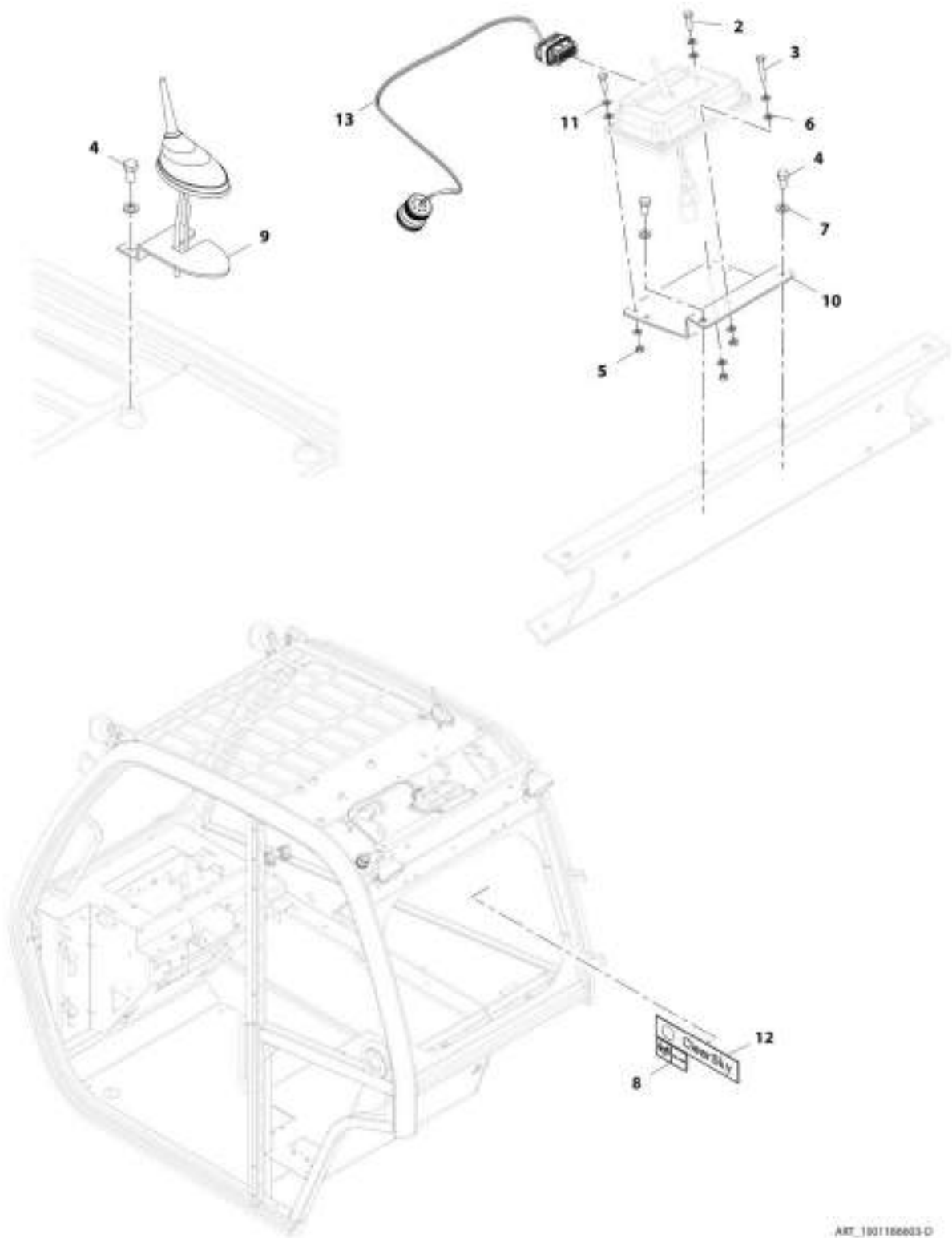
SECTION 10 - ELECTRICAL

FIGURE 10-47. TELEMATICS READY INSTALLATION

ITEM	PART NUMBER	QTY	DESCRIPTION	REV
	1001202519	Ref	Telematics Ready Installation	A
1	8584003	1	Strap, Tie	
2	1001196289	1	Harness, Telematics Ready (See Separate Breakdown in this Section)	
3	1001201162	1	Cap	
4	1001202617	1	Bag	

SECTION 10 - ELECTRICAL

FIGURE 10-48. CLEARSKY INSTALLATION (NO A/C - SHORT ROOF CAP)



ART_1901196603-D

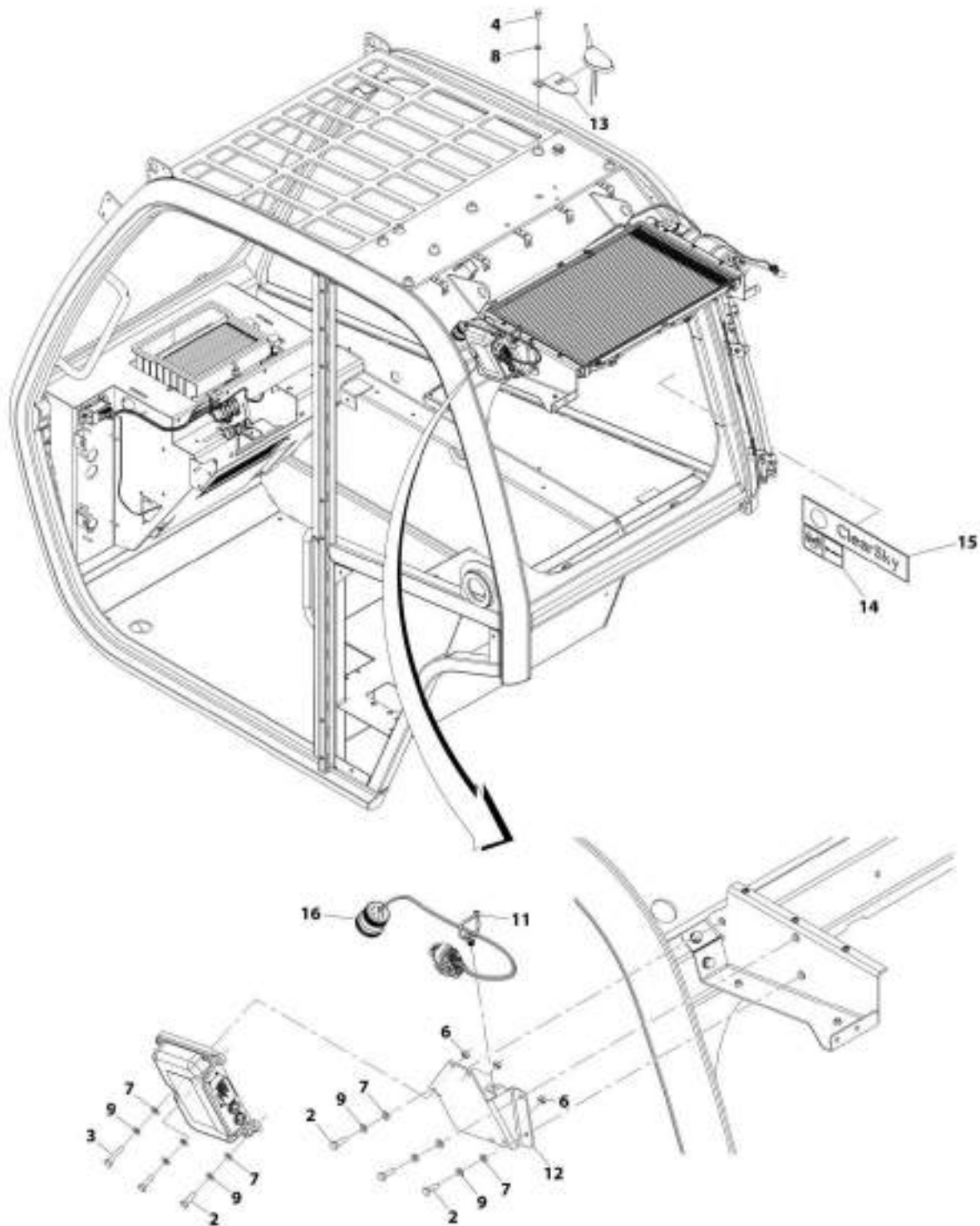
SECTION 10 - ELECTRICAL

FIGURE 10-48. CLEARSKY INSTALLATION (NO A/C - SHORT ROOF CAP)

ITEM	PART NUMBER	QTY	DESCRIPTION	REV
	1001186603	Ref	Clearsky Installation (No A/C - Short Roof Cap)	D
2	0700610	2	Bolt, M6X20	
3	0700614	1	Bolt, M6X30	
4	0760808	3	Bolt, M8X16	
5	3290601	3	Nut, M6X1 Grade 8	
6	4811700	6	Washer, M6	
7	4811900	3	Washer, M8	
8	1001120989	1	Decal, Radio Frequency	
9	1001174372	1	Bracket, Antenna	
10	1001185722	1	Bracket	
11	4831700	3	Washer, Lock M6	
12	1001116208	1	Decal, Clearsky	
13	1001196452	1	Harness, Clearsky (See Separate Breakdown in this Section)	

SECTION 10 - ELECTRICAL

FIGURE 10-49. CLEARSKY INSTALLATION (A/C - LONG ROOF CAP)



ART_1001174308-G

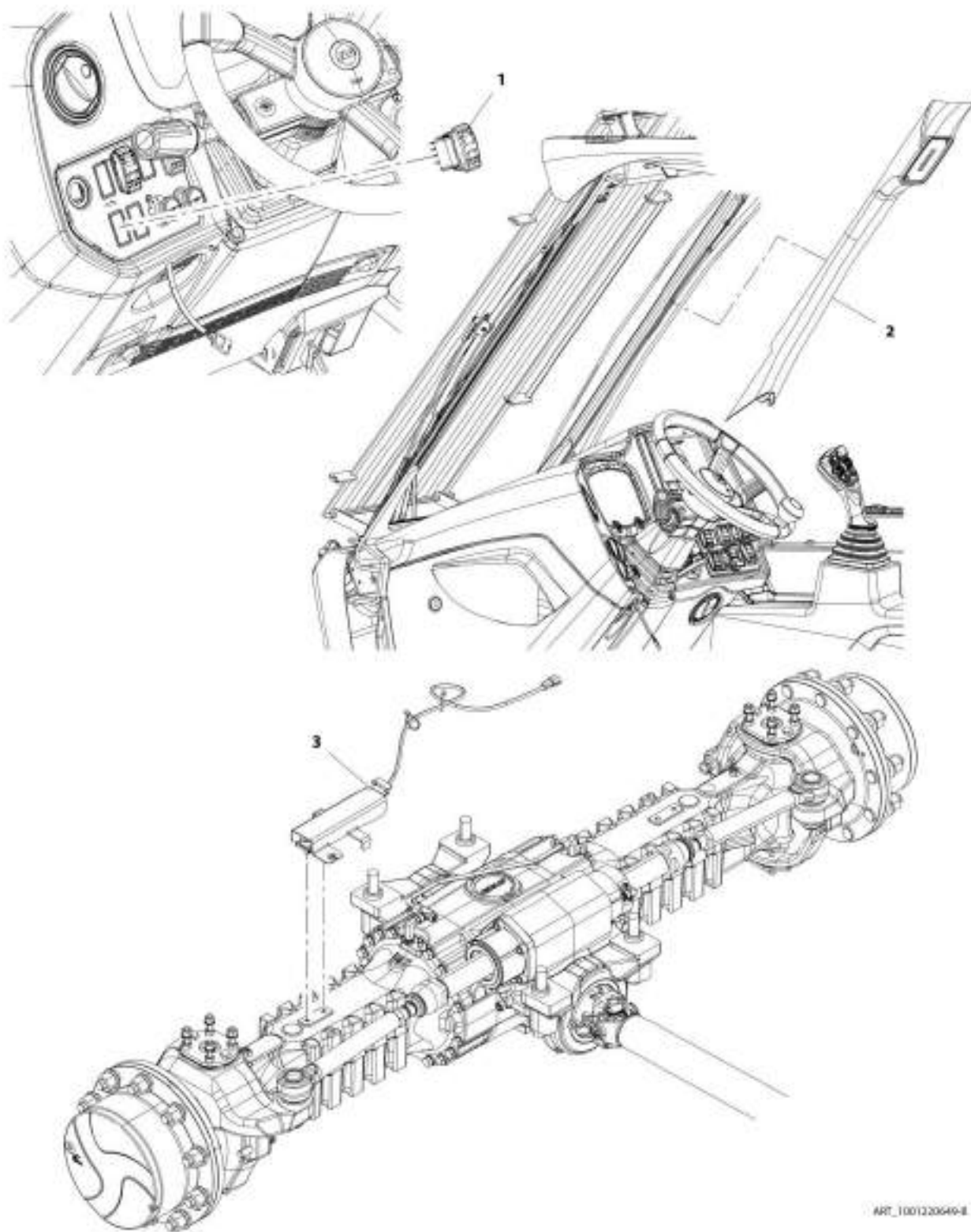
SECTION 10 - ELECTRICAL

FIGURE 10-49. CLEARSKY INSTALLATION (A/C - LONG ROOF CAP)

ITEM	PART NUMBER	QTY	DESCRIPTION	REV
	1001174368	Ref	Clearsky Installation (A/C - Long Roof Cap)	G
2	0700610	5	Bolt, M6X20	
3	0700614	1	Bolt, M6X30	
4	0760808	1	Bolt, M8X16	
6	3290601	3	Nut, M6X1 Grade 8	
7	4811700	6	Washer, M6	
8	4811900	1	Washer, M8	
9	4831700	6	Washer, Lock M6	
11	1001146588	1	Strap, Cable	
12	1001220947	1	Bracket	
13	1001174372	1	Bracket, Antenna	
14	1001120989	1	Decal, Radio Frequency	
15	1001116208	1	Decal, Clearsky	
16	1001196452	1	Harness, Clearsky (See Separate Breakdown in this Section)	

SECTION 10 - ELECTRICAL

FIGURE 10-50. LSI INSTALLATION



ART_100120649-8

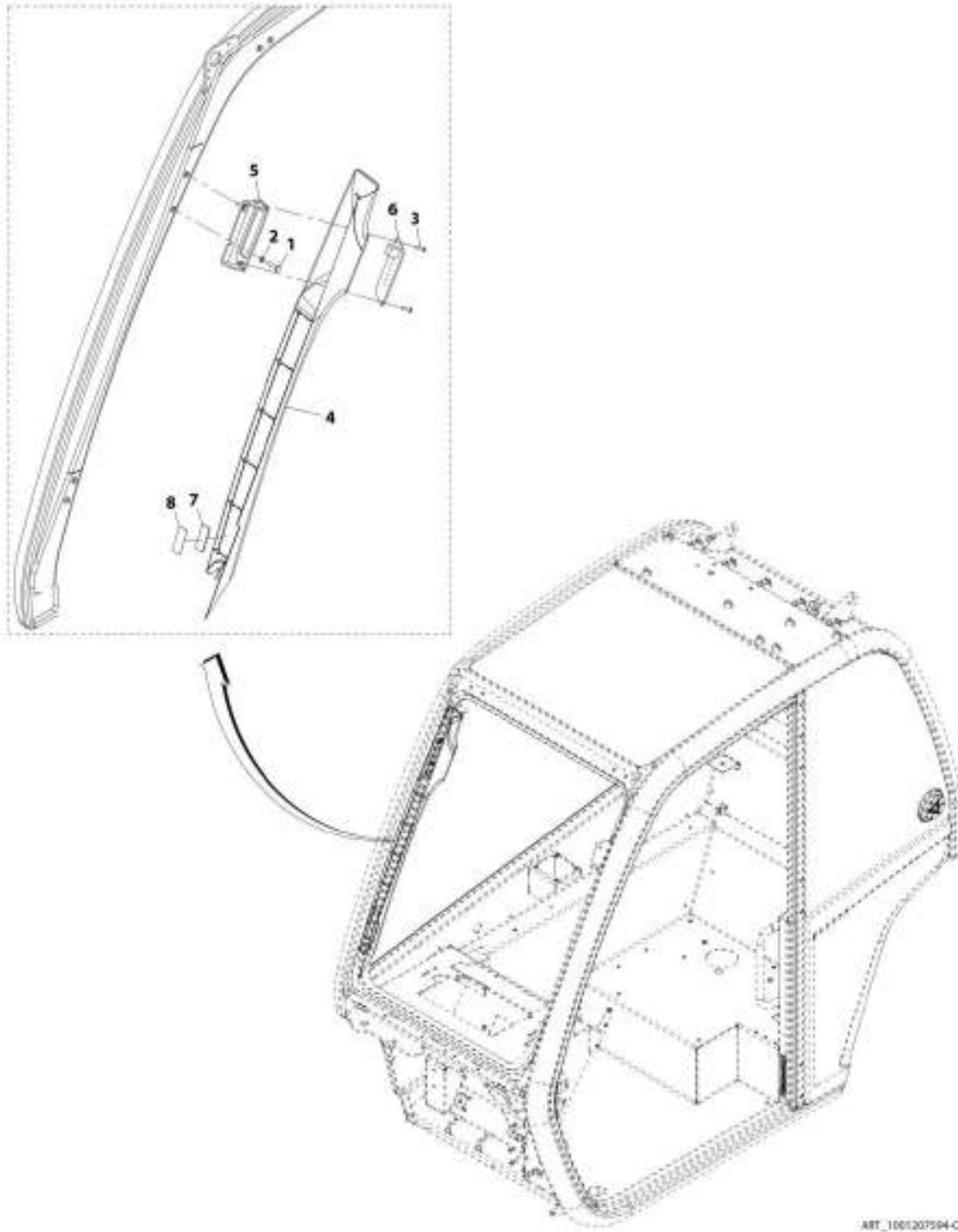
SECTION 10 - ELECTRICAL

FIGURE 10-50. LSI INSTALLATION

ITEM	PART NUMBER	QTY	DESCRIPTION	REV
	1001220649	Ref	LSI Installation	B
1	1001159742	1	Switch, LSI Override	
2	1001207594	Ref	Installation, LSI Display (See Seperate Breakdown in this Section)	
3	1001220650	Ref	Installation, LSI Sensor (See Seperate breakdown in this Section)	

SECTION 10 - ELECTRICAL

FIGURE 10-51. LSI DISPLAY INSTALLATION



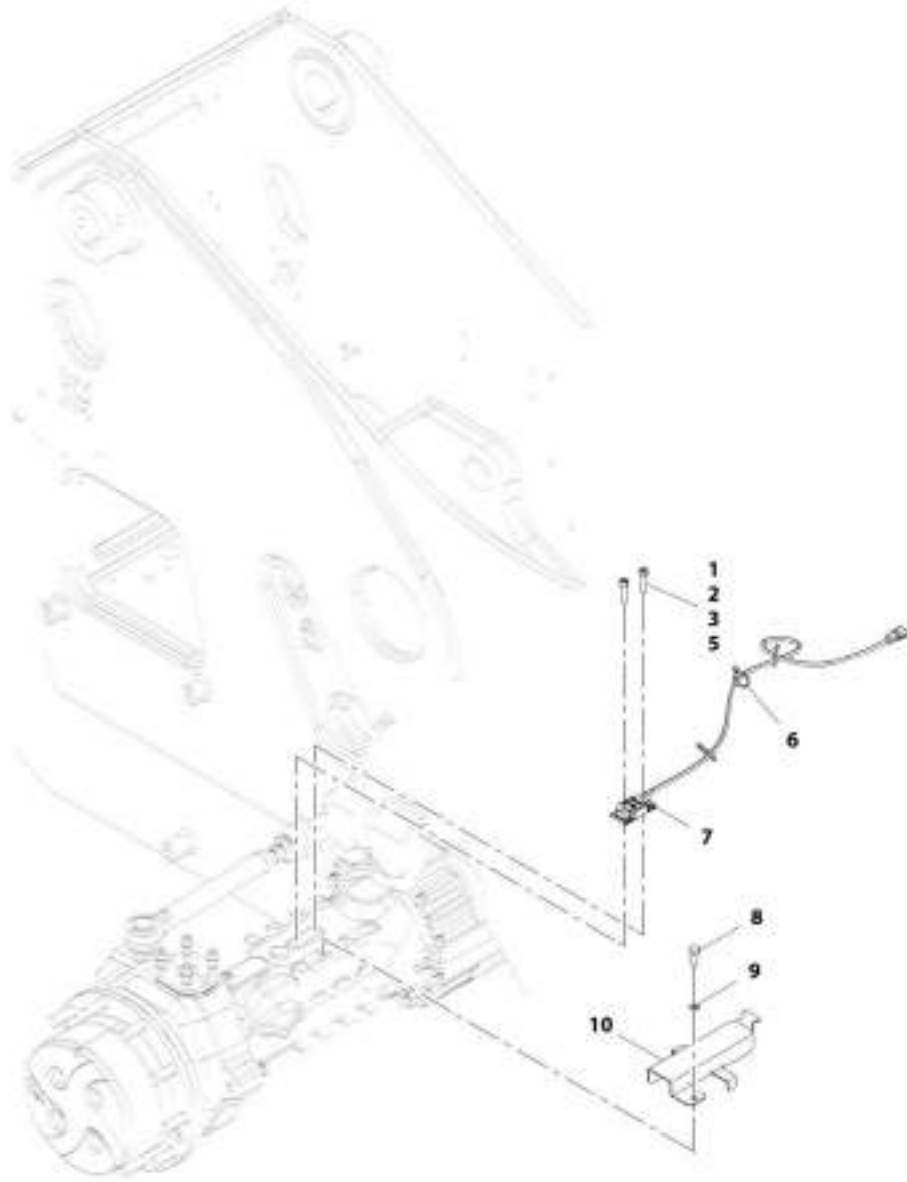
SECTION 10 - ELECTRICAL

FIGURE 10-51. LSI DISPLAY INSTALLATION

ITEM	PART NUMBER	QTY	DESCRIPTION	REV
	1001207594	Ref	LSI Display Installation	C
1	0760610	2	Bolt, M6X20	
2	4811700	2	Washer, M6	
3	1001126837	2	Screw, M4X16	
4	1001182839	1	Cover	
5	1001214401	1	Bracket	
6	1001213752	1	Display, LSI	
7	1001221318	1	Tape, Hook Fastener	
8	1001221319	1	Tape, Hook Fastener	

SECTION 10 - ELECTRICAL

FIGURE 10-52. LSI SENSOR INSTALLATION



ART_180120850-B

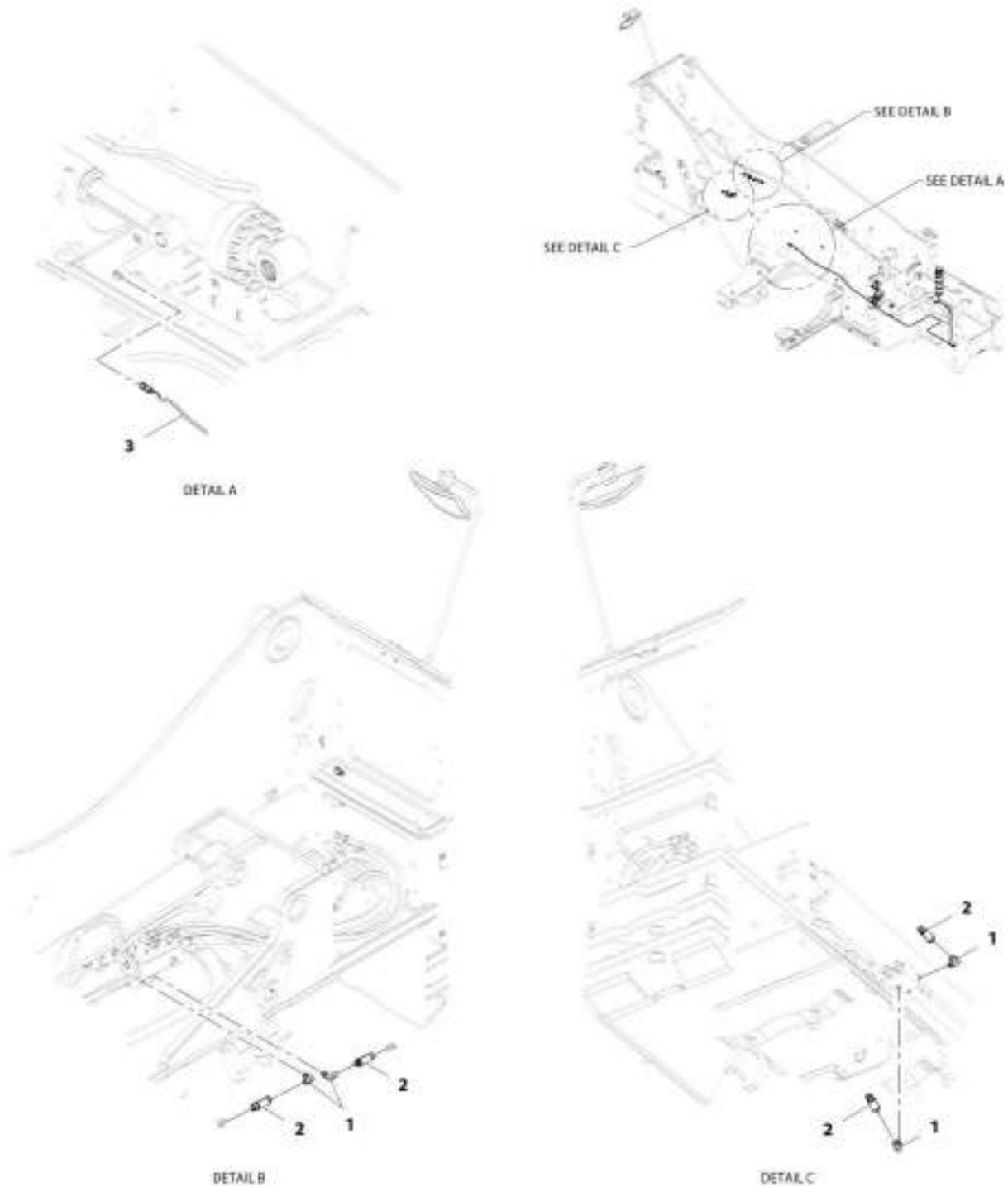
SECTION 10 - ELECTRICAL

FIGURE 10-52. LSI SENSOR INSTALLATION

ITEM	PART NUMBER	QTY	DESCRIPTION	REV
	1001220650	Ref	LSI Sensor Installation	B
1	5272012	2	Bolt, M10X40	
2	1001116128	AR	Sealant	
3	1001125465	AR	Compound, Locking	
5	1001129425	AR	Compound, Locking	
6	1001008559	3	Strap, Cable	
7	1001160730	1	Sensor, LSI	
8	0761010	1	Bolt, M10X20	
9	4812000	1	Washer, M10	
10	1001230850	1	Bracket, LSI Cover	

SECTION 10 - ELECTRICAL

FIGURE 10-53. LMIS INSTALLATION (HIGH END DISPLAY)



ART_1801182549-B

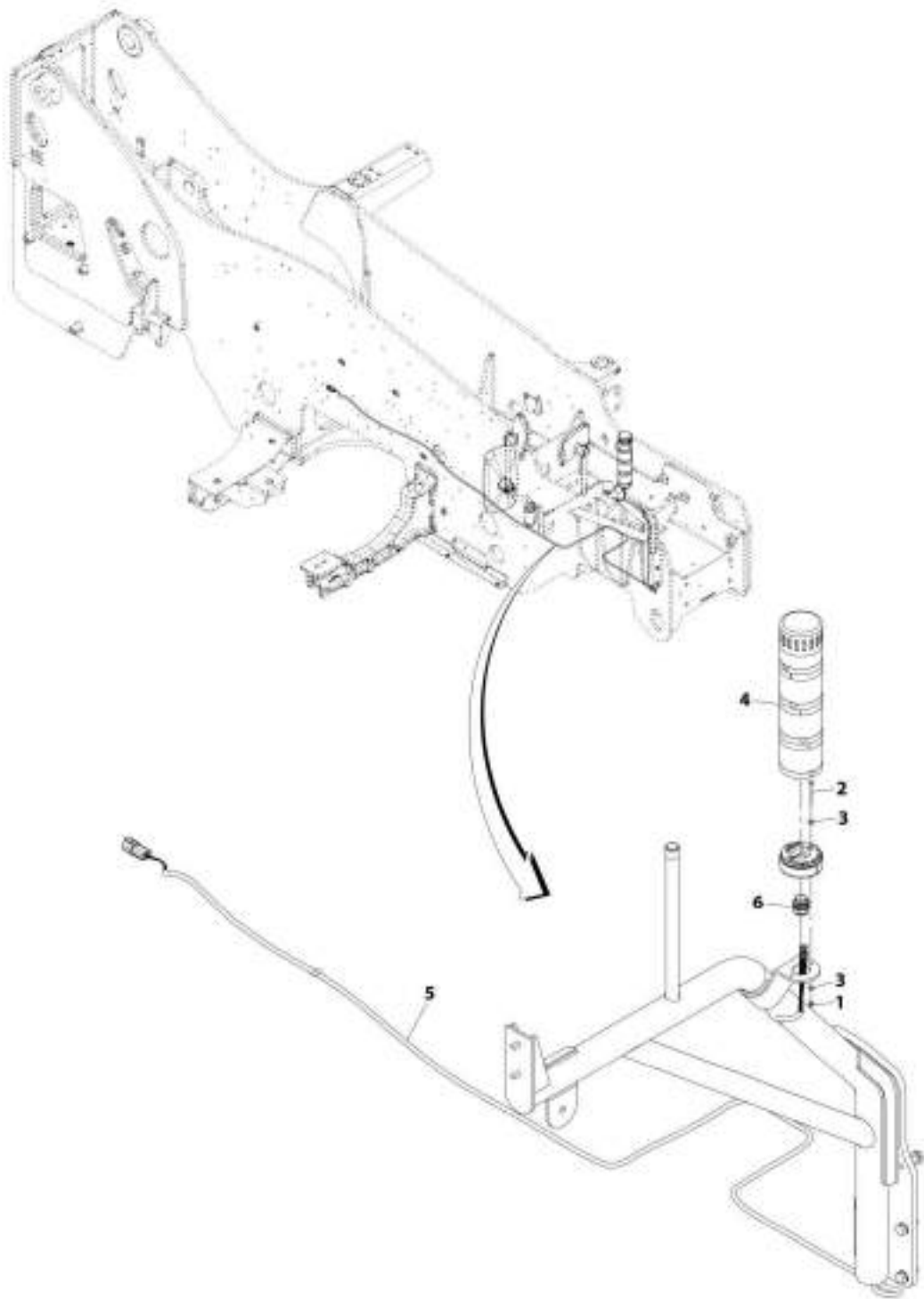
SECTION 10 - ELECTRICAL

FIGURE 10-53. LMIS INSTALLATION (HIGH END DISPLAY)

ITEM	PART NUMBER	QTY	DESCRIPTION	REV
	1001183549	Ref	LMIS Installation (High End Display)	B
1	1001101855	4	Fitting, 90	
2	1001162885	4	Sensor, LMIS	
3	1001195591	1	Installation, LMIS Beacon Light (See Seperate Breakdown in this Section)	

SECTION 10 - ELECTRICAL

FIGURE 10-54. LMIS BEACON LIGHT INSTALLATION



ART_100195581-D

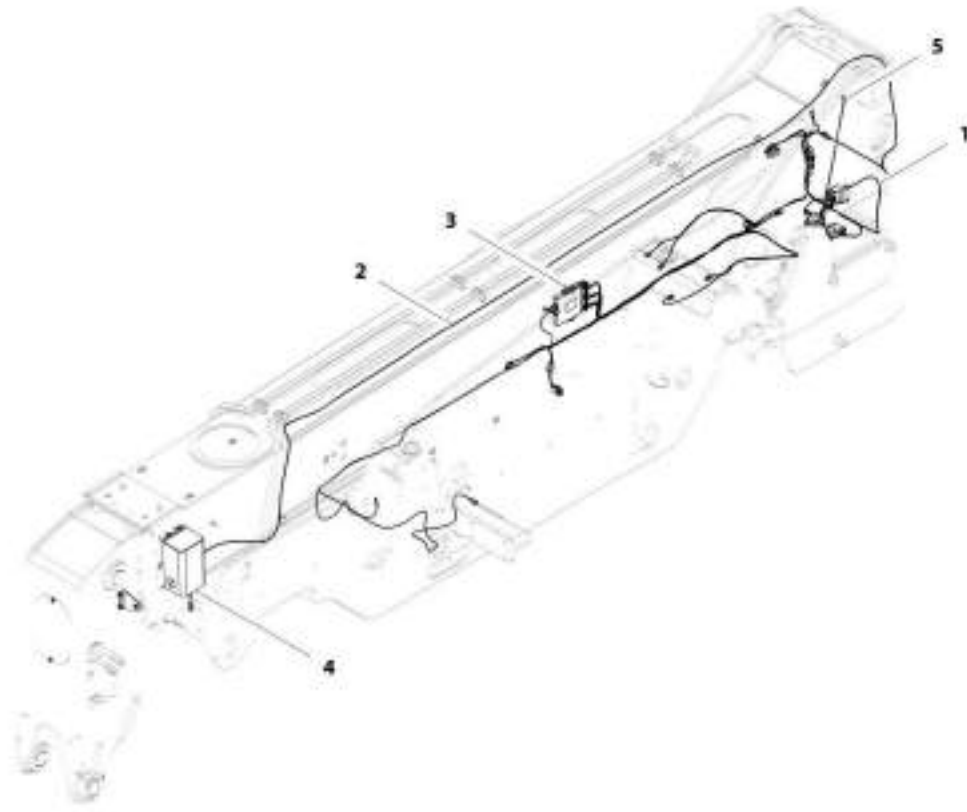
SECTION 10 - ELECTRICAL

FIGURE 10-54. LMIS BEACON LIGHT INSTALLATION

ITEM	PART NUMBER	QTY	DESCRIPTION	REV
	1001195591	Ref	LMIS Beacon Light Installation	D
1	3290405	2	Nut, Lock M4X0.7	
2	4010416	2	Screw, M4X40	
3	4811400	4	Washer, M4	
4	1001108661	1	Light, LMIS Beacon	
5	1001117247	1	Harness, LMIS Beacon Option (See Seperate Breakdown in this Section)	
6	E000269	1	Relief, Strain	

SECTION 10 - ELECTRICAL

FIGURE 10-55. LMIS CONTROL PACKAGE INSTALLATION



ART_1801160431-F

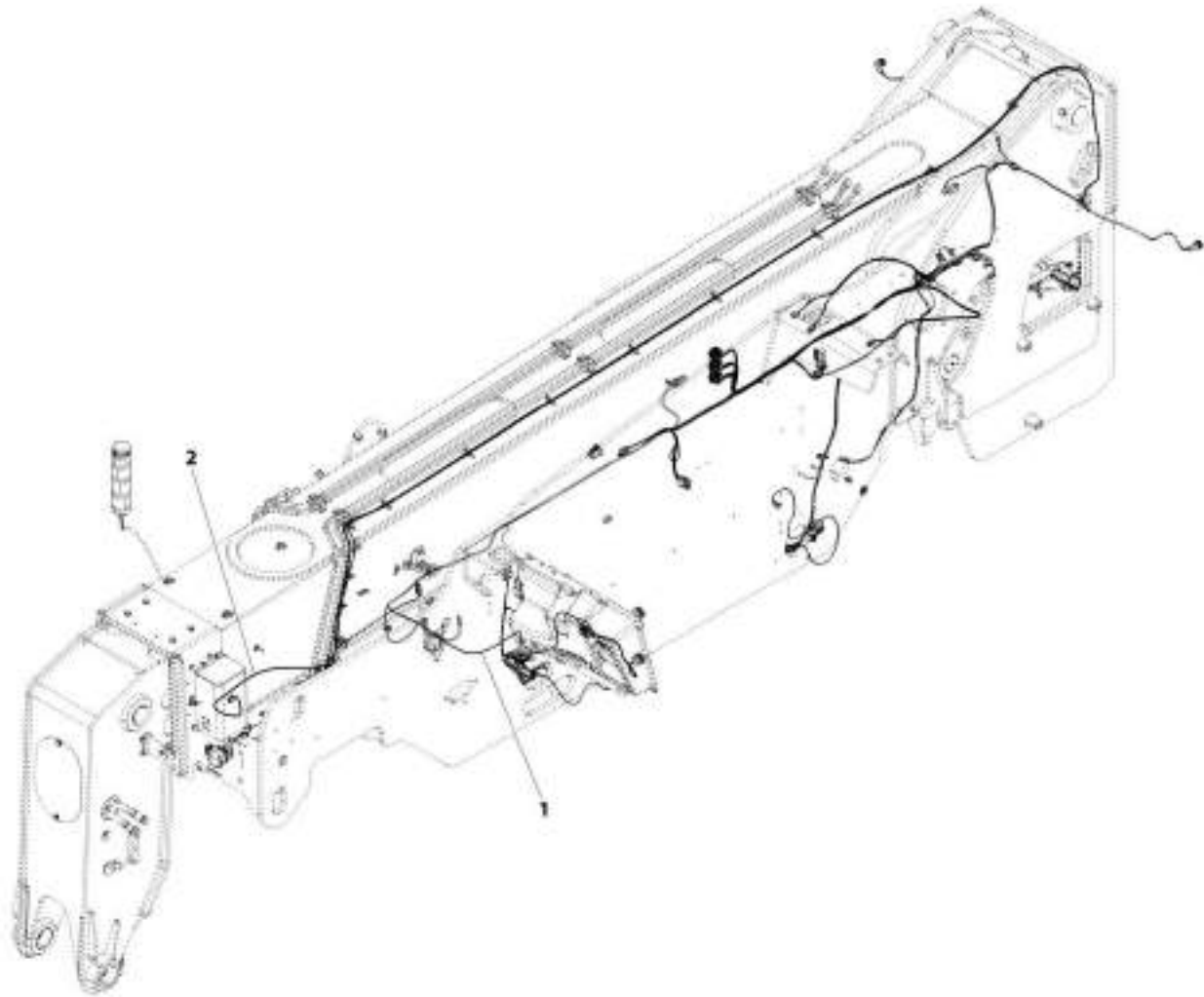
SECTION 10 - ELECTRICAL

FIGURE 10-55. LMIS CONTROL PACKAGE INSTALLATION

ITEM	PART NUMBER	QTY	DESCRIPTION	REV
	1001192431	Ref	LMIS Control Package Installation	F
1	1001195200	1	Installation, Tilt Sensor (See Seperate Breakdown in this Section)	
2	1001195201	1	Installation, LMIS Wiring (See Seperate Breakdown in this Section)	
3	1001195471	1	Installation, LMIS Controller (See Seperate Breakdown in this Section)	
4	1001195473	1	Installation, LMIS Cable Reel (See Seperate Breakdown in this Section)	
5	1001195590	1	Installation, Boom Angle Sensor (LMIS) (See Seperate Breakdown in this Section)	

SECTION 10 - ELECTRICAL

FIGURE 10-56. LMIS WIRING INSTALLATION



ART. 100195201-0

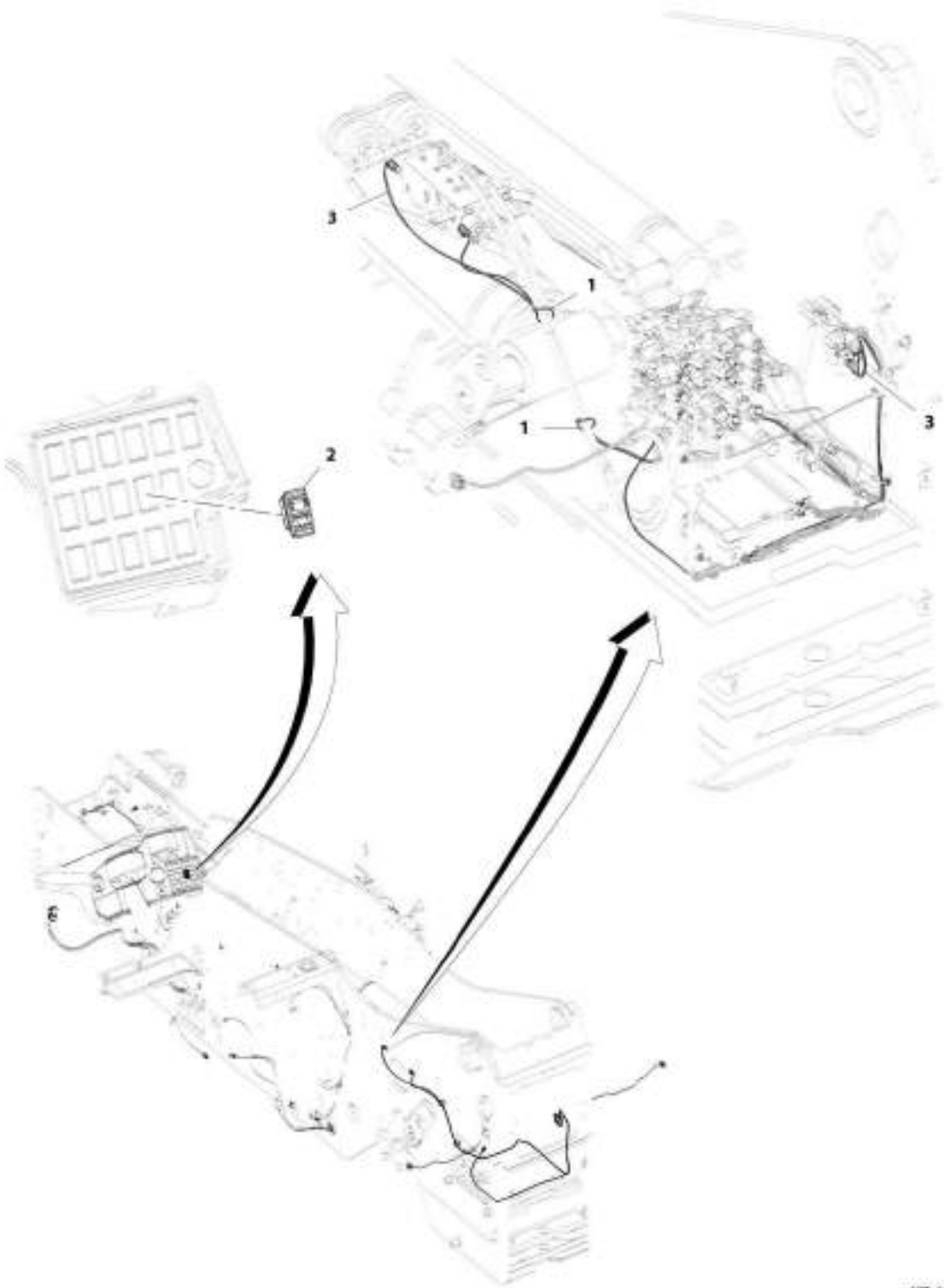
SECTION 10 - ELECTRICAL

FIGURE 10-56. LMIS WIRING INSTALLATION

ITEM	PART NUMBER	QTY	DESCRIPTION	REV
1	1001195201	Ref	LMIS Wiring Installation	D
	1001184795	1	Harness, Chassis Option (See Seperate Breakdown in this Section)	
2	1001192619	1	Harness, LMIS Boom (See Seperate Breakdown in this Section)	

SECTION 10 - ELECTRICAL

FIGURE 10-57. RIDE CONTROL WIRING INSTALLATION



AWT_3301200105-B

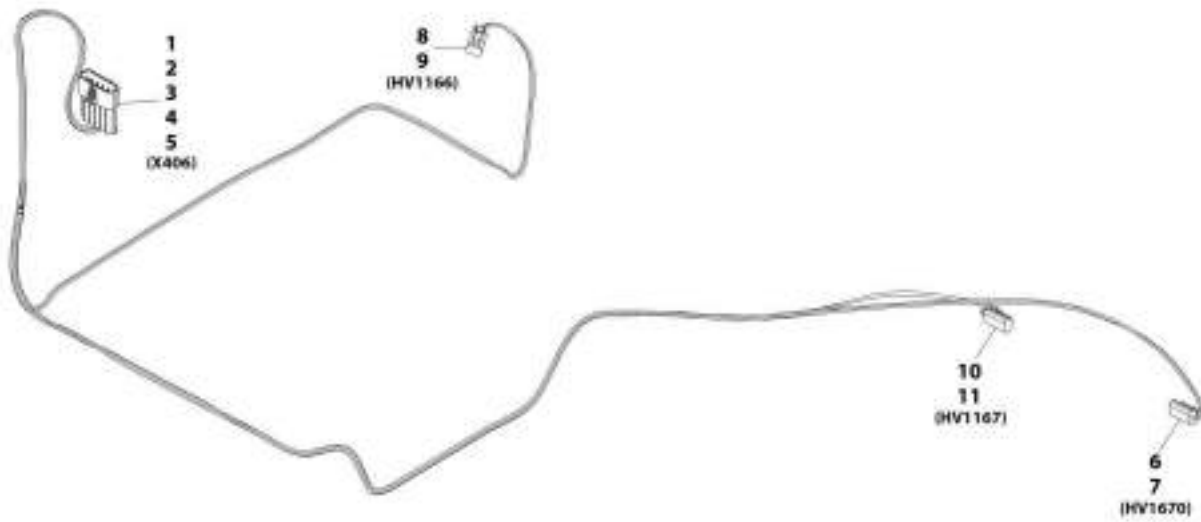
SECTION 10 - ELECTRICAL

FIGURE 10-57. RIDE CONTROL WIRING INSTALLATION

ITEM	PART NUMBER	QTY	DESCRIPTION	REV
	1001200105	Ref	Ride Control Wiring Installation	B
1	1001008559	2	Strap, Cable Tie	
2	1001159745	1	Switch, Boom Ride	
3	1001197668	1	Harness, Boom Ride Float (See Separate Breakdown in this Section)	

SECTION 10 - ELECTRICAL

FIGURE 10-58. BOOM RIDE CONTROL HARNESS



MIT_1001157855-C

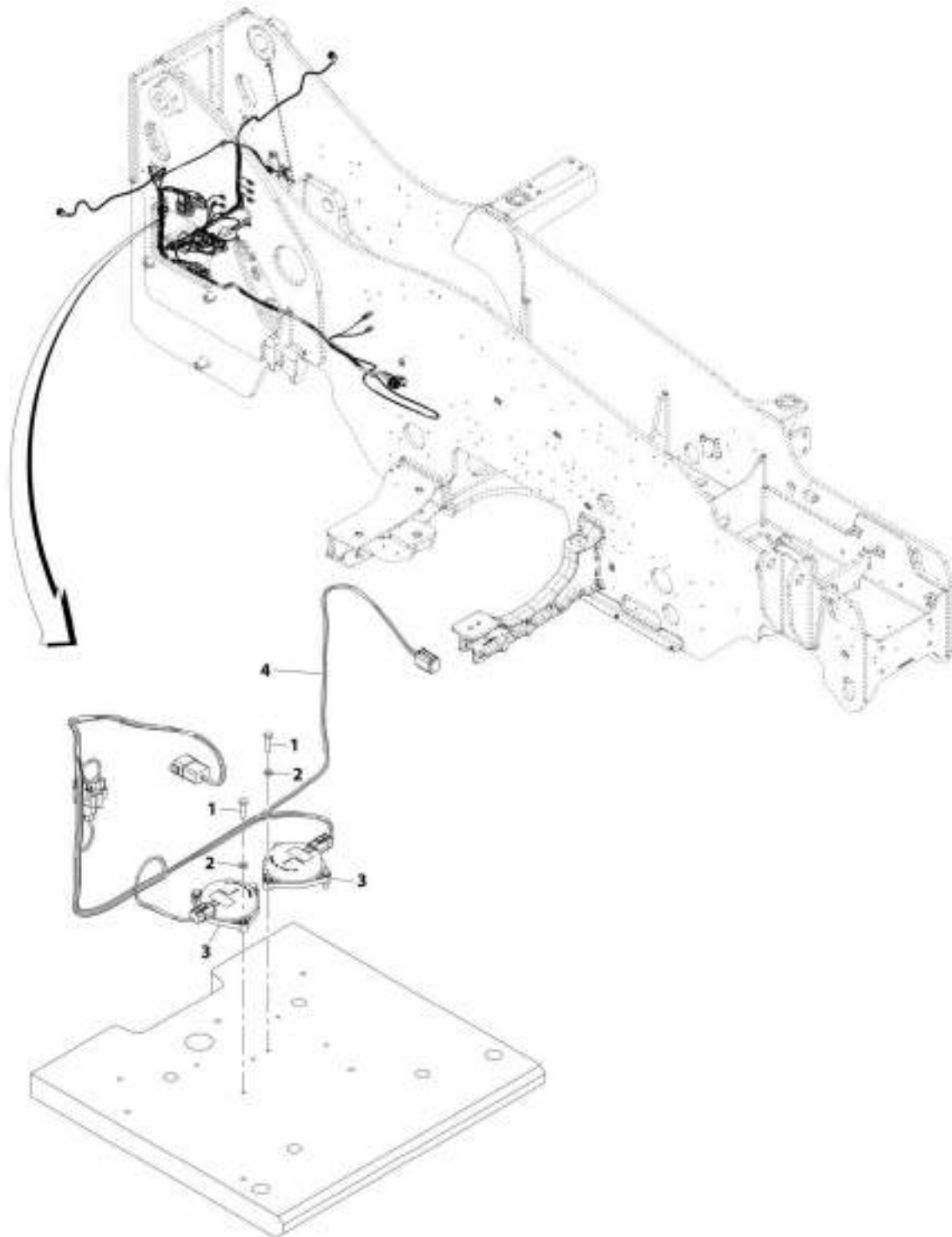
SECTION 10 - ELECTRICAL

FIGURE 10-58. BOOM RIDE CONTROL HARNESS

ITEM	PART NUMBER	QTY	DESCRIPTION	REV
	1001197668	Ref	Boom Ride Control Harness	C
1	1001121727	1	Connector	
2	1001116745	3	Terminal	
3	1001116729	1	Terminal	
4	4460458	4	Terminal Seal	
5	1001116727	1	Plug	
6	4460891	1	Connector	
7	4460465	2	Terminal	
8	4460891	1	Connector	
9	4460465	2	Terminal	
10	4460891	1	Connector	
11	4460465	2	Terminal	

SECTION 10 - ELECTRICAL

FIGURE 10-59. TILT SENSOR INSTALLATION



ART_1001195200-B

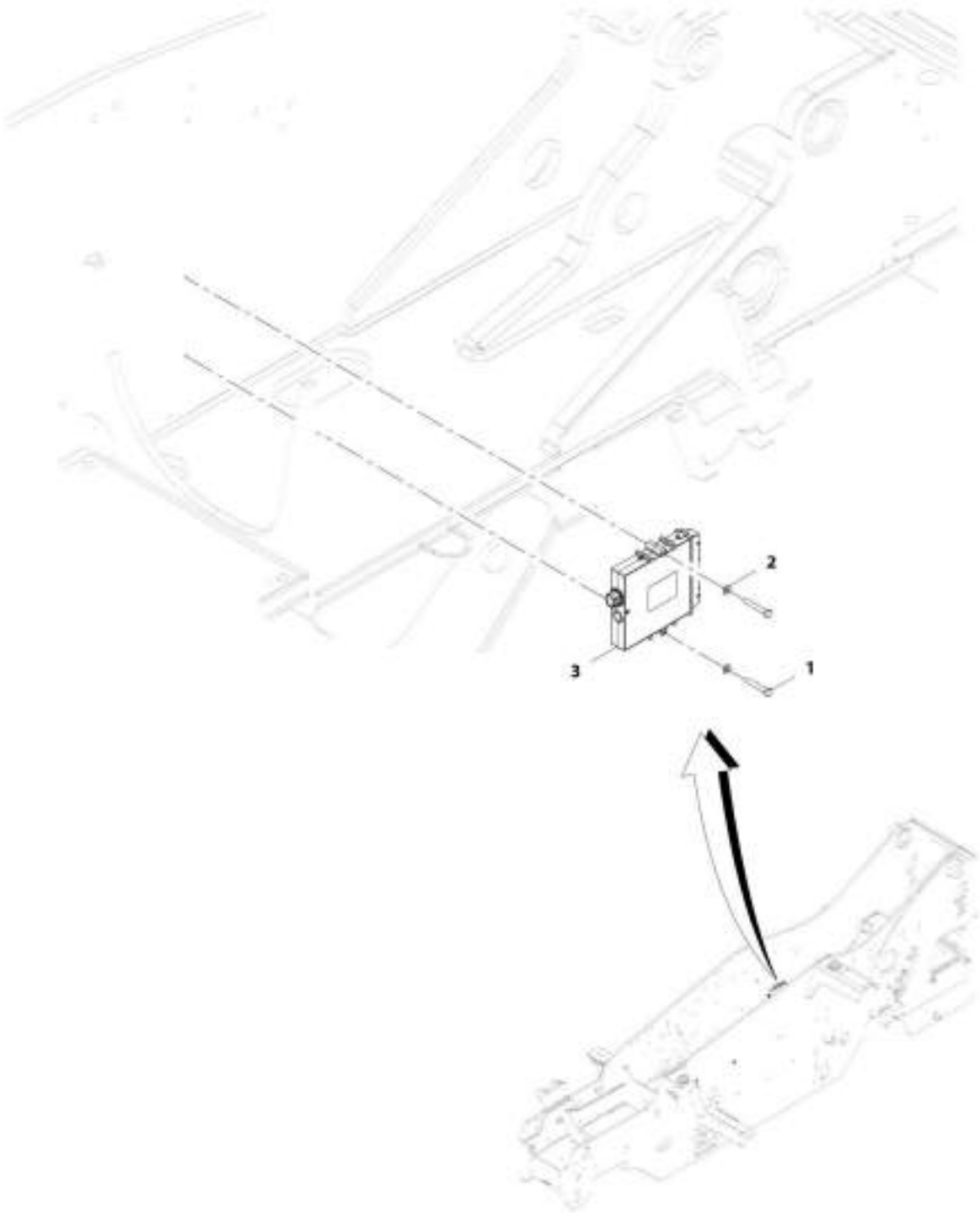
SECTION 10 - ELECTRICAL

FIGURE 10-59. TILT SENSOR INSTALLATION

ITEM	PART NUMBER	QTY	DESCRIPTION	REV
	1001195200	Ref	Tilt Sensor Installation	B
1	0700612	6	Bolt, M6X25	
2	4811700	6	Washer, M6	
3	1001163095	2	Sensor, Tilt	
4	1001195202	1	Harness, Platform Ready (See Seperate Breakdown in this Section)	

SECTION 10 - ELECTRICAL

FIGURE 10-60. LMIS CONTROLLER INSTALLATION



ART_1801195471-B

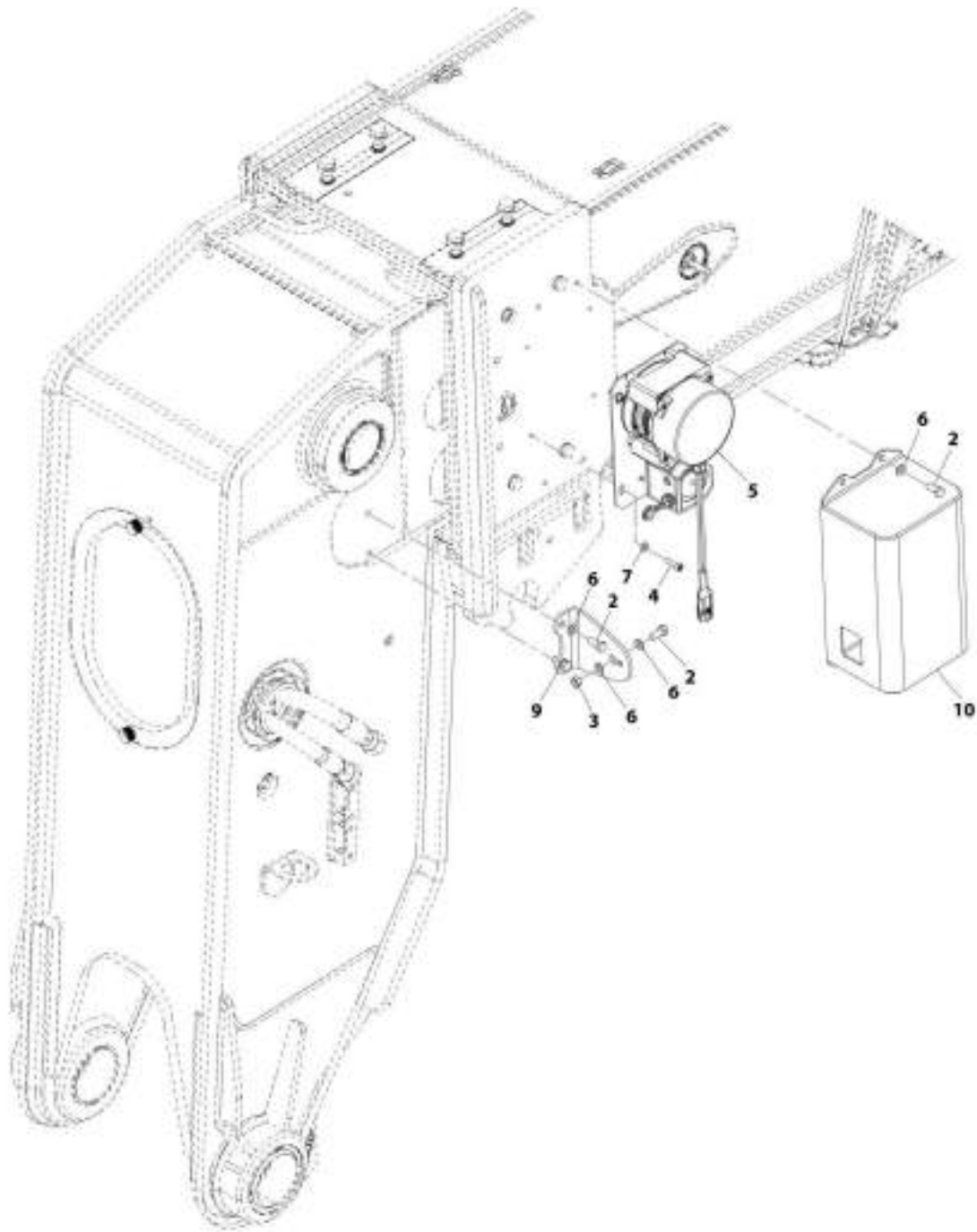
SECTION 10 - ELECTRICAL

FIGURE 10-60. LMIS CONTROLLER INSTALLATION

ITEM	PART NUMBER	QTY	DESCRIPTION	REV
	1001195471	Ref	LMIS Controller Installation	B
1	0700818	2	Bolt, M8X50	
2	4811900	2	Washer, M8	
3	1001179901	1	Module, LMIS Control	

SECTION 10 - ELECTRICAL

FIGURE 10-61. LMIS CABLE REEL INSTALLATION



KRT_1001185473-D

SECTION 10 - ELECTRICAL

FIGURE 10-61. LMIS CABLE REEL INSTALLATION

ITEM	PART NUMBER	QTY	DESCRIPTION	REV
	1001195473	Ref	LMIS Cable Reel Installation	D
2	0760810	7	Bolt, M8X20	
3	3290801	1	Nut, M8X1.25	
4	4031708	4	Screw, M6X20	
5	1001223903	1	Sensor, Boom Length	
6	4811900	8	Washer, M8	
7	5240600	4	Washer, M6	
9	1001224127	1	Bracket	
10	1001224128	1	Panel	

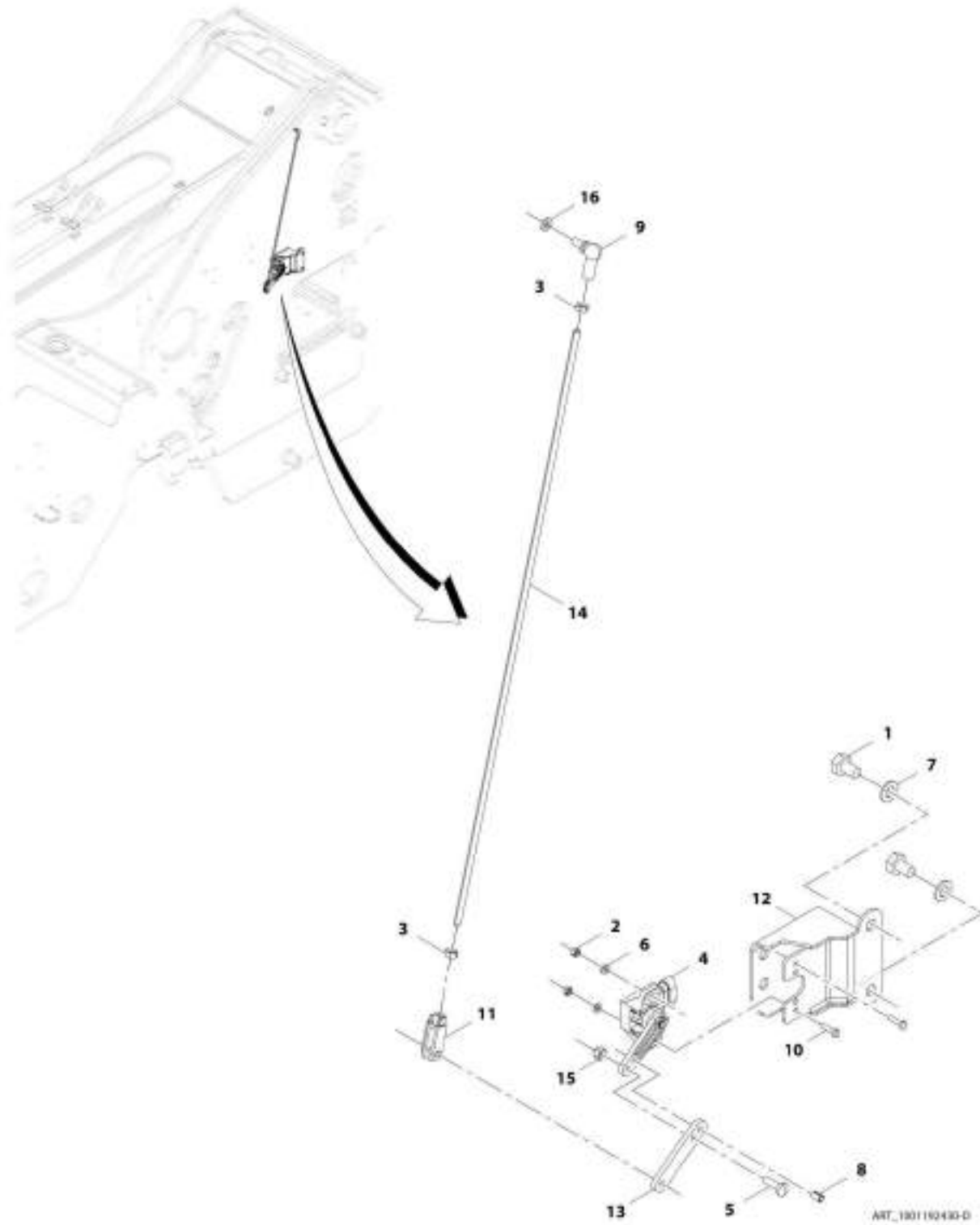
SECTION 10 - ELECTRICAL

FIGURE 10-62. BOOM ANGLE SENSOR INSTALLATION (LMIS)

ITEM	PART NUMBER	QTY	DESCRIPTION	REV
	1001195590	Ref	Boom Angle Sensor Installation (LMIS)	D
1	0761008	2	Bolt, M10X16	
2	3290405	2	Nut, Lock M4X0.7	
3	3290601	2	Nut, M6X1	
4	4010416	2	Screw, M4X40	
5	4010610	1	Screw, M6X20	
6	4811400	2	Washer, M4	
7	4812000	2	Washer, M10	
8	1001099717	1	Sensor, Boom Angle	
9	1001103156	1	Pin	
10	1001103300	1	Fitting, Ball Joint	
11	1001134274	1	Clevis	
12	1001213775	1	Bracket	
13	1001195731	1	Link, Boom Angle Sensor	
14	1001195732	1	Rod	
15	3290605	1	Nut, Lock M6X1	
16	4811700	1	Washer, M6	

SECTION 10 - ELECTRICAL

FIGURE 10-63. BOOM ANGLE SENSOR INSTALLATION (NO LMIS)



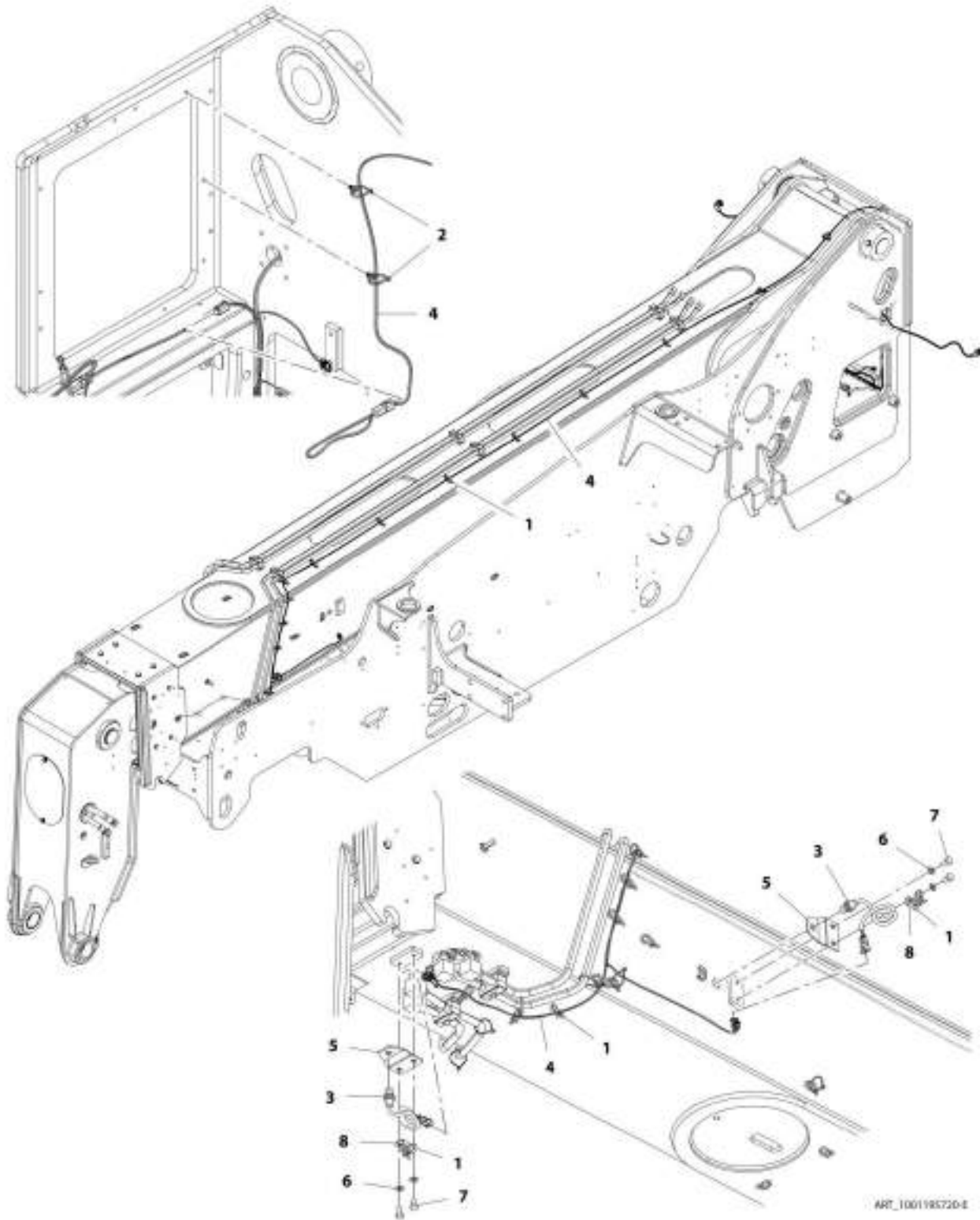
SECTION 10 - ELECTRICAL

FIGURE 10-63. BOOM ANGLE SENSOR INSTALLATION (NO LMIS)

ITEM	PART NUMBER	QTY	DESCRIPTION	REV
	1001192430	Ref	Boom Angle Sensor Installation (no LMIS)	D
1	0761008	2	Bolt, M10X16	
2	3290405	2	Nut, Lock M4X0.7	
3	3290601	2	Nut, M6X1	
4	4000015	1	Sensor, Boom Angle	
5	4010610	1	Screw, M6X20	
6	4811400	2	Washer, M4	
7	4812000	2	Washer, M10	
8	1001103156	1	Pin	
9	1001103300	1	Fitting, Ball Joint	
10	1001126837	2	Screw, M4X16	
11	1001134274	1	Clevis	
12	1001213775	1	Bracket	
13	1001195731	1	Link	
14	1001195732	1	Rod	
15	3290605	1	Nut, Lock M6X1	
16	4811700	1	Washer, M6	

SECTION 10 - ELECTRICAL

FIGURE 10-64. BOOM RETRACT SENSOR INSTALLATION



SECTION 10 - ELECTRICAL

FIGURE 10-64. BOOM RETRACT SENSOR INSTALLATION

ITEM	PART NUMBER	QTY	DESCRIPTION	REV
	1001195720	Ref	Boom Retract Sensor Installation	E
1	1001008923	19	Strap, Cable	
2	1001146588	2	Strap, Fir Tree Cable Tie	
3	1001183024	2	Sensor	
4	1001195953	1	Harness, Proximity Sensor	
5	1001210567	2	Bracket	
6	4812000	4	Washer, M10	
7	0761009	4	Bolt	
8	1001003305	2	Clip	

SECTION 10 - ELECTRICAL

FIGURE 10-65. ENGINE HARNESS (ULS)

ITEM	PART NUMBER	QTY	DESCRIPTION	REV
	1001200108	Ref	Engine Harness (ULS)	I
1	1001202723	1	Connector	
2	1001167623	5	Plug	
3	1001166555	13	Terminal	
4	1001167621	50	Terminal	
5	1001167622	37	Plug	
6	4460539	1	Connector	
7	4460465	3	Terminal	
8	1001126487	1	Connector	
9	1001167635	2	Terminal	
10	1001126485	2	Terminal Seal	
11	1001167631	1	Connector	
12	1001167630	4	Terminal	
13	1001126485	4	Terminal Seal	
14	1001187070	1	Ring Terminal	
15	1001148842	1	Connector	
16	1001148841	3	Terminal	
17	1001135651	1	Plug	
18	1001135650	3	Terminal Seal	
19	1001202722	1	Connector	
20	1001166551	6	Terminal	
21	1001126353	6	Terminal Seal	
22	1001167622	58	Plug	
23	1001167621	21	Terminal	
24	1001167623	6	Plug	
25	1001138116	1	Connector	
26	1001187882	1	Cover	
27	1001133715	3	Terminal	
28	1001135650	4	Terminal Seal	
29	1001126487	1	Connector	
30	1001167634	2	Terminal	
31	1001126485	2	Terminal Seal	
32	1001209097	1	Connector	
33	8220124	2	Terminal	
34	4460608	2	Terminal Seal	
35	1001126362	1	Connector	
36	1001166556	30	Terminal	
37	1001126393	40	Terminal Seal	
38	1001126391	16	Plug	
39	4461008	2	Plug	
40	4461008	2	Terminal Seal	
41	4461054	2	Terminal Wire Seal	
42	1001166543	4	Terminal	
43	1001166774	10	Terminal	
44	1001126487	1	Connector	
45	1001167634	2	Terminal	
46	1001126485	2	Terminal Seal	
47	1001116811	1	Connector	
48	1001150610	2	Terminal	
49	4460508	1	Terminal	

SECTION 10 - ELECTRICAL

ITEM	PART NUMBER	QTY	DESCRIPTION	REV
50	4460466	1	Plug	
51	1001144147	1	Connector	
52	4460464	2	Terminal	
53	4460466	1	Plug	
54	4460894	1	Connector	
55	4460892	1	Mating Connector	
56	4460466	1	Plug	
57	4460465	5	Terminal	
58	1001126245	1	Connector	
59	1001126008	2	Terminal	
60	1001167629	1	Connector	
61	1001167630	4	Terminal	
62	1001126485	4	Terminal Seal	
63	1001207171	1	Ring Terminal, (with boot)	
64	1001207171	1	Ring Terminal, (with boot)	
65	1001118282	1	Connector	
66	1001116734	2	Terminal	
67	1001116732	2	Terminal	
68	1001128128	1	Plug	
69	1001187080	1	Ring Terminal	
70	1001187080	1	Ring Terminal	
71	1001187078	1	Ring Terminal	
72	1001187080	1	Ring Terminal	
73	1001187080	1	Ring Terminal	
74	4460970	1	Connector	
75	4460464	9	Terminal	
76	4460466	2	Plug	
77	1001167616	1	Connector	
78	1001190921	1	Fuse Box Foam Seal	
79	4460748	9	Plug	
80	8220097	21	Terminal	
81	1001175265	19	Terminal Seal	
82	8220098	9	Terminal	
83	4460458	11	Terminal Seal	
84	1001116725	6	Terminal	
85	80963067	1	Terminal Seal	
86	1001190037	5	Terminal Seal	
87	2902443	1	Connector	
88	4461071	6	Terminal	
89	1001201885	1	Faston Terminal	
90	1001201885	1	Faston Terminal	
91	4460891	1	Connector	
92	4460465	2	Terminal	
93	4460891	1	Connector	
94	4460465	2	Terminal	
95	4460891	1	Connector	
96	4460465	2	Terminal	
97	4460897	1	Mating Connector	
98	1001167636	1	Connector	
99	1001166707	2	Terminal	
100	4461006	2	Terminal Seal	

SECTION 10 - ELECTRICAL

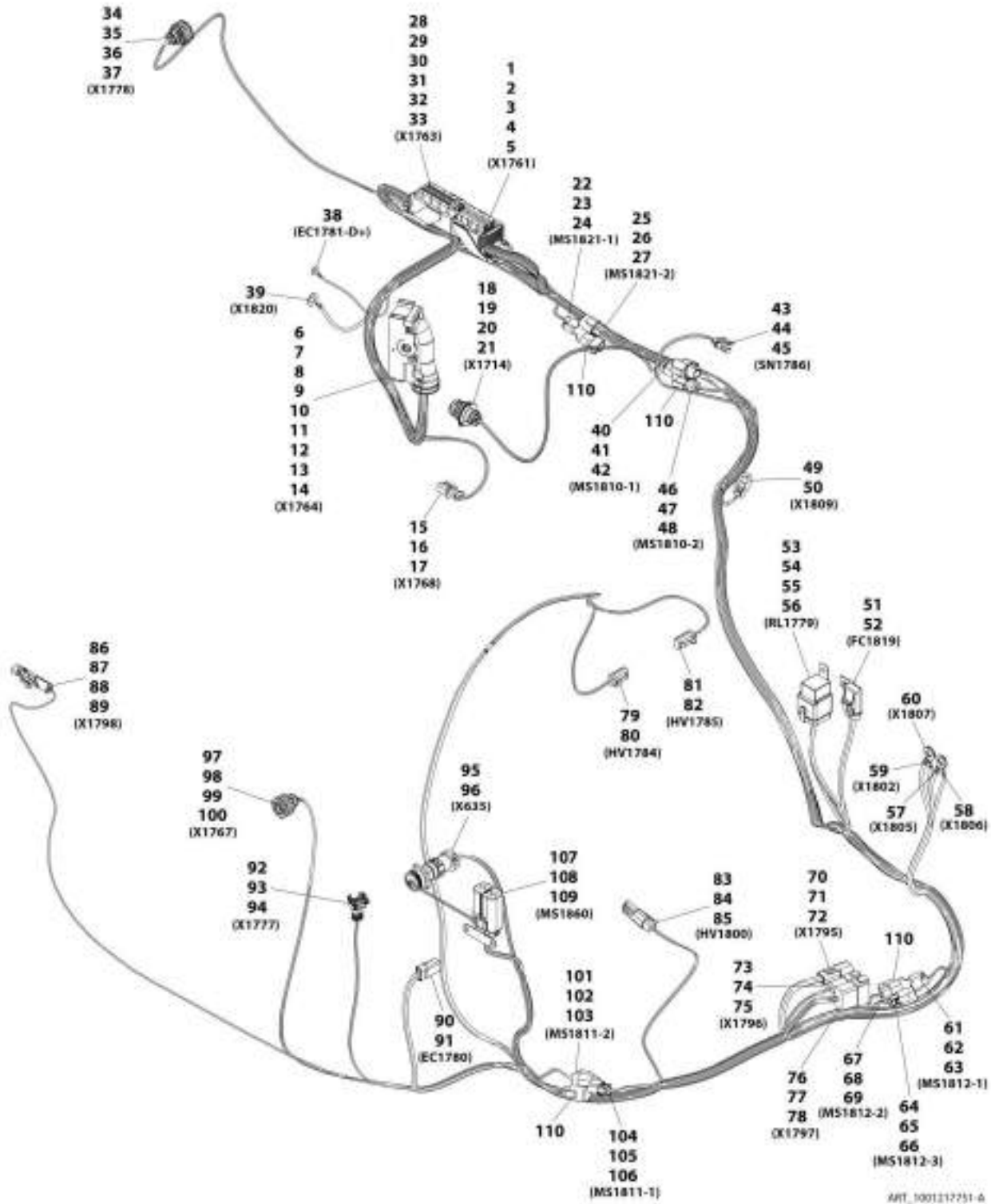
ITEM	PART NUMBER	QTY	DESCRIPTION	REV
101	1001116812	1	Connector	
102	4460944	2	Terminal	
103	4460466	1	Plug	
104	4461095	1	Connector	
105	4461070	1	Terminator Resistor	
106	4460944	2	Terminal	
107	4460466	1	Plug	
108	4460891	1	Connector	
109	4460897	1	Mating Connector	
110	4460465	2	Terminal	
111	4460539	1	Connector	
112	4460944	2	Terminal	
113	4460466	1	Plug	
114	4460933	1	Connector	
115	1001125677	1	Mating Connector	
116	4460465	12	Terminal	
117	4461018	1	Connector	
118	4460509	2	Terminal	
119	80963056	1	Connector	
120	80963055	1	Mating Connector	
121	4460979	1	Terminal	
122	1001175265	1	Terminal Seal	
123	4461095	1	Connector	
124	4461070	1	Terminator Resistor	
125	4460944	2	Terminal	
126	4460466	1	Plug	
127	1001133714	1	Connector	
128	1001133715	3	Terminal	
129	1001135650	3	Terminal Seal	
130	1001135651	1	Plug	
131	1001116812	1	Connector	
132	4460944	2	Terminal	
133	4460466	1	Plug	
134	1001133714	1	Connector	
135	1001133715	3	Terminal	
136	1001135650	3	Terminal Seal	
137	1001135651	1	Plug	
138	4460891	1	Connector	
139	4460942	2	Terminal	
140	4460891	1	Connector	
141	4460942	2	Terminal	
142	4460884	1	Connector	
143	4460465	4	Terminal	
144	1001165194	1	Connector	
145	1001126391	2	Plug	
146	1001166556	8	Terminal	
147	1001166774	2	Terminal	
148	1001126393	8	Terminal Seal	
149	1001223459	2	Terminal Seal	
150	4460891	1	Connector	
151	4460942	2	Terminal	

SECTION 10 - ELECTRICAL

ITEM	PART NUMBER	QTY	DESCRIPTION	REV
152	1001167620	1	Connector	
153	1001176004	2	Terminal	
154	1001176002	2	Terminal Seal	
155	1001167624	2	Plug	

SECTION 10 - ELECTRICAL

FIGURE 10-66. ENGINE HARNESS, (LS)



SECTION 10 - ELECTRICAL

FIGURE 10-66. ENGINE HARNESS, (LS)

ITEM	PART NUMBER	QTY	DESCRIPTION	REV
	1001217751	Ref	Engine Harness, (LS)	A
1	1001126360	1	Connector	
2	1001126357	11	Plug	
3	1001126351	13	Terminal	
4	1001126356	19	Plug	
5	1001126384	17	Terminal	
6	1001126362	1	Connector	
7	1001166556	24	Terminal	
8	1001166701	24	Terminal Seal	
9	1001126391	22	Plug	
10	1001166774	10	Terminal	
11	1001126393	10	Terminal Seal	
12	4461008	4	Plug	
13	1001166543	2	Terminal	
14	4461054	2	Terminal Seal	
15	1001138110	1	Connector	
16	1001138111	2	Terminal	
17	1001138113	2	Terminal Seal	
18	1001148842	1	Connector	
19	1001148841	3	Terminal	
20	1001135650	3	Terminal Seal	
21	1001135651	1	Plug	
22	1001116812	1	Connector	
23	4460944	2	Terminal	
24	4460466	1	Plug	
25	4460539	1	Connector	
26	4460944	2	Terminal	
27	4460466	1	Plug	
28	1001126349	1	Connector	
29	1001126352	6	Terminal	
30	1001126353	6	Terminal Seal	
31	1001126357	2	Plug	
32	1001126356	65	Plug	
33	1001126384	21	Terminal	
34	1001133714	1	Connector	
35	1001133715	3	Terminal	
36	1001135650	3	Terminal Seal	
37	1001135651	1	Plug	
38	1001187070	1	Ring Terminal	
39	1001187078	1	Ring Terminal	
40	1001116812	1	Connector	
41	4460944	2	Terminal	
42	4460466	1	Plug	
43	1001117068	1	Connector	
44	8220124	2	Terminal	
45	4460608	2	Terminal Seal	
46	4460539	1	Connector	
47	4460944	2	Terminal	
48	4460466	1	Plug	
49	4460539	1	Connector	

SECTION 10 - ELECTRICAL

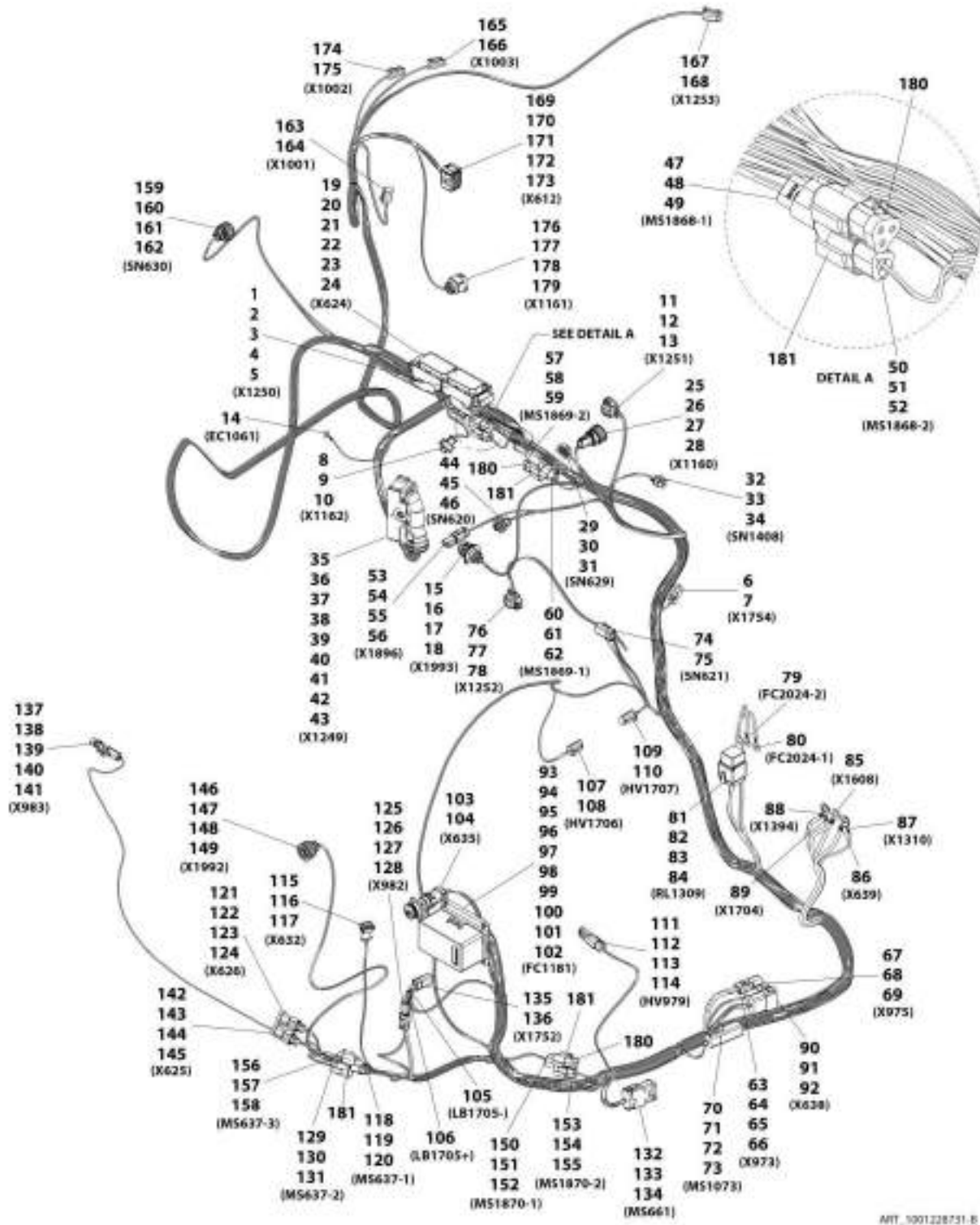
ITEM	PART NUMBER	QTY	DESCRIPTION	REV
50	4460465	3	Terminal	
51	1001117018	1	Connector	
52	1001116734	2	Terminal	
53	1001118282	1	Connector	
54	1001116734	2	Terminal	
55	1001116733	2	Terminal	
56	1001128128	1	Plug	
57	1001187079	1	Ring Terminal	
58	1001187078	1	Ring Terminal	
59	1001187079	1	Ring Terminal	
60	1001187078	1	Ring Terminal	
61	1001116812	1	Connector	
62	4460944	2	Terminal	
63	4460466	1	Plug	
64	1001116812	1	Connector	
65	4460944	2	Terminal	
66	4460466	1	Plug	
67	4460539	1	Connector	
68	4460944	2	Terminal	
69	4460466	1	Plug	
70	1001116811	1	Connector	
71	1001150610	3	Terminal	
72	4460466	1	Plug	
73	1001144147	1	Connector	
74	4460944	2	Terminal	
75	4460466	1	Plug	
76	4460970	1	Connector	
77	4460464	8	Terminal	
78	4460466	4	Plug	
79	4460891	1	Connector	
80	4460465	2	Terminal	
81	4460891	1	Connector	
82	4460465	2	Terminal	
83	4460891	1	Connector	
84	4460465	2	Terminal	
85	4460897	1	Mating Connector	
86	80963056	1	Connector	
87	80963055	1	Mating Connector	
88	4460979	1	Terminal	
89	1001175265	1	Terminal Seal	
90	4461018	1	Connector	
91	4460509	2	Terminal	
92	1001116983	1	Connector	
93	1001116710	2	Terminal	
94	4461006	2	Terminal Seal	
95	2902443	1	Connector	
96	4461071	6	Terminal	
97	1001133714	1	Connector	
98	1001133715	3	Terminal	
99	1001135650	3	Terminal Seal	
100	1001135651	1	Plug	

SECTION 10 - ELECTRICAL

ITEM	PART NUMBER	QTY	DESCRIPTION	REV
101	4460539	1	Connector	
102	4460944	2	Terminal	
103	4460466	1	Plug	
104	1001116812	1	Connector	
105	4460944	2	Terminal	
106	4460466	1	Plug	
107	1001184551	1	Connector	
108	1001116728	8	Terminal	
109	1001175265	8	Terminal Seal	
110	4460945	4	Connector, 3 Way	

SECTION 10 - ELECTRICAL

FIGURE 10-67. ENGINE HARNESS (MINING) (ULS)



AMT_000128731-B

SECTION 10 - ELECTRICAL

FIGURE 10-67. ENGINE HARNESS (MINING) (ULS)

ITEM	PART NUMBER	QTY	DESCRIPTION	REV
	1001228731	Ref	Engine Harness (Mining) (ULS)	B
1	1001202723	1	Connector	
2	1001167623	5	Plug	
3	1001166555	13	Terminal	
4	1001167621	50	Terminal	
5	1001167622	37	Plug	
6	4460539	1	Connector	
7	4460465	3	Terminal	
8	1001126487	1	Connector	
9	1001167635	2	Terminal	
10	1001126485	2	Terminal Seal	
11	1001167631	1	Connector	
12	1001167630	4	Terminal	
13	1001126485	4	Terminal Seal	
14	1001187070	1	Ring Terminal	
15	1001148842	1	Connector	
16	1001148841	3	Terminal	
17	1001135651	1	Plug	
18	1001135650	3	Terminal Seal	
19	1001202722	1	Connector	
20	1001166551	6	Terminal	
21	1001126353	6	Terminal Seal	
22	1001167622	58	Plug	
23	1001167621	21	Terminal	
24	1001167623	6	Plug	
25	1001138116	1	Connector	
26	1001187882	1	Cover	
27	1001133715	3	Terminal	
28	1001135650	4	Terminal Seal	
29	1001126487	1	Connector	
30	1001167634	2	Terminal	
31	1001126485	2	Terminal Seal	
32	1001209097	1	Connector	
33	8220124	2	Terminal	
34	4460608	2	Terminal Seal	
35	1001126362	1	Connector	
36	1001166556	26	Terminal	
37	1001126393	36	Terminal Seal	
38	1001126391	20	Plug	
39	4461008	2	Plug	
40	4461006	2	Seal	
41	4461054	2	Terminal Wire Seal	
42	1001166543	4	Terminal	
43	1001166774	10	Terminal	
44	1001126487	1	Connector	
45	1001167634	2	Terminal	
46	1001126485	2	Terminal Seal	
47	1001116812	1	Connector	
48	4460944	2	Terminal	
49	4460466	1	Plug	

SECTION 10 - ELECTRICAL

ITEM	PART NUMBER	QTY	DESCRIPTION	REV
50	4460539	1	Connector	
51	4460944	2	Terminal	
52	4460466	1	Plug	
53	4460891	1	Connector	
54	4460897	1	Mating Connector	
55	4460465	2	Terminal	
56	4460466	1	Plug	
57	4460539	1	Connector	
58	4460944	2	Terminal	
59	4460466	1	Plug	
60	1001116812	1	Connector	
61	4460944	2	Terminal	
62	4460466	1	Plug	
63	1001116811	1	Connector	
64	1001150610	2	Terminal	
65	4460508	1	Terminal	
66	4460466	1	Plug	
67	1001144147	1	Connector	
68	4460464	2	Terminal	
69	4460466	1	Plug	
70	4460894	1	Connector	
71	4460892	1	Mating Connector	
72	4460466	1	Plug	
73	4460465	5	Terminal	
74	1001126245	1	Connector	
75	1001126008	2	Terminal	
76	1001167629	1	Connector	
77	1001167630	4	Terminal	
78	1001126485	4	Terminal Seal	
79	1001207171	1	Ring Terminal, (with boot)	
80	1001207171	1	Ring Terminal, (with boot)	
81	1001118282	1	Connector	
82	1001116734	2	Terminal	
83	1001116732	2	Terminal	
84	1001128128	1	Plug	
85	1001187080	1	Ring Terminal	
86	1001187080	1	Ring Terminal	
87	1001187078	1	Ring Terminal	
88	1001187080	1	Ring Terminal	
89	1001187080	1	Ring Terminal	
90	4460970	1	Connector	
91	4460464	9	Terminal	
92	4460466	2	Plug	
93	1001167616	1	Connector	
94	1001190921	1	Fuse Box Foam Seal	
95	4460748	9	Plug	
96	8220097	21	Terminal	
97	1001175265	19	Terminal Seal	
98	8220098	9	Terminal	
99	4460458	11	Terminal Seal	
100	1001116725	6	Terminal	

SECTION 10 - ELECTRICAL

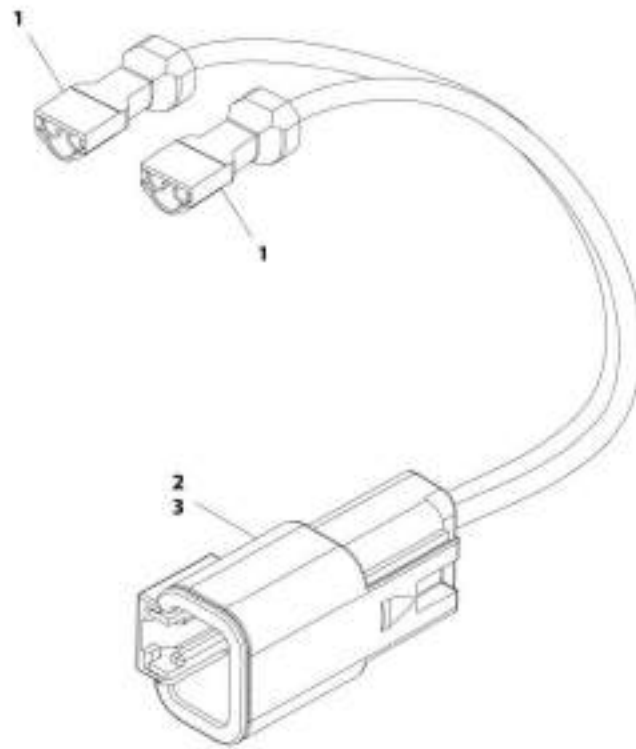
ITEM	PART NUMBER	QTY	DESCRIPTION	REV
101	80963067	1	Terminal Seal	
102	1001190037	5	Terminal Seal	
103	2902443	1	Connector	
104	4461071	6	Terminal	
105	1001201885	1	Faston Terminal	
106	1001201885	1	Faston Terminal	
107	4460891	1	Connector	
108	4460465	2	Terminal	
109	4460891	1	Connector	
110	4460465	2	Terminal	
111	4460891	1	Connector	
112	4460465	2	Terminal	
113	4460897	1	Mating Connector	
114	4460466	1	Plug	
115	1001167636	1	Connector	
116	1001166707	2	Terminal	
117	4461006	2	Terminal Seal	
118	1001116812	1	Connector	
119	4460944	2	Terminal	
120	4460466	1	Plug	
121	4461095	1	Connector	
122	4461070	1	Terminator Resistor	
123	4460944	2	Terminal	
124	4460466	1	Plug	
125	4460891	1	Connector	
126	4460897	1	Mating Connector	
127	4460465	2	Terminal	
128	4460466	1	Plug	
129	4460539	1	Connector	
130	4460944	2	Terminal	
131	4460466	1	Plug	
132	4460933	1	Connector	
133	1001125677	1	Mating Connector	
134	4460465	12	Terminal	
135	4461018	1	Connector	
136	4460509	2	Terminal	
137	80963056	1	Connector	
138	80963055	1	Mating Connector	
139	4460979	1	Terminal	
140	1001175265	1	Terminal Seal	
141	1001116727	1	Plug	
142	4461095	1	Connector	
143	4461070	1	Terminator Resistor	
144	4460944	2	Terminal	
145	4460466	1	Plug	
146	1001133714	1	Connector	
147	1001133715	3	Terminal	
148	1001135650	3	Terminal Seal	
149	1001135651	1	Plug	
150	1001116812	1	Connector	
151	4460944	2	Terminal	

SECTION 10 - ELECTRICAL

ITEM	PART NUMBER	QTY	DESCRIPTION	REV
152	4460466	1	Plug	
153	4460539	1	Connector	
154	4460944	2	Terminal	
155	4460466	1	Plug	
156	1001116812	1	Connector	
157	4460944	2	Terminal	
158	4460466	1	Plug	
159	1001133714	1	Connector	
160	1001133715	3	Terminal	
161	1001135650	3	Terminal Seal	
162	1001135651	1	Plug	
163	4460891	1	Connector	
164	4460942	2	Terminal	
165	4460891	1	Connector	
166	4460942	2	Terminal	
167	4460884	1	Connector	
168	4460465	4	Terminal	
169	1001165194	1	Connector	
170	1001126391	2	Plug	
171	1001166556	8	Terminal	
172	1001166774	2	Terminal	
173	1001126393	10	Terminal Seal	
174	4460891	1	Connector	
175	4460942	2	Terminal	
176	1001167620	1	Connector	
177	1001176004	2	Terminal	
178	1001176002	2	Terminal Seal	
179	1001167624	2	Plug	
180	1001116815	3	Connector	
181	4460945	4	Connector, 3 Way	

SECTION 10 - ELECTRICAL

FIGURE 10-68. FUEL PUMP HARNESS



APP_1001182926-E

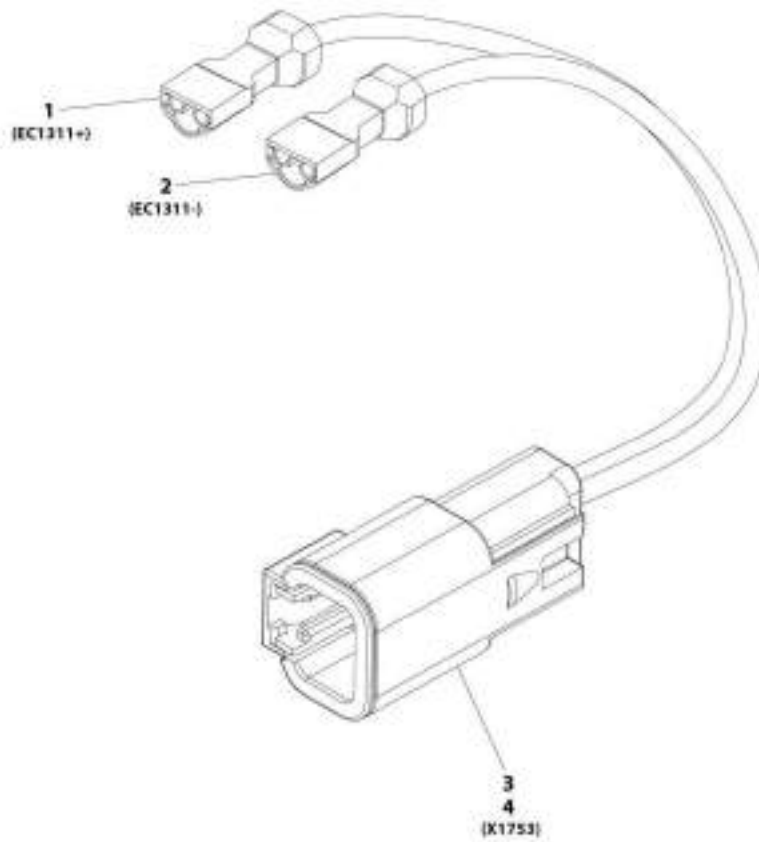
SECTION 10 - ELECTRICAL

FIGURE 10-68. FUEL PUMP HARNESS

ITEM	PART NUMBER	QTY	DESCRIPTION	REV
	1001182929	Ref	Fuel Pump Harness	E
1	8220043	2	Connector	
2	4461017	1	Connector	
3	4460508	2	Terminal	

SECTION 10 - ELECTRICAL

FIGURE 10-69. FUEL PUMP HARNESS (MINING) (ULS)



ART_1001228733-A

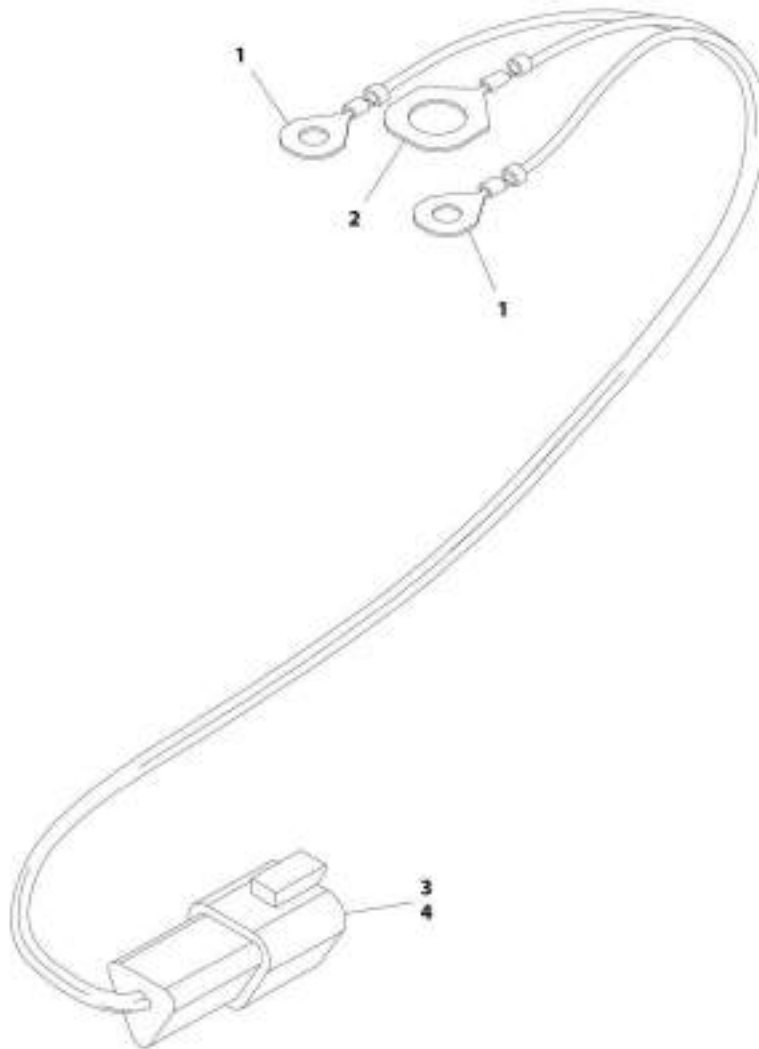
SECTION 10 - ELECTRICAL

FIGURE 10-69. FUEL PUMP HARNESS (MINING) (ULS)

ITEM	PART NUMBER	QTY	DESCRIPTION	REV
	1001228733	Ref	Fuel Pump Harness (Mining) (ULS)	A
1	8220043	1	Connector	
2	8220043	1	Connector	
3	4461017	1	Connector	
4	4460508	2	Terminal	

SECTION 10 - ELECTRICAL

FIGURE 10-70. GLOW PLUG RELAY HARNESS



ART_100118/2930-C

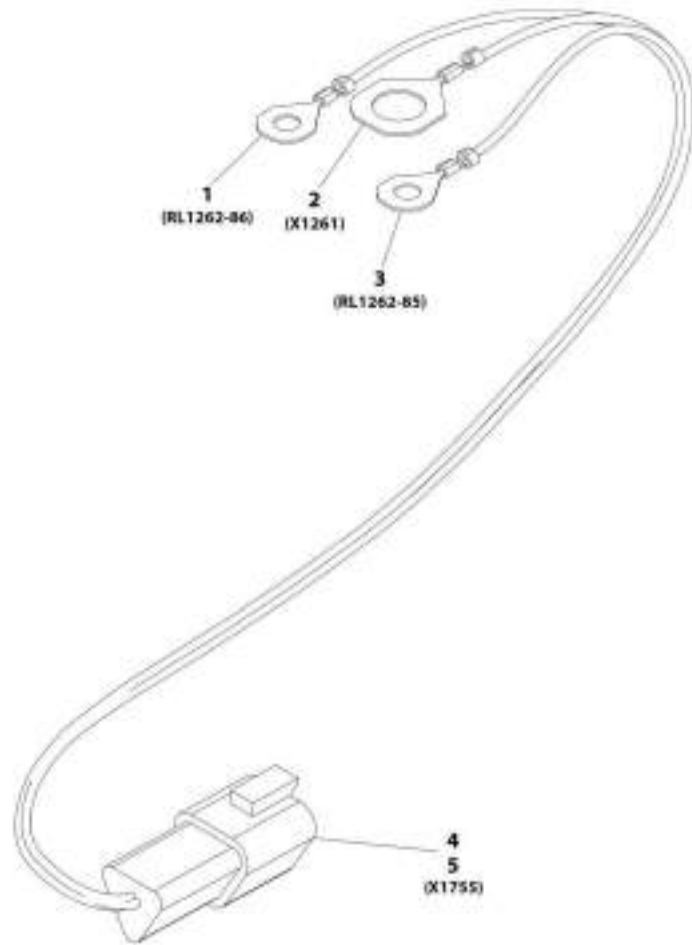
SECTION 10 - ELECTRICAL

FIGURE 10-70. GLOW PLUG RELAY HARNESS

ITEM	PART NUMBER	QTY	DESCRIPTION	REV
	1001182930	Ref	Glow Plug Relay Harness	C
1	1001187070	2	Ring, Terminal	
2	1001187077	1	Ring, Terminal	
3	4460536	1	Connector	
4	4460464	3	Terminal	

SECTION 10 - ELECTRICAL

FIGURE 10-71. GLOW PLUG RELAY HARNESS (MINING) (ULS)



ART_1001228732-A

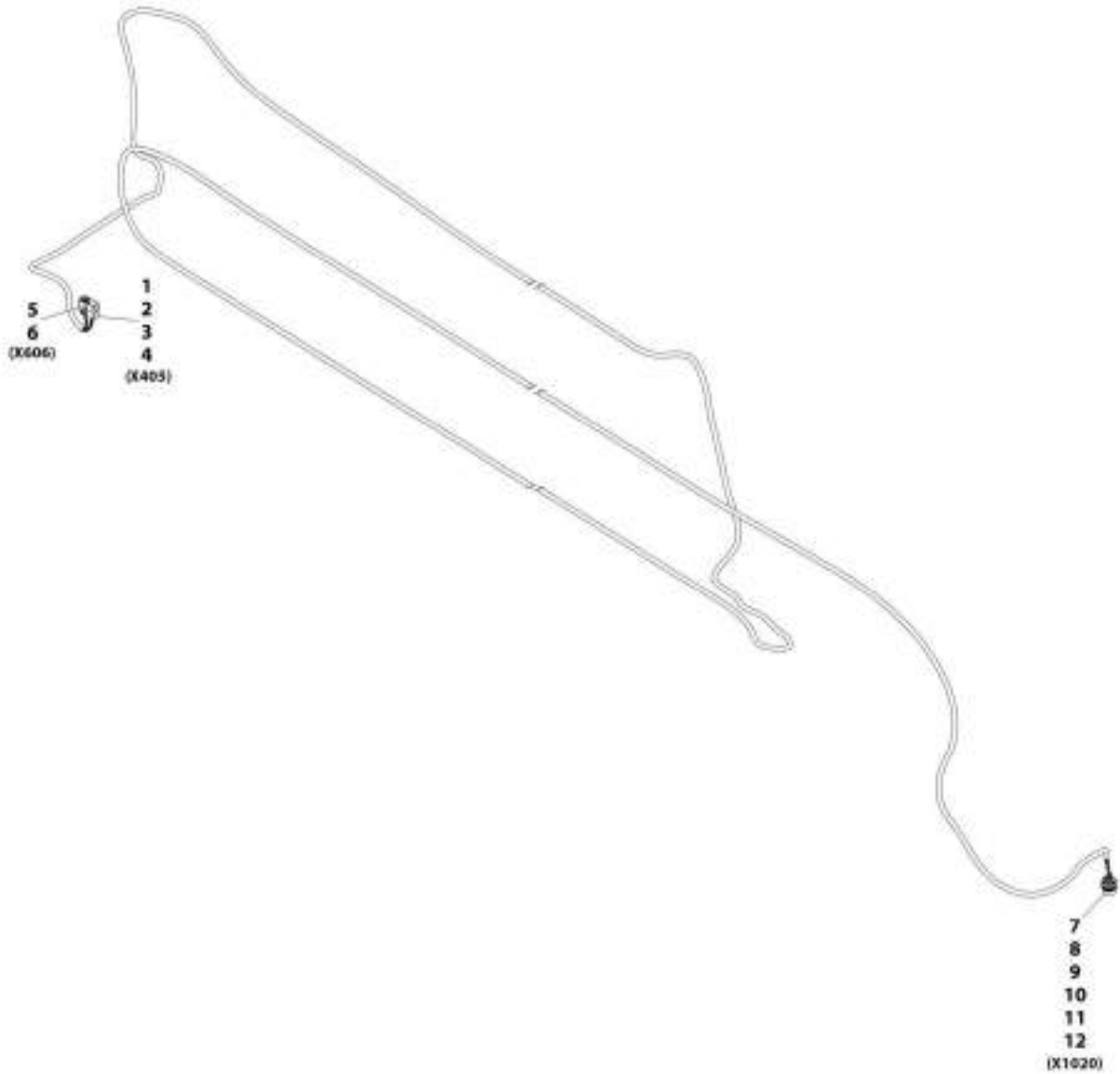
SECTION 10 - ELECTRICAL

FIGURE 10-71. GLOW PLUG RELAY HARNESS (MINING) (ULS)

ITEM	PART NUMBER	QTY	DESCRIPTION	REV
	1001228732	Ref	Glow Plug Relay Harness (Mining) (ULS)	A
1	1001187070	1	Ring, Terminal	
2	1001187077	1	Ring, Terminal	
3	1001187070	1	Ring, Terminal	
4	4460536	1	Connector	
5	4460464	3	Terminal	

SECTION 10 - ELECTRICAL

FIGURE 10-72. BOOM HARNESS



ART_1001201124-B

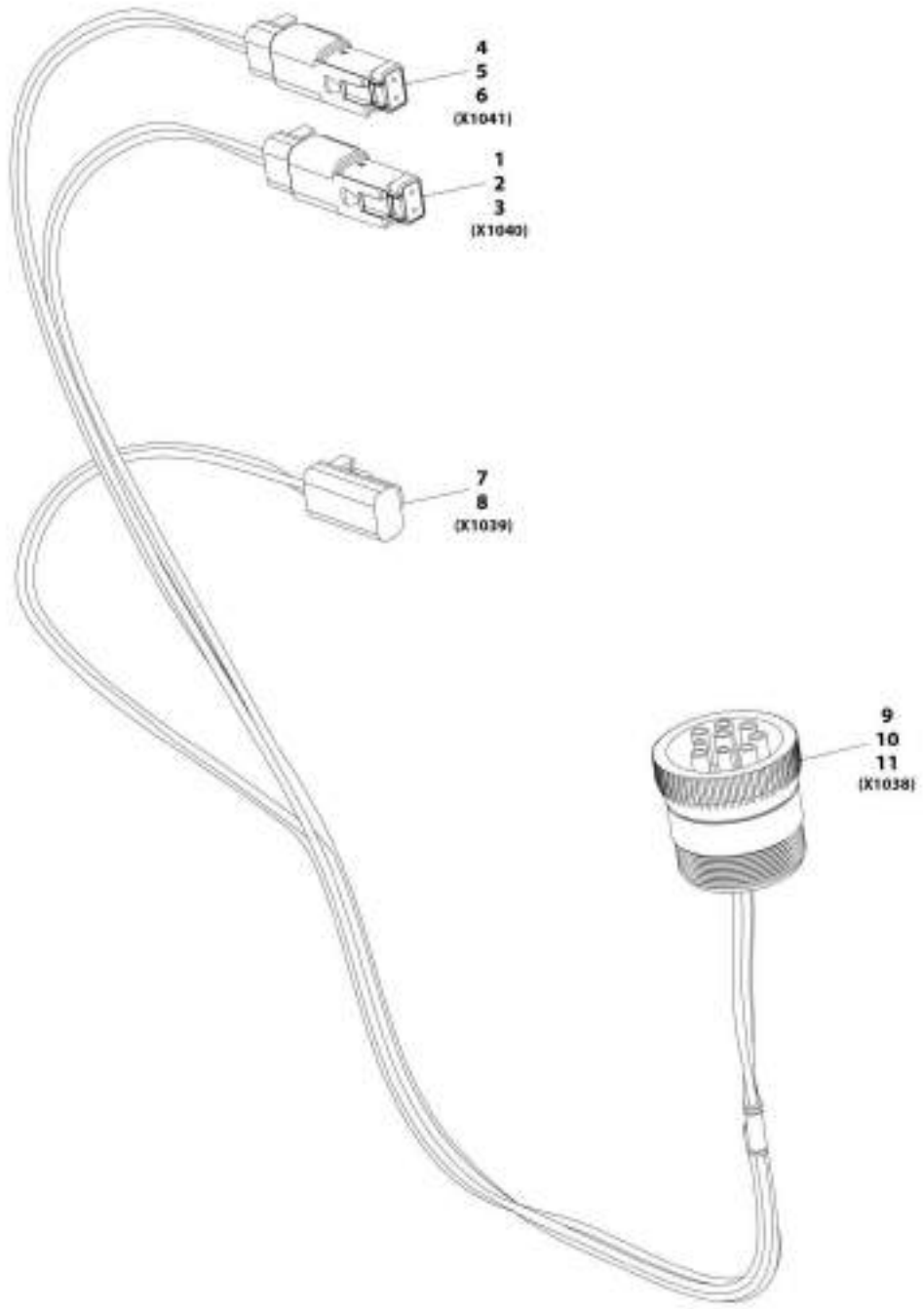
SECTION 10 - ELECTRICAL

FIGURE 10-72. BOOM HARNESS

ITEM	PART NUMBER	QTY	DESCRIPTION	REV
	1001201124	Ref	Boom Harness	B
1	4460931	1	Connector	
2	4460943	2	Terminal	
3	4460464	4	Terminal	
4	4460466	2	Plug	
5	4461017	1	Connector	
6	4460508	2	Terminal	
7	1001112612	1	Connector	
8	1001183221	1	Boot	
9	1001157891	2	Terminal	
10	4460464	4	Terminal	
11	4460943	2	Terminal	
12	4460466	1	Plug	

SECTION 10 - ELECTRICAL

FIGURE 10-73. BOOM AUX HARNESS



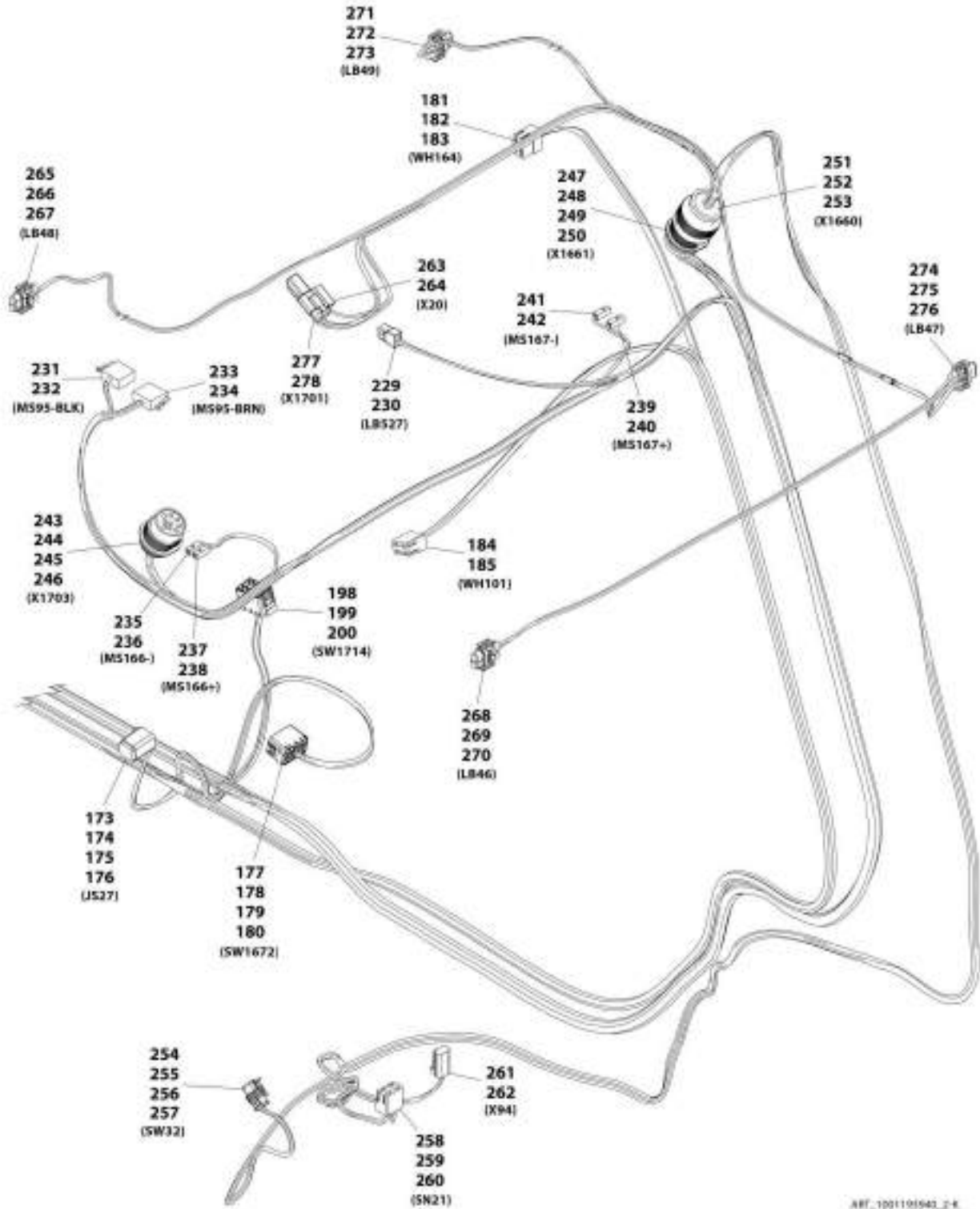
MTT_100120655-A

SECTION 10 - ELECTRICAL

FIGURE 10-73. BOOM AUX HARNESS

ITEM	PART NUMBER	QTY	DESCRIPTION	REV
	1001206633	Ref	Boom Aux Harness	A
1	4460891	1	Connector	
2	7760897	1	Mating Connector	
3	4460465	2	Terminal	
4	4460891	1	Connector	
5	7760897	1	Mating Connector	
6	4460465	2	Terminal	
7	4460891	1	Connector	
8	4460465	2	Terminal	
9	1001112796	1	Connector	
10	4460465	4	Terminal	
11	4460466	5	Plug	

SECTION 10 - ELECTRICAL



REF. 1001101540_2-R

SECTION 10 - ELECTRICAL

FIGURE 10-74. CAB HARNESS

ITEM	PART NUMBER	QTY	DESCRIPTION	REV
	1001193940	Ref	Cab Harness	K
1	4460343	1	Connector	
2	4460267	3	Terminal	
3	4460434	1	Connector	
4	4460268	9	Terminal	
5	4460343	1	Connector	
6	4460268	8	Terminal	
7	10011223457	1	Terminal	
8	4460434	1	Connector	
9	4460268	15	Terminal	
10	4460343	1	Connector	
11	4460267	8	Terminal	
12	1001223456	1	Terminal	
13	4460265	1	Connector	
14	1001223457	3	Terminal	
15	4460268	6	Terminal	
16	4460225	1	Connector	
17	4460267	4	Terminal	
18	4460225	1	Connector	
19	4460268	5	Terminal	
20	4460343	1	Connector	
21	4460268	8	Terminal	
22	1001161959	1	Connector	
23	943191201	1	Cover	
24	1001161100	10	Plug	
25	1001161097	14	Terminal	
26	1001161098	1	Terminal	
27	1001161101	7	Plug	
28	1001160502	1	Connector	
29	643201301	1	Cover	
30	1001161097	20	Terminal	
31	1001161100	20	Plug	
32	1001161098	5	Terminal	
33	1001161099	1	Terminal	
34	1001161101	2	Plug	
35	1001103012	1	Connector	
36	1001116698	2	Plug	
37	1001116697	2	Terminal	
38	1001104498	2	Terminal Seal	
39	4461262	1	Connector	
40	1001107854	3	Terminal	
41	1001104498	3	Terminal Seal	
42	1001160498	1	Connector	
43	643191201	1	Cover	
44	1001161097	19	Terminal	
45	1001161100	5	Plug	
46	1001161098	5	Terminal	
47	1001161101	2	Plug	
48	1001161099	1	Terminal	
49	1001162886	1	Connector	

SECTION 10 - ELECTRICAL

ITEM	PART NUMBER	QTY	DESCRIPTION	REV
50	1001163340	13	Plug	
51	1001162887	7	Terminal	
52	1001117081	1	Connector	
53	1001116723	6	Terminal	
54	1001222455	1	Terminal	
55	1001117081	1	Connector	
56	1001116723	6	Terminal	
57	1001223455	1	Terminal	
58	1001173411	1	Connector	
59	1001116716	3	Terminal	
60	1001104519	3	Terminal	
61	1001116999	1	Connector	
62	1001116700	4	Terminal	
63	4460343	1	Connector	
64	4460267	7	Terminal	
65	1001116991	1	Connector	
66	1001116723	2	Terminal	
67	4460933	1	Connector	
68	4460466	6	Plug	
69	4460465	6	Terminal	
70	1001117081	1	Connector	
71	1001116723	6	Terminal	
72	1001223455	1	Terminal	
73	1001117081	1	Connector	
74	1001116723	4	Terminal	
75	1001118384	2	Terminal	
76	4460343	1	Connector	
77	4460268	8	Terminal	
78	4460906	1	Terminal	
79	1001223457	1	Terminal	
80	1001117081	1	Connector	
81	1001116723	6	Terminal	
82	1001223455	1	Terminal	
83	4460225	1	Connector	
84	4460267	5	Terminal	
85	4460705	1	Terminal	
86	4460836	1	Connector	
87	4460942	4	Terminal	
88	4460465	8	Terminal	
89	4460894	1	Connector	
90	4460465	4	Terminal	
91	4460466	2	Plug	
92	4460933	1	Connector	
93	1001125677	1	Mating Connector	
94	4460465	12	Terminal	
95	1001116812	1	Connector	
96	1001144296	1	Cap	
97	4460944	2	Terminal	
98	4460466	1	Plug	
99	4460320	1	Connector	
100	4460267	2	Terminal	

SECTION 10 - ELECTRICAL

ITEM	PART NUMBER	QTY	DESCRIPTION	REV
101	4460320	1	Connector	
102	4460267	2	Terminal	
103	4460424	1	Connector	
104	4460268	2	Terminal	
105	4460897	1	Connector	
106	4460464	1	Terminal	
107	4460466	1	Plug	
108	4460424	1	Connector	
109	4460268	2	Terminal	
119	1001117081	1	Connector	
120	1001116723	6	Terminal	
121	1001223455	1	Terminal	
122	1001117081	1	Connector	
123	1001116723	6	Terminal	
124	1001118384	4	Terminal	
125	1001117081	1	Connector	
126	1001116723	6	Terminal	
127	1001223455	2	Terminal	
128	1001118384	2	Terminal	
129	1001117081	1	Connector	
130	1001116723	6	Terminal	
131	1001223455	1	Terminal	
132	1001194421	1	Terminal	
133	1001194421	1	Terminal	
134	1001117081	1	Connector	
135	1001116723	6	Terminal	
136	1001223455	3	Terminal	
137	1001118384	2	Terminal	
138	1001118684	1	Connector	
139	1001116754	2	Terminal	
140	1001117081	1	Connector	
141	1001116723	4	Terminal	
142	1001118384	3	Terminal	
143	1001117081	1	Connector	
144	1001116723	6	Terminal	
145	1001118384	1	Terminal	
146	1001117081	1	Connector	
147	1001116723	6	Terminal	
148	1001118384	1	Terminal	
149	1001117081	1	Connector	
150	1001116723	6	Terminal	
151	1001223455	1	Terminal	
152	4460994	1	Connector	
153	1001118384	2	Terminal	
154	8220051	1	Terminal	
155	4460994	1	Connector	
156	1001118384	1	Terminal	
157	1001116723	2	Terminal	
158	1001194421	1	Terminal	
159	1001194421	1	Terminal	
160	1001116997	1	Connector	

SECTION 10 - ELECTRICAL

ITEM	PART NUMBER	QTY	DESCRIPTION	REV
161	1001118384	4	Terminal	
162	1001116723	1	Terminal	
163	8220051	1	Terminal	
164	8220051	1	Terminal	
165	8220051	1	Terminal	
166	8220051	1	Terminal	
167	1001116812	1	Connector	
168	4460944	2	Terminal	
169	4460466	1	Plug	
170	4460539	1	Connector	
171	4460944	2	Terminal	
172	4460466	1	Plug	
173	4460894	1	Connector	
174	4460465	3	Terminal	
175	4460466	1	Plug	
176	4460944	2	Terminal	
177	1001117081	1	Connector	
178	1001116723	2	Terminal	
179	1001223455	2	Terminal	
180	1001118384	2	Terminal	
181	1001116986	1	Connector	
182	1001117011	1	Mating Connector	
183	1001118384	4	Terminal	
184	1001116986	1	Connector	
185	1001118384	4	Terminal	
186	1001116995	1	Connector	
187	1001118379	1	Terminal	
188	1001116995	1	Connector	
189	1001118379	1	Terminal	
190	1001117064	1	Connector	
191	91554014	6	Terminal	
192	1001117081	1	Connector	
193	1001116723	4	Terminal	
194	1001118384	2	Terminal	
195	1001117081	1	Connector	
196	1001116723	4	Terminal	
197	1001118384	2	Terminal	
198	1001117081	1	Connector	
199	1001223455	2	Terminal	
200	1001118384	4	Terminal	
201	1001117081	1	Connector	
202	1001116723	4	Terminal	
203	1001118384	2	Terminal	
204	1001117081	1	Connector	
205	1001116723	4	Terminal	
206	1001118384	2	Terminal	
207	1001150735	1	Connector	
208	1001150737	7	Terminal	
209	1001117079	1	Connector	
210	1001223455	2	Terminal	
211	1001116723	6	Terminal	

SECTION 10 - ELECTRICAL

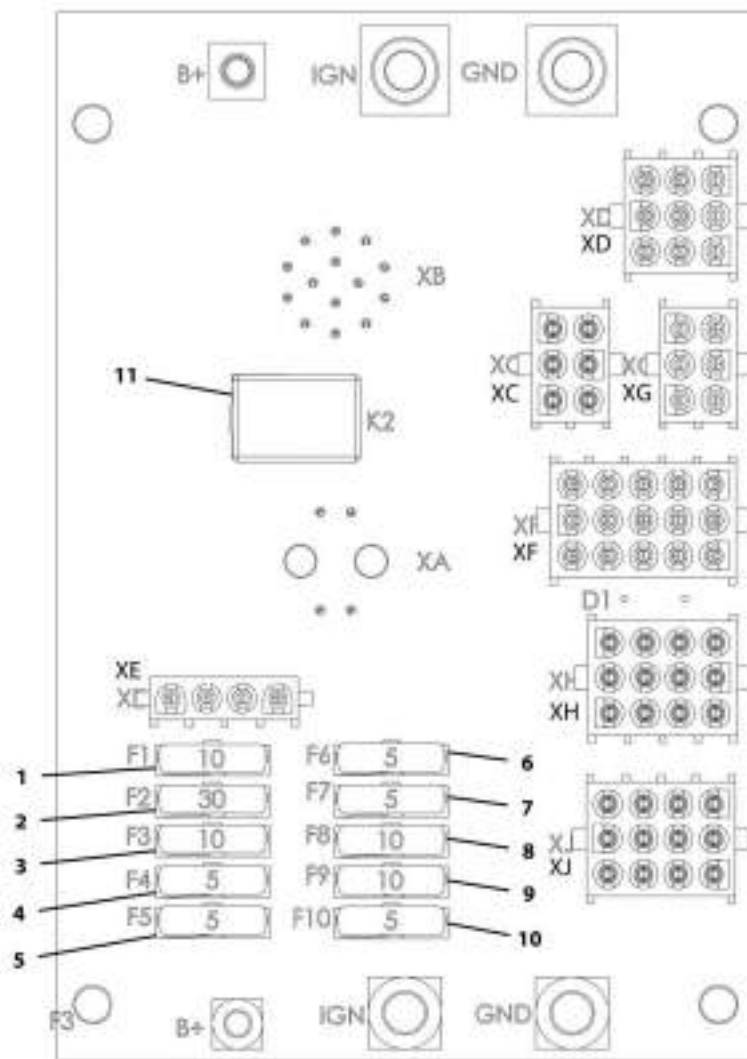
ITEM	PART NUMBER	QTY	DESCRIPTION	REV
212	1001117081	1	Connector	
213	1001116723	8	Terminal	
214	1001118384	1	Terminal	
215	1001223455	1	Terminal	
216	1001176333	1	Connector	
217	4460466	11	Plug	
218	4460465	3	Terminal	
219	4460944	4	Terminal	
220	1001116812	1	Connector	
221	4460944	2	Terminal	
222	4460466	1	Plug	
223	4460539	1	Connector	
224	4460944	2	Terminal	
225	4460466	1	Plug	
226	4460930	1	Connector	
227	4460931	1	Mating Connector	
228	4460466	6	Plug	
229	1001116991	1	Connector	
230	1001118384	2	Terminal	
231	1001116985	1	Connector	
232	1001118386	3	Terminal	
233	1001116984	1	Connector	
234	1001118386	4	Terminal	
235	1001116998	1	Connector	
236	1001118387	1	Terminal	
237	1001116998	1	Connector	
238	1001118387	1	Terminal	
239	1001116998	1	Connector	
240	1001118387	1	Terminal	
241	1001116998	1	Connector	
242	1001118387	1	Terminal	
243	1001112612	1	Connector	
244	4460464	3	Terminal	
245	4460943	2	Terminal	
246	4460466	4	Plug	
247	1001137000	1	Connector	
248	4460928	3	Terminal	
249	1001126008	13	Terminal	
250	4460518	5	Plug	
251	1001136999	1	Connector	
252	1001126011	16	Terminal	
253	4460518	5	Plug	
254	4461262	1	Connector	
255	1001107854	2	Terminal	
256	1001116698	1	Terminal	
257	1001104498	3	Terminal Seal	
258	1001116986	1	Connector	
259	1001118384	3	Terminal	
260	1001116723	2	Terminal	
261	4460891	1	Connector	
262	4460465	2	Terminal	

SECTION 10 - ELECTRICAL

ITEM	PART NUMBER	QTY	DESCRIPTION	REV
263	4460944	1	Connector	
264	1001118384	2	Terminal	
265	4461115	1	Connector	
266	4460746	2	Terminal	
267	4460458	2	Terminal Seal	
268	4461115	1	Connector	
269	4460746	2	Terminal	
270	4460458	2	Terminal Seal	
271	4461115	1	Connector	
272	4460746	2	Terminal	
273	4460458	2	Terminal Seal	
274	4461115	1	Connector	
275	4460746	2	Terminal	
276	4460458	2	Terminal Seal	
277	4460891	1	Connector	
278	4460465	2	Terminal	
279	1001116815	1	Connector	
280	4460945	1	Connector, 3 Way	

SECTION 10 - ELECTRICAL

FIGURE 10-75. STANDARD ELECTRICAL BOARD ASSEMBLY



ART_100161709-C

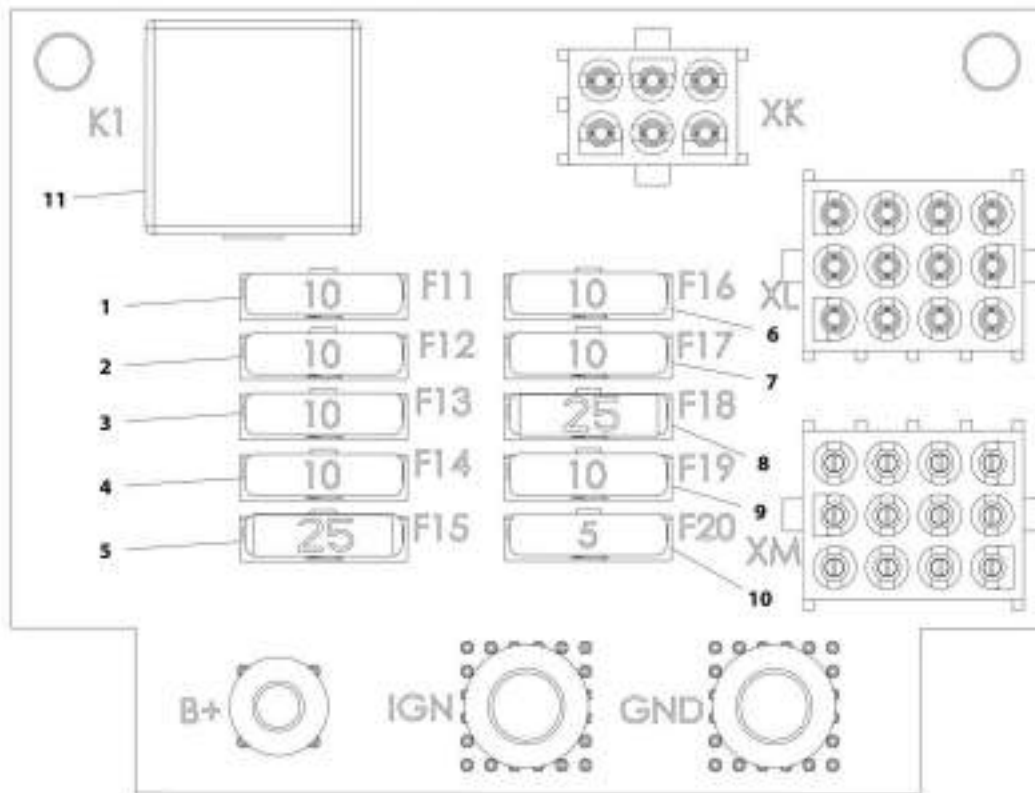
SECTION 10 - ELECTRICAL

FIGURE 10-75. STANDARD ELECTRICAL BOARD ASSEMBLY

ITEM	PART NUMBER	QTY	DESCRIPTION	REV
	1001161769	Ref	Standard Electrical Board Assembly	C
1	80983191	1	Fuse, 10AMP	
2	8229245	1	Fuse, 30AMP	
3	80983191	1	Fuse, 10AMP	
4	8229242	1	Fuse, 5AMP	
5	8229242	1	Fuse, 5AMP	
6	8229242	1	Fuse, 5AMP	
7	8229242	1	Fuse, 5AMP	
8	80983191	1	Fuse, 10AMP	
9	80983191	1	Fuse, 10AMP	
10	8229242	1	Fuse, 5AMP	
11	70026292	1	Fuse, 35AMP	

SECTION 10 - ELECTRICAL

FIGURE 10-76. OPTION 1 ELECTRICAL BOARD ASSEMBLY



ART_100159177D/C

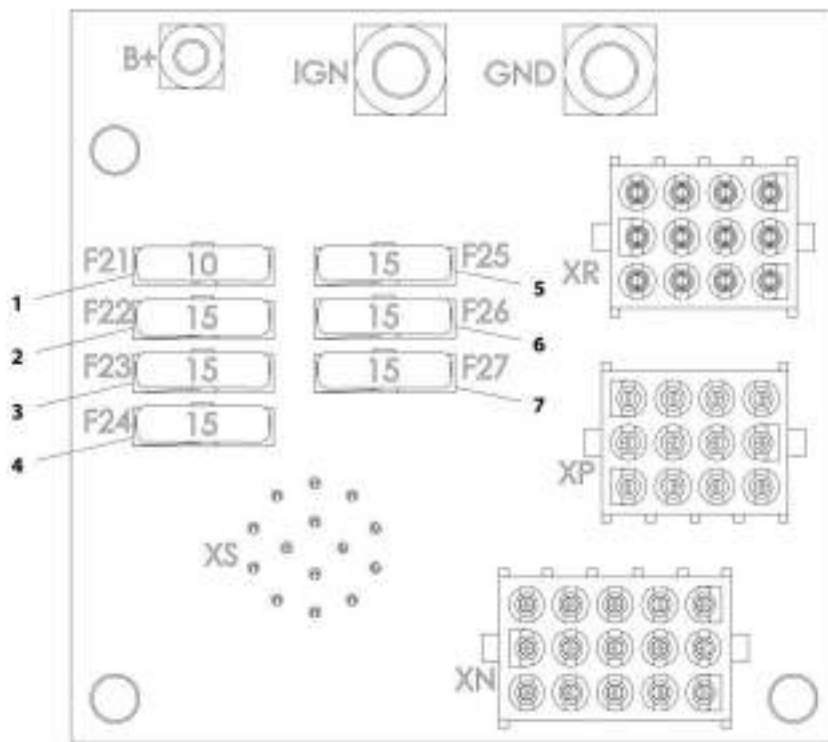
SECTION 10 - ELECTRICAL

FIGURE 10-76. OPTION 1 ELECTRICAL BOARD ASSEMBLY

ITEM	PART NUMBER	QTY	DESCRIPTION	REV
	1001161770	Ref	Option 1 Electrical Board Assembly	C
1	80983191	1	Fuse, 10AMP	
2	80983191	1	Fuse, 10AMP	
3	80983191	1	Fuse, 10AMP	
4	80983191	1	Fuse, 10AMP	
5	8229247	1	Fuse, 25AMP	
6	80983191	1	Fuse, 10AMP	
7	80983191	1	Fuse, 10AMP	
8	8229247	1	Fuse, 25AMP	
9	80983191	1	Fuse, 10AMP	
10	8229242	1	Fuse, 5AMP	
11	70026293	1	Fuse, 50AMP	

SECTION 10 - ELECTRICAL

FIGURE 10-77. OPTION 2 ELECTRICAL BOARD ASSEMBLY



ART_300161771-8

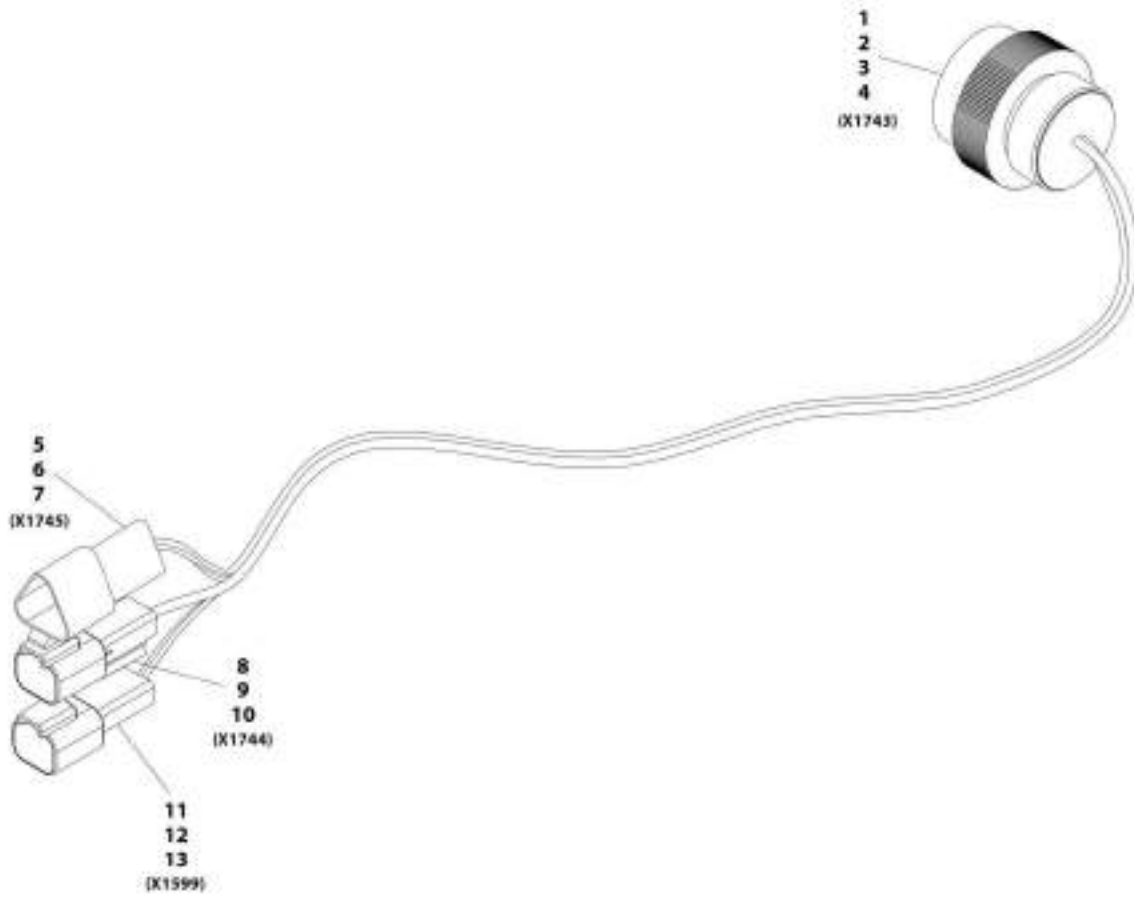
SECTION 10 - ELECTRICAL

FIGURE 10-77. OPTION 2 ELECTRICAL BOARD ASSEMBLY

ITEM	PART NUMBER	QTY	DESCRIPTION	REV
	1001161771	Ref	Option 2 Electrical Board Assembly	B
1	80983191	1	Fuse, 10AMP	
2	8229244	1	Fuse, 15AMP	
3	8229244	1	Fuse, 15AMP	
4	8229244	1	Fuse, 15AMP	
5	8229244	1	Fuse, 15AMP	
6	8229244	1	Fuse, 15AMP	
7	8229244	1	Fuse, 15AMP	

SECTION 10 - ELECTRICAL

FIGURE 10-78. CAB OPTION HARNESS



WRT_1001181681-C

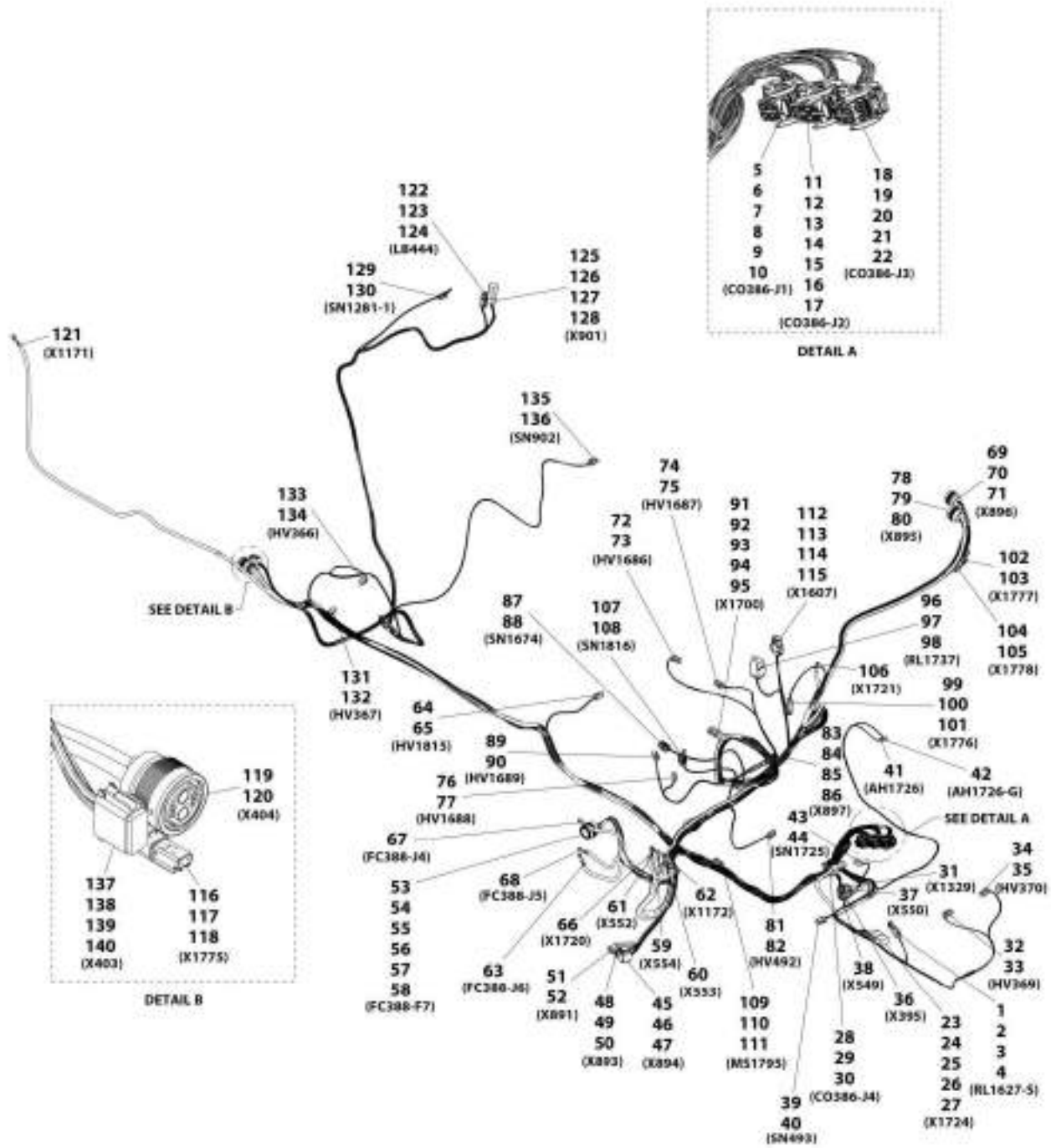
SECTION 10 - ELECTRICAL

FIGURE 10-78. CAB OPTION HARNESS

ITEM	PART NUMBER	QTY	DESCRIPTION	REV
	1001181681	Ref	Cab Option Harness	C
1	4461015	1	Connector	
2	4460465	5	Terminal	
3	4460466	8	Plug	
4	4460942	1	Terminal	
5	1001144147	1	Connector	
6	4460943	2	Terminal	
7	4460466	1	Plug	
8	4460897	1	Connector	
9	4460941	1	Terminal	
10	4460466	1	Plug	
11	4460932	1	Connector	
12	4460464	3	Terminal	
13	4460466	1	Plug	

SECTION 10 - ELECTRICAL

FIGURE 10-79. FRONT FRAME HARNESS



ART_1001184396-J

SECTION 10 - ELECTRICAL

FIGURE 10-79. FRONT FRAME HARNESS

ITEM	PART NUMBER	QTY	DESCRIPTION	REV
	1001184396	Ref	Front Frame Harness	J
1	4460891	1	Connector	
2	4460897	1	Mating Connector	
3	4460466	2	Plug	
4	4460465	2	Terminal	
5	1001161957	1	Connector	
6	643191201	1	Cover	
7	1001161100	12	Plug	
8	1001161097	12	Terminal	
9	1001161101	5	Plug	
10	1001161098	3	Terminal	
11	1001161963	1	Connector	
12	643201301	1	Cover	
13	1001161097	21	Terminal	
14	1001161100	19	Plug	
15	1001161099	6	Terminal	
16	1001161098	1	Terminal	
17	1001161101	1	Plug	
18	1001160500	1	Connector	
19	643191201	1	Cover	
20	1001161097	10	Terminal	
21	1001161100	15	Plug	
22	1001161099	7	Terminal	
23	4460933	1	Connector	
24	4460970	1	Mating Connector	
25	4460466	2	Plug	
26	4460942	10	Terminal	
27	4460466	2	Plug	
28	1001160509	1	Connector	
29	1001160510	1	Terminal	
30	1001175267	1	Seal	
31	1001187080	1	Ring Terminal	
32	4460891	1	Connector	
33	4460465	2	Terminal	
34	4460891	1	Connector	
35	4460465	2	Terminal	
36	1001187080	1	Ring Terminal	
37	1001187079	1	Ring Terminal	
38	1001187079	1	Ring Terminal	
39	4460539	1	Connector	
40	4460465	3	Terminal	
41	8220051	1	Ring Terminal	
42	1001187073	1	Ring Terminal	
43	4460539	1	Connector	
44	4460465	3	Terminal	
45	4460933	1	Connector	
46	4460465	11	Terminal	
47	4460466	1	Plug	
48	1001116812	1	Connector	
49	4460465	2	Terminal	

SECTION 10 - ELECTRICAL

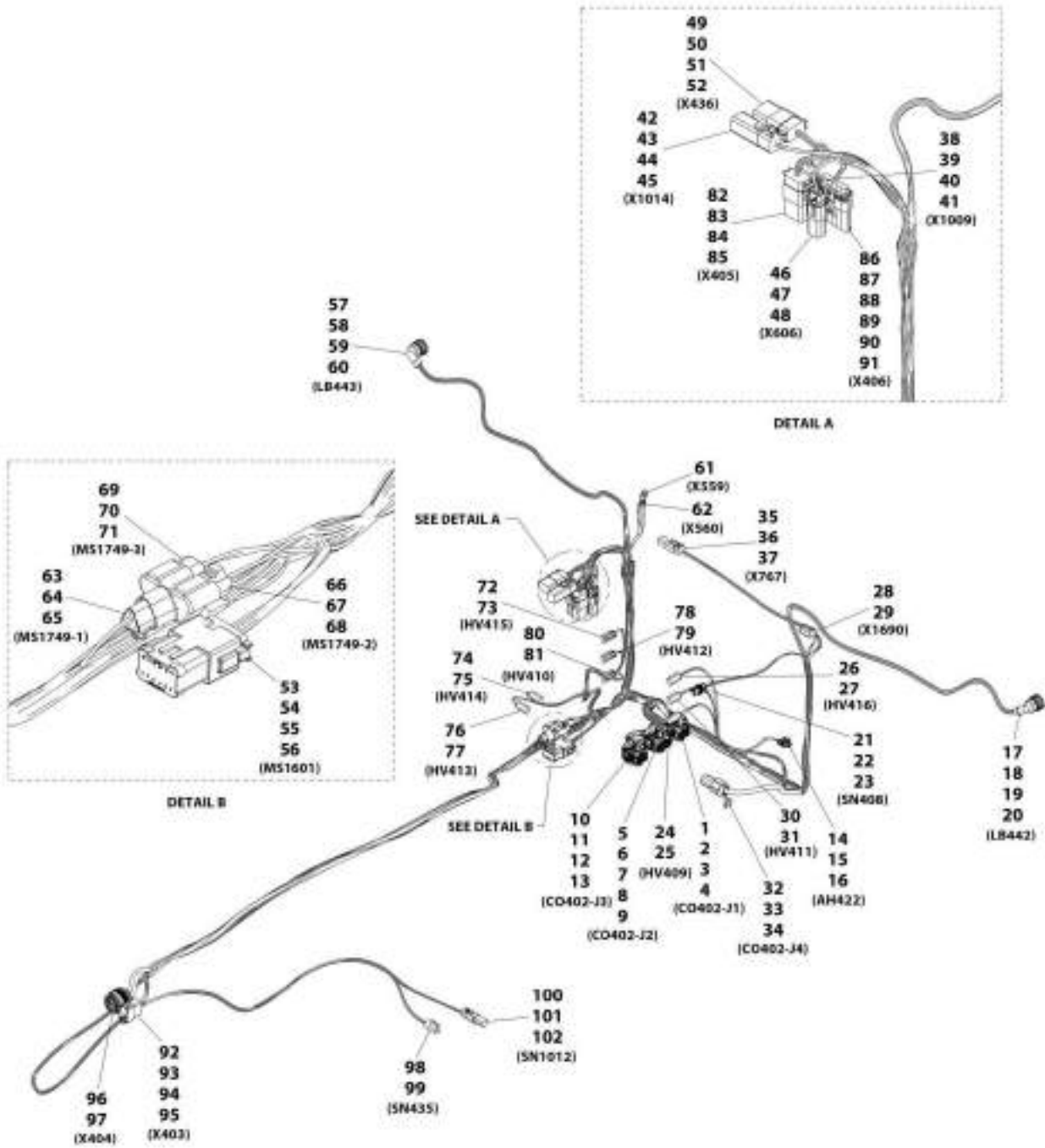
ITEM	PART NUMBER	QTY	DESCRIPTION	REV
50	4460466	1	Plug	
51	1001116810	1	Connector	
52	1001150611	4	Terminal	
53	1001165309	1	Connector	
54	4460466	2	Plug	
55	4460465	9	Terminal	
56	4460942	2	Terminal	
57	4460509	3	Terminal	
58	1001150611	3	Terminal	
59	1001187079	1	Ring Terminal	
60	1001187076	1	Ring Terminal	
61	1001187079	1	Ring Terminal	
62	1001187076	1	Ring Terminal	
63	1001187075	1	Ring Terminal	
64	4460891	1	Connector	
65	4460465	2	Terminal	
66	1001117109	1	Ring Terminal	
67	1001187075	1	Ring Terminal	
68	1001187075	1	Ring Terminal	
69	4461015	1	Connector	
70	4460465	12	Terminal	
71	4460466	2	Plug	
72	4460891	1	Connector	
73	4460465	2	Terminal	
74	4460891	1	Connector	
75	4460465	2	Terminal	
76	4461290	1	Connector	
77	4460928	2	Terminal	
78	1001118323	1	Connector	
79	4460942	4	Terminal	
80	91013192	2	Terminal	
81	4460891	1	Connector	
82	4460465	2	Terminal	
83	4460891	1	Connector	
84	4460897	1	Mating Connector	
85	4460942	1	Terminal	
86	4460466	1	Plug	
87	1001116950	1	Connector	
88	4460465	2	Terminal	
89	4460891	1	Connector	
90	4460465	2	Terminal	
91	4460884	1	Connector	
92	4460932	1	Mating Connector	
93	4460466	1	Sealing Plug	
94	4460465	3	Terminal	
95	4460942	1	Terminal	
96	1001118202	1	Connector	
97	1001116732	4	Terminal	
98	1001128128	1	Plug	
99	4460891	1	Connector	
100	4460897	1	Mating Connector	

SECTION 10 - ELECTRICAL

ITEM	PART NUMBER	QTY	DESCRIPTION	REV
101	4460465	2	Terminal	
102	4460891	1	Connector	
103	4460465	2	Terminal	
104	4460897	1	Connector	
105	4460464	2	Terminal	
106	8220116	1	Ring Terminal	
107	1001116950	1	Connector	
108	4460465	2	Terminal	
109	4460930	1	Connector	
110	4460984	1	Mating Connector	
111	4460465	8	Terminal	
112	1001116774	1	Connector	
113	1001132169	1	Mating Connector	
114	4460518	7	Plug	
115	1001126008	5	Terminal	
116	4460891	1	Connector	
117	4460897	1	Mating Connector	
118	4460465	2	Terminal	
119	1001165310	1	Connector	
120	91013192	2	Terminal	
121	1001187076	1	Ring Terminal	
122	4460891	1	Connector	
123	4460897	1	Mating Connector	
124	4460942	2	Terminal	
125	4460894	1	Connector	
126	4460899	1	Mating Connector	
127	4460465	2	Terminal	
128	4460942	4	Terminal	
129	4460891	1	Connector	
130	4460465	2	Terminal	
131	4460891	1	Connector	
132	4460465	2	Terminal	
133	4460891	1	Connector	
134	4460465	2	Terminal	
135	4460891	1	Connector	
136	4460465	2	Terminal	
137	4460933	1	Connector	
138	4460465	6	Terminal	
139	4460942	1	Terminal	
140	4460466	5	Plug	

SECTION 10 - ELECTRICAL

FIGURE 10-80. REAR FRAME HARNESS



ART_100106307-H

SECTION 10 - ELECTRICAL

FIGURE 10-80. REAR FRAME HARNESS

ITEM	PART NUMBER	QTY	DESCRIPTION	REV
	1001184397	Ref	Rear Frame Harness	H
1	1001161957	1	Connector	
2	1001161097	6	Terminal	
3	1001161100	18	Plug	
4	1001161101	8	Plug	
5	1001161963	1	Connector	
6	1001161097	26	Terminal	
7	1001161100	14	Plug	
8	1001161099	6	Terminal	
9	1001161101	2	Plug	
10	1001160500	1	Connector	
11	1001161100	18	Plug	
12	1001161097	6	Terminal	
13	1001161099	8	Terminal	
14	4461118	1	Connector	
15	1001107854	2	Terminal	
16	1001116763	2	Terminal Seal	
17	1001116996	1	Connector	
18	1001118392	6	Terminal	
19	1001116696	1	Plug	
20	4461054	6	Terminal Seal	
21	4461262	1	Connector	
22	1001107854	3	Terminal	
23	1001104498	3	Terminal Seal	
24	4460891	1	Connector	
25	4460465	2	Terminal	
26	4460891	1	Connector	
27	4460465	2	Terminal	
28	4460884	1	Connector	
29	4460465	4	Terminal	
30	4460891	1	Connector	
31	4460465	2	Terminal	
32	1001160509	1	Connector	
33	1001160510	1	Terminal	
34	1001175267	1	Terminal Seal	
35	4460884	1	Connector	
36	4460932	1	Mating Connector	
37	4460465	4	Terminal	
38	4460884	1	Connector	
39	4460932	1	Mating Connector	
40	4460466	2	Plug	
41	4460465	2	Terminal	
42	4460894	1	Connector	
43	4460899	1	Mating Connector	
44	4460466	3	Plug	
45	4460465	3	Terminal	
46	4461018	1	Connector	
47	4461017	1	Mating Connector	
48	4460509	2	Terminal	
49	4460930	1	Connector	

SECTION 10 - ELECTRICAL

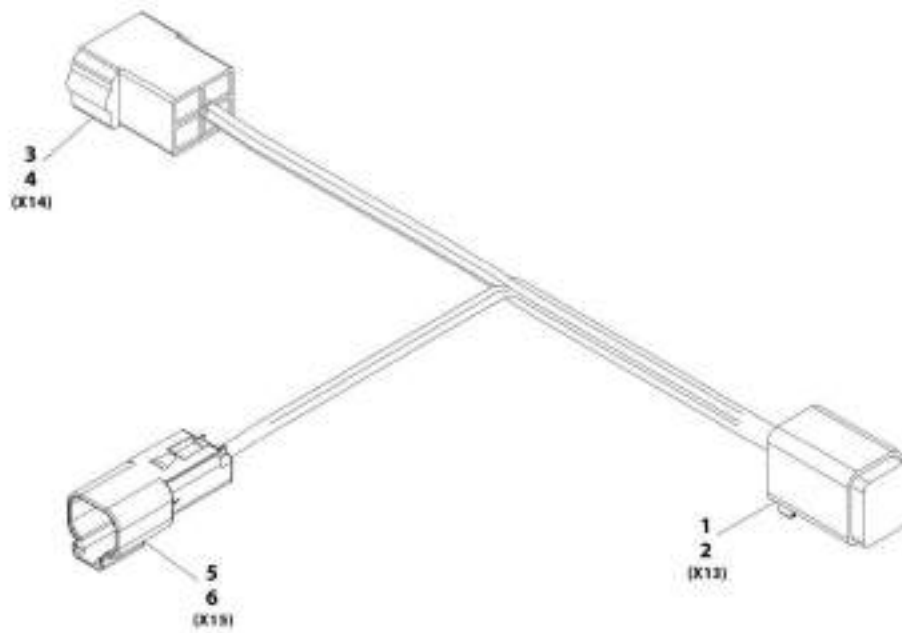
ITEM	PART NUMBER	QTY	DESCRIPTION	REV
50	4460931	1	Mating Connector	
51	4460466	2	Plug	
52	4460465	6	Terminal	
53	4460933	1	Connector	
54	1001125677	1	Bussbar Connector	
55	4460465	10	Terminal	
56	4460466	2	Plug	
57	1001116996	1	Connector	
58	1001118392	6	Terminal	
59	1001116696	1	Plug	
60	4461054	6	Terminal Seal	
61	1001187080	1	Ring Terminal	
62	1001187079	1	Ring Terminal	
63	1001116812	1	Connector	
64	4460944	2	Terminal	
65	4460466	1	Plug	
66	4460539	1	Connector	
67	4460944	2	Terminal	
68	4460466	1	Plug	
69	1001116812	1	Connector	
70	4460944	2	Terminal	
71	4460466	1	Plug	
72	4460891	1	Connector	
73	4460465	2	Terminal	
74	4460891	1	Connector	
75	4460465	2	Terminal	
76	4460891	1	Connector	
77	4460465	2	Terminal	
78	4460891	1	Connector	
79	4460465	2	Terminal	
80	4460891	1	Connector	
81	4460465	2	Terminal	
82	4460930	1	Connector	
83	4460931	1	Mating Connector	
84	4460466	2	Plug	
85	4460465	6	Terminal	
86	1001121726	1	Connector	
87	1001121727	1	Mating Connector	
88	1001116728	4	Terminal	
89	4460748	1	Plug	
90	1001175265	3	Terminal Seal	
91	4460458	1	Terminal Seal	
92	4460970	1	Connector	
93	4460464	6	Terminal	
94	4460941	1	Terminal	
95	4460466	5	Plug	
96	1001165311	1	Connector	
97	91013191	2	Terminal	
98	4460539	1	Connector	
99	4460944	3	Terminal	
100	4460539	1	Connector	

SECTION 10 - ELECTRICAL

ITEM	PART NUMBER	QTY	DESCRIPTION	REV
101	4460536	1	Mating Connector	
102	4460465	3	Terminal	

SECTION 10 - ELECTRICAL

FIGURE 10-81. SEAT ADAPTOR HARNESS



ART_300168531-A

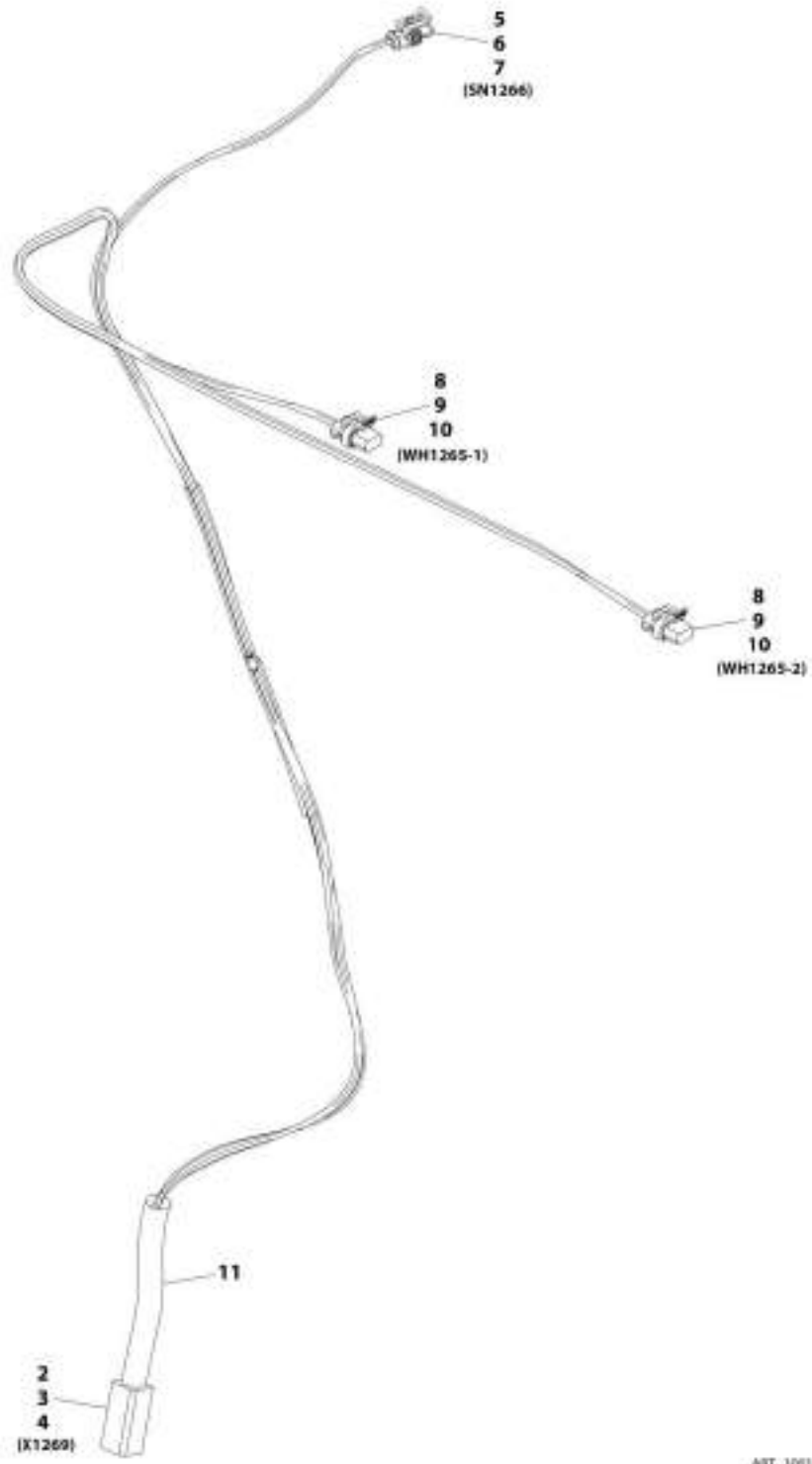
SECTION 10 - ELECTRICAL

FIGURE 10-81. SEAT ADAPTOR HARNESS

ITEM	PART NUMBER	QTY	DESCRIPTION	REV
	1001168531	Ref	Seat Adaptor Harness	A
1	4460894	1	Connector	
2	91504107	1	Lock, Connector	
3	4460465	6	Terminal	
4	1001117011	1	Connector	
5	1001116700	3	Terminal	
6	4460897	1	Connector	
7	80604017	1	Lock, Connector	
8	4460943	2	Terminal	

SECTION 10 - ELECTRICAL

FIGURE 10-82. A/C OPTION HARNESS



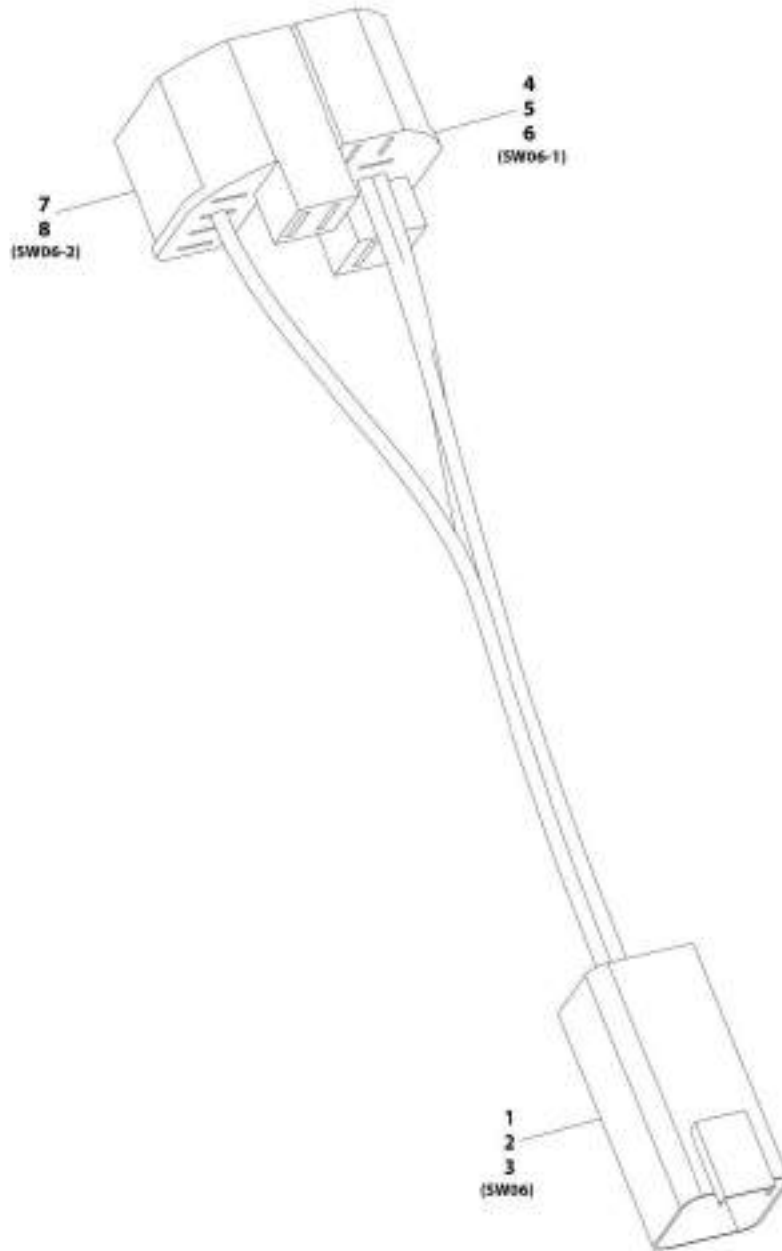
SECTION 10 - ELECTRICAL

FIGURE 10-82. A/C OPTION HARNESS

ITEM	PART NUMBER	QTY	DESCRIPTION	REV
	1001169151	Ref	A/C Option Harness	E
2	4460899	1	Connector	
3	4460941	4	Terminal	
4	4460464	2	Terminal	
5	4461118	1	Connector	
6	1001107854	2	Terminal	
7	1001116763	2	Seal	
8	1001117021	2	Connector	
9	1001116747	4	Terminal	
10	4460789	4	Seal	
11	70028546	1	Backshell	

SECTION 10 - ELECTRICAL

FIGURE 10-83. IGNITION SWITCH HARNESS



ART_100123969-A

SECTION 10 - ELECTRICAL

FIGURE 10-83. IGNITION SWITCH HARNESS

ITEM	PART NUMBER	QTY	DESCRIPTION	REV
	1001223968	Ref	Ignition Switch Harness	A
1	4460899	1	Connector	
2	4460464	3	Terminal	
3	4460466	3	Plug	
4	1001118685	1	Connector	
5	1001104519	1	Terminal	
6	1001118383	1	Terminal	
7	1001117121	1	Connector	
8	1001104519	1	Terminal	

SECTION 10 - ELECTRICAL

FIGURE 10-84. REVERSE SENSOR HARNESS



ART_300125734-C

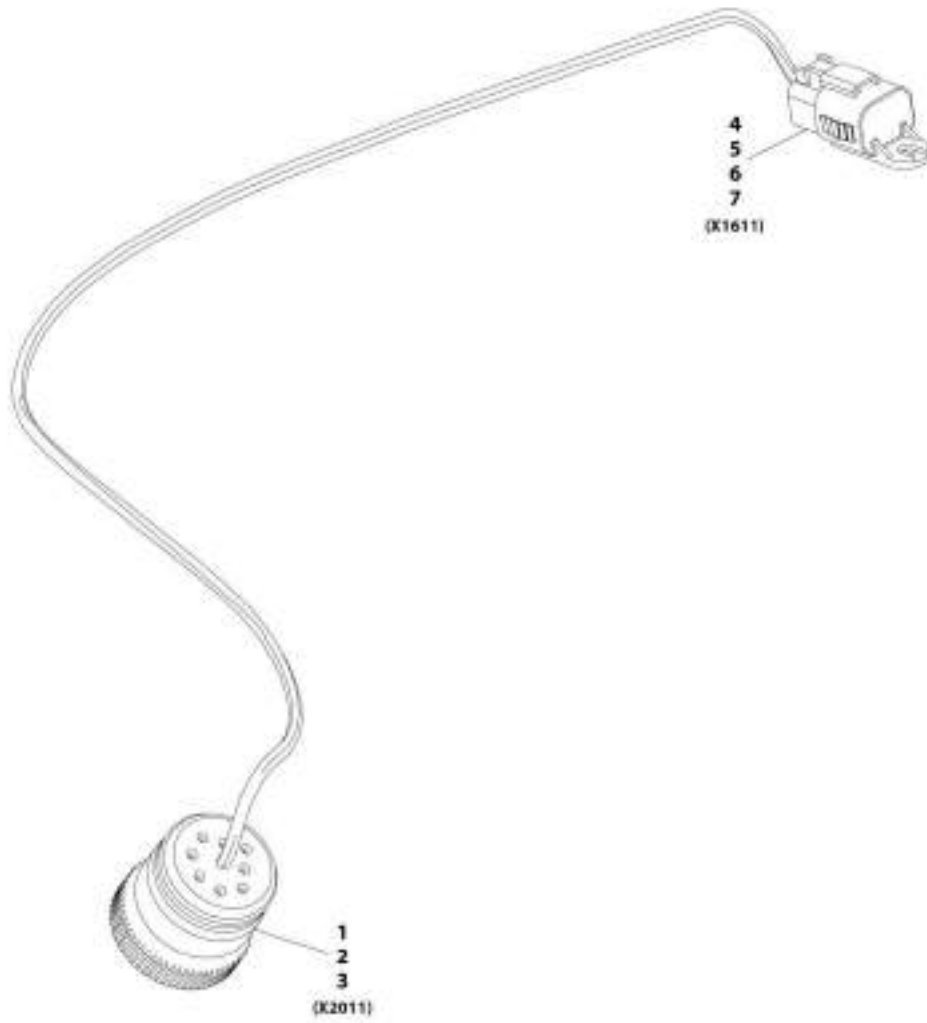
SECTION 10 - ELECTRICAL

FIGURE 10-84. REVERSE SENSOR HARNESS

ITEM	PART NUMBER	QTY	DESCRIPTION	REV
	1001175776	Ref	Reverse Sensor Harness	C
1	4460932	1	Connector	
2	4460464	4	Terminal	
3	1001175733	1	Connector	

SECTION 10 - ELECTRICAL

FIGURE 10-85. TELEMATICS READY HARNESS



ARC_1001196200-A

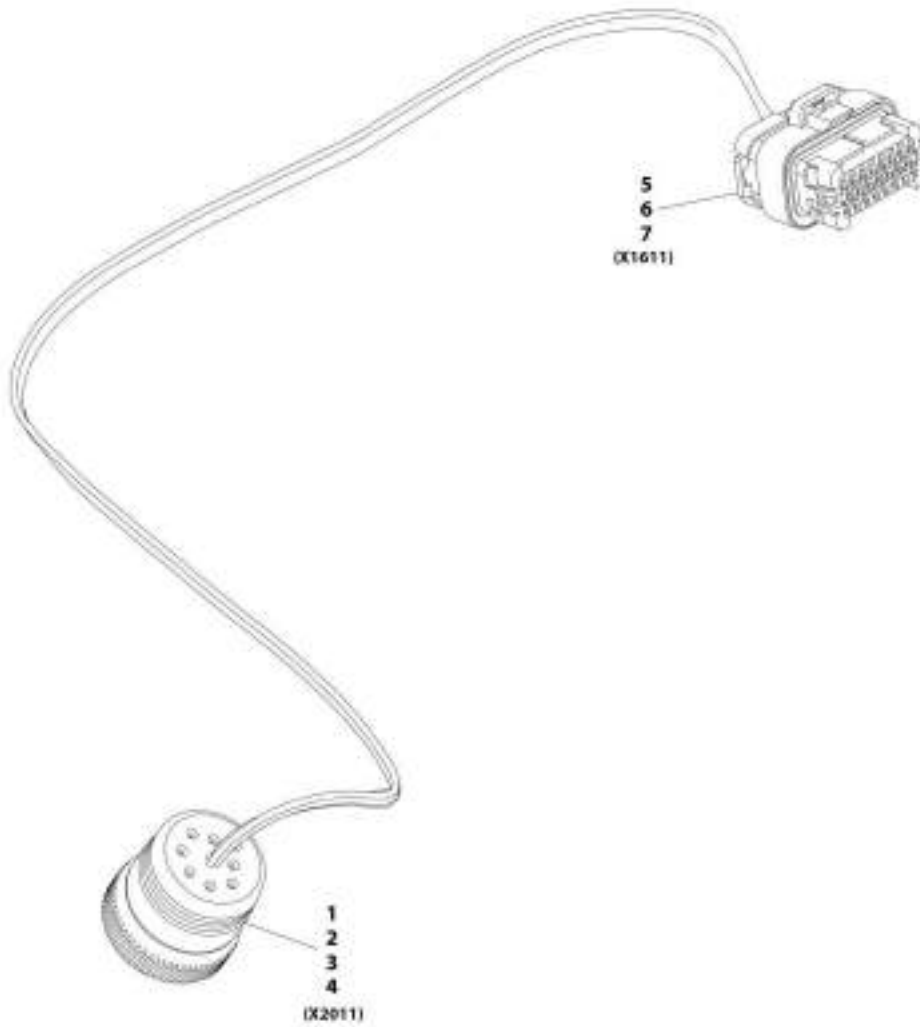
SECTION 10 - ELECTRICAL

FIGURE 10-85. TELEMATICS READY HARNESS

ITEM	PART NUMBER	QTY	DESCRIPTION	REV
	1001196289	Ref	Telematics Ready Harness	A
1	1001112796	1	Connector	
2	4460465	3	Terminal	
3	4460466	6	Plug	
4	4460884	1	Connector	
5	4460465	3	Terminal	
6	4460466	1	Plug	
7	80604021	1	Lock, Connector	

SECTION 10 - ELECTRICAL

FIGURE 10-86. CLEARSKY HARNESS (A/C)



ART. 3001196452-A

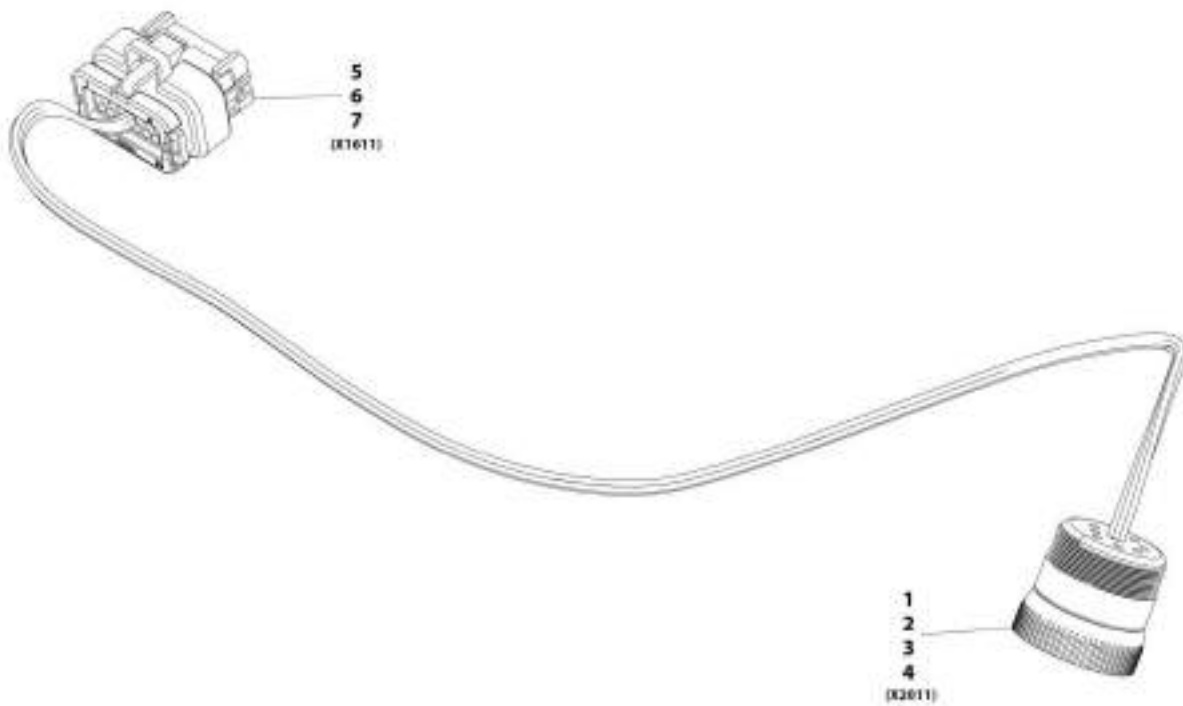
SECTION 10 - ELECTRICAL

FIGURE 10-86. CLEARSKY HARNESS (A/C)

ITEM	PART NUMBER	QTY	DESCRIPTION	REV
	1001196452	Ref	Clearsky Harness (A/C)	A
1	1001112796	1	Connector	
2	4460465	3	Terminal	
3	4460944	2	Terminal	
4	4460466	4	Plug	
5	1001116994	1	Connector	
6	4460871	5	Terminal	
7	4460905	18	Plug	

SECTION 10 - ELECTRICAL

FIGURE 10-87. CLEARSKY HARNESS (NO A/C)



ART_100176587-C

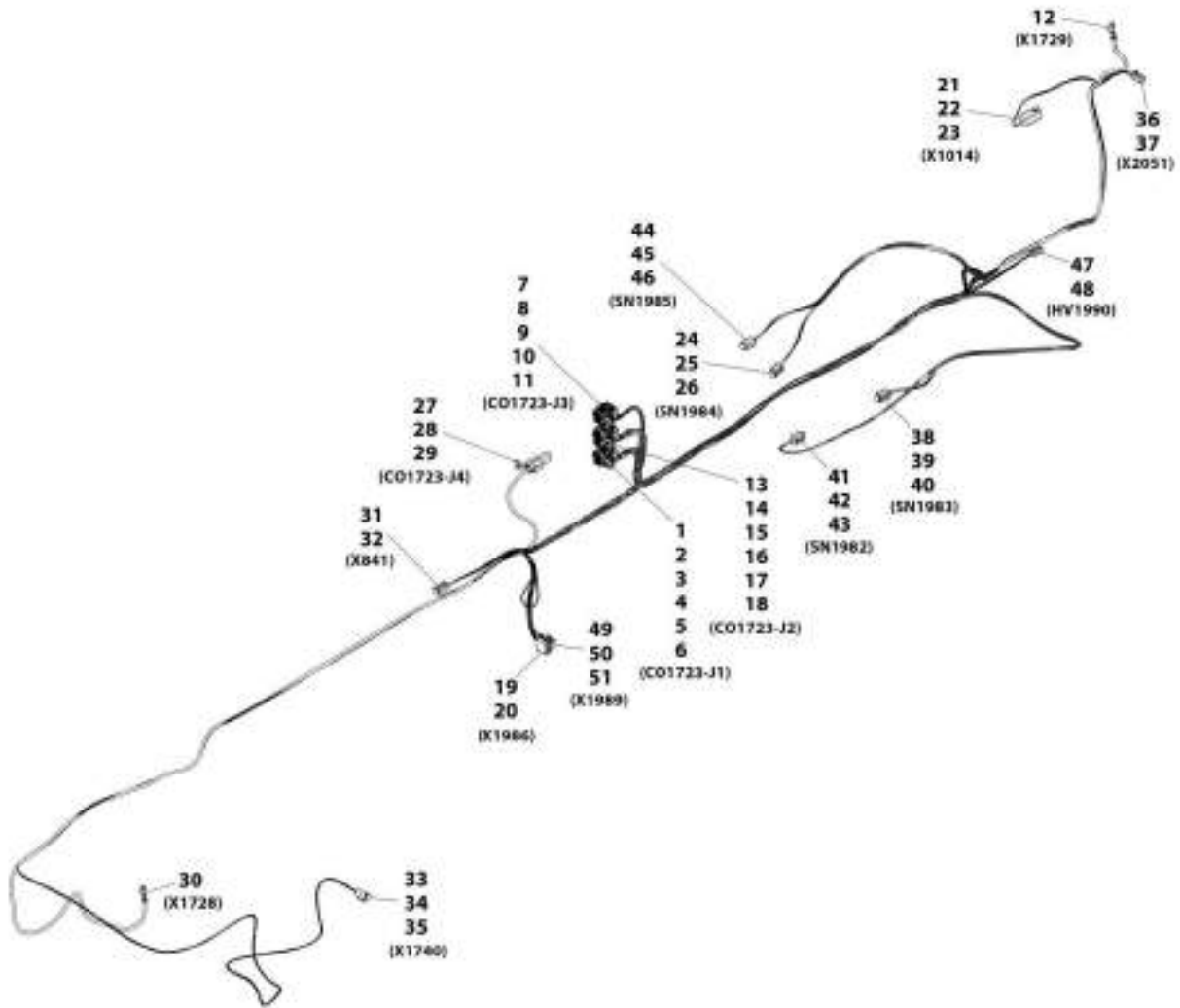
SECTION 10 - ELECTRICAL

FIGURE 10-87. CLEARSKY HARNESS (NO A/C)

ITEM	PART NUMBER	QTY	DESCRIPTION	REV
	1001176587	Ref	Clearsky Harness (no A/C)	C
1	1001112796	1	Connector	
2	4460465	3	Terminal	
3	4460944	2	Terminal	
4	4460466	4	Plug	
5	1001116994	1	Connector	
6	4460871	5	Terminal	
7	4460905	18	Plug	

SECTION 10 - ELECTRICAL

FIGURE 10-88. LMIS CHASSIS OPTION HARNESS



ART. 1001184795-E

SECTION 10 - ELECTRICAL

FIGURE 10-88. LMIS CHASSIS OPTION HARNESS

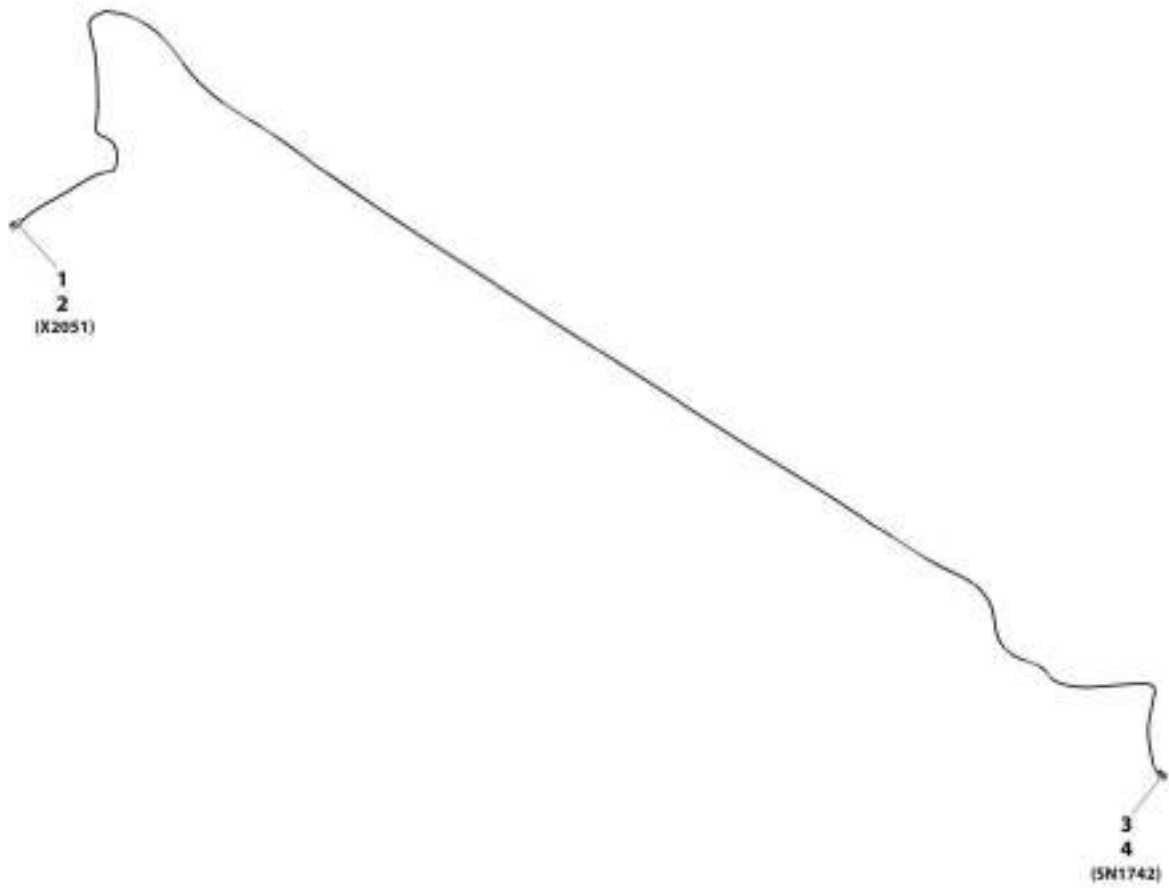
ITEM	PART NUMBER	QTY	DESCRIPTION	REV
	1001184795	Ref	LMIS Chassis Option Harness	E
1	1001161957	1	Connector	
2	1001161097	17	Terminal	
3	1001161100	7	Plug	
4	1001161101	2	Plug	
5	1001161098	2	Terminal	
6	1001161099	4	Terminal	
7	1001160500	1	Connector	
8	1001161100	16	Plug	
9	1001161097	8	Terminal	
10	1001161101	7	Plug	
11	1001161098	1	Terminal	
12	1001187076	1	Ring Terminal	
13	1001161963	1	Connector	
14	1001161097	24	Terminal	
15	1001161100	16	Plug	
16	1001161095	1	Terminal	
17	1001161099	3	Terminal	
18	1001161101	4	Plug	
19	1001116774	1	Connector	
20	4460928	12	Terminal	
21	4460899	1	Connector	
22	4460464	3	Terminal	
23	4460466	3	Plug	
24	4460884	1	Connector	
25	4460942	1	Terminal	
26	4460465	3	Terminal	
27	1001160509	1	Connector	
28	1001160510	1	Terminal	
29	1001175266	1	Terminal Seal	
30	1001187075	1	Ring Terminal	
31	4460884	1	Connector	
32	4460465	4	Terminal	
33	1001116812	1	Connector	
34	4460944	2	Terminal	
35	4460466	1	Plug	
36	4460539	1	Connector	
37	4460465	3	Terminal	
38	4460884	1	Connector	
39	4460942	1	Terminal	
40	4460465	3	Terminal	
41	4460884	1	Connector	
42	4460942	1	Terminal	
43	4460465	3	Terminal	
44	4460884	1	Connector	
45	4460942	1	Terminal	
46	4460465	3	Terminal	
47	4460891	1	Connector	
48	4460465	2	Terminal	
49	4460891	1	Connector	

SECTION 10 - ELECTRICAL

ITEM	PART NUMBER	QTY	DESCRIPTION	REV
50	4460465	1	Terminal	
51	4460942	1	Terminal	

SECTION 10 - ELECTRICAL

FIGURE 10-89. LMIS BOOM HARNESS



ART_100100W19-C

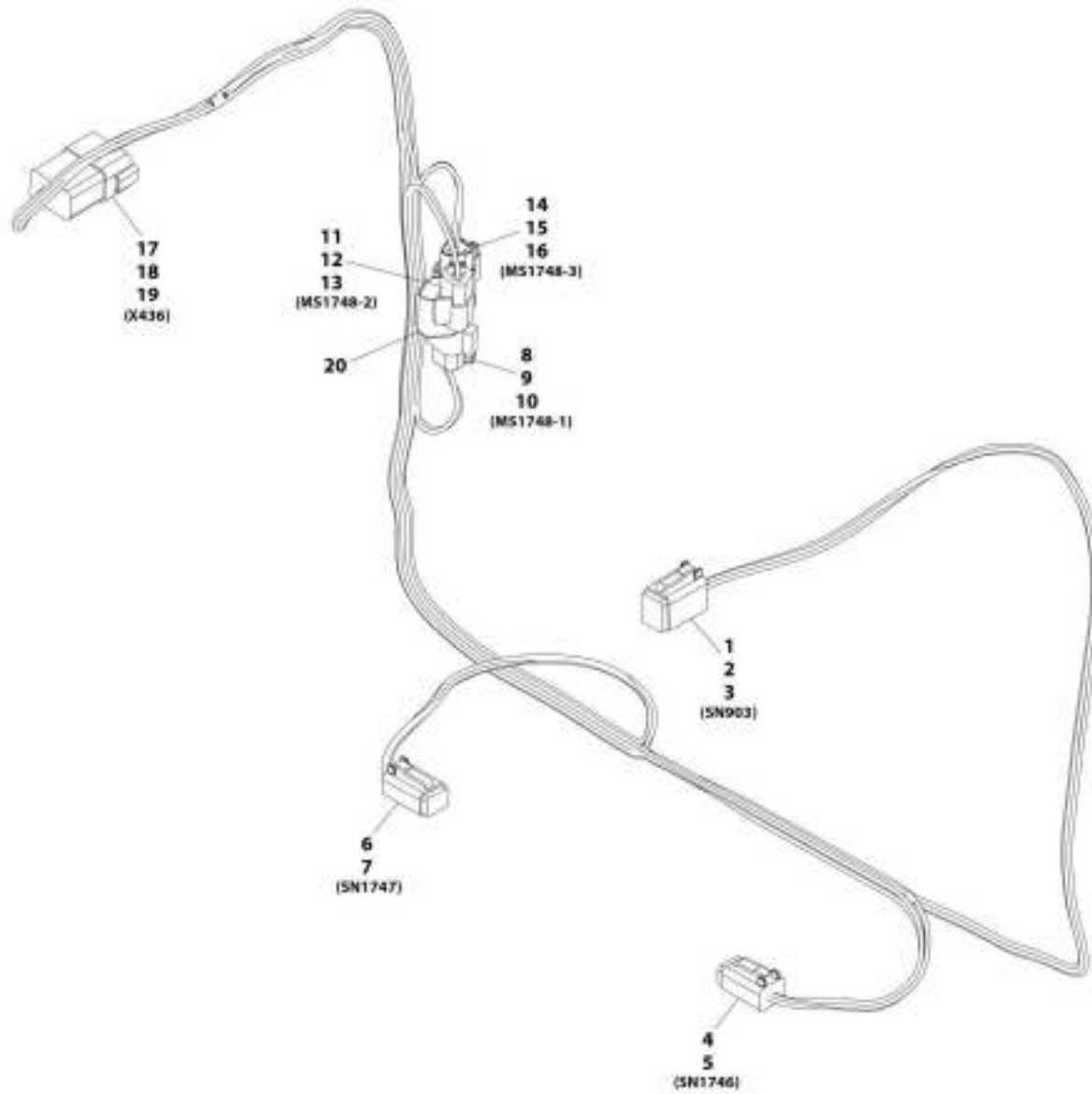
SECTION 10 - ELECTRICAL

FIGURE 10-89. LMIS BOOM HARNESS

ITEM	PART NUMBER	QTY	DESCRIPTION	REV
	1001192619	Ref	LMIS Boom Harness	C
1	4460536	1	Connector	
2	4460464	3	Terminal	
3	4460539	1	Connector	
4	4460465	3	Terminal	

SECTION 10 - ELECTRICAL

FIGURE 10-90. PLATFORM READY HARNESS



AWT_1001195202-A

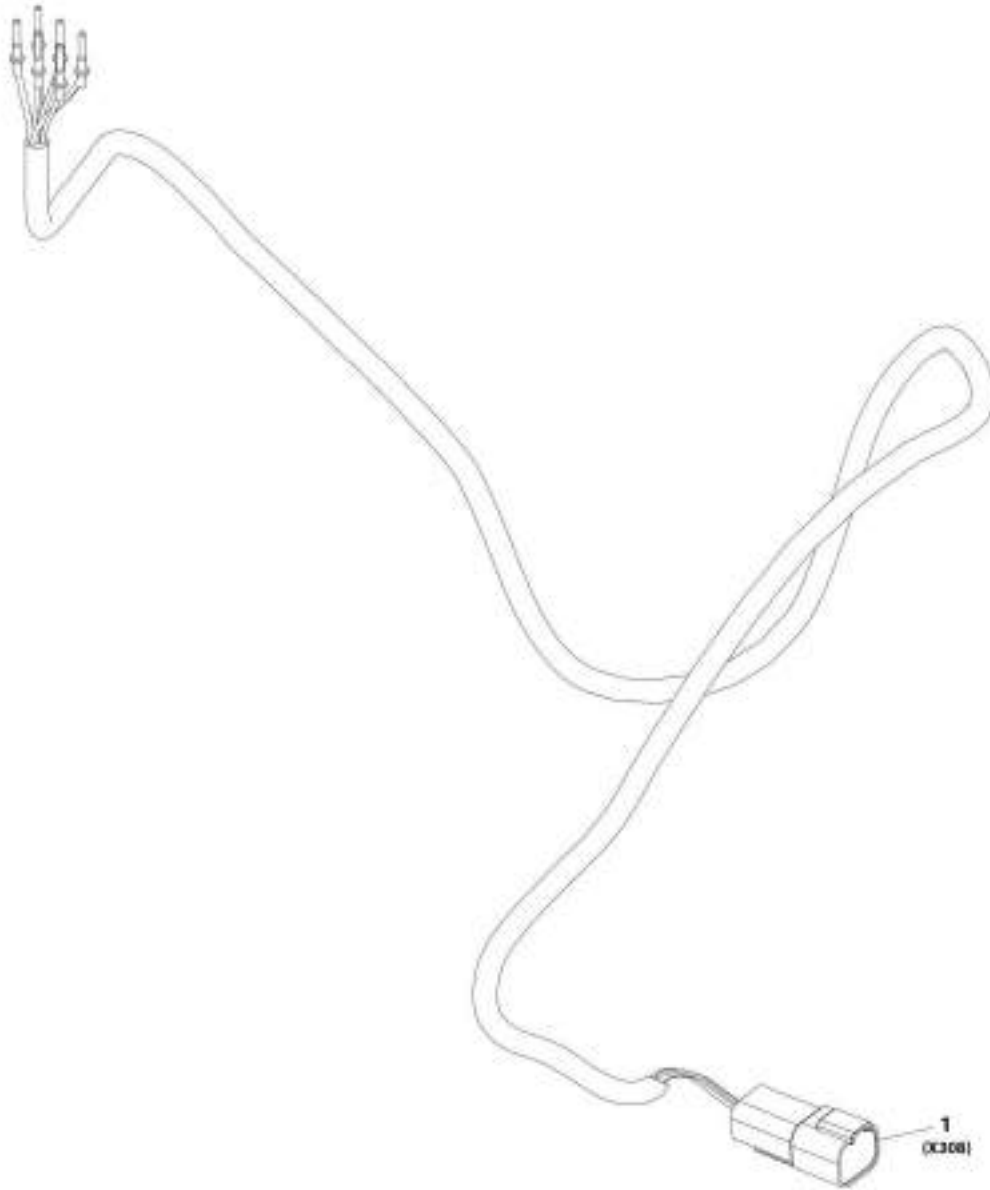
SECTION 10 - ELECTRICAL

FIGURE 10-90. PLATFORM READY HARNESS

ITEM	PART NUMBER	QTY	DESCRIPTION	REV
	1001195202	Ref	Platform Ready Harness	A
1	4460894	1	Connector	
2	4460465	4	Terminal	
3	4460466	2	Plug	
4	4460884	1	Connector	
5	4460944	4	Terminal	
6	4460884	1	Connector	
7	4460944	4	Terminal	
8	1001116812	1	Connector	
9	4460944	2	Terminal	
10	4460466	1	Plug	
11	4460539	1	Connector	
12	4460944	2	Terminal	
13	4460466	1	Plug	
14	1001116812	1	Connector	
15	4460944	2	Terminal	
16	4460466	1	Plug	
17	4460931	1	Connector	
18	4460464	6	Terminal	
19	4460466	2	Plug	
20	4460945	1	Connector, 3 Way	

SECTION 10 - ELECTRICAL

FIGURE 10-91. LMIS BEACON OPTION HARNESS



ART_308117247-B

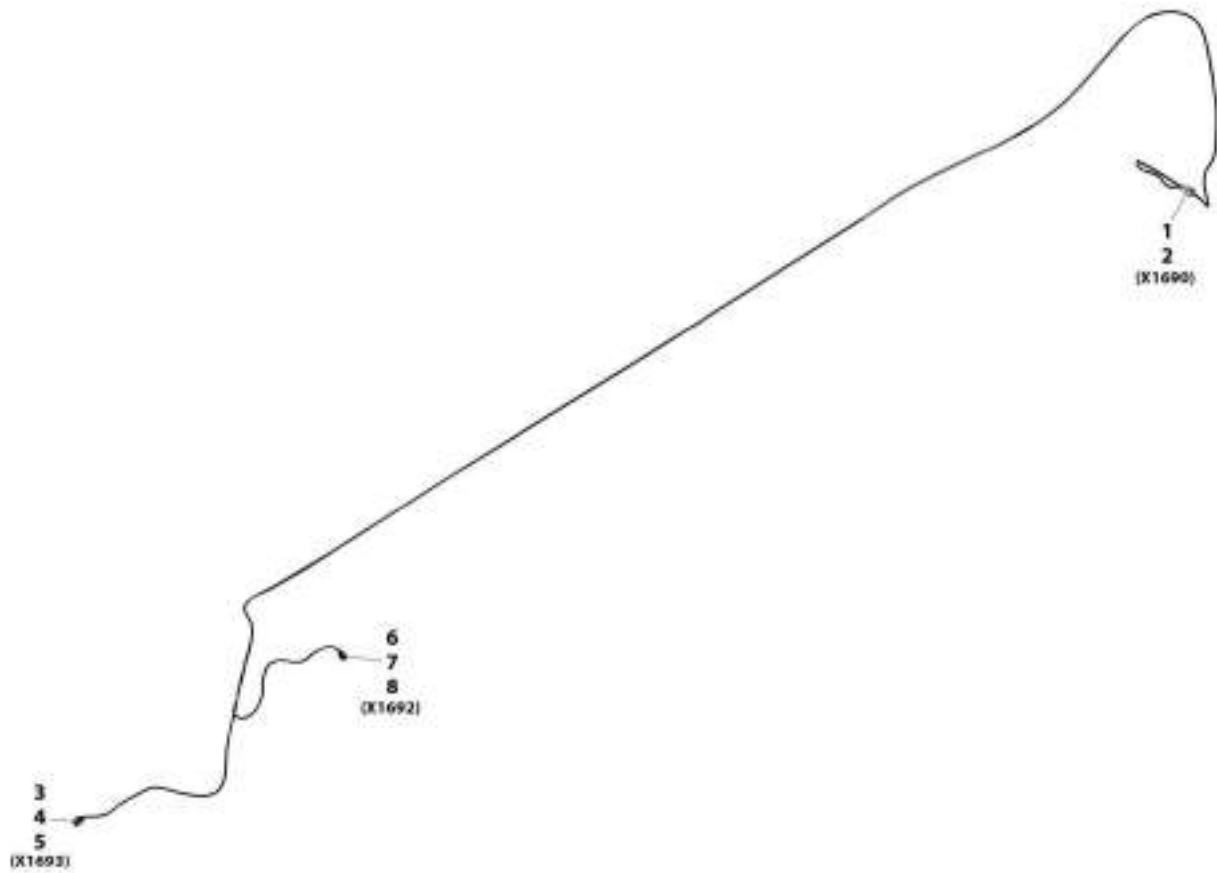
SECTION 10 - ELECTRICAL

FIGURE 10-91. LMIS BEACON OPTION HARNESS

ITEM	PART NUMBER	QTY	DESCRIPTION	REV
1	1001117247 4460932	Ref 1	LMIS Beacon Option Harness Connector	B

SECTION 10 - ELECTRICAL

FIGURE 10-92. PROXIMITY SENSOR HARNESS



AWT_1001105953-F

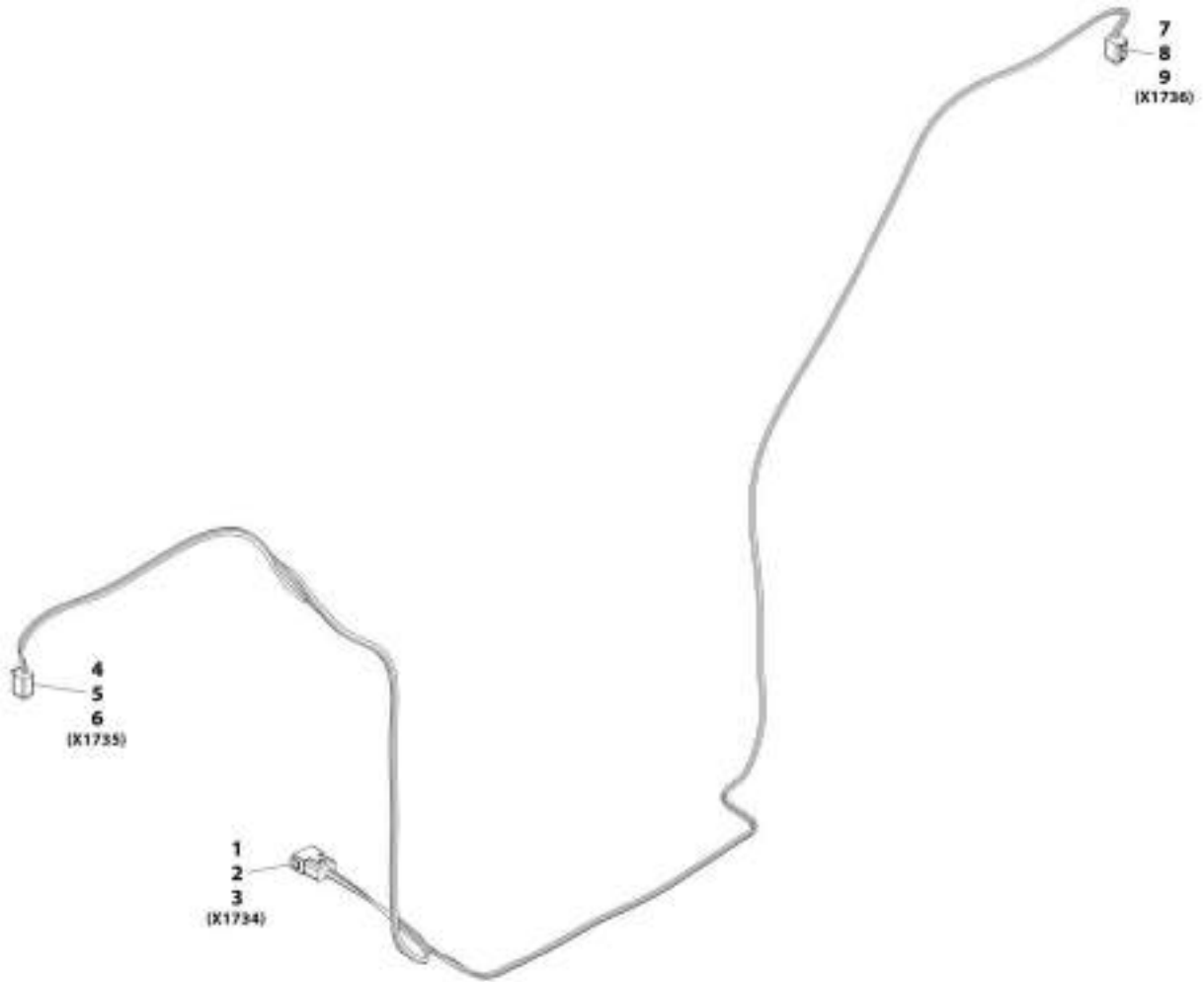
SECTION 10 - ELECTRICAL

FIGURE 10-92. PROXIMITY SENSOR HARNESS

ITEM	PART NUMBER	QTY	DESCRIPTION	REV
	1001195953	Ref	Proximity Sensor Harness	F
1	4460932	1	Connector	
2	4460464	4	Terminal	
3	4461262	1	Connector	
4	1001107854	3	Terminal	
5	1001104498	3	Terminal Seal	
6	4461262	1	Connector	
7	1001107854	3	Terminal	
8	1001104498	3	Terminal Seal	

SECTION 10 - ELECTRICAL

FIGURE 10-93. HEADLIGHT HARNESS



ARC_1001215683-B

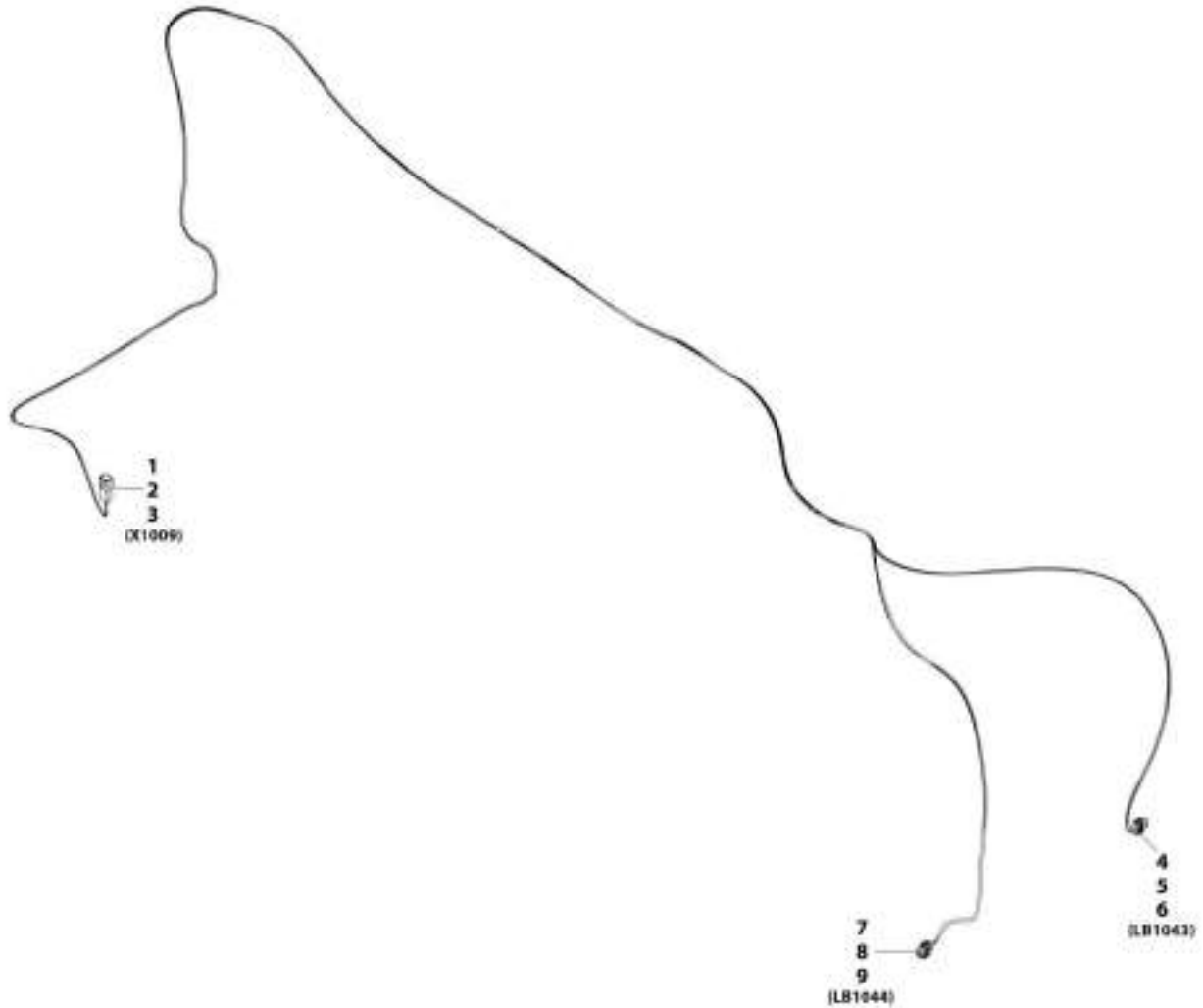
SECTION 10 - ELECTRICAL

FIGURE 10-93. HEADLIGHT HARNESS

ITEM	PART NUMBER	QTY	DESCRIPTION	REV
	1001215693	Ref	Headlight Harness	B
1	4460970	1	Connector	
2	4460941	10	Terminal	
3	4460466	2	Plug	
4	4460894	1	Connector	
5	4460942	5	Terminal	
6	4460466	1	Plug	
7	4460894	1	Connector	
8	4460942	5	Terminal	
9	4460466	1	Plug	

SECTION 10 - ELECTRICAL

FIGURE 10-94. BOOM WORKLIGHTS HARNESS



AWT_1001184796-D

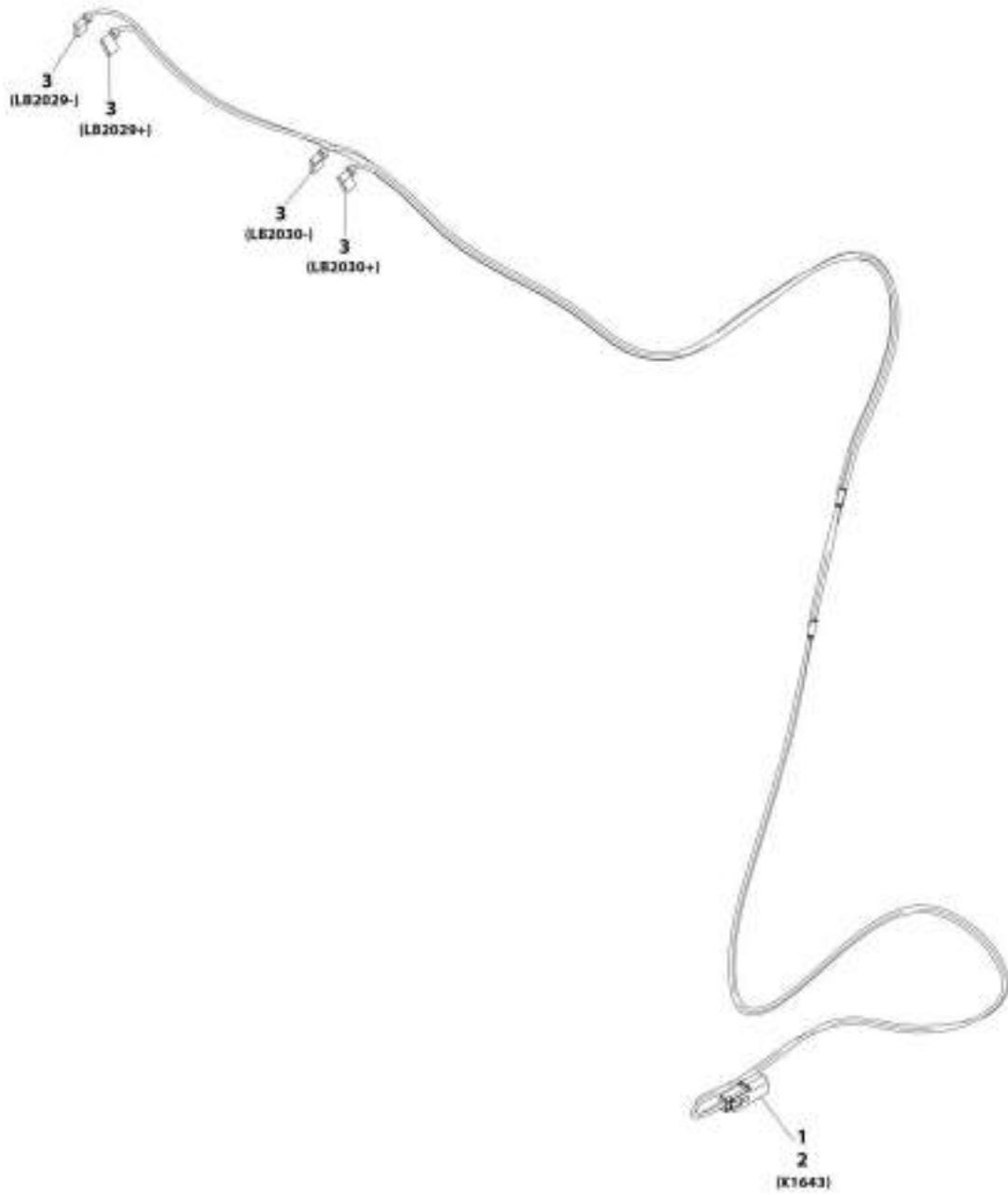
SECTION 10 - ELECTRICAL

FIGURE 10-94. BOOM WORKLIGHTS HARNESS

ITEM	PART NUMBER	QTY	DESCRIPTION	REV
	1001184796	Ref	Boom Worklights Harness	D
1	4460932	1	Connector	
2	4460464	2	Terminal	
3	4460466	2	Plug	
4	4461115	1	Connector	
5	1001116728	2	Terminal	
6	4460458	2	Terminal Seal	
7	4461115	1	Connector	
8	1001116728	2	Terminal	
9	4460458	2	Terminal Seal	

SECTION 10 - ELECTRICAL

FIGURE 10-95. LICENSE LIGHT HARNESS



ART_1001178055-C

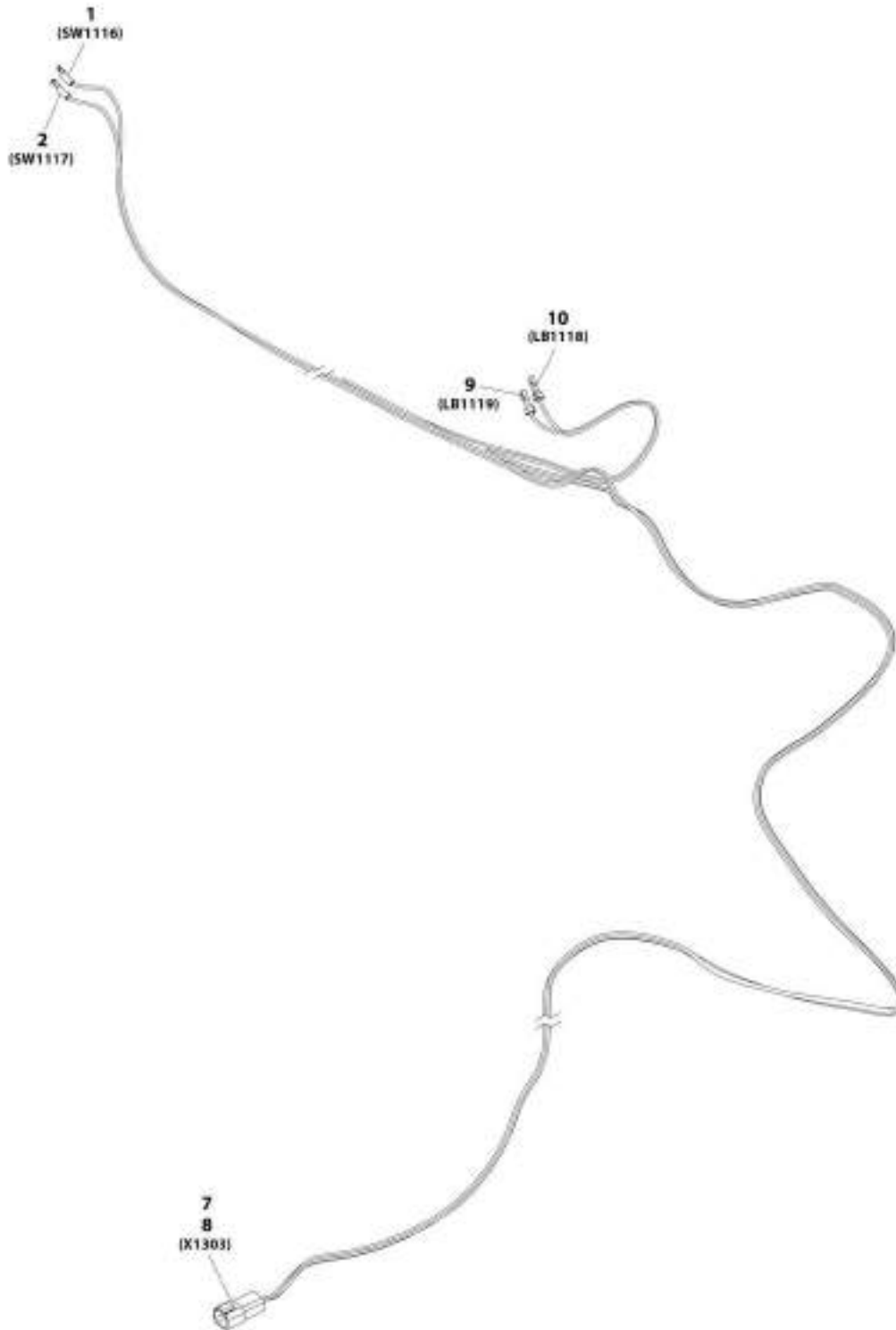
SECTION 10 - ELECTRICAL

FIGURE 10-95. LICENSE LIGHT HARNESS

ITEM	PART NUMBER	QTY	DESCRIPTION	REV
	1001178053	Ref	License Light Harness	C
1	4460897	1	Connector	
2	4460941	2	Terminal	
3	1001190396	4	Connector	

SECTION 10 - ELECTRICAL

FIGURE 10-96. AIR SHUTOFF VALVE HARNESS



ART_1001231407-C

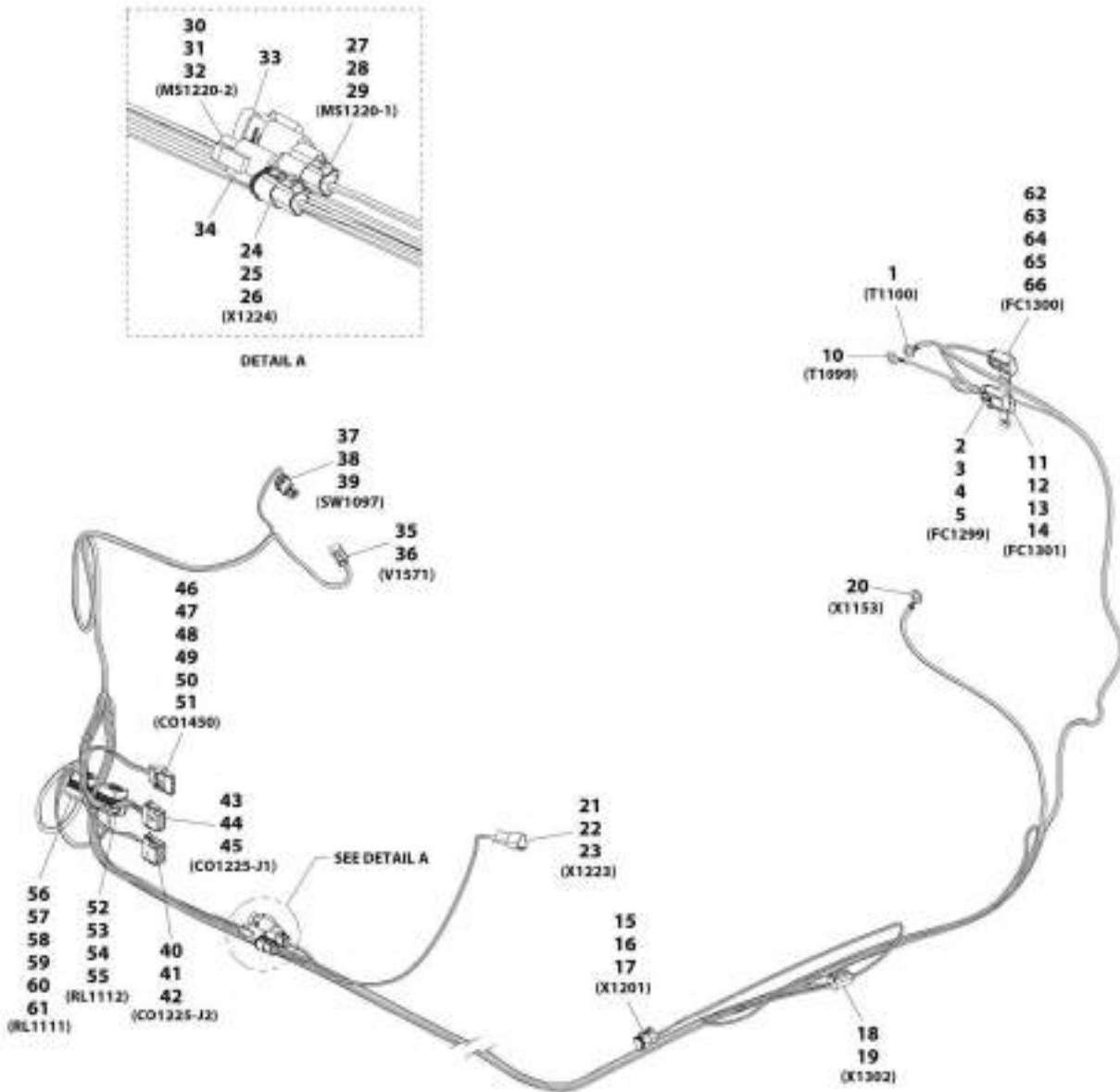
SECTION 10 - ELECTRICAL

FIGURE 10-96. AIR SHUTOFF VALVE HARNESS

ITEM	PART NUMBER	QTY	DESCRIPTION	REV
	1001231407	1	Cab Air Shutoff Valve Harness	C
1	8220035	1	Terminal, Ring	
2	8220035	1	Terminal, Ring	
7	4460932	1	Connector	
8	4460464	4	Pin	
9	8220108	1	Connector, Female	
10	8220108	1	Connector, Female	

SECTION 10 - ELECTRICAL

FIGURE 10-97. AIR SHUT OFF VALVE HARNESS (ENGINE)



ART 1001231483-C

SECTION 10 - ELECTRICAL

FIGURE 10-97. AIR SHUT OFF VALVE HARNESS (ENGINE)

ITEM	PART NUMBER	QTY	DESCRIPTION	REV
	1001231483	Ref	Engine Air Shut Off Valve Harness	C
1	1001187079	1	Terminal, Ring	
2	1001231397	1	Connector	
3	8229235	1	Fuse, 20amp	
4	1001231401	2	Terminal	
5	1001230402	2	Seal	
10	1001187078	1	Terminal, Ring	
11	1001231397	1	Connector	
12	8229261	1	Fuse, 20amp	
13	1001231400	2	Terminal	
14	1001230403	2	Seal	
15	1001116812	1	Connector	
16	4460465	2	Terminal	
17	4460466	1	Plug	
18	4460884	1	Connector	
19	4460465	4	Terminal	
20	1001187079	1	Terminal, Ring	
21	1001144147	1	Connector	
22	4460464	2	Terminal	
23	4460466	1	Plug	
24	1001116812	1	Connector	
25	4460465	2	Terminal	
26	4460466	1	Plug	
27	1001116812	1	Connector	
28	4460465	2	Terminal	
29	4460466	1	Plug	
30	4460539	1	Connector	
31	4460465	2	Terminal	
32	4460466	1	Plug	
33	1001116815	1	Connector, 3 Pin	
34	4460945	1	Terminal, 3 Way "T" Receptacle	
35	4460891	1	Connector	
36	1001157890	2	Terminal	
37	4460742	1	Connector	
38	4460475	2	Terminal	
39	4460458	2	Plug	
40	1001116774	1	Connector	
41	4460518	8	Plug	
42	1001126008	4	Terminal	
43	1001116808	1	Connector	
44	1001126008	9	Terminal	
45	4460518	3	Plug	
46	4460761	1	Connector	
47	4460321	1	Terminal	
48	1001118378	4	Terminal	
49	4460809	4	Plug	
50	1001143551	1	Seal	
51	1001218358	1	Lanyard Rope	
52	1001231398	1	Connector	
53	1001231400	4	Terminal	

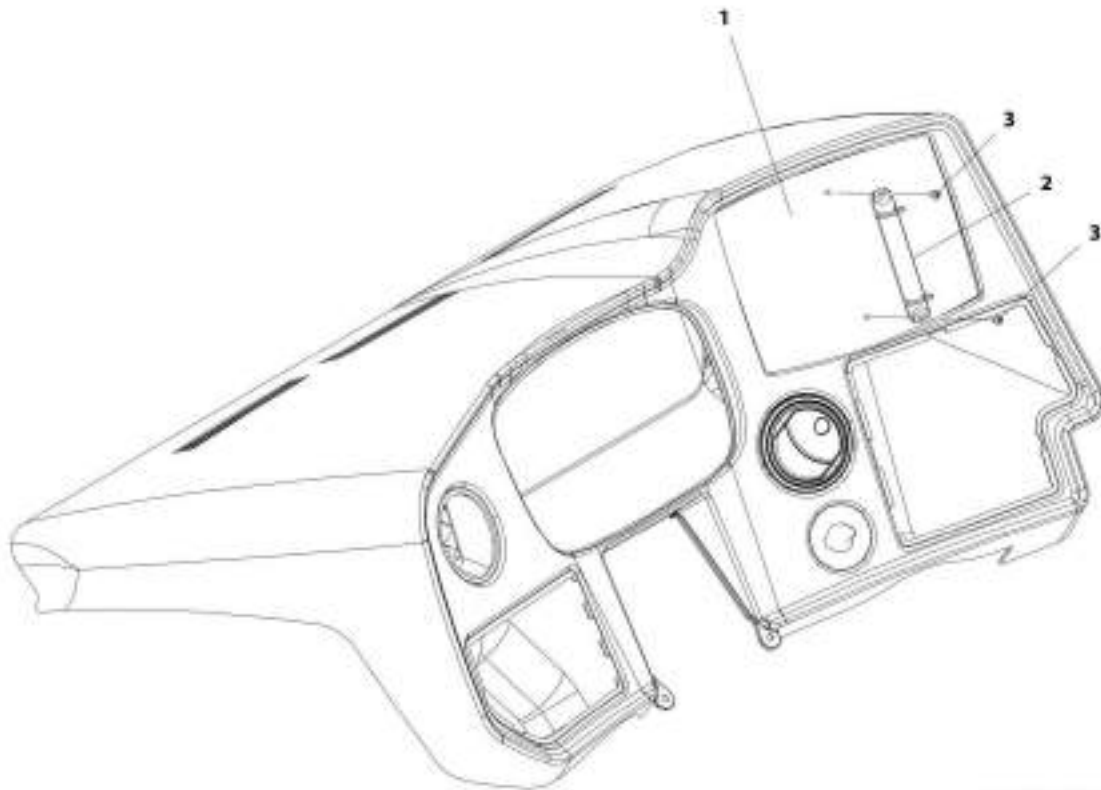
SECTION 10 - ELECTRICAL

ITEM	PART NUMBER	QTY	DESCRIPTION	REV
54	1001231404	4	Seal	
55	1001231406	1	Plug	
56	1001231398	1	Connector	
57	1001231401	2	Terminal	
58	1001231402	2	Seal	
59	1001231400	2	Terminal	
60	1001231404	2	Seal	
61	1001231406	1	Plug	
62	1001231397	1	Connector	
63	8229234	1	Fuse, 20amp	
64	1001231400	2	Terminal	
65	1001230403	1	Seal	
66	1001230404	1	Seal	

SECTION 11 - DECALS

SECTION 11 - DECALS

FIGURE 11-1. CAPACITY CHART HOLDER INSTALLATION



ART_1001178200-A

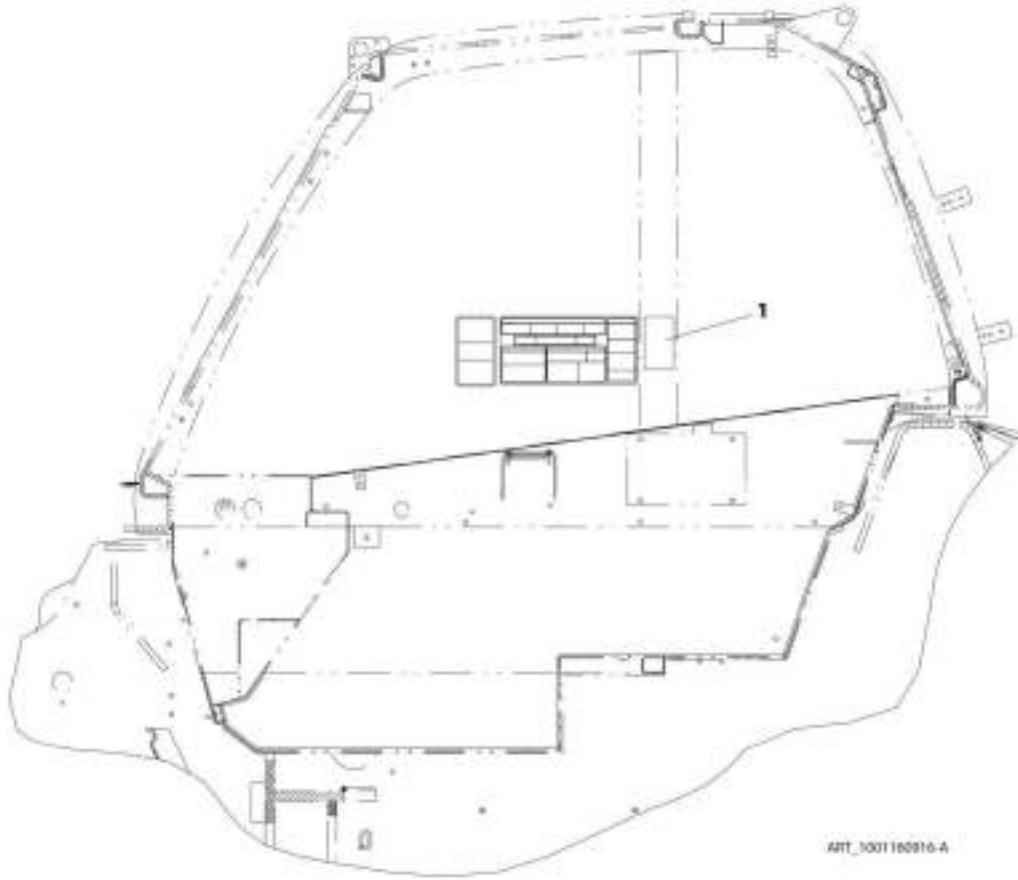
SECTION 11 - DECALS

FIGURE 11-1. CAPACITY CHART HOLDER INSTALLATION

ITEM	PART NUMBER	QTY	DESCRIPTION	REV
	1001178706	Ref	Capacity Chart Holder Installation	A
1	1001179297	1	Load Chart, Bezel	
2	1001005960	1	Holder	
3	7029486	2	Screw	

SECTION 11 - DECALS

FIGURE 11-2. REVERSE SENSOR SYSTEM DECAL



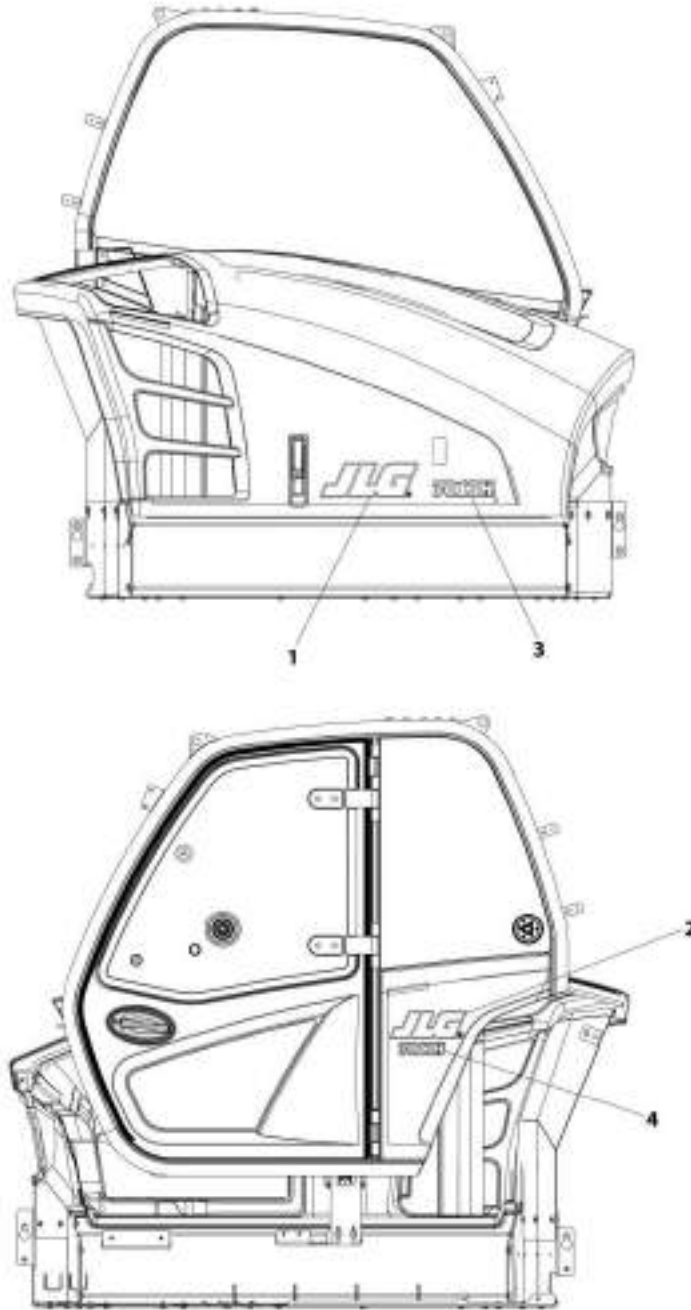
SECTION 11 - DECALS

FIGURE 11-2. REVERSE SENSOR SYSTEM DECAL

ITEM	PART NUMBER	QTY	DESCRIPTION	REV
1	1001160916	1	Reverse Sensing System Decal (ISO)	A

SECTION 11 - DECALS

FIGURE 11-3. 7013H DECAL INSTALLATION



ART_1001195258-B

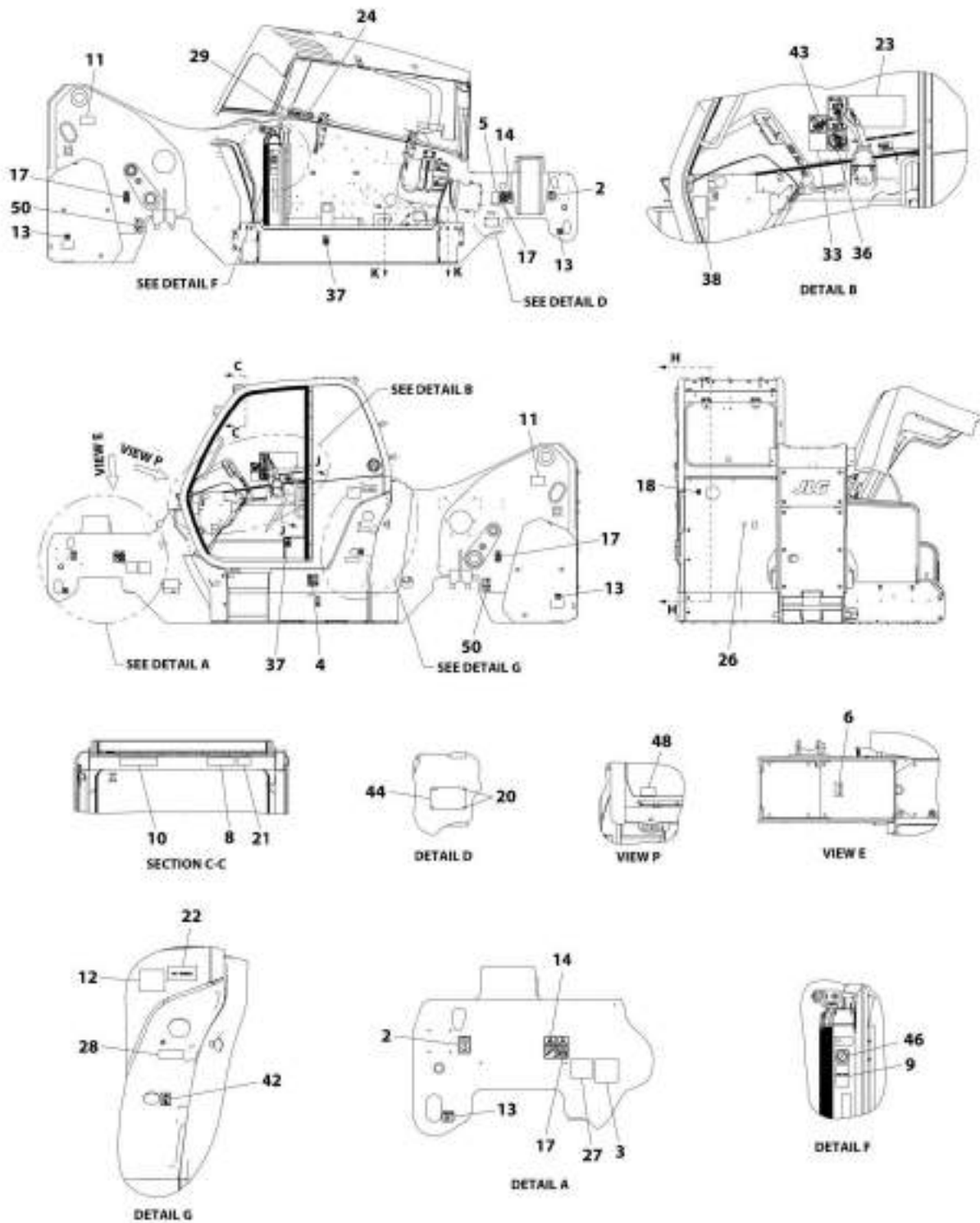
SECTION 11 - DECALS

FIGURE 11-3. 7013H DECAL INSTALLATION

ITEM	PART NUMBER	QTY	DESCRIPTION	REV
	1001195298	Ref	7013H Decal Installation	B
1	1001160775	1	Decal, JLG 5 Black	
2	1001169674	1	Decal, JLG M100X285	
3	1001211530	1	Decal, JLG 7013 Hood	
4	1001211531	1	Decal, JLG 7013 Cab	

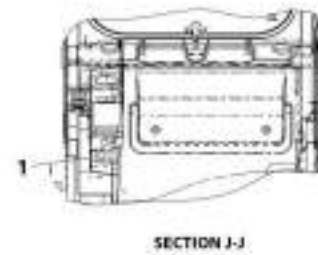
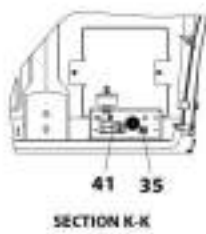
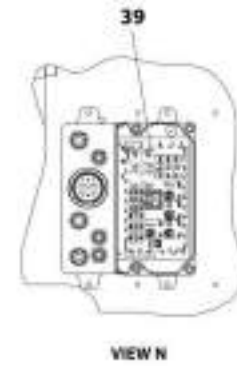
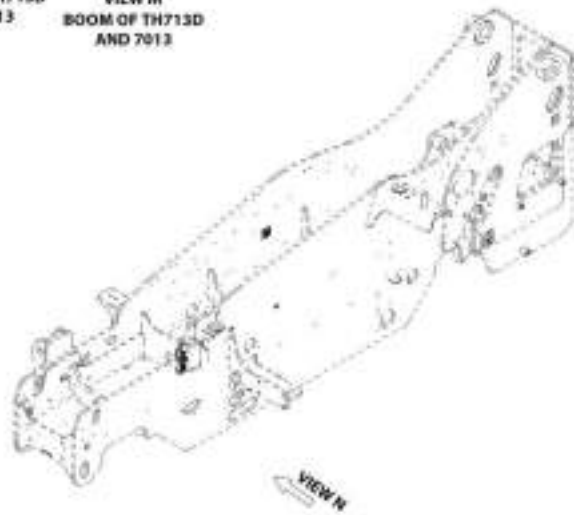
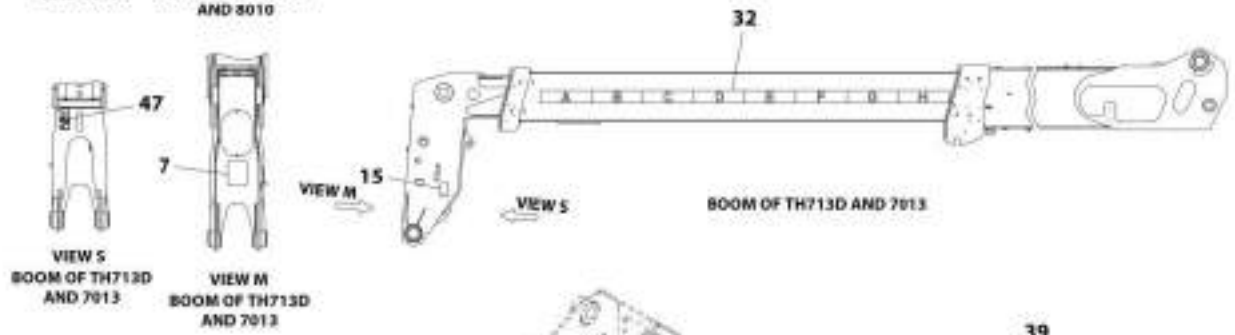
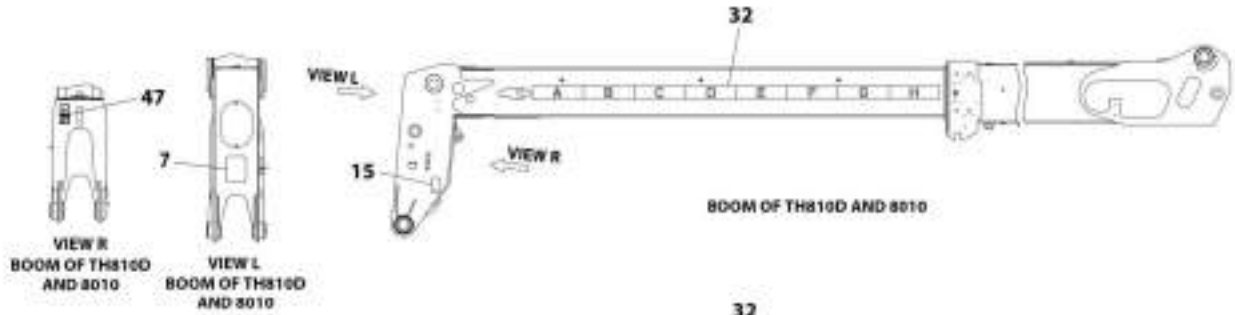
SECTION 11 - DECALS

FIGURE 11-4. DECAL INSTALLATION (ULS)



ART. 3001192741_1-0

SECTION 11 - DECALS



ART_100192741_2-D

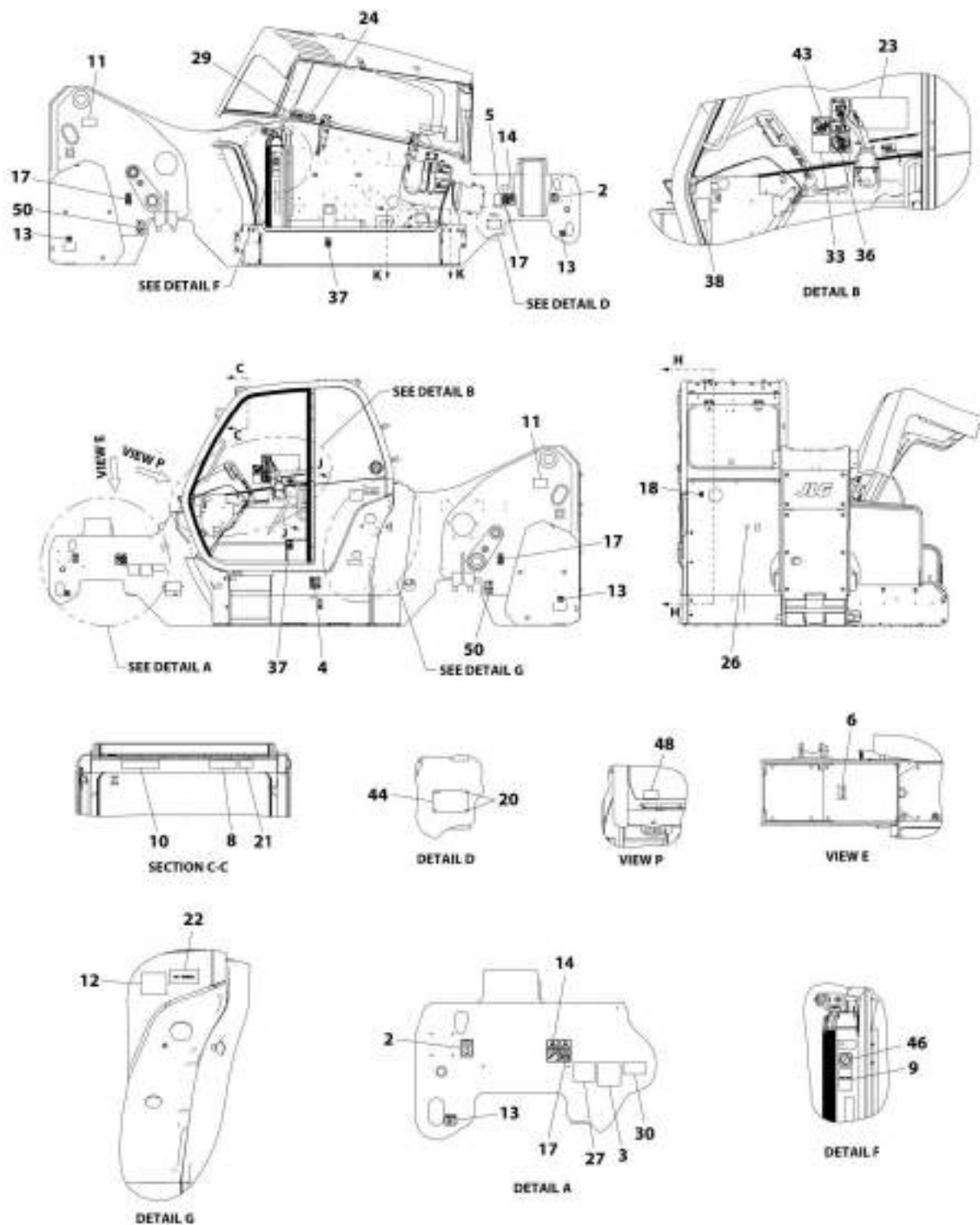
SECTION 11 - DECALS

FIGURE 11-4. DECAL INSTALLATION (ULS)

ITEM	PART NUMBER	QTY	DESCRIPTION	REV
	1001192741	Ref	Decal Installation (ULS)	D
1	1670836	1	Cover, Boom	
2	1701500	2	Decal, Lift	
3	1702631	1	Decal, Bar Code	
4	1705980	1	Decal, Acoustic Power 106db	
5	1706098	1	Decal, Warning Ether Start	
6	1706281	1	Decal, Battery Warning (ISO)	
7	1706282	1	Decal, Carry Personnel (ISO) (SN 0160040120 to Present)	
8	1706284	1	Decal, Electrocutation Hazard (ISO)	
9	1706285	1	Decal, Moving Parts (ISO)	
10	1706288	1	Decal, Tip Over Warning	
11	1706292	2	Decal, Pinch Point Boom Holes (SN 0160040120 to Present)	
12	3251813	1	Decal, USA	
13	4109801	4	Decal, Tie Down Point	
14	8005671	2	Decal, Cylinder Lock Warning	
15	8005675	2	Decal, Watch for Raised Boom Warning	
17	8008657	4	Decal, Set Brake Lever Warning	
18	1001094708	1	Decal, Hydraulic Oil	
20	1001009178	4	Tack, Metal	
21	1001092877	1	Decal, Crush Hazard Warning	
22	1001092878	1	Decal, No Riders	
23	1001101895	1	Decal, Cab Warning	
24	1001109053	1	Decal, Coolant Fill	
26	1001130323	1	Decal, Oil Level	
27	1001131271	1	Decal, Patent Telehandlers USA/Canada	
28	1001218704	1	Decal, Ultra Low Sulfur Diesel	
29	1001139942	1	Decal, Hot Fluid Warning	
32	1001171277	1	Decal, Boom Extend	
33	1001172035	1	Decal, No Weld or Drill	
35	1001184632	1	Decal, Battery Positive	
36	1001188372	1	Decal, Sway	
37	1001189154	2	Decal, Read Operators Manual	
38	1001191229	1	Decal, Fuse Panel	
39	1001191487	1	Decal, Fuse Panel	
41	1001195855	1	Decal, Battery Disconnect	
42	1001196806	1	Decal, Diesel Exhaust Fluid	
43	1001227287	1	Decal, Manual	
44	1001098487	1	Decal, SN Plate JLG	
45	1001214206	1	Decal, Park Brake	
46	AU2105	1	Decal, No Karcher	
47	1001207218	1	Decal, Danger Swinging Load	
48	1001219211	1	Decal, Brake Fluid	
50	1001222650	2	Decal, Axle Lift	

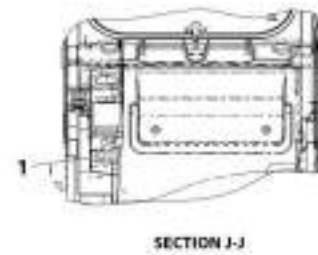
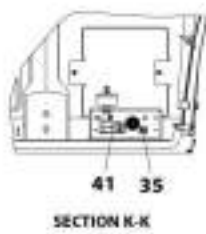
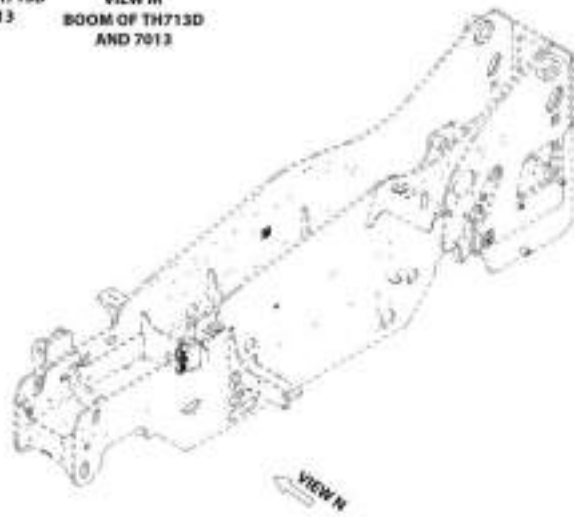
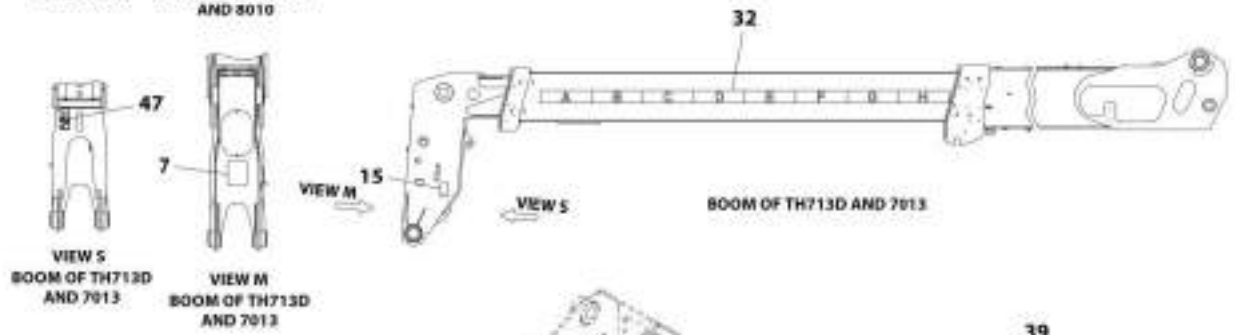
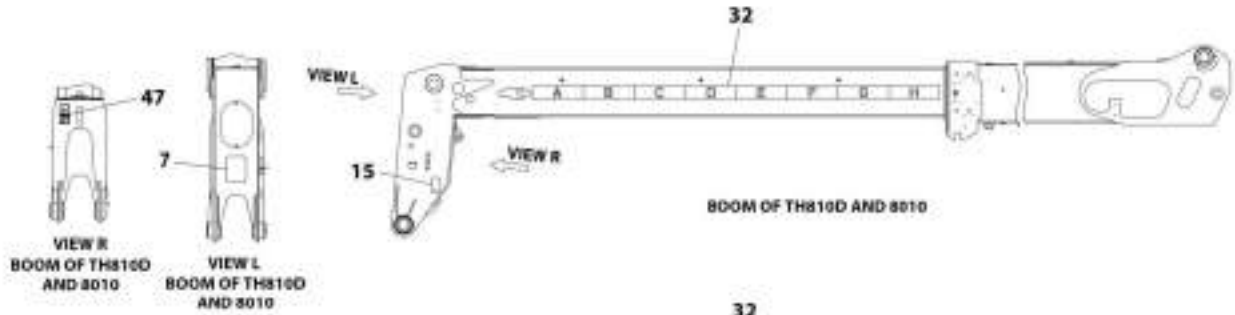
SECTION 11 - DECALS

FIGURE 11-5. DECAL INSTALLATION (LS)



ART. 3001220707_1-C

SECTION 11 - DECALS



ART_1001220707_2-C

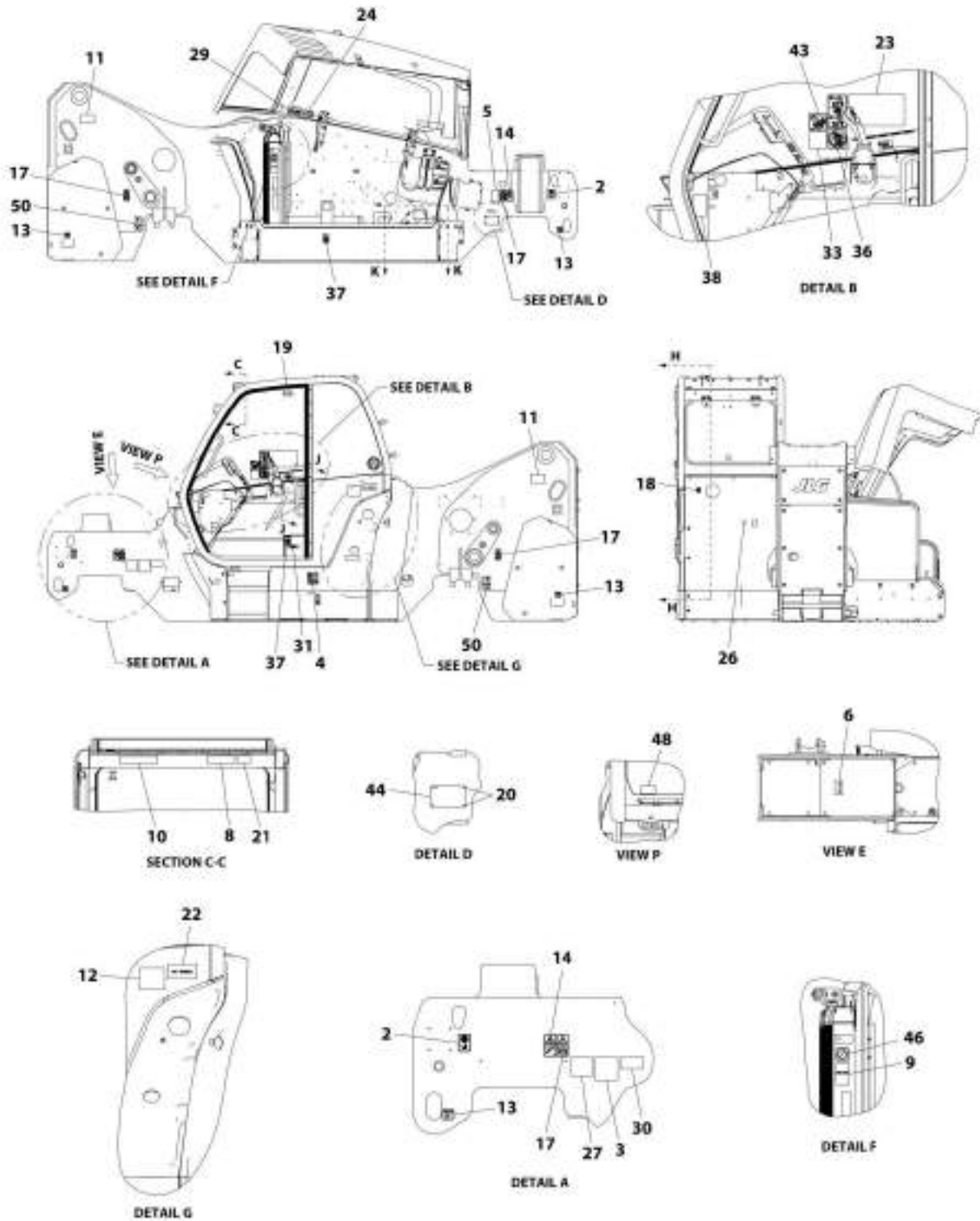
SECTION 11 - DECALS

FIGURE 11-5. DECAL INSTALLATION (LS)

ITEM	PART NUMBER	QTY	DESCRIPTION	REV
	1001220707	Ref	Decal Installation (LS)	C
1	1670836	1	Cover, Boom	
2	1701500	2	Decal, Lift	
3	1702631	1	Decal, Bar Code	
4	1705980	1	Decal, Acoustic Power 106db	
5	1706098	1	Decal, Warning Ether Start	
6	1706281	1	Decal, Battery Warning (ISO)	
7	1706282	1	Decal, Carry Personnel (ISO) (SN 0160040120 to Present)	
8	1706284	1	Decal, Electrocutation Hazard (ISO)	
9	1706285	1	Decal, Moving Parts (ISO)	
10	1706288	1	Decal, Tip Over Warning	
11	1706292	2	Decal, Pinch Point Boom Holes (SN 0160040120 to Present)	
12	3251813	1	Decal, USA	
13	4109801	4	Decal, Tie Down Point	
14	8005671	2	Decal, Cylinder Lock Warning	
15	8005675	2	Decal, Watch for Raised Boom Warning	
17	8008657	4	Decal, Set Brake Lever Warning	
18	1001094708	1	Decal, Hydraulic Oil	
20	1001009178	4	Tack, Metal	
21	1001092877	1	Decal, Crush Hazard Warning	
22	1001092878	1	Decal, No Riders	
23	1001101895	1	Decal, Cab Warning	
24	1001109053	1	Decal, Coolant Fill	
26	1001130323	1	Decal, Oil Level	
27	1001131271	1	Decal, Patent Telehandlers USA/Canada	
29	1001139942	1	Decal, Hot Fluid Warning	
30	1001143852	1	Decal, LRC EPA	
32	1001171277	1	Decal, Boom Extend	
33	1001172035	1	Decal, No Weld or Drill	
35	1001184632	1	Decal, Battery Positive	
36	1001188372	1	Decal, Sway	
37	1001189154	2	Decal, Read Operators Manual	
38	1001191229	1	Decal, Fuse Panel	
39	1001191487	1	Decal, Fuse Panel	
41	1001195855	1	Decal, Battery Disconnect	
43	1001227287	1	Decal, Manual	
44	1001098487	1	Decal, SN Plate JLG	
45	1001214206	1	Decal, Park Brake	
46	AU2105	1	Decal, No Karcher	
47	1001207218	1	Decal, Danger Swinging Load	
48	1001219211	1	Decal, Brake Fluid	
50	1001222650	2	Decal, Axle Lift	

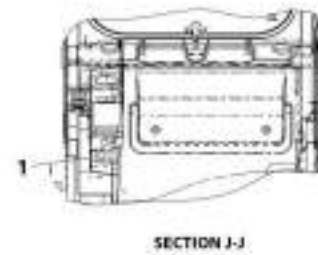
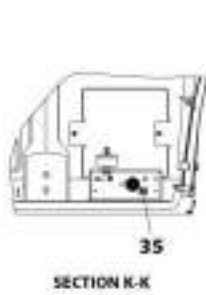
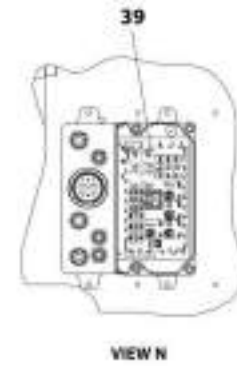
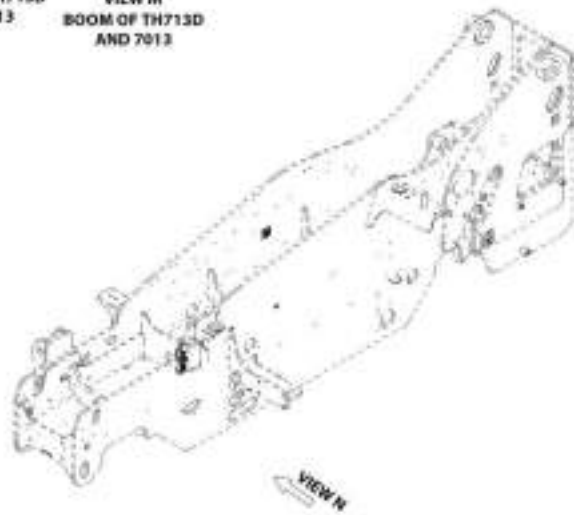
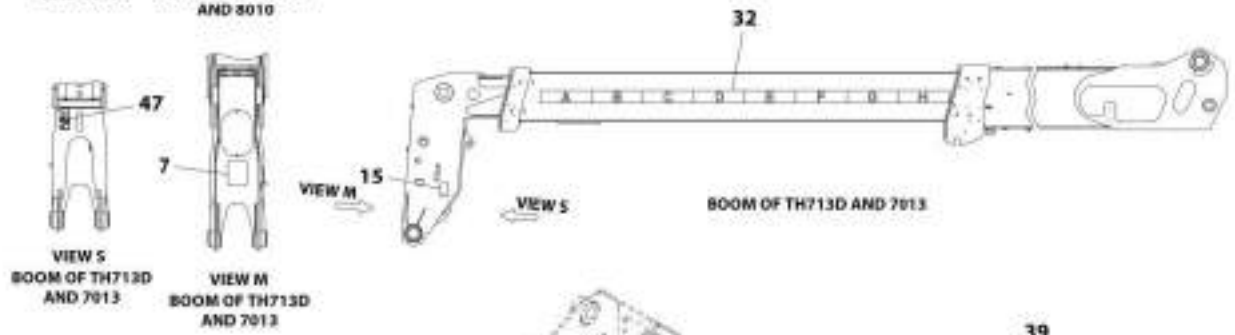
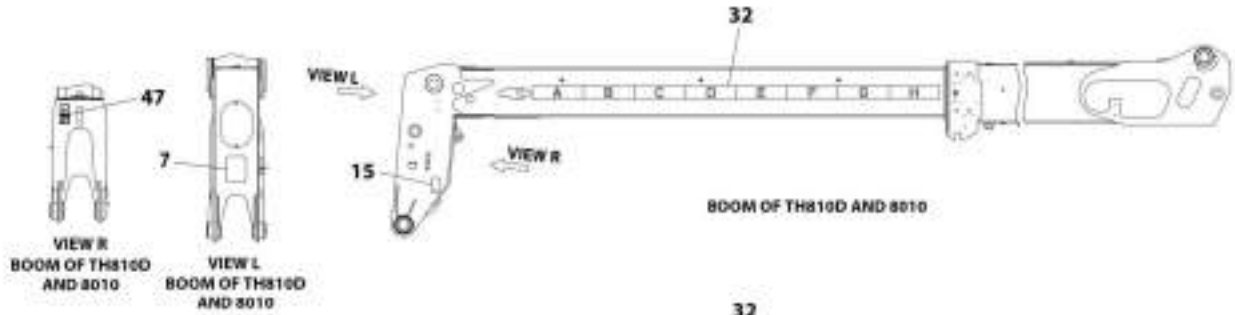
SECTION 11 - DECALS

FIGURE 11-6. DECAL INSTALLATION (AUS)



ART. 1001192743_1-0

SECTION 11 - DECALS



ART_100192743_2-D

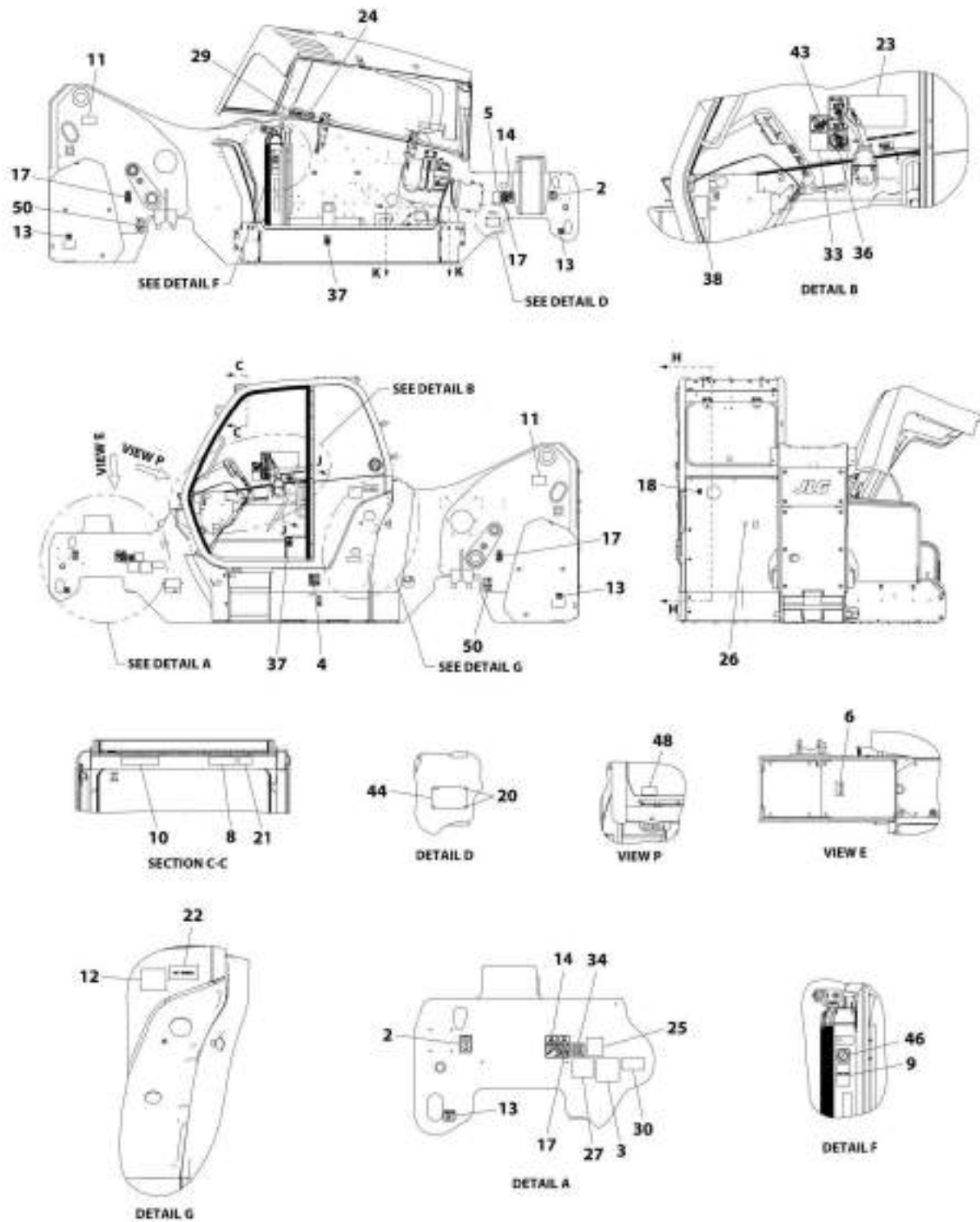
SECTION 11 - DECALS

FIGURE 11-6. DECAL INSTALLATION (AUS)

ITEM	PART NUMBER	QTY	DESCRIPTION	REV
	1001192743	Ref	Decal Installation (AUS)	D
1	1670836	1	Cover, Boom	
2	1701500	2	Decal, Lift	
3	1702631	1	Decal, Bar Code	
4	1705980	1	Decal, Acoustic Power 106db	
5	1706098	1	Decal, Warning Ether Start	
6	1706281	1	Decal, Battery Warning (ISO)	
7	1706282	1	Decal, Carry Personnel (ISO) (SN 0160040120 to Present)	
8	1706284	1	Decal, Electrocutation Hazard (ISO)	
9	1706285	1	Decal, Moving Parts (ISO)	
10	1706288	1	Decal, Tip Over Warning	
11	1706292	2	Decal, Pinch Point Boom Holes (SN 0160040120 to Present)	
12	3251813	1	Decal, USA	
13	4109801	4	Decal, Tie Down Point	
14	8005671	2	Decal, Cylinder Lock Warning	
15	8005675	2	Decal, Watch for Raised Boom Warning	
17	8008657	3	Decal, Set Brake Lever Warning	
18	1001094708	1	Decal, Hydraulic Oil	
19	8466306	1	Gauge, Tilt Angle	
20	1001009178	4	Tack, Metal	
21	1001092877	1	Decal, Crush Hazard Warning	
22	1001092878	1	Decal, No Riders	
23	1001101895	1	Decal, Cab Warning	
24	1001109053	1	Decal, Coolant Fill	
26	1001130323	1	Decal, Oil Level	
27	1001131271	1	Decal, Patent	
29	1001139942	1	Decal, Hot Fluid Warning	
30	1001143852	1	Decal, LRC EPA	
31	1001155230	1	Decal, Cab AUS Safety	
32	1001171277	1	Decal, Boom Extend	
33	1001172035	1	Decal, No Weld or Drill	
35	1001184632	1	Decal, Battery Positive	
36	1001188372	1	Decal, Sway	
37	1001189154	2	Decal, Read Operators Manual	
38	1001191229	1	Decal, Fuse Panel	
39	1001191487	1	Decal, Fuse Panel	
43	1001227287	1	Decal, Manual	
44	1001118252	1	Decal, SN Plate JLG	
45	1001214206	1	Decal, Park Brake	
46	AU2105	1	Decal, No Karcher	
47	1001207218	1	Decal, Danger Swinging Load	
48	1001219211	1	Decal, Brake Fluid	
50	1001222650	2	Decal, Axle Lift	

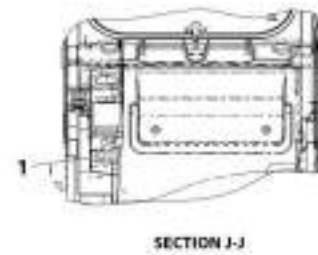
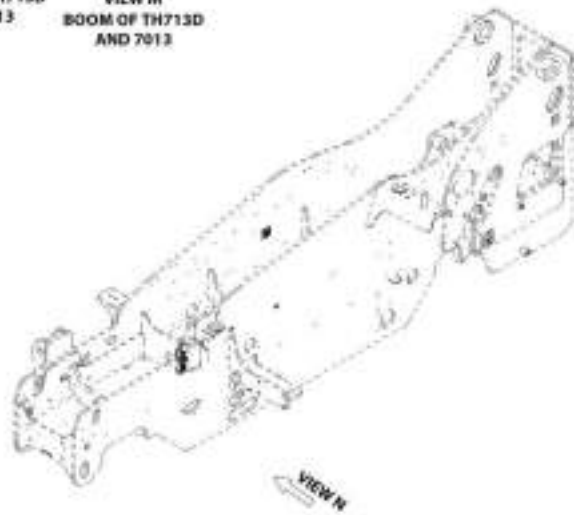
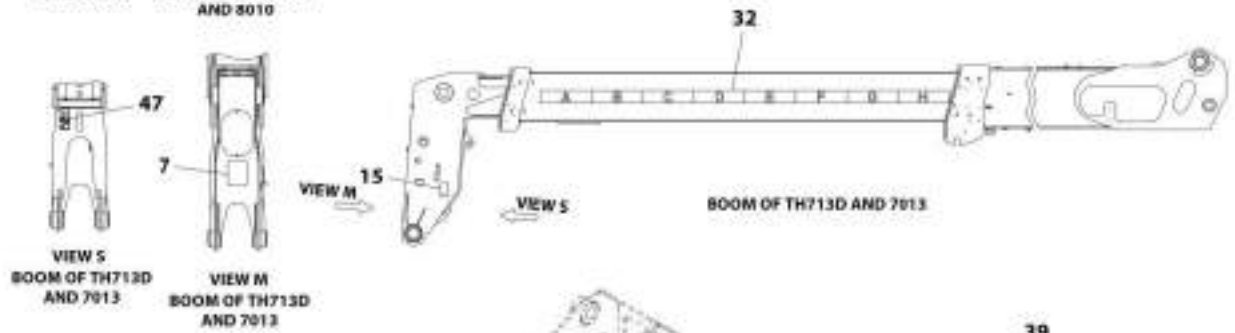
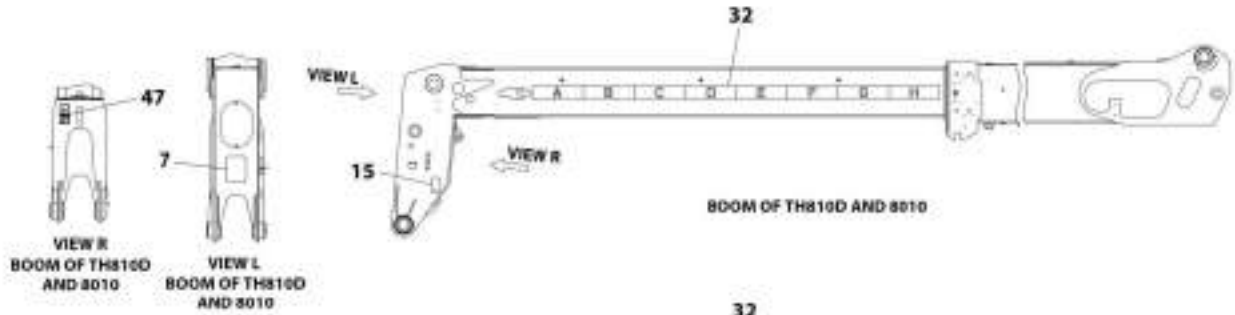
SECTION 11 - DECALS

FIGURE 11-7. DECAL INSTALLATION (CIS)



ART. 30011953TS_1-0

SECTION 11 - DECALS



ART_100195313_2-D

SECTION 11 - DECALS

FIGURE 11-7. DECAL INSTALLATION (CIS)

ITEM	PART NUMBER	QTY	DESCRIPTION	REV
	1001195313	Ref	Decal Installation (CIS)	D
1	1670836	1	Cover, Boom	
2	1701500	2	Decal, Lift	
3	1702631	1	Decal, Bar Code	
4	1705980	1	Decal, Acoustic Power 106db	
5	1706098	1	Decal, Warning Ether Start	
6	1706281	1	Decal, Battery Warning (ISO)	
7	1706282	1	Decal, Carry Personnel (ISO) (SN 0160040120 to Present)	
8	1706284	1	Decal, Electrocutation Hazard (ISO)	
9	1706285	1	Decal, Moving Parts (ISO)	
10	1706288	1	Decal, Tip Over Warning	
11	1706292	2	Decal, Pinch Point Boom Holes (SN 0160040120 to Present)	
12	3251813	1	Decal, USA	
13	4109801	4	Decal, Tie Down Point	
14	8005671	2	Decal, Cylinder Lock Warning	
15	8005675	2	Decal, Watch for Raised Boom Warning	
17	8008657	4	Decal, Set Brake Lever Warning	
18	1001094708	1	Decal, Hydraulic Oil	
20	1001009178	4	Tack, Metal	
21	1001092877	1	Decal, Crush Hazard Warning	
22	1001092878	1	Decal, No Riders	
23	1001101895	1	Decal, Cab Warning	
24	1001109053	1	Decal, Coolant Fill	
25	1001121555	1	Decal, PCT Russia	
26	1001130323	1	Decal, Oil Level	
27	1001131271	1	Decal, Patent	
29	1001139942	1	Decal, Hot Fluid Warning	
30	1001143852	1	Decal, LRC EPA	
32	1001171277	1	Decal, Boom Extend	
33	1001172035	1	Decal, No Weld or Drill	
34	1001173703	1	Decal, EAC	
35	1001184632	1	Decal, Battery Positive	
36	1001188372	1	Decal, Sway	
37	1001189154	2	Decal, Read Operators Manual	
38	1001191229	1	Decal, Fuse Panel	
39	1001191487	1	Decal, Fuse Panel	
43	1001227287	1	Decal, Manual	
44	1001098487	1	Decal, SN Plate JLG	
45	1001214206	1	Decal, Park Brake	
46	AU2105	1	Decal, No Karcher	
47	1001207218	1	Decal, Danger Swinging Load	
48	1001219211	1	Decal, Brake Fluid	
50	1001222650	2	Decal, Axle Lift	

SECTION 12 - RECOMMENDED SPARE PARTS

SECTION 12 - RECOMMENDED SPARE PARTS

SECTION 12 - RECOMMENDED SPARE PARTS

FIGURE 12-1. RECOMMENDED SPARE PARTS

ITEM	PART NUMBER	QTY	DESCRIPTION	REV
		Ref	Frame and Attaching Parts	
	1001194980	1	Cap, Locking Fuel	
	1001194981	1	Cap, Hydraulic	
	1001191163	1	Filter	
		Ref	Boom	
	1001219905	AR	Shim, M50X169X1	
	1001219953	AR	Shim, Boom Pivot	
	8008640	AR	Shim, M50X200X0.5	
	1001003031	AR	Shim, M50X198X1.5	
	1001195194	AR	Shim, M0.5X67X204	
	1001201269	1	Shim, M67X198X0.5	
	1001204198	AR	Shim, M49X181X1	
	1001204199	AR	Shim, M49X181X5	
	1001195655	AR	Pad, M44X50X160	
	8002200	AR	Pad, M15X50X200	
	1001227337	AR	Pad, M70X200X39	
	1001227334	AR	Pad, M34X54X165	
	1001163140	AR	Pad, M17X198X67	
	1001204200	AR	Pad, M35X181X49	
		Ref	Engine and Attaching Parts	
	7016331	1	Filter, Oil	
	70024961	1	Filter, Fuel (Primary)	
	70027417	1	Filter, Fuel (Secondary)	
	70005549	1	Filter, DEF	
	70027657	1	Dipstick	
	70028419	1	Belt, V-Ribbed	
	1001166565	1	Filter, Air Cleaner	
		Ref	Cab	
	1001218996	1	Filter, HVAC Air	
	1001172553	1	Filter, HVAC Recirculation Air	
	4807718	1	Blade, Rear Wiper	
	1001141281	1	Blade, Front Wiper	
	1001141313	1	Blade, Roof Wiper	
		Ref	Hydraulic Components	
	70028324	1	Kit, Lift Cylinder Seal	
	70027806	1	Kit, Extend/Retract Cylinder Seal	
	70028324	1	Kit, Tilt Cylinder Seal	
	70026253	1	Kit, Frame Level Cylinder Seal	
	70027601	1	Kit, Hydrostatic Motor Seal	
	70028410	1	Kit, Hydrostatic Pump Seal	
	70028413	1	Kit, Implement Pump Seal	
		Ref	Electrical	
	0400075	1	Battery, 12V	
	70022765	1	Key, Ignition (Set of 2)	

PART NUMBER INDEX

PART NUMBER INDEX

0100081.....29, 73	0712027.....411	0771012.....89, 91	1001028291.....21
0400075.....787, 789, 998	0712442.....595	0771212.....89, 93	1001028306.....21
0498748.....421	0750804.....419	0771414.....689, 693	1001028308.....21
0630576.....47, 49	0760405....115, 117, 119	0771416.....369	1001028377.....21
0641510.....217	0760407.....113	0771618.....375	1001028400.....21
0641608.....661	0760410.....843	0791605.....249	1001028415.....91
0681714.....651, 653	0760507...209, 771, 773, 781, 807	1001002778.....823	1001047062.....421
0700408.....561, 847	0760512.....449	1001002779.....823	1001080375.....615, 619
0700610....25, 29, 47, 49, 53, 69, 73, 215, 267, 287, 521, 525, 765, 767, 781, 827, 829, 853, 855	0760605...195, 421, 555, 559	1001002946.....427	1001080978.....811
0700612...47, 49, 61, 875	0760607 47, 49, 265, 267, 273, 421, 631, 769, 779, 781, 783	1001002947.....427	1001081085.....371
0700614....267, 484, 665, 667, 763, 785, 853, 855	0760608...203, 271, 443, 449, 453, 521, 527, 555, 559, 563, 565, 673, 765, 767, 803, 805	1001002953.....427	1001090343.....449, 461, 507
0700616.....591, 639	0760610.....859	1001002957.....427	1001091573.....835
0700618.....779, 783, 809	0760615.....591	1001003031...85, 87, 89, 91, 93, 998	1001091715.....819, 821, 823, 825
0700814.....41, 255, 257, 267, 659	0760806.....271	1001003043.....435	1001091716.....819, 821, 823, 825
0700815.....833	0760807....41, 635, 637, 785	1001003227.....41	1001091951.....37
0700816....229, 249, 271	0760808....41, 441, 523, 525, 803, 805, 835, 837, 847, 853, 855	1001003254.....413	1001092877.....984, 988, 992, 996
0700817.....591, 683	0760810...39, 51, 59, 61, 63, 77, 79, 81, 91, 93, 103, 229, 247, 259, 263, 271, 291, 293, 295, 297, 447, 465, 469, 473, 481, 484, 523, 537, 541, 555, 591, 609, 611, 615, 683, 695, 879	1001003301.....35	1001092878.....984, 988, 992, 996
0700818....597, 655, 877	0760812 27, 73, 231, 233, 235, 237, 267, 279, 281, 401, 403, 427, 763, 773	1001003305....211, 213, 217, 237, 287, 773, 885	1001093564.....797
0700819.....777	0760815....427, 615, 619	1001003427.....31	1001094516.....37
0700820....537, 539, 541, 643, 763	0760823...25, 69, 71, 275	1001003803.....95	1001094708.....984, 988, 992, 996
0700821.....673	0761008.....881, 883	1001004640.....565	1001095301.....205, 207
0700824.....565	0761009.....885	1001004720.....185	1001095336.....775
0700826.....271	0761010...39, 41, 43, 51, 71, 113, 211, 213, 215, 243, 267, 563, 765, 767, 769, 779, 781, 783, 819, 821, 823, 825, 861	1001004723.....771	1001095804.....811
0701014....41, 51, 59, 61, 105, 205, 207, 267, 269, 279, 281, 287, 673, 819, 821, 823, 825	0761012...35, 39, 47, 49, 71, 95, 97, 199, 413, 565, 631, 651, 653, 683, 763, 771, 773	1001005368.....437	1001096365.....427
0701016....205, 207, 413, 623	0761210...107, 231, 233, 235, 237	1001005438.....651, 653	1001097244.....521
0701018....199, 231, 233, 235, 237, 287	0761212....243, 771, 773	1001005904....613, 617, 621	1001097540....47, 49, 53, 535
0701020....27, 231, 233, 235, 237	0761214.25, 69, 71, 193, 267	1001005960.....977	1001097586.....435
0701024.....669	0761215...193, 231, 233, 235, 237	1001006730.....533	1001097587.....315, 321
0701026.....217	0761217.....169	1001006731.....531	1001098128.....673
0701027.....595	0761218...231, 233, 235, 237	1001007056.....99, 737	1001098150.....513
0701216...25, 69, 71, 107, 675, 679	0770814.....557	1001007641....443, 445	1001098487.....984, 988, 996
0701220.....845	0770815.....259, 263	1001008475.....445	1001098762.....795, 797
0701222.....73	0771010.....89, 93	1001008540.....765, 767	1001098769.....101
0701230.....79		1001008559....185, 215, 237, 291, 293, 295, 297, 593, 681, 769, 771, 773, 779, 781, 783, 807, 809, 819, 821, 823, 825, 861, 871	1001099566.....291, 293, 295, 297
0701618.....193		1001008834.....123	1001099717.....881
0701626.....193		1001008857.....427	1001100166.....695
0701628....115, 117, 119, 193		1001008923.....833, 885	1001100169.....695
0701630.....193		1001008988.....421	1001100319.....229
0711015.....81		1001008999.....41	1001101041.....121, 123, 129, 131, 133, 135, 143, 147, 150, 153, 156, 609, 613, 617, 621
0711016.....87, 89		1001009018.....21	1001101042.....121, 123, 129, 131, 133, 135, 143, 147, 150, 153, 156, 609, 613, 617, 621
0711017.....85		1001009124.....445	1001101702.....563
0711030.....287		1001009163.....377	1001101808.....803
0711215.....89, 91		1001009178....984, 988, 992, 996	1001101855.....863
0711216...85, 87, 89, 221		1001009325 91, 211, 213, 215	1001101895.....984, 988, 992, 996
0711217.....85		1001010646.....531, 533	1001102157.....55
0711218.....87		1001010647.....531, 533	1001102502.....811
0711230.....77		1001010648.....531, 533	1001103012.....916
0711630.....37		1001010649.....531, 533	1001103156.....881, 883
0711635.....77, 79		1001010650.....531, 533	1001103300.....881, 883
0712020.....409		1001010839.....445	
0712022.....409		1001014231....651, 653	
		1001028264.....21	

PART NUMBER INDEX

1001104477 617, 621, 721	1001116983.....894	1001126391.....887, 889, 893, 897, 900	1001145204 261
1001104498 916, 920, 935, 963	1001116984.....920	1001126393.....887, 889, 893, 897, 900	1001145390 99, 737
1001104519 917, 943	1001116985.....920	1001126485.....887, 888, 897, 898	1001145391 97, 99
1001104654 811	1001116986.....919, 920	1001126487.....887, 897	1001145539 484
1001105093 591	1001116991.....917, 920	1001126837859, 883	1001146588 211, 229, 237, 243, 261, 267, 769, 779, 781, 783, 809, 819, 821, 823, 825, 855, 885
1001105886 801	1001116994.....949, 951	1001128128.....888, 894, 898, 932	1001147340 665, 667
1001107192 421	1001116995.....919	1001128144.....249	1001147416 609, 613, 617, 621
1001107339 287	1001116996.....935, 936	1001128341.....249	1001147449 513, 515, 517
1001107854 916, 920, 935, 941, 963	1001116997.....918	1001128478.....35, 377	1001148307 263
1001108661 865	1001116998.....920	1001129425.....861	1001148841 887, 893, 897
1001109053 984, 988, 992, 996	1001116999.....917	1001130220.....47, 49, 53	1001148842 887, 893, 897
1001109387 169	1001117011.....919, 939	1001130323.....984, 988, 992, 996	1001149278 513, 515, 517
1001110023 613, 621, 723	1001117018.....894	1001131177.....779, 783	1001150294 465, 467
1001110115 621	1001117021.....941	1001131271.....984, 988, 992, 996	1001150610 887, 894, 898
1001111076 527	1001117064.....919	1001132168.....43	1001150611 932
1001111140 665, 667	1001117068.....893	1001132169.....933	1001150735 919
1001111147 527	1001117079.....919	1001132564.....513	1001150737 919
1001111317 419, 423	1001117081.....917, 918, 919, 920	1001133714.....889, 893, 894, 899, 900	1001152908 493, 499
1001112612 911, 920	1001117109.....932	1001133715.....887, 889, 893, 894, 897, 899, 900	1001152915 419
1001112796 913, 947, 949, 951	1001117121.....943	1001133793.....205, 207	1001152947 419
1001114495 245, 247	1001117247.....865, 961	1001134274.....881, 883	1001153748 629, 713
1001114803 231, 233, 235, 237	1001117308.....765, 767	1001135651.....887, 889, 893, 894, 897, 899, 900	1001155228 417, 421
1001116128 511, 861	1001118202.....932	1001136975.....211, 213, 215	1001155230 992
1001116208 853, 855	1001118252.....992	1001136999.....920	1001155276 565, 567
1001116696 935, 936	1001118282.....888, 894, 898	1001137000.....920	1001155446 407, 411
1001116697 916	1001118323.....932	1001138110.....893	1001155447 415, 447
1001116698 916, 920	1001118378.....973	1001138111.....893	1001155486 507
1001116700 917, 939	1001118379.....919	1001138113.....893	1001155540 231, 233, 235, 237
1001116710 894	1001118383.....943	1001138116.....887, 897	1001156265 565
1001116716 917	1001118384.....917, 918, 919, 920, 921	1001138645.....785	1001157890 973
1001116723 917, 918, 919, 920	1001118386.....920	1001138827.....249	1001157891 911
1001116725 888, 898	1001118387.....920	1001138945.....287	1001158146 811
1001116727 873, 899	1001118392.....935, 936	1001139551.....507	1001158596 469
1001116728 895, 936, 967	1001118684.....918	1001139552.....461	1001158601 465
1001116729 873	1001118685.....943	1001139568.....437	1001158736C.....473
1001116732 888, 898, 932	1001119467.....465	1001139942.....984, 988, 992, 996	1001158738C.....465
1001116733 894	1001119727.....281	1001140671.....281	1001159028 551, 553
1001116734 888, 894, 898	1001120989.....853, 855	1001141246.....427	1001159734 819, 821, 823, 825
1001116745 873	1001121555.....996	1001141281.....447, 998	1001159735 811
1001116747 941	1001121726.....936	1001141311.....507	1001159736 507
1001116754 918	1001121727.....873, 936	1001141312.....461	1001159737 819, 821, 823, 825
1001116763 935, 941	10011223457.....916	1001141313.....507, 998	1001159738 835, 837, 839, 841
1001116774 933, 953, 973	1001125117.....85, 87, 89, 91, 93, 107	1001141400.....215	1001159739 831
1001116808 973	1001125222.....563	1001141461.....663	1001159741 811
1001116810 932	1001125465.....861	1001141462.....663	1001159742 857
1001116811 887, 894, 898	1001125677.....889, 899, 917, 936	1001141476.....661, 663	1001159743 811
1001116812 889, 893, 894, 895, 897, 898, 899, 900, 917, 919, 920, 931, 936, 953, 959, 973	1001126008.....888, 898, 920, 933, 973	1001142724.....61	1001159745 871
1001116815 900, 921, 973	1001126011.....920	1001143200.....439	1001159746 815
1001116950 932, 933	1001126245.....888, 898	1001143551.....973	1001159845 827, 829
	1001126349.....893	1001143852.....988, 992, 996	1001159846 827, 829
	1001126351.....893	1001144147.....888, 894, 898, 929, 973	1001159849 811
	1001126352.....893	1001144296.....917	1001159925 481, 484
	1001126353.....887, 893, 897		1001160042 484
	1001126356.....893		
	1001126357.....893		
	1001126360.....893		
	1001126362.....887, 893, 897		
	1001126384.....893		

PART NUMBER INDEX

1001160043.....481	1001162920..... 555	1001167621 887, 897	1001171277.....984, 988,
1001160326.....484	1001162922..... 555	1001167622 887, 897	992, 996
1001160345.....419	1001162953..... 484, 487	1001167623 887, 897	1001171635.....425
1001160420.....255	1001163095..... 875	1001167624 890, 900	1001171756.....449
1001160496.....537	1001163104..... 91	1001167629 888, 898	1001171767.....457
1001160498.....916	1001163140..... 998	1001167630 887, 888,	1001171808.....101
1001160500.....931, 935,	1001163340..... 917	897, 898	1001171874.....555
953	1001163639..... 813	1001167631 887, 897	1001171885.....39
1001160502.....916	1001163695..... 583	1001167634 887, 897	1001171913.....267
1001160503.....537, 541	1001163697..... 571	1001167635 887, 897	1001171962.....847
1001160506.....539	1001164402..... 763, 775	1001167636 888, 899	1001172035.....984, 988,
1001160508.....415, 441	1001164655..... 441	1001167937 431	992, 996
1001160509.....931, 935,	1001164726..... 421	1001167958 421, 431	1001172088.....555
953	1001164971..... 595	1001168030 233, 641	1001172094.....555
1001160510.....931, 935,	1001164972..... 595	1001168054 555	1001172110.....43, 45
953	1001165035..... 211, 213,	1001168142 565	1001172112.....45
1001160730.....861	215	1001168151 565	1001172113.....45
1001160775.....981	1001165175..... 91	1001168264 401, 403	1001172114.....45
1001160916.....979	1001165194..... 889, 900	1001168327 484	1001172115.....45
1001160927.....787, 789,	1001165269..... 449, 451	1001168330 484	1001172146.....27
795, 797	1001165270..... 449	1001168331 484	1001172147.....27
1001160928.....787, 789,	1001165273..... 451	1001168429 61	1001172193.....419, 423
795, 797	1001165275..... 427	1001168456 484	1001172401.....415, 459
1001161067.....519	1001165276..... 423	1001168531 473, 939	1001172495.....789, 795,
1001161078.....529	1001165309..... 932	1001168599 599, 727	797
1001161080.....529	1001165310..... 933	1001168758 47	1001172496.....789, 795,
1001161095.....953	1001165311..... 936	1001168962 413	797
1001161097.....916, 931,	1001165327..... 451	1001169135 473, 475	1001172547.....481, 484
935, 953	1001165351..... 449	1001169151 484, 941	1001172550.....481, 484
1001161098.....916, 931,	1001165407..... 449	1001169265 41	1001172551.....493, 495,
953	1001165416..... 449	1001169268 577	497
1001161099.....916, 931,	1001165455..... 449	1001169354 573, 575	1001172553.....481, 484,
935, 953	1001165458..... 449, 521	1001169355 575	998
1001161100.....916, 931,	1001165573..... 469, 471	1001169367 575	1001172693.....31
935, 953	1001165637..... 447	1001169368 249	1001172755.....211, 213,
1001161101.....916, 931,	1001165827..... 805	1001169454 25, 69, 71	215
935, 953	1001166091..... 499, 501,	1001169603 513	1001172774.....541
1001161252.....513	503, 505	1001169604 513, 517	1001172829.....49
1001161253.....513	1001166092..... 499, 501,	1001169674 981	1001172995.....107
1001161439.....47, 49, 91,	503, 505	1001169751 573	1001172999.....107
93	1001166191..... 443	1001169763 577	1001173257.....539
1001161499.....415, 551	1001166192..... 61, 443	1001169825 765	1001173298.....421
1001161672.....565	1001166385..... 527	1001169880 423	1001173411.....917
1001161769.....809, 923	1001166543..... 887, 893,	1001169883 425	1001173452.....235, 237
1001161770.....809, 925	897	1001169885 425	1001173457.....231, 233,
1001161771.....809, 927	1001166551..... 887, 897	1001170106 31	235, 237
1001161851.....517	1001166555..... 887, 897	1001170113J..... 423, 425	1001173528.....245, 247
1001161855.....513	1001166556..... 887, 889,	1001170114 421, 423	1001173571.....493
1001161858.....481, 493	893, 897, 900	1001170231 555	1001173679.....107
1001161896.....565	1001166565..... 199, 201,	1001170311 259, 263	1001173703.....996
1001161897.....565	998	1001170325 535	1001173739.....107
1001161898.....565	1001166634..... 423, 427	1001170326 455	1001173829.....843
1001161957.....931, 935,	1001166701..... 893	1001170366 415, 453	1001173873.....273
953	1001166707..... 888, 899	1001170432 283	1001173965.....513
1001161959.....916	1001166715..... 199	1001170504 513	1001174103.....79, 83
1001161963.....931, 935,	1001166754..... 411	1001170514 519	1001174104.....95
953	1001166755..... 411	1001170518 513	1001174129.....399
1001162062.....563	1001166774..... 887, 889,	1001170519 513, 519	1001174295.....421, 433
1001162212.....229	893, 897, 900	1001170601J..... 421	1001174320.....419
1001162249.....809	1001167004..... 581	1001170944 427	1001174321.....427
1001162253.....763	1001167015..... 509, 511	1001170993 457	1001174368.....855
1001162256.....777	1001167017..... 847	1001171037 425	1001174372.....853, 855
1001162662.....35	1001167186..... 255	1001171162 835	1001174419.....103
1001162789.....415, 449	1001167266..... 487, 489	1001171179 27	1001174652.....515, 517
1001162885.....863	1001167409..... 229, 285	1001171182 437	1001174653.....515, 517
1001162886.....916	1001167616..... 888, 898	1001171183 437	1001174655.....515, 517
1001162887.....917	1001167620..... 890, 900		1001174712.....811

PART NUMBER INDEX

1001174741 525	1001179931..... 571	1001184310..... 497	1001187275 651, 653
1001174795 277	1001180070..... 227, 711	1001184396..... 769, 931	1001187355 677
1001174796 835, 837	1001180226..... 279	1001184397..... 769, 935	1001187423 383, 385
1001174800 525	1001180227..... 279	1001184403..... 491	1001187820 95, 97
1001174801 525	1001180263..... 539, 541	1001184404..... 491	1001187821 95
1001174812 .. 81, 83, 699	1001180306..... 21	1001184405..... 491	1001187847 95, 97
1001174814 305, 755	1001180437..... 273	1001184406..... 491	1001187848 95, 97
1001175058 407	1001180542..... 243	1001184427 503, 505	1001187882 887, 897
1001175201 275	1001180553..... 243	1001184439..... 421	1001188203 705
1001175265 888, 889,	1001180620..... 763	1001184504..... 567	1001188275 503
894, 895, 898, 899, 936	1001180682..... 463	1001184551..... 895	1001188303 484, 495
1001175266 953	1001180683..... 463	1001184610..... 97	1001188372 984, 988,
1001175267 931, 935	1001181128..... 765, 767	1001184632..... 984, 988,	992, 996
1001175347 21	1001181411..... 437	992, 996	1001188577 499, 501,
1001175470 455	1001181531..... 811	1001184795..... 869, 953	503, 505
1001175471 453, 457	1001181681..... 809, 929	1001184796..... 833, 967	1001188578 499, 501,
1001175477 421	1001181726..... 513, 521	1001184869..... 47	503, 505
1001175568 211, 213,	1001181920..... 439	1001184870..... 49	1001188590 481, 484
215	1001181921..... 439	1001184871..... 53	1001188592 503, 505
1001175733 945	1001182123..... 439	1001184872..... 47, 49	1001188594 499, 501,
1001175776 849, 945	1001182139..... 439	1001184874..... 47, 49	503, 505
1001175812 61	1001182330..... 523	1001184975..... 513	1001188602 499, 501,
1001175903 513	1001182490..... 845	1001184976..... 311	503, 505
1001176002 890, 900	1001182495..... 845	1001184977 311, 313	1001188603 499, 501,
1001176004 890, 900	1001182529..... 473, 475	1001184978..... 311, 319	503, 505
1001176121 453, 455	1001182530..... 473	1001184979..... 311, 369	1001188604 499, 501,
1001176272 439	1001182824..... 269	1001184980..... 311, 375	503, 505
1001176273 439	1001182839..... 859	1001184981 311, 379	1001188610 499, 501,
1001176333 920	1001182881..... 195, 197	1001184982..... 313, 315	503, 505
1001176338 463	1001182929..... 779, 781,	1001184983..... 319, 321	1001188612 499, 501,
1001176587 951	903	1001184984..... 315, 325	503, 505
1001176626 439	1001182930..... 779, 781,	1001184985..... 321, 339	1001188614 499, 501,
1001177082 27	907	1001184986..... 369, 371	503, 505
1001178053 843, 969	1001183024..... 885	1001184987..... 379	1001188618 503, 505
1001178123 449	1001183112..... 819, 821,	1001184988..... 379	1001188619 503, 505
1001178157 83, 755	823, 825, 845	1001185026..... 259	1001188720 499, 501,
1001178159 419	1001183221..... 911	1001185633..... 523	503, 505
1001178160 419	1001183272..... 759, 761,	1001185722..... 853	1001188725 499, 501,
1001178170 484	763	1001185870..... 513	503, 505
1001178474 25, 69, 71	1001183306..... 399, 401	1001185927 23	1001188728 503, 505
1001178670 565	1001183307..... 399, 403	1001185929 23, 25	1001188729 499, 501,
1001178680 437	1001183308..... 401	1001185930 25, 29	503, 505
1001178681 437	1001183309..... 403	1001185931 29, 73	1001188733 499, 501,
1001178693 25, 69, 71	1001183447..... 115	1001185933 29, 73	503, 505
1001178706 977	1001183549..... 863	1001185935 29, 73	1001188757 193
1001178783 463	1001183550..... 519	1001186603 853	1001188817 503, 505
1001178791 275	1001183700..... 661	1001186843..... 651, 653	1001188818 503, 505
1001178826 545	1001183827..... 203	1001186853..... 819	1001188855 287
1001178831 413	1001183829..... 203	1001186855 787	1001188856 287
1001178933 809	1001183831..... 199	1001186856 793	1001188971 93
1001179008 543, 545,	1001183835..... 199, 203	1001186881 61	1001189023 503, 505
547	1001184275..... 499, 501,	1001186898 199	1001189024 503, 505
1001179009 543, 545,	503, 505	1001187070..... 887, 893,	1001189025 499, 501,
547	1001184278..... 499, 501,	897, 907, 909	503, 505
1001179080 487	503, 505	1001187073..... 931	1001189046 779, 781,
1001179081 487	1001184280..... 503, 505	1001187075..... 932, 953	783
1001179130 487, 491	1001184294..... 499, 501,	1001187076..... 932, 933,	1001189048 503, 505
1001179297 977	503, 505	953	1001189054 503, 505
1001179482 527	1001184295..... 499, 501,	1001187077 907, 909	1001189154 984, 988,
1001179483 527	503, 505	1001187078..... 888, 893,	992, 996
1001179592 535	1001184296..... 499, 501,	894, 898, 973	1001189182 513
1001179850 23, 27, 65,	503, 505	1001187079..... 894, 931,	1001189246 29, 73
67	1001184297..... 499, 501,	932, 936, 973	1001189288J ... 383, 385,
1001179851 27, 35	503, 505	1001187080..... 888, 898,	391, 395, 397
1001179852 35	1001184306..... 497	931, 936	1001189980 497
1001179901 877	1001184307..... 497	1001187272..... 651	1001189997 849
1001179907 271, 785	1001184309..... 497	1001187273..... 651	1001190037 888, 899

PART NUMBER INDEX

1001190250.....95, 97	1001192410..... 565	1001193887 103	1001195823.....511
1001190253.....83	1001192427 687	1001193917 703	1001195855.....984, 988
1001190254.....77, 79	1001192430 883	1001193940 809, 916	1001195878.....419
1001190256.....77, 79	1001192431 867	1001193993 765, 767	1001195881.....111
1001190257.....77, 79	1001192520 605	1001194103 771, 773	1001195883.....837
1001190259.....755	1001192537 759	1001194155 269	1001195953.....885, 963
1001190260.....77, 79	1001192538 761	1001194244 771	1001196100.....845
1001190264.....95, 97	1001192553 823	1001194282 565	1001196191.....231, 233, 235, 237
1001190396.....969	1001192558 809	1001194421 918	1001196193.....231, 233
1001190921.....888, 898	1001192560 811	1001194534 199	1001196217.....845
1001191035.....103	1001192575 815	1001194698 415	1001196289.....851, 947
1001191091.....433	1001192614 129	1001194699 415, 417	1001196332.....791
1001191108.....115	1001192615 125	1001194700 417, 419	1001196402.....605
1001191110.....81, 83	1001192616 127	1001194702 601	1001196452.....853, 855, 949
1001191157.....35	1001192617 135	1001194969 41	1001196502.....771, 773
1001191163.....35, 998	1001192619..... 869, 957	1001194980 33, 998	1001196664.....223
1001191229.....984, 988, 992, 996	1001192622 39, 41	1001194981 35, 998	1001196778.....169
1001191255.....407, 409	1001192623J 41	1001195089 271	1001196779.....169
1001191256.....409	1001192627 41	1001195194 .. 85, 87, 89, 93, 998	1001196782.....169
1001191257.....409	1001192631 41	1001195200 867, 875	1001196806.....984
1001191281.....521	1001192643 429	1001195201 867, 869	1001196879.....107
1001191283.....521	1001192644 431	1001195202 875, 959	1001196949.....167
1001191284.....521	1001192646 421	1001195254 563	1001196950.....165
1001191285.....521	1001192649 143	1001195263 805	1001196951.....163
1001191370.....521	1001192650 147	1001195298 981	1001196952.....161
1001191487.....984, 988, 992, 996	1001192700 139	1001195313 996	1001196959.....651, 653
1001191546.....779, 783	1001192702 141	1001195342 489	1001196964.....665
1001191635.....59	1001192707 153	1001195343 489	1001196967.....665, 667
1001191685.....35	1001192722 149	1001195345 489	1001196969.....665, 667
1001191752.....83, 91	1001192723 137	1001195346 489	1001196970.....665, 667
1001191753.....91	1001192734 155	1001195385 489	1001196973.....665, 667
1001191789.....91, 93	1001192735 159	1001195386 489	1001196974.....665, 667
1001191915.....563	1001192737 555	1001195430 661	1001196975.....665, 667
1001192096.....673	1001192741 984	1001195431 659	1001196976.....665, 667
1001192124.....31	1001192743 992	1001195433 659	1001196977.....665
1001192125.....25, 31, 69, 71	1001192755 429	1001195434 659	1001196978.....665, 667
1001192142.....765, 767	1001192766 421, 429	1001195435 659	1001196981.....665, 667
1001192168.....381	1001192771 605	1001195437 489	1001196982.....665, 667
1001192170.....387	1001192772 605	1001195438 489	1001196989.....635
1001192177.....381, 383	1001192885 675	1001195439 799	1001196992.....635
1001192178.....381, 385	1001192886 675, 677	1001195469 795	1001196993.....635
1001192180.....387	1001192887 675, 679	1001195471 867, 877	1001196995.....635
1001192181.....387	1001192888 677	1001195473 867, 879	1001196996.....635
1001192309.....421	1001193100 83, 683	1001195582 793, 797	1001196997.....635, 637
1001192318.....39	1001193111 615, 619	1001195590 867, 881	1001197011.....673
1001192321.....847	1001193210 423	1001195591 863, 865	1001197056.....51
1001192322.....849	1001193307 223, 709	1001195593 793, 801	1001197057.....51
1001192323.....803	1001193308 377, 707	1001195636 83, 87	1001197072.....193
1001192324.....59	1001193393 173, 175, 177, 179, 181, 183, 225	1001195637J..... 87	1001197139.....555
1001192326.....37	1001193461 651	1001195655 .. 77, 79, 998	1001197196.....587, 589, 647
1001192336.....63	1001193465 683	1001195720 885	1001197197.....665, 667, 669
1001192339.....119	1001193474 563	1001195721 807	1001197198.....669, 671
1001192342.....123	1001193516 587, 589, 627	1001195731 881, 883	1001197199.....665, 667
1001192344.....121	1001193517 587, 589, 631	1001195732 881, 883	1001197200.....665, 667
1001192352.....79	1001193698 803, 805	1001195733 631	1001197259.....529
1001192354.....77	1001193703 173, 175, 177, 179, 181, 183, 217	1001195737 ... 85, 87, 89, 91, 93	1001197262.....81, 83
1001192358.....97	1001193704 173, 175, 177, 179, 181, 183, 221	1001195738 87	1001197339.....39
1001192363.....609	1001193705 217, 219	1001195739 87	1001197414.....185, 187
1001192364.....101	1001193709 587, 635	1001195814 417, 439	1001197480.....25, 69
1001192365.....615	1001193797 287	1001195816 513	1001197481.....29, 73
1001192366.....611	1001193836 679	1001195817 513	1001197667.....569
1001192367.....619	1001193838 679	1001195818 513	1001197668.....871, 873
1001192370.....817		1001195820 509	1001197733.....51
1001192392.....31		1001195821 511	
		1001195822 509	

PART NUMBER INDEX

1001197734 51	1001200871..... 193	1001202526.....229, 283	1001205622 107
1001197955 37	1001200872..... 193	1001202617851	1001205627 107
1001198307 47, 49, 51	1001200873..... 193	1001202621847	1001206098 61
1001198577 687, 689	1001200874..... 193	1001202645.....587	1001206099 59
1001198578 687, 693	1001200885..... 195, 197	1001202722..... 887, 897	1001206100 819, 821,
1001198715 689, 691	1001200886..... 195	1001202723..... 887, 897	823, 825
1001198717 693	1001200887..... 213, 215	1001202786.....401, 403	1001206242 683
1001198893 837, 841	1001200968.....511	1001202899.....267	1001206633 817, 913
1001198931 697	1001201073..... 597, 701	1001202901185	1001206709 635, 637
1001199325 81, 695	1001201074..... 595, 597	1001202986.....769	1001206725 113
1001199670 271	1001201124..... 815, 911	1001203005.....229, 285	1001206744 563
1001199822 273	1001201162..... 851	1001203081821	1001206843 111
1001199823 273	1001201266..... 81, 85	1001203082825	1001206954 301
1001199902 267	1001201267J..... 85	1001203181237	1001207171 888, 898
1001200105 605, 871	1001201269..... 85, 998	1001203368.....819, 821,	1001207218 984, 988,
1001200106 173, 779	1001201298..... 173, 179,	823, 825	992, 996
1001200108 779, 887	229	1001203640.....827, 829,	1001207325 595
1001200111 697, 725,	1001201299.....229	833	1001207594 857, 859
731	1001201300.....229	1001203932.....39	1001207788 665, 667
1001200159 759, 761,	1001201301..... 231, 233,	1001203933.....39	1001207789 665, 667
769	235, 237, 241	1001203934.....39	1001207790 665, 667
1001200160 759, 771	1001201302..... 231, 233,	1001203947.....231, 233,	1001207866 111, 113
1001200161 771, 773	235, 237, 243	235, 237	1001207898 313, 317
1001200162 771, 773	1001201303..... 231, 233,	1001203948.....231, 233,	1001207899 319, 323
1001200164 771, 773	235, 245	235, 237	1001207956 563
1001200165 771, 773	1001201304..... 231, 233,	1001203985.....81, 93	1001208037 563
1001200166 771, 773	235, 237, 249	1001203986.....93	1001208308 513
1001200167 771, 773	1001201305..... 231, 233,	1001203987.....91, 93	1001208451 695
1001200168 769	237, 251	1001203989.....81, 83	1001208532 665, 667
1001200169 769	1001201309.....243	100120399081	1001208534 665, 667
1001200226 595	1001201314.....245	1001204032.....247, 299	1001209097 887, 897
1001200249 267	1001201315..... 245, 247	1001204057301	1001209200 591, 683
1001200344 57	1001201316..... 245, 247	1001204060829	1001209201 591, 683
1001200383 843	1001201317.....249	1001204066427	1001209202 591, 683
1001200393 95, 97	1001201331.....449	1001204115427	1001209203 591, 683
1001200395 97	1001201418J..... 17	1001204120427	1001209345 61
1001200443 173	1001201420.....595	100120417781, 89	1001209346 59
1001200444 175	1001201425..... 173, 179,	100120417889	1001209357 839
1001200445 231	185	1001204198.....89, 998	1001209358 841
1001200446 233	1001201426.....291	1001204199.....89, 998	1001209387 43
1001200447 267	1001201427.....295	100120420089, 998	1001209388 41
1001200448 269	1001201428.....297	1001204411267	1001209427 831
1001200451 283	1001201432..... 107	1001204413.....267	1001209456 831, 833
1001200452 285	1001201499.....559	1001204414267	1001209463 527
1001200453 287	1001201500.....561	1001204444827, 829	1001209463 527
1001200498 231, 233,	1001201501..... 559, 561	1001204445.....827, 829	1001209585 175, 177,
235, 237	1001201588..... 73	100120448641	181, 183, 191
1001200499 231, 233,	1001201589..... 73	1001204528827	1001209690 821
235, 237	1001201848..... 47, 49, 53	1001204530827	1001209691 821
1001200538 827	1001201856.....267	1001204544791	1001209692 825
1001200539 829	1001201857.....267	1001204548.....791, 795	1001209693 825
1001200631 237	1001201858.....267	1001204549791, 799	1001209697 819, 821,
1001200701 287	1001201885..... 888, 899	1001204576703	823, 825
1001200862 173, 175,	1001202018..... 267, 271	1001204709545	1001209862 307, 733
177, 179, 181, 183, 193	1001202020..... 605	1001205061555, 559	1001209899 439
1001200863 173, 179,	1001202021.....267	1001205307847	1001209972 591
195	1001202024..... 587, 651	100120537581, 591	1001210270 591
1001200864 173, 175,	1001202025..... 587, 665	1001205380591	1001210271 673
177, 179, 181, 183, 199	1001202026..... 587, 589,	1001205381591	1001210281 635
1001200865 173, 179,	659	1001205528695	1001210326 95, 97
205	1001202027..... 651, 653	1001205532.....421, 427	1001210327 635
1001200866 173, 179,	1001202038..... 659	1001205564.....251, 253	1001210397 785
211	1001202172..... 759, 765	1001205565.....251, 253	1001210522 587, 589,
1001200867 267, 273	1001202247.....247	1001205573665, 667	673
1001200869 173, 175,	1001202321..... 287, 289	1001205618673	1001210523 673
177, 179, 181, 183, 785	1001202325..... 289	1001205619107	1001210524 673
1001200870 651, 653	1001202519..... 851	1001205621107	1001210525 673

PART NUMBER INDEX

1001210526.....673	1001213307 651, 653	1001216798 289	1001220337.....233
1001210567.....885	1001213308 651, 653, 655	1001216799 289	1001220338.....435, 437
1001210568.....591	1001213309 655, 657	1001216803 579	1001220339.....417, 435
1001210569.....591	1001213311 657, 717	1001216974 465, 469, 473	1001220456.....623, 625
1001210600.....175, 177, 181, 183, 197	1001213317 615, 617	1001217226 689, 693	1001220457.....587, 589, 623
1001210601.....175, 181, 213	1001213318 611, 613	1001217320 807	1001220507.....569
1001210602.....175, 177, 181, 183, 207	1001213319 619, 621	1001217352 83, 681	1001220540.....411
1001210603.....197	1001213322 37	1001217353 81, 593	1001220641.....105
1001210635.....665, 667	1001213323J 37	1001217354 593, 681	1001220643.....647, 649
1001210761.....269, 281	1001213324J 37	1001217355 593, 681	1001220649.....857
1001210769.....317, 323	1001213331 427	1001217482 597, 599	1001220650.....857, 861
1001210770.....763, 777	1001213462 81	1001217552 609	1001220707.....988
1001210771.....221, 223	1001213562 695	1001217553 609	1001220760.....377
1001210780.....645	1001213752 859	1001217620 375, 377	1001220859.....807
1001210797.....665, 667	1001213775 881, 883	1001217623 835, 839	1001220861.....807
1001210800.....635, 637	1001213791 421	1001217669 377	1001220942.....591
1001210801.....645	1001213833 47, 49	1001217751 781, 893	1001220947.....855
1001210870.....211, 213, 215	1001213834 47, 49	1001217752 175, 177, 781	1001221041.....173, 175, 177, 179, 181, 183, 209
1001211020.....665, 667	1001213959 81	1001217753 261	1001221052.....493, 501
1001211357.....463	1001213961 81	1001217754 257	1001221054.....495, 505
1001211427.....77, 81	1001214092 447	1001217755 257	1001221056.....493, 495
1001211445.....789	1001214123 259	1001217756 261	1001221057.....501, 505
1001211530.....981	1001214206 984, 988, 992, 996	1001217757 261, 265	1001221058.....501, 505
1001211531.....981	1001214220 555	1001217758 265	1001221059.....481, 484
1001211570.....297	1001214254 117	1001217759 265	1001221087.....391, 397
1001211571.....291, 295	1001214349 293	1001217760 261	1001221157.....389, 391
1001211616.....251, 253	1001214401 859	1001217761 243	1001221270.....389
1001211617.....251, 253	1001214415 117	1001217762 243	1001221295.....481, 484
1001211693.....809	1001214429 651, 653	1001217763 243	1001221318.....859
1001211899.....51	1001214430 651, 653	1001217931 65	1001221319.....859
1001211900.....51	1001214431 651, 653	1001217932 65, 69	1001221321.....389, 397
1001211907.....513	1001214438 279, 281	1001217933 69, 71, 73	1001221349.....271
1001212011.....433	1001214439 269	1001217948 651, 653	1001221383.....271
1001212013.....297	1001214440 269	1001218071J.....19	1001221389.....413
1001212014.....291, 295	1001214441 269	1001218358 973	1001221390.....413
1001212047.....543	1001214661 683	1001218529 481, 484	1001221391.....413
1001212048.....547	1001214829 605	1001218542 481, 484	1001221392.....413
1001212049.....543	1001214951 515	1001218694 51	1001221493.....261
1001212050.....547	1001215022 245, 247	1001218704 984	1001221553.....395
1001212054.....297	1001215024 245, 247	1001218754 119	1001221554.....393, 395
1001212055.....291, 295	1001215078 279	1001218755 115, 117, 119	1001221695.....393
1001212312.....307, 755	1001215093 651	1001218996 481, 484, 998	1001221702.....215
1001212349.....725	1001215121 813	1001218997 673	1001221734.....389
1001212369.....447	1001215154 515	1001219082 237	1001221868.....211, 213, 215
1001212418.....627, 629	1001215208 763	1001219087 41	1001221918.....263
1001212468.....521	1001215212 651, 653	1001219113J.....41	1001221928.....641, 715
1001212470.....811	1001215256 635, 637	1001219115 41	1001221986.....639, 641
1001212511.....703, 705	1001215319 277	1001219211 984, 988, 992, 996	1001221987.....635, 637, 639
1001212739.....225, 227	1001215341 631, 633	1001219220 439	1001221988.....635, 637
1001212787.....635, 637	1001215464 91	1001219250 41	1001221989.....635
1001212788.....635, 637, 643	1001215470 683	1001219615 633	1001222163.....177, 183, 215
1001212789.....643, 645	1001215531 427	1001219659 643	1001222188.....31
1001212880.....635, 637	1001215539 651, 653	1001219764 601, 603	1001222190.....31
1001212886.....765, 767	1001215693 819, 821, 823, 825, 965	1001219765 605, 607	1001222454.....177
1001212920.....251	1001215802 651	1001219766 605, 607	1001222455.....917
1001212921.....251, 253	1001215941 237	1001219863 513	1001222460.....185
1001212923.....267, 275	1001216263 525	1001219864 513	1001222603.....581
1001212924.....275	1001216265 523	1001219865 513	1001222606.....579
1001212925.....275	1001216267 525	1001219905 .. 77, 79, 998	1001222650.....984, 988, 992, 996
1001213026.....21, 587, 589	1001216269 525	1001219953 .. 77, 79, 998	1001222741.....427
1001213265.....555, 557	1001216270 523	1001220248 105	1001223066.....761, 767
1001213306.....651	1001216331 689	1001220286 107	
	1001216333 693	1001220295 625	
	1001216757 579	1001220329 415, 461	

PART NUMBER INDEX

1001223109 651, 653	1001226828..... 601	1001231406..... 974	2111012 625
1001223265 513	1001226829..... 601, 605	1001231407..... 237, 971	2111212 625
1001223435 133	1001226947..... 695	1001231483..... 238, 973	2111216 223
1001223455 917, 918, 919, 920	1001227077..... 237	1001232509..... 303	2111616... 251, 253, 377, 677
1001223456 916	1001227090..... 287	1001232850..... 211	2130404... 565, 603, 607, 633, 671
1001223457 916, 917	1001227133..... 513	1001232988..... 113	2130406 223
1001223459 889	1001227186..... 419	1001233024..... 303	2130408 633
1001223462 589, 667	1001227187..... 423	1001234395..... 113	2130606 625, 641
1001223475 667	1001227188..... 423	1001234455..... 43	2130808 317, 323, 565
1001223476 667	1001227287..... 984, 988, 992, 996	1001234596..... 113	2131010... 591, 605, 607, 683, 705
1001223509 271	1001227334.... 85, 87, 89, 91, 93, 998	1001234802..... 113	2131212... 603, 607, 661, 671, 695, 725
1001223518 589, 653	1001227337... 85, 87, 998	1001235965..... 39, 43	2131216 223
1001223608 589	1001227440..... 605	1001236404..... 581	2132016 625
1001223610 589, 637	1001227469..... 761, 773	1001237897..... 277	2144603 369
1001223618 247, 301	1001227670..... 115, 117, 119, 121, 123, 125, 127, 137, 141, 143, 150, 153, 159	1001238154..... 277	2144606 205, 207
1001223622 301	1001227802..... 421	1001238781..... 225	2150406 599
1001223628 247	1001227945..... 565	1060626..... 795, 797, 801	2150606 123
1001223640 653	1001227964..... 237	1062255.... 211, 213, 215, 229, 243, 251, 253, 261, 283, 285, 289, 303, 665, 667, 779, 781, 783	2150608 223
1001223642 653	1001228132..... 501, 505	10713707 763	2150808 317, 323, 629
1001223645 247	1001228140..... 501, 505	10725554..... 329, 343	2151010 613, 617, 621
1001223709 67	1001228141..... 501, 505	120034 809	2151212 661
1001223710 67, 71	1001228147..... 501, 505	1320022 484	2151616 251, 253, 625
1001223720 235	1001228174..... 269	1320060 243	2152020 35
1001223724 235, 253	1001228248..... 211, 213	1670836.... 984, 988, 992, 996	2160016... 85, 87, 95, 97, 595, 689, 693
1001223725 253	1001228427..... 131	1701500.... 984, 988, 992, 996	2170104 227
1001223825 653	1001228504..... 671	1702631 984, 988, 992, 996	2170106 625
1001223869 237, 247	1001228643..... 237	1704260 807	2170112 625
1001223870 71	1001228727..... 179	1705980.... 984, 988, 992, 996	2170206 123, 625
1001223874 237	1001228728..... 179, 783	1706098.... 984, 988, 992, 996	2170208 565
1001223902 89	1001228731..... 783, 897	1706281 984, 988, 992, 996	2170216 251, 253
1001223903 879	1001228732..... 783, 909	1706282 984, 988, 992, 996	2170316 223
1001223911 71	1001228733..... 783, 905	1706284 984, 988, 992, 996	2170410 605
1001223920 89	1001228734..... 181	1706285 984, 988, 992, 996	2170704 223
1001223948 89	1001228735..... 181, 183	1706288 984, 988, 992, 996	2170716 251, 253
1001223968 811, 943	1001228737..... 183	2080078..... 437	2170804 649
1001223983 89	1001228860..... 103	2080086..... 419	2170806 317, 323
1001224127 879	1001228872..... 229	2080087..... 419	2171816 651, 653
1001224128 879	1001228989..... 827, 829	2080092..... 453	2171832 651, 653
1001224450J 41	1001229056..... 91	2110406 657, 677	2172110 591
1001224598 317	1001229057..... 93	2110408 649	2172116 251, 253
1001224938 323	1001229201..... 381, 393	2110410 223	2172410 605
1001224944 603, 729	1001229407..... 37	2110606..... 97, 123, 657, 671, 677	2200223... 231, 233, 235, 237
1001224945 607, 719	1001229422..... 591	2110610 617, 621	2220237 233
1001224946 625	1001229609..... 39	2110806 695, 725	2220238 671
1001225317 399	1001229981..... 369	2110808.... 629, 633, 671	2220239 35, 645
1001225390 605	1001230163..... 433	2110810 645, 677	2220240 35
1001225392 601	1001230402..... 973	2111008 705	2220767 243
1001225393 601, 605	1001230403..... 973, 974	2111010.... 227, 307, 591, 613, 617, 621, 671, 677, 683, 693	2220811 377
1001225567 637	1001230404..... 974		24921332 267
1001225568 637	1001230423..... 275, 277		2580040 793
1001225569 637	1001230850..... 861		2720160 635, 637
1001225570 637	1001230967..... 81		2902443 888, 894, 899
1001225571 637	1001230986..... 81		2920207 819
1001225572 637	1001231217..... 849		2920208 819
1001225573 637	1001231385..... 47, 49		3020037 375
1001225574 637	1001231393..... 645		314689 81, 83, 755
1001225575 653	1001231397..... 973, 974		3251813... 984, 988, 992, 996
1001225576 653	1001231398..... 973, 974		3290401... 481, 484, 521, 843, 847
1001225656 645	1001231400..... 973, 974		
1001225980 777	1001231401..... 973, 974		
1001226481 513	1001231402..... 974		
1001226523 195, 197	1001231404..... 974		
1001226543 653			
1001226557 673			
1001226681 275			
1001226797 267			

PART NUMBER INDEX

3290405.....113, 429, 865, 881, 883	4031916 755	4460608 887, 893, 897	4461054.....887, 893, 897, 935, 936
3290501.....781, 809, 849	4031918 611, 615, 619	4460705 917	4461070.....889, 899
3290505.....107, 113, 237, 771, 773	4031920 703	4460742 247, 973	4461071.....888, 894, 899
3290507113	4031921 601, 605	4460746 921	4461095.....889, 899
3290601215, 484, 521, 525, 555, 563, 769, 781, 803, 805, 809, 827, 853, 855, 881, 883	4032010 77, 79	4460748 888, 898, 936	4461115.....921, 967
3290605.....43, 287, 513, 521, 785, 881, 883	4032314 81	4460761 973	4461118.....935, 941
3290606673	4060919 21	4460789 941	4461174....835, 837, 839, 841
3290607....819, 821, 823, 825	4105262 101	4460809 973	4461262....916, 920, 935, 963
3290801....231, 233, 235, 237, 247, 281, 421, 551, 833, 879	4109801 ... 984, 988, 992, 996	4460836 917	4461290.....932
3290805....229, 271, 557, 621, 777	4110422 141	4460871 949, 951	4641520.....649, 735
3290806.....437	4240018 ... 635, 637, 665, 667	4460884 ... 847, 889, 900, 932, 935, 947, 953, 959, 973	471678.....449
3291001....199, 211, 213, 231, 233, 235, 237, 287, 413, 771, 773, 819, 821, 823, 825	4240099 ... 635, 637, 651, 653, 799, 801	4460891 ... 873, 888, 889, 894, 898, 899, 900, 913, 920, 921, 931, 932, 933, 935, 936, 953, 973	4740274....231, 233, 235, 237
3291005....101, 205, 207, 231, 233, 235, 237, 287, 595, 765, 767	4280307 29, 73	4460892 888, 898	4740532.....221, 225
3291201 169, 243	4360475 807	4460894 ... 888, 898, 917, 919, 933, 935, 939, 959, 965	4740550....231, 233, 235, 237
3291205.....77, 79, 845	4360658 561	4460897 ... 888, 889, 894, 898, 899, 918, 929, 931, 932, 933, 939, 969	4761700.....651, 653
329160137	4460225 916, 917	4460899 ... 933, 935, 941, 943, 953	4807718.....461, 998
329160577, 79, 115, 117, 119, 193	4460234 809	4460905 949, 951	4811400....113, 115, 117, 119, 481, 484, 521, 561, 847, 865, 881, 883
3311508.....795, 797	4460265 916	4460906 917	4811600....107, 113, 209, 237, 513, 771, 773, 781, 807, 849
3332011411	4460267 ... 916, 917, 918	4460908 917	4811700....25, 29, 43, 47, 49, 53, 61, 69, 73, 195, 215, 267, 271, 287, 419, 421, 443, 449, 484, 509, 511, 521, 525, 527, 555, 559, 563, 631, 639, 673, 765, 767, 769, 779, 781, 783, 785, 803, 805, 809, 819, 821, 823, 825, 827, 829, 853, 855, 859, 875, 881, 883
3520028.....563	4460268 916, 917, 918	4460928 920, 932, 953	4811700001.....513
3520193.....37, 85, 87	4460320 917, 918	4460930 ... 920, 933, 935, 936	4811702....203, 453, 525, 555, 559, 565
3700015.....57	4460321 973	4460931 ... 911, 920, 936, 959	4811702001.....421, 423, 513, 581
3700016.....57	4460343 916, 917	4460932 ... 929, 932, 935, 945, 961, 963, 967, 971	4811900....25, 27, 51, 59, 61, 63, 69, 71, 73, 77, 79, 81, 103, 217, 229, 231, 233, 235, 237, 249, 259, 263, 267, 271, 275, 279, 281, 291, 293, 295, 297, 421, 427, 441, 447, 465, 469, 473, 484, 523, 537, 539, 541, 551, 555, 565, 597, 611, 615, 621, 635, 637, 643, 655, 659, 673, 683, 695, 763, 777, 803, 805, 833, 835, 837, 847, 853, 855, 877, 879
3740080.....237	4460344 918	4460933 ... 889, 899, 917, 931, 933, 936	4811902....39, 41, 91, 93, 247, 255, 257, 267, 481, 484, 523, 525, 591, 773
3760348.....555	4460434 916	4460941 ... 929, 936, 941, 965, 969	
3790152.....247	4460458 ... 873, 888, 898, 921, 936, 967, 973	4460942 ... 889, 900, 917, 929, 931, 932, 933, 953, 954, 965	
3900357.....785	4460464 ... 888, 894, 898, 907, 909, 911, 918, 920, 929, 933, 936, 941, 943, 945, 953, 957, 959, 963, 967, 971, 973	4460943 ... 911, 920, 929, 939	
3900379.....53, 535	4460465 ... 873, 887, 888, 889, 894, 897, 898, 899, 900, 913, 917, 919, 920, 921, 929, 931, 932, 933, 935, 936, 937, 939, 947, 949, 951, 953, 954, 957, 959, 973	4460944 ... 889, 893, 894, 895, 897, 898, 899, 900, 917, 919, 920, 921, 936, 949, 951, 953, 959	
39844923.....343	4460475 973	4460945 ... 895, 900, 921, 959, 973	
3986405.....371	4460496 809	4460970 ... 888, 894, 898, 931, 936, 965	
3986610.....475	4460497 809	4460979 889, 894, 899	
3986643.....475	4460508 ... 887, 898, 903, 905, 911	4460984 933	
4000015.....883	4460509 ... 889, 894, 899, 932, 935	4460994 918	
4010416.....865, 881	4460518 920, 933, 973	4461000 807	
4010510.....579, 581	4460536 ... 907, 909, 937, 957	4461006 ... 888, 894, 897, 899	
4010608002....421, 513, 525, 527	4460539 ... 887, 889, 893, 894, 895, 897, 898, 899, 900, 919, 920, 931, 936, 953, 957, 959, 973	4461008 887, 893, 897	
4010610.....881, 883		4461015 929, 932	
4010610002....509, 511, 513, 525, 563		4461017 ... 903, 905, 911, 935	
4010612002....423, 513, 521		4461018 ... 889, 894, 899, 935	
4031205.....779, 781, 783			
403160731, 35, 569, 571, 779, 783			
4031608.....519			
4031608001.....513			
4031708.....879			
4031712.....591			
4031910.....233, 539, 541			
4031912.....627, 647			

PART NUMBER INDEX

4812000 ... 35, 43, 51, 59, 61, 71, 77, 79, 81, 85, 87, 89, 91, 93, 95, 97, 101, 105, 113, 199, 205, 207, 217, 243, 267, 269, 279, 281, 287, 413, 563, 565, 595, 623, 631, 651, 653, 661, 669, 673, 683, 763, 765, 767, 771, 773, 779, 781, 783, 819, 821, 823, 825, 861, 881, 883, 885	70005544 188 70005548 188 70005549 188, 998 70005556 188 70005557 188 70005558 188 70005559 188 70005730 187 70006144 187 70020276 371 70020438 .. 305, 697, 701 70020555 137, 139 70020764 721, 723 70020867 713, 735 70020922 563 70021251 467 70021252 467 70021314 477 70021316 477 70021317 471 70021318 471 70021319 471, 479 70021321 479 70021322 471 70021323 479 70021324 479 70021325 479 70021326 479 70021327 479 70021328 479 70021330 479 70021340 . 819, 821, 823, 825 70021341 . 819, 821, 823, 825 70021349 . 121, 141, 143, 147 70021350 143, 147 70021367 147 70021387 141 70021397 141 70021415 141 70021422 147 70021440 739, 741 70021444 741 70021445 741 70021446 741 70021447 741 70021448 741 70021451 741 70021452 741 70021531 721, 723 70021606 347 70021613 347 70021979 141 70022034 467 70022140 329, 343 70022528 141 70022726 709 70022765 811, 998 70022773 335, 349 70022938 . 129, 131, 133, 135, 150, 153, 155 70023179 475 70023181 475 70023182 475 70023184 475	70023186 475 70023189 475 70023469 329, 343 70023489 353 70023490 353, 355 70023493 353 70023494 329, 343 70024004 355 70024035 699 70024059 141 70024064 141 70024107 475 70024123 . 133, 135, 149, 155, 753 70024129 .. 745, 749, 751, 753 70024130 .. 129, 131, 133, 135, 150, 155, 753 70024142 751 70024146 .. 331, 345, 363 70024147 .. 331, 345, 363 70024164 737 70024165 737 70024166 737 70024167 737 70024168 737 70024210 333, 347 70024213 333 70024215 333 70024216 347 70024228 697 70024234 697 70024235 697 70024236 697 70024237 697 70024239 697 70024459 475 70024474 188 70024484 187 70024487 187, 191 70024489 187, 191 70024493 187, 191 70024494 187, 191 70024495 187, 191 70024504 187, 191 70024505 188 70024507 187, 191 70024538 ... 135, 149, 153 70024721 ... 150, 153, 155 70024731 153 70024732 153 70024733 153, 753 70024734 . 153, 745, 749, 751, 753 70024772 ... 150, 153, 155 70024787 153 70024848 333 70024849 333 70024856 475 70024857 475 70024858 475 70024859 475 70024861 475 70024881 ... 331, 345, 361 70024918 187, 191 70024945 709 70024946 709	70024961 .. 187, 191, 998 70025012 331 70025014 331 70025153 187, 191 70025242 188 70025335 327, 341 70025337 353 70025338 353 70025339 353, 355 70025483 467 70025485 467 70025486 467 70025489 467 70025490 467 70025491 467 70025535 188 70025539 477 70025561 331, 345 70025562 331, 345 70025590 691 70025614 691, 699 70025707 188 70025722 187, 191 70025730 191 70025737 187, 191 70025743 187, 191 70025755 187, 191 70025757 187, 191 70025760 188 70025761 188 70025763 187, 191 70025765 187, 191 70025768 187, 191 70025772 187, 191 70025775 187, 191 70025780 188 70025786 187, 191 70025816 553 70025817 553 70025850 201 70025851 201 70025856 355 70025859 557 70025860 557 70025877 188 70025884 337, 351 70025887 329, 343 70025970 333 70026002 331, 345 70026011 187, 191 70026081 241 70026082 241 70026210 188 70026238 331, 345 70026249 701 70026251 701 70026253 701, 998 70026260 .. 331, 345, 357 70026261 .. 331, 345, 359 70026262 333 70026263 333 70026264 333 70026265 337, 351 70026266 .. 337, 351, 361 70026292 923 70026293 925 70026294 775
---	---	--	--

PART NUMBER INDEX

70026295.....775	70026908.....371	70028316.....699	70028390.....329, 355
70026296.....775	70026909.....371	70028317.....699	70028391.....329
70026297.....775	70026911.....371	70028318.....699	70028392.....331, 345
70026353.....241	70026927.....372	70028319.....699	70028393.....335, 349
70026354.....241	70027022.....333, 347	70028320.....699	70028394.....335, 349
70026359.....241	70027092.....333	70028321.....699	70028396.....331, 345
70026361.....567	70027105.....353, 355	70028322.....699	70028397.....345
70026362.....567	70027109.....371	70028323.....699	70028398.....343, 353
70026363.....567	70027110.....371	70028324..691, 699, 998	70028399.....343
70026364.....567	70027180..161, 163, 165, 167	70028325.....691	70028400.....345
70026365.....567	70027317.....333, 347	70028326.....475	70028401.....329, 343
70026366.....567	70027392.....471, 477	70028327.....219	70028405.....149
70026367.....567	70027393.....477	70028328.....219	70028406.....149
70026395.....201	70027394.....477	70028329.....219	70028410.....709, 998
70026396.....201	70027395.....471	70028330.....219	70028411.....709
70026407.....305	70027404.....187	70028331.....219	70028412.....711
70026408.....305	70027405.....187, 191	70028332.....219	70028413.....711, 998
70026411.....305	70027417..187, 191, 998	70028333.....219	70028417.....187
70026434.....557	70027426.....187	70028334.....219	70028418.....187
70026469...133, 135, 745	70027567.....187, 191	70028335.....219	70028419.....187, 998
70026470.....133, 135	70027595.....711	70028336.....219	70028420.....707
70026471...133, 135, 149	70027596.....723	70028337.....219	70028421.....727
70026472...133, 135, 149	70027598.....709	70028338.....219	70028422.....731, 733
70026473...133, 135, 149	70027601.....707, 998	70028339.....219	70028485...121, 143, 147
70026474.....133, 135	70027657..187, 191, 998	70028340.....219	70028486.....121, 147
70026475.....133, 135	70027773.....143	70028341.....219	70028487.....147
70026476...133, 135, 149	70027796.....333	70028342.....219	70028488.....121, 147
70026477..131, 133, 135, 747	70027800.....697	70028343.....219	70028489.....143, 147
70026478.....133, 135	70027806.....697, 998	70028344.....219	70028490.....143, 147
70026479..129, 131, 133, 135	70027811.....305	70028345.....219	70028491.....147
70026480..129, 131, 133, 135	70027862.....371	70028346.....219	70028492.....147
70026481..129, 131, 133, 135, 149, 153, 155	70027879.....123	70028347.....219	70028493.....147
70026482..129, 131, 133, 135, 149, 153, 155	70027880.....123	70028348.....219	70028494.....147
70026483.....129, 131	70027881.....123	70028349.....219	70028495...121, 143, 147
70026496.....745	70027882.....123	70028350.....219	70028496...121, 143, 147
70026497.....745	70027887.....123	70028351.....219	70028497.....147
70026498.....745	70027888.....123	70028352.....219	70028498.....147
70026499.....745	70027889.....123	70028353.....219	70028499.....147
70026500.....745	70027890.....123	70028354.....219	70028500.....147
70026501.....149, 745	70027896.....123	70028355.....219	70028501.....147
70026502...745, 749, 751	70027899.....123	70028357.....219	70028505.....123
70026503.....153, 745	70027986.....335, 349	70028358.....219	70028506.....123
70026504.....155, 745	70027989.....121	70028359.....219	70028507.....123
70026505.....745	70028114.....153	70028360.....219	70028508.....123
70026506.....745	70028115.....153	70028361.....717	70028509.....123
70026582.....713, 735	70028119.....153	70028362.....701	70028510.....123
70026614..131, 133, 135, 747	70028253.....149	70028363.....697	70028511.....123
70026616.....133, 135	70028254.....749	70028364.....697	70028512.....123
70026631.....371	70028255.....749	70028365.....697	70028513.....123
70026745.....137, 139	70028256.....749, 751	70028366.....697	70028514.....299
70026746.....137, 139	70028257.....749, 751	70028367.....697	70028515.....299
70026747.....347	70028258.....749, 751	70028368.....697	70028516.....299
70026748.....347	70028262.....149	70028369.....697	70028517.....299
70026750.....355	70028263.....129, 131	70028370.....697	70028525.....121
70026838.....697	70028267.....150, 155	70028371.....305	70028526.....121
70026892.....371	70028270.....749	70028372.....305	70028546.....941
70026896.....371	70028281.....719	70028373.....305	70028554..121, 137, 141, 143, 159
70026897.....371	70028282.....719, 729	70028374.....305	70028563.....129, 131
70026898.....371	70028307.....691	70028375.....305	70028564.....129, 131
70026901.....371	70028308.....691	70028381.....557	70028565.....129, 131
70026904.....371	70028309.....691, 699	70028382.....557	70028566.....129, 131
	70028310.....691, 699	70028383.....557	70028567.....129, 131
	70028311.....691	70028387.....331, 345	70028568.....129, 131
	70028312.....691	70028388..327, 331, 341, 345	70028569.....129, 131
	70028314.....699	70028389..327, 331, 341, 345	70028570.....129, 131
	70028315.....699		70028571.....129, 131

PART NUMBER INDEX

70028572 .. 129, 131, 743	70028650 149	70028719..... 155	70028835..... 371
70028573 .. 129, 131, 747	70028651 149	70028720..... 155	70028836..... 371
70028574 129, 131	70028652 149, 749	70028721..... 155	70028837..... 371
70028575 131	70028653 149, 751	70028722..... 155	70028838..... 371
70028576 131	70028654 149	70028723..... 155	70028839..... 371
70028577 131	70028655 149	70028724..... 155	70028840..... 371
70028578 131	70028656 149	70028725..... 155	70028841..... 372
70028579 131	70028657 149	70028726..... 155	70028842..... 372
70028580 131	70028658 149	70028727..... 155	70028843..... 372
70028581 743	70028659 149	70028728..... 753	70028844..... 372
70028582 743	70028660 149	70028729..... 753	70028845..... 372
70028583 743	70028661 149	70028730..... 753	70028846..... 372
70028584 743	70028662 149	70028731..... 753	70028847..... 372
70028585 743	70028663 149	70028732..... 753	70028848..... 372
70028586 743	70028664 149	70028733..... 753	70028860..... 141
70028587 743	70028665 149	70028734..... 135, 156	70028861..... 141
70028588 743, 753	70028666 149	70028738..... 135	70028862..... 141
70028589 131, 747	70028667 149	70028739..... 135	70028863..... 141
70028591 121	70028668 149	70028740..... 135	70028864..... 141
70028592 121	70028669 149	70028741..... 135	70028865..... 141
70028593 121	70028670 149	70028742..... 135	70028866..... 141
70028594 121	70028671 149	70028743..... 135	70028867..... 141
70028595 121	70028672 .. 133, 135, 149,	70028744..... 129	70029941..... 699
70028596 121	153, 155	70028745..... 129	7010543..... 715
70028597 121	70028673 149	70028746..... 129	70124445..... 187, 191
70028598 121	70028674 149	70028747..... 129	70126616..... 187, 191
70028599 121, 739	70028675 149	70028748..... 129	7016331 ... 187, 191, 998
70028600 121	70028676 149	70028749..... 133	7020208 187, 191
70028601 121	70028677 149	70028750..... 133	7020442 187, 191
70028602 121	70028678 150	70028751..... 133	7022390 719
70028603 121, 741	70028679 150	70028752..... 133	7024947 711
70028604 121	70028680 150	70028753..... 133	7026731 367
70028605 121	70028681 150, 153	70028767..... 149	7028621 475
70028606 121	70028682 150	70028768..... 149	7028714 331, 345
70028607 121	70028683 150	70028770..... 749	7028715 331, 345
70028609 739	70028684 150	70028771..... 751	7028716 331, 345
70028610 739	70028685 150	70028785..... 153	7028733 331, 345
70028611 739	70028686 150	70028786..... 153	7029127 335, 349
70028612 741	70028687 .. 150, 153, 155	70028787..... 153	7029288 327, 341
70028613 741	70028688 .. 150, 153, 155	70028788..... 153	7029290 361
70028614 741	70028689 .. 150, 153, 155	70028789..... 153	7029307 335, 349
70028615 143	70028690 150, 153	70028790..... 153	7029317 331
70028616 143	70028691 749, 751	70028791..... 153	7029486 ... 509, 511, 977
70028617 143	70028692 751	70028792..... 153	7029702 121
70028618 143	70028693 751	70028793..... 153	7029703 121
70028619 143	70028694 751	70028794..... 153	7029704 121
70028620 143	70028695 150	70028795..... 153	7029709 143
70028621 143	70028696 150	70028796..... 153	7029711 ... 121, 141, 143,
70028622 143	70028697 .. 133, 150, 156	70028801..... 372	147
70028623 143	70028701 155	70028817..... 371	7029712 143
70028624 143	70028702 155	70028818..... 371	7029733 345, 367
70028625 143	70028703 155	70028819..... 371	7029734 333, 347
70028626 143	70028704 155, 753	70028820..... 371	7029735 333, 347
70028627 143	70028705 155	70028821..... 371	7029743 331
70028628 143	70028706 155	70028822..... 371	7029767 467
70028629 143	70028707 155	70028823..... 371	7029785 347
70028630 143	70028708 155	70028824..... 371	7029787 333
70028631 143	70028709 155	70028825..... 371	7029969 819, 823
70028632 143	70028710 155	70028826..... 371	7029970 819, 823
70028633 143	70028711 155	70028827..... 371	7029971 ... 819, 821, 823,
70028634 144	70028712 155	70028828..... 371	825
70028635 143	70028713 155	70028829..... 371	7169541 237
70028636 143	70028714 155	70028830..... 371	7300435 193
70028637 143	70028715 155	70028831..... 371	77133136 591, 683
70028638 143	70028716 155	70028832..... 371	77133137 591, 683
70028648 149	70028717 155	70028833..... 371	77133497 591
70028649 149	70028718 155	70028834..... 371	77213042 267

PART NUMBER INDEX

7760897.....913	80963067..... 888, 899	8420055 ... 121, 123, 129,	91403193.....311
8000565.....845	80983191.. 923, 925, 927	131, 133, 135, 141,	91403413.....141
8000759.....437	82033995.. 229, 283, 285	143, 147, 150, 153, 155	91403414..... 141
8000803.....421	8220035 971	8424233 651, 653	91474364.....371
8002200....85, 87, 89, 91,	8220043 903, 905	8430032 635, 637	91474512..... 327, 341
93, 998	8220051 918, 919, 931	8430033 677	91504107.....939
8004398.....437	8220097 888, 898	8430034 657	91513266.....399
8005671....984, 988, 992,	8220098 888, 898	8430081 635, 637	91514081..... 331, 345
996	8220108 971	8466306 459, 992	91514082..... 331, 345
8005675....984, 988, 992,	8220116 933	8584003 851	91514083.....331
996	8220124.... 887, 893, 897	85941018 .. 635, 637, 773	91514084.....331
8005901.....511	8229234 974	8769123 615, 619	91514089.. 327, 331, 333,
8006258.....695	8229235 973	8769126 615, 619	341
8008175.....335, 349	8229242 923, 925	8769146 591	91514090.....361
8008640....85, 87, 89, 91,	8229244 775, 927	8769152 591	91514095..... 331, 345
93, 998	8229245 775, 923	8769199 591	91514098..... 327, 341
8008657....984, 988, 992,	8229247 775, 925	8770030 625	91514101..... 327, 341
996	8229261 973	8770075 609	91514111..... 357, 359
80203020.....371	8275212 267, 269	8770104 625	91514112..... 331, 345
80203021.....371	8278020 ... 231, 233, 235,	8770215 593, 681	91514117..... 331, 345
80204002..... 327, 341	237	8770286 625	91514118.....399
80204005...327, 341, 365	8305919 ... 203, 265, 453,	8786549 ... 383, 385, 391,	91514123.....329
80204007.....371	513, 525	395, 397	91514130..... 329, 343
80204012.....345	8307219 265	88662434 . 635, 637, 665,	91514133..... 329, 343
80204016.....371	8310559 433	667	91514134..... 329, 343
80204033.....329, 343	8310686 627, 647	8880219-OM 379	91514143.....355
80204035.....329, 343	8342813 55	90206196 51	91514146..... 365, 371
80204043.....329, 343	8405006 ... 213, 215, 243,	90206198 635, 637	91514147.....365
80204048.....329, 343	635, 637	90206202 21	91514148.....365
80204060.....333	8405007 ... 243, 651, 653,	90554016 139	91514149... 331, 345, 365
80204065..... 331, 345	659, 665, 667	90554017 121	91514151.....333
80204071..... 331, 345	8405009 243, 275, 555	90554020 121, 141	91514154... 333, 347, 371
80204076..... 331, 345	8405101 243	90554042 . 121, 141, 143,	91514159..... 333, 347
80204108..... 333	8405102 251, 253	147	91514174..... 331, 345
80204117... 333, 347, 361	8405104 243	90554045 . 121, 141, 143,	91514175... 331, 345, 363
80204143..... 335, 349	8405201 ... 243, 513, 515,	147, 739, 741	91514177... 331, 345, 363
80204144..... 335, 349	517	90554054 141	91514178..... 331, 345
80204176..... 371	8405402 195, 197	90554065 143	91514179..... 331, 345
80204215..... 371	8406105 193	90554066 143	91514180..... 331, 345
80204281..... 333, 347	8406112 ... 215, 291, 293,	90554067 121, 143	91514181..... 331, 345
80214120..... 331, 345	295, 297	91013191 936	91514184..... 331, 367
80233218..... 555	8406201 635, 637	91013192 932, 933	91514185..... 331, 367
80264002..... 477	8406202 611, 615	91043125 . 609, 613, 617,	91514186..... 331, 367
80264004..... 477	8410009 ... 283, 285, 481,	621	91514189..... 331, 345
80333151..... 555	484	91043126 . 609, 613, 617,	91554014..... 919
80363195..... 441	8410013... 229, 635, 637,	621	91574001..... 737
80604017..... 939	651, 653	91063039 667	943191201..... 916
80604021..... 947	8420053 ... 121, 123, 129,	9106-3039 665	AU2105.... 984, 988, 992,
806253..... 63	131, 133, 135, 141,	91063040 667	996
806264..... 63	143, 147, 150, 153, 155	9106-3040 665	E000269 865
80963055... 889, 894, 899		91083106 651, 653	N.S.S. 115, 117, 119, 715
80963056... 889, 894, 899		91163268 267	



31211279



An Oshkosh Corporation Company

Corporate Office
JLG Industries, Inc.
1 JLG Drive
McConnellsburg, PA 17233-9533 USA
☎ (717) 485-5161 (Corporate)
☎ (877) 554-5438 (Customer Support)
☎ (717) 485-6417

Visit our website for JLG Worldwide Locations.
www.jlg.com