



# ***Illustrated Parts Manual***

***Models***

***1732***

**31211280**

*Revised*

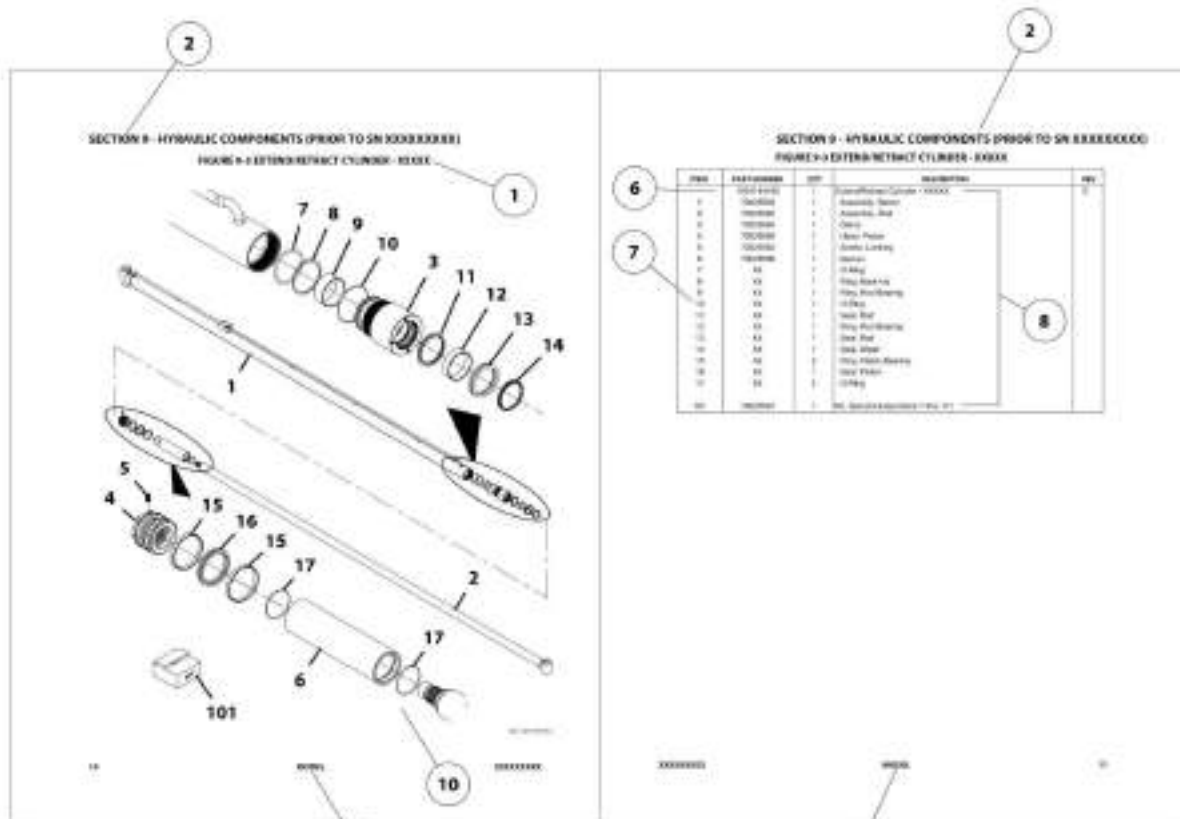
*July 18, 2018 - Rev C*





## EFFECTIVITY PAGE

May 1, 2017 - A - Original Issue of Manual  
October 13, 2017 - B - Revised Manual  
July 18, 2018 - C - Revised Manual



## General Information

### 1. MACHINE IDENTIFICATION

Machines are identified by model and in some cases a combination of model, serial number (S/N) or regional standard (e.g. ANSI, CE, CSA, AUS). Components may also be identified by S/N or manufacturer. Common components that may be identified by these characteristics are attachments, engine, transmission and hydraulic components.

### 2. PARTS MANUAL ORGANIZATION

Product information in this manual is organized under section titles. Frame, Engine and Electrical are a few examples. Each section is organized by Figure and page number. The information within the Figure is then organized by item number, part number, description and corresponding illustration(s).

### 3. TABLE OF CONTENTS

A table of contents (TOC) is found toward the beginning of the manual. Figure number, description and page number are provided for quick reference to the page containing the related information.

### 4. RECOMMENDED SPARE PARTS

The Recommended Spare Parts, located near the end of the manual, references most frequently used maintenance parts.

### 5. PARTS NUMBER INDEX

A numerical index listing all part numbers and the corresponding page number(s) appears at the back of the manual.

### 6. NON-SERVICED PARTS

In some instances it is necessary to display non-serviced parts, assemblies or installations. In the case of assemblies and installations there will be a Ref in the QTY column and a note after the item description stating what is available for service within. In the case of parts that are not available for service within assemblies or components there will be a NSS (Not Sold Separately) listed in the part number column of the manual.

### 7. PARTS LIST ITEM NUMBERS

Numbers shown in the Item column correspond to numbers used in the associated illustration(s). Item numbers which are missing from sequence and are not shown in the illustration(s) are not used on that page.

### 8. INDENTED PART DESCRIPTION

An indented part description is included in the item under which it is indented.

## 9. ABBREVIATIONS AND SYMBOLS

AC	Alternating Current
A/C	Air Conditioning
ADE	Advanced Design Electronics
AG	Agriculture
AMP	Amperage
ANSI	American National Standards Institute
AR	As Required
ASSY	Assembly
AUS	Australia
AUX	Auxiliary
AWG	American Wire Gauge
CAC	Charge Air Cooler
CE	European Conformity
CM	Centimeter
CONST	Construction
CSA	Canadian Standards Association
DEF	Diesel Exhaust Fluid
DIA	Diameter
DC	Direct Current
DTZ	Decentralized Transmission Zeros
ECU	Electronic Control Unit
EMS	Emergency Stop
FNR	Forward Neutral Reverse
FT	Foot
GA	Gauge
GR	Grade
HBP	High Boom Pivot
HHP	High Horse Power
HOC	Hydraulic Oil Cooler
HVAC	Heating, Ventilating, and Air Conditioning
ID	Inside Diameter
IN	Inch
ISO	International Organization for Standards
ITSDF	Industrial Truck Standards Development Foundation
JIC	Joint Industry Council
KG	Kilogram
KW	Kilowatt
L	Liter

LB	Pound
LBP	Low Boom Pivot
LCD	Liquid Crystal Display
LED	Light Emitting Diode
LH	Left Hand
LHD	Left Hand Drive
LHP	Low Horse Power
LMIS	Load Management Indicator System
LS	Low Sulfur
LSI	Load Stability Indicator
LSS	Load Sensing System
M <sup>3</sup>	Cubic Meter
MA	Milliamp
M(m)	Metric/Meter
MM	Millimeter
N	Newton
NACD	North America Construction Division
NLA	No Longer Available
NSS	Not Sold Separately
OD	Outside Diameter
ORB	O-Ring Boss
ORFS	O-Ring Face Seal
OZ	Ounce
PR	Ply Rating
QT	Quart
QTY	Quantity
REF	Reference
REV	Revision
RH	Right Hand
RHD	Right Hand Drive
RHOC	Remote Hydraulic Oil Cooler
RUS	Russia
SAE	Society of Automotive Engineers
SAHR	Spring Applied Hydraulically Released
SN	Serial Number
SPD	Speed
TLU	Torque Lock Up
UGM	Universal Ground Module

## 10. ILLUSTRATION REFERENCE LETTERS

When necessary, illustrations may contain reference letters that are intended to track information from one point to another in the illustration such as harnesses and hoses or any other information that has been separated in the illustration.

**Note:** Due to continuous product improvements, JLG Industries, Inc. reserves the right to make specification changes without prior notification. Contact JLG Industries, Inc. for updated information.



# TABLE OF CONTENTS

SECTION 1 - FRAME AND ATTACHING PARTS.....	15
FIGURE 1-1. FRAME WELDMENT .....	16
FIGURE 1-2. GROMMETS INSTALLATION .....	18
FIGURE 1-3. TANK INSTALLATION .....	20
FIGURE 1-4. FUEL TANK INSTALLATION.....	22
FIGURE 1-5. HYDRAULIC TANK INSTALLATION .....	24
FIGURE 1-6. TANK SUPPORT INSTALLATION.....	26
FIGURE 1-7. FUEL TANK ASSEMBLY .....	28
FIGURE 1-8. LOCKING FUEL CAP .....	30
FIGURE 1-9. HYDRAULIC TANK ASSEMBLY.....	32
FIGURE 1-10. COUNTERWEIGHT INSTALLATION.....	34
FIGURE 1-11. ENGINE ENCLOSURE INSTALLATION.....	36
FIGURE 1-12. ENGINE ENCLOSURE ASSEMBLY.....	38
FIGURE 1-13. HOOD ASSEMBLY .....	40
FIGURE 1-14. HOOD ASSEMBLY .....	42
FIGURE 1-15. COVER INSTALLATION (ULS).....	44
FIGURE 1-16. FRAME COVER INSTALLATION .....	46
FIGURE 1-17. MIRROR INSTALLATION .....	48
SECTION 2 - BOOM .....	51
FIGURE 2-1. BOOM INSTALLATION.....	52
FIGURE 2-2. BOOM ASSEMBLY.....	54
FIGURE 2-3. FIRST BOOM SECTION ASSEMBLY.....	56
FIGURE 2-4. SECOND BOOM SECTION ASSEMBLY.....	58
FIGURE 2-5. COUPLER INSTALLATION (MANUAL) .....	60
FIGURE 2-6. COUPLER INSTALLATION (HYDRAULIC) .....	62
FIGURE 2-7. COUPLER LOCKING CYLINDER ASSEMBLY .....	64
FIGURE 2-8. MANUAL COUPLER PIN HOLDER INSTALLATION.....	66
FIGURE 2-9. BOOM BRUSHES INSTALLATION .....	68
SECTION 3 - ATTACHMENTS .....	71
FIGURE 3-1. ATTACHMENT RECOGNITION INSTALLATION.....	72
FIGURE 3-2. COMPONENTS ATTACHMENT RECOGNITION .....	74
FIGURE 3-3. CARRIAGE ASSEMBLY, (60IN/1524MM) .....	76
FIGURE 3-4. CARRIAGE ASSEMBLY, (72IN/1829MM) .....	78
FIGURE 3-5. CARRIAGE ASSEMBLY, (87IN/2290MM) .....	80
FIGURE 3-6. DUAL FORK POSITIONING SIDE SHIFT CARRIAGE, (75IN/1899MM) .....	82
FIGURE 3-7. DUAL FORK POSITIONING CARRIAGE, (72IN/1829MM).....	84
FIGURE 3-8. BUCKET (2.6 YD <sup>3</sup> /2.0M <sup>3</sup> ).....	86
FIGURE 3-9. BUCKET (5.23 YD <sup>3</sup> ) .....	88
FIGURE 3-10. 4 IN 1 BUCKET (2.6 YD <sup>3</sup> /2.0M <sup>3</sup> ) .....	90
FIGURE 3-11. 4 IN 1 BUCKET (1.3 YD <sup>3</sup> /1.0M <sup>3</sup> ) .....	92
FIGURE 3-12. GRAPPLE BUCKET (1.7 YD <sup>3</sup> /1.3M <sup>3</sup> ) .....	94
FIGURE 3-13. GRAPPLE BUCKET (2.6 YD <sup>3</sup> /2.0M <sup>3</sup> ) .....	96
FIGURE 3-14. TRUSS BOOM (7.6 TON) .....	98
FIGURE 3-15. CRANE HOOK (7.6 TON) .....	100
FIGURE 3-16. BALE HANDLER (ROUND) .....	102
FIGURE 3-17. BALE HANDLER (SQUARE) .....	106
FIGURE 3-18. PIPE HANDLER CARRIAGE .....	108
FIGURE 3-19. TIRE HANDLER CARRIAGE .....	112
FIGURE 3-20. LOG HANDLER CARRIAGE.....	114
FIGURE 3-21. STEEL COIL HANDLER CARRIAGE.....	118
FIGURE 3-22. PALLET FORK (2.25X6X48).....	120
FIGURE 3-23. PALLET FORK (2.25X6X60).....	122
FIGURE 3-24. PALLET FORK (2.25X6X72).....	124
FIGURE 3-25. PALLET FORK (2.25X6X96).....	126
FIGURE 3-26. FORK RETENTION INSTALLATION.....	128
SECTION 4 - ENGINE AND ATTACHING PARTS .....	131
FIGURE 4-1. ENGINE POD COMPONENT INSTALLATION (ULS).....	132
FIGURE 4-2. ENGINE INSTALLATION (ULS) .....	134
FIGURE 4-3. ENGINE (100KW - ULS).....	136

# TABLE OF CONTENTS

FIGURE 4-4. ENGINE MOUNT INSTALLATION .....	140
FIGURE 4-5. AIR INTAKE LINES INSTALLATION .....	142
FIGURE 4-6. AIR CLEANER INSTALLATION .....	144
FIGURE 4-7. PRIMARY FUEL FILTER INSTALLATION (ULS) .....	146
FIGURE 4-8. REMOTE FUEL PUMP INSTALLATION .....	148
FIGURE 4-9. FUEL LINES INSTALLATION.....	150
FIGURE 4-10. HYDROSTATIC ADAPTOR INSTALLATION .....	152
FIGURE 4-11. DUAL DRIVE SUPPORT ASSEMBLY.....	154
FIGURE 4-12. HYDROSTATIC DRIVE PUMP INSTALLATION .....	156
FIGURE 4-13. HYDROSTATIC DRIVE PUMP ASSEMBLY .....	158
FIGURE 4-14. IMPLEMENT PUMP INSTALLATION .....	160
FIGURE 4-15. IMPLEMENT PUMP ASSEMBLY .....	162
FIGURE 4-16. DEF COOLANT LINES INSTALLATION (ULS) .....	164
FIGURE 4-17. COOLING PACKAGE INSTALLATION .....	166
FIGURE 4-18. RADIATOR .....	168
FIGURE 4-19. COOLANT LINES INSTALLATION.....	170
FIGURE 4-20. RADIATOR LINES INSTALLATION .....	172
FIGURE 4-21. SURGE TANK INSTALLATION.....	174
FIGURE 4-22. TRANSMISION OIL COOLER LINES INSTALLATION .....	176
FIGURE 4-23. FAN GUARD INSTALLATION .....	178
FIGURE 4-24. FAN GUARD (REVERSING) INSTALLATION.....	180
FIGURE 4-25. COOLING FAN INSTALLATION .....	182
FIGURE 4-26. REVERSE COOLING FAN INSTALLATION .....	184
FIGURE 4-27. COMPRESSOR COVER INSTALLATION.....	186
FIGURE 4-28. EXHAUST INSTALLATION (ULS).....	188
FIGURE 4-29. DEF CONTROL MODULE INSTALLATION .....	190
FIGURE 4-30. DEF LINES INSTALLATION.....	192
FIGURE 4-31. DEF TANK INSTALLATION .....	194
FIGURE 4-32. DEF TANK ASSEMBLY.....	196
FIGURE 4-33. HEATER LINES INSTALLATION (ULS) .....	198
FIGURE 4-34. A/C PUMP INSTALLATION .....	200
FIGURE 4-35. A/C LINES INSTALLATION.....	202
FIGURE 4-36. BLOCK HEATER INSTALLATION (115V) (ULS) .....	204
SECTION 5 - DRIVETRAIN .....	207
FIGURE 5-1. DRIVETRAIN INSTALLATION .....	208
FIGURE 5-2. FRONT AXLE INSTALLATION.....	210
FIGURE 5-3. FRONT AXLE MOUNTING INSTALLATION .....	212
FIGURE 5-4. FRONT AXLE LINES INSTALLATION .....	214
FIGURE 5-5. REAR AXLE INSTALLATION .....	216
FIGURE 5-6. REAR AXLE MOUNTING INSTALLATION.....	218
FIGURE 5-7. REAR AXLE LINES INSTALLATION.....	220
FIGURE 5-8. FRONT AXLE .....	222
FIGURE 5-9. FRONT AXLE, CENTRAL HOUSING.....	224
FIGURE 5-10. FRONT AXLE, DIFFERENTIAL.....	226
FIGURE 5-11. FRONT AXLE, HUB REDUCTION .....	228
FIGURE 5-12. FRONT AXLE, BRAKES.....	230
FIGURE 5-13. FRONT AXLE, STEERING .....	232
FIGURE 5-14. FRONT AXLE, TRUNION.....	234
FIGURE 5-15. REAR AXLE .....	236
FIGURE 5-16. REAR AXLE, CENTRAL HOUSING .....	238
FIGURE 5-17. REAR AXLE, DIFFERENTIAL .....	240
FIGURE 5-18. REAR AXLE, HUB REDUCTION.....	242
FIGURE 5-19. REAR AXLE, BRAKES .....	244
FIGURE 5-20. REAR AXLE, STEERING .....	246
FIGURE 5-21. REAR AXLE, TRUNION .....	248
FIGURE 5-22. DIFFERENTIAL KIT.....	250
FIGURE 5-23. DIFFERENTIAL KIT.....	252
FIGURE 5-24. STEERING CASE KIT (RF, LR) .....	254
FIGURE 5-25. STEERING CASE KIT (LF, RR) .....	256
FIGURE 5-26. TRUNION KIT.....	258
FIGURE 5-27. RING GEAR SUPPORT KIT.....	260
FIGURE 5-28. REDUCTION BUSHING KIT .....	262
FIGURE 5-29. PLANET GEAR CARRIER KIT .....	264
FIGURE 5-30. RALP INSTALLATION.....	266
FIGURE 5-31. RALP MECHANICAL INSTALLATION .....	268



# TABLE OF CONTENTS

FIGURE 5-32. GEARBOX INSTALLATION.....	270
FIGURE 5-33. GEAR BOX.....	272
FIGURE 5-34. HYDROSTATIC MOTOR INSTALLATION.....	276
FIGURE 5-35. HYDROSTATIC MOTOR ASSEMBLY.....	278
FIGURE 5-36. DRIVE SHAFT INSTALLATION.....	280
FIGURE 5-37. TIRE/WHEEL SET (AIR 17.5-25 - 20 PLY).....	282
FIGURE 5-38. RIGHT TIRE/WHEEL ASSEMBLY (AIR 17.5-25 - 20 PLY).....	284
FIGURE 5-39. LEFT TIRE/WHEEL ASSEMBLY (AIR 17.5-25 - 20 PLY).....	286
FIGURE 5-40. TIRE/WHEEL SET (FOAM 17.5-25 - 20 PLY).....	288
FIGURE 5-41. TIRE/WHEEL SET (AIR 17.5 R25 - RADIAL).....	290
FIGURE 5-42. RIGHT TIRE/WHEEL ASSEMBLY (AIR 17.5 R25 - RADIAL).....	292
FIGURE 5-43. LEFT TIRE/WHEEL ASSEMBLY (AIR 17.5 R25 - RADIAL).....	294
FIGURE 5-44. FENDER INSTALLATION.....	296
FIGURE 5-45. RH FENDER ASSEMBLY.....	298
FIGURE 5-46. LH FENDER ASSEMBLY.....	300
SECTION 6 - CAB.....	303
FIGURE 6-1. CAB MOUNTING INSTALLATION.....	304
FIGURE 6-2. FRONT CAB MOUNT BRACKET INSTALLATION.....	306
FIGURE 6-3. CAB MOUNTS INSTALLATION.....	308
FIGURE 6-4. CAB COMPONENTS INSTALLATION.....	310
FIGURE 6-5. CAB INSTALLATION.....	312
FIGURE 6-6. CAB ASSEMBLY.....	314
FIGURE 6-7. DOOR INSTALLATION.....	316
FIGURE 6-8. DOOR ASSEMBLY.....	318
FIGURE 6-9. DOOR UPPER GLASS ASSEMBLY.....	320
FIGURE 6-10. CAB LATCH ASSEMBLY.....	322
FIGURE 6-11. CAB DOOR TRIGGER ASSEMBLY.....	324
FIGURE 6-12. DOOR STRAP INSTALLATION.....	326
FIGURE 6-13. REAR WINDOW INSTALLATION.....	328
FIGURE 6-14. REAR WINDOW GROUP.....	330
FIGURE 6-15. CAB PLUG GROUP.....	332
FIGURE 6-16. BASIC MIRROR INSTALLATION.....	334
FIGURE 6-17. INTERIOR MIRROR INSTALLATION.....	336
FIGURE 6-18. INTERIOR MIRROR.....	338
FIGURE 6-19. FRONT WIPER INSTALLATION.....	340
FIGURE 6-20. WASHER TANK INSTALLATION.....	342
FIGURE 6-21. WASHER BOTTLE.....	344
FIGURE 6-22. FRONT COVER INSTALLATION.....	346
FIGURE 6-23. FRONT DUCT COVER.....	348
FIGURE 6-24. FILTER TRAY PANEL.....	350
FIGURE 6-25. LEVEL INDICATOR INSTALLATION.....	352
FIGURE 6-26. REAR WIPER INSTALLATION.....	354
FIGURE 6-27. MULTIFUNCTION DISPLAY INSTALLATION.....	356
FIGURE 6-28. SEAT INSTALLATION (CLOTH).....	358
FIGURE 6-29. SEAT ASSEMBLY.....	360
FIGURE 6-30. SEAT INSTALLATION (AIR SUSPENSION - STANDARD).....	362
FIGURE 6-31. SEAT ASSEMBLY (AIR SUSPENSION - STANDARD).....	364
FIGURE 6-32. SEAT INSTALLATION (AIR SUSPENSION - PREMIUM).....	366
FIGURE 6-33. SEAT ASSEMBLY (AIR SUSPENSION - PREMIUM).....	368
FIGURE 6-34. HEATER INSTALLATION.....	370
FIGURE 6-35. HEATER AND A/C INSTALLATION (CAB PARTS).....	372
FIGURE 6-36. CAB CONDENSER ASSEMBLY.....	376
FIGURE 6-37. CONDENSER.....	378
FIGURE 6-38. A/C RECEIVER DRIER.....	380
FIGURE 6-39. HEATER ASSEMBLY.....	382
FIGURE 6-40. HEATER AND A/C ASSEMBLY.....	384
FIGURE 6-41. HVAC CAB ACTUATOR.....	386
FIGURE 6-42. HEATER.....	388
FIGURE 6-43. HEATER.....	390
FIGURE 6-44. HEATER AND A/C.....	392
FIGURE 6-45. ROOF WIPER INSTALLATION.....	394
FIGURE 6-46. HEADLINER INSTALLATION.....	396
FIGURE 6-47. HEADLINER/RADIO READY PACKAGE INSTALLATION.....	398
FIGURE 6-48. CAB TRIM INSTALLATION.....	400
FIGURE 6-49. DASH COVER ASSEMBLY.....	404

# TABLE OF CONTENTS

FIGURE 6-50. REAR PANEL COVER ASSEMBLY.....	406
FIGURE 6-51. ADJUSTABLE ARMREST INSTALLATION.....	408
FIGURE 6-52. ROOF CAP INSTALLATION (NO A/C).....	410
FIGURE 6-53. ROOF CAP INSTALLATION (A/C).....	412
FIGURE 6-54. RETRACTABLE SUNSCREEN INSTALLATION.....	414
FIGURE 6-55. FLOOR MAT INSTALLATION.....	416
FIGURE 6-56. SEAT BELT INSTALLATION (3IN).....	418
FIGURE 6-57. SEAT BELT INSTALLATION (2IN).....	420
FIGURE 6-58. ENCLOSED CAB FRONT COVER INSTALLATION.....	422
FIGURE 6-59. CAB GUARD INSTALLATION (TOP).....	424
FIGURE 6-60. CAB GUARD INSTALLATION (FRONT).....	426
FIGURE 6-61. CAB GUARD INSTALLATION (TOP AND FRONT).....	428
FIGURE 6-62. EXTERNAL WINDOW RELEASE INSTALLATION (ANSI - ENGLISH).....	430
FIGURE 6-63. EXTERNAL WINDOW RELEASE INSTALLATION (ENGLISH/FRENCH).....	432
SECTION 7 - CONTROLS.....	435
FIGURE 7-1. ACCELERATOR PEDAL INSTALLATION.....	436
FIGURE 7-2. ACCELERATOR PEDAL.....	438
FIGURE 7-3. BRAKE PEDAL INSTALLATION.....	440
FIGURE 7-4. BRAKE PEDAL ASSEMBLY.....	442
FIGURE 7-5. BRAKE SENSOR INSTALLATION.....	444
FIGURE 7-6. SWITCH PLATE ASSEMBLY.....	446
FIGURE 7-7. PARK BRAKE INSTALLATION.....	448
FIGURE 7-8. TILT STEERING COLUMN INSTALLATION.....	450
FIGURE 7-9. TILT STEERING COLUMN.....	452
FIGURE 7-10. COLUMN SHIFT INSTALLATION (2 SPEED).....	454
FIGURE 7-11. COLUMN SHIFT INSTALLATION (0 SPEED).....	456
FIGURE 7-12. STEERING WHEEL INSTALLATION.....	458
FIGURE 7-13. STEERING WHEEL.....	460
FIGURE 7-14. HORN BUTTON INSTALLATION.....	462
FIGURE 7-15. JOYSTICK INSTALLATION (2 SPEED).....	464
FIGURE 7-16. JOYSTICK INSTALLATION.....	466
FIGURE 7-17. WIPER-TURN SWITCH.....	468
SECTION 8 - HYDRAULIC CIRCUITS.....	471
FIGURE 8-1. MAIN HYDRAULIC INSTALLATION.....	472
FIGURE 8-2. BOOM HYDRAULIC INSTALLATION.....	474
FIGURE 8-3. REMOTE GREASE INSTALLATION.....	476
FIGURE 8-4. FRAME LEVEL INSTALLATION.....	478
FIGURE 8-5. FRAME LEVEL CYLINDER INSTALLATION.....	480
FIGURE 8-6. FRAME LEVEL VALVE ASSEMBLY.....	482
FIGURE 8-7. BOOM RAISE HOSE INSTALLATION (NO RIDE CONTROL).....	484
FIGURE 8-8. BOOM RAISE COUNTERBALANCE VALVE (NO RIDE CONTROL).....	486
FIGURE 8-9. BOOM RAISE HOSE INSTALLATION (RIDE CONTROL).....	488
FIGURE 8-10. RIDE AND FLOAT VALVE ASSEMBLY.....	490
FIGURE 8-11. BOOM AUX HYDRAULIC INSTALLATION (MANUAL - SINGLE).....	492
FIGURE 8-12. BOOM AUX HYDRAULIC INSTALLATION (MANUAL - TWIN).....	494
FIGURE 8-13. DIVERTER VALVE ASSEMBLY.....	496
FIGURE 8-14. BOOM AUX HYDRAULIC INSTALLATION (HYDRAULIC - SINGLE).....	498
FIGURE 8-15. DIVERTER VALVE ASSEMBLY.....	500
FIGURE 8-16. BOOM AUX HYDRAULIC INSTALLATION (HYDRAULIC - TWIN).....	502
FIGURE 8-17. DIVERTER VALVE ASSEMBLY.....	504
FIGURE 8-18. RALP HYDRAULIC LINES INSTALLATION.....	506
FIGURE 8-19. MAIN CONTROL VALVE INSTALLATION.....	508
FIGURE 8-20. MAIN CONTROL VALVE ASSEMBLY.....	510
FIGURE 8-21. STEERING SELECT VALVE INSTALLATION.....	512
FIGURE 8-22. STEERING SELECT VALVE ASSEMBLY.....	514
FIGURE 8-23. FRAME LEVEL VALVE INSTALLATION.....	516
FIGURE 8-24. FRAME LEVEL VALVE ASSEMBLY.....	518
FIGURE 8-25. CAB HYDRAULICS INSTALLATION.....	520
FIGURE 8-26. SOLENOID VALVE INSTALLATION.....	522
FIGURE 8-27. SOLENOID VALVE ASSEMBLY.....	524
FIGURE 8-28. CHECK VALVE INSTALLATION.....	526
FIGURE 8-29. CHECK VALVE ASSEMBLY.....	528
FIGURE 8-30. SPEED CONTROL VALVE INSTALLATION.....	530

# TABLE OF CONTENTS

FIGURE 8-31. SPEED CONTROL VALVE ASSEMBLY .....	532
FIGURE 8-32. ENGINE BAY HYDRAULIC INSTALLATION .....	534
FIGURE 8-33. INCHING VALVE INSTALLATION .....	536
FIGURE 8-34. INCHING VALVE ASSEMBLY .....	538
FIGURE 8-35. CHARGE FILTER LINES INSTALLATION .....	540
FIGURE 8-36. CHARGE FILTER INSTALLATION .....	542
FIGURE 8-37. IMPLEMENT PUMP FILTER ASSEMBLY .....	544
FIGURE 8-38. FRAME HYDRAULIC INSTALLATION .....	546
FIGURE 8-39. MANIFOLD INSTALLATION .....	548
FIGURE 8-40. MANIFOLD ASSEMBLY .....	550
FIGURE 8-41. BOOM HYDRAULIC LINE INSTALLATION .....	552
FIGURE 8-42. PRIORITY MANIFOLD INSTALLATION .....	554
FIGURE 8-43. PRIORITY VALVE ASSEMBLY .....	556
FIGURE 8-44. PRIORITY MANIFOLD INSTALLATION (PLATFORM READY) .....	558
FIGURE 8-45. PRIORITY VALVE ASSEMBLY (PLATFORM READY) .....	560
FIGURE 8-46. VALVE ASSEMBLY, BUCKET (5.23 YD <sup>3</sup> /4.0M <sup>3</sup> ) .....	562
SECTION 9 - HYDRAULIC COMPONENTS .....	565
FIGURE 9-1. CYLINDER GROUP INSTALLATION .....	566
FIGURE 9-2. LIFT CYLINDER INSTALLATION .....	568
FIGURE 9-3. LIFT CYLINDER .....	570
FIGURE 9-4. COMPENSATION CYLINDER INSTALLATION .....	572
FIGURE 9-5. COMPENSATION CYLINDER .....	574
FIGURE 9-6. COUPLER LOCKING CYLINDER .....	576
FIGURE 9-7. EXTEND/RETRACT CYLINDER INSTALLATION .....	578
FIGURE 9-8. EXTEND/RETRACT CYLINDER .....	580
FIGURE 9-9. TILT CYLINDER .....	582
FIGURE 9-10. FRAME LEVEL CYLINDER .....	584
FIGURE 9-11. RALP CYLINDER INSTALLATION .....	586
FIGURE 9-12. FORK POSITIONING CYLINDER ASSEMBLY .....	588
FIGURE 9-13. SIDE SHIFT CYLINDER ASSEMBLY .....	590
FIGURE 9-14. UPPER CYLINDER ASSEMBLY .....	592
FIGURE 9-15. LOWER CYLINDER ASSEMBLY .....	594
FIGURE 9-16. REAR AXLE LOCK VALVE INSTALLATION .....	596
FIGURE 9-17. CYLINDER ASSEMBLY .....	598
FIGURE 9-18. CYLINDER ASSEMBLY .....	600
FIGURE 9-19. LOG HANDLER CARRIAGE CYLINDER ASSEMBLY .....	602
FIGURE 9-20. HYDROSTATIC MOTOR .....	604
FIGURE 9-21. HYDROSTATIC PUMP .....	606
FIGURE 9-22. IMPLEMENT PUMP .....	608
FIGURE 9-23. MAIN CONTROL VALVE .....	610
FIGURE 9-24. STEERING SELECT VALVE .....	612
FIGURE 9-25. FRAME LEVEL VALVE .....	614
FIGURE 9-26. SOLENOID VALVE .....	616
FIGURE 9-27. INCHING VALVE .....	618
FIGURE 9-28. PRIORITY VALVE ASSEMBLY .....	620
FIGURE 9-29. BOOM RAISE VALVE (RIDE CONTROL) .....	622
FIGURE 9-30. DIVERTOR VALVE .....	624
FIGURE 9-31. DIVERTOR VALVE .....	626
FIGURE 9-32. STEER UNIT VALVE .....	628
FIGURE 9-33. COUNTERBALANCE VALVE INSTALLATION .....	630
FIGURE 9-34. COUNTERBALANCE VALVE .....	632
FIGURE 9-35. COUNTERBALANCE VALVE .....	634
FIGURE 9-36. COUNTERBALANCE VALVE .....	636
FIGURE 9-37. SPEED CONTROL VALVE .....	638
SECTION 10 - ELECTRICAL .....	641
FIGURE 10-1. MAIN ELECTRICAL INSTALLATION (ULS) .....	642
FIGURE 10-2. FRAME ELECTRICAL INSTALLATION .....	644
FIGURE 10-3. ENGINE POD ELECTRICAL INSTALLATION (ULS) .....	646
FIGURE 10-4. FRAME WIRING INSTALLATION .....	648
FIGURE 10-5. ENGINE BAY ELECTRICAL INSTALLATION (ULS) .....	650
FIGURE 10-6. POWER DISTRIBUTION ELECTRICAL BOX .....	652
FIGURE 10-7. REAR FRAME MODULE INSTALLATION .....	654
FIGURE 10-8. ENGINE WIRING INSTALLATION (ULS) .....	656

# TABLE OF CONTENTS

FIGURE 10-9. ENGINE ECU INSTALLATION .....	658
FIGURE 10-10. BATTERY INSTALLATION.....	660
FIGURE 10-11. DUAL BATTERY INSTALLATION .....	662
FIGURE 10-12. ARTIC BATTERY PACKAGE INSTALLATION (115V) .....	664
FIGURE 10-13. ARCTIC BATTERIES INSTALLATION (115V) .....	666
FIGURE 10-14. HYDRAULIC TANK HEATER INSTALLATION (115V).....	668
FIGURE 10-15. BACKUP ALARM INSTALLATION .....	670
FIGURE 10-16. BACKUP ALARM INSTALLATION (WHITE NOISE) .....	672
FIGURE 10-17. EMERGENCY STOP EXTERNAL INSTALLATION.....	674
FIGURE 10-18. CAB ELECTRICAL INSTALLATION.....	676
FIGURE 10-19. DASH ELECTRICAL INSTALLATION .....	678
FIGURE 10-20. LIGHT SWITCH INSTALLATION .....	680
FIGURE 10-21. BOOM HARNESS INSTALLATION .....	682
FIGURE 10-22. BOOM AUX HARNESS INSTALLATION.....	684
FIGURE 10-23. DRIVING LIGHT INSTALLATION (RH DIP) .....	686
FIGURE 10-24. DRIVING LIGHT INSTALLATION (LED) (RH DIP).....	688
FIGURE 10-25. CAB WORKLIGHTS INSTALLATION (NO A/C - LED).....	690
FIGURE 10-26. CAB WORKLIGHTS INSTALLATION (A/C - LED) .....	692
FIGURE 10-27. BOOM WORK LIGHTS (LED) .....	694
FIGURE 10-28. BOOM WORK LIGHT INSTALLATION (LED) .....	696
FIGURE 10-29. BEACON INSTALLATION .....	698
FIGURE 10-30. BEACON INSTALLATION (LED).....	700
FIGURE 10-31. BEACON (REMOTE BOOM CONTROL) INSTALLATION .....	702
FIGURE 10-32. BEACON (LED) (REMOTE BOOM CONTROL) INSTALLATION .....	704
FIGURE 10-33. REVERSE CAMERA INSTALLATION.....	706
FIGURE 10-34. REVERSE SENSOR INSTALLATION .....	708
FIGURE 10-35. TELEMATICS READY INSTALLATION .....	710
FIGURE 10-36. CLEARSKY INSTALLATION (NO A/C - SHORT ROOF CAP) .....	712
FIGURE 10-37. CLEARSKY INSTALLATION (A/C - LONG ROOF CAP).....	714
FIGURE 10-38. LSI INSTALLATION.....	716
FIGURE 10-39. LSI DISPLAY INSTALLATION.....	718
FIGURE 10-40. LSI SENSOR INSTALLATION.....	720
FIGURE 10-41. LMIS INSTALLATION (HIGH END DISPLAY).....	722
FIGURE 10-42. LMIS BEACON LIGHT INSTALLATION .....	724
FIGURE 10-43. LMIS CONTROL PACKAGE INSTALLATION .....	726
FIGURE 10-44. LMIS WIRING INSTALLATION .....	728
FIGURE 10-45. RIDE CONTROL WIRING INSTALLATION .....	730
FIGURE 10-46. BOOM RIDE CONTROL HARNESS .....	732
FIGURE 10-47. TILT SENSOR INSTALLATION.....	734
FIGURE 10-48. LMIS CONTROLLER INSTALLATION .....	736
FIGURE 10-49. LMIS CABLE REEL INSTALLATION.....	738
FIGURE 10-50. BOOM ANGLE SENSOR INSTALLATION (LMIS) .....	740
FIGURE 10-51. BOOM ANGLE SENSOR INSTALLATION (NO LMIS) .....	742
FIGURE 10-52. BOOM RETRACT SENSOR INSTALLATION .....	744
FIGURE 10-53. ENGINE HARNESS (ULS) .....	746
FIGURE 10-54. FUEL PUMP HARNESS.....	752
FIGURE 10-55. GLOW PLUG RELAY HARNESS.....	754
FIGURE 10-56. BOOM HARNESS .....	756
FIGURE 10-57. BOOM AUX HARNESS .....	758
FIGURE 10-58. CAB HARNESS.....	760
FIGURE 10-59. STANDARD ELECTRICAL BOARD ASSEMBLY .....	768
FIGURE 10-60. OPTION 1 ELECTRICAL BOARD ASSEMBLY .....	770
FIGURE 10-61. OPTION 2 ELECTRICAL BOARD ASSEMBLY .....	772
FIGURE 10-62. CAB OPTION HARNESS .....	774
FIGURE 10-63. FRONT FRAME HARNESS .....	776
FIGURE 10-64. REAR FRAME HARNESS.....	780
FIGURE 10-65. SEAT ADAPTOR HARNESS.....	784
FIGURE 10-66. A/C OPTION HARNESS.....	786
FIGURE 10-67. IGNITION SWITCH HARNESS .....	788
FIGURE 10-68. REVERSE SENSOR HARNESS .....	790
FIGURE 10-69. TELEMATICS READY HARNESS .....	792
FIGURE 10-70. CLEARSKY HARNESS (A/C).....	794
FIGURE 10-71. CLEARSKY HARNESS (NO A/C) .....	796
FIGURE 10-72. LMIS CHASSIS OPTION HARNESS.....	798
FIGURE 10-73. LMIS BOOM HARNESS .....	802
FIGURE 10-74. PLATFORM READY HARNESS .....	804
FIGURE 10-75. LMIS BEACON OPTION HARNESS .....	806

# TABLE OF CONTENTS

FIGURE 10-76. PROXIMITY SENSOR HARNESS .....	808
FIGURE 10-77. HEADLIGHT HARNESS .....	810
FIGURE 10-78. BOOM WORKLIGHTS HARNESS .....	812
FIGURE 10-79. LICENSE LIGHT HARNESS .....	814
SECTION 11 - DECALS .....	817
FIGURE 11-1. CAPACITY CHART HOLDER INSTALLATION .....	818
FIGURE 11-2. REVERSE SENSOR SYSTEM DECAL (ENGLISH) .....	820
FIGURE 11-3. REVERSE SENSING SYSTEM DECAL, (ENGLISH/FRENCH) .....	822
FIGURE 11-4. CAPACITY CHART .....	824
FIGURE 11-5. 1732 DECAL INSTALLATION .....	826
FIGURE 11-6. DECAL INSTALLATION (ENGLISH) .....	828
FIGURE 11-7. DECAL INSTALLATION (ENGLISH/FRENCH) .....	832
SECTION 12 - RECOMMENDED SPARE PARTS .....	835
FIGURE 12-1. RECOMMENDED SPARE PARTS .....	836
PART NUMBER INDEX .....	837

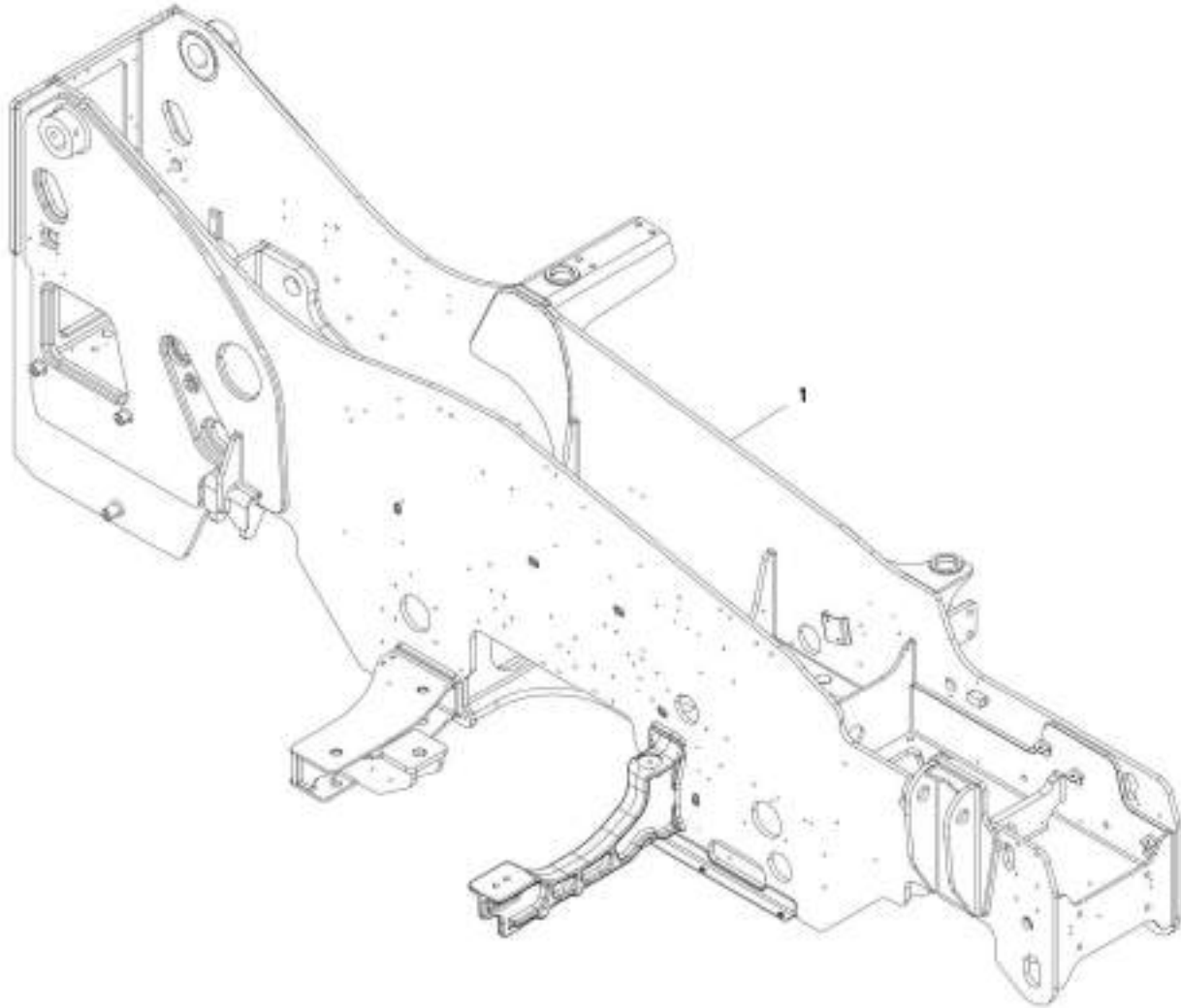


## **SECTION 1 - FRAME AND ATTACHING PARTS**

## **SECTION 1 - FRAME AND ATTACHING PARTS**

# SECTION 1 - FRAME AND ATTACHING PARTS

FIGURE 1-1. FRAME WELDMENT



ART\_1001201418J-L



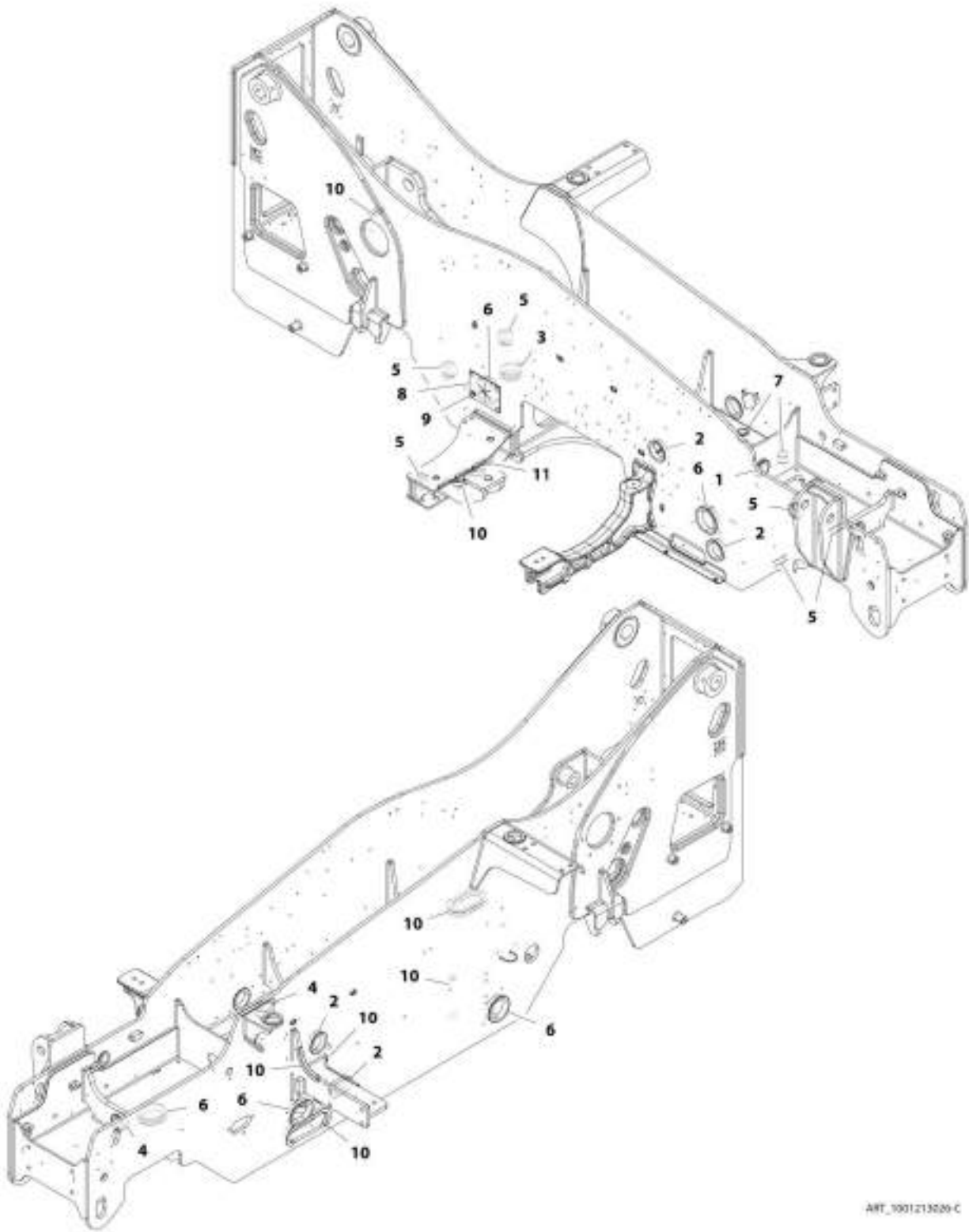
# SECTION 1 - FRAME AND ATTACHING PARTS

## FIGURE 1-1. FRAME WELDMENT

ITEM	PART NUMBER	QTY	DESCRIPTION	REV
1	1001201418J	1	Frame Weldment	L

# SECTION 1 - FRAME AND ATTACHING PARTS

## FIGURE 1-2. GROMMETS INSTALLATION



AWT\_1001213029-C

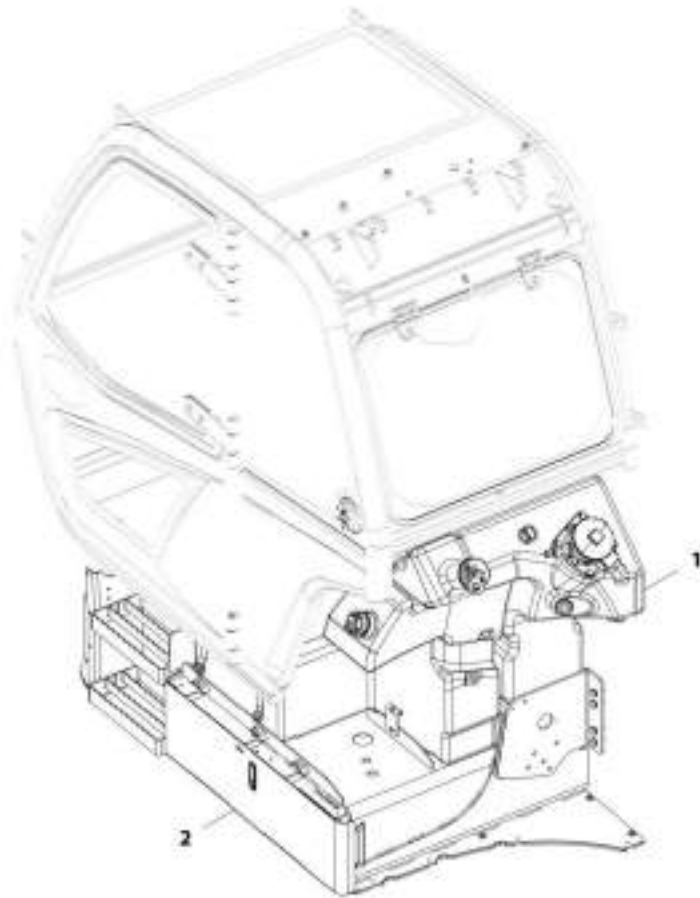
# SECTION 1 - FRAME AND ATTACHING PARTS

## FIGURE 1-2. GROMMETS INSTALLATION

ITEM	PART NUMBER	QTY	DESCRIPTION	REV
	1001213026	Ref	Grommets Installation	C
1	1001009018	1	Grommet	
2	1001028264	4	Grommet	
3	1001028291	1	Grommet	
4	1001028306	2	Grommet	
5	1001028308	6	Grommet	
6	1001028377	5	Grommet	
7	1001028400	2	Grommet	
8	1001175347	1	Grommet	
9	1001180306	4	Screw	
10	4060919	2030 mm	Trim,Hose Protection	
11	90206202	270 mm	Trim Lock	

# SECTION 1 - FRAME AND ATTACHING PARTS

FIGURE 1-3. TANK INSTALLATION



ART\_1001185927-C

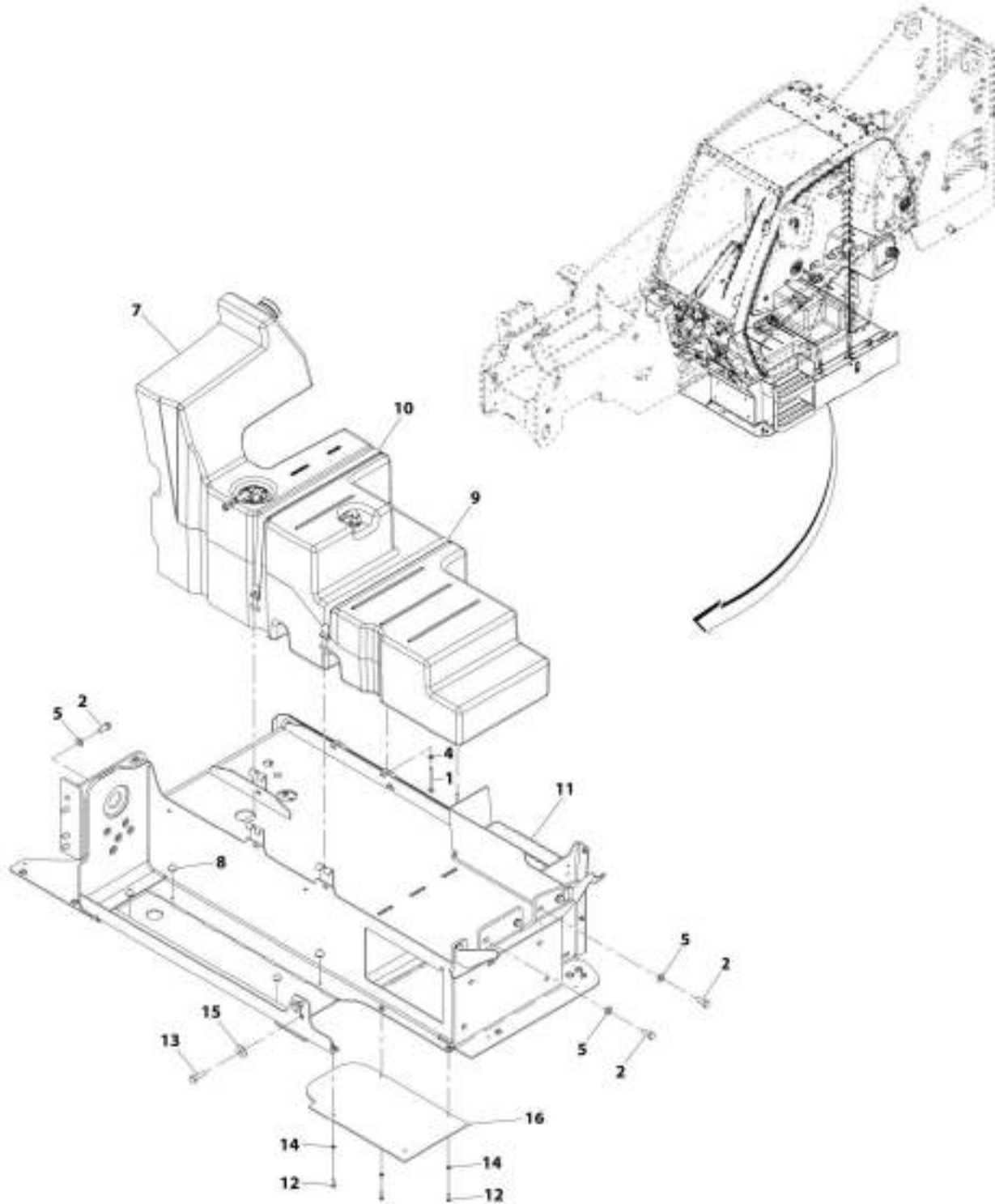
# SECTION 1 - FRAME AND ATTACHING PARTS

## FIGURE 1-3. TANK INSTALLATION

ITEM	PART NUMBER	QTY	DESCRIPTION	REV
1	1001185927	Ref	Tank Installation	C
	1001179850	Ref	Installation, Hydraulic Tank (See Separate Breakdown in this Section)	
2	1001185929	Ref	Installation, Fuel Tank (See Separate Breakdown in this Section)	

# SECTION 1 - FRAME AND ATTACHING PARTS

## FIGURE 1-4. FUEL TANK INSTALLATION



ART\_3001185929-01

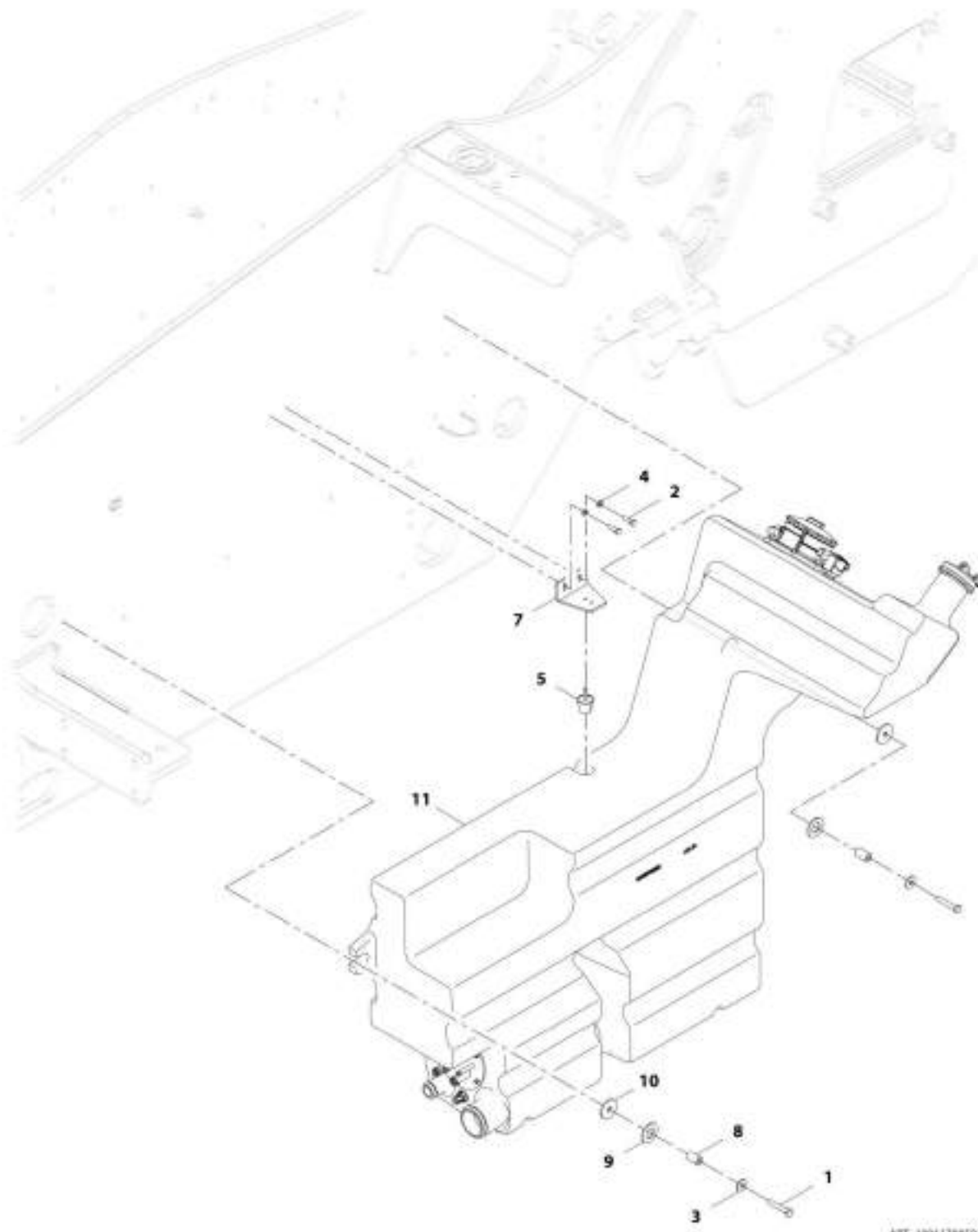
# SECTION 1 - FRAME AND ATTACHING PARTS

## FIGURE 1-4. FUEL TANK INSTALLATION

ITEM	PART NUMBER	QTY	DESCRIPTION	REV
	1001185929	Ref	Fuel Tank Installation	G
1	0760823	2	Bolt, M8X75	
2	0761214	8	Bolt, M12X30	
4	4811900	2	Washer, M8	
5	4812100	8	Washer, M12	
7	1001192125	1	Assembly, Fuel Tank (See Separate Breakdown in this Section)	
8	1001169454	4	Buffer	
9	1001178474	1	Strap	
10	1001178693	1	Strap	
11	1001185930	Ref	Installation, Tank Support (See Separate Breakdown in this Section)	
12	0700610	3	Bolt, M6X20	
13	0701216	2	Bolt, M12X40	
14	4811700	3	Washer, M6	
15	4812102	2	Washer, M12	
16	1001197480	1	Plate	

# SECTION 1 - FRAME AND ATTACHING PARTS

## FIGURE 1-5. HYDRAULIC TANK INSTALLATION



ART\_1801178850-C



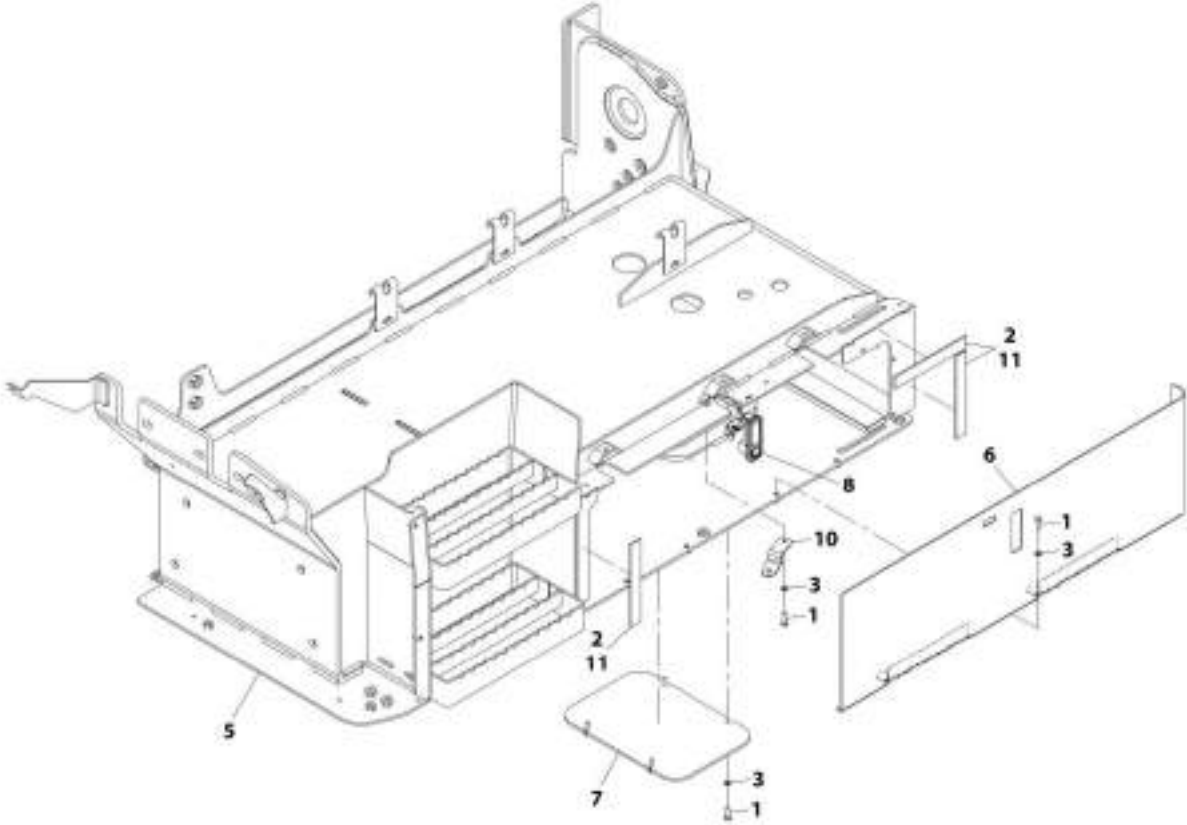
# SECTION 1 - FRAME AND ATTACHING PARTS

## FIGURE 1-5. HYDRAULIC TANK INSTALLATION

ITEM	PART NUMBER	QTY	DESCRIPTION	REV
	1001179850	Ref	Hydraulic Tank Installation	C
1	0701020	2	Bolt, M10X60	
2	0760812	2	Bolt, M8X25	
3	4812002	2	Washer, M10	
4	4811900	2	Washer, M8	
5	1001008575	1	Bumper, Conical	
7	1001177082	1	Bracket	
8	1001171179	2	Spacer	
9	1001172146	2	Washer, Rubber	
10	1001172147	2	Washer, M10	
11	1001179851	1	Assembly, Hydraulic Tank (See Separate Breakdown in this Section)	

**SECTION 1 - FRAME AND ATTACHING PARTS**

**FIGURE 1-6. TANK SUPPORT INSTALLATION**



ART\_1001185930-K

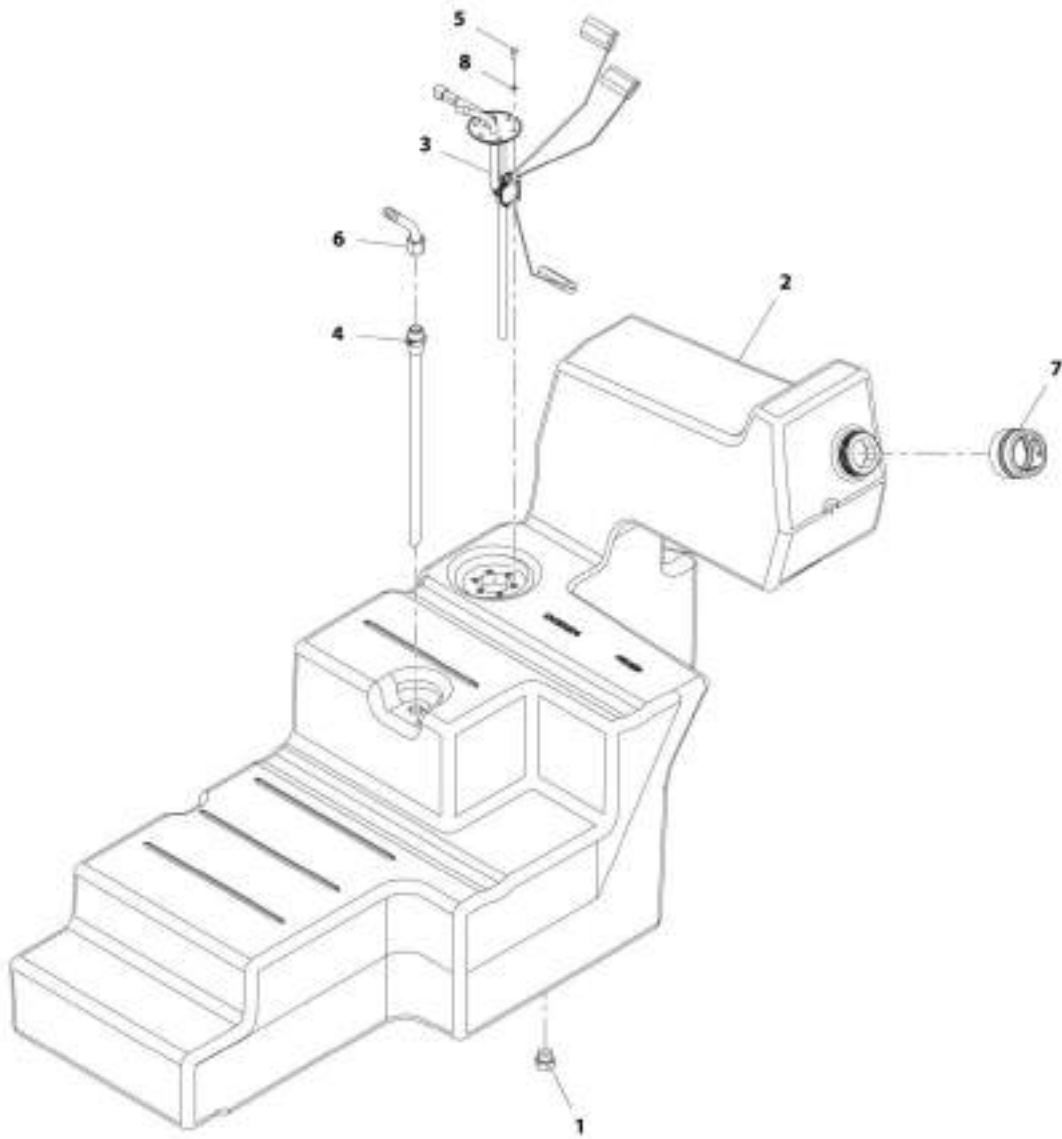
# SECTION 1 - FRAME AND ATTACHING PARTS

## FIGURE 1-6. TANK SUPPORT INSTALLATION

ITEM	PART NUMBER	QTY	DESCRIPTION	REV
	1001185930	Ref	Tank Support Installation	K
1	0700610	9	Bolt, M6X20	
2	4280307	3	Strip	
3	4811700	9	Washer, M6	
5	1001185931	1	Plate, Support	
6	1001185933	1	Cover	
7	1001185935	1	Cover	
8	1001189246	1	Latch, Locking	
10	1001197481	1	Plate	
11	0100081	AR	Compound, Locking	

# SECTION 1 - FRAME AND ATTACHING PARTS

## FIGURE 1-7. FUEL TANK ASSEMBLY



ART 1001192125-C

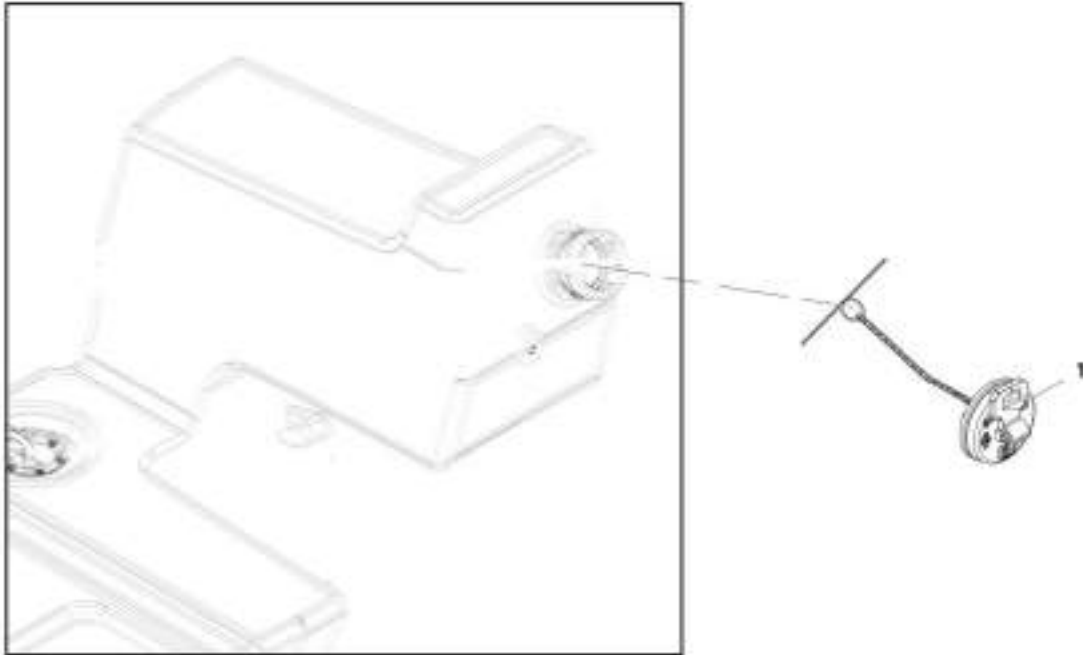
# SECTION 1 - FRAME AND ATTACHING PARTS

## FIGURE 1-7. FUEL TANK ASSEMBLY

ITEM	PART NUMBER	QTY	DESCRIPTION	REV
	1001192125	Ref	Fuel Tank Assembly	C
1	1001003427	1	Plug	
2	1001192124	1	Tank, Fuel	
3	1001222188	1	Sender, Fuel Level	
4	1001170106	1	Pipe, Fuel Supply	
5	4031607	6	Bolt, M5X16	
6	1001172693	1	Fitting, 90	
7	1001192392	1	Adapter	
8	1001222190	6	Washer	

# SECTION 1 - FRAME AND ATTACHING PARTS

FIGURE 1-8. LOCKING FUEL CAP



APT\_1001184300\_A

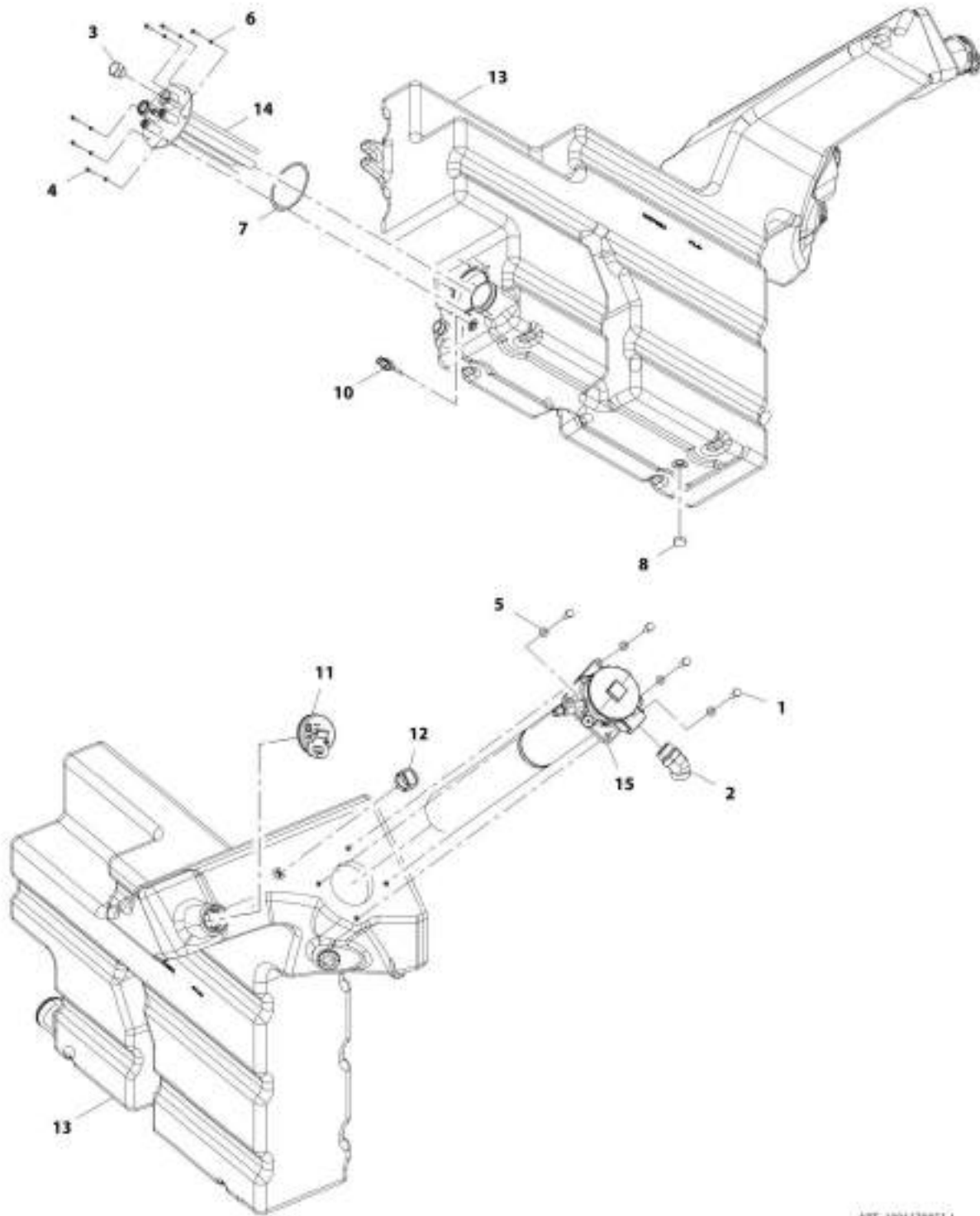
# SECTION 1 - FRAME AND ATTACHING PARTS

## FIGURE 1-8. LOCKING FUEL CAP

ITEM	PART NUMBER	QTY	DESCRIPTION	REV
1	1001194980	Ref	Locking Fuel Cap	A

# SECTION 1 - FRAME AND ATTACHING PARTS

FIGURE 1-9. HYDRAULIC TANK ASSEMBLY



ART\_1801178851-1



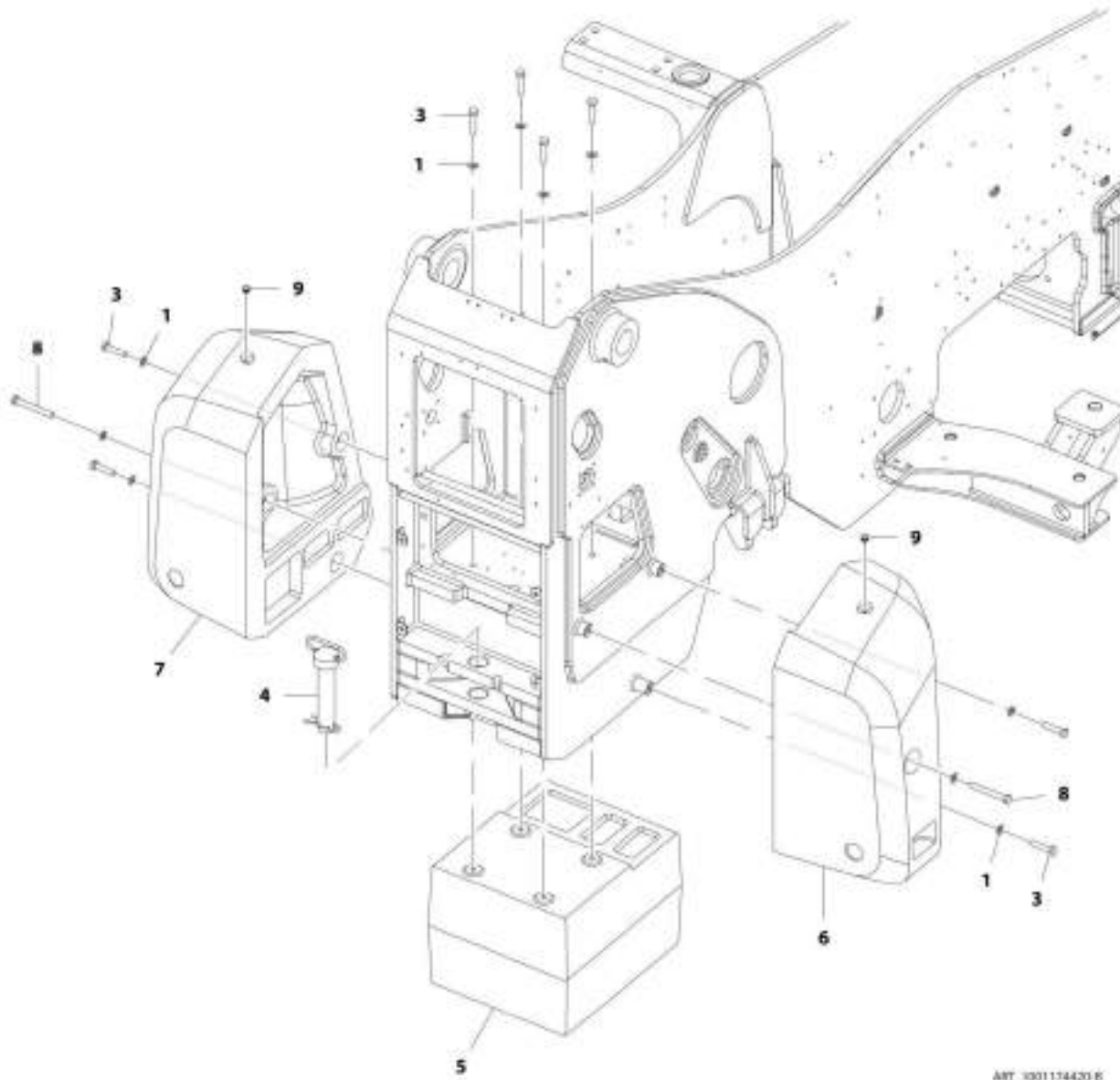
# SECTION 1 - FRAME AND ATTACHING PARTS

## FIGURE 1-9. HYDRAULIC TANK ASSEMBLY

ITEM	PART NUMBER	QTY	DESCRIPTION	REV
	1001179851	Ref	Hydraulic Tank Assembly	I
1	0761012	4	Bolt, M10X25	
2	2152020	1	Fitting, 45 ORFS	
3	2220240	1	Fitting, Straight	
4	4031607	6	Bolt, M5-.8X16	
5	4812000	4	Washer, M10	
6	4831600	6	Washer, Lock M5	
7	1001003301	1	Seal O-Ring	
8	2220239	1	Plug	
10	1001128478	1	Sensor	
11	1001194981	1	Cap, Hydraulic	
12	1001162662	1	Filter, Breather	
13	1001179852	1	Tank, Hydraulic	
14	1001191157	1	Manifold, Hydraulic Return	
15	1001191163	1	Filter	
15	1001191685	1	Element, Filter	

# SECTION 1 - FRAME AND ATTACHING PARTS

## FIGURE 1-10. COUNTERWEIGHT INSTALLATION



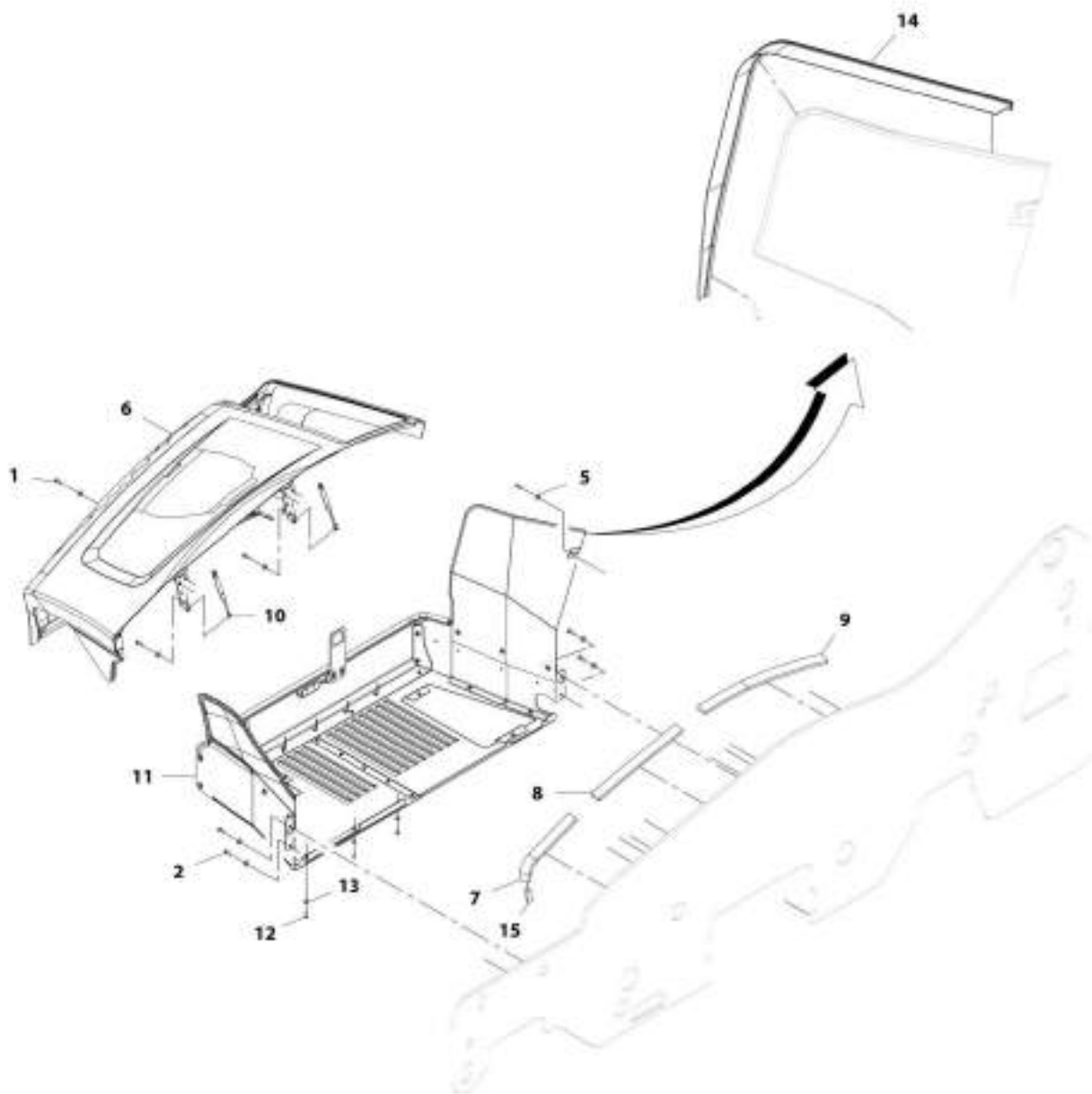
# SECTION 1 - FRAME AND ATTACHING PARTS

## FIGURE 1-10. COUNTERWEIGHT INSTALLATION

ITEM	PART NUMBER	QTY	DESCRIPTION	REV
	1001174420	Ref	Counterweight Installation	B
1	4812300	10	Washer, M16	
3	1001094516	8	Bolt, M16X70 Grade 10.9	
4	1001197955	1	Pin, Hitch	
5	1001213322	1	Counterweight, 900KG	
6	1001213325J	1	Counterweight	
7	1001213326J	1	Counterweight	
8	0711630	2	Bolt, M16X130 Grade 10.9	
9	3520193	2	Plug	

# SECTION 1 - FRAME AND ATTACHING PARTS

FIGURE 1-11. ENGINE ENCLOSURE INSTALLATION



ART\_1801102320-1

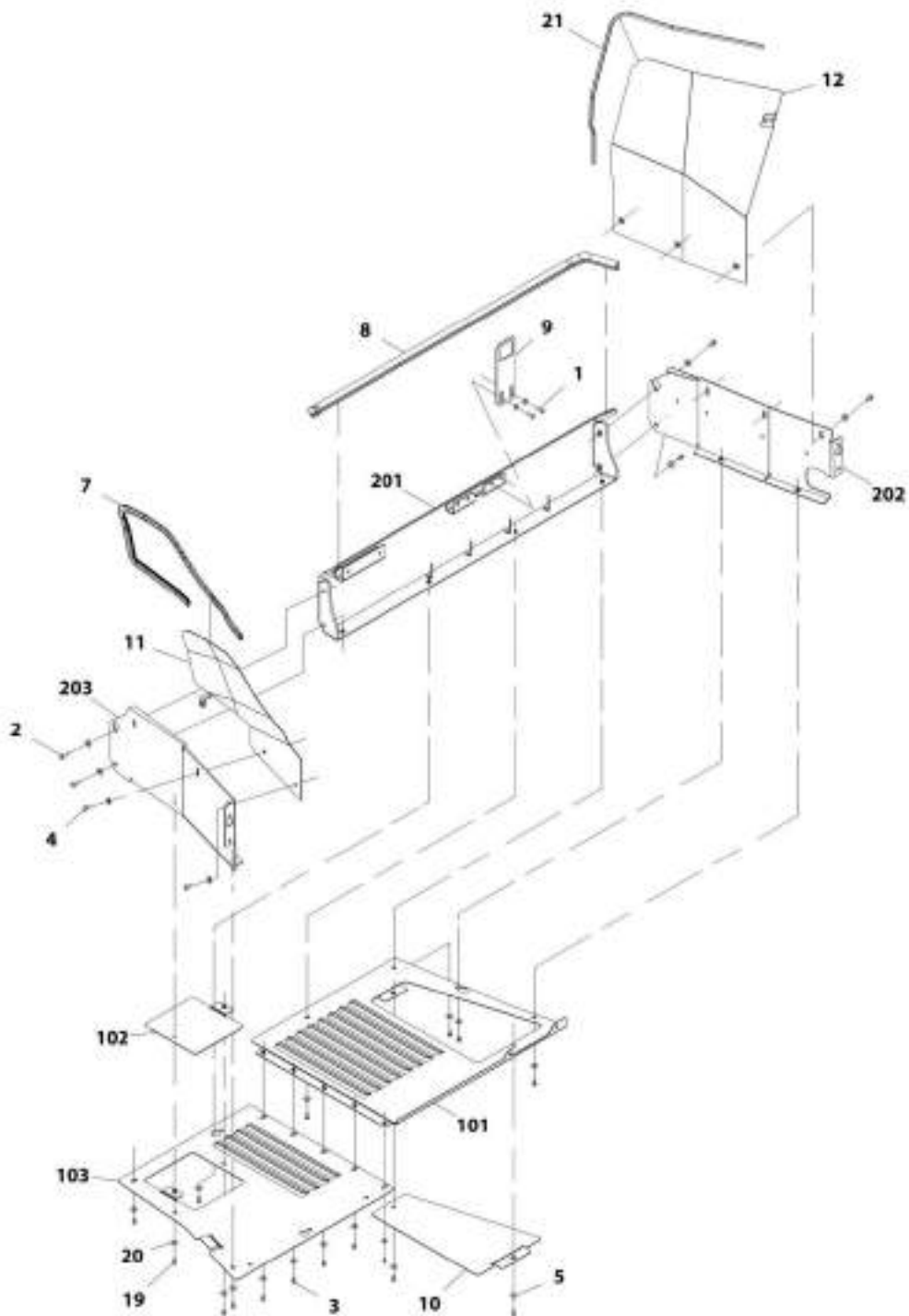
# SECTION 1 - FRAME AND ATTACHING PARTS

## FIGURE 1-11. ENGINE ENCLOSURE INSTALLATION

ITEM	PART NUMBER	QTY	DESCRIPTION	REV
	1001192320	Ref	Engine Enclosure Installation	I
1	0761010	1	Bolt, M10X20	
2	0761012	11	Bolt, M10X25	
5	4812002	12	Washer, M10	
6	1001168834	NLA	Assembly, Hood (no longer available, use 1001235963 for replacement) (See Separate Breakdown in this Section)	
6	1001235963	Ref	Assembly, Hood (See Seperate Breakdown in this Section)	
7	1001203932	1	Seal	
8	1001203933	1	Seal	
9	1001203934	1	Seal	
10	1001171885	2	Spring, Gas	
11	1001192622	Ref	Assembly, Engine Enclosure (See Separate Breakdown in this Section)	
12	0760810	3	Bolt, M8X20	
13	4811902	3	Washer, M8	
14	1001197339	1	Seal	
15	1001229609	1	Seal, Foam Gasket	

# SECTION 1 - FRAME AND ATTACHING PARTS

FIGURE 1-12. ENGINE ENCLOSURE ASSEMBLY



ART\_180110322-1

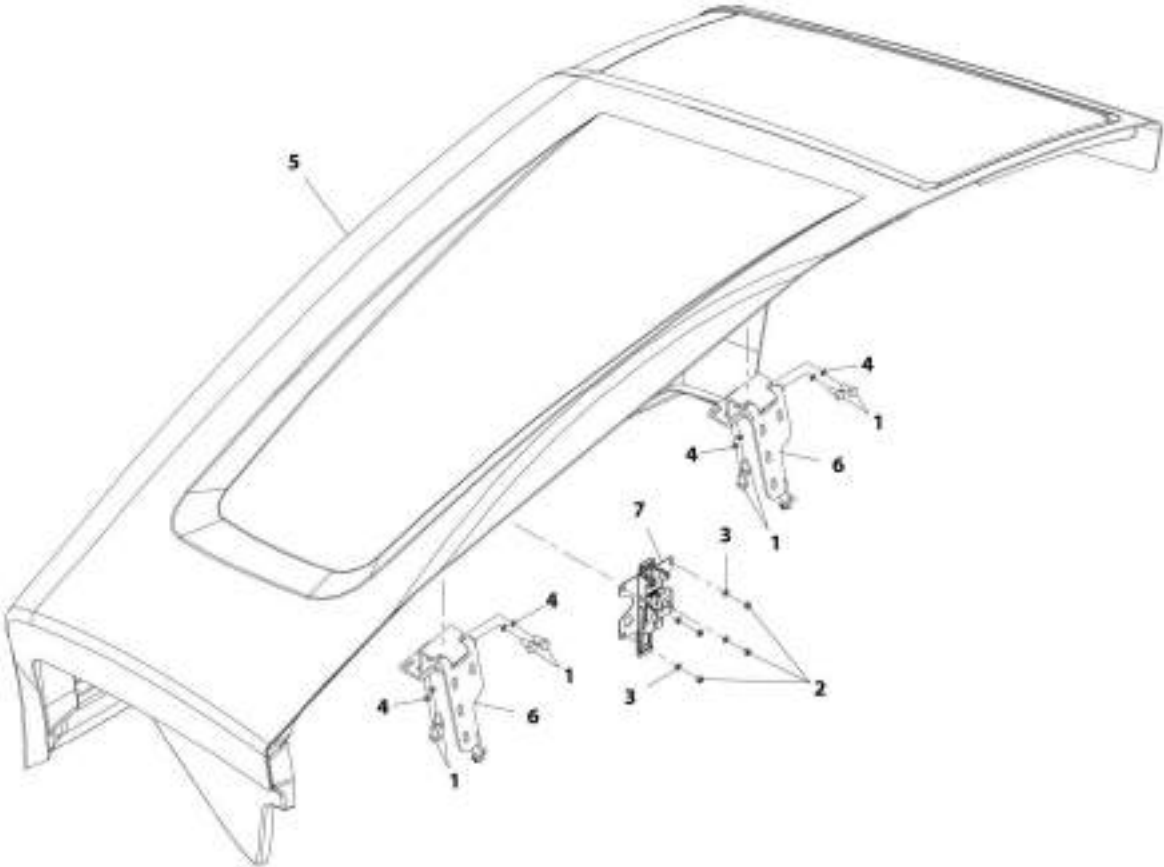
# SECTION 1 - FRAME AND ATTACHING PARTS

## FIGURE 1-12. ENGINE ENCLOSURE ASSEMBLY

ITEM	PART NUMBER	QTY	DESCRIPTION	REV
	1001192622	Ref	Engine Enclosure Assembly	I
1	0700814	2	Bolt, M8X30	
2	0701014	4	Bolt, M10X30	
3	0760807	5	Bolt, M8X14	
4	0761010	6	Bolt, M10X20	
5	4811902	19	Washer, M8	
7	1001003227	1573 mm	Seal	
8	1001204486	1785 mm	Seal	
9	1001209388	1	Latch, Hood	
10	1001169265	1	Plate, Access Panel	
11	1001219115	1	Panel, Front Wheel	
12	1001192627	1	Panel, Rear Cover	
19	0760808	12	Bolt, M8X16	
20	4812002	10	Washer, M10	
21	1001008999	1381 mm	Trim, Edge	
101	1001192631	1	Panel, Bottom Cover	
102	1001194969	1	Panel, Access	
103	1001219250	1	Panel, Bottom Front Cover	
201	1001192623J	1	Panel, Side Skirt	
202	1001224450J	1	Panel, Rear Skirt	
203	1001219113J	1	Panel, Front Skirt	

**SECTION 1 - FRAME AND ATTACHING PARTS**

**FIGURE 1-13. HOOD ASSEMBLY**



ART\_100110034-K



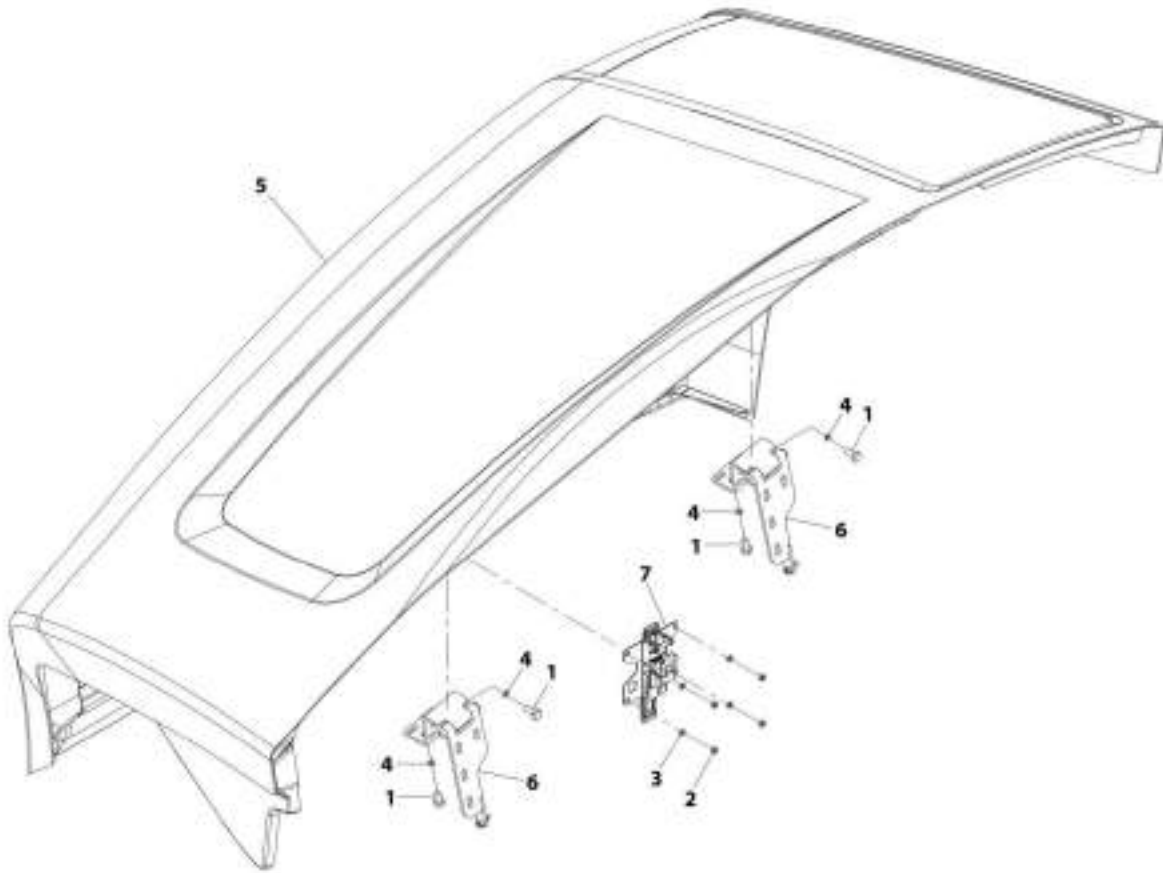
# SECTION 1 - FRAME AND ATTACHING PARTS

## FIGURE 1-13. HOOD ASSEMBLY

ITEM	PART NUMBER	QTY	DESCRIPTION	REV
	1001168834	NLA	Hood Assembly (no longer available, use items 1 thru 7 for service or 1001235963 for replacement)	K
1	0761010	8	Bolt, M10X20	
2	3290605	4	Nut, Lock M6X1	
3	4811700	4	Washer, M6	
4	4812000	8	Washer, M10	
5	1001166698	1	Hood	
6	1001209387	2	Hinge, Hood	
7	1001132168	1	Latch, Hood	

# SECTION 1 - FRAME AND ATTACHING PARTS

FIGURE 1-14. HOOD ASSEMBLY



ART\_1001255903-B

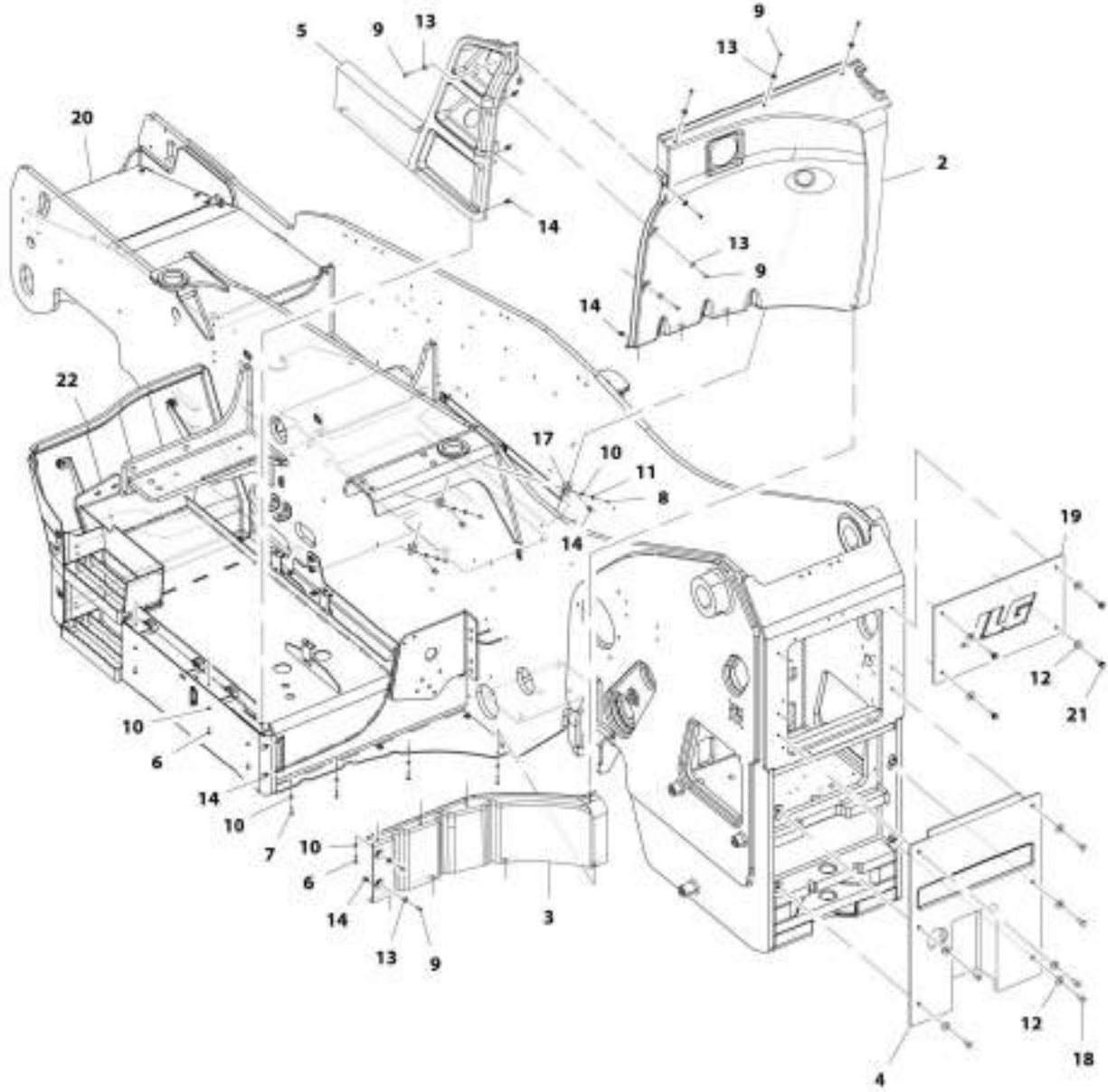
# SECTION 1 - FRAME AND ATTACHING PARTS

## FIGURE 1-14. HOOD ASSEMBLY

ITEM	PART NUMBER	QTY	DESCRIPTION	REV
	1001235963	Ref	Hood Assembly	B
1	0761010	8	Bolt, M10X20	
2	3290605	4	Nut, Lock M6X1	
3	4811700	4	Washer, M6	
4	4812000	8	Washer, M10	
5	1001234455	1	Hood	
6	1001209387	2	Hinge, Hood	
7	1001132168	1	Latch, Hood	

# SECTION 1 - FRAME AND ATTACHING PARTS

## FIGURE 1-15. COVER INSTALLATION (ULS)



ART\_1001194884-1

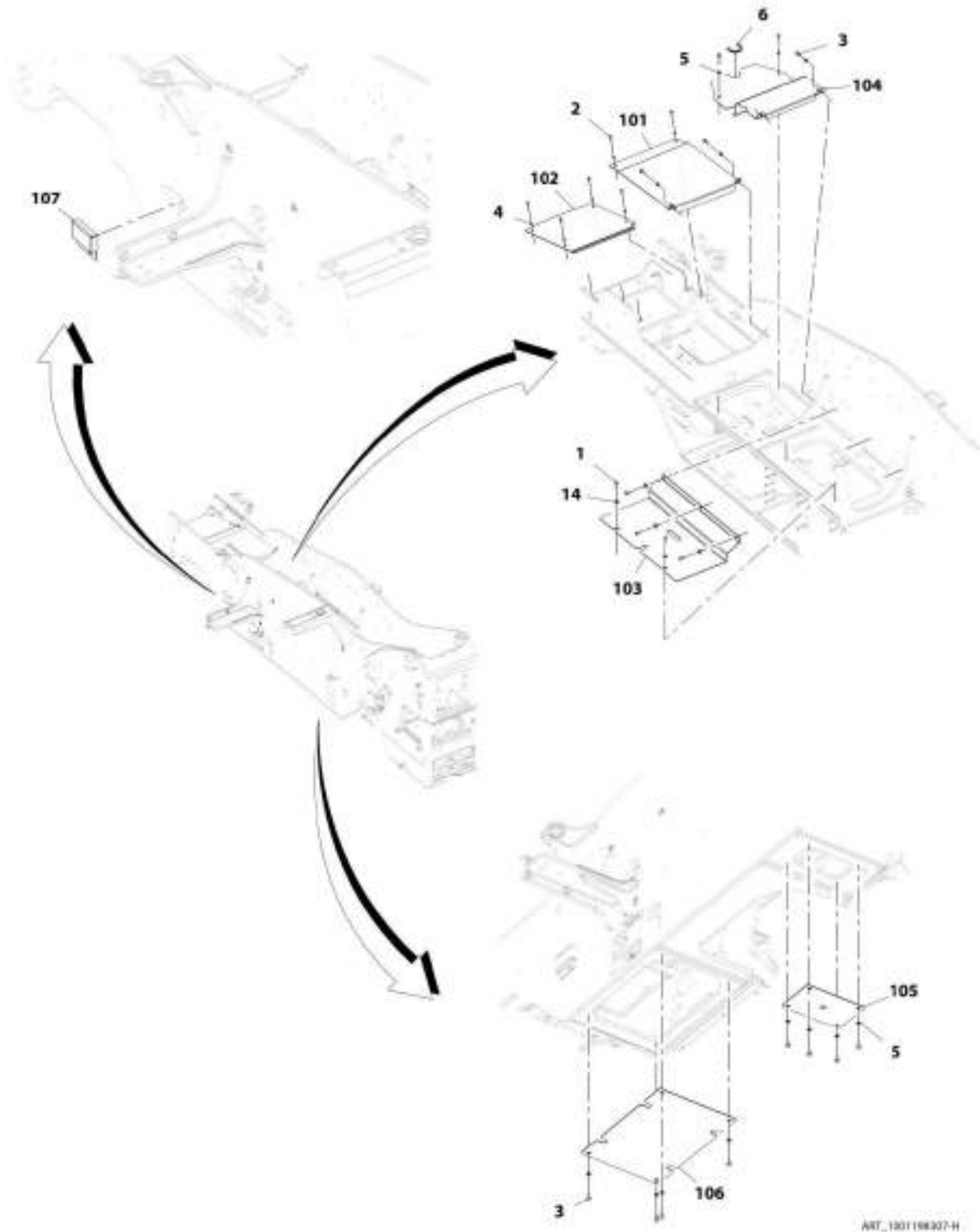
# SECTION 1 - FRAME AND ATTACHING PARTS

## FIGURE 1-15. COVER INSTALLATION (ULS)

ITEM	PART NUMBER	QTY	DESCRIPTION	REV
	1001184869	Ref	Cover Installation (ULS)	1
2	1001184872	1	Cover, Rear Tank	
3	1001184874	1	Cover, Lower Rear Tank	
4	1001213834	1	Cover, Rear Frame	
5	1001168758	1	Cover, Side Tank	
6	0700610	7	Bolt, M6X20	
7	0700612	4	Bolt, M6X25	
8	0760607	3	Bolt, M6X14	
9	0630576	9	Screw, M6X20	
10	4811700	14	Washer, M6	
11	4831700	3	Washer, Lock M6	
12	4812002	10	Washer, M10	
13	1001097540	9	Washer, M6	
14	1001130220	19	Nut, M6	
17	1001231385	3	Plate, Angle Mount	
18	0761012	6	Bolt, M10X25	
19	1001213833	1	Cover, Rear Frame	
20	1001198307	Ref	Installation, Frame Cover (See Separate Breakdown in this Section)	
21	1001161439	4	Screw	
22	1001201848	Ref	Installation, Front Lower Cover (See Separate Breakdown in this Section)	

# SECTION 1 - FRAME AND ATTACHING PARTS

FIGURE 1-16. FRAME COVER INSTALLATION



ART\_1801198307-H

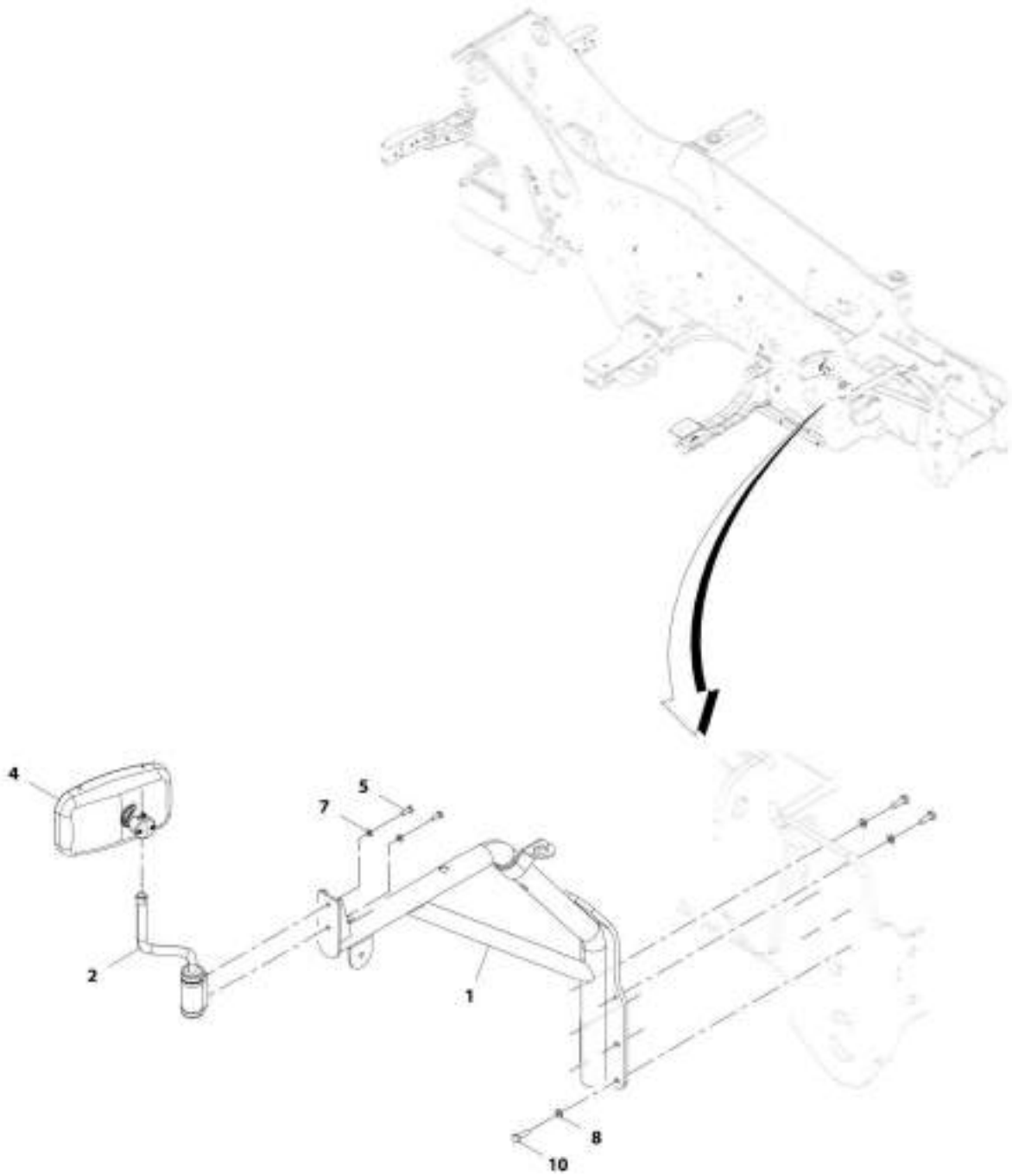
# SECTION 1 - FRAME AND ATTACHING PARTS

## FIGURE 1-16. FRAME COVER INSTALLATION

ITEM	PART NUMBER	QTY	DESCRIPTION	REV
	1001198307	Ref	Frame Cover Installation	H
1	0701014	4	Bolt, M10X30	
2	0760810	6	Bolt, M8X20	
3	0761010	15	Bolt, M10X20	
4	4811900	6	Washer, M8	
5	4812000	14	Washer, M10	
6	90206196	0.15 m	Gasket	
14	4812002	5	Washer, M10	
101	1001197056	1	Cover, Battery	
102	1001197057	1	Plate, Valve Cover	
103	1001197733	1	Plate, Frame Cover	
104	1001197734	1	Plate, Frame Cover	
105	1001211899	1	Plate, Frame Cover	
106	1001211900	1	Plate, Frame Cover	
107	1001218694	1	Cover	

# SECTION 1 - FRAME AND ATTACHING PARTS

FIGURE 1-17. MIRROR INSTALLATION



ART\_1801102324-E



# SECTION 1 - FRAME AND ATTACHING PARTS

## FIGURE 1-17. MIRROR INSTALLATION

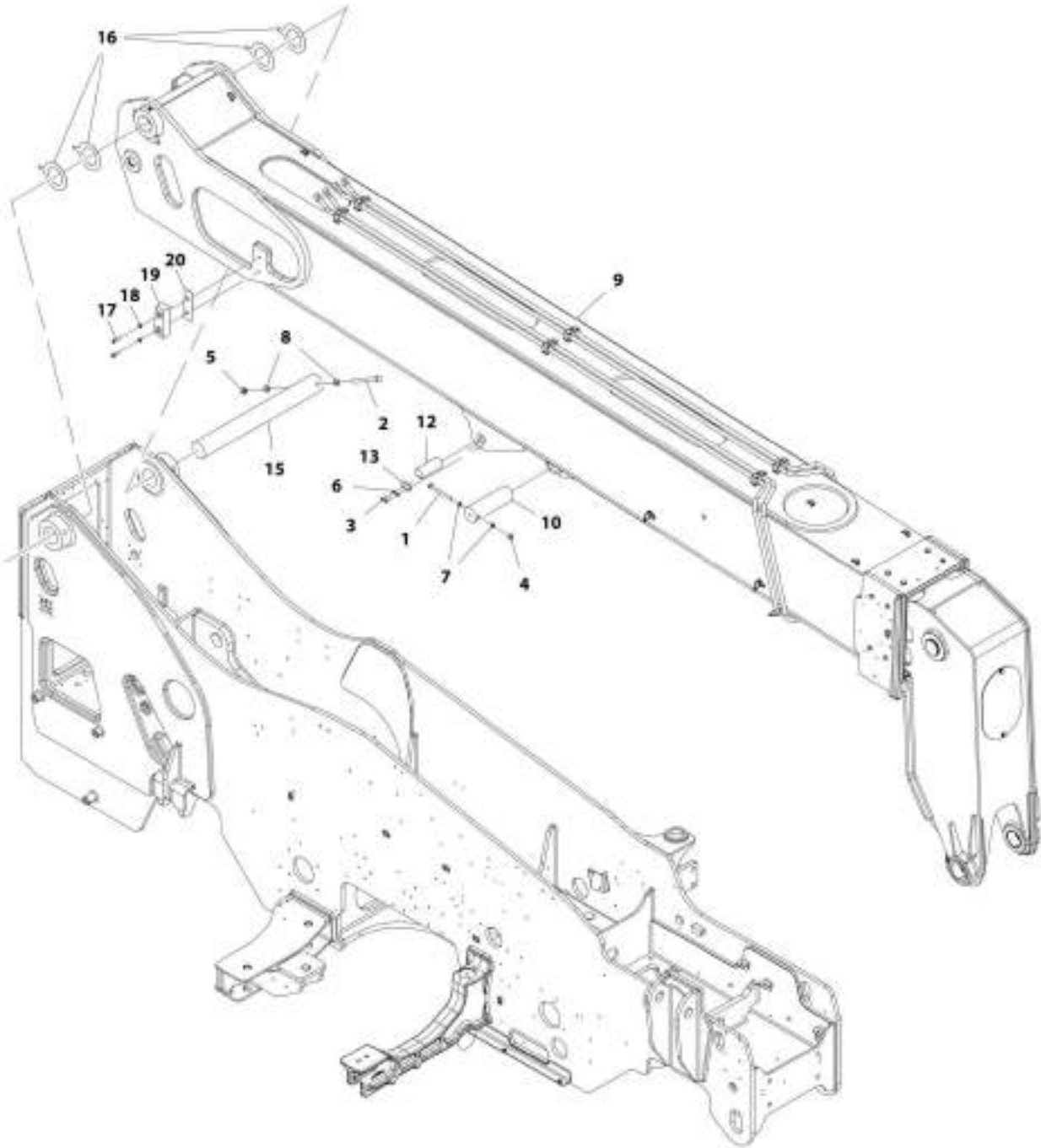
ITEM	PART NUMBER	QTY	DESCRIPTION	REV
	1001192324	Ref	Mirror Installation	E
1	1001206099	1	Bracket	
2	1001209346	1	Bracket	
4	1001191635	1	Mirror, Convex	
5	0760810	2	Bolt, M8X20	
7	4811900	2	Bolt, M8X20	
8	4812000	6	Washer, M10	
10	0701014	6	Bolt, M10X30	



**SECTION 2 - BOOM**

## SECTION 2 - BOOM

FIGURE 2-1. BOOM INSTALLATION



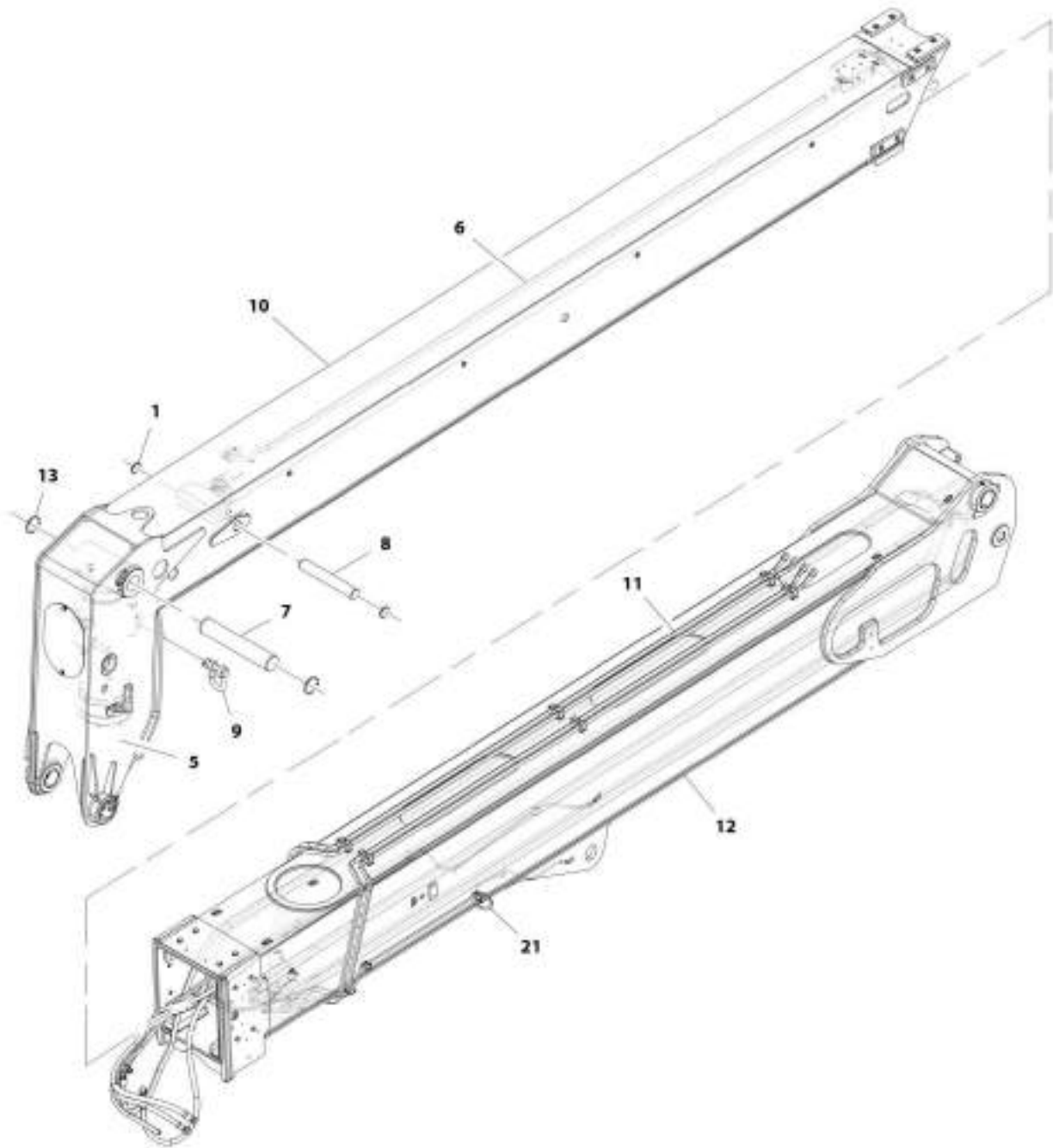
ART\_3001102352-C

FIGURE 2-1. BOOM INSTALLATION

ITEM	PART NUMBER	QTY	DESCRIPTION	REV
	1001192352	Ref	Boom Installation	C
1	0701230	1	Bolt, M12X130	
2	0711635	1	Bolt, M16X180 Grade 10.9	
3	0760810	2	Bolt, M8X20	
4	3291205	1	Nut, Lock M12X1.75 Grade 8	
5	3291605	1	Nut, Lock M16X2 Grade 8	
6	4811900	2	Washer, M8	
7	4812100	2	Washer, M12	
8	4812300	2	Washer, M16	
9	1001174103	1	Assembly, Boom Section (See Separate Breakdown in this Section)	
10	1001190254	1	Pin	
12	1001190256	1	Pin	
13	1001190257	1	Plate	
15	1001190260	1	Pin	
16	1001219953	4	Shim	
17	4032010	4	Bolt, M10X30	
18	4812000	4	Washer, M10	
19	1001195655	2	Pad, M44X50X160	
20	1001219905	AR	Shim	

# SECTION 2 - BOOM

## FIGURE 2-2. BOOM ASSEMBLY



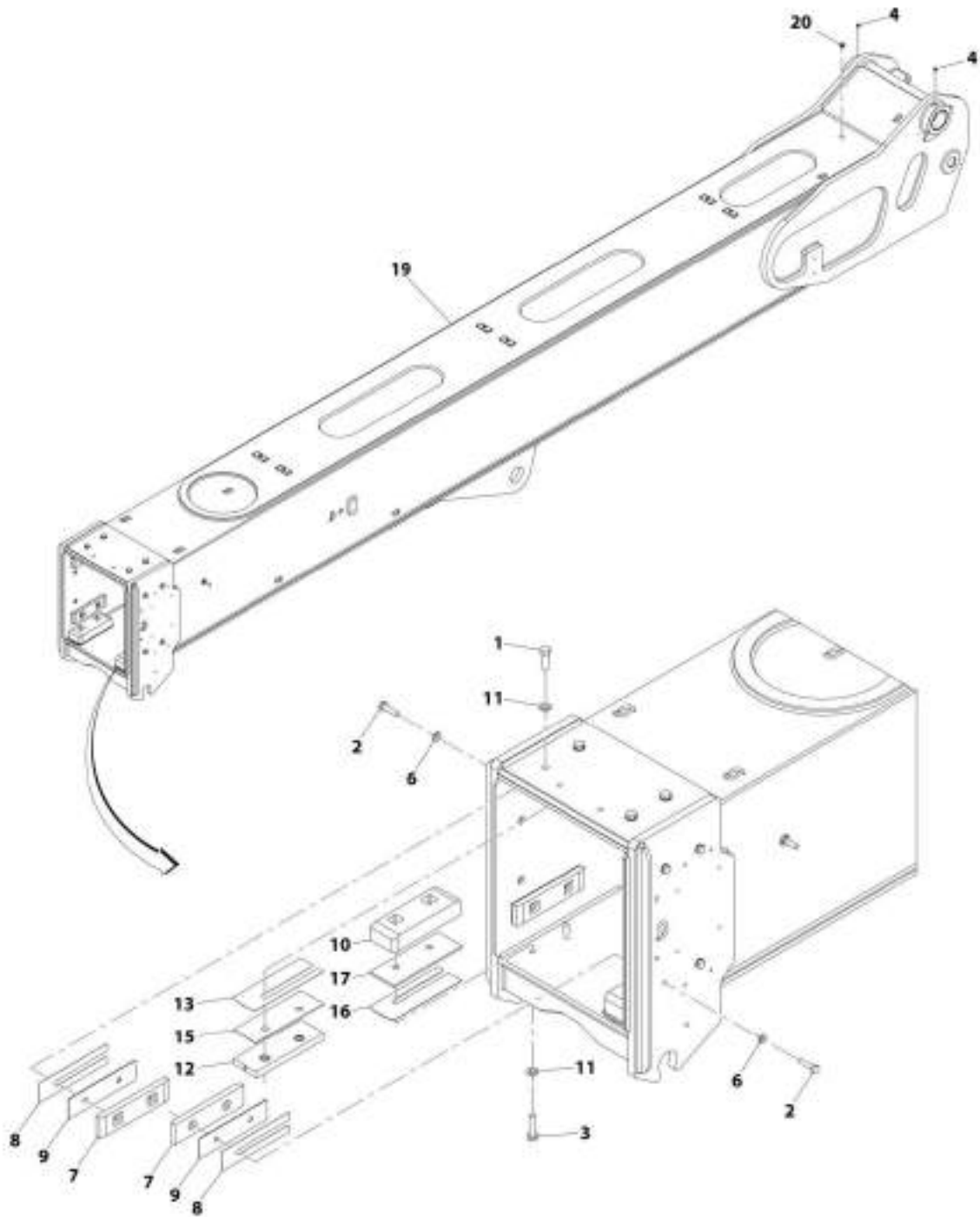
ART\_3001174102-E

FIGURE 2-2. BOOM ASSEMBLY

ITEM	PART NUMBER	QTY	DESCRIPTION	REV
	1001174103	Ref	Boom Assembly	E
1	314689	2	Ring, Retaining M50	
5	1001174812	1	Cylinder, Tilt (See Separate Breakdown in Hydraulic Components Section)	
6	1001178157	1	Cylinder, Inner Extend/Retract (See Separate Breakdown in Hydraulic Components Section)	
7	1001203989	1	Pin	
8	1001190253	1	Pin	
9	1001191110	1	Shackle, M25	
10	1001191752	1	Assembly, Boom Section (See Separate Breakdown in this Section)	
11	1001193100	Ref	Installation, Boom Hydraulic Tubes (See Separate Breakdown in Hydraulic Circuits Section)	
12	1001195636	1	Assembly, First Boom Section (See Separate Breakdown in this Section)	
13	1001197262	2	Ring, Retaining	
21	1001217352	1	INSTALL,BOOM REMOTE GREASE, 9.6M	
21	1001217352	Ref	Installation, Boom Remote Grease (See Separate Breakdown in Hydraulic Circuits Section)	

# SECTION 2 - BOOM

## FIGURE 2-3. FIRST BOOM SECTION ASSEMBLY



ART\_1001195636-H



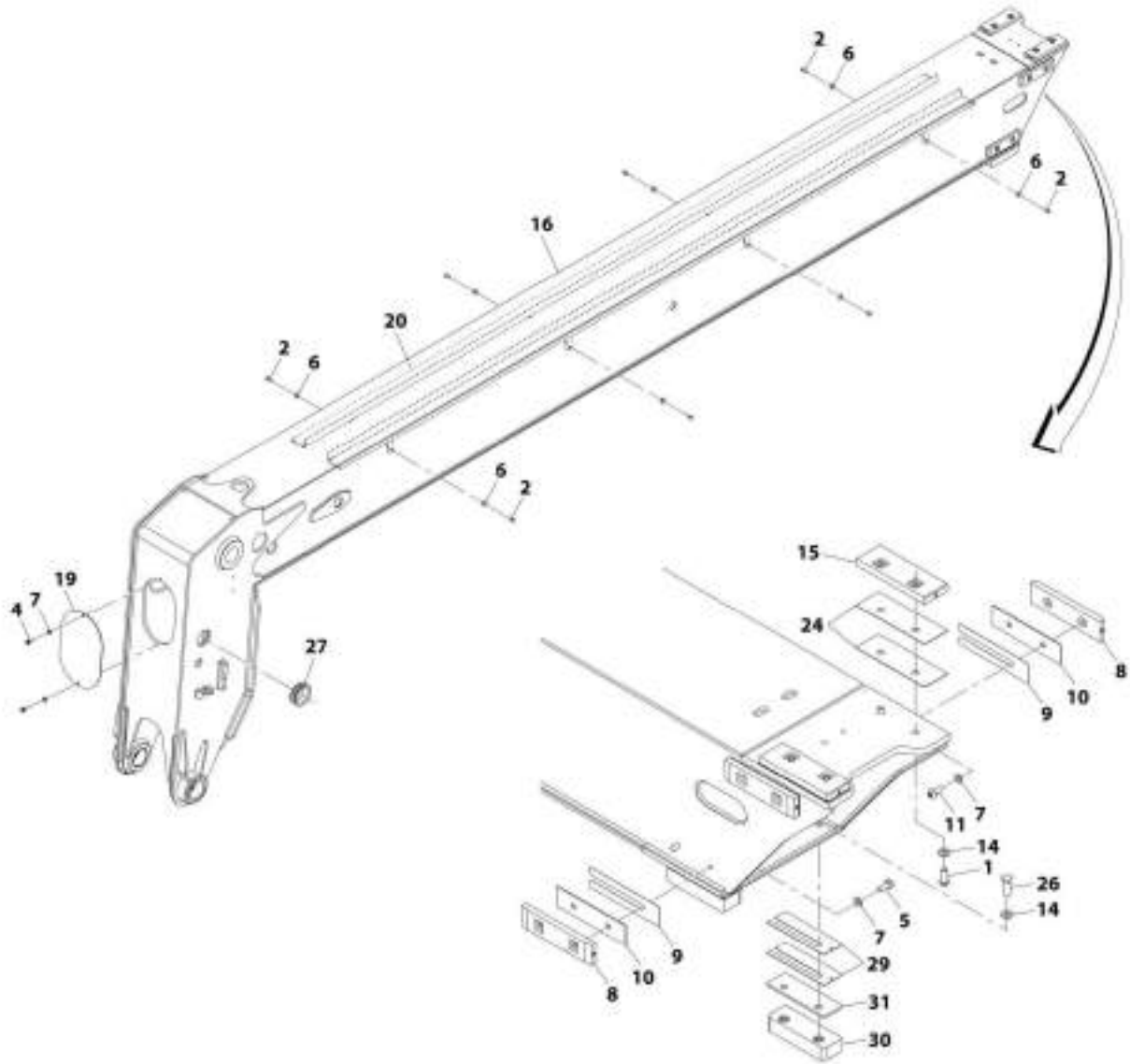
## SECTION 2 - BOOM

**FIGURE 2-3. FIRST BOOM SECTION ASSEMBLY**

ITEM	PART NUMBER	QTY	DESCRIPTION	REV
	1001195636	Ref	First Boom Section Assembly	H
1	0711216	4	Bolt, M12X40 Grade 10.9	
2	0711016	8	Bolt, M10X40 Grade 10.9	
3	0711218	4	Bolt, M12X50 Grade 10.9	
4	2160016	2	Fitting, Grease	
6	4812000	AR	Washer, M10	
7	8002200	4	Pad	
8	8008640	AR	Shim	
9	1001003031	4	Shim	
10	1001227337	2	Pad	
11	1001125117	AR	Washer, M12	
12	1001227334	2	Pad	
13	1001195194	AR	Shim	
15	1001195737	2	Shim	
16	1001195738	AR	Shim	
17	1001195739	2	Shim	
19	1001195637J	1	Boom	
20	3520193	1	Plug	

# SECTION 2 - BOOM

FIGURE 2-4. SECOND BOOM SECTION ASSEMBLY



ART\_1001191752-L

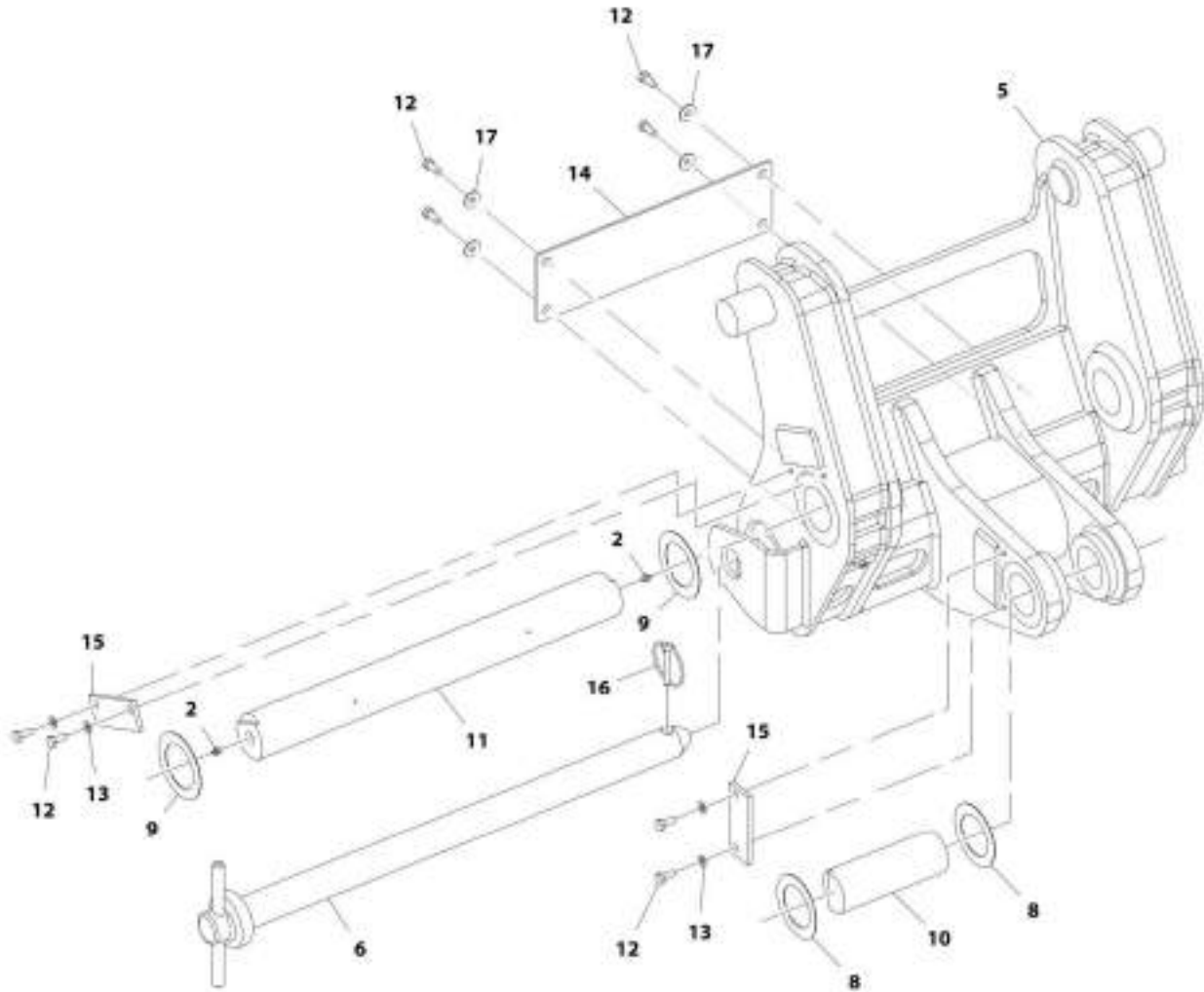
## SECTION 2 - BOOM

**FIGURE 2-4. SECOND BOOM SECTION ASSEMBLY**

ITEM	PART NUMBER	QTY	DESCRIPTION	REV
	1001191752	Ref	Second Boom Section Assembly	L
1	1001229056	1	Screw, M12X30	
2	0760810	8	Bolt, M8X20	
4	1001161439	2	Screw	
5	0771012	4	Bolt, M10X25 Grade 10.9	
6	4811902	8	Washer, M8	
7	4812000	AR	Washer, M10	
8	8002200	4	Pad	
9	8008640	AR	Shim	
10	1001003031	4	Shim	
11	1001009325	4	Screw	
14	1001125117	AR	Washer, M12	
15	1001227334	2	Pad	
16	1001191753	1	Boom	
19	1001191789	1	Plate	
20	1001203987	2	Bracket	
24	1001195737	4	Shim	
26	0711215	4	Bolt, M12X35 Grade 10.9	
27	1001028415	1	Grommet	
29	1001163104	AR	Plate	
30	1001165175	2	Pad	
31	1001215464	2	Shim	

## SECTION 2 - BOOM

FIGURE 2-5. COUPLER INSTALLATION (MANUAL)



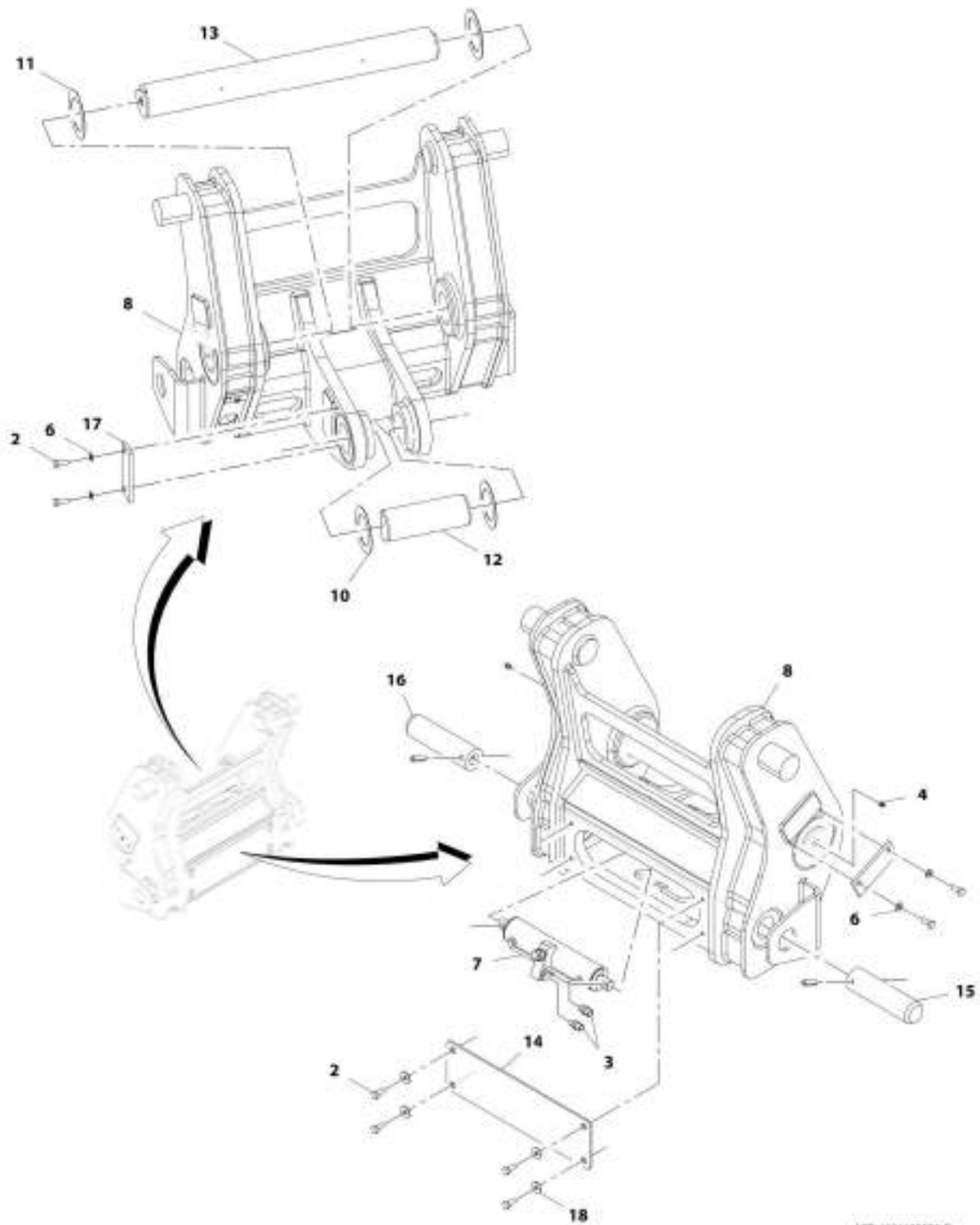
ART\_1081174304-G

FIGURE 2-5. COUPLER INSTALLATION (MANUAL)

ITEM	PART NUMBER	QTY	DESCRIPTION	REV
	1001174104	Ref	Coupler Installation (Manual)	G
2	2160016	2	Fitting, Grease	
5	1001187820	1	Coupling, Manual	
6	1001187821	1	Pin	
8	1001187847	AR	Shim	
9	1001187848	AR	Shim	
10	1001190250	1	Pin, Tilt	
11	1001190264	1	Pin	
12	0761012	8	Bolt, M10X25	
13	4812000	4	Washer, M10	
14	1001200393	1	Plate, Front Cover	
15	1001210326	2	Plate	
16	1001003803	1	Pin	
17	4812002	4	Washer, M10	

# SECTION 2 - BOOM

## FIGURE 2-6. COUPLER INSTALLATION (HYDRAULIC)



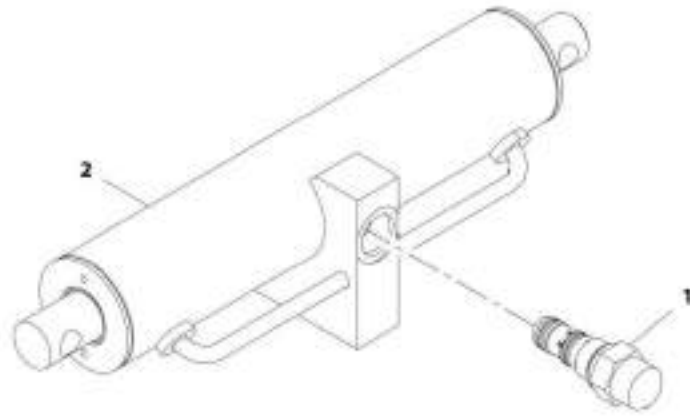
ART\_1801102350-D

FIGURE 2-6. COUPLER INSTALLATION (HYDRAULIC)

ITEM	PART NUMBER	QTY	DESCRIPTION	REV
	1001192358	Ref	Coupler Installation (Hydraulic)	D
2	0761012	8	Bolt, M10X25	
3	2110606	2	Fitting, Straight ORFS	
4	2160016	2	Fitting, Grease	
6	4812000	4	Washer, M10	
7	1001145391	1	Assembly, Coupler Locking Cylinder (See Seperate Breakdown in this Section)	
8	1001187820	1	Carriage	
10	1001187847	AR	Shim, M76X115X1.5	
11	1001187848	AR	Shim, M81X120X1.5	
12	1001190250	1	Pin, Tilt	
13	1001190264	1	Pin, Coupler	
14	1001200393	1	Plate, Front Cover	
15	1001200395	2	Pin	
16	1001184610	2	Pin	
17	1001210326	2	Plate, Pin Retention	
18	4812002	4	Washer, M10	

## SECTION 2 - BOOM

FIGURE 2-7. COUPLER LOCKING CYLINDER ASSEMBLY



ART\_1801145391-A

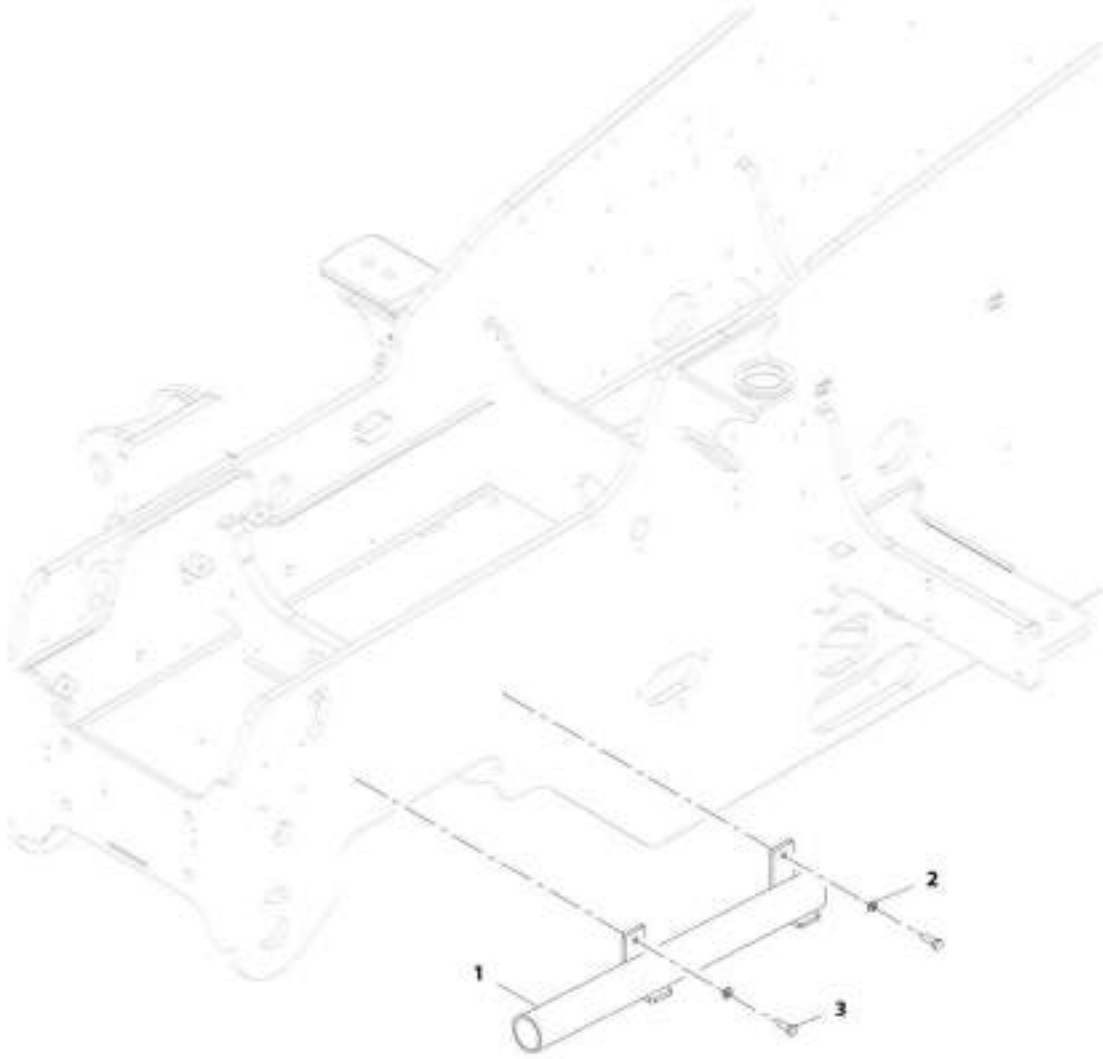


**FIGURE 2-7. COUPLER LOCKING CYLINDER ASSEMBLY**

ITEM	PART NUMBER	QTY	DESCRIPTION	REV
	1001145391	Ref	Coupler Locking Cylinder Assembly	A
1	1001007056	1	Valve, Check	
2	1001145390	1	Cylinder, Coupler Locking (See Seperate Breakdown in Hydraulic Components Section)	

## SECTION 2 - BOOM

FIGURE 2-8. MANUAL COUPLER PIN HOLDER INSTALLATION



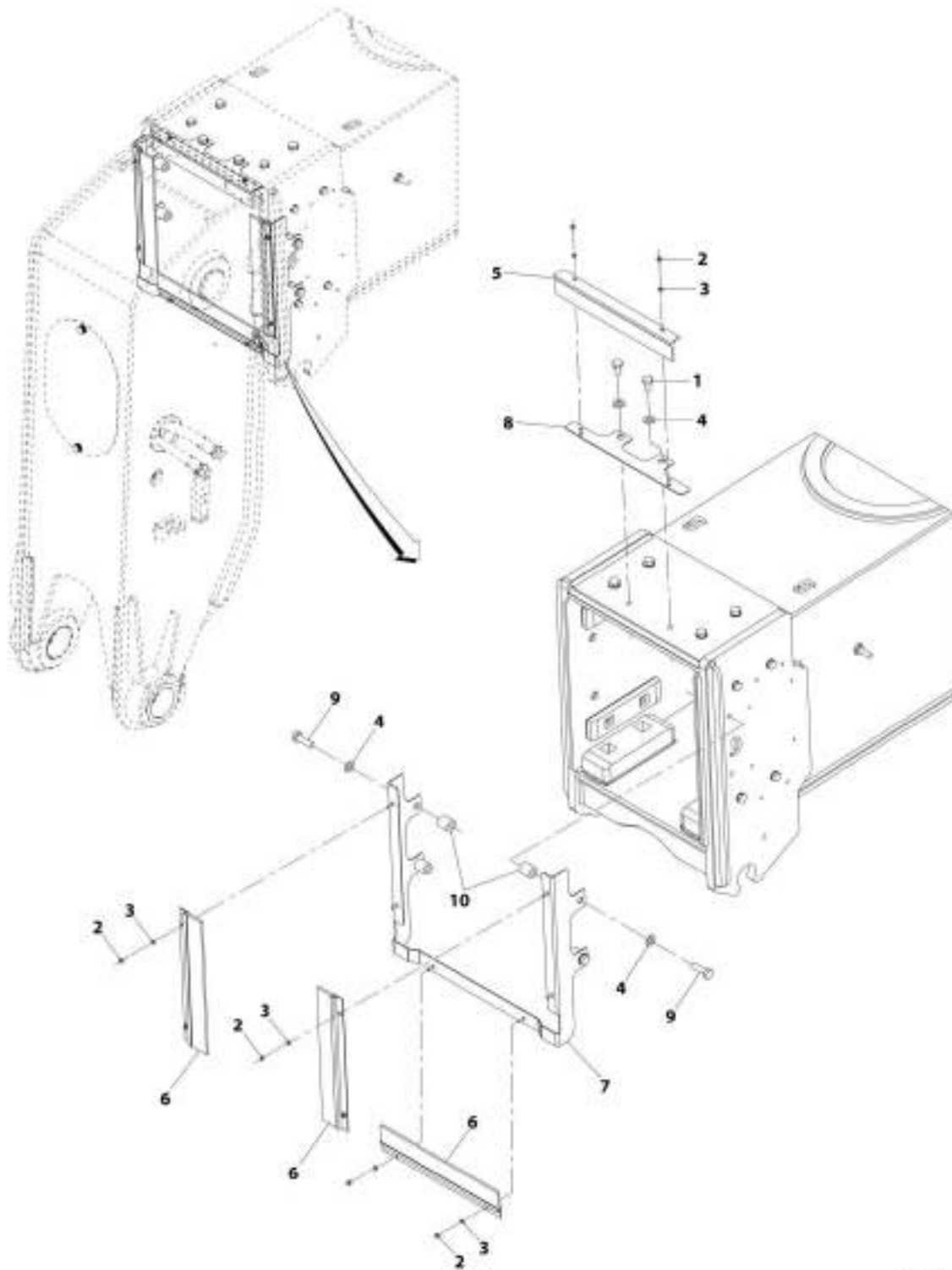
ART\_180120641-A

FIGURE 2-8. MANUAL COUPLER PIN HOLDER INSTALLATION

ITEM	PART NUMBER	QTY	DESCRIPTION	REV
	1001220641	Ref	Manual Coupler Pin Holder Installation	A
1	1001220248	1	Bracket, Pin Holder	
2	4812000	2	Washer, M10	
3	0701014	2	Bolt, M10X30	

# SECTION 2 - BOOM

## FIGURE 2-9. BOOM BRUSHES INSTALLATION



ART\_100174431-C

FIGURE 2-9. BOOM BRUSHES INSTALLATION

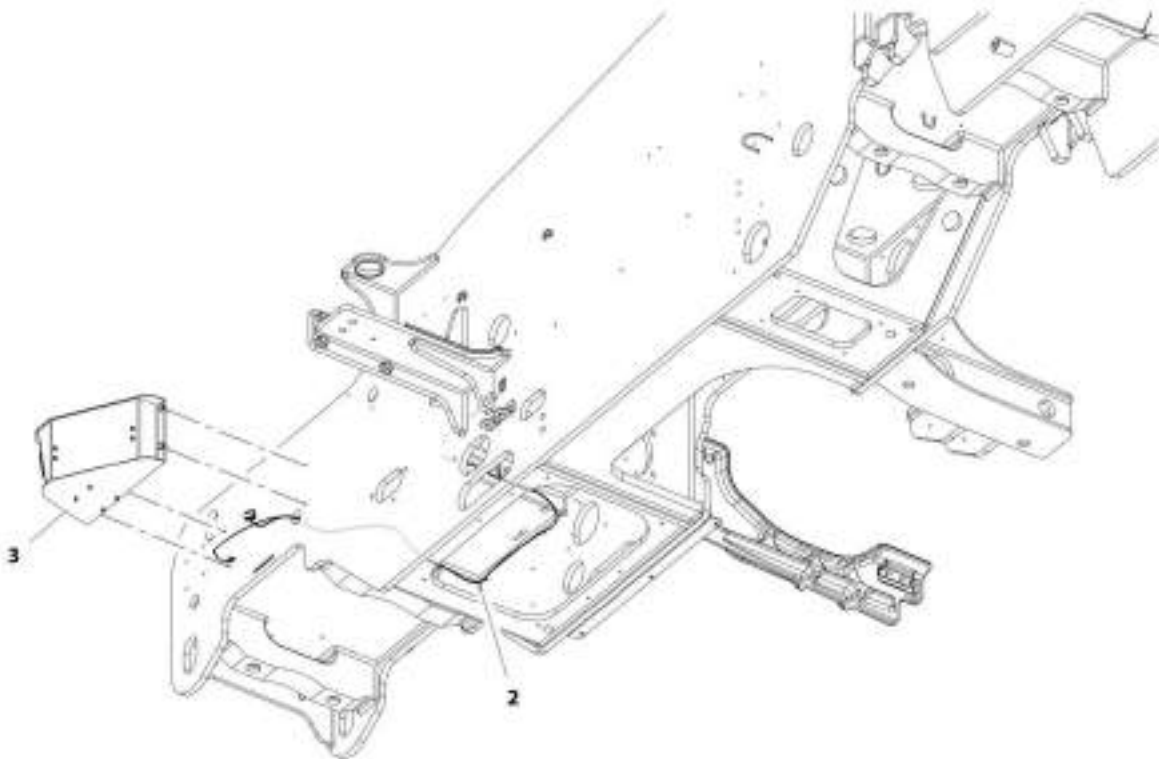
ITEM	PART NUMBER	QTY	DESCRIPTION	REV
	1001174431	Ref	Boom Brushes Installation	C
1	0761210	2	Bolt, M12X20	
2	3290505	8	Nut, Lock M5X0.8 Grade 8	
3	4811600	8	Washer, M5	
4	1001125117	6	Washer, M12	
5	1001172999	1	Brush	
6	1001173679	3	Brush	
7	1001196878	1	Bracket	
8	1001196879	1	Bracket	
9	0701216	4	Bolt, M12X40	
10	1001220286	4	Tube	



**SECTION 3 - ATTACHMENTS**

## SECTION 3 - ATTACHMENTS

FIGURE 3-1. ATTACHMENT RECOGNITION INSTALLATION



ART\_0001185801-C



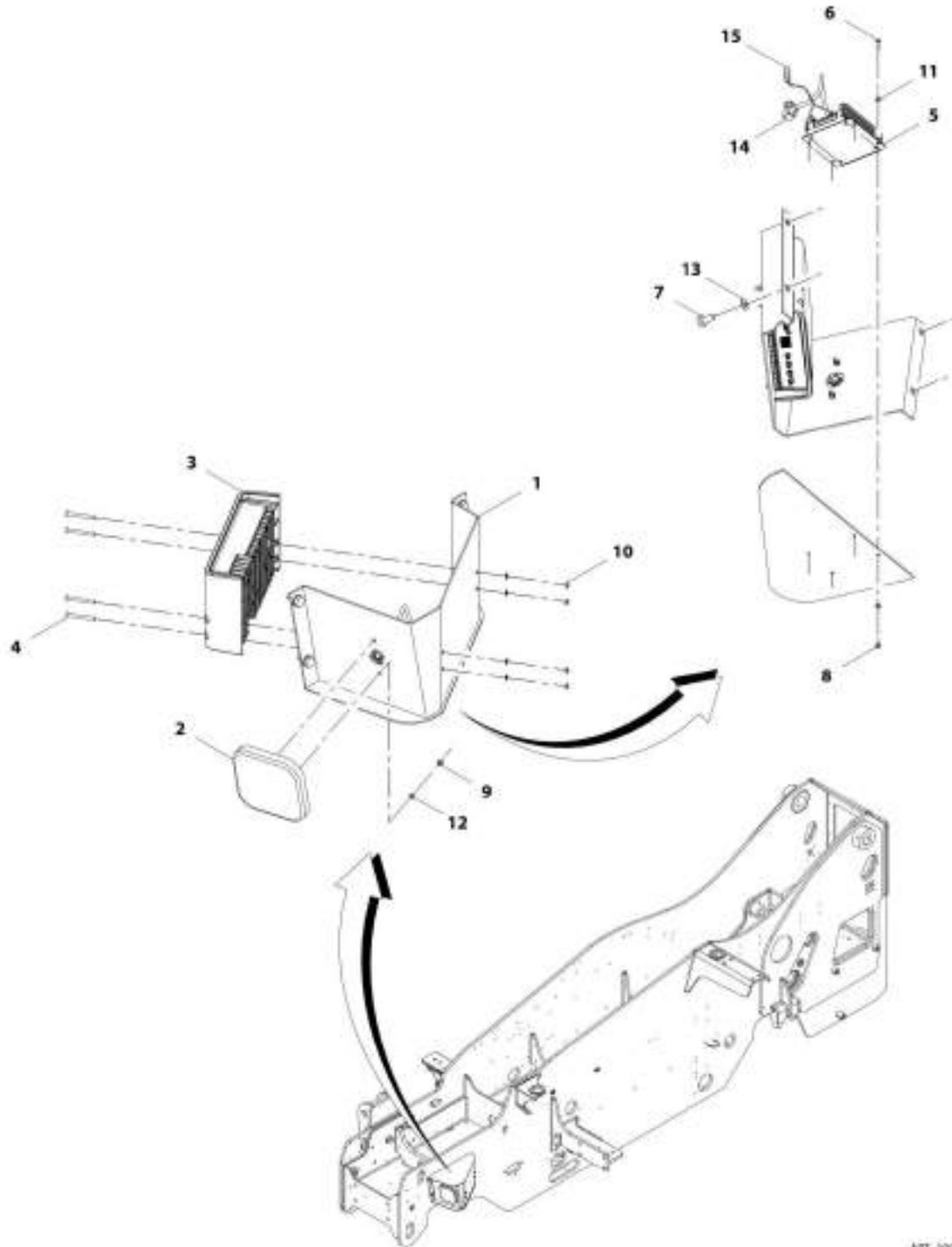
## SECTION 3 - ATTACHMENTS

**FIGURE 3-1. ATTACHMENT RECOGNITION INSTALLATION**

ITEM	PART NUMBER	QTY	DESCRIPTION	REV
	1001195881	Ref	Attachment Recognition Installation	C
2	1001206843	1	Cable	
3	1001207866	1	Installation, Components Attachment Recognition (See Separate Breakdown in this Section)	

# SECTION 3 - ATTACHMENTS

FIGURE 3-2. COMPONENTS ATTACHMENT RECOGNITION INSTALLATION



ART\_0001207866-C

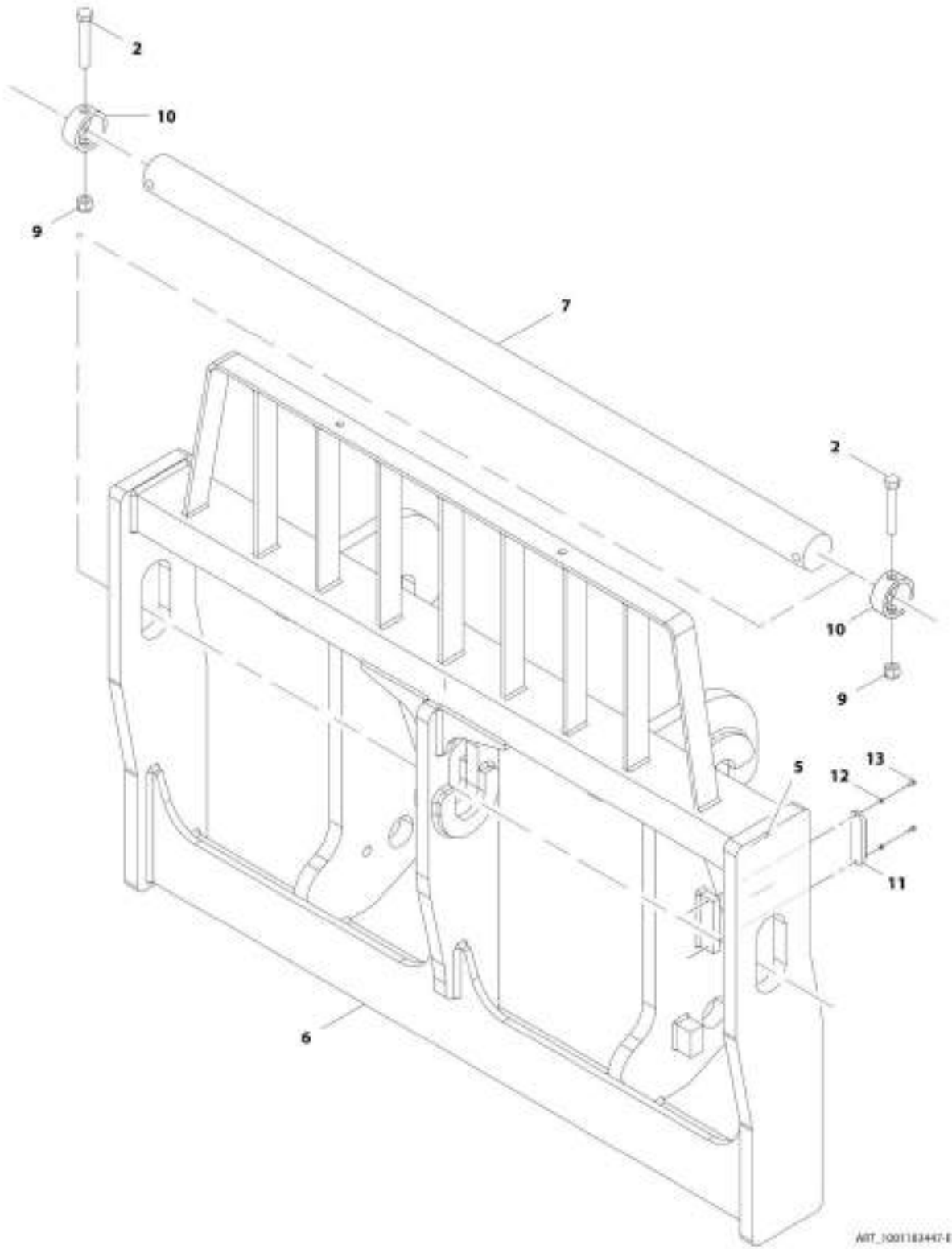
## SECTION 3 - ATTACHMENTS

**FIGURE 3-2. COMPONENTS ATTACHMENT RECOGNITION INSTALLATION**

ITEM	PART NUMBER	QTY	DESCRIPTION	REV
	1001207866	Ref	Components Attachment Recognition Installation	C
1	1001232988	1	BRACKET, ATTACHMENT RECOGNITION	
2	1001202730	1	Accessory, Antenna	
3	1001233783	1	Control, Receiver	
4	1001234395	4	Screw, M5X50	
5	1001234596	1	Control, Voltage	
6	0760407	4	Bolt, M4X14	
7	0761010	4	Bolt, M10X20	
8	3290405	4	Nut, Lock M4X0.7 Grade 8	
9	3290505	2	Nut, Lock M5X0.8 Grade 8	
10	3290507	4	Nut, Lock M5X0.8	
11	4811400	8	Washer, M4	
12	4811600	6	Washer, M5	
13	4812000	4	Washer, M10	
14	1001206725	1	Cable	
15	1001234802	1	Harness	

# SECTION 3 - ATTACHMENTS

FIGURE 3-3. CARRIAGE ASSEMBLY, (60IN/1524MM)



MIT\_1001183447-E

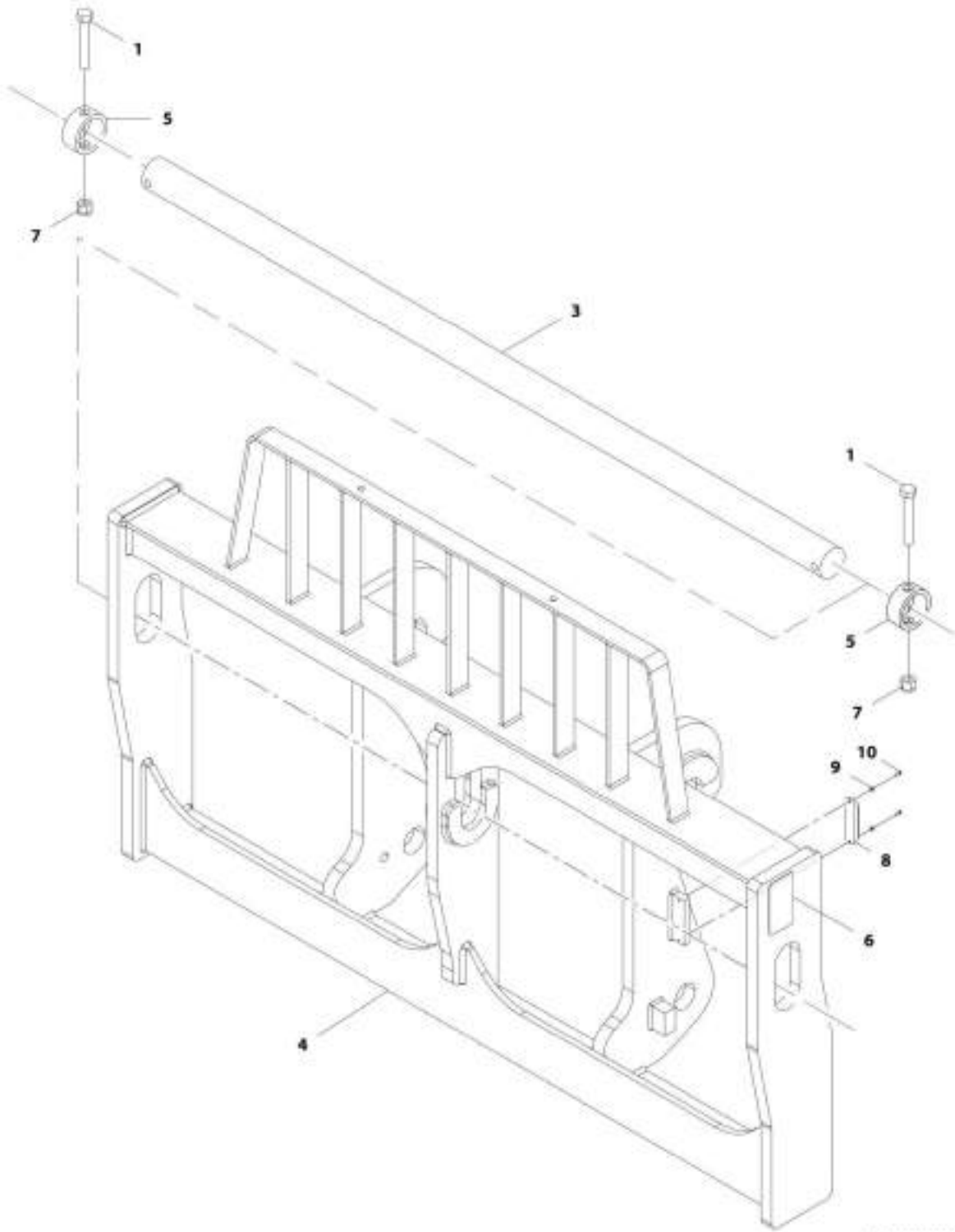
## SECTION 3 - ATTACHMENTS

### FIGURE 3-3. CARRIAGE ASSEMBLY, (60IN/1524MM)

ITEM	PART NUMBER	QTY	DESCRIPTION	REV
	1001183447	1	Carriage Assembly, (60in/1524mm)	E
2	0701628	2	Bolt, M16X110	
5	N.S.S.	1	Plate, Serial Number	
6	N.S.S.	1	Weldment, Carriage	
7	1001191108	1	Pin	
9	3291605	2	Nut, Lock M16X2 Grade 8	
10	1001218755	2	Collar, Shaft	
11	1001227670	1	TAG, RFID	
12	4811400	2	Washer, M4	
13	0760405	2	Bolt, M4X10	

# SECTION 3 - ATTACHMENTS

FIGURE 3-4. CARRIAGE ASSEMBLY, (72IN/1829MM)



MIT\_1001214415-D

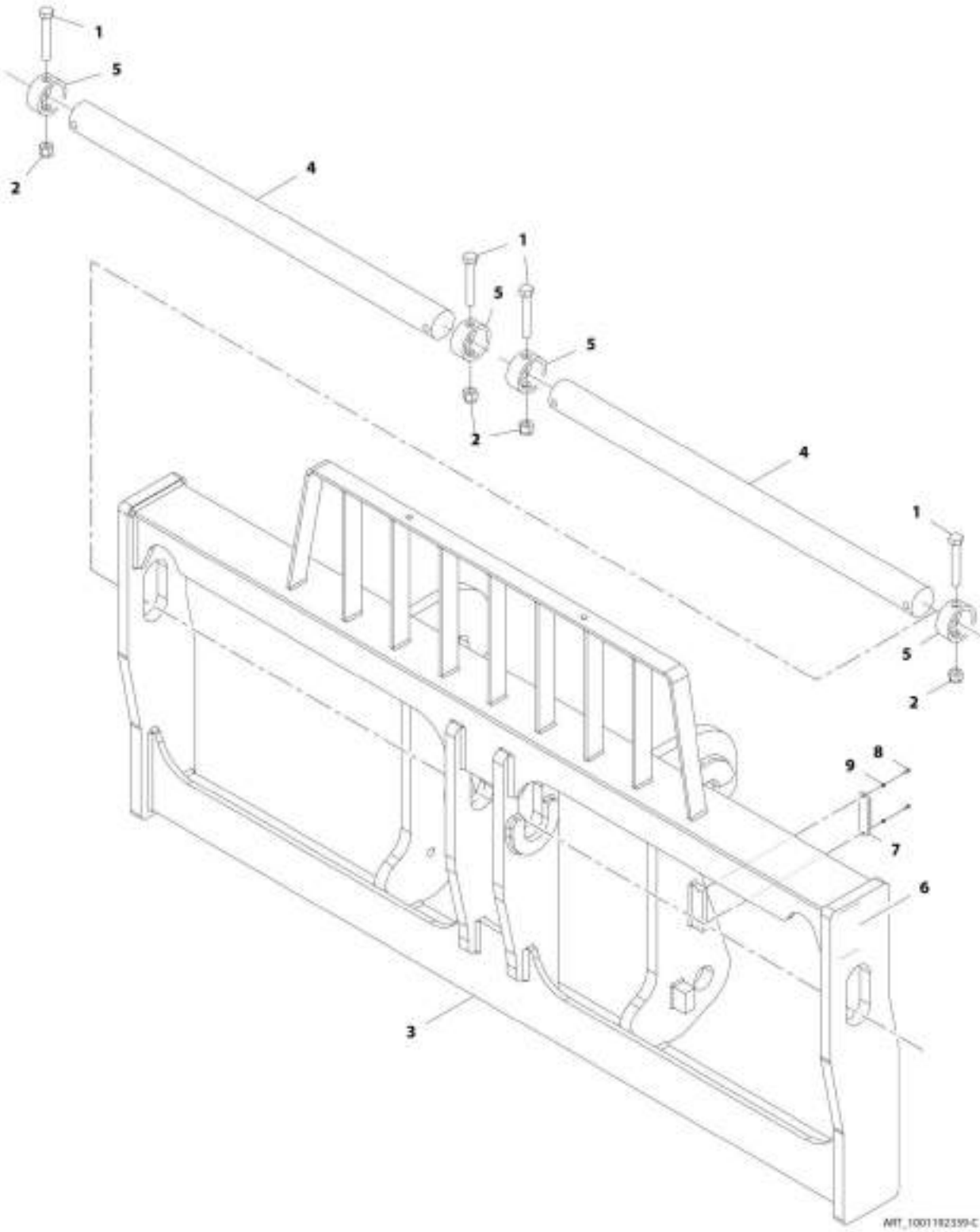
## SECTION 3 - ATTACHMENTS

### FIGURE 3-4. CARRIAGE ASSEMBLY, (72IN/1829MM)

ITEM	PART NUMBER	QTY	DESCRIPTION	REV
	1001214415	1	Carriage Assembly, (72in/1829mm)	D
1	0701628	2	Bolt, M16X110	
3	1001214254	1	Pin	
4	N.S.S.	1	Weldment, Carriage	
5	1001218755	2	Collar, Shaft	
6	N.S.S.	1	Plate, Serial Number	
7	3291605	2	Nut, Lock M16X2 Grade 8	
8	1001227670	1	TAG, RFID	
9	4811400	2	Washer, M4	
10	0760405	2	Bolt, M4X10	

# SECTION 3 - ATTACHMENTS

FIGURE 3-5. CARRIAGE ASSEMBLY, (87IN/2290MM)



MT\_1001182399-C



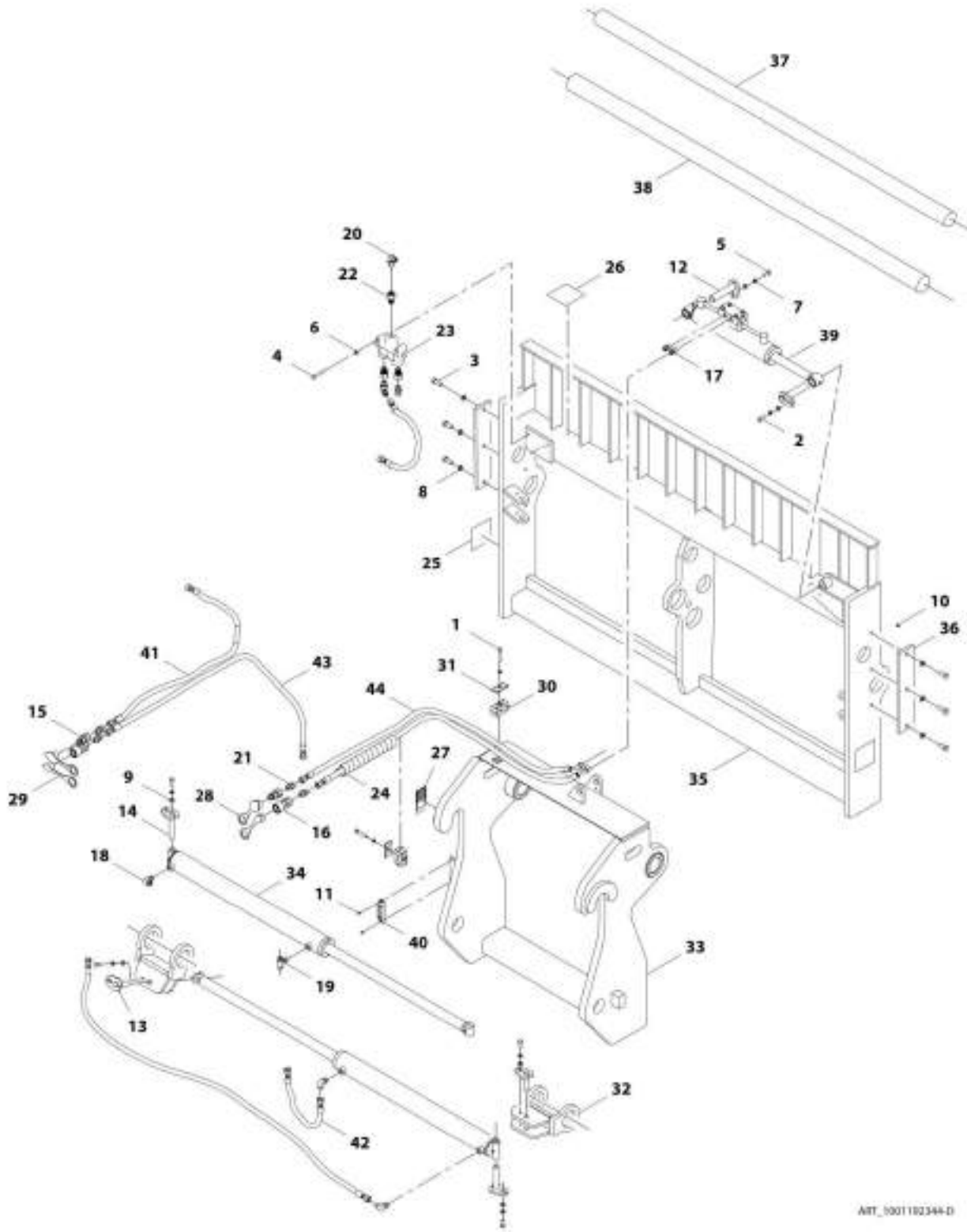
## SECTION 3 - ATTACHMENTS

**FIGURE 3-5. CARRIAGE ASSEMBLY, (87IN/2290MM)**

ITEM	PART NUMBER	QTY	DESCRIPTION	REV
	1001192339	1	Carriage Assembly, (87in/2290mm)	C
1	0701628	4	Bolt, M16X110	
2	3291605	4	Nut, Lock M16X2 Grade 8	
3	N.S.S.	1	Weldment, Carriage	
4	1001218754	2	Pin	
5	1001218755	4	Collar, Shaft	
6	N.S.S.	1	Plate, Serial Number	
7	1001227670	1	TAG, RFID	
8	0760405	2	Bolt, M4X10	
9	4811400	2	Washer, M4	

# SECTION 3 - ATTACHMENTS

FIGURE 3-6. DUAL FORK POSITIONING SIDE SHIFT CARRIAGE, (75IN/1899MM)



ART\_0001182344-D

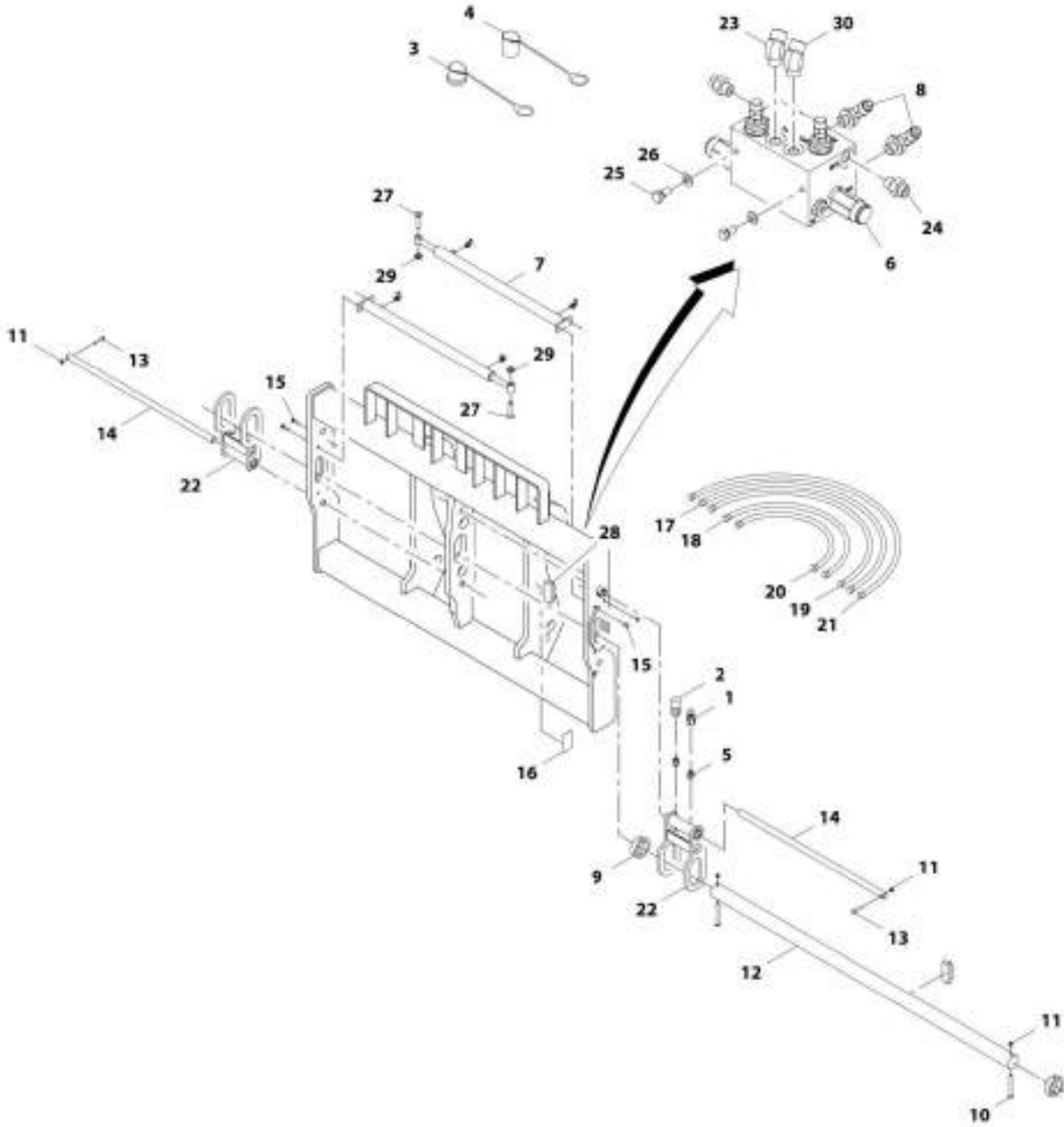
## SECTION 3 - ATTACHMENTS

**FIGURE 3-6. DUAL FORK POSITIONING SIDE SHIFT CARRIAGE, (75IN/1899MM)**

ITEM	PART NUMBER	QTY	DESCRIPTION	REV
	1001192344	1	Dual Fork Positioning Side Shift Carriage, (75in/1899mm)	D
1	70028485	2	Bolt	
2	70021349	1	Bolt, 3/8X1	
3	70027989	6	Bolt	
4	70028591	3	Bolt	
5	7029704	5	Bolt, 3/8-24X1	
6	90554067	5	Washer, Lock 5/16	
7	90554042	6	Washer, Lock 3/8	
8	90554020	6	Washer, Lock 1/2	
9	7029703	6	Washer, Flat	
10	90554045	1	Zerk, Grease	
11	70028554	2	Screw	
12	7029702	2	Pin	
13	70028592	2	Pin	
14	70028593	2	Pin	
15	1001101041	2	Adapter, Male Quick Disconnect	
16	1001101042	2	Adapter, Female Quick Disconnect	
17	70028486	2	Fitting	
18	70028525	3	Elbow, 90	
19	70028594	1	Fitting	
20	70028526	2	Elbow, 90	
21	70028488	5	Fitting	
22	70028595	3	Fitting	
23	70028596	1	Valve	
24	70028597	1	Protector, Hose	
25	90554017	2	Decal, Danger Pinch Point	
26	7029711	1	Decal, High Pressure	
27	N.S.S.	1	Plate, Serial Number	
28	8420053	2	Plug, Dust	
29	8420055	2	Plug, Dust	
30	70028495	2	Clamp	
31	70028496	2	Plate, Clamp	
32	70028598	2	Clevis	
33	N.S.S.	1	Weldment	
34	70028599	2	Assembly, Cylinder (See Separate Breakdown in Hydraulic Components Section)	
35	N.S.S.	1	Weldment	
36	70028600	2	Pin	
37	70028601	1	Pin	
38	70028602	1	Pin	
39	70028603	1	Assembly, Cylinder (See Separate Breakdown in Hydraulic Components Section)	
40	1001227670	1	Tag, RFID	
41	70028604	2	Hose	
42	70028605	2	Hose	
43	70028606	1	Hose	
44	70028607	2	Hose	

# SECTION 3 - ATTACHMENTS

FIGURE 3-7. DUAL FORK POSITIONING CARRIAGE, (72IN/1829MM)



ART\_1001192342-D

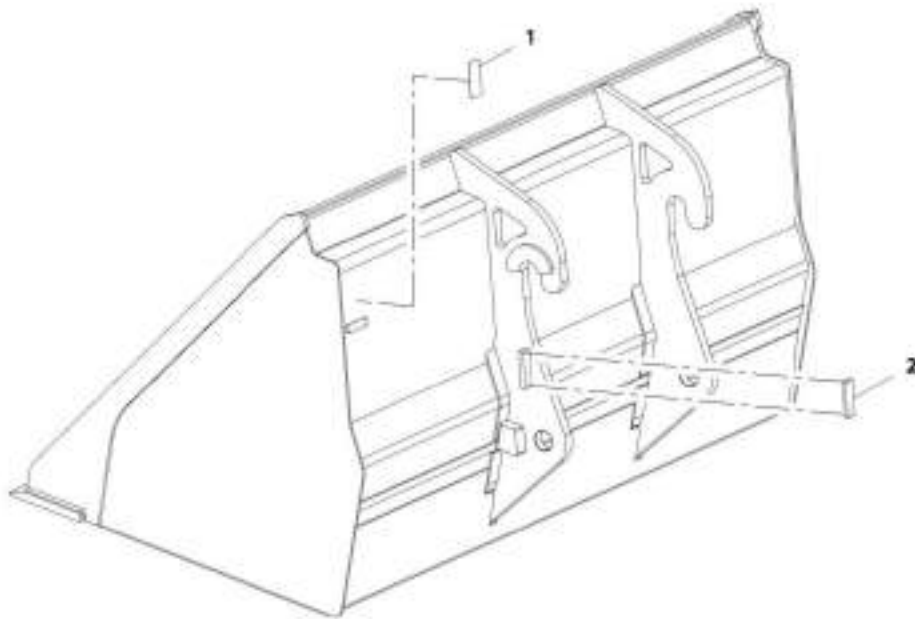
## SECTION 3 - ATTACHMENTS

**FIGURE 3-7. DUAL FORK POSITIONING CARRIAGE, (72IN/1829MM)**

ITEM	PART NUMBER	QTY	DESCRIPTION	REV
	1001192342	1	Dual Fork Positioning Carriage, (72in/1829mm)	D
1	1001101041	1	Coupler, Male Hydraulic	
2	1001101042	1	Coupler, Female Hydraulic	
3	8420053	1	Cap	
4	8420055	1	Cap	
5	1001008834	2	Fitting, Straight	
6	70027896	1	Valve	
7	70028505	2	Cylinder, Forkpositioner	
8	2150606	4	Fitting, 45 ORFS	
9	70028506	2	Collar	
10	70027889	2	Bolt, M10x120	
11	70027890	4	Nut M10	
12	70028507	1	Shaft, Floating	
13	70027881	2	Bolt, M10x55	
14	70028508	2	Shaft, Forkpositioner	
15	70027880	4	Bolt, M10x30	
16	N.S.S.	1	Plate, Serial Number	
17	70028509	1	Hose	
18	70028510	1	Hose	
19	70028511	1	Hose	
20	70028512	1	Hose	
21	70027899	2	Hose	
22	70028513	2	Cage, Fork	
23	2150606	1	Fitting, 45 ORFS	
24	2110606	2	Fitting, Straight ORFS	
25	70027882	2	Bolt, M8X16	
26	70027879	2	Washer	
27	70027888	3	Screw, Countersunk M20x80	
28	1001227670	1	RFID TAG	
29	70027887	2	Nut, M20	
30	2170206	1	Fitting, 90 ORFS	

## SECTION 3 - ATTACHMENTS

FIGURE 3-8. BUCKET (2.6 YD<sup>3</sup>/2.0M<sup>3</sup>)



ART\_100192815-E

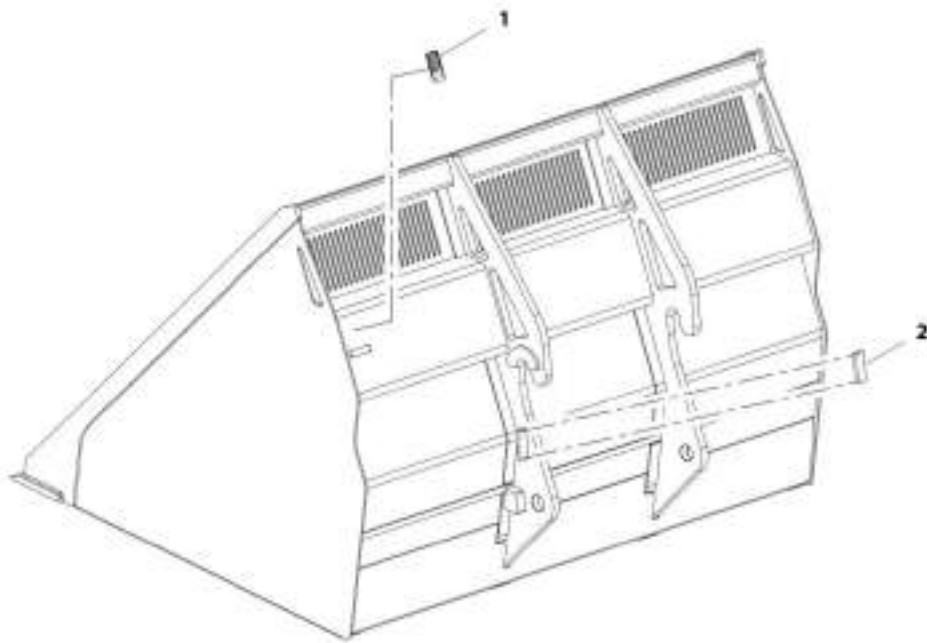
## SECTION 3 - ATTACHMENTS

**FIGURE 3-8. BUCKET (2.6 YD<sup>3</sup>/2.0M<sup>3</sup>)**

ITEM	PART NUMBER	QTY	DESCRIPTION	REV
	1001192615	Ref	Bucket (2.6 yd <sup>3</sup> /2.0m <sup>3</sup> )	E
1	N.S.S.	1	Plate, Serial Number	
2	1001227670	1	Tag, RFID	

# SECTION 3 - ATTACHMENTS

## FIGURE 3-9. BUCKET (5.23 YD3)



ART\_100192819-D



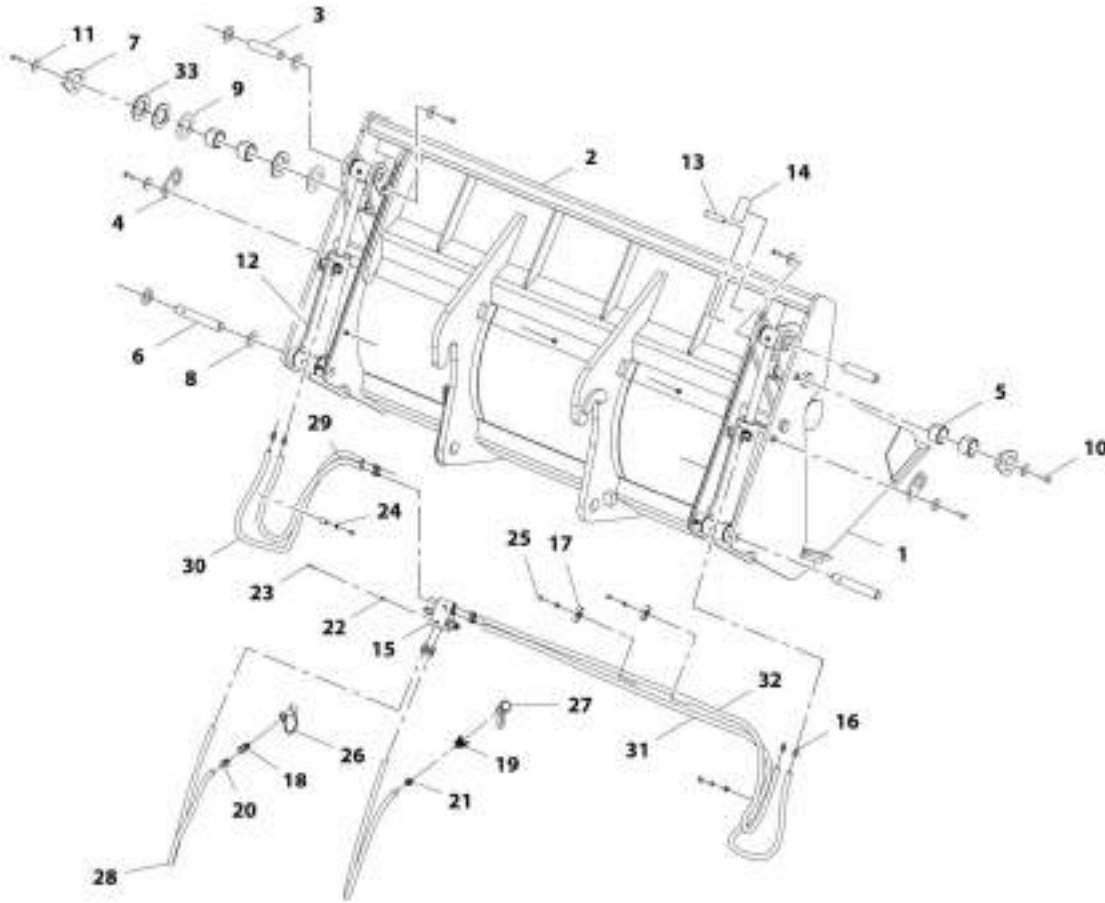
## SECTION 3 - ATTACHMENTS

### FIGURE 3-9. BUCKET (5.23 YD3)

ITEM	PART NUMBER	QTY	DESCRIPTION	REV
	1001192616	Ref	Bucket (5.23 yd <sup>3</sup> /4.0m <sup>3</sup> )	D
1	N.S.S.	1	Plate, Serial Number	
2	1001227670	1	Tag, RFID	

# SECTION 3 - ATTACHMENTS

FIGURE 3-10. 4 IN 1 BUCKET (2.6 YD<sup>3</sup>/2.0M<sup>3</sup>)



ART\_0001190614-D

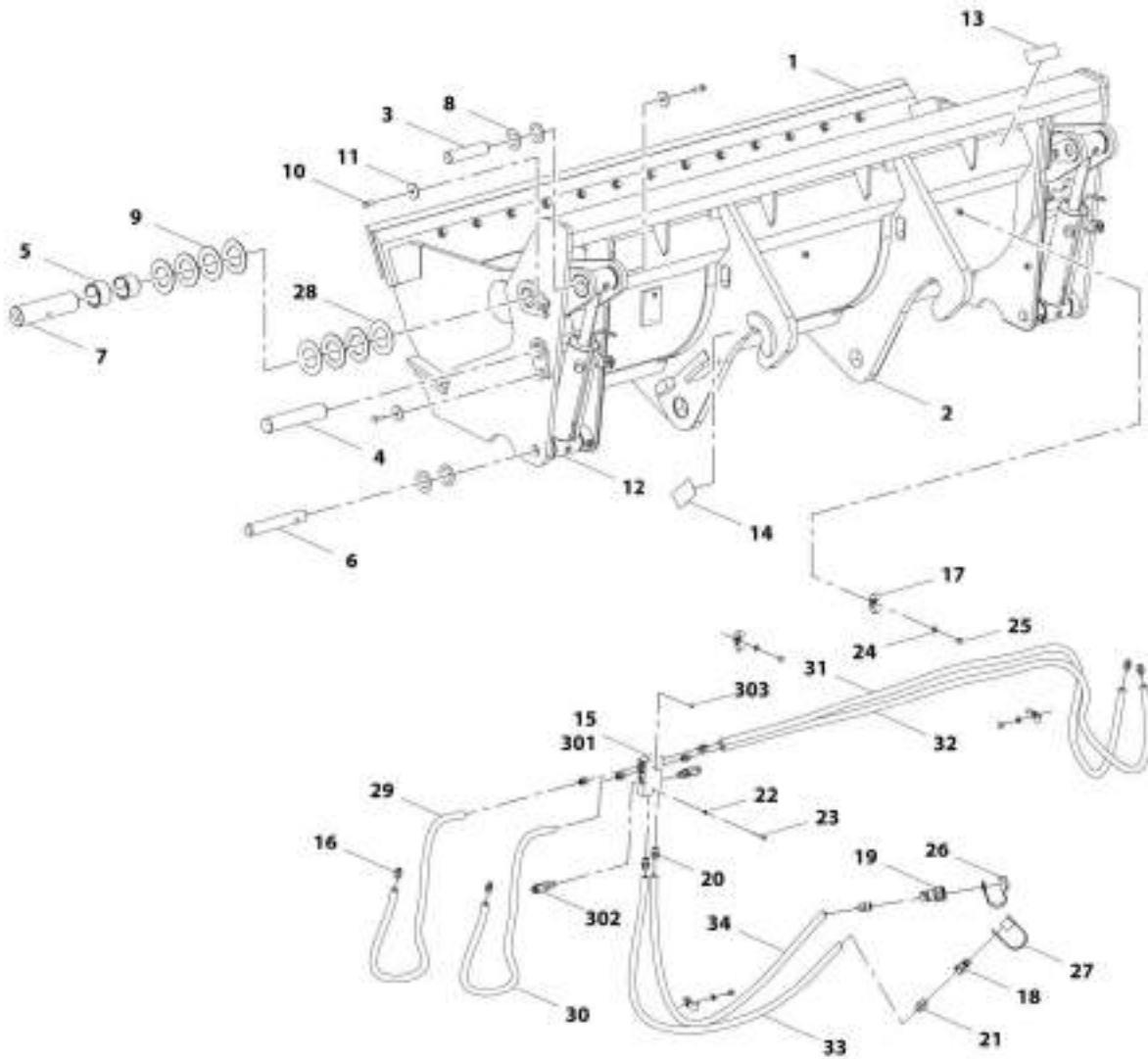
## SECTION 3 - ATTACHMENTS

**FIGURE 3-10. 4 IN 1 BUCKET (2.6 YD<sup>3</sup>/2.0M<sup>3</sup>)**

ITEM	PART NUMBER	QTY	DESCRIPTION	REV
	1001192614	Ref	4 in 1 Bucket (2.6 yd <sup>3</sup> /2.0m <sup>3</sup> )	D
1	N.S.S.	1	Assembly, Scarifier	
2	N.S.S.	1	Assembly, Bucket	
3	70028563	2	Pin	
4	70028564	2	Pin	
5	70028565	4	Bushing	
6	70028566	2	Pin	
7	70028567	2	Pin	
8	70028568	8	Shim	
9	70028569	6	Shim	
10	70028570	6	Capscrew	
11	70028571	6	Washer	
12	70028572	2	Cylinder, 4 in 1 Bucket (See Separate Breakdown in Hydraulic Components Section)	
13	N.S.S.	1	Plate, Serial Number	
14	N.S.S.	1	Plate, Serial Number JLG	
15	70028573	1	Valve Assembly, 4 in 1 Bucket (See Separate Breakdown in Hydraulic Circuits Section)	
16	70024130	8	Fitting	
17	70026481	8	Clamp	
18	1001101041	1	Adapter, Male Quick Disconnect	
19	1001101042	1	Adapter, Female Quick Disconnect	
20	70022938	2	Fitting, Straight	
21	70028263	2	Fitting, Straight	
22	70026480	2	Fitting, Straight	
23	70026479	2	Bolt, M6X50	
24	70026482	4	Washer, M10	
25	70026483	4	Bolt, M10X16	
26	8420055	1	Cap, Dust	
27	8420053	1	Cap, Dust	
28	70028744	1	Hose	
29	70028745	1	Hose	
30	70028746	1	Hose	
31	70028747	1	Hose	
32	70028748	1	Hose	
33	70028574	12	Shim	

# SECTION 3 - ATTACHMENTS

## FIGURE 3-11. 4 IN 1 BUCKET (1.3 YD<sup>3</sup>/1.0M<sup>3</sup>)



ART\_3001228427-A

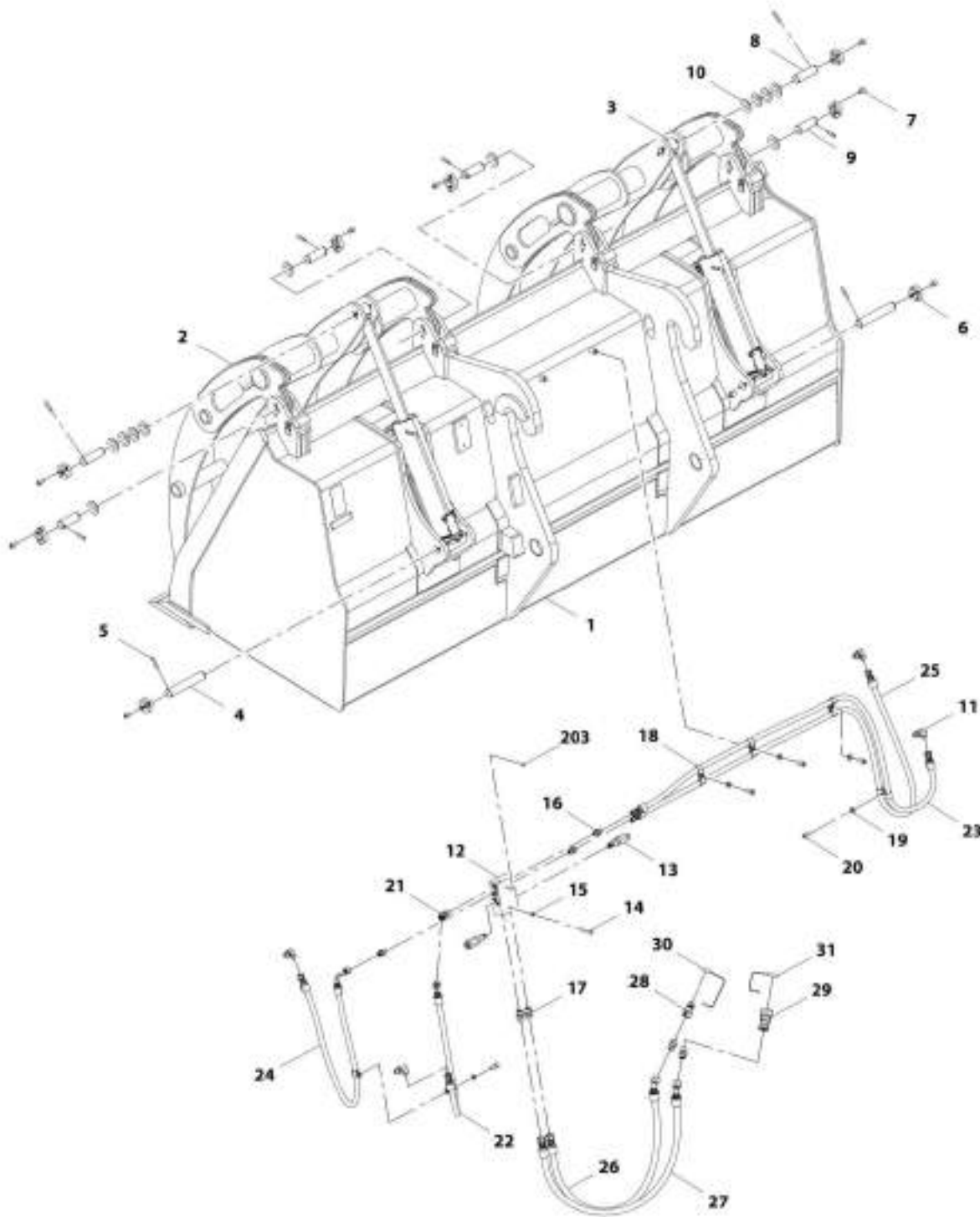
## SECTION 3 - ATTACHMENTS

**FIGURE 3-11. 4 IN 1 BUCKET (1.3 YD<sup>3</sup>/1.0M<sup>3</sup>)**

ITEM	PART NUMBER	QTY	DESCRIPTION	REV
	1001228427	Ref	4 in 1 Bucket (1.3 yd <sup>3</sup> /1.0m <sup>3</sup> )	A
1	N.S.S.	1	Assembly, Front Bucket	
2	N.S.S.	1	Assembly, Back Bucket	
3	70028563	2	Pin	
4	70028564	2	Pin	
5	70028565	4	Bushing	
6	70028566	2	Pin	
7	70028567	2	Pin	
8	70028568	8	Shim	
9	70028569	6	Shim	
10	70028570	6	Capscrew	
11	70028571	6	Washer	
12	70028572	2	Assembly, Cylinder (See Separate Breakdown in Hydraulic Components Section)	
13	N.S.S.	1	Plate, Name	
14	N.S.S.	1	Plate, Serial Number	
15	70028573	1	Valve Assembly	
16	70024130	8	Fitting, Straight	
17	70026481	8	Clamp, Hose	
18	1001101041	1	Adapter, Male Quick Disconnect	
19	1001101042	1	Adapter, Female Quick Disconnect	
20	70022938	2	Fitting, Straight	
21	70028263	2	Fitting, Straight	
22	70026480	2	Washer, M6	
23	70026479	2	Bolt, M6X50	
24	70026482	4	Washer, M10	
25	70026483	4	Bolt, M10X16	
26	8420055	1	Plug, Dust	
27	8420053	1	Plug, Cap	
28	70028574	12	Shim	
29	70028575	1	Hose	
30	70028576	1	Hose	
31	70028577	1	Hose	
32	70028578	1	Hose	
33	70028579	1	Hose	
34	70028580	1	Hose	
301	70026477	1	Manifold	
302	70028589	2	Cartridge, Relief	
303	70026614	2	Plug	

# SECTION 3 - ATTACHMENTS

FIGURE 3-12. GRAPPLE BUCKET (1.7 YD<sup>3</sup>/1.3M<sup>3</sup>)



ART\_3001223435-8

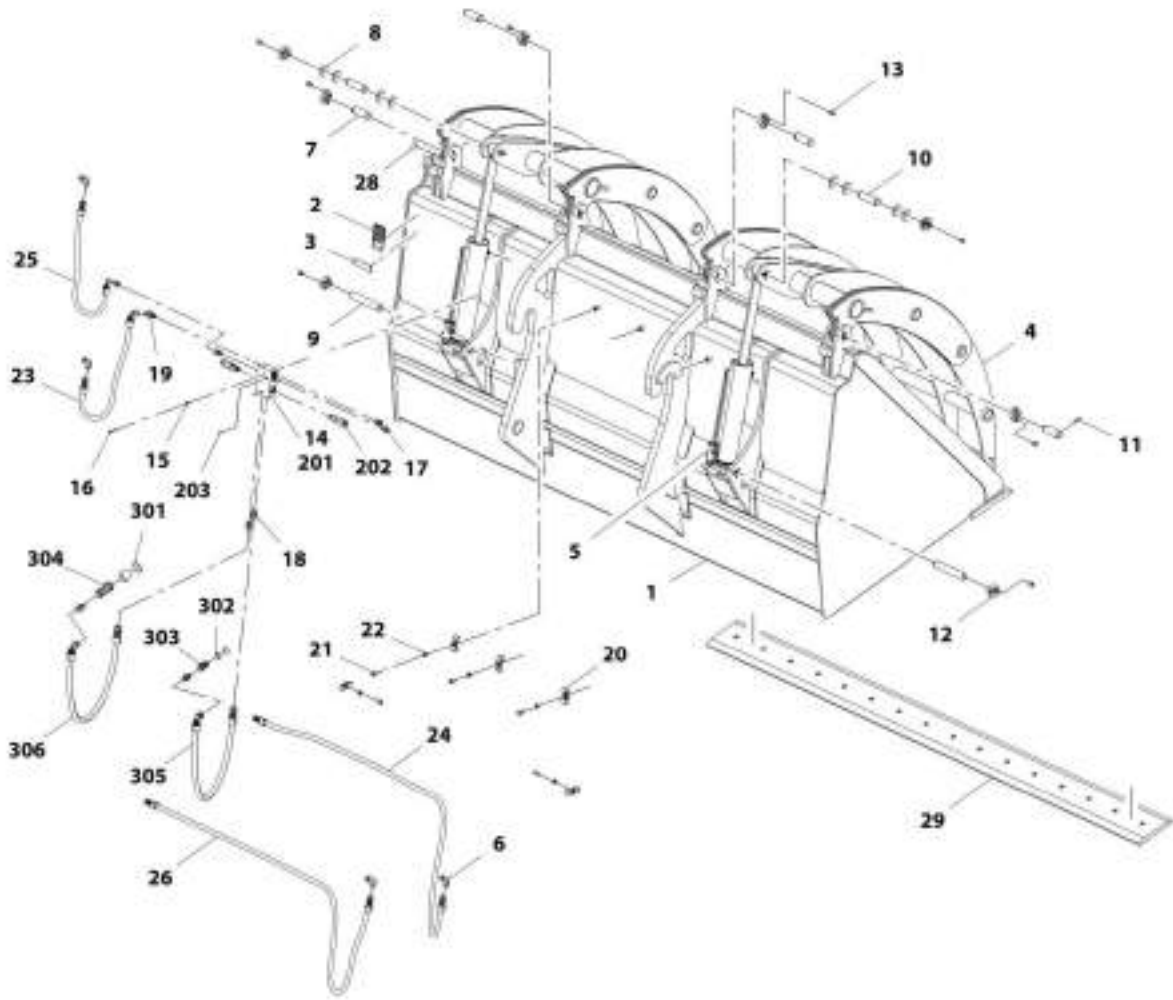
## SECTION 3 - ATTACHMENTS

**FIGURE 3-12. GRAPPLE BUCKET (1.7 YD<sup>3</sup>/1.3M<sup>3</sup>)**

ITEM	PART NUMBER	QTY	DESCRIPTION	REV
	1001223435	Ref	Grapple Bucket (1.7 yd <sup>3</sup> /1.3m <sup>3</sup> )	B
1	N.S.S.	1	Bucket	
2	N.S.S.	1	Grapple	
3	70026469	2	Assembly, Cylinder, (See Separate Breakdown in Hydraulic Components Section)	
4	70026470	2	Pin	
5	70026471	8	Pin Drive - Lock	
6	70026472	8	Retainer	
7	70026473	16	Capscrew, M10X12	
8	70026474	2	Pin	
9	70026475	4	Pin	
10	70026476	32	Shim	
11	70024123	4	Fitting, 90	
12	70026477	1	Manifold	
13	70026478	2	Cartridge, Relief Valve	
14	70026479	2	Bolt, M6X50	
15	70026480	2	Washer, M6	
16	70024130	3	Fitting, Straight	
17	70022938	4	Fitting, Straight	
18	70026481	10	Clamp, Hose	
19	70026482	5	Washer, M10	
20	70028672	5	Bolt, M10X20	
21	70026616	1	Fitting, 45	
22	70028749	1	Hose	
23	70028750	1	Hose	
24	70028751	1	Hose	
25	70028752	1	Hose	
26	70028753	1	Hose	
27	70028697	1	Hose	
28	1001101041	1	Adapter, Male Quick Disconnect	
29	1001101042	1	Adapter, Female Quick Disconnect	
30	8420053	1	Cap, Dust	
31	8420055	1	Plug, Dust	
203	70026614	2	Plug	

# SECTION 3 - ATTACHMENTS

FIGURE 3-13. GRAPPLE BUCKET (2.6 YD<sup>3</sup>/2.0M<sup>3</sup>)



ART\_3001182517-C



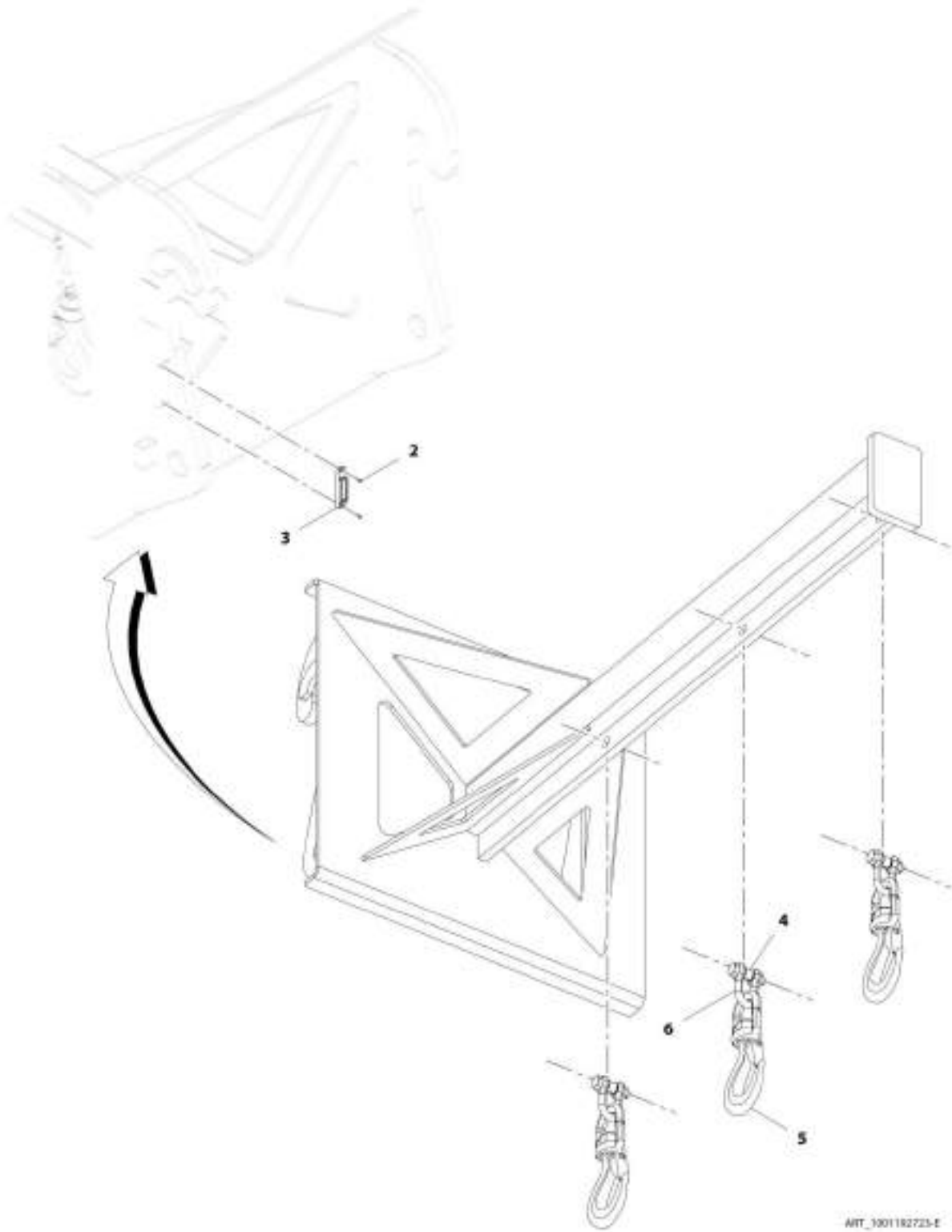
## SECTION 3 - ATTACHMENTS

**FIGURE 3-13. GRAPPLE BUCKET (2.6 YD<sup>3</sup>/2.0M<sup>3</sup>)**

ITEM	PART NUMBER	QTY	DESCRIPTION	REV
	1001192617	Ref	Grapple Bucket (2.6 yd <sup>3</sup> /2.0m <sup>3</sup> )	C
1	N.S.S.	1	Bucket	
2	N.S.S.	1	Plate, Serial Number	
3	N.S.S.	1	Nameplate	
4	N.S.S.	1	Grapple	
5	70026469	2	Assembly, Cylinder (See Separate Breakdown in Hydraulic Components Section)	
6	70024123	4	Fitting, 90	
7	70026475	4	Pin	
8	70026476	12	Shim	
9	70026470	2	Pin	
10	70026474	2	Pin	
11	70026471	8	Pin, Lock	
12	70026472	8	Retainer	
13	70026473	16	Capscrew, M10X12	
14	N.S.S.	1	Valve, Relief	
15	70026480	2	Washer, M6	
16	70026479	2	Bolt, M6X50	
17	70024130	3	Fitting, Straight	
18	70022938	4	Fitting, Straight	
19	70026616	1	Fitting, 45	
20	70026481	10	Clamp, Hose	
21	70028672	5	Bolt, M10X20	
22	70026482	5	Washer, M10	
23	70028738	1	Hose	
24	70028739	1	Hose	
25	70028740	1	Hose	
26	70028741	1	Hose	
28	70024538	8	Decal, Pinch Point	
29	70028742	1	Guard, Edge	
201	70026477	1	Manifold	
202	70026478	2	Cartridge, Relief Valve	
203	70026614	2	Plug	
301	8420055	1	Plug, Dust	
302	8420053	1	Cap, Dust	
303	1001101041	1	Coupler, Male Hydraulic	
304	1001101042	1	Coupler, Female Hydraulic	
305	70028743	1	Hose	
306	70028734	1	Hose	

# SECTION 3 - ATTACHMENTS

FIGURE 3-14. TRUSS BOOM (7.6 TON)



ART\_3001182723-E

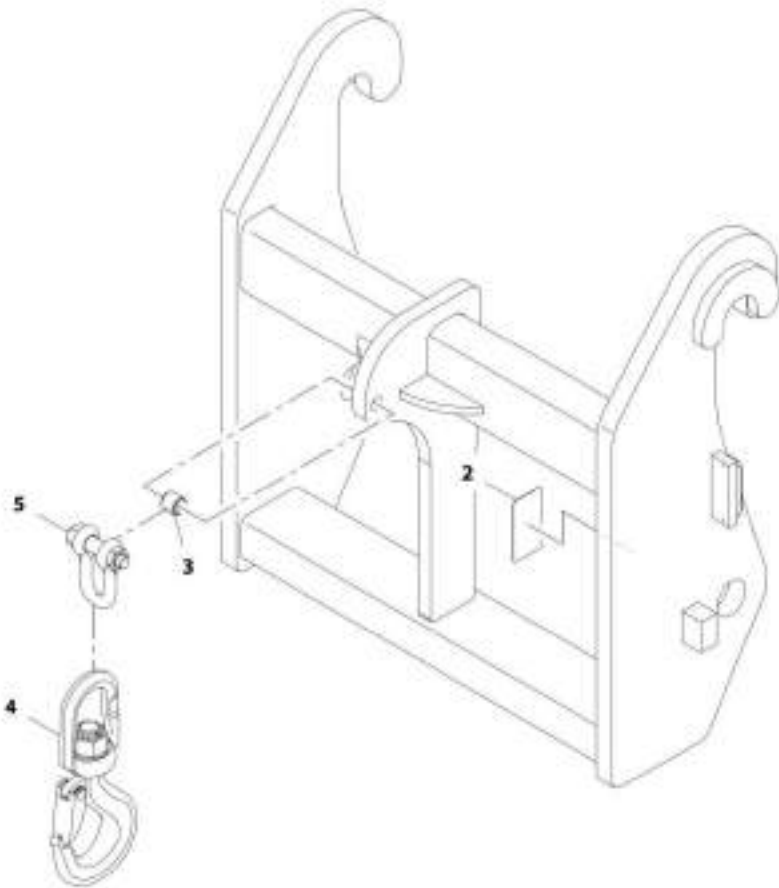
## SECTION 3 - ATTACHMENTS

### FIGURE 3-14. TRUSS BOOM (7.6 TON)

ITEM	PART NUMBER	QTY	DESCRIPTION	REV
	1001192723	1	Truss Boom (7.6 ton)	E
2	70028554	2	Screw	
3	1001227670	1	RFID TAG	
4	70020555	3	Bushing	
5	70026745	3	Hook	
6	70026746	3	Shackle, Chain	

**SECTION 3 - ATTACHMENTS**

**FIGURE 3-15. CRANE HOOK (7.6 TON)**



ART\_3001182700-0

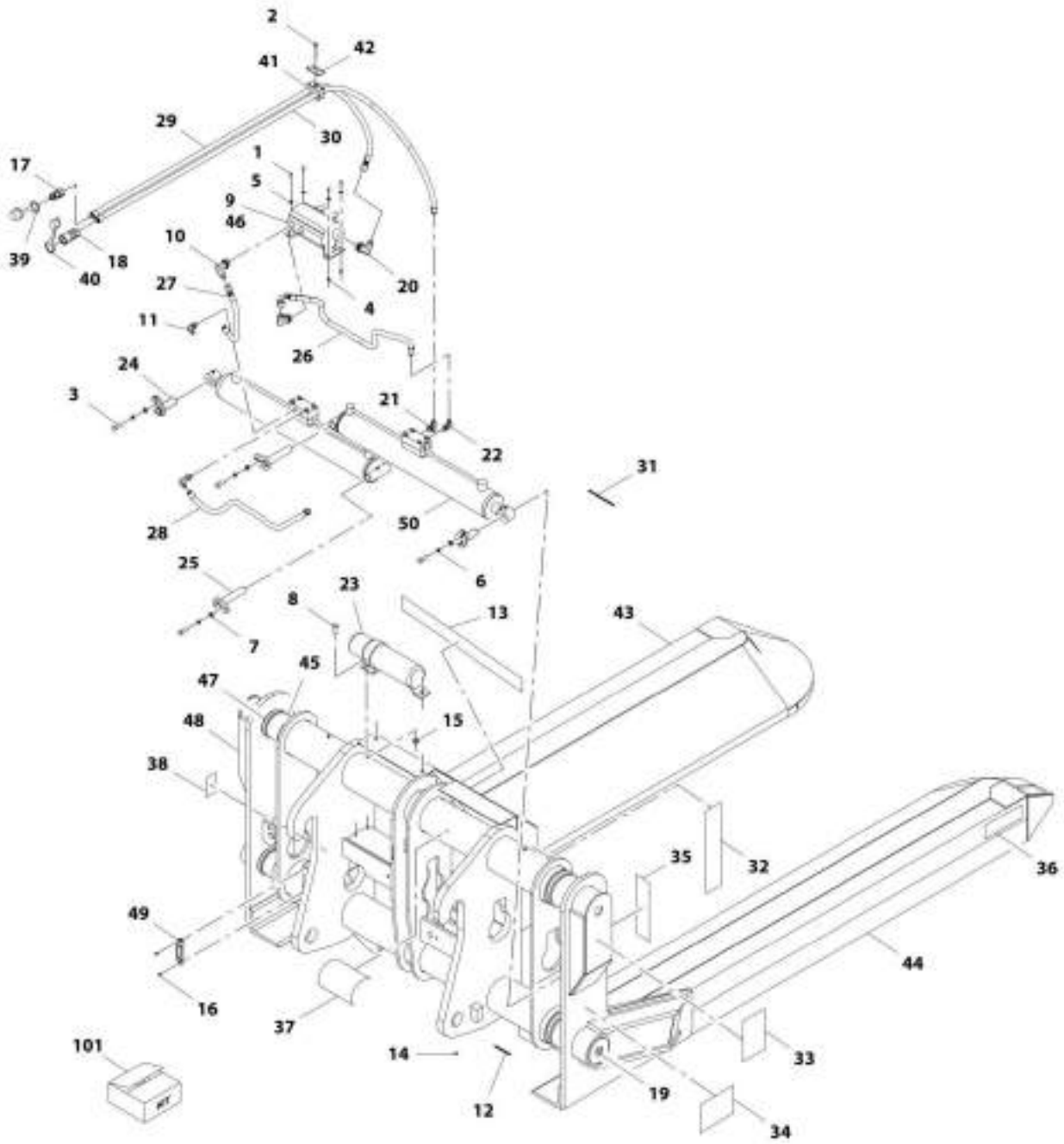
## SECTION 3 - ATTACHMENTS

### FIGURE 3-15. CRANE HOOK (7.6 TON)

ITEM	PART NUMBER	QTY	DESCRIPTION	REV
	1001192700	1	Crane Hook, (7.6 ton)	D
2	90554016	1	Decal, Made in USA	
3	70020555	1	Bushing	
4	70026745	1	Hook, Swivel	
5	70026746	1	Shackle, Chain	

# SECTION 3 - ATTACHMENTS

## FIGURE 3-16. BALE HANDLER (ROUND)



ART\_3001182540-C

## SECTION 3 - ATTACHMENTS

### FIGURE 3-16. BALE HANDLER (ROUND)

ITEM	PART NUMBER	QTY	DESCRIPTION	REV
	1001192649	Ref	Bale Handler (round)	C
1	70027773	4	Bolt	
2	70028485	1	Screw	
3	70021349	4	Bolt, 3/8X1	
4	90554066	4	Nut	
5	90554067	4	Washer, Lock	
6	90554042	4	Washer, Lock	
7	70021350	4	Washer	
8	70028635	3	Bolt	
9	70028636	1	Plug w/O-Ring	
10	70028637	2	Fitting, 90	
11	90554065	1	Fitting, 90	
12	7029712	4	Decal, Grease	
13	70028638	1	Decal, Stand Clear Warning	
14	90554045	4	Fitting, Grease	
15	70028615	3	Nut	
16	70028554	2	Screw	
17	1001101041	1	Adapter, Male Quick Disconnect	
18	70028616	1	Fitting, Straight	
19	70028617	4	Plug	
20	70028618	1	Fitting, 90	
21	70028619	1	Fitting, Tee	
22	70028620	1	Fitting, 90	
23	1001101042	1	Adapter, Female Quick Disconnect	
24	70028489	2	Pin	
25	70028490	2	Pin	
26	70028621	1	Hose	
27	70028622	1	Hose	
28	70028623	1	Hose	
29	70028624	1	Hose	
30	7029709	1	Hose	
31	7029711	1	Decal, High Pressure Warning	
32	70028625	2	Decal, Pinch Point	
33	70028626	1	Decal, Transport Warning	
34	70028627	1	Decal, Safety Warning	
35	70028628	6	Decal, Red Reflexite	
36	70028629	6	Decal, Amber Reflexite	
37	70028630	1	Decal, Module Staging	
38	N.S.S.	1	Plate, Serial Number	
39	8420053	1	Cap, Dust	
40	8420055	1	Cap, Dust	
41	70028495	1	Clamp	
42	70028496	1	Plate, Clamp	
43	N.S.S.	1	Arm, RH	
44	N.S.S.	1	Arm, LH	
45	70028631	4	Wrap	
46	70028632	1	Valve, Flow Divider	
47	70028633	8	Clamp	
48	N.S.S.	1	Weldment	
49	1001227670	1	Tag, RFID	

### SECTION 3 - ATTACHMENTS

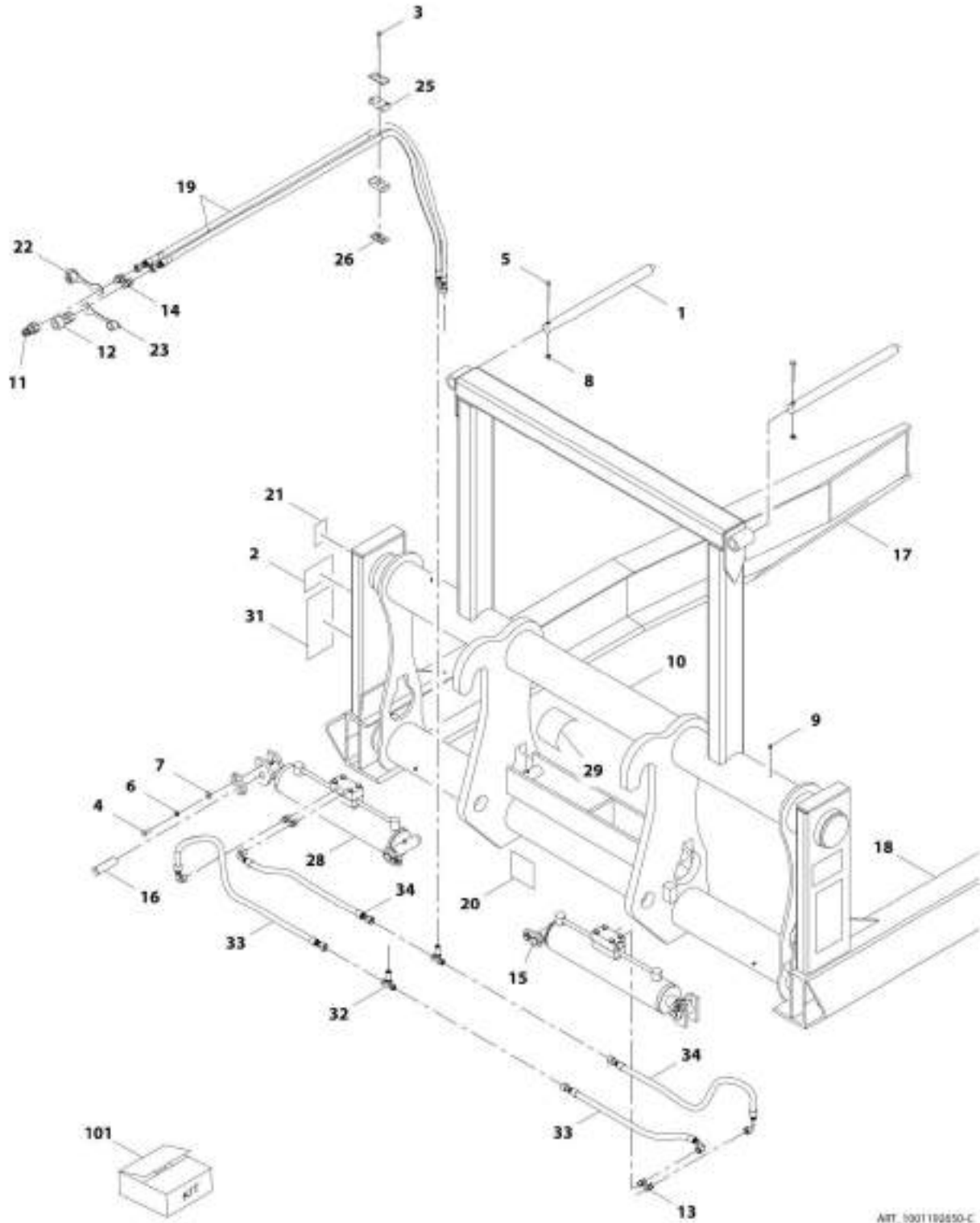
ITEM	PART NUMBER	QTY	DESCRIPTION	REV
50	70028634	2	Assembly, Cylinder	
101	Kit	1	Kit, Seal	





# SECTION 3 - ATTACHMENTS

## FIGURE 3-17. BALE HANDLER (SQUARE)



ART\_0001192650-C

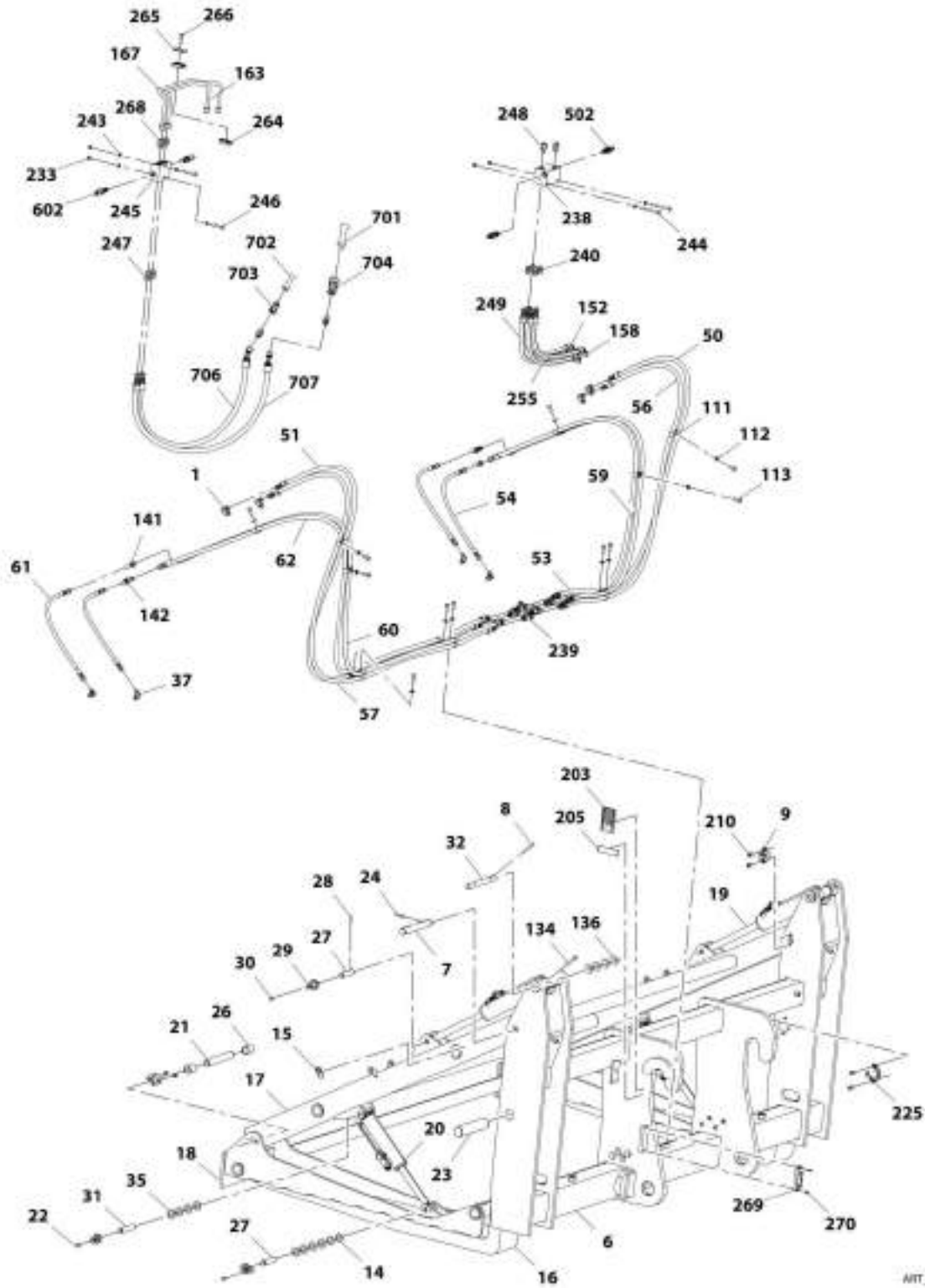
## SECTION 3 - ATTACHMENTS

### FIGURE 3-17. BALE HANDLER (SQUARE)

ITEM	PART NUMBER	QTY	DESCRIPTION	REV
	1001192650	1	Bale Handler (square)	C
1	70028499	2	Spear	
2	70028500	2	Decal, Pinch Point	
3	70028485	2	Screw	
4	70021349	4	Bolt, 3/8X1	
5	70021422	2	Screw	
6	90554042	4	Washer, Lock 3/8	
7	70021350	4	Washer, Flat	
8	70021367	2	Nut, Lock 3/8	
9	90554045	4	Fitting, Grease	
10	N.S.S.	1	Weldment, Main Frame	
11	1001101041	1	Coupler, Male Hydraulic	
12	1001101042	1	Coupler, Female Hydraulic	
13	70028486	4	Fitting	
14	70028488	2	Fitting	
15	70028489	2	Pin	
16	70028490	2	Pin	
17	N.S.S.	1	Weldment, Left Bale Arm	
18	N.S.S.	1	Weldment, Right Bale Arm	
19	70028491	2	Hose	
20	7029711	1	Decal, High Pressure Warning	
21	N.S.S.	1	Plate, Serial Number	
22	8420053	1	Cap, Dust	
23	8420055	1	Cap, Dust	
25	70028495	2	Clamp	
26	70028496	2	Plate, Clamp	
28	70028497	2	Assembly, Cylinder	
29	70028498	1	Decal, Read Manual	
31	70028501	2	Decal, Falling Load	
32	70028487	2	Fitting, Tee	
33	70028492	1	Hose	
34	70028493	1	Hose	
101	70028494	1	Kit, Seal	

# SECTION 3 - ATTACHMENTS

## FIGURE 3-18. PIPE HANDLER CARRIAGE



ART\_3001182722-8

## SECTION 3 - ATTACHMENTS

### FIGURE 3-18. PIPE HANDLER CARRIAGE

ITEM	PART NUMBER	QTY	DESCRIPTION	REV
	1001192722	Ref	Pipe Handler Carriage	D
1	70024123	4	Adapter, 90 (includes o-ring)	
6	N.S.S.	1	Carriage	
7	70028648	2	Pin	
8	70026471	4	Pin	
9	70026472	4	Retainer	
14	70026476	12	Shim	
15	70024538	2	Decal, Pinch Point	
16	70028649	2	Fork	
17	70028650	1	Arm	
18	70028651	1	Pad, Contact	
19	70028652	1	Assembly, Upper Cylinder (See Separate Breakdown in Hydraulic Components Section)	
20	70028653	1	Assembly, Lower Cylinder (See Separate Breakdown in Hydraulic Components Section)	
21	70028654	2	Pin	
22	70026473	4	Capscrew, M10X12	
23	70028655	2	Pin	
24	70028405	2	Pin	
26	70026501	8	Bushing	
27	70028656	4	Pin	
28	70028253	6	Pin	
29	70028262	6	Retainer	
30	70028657	6	Bolt, M8X16	
31	70028658	2	Pin	
32	70028659	2	Pin	
35	70028660	8	Shim	
37	70028661	4	Fittin, 90	
50	70028662	1	Hose	
51	70028663	1	Hose	
53	70028664	1	Hose	
54	70028665	2	Hose	
56	70028666	1	Hose	
57	70028667	1	Hose	
59	70028668	1	Hose	
60	70028669	1	Hose	
61	70028670	2	Hose	
62	70028671	1	Hose	
111	70026481	24	Clamp, Hose	
112	70026482	12	Washer	
113	70028672	12	Bolt, M10X20	
134	70028406	2	Capscrew	
136	70028767	4	Shim	
141	70028768	2	Fitting, Straight	
142	70028673	2	Fitting, 45	
152	70028674	1	Hose	
158	70028675	1	Hose	
163	70028676	1	Pipe	
167	70028677	1	Pipe	
203	N.S.S.	1	Plate, Serial Number	

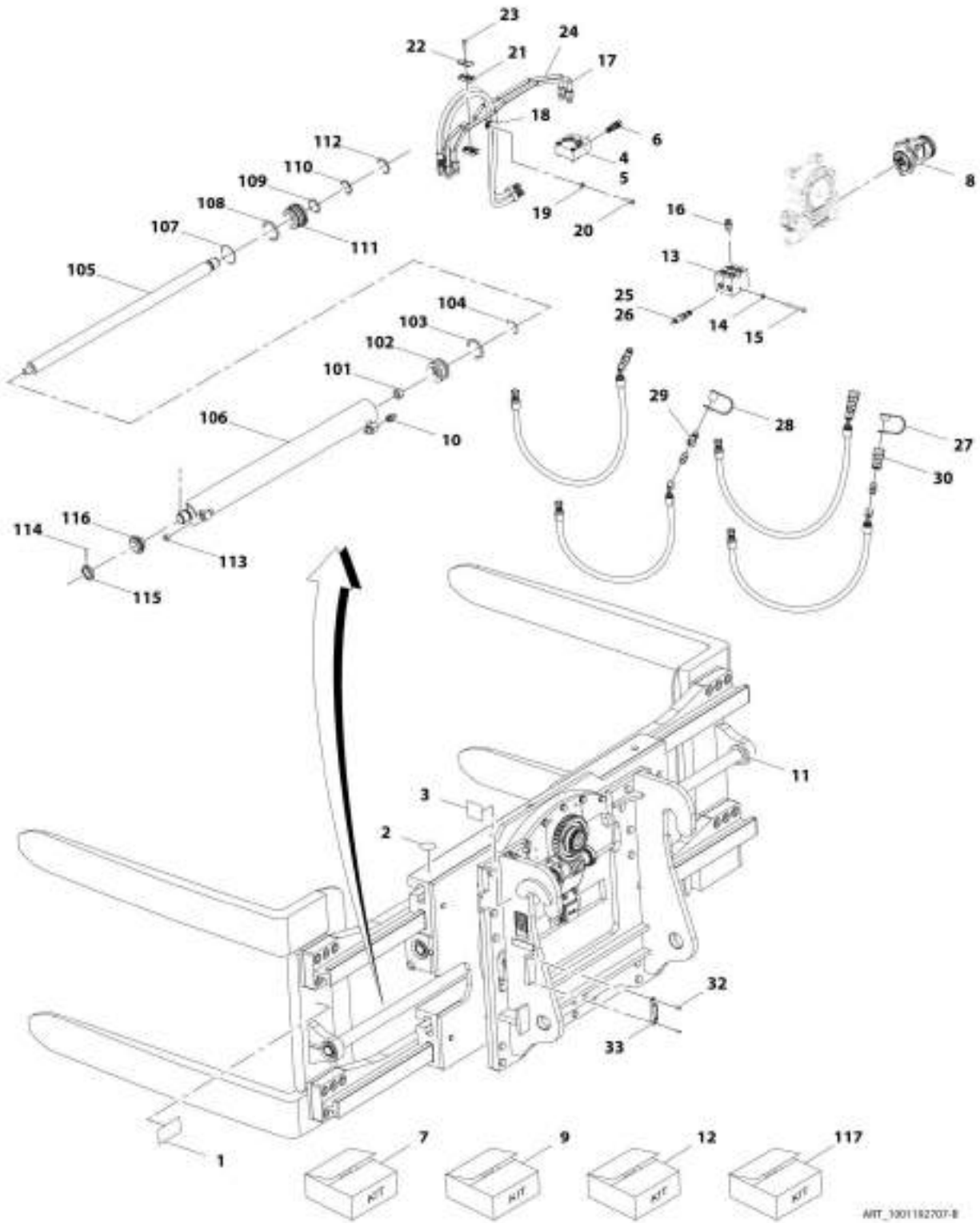
## SECTION 3 - ATTACHMENTS

ITEM	PART NUMBER	QTY	DESCRIPTION	REV
205	N.S.S.	1	Plate, Name	
210	70028678	8	Bolt	
225	70028679	2	Retainer	
233	70028680	6	Nut, M8	
238	N.S.S.	1	Valve	
239	70028267	4	Fitting, Straight	
240	70024130	4	Fitting, Straight	
243	70024721	8	Washer, M8	
244	70028681	2	Bolt, M8X90	
245	N.S.S.	1	Valve, Relief	
246	70028682	2	Bolt, M8X60	
247	70028683	2	Fitting, Straight	
248	70028684	2	Fitting, Straight	
249	70028685	1	Hose	
255	70028686	1	Hose	
264	70028687	1	Clamp	
265	70028688	1	Cover	
266	70028689	1	Bolt, M8X35	
268	70022938	4	Fitting, Straight	
269	1001227670	1	Tag, RFID	
270	70028690	2	Bolt, M4X16	
501	N.S.S.	1	Valve, Relief	
502	70024772	2	Valve, Cartridge	
601	N.S.S.	1	Valve, Sequence	
602	70028695	2	Valve, Cartridge	
701	8420055	1	Plug, Dust	
702	8420053	1	Plug, Cap	
703	1001101041	1	Adapter, Male Quick Disconnect	
704	1001101042	1	Adapter, Female Quick Disconnect	
706	70028696	1	Hose	
707	70028697	1	Hose	



# SECTION 3 - ATTACHMENTS

## FIGURE 3-19. TIRE HANDLER CARRIAGE





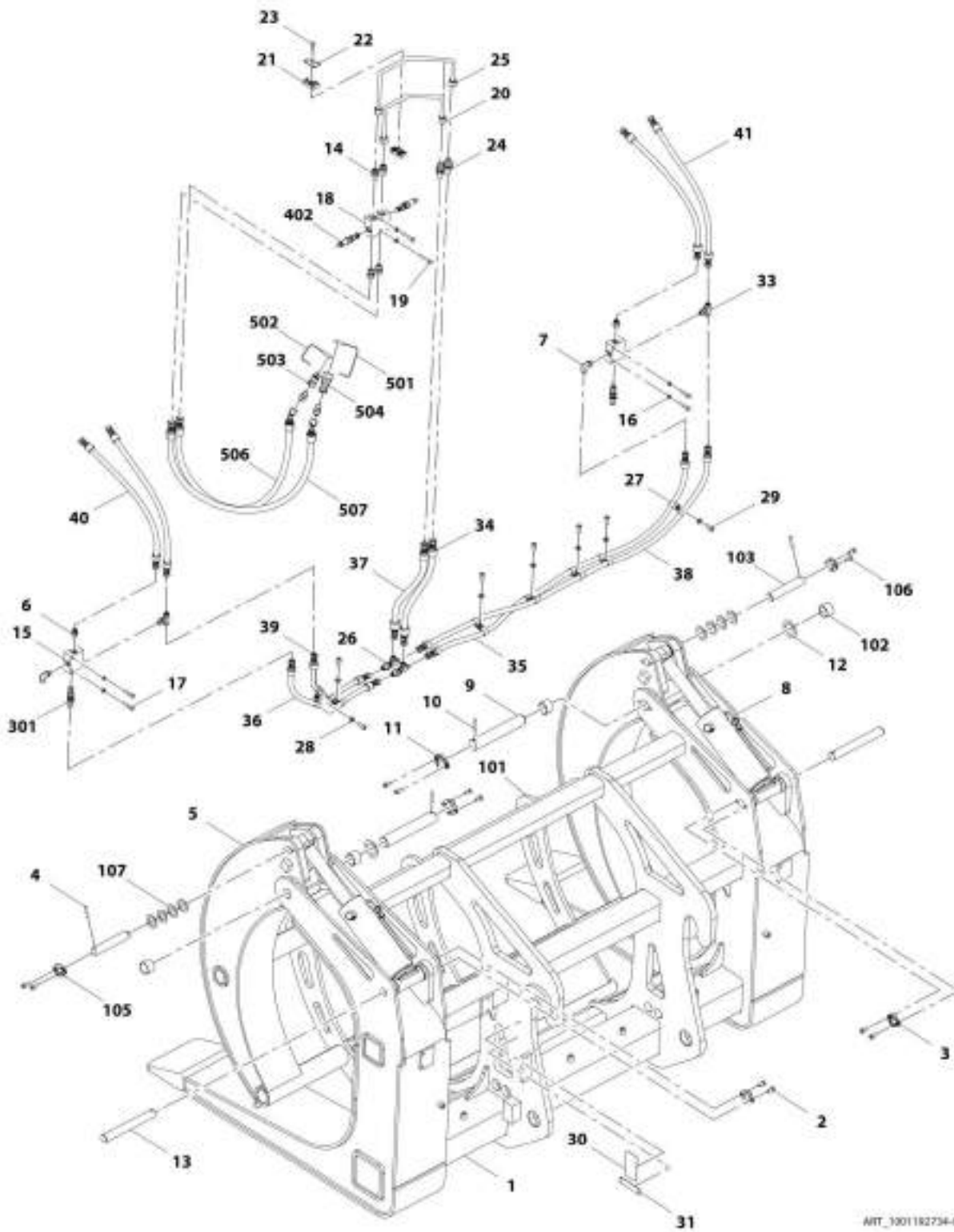
## SECTION 3 - ATTACHMENTS

### FIGURE 3-19. TIRE HANDLER CARRIAGE

ITEM	PART NUMBER	QTY	DESCRIPTION	REV
	1001192707	Ref	Tire Handler Carriage	B
1	70024538	2	Decal, Warning	
2	70024787	1	Decal, No Step	
3	70028785	1	Decal, Quick Change Hook	
4	70024731	1	Assembly, Check Valve	
5	70024732	1	Manifold	
6	70024733	2	Valve, Check	
7	70024734	2	Kit, Check Valve	
8	70028786	1	Motor, Drive	
9	70028114	1	Kit, Service	
10	70028787	2	Cartridge, Restrictor	
11	70028788	2	Assembly, Cylinder	
12	70028793	1	Kit, Service (includes Items 114 thru 116)	
13	70028794	1	Valve, Pressure Control	
14	70024721	2	Washer, M8	
15	70028681	2	Bolt, M8X90	
16	70022938	8	Fitting, Straight	
17	70028795	1	Pipe	
18	70026481	2	Clamp, Hose	
19	70026482	1	Washer	
20	70028672	1	Bolt, M10X20	
21	70028687	1	Clamp	
22	70028688	1	Cover	
23	70028689	1	Bolt, M8X35	
24	70028796	1	Pipe	
25	70024772	4	Valve, Relief	
26	70028115	4	Kit, Seal	
27	8420055	2	Plug, Dust	
28	8420053	2	Cap, Dust	
29	1001101041	2	Adapter, Male Quick Disconnect	
30	1001101042	2	Adapter, Female Quick Disconnect	
32	70028690	2	Bolt, M4X16	
33	1001227670	1	Tag, RFID	
101	70026503	1	Nut	
102	70028789	1	Piston	
103	Kit	1	Seal	
104	Kit	1	O-Ring	
105	70028790	1	Rod	
106	Kit	1	Shell	
107	Kit	1	O-Ring	
108	Kit	1	Backup Ring	
109	Kit	1	Seal	
110	Kit	1	Ring	
111	70028791	1	Retainer	
112	Kit	1	Wiper	
113	70028119	1	Plug	
114	Kit	1	Pin	
115	Kit	1	Retainer	
116	Kit	1	Nut	
117	70028792	1	Kit, Seal (includes items 101 thru 113)	

# SECTION 3 - ATTACHMENTS

## FIGURE 3-20. LOG HANDLER CARRIAGE



ART\_3001182734-C

## SECTION 3 - ATTACHMENTS

### FIGURE 3-20. LOG HANDLER CARRIAGE

ITEM	PART NUMBER	QTY	DESCRIPTION	REV
	1001192734	Ref	Log Handler Carriage	C
1	N.S.S.	1	Frame	
2	70028701	8	Capscrew, M10X20	
3	70028702	2	Retainer	
4	70028703	4	Pin	
5	N.S.S.	1	Grapple	
6	70024130	2	Fitting, Straight	
7	70024123	2	Fitting, 90	
8	70028704	2	Assembly, Cylinder (See Separate Breakdown in Hydraulic Components Section)	
9	70028705	2	Pin	
10	70028706	2	Pin	
11	70028707	2	Retainer	
12	70028708	2	Shim	
13	70028709	2	Pin	
14	70022938	4	Fitting, Straight	
15	N.S.S.	2	Valve	
16	70024721	6	Washer, M8	
17	70028710	4	Capscrew	
18	N.S.S.	1	Valve, Relief	
19	70028711	2	Capscrew	
20	70028712	1	Pipe	
21	70028687	1	Clamp	
22	70028688	1	Plate, Cover	
23	70028689	1	Bolt, M8X35	
24	70028713	2	Fitting, Straight	
25	70028714	1	Pipe	
26	70028267	2	Fitting, Tee	
27	70026481	14	Clamp, Hose	
28	70026482	7	Washer, M10	
29	70028672	7	Bolt, M10X20	
30	N.S.S.	1	Plate, Serial Number	
31	N.S.S.	1	Plate, Name	
33	70028715	2	Fitting, Tee	
34	70028716	1	Hose	
35	70028717	1	Hose	
36	70028718	1	Hose	
37	70028719	1	Hose	
38	70028720	1	Hose	
39	70028721	1	Hose	
40	70028722	2	Hose	
41	70028723	2	Hose	
101	70028724	1	Arm	
102	70028725	4	Bearing	
103	70028726	2	Pin	
107	70028727	8	Shim	
301	70026504	2	Valve, Counterbalance	
402	70024772	2	Valve, Relief	
501	8420055	1	Plug, Dust	
502	8420053	1	Plug, Cap	

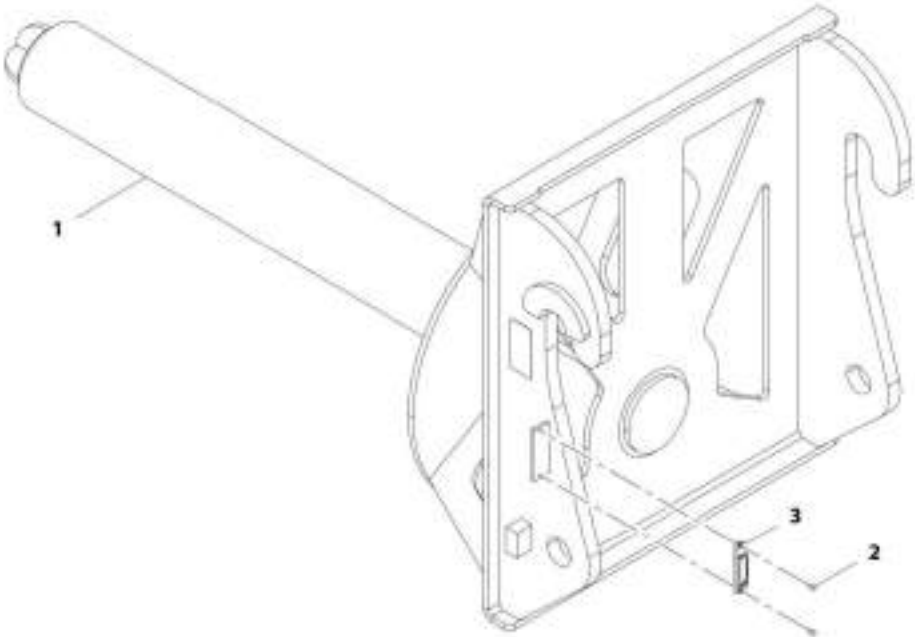
### SECTION 3 - ATTACHMENTS

ITEM	PART NUMBER	QTY	DESCRIPTION	REV
503	1001101041	1	Adapter, Male Quick Disconnect	
504	1001101042	1	Adapter, Female Quick Disconnect	
506	70028734	1	Hose	
507	70028697	1	Hose	



**SECTION 3 - ATTACHMENTS**

**FIGURE 3-21. STEEL COIL HANDLER CARRIAGE**



AWT\_3001182735-E

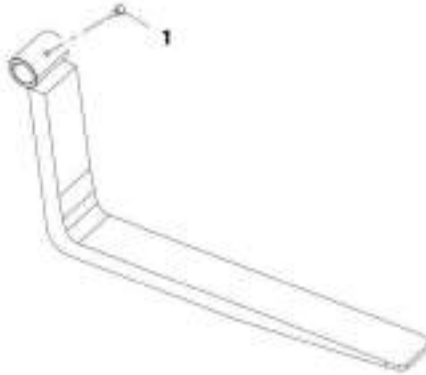
## SECTION 3 - ATTACHMENTS

### FIGURE 3-21. STEEL COIL HANDLER CARRIAGE

ITEM	PART NUMBER	QTY	DESCRIPTION	REV
	1001192735	1	Steel Coil Handler Carriage	E
2	70028554	2	Screw	
3	1001227670	1	Tag, RFID	

## SECTION 3 - ATTACHMENTS

FIGURE 3-22. PALLET FORK (2.25X6X48)



ART\_1801196452-B



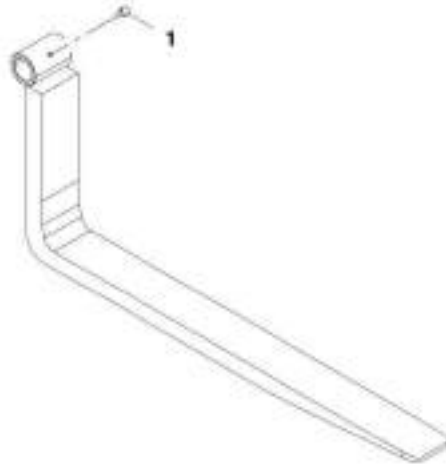
## SECTION 3 - ATTACHMENTS

**FIGURE 3-22. PALLET FORK (2.25X6X48)**

ITEM	PART NUMBER	QTY	DESCRIPTION	REV
1	1001196952	1	Pallet Fork (2.25X6X48)	B
	70027180	1	Screw, M16X30	
	Note	Ref	<p>FORKS RATED LESS THAN THE ATTACHMENT OR MACHINE'S CAPACITY DECREASES CAPACITY OF THE ATTACHMENT OR MACHINE TO THAT OF THE FORKS. FORKS RATED MORE THAN THE ATTACHMENT OR MACHINE'S CAPACITY DO NOT INCREASE ATTACHMENT OR MACHINE'S CAPACITY.</p>	
	Note	Ref	<p>PLEASE CONSULT JLG PARTS DEPARTMENT TO DETERMINE THE CORRECT FORKS APPLICABLE TO YOUR SPECIFIC CARRIAGE ASSEMBLY AND APPLICATION.</p>	

## SECTION 3 - ATTACHMENTS

FIGURE 3-23. PALLET FORK (2.25X6X60)



ART\_1301196451-B

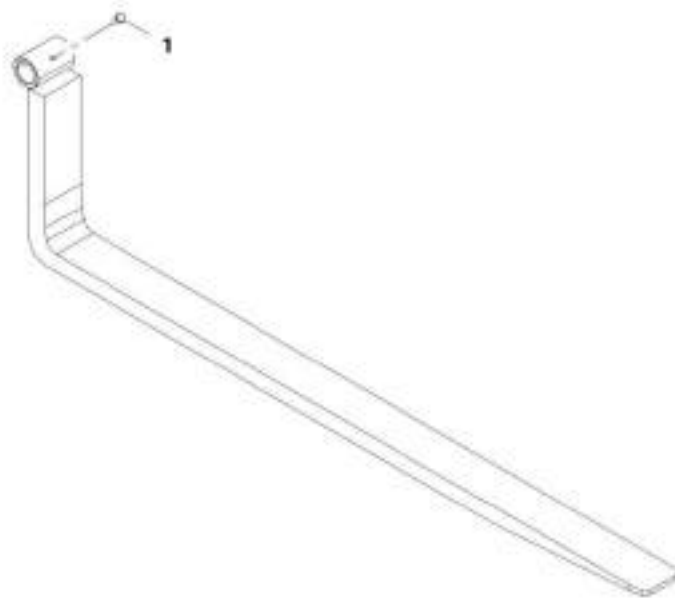
## SECTION 3 - ATTACHMENTS

**FIGURE 3-23. PALLET FORK (2.25X6X60)**

ITEM	PART NUMBER	QTY	DESCRIPTION	REV
1	1001196951	1	Pallet Fork (2.25X6X60)	B
	70027180	1	Screw, M16X30	
	Note	Ref	<p>FORKS RATED LESS THAN THE ATTACHMENT OR MACHINE'S CAPACITY DECREASES CAPACITY OF THE ATTACHMENT OR MACHINE TO THAT OF THE FORKS. FORKS RATED MORE THAN THE ATTACHMENT OR MACHINE'S CAPACITY DO NOT INCREASE ATTACHMENT OR MACHINE'S CAPACITY.</p>	
	Note	Ref	<p>PLEASE CONSULT JLG PARTS DEPARTMENT TO DETERMINE THE CORRECT FORKS APPLICABLE TO YOUR SPECIFIC CARRIAGE ASSEMBLY AND APPLICATION.</p>	

# SECTION 3 - ATTACHMENTS

FIGURE 3-24. PALLET FORK (2.25X6X72)



ART\_1801196450-B

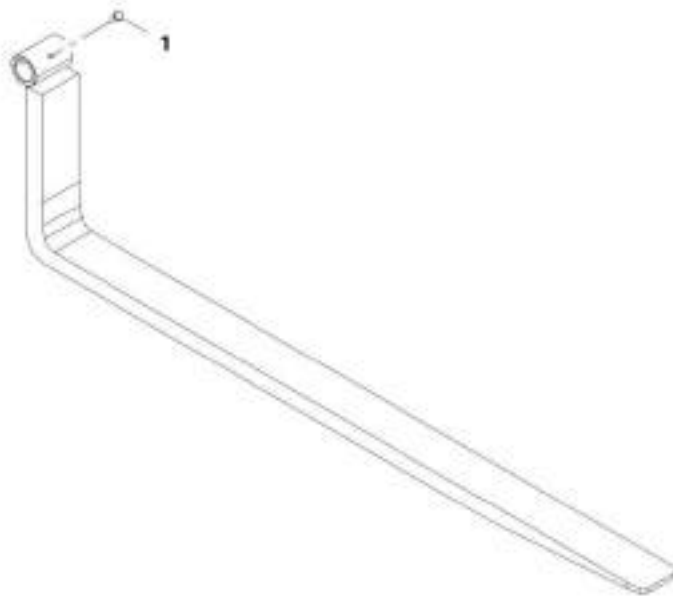
## SECTION 3 - ATTACHMENTS

**FIGURE 3-24. PALLET FORK (2.25X6X72)**

ITEM	PART NUMBER	QTY	DESCRIPTION	REV
1	1001196950	1	Pallet Fork (2.25X6X72)	B
	70027180	1 2	Screw, M16X30	
	Note	Ref	FORKS RATED LESS THAN THE ATTACHMENT OR MACHINE'S CAPACITY DECREASES CAPACITY OF THE ATTACHMENT OR MACHINE TO THAT OF THE FORKS. FORKS RATED MORE THAN THE ATTACHMENT OR MACHINE'S CAPACITY DO NOT INCREASE ATTACHMENT OR MACHINE'S CAPACITY.	
	Note	Ref	PLEASE CONSULT JLG PARTS DEPARTMENT TO DETERMINE THE CORRECT FORKS APPLICABLE TO YOUR SPECIFIC CARRIAGE ASSEMBLY AND APPLICATION.	

# SECTION 3 - ATTACHMENTS

FIGURE 3-25. PALLET FORK (2.25X6X96)



ART\_180119849-B

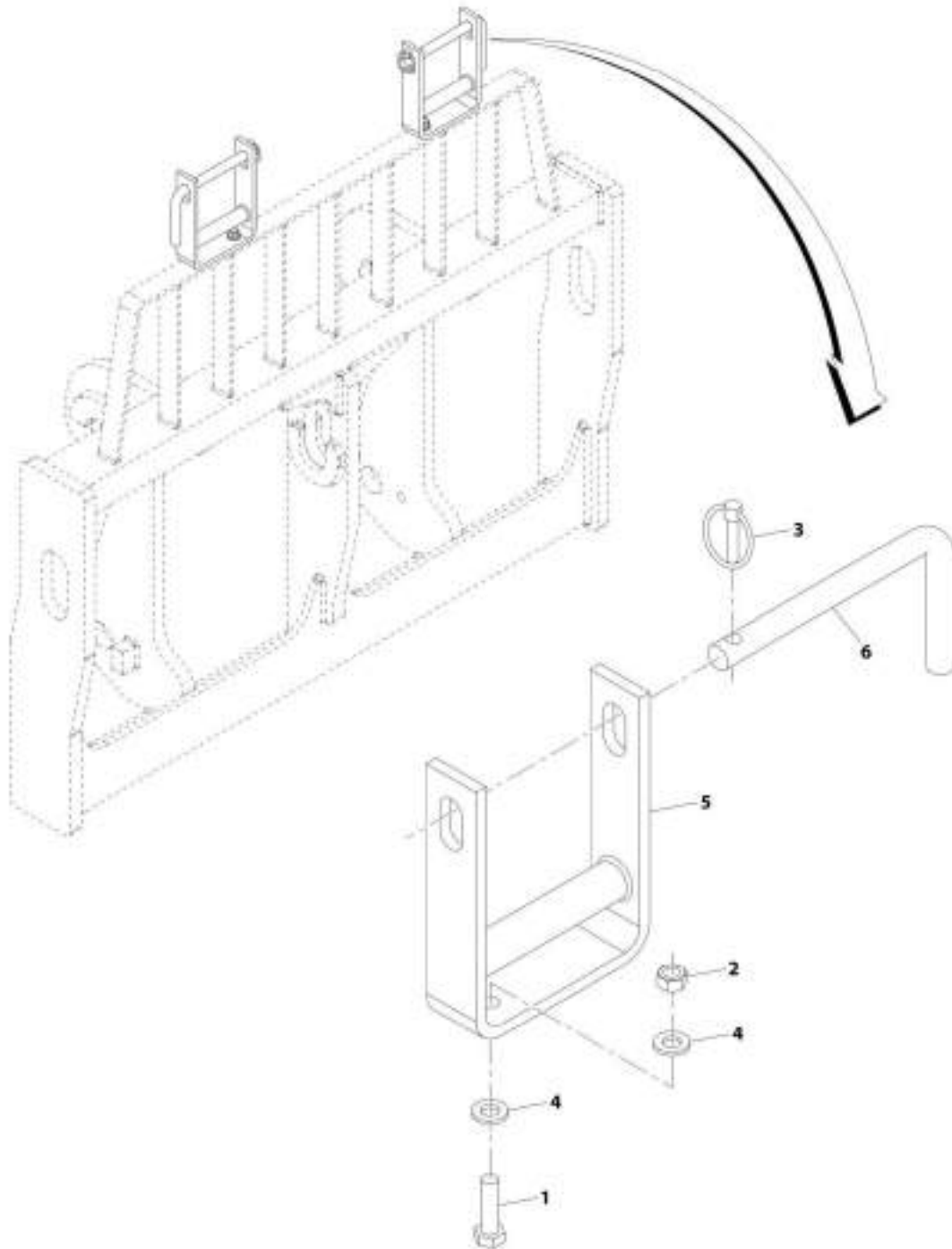
## SECTION 3 - ATTACHMENTS

**FIGURE 3-25. PALLET FORK (2.25X6X96)**

ITEM	PART NUMBER	QTY	DESCRIPTION	REV
1	1001196949	1	Pallet Fork (2.25X6X96)	B
	70027180	1 2	Screw, M16X30	
	Note	Ref	FORKS RATED LESS THAN THE ATTACHMENT OR MACHINE'S CAPACITY DECREASES CAPACITY OF THE ATTACHMENT OR MACHINE TO THAT OF THE FORKS. FORKS RATED MORE THAN THE ATTACHMENT OR MACHINE'S CAPACITY DO NOT INCREASE ATTACHMENT OR MACHINE'S CAPACITY.	
	Note	Ref	PLEASE CONSULT JLG PARTS DEPARTMENT TO DETERMINE THE CORRECT FORKS APPLICABLE TO YOUR SPECIFIC CARRIAGE ASSEMBLY AND APPLICATION.	

# SECTION 3 - ATTACHMENTS

## FIGURE 3-26. FORK RETENTION INSTALLATION



ARE\_1001190718-C



## SECTION 3 - ATTACHMENTS

### FIGURE 3-26. FORK RETENTION INSTALLATION

ITEM	PART NUMBER	QTY	DESCRIPTION	REV
	1001196778	Ref	Fork Retention Installation	C
	0761217	1	Bolt, M12X45	
	3291201	1	Nut, M12X1.75	
	1001109387	1	Pin, Linch	
	5241200	2	Washer, M12	
	1001196779	1	Bracket, Fork Retention	
	1001196782	1	Pin, Fork Retention	

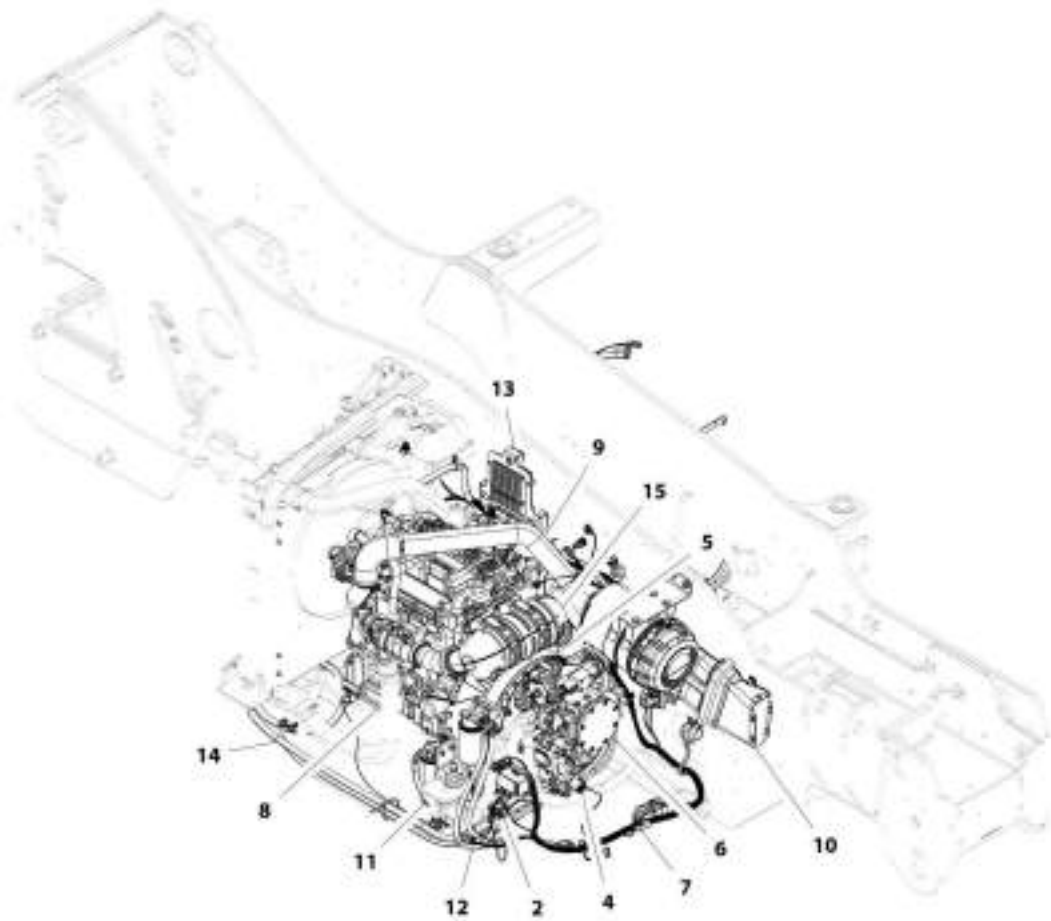


## **SECTION 4 - ENGINE AND ATTACHING PARTS**

## **SECTION 4 - ENGINE AND ATTACHING PARTS**

## SECTION 4 - ENGINE AND ATTACHING PARTS

FIGURE 4-1. ENGINE POD COMPONENT INSTALLATION (ULS)



ART\_1801206443-D

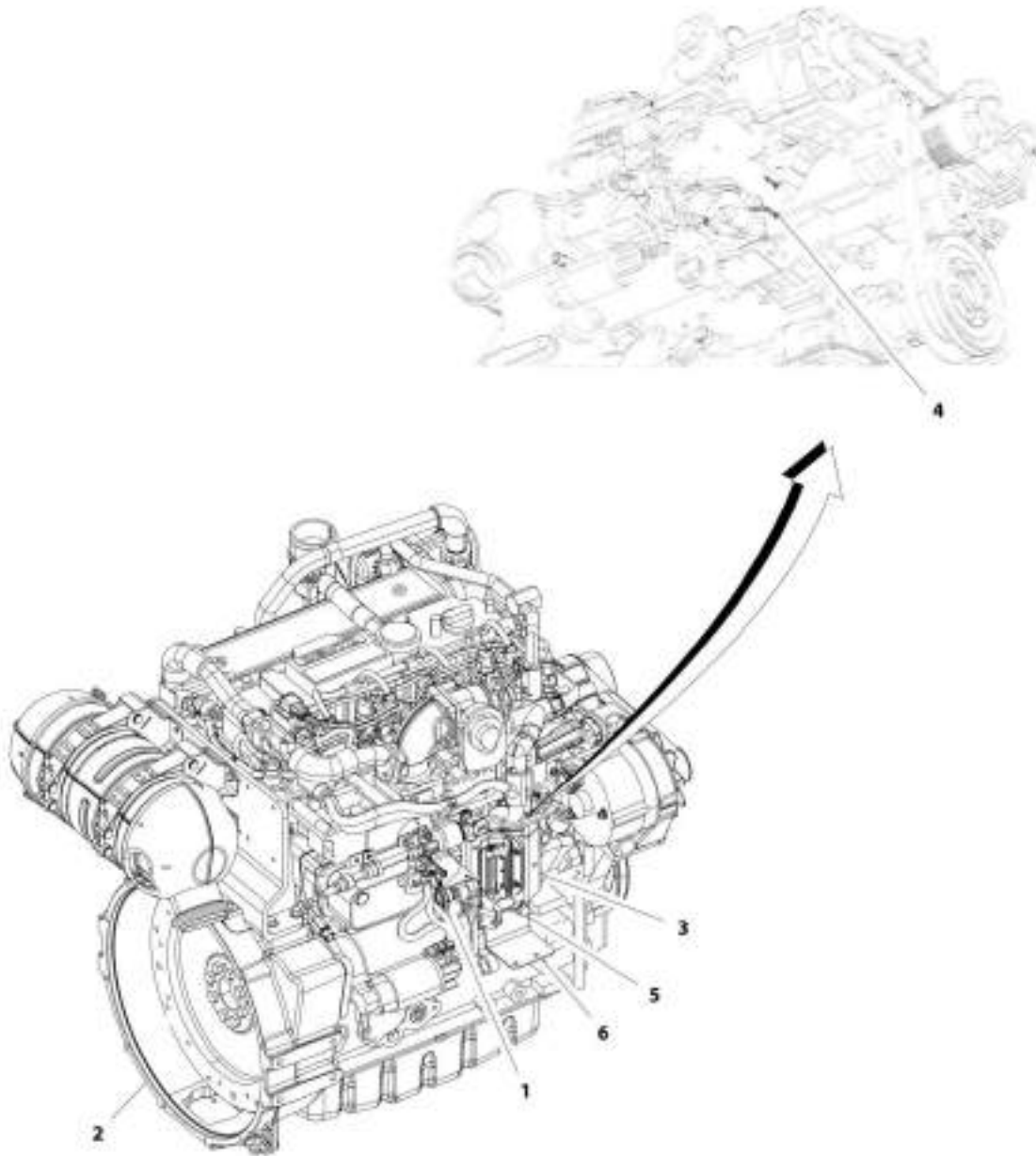
## SECTION 4 - ENGINE AND ATTACHING PARTS

**FIGURE 4-1. ENGINE POD COMPONENT INSTALLATION (ULS)**

ITEM	PART NUMBER	QTY	DESCRIPTION	REV
	1001200443	Ref	Engine Pod Component Installation (ULS)	D
2	1001221041	1	Installation, Remote Fuel Pump (See Seperate Breakdown in this Section)	
4	1001193393	1	Installation, Implement Pump (See Seperate Breakdown in this Section)	
5	1001193703	1	Installation, Hydrostatic Adaptor (See Seperate Breakdown in this Section)	
6	1001193704	1	Installation, Hydrostatic Drive Pump (See Seperate Breakdown in this Section)	
7	1001200106	1	Installation, Engine Wiring (See Seperate Breakdown in Electrical Section)	
8	1001200862	1	Installation, Engine Mount (See Seperate Breakdown in this Section)	
9	1001200863	1	Installation, Air Intake (See Seperate Breakdown in this Section)	
10	1001200864	1	Installation, Air Cleaner (See Seperate Breakdown in this Section)	
11	1001200865	1	Installation, Primary Fuel Filter (See Seperate Breakdown in this Section)	
12	1001200866	1	Installation, Fuel Lines (See Seperate Breakdown in this Section)	
13	1001200869	1	Installation, Engine ECU (See Seperate Breakdown in this Section)	
14	1001201298	1	Installation, DEF Coolant Lines (See Seperate Breakdown in this Section)	
15	1001201425	1	Installation, Engine (See Seperate Breakdown in this Section)	

# SECTION 4 - ENGINE AND ATTACHING PARTS

FIGURE 4-2. ENGINE INSTALLATION (ULS)



ART\_1801301425-D

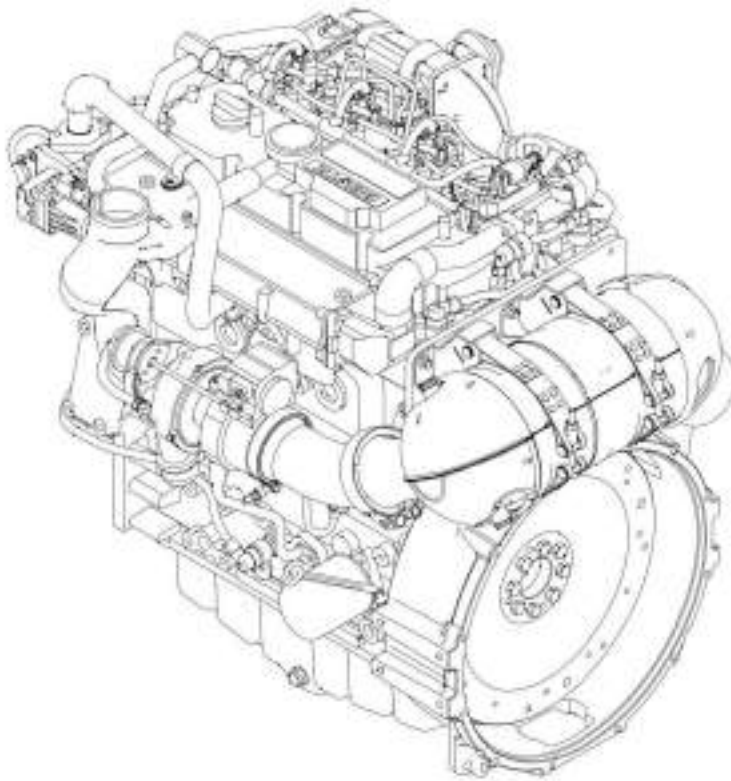
## SECTION 4 - ENGINE AND ATTACHING PARTS

FIGURE 4-2. ENGINE INSTALLATION (ULS)

ITEM	PART NUMBER	QTY	DESCRIPTION	REV
	1001201425	Ref	Engine Installation (ULS)	D
1	1001004720	4	Strap, Cable	
2	1001197414	1	Engine (See Seperate breakdown in this Section)	
3	1001202901	1	Bracket, ECU Connector	
4	1001008559	2	Strap, Cable	
5	5251012	2	Bolt, M10X25	
6	1001222460	1	Bracket, Fuel Supply	

## SECTION 4 - ENGINE AND ATTACHING PARTS

FIGURE 4-3. ENGINE (100KW - ULS)



AWT\_30011874144



## SECTION 4 - ENGINE AND ATTACHING PARTS

**FIGURE 4-3. ENGINE (100KW - ULS)**

ITEM	PART NUMBER	QTY	DESCRIPTION	REV
	1001197414	Ref	Engine (100kW - ULS)	I
	70027657	1	Dipstick	
	7020442	1	O-Ring	
	70025755	1	Tube, Dipstick	
	70025765	1	Pan, Oil	
	70025786	1	Plug	
	70025757	1	Flywheel	
	7020208	1	Gear, Ring	
	70126616	1	Bearing	
	70027567	1	Belt	
	70025737	1	Sensor, Wheel	
	70025743	1	Pulley, V-Groove	
	70124445	1	Crankcase	
	70025763	1	Pump, Oil	
	70024494	1	Cooler, Oil	
	70024495	1	Gasket	
	7016331	1	Filter, Oil	
	70024504	1	Sensor, Pressure	
	70024489	1	Line, Lube	
	70005490	1	Line, Return	
	70005730	1	Pipe, Transfer	
	70025722	1	Line, Oil Suction	
	70024487	1	Pump, Fuel Injector	
	70027417	1	Filter, Fuel (Secondary)	
	70004512	1	Element, Fuel Filter (Secondary)	
	70024961	1	Filter, Fuel (Primary)	
	70025153	1	Element, Fuel Filter (Primary)	
	70006144	1	Pump, Fuel	
	70024507	1	Sensor, Pressure	
	70005492	1	Valve, Throttle	
	70025772	1	Manifold, Air Charge	
	70005495	1	Module, Engine Control	
	70026011	1	Pump, Water	
	70025775	1	Pulley, V-Ribbed Belt	
	70024918	1	Sensor, Temperature	
	70024493	1	Gasket	
	70005504	1	Sensor, Pressure	
	70005505	1	O-Ring	
	70027405	2	Sensor, Temperature	
	70005507	2	O-Ring	
	70005510	1	Manifold, Exhaust	
	70005511	1	Gasket	
	70027426	1	Module, EGR	
	70005513	1	Valve, Control	
	70025768	1	Valve, Shuttle	
	70028417	1	Turbocharger	
	70024484	1	Roller, Idler	
	70028418	1	Tensioner, Belt	
	70028419	1	Belt, V-Ribbed	
	70027404	1	Alternator	

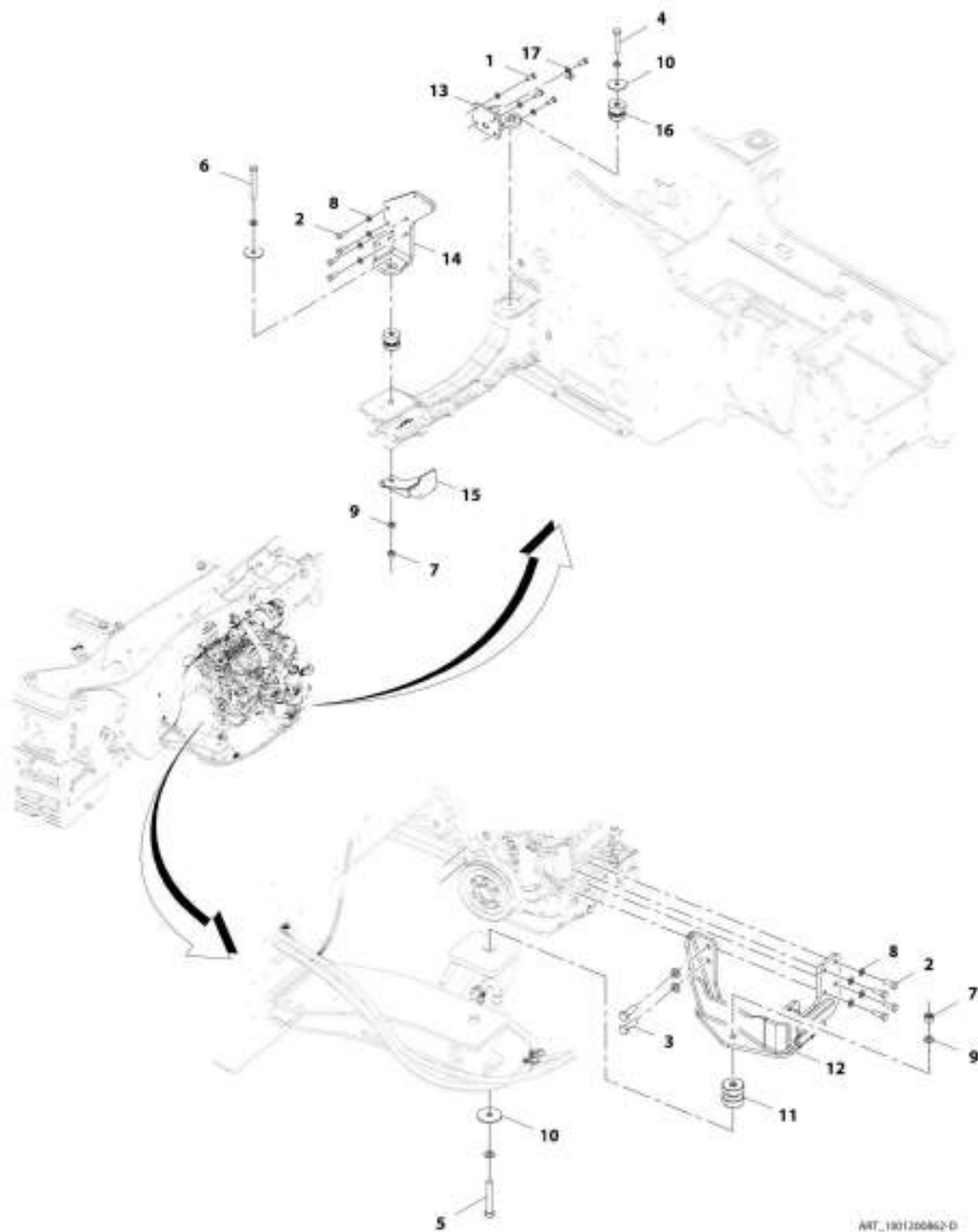
## SECTION 4 - ENGINE AND ATTACHING PARTS

ITEM	PART NUMBER	QTY	DESCRIPTION	REV
	70025535	1	Starter	
	70025780	1	Relay	
	70026210	1	Sensor, Speed	
	70005191	1	O-Ring	
	70025761	1	Connector	
	70024474	1	Plug, Glow	
	70025760	1	Rail, Connecting	
	70005544	1	Unit, Metering	
	70005548	1	Pump, DEF Supply	
	70005549	1	Filter, DEF	
	70005523	1	Sensor, Pressure	
	70024505	1	Sensor, Temperature	
	70005556	1	Sensor, Temperature	
	70005522	1	Sensor	
	70005524	1	Sensor	
	70005559	1	Sensor, Temperature	
	70005507	1	O-Ring	
	70005557	1	Pipe	
	70005558	1	Clip	
	70025877	3	Clamp	
	70025242	3	Gasket	
	70025707	1	Set, Gasket	



# SECTION 4 - ENGINE AND ATTACHING PARTS

## FIGURE 4-4. ENGINE MOUNT INSTALLATION



ART\_180130862-D

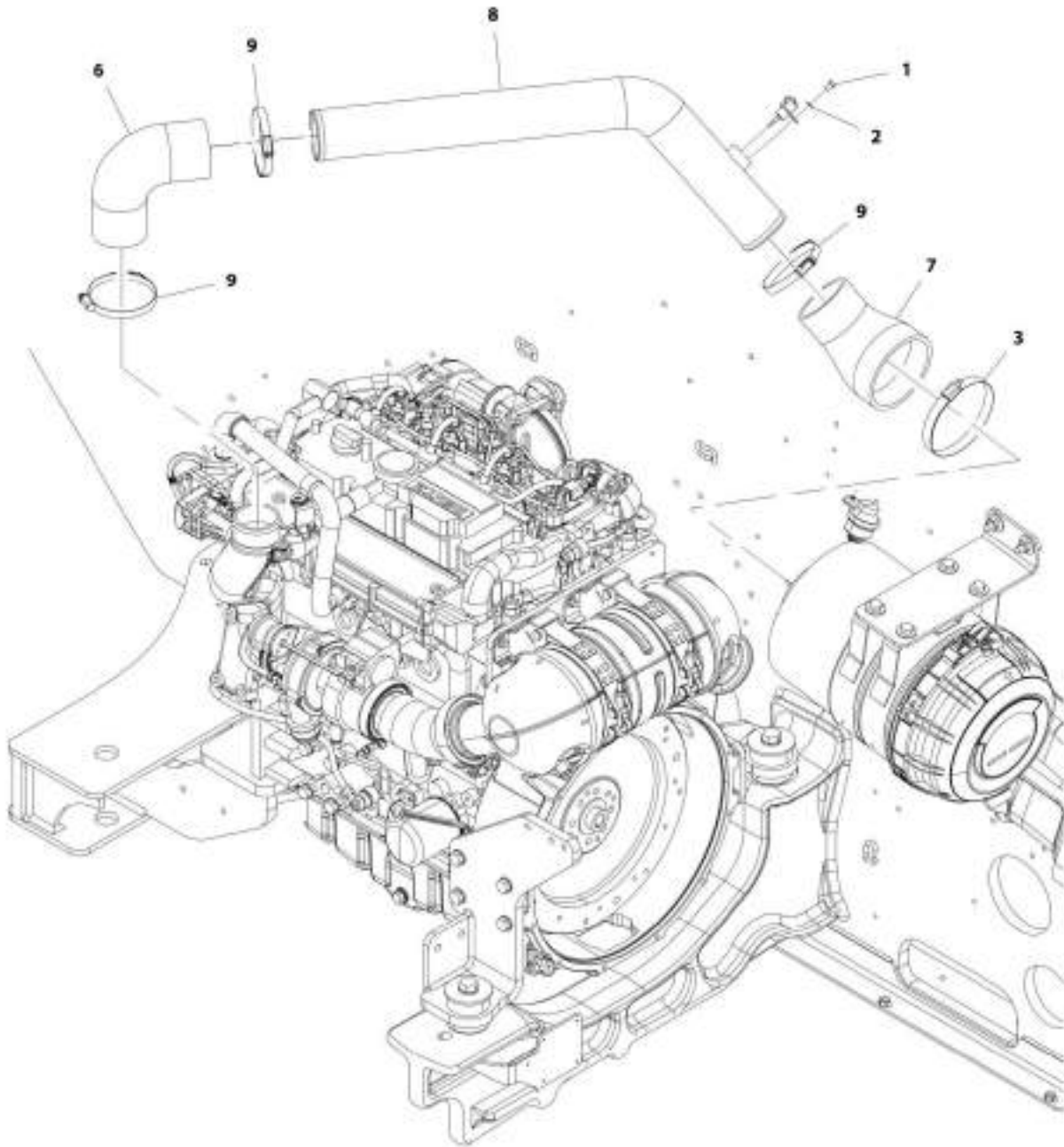
## SECTION 4 - ENGINE AND ATTACHING PARTS

### FIGURE 4-4. ENGINE MOUNT INSTALLATION

ITEM	PART NUMBER	QTY	DESCRIPTION	REV
	1001200862	Ref	Engine Mount Installation	D
1	0761214	4	Bolt, M12X30	
2	0761215	8	Bolt, M12X35	
3	0701618	2	Bolt M16 X 50	
4	0701626	1	Bolt, M16X90	
5	0701628	1	Bolt, M16X110	
6	0701630	1	Bolt, M16X130	
7	3291605	2	Nut, Lock M16X2	
8	4812100	11	Washer, M12	
9	4812300	7	Washer, M16	
10	7300435	3	Washer	
11	1001188757	1	Mount, Engine	
12	1001200871	1	Bracket, Engine Mount	
13	1001200872	1	Bracket, Engine Mount	
14	1001200873	1	Bracket, Engine Mount	
15	1001200874	1	Bracket, Fuel Pump	
16	1001197072	2	Mount, Engine	
17	8406105	1	Clip, Tube	

# SECTION 4 - ENGINE AND ATTACHING PARTS

## FIGURE 4-5. AIR INTAKE LINES INSTALLATION



ART\_1001206865-6

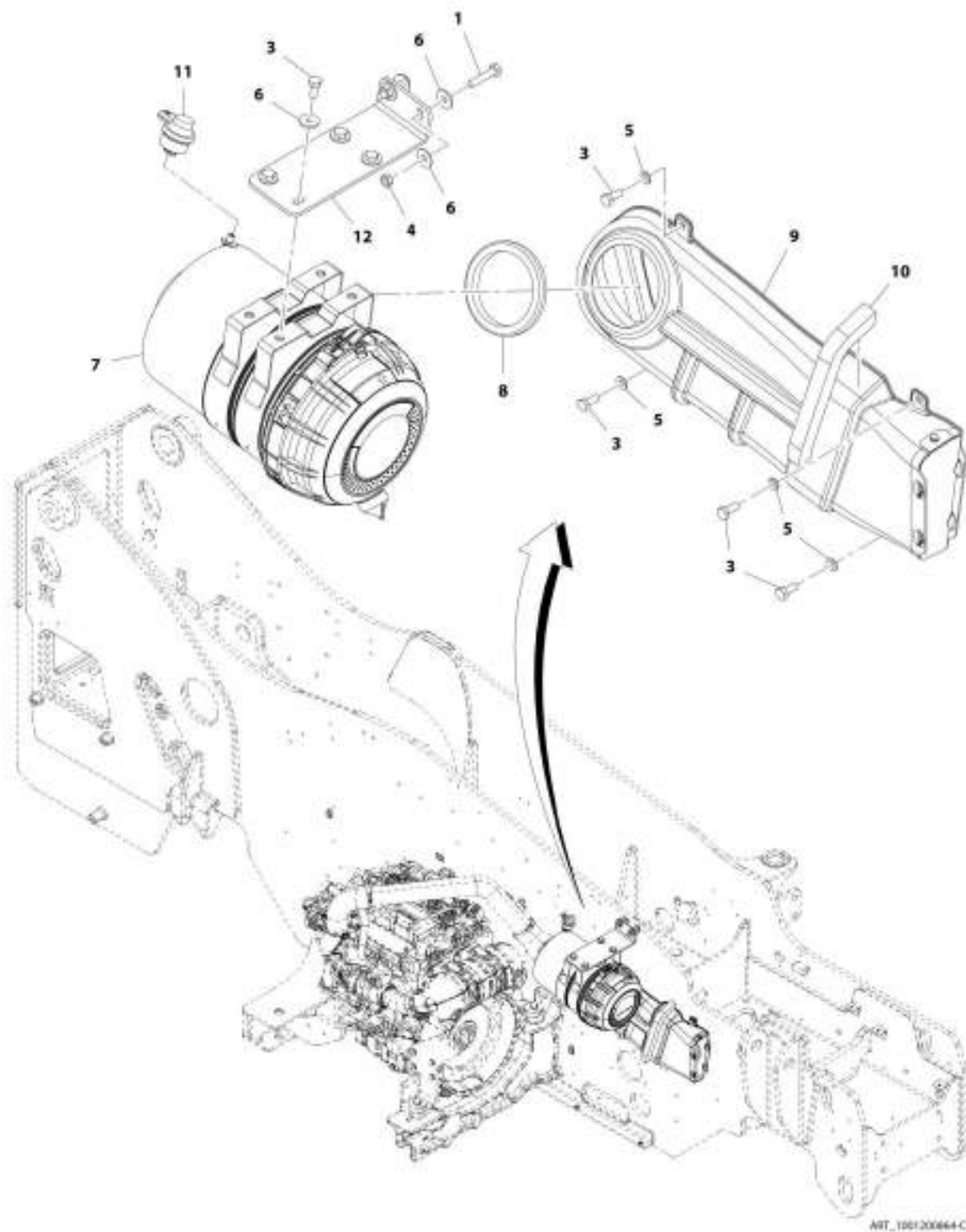
## SECTION 4 - ENGINE AND ATTACHING PARTS

### FIGURE 4-5. AIR INTAKE LINES INSTALLATION

ITEM	PART NUMBER	QTY	DESCRIPTION	REV
	1001200863	Ref	Air Intake Lines Installation	B
1	0760605	1	Bolt, M6X10	
2	4811700	1	Washer, M6	
3	8405402	1	Clamp	
6	1001182881	1	Hose	
7	1001200885	1	Hose	
8	1001200886	1	Tube	
9	1001226523	3	Clamp	

# SECTION 4 - ENGINE AND ATTACHING PARTS

## FIGURE 4-6. AIR CLEANER INSTALLATION





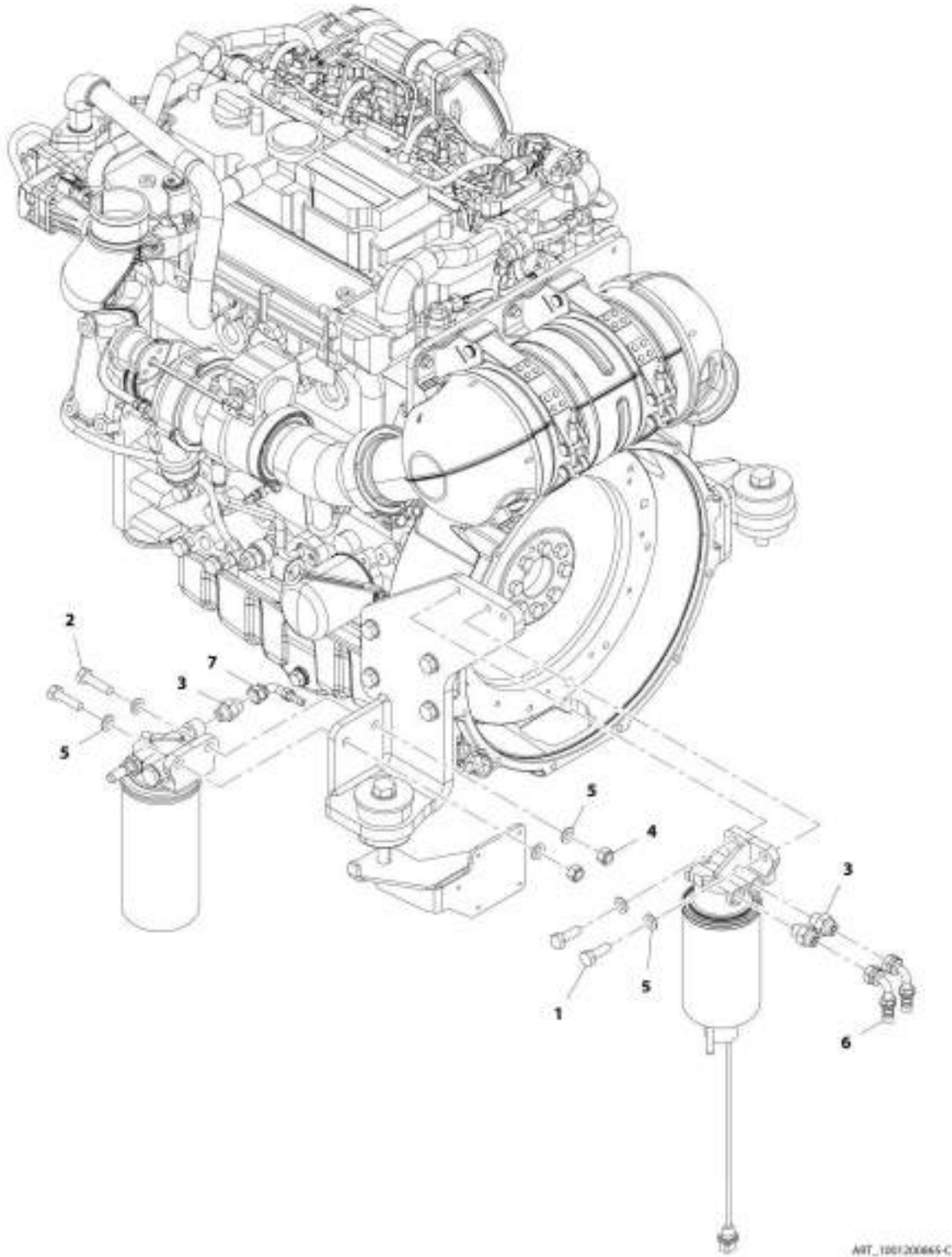
## SECTION 4 - ENGINE AND ATTACHING PARTS

FIGURE 4-6. AIR CLEANER INSTALLATION

ITEM	PART NUMBER	QTY	DESCRIPTION	REV
	1001200864	Ref	Air Cleaner Installation	C
1	0701018	2	Bolt, M10X50	
3	0761012	8	Bolt, M10X25	
4	3291001	2	Nut, M10X1.5	
5	4812000	4	Washer, M10	
6	4812002	8	Washer, M10	
7	1001166565	1	Filter, Air Cleaner (See Seperate Breakdown in this Section)	
8	1001183831	1	Grommet	
9	1001183835	1	Air Intake Duct Installation (See Seperate Breakdown in this Section)	
10	1001186898	1	Seal	
11	1001166715	1	Indicator	
12	1001194534	1	Bracket, Air Cleaner Mount	

## SECTION 4 - ENGINE AND ATTACHING PARTS

FIGURE 4-7. PRIMARY FUEL FILTER INSTALLATION (ULS)



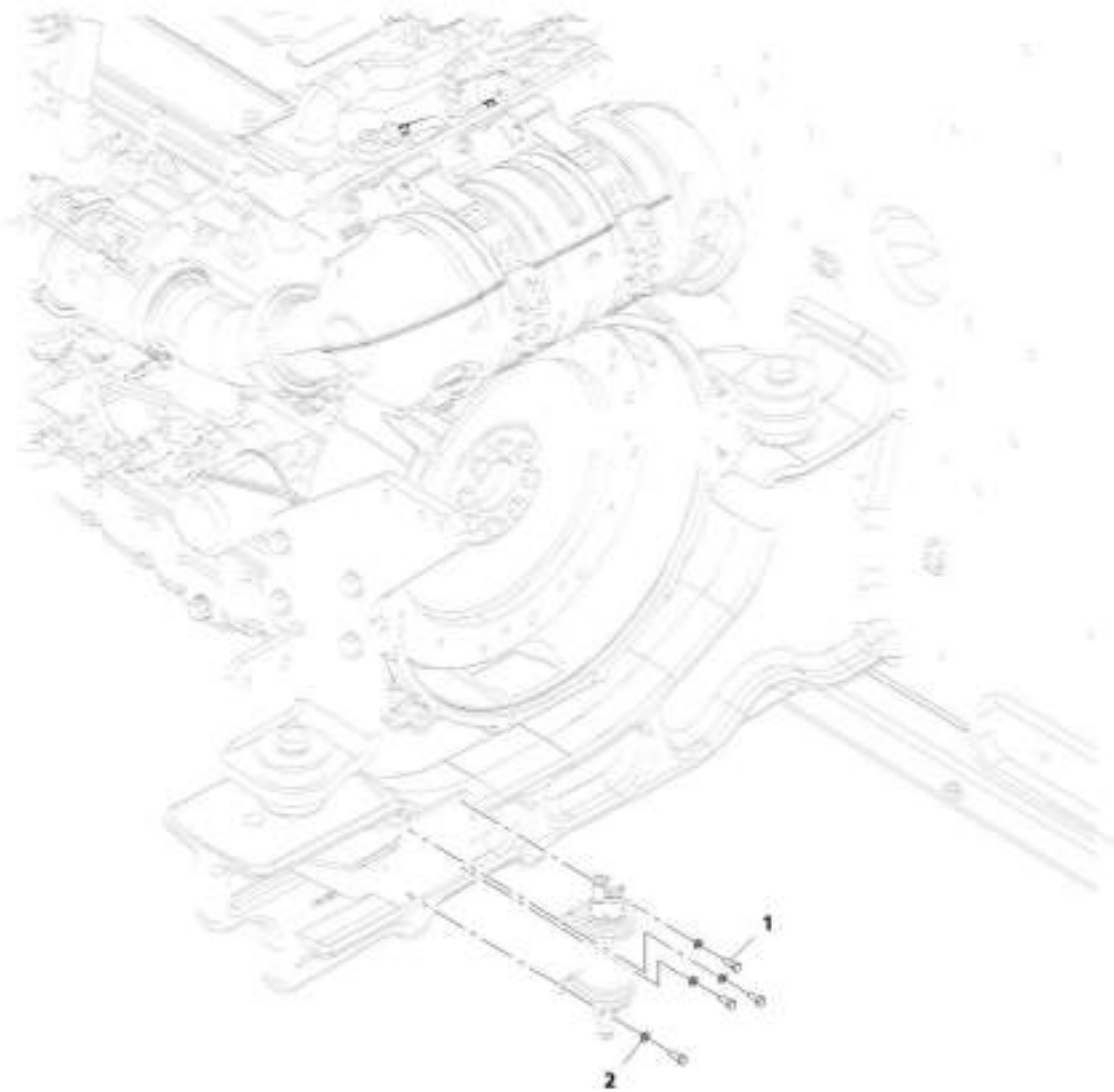
## SECTION 4 - ENGINE AND ATTACHING PARTS

FIGURE 4-7. PRIMARY FUEL FILTER INSTALLATION (ULS)

ITEM	PART NUMBER	QTY	DESCRIPTION	REV
	1001200865	Ref	Primary Fuel Filter Installation	C
1	0701014	2	Bolt, M10X30	
2	0701016	2	Bolt, M10X40	
3	2144606	3	Fitting, Straight ORFS	
4	3291005	2	Nut, Lock M10X1.5	
5	4812000	6	Washer, M10	
6	1001095301	2	Fitting, 90 ORFS	
7	1001133793	1	Fitting, 90 ORFS	

# SECTION 4 - ENGINE AND ATTACHING PARTS

## FIGURE 4-8. REMOTE FUEL PUMP INSTALLATION



ART\_1801221041-B

## SECTION 4 - ENGINE AND ATTACHING PARTS

FIGURE 4-8. REMOTE FUEL PUMP INSTALLATION

ITEM	PART NUMBER	QTY	DESCRIPTION	REV
	1001221041	Ref	Remote Fuel Pump Installation	B
1	0760507	4	Bolt, M5X14	
2	4811600	4	Washer, M5	



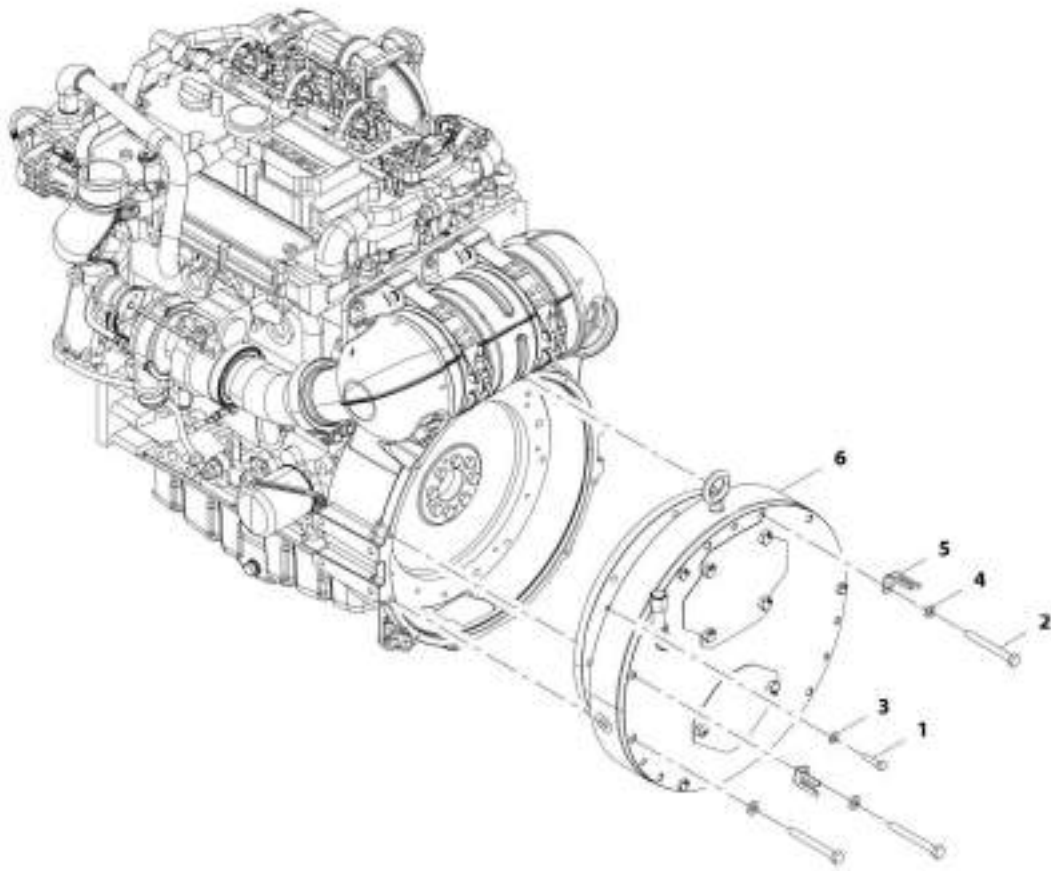
## SECTION 4 - ENGINE AND ATTACHING PARTS

### FIGURE 4-9. FUEL LINES INSTALLATION

ITEM	PART NUMBER	QTY	DESCRIPTION	REV
	1001200866	Ref	Fuel Lines Installation	K
1	0761010	2	Bolt, M10X20	
2	1001009325	3	Screw	
3	1062255	6	Strap, Tie	
4	4812002	4	Washer, M10	
7	1001136975	3	Clamp	
8	1001165035	260 mm	Hose	
9	1001172755	4060 mm	Hose	
10	1001175568	4	Clip	
12	1001228248	1	Hose	
13	1001210870	1	Plate	
14	1001221868	1	Channel, Frame	
15	1001232850	1	Hose	
16	1001146588	3	Strap, Tie	
17	1001003305	1	Clip	
18	3291001	1	Nut, M10X1.5 Grade 8	

## SECTION 4 - ENGINE AND ATTACHING PARTS

FIGURE 4-10. HYDROSTATIC ADAPTOR INSTALLATION



ART\_1801192703-D



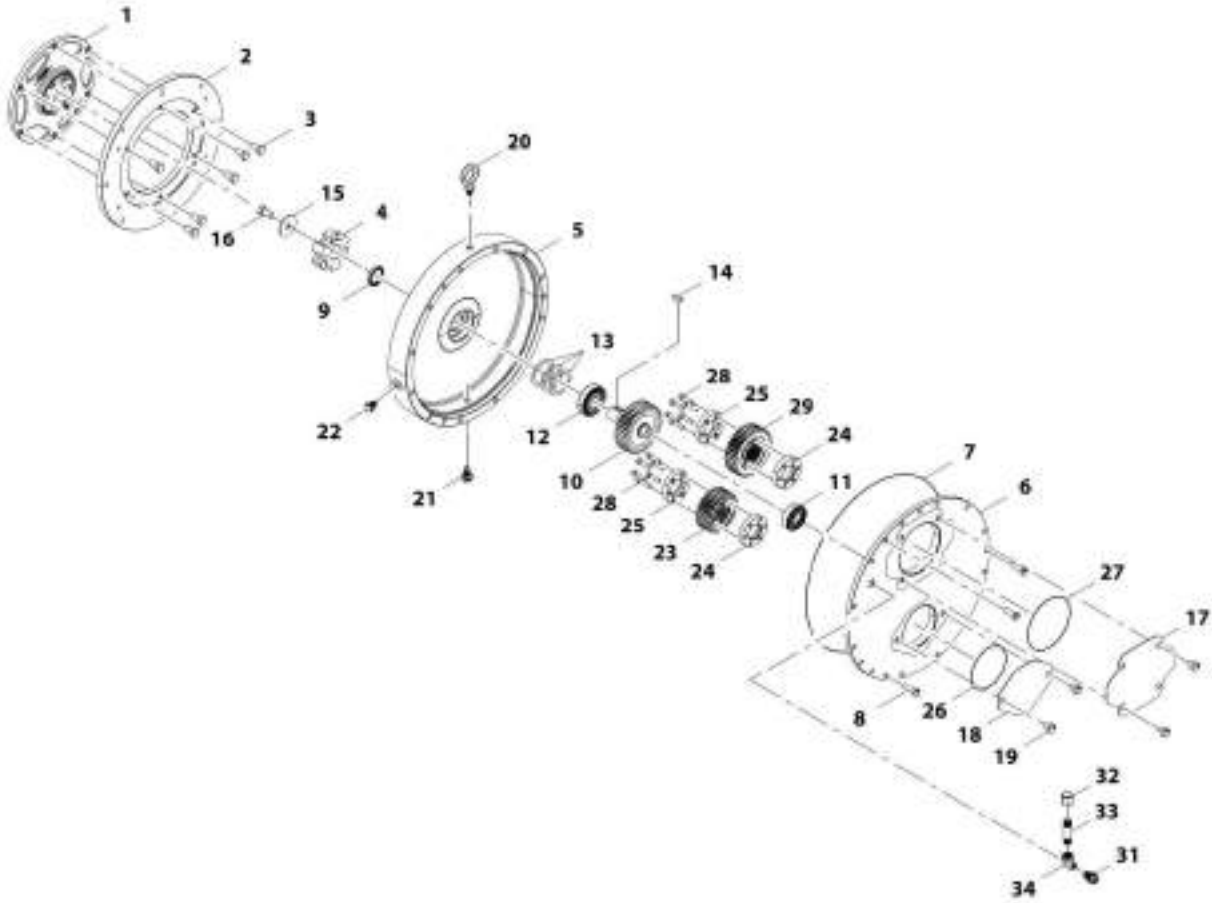
## SECTION 4 - ENGINE AND ATTACHING PARTS

FIGURE 4-10. HYDROSTATIC ADAPTOR INSTALLATION

ITEM	PART NUMBER	QTY	DESCRIPTION	REV
	1001193703	Ref	Hydrostatic Adaptor Installation	D
1	0641510	6	Bolt, 5/16-18X1.25	
2	0701026	12	Bolt, M10X90	
3	4811900	6	Washer, M8	
4	4812000	10	Washer, M10	
5	1001003305	2	Clip	
6	1001193705	1	Assembly, Dual Drive Support (See Seperate Breakdown in this Section)	

# SECTION 4 - ENGINE AND ATTACHING PARTS

## FIGURE 4-11. DUAL DRIVE SUPPORT ASSEMBLY



ART\_1801192705-E

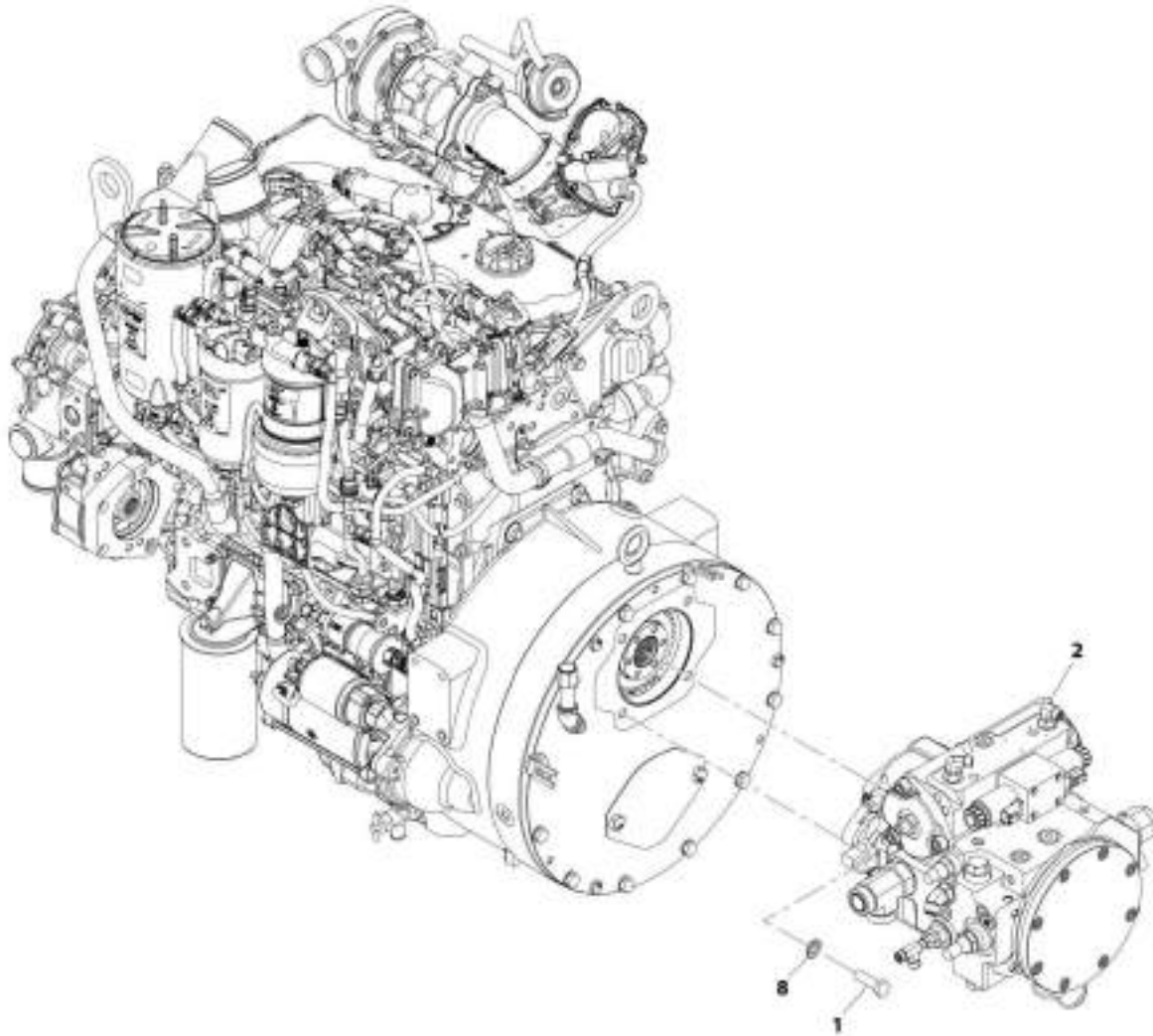
## SECTION 4 - ENGINE AND ATTACHING PARTS

**FIGURE 4-11. DUAL DRIVE SUPPORT ASSEMBLY**

ITEM	PART NUMBER	QTY	DESCRIPTION	REV
	1001193705	Ref	Dual Drive Support Assembly	E
1	70028327	1	Plate, Flex	
2	70028328	1	Plate, Flywheel Adapter	
3	70028329	6	Bolt	
4	70028330	1	Hub, Flex	
5	70028331	1	Gear Box Half, Input Side	
6	70028332	1	Gear Box Half, Output Side	
7	70028333	1	O-Ring	
8	70028334	3	Bolt	
9	70028335	1	Seal, Shaft	
10	70028336	1	Gear, Input Shaft	
11	70028337	1	Bearing, Angular Contact	
12	70028338	1	Bearing, Angular Contact	
13	70028339	3	Washer	
14	70028340	1	Key	
15	70028341	1	Washer	
16	70028342	1	Bolt	
17	70028343	1	Cover, Pump Mount Implement	
18	70028344	1	Cover, Pump Mount Hydrastat	
19	70028345	6	Bolt	
20	70028346	1	Eyebolt, Modified	
21	70028347	1	Plug	
22	70028348	1	Plug	
23	70028349	1	Pump, Gear,30 Tooth	
24	70028350	2	Locking Ring, Tapered	
25	70028351	2	Locking Ring, Tapered	
26	70028352	1	O-Ring	
27	70028353	1	O-Ring	
28	70028354	12	Bolt	
29	70028355	1	Pump, Gear, 35 Tooth	
31	70028357	1	Adapter, 90	
32	70028358	1	Breather	
33	70028359	1	Nipple	
34	70028360	1	Adapter, 45	

## SECTION 4 - ENGINE AND ATTACHING PARTS

FIGURE 4-12. HYDROSTATIC DRIVE PUMP INSTALLATION



ART-1001193704-C

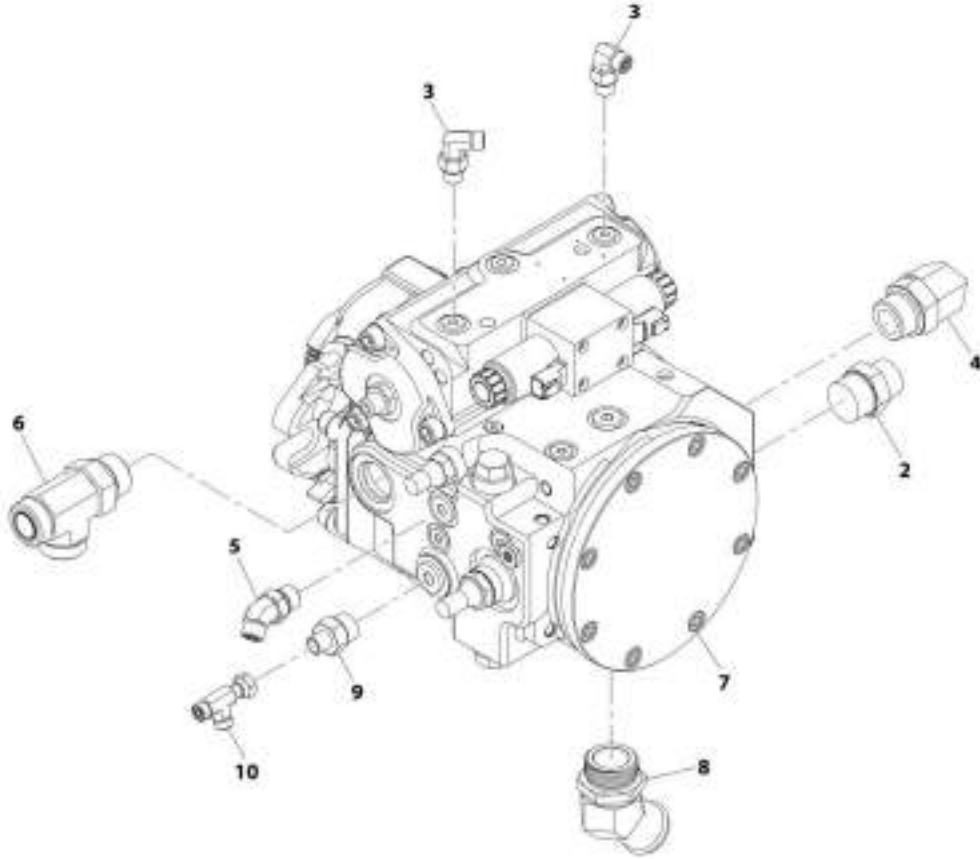
## SECTION 4 - ENGINE AND ATTACHING PARTS

FIGURE 4-12. HYDROSTATIC DRIVE PUMP INSTALLATION

ITEM	PART NUMBER	QTY	DESCRIPTION	REV
	1001193704	Ref	Hydrostatic Drive Pump Installation	D
1	0711216	4	Bolt, M12X40	
2	1001210771	1	Assembly, Hydrostatic Drive Pump (See Seperate Breakdown in this Section)	
8	4740532	4	Washer, M12	

# SECTION 4 - ENGINE AND ATTACHING PARTS

FIGURE 4-13. HYDROSTATIC DRIVE PUMP ASSEMBLY



ART\_1001210771-C

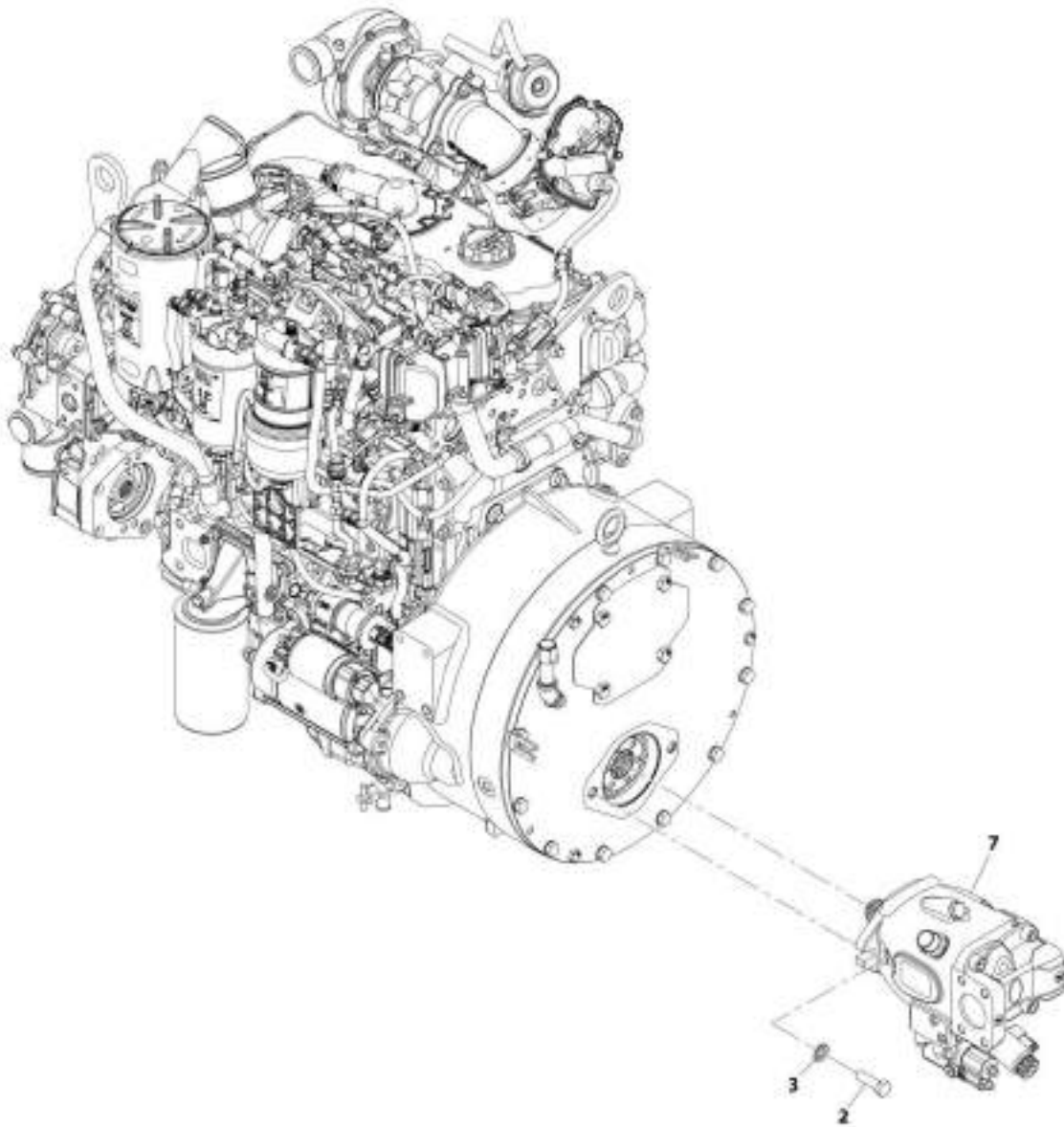
## SECTION 4 - ENGINE AND ATTACHING PARTS

FIGURE 4-13. HYDROSTATIC DRIVE PUMP ASSEMBLY

ITEM	PART NUMBER	QTY	DESCRIPTION	REV
	1001210771	Ref	Hydrostatic Drive Pump Assembly	C
2	2111216	1	Fitting, Straight ORFS	
3	2130406	2	Fitting, 90 ORFS	
4	2131216	1	Fitting, 90 ORFS	
5	2150608	1	Fitting, 45 ORFS	
6	2170316	1	Fitting, TEE ORFS	
7	1001193307	1	Pump, Hydrostatic Drive (See Seperate Breakdown in Hydraulic Components Section)	
8	1001196664	1	Fitting, 45	
9	2110410	1	Fitting, Straight ORFS	
10	2170704	1	Fitting, Tee ORFS	

## SECTION 4 - ENGINE AND ATTACHING PARTS

FIGURE 4-14. IMPLEMENT PUMP INSTALLATION



ART\_100103389-D



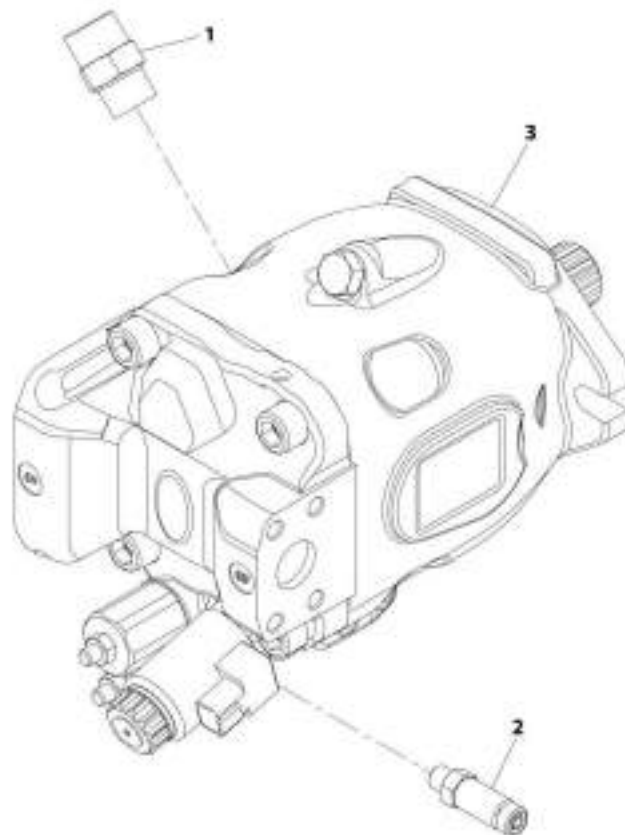
## SECTION 4 - ENGINE AND ATTACHING PARTS

FIGURE 4-14. IMPLEMENT PUMP INSTALLATION

ITEM	PART NUMBER	QTY	DESCRIPTION	REV
	1001193393	Ref	Implement Pump Installation	D
2	0711216	2	Bolt, M12X40	
3	4740532	2	Washer	
7	1001212739	1	Assembly, Implement Pump (See Seperate Breakdown in this Section)	

## SECTION 4 - ENGINE AND ATTACHING PARTS

FIGURE 4-15. IMPLEMENT PUMP ASSEMBLY



ART\_1061212739-A

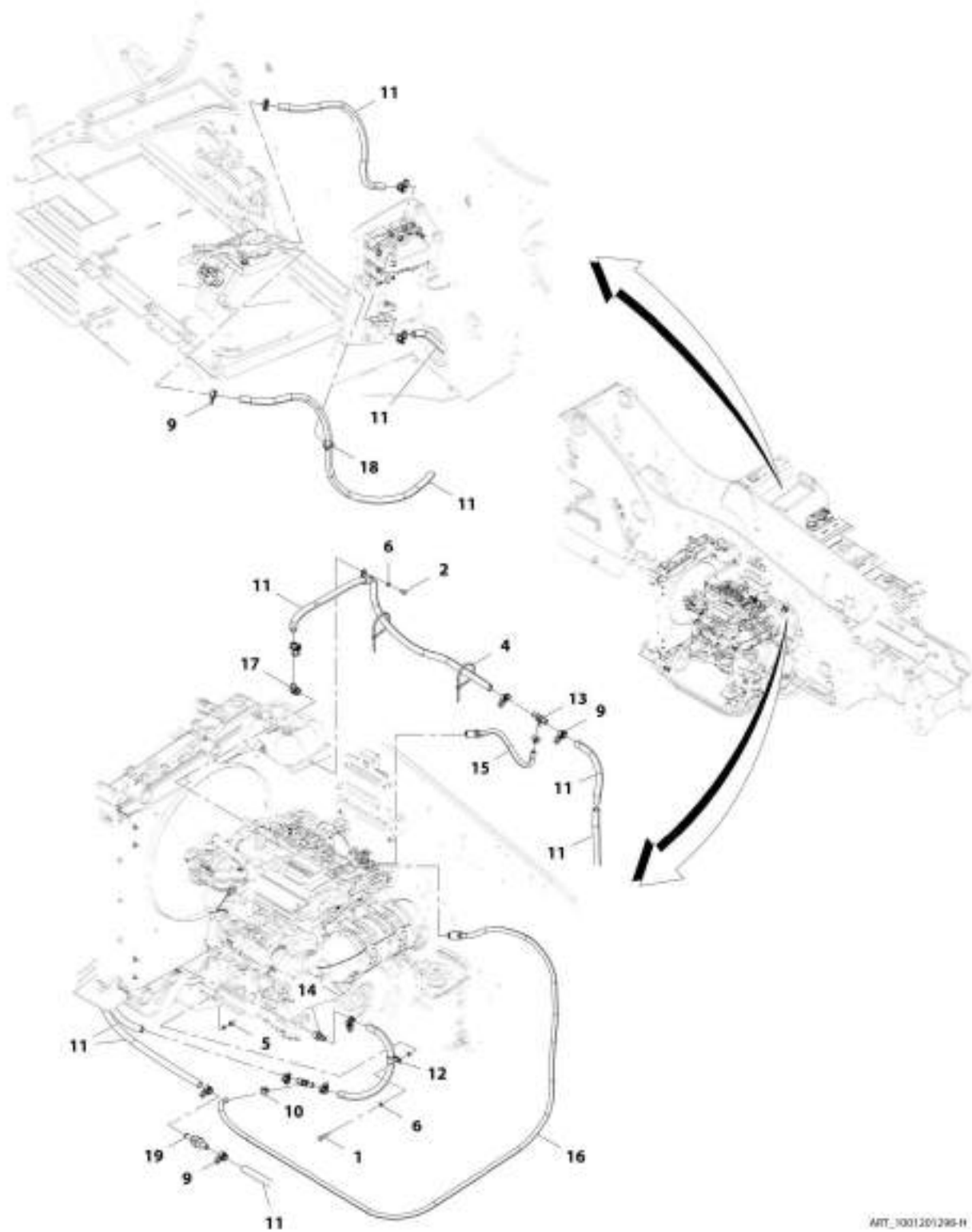
## SECTION 4 - ENGINE AND ATTACHING PARTS

### FIGURE 4-15. IMPLEMENT PUMP ASSEMBLY

ITEM	PART NUMBER	QTY	DESCRIPTION	REV
	1001212739	Ref	Implement Pump Assembly	A
1	2111010	1	Fitting, Straight ORFS	
2	2170104	1	Fitting, Straight ORFS	
3	1001180070	1	Pump, Implement (See Seperate Breakdown in Hydraulic Component Section)	

# SECTION 4 - ENGINE AND ATTACHING PARTS

## FIGURE 4-16. DEF COOLANT LINES INSTALLATION (ULS)



ART\_1001201295-H

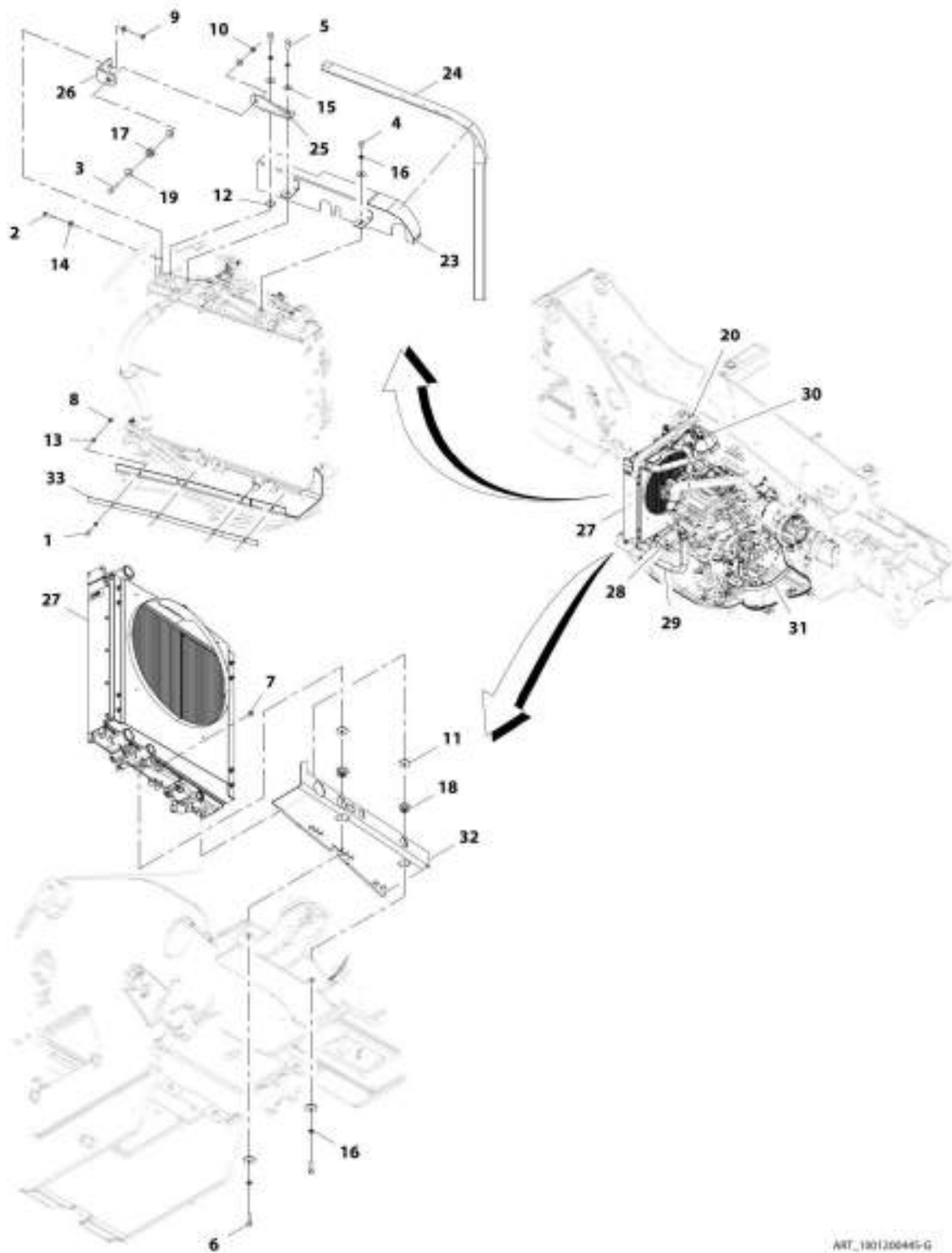
## SECTION 4 - ENGINE AND ATTACHING PARTS

**FIGURE 4-16. DEF COOLANT LINES INSTALLATION (ULS)**

ITEM	PART NUMBER	QTY	DESCRIPTION	REV
	1001201298	Ref	DEF Coolant Lines Installation (ULS)	H
1	0700816	1	Bolt, M8X40	
2	0760810	1	Bolt, M8X20	
4	1062255	AR	Strap, Tie	
5	3290805	1	Nut, M8X1.25	
6	4811900	3	Washer, M8	
9	1001202526	12	Clamp	
10	8410013	2	Clamp	
11	82033995	9695 mm	Hose	
12	1001100319	2	Clip	
13	1001162212	2	Pipe	
14	1001167409	1	Pipe	
15	1001201299	1	Hose	
16	1001201300	1	Hose	
17	1001203005	1	Fitting, 45	
18	1001146588	1	Strap, Tie	
19	1001228872	1	Filter	

# SECTION 4 - ENGINE AND ATTACHING PARTS

## FIGURE 4-17. COOLING PACKAGE INSTALLATION



ART\_1801306445-G

## SECTION 4 - ENGINE AND ATTACHING PARTS

**FIGURE 4-17. COOLING PACKAGE INSTALLATION**

ITEM	PART NUMBER	QTY	DESCRIPTION	REV
	1001200445	Ref	Cooling Package Installation	G
1	0760812	4	Bolt,M8X25	
2	0701018	2	Bolt, M10X50	
3	0701020	1	Bolt, M10X60	
4	0761210	1	Bolt, M12X20	
5	0761215	2	Bolt, M12X35	
6	0761218	2	Bolt, M12X50	
7	2200223	1	Plug	
8	3290801	4	Nut, M8X1.25	
9	3291001	2	Nut, M10X1.5	
10	3291005	1	Nut, Lock M10X1.5	
11	4740274	4	Washer	
12	4740550	1	Washer, M12	
13	4811900	8	Washer, M8	
14	4812002	5	Washer, M10	
15	4812102	3	Washer, M12	
16	4832100	5	Washer, Lock M12	
17	8278020	1	Mount	
18	1001114803	2	Mount	
19	1001155540	2	Washer	
20	1001173457	1	Seal	
23	1001196191	1	Bracket, Air Baffle	
24	1001196193	1	Seal	
25	1001200498	1	Bracket, Radiator	
26	1001200499	1	Bracket, Frame	
27	1001201301	1	Radiator, (See Seperate Breakdown in this Section)	
28	1001201302	Ref	Installation, Coolant Lines (See Seperate Breakdown in this Section)	
29	1001201303	Ref	Installation, Radiator Lines (See Seperate Breakdown in this Section)	
30	1001201304	Ref	Installation, Surge Tank (See Seperate Breakdown in this Section)	
31	1001201305	Ref	Installation, Transmission Oil Cooler Lines (See Seperate Breakdown in this Section)	
32	1001203947	1	Panel, Air Dam	
33	1001203948	1	Plate, Air Dam	

# SECTION 4 - ENGINE AND ATTACHING PARTS

## FIGURE 4-18. RADIATOR



ART\_1801201301-D



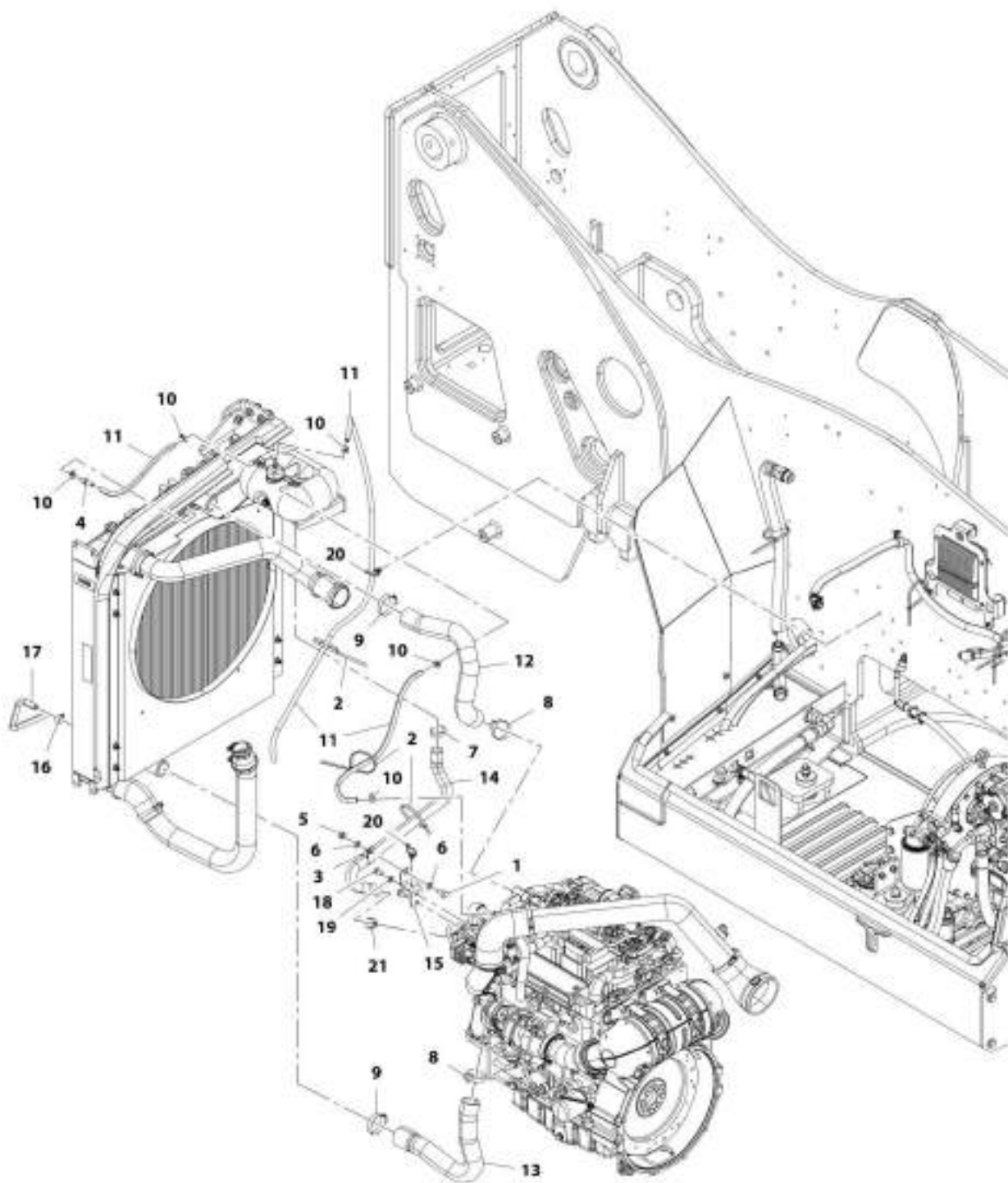
## SECTION 4 - ENGINE AND ATTACHING PARTS

FIGURE 4-18. RADIATOR

ITEM	PART NUMBER	QTY	DESCRIPTION	REV
	1001201301	Ref	RADIATOR,COOLING PACKAGE	D
1	70026353	1	Cooler, Air Charge	
2	70026354	1	Radiator	
4	70026359	2	Bracket, Shroud Mounting	
6	70026082	1	Valve, Bypass	
7	70026081	1	Petcock	

# SECTION 4 - ENGINE AND ATTACHING PARTS

## FIGURE 4-19. COOLANT LINES INSTALLATION



AWT\_1001301302-E

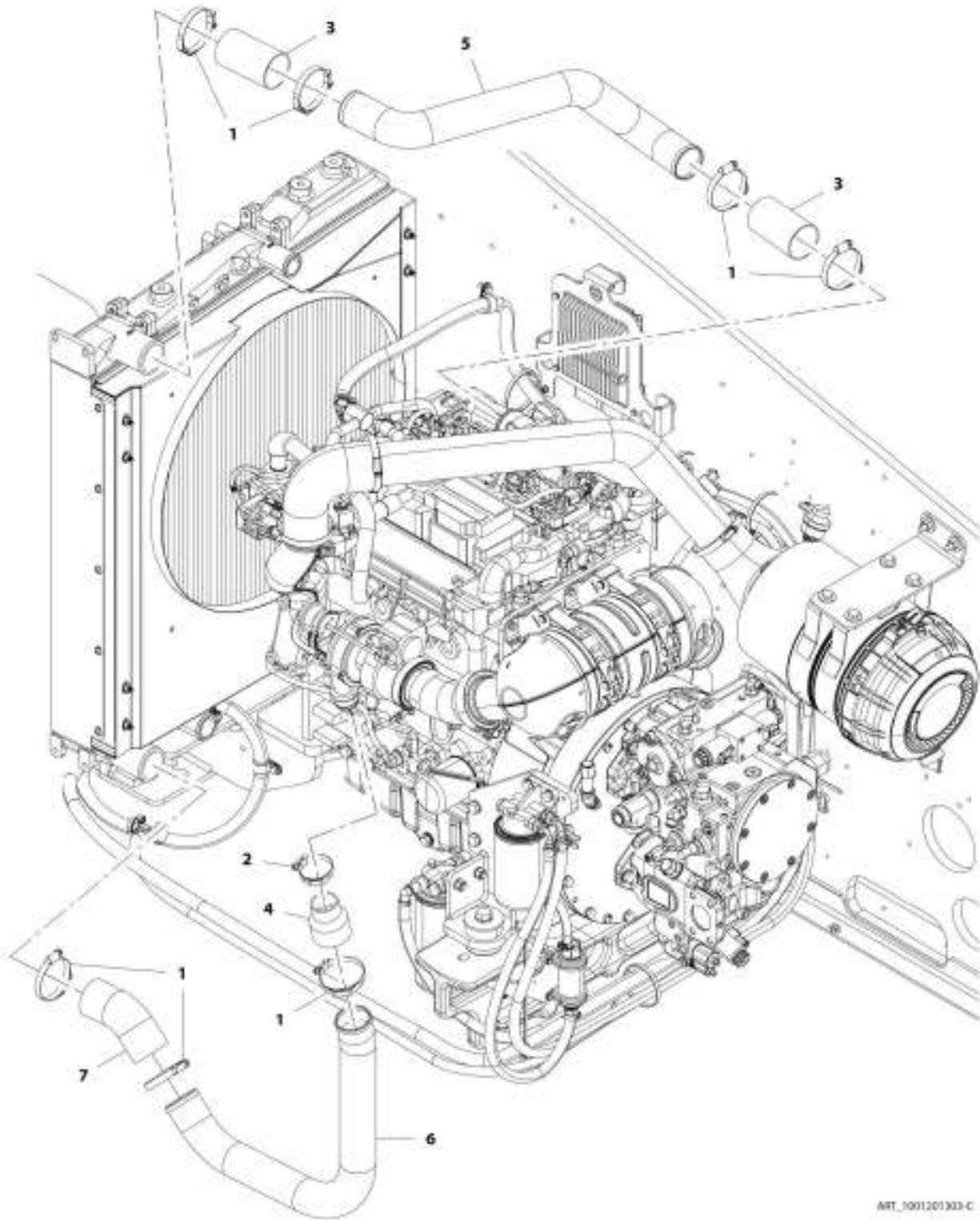
## SECTION 4 - ENGINE AND ATTACHING PARTS

**FIGURE 4-19. COOLANT LINES INSTALLATION**

ITEM	PART NUMBER	QTY	DESCRIPTION	REV
	1001201302	Ref	Coolant Lines Installation	E
1	0761212	1	Bolt, M12X25	
2	1062255	3	Strap, Tie	
3	1320060	1	Clamp, Hose	
4	2220767	1	Fitting	
5	3291201	1	Nut, M12	
6	4812100	2	Washer, M12	
7	8405101	1	Clamp, Gear	
8	8405104	2	Clamp, Gear	
9	8405201	2	Clamp, Gear	
10	8405009	5	Clamp, Gear	
11	1001180542	2465 mm	Hose	
12	1001217762	1	Hose	
13	1001201309	1	Hose	
14	1001217763	1	Hose	
15	1001217761	1	Bracket	
16	8405006	1	Clamp, Gear	
17	1001180553	370 mm	Hose	
18	0761010	1	Bolt, M12X20	
19	4812000	1	Washer, M10	
20	1001146588	2	Strap, Tie	
21	8405007	1	Clamp, Gear	

# SECTION 4 - ENGINE AND ATTACHING PARTS

## FIGURE 4-20. RADIATOR LINES INSTALLATION



ART\_7001201303-C

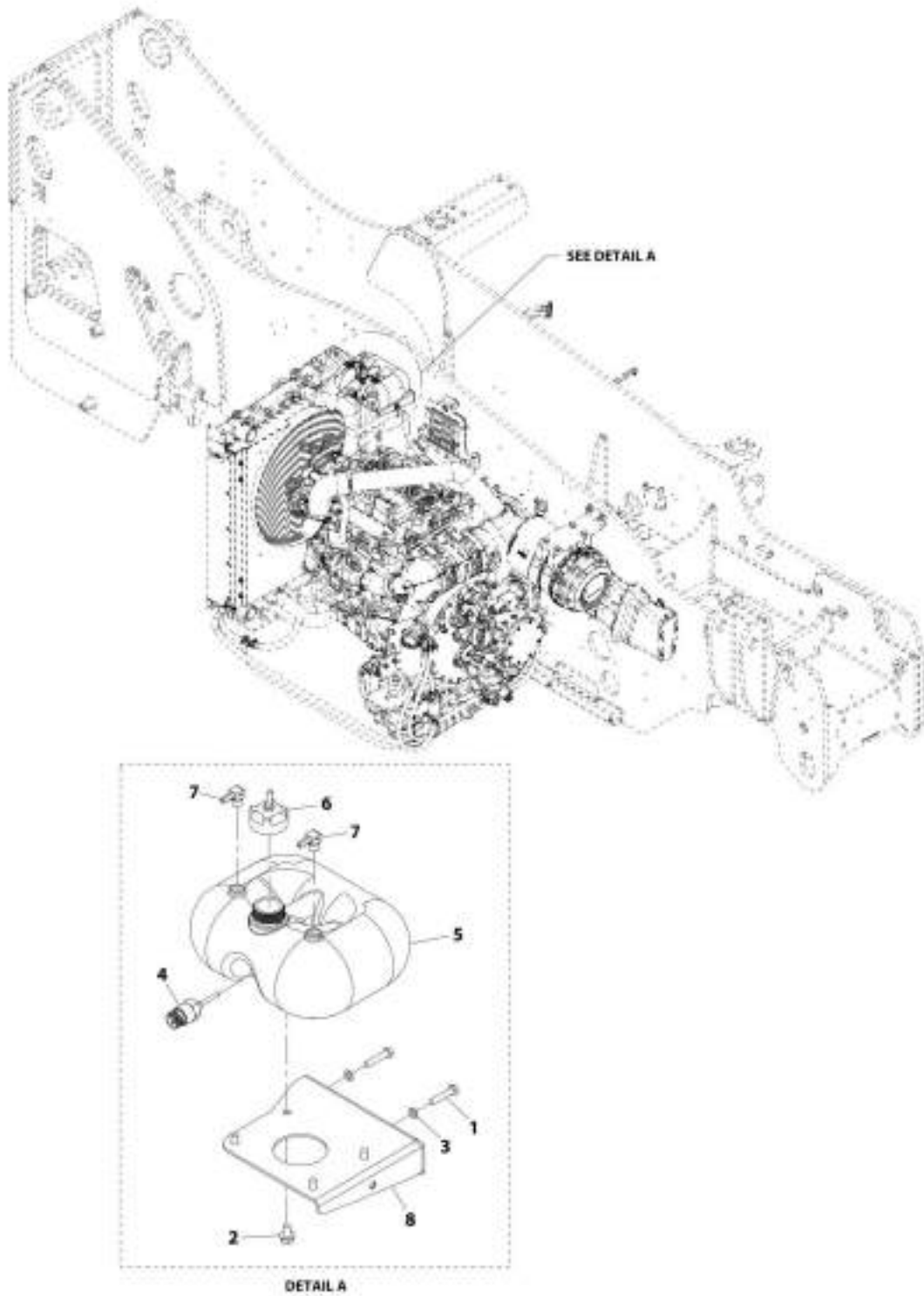
## SECTION 4 - ENGINE AND ATTACHING PARTS

FIGURE 4-20. RADIATOR LINES INSTALLATION

ITEM	PART NUMBER	QTY	DESCRIPTION	REV
	1001201303	Ref	Radiator Lines Installation	C
1	1001215022	7	Clamp	
2	1001215024	1	Clamp	
3	1001114495	2	Hose	
4	1001173528	1	Coupling, Reducer	
5	1001201314	1	Pipe	
6	1001201315	1	Pipe	
7	1001201316	1	Elbow, 45	

# SECTION 4 - ENGINE AND ATTACHING PARTS

## FIGURE 4-21. SURGE TANK INSTALLATION



ART\_1001201304-B

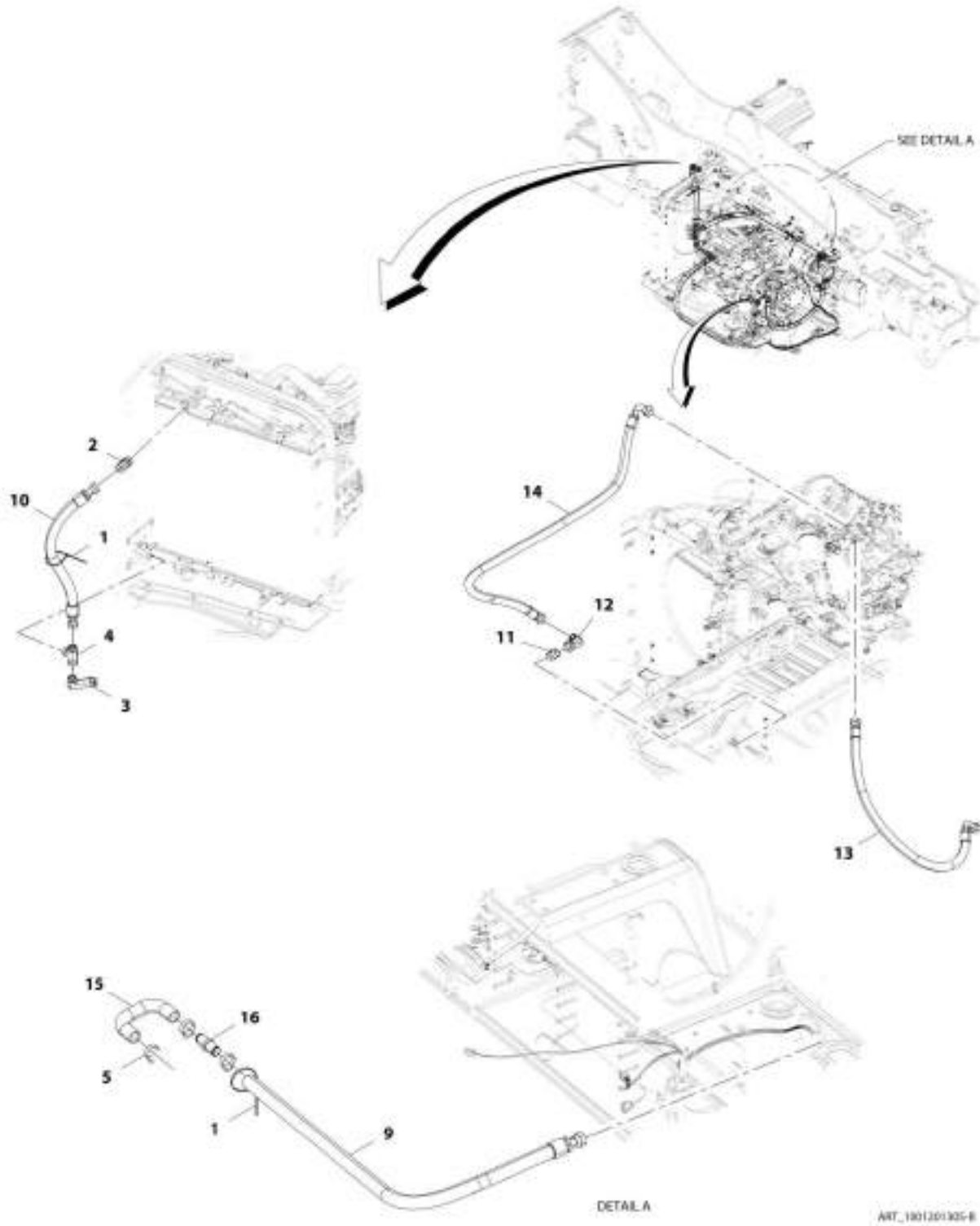
## SECTION 4 - ENGINE AND ATTACHING PARTS

### FIGURE 4-21. SURGE TANK INSTALLATION

ITEM	PART NUMBER	QTY	DESCRIPTION	REV
	1001201304	Ref	Surge Tank Installation	B
1	0700816	2	Bolt, M8X40	
2	0791605	4	Screw	
3	4811900	2	Washer, M8	
4	1001138827	1	Sensor, Coolant Level	
5	1001128144	1	Tank, Coolant	
6	1001128341	1	Cap	
7	1001169368	2	Fitting, Hose Barb	
8	1001201317	1	Bracket, Coolant Tank	

# SECTION 4 - ENGINE AND ATTACHING PARTS

FIGURE 4-22. TRANSMISION OIL COOLER LINES INSTALLATION





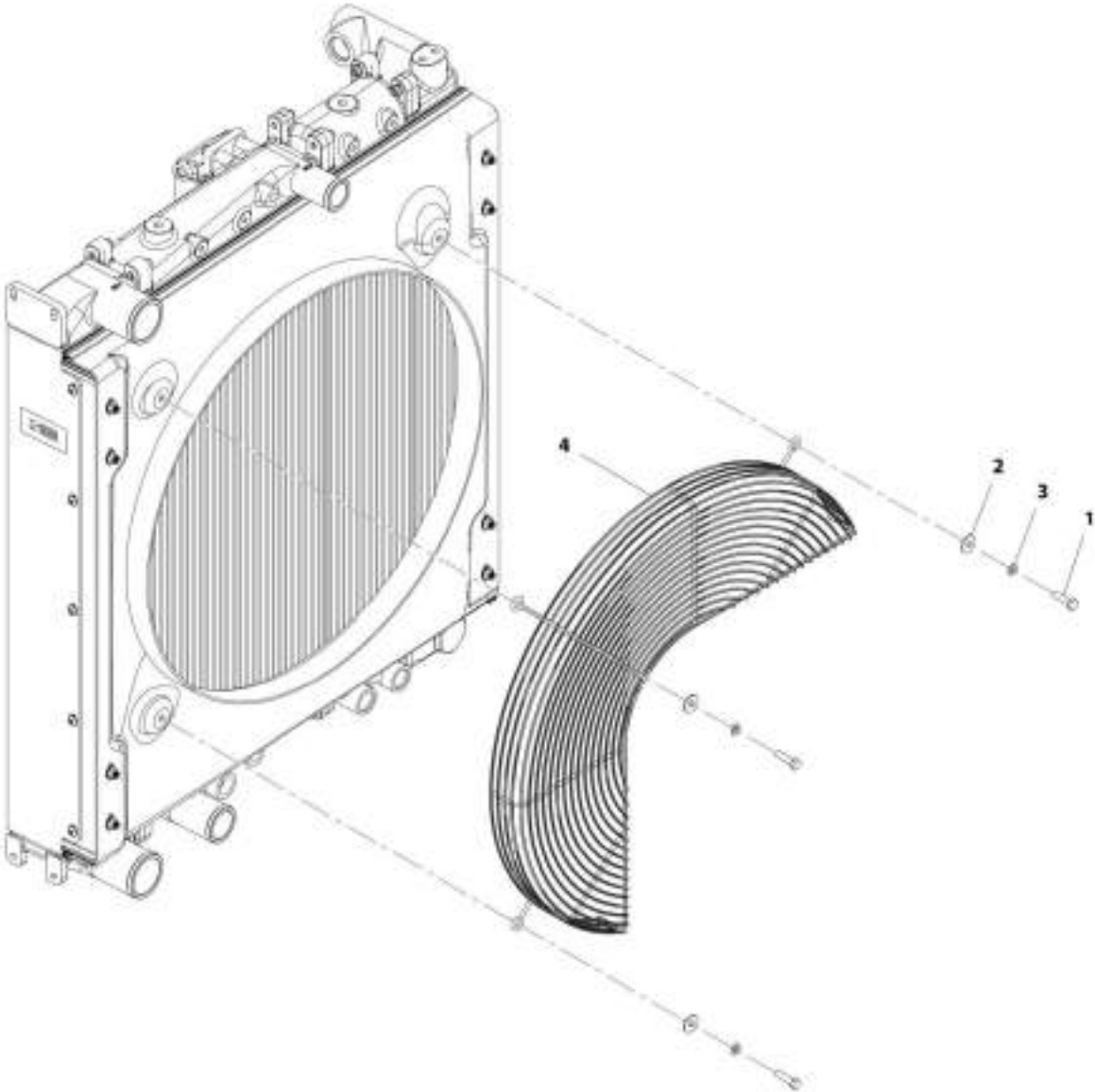
## SECTION 4 - ENGINE AND ATTACHING PARTS

FIGURE 4-22. TRANSMISION OIL COOLER LINES INSTALLATION

ITEM	PART NUMBER	QTY	DESCRIPTION	REV
	1001201305	Ref	Transmission Oil Cooler Lines Installation	B
1	1062255	AR	Strap, Tie	
2	2151616	1	Fitting, 45 ORFS	
3	2170216	1	Fitting, 90 ORFS	
4	2170716	1	Fitting, TEE ORFS	
5	8405102	3	Clamp, Gear	
9	1001205564	1	Hose	
10	1001205565	1	Hose	
11	2111616	1	Fitting, Straight ORFS	
12	2172116	1	Fitting, 90 ORFS	
13	1001211616	1	Hose	
14	1001211617	1	Hose	
15	1001212920	1	Hose	
16	1001212921	1	Fitting, Straight	

**SECTION 4 - ENGINE AND ATTACHING PARTS**

**FIGURE 4-23. FAN GUARD INSTALLATION**



ART\_1001160420-D

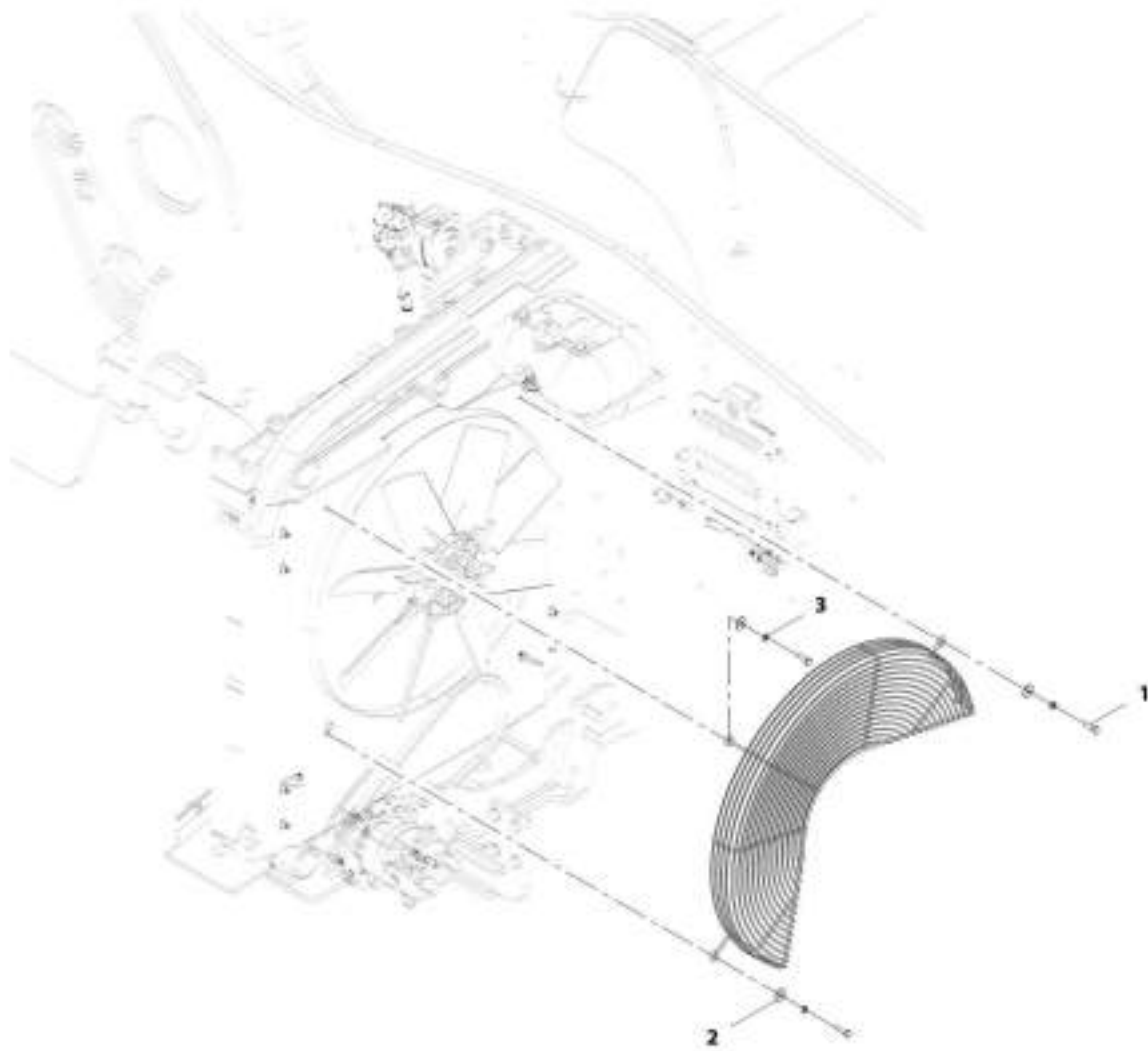
## SECTION 4 - ENGINE AND ATTACHING PARTS

FIGURE 4-23. FAN GUARD INSTALLATION

ITEM	PART NUMBER	QTY	DESCRIPTION	REV
	1001160420	Ref	Fan Guard Installation	D
1	0700814	3	Bolt, M8X30	
2	4811902	3	Washer, M8	
3	4831900	3	Washer, Lock M8	
4	1001167186	1	Grill	

# SECTION 4 - ENGINE AND ATTACHING PARTS

## FIGURE 4-24. FAN GUARD (REVERSING) INSTALLATION



ART\_000121754-B

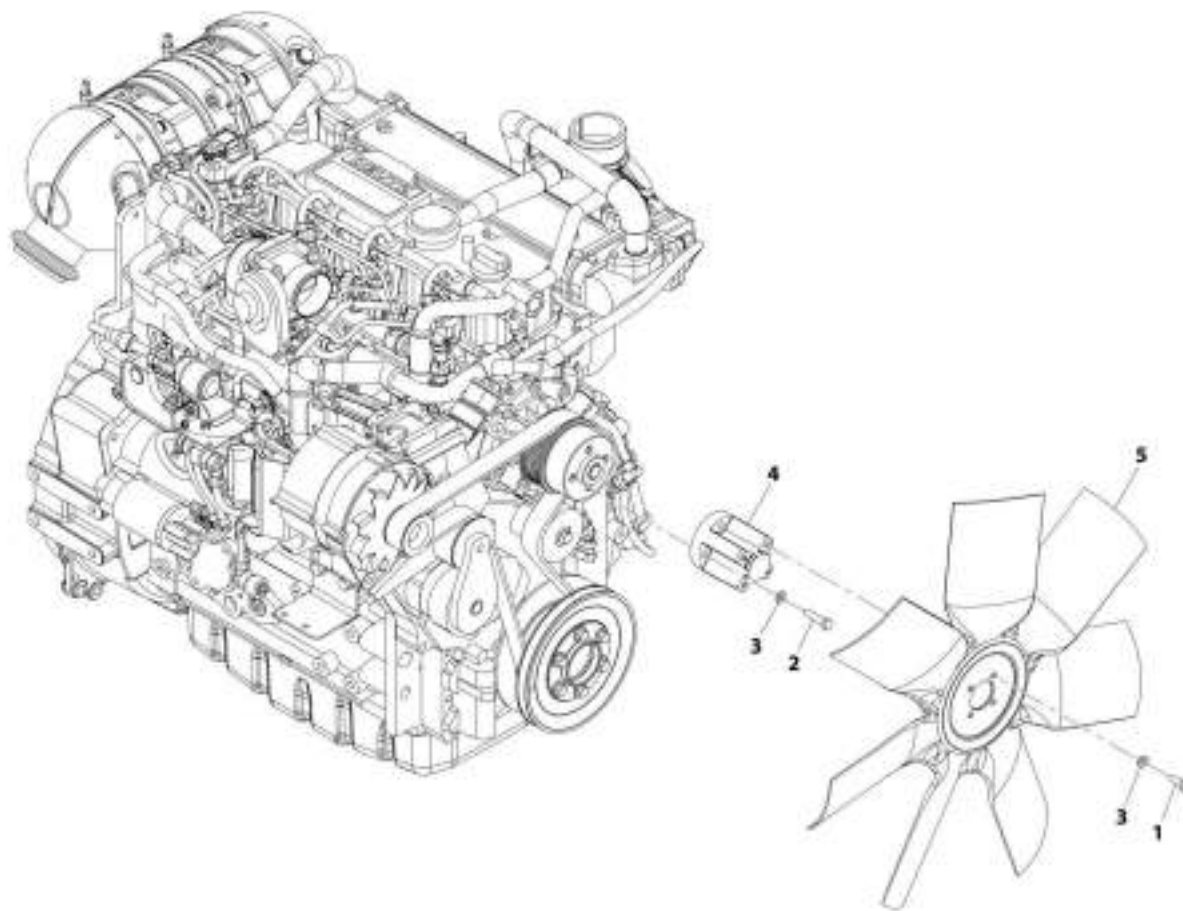
## SECTION 4 - ENGINE AND ATTACHING PARTS

FIGURE 4-24. FAN GUARD (REVERSING) INSTALLATION

ITEM	PART NUMBER	QTY	DESCRIPTION	REV
	1001217754	1	Fan Guard (Reversing) Installation	B
1	0700814	3	Bolt, M8X30	
2	4811902	3	Washer, M8	
3	4831900	3	Washer, Lock M8	
4	1001217755	1	Grill	

## SECTION 4 - ENGINE AND ATTACHING PARTS

FIGURE 4-25. COOLING FAN INSTALLATION



MT\_10012-4123-A

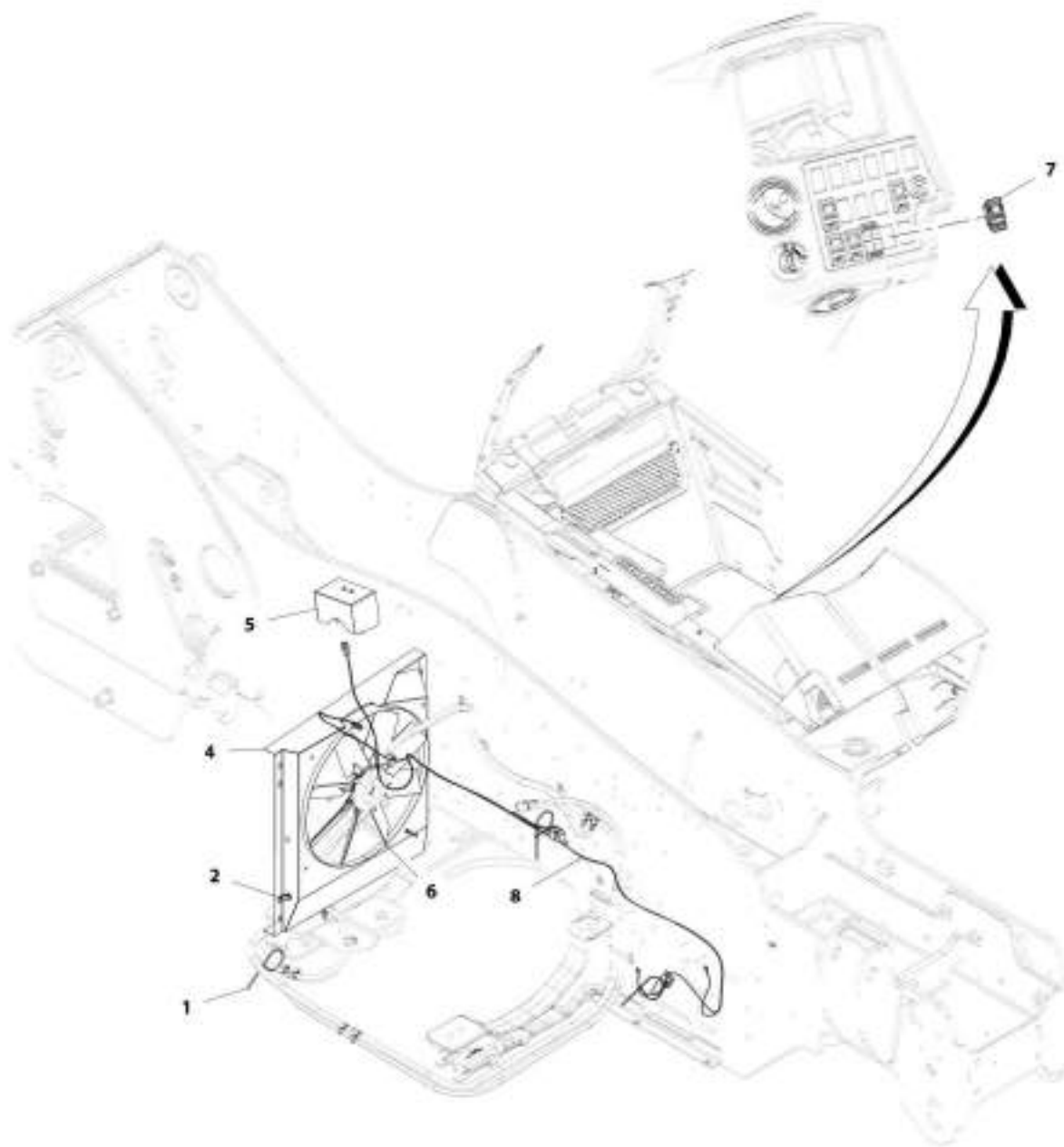
## SECTION 4 - ENGINE AND ATTACHING PARTS

### FIGURE 4-25. COOLING FAN INSTALLATION

ITEM	PART NUMBER	QTY	DESCRIPTION	REV
	1001214123	Ref	Cooling Fan Installation	A
1	0760810	4	Bolt, M8X20	
2	0770815	4	Bolt, M8X35 Grade 10.9	
3	4811900	8	Washer, M8	
4	1001170311	1	Adapter, Fan	
5	1001185026	1	Fan	

## SECTION 4 - ENGINE AND ATTACHING PARTS

FIGURE 4-26. REVERSE COOLING FAN INSTALLATION



ART\_000121753-C



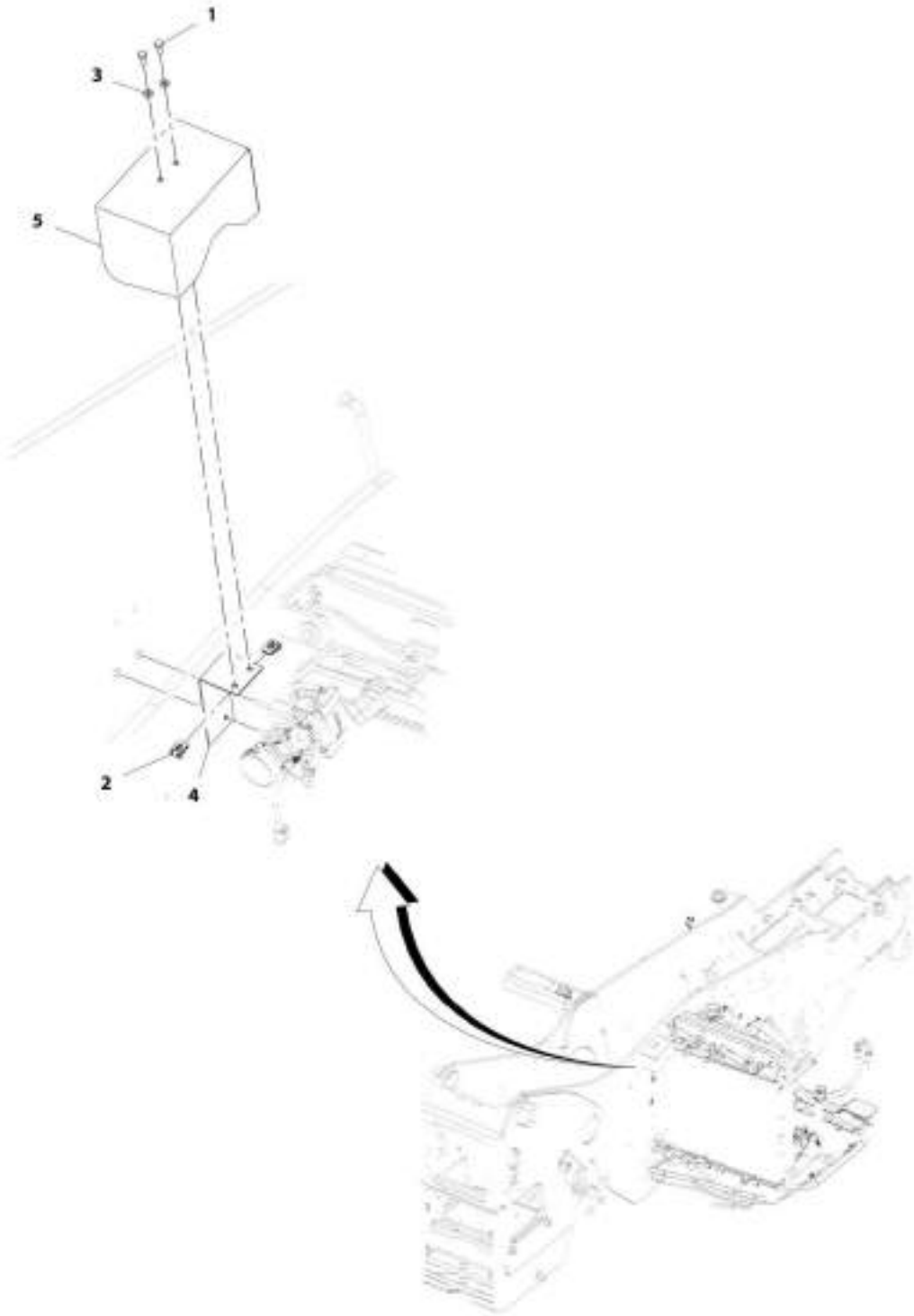
## SECTION 4 - ENGINE AND ATTACHING PARTS

FIGURE 4-26. REVERSE COOLING FAN INSTALLATION

ITEM	PART NUMBER	QTY	DESCRIPTION	REV
	1001217753	Ref	Reverse Cooling Fan Installation	C
1	1062255	3	Strap, Tie	
2	1001146588	2	Strap, Fir Tree Cable Tie	
4	1001217756	1	Shroud	
5	1001217757	1	Installation, Cover (See Separate Breakdown in this Section)	
6	1001217760	1	Kit, Reversing Fan	
7	1001145204	1	Switch	
8	1001221493	1	Harness, Reversing Fan (See Separate Breakdown in Electrical Section)	

**SECTION 4 - ENGINE AND ATTACHING PARTS**

**FIGURE 4-27. COMPRESSOR COVER INSTALLATION**



ART\_000121757-A

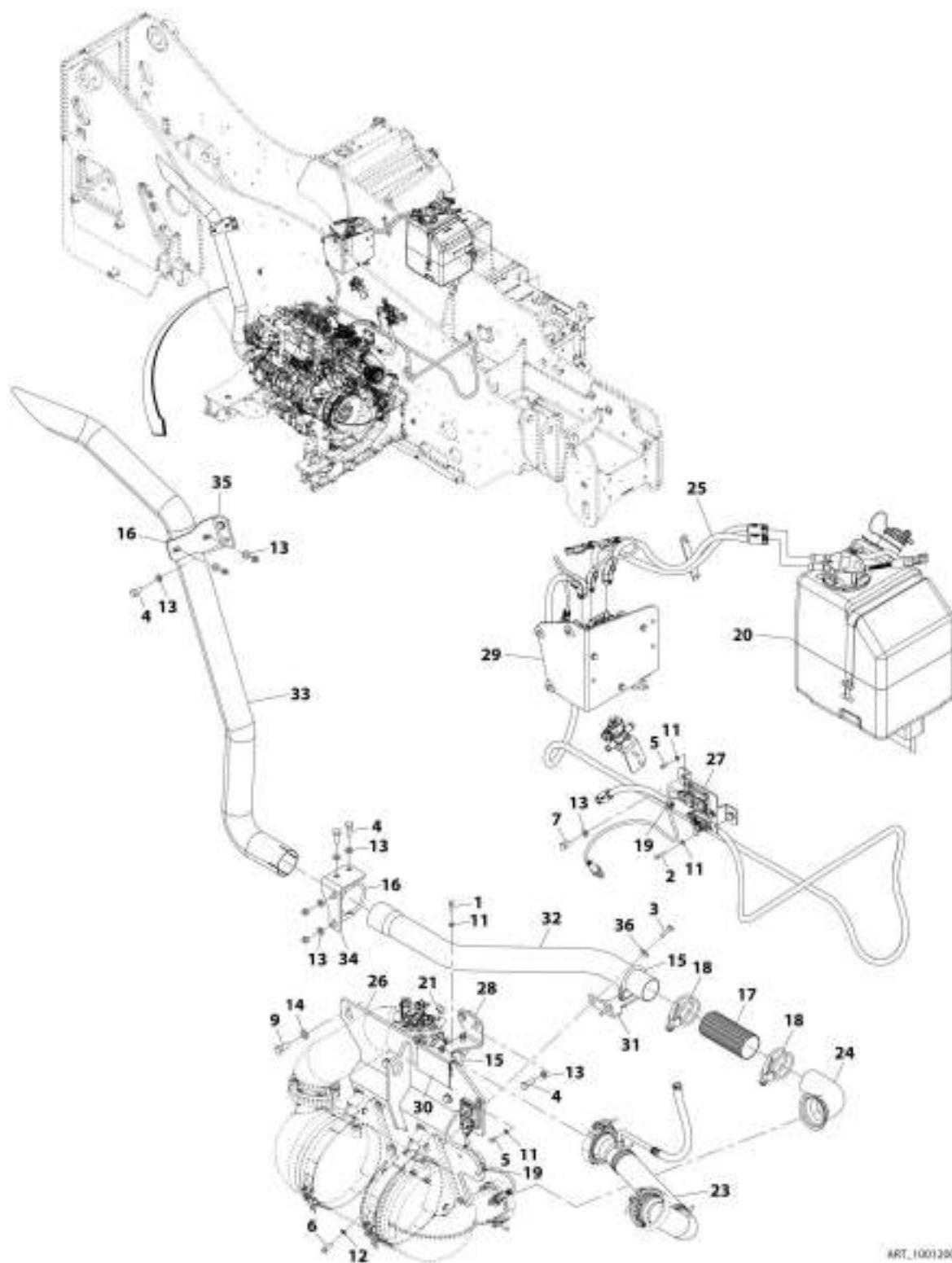
## SECTION 4 - ENGINE AND ATTACHING PARTS

FIGURE 4-27. COMPRESSOR COVER INSTALLATION

ITEM	PART NUMBER	QTY	DESCRIPTION	REV
	1001217757	Ref	Compressor Cover Installation	A
1	0760607	2	Bolt, M6X14	
2	8305919	2	Nut, M6	
3	8307219	2	Washer, M6	
4	1001217758	1	Bracket	
5	1001217759	1	Cover	

# SECTION 4 - ENGINE AND ATTACHING PARTS

## FIGURE 4-28. EXHAUST INSTALLATION (ULS)



ART\_1001200440-H

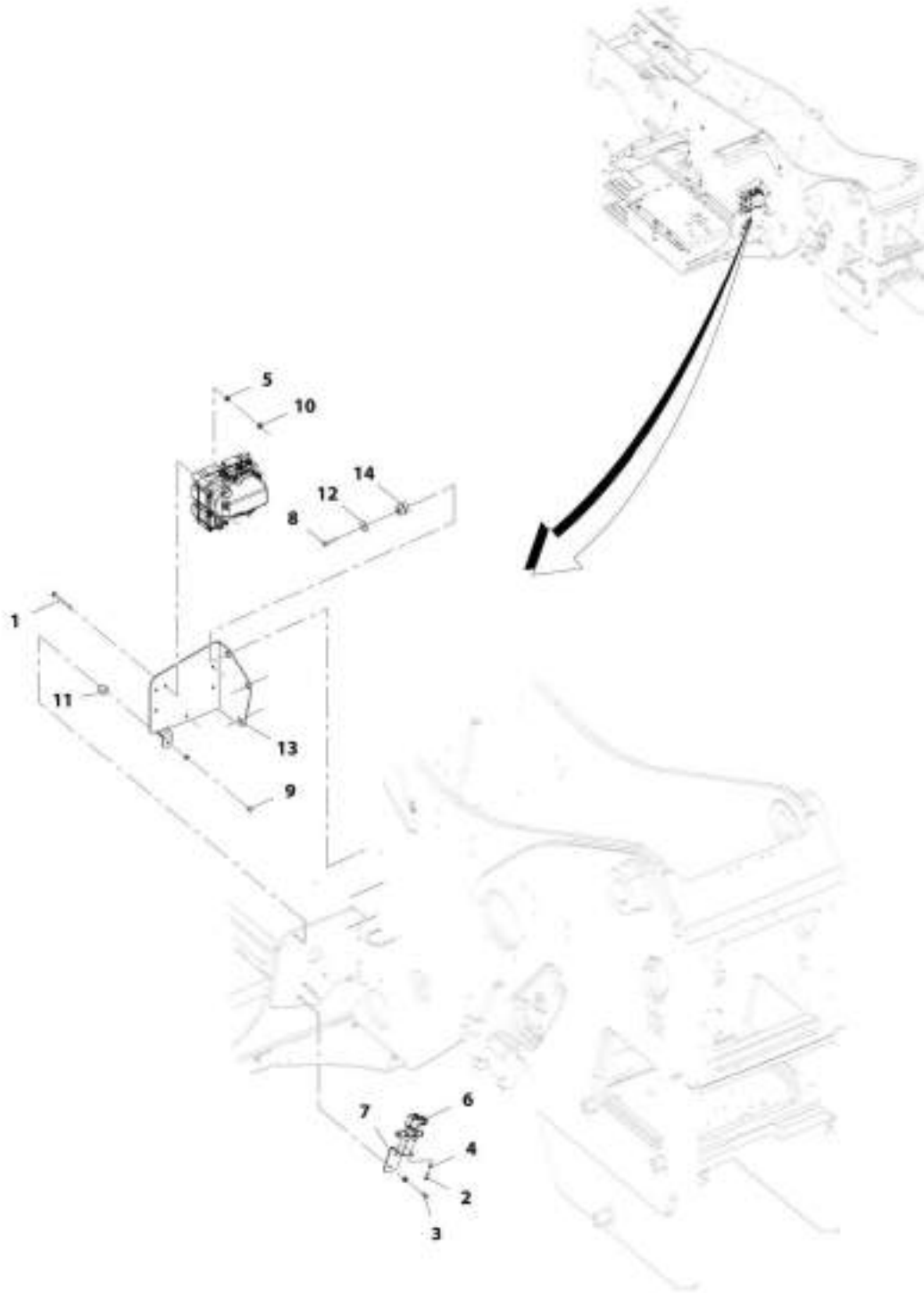
## SECTION 4 - ENGINE AND ATTACHING PARTS

**FIGURE 4-28. EXHAUST INSTALLATION (ULS)**

ITEM	PART NUMBER	QTY	DESCRIPTION	REV
	1001200447	Ref	Exhaust Installation (ULS)	H
1	0700610	1	Bolt, M6X20	
2	0700614	2	Bolt, M6X30	
3	0700814	2	Bolt, M8X30	
4	0701014	6	Bolt, M10X30	
5	0760607	4	Bolt, M6X14	
6	0760812	8	Bolt, M8X25	
7	0761010	2	Bolt, M10X20	
9	0761214	4	Bolt, M12X30	
11	4811700	7	Washer, M6	
12	4811900	8	Washer, M8	
13	4812000	12	Washer, M10	
14	4812100	4	Washer, M12	
15	8275212	2	Clamp	
16	24921332	2	Clamp	
17	77213042	1	Tube, Flexible	
18	91163268	2	Clamp	
19	1001146588	3	Strap, Tie	
20	1001212923	Ref	Installation, DEF Tank, (See Seperate Breakdown in this Section)	
21	1001171913	1	Cap	
23	1001199902	1	Pipe	
24	1001200249	1	Pipe	
25	1001200867	Ref	Installation, DEF Lines (See Seperate Breakdown in this Section)	
26	1001201856	1	Bracket	
27	1001201857	1	Bracket	
28	1001201858	1	Support	
29	1001202018	Ref	Installation, DEF Control Module (See Seperate Breakdown in this Section)	
30	1001202021	1	Plate	
31	1001202899	1	Bracket	
32	1001204411	1	Pipe	
33	1001226797	1	Pipe, Tail	
34	1001204413	1	Bracket	
35	1001204414	1	Bracket	
36	4811902	2	Washer, M8	

# SECTION 4 - ENGINE AND ATTACHING PARTS

## FIGURE 4-29. DEF CONTROL MODULE INSTALLATION



ART\_1001200116-E

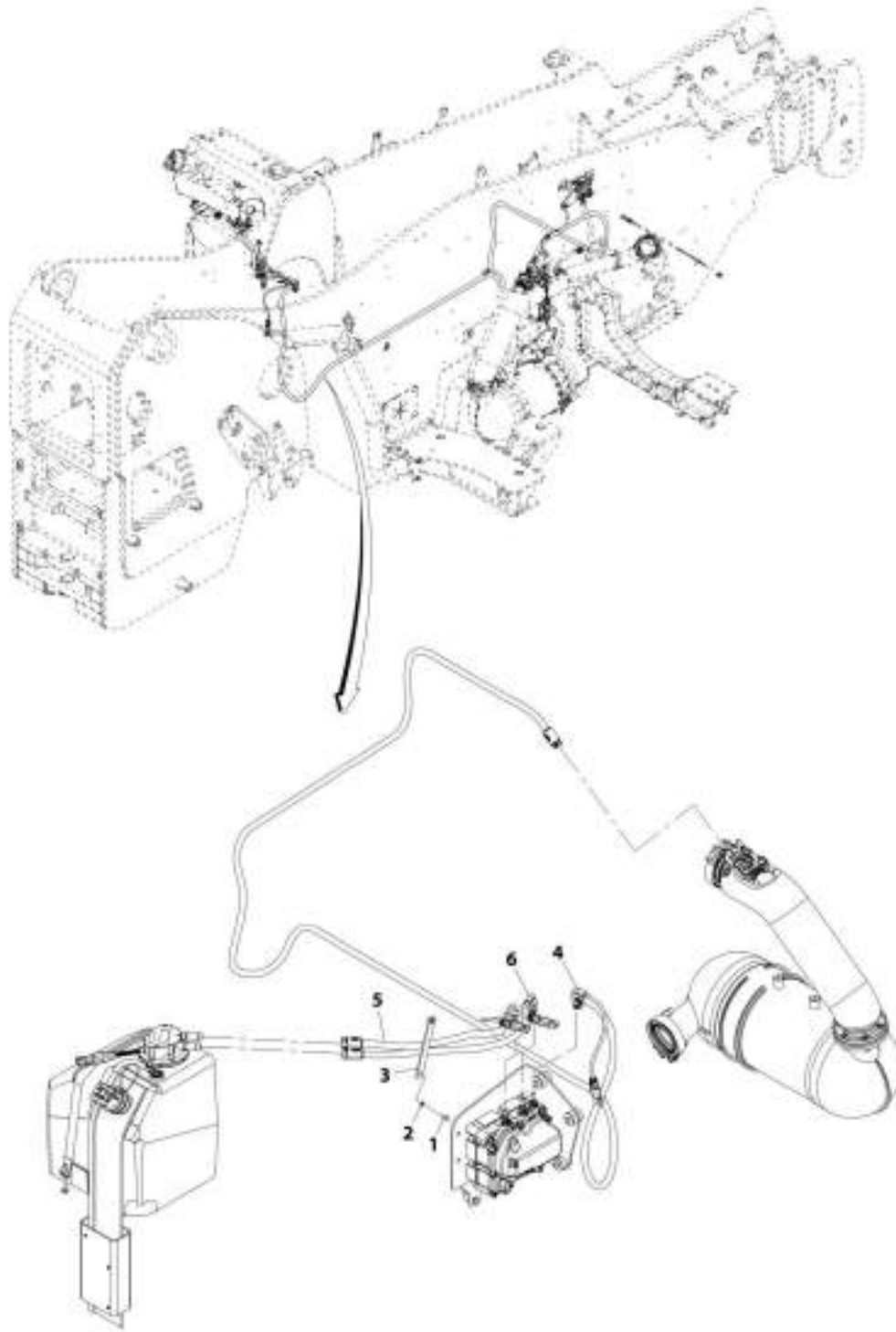
## SECTION 4 - ENGINE AND ATTACHING PARTS

FIGURE 4-29. DEF CONTROL MODULE INSTALLATION

ITEM	PART NUMBER	QTY	DESCRIPTION	REV
	1001202018	Ref	DEF Control Module Installation	E
1	0700826	3	Bolt, M8X90	
2	0760608	4	Bolt, M6X16	
3	0760810	2	Bolt, M8X20	
4	4811700	4	Washer, M6	
5	4811900	9	Washer, M8	
6	1001199670	1	Valve, DEF Tank Coolant Flow	
7	1001223509	1	Bracket	
8	0700816	3	Bolt, M8X40	
9	0760806	1	Bolt, M8X12	
10	3290805	3	Nut, Lock M8X1.25 Grade 8	
11	1001179907	1	Mount, Isolator	
12	1001195089	3	Washer	
13	1001221349	1	Bracket	
14	1001221383	3	Mount, Isolator	

# SECTION 4 - ENGINE AND ATTACHING PARTS

## FIGURE 4-30. DEF LINES INSTALLATION



ART\_1001200867-C



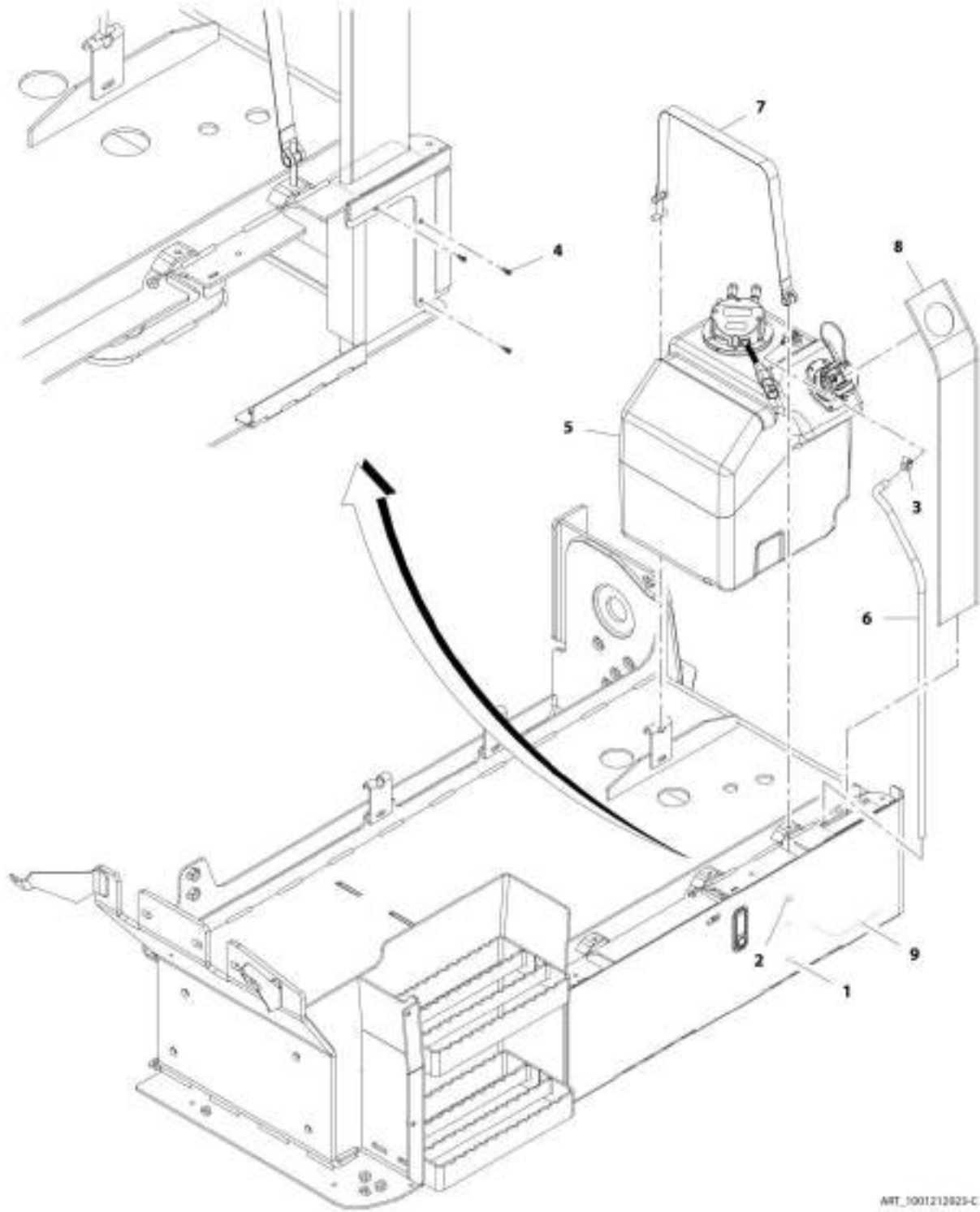
## SECTION 4 - ENGINE AND ATTACHING PARTS

FIGURE 4-30. DEF LINES INSTALLATION

ITEM	PART NUMBER	QTY	DESCRIPTION	REV
	1001200867	Ref	DEF Lines Installation	D
1	0760607	2	Bolt, M6X14	
2	4831700	2	Washer, Lock M6	
3	1001173873	1	Plate	
4	1001180437	1	Hose	
5	1001199822	1	Hose	
6	1001199823	1	Hose	

# SECTION 4 - ENGINE AND ATTACHING PARTS

## FIGURE 4-31. DEF TANK INSTALLATION



ART\_3001213025-C

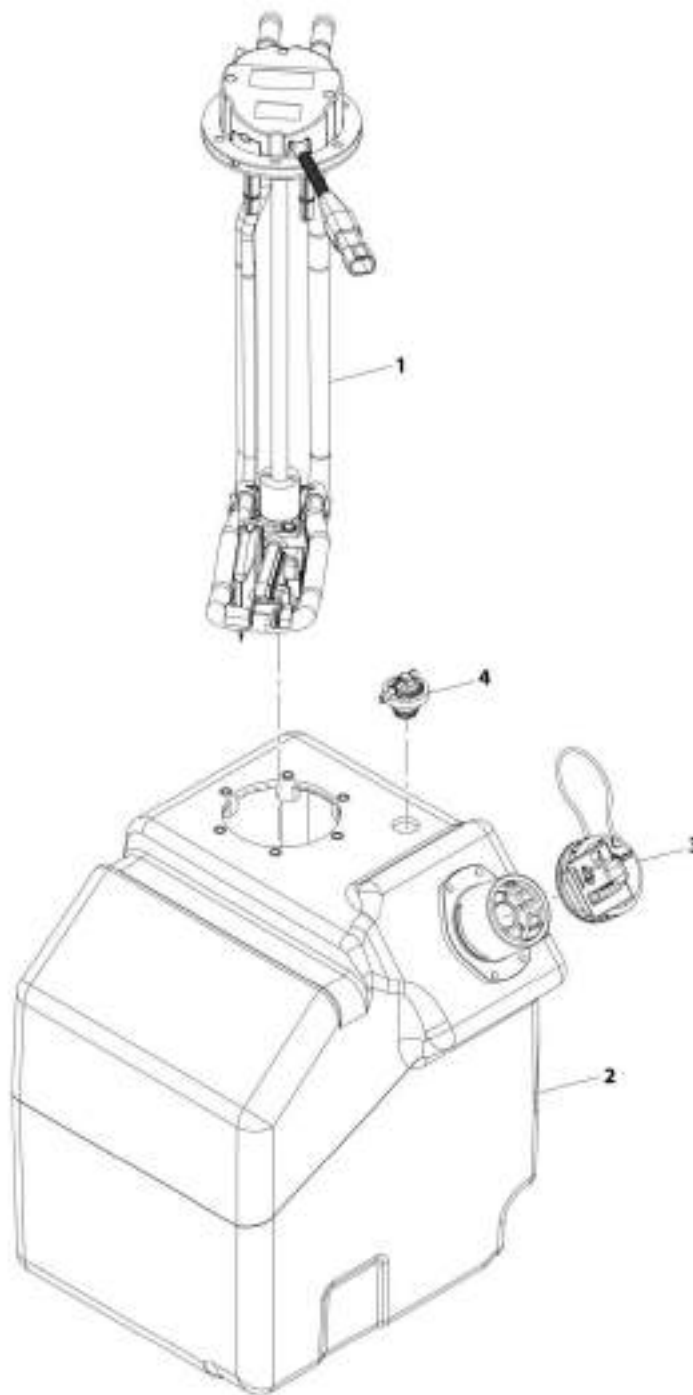
## SECTION 4 - ENGINE AND ATTACHING PARTS

### FIGURE 4-31. DEF TANK INSTALLATION

ITEM	PART NUMBER	QTY	DESCRIPTION	REV
	1001212923	Ref	DEF Tank Installation	C
1	0760823	1	Bolt, M8X75	
2	4811900	1	Washer, M8	
3	8405009	1	Clamp	
4	1001226681	3	Screw	
5	1001225676	1	Assembly, DEF Tank (See Seperate Breakdown in this Section)	
6	1001175201	813 mm	Hose	
7	1001178791	1	Strap, Tank	
8	1001212924	1	Guard, Spill	
9	1001212925	1	Tube, Drain	

# SECTION 4 - ENGINE AND ATTACHING PARTS

## FIGURE 4-32. DEF TANK ASSEMBLY



ART\_100122567e-8

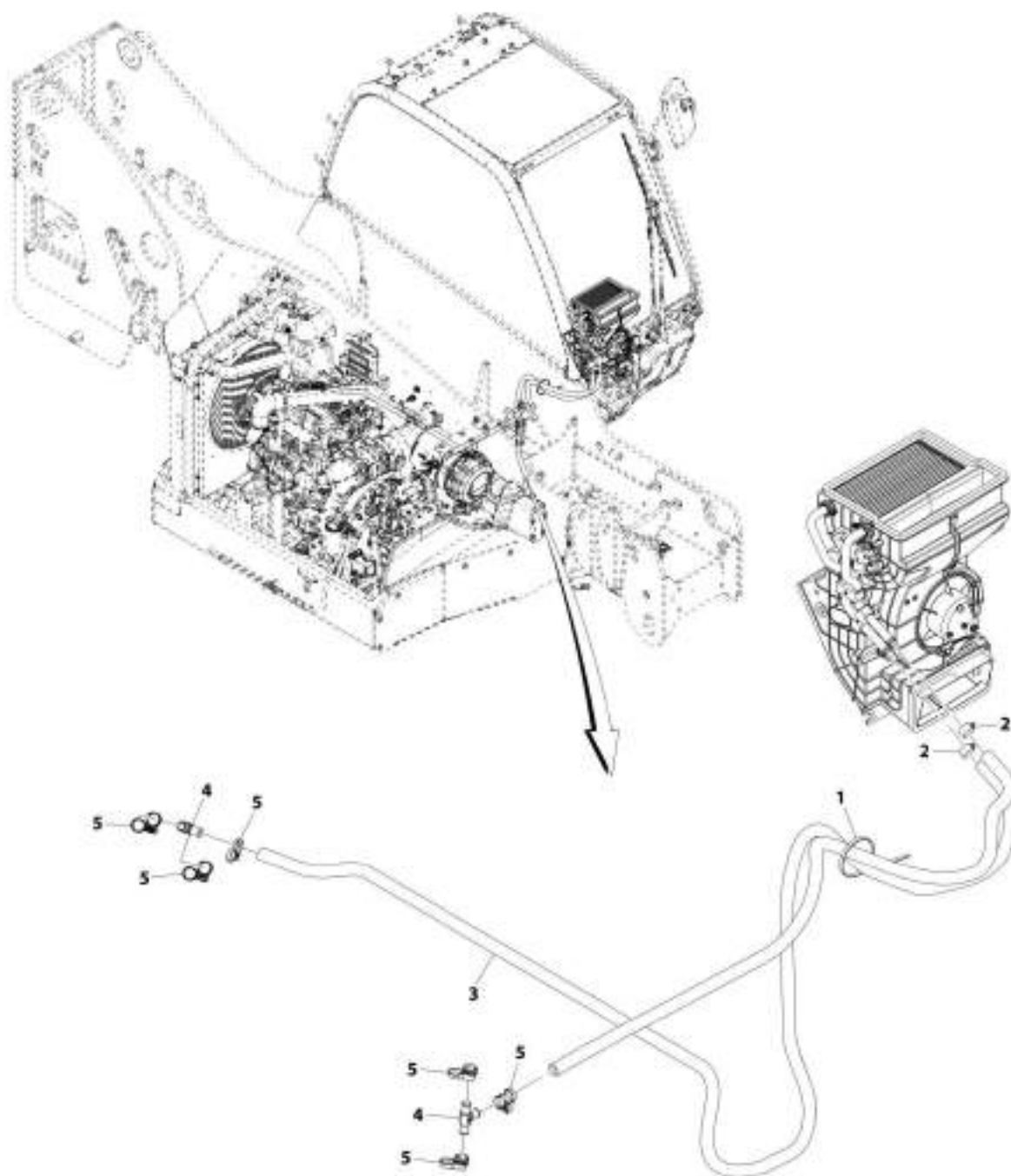
## SECTION 4 - ENGINE AND ATTACHING PARTS

FIGURE 4-32. DEF TANK ASSEMBLY

ITEM	PART NUMBER	QTY	DESCRIPTION	REV
	1001225676	Ref	Def Tank Assembly	B
1	1001225677	1	DEF, Header	
2	1001164967	1	Tank, DEF	
3	1001174795	1	Cap	
4	1001215319	1	Valve, DEF Breather	

# SECTION 4 - ENGINE AND ATTACHING PARTS

FIGURE 4-33. HEATER LINES INSTALLATION (ULS)



AIR\_3001200451-D

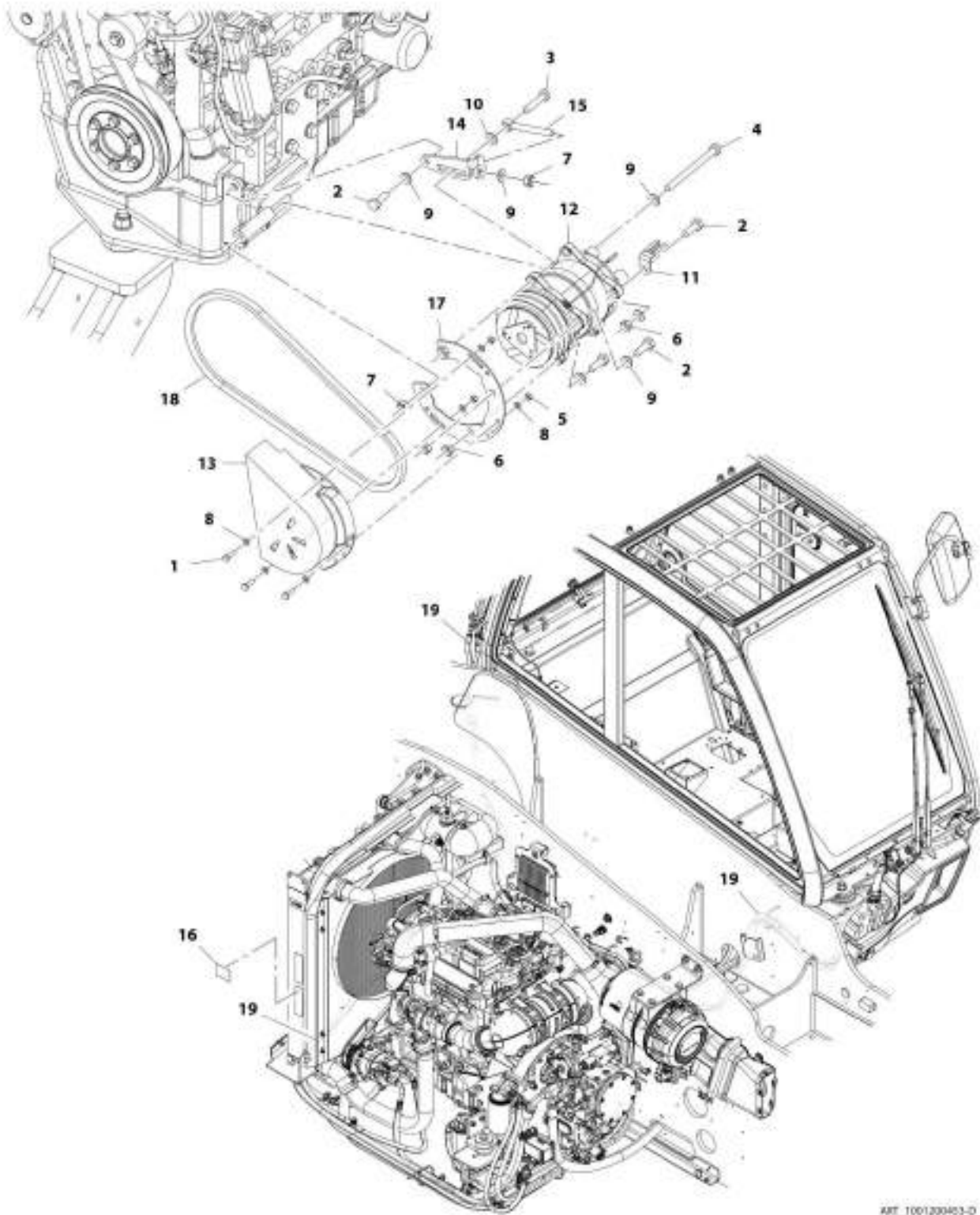
## SECTION 4 - ENGINE AND ATTACHING PARTS

FIGURE 4-33. HEATER LINES INSTALLATION (ULS)

ITEM	PART NUMBER	QTY	DESCRIPTION	REV
	1001200451	Ref	Heater Lines Installation (ULS)	D
1	1062255	AR	Strap, Tie	
2	8410009	2	Clamp	
3	82033995	4620 mm	Hose	
4	1001170432	2	Fitting, Tee	
5	1001202526	6	Clamp	

# SECTION 4 - ENGINE AND ATTACHING PARTS

## FIGURE 4-34. A/C PUMP INSTALLATION



ART\_1001200403-D



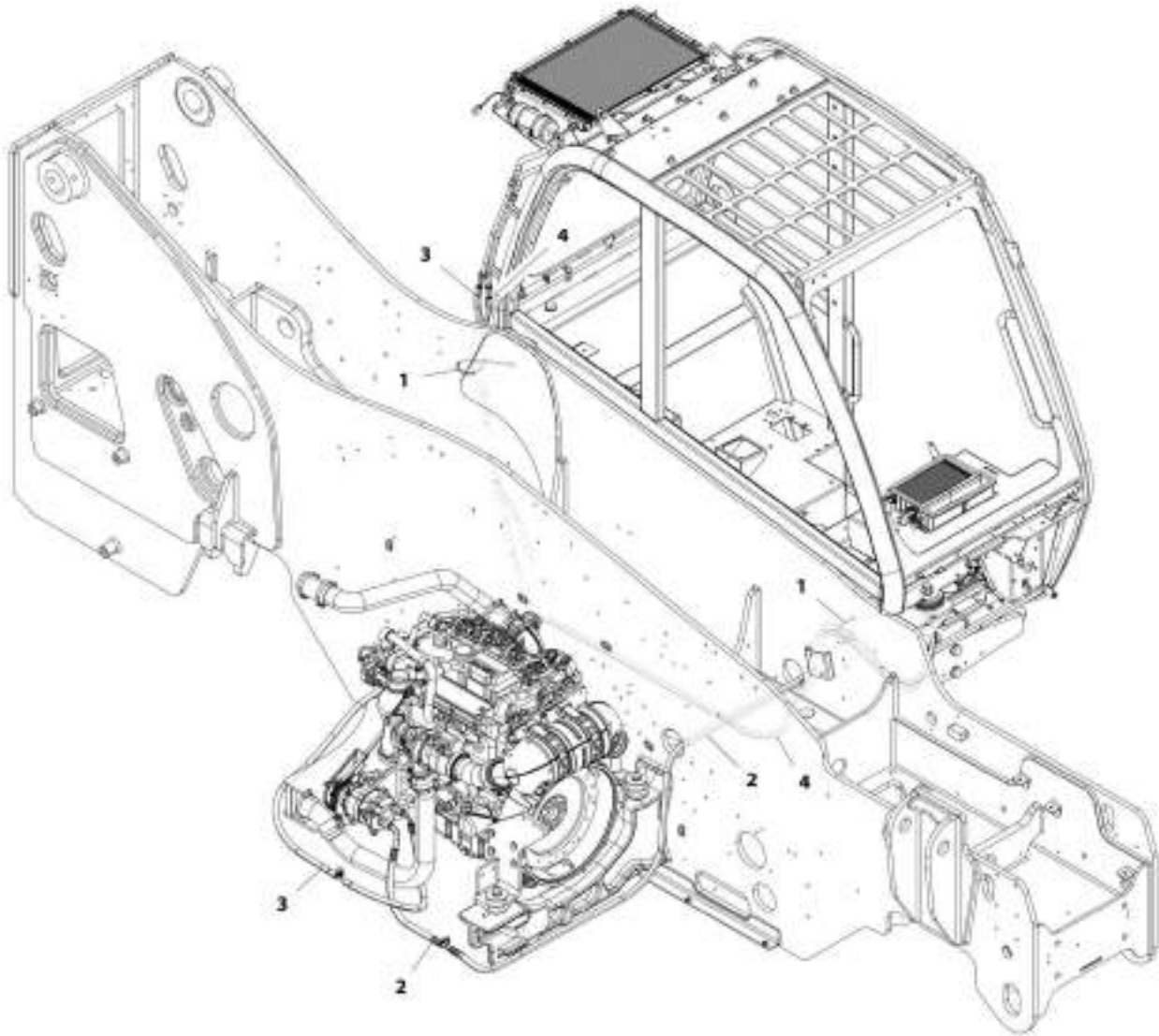
## SECTION 4 - ENGINE AND ATTACHING PARTS

### FIGURE 4-34. A/C PUMP INSTALLATION

ITEM	PART NUMBER	QTY	DESCRIPTION	REV
	1001200453	Ref	A/C Pump Installation	D
1	0700610	3	Bolt, M6X20	
2	0701014	4	Bolt, M10X30	
3	0701018	1	Bolt, M10X50	
4	0711030	1	Bolt, M10X130 Grade 10.9	
5	3290605	3	Nut, Lock M6X1	
6	3291001	3	Nut, M10X1.5	
7	3291005	2	Nut, lock M10X1.5	
8	4811700	6	Washer, M6	
9	4812000	6	Washer, M10	
10	5241000	1	Washer, M10	
11	1001003305	1	Clip	
12	1001107339	1	Compressor, A/C Clutch	
13	1001138945	1	Cover, Compressor	
14	1001188855	1	Plate, A/C Belt Tensioner	
15	1001188856	1	Rod, Tensioner	
16	1001227090	1	Decal, A/C Installation	
17	1001193797	1	Support, Cover	
18	1001200701	1	Belt, Drive	
19	1001202321	Ref	A/C Lines Installation (See Seperate Breakdown in this Section)	

## SECTION 4 - ENGINE AND ATTACHING PARTS

FIGURE 4-35. A/C LINES INSTALLATION



ART\_1901200201-D

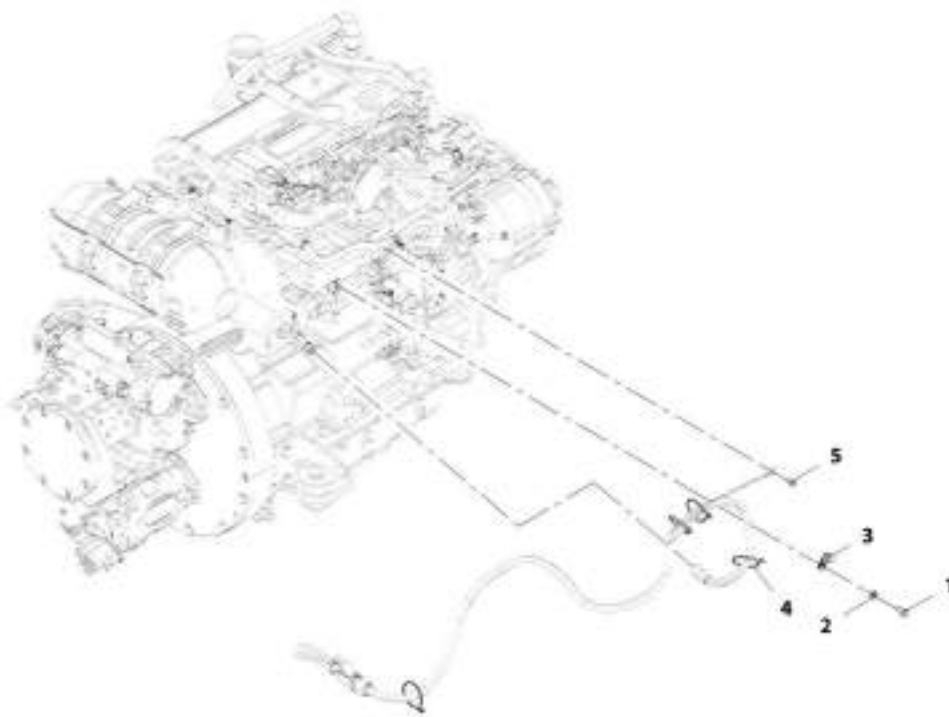
## SECTION 4 - ENGINE AND ATTACHING PARTS

### FIGURE 4-35. A/C LINES INSTALLATION

ITEM	PART NUMBER	QTY	DESCRIPTION	REV
	1001202321	Ref	A/C Lines Installation	D
1	1062255	2	Strap, Tie	
2	1001216798	1	Hose	
3	1001216799	1	Hose	
4	1001202325	1	Hose	

## SECTION 4 - ENGINE AND ATTACHING PARTS

FIGURE 4-36. BLOCK HEATER INSTALLATION (115V) (ULS)



ART\_1801214349-C

## SECTION 4 - ENGINE AND ATTACHING PARTS

**FIGURE 4-36. BLOCK HEATER INSTALLATION (115V) (ULS)**

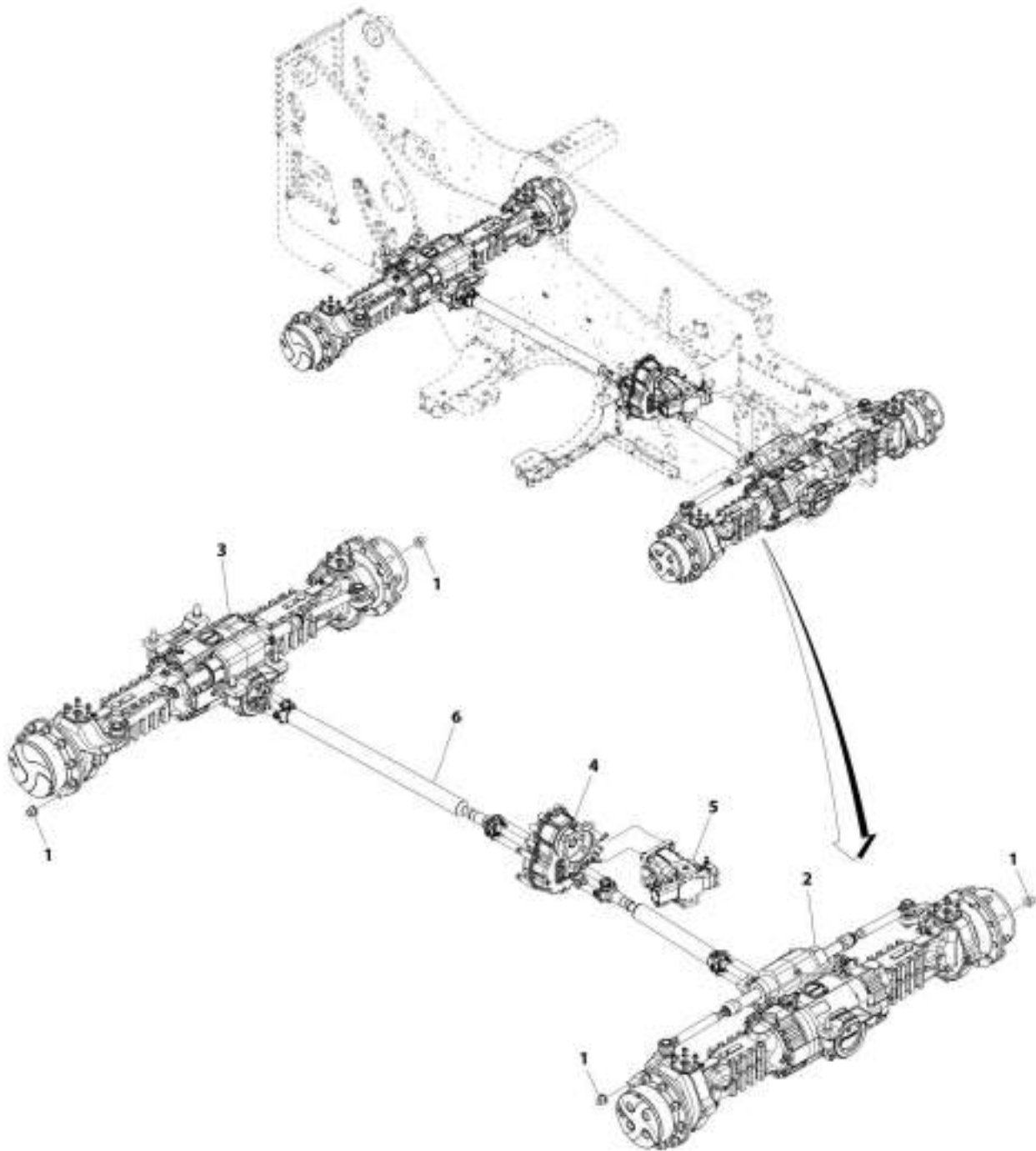
ITEM	PART NUMBER	QTY	DESCRIPTION	REV
	1001214349	1	Block Heater Installation (115V) (ULS)	D
1	0760810	1	Bolt, M8X20	
2	4811900	1	Washer, M8	
3	8406112	1	Clip	
4	1001008559	4	Strap, Cable	
5	1001099566	1	Screw, M6-1X12	



**SECTION 5 - DRIVETRAIN**

# SECTION 5 - DRIVETRAIN

## FIGURE 5-1. DRIVETRAIN INSTALLATION



MTF\_1001104976-B



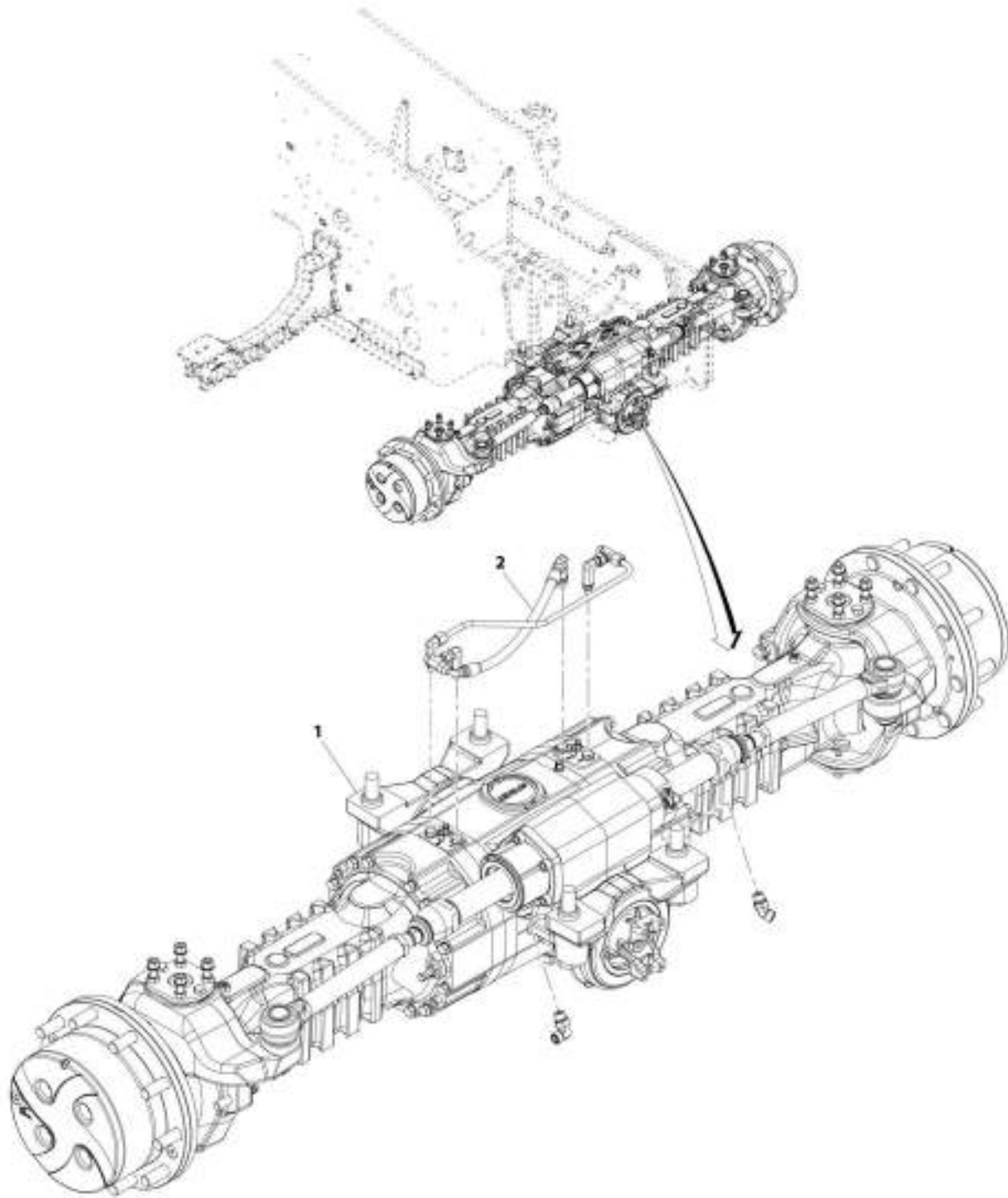
**SECTION 5 - DRIVETRAIN**

**FIGURE 5-1. DRIVETRAIN INSTALLATION**

<b>ITEM</b>	<b>PART NUMBER</b>	<b>QTY</b>	<b>DESCRIPTION</b>	<b>REV</b>
	1001184976	Ref	Drivetrain Installation	B
1	91403193	40	Nut, Lug M22X1.5	
2	1001184977	Ref	Installation, Front Axle (See Seperate Breakdown in this Section)	
3	1001184978	Ref	Installation, Rear Axle (See Seperate Breakdown in this Section)	
4	1001184979	Ref	Installation, Gearbox (See Seperate Breakdown in this Section)	
5	1001184980	Ref	Installation, Hydrostatic Motor (See Seperate Breakdown in this Section)	
6	1001184981	Ref	Installation, Drive Shaft (See Seperate Breakdown in this Section)	

# SECTION 5 - DRIVETRAIN

## FIGURE 5-2. FRONT AXLE INSTALLATION



ART\_1001144972-B

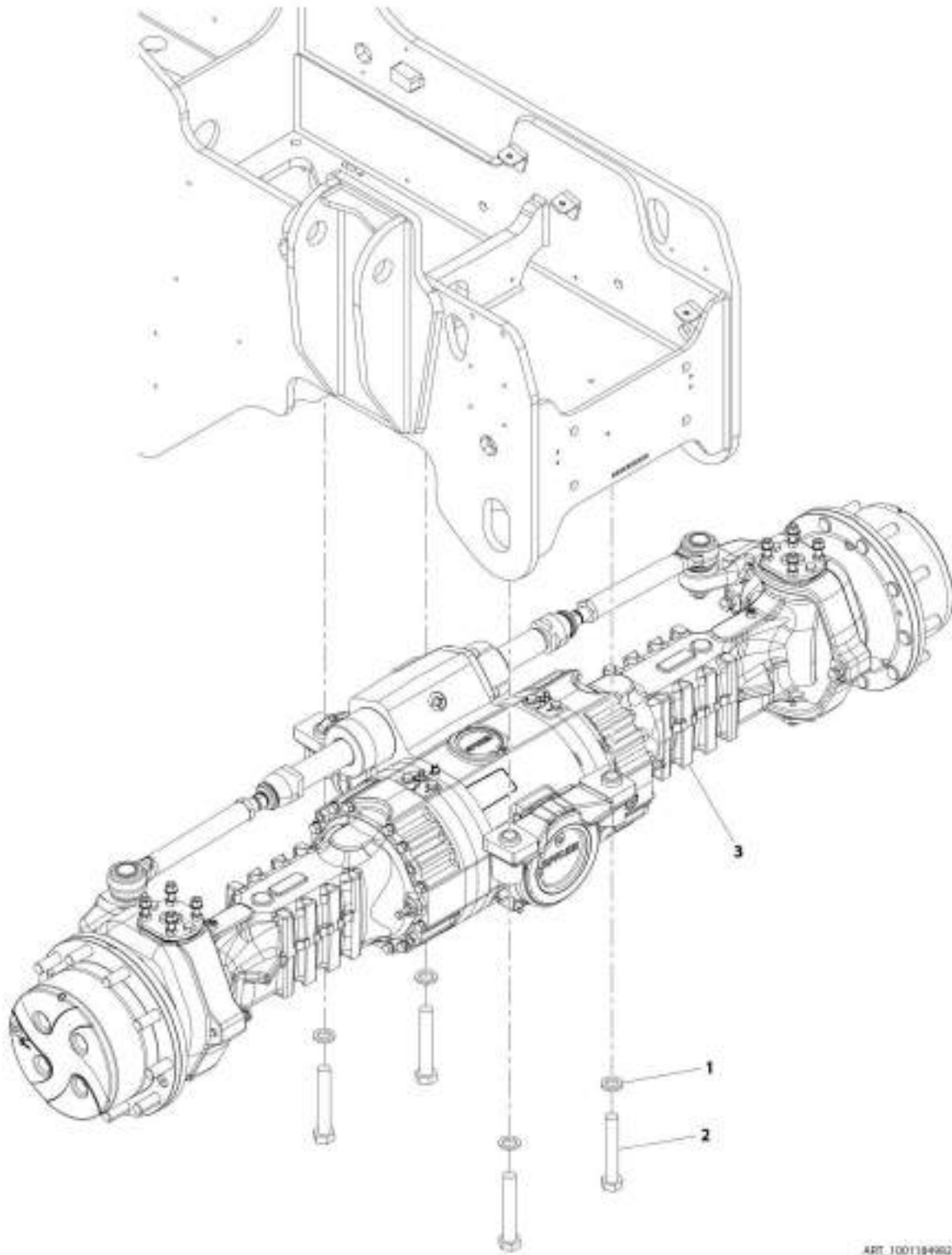
**SECTION 5 - DRIVETRAIN**

**FIGURE 5-2. FRONT AXLE INSTALLATION**

<b>ITEM</b>	<b>PART NUMBER</b>	<b>QTY</b>	<b>DESCRIPTION</b>	<b>REV</b>
1	1001184977	Ref	Front Axle Installation	B
	1001184982	Ref	Installation, Front Axle Mounting (See Seperate Breakdown in this Section)	
2	1001207898	Ref	Installation, Front Axle Lines (See Seperate Breakdown in this Section)	

# SECTION 5 - DRIVETRAIN

## FIGURE 5-3. FRONT AXLE MOUNTING INSTALLATION



ART\_1001184902-B

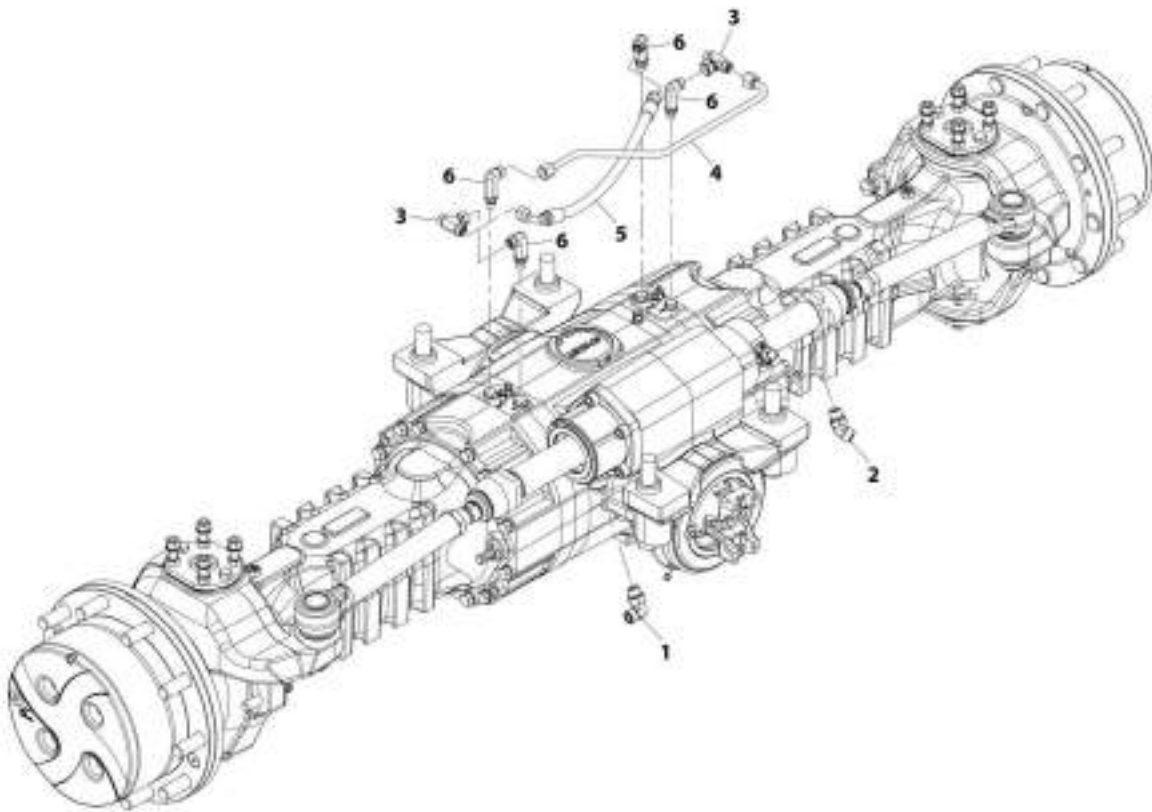
**SECTION 5 - DRIVETRAIN**

**FIGURE 5-3. FRONT AXLE MOUNTING INSTALLATION**

<b>ITEM</b>	<b>PART NUMBER</b>	<b>QTY</b>	<b>DESCRIPTION</b>	<b>REV</b>
	1001184982	Ref	Front Axle Mounting Installation	B
1	4892600	4	Washer	
2	1001097587	4	Bolt, M24-3X150 Grade 10.9	
3	1001184984	1	Axle, Front (See Seperate Breakdown in this Section)	

# SECTION 5 - DRIVETRAIN

## FIGURE 5-4. FRONT AXLE LINES INSTALLATION



ART\_1001201890-C

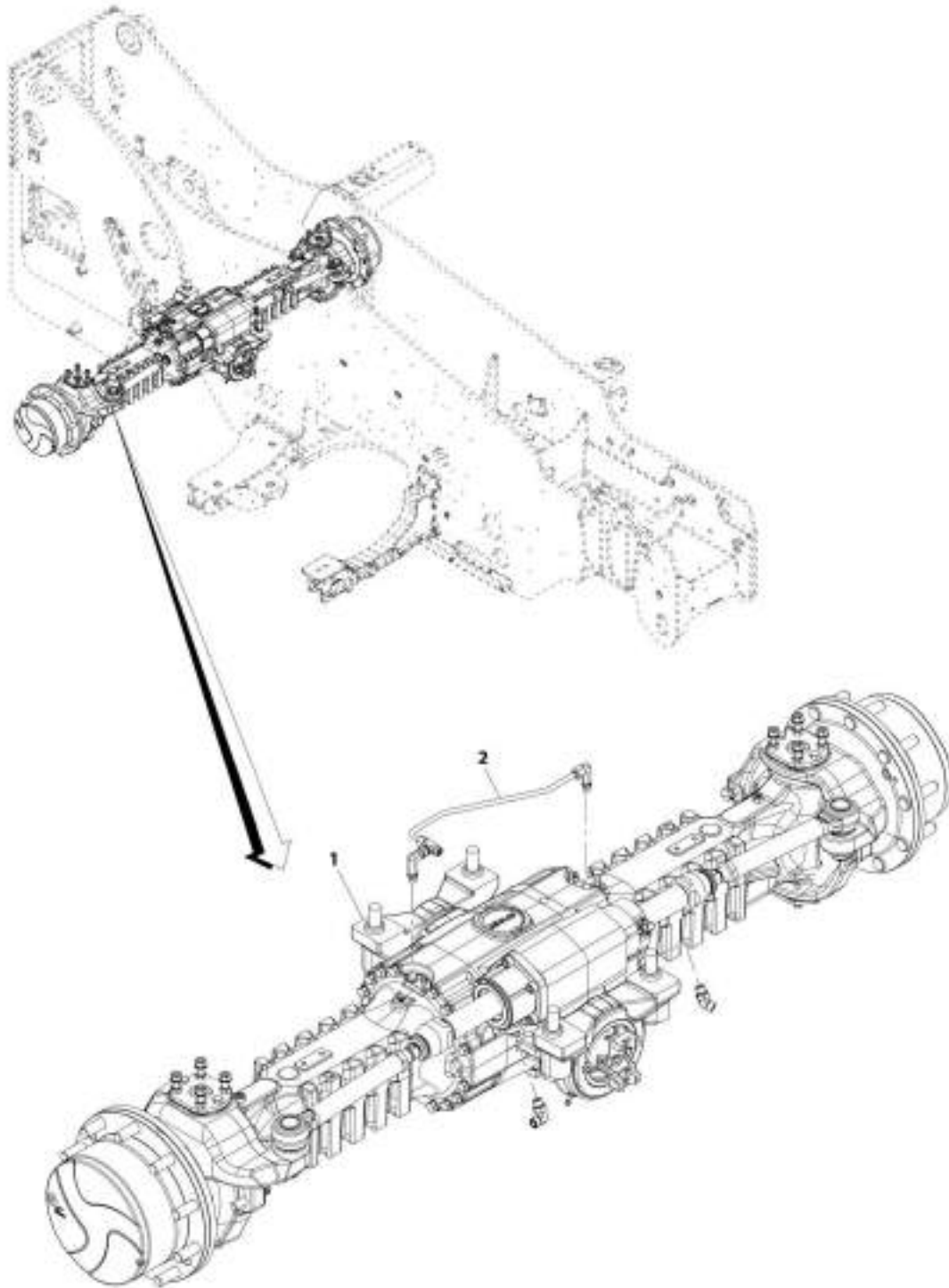
**SECTION 5 - DRIVETRAIN**

**FIGURE 5-4. FRONT AXLE LINES INSTALLATION**

<b>ITEM</b>	<b>PART NUMBER</b>	<b>QTY</b>	<b>DESCRIPTION</b>	<b>REV</b>
	1001207898	Ref	Front Axle Lines Installation	C
1	2130808	1	Fitting, 90 ORFS	
2	2150808	1	Fitting, 45 ORFS	
3	2170806	2	Fitting, Tee ORFS	
4	1001224598	1	Tube	
5	1001210281	1	Hose	
6	1001210769	4	Fitting, 90 ORFS	

## SECTION 5 - DRIVETRAIN

FIGURE 5-5. REAR AXLE INSTALLATION



ART\_3001184970-B



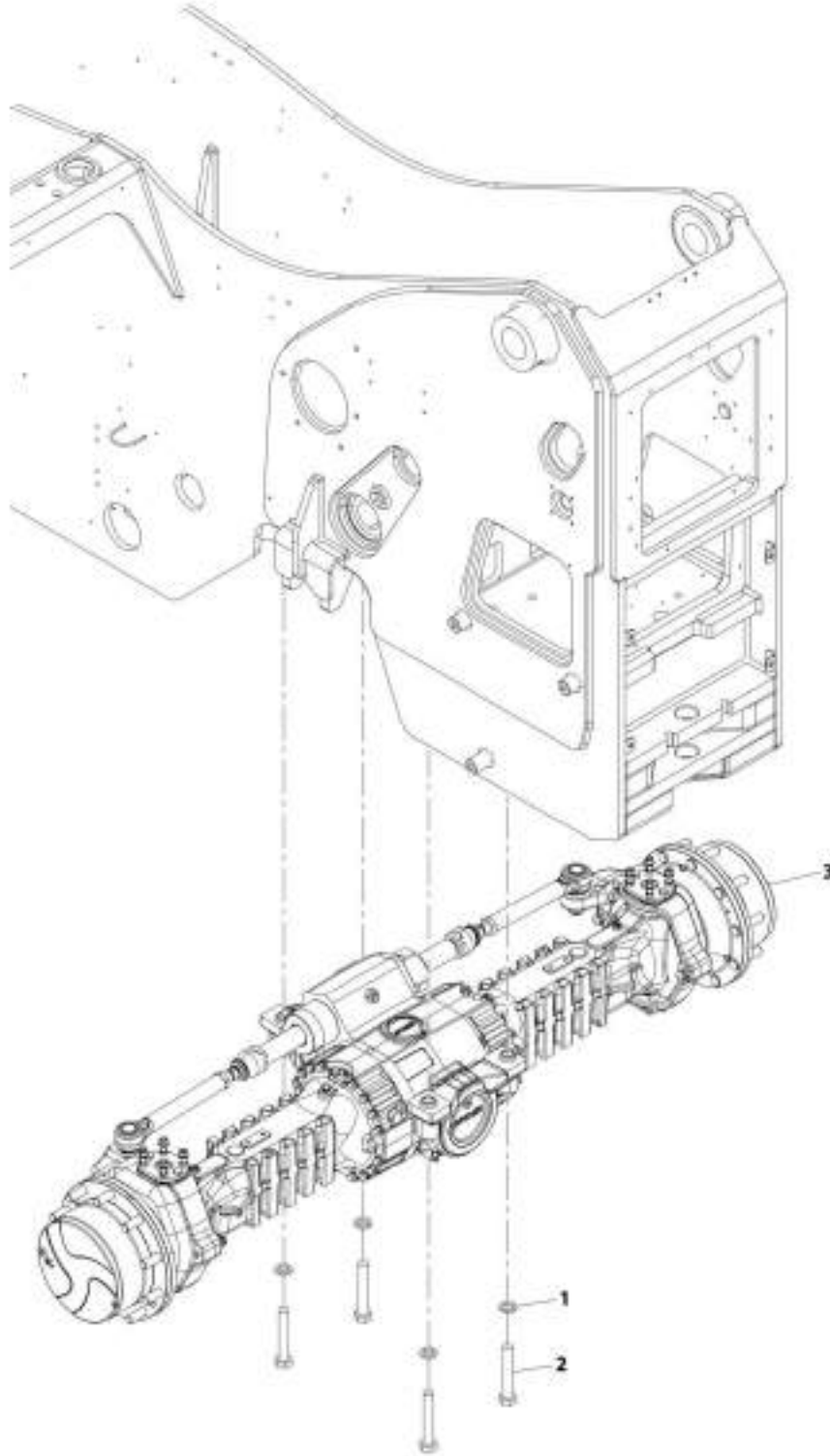
**SECTION 5 - DRIVETRAIN**

**FIGURE 5-5. REAR AXLE INSTALLATION**

<b>ITEM</b>	<b>PART NUMBER</b>	<b>QTY</b>	<b>DESCRIPTION</b>	<b>REV</b>
1	1001184978	Ref	Rear Axle Installation	B
	1001184983	Ref	Installation, Rear Axle Mounting (See Seperate Breakdown in this Section)	
2	1001207899	Ref	Installation, Rear Axle Lines (See Seperate Breakdown in this Section)	

## SECTION 5 - DRIVETRAIN

FIGURE 5-6. REAR AXLE MOUNTING INSTALLATION



ART\_1001104983-02

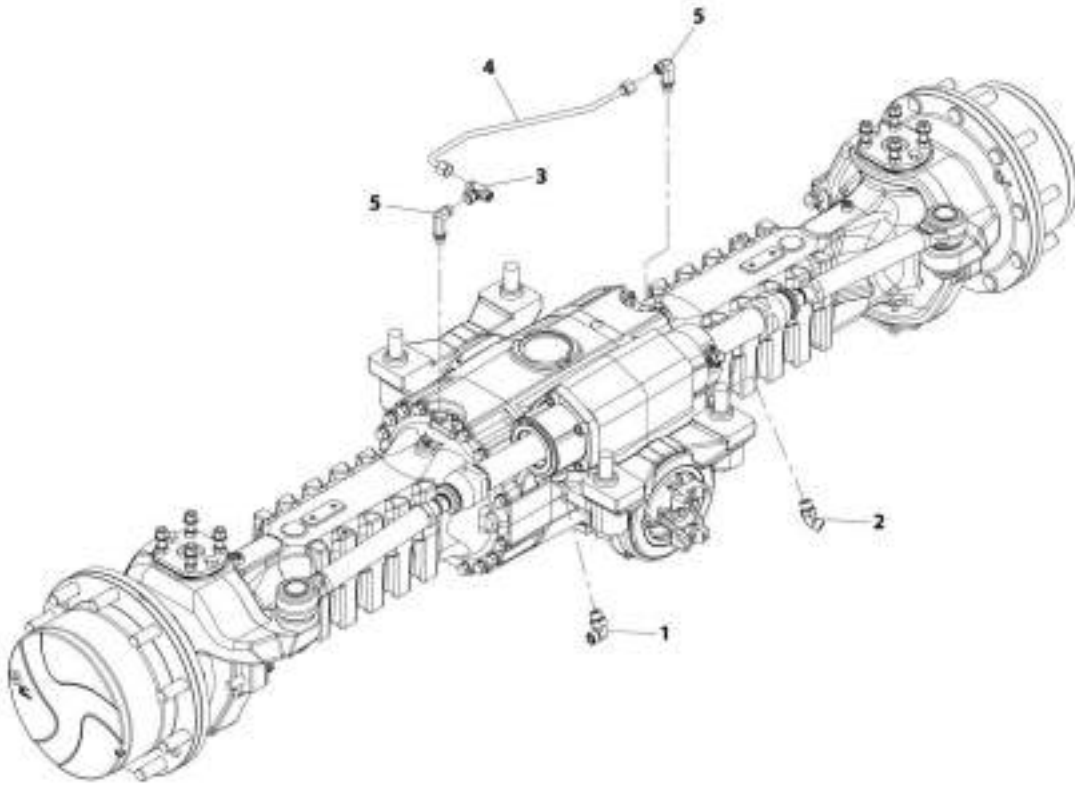
**SECTION 5 - DRIVETRAIN**

**FIGURE 5-6. REAR AXLE MOUNTING INSTALLATION**

<b>ITEM</b>	<b>PART NUMBER</b>	<b>QTY</b>	<b>DESCRIPTION</b>	<b>REV</b>
	1001184983	Ref	Rear Axle Mounting Installation	B
1	4892600	4	Washer	
2	1001097587	4	Bolt, M24-3X150 Grade 10.9	
3	1001184985	Ref	Axle, Rear (See Seperate Breakdown in this Section)	

## SECTION 5 - DRIVETRAIN

FIGURE 5-7. REAR AXLE LINES INSTALLATION



ART\_1001207809-C

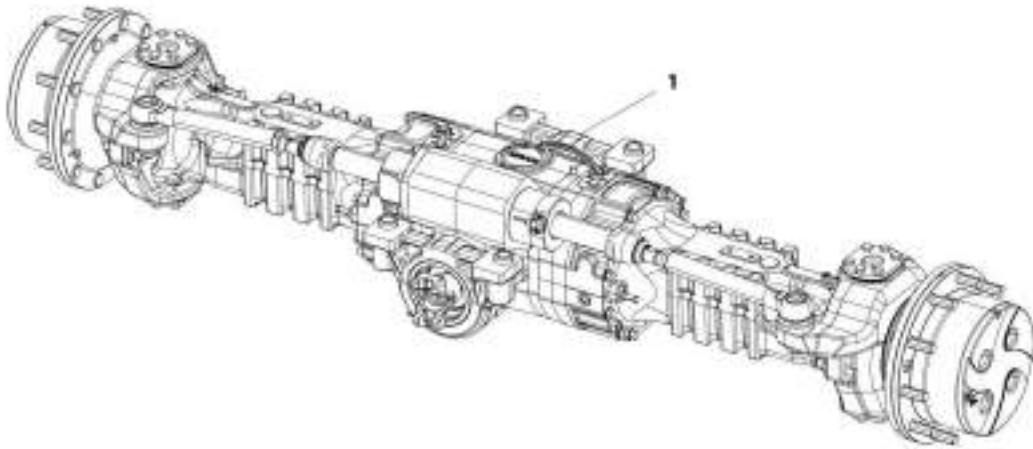
**SECTION 5 - DRIVETRAIN**

**FIGURE 5-7. REAR AXLE LINES INSTALLATION**

<b>ITEM</b>	<b>PART NUMBER</b>	<b>QTY</b>	<b>DESCRIPTION</b>	<b>REV</b>
	1001207899	Ref	Rear Axle Lines Installation	C
1	2130808	1	Fitting, 90 ORFS	
2	2150808	1	Fitting, 45 ORFS	
3	2170806	1	Fitting, Tee ORFS	
4	1001224938	1	Tube	
5	1001210769	2	Fitting, 90 ORFS	

## SECTION 5 - DRIVETRAIN

FIGURE 5-8. FRONT AXLE



ART\_1001184584-E

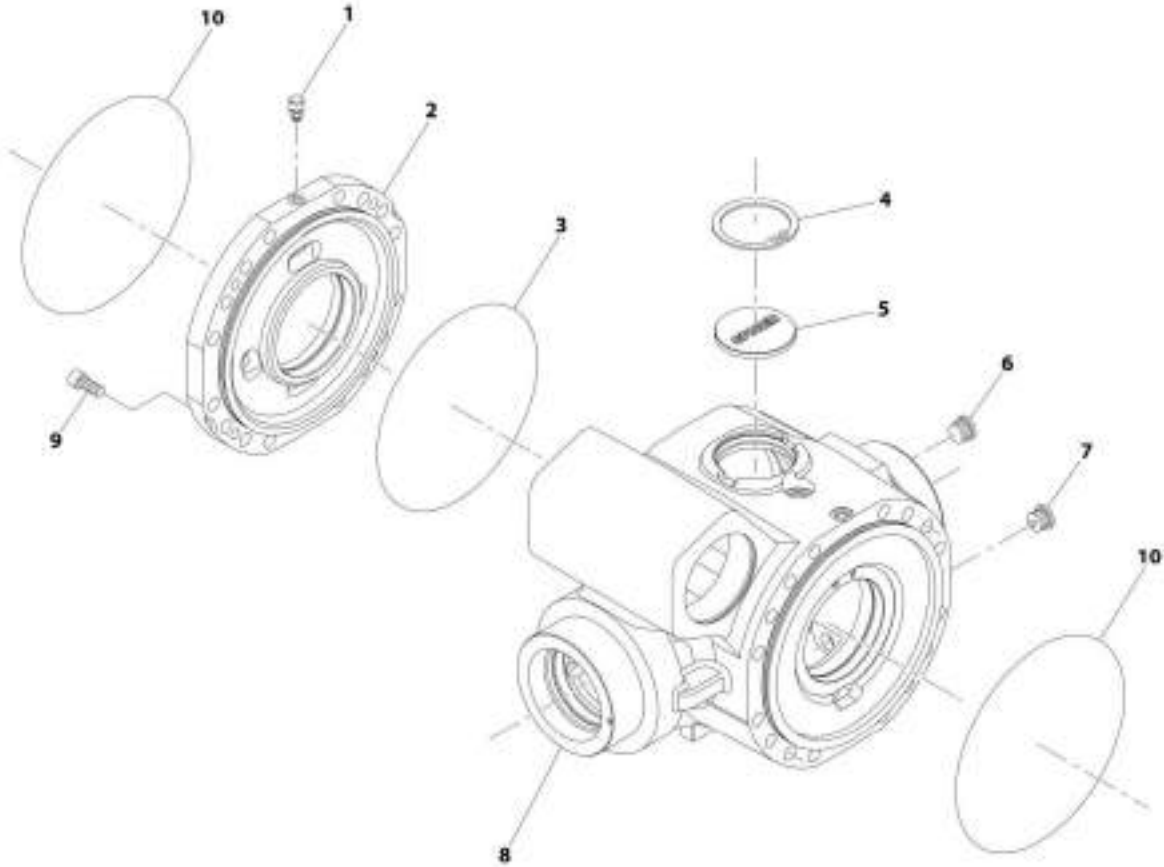
**SECTION 5 - DRIVETRAIN**

**FIGURE 5-8. FRONT AXLE**

ITEM	PART NUMBER	QTY	DESCRIPTION	REV
	1001184984	Ref	Front Axle	E
		Ref	Front Axle, Central Housing (See Separate Breakdown in this Section)	
		Ref	Front Axle, Differential (See Separate Breakdown in this Section)	
		Ref	Front Axle, Hub Reduction (See Separate Breakdown in this Section)	
		Ref	Front Axle, Brakes (See Separate Breakdown in this Section)	
		Ref	Front Axle, Steering (See Separate Breakdown in this Section)	
		Ref	Front Axle, Trunnion (See Separate Breakdown in this Section)	

**SECTION 5 - DRIVETRAIN**

**FIGURE 5-9. FRONT AXLE, CENTRAL HOUSING**



AMT\_1001184004\_1-E



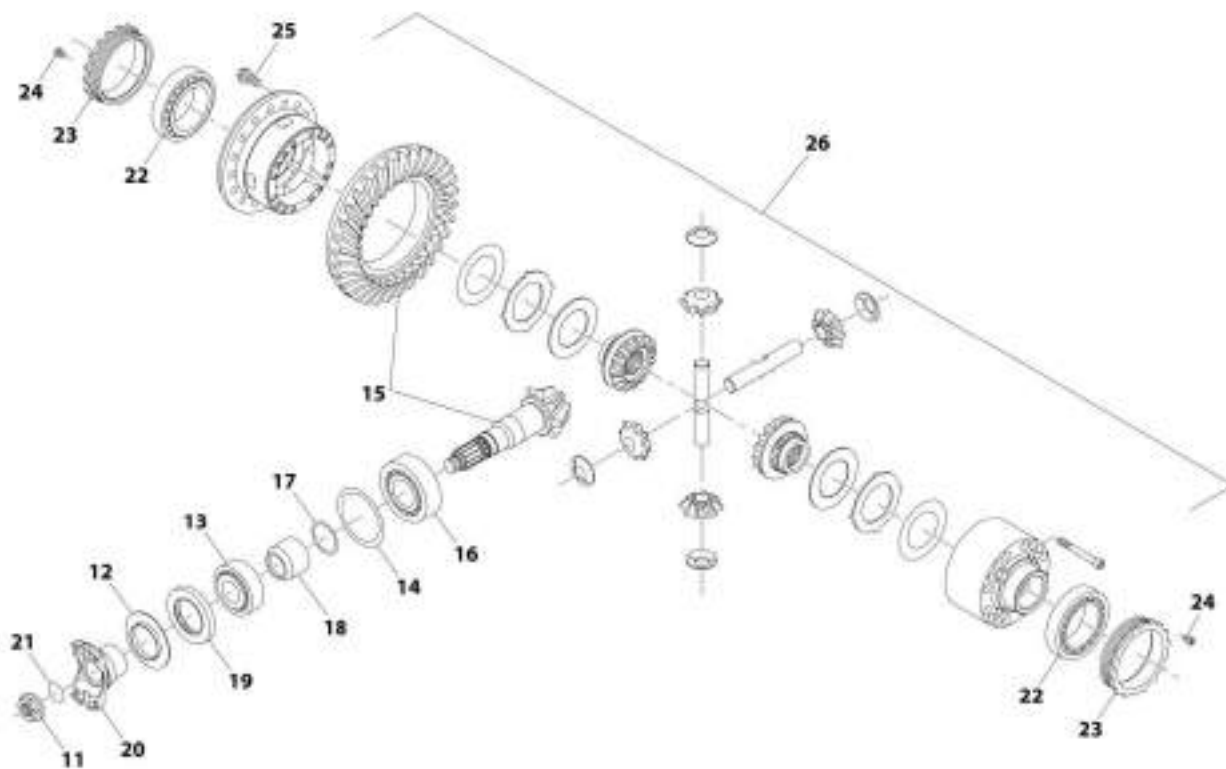
**SECTION 5 - DRIVETRAIN**

**FIGURE 5-9. FRONT AXLE, CENTRAL HOUSING**

<b>ITEM</b>	<b>PART NUMBER</b>	<b>QTY</b>	<b>DESCRIPTION</b>	<b>REV</b>
1	91474512	1	Vent	
2	7029288	1	Cover, Intermediate	
3	80204002	1	O-Ring	
4	80204005	1	Circlip	
5	91514098	1	Plug	
6	70028389	1	Plug	
7	70028388	1	Plug	
8	70025335	1	Housing	
9	91514101	4	Bolt	
10	91514089	2	O-Ring	

# SECTION 5 - DRIVETRAIN

## FIGURE 5-10. FRONT AXLE, DIFFERENTIAL



ART\_1001184984\_2-E

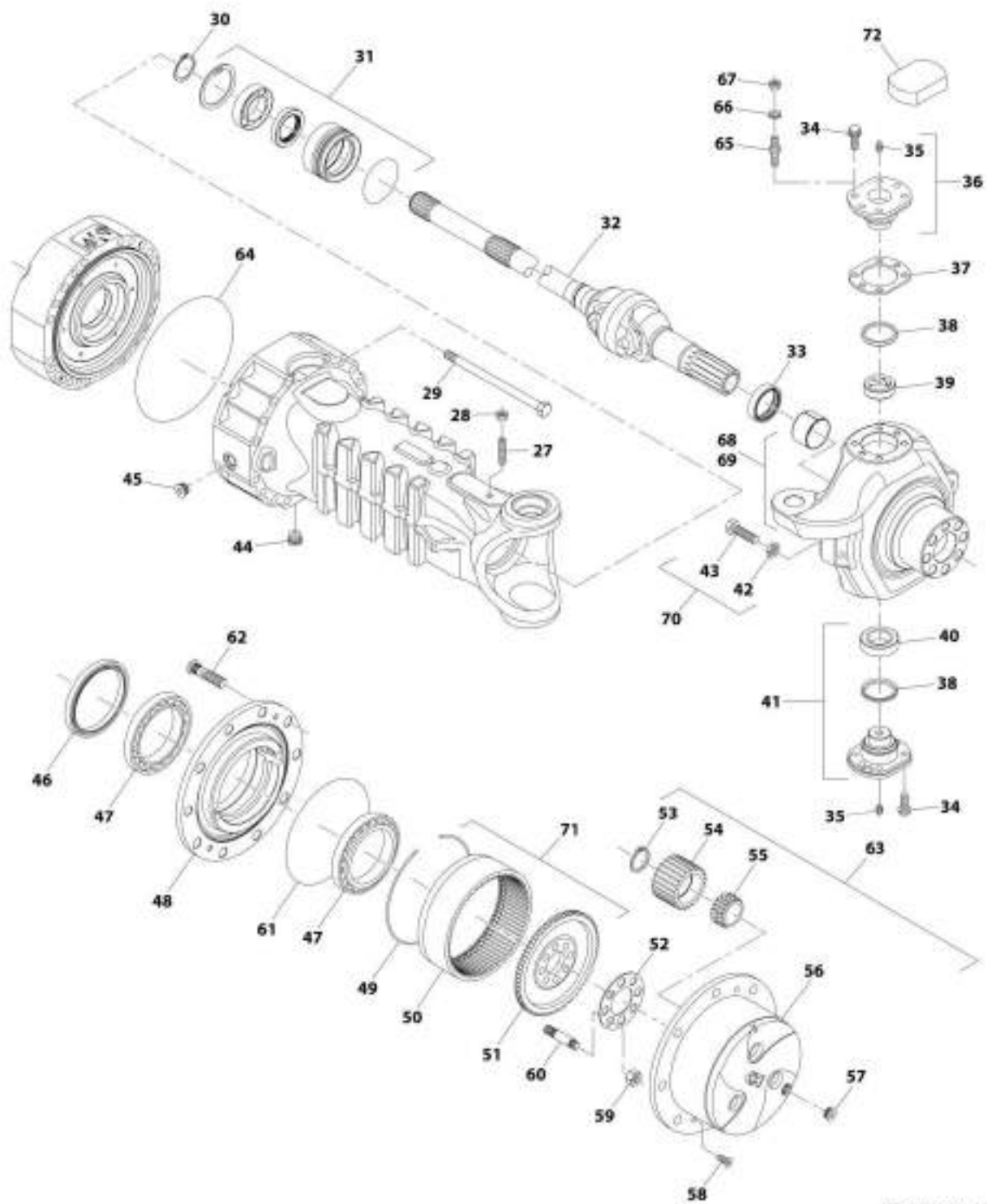
## SECTION 5 - DRIVETRAIN

### FIGURE 5-10. FRONT AXLE, DIFFERENTIAL

ITEM	PART NUMBER	QTY	DESCRIPTION	REV
11	80204043	1	Nut	
12	91514130	1	Plate, Cover	
13	80204048	1	Bearing, Tape Roller	
14	70023469	1	Shim	
15	70028391	1	Gear, Bevel Set	
16	80204035	1	Bearing, Tape Roller	
17	70023494	1	Ring	
18	70022140	1	Spacer	
19	70025887	1	Seal	
20	70028401	1	Flange	
21	10725554	1	O-Ring	
22	80204033	2	Bearing, Tape Roller	
23	91514133	2	Nut, Ring	
24	91514134	2	Bolt	
25	91514123	16	Bolt	
26	70028390	1	Kit, Differential (See Separate Breakdown in this Section)	

# SECTION 5 - DRIVETRAIN

## FIGURE 5-11. FRONT AXLE, HUB REDUCTION



ART\_301184904\_1-E

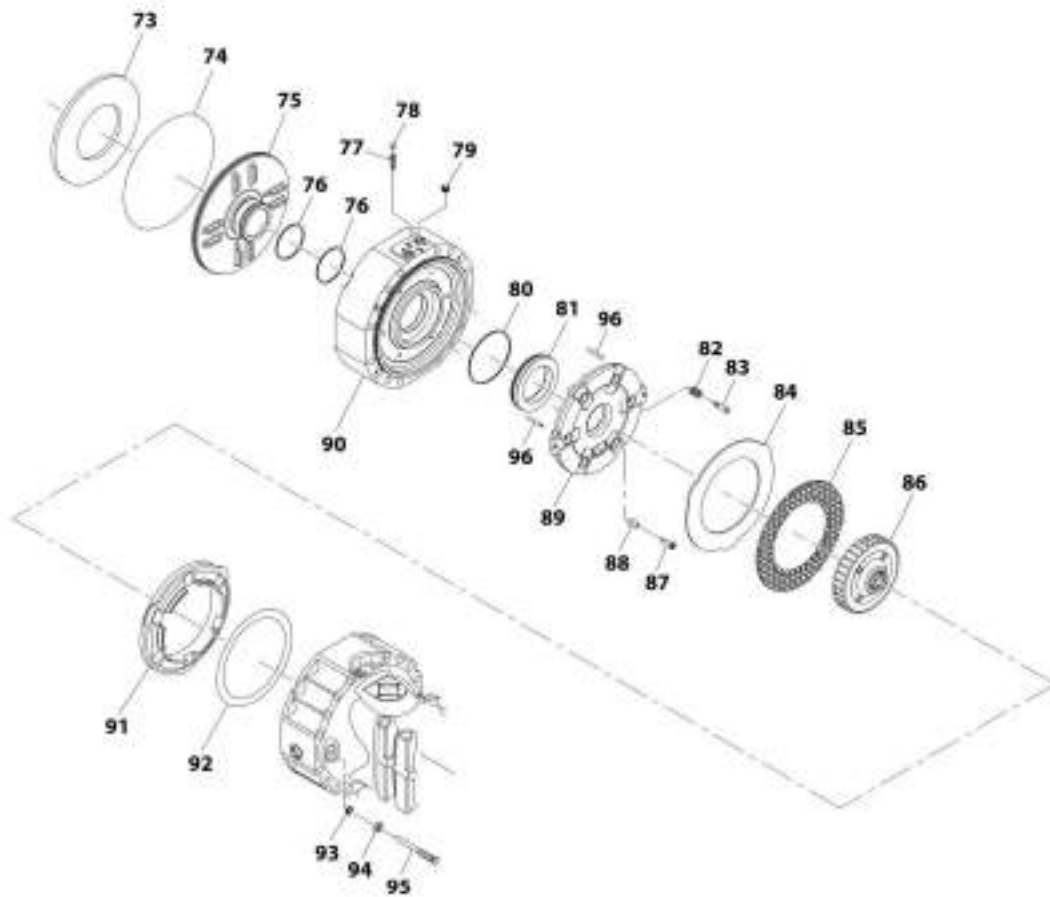
## SECTION 5 - DRIVETRAIN

**FIGURE 5-11. FRONT AXLE, HUB REDUCTION**

ITEM	PART NUMBER	QTY	DESCRIPTION	REV
27	91514081	2	Bolt	
28	91514082	2	Nut	
29	70025012	24	Bolt	
30	80204071	2	Circlip	
31	91514149	2	Kit, Reduction Bushing (See Separate Breakdown in this Section)	
32	70028396	2	Joint, Double Universal	
33	70026238	2	Seal	
34	70025562	20	Bolt	
35	70024881	2	Fitting, Grease	
36	91514112	2	Pin	
37	70025561	1	Shim	
38	7028716	2	Seal, Dust	
39	7028714	2	Bushing	
40	91514095	2	Bearing	
41	7028715	2	Pin	
42	80204065	4	Nut	
43	91514117	4	Bolt	
44	70028388	2	Plug	
45	70028389	2	Plug	
46	70026002	2	Seal	
47	80204076	4	Bearing, Taper Roller	
48	91514174	2	Hub, Wheel	
49	91514175	2	Circlip	
50	70024147	2	Gear, Ring	
51	91514177	2	Support, Ring Gear	
52	91514178	2	Plate	
53	91514184	8	Circlip	
54	91514185	8	Gear, Planet	
55	91514186	8	Bearing	
56	7029317	2	Carrier, Planet Gear	
57	70028387	2	Plug	
58	91514189	4	Bolt, Countersunk	
59	91514179	16	Nut	
60	91514180	16	Stud	
61	91514181	2	O-Ring	
62	80214120	20	Stud	
63	7029743	2	Kit, Planet Gear Carrier	
64	91514089	2	O-Ring	
65	70025014	8	Stud	
66	91514084	8	Washer	
67	91514083	8	Nut	
68	70026260	1	Kit, Steering Case (left) (See Separate Breakdown in this Section)	
69	70026261	1	Kit, Steering Case (right) (See Separate Breakdown in this Section)	
70	7028733	4	Bolt, Steering Adjust	
71	70024146	2	Kit, Ring Gear Support (See Separate Breakdown in this Section)	
72	70028392	2	Cover	

# SECTION 5 - DRIVETRAIN

## FIGURE 5-12. FRONT AXLE, BRAKES



ART\_1001104004\_4-E

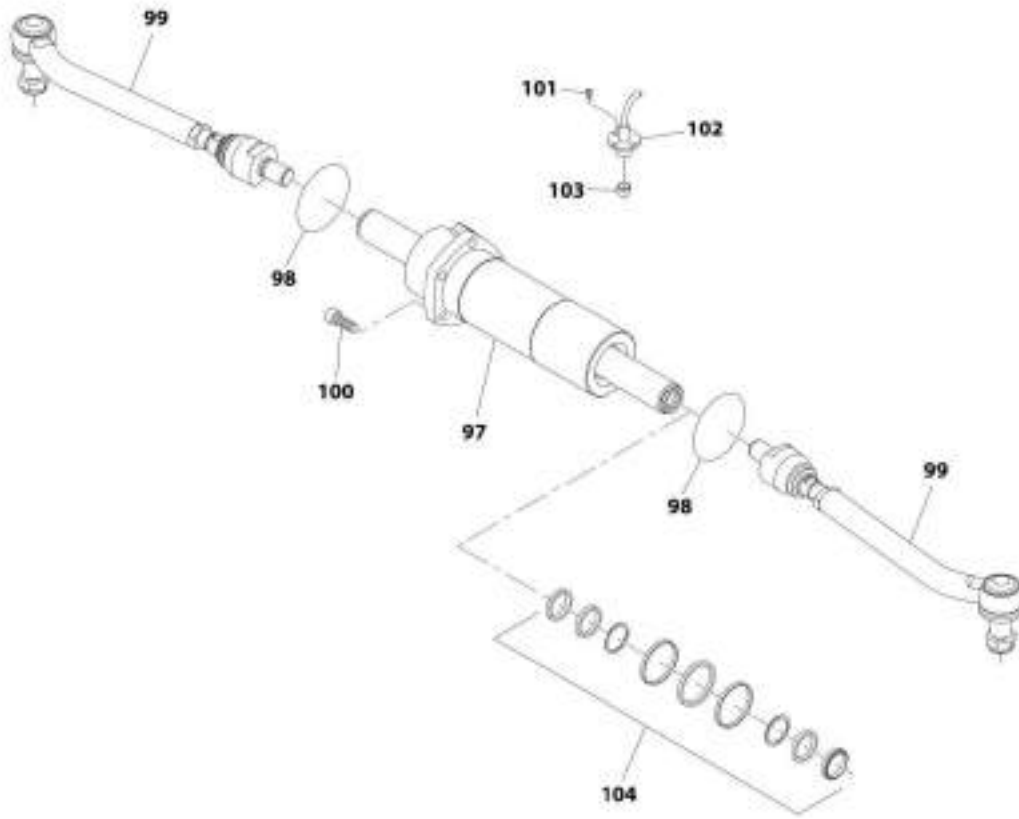
**SECTION 5 - DRIVETRAIN**

**FIGURE 5-12. FRONT AXLE, BRAKES**

ITEM	PART NUMBER	QTY	DESCRIPTION	REV
73	91514151	2	Washer	
74	91514089	2	O-Ring	
75	70027092	2	Piston	
76	70026262	4	Seal	
77	80204281	4	Bolt, Bleeding	
78	80204117	4	Plug	
79	91514154	4	Plug	
80	70026263	2	Seal	
81	70027796	2	Piston	
82	91514159	6	Spring	
83	70024210	6	Bolt, Adjusting	
84	70027022	6	Disc, Intermediate Brake	
85	7029735	6	Disc, Brake	
86	7029734	2	Bushing, Reduction	
87	7029787	6	Bolt, Adjusting	
88	70027317	6	Spring	
89	70024849	2	Disc, Intermediate Brake	
90	70024848	2	Cover	
91	70026264	2	Spacer	
92	70025970	1	Shim	
93	80204108	4	Washer, Lock	
94	80204060	4	Nut	
95	70024213	4	Bolt	
96	70024215	4	Dowel	

# SECTION 5 - DRIVETRAIN

## FIGURE 5-13. FRONT AXLE, STEERING



ART\_100118490A\_5-6



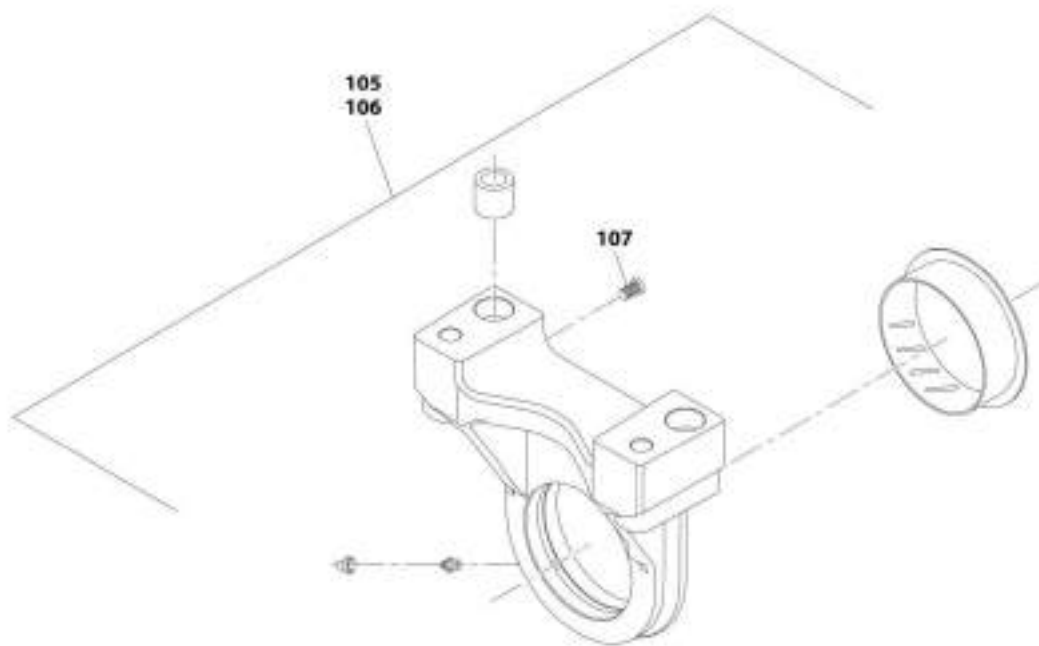
**SECTION 5 - DRIVETRAIN**

**FIGURE 5-13. FRONT AXLE, STEERING**

<b>ITEM</b>	<b>PART NUMBER</b>	<b>QTY</b>	<b>DESCRIPTION</b>	<b>REV</b>
97	70028393	1	Cylinder	
98	80204143	2	O-Ring	
99	70028394	2	Rod, Articulated Tie	
99	70022773	2	Nut	
100	80204144	5	Bolt	
101	8008175	2	Bolt	
102	70027986	1	Optical Sensor	
103	7029307	1	Plug	
104	7029127	1	Kit, Seal	

# SECTION 5 - DRIVETRAIN

## FIGURE 5-14. FRONT AXLE, TRUNION



AMT\_100134R964\_s-E

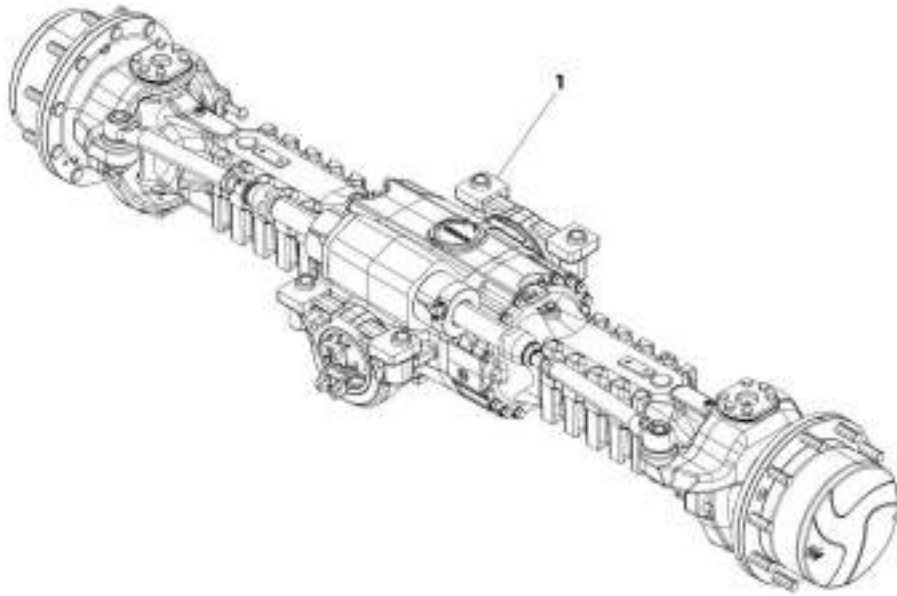
**SECTION 5 - DRIVETRAIN**

**FIGURE 5-14. FRONT AXLE, TRUNION**

<b>ITEM</b>	<b>PART NUMBER</b>	<b>QTY</b>	<b>DESCRIPTION</b>	<b>REV</b>
105	70026266	1	Kit, Trunnion (See Separate Breakdown in this Section)	
106	70026265	1	Support	
107	70025884	1	Bolt	

# SECTION 5 - DRIVETRAIN

FIGURE 5-15. REAR AXLE



ART\_1001184985-E

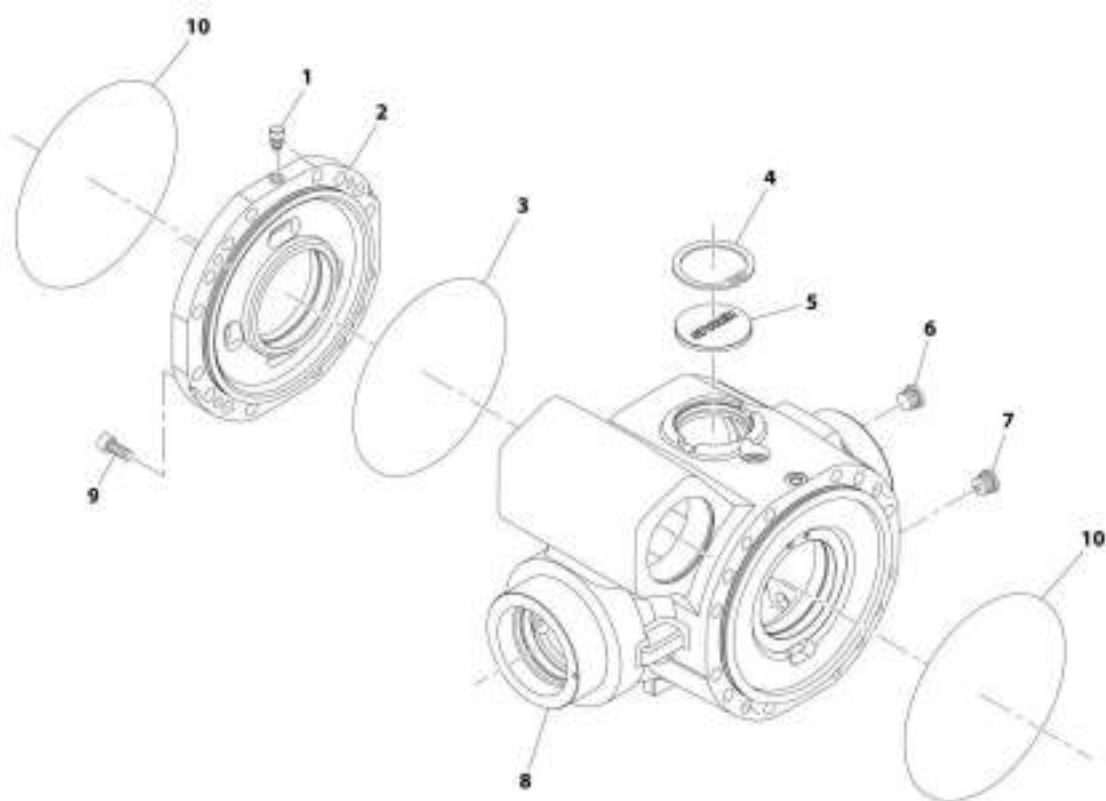
**SECTION 5 - DRIVETRAIN**

**FIGURE 5-15. REAR AXLE**

<b>ITEM</b>	<b>PART NUMBER</b>	<b>QTY</b>	<b>DESCRIPTION</b>	<b>REV</b>
1	1001184985	1	Rear Axle	E
		Ref	Rear Axle, Central Housing (See Separate Breakdown in this Section)	
		Ref	Rear Axle, Differential (See Separate Breakdown in this Section)	
		Ref	Rear Axle, Hub Reduction (See Separate Breakdown in this Section)	
		Ref	Rear Axle, Brakes (See Separate Breakdown in this Section)	
		Ref	Rear Axle, Steering (See Separate Breakdown in this Section)	
		Ref	Rear Axle, Trunnion (See Separate Breakdown in this Section)	

# SECTION 5 - DRIVETRAIN

## FIGURE 5-16. REAR AXLE, CENTRAL HOUSING



ART\_100184905\_1-E

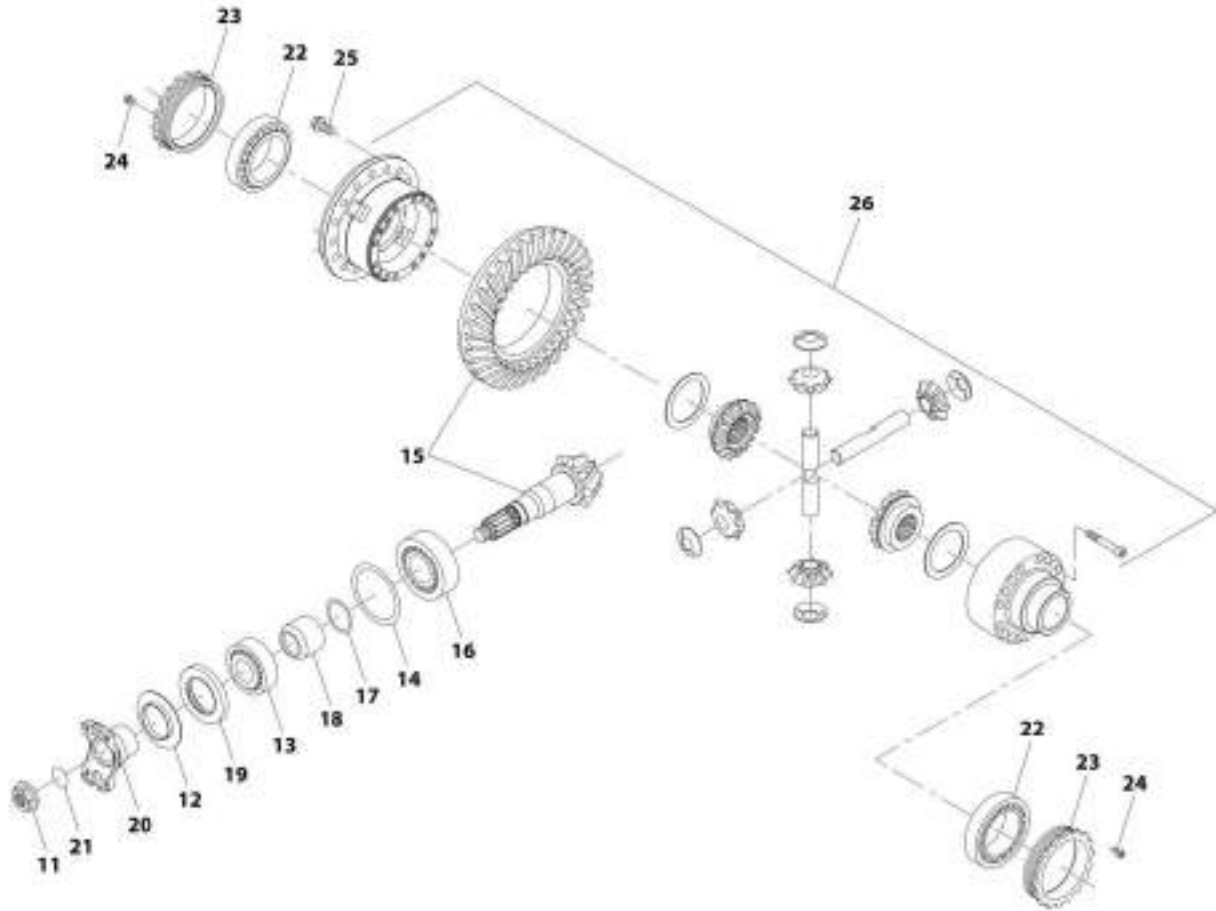
**SECTION 5 - DRIVETRAIN**

**FIGURE 5-16. REAR AXLE, CENTRAL HOUSING**

<b>ITEM</b>	<b>PART NUMBER</b>	<b>QTY</b>	<b>DESCRIPTION</b>	<b>REV</b>
1	91474512	1	Vent	
2	7029288	1	Cover, Intermediate	
3	80204002	1	O-Ring	
4	80204005	1	Circlip	
5	91514098	1	Plug	
6	70028389	1	Plug	
7	70028388	1	Plug	
8	70025335	1	Housing	
9	91514101	4	Bolt	
10	91514089	2	O-Ring	

# SECTION 5 - DRIVETRAIN

## FIGURE 5-17. REAR AXLE, DIFFERENTIAL



MIT\_100184965\_2-E



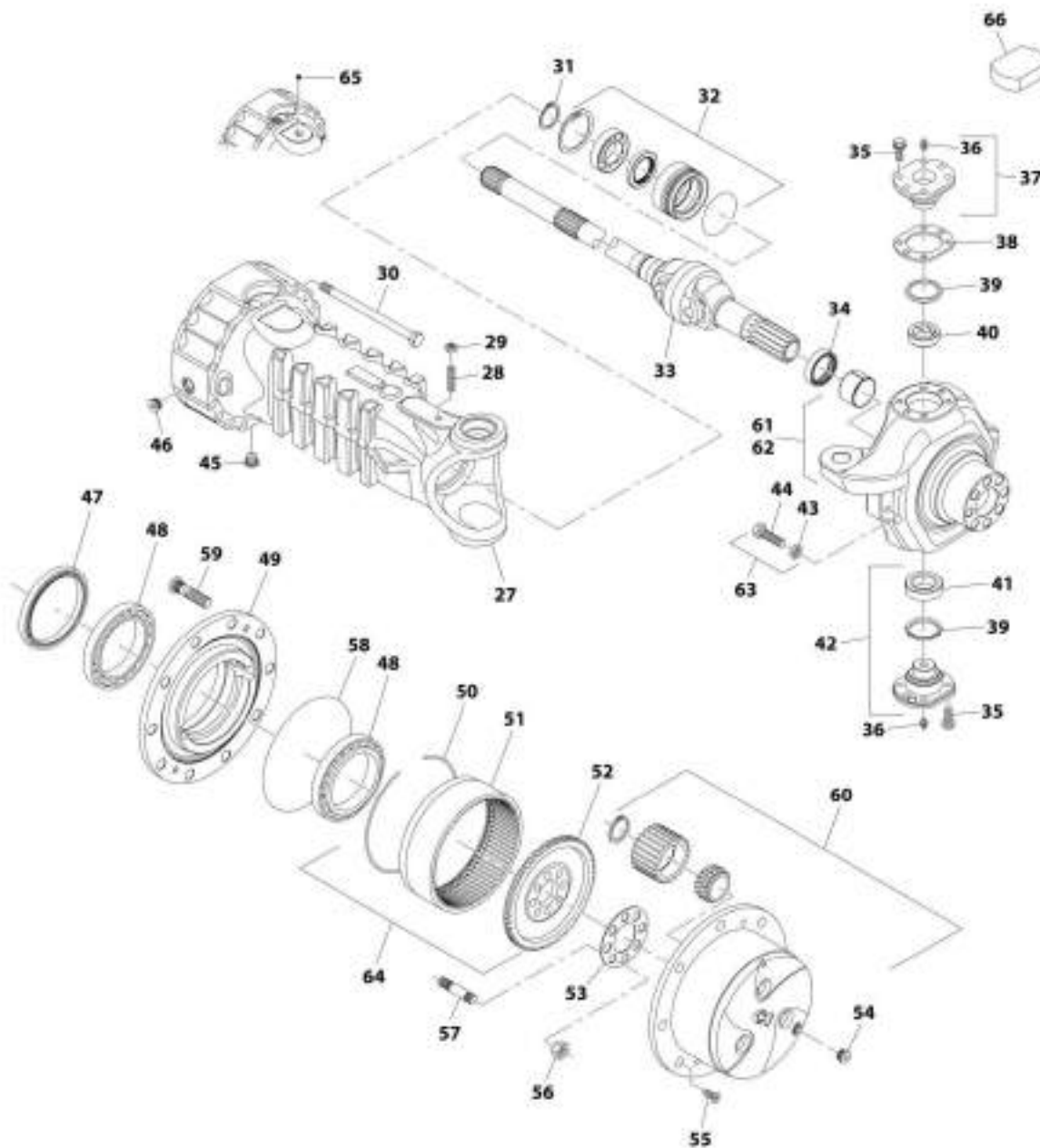
## SECTION 5 - DRIVETRAIN

### FIGURE 5-17. REAR AXLE, DIFFERENTIAL

ITEM	PART NUMBER	QTY	DESCRIPTION	REV
11	80204043	1	Nut	
12	91514130	1	Plate, Cover	
13	80204048	1	Bearing, Taper Roller	
14	70023469	1	Shim	
15	70028399	1	Gear, Bevel Set	
16	80204035	1	Bearing, Taper Roller	
17	70023494	1	Ring	
18	70022140	1	Spacer	
19	70025887	1	Seal	
20	70028401	1	Flange	
21	10725554	1	O-Ring	
22	80204033	2	Bearing, Taper Roller	
23	91514133	2	Nut, Ring	
24	91514134	2	Bolt	
25	39844923	16	Bolt	
26	70028398	1	Kit, Differential (See Separate Breakdown in this Section)	

# SECTION 5 - DRIVETRAIN

## FIGURE 5-18. REAR AXLE, HUB REDUCTION



AMT\_100154925\_3-E

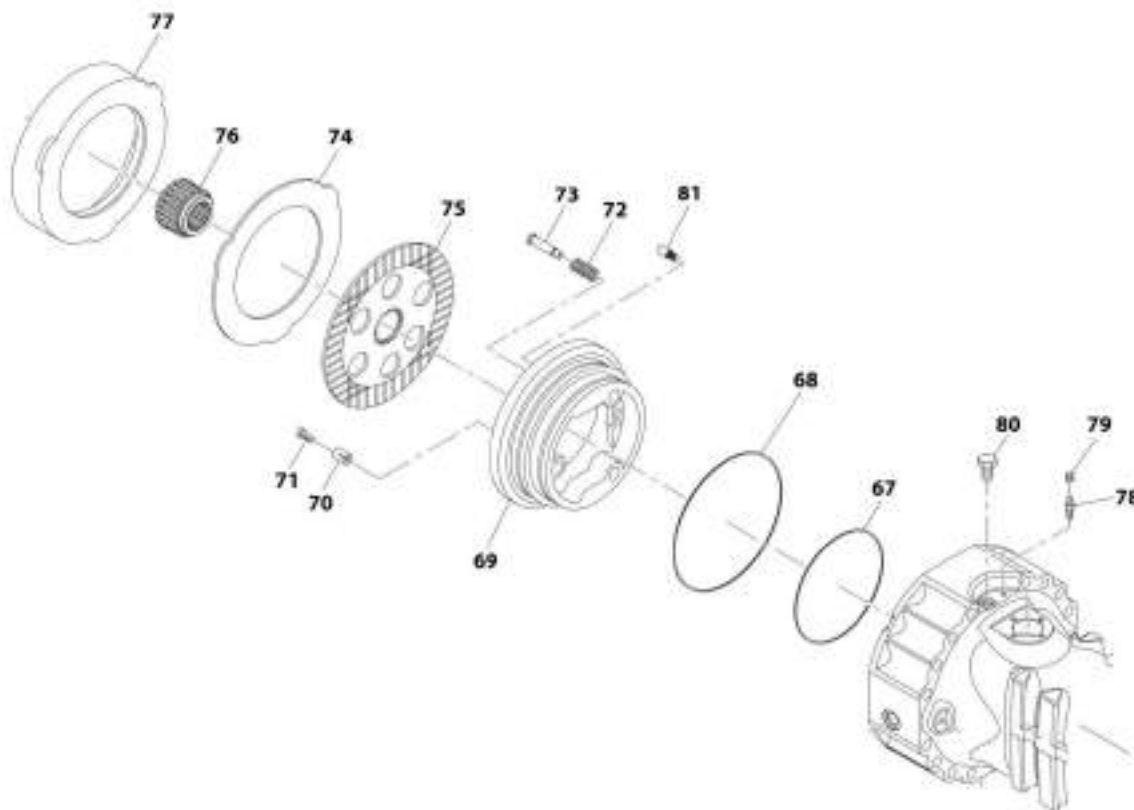
## SECTION 5 - DRIVETRAIN

**FIGURE 5-18. REAR AXLE, HUB REDUCTION**

ITEM	PART NUMBER	QTY	DESCRIPTION	REV
27	70028400	2	Case, Axle	
28	91514081	2	Bolt	
29	91514082	2	Nut	
30	70028397	32	Bolt	
31	80204071	2	Circlip	
32	91514149	2	Kit, Reduction Bushing (See Separate Breakdown in this Section)	
33	70028396	2	Joint, Double Universal	
34	70026238	2	Seal	
35	70025562	20	Bolt	
36	70024881	2	Fitting, Grease	
37	91514112	2	Pin	
38	70025561	1	Shim	
39	7028716	2	Seal, Dust	
40	7028714	2	Bushing	
41	91514095	2	Bearing	
42	7028715	2	Pin	
43	80204065	4	Nut	
44	91514117	4	Bolt	
45	70028388	2	Plug	
46	70028387	2	Plug	
47	70026002	2	Seal	
48	80204076	4	Bearing, Taper Roller	
49	91514174	2	Hub, Wheel	
50	91514175	2	Circlip	
51	70024147	2	Gear, Ring	
52	91514177	2	Gear, Ring Support	
53	91514178	2	Plate, Locking	
54	70028389	2	Plug	
55	91514189	4	Bolt, Countersunk	
56	91514179	16	Nut	
57	91514180	16	Stud	
58	91514181	2	O-Ring	
59	80214120	20	Stud	
60	7029733	2	Kit, Planet Gear Carrier (See Separate Breakdown in this Section)	
61	70026260	1	Kit, Steering Case (Right) (See Separate Breakdown in this Section)	
62	70026261	1	Kit, Steering Case (left) (See Separate Breakdown in this Section)	
63	7028733	4	Bolt, Steering Adjust	
64	70024146	2	Kit, Ring Gear Support (See Separate Breakdown in this Section)	
65	80204012	2	Plug	
66	70028392	2	Cover	

# SECTION 5 - DRIVETRAIN

## FIGURE 5-19. REAR AXLE, BRAKES



ART\_100116495\_4E

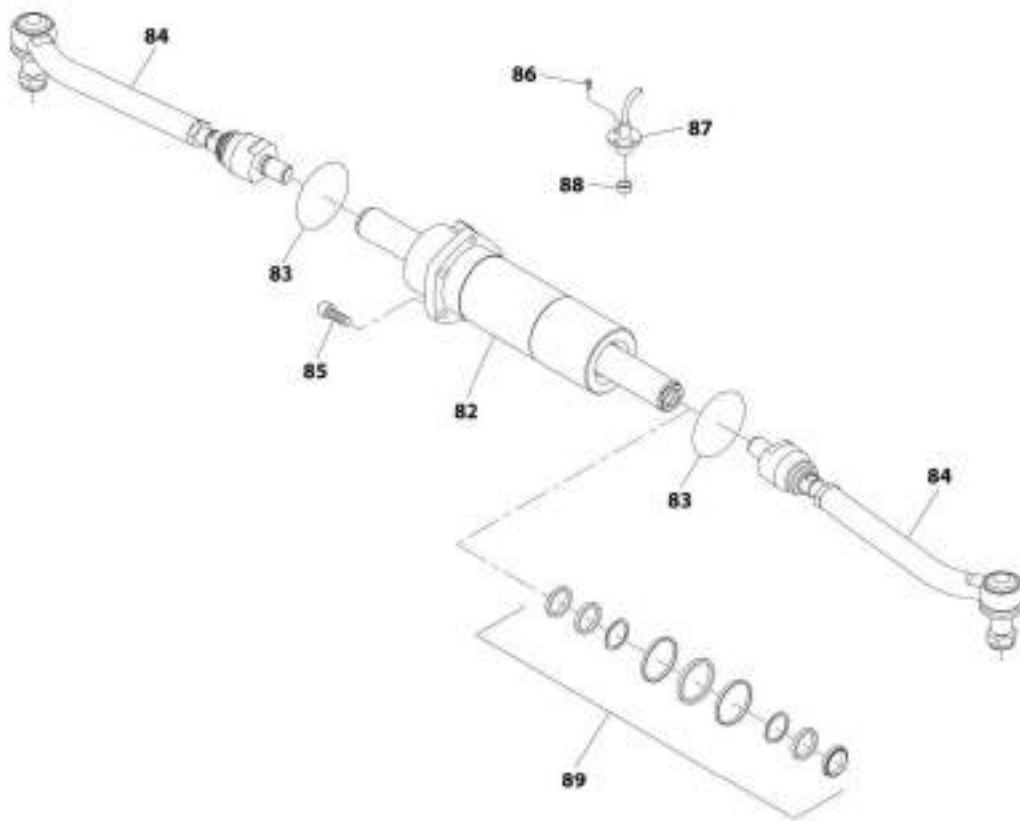
**SECTION 5 - DRIVETRAIN**

**FIGURE 5-19. REAR AXLE, BRAKES**

<b>ITEM</b>	<b>PART NUMBER</b>	<b>QTY</b>	<b>DESCRIPTION</b>	<b>REV</b>
67	70026747	2	Seal	
68	70026748	2	Seal	
69	70024216	2	Piston	
70	70027317	6	Spring	
71	7029785	6	Bolt, Adjusting	
72	91514159	6	Spring	
73	70024210	6	Bolt, Adjusting	
74	70027022	6	Disc, Intermediate Brake	
75	7029735	6	Disc, Brake	
76	7029734	2	Bushing, Reduction	
77	70021606	2	Spacer	
78	80204281	2	Bolt, Bleeding	
79	80204117	2	Plug	
80	91514154	2	Bolt	
81	70021613	2	Bolt, Pilot	

# SECTION 5 - DRIVETRAIN

## FIGURE 5-20. REAR AXLE, STEERING



ART\_300118485\_3-E

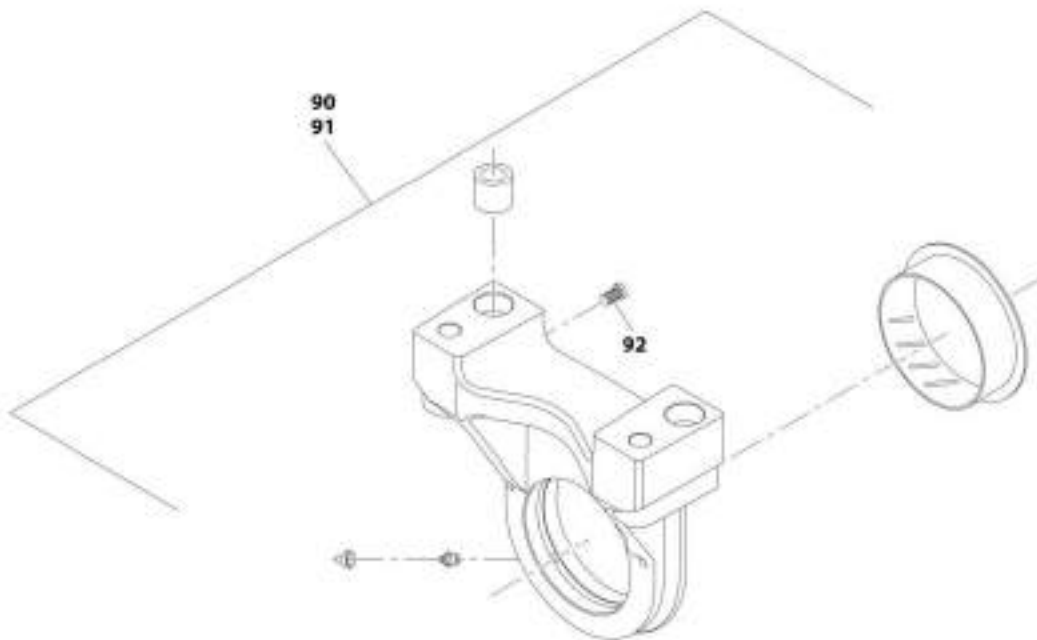
**SECTION 5 - DRIVETRAIN**

**FIGURE 5-20. REAR AXLE, STEERING**

<b>ITEM</b>	<b>PART NUMBER</b>	<b>QTY</b>	<b>DESCRIPTION</b>	<b>REV</b>
82	70028393	1	Cylinder	
83	80204143	2	O-Ring	
84	70028394	2	Rod, Articulated Tie	
84	70022773	2	Nut	
85	80204144	5	Bolt	
86	8008175	2	Bolt	
87	70027986	1	Sensor, Optical	
88	7029307	1	Plug	
89	7029127	1	Kit, Seal	

# SECTION 5 - DRIVETRAIN

## FIGURE 5-21. REAR AXLE, TRUNION



ART\_100104963\_6-E



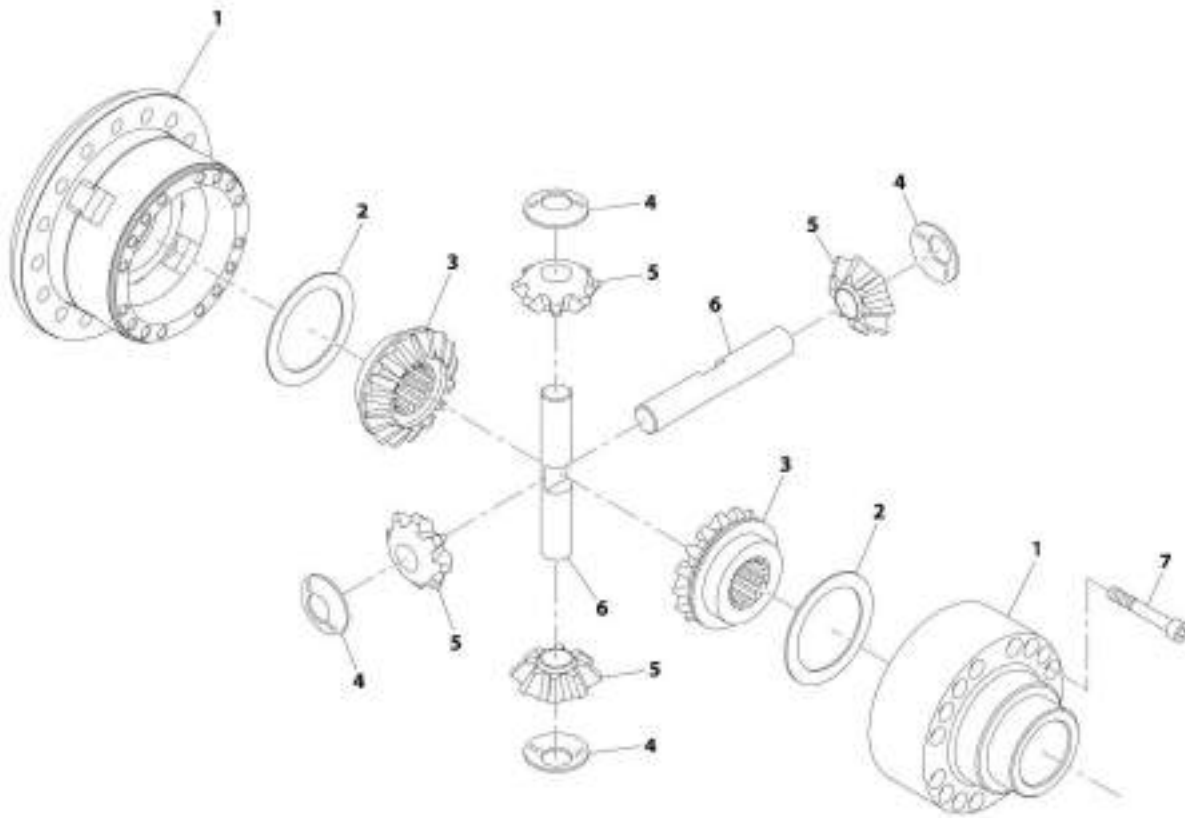
**SECTION 5 - DRIVETRAIN**

**FIGURE 5-21. REAR AXLE, TRUNION**

<b>ITEM</b>	<b>PART NUMBER</b>	<b>QTY</b>	<b>DESCRIPTION</b>	<b>REV</b>
90	70026266	1	Kit, Trunnion (See Separate Breakdown in this Section)	
91	70026265	1	Support	
92	70025884	1	Bolt	

# SECTION 5 - DRIVETRAIN

## FIGURE 5-22. DIFFERENTIAL KIT



ART\_7001390

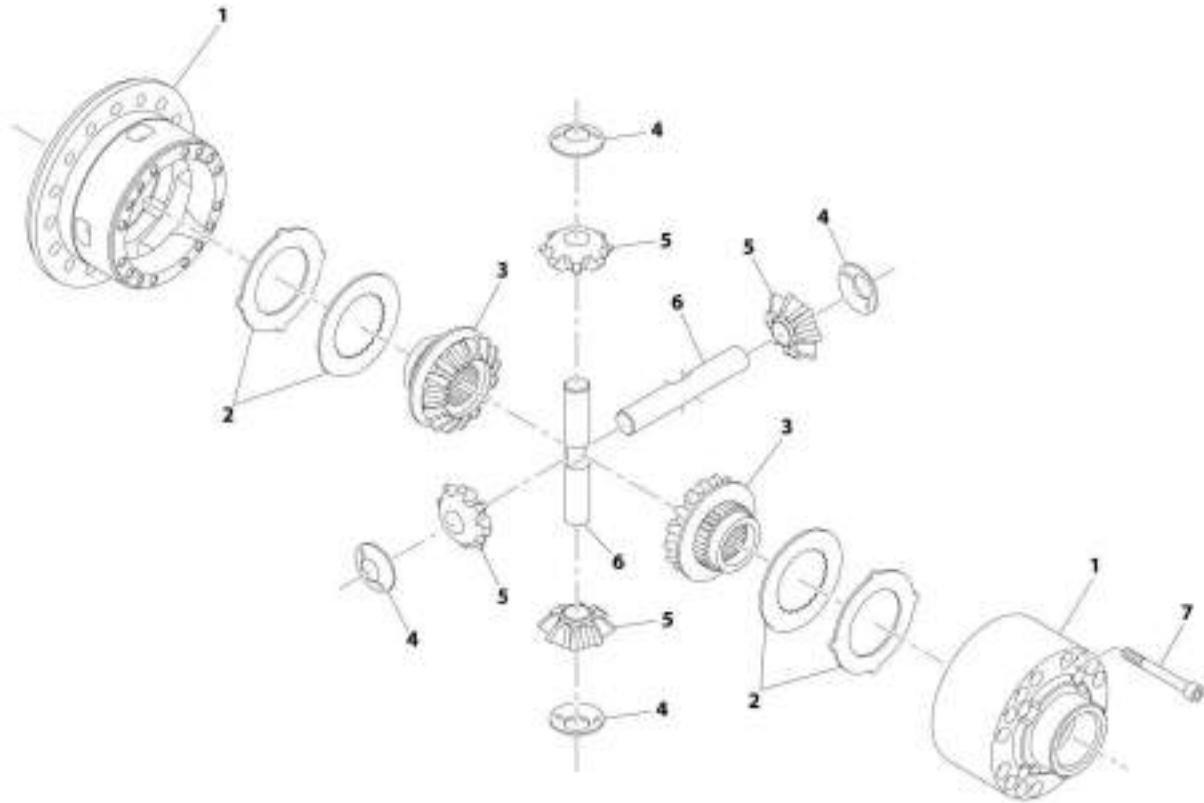
**SECTION 5 - DRIVETRAIN**

**FIGURE 5-22. DIFFERENTIAL KIT**

<b>ITEM</b>	<b>PART NUMBER</b>	<b>QTY</b>	<b>DESCRIPTION</b>	<b>REV</b>
	70028398	Ref	Differential Kit	
1	70025337	1	Carrier, Differential	
2	70023493	2	Washer, Friction	
3	70025338	2	Gear, Differential Side	
4	70027105	4	Washer, Friction	
5	70025339	4	Pinion, Differential	
6	70023490	2	Shaft, Differential	
7	70023489	15	Bolt	

# SECTION 5 - DRIVETRAIN

## FIGURE 5-23. DIFFERENTIAL KIT



ART\_20028190

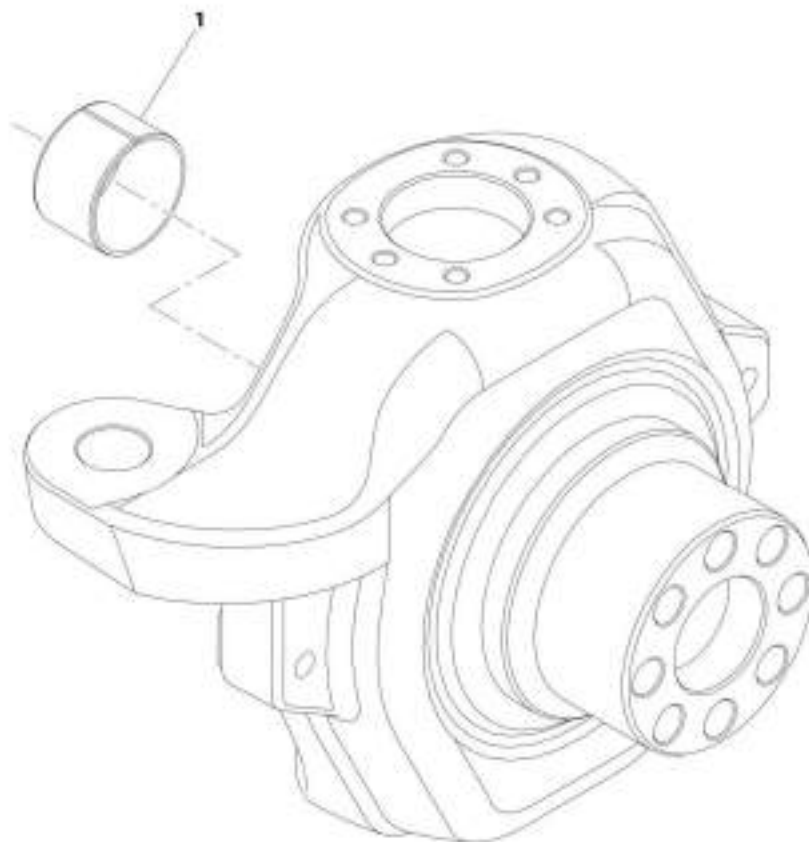
**SECTION 5 - DRIVETRAIN**

**FIGURE 5-23. DIFFERENTIAL KIT**

<b>ITEM</b>	<b>PART NUMBER</b>	<b>QTY</b>	<b>DESCRIPTION</b>	<b>REV</b>
	70028390	Ref	Differential Kit	
1	70024004	2	Carrier, Differential	
2	70026750	2	Disc, Clutch	
3	70025856	2	Gear, Differential Side	
4	70027105	4	Washer, Friction	
5	70025339	4	Pinion, Differential	
6	70023490	2	Shaft, Differential	
7	91514143	15	Bolt	

## SECTION 5 - DRIVETRAIN

FIGURE 5-24. STEERING CASE KIT (RF, LR)



ART\_70020380

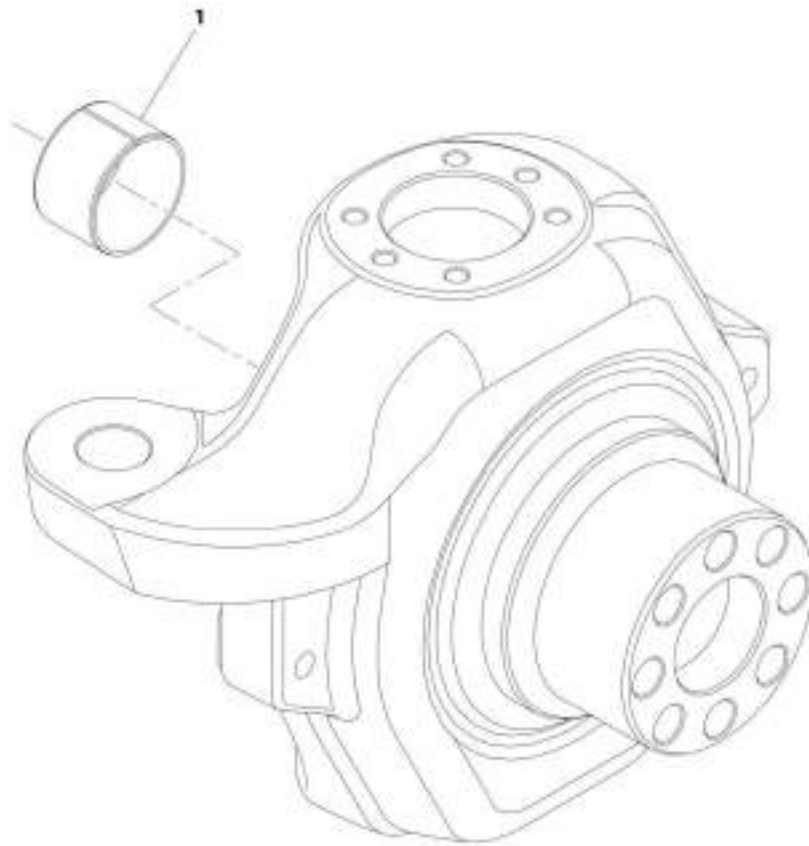
**SECTION 5 - DRIVETRAIN**

**FIGURE 5-24. STEERING CASE KIT (RF, LR)**

ITEM	PART NUMBER	QTY	DESCRIPTION	REV
1	70026260 91514111	Ref 1	Steering Case Kit (RF, LR) Bushing, Thrust	

## SECTION 5 - DRIVETRAIN

FIGURE 5-25. STEERING CASE KIT (LF, RR)



ART\_70020381



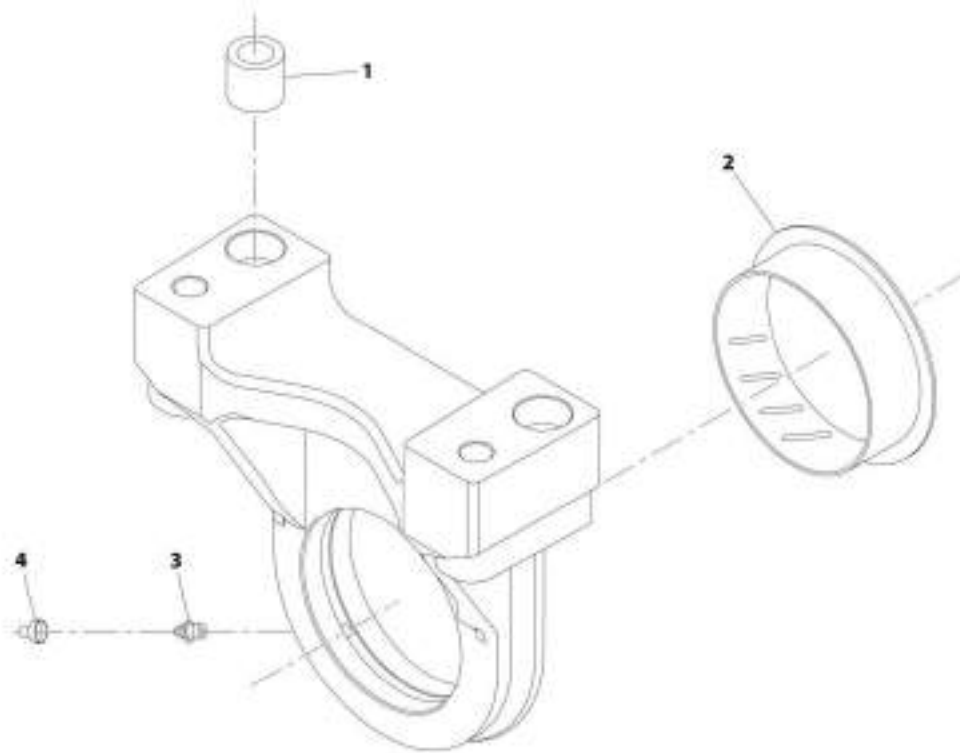
**SECTION 5 - DRIVETRAIN**

**FIGURE 5-25. STEERING CASE KIT (LF, RR)**

ITEM	PART NUMBER	QTY	DESCRIPTION	REV
1	70026261 91514111	Ref 1	Steering Case Kit (RR) Bushing, Thrust	

# SECTION 5 - DRIVETRAIN

## FIGURE 5-26. TRUNION KIT



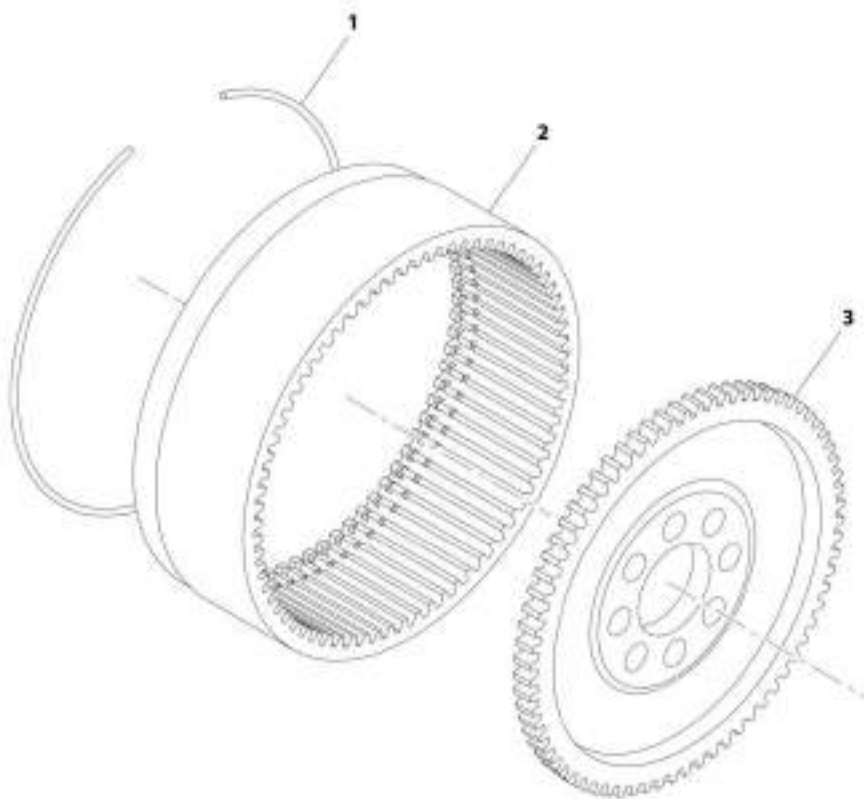
AMT\_70026294

**FIGURE 5-26. TRUNION KIT**

<b>ITEM</b>	<b>PART NUMBER</b>	<b>QTY</b>	<b>DESCRIPTION</b>	<b>REV</b>
	70026266	Ref	Trunion Kit	
1	7029290	2	Bushing, Reduction	
2	91514090	1	Bushing, Thrust	
3	70024881	1	Fitting, Grease	
4	80204117	1	Plug	

# SECTION 5 - DRIVETRAIN

## FIGURE 5-27. RING GEAR SUPPORT KIT



ART. 70024146

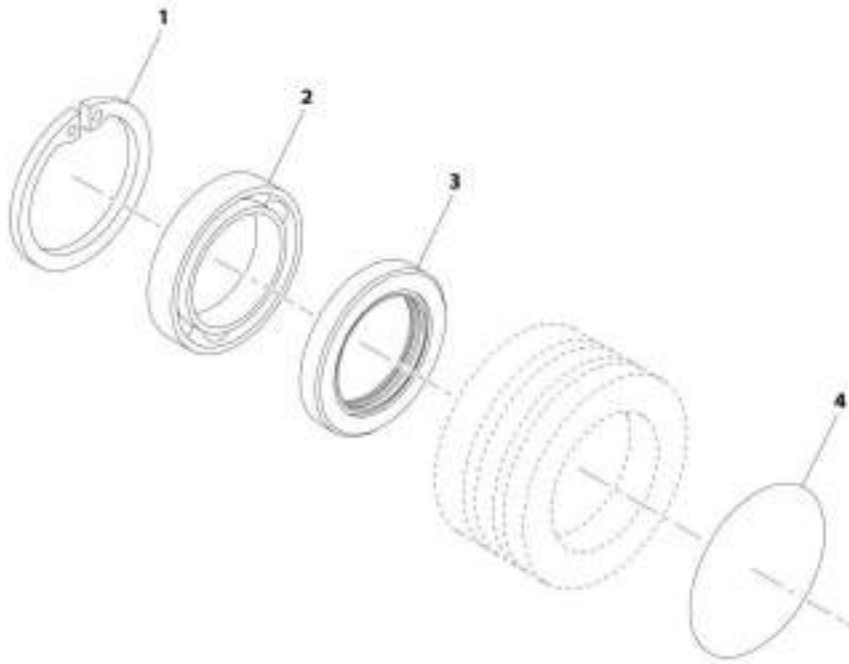
**SECTION 5 - DRIVETRAIN**

**FIGURE 5-27. RING GEAR SUPPORT KIT**

<b>ITEM</b>	<b>PART NUMBER</b>	<b>QTY</b>	<b>DESCRIPTION</b>	<b>REV</b>
	70024146	Ref	Ring Gear Support Kit	
1	91514175	1	Circlip	
2	70024147	1	Gear, Ring	
3	91514177	1	Gear, Ring Support	

## SECTION 5 - DRIVETRAIN

FIGURE 5-28. REDUCTION BUSHING KIT



ART\_81514348

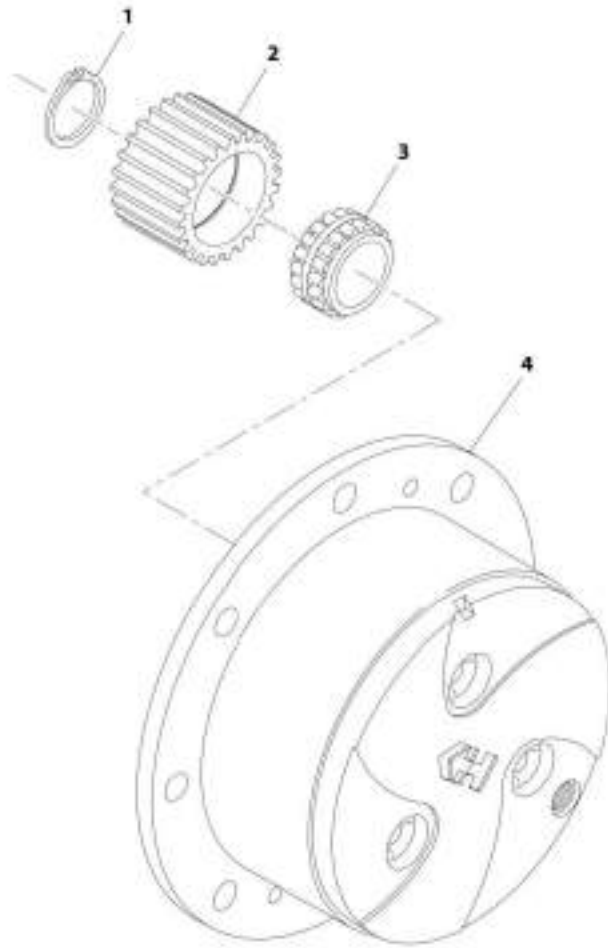
**SECTION 5 - DRIVETRAIN**

**FIGURE 5-28. REDUCTION BUSHING KIT**

<b>ITEM</b>	<b>PART NUMBER</b>	<b>QTY</b>	<b>DESCRIPTION</b>	<b>REV</b>
	91514149	Ref	Reduction Bushing Kit	
1	80204005	2	Circlip	
2	91514146	2	Bearing, Ball	
3	91514147	2	Seal	
4	91514148	2	O-Ring	

## SECTION 5 - DRIVETRAIN

FIGURE 5-29. PLANET GEAR CARRIER KIT



ART\_3125713



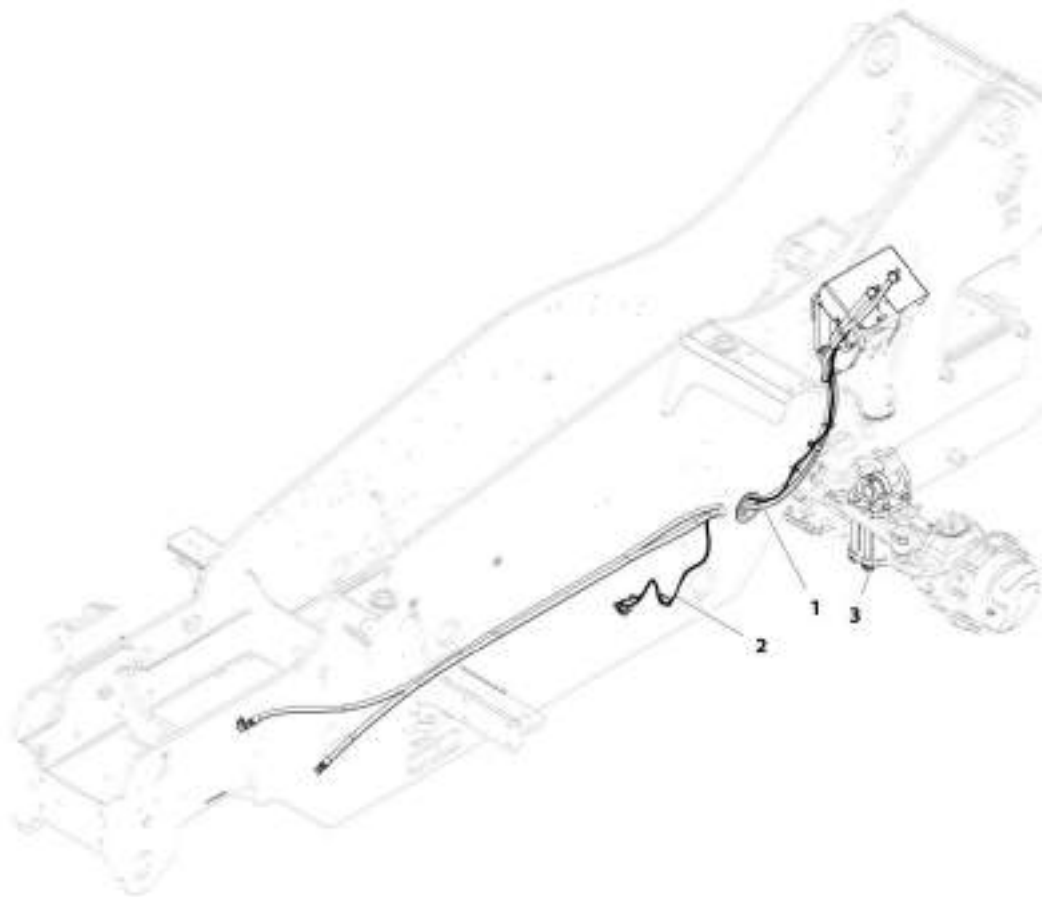
**SECTION 5 - DRIVETRAIN**

**FIGURE 5-29. PLANET GEAR CARRIER KIT**

<b>ITEM</b>	<b>PART NUMBER</b>	<b>QTY</b>	<b>DESCRIPTION</b>	<b>REV</b>
	7029733	Ref	Planet Gear Carrier Kit	
1	91514184	3	Circlip	
2	91514185	6	Gear, Planet	
3	91514186	6	Bearing	
4	7026731	1	Carrier, Planet Gear	

# SECTION 5 - DRIVETRAIN

## FIGURE 5-30. RALP INSTALLATION



ART\_0001192713-B

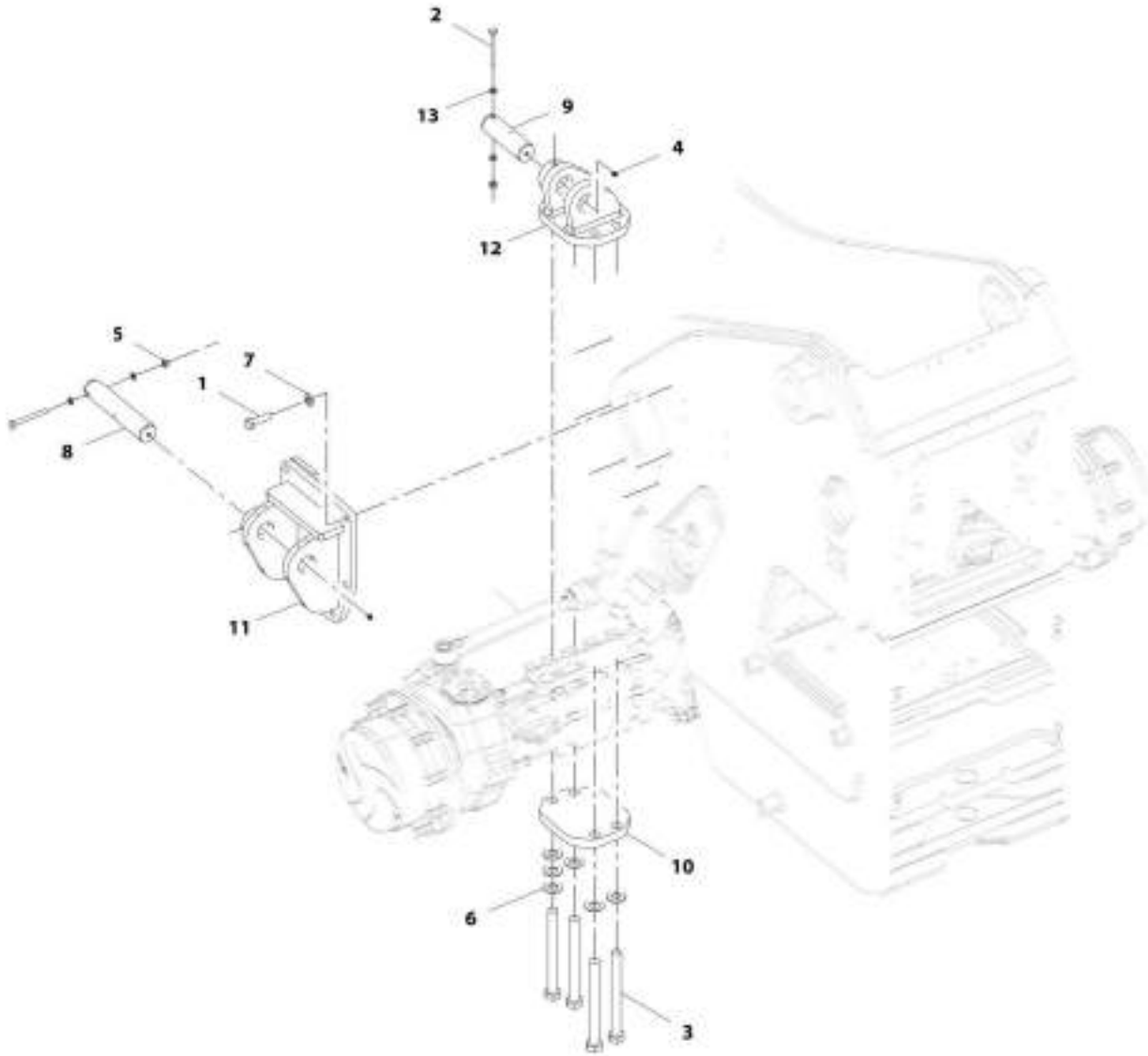
**SECTION 5 - DRIVETRAIN**

**FIGURE 5-30. RALP INSTALLATION**

<b>ITEM</b>	<b>PART NUMBER</b>	<b>QTY</b>	<b>DESCRIPTION</b>	<b>REV</b>
	1001192713	Ref	RALP Installation	B
1	1001192555	1	Installation, RALP Hydraulic Lines (See Separate Breakdown in Hydraulic Circuits Section)	
2	1001193576	1	Installation, RALP Option Harness	
3	1001200177	1	Installation, RALP Mechanical (See Separate Breakdown in this Section)	

# SECTION 5 - DRIVETRAIN

## FIGURE 5-31. RALP MECHANICAL INSTALLATION



ART\_0001200177-D

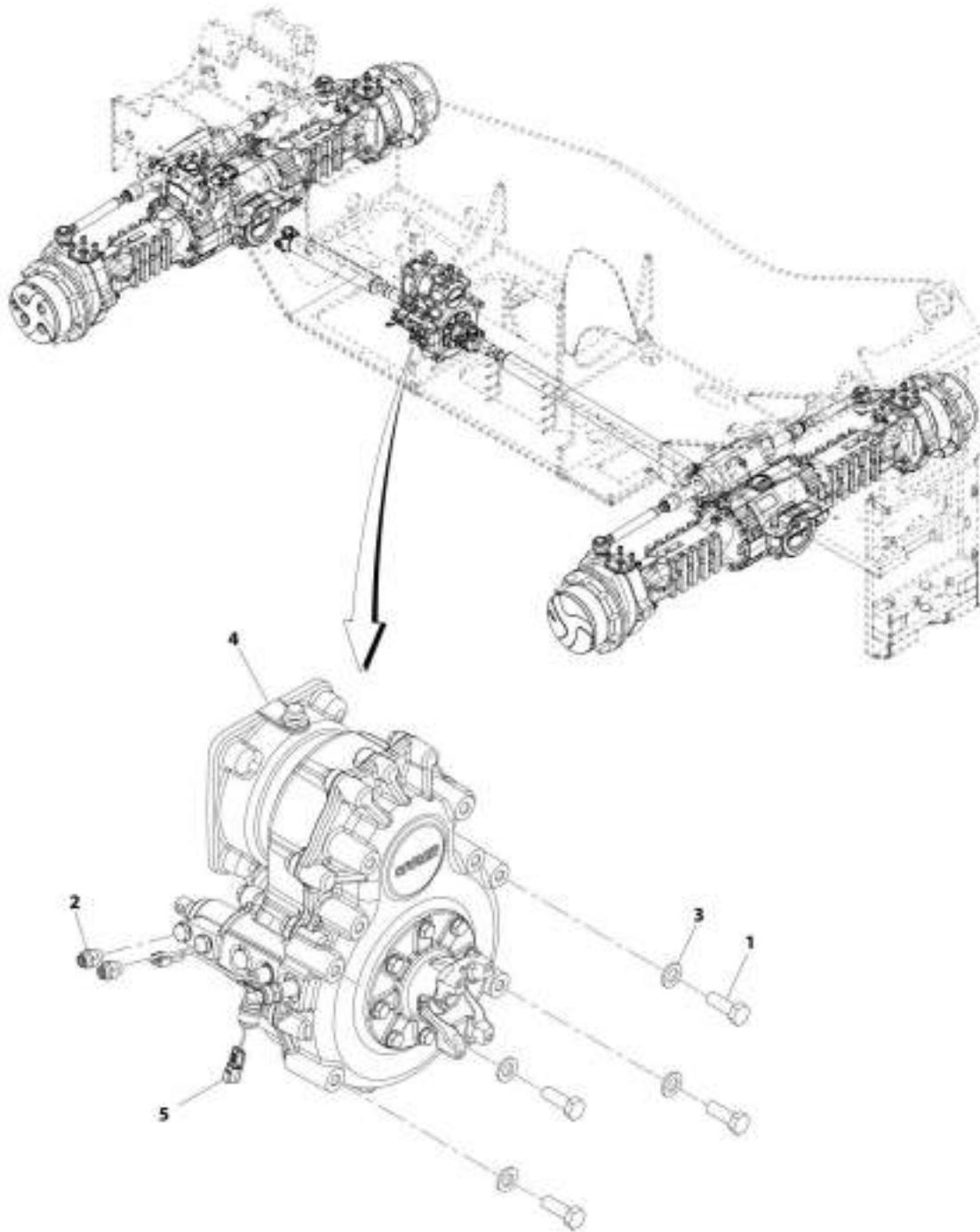
**SECTION 5 - DRIVETRAIN**

**FIGURE 5-31. RALP MECHANICAL INSTALLATION**

<b>ITEM</b>	<b>PART NUMBER</b>	<b>QTY</b>	<b>DESCRIPTION</b>	<b>REV</b>
	1001200177	Ref	RALP Mechanical Installation	D
1	0771620	6	Bolt, M16X60 Grade 10.9	
2	0711027	2	Bolt, M10X100	
3	0712442	4	Bolt, M24X250	
4	2160016	2	Fitting, Grease	
5	3291005	2	Nut, Lock M10X1.5	
6	5242400	6	Washer, M24	
7	5241600	6	Washer, M16	
8	1001164971	1	Pin	
9	1001164972	1	Pin	
10	1001168629	1	Plate	
11	1001193918J	1	Bracket	
12	1001193919	1	Bracket	
13	4812000	4	Washer, M10	

# SECTION 5 - DRIVETRAIN

## FIGURE 5-32. GEARBOX INSTALLATION



ART\_3001184979-E

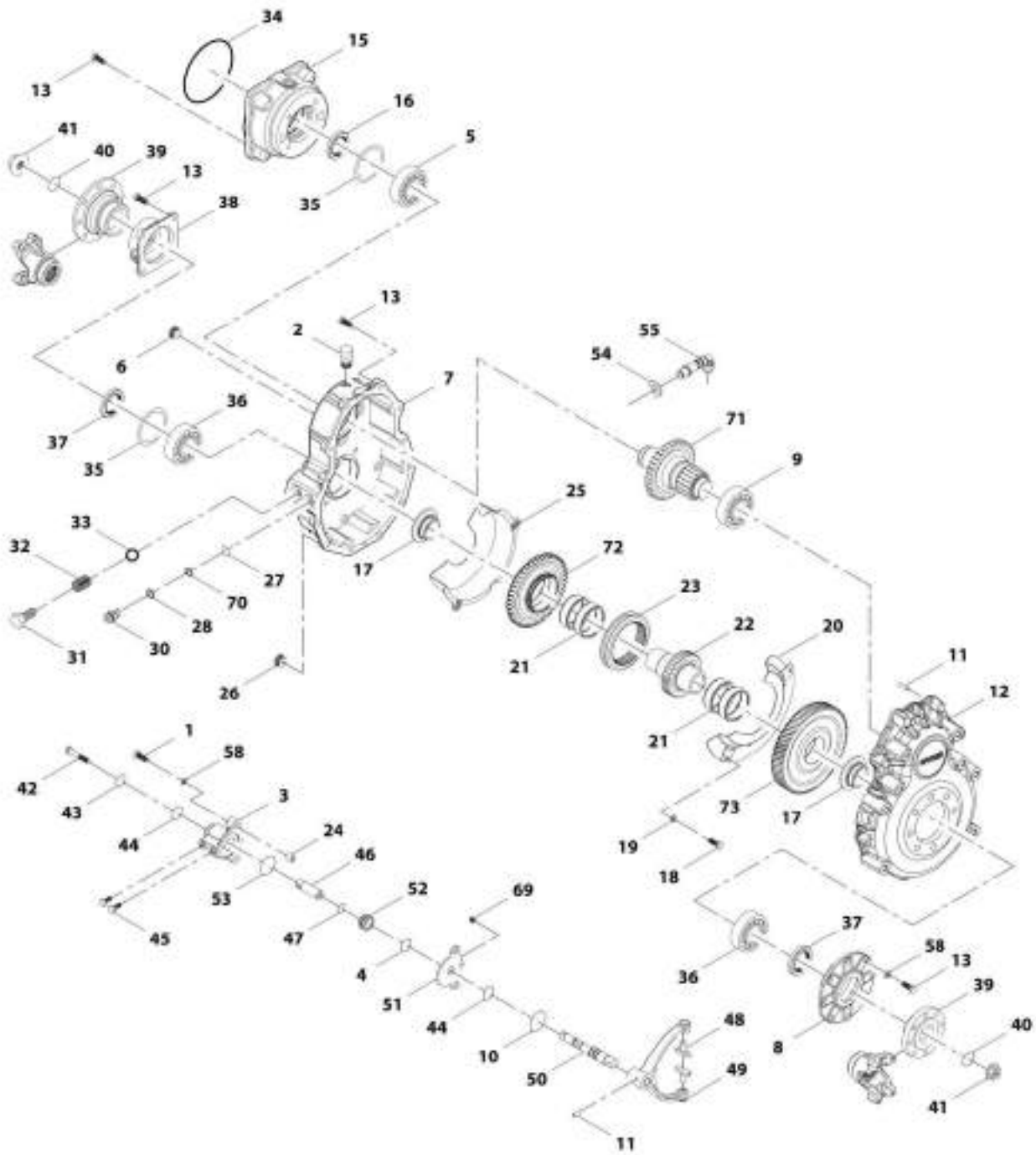
**SECTION 5 - DRIVETRAIN**

**FIGURE 5-32. GEARBOX INSTALLATION**

<b>ITEM</b>	<b>PART NUMBER</b>	<b>QTY</b>	<b>DESCRIPTION</b>	<b>REV</b>
	1001184979	Ref	Gearbox Installation	E
1	0771416	4	Bolt, M14-2X40 Grade 10.9	
2	2144603	1	Fitting, Straight ORFS	
3	5241400	4	Washer, M14	
4	1001184986	1	Gearbox (See Seperate Breakdown in this Section)	
5	1001229981	1	Harness, Vehicle Speed Pigtail	

# SECTION 5 - DRIVETRAIN

## FIGURE 5-33. GEAR BOX



ART\_3301184886-0



## SECTION 5 - DRIVETRAIN

### FIGURE 5-33. GEAR BOX

ITEM	PART NUMBER	QTY	DESCRIPTION	REV
	1001184986	Ref	Gear box	D
1	70028817	2	Bolt	
2	70028818	1	Plug	
3	70028819	1	Cylinder	
4	70028820	1	O-Ring	
5	91514146	1	Bearing, Ball	
6	80204016	1	Plug	
7	70028821	1	Housing	
8	70028822	1	Cover	
9	70026904	1	Bearing, Ball	
10	3986405	1	O-Ring	
11	70026892	3	Dowel	
12	70028823	1	Housing	
13	70026911	28	Bolt	
15	70026897	1	Cover	
16	70026896	1	Seal	
17	70028824	2	Spacer	
18	70026909	2	Bolt	
19	70027110	2	Washer, Lock	
20	70028825	1	Plate, Cover	
21	70028826	4	Bearing	
22	70028827	1	Shaft	
23	70028828	1	Sleeve	
24	70028829	2	Pin	
25	70026908	1	Sheet	
26	80204007	1	Plug	
27	1001081085	1	O-Ring	
28	80203020	1	Washer	
30	70028830	1	Switch	
31	70028831	1	Bolt	
32	80203021	1	Spring	
33	70020276	1	Ball, Detend	
34	80204176	1	O-Ring	
35	70027862	2	Kit, Shim	
36	91474364	2	Bearing, Ball	
37	70026901	2	Seal	
38	70028832	1	Cover	
39	70026898	2	Flange	
40	80204215	2	O-Ring	
41	70026631	2	Nut	
42	70028833	1	Bolt	
43	70028834	1	O-Ring	
44	70028835	2	Sleeve	
45	91514154	2	Bolt	
46	70028836	1	Bar	
47	70027109	1	O-Ring	
48	70028837	2	Pin	
49	70028838	1	Fork, Selector	
50	70028839	1	Shaft	
51	70028840	1	Plate, Cover	

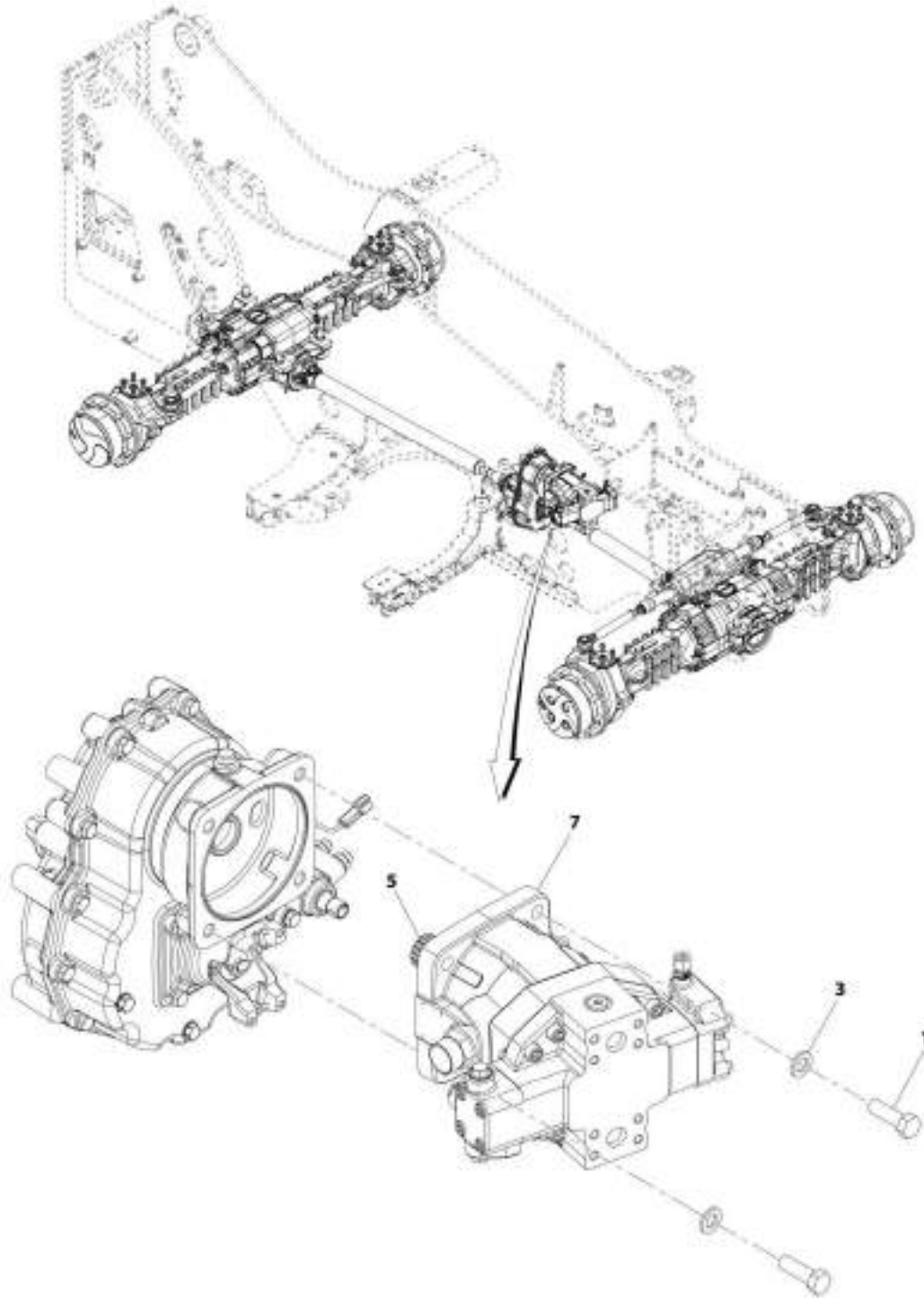
## SECTION 5 - DRIVETRAIN

ITEM	PART NUMBER	QTY	DESCRIPTION	REV
52	70028841	1	Piston	
53	70028842	1	O-Ring	
54	70028844	1	Washer	
55	70028801	1	Sensor, Speed	
58	70028843	10	Washer	
69	70028845	1	Bolt	
70	70026927	1	Washer, Seal	
71	70028846	1	Shaft, Input	
72	70028847	1	Gear	
73	70028848	1	Gear	



# SECTION 5 - DRIVETRAIN

## FIGURE 5-34. HYDROSTATIC MOTOR INSTALLATION



AWT\_1001104980-D

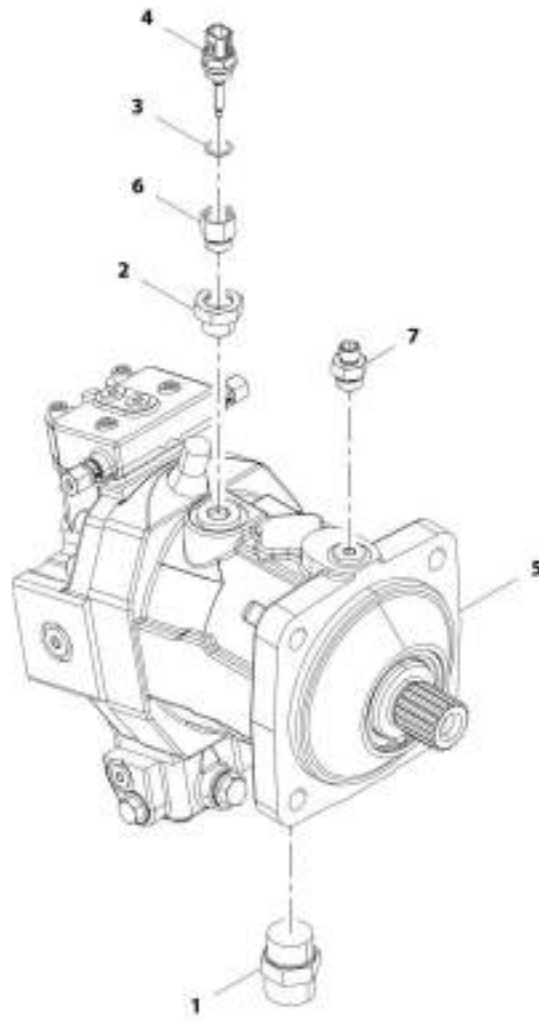
**SECTION 5 - DRIVETRAIN**

**FIGURE 5-34. HYDROSTATIC MOTOR INSTALLATION**

<b>ITEM</b>	<b>PART NUMBER</b>	<b>QTY</b>	<b>DESCRIPTION</b>	<b>REV</b>
	1001184980	Ref	Hydrostatic Motor Installation	D
1	0771618	4	Bolt, M16X50	
3	4812300	4	Washer, M16	
5	3020037	AR	Lube, Grease	
7	1001217620	1	Assembly, Hydrostatic Drive Motor (See Seperate Breakdown in this Section)	

## SECTION 5 - DRIVETRAIN

FIGURE 5-35. HYDROSTATIC MOTOR ASSEMBLY



ART\_1801217620-B

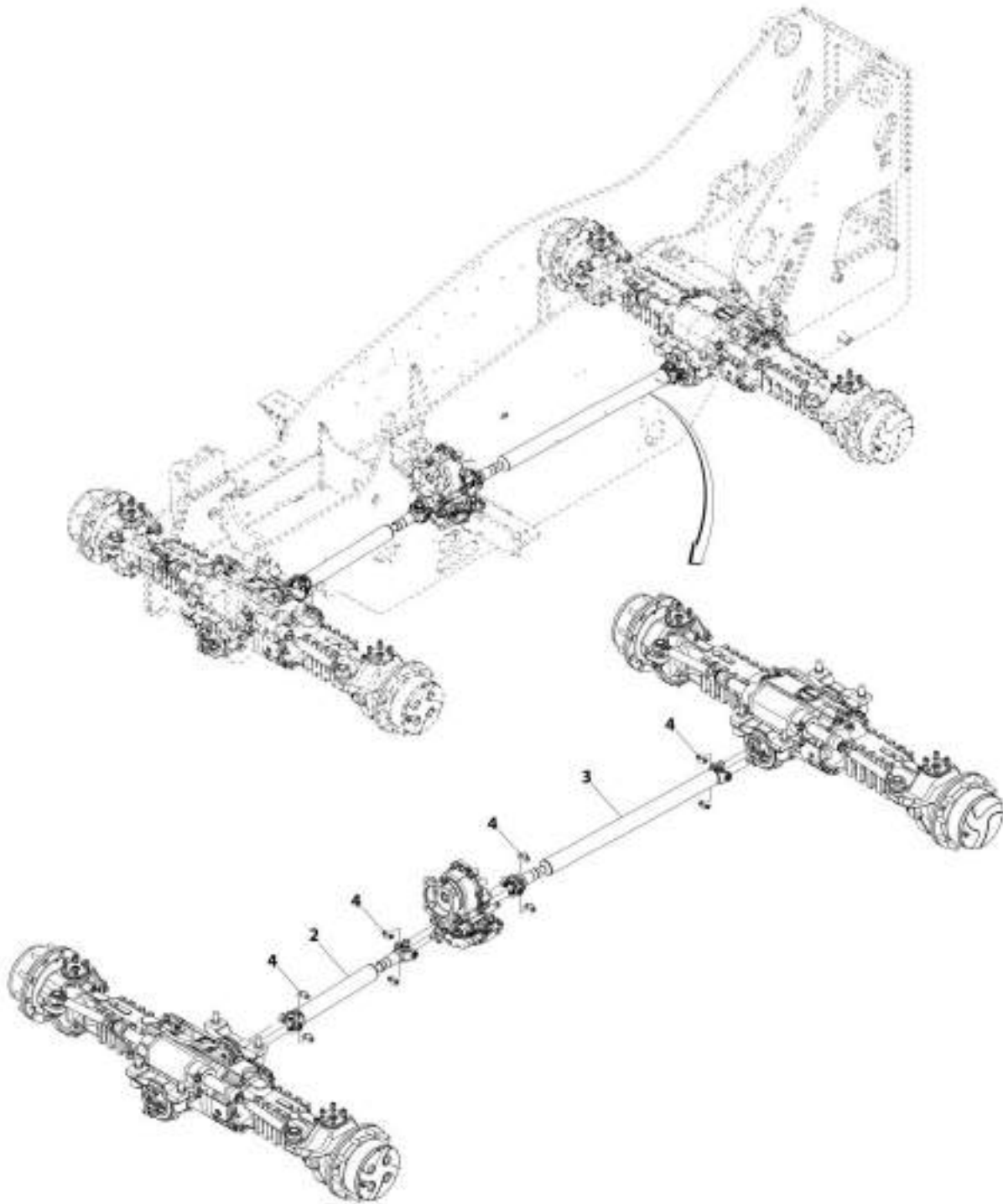
**SECTION 5 - DRIVETRAIN**

**FIGURE 5-35. HYDROSTATIC MOTOR ASSEMBLY**

<b>ITEM</b>	<b>PART NUMBER</b>	<b>QTY</b>	<b>DESCRIPTION</b>	<b>REV</b>
	1001217620	Ref	Hydrostatic Motor Assembly	B
1	2111616	1	Fitting, Straight ORFS	
2	2220811	1	Fitting, Straight	
3	1001009163	1	O-Ring	
4	1001128478	1	Sensor	
5	1001193308	1	Motor, Hydrostatic (See Separate Breakdown in Hydraulic Components Section)	
6	1001220760	1	Fitting, Straight	
7	1001217669	1	Fitting, Straight	

# SECTION 5 - DRIVETRAIN

## FIGURE 5-36. DRIVE SHAFT INSTALLATION



ART\_1001104081-B



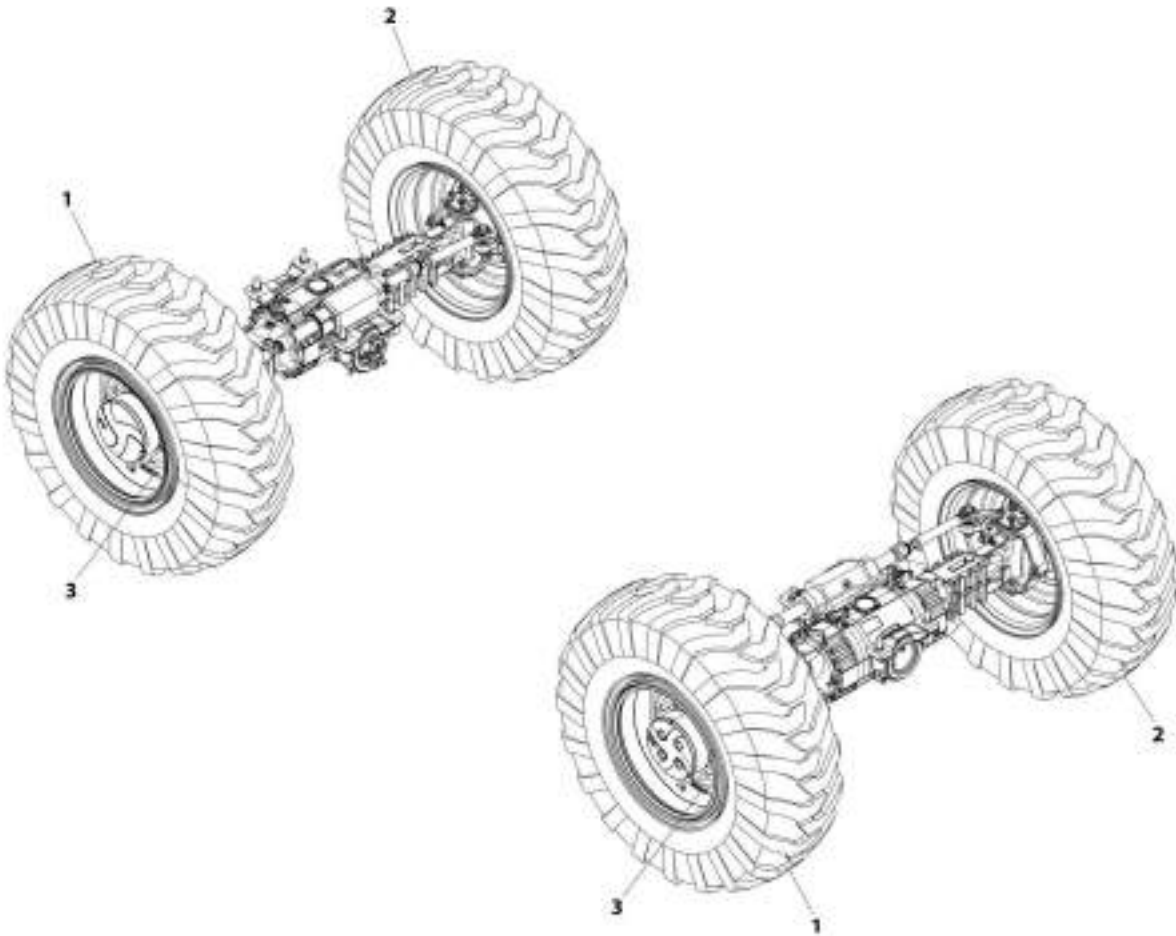
**SECTION 5 - DRIVETRAIN**

**FIGURE 5-36. DRIVE SHAFT INSTALLATION**

<b>ITEM</b>	<b>PART NUMBER</b>	<b>QTY</b>	<b>DESCRIPTION</b>	<b>REV</b>
	1001184981	Ref	Drive Shaft Installation	B
2	1001184987	1	Assembly, Drive Shaft	
3	1001184988	1	Assembly, Drive Shaft	
4	8880219-OM	4	Kit, Strap	

## SECTION 5 - DRIVETRAIN

FIGURE 5-37. TIRE/WHEEL SET (AIR 17.5-25 - 20 PLY)



ART\_1001192168-C

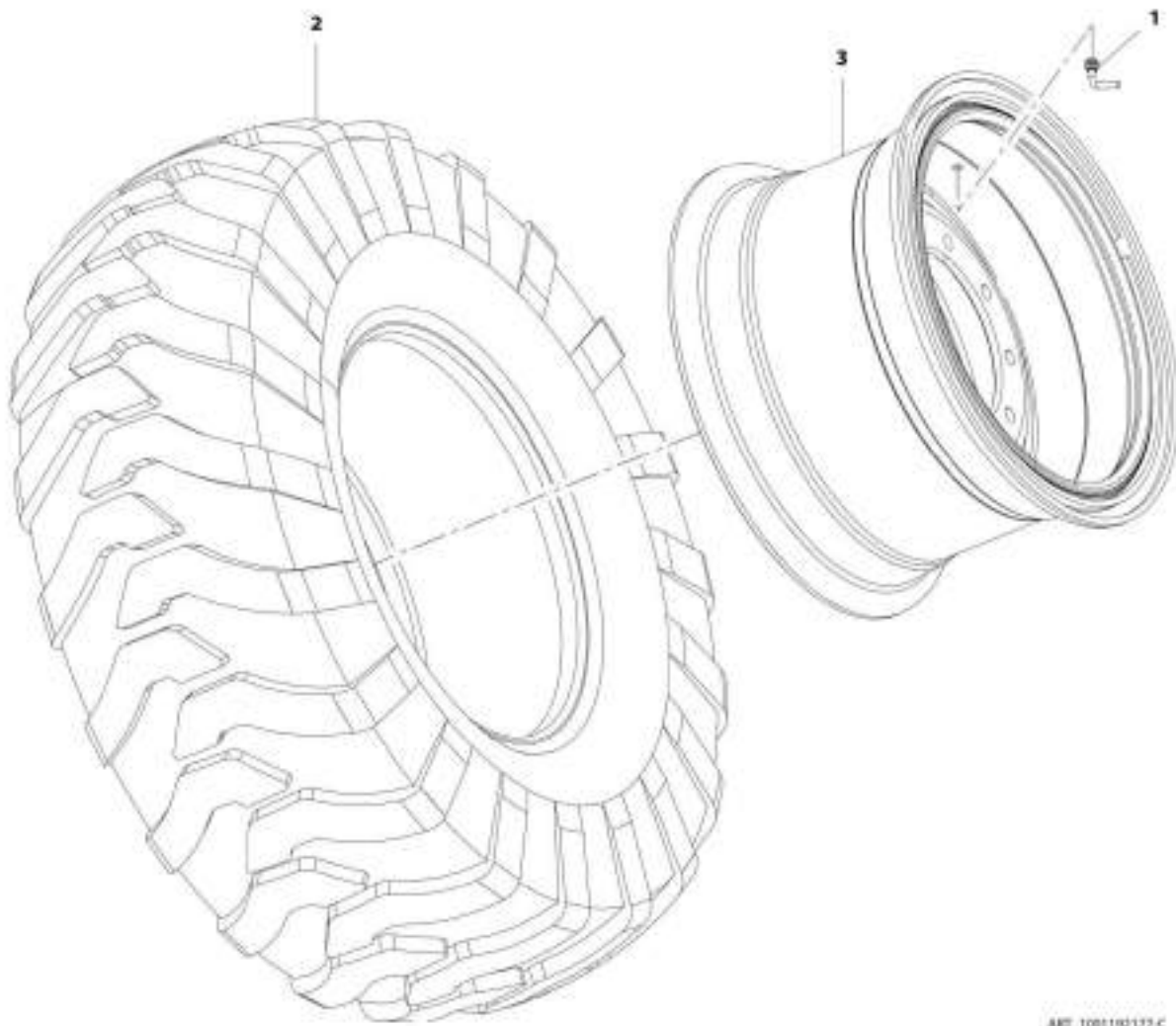
**SECTION 5 - DRIVETRAIN**

**FIGURE 5-37. TIRE/WHEEL SET (AIR 17.5-25 - 20 PLY)**

<b>ITEM</b>	<b>PART NUMBER</b>	<b>QTY</b>	<b>DESCRIPTION</b>	<b>REV</b>
1	1001192168	1	Tire/Wheel Set (Air 17.5-25 - 20 PLY)	C
	1001192177	2	Assembly, Right Tire/Wheel (Air 17.5-25 - 20 PLY) (See Seperate Breakdown in this Section)	
2	1001192178	2	Assembly, Left Tire/Wheel (Air 17.5-25 - 20 PLY) (See Seperate Breakdown in this Section)	
3	1001229201	4	Decal	

## SECTION 5 - DRIVETRAIN

FIGURE 5-38. RIGHT TIRE/WHEEL ASSEMBLY (AIR 17.5-25 - 20 PLY)



AMF\_1081192177-C

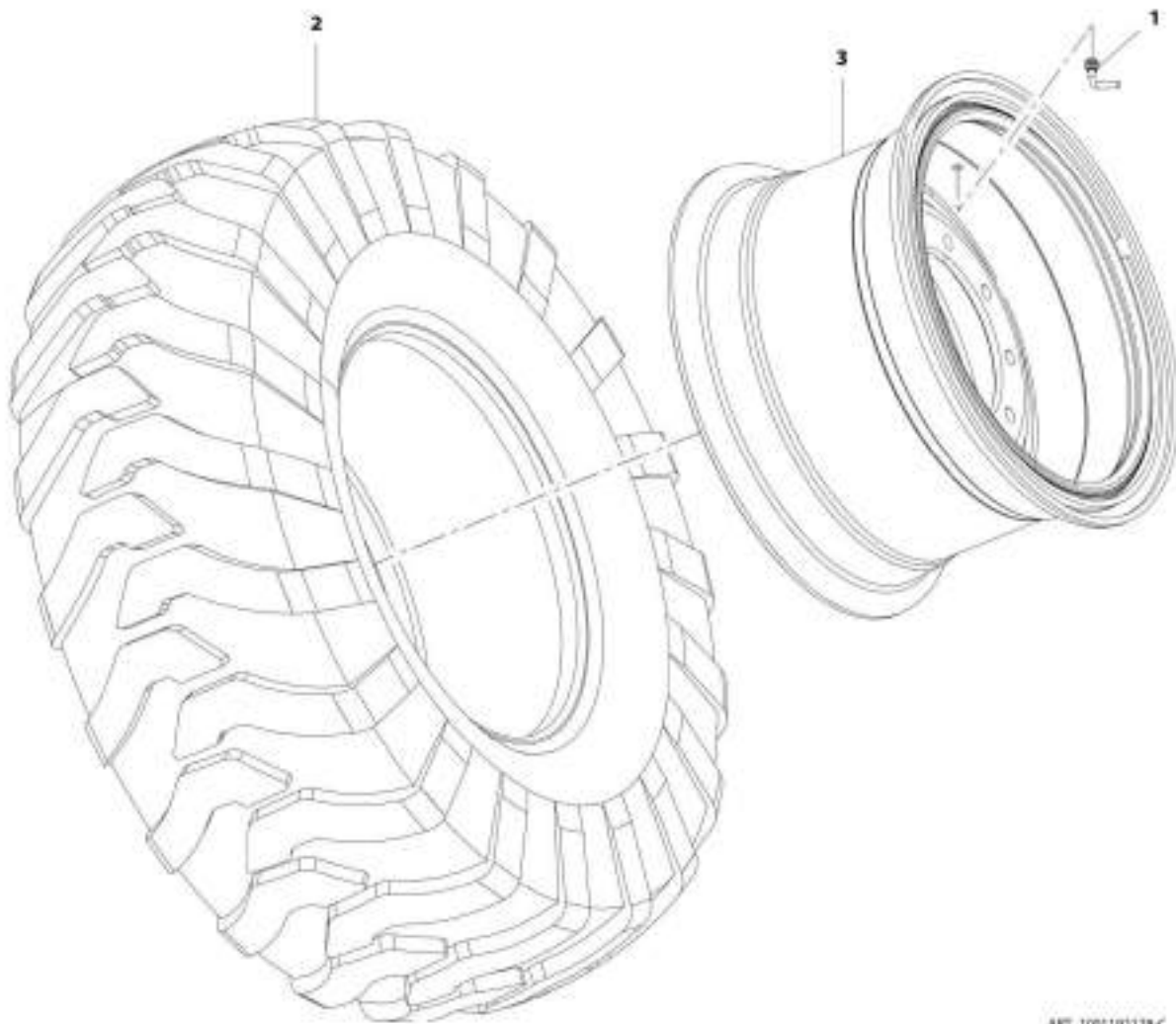
**SECTION 5 - DRIVETRAIN**

**FIGURE 5-38. RIGHT TIRE/WHEEL ASSEMBLY (AIR 17.5-25 - 20 PLY)**

<b>ITEM</b>	<b>PART NUMBER</b>	<b>QTY</b>	<b>DESCRIPTION</b>	<b>REV</b>
	1001192177	Ref	Right Tire/Wheel Assembly (Air 17.5-25 - 20 PLY)	C
1	8786549	1	Valve, Stem	
2	1001187423	1	Tire, 17.5-25 20 PLY	
3	1001189288J	1	Wheel, 25X14.0 DTU 10 Hole	

## SECTION 5 - DRIVETRAIN

FIGURE 5-39. LEFT TIRE/WHEEL ASSEMBLY (AIR 17.5-25 - 20 PLY)



AMF\_108110178-C

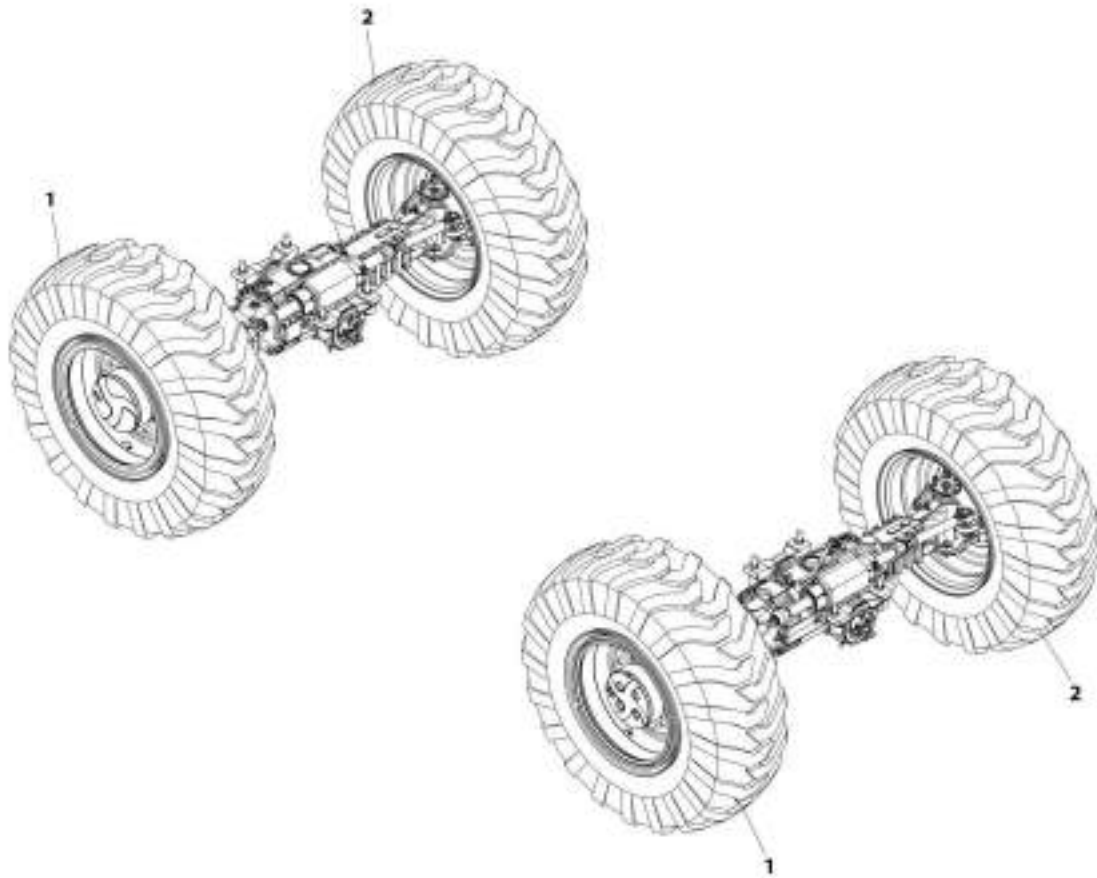
**SECTION 5 - DRIVETRAIN**

**FIGURE 5-39. LEFT TIRE/WHEEL ASSEMBLY (AIR 17.5-25 - 20 PLY)**

<b>ITEM</b>	<b>PART NUMBER</b>	<b>QTY</b>	<b>DESCRIPTION</b>	<b>REV</b>
	1001192178	Ref	Left Tire/Wheel Assembly (Air 17.5-25 - 20 PLY)	C
1	8786549	1	Valve, Stem	
2	1001187423	1	Tire, 17.5-25 20 PLY	
3	1001189288J	1	Wheel, 25X14.0 DTU 10 Hole	

## SECTION 5 - DRIVETRAIN

FIGURE 5-40. TIRE/WHEEL SET (FOAM 17.5-25 - 20 PLY)



ART\_3001102170-A



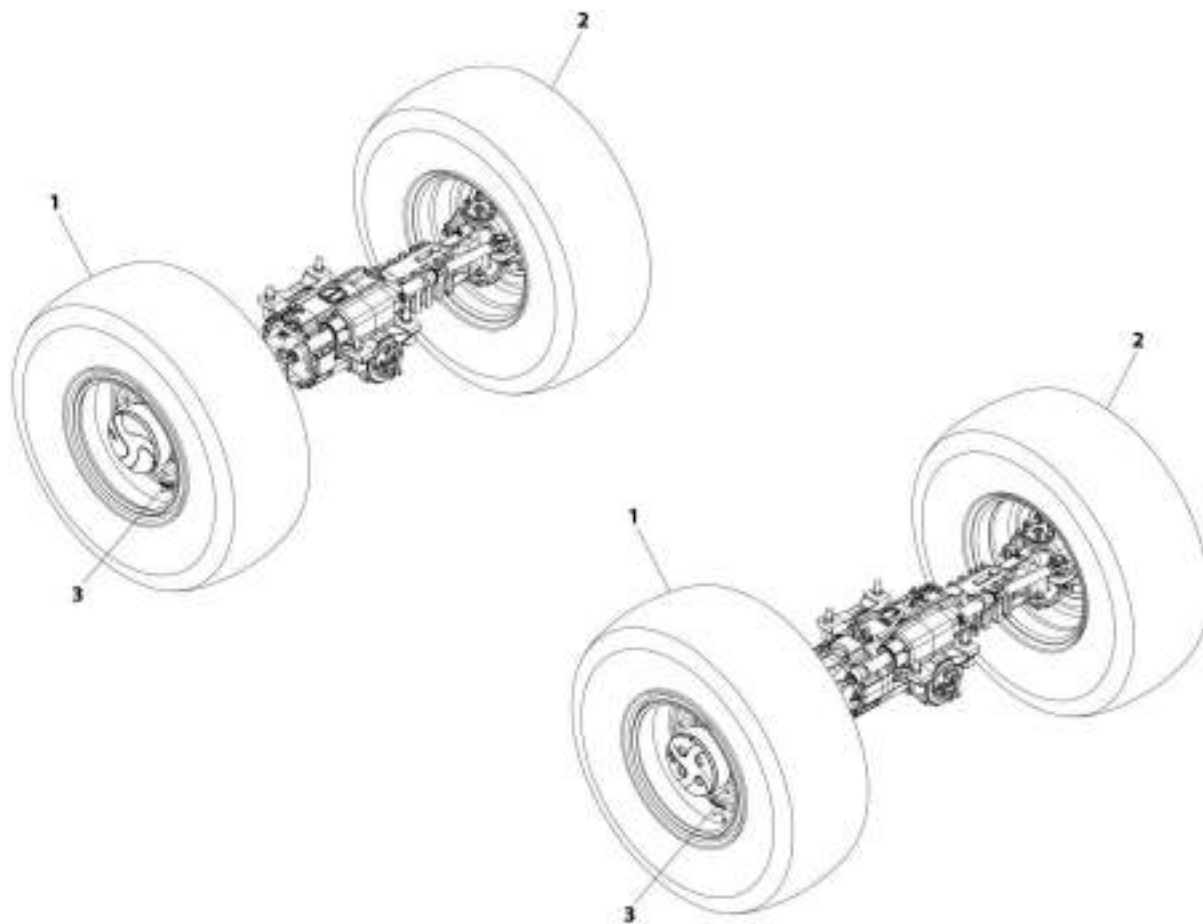
**SECTION 5 - DRIVETRAIN**

**FIGURE 5-40. TIRE/WHEEL SET (FOAM 17.5-25 - 20 PLY)**

<b>ITEM</b>	<b>PART NUMBER</b>	<b>QTY</b>	<b>DESCRIPTION</b>	<b>REV</b>
	1001192170	1	Tire/Wheel Set (Foam 17.5-25 - 20 PLY)	A
1	1001192180	2	Assembly, Right Tire/Wheel (Foam 17.5-25 - 20 PLY)	
2	1001192181	2	Assembly, Left Tire/Wheel (Foam 17.5-25 - 20 PLY)	

## SECTION 5 - DRIVETRAIN

FIGURE 5-41. TIRE/WHEEL SET (AIR 17.5 R25 - RADIAL)



AFT\_1001225270-A

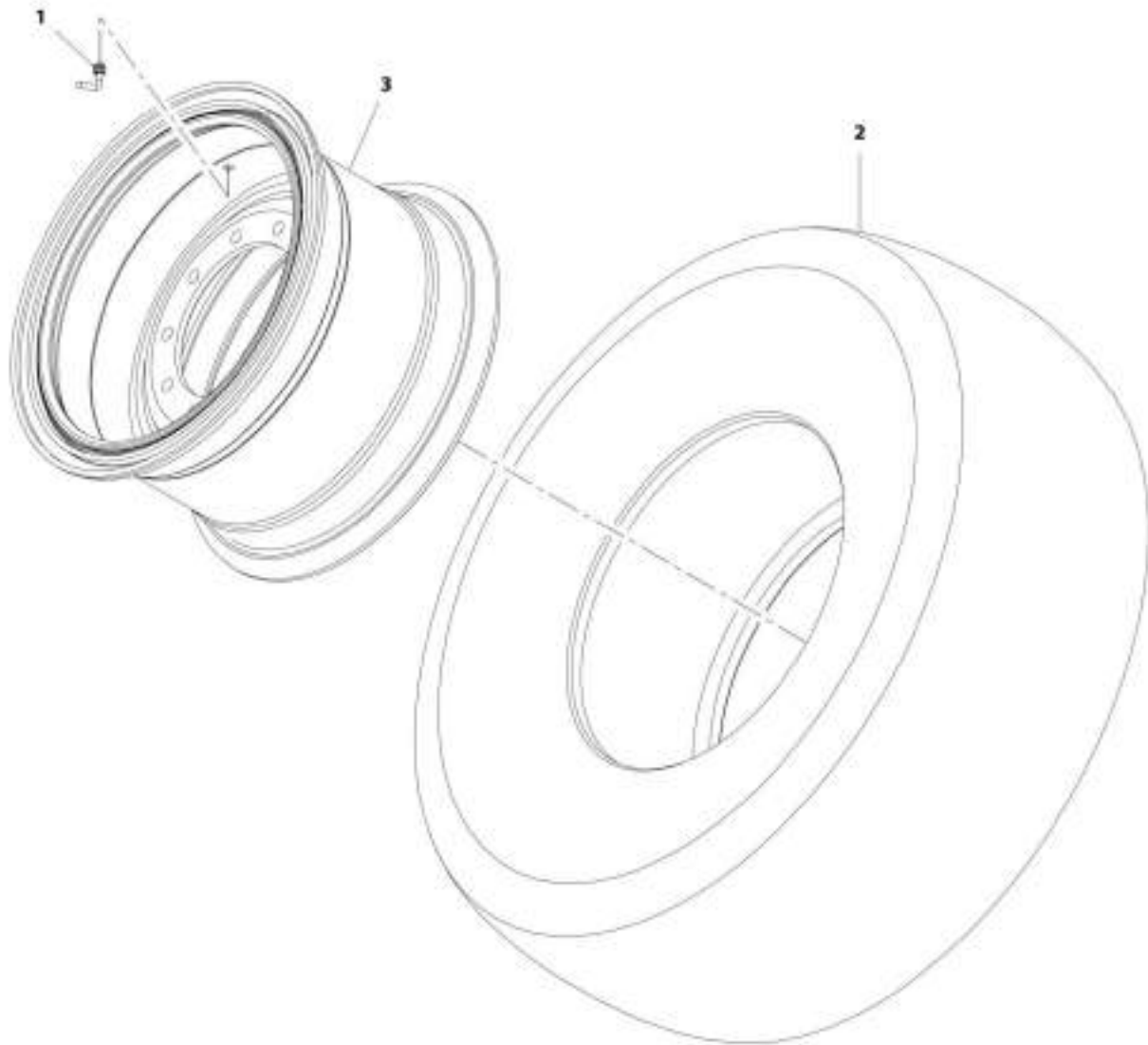
**SECTION 5 - DRIVETRAIN**

**FIGURE 5-41. TIRE/WHEEL SET (AIR 17.5 R25 - RADIAL)**

<b>ITEM</b>	<b>PART NUMBER</b>	<b>QTY</b>	<b>DESCRIPTION</b>	<b>REV</b>
1	1001221270	1	Tire/Wheel Set (Air 17.5 R25 - Radial)	A
	1001221157	2	Assembly, Right Tire/Wheel (Air 17.5 R25 - Radial) (See Sperate Breakdown in this Section)	
2	1001221321	2	Assembly, Left Tire/Wheel (Air 17.5 R25 - Radial) (See Seperate Breakdown in this Section)	
3	1001221734	4	Decal	

## SECTION 5 - DRIVETRAIN

FIGURE 5-42. RIGHT TIRE/WHEEL ASSEMBLY (AIR 17.5 R25 - RADIAL)



ART\_1081221197-C

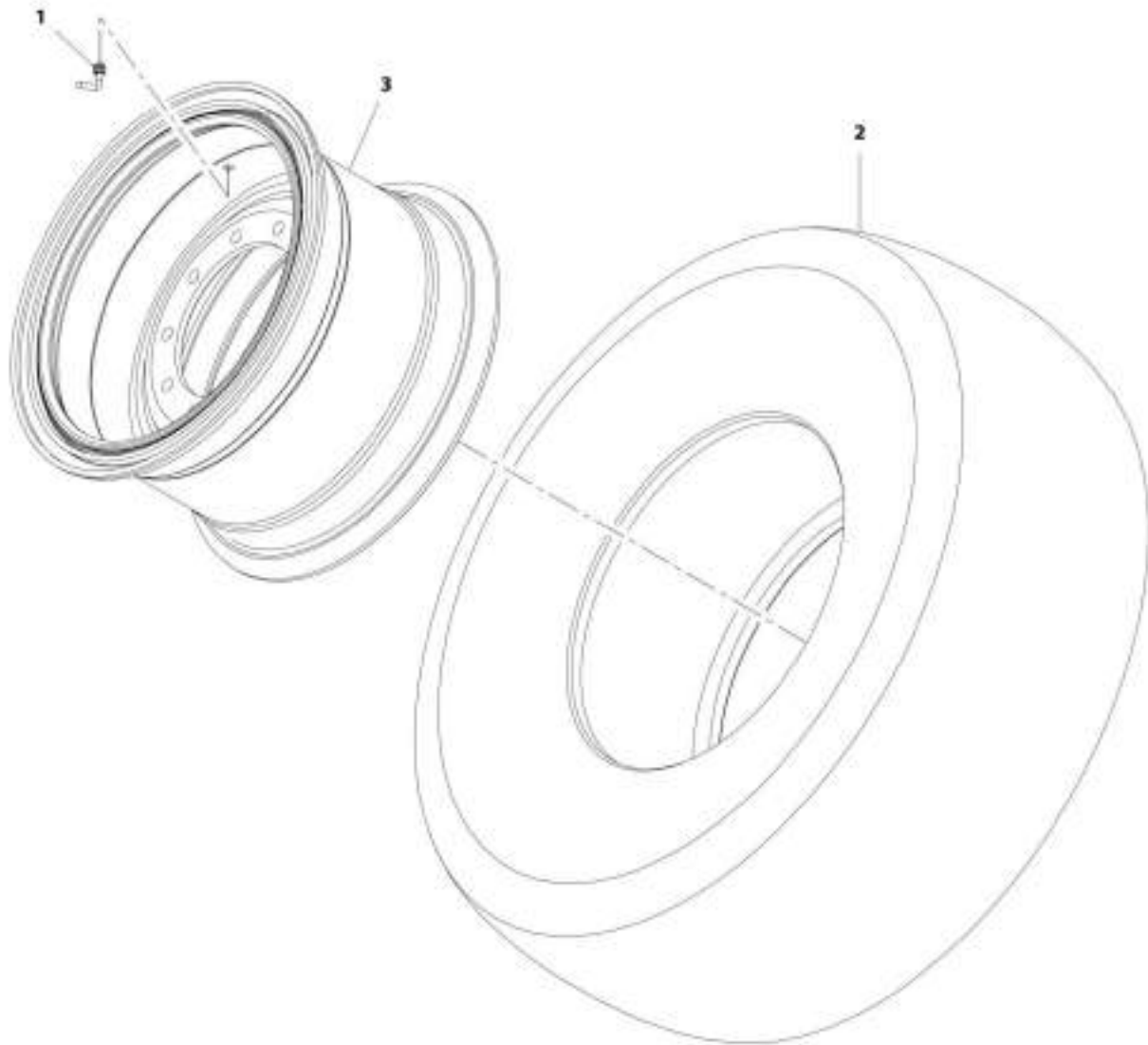
**SECTION 5 - DRIVETRAIN**

**FIGURE 5-42. RIGHT TIRE/WHEEL ASSEMBLY (AIR 17.5 R25 - RADIAL)**

<b>ITEM</b>	<b>PART NUMBER</b>	<b>QTY</b>	<b>DESCRIPTION</b>	<b>REV</b>
	1001221157	Ref	Right Tire/Wheel Assembly (Air 17.5 R25 - Radial)	C
1	8786549	1	Valve, Stem	
2	1001221087	1	Tire, 17.5 R25 Radial	
3	1001189288J	1	Wheel, 25X14.0 DTU 10 Hole	

## SECTION 5 - DRIVETRAIN

FIGURE 5-43. LEFT TIRE/WHEEL ASSEMBLY (AIR 17.5 R25 - RADIAL)



AMF\_1081221321-C

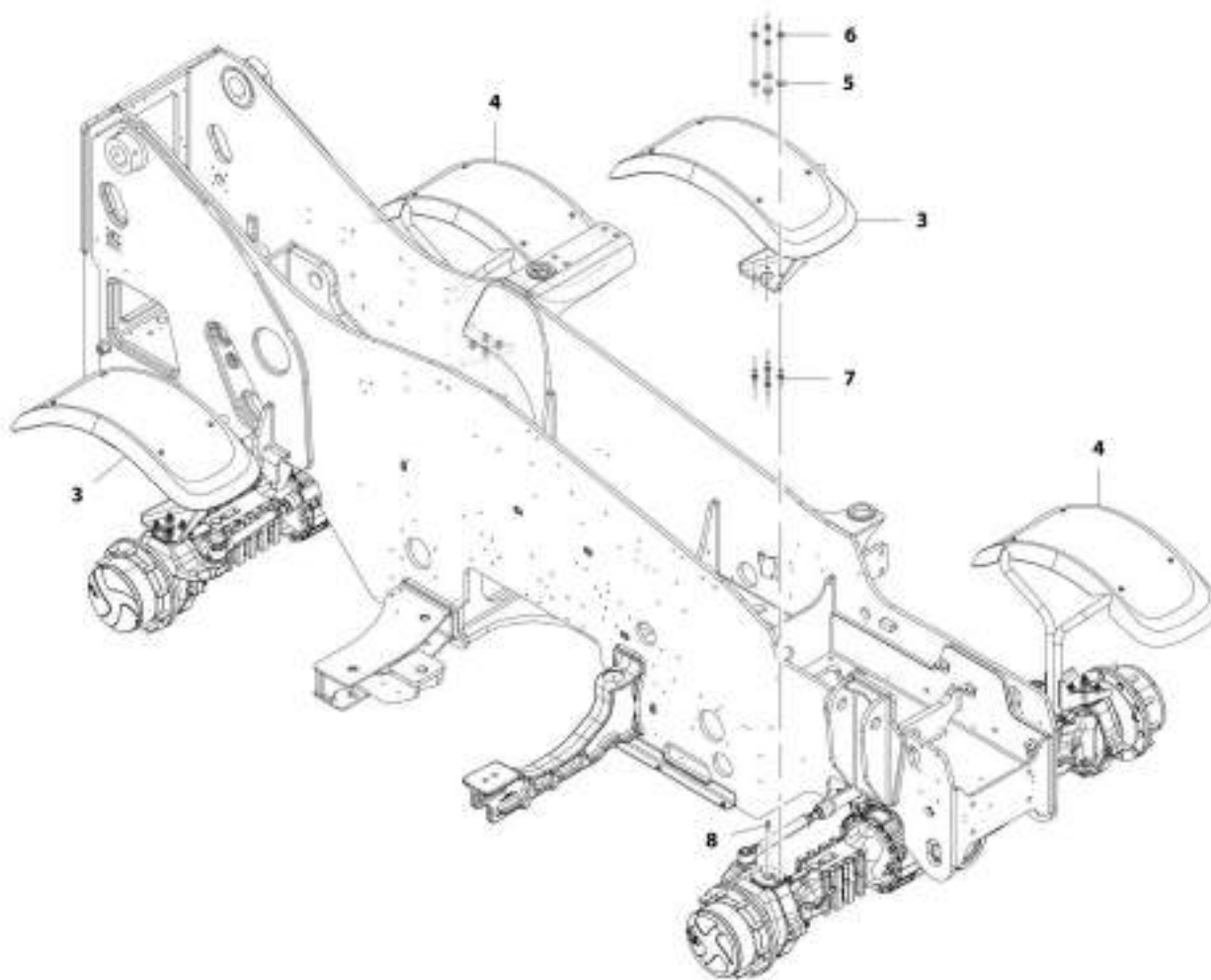
**SECTION 5 - DRIVETRAIN**

**FIGURE 5-43. LEFT TIRE/WHEEL ASSEMBLY (AIR 17.5 R25 - RADIAL)**

<b>ITEM</b>	<b>PART NUMBER</b>	<b>QTY</b>	<b>DESCRIPTION</b>	<b>REV</b>
	1001221321	Ref	Left Tire/Wheel Assembly (Air 17.5 R25 - Radial)	C
1	8786549	1	Valve, Stem	
2	1001221087	1	Tire, 17.5 R25 Radial	
3	1001189288J	1	Wheel, 25X14.0 DTU 10 Hole	

# SECTION 5 - DRIVETRAIN

## FIGURE 5-44. FENDER INSTALLATION



ART\_1001174129-E



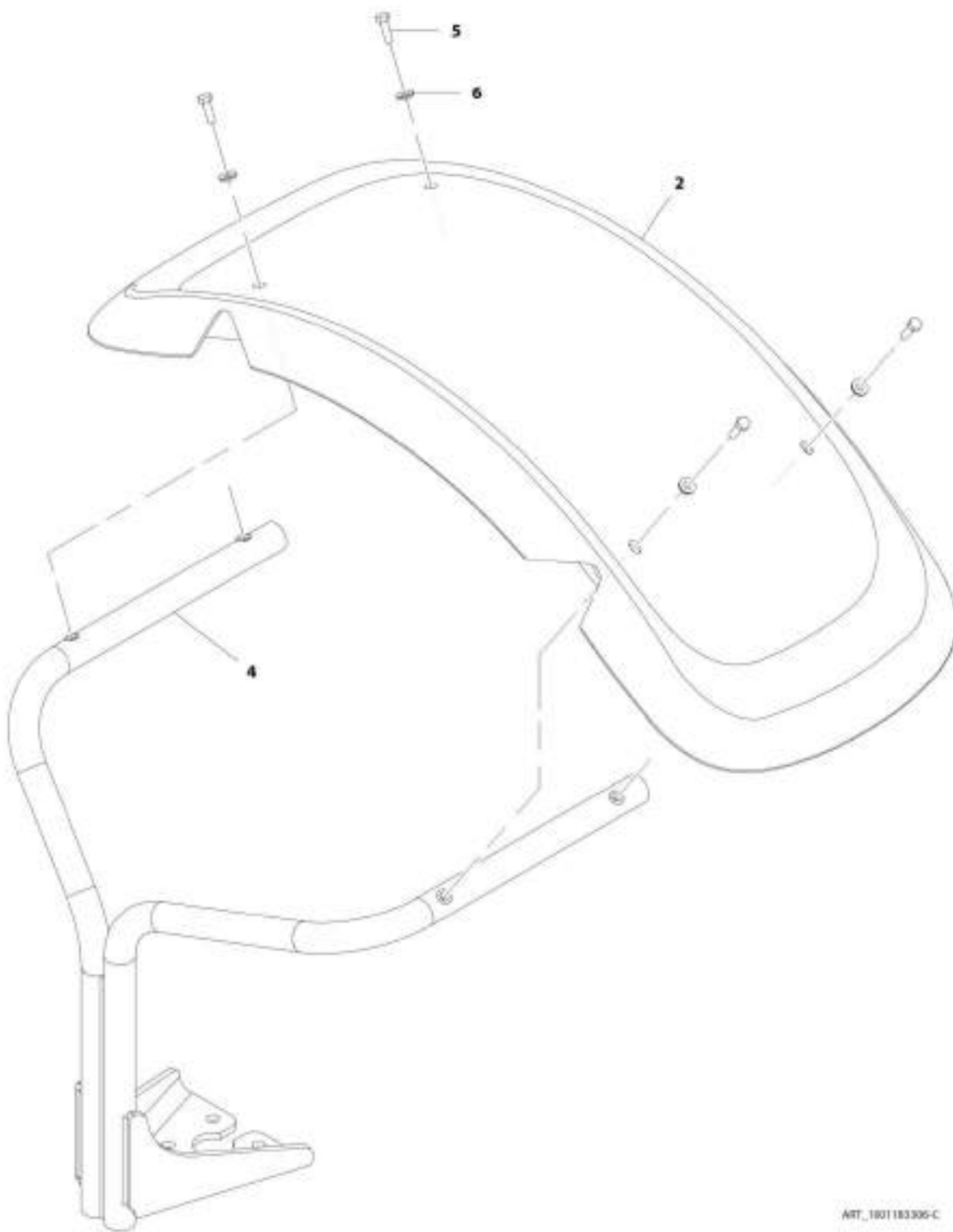
**SECTION 5 - DRIVETRAIN**

**FIGURE 5-44. FENDER INSTALLATION**

<b>ITEM</b>	<b>PART NUMBER</b>	<b>QTY</b>	<b>DESCRIPTION</b>	<b>REV</b>
	1001174129	Ref	Fender Installation	E
3	1001183306	2	Assembly, RH Fender (See Separate Breakdown in this Section)	
4	1001183307	2	Assembly, LH Fender (See Separate Breakdown in this Section)	
5	4812102	16	Washer, M12	
6	91513266	16	Nut, M12X1.25	
7	91514118	16	Stud, Fender	
8	1001225317	4	Fitting, Grease	

# SECTION 5 - DRIVETRAIN

## FIGURE 5-45. RH FENDER ASSEMBLY



ART\_1801183306-C

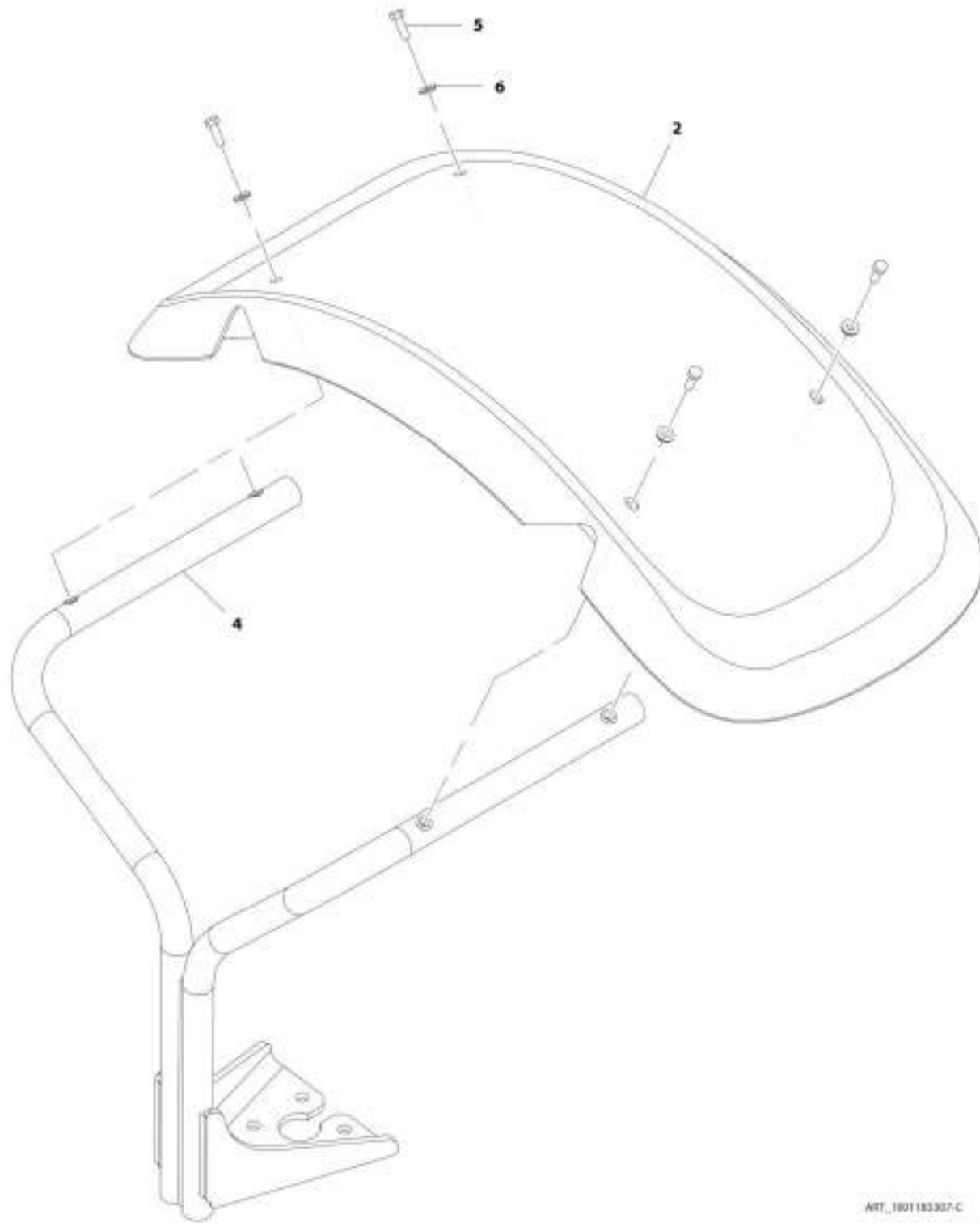
**SECTION 5 - DRIVETRAIN**

**FIGURE 5-45. RH FENDER ASSEMBLY**

<b>ITEM</b>	<b>PART NUMBER</b>	<b>QTY</b>	<b>DESCRIPTION</b>	<b>REV</b>
	1001183306	Ref	RH Fender Assembly	C
2	1001168264	1	Fender	
4	1001183308	1	Bracket	
5	0760812	4	Bolt, M8X25	
6	1001202786	4	Washer	

# SECTION 5 - DRIVETRAIN

## FIGURE 5-46. LH FENDER ASSEMBLY



ART\_1801183307-C

**SECTION 5 - DRIVETRAIN**

**FIGURE 5-46. LH FENDER ASSEMBLY**

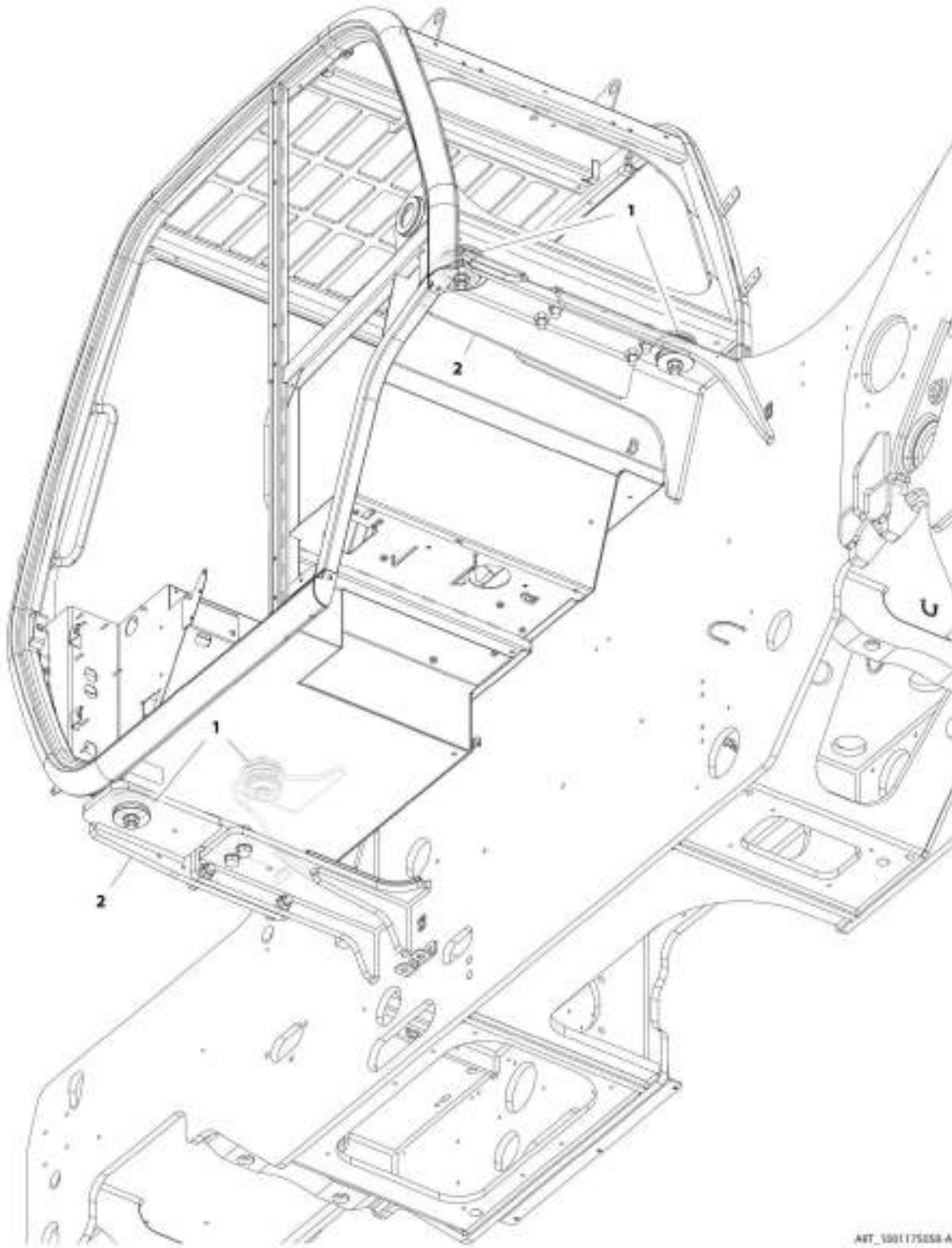
<b>ITEM</b>	<b>PART NUMBER</b>	<b>QTY</b>	<b>DESCRIPTION</b>	<b>REV</b>
	1001183307	Ref	LH Fender Assembly	C
2	1001168264	1	Fender	
4	1001183309	1	Bracket	
5	0760812	4	Bolt, M8X25	
6	1001202786	4	Washer	



**SECTION 6 - CAB**

# SECTION 6 - CAB

## FIGURE 6-1. CAB MOUNTING INSTALLATION



ART\_1001175050-A

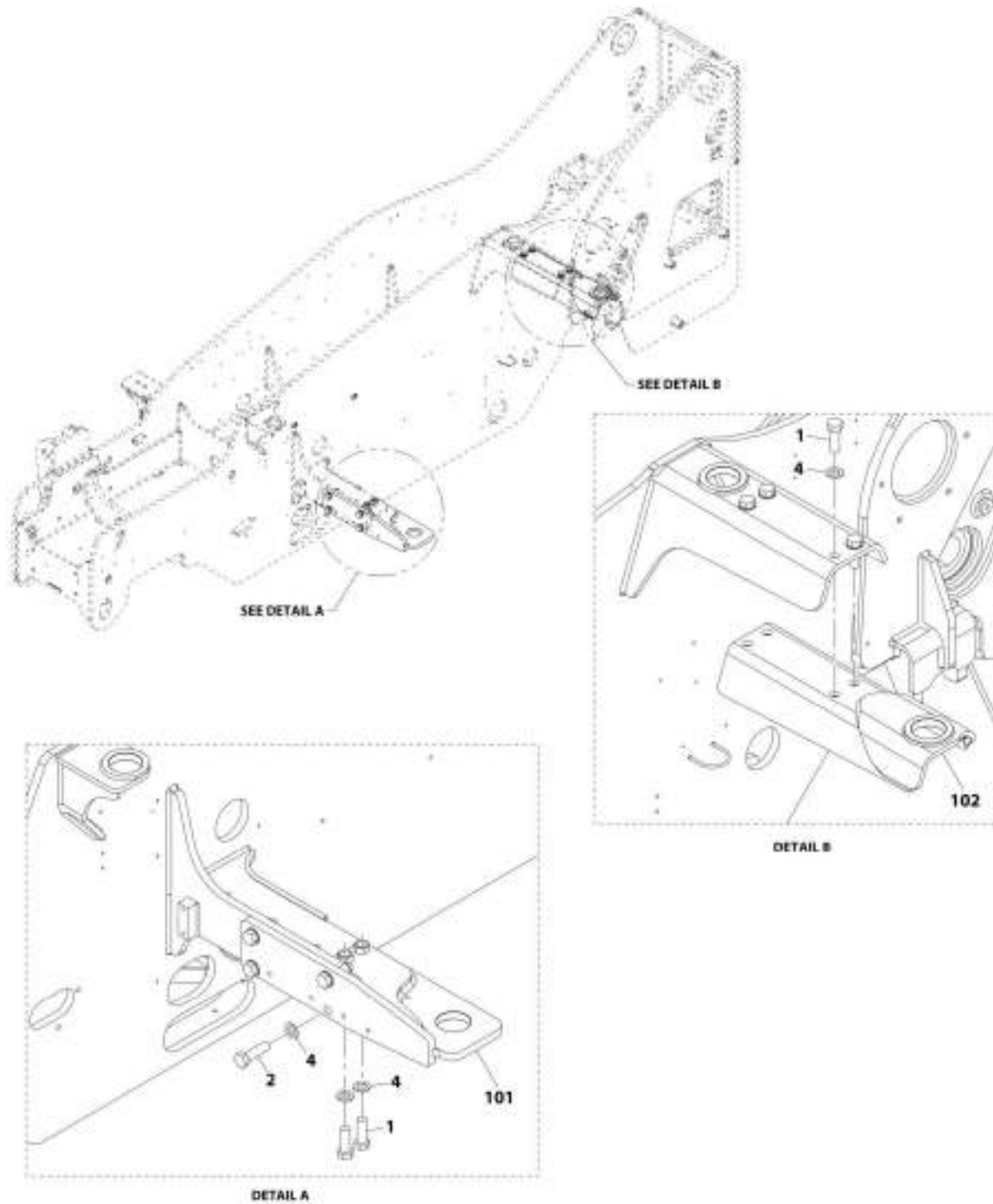


**FIGURE 6-1. CAB MOUNTING INSTALLATION**

<b>ITEM</b>	<b>PART NUMBER</b>	<b>QTY</b>	<b>DESCRIPTION</b>	<b>REV</b>
1	1001175058	Ref	Cab Mounting Installation	A
	1001155446	Ref	Installation, Cab Mount (See Separate Breakdown in this Section)	
	1001191255	Ref	Installation, Front Cab Mount Bracket (See Separate Breakdown in this Section)	

# SECTION 6 - CAB

## FIGURE 6-2. FRONT CAB MOUNT BRACKET INSTALLATION



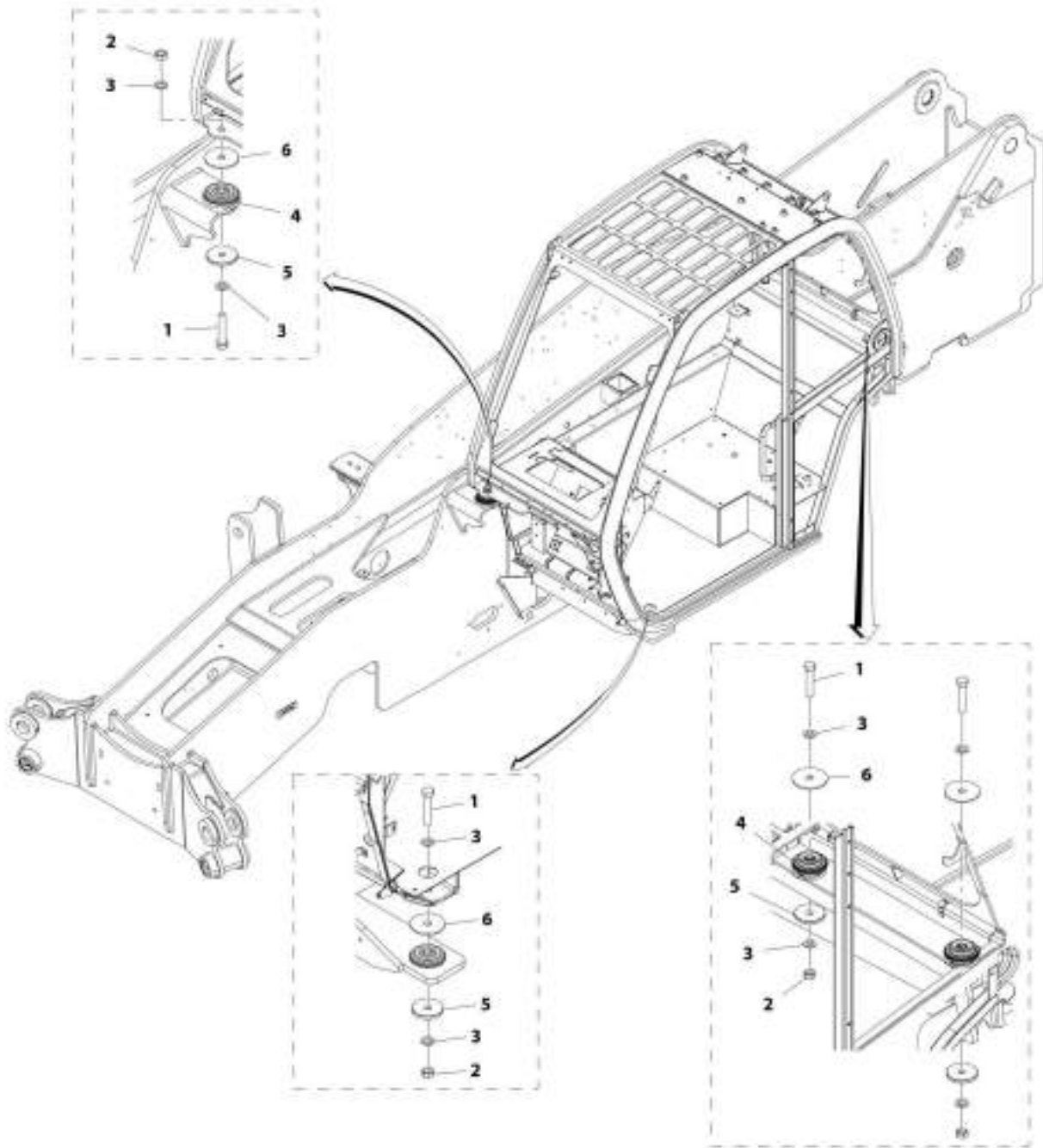
AWT\_3001191255-E

FIGURE 6-2. FRONT CAB MOUNT BRACKET INSTALLATION

ITEM	PART NUMBER	QTY	DESCRIPTION	REV
	1001191255	Ref	Front Cab Mount Bracket Installation	E
1	0712020	6	Bolt, M20X60	
2	0712022	4	Bolt, M20X70	
4	4812500	10	Washer, M20	
101	1001191256	1	Bracket	
102	1001191257	1	Bracket	

# SECTION 6 - CAB

## FIGURE 6-3. CAB MOUNTS INSTALLATION



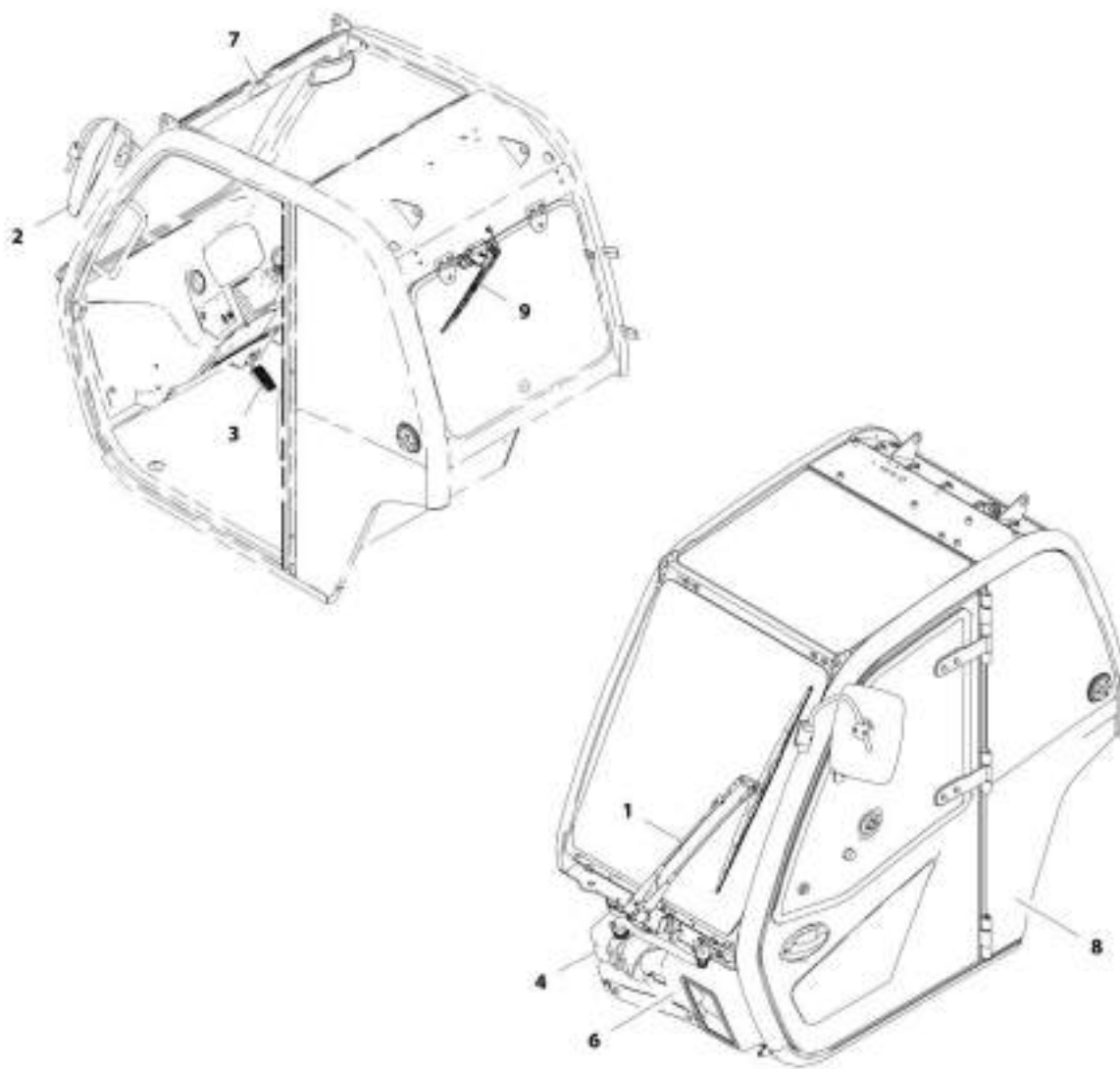
ART\_100155446-E

FIGURE 6-3. CAB MOUNTS INSTALLATION

ITEM	PART NUMBER	QTY	DESCRIPTION	REV
	1001155446	Ref	Cab Mounts Installation	E
1	0712027	4	Bolt, M20X100	
2	3332011	4	Nut, M20X2.5	
3	4812500	8	Washer, M20	
4	1001166754	4	Mount, Cab Isolation	
5	1001166755	4	Washer, Cab Rebound	
6	1001220540	4	Washer, Cab Mount	

# SECTION 6 - CAB

## FIGURE 6-4. CAB COMPONENTS INSTALLATION



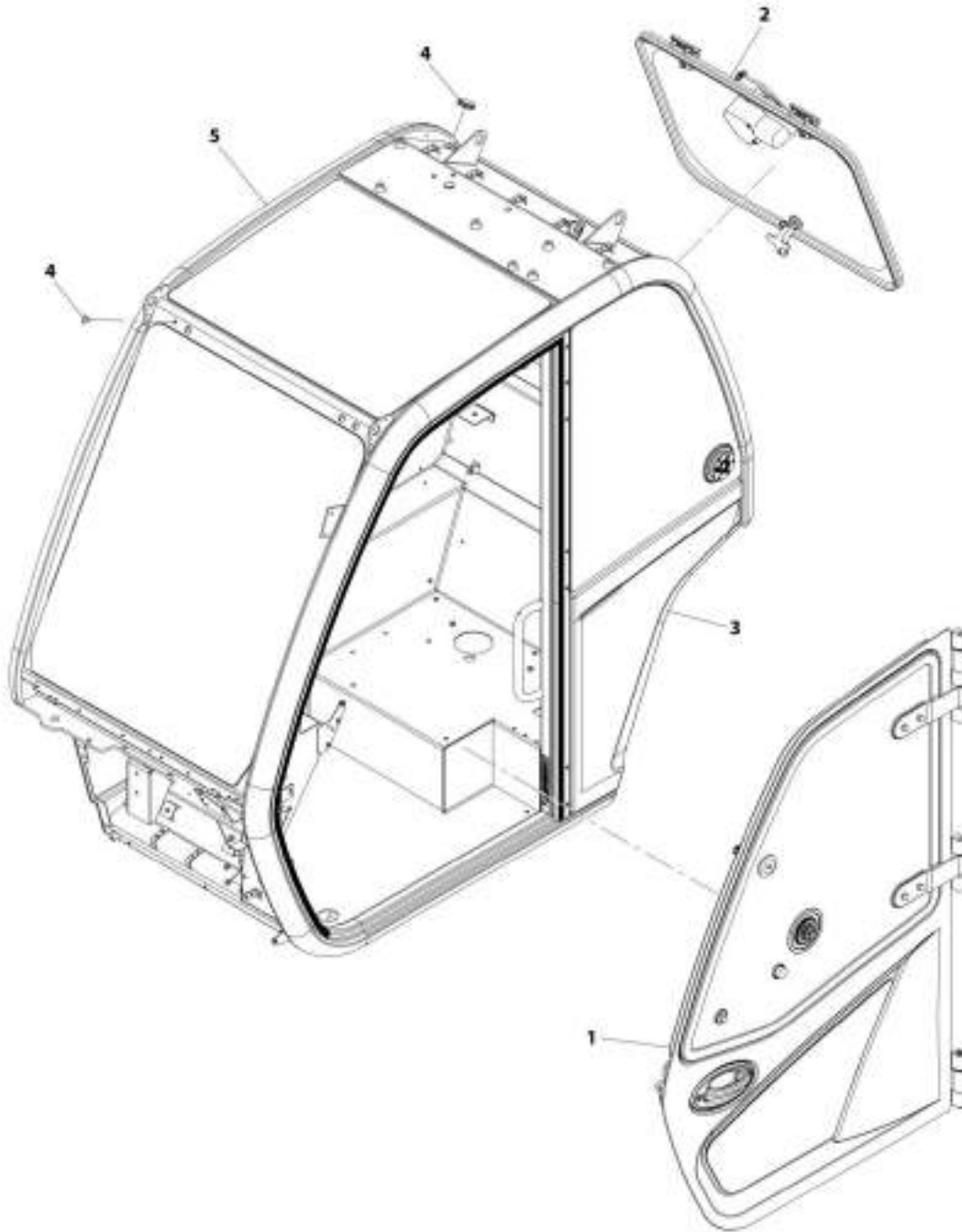
AIT\_1001104090-E

FIGURE 6-4. CAB COMPONENTS INSTALLATION

ITEM	PART NUMBER	QTY	DESCRIPTION	REV
	1001194698	Ref	Cab Components Installation	E
1	1001155447	Ref	Installation, Front Wiper (See Seperate Breakdown in this Section)	
2	1001160508	Ref	Installation, Basic Mirror (See Seperate Breakdown in this Section)	
3	1001161499	Ref	Installation, Accelerator Pedal (See Seperate Breakdown in Controls Section)	
4	1001162789	Ref	Installation, Washer, Tank (See Seperate Breakdown in this Section)	
6	1001170366	Ref	Installation, Front Cover (See Seperate Breakdown in this Section)	
7	1001172401	Ref	Installation, Level Indicator (See Seperate Breakdown in this Section)	
8	1001194699	Ref	Installation, Cab (See Seperate Breakdown in this Section)	
9	1001220329	Ref	Installation, Rear Wiper (See Seperate Breakdown in this Section)	

# SECTION 6 - CAB

## FIGURE 6-5. CAB INSTALLATION



ART\_1001194600-H

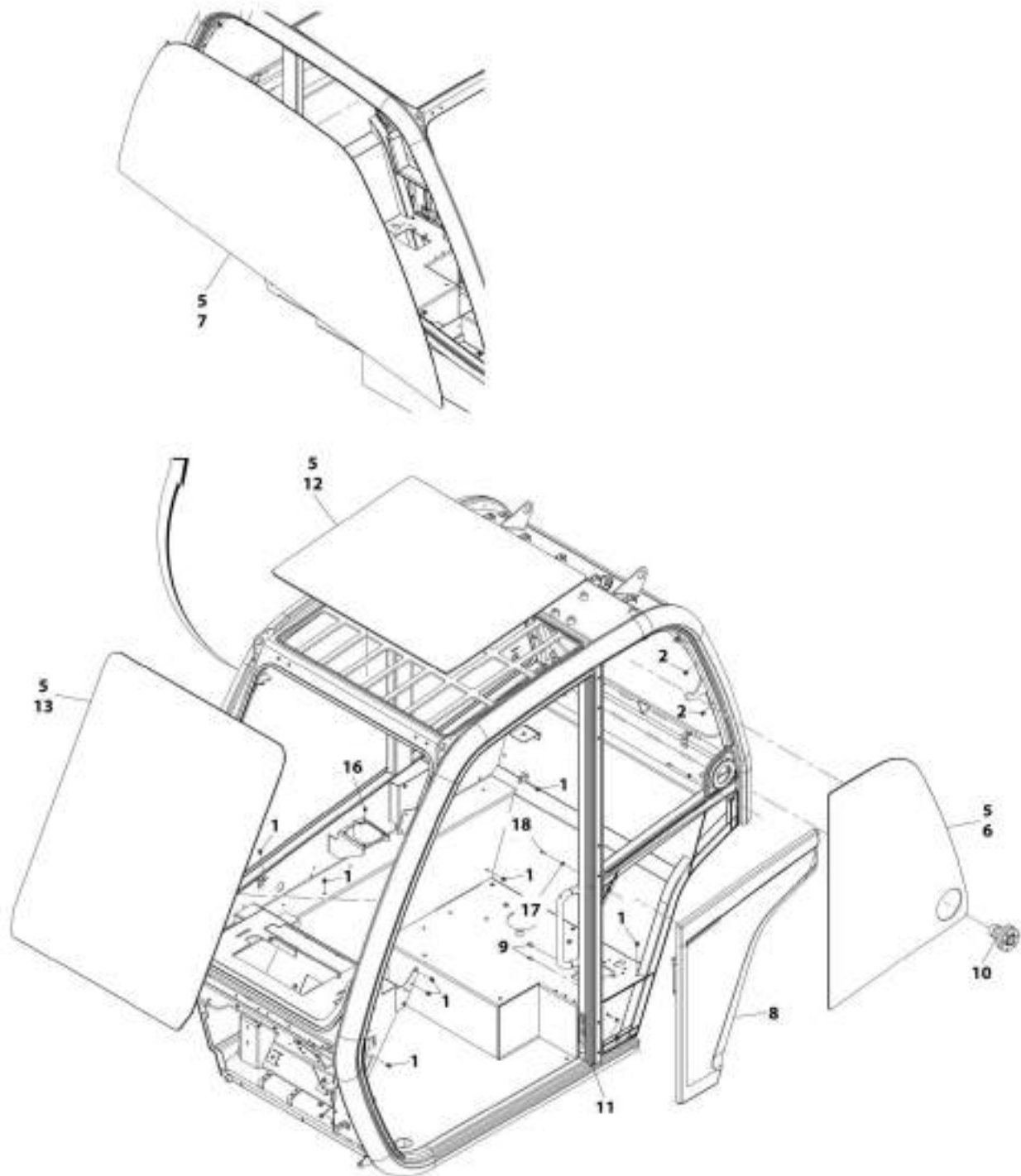


FIGURE 6-5. CAB INSTALLATION

ITEM	PART NUMBER	QTY	DESCRIPTION	REV
	1001194699	Ref	Cab Installation	H
1	1001155228	Ref	Installation, Cab Door (See Seperate Breakdown in this Section)	
2	1001220339	Ref	Installation, Rear Window (See Seperate Breakdown in this Section)	
3	1001194700	1	Assembly, Cab Group (See Seperate Breakdown in this Section)	
4	1001195814	1	Group, Cab Plug (See Seperate Breakdown in this Section)	
5	N.S.S.	1	Weldment, Cab	

# SECTION 6 - CAB

## FIGURE 6-6. CAB ASSEMBLY



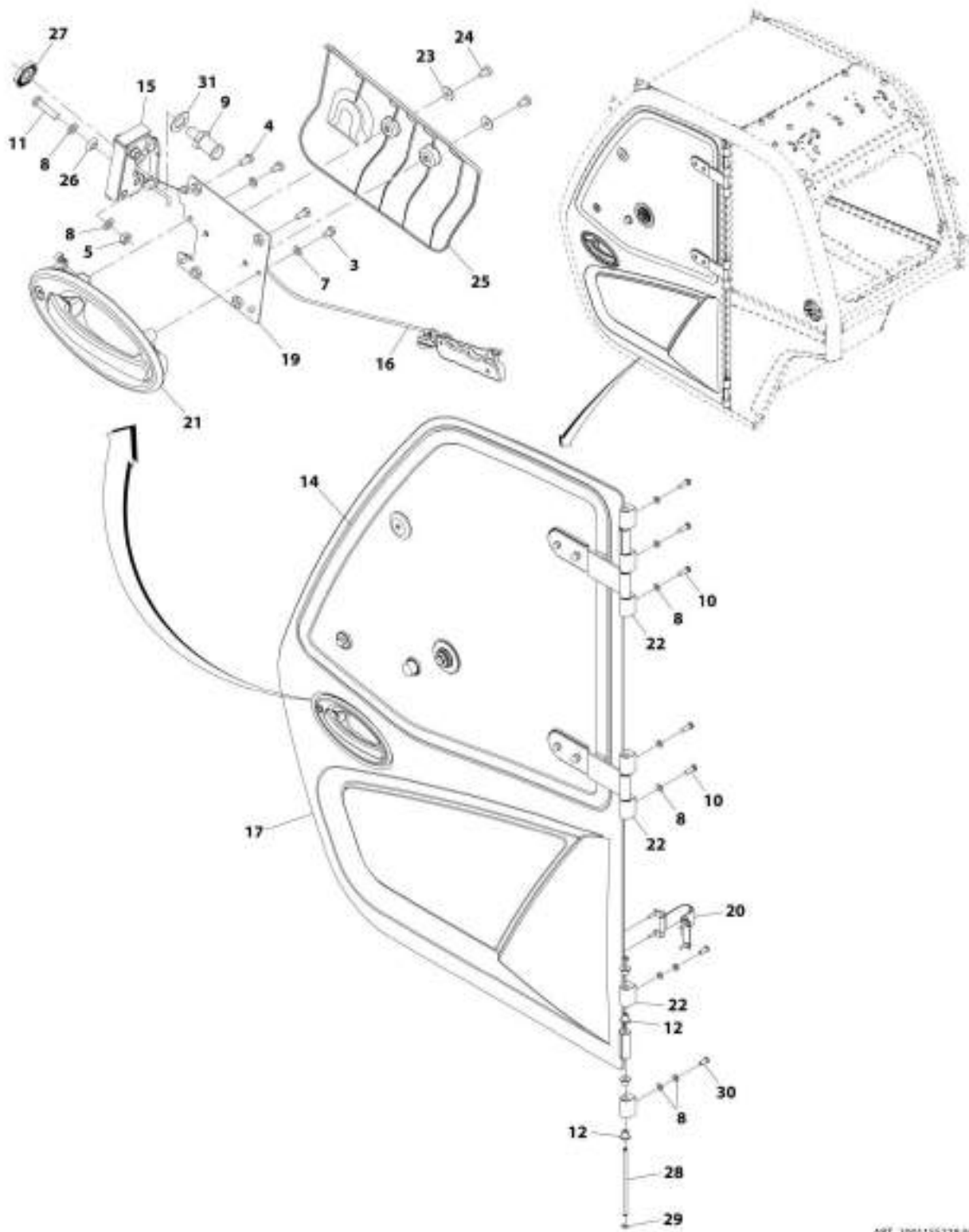
ART\_1001194700-F

FIGURE 6-6. CAB ASSEMBLY

ITEM	PART NUMBER	QTY	DESCRIPTION	REV
	1001194700	Ref	CAB,GP, GLAZED (ORANGE) WIDE	F
1	2080086	25	Rivnut, M6X1	
2	2080087	16	Rivnut, M8X1.25	
5	1001111317	AR	Compound, Locking	
6	1001152915	1	Glass, LH Screen	
7	1001152947	1	Glass, RH Screen	
8	1001160345	1	Panel, Cab Quarter	
9	1001172193	2	Rivnut, M5X0.8	
10	1001174320	1	Latch, Top Window	
11	1001227186	1	Seal, Cab Door	
12	1001178159	1	Glass, Roof Laminated	
13	1001178160	1	Glass, Front Laminated	
16	1001195878	4	Rivnut, M5X0.8	
17	4811700	3	Washer, M6	
18	0750804	3	Screw	

# SECTION 6 - CAB

## FIGURE 6-7. DOOR INSTALLATION



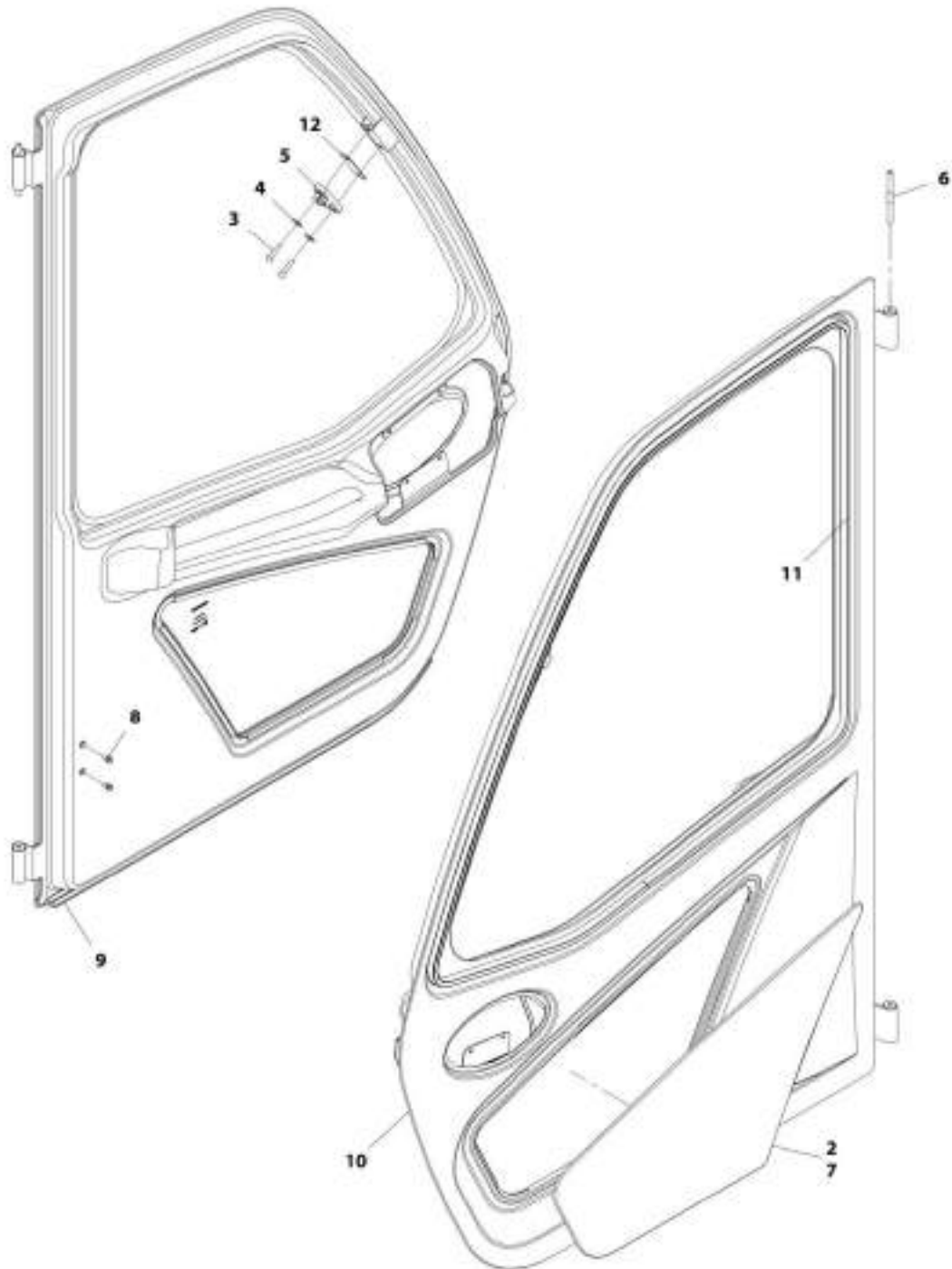
ART\_100135228-04

FIGURE 6-7. DOOR INSTALLATION

ITEM	PART NUMBER	QTY	DESCRIPTION	REV
	1001155228	Ref	Door Installation	M
3	0760605	4	Bolt, M6X10	
4	0760607	4	Bolt, M6X14	
5	3290801	2	Nut, M8X1.25 Grade 8	
7	4811700	4	Washer, M6	
8	4811900	13	Washer, M8	
9	8000803	1	Pin, Door Striker	
10	1001008988	5	Screw M8X25	
11	1001047062	2	Screw, M8X35	
12	1001107192	10	Sleeve, Hinge	
14	1001205532	1	Assembly, Door Upper Glass (See Separate Breakdown in this Section)	
15	1001192766	1	Assembly, Cab Latch (See Separate Breakdown in this Section)	
16	1001167958	1	Assembly, Cab Door Trigger (See Separate Breakdown in this Section)	
17	1001170114	1	Assembly, Door (See Separate Breakdown in this Section)	
19	1001173298	1	Bracket	
20	1001174295	1	Installation, Door Strap (See Separate Breakdown in this Section)	
21	1001192646	1	Handle, Exterior Door	
22	1001170601J	7	Lug, Hinge	
23	4811702001	2	Washer, M6	
24	4010608002	2	Screw, Posi-Drive, M6X16	
25	1001175477	1	Cover, Cab Door Interior	
26	1001184439	2	Bushing	
27	1001192309	1	Nut, M12X1	
28	1001213791	1	Pin	
29	0498748	2	Washer, Lock M7	
30	1001164726	2	Bolt, M8X20	
31	1001227802	1	Washer	

SECTION 6 - CAB

FIGURE 6-8. DOOR ASSEMBLY



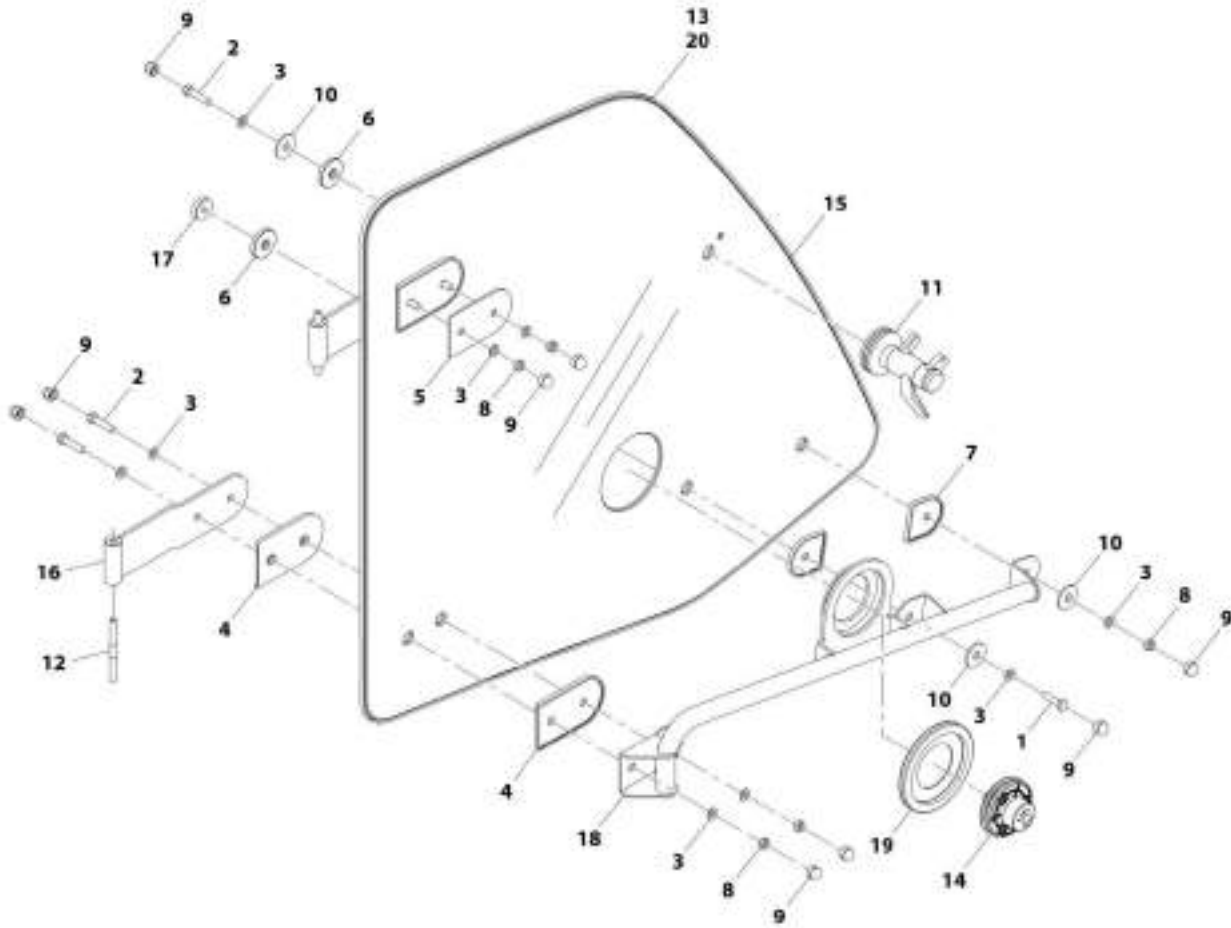
APP\_1001170114-L

FIGURE 6-8. DOOR ASSEMBLY

ITEM	PART NUMBER	QTY	DESCRIPTION	REV
	1001170114	Ref	Door Assembly	J
2	1001111317	AR	Compound, Locking	
3	4010612002	2	Screw, M6X25	
4	4811702001	2	Washer, 6MM	
5	1001165276	1	Plate, Window Latch Striker	
6	1001166634	1	Pin, Hinge	
7	1001169880	1	Window, Lower Glass	
8	1001172193	2	Rivnut, M5X0.8	
9	1001227188	1	Seal, Cab Door	
10	1001170113J	1	Door, Cab (See Separate Breakdown in this Section)	
11	1001227187	1	Seal, Cab Door Window	
12	1001193210	AR	Shim, Window Latch	

# SECTION 6 - CAB

## FIGURE 6-9. DOOR UPPER GLASS ASSEMBLY



ART\_1001200532-E

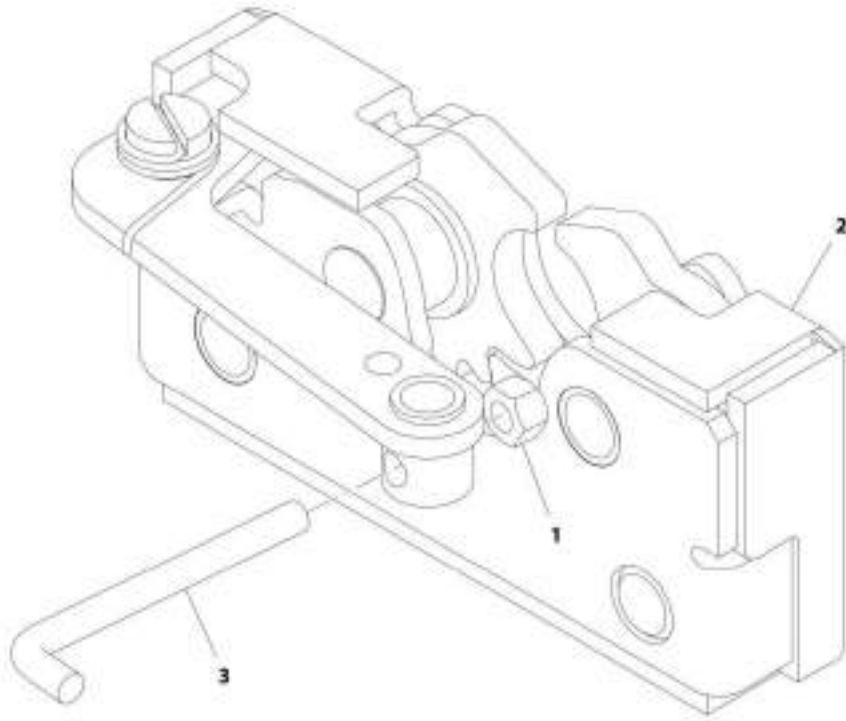


FIGURE 6-9. DOOR UPPER GLASS ASSEMBLY

ITEM	PART NUMBER	QTY	DESCRIPTION	REV
	1001205532	Ref	Door Upper Glass Assembly	E
1	0760812	1	Bolt, M8X25	
2	0760815	5	Bolt, M8X35	
3	4811900	11	Washer, 8MM	
4	1001002946	4	Mount, Hinge	
5	1001002947	1	Mount, Hinge	
6	1001002953	2	Mount, Rubber	
7	1001002957	2	Mount, Latch	
8	1001008857	5	Nut, Lock	
9	1001096365	11	Cap, M8	
10	1001141246	3	Mount, Rubber	
11	1001165275	1	Latch, Window	
12	1001166634	2	Pin, Hinge	
13	1001170944	1	Panel, Window Surround	
14	1001174321	1	Striker, Top Window	
15	1001204066	1	Glass, Window	
16	1001204115	2	Hinge	
17	1001222741	1	Buffer, Cab	
18	1001204120	1	Handle	
19	1001213331	1	Gasket	
20	1001215531	AR	Adhesive	

# SECTION 6 - CAB

## FIGURE 6-10. CAB LATCH ASSEMBLY



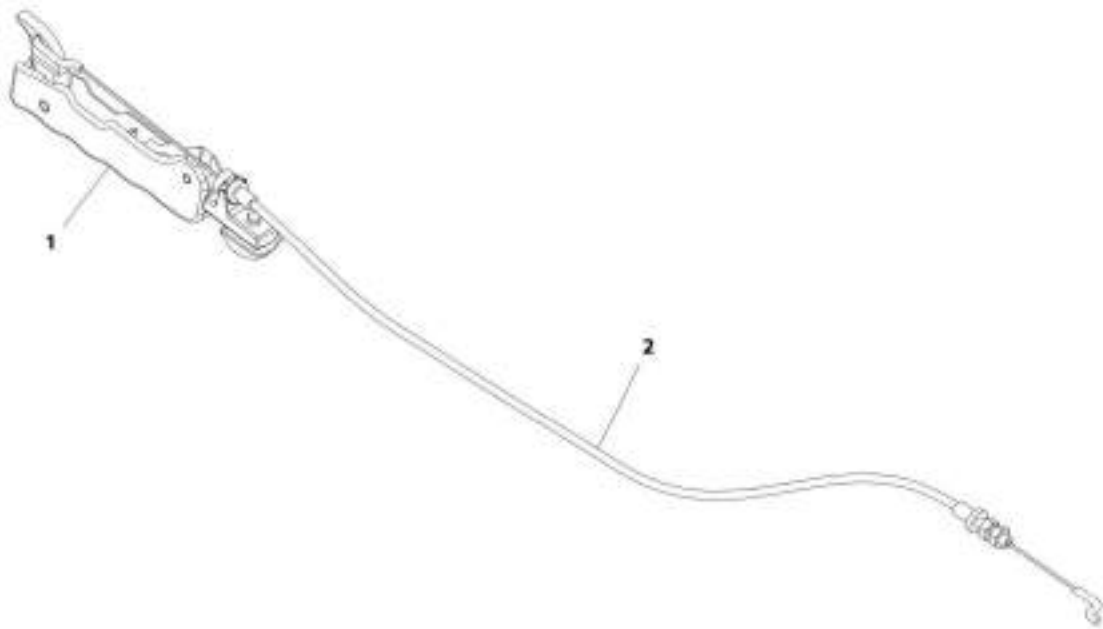
ART\_10011K2166-A

FIGURE 6-10. CAB LATCH ASSEMBLY

ITEM	PART NUMBER	QTY	DESCRIPTION	REV
	1001192766	Ref	Cab Latch Assembly	A
1	3290405	1	Nut, M4X0.7 Grade 8	
2	1001192643	1	Latch	
3	1001192755	1	Link, Door Handle	

**SECTION 6 - CAB**

**FIGURE 6-11. CAB DOOR TRIGGER ASSEMBLY**



ART\_1001107958-E

**FIGURE 6-11. CAB DOOR TRIGGER ASSEMBLY**

<b>ITEM</b>	<b>PART NUMBER</b>	<b>QTY</b>	<b>DESCRIPTION</b>	<b>REV</b>
	1001167958	Ref	Cab Door Trigger Assembly	E
1	1001167937	1	Trigger, Cab Interior Release	
2	1001192644	1	Cable, Cab Latch Release	

# SECTION 6 - CAB

## FIGURE 6-12. DOOR STRAP INSTALLATION

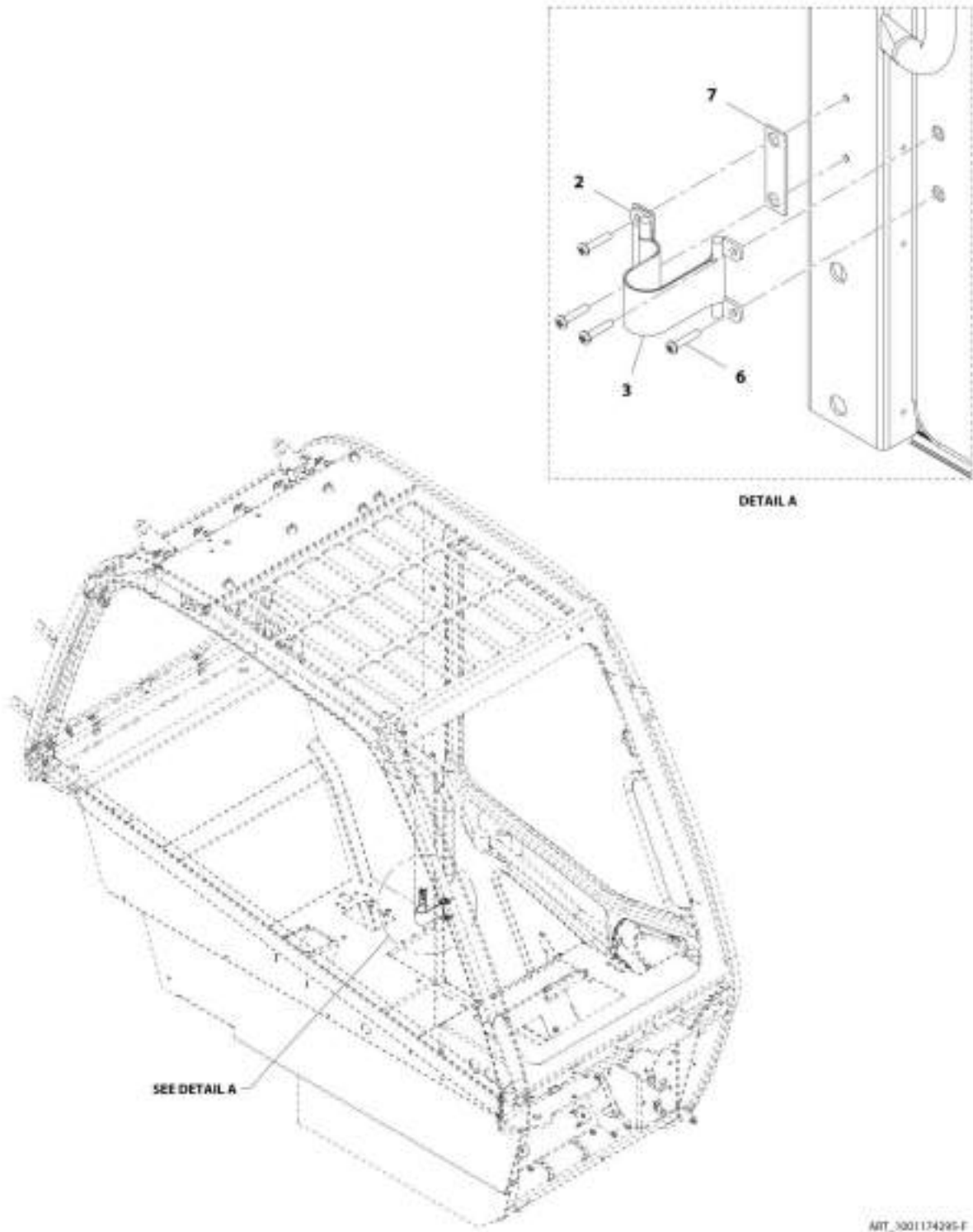
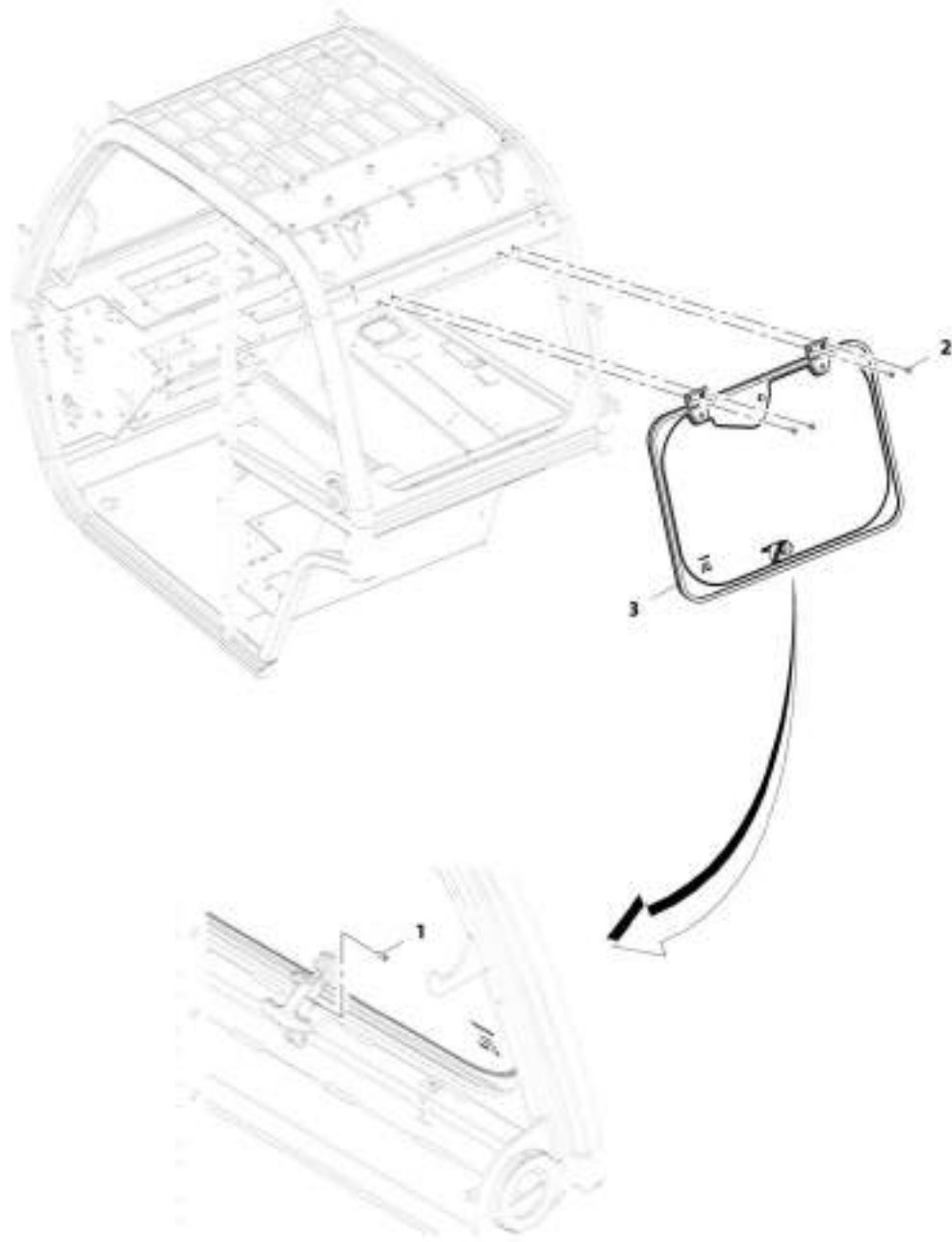


FIGURE 6-12. DOOR STRAP INSTALLATION

ITEM	PART NUMBER	QTY	DESCRIPTION	REV
	1001174295	Ref	Door Strap Installation	F
2	1001230163	2	Bracket, Strap Holder	
3	1001212011	1	Strap, Door Hold Open	
6	8310559	4	Screw	
7	1001191091	1	Plate, Cab Door Strap	

# SECTION 6 - CAB

## FIGURE 6-13. REAR WINDOW INSTALLATION



ART\_100120330-A

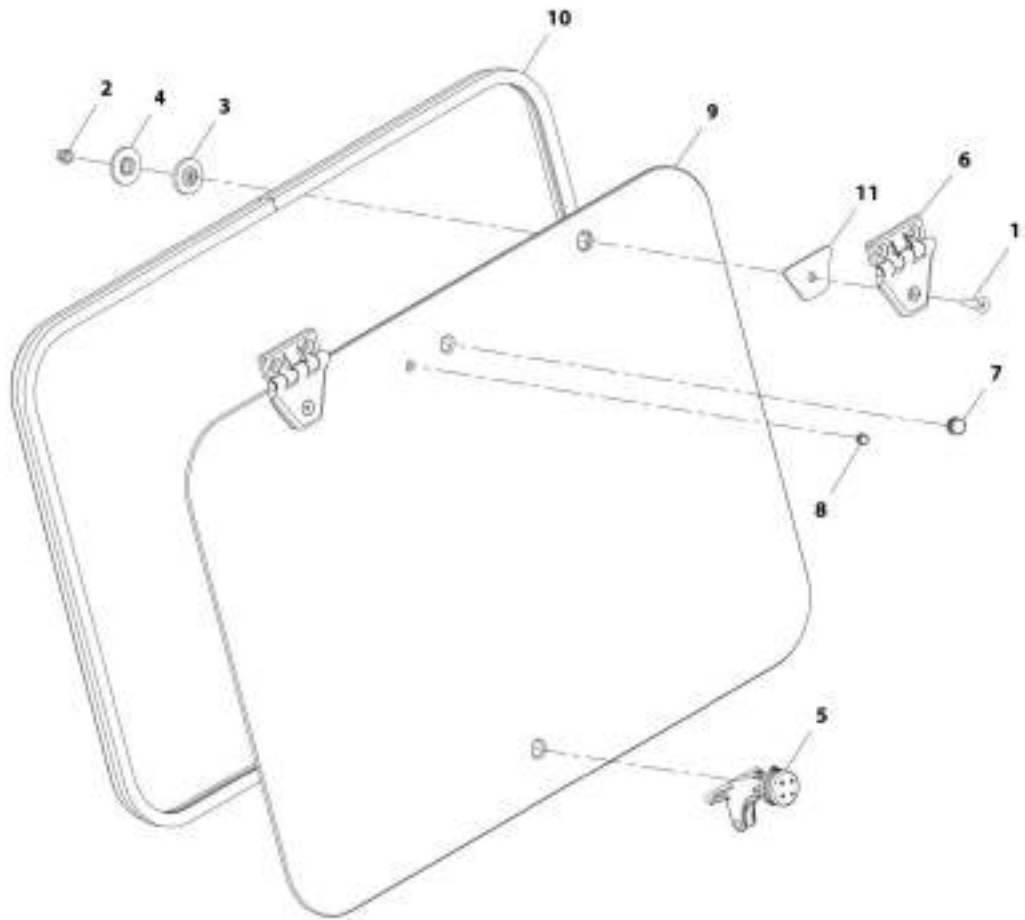


FIGURE 6-13. REAR WINDOW INSTALLATION

ITEM	PART NUMBER	QTY	DESCRIPTION	REV
	1001220339	Ref	Rear Window Installation	A
1	1001003043	1	Pin, Spring	
2	1001097586	4	Screw, M8X1.25	
3	1001220338	1	Assembly, Rear Window (See Separate Breakdown in this Section)	

SECTION 6 - CAB

FIGURE 6-14. REAR WINDOW GROUP



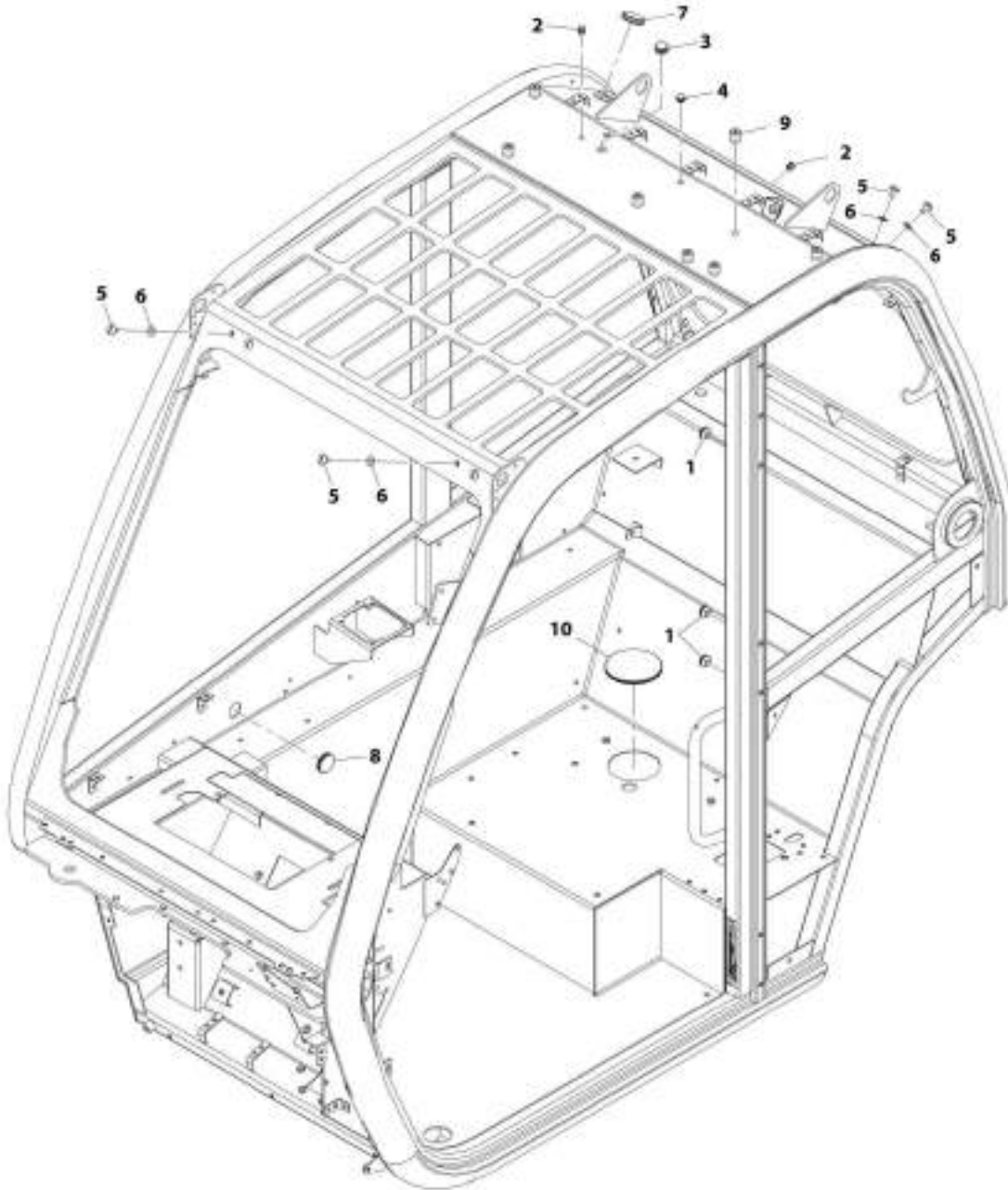
ART\_180128338-A

FIGURE 6-14. REAR WINDOW GROUP

ITEM	PART NUMBER	QTY	DESCRIPTION	REV
	1001220338	Ref	Rear Window Group	A
1	2080078	2	Fastener, M8X30	
2	3290806	2	Nut, M8X1.25 Grade 8	
3	8000759	2	Spacer	
4	8004398	2	Spacer	
5	1001005368	1	Latch, Window	
6	1001139568	2	Hinge	
7	1001171182	1	Grommet	
8	1001171183	1	Grommet	
9	1001178680	1	Glass, Rear Window	
10	1001178681	1	Seal	
11	1001181411	2	Gasket, Rear Window Hinge	

# SECTION 6 - CAB

## FIGURE 6-15. CAB PLUG GROUP



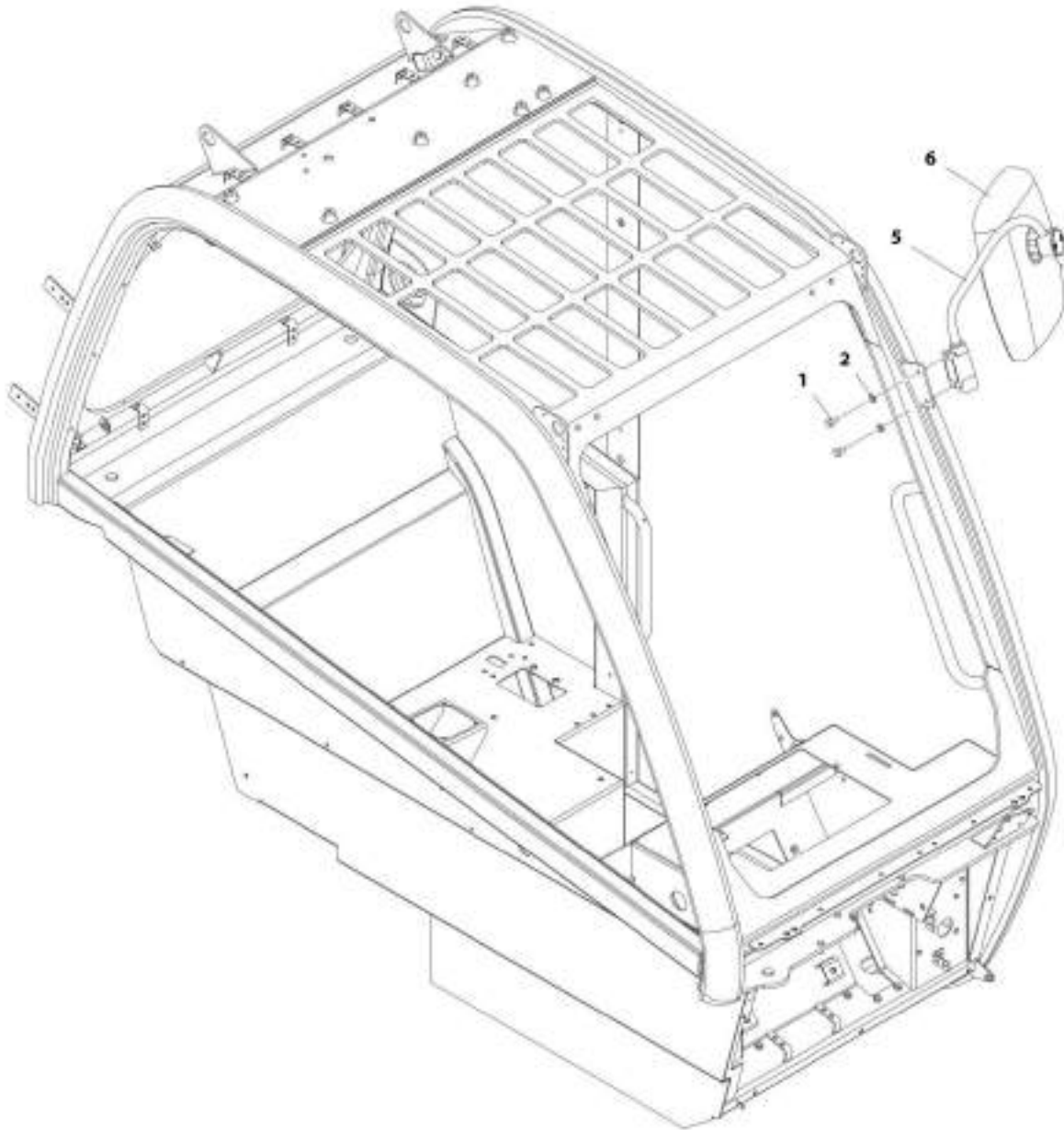
ART\_1001100814-C

FIGURE 6-15. CAB PLUG GROUP

ITEM	PART NUMBER	QTY	DESCRIPTION	REV
	1001195814	Ref	Cab Plug Group	C
1	1001143200	7	Plug	
2	1001176272	3	Plug	
3	1001176273	1	Plug	
4	1001176626	1	Plug	
5	1001181920	8	Screw, Nylon M8X16	
6	1001181921	8	Washer, Rubber M8	
7	1001182123	2	Plug	
8	1001182139	1	Plug	
9	1001219220	7	Plug	
10	1001209899	1	Plug	

# SECTION 6 - CAB

## FIGURE 6-16. BASIC MIRROR INSTALLATION



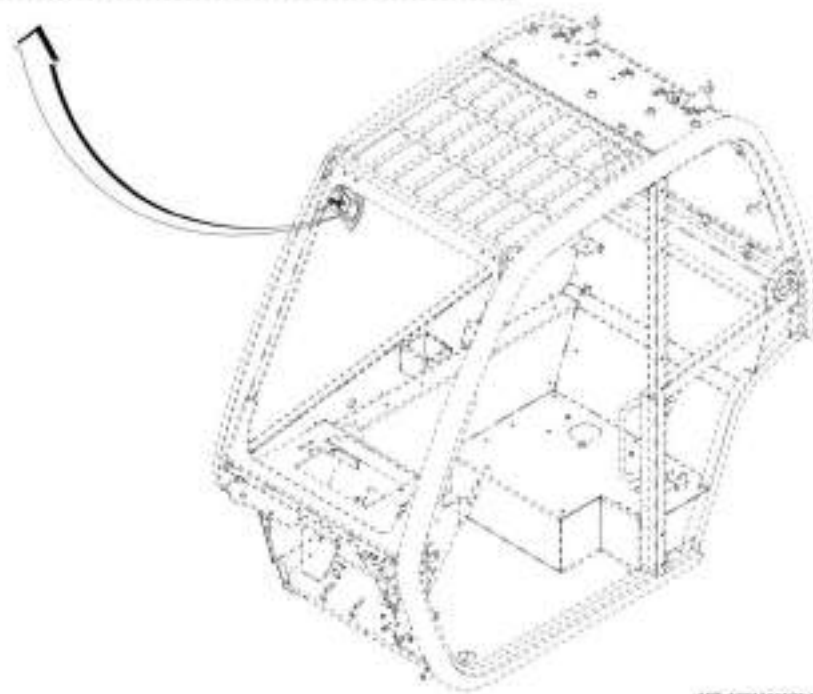
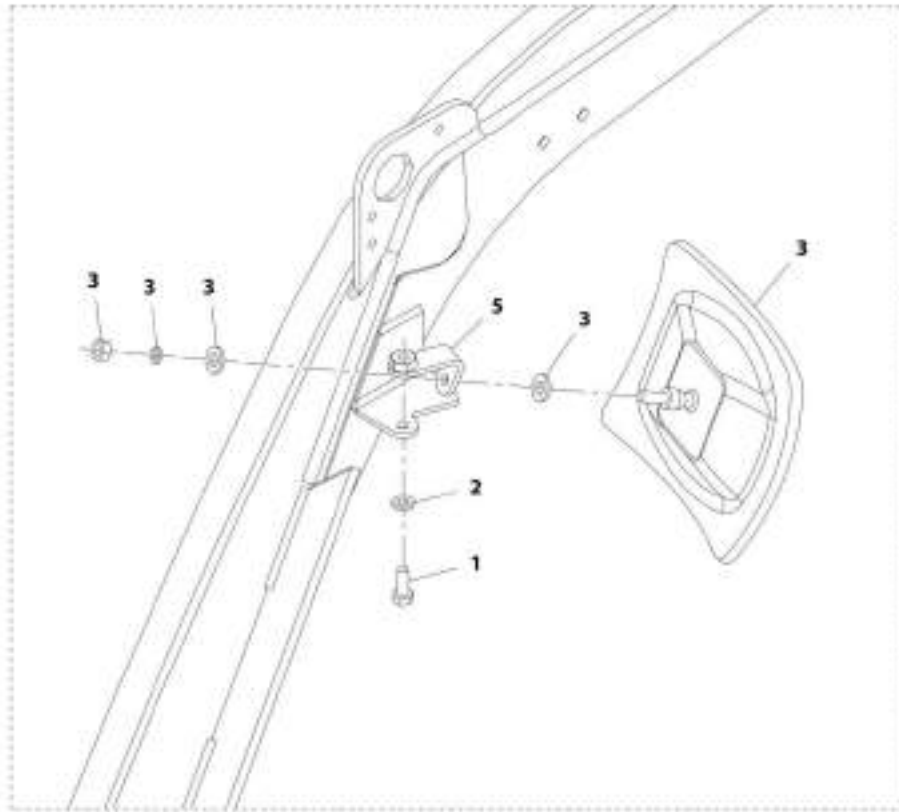
AWT\_1001166509 E

FIGURE 6-16. BASIC MIRROR INSTALLATION

ITEM	PART NUMBER	QTY	DESCRIPTION	REV
	1001160508	Ref	Basic Mirror Installation	E
1	0760808	2	Bolt, M8X16	
2	4811900	2	Washer, M8	
5	1001164655	1	Bracket	
6	80363195	1	Mirror	

# SECTION 6 - CAB

## FIGURE 6-17. INTERIOR MIRROR INSTALLATION



ART\_1001166192-C

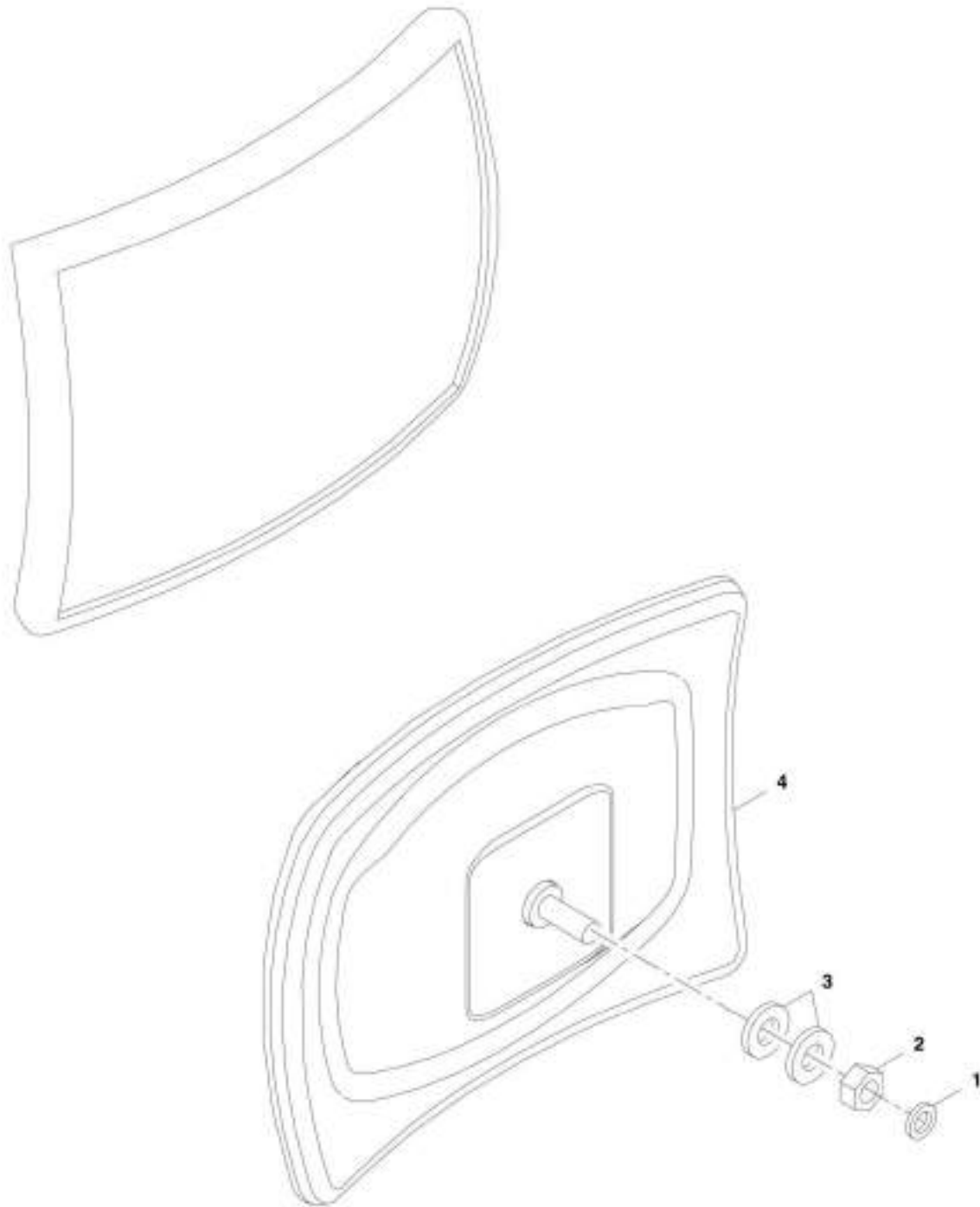


FIGURE 6-17. INTERIOR MIRROR INSTALLATION

ITEM	PART NUMBER	QTY	DESCRIPTION	REV
	1001166192	Ref	Interior Mirror Installation	C
1	0760608	1	Bolt, M6X16	
2	4811700	1	Washer, M6	
3	1001007641	1	Mirror, Interior (See Separate Breakdown in this Section)	
5	1001166191	1	Bracket	

**SECTION 6 - CAB**

**FIGURE 6-18. INTERIOR MIRROR**



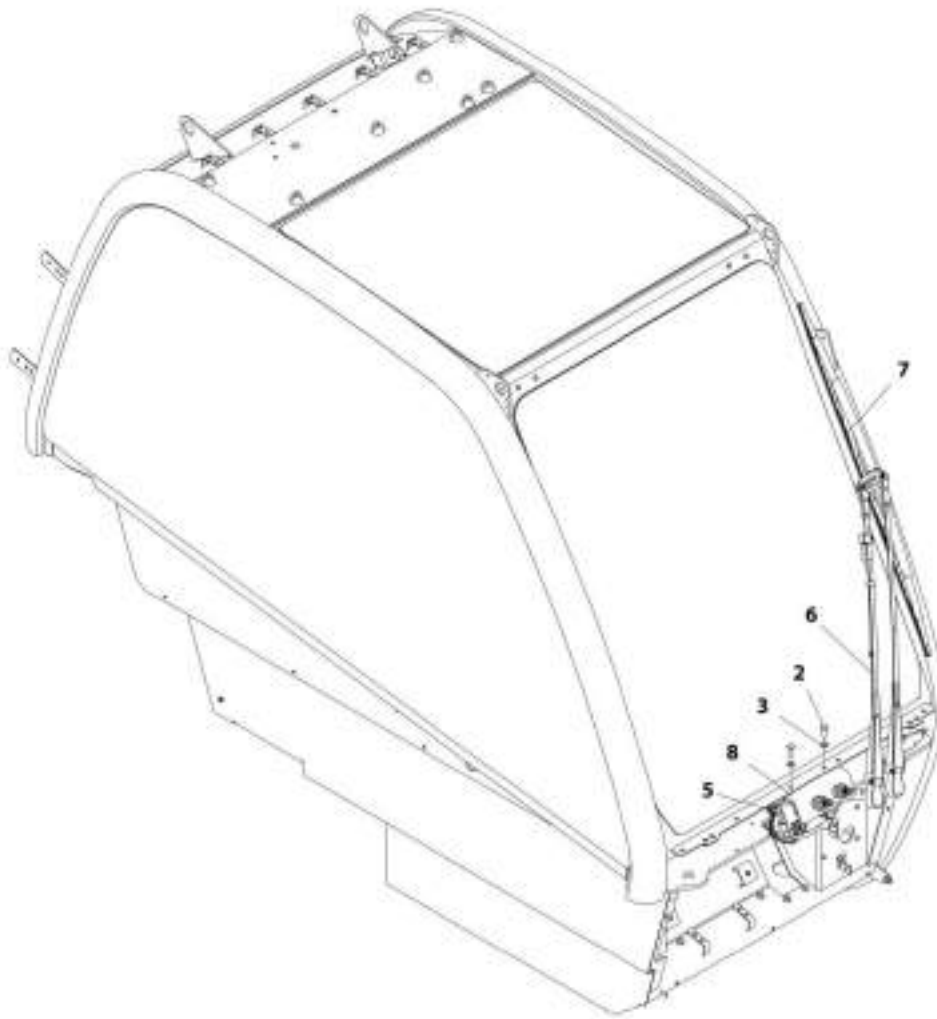
ART\_1001007641-0

FIGURE 6-18. INTERIOR MIRROR

ITEM	PART NUMBER	QTY	DESCRIPTION	REV
	1001007641	Ref	Mirror, Interior	B
1	1001008475	1	Washer, Lock 12	
2	1001008604	1	Nut	
3	1001009124	2	Washer	
4	1001010839	1	Mirror	

# SECTION 6 - CAB

## FIGURE 6-19. FRONT WIPER INSTALLATION



ART\_900155447-G

FIGURE 6-19. FRONT WIPER INSTALLATION

ITEM	PART NUMBER	QTY	DESCRIPTION	REV
	1001155447	Ref	Front Wiper Installation	G
2	0760810	2	Bolt, M8X20	
3	4811900	2	Washer, M8	
5	1001214092	1	Motor, Front Wiper	
6	1001212369	1	Arm, Front Wiper	
7	1001141281	1	Blade, Wiper	
8	1001165637	1	Bracket	

# SECTION 6 - CAB

## FIGURE 6-20. WASHER TANK INSTALLATION

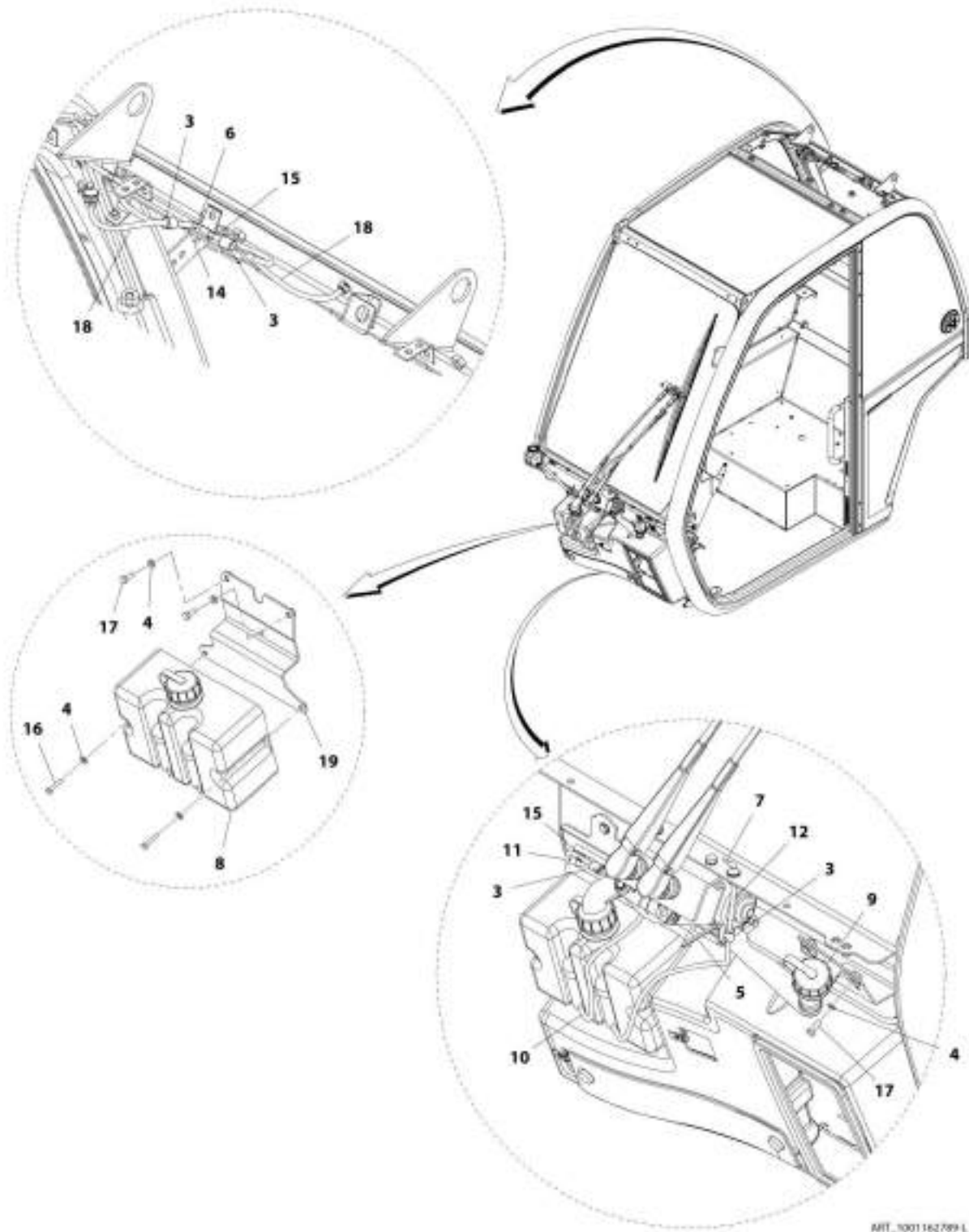
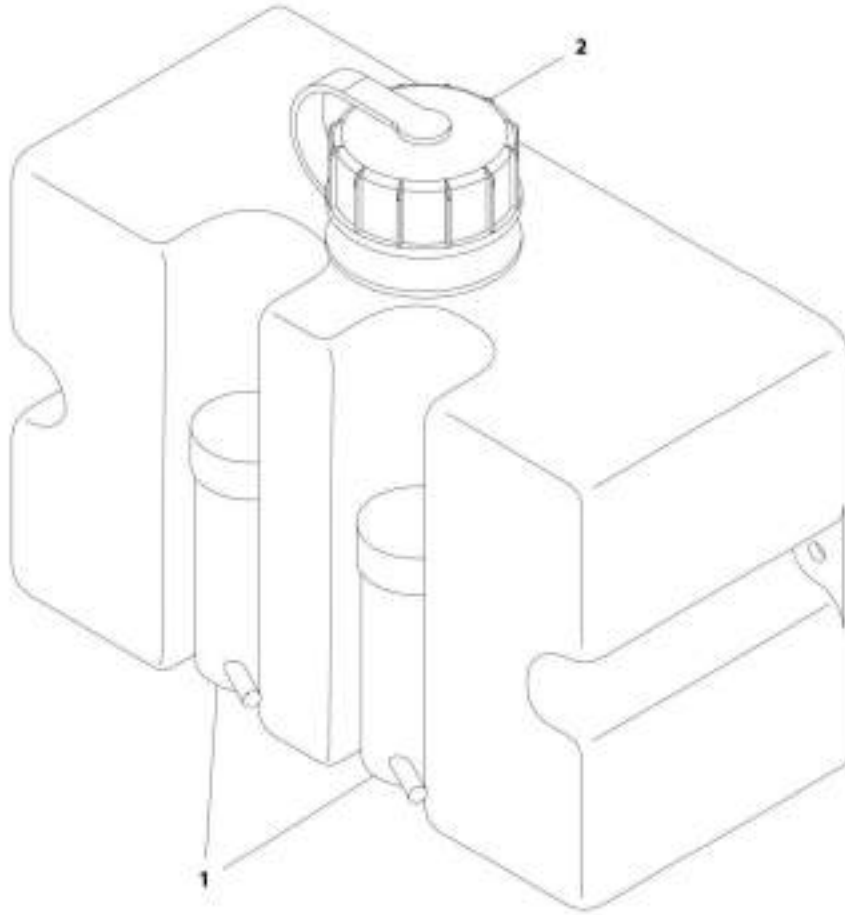


FIGURE 6-20. WASHER TANK INSTALLATION

ITEM	PART NUMBER	QTY	DESCRIPTION	REV
	1001162789	Ref	Washer Tank Installation	L
3	1001201331	4	Valve, Check	
4	4811700	6	Washer, M6	
5	471678	2	Strap, Tie	
6	1001008742	1	Coupling, Tee	
7	1001090343	1	Connector	
8	1001165269	1	Bottle, Washer	
9	1001165270	1	Hose, Washer Filler	
10	1001165351	2	Hose	
11	1001165407	1	Hose	
12	1001165416	1	Hose	
14	1001165455	2	Hose	
15	1001165458	16	Hose	
16	0760512	2	Bolt M5X25	
17	0760608	4	Bolt, M6X16	
18	1001178123	2	Hose	
19	1001171756	1	Bracket	

**SECTION 6 - CAB**

**FIGURE 6-21. WASHER BOTTLE**



ART\_100193269-8

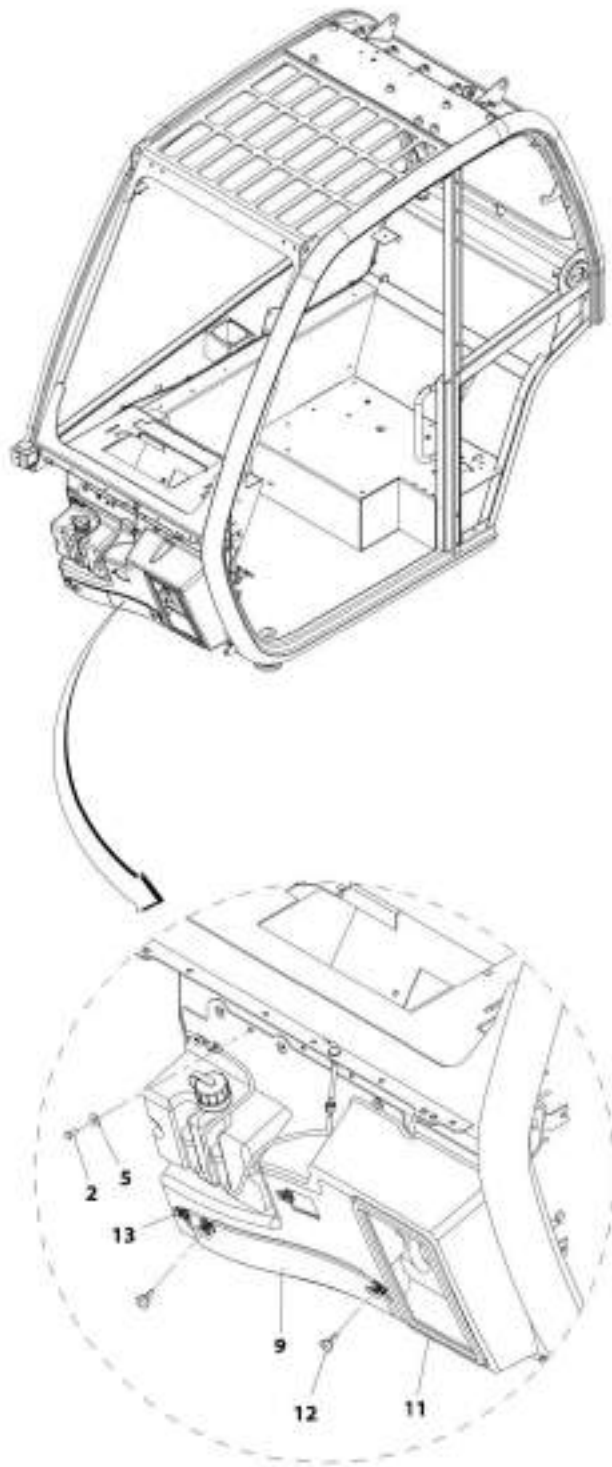


**FIGURE 6-21. WASHER BOTTLE**

<b>ITEM</b>	<b>PART NUMBER</b>	<b>QTY</b>	<b>DESCRIPTION</b>	<b>REV</b>
	1001165269	Ref	Washer Bottle	B
1	1001165327	2	Motor, Washer	
2	1001165273	1	Cap, Washer	

# SECTION 6 - CAB

## FIGURE 6-22. FRONT COVER INSTALLATION



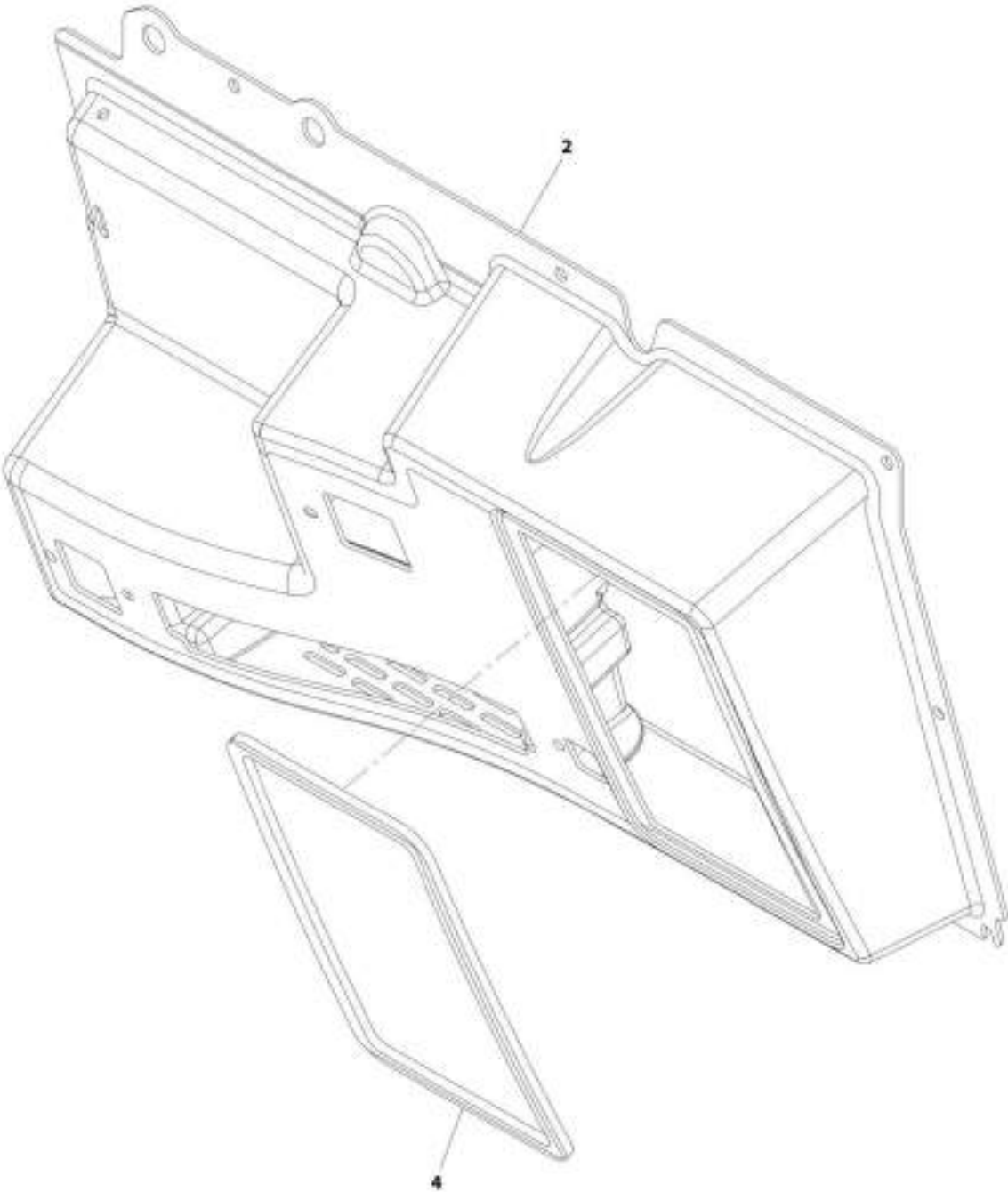
ART\_100170M6-G

FIGURE 6-22. FRONT COVER INSTALLATION

ITEM	PART NUMBER	QTY	DESCRIPTION	REV
	1001170366	Ref	Front Cover Installation	G
2	0760608	7	Bolt, M6X16	
5	4811702	7	Washer, M6	
9	1001175471	1	Panel, Filter Tray (See Separate Breakdown in this Section)	
11	1001176121	1	Cover, Front Duct (See Separate Breakdown in this Section)	
12	2080092	2	Thumb Screw, M6X16	
13	8305919	4	Nut, M6	

**SECTION 6 - CAB**

**FIGURE 6-23. FRONT DUCT COVER**



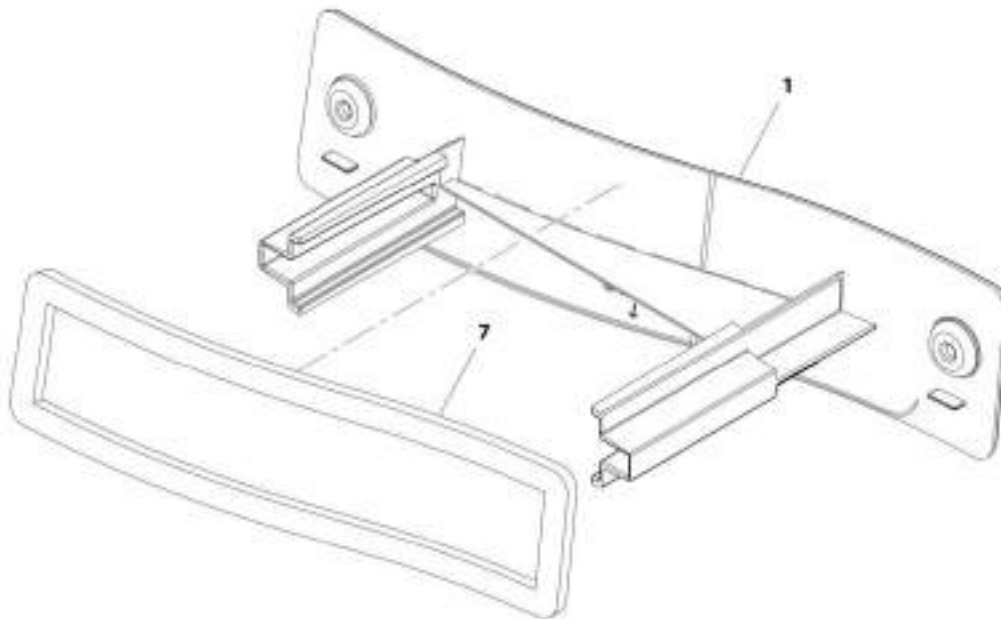
ART\_3001176121-G

FIGURE 6-23. FRONT DUCT COVER

ITEM	PART NUMBER	QTY	DESCRIPTION	REV
	1001176121	Ref	Font Duct Cover	G
2	1001170326	1	Cover, Front	
4	1001175470	1	Seal, Front Cab Panel	

SECTION 6 - CAB

FIGURE 6-24. FILTER TRAY PANEL



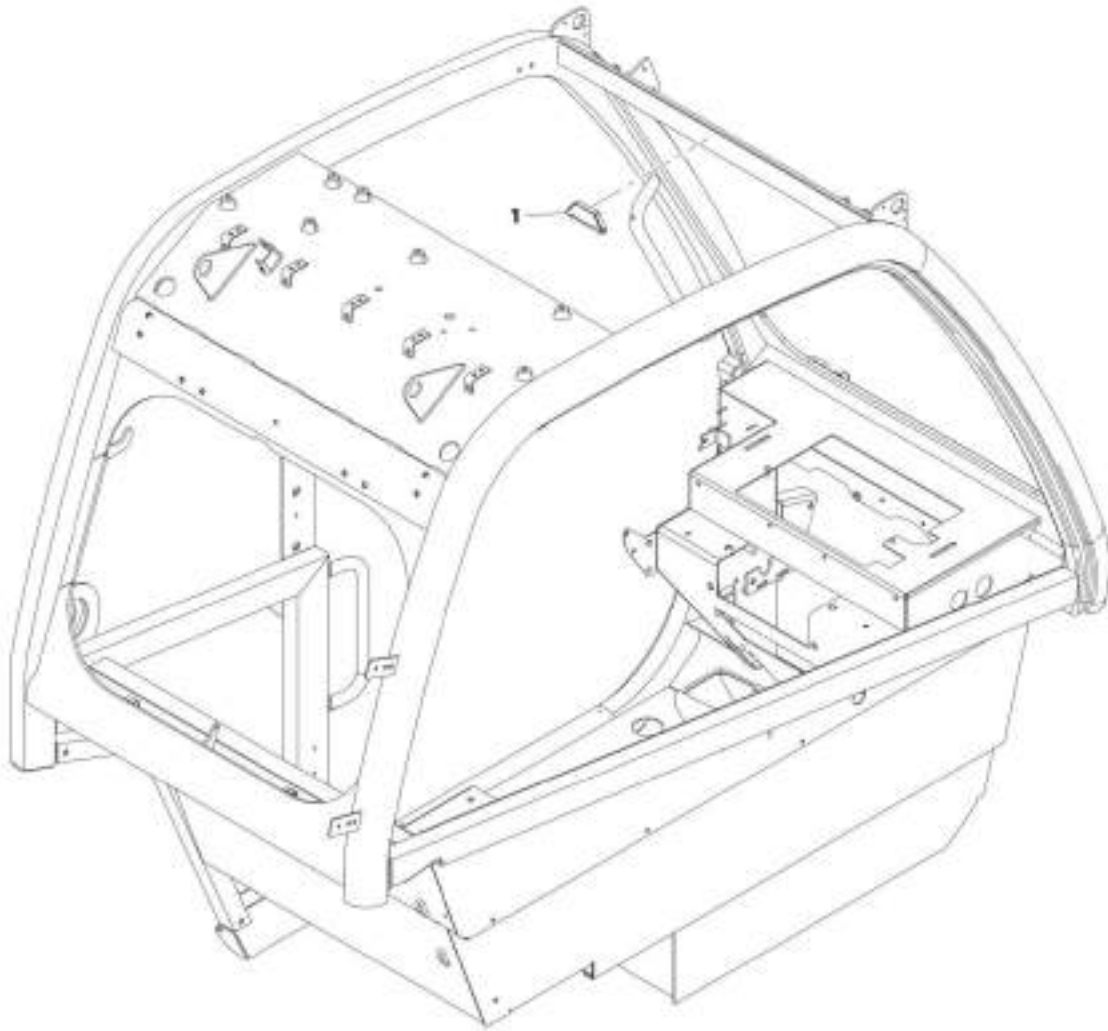
AWT\_1001175471-D

FIGURE 6-24. FILTER TRAY PANEL

ITEM	PART NUMBER	QTY	DESCRIPTION	REV
	1001175471	Ref	Filter Tray Panel	D
1	1001170993	1	Panel, Front Inlet	
7	1001171767	1	Cab, Front Panel Seal	

## SECTION 6 - CAB

FIGURE 6-25. LEVEL INDICATOR INSTALLATION



ART\_100172401-C

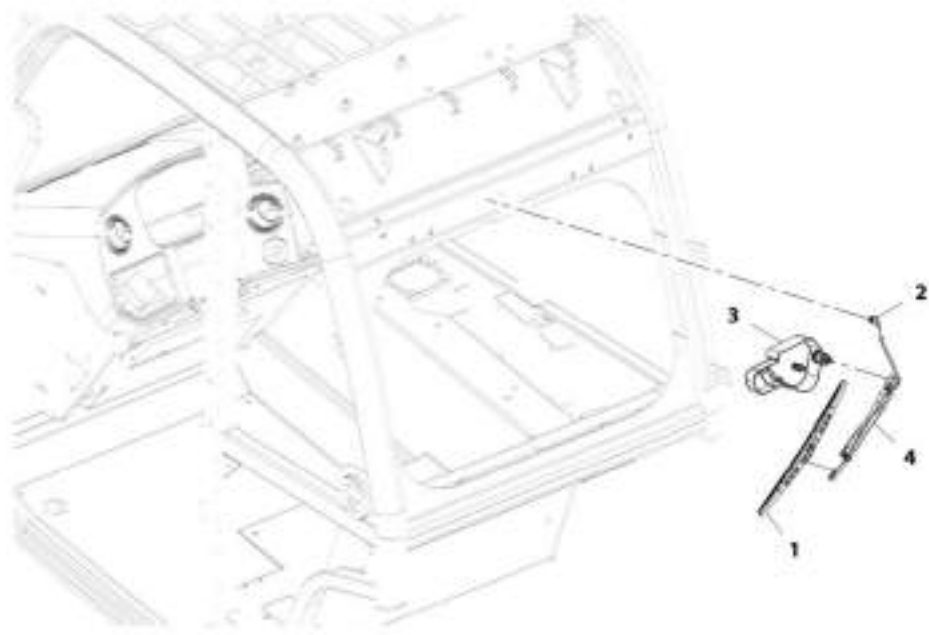


**FIGURE 6-25. LEVEL INDICATOR INSTALLATION**

ITEM	PART NUMBER	QTY	DESCRIPTION	REV
1	1001172401 8466306	Ref 1	Level Indicator Installation Gauge, Tilt Angle	C

# SECTION 6 - CAB

## FIGURE 6-26. REAR WIPER INSTALLATION



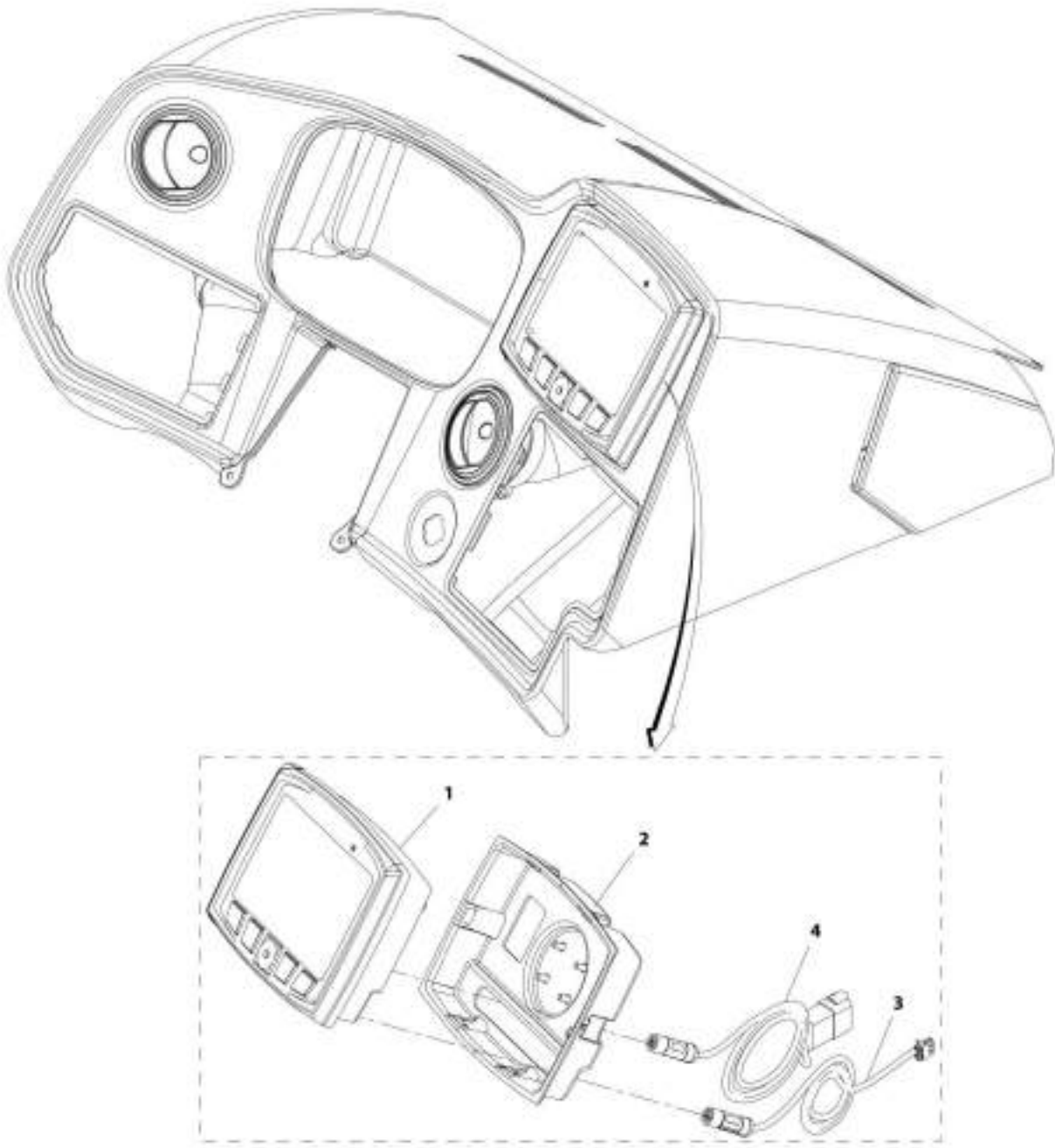
ART\_100120320-A

FIGURE 6-26. REAR WIPER INSTALLATION

ITEM	PART NUMBER	QTY	DESCRIPTION	REV
	1001220329	Ref	Rear Wiper Installation	A
1	4807718	1	WIPER BLADE,OSLV ITALIA	
2	1001090343	1	CONNECTOR	
3	1001139552	1	MOTOR,WIPER,REAR WINDOW	
4	1001141312	1	BLADE,ARM,REAR WINDOW	

## SECTION 6 - CAB

FIGURE 6-27. MULTIFUNCTION DISPLAY INSTALLATION



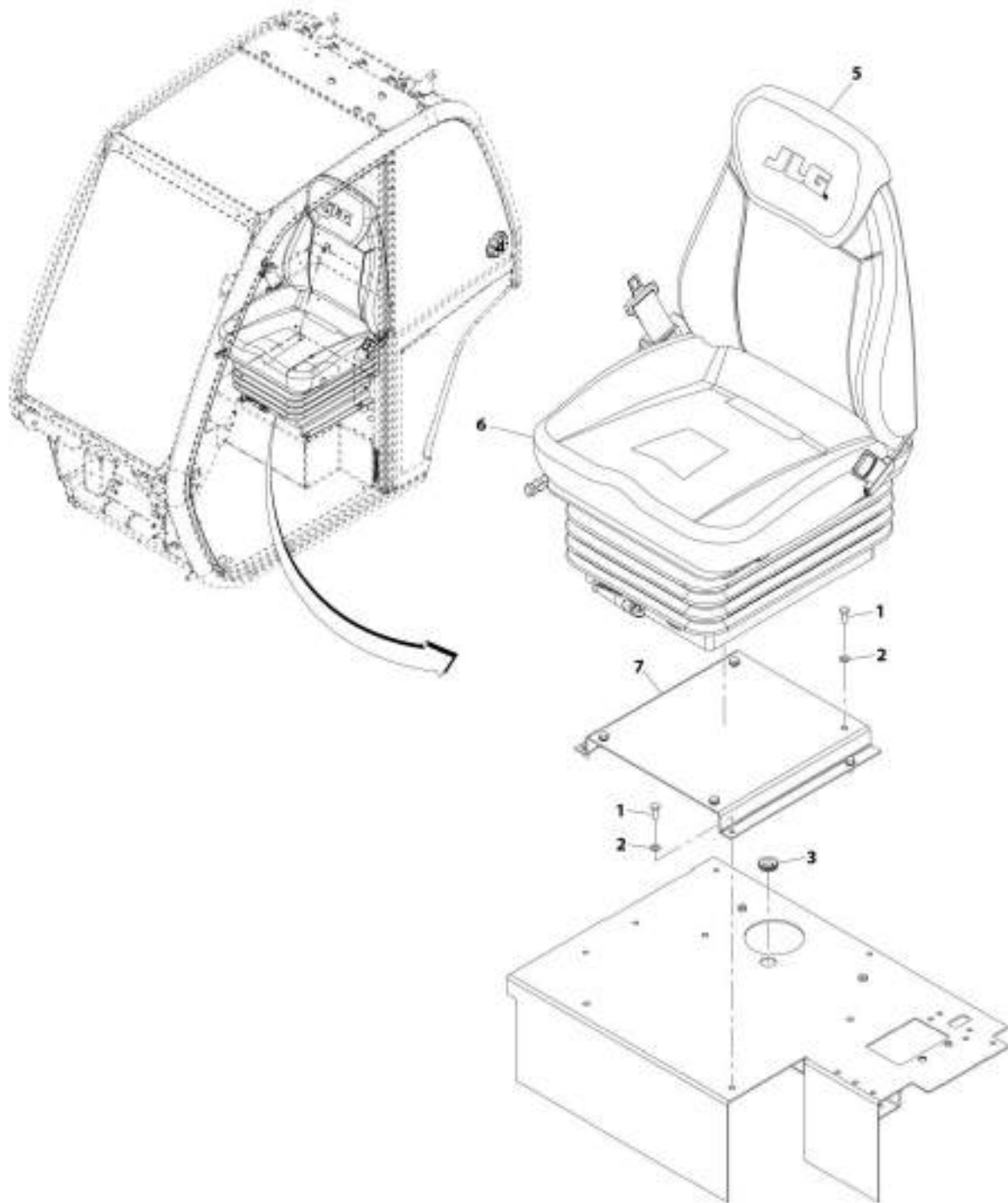
APP\_1001176338-0

FIGURE 6-27. MULTIFUNCTION DISPLAY INSTALLATION

ITEM	PART NUMBER	QTY	DESCRIPTION	REV
	1001176338	Ref	Multifunction Display Installation	B
1	1001211357	1	Display	
2	1001178783	1	Bezel	
3	1001180682	1	Cable	
4	1001180683	1	Cable, Video	

# SECTION 6 - CAB

## FIGURE 6-28. SEAT INSTALLATION (CLOTH)



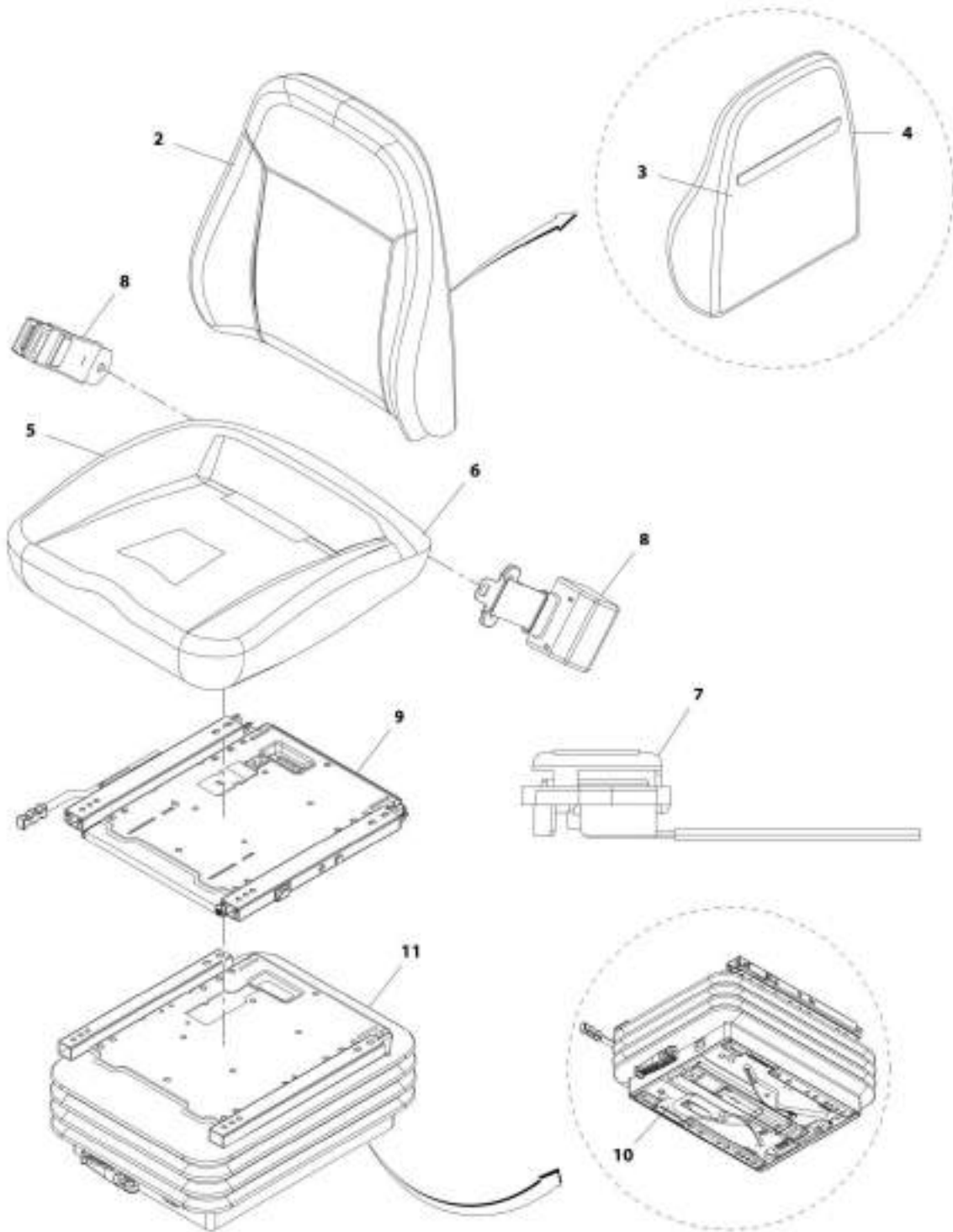
ART\_100138601-D

FIGURE 6-28. SEAT INSTALLATION (CLOTH)

ITEM	PART NUMBER	QTY	DESCRIPTION	REV
	1001158601	Ref	Seat Installation (Cloth)	D
1	0760810	8	Bolt, M8X20	
2	4811900	8	Washer, M8	
3	1001216974	1	Grommet	
5	1001119467	1	Headrest, Cloth	
6	1001150294	1	Assembly, Seat (See Separate Breakdown in this Section)	
7	1001158738C	1	Plinth, Seat	

# SECTION 6 - CAB

## FIGURE 6-29. SEAT ASSEMBLY



ART\_1001190294-E

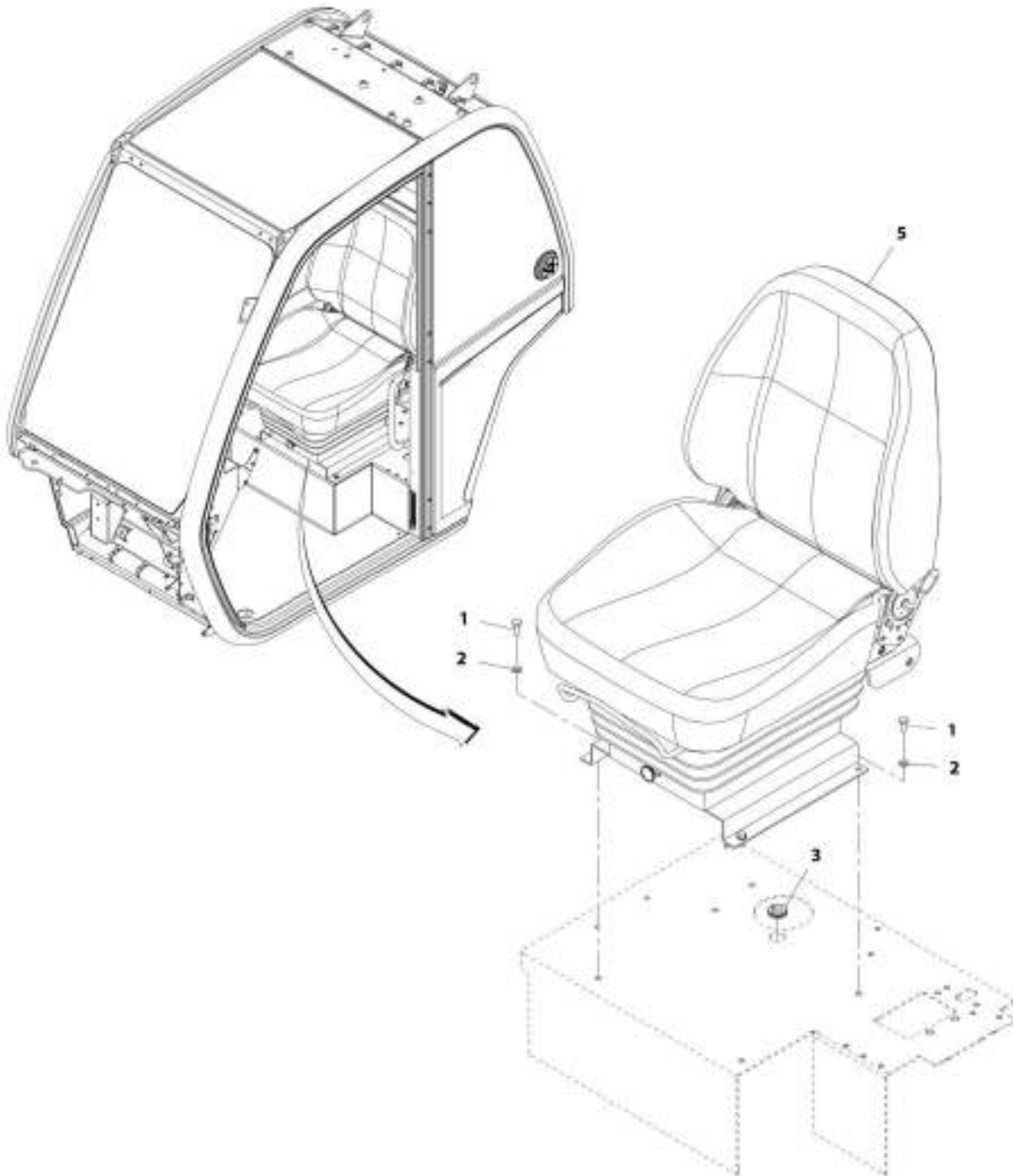


FIGURE 6-29. SEAT ASSEMBLY

ITEM	PART NUMBER	QTY	DESCRIPTION	REV
	1001150294	1	Seat Assembly	E
2	70025489	1	Fabric, Upper Seat	
3	70025490	1	Cover, Back	
4	70025483	1	Foam, Back	
5	70025491	1	Cover, Seat	
6	70025485	1	Foam, Seat	
7	70025486	1	Switch, Contact	
8	7029767	1	Belt, Seat	
9	70021252	1	Rail, Slide	
10	70021251	1	Unit, Suspension	
11	70022034	1	Cover, Rubber	

## SECTION 6 - CAB

FIGURE 6-30. SEAT INSTALLATION (AIR SUSPENSION - STANDARD)



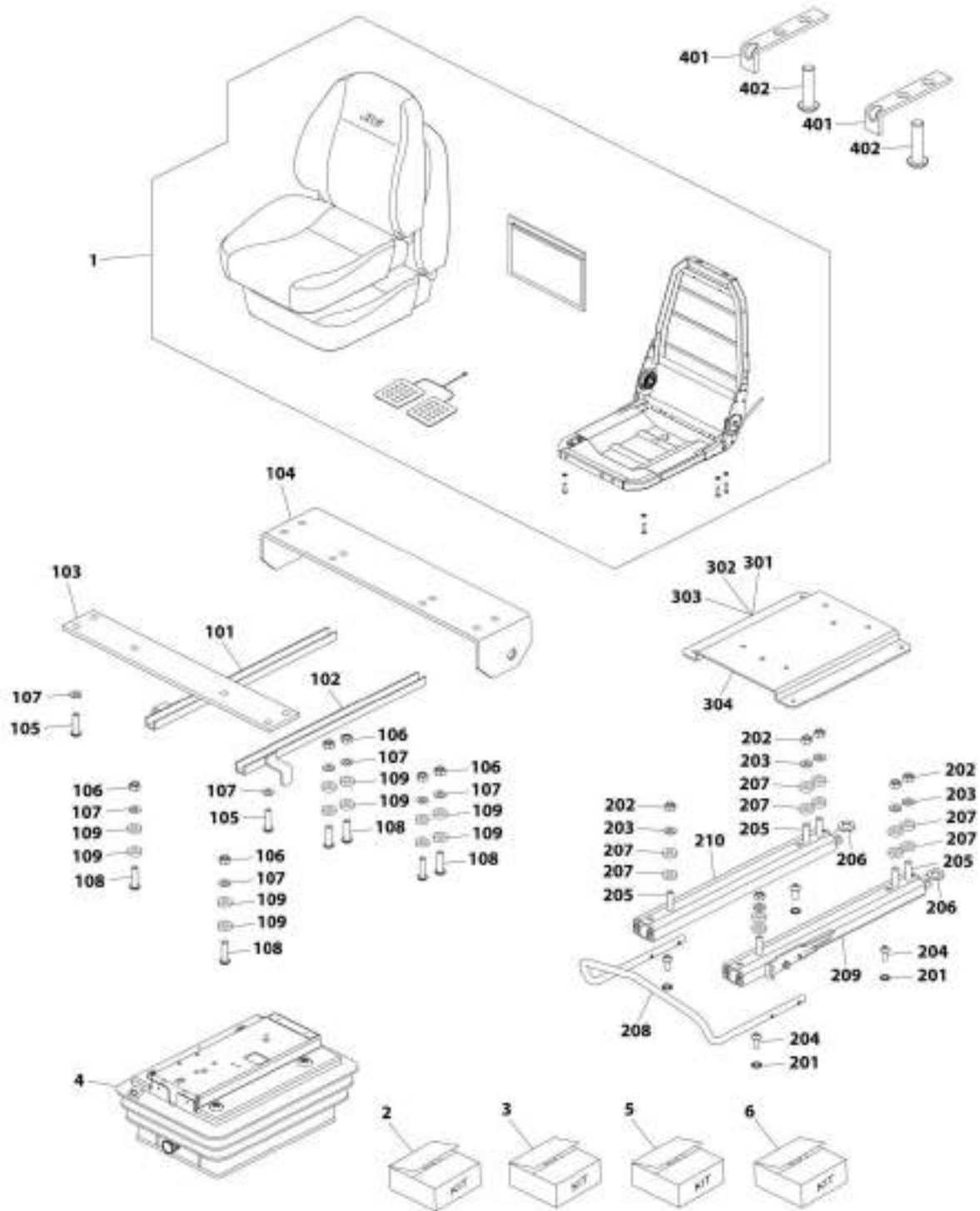
ART\_100118596-D

FIGURE 6-30. SEAT INSTALLATION (AIR SUSPENSION - STANDARD)

ITEM	PART NUMBER	QTY	DESCRIPTION	REV
	1001158596	Ref	Seat Installation (Standard)	D
1	0760810	4	Bolt, M8X20	
2	4811900	4	Washer, M8	
3	1001216974	1	Grommet	
5	1001165573	1	Assembly, Seat (See Separate Breakdown in this Section)	

# SECTION 6 - CAB

## FIGURE 6-31. SEAT ASSEMBLY (AIR SUSPENSION - STANDARD)



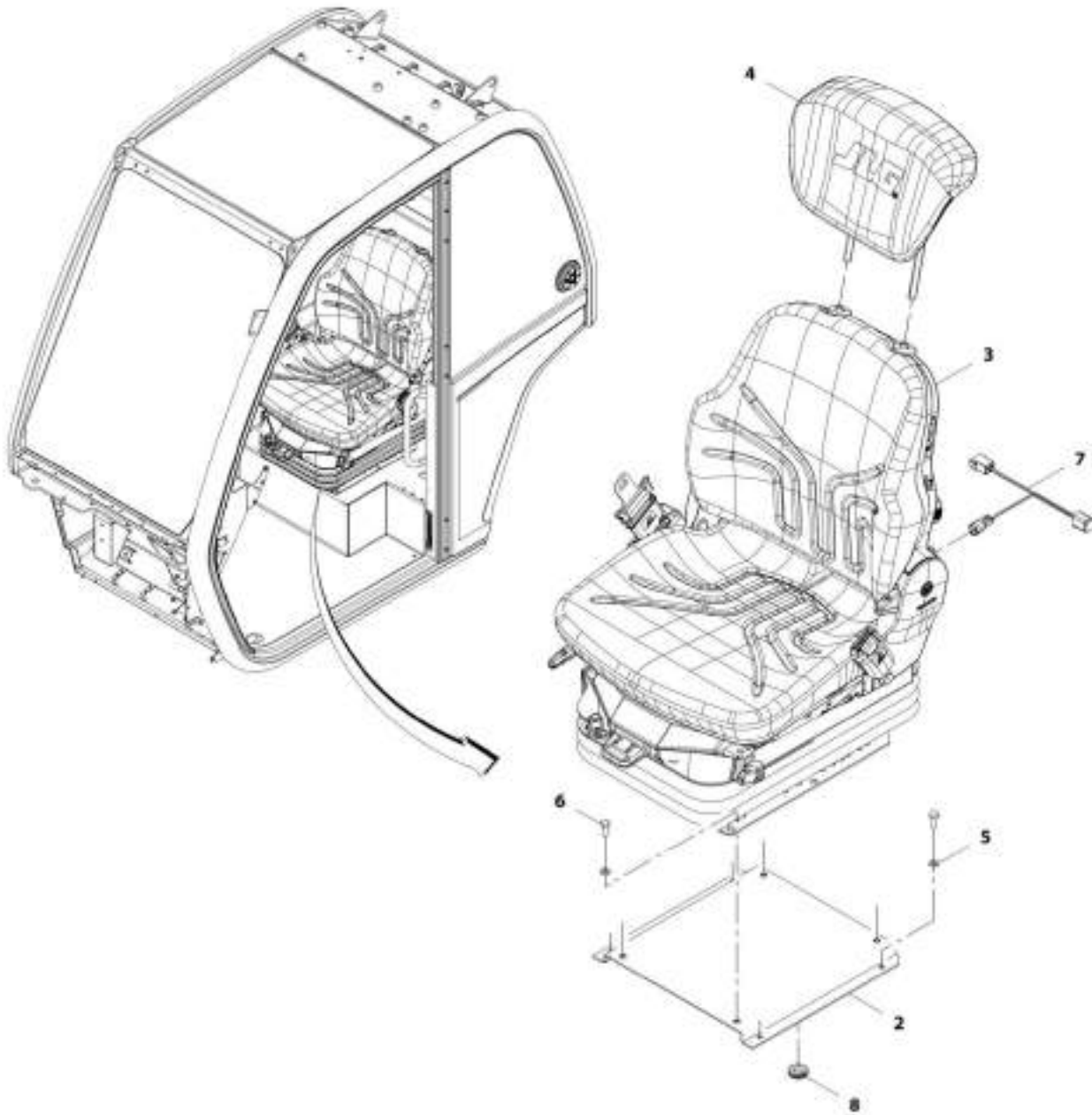
ART\_1001185575-C

FIGURE 6-31. SEAT ASSEMBLY (AIR SUSPENSION - STANDARD)

ITEM	PART NUMBER	QTY	DESCRIPTION	REV
	1001165573	1	Seat Assembly	C
1	70027392	1	Assembly, Upper Seat (See Separate Breakdown in this Section)	
2	70021317	1	Kit, Cross Strap (includes items 101 thru 109)	
3	70021318	1	Kit, Fore and Aft Adjustment (includes items 201 thru 210)	
4	70021319	1	Kit, Suspension (See Separate Breakdown in this Section)	
5	70027395	1	Kit, Adapter Plate (includes items 301 thru 304)	
6	70021322	1	Kit, Slide Rail Stop (includes items 401 & 402)	
101	N.S.S.	1	Channel	
102	N.S.S.	1	Channel	
103	N.S.S.	1	Plate, Strap	
104	N.S.S.	1	Plate, Strap	
105	N.S.S.	4	Bolt, M8X25	
106	N.S.S.	6	Nut, M8	
107	N.S.S.	10	Washer	
108	N.S.S.	6	Bolt, M8X30	
109	N.S.S.	12	Spacer	
201	N.S.S.	4	Washer, Spring M8	
202	N.S.S.	1	Nut, M8	
203	N.S.S.	1	Washer	
204	N.S.S.	1	Bolt, M8X16	
205	N.S.S.	1	Bolt, M8X30	
206	N.S.S.	1	Washer	
207	N.S.S.	1	Spacer	
208	N.S.S.	1	Handle	
209	N.S.S.	1	Rail, Slide	
210	N.S.S.	1	Rail, Slide	
301	N.S.S.	1	Bolt, M8X25	
302	N.S.S.	1	Bolt, M8X16	
303	N.S.S.	1	Washer	
304	N.S.S.	1	Plate, Adapter	
401	N.S.S.	1	Stop, Sliderrail	
402	N.S.S.	1	Bolt, M8X16	

# SECTION 6 - CAB

## FIGURE 6-32. SEAT INSTALLATION (AIR SUSPENSION - PREMIUM)



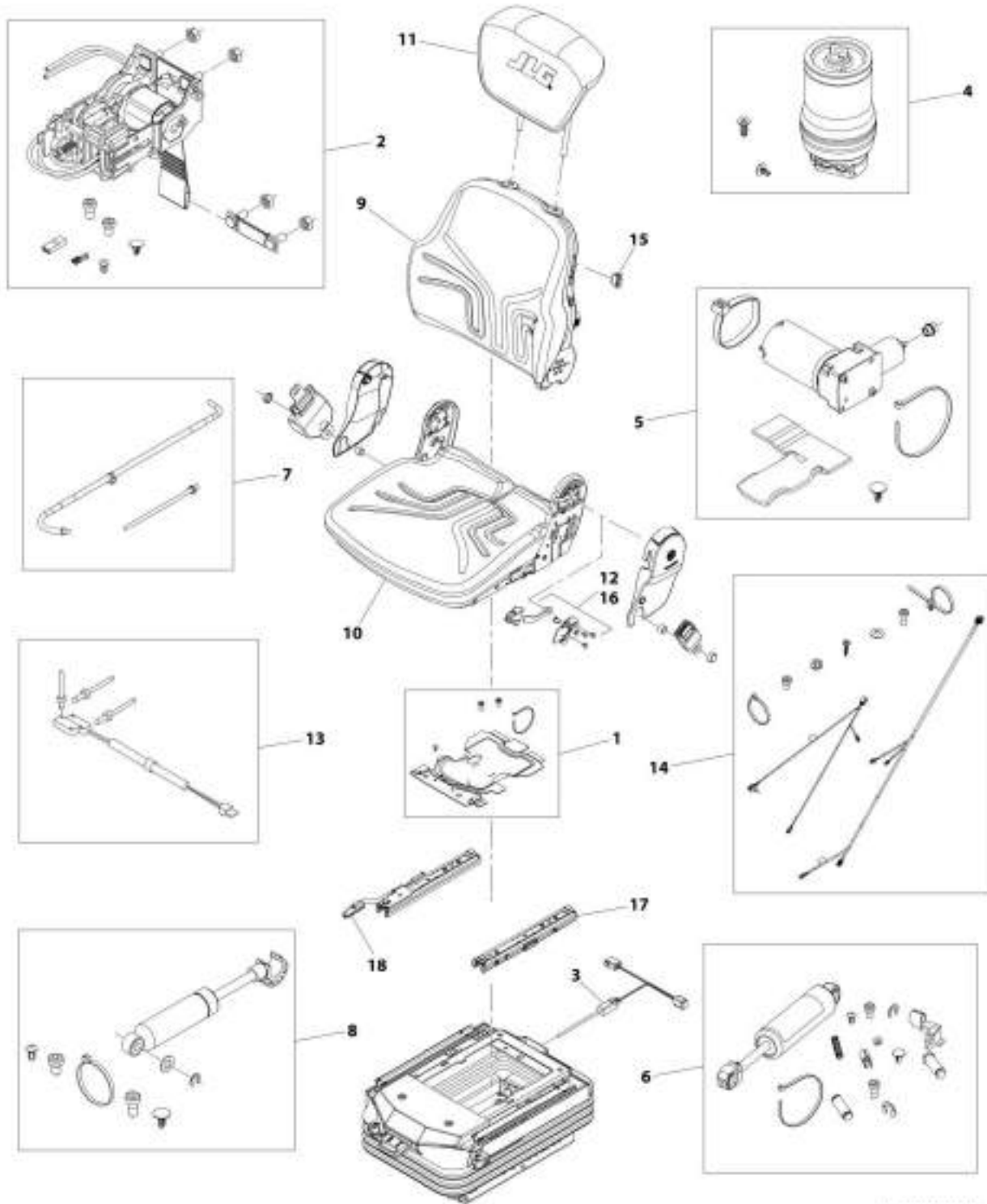
ART\_180110330-E

FIGURE 6-32. SEAT INSTALLATION (AIR SUSPENSION - PREMIUM)

ITEM	PART NUMBER	QTY	DESCRIPTION	REV
	1001182530	Ref	Seat Installation (Air Suspension - Premium)	E
2	1001158736C	1	Plinth, Seat	
3	1001169135	1	Assembly, Seat	
4	1001182529	1	Headrest	
5	4811900	8	Washer, M8	
6	0760810	8	Bolt, M8X20	
7	1001168531	1	Harness, Seat Adaptor (See Separate Breakdown in Electrical Section)	
8	1001216974	1	Grommet	

# SECTION 6 - CAB

## FIGURE 6-33. SEAT ASSEMBLY (AIR SUSPENSION - PREMIUM)



MIT\_3001164/135-B

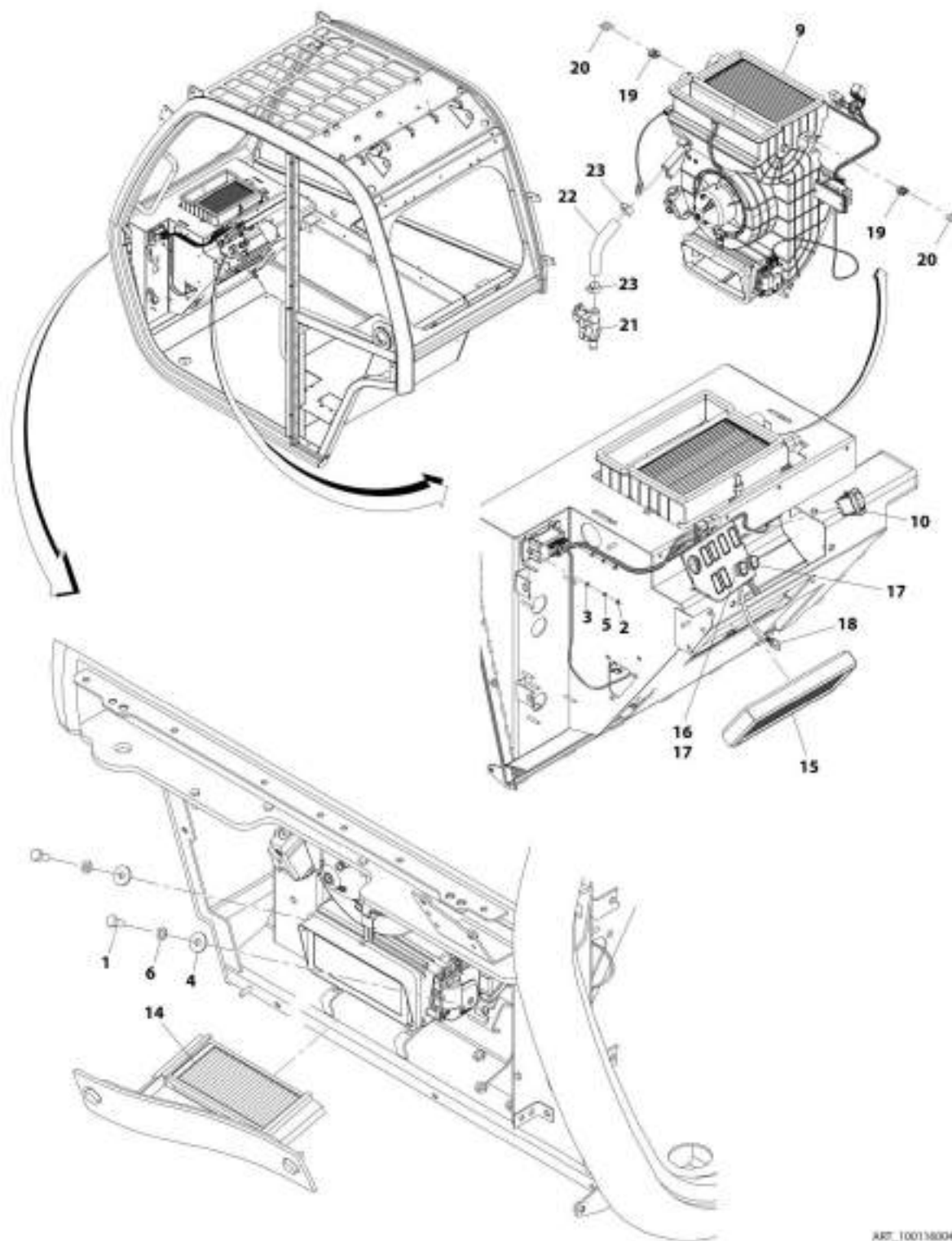


FIGURE 6-33. SEAT ASSEMBLY (AIR SUSPENSION - PREMIUM)

ITEM	PART NUMBER	QTY	DESCRIPTION	REV
	1001169135	Ref	Seat Assembly	B
1	70024856	1	Cover	
2	70023182	1	Control Level Kit	
3	70023186	1	Wiring Harness, Air/Safeswitch	
4	70023184	1	Air Spring Kit	
5	70024857	1	Compressor, 12V	
6	70023181	1	Shock Absorber Kit	
7	70024459	1	Air Tubes Kit	
8	70023189	2	Shock Absorber Kit	
9	70023179	1	Back Cushion Kit	
10	70024858	1	Seat Cushion Kit	
11	1001182529	1	Headrest, Cloth	
12	70024859	1	Backrest Actuator	
13	70028326	1	Switch	
14	70024861	1	Wiring Harness	
15	70024107	1	Switch, Heater	
16	7028621	1	Handle, Backrest Angle Adjust	
17	3986643	1	Adjust Slide Kit	
18	3986610	1	Handle	

# SECTION 6 - CAB

## FIGURE 6-34. HEATER INSTALLATION



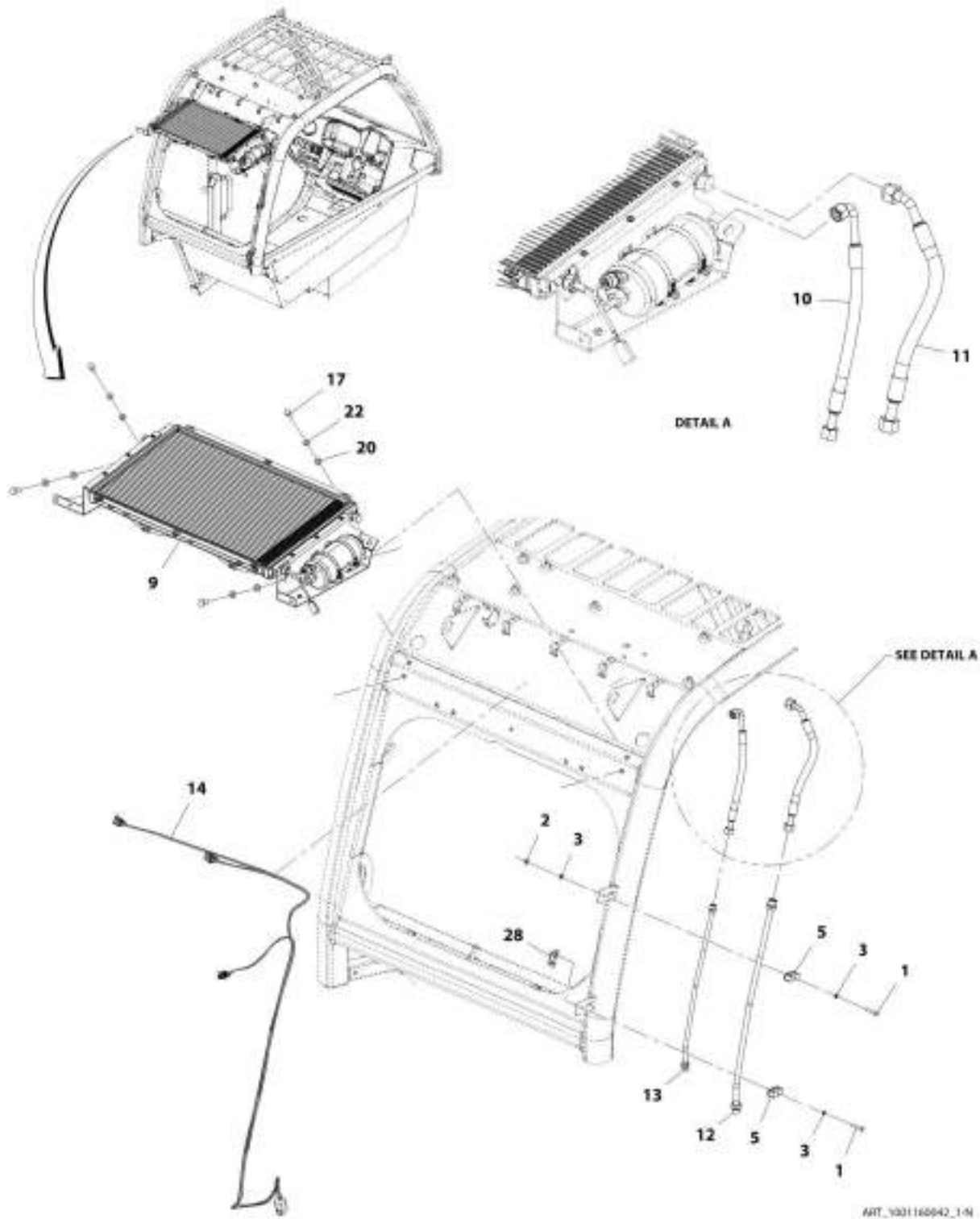
ART\_1001580043-E

FIGURE 6-34. HEATER INSTALLATION

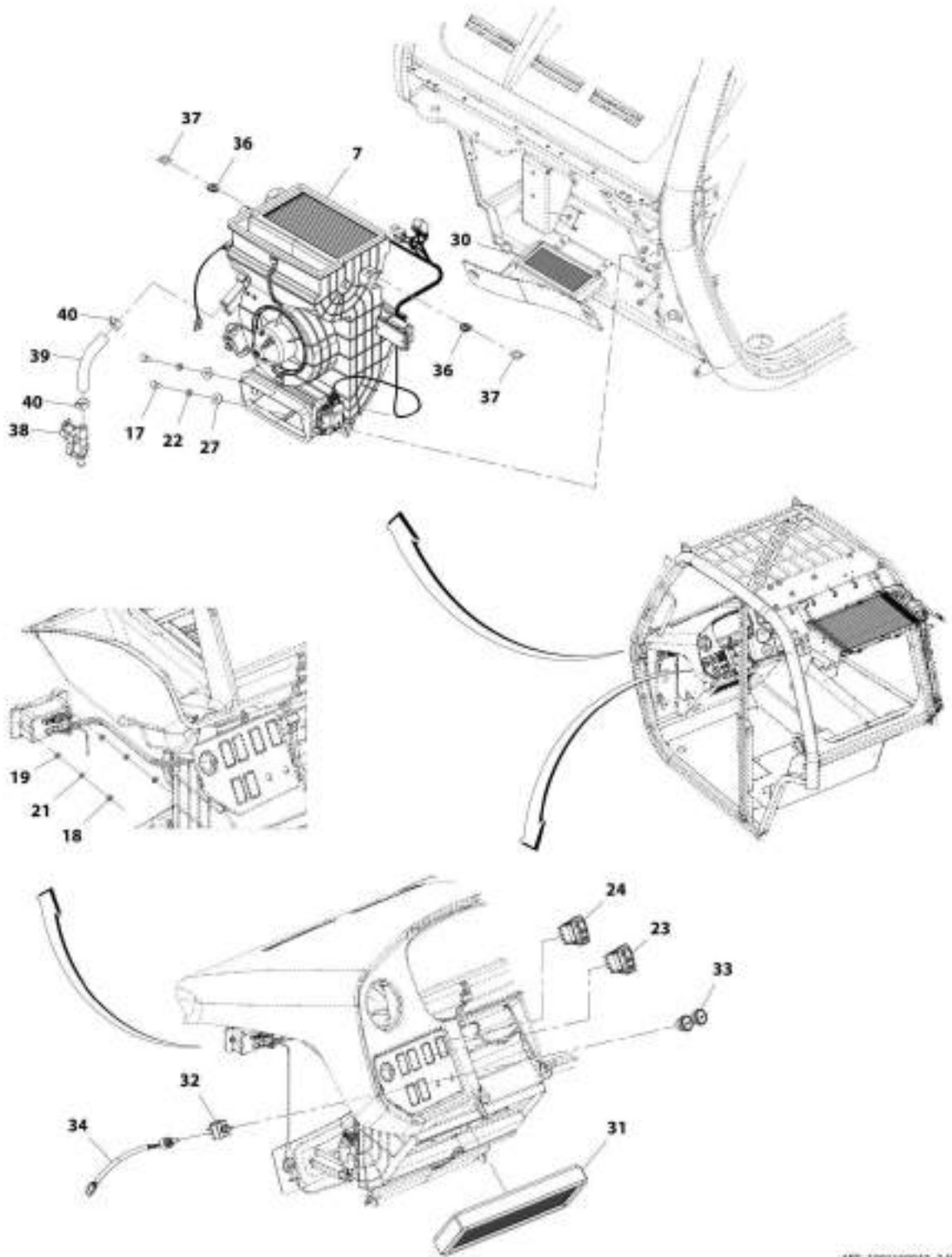
ITEM	PART NUMBER	QTY	DESCRIPTION	REV
	1001160043	Ref	Heater Installation	K
1	0760810	2	Bolt, M8X20	
2	3290401	2	Nut, M4X0.7	
3	4811400	2	Washer, M4	
4	4811902	2	Washer, M8	
5	4831400	2	Washer, Lock M4	
6	4831900	2	Washer, M8	
9	1001161858	1	Assembly, Heater (See Separate Breakdown in this Section)	
10	1001159925	1	Switch, HVAC Recycle	
14	1001218996	1	Filter, HVAC Air	
15	1001172553	1	Filter, HVAC Recirculation Air	
16	1001172547	1	Switch, HVAC Rotary 3 Speed	
17	1001172550	2	Knob, HVAC Control	
18	1001218529	1	Cable, HVAC	
19	1001188590	2	Grommet	
20	1001218542	2	Shim	
21	1001221059	1	Valve, Water	
22	1001221295	1	House	
23	8410009	2	Clamp	

# SECTION 6 - CAB

## FIGURE 6-35. HEATER AND A/C INSTALLATION (CAB PARTS)



# SECTION 6 - CAB



ART\_100190042\_2-R

## SECTION 6 - CAB

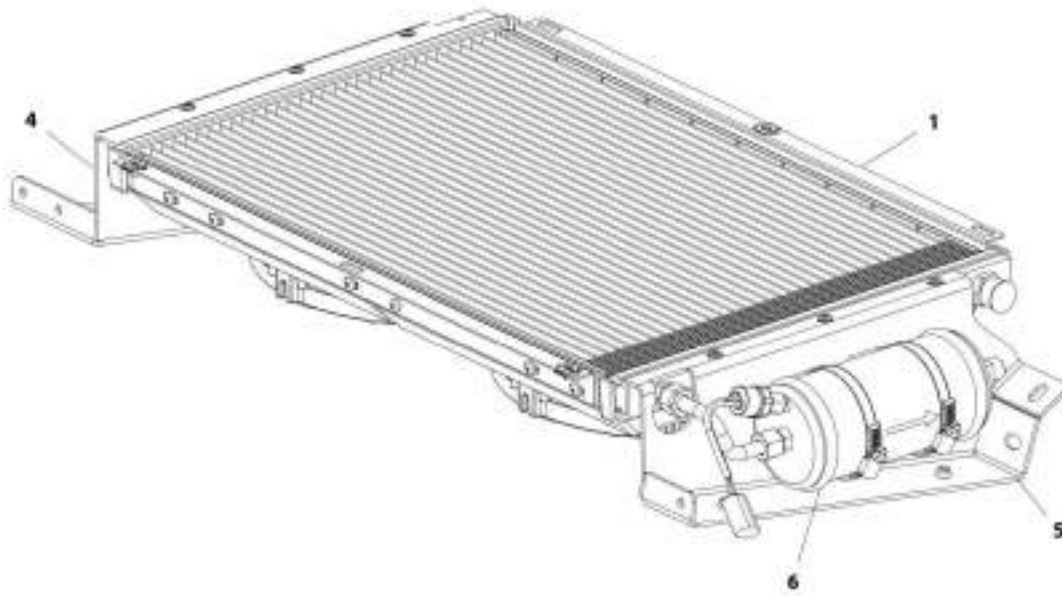
**FIGURE 6-35. HEATER AND A/C INSTALLATION (CAB PARTS)**

ITEM	PART NUMBER	QTY	DESCRIPTION	REV
	1001160042	Ref	Heater and A/C Installation (cab parts)	N
1	0700614	2	Bolt, M6X30	
2	3290601	1	Nut, M6X1	
3	4811700	3	Washer, M6	
5	1001145539	2	Support, Pipe	
7	1001188303	1	Assembly, Heater and A/C (See Separate Breakdown in Cab Section)	
9	1001162953	1	Assembly, Cab Condenser (See Separate Breakdown in Cab Section)	
10	1001168327	1	Hose	
11	1001168330	1	Hose	
12	1001168331	1	Tube	
13	1001168456	1	Tube	
14	1001169151	1	Harness, A/C Option (See Separate Breakdown in Electrical Section)	
17	0760810	6	Bolt, M8X20 GR8.8	
18	3290401	2	Nut, M4X0.7	
19	4811400	2	Washer, M4	
20	4811900	4	Washer, M8	
21	4831400	2	Washer, Lock M4	
22	4831900	6	Washer, Lock M8	
23	1001159925	1	Switch, HVAC Recycle	
24	1001160326	1	Switch, HVAC On/Off	
27	4811902	2	Washer, M8	
28	1001178170	1	Bracket	
30	1001218996	1	Filter, HVAC Fresh Air	
31	1001172553	1	Filter, HVAC Air Recirculation	
32	1001172547	1	Switch, HVAC Rotary 3 Speed	
33	1001172550	2	Knob, HVAC Control	
34	1001218529	1	Cable, HVAC	
35	1320022	1	Clamp	
36	1001188590	2	Grommet	
37	1001218542	2	Shim	
38	1001221059	1	Valve, Water	
39	1001221295	1	Hose	
40	8410009	2	Clamp	



# SECTION 6 - CAB

## FIGURE 6-36. CAB CONDENSER ASSEMBLY



ART\_3001162953-F

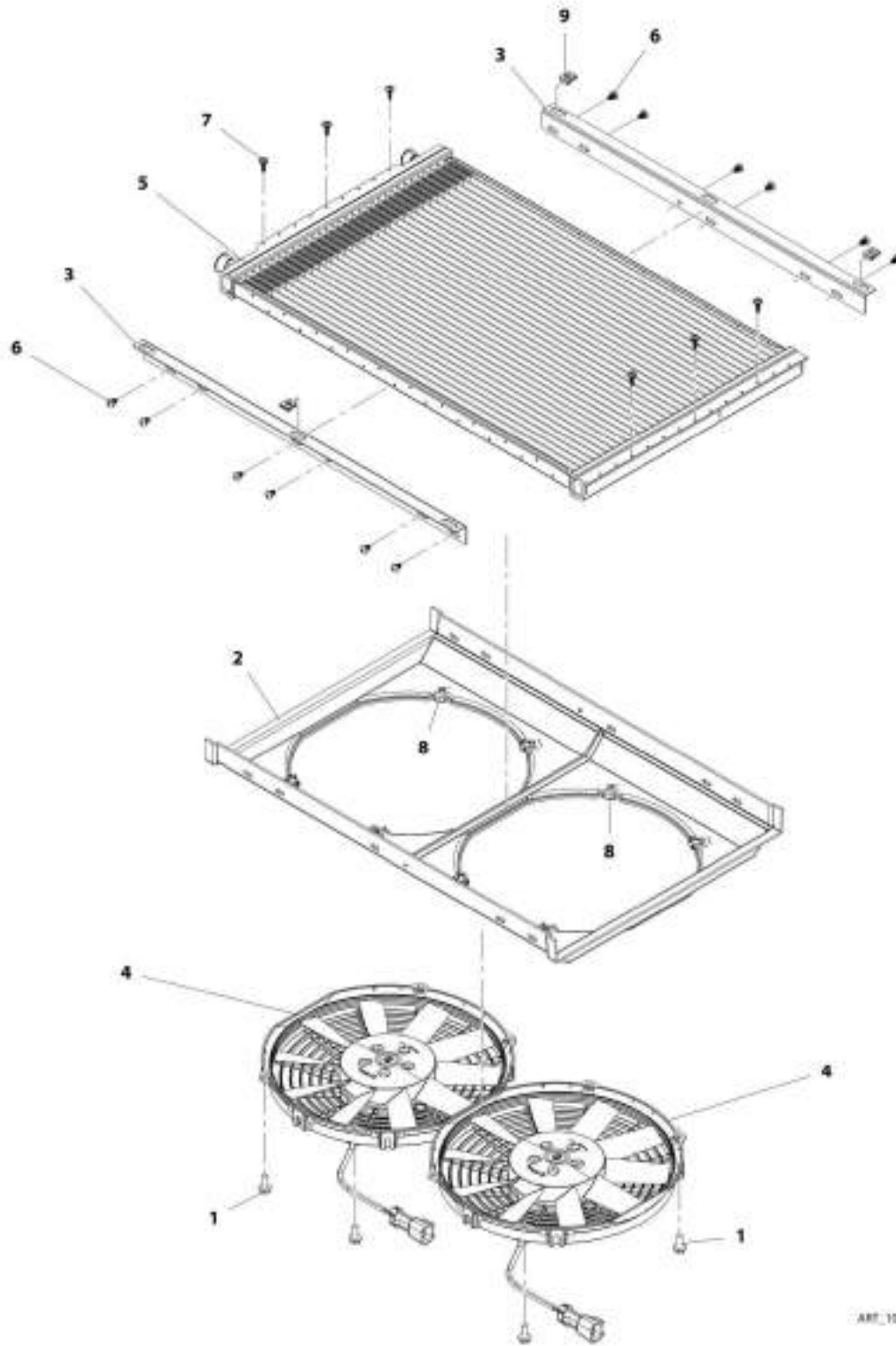


FIGURE 6-36. CAB CONDENSER ASSEMBLY

ITEM	PART NUMBER	QTY	DESCRIPTION	REV
	1001162953	Ref	Cab Condenser Assembly	F
1	1001167266	1	Condenser (See Separate Breakdown in this Section)	
4	1001179080	1	Bracket	
5	1001179081	1	Bracket	
6	1001179130	1	Drier, A/C Receiver (See Separate Breakdown in this Section)	

SECTION 6 - CAB

FIGURE 6-37. CONDENSER



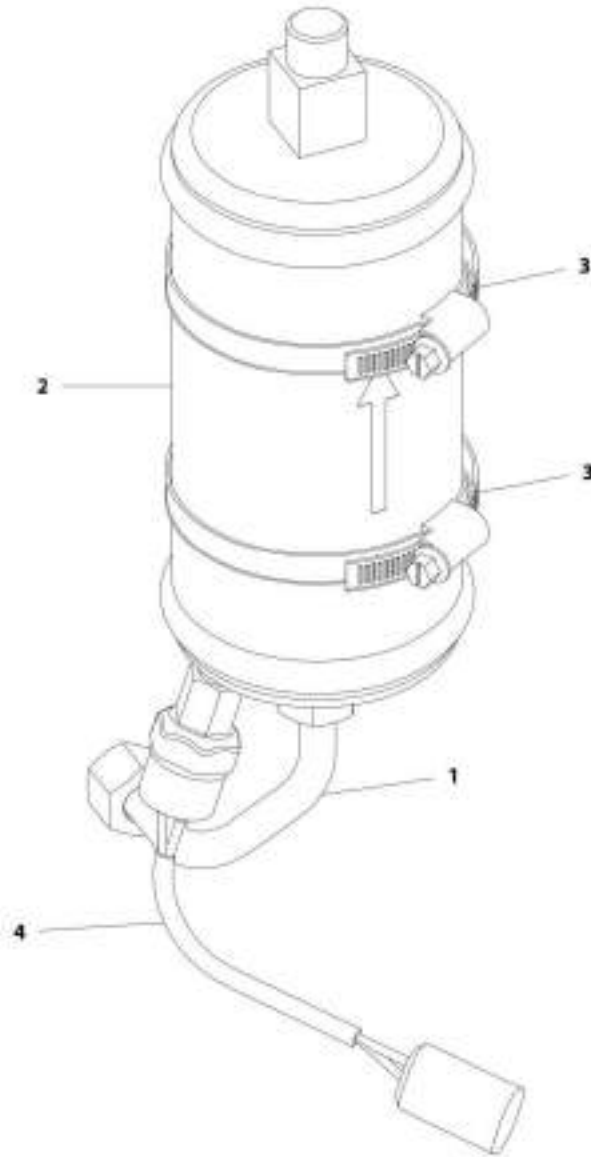
ART. 1001107290 C

FIGURE 6-37. CONDENSER

ITEM	PART NUMBER	QTY	DESCRIPTION	REV
	1001167266	Ref	Condenser	C
1	5250608	8	Bolt, M6X16	
2	1001195342	1	Bracket, Condenser Fan Mount	
3	1001195343	2	Support, Condenser	
4	1001195345	2	Fan, Condenser	
5	1001195346	1	Condenser	
6	1001195385	12	Screw, M3.9X9.5	
7	1001195386	6	Screw, M4.2X16	
8	1001195437	8	Clip, M6X1	
9	1001195438	3	Clip, M6X1	

SECTION 6 - CAB

FIGURE 6-38. A/C RECEIVER DRIER



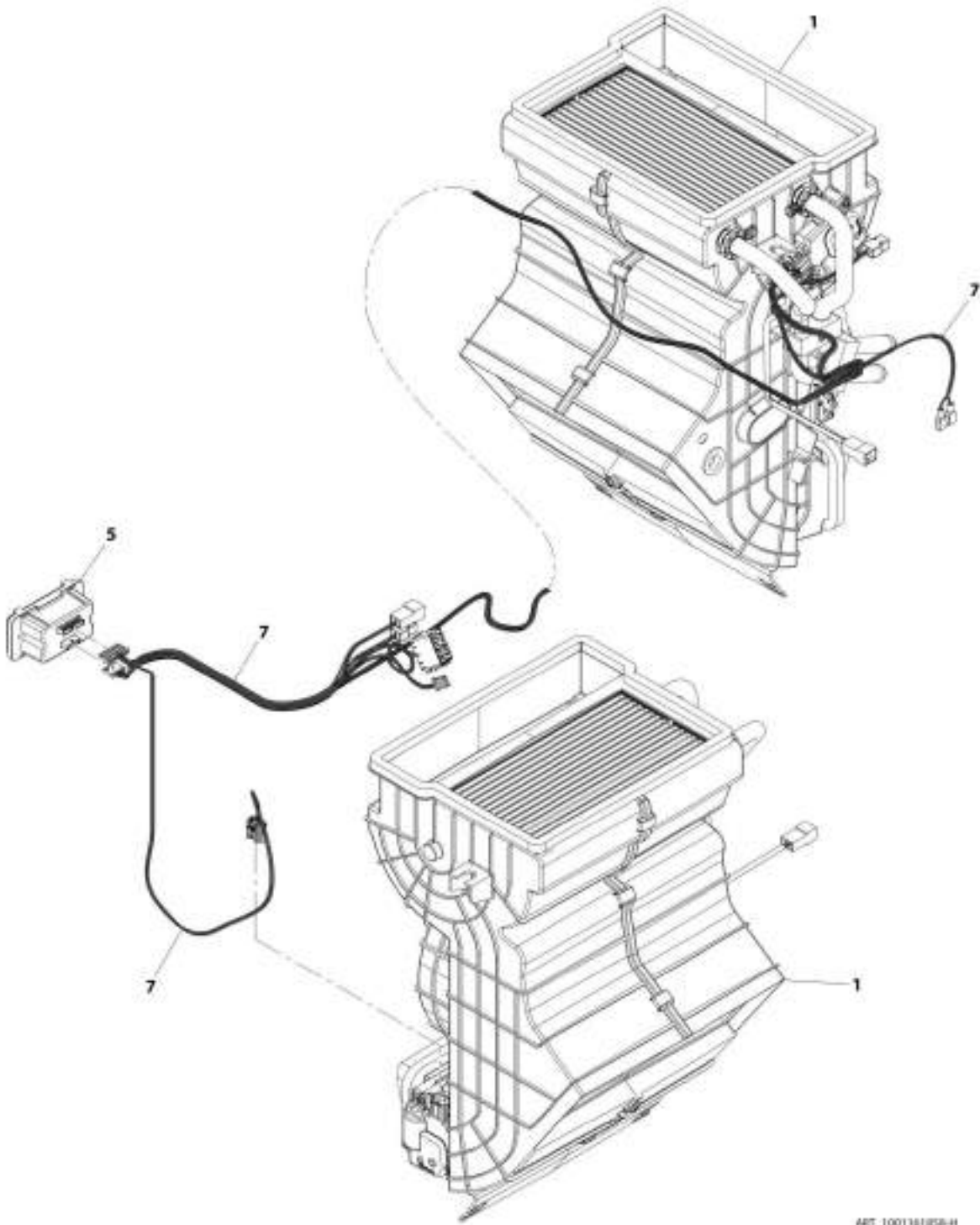
ART\_1001/P1130-B

FIGURE 6-38. A/C RECEIVER DRIER

ITEM	PART NUMBER	QTY	DESCRIPTION	REV
	1001179130	Ref	A/C Receiver Drier	B
1	1001184403	1	Tube, Heater	
2	1001184404	1	Receiver, Heater Drier	
3	1001184405	2	Clamp	
4	1001184406	1	Connector, Heater	

**SECTION 6 - CAB**

**FIGURE 6-39. HEATER ASSEMBLY**



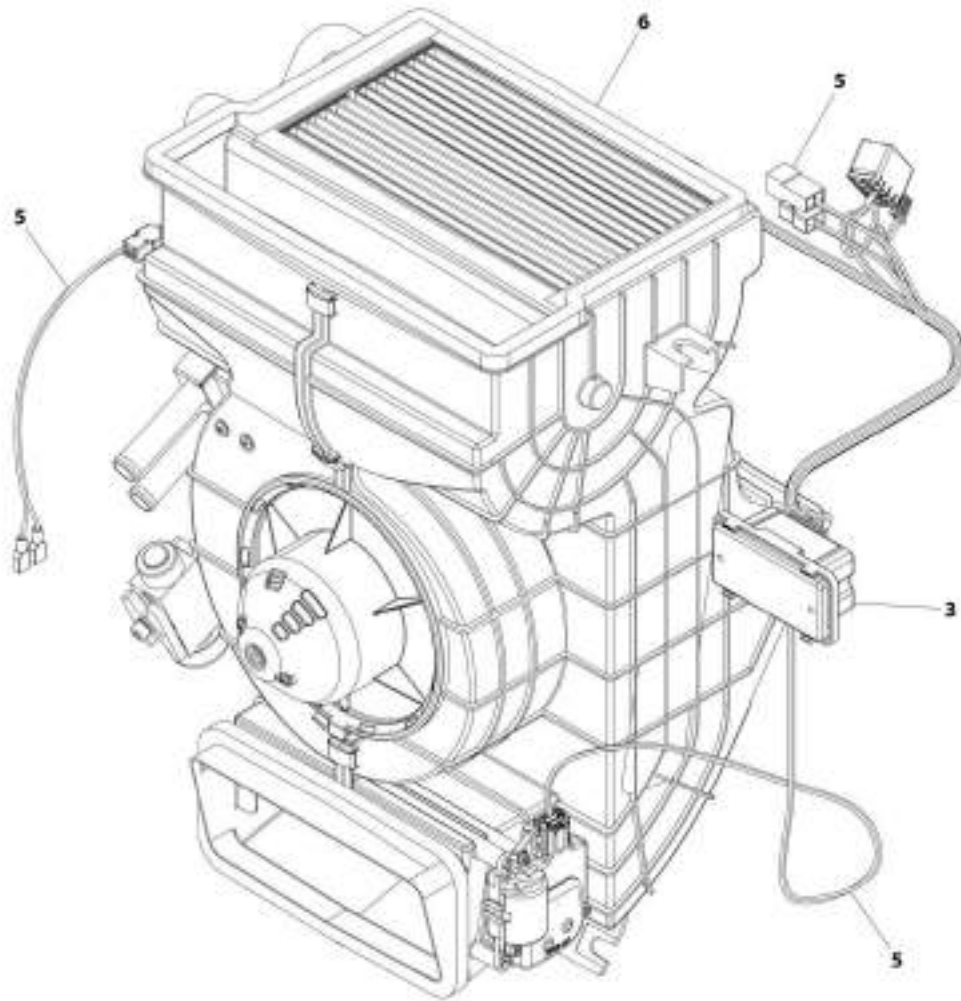
ART\_1001181258-H

FIGURE 6-39. HEATER ASSEMBLY

ITEM	PART NUMBER	QTY	DESCRIPTION	REV
1	1001161858	Ref	Heater Assembly	H
	1001152908	NLA	Heater, Cab (no longer available, use 1001221052), (For Service, See Separate Breakdown in this Section) <b>(Prior to SN 0160083830)</b>	
5	1001221052	1	Heater, Cab (See Separate Breakdown in this Section) <b>(SN 0160083830 to Present)</b>	
5	1001172551	1	Actuator, HVAC Cab (See Separate Breakdown in this Section)	
7	1001173571	1	Harness, HVAC Actuator <b>(Prior to SN 0160083830)</b>	
7	1001221056	1	Harness, HVAC Actuator <b>(SN 0160083830 to Present)</b>	

# SECTION 6 - CAB

## FIGURE 6-40. HEATER AND A/C ASSEMBLY



ART\_1001188303-0

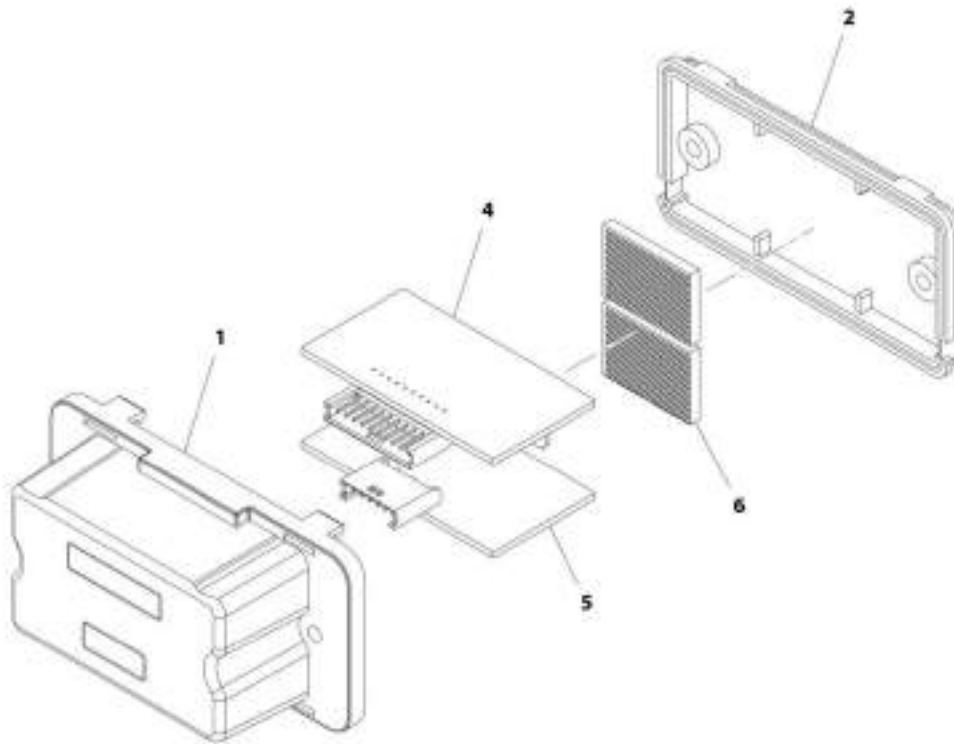


FIGURE 6-40. HEATER AND A/C ASSEMBLY

ITEM	PART NUMBER	QTY	DESCRIPTION	REV
	1001188303	Ref	Heater and A/C Assembly	F
3	1001172551	1	Actuator, HVAC Cab (See Separate Breakdown in this Section)	
5	1001221056	1	Harness, HVAC Actuator	
6	1001221054	1	Heater and A/C (See Separate Breakdown in this Section)	

# SECTION 6 - CAB

## FIGURE 6-41. HVAC CAB ACTUATOR



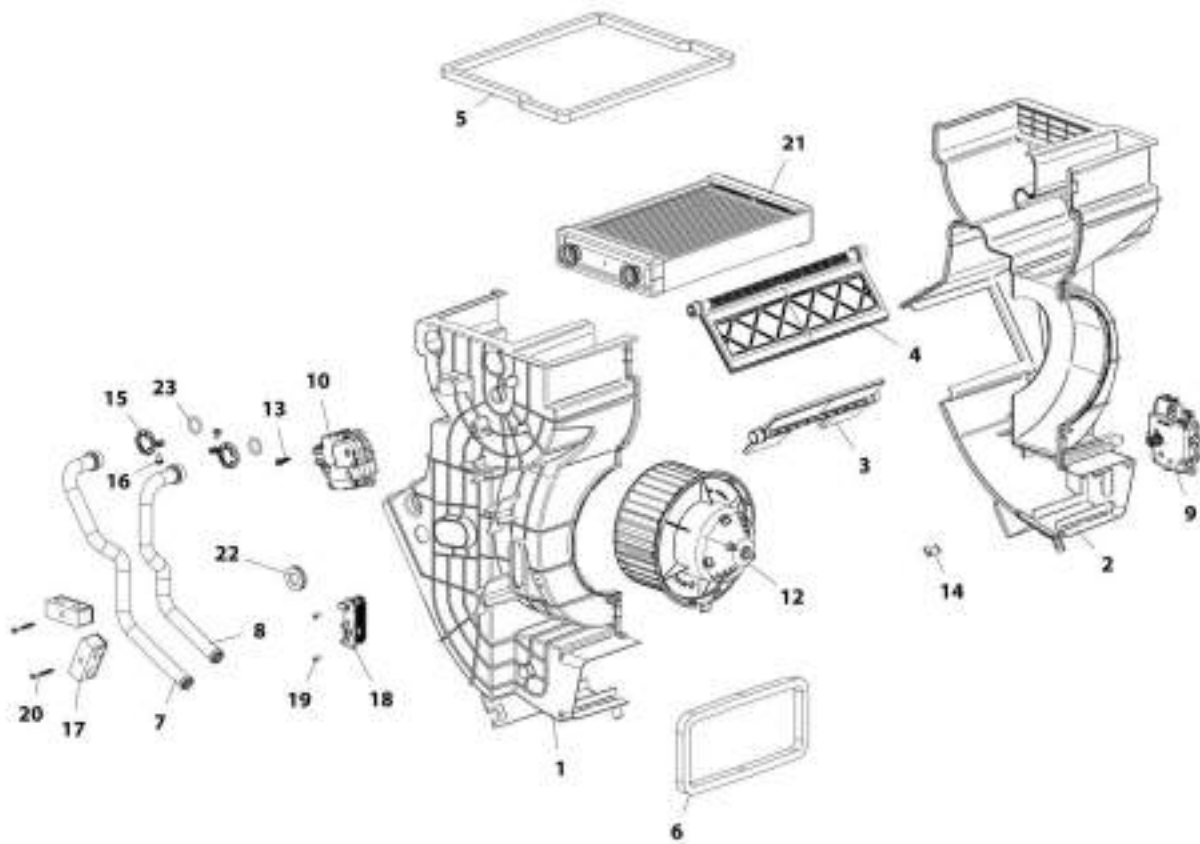
ART\_1081173551-C

FIGURE 6-41. HVAC CAB ACTUATOR

ITEM	PART NUMBER	QTY	DESCRIPTION	REV
	1001172551	Ref	HVAC Cab Actuator	C
1	1001184306	1	Box, Heater Controller	
2	1001184307	1	Base, Heater Controller Box	
4	1001184309	1	Board, Heater Control	
5	1001184310	1	Board, Heater Control	
6	1001189980	2	Insulator, Heater Controller Box	

# SECTION 6 - CAB

## FIGURE 6-42. HEATER



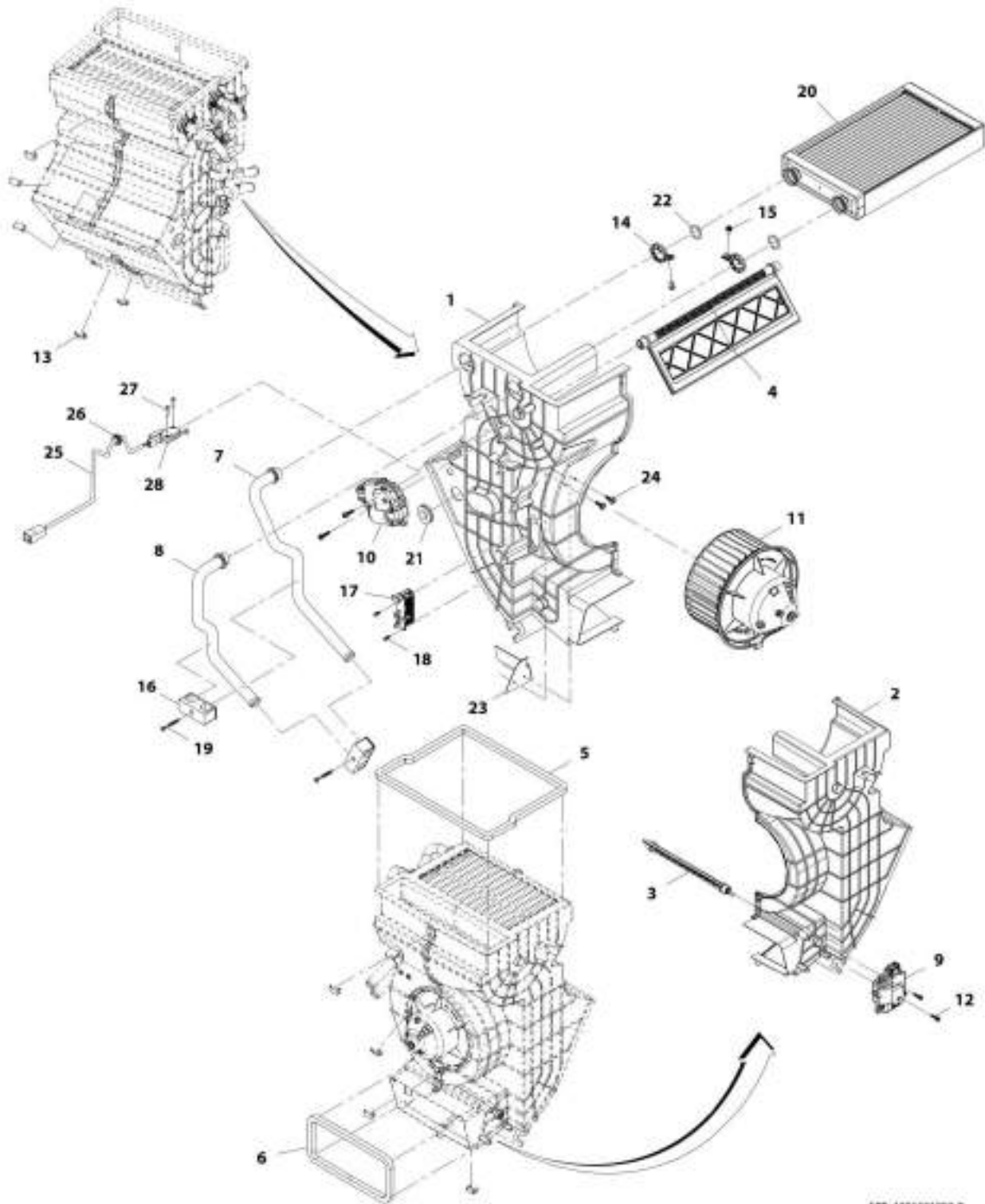
ART. 1001152008-E

FIGURE 6-42. HEATER

ITEM	PART NUMBER	QTY	DESCRIPTION	REV
	1001152908	NLA	Heater (no longer available, see items 1 through 23 for service or use 1001221052 for replacement)	E
1	1001166091	1	Housing, RH	
2	1001166092	1	Housing, LH	
3	1001184275	1	Flap, Recirculation with Foam	
4	1001184278	1	Flap, Mixing with Foam	
5	1001184294	1	Foam, Air Outlet	
6	1001184295	1	Foam, Air Inlet	
7	1001184296	1	Pipe, Water	
8	1001184297	1	Pipe, Water	
9	1001188577	1	Actuator, Fresh/Recirculation Air	
10	1001188578	1	Actuator, Hot/Cold	
12	1001188594	1	Fan, 12V	
13	1001188602	4	Screw	
14	1001188603	9	Clamp	
15	1001188604	2	Clamp	
16	1001188610	2	Screw	
17	1001188612	2	Clamp	
18	1001188614	1	Resistor	
19	1001188720	2	Screw	
20	1001188725	2	Screw	
21	1001188729	1	Radiator, Heater Core	
22	1001188733	1	Grommet	
23	1001189025	2	O-Ring	

# SECTION 6 - CAB

## FIGURE 6-43. HEATER



ART\_1001221053-B

FIGURE 6-43. HEATER

ITEM	PART NUMBER	QTY	DESCRIPTION	REV
	1001221052	Ref	Heater	B
1	1001166091	1	Housing, RH	
2	1001166092	1	Housing, LH	
3	1001184275	1	Flap, Recirculation with Foam	
4	1001184278	1	Flap, Mixing with Foam	
5	1001184294	1	Foam, Air Outlet	
6	1001184295	1	Foam, Air Inlet	
7	1001184296	1	Pipe, Water	
8	1001184297	1	Pipe, Water	
9	1001188577	1	Actuator, Fresh/Recirculation Air	
10	1001188578	1	Actuator, Hot/Cold	
11	1001188594	1	Fan, 12V	
12	1001188602	4	Screw	
13	1001188603	9	Clamp	
14	1001188604	2	Clamp	
15	1001188610	2	Screw	
16	1001188612	2	Clamp	
17	1001188614	1	Resistor	
18	1001188720	2	Screw	
19	1001188725	2	Screw	
20	1001188729	1	Radiator, Heater Core	
21	1001188733	1	Grommet	
22	1001189025	2	O-Ring	
23	1001221057	1	Plate	
24	1001221058	2	Screw	
25	1001228132	1	Harness, HVAC Sensor	
26	1001228140	1	Grommet	
27	1001228141	2	Screw	
28	1001228147	1	Valve, Water	

# SECTION 6 - CAB

## FIGURE 6-44. HEATER AND A/C

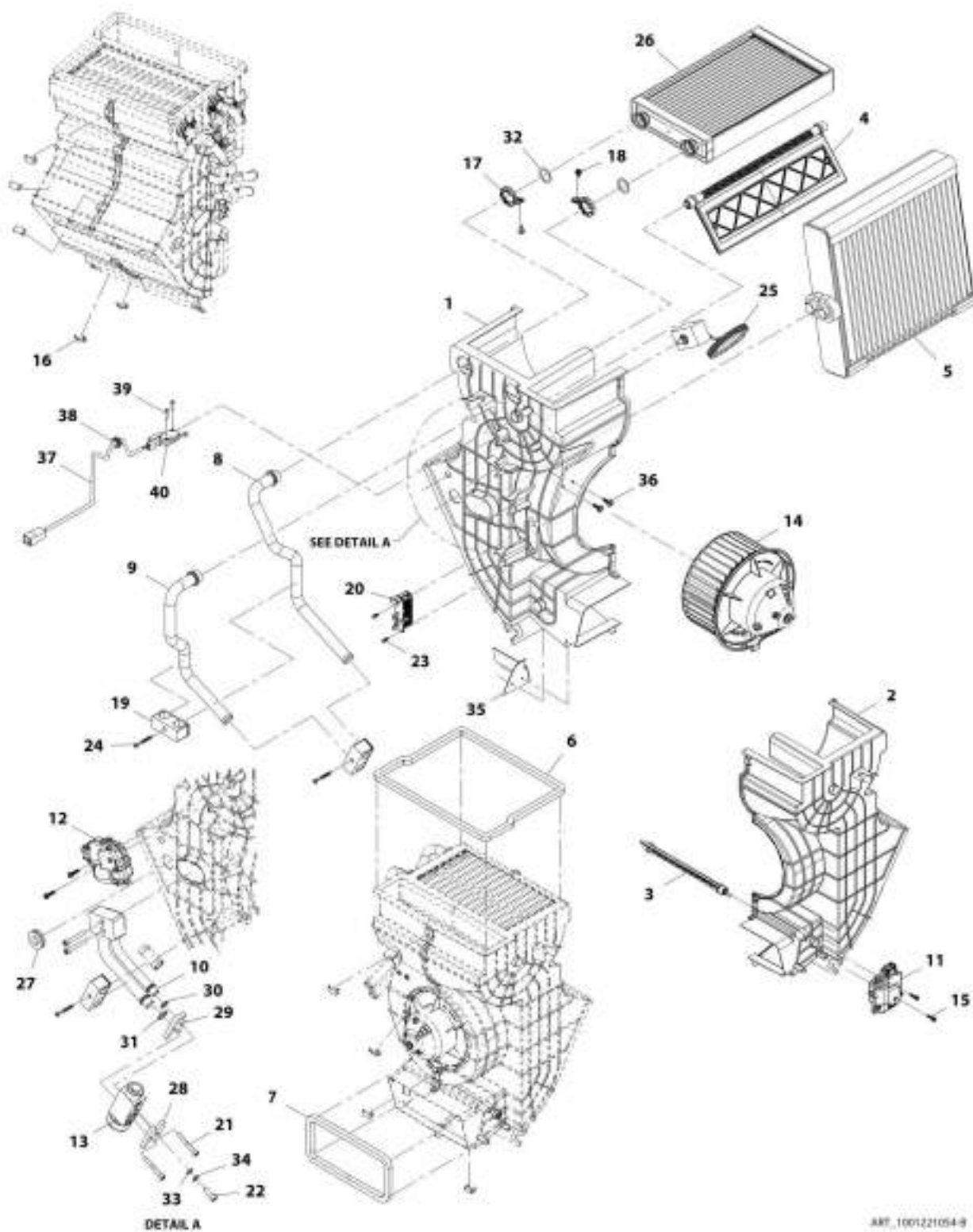


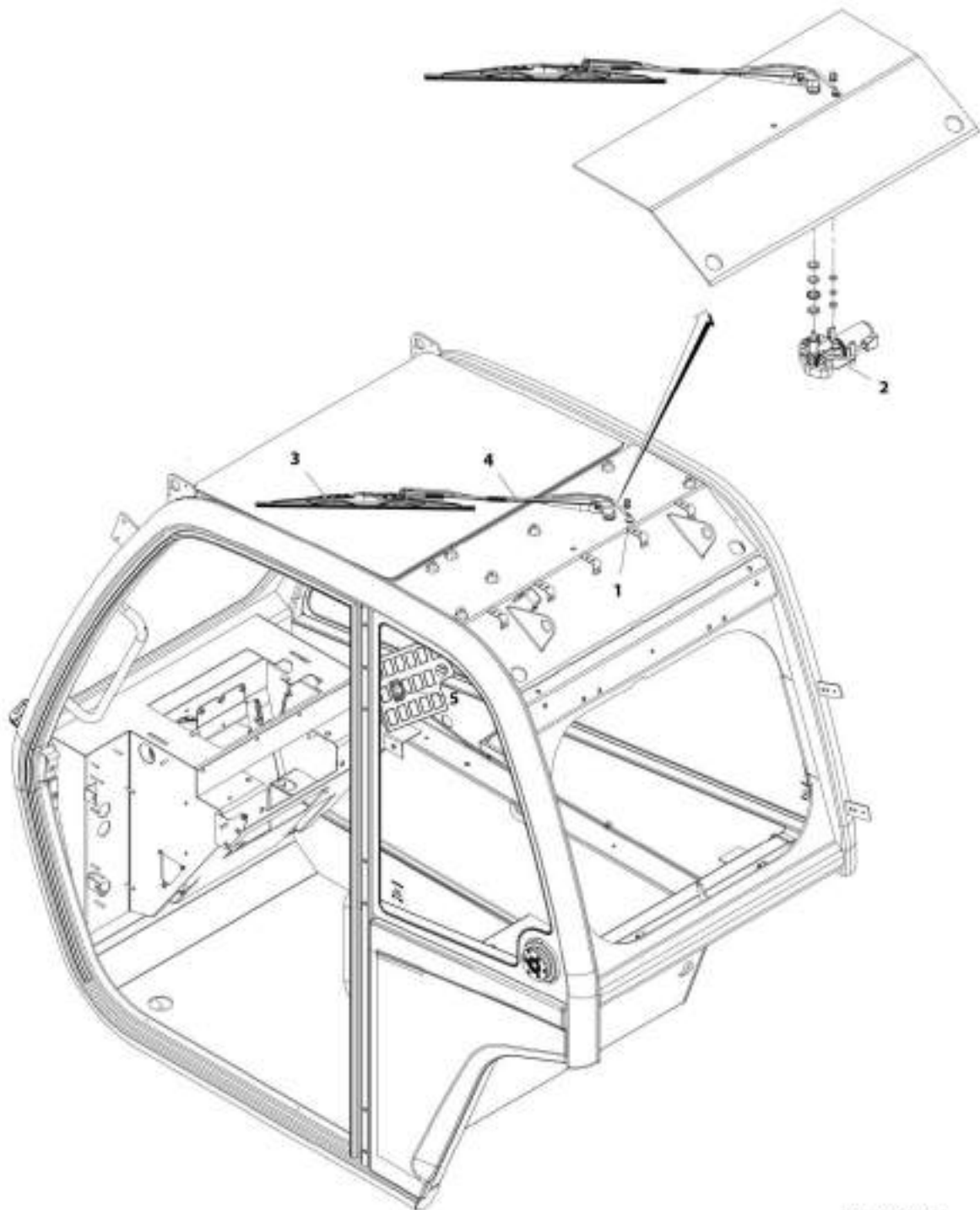


FIGURE 6-44. HEATER AND A/C

ITEM	PART NUMBER	QTY	DESCRIPTION	REV
	1001221054	Ref	Heater and A/C	B
1	1001166091	1	Housing, HVAC RH	
2	1001166092	1	Housing, HVAC LH	
3	1001184275	1	Foam, Heater Flap	
4	1001184278	1	Foam, Heater Mixing Flap	
5	1001184280	1	Evaporator, Heater	
6	1001184294	1	Seal, Heater Foam	
7	1001184295	1	Seal, Air Inlet Foam	
8	1001184296	1	Pipe, Heater Water	
9	1001184297	1	Pipe, Heater Water	
10	1001184427	1	Pipe, Heater	
11	1001188577	1	Actuator, Fresh/Recirculation Air	
12	1001188578	1	Actuator, Hot/Cold Mixing	
13	1001188592	1	Valve, HVAC Expansion	
14	1001188594	1	Fan, HVAC Centrifugal 12V	
15	1001188602	4	Screw, M4	
16	1001188603	9	Clamp, HVAC Case	
17	1001188604	2	Clamp, HVAC Pipe	
18	1001188610	2	Screw, M4X0.7	
19	1001188612	3	Clamp, Pipe	
20	1001188614	1	Resistor	
21	1001188618	4	Screw, M5	
22	1001188619	1	Screw, M6	
23	1001188720	2	Screw, M2.9X9.5	
24	1001188725	3	Screw, M4X35	
25	1001188728	1	Sensor, HVAC Thermostat	
26	1001188729	1	Radiator, Heater Core	
27	1001188733	1	Grommet	
28	1001188817	1	Clamp, Hose	
29	1001188818	1	Clamp, HVAC EVAP/Valve	
30	1001189023	1	O-Ring	
31	1001189024	1	O-Ring	
32	1001189025	2	O-Ring	
33	1001189048	1	Washer	
34	1001189054	1	Washer, Spring	
35	1001221057	1	Plate	
36	1001221058	2	Screw	
37	1001228132	1	Harness, HVAC Sensor	
38	1001228140	1	Grommet	
39	1001228141	2	Screw	
40	1001228147	1	Valve, Water Sensor	

# SECTION 6 - CAB

## FIGURE 6-45. ROOF WIPER INSTALLATION



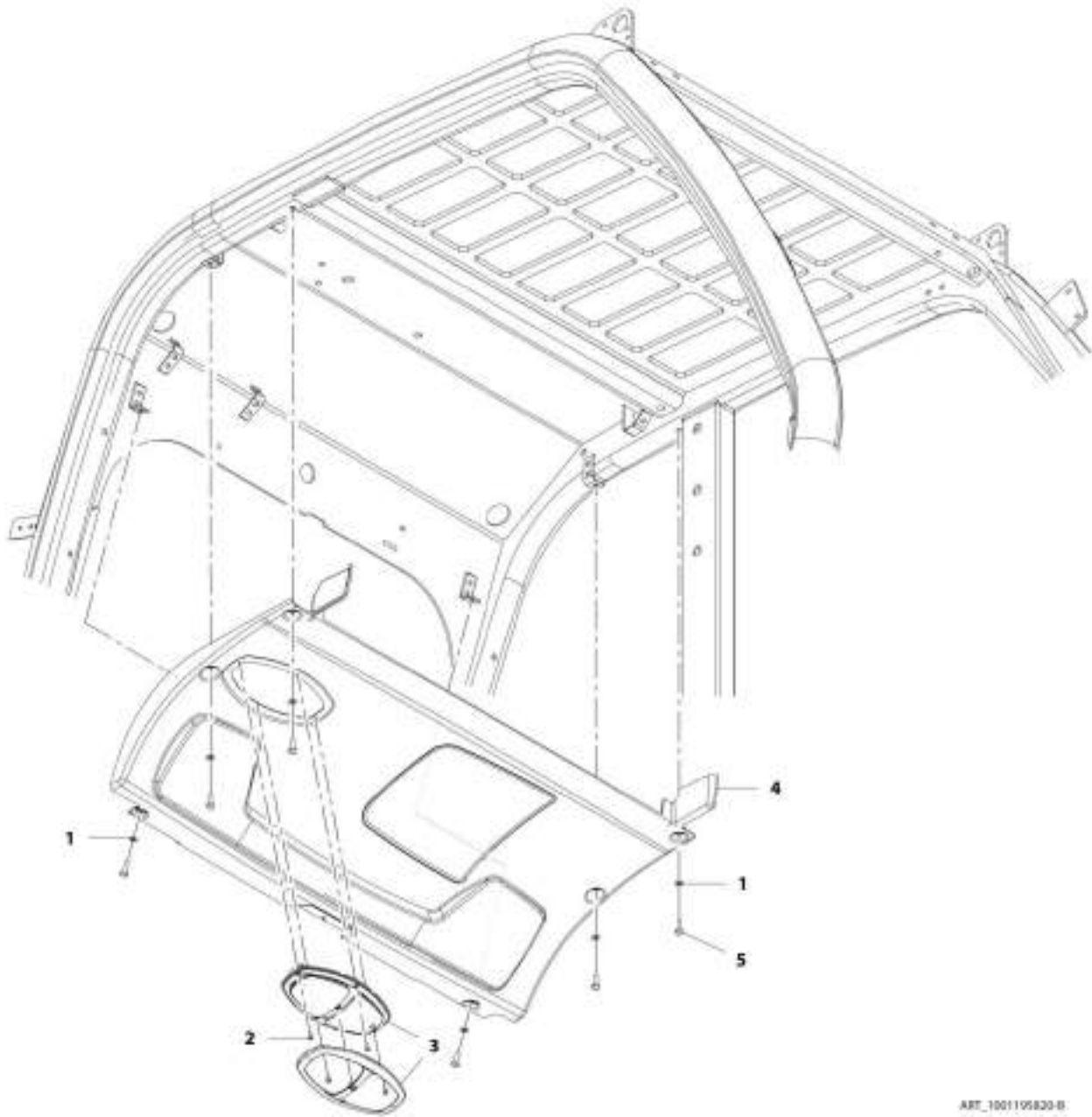
ART\_100155486-B

FIGURE 6-45. ROOF WIPER INSTALLATION

ITEM	PART NUMBER	QTY	DESCRIPTION	REV
	1001155486	Ref	Roof Wiper Installation	B
1	1001090343	1	Connector	
2	1001139551	1	Motor, Roof Wiper	
3	1001141313	1	Blade, Roof Wiper	
4	1001141311	1	Arm, Roof Wiper Blade	
5	1001159736	1	Switch, Roof Wiper	

# SECTION 6 - CAB

## FIGURE 6-46. HEADLINER INSTALLATION



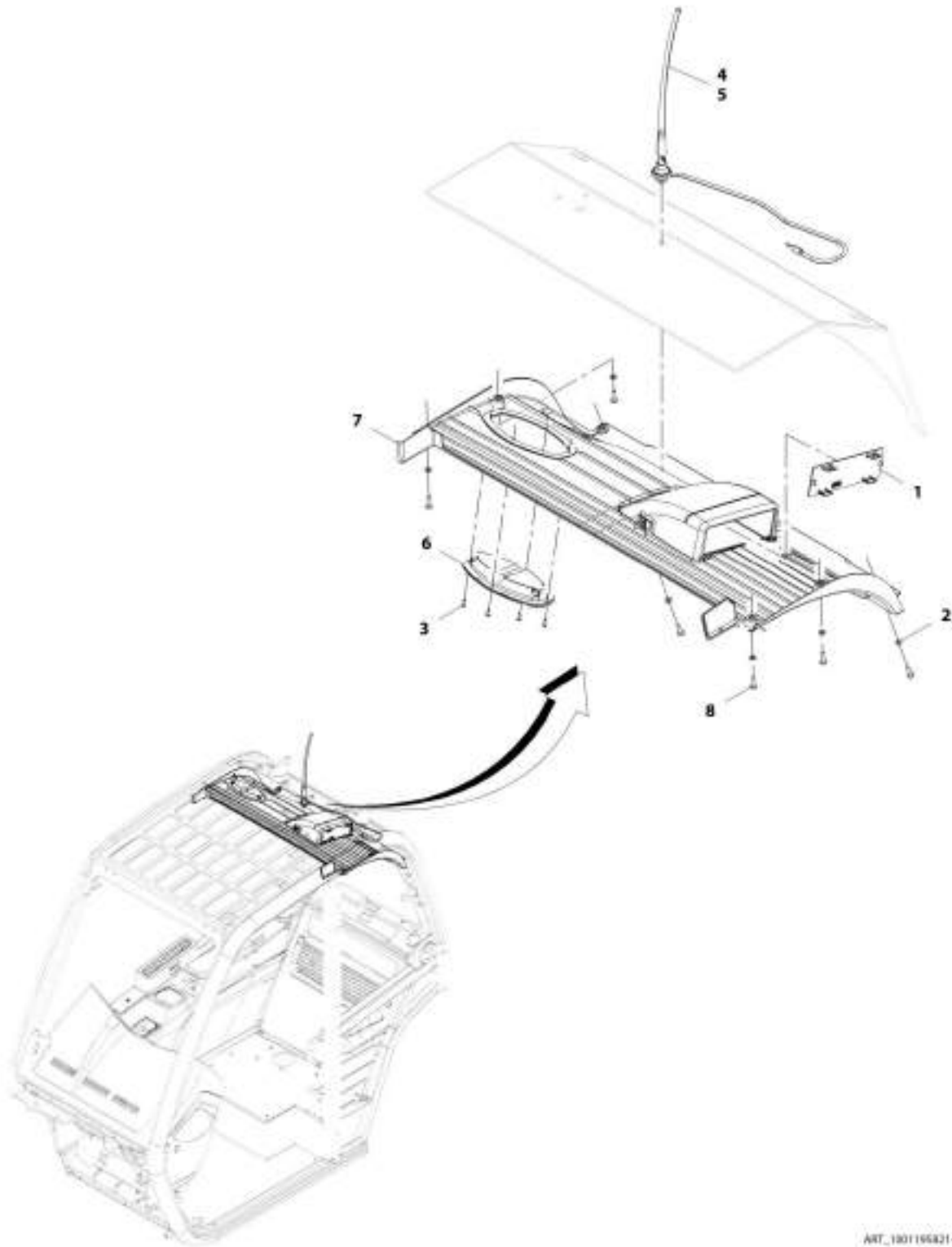
ART\_100119820-B

FIGURE 6-46. HEADLINER INSTALLATION

ITEM	PART NUMBER	QTY	DESCRIPTION	REV
	1001195820	Ref	Headliner Installation	B
1	4811700	6	Washer, M6	
2	7029486	4	Screw	
3	1001167015	1	Lamp, Dome	
4	1001195822	1	Panel, Headliner	
5	4010610002	6	Screw, M6X20	

# SECTION 6 - CAB

## FIGURE 6-47. HEADLINER/RADIO READY PACKAGE INSTALLATION



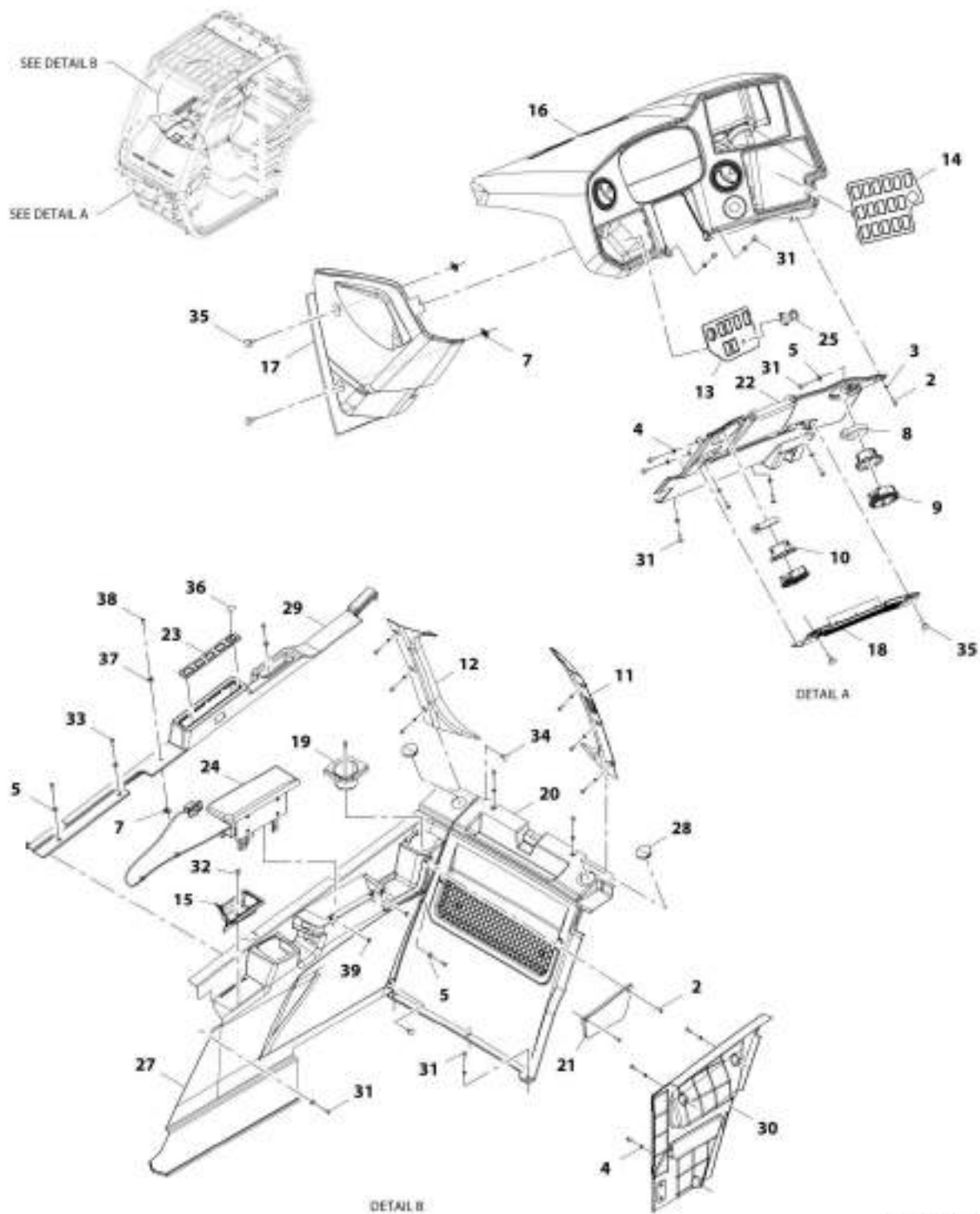
ART\_1801166821-B

FIGURE 6-47. HEADLINER/RADIO READY PACKAGE INSTALLATION

ITEM	PART NUMBER	QTY	DESCRIPTION	REV
	1001195821	Ref	Headliner/Radio Ready Package Installation	B
1	1001200968	1	Plate	
2	4811700	6	Washer, 6M	
3	7029486	4	Screw	
4	8005901	1	Antenna	
5	1001116128	AR	Sealant, Polysiloxane	
6	1001167015	1	Lamp	
7	1001195823	1	Cover, Headliner	
8	4010610002	6	Screw, M6X20	

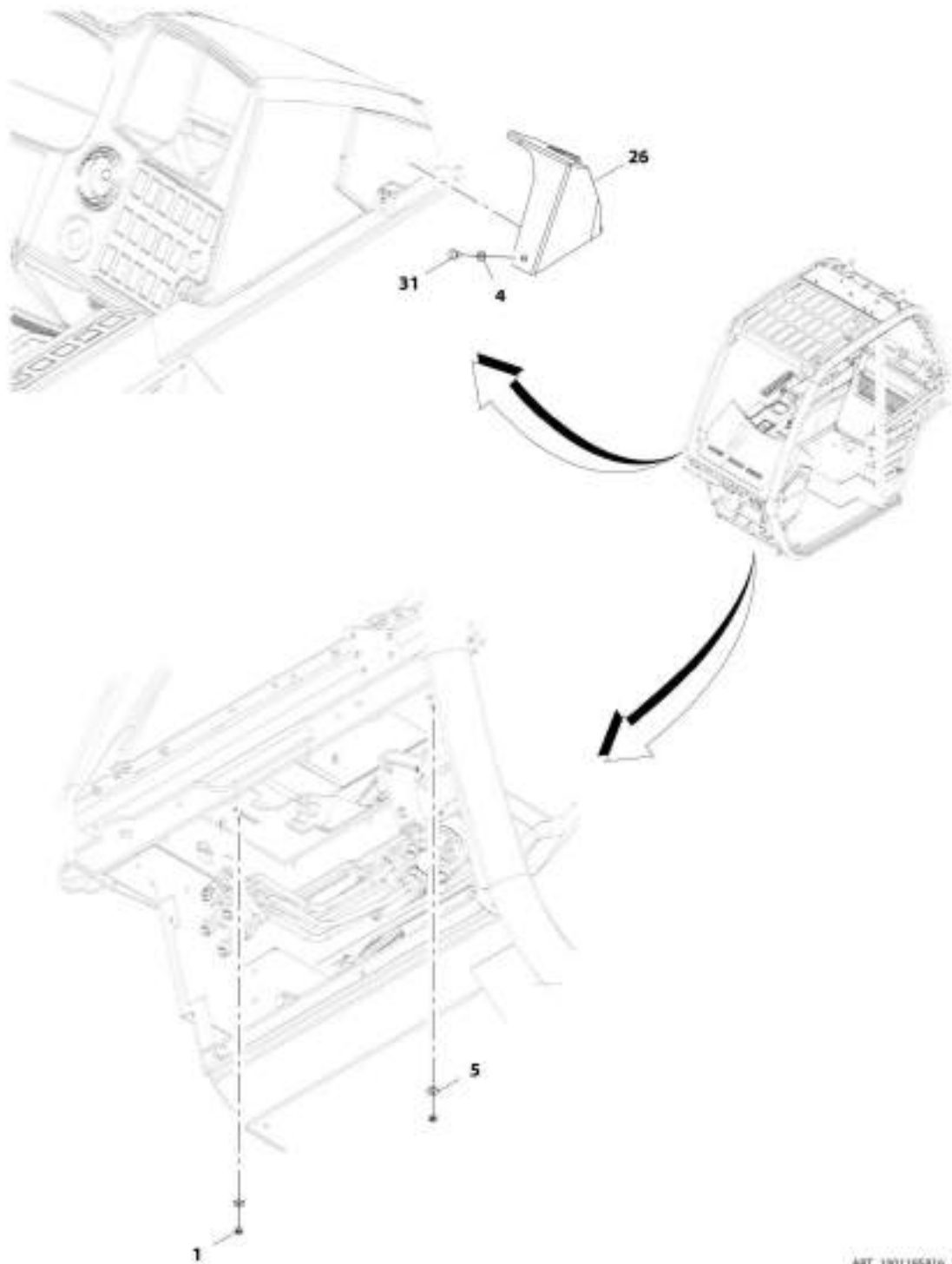
# SECTION 6 - CAB

## FIGURE 6-48. CAB TRIM INSTALLATION





# SECTION 6 - CAB



ART\_1901195816\_34

## SECTION 6 - CAB

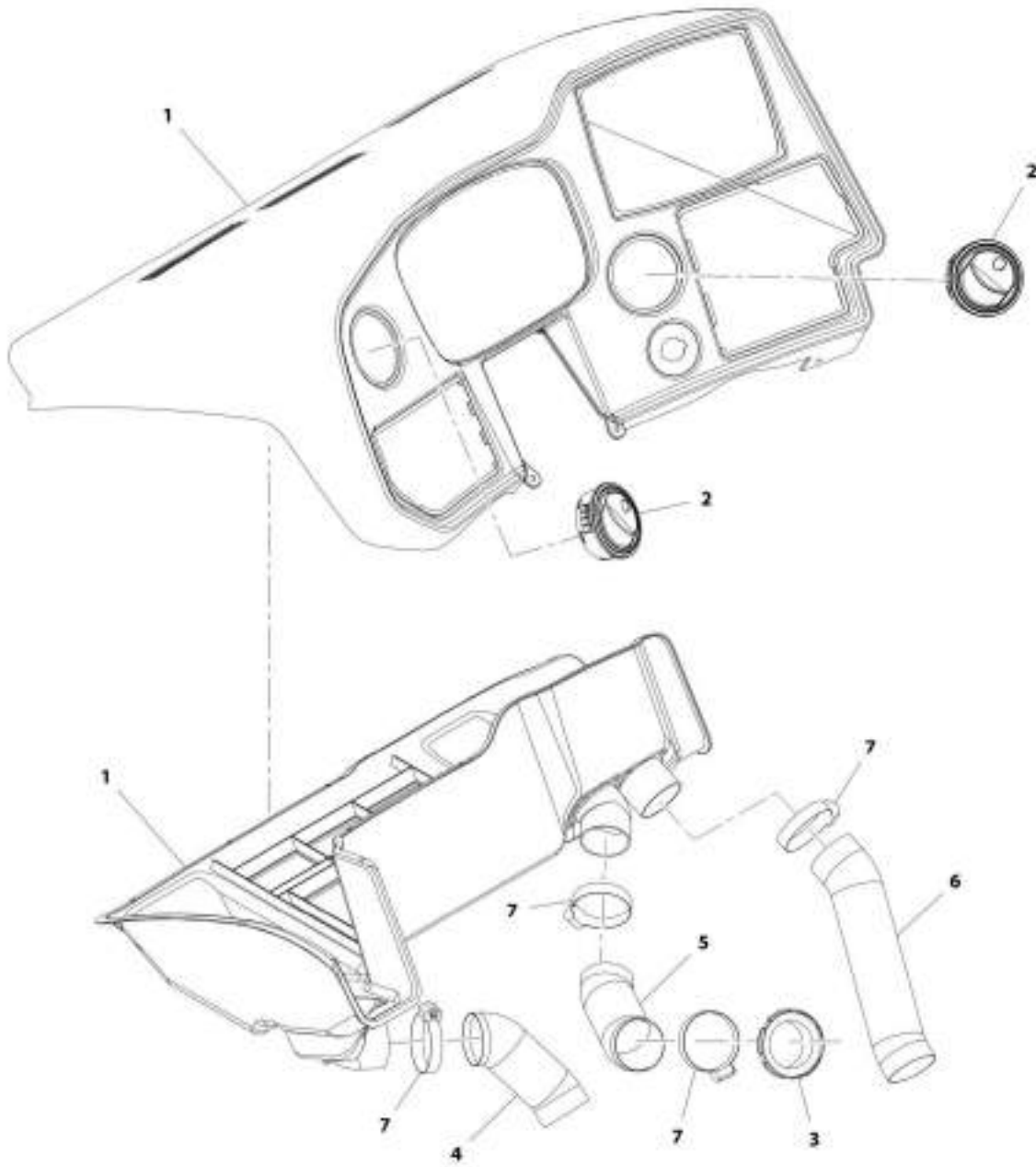
### FIGURE 6-48. CAB TRIM INSTALLATION

ITEM	PART NUMBER	QTY	DESCRIPTION	REV
	1001195816	Ref	Cab Trim Installation	I
1	3290605	2	Nut, Lock M6X1	
2	4031608001	3	Screw, M5X20	
3	4811600	1	Washer, M5	
4	4811700001	23	Washer, M6	
5	4811702001	7	Washer, M6	
7	8305919	2	Nut, M6	
8	8405201	2	Clamp	
9	1001147449	2	Vent	
10	1001149278	2	Connector, Vent	
11	1001161252	1	Cover, LH C-Post	
12	1001161253	1	Cover, RH C-Post	
13	1001219864	1	Plate, Switch	
14	1001219865	1	Plate, Switch	
15	1001169603	1	Tray	
16	1001169604	1	Assembly, Dash Cover (See Seperate Breakdown in this Section)	
17	1001161855	1	Cover, Side Dash	
18	1001170504	1	Cover, Recirculation Grille	
19	1001170518	1	Holder, Cup	
20	1001170519	1	Assembly, Rear Panel Cover (See Seperate Breakdown in this Section)	
21	1001173965	1	Bezel, Net	
22	1001175903	1	Cover, Lower Dash	
23	1001219863	1	Plate, Switch	
24	1001181726	1	Installation, Armrest (See Seperate Breakdown in this Section)	
25	1001184975	1	Decal, HVAC	
26	1001185870	1	Cover, Lower A-Post	
27	1001189182	1	Cover, RH Side	
28	1001223265	2	Grommet	
29	1001195817	1	Cover, RH Extension	
30	1001195818	1	Panel, LH Side	
31	4010608002	26	Screw, M6X16	
32	4010610002	1	Screw, M6X20	
33	4010612002	3	Screw, M6X25	
34	1001211907	2	Screw	
35	1001208308	4	Thumb Screw, M6X15	
36	1001226481	1	Decal, Blank	
37	1001098150	1	Washer, M6	
38	1001132564	1	Screw, M6X20	
39	1001227133	2	Grommet	



# SECTION 6 - CAB

## FIGURE 6-49. DASH COVER ASSEMBLY



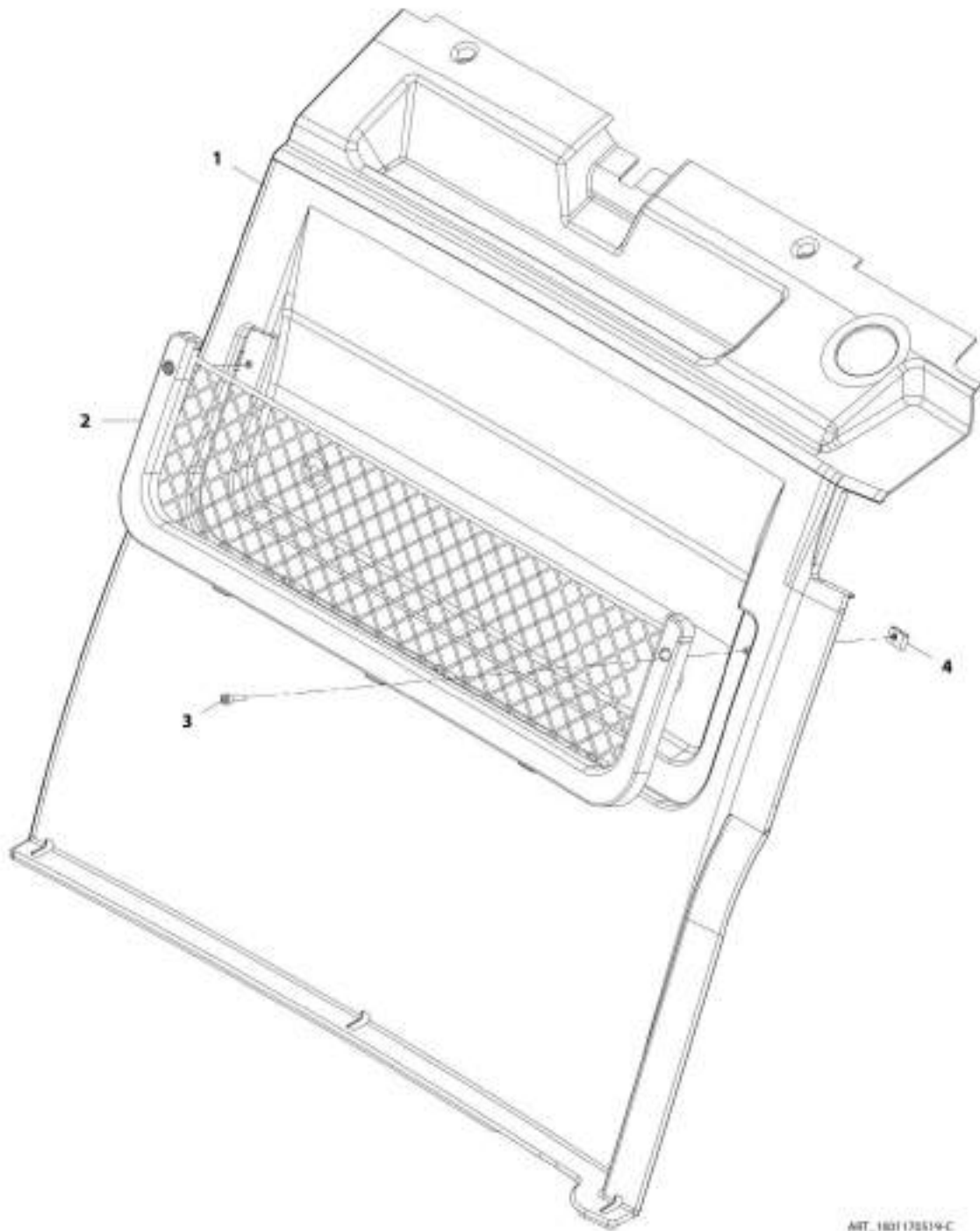
ART. 50116804-C

FIGURE 6-49. DASH COVER ASSEMBLY

ITEM	PART NUMBER	QTY	DESCRIPTION	REV
	1001169604	Ref	Dash Cover Assembly (Construction)	C
1	1001161851	1	Panel, Top Dash	
2	1001147449	2	Vent, Air	
3	1001149278	1	Vent, Connector	
4	1001174652	1	Hose	
5	1001174653	1	Hose	
6	1001174655	1	Hose	
7	8405201	4	Clamp, Gear	

# SECTION 6 - CAB

## FIGURE 6-50. REAR PANEL COVER ASSEMBLY



MIT\_180178519-C

FIGURE 6-50. REAR PANEL COVER ASSEMBLY

ITEM	PART NUMBER	QTY	DESCRIPTION	REV
	1001170519	Ref	Rear Panel Cover Assembly	C
1	1001161067	1	Panel, Rear	
2	1001170514	1	Storage Net, Rear Panel	
3	4031608	2	Bolt, M5X20	
4	1001183550	2	Nut, Cage M5	

# SECTION 6 - CAB

## FIGURE 6-51. ADJUSTABLE ARMREST INSTALLATION

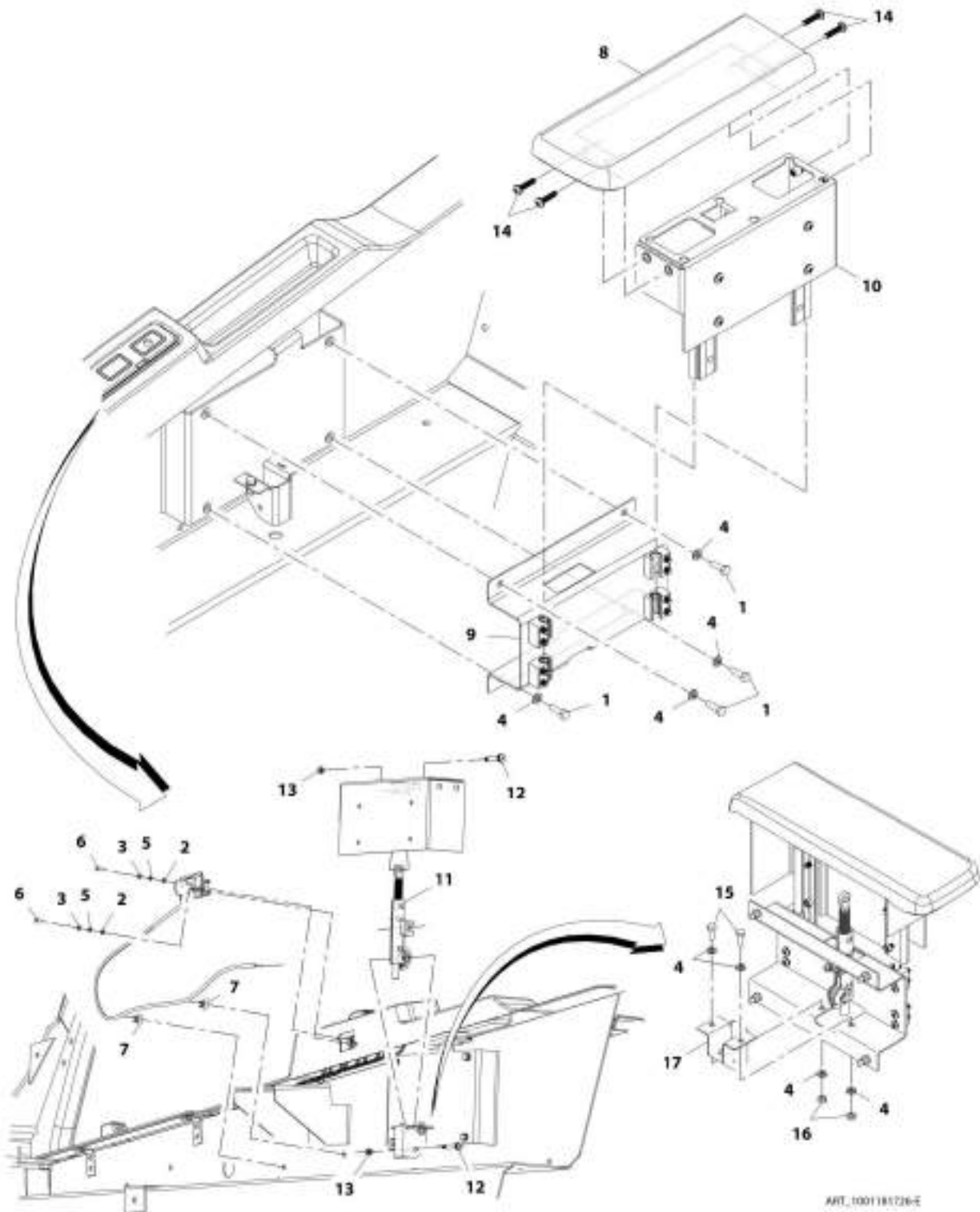


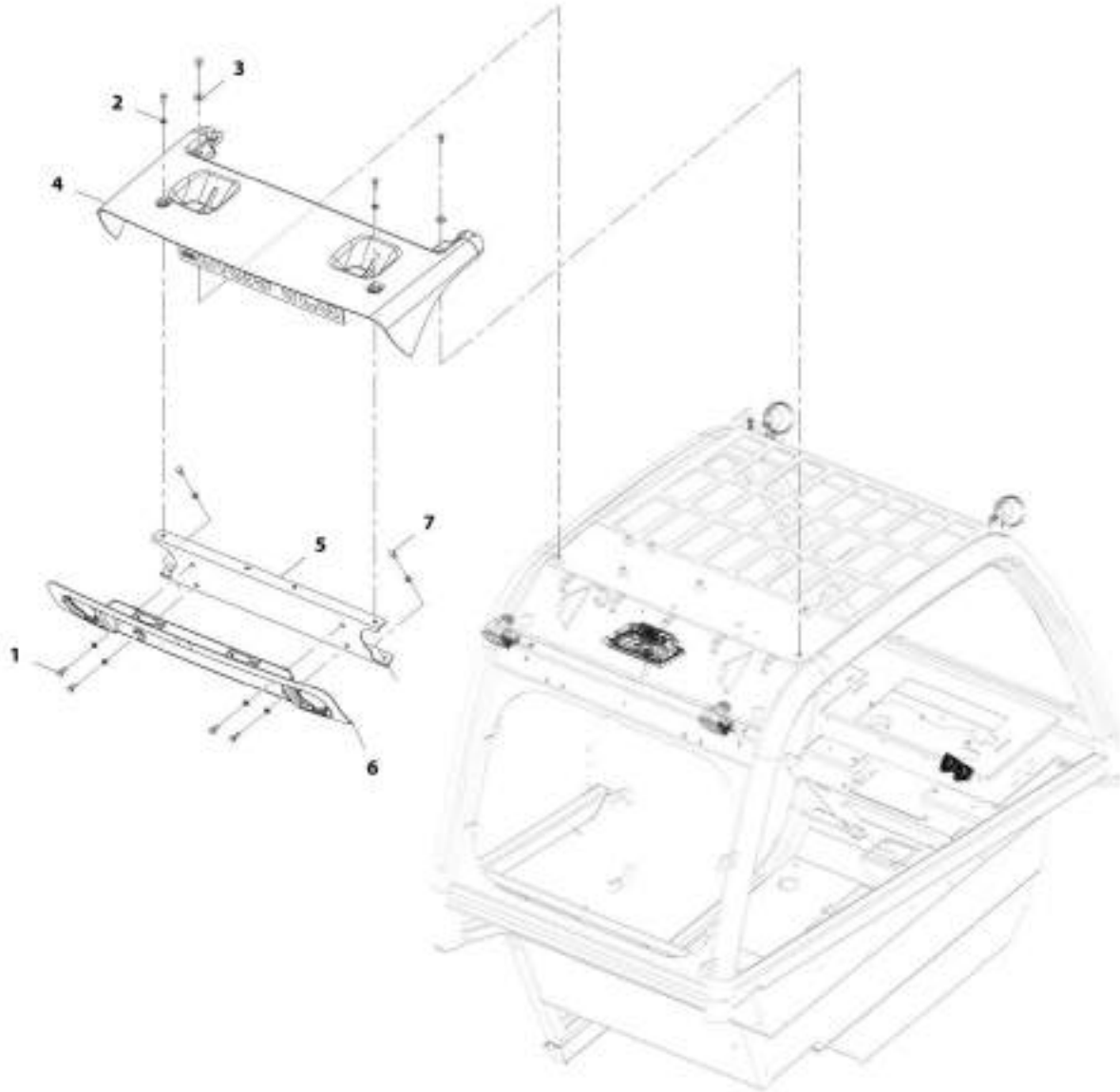


FIGURE 6-51. ADJUSTABLE ARMREST INSTALLATION

ITEM	PART NUMBER	QTY	DESCRIPTION	REV
	1001181726	Ref	Adjustable Armrest Installation	E
1	0700610	4	Bolt, M6X20	
2	3290401	2	Nut, M4X0.7	
3	4811400	2	Washer, M4	
4	4811700	8	Washer, M6	
5	4831400	2	Washer, Lock M4	
6	1001097244	2	Screw, M4X12	
7	1001165458	4	Hose	
8	1001191281	1	Armrest	
9	1001191283	1	Bracket, Fixed Armrest	
10	1001191284	1	Bracket, Moving Armrest	
11	1001191285	1	Spring	
12	1001191370	2	Screw, M6	
13	3290605	2	Nut, M6X1 Grade 8	
14	4010612002	4	Screw, M6X25	
15	0760608	2	Bolt, M6X16	
16	3290601	2	Nut, M6X1	
17	1001212468	1	Bracket, Locking Spring Mount	

# SECTION 6 - CAB

## FIGURE 6-52. ROOF CAP INSTALLATION (NO A/C)



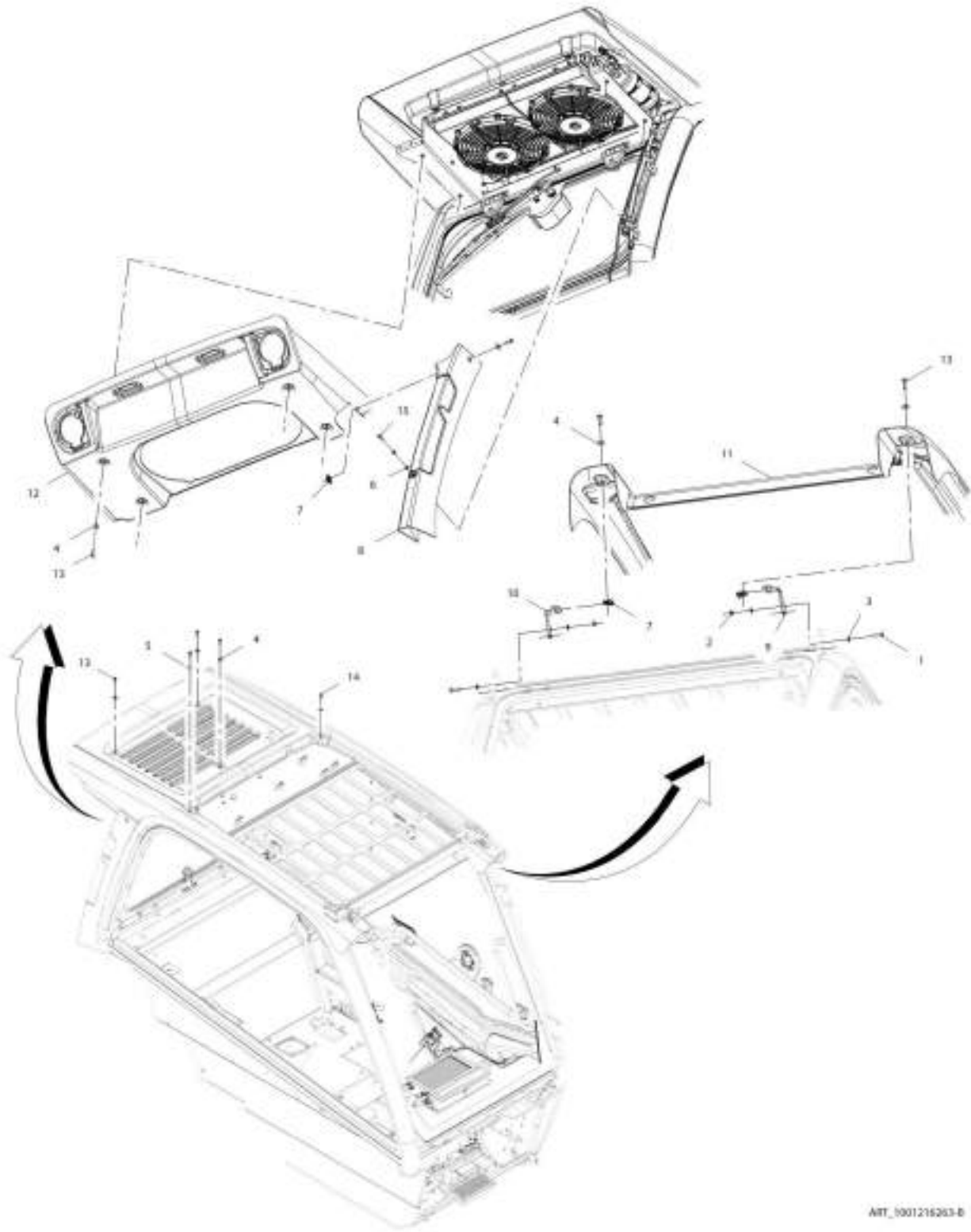
ART\_100121635-B

FIGURE 6-52. ROOF CAP INSTALLATION (NO A/C)

ITEM	PART NUMBER	QTY	DESCRIPTION	REV
	1001216265	Ref	Roof Cap Installation (no A/C)	B
1	0760810	8	Bolt, M8X20	
2	4811900	8	Washer, M8	
3	4811902	2	Washer, M8	
4	1001182330	1	Cover, Short Upper Roof Cap	
5	1001185633	1	Bracket, Roof Cap Mount	
6	1001216270	1	Cover, Short Lower Roof Cap	
7	0760808	2	Bolt, M8X16	

# SECTION 6 - CAB

## FIGURE 6-53. ROOF CAP INSTALLATION (A/C)



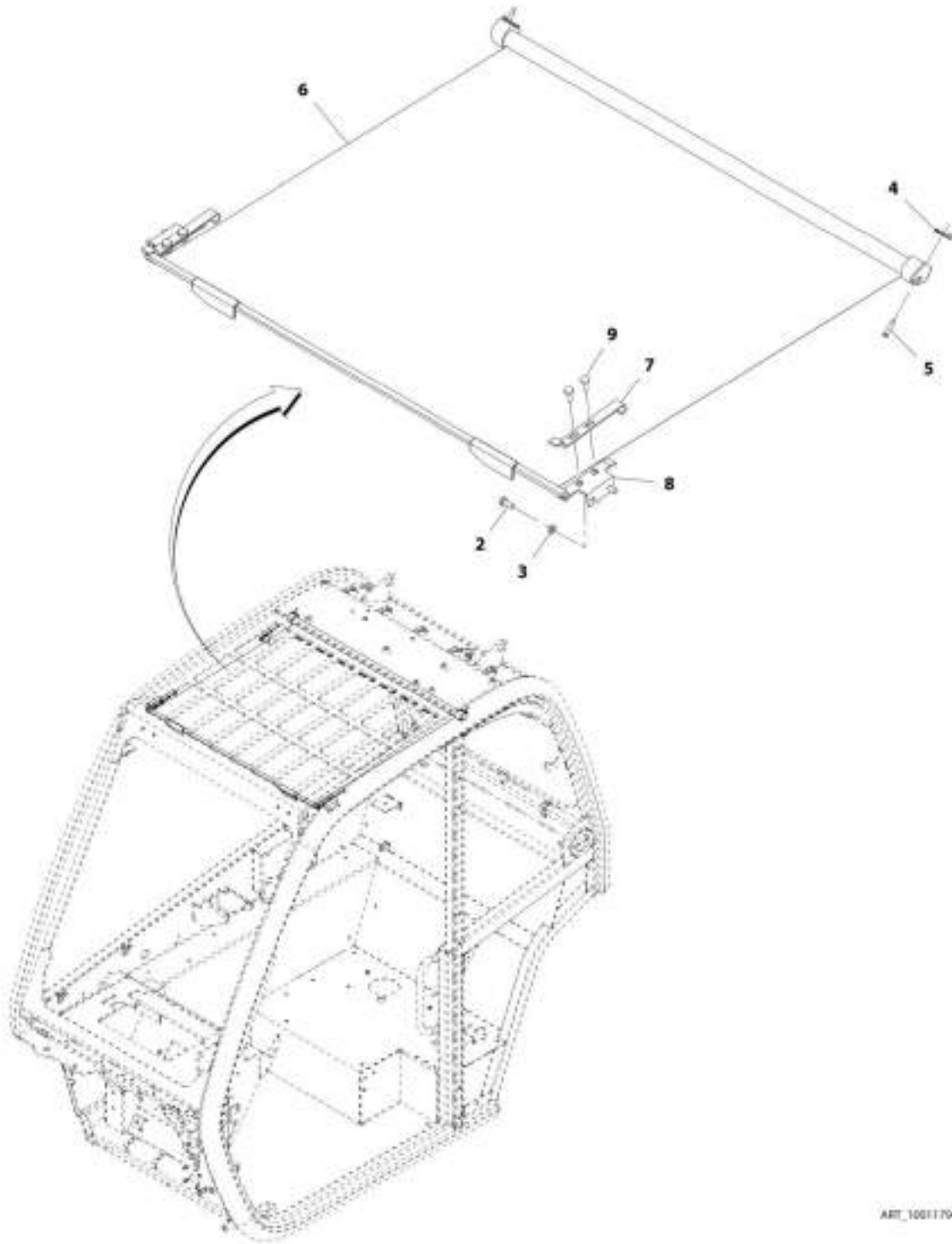
ART\_0001216263-B

FIGURE 6-53. ROOF CAP INSTALLATION (A/C)

ITEM	PART NUMBER	QTY	DESCRIPTION	REV
	1001216263	Ref	Roof Cap (A/C) Installation	B
1	0700610	4	Bolt, M6X20	
2	3290601	4	Nut, M6X1	
3	4811700	9	Washer, M6	
4	4811702	10	Washer, M6	
5	4811902	2	Washer, M8	
6	4831700	1	Washer, Lock M6	
7	8305919	3	Nut, M6	
8	1001174741	1	Cover	
9	1001174800	1	Bracket	
10	1001174801	1	Bracket	
11	1001216267	1	Cover, Upper Roof Cap	
12	1001216269	1	Cover, Lower Roof Cap	
13	4010610002	10	Screw, Posi-Drive M6X20	
14	0760808	2	Bolt, M8X16	
15	4010608002	1	Screw, M6X16	

# SECTION 6 - CAB

## FIGURE 6-54. RETRACTABLE SUNSCREEN INSTALLATION



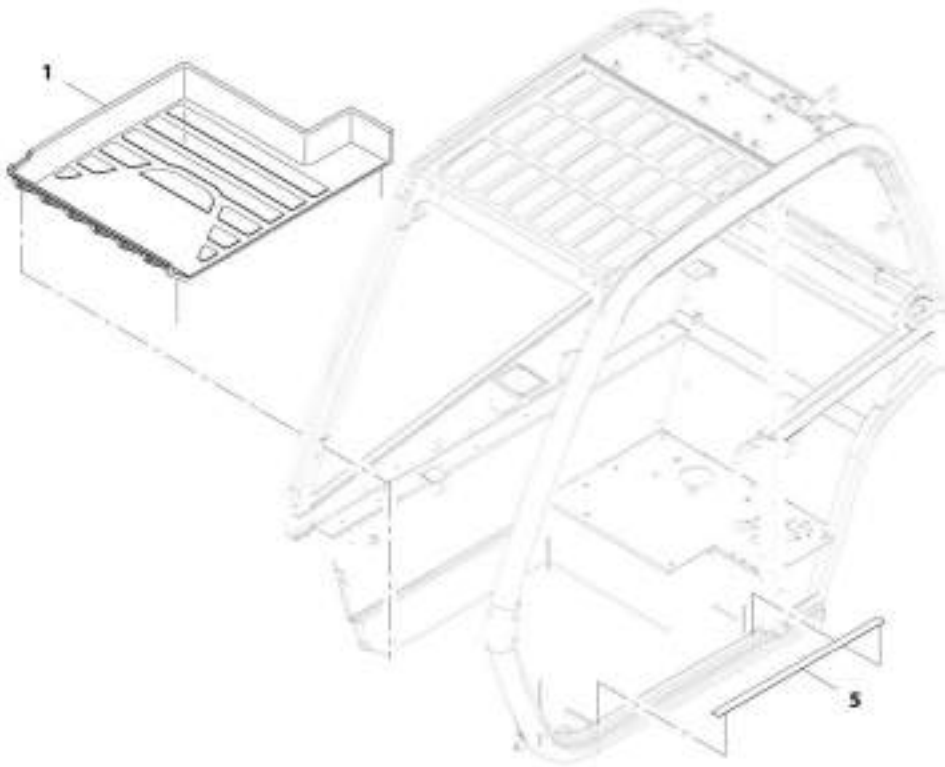
ART\_1051170482-D

FIGURE 6-54. RETRACTABLE SUNSCREEN INSTALLATION

ITEM	PART NUMBER	QTY	DESCRIPTION	REV
	1001179482	Ref	Retractable Sunscreen Installation	D
2	0760608	4	Bolt, M6X16	
3	4811700	4	Washer, M6	
4	1001111076	2	Nut, Spire	
5	1001111147	2	Screw, Self Tapping	
6	1001179483	1	Cab, Sun Blind	
7	1001209463	2	Bracket	
8	1001166385	2	Bracket	
9	4010608002	4	Screw, Posi-Drive M6X16	

# SECTION 6 - CAB

## FIGURE 6-55. FLOOR MAT INSTALLATION



ART\_1001561080-E

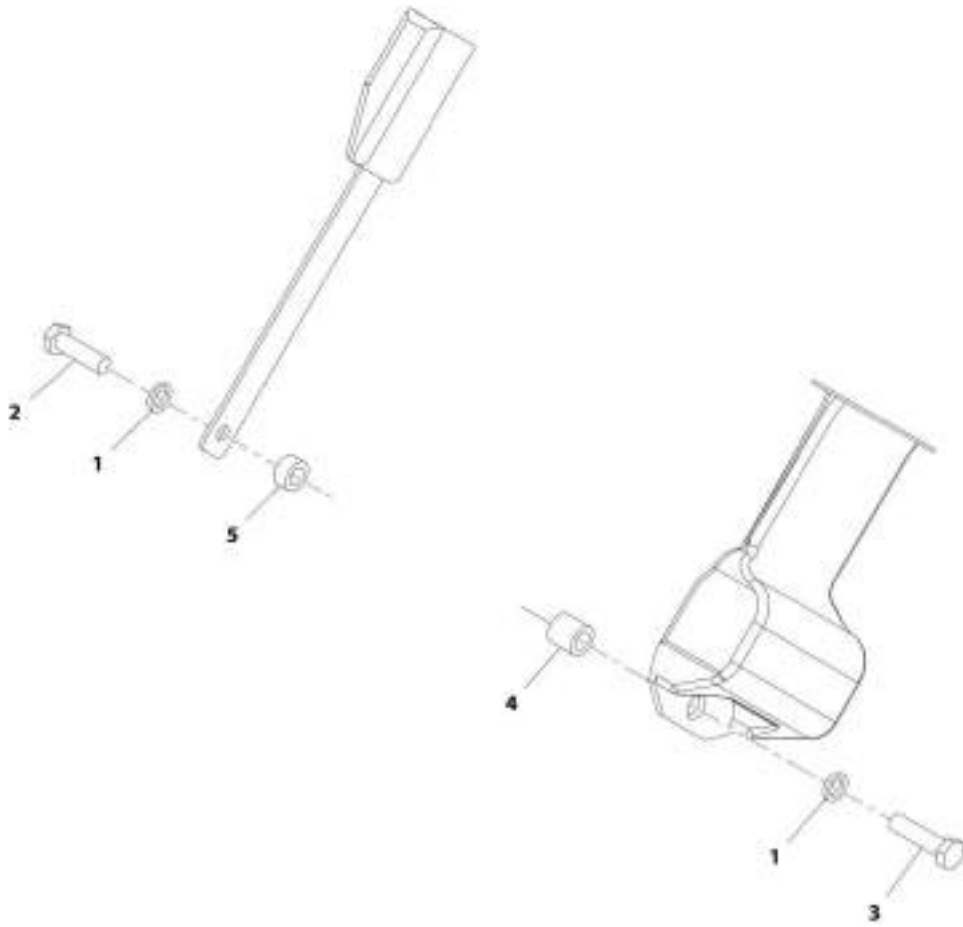


**FIGURE 6-55. FLOOR MAT INSTALLATION**

<b>ITEM</b>	<b>PART NUMBER</b>	<b>QTY</b>	<b>DESCRIPTION</b>	<b>REV</b>
	1001161080	Ref	Floor Mat Installation	E
1	1001161078	1	Cab, Floor Mat	
5	1001197259	1	Tape, Frame Non Skid	

# SECTION 6 - CAB

## FIGURE 6-56. SEAT BELT INSTALLATION (3IN)



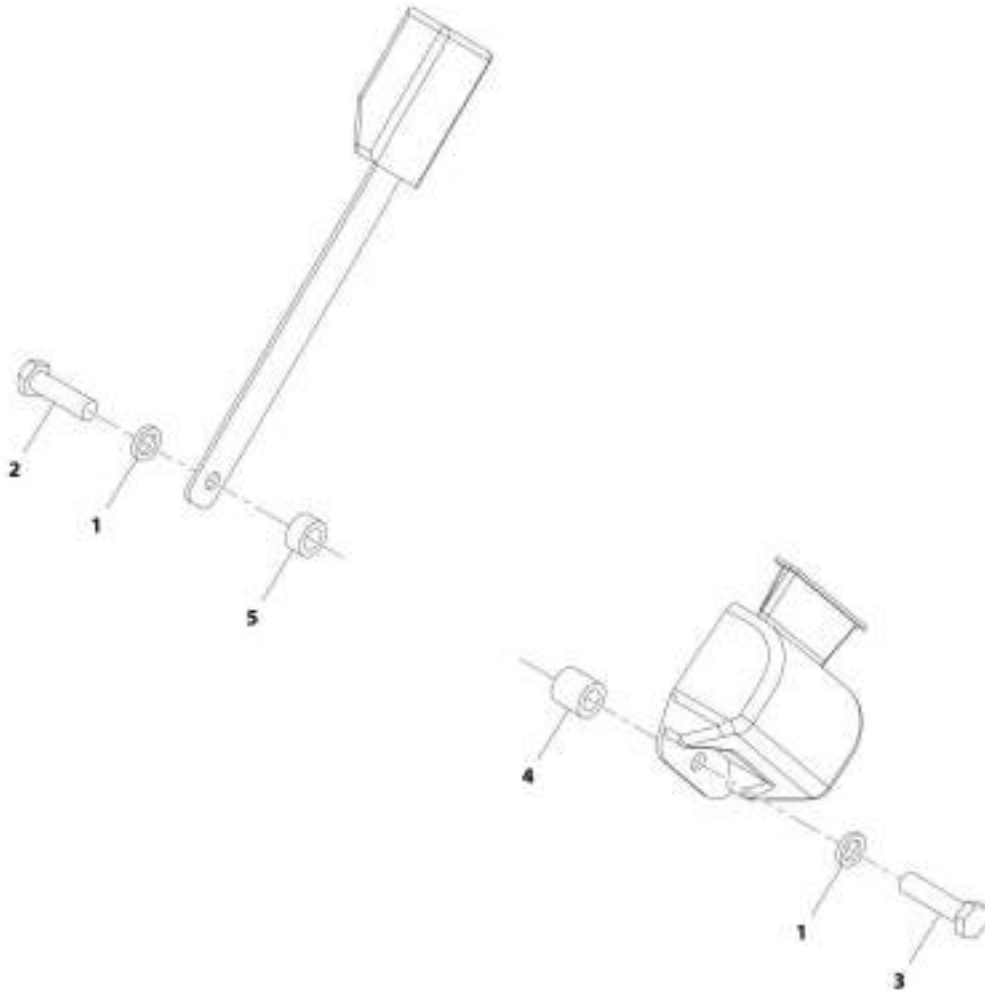
ARC\_1001006731-0

FIGURE 6-56. SEAT BELT INSTALLATION (3IN)

ITEM	PART NUMBER	QTY	DESCRIPTION	REV
	1001006731	Ref	Seat Belt Installation (3IN)	B
1	1001010646	2	Washer	
2	1001010647	1	Bolt	
3	1001010648	1	Bolt	
4	1001010649	1	Spacer	
5	1001010650	1	Spacer	

# SECTION 6 - CAB

## FIGURE 6-57. SEAT BELT INSTALLATION (2IN)



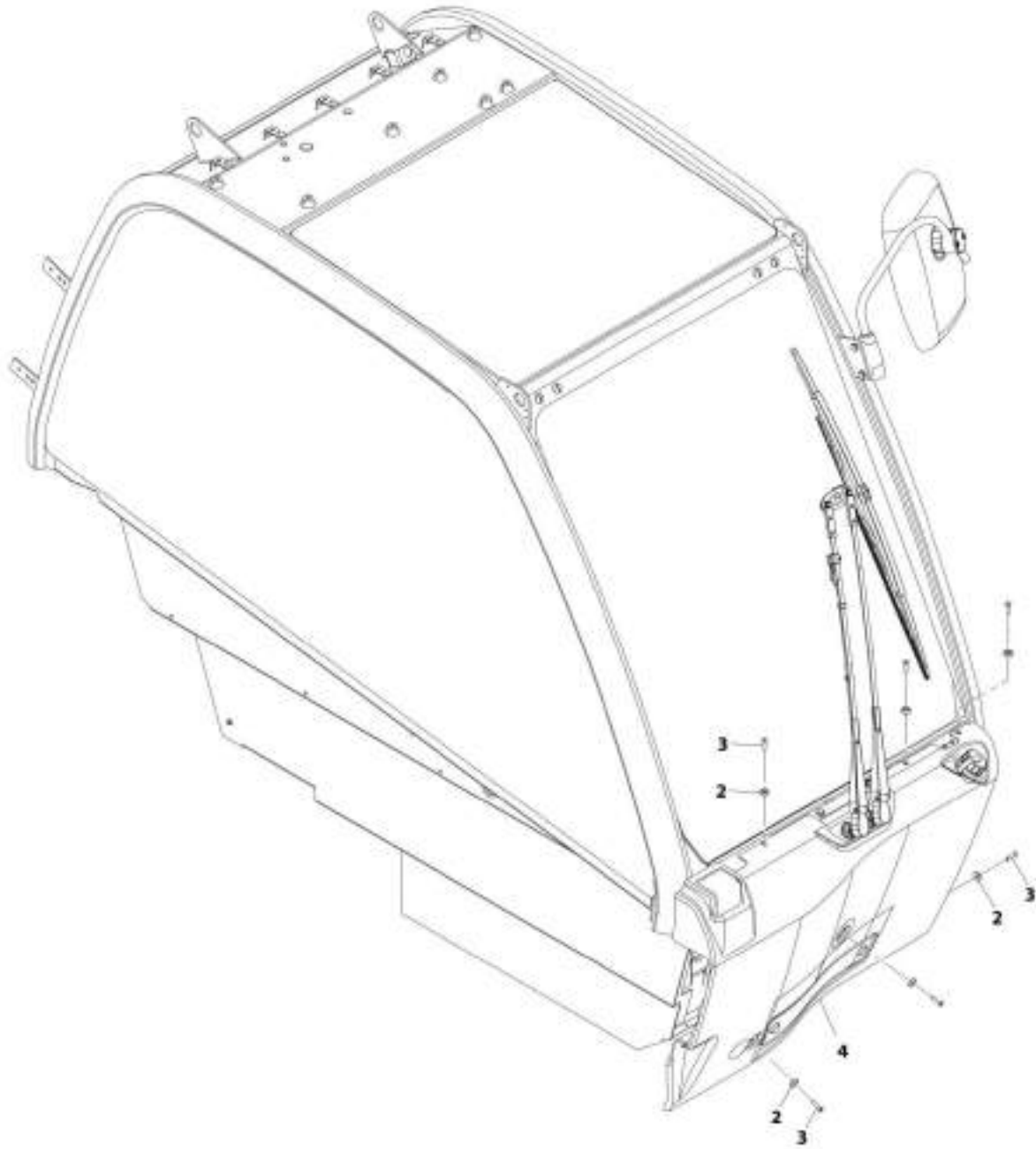
WIT\_1001066730-E

FIGURE 6-57. SEAT BELT INSTALLATION (2IN)

ITEM	PART NUMBER	QTY	DESCRIPTION	REV
	1001006730	Ref	Seat Belt Installation (2IN)	E
1	1001010646	2	Washer	
2	1001010647	1	Bolt	
3	1001010648	1	Bolt	
4	1001010649	1	Spacer, Shim	
5	1001010650	1	Spacer, Shim	

# SECTION 6 - CAB

## FIGURE 6-58. ENCLOSED CAB FRONT COVER INSTALLATION



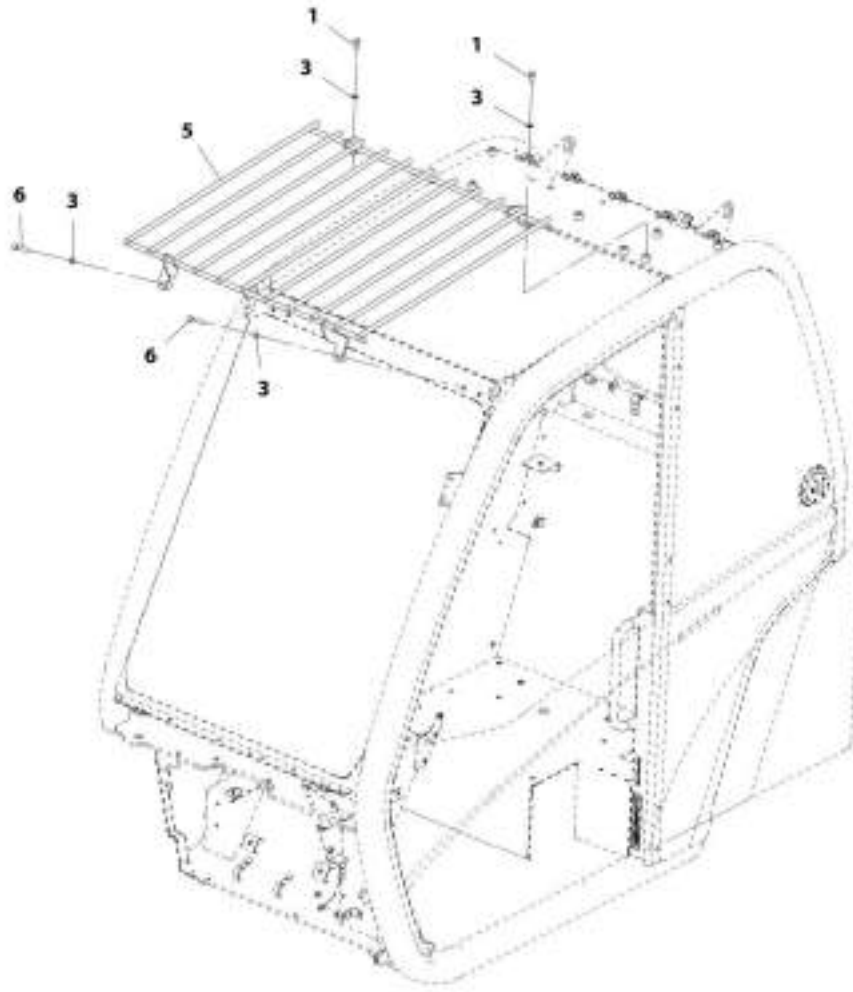
ART\_1001170502-G

**FIGURE 6-58. ENCLOSED CAB FRONT COVER INSTALLATION**

<b>ITEM</b>	<b>PART NUMBER</b>	<b>QTY</b>	<b>DESCRIPTION</b>	<b>REV</b>
	1001179592	Ref	Front Nose Cone Installation (No Sidelight)	G
2	1001097540	6	Washer, M6	
3	3900379	6	Screw, M6-1X25 Grade 10.9	
4	1001170325	1	Cover, Front	

# SECTION 6 - CAB

## FIGURE 6-59. CAB GUARD INSTALLATION (TOP)



ART\_1001100496-F

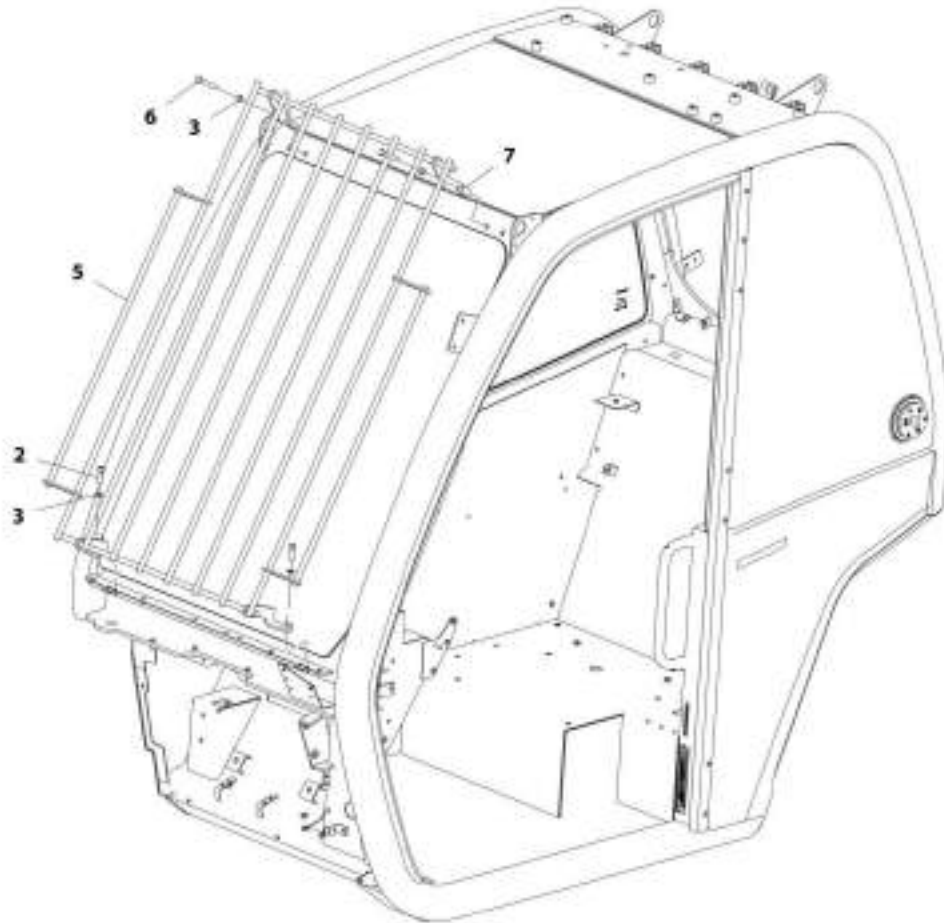


FIGURE 6-59. CAB GUARD INSTALLATION (TOP)

ITEM	PART NUMBER	QTY	DESCRIPTION	REV
	1001160496	Ref	Cab Guard Installation (Top)	F
1	0760810	2	Bolt, M8X20	
3	4811900	4	Washer, M8	
5	1001160503	1	Guard, Top Screen	
6	0700820	2	Bolt, M8X60	

## SECTION 6 - CAB

FIGURE 6-60. CAB GUARD INSTALLATION (FRONT)



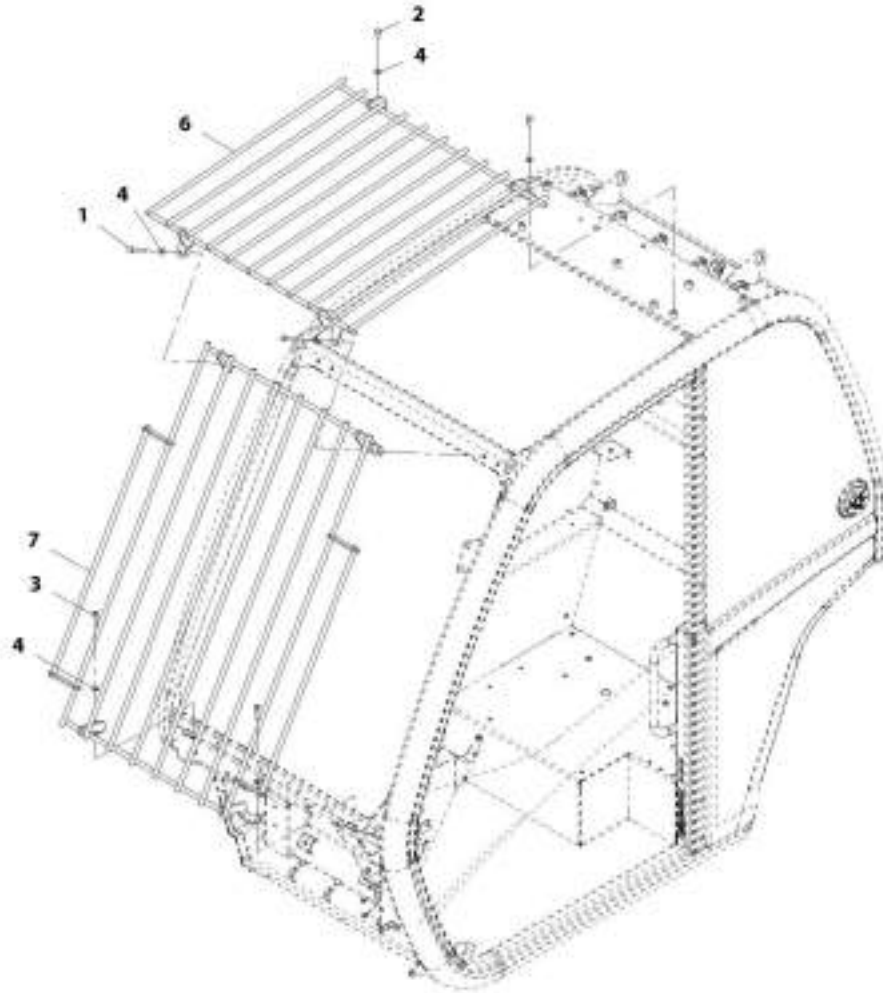
ART\_100190504-G

FIGURE 6-60. CAB GUARD INSTALLATION (FRONT)

ITEM	PART NUMBER	QTY	DESCRIPTION	REV
	1001160506	Ref	Cab Guard Installation (Front)	G
2	4031910	2	Bolt, M8X30	
3	4811900	4	Washer, M8	
5	1001180263	1	Guard, Front Screen	
6	0700820	2	Bolt, M8X60	
7	1001173257	2	Spacer	

# SECTION 6 - CAB

FIGURE 6-61. CAB GUARD INSTALLATION (TOP AND FRONT)



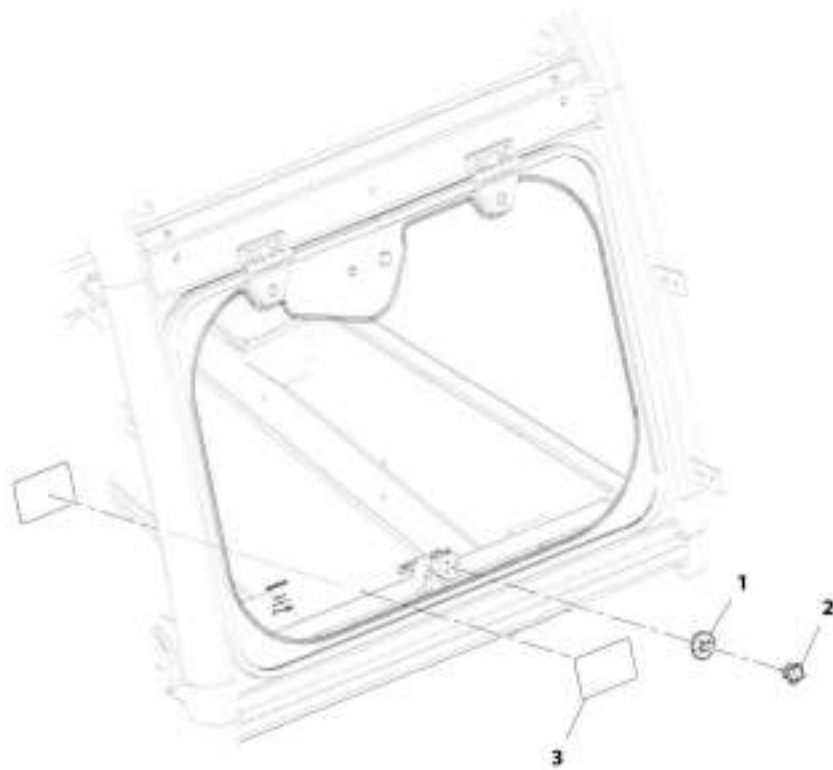
AWT\_1001122794-F

**FIGURE 6-61. CAB GUARD INSTALLATION (TOP AND FRONT)**

ITEM	PART NUMBER	QTY	DESCRIPTION	REV
	1001172774	Ref	Cab Guard Installation (Top and Front)	F
1	0700820	2	Bolt, M8X60	
2	0760810	2	Bolt, M8X20	
3	4031910	2	Bolt, M8X30	
4	4811900	6	Washer, M8	
6	1001160503	1	Guard, Top Screen	
7	1001180263	1	Guard, Front Screen	

## SECTION 6 - CAB

FIGURE 6-62. EXTERNAL WINDOW RELEASE INSTALLATION (ANSI - ENGLISH)



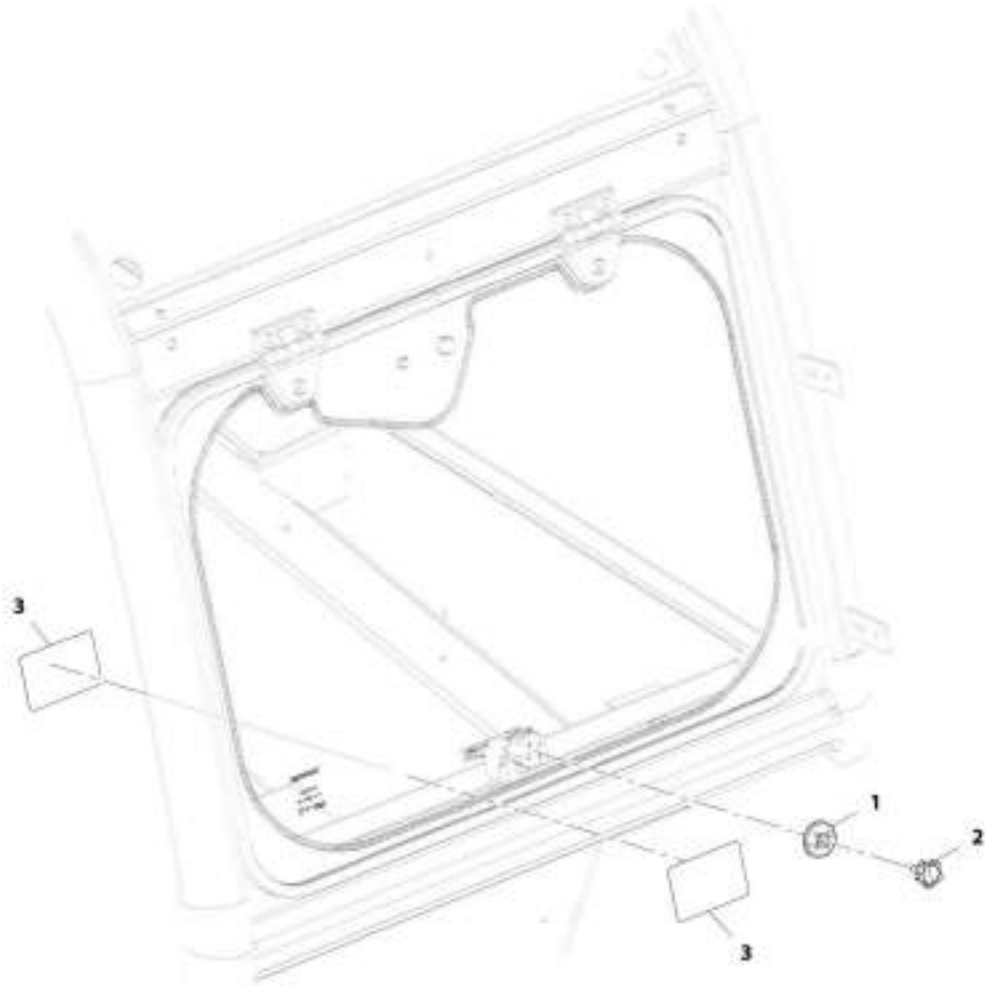
AWT\_1001212047-A

**FIGURE 6-62. EXTERNAL WINDOW RELEASE INSTALLATION (ANSI - ENGLISH)**

<b>ITEM</b>	<b>PART NUMBER</b>	<b>QTY</b>	<b>DESCRIPTION</b>	<b>REV</b>
	1001212047	Ref	Rear Window Installation (WO/Wiper) (ANSI)	A
1	1001179008	1	Cap, Latch Window	
2	1001179009	1	Cap, Knob M6	
3	1001212049	2	Decal, Emergency Exit	

# SECTION 6 - CAB

FIGURE 6-63. EXTERNAL WINDOW RELEASE INSTALLATION (ENGLISH/FRENCH)



ART\_1001178826-C



**FIGURE 6-63. EXTERNAL WINDOW RELEASE INSTALLATION (ENGLISH/FRENCH)**

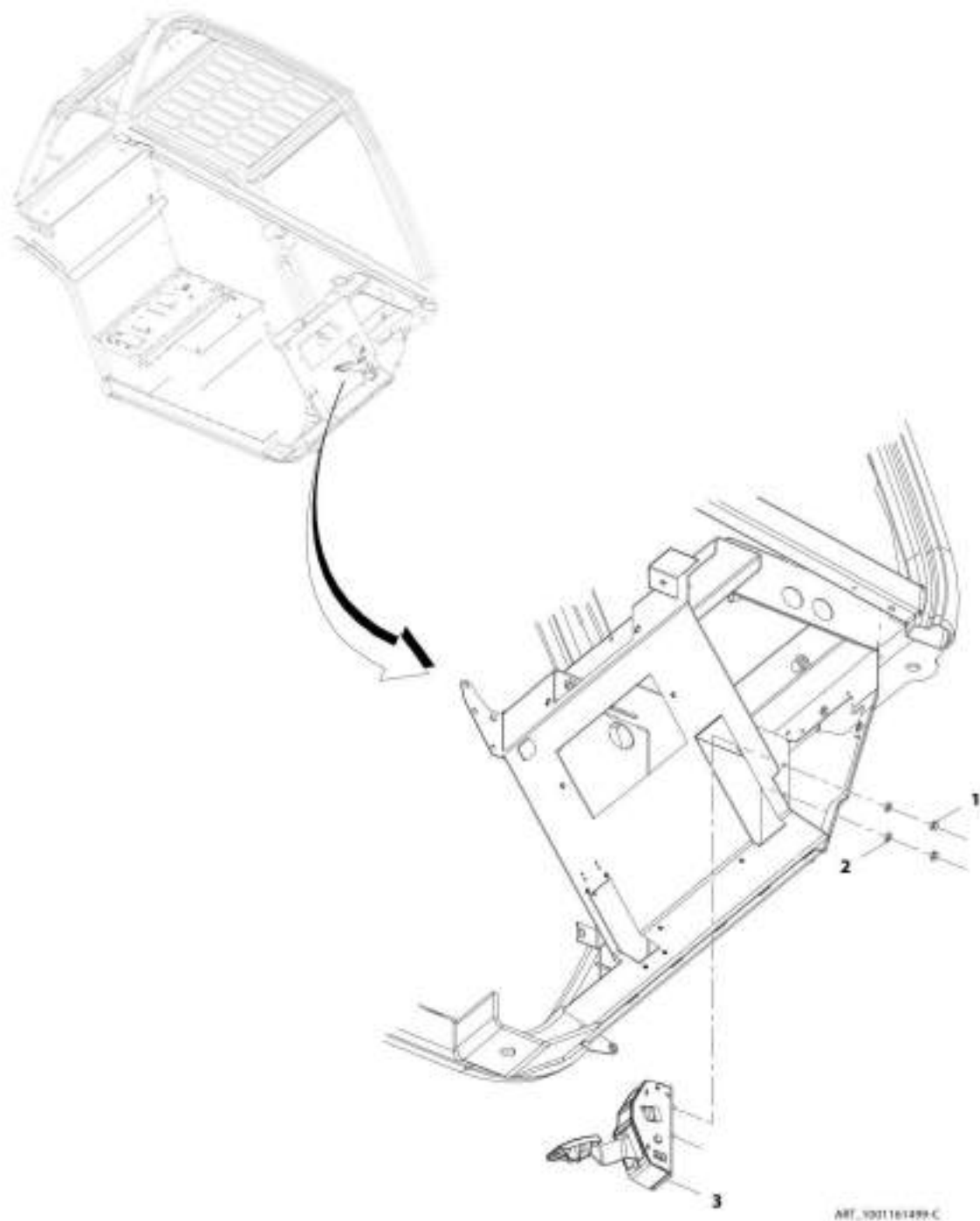
<b>ITEM</b>	<b>PART NUMBER</b>	<b>QTY</b>	<b>DESCRIPTION</b>	<b>REV</b>
	1001178826	Ref	Rear Window Installation (WO/Wiper) (CAN & ISO)	C
1	1001179008	1	Cap, Latch Window	
2	1001179009	1	Knob	
3	1001204709	2	Decal, Emergency Exit (English/French)	



**SECTION 7 - CONTROLS**

# SECTION 7 - CONTROLS

## FIGURE 7-1. ACCELERATOR PEDAL INSTALLATION



ART. 1001161499-C

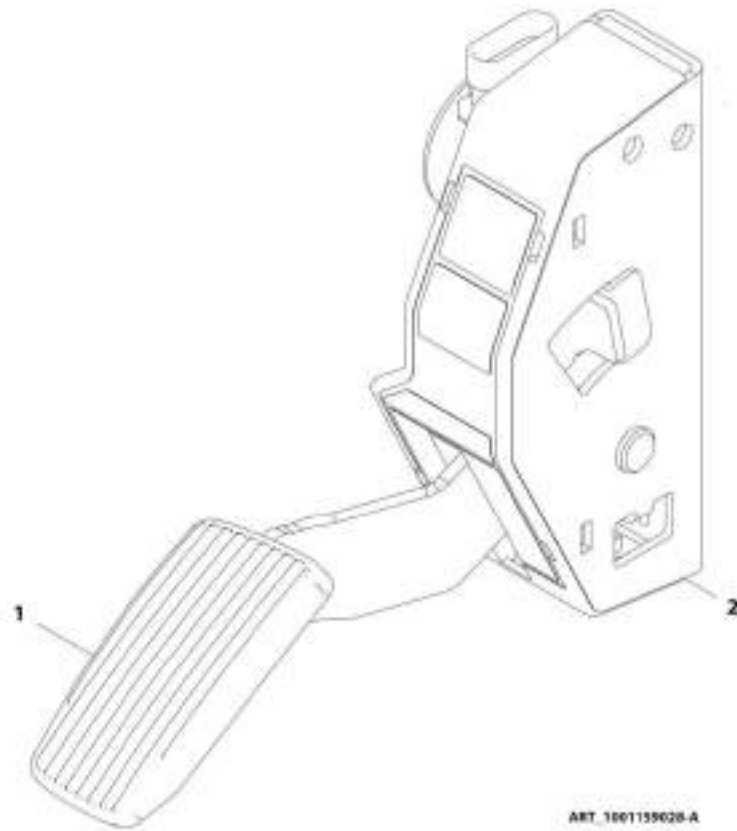
## SECTION 7 - CONTROLS

### FIGURE 7-1. ACCELERATOR PEDAL INSTALLATION

ITEM	PART NUMBER	QTY	DESCRIPTION	REV
	1001161499	Ref	Accelerator Pedal Installation	C
1	3290801	2	Nut, M8X1.25	
2	4811900	2	Washer, M8	
3	1001159028	1	Pedal, Accelerator (See Separate Breakdown in this Section)	

## SECTION 7 - CONTROLS

FIGURE 7-2. ACCELERATOR PEDAL



ART 100155020-A

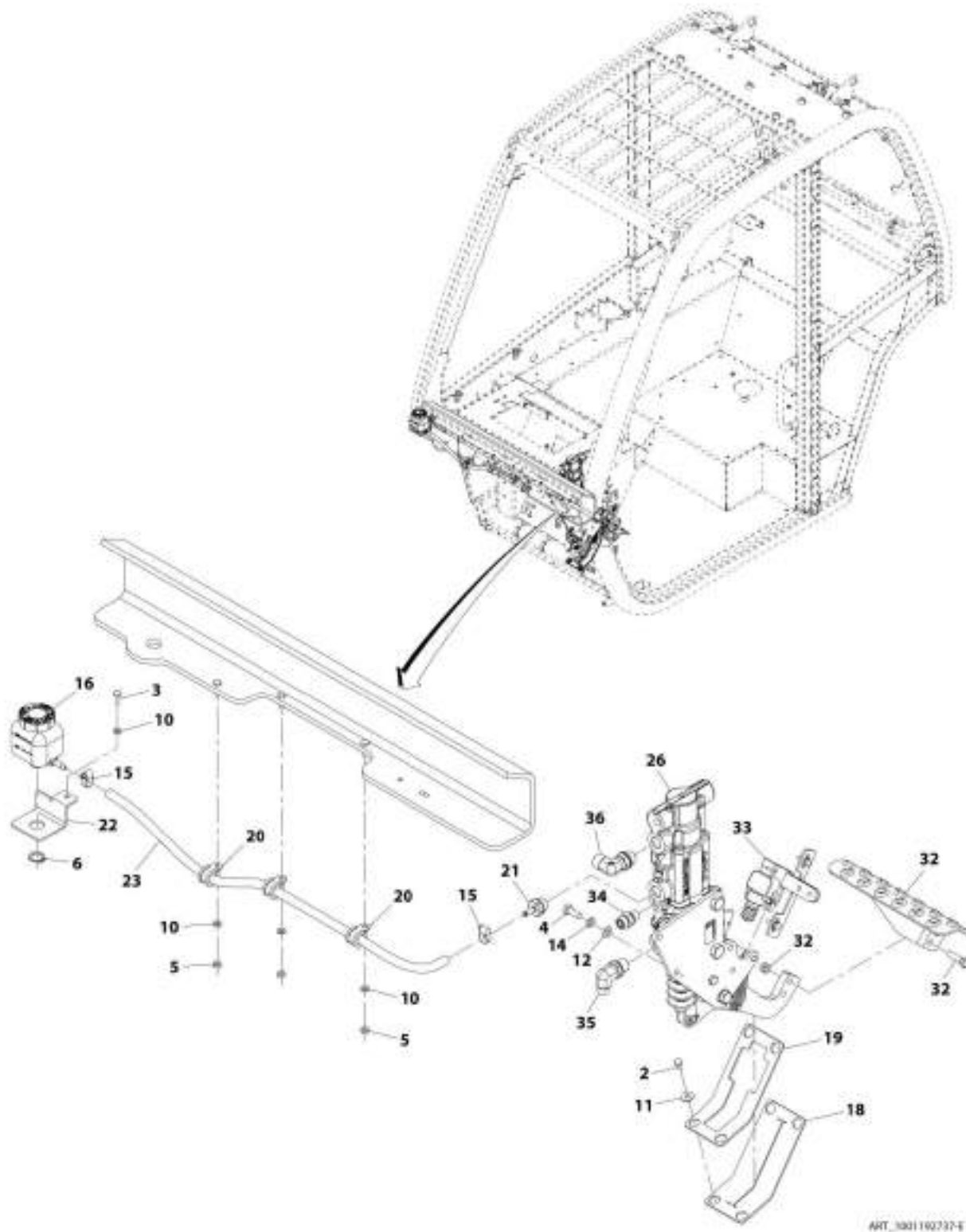
## SECTION 7 - CONTROLS

### FIGURE 7-2. ACCELERATOR PEDAL

ITEM	PART NUMBER	QTY	DESCRIPTION	REV
	1001159028	Ref	Accelerator Pedal	A
1	70025816	1	Pad, Rubber	
2	70025817	1	Cover, Rubber	

# SECTION 7 - CONTROLS

## FIGURE 7-3. BRAKE PEDAL INSTALLATION





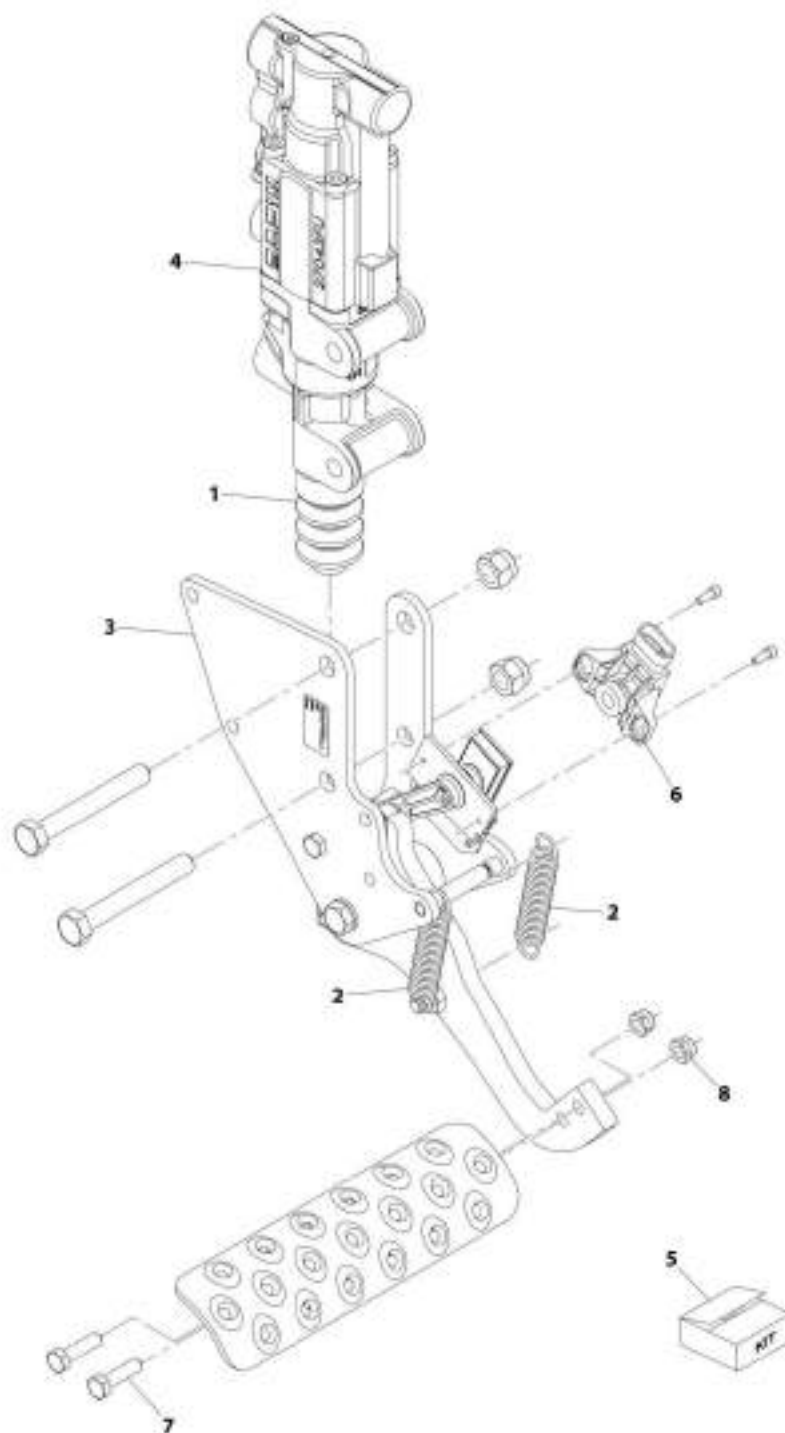
## SECTION 7 - CONTROLS

### FIGURE 7-3. BRAKE PEDAL INSTALLATION

ITEM	PART NUMBER	QTY	DESCRIPTION	REV
	1001192737	Ref	Brake Pedal Installation	E
2	0760605	4	Bolt, M6X10	
3	0760608	1	Bolt, M6X16	
4	0760810	3	Bolt, M8X20	
5	3290601	3	Nut, M6X1	
6	3760348	1	Ring, Retaining	
10	4811700	4	Washer, M6	
11	4811702	4	Washer, M6	
12	4811900	3	Washer, M8	
14	4831900	3	Washer, Lock M8	
15	8405009	2	Clamp	
16	1001214220	1	Reservoir, Brake	
18	1001162920	1	Seal	
19	1001162922	1	Plate	
20	1001170231	3	Clip	
21	1001171874	1	Fitting, Straight	
22	1001172088	1	Bracket	
23	1001172094	1	Hose	
26	1001213265	1	Assembly, Brake Pedal (See Seperate Breakdown in this Section)	
32	1001197139	1	Plate, Brake Pedal	
33	1001205061	Ref	Installation, Brake Sensor (See Seperate Breakdown in this Section)	
34	80233218	1	Fitting, Straight ORFS	
35	80333151	1	Fitting, 90 ORFS	
36	1001168054	1	Fitting, 90 ORFS	

# SECTION 7 - CONTROLS

## FIGURE 7-4. BRAKE PEDAL ASSEMBLY



ART\_1001211265-A

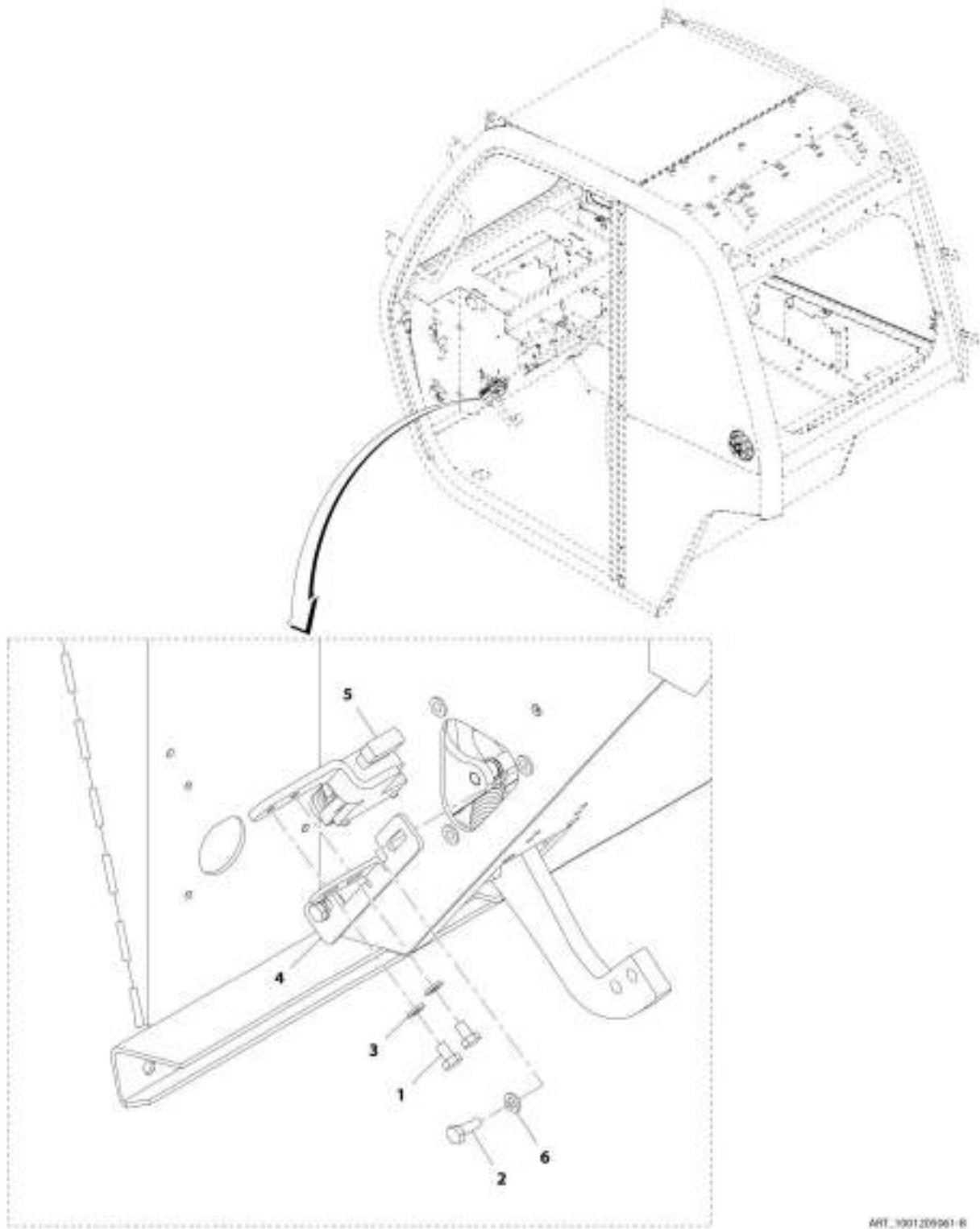
## SECTION 7 - CONTROLS

### FIGURE 7-4. BRAKE PEDAL ASSEMBLY

ITEM	PART NUMBER	QTY	DESCRIPTION	REV
	1001213265	Ref	Brake Pedal Assembly	A
1	70025859	1	Cover, Dust	
2	70025860	2	Spring, Return	
3	70028381	1	Support, Pedal	
4	70028382	1	Cylinder, Master	
5	70026434	1	Kit, Seal	
6	70028383	1	Sensor, Angle	
7	0770814	2	Bolt, M8X30 Grade 10.9	
8	3290805	2	Nut, Lock M8X1.25 Grade 8	

# SECTION 7 - CONTROLS

## FIGURE 7-5. BRAKE SENSOR INSTALLATION



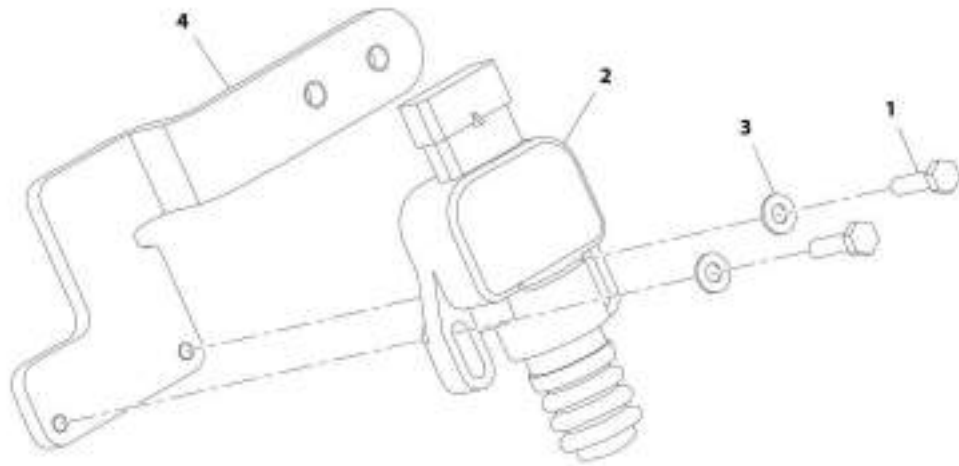
## SECTION 7 - CONTROLS

### FIGURE 7-5. BRAKE SENSOR INSTALLATION

ITEM	PART NUMBER	QTY	DESCRIPTION	REV
	1001205061	Ref	Brake Sensor Installation	B
1	0760605	2	Bolt, M6X10	
2	0760608	2	Bolt, M6X16	
3	4811700	2	Washer, M6	
4	1001201499	1	Plate, Switch Adjustment	
5	1001201501	1	Assembly, Switch Plate (See Separate Breakdown in this Section)	
6	4811702	2	Washer, M6	

## SECTION 7 - CONTROLS

FIGURE 7-6. SWITCH PLATE ASSEMBLY



MFT\_1001201301-4

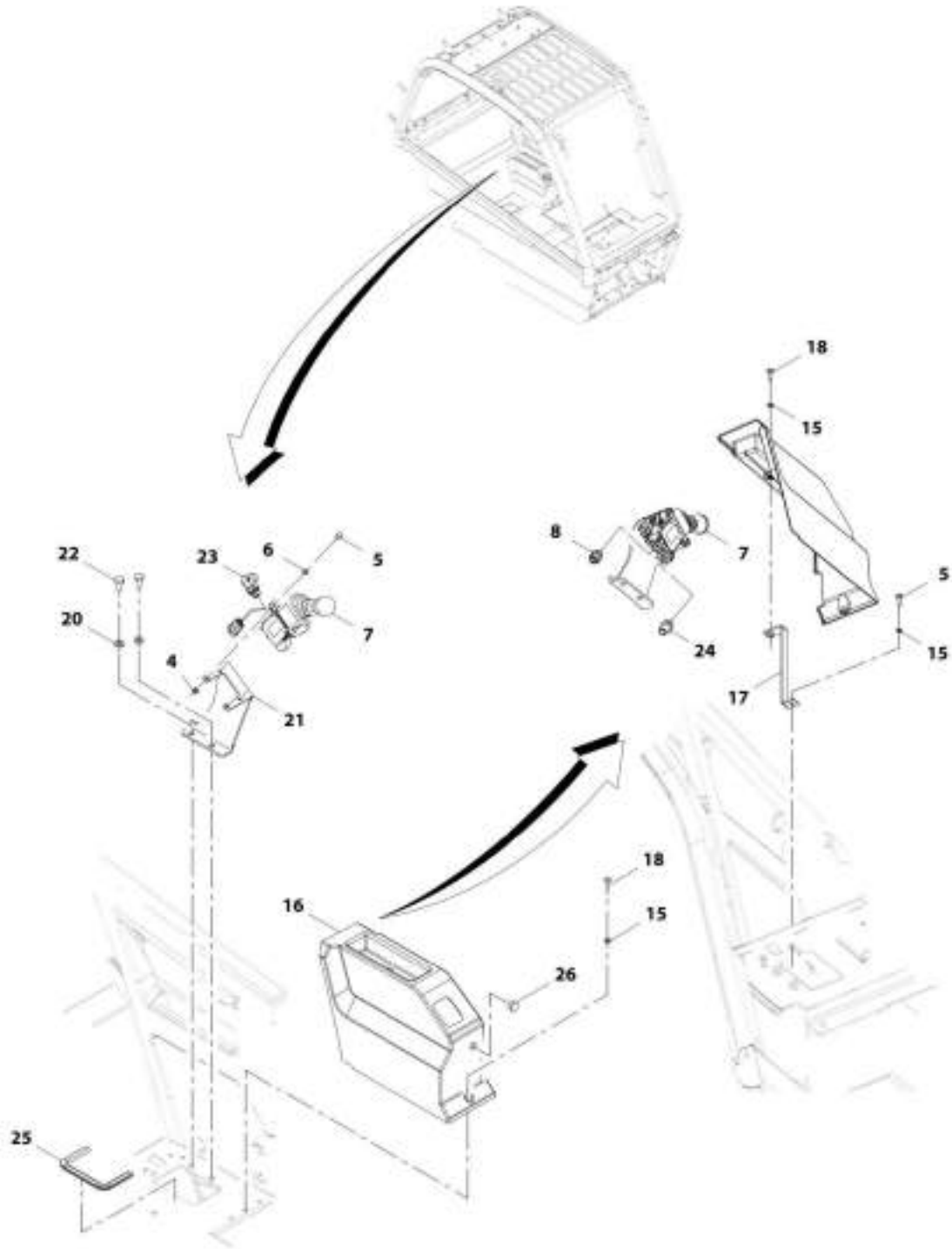
## SECTION 7 - CONTROLS

### FIGURE 7-6. SWITCH PLATE ASSEMBLY

ITEM	PART NUMBER	QTY	DESCRIPTION	REV
	1001201501	Ref	Switch Plate Assembly	A
1	0700408	2	Bolt, M4X16	
2	4360658	1	Switch, Brake Light	
3	4811400	2	Washer, M4	
4	1001201500	1	Plate	

# SECTION 7 - CONTROLS

## FIGURE 7-7. PARK BRAKE INSTALLATION



ART\_1801162862-M



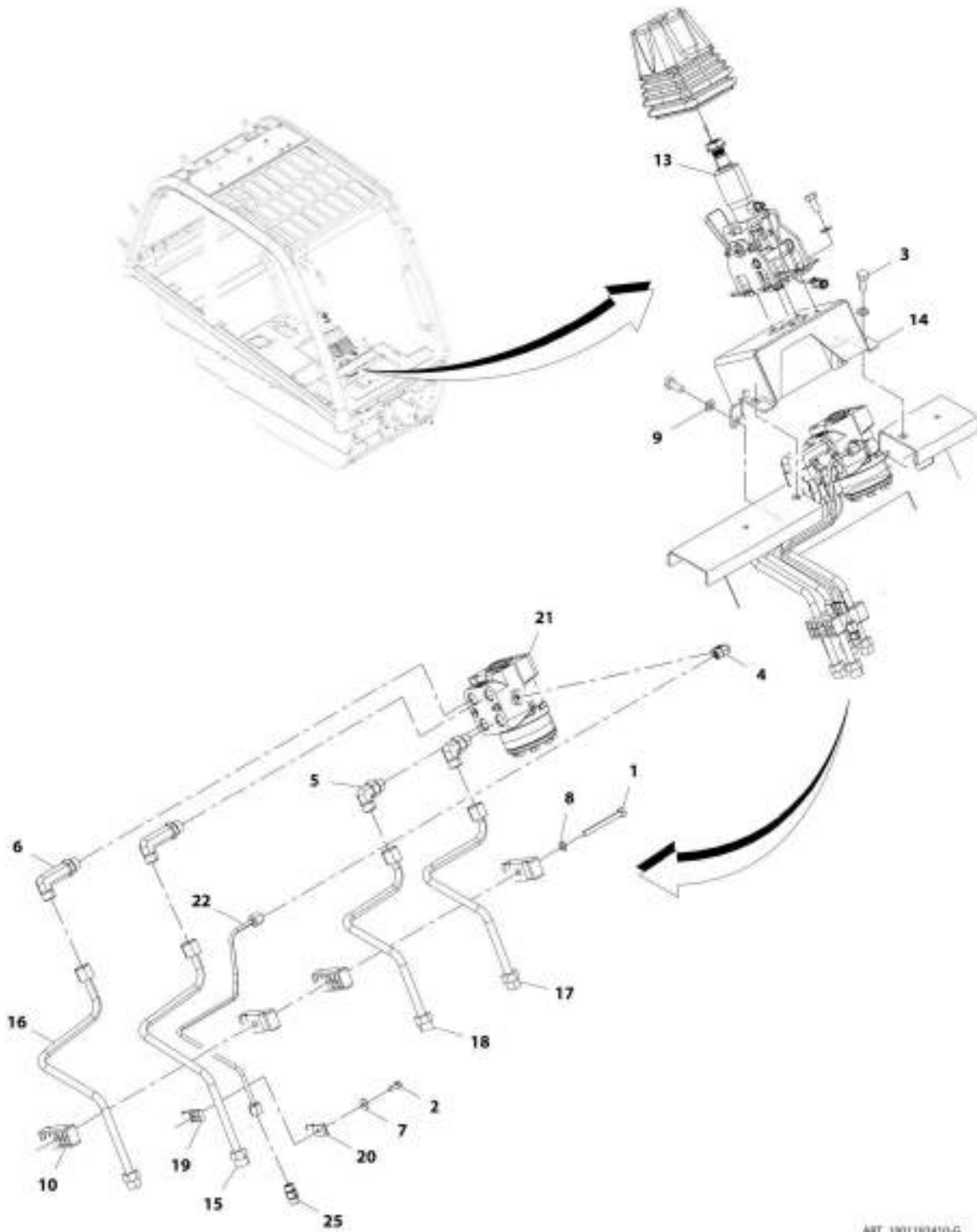
## SECTION 7 - CONTROLS

**FIGURE 7-7. PARK BRAKE INSTALLATION**

ITEM	PART NUMBER	QTY	DESCRIPTION	REV
	1001162062	Ref	Park Brake Installation	M
4	3290601	4	Nut, M6X1	
5	0760608	5	Bolt, M6X16	
6	4831700	4	Washer, Lock M6	
7	1001207956	1	Hydraulic Hand Brake	
7	70020922	1	Kit, Seal	
8	1001101702	1	Fitting, Straight ORFS	
15	4811700	3	Washer, M6	
16	1001193474	1	Panel	
17	1001195254	1	Bracket	
18	4010610002	2	Screw, M6X20	
20	4812000	2	Washer, M10	
21	1001191915	1	Bracket	
22	0761010	2	Bolt, M10X20	
23	1001125222	1	Fitting, 90 ORFS	
24	1001206744	1	Fitting, Grease	
25	1001208037	1	Seal	
26	3520028	1	Plug	

# SECTION 7 - CONTROLS

## FIGURE 7-8. TILT STEERING COLUMN INSTALLATION



ART\_1801102410-G

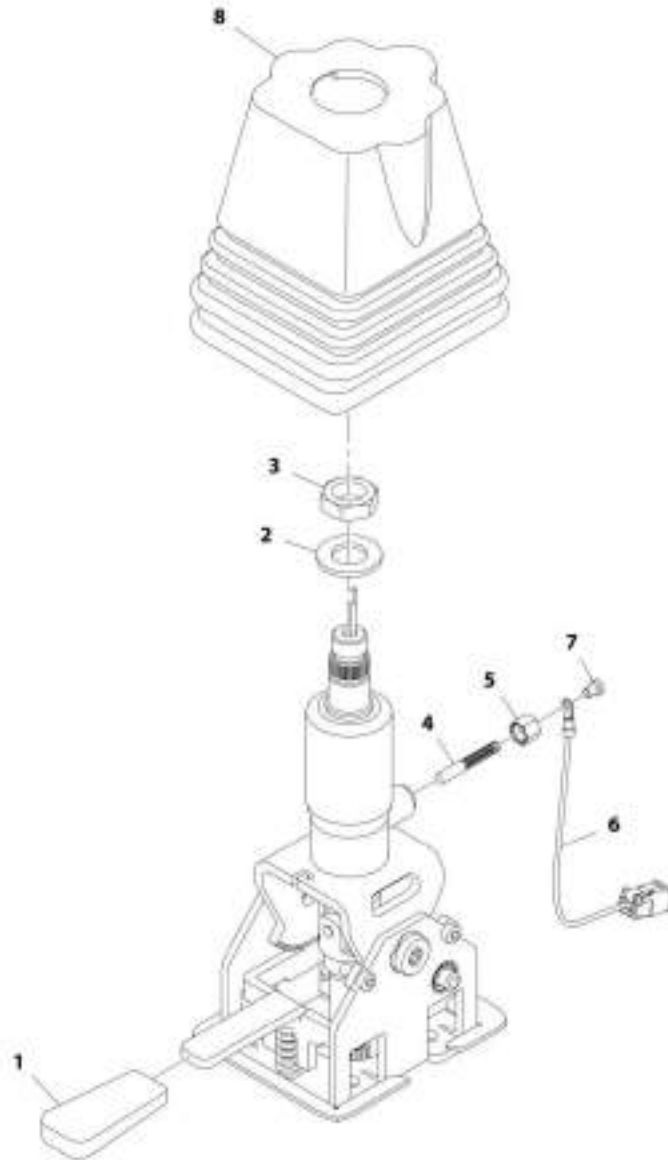
## SECTION 7 - CONTROLS

**FIGURE 7-8. TILT STEERING COLUMN INSTALLATION**

ITEM	PART NUMBER	QTY	DESCRIPTION	REV
	1001192410	Ref	Tilt Steering Column Installation	G
1	0700824	1	Bolt, M8X80	
2	0760608	1	Bolt, M6X16	
3	0761012	8	Bolt, M10X25	
4	2130404	1	Fitting, 90 ORFS	
5	2130808	2	Fitting, 90 ORFS	
6	2170208	2	Fitting, 90 ORFS	
7	4811702	1	Washer, M6	
8	4811900	1	Washer, M8	
9	4812000	8	Washer, M10	
10	1001004640	4	Clamp	
13	1001155276	1	Column, Tilt Steering (See Separate Breakdown in this Section)	
14	1001156265	1	Bracket, Support	
15	1001161672	1	Pipe	
16	1001161896	1	Pipe	
17	1001161897	1	Pipe	
18	1001161898	1	Pipe	
19	1001168142	1	Bracket	
20	1001168151	1	Bracket	
21	1001178670	1	Valve, Steering Unit (See Separate Breakdown in Hydraulic Components Section)	
22	1001194282	1	Pipe	
25	1001227945	1	Valve, Check	

# SECTION 7 - CONTROLS

## FIGURE 7-9. TILT STEERING COLUMN



ART\_100155234F

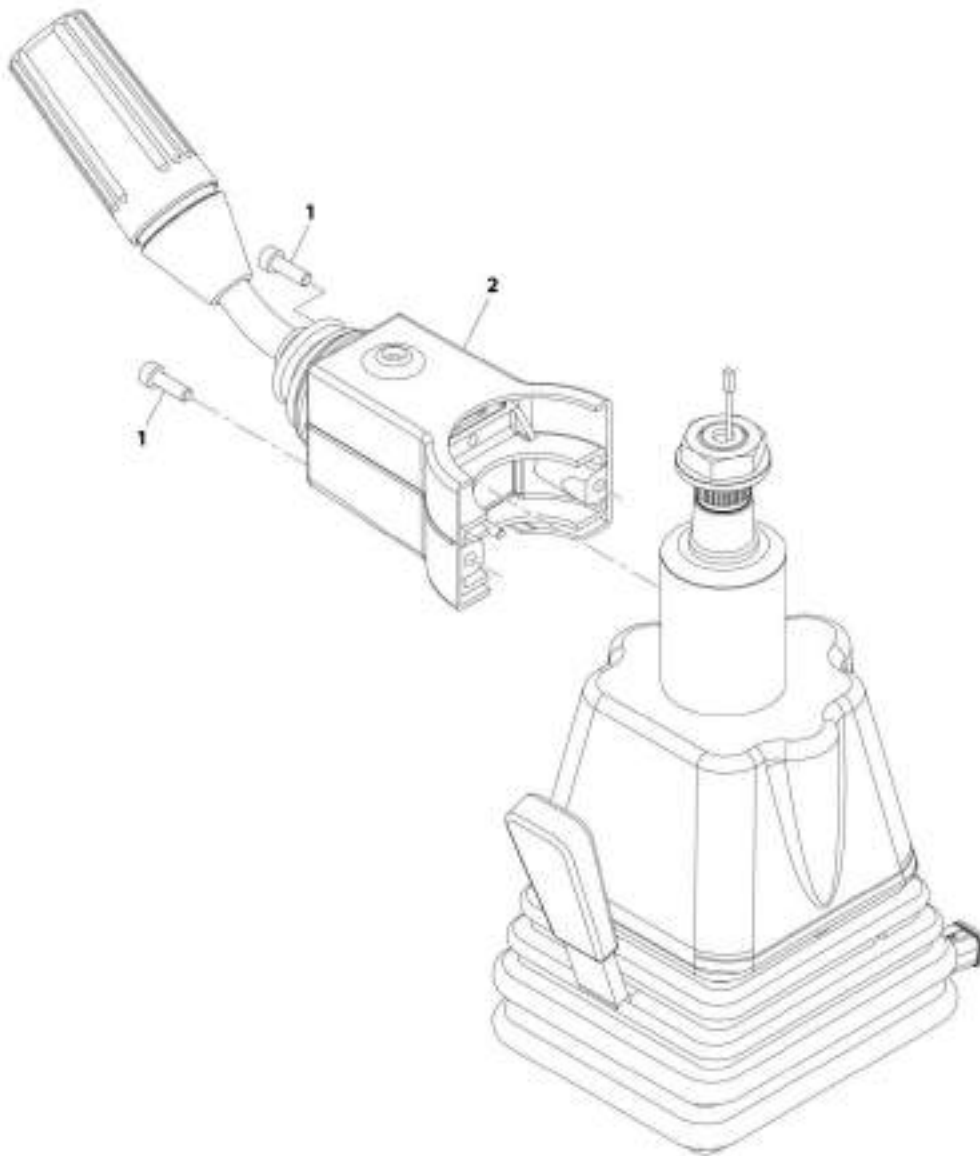
## SECTION 7 - CONTROLS

### FIGURE 7-9. TILT STEERING COLUMN

ITEM	PART NUMBER	QTY	DESCRIPTION	REV
	1001155276	Ref	Tilt Steering Column	F
1	70026366	1	Knob	
2	70026364	1	Washer	
3	70026363	1	Nut	
4	70026362	1	Contact, Sliding	
5	70026361	1	Cap, Brass	
6	70026367	1	Cable	
7	70026365	1	Screw, Cap	
8	1001184504	1	Gaiter	

# SECTION 7 - CONTROLS

FIGURE 7-10. COLUMN SHIFT INSTALLATION (2 SPEED)



ART\_1001230507-A

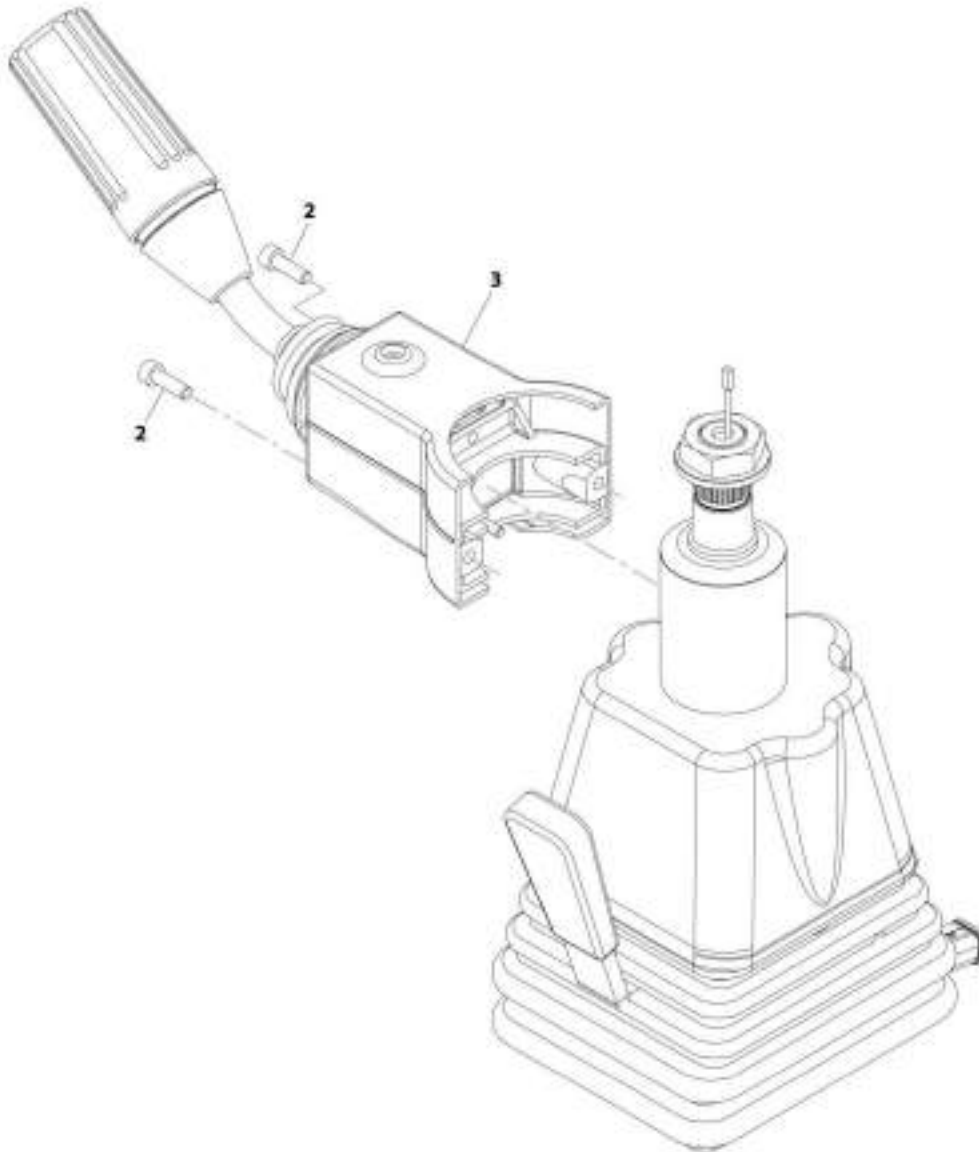
## SECTION 7 - CONTROLS

**FIGURE 7-10. COLUMN SHIFT INSTALLATION (2 SPEED)**

ITEM	PART NUMBER	QTY	DESCRIPTION	REV
	1001220507	Ref	Column Shift Installation (2 Speed)	A
1	4031607	2	Bolt, M5-0.8X16	
2	1001197667	1	Lever, FNR (2 Speed)	

## SECTION 7 - CONTROLS

FIGURE 7-11. COLUMN SHIFT INSTALLATION (0 SPEED)



ART\_1001179931-C



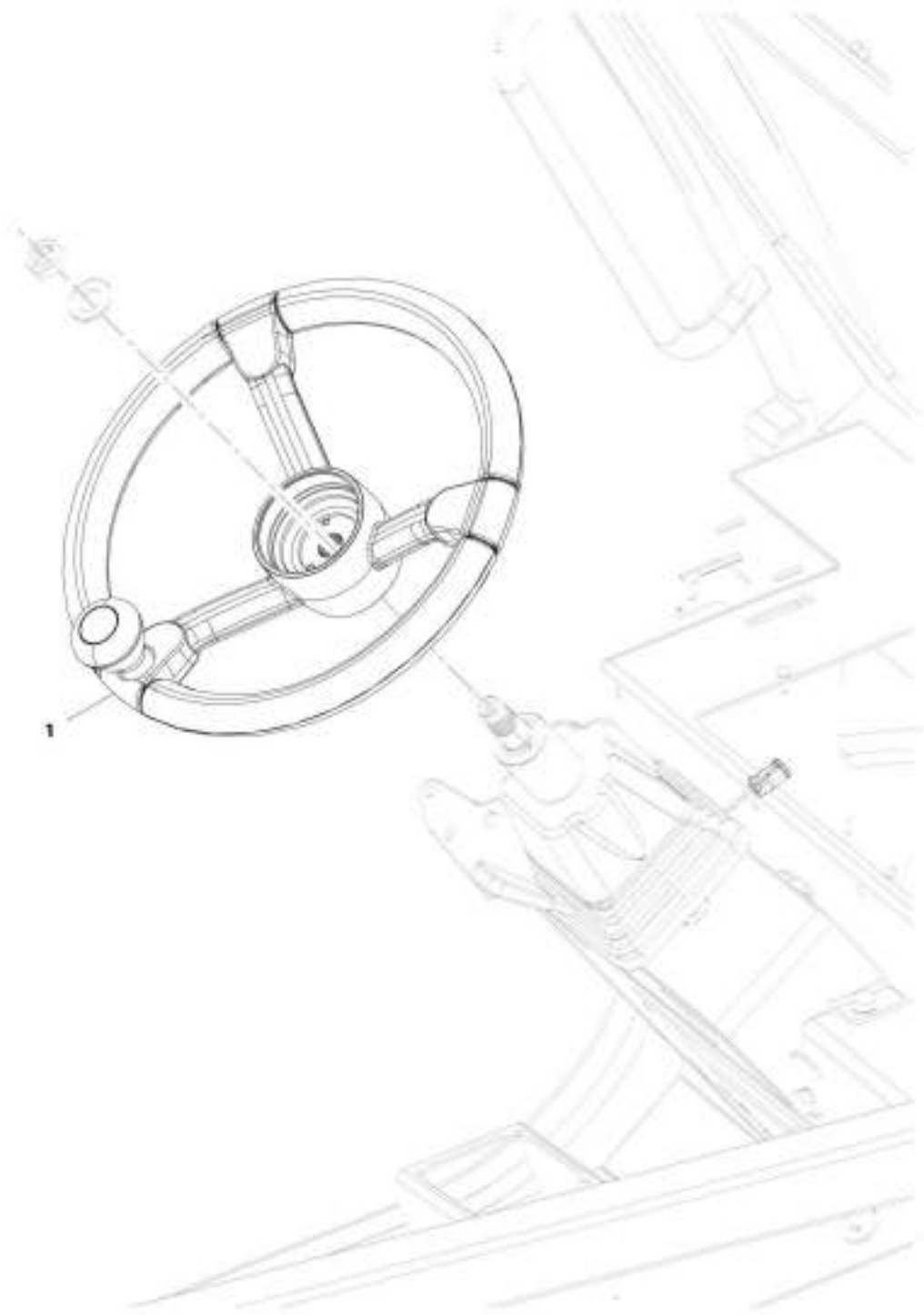
## SECTION 7 - CONTROLS

**FIGURE 7-11. COLUMN SHIFT INSTALLATION (0 SPEED)**

ITEM	PART NUMBER	QTY	DESCRIPTION	REV
	1001179931	Ref	Column Shift Installation (0 Speed)	C
2	4031607	2	Bolt, M5-0.8X16	
3	1001163697	1	Lever, FNR (0 Speed)	

## SECTION 7 - CONTROLS

FIGURE 7-12. STEERING WHEEL INSTALLATION



ART\_100168751-C

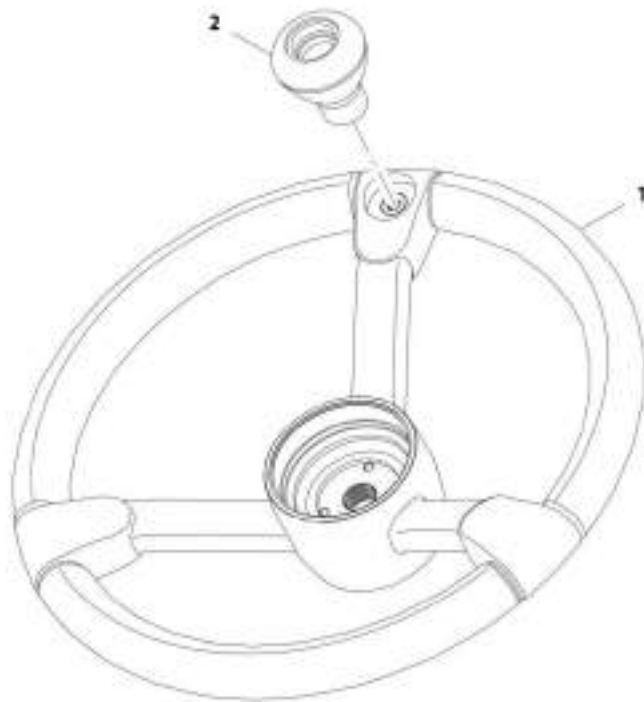
## SECTION 7 - CONTROLS

### FIGURE 7-12. STEERING WHEEL INSTALLATION

ITEM	PART NUMBER	QTY	DESCRIPTION	REV
1	1001169751 1001169354	Ref 1	Steering Wheel Installation Wheel, Steering (See Separate Breakdown in this Section)	C

## SECTION 7 - CONTROLS

FIGURE 7-13. STEERING WHEEL



ART\_1001169354-D

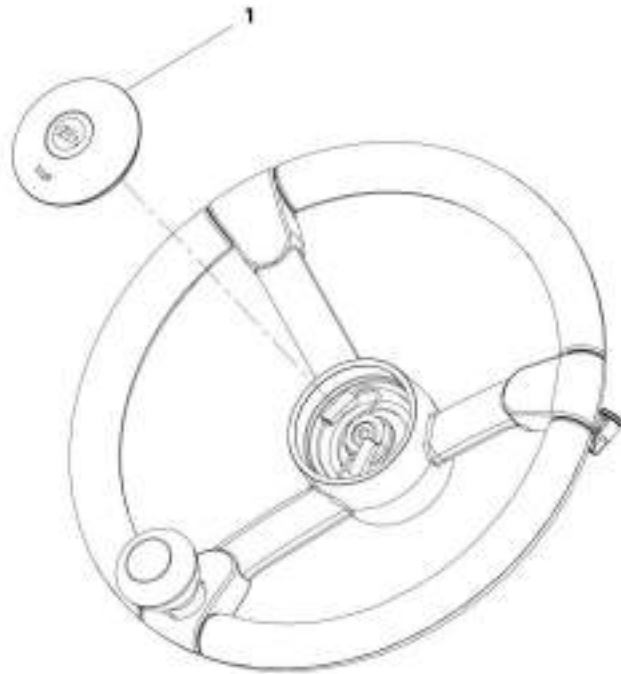
## SECTION 7 - CONTROLS

### FIGURE 7-13. STEERING WHEEL

ITEM	PART NUMBER	QTY	DESCRIPTION	REV
	1001169354	Ref	Steering Wheel	D
1	1001169367	1	Wheel, Steering	
2	1001169355	1	Handle, Steer Spinner	

## SECTION 7 - CONTROLS

FIGURE 7-14. HORN BUTTON INSTALLATION



ART\_100160763-A

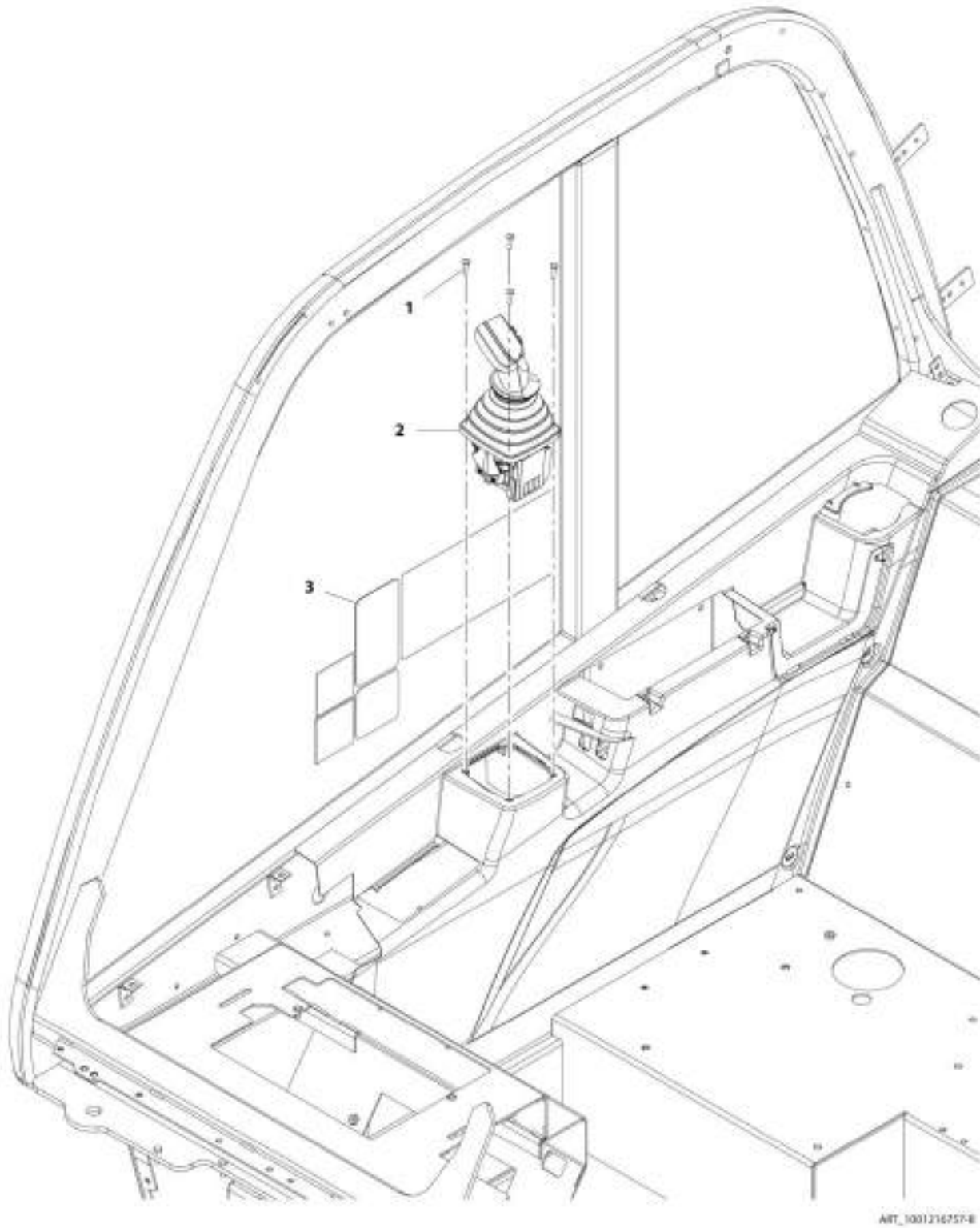
## SECTION 7 - CONTROLS

**FIGURE 7-14. HORN BUTTON INSTALLATION**

ITEM	PART NUMBER	QTY	DESCRIPTION	REV
1	1001169763 1001169268	Ref 1	Horn Button Installation Button, Horn	A

# SECTION 7 - CONTROLS

## FIGURE 7-15. JOYSTICK INSTALLATION (2 SPEED)





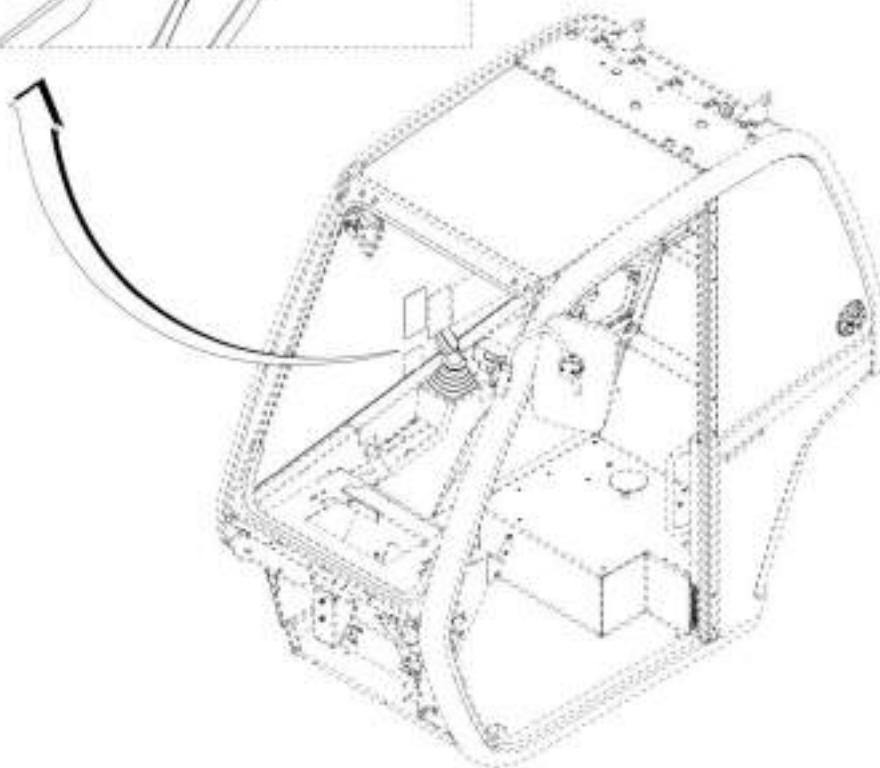
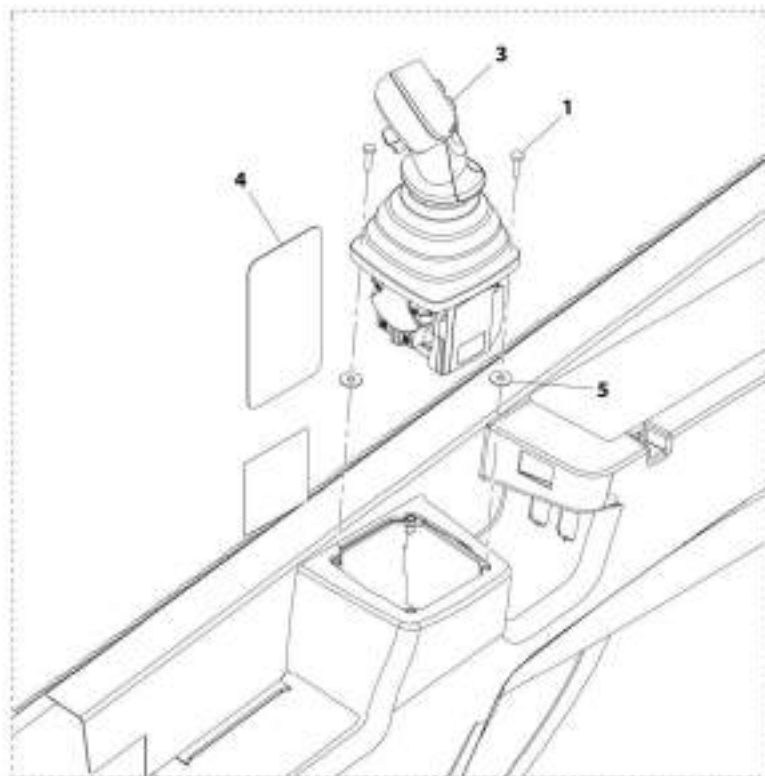
## SECTION 7 - CONTROLS

**FIGURE 7-15. JOYSTICK INSTALLATION (2 SPEED)**

ITEM	PART NUMBER	QTY	DESCRIPTION	REV
	1001216757	Ref	Joystick Installation (2 Speed)	B
1	4010510	4	Screw, M5X20	
2	1001222606	1	Joystick, 2R2B	
3	1001216803	1	Decal	

# SECTION 7 - CONTROLS

## FIGURE 7-16. JOYSTICK INSTALLATION



ART\_1001967004-F

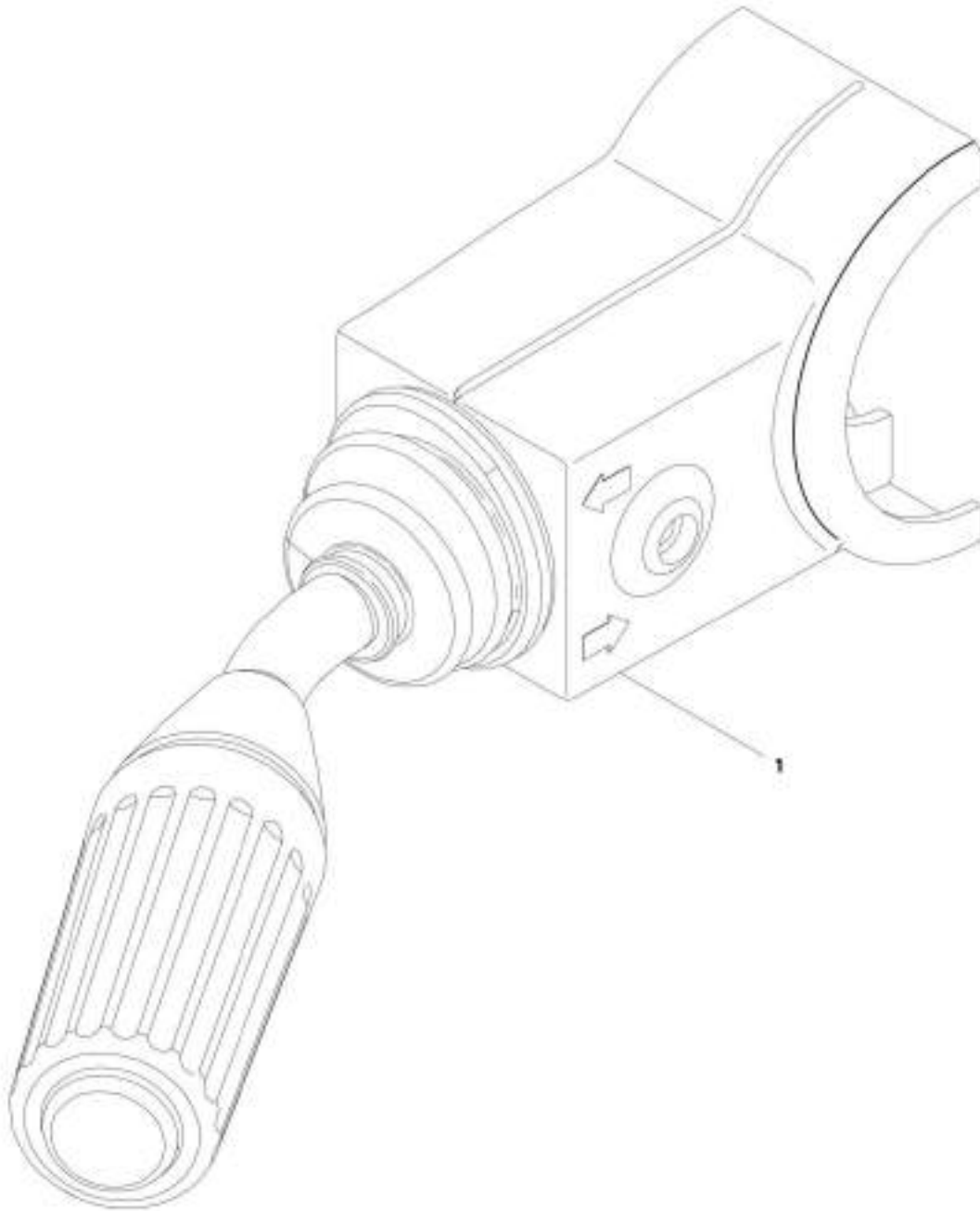
## SECTION 7 - CONTROLS

### FIGURE 7-16. JOYSTICK INSTALLATION

ITEM	PART NUMBER	QTY	DESCRIPTION	REV
	1001167004	Ref	Joystick Installation	F
1	4010510	4	Screw, M5X20	
3	1001222603	1	Joystick	
4	1001236404	1	Decal, Joystick	
5	4811702001	AR	Washer, M6	

## SECTION 7 - CONTROLS

FIGURE 7-17. WIPER-TURN SWITCH



ART\_1001105655.A

## SECTION 7 - CONTROLS

**FIGURE 7-17. WIPER-TURN SWITCH**

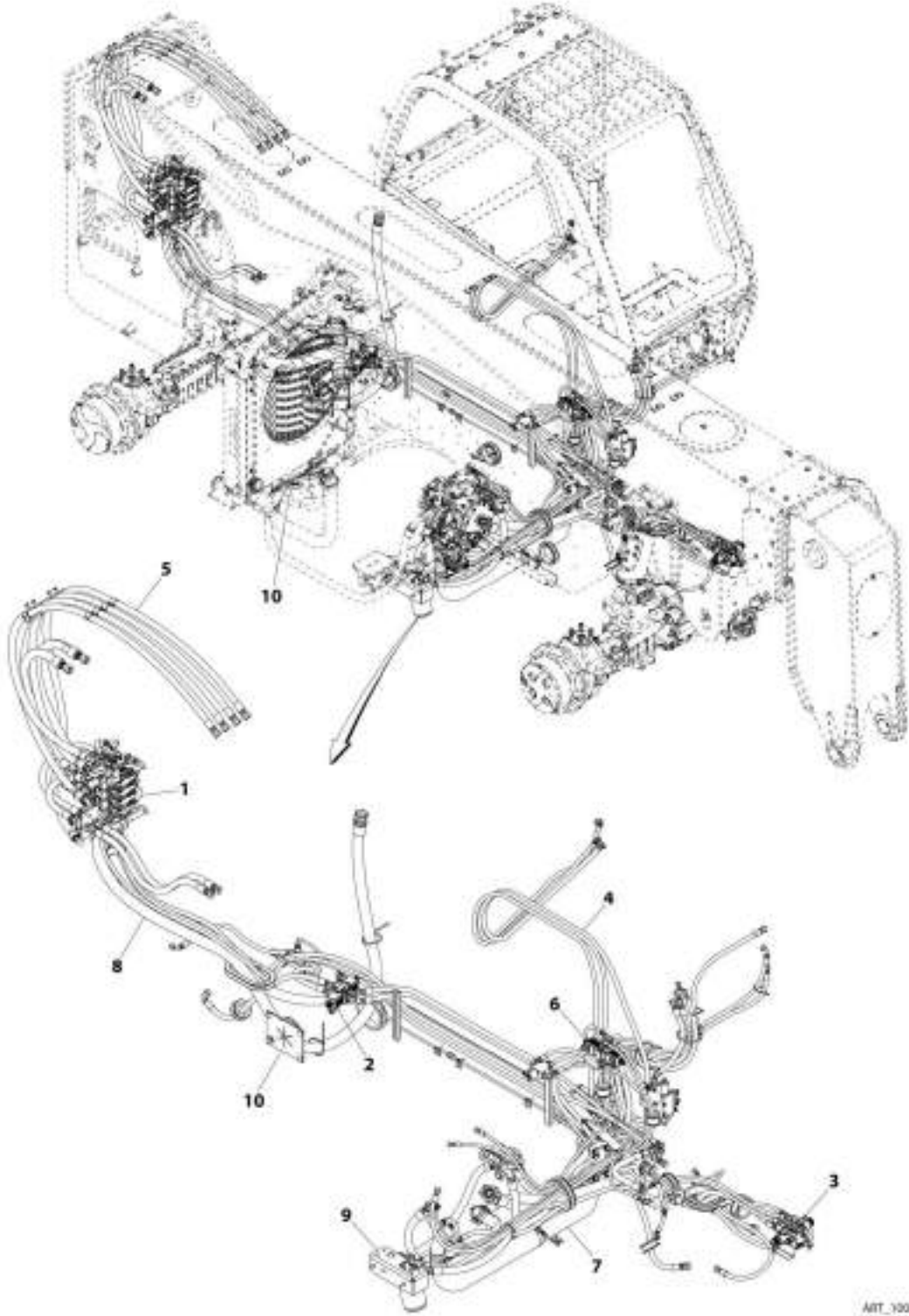
ITEM	PART NUMBER	QTY	DESCRIPTION	REV
1	1001163695	1	Wiper-Turn Switch	A



**SECTION 8 - HYDRAULIC CIRCUITS**

# SECTION 8 - HYDRAULIC CIRCUITS

## FIGURE 8-1. MAIN HYDRAULIC INSTALLATION



ART\_Y001201812-D



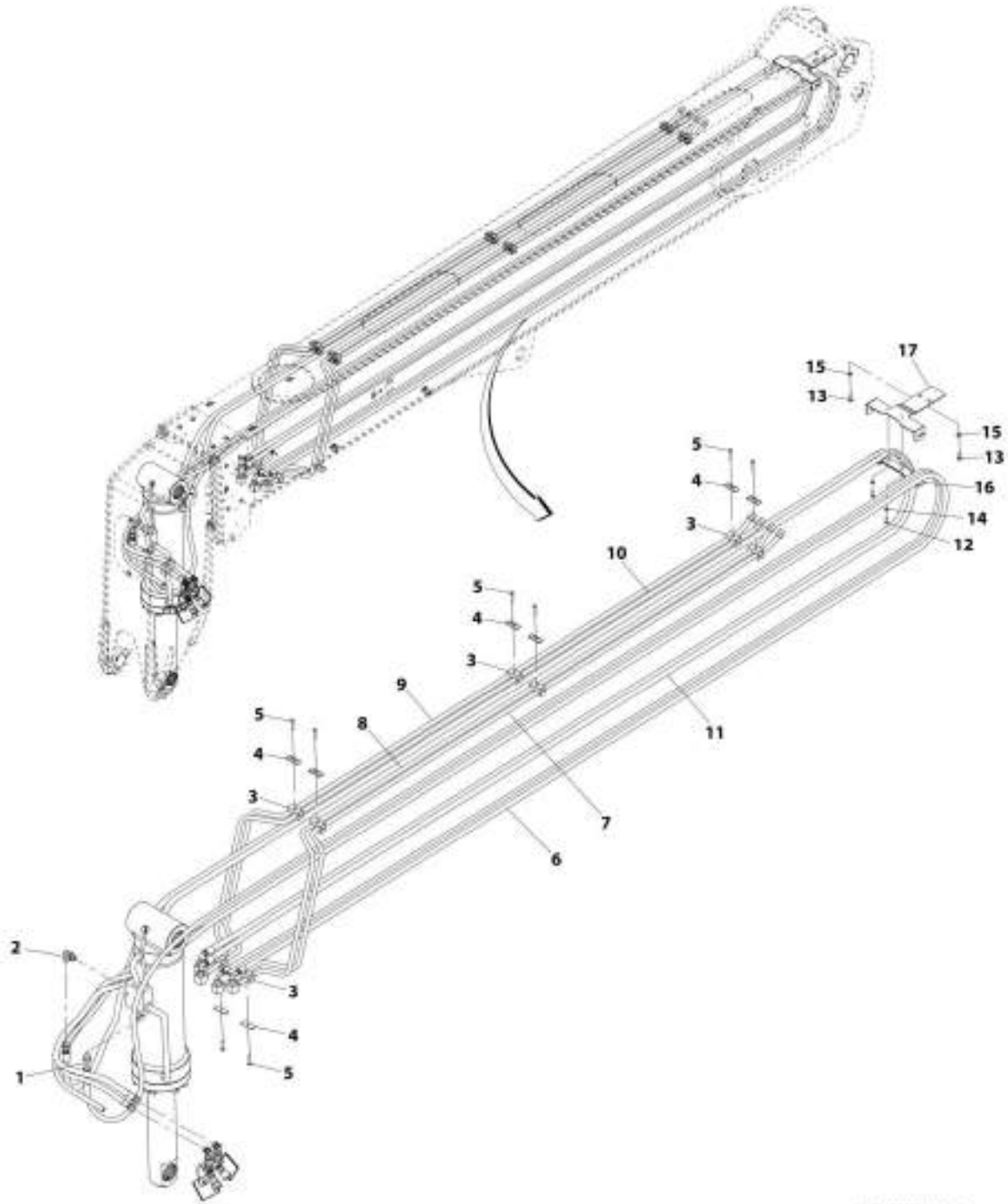
## SECTION 8 - HYDRAULIC CIRCUITS

**FIGURE 8-1. MAIN HYDRAULIC INSTALLATION**

ITEM	PART NUMBER	QTY	DESCRIPTION	REV
1	1001201812	Ref	Main Hydraulic Installation	D
	1001192889	Ref	Installation, Main Control Valve (See Seperate Breakdown in this Section)	
2	1001193516	Ref	Installation, Steering Select Valve (See Seperate Breakdown in this Section)	
3	1001193517	Ref	Installation, Frame Level Valve (See Seperate Breakdown in this Section)	
4	1001193709	Ref	Installation, Cab Hydraulics (See Seperate Breakdown in this Section)	
5	1001211606	Ref	Installation, Boom Lines (See Seperate Breakdown in this Section)	
6	1001197196	Ref	Installation, Speed Control Valve (See Seperate Breakdown in this Section)	
7	1001202024	Ref	Installation, Engine Bay Hydraulic (See Seperate Breakdown in this Section)	
8	1001202025	Ref	Installation, Frame Hydraulics (See Seperate Breakdown in this Section)	
9	1001202026	Ref	Installation, Charge Filter Lines	
10	1001213026	Ref	Installation, Grommets (See Seperate Breakdown in Frame and Attaching Parts Section)	

# SECTION 8 - HYDRAULIC CIRCUITS

## FIGURE 8-2. BOOM HYDRAULIC INSTALLATION



ART\_301160100-F

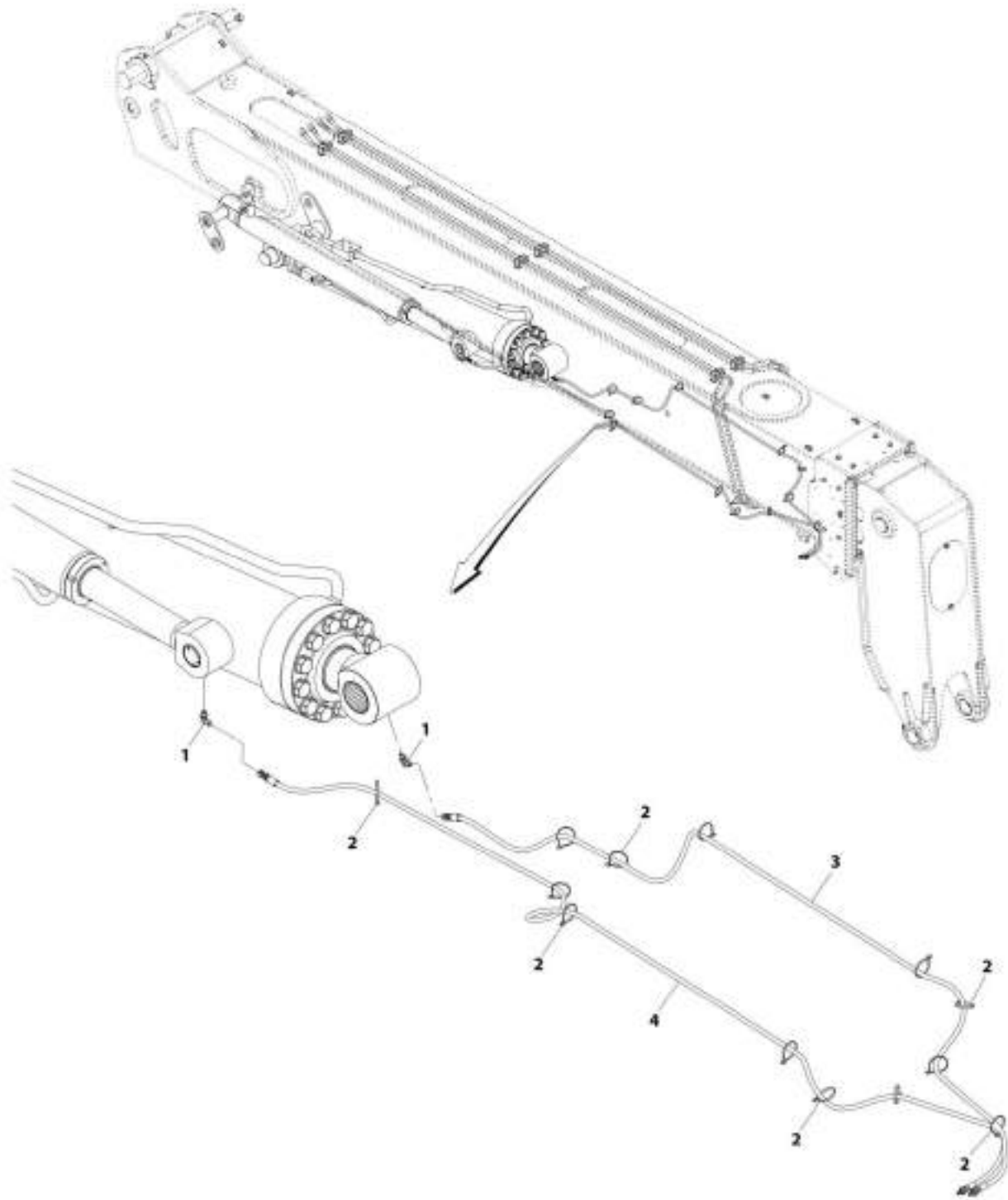
## SECTION 8 - HYDRAULIC CIRCUITS

**FIGURE 8-2. BOOM HYDRAULIC INSTALLATION**

ITEM	PART NUMBER	QTY	DESCRIPTION	REV
	1001193100	Ref	Boom Hydraulic Installation	F
1	2111010	1	Fitting, Straight ORFS	
2	2131010	1	Fitting, ORFS	
3	77133136	8	Clamp	
4	77133137	8	Plate, Twin Hose Cover	
5	0700817	8	Bolt, M8X45	
6	1001206242	1	Hose	
7	1001209200	1	Pipe	
8	1001209201	1	Pipe	
9	1001209202	1	Pipe	
10	1001209203	1	Pipe	
11	1001193465	1	Hose	
12	0760810	2	Bolt, M8X20	
13	0761012	2	Bolt, M10X25	
14	4811900	2	Washer, M8	
15	4812000	2	Washer, M10	
16	1001214661	1	Plate	
17	1001215470	1	Support, Hose	

# SECTION 8 - HYDRAULIC CIRCUITS

## FIGURE 8-3. REMOTE GREASE INSTALLATION



ART\_1001217352-B

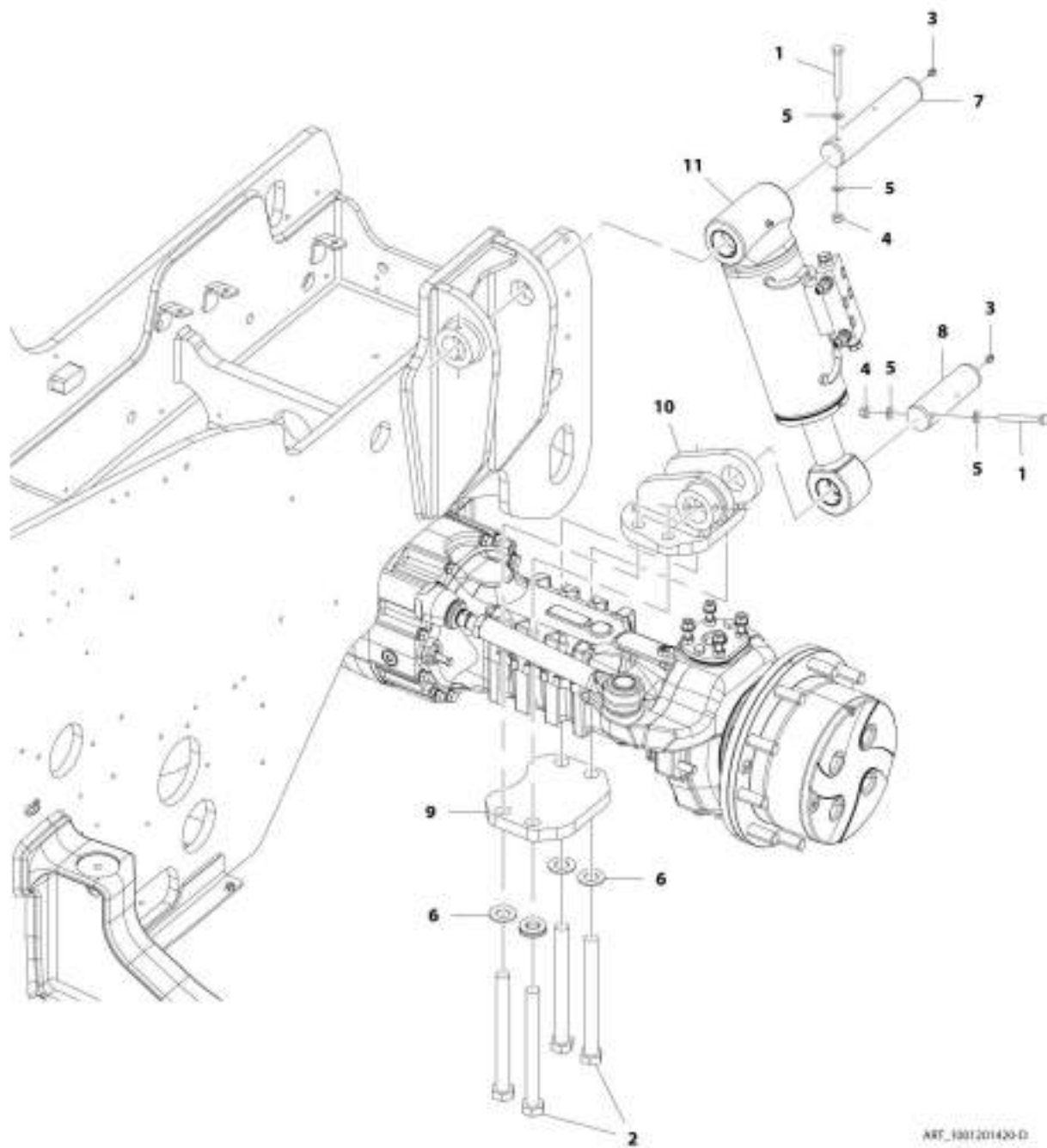
## SECTION 8 - HYDRAULIC CIRCUITS

### FIGURE 8-3. REMOTE GREASE INSTALLATION

ITEM	PART NUMBER	QTY	DESCRIPTION	REV
	1001217352	Ref	Remote Grease Installation	B
1	8770215	2	Fitting, 90 ORFS	
2	1001008559	13	Strap, Cable	
3	1001217354	1	Hose	
4	1001217355	1	Hose	

# SECTION 8 - HYDRAULIC CIRCUITS

## FIGURE 8-4. FRAME LEVEL INSTALLATION



ART\_1801201420-D

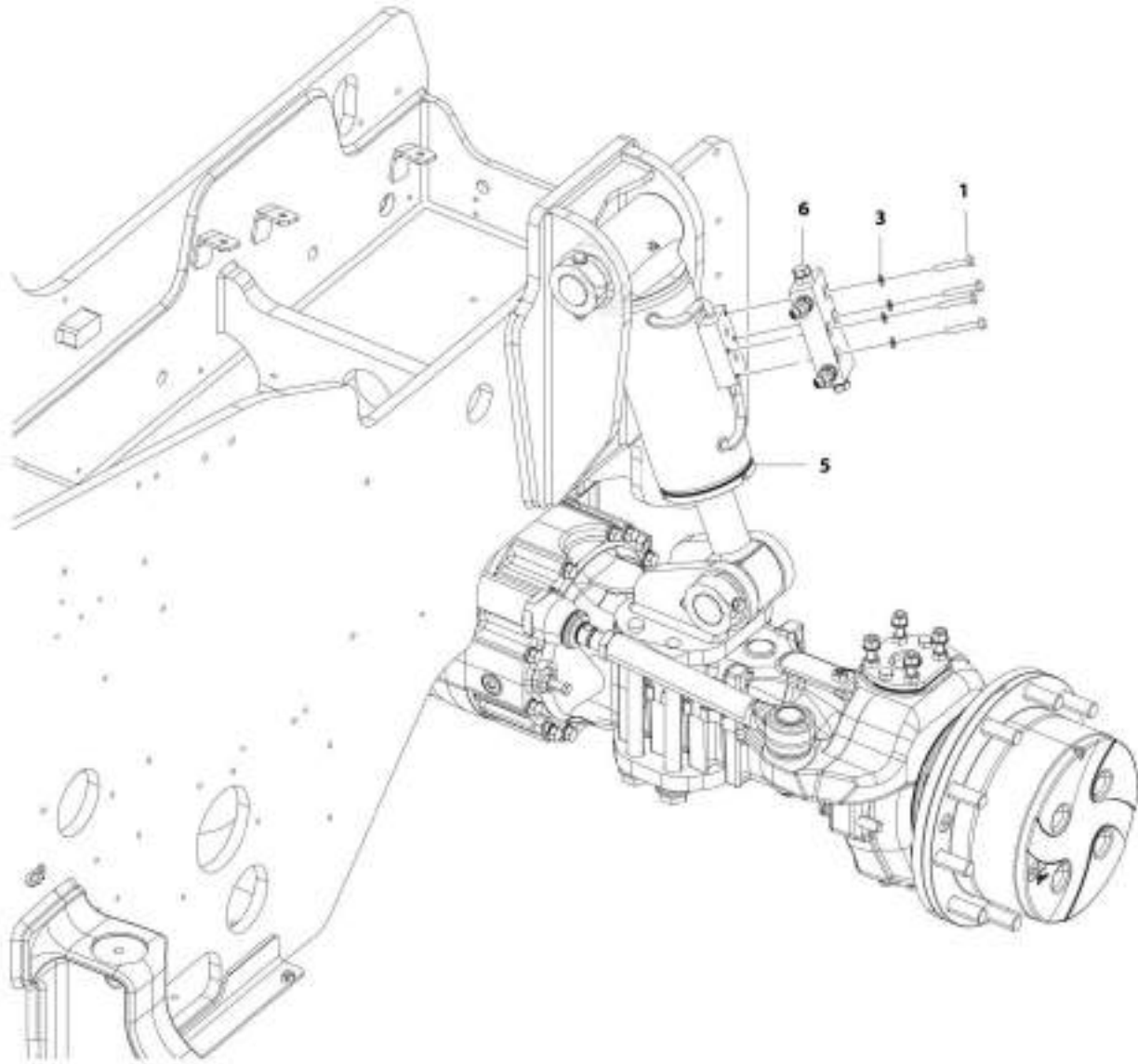
## SECTION 8 - HYDRAULIC CIRCUITS

### FIGURE 8-4. FRAME LEVEL INSTALLATION

ITEM	PART NUMBER	QTY	DESCRIPTION	REV
	1001201420	Ref	Frame Level Installation	D
1	0701027	2	Bolt, M10X100	
2	0712442	4	Bolt, M24X250 Grade 10.9	
3	2160016	2	Fitting, Grease	
4	3291005	2	Nut, Lock M0X1.5 Grade 8	
5	4812000	4	Washer, M10	
6	5242400	6	Washer, M24	
7	1001164971	1	Pin	
8	1001164972	1	Pin	
9	1001207325	1	Plate, Sway Bottom	
10	1001200226	1	Bracket, Axle Sway	
11	1001201074	Ref	Installation, Frame Level Cylinder (See Separate Breakdown in this Section)	

# SECTION 8 - HYDRAULIC CIRCUITS

## FIGURE 8-5. FRAME LEVEL CYLINDER INSTALLATION



AWT\_1001281074-8



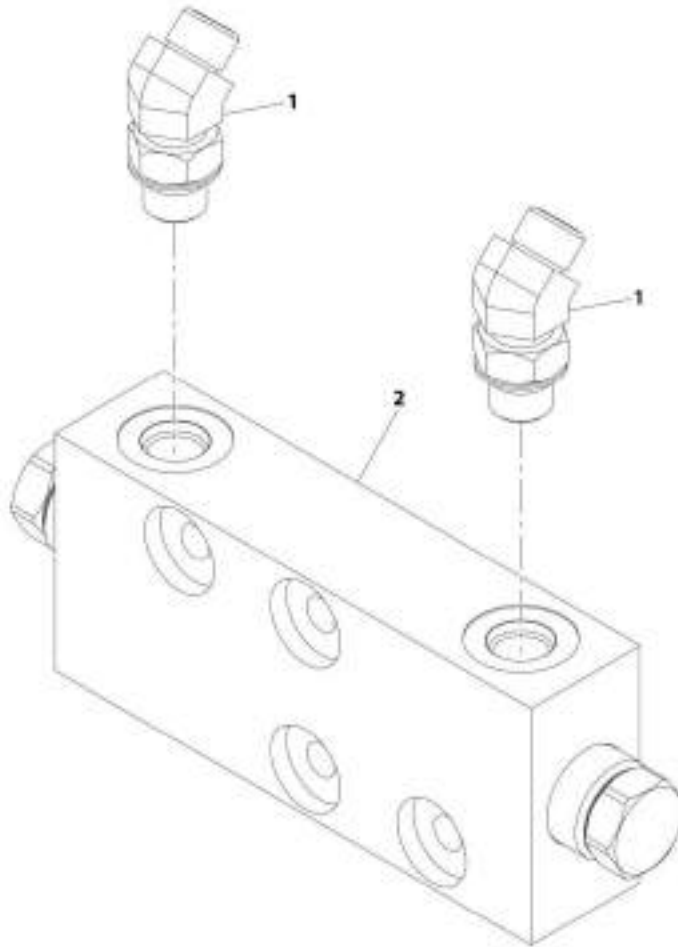
## SECTION 8 - HYDRAULIC CIRCUITS

### FIGURE 8-5. FRAME LEVEL CYLINDER INSTALLATION

ITEM	PART NUMBER	QTY	DESCRIPTION	REV
	1001201074	Ref	Frame Level Cylinder Installation	B
1	0700818	4	Bolt, M8X50	
3	4811900	4	Washer, M8	
5	1001201073	1	Cylinder, Frame Level (See Separate Breakdown in Hydraulic Components Section)	
6	1001217482	1	Assembly, Frame Level Valve (See Separate Breakdown in this Section)	

## SECTION 8 - HYDRAULIC CIRCUITS

FIGURE 8-6. FRAME LEVEL VALVE ASSEMBLY



ARC\_1001217463-A

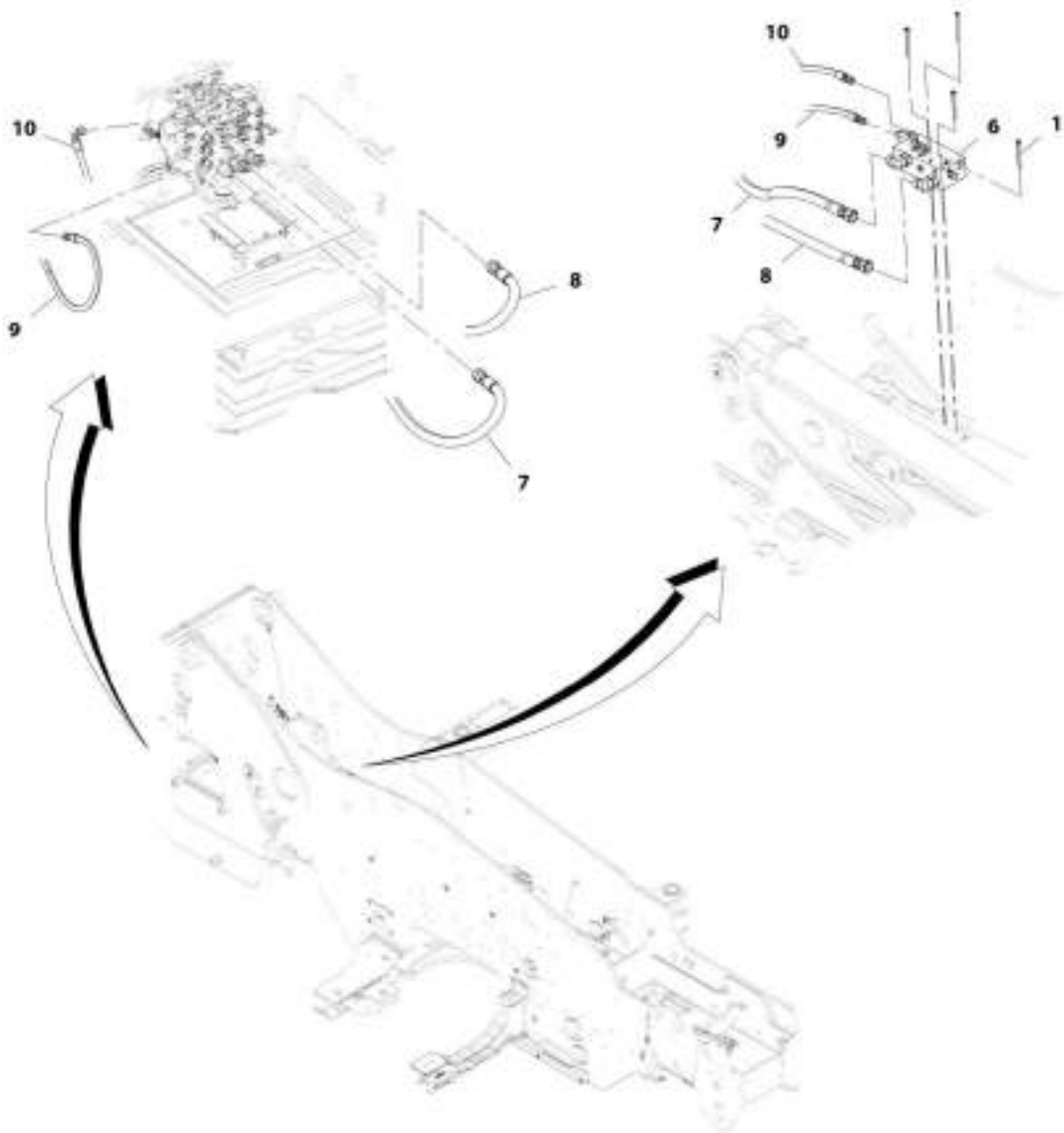
## SECTION 8 - HYDRAULIC CIRCUITS

**FIGURE 8-6. FRAME LEVEL VALVE ASSEMBLY**

ITEM	PART NUMBER	QTY	DESCRIPTION	REV
	1001217482	Ref	Frame Level Valve Assembly	A
1	2150406	2	Fitting, 45 ORFS	
2	1001168599	1	Valve, Counterbalance (See Seperate Breakdown in the Hydraulic Component Section)	

**SECTION 8 - HYDRAULIC CIRCUITS**

**FIGURE 8-7. BOOM RAISE HOSE INSTALLATION (NO RIDE CONTROL)**



ART\_1001194702-F

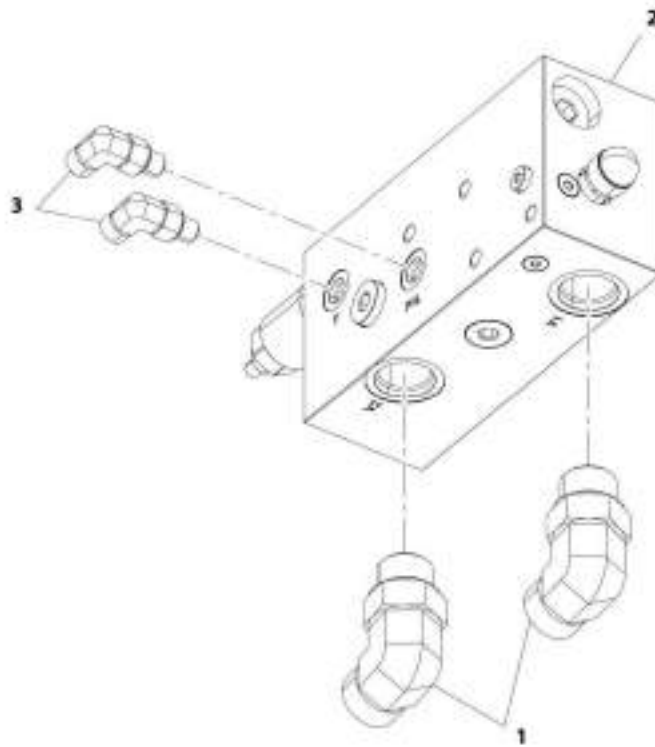
## SECTION 8 - HYDRAULIC CIRCUITS

**FIGURE 8-7. BOOM RAISE HOSE INSTALLATION (NO RIDE CONTROL)**

ITEM	PART NUMBER	QTY	DESCRIPTION	REV
	1001194702	Ref	Boom Raise Hose Installation (no Ride Control)	F
1	4031921	4	Bolt, M8X85	
6	1001219764	1	Valve, Boom Raise Counterbalance (no Ride Control) (See Separate Breakdown in this Section)	
7	1001225392	1	Hose, ORFS	
8	1001225393	1	Hose, ORFS	
9	1001226828	1	Hose, ORFS	
10	1001226829	1	Hose, ORFS	

# SECTION 8 - HYDRAULIC CIRCUITS

FIGURE 8-8. BOOM RAISE COUNTERBALANCE VALVE (NO RIDE CONTROL)



ART\_1001219784-C

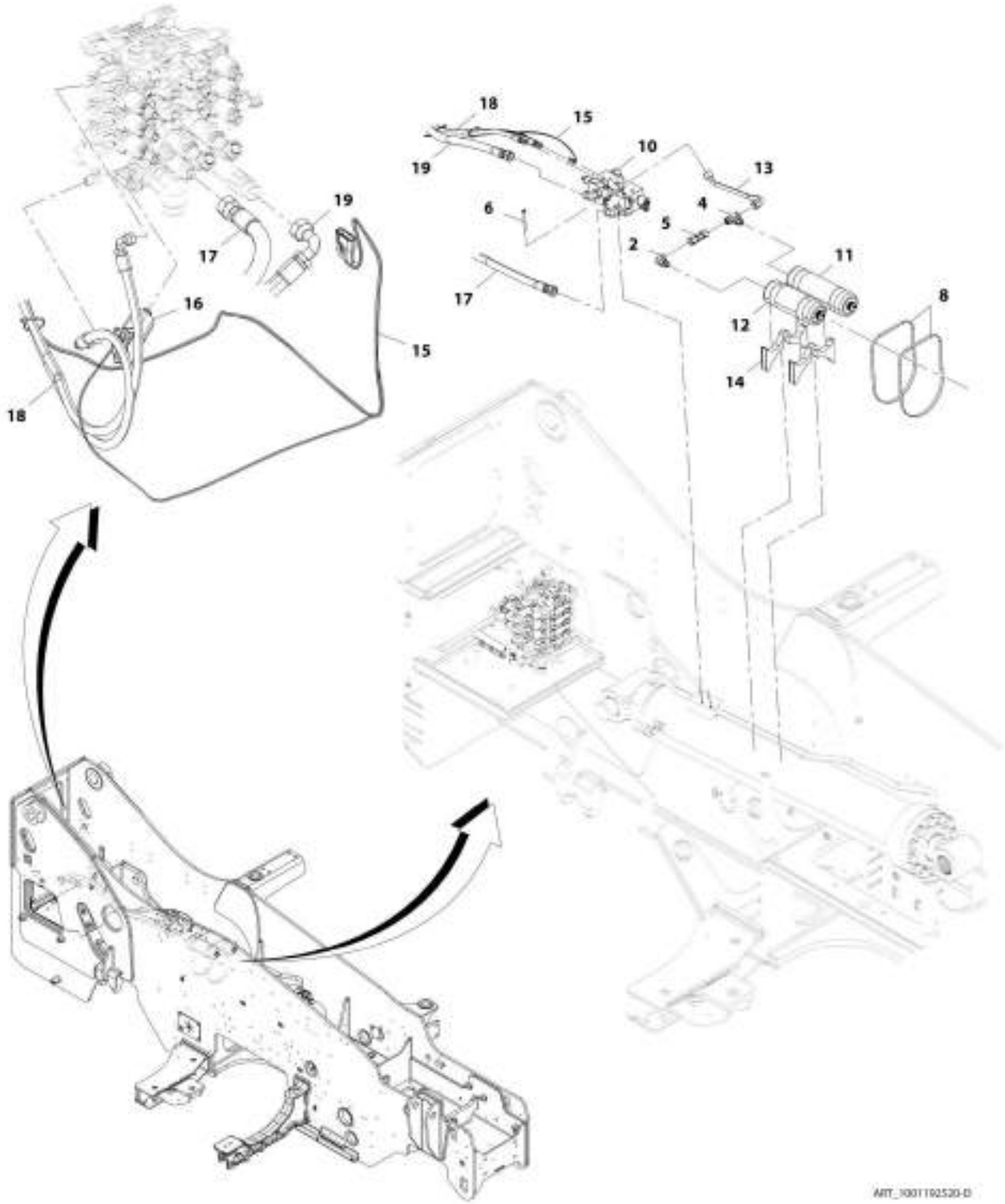
## SECTION 8 - HYDRAULIC CIRCUITS

**FIGURE 8-8. BOOM RAISE COUNTERBALANCE VALVE (NO RIDE CONTROL)**

ITEM	PART NUMBER	QTY	DESCRIPTION	REV
	1001219764	Ref	Boom Raise Counterbalance Valve (no Ride Control)	C
1	2131212	2	Fitting, 90 ORFS	
2	1001224944	1	Valve, GLS (See Seperate Breakdown in Hydraulic Components Section)	
3	2130404	2	Fitting, 90 ORFS	

# SECTION 8 - HYDRAULIC CIRCUITS

## FIGURE 8-9. BOOM RAISE HOSE INSTALLATION (RIDE CONTROL)



ART\_1001192520-D



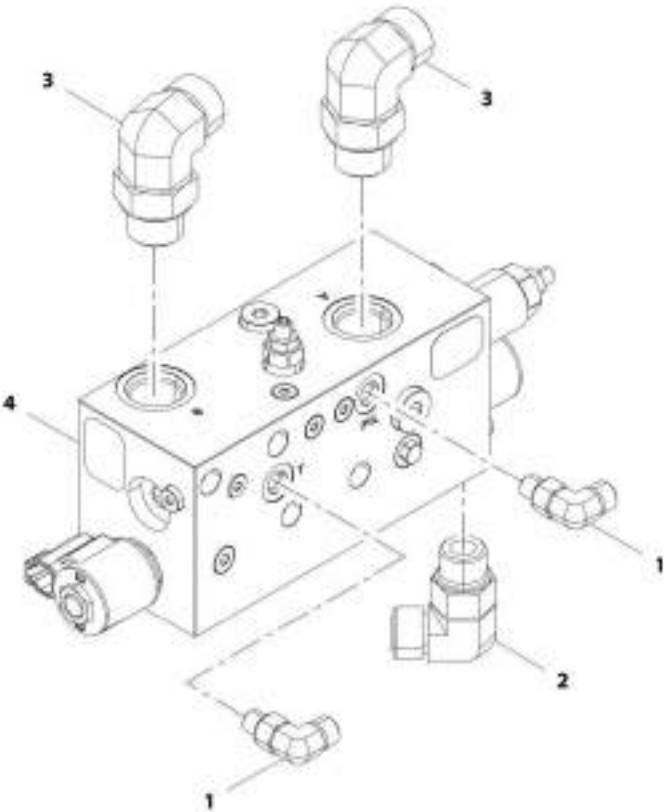
## SECTION 8 - HYDRAULIC CIRCUITS

**FIGURE 8-9. BOOM RAISE HOSE INSTALLATION (RIDE CONTROL)**

ITEM	PART NUMBER	QTY	DESCRIPTION	REV
	1001192520	Ref	Boom Raise Hose Installation (Ride Control)	D
2	2131010	1	Fitting, 90 ORFS	
4	2170410	1	Fitting, Tee ORFS	
5	2172410	1	Fitting, Straight ORFS	
6	4031921	4	Bolt, M8X85	
8	1001214829	2	Clamp	
10	1001219765	1	Assembly, Ride and Float Valve (See Separate Breakdown in this Section)	
11	1001192771	1	Cylinder, Piston	
12	1001192772	1	Cylinder, Piston	
13	1001225390	1	Pipe	
14	1001196402	2	Bumper	
15	1001200105	1	Installation, Ride Control Wiring (See Separate Breakdown in Electrical Section)	
16	1001202020	1	Valve, MCV Tank Cartridge	
17	1001225393	1	Hose	
18	1001226829	2	Hose	
19	1001227440	1	Hose	

**SECTION 8 - HYDRAULIC CIRCUITS**

**FIGURE 8-10. RIDE AND FLOAT VALVE ASSEMBLY**



AWT\_3001219705-B

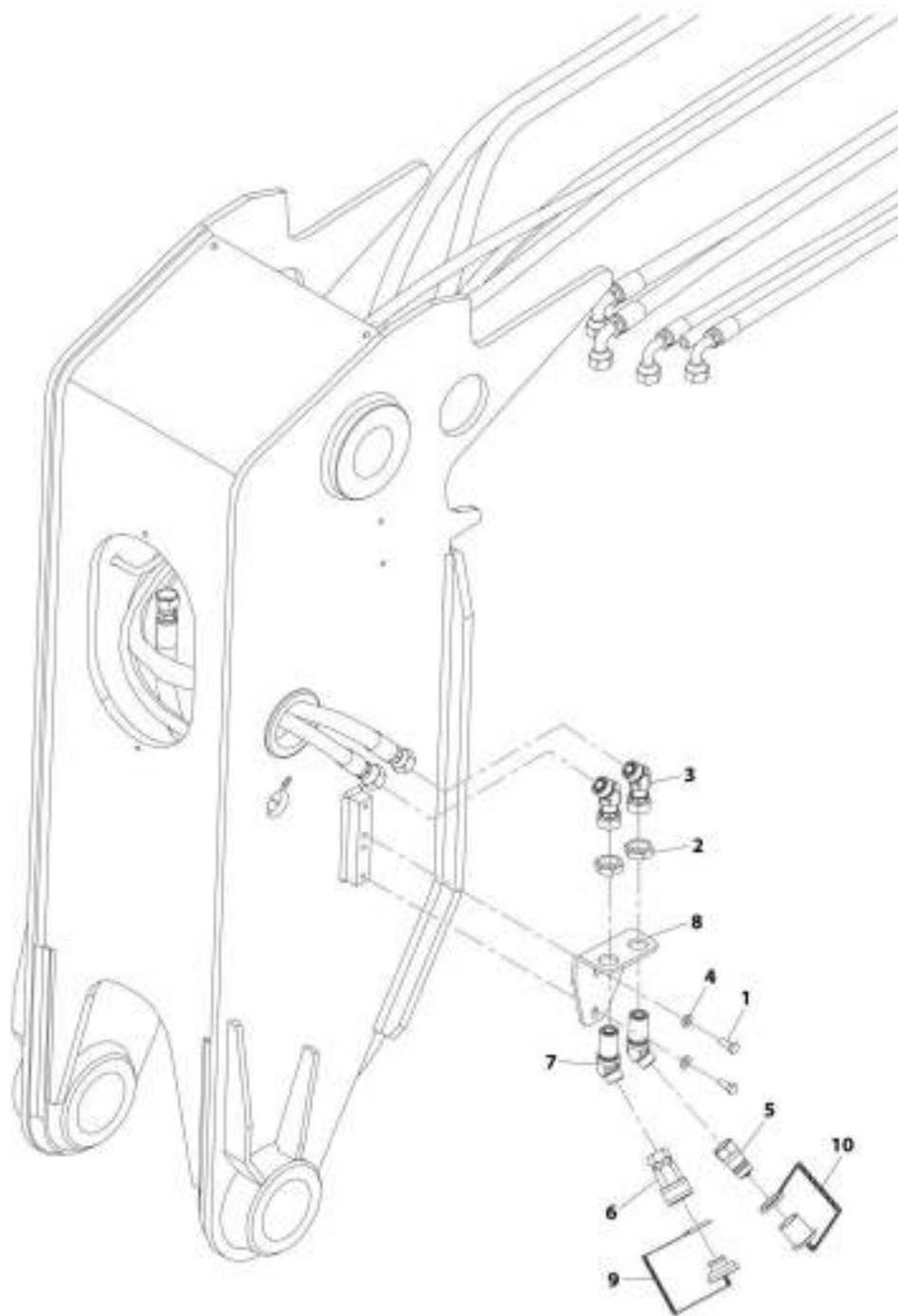
## SECTION 8 - HYDRAULIC CIRCUITS

FIGURE 8-10. RIDE AND FLOAT VALVE ASSEMBLY

ITEM	PART NUMBER	QTY	DESCRIPTION	REV
	1001219765	1	Ride and Float Valve Assembly	B
1	2130404	2	Fitting, 90 ORFS	
2	2131010	1	Fitting, 90 ORFS	
3	2131212	2	Fitting, 90 ORFS	
4	1001224945	1	Valve, GLS (See Separate Breakdown in Hydraulic Components Section)	

# SECTION 8 - HYDRAULIC CIRCUITS

## FIGURE 8-11. BOOM AUX HYDRAULIC INSTALLATION (MANUAL - SINGLE)



AWT\_1001192383-D

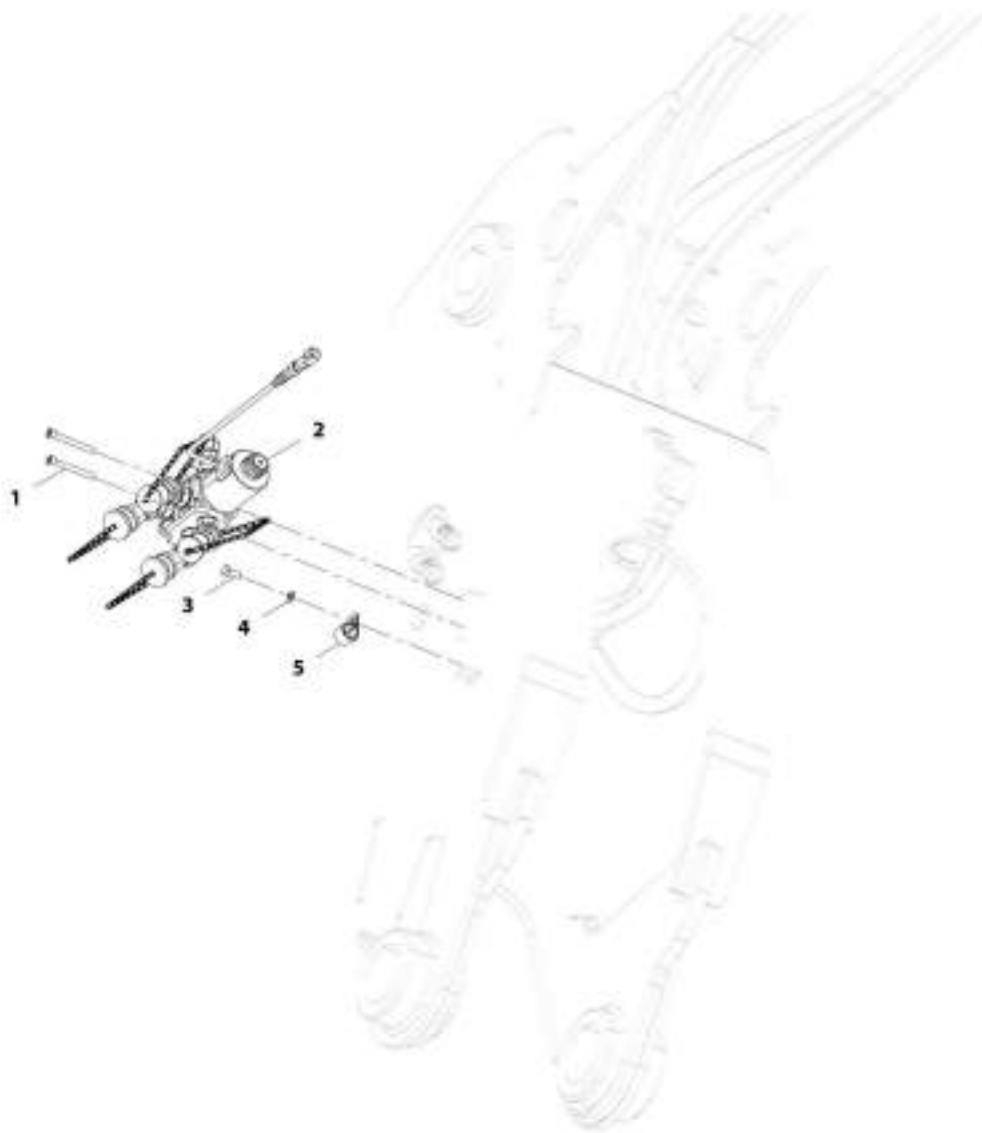
## SECTION 8 - HYDRAULIC CIRCUITS

**FIGURE 8-11. BOOM AUX HYDRAULIC INSTALLATION (MANUAL - SINGLE)**

ITEM	PART NUMBER	QTY	DESCRIPTION	REV
	1001192363	Ref	Boom Aux Hydraulic Installation (manual - single)	D
1	0760810	2	Bolt, M8X20	
2	8770075	2	Fitting, ORFS	
3	1001147416	2	Fitting, 45 ORFS	
4	5240800	2	Washer, M8	
5	1001101041	1	Coupling, Male Quick Disconnect	
6	1001101042	1	Coupling, Female Quick Disconnect	
7	1001217553	2	Fitting, 45 ORFS	
8	1001217552	1	Bracket	
9	91043125	1	Plug	
10	91043126	1	Cap, Dust	

## SECTION 8 - HYDRAULIC CIRCUITS

FIGURE 8-12. BOOM AUX HYDRAULIC INSTALLATION (MANUAL - TWIN)



ART\_1001192186-C

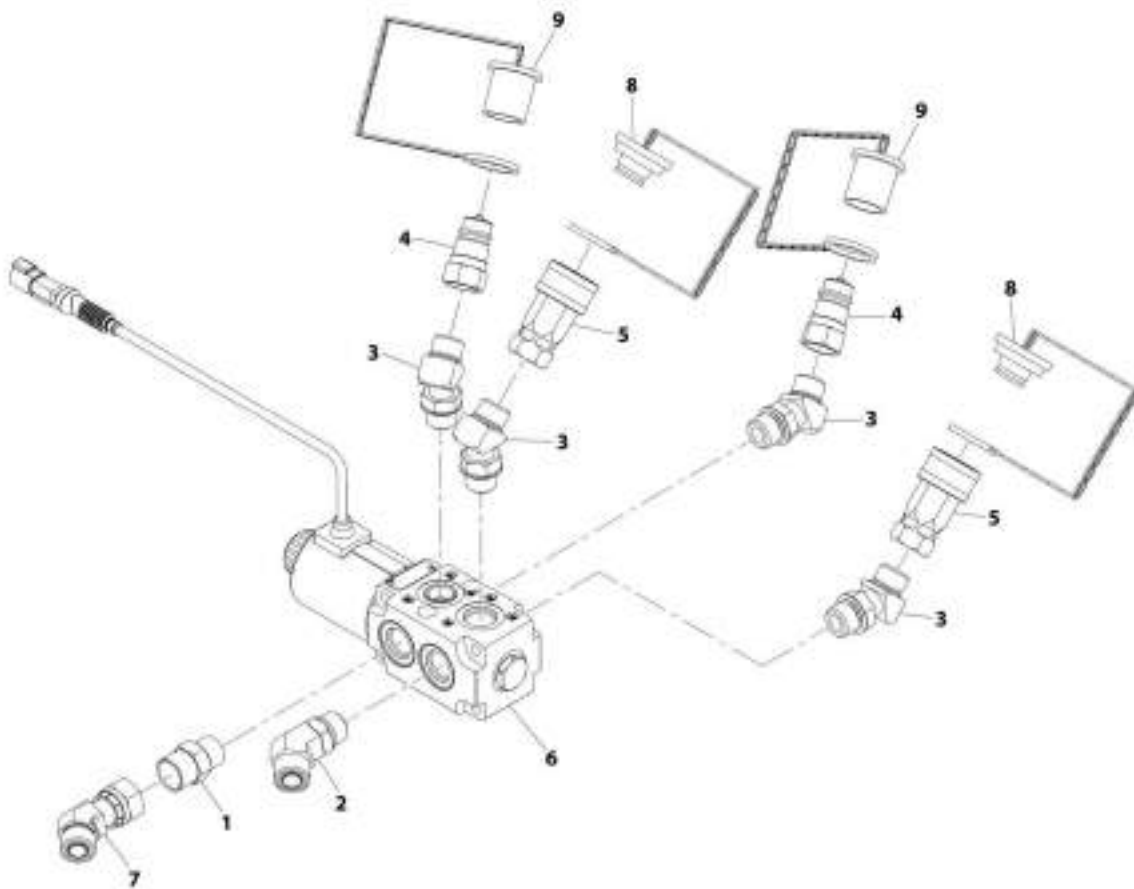
## SECTION 8 - HYDRAULIC CIRCUITS

**FIGURE 8-12. BOOM AUX HYDRAULIC INSTALLATION (MANUAL - TWIN)**

ITEM	PART NUMBER	QTY	DESCRIPTION	REV
	1001192366	Ref	Boom Aux Hydraulic Installation (manual - twin)	C
1	4031918	2	Bolt, M8X70	
2	1001213318	1	Assembly, Diverter Valve (manual - twin) (See Seperate Breakdown in this Section)	
3	0760810	1	Bolt, M8X20	
4	4811900	1	Washer, M8	
5	8406202	1	Clip	

# SECTION 8 - HYDRAULIC CIRCUITS

## FIGURE 8-13. DIVERTER VALVE ASSEMBLY



AWT\_1001213318-8



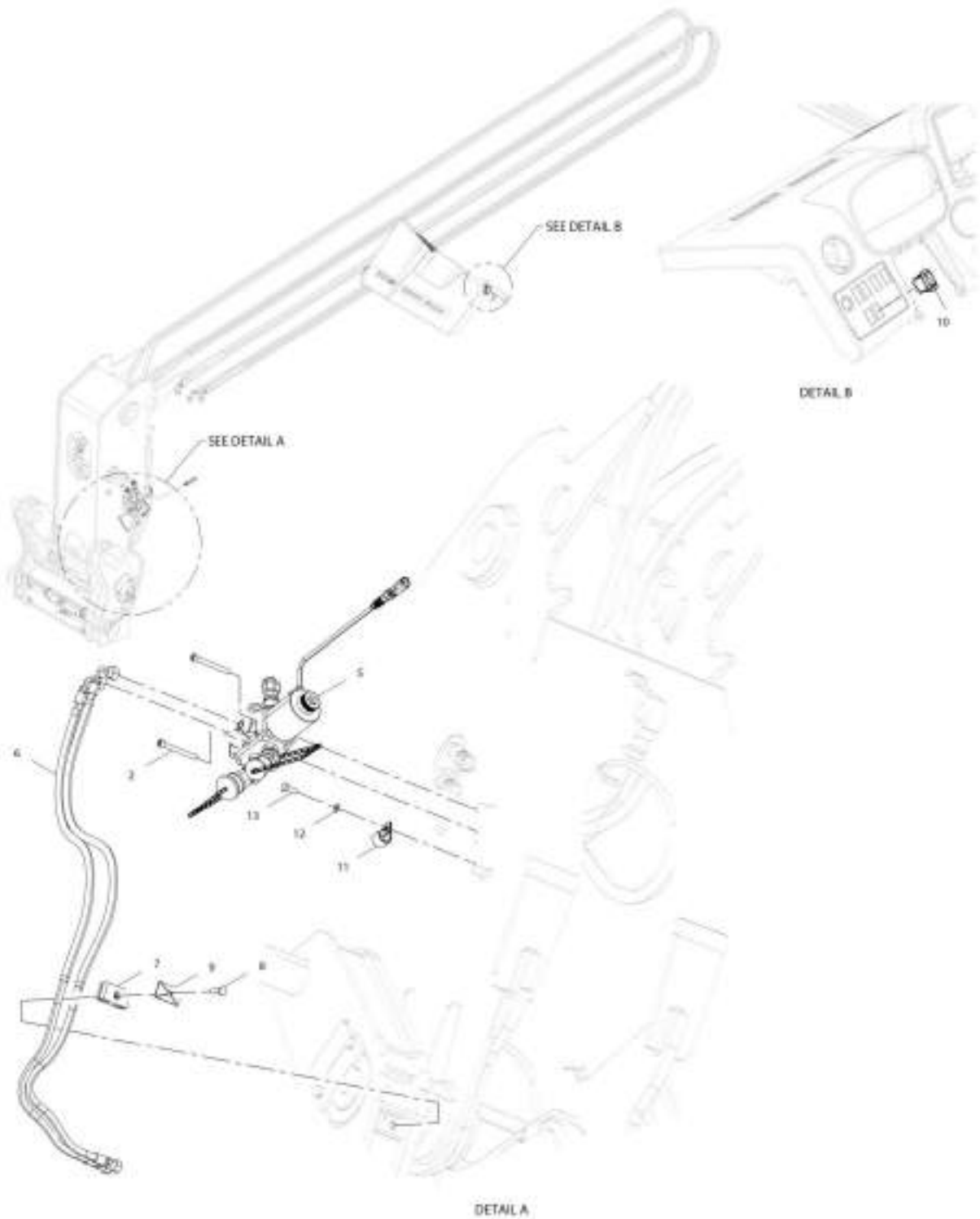
## SECTION 8 - HYDRAULIC CIRCUITS

### FIGURE 8-13. DIVERTER VALVE ASSEMBLY

ITEM	PART NUMBER	QTY	DESCRIPTION	REV
	1001213318	Ref	Diverter Valve Assembly	B
1	2111010	1	Fitting, Straight ORFS	
2	2151010	1	Fitting, 45 ORFS	
3	1001005904	4	Fitting, 45	
4	1001101041	2	Adapter, Male Quick Disconnect	
5	1001101042	2	Adapter, Female Quick Disconnect	
6	1001110023	1	Valve, Diverter (See Seperate Breakdown in Hydraulic Components Section)	
7	1001147416	1	Fitting, 45 ORFS	
8	91043125	2	Plug	
9	91043126	2	Cap	

# SECTION 8 - HYDRAULIC CIRCUITS

FIGURE 8-14. BOOM AUX HYDRAULIC INSTALLATION (HYDRAULIC - SINGLE)



ART\_0001192305-E

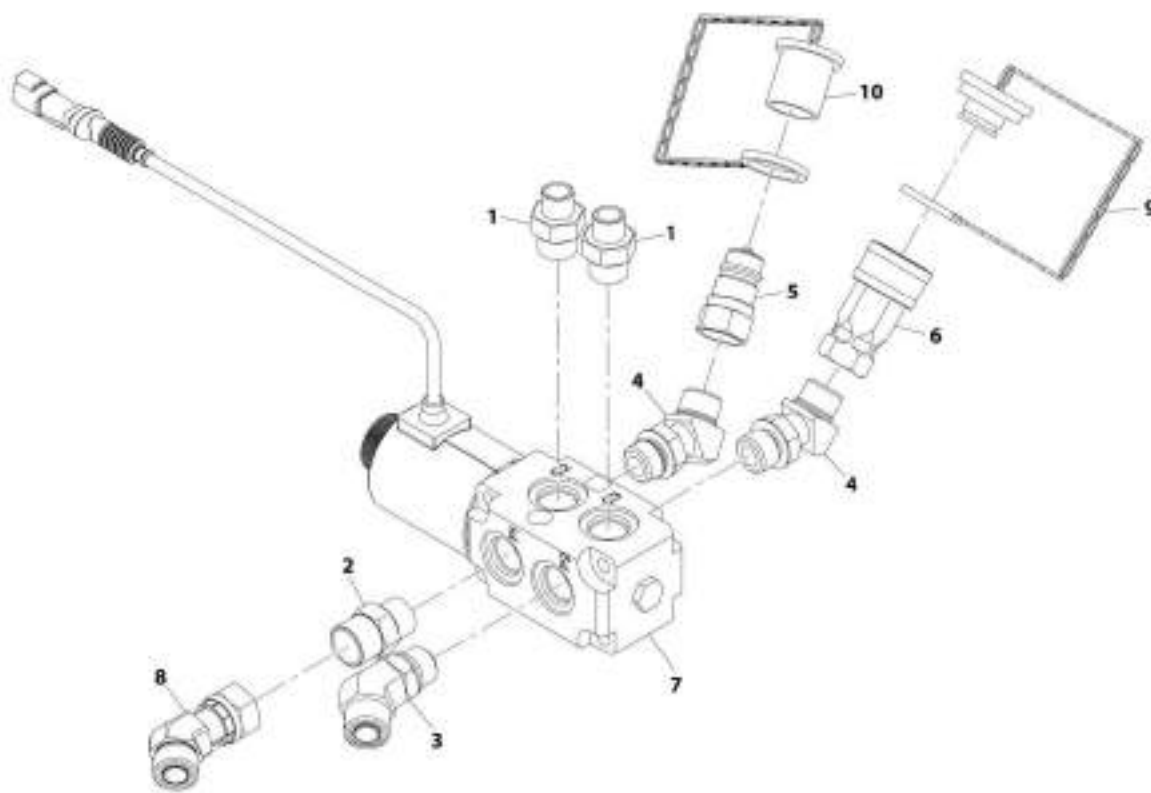
## SECTION 8 - HYDRAULIC CIRCUITS

**FIGURE 8-14. BOOM AUX HYDRAULIC INSTALLATION (HYDRAULIC - SINGLE)**

ITEM	PART NUMBER	QTY	DESCRIPTION	REV
	1001192365	Ref	Boom Aux Hydraulic Installation (hydraulic - single)	E
2	4031918	2	Bolt, M8X70	
5	1001213317	1	Assembly, Diverter Valve (hydraulic - single) (See Seperate Breakdown in this Section)	
6	1001193111	2	Hose	
7	8769126	1	Clamp	
8	0760815	1	Bolt, M8X35	
9	8769123	1	Plate, Cover	
10	1001080375	1	Switch	
11	8406202	1	Clip	
12	4811900	1	Washer, M8	
13	0760810	1	Bolt, M8X20	

# SECTION 8 - HYDRAULIC CIRCUITS

## FIGURE 8-15. DIVERTER VALVE ASSEMBLY



44RT\_1001211317-B

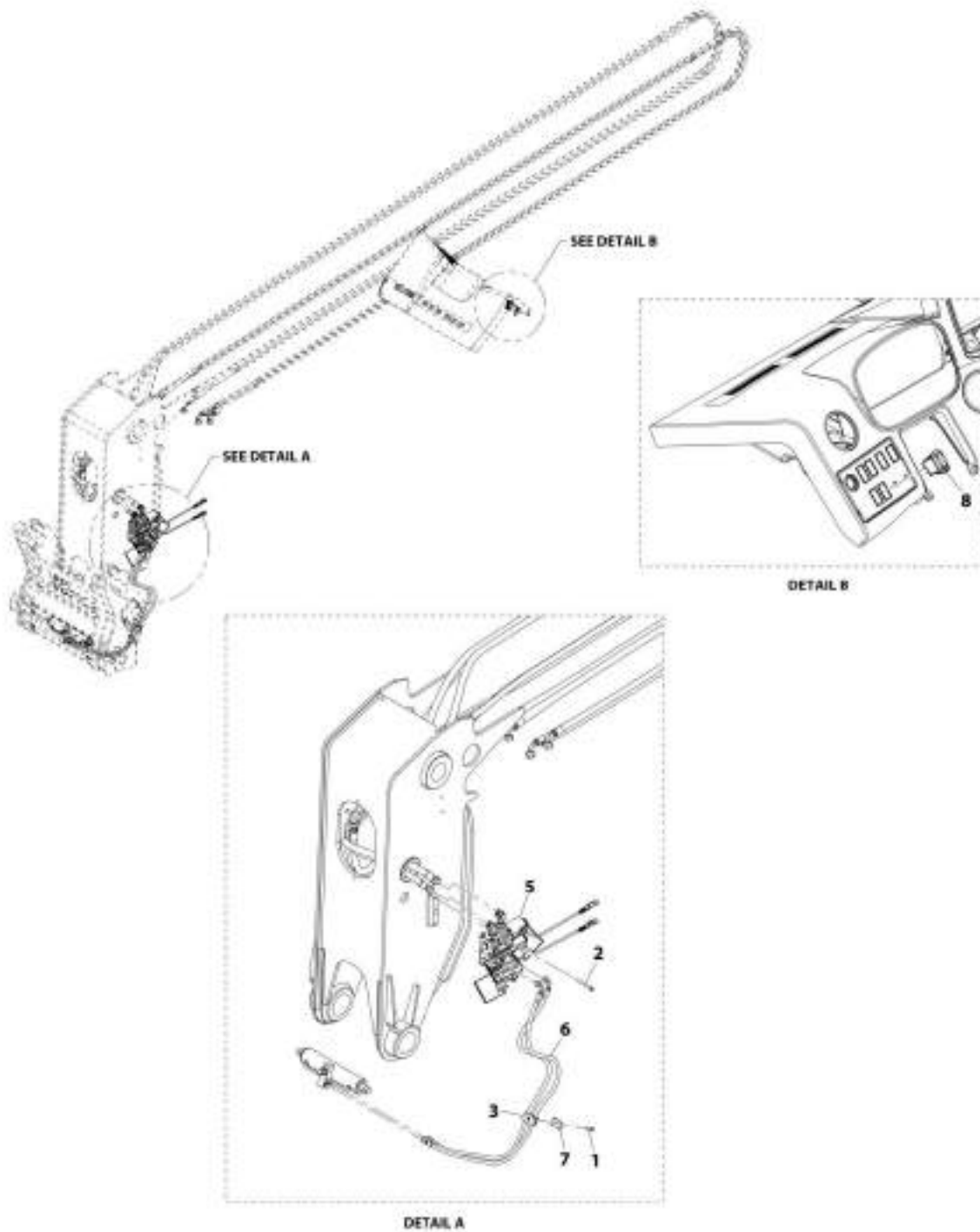
## SECTION 8 - HYDRAULIC CIRCUITS

**FIGURE 8-15. DIVERTER VALVE ASSEMBLY**

ITEM	PART NUMBER	QTY	DESCRIPTION	REV
	1001213317	Ref	Diverter Valve Assembly	B
1	2110610	2	Fitting, Straight ORFS	
2	2111010	1	Fitting, Straight ORFS	
3	2151010	1	Fitting, 45 ORFS	
4	1001005904	2	Fitting, 45	
5	1001101041	1	Fitting, Male Quick Disconnect	
6	1001101042	1	Fitting, Female Quick Disconnect	
7	1001104477	1	Valve, Divertor (See Seperate Breakdown in Hydraulic Components Section)	
8	1001147416	1	Fitting, 45 ORFS	
9	91043125	1	Plug	
10	91043126	1	Cap, Dust	

# SECTION 8 - HYDRAULIC CIRCUITS

FIGURE 8-16. BOOM AUX HYDRAULIC INSTALLATION (HYDRAULIC - TWIN)



ART\_100192267-C

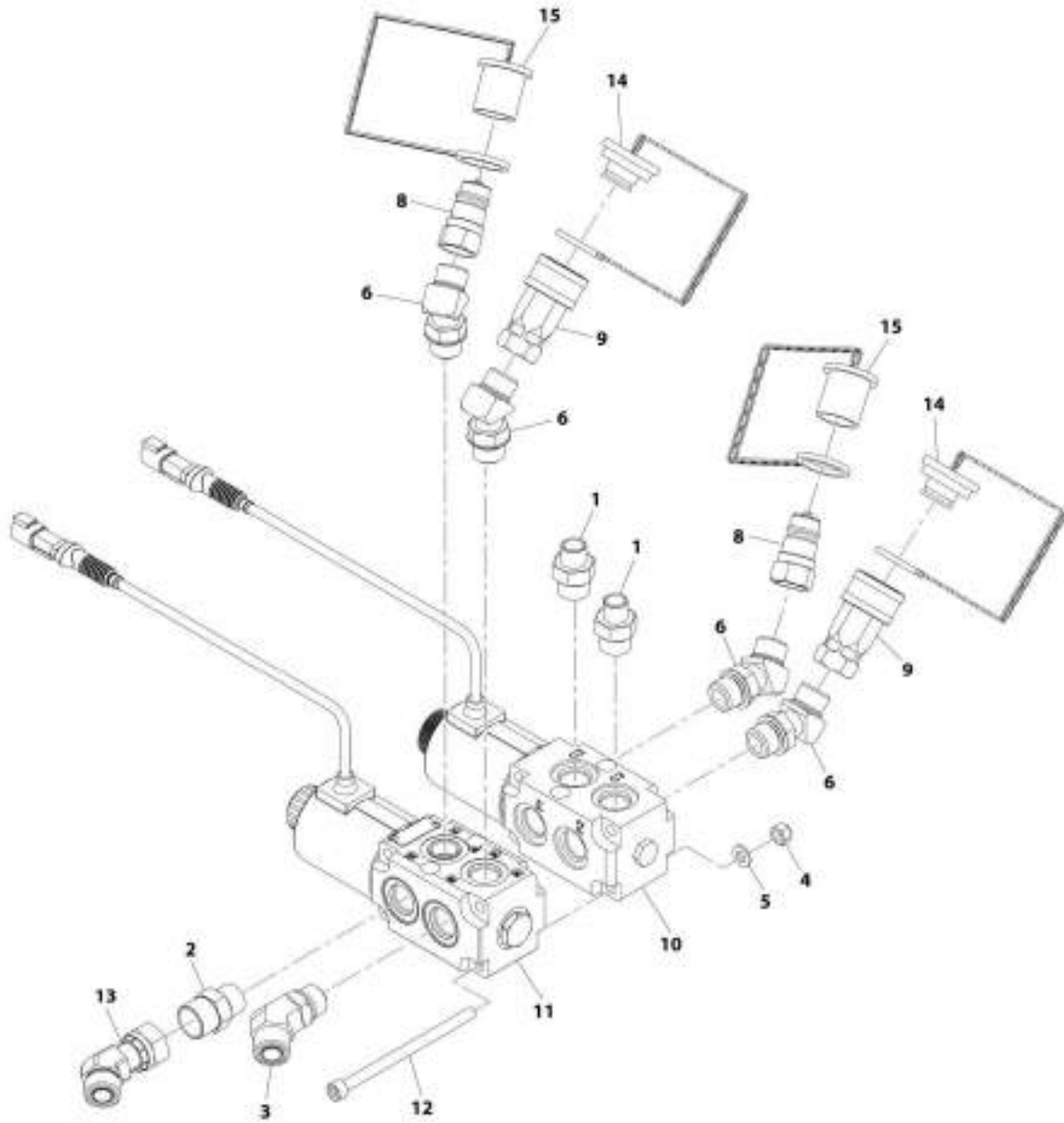
## SECTION 8 - HYDRAULIC CIRCUITS

**FIGURE 8-16. BOOM AUX HYDRAULIC INSTALLATION (HYDRAULIC - TWIN)**

ITEM	PART NUMBER	QTY	DESCRIPTION	REV
	1001192367	Ref	Boom Aux Hydraulic Installation (hydraulic - twin)	C
1	0760815	1	Bolt, M8X35	
2	4031918	3	Bolt, M8X70	
3	8769126	1	Clamp	
5	1001213319	1	Assembly, Diverter Valve (hydraulic - twin) (See Seperate Breakdown in this Section)	
6	1001193111	2	Hose	
7	8769123	1	Plate, Cover	
8	1001080375	1	Switch	

# SECTION 8 - HYDRAULIC CIRCUITS

## FIGURE 8-17. DIVERTER VALVE ASSEMBLY



ART\_1001211319-C



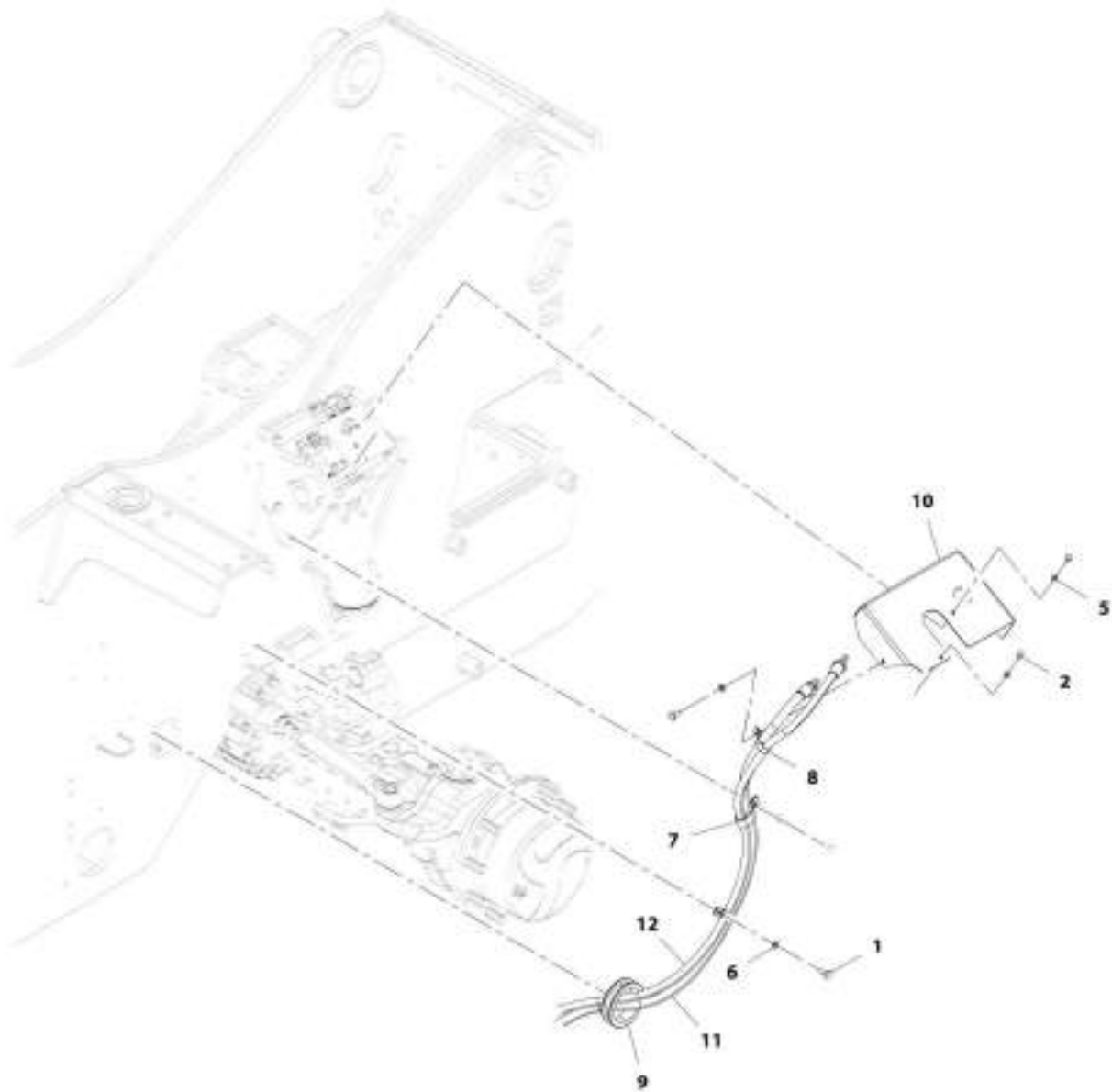
## SECTION 8 - HYDRAULIC CIRCUITS

### FIGURE 8-17. DIVERTER VALVE ASSEMBLY

ITEM	PART NUMBER	QTY	DESCRIPTION	REV
	1001213319	Ref	Diverter Valve Assembly	C
1	2110610	2	Fitting, Straight ORFS	
2	2111010	1	Fitting, Straight ORFS	
3	2151010	1	Fitting, 45 ORFS	
4	3290805	4	Nut, Lock M8X1.25	
5	4811900	4	Washer, M8	
6	1001005904	4	Fitting, 45	
8	1001101041	2	Fitting, Male Quick Disconnect	
9	1001101042	2	Fitting, Female Quick Disconnect	
10	1001104477	1	Valve, Divertor (See Seperate Breakdown in Hydraulic Component Section)	
11	1001110023	1	Valve, Divertor (See Seperate Breakdown in Hydraulic Components Section)	
12	1001110115	4	Bolt, M8X100	
13	1001147416	1	Fitting, 45 ORFS	
14	91043125	2	Plug	
15	91043126	2	Cap	

# SECTION 8 - HYDRAULIC CIRCUITS

FIGURE 8-18. RALP HYDRAULIC LINES INSTALLATION



ART\_0001182555-B

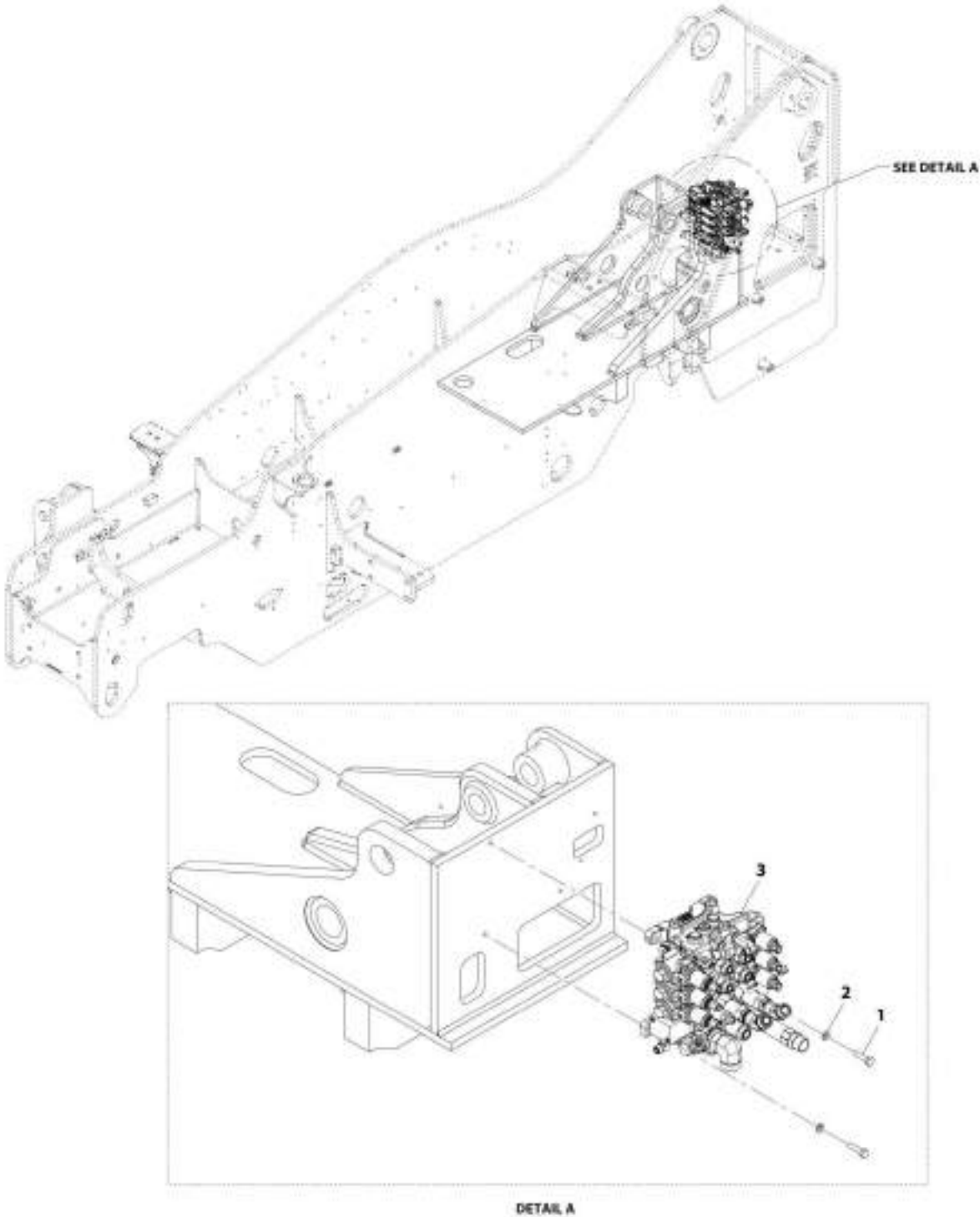
## SECTION 8 - HYDRAULIC CIRCUITS

### FIGURE 8-18. RALP HYDRAULIC LINES INSTALLATION

ITEM	PART NUMBER	QTY	DESCRIPTION	REV
	1001192555	1	RALP Hydraulic Lines Installation	B
1	0761010	2	Bolt, M10X20	
2	0760808	2	Bolt, M8X16	
5	4811900	2	Washer, M8	
6	4812000	2	Washer, M10	
7	1001026125	1	Clip	
8	1001026121	2	Clip	
9	1001028264	1	Grommet	
10	1001206608	1	Shield	
11	1001206607	1	Hose	
12	1001197489	1	Hose	

**SECTION 8 - HYDRAULIC CIRCUITS**

**FIGURE 8-19. MAIN CONTROL VALVE INSTALLATION**



ART\_1001102889-C

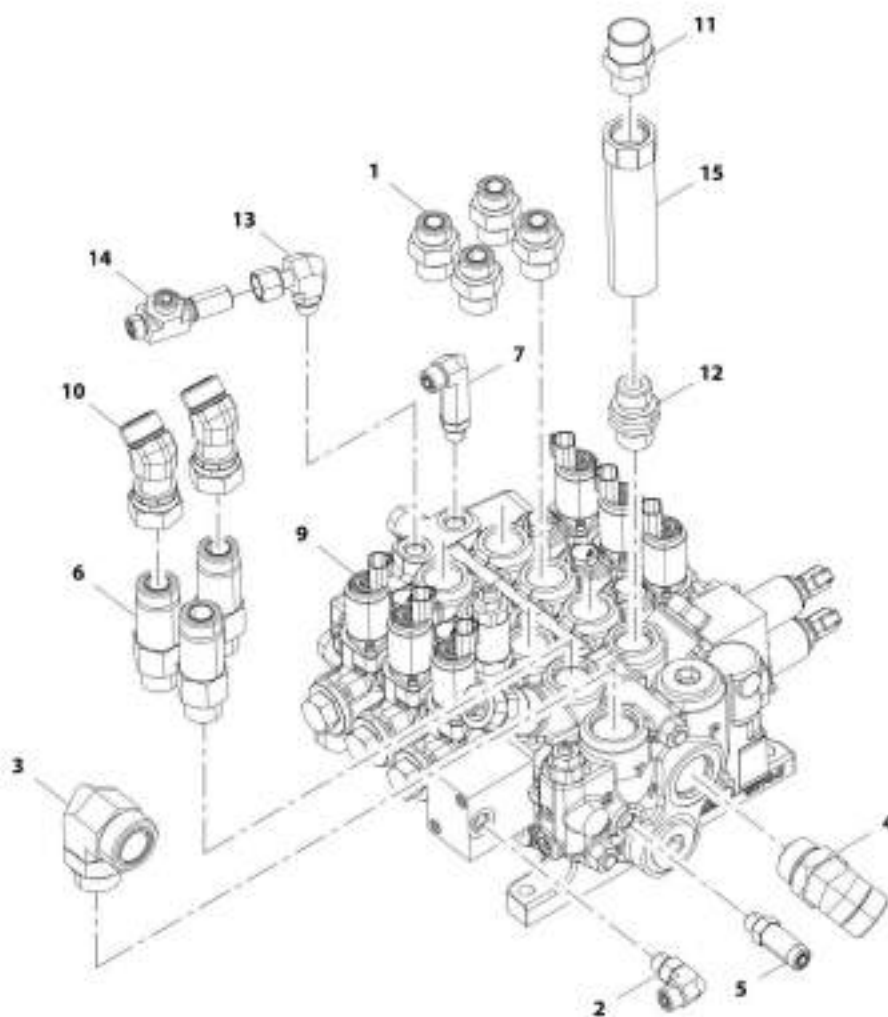
## SECTION 8 - HYDRAULIC CIRCUITS

**FIGURE 8-19. MAIN CONTROL VALVE INSTALLATION**

ITEM	PART NUMBER	QTY	DESCRIPTION	REV
	1001192889	Ref	Main Control Valve Installation	C
1	0701016	3	Bolt, M10X40	
2	4812000	3	Washer, M10	
3	1001192890	1	Assembly, Main Control Valve (See Separate Breakdown in this Section)	

## SECTION 8 - HYDRAULIC CIRCUITS

FIGURE 8-20. MAIN CONTROL VALVE ASSEMBLY



ARE\_105192890-C

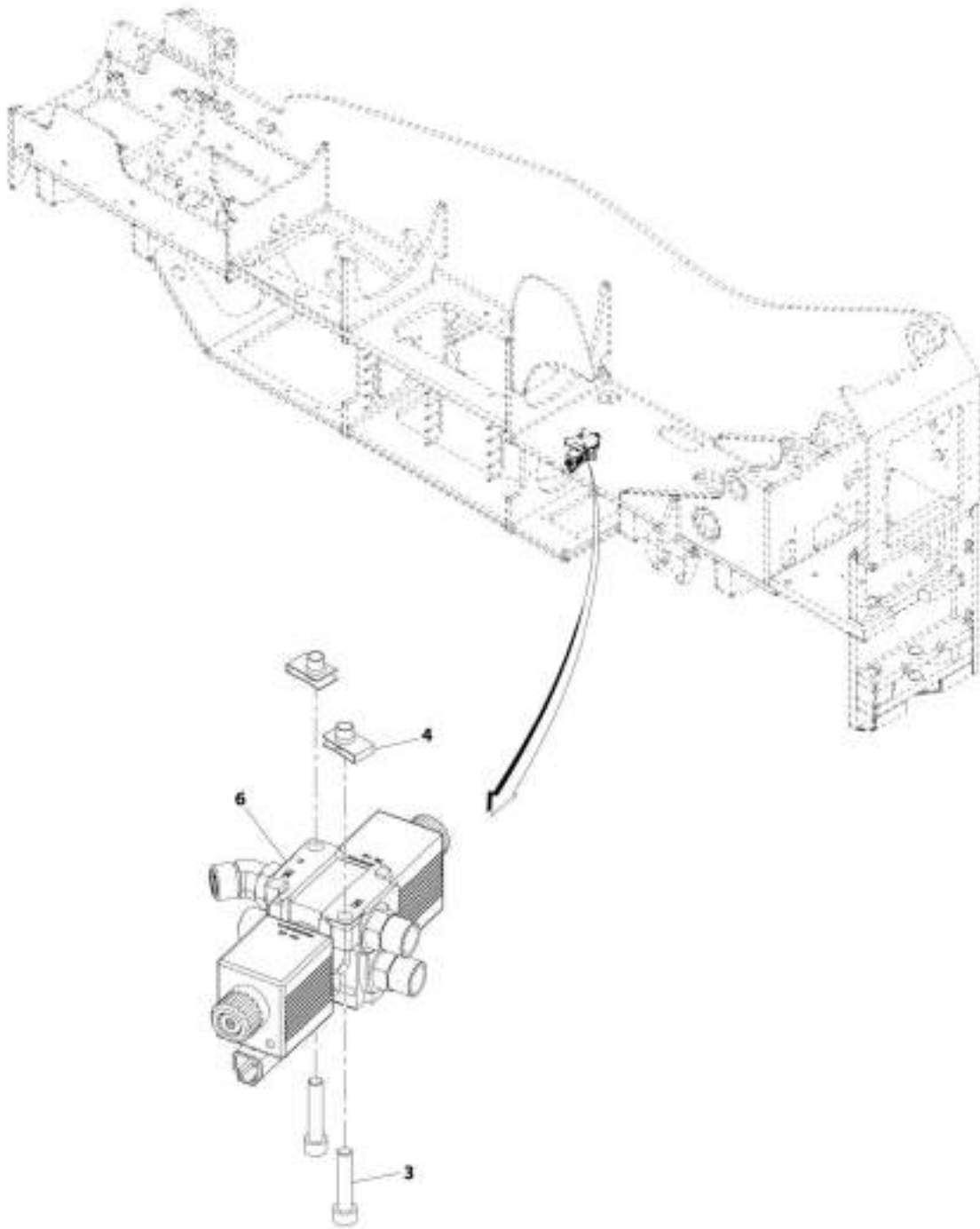
## SECTION 8 - HYDRAULIC CIRCUITS

**FIGURE 8-20. MAIN CONTROL VALVE ASSEMBLY**

ITEM	PART NUMBER	QTY	DESCRIPTION	REV
	1001192890	Ref	Main Control Valve Assembly	D
1	2111012	4	Fitting, Straight ORFS	
2	2130606	1	Fitting, 90 ORFS	
3	2132016	1	Fitting, 90 ORFS	
4	2151616	1	Fitting, 45 ORFS	
5	2170106	1	Fitting, Straight ORFS	
6	2170112	3	Fitting, Straight ORFS	
7	2170206	1	Fitting, 90 ORFS	
9	1001192891	1	Valve, Main Control (See Separate Breakdown in Hydraulic Components Section)	
10	1001151238	2	Fitting, 45 ORFS	
11	2111212	1	Fitting, Straight ORFS	
12	8770030	1	Fitting, Straight ORFS	
13	8770104	1	Fitting, 90 ORFS	
14	8770286	1	Fitting, Tee ORFS	
15	1001224946	1	Valve, Check	

# SECTION 8 - HYDRAULIC CIRCUITS

## FIGURE 8-21. STEERING SELECT VALVE INSTALLATION



APP\_1001105539\_R



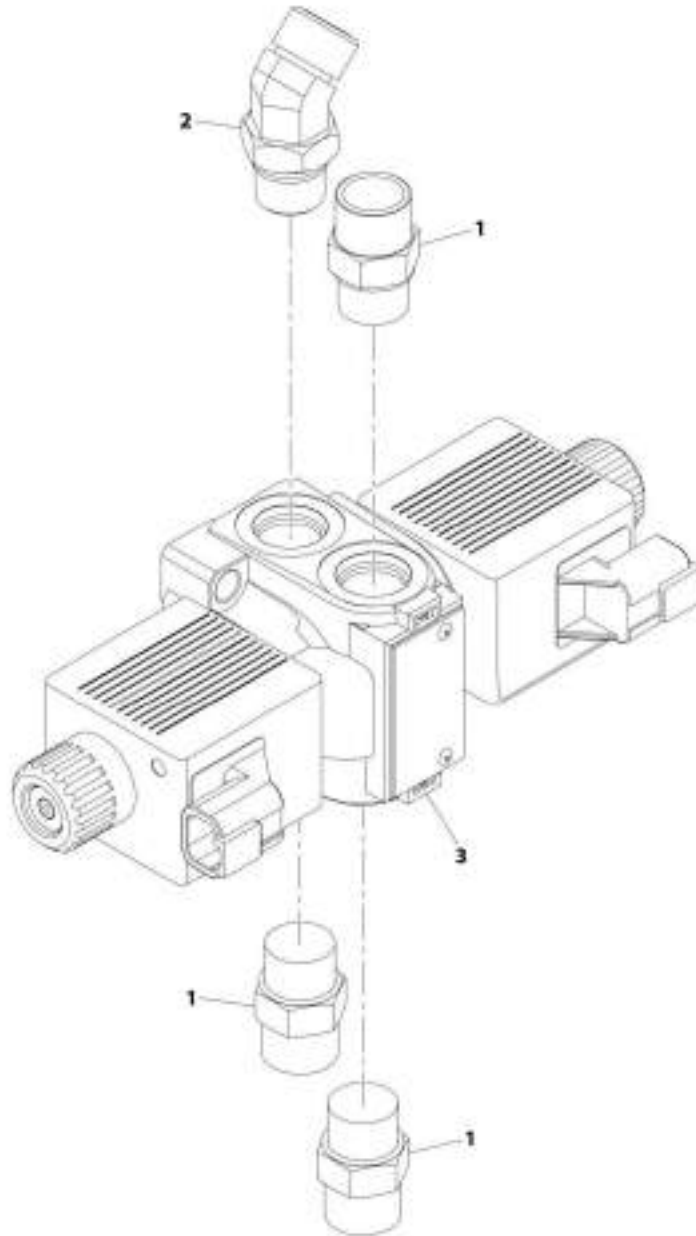
## SECTION 8 - HYDRAULIC CIRCUITS

**FIGURE 8-21. STEERING SELECT VALVE INSTALLATION**

ITEM	PART NUMBER	QTY	DESCRIPTION	REV
	1001193516	Ref	Steering Select Valve Installation	B
3	4031912	2	Bolt, M8X40	
4	8310686	2	Nut, M8X12.5	
6	1001212418	1	Assembly, Steering Select Valve (See Seperate Breakdown in this Section)	

# SECTION 8 - HYDRAULIC CIRCUITS

FIGURE 8-22. STEERING SELECT VALVE ASSEMBLY



ARE\_1001212419-A

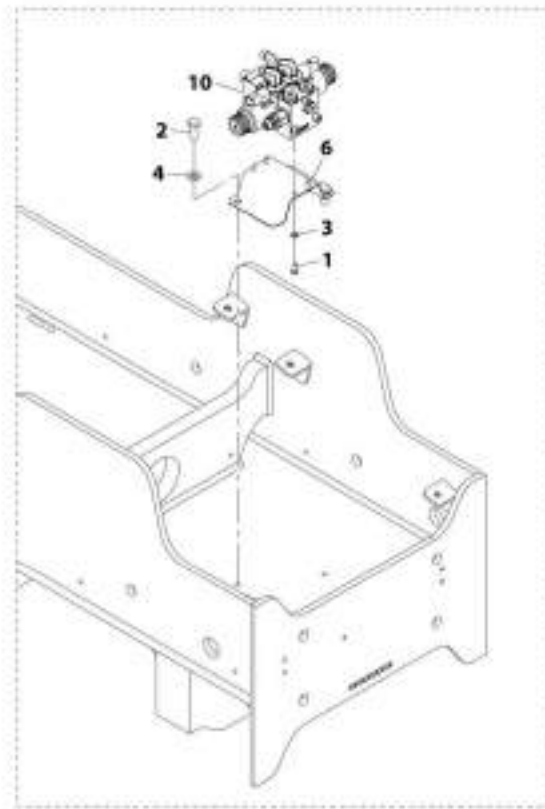
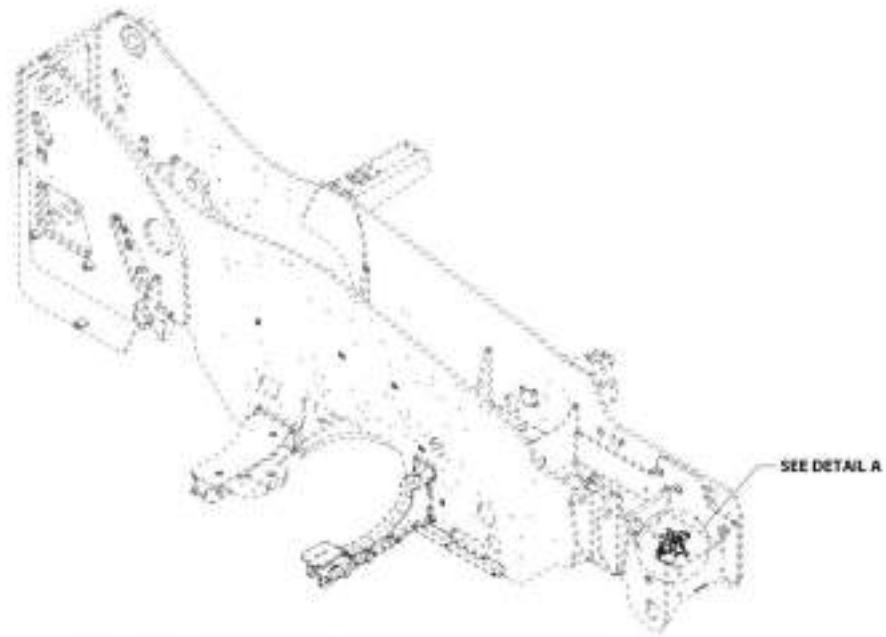
## SECTION 8 - HYDRAULIC CIRCUITS

### FIGURE 8-22. STEERING SELECT VALVE ASSEMBLY

ITEM	PART NUMBER	QTY	DESCRIPTION	REV
	1001212418	Ref	Steering Select Valve Assembly	A
1	2110808	3	Fitting, Straight ORFS	
2	2150808	1	Fitting, 45 ORFS	
3	1001153748	1	Valve, Steering Select (See Seperate Breakdown in Hydraulic Component Section)	

# SECTION 8 - HYDRAULIC CIRCUITS

FIGURE 8-23. FRAME LEVEL VALVE INSTALLATION



DETAIL A

ART\_1001193517-D

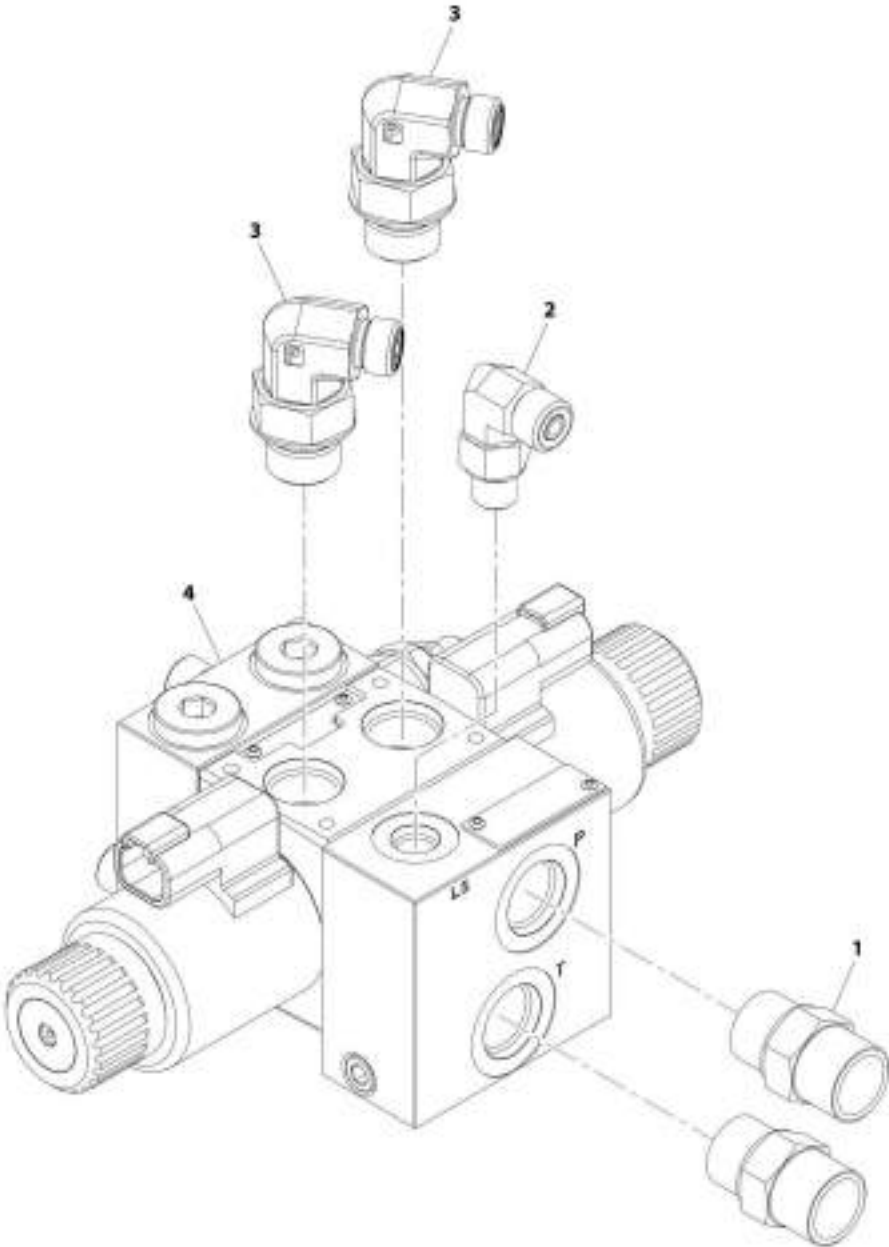
## SECTION 8 - HYDRAULIC CIRCUITS

### FIGURE 8-23. FRAME LEVEL VALVE INSTALLATION

ITEM	PART NUMBER	QTY	DESCRIPTION	REV
	1001193517	Ref	Frame Level Valve Installation	D
1	0760607	4	Bolt, M6X14	
2	0761012	2	Bolt, M10X25	
3	4811700	4	Washer, M6	
4	4812000	2	Washer, M10	
6	1001195733	1	Bracket	
10	1001215341	1	Assembly, Frame Level Valve (See Seperate Breakdown in this Section)	

**SECTION 8 - HYDRAULIC CIRCUITS**

**FIGURE 8-24. FRAME LEVEL VALVE ASSEMBLY**



ART\_3001215341-B

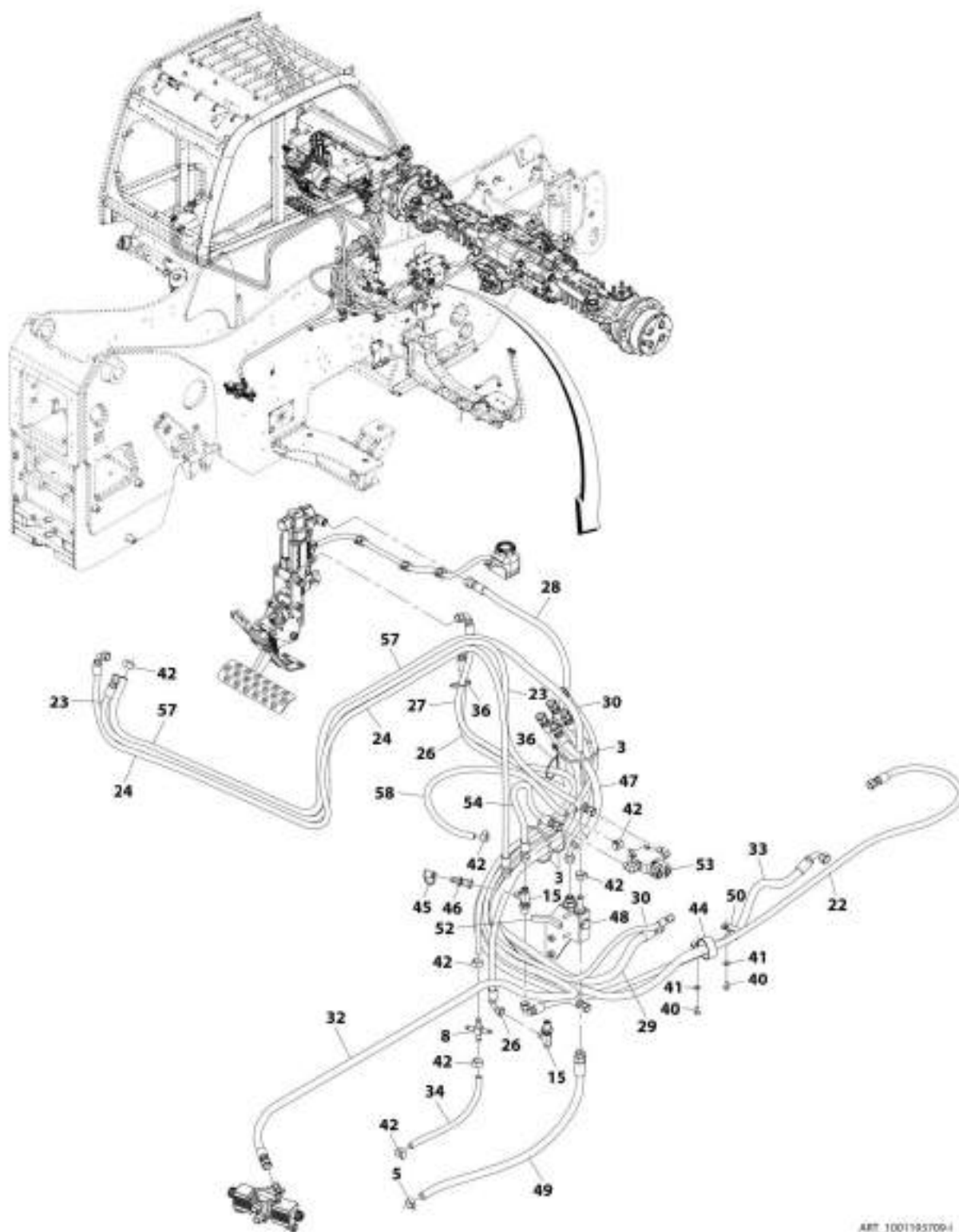
## SECTION 8 - HYDRAULIC CIRCUITS

### FIGURE 8-24. FRAME LEVEL VALVE ASSEMBLY

ITEM	PART NUMBER	QTY	DESCRIPTION	REV
	1001215341	Ref	Frame Level Valve Assembly	B
1	2110808	2	Fitting, Straight ORFS	
2	2130404	1	Fitting, 90 ORFS	
3	2130408	2	Fitting, 90 ORFS	
4	1001219615	1	Valve, Frame Level (See Seperate Breakdown in Hydraulic Components Section)	

# SECTION 8 - HYDRAULIC CIRCUITS

## FIGURE 8-25. CAB HYDRAULICS INSTALLATION



ARB\_1001195706-1



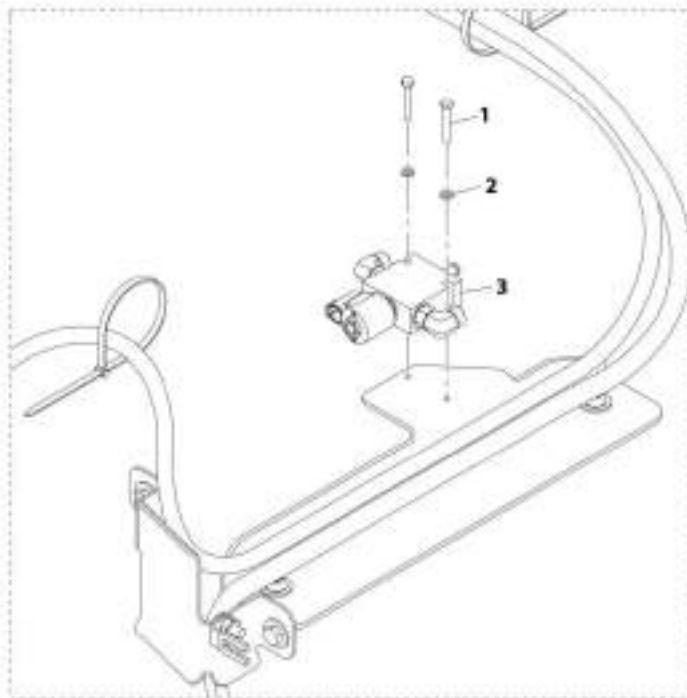
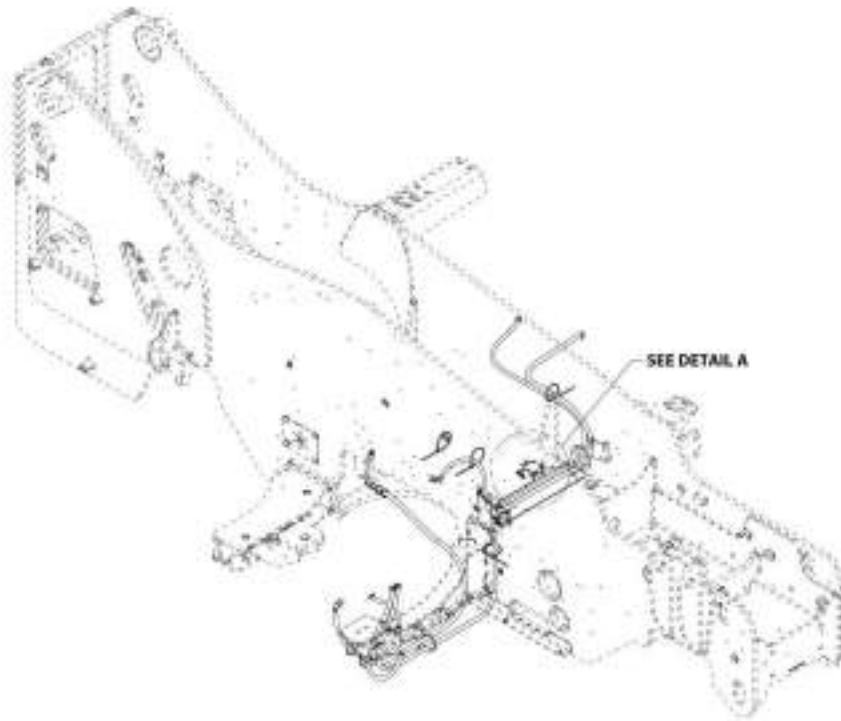
## SECTION 8 - HYDRAULIC CIRCUITS

### FIGURE 8-25. CAB HYDRAULICS INSTALLATION

ITEM	PART NUMBER	QTY	DESCRIPTION	REV
	1001193709	Ref	Cab Hydraulics Installation	1
3	4240018	3	Strap, Cable	
5	8405006	1	Clamp	
8	1001215256	1	Fitting, Cross Barb	
15	88662434	2	Fitting, Tee ORFS	
22	1001210800	1	Hose	
23	1001221989	1	Hose	
24	1001210327	1	Hose	
26	1001196989	1	Hose	
27	1001206709	1	Hose	
28	1001210282	1	Hose	
29	1001196992	1	Hose	
30	1001196993	1	Hose	
32	1001196995	1	Hose	
33	1001196996	1	Hose	
34	1001196997	1	Hose	
36	4240099	3	Tie, Wire	
40	0760807	2	Bolt, M8X14	
41	4811900	2	Washer, M8	
42	8410013	7	Clamp	
44	85941018	1	Clamp	
45	8430032	1	Plug	
46	8430081	1	Fitting, Straight ORFS	
47	1001212787	1	Hose	
48	1001212788	Ref	Installation, Check Valve (See Separate Breakdown in this Section)	
49	1001212880	1	Hose	
50	8406201	1	Clip	
52	90206198	186 mm	Compound, Locking	
53	1001221987	Ref	Installation, Solenoid Valve (See Separate Breakdown in this Section)	
54	1001221988	1	Hose	
57	2720160	2290 mm	Hose	
58	1001008654	750 mm	Hose	

# SECTION 8 - HYDRAULIC CIRCUITS

FIGURE 8-26. SOLENOID VALVE INSTALLATION



DETAIL A

ART\_1001221087-A

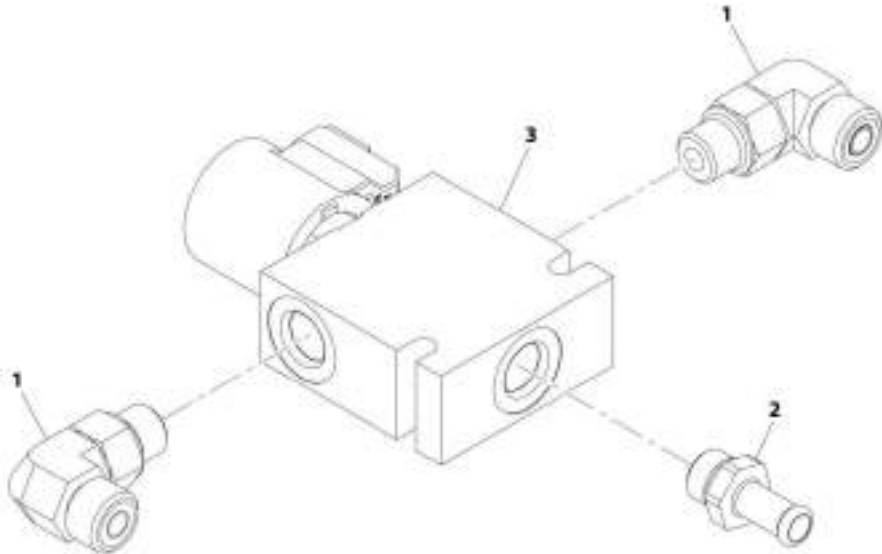
## SECTION 8 - HYDRAULIC CIRCUITS

FIGURE 8-26. SOLENOID VALVE INSTALLATION

ITEM	PART NUMBER	QTY	DESCRIPTION	REV
	1001221987	Ref	Solenoid Valve Installation	A
1	0700616	2	Bolt, M6X40	
2	4811700	2	Washer, M6	
3	1001221986	1	Assembly, Solenoid Valve (See Seperate Breakdown in this Section)	

**SECTION 8 - HYDRAULIC CIRCUITS**

**FIGURE 8-27. SOLENOID VALVE ASSEMBLY**



ART\_100221986-A

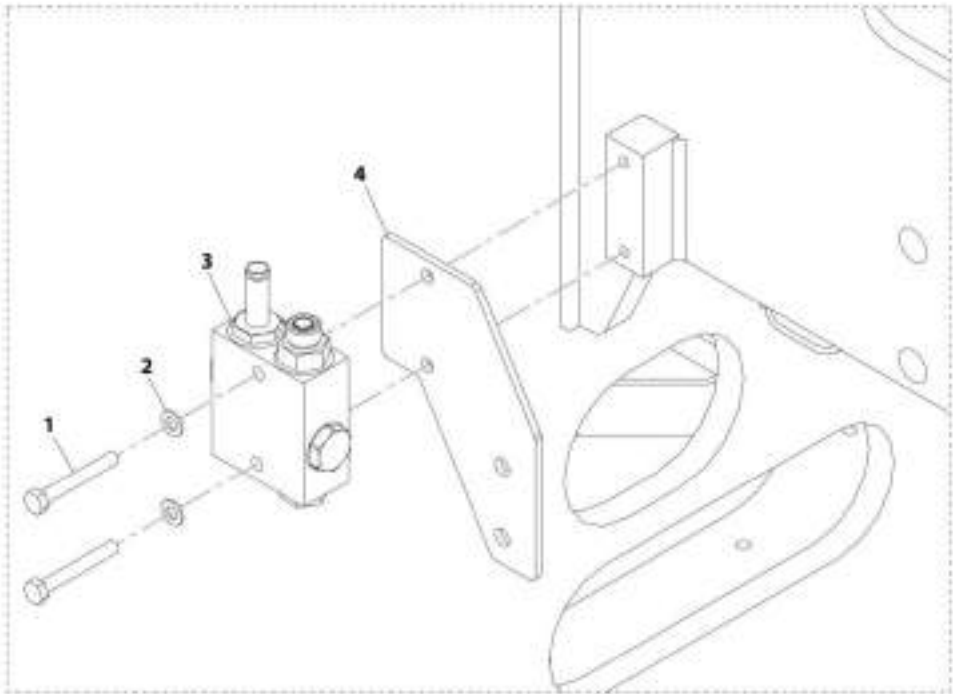
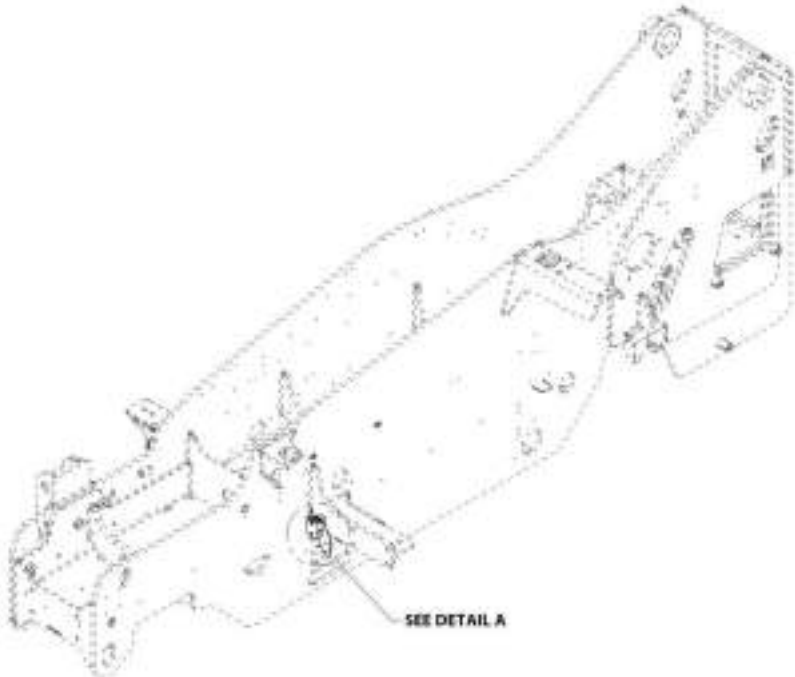
## SECTION 8 - HYDRAULIC CIRCUITS

### FIGURE 8-27. SOLENOID VALVE ASSEMBLY

ITEM	PART NUMBER	QTY	DESCRIPTION	REV
	1001221986	Ref	Solenoid Valve Assembly	A
1	2130606	2	Fitting, 90 ORFS	
2	1001168030	1	Fitting, Hose Barb	
3	1001221928	1	Valve, Solenoid (See Seperate Breakdown in Hydraulic Components Section)	

**SECTION 8 - HYDRAULIC CIRCUITS**

**FIGURE 8-28. CHECK VALVE INSTALLATION**



**DETAIL A**

ART\_1801212788-A

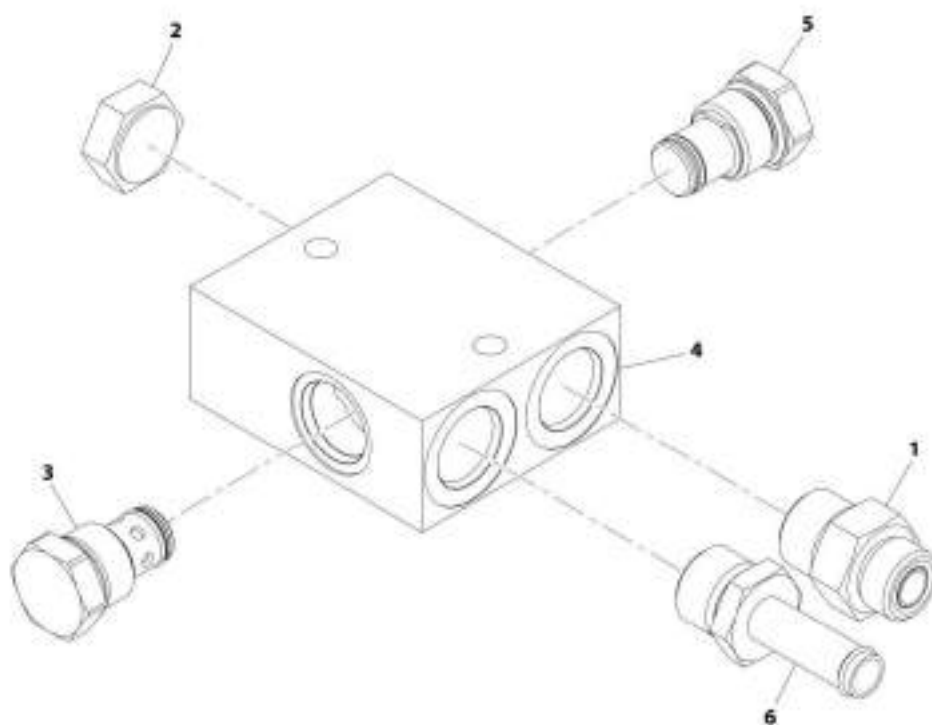
## SECTION 8 - HYDRAULIC CIRCUITS

### FIGURE 8-28. CHECK VALVE INSTALLATION

ITEM	PART NUMBER	QTY	DESCRIPTION	REV
	1001212788	Ref	Check Valve Installation	A
1	0700820	2	Bolt, M8X60	
2	4811900	2	Washer, M8	
3	1001212789	1	Assembly, Check Valve (See Seperate Breakdown in this Section)	
4	1001219659	1	Plate	

## SECTION 8 - HYDRAULIC CIRCUITS

FIGURE 8-29. CHECK VALVE ASSEMBLY



ART\_100121284-C



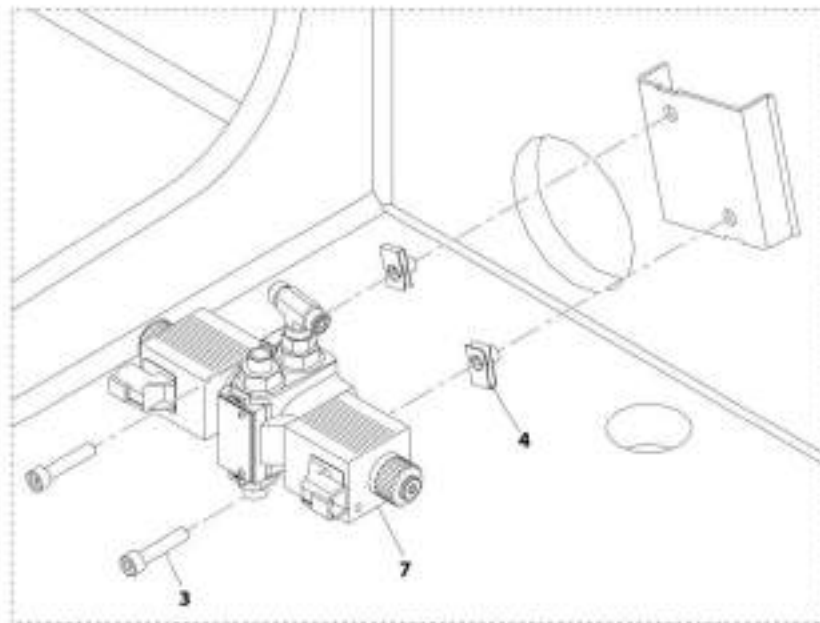
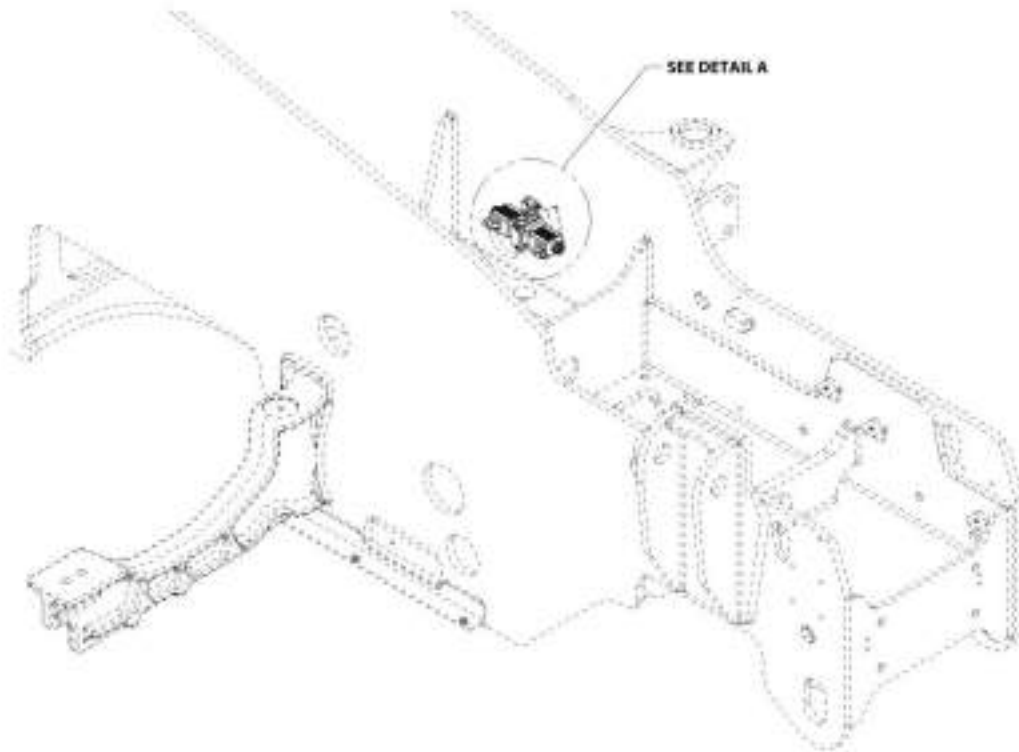
## SECTION 8 - HYDRAULIC CIRCUITS

### FIGURE 8-29. CHECK VALVE ASSEMBLY

ITEM	PART NUMBER	QTY	DESCRIPTION	REV
	1001212789	Ref	Check Valve Assembly	C
1	2110810	1	Fitting, Straight ORFS	
2	2220239	1	Plug	
3	1001231393	1	1001212789	
4	1001210780	1	Manifold, Dual Check Valve (See Seperate Breakdown in Hydraulic Components Section)	
5	1001210801	1	Valve, Check	
6	1001225656	1	Fitting, Barb	

# SECTION 8 - HYDRAULIC CIRCUITS

FIGURE 8-30. SPEED CONTROL VALVE INSTALLATION



DETAIL A

AWT\_1001187196-B

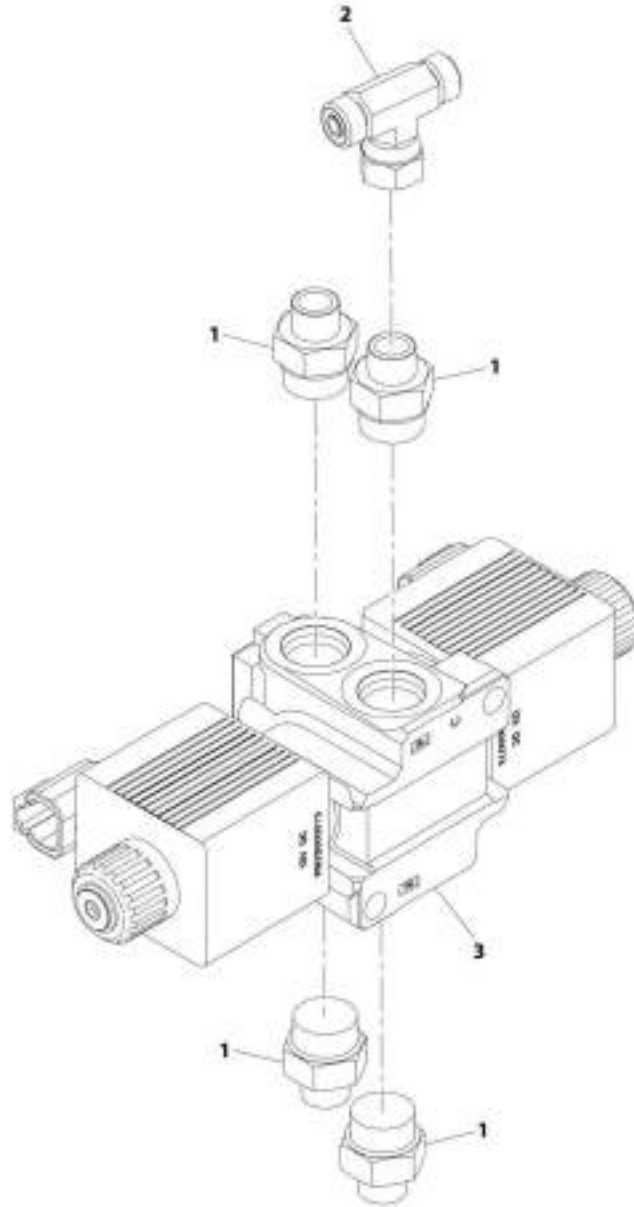
## SECTION 8 - HYDRAULIC CIRCUITS

**FIGURE 8-30. SPEED CONTROL VALVE INSTALLATION**

ITEM	PART NUMBER	QTY	DESCRIPTION	REV
	1001197196	Ref	Speed Control Valve Installation	B
3	4031912	2	Bolt, M8X40	
4	8310686	2	Nut, M8X12.5	
7	1001220643	1	Assembly, Speed Control Valve (See Seperate Breakdown in this Section)	

# SECTION 8 - HYDRAULIC CIRCUITS

FIGURE 8-31. SPEED CONTROL VALVE ASSEMBLY



ART\_1001230643-A

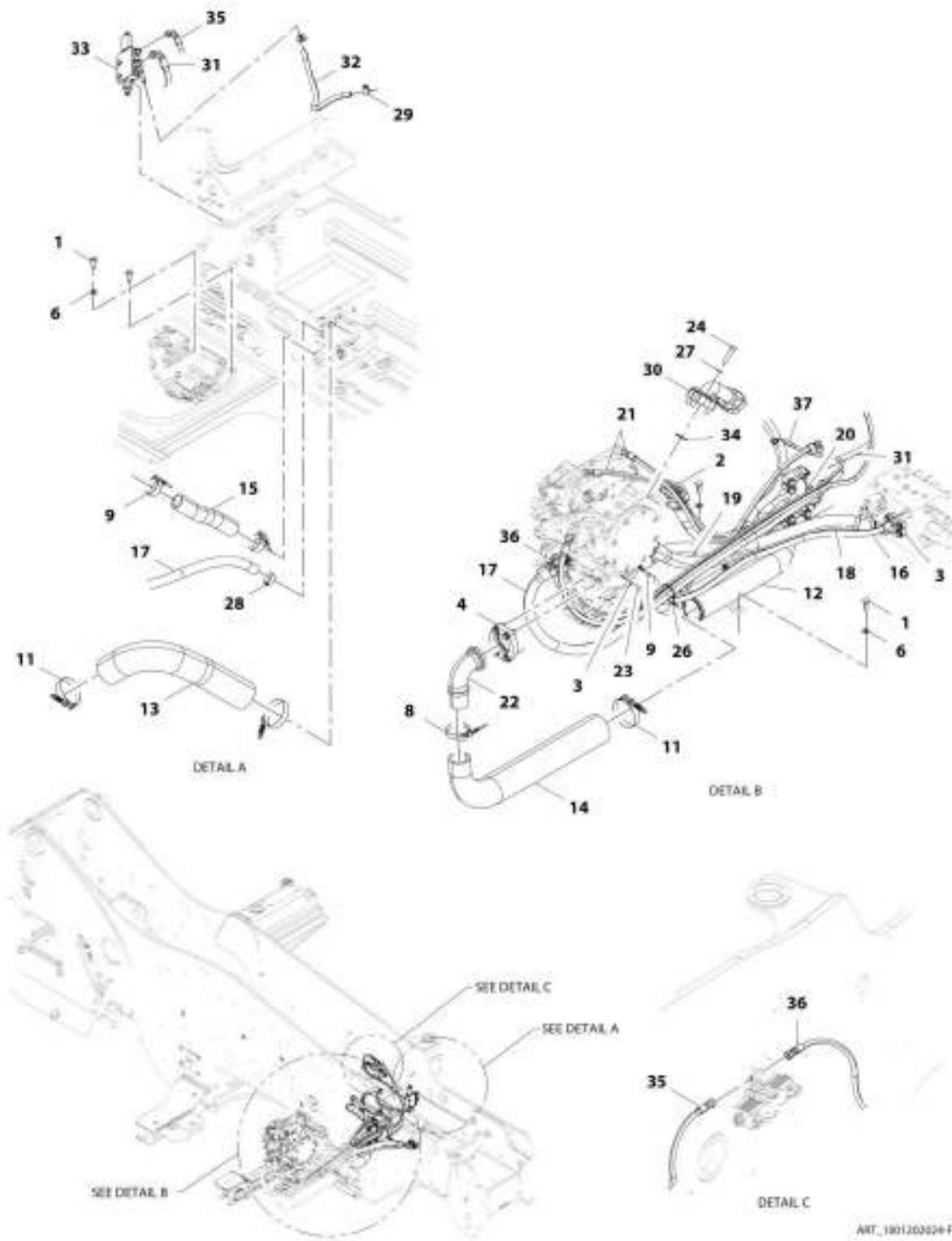
## SECTION 8 - HYDRAULIC CIRCUITS

FIGURE 8-31. SPEED CONTROL VALVE ASSEMBLY

ITEM	PART NUMBER	QTY	DESCRIPTION	REV
	1001220643	Ref	Speed Control Valve Assembly	A
1	2110408	4	Fitting, Straight ORFS	
2	2170804	1	Fitting, Tee	
3	4641520	1	Valve, Speed Control (See Seperate Breakdown in Hydraulic Components Section)	

# SECTION 8 - HYDRAULIC CIRCUITS

## FIGURE 8-32. ENGINE BAY HYDRAULIC INSTALLATION



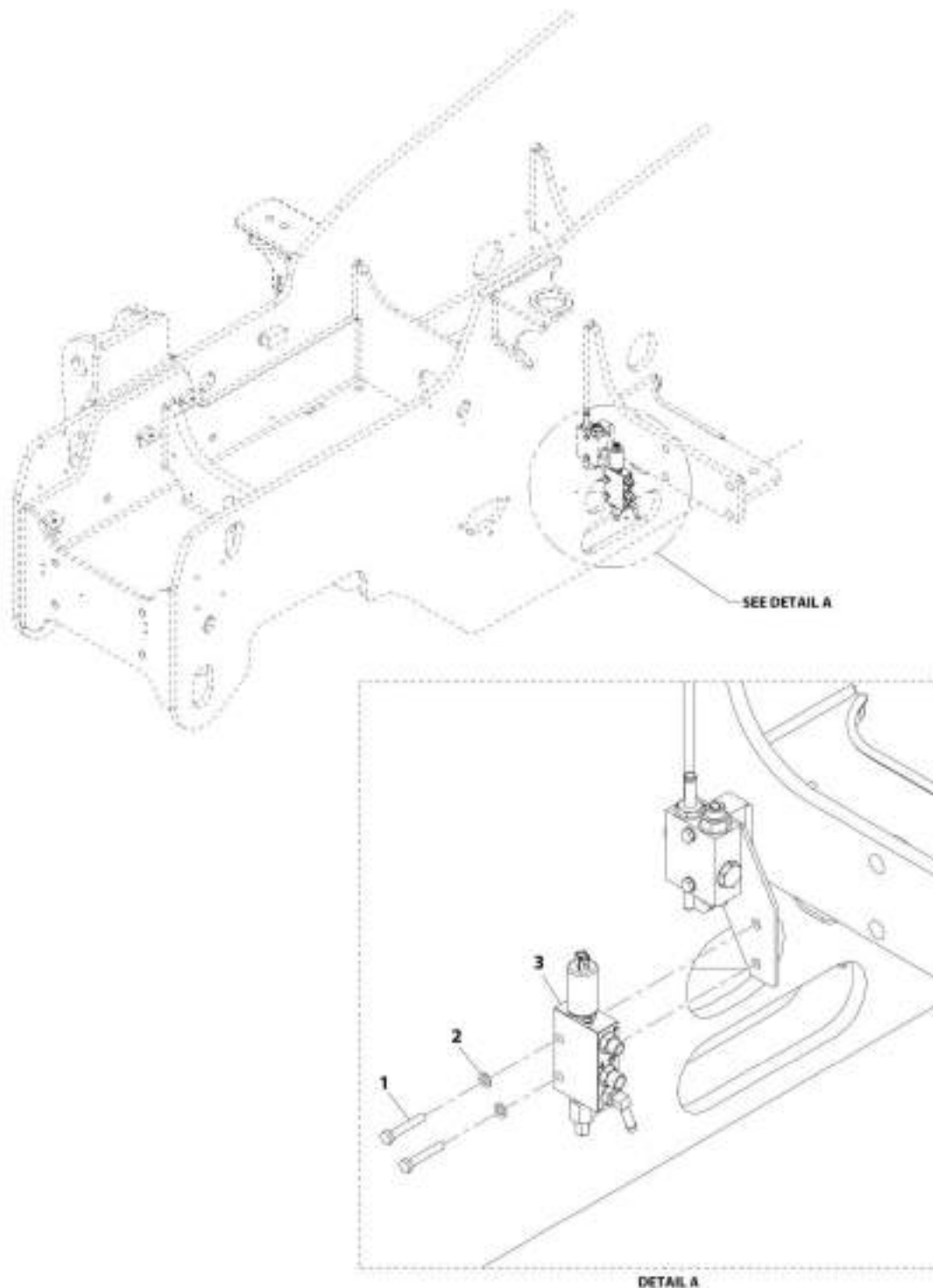
## SECTION 8 - HYDRAULIC CIRCUITS

**FIGURE 8-32. ENGINE BAY HYDRAULIC INSTALLATION**

ITEM	PART NUMBER	QTY	DESCRIPTION	REV
	1001202024	Ref	Engine Bay Installation	F
1	0761012	4	Bolt, M10X25	
2	1001217948	4	Kit, Flange (includes mounting hardware and o-ring)	
3	2171816	2	Kit, Flange (includes mounting hardware and o-ring)	
4	2171832	1	Kit, Flange (includes mounting hardware and o-ring)	
6	4812000	4	Washer, M10	
8	1001005438	1	Clamp	
9	1001014231	4	Clamp	
11	1001186843	3	Clamp	
12	1001187272	1	Pipe	
13	1001187273	1	Hose	
14	1001187275	1	Hose	
15	1001193461	1	Hose	
16	1001196959	1	Hose	
17	1001215802	1	Hose	
18	1001214431	1	Hose	
19	1001214430	1	Hose	
20	1001214429	1	Hose	
21	1001215539	2	Hose	
22	8424233	1	Fitting, 90	
23	1001202027	1	Hose	
24	0681714	4	Bolt, 7/16-14X1 3/4 Grade 8	
26	4240099	AR	Tie, Wire	
27	4761700	4	Washer, Lock 7/16	
28	8405007	1	Clamp	
29	8410013	2	Clamp	
30	1001200870	1	Fitting, 90	
31	1001213306	1	Hose	
32	1001213307	1	Hose	
33	1001213308	1	Installation, Inching Valve (See Seperate Breakdown in this Section)	
34	91083106	1	O-Ring	
35	1001215093	1	Hose	
36	1001215212	1	Hose	
37	1001223109	1	Hose	

# SECTION 8 - HYDRAULIC CIRCUITS

## FIGURE 8-33. INCHING VALVE INSTALLATION



ART\_1001215308-A



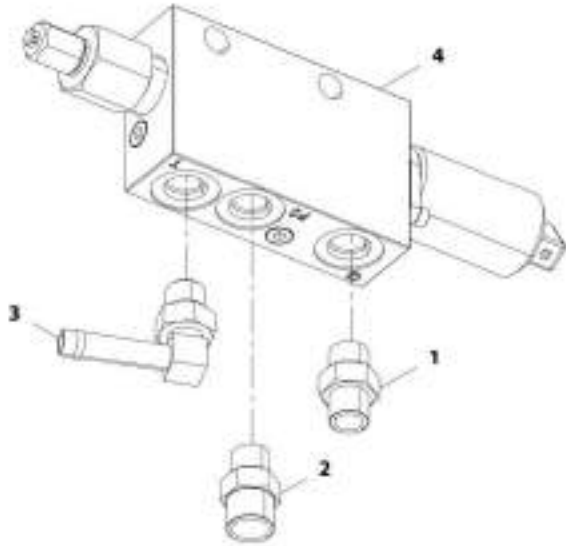
## SECTION 8 - HYDRAULIC CIRCUITS

### FIGURE 8-33. INCHING VALVE INSTALLATION

ITEM	PART NUMBER	QTY	DESCRIPTION	REV
	1001213308	Ref	Inching Valve Installation	A
1	0700818	2	Bolt, M8X50	
2	4811900	2	Washer, M8	
3	1001213309	1	Assembly, Inching Valve (See Seperate Breakdown in this Section)	

**SECTION 8 - HYDRAULIC CIRCUITS**

**FIGURE 8-34. INCHING VALVE ASSEMBLY**



ART\_1001211300-B

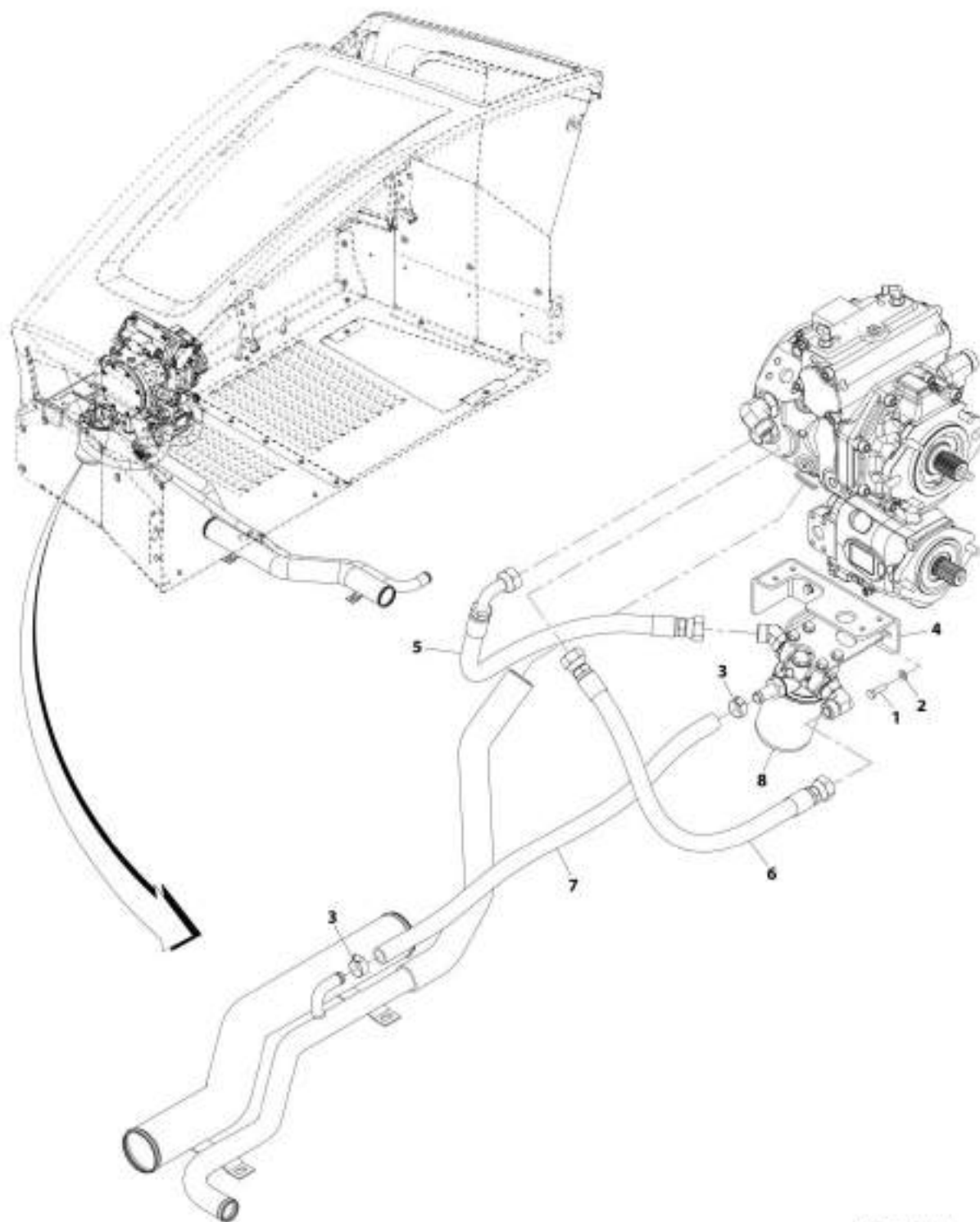
## SECTION 8 - HYDRAULIC CIRCUITS

### FIGURE 8-34. INCHING VALVE ASSEMBLY

ITEM	PART NUMBER	QTY	DESCRIPTION	REV
	1001213309	Ref	Inching Valve Assembly	B
1	2110406	1	Fitting, Straight ORFS	
2	2110606	1	Fitting, Straight ORFS	
3	8430034	1	Elbow, 90	
4	1001213311	1	Valve, Inching (See Seperate Breakdown in Hydraulic Component Section)	

# SECTION 8 - HYDRAULIC CIRCUITS

## FIGURE 8-35. CHARGE FILTER LINES INSTALLATION



ART\_1001200026-6

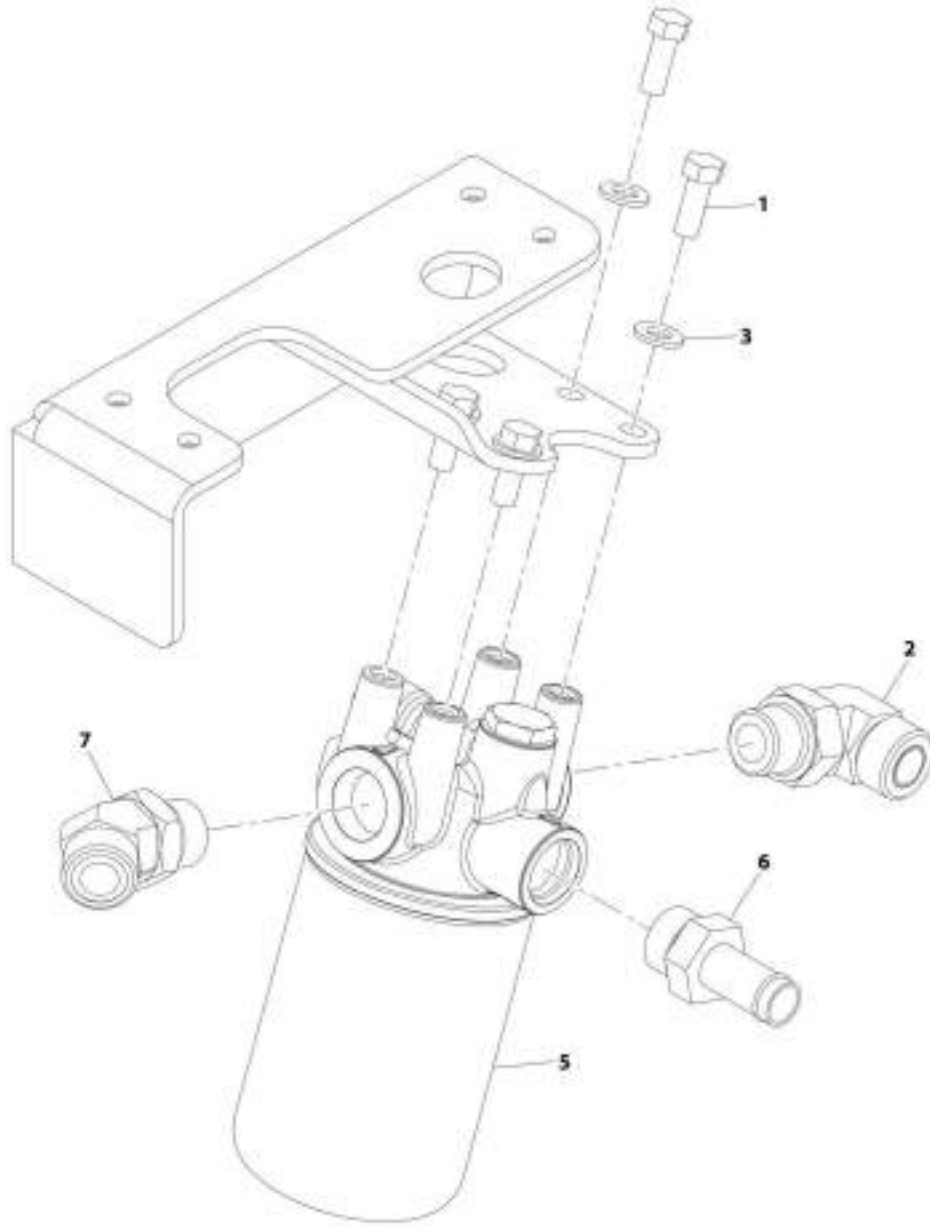
## SECTION 8 - HYDRAULIC CIRCUITS

### FIGURE 8-35. CHARGE FILTER LINES INSTALLATION

ITEM	PART NUMBER	QTY	DESCRIPTION	REV
	1001202026	Ref	Charge Filter Lines Installation	B
1	0700814	2	Bolt, M8X30	
2	4811900	2	Washer, M8	
3	8405007	2	Clamp	
4	1001195431	1	Bracket	
5	1001195433	1	Hose	
6	1001195434	1	Hose	
7	1001195435	1	Hose	
8	1001202038	Ref	Installation, Charge Filter (See Seperate Breakdown in this Section)	

# SECTION 8 - HYDRAULIC CIRCUITS

## FIGURE 8-36. CHARGE FILTER INSTALLATION



ART\_100190430-C

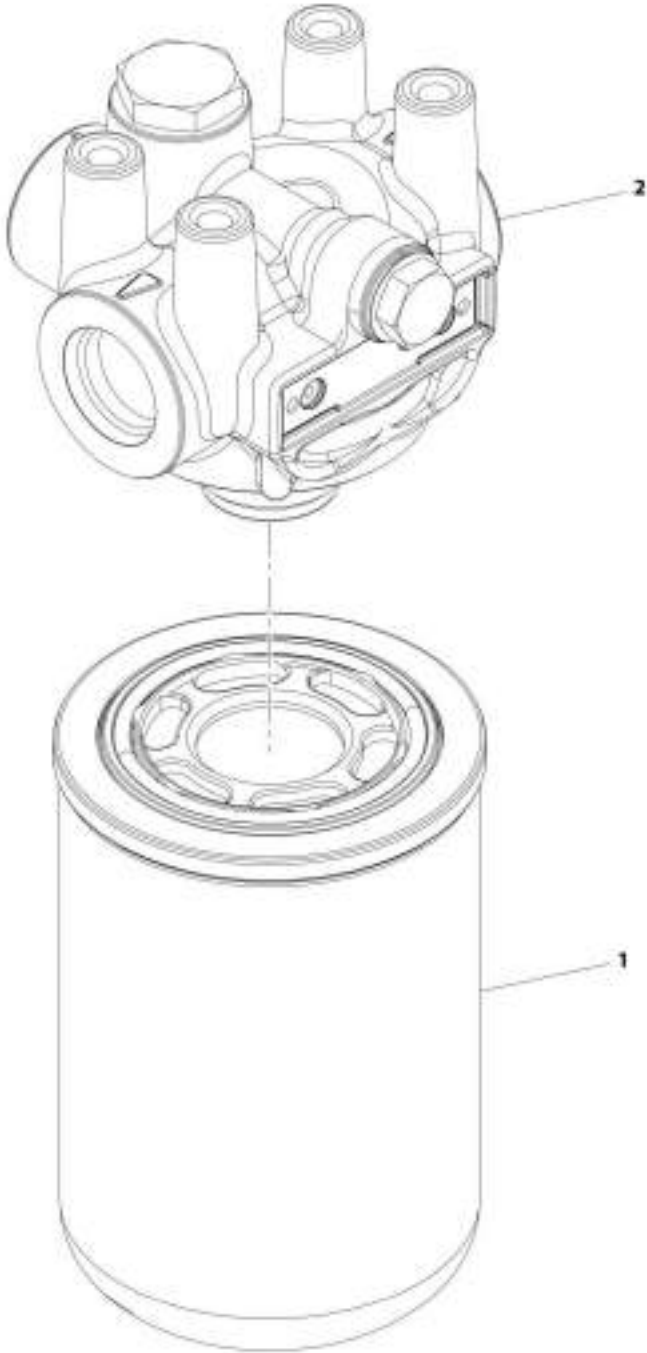
## SECTION 8 - HYDRAULIC CIRCUITS

FIGURE 8-36. CHARGE FILTER INSTALLATION

ITEM	PART NUMBER	QTY	DESCRIPTION	REV
	1001195430	Ref	Charge Filter Installation	C
1	0641608	4	Bolt, 3/8-16X1	
2	2131212	1	Fitting, 90 ORFS	
3	4812000	4	Washer, M10	
5	1001141976	1	Assembly, Charge Filter (See Seperate Breakdown in this Section)	
6	1001183700	1	Fitting, Barb	
7	2151212	1	Fitting, 45 ORFS	

**SECTION 8 - HYDRAULIC CIRCUITS**

**FIGURE 8-37. IMPLEMENT PUMP FILTER ASSEMBLY**



ART\_100114105-A



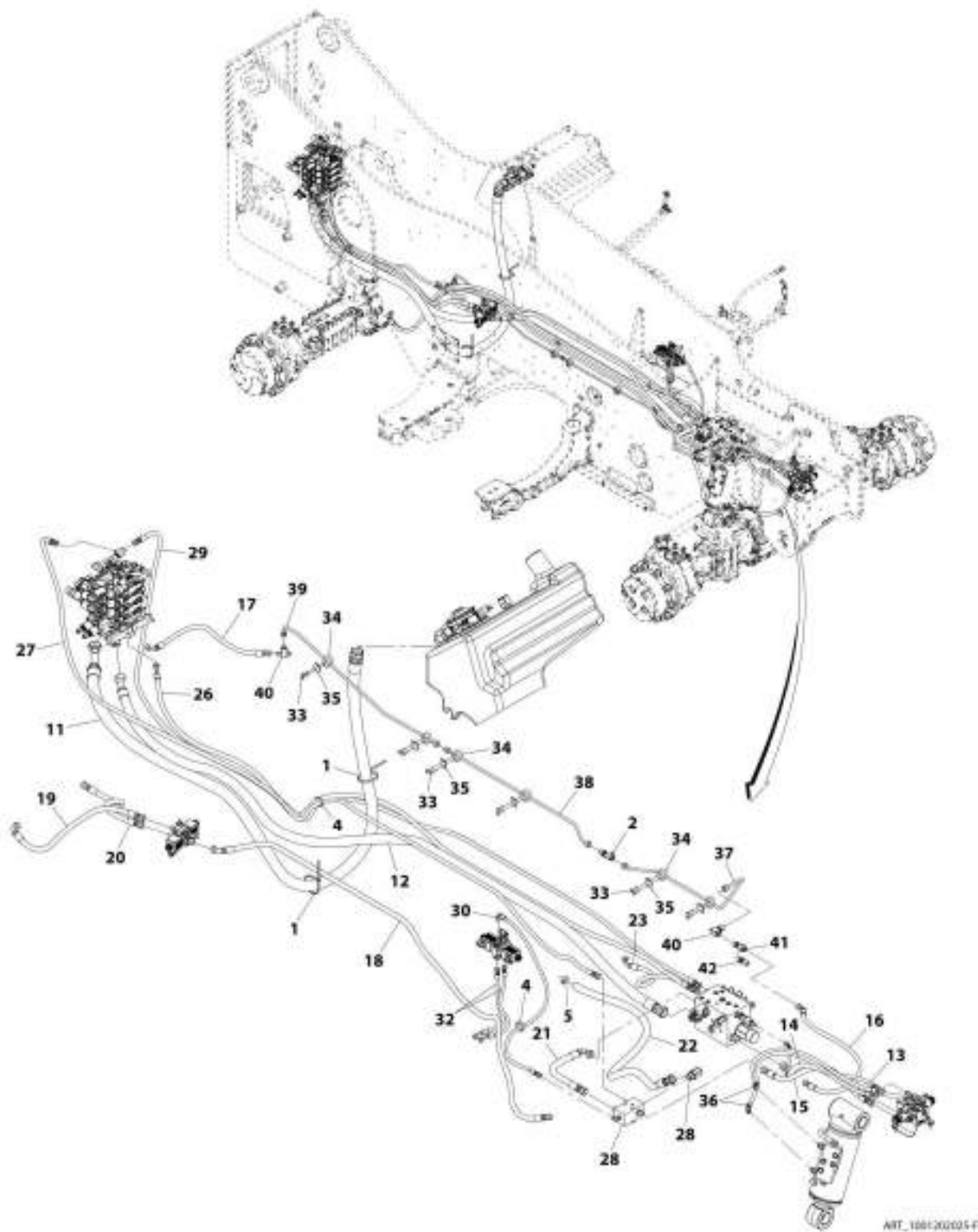
## SECTION 8 - HYDRAULIC CIRCUITS

### FIGURE 8-37. IMPLEMENT PUMP FILTER ASSEMBLY

ITEM	PART NUMBER	QTY	DESCRIPTION	REV
	1001141976	Ref	Implement Pump Filter Assembly	A
1	1001141461	1	Filter	
2	1001141462	1	Pump, Filter	

# SECTION 8 - HYDRAULIC CIRCUITS

## FIGURE 8-38. FRAME HYDRAULIC INSTALLATION



AWT\_1001-200025-F

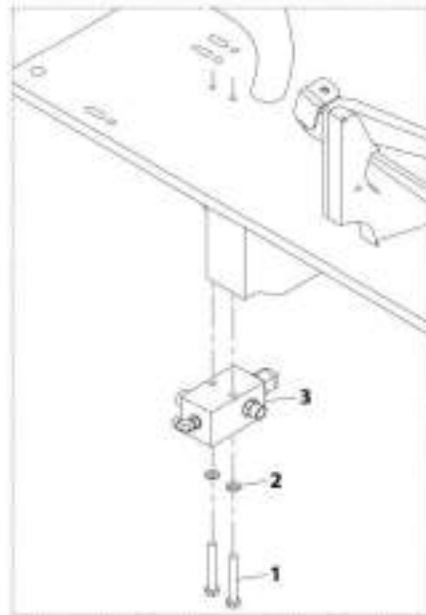
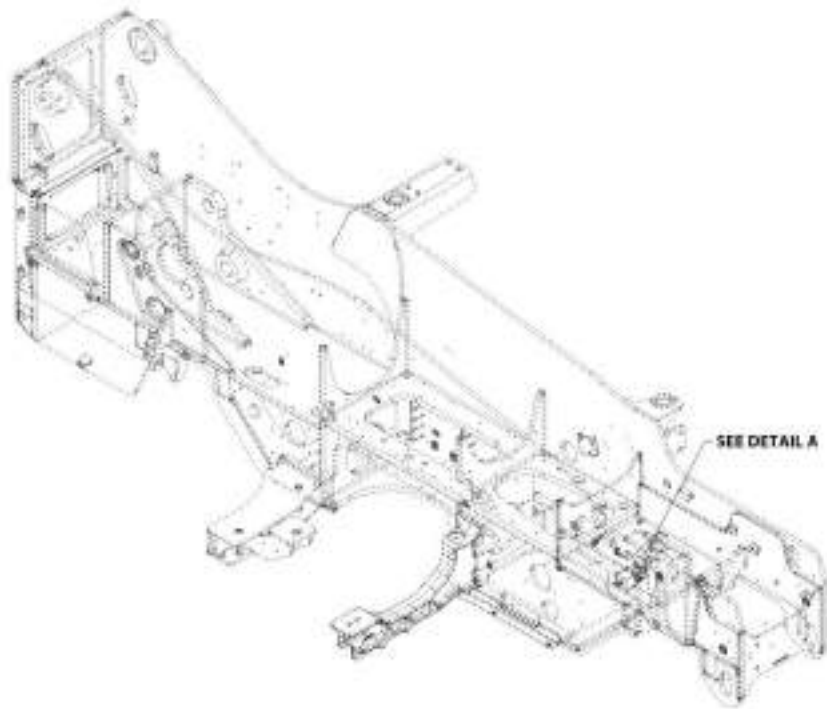
## SECTION 8 - HYDRAULIC CIRCUITS

**FIGURE 8-38. FRAME HYDRAULIC INSTALLATION**

ITEM	PART NUMBER	QTY	DESCRIPTION	REV
	1001202025	Ref	Frame Hydraulic Installation	F
1	1062255	2	Strap, Tie	
2	88662434	1	Fitting, Tee ORFS	
4	4240018	2	Strap, Tie	
5	8405007	1	Clamp	
11	1001196964	1	Hose	
12	1001196967	1	Hose	
13	1001210635	1	Hose	
14	1001196969	1	Hose	
15	1001196970	1	Hose	
16	1001208532	1	Hose	
17	1001208534	1	Hose	
18	1001196973	1	Hose	
19	1001196974	1	Hose	
20	1001196975	1	Hose	
21	1001196976	1	Hose	
22	1001196977	1	Hose	
23	1001196978	1	Hose	
26	1001196981	1	Hose	
27	1001196982	1	Hose	
28	1001197197	Ref	Installation, Manifold (See Seperate Breakdown in this Section)	
29	1001197199	1	Hose	
30	1001197200	1	Hose	
32	1001211020	2	Hose	
33	0700614	12	Bolt, M6X30	
34	9106-3040	6	Clamp	
35	9106-3039	6	Plate, Cover	
36	1001205573	2	Hose	
37	1001207788	1	Pipe	
38	1001207789	1	Pipe	
39	1001207790	1	Pipe	
40	1001210797	2	Bleeder, Brake	
41	1001111140	1	Fitting, ORFS	
42	1001147340	1	Sensor, Pressure	

# SECTION 8 - HYDRAULIC CIRCUITS

## FIGURE 8-39. MANIFOLD INSTALLATION



DETAIL A

ART\_1001197197-E

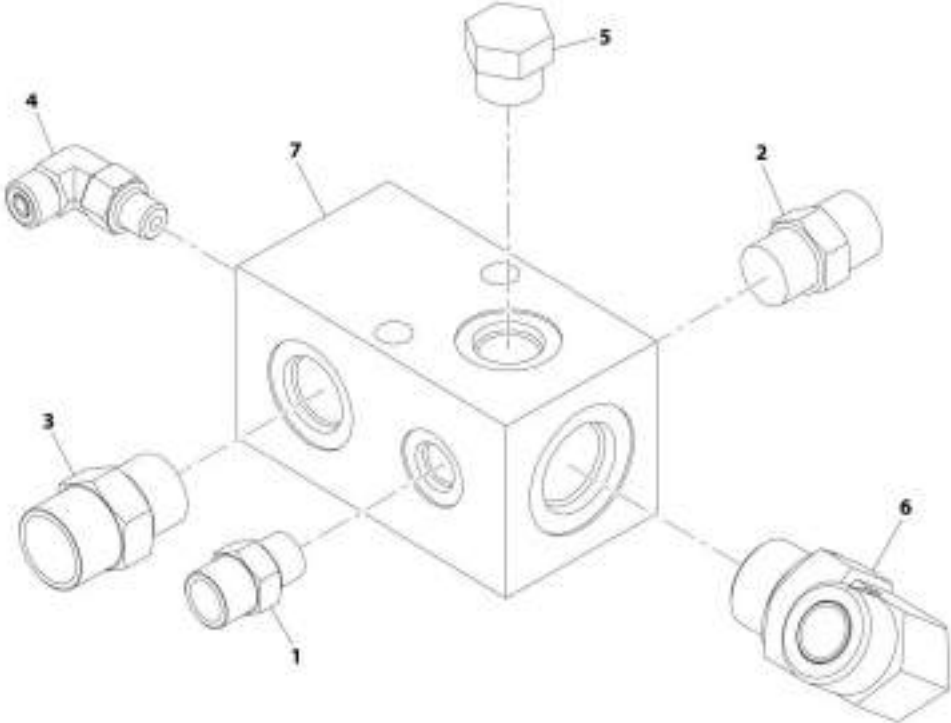
## SECTION 8 - HYDRAULIC CIRCUITS

**FIGURE 8-39. MANIFOLD INSTALLATION**

ITEM	PART NUMBER	QTY	DESCRIPTION	REV
	1001197197	Ref	Manifold Installation	B
1	0701024	2	Bolt, M10X80	
2	4812000	2	Washer, M10	
3	1001197198	1	Assembly, Manifold (See Seperate Breakdown in this Section)	

**SECTION 8 - HYDRAULIC CIRCUITS**

**FIGURE 8-40. MANIFOLD ASSEMBLY**



ART\_1001197199-D

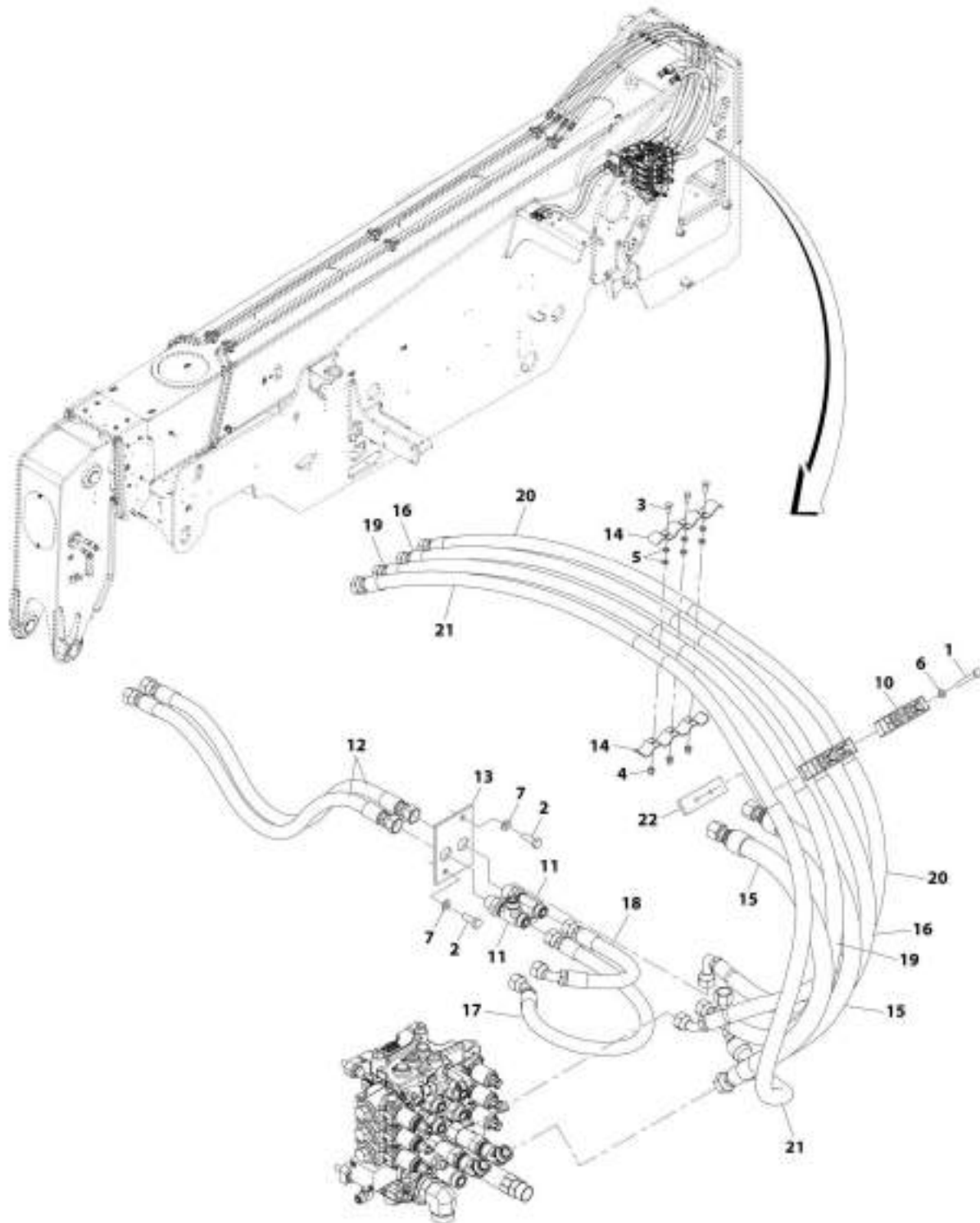
## SECTION 8 - HYDRAULIC CIRCUITS

### FIGURE 8-40. MANIFOLD ASSEMBLY

ITEM	PART NUMBER	QTY	DESCRIPTION	REV
	1001197198	Ref	Manifold Assembly	D
1	2110606	1	Fitting, Straight ORFS	
2	2110808	1	Fitting, Straight ORFS	
3	2111010	1	Fitting, Straight ORFS	
4	2130404	1	Fitting, 90 ORFS	
5	2220238	1	Plug	
6	2131212	1	Fitting, 90 ORFS	
7	1001228504	1	Manifold	

# SECTION 8 - HYDRAULIC CIRCUITS

## FIGURE 8-41. BOOM HYDRAULIC LINE INSTALLATION



ART\_1001211800-F



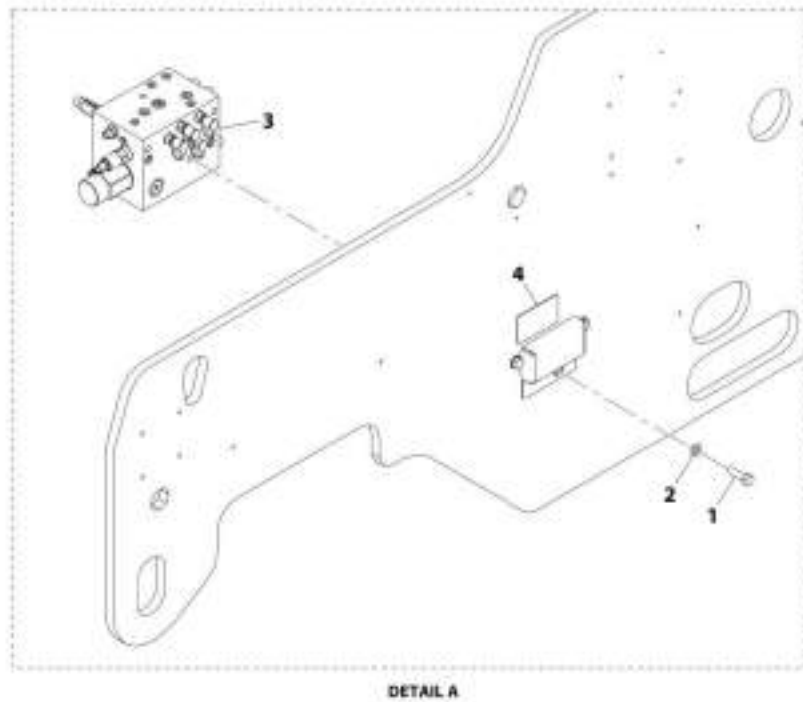
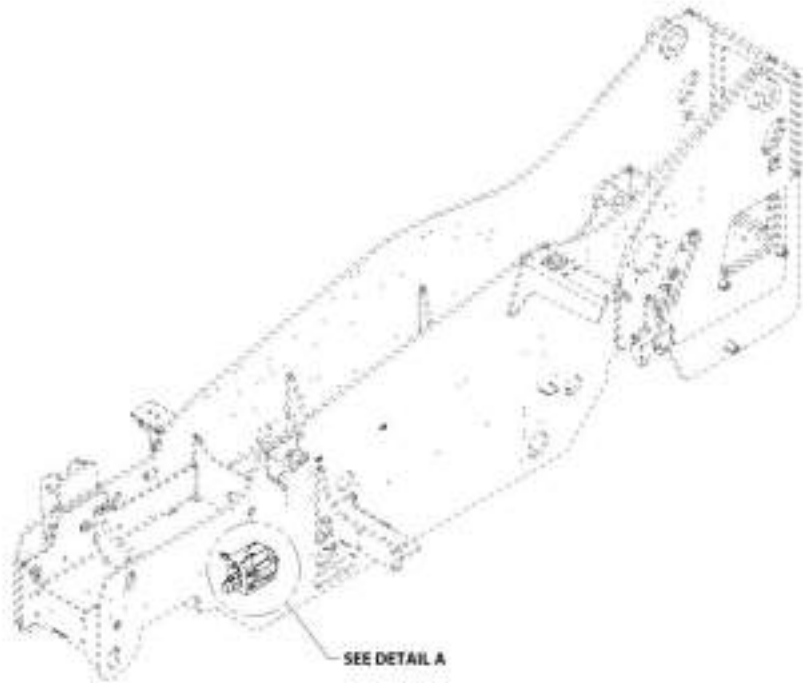
## SECTION 8 - HYDRAULIC CIRCUITS

**FIGURE 8-41. BOOM HYDRAULIC LINE INSTALLATION**

ITEM	PART NUMBER	QTY	DESCRIPTION	REV
	1001211606	Ref	Boom Hydraulic Line Installation	F
1	0700821	4	Bolt, M8X65	
2	0701014	2	Bolt, M10X30	
3	0760608	3	Bolt, M6X16	
4	3290606	3	Nut, M6X1 Grade 8	
5	4811700	6	Washer, M6	
6	4811900	4	Washer, M8	
7	4812000	2	Washer, M10	
10	1001098128	2	Clamp, Triple	
11	1001192096	2	Fitting, Tee ORFS	
12	1001210525	2	Hose, M16 ORFS	
13	1001197011	1	Plate	
14	1001205618	2	Clamp, Hoses	
15	1001220473	2	Hose, M19 ORFS	
16	1001210524	1	Hose, M16 ORFS	
17	1001209418	1	Hose, M16 ORFS	
18	1001209419	1	Hose, M16 ORFS	
19	1001210526	1	Hose, M16 ORFS	
20	1001215859	1	Hose, M16 ORFS	
21	1001215860	1	Hose, M16 ORFS	
22	1001226557	2	Plate	

# SECTION 8 - HYDRAULIC CIRCUITS

## FIGURE 8-42. PRIORITY MANIFOLD INSTALLATION



ART\_1001192065-8

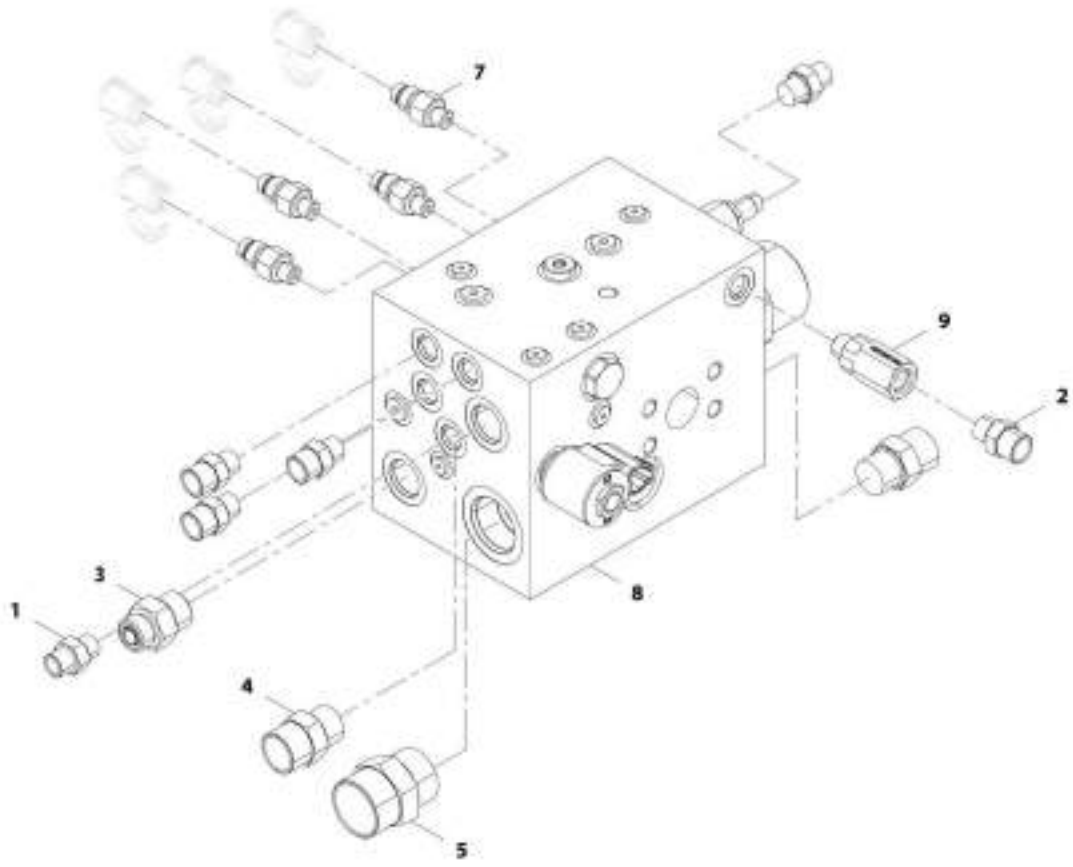
## SECTION 8 - HYDRAULIC CIRCUITS

FIGURE 8-42. PRIORITY MANIFOLD INSTALLATION

ITEM	PART NUMBER	QTY	DESCRIPTION	REV
	1001192885	Ref	Priority Manifold Installation	B
1	0701216	3	Bolt, M12X40	
2	4812100	3	Washer, M12	
3	1001192886	1	Assembly, Priority Valve (See Seperate Breakdown in this Section)	
4	1001192887	1	Decal	

**SECTION 8 - HYDRAULIC CIRCUITS**

**FIGURE 8-43. PRIORITY VALVE ASSEMBLY**



ART\_1001162880-D

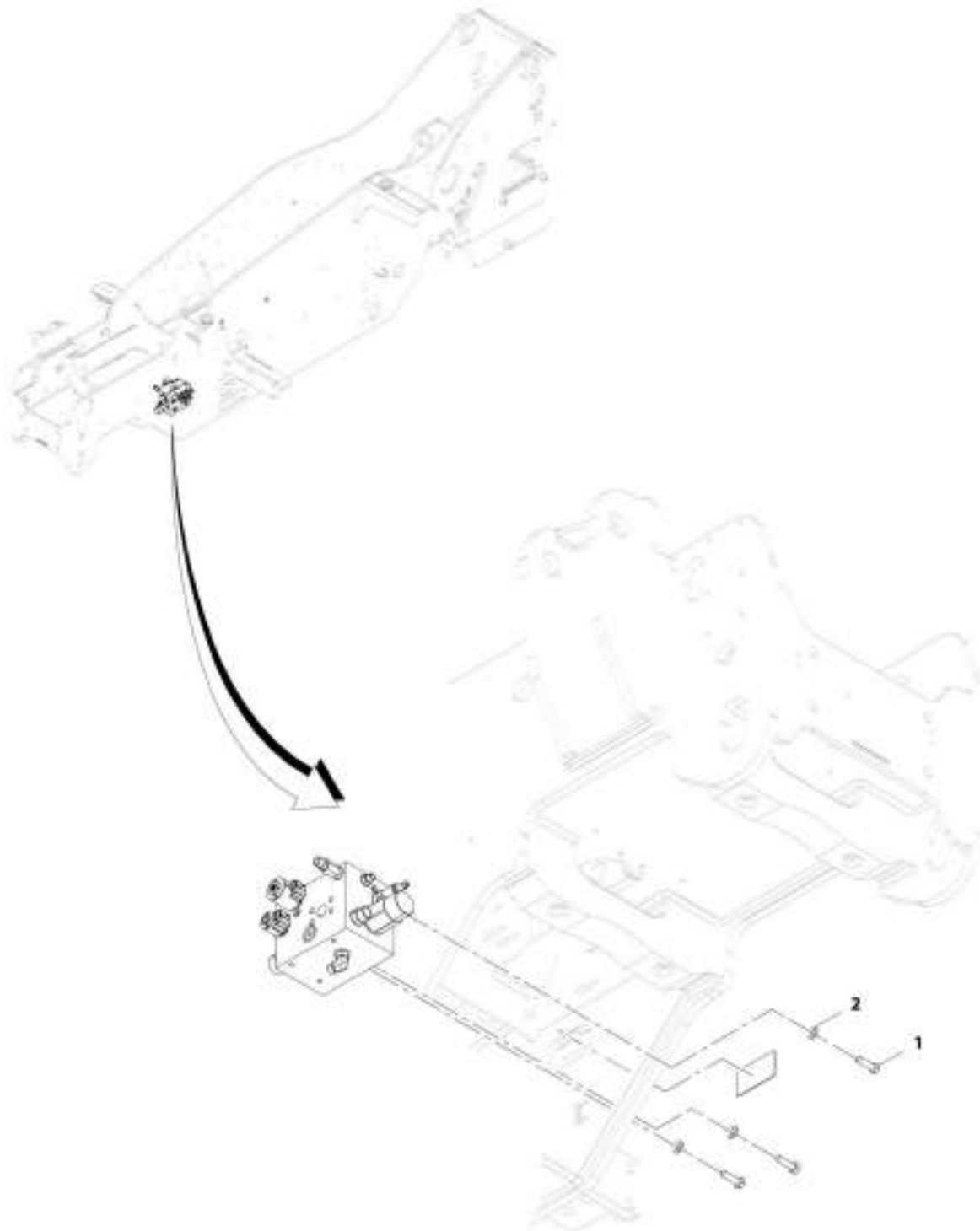
## SECTION 8 - HYDRAULIC CIRCUITS

### FIGURE 8-43. PRIORITY VALVE ASSEMBLY

ITEM	PART NUMBER	QTY	DESCRIPTION	REV
	1001192886	1	Priority Valve Assembly	D
1	2110406	2	Fitting, Straight ORFS	
2	2110606	4	Fitting, Straight ORFS	
3	2110810	1	Fitting, Straight ORFS	
4	2111010	2	Fitting, Straight ORFS	
5	2111616	1	Fitting, Straight ORFS	
7	8430033	4	Fitting, Straight	
8	1001192888	1	Assembly, Priority Valve(See Separate Breakdown in Hydraulic Components Section)	
9	1001187355	1	Valve, Check	

## SECTION 8 - HYDRAULIC CIRCUITS

FIGURE 8-44. PRIORITY MANIFOLD INSTALLATION (PLATFORM READY)



ART\_0001190890-B

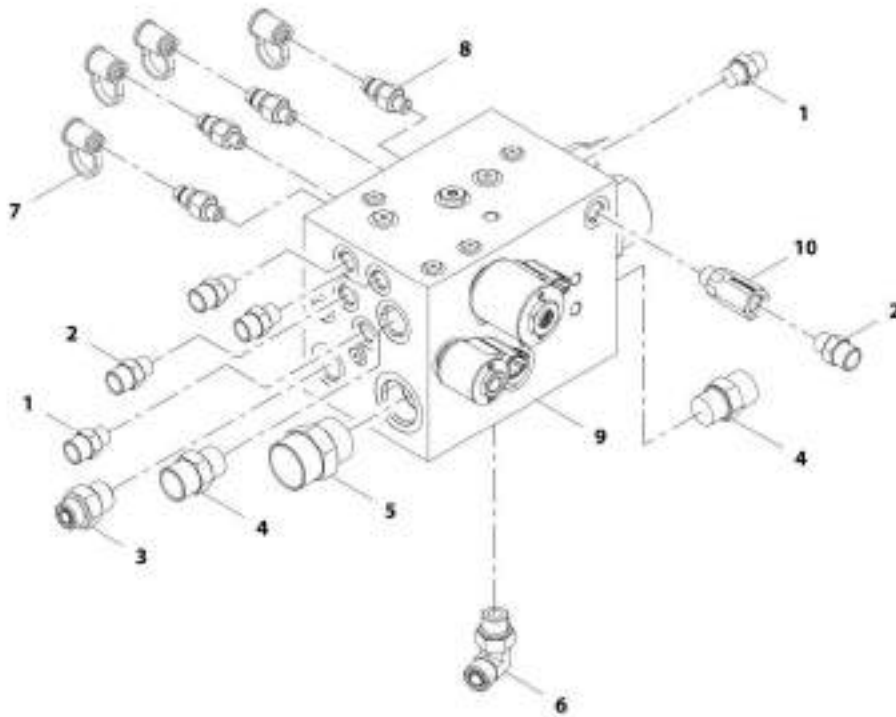
## SECTION 8 - HYDRAULIC CIRCUITS

**FIGURE 8-44. PRIORITY MANIFOLD INSTALLATION (PLATFORM READY)**

ITEM	PART NUMBER	QTY	DESCRIPTION	REV
	1001193836	Ref	Priority Manifold Installation (Platform Ready)	B
1	0701216	3	Bolt, M12X40, Grade 10.9	
2	4812100	3	Washer, M12	
3	1001193838	1	Assembly, Priority Valve (Platform Ready) (See Seperate Breakdown in this Section)	
4	1001192887	1	Decal, Port ID	

# SECTION 8 - HYDRAULIC CIRCUITS

FIGURE 8-45. PRIORITY VALVE ASSEMBLY (PLATFORM READY)



ART\_0001190800-0



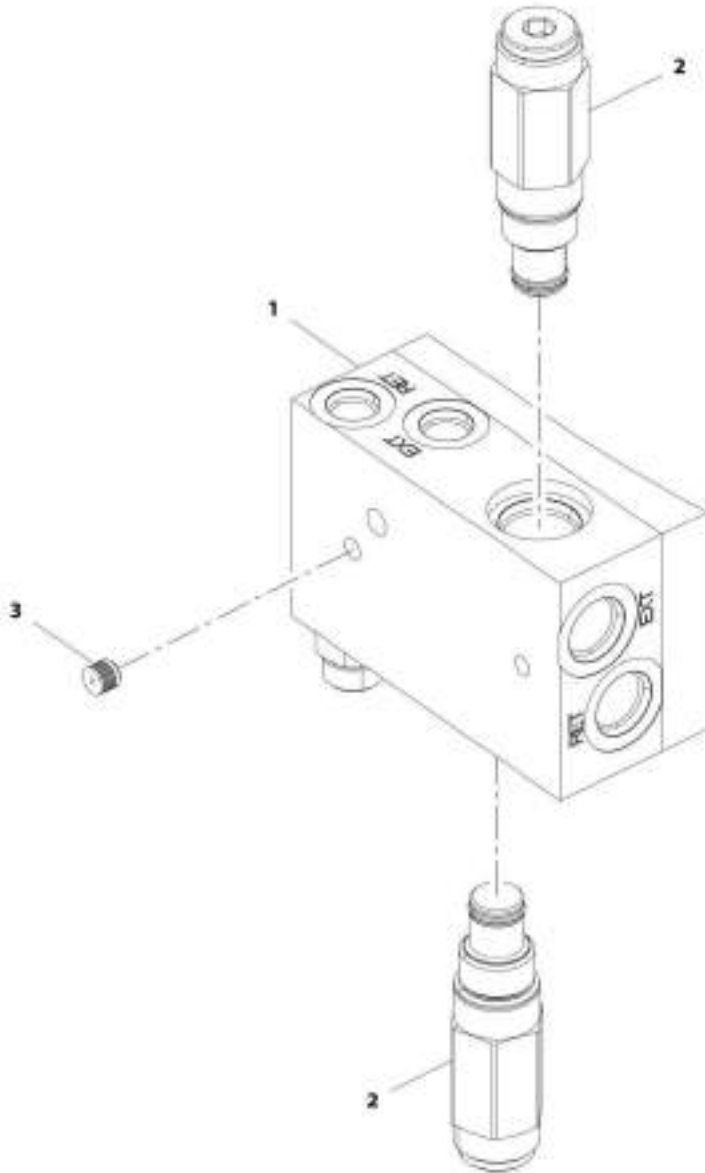
## SECTION 8 - HYDRAULIC CIRCUITS

**FIGURE 8-45. PRIORITY VALVE ASSEMBLY (PLATFORM READY)**

ITEM	PART NUMBER	QTY	DESCRIPTION	REV
	1001193838	Ref	Priority Valve Assembly (Platform Ready)	B
1	2110406	2	Fitting, Straight ORFS	
2	2110606	4	Fitting, Straight ORFS	
3	2110810	1	Fitting, Straight ORFS	
4	2111010	2	Fitting, Straight ORFS	
5	2111616	1	Fitting, Straight ORFS	
6	2130808	1	Fitting, 90 ORFS	
7	8430032	4	Plug	
8	8430033	4	Fitting, Straight	
9	1001193839	1	Assembly, Priority Valve (Platform Ready)	
10	1001187355	1	Valve, Check	

## SECTION 8 - HYDRAULIC CIRCUITS

FIGURE 8-46. VALVE ASSEMBLY, BUCKET (5.23 YD<sup>3</sup>/4.0M<sup>3</sup>)



ART\_2002873-D

## SECTION 8 - HYDRAULIC CIRCUITS

**FIGURE 8-46. VALVE ASSEMBLY, BUCKET (5.23 YD<sup>3</sup>/4.0M<sup>3</sup>)**

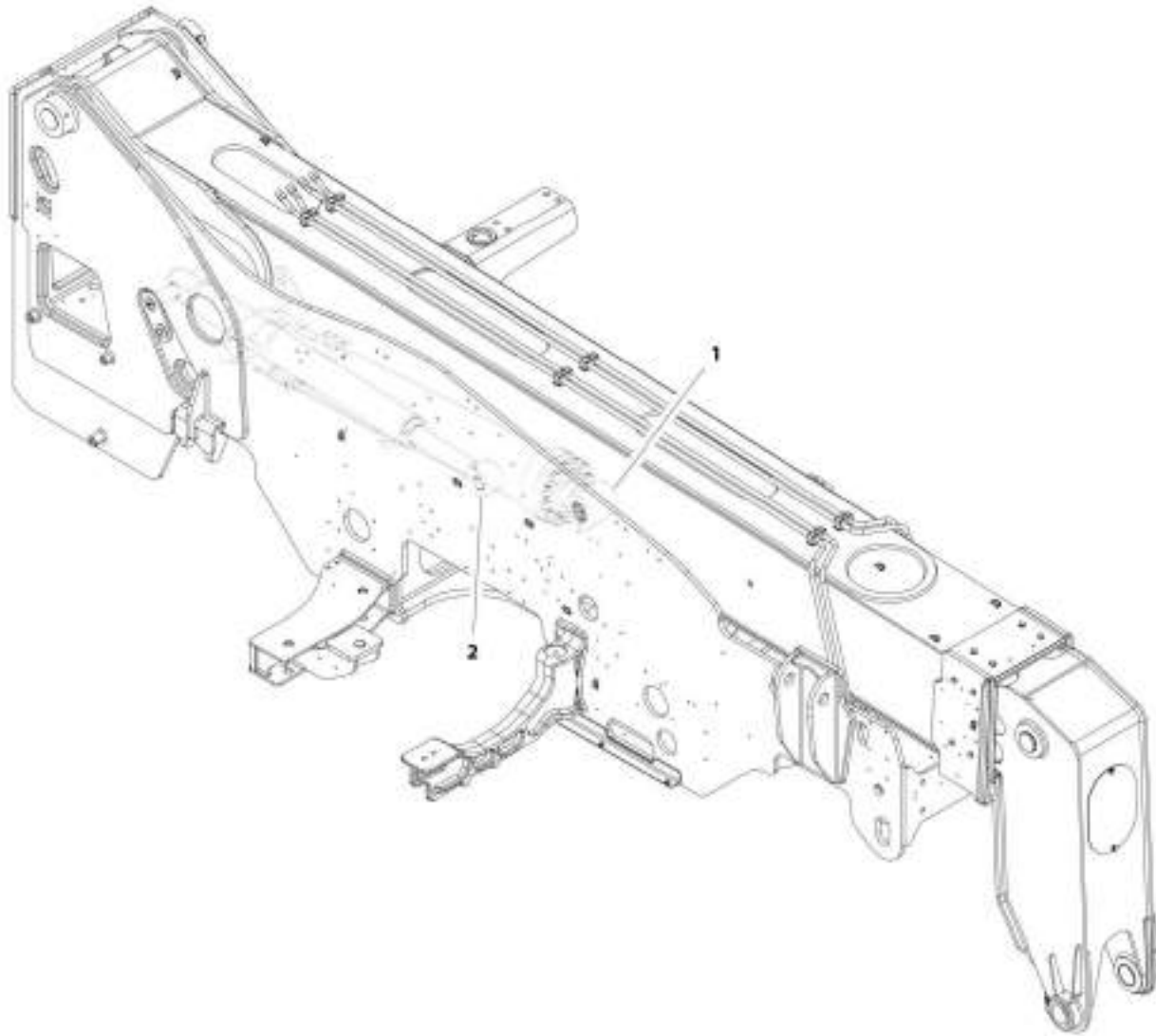
ITEM	PART NUMBER	QTY	DESCRIPTION	REV
	70028573	Ref	Valve Assembly, Bucket (5.23 yd <sup>3</sup> /4.0m <sup>3</sup> )	D
1	70026477	1	Manifold	
2	70028589	2	Cartridge, Relief	
3	70026614	2	Plug	



**SECTION 9 - HYDRAULIC COMPONENTS**

# SECTION 9 - HYDRAULIC COMPONENTS

FIGURE 9-1. CYLINDER GROUP INSTALLATION



ART\_108174107-B

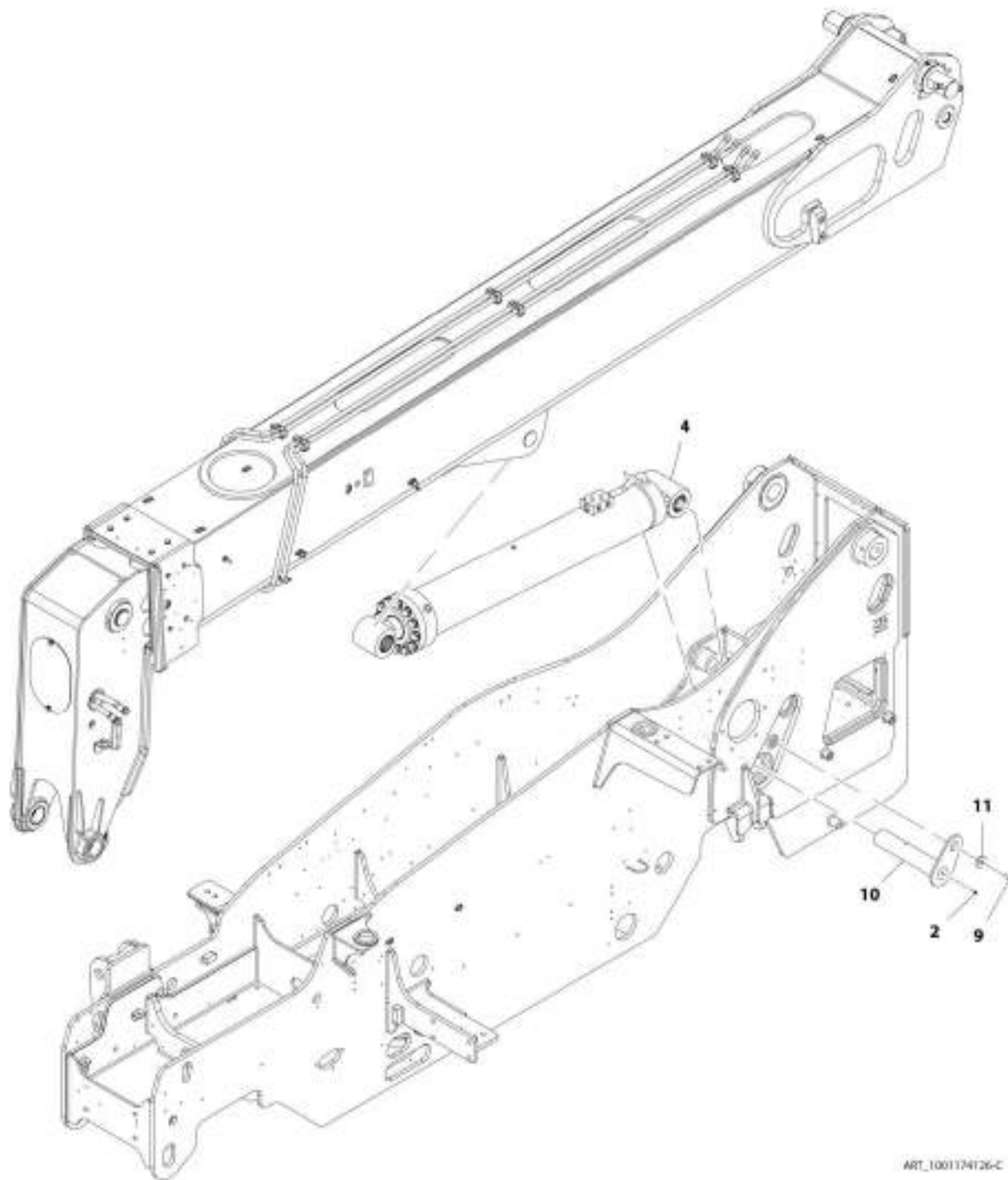
## SECTION 9 - HYDRAULIC COMPONENTS

FIGURE 9-1. CYLINDER GROUP INSTALLATION

ITEM	PART NUMBER	QTY	DESCRIPTION	REV
1	1001174107	Ref	Cylinder Group Installation	B
	1001174126	Ref	Installation, Lift Cylinder (See Separate Breakdown in Hydraulic Components Section)	
2	1001177526	Ref	Installation, Compensation Cylinder (See Separate Breakdown in Hydraulic Components Section)	

# SECTION 9 - HYDRAULIC COMPONENTS

## FIGURE 9-2. LIFT CYLINDER INSTALLATION





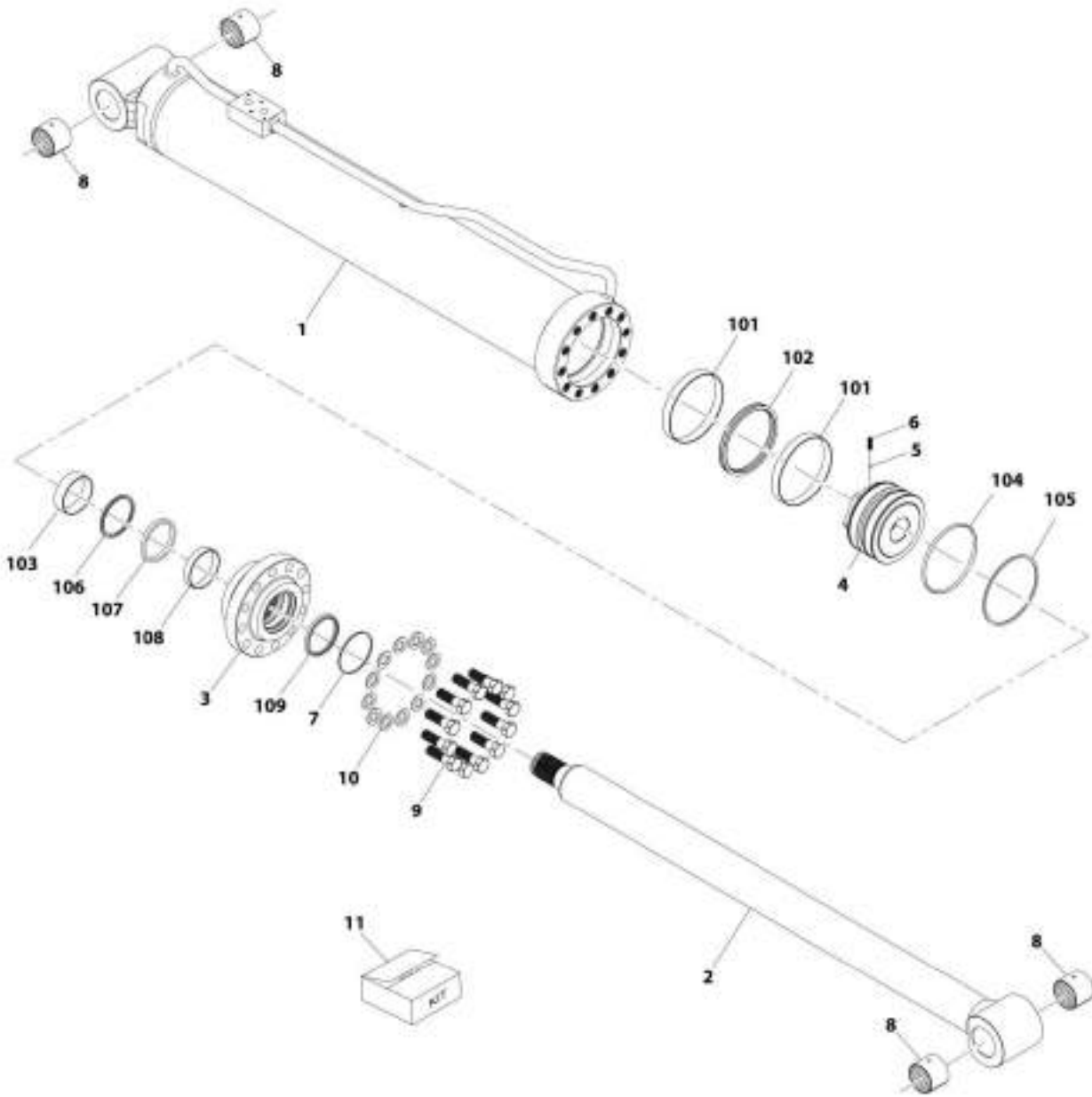
## SECTION 9 - HYDRAULIC COMPONENTS

### FIGURE 9-2. LIFT CYLINDER INSTALLATION

ITEM	PART NUMBER	QTY	DESCRIPTION	REV
	1001174126	Ref	Lift Cylinder Installation	C
2	2160016	1	Fitting, Grease	
4	1001174811	1	Cylinder, Lift (See Separate Breakdown in Hydraulic Components Section)	
9	0771414	1	Bolt, M14X30 Grade 10.9	
10	1001216331	1	Pin	
11	1001217226	1	Washer	

**SECTION 9 - HYDRAULIC COMPONENTS**

**FIGURE 9-3. LIFT CYLINDER**



AWT\_1001174811-E

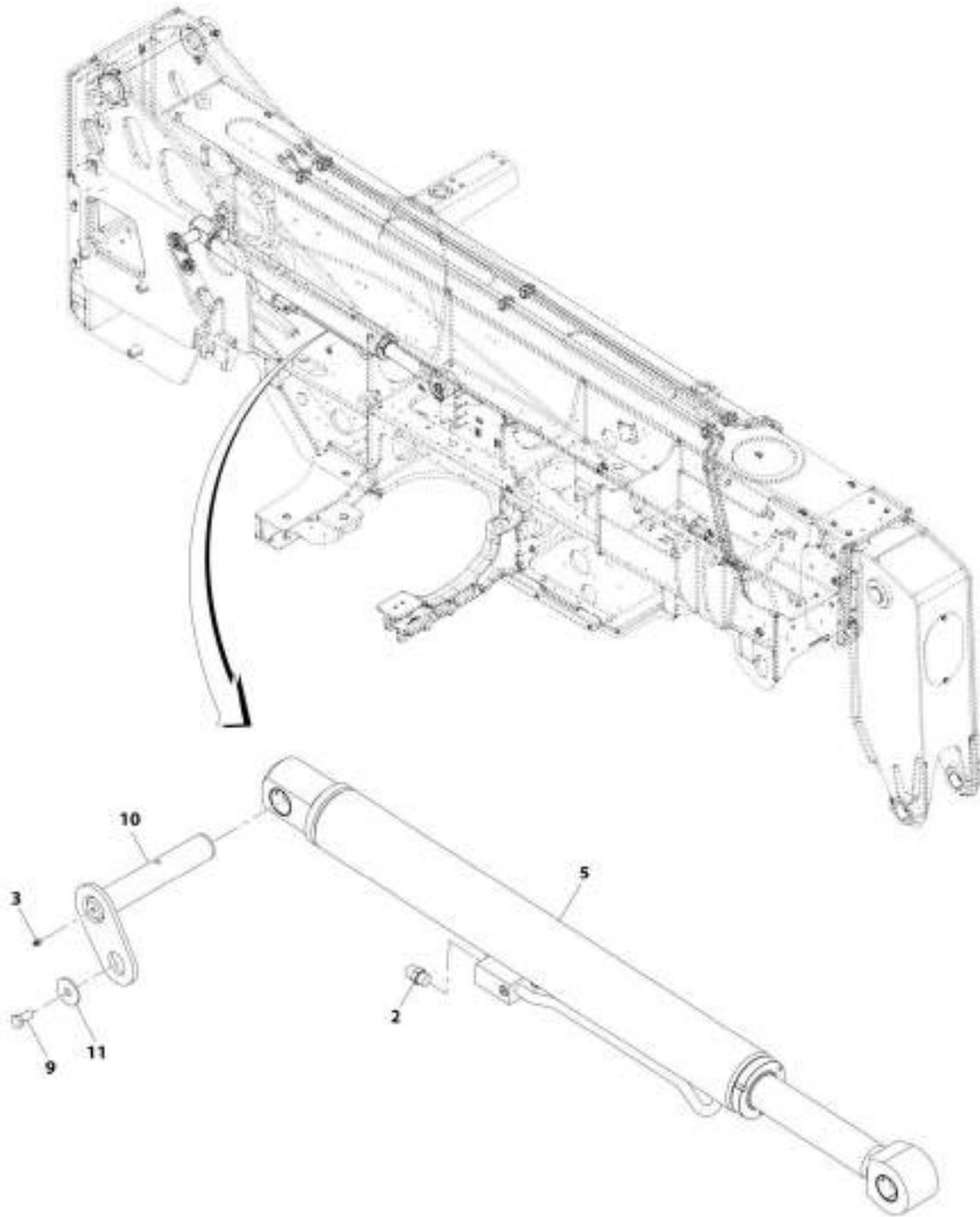
## SECTION 9 - HYDRAULIC COMPONENTS

### FIGURE 9-3. LIFT CYLINDER

ITEM	PART NUMBER	QTY	DESCRIPTION	REV
	1001174811	Ref	Lift Cylinder	E
1	N.S.S.	1	Barrel	
2	70028306	1	Rod	
3	70028307	1	Head	
4	70028308	1	Piston	
5	70025614	1	Bearing	
6	70028309	1	Screw, Locking	
7	70025590	1	Ring, Snap	
8	70028310	4	Bushing	
9	70028311	12	Bearing	
10	70028312	12	Washer	
11	70028313	1	Kit, Seal (includes items 101 thru 109)	
101	Kit	2	Ring, Wear	
102	Kit	1	Seal, Piston	
103	Kit	1	Ring, Wear	
104	Kit	1	O-Ring	
105	Kit	1	Ring, Back-up	
106	Kit	1	Seal, Rod	
107	Kit	1	Seal, Rod	
108	Kit	1	Ring, Wear	
109	Kit	1	Wiper	

# SECTION 9 - HYDRAULIC COMPONENTS

FIGURE 9-4. COMPENSATION CYLINDER INSTALLATION



48T\_100117526-C

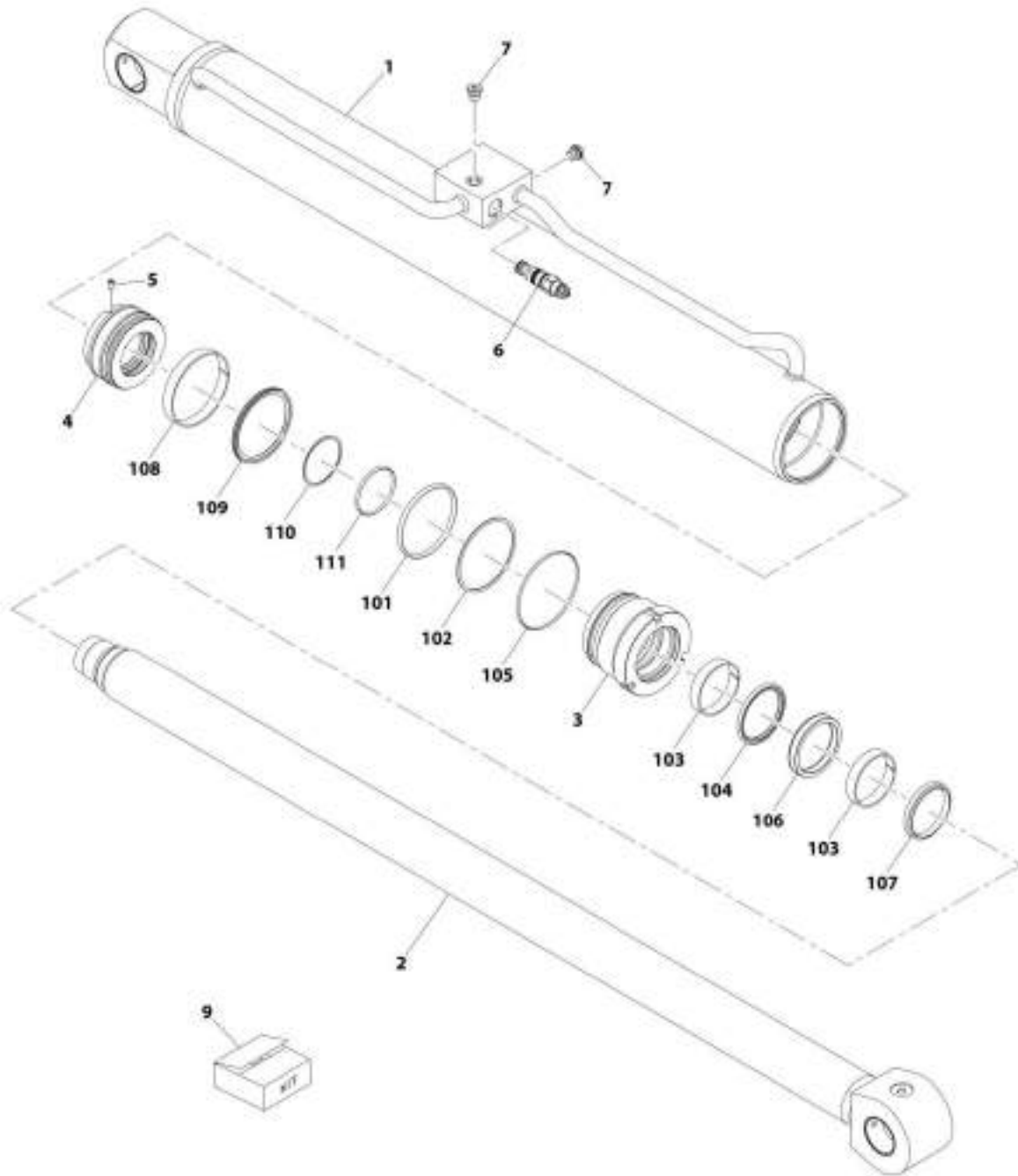
## SECTION 9 - HYDRAULIC COMPONENTS

FIGURE 9-4. COMPENSATION CYLINDER INSTALLATION

ITEM	PART NUMBER	QTY	DESCRIPTION	REV
	1001177526	Ref	Compensation Cylinder Installation	C
2	2111010	2	Fitting, Straight ORFS	
3	2160016	1	Fitting, Grease	
5	1001174813	1	Cylinder, Compensation (See Seperate Breakdown in this Section)	
9	0771414	1	Bolt, M14X30	
10	1001216333	1	Pin	
11	1001217226	1	Washer	

# SECTION 9 - HYDRAULIC COMPONENTS

## FIGURE 9-5. COMPENSATION CYLINDER



WIT\_1001174813-H

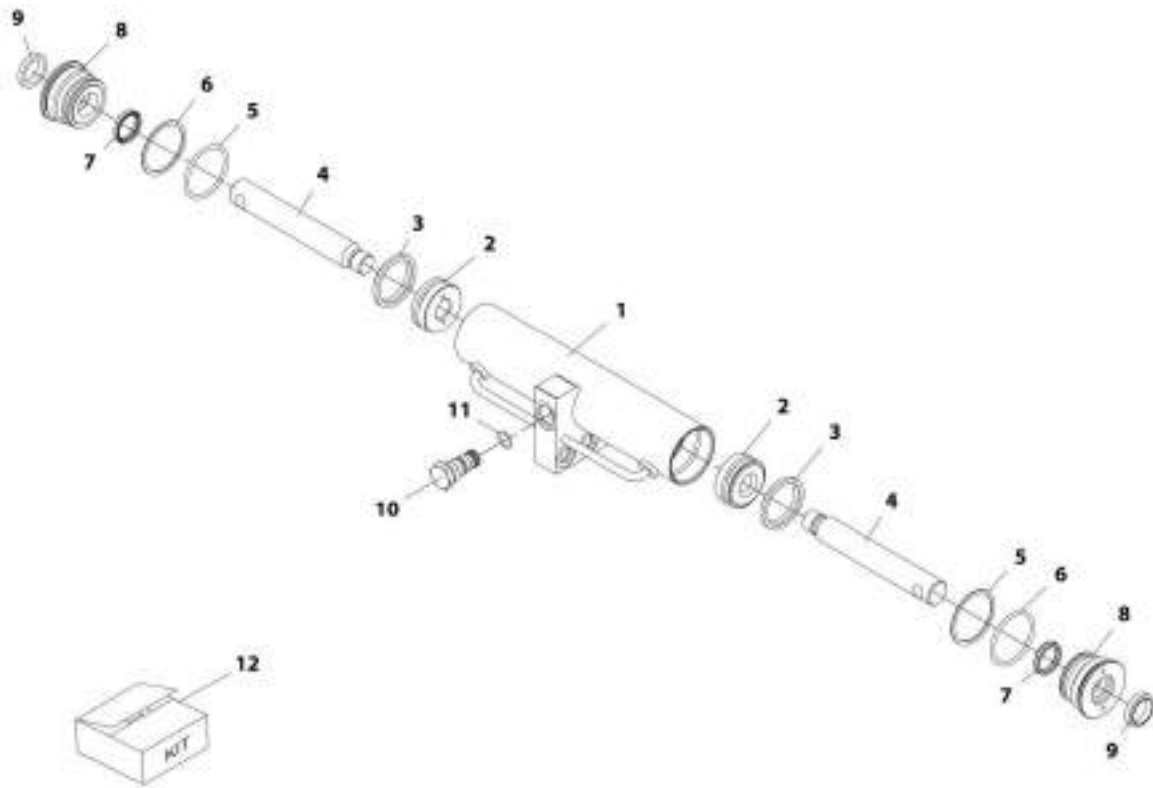
## SECTION 9 - HYDRAULIC COMPONENTS

### FIGURE 9-5. COMPENSATION CYLINDER

ITEM	PART NUMBER	QTY	DESCRIPTION	REV
	1001174813	Ref	Compensation Cylinder	H
1	N.S.S.	1	Assembled Body	
2	70028376	1	Assembled Rod	
3	70028377	1	Rod Guide	
4	70028378	1	Piston	
5	70026838	1	Screw	
6	70028384	1	Cartridge valve	
7	70028379	2	Plug	
9	70028380	1	Kit, Seal (includes items 101 thru 111)	
101	Kit	1	O-Ring	
102	Kit	1	Backup Ring	
103	Kit	2	Bearing	
104	Kit	1	Buffer	
105	Kit	1	O-Ring	
106	Kit	1	Rod Seal	
107	Kit	1	Wiper	
108	Kit	1	Bearing	
109	Kit	1	Piston Seal	
110	Kit	1	Backup Ring	
111	Kit	1	O-Ring	

# SECTION 9 - HYDRAULIC COMPONENTS

## FIGURE 9-6. COUPLER LOCKING CYLINDER



ART\_1001945390-A



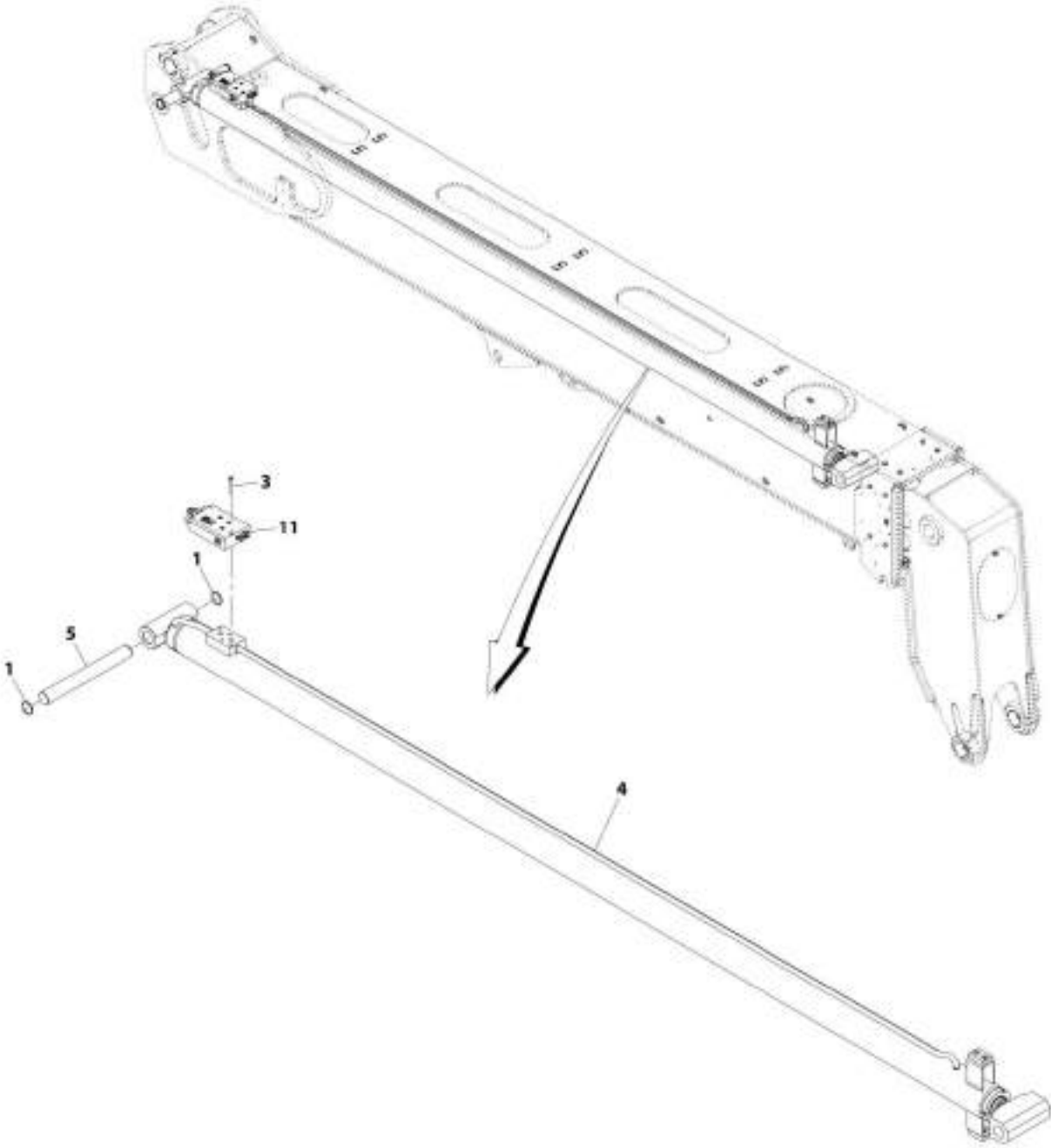
## SECTION 9 - HYDRAULIC COMPONENTS

### FIGURE 9-6. COUPLER LOCKING CYLINDER

ITEM	PART NUMBER	QTY	DESCRIPTION	REV
	1001145390	Ref	Coupler Locking Cylinder	A
1	70024164	2	Body	
2	70024165	2	Piston	
3	Kit	2	Seal, Piston	
4	70024166	2	Rod	
5	Kit	2	O-Ring	
6	Kit	2	Ring, Backup	
7	Kit	2	Seal, Rod	
8	70024167	2	Gland	
9	Kit	2	Seal, Wiper	
10	1001007056	1	Valve, Check	
11	91574001	1	Seal, Check Valve	
12	70024168	1	Kit, Seal (includes items 3, 5, 6, 7 & 9)	

**SECTION 9 - HYDRAULIC COMPONENTS**

**FIGURE 9-7. EXTEND/RETRACT CYLINDER INSTALLATION**



ART\_10011281S7-D

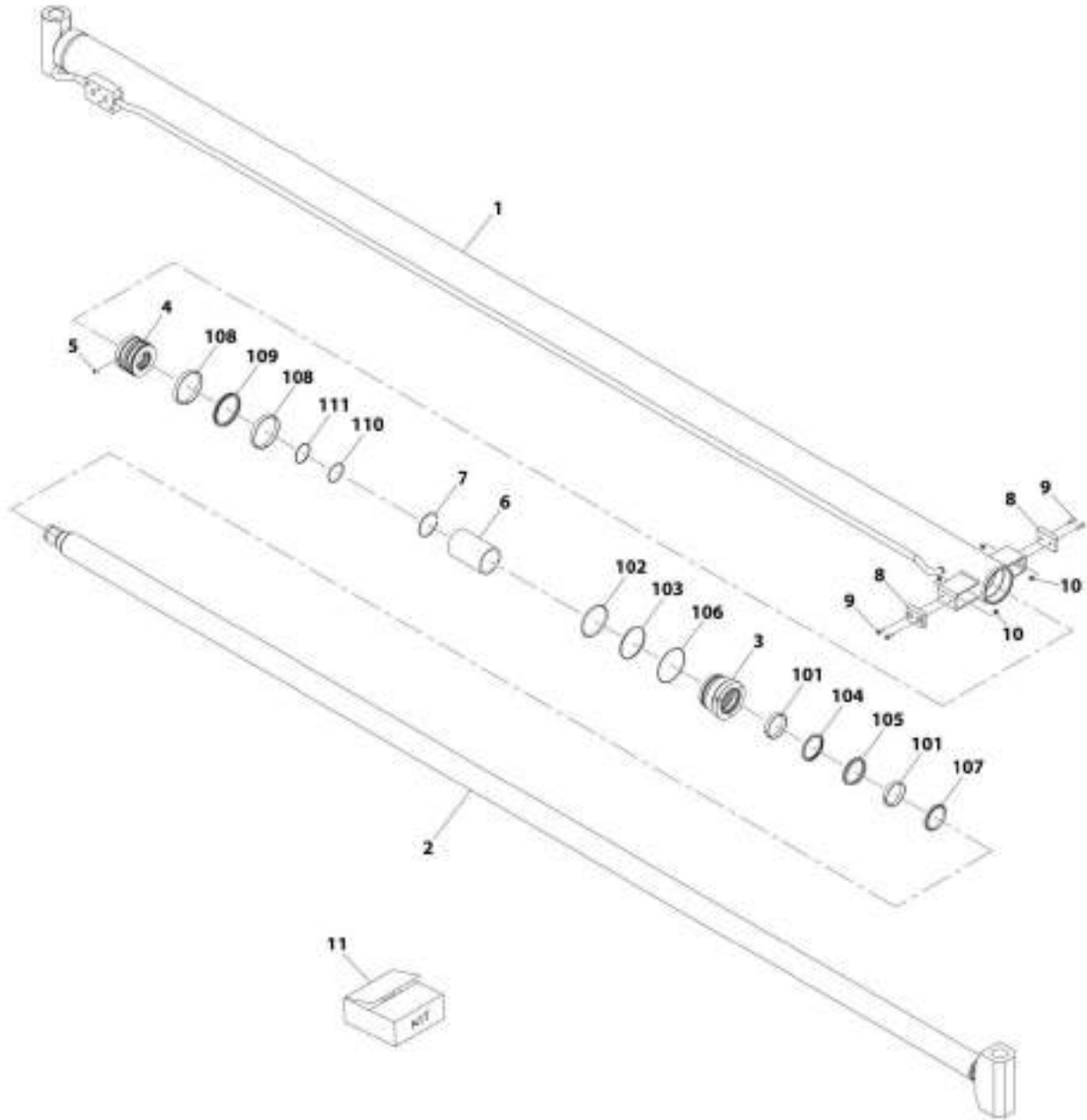
## SECTION 9 - HYDRAULIC COMPONENTS

FIGURE 9-7. EXTEND/RETRACT CYLINDER INSTALLATION

ITEM	PART NUMBER	QTY	DESCRIPTION	REV
	1001178157	Ref	Extend/Retract Cylinder Installation	D
1	314689	2	Ring, Retaining	
3	4031916	4	Bolt, M8X60	
4	1001174814	1	Cylinder, Extend/Retract (See Seperate Breakdown in this Section)	
5	1001190259	1	Pin	
11	1001212312	1	Installation, Counterbalance Valve (see Seperate Breakdown in this Section)	

# SECTION 9 - HYDRAULIC COMPONENTS

## FIGURE 9-8. EXTEND/RETRACT CYLINDER



ART\_1001174814-H

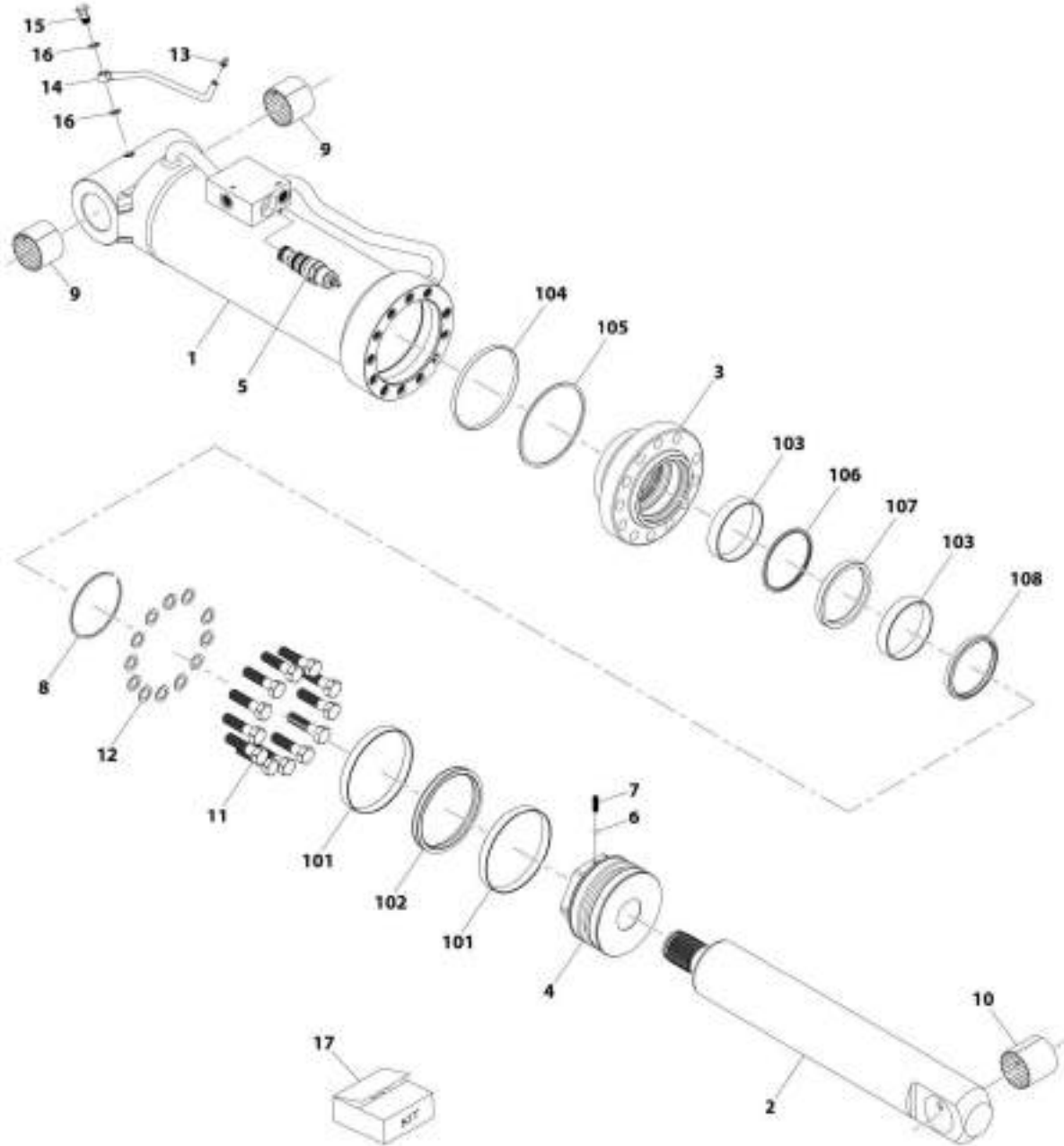
## SECTION 9 - HYDRAULIC COMPONENTS

### FIGURE 9-8. EXTEND/RETRACT CYLINDER

ITEM	PART NUMBER	QTY	DESCRIPTION	REV
	1001174814	Ref	Extend/Retract Cylinder	H
1	N.S.S.	1	Barrel	
2	70028371	1	Rod	
3	70028372	1	Head	
4	70026408	1	Piston	
5	70020438	1	Screw	
6	70026407	1	Spacer	
7	70026411	1	Ring	
8	70027811	2	Pad, Wear	
9	70028373	4	Screw	
10	70028374	4	Nut	
11	70028375	1	Seal kit (includes items 101 thru 111)	
101	Kit	2	Bearing	
102	Kit	1	O-Ring	
103	Kit	1	Ring, Backup	
104	Kit	1	Ring, Wear	
105	Kit	1	Seal, Rod	
106	Kit	1	O-Ring	
107	Kit	1	Wiper	
108	Kit	2	Bearing	
109	Kit	1	Seal, Piston	
110	Kit	1	O-Ring	
111	Kit	1	Ring, Backup	

# SECTION 9 - HYDRAULIC COMPONENTS

## FIGURE 9-9. TILT CYLINDER



ARE\_1001174012-0

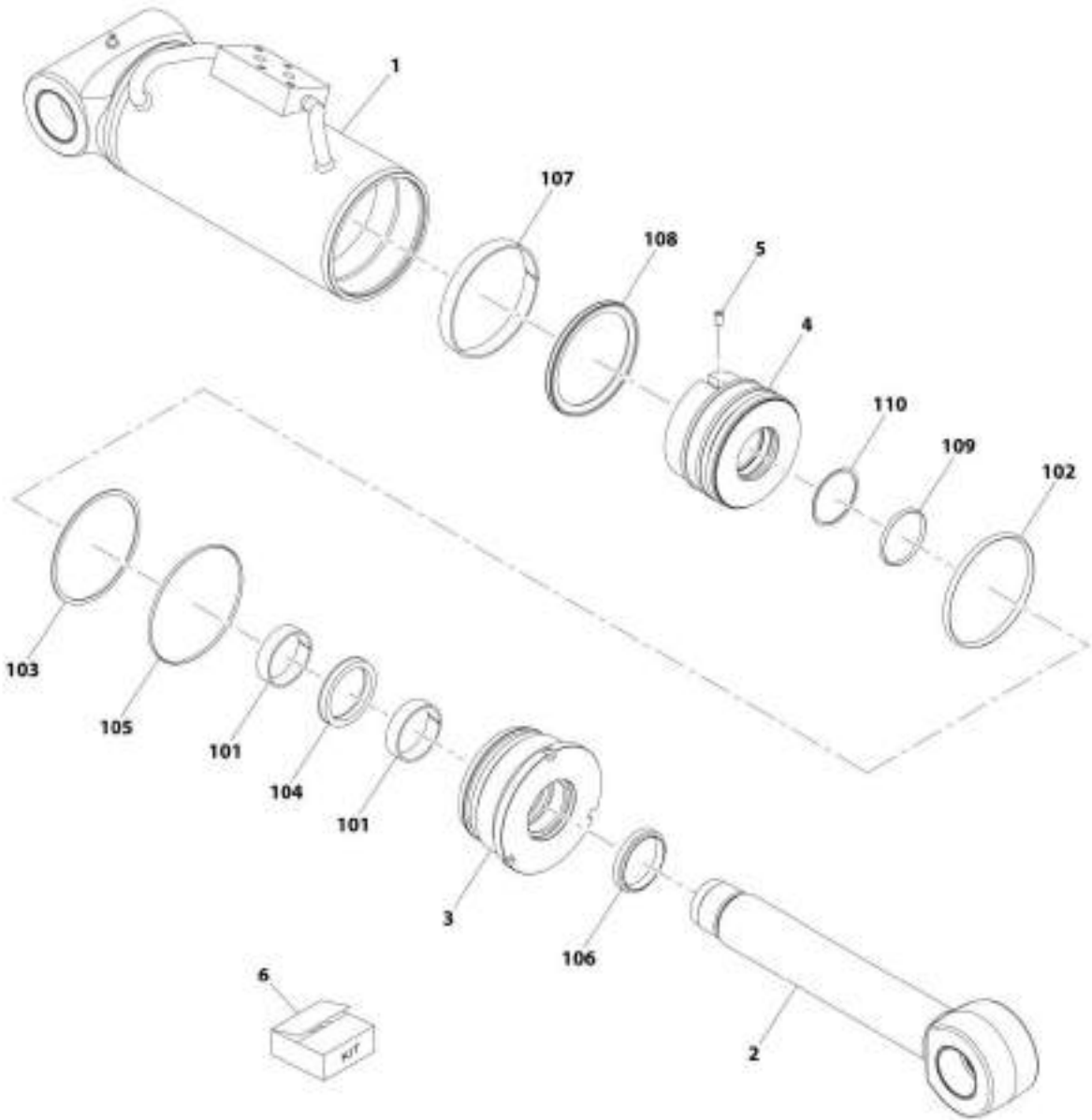
## SECTION 9 - HYDRAULIC COMPONENTS

### FIGURE 9-9. TILT CYLINDER

ITEM	PART NUMBER	QTY	DESCRIPTION	REV
	1001174812	Ref	Tilt Cylinder	D
1	N.S.S.	1	Barrel	
2	70028314	1	Rod	
3	70028315	1	Piston	
4	70028316	1	Head	
5	70028317	1	Valve, Counterbalance	
6	70025614	1	Bearing	
7	70028309	1	Screw, Locking	
8	70028318	1	Ring, Snap	
9	70028310	2	Bushing	
10	70028319	1	Bushing	
11	70028320	12	Bolt	
12	70028321	12	Washer	
13	70029941	2	Fitting, Grease	
14	70028322	1	Pipe	
15	70024035	1	Screw	
16	70028323	2	Washer	
17	70028324	1	Kit, Seal (includes items 101 thru 108)	
101	Kit	2	Ring, Piston	
102	Kit	1	Seal, Piston	
103	Kit	2	Ring, Rod	
104	Kit	1	"O" Ring	
105	Kit	1	Ring, Back-Up	
106	Kit	1	Seal, Rod	
107	Kit	1	Seal, Rod	
108	Kit	1	Wiper	

# SECTION 9 - HYDRAULIC COMPONENTS

## FIGURE 9-10. FRAME LEVEL CYLINDER



ART\_1001201073-E



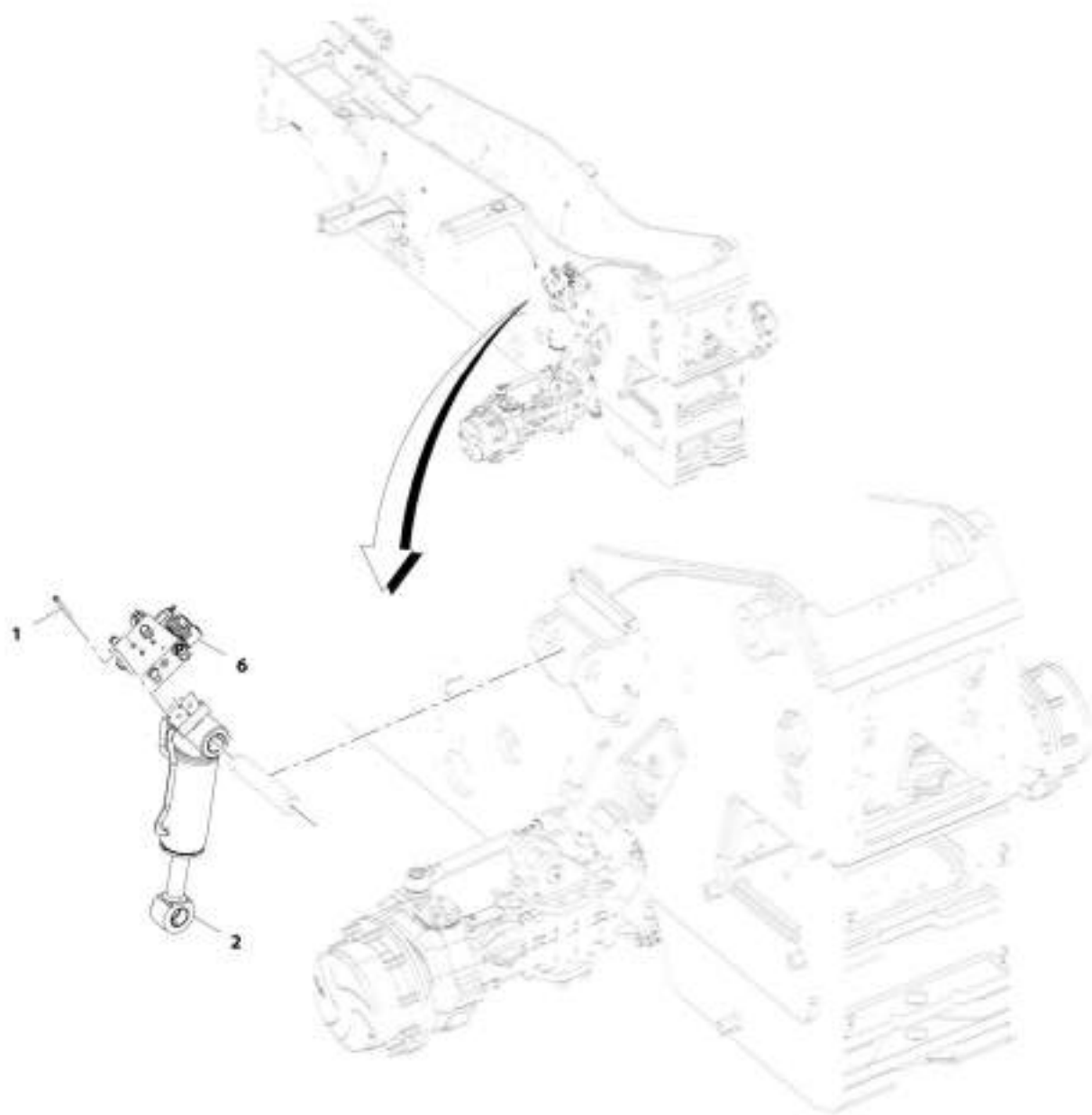
## SECTION 9 - HYDRAULIC COMPONENTS

### FIGURE 9-10. FRAME LEVEL CYLINDER

ITEM	PART NUMBER	QTY	DESCRIPTION	REV
	1001201073	Ref	Frame Level Cylinder	E
1	N.S.S.	1	Barrel	
2	70028362	1	Rod	
3	70026249	1	Head	
4	70026251	1	Piston	
5	70020438	1	Screw, Locking	
6	70026253	1	Seal kit (includes items 101 thru 110)	
101	Kit	2	Bearing	
102	Kit	1	O-Ring	
103	Kit	1	Backup Ring	
104	Kit	1	Rod Seal	
105	Kit	1	O-Ring	
106	Kit	1	Wiper	
107	Kit	1	Bearing	
108	Kit	1	Piston Seal	
109	Kit	1	O-Ring	
110	Kit	1	Backup Ring	

## SECTION 9 - HYDRAULIC COMPONENTS

FIGURE 9-11. RALP CYLINDER INSTALLATION



ART\_0001100917-D

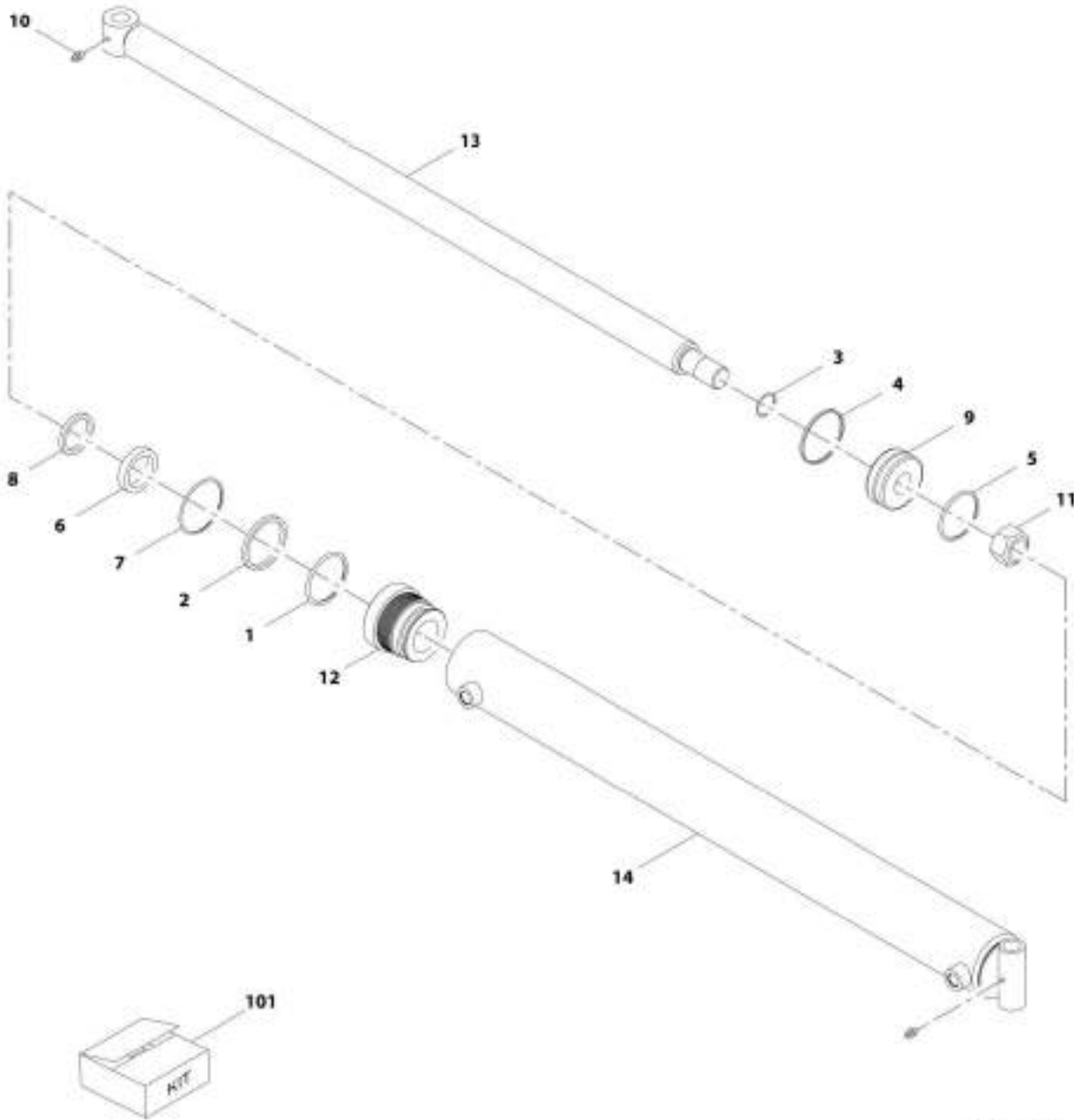
## SECTION 9 - HYDRAULIC COMPONENTS

### FIGURE 9-11. RALP CYLINDER INSTALLATION

ITEM	PART NUMBER	QTY	DESCRIPTION	REV
	1001193917	Ref	RALP Cylinder Installation	D
1	4031920	4	Screw, M8X1.25	
2	1001204576	1	Cylinder, RALP	
6	1001212511	1	Installation, Rear Axle Lock Valve (See Separate Breakdown in this Section)	

# SECTION 9 - HYDRAULIC COMPONENTS

FIGURE 9-12. FORK POSITIONING CYLINDER ASSEMBLY



ART\_N028594-C

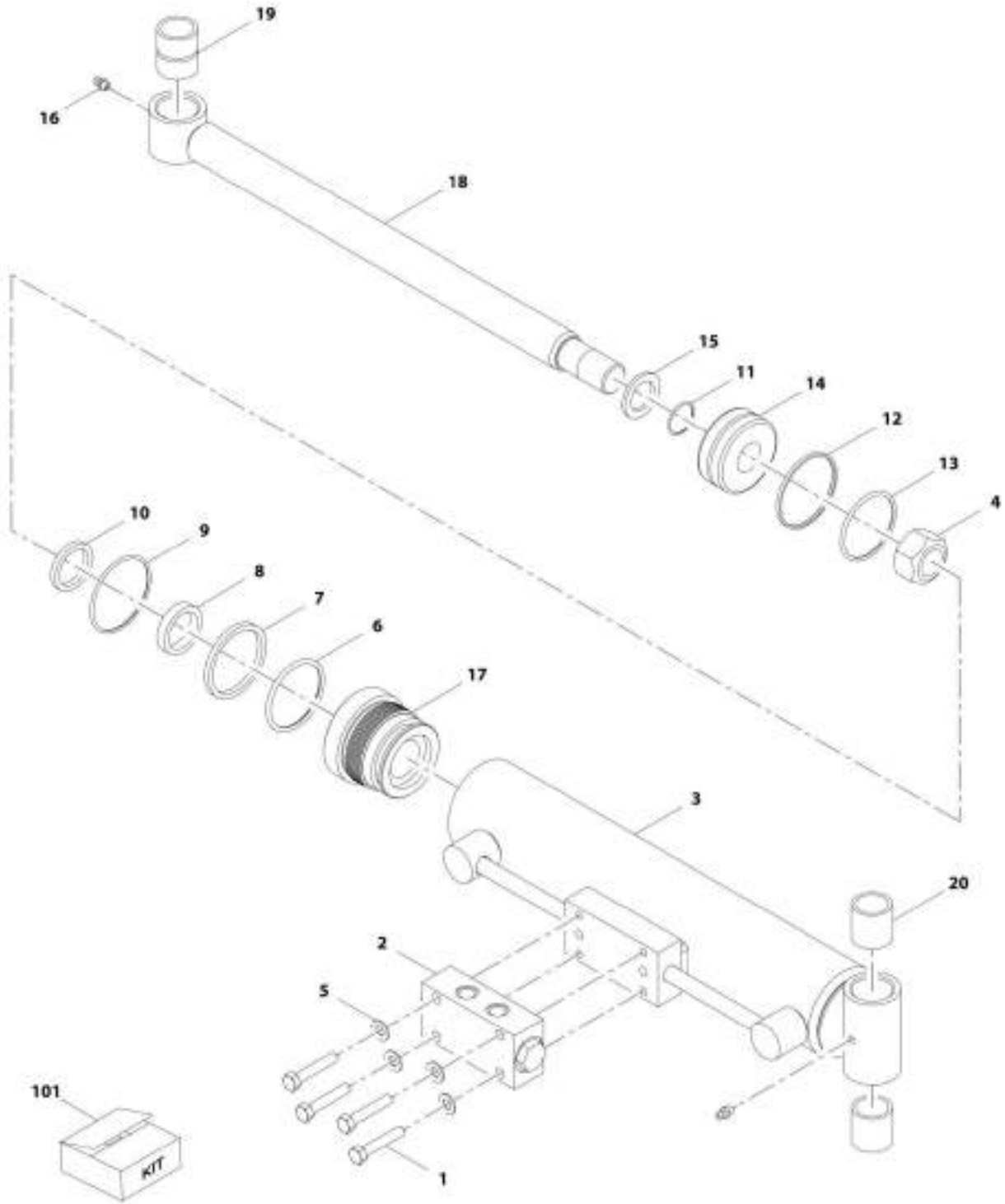
## SECTION 9 - HYDRAULIC COMPONENTS

**FIGURE 9-12. FORK POSITIONING CYLINDER ASSEMBLY**

ITEM	PART NUMBER	QTY	DESCRIPTION	REV
	70028599	Ref	Fork Positioning Cylinder Assembly	C
1	Kit	1	O-Ring	
2	Kit	1	O-Ring	
3	Kit	1	O-Ring	
4	Kit	1	Seal	
5	Kit	1	O-Ring	
6	Kit	1	Seal	
7	Kit	1	O-Ring	
8	Kit	1	Seal	
9	70028609	1	Piston, Cylinder	
10	90554045	2	Fitting, Grease	
11	70021440	1	Nut	
12	70028610	1	Gland, Cylinder	
13	70028611	1	Rod	
14	N.S.S.	1	Tube	
101	Kit	1	Kit, Seal	

# SECTION 9 - HYDRAULIC COMPONENTS

## FIGURE 9-13. SIDE SHIFT CYLINDER ASSEMBLY



ART\_2028601-C

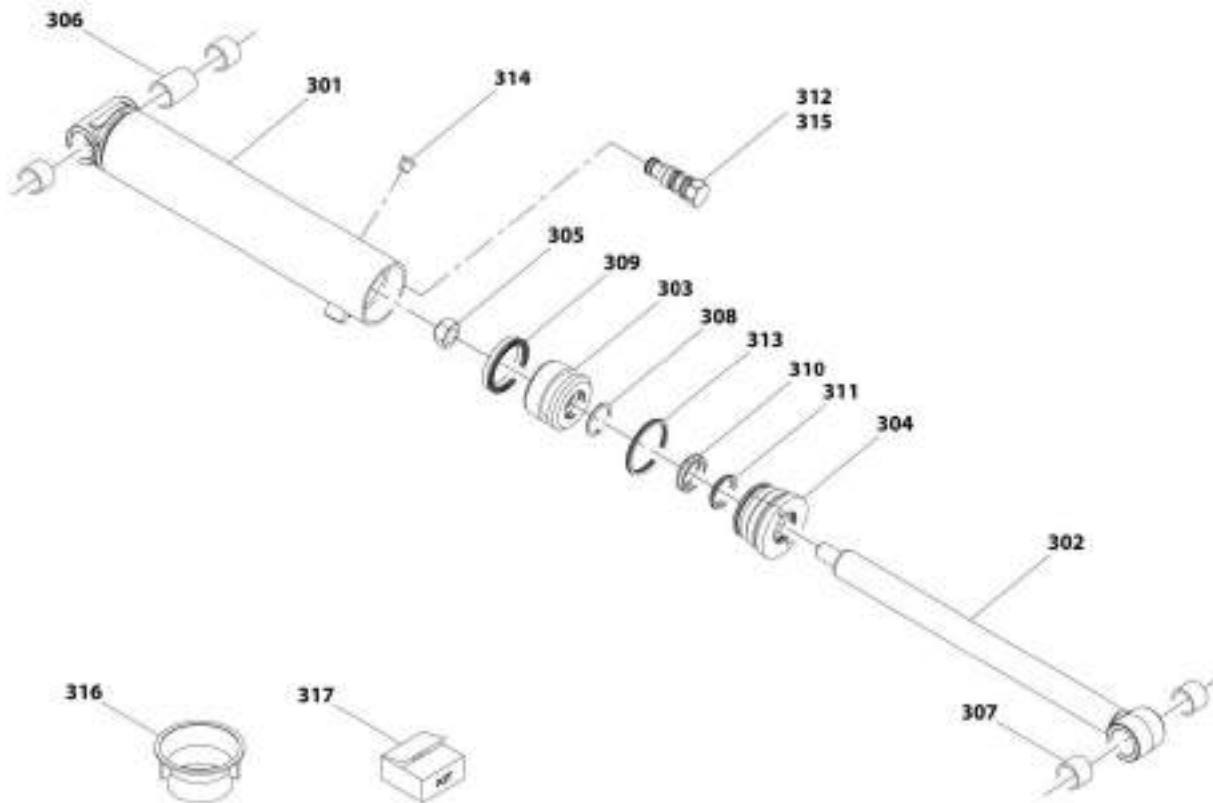
## SECTION 9 - HYDRAULIC COMPONENTS

**FIGURE 9-13. SIDE SHIFT CYLINDER ASSEMBLY**

ITEM	PART NUMBER	QTY	DESCRIPTION	REV
	70028603	Ref	Side Shift Cylinder Assembly	C
1	70028612	4	Bolt	
2	70028613	1	Valve	
3	N.S.S.	1	Tube	
4	70021440	1	Nut	
5	70028614	4	Washer, Flat	
6	Kit	1	O-Ring	
7	Kit	1	O-Ring	
8	Kit	1	Seal	
9	Kit	1	O-Ring	
10	Kit	1	Seal	
11	Kit	1	O-Ring	
12	Kit	1	Seal	
13	Kit	1	O-Ring	
14	70021451	1	Piston	
15	70021444	1	Spacer	
16	90554045	2	Fitting, Grease	
17	70021446	1	Gland, Cylinder	
18	70021445	1	Rod	
19	70021447	1	Bushing	
20	70021448	2	Bushing	
101	70021452	1	Kit, Seal (includes items 6 thru 13)	

# SECTION 9 - HYDRAULIC COMPONENTS

## FIGURE 9-14. UPPER CYLINDER ASSEMBLY



INT\_7902852-B



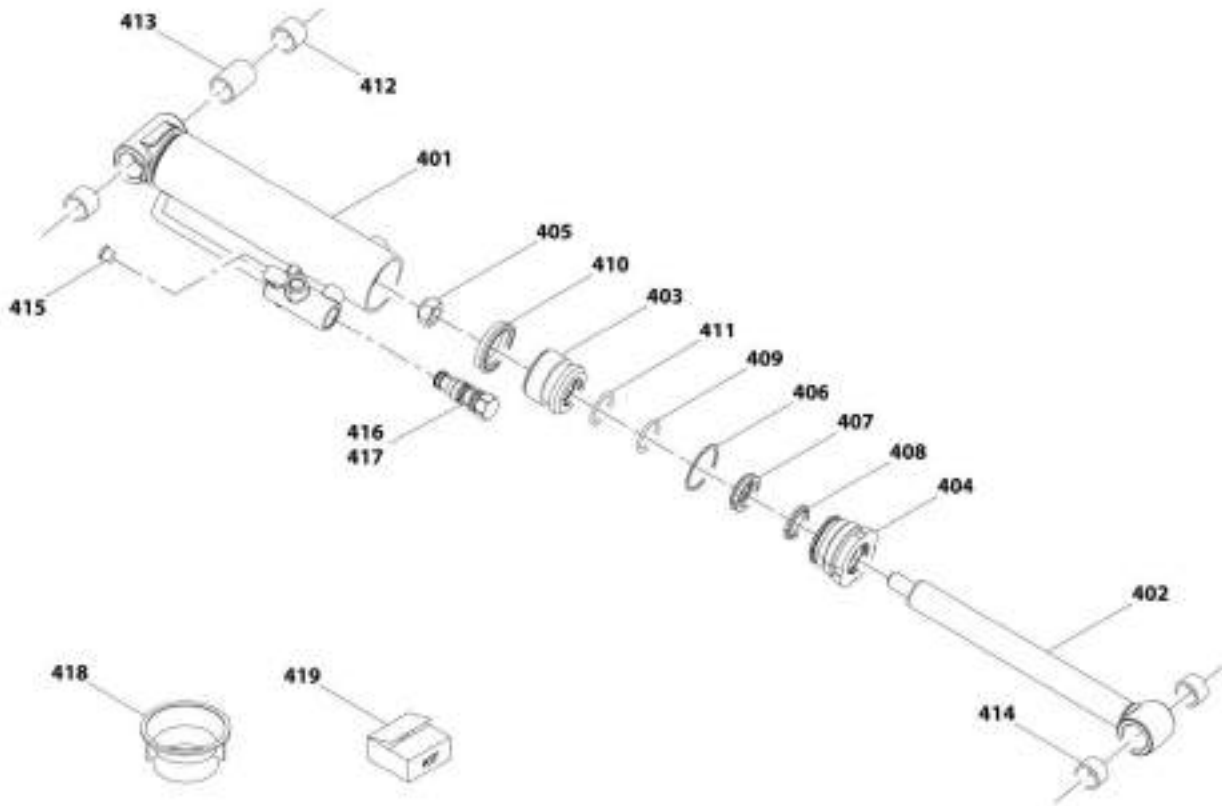
## SECTION 9 - HYDRAULIC COMPONENTS

### FIGURE 9-14. UPPER CYLINDER ASSEMBLY

ITEM	PART NUMBER	QTY	DESCRIPTION	REV
	70028652	Ref	Upper Cylinder Assembly	D
301	N.S.S.	1	Barrel	
302	70028270	1	Rod	
303	70028254	1	Piston	
304	70028255	1	Retainer	
305	70028258	1	Nut	
306	70028257	1	Spacer	
307	70028256	4	Bushing	
308	N.S.S.	1	O-Ring	
309	N.S.S.	1	Seal	
310	N.S.S.	1	Seal	
311	N.S.S.	1	Wiper	
312	70026502	1	Valve, Check	
313	N.S.S.	1	Seal	
314	70024129	2	Plug	
315	70024734	1	Kit, Check Valve	
316	70028691	1	Tool, Seal Loader	
317	70028770	1	Kit, Seal	

# SECTION 9 - HYDRAULIC COMPONENTS

## FIGURE 9-15. LOWER CYLINDER ASSEMBLY



INT\_7902853-B

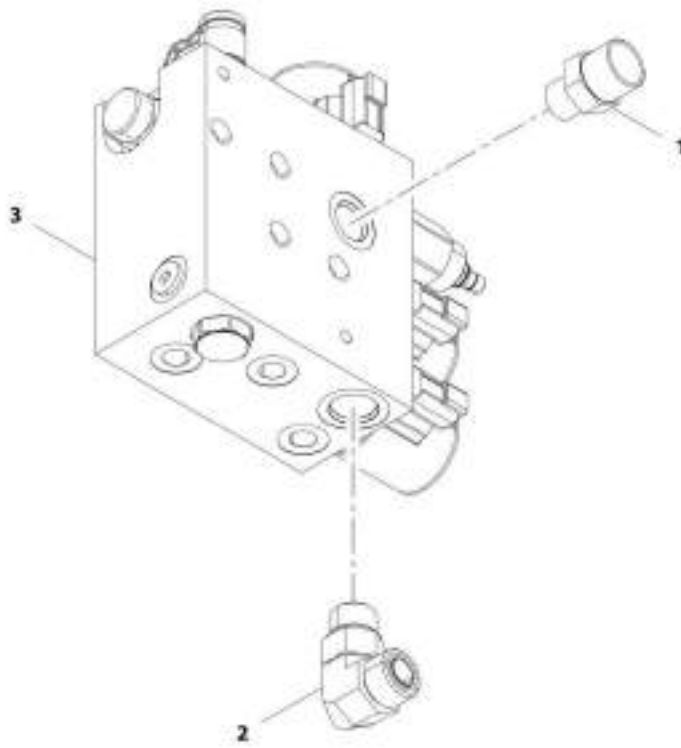
## SECTION 9 - HYDRAULIC COMPONENTS

### FIGURE 9-15. LOWER CYLINDER ASSEMBLY

ITEM	PART NUMBER	QTY	DESCRIPTION	REV
	70028653	Ref	Lower Cylinder Assembly	D
401	N.S.S.	1	Barrel	
402	70028692	1	Rod	
403	70024142	1	Piston	
404	70028693	1	Retainer	
405	70028258	1	Nut	
406	N.S.S.	1	Ring, Backup	
407	N.S.S.	1	Seal	
408	N.S.S.	1	Wiper	
409	N.S.S.	1	O-Ring	
410	N.S.S.	1	Seal	
411	N.S.S.	1	O-Ring	
412	70028256	2	Bushing	
413	70028257	1	Spacer	
414	70028694	2	Bushing	
415	70024129	2	Plug	
416	70026502	1	Valve, Check	
417	70024734	1	Kit, Check Valve	
418	70028691	1	Tool, Seal Loader	
419	70028771	1	Kit, Seal	

## SECTION 9 - HYDRAULIC COMPONENTS

FIGURE 9-16. REAR AXLE LOCK VALVE INSTALLATION



ART\_0001212511-A

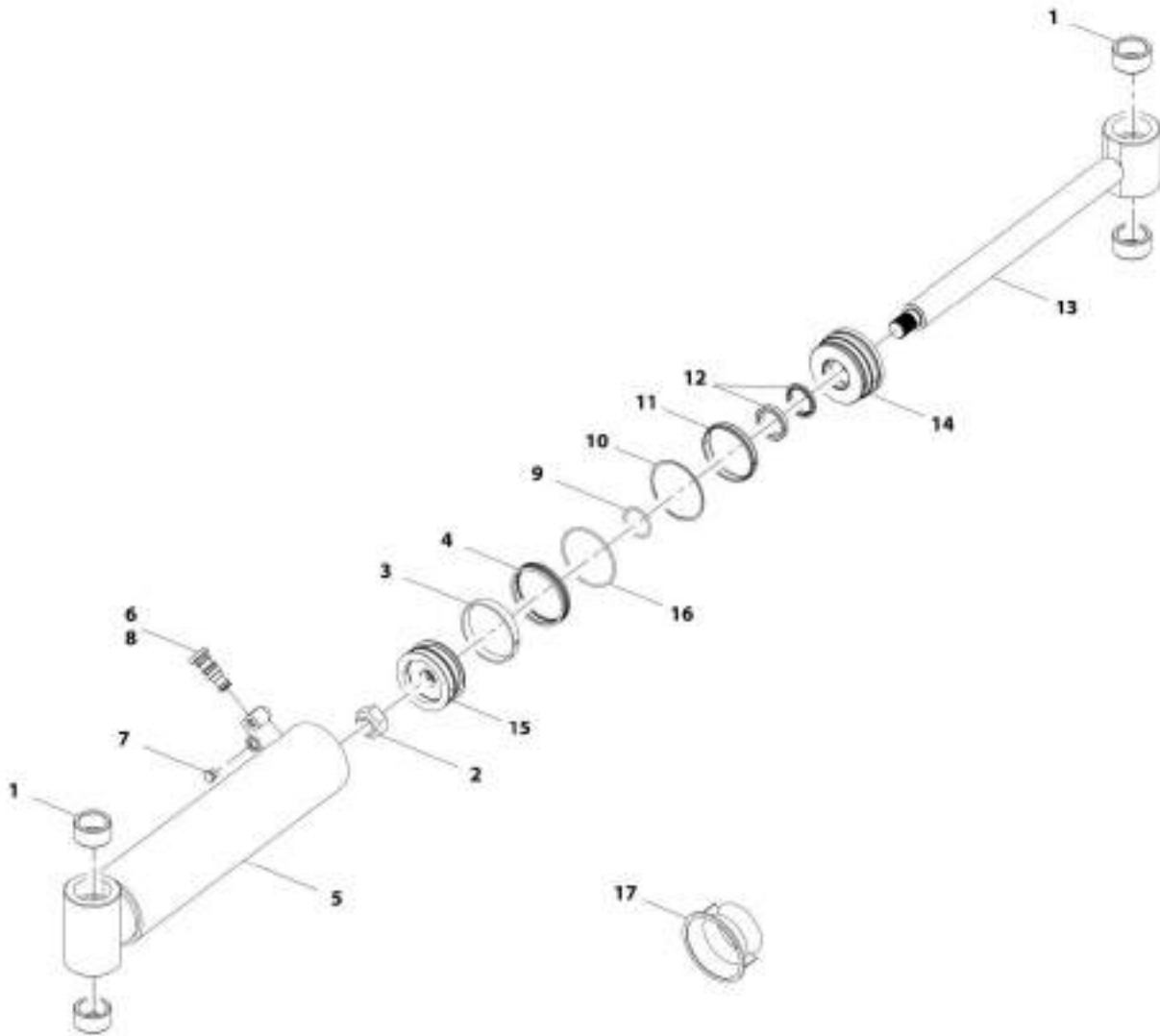
## SECTION 9 - HYDRAULIC COMPONENTS

FIGURE 9-16. REAR AXLE LOCK VALVE INSTALLATION

ITEM	PART NUMBER	QTY	DESCRIPTION	REV
	1001212511	Ref	Rear Axle Lock Valve Installation	A
1	2111008	1	Fitting, Straight ORFS	
2	2131010	1	Fitting, ORFS	
3	1001188203	1	Valve, Rear Axle Lock	

# SECTION 9 - HYDRAULIC COMPONENTS

FIGURE 9-17. CYLINDER ASSEMBLY



ART\_2028573-D

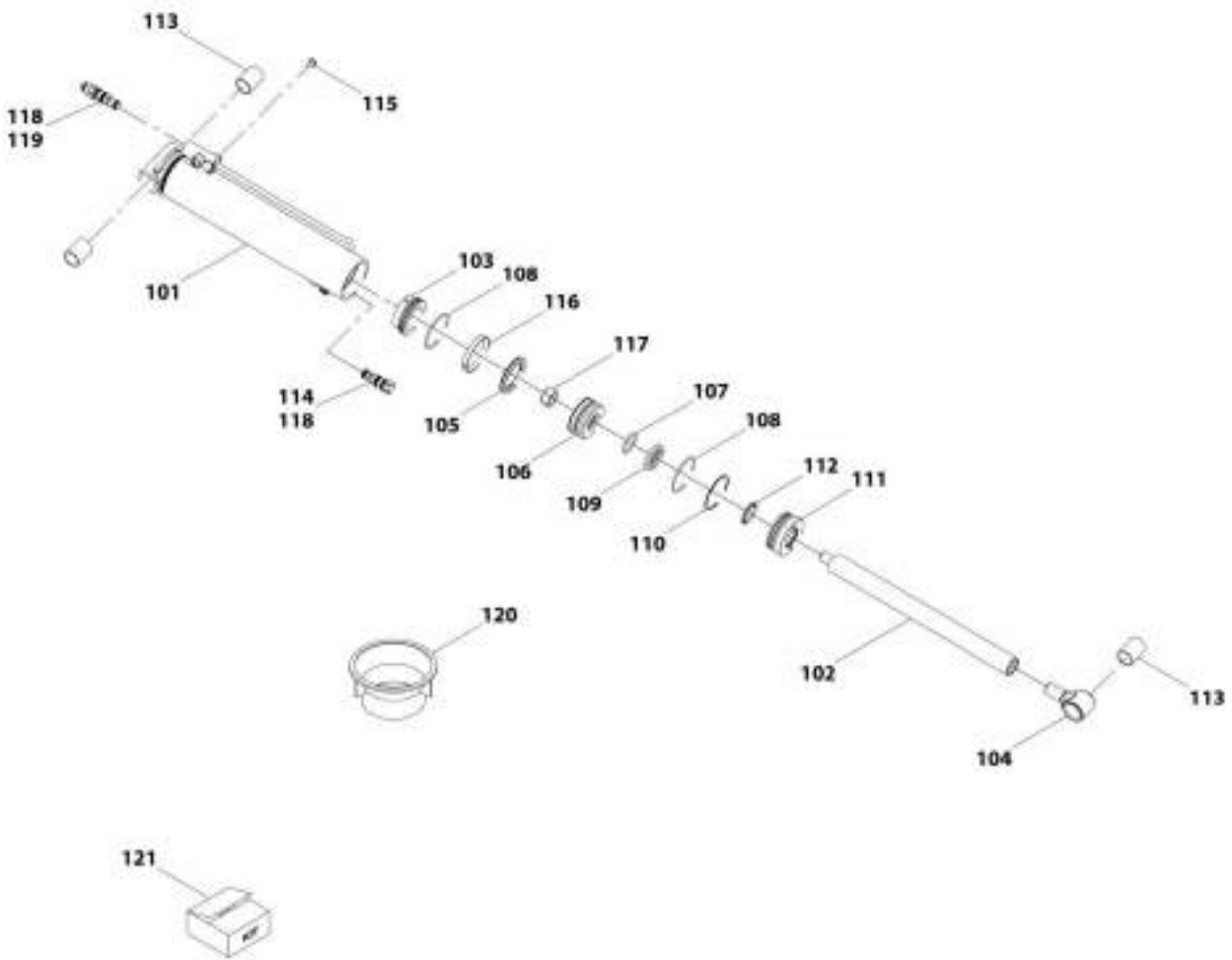
## SECTION 9 - HYDRAULIC COMPONENTS

**FIGURE 9-17. CYLINDER ASSEMBLY**

ITEM	PART NUMBER	QTY	DESCRIPTION	REV
	70028572	Ref	Cylinder Assembly, Bucket (5.23 yd <sup>3</sup> /4.0m <sup>3</sup> )	D
1	70028581	4	Bearing	
2	70028582	1	Nut	
3	N.S.S.	1	Ring, Wear	
4	N.S.S.	1	Seal	
5	N.S.S.	1	Assembly, Barrel	
6	Kit	1	Kit, Check Valve	
7	70028583	1	Fitting, Straight	
8	70028584	1	Valve, Check	
9	N.S.S.	1	O-Ring	
10	N.S.S.	1	Ring, Back-up	
11	N.S.S.	1	Seal	
12	N.S.S.	2	Wiper	
13	70028585	1	Rod	
14	70028586	1	Retainer	
15	70028587	1	Piston	
16	N.S.S.	1	O-Ring	
17	70028588	1	Tool, Seal Loader	

# SECTION 9 - HYDRAULIC COMPONENTS

## FIGURE 9-18. CYLINDER ASSEMBLY



AIT\_7006409.C



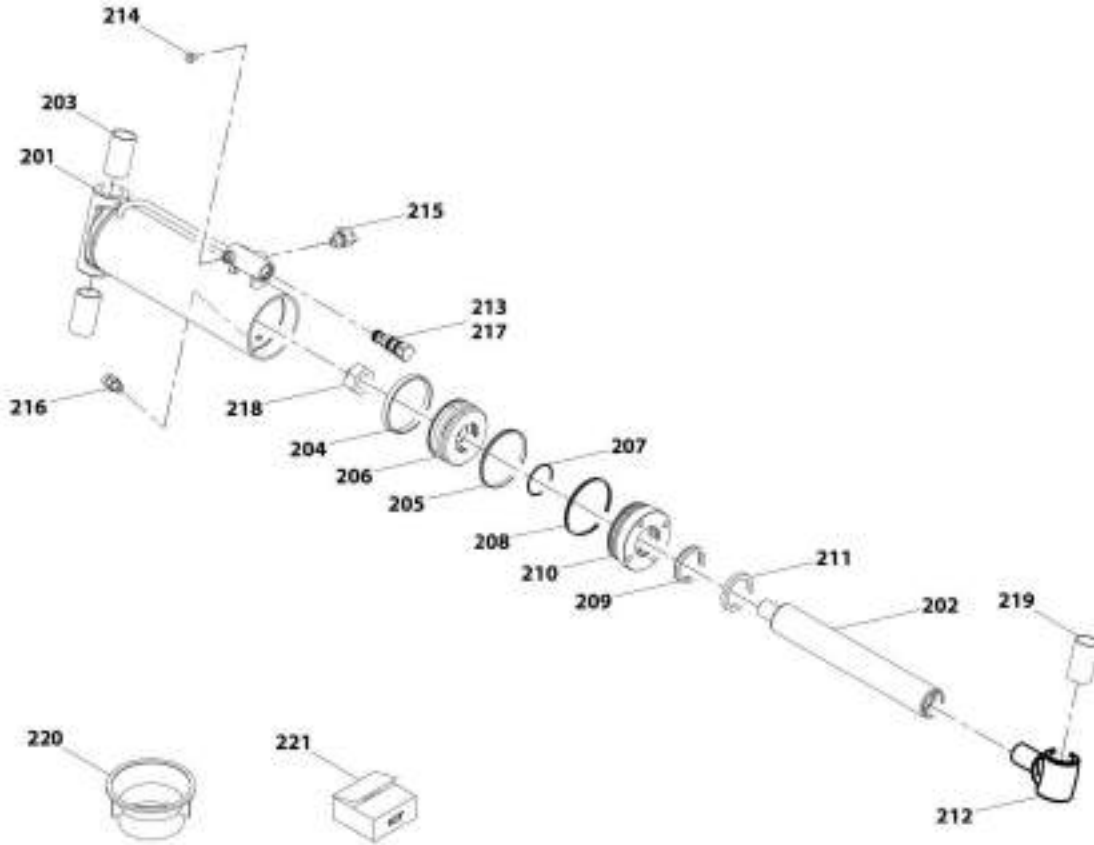
## SECTION 9 - HYDRAULIC COMPONENTS

### FIGURE 9-18. CYLINDER ASSEMBLY

ITEM	PART NUMBER	QTY	DESCRIPTION	REV
	70026469	Ref	Cylinder Assembly, Grapple Bucket (2.6 yd <sup>3</sup> /2.0m <sup>3</sup> )	C
101	N.S.S.	1	Barrel	
102	70026496	1	Rod	
103	70026497	1	Spacer	
104	70026498	1	End, Rod	
105	Kit	1	Seal	
106	70026499	1	Piston	
107	Kit	1	O-Ring	
108	Kit	2	O-Ring	
109	Kit	1	Ring, Backup	
110	Kit	1	Seal	
111	70026500	1	Retainer	
112	Kit	1	Wiper	
113	70026501	3	Bushing	
114	70026502	1	Valve, Check	
115	70024129	4	Plug	
116	Kit	1	Ring, Wear	
117	70026503	1	Nut	
118	70024734	2	Kit, Check Valve Service	
119	70026504	1	Valve, Counterbalance	
120	70026505	1	Tool, Seal Loader	
121	70026506	1	Kit, Service	

# SECTION 9 - HYDRAULIC COMPONENTS

FIGURE 9-19. LOG HANDLER CARRIAGE CYLINDER ASSEMBLY



ART\_39026704.C

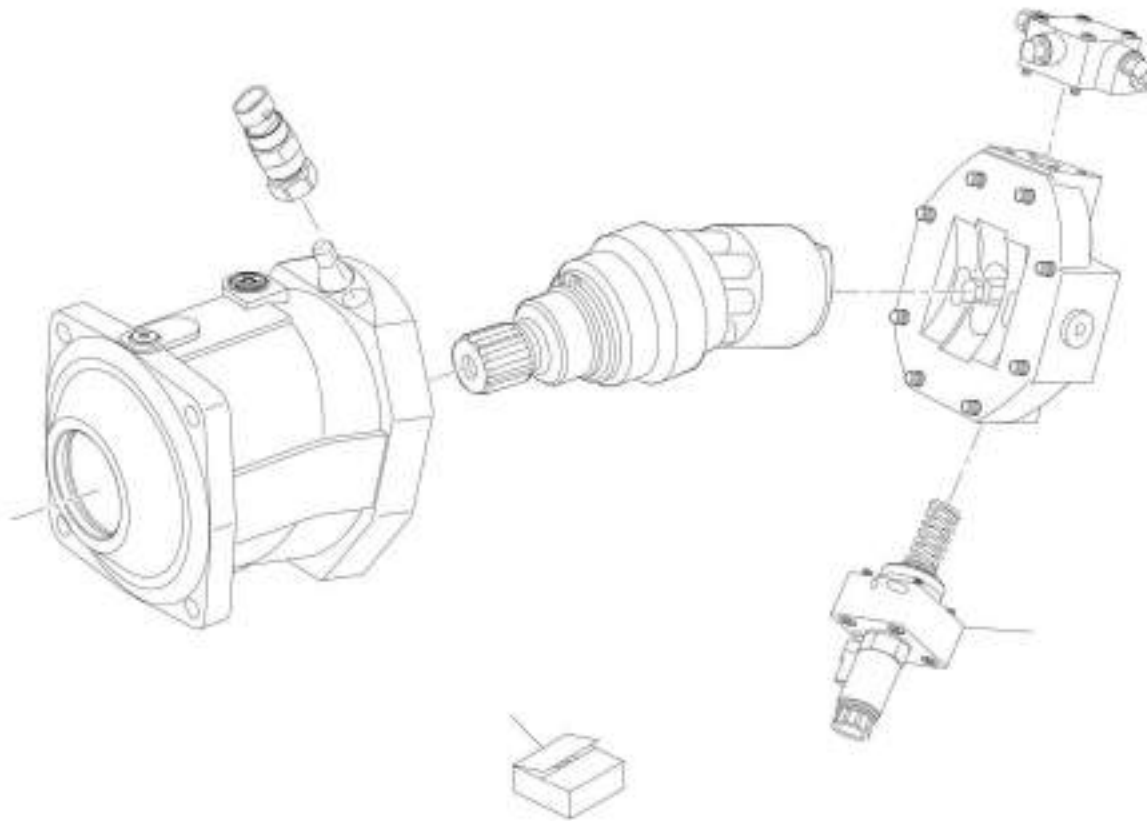
## SECTION 9 - HYDRAULIC COMPONENTS

**FIGURE 9-19. LOG HANDLER CARRIAGE CYLINDER ASSEMBLY**

ITEM	PART NUMBER	QTY	DESCRIPTION	REV
	70028704	Ref	Log Handler Carriage Cylinder Assembly	C
201	N.S.S.	1	Barrel	
202	70028728	1	Rod	
203	70028729	2	Bushing	
204	N.S.S.	1	Ring, Wear	
205	N.S.S.	1	Seal	
206	70028730	1	Piston	
207	N.S.S.	1	O-Ring	
208	N.S.S.	1	Seal	
209	N.S.S.	1	Seal	
210	70028731	1	Retainer	
211	N.S.S.	1	Wiper	
212	N.S.S.	1	End, Rod (included with item 202)	
213	70024733	1	Valve, Check	
214	70024129	2	Plug	
215	70024123	1	Fitting, 90	
216	70024130	1	Fitting, Straight	
217	70024734	1	Kit, Check Valve	
218	70028732	1	Nut	
219	70028729	1	Bushing (included with item 202)	
220	70028588	1	Tool, Seal Loader	
221	70028733	1	Kit, Seal (includes items 204, 205, 207, 208, 208, 211, 220)	

# SECTION 9 - HYDRAULIC COMPONENTS

FIGURE 9-20. HYDROSTATIC MOTOR

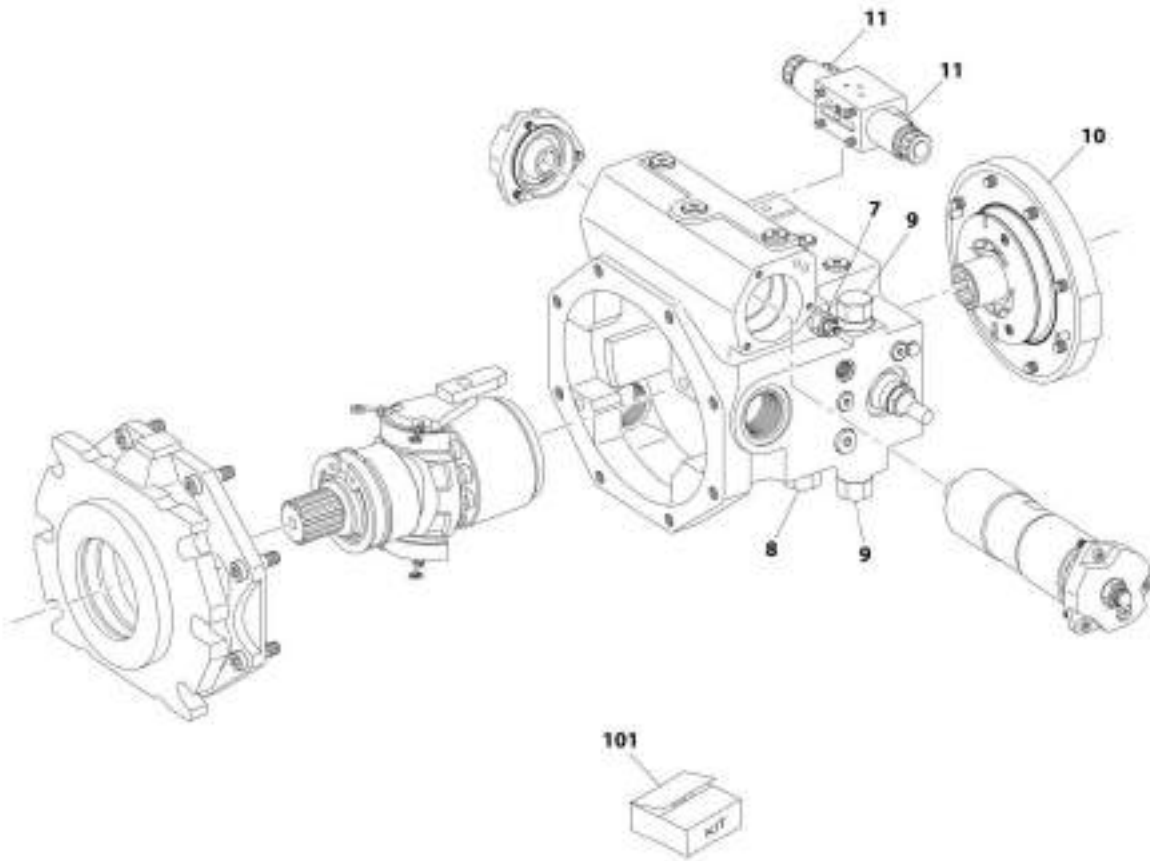


ART\_100193308-C



# SECTION 9 - HYDRAULIC COMPONENTS

FIGURE 9-21. HYDROSTATIC PUMP



ART\_1001103307-D

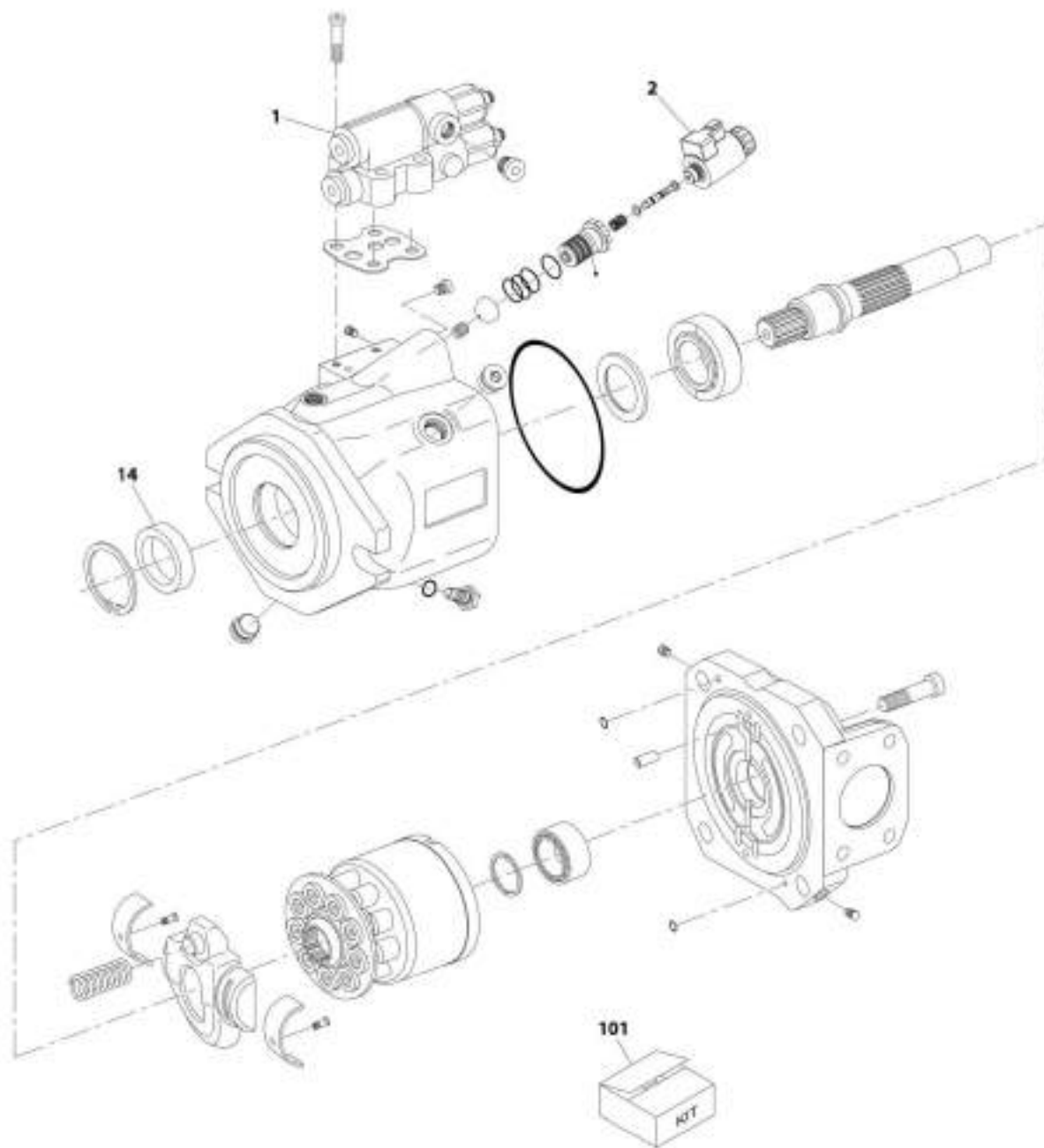
# SECTION 9 - HYDRAULIC COMPONENTS

## FIGURE 9-21. HYDROSTATIC PUMP

ITEM	PART NUMBER	QTY	DESCRIPTION	REV
	1001193307	Ref	Hydrostatic Pump	D
7	70024946	1	Valve, Relief	
8	70027598	1	Valve, Pressure Override	
9	70024945	2	Valve, Relief	
10	70028411	1	Pump, Charge	
11	70022726	2	Solenoid	
101	70028410	1	Kit, Seal	
	Kit	1	Seal, Shaft	
	Kit	2	Retaining Ring	
	Kit	2	O-Ring	
	Kit	1	O-Ring	
	Kit	2	Seal, Rod	
	Kit	1	Nut, Sealing	
	Kit	3	O-Ring	
	Kit	2	O-Ring	
	Kit	1	O-Ring	
	Kit	2	Nut, Sealing	
	Kit	1	O-Ring	
	Kit	1	O-Ring	
	Kit	1	O-Ring	
	Kit	1	O-Ring	
	Kit	1	O-Ring	
	Kit	1	O-Ring	
	Kit	1	O-Ring	
	Kit	1	O-Ring	
	Kit	1	O-Ring	
	Kit	1	Kit, Seal	
	Kit	1	O-Ring	
	Kit	1	O-Ring	
	Kit	1	O-Ring	
	Kit	1	O-Ring	
	Kit	1	O-Ring	
	Kit	1	O-Ring	
	Kit	1	Seal	
	Kit	1	Seal	
	Kit	1	O-Ring	
	Kit	2	O-Ring	
	Kit	2	O-Ring	
	Kit	2	O-Ring	
	Kit	2	O-Ring	

# SECTION 9 - HYDRAULIC COMPONENTS

## FIGURE 9-22. IMPLEMENT PUMP



ART\_1001180370-F



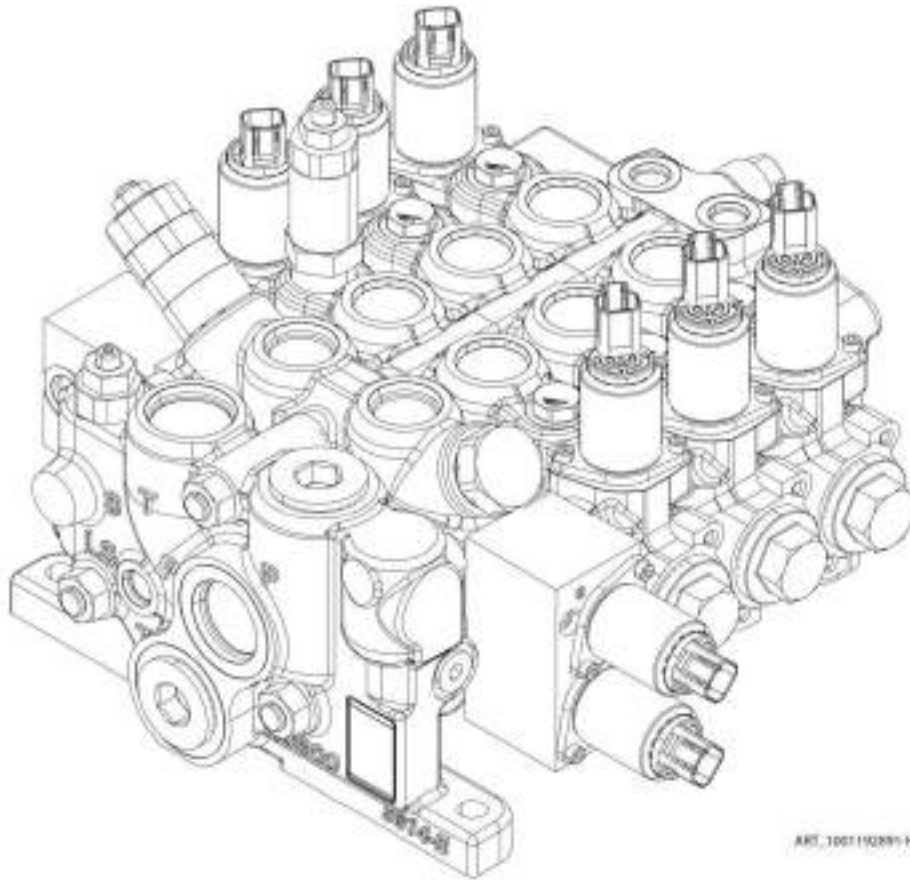
## SECTION 9 - HYDRAULIC COMPONENTS

### FIGURE 9-22. IMPLEMENT PUMP

ITEM	PART NUMBER	QTY	DESCRIPTION	REV
	1001180070	1	Implement Pump	F
1	70027595	1	Controller, DSR	
2	70028412	1	Controller, EK	
14	7024947	1	Seal, Shaft	
101	70028413	1	Kit, Seal	
	Kit	1	Seal	
	Kit	1	Plug	
	Kit	2	Plug	
	Kit	2	O-Ring	
	Kit	1	O-Ring	

## SECTION 9 - HYDRAULIC COMPONENTS

FIGURE 9-23. MAIN CONTROL VALVE



ART. 100110280-H

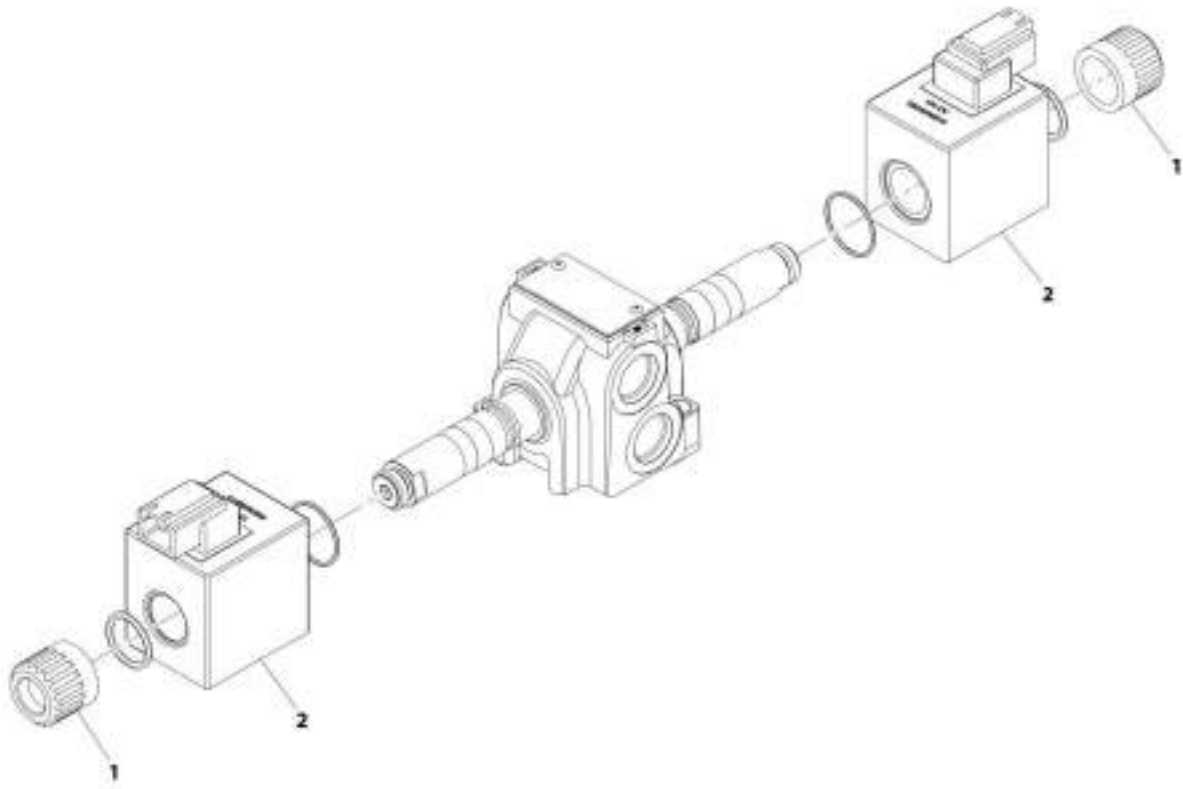
## SECTION 9 - HYDRAULIC COMPONENTS

FIGURE 9-23. MAIN CONTROL VALVE

ITEM	PART NUMBER	QTY	DESCRIPTION	REV
	1001192891	Ref	Main Control Valve	H

# SECTION 9 - HYDRAULIC COMPONENTS

FIGURE 9-24. STEERING SELECT VALVE



AMF\_1001155748-C

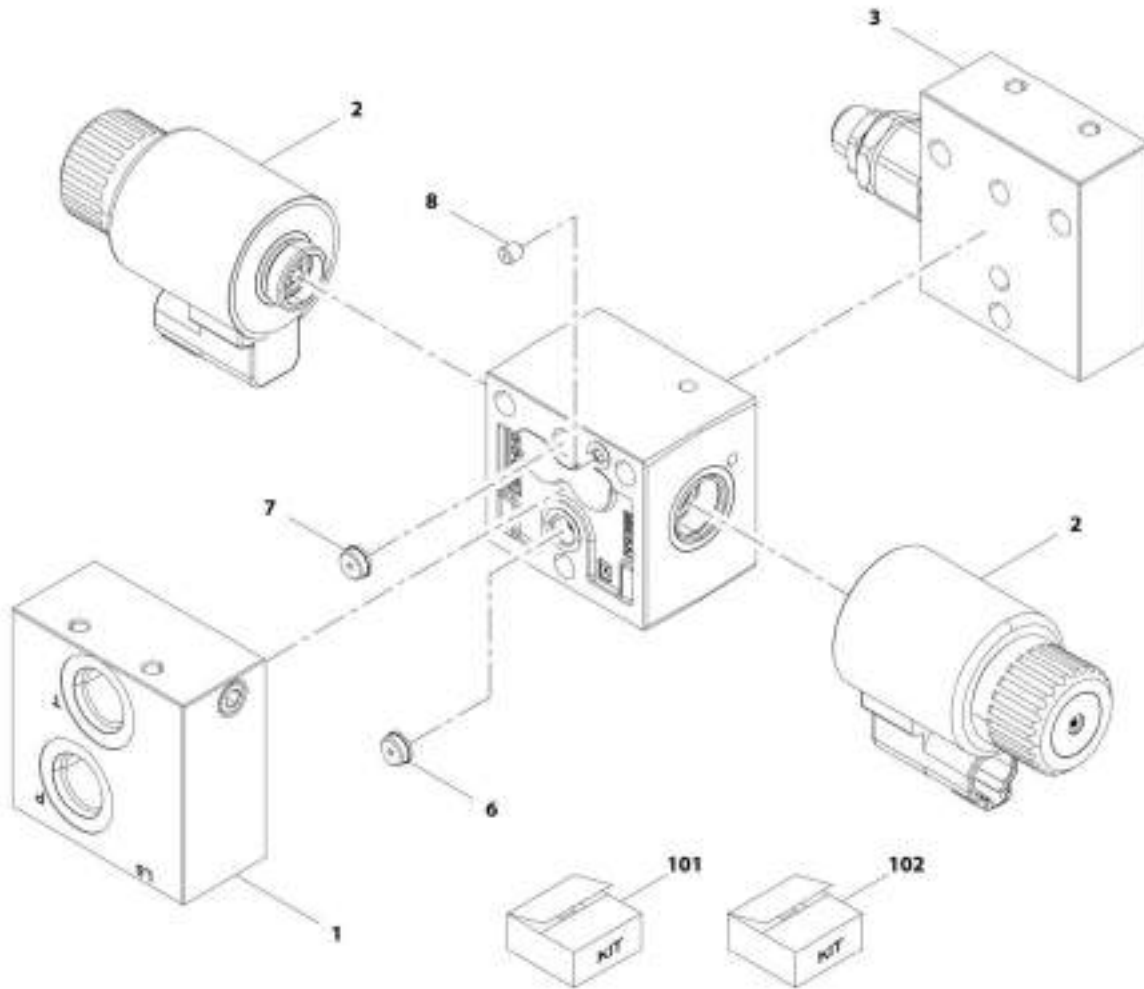
## SECTION 9 - HYDRAULIC COMPONENTS

FIGURE 9-24. STEERING SELECT VALVE

ITEM	PART NUMBER	QTY	DESCRIPTION	REV
	1001153748	Ref	Steering Select Valve	C
1	70020867	2	Nut, Coil	
2	70026582	2	Coil	

# SECTION 9 - HYDRAULIC COMPONENTS

## FIGURE 9-25. FRAME LEVEL VALVE



ART\_100219415-D

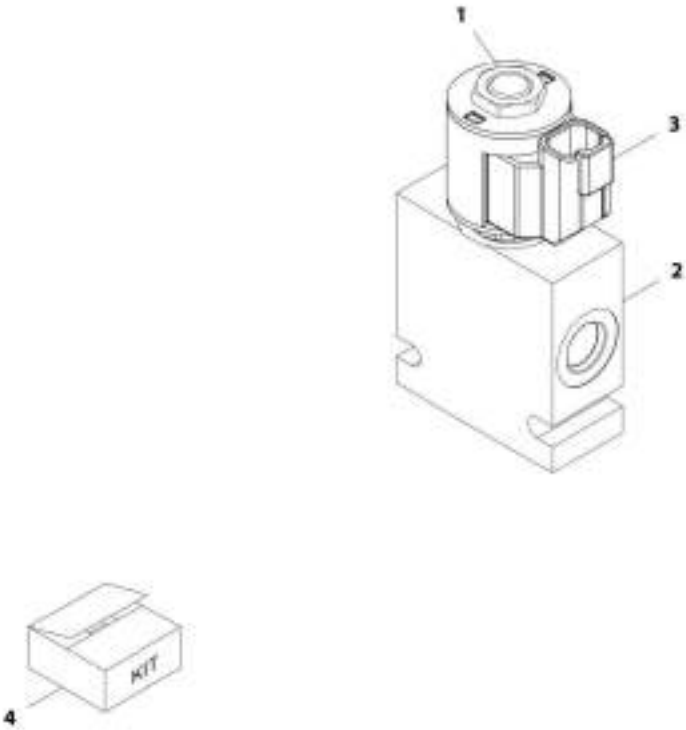
## SECTION 9 - HYDRAULIC COMPONENTS

### FIGURE 9-25. FRAME LEVEL VALVE

ITEM	PART NUMBER	QTY	DESCRIPTION	REV
	1001219615	Ref	Frame Level Valve	D
1	70028414	1	Valve, Section	
2	70004595	2	Coil	
3	70028504	1	Plate	
6	70028415	1	Screw	
7	70028243	1	Screw	
8	70028416	1	Screw	
101	70028502	2	Kit, Coil Nut	
	Kit	1	Nut	
	Kit	1	O-Ring	
102	70028503	1	Kit, Bolt and Seal	
	Kit	3	Bolt	
	Kit	3	Washer	
	Kit	2	O-Ring	
	Kit	4	O-Ring	
	Kit	2	O-Ring	

**SECTION 9 - HYDRAULIC COMPONENTS**

**FIGURE 9-26. SOLENOID VALVE**



ART\_1001221928-4



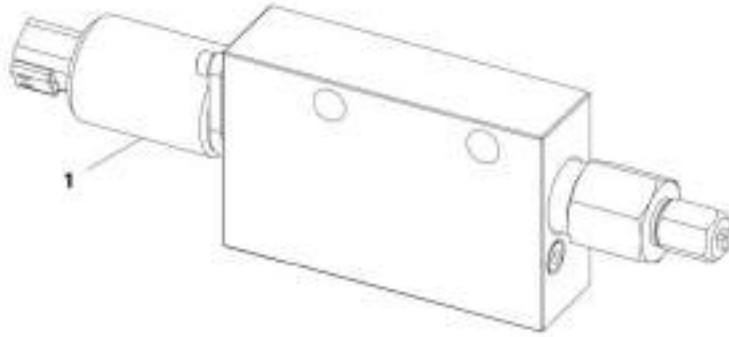
## SECTION 9 - HYDRAULIC COMPONENTS

### FIGURE 9-26. SOLENOID VALVE

ITEM	PART NUMBER	QTY	DESCRIPTION	REV
	1001221928	Ref	Solenoid Valve	A
1	70004387	1	Cartridge	
2	N.S.S.	Ref	Body	
3	70002963	1	Coil	
4	7010543	1	Kit, Seal	

## SECTION 9 - HYDRAULIC COMPONENTS

FIGURE 9-27. INCHING VALVE



ART\_3001213311-4

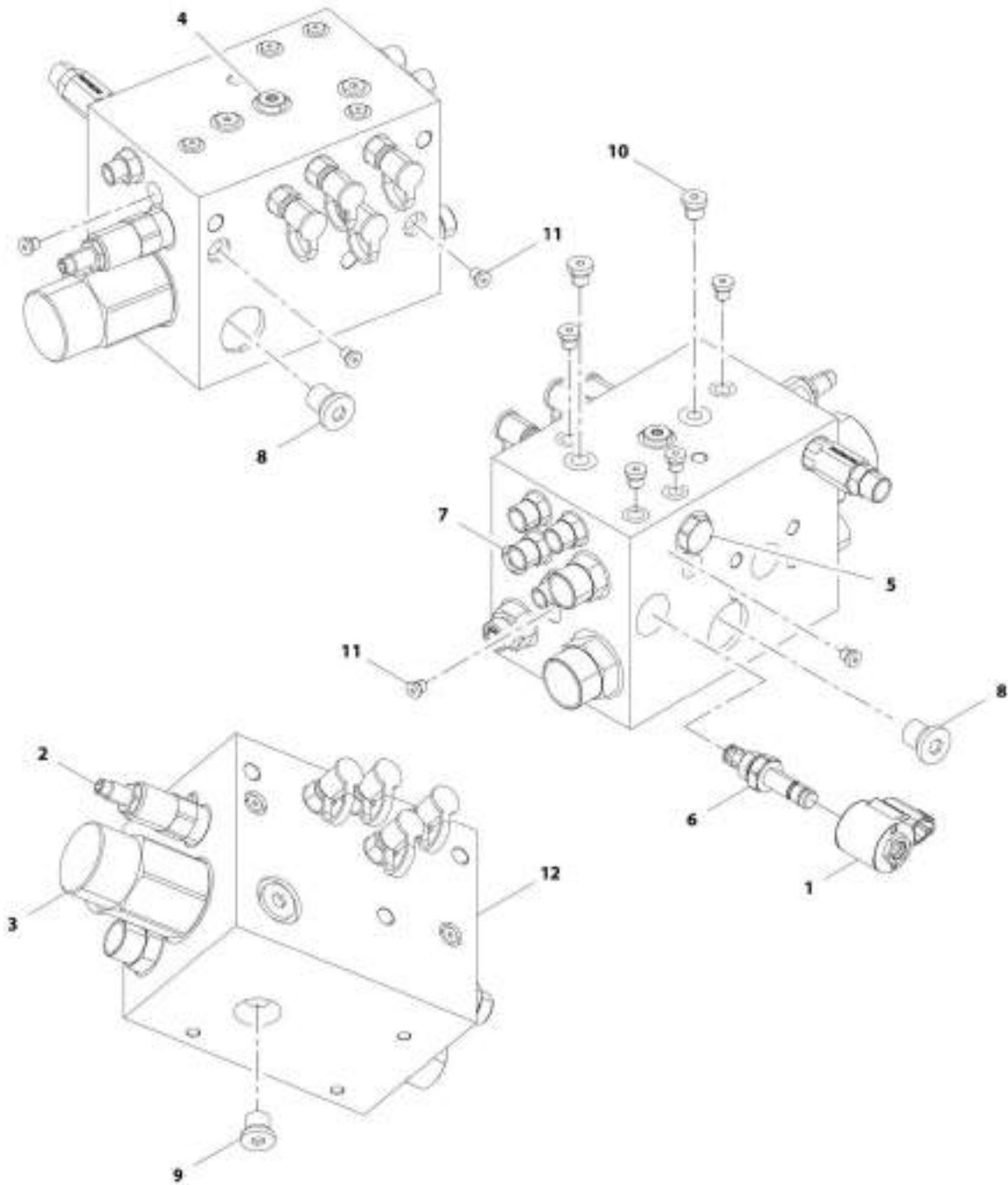
## SECTION 9 - HYDRAULIC COMPONENTS

### FIGURE 9-27. INCHING VALVE

ITEM	PART NUMBER	QTY	DESCRIPTION	REV
1	1001213311 70028361	Ref 1	Inching Valve Valve, Proportional	B

# SECTION 9 - HYDRAULIC COMPONENTS

## FIGURE 9-28. PRIORITY VALVE ASSEMBLY



AMT\_1001152088-E

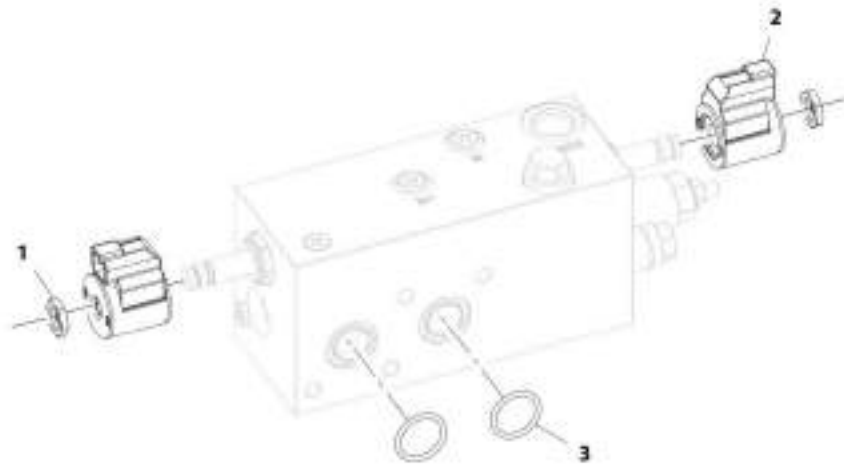
## SECTION 9 - HYDRAULIC COMPONENTS

**FIGURE 9-28. PRIORITY VALVE ASSEMBLY**

ITEM	PART NUMBER	QTY	DESCRIPTION	REV
	1001192888	Ref	Priority Valve Assembly	E
1	70028905	1	Cartridge	
2	70028904	1	Cartridge	
3	70028903	1	Cartridge	
4	70026312	1	Cartridge	
5	70028902	1	Cartridge	
6	70002963	1	Coil	
7	70006427	1	Orifice	
8	70026314	2	Plug	
9	2220886	1	Plug	
10	2220883	3	Plug	
11	70026315	9	Plug	
12	N.S.S.	1	Block	

## SECTION 9 - HYDRAULIC COMPONENTS

FIGURE 9-29. BOOM RAISE VALVE (RIDE CONTROL)



AWT\_3001224945-C

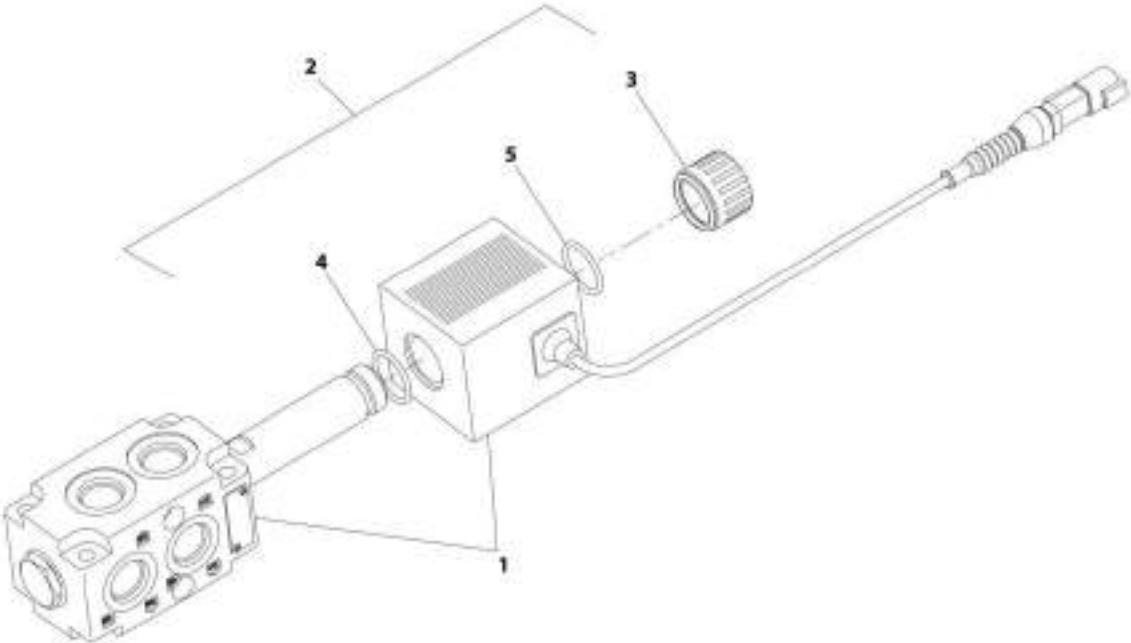
## SECTION 9 - HYDRAULIC COMPONENTS

FIGURE 9-29. BOOM RAISE VALVE (RIDE CONTROL)

ITEM	PART NUMBER	QTY	DESCRIPTION	REV
	1001224945	Ref	Boom Raise Valve (Ride Control)	C
1	7022390	2	Nut	
2	70028281	2	Coil	
3	70028282	2	O-Ring	

**SECTION 9 - HYDRAULIC COMPONENTS**

**FIGURE 9-30. DIVERTOR VALVE**



ART\_1801184477-D



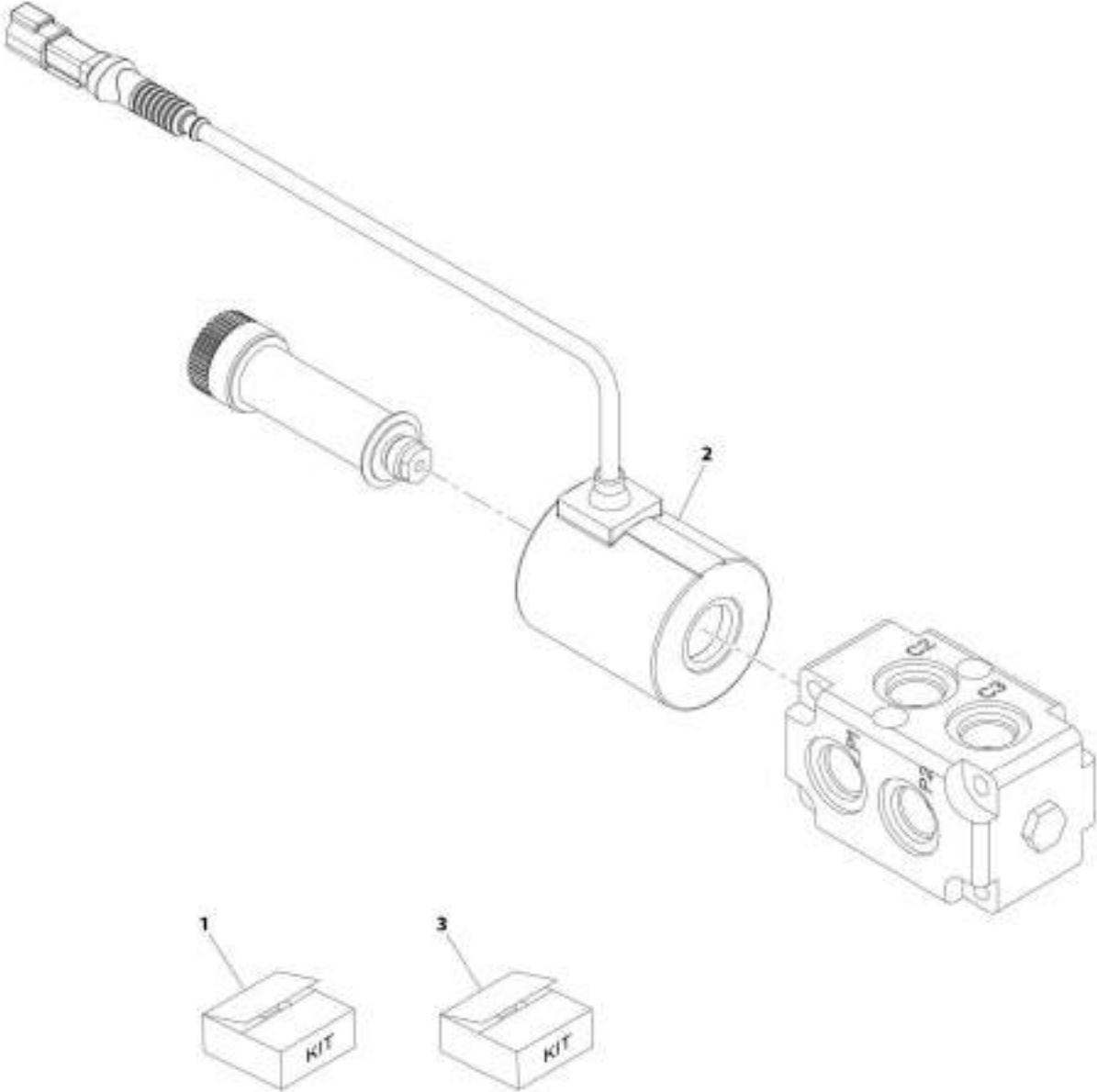
## SECTION 9 - HYDRAULIC COMPONENTS

### FIGURE 9-30. DIVERTOR VALVE

ITEM	PART NUMBER	QTY	DESCRIPTION	REV
	1001104477	Ref	Divertor Valve	D
1	70020764	1	Coil	
2	70021531	1	Kit, Retainer	
3	Kit	1	Nut	
4	Kit	1	O-Ring	
5	Kit	1	O-Ring	

**SECTION 9 - HYDRAULIC COMPONENTS**

**FIGURE 9-31. DIVERTOR VALVE**



ART\_1001130023-B

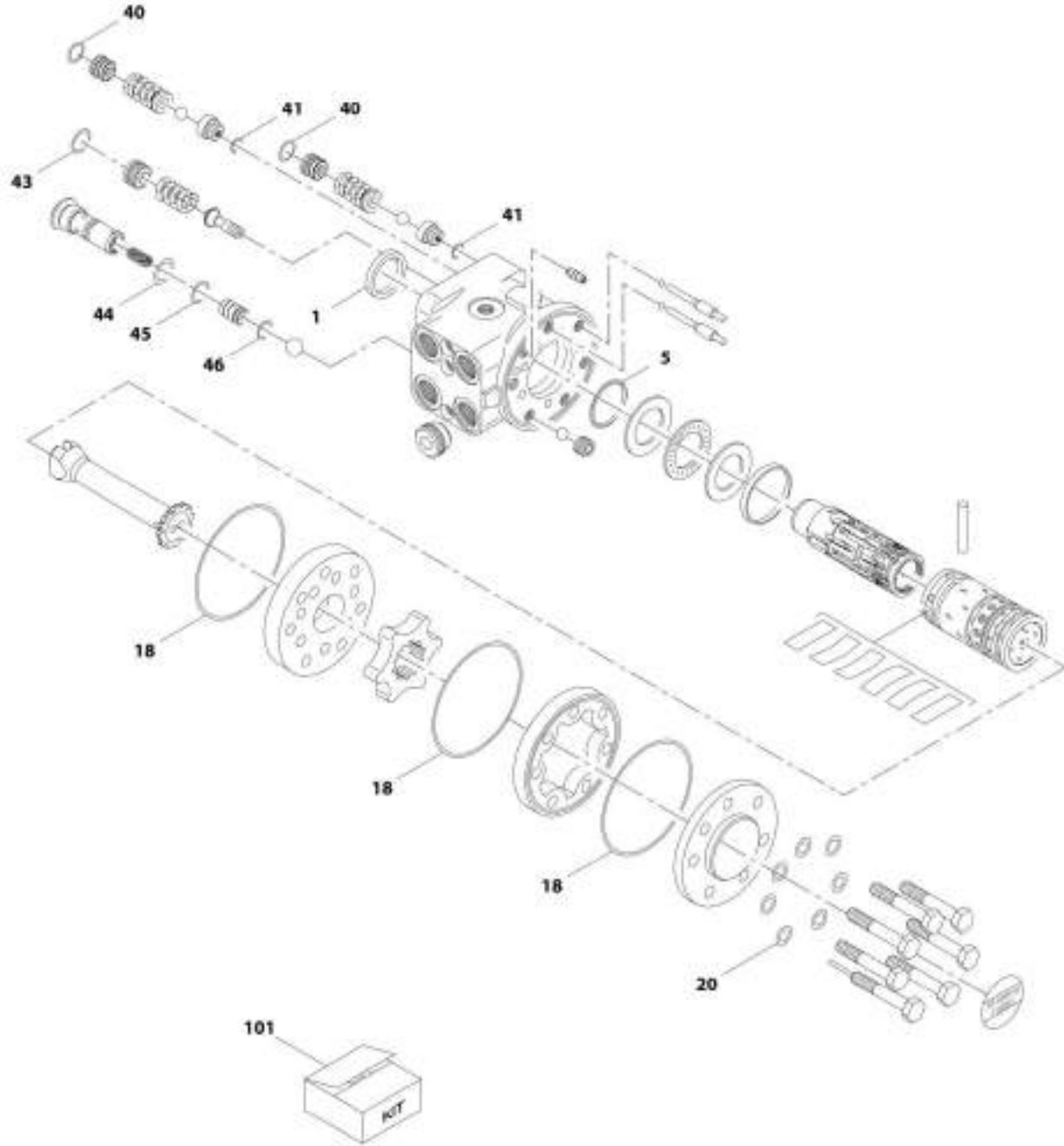
## SECTION 9 - HYDRAULIC COMPONENTS

### FIGURE 9-31. DIVERTOR VALVE

ITEM	PART NUMBER	QTY	DESCRIPTION	REV
	1001110023	Ref	Divertor Valve	B
1	70027596	1	Kit, Seal	
	Kit	2	O-Ring	
2	70020764	1	Coil	
3	70021531	1	Kit, Coil Nut	
	N.S.S.	1	O-Ring	
	N.S.S.	1	O-Ring	
	N.S.S.	1	Nut	

# SECTION 9 - HYDRAULIC COMPONENTS

## FIGURE 9-32. STEER UNIT VALVE



ART\_100178670-B

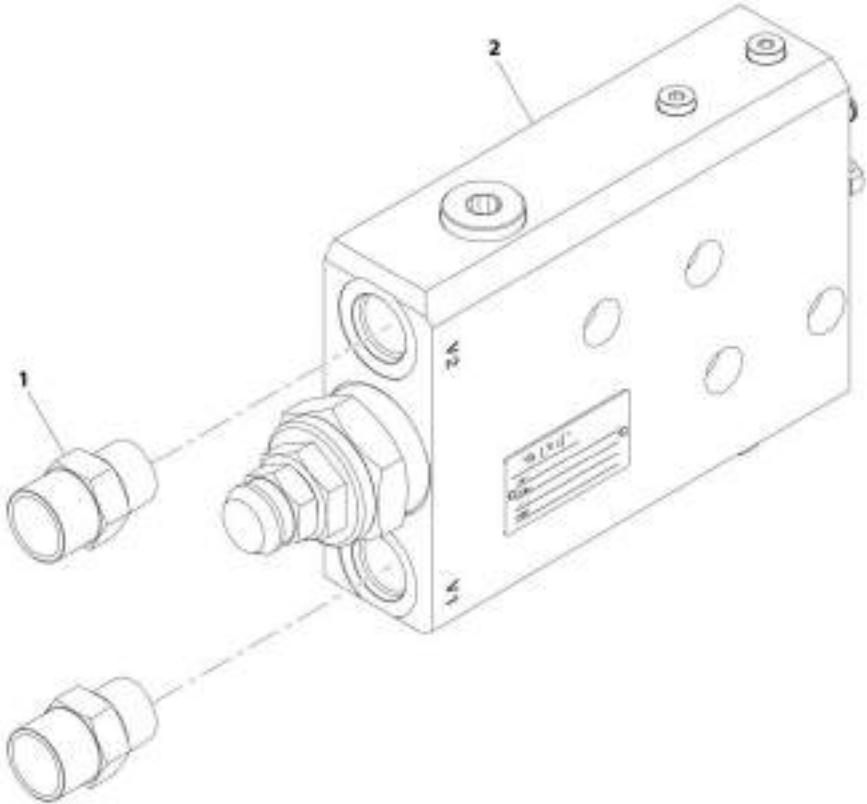
## SECTION 9 - HYDRAULIC COMPONENTS

### FIGURE 9-32. STEER UNIT VALVE

ITEM	PART NUMBER	QTY	DESCRIPTION	REV
	1001178670	Ref	Steer Unit Valve	B
1	Kit	2	Ring, Dust Seal	
5	Kit	2	Seal, Shaft	
18	Kit	2	O-Ring	
20	Kit	2	Washer	
40	Kit	2	O-Ring	
41	Kit	2	O-Ring	
43	Kit	2	O-Ring	
44	Kit	2	O-Ring	
45	Kit	2	O-Ring	
46	Kit	2	O-Ring	
101	70028285	1	Kit, Seal (includes items 1, 5, 18, 20, 40, 41 and 43 thru 46)	

**SECTION 9 - HYDRAULIC COMPONENTS**

**FIGURE 9-33. COUNTERBALANCE VALVE INSTALLATION**



ART\_1001212512-A

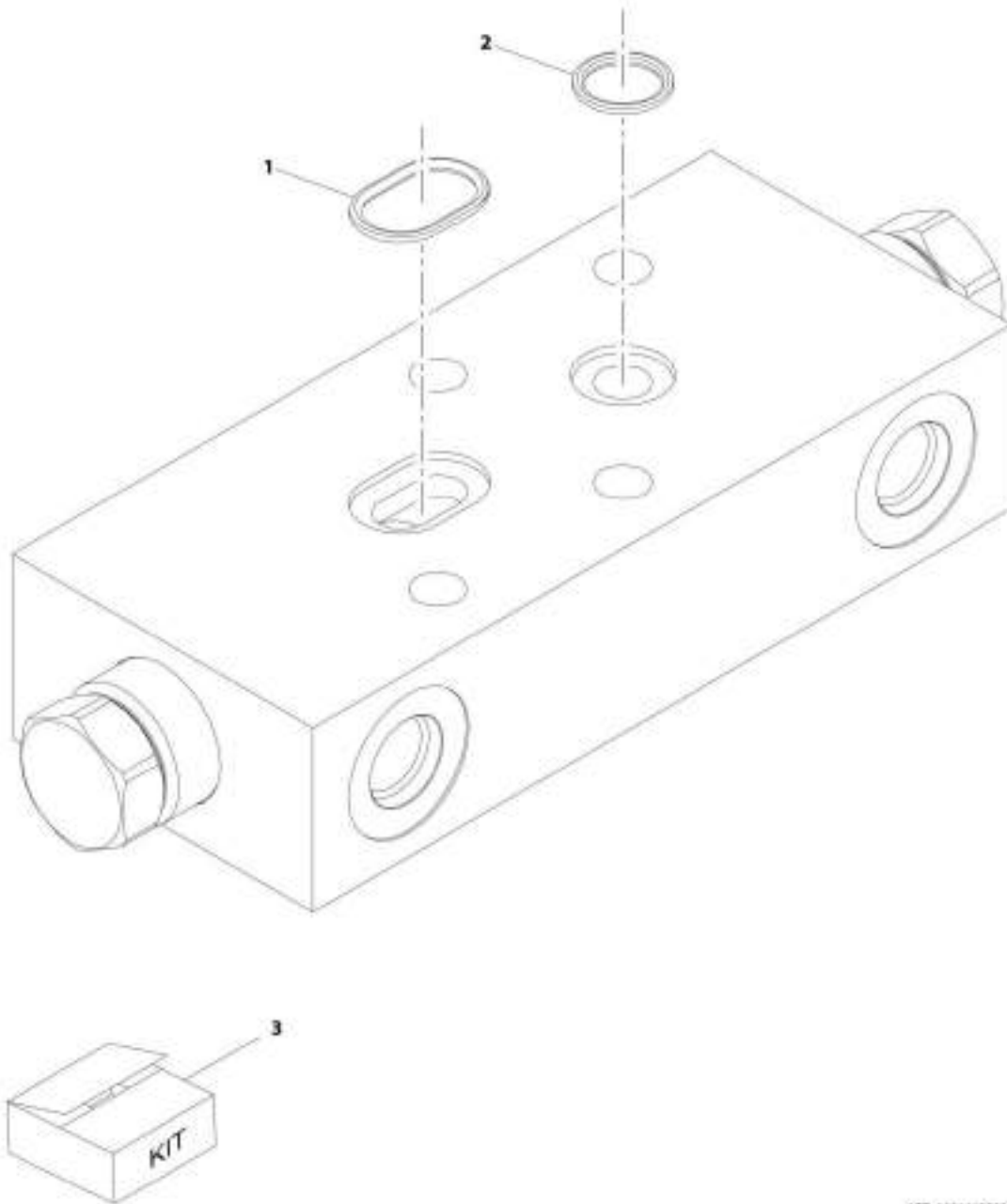
## SECTION 9 - HYDRAULIC COMPONENTS

FIGURE 9-33. COUNTERBALANCE VALVE INSTALLATION

ITEM	PART NUMBER	QTY	DESCRIPTION	REV
	1001212312	Ref	Counterbalance Valve Installation	A
1	2111010	2	Fitting, Straight ORFS	
2	1001209862	1	Valve, Counterbalance (See Seperate Breakdown in this Section)	

# SECTION 9 - HYDRAULIC COMPONENTS

FIGURE 9-34. COUNTERBALANCE VALVE



ART\_1001198506-C



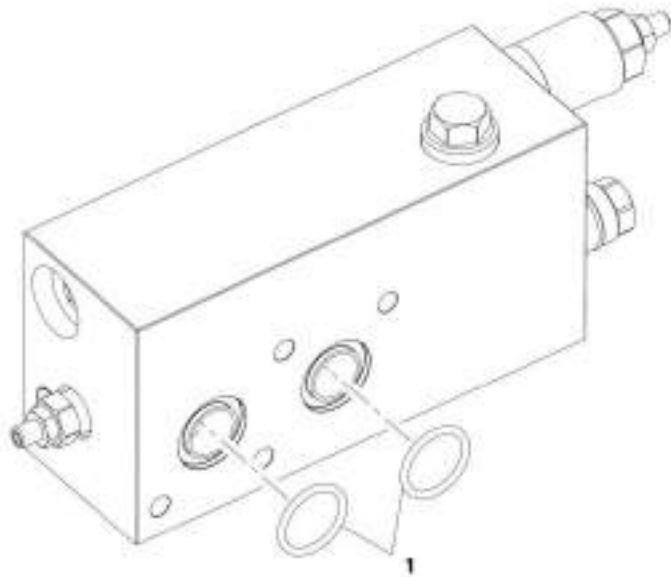
## SECTION 9 - HYDRAULIC COMPONENTS

FIGURE 9-34. COUNTERBALANCE VALVE

ITEM	PART NUMBER	QTY	DESCRIPTION	REV
	1001168599	Ref	Counterbalance Valve	C
1	Kit	1	O-Ring	
2	Kit	1	O-Ring	
3	70028421	1	Kit, Seal (includes items 1 thru 2)	

## SECTION 9 - HYDRAULIC COMPONENTS

FIGURE 9-35. COUNTERBALANCE VALVE



ART\_3001249M4-C

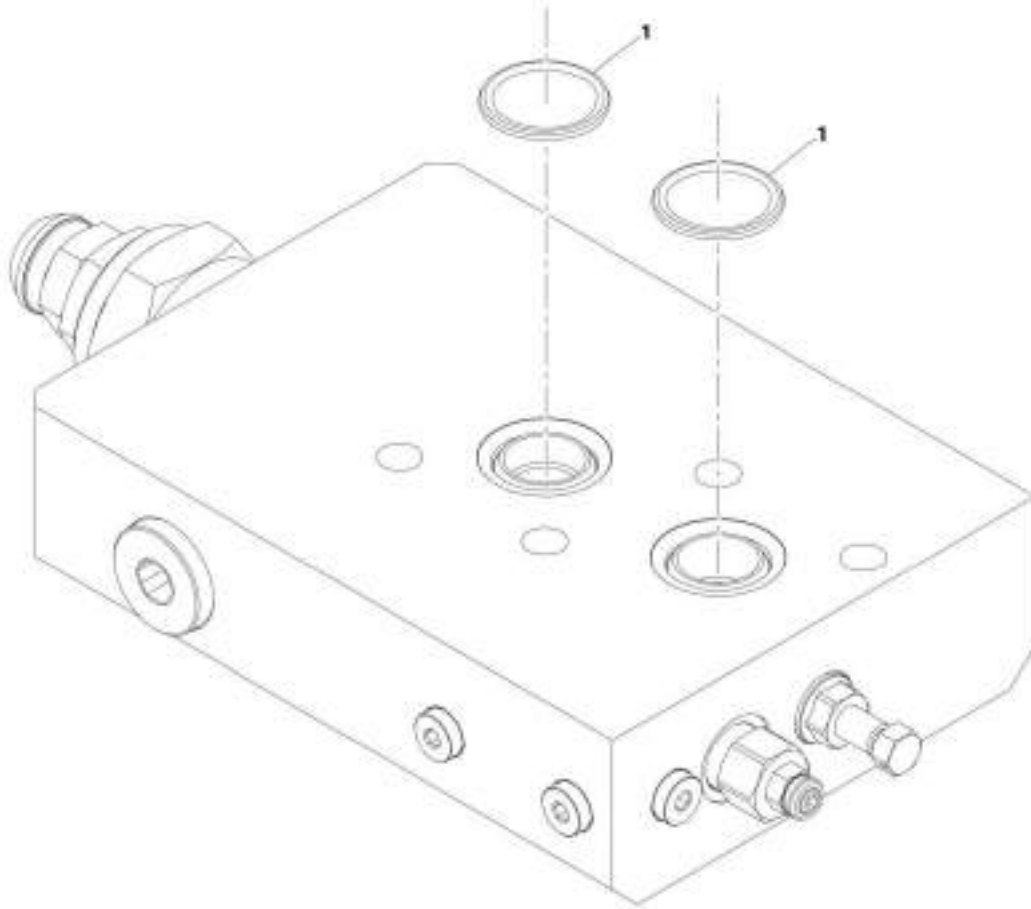
## SECTION 9 - HYDRAULIC COMPONENTS

FIGURE 9-35. COUNTERBALANCE VALVE

ITEM	PART NUMBER	QTY	DESCRIPTION	REV
1	1001224944 70028282	Ref 1	Counterbalance Valve O-Ring	C

# SECTION 9 - HYDRAULIC COMPONENTS

FIGURE 9-36. COUNTERBALANCE VALVE



ART\_100120962-E

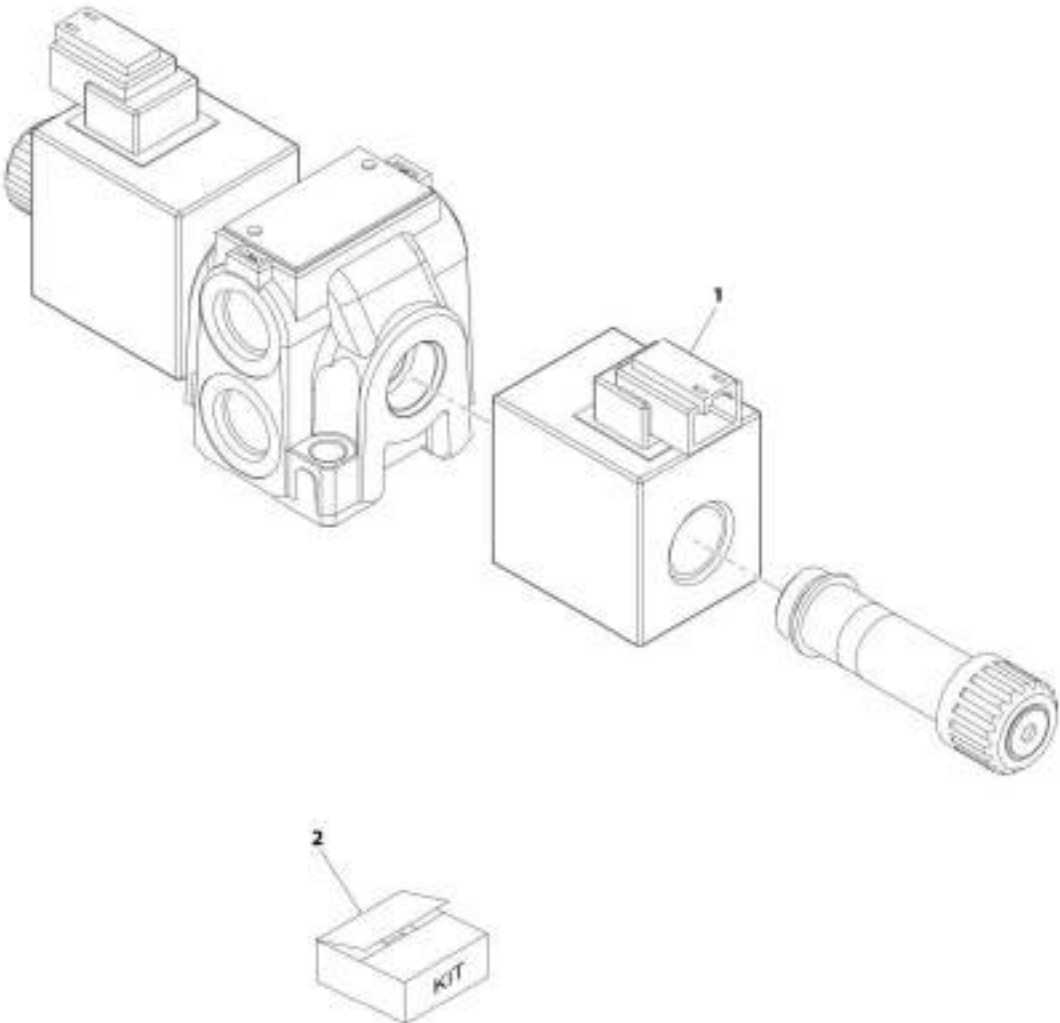
## SECTION 9 - HYDRAULIC COMPONENTS

FIGURE 9-36. COUNTERBALANCE VALVE

ITEM	PART NUMBER	QTY	DESCRIPTION	REV
1	1001209862 70028422	Ref 2	Counterbalance Valve O-Ring	E

**SECTION 9 - HYDRAULIC COMPONENTS**

**FIGURE 9-37. SPEED CONTROL VALVE**



ART\_464152D-8

## SECTION 9 - HYDRAULIC COMPONENTS

### FIGURE 9-37. SPEED CONTROL VALVE

ITEM	PART NUMBER	QTY	DESCRIPTION	REV
	4641520	Ref	Speed Control Valve	B
1	70026582	1	Coil	
2	70020867	1	Kit, Coil Nut	
	N.S.S.	1	Seal	
	N.S.S.	1	Seal	
	N.S.S.	1	Nut, Coil	

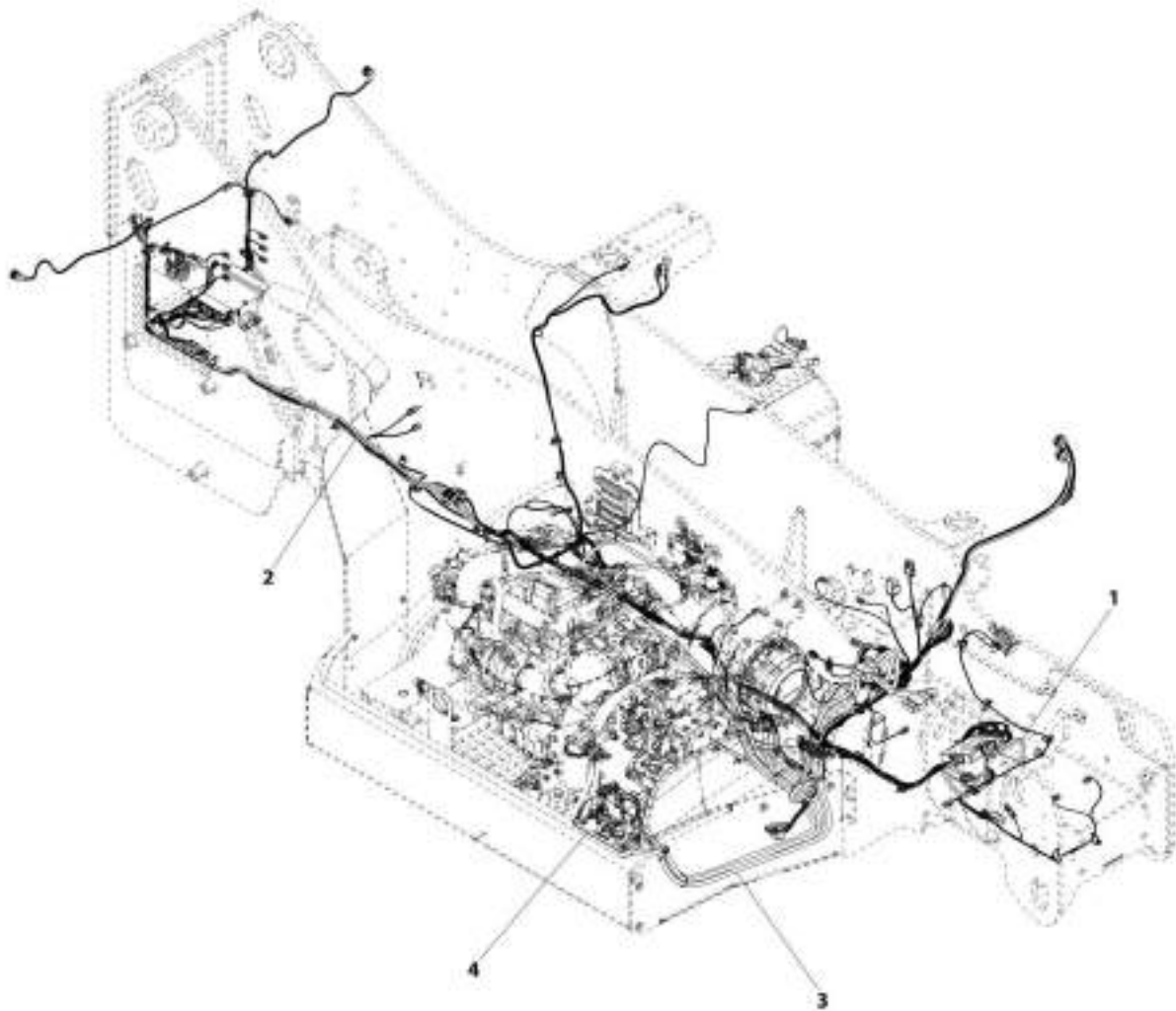




**SECTION 10 - ELECTRICAL**

# SECTION 10 - ELECTRICAL

FIGURE 10-1. MAIN ELECTRICAL INSTALLATION (ULS)



ART\_1001192537-B

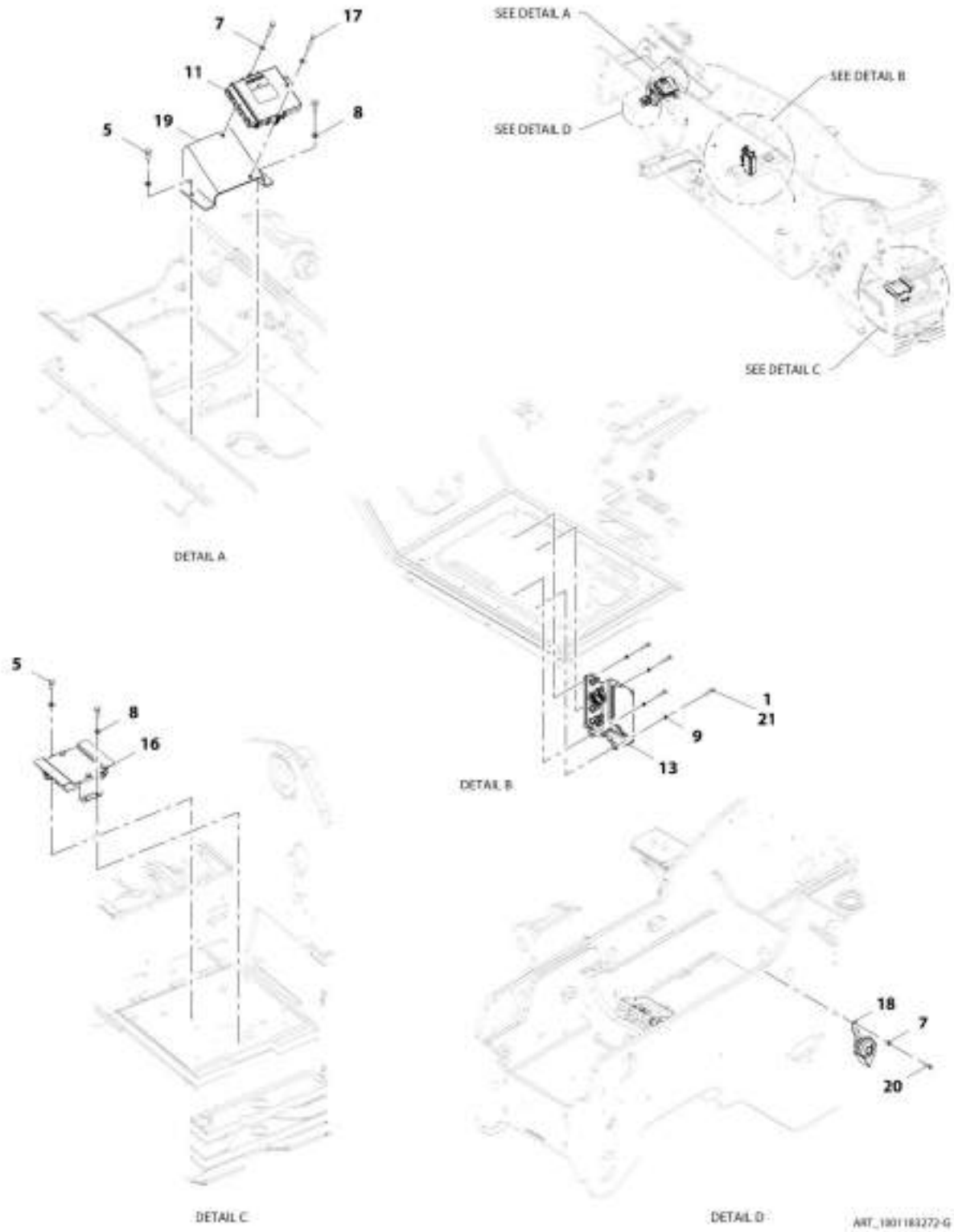
## SECTION 10 - ELECTRICAL

**FIGURE 10-1. MAIN ELECTRICAL INSTALLATION (ULS)**

ITEM	PART NUMBER	QTY	DESCRIPTION	REV
1	1001192537	Ref	Main Electrical Installation (ULS)	B
	1001183272	Ref	Installation, Frame Electrical (See Seperate Breakdown in this Section)	
2	1001200159	Ref	Installation, Frame Wiring (See Seperate Breakdown in this Section)	
3	1001200160	Ref	Installation, Engine Bay Electrical	
4	1001202172	Ref	Installation, Engine Pod Electrical (ULS) (See Seperate Breakdown in this Section)	

# SECTION 10 - ELECTRICAL

## FIGURE 10-2. FRAME ELECTRICAL INSTALLATION



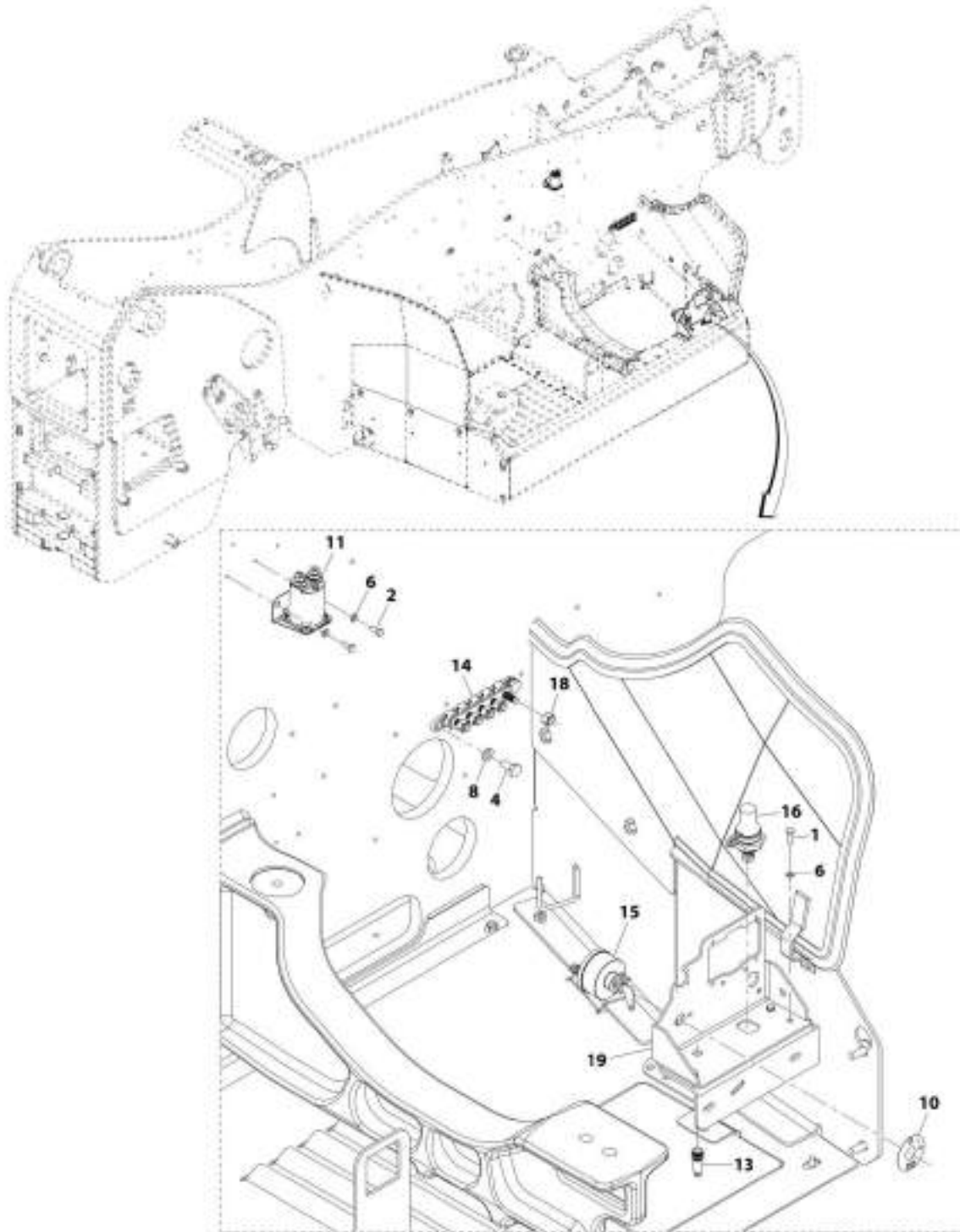
## SECTION 10 - ELECTRICAL

### FIGURE 10-2. FRAME ELECTRICAL INSTALLATION

ITEM	PART NUMBER	QTY	DESCRIPTION	REV
	1001183272	Ref	Frame Electrical Installation	G
1	0700614	4	Bolt, M6X30	
5	0761012	4	Bolt, M10X25	
7	4811900	3	Washer, M8	
8	4812000	4	Washer, M10	
9	4831700	4	Washer, Lock M6	
11	1001162253	1	Control, Front Frame Module	
13	1001164402	1	Box, Power Distribution Electrical (See Seperate Breakdown in this Section)	
16	1001210770	1	Installation, Rear Frame Module (See Seperate Breakdown in this Section)	
17	0700820	2	Bolt, M8X60	
18	10713707	1	Horn	
19	1001215208	1	Bracket	
20	0760812	1	Bolt, M8X25	
21	1001180620	AR	Adhesive, Loctite	

# SECTION 10 - ELECTRICAL

## FIGURE 10-3. ENGINE POD ELECTRICAL INSTALLATION (ULS)



ART\_1001202172-4

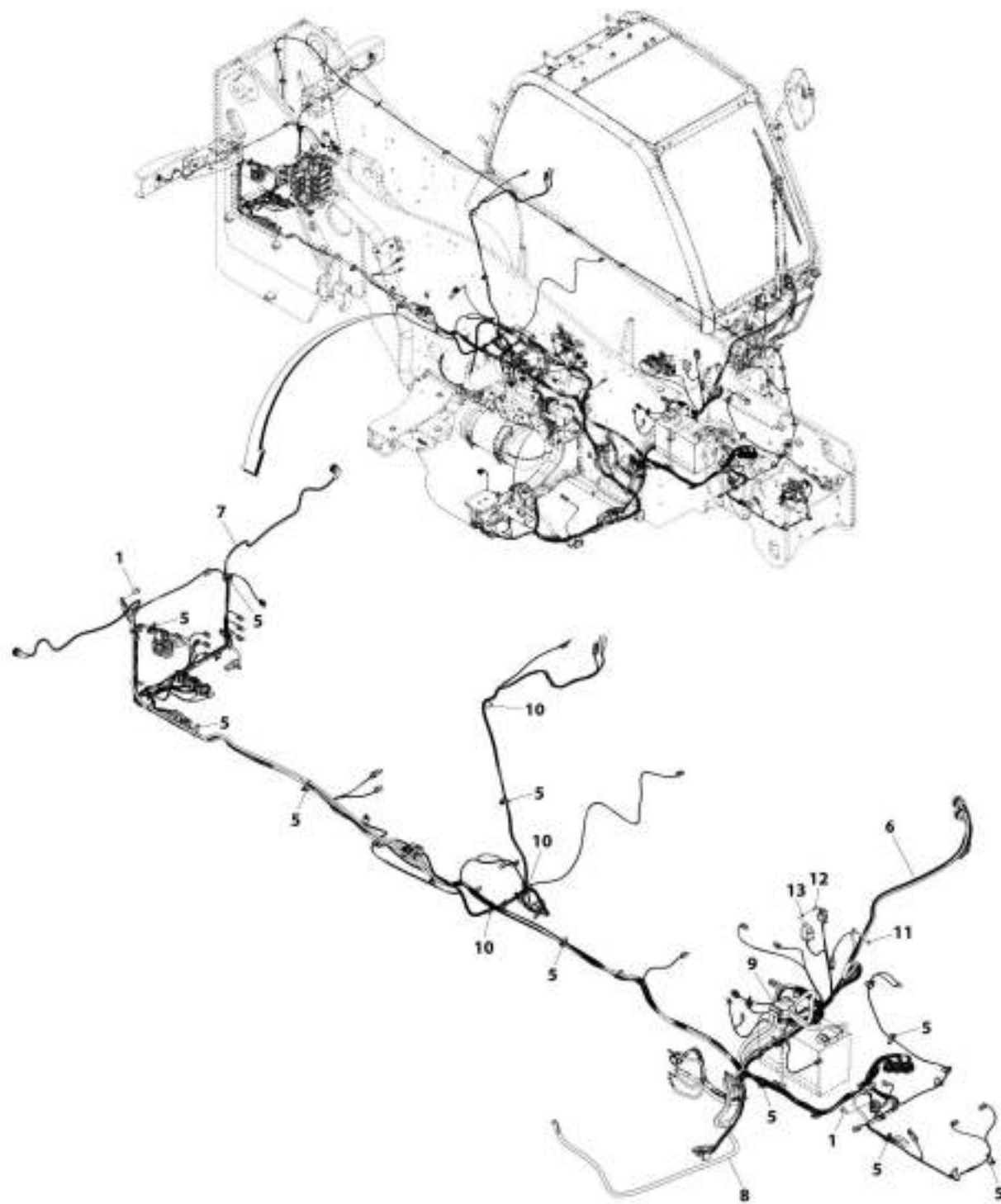
## SECTION 10 - ELECTRICAL

**FIGURE 10-3. ENGINE POD ELECTRICAL INSTALLATION (ULS)**

ITEM	PART NUMBER	QTY	DESCRIPTION	REV
	1001202172	Ref	Engine Pod Electrical Installation (ULS)	B
1	0700610	4	Bolt, M6X20	
2	0760608	2	Bolt, M6X16	
4	0761010	2	Bolt, M10X20	
6	4811700	6	Washer, M6	
8	4812000	2	Washer, M10	
10	1001008540	1	Plate	
11	1001117308	1	Relay	
13	1001169825	1	Lamp, 12V Yellow	
14	1001181128	1	Bussbar	
15	1001192142	1	Switch, Disconnect	
16	1001193993	1	Terminal, Battery	
18	3291005	5	Nut, Lock M10X1.5	
19	1001212886	1	Bracket	

# SECTION 10 - ELECTRICAL

## FIGURE 10-4. FRAME WIRING INSTALLATION



ART\_1001280159-E



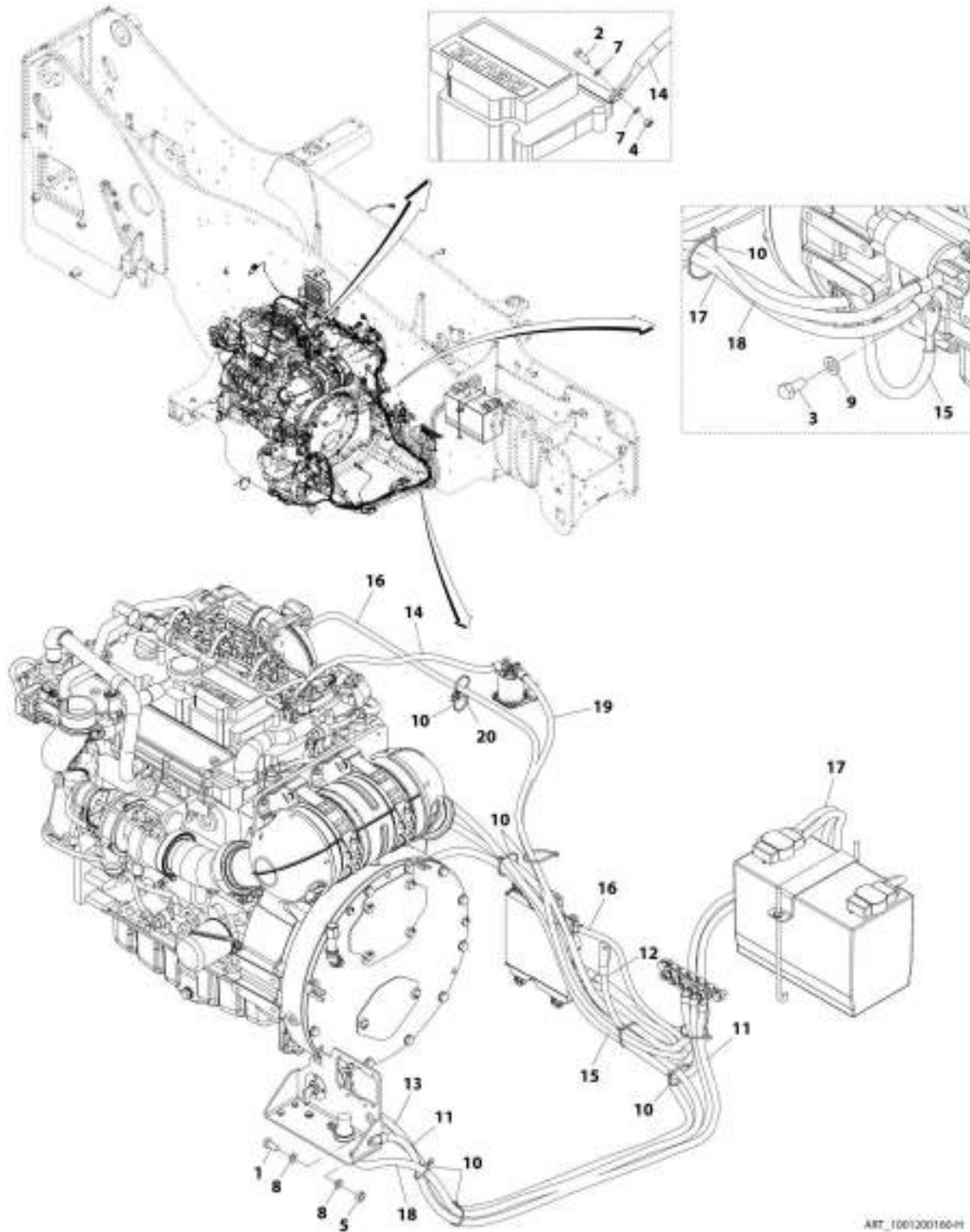
## SECTION 10 - ELECTRICAL

### FIGURE 10-4. FRAME WIRING INSTALLATION

ITEM	PART NUMBER	QTY	DESCRIPTION	REV
	1001200159	Ref	Frame Wiring Installation	E
1	0761010	2	Bolt, M10X20	
5	1001146588	35	Tie, Cable	
6	1001184396	1	Harness, Front Frame (See Seperate Breakdown in this Section)	
7	1001184397	1	Harness, Rear Frame (See Seperate Breakdown in this Section)	
8	1001200168	1	Cable, Negative Battery	
9	1001200169	1	Cable, Positive Battery	
10	1001008559	3	Strap, Cable	
11	3290601	1	Nut, M6X1	
12	0760607	1	Bolt, M6X14	
13	4811700	1	Washer, M6	

# SECTION 10 - ELECTRICAL

## FIGURE 10-5. ENGINE BAY ELECTRICAL INSTALLATION (ULS)



ART\_1001200160-H

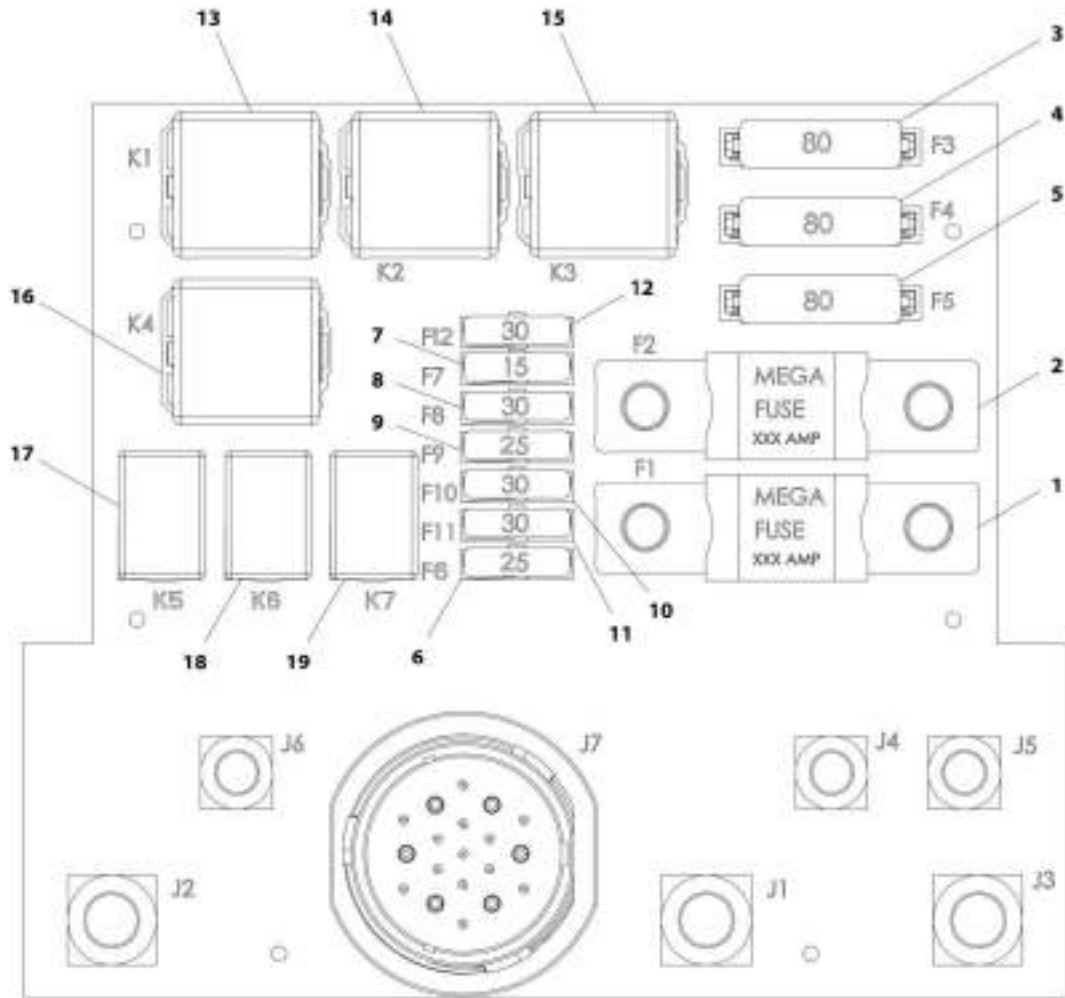
## SECTION 10 - ELECTRICAL

**FIGURE 10-5. ENGINE BAY ELECTRICAL INSTALLATION (ULS)**

ITEM	PART NUMBER	QTY	DESCRIPTION	REV
	1001200160	Ref	Engine Bay Electrical Installation	H
1	0761012	1	Bolt, M10X25	
2	0760507	1	Bolt, M5X14	
3	0761212	1	Bolt, M12X25	
4	3290505	1	Nut, Lock M5X0.8	
5	3291001	1	Nut, M10X1.5	
7	4811600	2	Washer, M5	
8	4812000	2	Washer, M10	
9	4812100	1	Washer, M12	
10	1001008559	10	Tie, Strap	
11	1001194103	1	Cable	
12	1001194244	1	Cable	
13	1001196502	1	Cable	
14	1001200161	1	Cable	
15	1001200162	1	Cable	
16	1001200164	1	Cable	
17	1001200165	1	Cable	
18	1001200166	1	Cable	
19	1001200167	1	Cable	
20	1001004723	1	Saddle	

# SECTION 10 - ELECTRICAL

## FIGURE 10-6. POWER DISTRIBUTION ELECTRICAL BOX



AWT\_1001104402.F

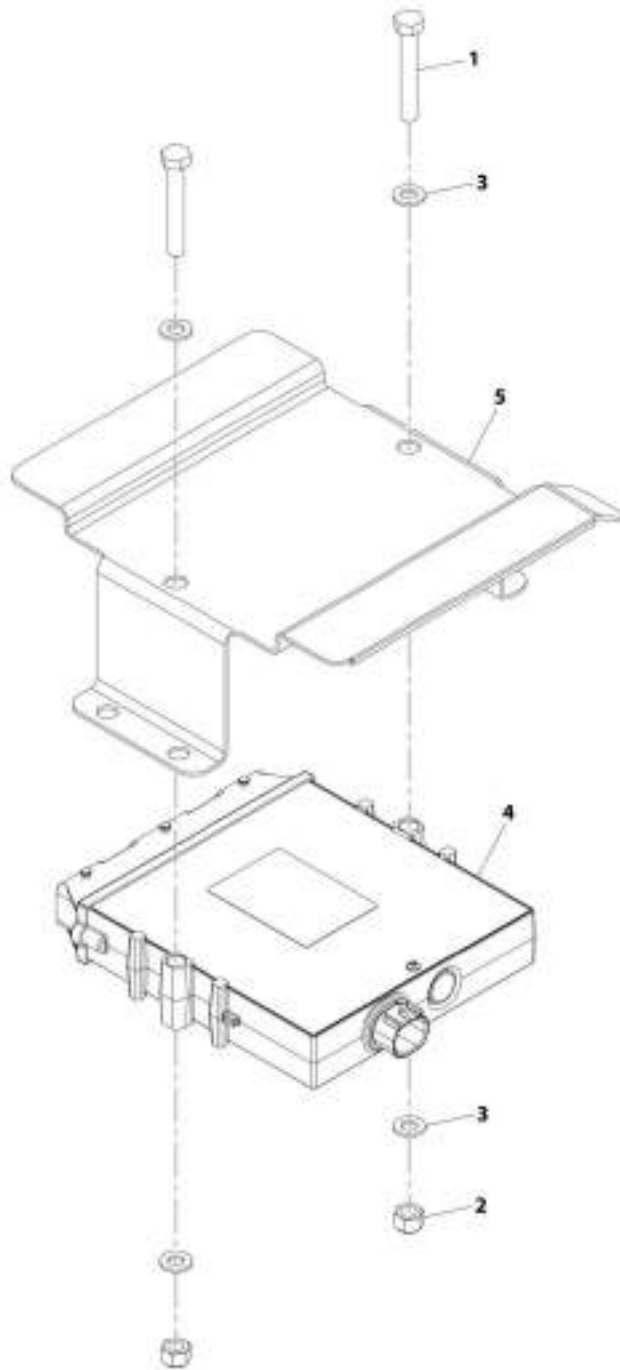
## SECTION 10 - ELECTRICAL

**FIGURE 10-6. POWER DISTRIBUTION ELECTRICAL BOX**

ITEM	PART NUMBER	QTY	DESCRIPTION	REV
	1001164402	Ref	Power Distribution Electrical Box	F
1	1001095336	1	Fuse, 150AMP	
2	70026296	1	Fuse, 200AMP	
3	70026297	1	Fuse, 80AMP	
4	70026297	1	Fuse, 80AMP	
5	70026297	1	Fuse, 80AMP	
6	8229247	1	Fuse, 25AMP	
7	8229244	1	Fuse, 15AMP	
8	8229245	1	Fuse, 30AMP	
9	8229247	1	Fuse, 25AMP	
10	8229245	1	Fuse, 30AMP	
11	8229245	1	Fuse, 30AMP	
12	8229245	1	Fuse, 30AMP	
13	70026294	1	Fuse, 70AMP	
14	70026294	1	Fuse, 70AMP	
15	70026294	1	Fuse, 70AMP	
16	70026294	1	Fuse, 70AMP	
17	70026295	1	Fuse, 35AMP	
18	70026295	1	Fuse, 35AMP	
19	70026295	1	Fuse, 35AMP	

# SECTION 10 - ELECTRICAL

## FIGURE 10-7. REAR FRAME MODULE INSTALLATION



ART\_1001210270-C

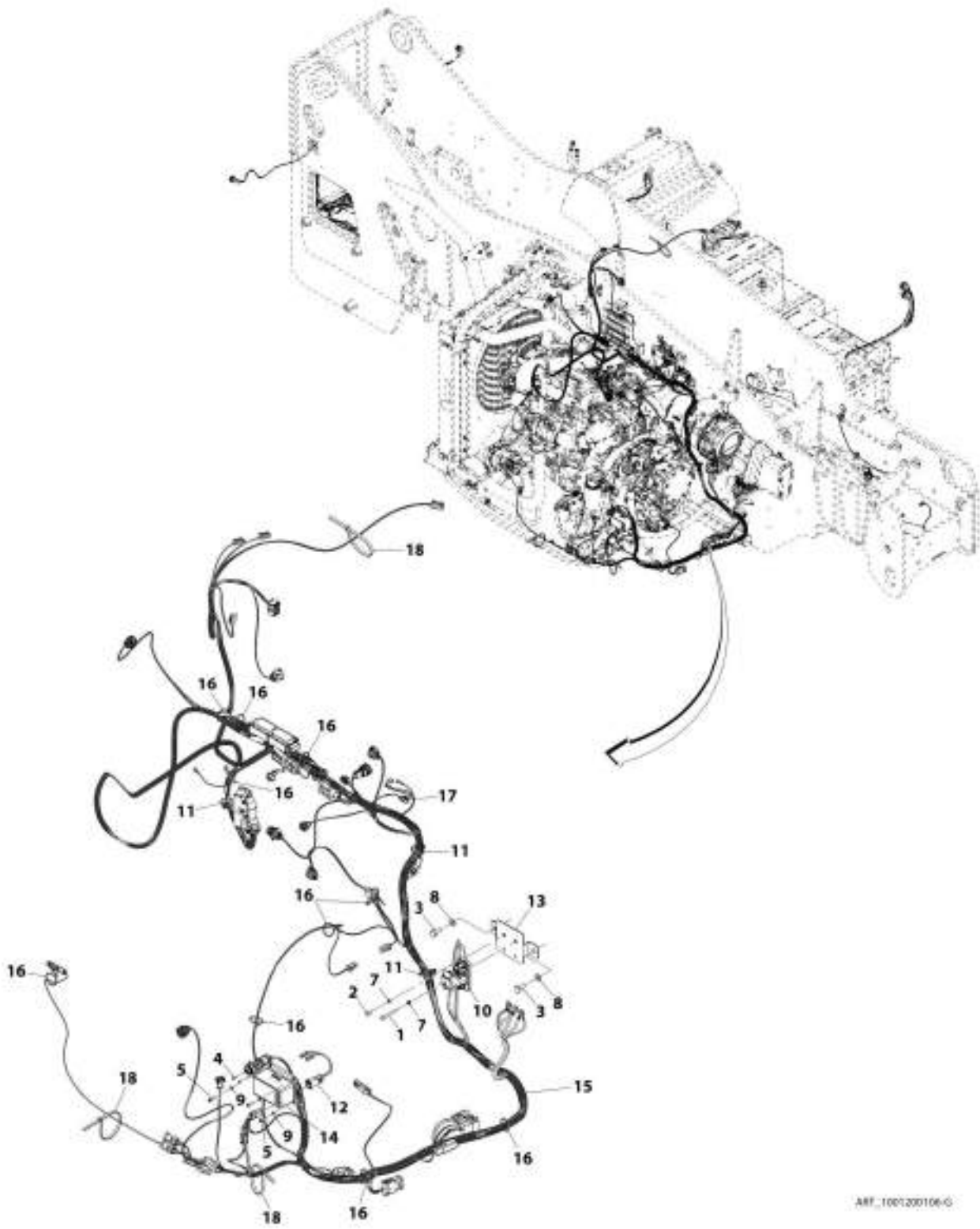
## SECTION 10 - ELECTRICAL

### FIGURE 10-7. REAR FRAME MODULE INSTALLATION

ITEM	PART NUMBER	QTY	DESCRIPTION	REV
	1001210770	Ref	Rear Frame Module Installation	C
1	0700819	2	Bolt, M8X55	
2	3290805	2	Nut, Lock M8X1.25	
3	4811900	4	Washer, M8	
4	1001162256	1	Control, Rear Frame Module	
5	1001225980	1	Bracket	

# SECTION 10 - ELECTRICAL

## FIGURE 10-8. ENGINE WIRING INSTALLATION (ULS)



ARF\_1001200106-G



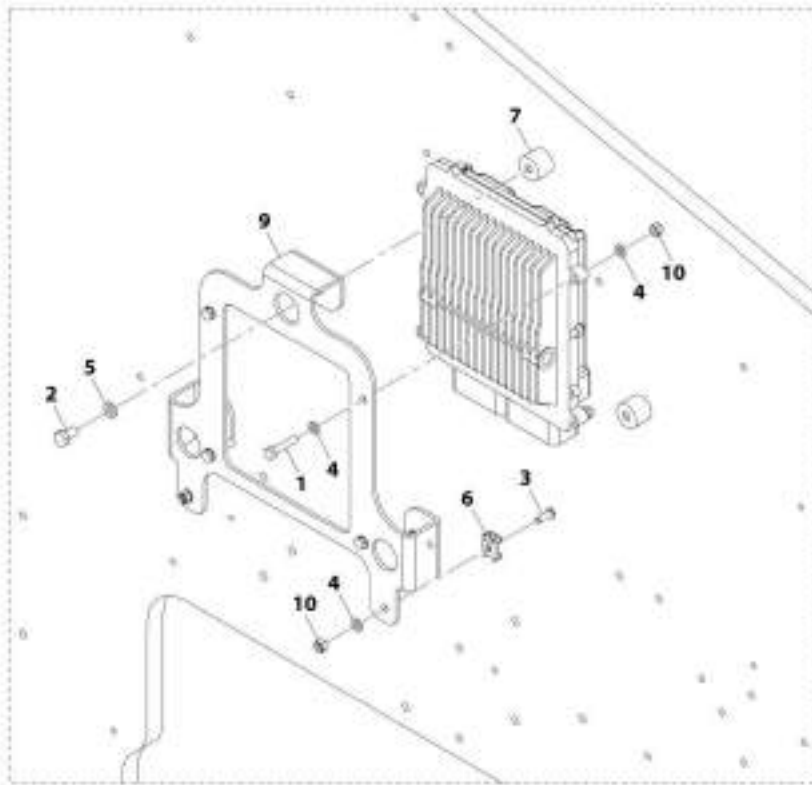
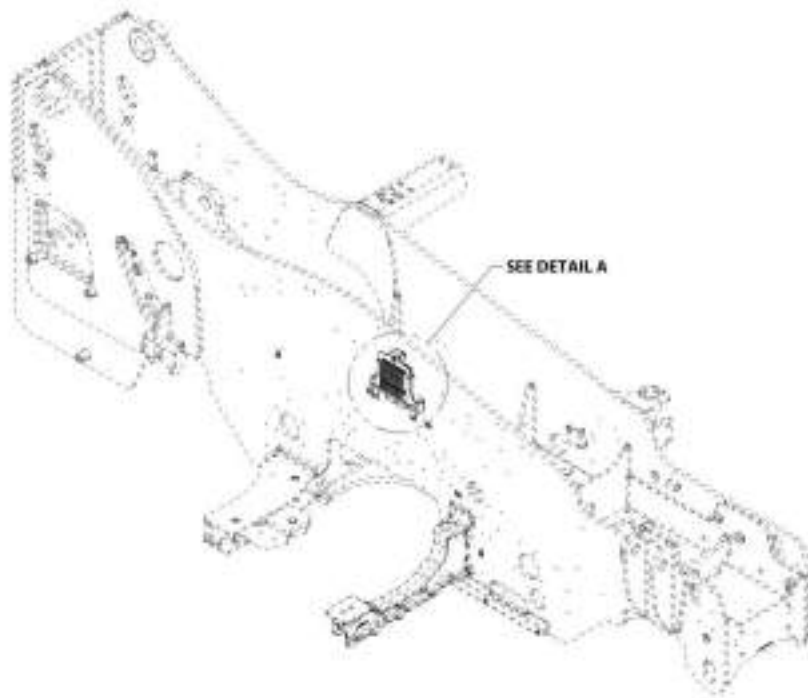
## SECTION 10 - ELECTRICAL

**FIGURE 10-8. ENGINE WIRING INSTALLATION (ULS)**

ITEM	PART NUMBER	QTY	DESCRIPTION	REV
	1001200106	Ref	Engine Wiring Installation (ULS)	G
1	0700618	1	Bolt, M6X50	
2	0760607	1	Bolt, M6X14	
3	0761010	2	Bolt M10X20	
4	4031205	3	Bolt, M3X10	
5	4031607	4	Bolt, M5-0.8X16	
7	4811700	2	Washer, M6	
8	4812000	2	Washer, M10	
9	4831600	4	Washer, Lock M5	
10	1001131177	1	Fuse	
11	1001146588	3	Strap, Cable Tie	
12	1001182929	1	Harness, Fuel Pump (See Seperate Breakdown in this Section)	
13	1001189046	1	Bracket	
14	1001191546	1	Decal, Fuse	
15	1001200108	1	Harness, Engine (ULS) (See Seperate Breakdown in this Section)	
16	1001008559	11	Strap, Cable	
17	1001182930	1	Harness, Glow Plug Relay (See Seperate Breakdown in this Section)	
18	1062255	4	Strap, Tie	

# SECTION 10 - ELECTRICAL

## FIGURE 10-9. ENGINE ECU INSTALLATION



DETAIL A

AWT\_1001208809-B

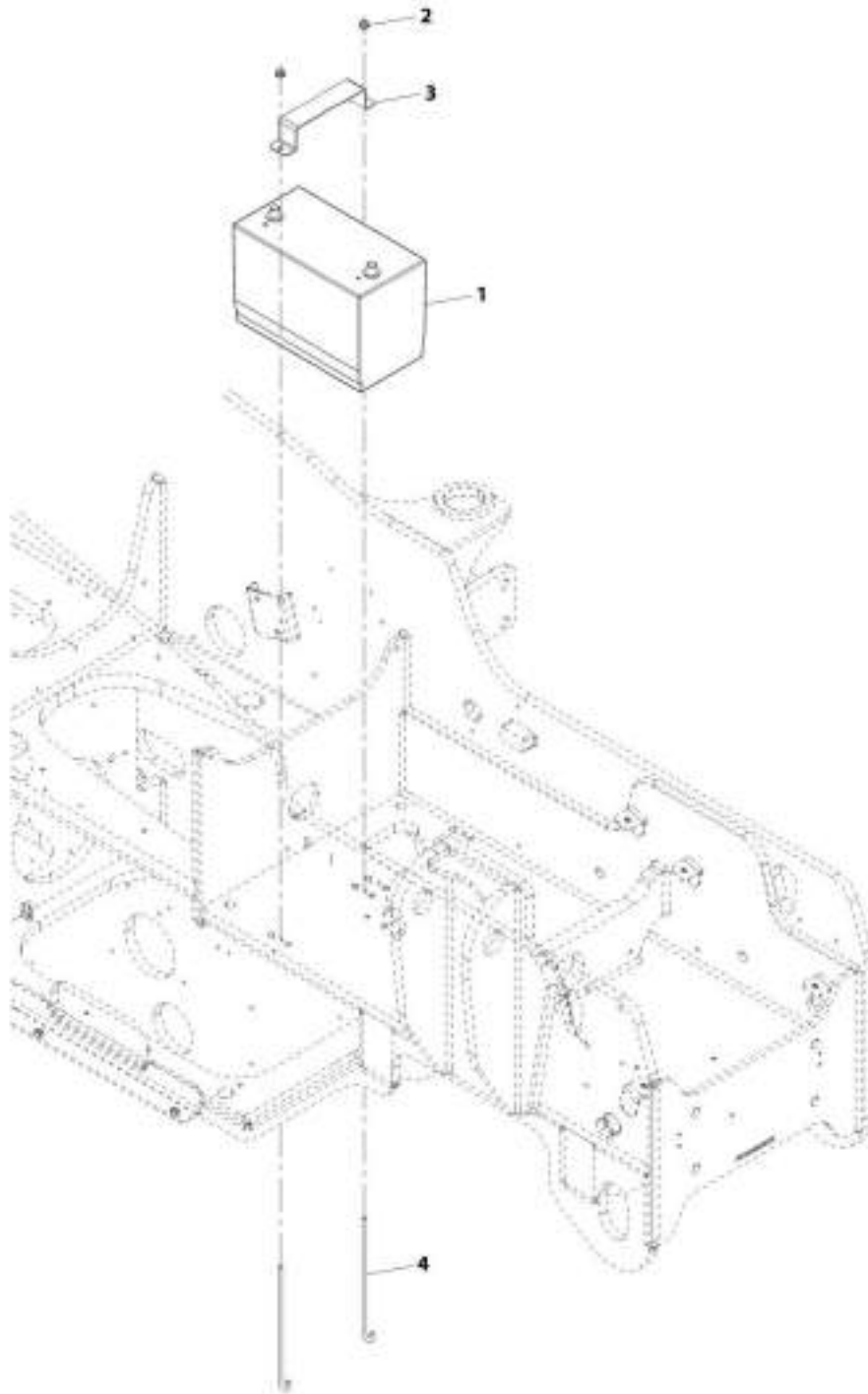
## SECTION 10 - ELECTRICAL

### FIGURE 10-9. ENGINE ECU INSTALLATION

ITEM	PART NUMBER	QTY	DESCRIPTION	REV
	1001200869	Ref	Engine ECU Installation	B
1	0700614	4	Bolt, M6X30	
2	0760807	3	Bolt, M8X14	
3	3900357	2	Capscrew, M6X16	
4	4811700	10	Washer, M6	
5	4831900	3	Washer, Lock M8	
6	1001138645	2	Mount, Cable Tie	
7	1001179907	3	Mount, Isolator	
9	1001210397	1	Plate	
10	3290605	6	Nut, Lock M6X1	

# SECTION 10 - ELECTRICAL

## FIGURE 10-10. BATTERY INSTALLATION



ART\_100138005-A

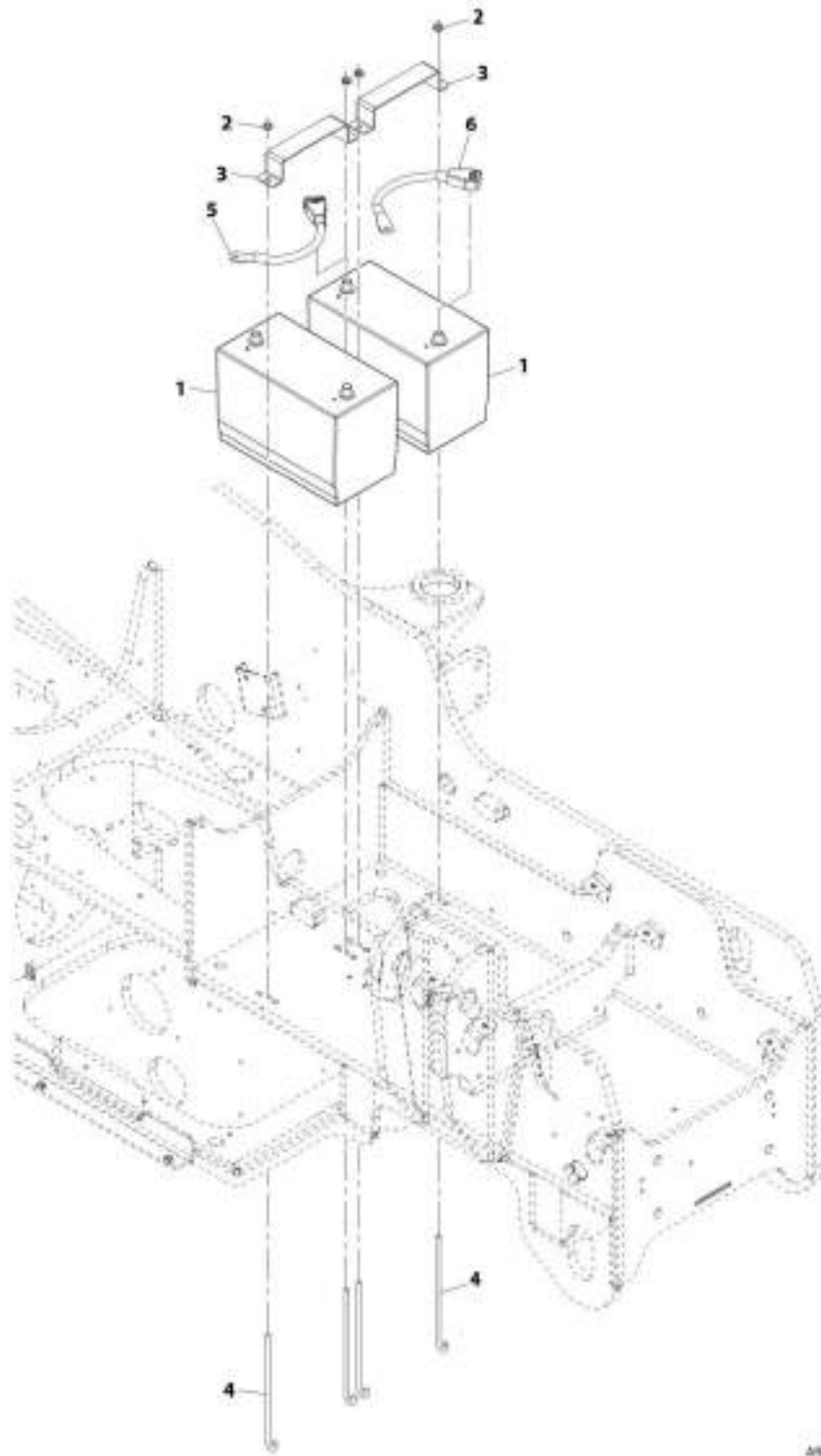
## SECTION 10 - ELECTRICAL

### FIGURE 10-10. BATTERY INSTALLATION

ITEM	PART NUMBER	QTY	DESCRIPTION	REV
	1001186855	Ref	Battery Installation	A
1	0400075	1	Battery, 12V	
2	5220800	2	Nut, Ripp M8	
3	1001160927	1	Plate	
4	1001160928	2	J-Bolt	

# SECTION 10 - ELECTRICAL

## FIGURE 10-11. DUAL BATTERY INSTALLATION



ART 300121148-B

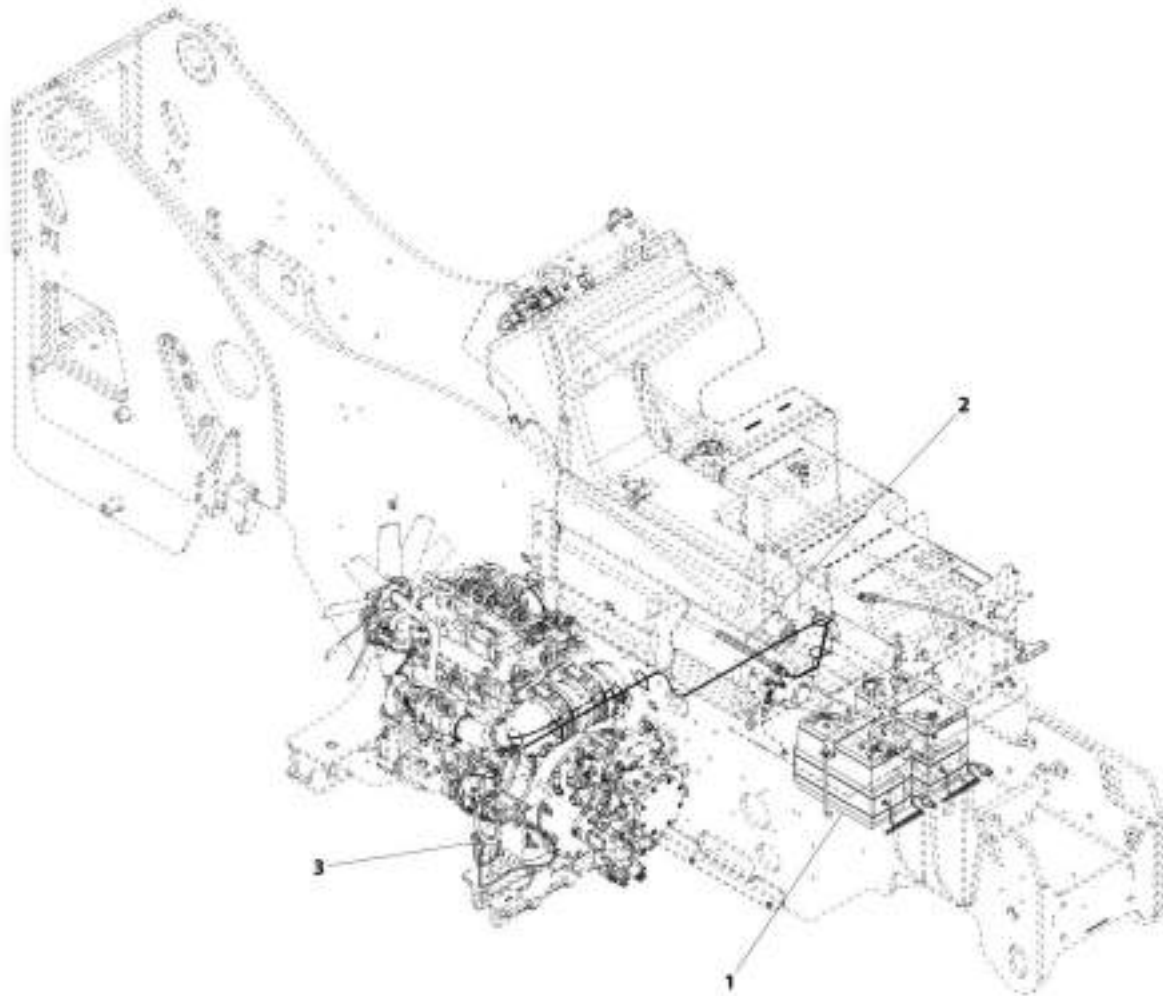
## SECTION 10 - ELECTRICAL

### FIGURE 10-11. DUAL BATTERY INSTALLATION

ITEM	PART NUMBER	QTY	DESCRIPTION	REV
	1001211445	Ref	Dual Battery Installation	B
1	0400075	2	Battery, 12V	
2	5220800	4	Nut, Ripp M8	
3	1001160927	2	Plate	
4	1001160928	4	J-Bolt	
5	1001172495	1	Cable, Positive Battery	
6	1001172496	1	Cable, Negative Battery	

# SECTION 10 - ELECTRICAL

## FIGURE 10-12. ARTIC BATTERY PACKAGE INSTALLATION (115V)



ART\_3001184850-C



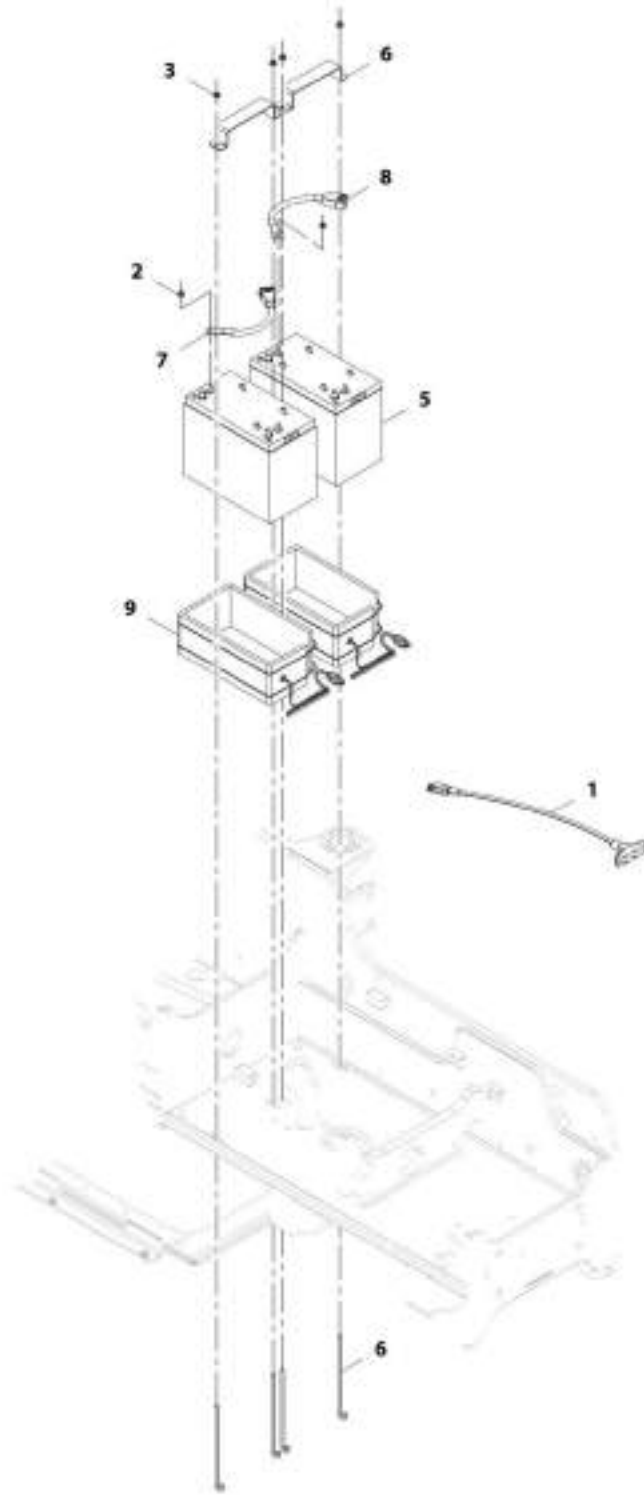
## SECTION 10 - ELECTRICAL

**FIGURE 10-12. ARTIC BATTERY PACKAGE INSTALLATION (115V)**

ITEM	PART NUMBER	QTY	DESCRIPTION	REV
1	1001186856	Ref	INSTALL,COLD WEATHER PKG ARCTIC, JLG	C
	1001195582	Ref	Installation, Arctic Battery Package (115V) (See Seperate Breakdown in this Section)	
2	1001195593	Ref	Installation, Hydraulic Tank Heater (115V) (See Seperate Breakdown in this Section)	
3	2580040	1	Heater, Engine Oil Pan	

# SECTION 10 - ELECTRICAL

## FIGURE 10-13. ARCTIC BATTERIES INSTALLATION (115V)



ART\_1801165582-B

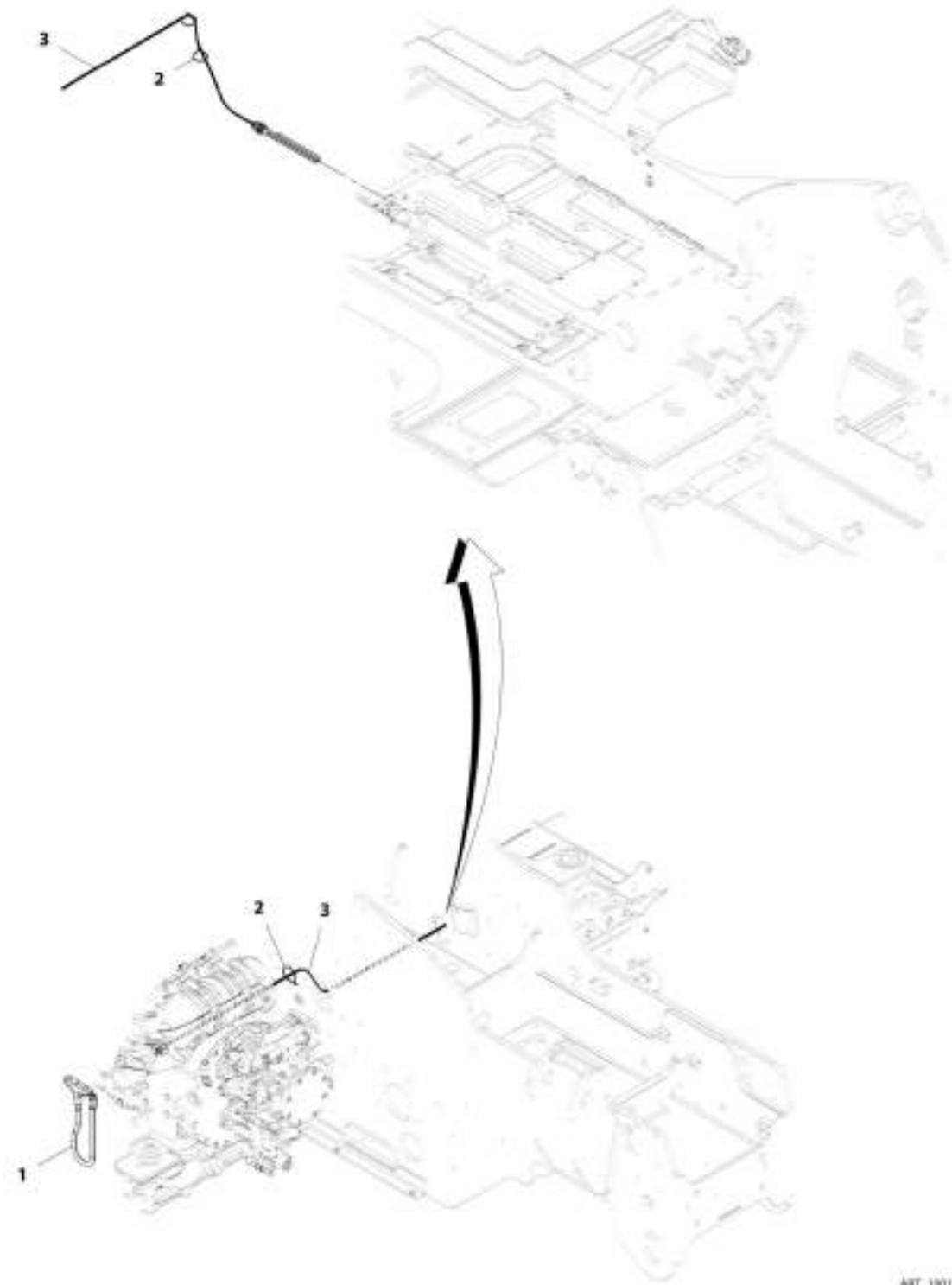
## SECTION 10 - ELECTRICAL

### FIGURE 10-13. ARCTIC BATTERIES INSTALLATION (115V)

ITEM	PART NUMBER	QTY	DESCRIPTION	REV
	1001195582	Ref	Arctic Batteries Installation (115V)	B
1	1060626	1	Cord, 3-Way Extension	
2	3311508	2	Nut, 5/16-18	
3	5220800	4	Nut, M8	
4	1001093564	2	Heater, Battery	
5	1001098762	2	Battery, 12V	
6	1001160927	2	Plate, Battery Hold Down	
7	1001160928	4	J-Bolt	
8	1001172495	1	Cable, Positive Battery	
9	1001172496	1	Cable, Negative Battery	

# SECTION 10 - ELECTRICAL

FIGURE 10-14. HYDRAULIC TANK HEATER INSTALLATION (115V)



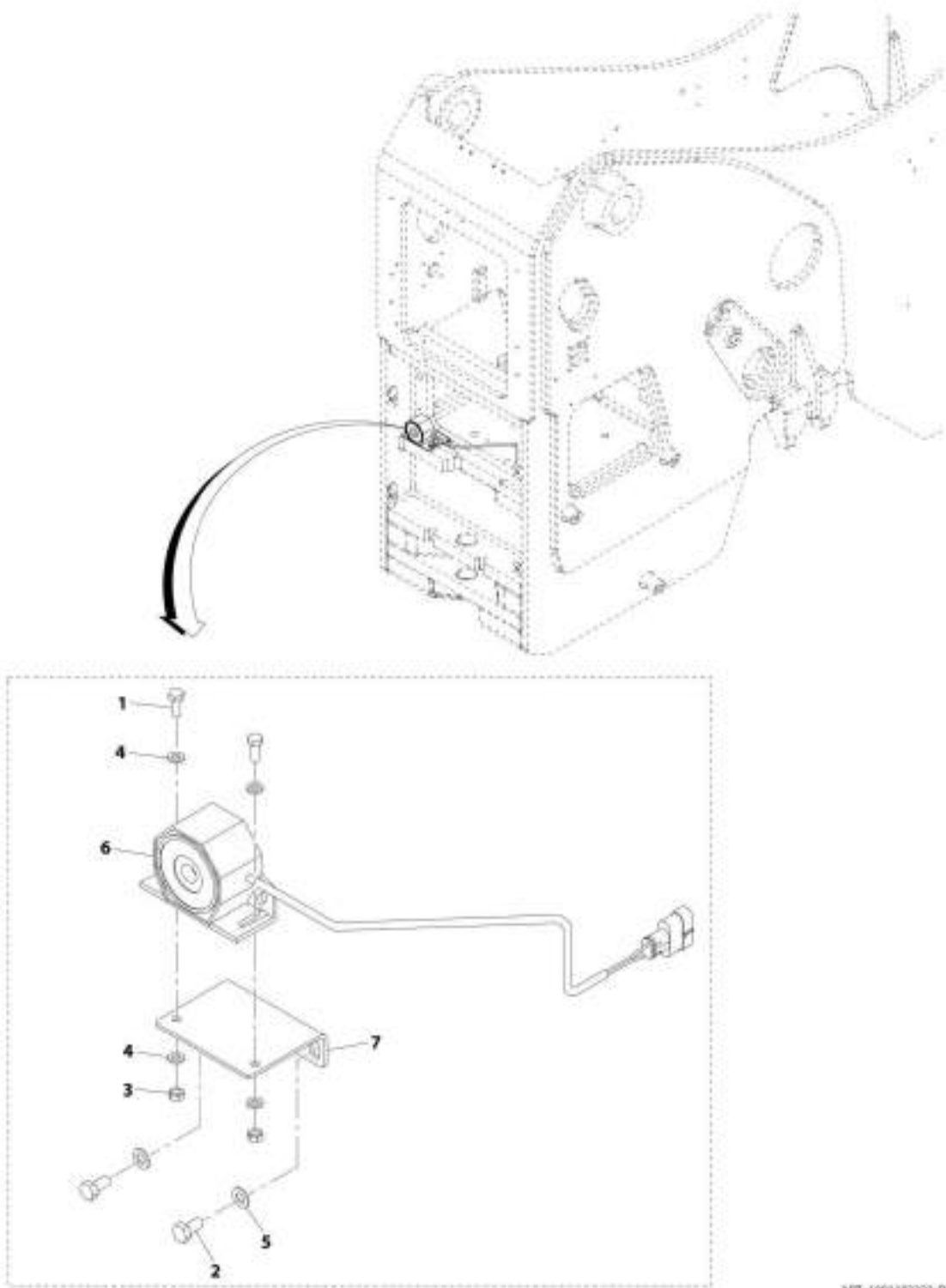
## SECTION 10 - ELECTRICAL

**FIGURE 10-14. HYDRAULIC TANK HEATER INSTALLATION (115V)**

ITEM	PART NUMBER	QTY	DESCRIPTION	REV
	1001195593	Ref	Hydraulic Tank Heater Installation (115V)	B
1	1060626	1	Cord, 3-Way Extension	
2	4240099	AR	Tie, Wire	
3	1001105886	1	Heater, Immersion	

# SECTION 10 - ELECTRICAL

## FIGURE 10-15. BACKUP ALARM INSTALLATION



ART\_100118223-D

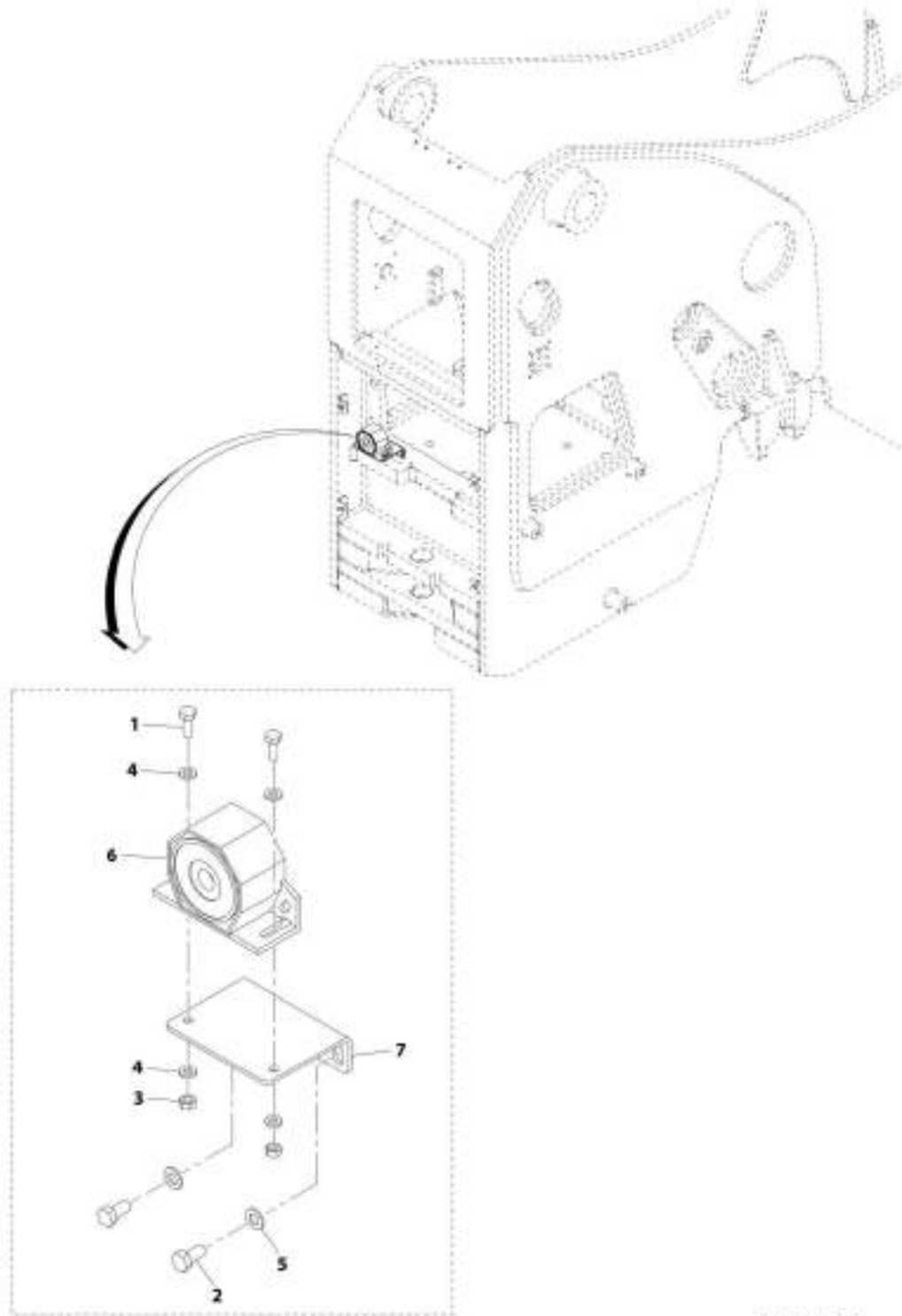
## SECTION 10 - ELECTRICAL

### FIGURE 10-15. BACKUP ALARM INSTALLATION

ITEM	PART NUMBER	QTY	DESCRIPTION	REV
	1001192323	Ref	Backup Alarm Installation	D
1	0760608	2	Bolt, M6X16	
2	0760808	2	Bolt, M8X16	
3	3290601	2	Nut, M6X1	
4	4811700	4	Washer, M6	
5	4811900	2	Washer, M8	
6	1001101808	1	Alarm, Backup	
7	1001193698	1	Bracket	

# SECTION 10 - ELECTRICAL

FIGURE 10-16. BACKUP ALARM INSTALLATION (WHITE NOISE)



ART\_1001185263-8



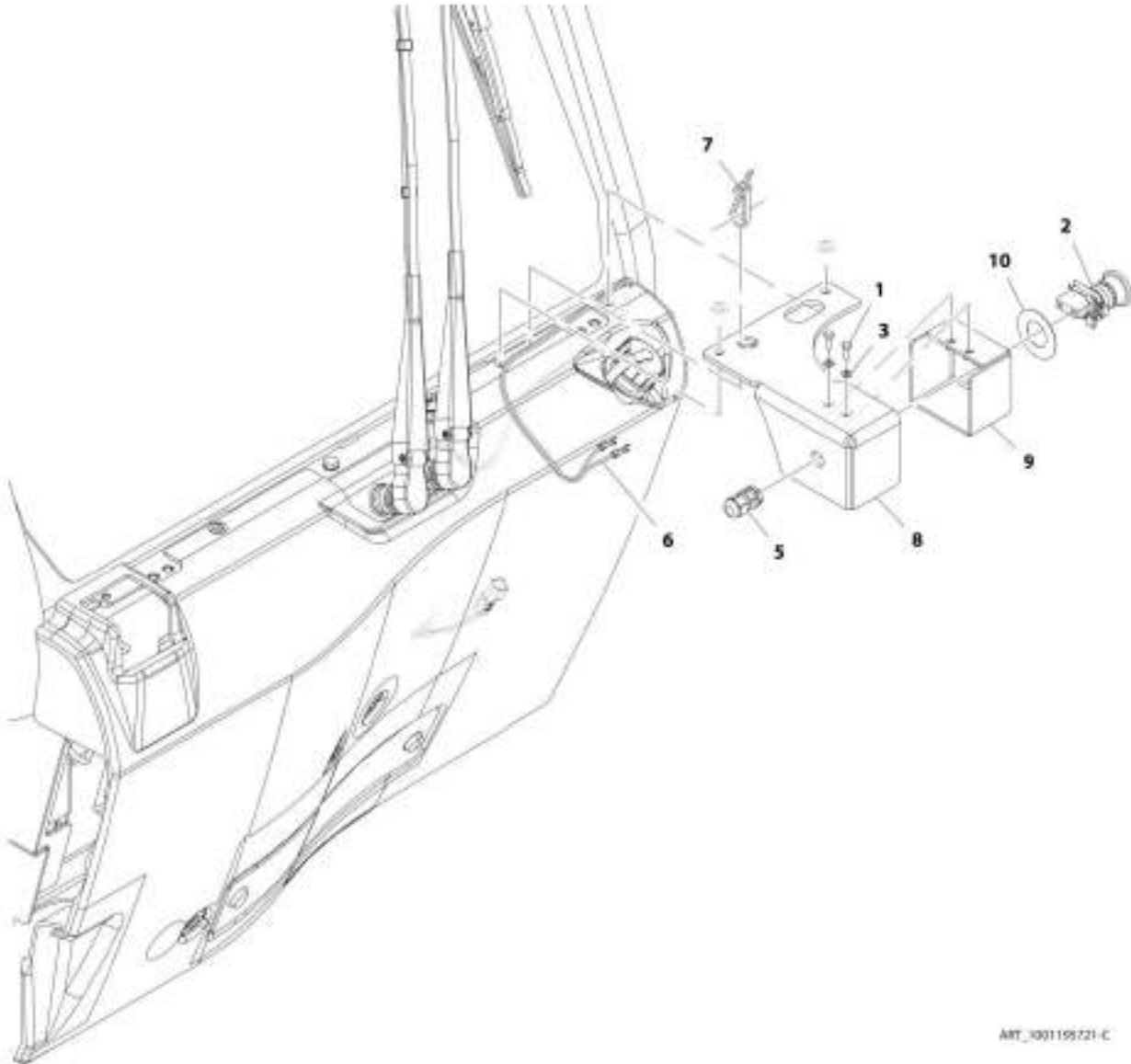
## SECTION 10 - ELECTRICAL

**FIGURE 10-16. BACKUP ALARM INSTALLATION (WHITE NOISE)**

ITEM	PART NUMBER	QTY	DESCRIPTION	REV
	1001195263	Ref	Backup Alarm Installation (White Noise)	B
1	0760608	2	Bolt, M6X16	
2	0760808	2	Bolt, M8X16	
3	3290601	2	Nut, M6X1	
4	4811700	4	Washer, M6	
5	4811900	2	Washer, M8	
6	1001165827	1	Alarm, Backup (White Noise)	
7	1001193698	1	Bracket	

# SECTION 10 - ELECTRICAL

## FIGURE 10-17. EMERGENCY STOP EXTERNAL INSTALLATION



ART\_3001195721-C

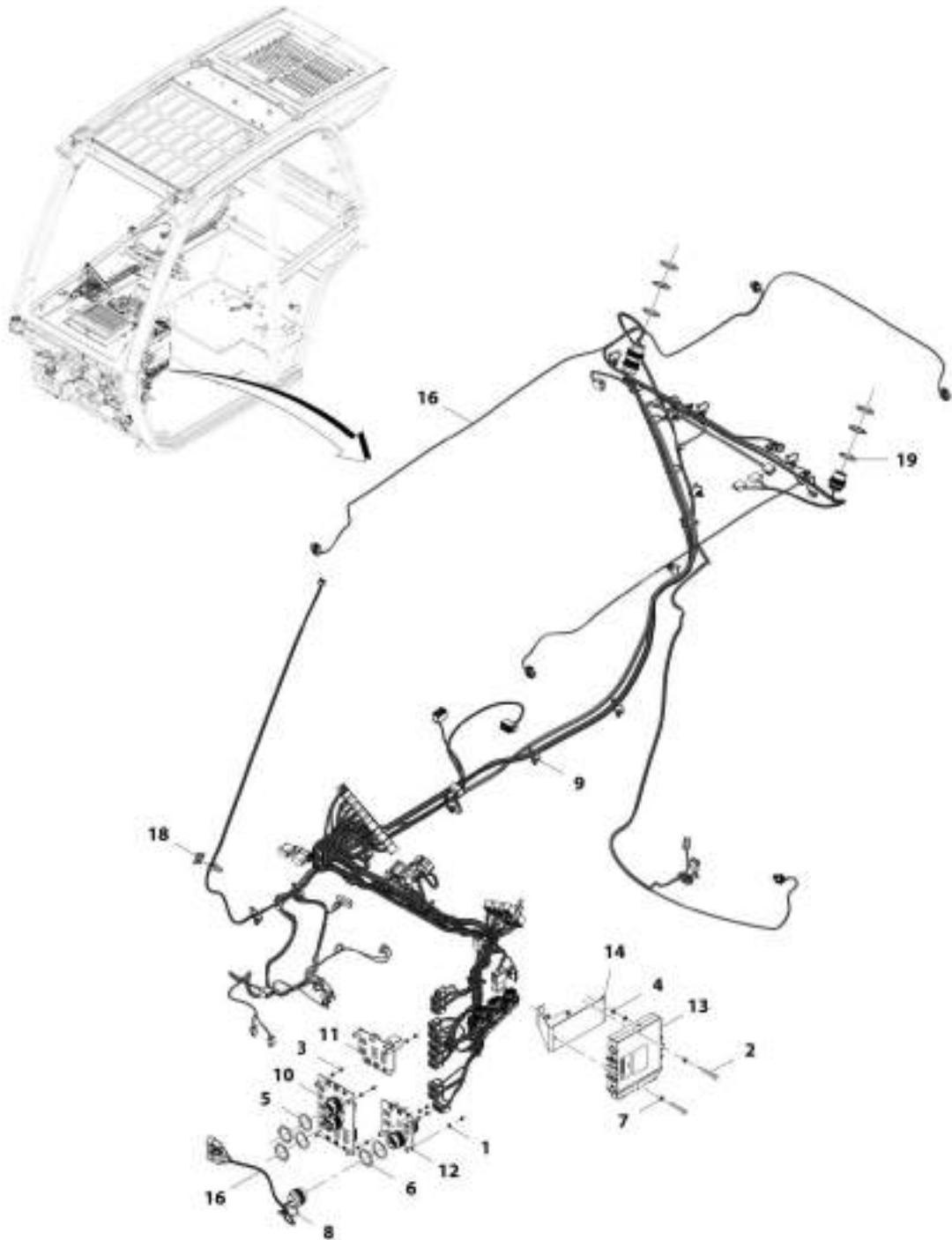
## SECTION 10 - ELECTRICAL

### FIGURE 10-17. EMERGENCY STOP EXTERNAL INSTALLATION

ITEM	PART NUMBER	QTY	DESCRIPTION	REV
	1001195721	Ref	Emergency Stop External Installation	C
1	0760507	2	Bolt, M5X14	
2	4360475	1	Switch, E-Stop	
3	4811600	2	Washer, M5	
5	4461000	1	Connector	
6	1001217320	1	Harness, External EMS	
7	1001008559	1	Strap, Tie	
8	1001220859	1	Bracket	
9	1001220861	1	Shield	
10	1704260	1	Decal, EMS	

# SECTION 10 - ELECTRICAL

## FIGURE 10-18. CAB ELECTRICAL INSTALLATION



ART\_1001102558-H

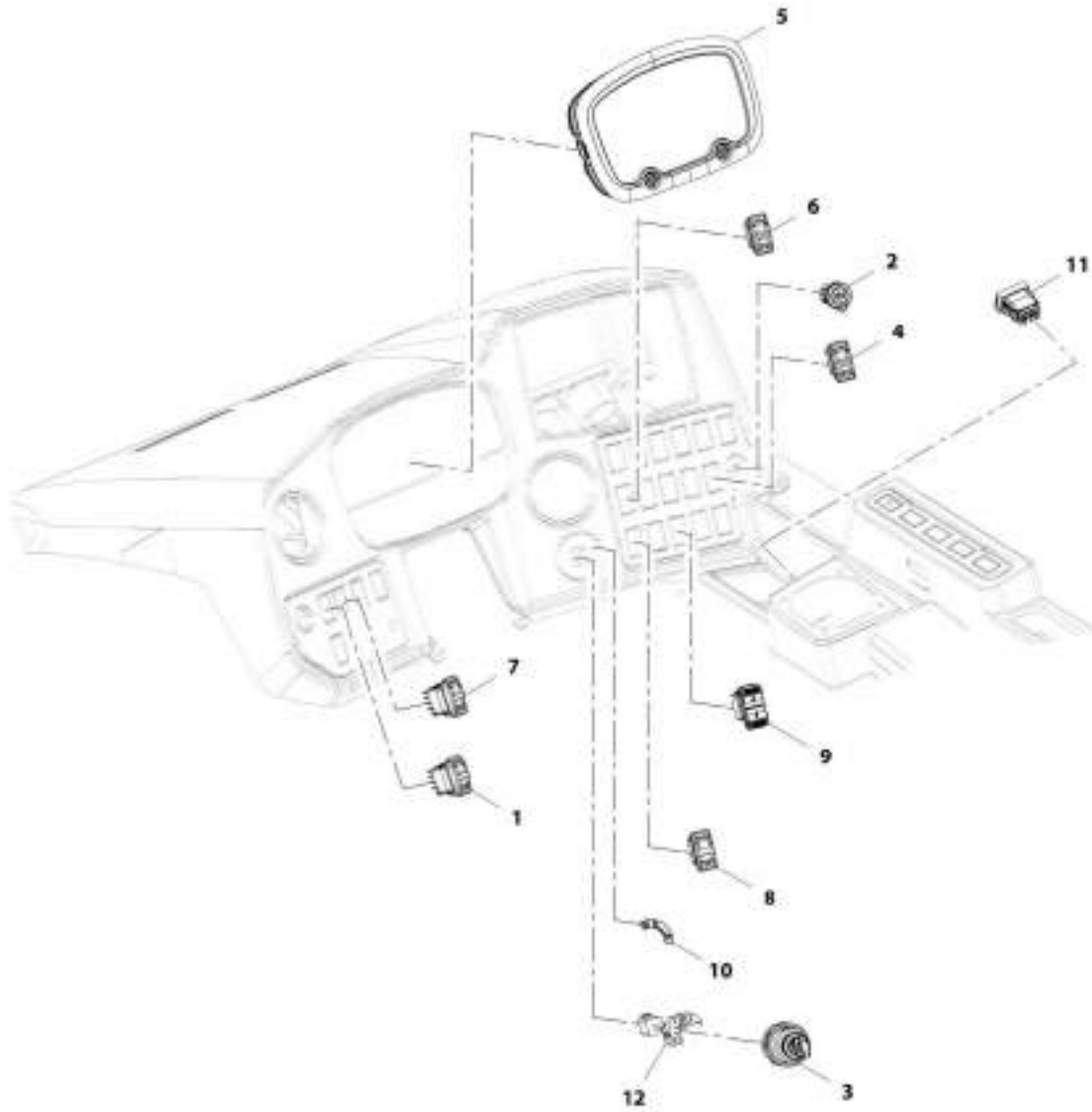
## SECTION 10 - ELECTRICAL

**FIGURE 10-18. CAB ELECTRICAL INSTALLATION**

ITEM	PART NUMBER	QTY	DESCRIPTION	REV
	1001192558	Ref	Cab Electrical Installation	H
1	120034	7	Washer, Plastic	
2	0700618	2	Bolt, M6X50	
3	3290501	7	Nut, M5X0.8	
4	3290601	2	Nut, M6X1	
5	4460496	5	Washer, Terminal Lock	
6	4460497	5	Nut, Terminal	
7	4811700	4	Washer, M6	
8	1001008559	2	Strap, Cable Tie	
9	1001146588	24	Strap, Cable Tie	
10	1001161769	1	Assembly, Standard Electrical Board (See Separate Breakdown in Electrical Section)	
11	1001161770	1	Assembly, Option 1 Electrical Board (See Separate Breakdown in Electrical Section)	
12	1001161771	1	Assembly, Option 2 Electrical Board (See Separate Breakdown in Electrical Section)	
13	1001162249	1	Module, Cab Control	
14	1001178933	1	Bracket	
15	1001181681	1	Harness, Cab Option LBP (See Separate Breakdown in Electrical Section)	
16	1001193940	1	Harness, Cab (See Separate Breakdown in Electrical Section)	
18	4460234	1	Terminal, Mount Cable Tie	
19	1001211693	2	Seal	

# SECTION 10 - ELECTRICAL

## FIGURE 10-19. DASH ELECTRICAL INSTALLATION



ART\_1801226717-C

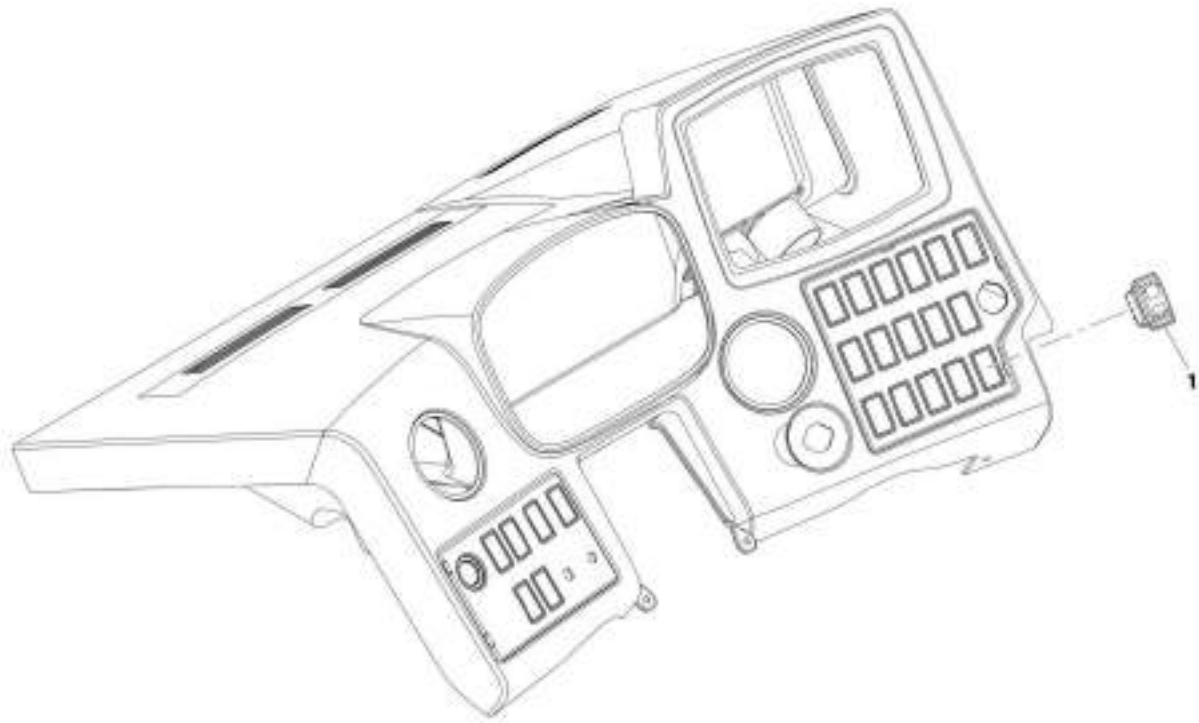
## SECTION 10 - ELECTRICAL

### FIGURE 10-19. DASH ELECTRICAL INSTALLATION

ITEM	PART NUMBER	QTY	DESCRIPTION	REV
	1001220717	Ref	Dash Electrical Installation	C
1	1001080978	1	Switch, Lift/Loader	
2	1001095804	1	Connector, 12V Power Socket	
3	1001102502	1	Switch, 4 Position Key	
3	70022765	1	Key, Ignition (set of 2)	
4	1001104654	1	Switch, AUX Decomp	
5	1001158146	1	Cluster, Electrical Gauge	
6	1001159735	1	Switch, Rear Wiper	
7	1001159741	1	Switch, Constant AUX	
8	1001159849	1	Switch, Steer Mode	
9	1001174712	1	Charger, USB	
10	1001181531	1	Decal, Ignition Switch	
11	1001212470	1	Switch, Frame Level	
12	1001223968	1	Harness, Ignition Switch (See Separate Breakdown in this Section)	

# SECTION 10 - ELECTRICAL

## FIGURE 10-20. LIGHT SWITCH INSTALLATION



ARS\_1001210121-A



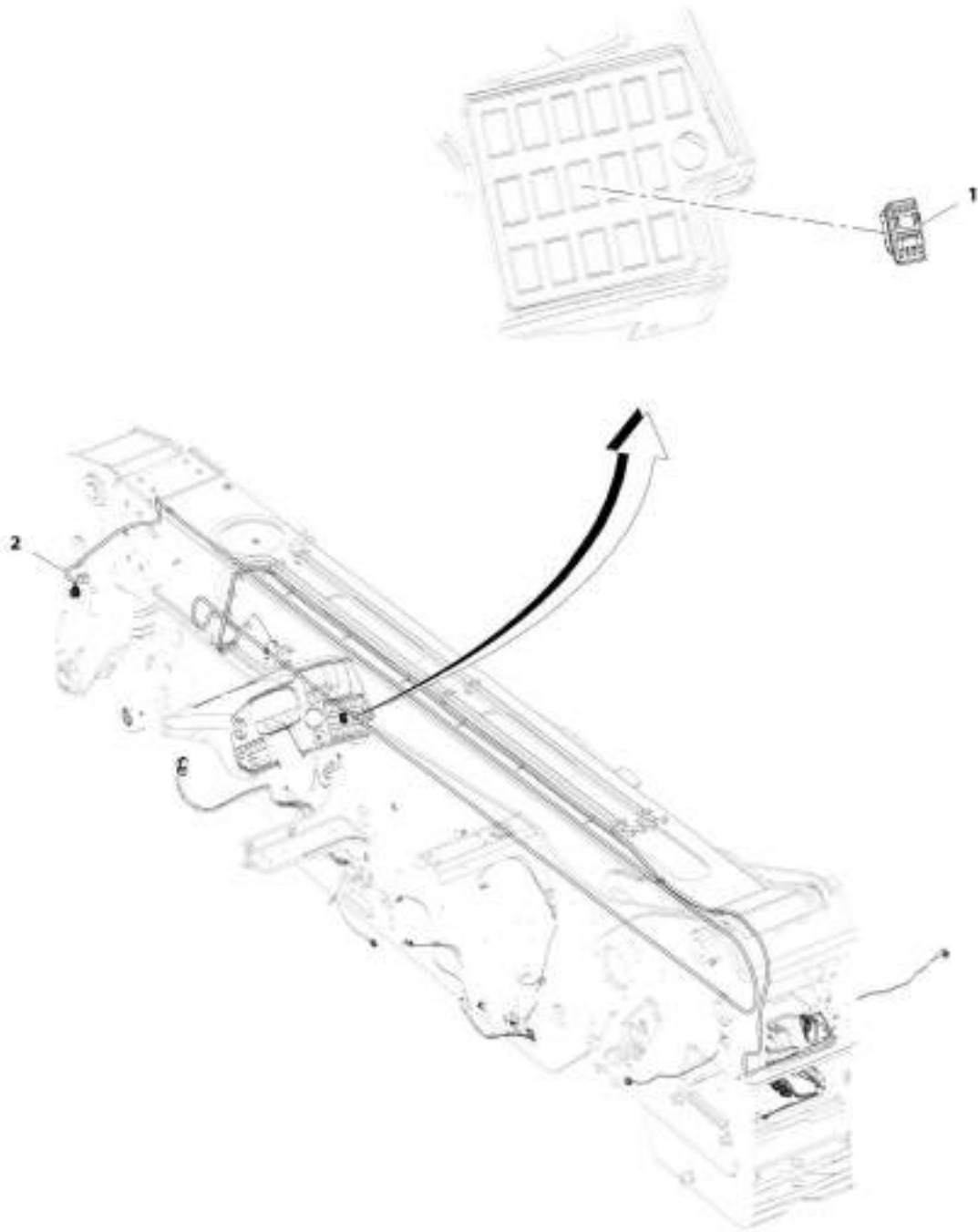
## SECTION 10 - ELECTRICAL

### FIGURE 10-20. LIGHT SWITCH INSTALLATION

ITEM	PART NUMBER	QTY	DESCRIPTION	REV
1	1001215121 1001163639	Ref 1	Light Switch Installation Switch, Light	A

# SECTION 10 - ELECTRICAL

## FIGURE 10-21. BOOM HARNESS INSTALLATION



ART\_180116375-B

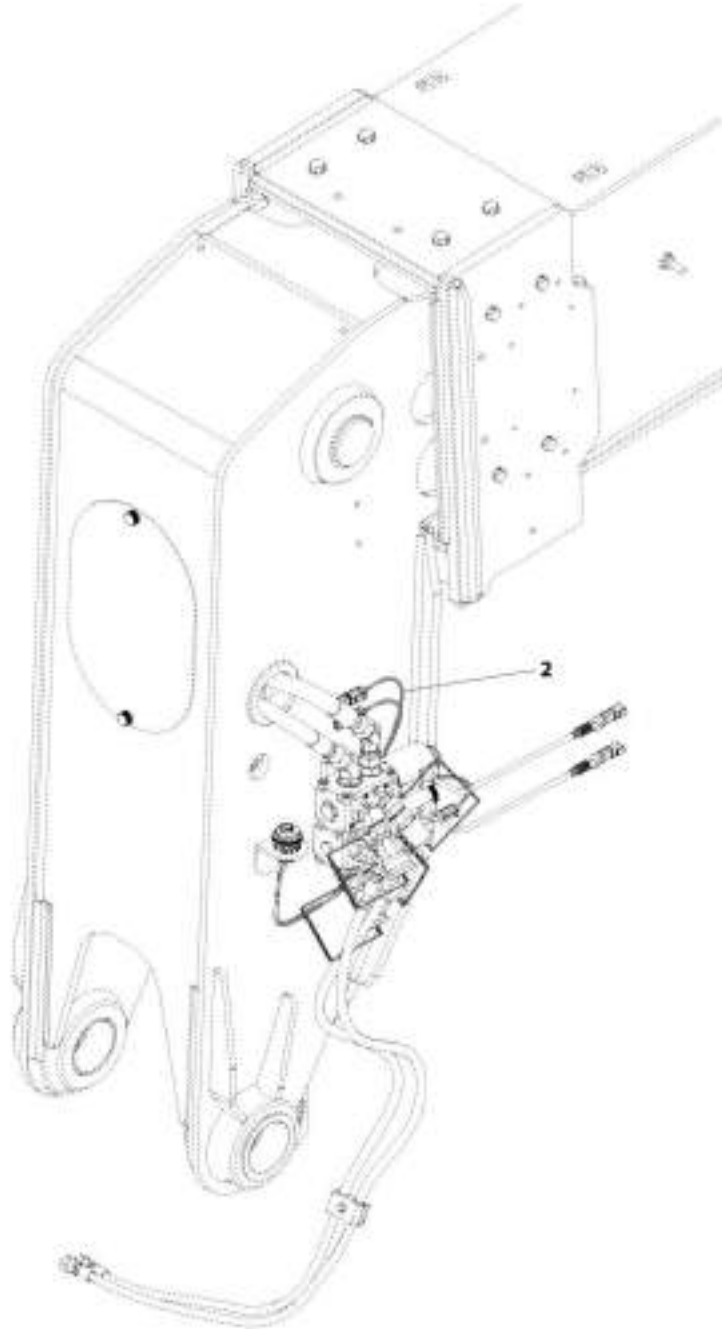
## SECTION 10 - ELECTRICAL

### FIGURE 10-21. BOOM HARNESS INSTALLATION

ITEM	PART NUMBER	QTY	DESCRIPTION	REV
	1001192575	Ref	Boom Harness Installation	B
	1001159746	1	Switch, Aux Electric	
	1001201124	1	Harness, Boom (See Seperate Breakdown in this Section)	

# SECTION 10 - ELECTRICAL

## FIGURE 10-22. BOOM AUX HARNESS INSTALLATION



ART\_1001192370-C

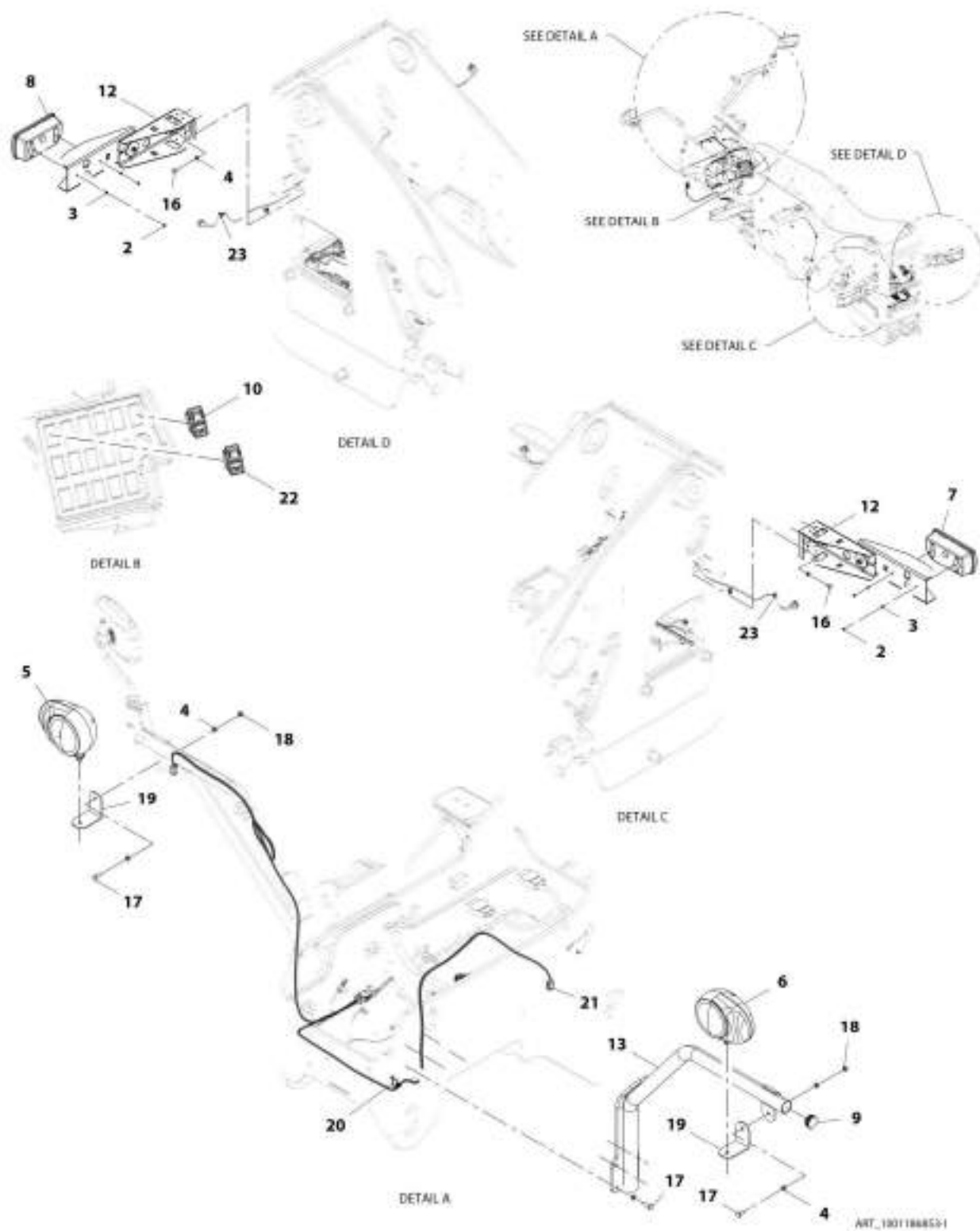
## SECTION 10 - ELECTRICAL

### FIGURE 10-22. BOOM AUX HARNESS INSTALLATION

ITEM	PART NUMBER	QTY	DESCRIPTION	REV
2	1001192370 1001206633	Ref 1	Boom Aux Harness Installation Harness, Boom AUX (See Seperate Breakdown in this Section)	C

# SECTION 10 - ELECTRICAL

## FIGURE 10-23. DRIVING LIGHT INSTALLATION (RH DIP)



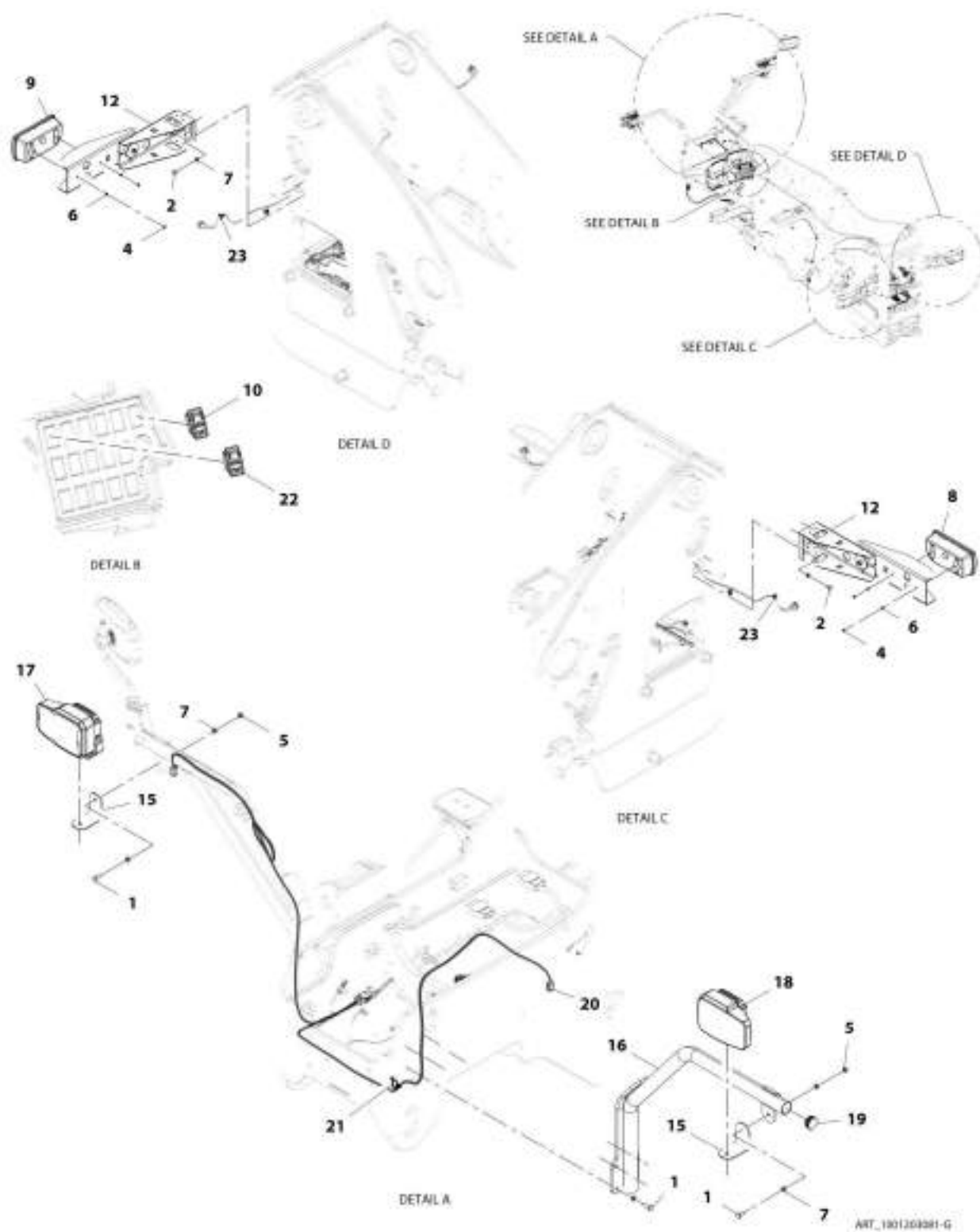
## SECTION 10 - ELECTRICAL

**FIGURE 10-23. DRIVING LIGHT INSTALLATION (RH DIP)**

ITEM	PART NUMBER	QTY	DESCRIPTION	REV
	1001186853	Ref	Driving Light Installation (RH Dip)	1
2	3290607	4	Nut, Lock M6X1	
3	4811700	4	Washer, M6	
4	4812000	16	Washer, M10	
5	2920208	1	Light, Driving (RH) (RH Dip)	
	7029969	1	Bulb, 4W	
	7029970	1	Bulb, 55W	
	7029971	1	Bulb, 21W	
6	2920207	1	Light, Driving (LH) (RH Dip)	
	7029969	1	Bulb, 4W	
	7029970	1	Bulb, 55W	
	7029971	1	Bulb, 21W	
7	1001091715	1	Light, Rear (LH)	
	70021341	1	Bulb, 5W	
	70021340	1	Bulb, 21W	
	7029971	1	Bulb, 21W	
8	1001091716	1	Light, Rear (RH)	
	70021341	1	Bulb, 5W	
	70021340	1	Bulb, 21W	
	7029971	1	Bulb, 21W	
9	1001209697	1	Cap	
10	1001159734	1	Switch, Hazard	
12	1001183112	2	Assembly, Rear Light Bracket (See Seperate Breakdown in this Section)	
13	1001206100	1	Bracket	
16	0761010	8	Bolt, M10X20	
17	0701014	6	Bolt, M10X30	
18	3291001	2	Nut, M10X1.5	
19	1001203368	2	Bracket	
20	1001146588	1	Strap, Tie	
21	1001215693	1	Harness, Headlight (See Seperate Breakdown in this Section)	
22	1001159737	1	Switch, Fog Lights	
23	1001008559	4	Strap, Cable	

# SECTION 10 - ELECTRICAL

## FIGURE 10-24. DRIVING LIGHT INSTALLATION (LED) (RH DIP)





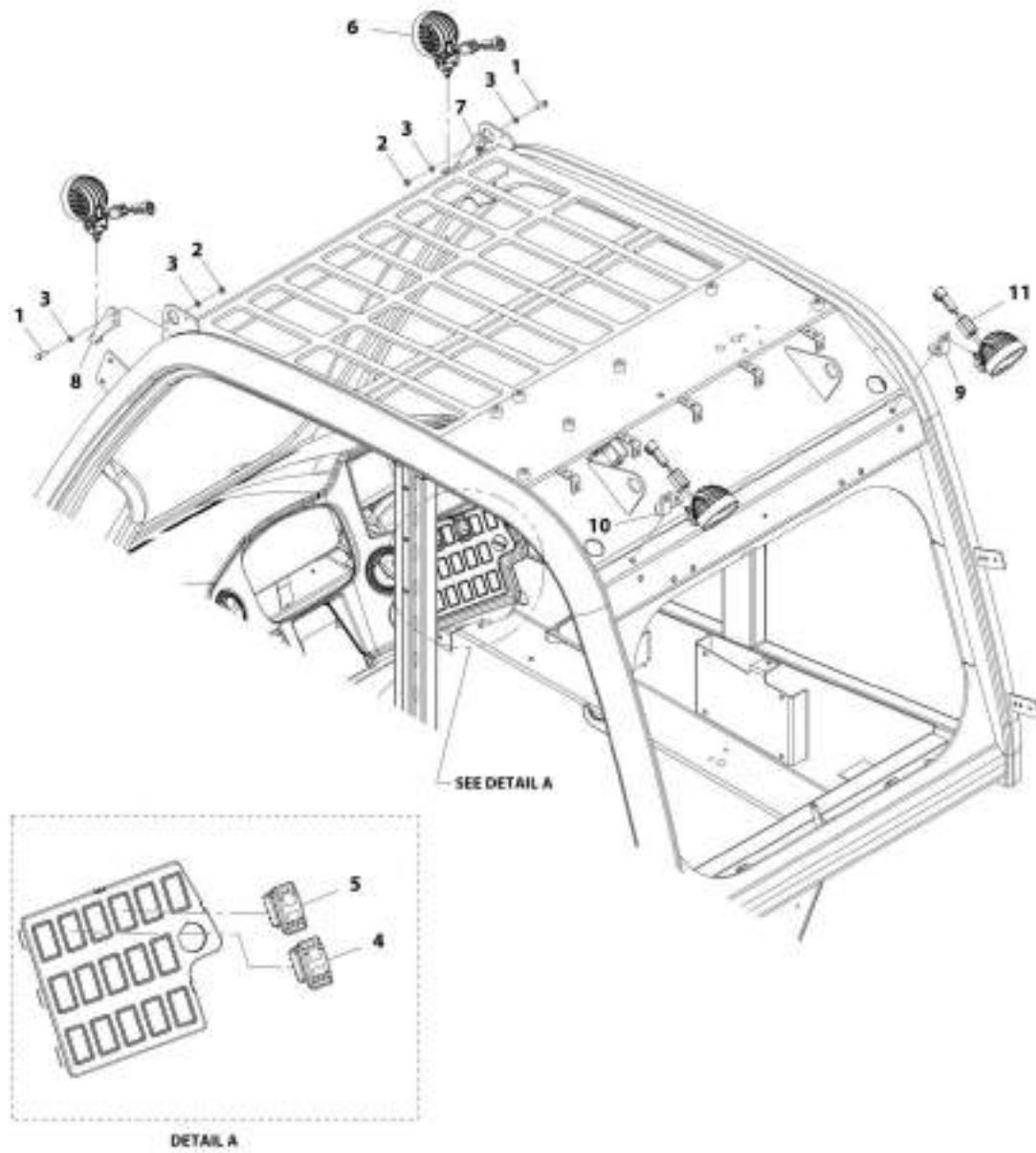
## SECTION 10 - ELECTRICAL

**FIGURE 10-24. DRIVING LIGHT INSTALLATION (LED) (RH DIP)**

ITEM	PART NUMBER	QTY	DESCRIPTION	REV
	1001203081	Ref	Driving Light Installation (LED) (RH Dip)	G
1	0701014	6	Bolt, M10X30	
2	0761010	8	Bolt, M10X20	
4	3290607	4	Bolt, M6X1	
5	3291001	2	Nut, M10X1.5	
6	4811700	4	Washer, M6	
7	4812000	16	Washer, M10	
8	1001091715	1	Light, Rear (LH)	
	70021341	1	Bulb, 5W	
	70021340	1	Bulb, 21W	
	7029971	1	Bulb, 21W	
9	1001091716	1	Light, Rear (RH)	
	70021341	1	REPLACEMENT BULB, 12V-5W	
	70021340	1	Bulb, 21W	
	7029971	1	Bulb, 21W	
10	1001159734	1	Switch, Hazard	
12	1001183112	2	Assembly, Rear Light Bracket (See Seperate Breakdown in this Section)	
15	1001203368	2	Bracket	
16	1001206100	1	Bracket	
17	1001209690	1	Light, Driving (RH - LED) (RH Dip)	
18	1001209691	1	Light, Driving (LH - LED) (LH Dip)	
19	1001209697	1	Cap	
20	1001215693	1	Harness, Headlights (See Seperate Breakdown in this Section)	
21	1001146588	1	Strap, Cable Tie	
22	1001159737	1	Switch, Fog Lights	
23	1001008559	4	Strap, Cable Tie	

# SECTION 10 - ELECTRICAL

## FIGURE 10-25. CAB WORKLIGHTS INSTALLATION (NO A/C - LED)



ART\_1001200538-C

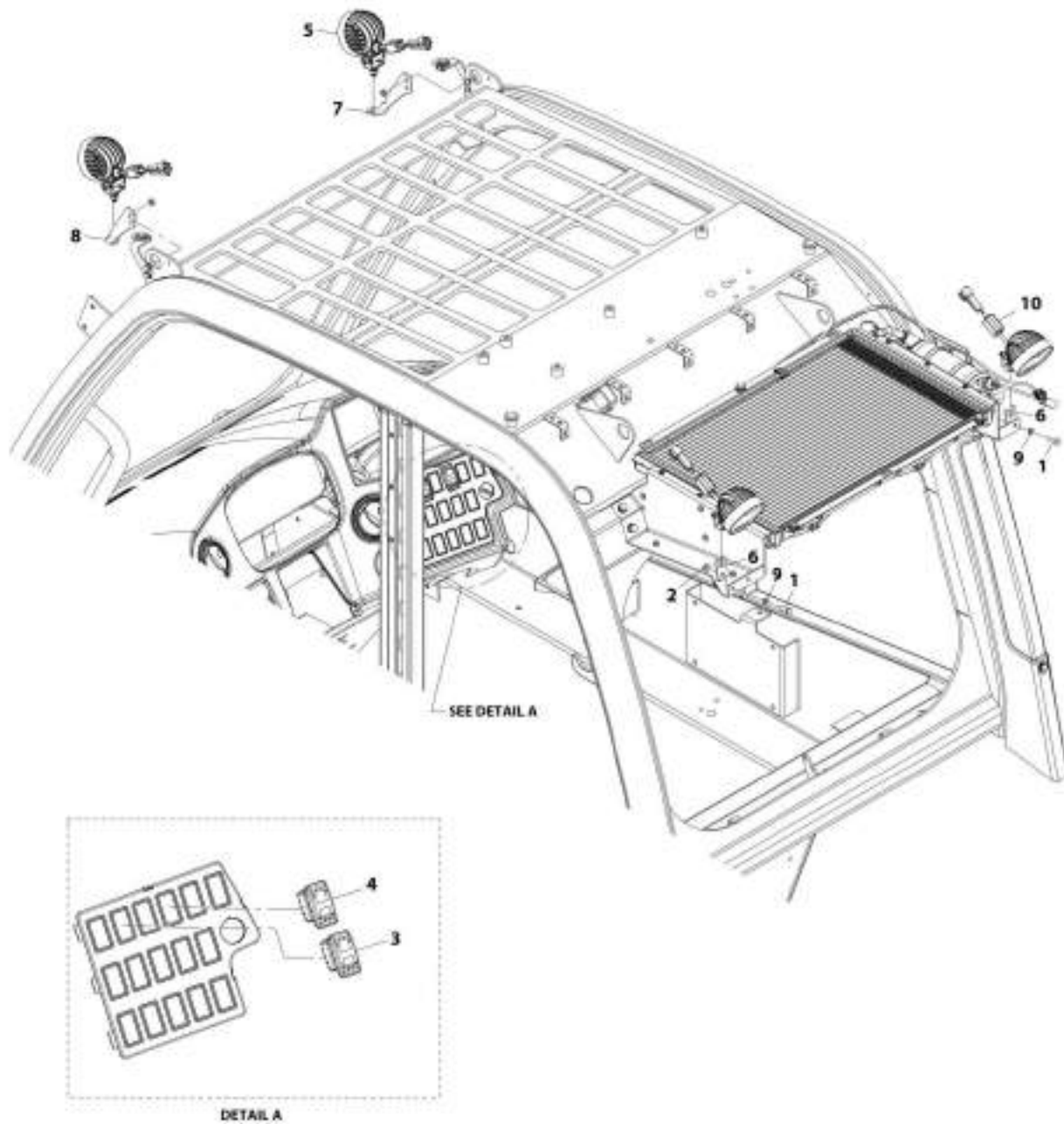
## SECTION 10 - ELECTRICAL

**FIGURE 10-25. CAB WORKLIGHTS INSTALLATION (NO A/C - LED)**

ITEM	PART NUMBER	QTY	DESCRIPTION	REV
	1001200538	Ref	Cab Worklights Installation (No A/C - LED)	C
1	0700610	4	Bolt, M6X20	
2	3290601	4	Nut, M6X1	
3	4811700	8	Washer, M6	
4	1001159845	1	Switch, Front Worklights	
5	1001159846	1	Switch, Rear Worklights	
6	1001203640	4	Lamp, LED Work Light	
7	1001204444	1	Support, LED Work Light RH	
8	1001204445	1	Support, LED Work Light LH	
9	1001204528	1	Support, LED Work Light RH	
10	1001204530	1	Support, LED Work Light LH	
11	1001228989	4	Harness, Ferrite	

# SECTION 10 - ELECTRICAL

## FIGURE 10-26. CAB WORKLIGHTS INSTALLATION (A/C - LED)



ART\_3001200529-C

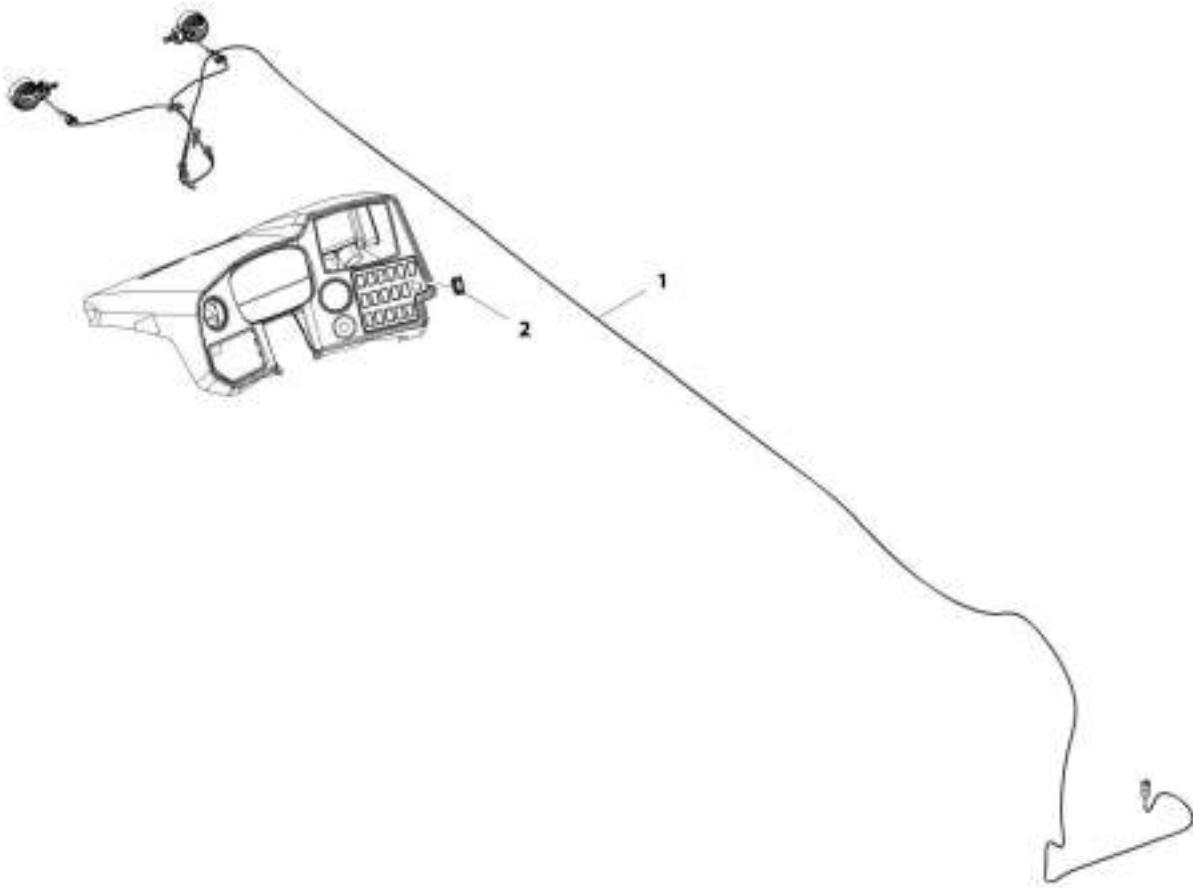
## SECTION 10 - ELECTRICAL

### FIGURE 10-26. CAB WORKLIGHTS INSTALLATION (A/C - LED)

ITEM	PART NUMBER	QTY	DESCRIPTION	REV
	1001200539	Ref	Cab Worklights Installation (A/C - LED)	C
1	0700610	2	Bolt, M6X20	
2	5220600	2	Nut, M6	
3	1001159845	1	Switch, Front Worklights	
4	1001159846	1	Switch, Rear Worklights	
5	1001203640	4	Lamp, LED Work Light	
6	1001204060	2	Bracket	
7	1001204444	1	Support, LED Work Light RH	
8	1001204445	1	Support, LED Work Light LH	
9	4811700	2	Washer, M6	
10	1001228989	4	Harness, Ferrite	

# SECTION 10 - ELECTRICAL

## FIGURE 10-27. BOOM WORK LIGHTS (LED)



ART\_1001206427-0

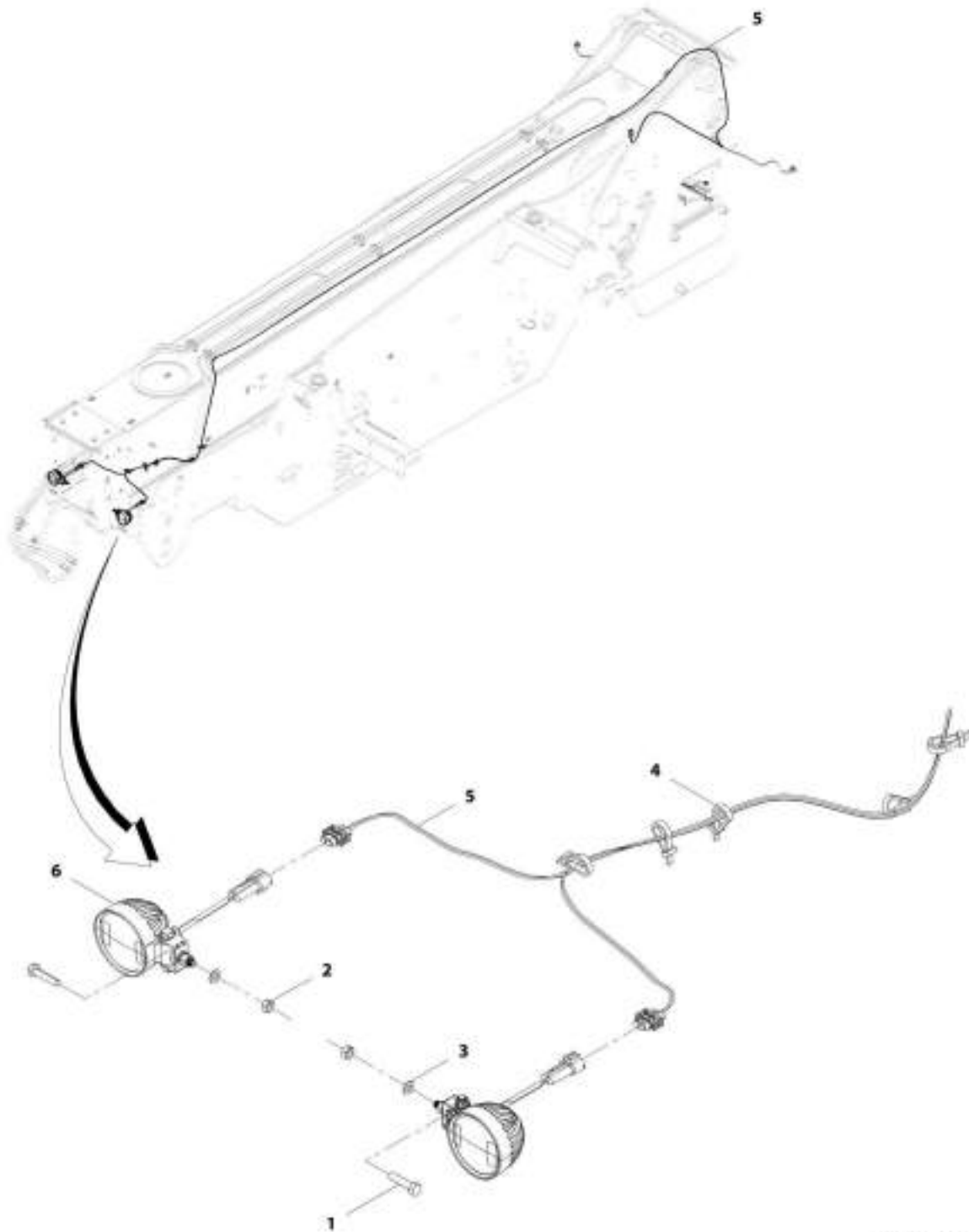
## SECTION 10 - ELECTRICAL

### FIGURE 10-27. BOOM WORK LIGHTS (LED)

ITEM	PART NUMBER	QTY	DESCRIPTION	REV
	1001209427	Ref	Boom Work Lights (LED)	B
1	1001159739	1	Switch, Boom Worklights	
2	1001209456	1	Installation, LED Boom Work lights (See Seperate Breakdown in this Section)	

# SECTION 10 - ELECTRICAL

## FIGURE 10-28. BOOM WORK LIGHT INSTALLATION (LED)



ART\_1001209456-C



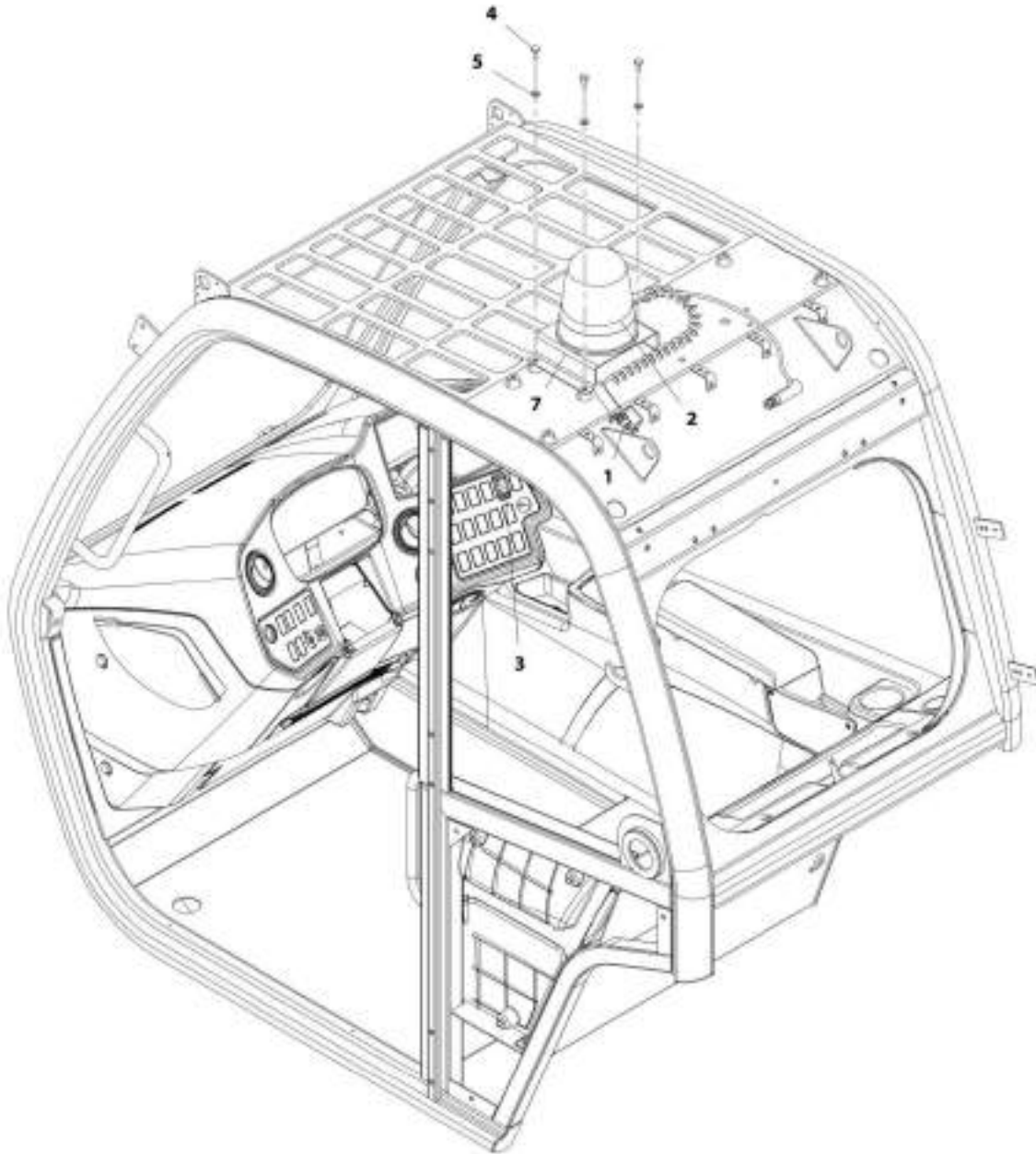
## SECTION 10 - ELECTRICAL

### FIGURE 10-28. BOOM WORK LIGHT INSTALLATION (LED)

ITEM	PART NUMBER	QTY	DESCRIPTION	REV
	1001209456	Ref	Boom Work Light Installation (LED)	C
1	0700815	2	Bolt, M8X35	
2	3290801	2	Nut, M8X1.25	
3	4811900	2	Washer, M8	
4	1001008923	5	Strap, Cable	
5	1001184796	1	Harness, Boom Work Lights (See Seperate Breakdown in this Section)	
6	1001203640	2	Lamp, LED Worklight (See Seperate Breakdown in this Section)	

# SECTION 10 - ELECTRICAL

## FIGURE 10-29. BEACON INSTALLATION



ART\_1001371162-E

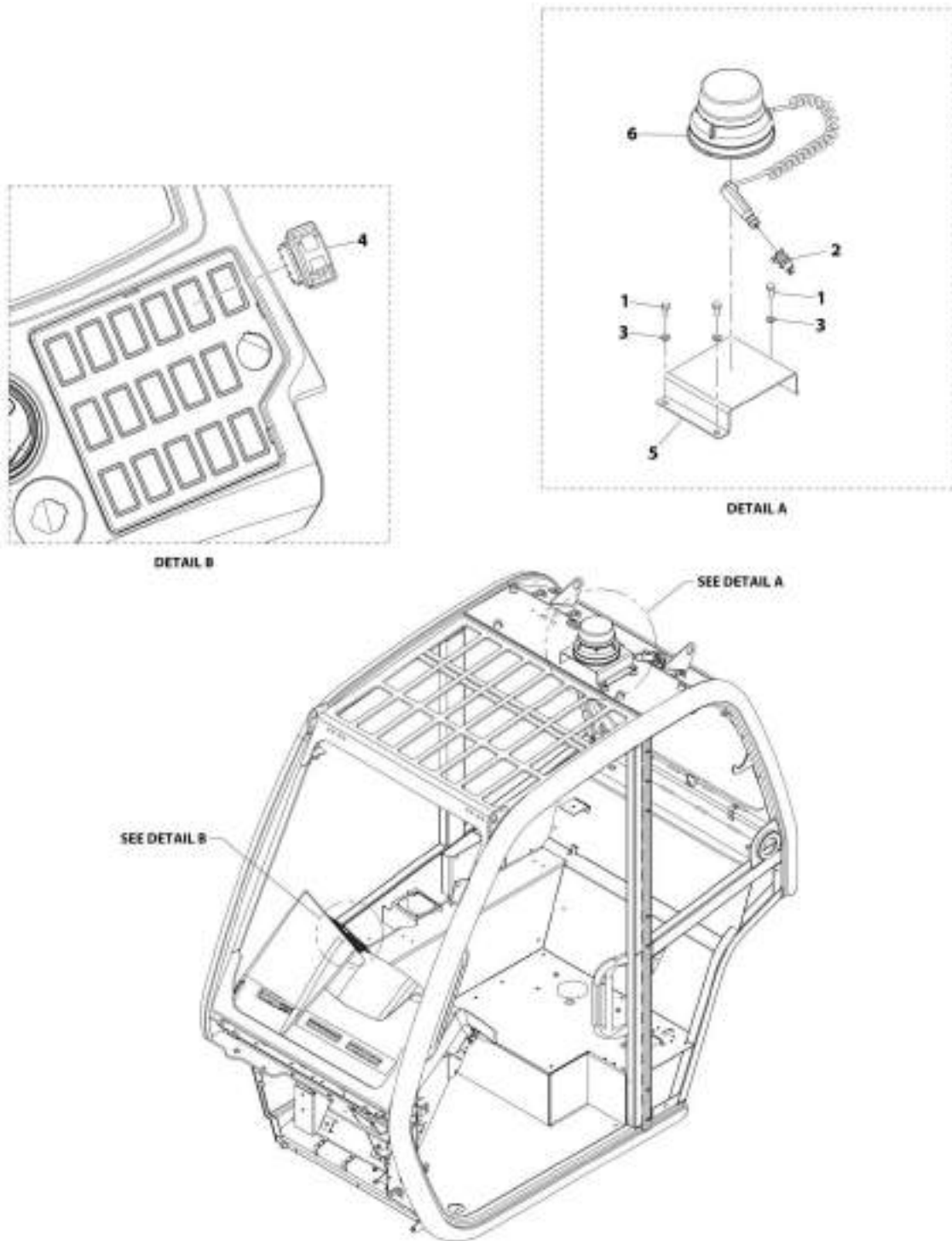
## SECTION 10 - ELECTRICAL

### FIGURE 10-29. BEACON INSTALLATION

ITEM	PART NUMBER	QTY	DESCRIPTION	REV
	1001171162	Ref	Beacon Installation	E
1	4461174	1	Terminal	
2	1001091573	NLA	Light, Warning, (no longer available, use 1001217623 for replacement)	
2	1001217623	1	Light, Warning	
3	1001159738	1	Switch	
4	0760808	3	Bolt, M8X16	
5	4811900	3	Washer, M8	
7	1001174796	1	Bracket	

# SECTION 10 - ELECTRICAL

## FIGURE 10-30. BEACON INSTALLATION (LED)



ART\_1001095880-A

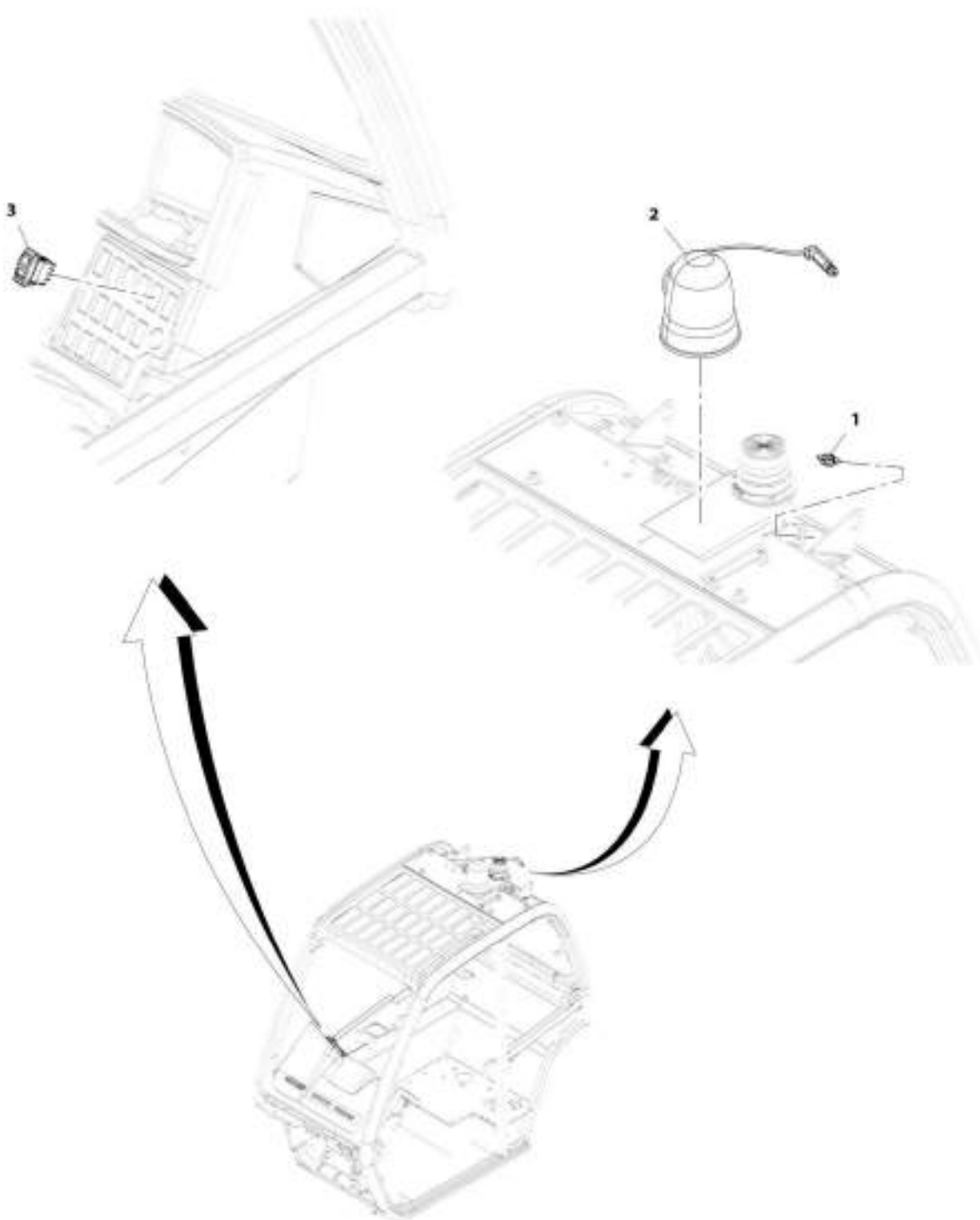
## SECTION 10 - ELECTRICAL

### FIGURE 10-30. BEACON INSTALLATION (LED)

ITEM	PART NUMBER	QTY	DESCRIPTION	REV
	1001195883	Ref	Beacon Installation (LED)	A
1	0760808	3	Bolt, M8X16	
2	4461174	1	Terminal	
3	4811900	3	Washer, M8	
4	1001159738	1	Switch	
5	1001174796	1	Bracket	
6	1001198893	1	Light, Beacon (LED)	

# SECTION 10 - ELECTRICAL

FIGURE 10-31. BEACON (REMOTE BOOM CONTROL) INSTALLATION



ART\_0001209357-0

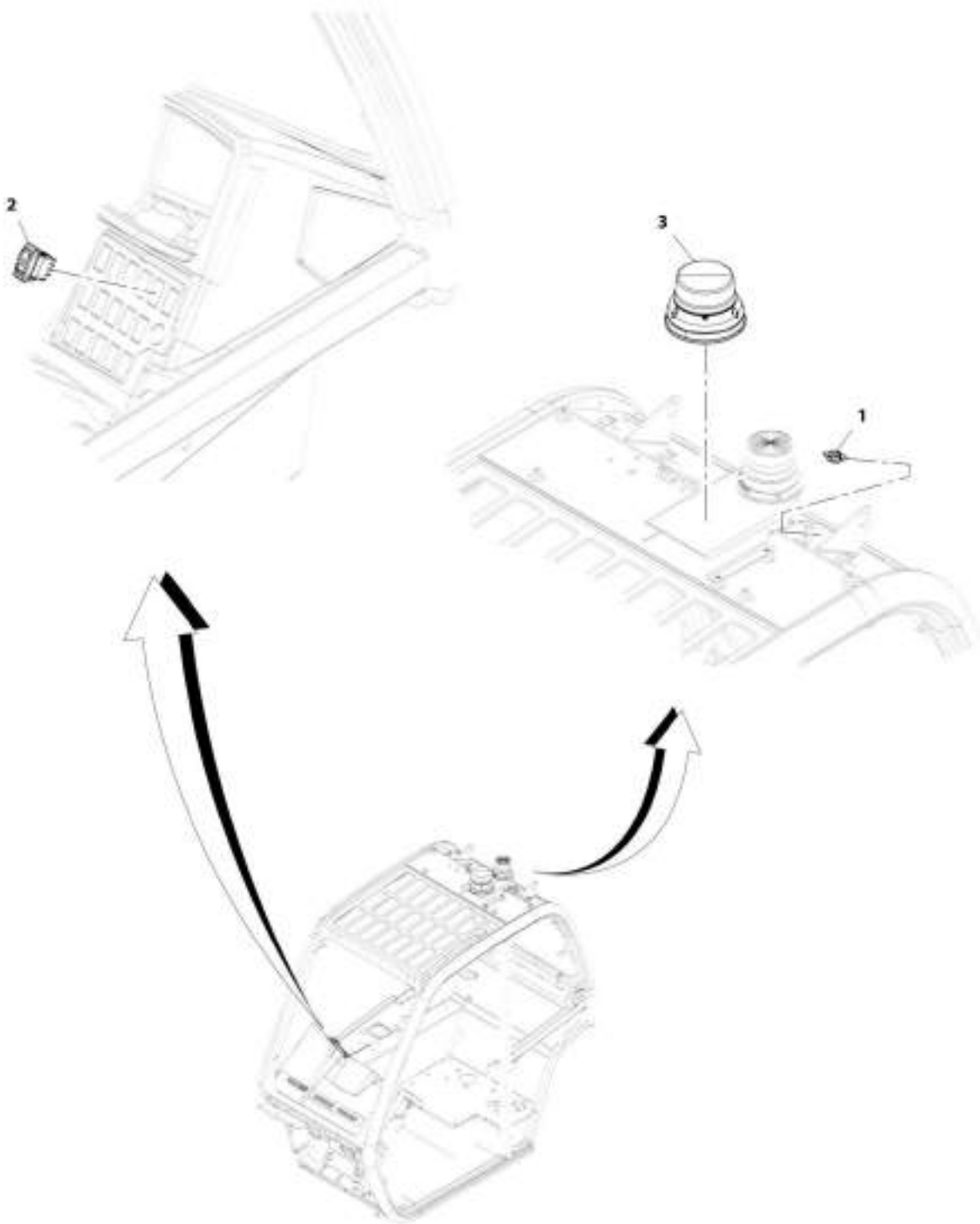
## SECTION 10 - ELECTRICAL

**FIGURE 10-31. BEACON (REMOTE BOOM CONTROL) INSTALLATION**

ITEM	PART NUMBER	QTY	DESCRIPTION	REV
	1001209357	Ref	Beacon (Remote Boom Control) Installation	B
1	4461174	1	Terminal, 12 Volt	
2	1001217623	1	Light, Warning	
3	1001159738	1	Switch, Beacon	

# SECTION 10 - ELECTRICAL

FIGURE 10-32. BEACON (LED) (REMOTE BOOM CONTROL) INSTALLATION



ART\_0001209358-A



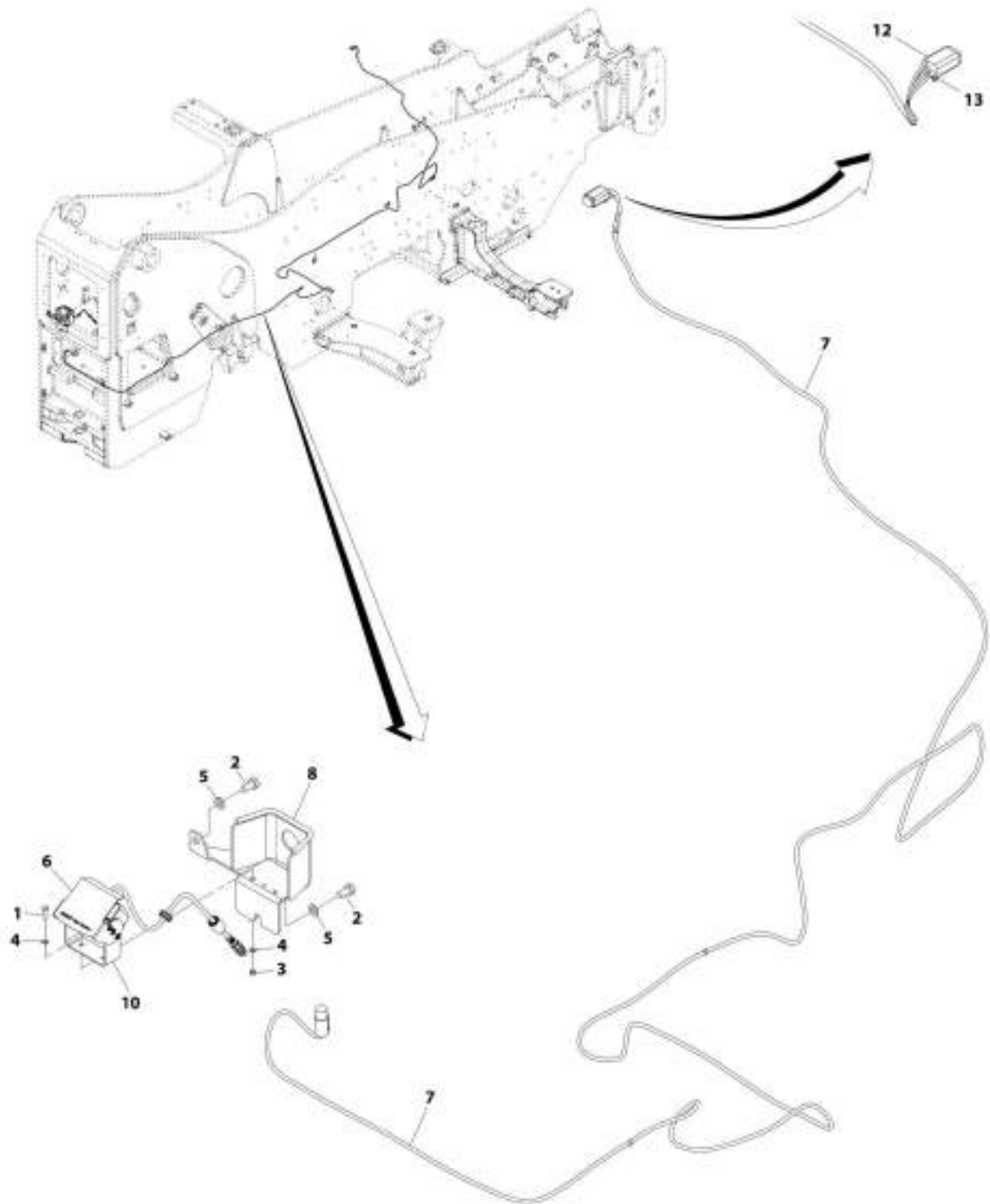
## SECTION 10 - ELECTRICAL

**FIGURE 10-32. BEACON (LED) (REMOTE BOOM CONTROL) INSTALLATION**

ITEM	PART NUMBER	QTY	DESCRIPTION	REV
	1001209358	Ref	Beacon (LED) (Remote Boom Control) Installation	A
1	4461174	1	Terminal, 12 Volt	
2	1001159738	1	Switch, Beacon	
3	1001198893	1	Light, Warning	

# SECTION 10 - ELECTRICAL

## FIGURE 10-33. REVERSE CAMERA INSTALLATION



AWT\_1001192321-0

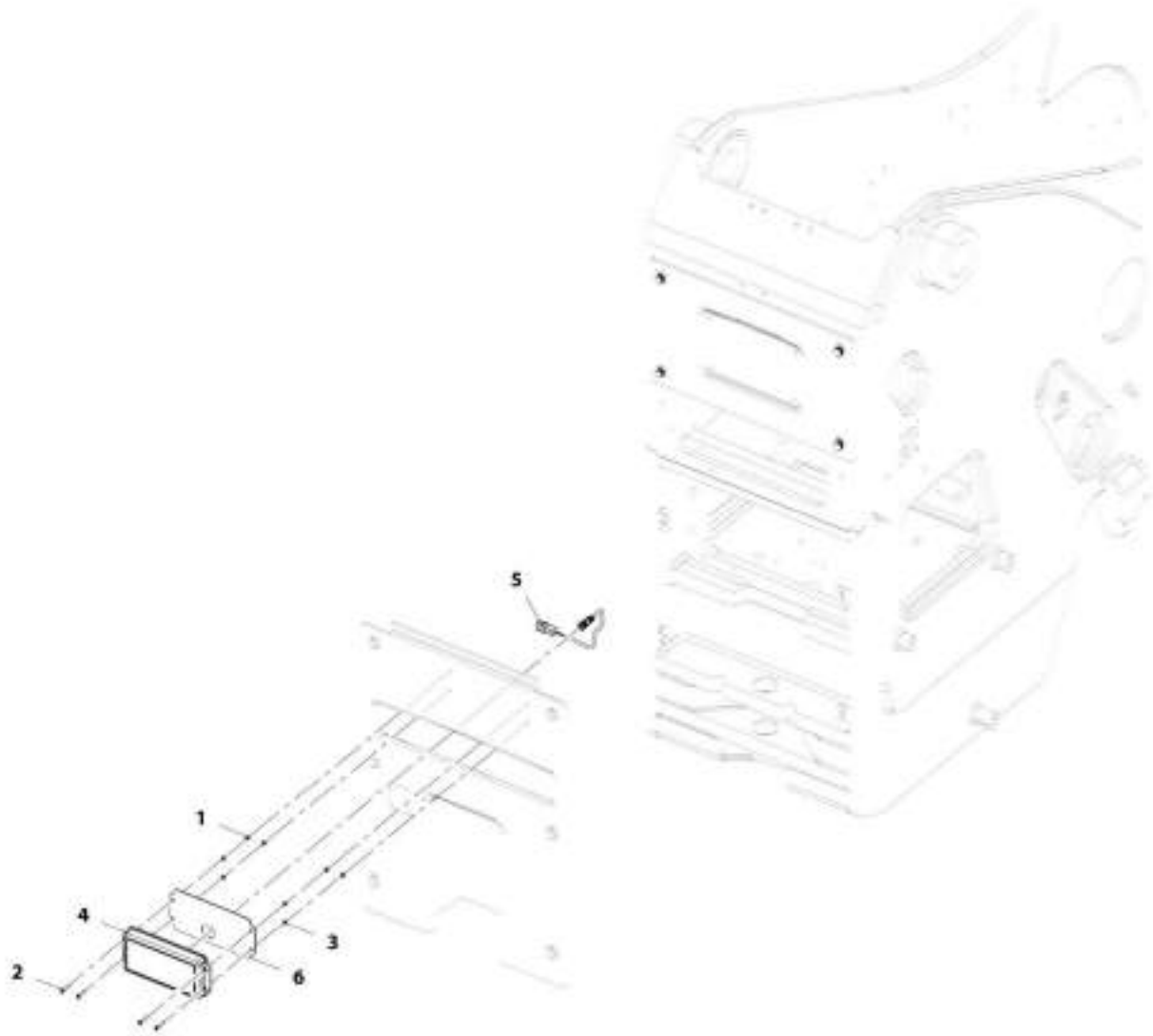
## SECTION 10 - ELECTRICAL

### FIGURE 10-33. REVERSE CAMERA INSTALLATION

ITEM	PART NUMBER	QTY	DESCRIPTION	REV
	1001192321	Ref	Reverse Camera Installation	G
1	0700408	2	Bolt, M4X16	
2	0760808	2	Bolt, M8X16	
3	3290401	2	Nut, M4X0.7	
4	4811400	4	Washer, M4	
5	4811900	2	Washer, M8	
6	1001167017	1	Camera, Reverse	
7	1001171962	1	Cable, Camera	
8	1001205307	1	Bracket	
10	1001202621	1	Bracket	
12	4460884	1	Connector	
13	4460466	1	Terminal	

# SECTION 10 - ELECTRICAL

## FIGURE 10-34. REVERSE SENSOR INSTALLATION



ART\_180110332-E

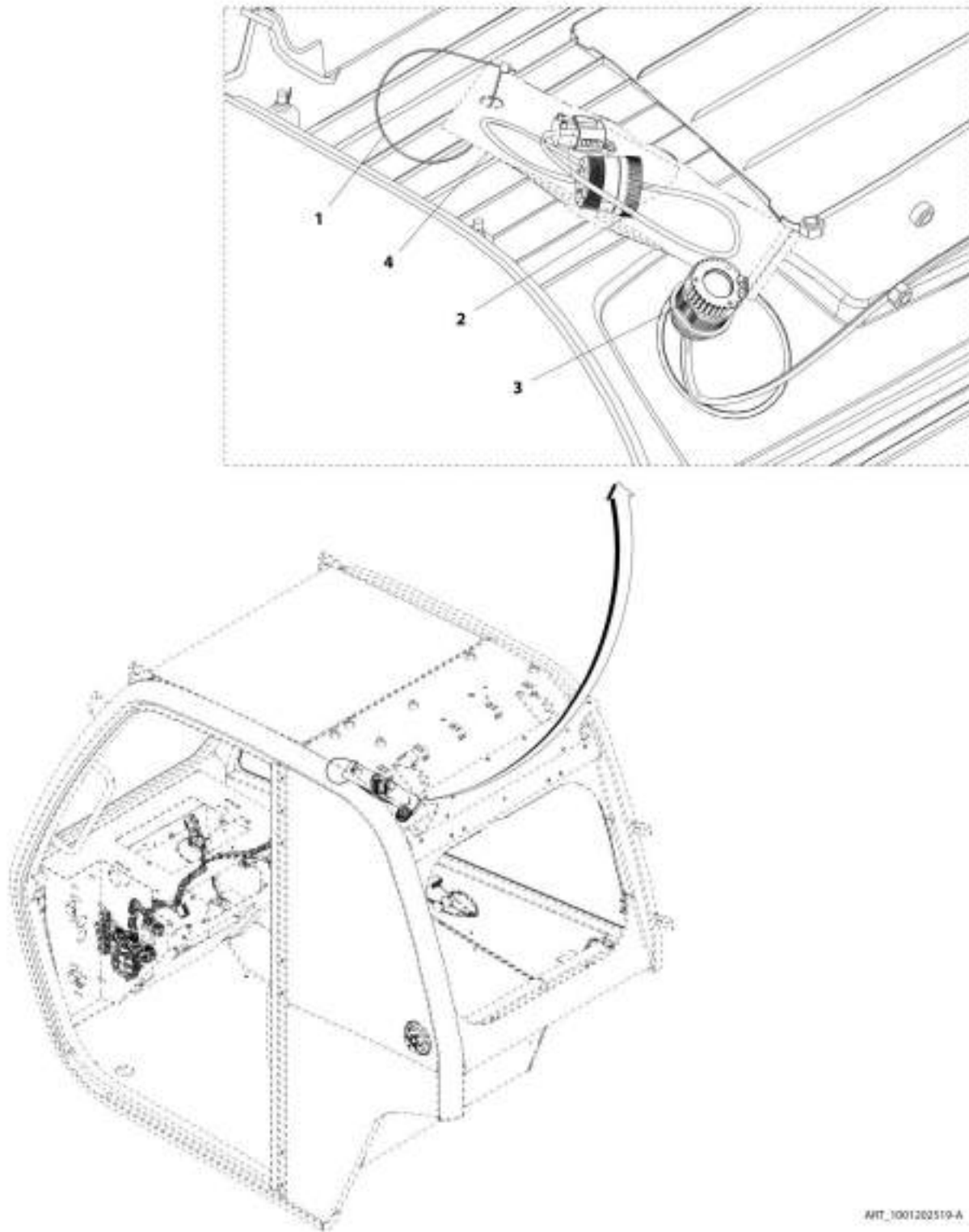
## SECTION 10 - ELECTRICAL

### FIGURE 10-34. REVERSE SENSOR INSTALLATION

ITEM	PART NUMBER	QTY	DESCRIPTION	REV
	1001192322	Ref	Reverse Sensor Installation	E
1	3290501	4	Nut, M5X0.8	
2	5271609	4	Screw, M5X25	
3	4811600	4	Washer, M5	
4	1001189997	1	Sensor, Reverse	
5	1001175776	1	Harness, Reverse Sensor (See Seperate Breakdown in this Section)	
6	1001231217	1	Plate	

# SECTION 10 - ELECTRICAL

FIGURE 10-35. TELEMATICS READY INSTALLATION



AHT\_1001202519-A

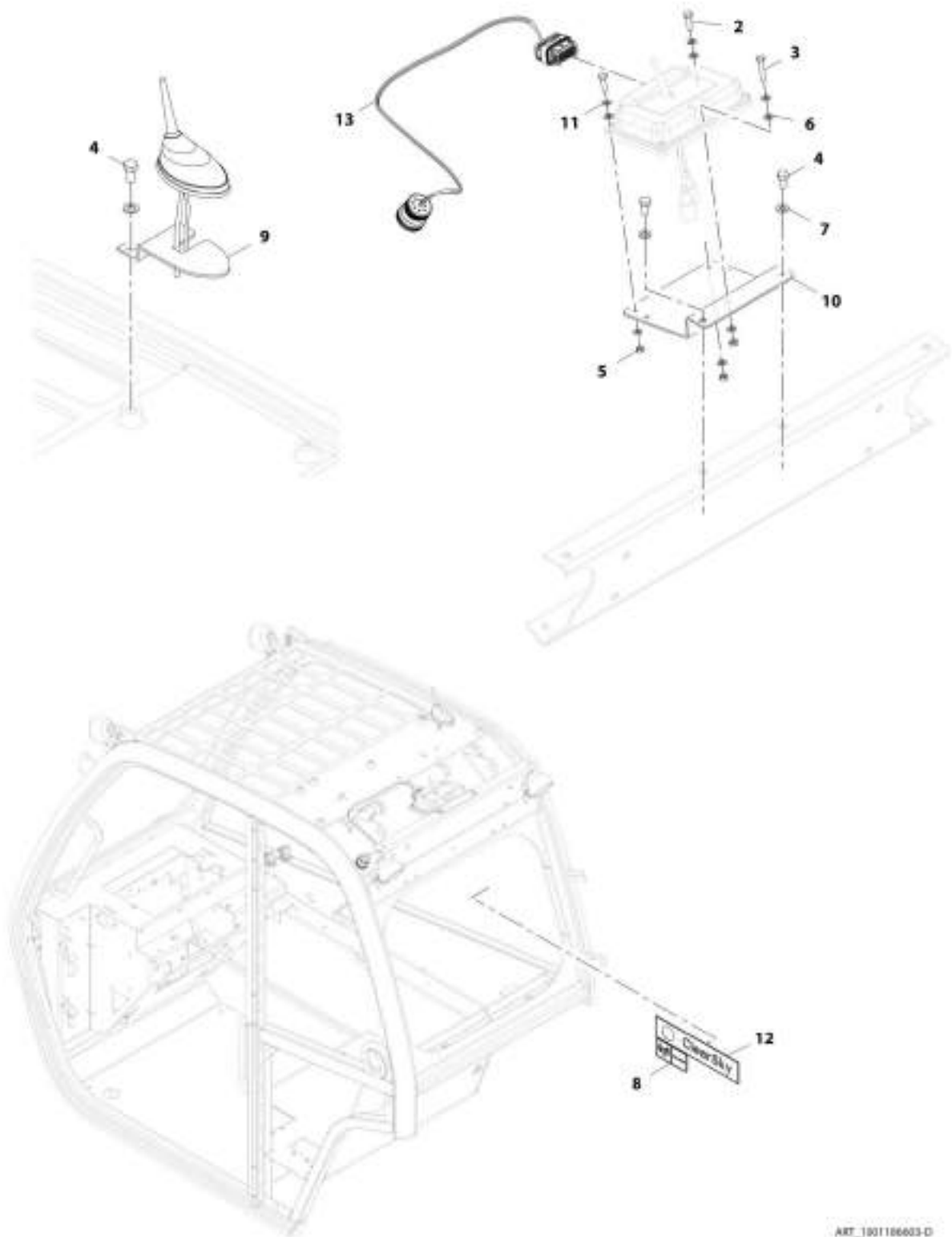
## SECTION 10 - ELECTRICAL

### FIGURE 10-35. TELEMATICS READY INSTALLATION

ITEM	PART NUMBER	QTY	DESCRIPTION	REV
	1001202519	Ref	Telematics Ready Installation	A
1	8584003	1	Strap, Tie	
2	1001196289	1	Harness, Telematics Ready (See Separate Breakdown in this Section)	
3	1001201162	1	Cap	
4	1001202617	1	Bag	

# SECTION 10 - ELECTRICAL

FIGURE 10-36. CLEARSKY INSTALLATION (NO A/C - SHORT ROOF CAP)



ART\_1901186603-D



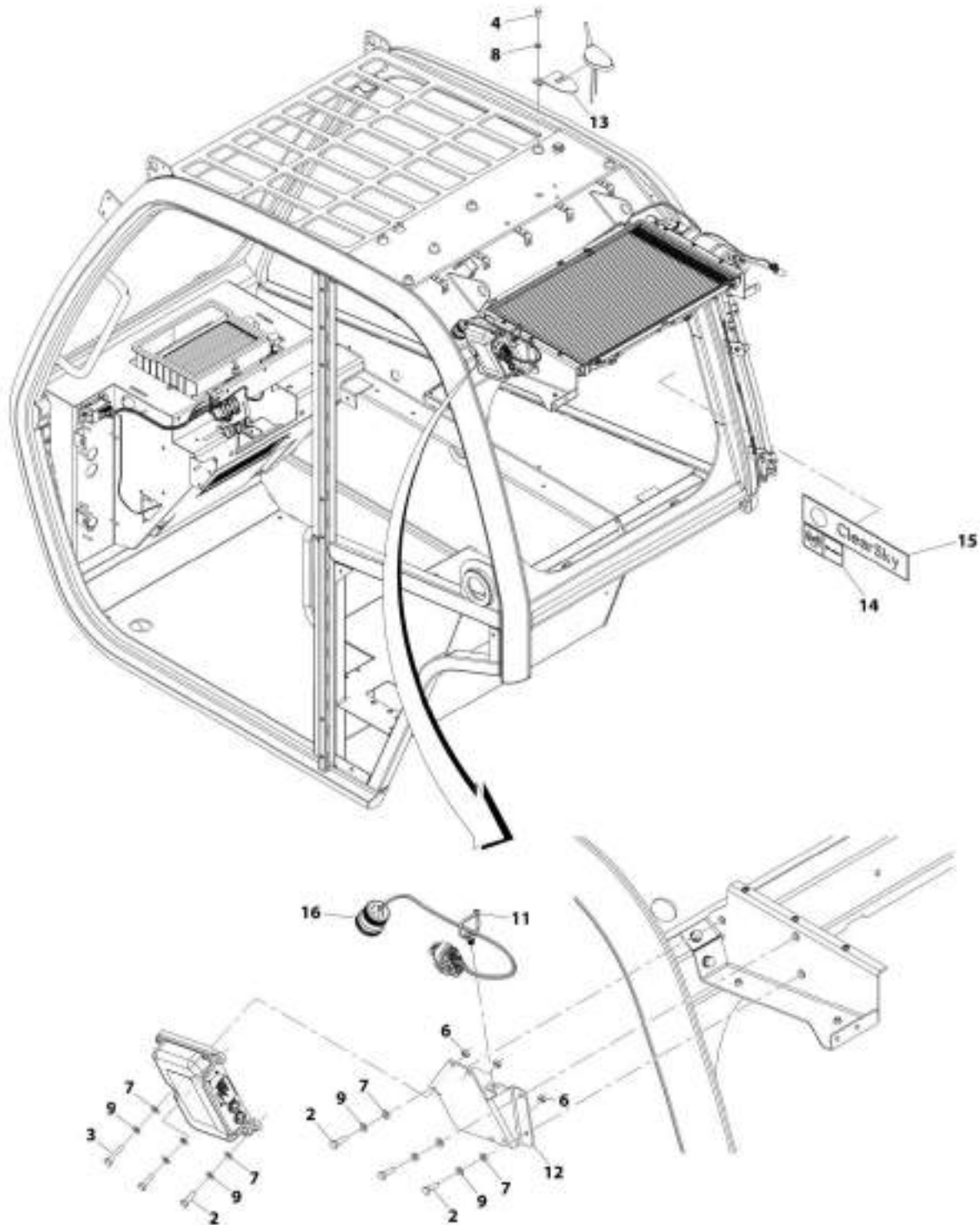
## SECTION 10 - ELECTRICAL

**FIGURE 10-36. CLEARSKY INSTALLATION (NO A/C - SHORT ROOF CAP)**

ITEM	PART NUMBER	QTY	DESCRIPTION	REV
	1001186603	Ref	Clearsky Installation (No A/C - Short Roof Cap)	D
2	0700610	2	Bolt, M6X20	
3	0700614	1	Bolt, M6X30	
4	0760808	3	Bolt, M8X16	
5	3290601	3	Nut, M6X1 Grade 8	
6	4811700	6	Washer, M6	
7	4811900	3	Washer, M8	
8	1001120989	1	Decal, Radio Frequency	
9	1001174372	1	Bracket, Antenna	
10	1001185722	1	Bracket	
11	4831700	3	Washer, Lock M6	
12	1001116208	1	Decal, Clearsky	
13	1001196452	1	Harness, Clearsky (See Separate Breakdown in this Section)	

# SECTION 10 - ELECTRICAL

## FIGURE 10-37. CLEARSKY INSTALLATION (A/C - LONG ROOF CAP)



ART\_1001174308-G

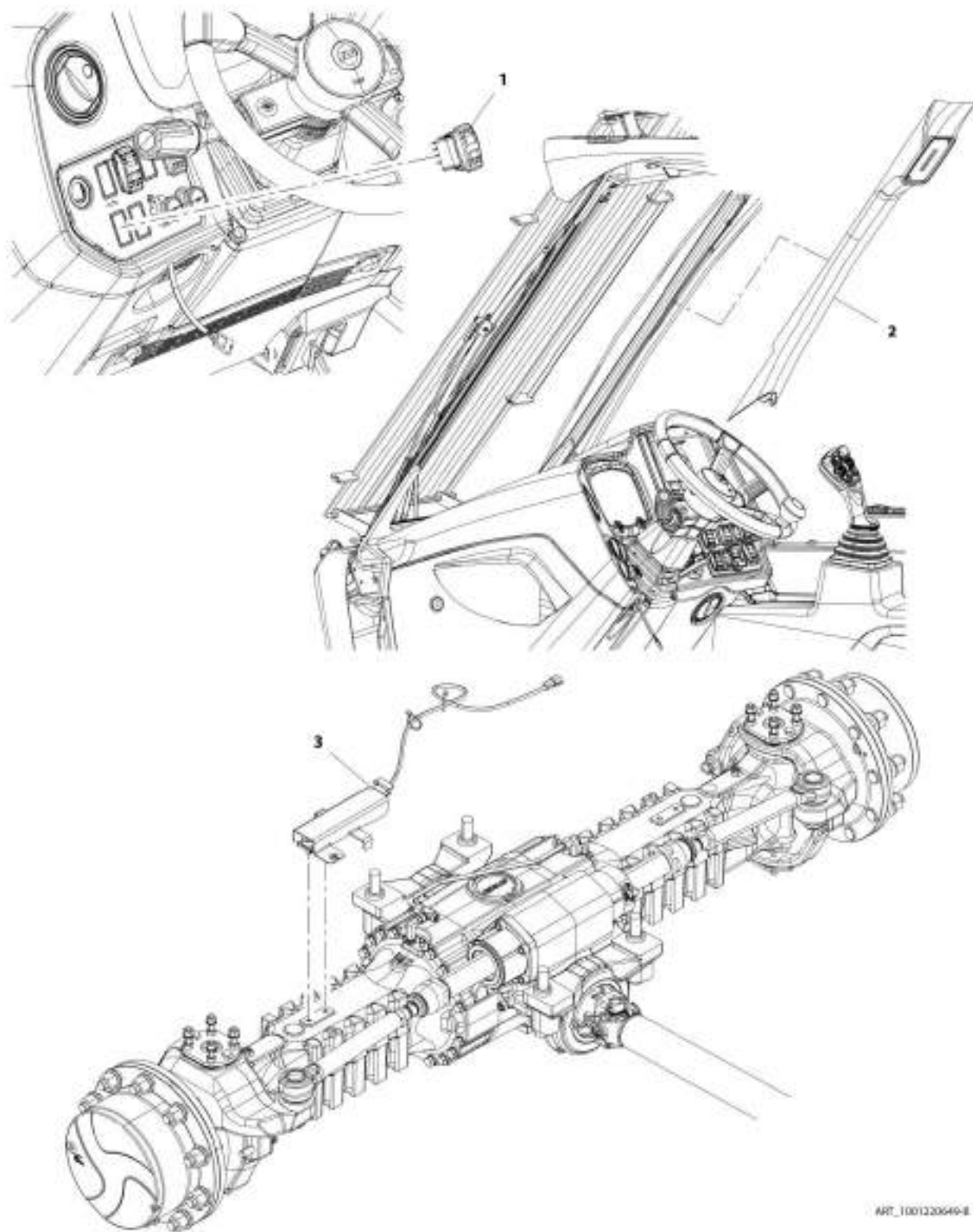
## SECTION 10 - ELECTRICAL

**FIGURE 10-37. CLEARSKY INSTALLATION (A/C - LONG ROOF CAP)**

ITEM	PART NUMBER	QTY	DESCRIPTION	REV
	1001174368	Ref	Clearsky Installation (A/C - Long Roof Cap)	G
2	0700610	5	Bolt, M6X20	
3	0700614	1	Bolt, M6X30	
4	0760808	1	Bolt, M8X16	
6	3290601	3	Nut, M6X1 Grade 8	
7	4811700	6	Washer, M6	
8	4811900	1	Washer, M8	
9	4831700	6	Washer, Lock M6	
11	1001146588	1	Strap, Cable	
12	1001220947	1	Bracket	
13	1001174372	1	Bracket, Antenna	
14	1001120989	1	Decal, Radio Frequency	
15	1001116208	1	Decal, Clearsky	
16	1001196452	1	Harness, Clearsky (See Separate Breakdown in this Section)	

# SECTION 10 - ELECTRICAL

## FIGURE 10-38. LSI INSTALLATION



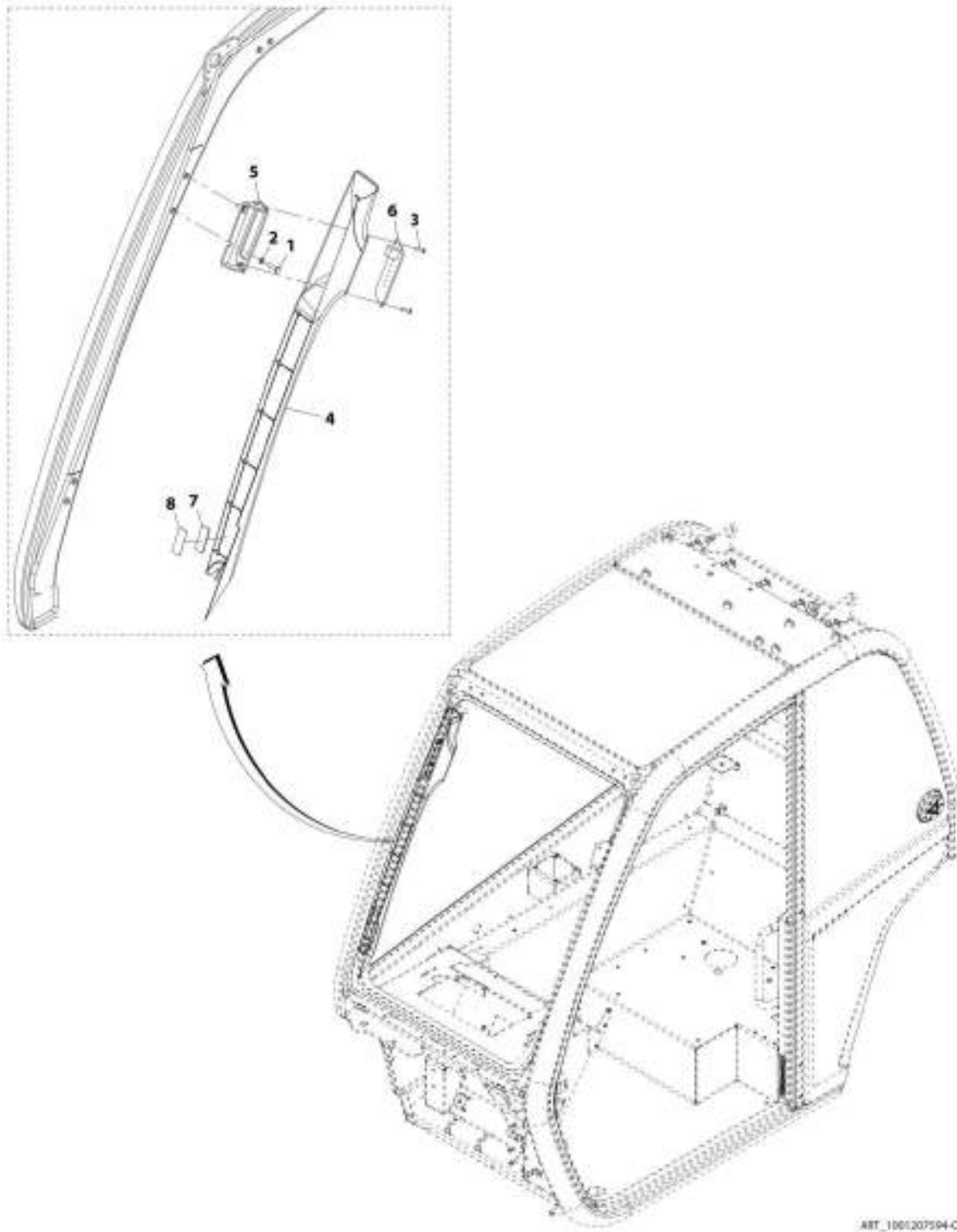
## SECTION 10 - ELECTRICAL

### FIGURE 10-38. LSI INSTALLATION

ITEM	PART NUMBER	QTY	DESCRIPTION	REV
	1001220649	Ref	LSI Installation	B
1	1001159742	1	Switch, LSI Override	
2	1001207594	Ref	Installation, LSI Display (See Seperate Breakdown in this Section)	
3	1001220650	Ref	Installation, LSI Sensor (See Seperate breakdown in this Section)	

# SECTION 10 - ELECTRICAL

## FIGURE 10-39. LSI DISPLAY INSTALLATION



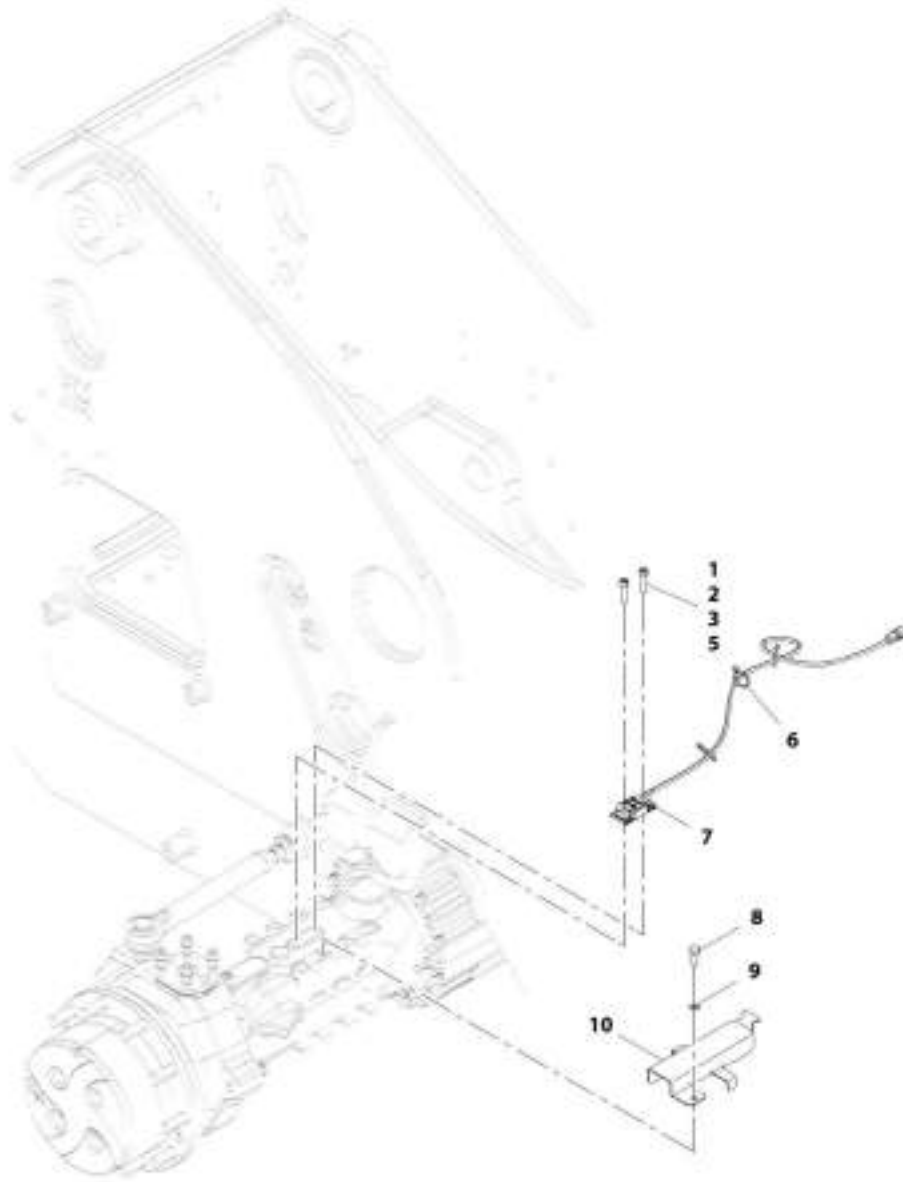
## SECTION 10 - ELECTRICAL

### FIGURE 10-39. LSI DISPLAY INSTALLATION

ITEM	PART NUMBER	QTY	DESCRIPTION	REV
	1001207594	Ref	LSI Display Installation	C
1	0760610	2	Bolt, M6X20	
2	4811700	2	Washer, M6	
3	1001126837	2	Screw, M4X16	
4	1001182839	1	Cover	
5	1001214401	1	Bracket	
6	1001213752	1	Display, LSI	
7	1001221318	1	Tape, Hook Fastener	
8	1001221319	1	Tape, Hook Fastener	

# SECTION 10 - ELECTRICAL

## FIGURE 10-40. LSI SENSOR INSTALLATION



ART\_180122850-B



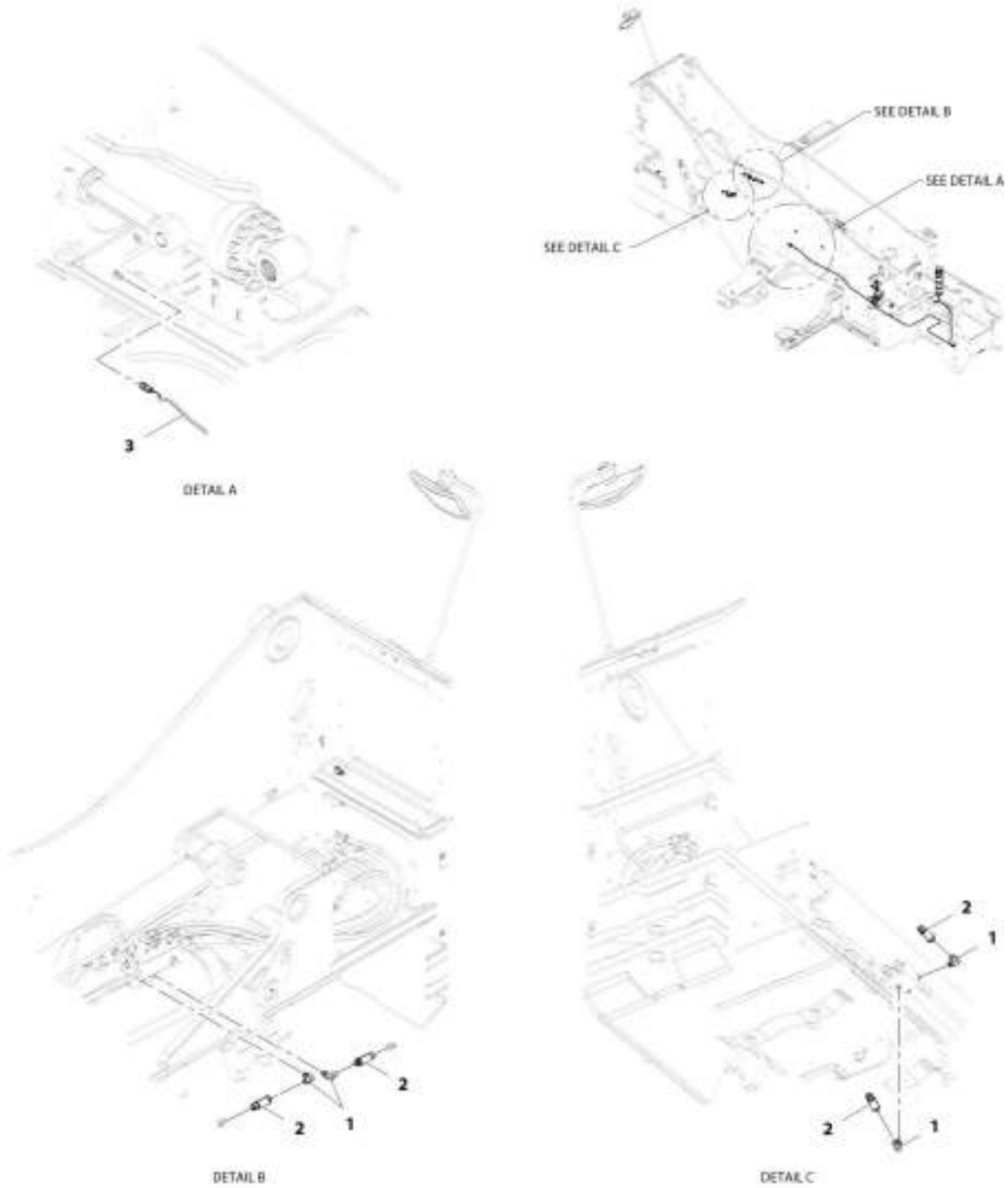
## SECTION 10 - ELECTRICAL

### FIGURE 10-40. LSI SENSOR INSTALLATION

ITEM	PART NUMBER	QTY	DESCRIPTION	REV
	1001220650	Ref	LSI Sensor Installation	B
1	5272012	2	Bolt, M10X40	
2	1001116128	AR	Sealant	
3	1001125465	AR	Compound, Locking	
5	1001129425	AR	Compound, Locking	
6	1001008559	3	Strap, Cable	
7	1001160730	1	Sensor, LSI	
8	0761010	1	Bolt, M10X20	
9	4812000	1	Washer, M10	
10	1001230850	1	Bracket, LSI Cover	

# SECTION 10 - ELECTRICAL

## FIGURE 10-41. LMIS INSTALLATION (HIGH END DISPLAY)



ART\_1801182549-B

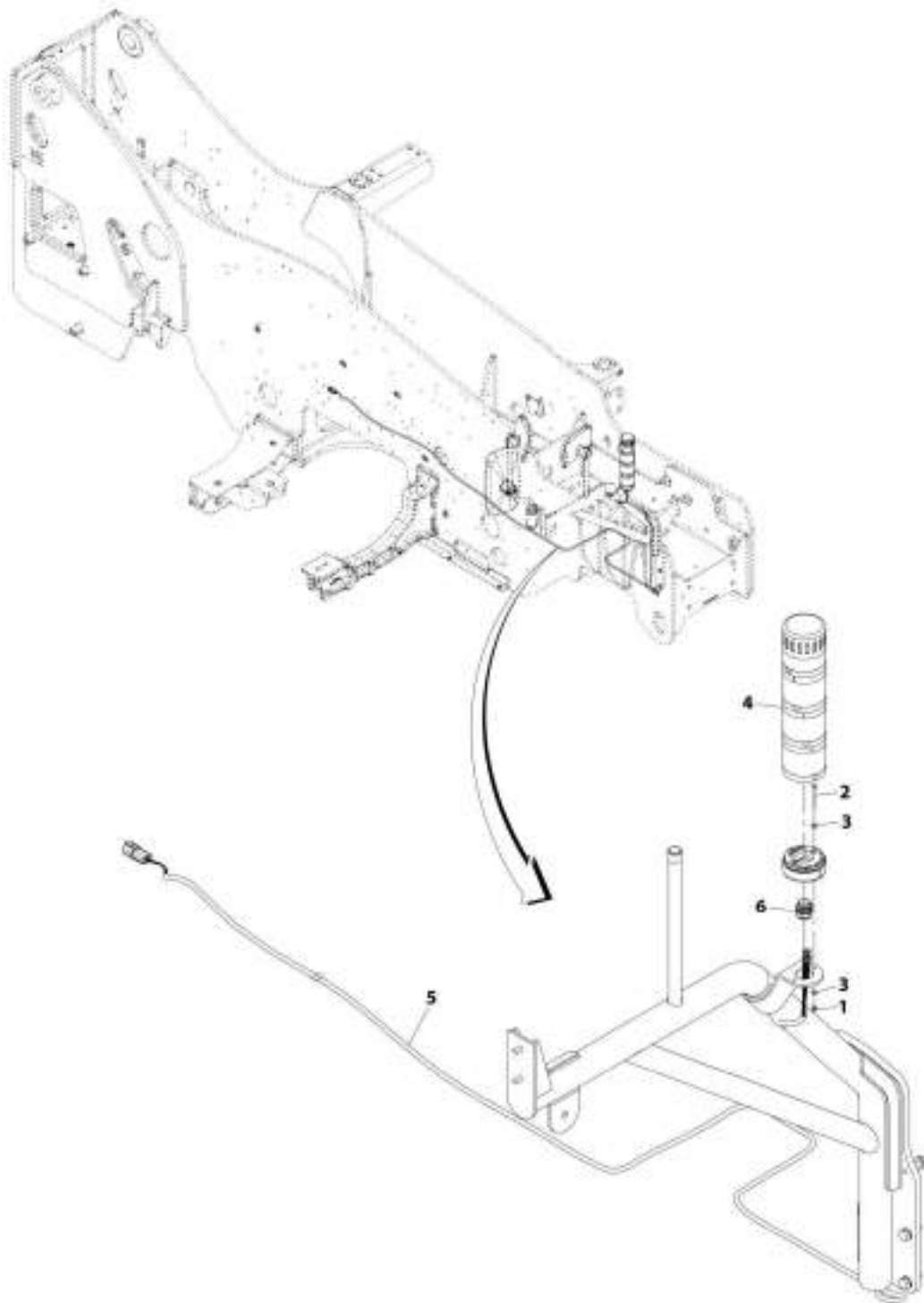
## SECTION 10 - ELECTRICAL

### FIGURE 10-41. LMIS INSTALLATION (HIGH END DISPLAY)

ITEM	PART NUMBER	QTY	DESCRIPTION	REV
	1001183549	Ref	LMIS Installation (High End Display)	B
1	1001101855	4	Fitting, 90	
2	1001162885	4	Sensor, LMIS	
3	1001195591	1	Installation, LMIS Beacon Light (See Seperate Breakdown in this Section)	

# SECTION 10 - ELECTRICAL

## FIGURE 10-42. LMIS BEACON LIGHT INSTALLATION



ART\_100192581-D

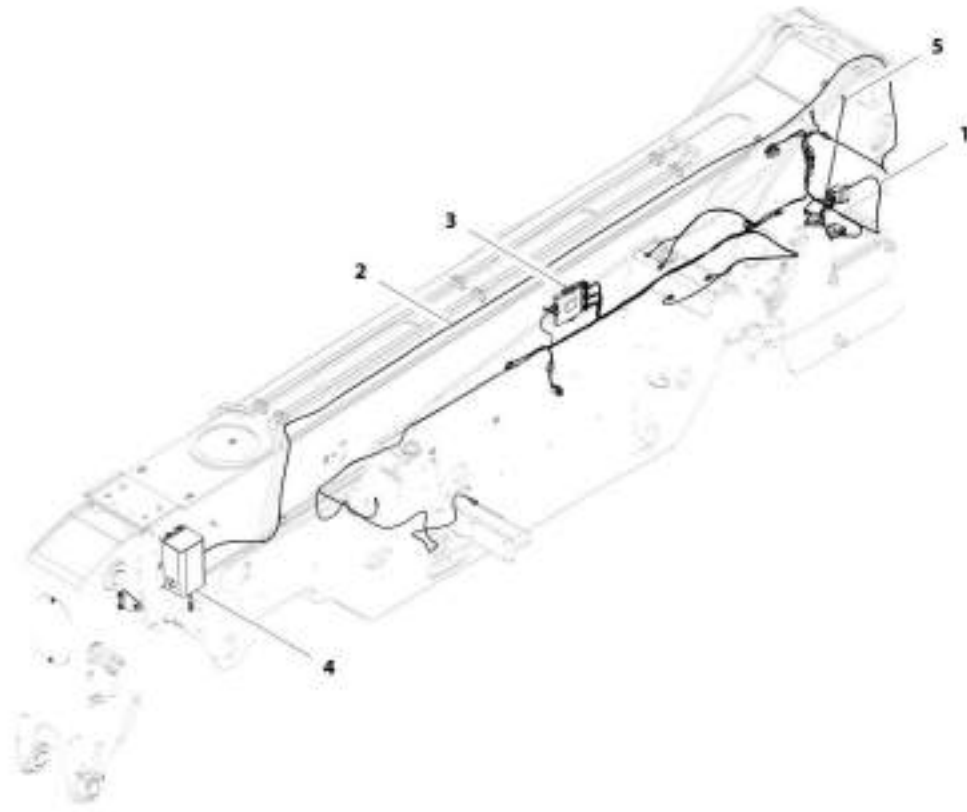
## SECTION 10 - ELECTRICAL

### FIGURE 10-42. LMIS BEACON LIGHT INSTALLATION

ITEM	PART NUMBER	QTY	DESCRIPTION	REV
	1001195591	Ref	LMIS Beacon Light Installation	D
1	3290405	2	Nut, Lock M4X0.7	
2	4010416	2	Screw, M4X40	
3	4811400	4	Washer, M4	
4	1001108661	1	Light, LMIS Beacon	
5	1001117247	1	Harness, LMIS Beacon Option (See Seperate Breakdown in this Section)	
6	E000269	1	Relief, Strain	

# SECTION 10 - ELECTRICAL

## FIGURE 10-43. LMIS CONTROL PACKAGE INSTALLATION



ART\_1801160431-F

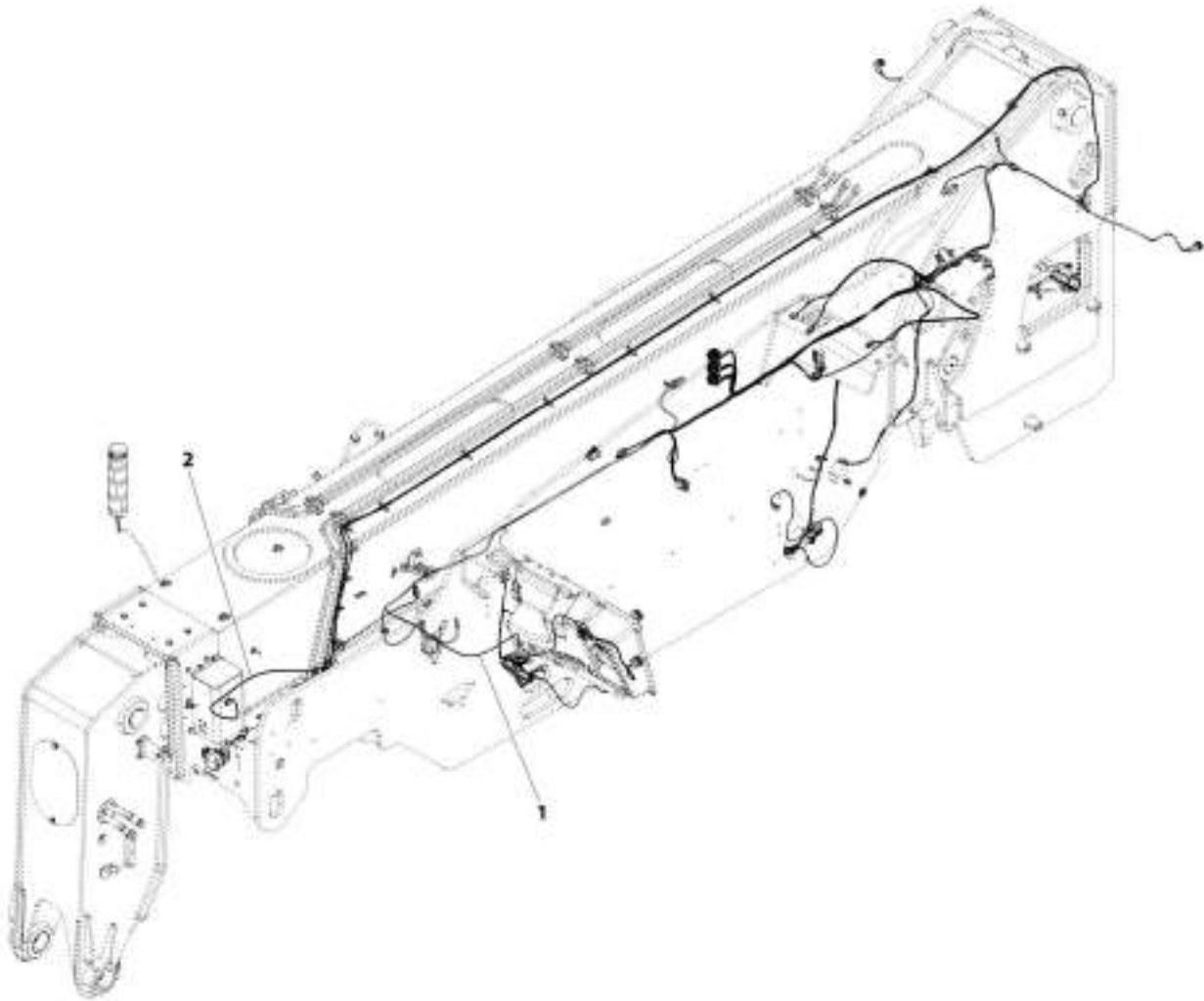
## SECTION 10 - ELECTRICAL

### FIGURE 10-43. LMIS CONTROL PACKAGE INSTALLATION

ITEM	PART NUMBER	QTY	DESCRIPTION	REV
	1001192431	Ref	LMIS Control Package Installation	F
1	1001195200	1	Installation, Tilt Sensor (See Seperate Breakdown in this Section)	
2	1001195201	1	Installation, LMIS Wiring (See Seperate Breakdown in this Section)	
3	1001195471	1	Installation, LMIS Controller (See Seperate Breakdown in this Section)	
4	1001195473	1	Installation, LMIS Cable Reel (See Seperate Breakdown in this Section)	
5	1001195590	1	Installation, Boom Angle Sensor (LMIS) (See Seperate Breakdown in this Section)	

# SECTION 10 - ELECTRICAL

## FIGURE 10-44. LMIS WIRING INSTALLATION



ART. 1001595201-0



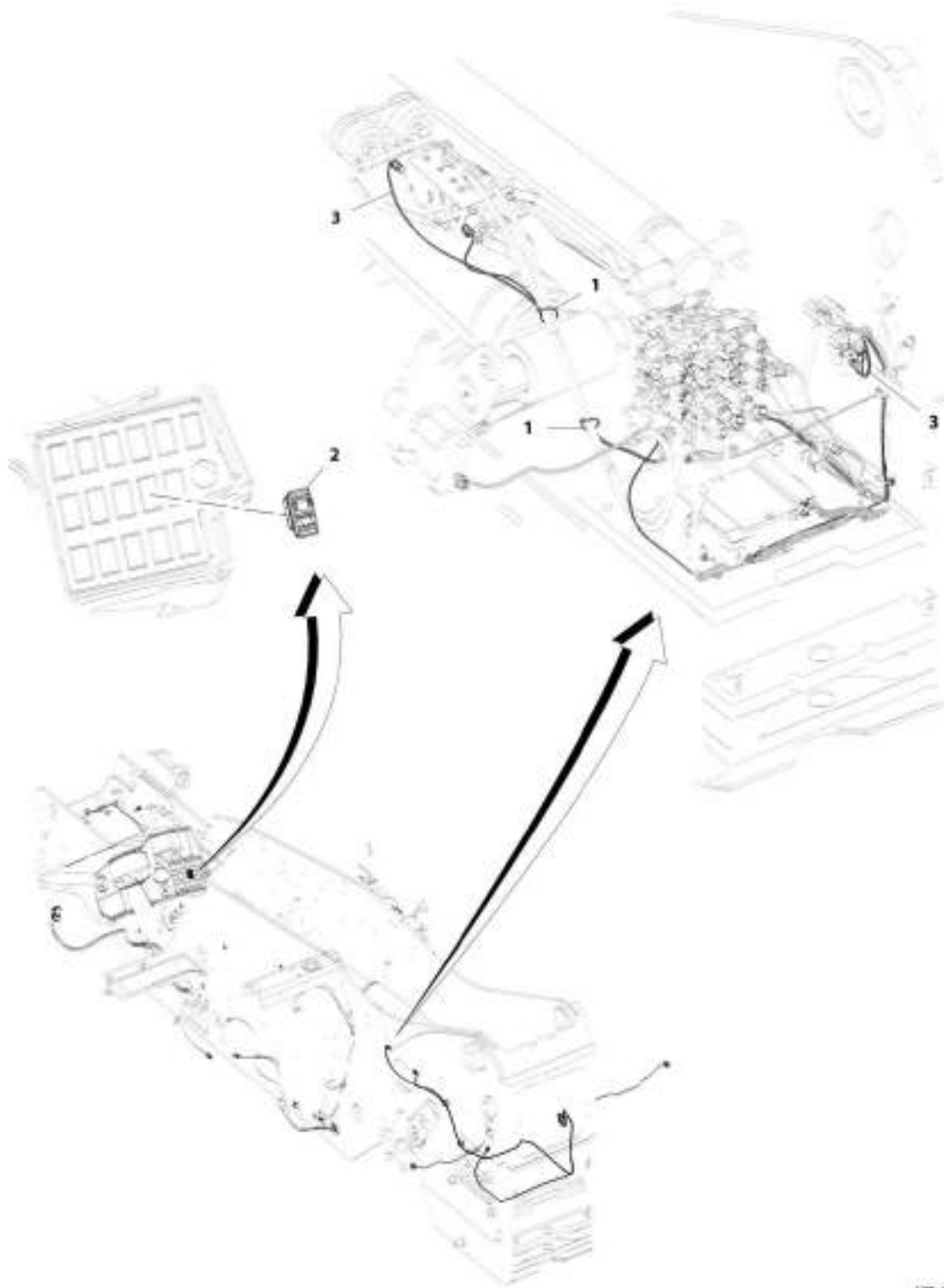
## SECTION 10 - ELECTRICAL

### FIGURE 10-44. LMIS WIRING INSTALLATION

ITEM	PART NUMBER	QTY	DESCRIPTION	REV
1	1001195201	Ref	LMIS Wiring Installation	D
	1001184795	1	Harness, Chassis Option (See Seperate Breakdown in this Section)	
2	1001192619	1	Harness, LMIS Boom (See Seperate Breakdown in this Section)	

# SECTION 10 - ELECTRICAL

## FIGURE 10-45. RIDE CONTROL WIRING INSTALLATION



ART\_3001200105-B

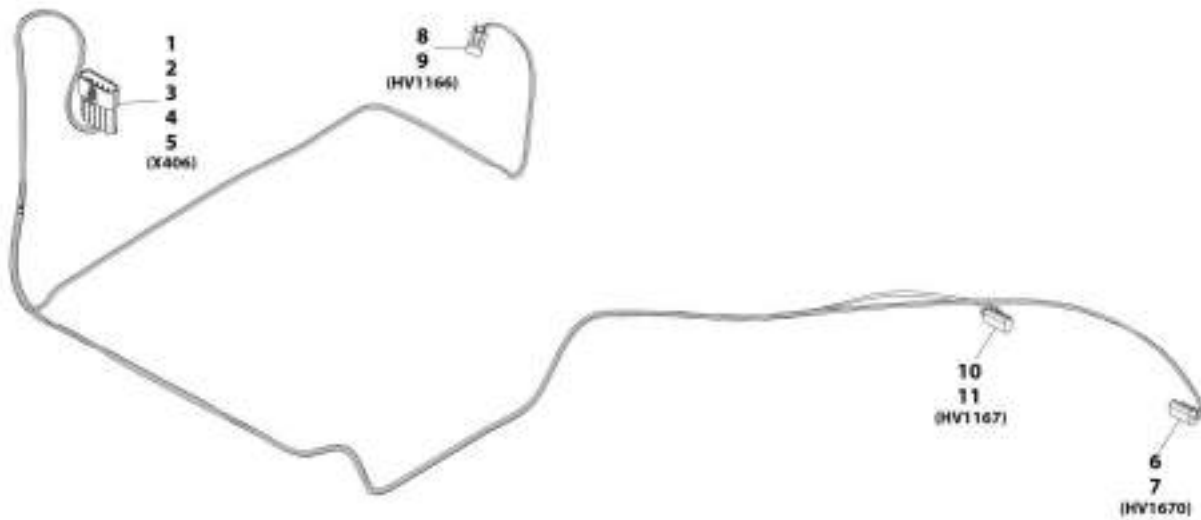
## SECTION 10 - ELECTRICAL

### FIGURE 10-45. RIDE CONTROL WIRING INSTALLATION

ITEM	PART NUMBER	QTY	DESCRIPTION	REV
	1001200105	Ref	Ride Control Wiring Installation	B
1	1001008559	2	Strap, Cable Tie	
2	1001159745	1	Switch, Boom Ride	
3	1001197668	1	Harness, Boom Ride Float (See Separate Breakdown in this Section)	

# SECTION 10 - ELECTRICAL

## FIGURE 10-46. BOOM RIDE CONTROL HARNESS



MIT\_1001157655-C

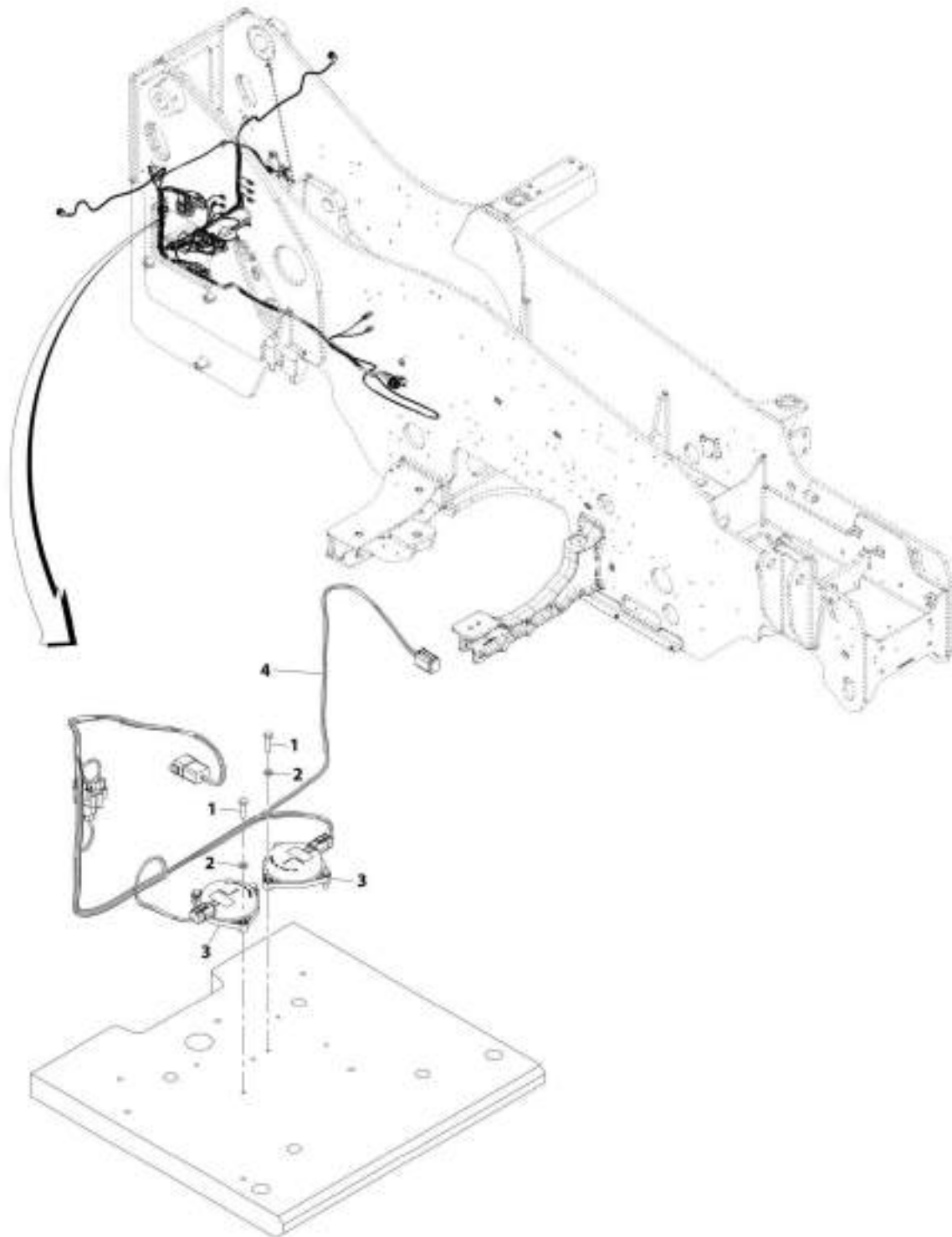
## SECTION 10 - ELECTRICAL

### FIGURE 10-46. BOOM RIDE CONTROL HARNESS

ITEM	PART NUMBER	QTY	DESCRIPTION	REV
	1001197668	Ref	Boom Ride Control Harness	C
1	1001121727	1	Connector	
2	1001116745	3	Terminal	
3	1001116729	1	Terminal	
4	4460458	4	Terminal Seal	
5	1001116727	1	Plug	
6	4460891	1	Connector	
7	4460465	2	Terminal	
8	4460891	1	Connector	
9	4460465	2	Terminal	
10	4460891	1	Connector	
11	4460465	2	Terminal	

# SECTION 10 - ELECTRICAL

## FIGURE 10-47. TILT SENSOR INSTALLATION



AWT\_1001195200-B

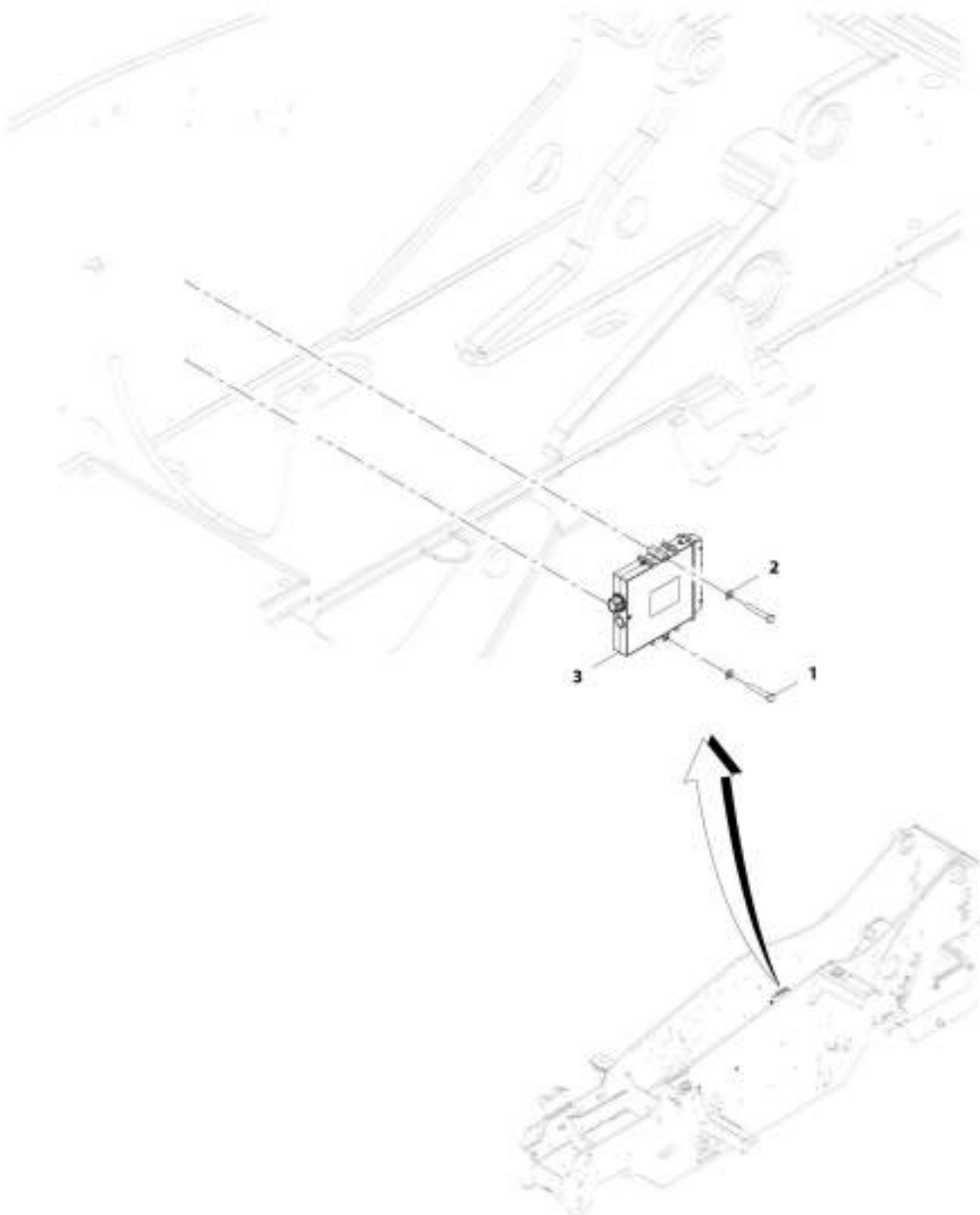
## SECTION 10 - ELECTRICAL

### FIGURE 10-47. TILT SENSOR INSTALLATION

ITEM	PART NUMBER	QTY	DESCRIPTION	REV
	1001195200	Ref	Tilt Sensor Installation	B
1	0700612	6	Bolt, M6X25	
2	4811700	6	Washer, M6	
3	1001163095	2	Sensor, Tilt	
4	1001195202	1	Harness, Platform Ready (See Seperate Breakdown in this Section)	

# SECTION 10 - ELECTRICAL

## FIGURE 10-48. LMIS CONTROLLER INSTALLATION



ART\_1801195471-B



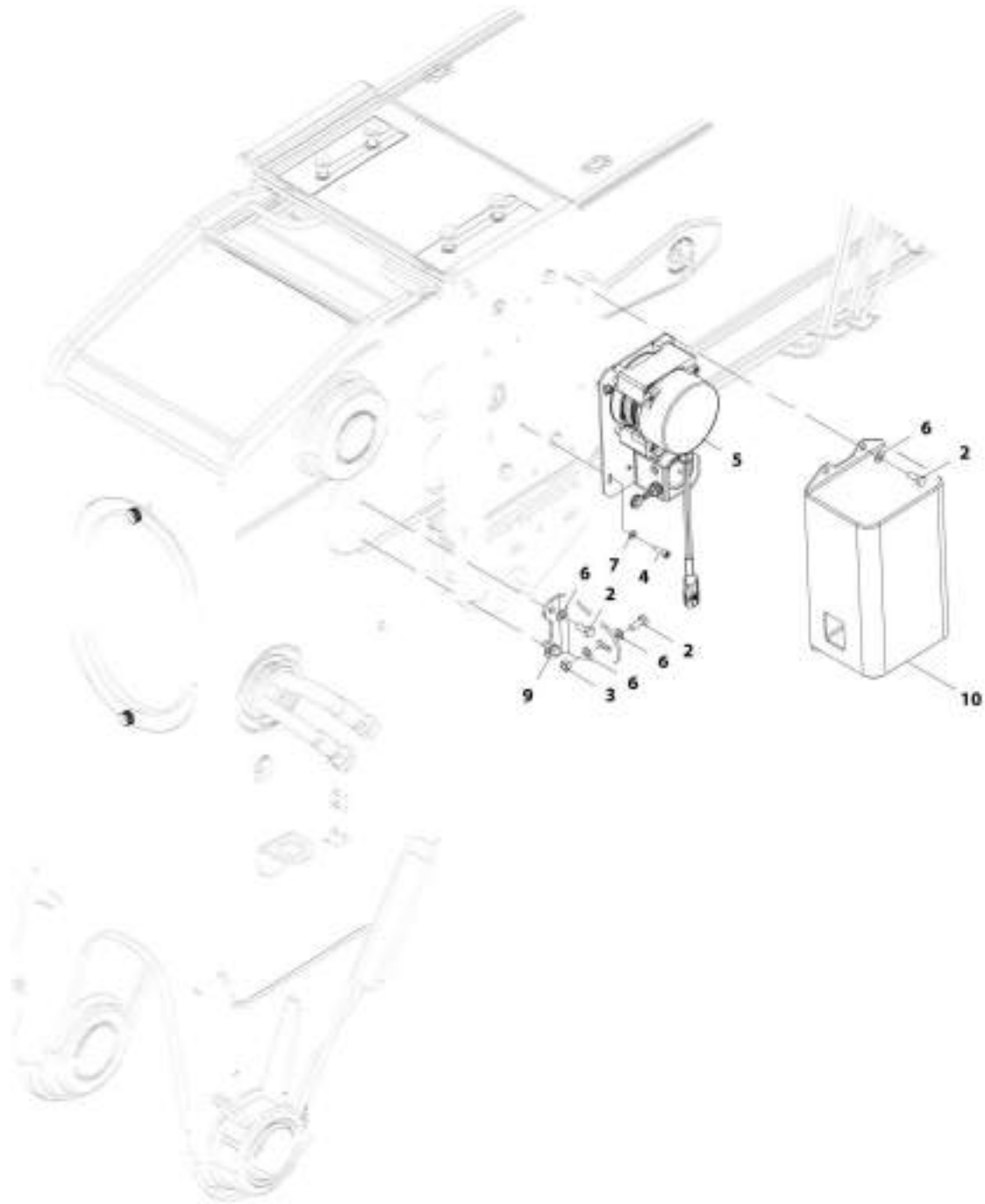
## SECTION 10 - ELECTRICAL

### FIGURE 10-48. LMIS CONTROLLER INSTALLATION

ITEM	PART NUMBER	QTY	DESCRIPTION	REV
	1001195471	Ref	LMIS Controller Installation	B
1	0700818	2	Bolt, M8X50	
2	4811900	2	Washer, M8	
3	1001179901	1	Module, LMIS Control	

# SECTION 10 - ELECTRICAL

## FIGURE 10-49. LMIS CABLE REEL INSTALLATION



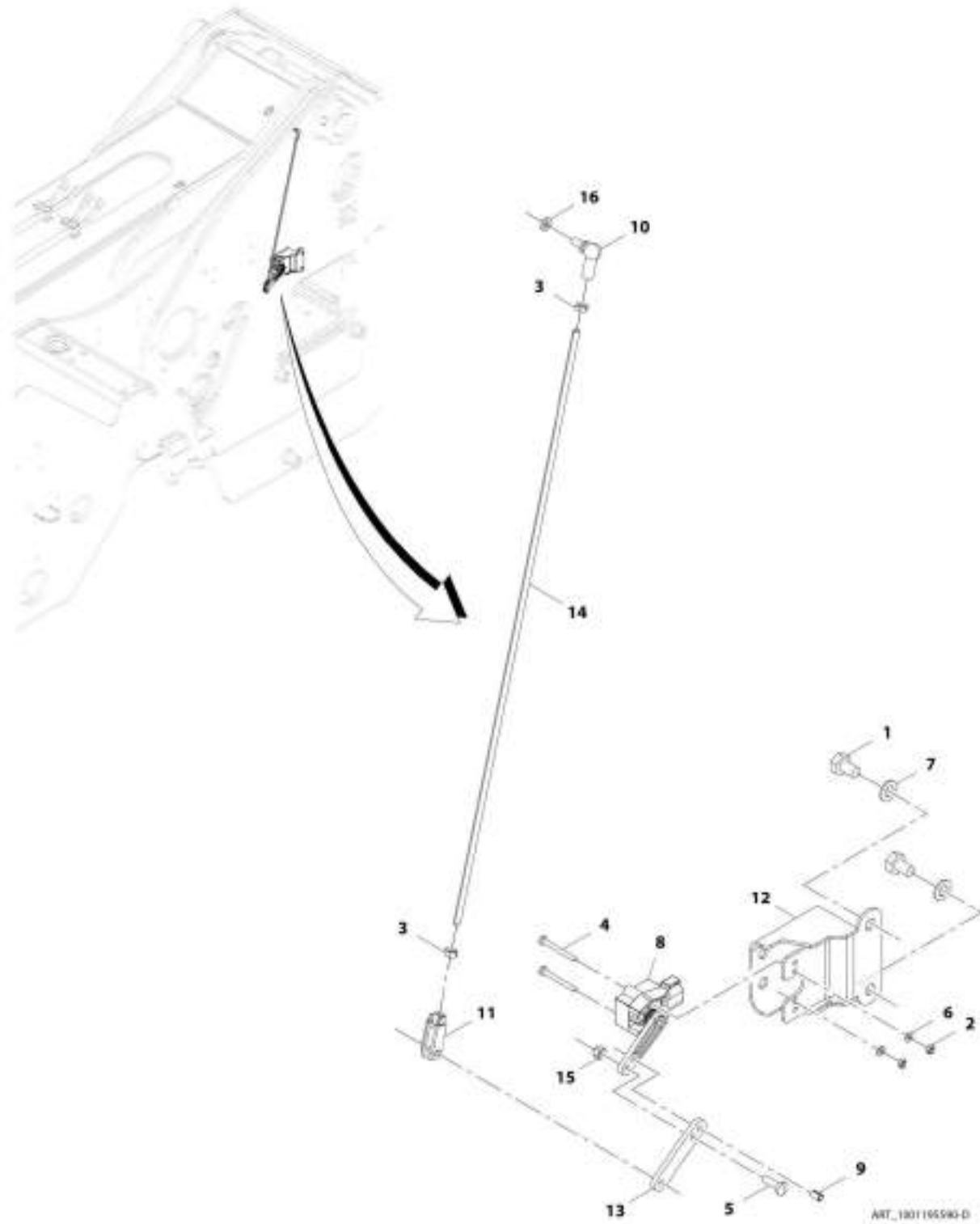
## SECTION 10 - ELECTRICAL

### FIGURE 10-49. LMIS CABLE REEL INSTALLATION

ITEM	PART NUMBER	QTY	DESCRIPTION	REV
	1001195473	Ref	LMIS Cable Reel Installation	D
2	0760810	7	Bolt, M8X20	
3	3290801	1	Nut, M8X1.25	
4	4031708	4	Screw, M6X20	
5	1001223903	1	Sensor, Boom Length	
6	4811900	8	Washer, M8	
7	5240600	4	Washer, M6	
9	1001224127	1	Bracket	
10	1001224128	1	Panel	

# SECTION 10 - ELECTRICAL

## FIGURE 10-50. BOOM ANGLE SENSOR INSTALLATION (LMIS)



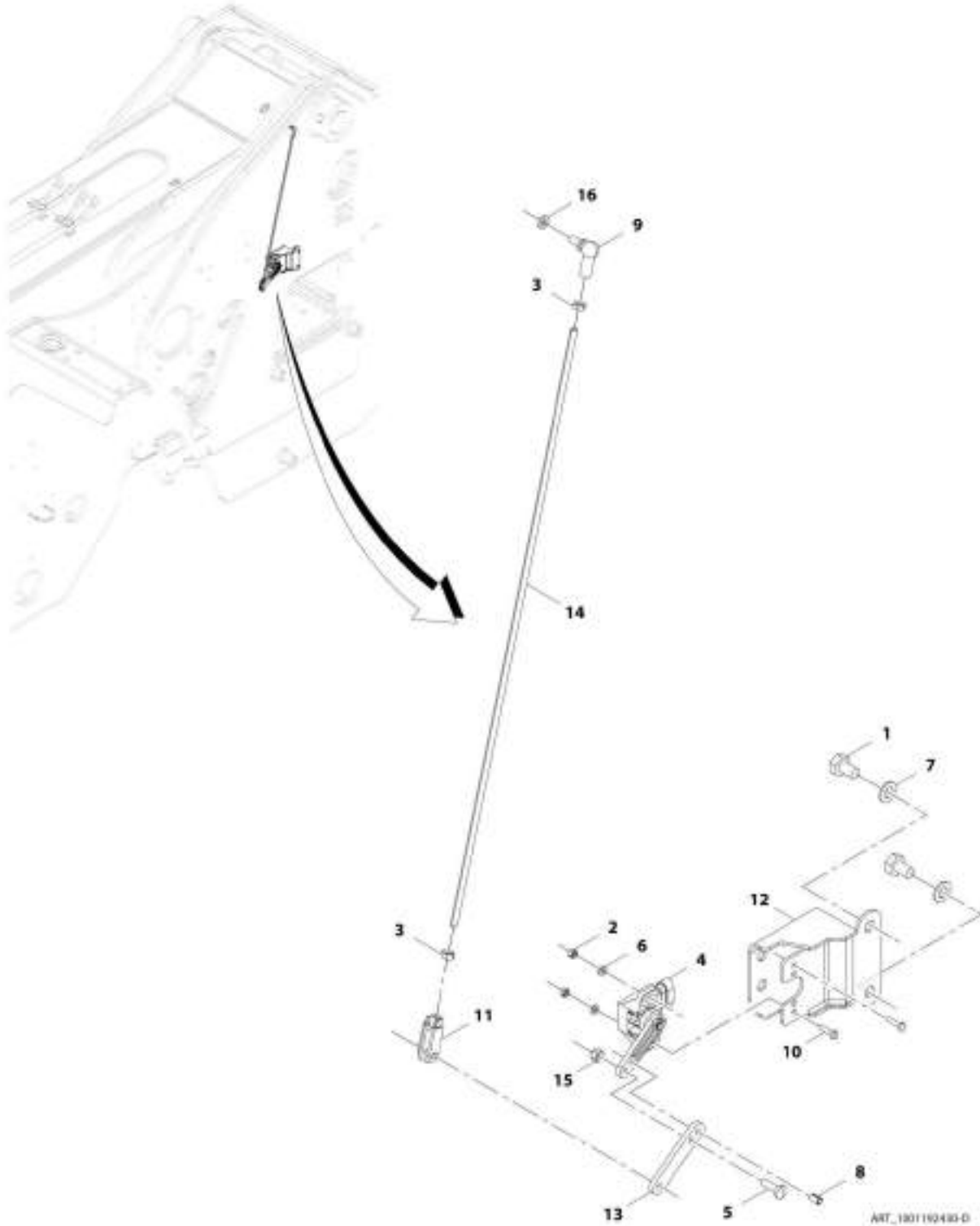
## SECTION 10 - ELECTRICAL

**FIGURE 10-50. BOOM ANGLE SENSOR INSTALLATION (LMIS)**

ITEM	PART NUMBER	QTY	DESCRIPTION	REV
	1001195590	Ref	Boom Angle Sensor Installation (LMIS)	D
1	0761008	2	Bolt, M10X16	
2	3290405	2	Nut, Lock M4X0.7	
3	3290601	2	Nut, M6X1	
4	4010416	2	Screw, M4X40	
5	4010610	1	Screw, M6X20	
6	4811400	2	Washer, M4	
7	4812000	2	Washer, M10	
8	1001099717	1	Sensor, Boom Angle	
9	1001103156	1	Pin	
10	1001103300	1	Fitting, Ball Joint	
11	1001134274	1	Clevis	
12	1001213775	1	Bracket	
13	1001195731	1	Link, Boom Angle Sensor	
14	1001195732	1	Rod	
15	3290605	1	Nut, Lock M6X1	
16	4811700	1	Washer, M6	

SECTION 10 - ELECTRICAL

FIGURE 10-51. BOOM ANGLE SENSOR INSTALLATION (NO LMIS)



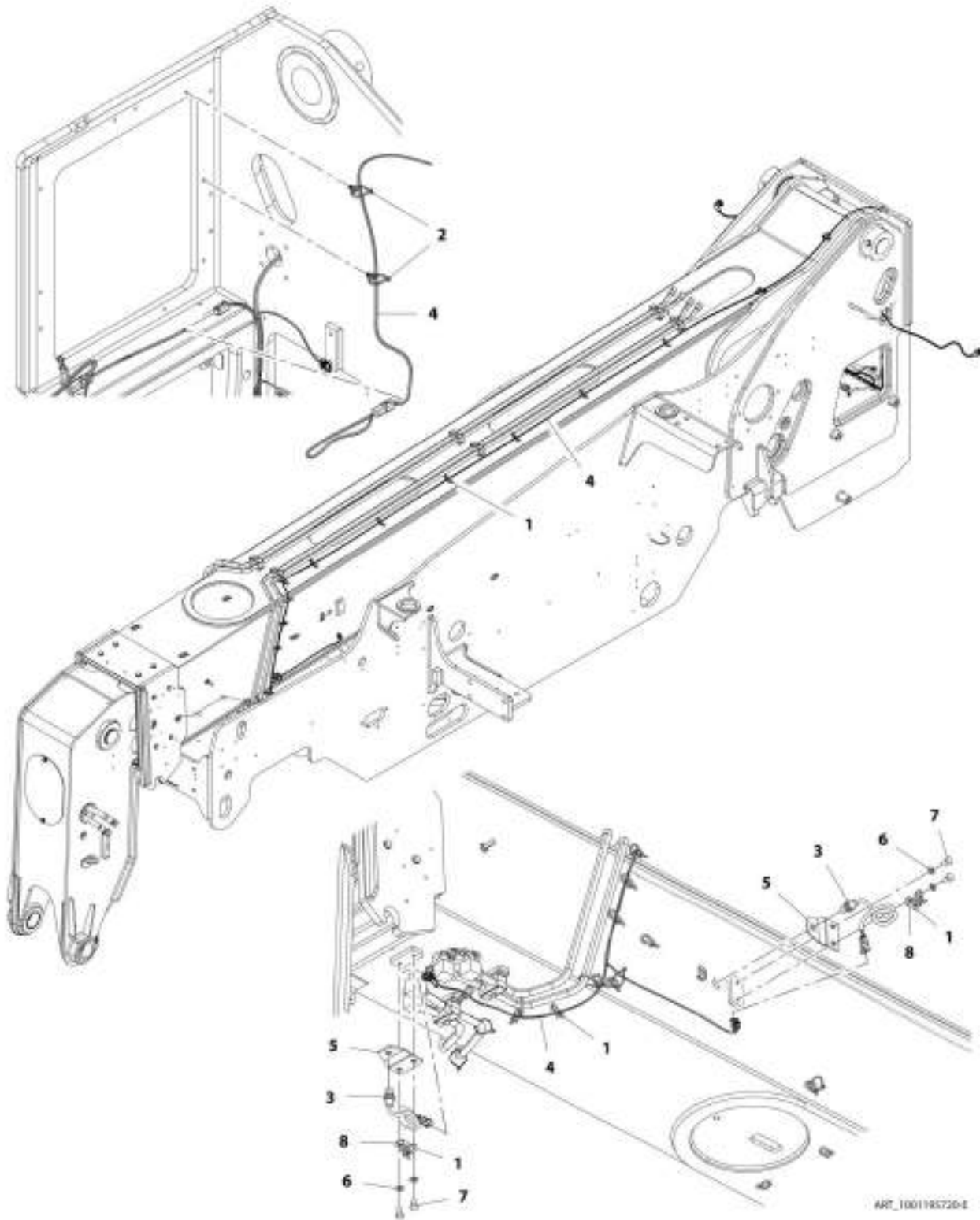
## SECTION 10 - ELECTRICAL

**FIGURE 10-51. BOOM ANGLE SENSOR INSTALLATION (NO LMIS)**

ITEM	PART NUMBER	QTY	DESCRIPTION	REV
	1001192430	Ref	Boom Angle Sensor Installation (no LMIS)	D
1	0761008	2	Bolt, M10X16	
2	3290405	2	Nut, Lock M4X0.7	
3	3290601	2	Nut, M6X1	
4	4000015	1	Sensor, Boom Angle	
5	4010610	1	Screw, M6X20	
6	4811400	2	Washer, M4	
7	4812000	2	Washer, M10	
8	1001103156	1	Pin	
9	1001103300	1	Fitting, Ball Joint	
10	1001126837	2	Screw, M4X16	
11	1001134274	1	Clevis	
12	1001213775	1	Bracket	
13	1001195731	1	Link	
14	1001195732	1	Rod	
15	3290605	1	Nut, Lock M6X1	
16	4811700	1	Washer, M6	

# SECTION 10 - ELECTRICAL

## FIGURE 10-52. BOOM RETRACT SENSOR INSTALLATION



ART\_100198720-E



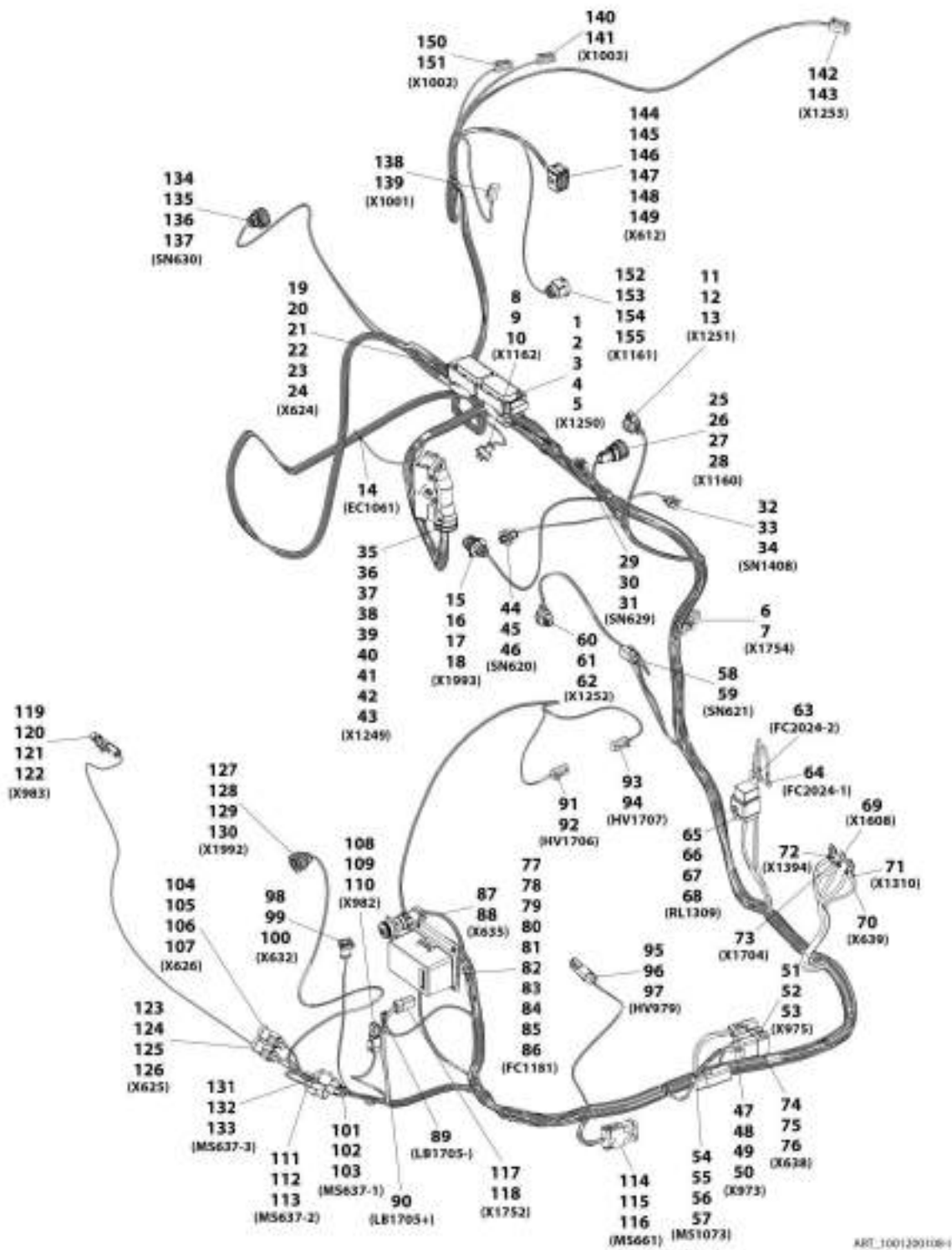
## SECTION 10 - ELECTRICAL

### FIGURE 10-52. BOOM RETRACT SENSOR INSTALLATION

ITEM	PART NUMBER	QTY	DESCRIPTION	REV
	1001195720	Ref	Boom Retract Sensor Installation	C
1	1001008923	19	Strap, Cable	
2	1001146588	2	Strap, Fir Tree Cable Tie	
3	1001183024	2	Sensor	
4	1001195953	1	Harness, Proximity Sensor	
5	1001210567	2	Bracket	
6	4812000	4	Washer, M10	
7	0761009	4	Bolt	
8	1001003305	2	Clip	

# SECTION 10 - ELECTRICAL

## FIGURE 10-53. ENGINE HARNESS (ULS)



## SECTION 10 - ELECTRICAL

### FIGURE 10-53. ENGINE HARNESS (ULS)

ITEM	PART NUMBER	QTY	DESCRIPTION	REV
	1001200108	Ref	Engine Harness (ULS)	I
1	1001202723	1	Connector	
2	1001167623	5	Plug	
3	1001166555	13	Terminal	
4	1001167621	50	Terminal	
5	1001167622	37	Plug	
6	4460539	1	Connector	
7	4460465	3	Terminal	
8	1001126487	1	Connector	
9	1001167635	2	Terminal	
10	1001126485	2	Terminal Seal	
11	1001167631	1	Connector	
12	1001167630	4	Terminal	
13	1001126485	4	Terminal Seal	
14	1001187070	1	Ring Terminal	
15	1001148842	1	Connector	
16	1001148841	3	Terminal	
17	1001135651	1	Plug	
18	1001135650	3	Terminal Seal	
19	1001202722	1	Connector	
20	1001166551	6	Terminal	
21	1001126353	6	Terminal Seal	
22	1001167622	58	Plug	
23	1001167621	21	Terminal	
24	1001167623	6	Plug	
25	1001138116	1	Connector	
26	1001187882	1	Cover	
27	1001133715	3	Terminal	
28	1001135650	4	Terminal Seal	
29	1001126487	1	Connector	
30	1001167634	2	Terminal	
31	1001126485	2	Terminal Seal	
32	1001209097	1	Connector	
33	8220124	2	Terminal	
34	4460608	2	Terminal Seal	
35	1001126362	1	Connector	
36	1001166556	30	Terminal	
37	1001126393	40	Terminal Seal	
38	1001126391	16	Plug	
39	4461008	2	Plug	
40	4461008	2	Terminal Seal	
41	4461054	2	Terminal Wire Seal	
42	1001166543	4	Terminal	
43	1001166774	10	Terminal	
44	1001126487	1	Connector	
45	1001167634	2	Terminal	
46	1001126485	2	Terminal Seal	
47	1001116811	1	Connector	
48	1001150610	2	Terminal	
49	4460508	1	Terminal	

## SECTION 10 - ELECTRICAL

ITEM	PART NUMBER	QTY	DESCRIPTION	REV
50	4460466	1	Plug	
51	1001144147	1	Connector	
52	4460464	2	Terminal	
53	4460466	1	Plug	
54	4460894	1	Connector	
55	4460892	1	Mating Connector	
56	4460466	1	Plug	
57	4460465	5	Terminal	
58	1001126245	1	Connector	
59	1001126008	2	Terminal	
60	1001167629	1	Connector	
61	1001167630	4	Terminal	
62	1001126485	4	Terminal Seal	
63	1001207171	1	Ring Terminal, (with boot)	
64	1001207171	1	Ring Terminal, (with boot)	
65	1001118282	1	Connector	
66	1001116734	2	Terminal	
67	1001116732	2	Terminal	
68	1001128128	1	Plug	
69	1001187080	1	Ring Terminal	
70	1001187080	1	Ring Terminal	
71	1001187078	1	Ring Terminal	
72	1001187080	1	Ring Terminal	
73	1001187080	1	Ring Terminal	
74	4460970	1	Connector	
75	4460464	9	Terminal	
76	4460466	2	Plug	
77	1001167616	1	Connector	
78	1001190921	1	Fuse Box Foam Seal	
79	4460748	9	Plug	
80	8220097	21	Terminal	
81	1001175265	19	Terminal Seal	
82	8220098	9	Terminal	
83	4460458	11	Terminal Seal	
84	1001116725	6	Terminal	
85	80963067	1	Terminal Seal	
86	1001190037	5	Terminal Seal	
87	2902443	1	Connector	
88	4461071	6	Terminal	
89	1001201885	1	Faston Terminal	
90	1001201885	1	Faston Terminal	
91	4460891	1	Connector	
92	4460465	2	Terminal	
93	4460891	1	Connector	
94	4460465	2	Terminal	
95	4460891	1	Connector	
96	4460465	2	Terminal	
97	4460897	1	Mating Connector	
98	1001167636	1	Connector	
99	1001166707	2	Terminal	
100	4461006	2	Terminal Seal	

## SECTION 10 - ELECTRICAL

ITEM	PART NUMBER	QTY	DESCRIPTION	REV
101	1001116812	1	Connector	
102	4460944	2	Terminal	
103	4460466	1	Plug	
104	4461095	1	Connector	
105	4461070	1	Terminator Resistor	
106	4460944	2	Terminal	
107	4460466	1	Plug	
108	4460891	1	Connector	
109	4460897	1	Mating Connector	
110	4460465	2	Terminal	
111	4460539	1	Connector	
112	4460944	2	Terminal	
113	4460466	1	Plug	
114	4460933	1	Connector	
115	1001125677	1	Mating Connector	
116	4460465	12	Terminal	
117	4461018	1	Connector	
118	4460509	2	Terminal	
119	80963056	1	Connector	
120	80963055	1	Mating Connector	
121	4460979	1	Terminal	
122	1001175265	1	Terminal Seal	
123	4461095	1	Connector	
124	4461070	1	Terminator Resistor	
125	4460944	2	Terminal	
126	4460466	1	Plug	
127	1001133714	1	Connector	
128	1001133715	3	Terminal	
129	1001135650	3	Terminal Seal	
130	1001135651	1	Plug	
131	1001116812	1	Connector	
132	4460944	2	Terminal	
133	4460466	1	Plug	
134	1001133714	1	Connector	
135	1001133715	3	Terminal	
136	1001135650	3	Terminal Seal	
137	1001135651	1	Plug	
138	4460891	1	Connector	
139	4460942	2	Terminal	
140	4460891	1	Connector	
141	4460942	2	Terminal	
142	4460884	1	Connector	
143	4460465	4	Terminal	
144	1001165194	1	Connector	
145	1001126391	2	Plug	
146	1001166556	8	Terminal	
147	1001166774	2	Terminal	
148	1001126393	8	Terminal Seal	
149	1001223459	2	Terminal Seal	
150	4460891	1	Connector	
151	4460942	2	Terminal	

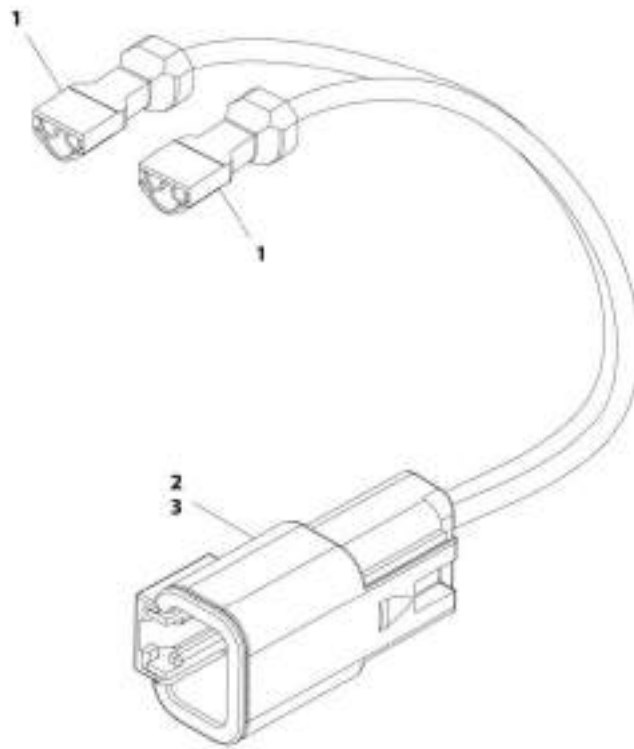
## SECTION 10 - ELECTRICAL

ITEM	PART NUMBER	QTY	DESCRIPTION	REV
152	1001167620	1	Connector	
153	1001176004	2	Terminal	
154	1001176002	2	Terminal Seal	
155	1001167624	2	Plug	



# SECTION 10 - ELECTRICAL

## FIGURE 10-54. FUEL PUMP HARNESS



APP\_100182920-0



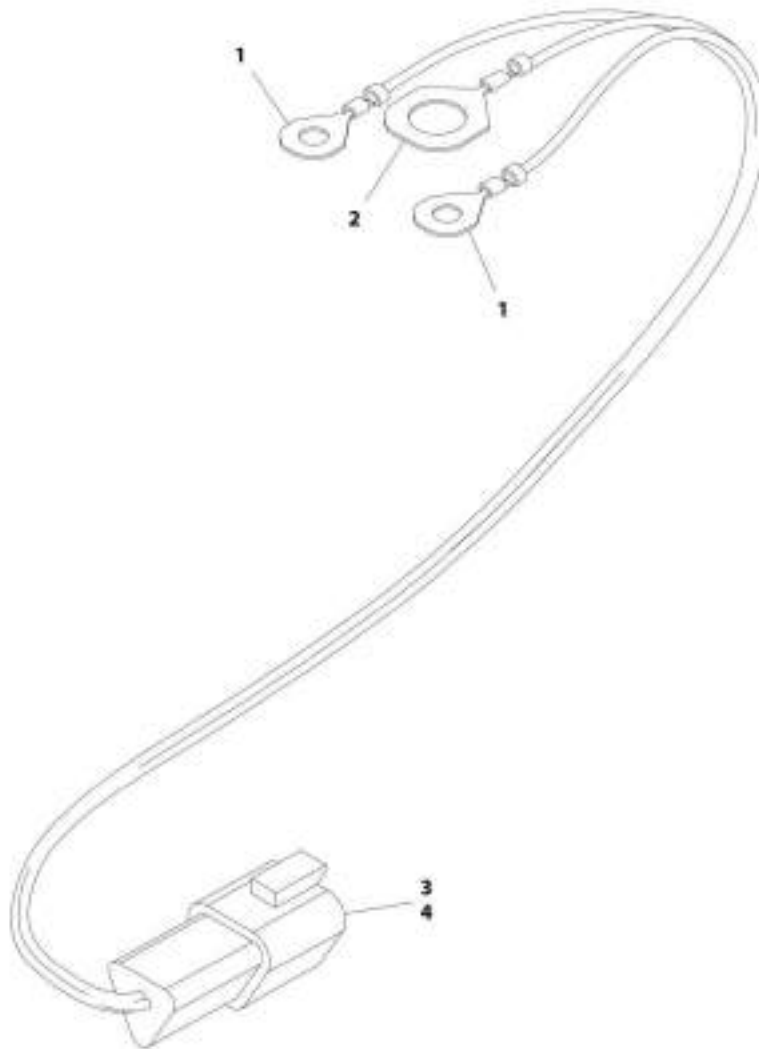
## SECTION 10 - ELECTRICAL

### FIGURE 10-54. FUEL PUMP HARNESS

ITEM	PART NUMBER	QTY	DESCRIPTION	REV
	1001182929	Ref	Fuel Pump Harness	E
1	8220043	2	Connector	
2	4461017	1	Connector	
3	4460508	2	Terminal	

# SECTION 10 - ELECTRICAL

## FIGURE 10-55. GLOW PLUG RELAY HARNESS



AME\_100118/2950-C

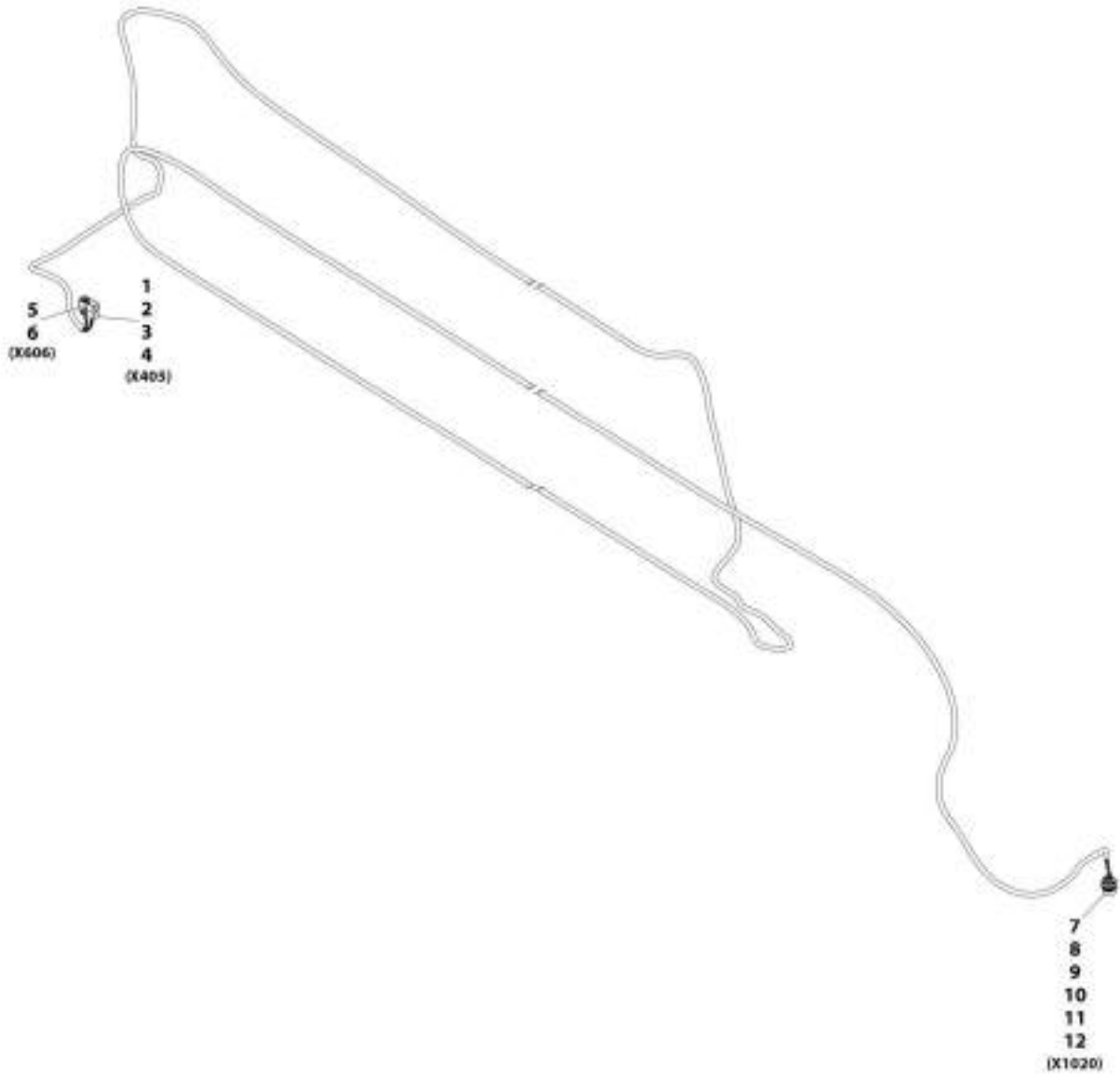
## SECTION 10 - ELECTRICAL

### FIGURE 10-55. GLOW PLUG RELAY HARNESS

ITEM	PART NUMBER	QTY	DESCRIPTION	REV
	1001182930	Ref	Glow Plug Relay Harness	C
1	1001187070	2	Ring, Terminal	
2	1001187077	1	Ring, Terminal	
3	4460536	1	Connector	
4	4460464	3	Terminal	

# SECTION 10 - ELECTRICAL

## FIGURE 10-56. BOOM HARNESS



ART\_1001201124-R

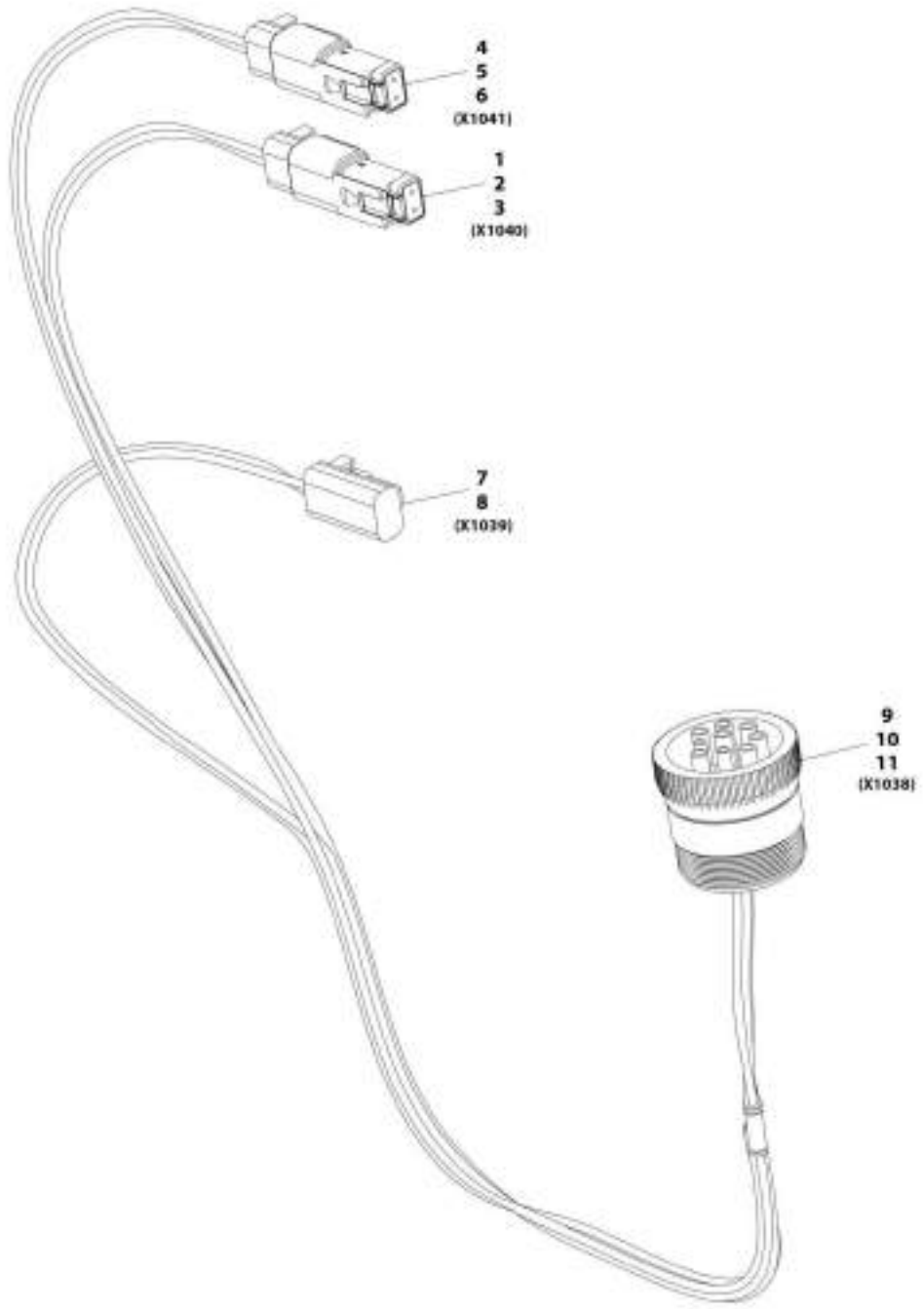
# SECTION 10 - ELECTRICAL

## FIGURE 10-56. BOOM HARNESS

ITEM	PART NUMBER	QTY	DESCRIPTION	REV
	1001201124	Ref	Boom Harness	B
1	4460931	1	Connector	
2	4460943	2	Terminal	
3	4460464	4	Terminal	
4	4460466	2	Plug	
5	4461017	1	Connector	
6	4460508	2	Terminal	
7	1001112612	1	Connector	
8	1001183221	1	Boot	
9	1001157891	2	Terminal	
10	4460464	4	Terminal	
11	4460943	2	Terminal	
12	4460466	1	Plug	

# SECTION 10 - ELECTRICAL

## FIGURE 10-57. BOOM AUX HARNESS



MTI\_100129655-A

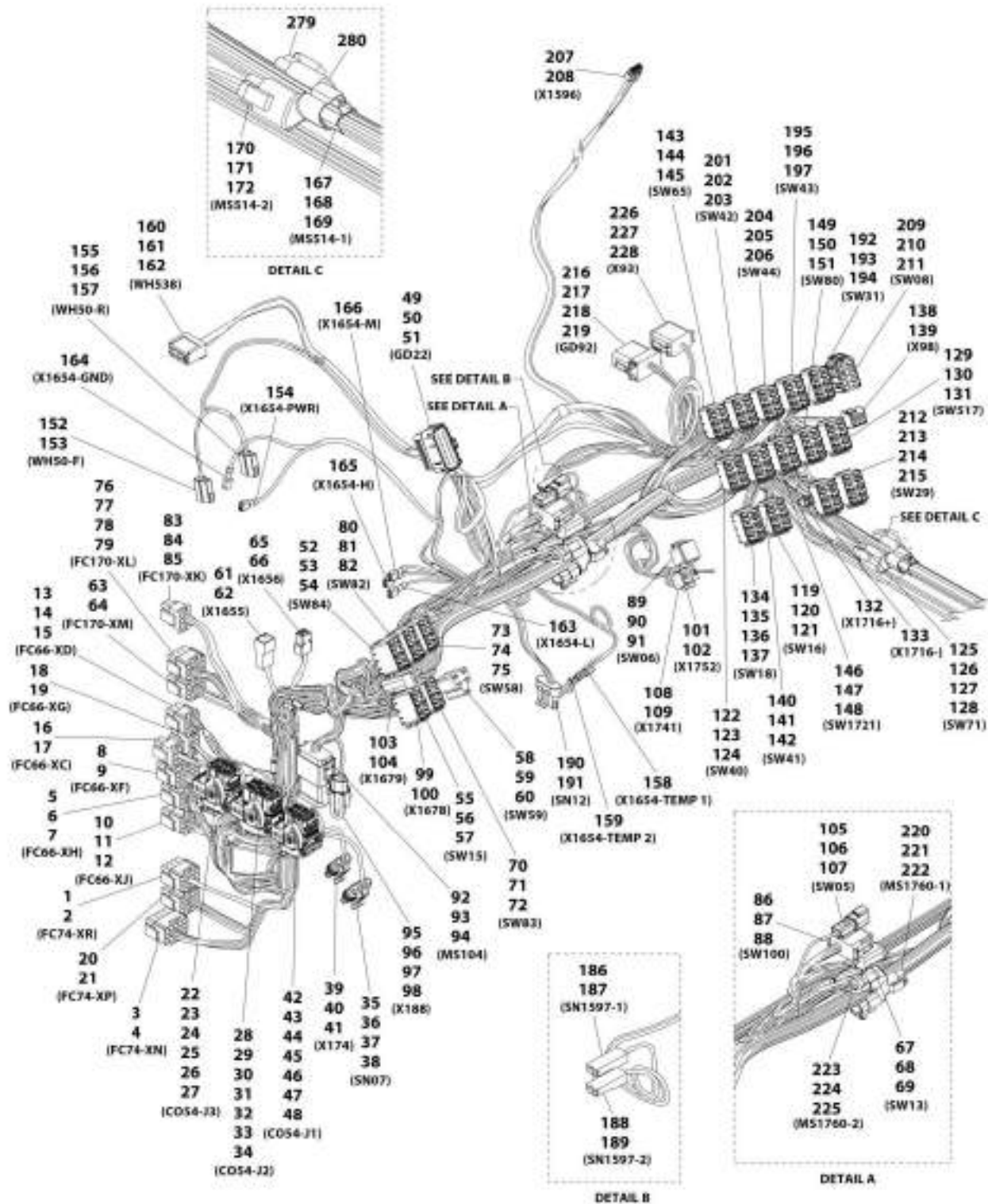
## SECTION 10 - ELECTRICAL

### FIGURE 10-57. BOOM AUX HARNESS

ITEM	PART NUMBER	QTY	DESCRIPTION	REV
	1001206633	Ref	Boom Aux Harness	A
1	4460891	1	Connector	
2	7760897	1	Mating Connector	
3	4460465	2	Terminal	
4	4460891	1	Connector	
5	7760897	1	Mating Connector	
6	4460465	2	Terminal	
7	4460891	1	Connector	
8	4460465	2	Terminal	
9	1001112796	1	Connector	
10	4460465	4	Terminal	
11	4460466	5	Plug	

# SECTION 10 - ELECTRICAL

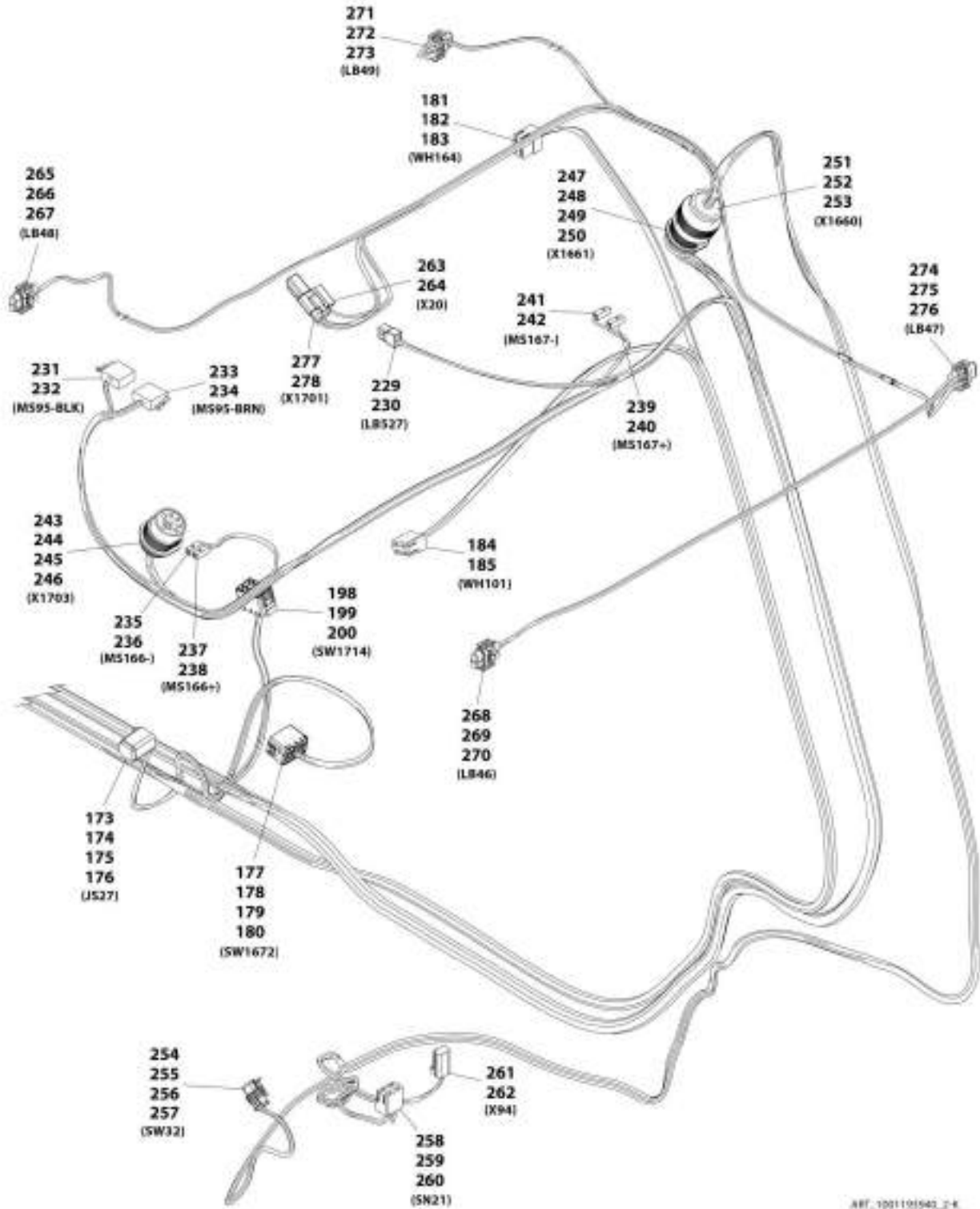
## FIGURE 10-58. CAB HARNESS



ART\_3001103943\_1-8



# SECTION 10 - ELECTRICAL



REF. 1001101540\_2-R

# SECTION 10 - ELECTRICAL

## FIGURE 10-58. CAB HARNESS

ITEM	PART NUMBER	QTY	DESCRIPTION	REV
	1001193940	Ref	Cab Harness	K
1	4460343	1	Connector	
2	4460267	3	Terminal	
3	4460434	1	Connector	
4	4460268	9	Terminal	
5	4460343	1	Connector	
6	4460268	8	Terminal	
7	10011223457	1	Terminal	
8	4460434	1	Connector	
9	4460268	15	Terminal	
10	4460343	1	Connector	
11	4460267	8	Terminal	
12	1001223456	1	Terminal	
13	4460265	1	Connector	
14	1001223457	3	Terminal	
15	4460268	6	Terminal	
16	4460225	1	Connector	
17	4460267	4	Terminal	
18	4460225	1	Connector	
19	4460268	5	Terminal	
20	4460343	1	Connector	
21	4460268	8	Terminal	
22	1001161959	1	Connector	
23	943191201	1	Cover	
24	1001161100	10	Plug	
25	1001161097	14	Terminal	
26	1001161098	1	Terminal	
27	1001161101	7	Plug	
28	1001160502	1	Connector	
29	643201301	1	Cover	
30	1001161097	20	Terminal	
31	1001161100	20	Plug	
32	1001161098	5	Terminal	
33	1001161099	1	Terminal	
34	1001161101	2	Plug	
35	1001103012	1	Connector	
36	1001116698	2	Plug	
37	1001116697	2	Terminal	
38	1001104498	2	Terminal Seal	
39	4461262	1	Connector	
40	1001107854	3	Terminal	
41	1001104498	3	Terminal Seal	
42	1001160498	1	Connector	
43	643191201	1	Cover	
44	1001161097	19	Terminal	
45	1001161100	5	Plug	
46	1001161098	5	Terminal	
47	1001161101	2	Plug	
48	1001161099	1	Terminal	
49	1001162886	1	Connector	

## SECTION 10 - ELECTRICAL

ITEM	PART NUMBER	QTY	DESCRIPTION	REV
50	1001163340	13	Plug	
51	1001162887	7	Terminal	
52	1001117081	1	Connector	
53	1001116723	6	Terminal	
54	1001222455	1	Terminal	
55	1001117081	1	Connector	
56	1001116723	6	Terminal	
57	1001223455	1	Terminal	
58	1001173411	1	Connector	
59	1001116716	3	Terminal	
60	1001104519	3	Terminal	
61	1001116999	1	Connector	
62	1001116700	4	Terminal	
63	4460343	1	Connector	
64	4460267	7	Terminal	
65	1001116991	1	Connector	
66	1001116723	2	Terminal	
67	4460933	1	Connector	
68	4460466	6	Plug	
69	4460465	6	Terminal	
70	1001117081	1	Connector	
71	1001116723	6	Terminal	
72	1001223455	1	Terminal	
73	1001117081	1	Connector	
74	1001116723	4	Terminal	
75	1001118384	2	Terminal	
76	4460343	1	Connector	
77	4460268	8	Terminal	
78	4460906	1	Terminal	
79	1001223457	1	Terminal	
80	1001117081	1	Connector	
81	1001116723	6	Terminal	
82	1001223455	1	Terminal	
83	4460225	1	Connector	
84	4460267	5	Terminal	
85	4460705	1	Terminal	
86	4460836	1	Connector	
87	4460942	4	Terminal	
88	4460465	8	Terminal	
89	4460894	1	Connector	
90	4460465	4	Terminal	
91	4460466	2	Plug	
92	4460933	1	Connector	
93	1001125677	1	Mating Connector	
94	4460465	12	Terminal	
95	1001116812	1	Connector	
96	1001144296	1	Cap	
97	4460944	2	Terminal	
98	4460466	1	Plug	
99	4460320	1	Connector	
100	4460267	2	Terminal	

## SECTION 10 - ELECTRICAL

ITEM	PART NUMBER	QTY	DESCRIPTION	REV
101	4460320	1	Connector	
102	4460267	2	Terminal	
103	4460424	1	Connector	
104	4460268	2	Terminal	
105	4460897	1	Connector	
106	4460464	1	Terminal	
107	4460466	1	Plug	
108	4460424	1	Connector	
109	4460268	2	Terminal	
119	1001117081	1	Connector	
120	1001116723	6	Terminal	
121	1001223455	1	Terminal	
122	1001117081	1	Connector	
123	1001116723	6	Terminal	
124	1001118384	4	Terminal	
125	1001117081	1	Connector	
126	1001116723	6	Terminal	
127	1001223455	2	Terminal	
128	1001118384	2	Terminal	
129	1001117081	1	Connector	
130	1001116723	6	Terminal	
131	1001223455	1	Terminal	
132	1001194421	1	Terminal	
133	1001194421	1	Terminal	
134	1001117081	1	Connector	
135	1001116723	6	Terminal	
136	1001223455	3	Terminal	
137	1001118384	2	Terminal	
138	1001118684	1	Connector	
139	1001116754	2	Terminal	
140	1001117081	1	Connector	
141	1001116723	4	Terminal	
142	1001118384	3	Terminal	
143	1001117081	1	Connector	
144	1001116723	6	Terminal	
145	1001118384	1	Terminal	
146	1001117081	1	Connector	
147	1001116723	6	Terminal	
148	1001118384	1	Terminal	
149	1001117081	1	Connector	
150	1001116723	6	Terminal	
151	1001223455	1	Terminal	
152	4460994	1	Connector	
153	1001118384	2	Terminal	
154	8220051	1	Terminal	
155	4460994	1	Connector	
156	1001118384	1	<b>Terminal</b>	
157	1001116723	2	Terminal	
158	1001194421	1	Terminal	
159	1001194421	1	Terminal	
160	1001116997	1	Connector	

## SECTION 10 - ELECTRICAL

ITEM	PART NUMBER	QTY	DESCRIPTION	REV
161	1001118384	4	Terminal	
162	1001116723	1	Terminal	
163	8220051	1	Terminal	
164	8220051	1	Terminal	
165	8220051	1	Terminal	
166	8220051	1	Terminal	
167	1001116812	1	Connector	
168	4460944	2	Terminal	
169	4460466	1	Plug	
170	4460539	1	Connector	
171	4460944	2	Terminal	
172	4460466	1	Plug	
173	4460894	1	Connector	
174	4460465	3	Terminal	
175	4460466	1	Plug	
176	4460944	2	Terminal	
177	1001117081	1	Connector	
178	1001116723	2	Terminal	
179	1001223455	2	Terminal	
180	1001118384	2	Terminal	
181	1001116986	1	Connector	
182	1001117011	1	Mating Connector	
183	1001118384	4	Terminal	
184	1001116986	1	Connector	
185	1001118384	4	Terminal	
186	1001116995	1	Connector	
187	1001118379	1	Terminal	
188	1001116995	1	Connector	
189	1001118379	1	Terminal	
190	1001117064	1	Connector	
191	91554014	6	Terminal	
192	1001117081	1	Connector	
193	1001116723	4	Terminal	
194	1001118384	2	Terminal	
195	1001117081	1	Connector	
196	1001116723	4	Terminal	
197	1001118384	2	Terminal	
198	1001117081	1	Connector	
199	1001223455	2	Terminal	
200	1001118384	4	Terminal	
201	1001117081	1	Connector	
202	1001116723	4	Terminal	
203	1001118384	2	Terminal	
204	1001117081	1	Connector	
205	1001116723	4	Terminal	
206	1001118384	2	Terminal	
207	1001150735	1	Connector	
208	1001150737	7	Terminal	
209	1001117079	1	Connector	
210	1001223455	2	Terminal	
211	1001116723	6	Terminal	

## SECTION 10 - ELECTRICAL

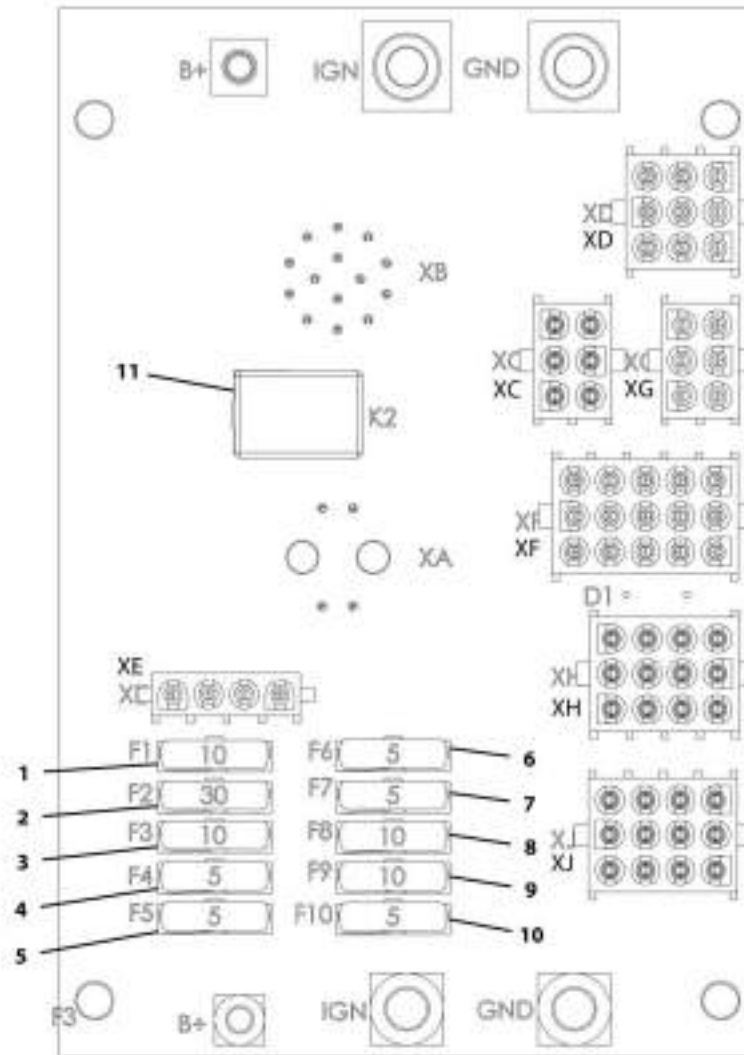
ITEM	PART NUMBER	QTY	DESCRIPTION	REV
212	1001117081	1	Connector	
213	1001116723	8	Terminal	
214	1001118384	1	Terminal	
215	1001223455	1	Terminal	
216	1001176333	1	Connector	
217	4460466	11	Plug	
218	4460465	3	Terminal	
219	4460944	4	Terminal	
220	1001116812	1	Connector	
221	4460944	2	Terminal	
222	4460466	1	Plug	
223	4460539	1	Connector	
224	4460944	2	Terminal	
225	4460466	1	Plug	
226	4460930	1	Connector	
227	4460931	1	Mating Connector	
228	4460466	6	Plug	
229	1001116991	1	Connector	
230	1001118384	2	Terminal	
231	1001116985	1	Connector	
232	1001118386	3	Terminal	
233	1001116984	1	Connector	
234	1001118386	4	Terminal	
235	1001116998	1	Connector	
236	1001118387	1	Terminal	
237	1001116998	1	Connector	
238	1001118387	1	Terminal	
239	1001116998	1	Connector	
240	1001118387	1	Terminal	
241	1001116998	1	Connector	
242	1001118387	1	Terminal	
243	1001112612	1	Connector	
244	4460464	3	Terminal	
245	4460943	2	Terminal	
246	4460466	4	Plug	
247	1001137000	1	Connector	
248	4460928	3	Terminal	
249	1001126008	13	Terminal	
250	4460518	5	Plug	
251	1001136999	1	Connector	
252	1001126011	16	Terminal	
253	4460518	5	Plug	
254	4461262	1	Connector	
255	1001107854	2	Terminal	
256	1001116698	1	Terminal	
257	1001104498	3	Terminal Seal	
258	1001116986	1	Connector	
259	1001118384	3	Terminal	
260	1001116723	2	Terminal	
261	4460891	1	Connector	
262	4460465	2	Terminal	

## SECTION 10 - ELECTRICAL

ITEM	PART NUMBER	QTY	DESCRIPTION	REV
263	4460944	1	Connector	
264	1001118384	2	Terminal	
265	4461115	1	Connector	
266	4460746	2	Terminal	
267	4460458	2	Terminal Seal	
268	4461115	1	Connector	
269	4460746	2	Terminal	
270	4460458	2	Terminal Seal	
271	4461115	1	Connector	
272	4460746	2	Terminal	
273	4460458	2	Terminal Seal	
274	4461115	1	Connector	
275	4460746	2	Terminal	
276	4460458	2	Terminal Seal	
277	4460891	1	Connector	
278	4460465	2	Terminal	
279	1001116815	1	Connector	
280	4460945	1	Connector, 3 Way	

# SECTION 10 - ELECTRICAL

FIGURE 10-59. STANDARD ELECTRICAL BOARD ASSEMBLY



ART\_100161769-C



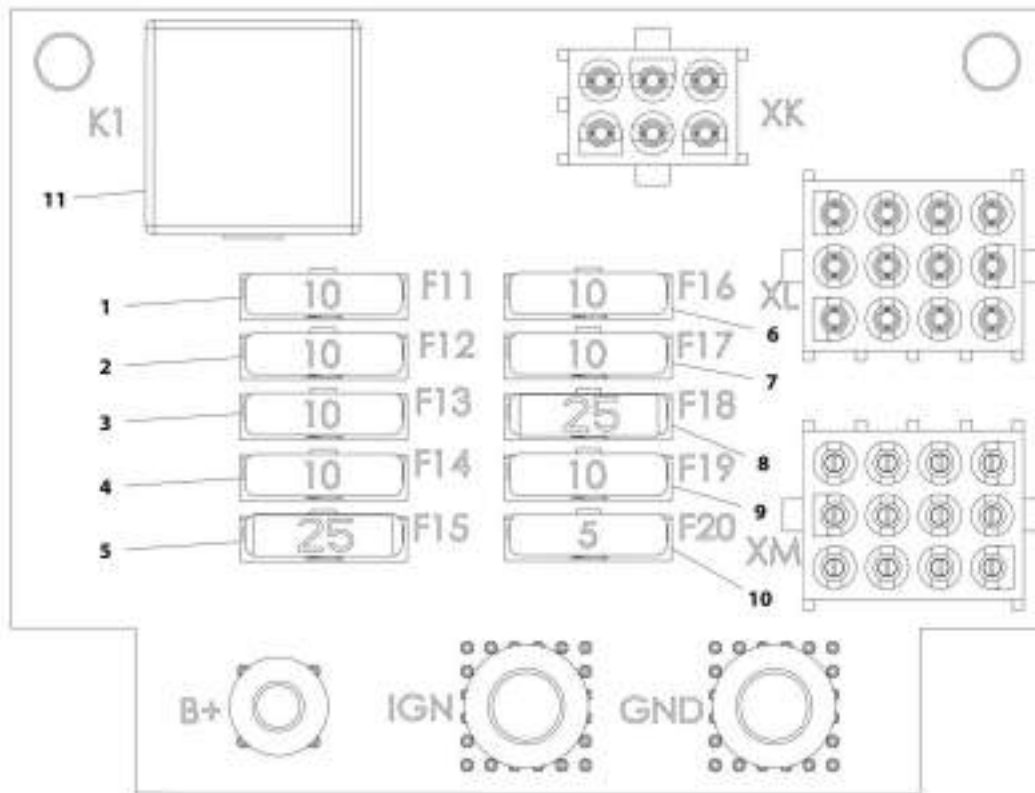
## SECTION 10 - ELECTRICAL

FIGURE 10-59. STANDARD ELECTRICAL BOARD ASSEMBLY

ITEM	PART NUMBER	QTY	DESCRIPTION	REV
	1001161769	Ref	Standard Electrical Board Assembly	C
1	80983191	1	Fuse, 10AMP	
2	8229245	1	Fuse, 30AMP	
3	80983191	1	Fuse, 10AMP	
4	8229242	1	Fuse, 5AMP	
5	8229242	1	Fuse, 5AMP	
6	8229242	1	Fuse, 5AMP	
7	8229242	1	Fuse, 5AMP	
8	80983191	1	Fuse, 10AMP	
9	80983191	1	Fuse, 10AMP	
10	8229242	1	Fuse, 5AMP	
11	70026292	1	Fuse, 35AMP	

# SECTION 10 - ELECTRICAL

## FIGURE 10-60. OPTION 1 ELECTRICAL BOARD ASSEMBLY



ART\_100198177D/C

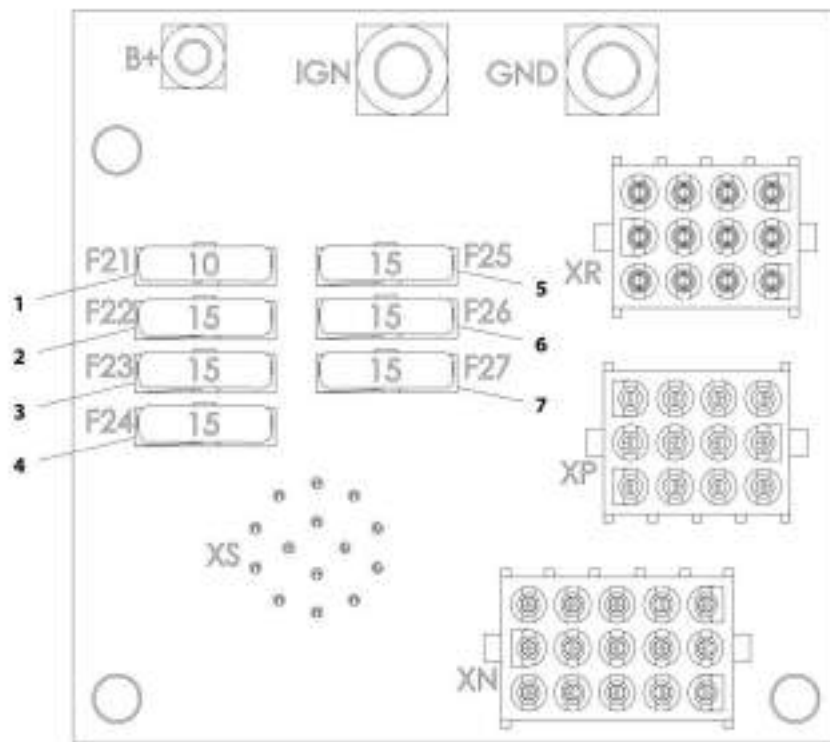
## SECTION 10 - ELECTRICAL

### FIGURE 10-60. OPTION 1 ELECTRICAL BOARD ASSEMBLY

ITEM	PART NUMBER	QTY	DESCRIPTION	REV
	1001161770	Ref	Option 1 Electrical Board Assembly	C
1	80983191	1	Fuse, 10AMP	
2	80983191	1	Fuse, 10AMP	
3	80983191	1	Fuse, 10AMP	
4	80983191	1	Fuse, 10AMP	
5	8229247	1	Fuse, 25AMP	
6	80983191	1	Fuse, 10AMP	
7	80983191	1	Fuse, 10AMP	
8	8229247	1	Fuse, 25AMP	
9	80983191	1	Fuse, 10AMP	
10	8229242	1	Fuse, 5AMP	
11	70026293	1	Fuse, 50AMP	

# SECTION 10 - ELECTRICAL

FIGURE 10-61. OPTION 2 ELECTRICAL BOARD ASSEMBLY



ART\_300191771-8

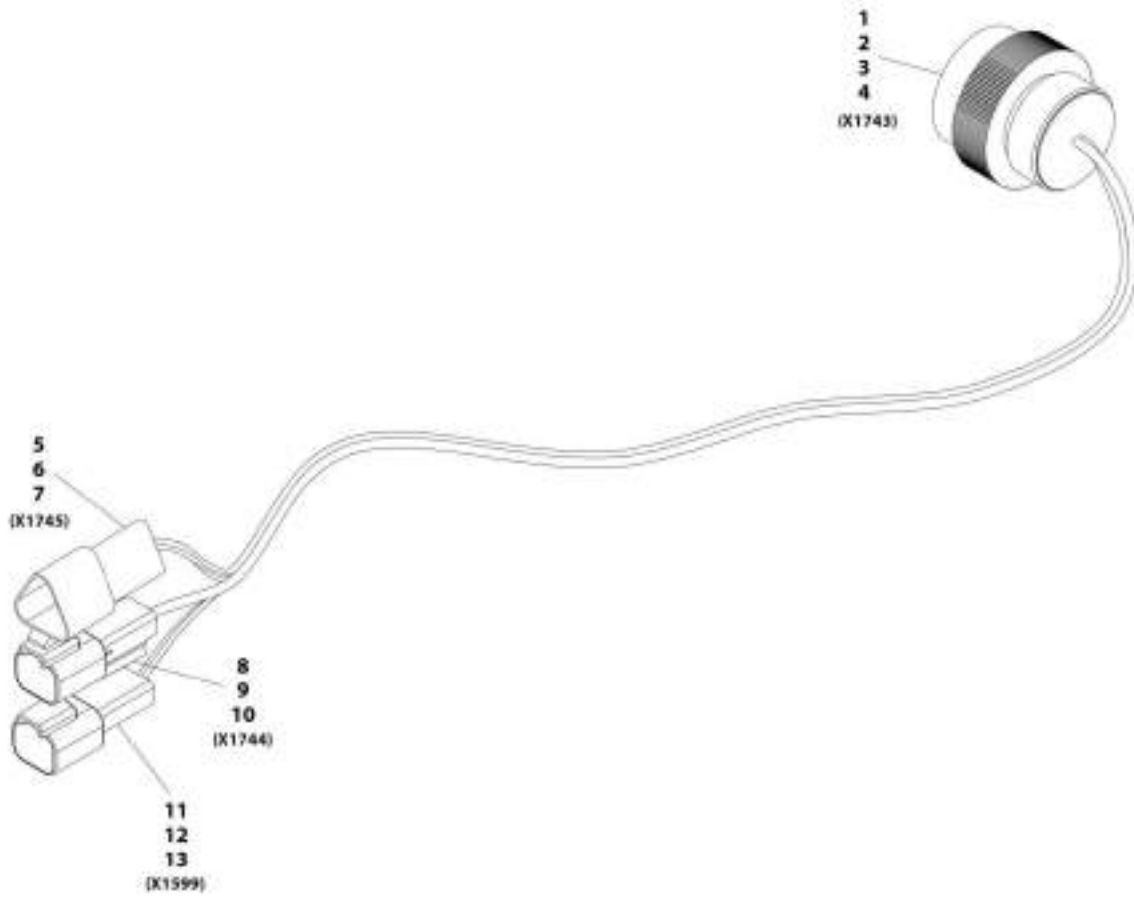
## SECTION 10 - ELECTRICAL

### FIGURE 10-61. OPTION 2 ELECTRICAL BOARD ASSEMBLY

ITEM	PART NUMBER	QTY	DESCRIPTION	REV
	1001161771	Ref	Option 2 Electrical Board Assembly	B
1	80983191	1	Fuse, 10AMP	
2	8229244	1	Fuse, 15AMP	
3	8229244	1	Fuse, 15AMP	
4	8229244	1	Fuse, 15AMP	
5	8229244	1	Fuse, 15AMP	
6	8229244	1	Fuse, 15AMP	
7	8229244	1	Fuse, 15AMP	

# SECTION 10 - ELECTRICAL

## FIGURE 10-62. CAB OPTION HARNESS



ART\_1001181681-C

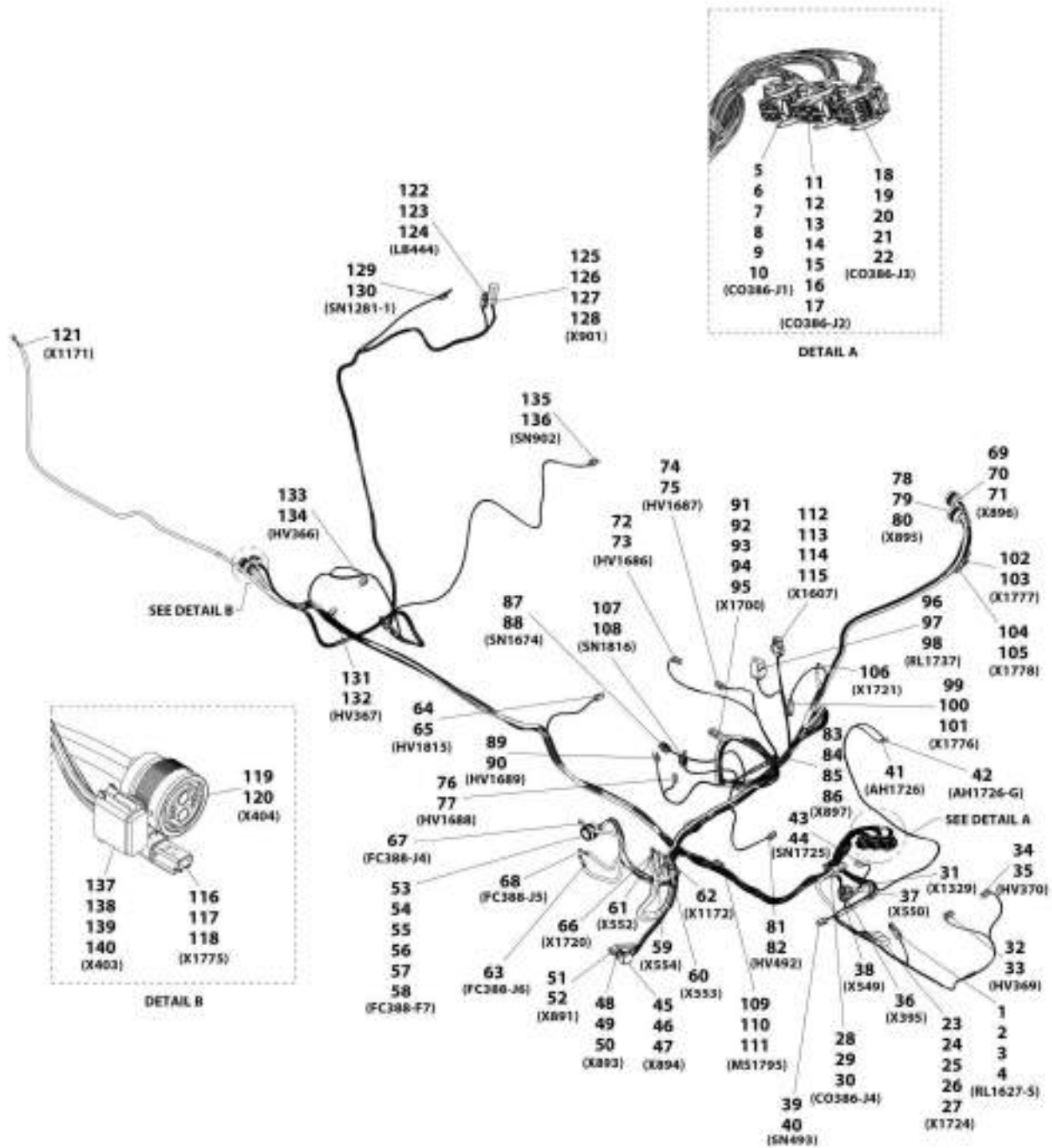
# SECTION 10 - ELECTRICAL

## FIGURE 10-62. CAB OPTION HARNESS

ITEM	PART NUMBER	QTY	DESCRIPTION	REV
	1001181681	Ref	Cab Option Harness	C
1	4461015	1	Connector	
2	4460465	5	Terminal	
3	4460466	8	Plug	
4	4460942	1	Terminal	
5	1001144147	1	Connector	
6	4460943	2	Terminal	
7	4460466	1	Plug	
8	4460897	1	Connector	
9	4460941	1	Terminal	
10	4460466	1	Plug	
11	4460932	1	Connector	
12	4460464	3	Terminal	
13	4460466	1	Plug	

# SECTION 10 - ELECTRICAL

## FIGURE 10-63. FRONT FRAME HARNESS



ART\_1001184396-J



## SECTION 10 - ELECTRICAL

### FIGURE 10-63. FRONT FRAME HARNESS

ITEM	PART NUMBER	QTY	DESCRIPTION	REV
	1001184396	Ref	Front Frame Harness	J
1	4460891	1	Connector	
2	4460897	1	Mating Connector	
3	4460466	2	Plug	
4	4460465	2	Terminal	
5	1001161957	1	Connector	
6	643191201	1	Cover	
7	1001161100	12	Plug	
8	1001161097	12	Terminal	
9	1001161101	5	Plug	
10	1001161098	3	Terminal	
11	1001161963	1	Connector	
12	643201301	1	Cover	
13	1001161097	21	Terminal	
14	1001161100	19	Plug	
15	1001161099	6	Terminal	
16	1001161098	1	Terminal	
17	1001161101	1	Plug	
18	1001160500	1	Connector	
19	643191201	1	Cover	
20	1001161097	10	Terminal	
21	1001161100	15	Plug	
22	1001161099	7	Terminal	
23	4460933	1	Connector	
24	4460970	1	Mating Connector	
25	4460466	2	Plug	
26	4460942	10	Terminal	
27	4460466	2	Plug	
28	1001160509	1	Connector	
29	1001160510	1	Terminal	
30	1001175267	1	Seal	
31	1001187080	1	Ring Terminal	
32	4460891	1	Connector	
33	4460465	2	Terminal	
34	4460891	1	Connector	
35	4460465	2	Terminal	
36	1001187080	1	Ring Terminal	
37	1001187079	1	Ring Terminal	
38	1001187079	1	Ring Terminal	
39	4460539	1	Connector	
40	4460465	3	Terminal	
41	8220051	1	Ring Terminal	
42	1001187073	1	Ring Terminal	
43	4460539	1	Connector	
44	4460465	3	Terminal	
45	4460933	1	Connector	
46	4460465	11	Terminal	
47	4460466	1	Plug	
48	1001116812	1	Connector	
49	4460465	2	Terminal	

# SECTION 10 - ELECTRICAL

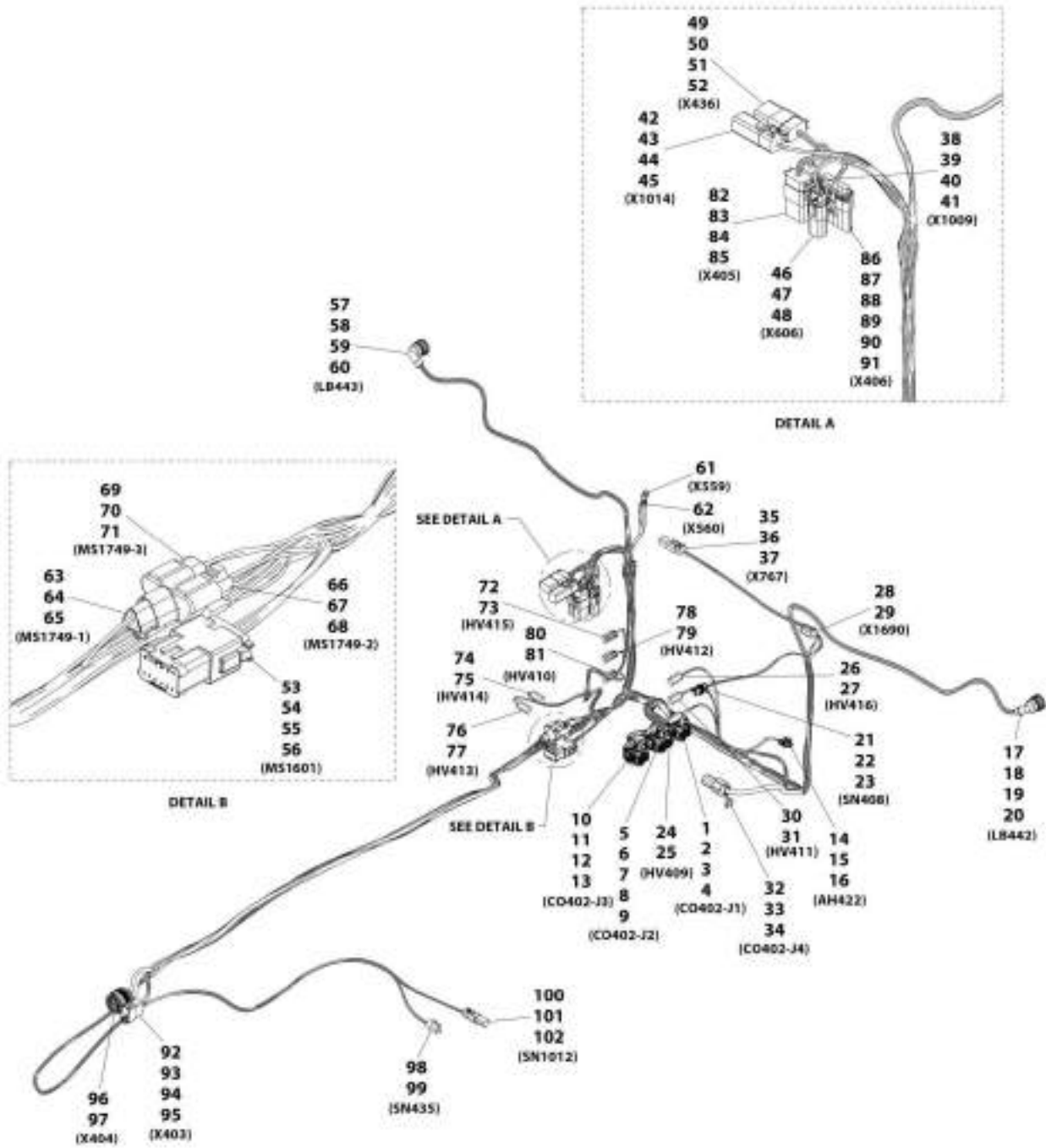
ITEM	PART NUMBER	QTY	DESCRIPTION	REV
50	4460466	1	Plug	
51	1001116810	1	Connector	
52	1001150611	4	Terminal	
53	1001165309	1	Connector	
54	4460466	2	Plug	
55	4460465	9	Terminal	
56	4460942	2	Terminal	
57	4460509	3	Terminal	
58	1001150611	3	Terminal	
59	1001187079	1	Ring Terminal	
60	1001187076	1	Ring Terminal	
61	1001187079	1	Ring Terminal	
62	1001187076	1	Ring Terminal	
63	1001187075	1	Ring Terminal	
64	4460891	1	Connector	
65	4460465	2	Terminal	
66	1001117109	1	Ring Terminal	
67	1001187075	1	Ring Terminal	
68	1001187075	1	Ring Terminal	
69	4461015	1	Connector	
70	4460465	12	Terminal	
71	4460466	2	Plug	
72	4460891	1	Connector	
73	4460465	2	Terminal	
74	4460891	1	Connector	
75	4460465	2	Terminal	
76	4461290	1	Connector	
77	4460928	2	Terminal	
78	1001118323	1	Connector	
79	4460942	4	Terminal	
80	91013192	2	Terminal	
81	4460891	1	Connector	
82	4460465	2	Terminal	
83	4460891	1	Connector	
84	4460897	1	Mating Connector	
85	4460942	1	Terminal	
86	4460466	1	Plug	
87	1001116950	1	Connector	
88	4460465	2	Terminal	
89	4460891	1	Connector	
90	4460465	2	Terminal	
91	4460884	1	Connector	
92	4460932	1	Mating Connector	
93	4460466	1	Sealing Plug	
94	4460465	3	Terminal	
95	4460942	1	Terminal	
96	1001118202	1	Connector	
97	1001116732	4	Terminal	
98	1001128128	1	Plug	
99	4460891	1	Connector	
100	4460897	1	Mating Connector	

## SECTION 10 - ELECTRICAL

ITEM	PART NUMBER	QTY	DESCRIPTION	REV
101	4460465	2	Terminal	
102	4460891	1	Connector	
103	4460465	2	Terminal	
104	4460897	1	Connector	
105	4460464	2	Terminal	
106	8220116	1	Ring Terminal	
107	1001116950	1	Connector	
108	4460465	2	Terminal	
109	4460930	1	Connector	
110	4460984	1	Mating Connector	
111	4460465	8	Terminal	
112	1001116774	1	Connector	
113	1001132169	1	Mating Connector	
114	4460518	7	Plug	
115	1001126008	5	Terminal	
116	4460891	1	Connector	
117	4460897	1	Mating Connector	
118	4460465	2	Terminal	
119	1001165310	1	Connector	
120	91013192	2	Terminal	
121	1001187076	1	Ring Terminal	
122	4460891	1	Connector	
123	4460897	1	Mating Connector	
124	4460942	2	Terminal	
125	4460894	1	Connector	
126	4460899	1	Mating Connector	
127	4460465	2	Terminal	
128	4460942	4	Terminal	
129	4460891	1	Connector	
130	4460465	2	Terminal	
131	4460891	1	Connector	
132	4460465	2	Terminal	
133	4460891	1	Connector	
134	4460465	2	Terminal	
135	4460891	1	Connector	
136	4460465	2	Terminal	
137	4460933	1	Connector	
138	4460465	6	Terminal	
139	4460942	1	Terminal	
140	4460466	5	Plug	

# SECTION 10 - ELECTRICAL

## FIGURE 10-64. REAR FRAME HARNESS



ART\_100104307-H

# SECTION 10 - ELECTRICAL

## FIGURE 10-64. REAR FRAME HARNESS

ITEM	PART NUMBER	QTY	DESCRIPTION	REV
	1001184397	Ref	Rear Frame Harness	H
1	1001161957	1	Connector	
2	1001161097	6	Terminal	
3	1001161100	18	Plug	
4	1001161101	8	Plug	
5	1001161963	1	Connector	
6	1001161097	26	Terminal	
7	1001161100	14	Plug	
8	1001161099	6	Terminal	
9	1001161101	2	Plug	
10	1001160500	1	Connector	
11	1001161100	18	Plug	
12	1001161097	6	Terminal	
13	1001161099	8	Terminal	
14	4461118	1	Connector	
15	1001107854	2	Terminal	
16	1001116763	2	Terminal Seal	
17	1001116996	1	Connector	
18	1001118392	6	Terminal	
19	1001116696	1	Plug	
20	4461054	6	Terminal Seal	
21	4461262	1	Connector	
22	1001107854	3	Terminal	
23	1001104498	3	Terminal Seal	
24	4460891	1	Connector	
25	4460465	2	Terminal	
26	4460891	1	Connector	
27	4460465	2	Terminal	
28	4460884	1	Connector	
29	4460465	4	Terminal	
30	4460891	1	Connector	
31	4460465	2	Terminal	
32	1001160509	1	Connector	
33	1001160510	1	Terminal	
34	1001175267	1	Terminal Seal	
35	4460884	1	Connector	
36	4460932	1	Mating Connector	
37	4460465	4	Terminal	
38	4460884	1	Connector	
39	4460932	1	Mating Connector	
40	4460466	2	Plug	
41	4460465	2	Terminal	
42	4460894	1	Connector	
43	4460899	1	Mating Connector	
44	4460466	3	Plug	
45	4460465	3	Terminal	
46	4461018	1	Connector	
47	4461017	1	Mating Connector	
48	4460509	2	Terminal	
49	4460930	1	Connector	

## SECTION 10 - ELECTRICAL

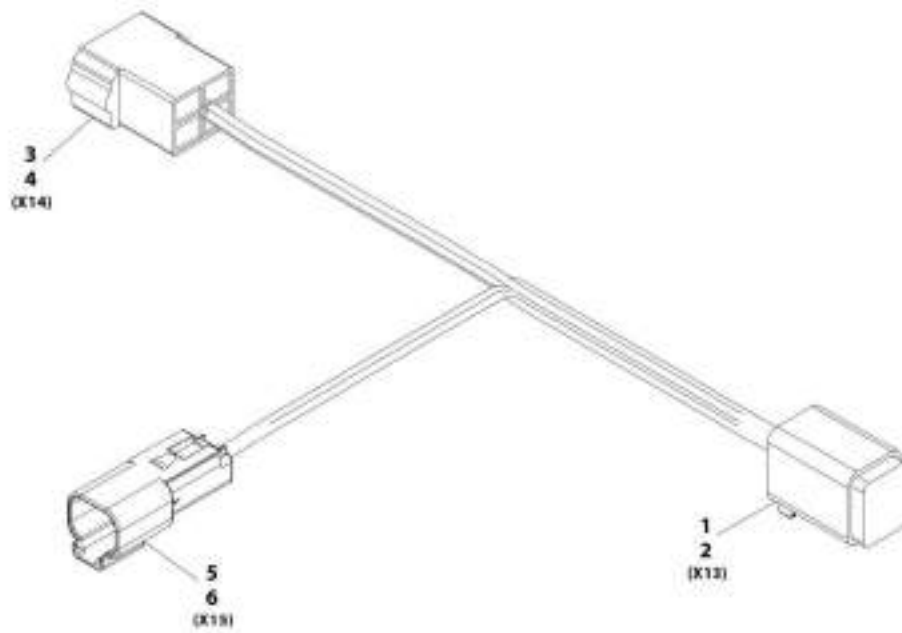
ITEM	PART NUMBER	QTY	DESCRIPTION	REV
50	4460931	1	Mating Connector	
51	4460466	2	Plug	
52	4460465	6	Terminal	
53	4460933	1	Connector	
54	1001125677	1	Bussbar Connector	
55	4460465	10	Terminal	
56	4460466	2	Plug	
57	1001116996	1	Connector	
58	1001118392	6	Terminal	
59	1001116696	1	Plug	
60	4461054	6	Terminal Seal	
61	1001187080	1	Ring Terminal	
62	1001187079	1	Ring Terminal	
63	1001116812	1	Connector	
64	4460944	2	Terminal	
65	4460466	1	Plug	
66	4460539	1	Connector	
67	4460944	2	Terminal	
68	4460466	1	Plug	
69	1001116812	1	Connector	
70	4460944	2	Terminal	
71	4460466	1	Plug	
72	4460891	1	Connector	
73	4460465	2	Terminal	
74	4460891	1	Connector	
75	4460465	2	Terminal	
76	4460891	1	Connector	
77	4460465	2	Terminal	
78	4460891	1	Connector	
79	4460465	2	Terminal	
80	4460891	1	Connector	
81	4460465	2	Terminal	
82	4460930	1	Connector	
83	4460931	1	Mating Connector	
84	4460466	2	Plug	
85	4460465	6	Terminal	
86	1001121726	1	Connector	
87	1001121727	1	Mating Connector	
88	1001116728	4	Terminal	
89	4460748	1	Plug	
90	1001175265	3	Terminal Seal	
91	4460458	1	Terminal Seal	
92	4460970	1	Connector	
93	4460464	6	Terminal	
94	4460941	1	Terminal	
95	4460466	5	Plug	
96	1001165311	1	Connector	
97	91013191	2	Terminal	
98	4460539	1	Connector	
99	4460944	3	Terminal	
100	4460539	1	Connector	

## SECTION 10 - ELECTRICAL

ITEM	PART NUMBER	QTY	DESCRIPTION	REV
101	4460536	1	Mating Connector	
102	4460465	3	Terminal	

# SECTION 10 - ELECTRICAL

## FIGURE 10-65. SEAT ADAPTOR HARNESS



ART\_1001168531-A



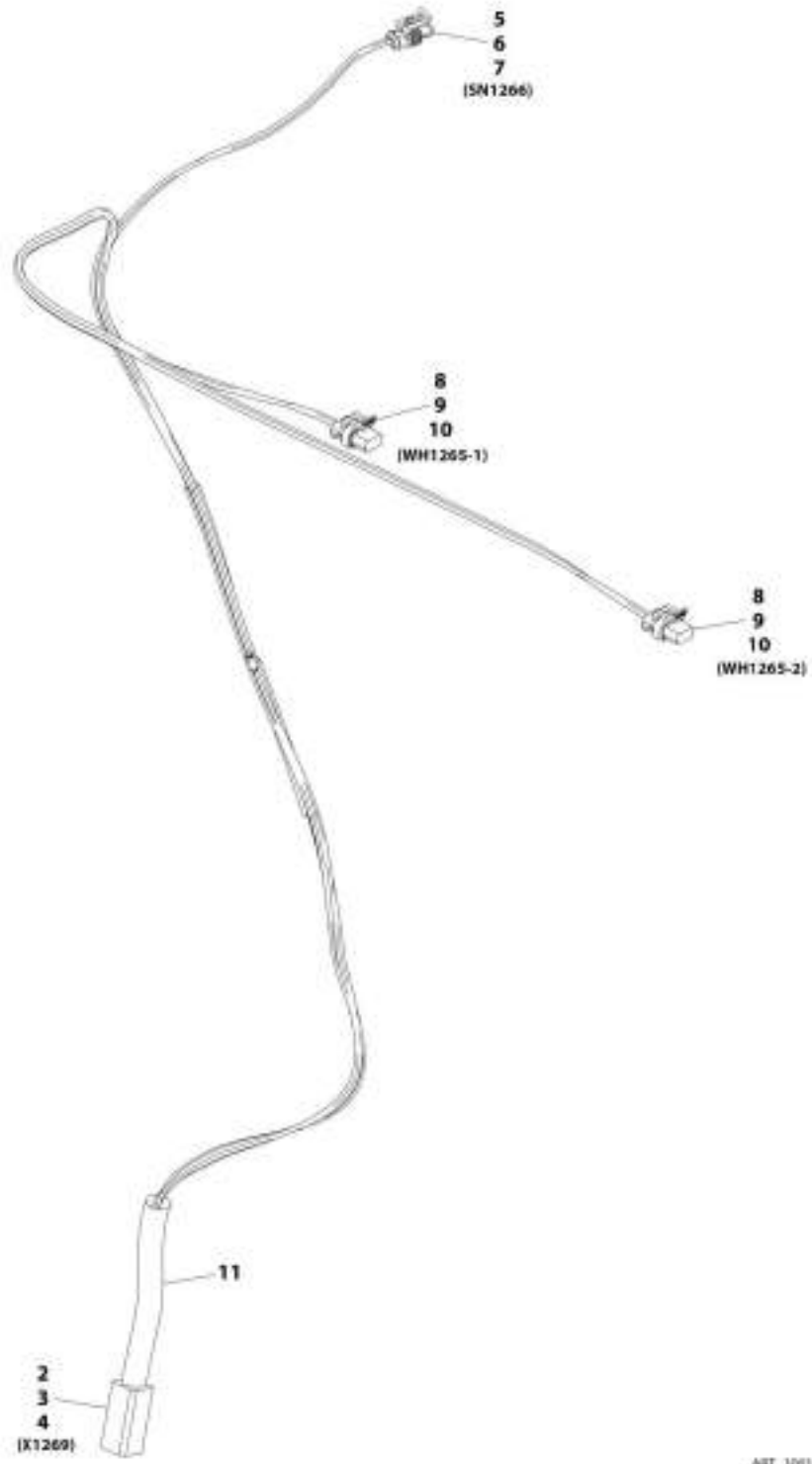
## SECTION 10 - ELECTRICAL

### FIGURE 10-65. SEAT ADAPTOR HARNESS

ITEM	PART NUMBER	QTY	DESCRIPTION	REV
	1001168531	Ref	Seat Adaptor Harness	A
1	4460894	1	Connector	
2	91504107	1	Lock, Connector	
3	4460465	6	Terminal	
4	1001117011	1	Connector	
5	1001116700	3	Terminal	
6	4460897	1	Connector	
7	80604017	1	Lock, Connector	
8	4460943	2	Terminal	

# SECTION 10 - ELECTRICAL

## FIGURE 10-66. A/C OPTION HARNESS



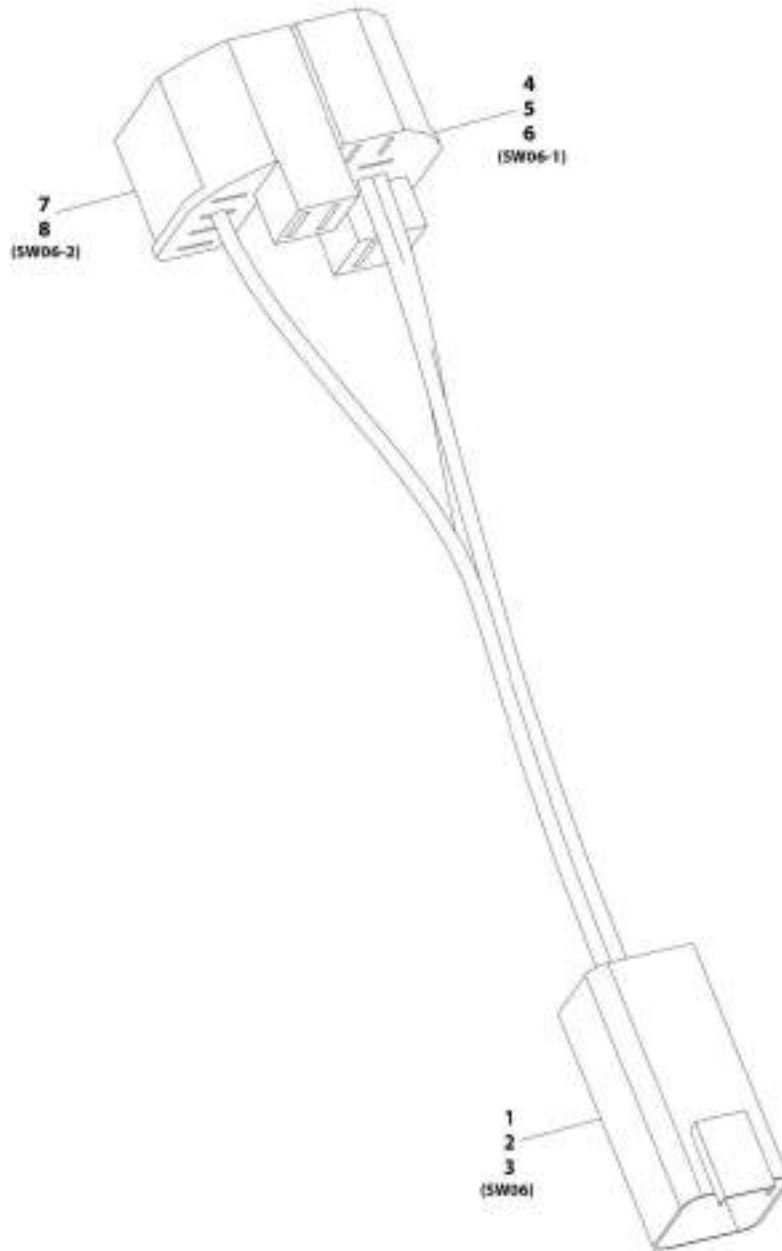
# SECTION 10 - ELECTRICAL

## FIGURE 10-66. A/C OPTION HARNESS

ITEM	PART NUMBER	QTY	DESCRIPTION	REV
	1001169151	Ref	A/C Option Harness	E
2	4460899	1	Connector	
3	4460941	4	Terminal	
4	4460464	2	Terminal	
5	4461118	1	Connector	
6	1001107854	2	Terminal	
7	1001116763	2	Seal	
8	1001117021	2	Connector	
9	1001116747	4	Terminal	
10	4460789	4	Seal	
11	70028546	1	Backshell	

# SECTION 10 - ELECTRICAL

## FIGURE 10-67. IGNITION SWITCH HARNESS



ART\_1001223960-A

## SECTION 10 - ELECTRICAL

### FIGURE 10-67. IGNITION SWITCH HARNESS

ITEM	PART NUMBER	QTY	DESCRIPTION	REV
	1001223968	Ref	Ignition Switch Harness	A
1	4460899	1	Connector	
2	4460464	3	Terminal	
3	4460466	3	Plug	
4	1001118685	1	Connector	
5	1001104519	1	Terminal	
6	1001118383	1	Terminal	
7	1001117121	1	Connector	
8	1001104519	1	Terminal	

# SECTION 10 - ELECTRICAL

## FIGURE 10-68. REVERSE SENSOR HARNESS



AWT\_300175774-C

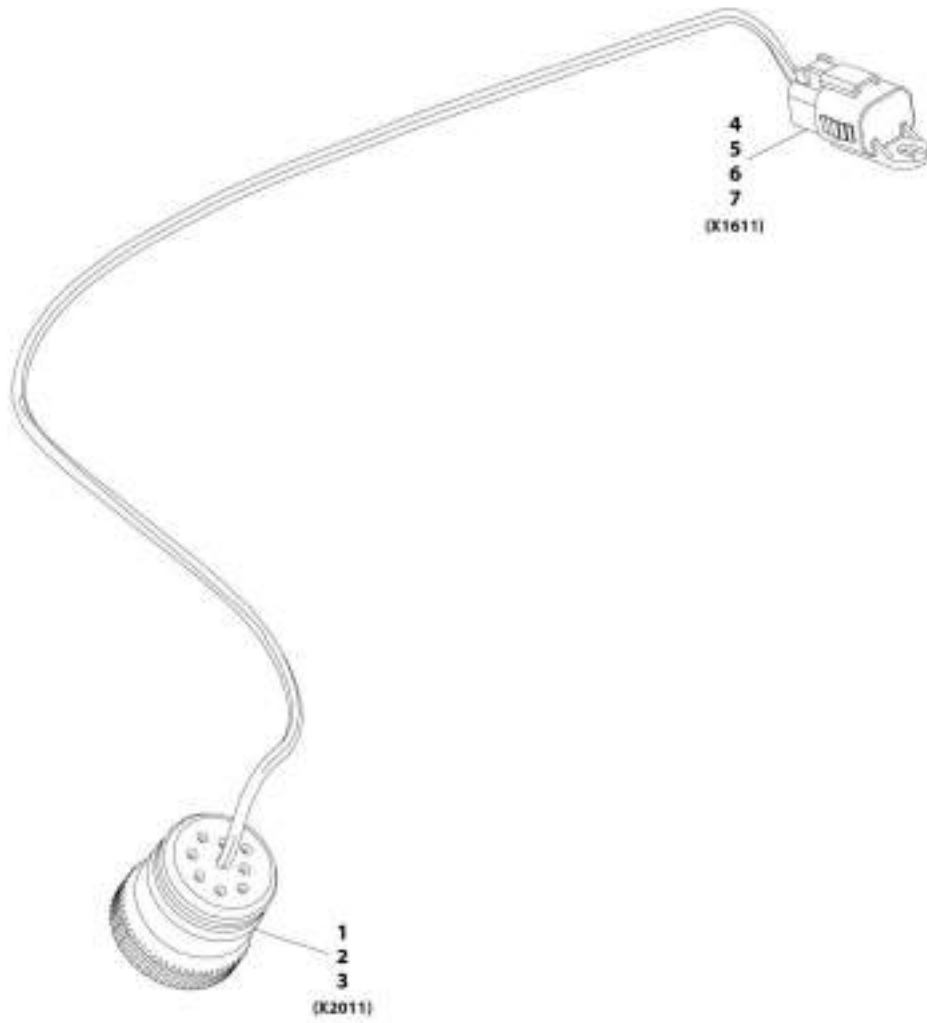
## SECTION 10 - ELECTRICAL

### FIGURE 10-68. REVERSE SENSOR HARNESS

ITEM	PART NUMBER	QTY	DESCRIPTION	REV
	1001175776	Ref	Reverse Sensor Harness	C
1	4460932	1	Connector	
2	4460464	4	Terminal	
3	1001175733	1	Connector	

# SECTION 10 - ELECTRICAL

## FIGURE 10-69. TELEMATICS READY HARNESS



ARC\_1001196200-A



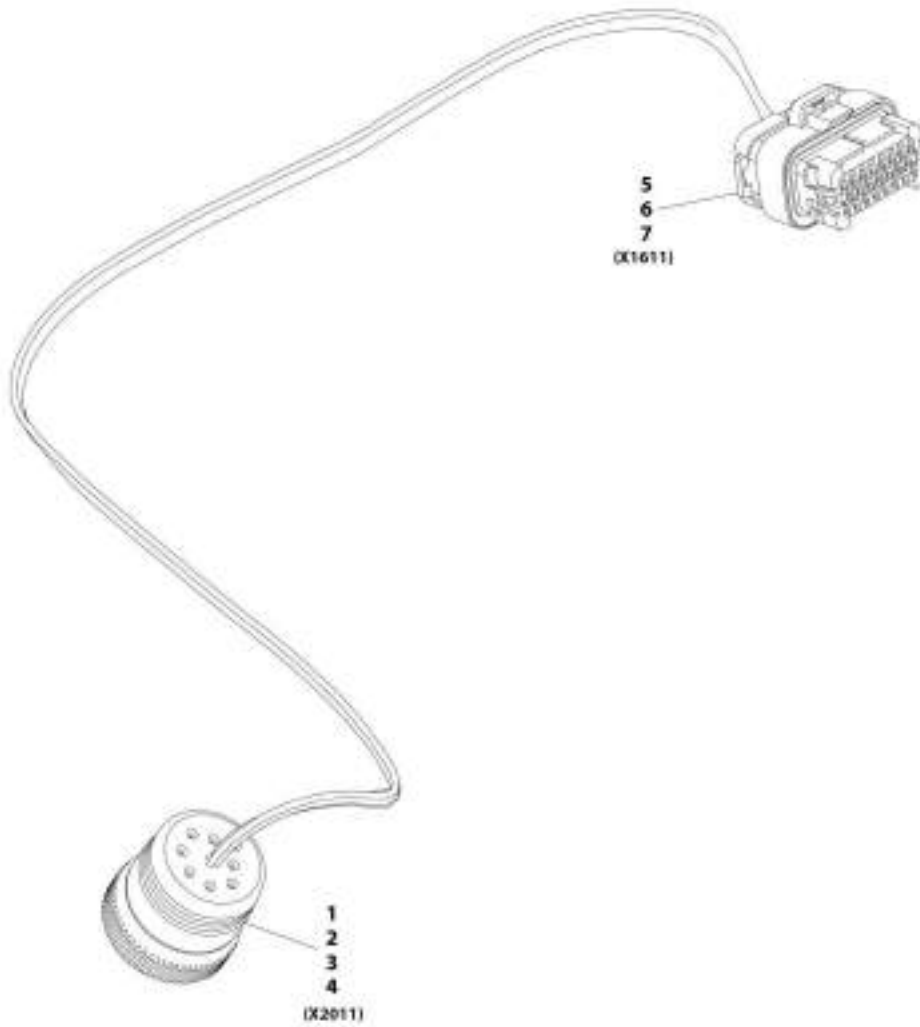
## SECTION 10 - ELECTRICAL

### FIGURE 10-69. TELEMATICS READY HARNESS

ITEM	PART NUMBER	QTY	DESCRIPTION	REV
	1001196289	Ref	Telematics Ready Harness	A
1	1001112796	1	Connector	
2	4460465	3	Terminal	
3	4460466	6	Plug	
4	4460884	1	Connector	
5	4460465	3	Terminal	
6	4460466	1	Plug	
7	80604021	1	Lock, Connector	

# SECTION 10 - ELECTRICAL

## FIGURE 10-70. CLEARSKY HARNESS (A/C)



ART. 3001196452-A

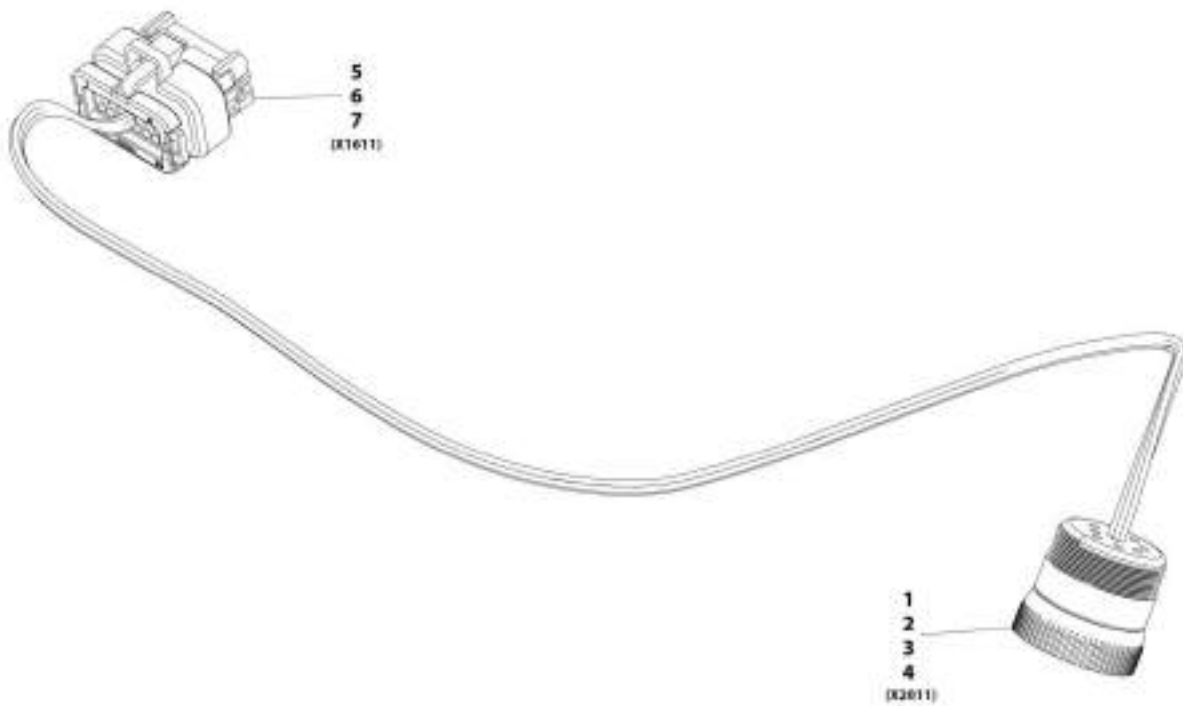
## SECTION 10 - ELECTRICAL

### FIGURE 10-70. CLEARSKY HARNESS (A/C)

ITEM	PART NUMBER	QTY	DESCRIPTION	REV
	1001196452	Ref	Clearsky Harness (A/C)	A
1	1001112796	1	Connector	
2	4460465	3	Terminal	
3	4460944	2	Terminal	
4	4460466	4	Plug	
5	1001116994	1	Connector	
6	4460871	5	Terminal	
7	4460905	18	Plug	

# SECTION 10 - ELECTRICAL

## FIGURE 10-71. CLEARSKY HARNESS (NO A/C)



ART\_100176587-C

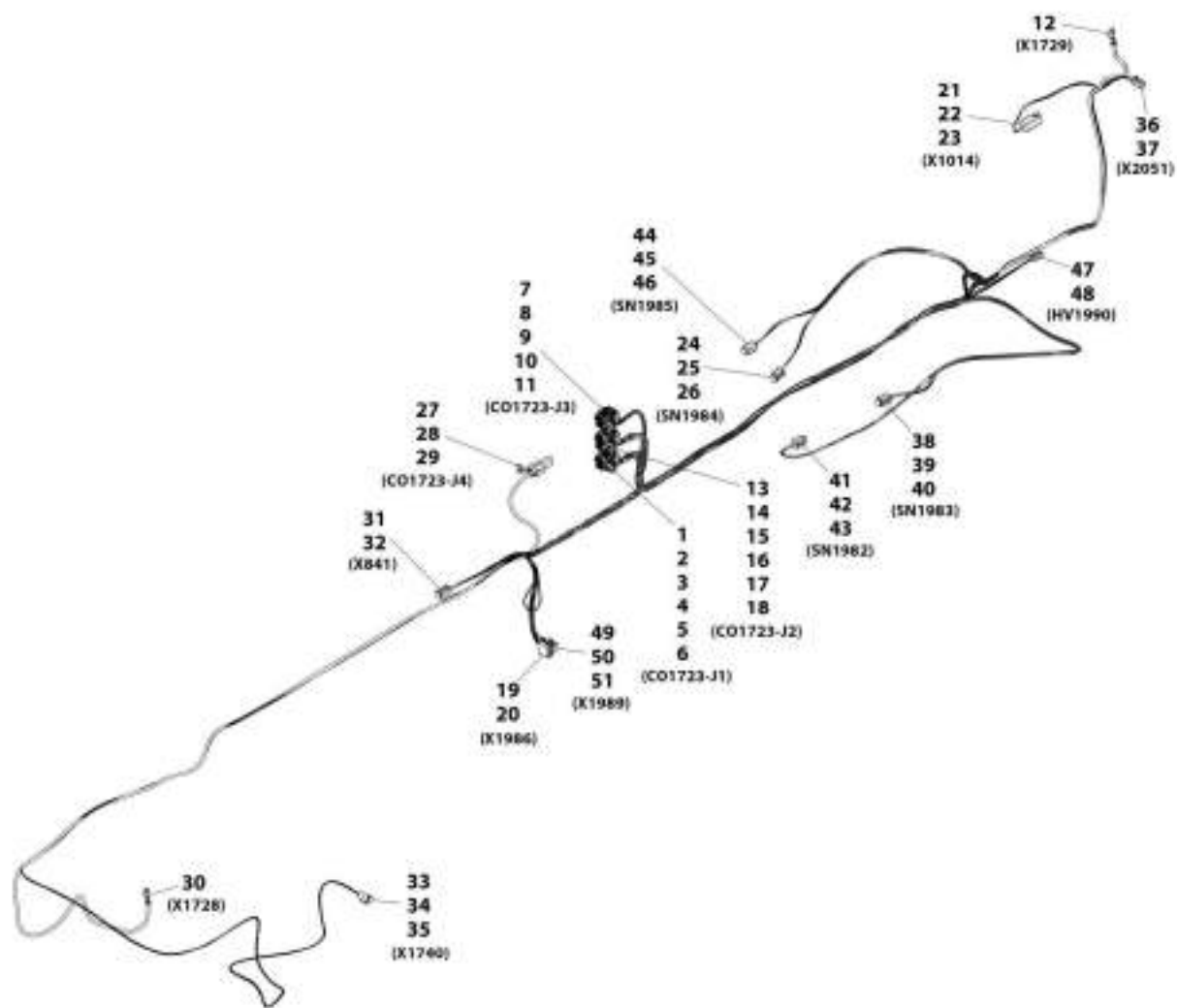
## SECTION 10 - ELECTRICAL

### FIGURE 10-71. CLEARSKY HARNESS (NO A/C)

ITEM	PART NUMBER	QTY	DESCRIPTION	REV
	1001176587	Ref	Clearsky Harness (no A/C)	C
1	1001112796	1	Connector	
2	4460465	3	Terminal	
3	4460944	2	Terminal	
4	4460466	4	Plug	
5	1001116994	1	Connector	
6	4460871	5	Terminal	
7	4460905	18	Plug	

# SECTION 10 - ELECTRICAL

## FIGURE 10-72. LMIS CHASSIS OPTION HARNESS



ART. 1001184795-E

## SECTION 10 - ELECTRICAL

### FIGURE 10-72. LMIS CHASSIS OPTION HARNESS

ITEM	PART NUMBER	QTY	DESCRIPTION	REV
	1001184795	Ref	LMIS Chassis Option Harness	E
1	1001161957	1	Connector	
2	1001161097	17	Terminal	
3	1001161100	7	Plug	
4	1001161101	2	Plug	
5	1001161098	2	Terminal	
6	1001161099	4	Terminal	
7	1001160500	1	Connector	
8	1001161100	16	Plug	
9	1001161097	8	Terminal	
10	1001161101	7	Plug	
11	1001161098	1	Terminal	
12	1001187076	1	Ring Terminal	
13	1001161963	1	Connector	
14	1001161097	24	Terminal	
15	1001161100	16	Plug	
16	1001161095	1	Terminal	
17	1001161099	3	Terminal	
18	1001161101	4	Plug	
19	1001116774	1	Connector	
20	4460928	12	Terminal	
21	4460899	1	Connector	
22	4460464	3	Terminal	
23	4460466	3	Plug	
24	4460884	1	Connector	
25	4460942	1	Terminal	
26	4460465	3	Terminal	
27	1001160509	1	Connector	
28	1001160510	1	Terminal	
29	1001175266	1	Terminal Seal	
30	1001187075	1	Ring Terminal	
31	4460884	1	Connector	
32	4460465	4	Terminal	
33	1001116812	1	Connector	
34	4460944	2	Terminal	
35	4460466	1	Plug	
36	4460539	1	Connector	
37	4460465	3	Terminal	
38	4460884	1	Connector	
39	4460942	1	Terminal	
40	4460465	3	Terminal	
41	4460884	1	Connector	
42	4460942	1	Terminal	
43	4460465	3	Terminal	
44	4460884	1	Connector	
45	4460942	1	Terminal	
46	4460465	3	Terminal	
47	4460891	1	Connector	
48	4460465	2	Terminal	
49	4460891	1	Connector	

## SECTION 10 - ELECTRICAL

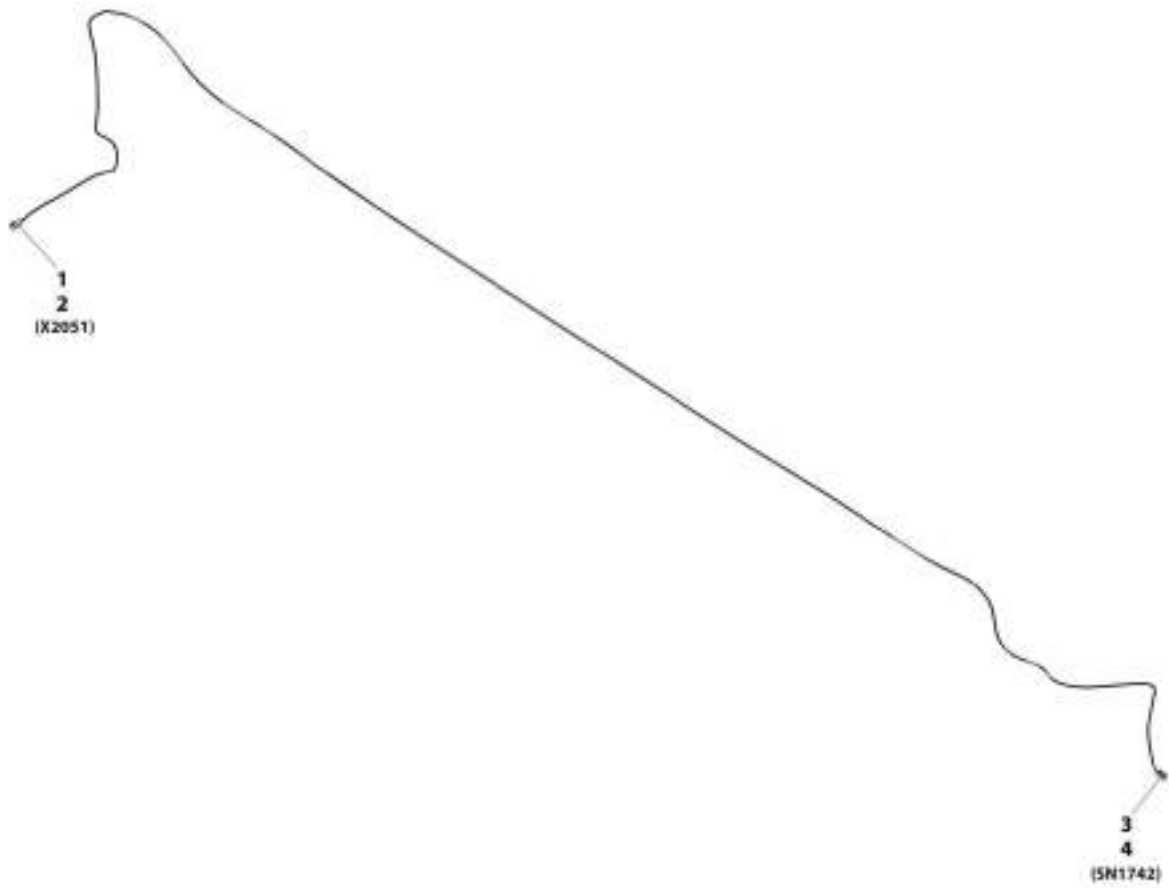
ITEM	PART NUMBER	QTY	DESCRIPTION	REV
50	4460465	1	Terminal	
51	4460942	1	Terminal	





# SECTION 10 - ELECTRICAL

## FIGURE 10-73. LMIS BOOM HARNESS



ART\_100100019-C

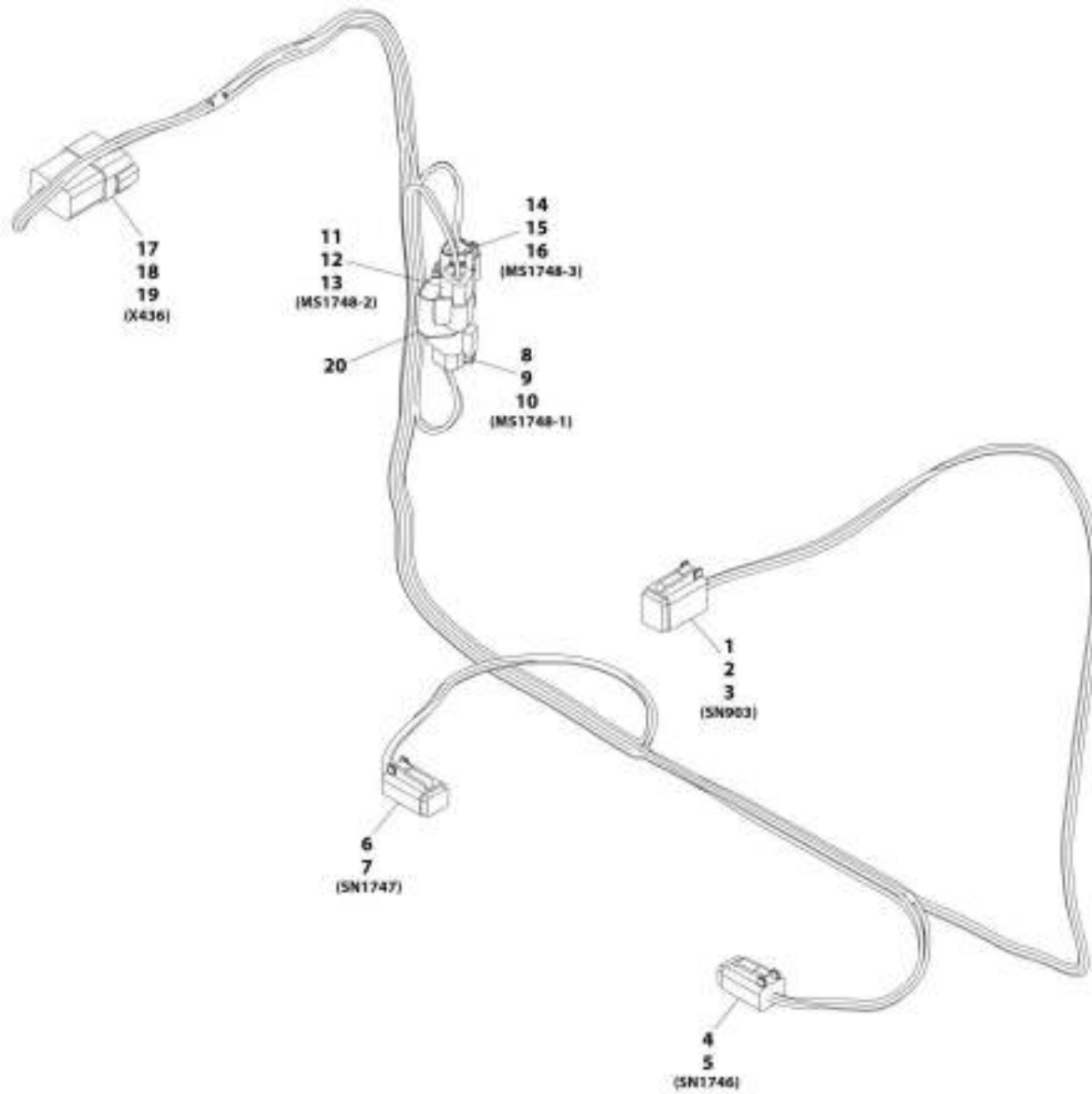
# SECTION 10 - ELECTRICAL

## FIGURE 10-73. LMIS BOOM HARNESS

ITEM	PART NUMBER	QTY	DESCRIPTION	REV
	1001192619	Ref	LMIS Boom Harness	C
1	4460536	1	Connector	
2	4460464	3	Terminal	
3	4460539	1	Connector	
4	4460465	3	Terminal	

# SECTION 10 - ELECTRICAL

## FIGURE 10-74. PLATFORM READY HARNESS



AWT\_1001195202-6

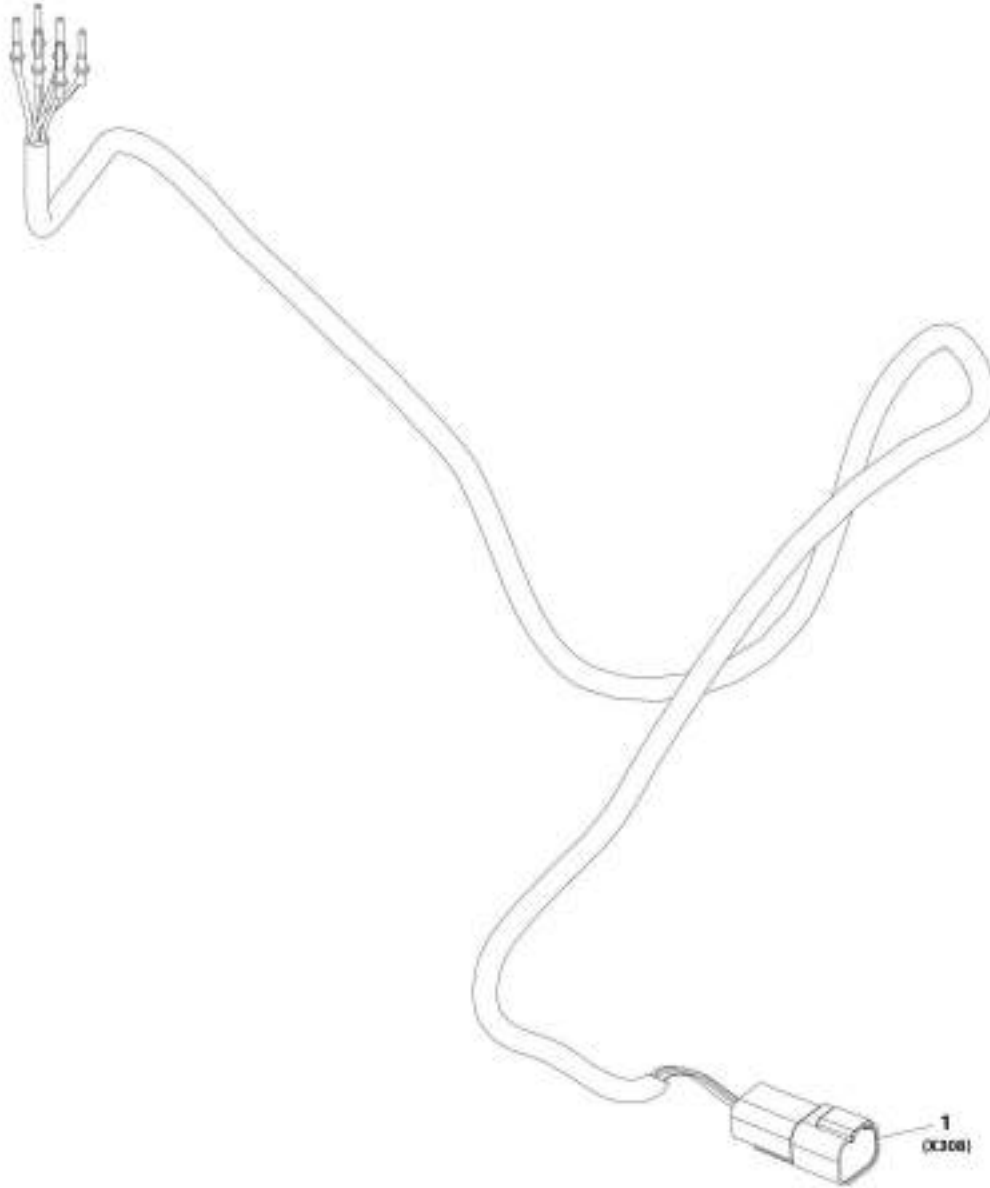
## SECTION 10 - ELECTRICAL

### FIGURE 10-74. PLATFORM READY HARNESS

ITEM	PART NUMBER	QTY	DESCRIPTION	REV
	1001195202	Ref	Platform Ready Harness	A
1	4460894	1	Connector	
2	4460465	4	Terminal	
3	4460466	2	Plug	
4	4460884	1	Connector	
5	4460944	4	Terminal	
6	4460884	1	Connector	
7	4460944	4	Terminal	
8	1001116812	1	Connector	
9	4460944	2	Terminal	
10	4460466	1	Plug	
11	4460539	1	Connector	
12	4460944	2	Terminal	
13	4460466	1	Plug	
14	1001116812	1	Connector	
15	4460944	2	Terminal	
16	4460466	1	Plug	
17	4460931	1	Connector	
18	4460464	6	Terminal	
19	4460466	2	Plug	
20	4460945	1	Connector, 3 Way	

# SECTION 10 - ELECTRICAL

## FIGURE 10-75. LMIS BEACON OPTION HARNESS



ART\_300117247-R

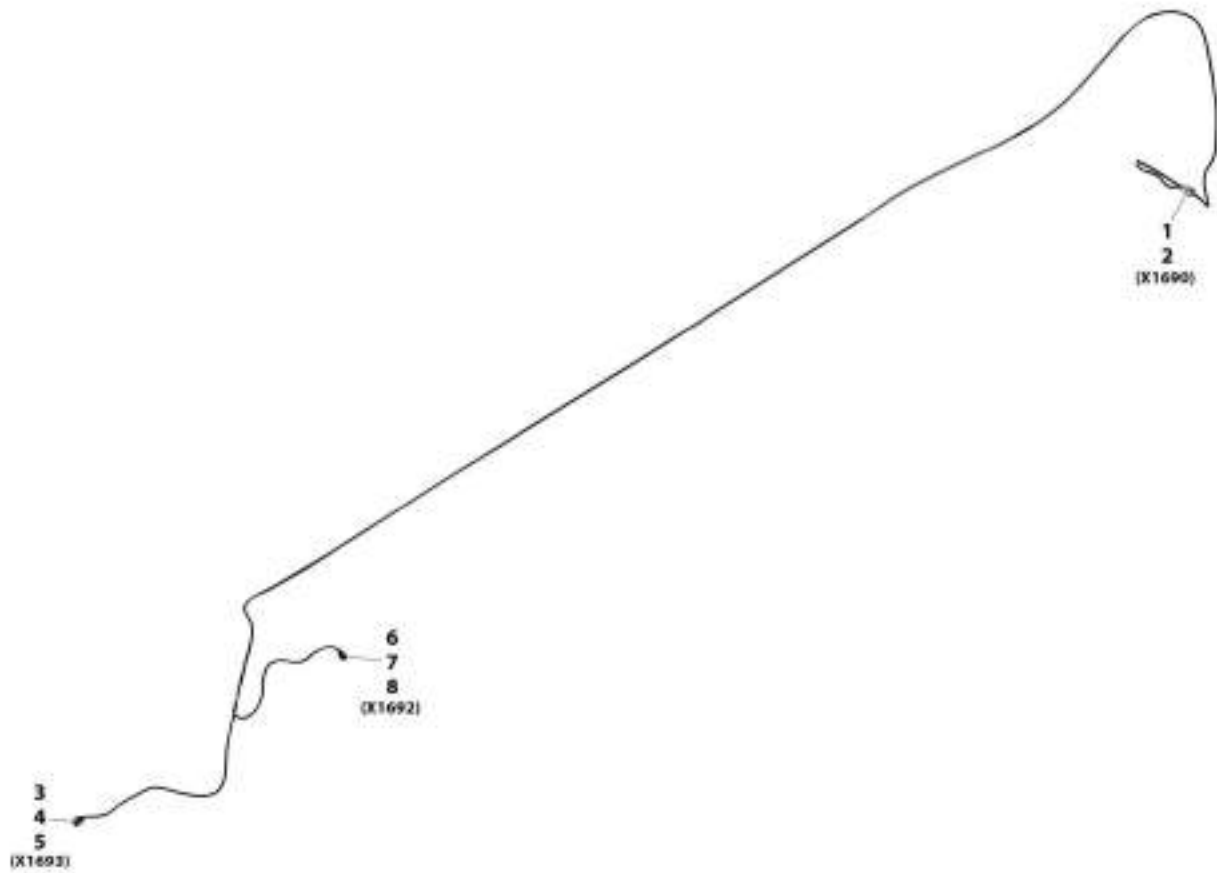
## SECTION 10 - ELECTRICAL

### FIGURE 10-75. LMIS BEACON OPTION HARNESS

ITEM	PART NUMBER	QTY	DESCRIPTION	REV
1	1001117247 4460932	Ref 1	LMIS Beacon Option Harness Connector	B

# SECTION 10 - ELECTRICAL

## FIGURE 10-76. PROXIMITY SENSOR HARNESS



AWT\_1001105953-F



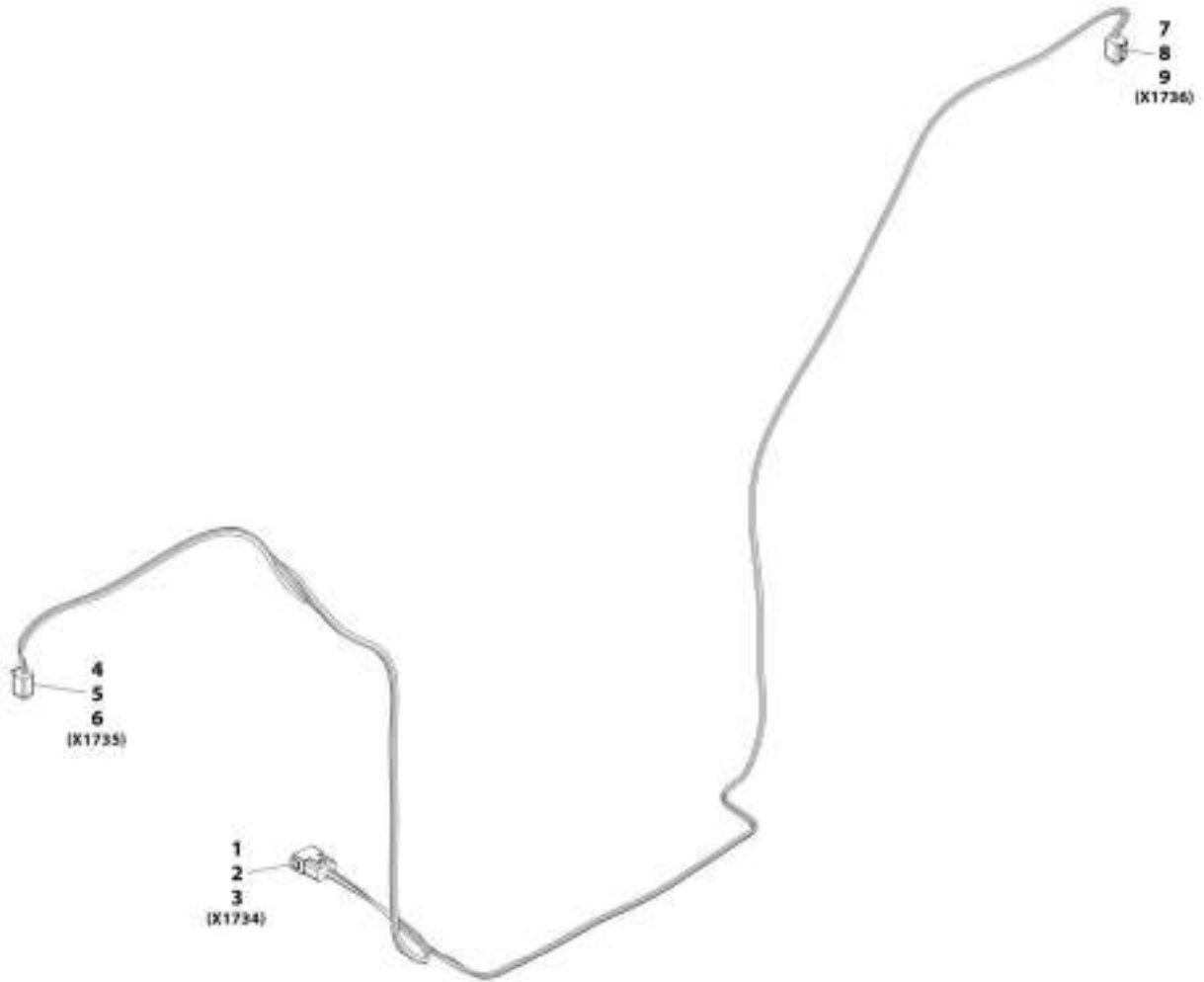
## SECTION 10 - ELECTRICAL

### FIGURE 10-76. PROXIMITY SENSOR HARNESS

ITEM	PART NUMBER	QTY	DESCRIPTION	REV
	1001195953	Ref	Proximity Sensor Harness	F
1	4460932	1	Connector	
2	4460464	4	Terminal	
3	4461262	1	Connector	
4	1001107854	3	Terminal	
5	1001104498	3	Terminal Seal	
6	4461262	1	Connector	
7	1001107854	3	Terminal	
8	1001104498	3	Terminal Seal	

# SECTION 10 - ELECTRICAL

## FIGURE 10-77. HEADLIGHT HARNESS



ARC\_1001215683-0

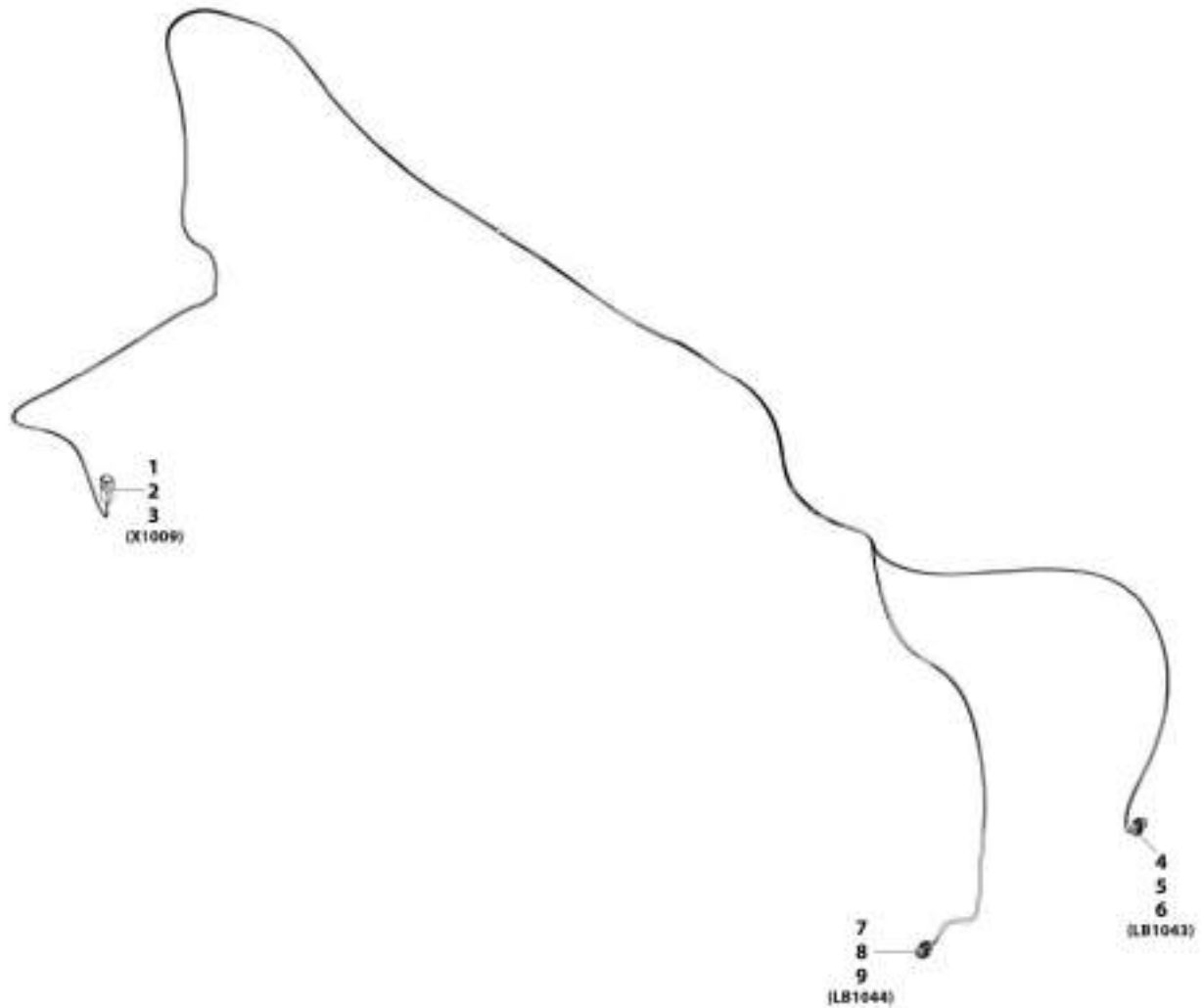
## SECTION 10 - ELECTRICAL

### FIGURE 10-77. HEADLIGHT HARNESS

ITEM	PART NUMBER	QTY	DESCRIPTION	REV
	1001215693	Ref	Headlight Harness	B
1	4460970	1	Connector	
2	4460941	10	Terminal	
3	4460466	2	Plug	
4	4460894	1	Connector	
5	4460942	5	Terminal	
6	4460466	1	Plug	
7	4460894	1	Connector	
8	4460942	5	Terminal	
9	4460466	1	Plug	

# SECTION 10 - ELECTRICAL

## FIGURE 10-78. BOOM WORKLIGHTS HARNESS



AWT\_1001184796-D

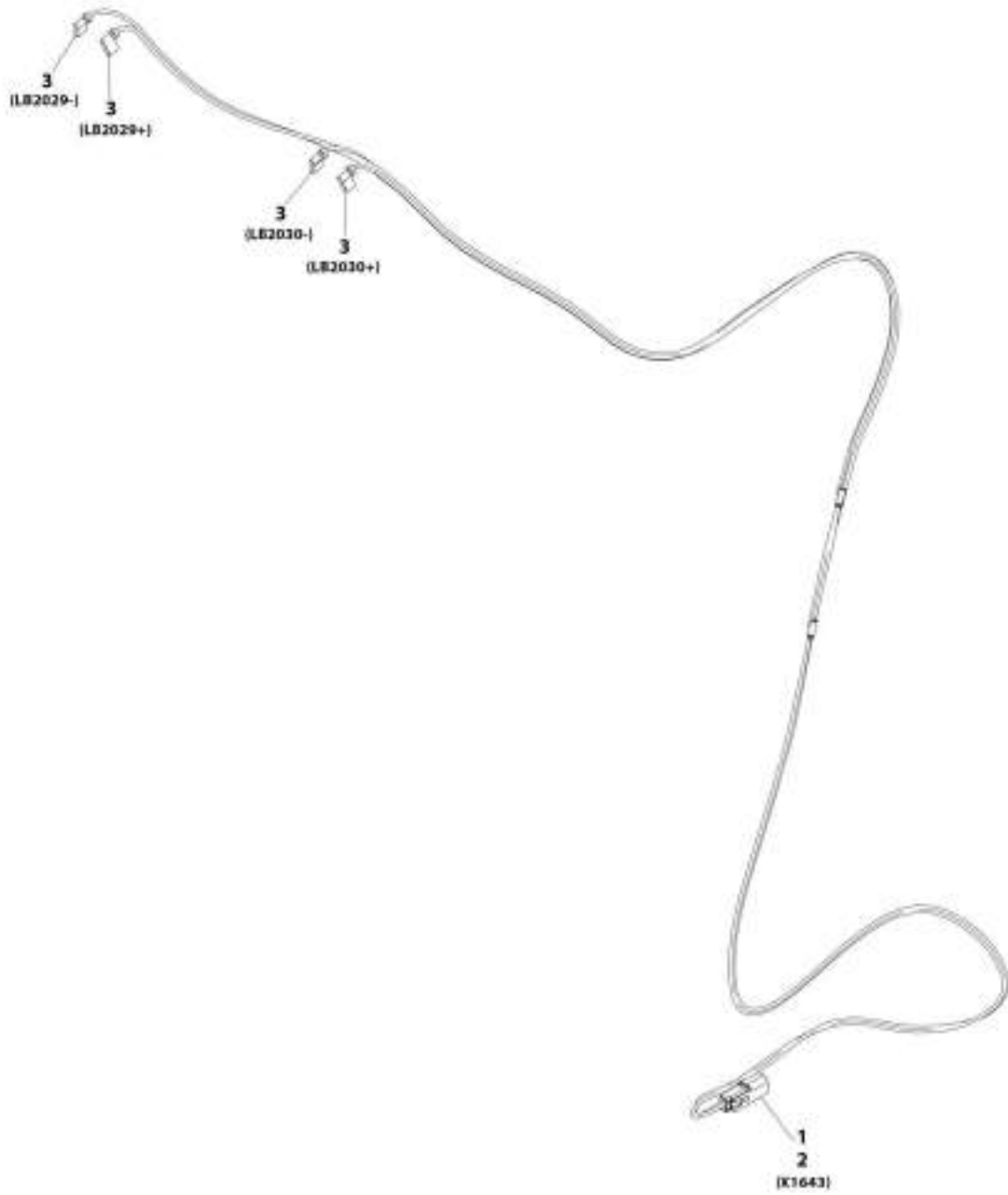
## SECTION 10 - ELECTRICAL

### FIGURE 10-78. BOOM WORKLIGHTS HARNESS

ITEM	PART NUMBER	QTY	DESCRIPTION	REV
	1001184796	Ref	Boom Worklights Harness	D
1	4460932	1	Connector	
2	4460464	2	Terminal	
3	4460466	2	Plug	
4	4461115	1	Connector	
5	1001116728	2	Terminal	
6	4460458	2	Terminal Seal	
7	4461115	1	Connector	
8	1001116728	2	Terminal	
9	4460458	2	Terminal Seal	

# SECTION 10 - ELECTRICAL

## FIGURE 10-79. LICENSE LIGHT HARNESS



ART\_1001178055-C

## SECTION 10 - ELECTRICAL

### FIGURE 10-79. LICENSE LIGHT HARNESS

ITEM	PART NUMBER	QTY	DESCRIPTION	REV
	1001178053	Ref	License Light Harness	C
1	4460897	1	Connector	
2	4460941	2	Terminal	
3	1001190396	4	Connector	

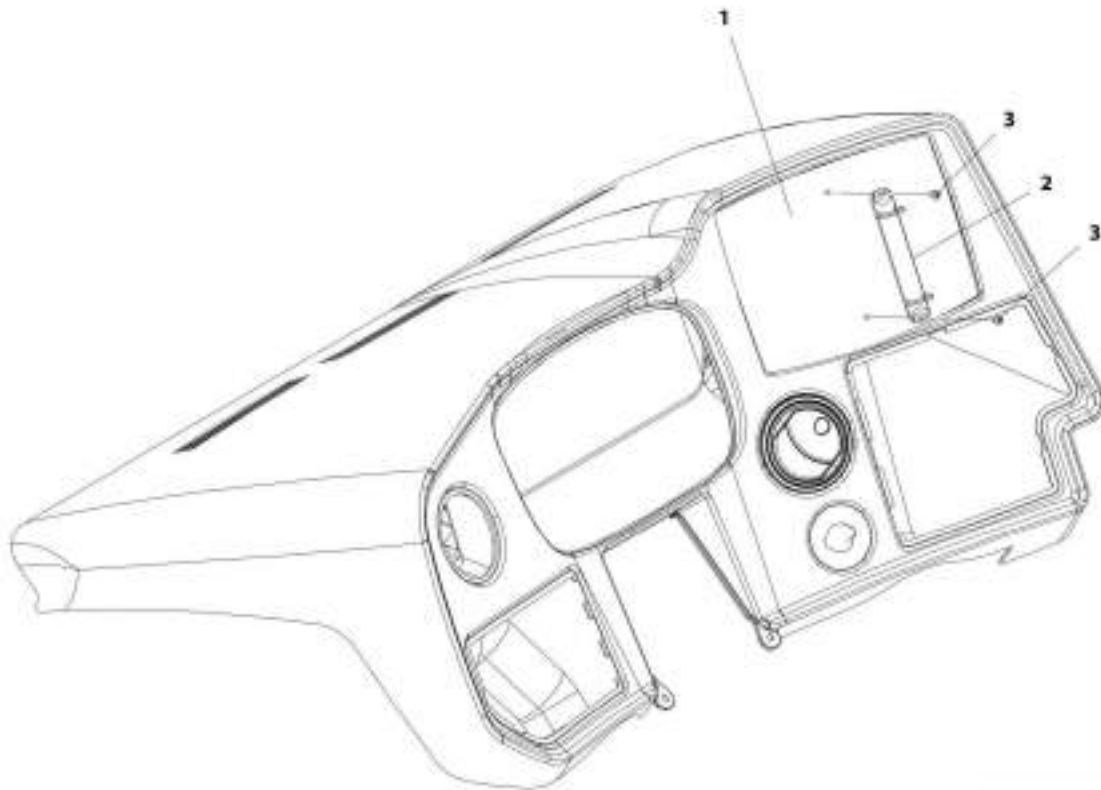




**SECTION 11 - DECALS**

# SECTION 11 - DECALS

## FIGURE 11-1. CAPACITY CHART HOLDER INSTALLATION



ART\_1001178700-A

## SECTION 11 - DECALS

### FIGURE 11-1. CAPACITY CHART HOLDER INSTALLATION

ITEM	PART NUMBER	QTY	DESCRIPTION	REV
	1001178706	Ref	Capacity Chart Holder Installation	A
1	1001179297	1	Load Chart, Bezel	
2	1001005960	1	Holder	
3	7029486	2	Screw	

# SECTION 11 - DECALS

FIGURE 11-2. REVERSE SENSOR SYSTEM DECAL (ENGLISH)



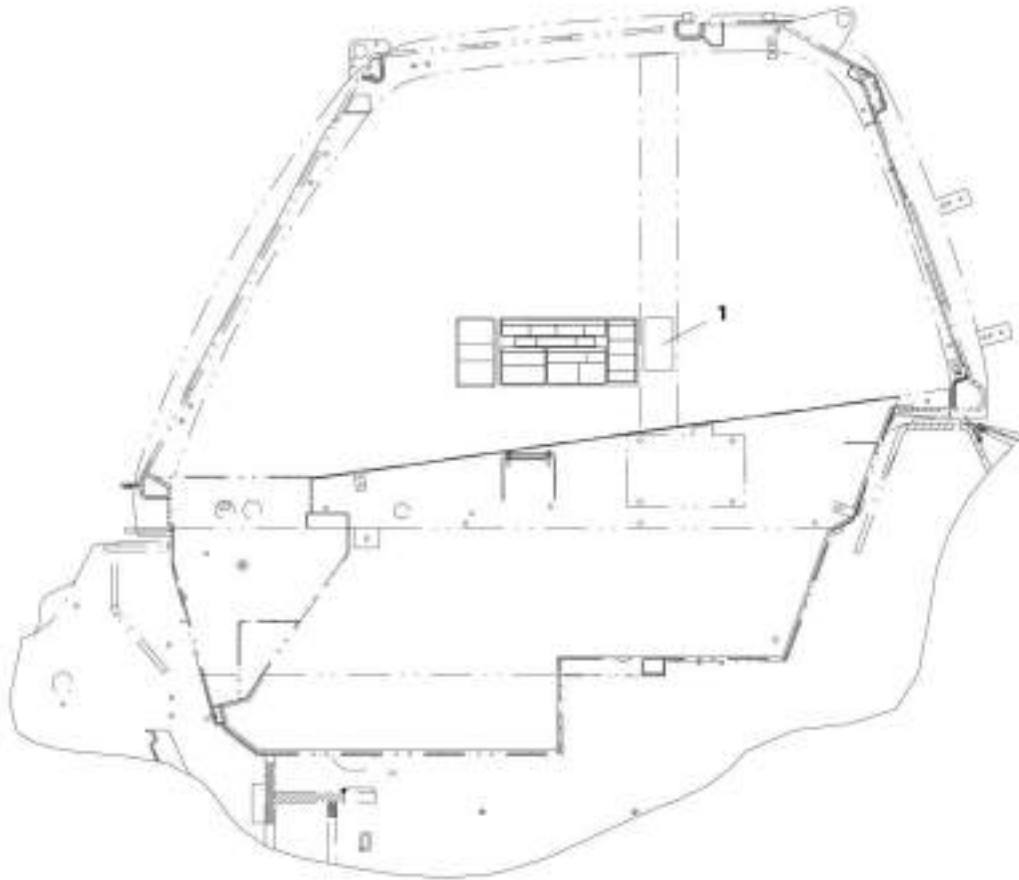
## SECTION 11 - DECALS

FIGURE 11-2. REVERSE SENSOR SYSTEM DECAL (ENGLISH)

ITEM	PART NUMBER	QTY	DESCRIPTION	REV
1	1001160072	1	Reverse Sensor System Decal (English)	A

## SECTION 11 - DECALS

FIGURE 11-3. REVERSE SENSING SYSTEM DECAL, (ENGLISH/FRENCH)



ART\_1001160945-A

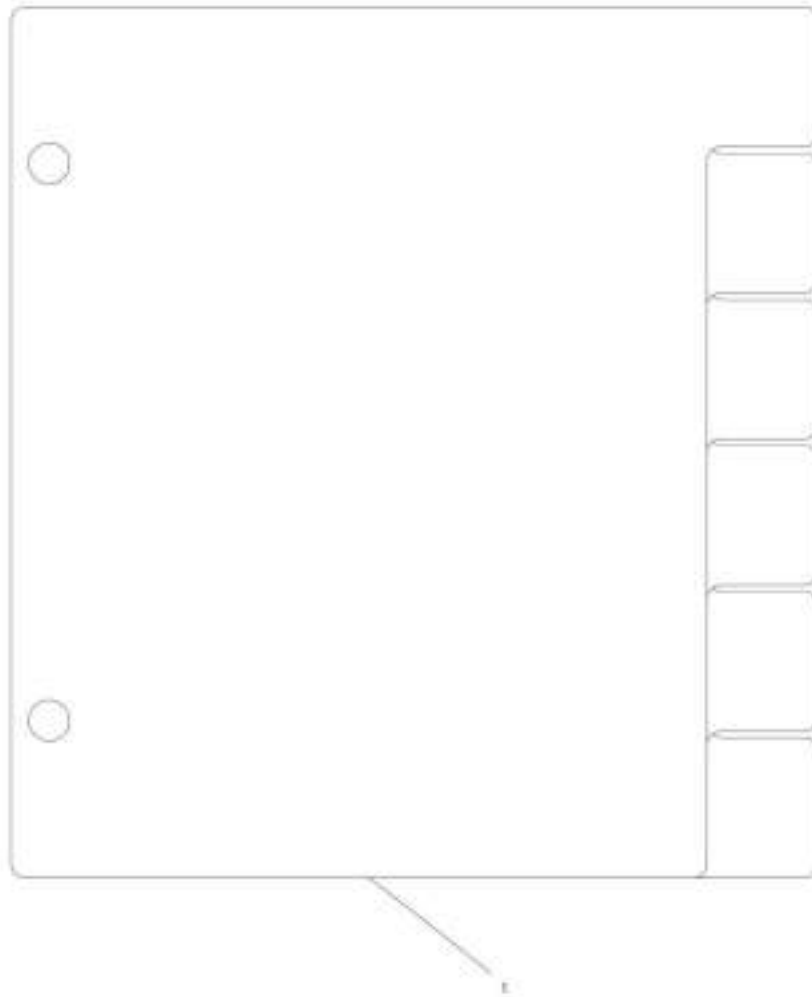
## SECTION 11 - DECALS

**FIGURE 11-3. REVERSE SENSING SYSTEM DECAL, (ENGLISH/FRENCH)**

ITEM	PART NUMBER	QTY	DESCRIPTION	REV
1	1001160945	1	Reverse Sensing System Decal (ENGLISH/FRENCH)	A

# SECTION 11 - DECALS

## FIGURE 11-4. CAPACITY CHART



ART\_100123483-A

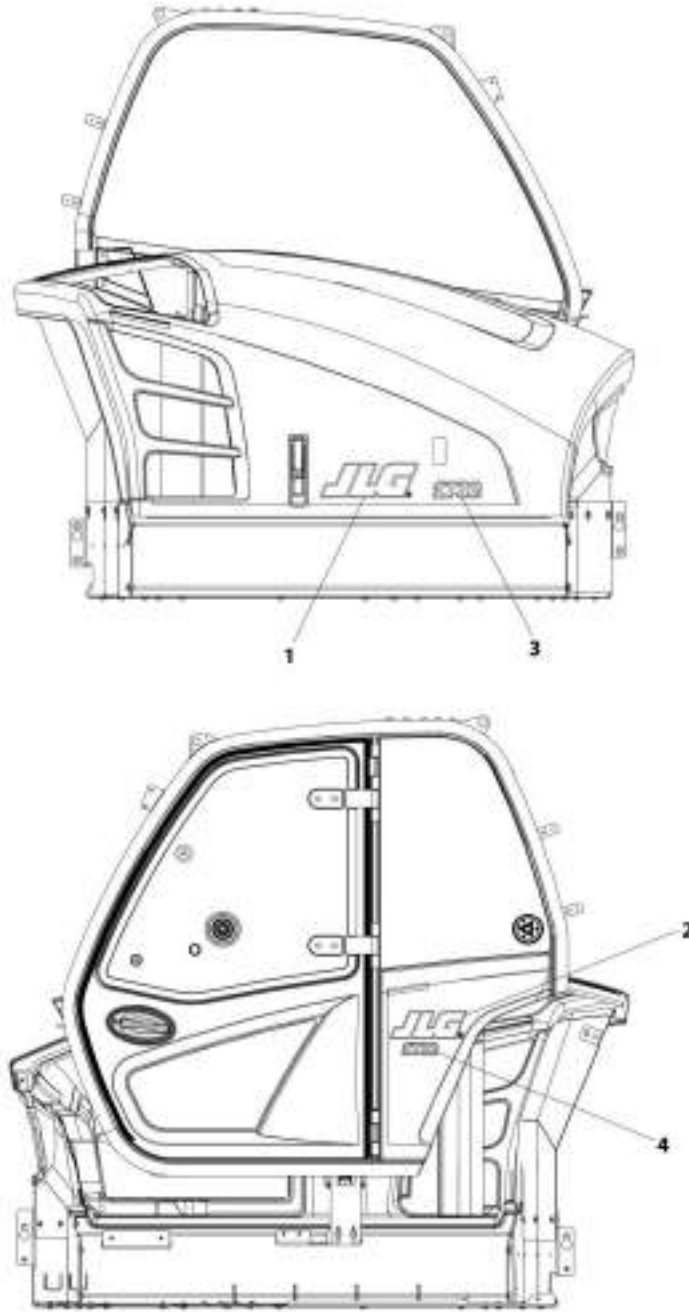


**FIGURE 11-4. CAPACITY CHART**

ITEM	PART NUMBER	QTY	DESCRIPTION	REV
1	1001233431	1	Capacity Chart	A

# SECTION 11 - DECALS

## FIGURE 11-5. 1732 DECAL INSTALLATION



ART\_100126532-A

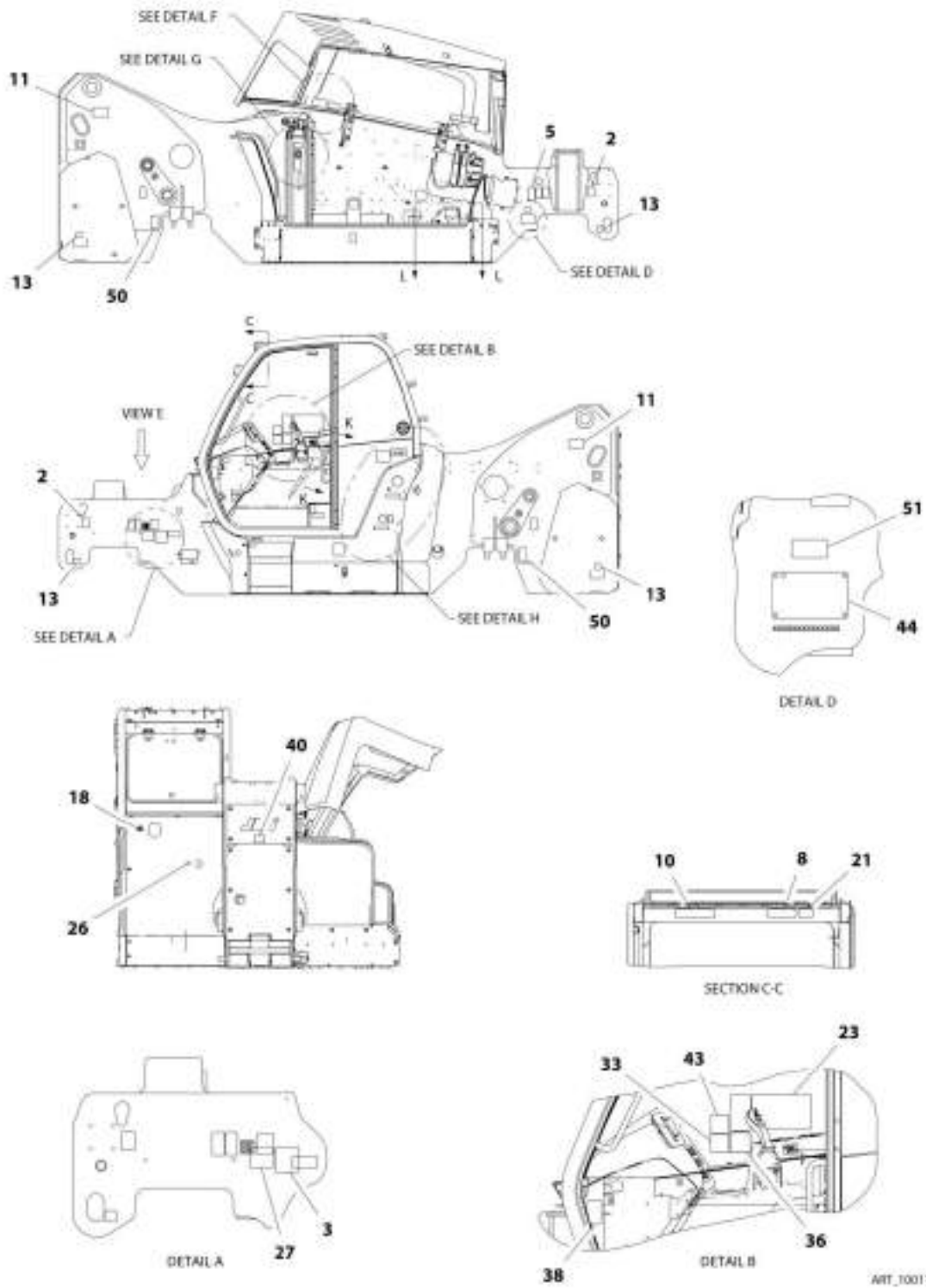
## SECTION 11 - DECALS

### FIGURE 11-5. 1732 DECAL INSTALLATION

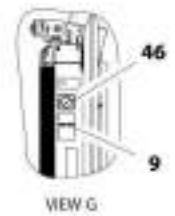
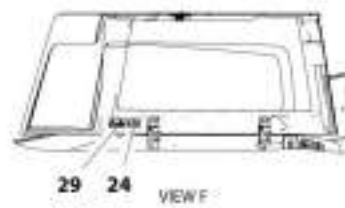
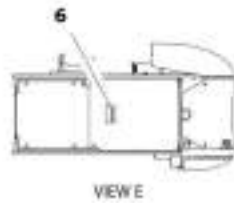
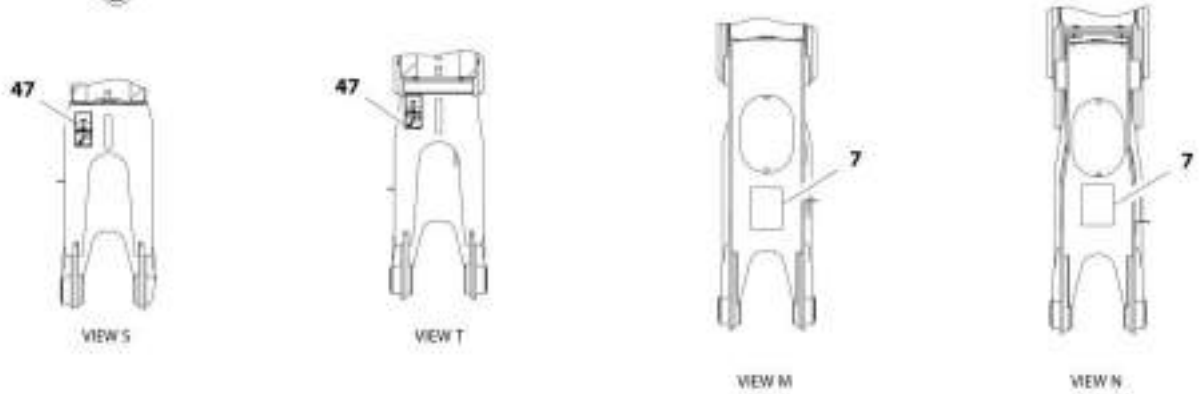
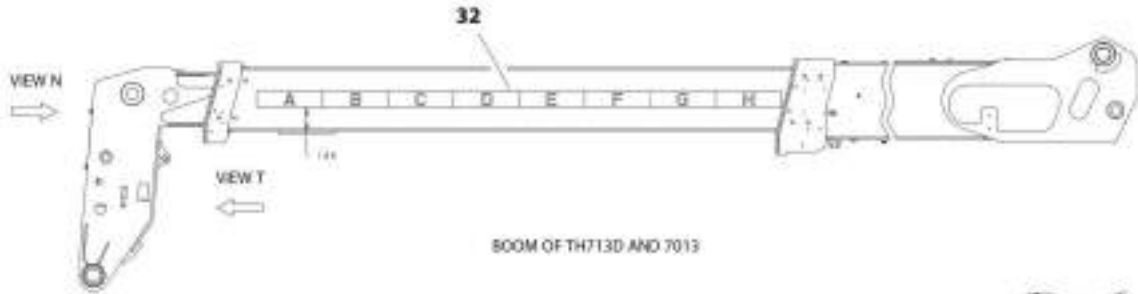
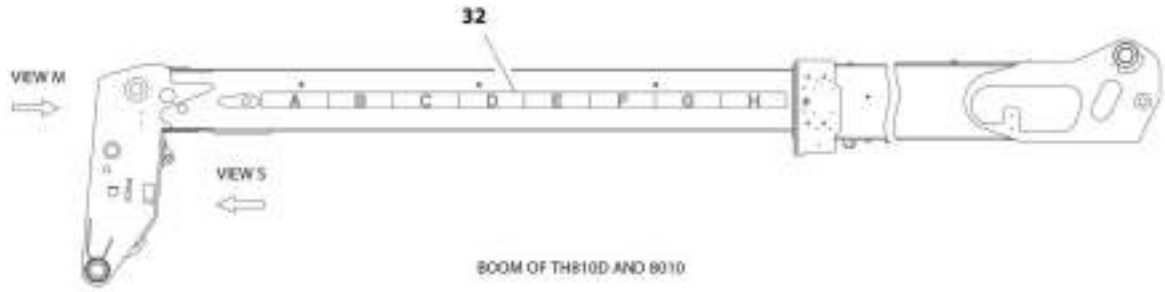
ITEM	PART NUMBER	QTY	DESCRIPTION	REV
	1001226532	Ref	1732 Decal Installation	A
1	1001160775	1	Decal, JLG 5 Black	
2	1001169674	1	Decal, JLG M100X285	
3	1001226534	1	Decal, JLG 1732 Hood	
4	1001226535	1	Decal, JLG 1732 Cab	

# SECTION 11 - DECALS

## FIGURE 11-6. DECAL INSTALLATION (ENGLISH)

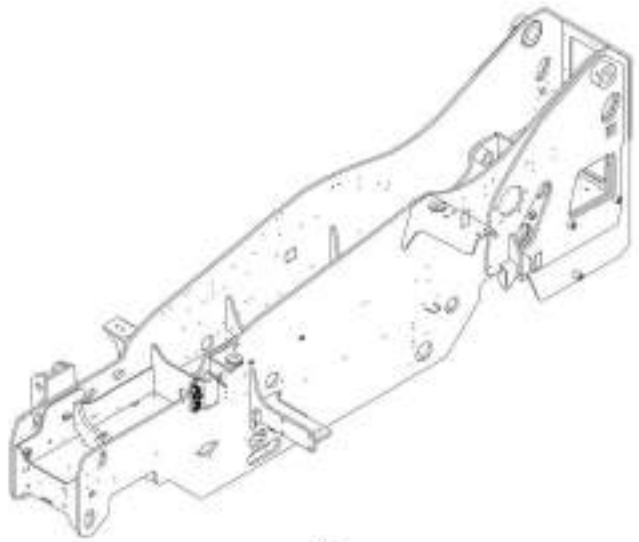


# SECTION 11 - DECALS

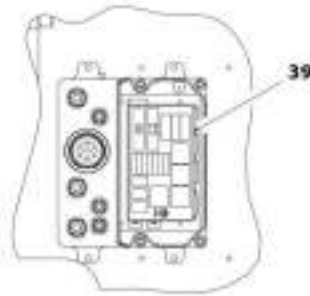


ART\_1001182746\_2-F

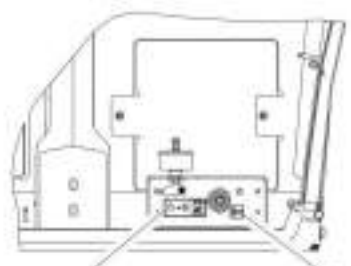
# SECTION 11 - DECALS



VIEW P



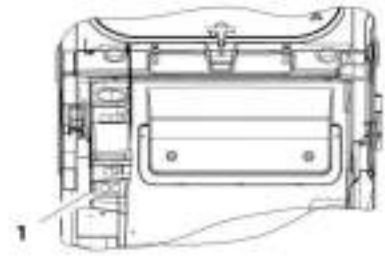
VIEW P



41 SECTION L-L 35



SECTION J-J



SECTION L-L

ART\_1001192745\_3/F

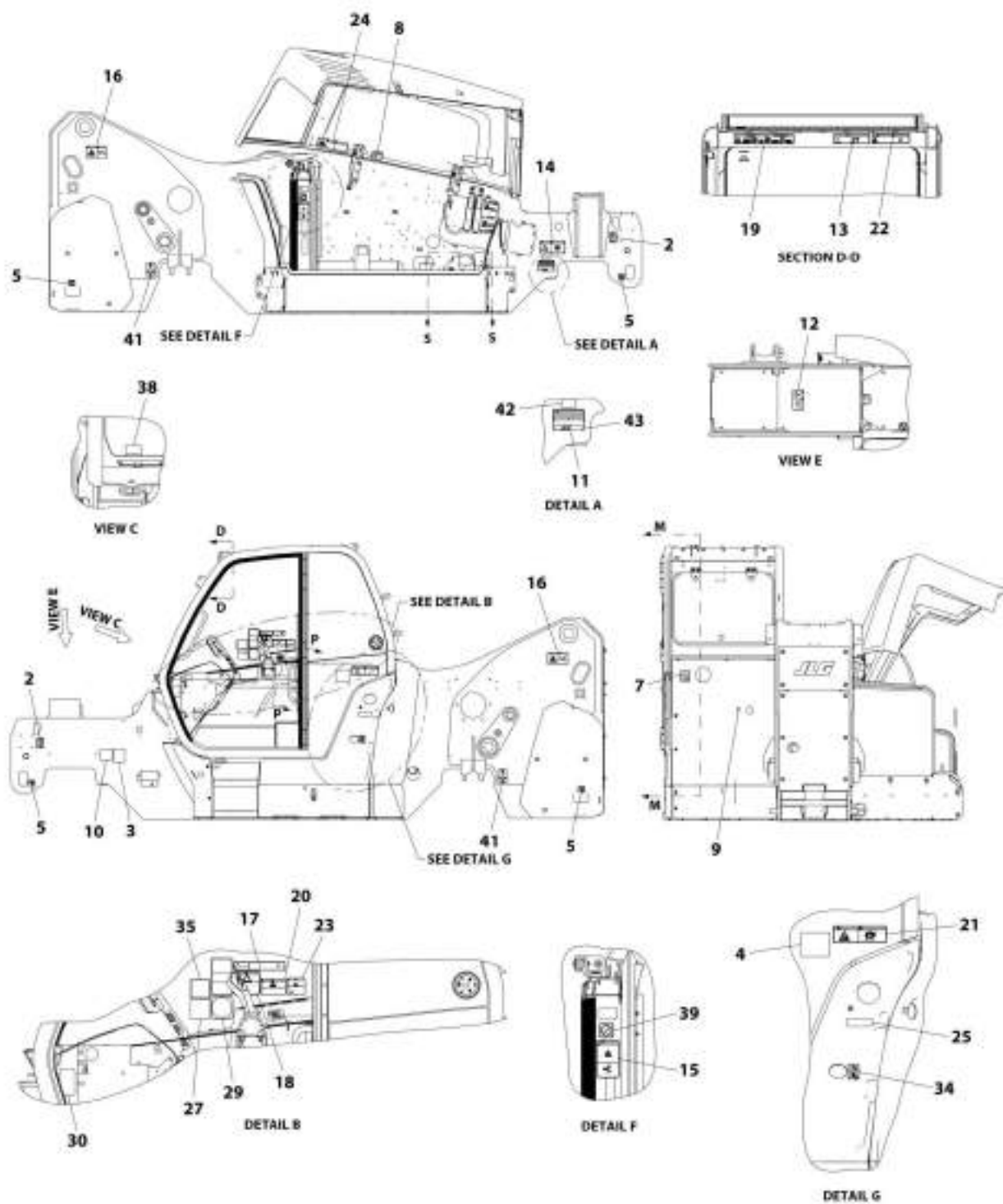
## SECTION 11 - DECALS

**FIGURE 11-6. DECAL INSTALLATION (ENGLISH)**

ITEM	PART NUMBER	QTY	DESCRIPTION	REV
	1001192745	Ref	Decal Installation (English)	F
1	1670836	1	Cover, Boom	
2	1701500	2	Decal, Lift	
3	1702631	1	Decal, Bar Code	
5	1706300	1	Decal, Ether Warning	
6	1706296	1	Decal, Battery Warning	
7	1001195849	1	Decal, Carry Personnel	
8	1706299	1	Decal, Contacting Power Lines Warning	
9	1706301	1	Decal, Keep Clear Of Rotating Parts Warning	
10	1706306	1	Decal, Tip Over Warning	
11	1706302	2	Decal, Pinch Point Boom Holes	
12	3251813	1	Decal, USA	
13	4109801	4	Decal, Tie Down Point	
18	1001094708	1	Decal, Hydraulic Oil	
21	1706850	1	Decal, Crush Hazard Warning	
22	1706768	1	Decal, Vehicle Roll Away	
23	1707078	1	Decal, Warning/Danger	
24	1001109053	1	Decal, Coolant Fill	
26	1001130323	1	Decal, Oil Level	
27	1001131271	1	Decal, Patent	
28	1001218704	1	Decal, Ultra Low Sulfur Diesel	
29	1001139578	1	Decal, Hot Fluid Warning	
32	1001171277	1	Decal, Boom Extend	
33	1001172035	1	Decal, No Weld or Drill	
35	1001184632	1	Decal, Battery Positive	
36	1001188372	1	Decal, Sway	
38	1001191229	1	Decal, Fuse Panel	
39	1001191487	1	Decal, Fuse Panel	
41	1001195855	1	Decal, Battery Disconnect	
42	1001196806	1	Decal, Diesel Exhaust Fluid	
43	1001227287	1	Decal, Manual	
44	1001229575	1	Decal, SN Plate JLG	
44	1001154580	1	Decal, SN Plate JLG	
45	1001214206	1	Decal, Park Brake	
46	AU2105	1	Decal, No Karcher	
47	1001207217	1	Decal, Danger Swinging Loads	
48	1001218659	1	Decal, Brake Fluid	
49	1001219212	1	Decal, DEF Fluid	
50	1001222650	2	Decal, Axle Lift	
51	1001223453	1	DECAL,ICES (CAN)	

# SECTION 11 - DECALS

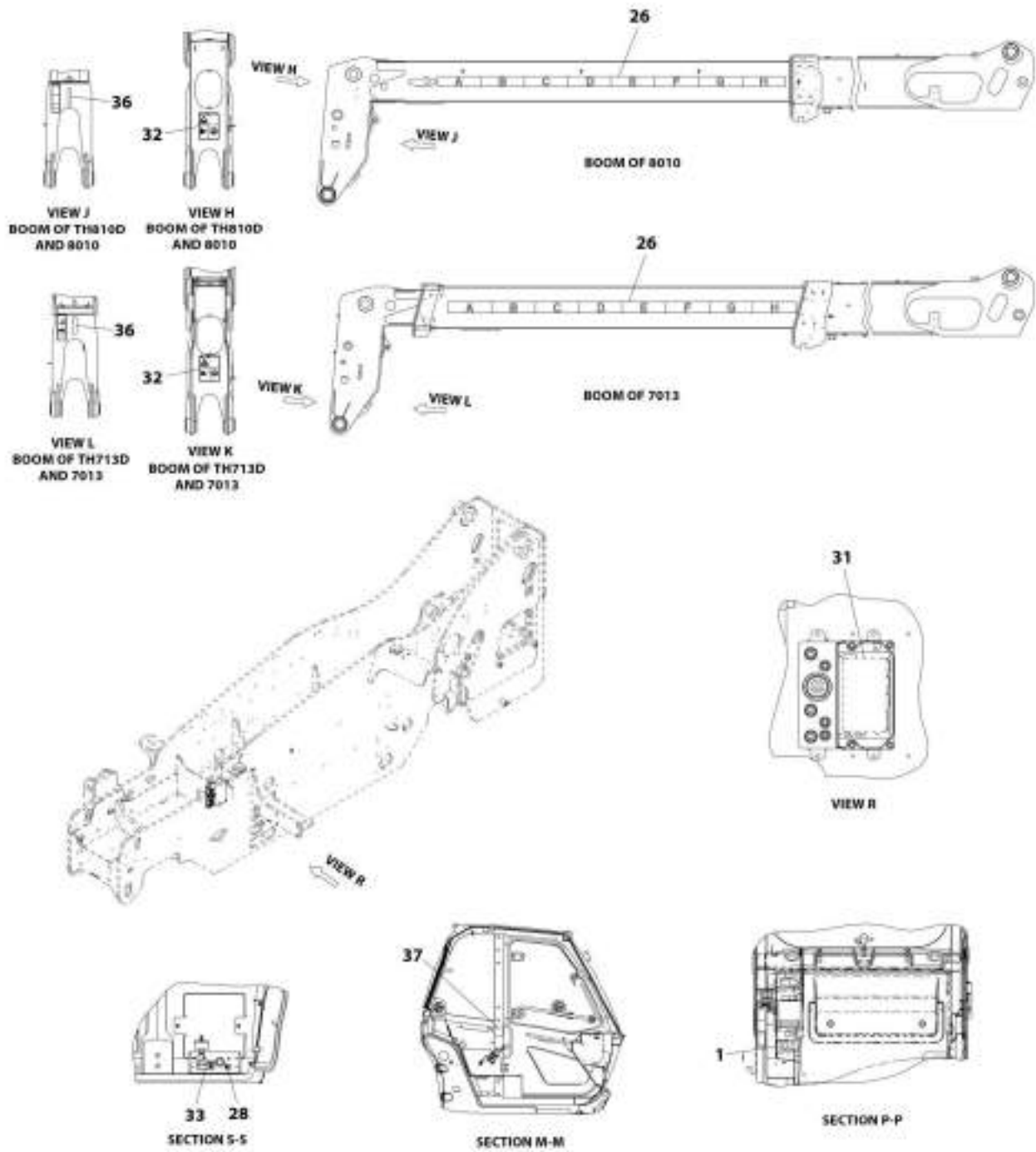
## FIGURE 11-7. DECAL INSTALLATION (ENGLISH/FRENCH)



ART\_100120020\_1-F



# SECTION 11 - DECALS



ART\_100120296\_2-F

## SECTION 11 - DECALS

FIGURE 11-7. DECAL INSTALLATION (ENGLISH/FRENCH)

ITEM	PART NUMBER	QTY	DESCRIPTION	REV
	1001220230	Ref	Decal Installation (English/French)	F
1	1670836	1	Cover, Boom	
2	1701500	2	Decal, Lift	
3	1702631	1	Decal, Bar Code	
4	3251813	1	Decal, USA	
5	4109801	4	Decal, Tie Down Point	
7	1001094708	1	Decal, Hydraulic Oil	
8	1001109053	1	Decal, Coolant Fill	
9	1001130323	1	Decal, Oil Level	
10	1001131271	1	Decal, Patent Telehandlers USA/Canada	
11	1001229575	1	Decal, SN Plate JLG	
12	1001163174	1	Decal, Battery Warning	
13	1001163210	1	Decal, Electrocutation Hazard	
14	1001163212	1	Decal, Warning No Either	
15	1001163222	1	Decal, Moving Parts	
16	1001163223	2	Decal, Pinch Point	
17	1001163273	1	Decal, Read Manual	
18	1001163276	1	Decal, Warning Run Over Hazard	
19	1001163285	1	Decal, Warning Tip Over	
20	1001163291	1	Decal, Warning Machine Roll Away	
21	1001163300	1	Decal, No Riders	
22	1001163304	1	Decal, Warning Crushing Hazard	
23	1001163321	1	Decal, Warning Do Not Jump	
24	1001163323	1	Decal, Warning Hot Fluid	
25	1001163355	1	Decal, Ultra Low Sulfur Diesel	
26	1001171277	1	Decal, Boom Extend	
27	1001172035	1	Decal, No Weld or Drill	
28	1001184632	1	Decal, Battery Positive	
29	1001188372	1	Decal, Sway	
30	1001191229	1	Decal, Fuse Panel	
31	1001191487	1	Decal, Fuse Panel	
32	1001195851	1	Decal, Carry Personnel	
33	1001195855	1	Decal, Battery Disconnect	
34	1001196806	1	Decal, Diesel Exhaust Fluid	
35	1001227287	1	Decal, Manual	
36	1001209625	1	Decal, Danger Swinging Loads	
37	1001214206	1	Decal, Park Brake	
38	1001219211	1	Decal, Brake Fluid	
39	AU2105	1	Decal, No Karcher	
41	1001222650	2	Decal, Axle Lift	
42	1001223453	1	Decal, ICES	
43	2080057	1	Tack, Metal	

## **SECTION 12 - RECOMMENDED SPARE PARTS**

## **SECTION 12 - RECOMMENDED SPARE PARTS**

## SECTION 12 - RECOMMENDED SPARE PARTS

FIGURE 12-1. RECOMMENDED SPARE PARTS

ITEM	PART NUMBER	QTY	DESCRIPTION	REV
		Ref	<b>Frame and Attaching Parts</b>	
	1001194980	1	Cap, Locking Fuel	
	1001142659	1	Cap, Hydraulic	
	1001191685	1	Filter, Hydraulic	
		Ref	<b>Boom</b>	
	1001219953	AR	Shim	
	1001219905	AR	Shim	
	8008640	AR	Shim	
	1001003031	AR	Shim	
	1001195194	AR	Shim	
	1001195737	AR	Shim	
	1001195738	AR	Shim	
	1001195739	AR	Shim	
	1001215464	AR	Shim	
	1001195655	AR	Pad, M44X50X160	
	8002200	AR	Pad, M15X50X200	
	1001227337	AR	Pad, M39X70X200	
	1001227334	AR	Pad, M17X67X198	
	1001165175	AR	Pad, M34X54X165	
		Ref	<b>Engine &amp; Attaching Parts</b>	
	7016331	1	Filter, Oil	
	70024961	1	Filter, Fuel (Primary)	
	70027417	1	Filter, Fuel (Secondary)	
	70005549	1	Filter, DEF	
	70027657	1	Dipstick	
	70028419	1	Belt, V-Ribbed	
	1001166565	1	Filter, Air Cleaner	
		Ref	<b>Cab</b>	
	1001218996	1	Filter, HVAC Air	
	1001172553	1	Filter, HVAC Recirculation Air	
	4807718	1	Blade, Rear Wiper	
	1001141281	1	Blade, Front Wiper	
	1001141313	1	Blade, Roof Wiper	
		Ref	<b>Hydraulic Components</b>	
	70028313	1	Kit, Lift Cylinder Seal	
	70028380	1	Kit, Compensation Cylinder Seal	
	70028375	1	Kit, Extend Retract Cylinder Seal	
	70028324	1	Kit, Tilt Cylinder Seal	
	70026253	1	Kit, Frame Level Cylinder Seal	
	70027601	1	Kit, Hydrostatic Motor Seal	
	70028410	1	Kit, Hydrostatic Pump Seal	
	70028413	1	Kit, Implement Pump Seal	
		Ref	<b>Electrical</b>	
	0400075	1	Battery, 12V	
	70022765	1	Key, Ignition (Set of 2)	

**PART NUMBER INDEX**

# PART NUMBER INDEX

0100081.....21	439, 443, 445, 547,	1001008540 ..... 641	104, 107, 110, 487,
0400075.....655, 657, 830	641, 665, 667	1001008559 ..... 129, 199,	491, 495, 499
0498748.....311	0760610 ..... 713	471, 643, 645, 651,	1001101702.....443
0630576.....39	0760806 ..... 185	669, 671, 681, 683,	1001101808.....665
0641510.....147	0760807 ..... 33, 515, 653	715, 725	1001101855.....717
0641608.....537	0760808 ..... 33, 329, 405,	1001008575 ..... 19	1001102502.....673
0681714.....529	407, 501, 665, 667,	1001008604 ..... 333	1001103012.....756
0700408.....441, 701	693, 695, 701, 707, 709	1001008654 ..... 515	1001103156.....735, 737
0700610...17, 21, 39, 183,	0760810... 31, 41, 43, 47,	1001008742 ..... 337	1001103300.....735, 737
195, 403, 407, 641,	53, 159, 177, 185, 199,	1001008834 ..... 79	1001104477.....495, 499,
685, 687, 707, 709	335, 353, 357, 361,	1001008857 ..... 315	619
0700612.....39, 729	365, 368, 405, 419,	1001008923 ..... 691, 739	1001104498.....756, 760,
0700614...183, 368, 541,	423, 435, 469, 487,	1001008988 ..... 311	775, 803
639, 653, 707, 709	489, 493, 733	1001008999 ..... 33	1001104519.....757, 783
0700616.....517	0760812 ..... 19, 161, 183,	1001009018 ..... 13	1001104654.....673
0700618.....651, 671	293, 295, 315, 639	1001009124 ..... 333	1001105886.....663
0700814.....33, 173, 175,	0760815... 315, 493, 497	1001009163 ..... 273	1001107192.....311
183, 535	0760823 ..... 17, 189	1001009325 ..... 53, 145	1001107339.....195
0700815.....691	0761008 ..... 735, 737	1001010646 ..... 413, 415	1001107854.....756, 760,
0700816.....159, 169, 185	0761009 ..... 739	1001010647 ..... 413, 415	775, 781, 803
0700817.....469	0761010... 31, 33, 35, 37,	1001010648 ..... 413, 415	1001108661.....719
0700818.....475, 531, 731	41, 69, 145, 165, 183,	1001010649 ..... 413, 415	1001109053.....825, 828
0700819.....649	443, 501, 641, 643,	1001010650 ..... 413, 415	1001109387.....123
0700820...419, 421, 423,	651, 681, 683, 715	1001010839 ..... 333	1001110023.....491, 499,
521, 639	0761012... 27, 31, 39, 55,	1001014231 ..... 529	621
0700821.....547	57, 139, 445, 469, 511,	1001026121 ..... 501	1001110115.....499
0700824.....445	529, 639, 645	1001026125 ..... 501	1001111076.....409
0700826.....185	0761210 ..... 63, 161	1001028264 ..... 13, 501	1001111140.....541
0701014...33, 41, 43, 61,	0761212 ..... 165, 645	1001028291 ..... 13	1001111147.....409
141, 183, 195, 547,	0761214 ..... 17, 135, 183	1001028306 ..... 13	1001111317.....309, 313
681, 683	0761215 ..... 135, 161	1001028308 ..... 13	1001112612.....751, 760
0701016.....141, 503	0761217 ..... 123	1001028377 ..... 13	1001112796.....753, 787,
0701018.....139, 161, 195	0761218 ..... 161	1001028400 ..... 13	789, 791
0701020.....19, 161	0770814 ..... 437	1001028415 ..... 53	1001114495.....167
0701024.....543	0770815 ..... 177	1001047062 ..... 311	1001114803.....161
0701026.....147	0771012 ..... 53	1001080375 ..... 493, 497	1001116128.....393, 715
0701027.....473	0771414 ..... 563, 567	1001080978 ..... 673	1001116208.....707, 709
0701216.17, 63, 549, 553	0771416 ..... 265	1001081085 ..... 267	1001116696.....775, 776
0701230.....47	0771618 ..... 271	1001090343 ..... 337, 349,	1001116697.....756
0701618.....135	0771620 ..... 263	389	1001116698.....756, 760
0701626.....135	0791605 ..... 169	1001091573 ..... 693	1001116700.....757, 779
0701628...71, 73, 75, 135	1001002946 ..... 315	1001091715 ..... 681, 683	1001116716.....757
0701630.....135	1001002947 ..... 315	1001091716 ..... 681, 683	1001116723.....757, 758,
0711016.....51	1001002953 ..... 315	1001093564 ..... 661	759, 760
0711027.....263	1001002957 ..... 315	1001094516 ..... 29	1001116725.....742
0711030.....195	1001003031.. 51, 53, 830	1001094708 ..... 825, 828	1001116727.....727
0711215.....53	1001003043 ..... 323	1001095301 ..... 141	1001116728.....776, 807
0711216.....51, 151, 155	1001003227 ..... 33	1001095336 ..... 647	1001116729.....727
0711218.....51	1001003301 ..... 27	1001095804 ..... 673	1001116732.....742, 772
0711630.....29	1001003305... 145, 147,	1001096365 ..... 315	1001116734.....742
0711635.....47	195, 739	1001097244 ..... 403	1001116745.....727
0712020.....301	1001003427 ..... 23	1001097540 ..... 39, 417	1001116747.....781
0712022.....301	1001003803 ..... 55	1001097586 ..... 323	1001116754.....758
0712027.....303	1001004640 ..... 445	1001097587 ..... 207, 213	1001116763.....775, 781
0712442.....263, 473	1001004720 ..... 129	1001098128 ..... 547	1001116774.....773, 793
0750804.....309	1001004723 ..... 645	1001098150 ..... 396	1001116810.....772
0760405.....71, 73, 75	1001005368 ..... 325	1001098762 ..... 661	1001116811.....741
0760407.....69	1001005438 ..... 529	1001099566 ..... 199	1001116812.....743, 757,
0760507...143, 645, 669	1001005904... 491, 495,	1001099717 ..... 735	759, 760, 771, 776,
0760512.....337	499	1001100319 ..... 159	793, 799
0760605...137, 311, 435,	1001005960 ..... 813	1001101041...77, 79, 85,	1001116815.....761
439	1001006730 ..... 415	87, 89, 91, 97, 101,	1001116950.....772, 773
0760607...39, 181, 183,	1001006731 ..... 413	104, 107, 110, 487,	1001116984.....760
187, 311, 511, 643, 651	1001007056 ..... 59, 571	491, 495, 499	1001116985.....760
0760608...185, 331, 337,	1001007641 ..... 331, 333	1001101042...77, 79, 85,	1001116986.....759, 760
341, 403, 409, 435,	1001008475 ..... 333	87, 89, 91, 97, 101,	1001116991.....757, 760

## PART NUMBER INDEX

1001116994 ..... 789, 791	1001136975..... 145	1001159738.....693, 695, 697, 699	1001161963..... 771, 775, 793
1001116995 ..... 759	1001136999..... 760	1001159739.....689	1001162062 ..... 443
1001116996 ..... 775, 776	1001137000..... 760	1001159741.....673	1001162212 ..... 159
1001116997 ..... 758	1001138116..... 741	1001159742..... 711	1001162249 ..... 671
1001116998 ..... 760	1001138645.....653	1001159745.....725	1001162253 ..... 639
1001116999 ..... 757	1001138827..... 169	1001159746.....677	1001162256 ..... 649
1001117011 ..... 759, 779	1001138945..... 195	1001159845.....685, 687	1001162662 ..... 27
1001117021 ..... 781	1001139551.....389	1001159846.....685, 687	1001162789 ..... 305, 337
1001117064 ..... 759	1001139552.....349	1001159849.....673	1001162885 ..... 717
1001117079 ..... 759	1001139568.....325	1001159925.....365, 368	1001162886 ..... 756
1001117081 ..... 757, 758, 759, 760	1001139578.....825	1001160042.....368	1001162887 ..... 757
1001117109 ..... 772	1001141246.....315	1001160043.....365	1001162920 ..... 435
1001117121 ..... 783	1001141281.....335, 830	1001160072.....815	1001162922 ..... 435
1001117247 ..... 719, 801	1001141311.....389	1001160326.....368	1001162953 ..... 368, 371
1001117308 ..... 641	1001141312.....349	1001160345.....309	1001163095 ..... 729
1001118202 ..... 772	1001141313.....389, 830	1001160420.....173	1001163104 ..... 53
1001118282 ..... 742	1001141461.....539	1001160496.....419	1001163174 ..... 828
1001118323 ..... 772	1001141462.....539	1001160498.....756	1001163210 ..... 828
1001118379 ..... 759	1001141976.....537, 539	1001160500.....771, 775, 793	1001163212 ..... 828
1001118383 ..... 783	1001142659.....830	1001160502.....756	1001163222 ..... 828
1001118384 ..... 757, 758, 759, 760, 761	1001143200.....327	1001160503.....419, 423	1001163273 ..... 828
1001118386 ..... 760	1001144147.....742, 769	1001160506.....421	1001163276 ..... 828
1001118387 ..... 760	1001144296.....757	1001160508.....305, 329	1001163285 ..... 828
1001118392 ..... 775, 776	1001145204.....179	1001160509.....771, 775, 793	1001163291 ..... 828
1001118684 ..... 758	1001145390.....59, 571	1001160510.....771, 775, 793	1001163300 ..... 828
1001118685 ..... 783	1001145391.....57, 59	1001160730.....715	1001163321 ..... 828
1001119467 ..... 353	1001145539.....368	1001160775.....821	1001163340 ..... 757
1001120989 ..... 707, 709	1001146588.....145, 159, 165, 179, 183, 643, 651, 671, 681, 683, 709, 739	1001160927.....655, 657, 661	1001163355 ..... 828
1001121726 ..... 776	1001147340.....541	1001160928.....655, 657, 661	1001163639 ..... 675
1001121727 ..... 727, 776	1001147416.....487, 491, 495, 499	1001160945.....817	1001163695 ..... 463
10011223457 ..... 756	1001147449.....396, 399	1001161067.....401	1001163697 ..... 451
1001125117 ..... 51, 53, 63	1001148841.....741	1001161078.....411	1001164402 ..... 639, 647
1001125222 ..... 443	1001148842.....741	1001161080.....411	1001164655 ..... 329
1001125465 ..... 715	1001149278.....396, 399	1001161095.....793	1001164726 ..... 311
1001125677 ..... 743, 757, 776	1001150294.....353, 355	1001161097.....756, 771, 775, 793	1001164967 ..... 191
1001126008 ..... 742, 760, 773	1001150610.....741	1001161098.....756, 771, 793	1001164971 ..... 263, 473
1001126011 ..... 760	1001150611.....772	1001161099.....756, 771, 775, 793	1001164972 ..... 263, 473
1001126245 ..... 742	1001150735.....759	1001161100.....756, 771, 775, 793	1001165035 ..... 145
1001126353 ..... 741	1001150737.....759	1001161101.....756, 771, 775, 793	1001165175 ..... 53, 830
1001126362 ..... 741	1001151238.....505	1001161252.....396	1001165194 ..... 743
1001126391 ..... 741, 743	1001152908.....377, 383	1001161253.....396	1001165269 ..... 337, 339
1001126393 ..... 741, 743	1001152915.....309	1001161439.....39, 53	1001165270 ..... 337
1001126485 ..... 741, 742	1001152947.....309	1001161499.....305, 431	1001165273 ..... 339
1001126487 ..... 741	1001153748.....509, 607	1001161672.....445	1001165275 ..... 315
1001126837 ..... 713, 737	1001154580.....825	1001161769.....671, 763	1001165276 ..... 313
1001128128 ..... 742, 772	1001155228.....307, 311	1001161770.....671, 765	1001165309 ..... 772
1001128144 ..... 169	1001155276.....445, 447	1001161771.....671, 767	1001165310 ..... 773
1001128341 ..... 169	1001155446.....299, 303	1001161851.....399	1001165311 ..... 776
1001128478 ..... 27, 273	1001155447.....305, 335	1001161855.....396	1001165327 ..... 339
1001129425 ..... 715	1001155486.....389	1001161858.....365, 377	1001165351 ..... 337
1001130220 ..... 39	1001155540.....161	1001161896.....445	1001165407 ..... 337
1001130323 ..... 825, 828	1001156265.....445	1001161897.....445	1001165416 ..... 337
1001131177 ..... 651	1001157891.....751	1001161898.....445	1001165455 ..... 337
1001131271 ..... 825, 828	1001158146.....673	1001161957.....771, 775, 793	1001165458 ..... 337, 403
1001132168 ..... 35, 37	1001158596.....357	1001161959.....756	1001165573 ..... 357, 359
1001132169 ..... 773	1001158601.....353		1001165637 ..... 335
1001132564 ..... 396	1001158736C.....361		1001165827 ..... 667
1001133714 ..... 743	1001158738C.....353		1001166091 ..... 383, 385, 387
1001133715 ..... 741, 743	1001159028.....431, 433		1001166092 ..... 383, 385, 387
1001133793 ..... 141	1001159734.....681, 683		1001166191 ..... 331
1001134274 ..... 735, 737	1001159735.....673		1001166192 ..... 331
1001135650 ..... 741, 743	1001159736.....389		
1001135651 ..... 741, 743	1001159737.....681, 683		

# PART NUMBER INDEX

1001166385.....409	1001170311.....177	1001174741.....407	1001180306.....13
1001166543.....741	1001170325.....417	1001174795.....191	1001180437.....187
1001166551.....741	1001170326.....343	1001174796.....693, 695	1001180542.....165
1001166555.....741	1001170366.....305, 341	1001174800.....407	1001180553.....165
1001166556.....741, 743	1001170432.....193	1001174801.....407	1001180620.....639
1001166565.....139, 830	1001170504.....396	1001174811.....563, 565	1001180682.....351
1001166634.....313, 315	1001170514.....401	1001174812.....49, 577	1001180683.....351
1001166698.....35	1001170518.....396	1001174813.....567, 569	1001181128.....641
1001166707.....742	1001170519.....396, 401	1001174814.....573, 575	1001181411.....325
1001166715.....139	1001170601J.....311	1001175058.....299	1001181531.....673
1001166754.....303	1001170944.....315	1001175201.....189	1001181681.....671, 769
1001166755.....303	1001170993.....345	1001175265.....742, 743, 776	1001181726.....396, 403
1001166774.....741, 743	1001171162.....693	1001175266.....793	1001181920.....327
1001167004.....461	1001171179.....19	1001175267.....771, 775	1001181921.....327
1001167015.....391, 393	1001171182.....325	1001175347.....13	1001182123.....327
1001167017.....701	1001171183.....325	1001175470.....343	1001182139.....327
1001167186.....173	1001171277.....825, 828	1001175471.....341, 345	1001182330.....405
1001167266.....371, 373	1001171756.....337	1001175477.....311	1001182529.....361, 363
1001167409.....159	1001171767.....345	1001175568.....145	1001182530.....361
1001167616.....742	1001171874.....435	1001175733.....785	1001182839.....713
1001167620.....744	1001171885.....31	1001175776.....703, 785	1001182881.....137
1001167621.....741	1001171913.....183	1001175903.....396	1001182929.....651, 747
1001167622.....741	1001171962.....701	1001176002.....744	1001182930.....651, 749
1001167623.....741	1001172035.....825, 828	1001176004.....744	1001183024.....739
1001167624.....744	1001172088.....435	1001176121.....341, 343	1001183112.....681, 683
1001167629.....742	1001172094.....435	1001176272.....327	1001183221.....751
1001167630.....741, 742	1001172146.....19	1001176273.....327	1001183272.....637, 639
1001167631.....741	1001172147.....19	1001176333.....760	1001183306.....291, 293
1001167634.....741	1001172193.....309, 313	1001176338.....351	1001183307.....291, 295
1001167635.....741	1001172401.....305, 347	1001176587.....791	1001183308.....293
1001167636.....742	1001172495.....657, 661	1001176626.....327	1001183309.....295
1001167937.....319	1001172496.....657, 661	1001177082.....19	1001183447.....71
1001167958.....311, 319	1001172547.....365, 368	1001177526.....561, 567	1001183549.....717
1001168030.....519	1001172550.....365, 368	1001178053.....809	1001183550.....401
1001168054.....435	1001172551.....377, 379, 381	1001178123.....337	1001183700.....537
1001168142.....445	1001172553.....365, 368, 830	1001178157.....49, 573	1001183831.....139
1001168151.....445	1001172693.....23	1001178159.....309	1001183835.....139
1001168264.....293, 295	1001172755.....145	1001178160.....309	1001184275.....383, 385, 387
1001168327.....368	1001172774.....423	1001178170.....368	1001184278.....383, 385, 387
1001168330.....368	1001172999.....63	1001178474.....17	1001184280.....387
1001168331.....368	1001173257.....421	1001178670.....445, 623	1001184280.....387
1001168456.....368	1001173298.....311	1001178680.....325	1001184294.....383, 385, 387
1001168531.....361, 779	1001173411.....757	1001178681.....325	1001184295.....383, 385, 387
1001168599.....477, 627	1001173457.....161	1001178693.....17	1001184296.....383, 385, 387
1001168629.....263	1001173528.....167	1001178706.....813	1001184297.....383, 385, 387
1001168758.....39	1001173571.....377	1001178783.....351	1001184306.....381
1001168834.....31, 35	1001173679.....63	1001178791.....189	1001184307.....381
1001169135.....361, 363	1001173873.....187	1001178826.....427	1001184309.....381
1001169151.....368, 781	1001173965.....396	1001178933.....671	1001184310.....381
1001169265.....33	1001174103.....47, 49	1001179008.....425, 427	1001184396.....643, 771
1001169268.....457	1001174104.....55	1001179009.....425, 427	1001184397.....643, 775
1001169354.....453, 455	1001174107.....561	1001179080.....371	1001184403.....375
1001169355.....455	1001174126.....561, 563	1001179081.....371	1001184404.....375
1001169367.....455	1001174129.....291	1001179130.....371, 375	1001184405.....375
1001169368.....169	1001174295.....311, 321	1001179297.....813	1001184406.....375
1001169454.....17	1001174320.....309	1001179482.....409	1001184427.....387
1001169603.....396	1001174321.....315	1001179483.....409	1001184439.....311
1001169604.....396, 399	1001174322.....315	1001179592.....417	1001184504.....447
1001169674.....821	1001174368.....709	1001179850.....15, 19	1001184610.....57
1001169751.....453	1001174372.....707, 709	1001179851.....19, 27	1001184632.....825, 828
1001169763.....457	1001174420.....29	1001179852.....27	1001184795.....723, 793
1001169825.....641	1001174431.....63	1001179901.....731	1001184796.....691, 807
1001169880.....313	1001174652.....399	1001179907.....185, 653	
1001170106.....23	1001174653.....399	1001179931.....451	
1001170113J.....313	1001174655.....399	1001180070.....157, 603	
1001170114.....311, 313	1001174712.....673	1001180263.....421, 423	
1001170231.....435			



## PART NUMBER INDEX

1001184869..... 39	1001188603..... 383, 385, 387	1001191685.....27, 830	1001192885..... 549
1001184872..... 39	1001188604..... 383, 385, 387	1001191752.....49, 53	1001192886..... 549, 551
1001184874..... 39	1001188610..... 383, 385, 387	1001191753.....53	1001192887..... 549, 553
1001184975..... 396	1001188612..... 383, 385, 387	1001191789.....53	1001192888..... 551, 615
1001184976..... 203	1001188614..... 383, 385, 387	1001191915.....443	1001192889..... 467, 503
1001184977..... 203, 205	1001188618.....387	1001192096.....547	1001192890..... 503, 505
1001184978..... 203, 211	1001188619.....387	1001192124.....23	1001192891..... 505, 605
1001184979..... 203, 265	1001188720..... 383, 385, 387	1001192125.....17, 23	1001193100..... 49, 469
1001184980..... 203, 271	1001188725..... 383, 385, 387	1001192142.....641	1001193111..... 493, 497
1001184981..... 203, 275	1001188728.....387	1001192168.....277	1001193210..... 313
1001184982..... 205, 207	1001188729..... 383, 385, 387	1001192170.....283	1001193307..... 153, 601
1001184983..... 211, 213	1001188733..... 383, 385, 387	1001192177.....277, 279	1001193308..... 273, 599
1001184984..... 207, 217	1001188757.....135	1001192178.....277, 281	1001193393..... 127, 155
1001184985..... 213, 231	1001188817.....387	1001192180.....283	1001193461..... 529
1001184986..... 265, 267	1001188818.....387	1001192181.....283	1001193465..... 469
1001184987..... 275	1001188855.....195	1001192309.....311	1001193474..... 443
1001184988..... 275	1001188856.....195	1001192320.....31	1001193516..... 467, 507
1001185026..... 177	1001189023.....387	1001192321.....701	1001193517..... 467, 511
1001185633..... 405	1001189024.....387	1001192322.....703	1001193576..... 261
1001185722..... 707	1001189025..... 383, 385, 387	1001192323.....665	1001193698..... 665, 667
1001185870..... 396	1001189046.....651	1001192324.....43	1001193703..... 127, 147
1001185927..... 15	1001189048.....387	1001192339.....75	1001193704..... 127, 151
1001185929..... 15, 17	1001189054.....387	1001192342.....79	1001193705..... 147, 149
1001185930..... 17, 21	1001189182.....396	1001192344.....77	1001193709..... 467, 515
1001185931..... 21	1001189246..... 21	1001192352.....47	1001193797..... 195
1001185933..... 21	1001189288J.....279, 281, 287, 289	1001192358.....57	1001193836..... 553
1001185935..... 21	1001189980.....381	1001192363.....487	1001193838..... 553, 555
1001186603..... 707	1001189997.....703	1001192365.....493	1001193839..... 555
1001186843..... 529	1001190037.....742	1001192366.....489	1001193917..... 581
1001186853..... 681	1001190250.....55, 57	1001192367.....497	1001193918J..... 263
1001186855..... 655	1001190253..... 49	1001192370.....679	1001193919..... 263
1001186856..... 659	1001190254..... 47	1001192392.....23	1001193940..... 671, 756
1001186898..... 139	1001190256..... 47	1001192410.....445	1001193993..... 641
1001187070..... 741, 749	1001190257.....47	1001192430.....737	1001194103..... 645
1001187073..... 771	1001190259.....573	1001192431.....721	1001194244..... 645
1001187075..... 772, 793	1001190260..... 47	1001192520.....483	1001194282..... 445
1001187076..... 772, 773, 793	1001190264.....55, 57	1001192537.....637	1001194421..... 758
1001187077..... 749	1001190396.....809	1001192555.....261, 501	1001194534..... 139
1001187078..... 742	1001190921.....742	1001192558.....671	1001194698..... 305
1001187079..... 771, 772, 776	1001191091.....321	1001192575.....677	1001194699..... 305, 307
1001187080..... 742, 771, 776	1001191108.....71	1001192614.....85	1001194700..... 307, 309
1001187272..... 529	1001191110.....49	1001192615.....81	1001194702..... 479
1001187273..... 529	1001191157.....27	1001192616.....83	1001194969..... 33
1001187275..... 529	1001191163.....27	1001192617.....91	1001194980..... 25, 830
1001187355..... 551, 555	1001191229.....825, 828	1001192619.....723, 797	1001194981..... 27
1001187423..... 279, 281	1001191255.....299, 301	1001192622.....31, 33	1001195089..... 185
1001187820..... 55, 57	1001191256.....301	1001192623J.....33	1001195194..... 51, 830
1001187821..... 55	1001191257.....301	1001192627.....33	1001195200..... 721, 729
1001187847..... 55, 57	1001191281.....403	1001192631.....33	1001195201..... 721, 723
1001187848..... 55, 57	1001191283.....403	1001192643.....317	1001195202..... 729, 799
1001187882..... 741	1001191284.....403	1001192644.....319	1001195254..... 443
1001188203..... 591	1001191285.....403	1001192646.....311	1001195263..... 667
1001188303..... 368, 379	1001191370.....403	1001192649.....97	1001195342..... 373
1001188372..... 825, 828	1001191487.....825, 828	1001192650.....101	1001195343..... 373
1001188577..... 383, 385, 387	1001191546.....651	1001192700.....95	1001195345..... 373
1001188578..... 383, 385, 387	1001191635.....43	1001192707.....107	1001195346..... 373
1001188590..... 365, 368		1001192713.....261	1001195385..... 373
1001188592..... 387		1001192722.....103	1001195386..... 373
1001188594..... 383, 385, 387		1001192723.....93	1001195430..... 537
1001188602..... 383, 385, 387		1001192734.....109	1001195431..... 535
		1001192735.....113	1001195433..... 535
		1001192737.....435	1001195434..... 535
		1001192745.....825	1001195435..... 535
		1001192755.....317	1001195437..... 373
		1001192766.....311, 317	1001195438..... 373
		1001192771.....483	1001195471..... 721, 731
		1001192772.....483	1001195473..... 721, 733

## PART NUMBER INDEX

1001195582.....659, 661	1001197011.....547	1001200874.....135	1001204060.....687
1001195590.....721, 735	1001197056.....41	1001200885.....137	1001204066.....315
1001195591.....717, 719	1001197057.....41	1001200886.....137	1001204115.....315
1001195593.....659, 663	1001197072.....135	1001200968.....393	1001204120.....315
1001195636.....49, 51	1001197139.....435	1001201073.....475, 579	1001204411.....183
1001195637J.....51	1001197196.....467, 525	1001201074.....473, 475	1001204413.....183
1001195655.....47, 830	1001197197.....541, 543	1001201124.....677, 751	1001204414.....183
1001195720.....739	1001197198.....543, 545	1001201162.....705	1001204444.....685, 687
1001195721.....669	1001197199.....541	1001201298.....127, 159	1001204445.....685, 687
1001195731.....735, 737	1001197200.....541	1001201299.....159	1001204486.....33
1001195732.....735, 737	1001197259.....411	1001201300.....159	1001204528.....685
1001195733.....511	1001197262.....49	1001201301.....161, 163	1001204530.....685
1001195737...51, 53, 830	1001197339.....31	1001201302.....161, 165	1001204576.....581
1001195738.....51, 830	1001197414.....129, 131	1001201303.....161, 167	1001204709.....427
1001195739.....51, 830	1001197480.....17	1001201304.....161, 169	1001205061.....435, 439
1001195814.....307, 327	1001197481.....21	1001201305.....161, 171	1001205307.....701
1001195816.....396	1001197489.....501	1001201309.....165	1001205532.....311, 315
1001195817.....396	1001197667.....449	1001201314.....167	1001205564.....171
1001195818.....396	1001197668.....725, 727	1001201315.....167	1001205565.....171
1001195820.....391	1001197733.....41	1001201316.....167	1001205573.....541
1001195821.....393	1001197734.....41	1001201317.....169	1001205618.....547
1001195822.....391	1001197955.....29	1001201331.....337	1001206099.....43
1001195823.....393	1001198307.....39, 41	1001201418J.....11	1001206100.....681, 683
1001195849.....825	1001198893.....695, 699	1001201420.....473	1001206242.....469
1001195851.....828	1001199670.....185	1001201425.....127, 129	1001206607.....501
1001195855.....825, 828	1001199822.....187	1001201499.....439	1001206608.....501
1001195878.....309	1001199823.....187	1001201500.....441	1001206633.....679, 753
1001195881.....67	1001199902.....183	1001201501.....439, 441	1001206709.....515
1001195883.....695	1001200105.....483, 725	1001201812.....467	1001206725.....69
1001195953.....739, 803	1001200106.....127, 651	1001201848.....39	1001206744.....443
1001196191.....161	1001200108.....651, 741	1001201856.....183	1001206843.....67
1001196193.....161	1001200159.....637, 643	1001201857.....183	1001207171.....742
1001196289.....705, 787	1001200160.....637, 645	1001201858.....183	1001207217.....825
1001196402.....483	1001200161.....645	1001201885.....742	1001207325.....473
1001196452.....707, 709, 789	1001200162.....645	1001202018.....183, 185	1001207594.....711, 713
1001196502.....645	1001200164.....645	1001202020.....483	1001207788.....541
1001196664.....153	1001200165.....645	1001202021.....183	1001207789.....541
1001196778.....123	1001200166.....645	1001202024.....467, 529	1001207790.....541
1001196779.....123	1001200167.....645	1001202025.....467, 541	1001207866.....67, 69
1001196782.....123	1001200168.....643	1001202026.....467, 535	1001207898.....205, 209
1001196806.....825, 828	1001200169.....643	1001202027.....529	1001207899.....211, 215
1001196878.....63	1001200177.....261, 263	1001202038.....535	1001207956.....443
1001196879.....63	1001200226.....473	1001202172.....637, 641	1001208037.....443
1001196949.....121	1001200249.....183	1001202321.....195, 197	1001208308.....396
1001196950.....119	1001200393.....55, 57	1001202325.....197	1001208532.....541
1001196951.....117	1001200395.....57	1001202519.....705	1001208534.....541
1001196952.....115	1001200443.....127	1001202526.....159, 193	1001209097.....741
1001196959.....529	1001200445.....161	1001202617.....705	1001209200.....469
1001196964.....541	1001200447.....183	1001202621.....701	1001209201.....469
1001196967.....541	1001200451.....193	1001202722.....741	1001209202.....469
1001196969.....541	1001200453.....195	1001202723.....741	1001209203.....469
1001196970.....541	1001200498.....161	1001202730.....69	1001209346.....43
1001196973.....541	1001200499.....161	1001202786.....293, 295	1001209357.....697
1001196974.....541	1001200538.....685	1001202899.....183	1001209358.....699
1001196975.....541	1001200539.....687	1001202901.....129	1001209387.....35, 37
1001196976.....541	1001200701.....195	1001203005.....159	1001209388.....33
1001196977.....541	1001200862.....127, 135	1001203081.....683	1001209418.....547
1001196978.....541	1001200863.....127, 137	1001203368.....681, 683	1001209419.....547
1001196981.....541	1001200864.....127, 139	1001203640.....685, 687, 691	1001209427.....689
1001196982.....541	1001200865.....127, 141	1001203932.....31	1001209456.....689, 691
1001196989.....515	1001200866.....127, 145	1001203933.....31	1001209463.....409
1001196992.....515	1001200867.....183, 187	1001203934.....31	1001209625.....828
1001196993.....515	1001200869.....127, 653	1001203947.....161	1001209690.....683
1001196995.....515	1001200870.....529	1001203948.....161	1001209691.....683
1001196996.....515	1001200871.....135	1001203987.....53	1001209697.....681, 683
1001196997.....515	1001200872.....135	1001203989.....49	1001209862.....625, 631
	1001200873.....135		1001209899.....327

## PART NUMBER INDEX

1001210281 ..... 209	1001214092..... 335	1001218529..... 365, 368	1001222190 ..... 23
1001210282 ..... 515	1001214123..... 177	1001218542..... 365, 368	1001222455 ..... 757
1001210326 ..... 55, 57	1001214206..... 825, 828	1001218659..... 825	1001222460 ..... 129
1001210327 ..... 515	1001214220..... 435	1001218694..... 41	1001222603 ..... 461
1001210397 ..... 653	1001214254..... 73	1001218704..... 825	1001222606 ..... 459
1001210524 ..... 547	1001214349..... 199	1001218754..... 75	1001222650 ..... 825, 828
1001210525 ..... 547	1001214401..... 713	1001218755..... 71, 73, 75	1001222741 ..... 315
1001210526 ..... 547	1001214415..... 73	1001218996..... 365, 368,	1001223109 ..... 529
1001210567 ..... 739	1001214429..... 529	830	1001223265 ..... 396
1001210635 ..... 541	1001214430..... 529	1001219113J..... 33	1001223435 ..... 89
1001210769 ..... 209, 215	1001214431..... 529	1001219115..... 33	1001223453 ..... 825, 828
1001210770 ..... 639, 649	1001214661..... 469	1001219211..... 828	1001223455 ..... 757, 758,
1001210771 ..... 151, 153	1001214829..... 483	1001219212..... 825	759, 760
1001210780 ..... 523	1001215022..... 167	1001219220..... 327	1001223456 ..... 756
1001210797 ..... 541	1001215024..... 167	1001219250..... 33	1001223457 ..... 756, 757
1001210800 ..... 515	1001215093..... 529	1001219615..... 513, 609	1001223459 ..... 743
1001210801 ..... 523	1001215121..... 675	1001219659..... 521	1001223509 ..... 185
1001210870 ..... 145	1001215208..... 639	1001219764..... 479, 481	1001223903 ..... 733
1001211020 ..... 541	1001215212..... 529	1001219765..... 483, 485	1001223968 ..... 673, 783
1001211357 ..... 351	1001215256..... 515	1001219863..... 396	1001224127 ..... 733
1001211445 ..... 657	1001215319..... 191	1001219864..... 396	1001224128 ..... 733
1001211606 ..... 467, 547	1001215341..... 511, 513	1001219865..... 396	1001224450J ..... 33
1001211616 ..... 171	1001215464..... 53, 830	1001219905..... 47, 830	1001224598 ..... 209
1001211617 ..... 171	1001215470..... 469	1001219953..... 47, 830	1001224938 ..... 215
1001211693 ..... 671	1001215531..... 315	1001220230..... 828	1001224944 ..... 481, 629
1001211899 ..... 41	1001215539..... 529	1001220248..... 61	1001224945 ..... 485, 617
1001211900 ..... 41	1001215693..... 681, 683,	1001220286..... 63	1001224946 ..... 505
1001211907 ..... 396	805	1001220329..... 305, 349	1001225317 ..... 291
1001212011 ..... 321	1001215802..... 529	1001220338..... 323, 325	1001225390 ..... 483
1001212047 ..... 425	1001215859..... 547	1001220339..... 307, 323	1001225392 ..... 479
1001212049 ..... 425	1001215860..... 547	1001220473 ..... 547	1001225393 ..... 479, 483
1001212312 ..... 573, 625	1001216263..... 407	1001220507 ..... 449	1001225656 ..... 523
1001212369 ..... 335	1001216265..... 405	1001220540 ..... 303	1001225676 ..... 189, 191
1001212418 ..... 507, 509	1001216267..... 407	1001220641 ..... 61	1001225677 ..... 191
1001212468 ..... 403	1001216269..... 407	1001220643 ..... 525, 527	1001225980 ..... 649
1001212470 ..... 673	1001216270..... 405	1001220649 ..... 711	1001226481 ..... 396
1001212511 ..... 581, 591	1001216331..... 563	1001220650 ..... 711, 715	1001226523 ..... 137
1001212739 ..... 155, 157	1001216333..... 567	1001220717 ..... 673	1001226532 ..... 821
1001212787 ..... 515	1001216757..... 459	1001220760 ..... 273	1001226534 ..... 821
1001212788 ..... 515, 521	1001216798..... 197	1001220859 ..... 669	1001226535 ..... 821
1001212789 ..... 521, 523	1001216799..... 197	1001220861 ..... 669	1001226557 ..... 547
1001212880 ..... 515	1001216803..... 459	1001220947 ..... 709	1001226681 ..... 189
1001212886 ..... 641	1001216974..... 353, 357,	1001221041 ..... 127, 143	1001226797 ..... 183
1001212920 ..... 171	361	1001221052 ..... 377, 385	1001226828 ..... 479
1001212921 ..... 171	1001217226..... 563, 567	1001221054 ..... 379, 387	1001226829 ..... 479, 483
1001212923 ..... 183, 189	1001217320..... 669	1001221056 ..... 377, 379	1001227090 ..... 195
1001212924 ..... 189	1001217352..... 49, 471	1001221057 ..... 385, 387	1001227133 ..... 396
1001212925 ..... 189	1001217354..... 471	1001221058 ..... 385, 387	1001227186 ..... 309
1001213026 ..... 13, 467	1001217355..... 471	1001221059 ..... 365, 368	1001227187 ..... 313
1001213265 ..... 435, 437	1001217482..... 475, 477	1001221087 ..... 287, 289	1001227188 ..... 313
1001213306 ..... 529	1001217552..... 487	1001221157 ..... 285, 287	1001227287 ..... 825, 828
1001213307 ..... 529	1001217553..... 487	1001221270 ..... 285	1001227334 .. 51, 53, 830
1001213308 ..... 529, 531	1001217620..... 271, 273	1001221295 ..... 365, 368	1001227337 ..... 51, 830
1001213309 ..... 531, 533	1001217623..... 693, 697	1001221318 ..... 713	1001227440 ..... 483
1001213311 ..... 533, 613	1001217669..... 273	1001221319 ..... 713	1001227670 ... 71, 73, 75,
1001213317 ..... 493, 495	1001217753..... 179	1001221321 ..... 285, 289	77, 79, 81, 83, 93, 97,
1001213318 ..... 489, 491	1001217754..... 175	1001221349 ..... 185	104, 107, 113
1001213319 ..... 497, 499	1001217755..... 175	1001221383 ..... 185	1001227802 ..... 311
1001213322 ..... 29	1001217756..... 179	1001221493 ..... 179	1001227945 ..... 445
1001213325J ..... 29	1001217757..... 179, 181	1001221734 ..... 285	1001228132 ..... 385, 387
1001213326J ..... 29	1001217758..... 181	1001221868 ..... 145	1001228140 ..... 385, 387
1001213331 ..... 315	1001217759..... 181	1001221928 ..... 519, 611	1001228141 ..... 385, 387
1001213752 ..... 713	1001217760..... 179	1001221986 ..... 517, 519	1001228147 ..... 385, 387
1001213775 ..... 735, 737	1001217761..... 165	1001221987 ..... 515, 517	1001228248 ..... 145
1001213791 ..... 311	1001217762..... 165	1001221988 ..... 515	1001228427 ..... 87
1001213833 ..... 39	1001217763..... 165	1001221989 ..... 515	1001228504 ..... 545
1001213834 ..... 39	1001217948..... 529	1001222188 ..... 23	1001228872 ..... 159

# PART NUMBER INDEX

1001228989.....685, 687	2130406.....153	329060535, 37, 195, 396, 403, 653, 735, 737	4460458....727, 742, 761, 776, 807
1001229056.....53	2130408.....513	3290606.....547	4460464....742, 749, 751, 758, 760, 769, 773, 776, 781, 783, 785, 793, 797, 799, 803, 807
1001229201.....277	2130606.....505, 519	3290607.....681, 683	4460465....727, 741, 742, 743, 753, 757, 759, 760, 761, 769, 771, 772, 773, 775, 776, 777, 779, 787, 789, 791, 793, 794, 797, 799
1001229575.....825, 828	2130808...209, 215, 445, 555	3290801...161, 311, 431, 691, 733	4460466....701, 742, 743, 751, 753, 757, 758, 759, 760, 769, 771, 772, 773, 775, 776, 783, 787, 789, 791, 793, 799, 805, 807
1001229609.....31	2131010...469, 483, 485, 591	3290805...159, 185, 437, 499, 649	4460496.....671
1001229981.....265	2131212...481, 485, 537, 545	3290806.....325	4460497.....671
1001230163.....321	2131216.....153	3291001...139, 145, 161, 195, 645, 681, 683	4460508....741, 747, 751
1001230850.....715	2132016.....505	3291005...141, 161, 195, 263, 473, 641	4460509....743, 772, 775
1001231217.....703	2144603.....265	3291201.....123, 165	4460518.....760, 773
1001231385.....39	2144606.....141	3291205.....47	4460536....749, 777, 797
1001231393.....523	2150406.....477	3291605...47, 71, 73, 75, 135	4460539....741, 743, 759, 760, 771, 776, 793, 797, 799
1001232850.....145	2150606.....79	3311508.....661	4460608.....741
1001232988.....69	2150608.....153	3332011.....303	4460705.....757
1001233431.....819	2150808....209, 215, 509	3520028.....443	4460746.....761
1001233783.....69	2151010....491, 495, 499	3520193.....29, 51	4460748.....742, 776
1001234395.....69	2151212.....537	3760348.....435	4460789.....781
1001234455.....37	2151616.....171, 505	3900357.....653	4460836.....757
1001234596.....69	2152020.....27	3900379.....417	4460871.....789, 791
1001234802.....69	2160016.51, 55, 57, 263, 473, 563, 567	39844923.....235	4460884....701, 743, 772, 775, 787, 793, 799
1001235963.....31, 37	2170104.....157	3986405.....267	4460891....727, 742, 743, 753, 760, 761, 771, 772, 773, 775, 776, 793
1001236404.....461	2170106.....505	3986610.....363	4460892.....742
1060626.....661, 663	2170112.....505	3986643.....363	4460894....742, 757, 759, 773, 775, 779, 799, 805
1062255....145, 159, 165, 171, 179, 193, 197, 541, 651	2170206.....79, 505	4000015.....737	4460897....742, 743, 758, 769, 771, 772, 773, 779, 809
10713707.....639	2170208.....445	4010416.....719, 735	4460899....773, 775, 781, 783, 793
10725554.....221, 235	2170216.....171	4010510.....459, 461	4460905.....789, 791
120034.....671	2170316.....153	4010608002....311, 396, 407, 409	4460906.....757
1320022.....368	2170410.....483	4010610.....735, 737	4460928....760, 772, 793
1320060.....165	2170704.....153	4010610002....391, 393, 396, 407, 443	4460930....760, 773, 775, 776
1670836.....825, 828	2170716.....171	4010612002....313, 396, 403	4460931....751, 760, 776, 799
1701500.....825, 828	2170804.....527	4031205.....651	4460932....769, 772, 775, 785, 801, 803, 807
1702631.....825, 828	2170806.....209, 215	403160723, 27, 449, 451, 651	4460933....743, 757, 771, 773, 776
1704260.....669	2171816.....529	4031608.....401	4460941....769, 776, 781, 805, 809
1706296.....825	2171832.....529	4031608001.....396	4460942....743, 757, 769, 771, 772, 773, 793, 794, 805
1706299.....825	2172116.....171	4031708.....733	4460943....751, 760, 769, 779
1706300.....825	2172410.....483	4031910.....421, 423	
1706301.....825	2200223.....161	4031912.....507, 525	
1706302.....825	2220238.....545	4031916.....573	
1706306.....825	2220239.....27, 523	4031918....489, 493, 497	
1706768.....825	2220240.....27	4031920.....581	
1706850.....825	2220767.....165	4031921.....479, 483	
1707078.....825	2220811.....273	4032010.....47	
2080057.....828	2220883.....615	4060919.....13	
2080078.....325	2220886.....615	4109801.....825, 828	
2080086.....309	24921332.....183	4240018.....515, 541	
2080087.....309	2580040.....659	4240099....515, 529, 663	
2080092.....341	2720160.....515	4280307.....21	
2110406....533, 551, 555	2902443.....742	4360475.....669	
2110408.....527	2920207.....681	4360658.....441	
2110410.....153	2920208.....681	4460225.....756, 757	
211060657, 79, 533, 545, 551, 555	3020037.....271	4460234.....671	
2110610.....495, 499	314689.....49, 573	4460265.....756	
2110808....509, 513, 545	3251813.....825, 828	4460267....756, 757, 758	
2110810....523, 551, 555	3290401...365, 368, 403, 701	4460268....756, 757, 758	
2111008.....591	3290405....69, 317, 719, 735, 737	4460320.....757, 758	
2111010....157, 469, 491, 495, 499, 545, 551, 555, 567, 625	3290501.....671, 703	4460343.....756, 757	
2111012.....505	3290505.....63, 69, 645	4460424.....758	
2111212.....505	3290507.....69	4460434.....756	
2111216.....153	3290601...368, 403, 407, 435, 443, 643, 665, 667, 671, 685, 707, 709, 735, 737		
2111616....171, 273, 551, 555			
2130404....445, 481, 485, 513, 545			

## PART NUMBER INDEX

4460944 ... 743, 757, 759, 760, 761, 776, 789, 791, 793, 799	4811902 . 31, 33, 53, 173, 175, 183, 365, 368, 405, 407	70005730.....131	70024210..... 225, 239
4460945 ..... 761, 799	4812000 ... 27, 35, 37, 41, 43, 47, 51, 53, 55, 57, 61, 69, 139, 141, 147, 165, 183, 195, 263, 443, 445, 469, 473, 501, 503, 511, 529, 537, 543, 547, 639, 641, 645, 651, 681, 683, 715, 735, 737, 739	70006144.....131	70024213 ..... 225
4460970 ... 742, 771, 776, 805	4812002 ... 19, 31, 33, 39, 41, 55, 57, 139, 145, 161	70006427.....615	70024215 ..... 225
4460979 ..... 743	4812100 17, 47, 135, 165, 183, 549, 553, 645	70020276.....267	70024216 ..... 239
4460984 ..... 773	4812102 ..... 17, 161, 291	70020438.....575, 579	70024459 ..... 363
4460994 ..... 758	4812300 29, 47, 135, 271	70020555.....93, 95	70024474 ..... 132
4461000 ..... 669	4812500 ..... 301, 303	70020764.....619, 621	70024484 ..... 131
4461006 ..... 742	4831400 .... 365, 368, 403	70020867.....607, 633	70024487 ..... 131
4461008 ..... 741	4831600 ..... 27, 651	70020922.....443	70024489 ..... 131
4461015 ..... 769, 772	4831700 .... 39, 187, 407, 443, 639, 707, 709	70021251.....355	70024493 ..... 131
4461017 .... 747, 751, 775	4831900 ... 173, 175, 365, 368, 435, 653	70021252.....355	70024494 ..... 131
4461018 ..... 743, 775	4832100 ..... 161	70021317.....359	70024495 ..... 131
4461054 .... 741, 775, 776	4892600 ..... 207, 213	70021318.....359	70024504 ..... 131
4461070 ..... 743	5220600 ..... 687	70021319.....359	70024505 ..... 132
4461071 ..... 742	5220800 .... 655, 657, 661	70021322.....359	70024507 ..... 131
4461095 ..... 743	5240600 ..... 733	70021340.....681, 683	70024538 .... 91, 103, 107
4461115 ..... 761, 807	5240800 ..... 487	70021341.....681, 683	70024721 .. 104, 107, 109
4461118 ..... 775, 781	5241000 ..... 195	70021349.....77, 97, 101	70024731 ..... 107
4461174 ... 693, 695, 697, 699	5241200 ..... 123	70021350.....97, 101	70024732 ..... 107
4461262 ... 756, 760, 775, 803	5241400 ..... 265	70021367 ..... 101	70024733 ..... 107, 597
4461290 ..... 772	5241600 ..... 263	70021422 ..... 101	70024734 . 107, 587, 589, 595, 597
4641520 ..... 527, 633	5242400 ..... 263, 473	70021440.....583, 585	70024772 .. 104, 107, 109
471678 ..... 337	5250608 ..... 373	70021444.....585	70024787 ..... 107
4740274 ..... 161	5251012 ..... 129	70021445.....585	70024848 ..... 225
4740532 ..... 151, 155	5271609 ..... 703	70021446.....585	70024849 ..... 225
4740550 ..... 161	5272012 ..... 715	70021447.....585	70024856 ..... 363
4761700 ..... 529	643191201..... 756, 771	70021448.....585	70024857 ..... 363
4807718 ..... 349, 830	643201301..... 756, 771	70021451.....585	70024858 ..... 363
4811400 ... 69, 71, 73, 75, 365, 368, 403, 441, 701, 719, 735, 737	70002963 ..... 611, 615	70021452.....585	70024859 ..... 363
4811600 63, 69, 143, 396, 645, 669, 703	70004387 ..... 611	70021531.....619, 621	70024861 ..... 363
4811700 ... 17, 21, 35, 37, 39, 137, 183, 185, 195, 309, 311, 331, 337, 368, 391, 393, 403, 407, 409, 435, 439, 443, 511, 517, 547, 641, 643, 651, 653, 665, 667, 671, 681, 683, 685, 687, 707, 709, 713, 729, 735, 737	70004512 ..... 131	70021606 ..... 239	70024881 .. 223, 237, 253
4811700 001 ..... 396	70004595 ..... 609	70021613.....239	70024918 ..... 131
4811702 ... 341, 407, 435, 439, 445	70005191 ..... 132	70022034.....355	70024945 ..... 601
4811702001 .... 311, 313, 396, 461	70005490 ..... 131	70022140.....221, 235	70024946 ..... 601
4811900 ... 17, 19, 41, 43, 47, 147, 159, 161, 169, 177, 183, 185, 189, 199, 311, 315, 329, 335, 353, 357, 361, 368, 405, 419, 421, 423, 431, 435, 445, 469, 475, 489, 493, 499, 501, 515, 521, 531, 535, 547, 639, 649, 665, 667, 691, 693, 695, 701, 707, 709, 731, 733	70005492 ..... 131	70022276.....601	70024961 ..... 131, 830
	70005495 ..... 131	70022765.....673, 830	70025012 ..... 223
	70005504 ..... 131	70022773 ..... 227, 241	70025014 ..... 223
	70005505 ..... 131	70022938 .. 85, 87, 89, 91, 104, 107, 109	70025153 ..... 131
	70005507 ..... 131, 132	70023179 ..... 363	70025242 ..... 132
	70005510 ..... 131	70023181 ..... 363	70025335 ..... 219, 233
	70005511 ..... 131	70023182 ..... 363	70025337 ..... 245
	70005513 ..... 131	70023184 ..... 363	70025338 ..... 245
	70005522 ..... 132	70023186 ..... 363	70025339 ..... 245, 247
	70005523 ..... 132	70023189 ..... 363	70025483 ..... 355
	70005524 ..... 132	70023469 ..... 221, 235	70025485 ..... 355
	70005544 ..... 132	70023489 ..... 245	70025486 ..... 355
	70005548 ..... 132	70023490 ..... 245, 247	70025489 ..... 355
	70005549 ..... 132, 830	70023493 ..... 245	70025490 ..... 355
	70005556 ..... 132	70023494 ..... 221, 235	70025491 ..... 355
	70005557 ..... 132	70024004 ..... 247	70025535 ..... 132
	70005558 ..... 132	70024035 ..... 577	70025561 ..... 223, 237
	70005559 ..... 132	70024107 ..... 363	70025562 ..... 223, 237
		70024123.....89, 91, 103, 109, 597	70025590 ..... 565
		70024129..587, 589, 595, 597	70025614 ..... 565, 577
		70024130..85, 87, 89, 91, 104, 109, 597	70025707 ..... 132
		70024142 ..... 589	70025722 ..... 131
		70024146...223, 237, 255	70025737 ..... 131
		70024147...223, 237, 255	70025743 ..... 131
		70024164 ..... 571	70025755 ..... 131
		70024165 ..... 571	70025757 ..... 131
		70024166 ..... 571	70025760 ..... 132
		70024167 ..... 571	70025761 ..... 132
		70024168 ..... 571	70025763 ..... 131
			70025765 ..... 131
			70025768 ..... 131
			70025772 ..... 131

# PART NUMBER INDEX

70025775.....	131	70026483.....	85, 87	70027989.....	77	70028357.....	149
70025780.....	132	70026496.....	595	70028114.....	107	70028358.....	149
70025786.....	131	70026497.....	595	70028115.....	107	70028359.....	149
70025816.....	433	70026498.....	595	70028119.....	107	70028360.....	149
70025817.....	433	70026499.....	595	70028243.....	609	70028361.....	613
70025856.....	247	70026500.....	595	70028253.....	103	70028362.....	579
70025859.....	437	70026501.....	103, 595	70028254.....	587	70028371.....	575
70025860.....	437	70026502..	587, 589, 595	70028255.....	587	70028372.....	575
70025877.....	132	70026503.....	107, 595	70028256.....	587, 589	70028373.....	575
70025884.....	229, 243	70026504.....	109, 595	70028257.....	587, 589	70028374.....	575
70025887.....	221, 235	70026505.....	595	70028258.....	587, 589	70028375.....	575, 830
70025970.....	225	70026506.....	595	70028262.....	103	70028376.....	569
70026002.....	223, 237	70026582.....	607, 633	70028263.....	85, 87	70028377.....	569
70026011.....	131	70026614..	87, 89, 91, 557	70028267.....	104, 109	70028378.....	569
70026081.....	163	70026616.....	89, 91	70028270.....	587	70028379.....	569
70026082.....	163	70026631.....	267	70028281.....	617	70028380.....	569, 830
70026210.....	132	70026745.....	93, 95	70028282.....	617, 629	70028381.....	437
70026238.....	223, 237	70026746.....	93, 95	70028285.....	623	70028382.....	437
70026249.....	579	70026747.....	239	70028306.....	565	70028383.....	437
70026251.....	579	70026748.....	239	70028307.....	565	70028384.....	569
70026253.....	579, 830	70026750.....	247	70028308.....	565	70028387.....	223, 237
70026260..	223, 237, 249	70026838.....	569	70028309.....	565, 577	70028388..	219, 223, 233, 237
70026261..	223, 237, 251	70026892.....	267	70028310.....	565, 577	70028389..	219, 223, 233, 237
70026262.....	225	70026896.....	267	70028311.....	565	70028390.....	221, 247
70026263.....	225	70026897.....	267	70028312.....	565	70028391.....	221
70026264.....	225	70026898.....	267	70028313.....	565, 830	70028392.....	223, 237
70026265.....	229, 243	70026901.....	267	70028314.....	577	70028393.....	227, 241
70026266..	229, 243, 253	70026904.....	267	70028315.....	577	70028394.....	227, 241
70026292.....	763	70026908.....	267	70028316.....	577	70028396.....	223, 237
70026293.....	765	70026909.....	267	70028317.....	577	70028397.....	237
70026294.....	647	70026911.....	267	70028318.....	577	70028398.....	235, 245
70026295.....	647	70026927.....	268	70028319.....	577	70028399.....	235
70026296.....	647	70027022.....	225, 239	70028320.....	577	70028400.....	237
70026297.....	647	70027092.....	225	70028321.....	577	70028401.....	221, 235
70026312.....	615	70027105.....	245, 247	70028322.....	577	70028405.....	103
70026314.....	615	70027109.....	267	70028323.....	577	70028406.....	103
70026315.....	615	70027110.....	267	70028324.....	577, 830	70028410.....	601, 830
70026353.....	163	70027180..	115, 117, 119, 121	70028326.....	363	70028411.....	601
70026354.....	163	70027317.....	225, 239	70028327.....	149	70028412.....	603
70026359.....	163	70027392.....	359	70028328.....	149	70028413.....	603, 830
70026361.....	447	70027395.....	359	70028329.....	149	70028414.....	609
70026362.....	447	70027404.....	131	70028330.....	149	70028415.....	609
70026363.....	447	70027405.....	131	70028331.....	149	70028416.....	609
70026364.....	447	70027417.....	131, 830	70028332.....	149	70028417.....	131
70026365.....	447	70027426.....	131	70028333.....	149	70028418.....	131
70026366.....	447	70027567.....	131	70028334.....	149	70028419.....	131, 830
70026367.....	447	70027595.....	603	70028335.....	149	70028420.....	599
70026407.....	575	70027596.....	621	70028336.....	149	70028421.....	627
70026408.....	575	70027598.....	601	70028337.....	149	70028422.....	631
70026411.....	575	70027599.....	601	70028338.....	149	70028485.....	77, 97, 101
70026434.....	437	70027601.....	599, 830	70028339.....	149	70028486.....	77, 101
70026469.....	89, 91, 595	70027657.....	131, 830	70028340.....	149	70028487.....	101
70026470.....	89, 91	70027773.....	97	70028341.....	149	70028488.....	77, 101
70026471.....	89, 91, 103	70027796.....	225	70028342.....	149	70028489.....	97, 101
70026472.....	89, 91, 103	70027811.....	575	70028343.....	149	70028490.....	97, 101
70026473.....	89, 91, 103	70027862.....	267	70028344.....	149	70028491.....	101
70026474.....	89, 91	70027879.....	79	70028345.....	149	70028492.....	101
70026475.....	89, 91	70027880.....	79	70028346.....	149	70028493.....	101
70026476.....	89, 91, 103	70027881.....	79	70028347.....	149	70028494.....	101
70026477..	87, 89, 91, 557	70027882.....	79	70028348.....	149	70028495.....	77, 97, 101
70026478.....	89, 91	70027887.....	79	70028349.....	149	70028496.....	77, 97, 101
70026479..	85, 87, 89, 91	70027888.....	79	70028350.....	149	70028497.....	101
70026480..	85, 87, 89, 91	70027889.....	79	70028351.....	149	70028498.....	101
70026481..	85, 87, 89, 91, 103, 107, 109	70027890.....	79	70028352.....	149	70028499.....	101
70026482..	85, 87, 89, 91, 103, 107, 109	70027896.....	79	70028353.....	149	70028500.....	101
		70027899.....	79	70028354.....	149		
		70027986.....	227, 241	70028355.....	149		

## PART NUMBER INDEX

70028501 ..... 101	70028615 ..... 97	70028690 ..... 104, 107	70028790 ..... 107
70028502 ..... 609	70028616 ..... 97	70028691 ..... 587, 589	70028791 ..... 107
70028503 ..... 609	70028617 ..... 97	70028692 ..... 589	70028792 ..... 107
70028504 ..... 609	70028618 ..... 97	70028693 ..... 589	70028793 ..... 107
70028505 ..... 79	70028619 ..... 97	70028694 ..... 589	70028794 ..... 107
70028506 ..... 79	70028620 ..... 97	70028695 ..... 104	70028795 ..... 107
70028507 ..... 79	70028621 ..... 97	70028696 ..... 104	70028796 ..... 107
70028508 ..... 79	70028622 ..... 97	70028697 ..... 89, 104, 110	70028801 ..... 268
70028509 ..... 79	70028623 ..... 97	70028701 ..... 109	70028817 ..... 267
70028510 ..... 79	70028624 ..... 97	70028702 ..... 109	70028818 ..... 267
70028511 ..... 79	70028625 ..... 97	70028703 ..... 109	70028819 ..... 267
70028512 ..... 79	70028626 ..... 97	70028704 ..... 109, 597	70028820 ..... 267
70028513 ..... 79	70028627 ..... 97	70028705 ..... 109	70028821 ..... 267
70028525 ..... 77	70028628 ..... 97	70028706 ..... 109	70028822 ..... 267
70028526 ..... 77	70028629 ..... 97	70028707 ..... 109	70028823 ..... 267
70028546 ..... 781	70028630 ..... 97	70028708 ..... 109	70028824 ..... 267
70028554 77, 93, 97, 113	70028631 ..... 97	70028709 ..... 109	70028825 ..... 267
70028563 ..... 85, 87	70028632 ..... 97	70028710 ..... 109	70028826 ..... 267
70028564 ..... 85, 87	70028633 ..... 97	70028711 ..... 109	70028827 ..... 267
70028565 ..... 85, 87	70028634 ..... 98	70028712 ..... 109	70028828 ..... 267
70028566 ..... 85, 87	70028635 ..... 97	70028713 ..... 109	70028829 ..... 267
70028567 ..... 85, 87	70028636 ..... 97	70028714 ..... 109	70028830 ..... 267
70028568 ..... 85, 87	70028637 ..... 97	70028715 ..... 109	70028831 ..... 267
70028569 ..... 85, 87	70028638 ..... 97	70028716 ..... 109	70028832 ..... 267
70028570 ..... 85, 87	70028648 ..... 103	70028717 ..... 109	70028833 ..... 267
70028571 ..... 85, 87	70028649 ..... 103	70028718 ..... 109	70028834 ..... 267
70028572 ..... 85, 87, 593	70028650 ..... 103	70028719 ..... 109	70028835 ..... 267
70028573 ..... 85, 87, 557	70028651 ..... 103	70028720 ..... 109	70028836 ..... 267
70028574 ..... 85, 87	70028652 ..... 103, 587	70028721 ..... 109	70028837 ..... 267
70028575 ..... 87	70028653 ..... 103, 589	70028722 ..... 109	70028838 ..... 267
70028576 ..... 87	70028654 ..... 103	70028723 ..... 109	70028839 ..... 267
70028577 ..... 87	70028655 ..... 103	70028724 ..... 109	70028840 ..... 267
70028578 ..... 87	70028656 ..... 103	70028725 ..... 109	70028841 ..... 268
70028579 ..... 87	70028657 ..... 103	70028726 ..... 109	70028842 ..... 268
70028580 ..... 87	70028658 ..... 103	70028727 ..... 109	70028843 ..... 268
70028581 ..... 593	70028659 ..... 103	70028728 ..... 597	70028844 ..... 268
70028582 ..... 593	70028660 ..... 103	70028729 ..... 597	70028845 ..... 268
70028583 ..... 593	70028661 ..... 103	70028730 ..... 597	70028846 ..... 268
70028584 ..... 593	70028662 ..... 103	70028731 ..... 597	70028847 ..... 268
70028585 ..... 593	70028663 ..... 103	70028732 ..... 597	70028848 ..... 268
70028586 ..... 593	70028664 ..... 103	70028733 ..... 597	70028902 ..... 615
70028587 ..... 593	70028665 ..... 103	70028734 ..... 91, 110	70028903 ..... 615
70028588 ..... 593, 597	70028666 ..... 103	70028738 ..... 91	70028904 ..... 615
70028589 ..... 87, 557	70028667 ..... 103	70028739 ..... 91	70028905 ..... 615
70028591 ..... 77	70028668 ..... 103	70028740 ..... 91	70029941 ..... 577
70028592 ..... 77	70028669 ..... 103	70028741 ..... 91	7010543 ..... 611
70028593 ..... 77	70028670 ..... 103	70028742 ..... 91	70124445 ..... 131
70028594 ..... 77	70028671 ..... 103	70028743 ..... 91	70126616 ..... 131
70028595 ..... 77	70028672 ..... 89, 91, 103, 107, 109	70028744 ..... 85	7016331 ..... 131, 830
70028596 ..... 77	70028673 ..... 103	70028745 ..... 85	7020208 ..... 131
70028597 ..... 77	70028674 ..... 103	70028746 ..... 85	7020442 ..... 131
70028598 ..... 77	70028675 ..... 103	70028747 ..... 85	7022390 ..... 617
70028599 ..... 77, 583	70028676 ..... 103	70028748 ..... 85	7024947 ..... 603
70028600 ..... 77	70028677 ..... 103	70028749 ..... 89	7026731 ..... 259
70028601 ..... 77	70028678 ..... 104	70028750 ..... 89	7028621 ..... 363
70028602 ..... 77	70028679 ..... 104	70028751 ..... 89	7028714 ..... 223, 237
70028603 ..... 77, 585	70028680 ..... 104	70028752 ..... 89	7028715 ..... 223, 237
70028604 ..... 77	70028681 ..... 104	70028753 ..... 89	7028716 ..... 223, 237
70028605 ..... 77	70028682 ..... 104, 107	70028767 ..... 103	7028733 ..... 223, 237
70028606 ..... 77	70028683 ..... 104	70028768 ..... 103	7029127 ..... 227, 241
70028607 ..... 77	70028684 ..... 104	70028770 ..... 587	7029288 ..... 219, 233
70028609 ..... 583	70028685 ..... 104	70028771 ..... 589	7029290 ..... 253
70028610 ..... 583	70028686 ..... 104	70028785 ..... 107	7029307 ..... 227, 241
70028611 ..... 583	70028687 .. 104, 107, 109	70028786 ..... 107	7029317 ..... 223
70028612 ..... 585	70028688 .. 104, 107, 109	70028787 ..... 107	7029486 .... 391, 393, 813
70028613 ..... 585	70028689 .. 104, 107, 109	70028788 ..... 107	7029702 ..... 77
70028614 ..... 585		70028789 ..... 107	7029703 ..... 77

## PART NUMBER INDEX

7029704.....77	80204281 ..... 225, 239	8420055 ... 77, 79, 85, 87,	91504107.....779
7029709.....97	80214120 ..... 223, 237	89, 91, 97, 101, 104,	91513266.....291
7029711.....77, 97, 101	80233218 ..... 435	107, 109	91514081.....223, 237
7029712.....97	80333151 ..... 435	8424233 ..... 529	91514082.....223, 237
7029733.....237, 259	80363195 ..... 329	8430032 ..... 515, 555	91514083.....223
7029734.....225, 239	80604017 ..... 779	8430033 ..... 551, 555	91514084.....223
7029735.....225, 239	80604021 ..... 787	8430034 ..... 533	91514089..219, 223, 225,
7029743.....223	80963055 ..... 743	8430081 ..... 515	233
7029767.....355	80963056 ..... 743	8466306 ..... 347	91514090.....253
7029785.....239	80963067 ..... 742	8584003 ..... 705	91514095.....223, 237
7029787.....225	80983191 .. 763, 765, 767	85941018 ..... 515	91514098.....219, 233
7029969.....681	82033995 ..... 159, 193	8769123 ..... 493, 497	91514101.....219, 233
7029970.....681	8220043 ..... 747	8769126 ..... 493, 497	91514111.....249, 251
7029971.....681, 683	8220051 .... 758, 759, 771	8770030 ..... 505	91514112.....223, 237
7300435.....135	8220097 ..... 742	8770075 ..... 487	91514117.....223, 237
77133136.....469	8220098 ..... 742	8770104 ..... 505	91514118.....291
77133137.....469	8220116 ..... 773	8770215 ..... 471	91514123.....221
77213042.....183	8220124 ..... 741	8770286 ..... 505	91514130.....221, 235
7760897.....753	8229242 ..... 763, 765	8786549 ... 279, 281, 287,	91514133.....221, 235
8000759.....325	8229244 ..... 647, 767	289	91514134.....221, 235
8000803.....311	8229245 ..... 647, 763	88662434 ..... 515, 541	91514143.....247
8002200.....51, 53, 830	8229247 ..... 647, 765	8880219-OM ..... 275	91514146.....257, 267
8004398.....325	8275212 ..... 183	90206196 ..... 41	91514147.....257
8005901.....393	8278020 ..... 161	90206198 ..... 515	91514148.....257
8008175.....227, 241	8305919 ... 181, 341, 396,	90206202 ..... 13	91514149...223, 237, 257
8008640.....51, 53, 830	407	90554016 ..... 95	91514151.....225
80203020.....267	8307219 ..... 181	90554017 ..... 77	91514154...225, 239, 267
80203021.....267	8310559 ..... 321	90554020 ..... 77	91514159.....225, 239
80204002.....219, 233	8310686 ..... 507, 525	90554042 ..... 77, 97, 101	91514174.....223, 237
80204005...219, 233, 257	8405006 ..... 165, 515	90554045 ..... 77, 97, 101,	91514175...223, 237, 255
80204007.....267	8405007 ... 165, 529, 535,	583, 585	91514177...223, 237, 255
80204012.....237	541	90554065 ..... 97	91514178.....223, 237
80204016.....267	8405009 ... 165, 189, 435	90554066 ..... 97	91514179.....223, 237
80204033.....221, 235	8405101 ..... 165	90554067 ..... 77, 97	91514180.....223, 237
80204035.....221, 235	8405102 ..... 171	91013191 ..... 776	91514181.....223, 237
80204043.....221, 235	8405104 ..... 165	91013192 ..... 772, 773	91514184.....223, 259
80204048.....221, 235	8405201 ... 165, 396, 399	91043125 . 487, 491, 495,	91514185.....223, 259
80204060.....225	8405402 ..... 137	499	91514186.....223, 259
80204065.....223, 237	8406105 ..... 135	91043126 . 487, 491, 495,	91514189.....223, 237
80204071.....223, 237	8406112 ..... 199	499	91554014.....759
80204076.....223, 237	8406201 ..... 515	9106-3039 ..... 541	91574001.....571
80204108.....225	8406202 ..... 489, 493	9106-3040 ..... 541	943191201.....756
80204117...225, 239, 253	8410009 ... 193, 365, 368	91083106 ..... 529	AU2105.....825, 828
80204143.....227, 241	8410013 ... 159, 515, 529	91163268 ..... 183	E000269 .....719
80204144.....227, 241	8420053 ... 77, 79, 85, 87,	91403193 ..... 203	N.S.S. .... 71, 73, 75, 611
80204176.....267	89, 91, 97, 101, 104,	91474364 ..... 267	
80204215.....267	107, 109	91474512 ..... 219, 233	







31211280



An Oshkosh Corporation Company

**Corporate Office**  
**JLG Industries, Inc.**  
**1 JLG Drive**  
**McConnellsburg, PA 17233-9533 USA**  
**☎ (717) 485-5161 (Corporate)**  
**☎ (877) 554-5438 (Customer Support)**  
**☎ (717) 485-6417**

**Visit our website for JLG Worldwide Locations.**  
**[www.jlg.com](http://www.jlg.com)**