



# ***Illustrated Parts Manual***

***Models***

***1644***

**31211281**

*Revised*

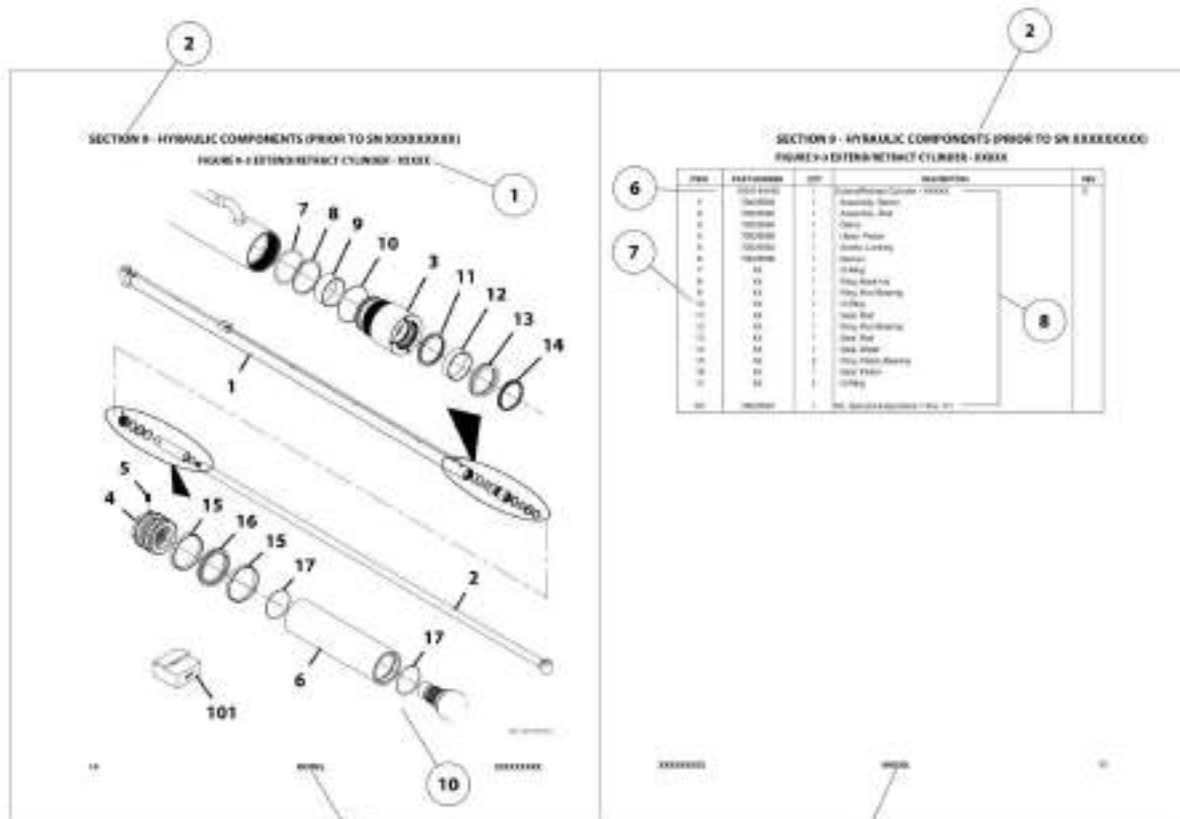
*July 18, 2018 - Rev C*





## EFFECTIVITY PAGE

May 1, 2017 - A - Original Issue of Manual  
October 13, 2017 - B - Revised Manual  
July 18, 2018 - C - Revised Manual



## General Information

### 1. MACHINE IDENTIFICATION

Machines are identified by model and in some cases a combination of model, serial number (S/N) or regional standard (e.g. ANSI, CE, CSA, AUS). Components may also be identified by S/N or manufacturer. Common components that may be identified by these characteristics are attachments, engine, transmission and hydraulic components.

### 2. PARTS MANUAL ORGANIZATION

Product information in this manual is organized under section titles. Frame, Engine and Electrical are a few examples. Each section is organized by Figure and page number. The information within the Figure is then organized by item number, part number, description and corresponding illustration(s).

### 3. TABLE OF CONTENTS

A table of contents (TOC) is found toward the beginning of the manual. Figure number, description and page number are provided for quick reference to the page containing the related information.

### 4. RECOMMENDED SPARE PARTS

The Recommended Spare Parts, located near the end of the manual, references most frequently used maintenance parts.

### 5. PARTS NUMBER INDEX

A numerical index listing all part numbers and the corresponding page number(s) appears at the back of the manual.

### 6. NON-SERVICED PARTS

In some instances it is necessary to display non-serviced parts, assemblies or installations. In the case of assemblies and installations there will be a Ref in the QTY column and a note after the item description stating what is available for service within. In the case of parts that are not available for service within assemblies or components there will be a NSS (Not Sold Separately) listed in the part number column of the manual.

### 7. PARTS LIST ITEM NUMBERS

Numbers shown in the Item column correspond to numbers used in the associated illustration(s). Item numbers which are missing from sequence and are not shown in the illustration(s) are not used on that page.

### 8. INDENTED PART DESCRIPTION

An indented part description is included in the item under which it is indented.



## 9. ABBREVIATIONS AND SYMBOLS

AC	Alternating Current
A/C	Air Conditioning
ADE	Advanced Design Electronics
AG	Agriculture
AMP	Amperage
ANSI	American National Standards Institute
AR	As Required
ASSY	Assembly
AUS	Australia
AUX	Auxiliary
AWG	American Wire Gauge
CAC	Charge Air Cooler
CE	European Conformity
CM	Centimeter
CONST	Construction
CSA	Canadian Standards Association
DEF	Diesel Exhaust Fluid
DIA	Diameter
DC	Direct Current
DTZ	Decentralized Transmission Zeros
ECU	Electronic Control Unit
EMS	Emergency Stop
FNR	Forward Neutral Reverse
FT	Foot
GA	Gauge
GR	Grade
HBP	High Boom Pivot
HHP	High Horse Power
HOC	Hydraulic Oil Cooler
HVAC	Heating, Ventilating, and Air Conditioning
ID	Inside Diameter
IN	Inch
ISO	International Organization for Standards
ITSDF	Industrial Truck Standards Development Foundation
JIC	Joint Industry Council
KG	Kilogram
KW	Kilowatt
L	Liter

LB	Pound
LBP	Low Boom Pivot
LCD	Liquid Crystal Display
LED	Light Emitting Diode
LH	Left Hand
LHD	Left Hand Drive
LHP	Low Horse Power
LMIS	Load Management Indicator System
LS	Low Sulfur
LSI	Load Stability Indicator
LSS	Load Sensing System
M <sup>3</sup>	Cubic Meter
MA	Milliamp
M(m)	Metric/Meter
MM	Millimeter
N	Newton
NACD	North America Construction Division
NLA	No Longer Available
NSS	Not Sold Separately
OD	Outside Diameter
ORB	O-Ring Boss
ORFS	O-Ring Face Seal
OZ	Ounce
PR	Ply Rating
QT	Quart
QTY	Quantity
REF	Reference
REV	Revision
RH	Right Hand
RHD	Right Hand Drive
RHOC	Remote Hydraulic Oil Cooler
RUS	Russia
SAE	Society of Automotive Engineers
SAHR	Spring Applied Hydraulically Released
SN	Serial Number
SPD	Speed
TLU	Torque Lock Up
UGM	Universal Ground Module

## 10. ILLUSTRATION REFERENCE LETTERS

When necessary, illustrations may contain reference letters that are intended to track information from one point to another in the illustration such as harnesses and hoses or any other information that has been separated in the illustration.

**Note:** Due to continuous product improvements, JLG Industries, Inc. reserves the right to make specification changes without prior notification. Contact JLG Industries, Inc. for updated information.



# TABLE OF CONTENTS

SECTION 1 - FRAME AND ATTACHING PARTS.....	15
FIGURE 1-1. FRAME WELDMENT .....	16
FIGURE 1-2. GROMMETS INSTALLATION .....	18
FIGURE 1-3. TANK INSTALLATION.....	20
FIGURE 1-4. FUEL TANK INSTALLATION.....	22
FIGURE 1-5. HYDRAULIC TANK INSTALLATION .....	24
FIGURE 1-6. TANK SUPPORT INSTALLATION.....	26
FIGURE 1-7. FUEL TANK ASSEMBLY .....	28
FIGURE 1-8. LOCKING FUEL CAP .....	30
FIGURE 1-9. HYDRAULIC TANK ASSEMBLY.....	32
FIGURE 1-10. COUNTERWEIGHT INSTALLATION.....	34
FIGURE 1-11. ENGINE ENCLOSURE INSTALLATION.....	36
FIGURE 1-12. ENGINE ENCLOSURE ASSEMBLY .....	38
FIGURE 1-13. HOOD ASSEMBLY .....	40
FIGURE 1-14. HOOD ASSEMBLY .....	42
FIGURE 1-15. COVER INSTALLATION (ULS).....	44
FIGURE 1-16. FRAME COVER INSTALLATION .....	46
FIGURE 1-17. MIRROR INSTALLATION .....	48
SECTION 2 - BOOM .....	51
FIGURE 2-1. BOOM INSTALLATION.....	52
FIGURE 2-2. BOOM ASSEMBLY.....	54
FIGURE 2-3. FIRST BOOM SECTION ASSEMBLY.....	56
FIGURE 2-4. SECOND BOOM SECTION ASSEMBLY.....	58
FIGURE 2-5. THIRD BOOM SECTION ASSEMBLY .....	60
FIGURE 2-6. COUPLER INSTALLATION (MANUAL) .....	62
FIGURE 2-7. COUPLER INSTALLATION (HYDRAULIC) .....	64
FIGURE 2-8. COUPLER LOCKING CYLINDER ASSEMBLY .....	66
FIGURE 2-9. MANUAL COUPLER PIN HOLDER INSTALLATION.....	68
FIGURE 2-10. BOOM BRUSHES INSTALLATION .....	70
SECTION 3 - ATTACHMENTS .....	73
FIGURE 3-1. ATTACHMENT RECOGNITION INSTALLATION.....	74
FIGURE 3-2. COMPONENTS ATTACHMENT RECOGNITION INSTALLATION .....	76
FIGURE 3-3. CARRIAGE ASSEMBLY, (60IN/1524MM) .....	78
FIGURE 3-4. CARRIAGE ASSEMBLY, (72IN/1829MM) .....	80
FIGURE 3-5. CARRIAGE ASSEMBLY, (87IN/2290MM) .....	82
FIGURE 3-6. DUAL FORK POSITIONING SIDE SHIFT CARRIAGE, (75IN/1899MM) .....	84
FIGURE 3-7. DUAL FORK POSITIONING CARRIAGE, (72IN/1829MM).....	86
FIGURE 3-8. BUCKET (2.6 YD <sup>3</sup> /2.0M <sup>3</sup> ).....	88
FIGURE 3-9. BUCKET (5.23 YD <sup>3</sup> ).....	90
FIGURE 3-10. 4 IN 1 BUCKET (1.3 YD <sup>3</sup> /1.0M <sup>3</sup> ) .....	92
FIGURE 3-11. GRAPPLE BUCKET (1.7 YD <sup>3</sup> /1.3M <sup>3</sup> ).....	94
FIGURE 3-12. TRUSS BOOM (7.6 TON) .....	96
FIGURE 3-13. CRANE HOOK (7.6 TON) .....	98
FIGURE 3-14. BALE HANDLER (ROUND) .....	100
FIGURE 3-15. BALE HANDLER (SQUARE) .....	104
FIGURE 3-16. PIPE HANDLER CARRIAGE .....	106
FIGURE 3-17. LOG HANDLER CARRIAGE.....	110
FIGURE 3-18. STEEL COIL HANDLER CARRIAGE.....	114
FIGURE 3-19. PALLET FORK (2.25X6X48).....	116
FIGURE 3-20. PALLET FORK (2.25X6X60).....	118
FIGURE 3-21. PALLET FORK (2.25X6X72).....	120
FIGURE 3-22. PALLET FORK (2.25X6X96).....	122
FIGURE 3-23. FORK RETENTION INSTALLATION .....	124
SECTION 4 - ENGINE AND ATTACHING PARTS .....	127
FIGURE 4-1. ENGINE POD COMPONENT INSTALLATION (ULS).....	128
FIGURE 4-2. ENGINE INSTALLATION (ULS) .....	130
FIGURE 4-3. ENGINE (100KW - ULS).....	132
FIGURE 4-4. ENGINE MOUNT INSTALLATION.....	136
FIGURE 4-5. AIR INTAKE LINES INSTALLATION .....	138

# TABLE OF CONTENTS

FIGURE 4-6. AIR CLEANER INSTALLATION .....	140
FIGURE 4-7. PRIMARY FUEL FILTER INSTALLATION (ULS) .....	142
FIGURE 4-8. REMOTE FUEL PUMP INSTALLATION .....	144
FIGURE 4-9. FUEL LINES INSTALLATION.....	146
FIGURE 4-10. HYDROSTATIC ADAPTOR INSTALLATION .....	148
FIGURE 4-11. DUAL DRIVE SUPPORT ASSEMBLY.....	150
FIGURE 4-12. HYDROSTATIC DRIVE PUMP INSTALLATION .....	152
FIGURE 4-13. HYDROSTATIC DRIVE PUMP ASSEMBLY .....	154
FIGURE 4-14. IMPLEMENT PUMP INSTALLATION.....	156
FIGURE 4-15. IMPLEMENT PUMP ASSEMBLY .....	158
FIGURE 4-16. DEF COOLANT LINES INSTALLATION (ULS) .....	160
FIGURE 4-17. COOLING PACKAGE INSTALLATION .....	162
FIGURE 4-18. RADIATOR.....	164
FIGURE 4-19. COOLANT LINES INSTALLATION.....	166
FIGURE 4-20. RADIATOR LINES INSTALLATION .....	168
FIGURE 4-21. SURGE TANK INSTALLATION.....	170
FIGURE 4-22. TRANSMISSION OIL COOLER LINES INSTALLATION .....	172
FIGURE 4-23. FAN GUARD INSTALLATION .....	174
FIGURE 4-24. FAN GUARD (REVERSING) INSTALLATION.....	176
FIGURE 4-25. COOLING FAN INSTALLATION .....	178
FIGURE 4-26. REVERSE COOLING FAN INSTALLATION .....	180
FIGURE 4-27. COMPRESSOR COVER INSTALLATION.....	182
FIGURE 4-28. EXHAUST INSTALLATION (ULS).....	184
FIGURE 4-29. DEF CONTROL MODULE INSTALLATION .....	186
FIGURE 4-30. DEF LINES INSTALLATION.....	188
FIGURE 4-31. DEF TANK INSTALLATION .....	190
FIGURE 4-32. DEF TANK ASSEMBLY.....	192
FIGURE 4-33. HEATER LINES INSTALLATION (ULS) .....	194
FIGURE 4-34. A/C PUMP INSTALLATION .....	196
FIGURE 4-35. A/C LINES INSTALLATION.....	198
FIGURE 4-36. BLOCK HEATER INSTALLATION (115V) (ULS) .....	200
SECTION 5 - DRIVETRAIN.....	203
FIGURE 5-1. DRIVETRAIN INSTALLATION .....	204
FIGURE 5-2. FRONT AXLE INSTALLATION.....	206
FIGURE 5-3. FRONT AXLE MOUNTING INSTALLATION .....	208
FIGURE 5-4. FRONT AXLE LINES INSTALLATION .....	210
FIGURE 5-5. REAR AXLE INSTALLATION .....	212
FIGURE 5-6. REAR AXLE MOUNTING INSTALLATION.....	214
FIGURE 5-7. REAR AXLE LINES INSTALLATION.....	216
FIGURE 5-8. FRONT AXLE .....	218
FIGURE 5-9. FRONT AXLE, CENTRAL HOUSING.....	220
FIGURE 5-10. FRONT AXLE, DIFFERENTIAL.....	222
FIGURE 5-11. FRONT AXLE, HUB REDUCTION .....	224
FIGURE 5-12. FRONT AXLE, BRAKES.....	226
FIGURE 5-13. FRONT AXLE, STEERING .....	228
FIGURE 5-14. FRONT AXLE, TRUNION.....	230
FIGURE 5-15. REAR AXLE .....	232
FIGURE 5-16. REAR AXLE, CENTRAL HOUSING .....	234
FIGURE 5-17. REAR AXLE, DIFFERENTIAL .....	236
FIGURE 5-18. REAR AXLE, HUB REDUCTION.....	238
FIGURE 5-19. REAR AXLE, BRAKES .....	240
FIGURE 5-20. REAR AXLE, STEERING .....	242
FIGURE 5-21. REAR AXLE, TRUNION .....	244
FIGURE 5-22. DIFFERENTIAL KIT.....	246
FIGURE 5-23. DIFFERENTIAL KIT.....	248
FIGURE 5-24. STEERING CASE KIT (RF, LR) .....	250
FIGURE 5-25. STEERING CASE KIT (LF, RR) .....	252
FIGURE 5-26. TRUNION KIT.....	254
FIGURE 5-27. RING GEAR SUPPORT KIT.....	256
FIGURE 5-28. REDUCTION BUSHING KIT .....	258
FIGURE 5-29. PLANET GEAR CARRIER KIT .....	260
FIGURE 5-30. RALP INSTALLATION.....	262
FIGURE 5-31. RALP MECHANICAL INSTALLATION .....	264
FIGURE 5-32. GEARBOX INSTALLATION .....	266
FIGURE 5-33. GEAR BOX.....	268

# TABLE OF CONTENTS

FIGURE 5-34. HYDROSTATIC MOTOR INSTALLATION.....	272
FIGURE 5-35. HYDROSTATIC MOTOR ASSEMBLY.....	274
FIGURE 5-36. DRIVE SHAFT INSTALLATION.....	276
FIGURE 5-37. TIRE/WHEEL SET (AIR 17.5-25 - 20 PLY).....	278
FIGURE 5-38. RIGHT TIRE/WHEEL ASSEMBLY (AIR 17.5-25 - 20 PLY).....	280
FIGURE 5-39. LEFT TIRE/WHEEL ASSEMBLY (AIR 17.5-25 - 20 PLY).....	282
FIGURE 5-40. TIRE/WHEEL SET (FOAM 17.5-25 - 20 PLY).....	284
FIGURE 5-41. TIRE/WHEEL SET (AIR 17.5 R25 - RADIAL).....	286
FIGURE 5-42. RIGHT TIRE/WHEEL ASSEMBLY (AIR 17.5 R25 - RADIAL).....	288
FIGURE 5-43. LEFT TIRE/WHEEL ASSEMBLY (AIR 17.5 R25 - RADIAL).....	290
FIGURE 5-44. FENDER INSTALLATION.....	292
FIGURE 5-45. RH FENDER ASSEMBLY.....	294
FIGURE 5-46. LH FENDER ASSEMBLY.....	296
SECTION 6 - CAB.....	299
FIGURE 6-1. CAB MOUNTING INSTALLATION.....	300
FIGURE 6-2. FRONT CAB MOUNT BRACKET INSTALLATION.....	302
FIGURE 6-3. CAB MOUNTS INSTALLATION.....	304
FIGURE 6-4. CAB COMPONENTS INSTALLATION.....	306
FIGURE 6-5. CAB INSTALLATION.....	308
FIGURE 6-6. CAB ASSEMBLY.....	310
FIGURE 6-7. CAB DOOR INSTALLATION.....	312
FIGURE 6-8. CAB DOOR ASSEMBLY.....	314
FIGURE 6-9. CAB DOOR WINDOW INSTALLATION.....	316
FIGURE 6-10. CAB LATCH ASSEMBLY.....	318
FIGURE 6-11. CAB DOOR TRIGGER ASSEMBLY.....	320
FIGURE 6-12. DOOR STRAP INSTALLATION.....	322
FIGURE 6-13. REAR WINDOW INSTALLATION.....	324
FIGURE 6-14. REAR WINDOW GROUP.....	326
FIGURE 6-15. CAB PLUG GROUP.....	328
FIGURE 6-16. BASIC MIRROR INSTALLATION.....	330
FIGURE 6-17. INTERIOR MIRROR INSTALLATION.....	332
FIGURE 6-18. INTERIOR MIRROR.....	334
FIGURE 6-19. FRONT WIPER INSTALLATION.....	336
FIGURE 6-20. WASHER TANK INSTALLATION.....	338
FIGURE 6-21. WASHER BOTTLE.....	340
FIGURE 6-22. FRONT COVER INSTALLATION.....	342
FIGURE 6-23. FRONT DUCT COVER.....	344
FIGURE 6-24. FILTER TRAY PANEL.....	346
FIGURE 6-25. LEVEL INDICATOR INSTALLATION.....	348
FIGURE 6-26. REAR WIPER INSTALLATION.....	350
FIGURE 6-27. MULTIFUNCTION DISPLAY INSTALLATION.....	352
FIGURE 6-28. SEAT INSTALLATION (MECHANICAL).....	354
FIGURE 6-29. SEAT ASSEMBLY (MECHANICAL).....	356
FIGURE 6-30. SEAT INSTALLATION (AIR SUSPENSION - STANDARD).....	358
FIGURE 6-31. SEAT ASSEMBLY (AIR SUSPENSION - STANDARD).....	360
FIGURE 6-32. SEAT INSTALLATION (AIR SUSPENSION - PREMIUM).....	362
FIGURE 6-33. SEAT ASSEMBLY (AIR SUSPENSION - PREMIUM).....	364
FIGURE 6-34. HEATER INSTALLATION (CAB PARTS).....	366
FIGURE 6-35. HEATER AND A/C INSTALLATION (CAB PARTS).....	368
FIGURE 6-36. CAB CONDENSER ASSEMBLY.....	372
FIGURE 6-37. CONDENSER.....	374
FIGURE 6-38. A/C RECEIVER DRIER.....	376
FIGURE 6-39. HEATER ASSEMBLY.....	378
FIGURE 6-40. HEATER AND A/C ASSEMBLY.....	380
FIGURE 6-41. HVAC CAB ACTUATOR.....	382
FIGURE 6-42. HEATER.....	384
FIGURE 6-43. HEATER.....	386
FIGURE 6-44. HEATER AND A/C.....	388
FIGURE 6-45. ROOF WIPER INSTALLATION.....	390
FIGURE 6-46. HEADLINER INSTALLATION.....	392
FIGURE 6-47. HEADLINER/RADIO READY PACKAGE INSTALLATION.....	394
FIGURE 6-48. CAB TRIM INSTALLATION.....	396
FIGURE 6-49. DASH COVER ASSEMBLY.....	400
FIGURE 6-50. REAR PANEL COVER ASSEMBLY.....	402
FIGURE 6-51. ADJUSTABLE ARMREST INSTALLATION.....	404

# TABLE OF CONTENTS

FIGURE 6-52. ROOF CAP INSTALLATION (NO A/C).....	406
FIGURE 6-53. ROOF CAP INSTALLATION (A/C).....	408
FIGURE 6-54. RETRACTABLE SUNSCREEN INSTALLATION.....	410
FIGURE 6-55. FLOOR MAT INSTALLATION.....	412
FIGURE 6-56. SEAT BELT INSTALLATION (3IN).....	414
FIGURE 6-57. SEAT BELT INSTALLATION (2IN).....	416
FIGURE 6-58. ENCLOSED CAB FRONT COVER INSTALLATION.....	418
FIGURE 6-59. CAB GUARD INSTALLATION (TOP).....	420
FIGURE 6-60. CAB GUARD INSTALLATION (FRONT).....	422
FIGURE 6-61. CAB GUARD INSTALLATION (TOP AND FRONT).....	424
FIGURE 6-62. EXTERNAL WINDOW RELEASE INSTALLATION (ANSI - ENGLISH).....	426
FIGURE 6-63. EXTERNAL WINDOW RELEASE INSTALLATION (ANSI - ENGLISH/FRENCH).....	428
 SECTION 7 - CONTROLS.....	 431
FIGURE 7-1. ACCELERATOR PEDAL INSTALLATION.....	432
FIGURE 7-2. ACCELERATOR PEDAL.....	434
FIGURE 7-3. BRAKE PEDAL INSTALLATION.....	436
FIGURE 7-4. BRAKE PEDAL ASSEMBLY.....	438
FIGURE 7-5. BRAKE SENSOR INSTALLATION.....	440
FIGURE 7-6. SWITCH PLATE ASSEMBLY.....	442
FIGURE 7-7. PARK BRAKE INSTALLATION.....	444
FIGURE 7-8. TILT STEERING COLUMN INSTALLATION.....	446
FIGURE 7-9. TILT STEERING COLUMN.....	448
FIGURE 7-10. COLUMN SHIFT INSTALLATION (2 SPEED).....	450
FIGURE 7-11. COLUMN SHIFT INSTALLATION (0 SPEED).....	452
FIGURE 7-12. STEERING WHEEL INSTALLATION.....	454
FIGURE 7-13. STEERING WHEEL.....	456
FIGURE 7-14. HORN BUTTON INSTALLATION.....	458
FIGURE 7-15. JOYSTICK INSTALLATION (2 SPEED).....	460
FIGURE 7-16. JOYSTICK INSTALLATION (0 SPEED).....	462
FIGURE 7-17. WIPER-TURN SWITCH.....	464
 SECTION 8 - HYDRAULIC CIRCUITS.....	 467
FIGURE 8-1. MAIN HYDRAULIC INSTALLATION.....	468
FIGURE 8-2. BOOM HYDRAULIC INSTALLATION.....	470
FIGURE 8-3. REMOTE GREASE INSTALLATION.....	472
FIGURE 8-4. FRAME LEVEL INSTALLATION.....	474
FIGURE 8-5. FRAME LEVEL CYLINDER INSTALLATION.....	476
FIGURE 8-6. FRAME LEVEL VALVE ASSEMBLY.....	478
FIGURE 8-7. BOOM RAISE HOSE INSTALLATION (NO RIDE CONTROL).....	480
FIGURE 8-8. BOOM RAISE COUNTERBALANCE VALVE (NO RIDE CONTROL).....	482
FIGURE 8-9. BOOM RAISE HOSE INSTALLATION (RIDE CONTROL).....	484
FIGURE 8-10. RIDE AND FLOAT VALVE ASSEMBLY.....	486
FIGURE 8-11. BOOM AUX HYDRAULIC INSTALLATION (MANUAL - SINGLE).....	488
FIGURE 8-12. BOOM AUX HYDRAULIC INSTALLATION (MANUAL - TWIN).....	490
FIGURE 8-13. DIVERTER VALVE ASSEMBLY.....	492
FIGURE 8-14. BOOM AUX HYDRAULIC INSTALLATION (HYDRAULIC - SINGLE).....	494
FIGURE 8-15. DIVERTER VALVE ASSEMBLY.....	496
FIGURE 8-16. BOOM AUX HYDRAULIC INSTALLATION (HYDRAULIC - TWIN).....	498
FIGURE 8-17. DIVERTER VALVE ASSEMBLY.....	500
FIGURE 8-18. RALP HYDRAULIC LINES INSTALLATION.....	502
FIGURE 8-19. MAIN CONTROL VALVE INSTALLATION.....	504
FIGURE 8-20. MAIN CONTROL VALVE ASSEMBLY.....	506
FIGURE 8-21. STEERING SELECT VALVE INSTALLATION.....	508
FIGURE 8-22. STEERING SELECT VALVE ASSEMBLY.....	510
FIGURE 8-23. FRAME LEVEL VALVE INSTALLATION.....	512
FIGURE 8-24. FRAME LEVEL VALVE ASSEMBLY.....	514
FIGURE 8-25. CAB HYDRAULICS INSTALLATION.....	516
FIGURE 8-26. SOLENOID VALVE INSTALLATION.....	518
FIGURE 8-27. SOLENOID VALVE ASSEMBLY.....	520
FIGURE 8-28. CHECK VALVE INSTALLATION.....	522
FIGURE 8-29. CHECK VALVE ASSEMBLY.....	524
FIGURE 8-30. SPEED CONTROL VALVE INSTALLATION.....	526
FIGURE 8-31. SPEED CONTROL VALVE ASSEMBLY.....	528
FIGURE 8-32. ENGINE BAY HYDRAULIC INSTALLATION.....	530

# TABLE OF CONTENTS

FIGURE 8-33. INCHING VALVE INSTALLATION .....	532
FIGURE 8-34. INCHING VALVE ASSEMBLY .....	534
FIGURE 8-35. CHARGE FILTER LINES INSTALLATION .....	536
FIGURE 8-36. CHARGE FILTER INSTALLATION .....	538
FIGURE 8-37. IMPLEMENT PUMP FILTER ASSEMBLY .....	540
FIGURE 8-38. FRAME HYDRAULIC INSTALLATION .....	542
FIGURE 8-39. MANIFOLD INSTALLATION .....	544
FIGURE 8-40. MANIFOLD ASSEMBLY .....	546
FIGURE 8-41. BOOM HYDRAULIC LINES INSTALLATION .....	548
FIGURE 8-42. PRIORITY MANIFOLD INSTALLATION .....	550
FIGURE 8-43. PRIORITY VALVE ASSEMBLY .....	552
FIGURE 8-44. PRIORITY MANIFOLD INSTALLATION (PLATFORM READY) .....	554
SECTION 9 - HYDRAULIC COMPONENTS .....	557
FIGURE 9-1. CYLINDER GROUP INSTALLATION .....	558
FIGURE 9-2. LIFT CYLINDER INSTALLATION .....	560
FIGURE 9-3. LIFT CYLINDER .....	562
FIGURE 9-4. COMPENSATION CYLINDER INSTALLATION .....	564
FIGURE 9-5. COMPENSATION CYLINDER .....	566
FIGURE 9-6. COUPLER LOCKING CYLINDER .....	568
FIGURE 9-7. EXTEND/RETRACT CYLINDER INSTALLATION .....	570
FIGURE 9-8. TILT CYLINDER .....	572
FIGURE 9-9. FRAME LEVEL CYLINDER .....	574
FIGURE 9-10. RALP CYLINDER INSTALLATION .....	576
FIGURE 9-11. FORK POSITIONING CYLINDER ASSEMBLY .....	578
FIGURE 9-12. SIDE SHIFT CYLINDER ASSEMBLY .....	580
FIGURE 9-13. UPPER CYLINDER ASSEMBLY .....	582
FIGURE 9-14. LOWER CYLINDER ASSEMBLY .....	584
FIGURE 9-15. REAR AXLE LOCK VALVE INSTALLATION .....	586
FIGURE 9-16. LOG HANDLER CARRIAGE CYLINDER ASSEMBLY .....	588
FIGURE 9-17. HYDROSTATIC MOTOR .....	590
FIGURE 9-18. HYDROSTATIC PUMP .....	592
FIGURE 9-19. IMPLEMENT PUMP .....	594
FIGURE 9-20. MAIN CONTROL VALVE .....	596
FIGURE 9-21. STEERING SELECT VALVE .....	598
FIGURE 9-22. FRAME LEVEL VALVE .....	600
FIGURE 9-23. SOLENOID VALVE .....	602
FIGURE 9-24. INCHING VALVE .....	604
FIGURE 9-25. PRIORITY VALVE ASSEMBLY .....	606
FIGURE 9-26. BOOM RAISE VALVE (RIDE CONTROL) .....	608
FIGURE 9-27. DIVERTOR VALVE .....	610
FIGURE 9-28. DIVERTOR VALVE .....	612
FIGURE 9-29. STEER UNIT VALVE .....	614
FIGURE 9-30. COUNTERBALANCE VALVE INSTALLATION .....	616
FIGURE 9-31. COUNTERBALANCE VALVE .....	618
FIGURE 9-32. COUNTERBALANCE VALVE .....	620
FIGURE 9-33. COUNTERBALANCE VALVE .....	622
FIGURE 9-34. SPEED CONTROL VALVE .....	624
SECTION 10 - ELECTRICAL .....	627
FIGURE 10-1. MAIN ELECTRICAL INSTALLATION (ULS) .....	628
FIGURE 10-2. FRAME ELECTRICAL INSTALLATION .....	630
FIGURE 10-3. ENGINE POD ELECTRICAL INSTALLATION (ULS) .....	632
FIGURE 10-4. FRAME WIRING INSTALLATION .....	634
FIGURE 10-5. ENGINE BAY ELECTRICAL INSTALLATION (ULS) .....	636
FIGURE 10-6. POWER DISTRIBUTION ELECTRICAL BOX .....	638
FIGURE 10-7. REAR FRAME MODULE INSTALLATION .....	640
FIGURE 10-8. ENGINE WIRING INSTALLATION (ULS) .....	642
FIGURE 10-9. ENGINE ECU INSTALLATION .....	644
FIGURE 10-10. BATTERY INSTALLATION .....	646
FIGURE 10-11. DUAL BATTERY INSTALLATION .....	648
FIGURE 10-12. ARTIC BATTERY PACKAGE INSTALLATION (115V) .....	650
FIGURE 10-13. ARCTIC BATTERIES INSTALLATION (115V) .....	652
FIGURE 10-14. HYDRAULIC TANK HEATER INSTALLATION (115V) .....	654
FIGURE 10-15. BACKUP ALARM INSTALLATION .....	656

# TABLE OF CONTENTS

FIGURE 10-16. BACKUP ALARM INSTALLATION (WHITE NOISE) .....	658
FIGURE 10-17. EMERGENCY STOP EXTERNAL INSTALLATION.....	660
FIGURE 10-18. CAB ELECTRICAL INSTALLATION.....	662
FIGURE 10-19. DASH ELECTRICAL INSTALLATION .....	664
FIGURE 10-20. LIGHT SWITCH INSTALLATION .....	666
FIGURE 10-21. BOOM HARNESS INSTALLATION .....	668
FIGURE 10-22. BOOM AUX HARNESS INSTALLATION.....	670
FIGURE 10-23. DRIVING LIGHT INSTALLATION (RH DIP) .....	672
FIGURE 10-24. DRIVING LIGHT INSTALLATION (LED) (RH DIP).....	674
FIGURE 10-25. CAB WORKLIGHTS INSTALLATION (NO A/C - LED).....	676
FIGURE 10-26. CAB WORKLIGHTS INSTALLATION (A/C - LED) .....	678
FIGURE 10-27. BOOM WORK LIGHTS (LED) .....	680
FIGURE 10-28. BOOM WORK LIGHT INSTALLATION (LED) .....	682
FIGURE 10-29. BEACON INSTALLATION .....	684
FIGURE 10-30. BEACON INSTALLATION (LED).....	686
FIGURE 10-31. BEACON (REMOTE BOOM CONTROL) INSTALLATION .....	688
FIGURE 10-32. BEACON (LED) (REMOTE BOOM CONTROL) INSTALLATION.....	690
FIGURE 10-33. REVERSE CAMERA INSTALLATION.....	692
FIGURE 10-34. REVERSE SENSOR INSTALLATION .....	694
FIGURE 10-35. TELEMATICS READY INSTALLATION .....	696
FIGURE 10-36. CLEARSKY INSTALLATION (NO A/C - SHORT ROOF CAP) .....	698
FIGURE 10-37. CLEARSKY INSTALLATION (A/C - LONG ROOF CAP).....	700
FIGURE 10-38. LSI INSTALLATION.....	702
FIGURE 10-39. LSI DISPLAY INSTALLATION.....	704
FIGURE 10-40. LSI SENSOR INSTALLATION.....	706
FIGURE 10-41. LMIS INSTALLATION (HIGH END DISPLAY).....	708
FIGURE 10-42. LMIS BEACON LIGHT INSTALLATION .....	710
FIGURE 10-43. LMIS CONTROL PACKAGE INSTALLATION .....	712
FIGURE 10-44. LMIS WIRING INSTALLATION .....	714
FIGURE 10-45. RIDE CONTROL WIRING INSTALLATION.....	716
FIGURE 10-46. BOOM RIDE CONTROL HARNESS .....	718
FIGURE 10-47. TILT SENSOR INSTALLATION.....	720
FIGURE 10-48. LMIS CONTROLLER INSTALLATION .....	722
FIGURE 10-49. LMIS CABLE REEL INSTALLATION.....	724
FIGURE 10-50. BOOM ANGLE SENSOR INSTALLATION (LMIS) .....	726
FIGURE 10-51. BOOM ANGLE SENSOR INSTALLATION (NO LMIS) .....	728
FIGURE 10-52. BOOM RETRACT SENSOR INSTALLATION .....	730
FIGURE 10-53. ENGINE HARNESS (ULS) .....	732
FIGURE 10-54. FUEL PUMP HARNESS.....	738
FIGURE 10-55. GLOW PLUG RELAY HARNESS.....	740
FIGURE 10-56. BOOM HARNESS .....	742
FIGURE 10-57. BOOM AUX HARNESS .....	744
FIGURE 10-58. CAB HARNESS.....	746
FIGURE 10-59. STANDARD ELECTRICAL BOARD ASSEMBLY.....	754
FIGURE 10-60. OPTION 1 ELECTRICAL BOARD ASSEMBLY.....	756
FIGURE 10-61. OPTION 2 ELECTRICAL BOARD ASSEMBLY .....	758
FIGURE 10-62. CAB OPTION HARNESS .....	760
FIGURE 10-63. FRONT FRAME HARNESS .....	762
FIGURE 10-64. REAR FRAME HARNESS.....	766
FIGURE 10-65. SEAT ADAPTOR HARNESS.....	770
FIGURE 10-66. A/C OPTION HARNESS.....	772
FIGURE 10-67. IGNITION SWITCH HARNESS .....	774
FIGURE 10-68. REVERSE SENSOR HARNESS .....	776
FIGURE 10-69. TELEMATICS READY HARNESS .....	778
FIGURE 10-70. CLEARSKY HARNESS (A/C).....	780
FIGURE 10-71. CLEARSKY HARNESS (NO A/C) .....	782
FIGURE 10-72. LMIS CHASSIS OPTION HARNESS.....	784
FIGURE 10-73. LMIS BOOM HARNESS .....	788
FIGURE 10-74. PLATFORM READY HARNESS .....	790
FIGURE 10-75. LMIS BEACON OPTION HARNESS .....	792
FIGURE 10-76. PROXIMITY SENSOR HARNESS.....	794
FIGURE 10-77. HEADLIGHT HARNESS.....	796
FIGURE 10-78. BOOM WORKLIGHTS HARNESS .....	798
FIGURE 10-79. LICENSE LIGHT HARNESS .....	800
SECTION 11 - DECALS .....	803



# TABLE OF CONTENTS

FIGURE 11-1. CAPACITY CHART HOLDER INSTALLATION .....	804
FIGURE 11-2. REVERSE SENSOR SYSTEM DECAL (ENGLISH) .....	806
FIGURE 11-3. REVERSE SENSING SYSTEM DECAL, (ENGLISH/FRENCH) .....	808
FIGURE 11-4. CAPACITY CHART .....	810
FIGURE 11-5. 1644 DECAL INSTALLATION.....	812
FIGURE 11-6. DECAL INSTALLATION (ENGLISH).....	814
FIGURE 11-7. DECAL INSTALLATION (ENGLISH/FRENCH).....	818
SECTION 12 - RECOMMENDED SPARE PARTS .....	821
FIGURE 12-1. RECOMMENDED SPARE PARTS .....	822
PART NUMBER INDEX .....	823

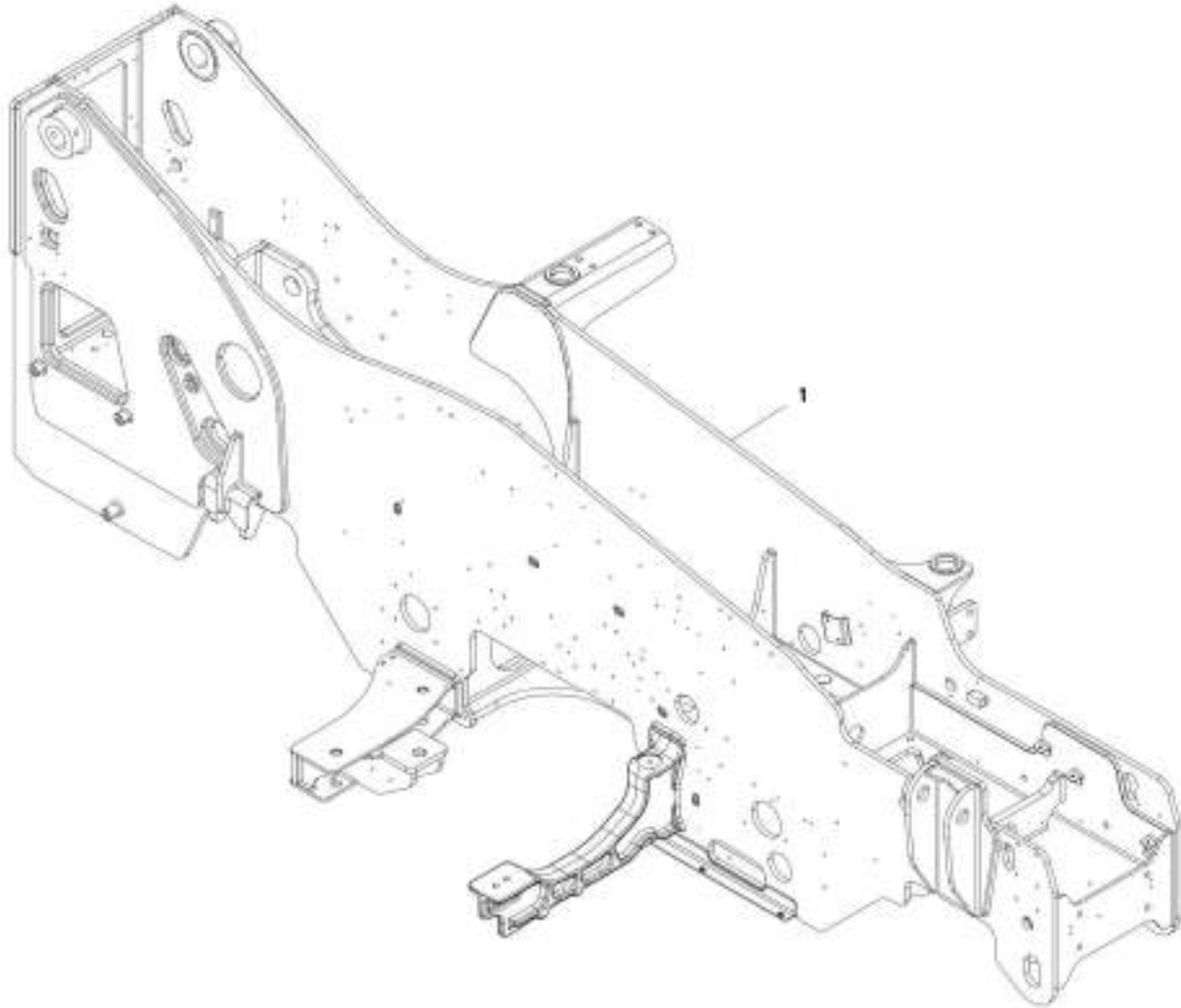


## **SECTION 1 - FRAME AND ATTACHING PARTS**

## **SECTION 1 - FRAME AND ATTACHING PARTS**

# SECTION 1 - FRAME AND ATTACHING PARTS

FIGURE 1-1. FRAME WELDMENT



ART\_1001201418J-L

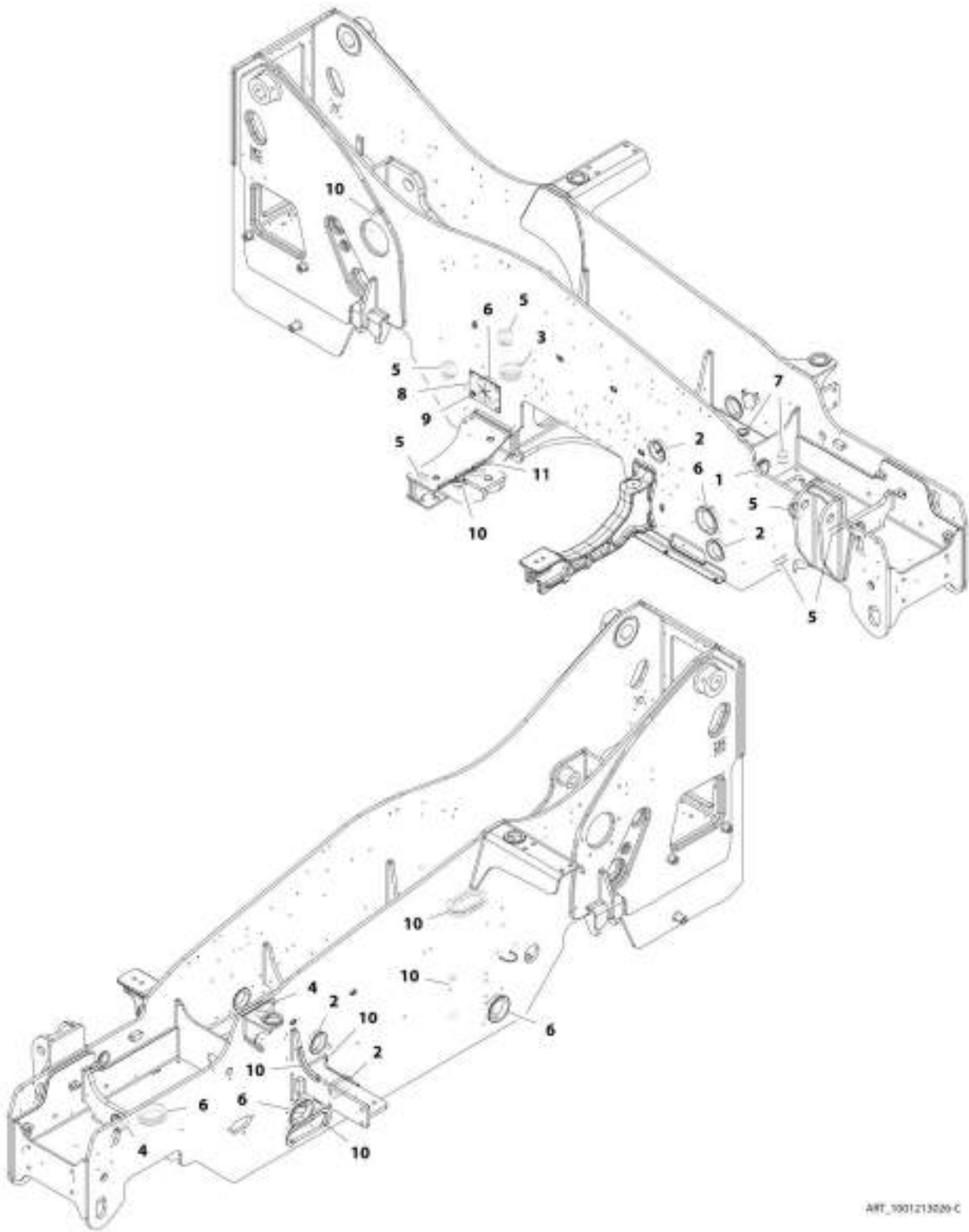
# SECTION 1 - FRAME AND ATTACHING PARTS

## FIGURE 1-1. FRAME WELDMENT

ITEM	PART NUMBER	QTY	DESCRIPTION	REV
1	1001201418J	1	Frame Weldment	L

# SECTION 1 - FRAME AND ATTACHING PARTS

## FIGURE 1-2. GROMMETS INSTALLATION



AWT\_1001213020-C

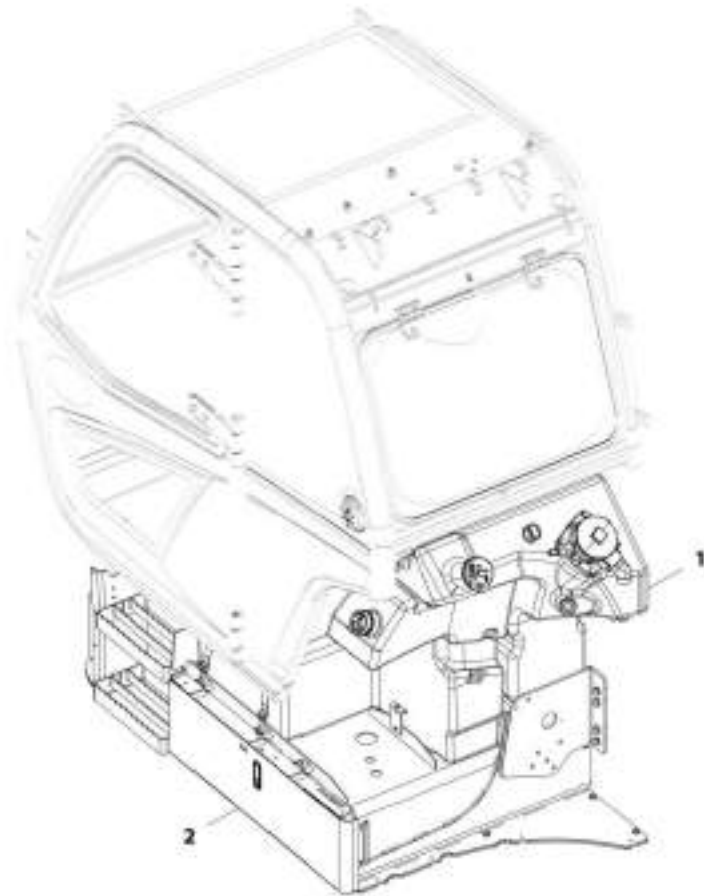
# SECTION 1 - FRAME AND ATTACHING PARTS

## FIGURE 1-2. GROMMETS INSTALLATION

ITEM	PART NUMBER	QTY	DESCRIPTION	REV
	1001213026	Ref	Grommets Installation	C
1	1001009018	1	Grommet	
2	1001028264	4	Grommet	
3	1001028291	1	Grommet	
4	1001028306	2	Grommet	
5	1001028308	6	Grommet	
6	1001028377	5	Grommet	
7	1001028400	2	Grommet	
8	1001175347	1	Grommet	
9	1001180306	4	Screw	
10	4060919	2030 mm	Trim,Hose Protection	
11	90206202	270 mm	Trim Lock	

# SECTION 1 - FRAME AND ATTACHING PARTS

FIGURE 1-3. TANK INSTALLATION



ART\_1801217801-B



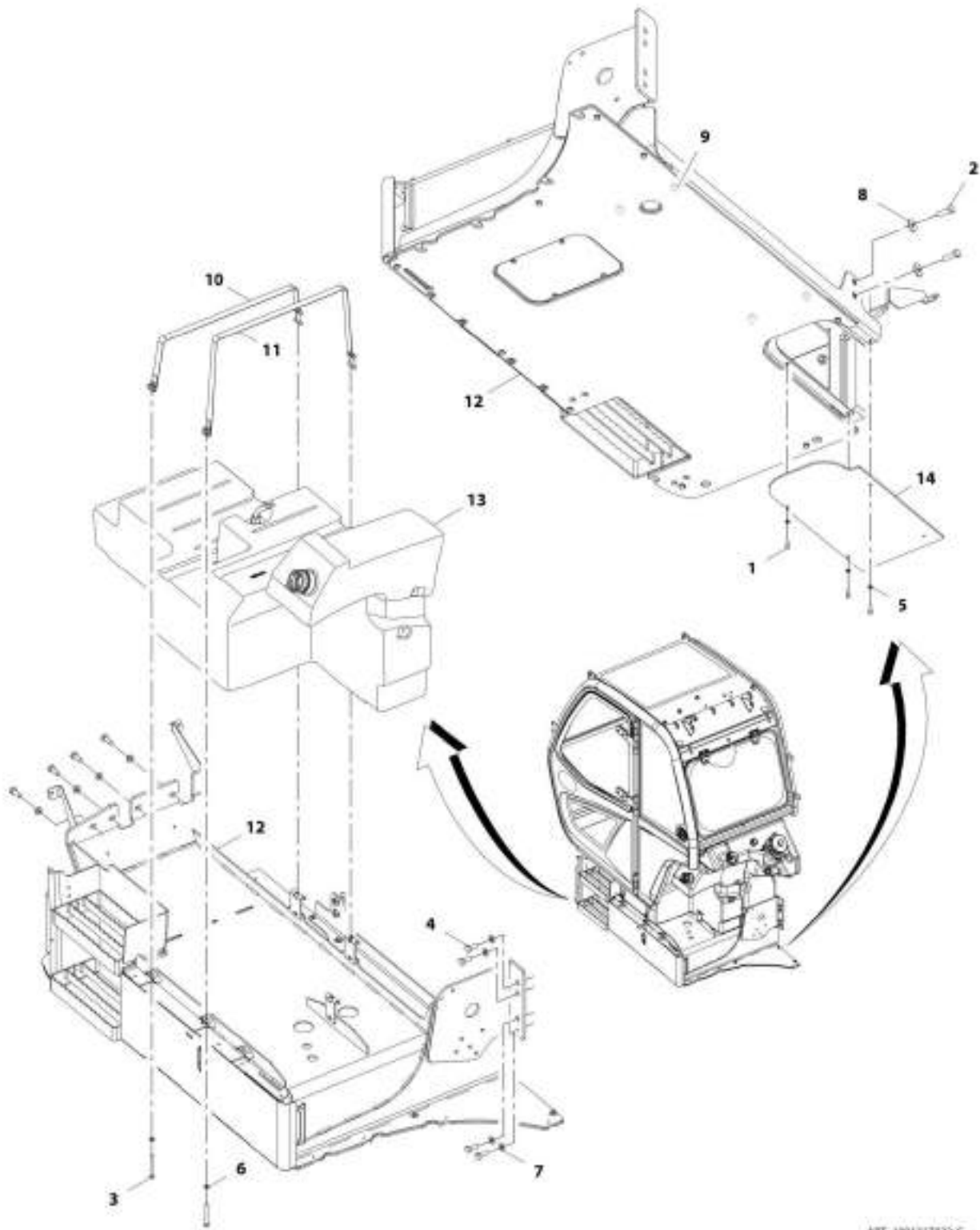
# SECTION 1 - FRAME AND ATTACHING PARTS

## FIGURE 1-3. TANK INSTALLATION

ITEM	PART NUMBER	QTY	DESCRIPTION	REV
1	1001217931	Ref	Tank Installation	B
	1001179850	1	Installation, Hydraulic Tank (See Separate Breakdown in this Section)	
2	1001217932	1	Installation, Fuel Tank (See Separate Breakdown in this Section)	

# SECTION 1 - FRAME AND ATTACHING PARTS

## FIGURE 1-4. FUEL TANK INSTALLATION



ART\_180121782-C

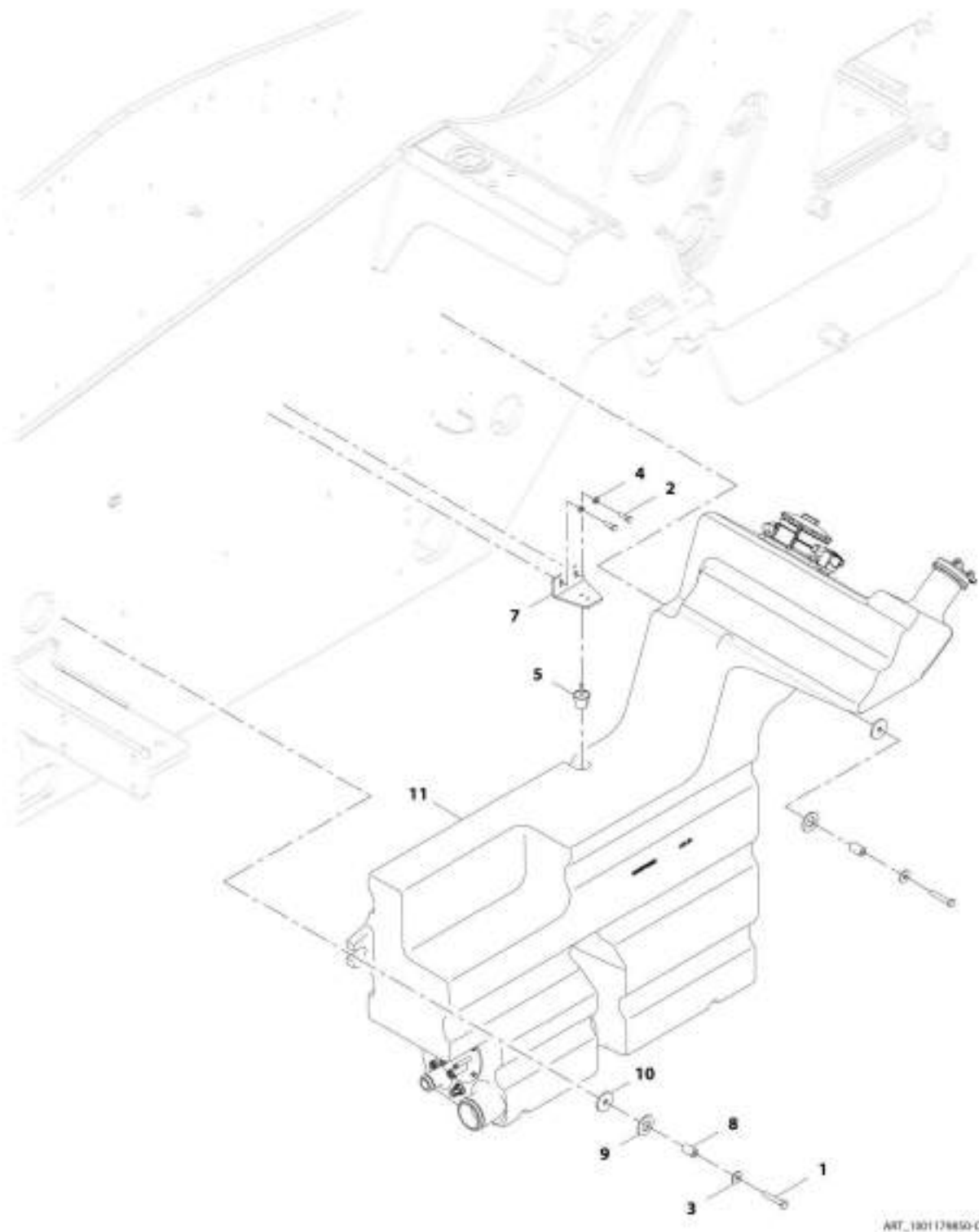
# SECTION 1 - FRAME AND ATTACHING PARTS

## FIGURE 1-4. FUEL TANK INSTALLATION

ITEM	PART NUMBER	QTY	DESCRIPTION	REV
	1001217932	Ref	Fuel Tank Installation	C
1	0700610	3	Bolt, M6X20	
2	0701216	2	Bolt, M12X40	
3	0760823	2	Bolt, M8X75	
4	0761214	8	Bolt, M12X30	
5	4811700	3	Washer, M6	
6	4811900	2	Washer, M8	
7	4812100	8	Washer, M12	
8	4812102	2	Washer, M12	
9	1001169454	4	Mount	
10	1001178474	1	Strap, Tank	
11	1001178693	1	Strap, Tank	
12	1001217933	Ref	Installation, Tank Support (See Separate Breakdown in this Section)	
13	1001192125	1	Assembly, Fuel Tank (See Separate Breakdown in this Section)	
14	1001197480	1	Plate	

# SECTION 1 - FRAME AND ATTACHING PARTS

FIGURE 1-5. HYDRAULIC TANK INSTALLATION



ART\_1801178850-C

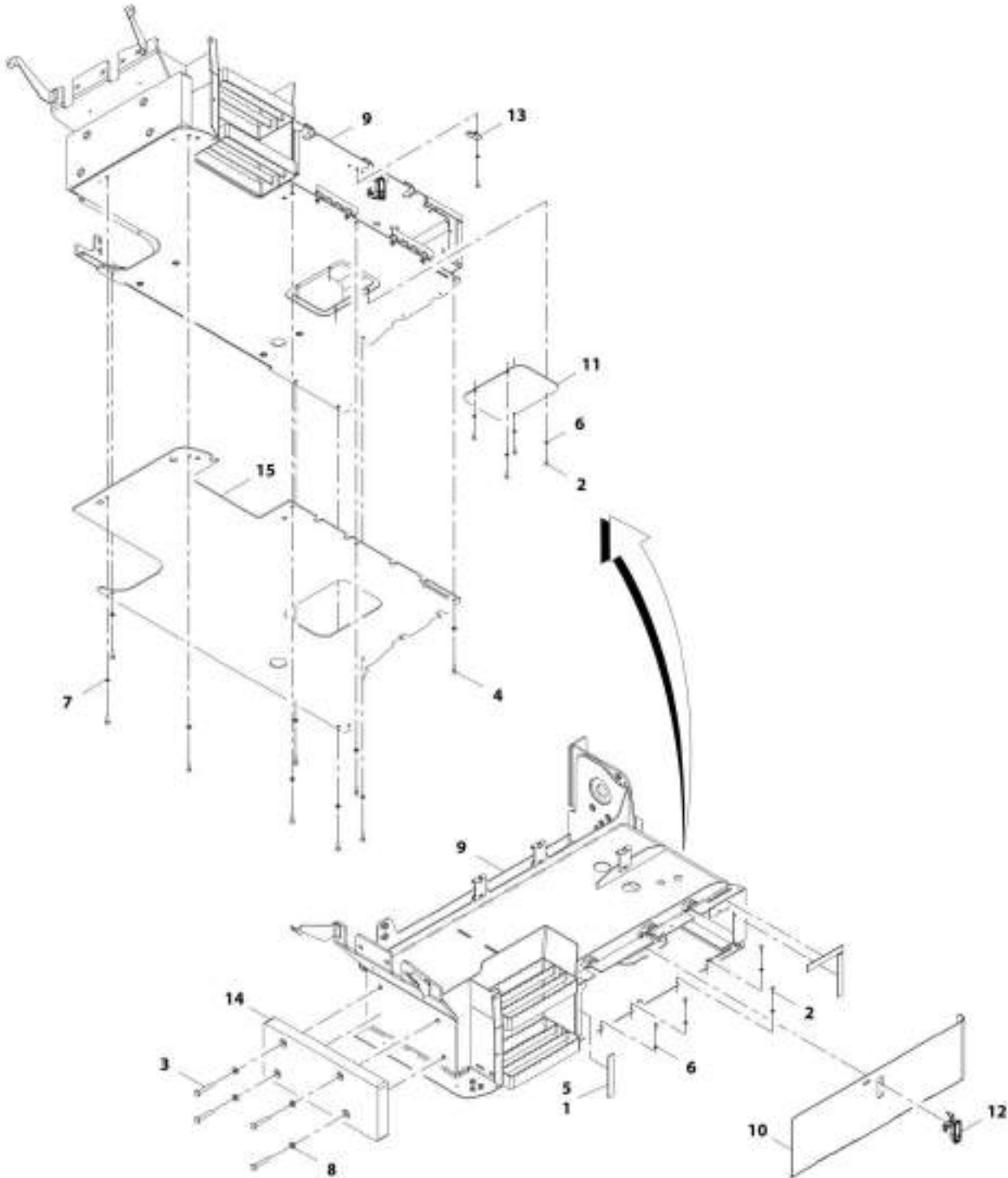
# SECTION 1 - FRAME AND ATTACHING PARTS

## FIGURE 1-5. HYDRAULIC TANK INSTALLATION

ITEM	PART NUMBER	QTY	DESCRIPTION	REV
	1001179850	Ref	Hydraulic Tank Installation	C
1	0701020	2	Bolt, M10X60	
2	0760812	2	Bolt, M8X25	
3	4812002	2	Washer, M10	
4	4811900	2	Washer, M8	
5	1001008575	1	Bumper, Conical	
7	1001177082	1	Bracket	
8	1001171179	2	Spacer	
9	1001172146	2	Washer, Rubber	
10	1001172147	2	Washer, M10	
11	1001179851	1	Assembly, Hydraulic Tank (See Separate Breakdown in this Section)	

# SECTION 1 - FRAME AND ATTACHING PARTS

## FIGURE 1-6. TANK SUPPORT INSTALLATION



ART\_1801217823-D

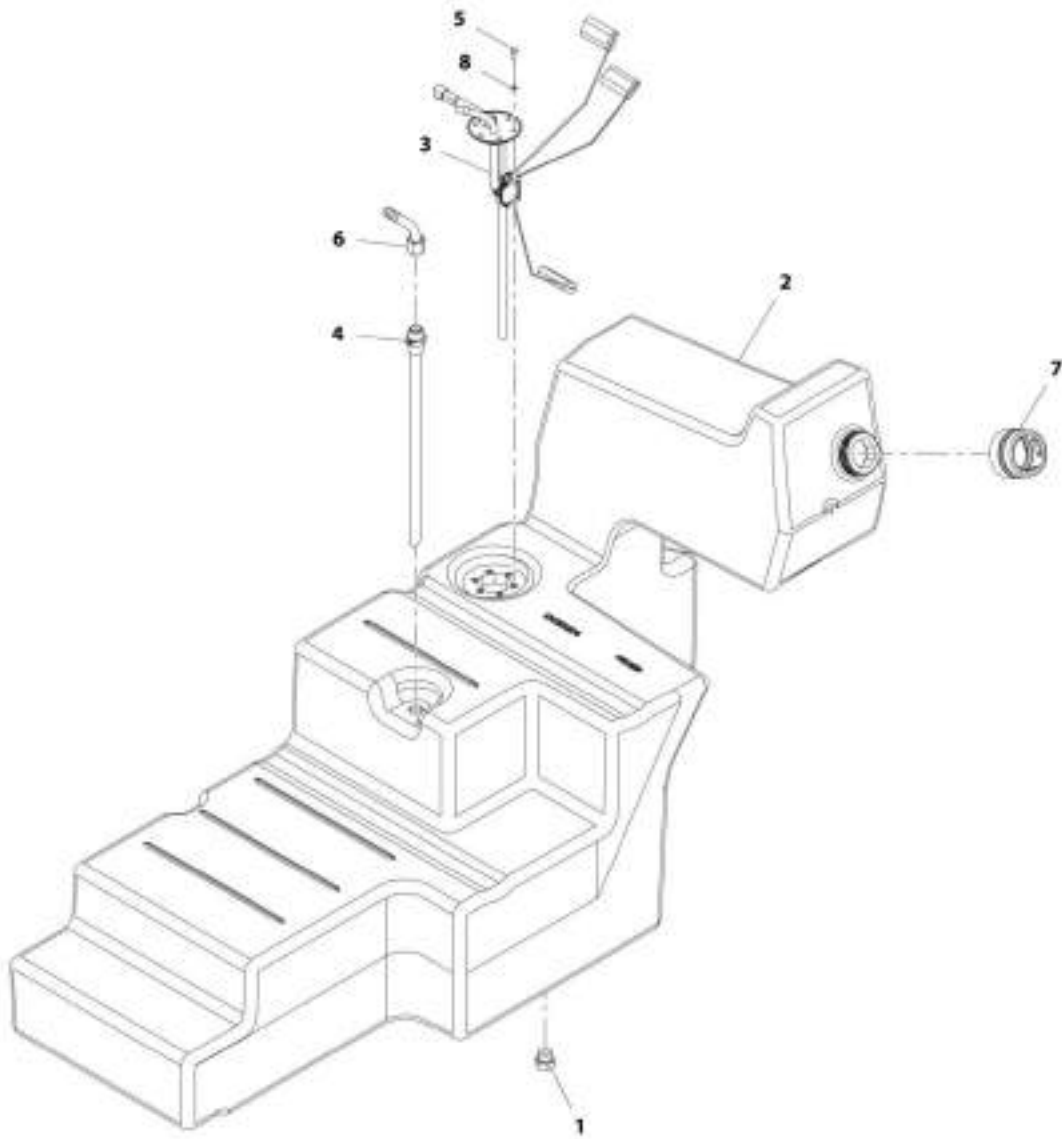
# SECTION 1 - FRAME AND ATTACHING PARTS

## FIGURE 1-6. TANK SUPPORT INSTALLATION

ITEM	PART NUMBER	QTY	DESCRIPTION	REV
	1001217933	Ref	Tank Support Installation	D
1	0100081	AR	Adhesive, Loctite	
2	0700610	9	Bolt, M6X20	
3	0701222	4	Bolt, M12X70	
4	0760812	9	Bolt, M8X25	
5	4280307	3	Strip, Rubber	
6	4811700	9	Washer, M6	
7	4811900	9	Washer, M8	
8	4812100	4	Washer, M12	
9	1001185931	1	Plate, Support	
10	1001185933	1	Cover	
11	1001185935	1	Cover	
12	1001189246	1	Latch	
13	1001197481	1	Plate, Padlock	
14	1001201588	1	Weight, Front Tank Support	
15	1001201589	1	Weight, Bottom Tank Support	

# SECTION 1 - FRAME AND ATTACHING PARTS

## FIGURE 1-7. FUEL TANK ASSEMBLY



ART 1001192125-C



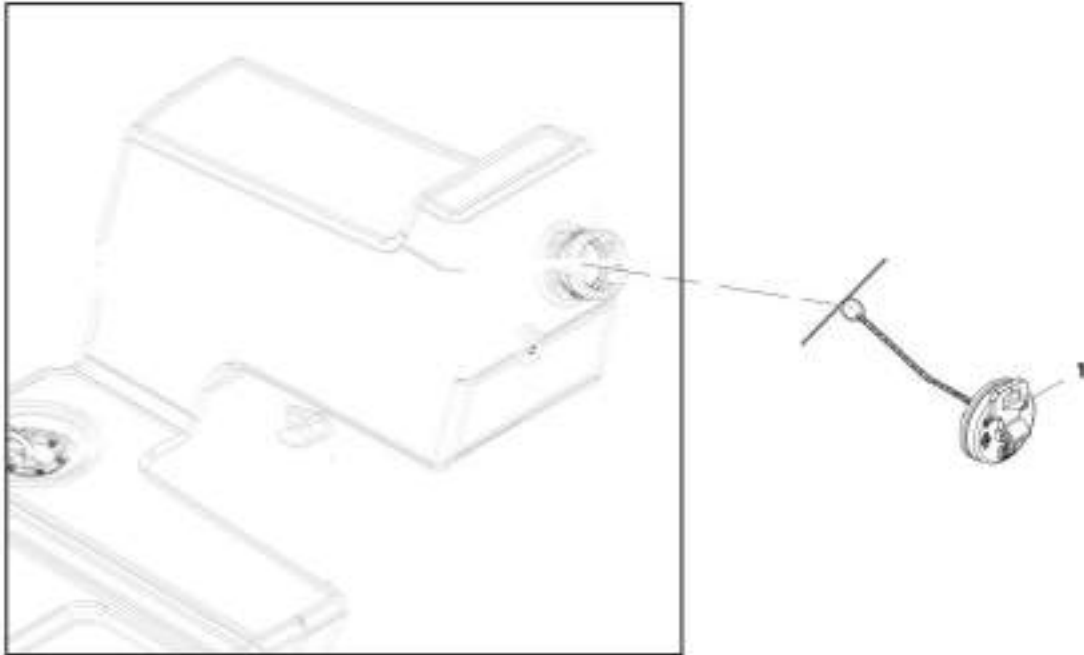
# SECTION 1 - FRAME AND ATTACHING PARTS

## FIGURE 1-7. FUEL TANK ASSEMBLY

ITEM	PART NUMBER	QTY	DESCRIPTION	REV
	1001192125	Ref	Fuel Tank Assembly	C
1	1001003427	1	Plug	
2	1001192124	1	Tank, Fuel	
3	1001222188	1	Sender, Fuel Level	
4	1001170106	1	Pipe, Fuel Supply	
5	4031607	6	Bolt, M5X16	
6	1001172693	1	Fitting, 90	
7	1001192392	1	Adapter	
8	1001222190	6	Washer	

# SECTION 1 - FRAME AND ATTACHING PARTS

FIGURE 1-8. LOCKING FUEL CAP



APT\_1001184300\_A

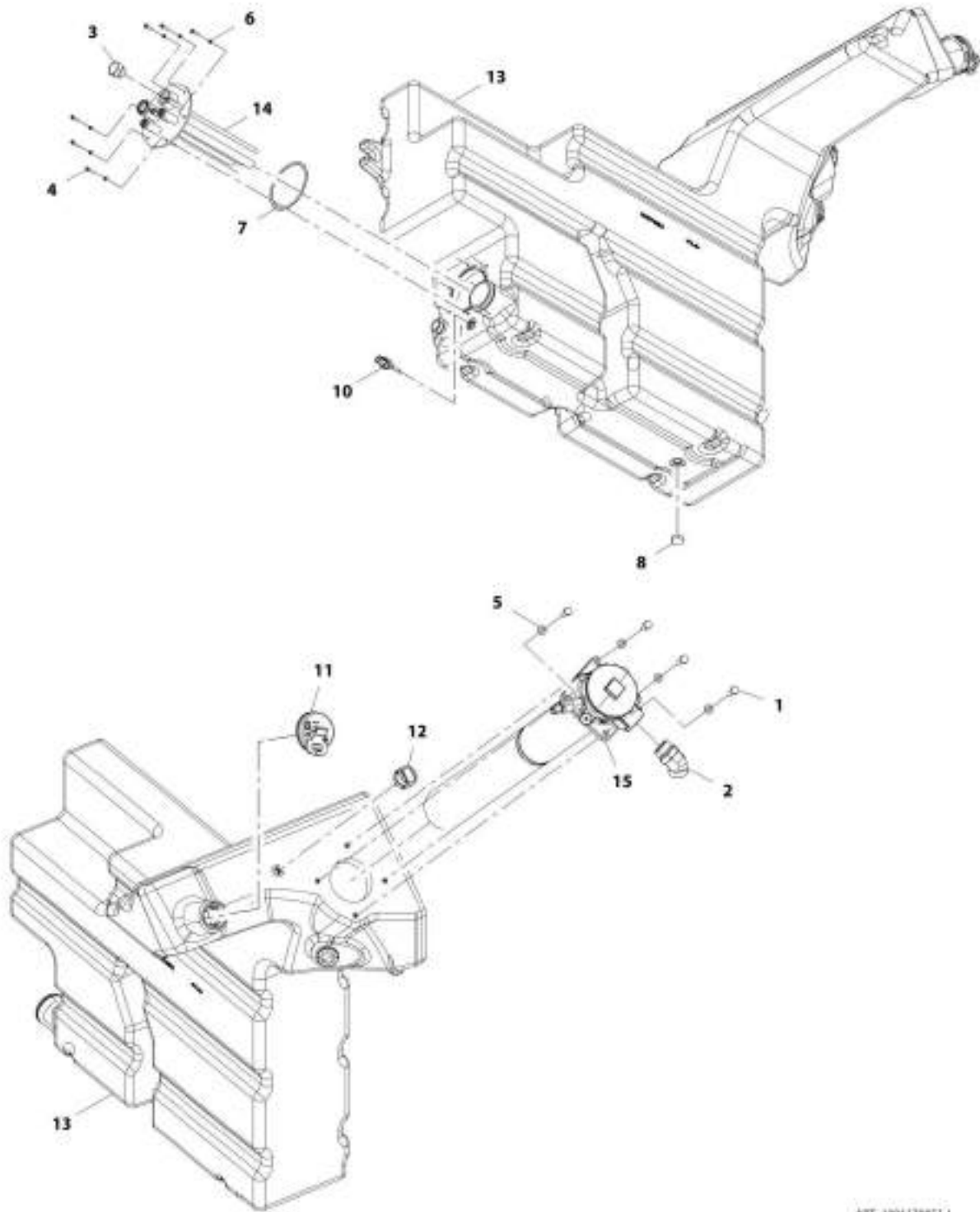
# SECTION 1 - FRAME AND ATTACHING PARTS

## FIGURE 1-8. LOCKING FUEL CAP

ITEM	PART NUMBER	QTY	DESCRIPTION	REV
1	1001194980	Ref	Locking Fuel Cap	A

# SECTION 1 - FRAME AND ATTACHING PARTS

## FIGURE 1-9. HYDRAULIC TANK ASSEMBLY



ART\_1801178851-1

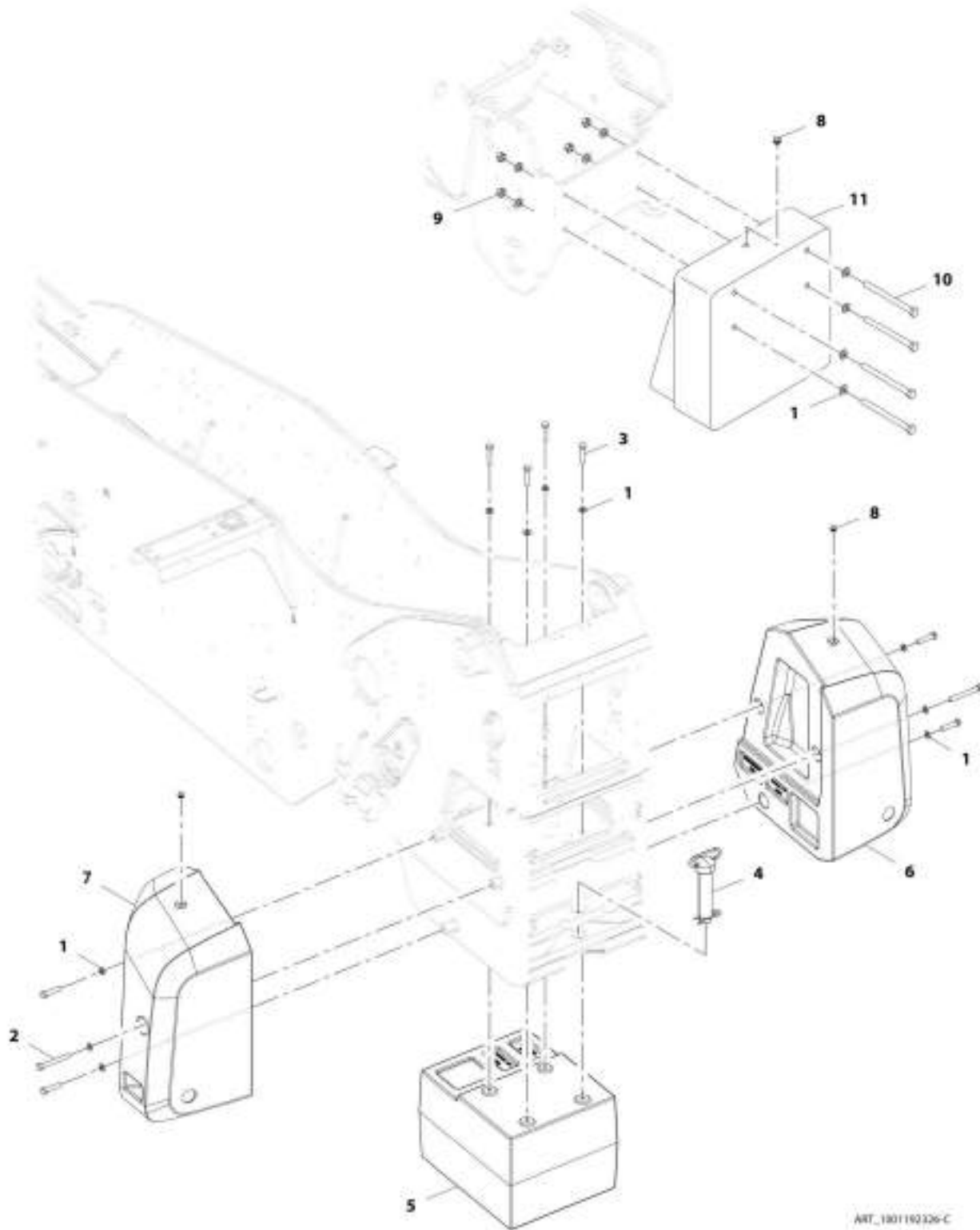
# SECTION 1 - FRAME AND ATTACHING PARTS

## FIGURE 1-9. HYDRAULIC TANK ASSEMBLY

ITEM	PART NUMBER	QTY	DESCRIPTION	REV
	1001179851	Ref	Hydraulic Tank Assembly	I
1	0761012	4	Bolt, M10X25	
2	2152020	1	Fitting, 45 ORFS	
3	2220240	1	Fitting, Straight	
4	4031607	6	Bolt, M5-.8X16	
5	4812000	4	Washer, M10	
6	4831600	6	Washer, Lock M5	
7	1001003301	1	Seal O-Ring	
8	2220239	1	Plug	
10	1001128478	1	Sensor	
11	1001194981	1	Cap, Hydraulic	
12	1001162662	1	Filter, Breather	
13	1001179852	1	Tank, Hydraulic	
14	1001191157	1	Manifold, Hydraulic Return	
15	1001191163	1	Filter	
15	1001191685	1	Element, Filter	

# SECTION 1 - FRAME AND ATTACHING PARTS

## FIGURE 1-10. COUNTERWEIGHT INSTALLATION



ART\_180110326-C

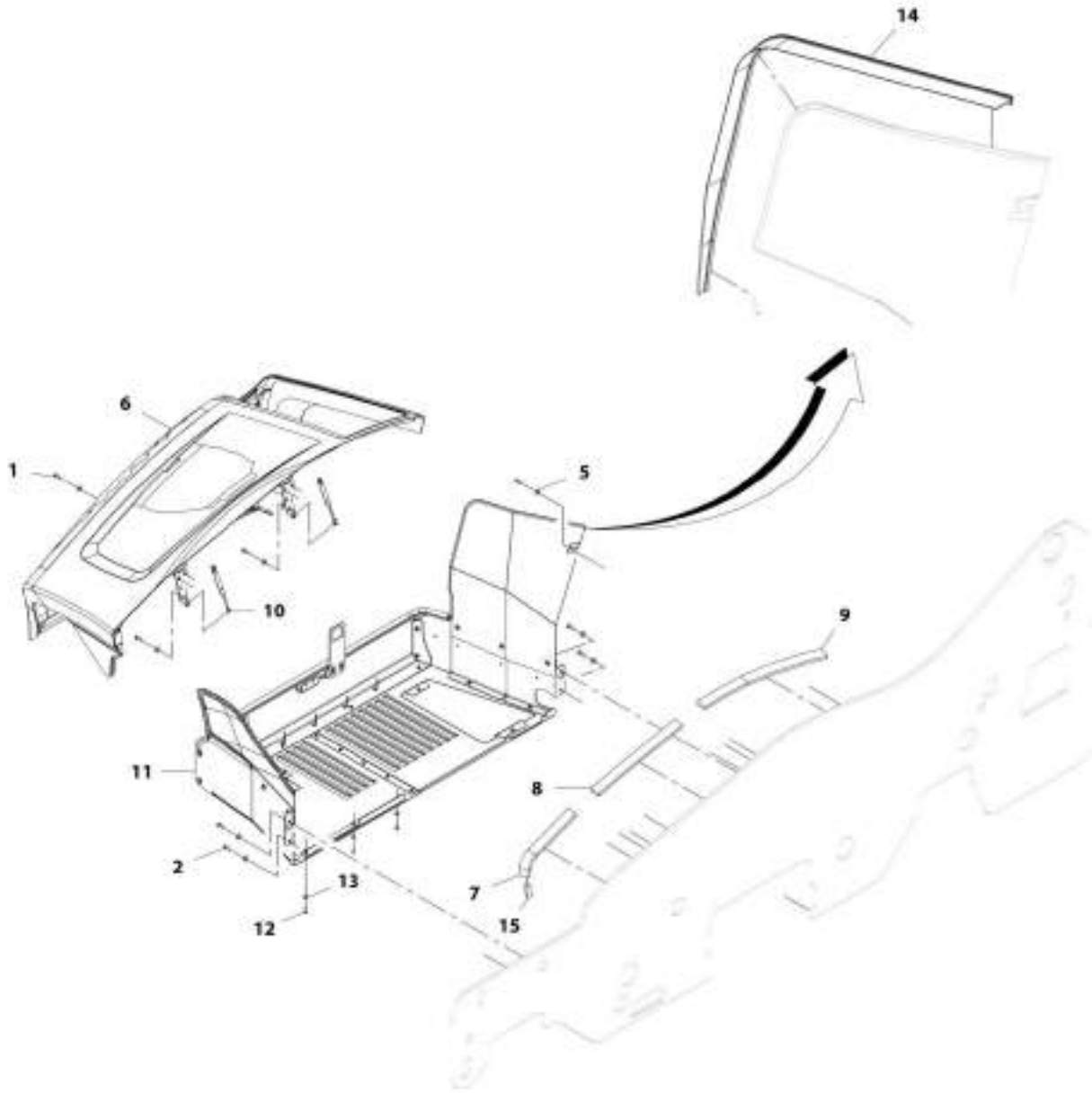
# SECTION 1 - FRAME AND ATTACHING PARTS

## FIGURE 1-10. COUNTERWEIGHT INSTALLATION

ITEM	PART NUMBER	QTY	DESCRIPTION	REV
	1001192326	Ref	Counterweight Installation	C
1	4812300	18	Washer, M6	
2	0711630	2	Bolt, M16X130	
3	1001094516	8	Bolt, M16X70 Grade 10.9	
4	1001197955	1	Pin	
5	1001213322	1	Counterweight	
6	1001213323J	1	Counterweight	
7	1001213324J	1	Counterweight	
8	3520193	3	Plug	
9	3291601	4	Nut, M16X2 Grade 8	
10	1001091951	4	Bolt, M16X200	
11	1001229407	1	Counterweight	

# SECTION 1 - FRAME AND ATTACHING PARTS

FIGURE 1-11. ENGINE ENCLOSURE INSTALLATION



ART\_1801102320-1



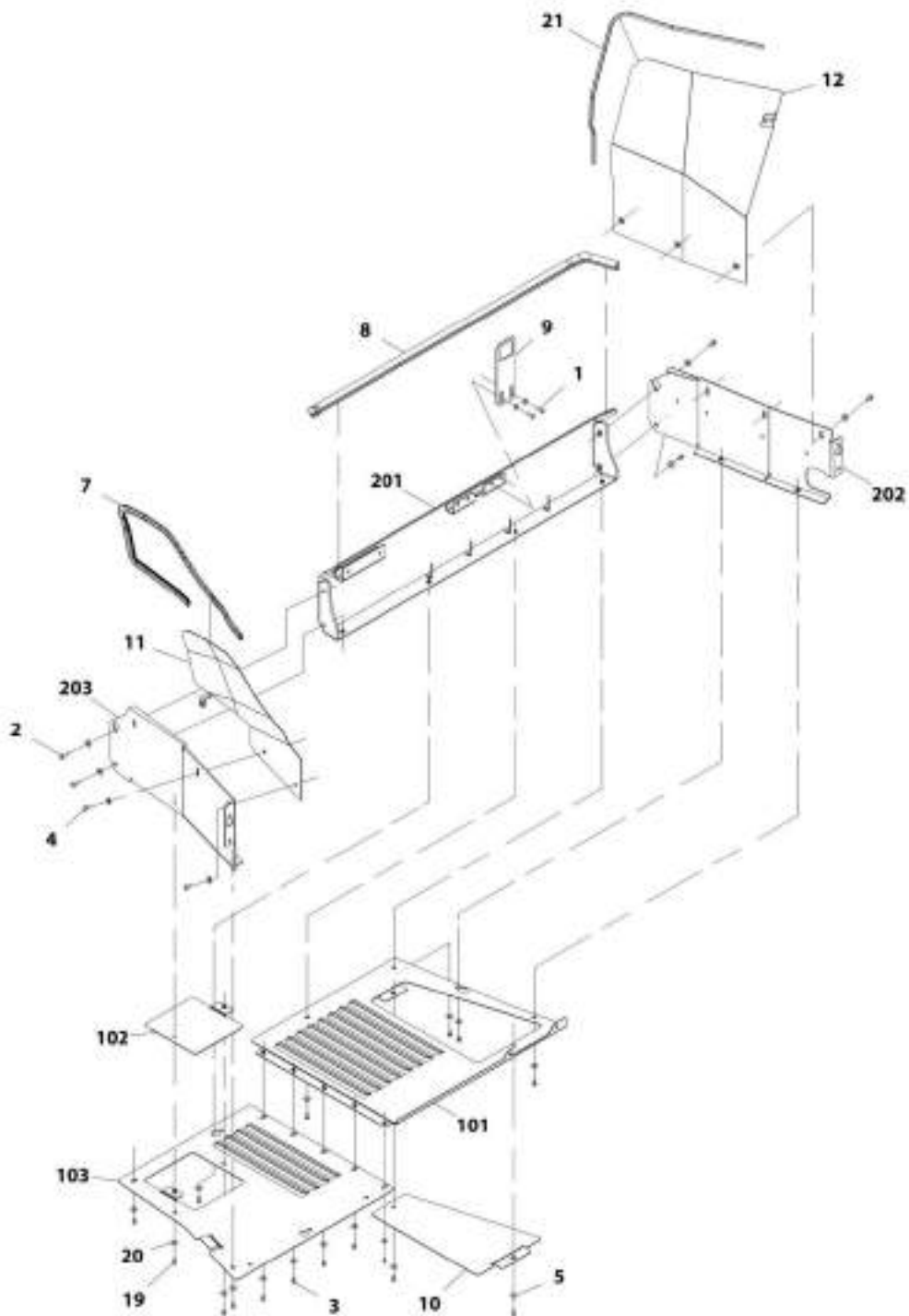
# SECTION 1 - FRAME AND ATTACHING PARTS

## FIGURE 1-11. ENGINE ENCLOSURE INSTALLATION

ITEM	PART NUMBER	QTY	DESCRIPTION	REV
	1001192320	Ref	Engine Enclosure Installation	I
1	0761010	1	Bolt, M10X20	
2	0761012	11	Bolt, M10X25	
5	4812002	12	Washer, M10	
6	1001168834	NLA	Assembly, Hood (no longer available, use 1001235963 for replacement) (See Separate Breakdown in this Section)	
6	1001235963	Ref	Assembly, Hood (See Seperate Breakdown in this Section)	
7	1001203932	1	Seal	
8	1001203933	1	Seal	
9	1001203934	1	Seal	
10	1001171885	2	Spring, Gas	
11	1001192622	Ref	Assembly, Engine Enclosure (See Separate Breakdown in this Section)	
12	0760810	3	Bolt, M8X20	
13	4811902	3	Washer, M8	
14	1001197339	1	Seal	
15	1001229609	1	Seal, Foam Gasket	

# SECTION 1 - FRAME AND ATTACHING PARTS

FIGURE 1-12. ENGINE ENCLOSURE ASSEMBLY



ART\_180110322-1

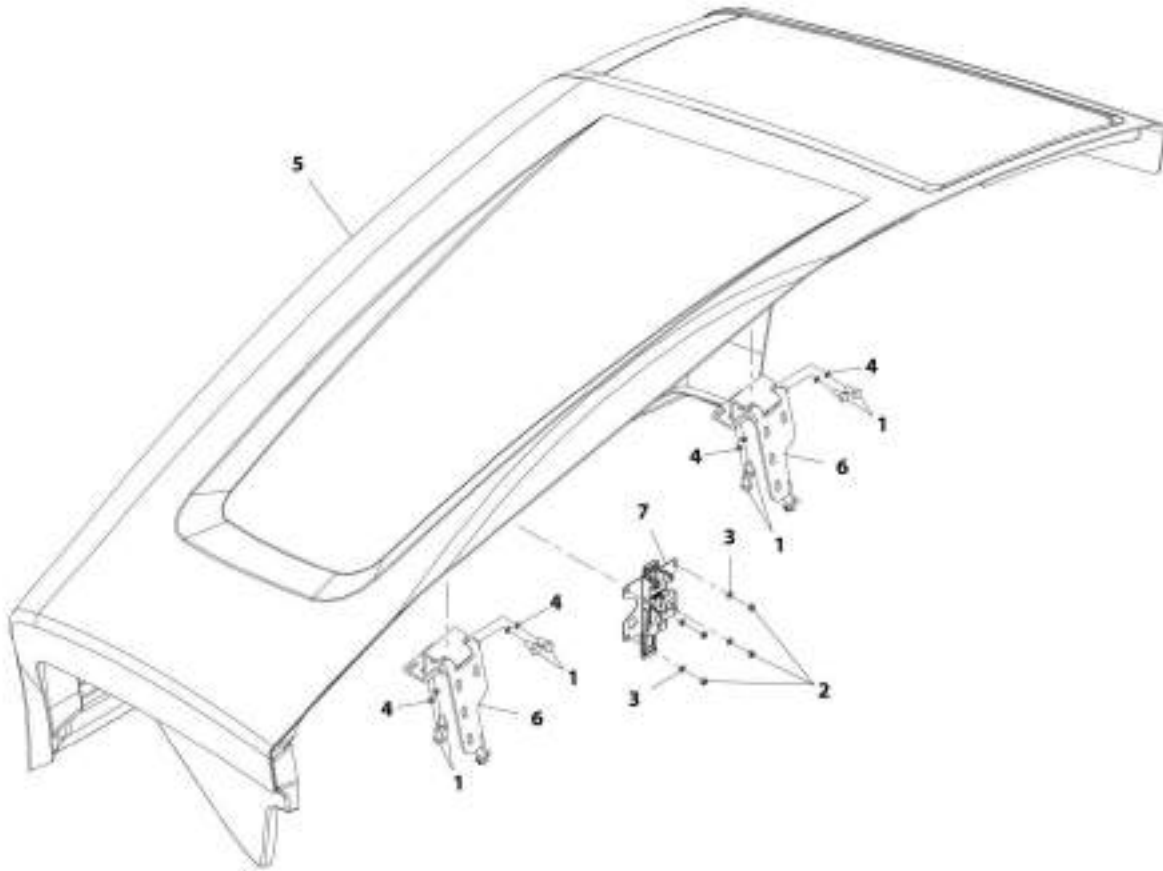
# SECTION 1 - FRAME AND ATTACHING PARTS

## FIGURE 1-12. ENGINE ENCLOSURE ASSEMBLY

ITEM	PART NUMBER	QTY	DESCRIPTION	REV
	1001192622	Ref	Engine Enclosure Assembly	I
1	0700814	2	Bolt, M8X30	
2	0701014	4	Bolt, M10X30	
3	0760807	5	Bolt, M8X14	
4	0761010	6	Bolt, M10X20	
5	4811902	19	Washer, M8	
7	1001003227	1573 mm	Seal	
8	1001204486	1785 mm	Seal	
9	1001209388	1	Latch, Hood	
10	1001169265	1	Plate, Access Panel	
11	1001219115	1	Panel, Front Wheel	
12	1001192627	1	Panel, Rear Cover	
19	0760808	12	Bolt, M8X16	
20	4812002	10	Washer, M10	
21	1001008999	1381 mm	Trim, Edge	
101	1001192631	1	Panel, Bottom Cover	
102	1001194969	1	Panel, Access	
103	1001219250	1	Panel, Bottom Front Cover	
201	1001192623J	1	Panel, Side Skirt	
202	1001224450J	1	Panel, Rear Skirt	
203	1001219113J	1	Panel, Front Skirt	

# SECTION 1 - FRAME AND ATTACHING PARTS

FIGURE 1-13. HOOD ASSEMBLY



ART\_100110034-K

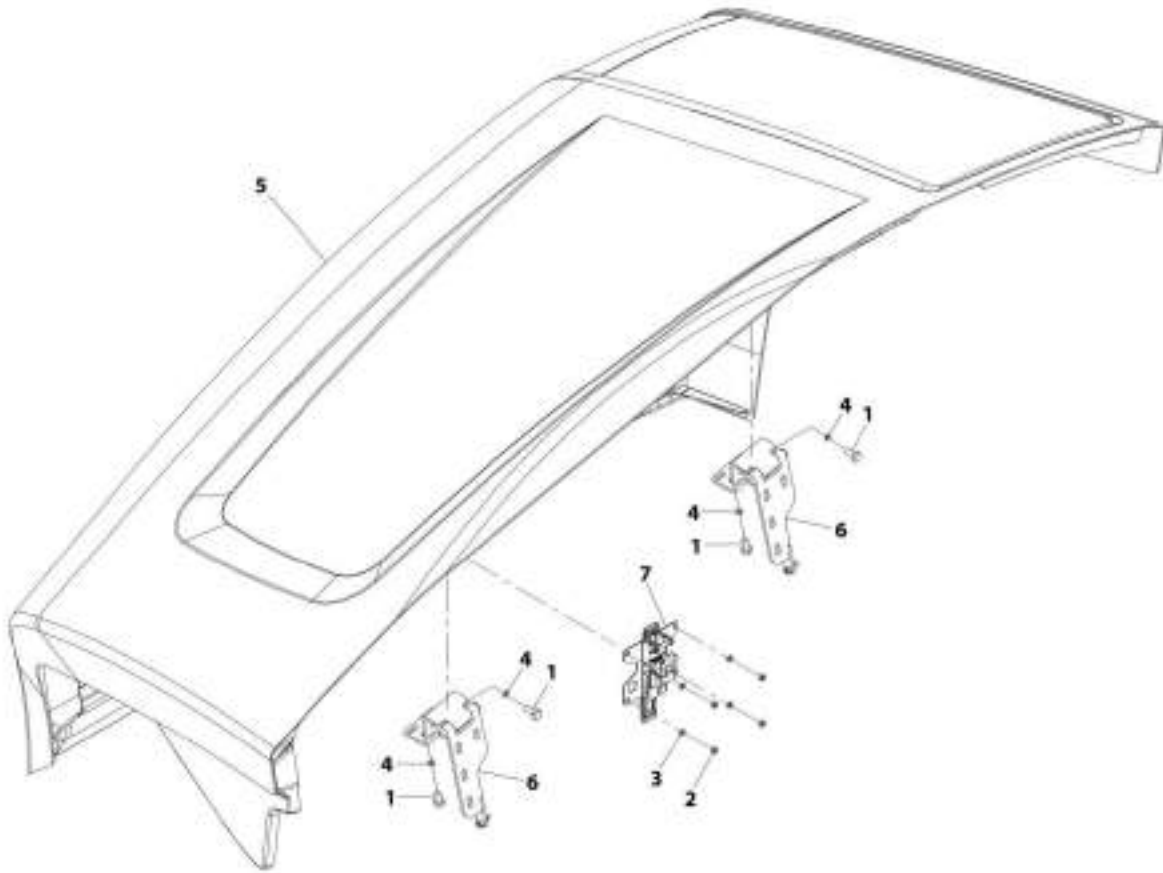
# SECTION 1 - FRAME AND ATTACHING PARTS

## FIGURE 1-13. HOOD ASSEMBLY

ITEM	PART NUMBER	QTY	DESCRIPTION	REV
	1001168834	NLA	Hood Assembly (no longer available, use items 1 thru 7 for service or 1001235963 for replacement)	K
1	0761010	8	Bolt, M10X20	
2	3290605	4	Nut, Lock M6X1	
3	4811700	4	Washer, M6	
4	4812000	8	Washer, M10	
5	1001166698	1	Hood	
6	1001209387	2	Hinge, Hood	
7	1001132168	1	Latch, Hood	

# SECTION 1 - FRAME AND ATTACHING PARTS

FIGURE 1-14. HOOD ASSEMBLY



ART\_1001255903-B

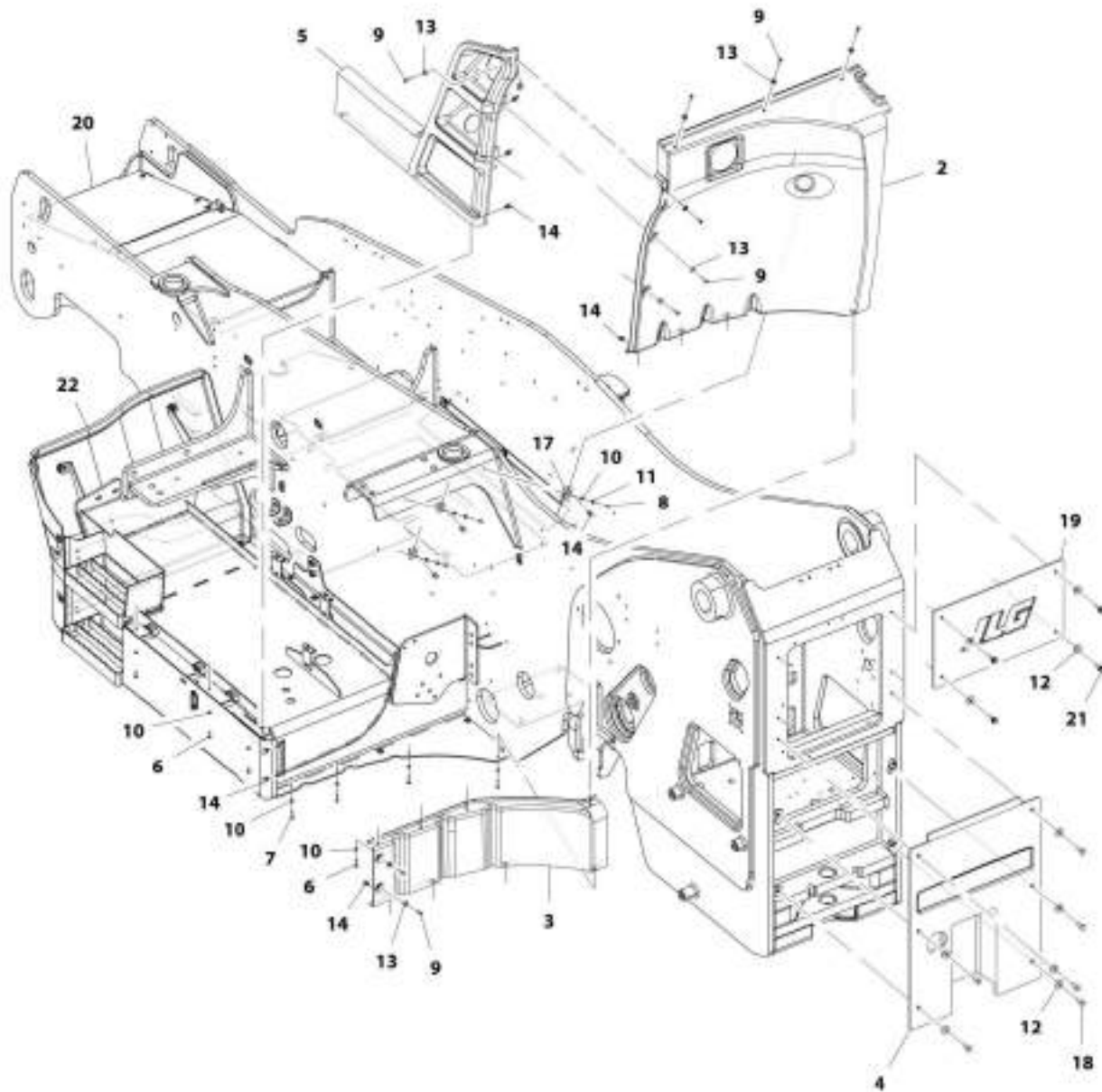
# SECTION 1 - FRAME AND ATTACHING PARTS

## FIGURE 1-14. HOOD ASSEMBLY

ITEM	PART NUMBER	QTY	DESCRIPTION	REV
	1001235963	Ref	Hood Assembly	B
1	0761010	8	Bolt, M10X20	
2	3290605	4	Nut, Lock M6X1	
3	4811700	4	Washer, M6	
4	4812000	8	Washer, M10	
5	1001234455	1	Hood	
6	1001209387	2	Hinge, Hood	
7	1001132168	1	Latch, Hood	

# SECTION 1 - FRAME AND ATTACHING PARTS

## FIGURE 1-15. COVER INSTALLATION (ULS)



ART\_1001104804-1



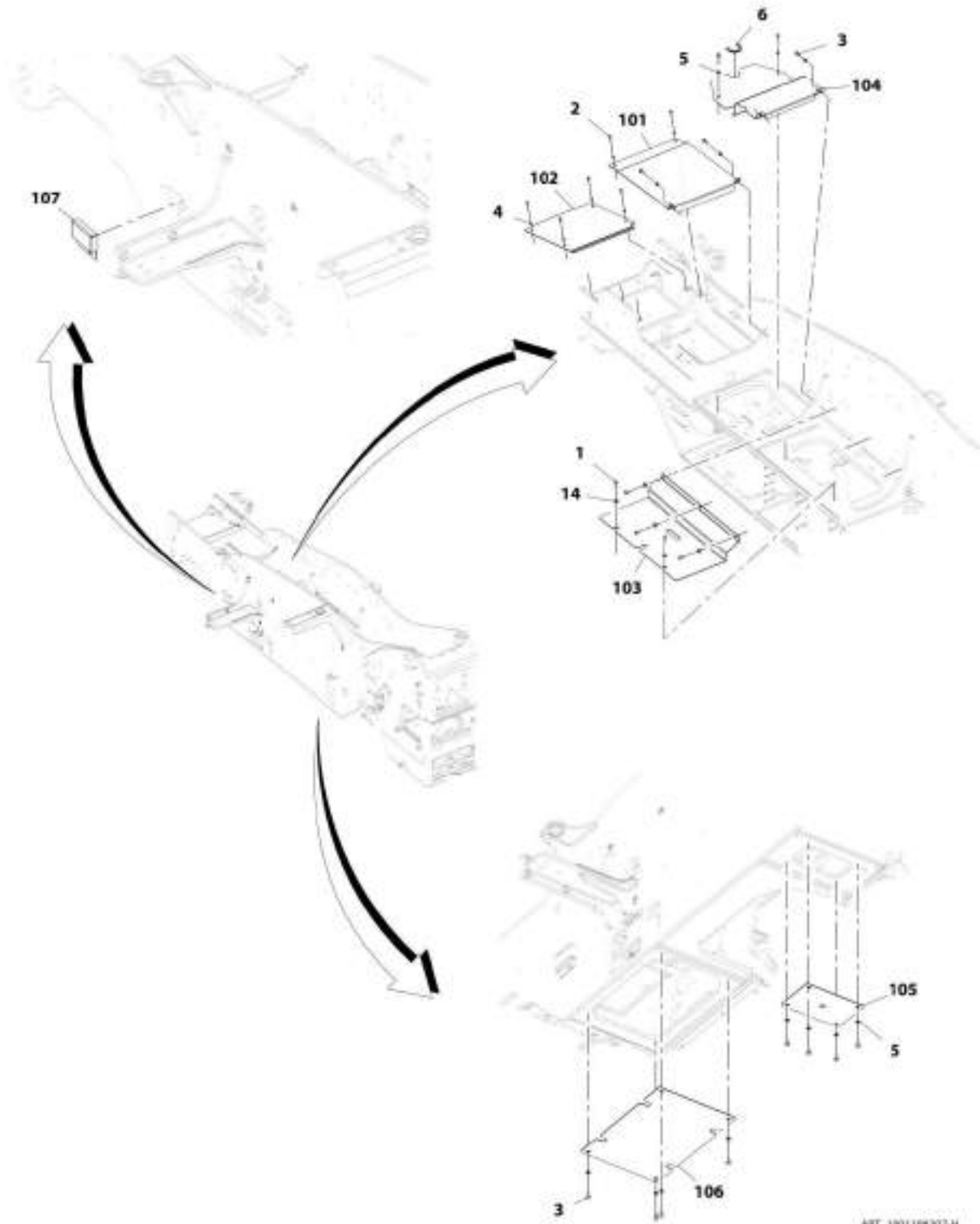
## SECTION 1 - FRAME AND ATTACHING PARTS

**FIGURE 1-15. COVER INSTALLATION (ULS)**

ITEM	PART NUMBER	QTY	DESCRIPTION	REV
	1001184869	Ref	Cover Installation (ULS)	1
2	1001184872	1	Cover, Rear Tank	
3	1001184874	1	Cover, Lower Rear Tank	
4	1001213834	1	Cover, Rear Frame	
5	1001168758	1	Cover, Side Tank	
6	0700610	7	Bolt, M6X20	
7	0700612	4	Bolt, M6X25	
8	0760607	3	Bolt, M6X14	
9	0630576	9	Screw, M6X20	
10	4811700	14	Washer, M6	
11	4831700	3	Washer, Lock M6	
12	4812002	10	Washer, M10	
13	1001097540	9	Washer, M6	
14	1001130220	19	Nut, M6	
17	1001231385	3	Plate, Angle Mount	
18	0761012	6	Bolt, M10X25	
19	1001213833	1	Cover, Rear Frame	
20	1001198307	Ref	Installation, Frame Cover (See Separate Breakdown in this Section)	
21	1001161439	4	Screw	
22	1001201848	Ref	Installation, Front Lower Cover (See Separate Breakdown in this Section)	

# SECTION 1 - FRAME AND ATTACHING PARTS

FIGURE 1-16. FRAME COVER INSTALLATION



ART\_1801198307-H

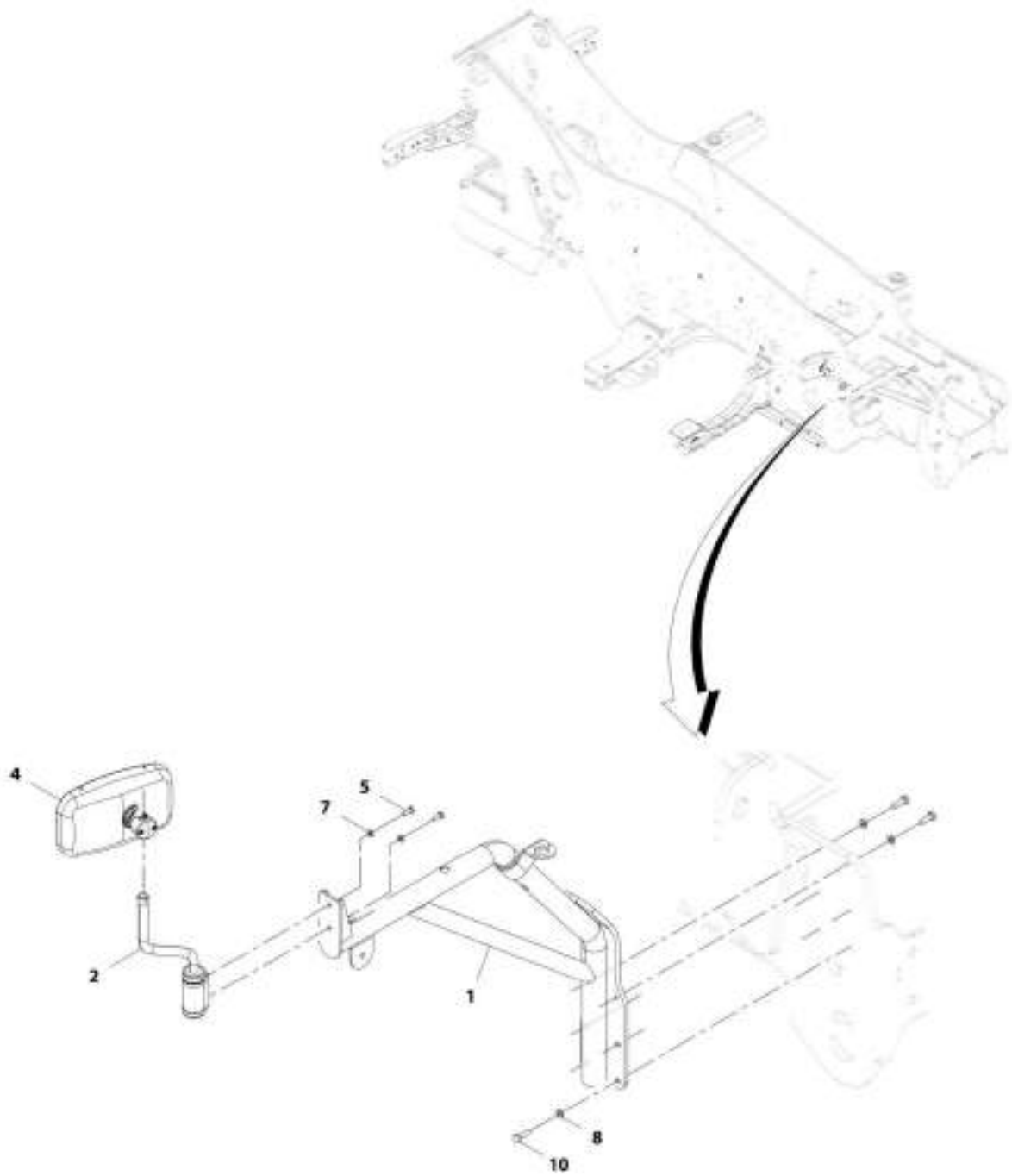
# SECTION 1 - FRAME AND ATTACHING PARTS

## FIGURE 1-16. FRAME COVER INSTALLATION

ITEM	PART NUMBER	QTY	DESCRIPTION	REV
	1001198307	Ref	Frame Cover Installation	H
1	0701014	4	Bolt, M10X30	
2	0760810	6	Bolt, M8X20	
3	0761010	15	Bolt, M10X20	
4	4811900	6	Washer, M8	
5	4812000	14	Washer, M10	
6	90206196	0.15 m	Gasket	
14	4812002	5	Washer, M10	
101	1001197056	1	Cover, Battery	
102	1001197057	1	Plate, Valve Cover	
103	1001197733	1	Plate, Frame Cover	
104	1001197734	1	Plate, Frame Cover	
105	1001211899	1	Plate, Frame Cover	
106	1001211900	1	Plate, Frame Cover	
107	1001218694	1	Cover	

# SECTION 1 - FRAME AND ATTACHING PARTS

FIGURE 1-17. MIRROR INSTALLATION



ART\_180110234-E

# SECTION 1 - FRAME AND ATTACHING PARTS

## FIGURE 1-17. MIRROR INSTALLATION

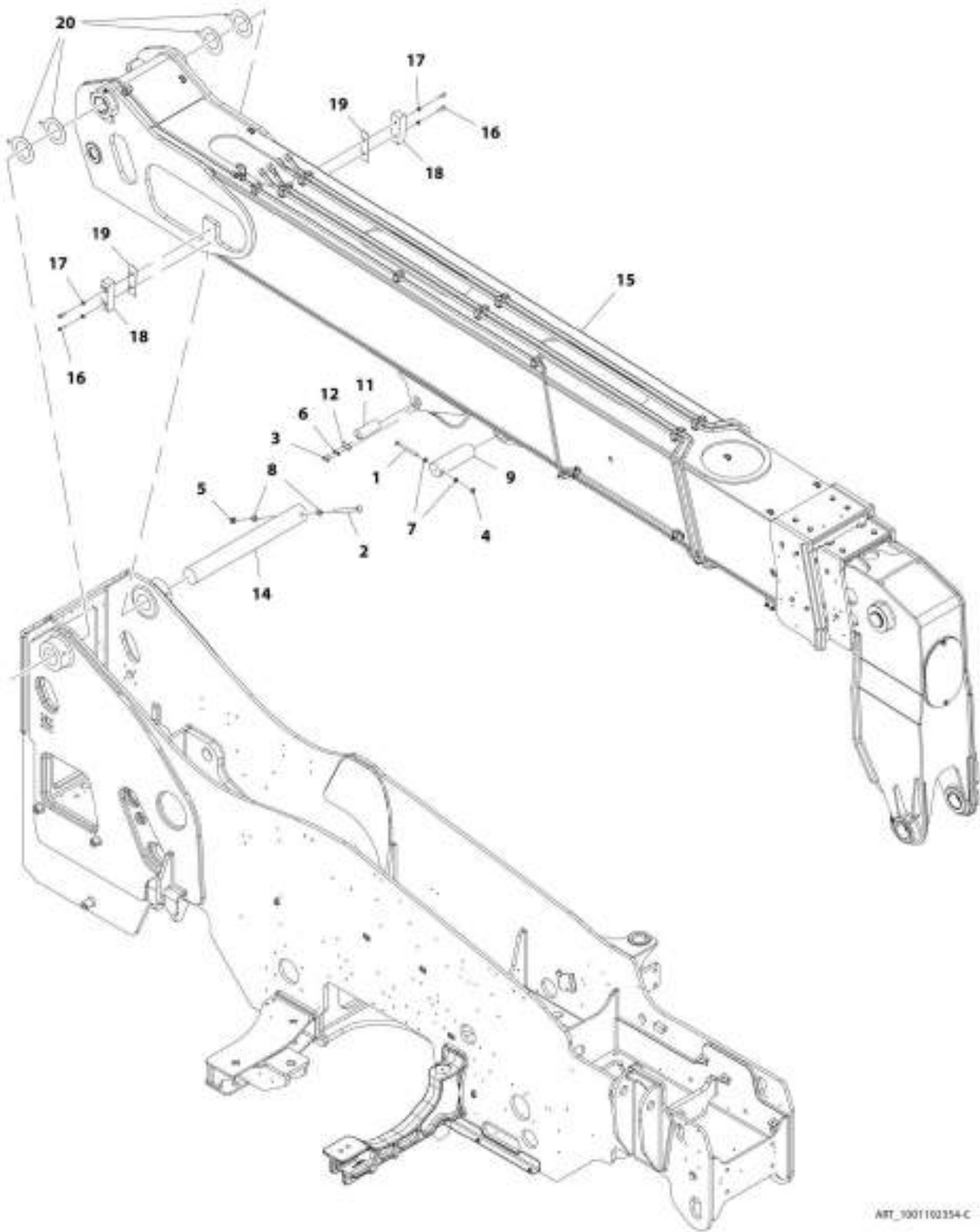
ITEM	PART NUMBER	QTY	DESCRIPTION	REV
	1001192324	Ref	Mirror Installation	E
1	1001206099	1	Bracket	
2	1001209346	1	Bracket	
4	1001191635	1	Mirror, Convex	
5	0760810	2	Bolt, M8X20	
7	4811900	2	Bolt, M8X20	
8	4812000	6	Washer, M10	
10	0701014	6	Bolt, M10X30	



**SECTION 2 - BOOM**

# SECTION 2 - BOOM

## FIGURE 2-1. BOOM INSTALLATION



ART\_3001102354-C

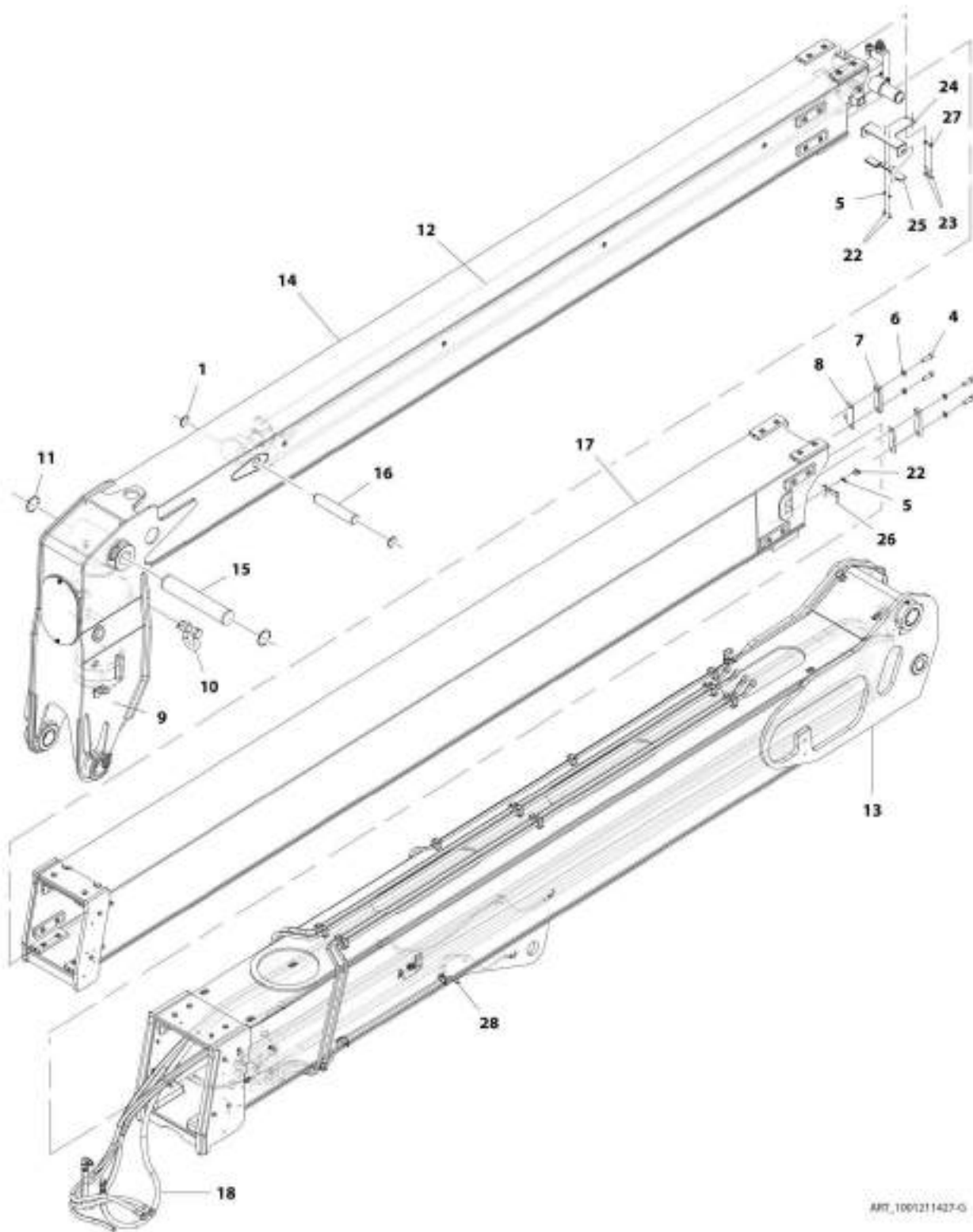


FIGURE 2-1. BOOM INSTALLATION

ITEM	PART NUMBER	QTY	DESCRIPTION	REV
	1001192354	Ref	Boom Installation	C
1	0711230	1	Bolt, M12X130	
2	0711635	1	Bolt, M16X180	
3	0760810	2	Bolt, M8X20	
4	3291205	1	Nut, Lock M12X1.75	
5	3291605	1	Nut, Lock M16X2	
6	4811900	2	Washer, M8	
7	4812100	2	Washer, M12	
8	4812300	2	Washer, M16	
9	1001190254	1	Pin, Lift Cylinder	
11	1001190256	1	Pin, Compensation Cylinder	
12	1001190257	1	Plate, Pin Retainer	
14	1001190260	1	Pin, Boom Pivot	
15	1001211427	1	Assembly, Boom (See Seperate Breakdown in this Section)	
16	4032010	4	Bolt, M10X30	
17	4812000	4	Washer, M10	
18	1001195655	2	Pad, M44X50X160	
19	1001219905	AR	Shim, M50X169X1	
20	1001219953	AR	Shim, Boom Pivot	

# SECTION 2 - BOOM

## FIGURE 2-2. BOOM ASSEMBLY



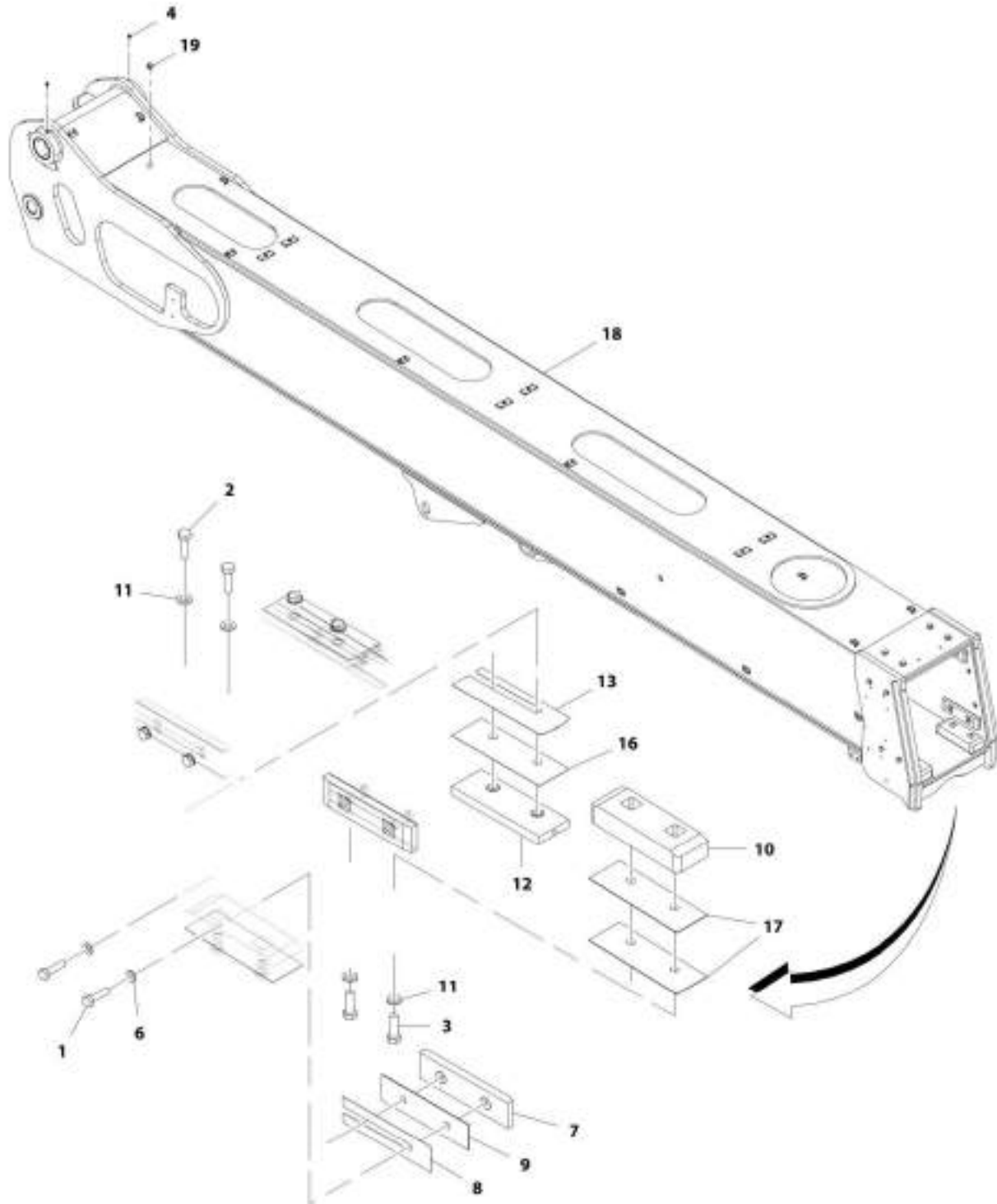
ART\_1001211437-G

FIGURE 2-2. BOOM ASSEMBLY

ITEM	PART NUMBER	QTY	DESCRIPTION	REV
	1001211427	Ref	Boom Assembly	G
1	314689	2	Ring, Retaining M50	
4	4032314	4	Bolt, M16X50	
5	4811900	4	Washer, M8	
6	4812300	4	Washer, M16	
7	1001213959	2	Plate, Clamp	
8	1001213961	2	Plate, Trunion Block Guide	
9	1001174812	1	Cylinder, Tilt (See Seperate Breakdown in Hydraulic Components Section)	
10	1001191110	1	Shackle	
11	1001197262	2	Ring, Snap M75	
12	1001199325	Ref	Installation, Extend/Retract Cylinder (See Seperate Breakdown in Hydraulic Components Section)	
13	1001201266	1	Assembly, First Boom Section (See Seperate Breakdown in this Section)	
14	1001203985	1	Assembly, Third Boom Section (See Seperate Breakdown in this Section)	
15	1001203989	1	Pin, Tilt	
16	1001203990	1	Pin, Extend/Retract	
17	1001204177	1	Assembly, Second Boom Section (See Seperate Breakdown in this Section)	
18	1001205375	Ref	Installation, Boom Hydraulic (See Seperate Breakdown in Hydraulic Circuit Section)	
22	0760810	4	Bolt, M8X20	
23	0711015	2	Bolt, M10X35	
24	1001230986	1	Support, Hose	
25	1001230967	1	Plate, Support	
26	1001213462	1	Support, Hose	
27	4812000	2	Washer, M10	
28	1001217353	Ref	Installation, Remote Grease (See Seperate Breakdown in Hydraulic Circuit Section)	

# SECTION 2 - BOOM

## FIGURE 2-3. FIRST BOOM SECTION ASSEMBLY



ART\_1901201266-0

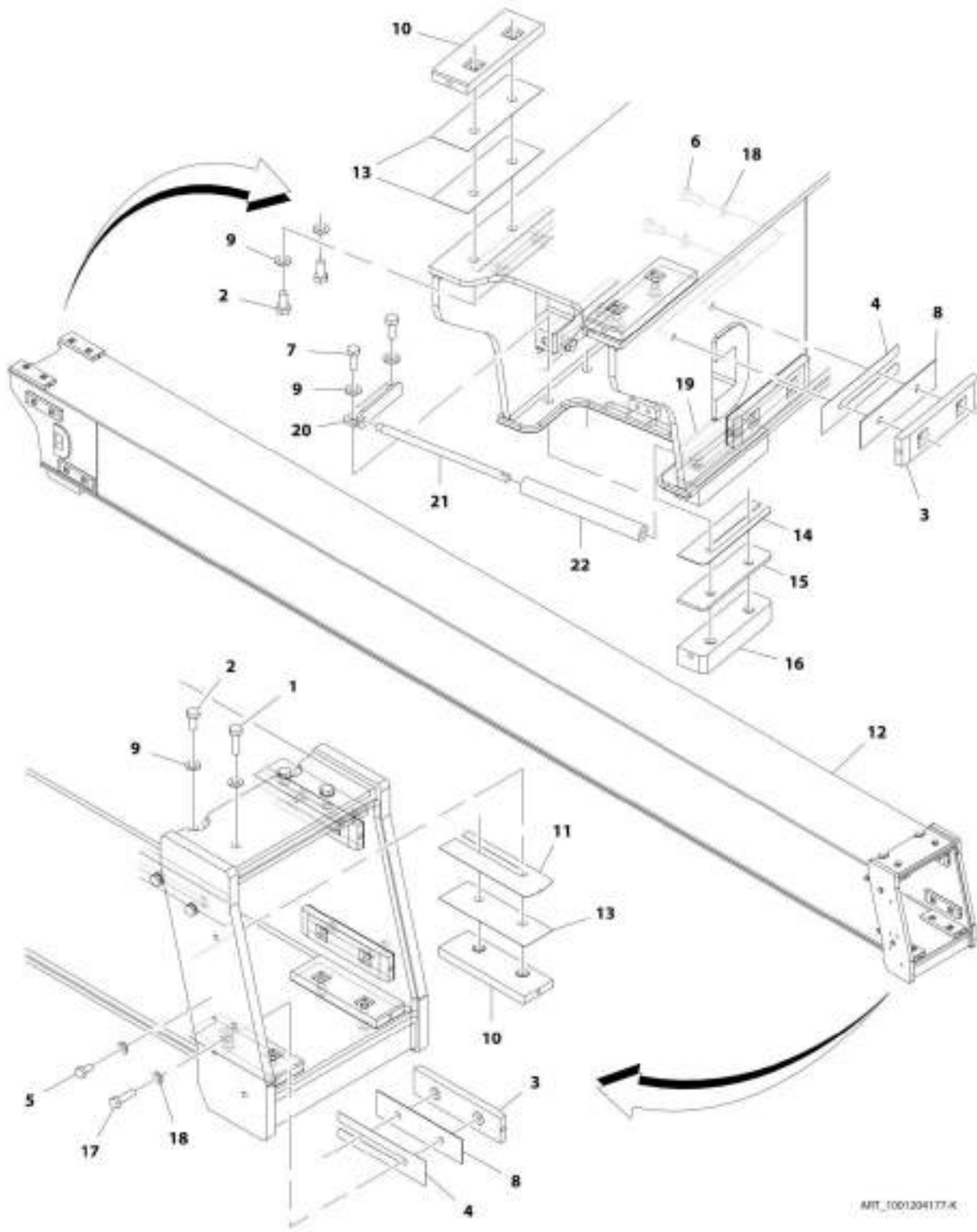
## SECTION 2 - BOOM

**FIGURE 2-3. FIRST BOOM SECTION ASSEMBLY**

ITEM	PART NUMBER	QTY	DESCRIPTION	REV
	1001201266	Ref	First Boom Section Assembly	G
1	0711017	8	Bolt, M10X45	
2	0711216	4	Bolt, M12X40	
3	0711217	4	Bolt, M12X45	
4	2160016	2	Fitting, Grease	
6	4812000	AR	Washer, M10	
7	8002200	4	Pad, M15X50X200	
8	8008640	AR	Shim, M50X200X0.5	
9	1001003031	4	Shim, M50X198X1.5	
10	1001227337	2	Pad, M70X200X39	
11	1001125117	AR	Washer, M12	
12	1001227334	2	PAD,WEAR	
13	1001195194	AR	Shim, M67X204X0.5	
16	1001195737	2	Shim	
17	1001201269	AR	Shim, M70X200X1	
18	1001201267J	1	Weldment, Boom	
19	3520193	1	Plug	

# SECTION 2 - BOOM

## FIGURE 2-4. SECOND BOOM SECTION ASSEMBLY



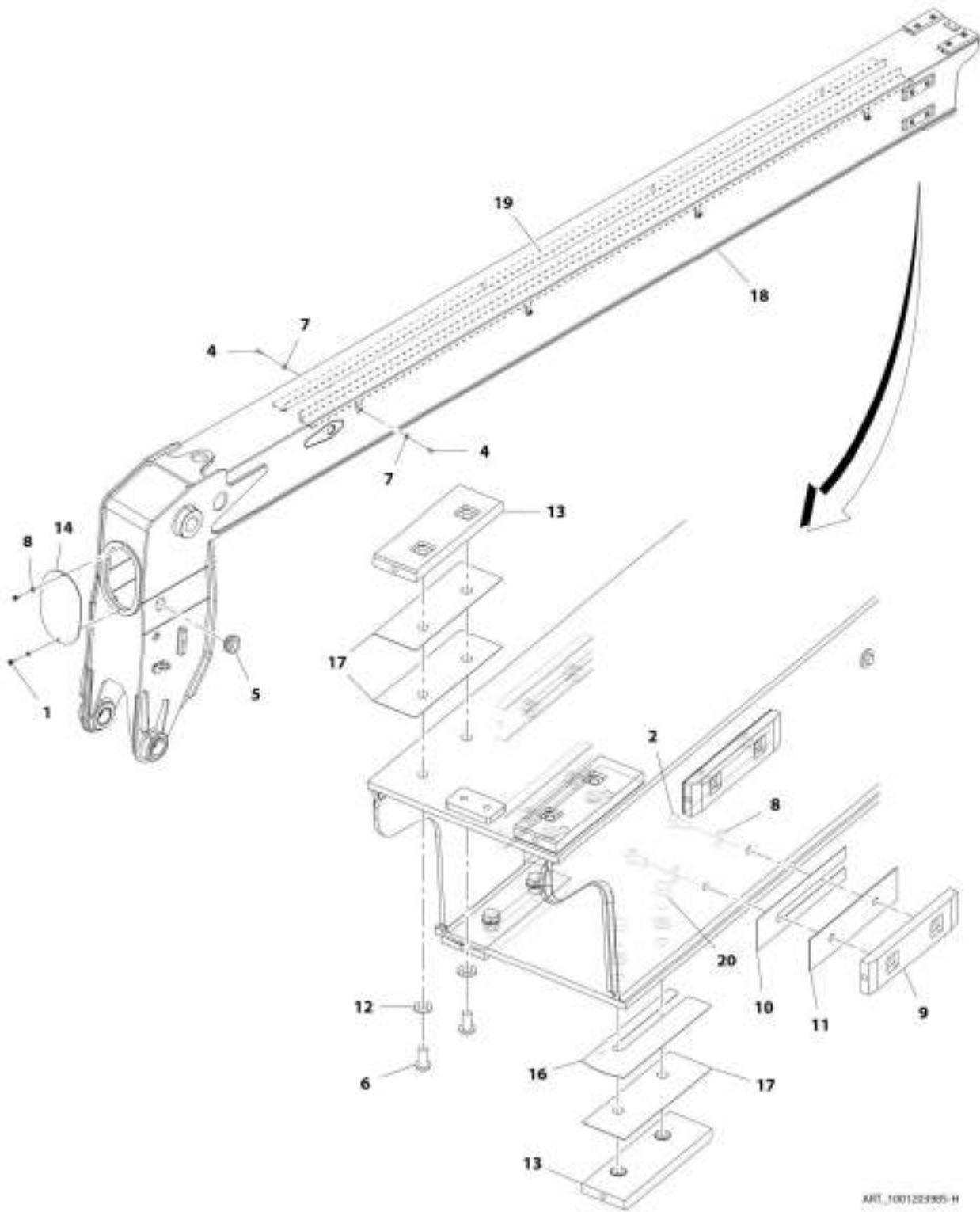
AFIT\_1001304137.R

FIGURE 2-4. SECOND BOOM SECTION ASSEMBLY

ITEM	PART NUMBER	QTY	DESCRIPTION	REV
	1001204177	Ref	Second Boom Section Assembly	K
1	0711216	4	Bolt, M12X40 Grade 10.9	
2	0771212	8	Bolt, M12X25 Grade 10.9	
3	8002200	8	Pad, M15X50X200	
4	8008640	AR	Shim, M50X200X0.5	
5	0771010	4	Bolt, M10X20 Grade 10.9	
6	0771012	8	Bolt, M10X25 Grade 10.9	
7	0711215	4	Bolt, M12X35 Grade 10.9	
8	1001003031	8	Shim, M50X198X1.5	
9	1001125117	AR	Washer, M12	
10	1001227334	6	Pad, M34X54X165	
11	1001195194	AR	Shim, M0.5X67X204	
12	1001204178	1	Boom, Second	
13	1001195737	AR	Shim	
14	1001204198	AR	Shim, M1X49X181	
15	1001204199	2	Shim, M49X181X5	
16	1001204200	2	Pad, M35X49X181	
17	0711016	4	Bolt, M10X40 Grade 10.9	
18	4812000	AR	Washer, M10	
19	1001223902	1	Bracket, RH	
20	1001223920	1	Bracket, LH	
21	1001223948	1	Pin	
22	1001223983	1	Roller	

# SECTION 2 - BOOM

## FIGURE 2-5. THIRD BOOM SECTION ASSEMBLY



ART\_100122995-H



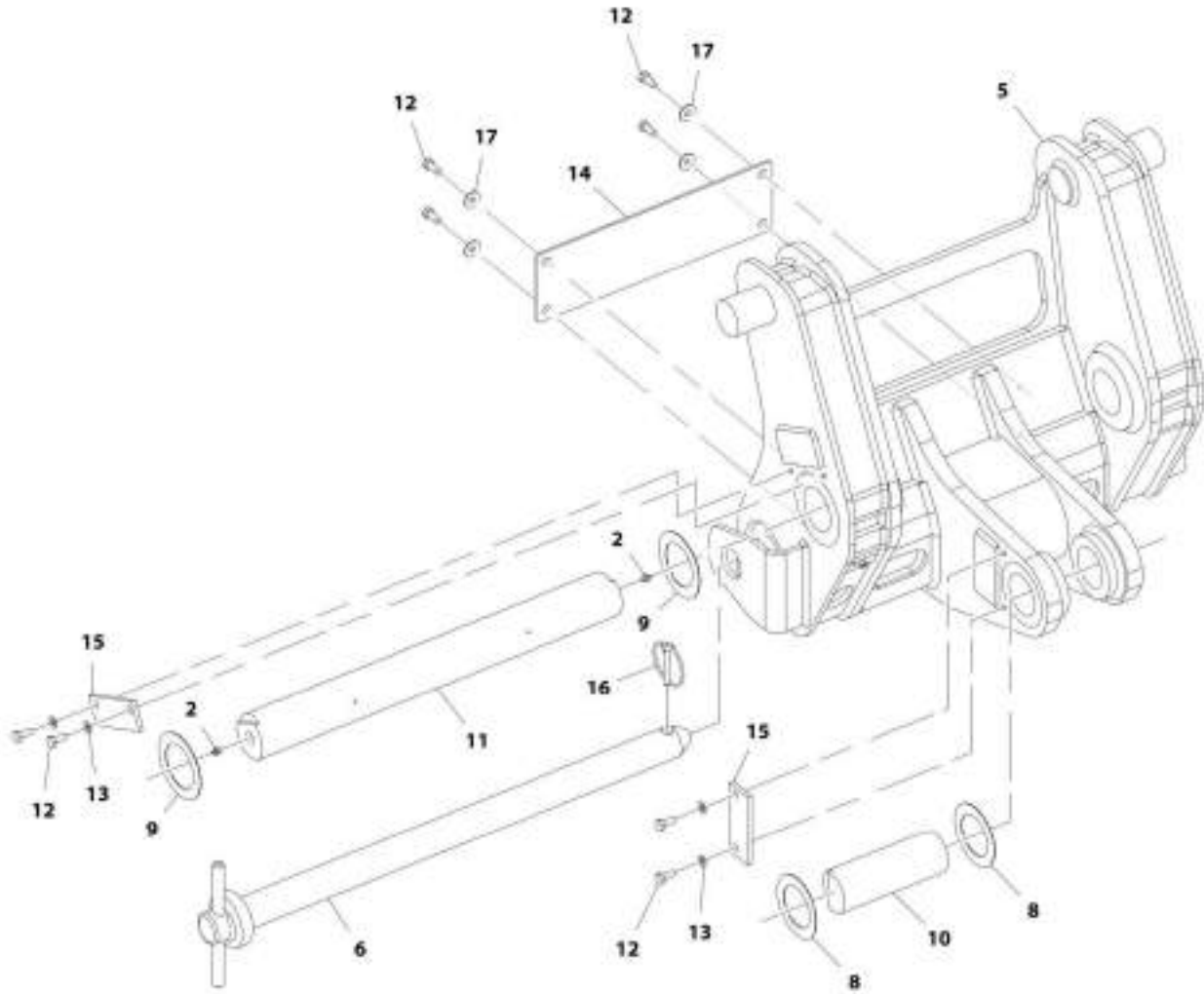
## SECTION 2 - BOOM

**FIGURE 2-5. THIRD BOOM SECTION ASSEMBLY**

ITEM	PART NUMBER	QTY	DESCRIPTION	REV
	1001203985	Ref	Third Boom Section Assembly	H
1	1001161439	2	Screw	
2	0771010	8	Bolt, M10X20 Grade 10.9	
4	0760810	8	Bolt, M8X20	
5	1001188971	1	Grommet	
6	1001229057	4	Screw, M12X25	
7	4811902	8	Washer, M8	
8	4812000	AR	Washer, M10	
9	8002200	4	Pad, M15X50X200	
10	8008640	AR	Shim, M50X200X0.5	
11	1001003031	4	Shim, M50X198X1.5	
12	1001125117	AR	Washer, M12	
13	1001227334	4	Pad	
14	1001191789	1	Plate, Boom Front Cover	
16	1001195194	AR	Shim, M0.5X67X204	
17	1001195737	AR	Shim	
18	1001203986	1	Weldment, Third Boom Section	
19	1001203987	2	Bracket, Hose Support Tray	
20	0771212	4	Bolt, M12X25	

# SECTION 2 - BOOM

## FIGURE 2-6. COUPLER INSTALLATION (MANUAL)



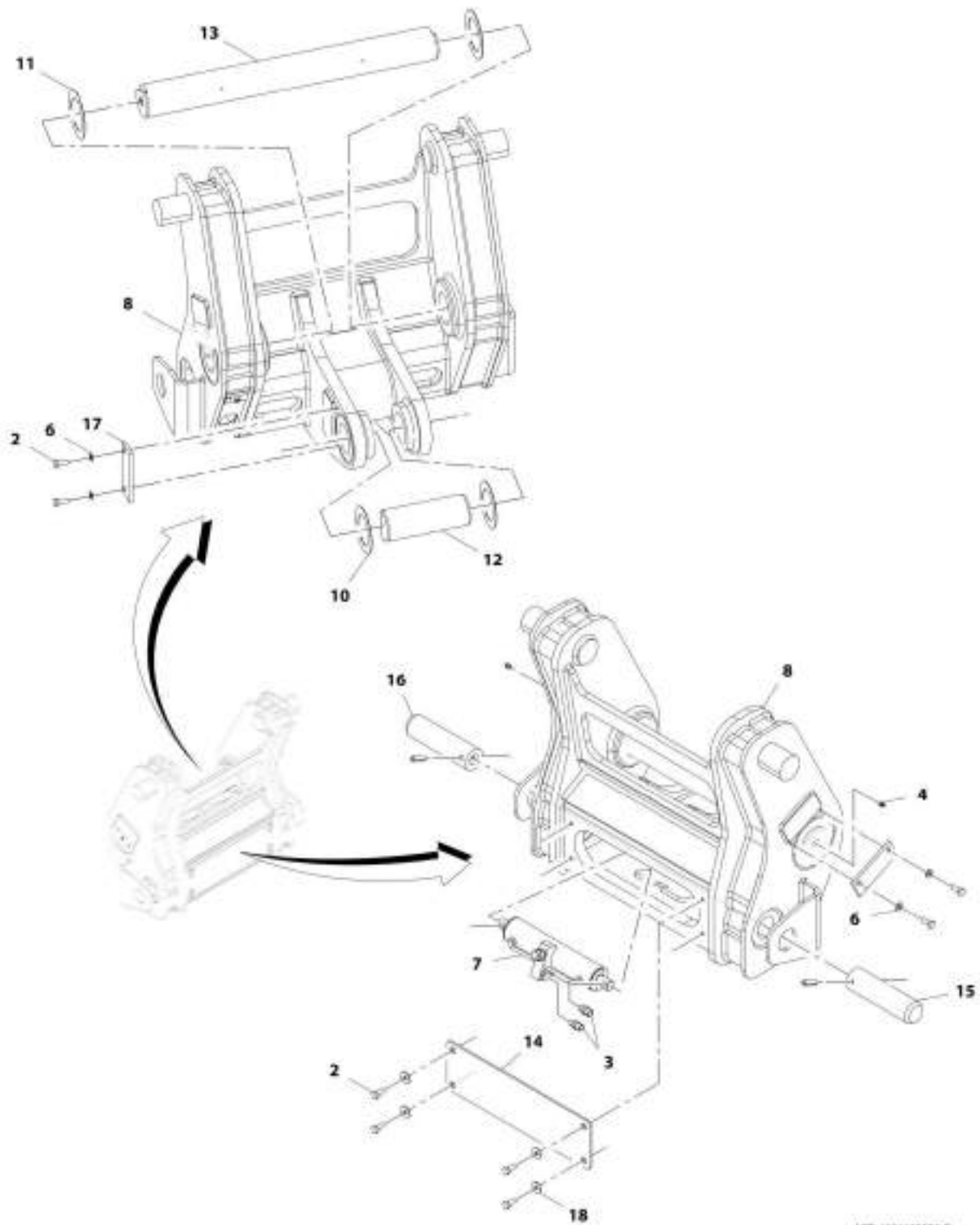
ART\_1081174304-G

FIGURE 2-6. COUPLER INSTALLATION (MANUAL)

ITEM	PART NUMBER	QTY	DESCRIPTION	REV
	1001174104	Ref	Coupler Installation (Manual)	G
2	2160016	2	Fitting, Grease	
5	1001187820	1	Coupling, Manual	
6	1001187821	1	Pin	
8	1001187847	AR	Shim	
9	1001187848	AR	Shim	
10	1001190250	1	Pin, Tilt	
11	1001190264	1	Pin	
12	0761012	8	Bolt, M10X25	
13	4812000	4	Washer, M10	
14	1001200393	1	Plate, Front Cover	
15	1001210326	2	Plate	
16	1001003803	1	Pin	
17	4812002	4	Washer, M10	

## SECTION 2 - BOOM

FIGURE 2-7. COUPLER INSTALLATION (HYDRAULIC)



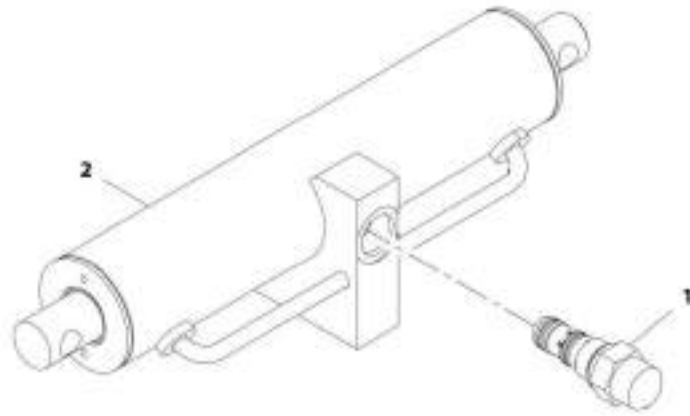
ART\_1801102350-D

FIGURE 2-7. COUPLER INSTALLATION (HYDRAULIC)

ITEM	PART NUMBER	QTY	DESCRIPTION	REV
	1001192358	Ref	Coupler Installation (Hydraulic)	D
2	0761012	8	Bolt, M10X25	
3	2110606	2	Fitting, Straight ORFS	
4	2160016	2	Fitting, Grease	
6	4812000	4	Washer, M10	
7	1001145391	1	Assembly, Coupler Locking Cylinder (See Seperate Breakdown in this Section)	
8	1001187820	1	Carriage	
10	1001187847	AR	Shim, M76X115X1.5	
11	1001187848	AR	Shim, M81X120X1.5	
12	1001190250	1	Pin, Tilt	
13	1001190264	1	Pin, Coupler	
14	1001200393	1	Plate, Front Cover	
15	1001200395	2	Pin	
16	1001184610	2	Pin	
17	1001210326	2	Plate, Pin Retention	
18	4812002	4	Washer, M10	

## SECTION 2 - BOOM

FIGURE 2-8. COUPLER LOCKING CYLINDER ASSEMBLY



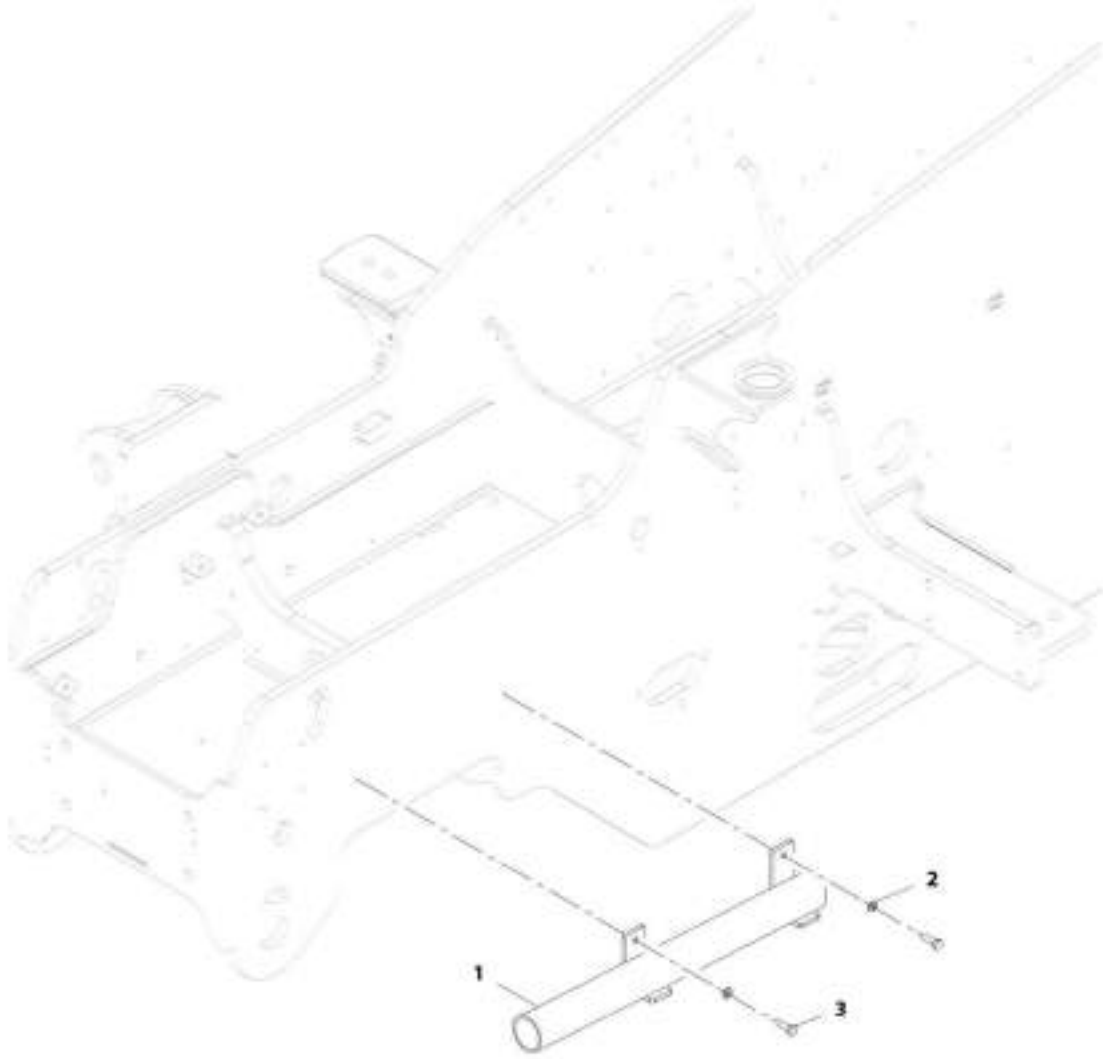
ART\_1801145391-A

**FIGURE 2-8. COUPLER LOCKING CYLINDER ASSEMBLY**

ITEM	PART NUMBER	QTY	DESCRIPTION	REV
	1001145391	Ref	Coupler Locking Cylinder Assembly	A
1	1001007056	1	Valve, Check	
2	1001145390	1	Cylinder, Coupler Locking (See Seperate Breakdown in Hydraulic Components Section)	

## SECTION 2 - BOOM

FIGURE 2-9. MANUAL COUPLER PIN HOLDER INSTALLATION



ART\_180120641-A

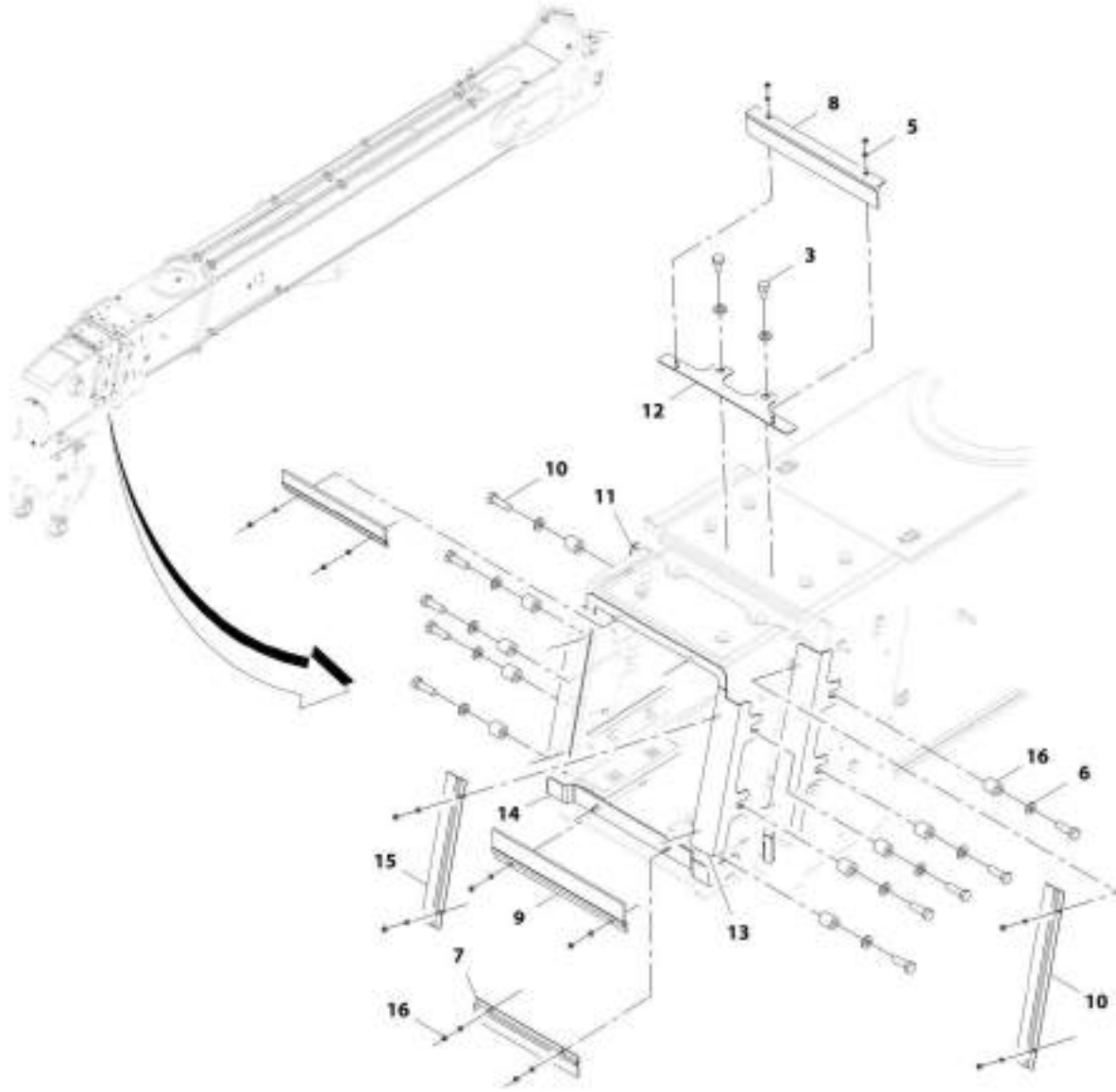


**FIGURE 2-9. MANUAL COUPLER PIN HOLDER INSTALLATION**

<b>ITEM</b>	<b>PART NUMBER</b>	<b>QTY</b>	<b>DESCRIPTION</b>	<b>REV</b>
	1001220641	Ref	Manual Coupler Pin Holder Installation	A
1	1001220248	1	Bracket, Pin Holder	
2	4812000	2	Washer, M10	
3	0701014	2	Bolt, M10X30	

## SECTION 2 - BOOM

FIGURE 2-10. BOOM BRUSHES INSTALLATION



ART\_1801301432-C

FIGURE 2-10. BOOM BRUSHES INSTALLATION

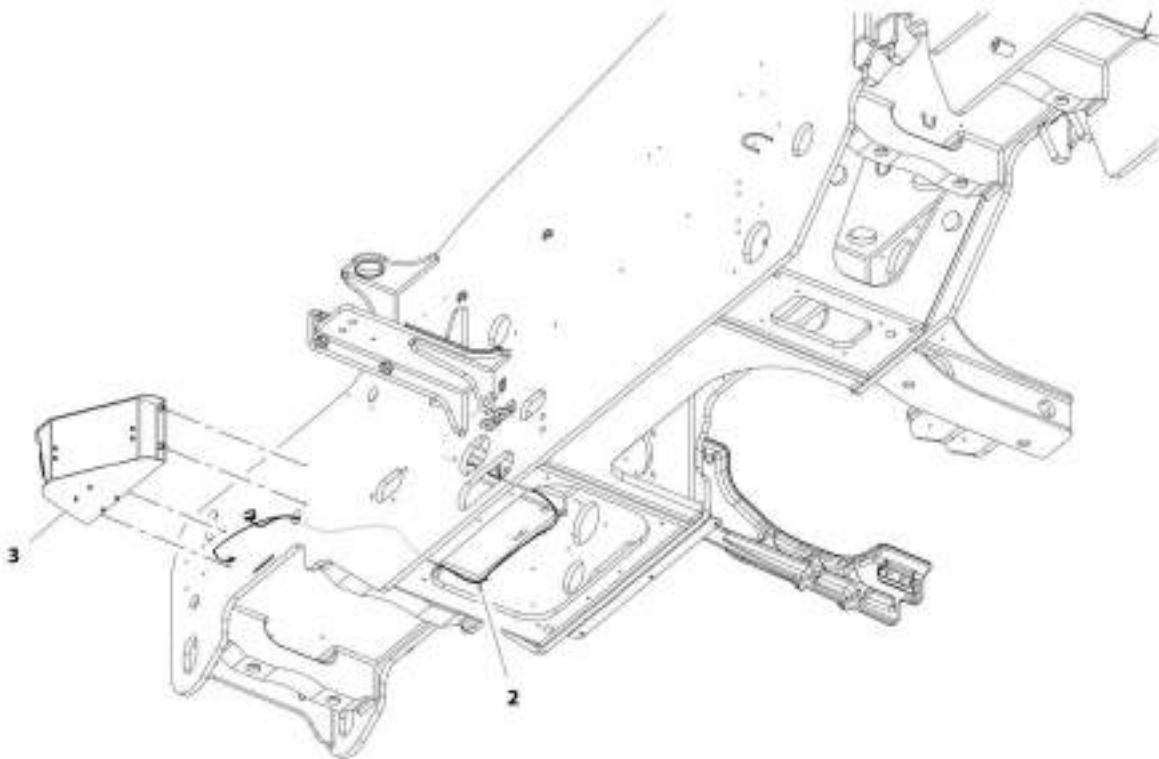
ITEM	PART NUMBER	QTY	DESCRIPTION	REV
	1001201432	Ref	Boom Brushes Installation	C
1	0701216	10	Bolt, M12X40	
3	0761210	2	Bolt, M12X20	
4	3290505	16	Nut, Lock M5X0.8	
5	4811600	16	Washer, M5	
6	1001125117	12	Washer, M12	
7	1001172995	2	Brush, Boom	
8	1001172999	1	Brush, Boom	
9	1001173679	1	Brush, Boom	
10	1001173739	2	Brush, Boom	
11	1001205619	1	Bracket, Boom Brush	
12	1001196879	1	Bracket, Boom Brush	
13	1001205621	1	Bracket, Boom Brush	
14	1001205622	1	Bracket, Boom Brush	
15	1001205627	2	Brush, Boom	
16	1001220286	10	Spacer	



**SECTION 3 - ATTACHMENTS**

## SECTION 3 - ATTACHMENTS

FIGURE 3-1. ATTACHMENT RECOGNITION INSTALLATION



ART\_0001185801-C

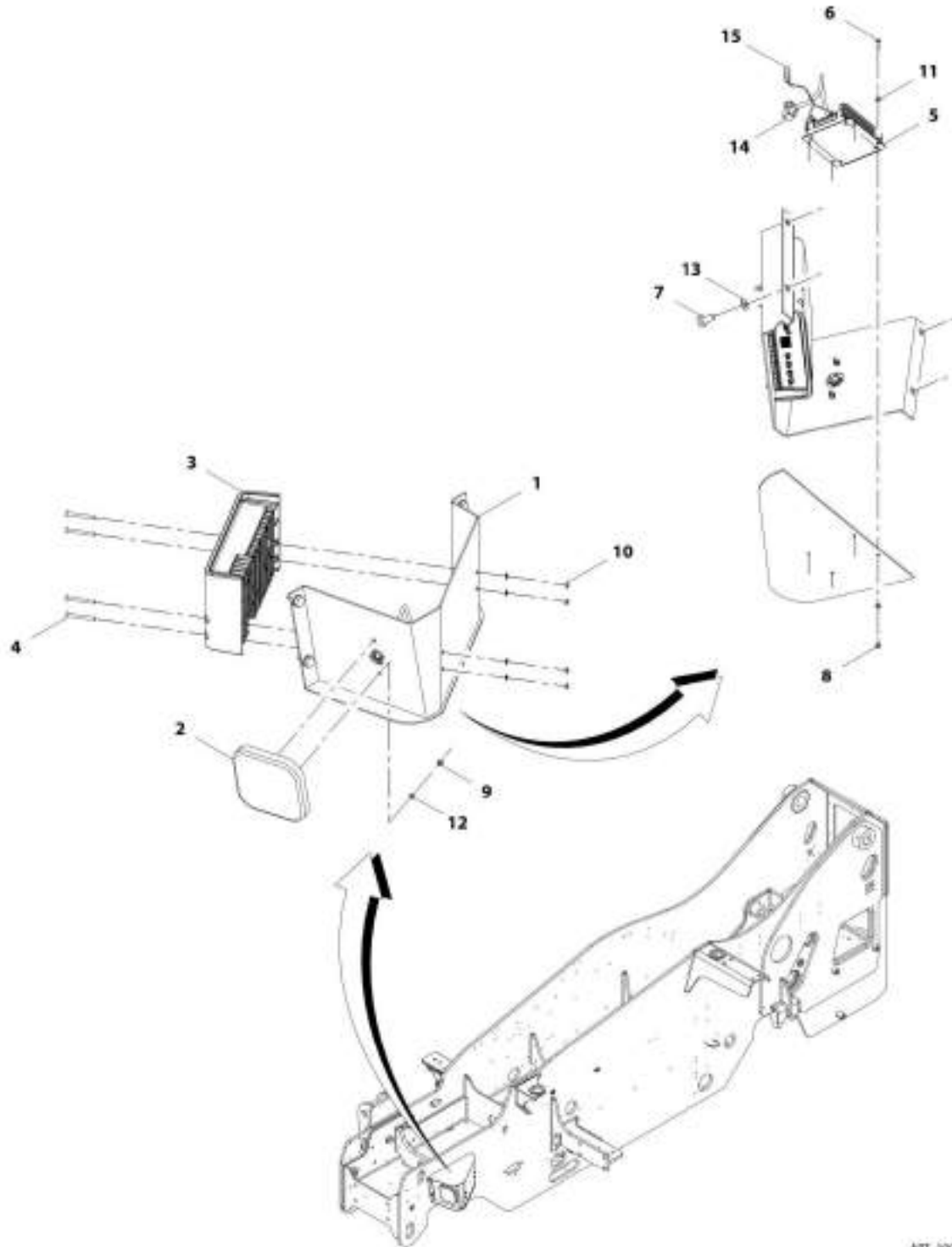
## SECTION 3 - ATTACHMENTS

**FIGURE 3-1. ATTACHMENT RECOGNITION INSTALLATION**

ITEM	PART NUMBER	QTY	DESCRIPTION	REV
	1001195881	Ref	Attachment Recognition Installation	C
2	1001206843	1	Cable	
3	1001207866	1	Installation, Components Attachment Recognition (See Separate Breakdown in this Section)	

# SECTION 3 - ATTACHMENTS

FIGURE 3-2. COMPONENTS ATTACHMENT RECOGNITION INSTALLATION



ART\_0001207866-C



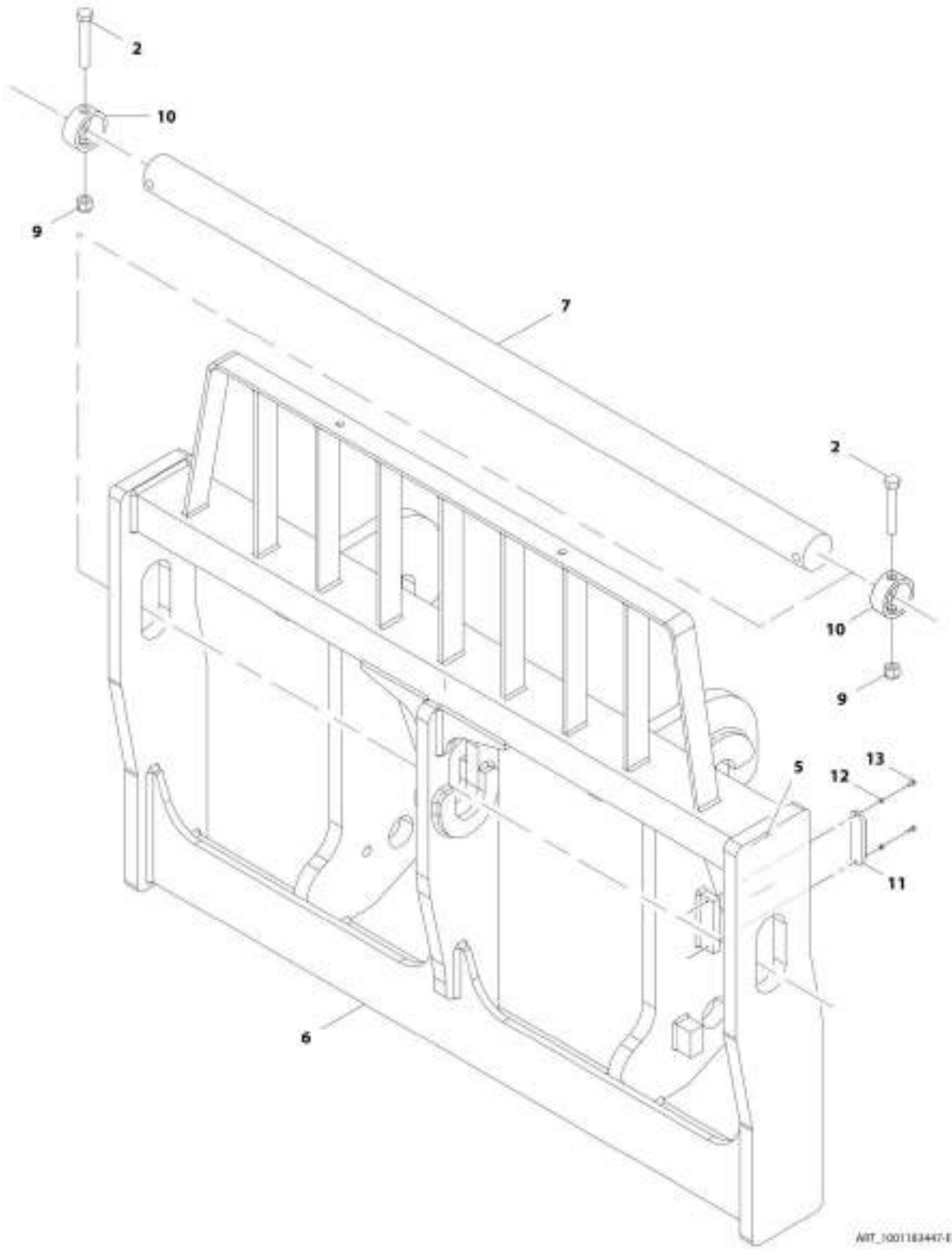
## SECTION 3 - ATTACHMENTS

**FIGURE 3-2. COMPONENTS ATTACHMENT RECOGNITION INSTALLATION**

ITEM	PART NUMBER	QTY	DESCRIPTION	REV
	1001207866	Ref	Components Attachment Recognition Installation	C
1	1001232988	1	BRACKET, ATTACHMENT RECOGNITION	
2	1001202730	1	Accessory, Antenna	
3	1001233783	1	Control, Receiver	
4	1001234395	4	Screw, M5X50	
5	1001234596	1	Control, Voltage	
6	0760407	4	Bolt, M4X14	
7	0761010	4	Bolt, M10X20	
8	3290405	4	Nut, Lock M4X0.7 Grade 8	
9	3290505	2	Nut, Lock M5X0.8 Grade 8	
10	3290507	4	Nut, Lock M5X0.8	
11	4811400	8	Washer, M4	
12	4811600	6	Washer, M5	
13	4812000	4	Washer, M10	
14	1001206725	1	Cable	
15	1001234802	1	Harness	

# SECTION 3 - ATTACHMENTS

FIGURE 3-3. CARRIAGE ASSEMBLY, (60IN/1524MM)



MIT\_1001183447-E

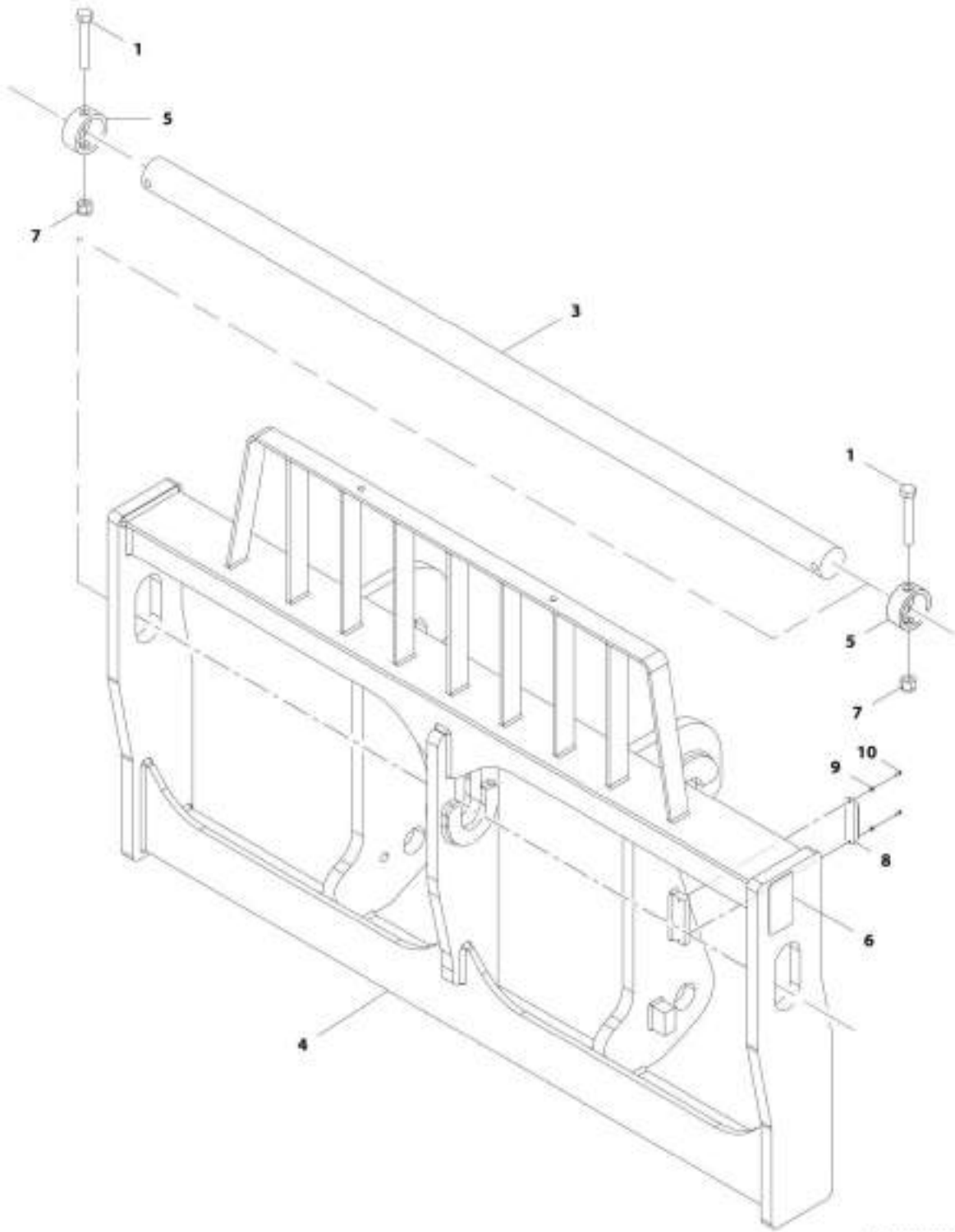
## SECTION 3 - ATTACHMENTS

**FIGURE 3-3. CARRIAGE ASSEMBLY, (60IN/1524MM)**

ITEM	PART NUMBER	QTY	DESCRIPTION	REV
	1001183447	1	Carriage Assembly, (60in/1524mm)	E
2	0701628	2	Bolt, M16X110	
5	N.S.S.	1	Plate, Serial Number	
6	N.S.S.	1	Weldment, Carriage	
7	1001191108	1	Pin	
9	3291605	2	Nut, Lock M16X2 Grade 8	
10	1001218755	2	Collar, Shaft	
11	1001227670	1	TAG, RFID	
12	4811400	2	Washer, M4	
13	0760405	2	Bolt, M4X10	

# SECTION 3 - ATTACHMENTS

FIGURE 3-4. CARRIAGE ASSEMBLY, (72IN/1829MM)



MIT\_1001214415-D

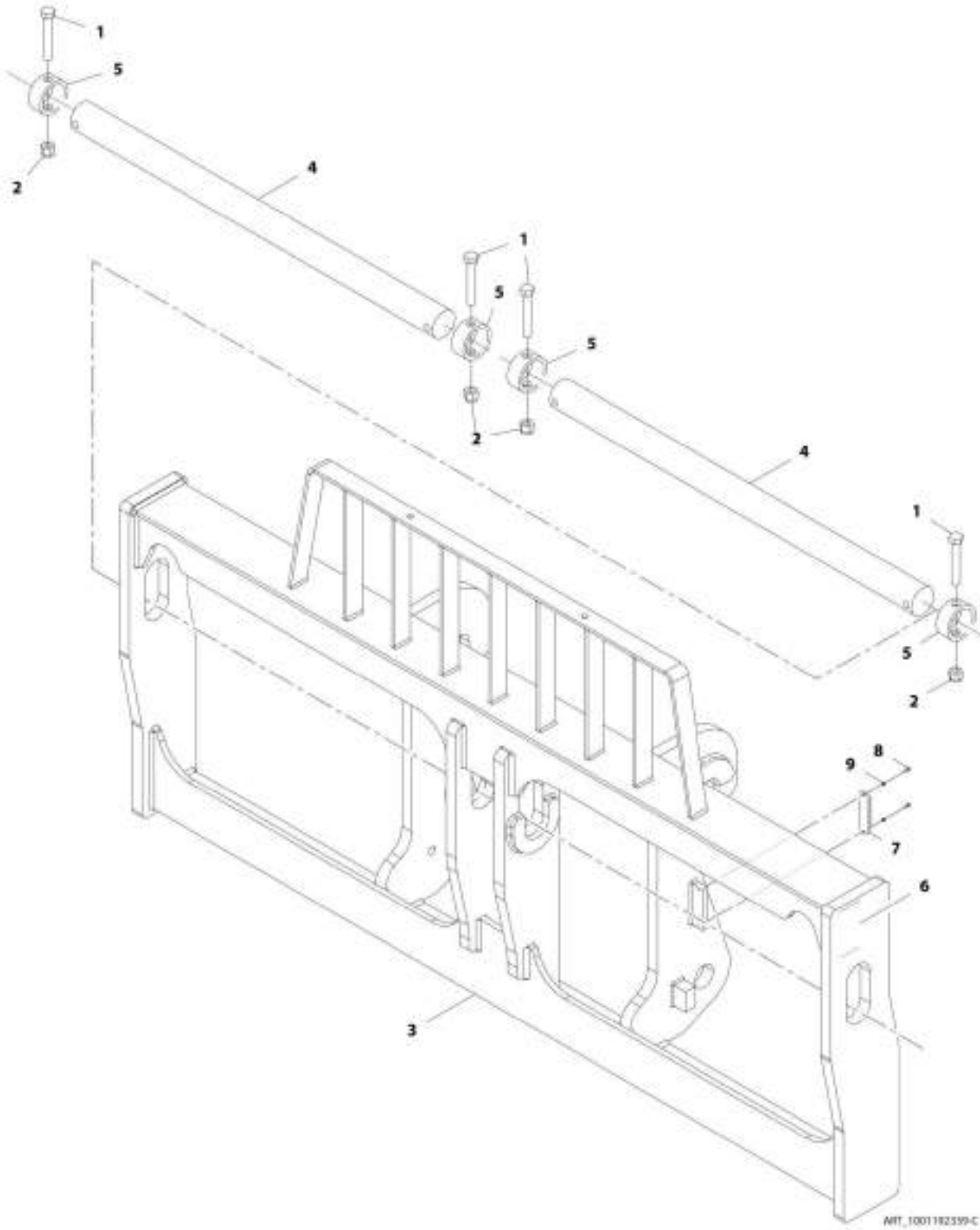
## SECTION 3 - ATTACHMENTS

### FIGURE 3-4. CARRIAGE ASSEMBLY, (72IN/1829MM)

ITEM	PART NUMBER	QTY	DESCRIPTION	REV
	1001214415	1	Carriage Assembly, (72in/1829mm)	D
1	0701628	2	Bolt, M16X110	
3	1001214254	1	Pin	
4	N.S.S.	1	Weldment, Carriage	
5	1001218755	2	Collar, Shaft	
6	N.S.S.	1	Plate, Serial Number	
7	3291605	2	Nut, Lock M16X2 Grade 8	
8	1001227670	1	TAG, RFID	
9	4811400	2	Washer, M4	
10	0760405	2	Bolt, M4X10	

# SECTION 3 - ATTACHMENTS

FIGURE 3-5. CARRIAGE ASSEMBLY, (87IN/2290MM)



MIT\_1001182399-C

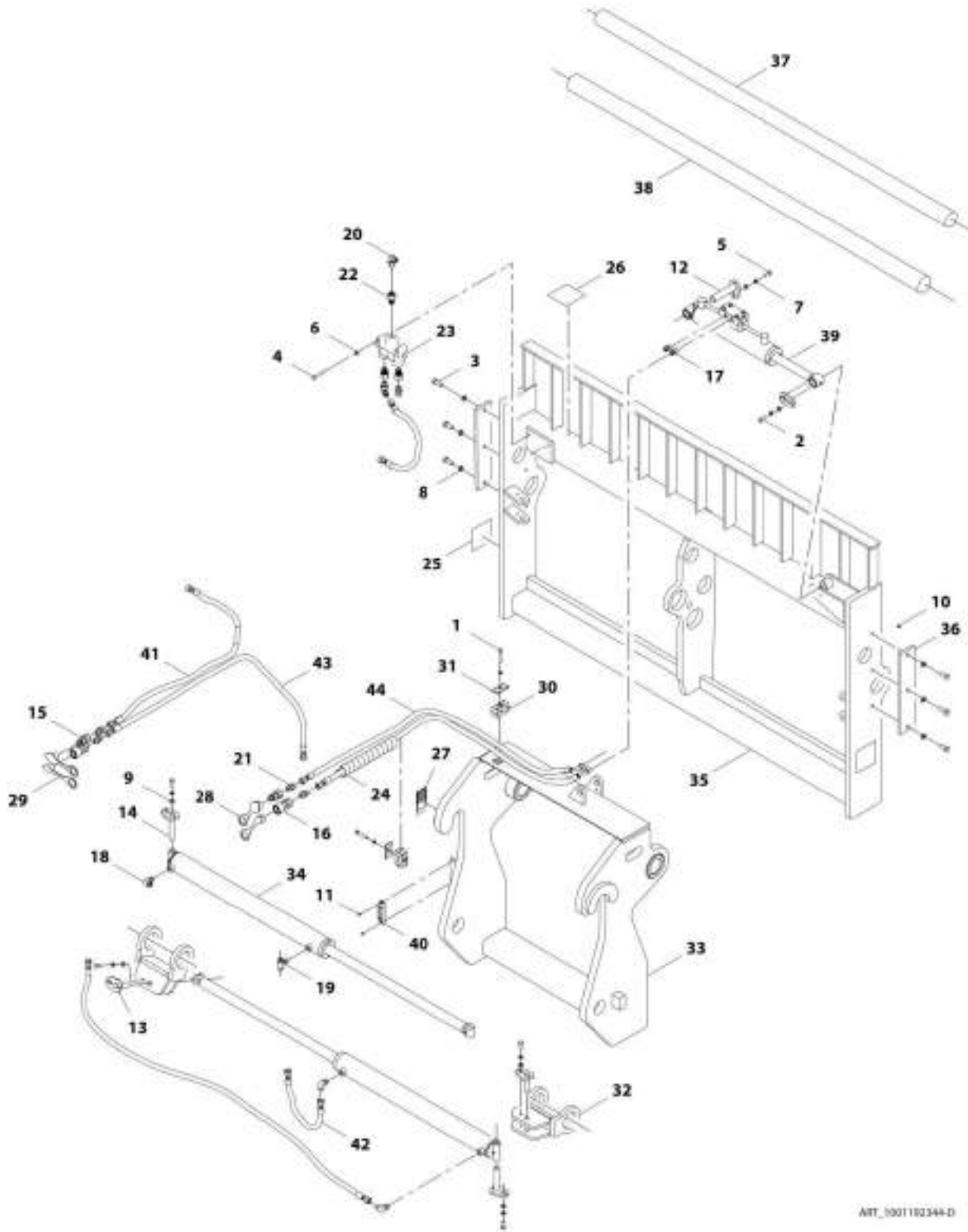
## SECTION 3 - ATTACHMENTS

### FIGURE 3-5. CARRIAGE ASSEMBLY, (87IN/2290MM)

ITEM	PART NUMBER	QTY	DESCRIPTION	REV
	1001192339	1	Carriage Assembly, (87in/2290mm)	C
1	0701628	4	Bolt, M16X110	
2	3291605	4	Nut, Lock M16X2 Grade 8	
3	N.S.S.	1	Weldment, Carriage	
4	1001218754	2	Pin	
5	1001218755	4	Collar, Shaft	
6	N.S.S.	1	Plate, Serial Number	
7	1001227670	1	TAG, RFID	
8	0760405	2	Bolt, M4X10	
9	4811400	2	Washer, M4	

# SECTION 3 - ATTACHMENTS

FIGURE 3-6. DUAL FORK POSITIONING SIDE SHIFT CARRIAGE, (75IN/1899MM)



ART\_0001182344-D



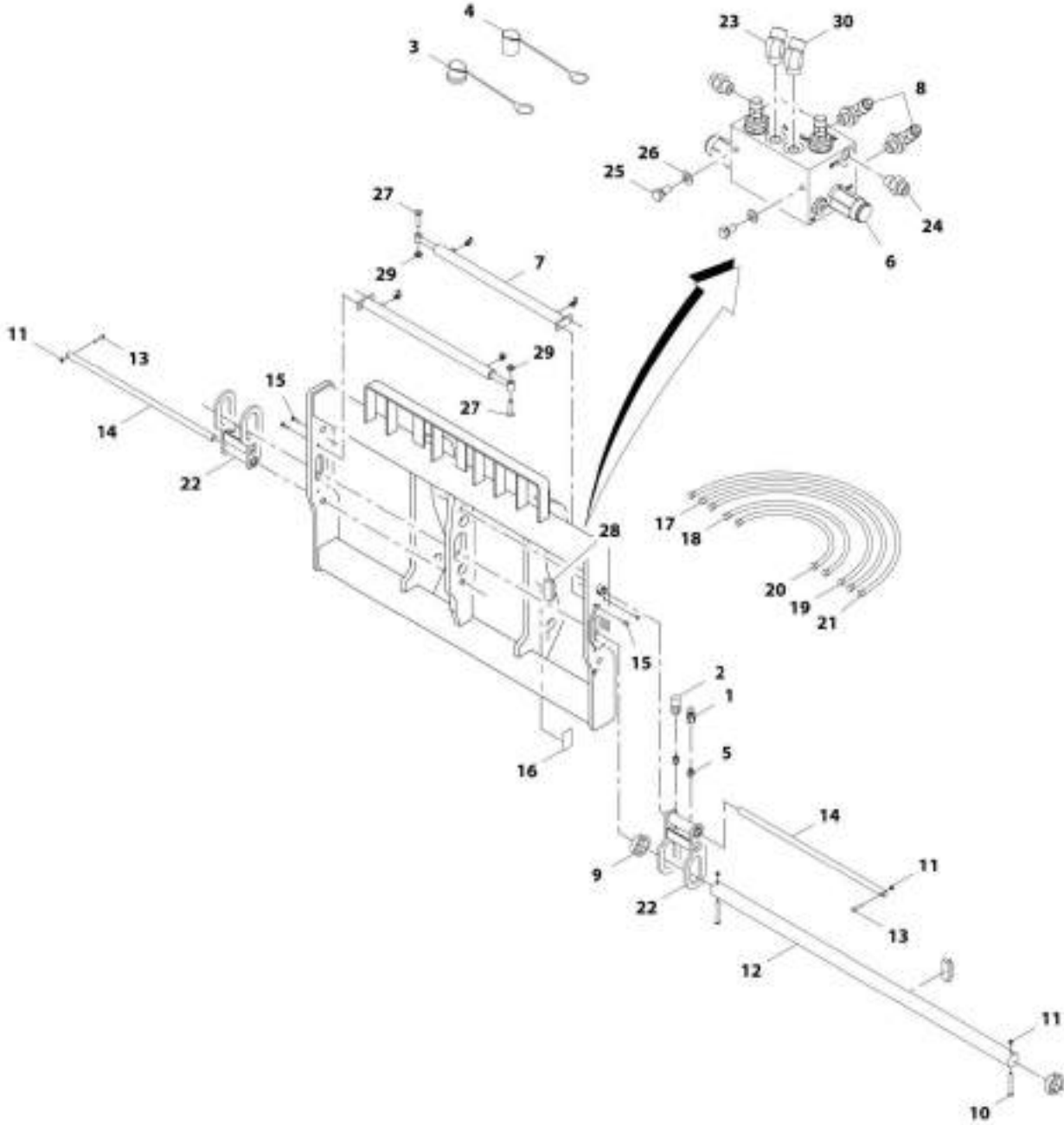
## SECTION 3 - ATTACHMENTS

**FIGURE 3-6. DUAL FORK POSITIONING SIDE SHIFT CARRIAGE, (75IN/1899MM)**

ITEM	PART NUMBER	QTY	DESCRIPTION	REV
	1001192344	1	Dual Fork Positioning Side Shift Carriage, (75in/1899mm)	D
1	70028485	2	Bolt	
2	70021349	1	Bolt, 3/8X1	
3	70027989	6	Bolt	
4	70028591	3	Bolt	
5	7029704	5	Bolt, 3/8-24X1	
6	90554067	5	Washer, Lock 5/16	
7	90554042	6	Washer, Lock 3/8	
8	90554020	6	Washer, Lock 1/2	
9	7029703	6	Washer, Flat	
10	90554045	1	Zerk, Grease	
11	70028554	2	Screw	
12	7029702	2	Pin	
13	70028592	2	Pin	
14	70028593	2	Pin	
15	1001101041	2	Adapter, Male Quick Disconnect	
16	1001101042	2	Adapter, Female Quick Disconnect	
17	70028486	2	Fitting	
18	70028525	3	Elbow, 90	
19	70028594	1	Fitting	
20	70028526	2	Elbow, 90	
21	70028488	5	Fitting	
22	70028595	3	Fitting	
23	70028596	1	Valve	
24	70028597	1	Protector, Hose	
25	90554017	2	Decal, Danger Pinch Point	
26	7029711	1	Decal, High Pressure	
27	N.S.S.	1	Plate, Serial Number	
28	8420053	2	Plug, Dust	
29	8420055	2	Plug, Dust	
30	70028495	2	Clamp	
31	70028496	2	Plate, Clamp	
32	70028598	2	Clevis	
33	N.S.S.	1	Weldment	
34	70028599	2	Assembly, Cylinder (See Separate Breakdown in Hydraulic Components Section)	
35	N.S.S.	1	Weldment	
36	70028600	2	Pin	
37	70028601	1	Pin	
38	70028602	1	Pin	
39	70028603	1	Assembly, Cylinder (See Separate Breakdown in Hydraulic Components Section)	
40	1001227670	1	Tag, RFID	
41	70028604	2	Hose	
42	70028605	2	Hose	
43	70028606	1	Hose	
44	70028607	2	Hose	

# SECTION 3 - ATTACHMENTS

FIGURE 3-7. DUAL FORK POSITIONING CARRIAGE, (72IN/1829MM)



ART\_1001192342-D

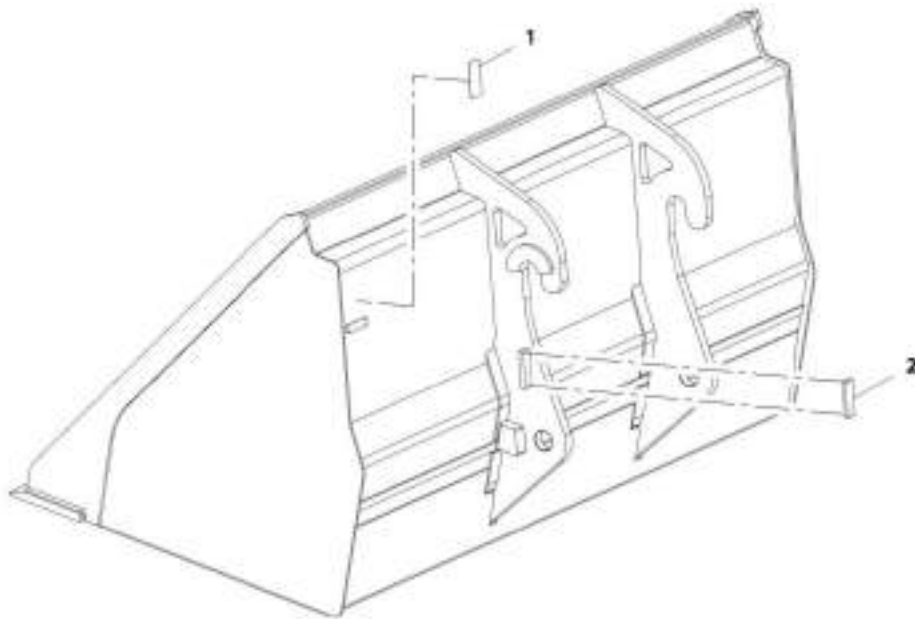
## SECTION 3 - ATTACHMENTS

**FIGURE 3-7. DUAL FORK POSITIONING CARRIAGE, (72IN/1829MM)**

ITEM	PART NUMBER	QTY	DESCRIPTION	REV
	1001192342	1	Dual Fork Positioning Carriage, (72in/1829mm)	D
1	1001101041	1	Coupler, Male Hydraulic	
2	1001101042	1	Coupler, Female Hydraulic	
3	8420053	1	Cap	
4	8420055	1	Cap	
5	1001008834	2	Fitting, Straight	
6	70027896	1	Valve	
7	70028505	2	Cylinder, Forkpositioner	
8	2150606	4	Fitting, 45 ORFS	
9	70028506	2	Collar	
10	70027889	2	Bolt, M10x120	
11	70027890	4	Nut M10	
12	70028507	1	Shaft, Floating	
13	70027881	2	Bolt, M10x55	
14	70028508	2	Shaft, Forkpositioner	
15	70027880	4	Bolt, M10x30	
16	N.S.S.	1	Plate, Serial Number	
17	70028509	1	Hose	
18	70028510	1	Hose	
19	70028511	1	Hose	
20	70028512	1	Hose	
21	70027899	2	Hose	
22	70028513	2	Cage, Fork	
23	2150606	1	Fitting, 45 ORFS	
24	2110606	2	Fitting, Straight ORFS	
25	70027882	2	Bolt, M8X16	
26	70027879	2	Washer	
27	70027888	3	Screw, Countersunk M20x80	
28	1001227670	1	RFID TAG	
29	70027887	2	Nut, M20	
30	2170206	1	Fitting, 90 ORFS	

## SECTION 3 - ATTACHMENTS

FIGURE 3-8. BUCKET (2.6 YD<sup>3</sup>/2.0M<sup>3</sup>)



ART\_100192815-E

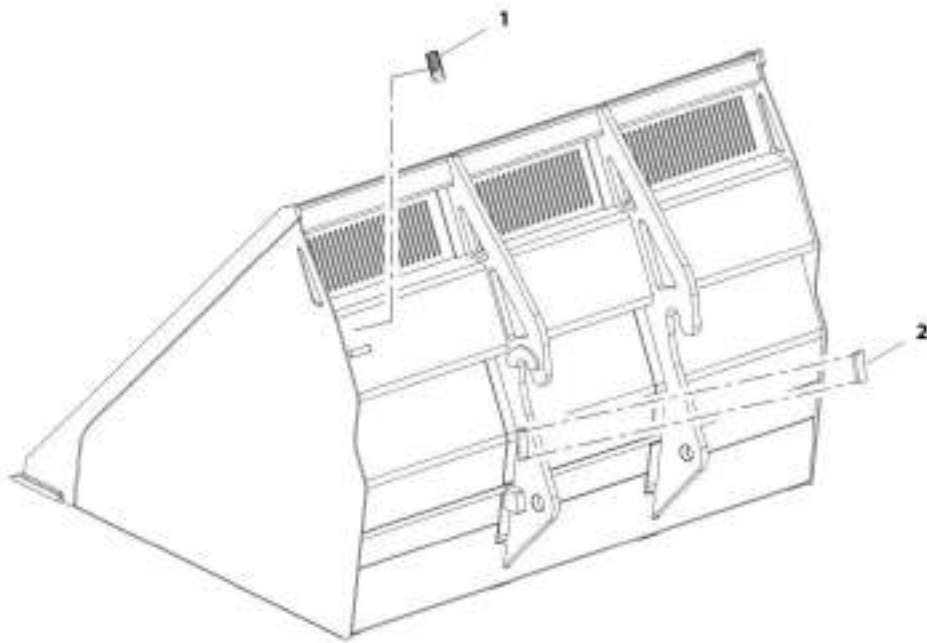
## SECTION 3 - ATTACHMENTS

**FIGURE 3-8. BUCKET (2.6 YD<sup>3</sup>/2.0M<sup>3</sup>)**

ITEM	PART NUMBER	QTY	DESCRIPTION	REV
	1001192615	Ref	Bucket (2.6 yd <sup>3</sup> /2.0m <sup>3</sup> )	E
1	N.S.S.	1	Plate, Serial Number	
2	1001227670	1	Tag, RFID	

# SECTION 3 - ATTACHMENTS

FIGURE 3-9. BUCKET (5.23 YD3)



ART\_100192819-D

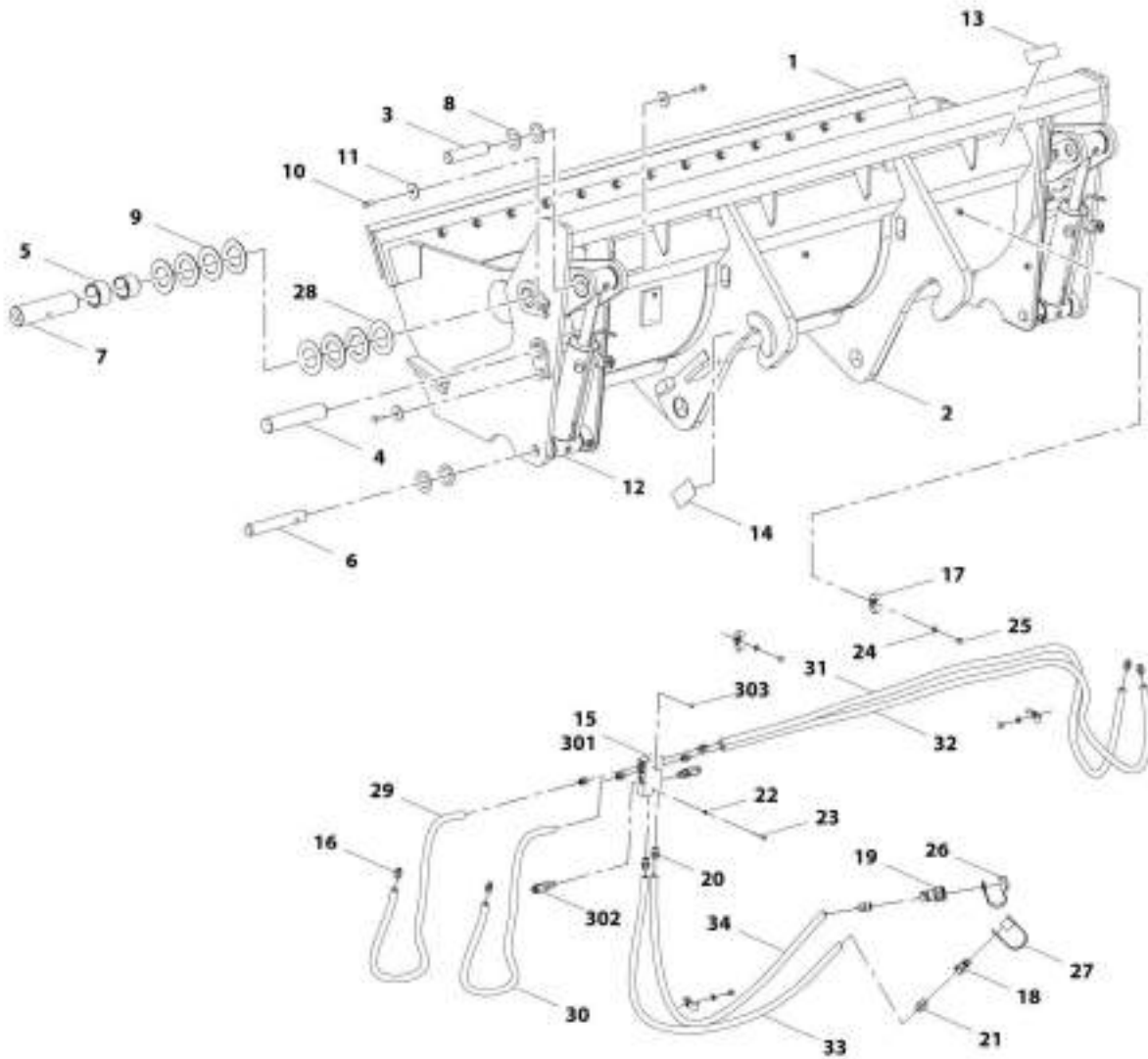
## SECTION 3 - ATTACHMENTS

### FIGURE 3-9. BUCKET (5.23 YD3)

ITEM	PART NUMBER	QTY	DESCRIPTION	REV
	1001192616	Ref	Bucket (5.23 yd <sup>3</sup> /4.0m <sup>3</sup> )	D
1	N.S.S.	1	Plate, Serial Number	
2	1001227670	1	Tag, RFID	

# SECTION 3 - ATTACHMENTS

## FIGURE 3-10. 4 IN 1 BUCKET (1.3 YD<sup>3</sup>/1.0M<sup>3</sup>)



ART\_3001228427-A



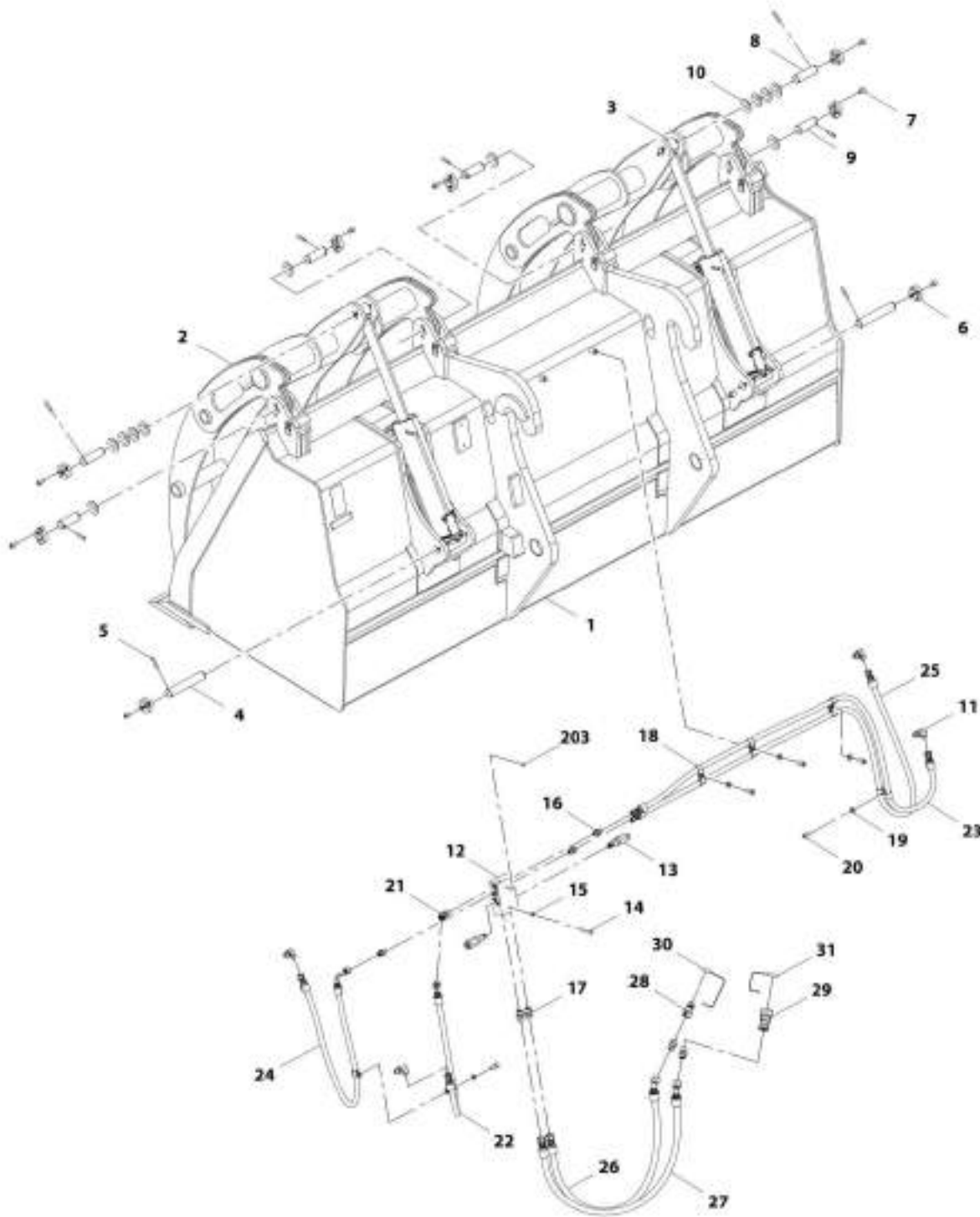
## SECTION 3 - ATTACHMENTS

**FIGURE 3-10. 4 IN 1 BUCKET (1.3 YD<sup>3</sup>/1.0M<sup>3</sup>)**

ITEM	PART NUMBER	QTY	DESCRIPTION	REV
	1001228427	Ref	4 in 1 Bucket (1.3 yd <sup>3</sup> /1.0m <sup>3</sup> )	A
1	N.S.S.	1	Assembly, Front Bucket	
2	N.S.S.	1	Assembly, Back Bucket	
3	70028563	2	Pin	
4	70028564	2	Pin	
5	70028565	4	Bushing	
6	70028566	2	Pin	
7	70028567	2	Pin	
8	70028568	8	Shim	
9	70028569	6	Shim	
10	70028570	6	Capscrew	
11	70028571	6	Washer	
12	70028572	2	Assembly, Cylinder (See Separate Breakdown in Hydraulic Components Section)	
13	N.S.S.	1	Plate, Name	
14	N.S.S.	1	Plate, Serial Number	
15	70028573	1	Valve Assembly	
16	70024130	8	Fitting, Straight	
17	70026481	8	Clamp, Hose	
18	1001101041	1	Adapter, Male Quick Disconnect	
19	1001101042	1	Adapter, Female Quick Disconnect	
20	70022938	2	Fitting, Straight	
21	70028263	2	Fitting, Straight	
22	70026480	2	Washer, M6	
23	70026479	2	Bolt, M6X50	
24	70026482	4	Washer, M10	
25	70026483	4	Bolt, M10X16	
26	8420055	1	Plug, Dust	
27	8420053	1	Plug, Cap	
28	70028574	12	Shim	
29	70028575	1	Hose	
30	70028576	1	Hose	
31	70028577	1	Hose	
32	70028578	1	Hose	
33	70028579	1	Hose	
34	70028580	1	Hose	
301	70026477	1	Manifold	
302	70028589	2	Cartridge, Relief	
303	70026614	2	Plug	

# SECTION 3 - ATTACHMENTS

## FIGURE 3-11. GRAPPLE BUCKET (1.7 YD<sup>3</sup>/1.3M<sup>3</sup>)



ART\_3001223435-8

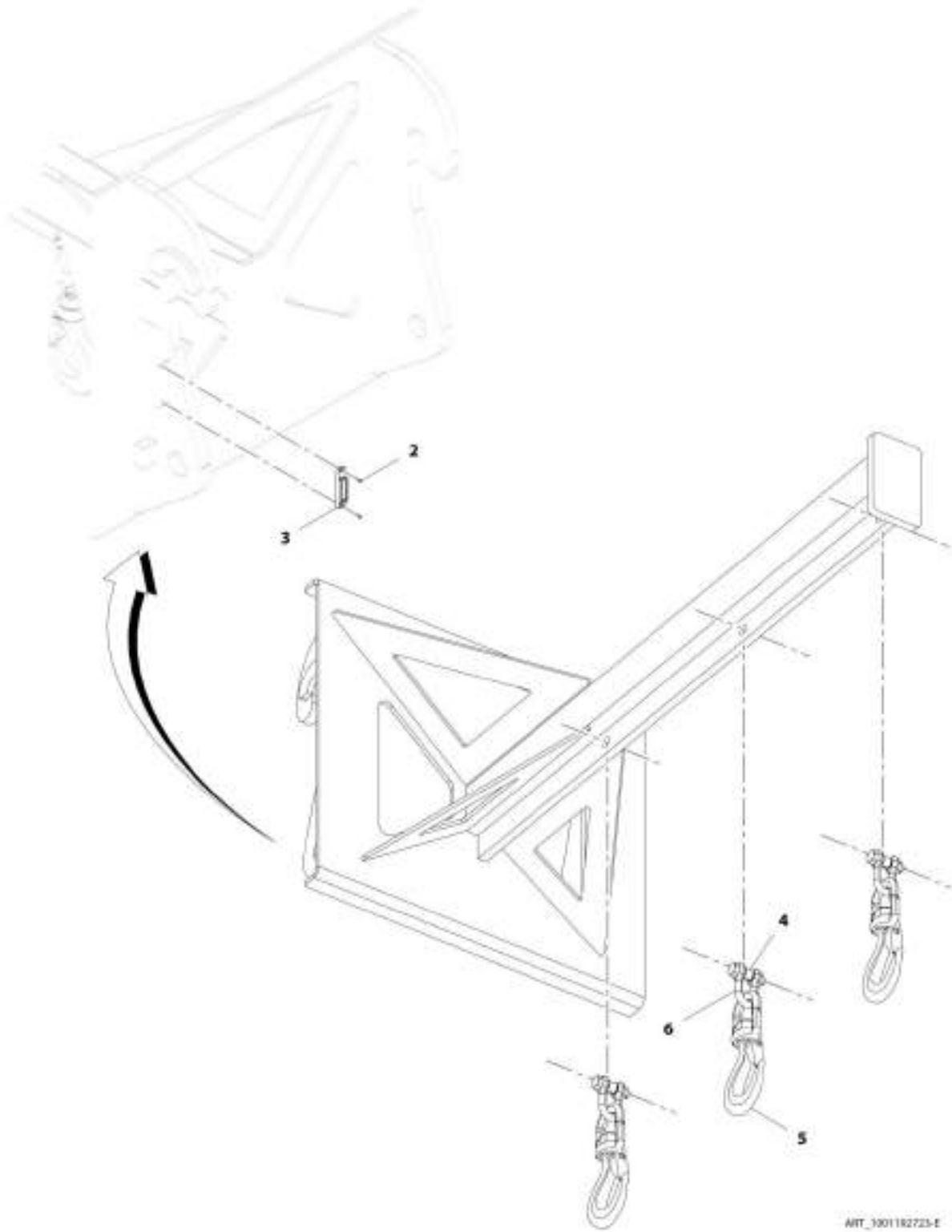
## SECTION 3 - ATTACHMENTS

**FIGURE 3-11. GRAPPLE BUCKET (1.7 YD<sup>3</sup>/1.3M<sup>3</sup>)**

ITEM	PART NUMBER	QTY	DESCRIPTION	REV
	1001223435	Ref	Grapple Bucket (1.7 yd <sup>3</sup> /1.3m <sup>3</sup> )	B
1	N.S.S.	1	Bucket	
2	N.S.S.	1	Grapple	
3	70026469	2	Assembly, Cylinder, (See Separate Breakdown in Hydraulic Components Section)	
4	70026470	2	Pin	
5	70026471	8	Pin Drive - Lock	
6	70026472	8	Retainer	
7	70026473	16	Capscrew, M10X12	
8	70026474	2	Pin	
9	70026475	4	Pin	
10	70026476	32	Shim	
11	70024123	4	Fitting, 90	
12	70026477	1	Manifold	
13	70026478	2	Cartridge, Relief Valve	
14	70026479	2	Bolt, M6X50	
15	70026480	2	Washer, M6	
16	70024130	3	Fitting, Straight	
17	70022938	4	Fitting, Straight	
18	70026481	10	Clamp, Hose	
19	70026482	5	Washer, M10	
20	70028672	5	Bolt, M10X20	
21	70026616	1	Fitting, 45	
22	70028749	1	Hose	
23	70028750	1	Hose	
24	70028751	1	Hose	
25	70028752	1	Hose	
26	70028753	1	Hose	
27	70028697	1	Hose	
28	1001101041	1	Adapter, Male Quick Disconnect	
29	1001101042	1	Adapter, Female Quick Disconnect	
30	8420053	1	Cap, Dust	
31	8420055	1	Plug, Dust	
203	70026614	2	Plug	

# SECTION 3 - ATTACHMENTS

FIGURE 3-12. TRUSS BOOM (7.6 TON)



ART\_3001182723-E

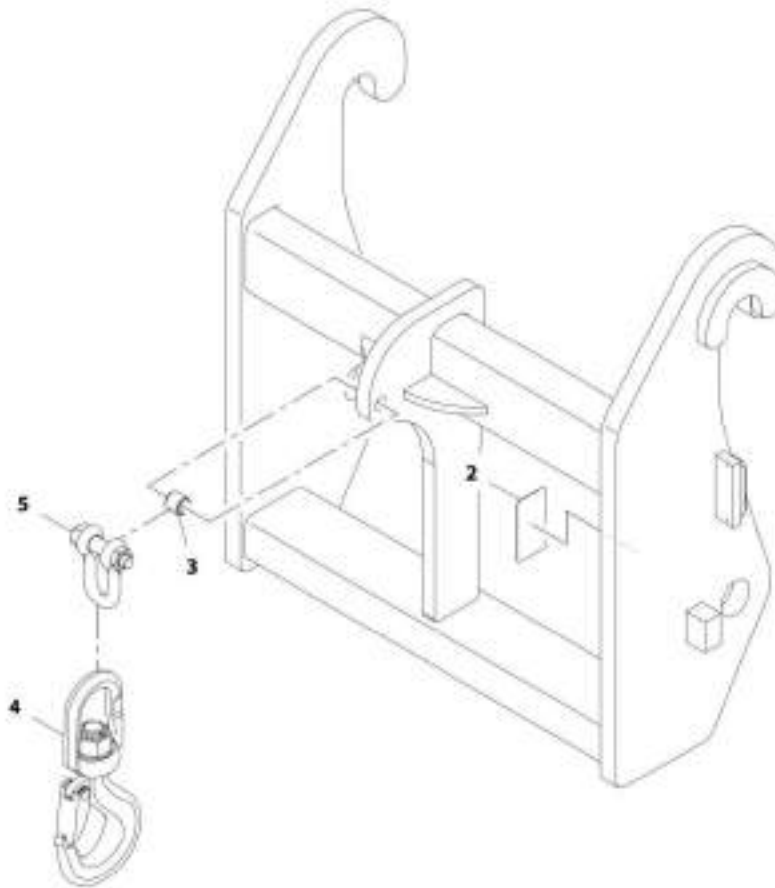
## SECTION 3 - ATTACHMENTS

### FIGURE 3-12. TRUSS BOOM (7.6 TON)

ITEM	PART NUMBER	QTY	DESCRIPTION	REV
	1001192723	1	Truss Boom (7.6 ton)	E
2	70028554	2	Screw	
3	1001227670	1	RFID TAG	
4	70020555	3	Bushing	
5	70026745	3	Hook	
6	70026746	3	Shackle, Chain	

# SECTION 3 - ATTACHMENTS

FIGURE 3-13. CRANE HOOK (7.6 TON)



ART\_3001182700-0

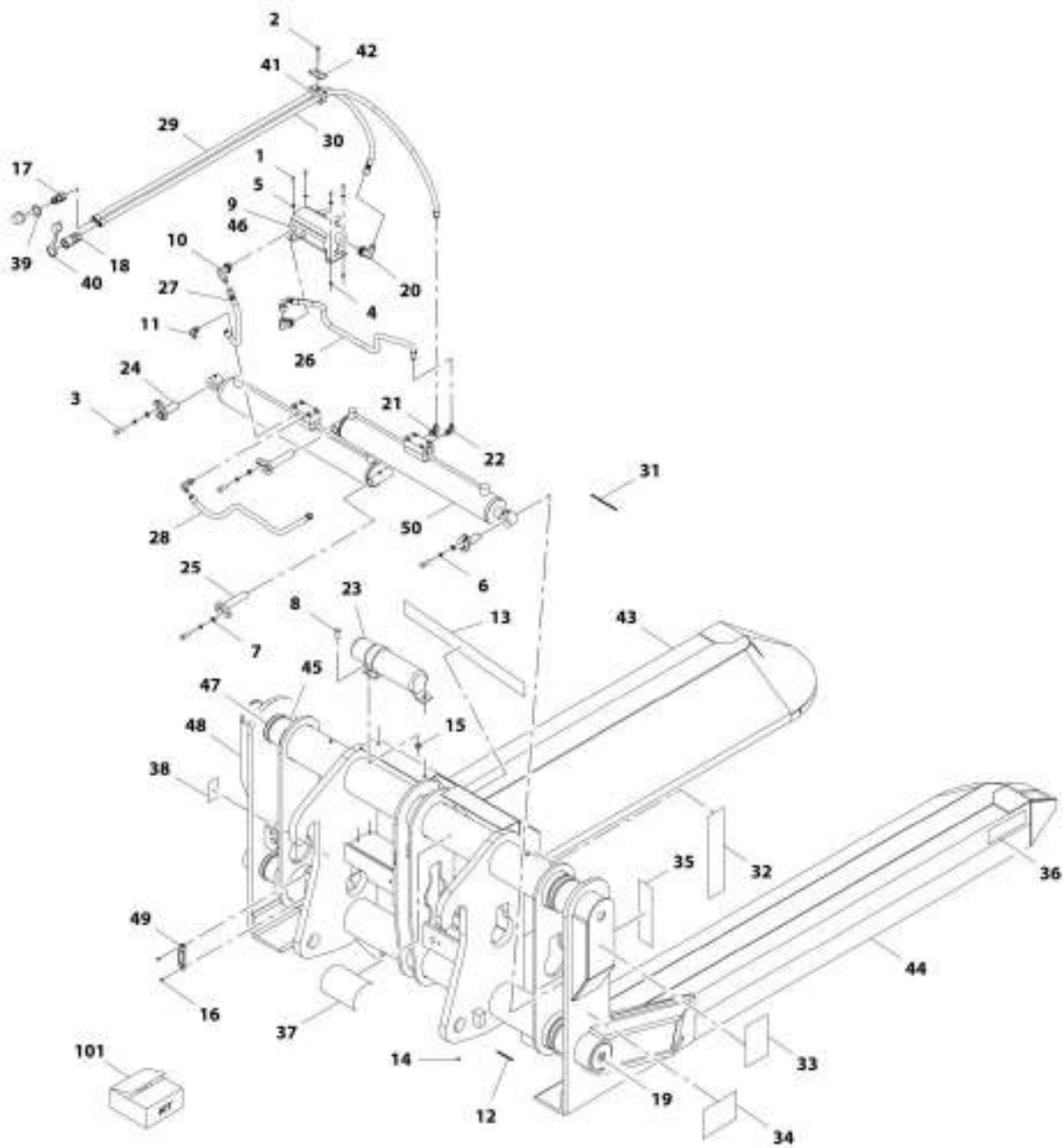
## SECTION 3 - ATTACHMENTS

### FIGURE 3-13. CRANE HOOK (7.6 TON)

ITEM	PART NUMBER	QTY	DESCRIPTION	REV
	1001192700	1	Crane Hook, (7.6 ton)	D
2	90554016	1	Decal, Made in USA	
3	70020555	1	Bushing	
4	70026745	1	Hook, Swivel	
5	70026746	1	Shackle, Chain	

# SECTION 3 - ATTACHMENTS

## FIGURE 3-14. BALE HANDLER (ROUND)



ART\_3001182540-C



## SECTION 3 - ATTACHMENTS

### FIGURE 3-14. BALE HANDLER (ROUND)

ITEM	PART NUMBER	QTY	DESCRIPTION	REV
	1001192649	Ref	Bale Handler (round)	C
1	70027773	4	Bolt	
2	70028485	1	Screw	
3	70021349	4	Bolt, 3/8X1	
4	90554066	4	Nut	
5	90554067	4	Washer, Lock	
6	90554042	4	Washer, Lock	
7	70021350	4	Washer	
8	70028635	3	Bolt	
9	70028636	1	Plug w/O-Ring	
10	70028637	2	Fitting, 90	
11	90554065	1	Fitting, 90	
12	7029712	4	Decal, Grease	
13	70028638	1	Decal, Stand Clear Warning	
14	90554045	4	Fitting, Grease	
15	70028615	3	Nut	
16	70028554	2	Screw	
17	1001101041	1	Adapter, Male Quick Disconnect	
18	70028616	1	Fitting, Straight	
19	70028617	4	Plug	
20	70028618	1	Fitting, 90	
21	70028619	1	Fitting, Tee	
22	70028620	1	Fitting, 90	
23	1001101042	1	Adapter, Female Quick Disconnect	
24	70028489	2	Pin	
25	70028490	2	Pin	
26	70028621	1	Hose	
27	70028622	1	Hose	
28	70028623	1	Hose	
29	70028624	1	Hose	
30	7029709	1	Hose	
31	7029711	1	Decal, High Pressure Warning	
32	70028625	2	Decal, Pinch Point	
33	70028626	1	Decal, Transport Warning	
34	70028627	1	Decal, Safety Warning	
35	70028628	6	Decal, Red Reflexite	
36	70028629	6	Decal, Amber Reflexite	
37	70028630	1	Decal, Module Staging	
38	N.S.S.	1	Plate, Serial Number	
39	8420053	1	Cap, Dust	
40	8420055	1	Cap, Dust	
41	70028495	1	Clamp	
42	70028496	1	Plate, Clamp	
43	N.S.S.	1	Arm, RH	
44	N.S.S.	1	Arm, LH	
45	70028631	4	Wrap	
46	70028632	1	Valve, Flow Divider	
47	70028633	8	Clamp	
48	N.S.S.	1	Weldment	
49	1001227670	1	Tag, RFID	

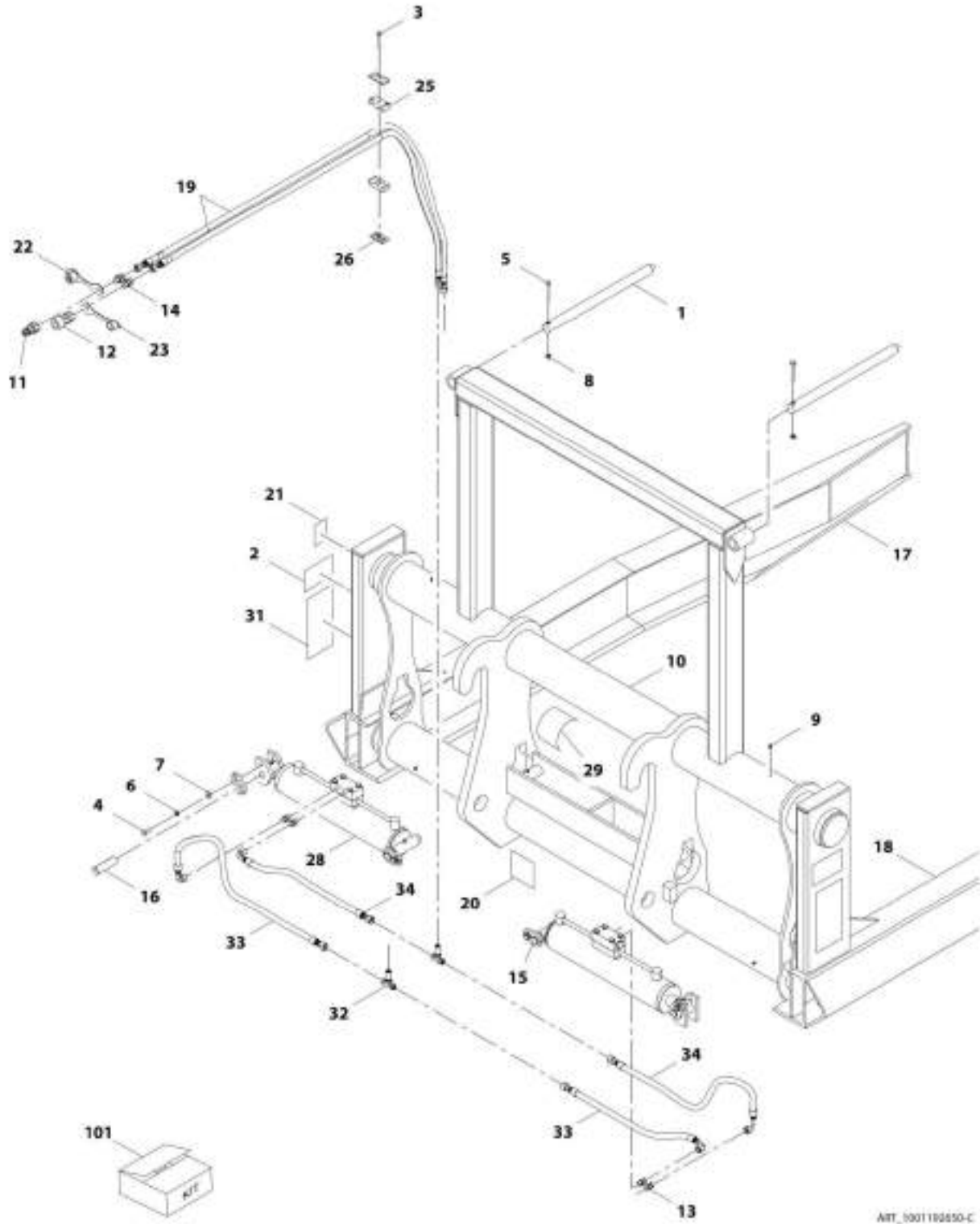
### SECTION 3 - ATTACHMENTS

ITEM	PART NUMBER	QTY	DESCRIPTION	REV
50	70028634	2	Assembly, Cylinder	
101	Kit	1	Kit, Seal	



# SECTION 3 - ATTACHMENTS

## FIGURE 3-15. BALE HANDLER (SQUARE)



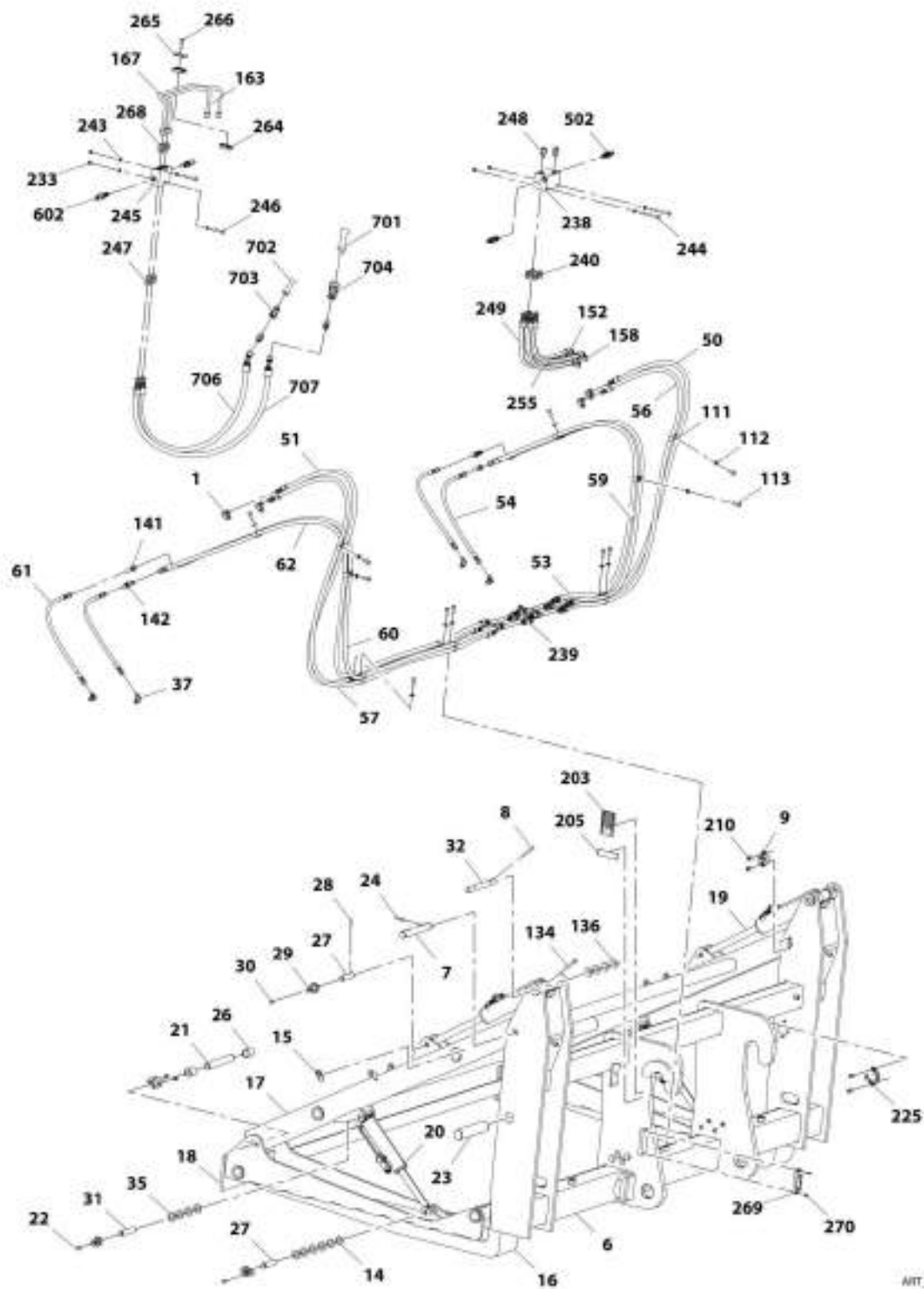
## SECTION 3 - ATTACHMENTS

### FIGURE 3-15. BALE HANDLER (SQUARE)

ITEM	PART NUMBER	QTY	DESCRIPTION	REV
	1001192650	1	Bale Handler (square)	C
1	70028499	2	Spear	
2	70028500	2	Decal, Pinch Point	
3	70028485	2	Screw	
4	70021349	4	Bolt, 3/8X1	
5	70021422	2	Screw	
6	90554042	4	Washer, Lock 3/8	
7	70021350	4	Washer, Flat	
8	70021367	2	Nut, Lock 3/8	
9	90554045	4	Fitting, Grease	
10	N.S.S.	1	Weldment, Main Frame	
11	1001101041	1	Coupler, Male Hydraulic	
12	1001101042	1	Coupler, Female Hydraulic	
13	70028486	4	Fitting	
14	70028488	2	Fitting	
15	70028489	2	Pin	
16	70028490	2	Pin	
17	N.S.S.	1	Weldment, Left Bale Arm	
18	N.S.S.	1	Weldment, Right Bale Arm	
19	70028491	2	Hose	
20	7029711	1	Decal, High Pressure Warning	
21	N.S.S.	1	Plate, Serial Number	
22	8420053	1	Cap, Dust	
23	8420055	1	Cap, Dust	
25	70028495	2	Clamp	
26	70028496	2	Plate, Clamp	
28	70028497	2	Assembly, Cylinder	
29	70028498	1	Decal, Read Manual	
31	70028501	2	Decal, Falling Load	
32	70028487	2	Fitting, Tee	
33	70028492	1	Hose	
34	70028493	1	Hose	
101	70028494	1	Kit, Seal	

# SECTION 3 - ATTACHMENTS

## FIGURE 3-16. PIPE HANDLER CARRIAGE



ART\_3001182722-8

## SECTION 3 - ATTACHMENTS

### FIGURE 3-16. PIPE HANDLER CARRIAGE

ITEM	PART NUMBER	QTY	DESCRIPTION	REV
	1001192722	Ref	Pipe Handler Carriage	D
1	70024123	4	Adapter, 90 (includes o-ring)	
6	N.S.S.	1	Carriage	
7	70028648	2	Pin	
8	70026471	4	Pin	
9	70026472	4	Retainer	
14	70026476	12	Shim	
15	70024538	2	Decal, Pinch Point	
16	70028649	2	Fork	
17	70028650	1	Arm	
18	70028651	1	Pad, Contact	
19	70028652	1	Assembly, Upper Cylinder (See Separate Breakdown in Hydraulic Components Section)	
20	70028653	1	Assembly, Lower Cylinder (See Separate Breakdown in Hydraulic Components Section)	
21	70028654	2	Pin	
22	70026473	4	Capscrew, M10X12	
23	70028655	2	Pin	
24	70028405	2	Pin	
26	70026501	8	Bushing	
27	70028656	4	Pin	
28	70028253	6	Pin	
29	70028262	6	Retainer	
30	70028657	6	Bolt, M8X16	
31	70028658	2	Pin	
32	70028659	2	Pin	
35	70028660	8	Shim	
37	70028661	4	Fittin, 90	
50	70028662	1	Hose	
51	70028663	1	Hose	
53	70028664	1	Hose	
54	70028665	2	Hose	
56	70028666	1	Hose	
57	70028667	1	Hose	
59	70028668	1	Hose	
60	70028669	1	Hose	
61	70028670	2	Hose	
62	70028671	1	Hose	
111	70026481	24	Clamp, Hose	
112	70026482	12	Washer	
113	70028672	12	Bolt, M10X20	
134	70028406	2	Capscrew	
136	70028767	4	Shim	
141	70028768	2	Fitting, Straight	
142	70028673	2	Fitting, 45	
152	70028674	1	Hose	
158	70028675	1	Hose	
163	70028676	1	Pipe	
167	70028677	1	Pipe	
203	N.S.S.	1	Plate, Serial Number	

## SECTION 3 - ATTACHMENTS

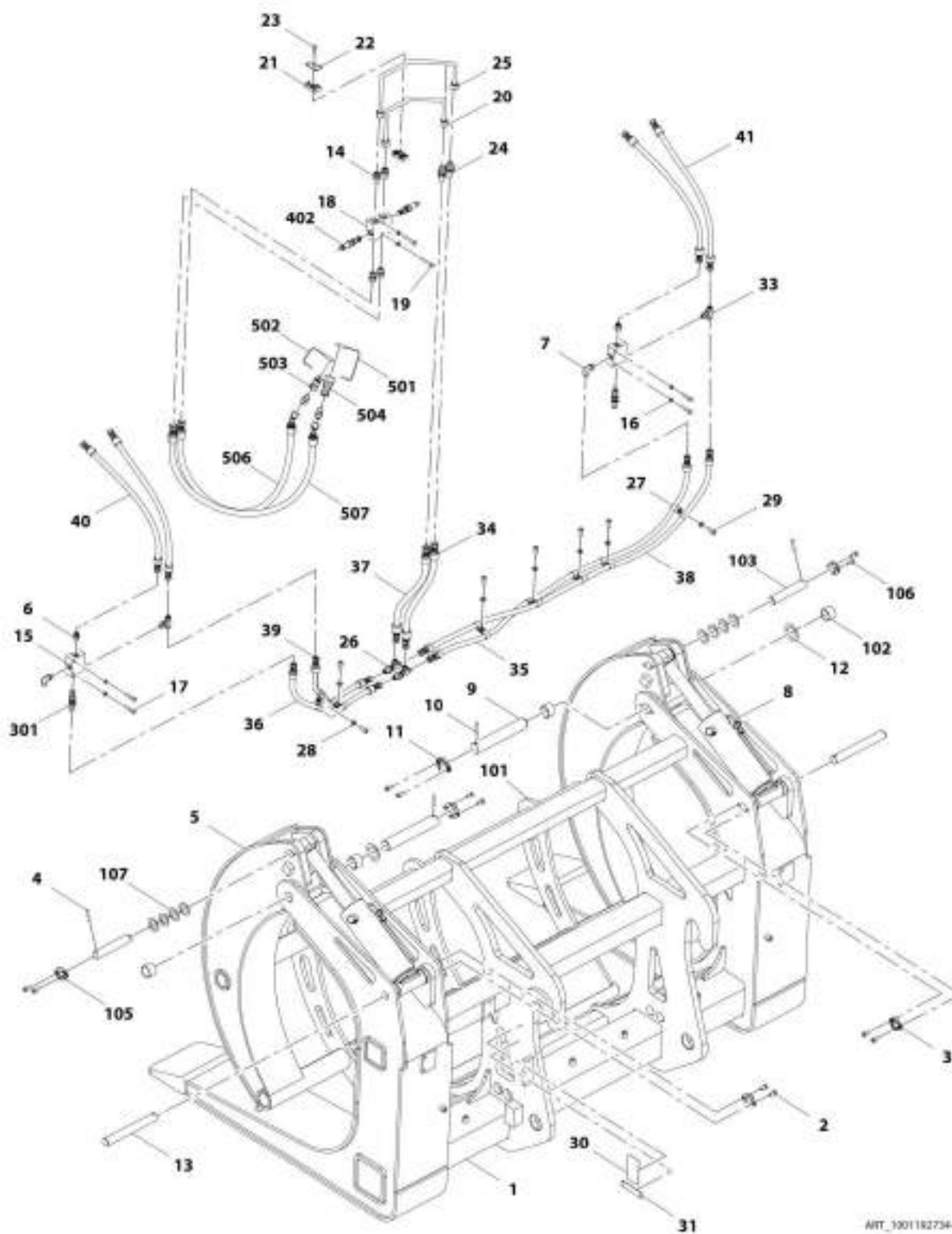
ITEM	PART NUMBER	QTY	DESCRIPTION	REV
205	N.S.S.	1	Plate, Name	
210	70028678	8	Bolt	
225	70028679	2	Retainer	
233	70028680	6	Nut, M8	
238	N.S.S.	1	Valve	
239	70028267	4	Fitting, Straight	
240	70024130	4	Fitting, Straight	
243	70024721	8	Washer, M8	
244	70028681	2	Bolt, M8X90	
245	N.S.S.	1	Valve, Relief	
246	70028682	2	Bolt, M8X60	
247	70028683	2	Fitting, Straight	
248	70028684	2	Fitting, Straight	
249	70028685	1	Hose	
255	70028686	1	Hose	
264	70028687	1	Clamp	
265	70028688	1	Cover	
266	70028689	1	Bolt, M8X35	
268	70022938	4	Fitting, Straight	
269	1001227670	1	Tag, RFID	
270	70028690	2	Bolt, M4X16	
501	N.S.S.	1	Valve, Relief	
502	70024772	2	Valve, Cartridge	
601	N.S.S.	1	Valve, Sequence	
602	70028695	2	Valve, Cartridge	
701	8420055	1	Plug, Dust	
702	8420053	1	Plug, Cap	
703	1001101041	1	Adapter, Male Quick Disconnect	
704	1001101042	1	Adapter, Female Quick Disconnect	
706	70028696	1	Hose	
707	70028697	1	Hose	





# SECTION 3 - ATTACHMENTS

## FIGURE 3-17. LOG HANDLER CARRIAGE



ART\_3001182734-C

## SECTION 3 - ATTACHMENTS

### FIGURE 3-17. LOG HANDLER CARRIAGE

ITEM	PART NUMBER	QTY	DESCRIPTION	REV
	1001192734	Ref	Log Handler Carriage	C
1	N.S.S.	1	Frame	
2	70028701	8	Capscrew, M10X20	
3	70028702	2	Retainer	
4	70028703	4	Pin	
5	N.S.S.	1	Grapple	
6	70024130	2	Fitting, Straight	
7	70024123	2	Fitting, 90	
8	70028704	2	Assembly, Cylinder (See Separate Breakdown in Hydraulic Components Section)	
9	70028705	2	Pin	
10	70028706	2	Pin	
11	70028707	2	Retainer	
12	70028708	2	Shim	
13	70028709	2	Pin	
14	70022938	4	Fitting, Straight	
15	N.S.S.	2	Valve	
16	70024721	6	Washer, M8	
17	70028710	4	Capscrew	
18	N.S.S.	1	Valve, Relief	
19	70028711	2	Capscrew	
20	70028712	1	Pipe	
21	70028687	1	Clamp	
22	70028688	1	Plate, Cover	
23	70028689	1	Bolt, M8X35	
24	70028713	2	Fitting, Straight	
25	70028714	1	Pipe	
26	70028267	2	Fitting, Tee	
27	70026481	14	Clamp, Hose	
28	70026482	7	Washer, M10	
29	70028672	7	Bolt, M10X20	
30	N.S.S.	1	Plate, Serial Number	
31	N.S.S.	1	Plate, Name	
33	70028715	2	Fitting, Tee	
34	70028716	1	Hose	
35	70028717	1	Hose	
36	70028718	1	Hose	
37	70028719	1	Hose	
38	70028720	1	Hose	
39	70028721	1	Hose	
40	70028722	2	Hose	
41	70028723	2	Hose	
101	70028724	1	Arm	
102	70028725	4	Bearing	
103	70028726	2	Pin	
107	70028727	8	Shim	
301	70026504	2	Valve, Counterbalance	
402	70024772	2	Valve, Relief	
501	8420055	1	Plug, Dust	
502	8420053	1	Plug, Cap	

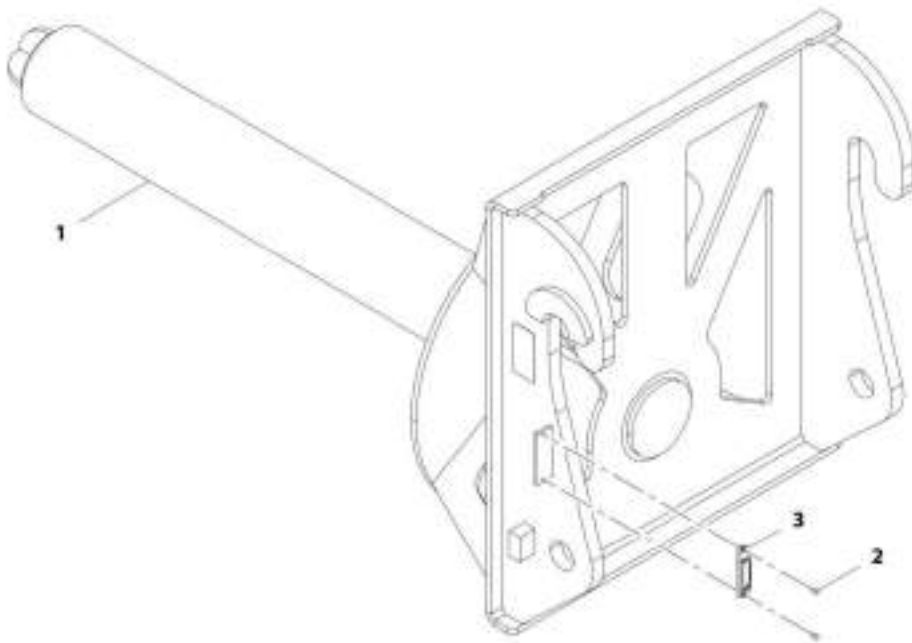
### SECTION 3 - ATTACHMENTS

ITEM	PART NUMBER	QTY	DESCRIPTION	REV
503	1001101041	1	Adapter, Male Quick Disconnect	
504	1001101042	1	Adapter, Female Quick Disconnect	
506	70028734	1	Hose	
507	70028697	1	Hose	



## SECTION 3 - ATTACHMENTS

FIGURE 3-18. STEEL COIL HANDLER CARRIAGE



AWT\_3001182735-E

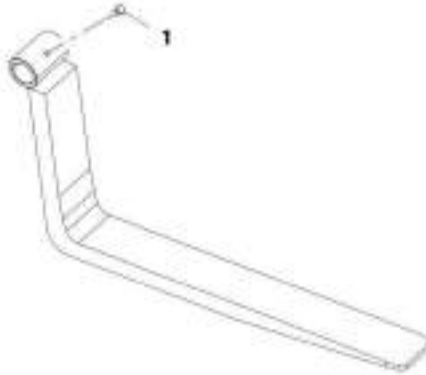
## SECTION 3 - ATTACHMENTS

### FIGURE 3-18. STEEL COIL HANDLER CARRIAGE

ITEM	PART NUMBER	QTY	DESCRIPTION	REV
	1001192735	1	Steel Coil Handler Carriage	E
2	70028554	2	Screw	
3	1001227670	1	Tag, RFID	

## SECTION 3 - ATTACHMENTS

FIGURE 3-19. PALLET FORK (2.25X6X48)



ART\_1801196452-B



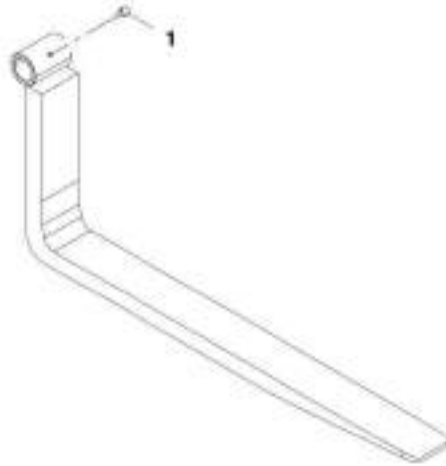
## SECTION 3 - ATTACHMENTS

**FIGURE 3-19. PALLET FORK (2.25X6X48)**

ITEM	PART NUMBER	QTY	DESCRIPTION	REV
1	1001196952	1	Pallet Fork (2.25X6X48)	B
	70027180	1	Screw, M16X30	
	Note	Ref	<p>FORKS RATED LESS THAN THE ATTACHMENT OR MACHINE'S CAPACITY DECREASES CAPACITY OF THE ATTACHMENT OR MACHINE TO THAT OF THE FORKS. FORKS RATED MORE THAN THE ATTACHMENT OR MACHINE'S CAPACITY DO NOT INCREASE ATTACHMENT OR MACHINE'S CAPACITY.</p>	
	Note	Ref	<p>PLEASE CONSULT JLG PARTS DEPARTMENT TO DETERMINE THE CORRECT FORKS APPLICABLE TO YOUR SPECIFIC CARRIAGE ASSEMBLY AND APPLICATION.</p>	

## SECTION 3 - ATTACHMENTS

FIGURE 3-20. PALLET FORK (2.25X6X60)



ART\_1301196451-B

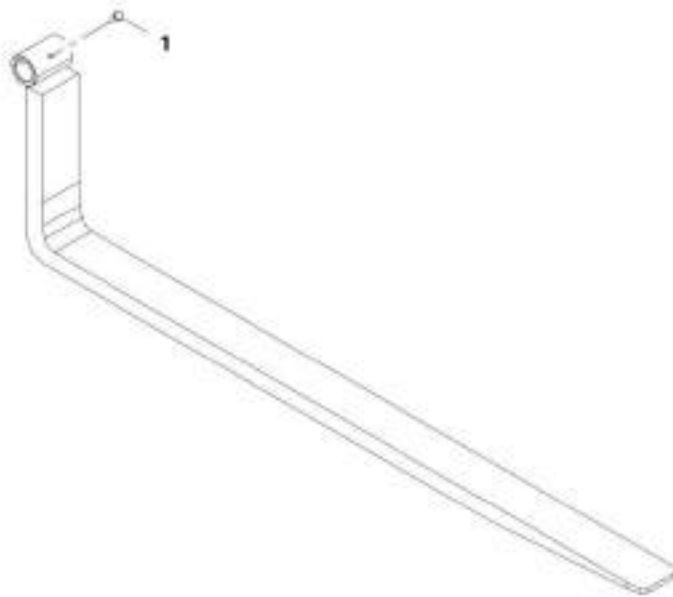
## SECTION 3 - ATTACHMENTS

**FIGURE 3-20. PALLET FORK (2.25X6X60)**

ITEM	PART NUMBER	QTY	DESCRIPTION	REV
1	1001196951	1	Pallet Fork (2.25X6X60)	B
	70027180	1	Screw, M16X30	
	Note	Ref	<p>FORKS RATED LESS THAN THE ATTACHMENT OR MACHINE'S CAPACITY DECREASES CAPACITY OF THE ATTACHMENT OR MACHINE TO THAT OF THE FORKS. FORKS RATED MORE THAN THE ATTACHMENT OR MACHINE'S CAPACITY DO NOT INCREASE ATTACHMENT OR MACHINE'S CAPACITY.</p>	
	Note	Ref	<p>PLEASE CONSULT JLG PARTS DEPARTMENT TO DETERMINE THE CORRECT FORKS APPLICABLE TO YOUR SPECIFIC CARRIAGE ASSEMBLY AND APPLICATION.</p>	

## SECTION 3 - ATTACHMENTS

FIGURE 3-21. PALLET FORK (2.25X6X72)



ART\_1301196450-B

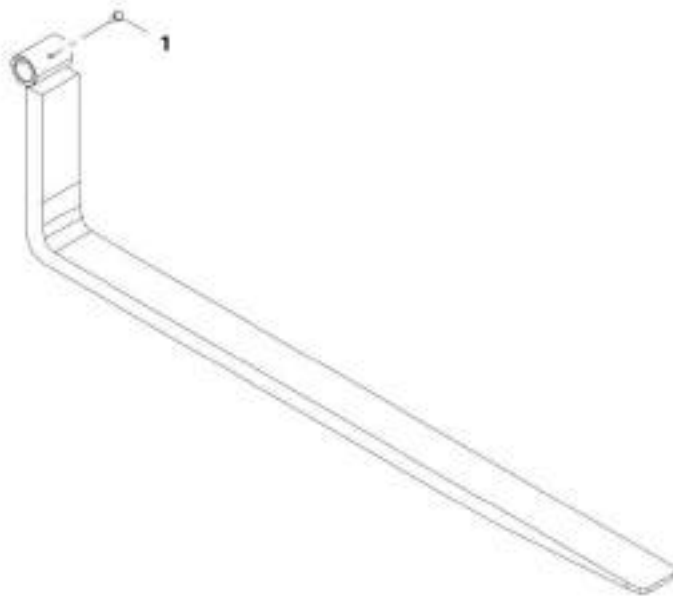
## SECTION 3 - ATTACHMENTS

**FIGURE 3-21. PALLET FORK (2.25X6X72)**

ITEM	PART NUMBER	QTY	DESCRIPTION	REV
1	1001196950	1	Pallet Fork (2.25X6X72)	B
	70027180	1 2	Screw, M16X30	
	Note	Ref	FORKS RATED LESS THAN THE ATTACHMENT OR MACHINE'S CAPACITY DECREASES CAPACITY OF THE ATTACHMENT OR MACHINE TO THAT OF THE FORKS. FORKS RATED MORE THAN THE ATTACHMENT OR MACHINE'S CAPACITY DO NOT INCREASE ATTACHMENT OR MACHINE'S CAPACITY.	
	Note	Ref	PLEASE CONSULT JLG PARTS DEPARTMENT TO DETERMINE THE CORRECT FORKS APPLICABLE TO YOUR SPECIFIC CARRIAGE ASSEMBLY AND APPLICATION.	

## SECTION 3 - ATTACHMENTS

FIGURE 3-22. PALLET FORK (2.25X6X96)



ART\_180119849-B

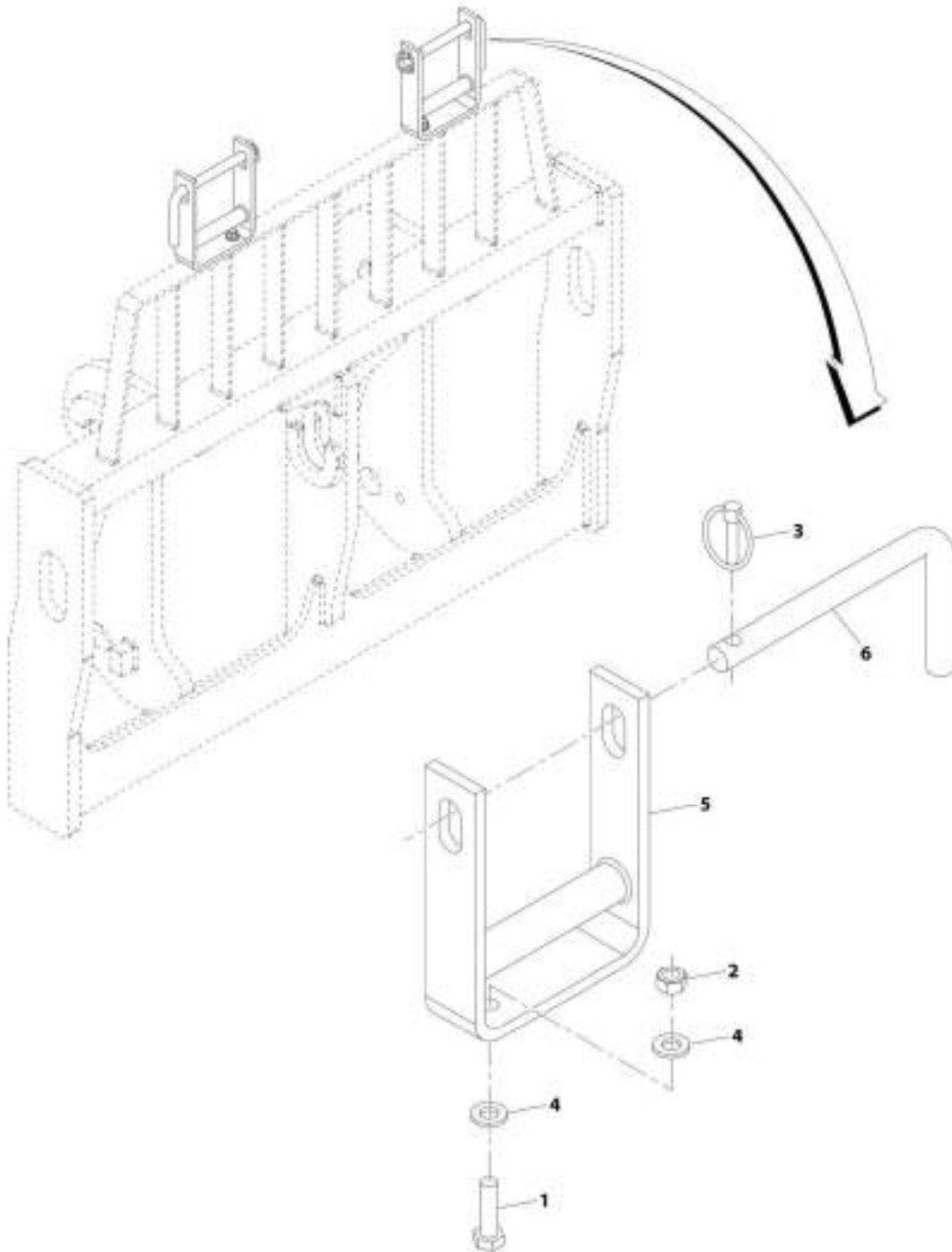
## SECTION 3 - ATTACHMENTS

**FIGURE 3-22. PALLET FORK (2.25X6X96)**

ITEM	PART NUMBER	QTY	DESCRIPTION	REV
1	1001196949	1	Pallet Fork (2.25X6X96)	B
	70027180	1 2	Screw, M16X30	
	Note	Ref	FORKS RATED LESS THAN THE ATTACHMENT OR MACHINE'S CAPACITY DECREASES CAPACITY OF THE ATTACHMENT OR MACHINE TO THAT OF THE FORKS. FORKS RATED MORE THAN THE ATTACHMENT OR MACHINE'S CAPACITY DO NOT INCREASE ATTACHMENT OR MACHINE'S CAPACITY.	
	Note	Ref	PLEASE CONSULT JLG PARTS DEPARTMENT TO DETERMINE THE CORRECT FORKS APPLICABLE TO YOUR SPECIFIC CARRIAGE ASSEMBLY AND APPLICATION.	

# SECTION 3 - ATTACHMENTS

## FIGURE 3-23. FORK RETENTION INSTALLATION



ARE\_1001190718-C



## SECTION 3 - ATTACHMENTS

### FIGURE 3-23. FORK RETENTION INSTALLATION

ITEM	PART NUMBER	QTY	DESCRIPTION	REV
	1001196778	Ref	Fork Retention Installation	C
	0761217	1	Bolt, M12X45	
	3291201	1	Nut, M12X1.75	
	1001109387	1	Pin, Linch	
	5241200	2	Washer, M12	
	1001196779	1	Bracket, Fork Retention	
	1001196782	1	Pin, Fork Retention	

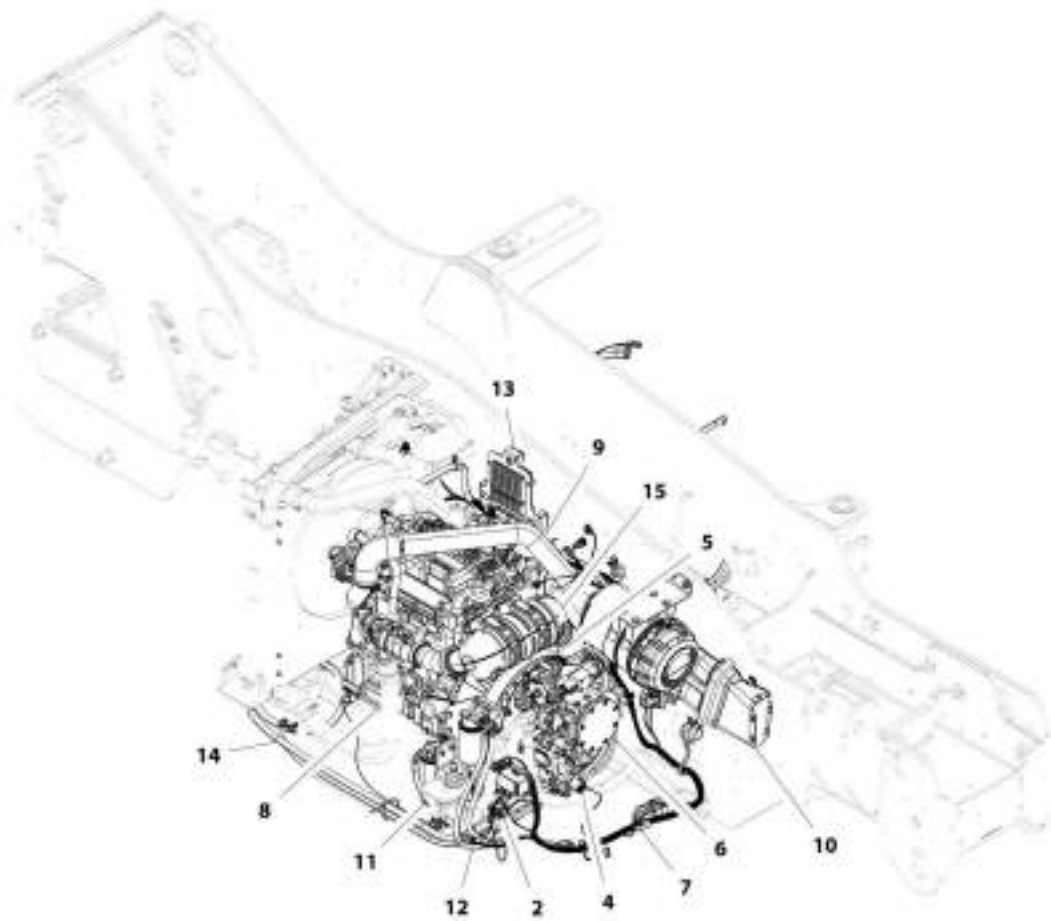


## **SECTION 4 - ENGINE AND ATTACHING PARTS**

## **SECTION 4 - ENGINE AND ATTACHING PARTS**

## SECTION 4 - ENGINE AND ATTACHING PARTS

FIGURE 4-1. ENGINE POD COMPONENT INSTALLATION (ULS)



ART\_1801206443-D

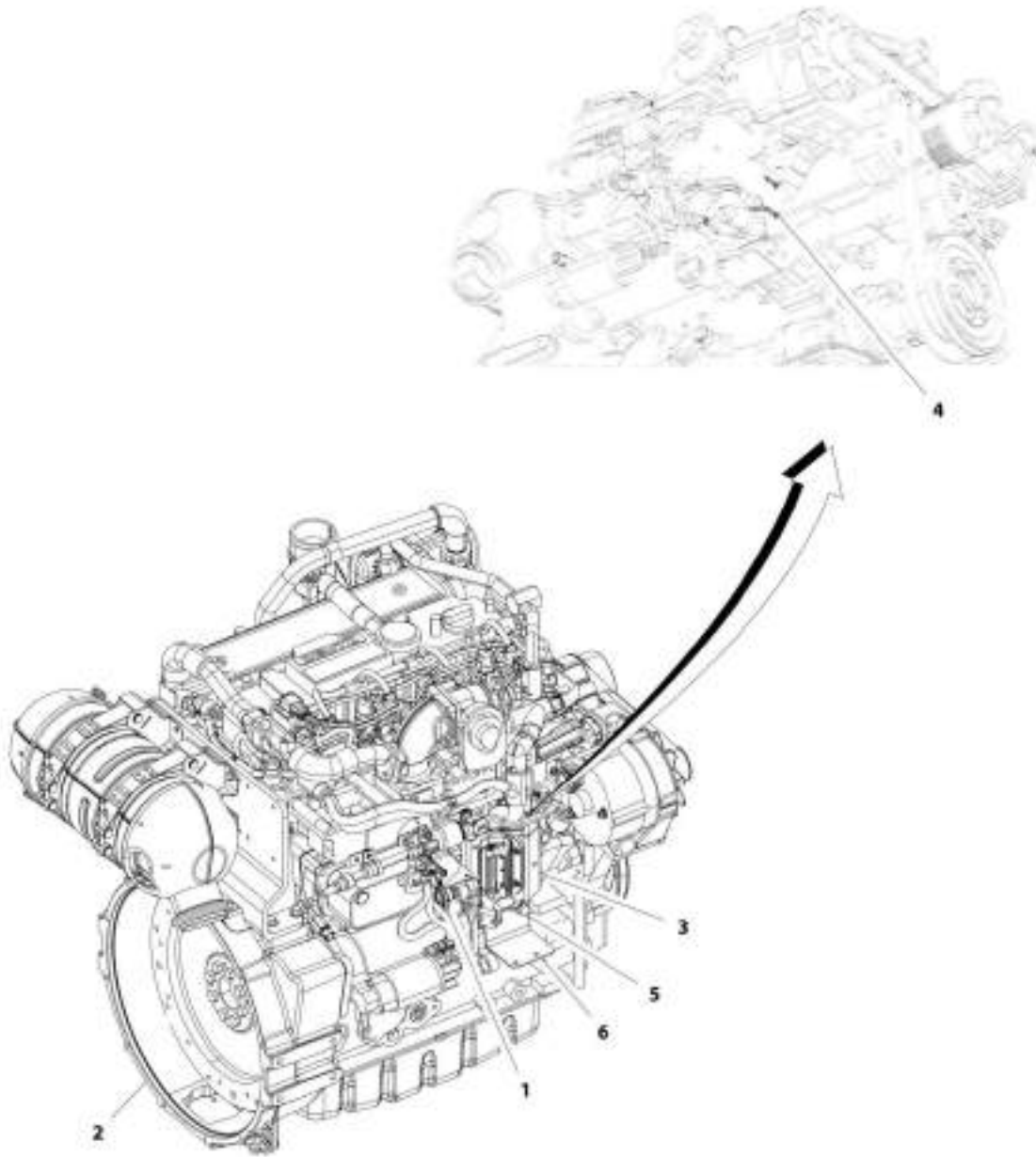
## SECTION 4 - ENGINE AND ATTACHING PARTS

**FIGURE 4-1. ENGINE POD COMPONENT INSTALLATION (ULS)**

ITEM	PART NUMBER	QTY	DESCRIPTION	REV
	1001200443	Ref	Engine Pod Component Installation (ULS)	D
2	1001221041	1	Installation, Remote Fuel Pump (See Seperate Breakdown in this Section)	
4	1001193393	1	Installation, Implement Pump (See Seperate Breakdown in this Section)	
5	1001193703	1	Installation, Hydrostatic Adaptor (See Seperate Breakdown in this Section)	
6	1001193704	1	Installation, Hydrostatic Drive Pump (See Seperate Breakdown in this Section)	
7	1001200106	1	Installation, Engine Wiring (See Seperate Breakdown in Electrical Section)	
8	1001200862	1	Installation, Engine Mount (See Seperate Breakdown in this Section)	
9	1001200863	1	Installation, Air Intake (See Seperate Breakdown in this Section)	
10	1001200864	1	Installation, Air Cleaner (See Seperate Breakdown in this Section)	
11	1001200865	1	Installation, Primary Fuel Filter (See Seperate Breakdown in this Section)	
12	1001200866	1	Installation, Fuel Lines (See Seperate Breakdown in this Section)	
13	1001200869	1	Installation, Engine ECU (See Seperate Breakdown in this Section)	
14	1001201298	1	Installation, DEF Coolant Lines (See Seperate Breakdown in this Section)	
15	1001201425	1	Installation, Engine (See Seperate Breakdown in this Section)	

# SECTION 4 - ENGINE AND ATTACHING PARTS

FIGURE 4-2. ENGINE INSTALLATION (ULS)



ART\_1801301425-D

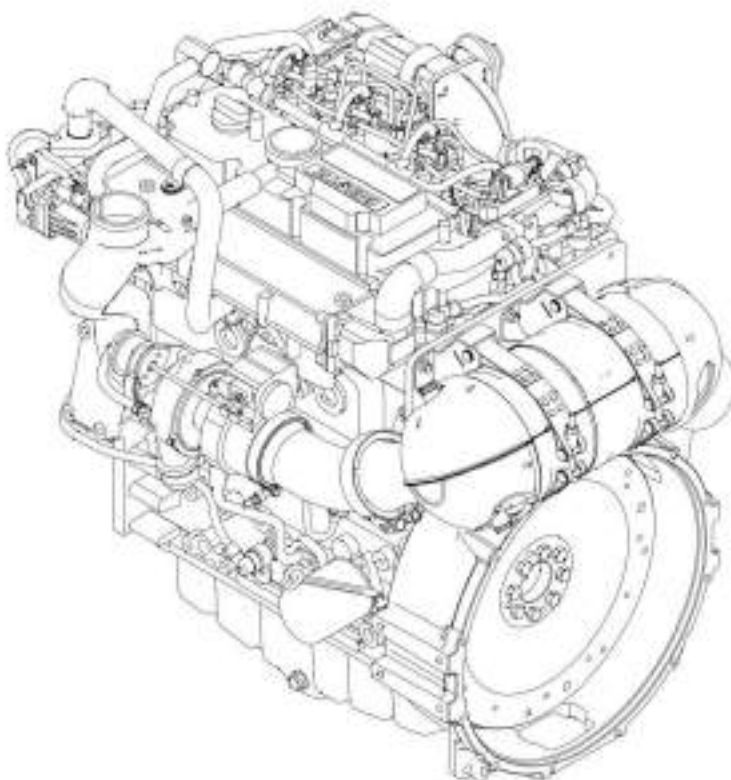
## SECTION 4 - ENGINE AND ATTACHING PARTS

FIGURE 4-2. ENGINE INSTALLATION (ULS)

ITEM	PART NUMBER	QTY	DESCRIPTION	REV
	1001201425	Ref	Engine Installation (ULS)	D
1	1001004720	4	Strap, Cable	
2	1001197414	1	Engine (See Seperate breakdown in this Section)	
3	1001202901	1	Bracket, ECU Connector	
4	1001008559	2	Strap, Cable	
5	5251012	2	Bolt, M10X25	
6	1001222460	1	Bracket, Fuel Supply	

## SECTION 4 - ENGINE AND ATTACHING PARTS

FIGURE 4-3. ENGINE (100KW - ULS)



AWT\_30011874144



## SECTION 4 - ENGINE AND ATTACHING PARTS

**FIGURE 4-3. ENGINE (100KW - ULS)**

ITEM	PART NUMBER	QTY	DESCRIPTION	REV
	1001197414	Ref	Engine (100kW - ULS)	I
	70027657	1	Dipstick	
	7020442	1	O-Ring	
	70025755	1	Tube, Dipstick	
	70025765	1	Pan, Oil	
	70025786	1	Plug	
	70025757	1	Flywheel	
	7020208	1	Gear, Ring	
	70126616	1	Bearing	
	70027567	1	Belt	
	70025737	1	Sensor, Wheel	
	70025743	1	Pulley, V-Groove	
	70124445	1	Crankcase	
	70025763	1	Pump, Oil	
	70024494	1	Cooler, Oil	
	70024495	1	Gasket	
	7016331	1	Filter, Oil	
	70024504	1	Sensor, Pressure	
	70024489	1	Line, Lube	
	70005490	1	Line, Return	
	70005730	1	Pipe, Transfer	
	70025722	1	Line, Oil Suction	
	70024487	1	Pump, Fuel Injector	
	70027417	1	Filter, Fuel (Secondary)	
	70004512	1	Element, Fuel Filter (Secondary)	
	70024961	1	Filter, Fuel (Primary)	
	70025153	1	Element, Fuel Filter (Primary)	
	70006144	1	Pump, Fuel	
	70024507	1	Sensor, Pressure	
	70005492	1	Valve, Throttle	
	70025772	1	Manifold, Air Charge	
	70005495	1	Module, Engine Control	
	70026011	1	Pump, Water	
	70025775	1	Pulley, V-Ribbed Belt	
	70024918	1	Sensor, Temperature	
	70024493	1	Gasket	
	70005504	1	Sensor, Pressure	
	70005505	1	O-Ring	
	70027405	2	Sensor, Temperature	
	70005507	2	O-Ring	
	70005510	1	Manifold, Exhaust	
	70005511	1	Gasket	
	70027426	1	Module, EGR	
	70005513	1	Valve, Control	
	70025768	1	Valve, Shuttle	
	70028417	1	Turbocharger	
	70024484	1	Roller, Idler	
	70028418	1	Tensioner, Belt	
	70028419	1	Belt, V-Ribbed	
	70027404	1	Alternator	

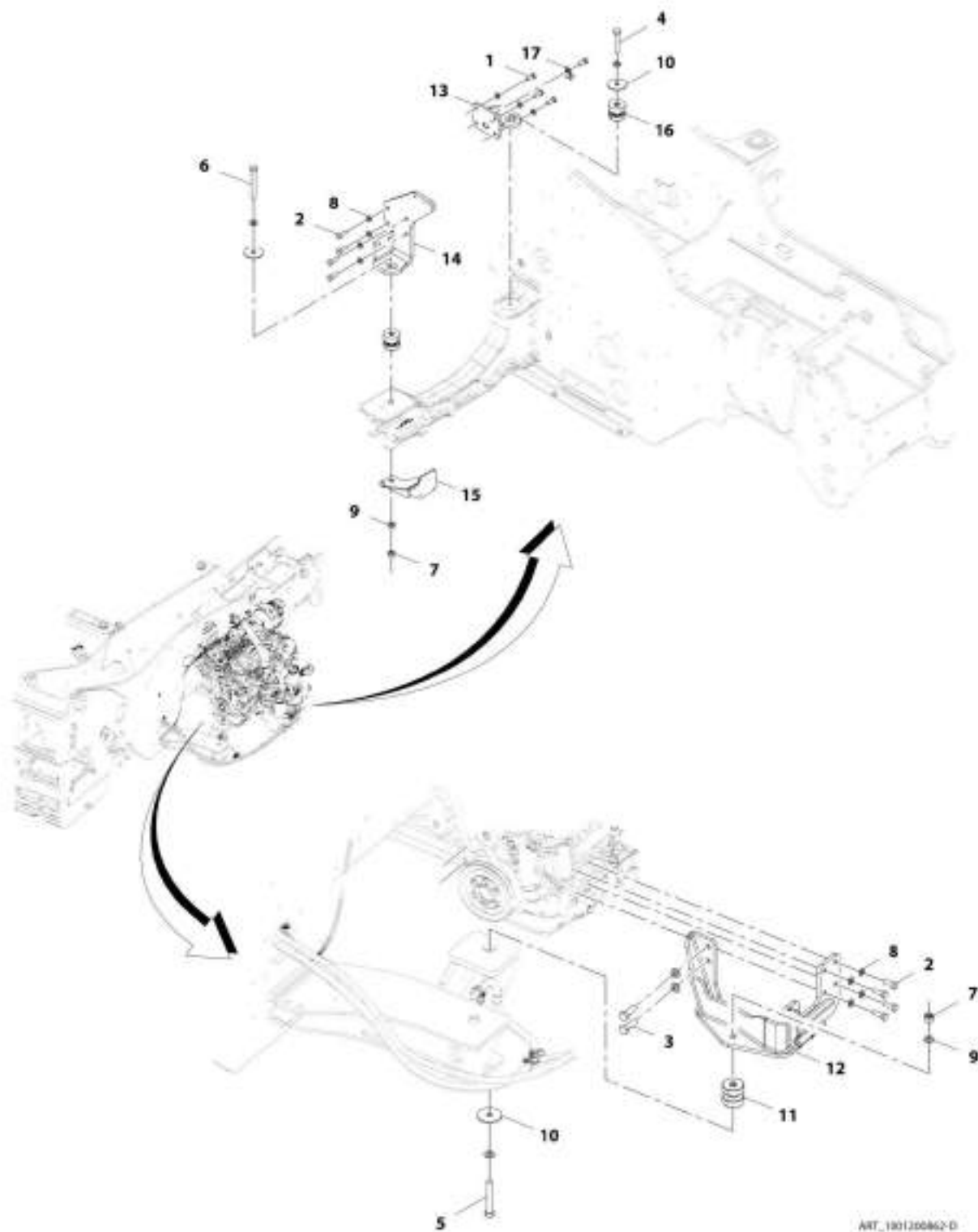
## SECTION 4 - ENGINE AND ATTACHING PARTS

ITEM	PART NUMBER	QTY	DESCRIPTION	REV
	70025535	1	Starter	
	70025780	1	Relay	
	70026210	1	Sensor, Speed	
	70005191	1	O-Ring	
	70025761	1	Connector	
	70024474	1	Plug, Glow	
	70025760	1	Rail, Connecting	
	70005544	1	Unit, Metering	
	70005548	1	Pump, DEF Supply	
	70005549	1	Filter, DEF	
	70005523	1	Sensor, Pressure	
	70024505	1	Sensor, Temperature	
	70005556	1	Sensor, Temperature	
	70005522	1	Sensor	
	70005524	1	Sensor	
	70005559	1	Sensor, Temperature	
	70005507	1	O-Ring	
	70005557	1	Pipe	
	70005558	1	Clip	
	70025877	3	Clamp	
	70025242	3	Gasket	
	70025707	1	Set, Gasket	



# SECTION 4 - ENGINE AND ATTACHING PARTS

## FIGURE 4-4. ENGINE MOUNT INSTALLATION



ART\_180130862-D

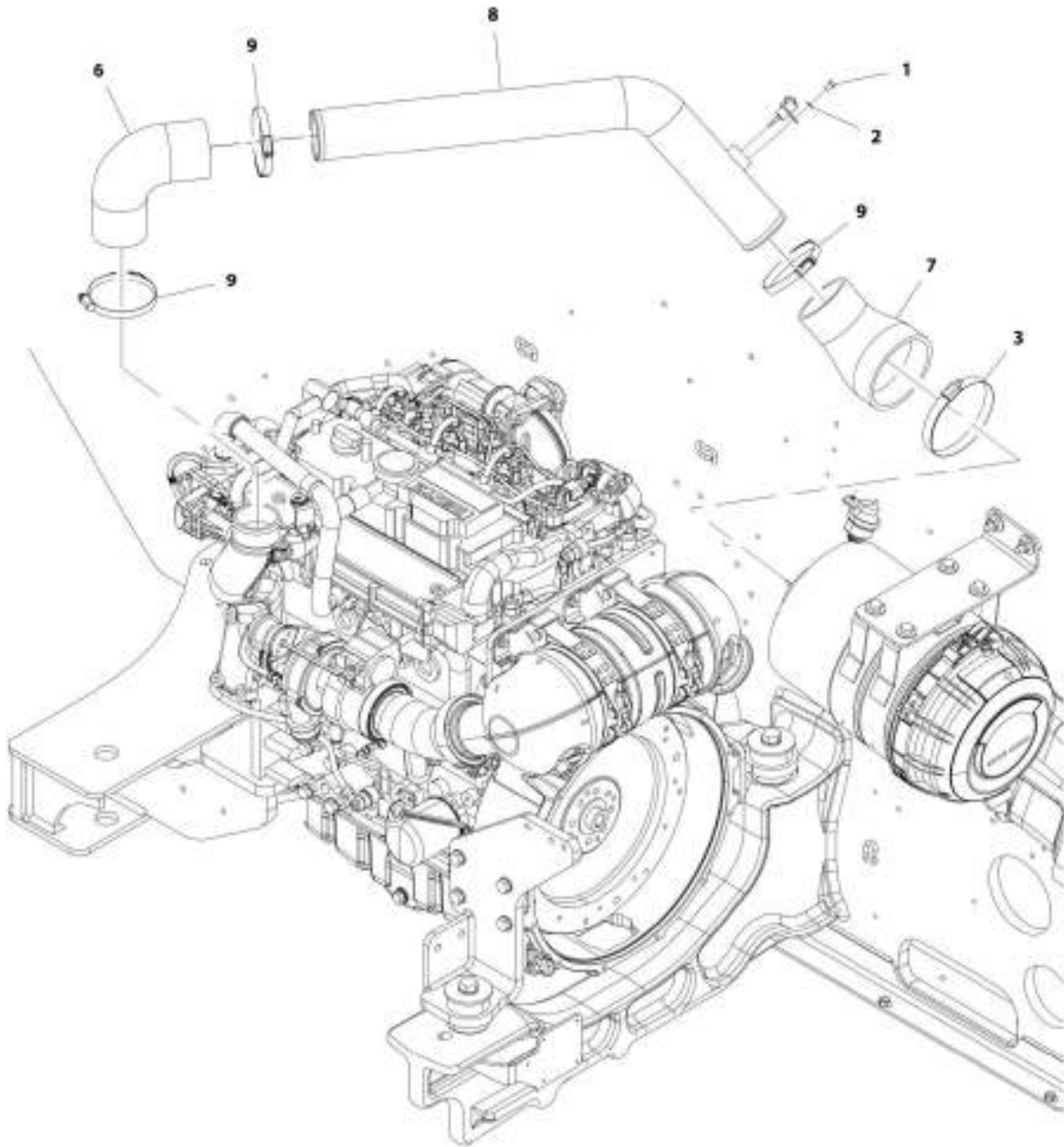
## SECTION 4 - ENGINE AND ATTACHING PARTS

**FIGURE 4-4. ENGINE MOUNT INSTALLATION**

ITEM	PART NUMBER	QTY	DESCRIPTION	REV
	1001200862	Ref	Engine Mount Installation	D
1	0761214	4	Bolt, M12X30	
2	0761215	8	Bolt, M12X35	
3	0701618	2	Bolt M16 X 50	
4	0701626	1	Bolt, M16X90	
5	0701628	1	Bolt, M16X110	
6	0701630	1	Bolt, M16X130	
7	3291605	2	Nut, Lock M16X2	
8	4812100	11	Washer, M12	
9	4812300	7	Washer, M16	
10	7300435	3	Washer	
11	1001188757	1	Mount, Engine	
12	1001200871	1	Bracket, Engine Mount	
13	1001200872	1	Bracket, Engine Mount	
14	1001200873	1	Bracket, Engine Mount	
15	1001200874	1	Bracket, Fuel Pump	
16	1001197072	2	Mount, Engine	
17	8406105	1	Clip, Tube	

# SECTION 4 - ENGINE AND ATTACHING PARTS

## FIGURE 4-5. AIR INTAKE LINES INSTALLATION



ART\_1001206865-6

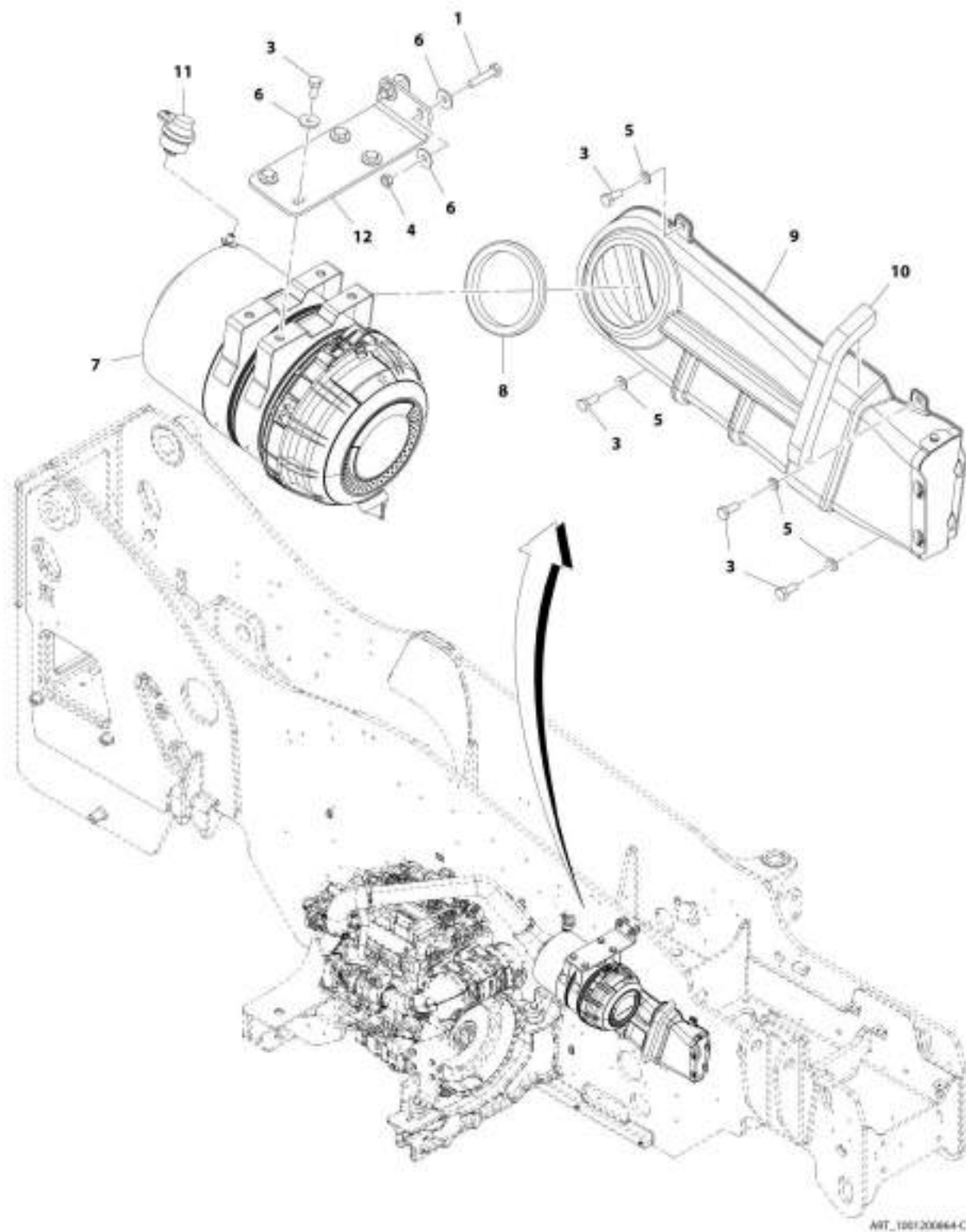
## SECTION 4 - ENGINE AND ATTACHING PARTS

FIGURE 4-5. AIR INTAKE LINES INSTALLATION

ITEM	PART NUMBER	QTY	DESCRIPTION	REV
	1001200863	Ref	Air Intake Lines Installation	B
1	0760605	1	Bolt, M6X10	
2	4811700	1	Washer, M6	
3	8405402	1	Clamp	
6	1001182881	1	Hose	
7	1001200885	1	Hose	
8	1001200886	1	Tube	
9	1001226523	3	Clamp	

# SECTION 4 - ENGINE AND ATTACHING PARTS

## FIGURE 4-6. AIR CLEANER INSTALLATION





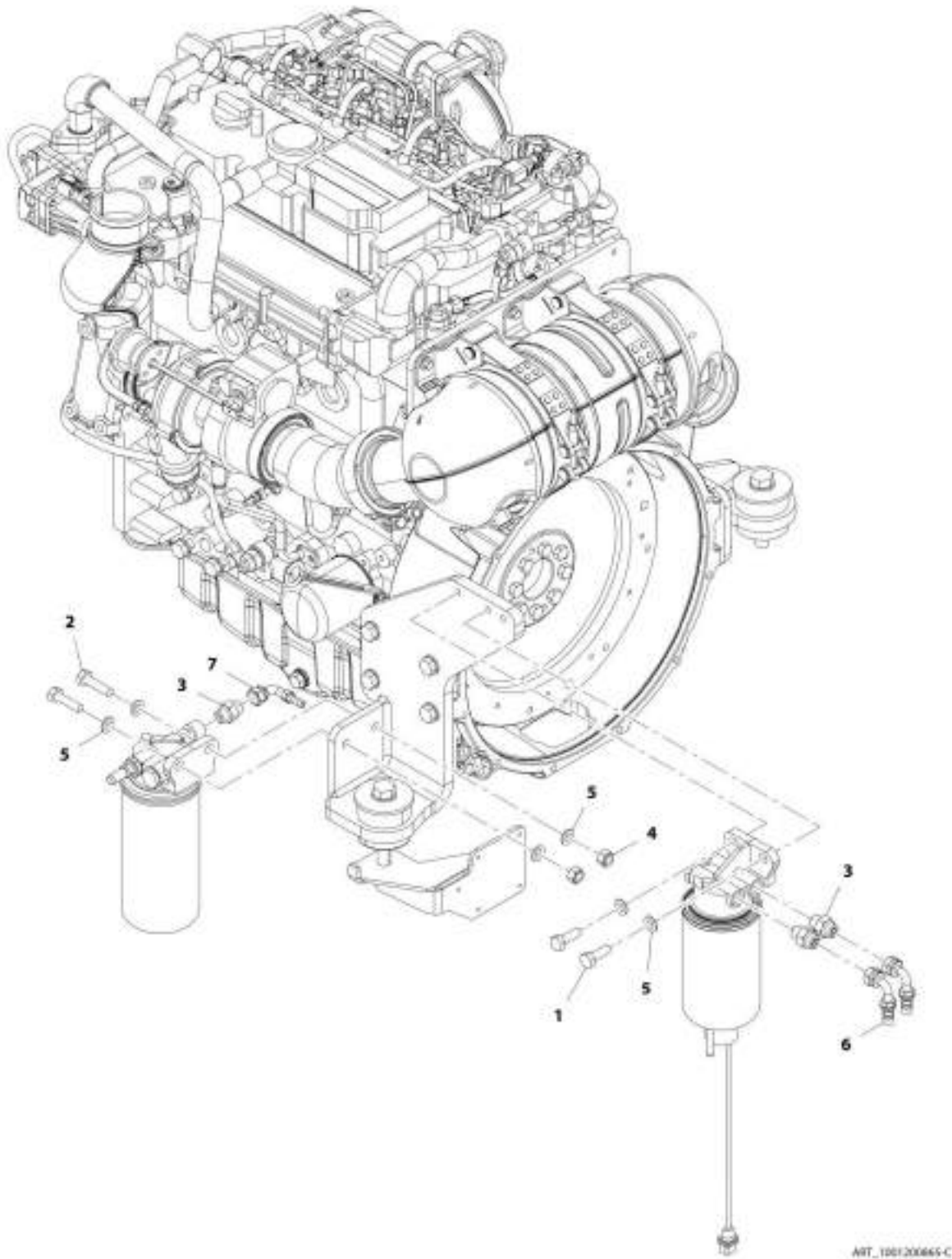
## SECTION 4 - ENGINE AND ATTACHING PARTS

FIGURE 4-6. AIR CLEANER INSTALLATION

ITEM	PART NUMBER	QTY	DESCRIPTION	REV
	1001200864	Ref	Air Cleaner Installation	C
1	0701018	2	Bolt, M10X50	
3	0761012	8	Bolt, M10X25	
4	3291001	2	Nut, M10X1.5	
5	4812000	4	Washer, M10	
6	4812002	8	Washer, M10	
7	1001166565	1	Filter, Air Cleaner (See Seperate Breakdown in this Section)	
8	1001183831	1	Grommet	
9	1001183835	1	Air Intake Duct Installation (See Seperate Breakdown in this Section)	
10	1001186898	1	Seal	
11	1001166715	1	Indicator	
12	1001194534	1	Bracket, Air Cleaner Mount	

## SECTION 4 - ENGINE AND ATTACHING PARTS

FIGURE 4-7. PRIMARY FUEL FILTER INSTALLATION (ULS)



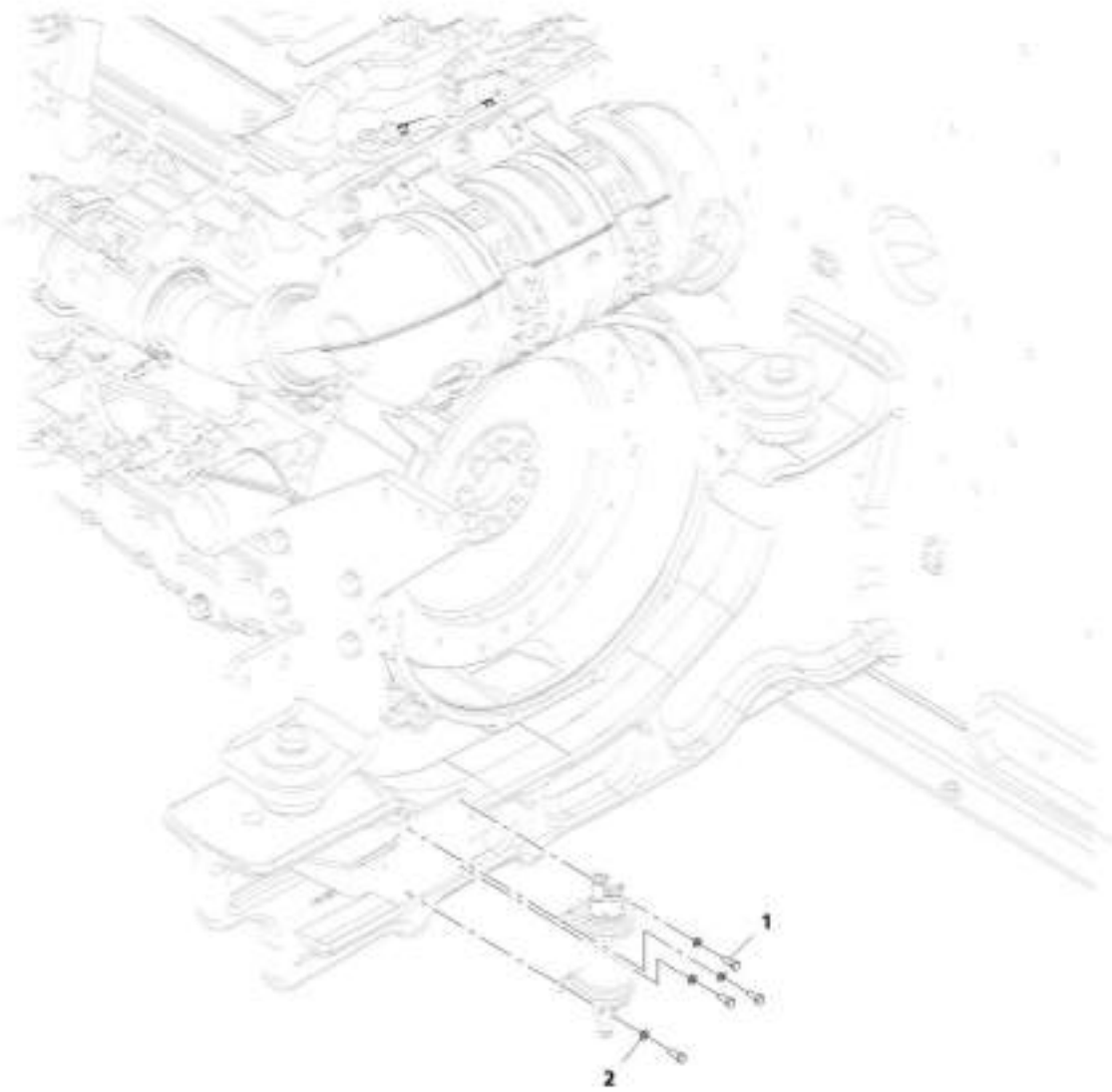
## SECTION 4 - ENGINE AND ATTACHING PARTS

FIGURE 4-7. PRIMARY FUEL FILTER INSTALLATION (ULS)

ITEM	PART NUMBER	QTY	DESCRIPTION	REV
	1001200865	Ref	Primary Fuel Filter Installation	C
1	0701014	2	Bolt, M10X30	
2	0701016	2	Bolt, M10X40	
3	2144606	3	Fitting, Straight ORFS	
4	3291005	2	Nut, Lock M10X1.5	
5	4812000	6	Washer, M10	
6	1001095301	2	Fitting, 90 ORFS	
7	1001133793	1	Fitting, 90 ORFS	

# SECTION 4 - ENGINE AND ATTACHING PARTS

## FIGURE 4-8. REMOTE FUEL PUMP INSTALLATION



ART\_1801221041-B

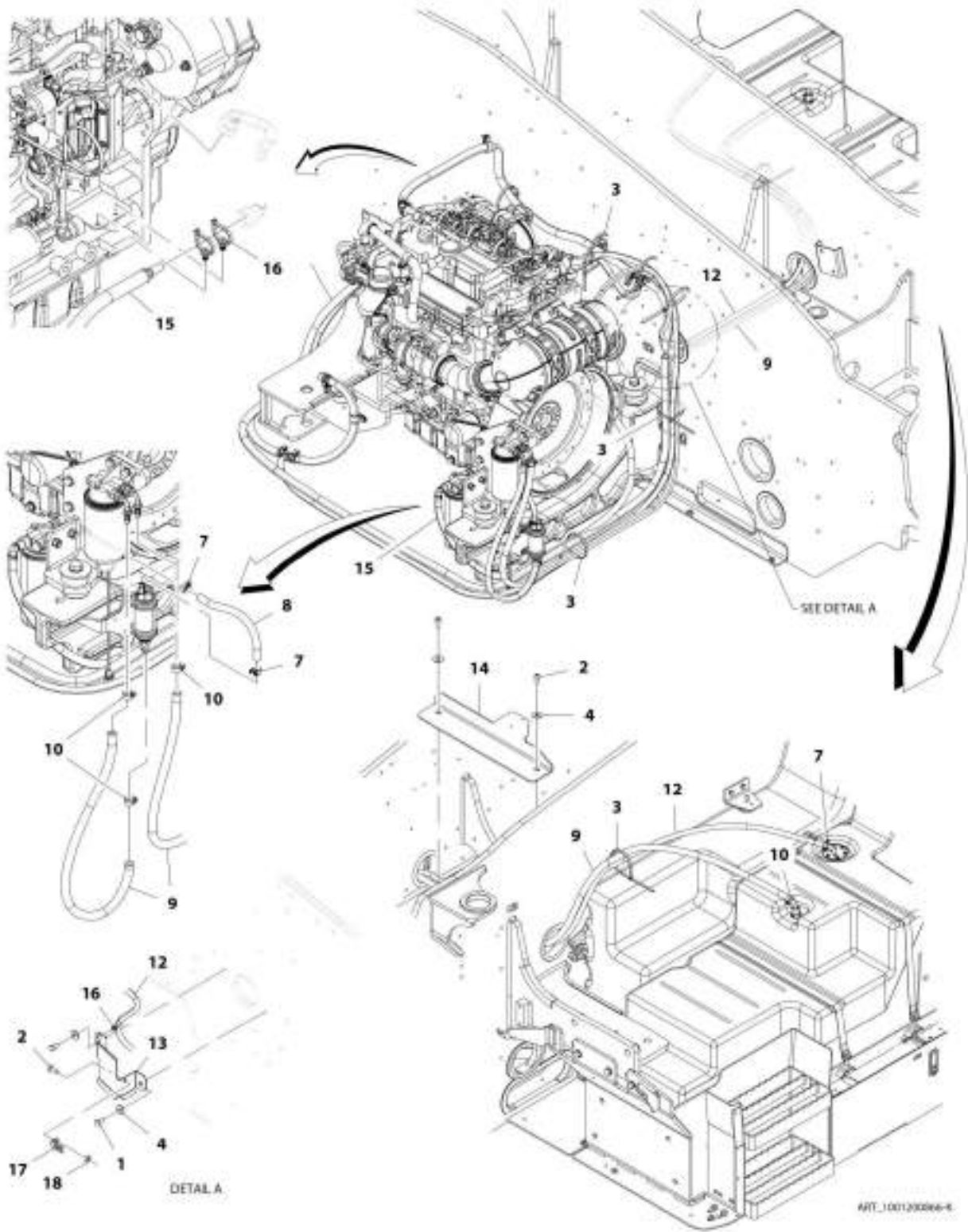
## SECTION 4 - ENGINE AND ATTACHING PARTS

FIGURE 4-8. REMOTE FUEL PUMP INSTALLATION

ITEM	PART NUMBER	QTY	DESCRIPTION	REV
	1001221041	Ref	Remote Fuel Pump Installation	B
1	0760507	4	Bolt, M5X14	
2	4811600	4	Washer, M5	

# SECTION 4 - ENGINE AND ATTACHING PARTS

## FIGURE 4-9. FUEL LINES INSTALLATION



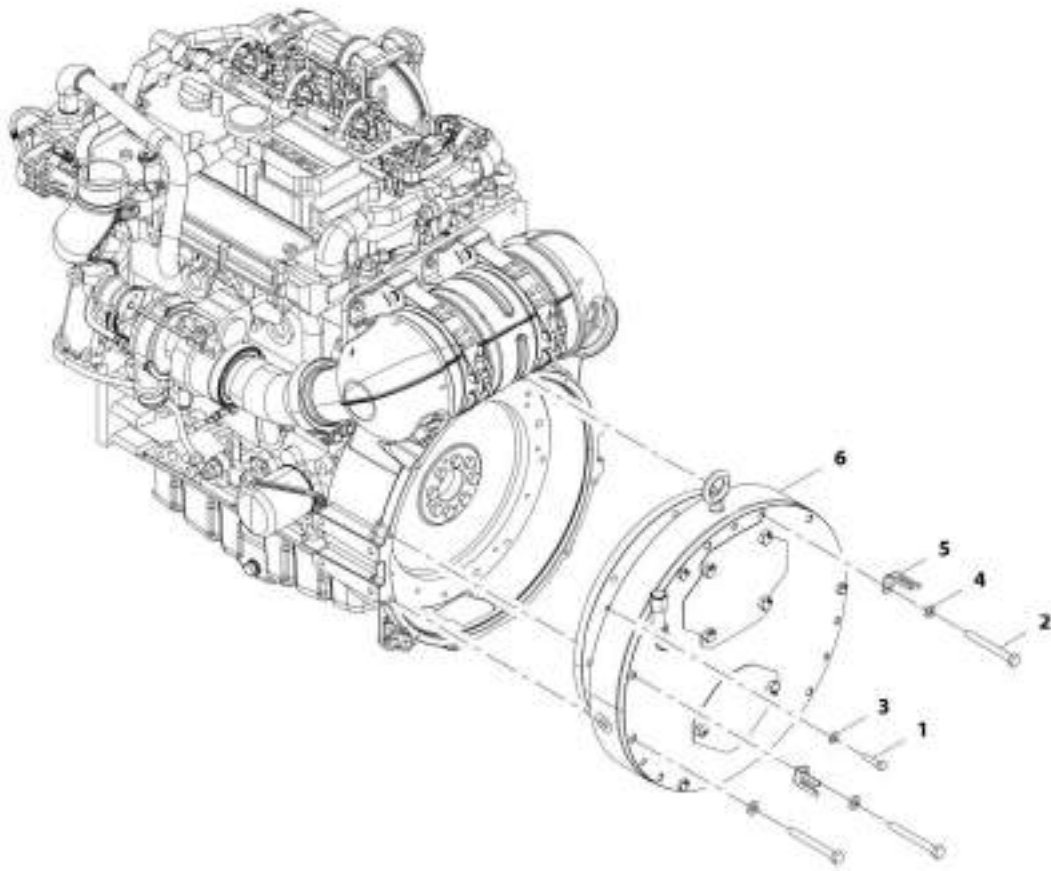
## SECTION 4 - ENGINE AND ATTACHING PARTS

**FIGURE 4-9. FUEL LINES INSTALLATION**

ITEM	PART NUMBER	QTY	DESCRIPTION	REV
	1001200866	Ref	Fuel Lines Installation	K
1	0761010	2	Bolt, M10X20	
2	1001009325	3	Screw	
3	1062255	6	Strap, Tie	
4	4812002	4	Washer, M10	
7	1001136975	3	Clamp	
8	1001165035	260 mm	Hose	
9	1001172755	4060 mm	Hose	
10	1001175568	4	Clip	
12	1001228248	1	Hose	
13	1001210870	1	Plate	
14	1001221868	1	Channel, Frame	
15	1001232850	1	Hose	
16	1001146588	3	Strap, Tie	
17	1001003305	1	Clip	
18	3291001	1	Nut, M10X1.5 Grade 8	

## SECTION 4 - ENGINE AND ATTACHING PARTS

FIGURE 4-10. HYDROSTATIC ADAPTOR INSTALLATION



ART\_1801192703-D



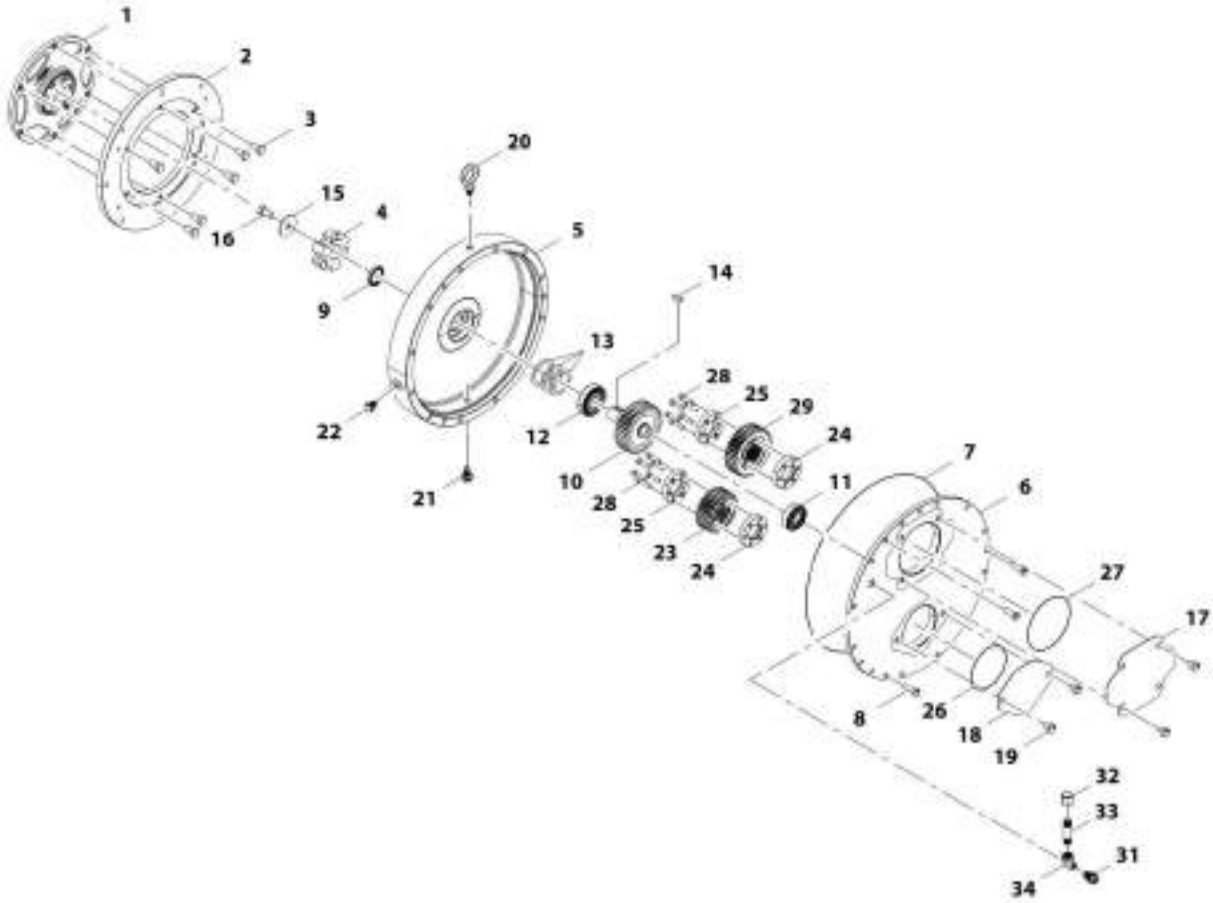
## SECTION 4 - ENGINE AND ATTACHING PARTS

FIGURE 4-10. HYDROSTATIC ADAPTOR INSTALLATION

ITEM	PART NUMBER	QTY	DESCRIPTION	REV
	1001193703	Ref	Hydrostatic Adaptor Installation	D
1	0641510	6	Bolt, 5/16-18X1.25	
2	0701026	12	Bolt, M10X90	
3	4811900	6	Washer, M8	
4	4812000	10	Washer, M10	
5	1001003305	2	Clip	
6	1001193705	1	Assembly, Dual Drive Support (See Seperate Breakdown in this Section)	

# SECTION 4 - ENGINE AND ATTACHING PARTS

## FIGURE 4-11. DUAL DRIVE SUPPORT ASSEMBLY



ART\_1801192705-E

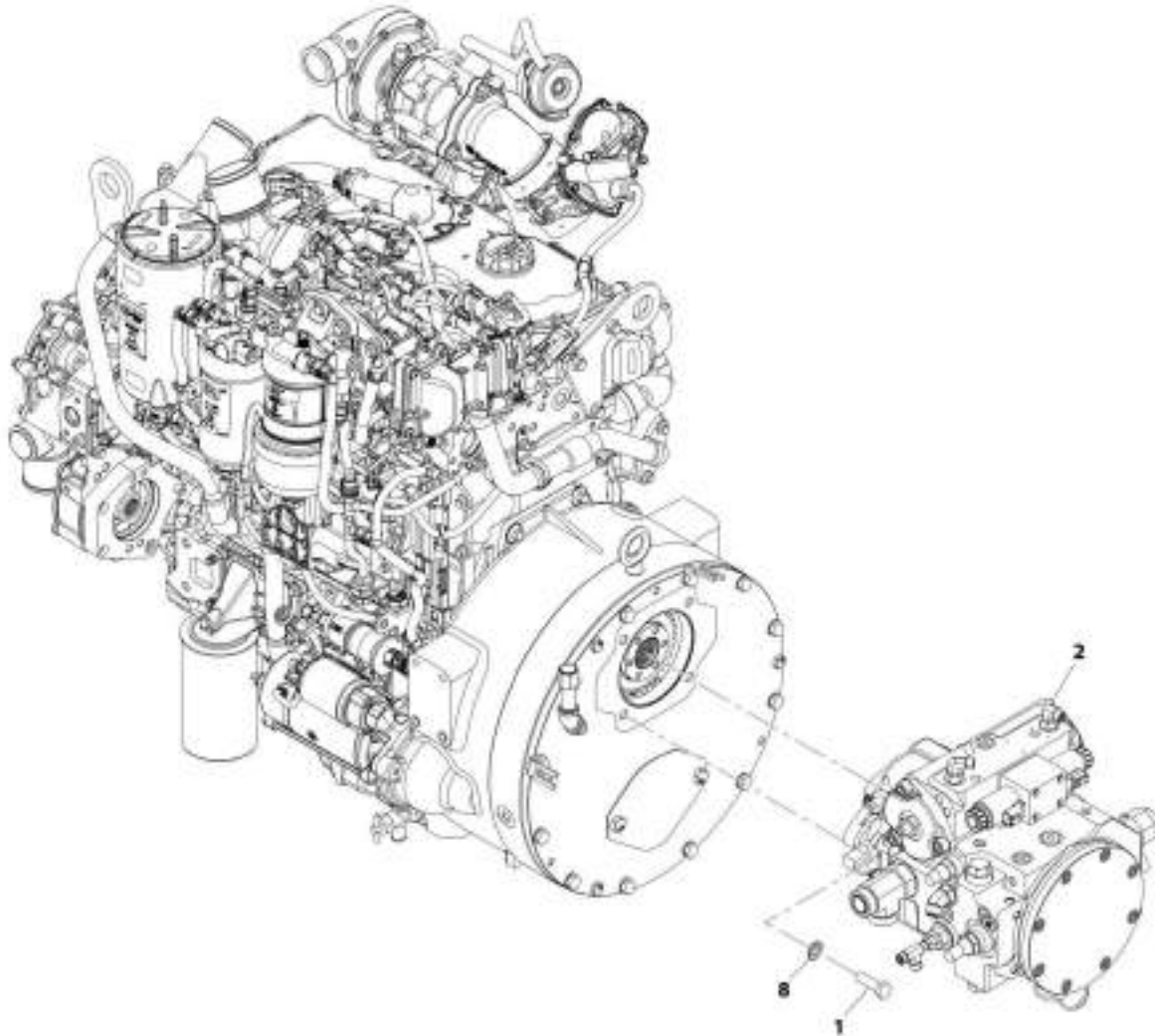
## SECTION 4 - ENGINE AND ATTACHING PARTS

**FIGURE 4-11. DUAL DRIVE SUPPORT ASSEMBLY**

ITEM	PART NUMBER	QTY	DESCRIPTION	REV
	1001193705	Ref	Dual Drive Support Assembly	E
1	70028327	1	Plate, Flex	
2	70028328	1	Plate, Flywheel Adapter	
3	70028329	6	Bolt	
4	70028330	1	Hub, Flex	
5	70028331	1	Gear Box Half, Input Side	
6	70028332	1	Gear Box Half, Output Side	
7	70028333	1	O-Ring	
8	70028334	3	Bolt	
9	70028335	1	Seal, Shaft	
10	70028336	1	Gear, Input Shaft	
11	70028337	1	Bearing, Angular Contact	
12	70028338	1	Bearing, Angular Contact	
13	70028339	3	Washer	
14	70028340	1	Key	
15	70028341	1	Washer	
16	70028342	1	Bolt	
17	70028343	1	Cover, Pump Mount Implement	
18	70028344	1	Cover, Pump Mount Hydrastat	
19	70028345	6	Bolt	
20	70028346	1	Eyebolt, Modified	
21	70028347	1	Plug	
22	70028348	1	Plug	
23	70028349	1	Pump, Gear,30 Tooth	
24	70028350	2	Locking Ring, Tapered	
25	70028351	2	Locking Ring, Tapered	
26	70028352	1	O-Ring	
27	70028353	1	O-Ring	
28	70028354	12	Bolt	
29	70028355	1	Pump, Gear, 35 Tooth	
31	70028357	1	Adapter, 90	
32	70028358	1	Breather	
33	70028359	1	Nipple	
34	70028360	1	Adapter, 45	

## SECTION 4 - ENGINE AND ATTACHING PARTS

FIGURE 4-12. HYDROSTATIC DRIVE PUMP INSTALLATION



ART-1001193704-C

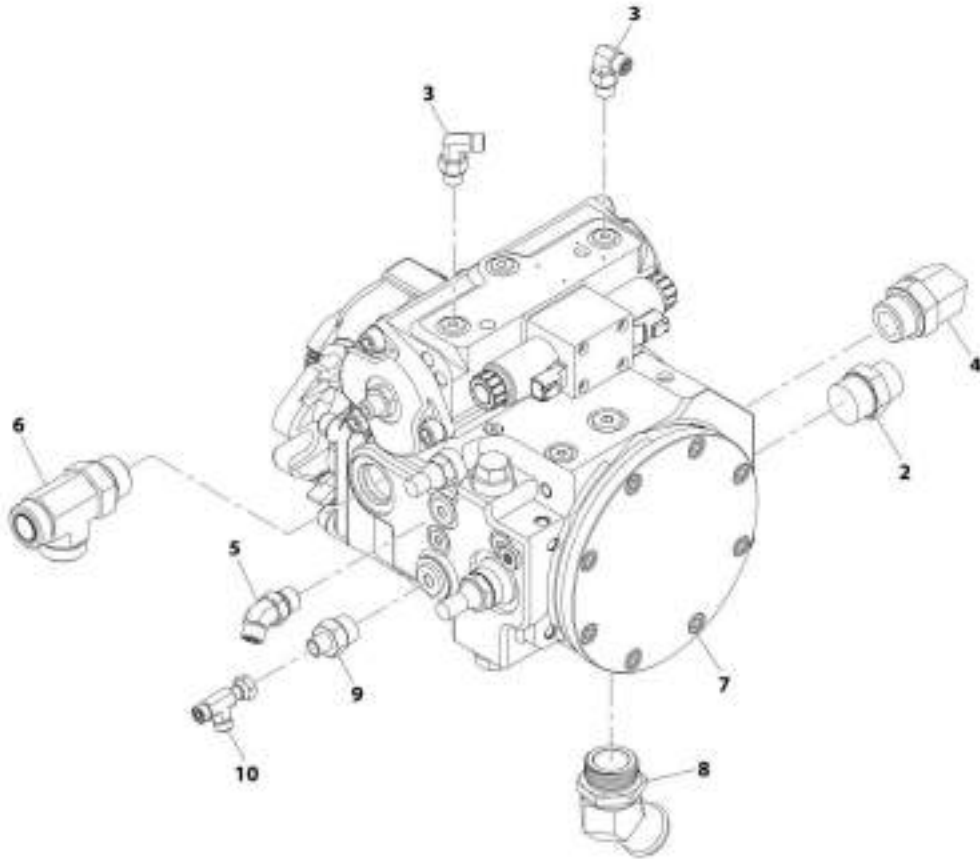
## SECTION 4 - ENGINE AND ATTACHING PARTS

FIGURE 4-12. HYDROSTATIC DRIVE PUMP INSTALLATION

ITEM	PART NUMBER	QTY	DESCRIPTION	REV
	1001193704	Ref	Hydrostatic Drive Pump Installation	D
1	0711216	4	Bolt, M12X40	
2	1001210771	1	Assembly, Hydrostatic Drive Pump (See Seperate Breakdown in this Section)	
8	4740532	4	Washer, M12	

## SECTION 4 - ENGINE AND ATTACHING PARTS

FIGURE 4-13. HYDROSTATIC DRIVE PUMP ASSEMBLY



ART\_1001210771-C

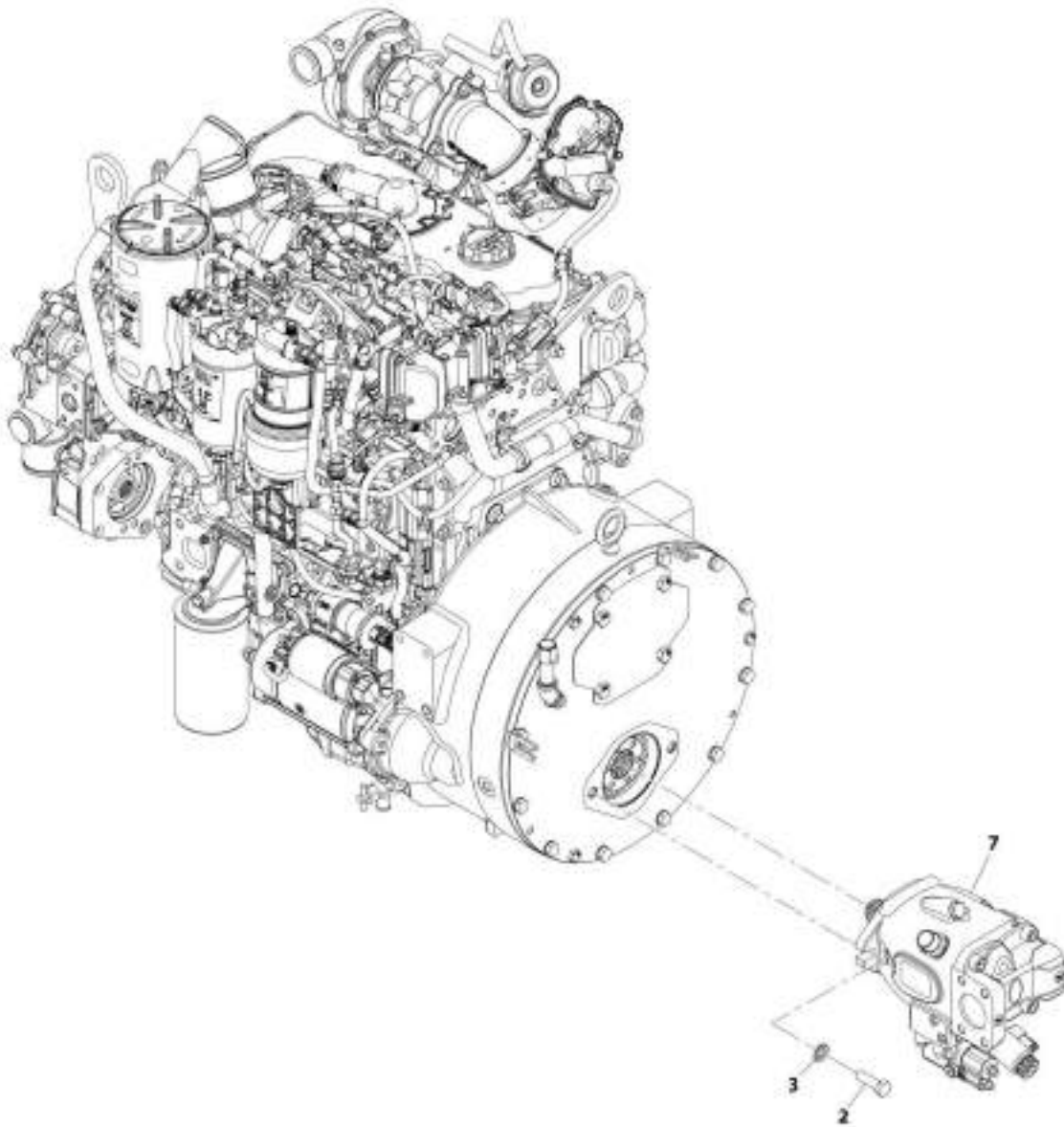
## SECTION 4 - ENGINE AND ATTACHING PARTS

FIGURE 4-13. HYDROSTATIC DRIVE PUMP ASSEMBLY

ITEM	PART NUMBER	QTY	DESCRIPTION	REV
	1001210771	Ref	Hydrostatic Drive Pump Assembly	C
2	2111216	1	Fitting, Straight ORFS	
3	2130406	2	Fitting, 90 ORFS	
4	2131216	1	Fitting, 90 ORFS	
5	2150608	1	Fitting, 45 ORFS	
6	2170316	1	Fitting, TEE ORFS	
7	1001193307	1	Pump, Hydrostatic Drive (See Seperate Breakdown in Hydraulic Components Section)	
8	1001196664	1	Fitting, 45	
9	2110410	1	Fitting, Straight ORFS	
10	2170704	1	Fitting, Tee ORFS	

## SECTION 4 - ENGINE AND ATTACHING PARTS

FIGURE 4-14. IMPLEMENT PUMP INSTALLATION



ART\_100100389-D



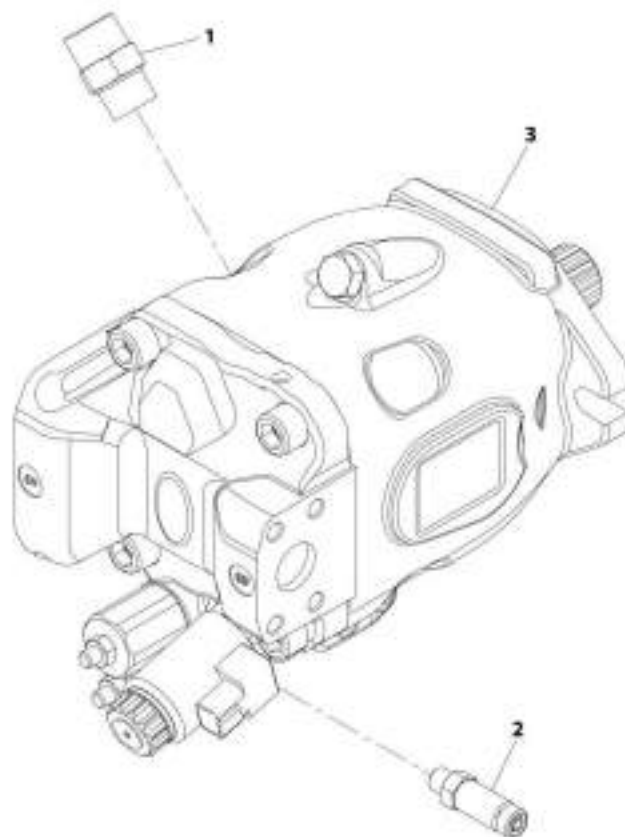
## SECTION 4 - ENGINE AND ATTACHING PARTS

FIGURE 4-14. IMPLEMENT PUMP INSTALLATION

ITEM	PART NUMBER	QTY	DESCRIPTION	REV
	1001193393	Ref	Implement Pump Installation	D
2	0711216	2	Bolt, M12X40	
3	4740532	2	Washer	
7	1001212739	1	Assembly, Implement Pump (See Seperate Breakdown in this Section)	

## SECTION 4 - ENGINE AND ATTACHING PARTS

FIGURE 4-15. IMPLEMENT PUMP ASSEMBLY



ART\_1061212739-A

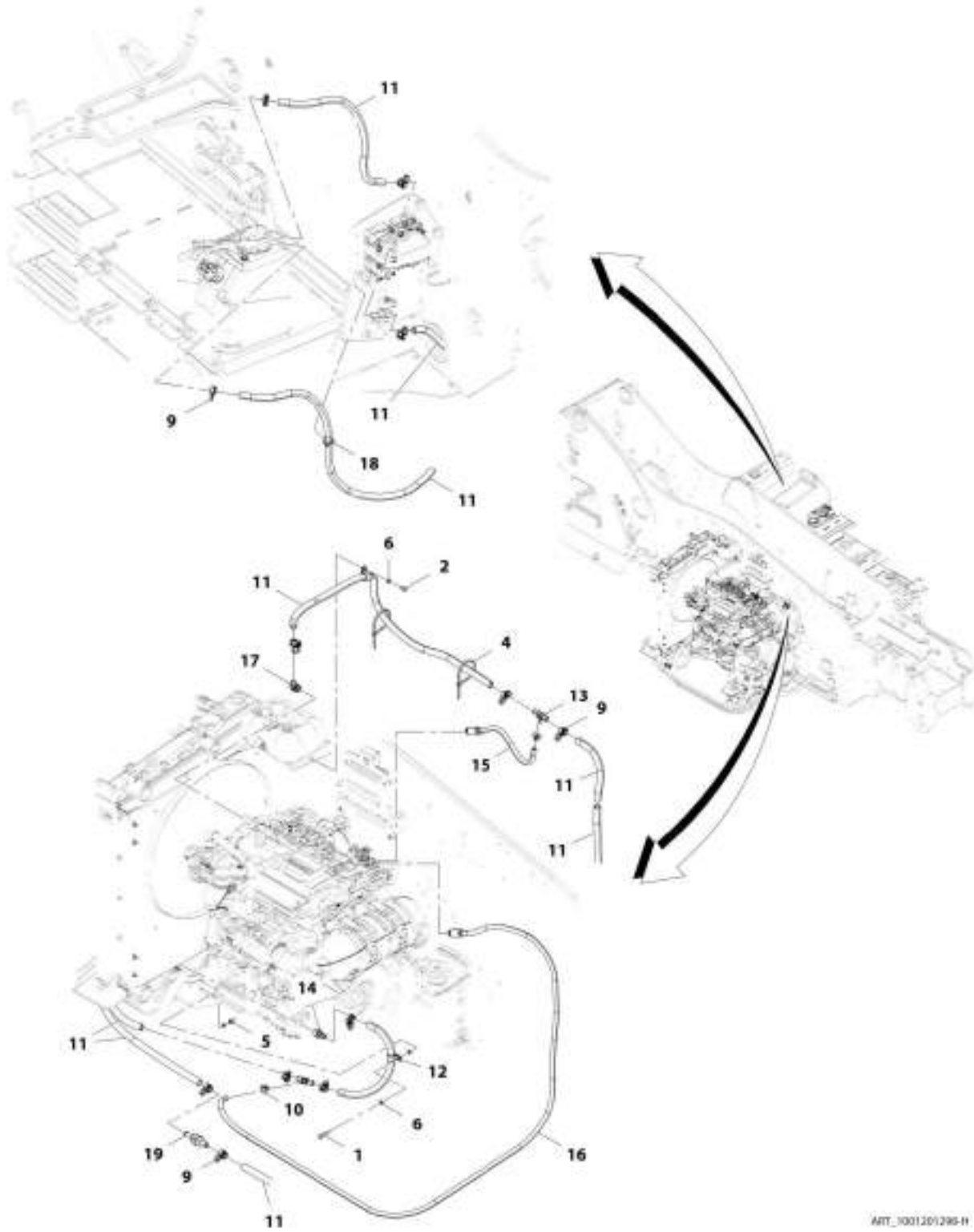
## SECTION 4 - ENGINE AND ATTACHING PARTS

FIGURE 4-15. IMPLEMENT PUMP ASSEMBLY

ITEM	PART NUMBER	QTY	DESCRIPTION	REV
	1001212739	Ref	Implement Pump Assembly	A
1	2111010	1	Fitting, Straight ORFS	
2	2170104	1	Fitting, Straight ORFS	
3	1001180070	1	Pump, Implement (See Seperate Breakdown in Hydraulic Component Section)	

# SECTION 4 - ENGINE AND ATTACHING PARTS

FIGURE 4-16. DEF COOLANT LINES INSTALLATION (ULS)



ART\_1001201295-H

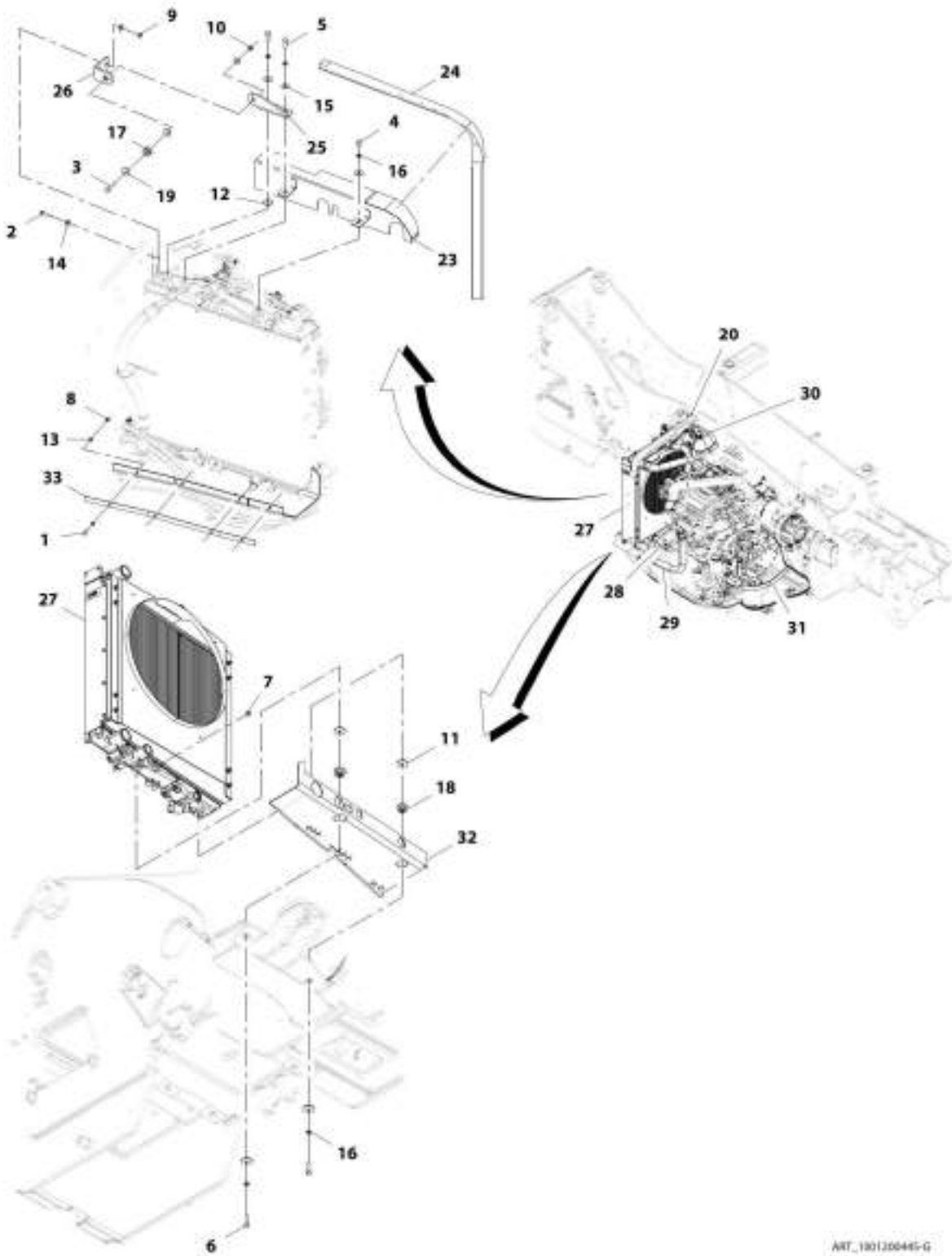
## SECTION 4 - ENGINE AND ATTACHING PARTS

**FIGURE 4-16. DEF COOLANT LINES INSTALLATION (ULS)**

ITEM	PART NUMBER	QTY	DESCRIPTION	REV
	1001201298	Ref	DEF Coolant Lines Installation (ULS)	H
1	0700816	1	Bolt, M8X40	
2	0760810	1	Bolt, M8X20	
4	1062255	AR	Strap, Tie	
5	3290805	1	Nut, M8X1.25	
6	4811900	3	Washer, M8	
9	1001202526	12	Clamp	
10	8410013	2	Clamp	
11	82033995	9695 mm	Hose	
12	1001100319	2	Clip	
13	1001162212	2	Pipe	
14	1001167409	1	Pipe	
15	1001201299	1	Hose	
16	1001201300	1	Hose	
17	1001203005	1	Fitting, 45	
18	1001146588	1	Strap, Tie	
19	1001228872	1	Filter	

# SECTION 4 - ENGINE AND ATTACHING PARTS

## FIGURE 4-17. COOLING PACKAGE INSTALLATION



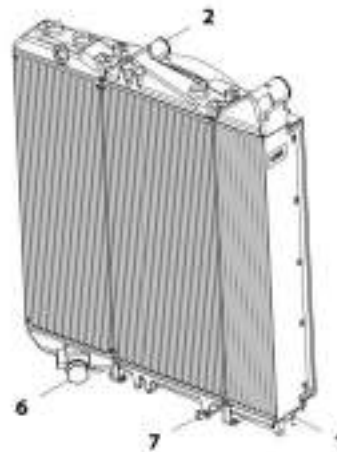
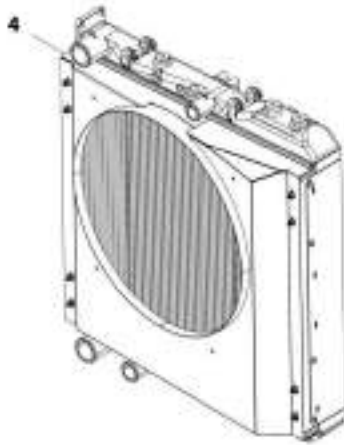
## SECTION 4 - ENGINE AND ATTACHING PARTS

**FIGURE 4-17. COOLING PACKAGE INSTALLATION**

ITEM	PART NUMBER	QTY	DESCRIPTION	REV
	1001200445	Ref	Cooling Package Installation	G
1	0760812	4	Bolt,M8X25	
2	0701018	2	Bolt, M10X50	
3	0701020	1	Bolt, M10X60	
4	0761210	1	Bolt, M12X20	
5	0761215	2	Bolt, M12X35	
6	0761218	2	Bolt, M12X50	
7	2200223	1	Plug	
8	3290801	4	Nut, M8X1.25	
9	3291001	2	Nut, M10X1.5	
10	3291005	1	Nut, Lock M10X1.5	
11	4740274	4	Washer	
12	4740550	1	Washer, M12	
13	4811900	8	Washer, M8	
14	4812002	5	Washer, M10	
15	4812102	3	Washer, M12	
16	4832100	5	Washer, Lock M12	
17	8278020	1	Mount	
18	1001114803	2	Mount	
19	1001155540	2	Washer	
20	1001173457	1	Seal	
23	1001196191	1	Bracket, Air Baffle	
24	1001196193	1	Seal	
25	1001200498	1	Bracket, Radiator	
26	1001200499	1	Bracket, Frame	
27	1001201301	1	Radiator, (See Seperate Breakdown in this Section)	
28	1001201302	Ref	Installation, Coolant Lines (See Seperate Breakdown in this Section)	
29	1001201303	Ref	Installation, Radiator Lines (See Seperate Breakdown in this Section)	
30	1001201304	Ref	Installation, Surge Tank (See Seperate Breakdown in this Section)	
31	1001201305	Ref	Installation, Transmission Oil Cooler Lines (See Seperate Breakdown in this Section)	
32	1001203947	1	Panel, Air Dam	
33	1001203948	1	Plate, Air Dam	

# SECTION 4 - ENGINE AND ATTACHING PARTS

## FIGURE 4-18. RADIATOR



ART\_1801201301-D



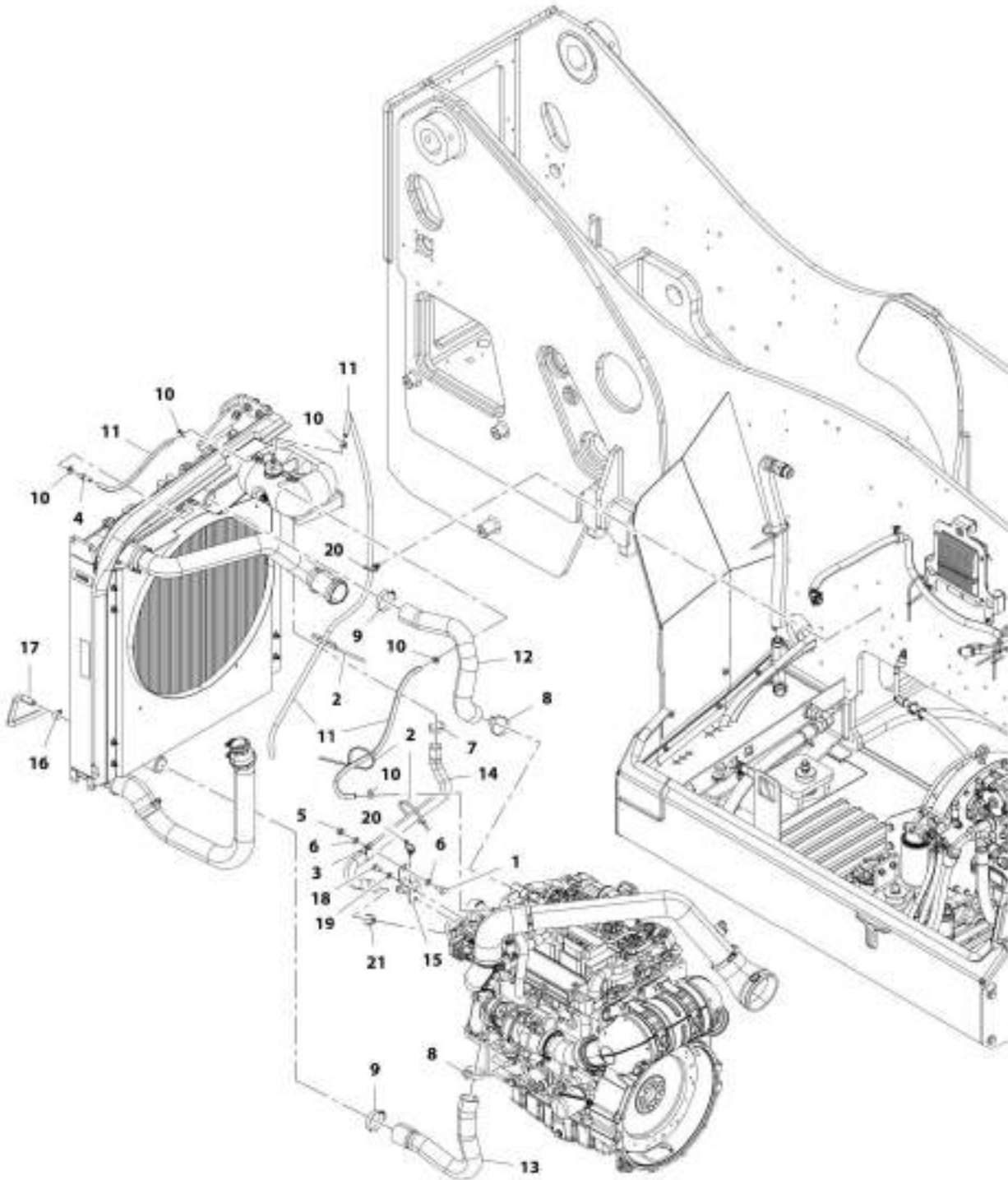
## SECTION 4 - ENGINE AND ATTACHING PARTS

FIGURE 4-18. RADIATOR

ITEM	PART NUMBER	QTY	DESCRIPTION	REV
	1001201301	Ref	RADIATOR,COOLING PACKAGE	D
1	70026353	1	Cooler, Air Charge	
2	70026354	1	Radiator	
4	70026359	2	Bracket, Shroud Mounting	
6	70026082	1	Valve, Bypass	
7	70026081	1	Petcock	

# SECTION 4 - ENGINE AND ATTACHING PARTS

## FIGURE 4-19. COOLANT LINES INSTALLATION



AWT\_1001301302-E

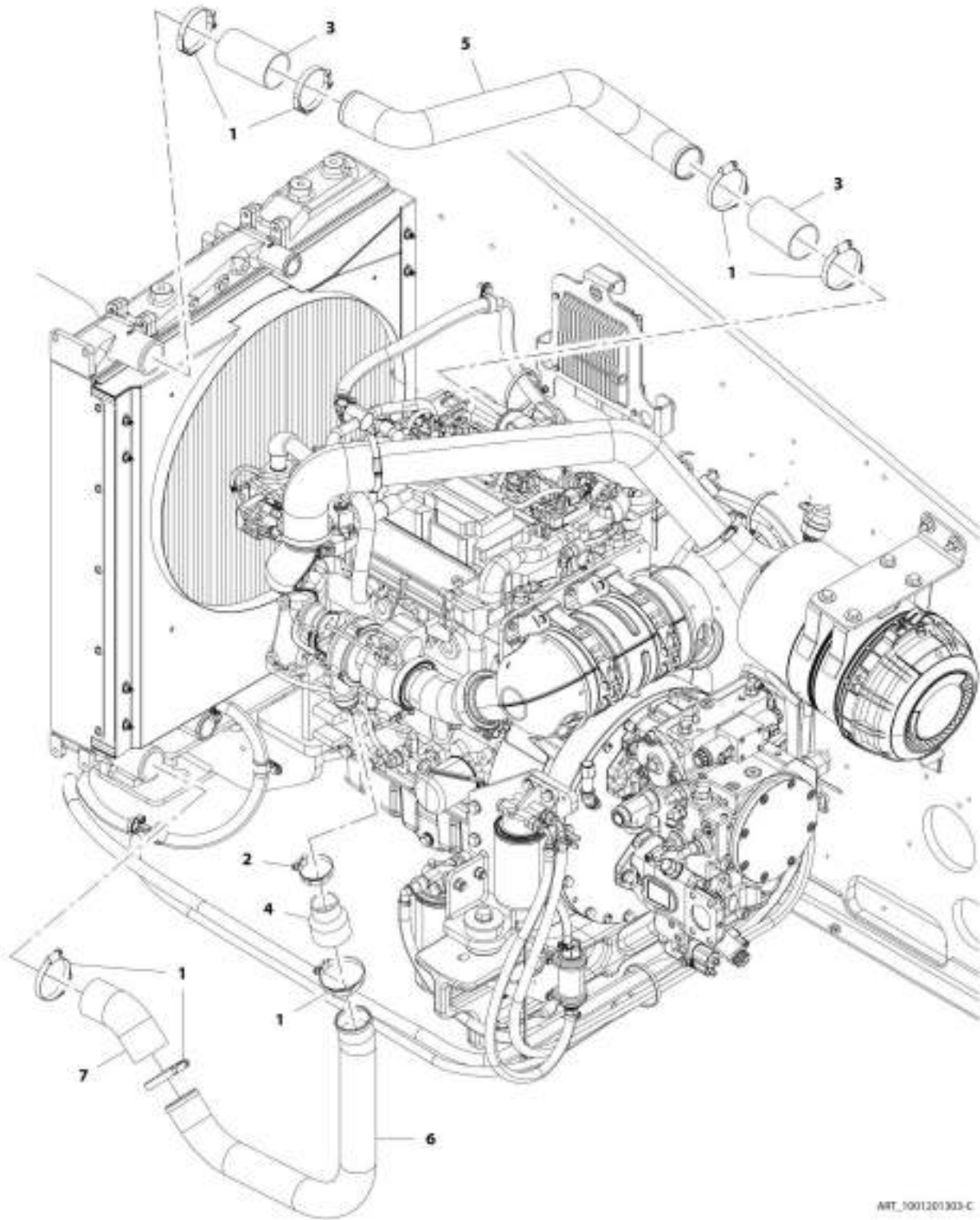
## SECTION 4 - ENGINE AND ATTACHING PARTS

**FIGURE 4-19. COOLANT LINES INSTALLATION**

ITEM	PART NUMBER	QTY	DESCRIPTION	REV
	1001201302	Ref	Coolant Lines Installation	E
1	0761212	1	Bolt, M12X25	
2	1062255	3	Strap, Tie	
3	1320060	1	Clamp, Hose	
4	2220767	1	Fitting	
5	3291201	1	Nut, M12	
6	4812100	2	Washer, M12	
7	8405101	1	Clamp, Gear	
8	8405104	2	Clamp, Gear	
9	8405201	2	Clamp, Gear	
10	8405009	5	Clamp, Gear	
11	1001180542	2465 mm	Hose	
12	1001217762	1	Hose	
13	1001201309	1	Hose	
14	1001217763	1	Hose	
15	1001217761	1	Bracket	
16	8405006	1	Clamp, Gear	
17	1001180553	370 mm	Hose	
18	0761010	1	Bolt, M12X20	
19	4812000	1	Washer, M10	
20	1001146588	2	Strap, Tie	
21	8405007	1	Clamp, Gear	

# SECTION 4 - ENGINE AND ATTACHING PARTS

## FIGURE 4-20. RADIATOR LINES INSTALLATION



ART\_7001201303-C

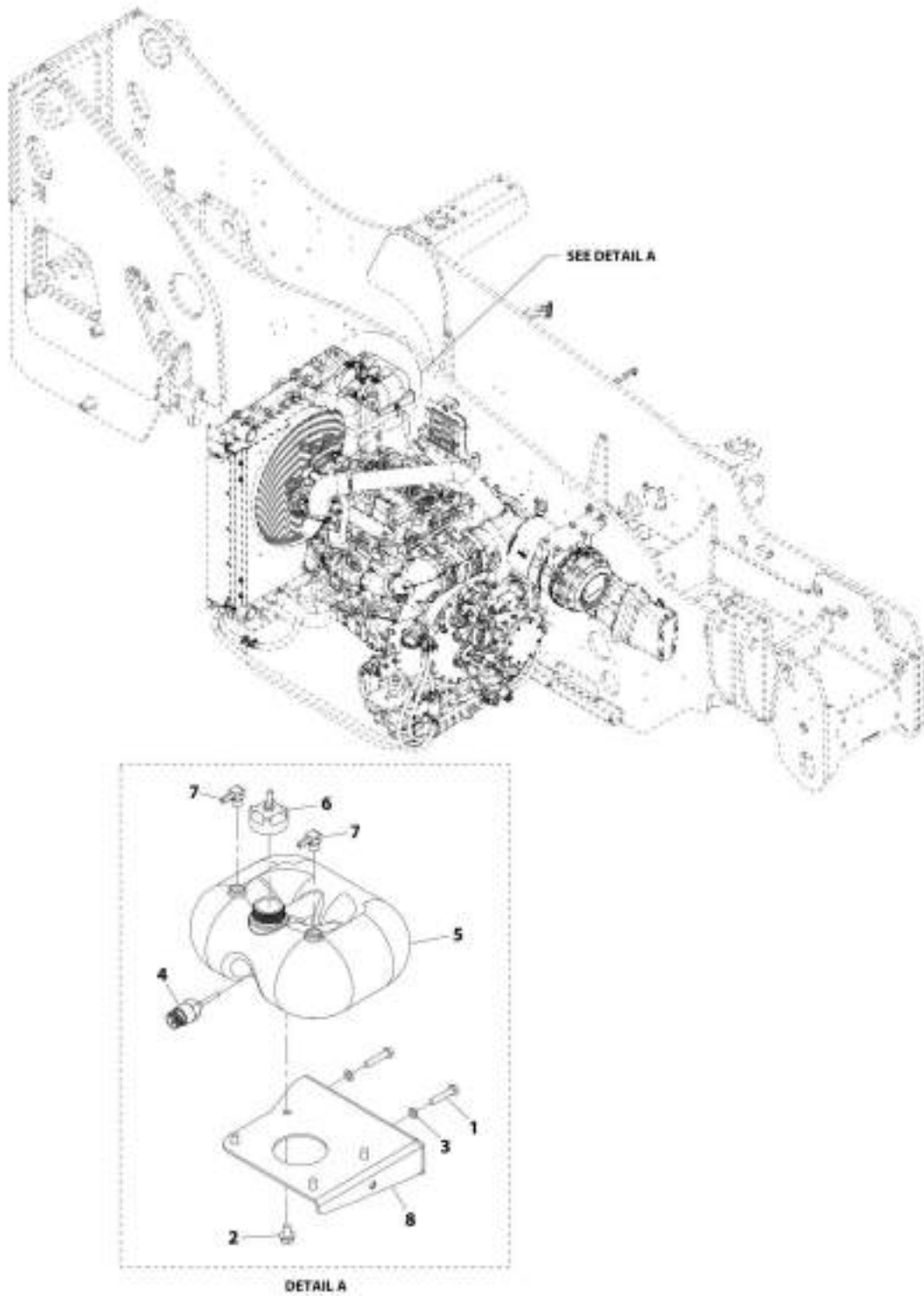
## SECTION 4 - ENGINE AND ATTACHING PARTS

FIGURE 4-20. RADIATOR LINES INSTALLATION

ITEM	PART NUMBER	QTY	DESCRIPTION	REV
	1001201303	Ref	Radiator Lines Installation	C
1	1001215022	7	Clamp	
2	1001215024	1	Clamp	
3	1001114495	2	Hose	
4	1001173528	1	Coupling, Reducer	
5	1001201314	1	Pipe	
6	1001201315	1	Pipe	
7	1001201316	1	Elbow, 45	

# SECTION 4 - ENGINE AND ATTACHING PARTS

## FIGURE 4-21. SURGE TANK INSTALLATION



ART\_1001201304-B

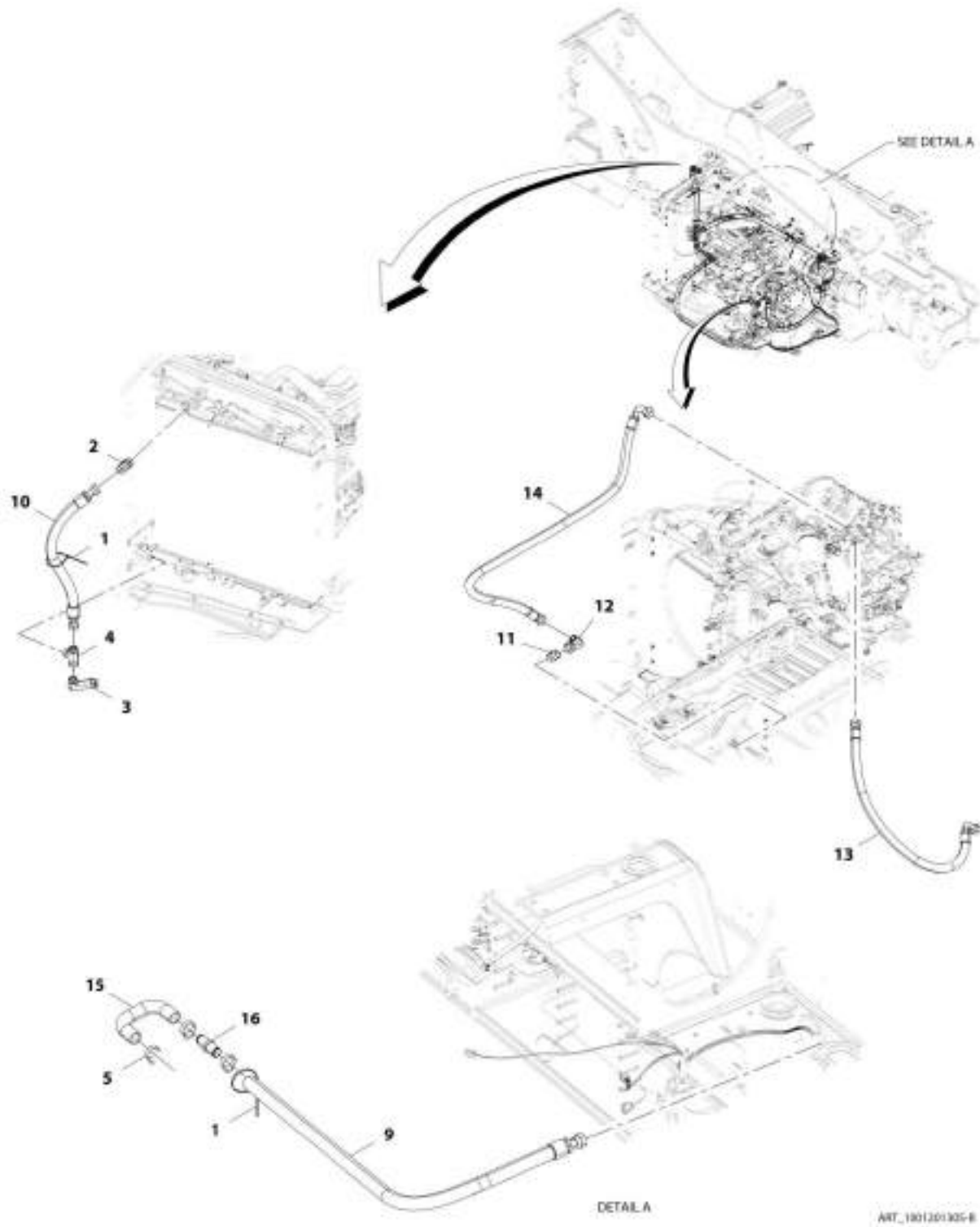
## SECTION 4 - ENGINE AND ATTACHING PARTS

FIGURE 4-21. SURGE TANK INSTALLATION

ITEM	PART NUMBER	QTY	DESCRIPTION	REV
	1001201304	Ref	Surge Tank Installation	B
1	0700816	2	Bolt, M8X40	
2	0791605	4	Screw	
3	4811900	2	Washer, M8	
4	1001138827	1	Sensor, Coolant Level	
5	1001128144	1	Tank, Coolant	
6	1001128341	1	Cap	
7	1001169368	2	Fitting, Hose Barb	
8	1001201317	1	Bracket, Coolant Tank	

# SECTION 4 - ENGINE AND ATTACHING PARTS

## FIGURE 4-22. TRANSMISION OIL COOLER LINES INSTALLATION





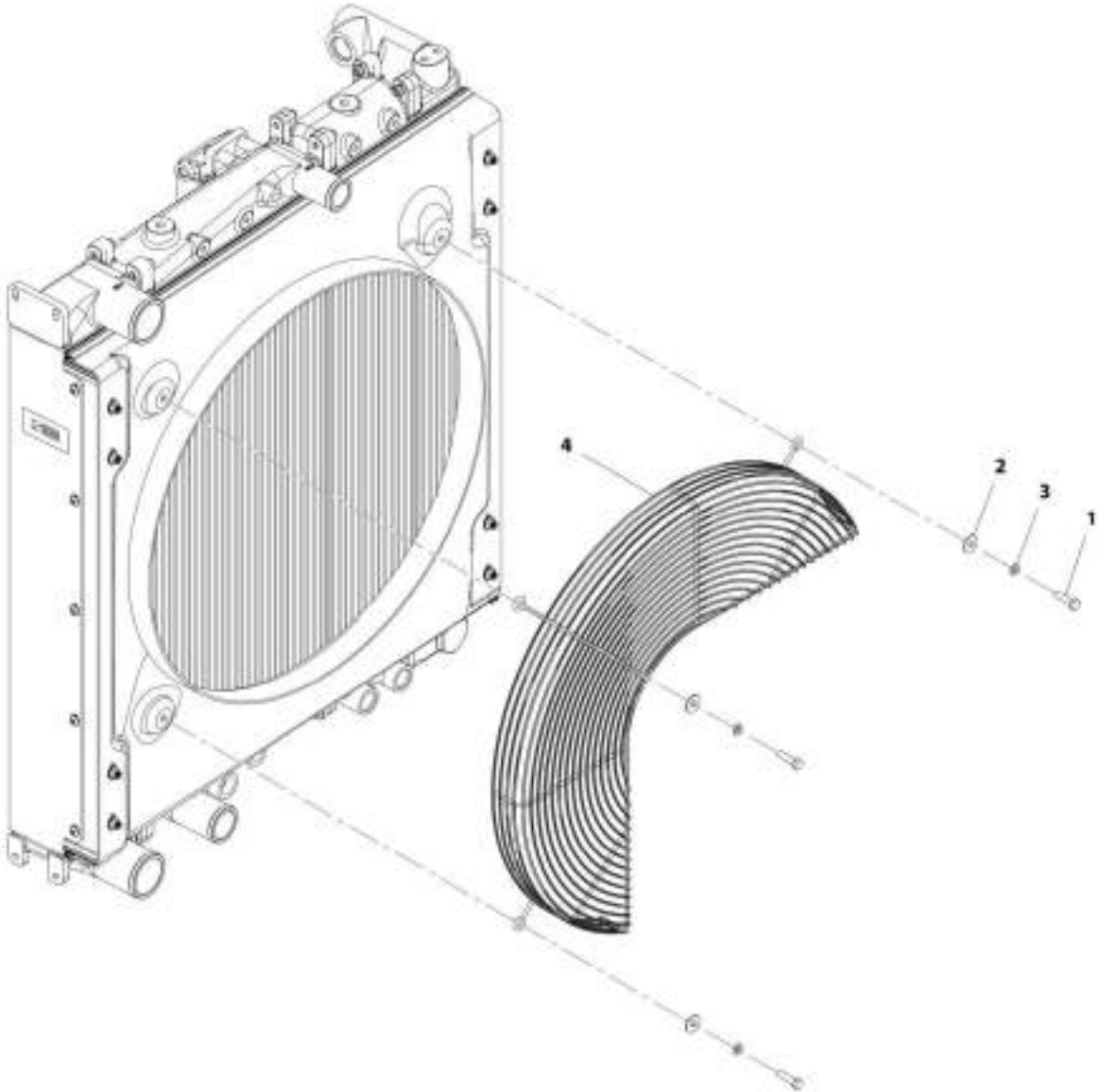
## SECTION 4 - ENGINE AND ATTACHING PARTS

FIGURE 4-22. TRANSMISION OIL COOLER LINES INSTALLATION

ITEM	PART NUMBER	QTY	DESCRIPTION	REV
	1001201305	Ref	Transmission Oil Cooler Lines Installation	B
1	1062255	AR	Strap, Tie	
2	2151616	1	Fitting, 45 ORFS	
3	2170216	1	Fitting, 90 ORFS	
4	2170716	1	Fitting, TEE ORFS	
5	8405102	3	Clamp, Gear	
9	1001205564	1	Hose	
10	1001205565	1	Hose	
11	2111616	1	Fitting, Straight ORFS	
12	2172116	1	Fitting, 90 ORFS	
13	1001211616	1	Hose	
14	1001211617	1	Hose	
15	1001212920	1	Hose	
16	1001212921	1	Fitting, Straight	

**SECTION 4 - ENGINE AND ATTACHING PARTS**

**FIGURE 4-23. FAN GUARD INSTALLATION**



ART\_1001160420-D

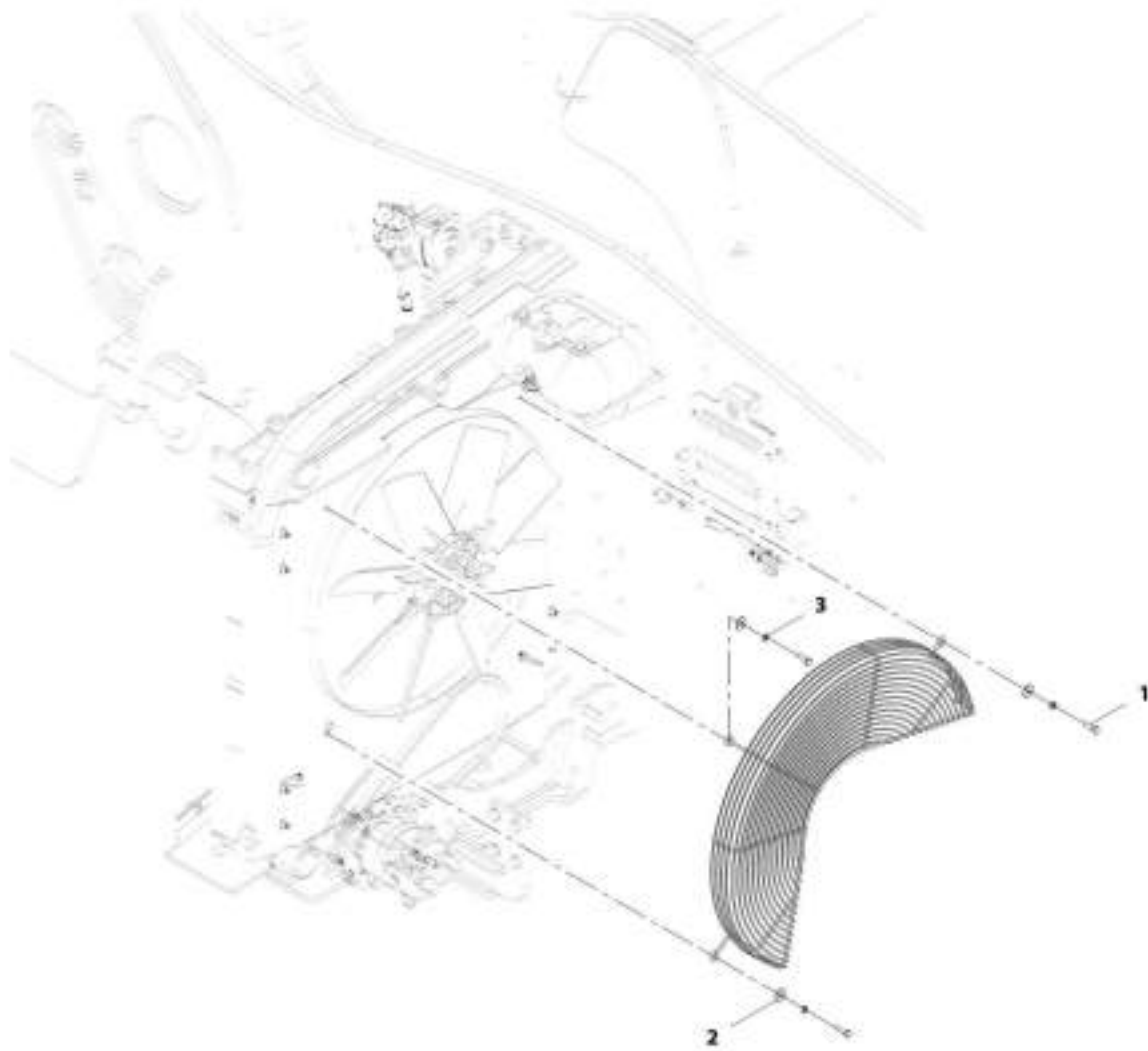
## SECTION 4 - ENGINE AND ATTACHING PARTS

FIGURE 4-23. FAN GUARD INSTALLATION

ITEM	PART NUMBER	QTY	DESCRIPTION	REV
	1001160420	Ref	Fan Guard Installation	D
1	0700814	3	Bolt, M8X30	
2	4811902	3	Washer, M8	
3	4831900	3	Washer, Lock M8	
4	1001167186	1	Grill	

# SECTION 4 - ENGINE AND ATTACHING PARTS

## FIGURE 4-24. FAN GUARD (REVERSING) INSTALLATION



ART\_000121754-B

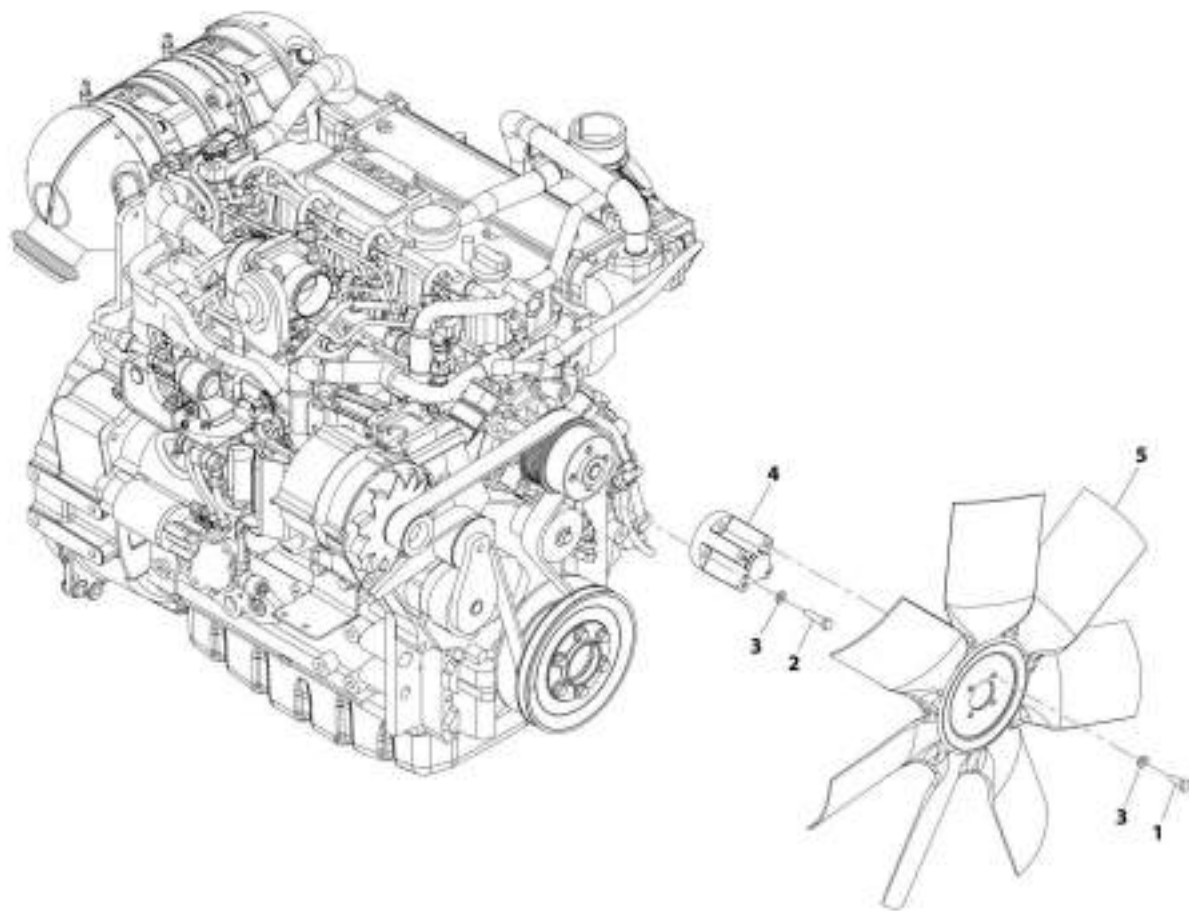
## SECTION 4 - ENGINE AND ATTACHING PARTS

FIGURE 4-24. FAN GUARD (REVERSING) INSTALLATION

ITEM	PART NUMBER	QTY	DESCRIPTION	REV
	1001217754	1	Fan Guard (Reversing) Installation	B
1	0700814	3	Bolt, M8X30	
2	4811902	3	Washer, M8	
3	4831900	3	Washer, Lock M8	
4	1001217755	1	Grill	

## SECTION 4 - ENGINE AND ATTACHING PARTS

FIGURE 4-25. COOLING FAN INSTALLATION



MT\_10012-4123-A

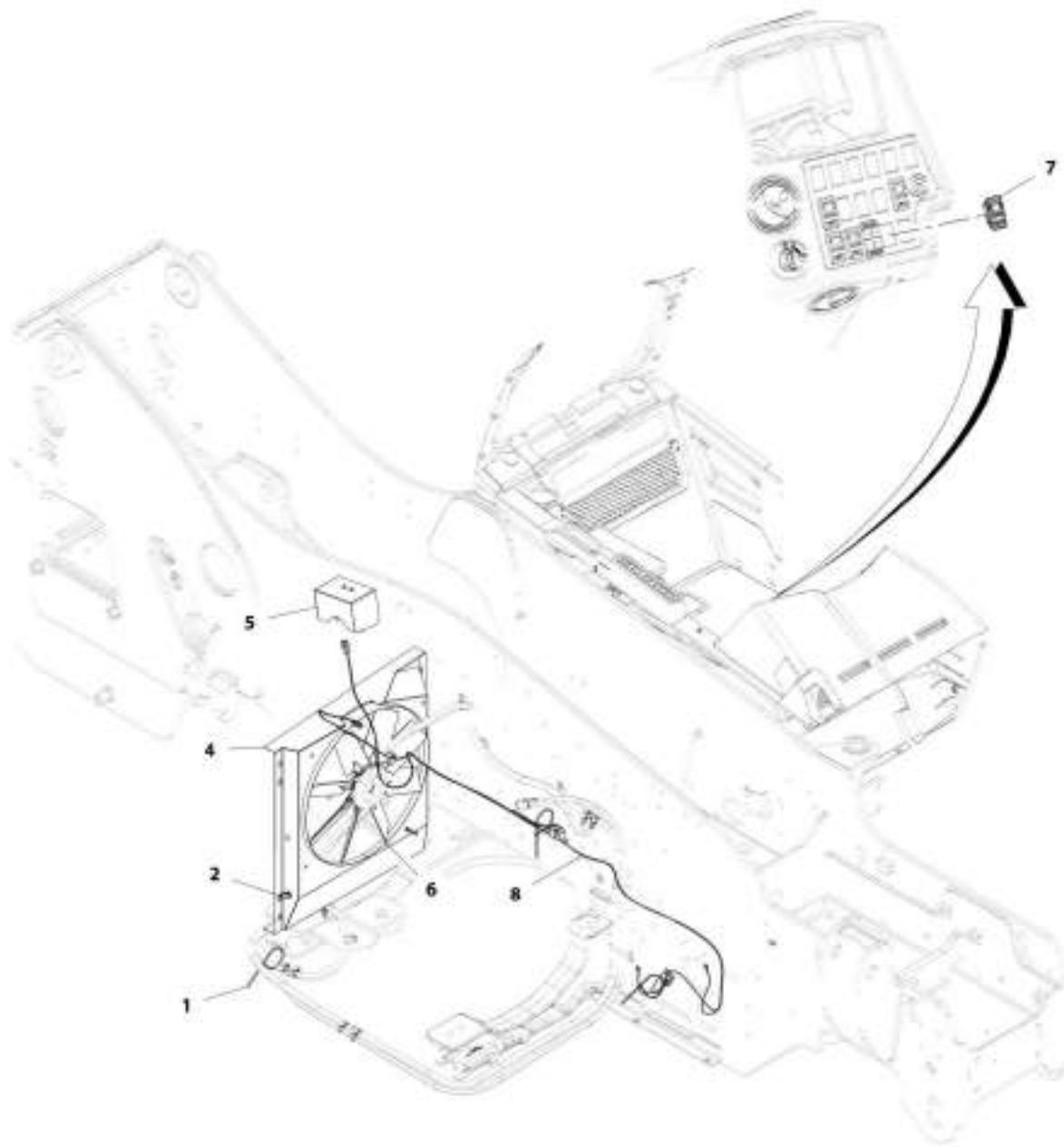
## SECTION 4 - ENGINE AND ATTACHING PARTS

FIGURE 4-25. COOLING FAN INSTALLATION

ITEM	PART NUMBER	QTY	DESCRIPTION	REV
	1001214123	Ref	Cooling Fan Installation	A
1	0760810	4	Bolt, M8X20	
2	0770815	4	Bolt, M8X35 Grade 10.9	
3	4811900	8	Washer, M8	
4	1001170311	1	Adapter, Fan	
5	1001185026	1	Fan	

# SECTION 4 - ENGINE AND ATTACHING PARTS

FIGURE 4-26. REVERSE COOLING FAN INSTALLATION



ART\_000121753-C



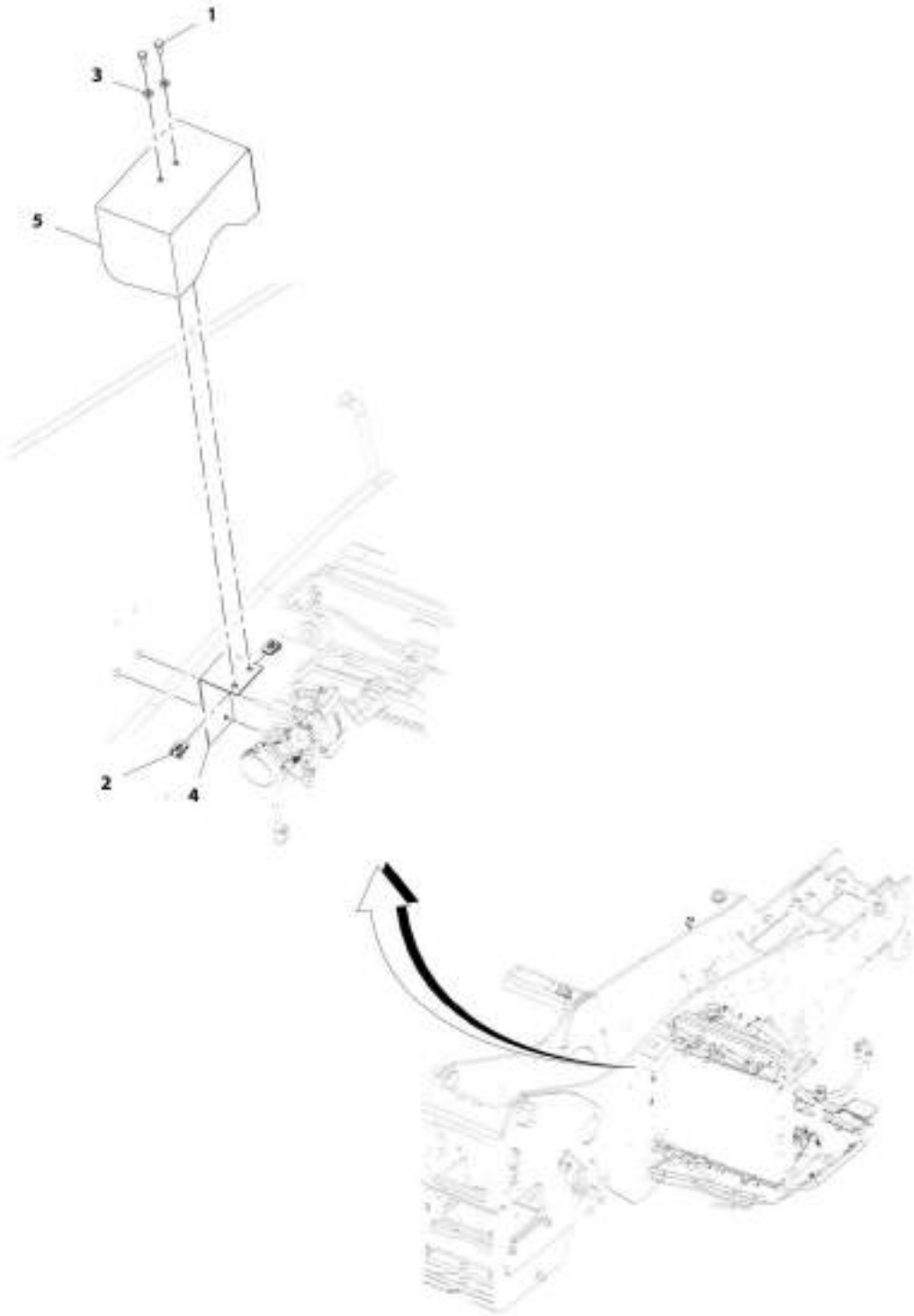
## SECTION 4 - ENGINE AND ATTACHING PARTS

FIGURE 4-26. REVERSE COOLING FAN INSTALLATION

ITEM	PART NUMBER	QTY	DESCRIPTION	REV
	1001217753	Ref	Reverse Cooling Fan Installation	C
1	1062255	3	Strap, Tie	
2	1001146588	2	Strap, Fir Tree Cable Tie	
4	1001217756	1	Shroud	
5	1001217757	1	Installation, Cover (See Separate Breakdown in this Section)	
6	1001217760	1	Kit, Reversing Fan	
7	1001145204	1	Switch	
8	1001221493	1	Harness, Reversing Fan (See Separate Breakdown in Electrical Section)	

**SECTION 4 - ENGINE AND ATTACHING PARTS**

**FIGURE 4-27. COMPRESSOR COVER INSTALLATION**



ART\_000121757-A

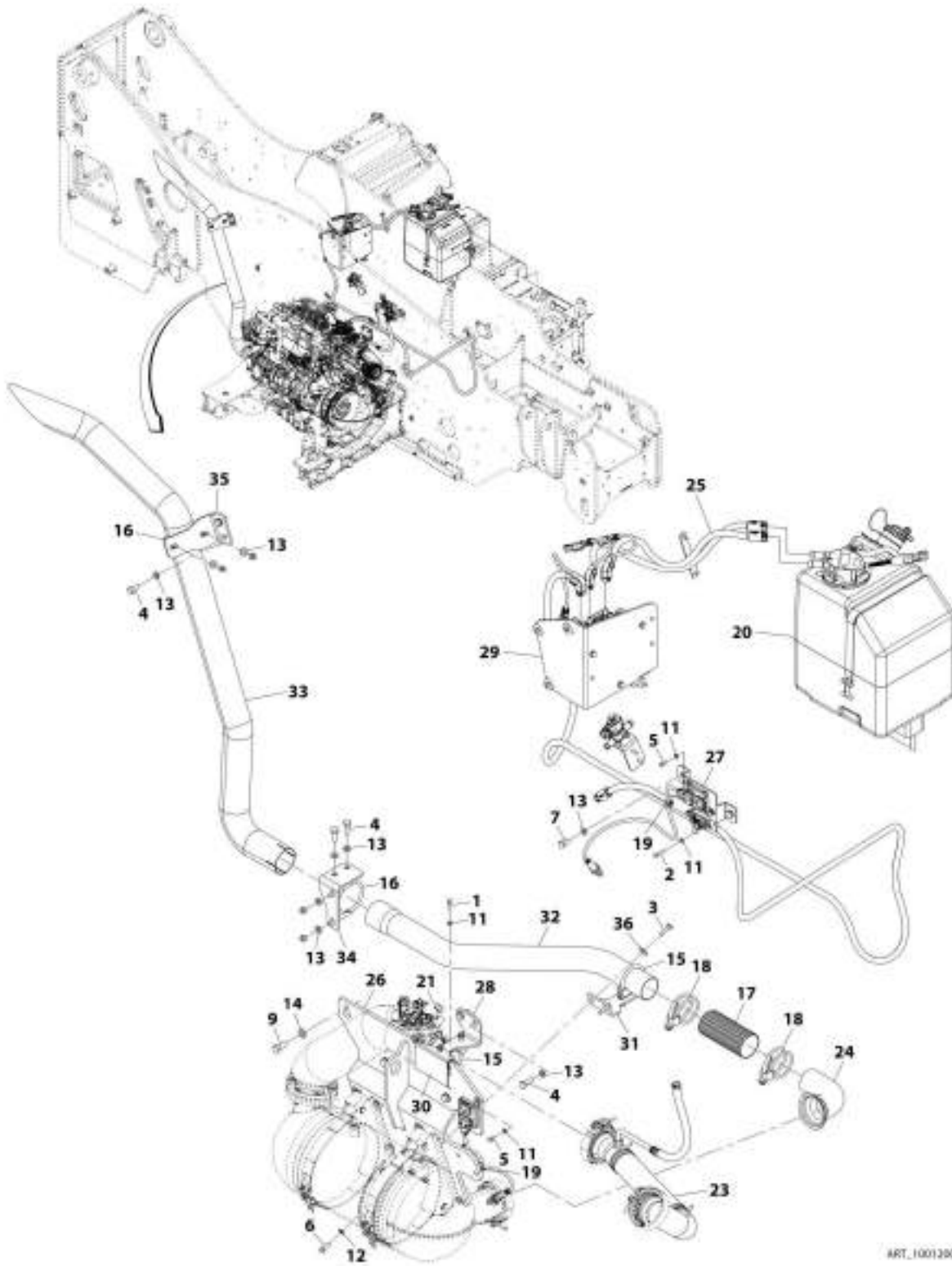
## SECTION 4 - ENGINE AND ATTACHING PARTS

### FIGURE 4-27. COMPRESSOR COVER INSTALLATION

ITEM	PART NUMBER	QTY	DESCRIPTION	REV
	1001217757	Ref	Compressor Cover Installation	A
1	0760607	2	Bolt, M6X14	
2	8305919	2	Nut, M6	
3	8307219	2	Washer, M6	
4	1001217758	1	Bracket	
5	1001217759	1	Cover	

# SECTION 4 - ENGINE AND ATTACHING PARTS

## FIGURE 4-28. EXHAUST INSTALLATION (ULS)



ART\_1001200440-H

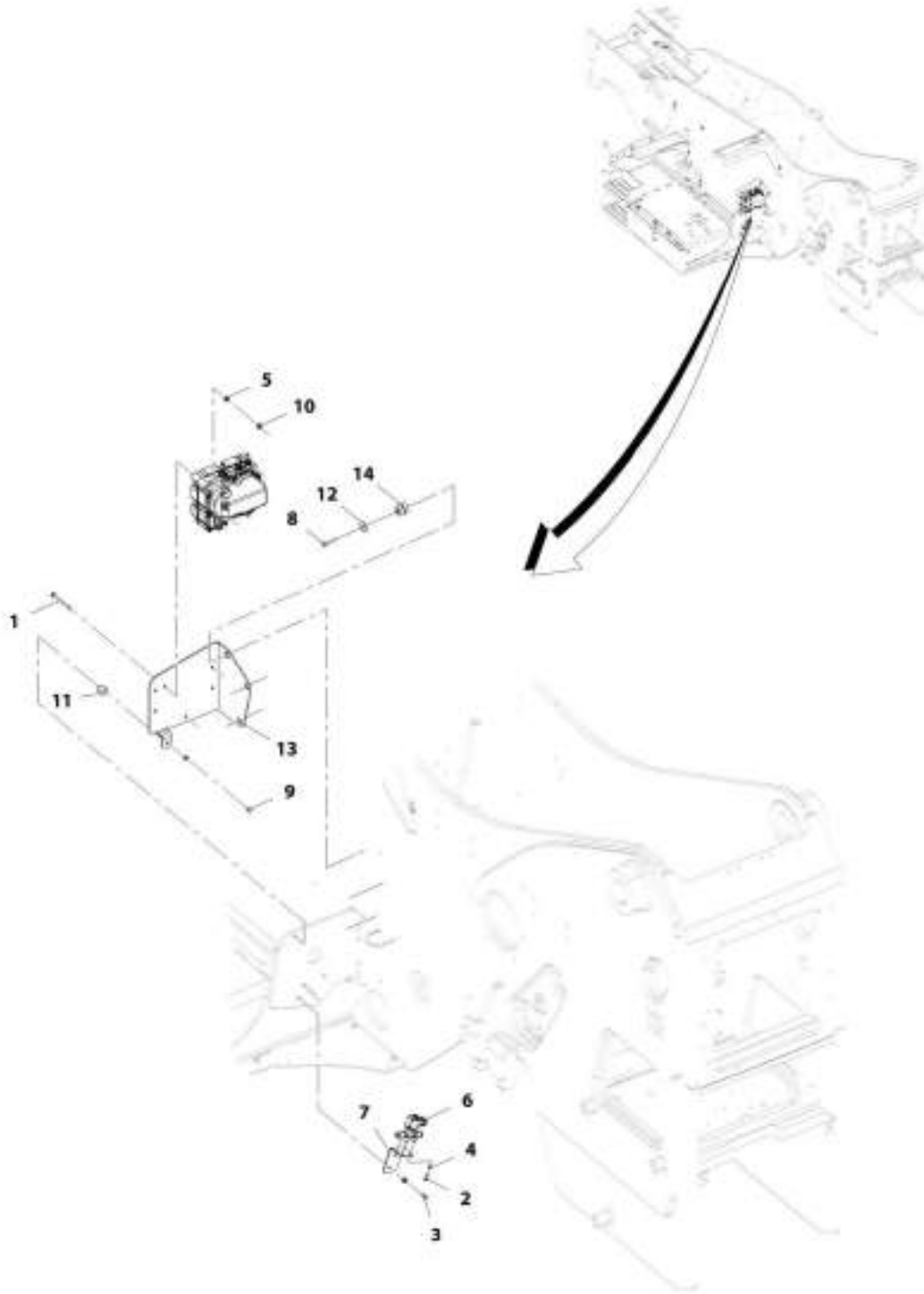
## SECTION 4 - ENGINE AND ATTACHING PARTS

**FIGURE 4-28. EXHAUST INSTALLATION (ULS)**

ITEM	PART NUMBER	QTY	DESCRIPTION	REV
	1001200447	Ref	Exhaust Installation (ULS)	H
1	0700610	1	Bolt, M6X20	
2	0700614	2	Bolt, M6X30	
3	0700814	2	Bolt, M8X30	
4	0701014	6	Bolt, M10X30	
5	0760607	4	Bolt, M6X14	
6	0760812	8	Bolt, M8X25	
7	0761010	2	Bolt, M10X20	
9	0761214	4	Bolt, M12X30	
11	4811700	7	Washer, M6	
12	4811900	8	Washer, M8	
13	4812000	12	Washer, M10	
14	4812100	4	Washer, M12	
15	8275212	2	Clamp	
16	24921332	2	Clamp	
17	77213042	1	Tube, Flexible	
18	91163268	2	Clamp	
19	1001146588	3	Strap, Tie	
20	1001212923	Ref	Installation, DEF Tank, (See Seperate Breakdown in this Section)	
21	1001171913	1	Cap	
23	1001199902	1	Pipe	
24	1001200249	1	Pipe	
25	1001200867	Ref	Installation, DEF Lines (See Seperate Breakdown in this Section)	
26	1001201856	1	Bracket	
27	1001201857	1	Bracket	
28	1001201858	1	Support	
29	1001202018	Ref	Installation, DEF Control Module (See Seperate Breakdown in this Section)	
30	1001202021	1	Plate	
31	1001202899	1	Bracket	
32	1001204411	1	Pipe	
33	1001226797	1	Pipe, Tail	
34	1001204413	1	Bracket	
35	1001204414	1	Bracket	
36	4811902	2	Washer, M8	

# SECTION 4 - ENGINE AND ATTACHING PARTS

FIGURE 4-29. DEF CONTROL MODULE INSTALLATION



ART\_1001200116-E

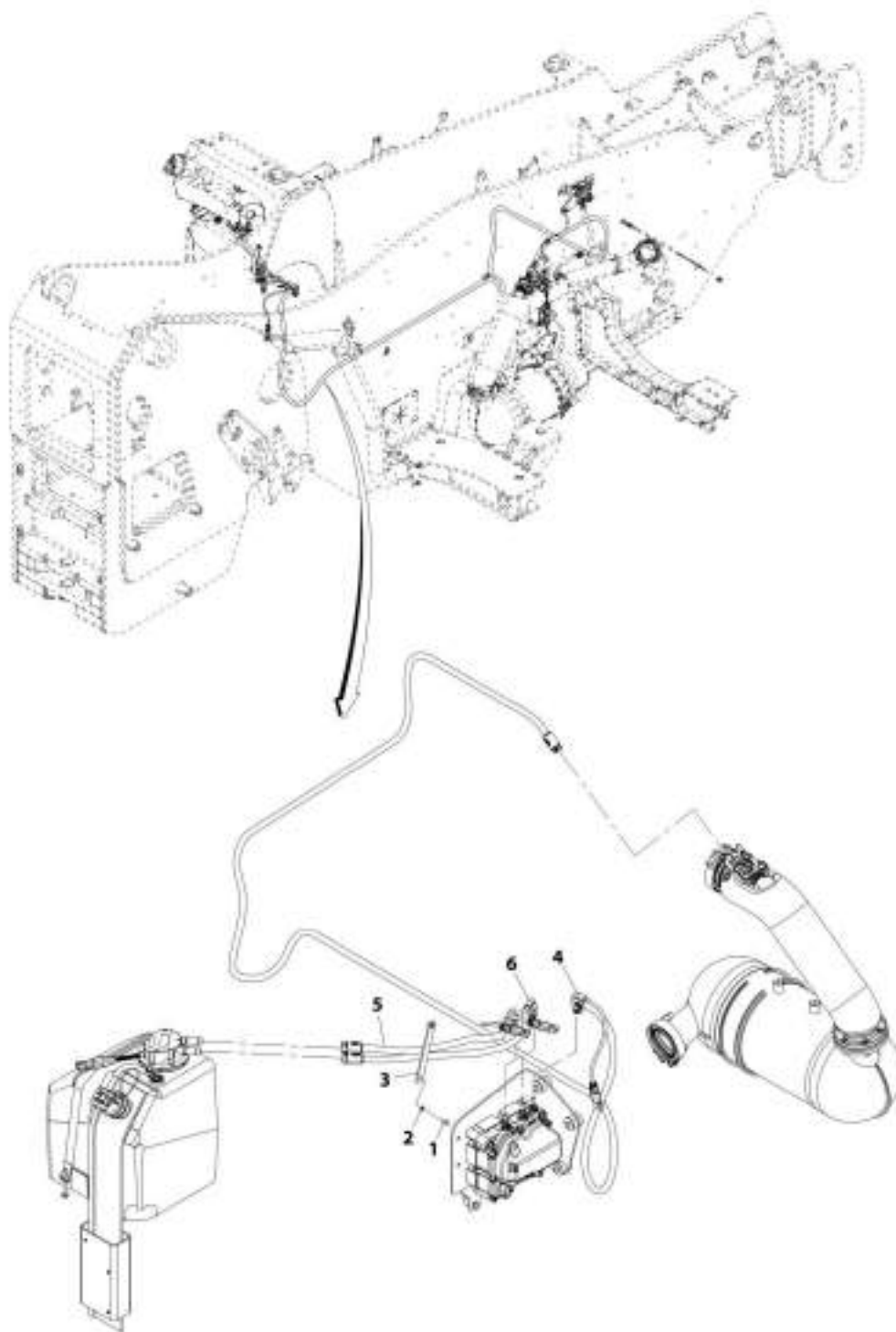
## SECTION 4 - ENGINE AND ATTACHING PARTS

**FIGURE 4-29. DEF CONTROL MODULE INSTALLATION**

ITEM	PART NUMBER	QTY	DESCRIPTION	REV
	1001202018	Ref	DEF Control Module Installation	E
1	0700826	3	Bolt, M8X90	
2	0760608	4	Bolt, M6X16	
3	0760810	2	Bolt, M8X20	
4	4811700	4	Washer, M6	
5	4811900	9	Washer, M8	
6	1001199670	1	Valve, DEF Tank Coolant Flow	
7	1001223509	1	Bracket	
8	0700816	3	Bolt, M8X40	
9	0760806	1	Bolt, M8X12	
10	3290805	3	Nut, Lock M8X1.25 Grade 8	
11	1001179907	1	Mount, Isolator	
12	1001195089	3	Washer	
13	1001221349	1	Bracket	
14	1001221383	3	Mount, Isolator	

# SECTION 4 - ENGINE AND ATTACHING PARTS

## FIGURE 4-30. DEF LINES INSTALLATION



ART\_1001200867-C



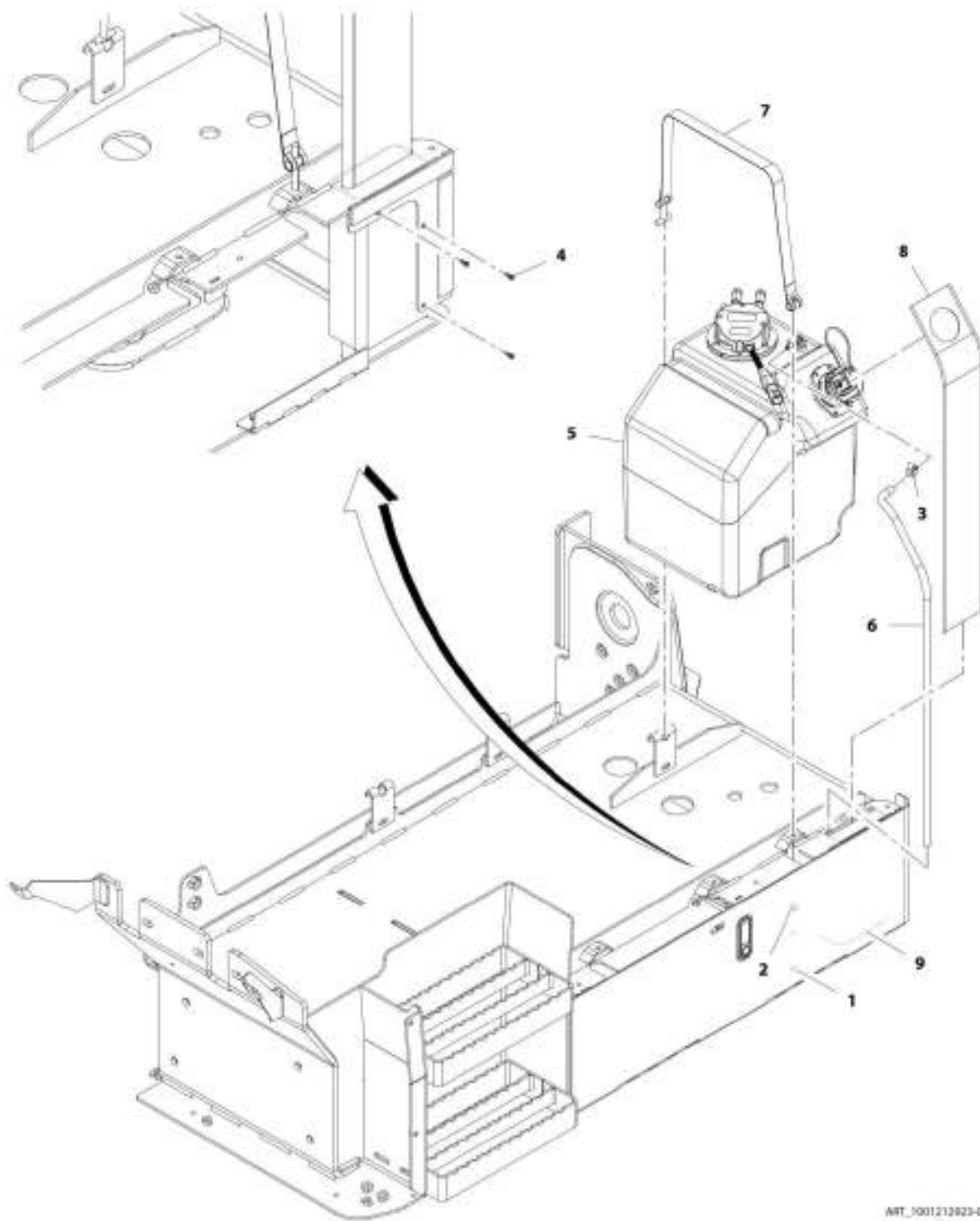
## SECTION 4 - ENGINE AND ATTACHING PARTS

FIGURE 4-30. DEF LINES INSTALLATION

ITEM	PART NUMBER	QTY	DESCRIPTION	REV
	1001200867	Ref	DEF Lines Installation	D
1	0760607	2	Bolt, M6X14	
2	4831700	2	Washer, Lock M6	
3	1001173873	1	Plate	
4	1001180437	1	Hose	
5	1001199822	1	Hose	
6	1001199823	1	Hose	

# SECTION 4 - ENGINE AND ATTACHING PARTS

## FIGURE 4-31. DEF TANK INSTALLATION



ART\_3001213025-C

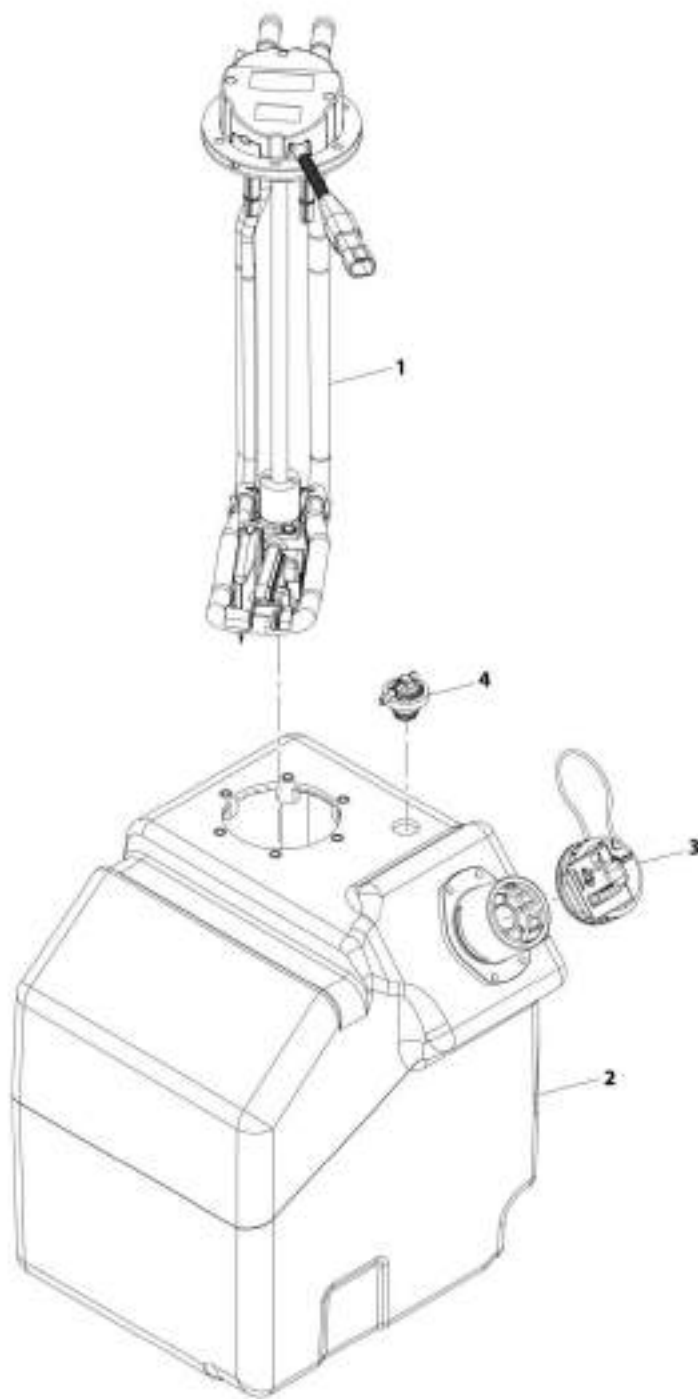
## SECTION 4 - ENGINE AND ATTACHING PARTS

### FIGURE 4-31. DEF TANK INSTALLATION

ITEM	PART NUMBER	QTY	DESCRIPTION	REV
	1001212923	Ref	DEF Tank Installation	C
1	0760823	1	Bolt, M8X75	
2	4811900	1	Washer, M8	
3	8405009	1	Clamp	
4	1001226681	3	Screw	
5	1001225676	1	Assembly, DEF Tank (See Seperate Breakdown in this Section)	
6	1001175201	813 mm	Hose	
7	1001178791	1	Strap, Tank	
8	1001212924	1	Guard, Spill	
9	1001212925	1	Tube, Drain	

## SECTION 4 - ENGINE AND ATTACHING PARTS

FIGURE 4-32. DEF TANK ASSEMBLY



ART\_100122567e-8

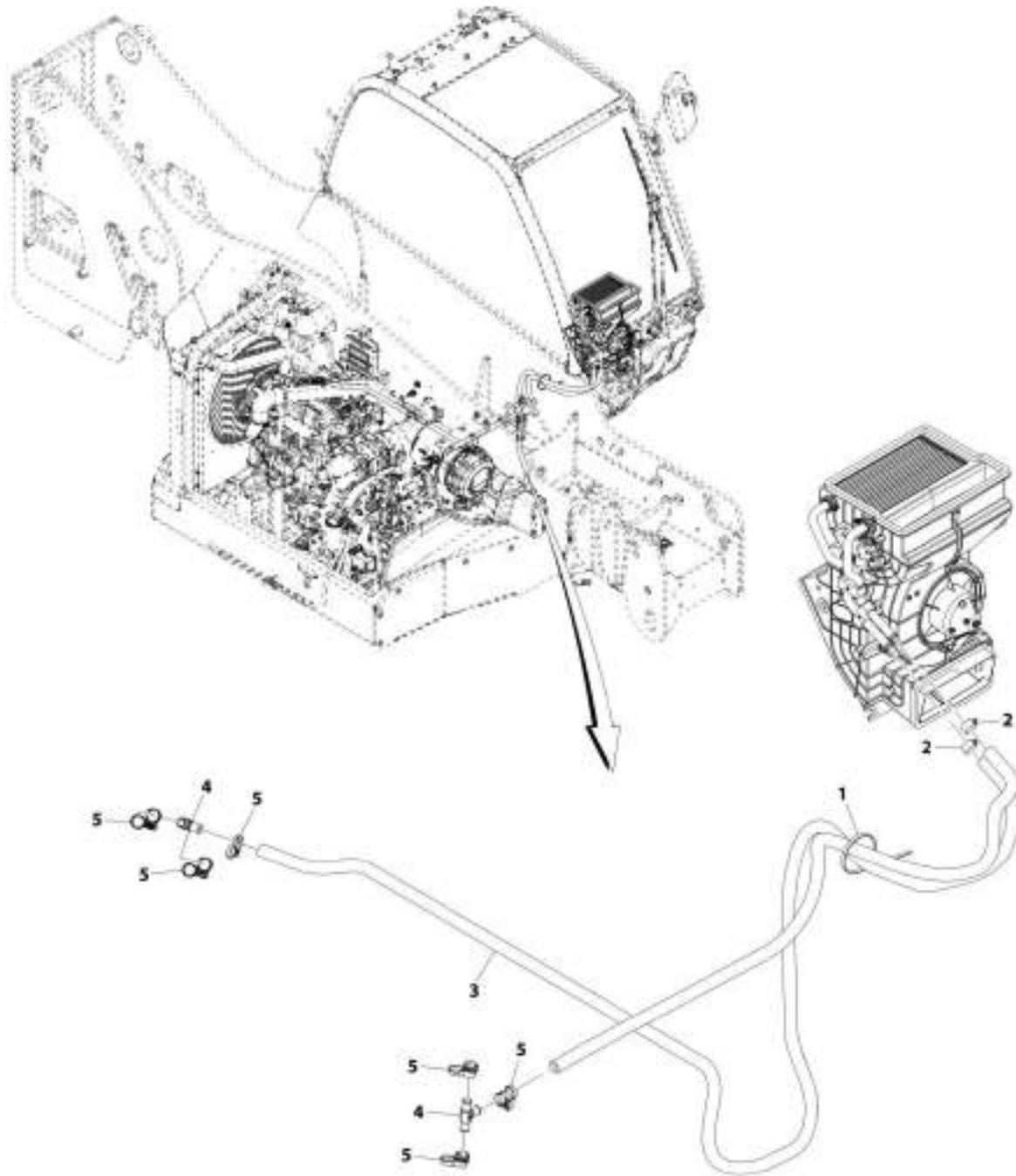
## SECTION 4 - ENGINE AND ATTACHING PARTS

FIGURE 4-32. DEF TANK ASSEMBLY

ITEM	PART NUMBER	QTY	DESCRIPTION	REV
	1001225676	Ref	Def Tank Assembly	B
1	1001225677	1	DEF, Header	
2	1001164967	1	Tank, DEF	
3	1001174795	1	Cap	
4	1001215319	1	Valve, DEF Breather	

# SECTION 4 - ENGINE AND ATTACHING PARTS

FIGURE 4-33. HEATER LINES INSTALLATION (ULS)



AIR\_3001200451-D

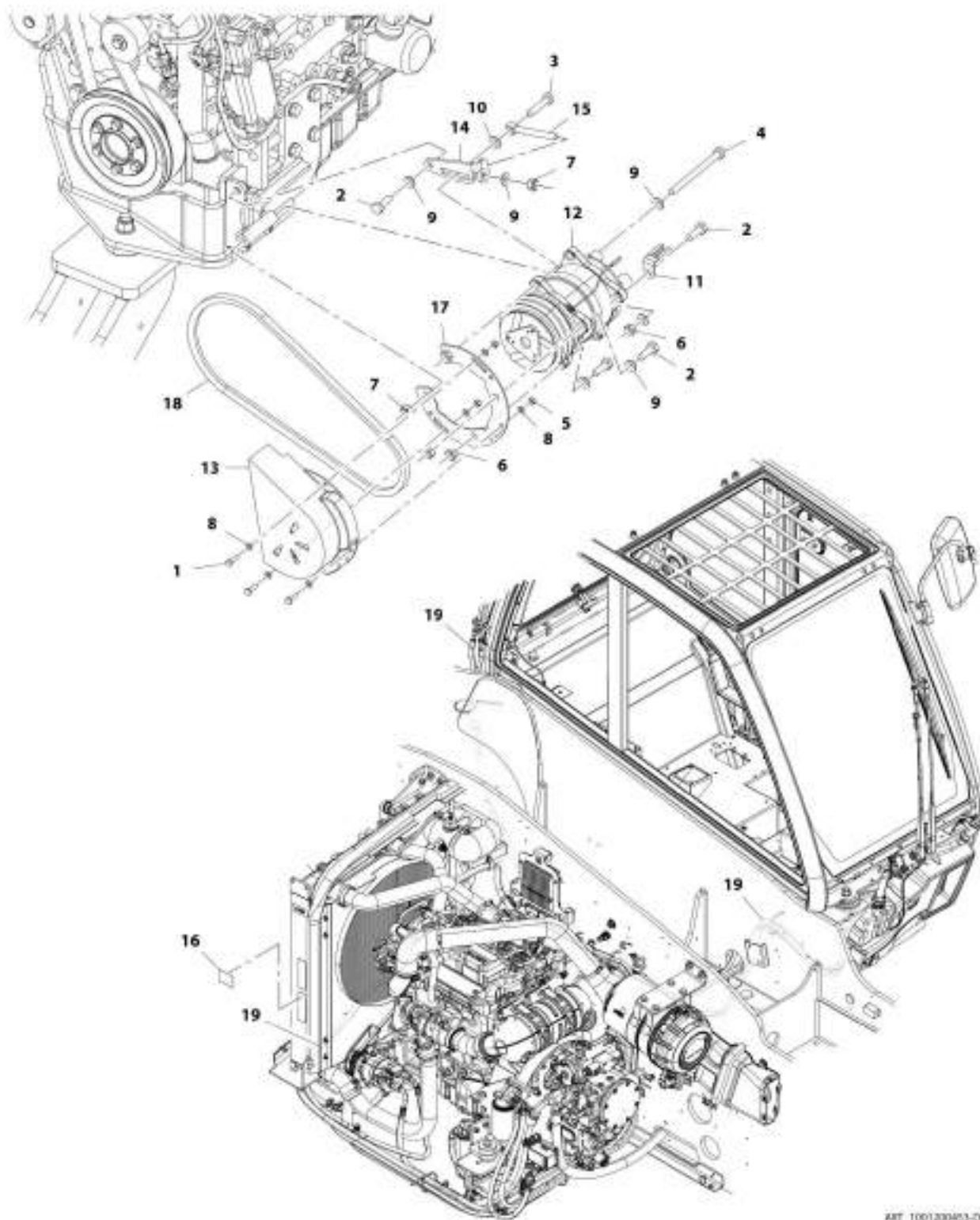
## SECTION 4 - ENGINE AND ATTACHING PARTS

FIGURE 4-33. HEATER LINES INSTALLATION (ULS)

ITEM	PART NUMBER	QTY	DESCRIPTION	REV
	1001200451	Ref	Heater Lines Installation (ULS)	D
1	1062255	AR	Strap, Tie	
2	8410009	2	Clamp	
3	82033995	4620 mm	Hose	
4	1001170432	2	Fitting, Tee	
5	1001202526	6	Clamp	

# SECTION 4 - ENGINE AND ATTACHING PARTS

## FIGURE 4-34. A/C PUMP INSTALLATION



ART\_1001200403-D



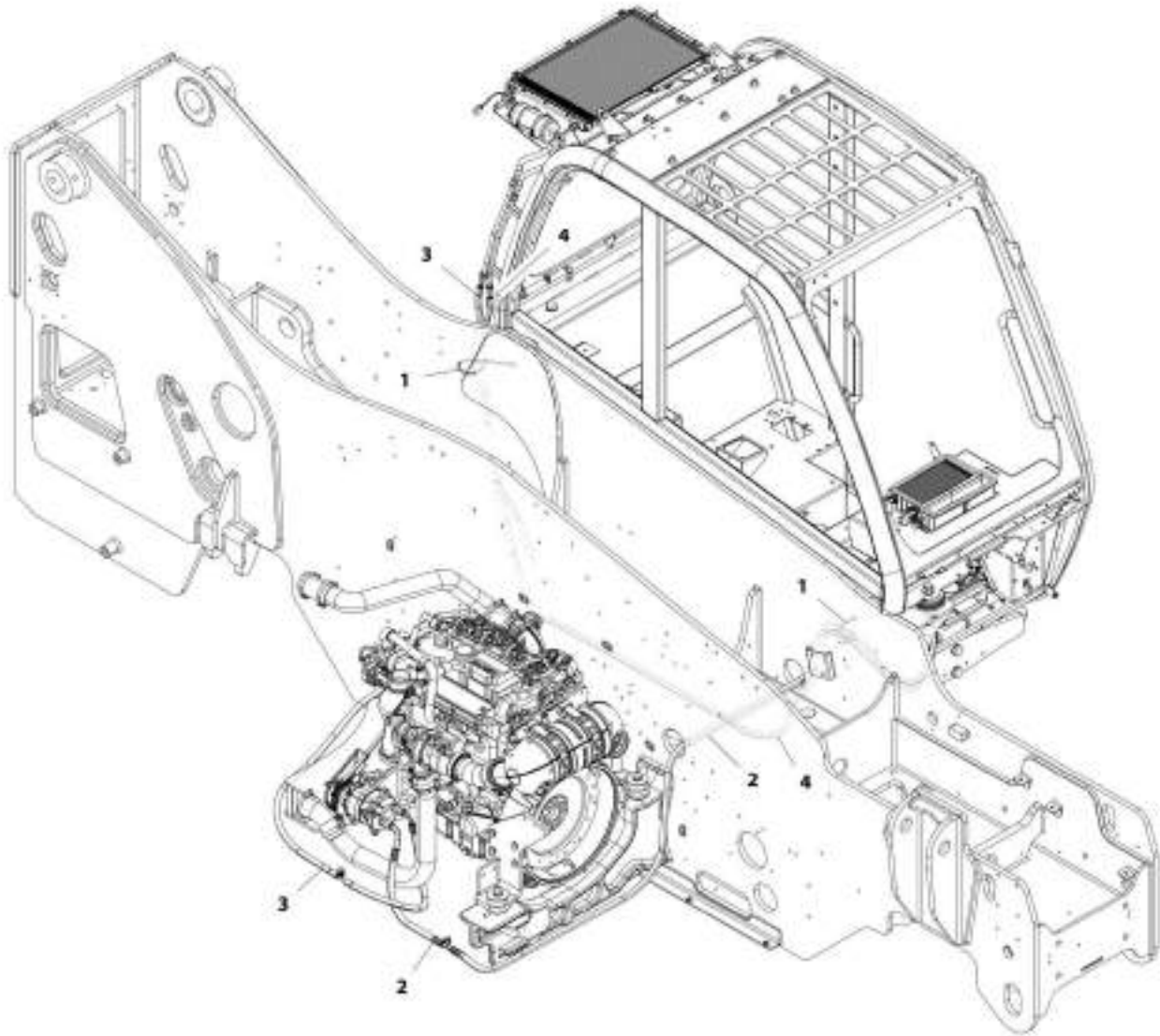
## SECTION 4 - ENGINE AND ATTACHING PARTS

### FIGURE 4-34. A/C PUMP INSTALLATION

ITEM	PART NUMBER	QTY	DESCRIPTION	REV
	1001200453	Ref	A/C Pump Installation	D
1	0700610	3	Bolt, M6X20	
2	0701014	4	Bolt, M10X30	
3	0701018	1	Bolt, M10X50	
4	0711030	1	Bolt, M10X130 Grade 10.9	
5	3290605	3	Nut, Lock M6X1	
6	3291001	3	Nut, M10X1.5	
7	3291005	2	Nut, lock M10X1.5	
8	4811700	6	Washer, M6	
9	4812000	6	Washer, M10	
10	5241000	1	Washer, M10	
11	1001003305	1	Clip	
12	1001107339	1	Compressor, A/C Clutch	
13	1001138945	1	Cover, Compressor	
14	1001188855	1	Plate, A/C Belt Tensioner	
15	1001188856	1	Rod, Tensioner	
16	1001227090	1	Decal, A/C Installation	
17	1001193797	1	Support, Cover	
18	1001200701	1	Belt, Drive	
19	1001202321	Ref	A/C Lines Installation (See Seperate Breakdown in this Section)	

# SECTION 4 - ENGINE AND ATTACHING PARTS

## FIGURE 4-35. A/C LINES INSTALLATION



ART\_1901200221-D

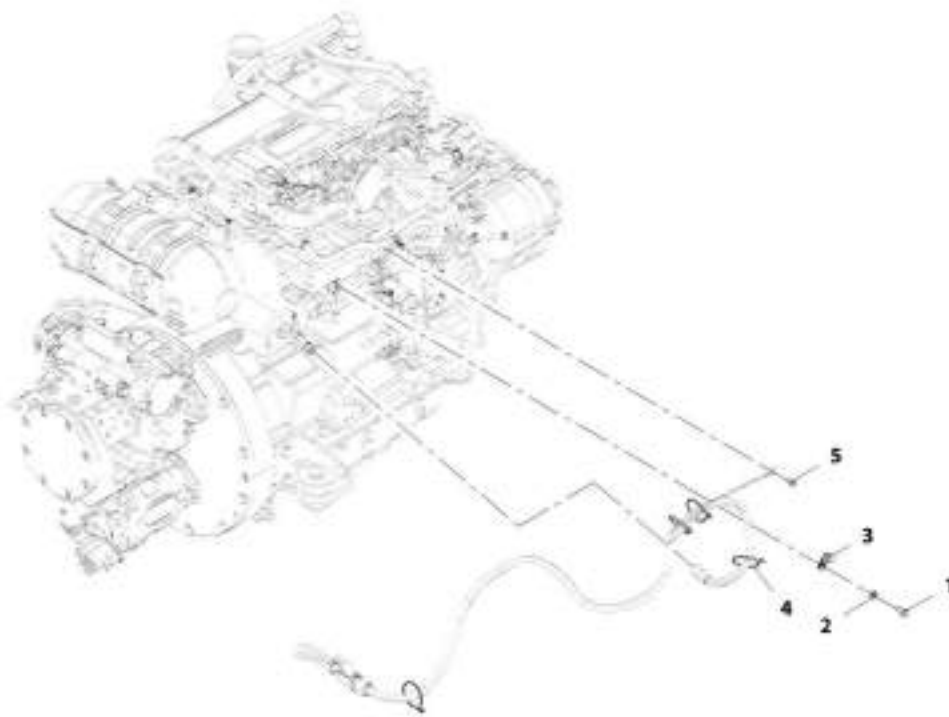
## SECTION 4 - ENGINE AND ATTACHING PARTS

### FIGURE 4-35. A/C LINES INSTALLATION

ITEM	PART NUMBER	QTY	DESCRIPTION	REV
	1001202321	Ref	A/C Lines Installation	D
1	1062255	2	Strap, Tie	
2	1001216798	1	Hose	
3	1001216799	1	Hose	
4	1001202325	1	Hose	

## SECTION 4 - ENGINE AND ATTACHING PARTS

FIGURE 4-36. BLOCK HEATER INSTALLATION (115V) (ULS)



ART\_1801214349-C

## SECTION 4 - ENGINE AND ATTACHING PARTS

FIGURE 4-36. BLOCK HEATER INSTALLATION (115V) (ULS)

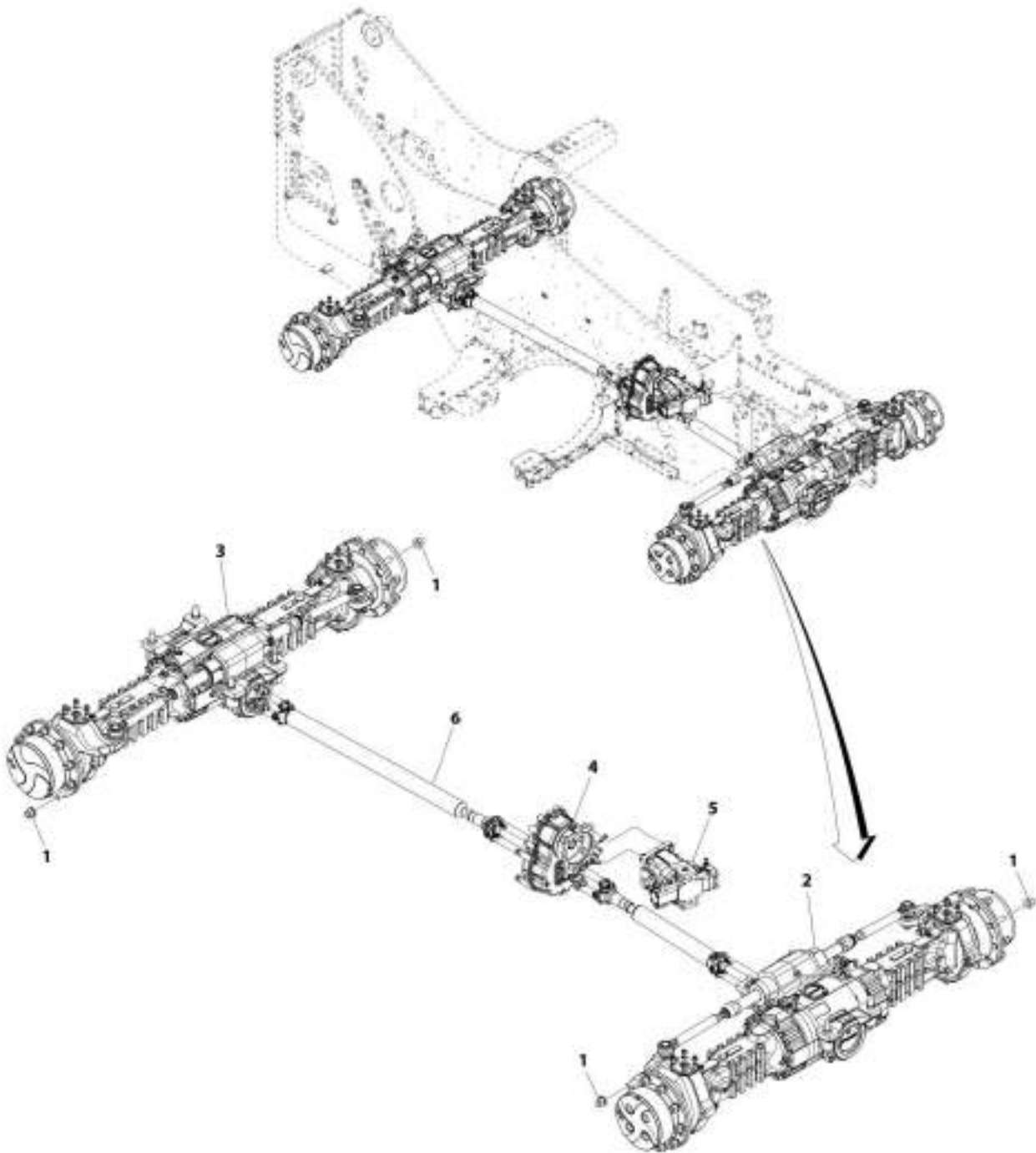
ITEM	PART NUMBER	QTY	DESCRIPTION	REV
	1001214349	1	Block Heater Installation (115V) (ULS)	D
1	0760810	1	Bolt, M8X20	
2	4811900	1	Washer, M8	
3	8406112	1	Clip	
4	1001008559	4	Strap, Cable	
5	1001099566	1	Screw, M6-1X12	



**SECTION 5 - DRIVETRAIN**

# SECTION 5 - DRIVETRAIN

## FIGURE 5-1. DRIVETRAIN INSTALLATION



MTF\_1001104976-B



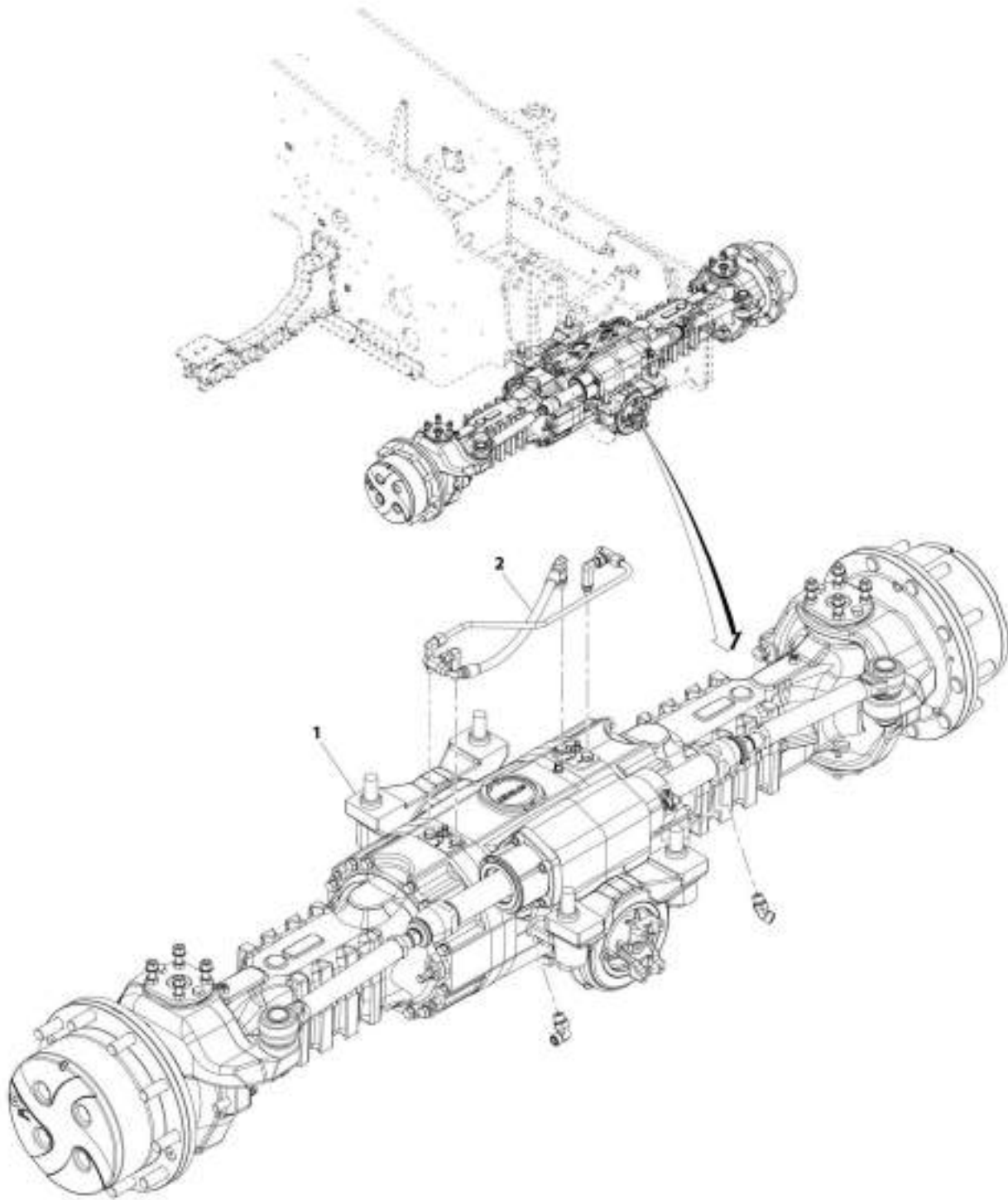
**SECTION 5 - DRIVETRAIN**

**FIGURE 5-1. DRIVETRAIN INSTALLATION**

<b>ITEM</b>	<b>PART NUMBER</b>	<b>QTY</b>	<b>DESCRIPTION</b>	<b>REV</b>
	1001184976	Ref	Drivetrain Installation	B
1	91403193	40	Nut, Lug M22X1.5	
2	1001184977	Ref	Installation, Front Axle (See Seperate Breakdown in this Section)	
3	1001184978	Ref	Installation, Rear Axle (See Seperate Breakdown in this Section)	
4	1001184979	Ref	Installation, Gearbox (See Seperate Breakdown in this Section)	
5	1001184980	Ref	Installation, Hydrostatic Motor (See Seperate Breakdown in this Section)	
6	1001184981	Ref	Installation, Drive Shaft (See Seperate Breakdown in this Section)	

# SECTION 5 - DRIVETRAIN

## FIGURE 5-2. FRONT AXLE INSTALLATION



ART\_1001144972-B

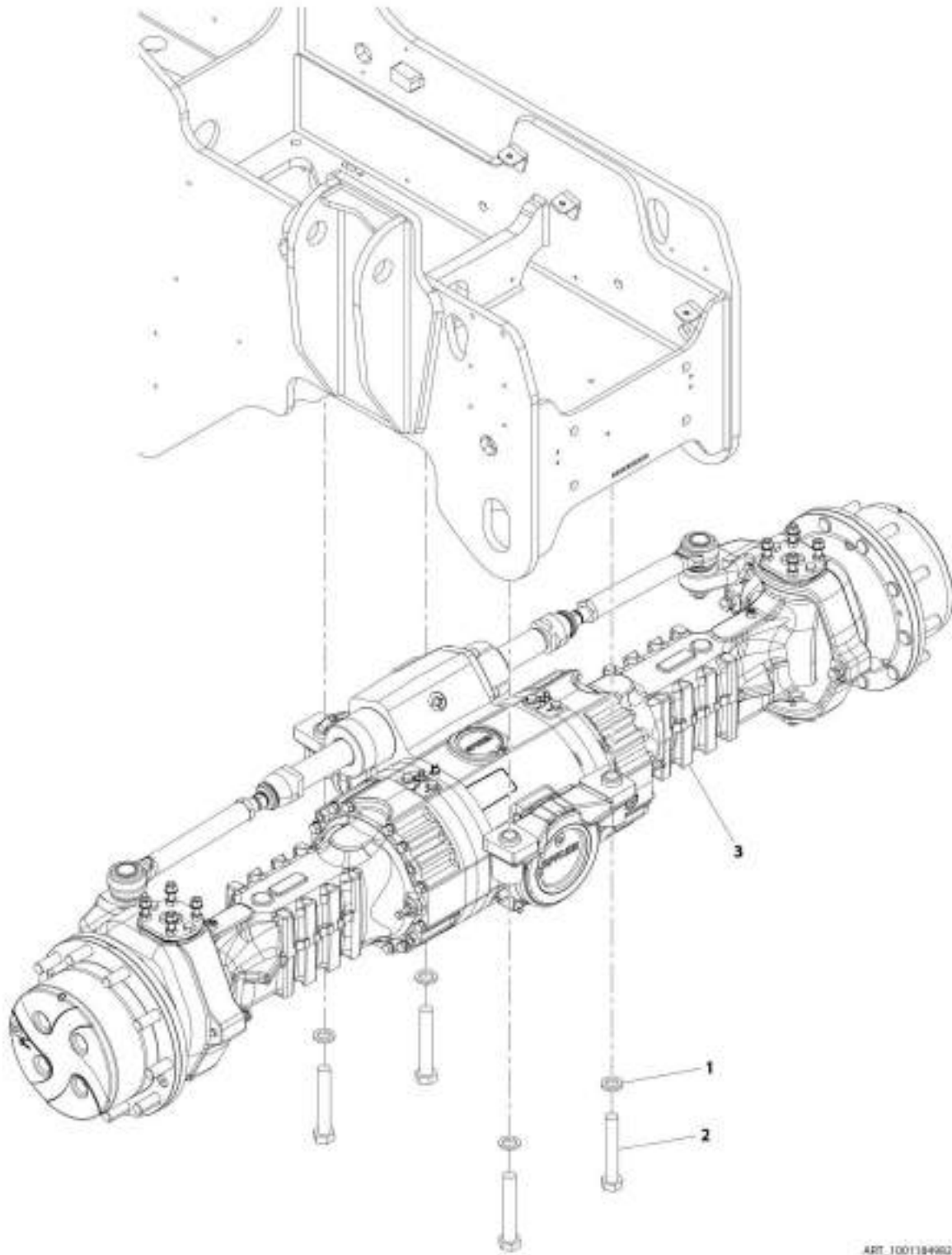
**SECTION 5 - DRIVETRAIN**

**FIGURE 5-2. FRONT AXLE INSTALLATION**

<b>ITEM</b>	<b>PART NUMBER</b>	<b>QTY</b>	<b>DESCRIPTION</b>	<b>REV</b>
1	1001184977	Ref	Front Axle Installation	B
	1001184982	Ref	Installation, Front Axle Mounting (See Seperate Breakdown in this Section)	
2	1001207898	Ref	Installation, Front Axle Lines (See Seperate Breakdown in this Section)	

## SECTION 5 - DRIVETRAIN

FIGURE 5-3. FRONT AXLE MOUNTING INSTALLATION



ART\_1001184902-B

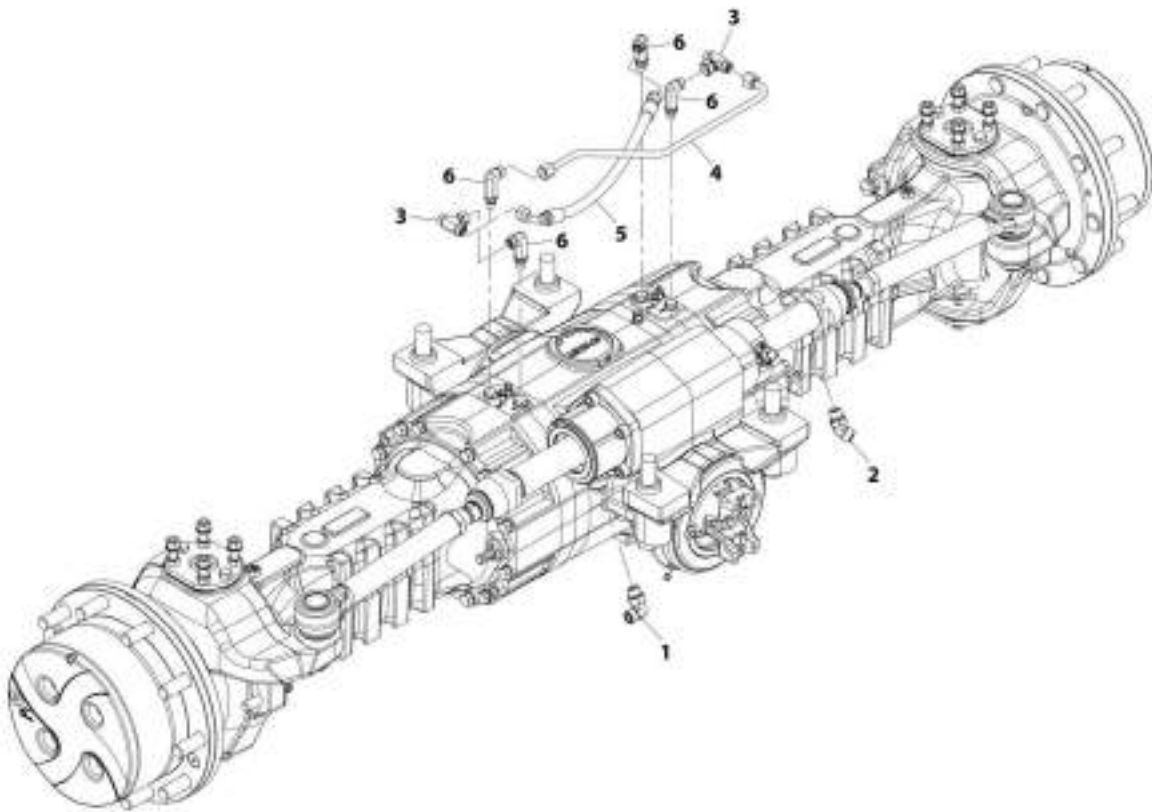
**SECTION 5 - DRIVETRAIN**

**FIGURE 5-3. FRONT AXLE MOUNTING INSTALLATION**

<b>ITEM</b>	<b>PART NUMBER</b>	<b>QTY</b>	<b>DESCRIPTION</b>	<b>REV</b>
	1001184982	Ref	Front Axle Mounting Installation	B
1	4892600	4	Washer	
2	1001097587	4	Bolt, M24-3X150 Grade 10.9	
3	1001184984	1	Axle, Front (See Seperate Breakdown in this Section)	

## SECTION 5 - DRIVETRAIN

FIGURE 5-4. FRONT AXLE LINES INSTALLATION



ART\_1001201990-C

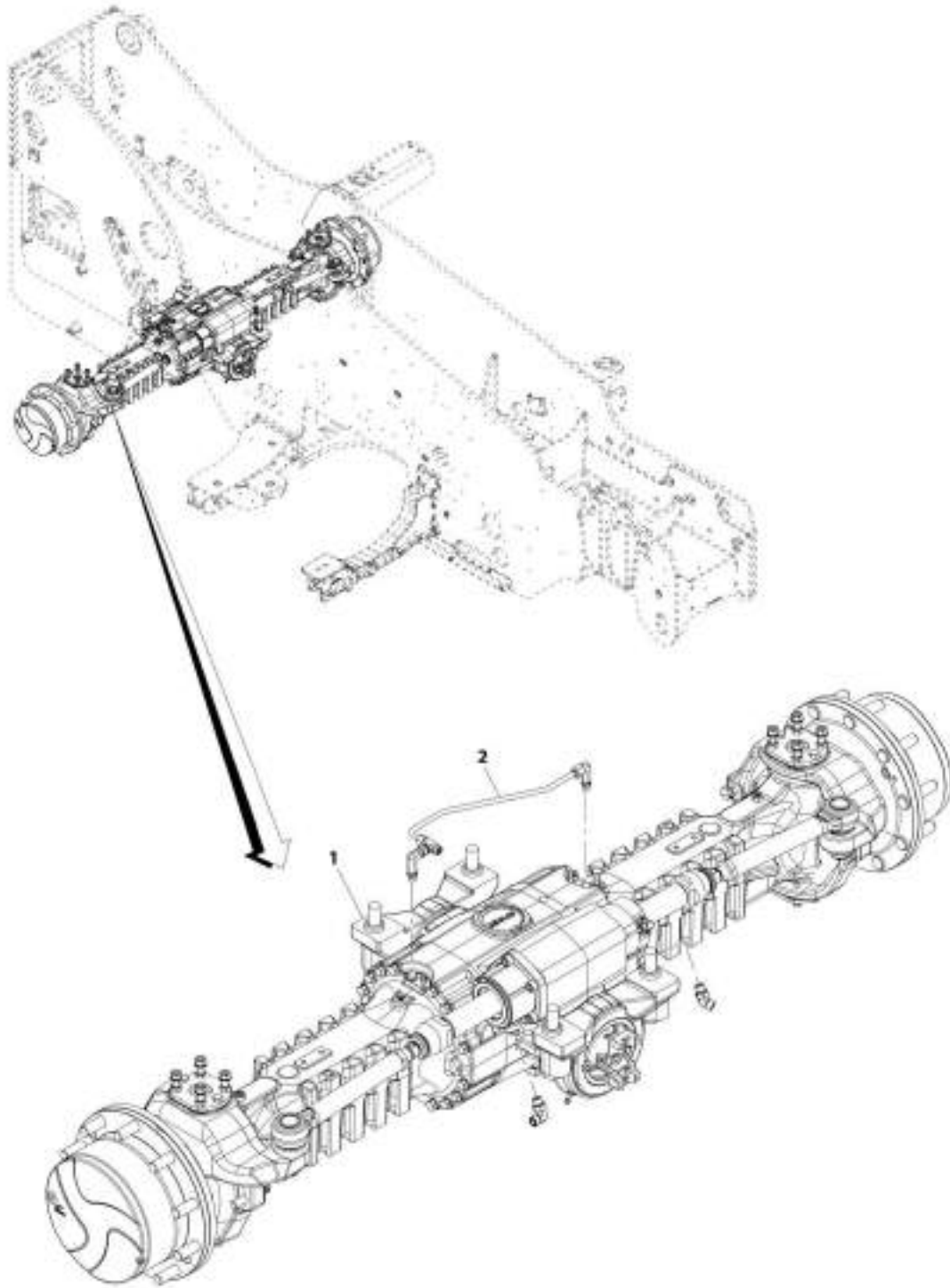
**SECTION 5 - DRIVETRAIN**

**FIGURE 5-4. FRONT AXLE LINES INSTALLATION**

<b>ITEM</b>	<b>PART NUMBER</b>	<b>QTY</b>	<b>DESCRIPTION</b>	<b>REV</b>
	1001207898	Ref	Front Axle Lines Installation	C
1	2130808	1	Fitting, 90 ORFS	
2	2150808	1	Fitting, 45 ORFS	
3	2170806	2	Fitting, Tee ORFS	
4	1001224598	1	Tube	
5	1001210281	1	Hose	
6	1001210769	4	Fitting, 90 ORFS	

## SECTION 5 - DRIVETRAIN

FIGURE 5-5. REAR AXLE INSTALLATION



ART\_3001184970-B



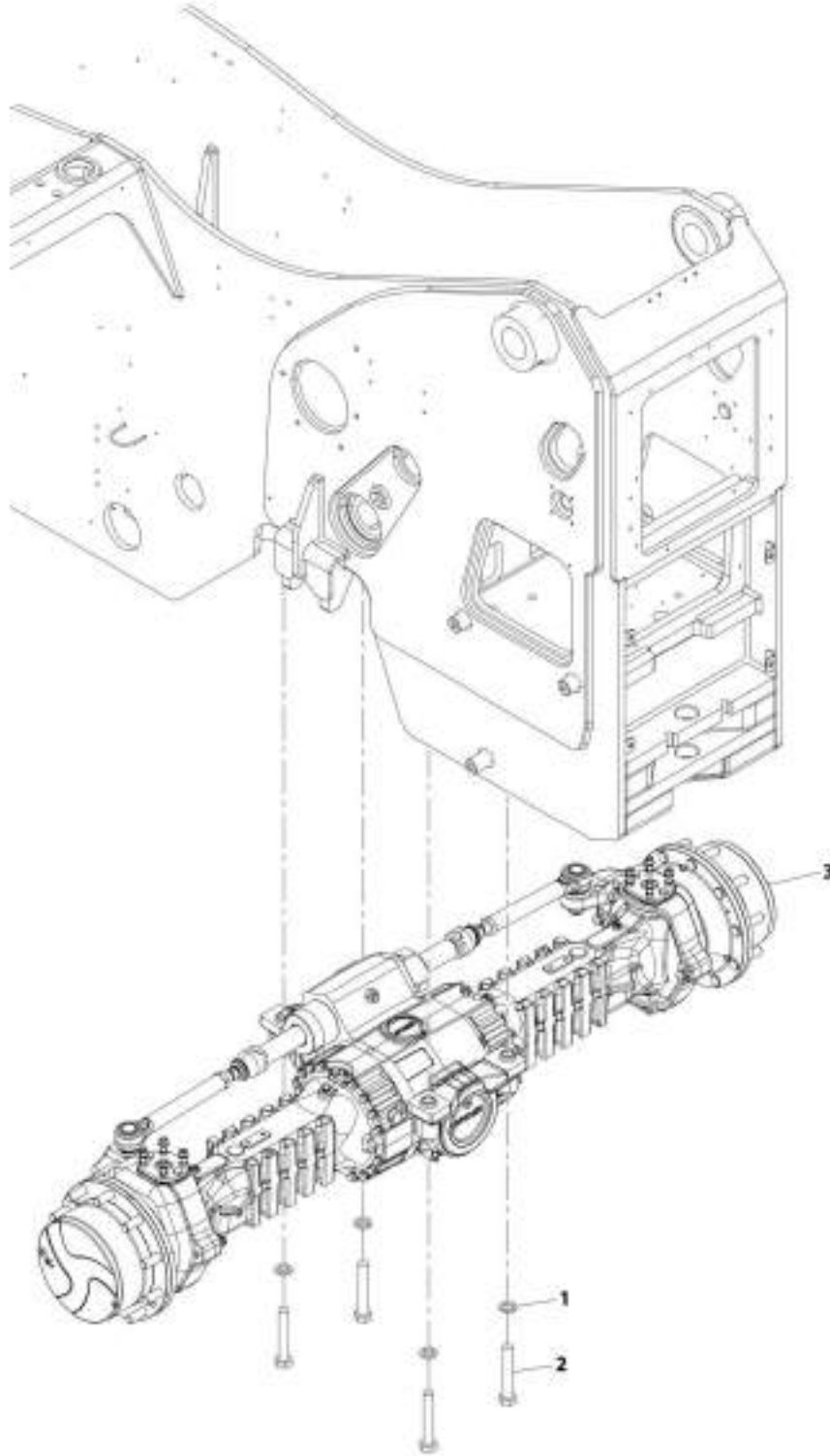
**SECTION 5 - DRIVETRAIN**

**FIGURE 5-5. REAR AXLE INSTALLATION**

<b>ITEM</b>	<b>PART NUMBER</b>	<b>QTY</b>	<b>DESCRIPTION</b>	<b>REV</b>
1	1001184978	Ref	Rear Axle Installation	B
	1001184983	Ref	Installation, Rear Axle Mounting (See Seperate Breakdown in this Section)	
2	1001207899	Ref	Installation, Rear Axle Lines (See Seperate Breakdown in this Section)	

## SECTION 5 - DRIVETRAIN

FIGURE 5-6. REAR AXLE MOUNTING INSTALLATION



ART\_1001104983-02

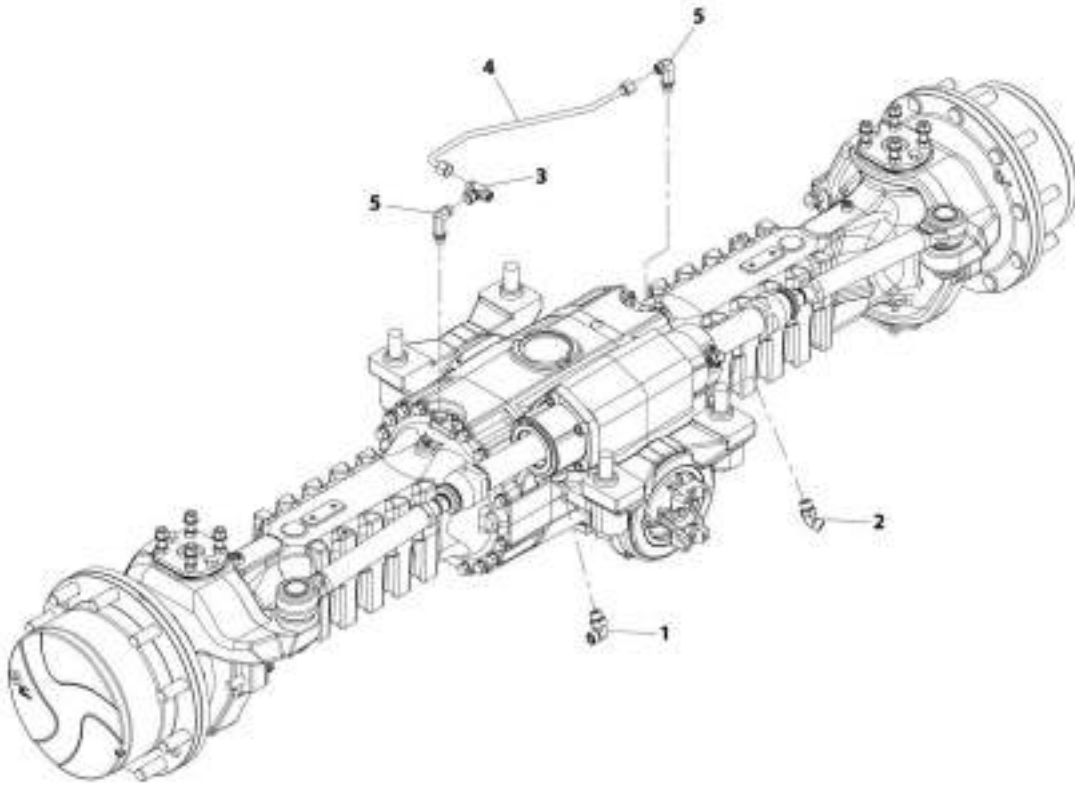
**SECTION 5 - DRIVETRAIN**

**FIGURE 5-6. REAR AXLE MOUNTING INSTALLATION**

<b>ITEM</b>	<b>PART NUMBER</b>	<b>QTY</b>	<b>DESCRIPTION</b>	<b>REV</b>
	1001184983	Ref	Rear Axle Mounting Installation	B
1	4892600	4	Washer	
2	1001097587	4	Bolt, M24-3X150 Grade 10.9	
3	1001184985	Ref	Axle, Rear (See Seperate Breakdown in this Section)	

## SECTION 5 - DRIVETRAIN

FIGURE 5-7. REAR AXLE LINES INSTALLATION



ART\_1001207809-C

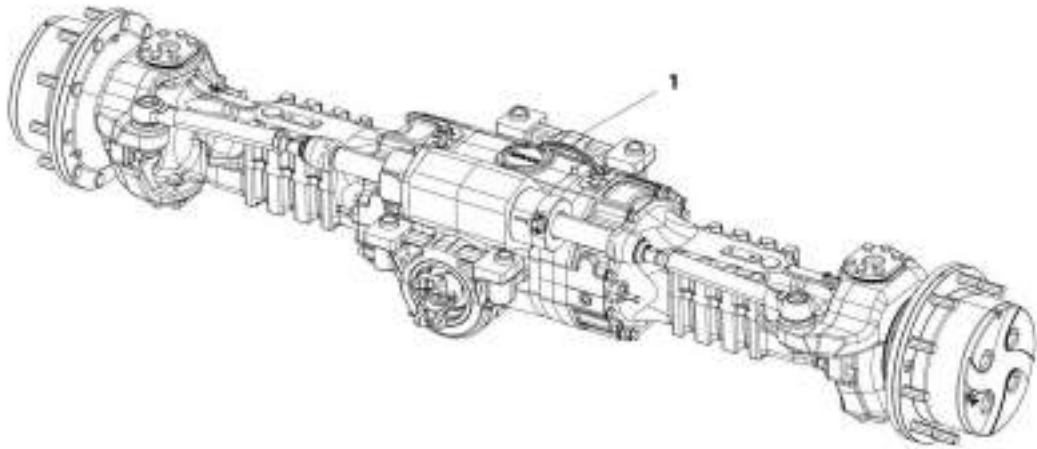
**SECTION 5 - DRIVETRAIN**

**FIGURE 5-7. REAR AXLE LINES INSTALLATION**

<b>ITEM</b>	<b>PART NUMBER</b>	<b>QTY</b>	<b>DESCRIPTION</b>	<b>REV</b>
	1001207899	Ref	Rear Axle Lines Installation	C
1	2130808	1	Fitting, 90 ORFS	
2	2150808	1	Fitting, 45 ORFS	
3	2170806	1	Fitting, Tee ORFS	
4	1001224938	1	Tube	
5	1001210769	2	Fitting, 90 ORFS	

# SECTION 5 - DRIVETRAIN

FIGURE 5-8. FRONT AXLE



ART\_1001184584-E

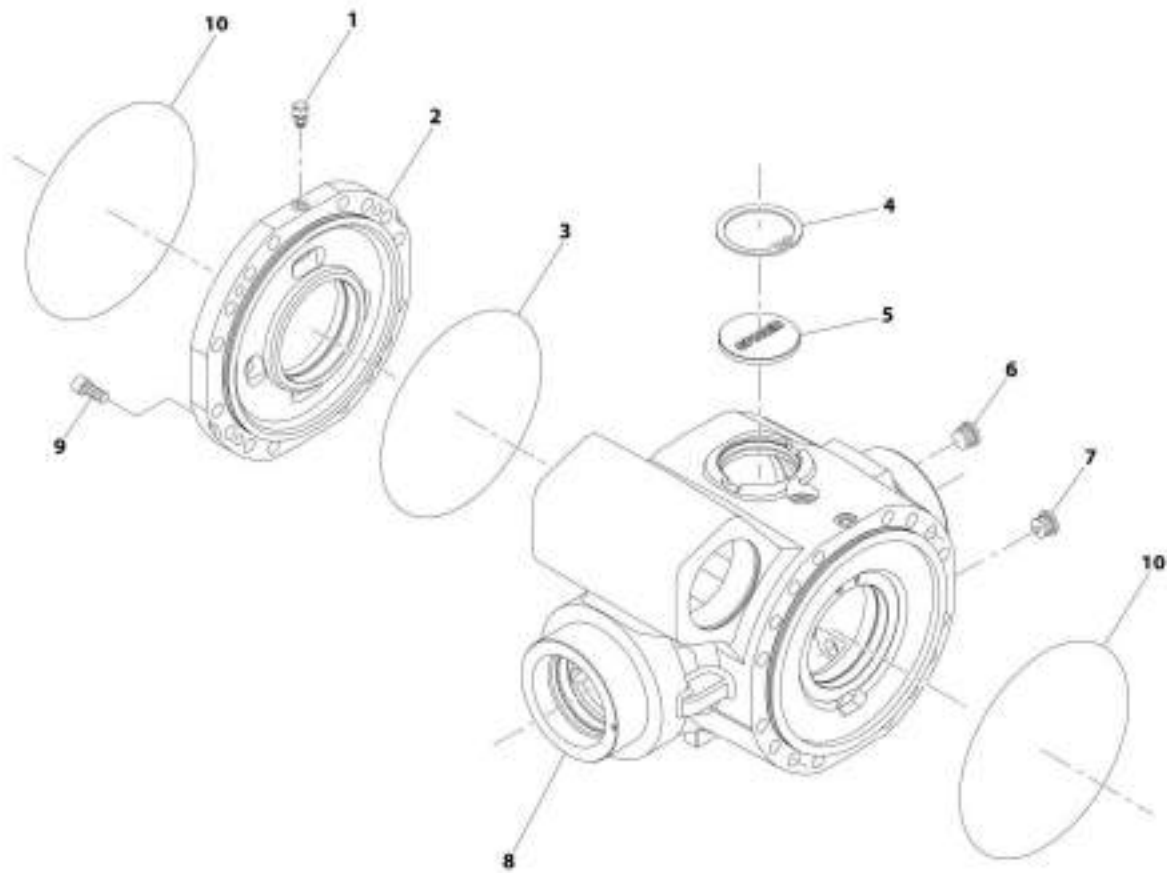
**SECTION 5 - DRIVETRAIN**

**FIGURE 5-8. FRONT AXLE**

ITEM	PART NUMBER	QTY	DESCRIPTION	REV
	1001184984	Ref	Front Axle	E
		Ref	Front Axle, Central Housing (See Separate Breakdown in this Section)	
		Ref	Front Axle, Differential (See Separate Breakdown in this Section)	
		Ref	Front Axle, Hub Reduction (See Separate Breakdown in this Section)	
		Ref	Front Axle, Brakes (See Separate Breakdown in this Section)	
		Ref	Front Axle, Steering (See Separate Breakdown in this Section)	
		Ref	Front Axle, Trunnion (See Separate Breakdown in this Section)	

# SECTION 5 - DRIVETRAIN

## FIGURE 5-9. FRONT AXLE, CENTRAL HOUSING



AMT\_1001184004\_1-E



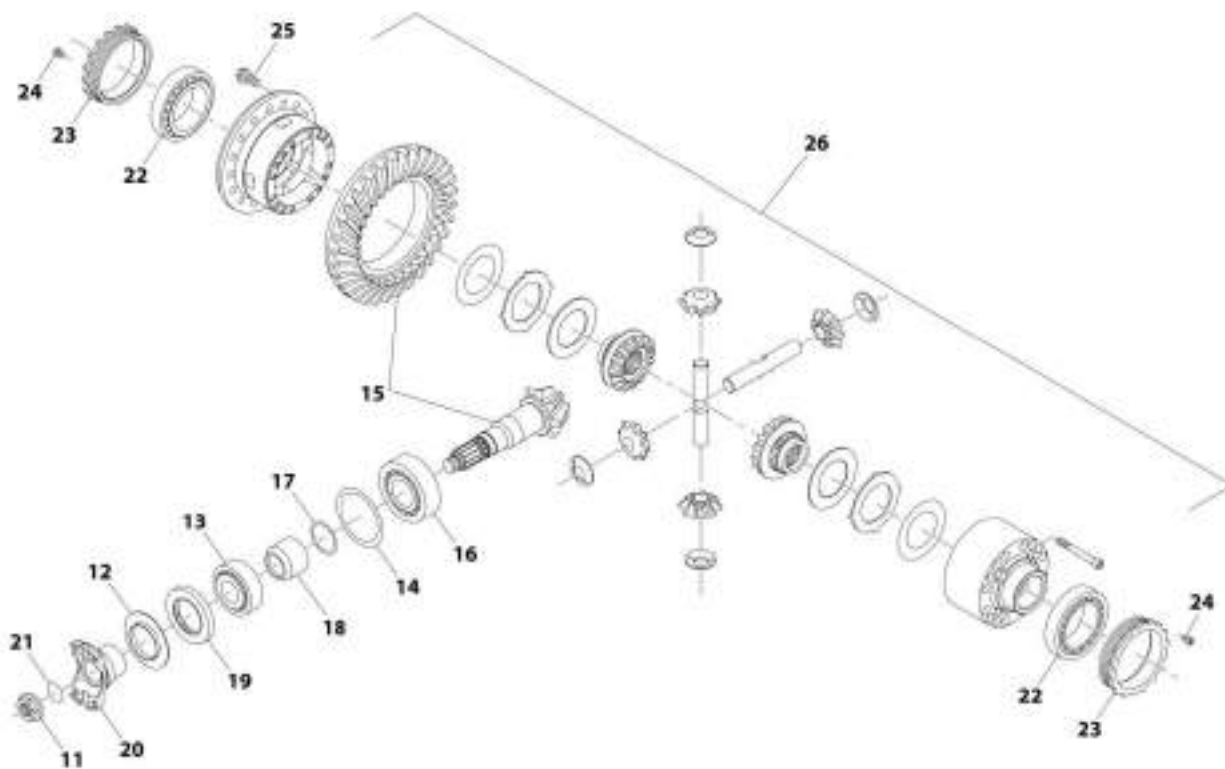
**SECTION 5 - DRIVETRAIN**

**FIGURE 5-9. FRONT AXLE, CENTRAL HOUSING**

<b>ITEM</b>	<b>PART NUMBER</b>	<b>QTY</b>	<b>DESCRIPTION</b>	<b>REV</b>
1	91474512	1	Vent	
2	7029288	1	Cover, Intermediate	
3	80204002	1	O-Ring	
4	80204005	1	Circlip	
5	91514098	1	Plug	
6	70028389	1	Plug	
7	70028388	1	Plug	
8	70025335	1	Housing	
9	91514101	4	Bolt	
10	91514089	2	O-Ring	

# SECTION 5 - DRIVETRAIN

## FIGURE 5-10. FRONT AXLE, DIFFERENTIAL



ART\_1001184984\_2-E

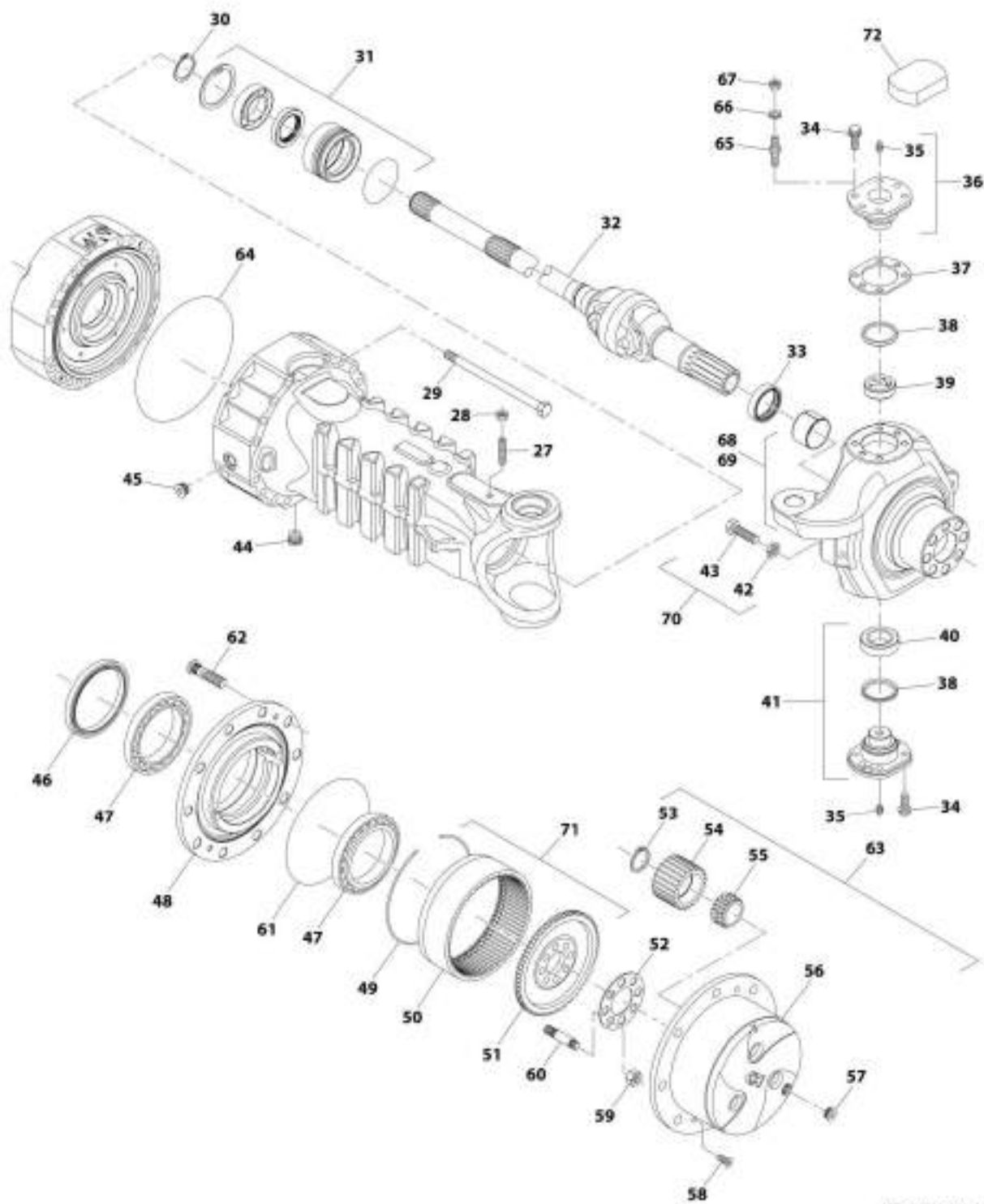
**SECTION 5 - DRIVETRAIN**

**FIGURE 5-10. FRONT AXLE, DIFFERENTIAL**

<b>ITEM</b>	<b>PART NUMBER</b>	<b>QTY</b>	<b>DESCRIPTION</b>	<b>REV</b>
11	80204043	1	Nut	
12	91514130	1	Plate, Cover	
13	80204048	1	Bearing, Tape Roller	
14	70023469	1	Shim	
15	70028391	1	Gear, Bevel Set	
16	80204035	1	Bearing, Tape Roller	
17	70023494	1	Ring	
18	70022140	1	Spacer	
19	70025887	1	Seal	
20	70028401	1	Flange	
21	10725554	1	O-Ring	
22	80204033	2	Bearing, Tape Roller	
23	91514133	2	Nut, Ring	
24	91514134	2	Bolt	
25	91514123	16	Bolt	
26	70028390	1	Kit, Differential (See Separate Breakdown in this Section)	

# SECTION 5 - DRIVETRAIN

## FIGURE 5-11. FRONT AXLE, HUB REDUCTION



ART\_301184904\_1-E

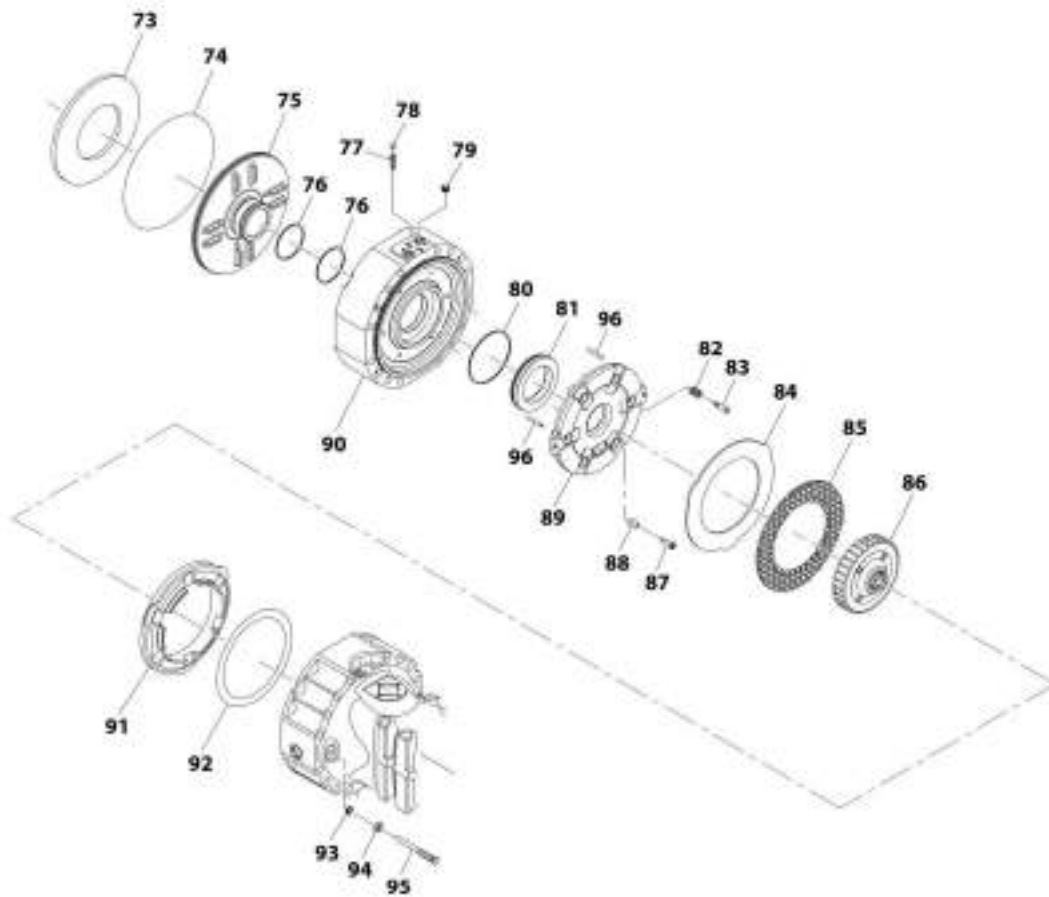
## SECTION 5 - DRIVETRAIN

**FIGURE 5-11. FRONT AXLE, HUB REDUCTION**

ITEM	PART NUMBER	QTY	DESCRIPTION	REV
27	91514081	2	Bolt	
28	91514082	2	Nut	
29	70025012	24	Bolt	
30	80204071	2	Circlip	
31	91514149	2	Kit, Reduction Bushing (See Separate Breakdown in this Section)	
32	70028396	2	Joint, Double Universal	
33	70026238	2	Seal	
34	70025562	20	Bolt	
35	70024881	2	Fitting, Grease	
36	91514112	2	Pin	
37	70025561	1	Shim	
38	7028716	2	Seal, Dust	
39	7028714	2	Bushing	
40	91514095	2	Bearing	
41	7028715	2	Pin	
42	80204065	4	Nut	
43	91514117	4	Bolt	
44	70028388	2	Plug	
45	70028389	2	Plug	
46	70026002	2	Seal	
47	80204076	4	Bearing, Taper Roller	
48	91514174	2	Hub, Wheel	
49	91514175	2	Circlip	
50	70024147	2	Gear, Ring	
51	91514177	2	Support, Ring Gear	
52	91514178	2	Plate	
53	91514184	8	Circlip	
54	91514185	8	Gear, Planet	
55	91514186	8	Bearing	
56	7029317	2	Carrier, Planet Gear	
57	70028387	2	Plug	
58	91514189	4	Bolt, Countersunk	
59	91514179	16	Nut	
60	91514180	16	Stud	
61	91514181	2	O-Ring	
62	80214120	20	Stud	
63	7029743	2	Kit, Planet Gear Carrier	
64	91514089	2	O-Ring	
65	70025014	8	Stud	
66	91514084	8	Washer	
67	91514083	8	Nut	
68	70026260	1	Kit, Steering Case (left) (See Separate Breakdown in this Section)	
69	70026261	1	Kit, Steering Case (right) (See Separate Breakdown in this Section)	
70	7028733	4	Bolt, Steering Adjust	
71	70024146	2	Kit, Ring Gear Support (See Separate Breakdown in this Section)	
72	70028392	2	Cover	

# SECTION 5 - DRIVETRAIN

## FIGURE 5-12. FRONT AXLE, BRAKES



ART\_1001104004\_4-E

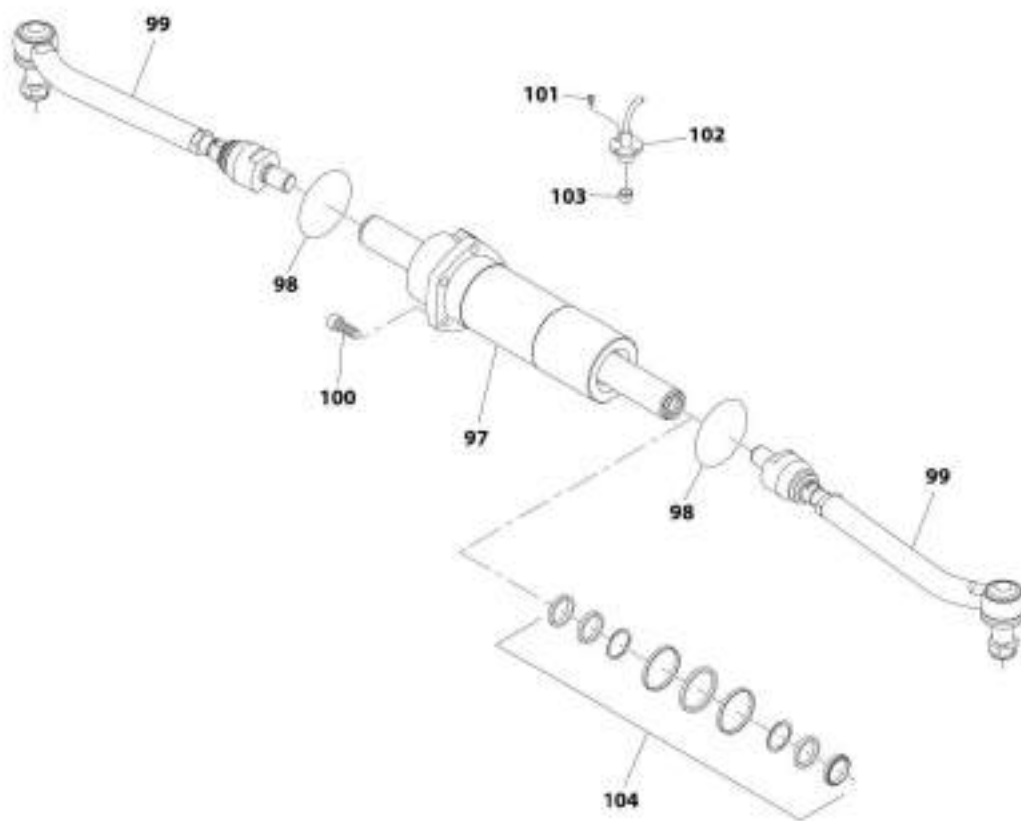
## SECTION 5 - DRIVETRAIN

### FIGURE 5-12. FRONT AXLE, BRAKES

ITEM	PART NUMBER	QTY	DESCRIPTION	REV
73	91514151	2	Washer	
74	91514089	2	O-Ring	
75	70027092	2	Piston	
76	70026262	4	Seal	
77	80204281	4	Bolt, Bleeding	
78	80204117	4	Plug	
79	91514154	4	Plug	
80	70026263	2	Seal	
81	70027796	2	Piston	
82	91514159	6	Spring	
83	70024210	6	Bolt, Adjusting	
84	70027022	6	Disc, Intermediate Brake	
85	7029735	6	Disc, Brake	
86	7029734	2	Bushing, Reduction	
87	7029787	6	Bolt, Adjusting	
88	70027317	6	Spring	
89	70024849	2	Disc, Intermediate Brake	
90	70024848	2	Cover	
91	70026264	2	Spacer	
92	70025970	1	Shim	
93	80204108	4	Washer, Lock	
94	80204060	4	Nut	
95	70024213	4	Bolt	
96	70024215	4	Dowel	

# SECTION 5 - DRIVETRAIN

## FIGURE 5-13. FRONT AXLE, STEERING



ART\_100116490A\_5-6



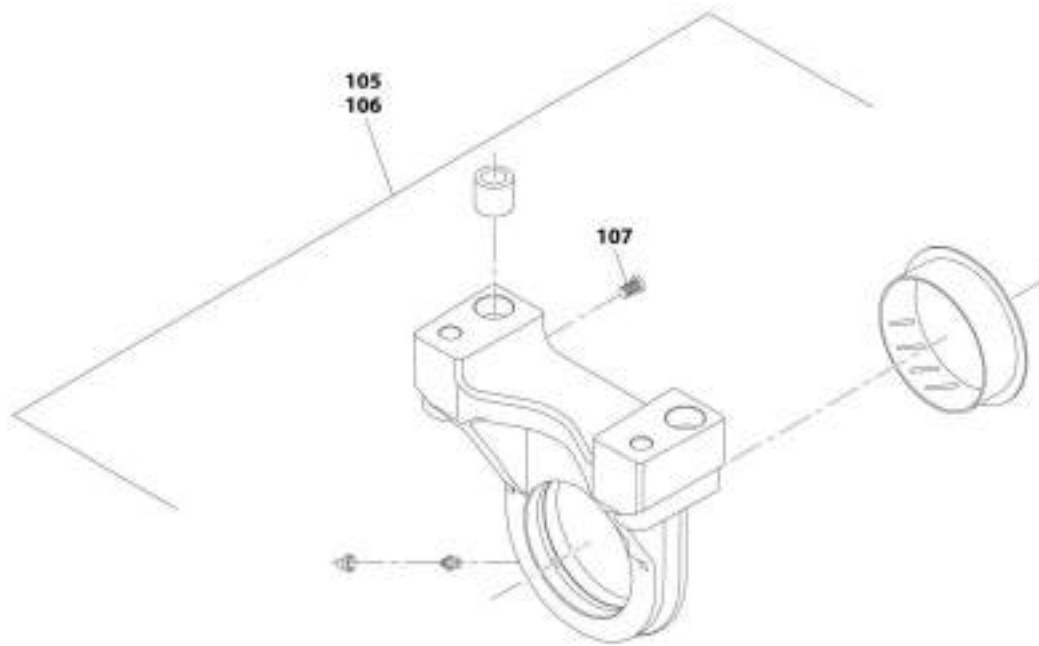
**SECTION 5 - DRIVETRAIN**

**FIGURE 5-13. FRONT AXLE, STEERING**

<b>ITEM</b>	<b>PART NUMBER</b>	<b>QTY</b>	<b>DESCRIPTION</b>	<b>REV</b>
97	70028393	1	Cylinder	
98	80204143	2	O-Ring	
99	70028394	2	Rod, Articulated Tie	
99	70022773	2	Nut	
100	80204144	5	Bolt	
101	8008175	2	Bolt	
102	70027986	1	Optical Sensor	
103	7029307	1	Plug	
104	7029127	1	Kit, Seal	

# SECTION 5 - DRIVETRAIN

## FIGURE 5-14. FRONT AXLE, TRUNION



AMT\_100134R964\_s-E

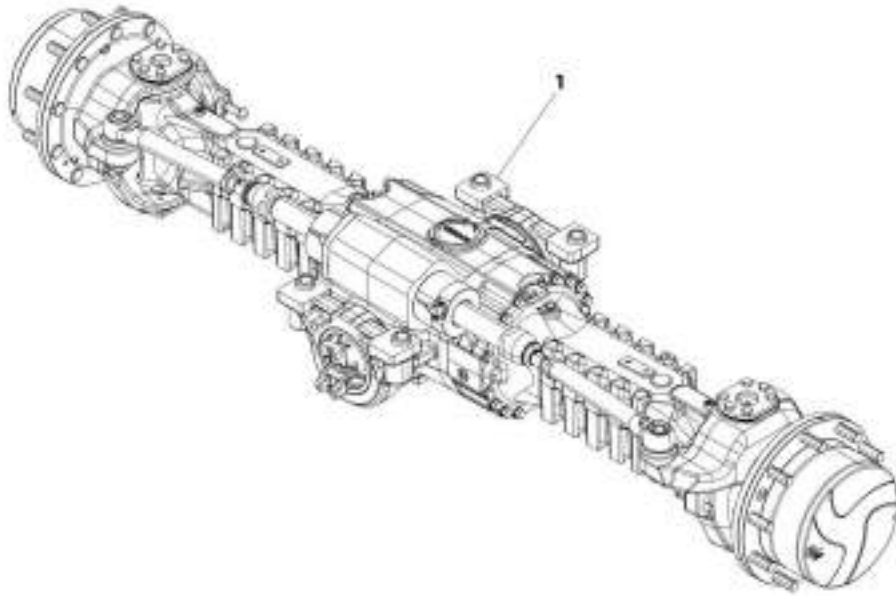
**SECTION 5 - DRIVETRAIN**

**FIGURE 5-14. FRONT AXLE, TRUNION**

<b>ITEM</b>	<b>PART NUMBER</b>	<b>QTY</b>	<b>DESCRIPTION</b>	<b>REV</b>
105	70026266	1	Kit, Trunnion (See Separate Breakdown in this Section)	
106	70026265	1	Support	
107	70025884	1	Bolt	

## SECTION 5 - DRIVETRAIN

FIGURE 5-15. REAR AXLE



ART\_1001184985-E

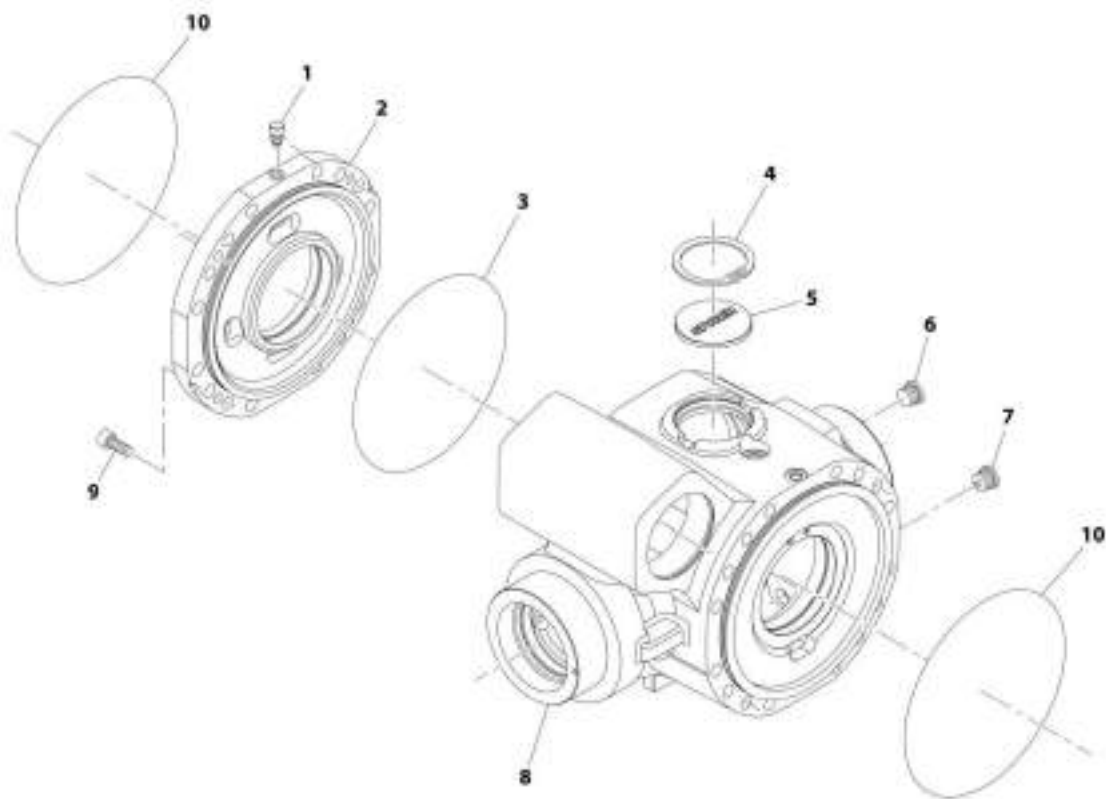
**SECTION 5 - DRIVETRAIN**

**FIGURE 5-15. REAR AXLE**

ITEM	PART NUMBER	QTY	DESCRIPTION	REV
1	1001184985	1	Rear Axle	E
		Ref	Rear Axle, Central Housing (See Separate Breakdown in this Section)	
		Ref	Rear Axle, Differential (See Separate Breakdown in this Section)	
		Ref	Rear Axle, Hub Reduction (See Separate Breakdown in this Section)	
		Ref	Rear Axle, Brakes (See Separate Breakdown in this Section)	
		Ref	Rear Axle, Steering (See Separate Breakdown in this Section)	
		Ref	Rear Axle, Trunnion (See Separate Breakdown in this Section)	

# SECTION 5 - DRIVETRAIN

## FIGURE 5-16. REAR AXLE, CENTRAL HOUSING



ART\_100184905\_1-E

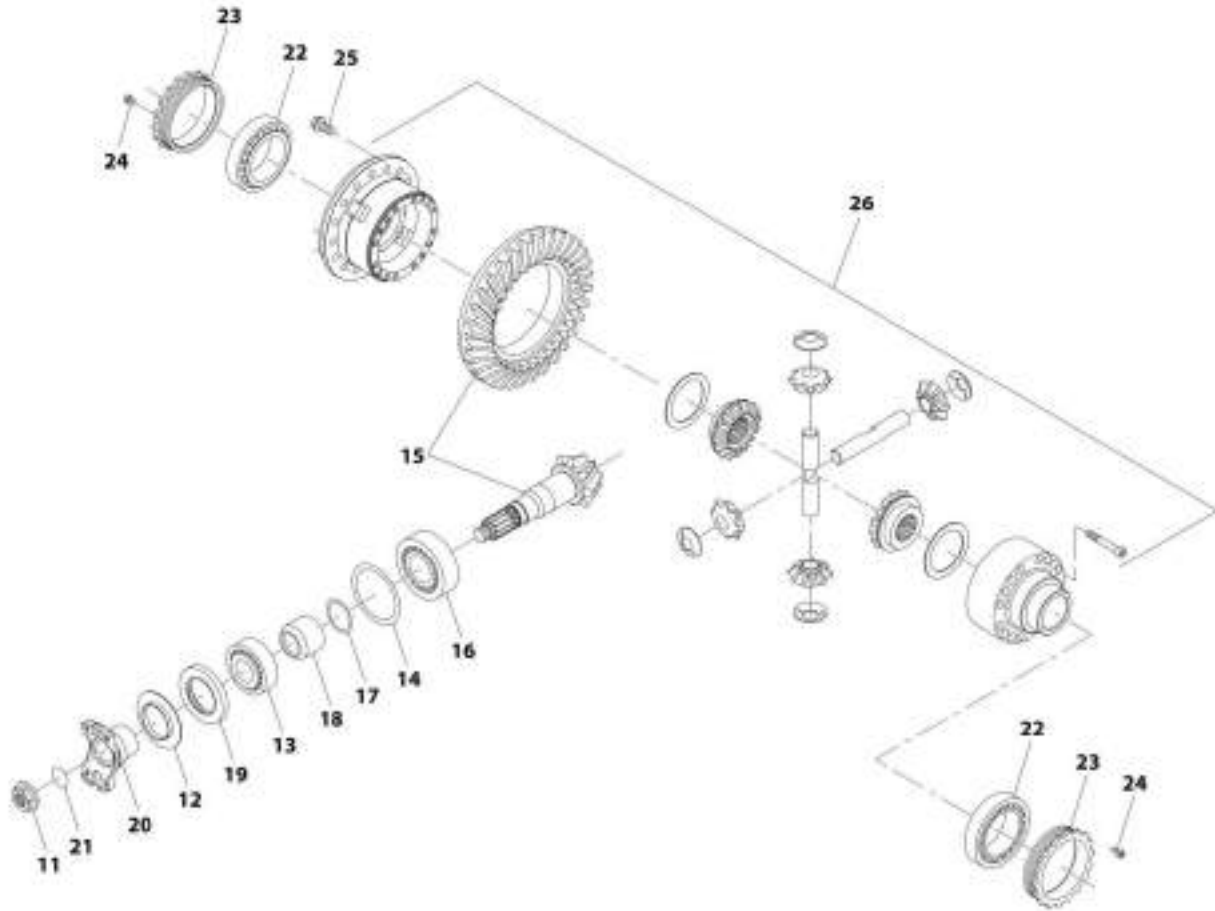
**SECTION 5 - DRIVETRAIN**

**FIGURE 5-16. REAR AXLE, CENTRAL HOUSING**

<b>ITEM</b>	<b>PART NUMBER</b>	<b>QTY</b>	<b>DESCRIPTION</b>	<b>REV</b>
1	91474512	1	Vent	
2	7029288	1	Cover, Intermediate	
3	80204002	1	O-Ring	
4	80204005	1	Circlip	
5	91514098	1	Plug	
6	70028389	1	Plug	
7	70028388	1	Plug	
8	70025335	1	Housing	
9	91514101	4	Bolt	
10	91514089	2	O-Ring	

# SECTION 5 - DRIVETRAIN

## FIGURE 5-17. REAR AXLE, DIFFERENTIAL



MIT\_100184965\_2-E



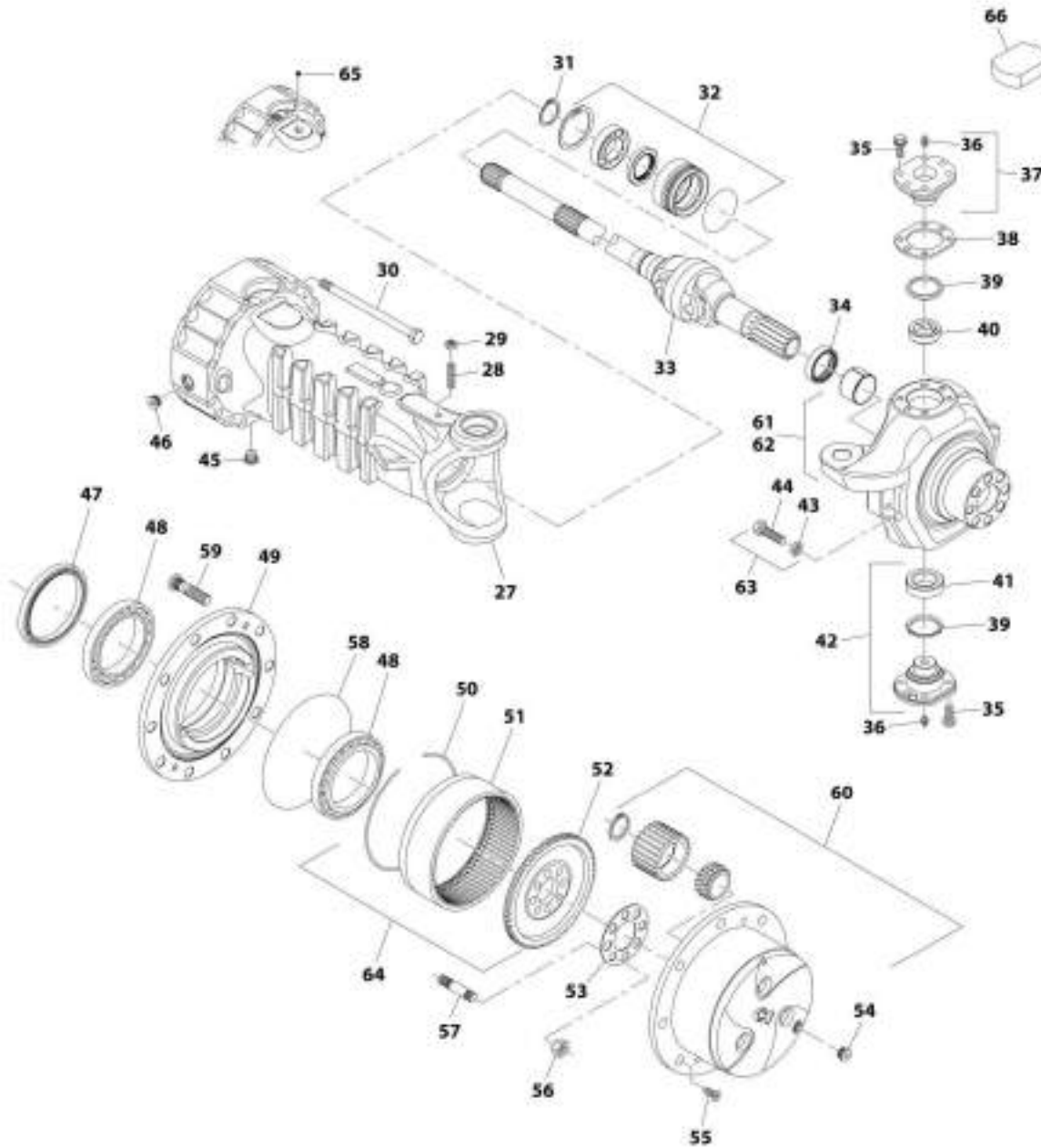
## SECTION 5 - DRIVETRAIN

### FIGURE 5-17. REAR AXLE, DIFFERENTIAL

ITEM	PART NUMBER	QTY	DESCRIPTION	REV
11	80204043	1	Nut	
12	91514130	1	Plate, Cover	
13	80204048	1	Bearing, Taper Roller	
14	70023469	1	Shim	
15	70028399	1	Gear, Bevel Set	
16	80204035	1	Bearing, Taper Roller	
17	70023494	1	Ring	
18	70022140	1	Spacer	
19	70025887	1	Seal	
20	70028401	1	Flange	
21	10725554	1	O-Ring	
22	80204033	2	Bearing, Taper Roller	
23	91514133	2	Nut, Ring	
24	91514134	2	Bolt	
25	39844923	16	Bolt	
26	70028398	1	Kit, Differential (See Separate Breakdown in this Section)	

# SECTION 5 - DRIVETRAIN

## FIGURE 5-18. REAR AXLE, HUB REDUCTION



AMT\_100158425\_3-E

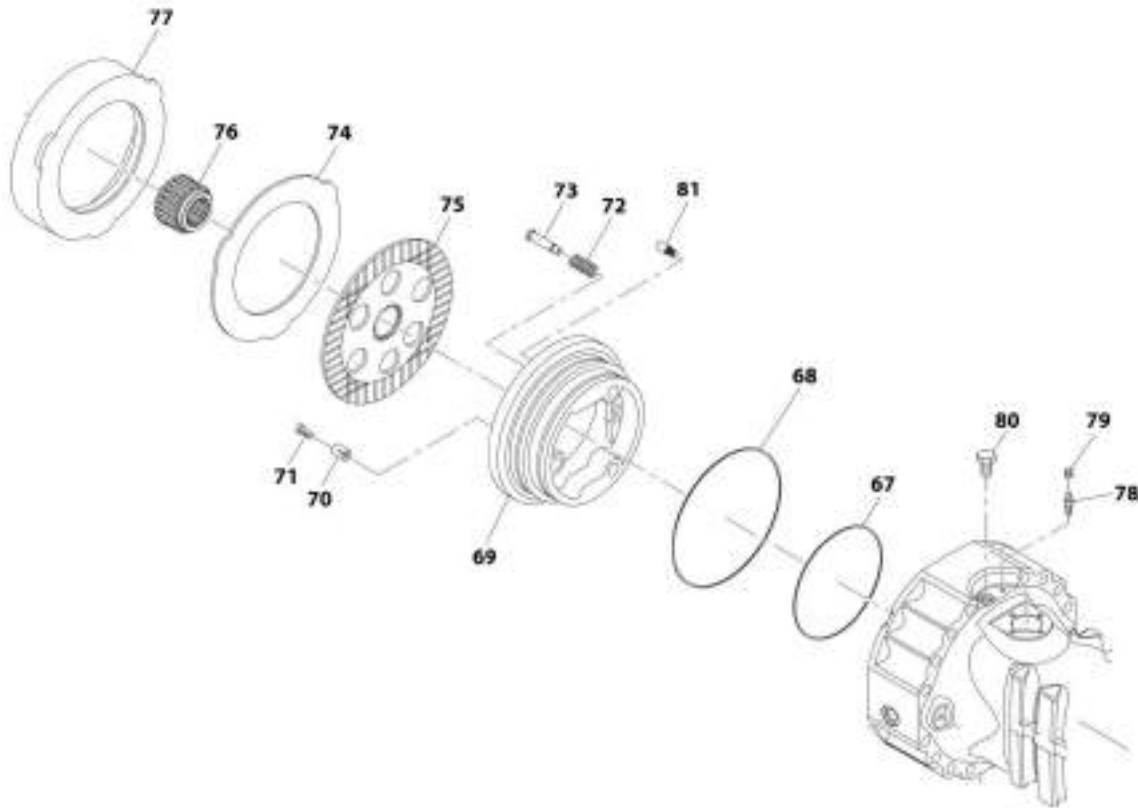
## SECTION 5 - DRIVETRAIN

**FIGURE 5-18. REAR AXLE, HUB REDUCTION**

ITEM	PART NUMBER	QTY	DESCRIPTION	REV
27	70028400	2	Case, Axle	
28	91514081	2	Bolt	
29	91514082	2	Nut	
30	70028397	32	Bolt	
31	80204071	2	Circlip	
32	91514149	2	Kit, Reduction Bushing (See Separate Breakdown in this Section)	
33	70028396	2	Joint, Double Universal	
34	70026238	2	Seal	
35	70025562	20	Bolt	
36	70024881	2	Fitting, Grease	
37	91514112	2	Pin	
38	70025561	1	Shim	
39	7028716	2	Seal, Dust	
40	7028714	2	Bushing	
41	91514095	2	Bearing	
42	7028715	2	Pin	
43	80204065	4	Nut	
44	91514117	4	Bolt	
45	70028388	2	Plug	
46	70028387	2	Plug	
47	70026002	2	Seal	
48	80204076	4	Bearing, Taper Roller	
49	91514174	2	Hub, Wheel	
50	91514175	2	Circlip	
51	70024147	2	Gear, Ring	
52	91514177	2	Gear, Ring Support	
53	91514178	2	Plate, Locking	
54	70028389	2	Plug	
55	91514189	4	Bolt, Countersunk	
56	91514179	16	Nut	
57	91514180	16	Stud	
58	91514181	2	O-Ring	
59	80214120	20	Stud	
60	7029733	2	Kit, Planet Gear Carrier (See Separate Breakdown in this Section)	
61	70026260	1	Kit, Steering Case (Right) (See Separate Breakdown in this Section)	
62	70026261	1	Kit, Steering Case (left) (See Separate Breakdown in this Section)	
63	7028733	4	Bolt, Steering Adjust	
64	70024146	2	Kit, Ring Gear Support (See Separate Breakdown in this Section)	
65	80204012	2	Plug	
66	70028392	2	Cover	

# SECTION 5 - DRIVETRAIN

## FIGURE 5-19. REAR AXLE, BRAKES



ART\_100116495\_4E

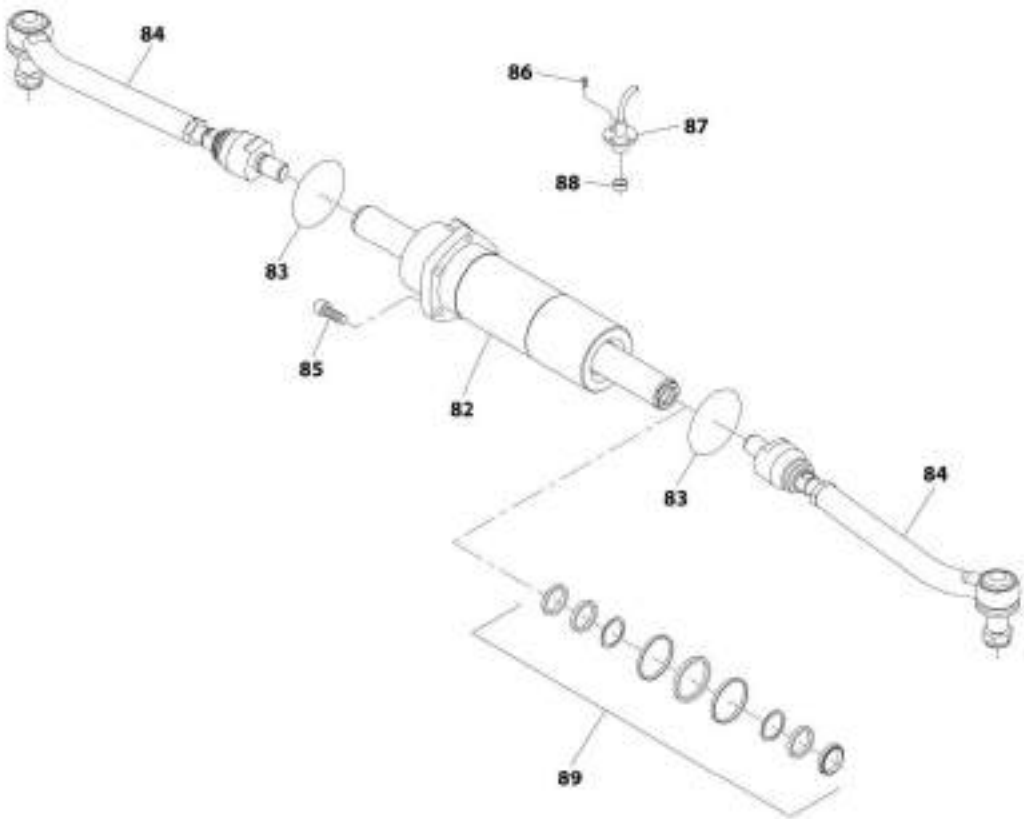
**SECTION 5 - DRIVETRAIN**

**FIGURE 5-19. REAR AXLE, BRAKES**

<b>ITEM</b>	<b>PART NUMBER</b>	<b>QTY</b>	<b>DESCRIPTION</b>	<b>REV</b>
67	70026747	2	Seal	
68	70026748	2	Seal	
69	70024216	2	Piston	
70	70027317	6	Spring	
71	7029785	6	Bolt, Adjusting	
72	91514159	6	Spring	
73	70024210	6	Bolt, Adjusting	
74	70027022	6	Disc, Intermediate Brake	
75	7029735	6	Disc, Brake	
76	7029734	2	Bushing, Reduction	
77	70021606	2	Spacer	
78	80204281	2	Bolt, Bleeding	
79	80204117	2	Plug	
80	91514154	2	Bolt	
81	70021613	2	Bolt, Pilot	

SECTION 5 - DRIVETRAIN

FIGURE 5-20. REAR AXLE, STEERING



ART\_300118485\_3-E

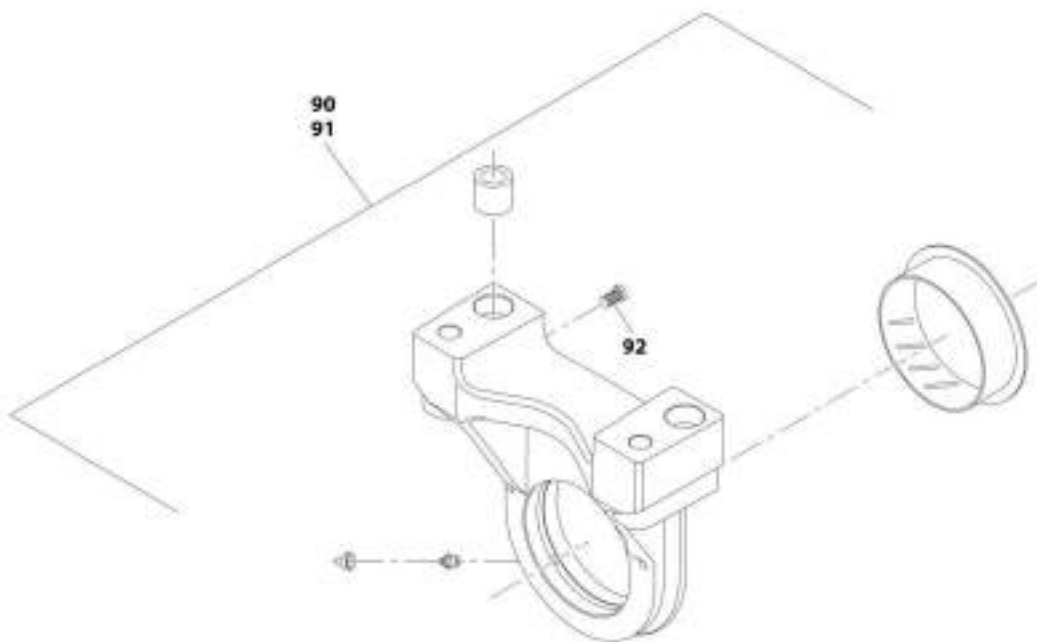
**SECTION 5 - DRIVETRAIN**

**FIGURE 5-20. REAR AXLE, STEERING**

<b>ITEM</b>	<b>PART NUMBER</b>	<b>QTY</b>	<b>DESCRIPTION</b>	<b>REV</b>
82	70028393	1	Cylinder	
83	80204143	2	O-Ring	
84	70028394	2	Rod, Articulated Tie	
84	70022773	2	Nut	
85	80204144	5	Bolt	
86	8008175	2	Bolt	
87	70027986	1	Sensor, Optical	
88	7029307	1	Plug	
89	7029127	1	Kit, Seal	

# SECTION 5 - DRIVETRAIN

## FIGURE 5-21. REAR AXLE, TRUNION



ART\_100100963\_6-E



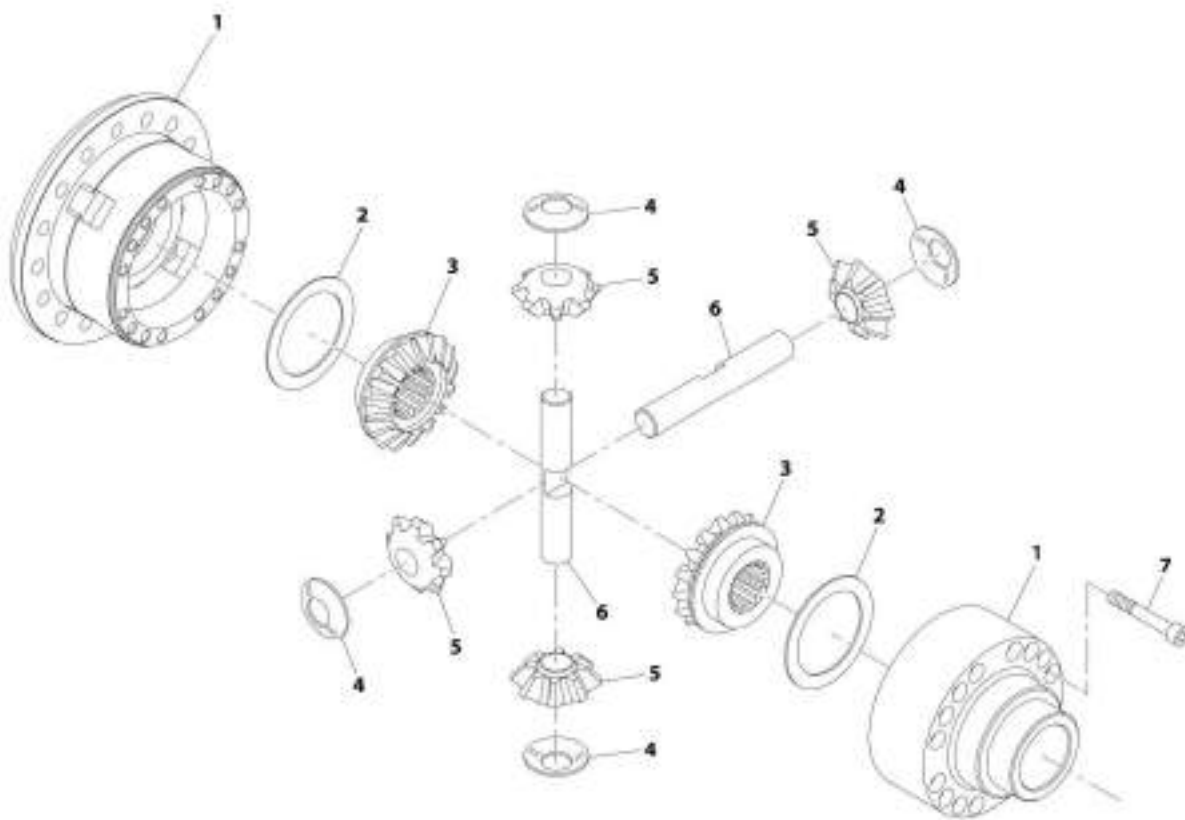
**SECTION 5 - DRIVETRAIN**

**FIGURE 5-21. REAR AXLE, TRUNION**

<b>ITEM</b>	<b>PART NUMBER</b>	<b>QTY</b>	<b>DESCRIPTION</b>	<b>REV</b>
90	70026266	1	Kit, Trunnion (See Separate Breakdown in this Section)	
91	70026265	1	Support	
92	70025884	1	Bolt	

# SECTION 5 - DRIVETRAIN

## FIGURE 5-22. DIFFERENTIAL KIT



ART\_7001390

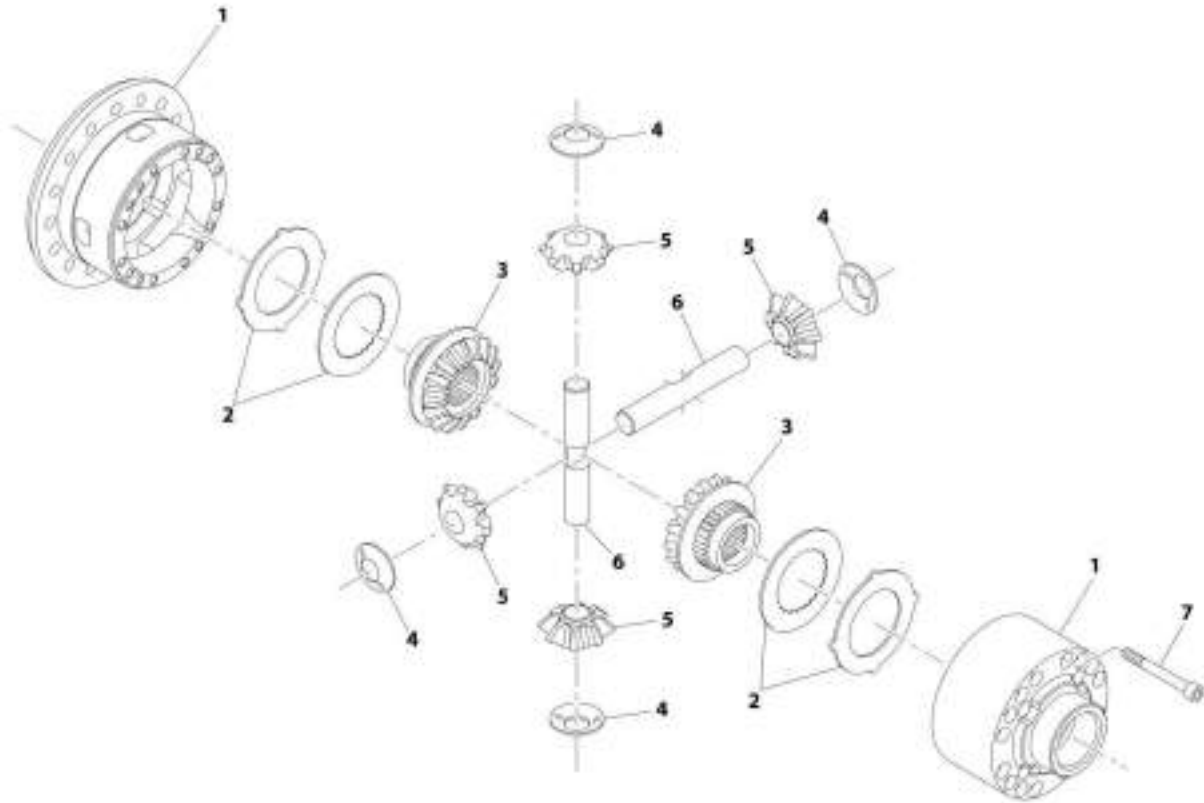
**SECTION 5 - DRIVETRAIN**

**FIGURE 5-22. DIFFERENTIAL KIT**

<b>ITEM</b>	<b>PART NUMBER</b>	<b>QTY</b>	<b>DESCRIPTION</b>	<b>REV</b>
	70028398	Ref	Differential Kit	
1	70025337	1	Carrier, Differential	
2	70023493	2	Washer, Friction	
3	70025338	2	Gear, Differential Side	
4	70027105	4	Washer, Friction	
5	70025339	4	Pinion, Differential	
6	70023490	2	Shaft, Differential	
7	70023489	15	Bolt	

# SECTION 5 - DRIVETRAIN

## FIGURE 5-23. DIFFERENTIAL KIT



ART\_20028190

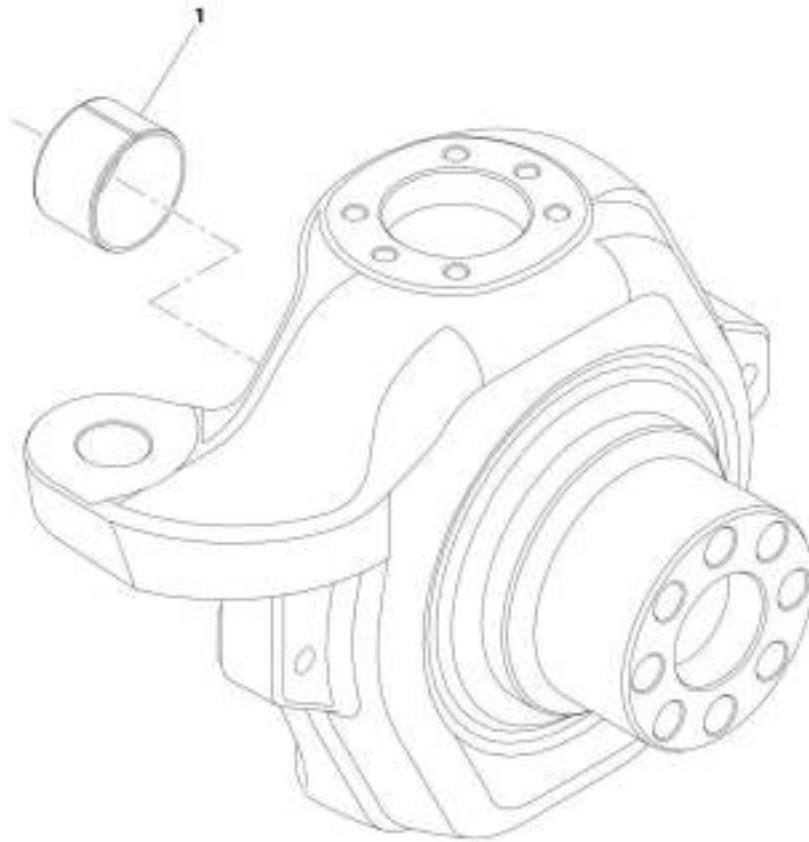
**SECTION 5 - DRIVETRAIN**

**FIGURE 5-23. DIFFERENTIAL KIT**

<b>ITEM</b>	<b>PART NUMBER</b>	<b>QTY</b>	<b>DESCRIPTION</b>	<b>REV</b>
	70028390	Ref	Differential Kit	
1	70024004	2	Carrier, Differential	
2	70026750	2	Disc, Clutch	
3	70025856	2	Gear, Differential Side	
4	70027105	4	Washer, Friction	
5	70025339	4	Pinion, Differential	
6	70023490	2	Shaft, Differential	
7	91514143	15	Bolt	

## SECTION 5 - DRIVETRAIN

FIGURE 5-24. STEERING CASE KIT (RF, LR)



ART\_70020380

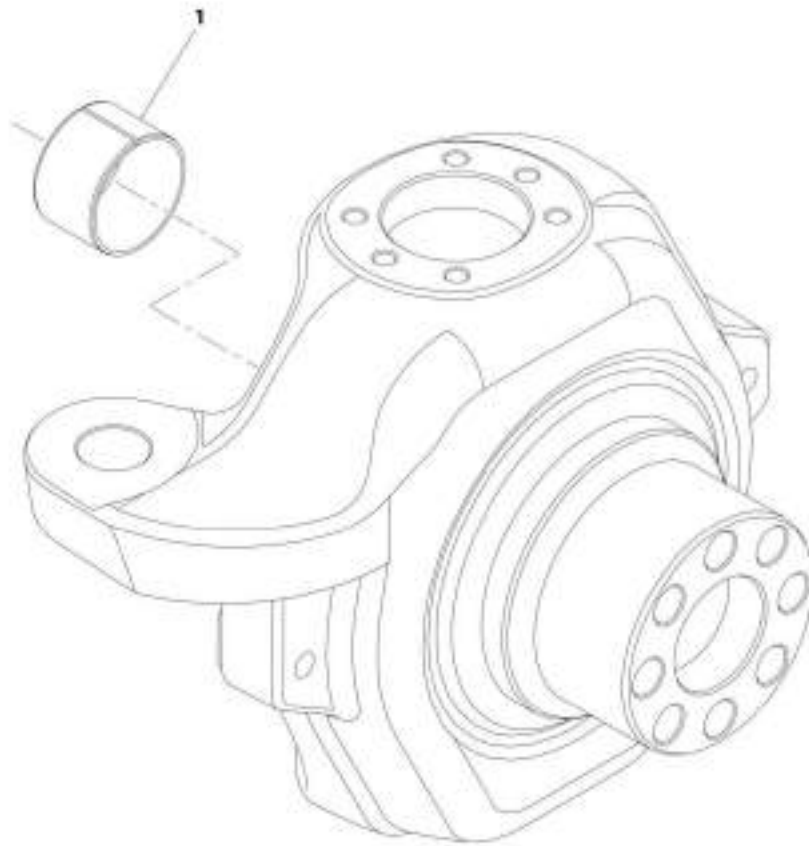
**SECTION 5 - DRIVETRAIN**

**FIGURE 5-24. STEERING CASE KIT (RF, LR)**

ITEM	PART NUMBER	QTY	DESCRIPTION	REV
1	70026260 91514111	Ref 1	Steering Case Kit (RF, LR) Bushing, Thrust	

## SECTION 5 - DRIVETRAIN

FIGURE 5-25. STEERING CASE KIT (LF, RR)



REF\_70020381



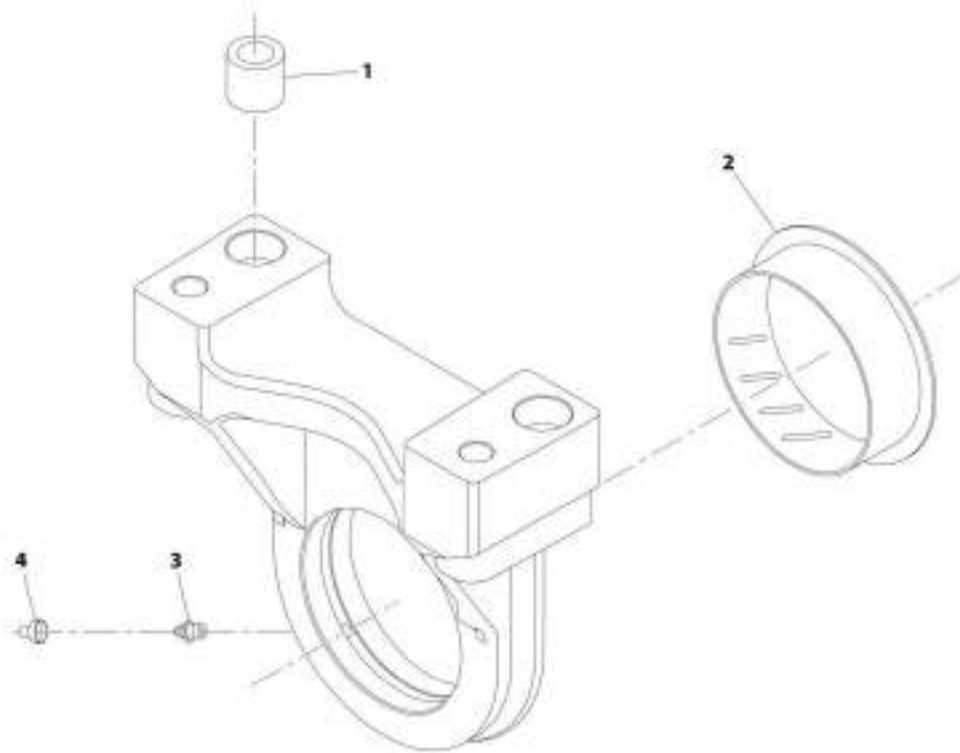
**SECTION 5 - DRIVETRAIN**

**FIGURE 5-25. STEERING CASE KIT (LF, RR)**

ITEM	PART NUMBER	QTY	DESCRIPTION	REV
1	70026261 91514111	Ref 1	Steering Case Kit (RR) Bushing, Thrust	

# SECTION 5 - DRIVETRAIN

## FIGURE 5-26. TRUNION KIT



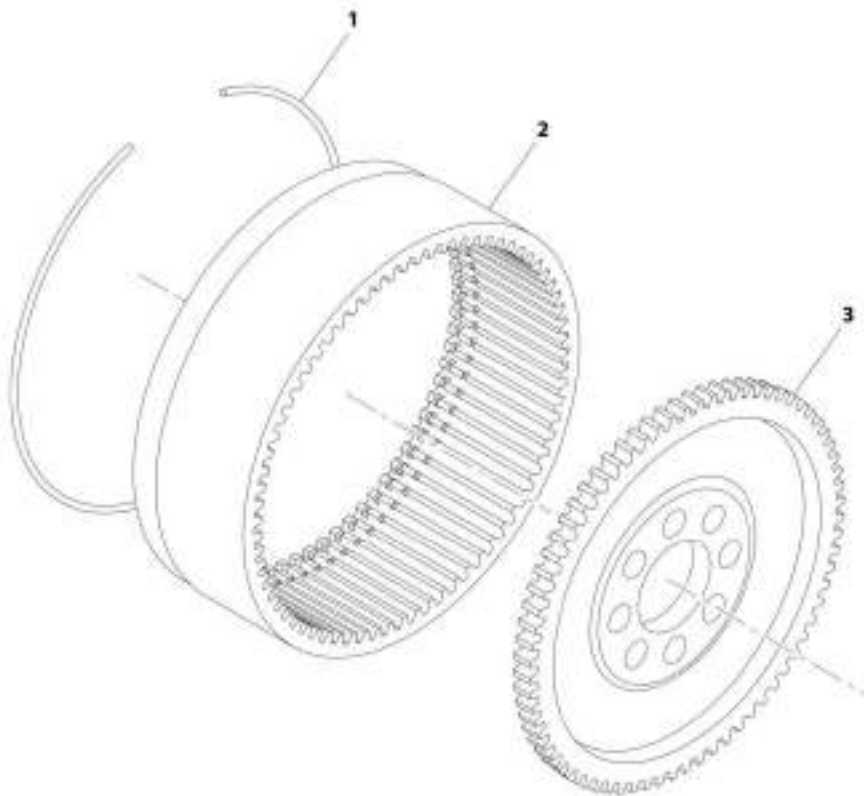
AMT\_70026296

**FIGURE 5-26. TRUNION KIT**

<b>ITEM</b>	<b>PART NUMBER</b>	<b>QTY</b>	<b>DESCRIPTION</b>	<b>REV</b>
	70026266	Ref	Trunion Kit	
1	7029290	2	Bushing, Reduction	
2	91514090	1	Bushing, Thrust	
3	70024881	1	Fitting, Grease	
4	80204117	1	Plug	

# SECTION 5 - DRIVETRAIN

## FIGURE 5-27. RING GEAR SUPPORT KIT



ART. 70024146

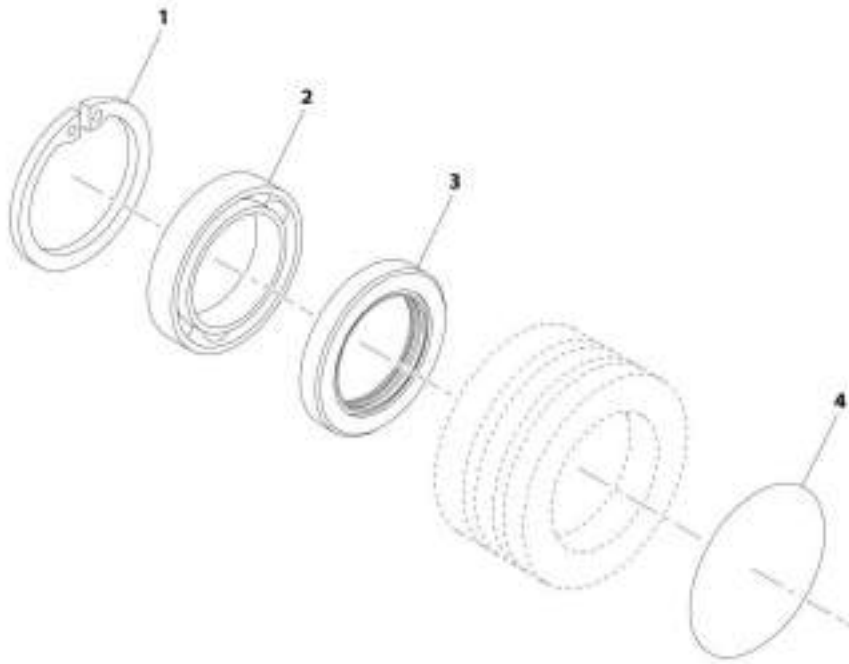
**SECTION 5 - DRIVETRAIN**

**FIGURE 5-27. RING GEAR SUPPORT KIT**

<b>ITEM</b>	<b>PART NUMBER</b>	<b>QTY</b>	<b>DESCRIPTION</b>	<b>REV</b>
	70024146	Ref	Ring Gear Support Kit	
1	91514175	1	Circlip	
2	70024147	1	Gear, Ring	
3	91514177	1	Gear, Ring Support	

## SECTION 5 - DRIVETRAIN

FIGURE 5-28. REDUCTION BUSHING KIT



ART\_81514348

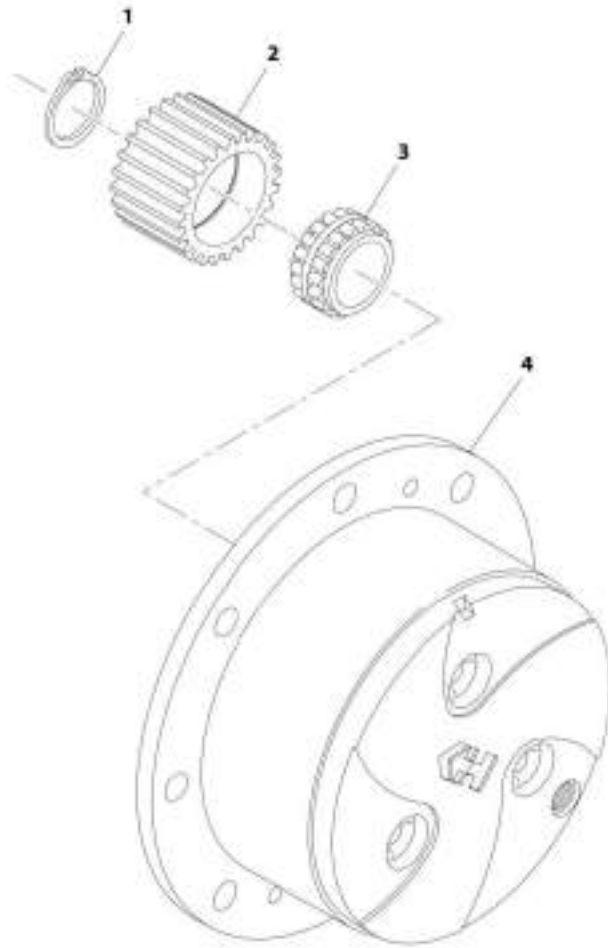
**SECTION 5 - DRIVETRAIN**

**FIGURE 5-28. REDUCTION BUSHING KIT**

<b>ITEM</b>	<b>PART NUMBER</b>	<b>QTY</b>	<b>DESCRIPTION</b>	<b>REV</b>
	91514149	Ref	Reduction Bushing Kit	
1	80204005	2	Circlip	
2	91514146	2	Bearing, Ball	
3	91514147	2	Seal	
4	91514148	2	O-Ring	

## SECTION 5 - DRIVETRAIN

FIGURE 5-29. PLANET GEAR CARRIER KIT



ART\_3125713



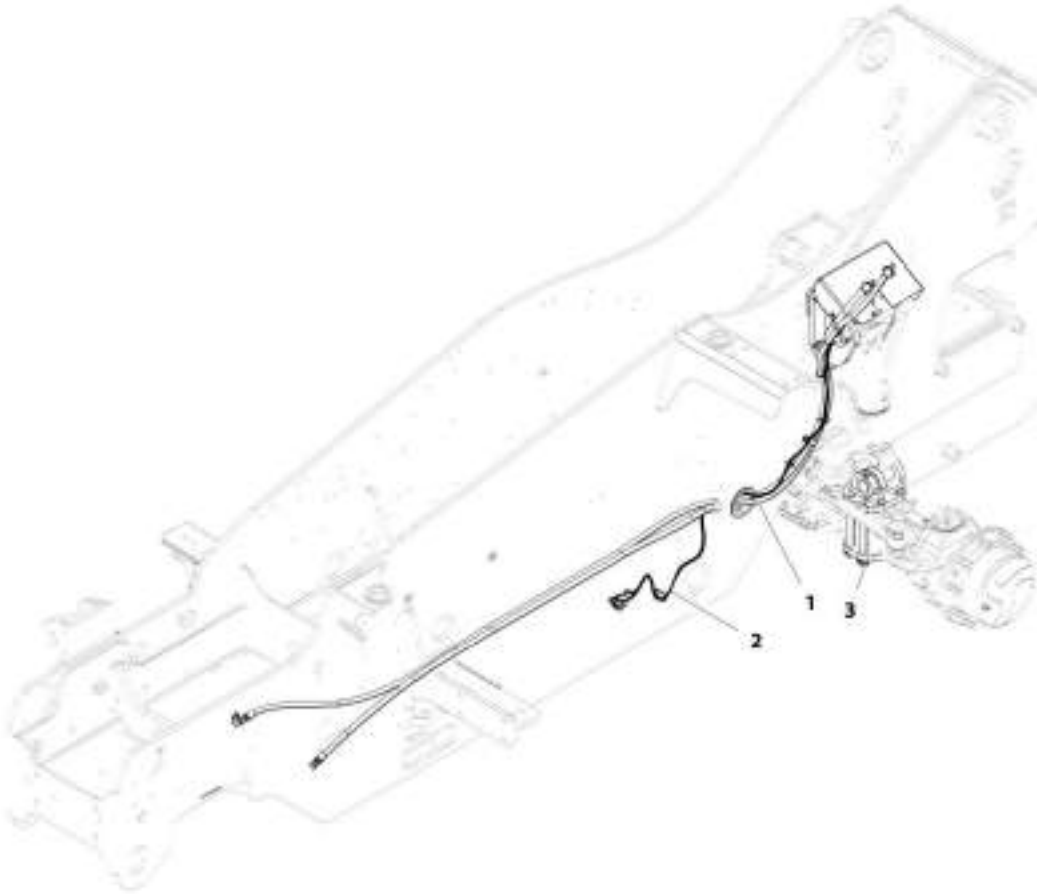
**SECTION 5 - DRIVETRAIN**

**FIGURE 5-29. PLANET GEAR CARRIER KIT**

<b>ITEM</b>	<b>PART NUMBER</b>	<b>QTY</b>	<b>DESCRIPTION</b>	<b>REV</b>
	7029733	Ref	Planet Gear Carrier Kit	
1	91514184	3	Circlip	
2	91514185	6	Gear, Planet	
3	91514186	6	Bearing	
4	7026731	1	Carrier, Planet Gear	

# SECTION 5 - DRIVETRAIN

## FIGURE 5-30. RALP INSTALLATION



ART\_0001192713-B

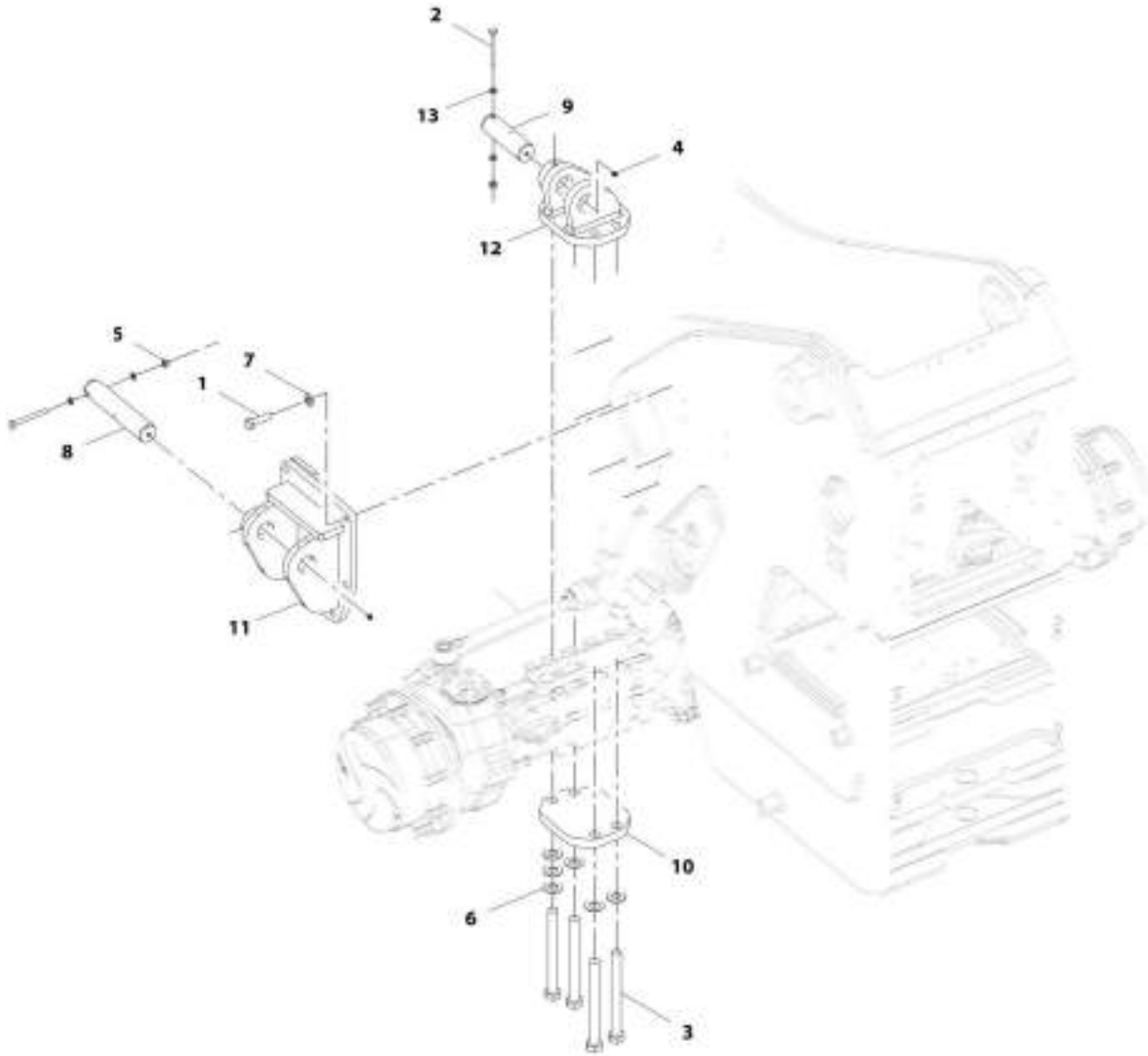
**SECTION 5 - DRIVETRAIN**

**FIGURE 5-30. RALP INSTALLATION**

<b>ITEM</b>	<b>PART NUMBER</b>	<b>QTY</b>	<b>DESCRIPTION</b>	<b>REV</b>
	1001192713	Ref	RALP Installation	B
1	1001192555	1	Installation, RALP Hydraulic Lines (See Separate Breakdown in Hydraulic Circuits Section)	
2	1001193576	1	Installation, RALP Option Harness	
3	1001200177	1	Installation, RALP Mechanical (See Separate Breakdown in this Section)	

# SECTION 5 - DRIVETRAIN

## FIGURE 5-31. RALP MECHANICAL INSTALLATION



ART\_0001200177-D

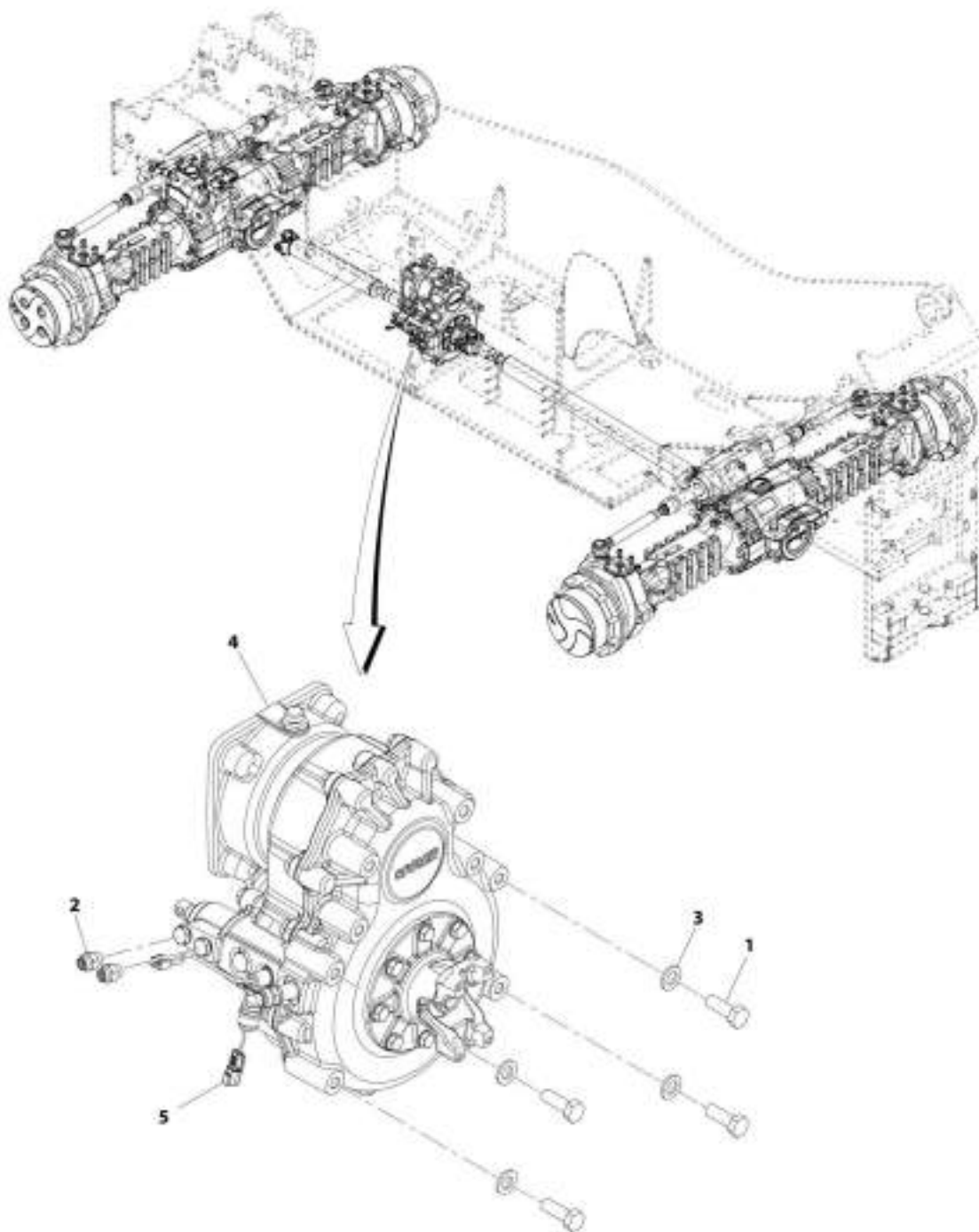
**SECTION 5 - DRIVETRAIN**

**FIGURE 5-31. RALP MECHANICAL INSTALLATION**

<b>ITEM</b>	<b>PART NUMBER</b>	<b>QTY</b>	<b>DESCRIPTION</b>	<b>REV</b>
	1001200177	Ref	RALP Mechanical Installation	D
1	0771620	6	Bolt, M16X60 Grade 10.9	
2	0711027	2	Bolt, M10X100	
3	0712442	4	Bolt, M24X250	
4	2160016	2	Fitting, Grease	
5	3291005	2	Nut, Lock M10X1.5	
6	5242400	6	Washer, M24	
7	5241600	6	Washer, M16	
8	1001164971	1	Pin	
9	1001164972	1	Pin	
10	1001168629	1	Plate	
11	1001193918J	1	Bracket	
12	1001193919	1	Bracket	
13	4812000	4	Washer, M10	

## SECTION 5 - DRIVETRAIN

FIGURE 5-32. GEARBOX INSTALLATION



ART\_1001184979-E

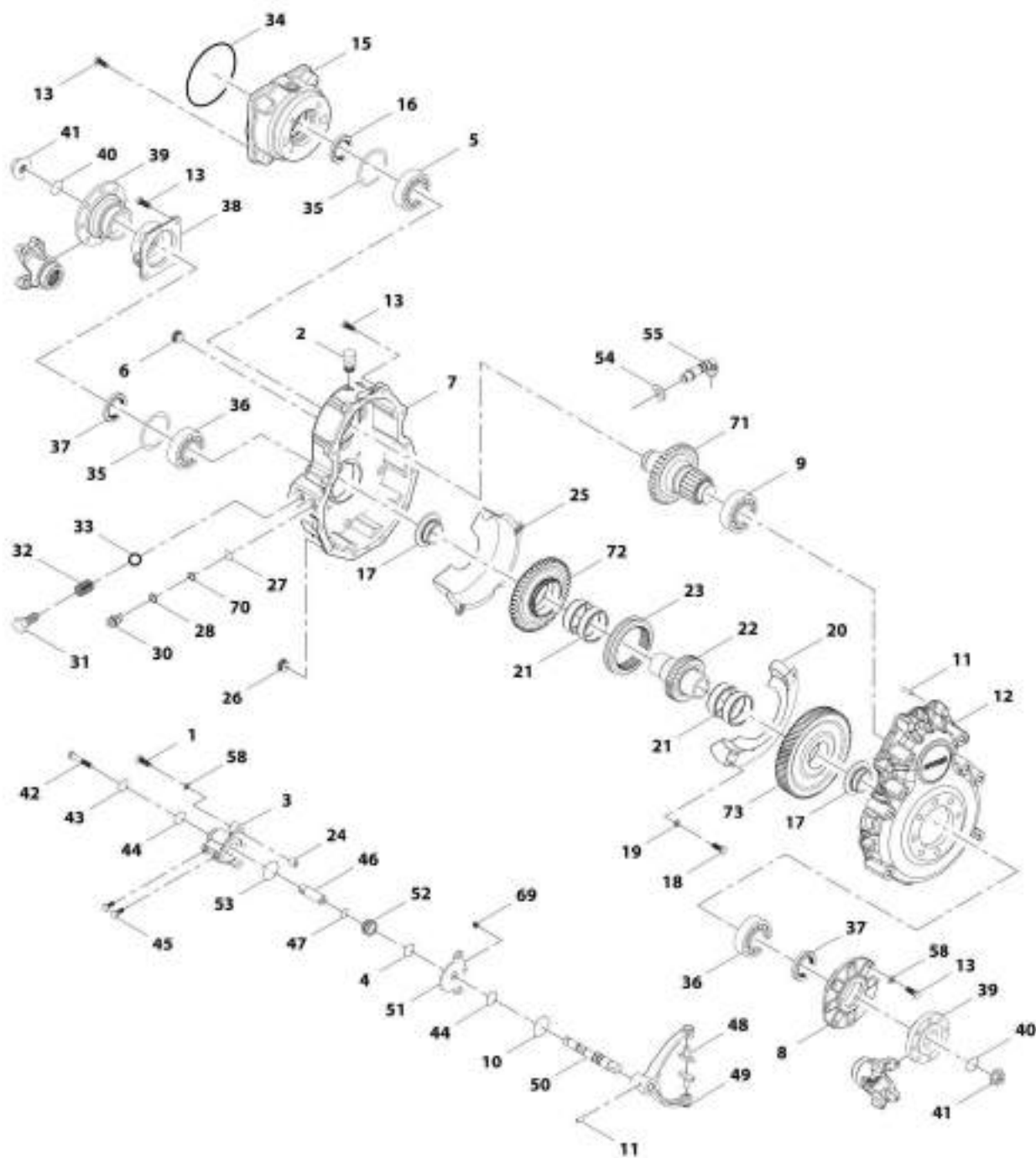
**SECTION 5 - DRIVETRAIN**

**FIGURE 5-32. GEARBOX INSTALLATION**

<b>ITEM</b>	<b>PART NUMBER</b>	<b>QTY</b>	<b>DESCRIPTION</b>	<b>REV</b>
	1001184979	Ref	Gearbox Installation	E
1	0771416	4	Bolt, M14-2X40 Grade 10.9	
2	2144603	1	Fitting, Straight ORFS	
3	5241400	4	Washer, M14	
4	1001184986	1	Gearbox (See Seperate Breakdown in this Section)	
5	1001229981	1	Harness, Vehicle Speed Pigtail	

# SECTION 5 - DRIVETRAIN

## FIGURE 5-33. GEAR BOX



AIT\_3001184886-0



## SECTION 5 - DRIVETRAIN

### FIGURE 5-33. GEAR BOX

ITEM	PART NUMBER	QTY	DESCRIPTION	REV
	1001184986	Ref	Gear box	D
1	70028817	2	Bolt	
2	70028818	1	Plug	
3	70028819	1	Cylinder	
4	70028820	1	O-Ring	
5	91514146	1	Bearing, Ball	
6	80204016	1	Plug	
7	70028821	1	Housing	
8	70028822	1	Cover	
9	70026904	1	Bearing, Ball	
10	3986405	1	O-Ring	
11	70026892	3	Dowel	
12	70028823	1	Housing	
13	70026911	28	Bolt	
15	70026897	1	Cover	
16	70026896	1	Seal	
17	70028824	2	Spacer	
18	70026909	2	Bolt	
19	70027110	2	Washer, Lock	
20	70028825	1	Plate, Cover	
21	70028826	4	Bearing	
22	70028827	1	Shaft	
23	70028828	1	Sleeve	
24	70028829	2	Pin	
25	70026908	1	Sheet	
26	80204007	1	Plug	
27	1001081085	1	O-Ring	
28	80203020	1	Washer	
30	70028830	1	Switch	
31	70028831	1	Bolt	
32	80203021	1	Spring	
33	70020276	1	Ball, Detend	
34	80204176	1	O-Ring	
35	70027862	2	Kit, Shim	
36	91474364	2	Bearing, Ball	
37	70026901	2	Seal	
38	70028832	1	Cover	
39	70026898	2	Flange	
40	80204215	2	O-Ring	
41	70026631	2	Nut	
42	70028833	1	Bolt	
43	70028834	1	O-Ring	
44	70028835	2	Sleeve	
45	91514154	2	Bolt	
46	70028836	1	Bar	
47	70027109	1	O-Ring	
48	70028837	2	Pin	
49	70028838	1	Fork, Selector	
50	70028839	1	Shaft	
51	70028840	1	Plate, Cover	

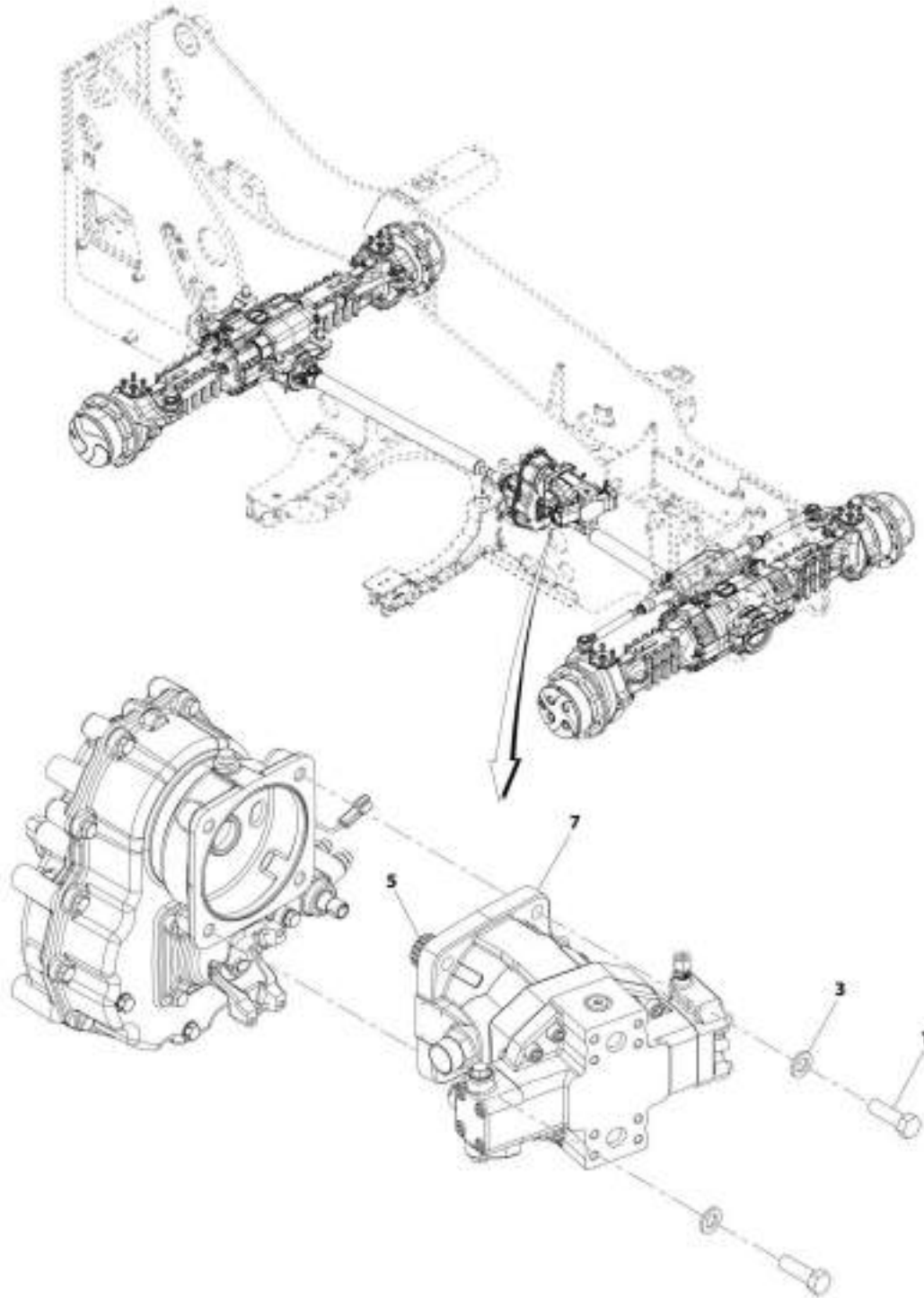
## SECTION 5 - DRIVETRAIN

ITEM	PART NUMBER	QTY	DESCRIPTION	REV
52	70028841	1	Piston	
53	70028842	1	O-Ring	
54	70028844	1	Washer	
55	70028801	1	Sensor, Speed	
58	70028843	10	Washer	
69	70028845	1	Bolt	
70	70026927	1	Washer, Seal	
71	70028846	1	Shaft, Input	
72	70028847	1	Gear	
73	70028848	1	Gear	



# SECTION 5 - DRIVETRAIN

## FIGURE 5-34. HYDROSTATIC MOTOR INSTALLATION



AWT\_1001104980-D

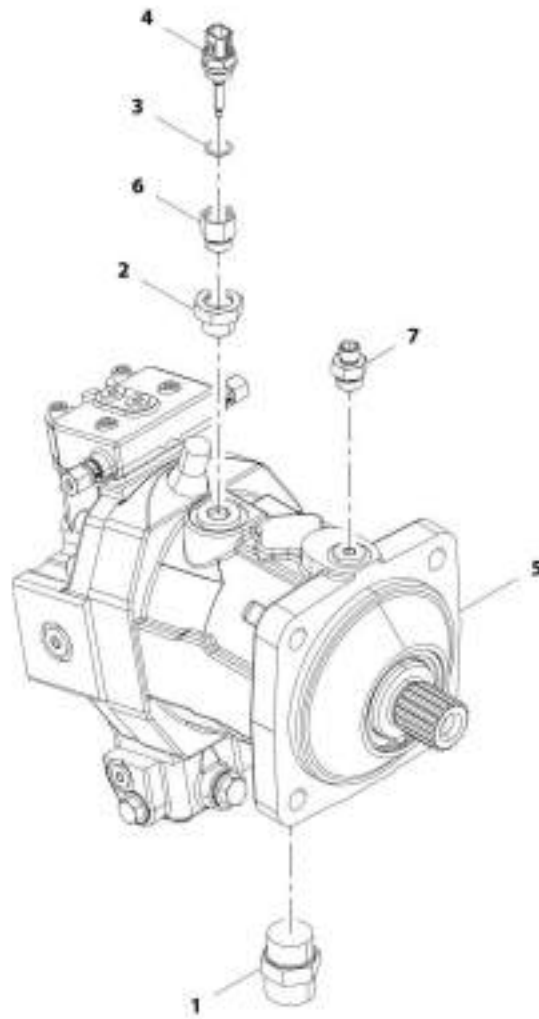
**SECTION 5 - DRIVETRAIN**

**FIGURE 5-34. HYDROSTATIC MOTOR INSTALLATION**

<b>ITEM</b>	<b>PART NUMBER</b>	<b>QTY</b>	<b>DESCRIPTION</b>	<b>REV</b>
	1001184980	Ref	Hydrostatic Motor Installation	D
1	0771618	4	Bolt, M16X50	
3	4812300	4	Washer, M16	
5	3020037	AR	Lube, Grease	
7	1001217620	1	Assembly, Hydrostatic Drive Motor (See Seperate Breakdown in this Section)	

## SECTION 5 - DRIVETRAIN

FIGURE 5-35. HYDROSTATIC MOTOR ASSEMBLY



ART\_1801217620-B

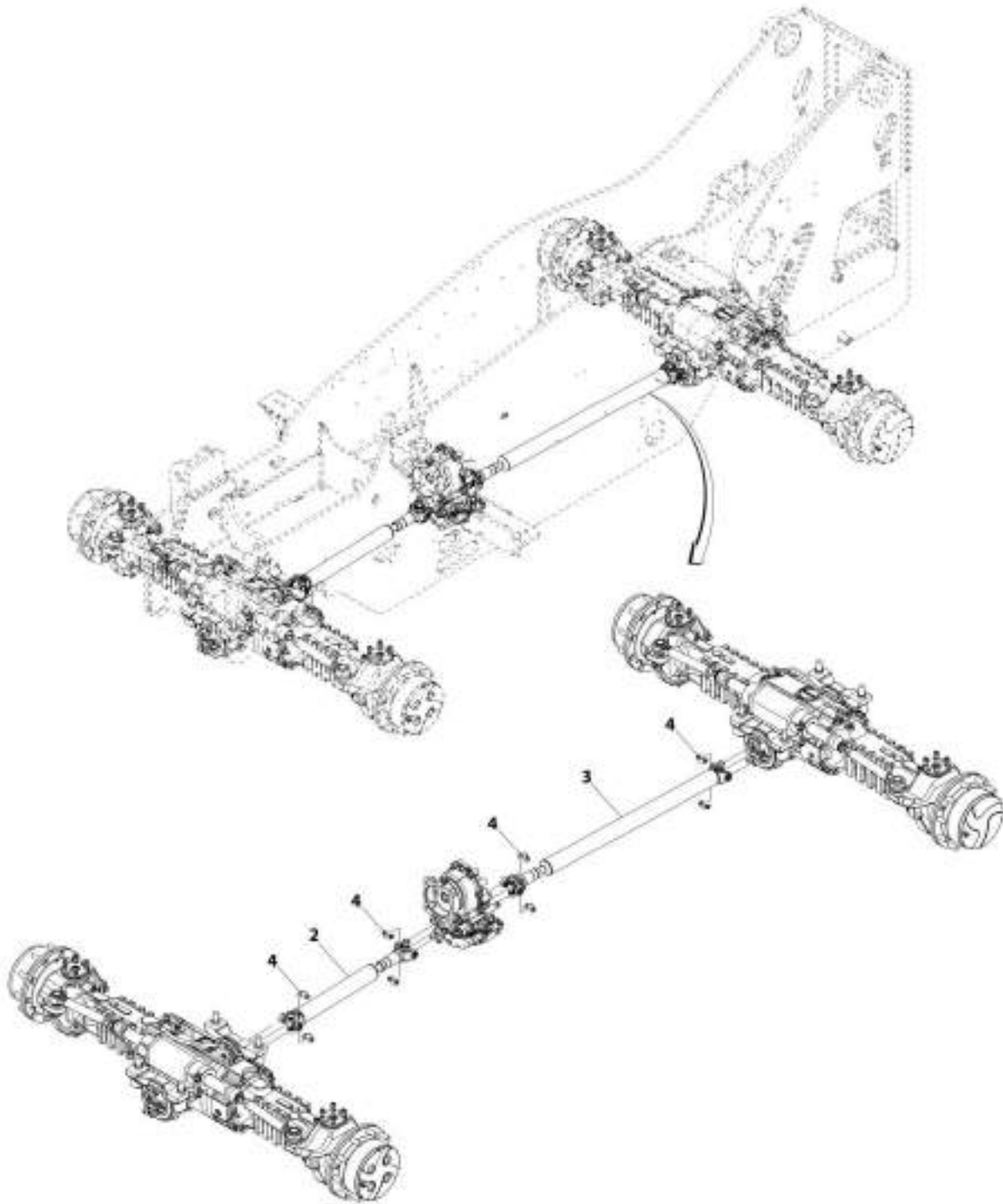
**SECTION 5 - DRIVETRAIN**

**FIGURE 5-35. HYDROSTATIC MOTOR ASSEMBLY**

<b>ITEM</b>	<b>PART NUMBER</b>	<b>QTY</b>	<b>DESCRIPTION</b>	<b>REV</b>
	1001217620	Ref	Hydrostatic Motor Assembly	B
1	2111616	1	Fitting, Straight ORFS	
2	2220811	1	Fitting, Straight	
3	1001009163	1	O-Ring	
4	1001128478	1	Sensor	
5	1001193308	1	Motor, Hydrostatic (See Separate Breakdown in Hydraulic Components Section)	
6	1001220760	1	Fitting, Straight	
7	1001217669	1	Fitting, Straight	

# SECTION 5 - DRIVETRAIN

## FIGURE 5-36. DRIVE SHAFT INSTALLATION



ART\_1001104081-B



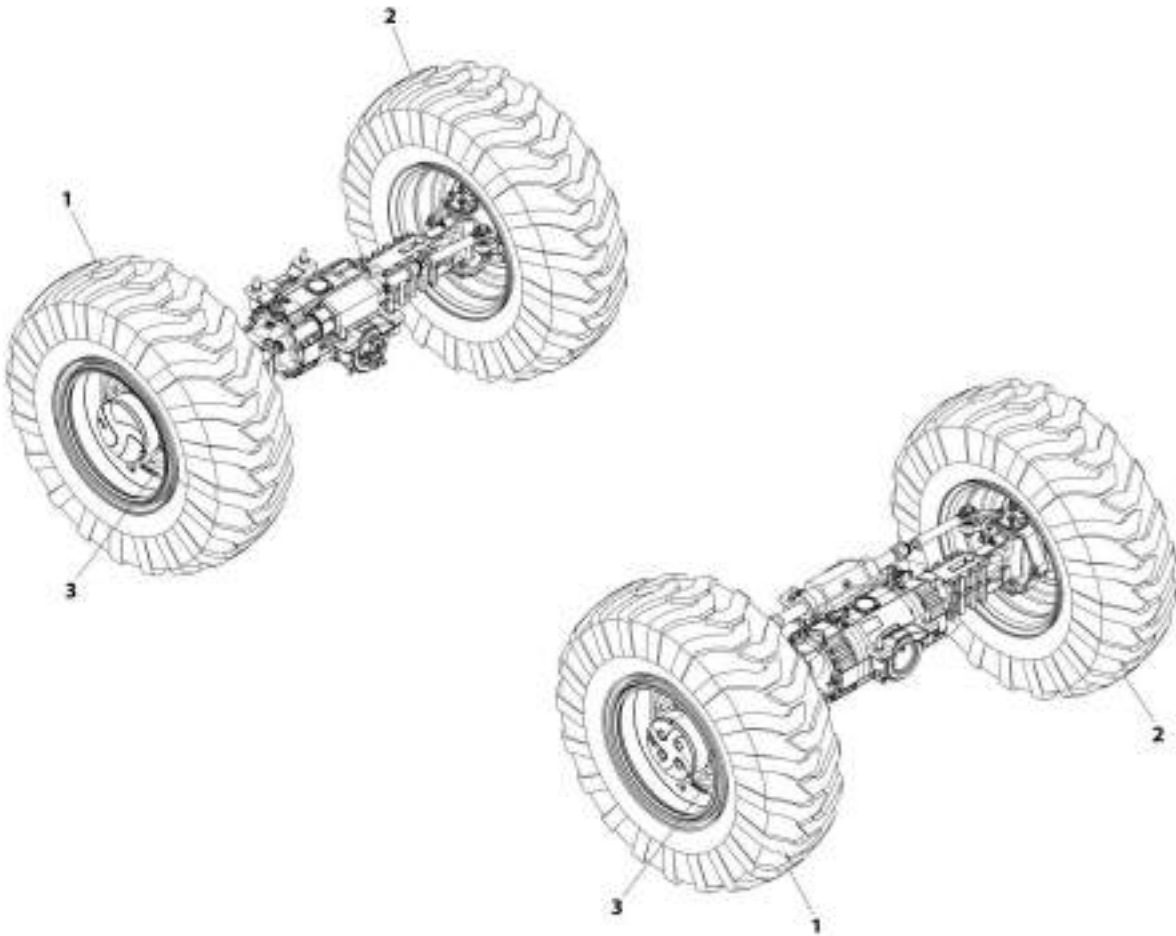
**SECTION 5 - DRIVETRAIN**

**FIGURE 5-36. DRIVE SHAFT INSTALLATION**

<b>ITEM</b>	<b>PART NUMBER</b>	<b>QTY</b>	<b>DESCRIPTION</b>	<b>REV</b>
	1001184981	Ref	Drive Shaft Installation	B
2	1001184987	1	Assembly, Drive Shaft	
3	1001184988	1	Assembly, Drive Shaft	
4	8880219-OM	4	Kit, Strap	

## SECTION 5 - DRIVETRAIN

FIGURE 5-37. TIRE/WHEEL SET (AIR 17.5-25 - 20 PLY)



ART\_1001192168-C

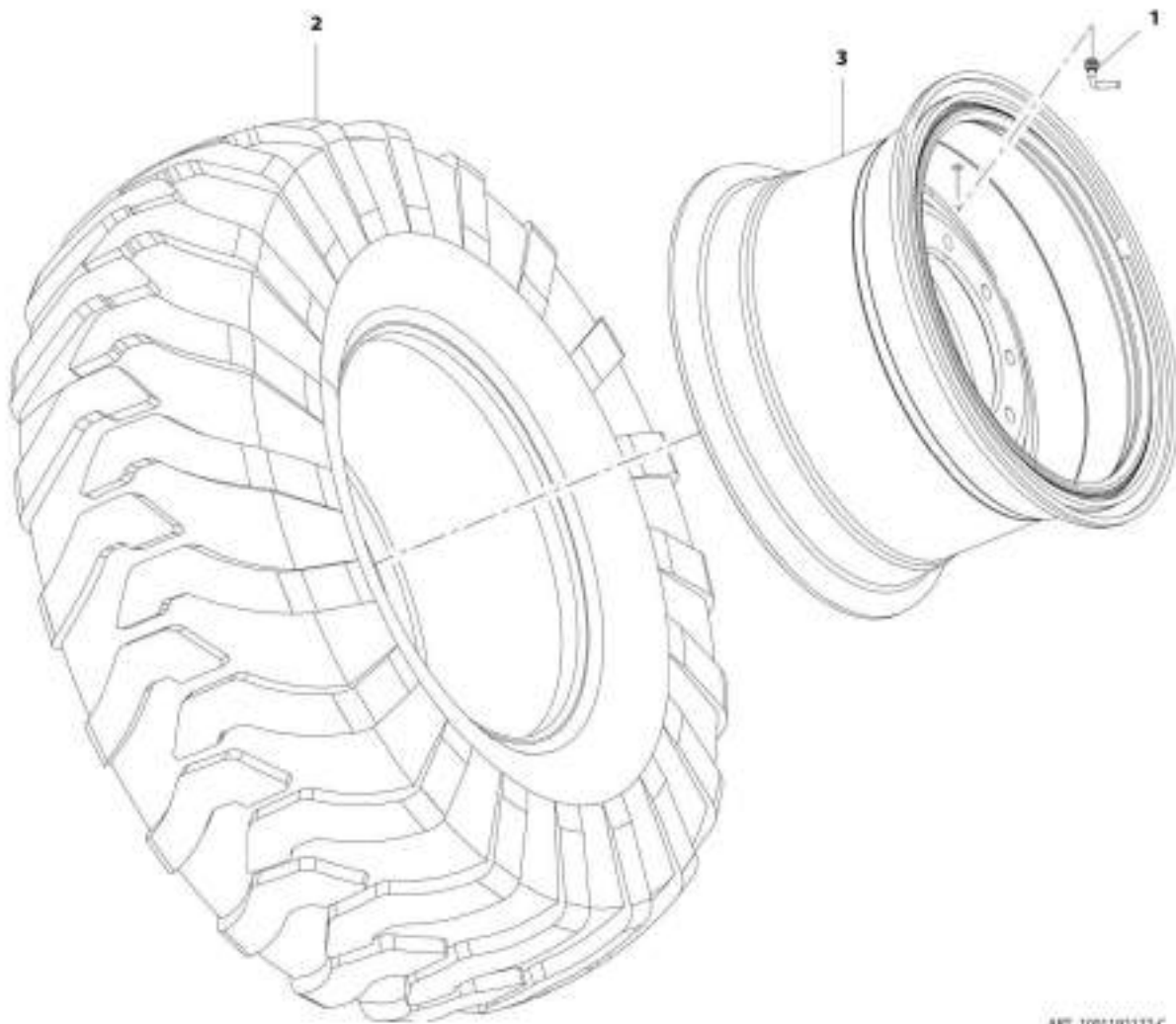
**SECTION 5 - DRIVETRAIN**

**FIGURE 5-37. TIRE/WHEEL SET (AIR 17.5-25 - 20 PLY)**

<b>ITEM</b>	<b>PART NUMBER</b>	<b>QTY</b>	<b>DESCRIPTION</b>	<b>REV</b>
	1001192168	1	Tire/Wheel Set (Air 17.5-25 - 20 PLY)	C
1	1001192177	2	Assembly, Right Tire/Wheel (Air 17.5-25 - 20 PLY) (See Seperate Breakdown in this Section)	
2	1001192178	2	Assembly, Left Tire/Wheel (Air 17.5-25 - 20 PLY) (See Seperate Breakdown in this Section)	
3	1001229201	4	Decal	

## SECTION 5 - DRIVETRAIN

FIGURE 5-38. RIGHT TIRE/WHEEL ASSEMBLY (AIR 17.5-25 - 20 PLY)



AMF\_1081192177-C

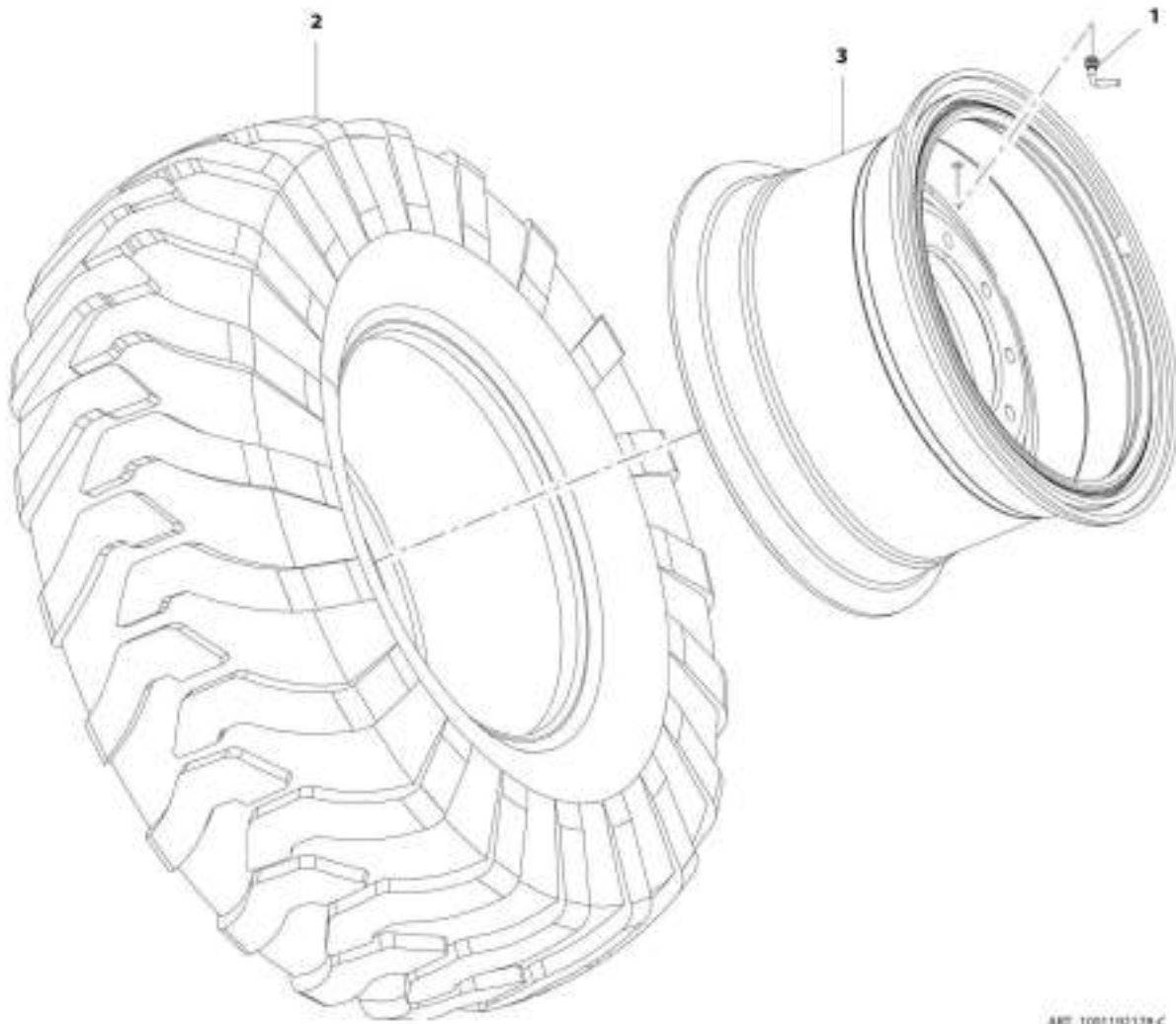
**SECTION 5 - DRIVETRAIN**

**FIGURE 5-38. RIGHT TIRE/WHEEL ASSEMBLY (AIR 17.5-25 - 20 PLY)**

<b>ITEM</b>	<b>PART NUMBER</b>	<b>QTY</b>	<b>DESCRIPTION</b>	<b>REV</b>
	1001192177	Ref	Right Tire/Wheel Assembly (Air 17.5-25 - 20 PLY)	C
1	8786549	1	Valve, Stem	
2	1001187423	1	Tire, 17.5-25 20 PLY	
3	1001189288J	1	Wheel, 25X14.0 DTU 10 Hole	

## SECTION 5 - DRIVETRAIN

FIGURE 5-39. LEFT TIRE/WHEEL ASSEMBLY (AIR 17.5-25 - 20 PLY)



AMF\_108110138-C

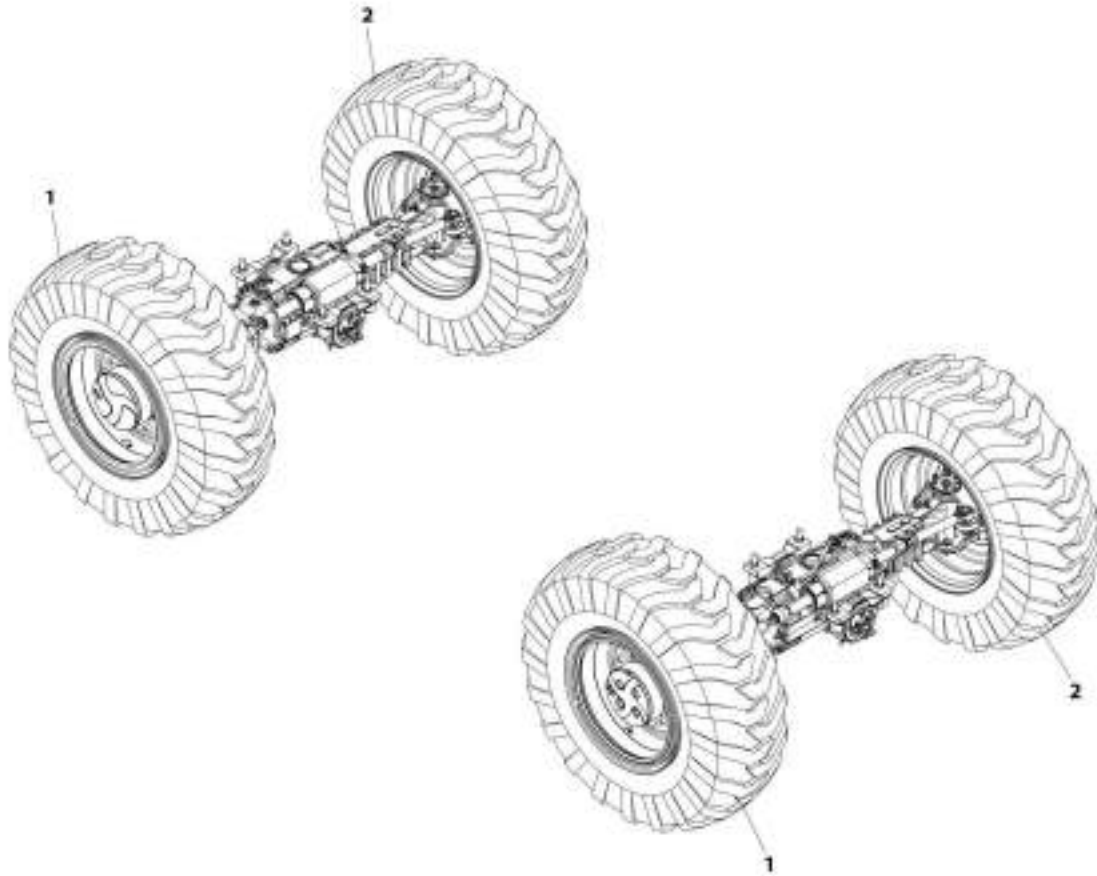
**SECTION 5 - DRIVETRAIN**

**FIGURE 5-39. LEFT TIRE/WHEEL ASSEMBLY (AIR 17.5-25 - 20 PLY)**

<b>ITEM</b>	<b>PART NUMBER</b>	<b>QTY</b>	<b>DESCRIPTION</b>	<b>REV</b>
	1001192178	Ref	Left Tire/Wheel Assembly (Air 17.5-25 - 20 PLY)	C
1	8786549	1	Valve, Stem	
2	1001187423	1	Tire, 17.5-25 20 PLY	
3	1001189288J	1	Wheel, 25X14.0 DTU 10 Hole	

## SECTION 5 - DRIVETRAIN

FIGURE 5-40. TIRE/WHEEL SET (FOAM 17.5-25 - 20 PLY)



ART\_3001102170-A



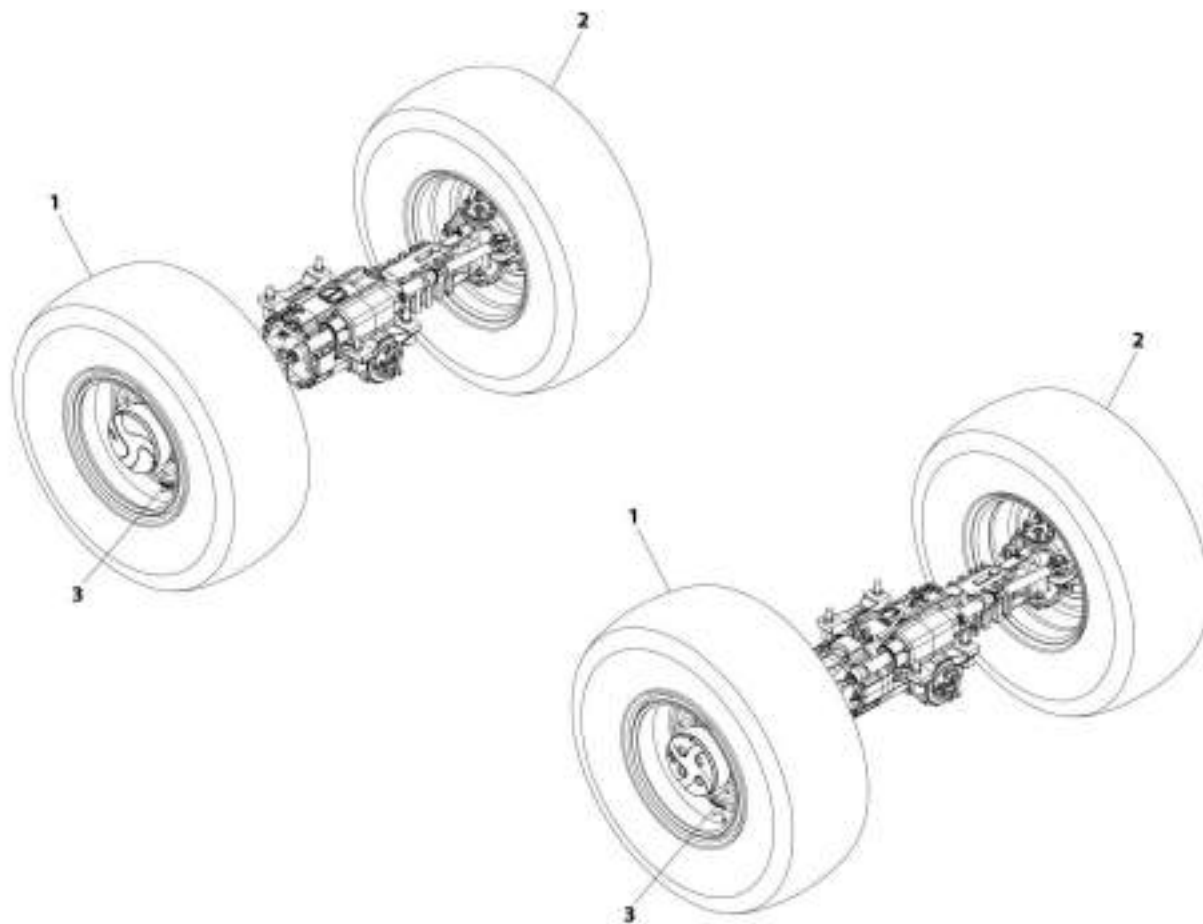
**SECTION 5 - DRIVETRAIN**

**FIGURE 5-40. TIRE/WHEEL SET (FOAM 17.5-25 - 20 PLY)**

<b>ITEM</b>	<b>PART NUMBER</b>	<b>QTY</b>	<b>DESCRIPTION</b>	<b>REV</b>
	1001192170	1	Tire/Wheel Set (Foam 17.5-25 - 20 PLY)	A
1	1001192180	2	Assembly, Right Tire/Wheel (Foam 17.5-25 - 20 PLY)	
2	1001192181	2	Assembly, Left Tire/Wheel (Foam 17.5-25 - 20 PLY)	

## SECTION 5 - DRIVETRAIN

FIGURE 5-41. TIRE/WHEEL SET (AIR 17.5 R25 - RADIAL)



AHT\_1001225270-A

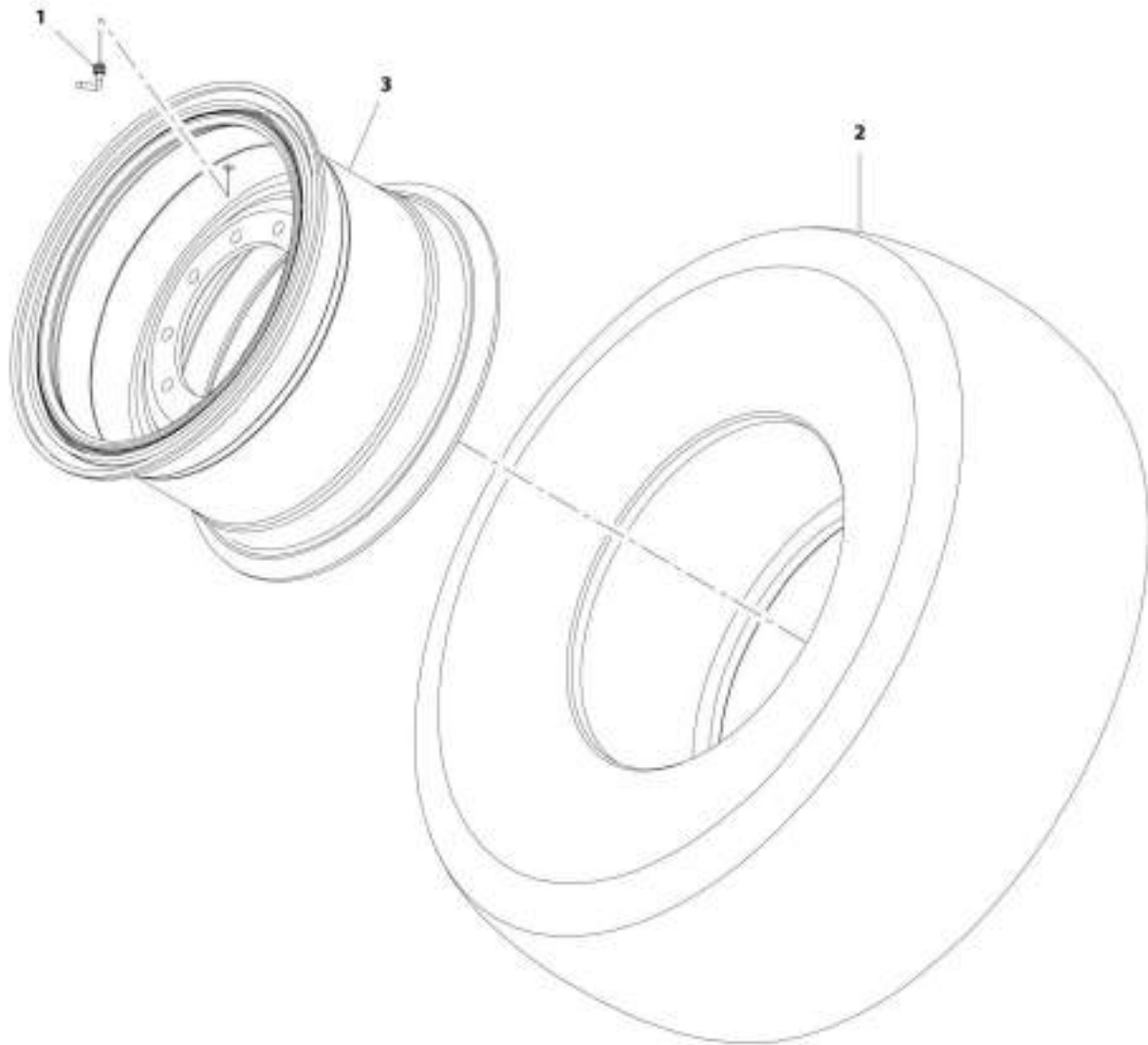
**SECTION 5 - DRIVETRAIN**

**FIGURE 5-41. TIRE/WHEEL SET (AIR 17.5 R25 - RADIAL)**

<b>ITEM</b>	<b>PART NUMBER</b>	<b>QTY</b>	<b>DESCRIPTION</b>	<b>REV</b>
1	1001221270	1	Tire/Wheel Set (Air 17.5 R25 - Radial)	A
	1001221157	2	Assembly, Right Tire/Wheel (Air 17.5 R25 - Radial) (See Sperate Breakdown in this Section)	
2	1001221321	2	Assembly, Left Tire/Wheel (Air 17.5 R25 - Radial) (See Seperate Breakdown in this Section)	
3	1001221734	4	Decal	

## SECTION 5 - DRIVETRAIN

FIGURE 5-42. RIGHT TIRE/WHEEL ASSEMBLY (AIR 17.5 R25 - RADIAL)



ART\_1081221197-C

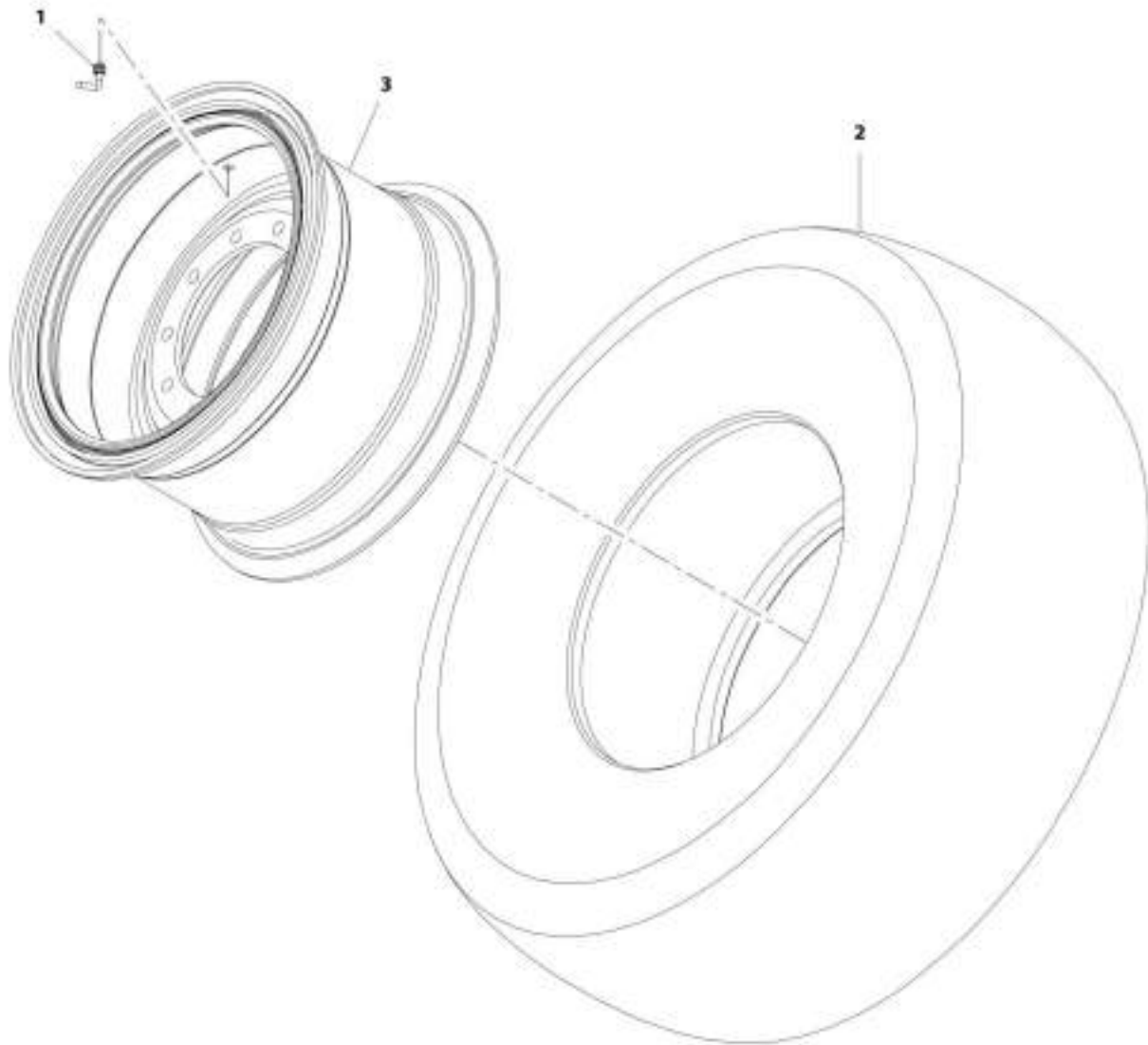
**SECTION 5 - DRIVETRAIN**

**FIGURE 5-42. RIGHT TIRE/WHEEL ASSEMBLY (AIR 17.5 R25 - RADIAL)**

<b>ITEM</b>	<b>PART NUMBER</b>	<b>QTY</b>	<b>DESCRIPTION</b>	<b>REV</b>
	1001221157	Ref	Right Tire/Wheel Assembly (Air 17.5 R25 - Radial)	C
1	8786549	1	Valve, Stem	
2	1001221087	1	Tire, 17.5 R25 Radial	
3	1001189288J	1	Wheel, 25X14.0 DTU 10 Hole	

## SECTION 5 - DRIVETRAIN

FIGURE 5-43. LEFT TIRE/WHEEL ASSEMBLY (AIR 17.5 R25 - RADIAL)



ART\_1081221321-C

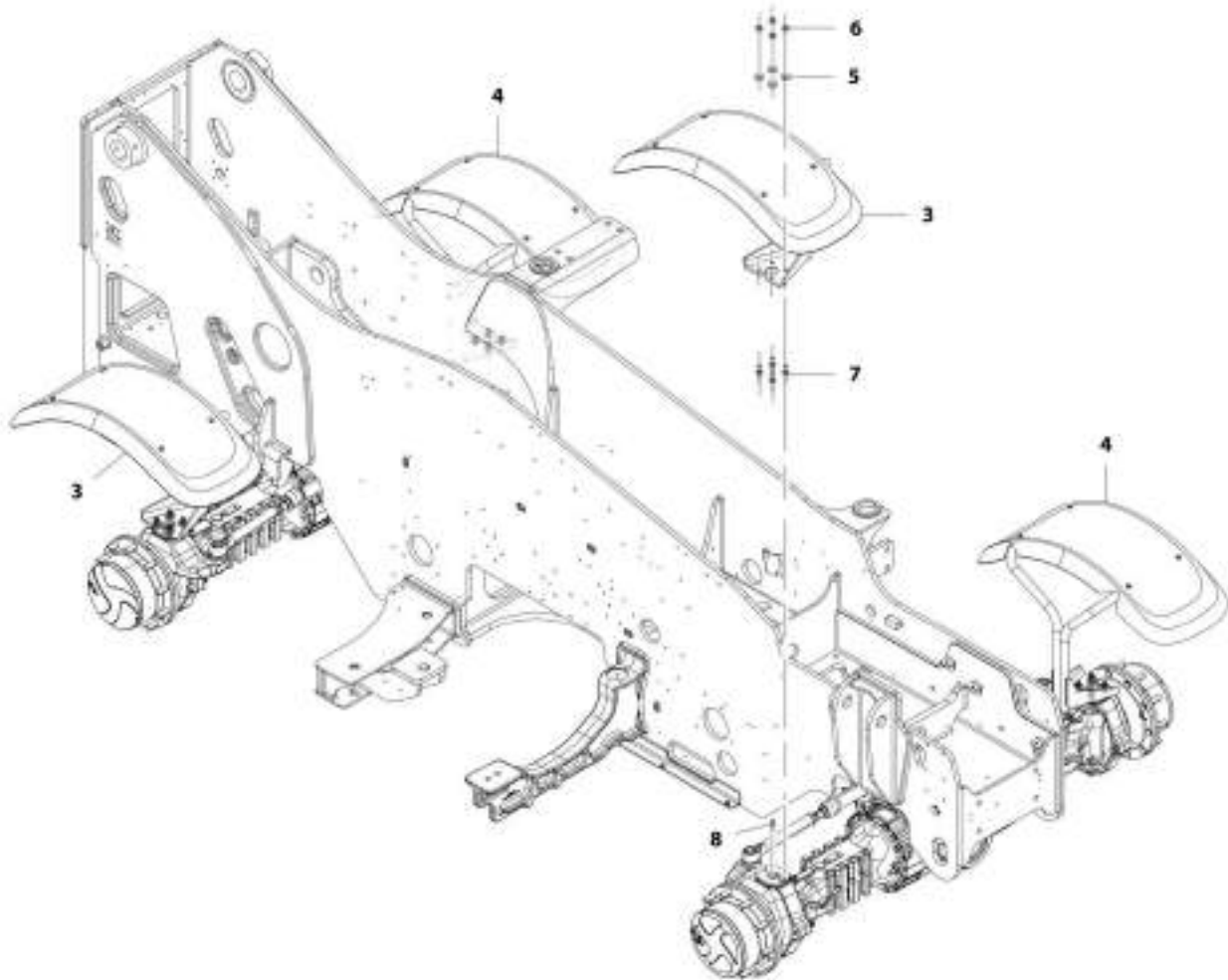
**SECTION 5 - DRIVETRAIN**

**FIGURE 5-43. LEFT TIRE/WHEEL ASSEMBLY (AIR 17.5 R25 - RADIAL)**

<b>ITEM</b>	<b>PART NUMBER</b>	<b>QTY</b>	<b>DESCRIPTION</b>	<b>REV</b>
	1001221321	Ref	Left Tire/Wheel Assembly (Air 17.5 R25 - Radial)	C
1	8786549	1	Valve, Stem	
2	1001221087	1	Tire, 17.5 R25 Radial	
3	1001189288J	1	Wheel, 25X14.0 DTU 10 Hole	

# SECTION 5 - DRIVETRAIN

## FIGURE 5-44. FENDER INSTALLATION



ART\_1001174129-E



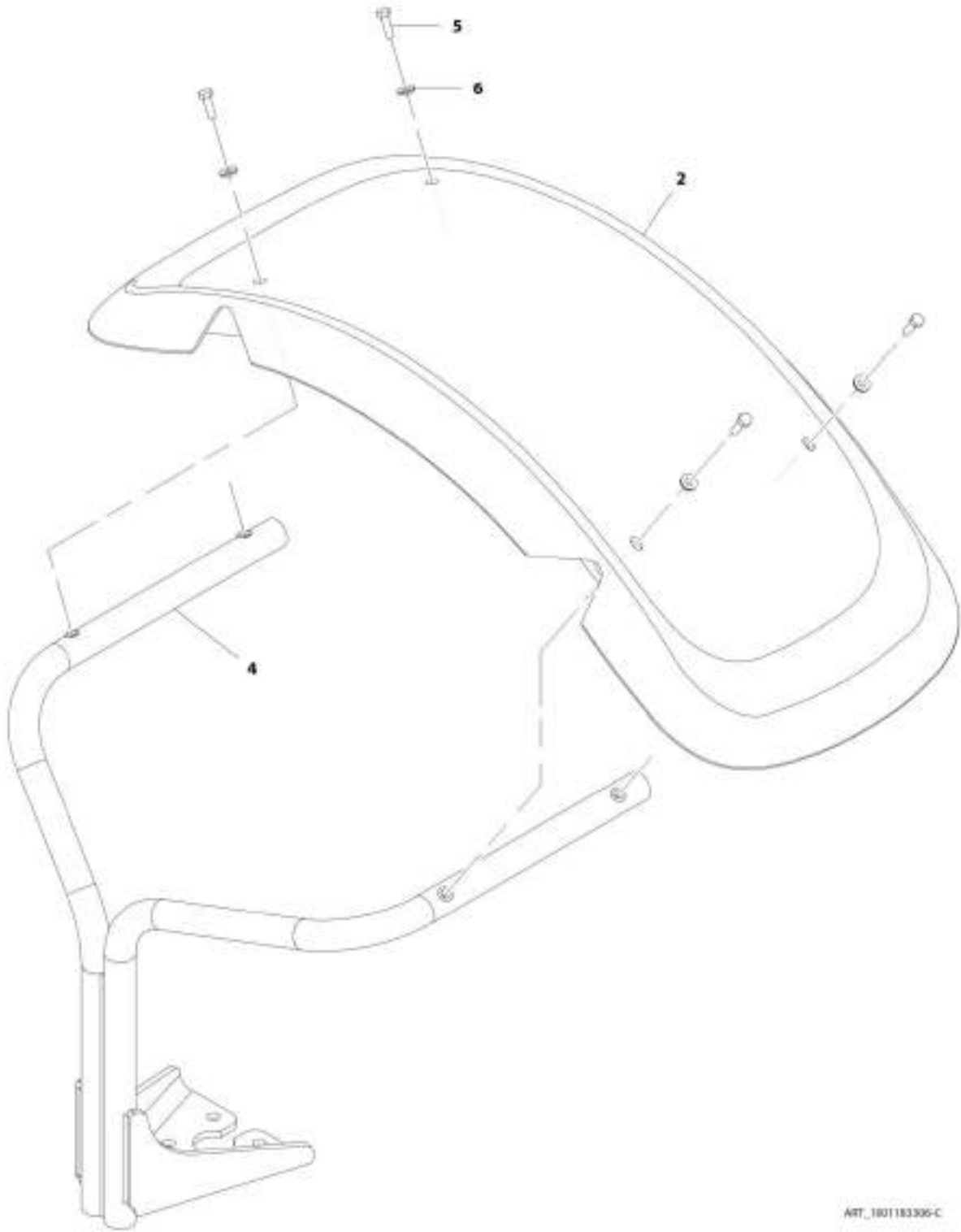
**SECTION 5 - DRIVETRAIN**

**FIGURE 5-44. FENDER INSTALLATION**

<b>ITEM</b>	<b>PART NUMBER</b>	<b>QTY</b>	<b>DESCRIPTION</b>	<b>REV</b>
	1001174129	Ref	Fender Installation	E
3	1001183306	2	Assembly, RH Fender (See Separate Breakdown in this Section)	
4	1001183307	2	Assembly, LH Fender (See Separate Breakdown in this Section)	
5	4812102	16	Washer, M12	
6	91513266	16	Nut, M12X1.25	
7	91514118	16	Stud, Fender	
8	1001225317	4	Fitting, Grease	

**SECTION 5 - DRIVETRAIN**

**FIGURE 5-45. RH FENDER ASSEMBLY**



ART\_1801183306-C

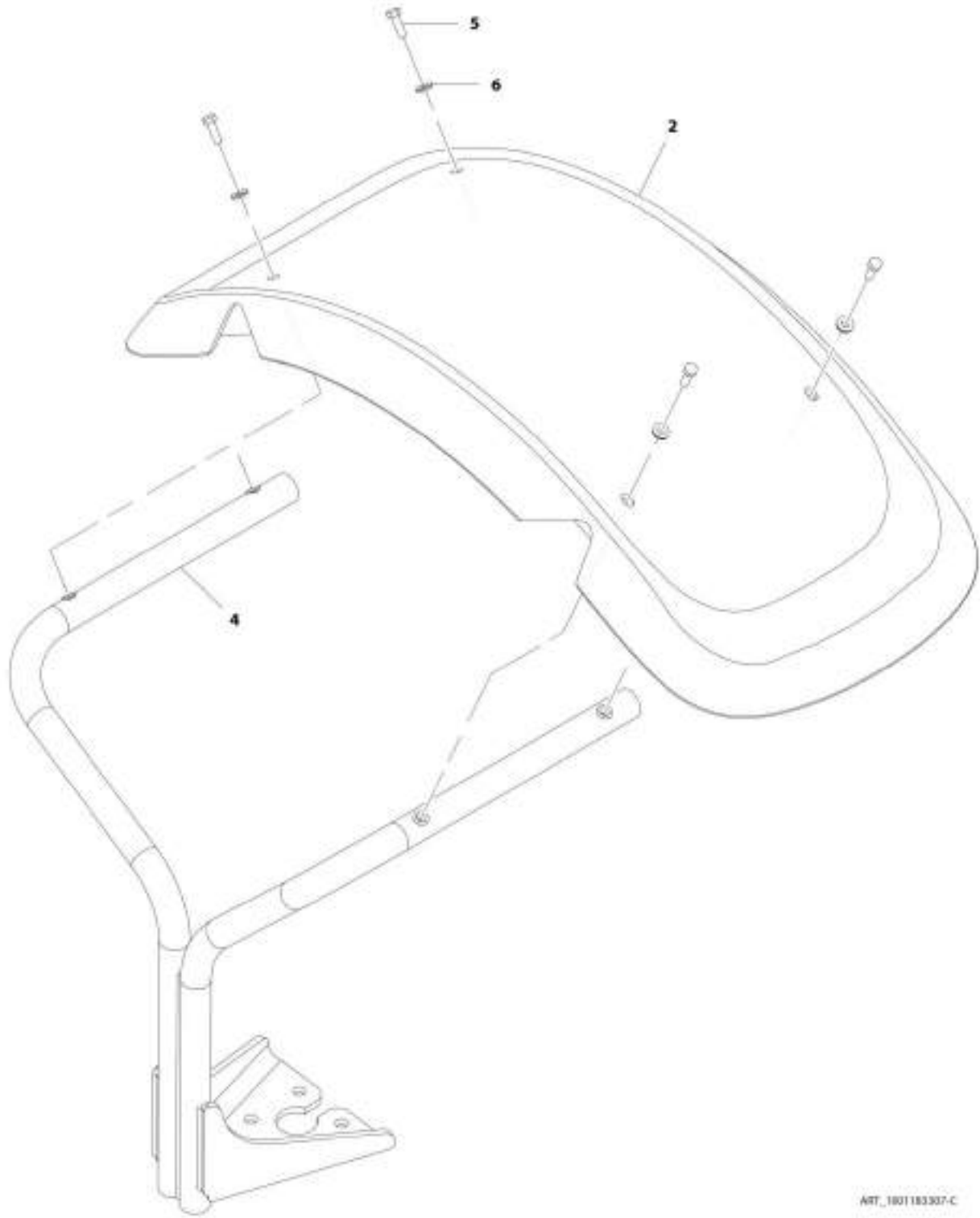
**SECTION 5 - DRIVETRAIN**

**FIGURE 5-45. RH FENDER ASSEMBLY**

<b>ITEM</b>	<b>PART NUMBER</b>	<b>QTY</b>	<b>DESCRIPTION</b>	<b>REV</b>
	1001183306	Ref	RH Fender Assembly	C
2	1001168264	1	Fender	
4	1001183308	1	Bracket	
5	0760812	4	Bolt, M8X25	
6	1001202786	4	Washer	

# SECTION 5 - DRIVETRAIN

## FIGURE 5-46. LH FENDER ASSEMBLY



ART\_1801183307-C

**SECTION 5 - DRIVETRAIN**

**FIGURE 5-46. LH FENDER ASSEMBLY**

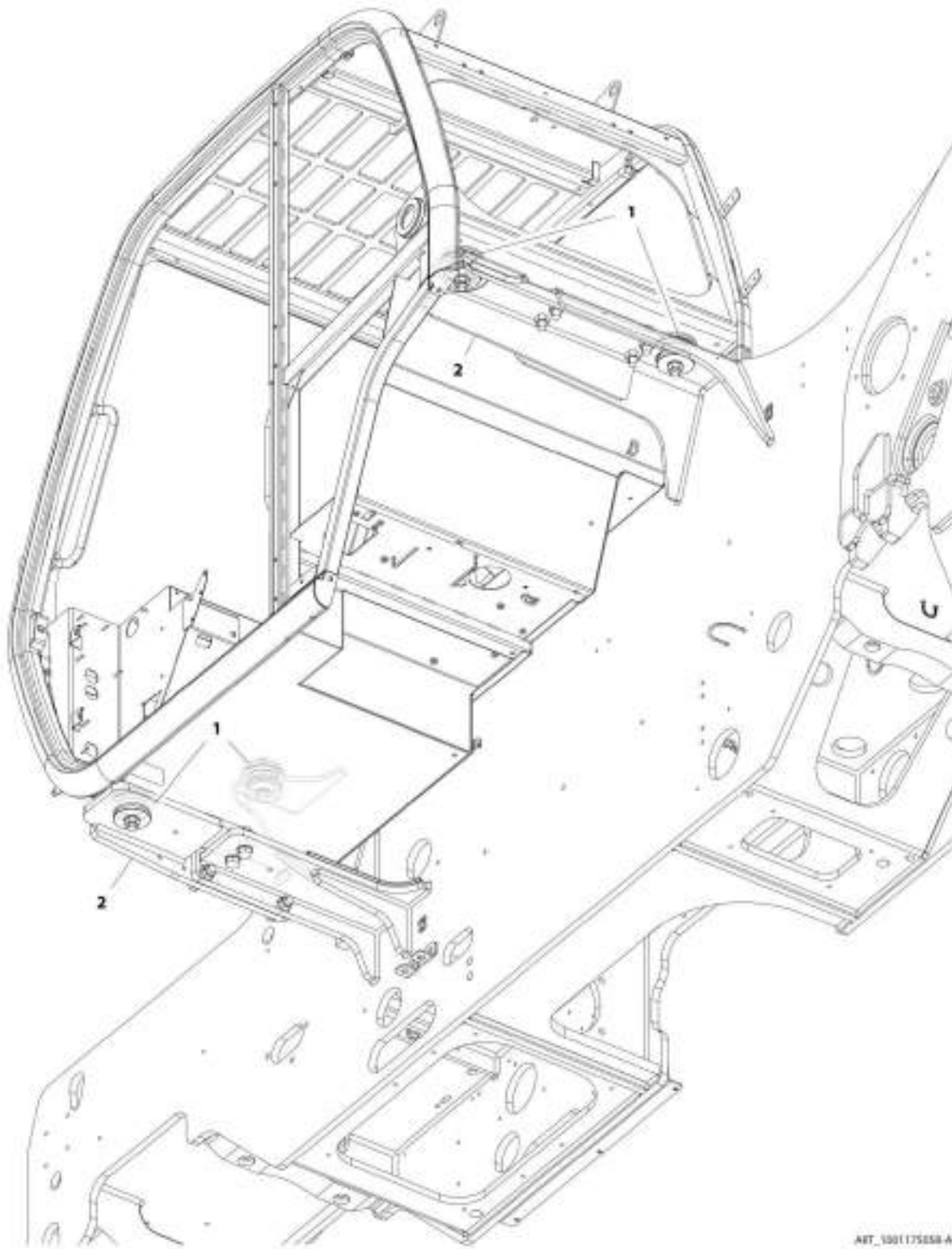
<b>ITEM</b>	<b>PART NUMBER</b>	<b>QTY</b>	<b>DESCRIPTION</b>	<b>REV</b>
	1001183307	Ref	LH Fender Assembly	C
2	1001168264	1	Fender	
4	1001183309	1	Bracket	
5	0760812	4	Bolt, M8X25	
6	1001202786	4	Washer	



**SECTION 6 - CAB**

# SECTION 6 - CAB

## FIGURE 6-1. CAB MOUNTING INSTALLATION



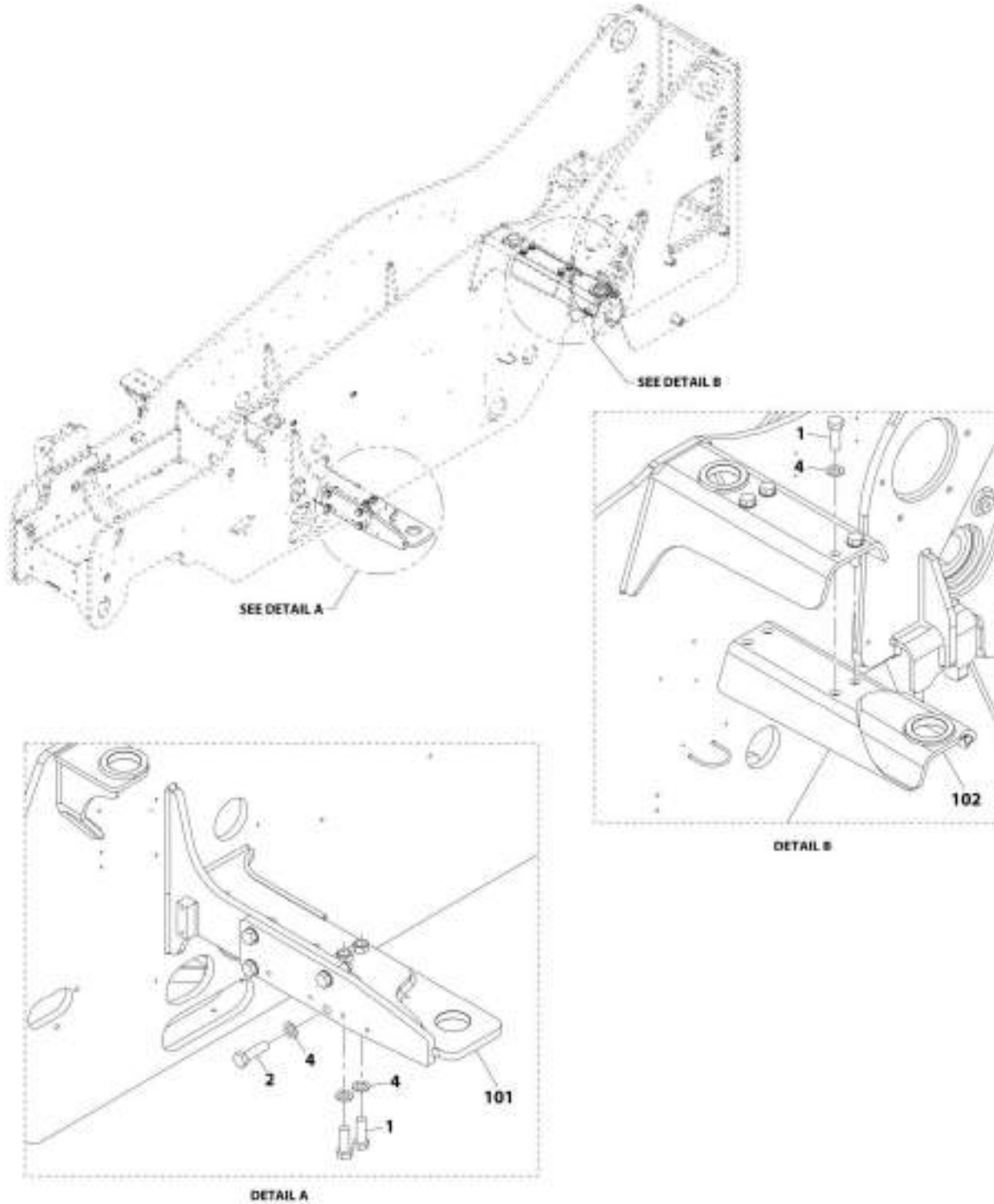


**FIGURE 6-1. CAB MOUNTING INSTALLATION**

<b>ITEM</b>	<b>PART NUMBER</b>	<b>QTY</b>	<b>DESCRIPTION</b>	<b>REV</b>
1	1001175058	Ref	Cab Mounting Installation	A
	1001155446	Ref	Installation, Cab Mount (See Separate Breakdown in this Section)	
	1001191255	Ref	Installation, Front Cab Mount Bracket (See Separate Breakdown in this Section)	

# SECTION 6 - CAB

## FIGURE 6-2. FRONT CAB MOUNT BRACKET INSTALLATION



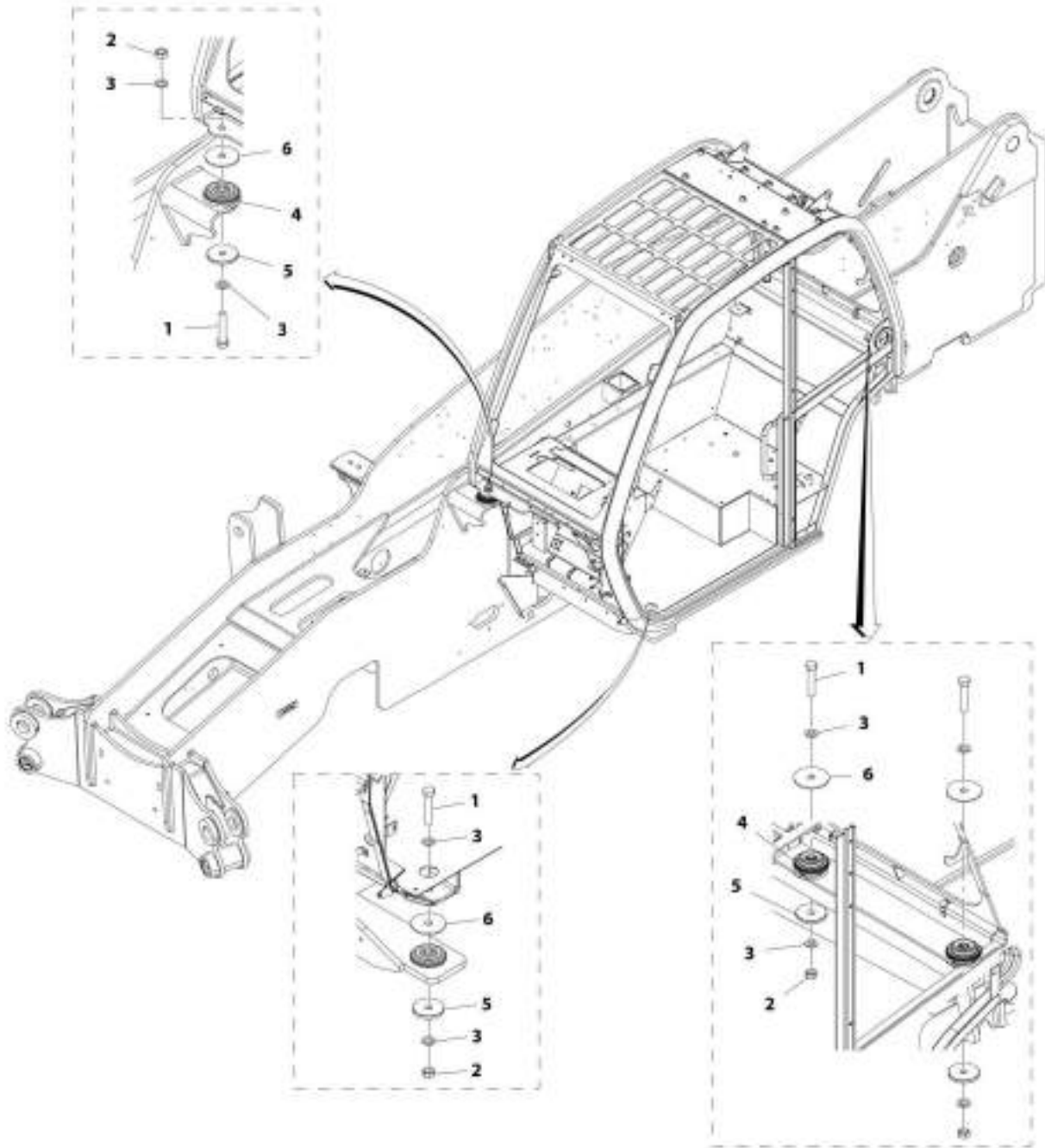
AWT\_3001191255-E

FIGURE 6-2. FRONT CAB MOUNT BRACKET INSTALLATION

ITEM	PART NUMBER	QTY	DESCRIPTION	REV
	1001191255	Ref	Front Cab Mount Bracket Installation	E
1	0712020	6	Bolt, M20X60	
2	0712022	4	Bolt, M20X70	
4	4812500	10	Washer, M20	
101	1001191256	1	Bracket	
102	1001191257	1	Bracket	

# SECTION 6 - CAB

## FIGURE 6-3. CAB MOUNTS INSTALLATION



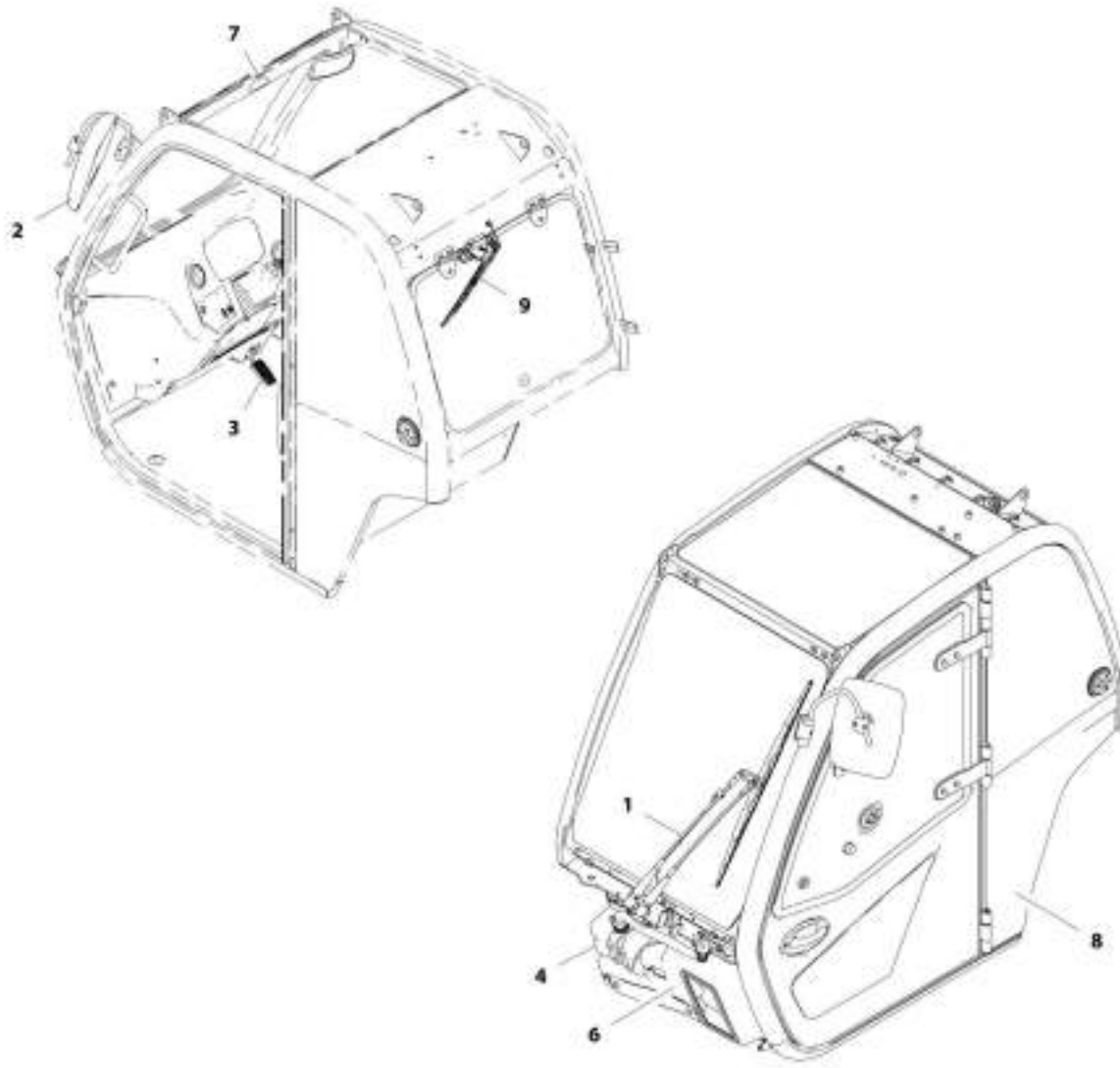
ART\_100155446-E

FIGURE 6-3. CAB MOUNTS INSTALLATION

ITEM	PART NUMBER	QTY	DESCRIPTION	REV
	1001155446	Ref	Cab Mounts Installation	E
1	0712027	4	Bolt, M20X100	
2	3332011	4	Nut, M20X2.5	
3	4812500	8	Washer, M20	
4	1001166754	4	Mount, Cab Isolation	
5	1001166755	4	Washer, Cab Rebound	
6	1001220540	4	Washer, Cab Mount	

# SECTION 6 - CAB

## FIGURE 6-4. CAB COMPONENTS INSTALLATION



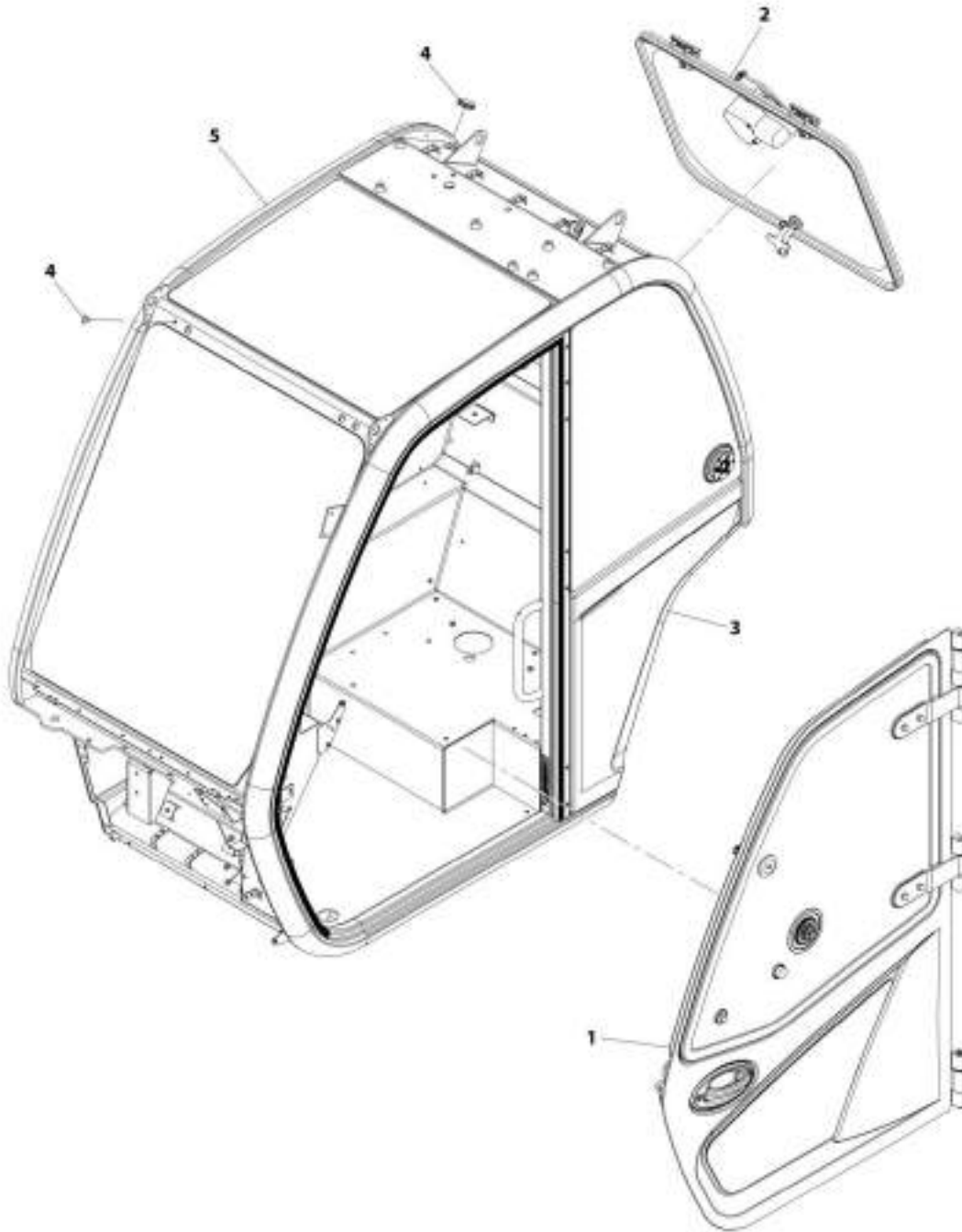
AIT\_1001104090-E

FIGURE 6-4. CAB COMPONENTS INSTALLATION

ITEM	PART NUMBER	QTY	DESCRIPTION	REV
	1001194698	Ref	Cab Components Installation	E
1	1001155447	Ref	Installation, Front Wiper (See Seperate Breakdown in this Section)	
2	1001160508	Ref	Installation, Basic Mirror (See Seperate Breakdown in this Section)	
3	1001161499	Ref	Installation, Accelerator Pedal (See Seperate Breakdown in Controls Section)	
4	1001162789	Ref	Installation, Washer, Tank (See Seperate Breakdown in this Section)	
6	1001170366	Ref	Installation, Front Cover (See Seperate Breakdown in this Section)	
7	1001172401	Ref	Installation, Level Indicator (See Seperate Breakdown in this Section)	
8	1001194699	Ref	Installation, Cab (See Seperate Breakdown in this Section)	
9	1001220329	Ref	Installation, Rear Wiper (See Seperate Breakdown in this Section)	

# SECTION 6 - CAB

## FIGURE 6-5. CAB INSTALLATION



ART\_1001194600-H

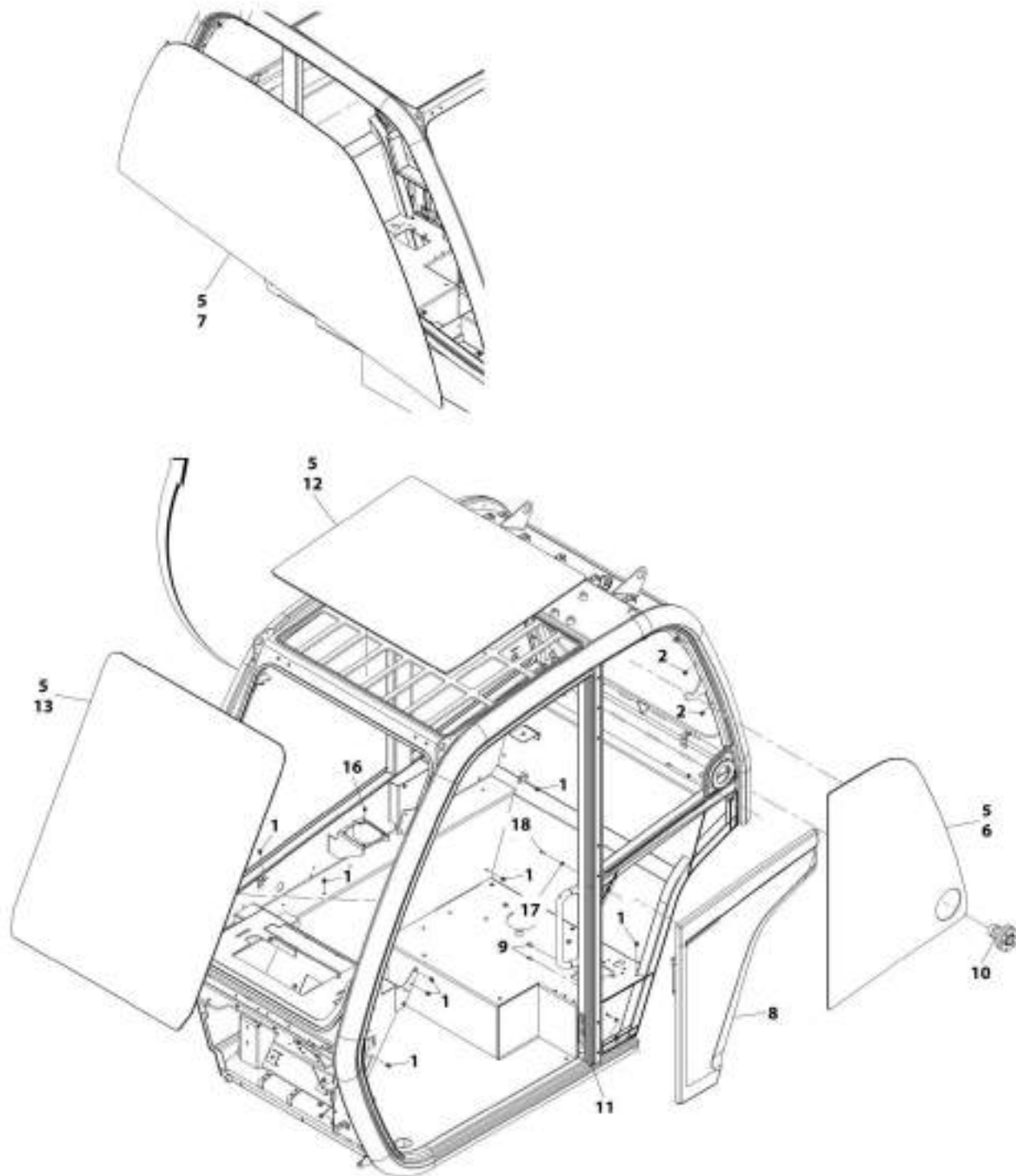


FIGURE 6-5. CAB INSTALLATION

ITEM	PART NUMBER	QTY	DESCRIPTION	REV
	1001194699	Ref	Cab Installation	H
1	1001155228	Ref	Installation, Cab Door (See Seperate Breakdown in this Section)	
2	1001220339	Ref	Installation, Rear Window (See Seperate Breakdown in this Section)	
3	1001194700	1	Assembly, Cab Group (See Seperate Breakdown in this Section)	
4	1001195814	1	Group, Cab Plug (See Seperate Breakdown in this Section)	
5	N.S.S.	1	Weldment, Cab	

# SECTION 6 - CAB

## FIGURE 6-6. CAB ASSEMBLY



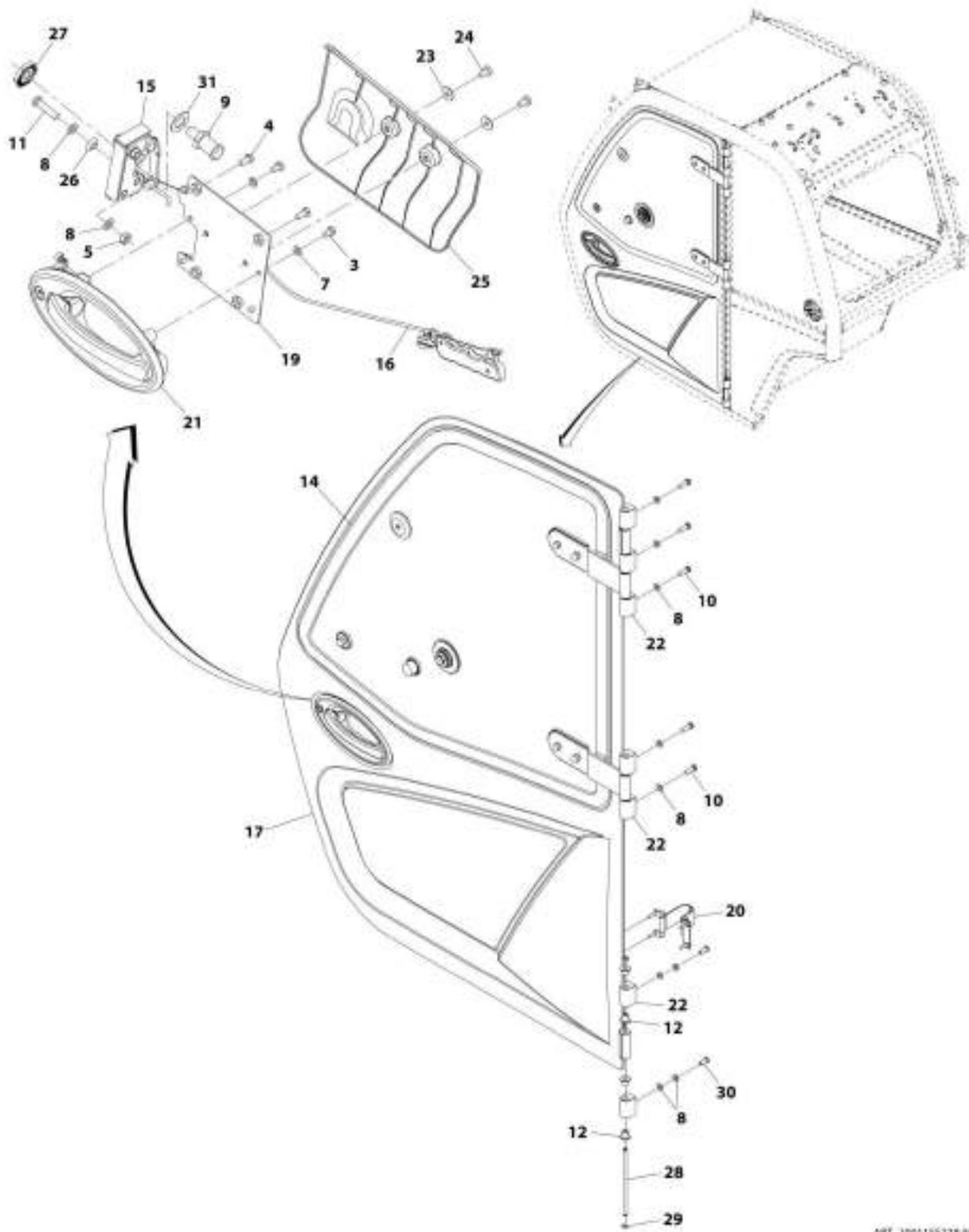
ART\_1001194700-F

FIGURE 6-6. CAB ASSEMBLY

ITEM	PART NUMBER	QTY	DESCRIPTION	REV
	1001194700	Ref	CAB,GP, GLAZED (ORANGE) WIDE	F
1	2080086	25	Rivnut, M6X1	
2	2080087	16	Rivnut, M8X1.25	
5	1001111317	AR	Compound, Locking	
6	1001152915	1	Glass, LH Screen	
7	1001152947	1	Glass, RH Screen	
8	1001160345	1	Panel, Cab Quarter	
9	1001172193	2	Rivnut, M5X0.8	
10	1001174320	1	Latch, Top Window	
11	1001227186	1	Seal, Cab Door	
12	1001178159	1	Glass, Roof Laminated	
13	1001178160	1	Glass, Front Laminated	
16	1001195878	4	Rivnut, M5X0.8	
17	4811700	3	Washer, M6	
18	0750804	3	Screw	

# SECTION 6 - CAB

## FIGURE 6-7. CAB DOOR INSTALLATION



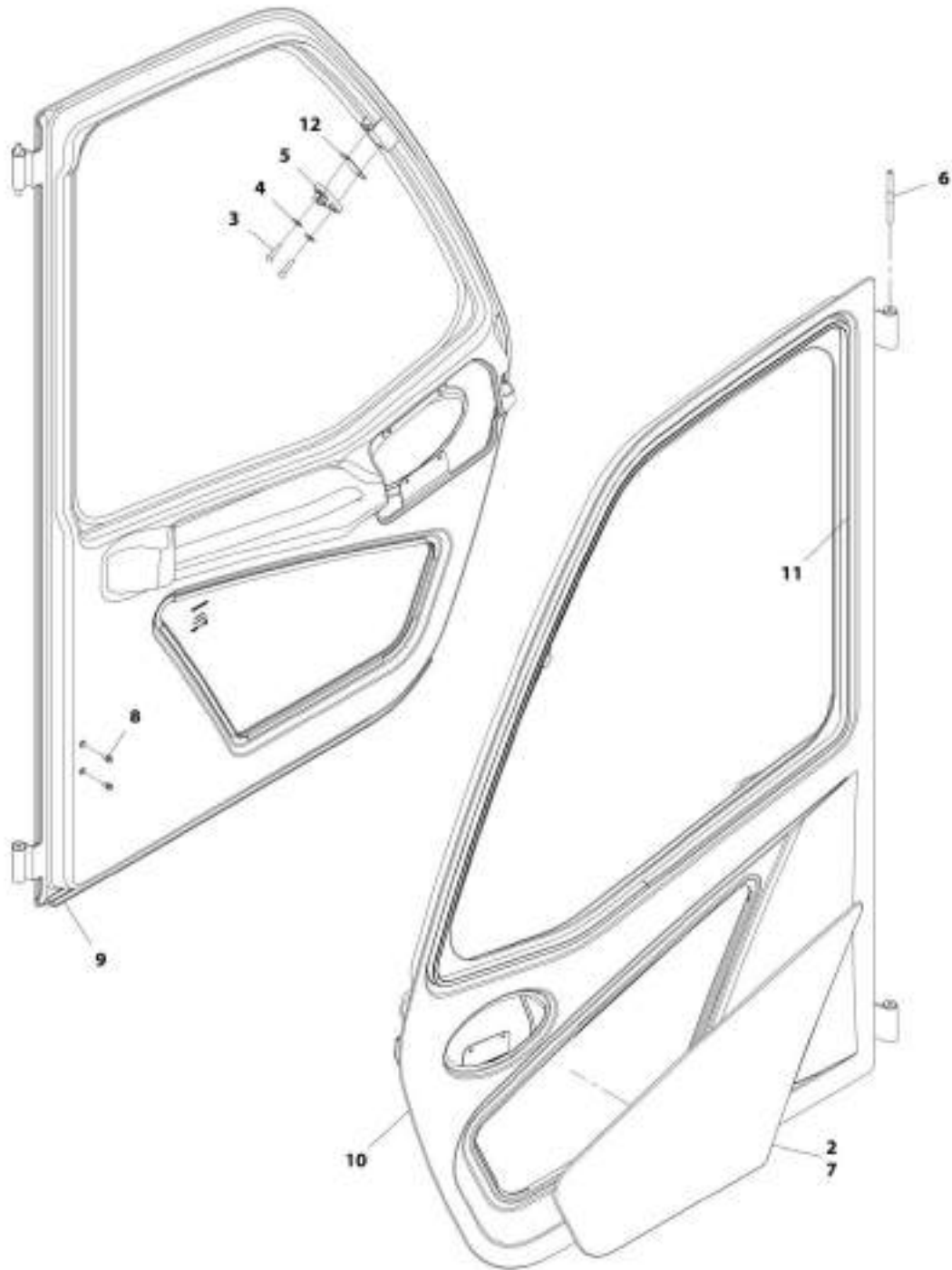
ART\_100135228-04

FIGURE 6-7. CAB DOOR INSTALLATION

ITEM	PART NUMBER	QTY	DESCRIPTION	REV
	1001155228	Ref	Door Installation	M
3	0760605	4	Bolt, M6X10	
4	0760607	4	Bolt, M6X14	
5	3290801	2	Nut, M8X1.25 Grade 8	
7	4811700	4	Washer, M6	
8	4811900	13	Washer, M8	
9	8000803	1	Pin, Door Striker	
10	1001008988	5	Screw M8X25	
11	1001047062	2	Screw, M8X35	
12	1001107192	10	Sleeve, Hinge	
14	1001205532	1	Assembly, Door Upper Glass (See Separate Breakdown in this Section)	
15	1001192766	1	Assembly, Cab Latch (See Separate Breakdown in this Section)	
16	1001167958	1	Assembly, Cab Door Trigger (See Separate Breakdown in this Section)	
17	1001170114	1	Assembly, Door (See Separate Breakdown in this Section)	
19	1001173298	1	Bracket	
20	1001174295	1	Installation, Door Strap (See Separate Breakdown in this Section)	
21	1001192646	1	Handle, Exterior Door	
22	1001170601J	7	Lug, Hinge	
23	4811702001	2	Washer, M6	
24	4010608002	2	Screw, Posi-Drive, M6X16	
25	1001175477	1	Cover, Cab Door Interior	
26	1001184439	2	Bushing	
27	1001192309	1	Nut, M12X1	
28	1001213791	1	Pin	
29	0498748	2	Washer, Lock M7	
30	1001164726	2	Bolt, M8X20	
31	1001227802	1	Washer	

SECTION 6 - CAB

FIGURE 6-8. CAB DOOR ASSEMBLY



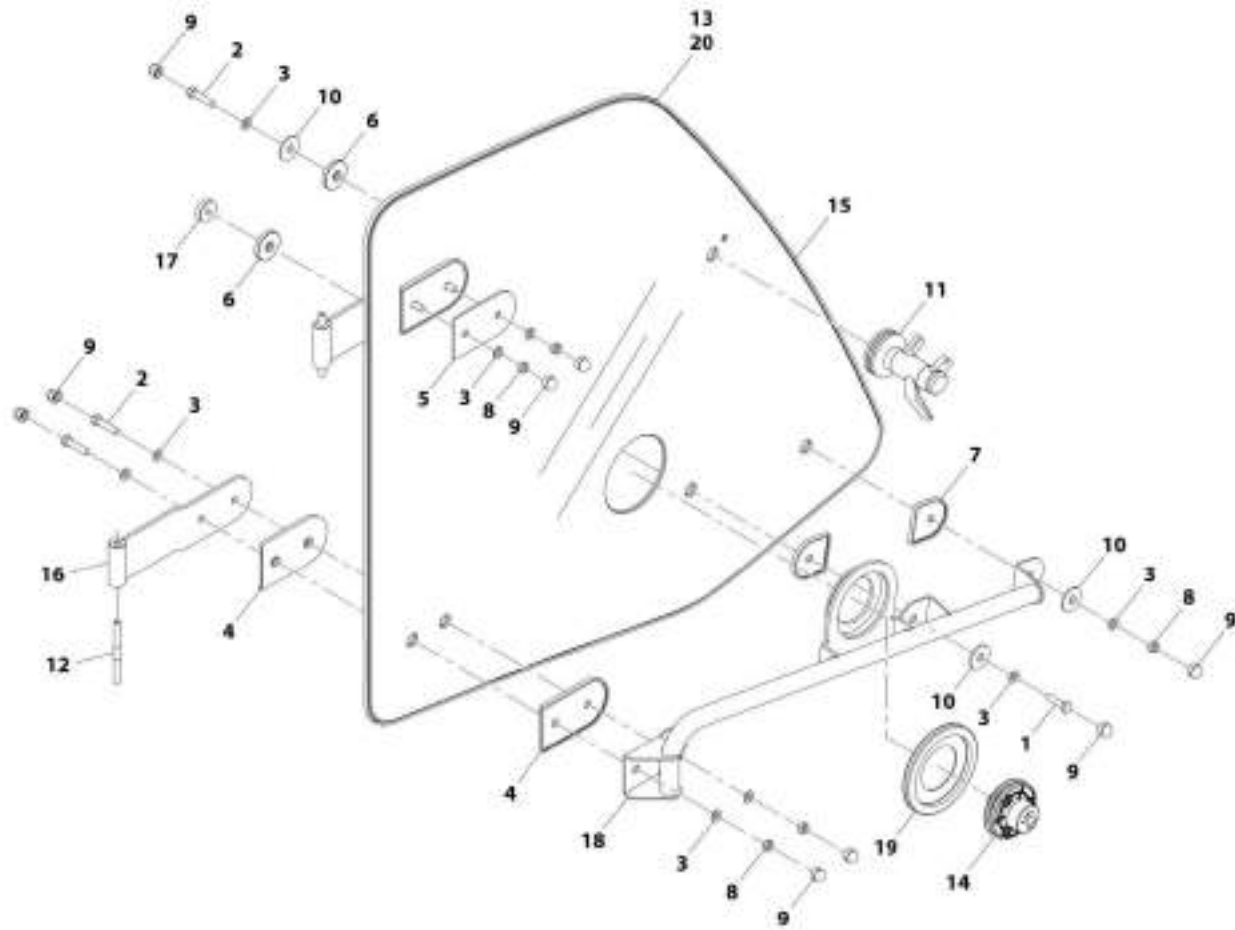
APP\_1001170114-L

FIGURE 6-8. CAB DOOR ASSEMBLY

ITEM	PART NUMBER	QTY	DESCRIPTION	REV
	1001170114	Ref	Door Assembly	J
2	1001111317	AR	Compound, Locking	
3	4010612002	2	Screw, M6X25	
4	4811702001	2	Washer, 6MM	
5	1001165276	1	Plate, Window Latch Striker	
6	1001166634	1	Pin, Hinge	
7	1001169880	1	Window, Lower Glass	
8	1001172193	2	Rivnut, M5X0.8	
9	1001227188	1	Seal, Cab Door	
10	1001170113J	1	Door, Cab (See Separate Breakdown in this Section)	
11	1001227187	1	Seal, Cab Door Window	
12	1001193210	AR	Shim, Window Latch	

# SECTION 6 - CAB

## FIGURE 6-9. CAB DOOR WINDOW INSTALLATION



ART\_1001200532-E

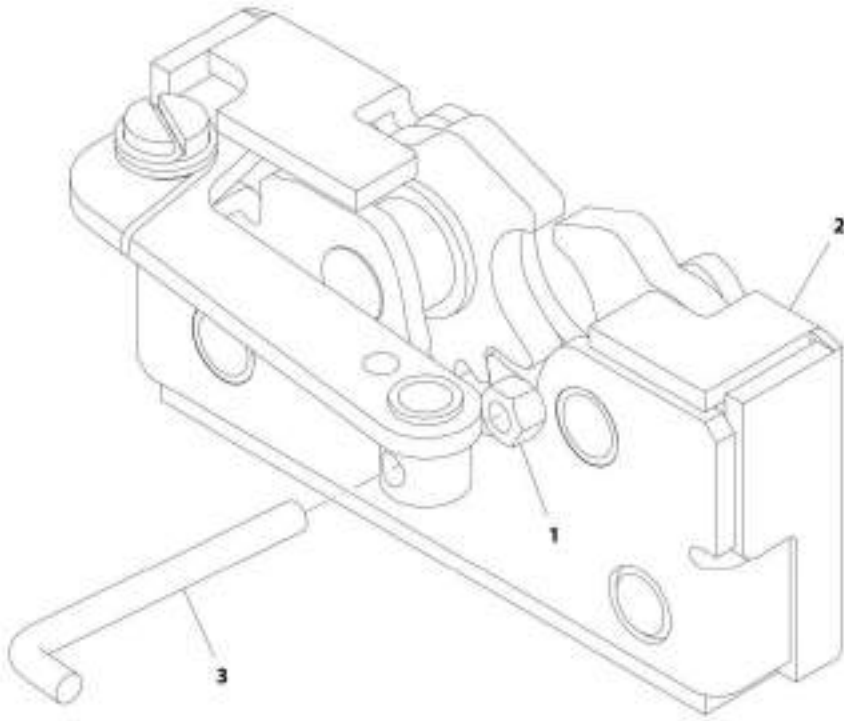


FIGURE 6-9. CAB DOOR WINDOW INSTALLATION

ITEM	PART NUMBER	QTY	DESCRIPTION	REV
	1001205532	Ref	Door Upper Glass Assembly	E
1	0760812	1	Bolt, M8X25	
2	0760815	5	Bolt, M8X35	
3	4811900	11	Washer, 8MM	
4	1001002946	4	Mount, Hinge	
5	1001002947	1	Mount, Hinge	
6	1001002953	2	Mount, Rubber	
7	1001002957	2	Mount, Latch	
8	1001008857	5	Nut, Lock	
9	1001096365	11	Cap, M8	
10	1001141246	3	Mount, Rubber	
11	1001165275	1	Latch, Window	
12	1001166634	2	Pin, Hinge	
13	1001170944	1	Panel, Window Surround	
14	1001174321	1	Striker, Top Window	
15	1001204066	1	Glass, Window	
16	1001204115	2	Hinge	
17	1001222741	1	Buffer, Cab	
18	1001204120	1	Handle	
19	1001213331	1	Gasket	
20	1001215531	AR	Adhesive	

**SECTION 6 - CAB**

**FIGURE 6-10. CAB LATCH ASSEMBLY**



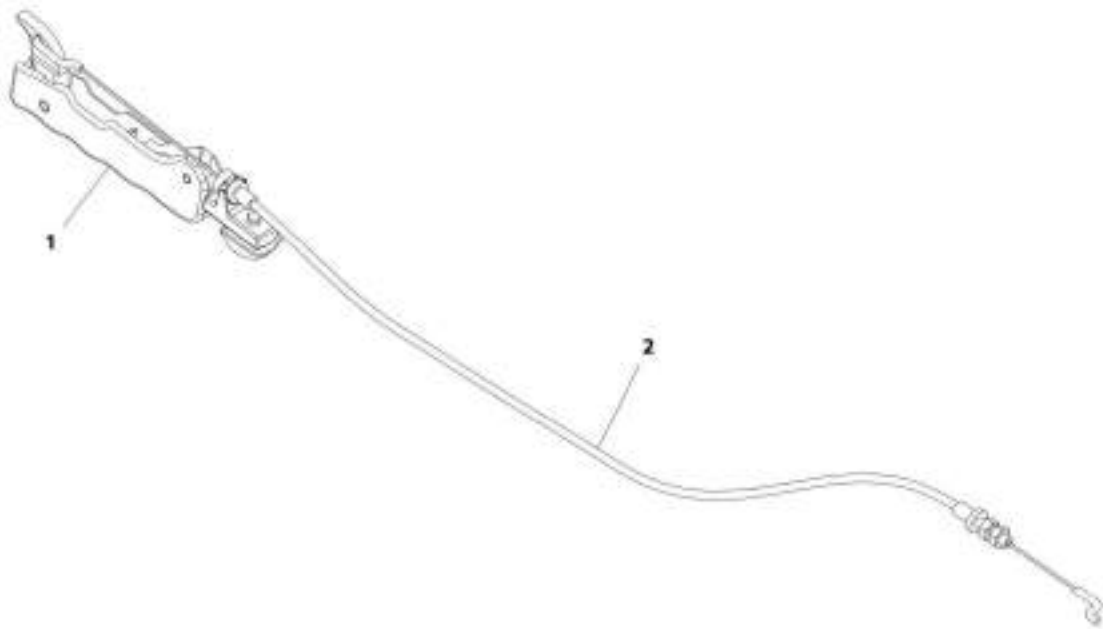
ART\_10011K2166-A

**FIGURE 6-10. CAB LATCH ASSEMBLY**

<b>ITEM</b>	<b>PART NUMBER</b>	<b>QTY</b>	<b>DESCRIPTION</b>	<b>REV</b>
	1001192766	Ref	Cab Latch Assembly	A
1	3290405	1	Nut, M4X0.7 Grade 8	
2	1001192643	1	Latch	
3	1001192755	1	Link, Door Handle	

**SECTION 6 - CAB**

**FIGURE 6-11. CAB DOOR TRIGGER ASSEMBLY**



ART\_1001107958-E

**FIGURE 6-11. CAB DOOR TRIGGER ASSEMBLY**

<b>ITEM</b>	<b>PART NUMBER</b>	<b>QTY</b>	<b>DESCRIPTION</b>	<b>REV</b>
	1001167958	Ref	Cab Door Trigger Assembly	E
1	1001167937	1	Trigger, Cab Interior Release	
2	1001192644	1	Cable, Cab Latch Release	

# SECTION 6 - CAB

## FIGURE 6-12. DOOR STRAP INSTALLATION

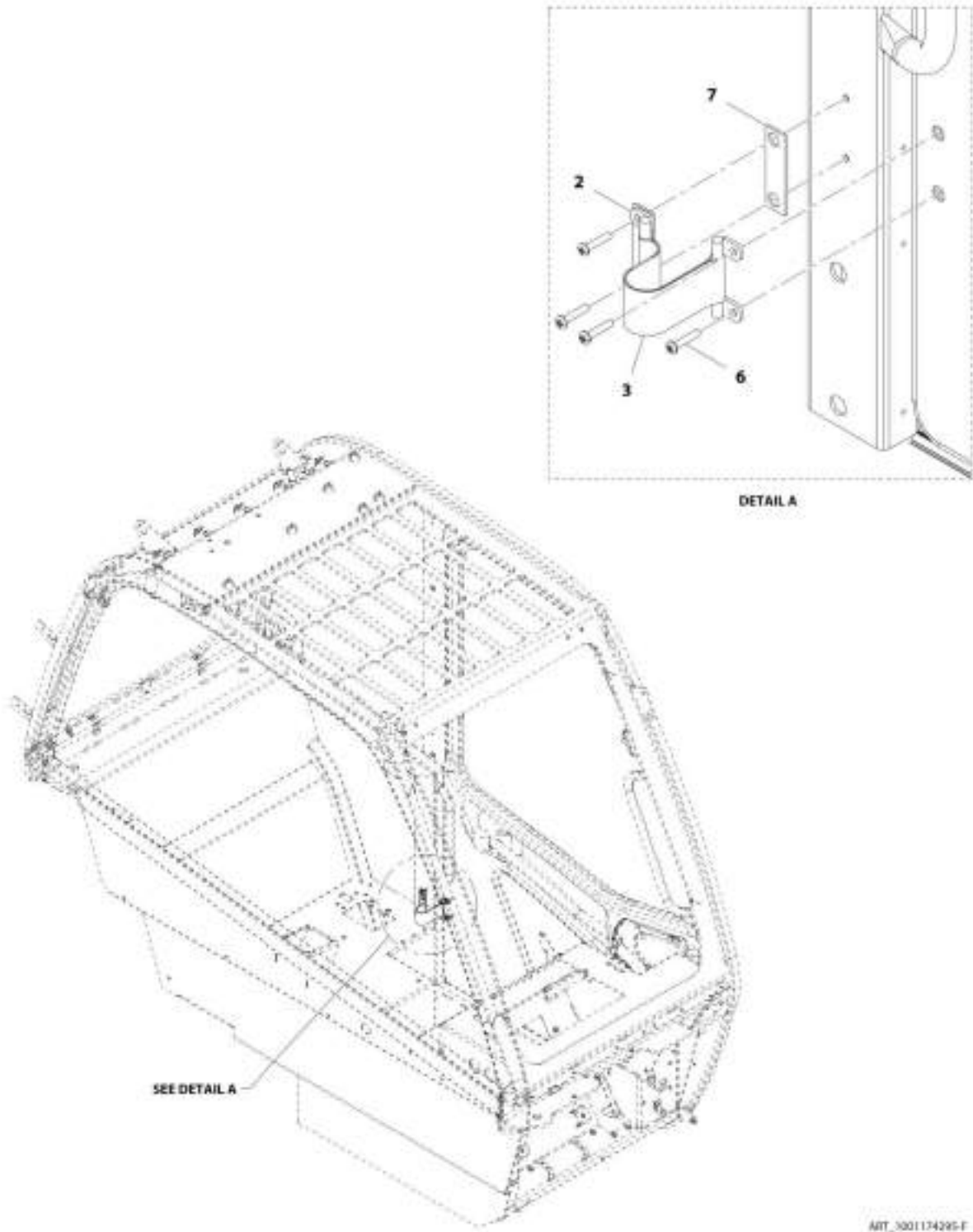
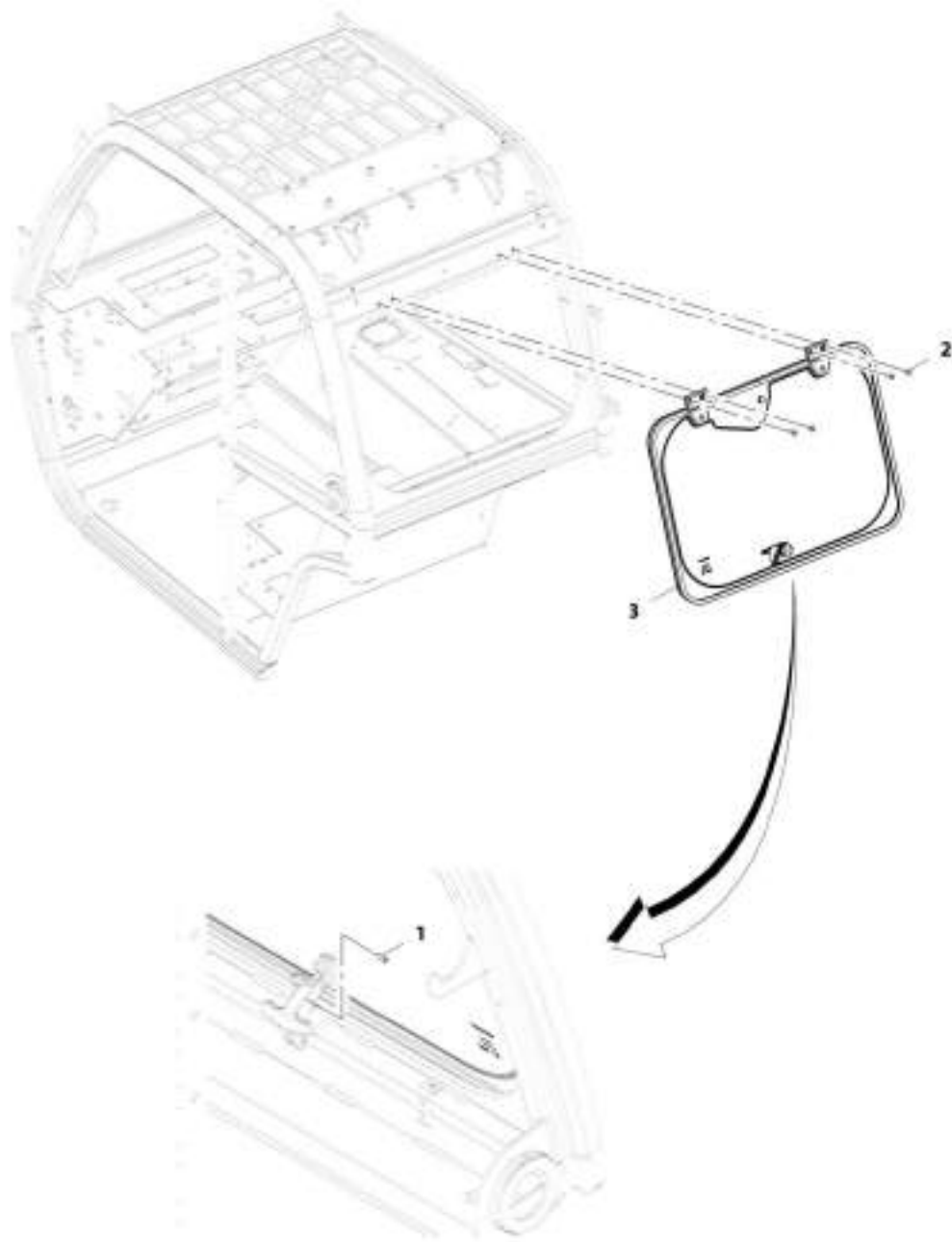


FIGURE 6-12. DOOR STRAP INSTALLATION

ITEM	PART NUMBER	QTY	DESCRIPTION	REV
	1001174295	Ref	Door Strap Installation	F
2	1001230163	2	Bracket, Strap Holder	
3	1001212011	1	Strap, Door Hold Open	
6	8310559	4	Screw	
7	1001191091	1	Plate, Cab Door Strap	

# SECTION 6 - CAB

## FIGURE 6-13. REAR WINDOW INSTALLATION



ART\_100120330-A

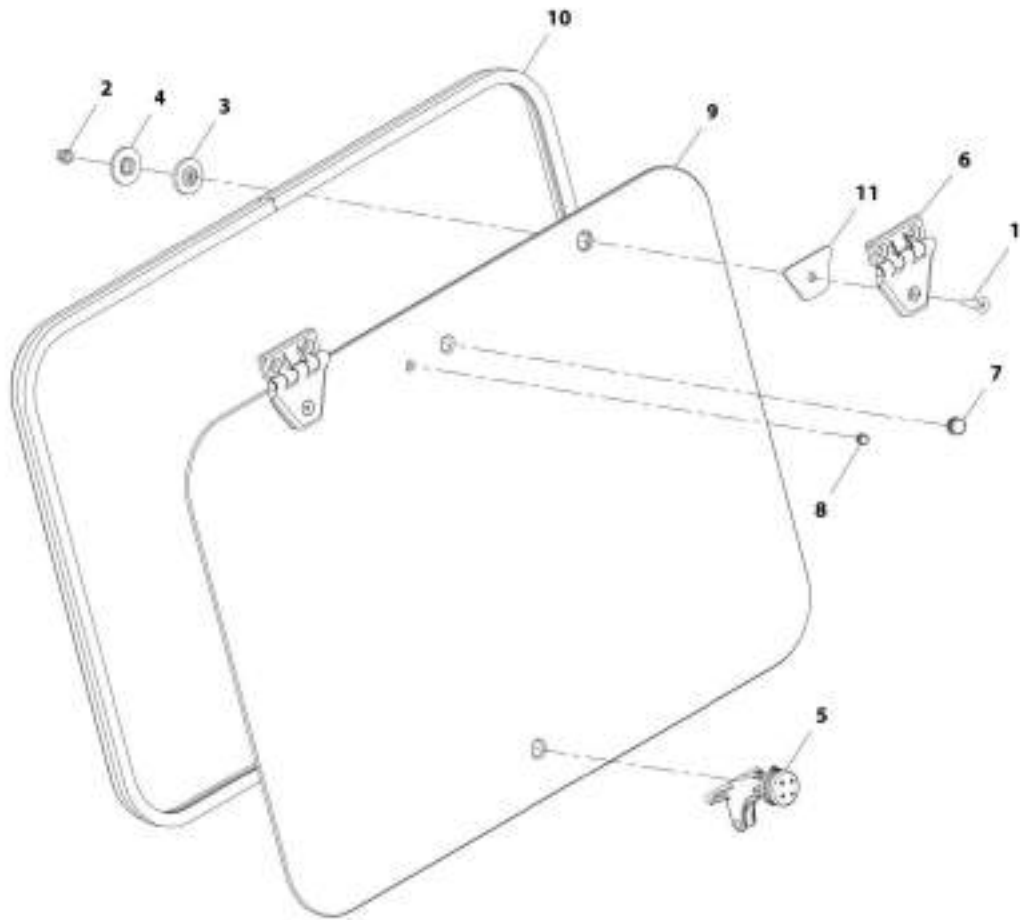


FIGURE 6-13. REAR WINDOW INSTALLATION

ITEM	PART NUMBER	QTY	DESCRIPTION	REV
	1001220339	Ref	Rear Window Installation	A
1	1001003043	1	Pin, Spring	
2	1001097586	4	Screw, M8X1.25	
3	1001220338	1	Assembly, Rear Window (See Separate Breakdown in this Section)	

SECTION 6 - CAB

FIGURE 6-14. REAR WINDOW GROUP



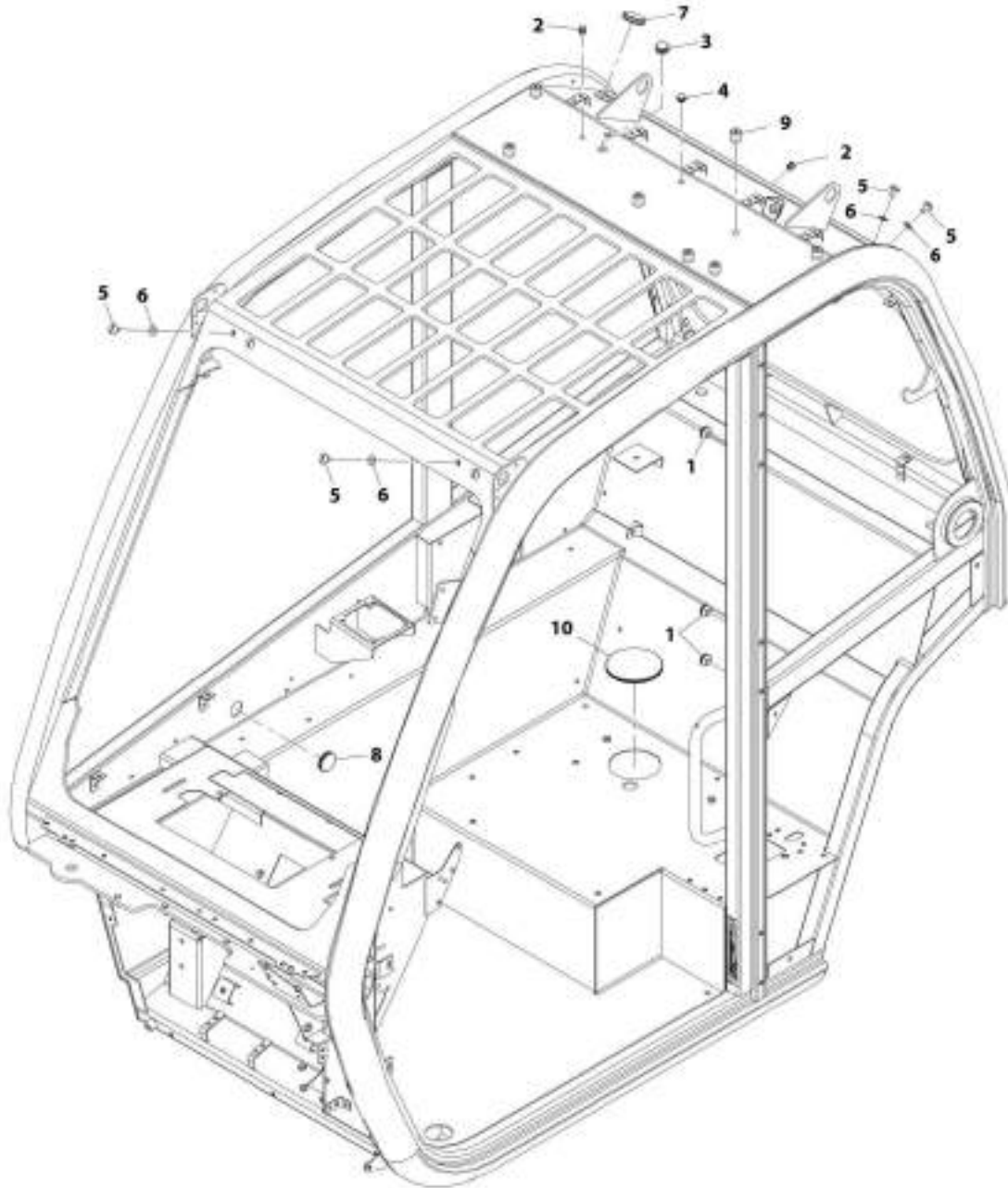
ART\_180128338-A

FIGURE 6-14. REAR WINDOW GROUP

ITEM	PART NUMBER	QTY	DESCRIPTION	REV
	1001220338	Ref	Rear Window Group	A
1	2080078	2	Fastener, M8X30	
2	3290806	2	Nut, M8X1.25 Grade 8	
3	8000759	2	Spacer	
4	8004398	2	Spacer	
5	1001005368	1	Latch, Window	
6	1001139568	2	Hinge	
7	1001171182	1	Grommet	
8	1001171183	1	Grommet	
9	1001178680	1	Glass, Rear Window	
10	1001178681	1	Seal	
11	1001181411	2	Gasket, Rear Window Hinge	

# SECTION 6 - CAB

## FIGURE 6-15. CAB PLUG GROUP



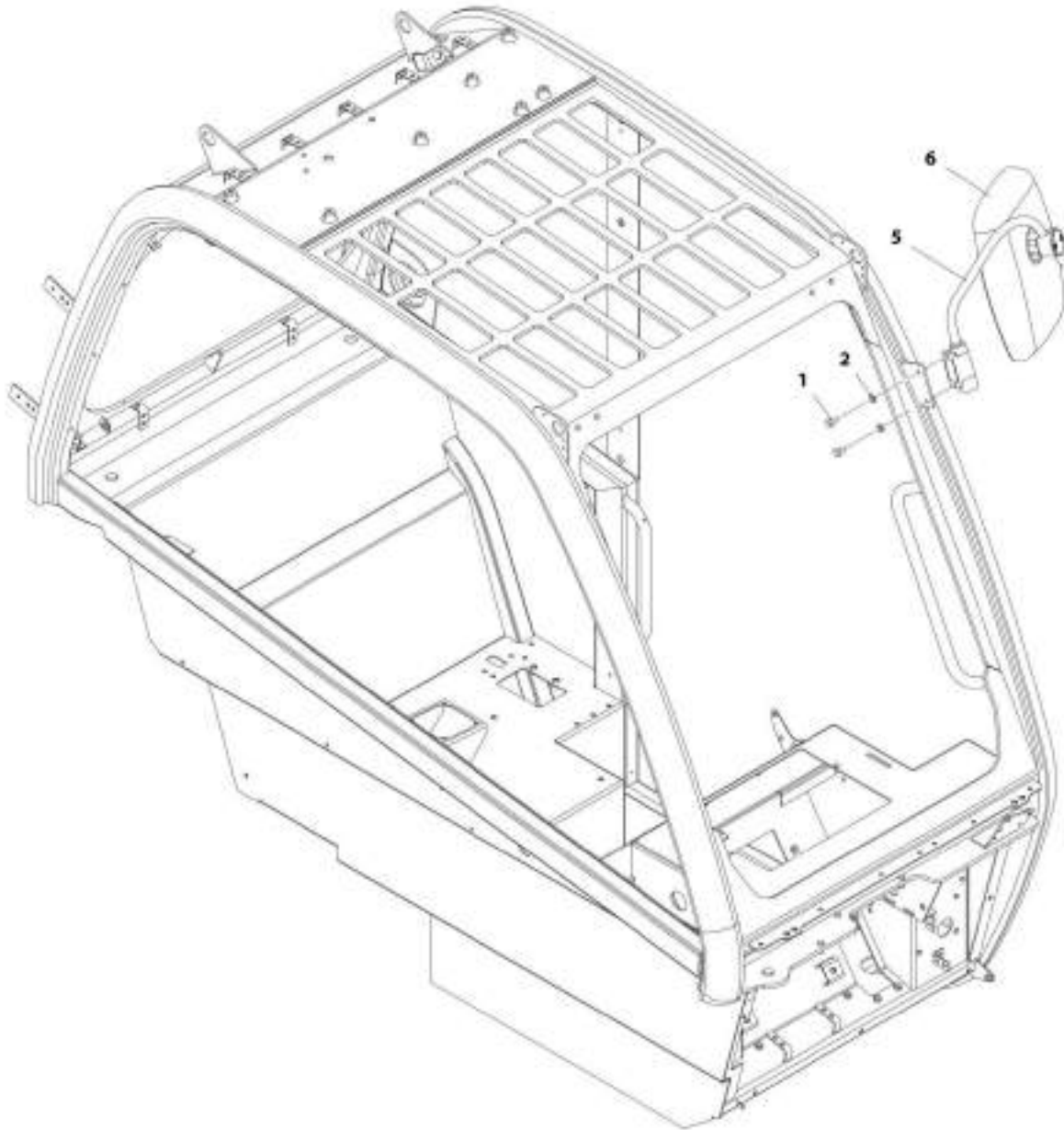
ART\_1001100814-C

FIGURE 6-15. CAB PLUG GROUP

ITEM	PART NUMBER	QTY	DESCRIPTION	REV
	1001195814	Ref	Cab Plug Group	C
1	1001143200	7	Plug	
2	1001176272	3	Plug	
3	1001176273	1	Plug	
4	1001176626	1	Plug	
5	1001181920	8	Screw, Nylon M8X16	
6	1001181921	8	Washer, Rubber M8	
7	1001182123	2	Plug	
8	1001182139	1	Plug	
9	1001219220	7	Plug	
10	1001209899	1	Plug	

# SECTION 6 - CAB

## FIGURE 6-16. BASIC MIRROR INSTALLATION



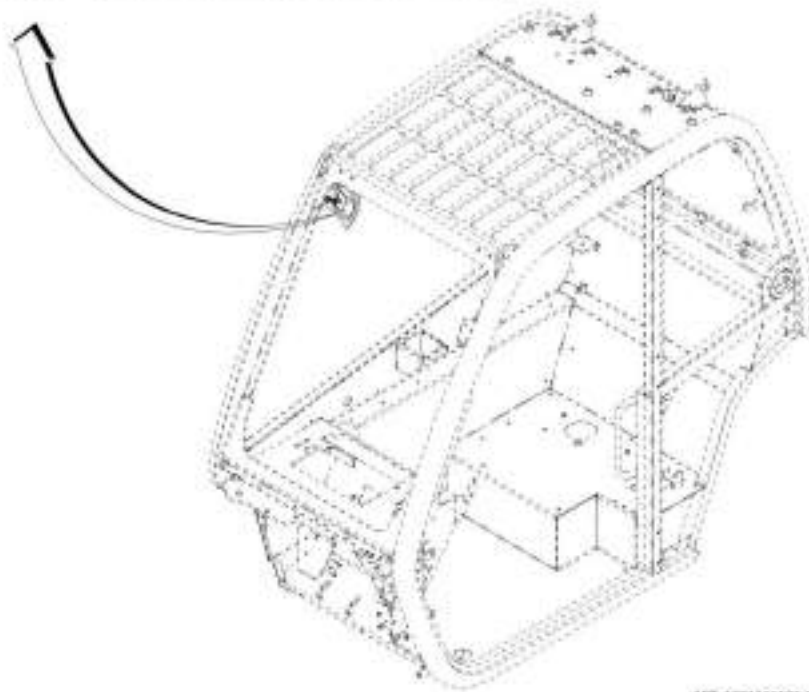
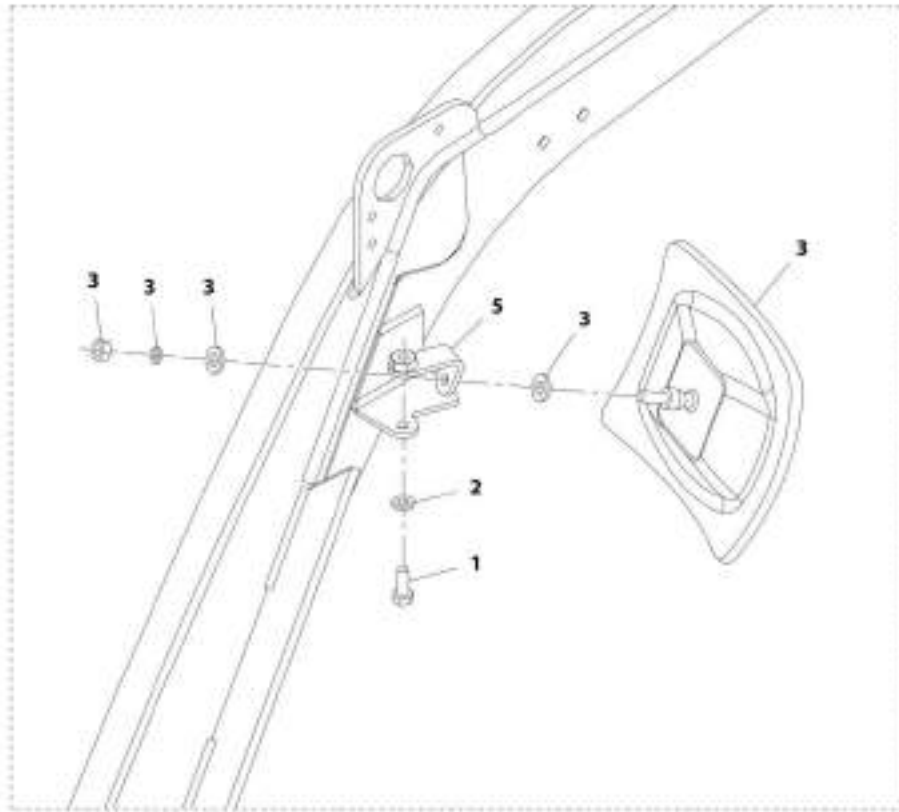
AWT\_1001166509 E

FIGURE 6-16. BASIC MIRROR INSTALLATION

ITEM	PART NUMBER	QTY	DESCRIPTION	REV
	1001160508	Ref	Basic Mirror Installation	E
1	0760808	2	Bolt, M8X16	
2	4811900	2	Washer, M8	
5	1001164655	1	Bracket	
6	80363195	1	Mirror	

# SECTION 6 - CAB

## FIGURE 6-17. INTERIOR MIRROR INSTALLATION



ART\_1001166192-C

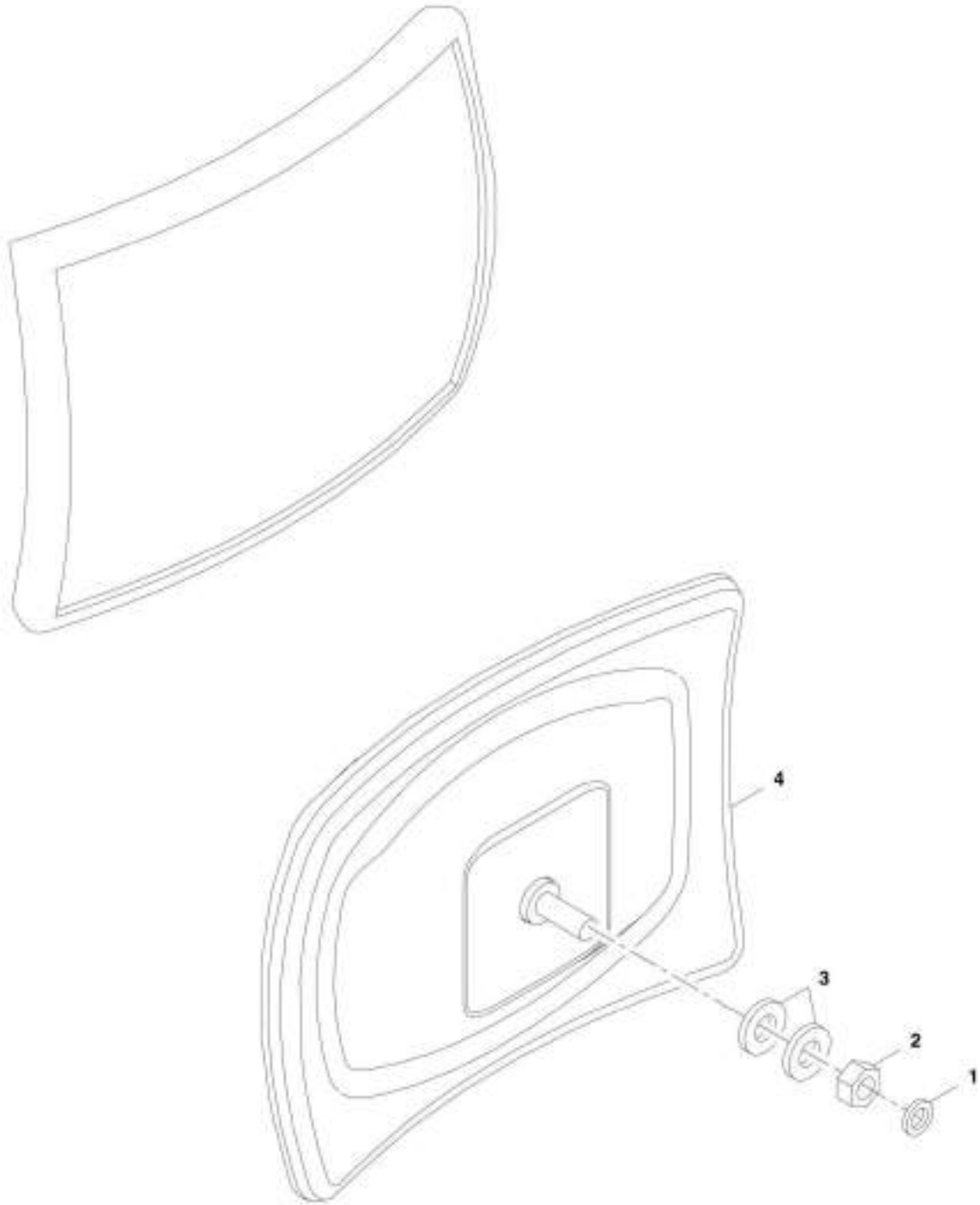


FIGURE 6-17. INTERIOR MIRROR INSTALLATION

ITEM	PART NUMBER	QTY	DESCRIPTION	REV
	1001166192	Ref	Interior Mirror Installation	C
1	0760608	1	Bolt, M6X16	
2	4811700	1	Washer, M6	
3	1001007641	1	Mirror, Interior (See Separate Breakdown in this Section)	
5	1001166191	1	Bracket	

**SECTION 6 - CAB**

**FIGURE 6-18. INTERIOR MIRROR**



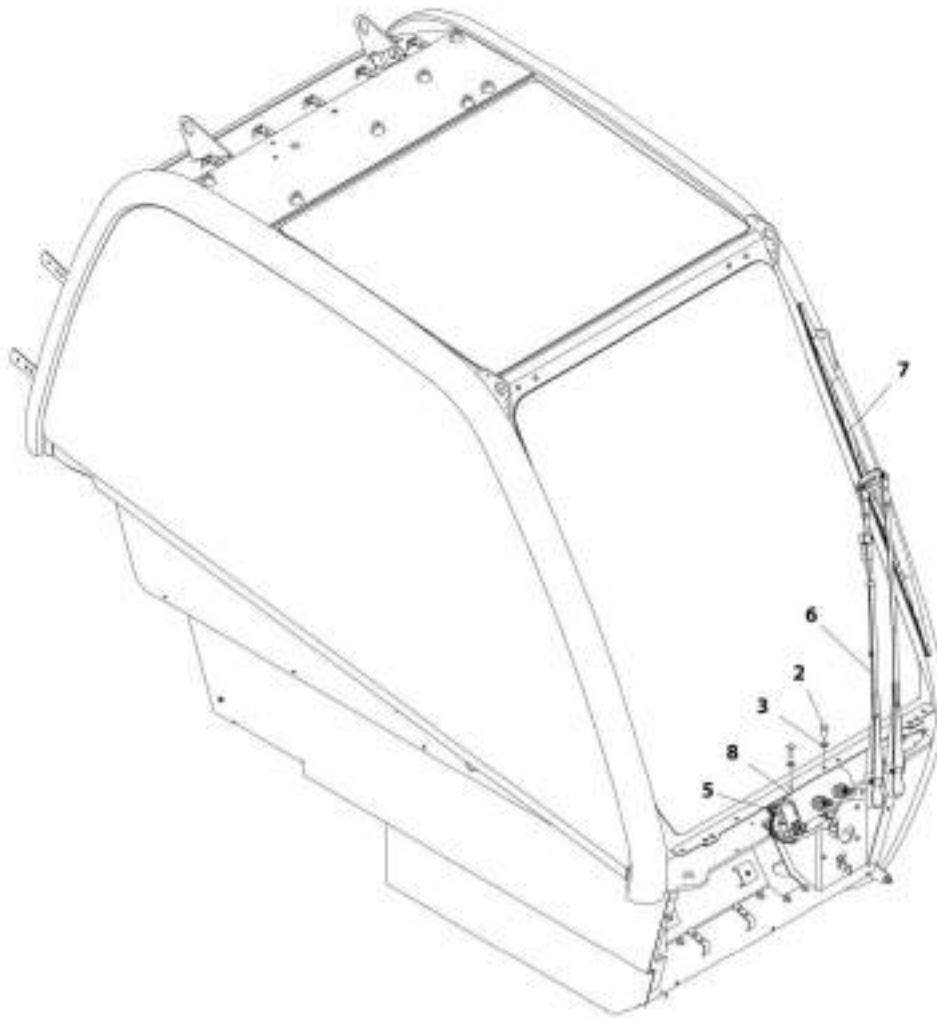
ART\_1001007641-0

FIGURE 6-18. INTERIOR MIRROR

ITEM	PART NUMBER	QTY	DESCRIPTION	REV
	1001007641	Ref	Mirror, Interior	B
1	1001008475	1	Washer, Lock 12	
2	1001008604	1	Nut	
3	1001009124	2	Washer	
4	1001010839	1	Mirror	

# SECTION 6 - CAB

## FIGURE 6-19. FRONT WIPER INSTALLATION



ART\_900155447-G

FIGURE 6-19. FRONT WIPER INSTALLATION

ITEM	PART NUMBER	QTY	DESCRIPTION	REV
	1001155447	Ref	Front Wiper Installation	G
2	0760810	2	Bolt, M8X20	
3	4811900	2	Washer, M8	
5	1001214092	1	Motor, Front Wiper	
6	1001212369	1	Arm, Front Wiper	
7	1001141281	1	Blade, Wiper	
8	1001165637	1	Bracket	

# SECTION 6 - CAB

## FIGURE 6-20. WASHER TANK INSTALLATION

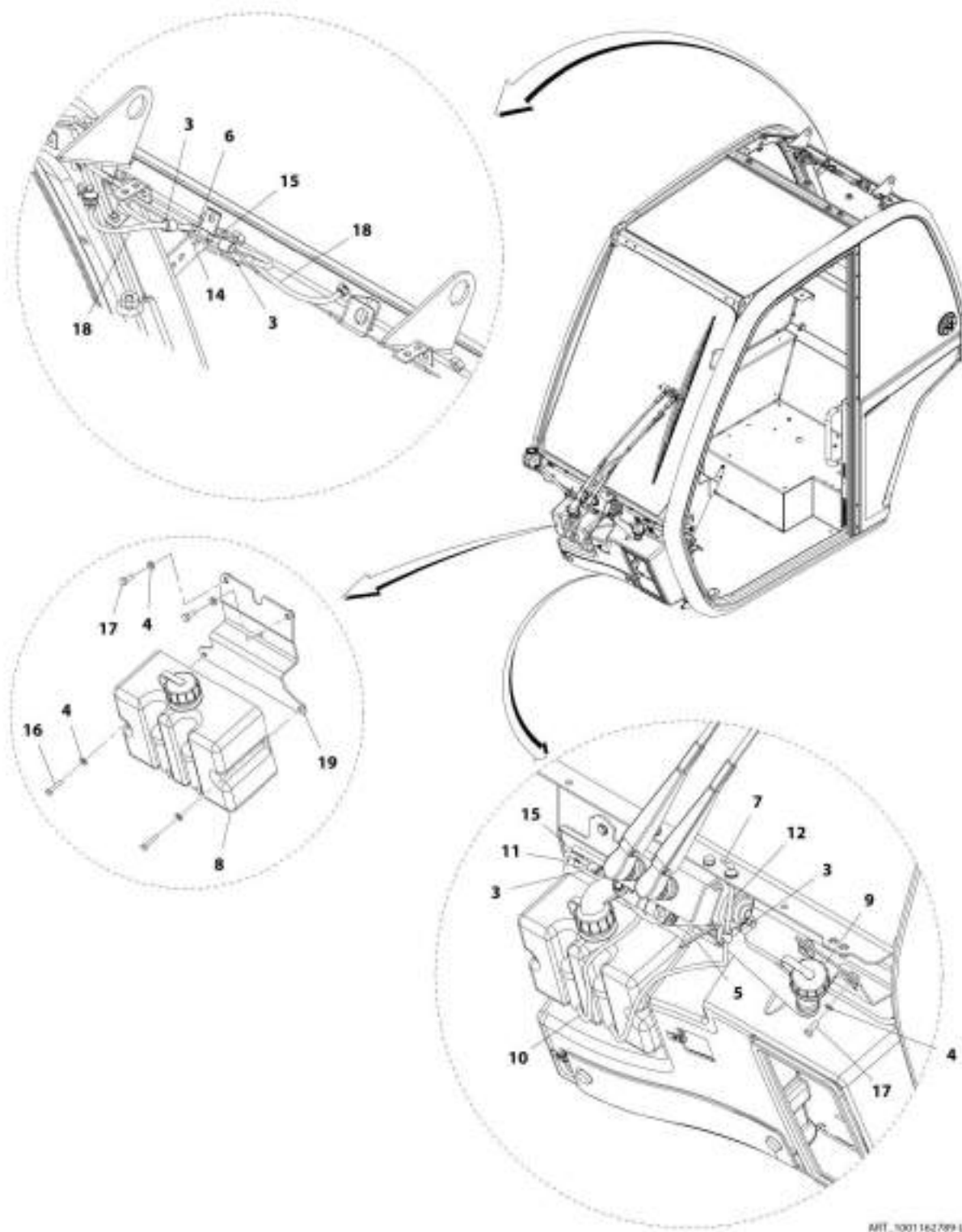
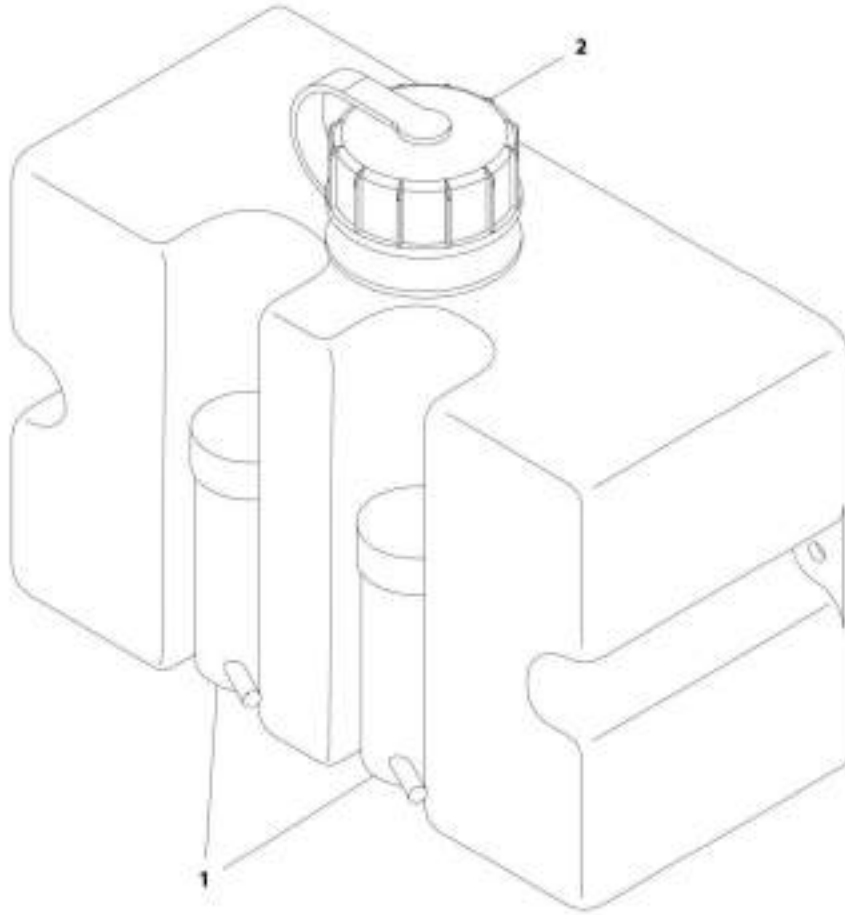


FIGURE 6-20. WASHER TANK INSTALLATION

ITEM	PART NUMBER	QTY	DESCRIPTION	REV
	1001162789	Ref	Washer Tank Installation	L
3	1001201331	4	Valve, Check	
4	4811700	6	Washer, M6	
5	471678	2	Strap, Tie	
6	1001008742	1	Coupling, Tee	
7	1001090343	1	Connector	
8	1001165269	1	Bottle, Washer	
9	1001165270	1	Hose, Washer Filler	
10	1001165351	2	Hose	
11	1001165407	1	Hose	
12	1001165416	1	Hose	
14	1001165455	2	Hose	
15	1001165458	16	Hose	
16	0760512	2	Bolt M5X25	
17	0760608	4	Bolt, M6X16	
18	1001178123	2	Hose	
19	1001171756	1	Bracket	

**SECTION 6 - CAB**

**FIGURE 6-21. WASHER BOTTLE**



ART. 100193269-8

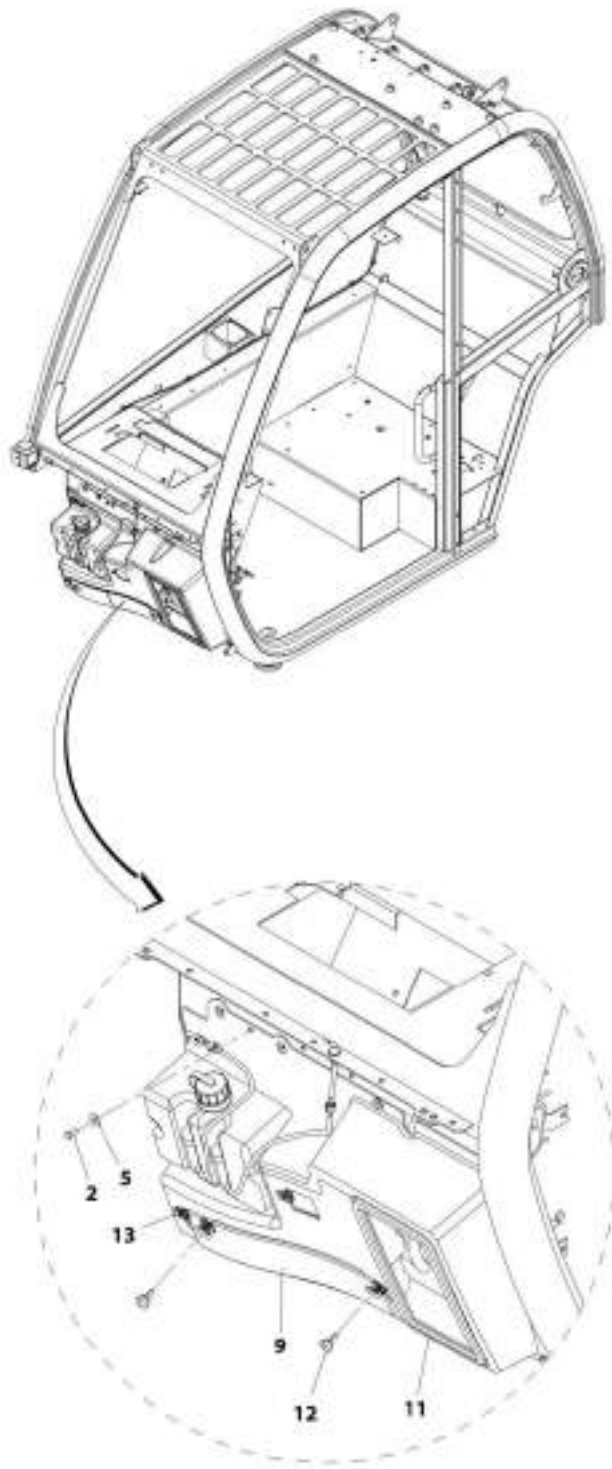


**FIGURE 6-21. WASHER BOTTLE**

<b>ITEM</b>	<b>PART NUMBER</b>	<b>QTY</b>	<b>DESCRIPTION</b>	<b>REV</b>
	1001165269	Ref	Washer Bottle	B
1	1001165327	2	Motor, Washer	
2	1001165273	1	Cap, Washer	

# SECTION 6 - CAB

## FIGURE 6-22. FRONT COVER INSTALLATION



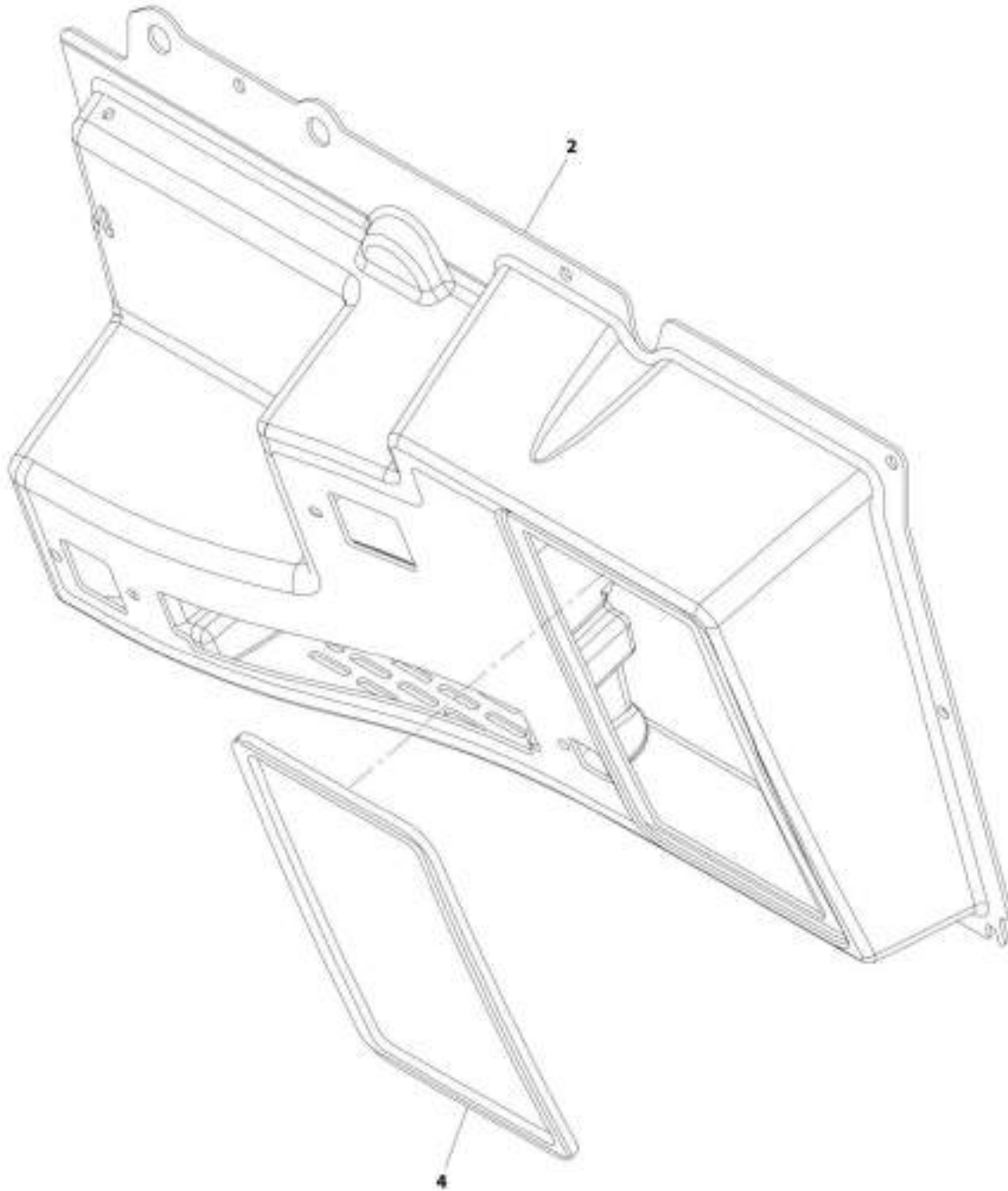
ART\_100170M6-G

FIGURE 6-22. FRONT COVER INSTALLATION

ITEM	PART NUMBER	QTY	DESCRIPTION	REV
	1001170366	Ref	Front Cover Installation	G
2	0760608	7	Bolt, M6X16	
5	4811702	7	Washer, M6	
9	1001175471	1	Panel, Filter Tray (See Separate Breakdown in this Section)	
11	1001176121	1	Cover, Front Duct (See Separate Breakdown in this Section)	
12	2080092	2	Thumb Screw, M6X16	
13	8305919	4	Nut, M6	

**SECTION 6 - CAB**

**FIGURE 6-23. FRONT DUCT COVER**



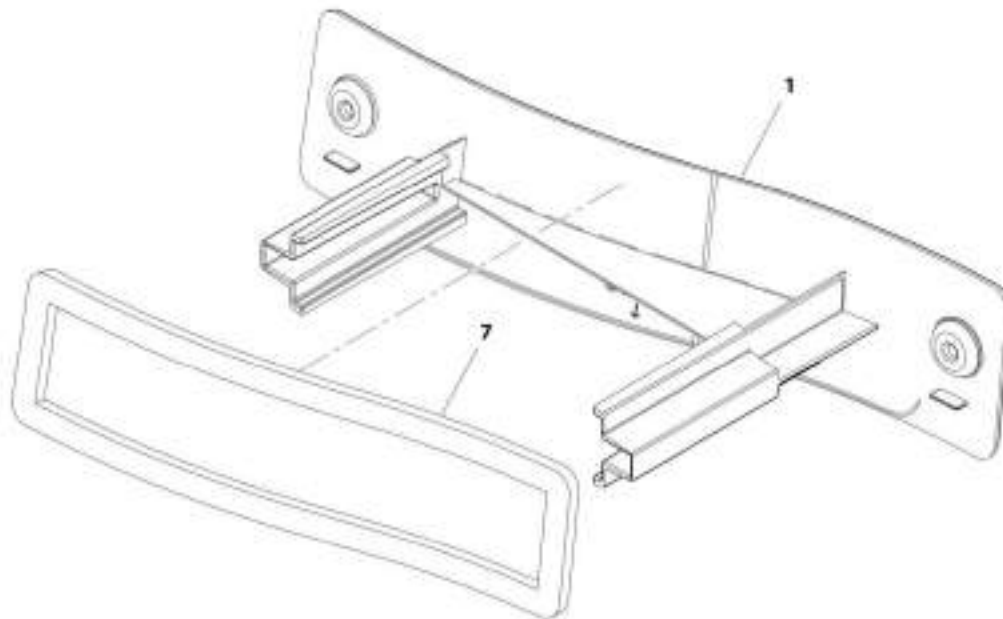
ART\_3001176121-G

FIGURE 6-23. FRONT DUCT COVER

ITEM	PART NUMBER	QTY	DESCRIPTION	REV
	1001176121	Ref	Font Duct Cover	G
2	1001170326	1	Cover, Front	
4	1001175470	1	Seal, Front Cab Panel	

SECTION 6 - CAB

FIGURE 6-24. FILTER TRAY PANEL



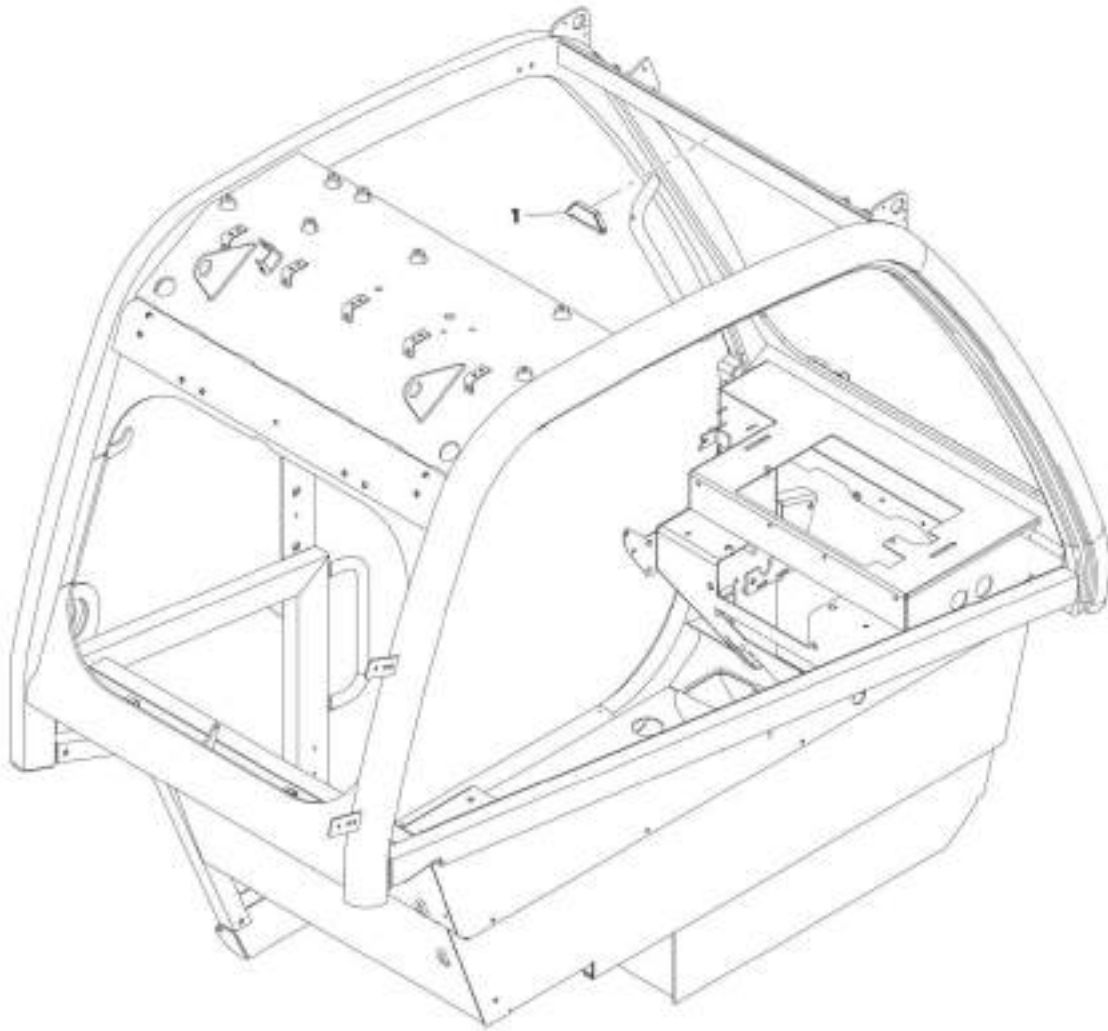
AWT\_1001175471-D

**FIGURE 6-24. FILTER TRAY PANEL**

<b>ITEM</b>	<b>PART NUMBER</b>	<b>QTY</b>	<b>DESCRIPTION</b>	<b>REV</b>
	1001175471	Ref	Filter Tray Panel	D
1	1001170993	1	Panel, Front Inlet	
7	1001171767	1	Cab, Front Panel Seal	

## SECTION 6 - CAB

FIGURE 6-25. LEVEL INDICATOR INSTALLATION



ART\_100172401-C

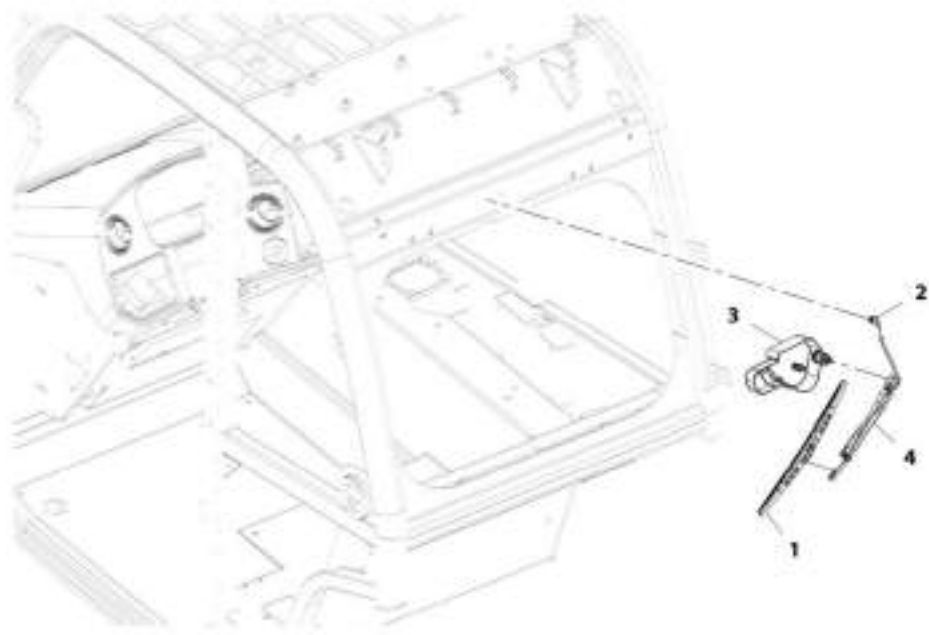


**FIGURE 6-25. LEVEL INDICATOR INSTALLATION**

<b>ITEM</b>	<b>PART NUMBER</b>	<b>QTY</b>	<b>DESCRIPTION</b>	<b>REV</b>
1	1001172401 8466306	Ref 1	Level Indicator Installation Gauge, Tilt Angle	C

# SECTION 6 - CAB

## FIGURE 6-26. REAR WIPER INSTALLATION



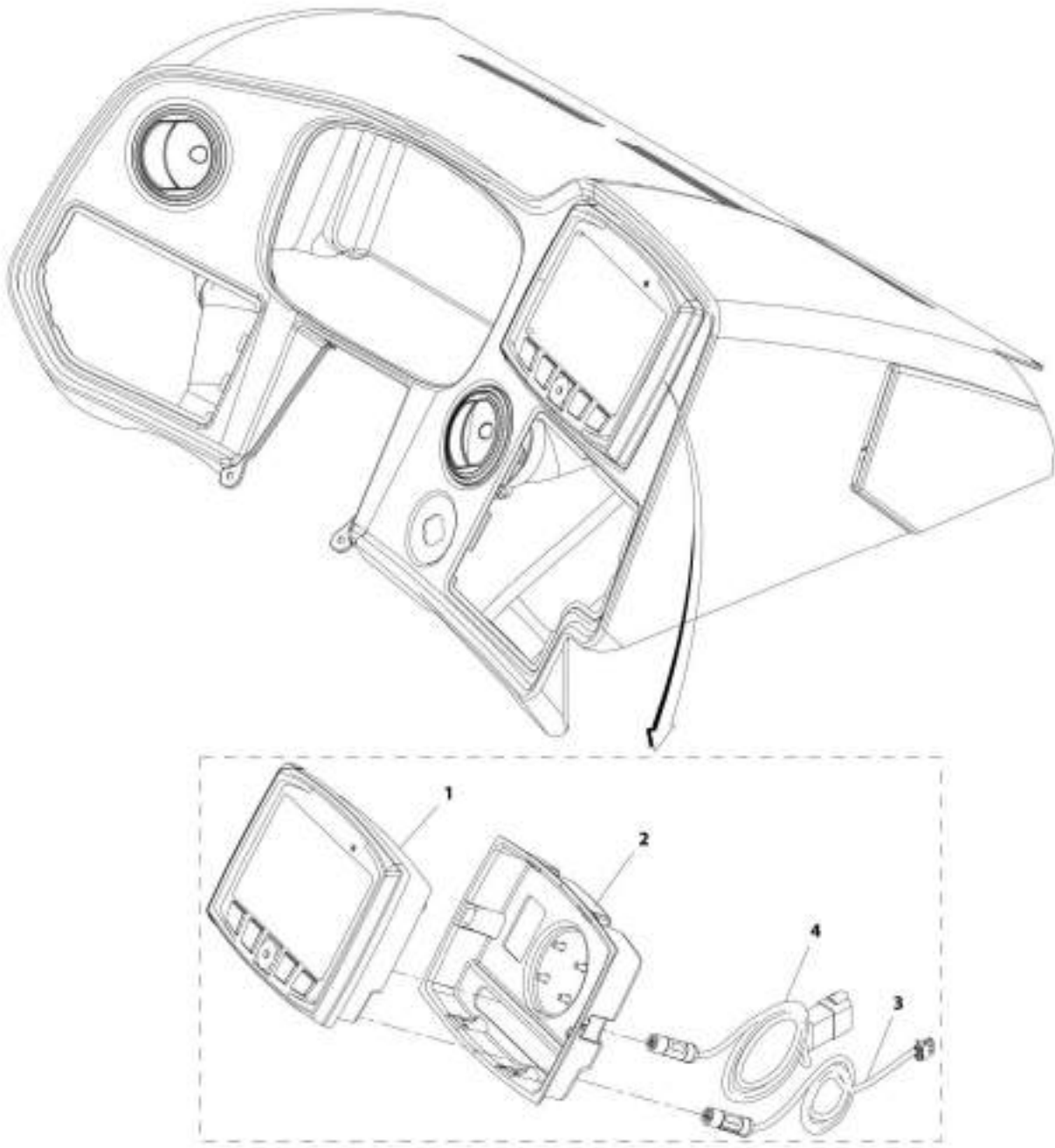
ART\_100120320-A

FIGURE 6-26. REAR WIPER INSTALLATION

ITEM	PART NUMBER	QTY	DESCRIPTION	REV
	1001220329	Ref	Rear Wiper Installation	A
1	4807718	1	WIPER BLADE,OSLV ITALIA	
2	1001090343	1	CONNECTOR	
3	1001139552	1	MOTOR,WIPER,REAR WINDOW	
4	1001141312	1	BLADE,ARM,REAR WINDOW	

# SECTION 6 - CAB

## FIGURE 6-27. MULTIFUNCTION DISPLAY INSTALLATION



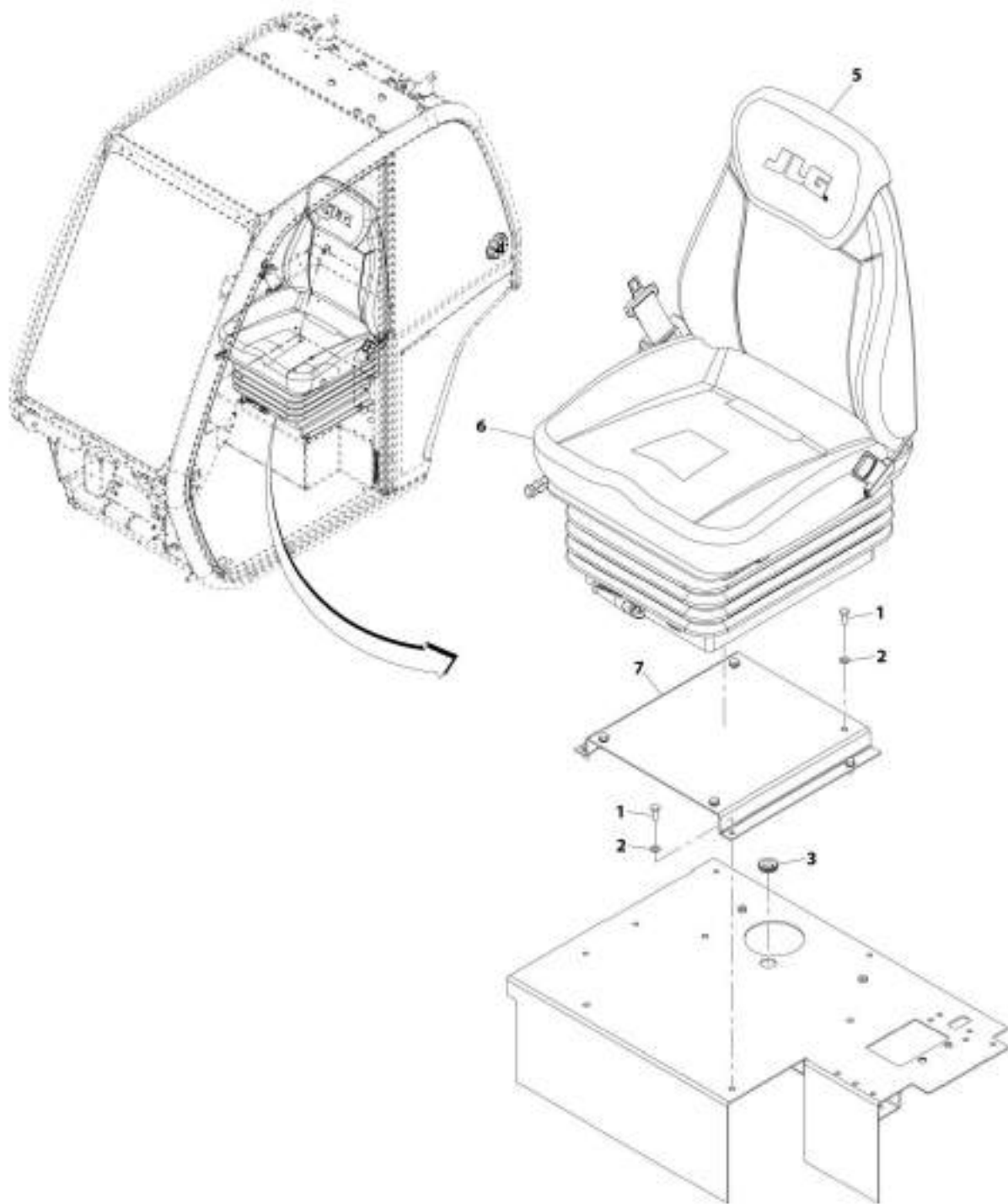
APP\_1001176338-0

FIGURE 6-27. MULTIFUNCTION DISPLAY INSTALLATION

ITEM	PART NUMBER	QTY	DESCRIPTION	REV
	1001176338	Ref	Multifunction Display Installation	B
1	1001211357	1	Display	
2	1001178783	1	Bezel	
3	1001180682	1	Cable	
4	1001180683	1	Cable, Video	

# SECTION 6 - CAB

## FIGURE 6-28. SEAT INSTALLATION (MECHANICAL)



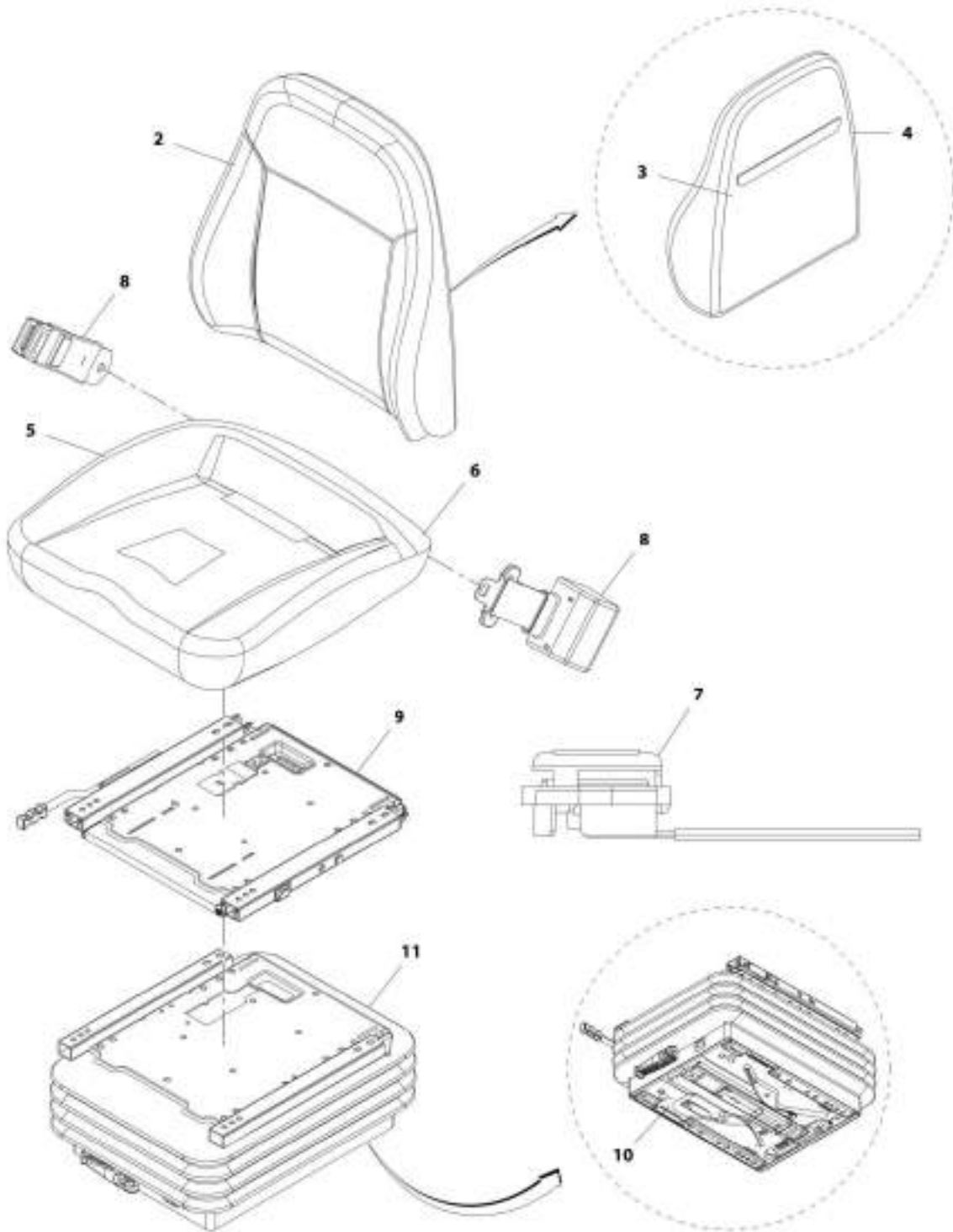
ART\_100138601-D

FIGURE 6-28. SEAT INSTALLATION (MECHANICAL)

ITEM	PART NUMBER	QTY	DESCRIPTION	REV
	1001158601	Ref	Seat Installation (Cloth)	D
1	0760810	8	Bolt, M8X20	
2	4811900	8	Washer, M8	
3	1001216974	1	Grommet	
5	1001119467	1	Headrest, Cloth	
6	1001150294	1	Assembly, Seat (See Separate Breakdown in this Section)	
7	1001158738C	1	Plinth, Seat	

# SECTION 6 - CAB

## FIGURE 6-29. SEAT ASSEMBLY (MECHANICAL)



ART\_1001190294-E

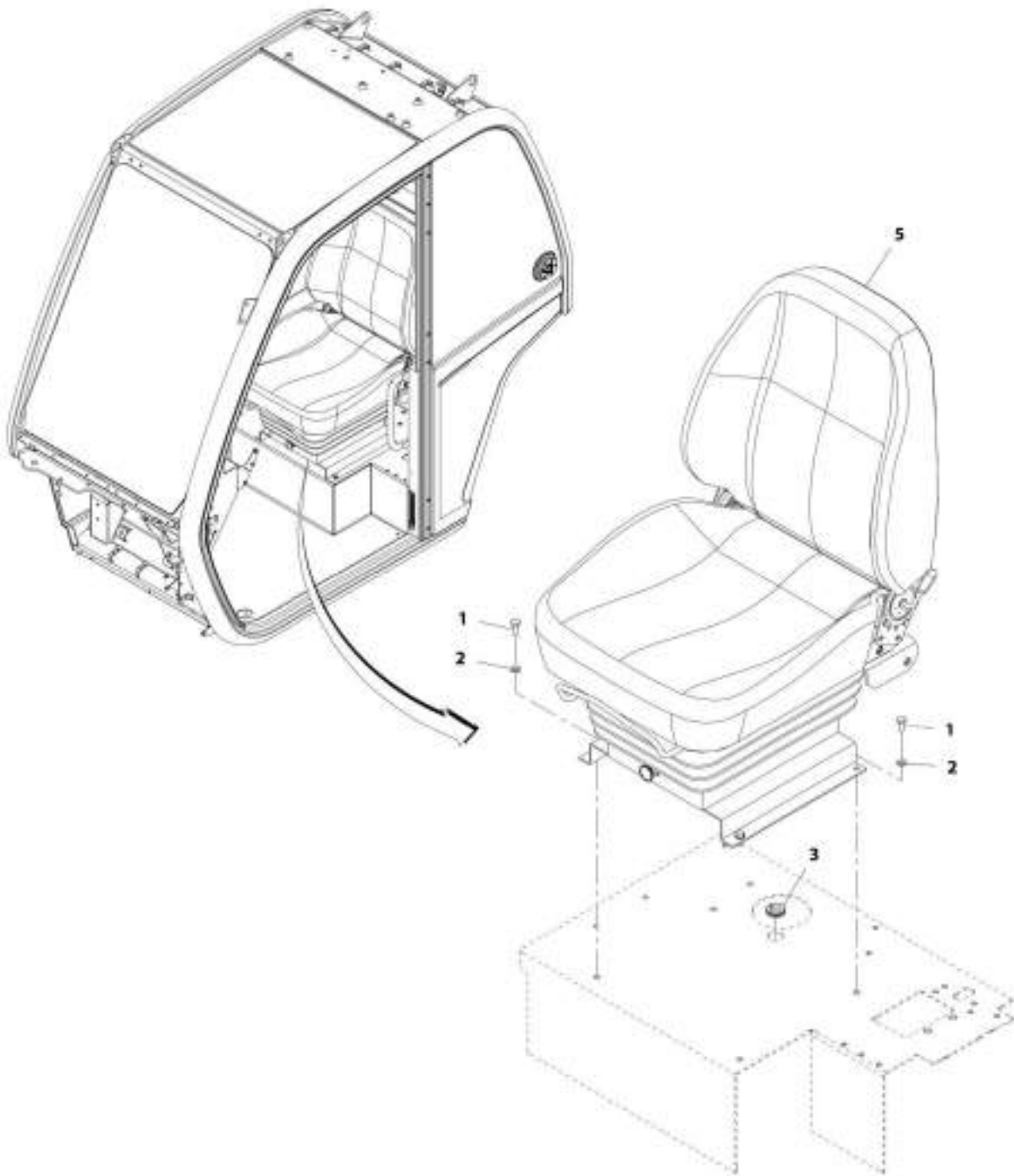


FIGURE 6-29. SEAT ASSEMBLY (MECHANICAL)

ITEM	PART NUMBER	QTY	DESCRIPTION	REV
	1001150294	1	Seat Assembly	E
2	70025489	1	Fabric, Upper Seat	
3	70025490	1	Cover, Back	
4	70025483	1	Foam, Back	
5	70025491	1	Cover, Seat	
6	70025485	1	Foam, Seat	
7	70025486	1	Switch, Contact	
8	7029767	1	Belt, Seat	
9	70021252	1	Rail, Slide	
10	70021251	1	Unit, Suspension	
11	70022034	1	Cover, Rubber	

## SECTION 6 - CAB

FIGURE 6-30. SEAT INSTALLATION (AIR SUSPENSION - STANDARD)



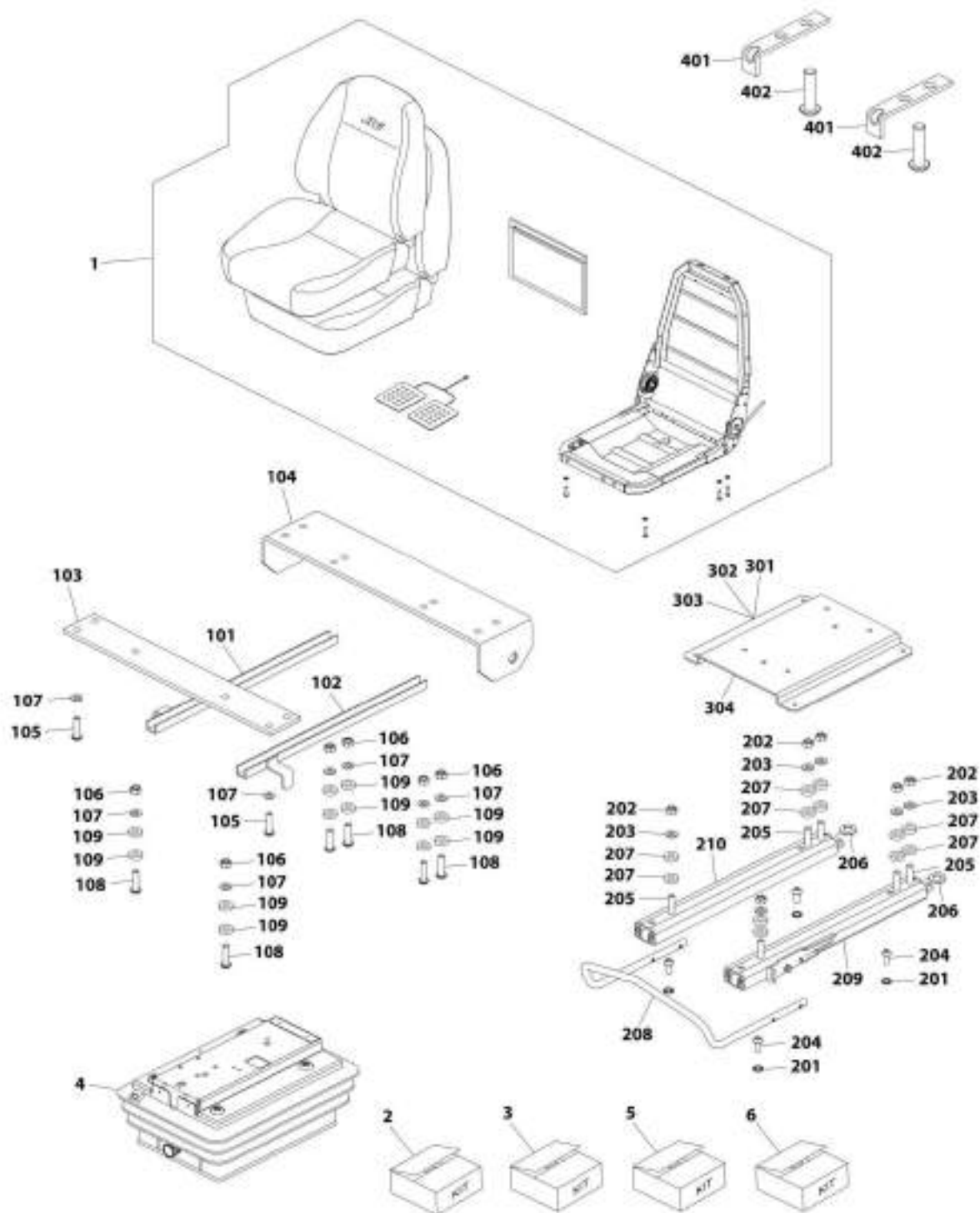
ART\_100118596-D

**FIGURE 6-30. SEAT INSTALLATION (AIR SUSPENSION - STANDARD)**

ITEM	PART NUMBER	QTY	DESCRIPTION	REV
	1001158596	Ref	Seat Installation (Standard)	D
1	0760810	4	Bolt, M8X20	
2	4811900	4	Washer, M8	
3	1001216974	1	Grommet	
5	1001165573	1	Assembly, Seat (See Separate Breakdown in this Section)	

# SECTION 6 - CAB

## FIGURE 6-31. SEAT ASSEMBLY (AIR SUSPENSION - STANDARD)



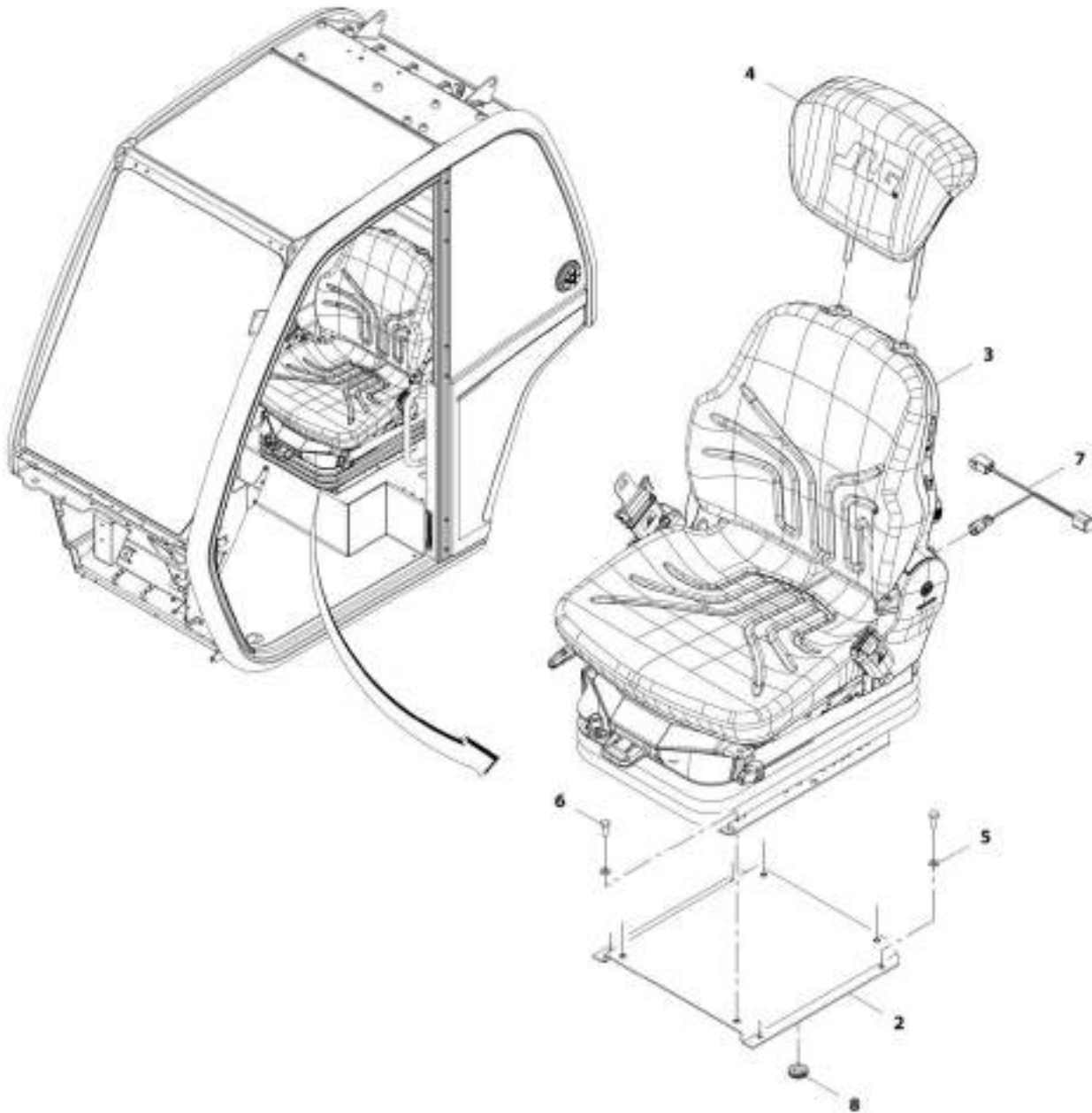
ART\_1001185575-C

FIGURE 6-31. SEAT ASSEMBLY (AIR SUSPENSION - STANDARD)

ITEM	PART NUMBER	QTY	DESCRIPTION	REV
	1001165573	1	Seat Assembly	C
1	70027392	1	Assembly, Upper Seat (See Separate Breakdown in this Section)	
2	70021317	1	Kit, Cross Strap (includes items 101 thru 109)	
3	70021318	1	Kit, Fore and Aft Adjustment (includes items 201 thru 210)	
4	70021319	1	Kit, Suspension (See Separate Breakdown in this Section)	
5	70027395	1	Kit, Adapter Plate (includes items 301 thru 304)	
6	70021322	1	Kit, Slide Rail Stop (includes items 401 & 402)	
101	N.S.S.	1	Channel	
102	N.S.S.	1	Channel	
103	N.S.S.	1	Plate, Strap	
104	N.S.S.	1	Plate, Strap	
105	N.S.S.	4	Bolt, M8X25	
106	N.S.S.	6	Nut, M8	
107	N.S.S.	10	Washer	
108	N.S.S.	6	Bolt, M8X30	
109	N.S.S.	12	Spacer	
201	N.S.S.	4	Washer, Spring M8	
202	N.S.S.	1	Nut, M8	
203	N.S.S.	1	Washer	
204	N.S.S.	1	Bolt, M8X16	
205	N.S.S.	1	Bolt, M8X30	
206	N.S.S.	1	Washer	
207	N.S.S.	1	Spacer	
208	N.S.S.	1	Handle	
209	N.S.S.	1	Rail, Slide	
210	N.S.S.	1	Rail, Slide	
301	N.S.S.	1	Bolt, M8X25	
302	N.S.S.	1	Bolt, M8X16	
303	N.S.S.	1	Washer	
304	N.S.S.	1	Plate, Adapter	
401	N.S.S.	1	Stop, Sliderrail	
402	N.S.S.	1	Bolt, M8X16	

# SECTION 6 - CAB

## FIGURE 6-32. SEAT INSTALLATION (AIR SUSPENSION - PREMIUM)



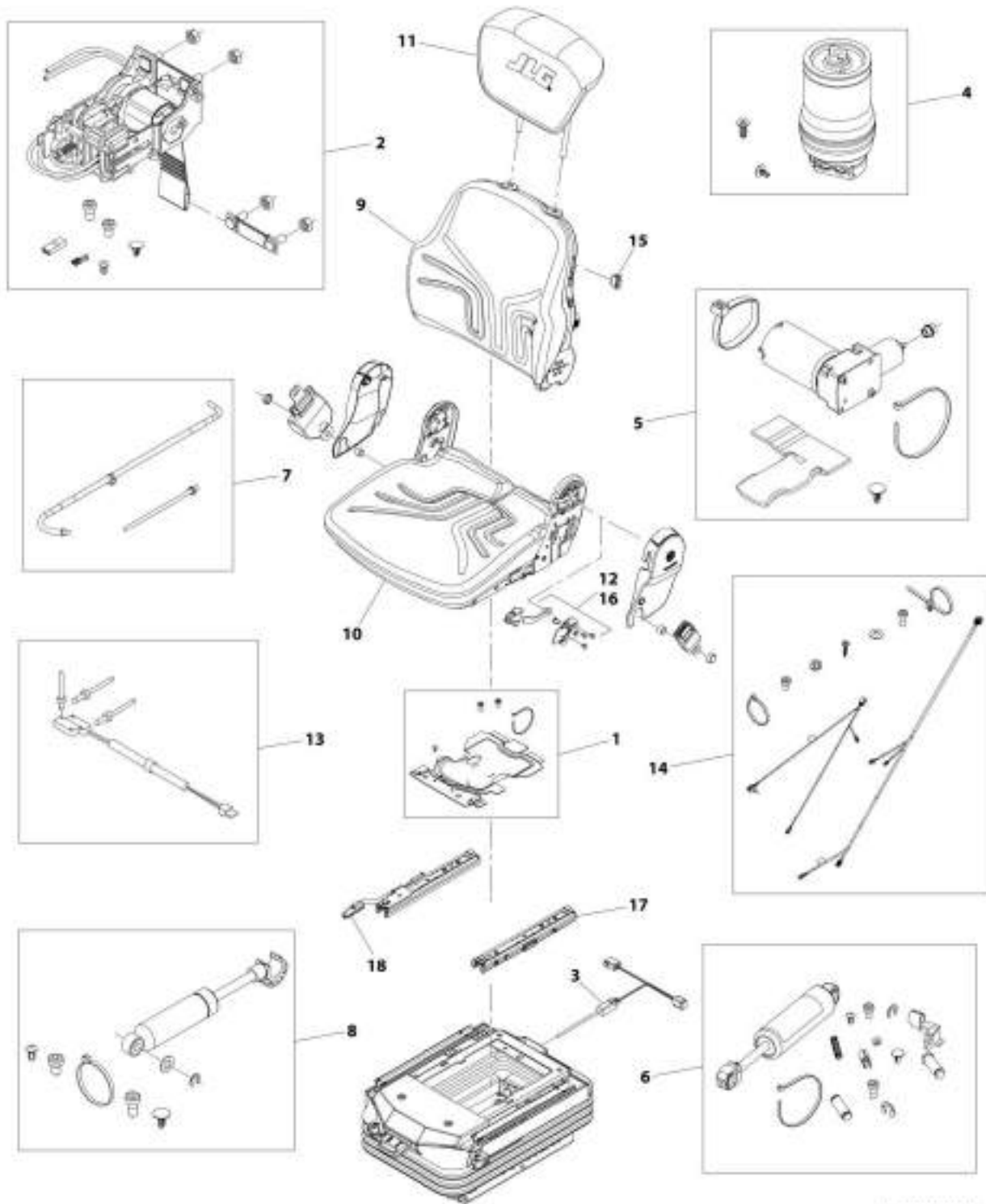
ART\_180110330-E

FIGURE 6-32. SEAT INSTALLATION (AIR SUSPENSION - PREMIUM)

ITEM	PART NUMBER	QTY	DESCRIPTION	REV
	1001182530	Ref	Seat Installation (Air Suspension - Premium)	E
2	1001158736C	1	Plinth, Seat	
3	1001169135	1	Assembly, Seat	
4	1001182529	1	Headrest	
5	4811900	8	Washer, M8	
6	0760810	8	Bolt, M8X20	
7	1001168531	1	Harness, Seat Adaptor (See Separate Breakdown in Electrical Section)	
8	1001216974	1	Grommet	

# SECTION 6 - CAB

## FIGURE 6-33. SEAT ASSEMBLY (AIR SUSPENSION - PREMIUM)



AWT\_3001164/135-B

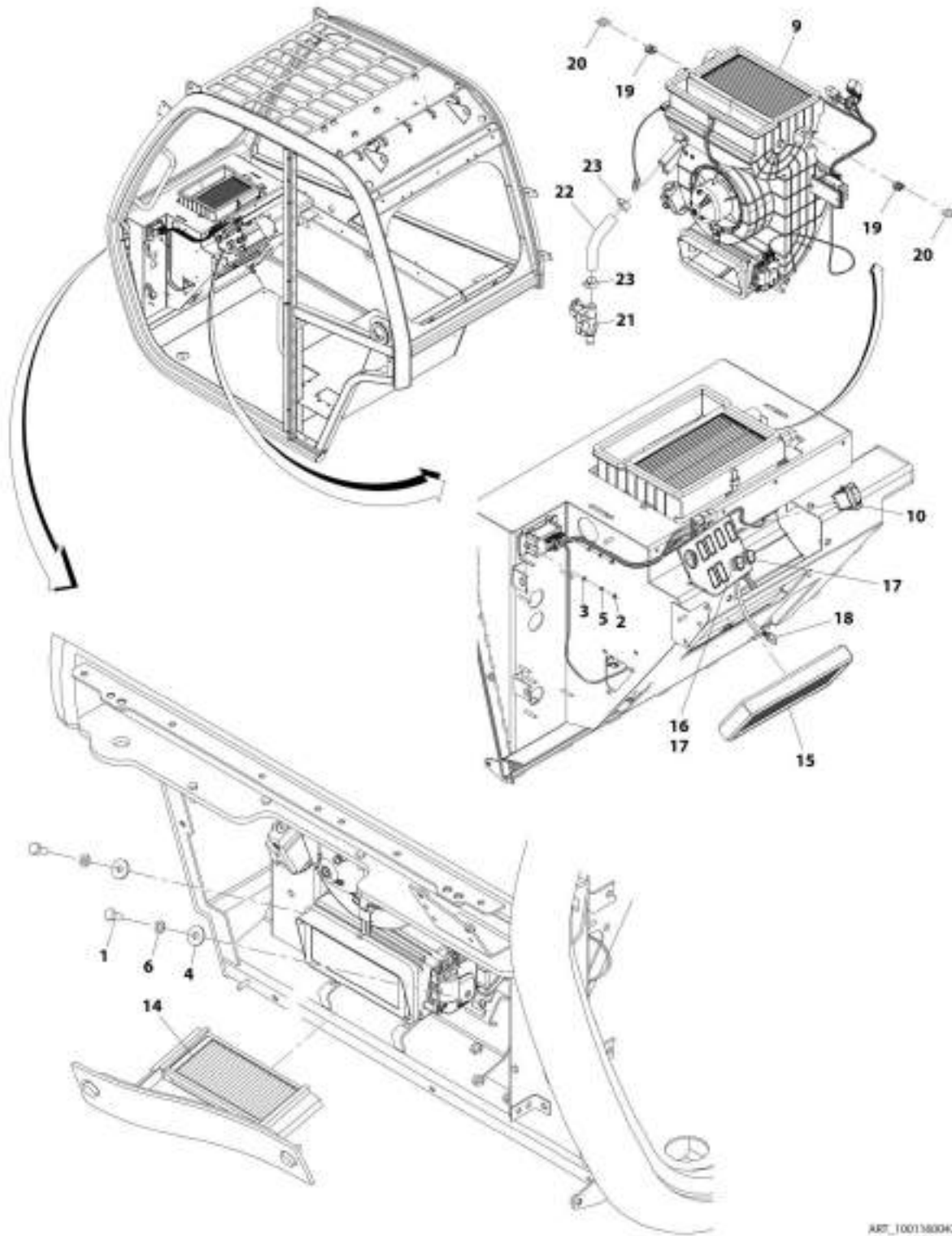


FIGURE 6-33. SEAT ASSEMBLY (AIR SUSPENSION - PREMIUM)

ITEM	PART NUMBER	QTY	DESCRIPTION	REV
	1001169135	Ref	Seat Assembly	B
1	70024856	1	Cover	
2	70023182	1	Control Level Kit	
3	70023186	1	Wiring Harness, Air/Safeswitch	
4	70023184	1	Air Spring Kit	
5	70024857	1	Compressor, 12V	
6	70023181	1	Shock Absorber Kit	
7	70024459	1	Air Tubes Kit	
8	70023189	2	Shock Absorber Kit	
9	70023179	1	Back Cushion Kit	
10	70024858	1	Seat Cushion Kit	
11	1001182529	1	Headrest, Cloth	
12	70024859	1	Backrest Actuator	
13	70028326	1	Switch	
14	70024861	1	Wiring Harness	
15	70024107	1	Switch, Heater	
16	7028621	1	Handle, Backrest Angle Adjust	
17	3986643	1	Adjust Slide Kit	
18	3986610	1	Handle	

# SECTION 6 - CAB

## FIGURE 6-34. HEATER INSTALLATION (CAB PARTS)



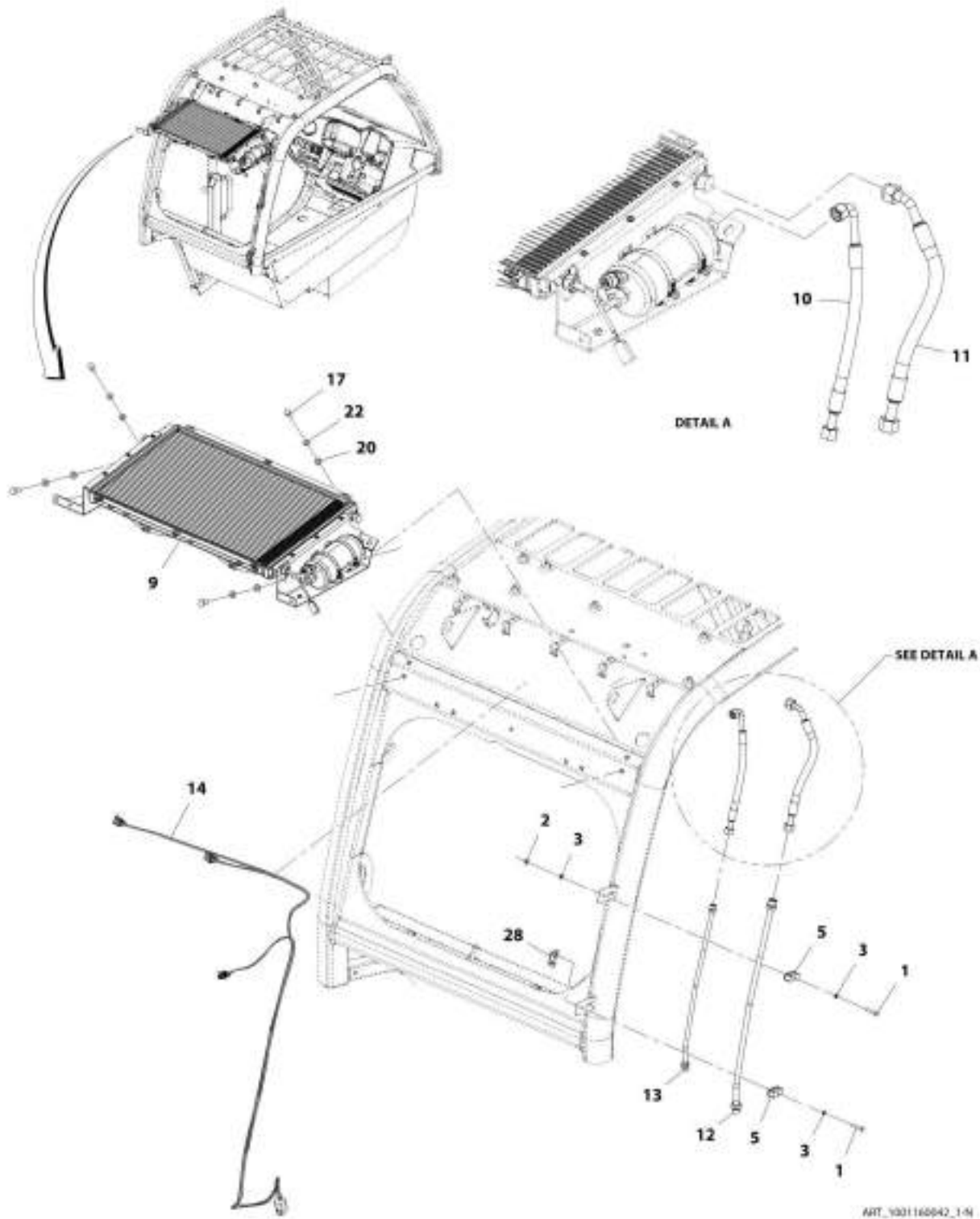
ART\_1001580043-E

FIGURE 6-34. HEATER INSTALLATION (CAB PARTS)

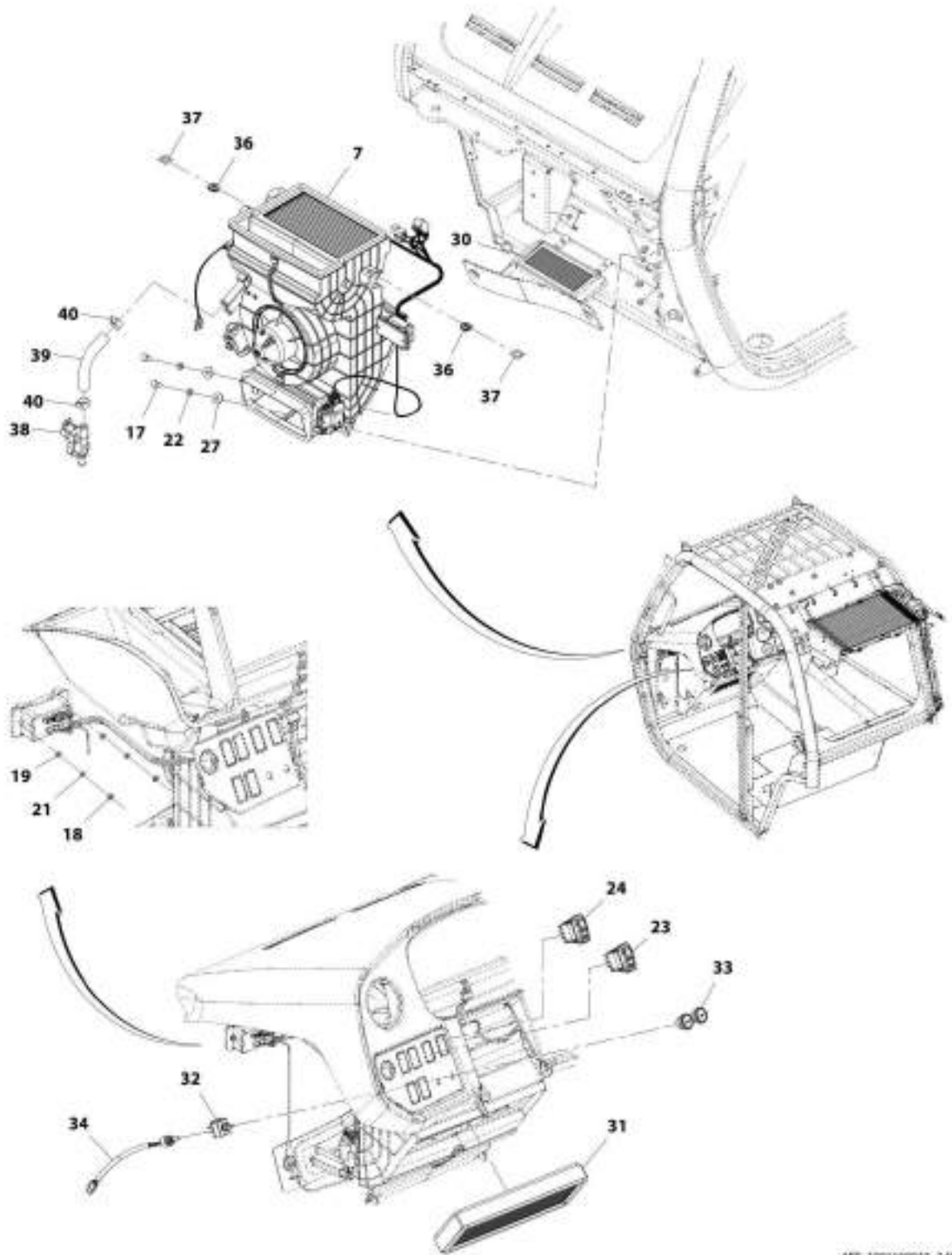
ITEM	PART NUMBER	QTY	DESCRIPTION	REV
	1001160043	Ref	Heater Installation	K
1	0760810	2	Bolt, M8X20	
2	3290401	2	Nut, M4X0.7	
3	4811400	2	Washer, M4	
4	4811902	2	Washer, M8	
5	4831400	2	Washer, Lock M4	
6	4831900	2	Washer, M8	
9	1001161858	1	Assembly, Heater (See Separate Breakdown in this Section)	
10	1001159925	1	Switch, HVAC Recycle	
14	1001218996	1	Filter, HVAC Air	
15	1001172553	1	Filter, HVAC Recirculation Air	
16	1001172547	1	Switch, HVAC Rotary 3 Speed	
17	1001172550	2	Knob, HVAC Control	
18	1001218529	1	Cable, HVAC	
19	1001188590	2	Grommet	
20	1001218542	2	Shim	
21	1001221059	1	Valve, Water	
22	1001221295	1	House	
23	8410009	2	Clamp	

# SECTION 6 - CAB

## FIGURE 6-35. HEATER AND A/C INSTALLATION (CAB PARTS)



# SECTION 6 - CAB



ART\_100190042\_2-R

## SECTION 6 - CAB

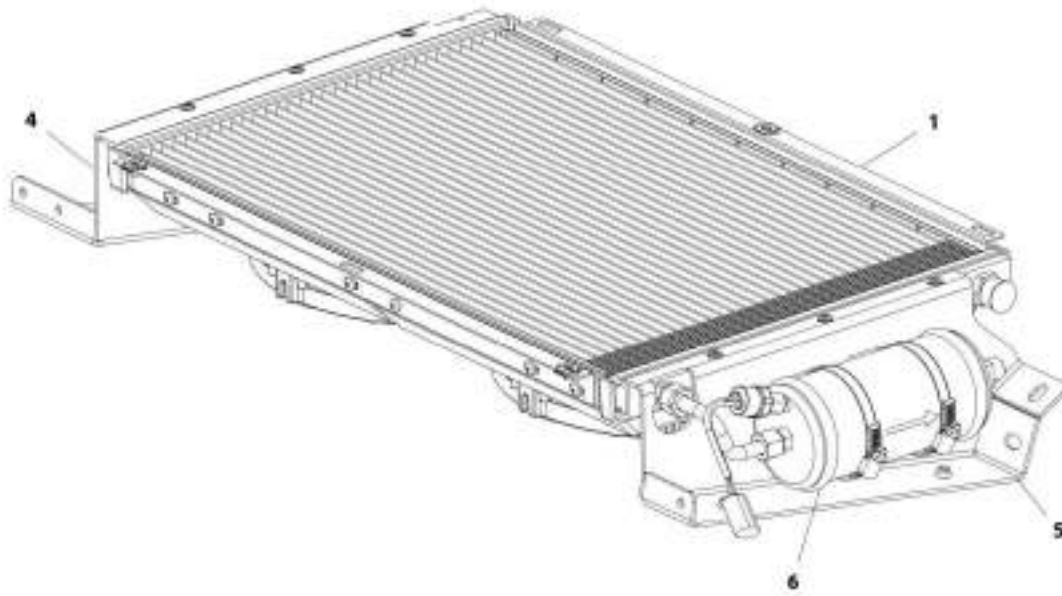
**FIGURE 6-35. HEATER AND A/C INSTALLATION (CAB PARTS)**

ITEM	PART NUMBER	QTY	DESCRIPTION	REV
	1001160042	Ref	Heater and A/C Installation (cab parts)	N
1	0700614	2	Bolt, M6X30	
2	3290601	1	Nut, M6X1	
3	4811700	3	Washer, M6	
5	1001145539	2	Support, Pipe	
7	1001188303	1	Assembly, Heater and A/C (See Separate Breakdown in Cab Section)	
9	1001162953	1	Assembly, Cab Condenser (See Separate Breakdown in Cab Section)	
10	1001168327	1	Hose	
11	1001168330	1	Hose	
12	1001168331	1	Tube	
13	1001168456	1	Tube	
14	1001169151	1	Harness, A/C Option (See Separate Breakdown in Electrical Section)	
17	0760810	6	Bolt, M8X20 GR8.8	
18	3290401	2	Nut, M4X0.7	
19	4811400	2	Washer, M4	
20	4811900	4	Washer, M8	
21	4831400	2	Washer, Lock M4	
22	4831900	6	Washer, Lock M8	
23	1001159925	1	Switch, HVAC Recycle	
24	1001160326	1	Switch, HVAC On/Off	
27	4811902	2	Washer, M8	
28	1001178170	1	Bracket	
30	1001218996	1	Filter, HVAC Fresh Air	
31	1001172553	1	Filter, HVAC Air Recirculation	
32	1001172547	1	Switch, HVAC Rotary 3 Speed	
33	1001172550	2	Knob, HVAC Control	
34	1001218529	1	Cable, HVAC	
35	1320022	1	Clamp	
36	1001188590	2	Grommet	
37	1001218542	2	Shim	
38	1001221059	1	Valve, Water	
39	1001221295	1	Hose	
40	8410009	2	Clamp	



# SECTION 6 - CAB

## FIGURE 6-36. CAB CONDENSER ASSEMBLY



ART\_3001162953-F

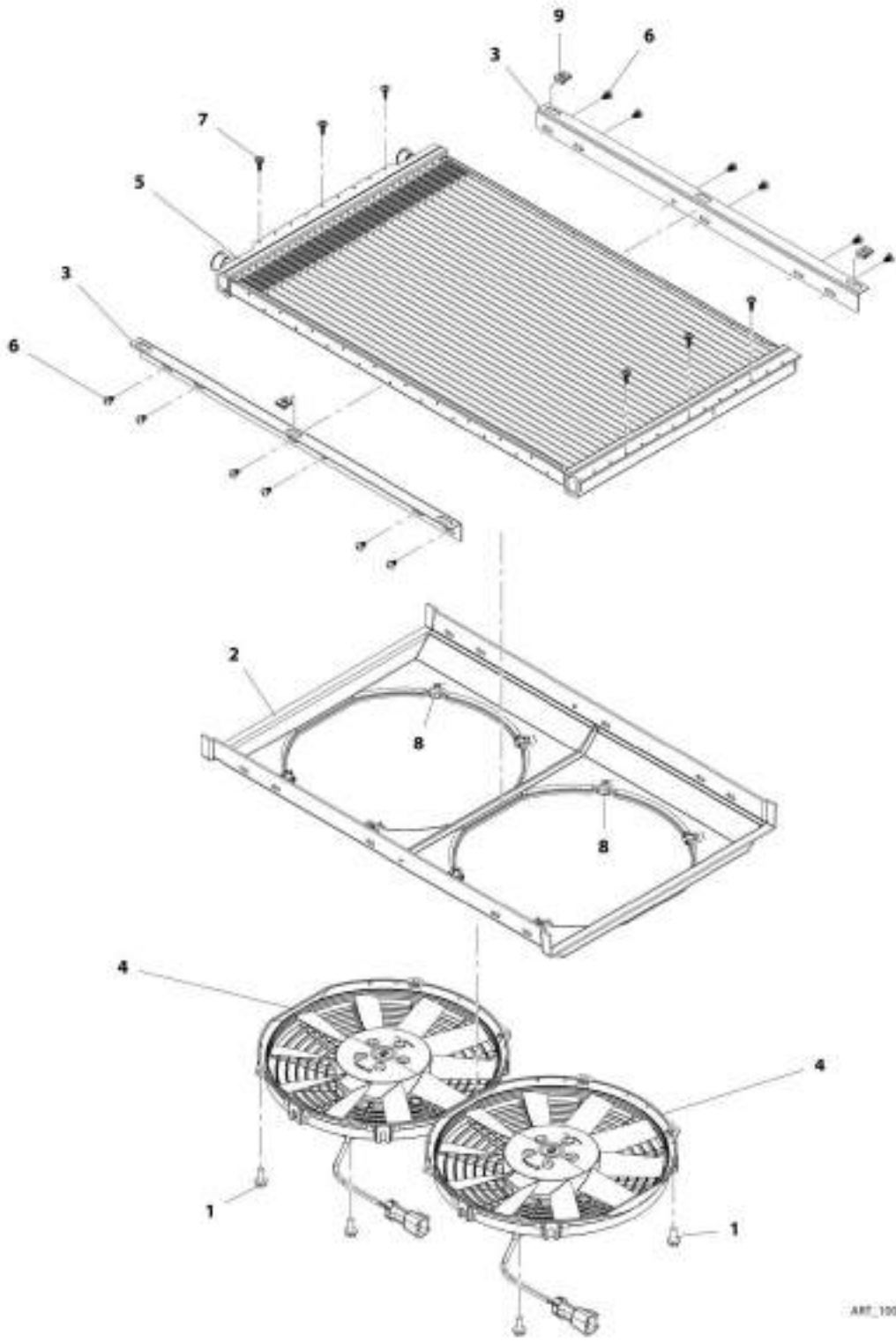


FIGURE 6-36. CAB CONDENSER ASSEMBLY

ITEM	PART NUMBER	QTY	DESCRIPTION	REV
	1001162953	Ref	Cab Condenser Assembly	F
1	1001167266	1	Condenser (See Separate Breakdown in this Section)	
4	1001179080	1	Bracket	
5	1001179081	1	Bracket	
6	1001179130	1	Drier, A/C Receiver (See Separate Breakdown in this Section)	

SECTION 6 - CAB

FIGURE 6-37. CONDENSER



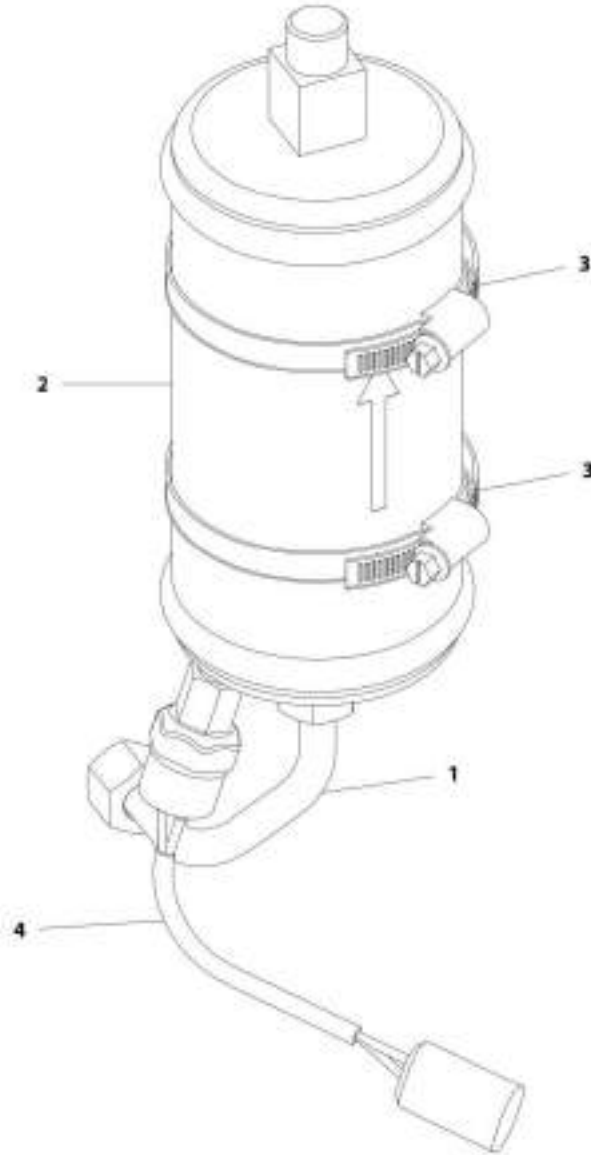
ART. 1001107290 C

FIGURE 6-37. CONDENSER

ITEM	PART NUMBER	QTY	DESCRIPTION	REV
	1001167266	Ref	Condenser	C
1	5250608	8	Bolt, M6X16	
2	1001195342	1	Bracket, Condenser Fan Mount	
3	1001195343	2	Support, Condenser	
4	1001195345	2	Fan, Condenser	
5	1001195346	1	Condenser	
6	1001195385	12	Screw, M3.9X9.5	
7	1001195386	6	Screw, M4.2X16	
8	1001195437	8	Clip, M6X1	
9	1001195438	3	Clip, M6X1	

SECTION 6 - CAB

FIGURE 6-38. A/C RECEIVER DRIER



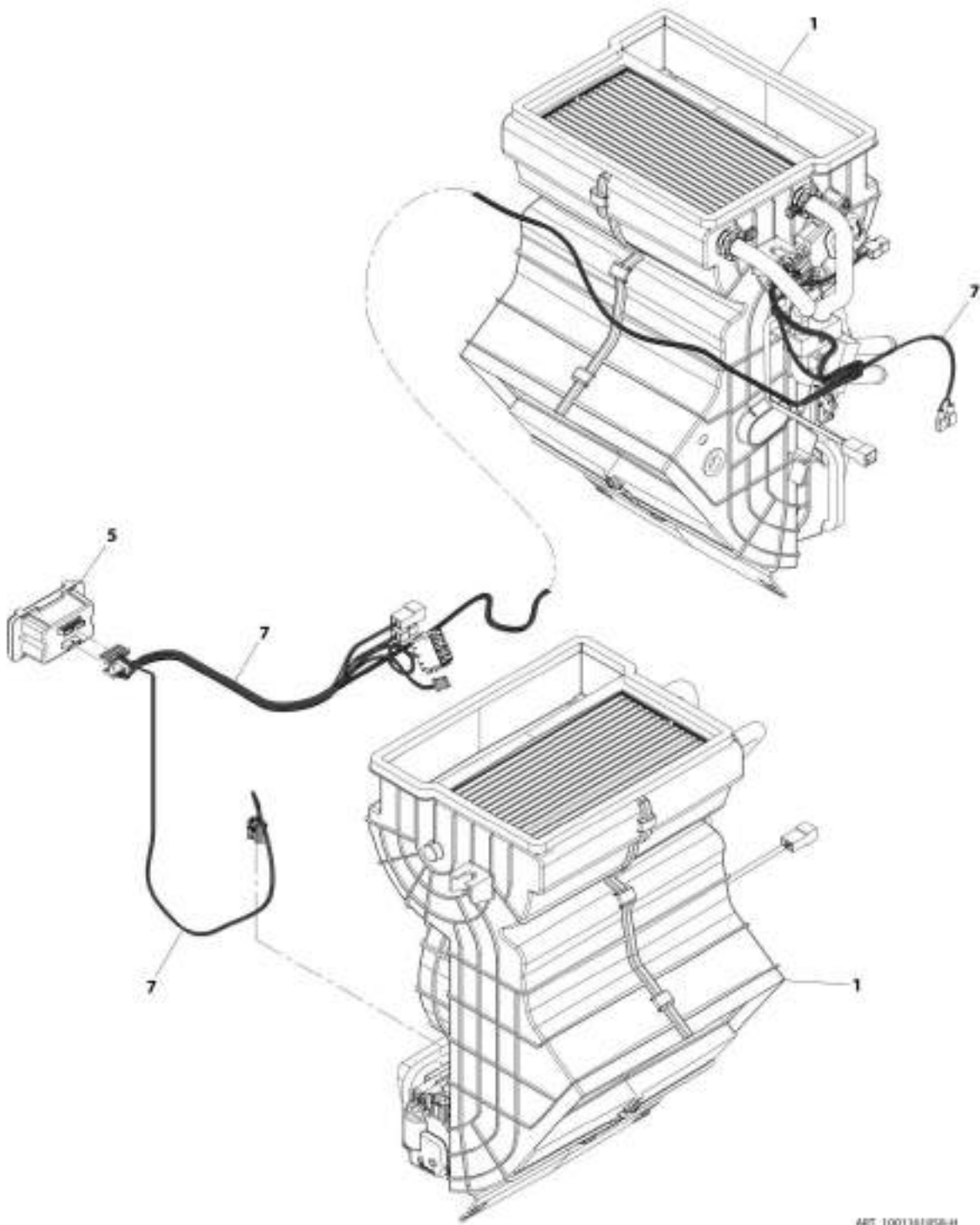
ART\_1001/P1130-B

FIGURE 6-38. A/C RECEIVER DRIER

ITEM	PART NUMBER	QTY	DESCRIPTION	REV
	1001179130	Ref	A/C Receiver Drier	B
1	1001184403	1	Tube, Heater	
2	1001184404	1	Receiver, Heater Drier	
3	1001184405	2	Clamp	
4	1001184406	1	Connector, Heater	

# SECTION 6 - CAB

## FIGURE 6-39. HEATER ASSEMBLY



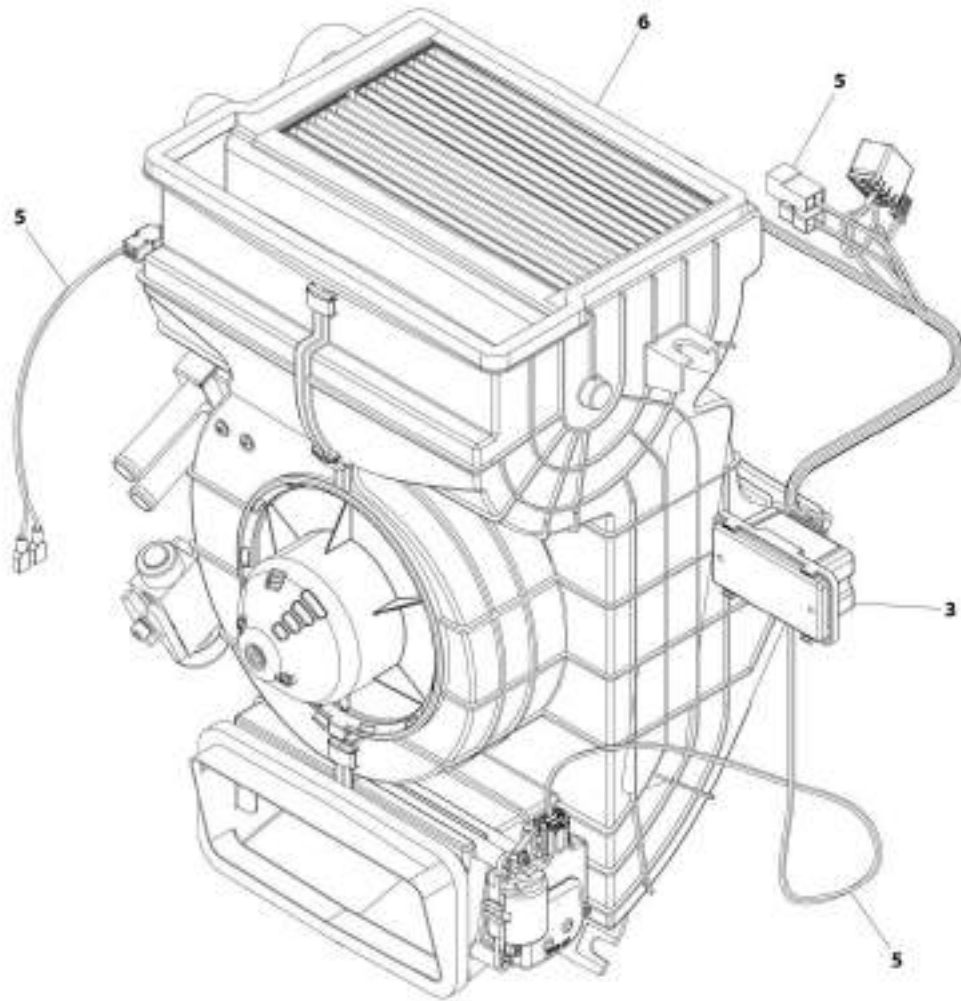
ART\_1001181258-H

FIGURE 6-39. HEATER ASSEMBLY

ITEM	PART NUMBER	QTY	DESCRIPTION	REV
1	1001161858	Ref	Heater Assembly	H
	1001152908	NLA	Heater, Cab (no longer available, use 1001221052), (For Service, See Separate Breakdown in this Section) <b>(Prior to SN 0160083831)</b>	
5	1001221052	1	Heater, Cab (See Separate Breakdown in this Section) <b>(SN 0160083831 to Present)</b>	
5	1001172551	1	Actuator, HVAC Cab (See Separate Breakdown in this Section)	
7	1001173571	1	Harness, HVAC Actuator <b>(Prior to SN 0160083831)</b>	
7	1001221056	1	Harness, HVAC Actuator <b>(SN 0160083831 to Present)</b>	

# SECTION 6 - CAB

## FIGURE 6-40. HEATER AND A/C ASSEMBLY



ART\_1001188303-0

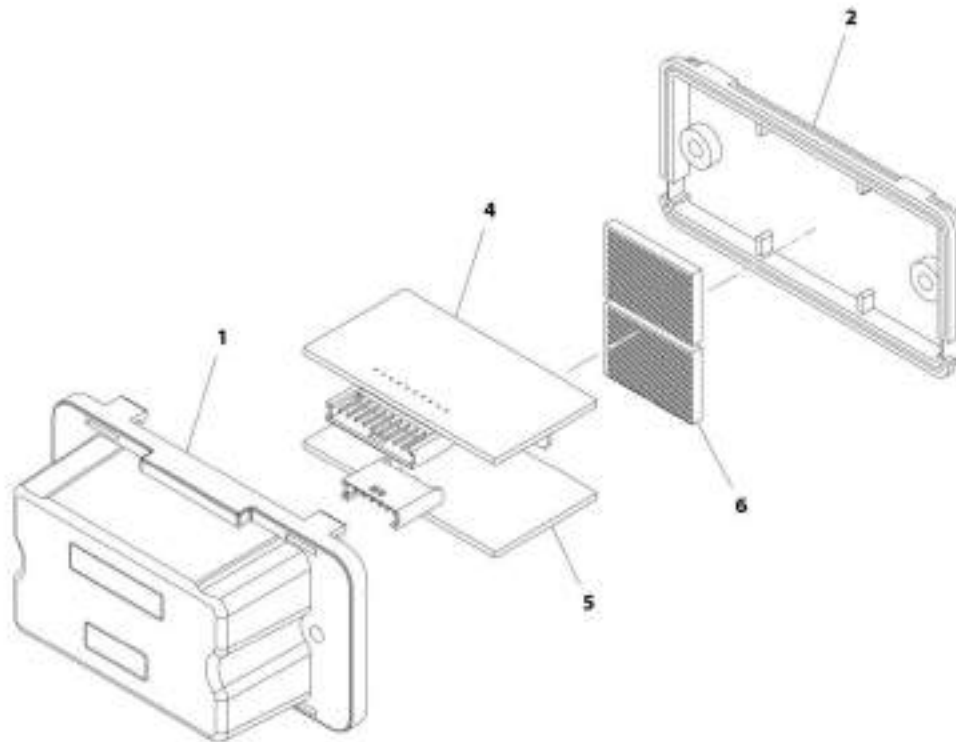


**FIGURE 6-40. HEATER AND A/C ASSEMBLY**

<b>ITEM</b>	<b>PART NUMBER</b>	<b>QTY</b>	<b>DESCRIPTION</b>	<b>REV</b>
	1001188303	Ref	Heater and A/C Assembly	F
3	1001172551	1	Actuator, HVAC Cab (See Separate Breakdown in this Section)	
5	1001221056	1	Harness, HVAC Actuator	
6	1001221054	1	Heater and A/C (See Separate Breakdown in this Section)	

# SECTION 6 - CAB

## FIGURE 6-41. HVAC CAB ACTUATOR



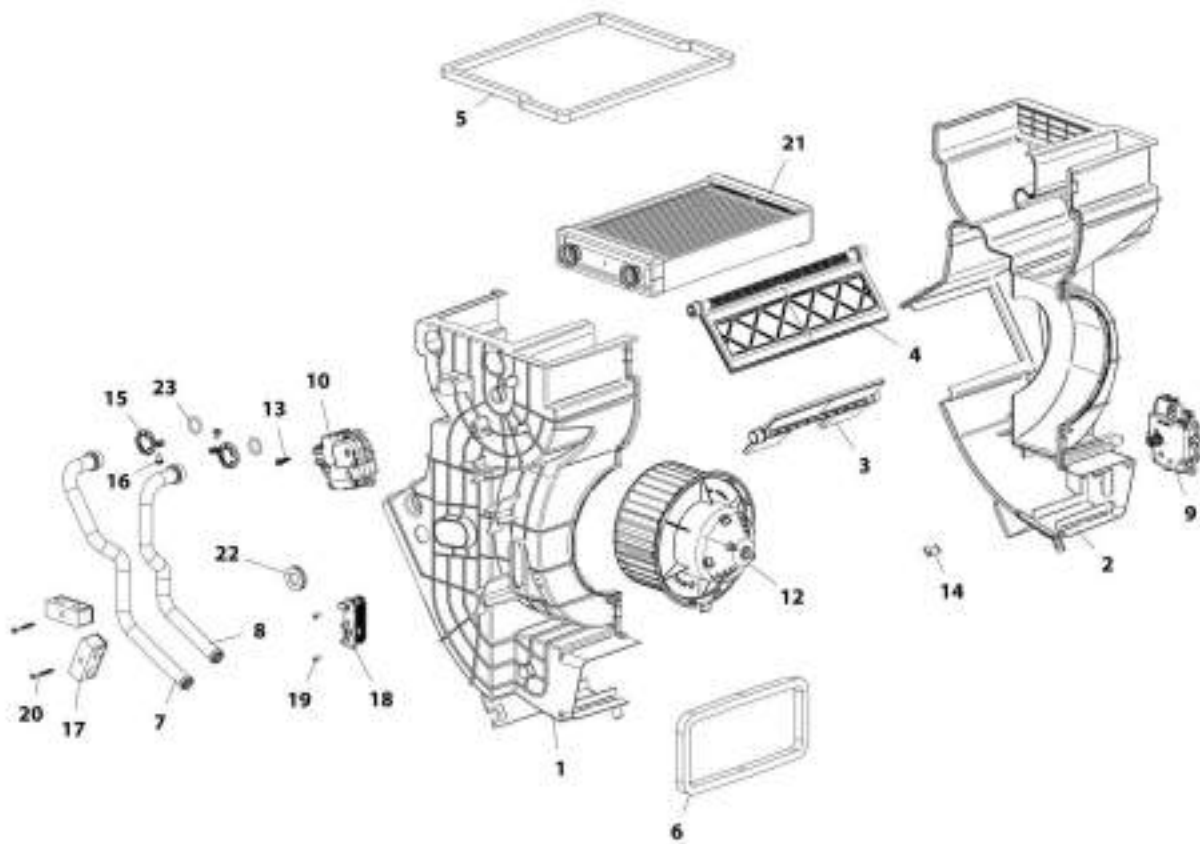
ART\_1081173551-C

FIGURE 6-41. HVAC CAB ACTUATOR

ITEM	PART NUMBER	QTY	DESCRIPTION	REV
	1001172551	Ref	HVAC Cab Actuator	C
1	1001184306	1	Box, Heater Controller	
2	1001184307	1	Base, Heater Controller Box	
4	1001184309	1	Board, Heater Control	
5	1001184310	1	Board, Heater Control	
6	1001189980	2	Insulator, Heater Controller Box	

# SECTION 6 - CAB

## FIGURE 6-42. HEATER



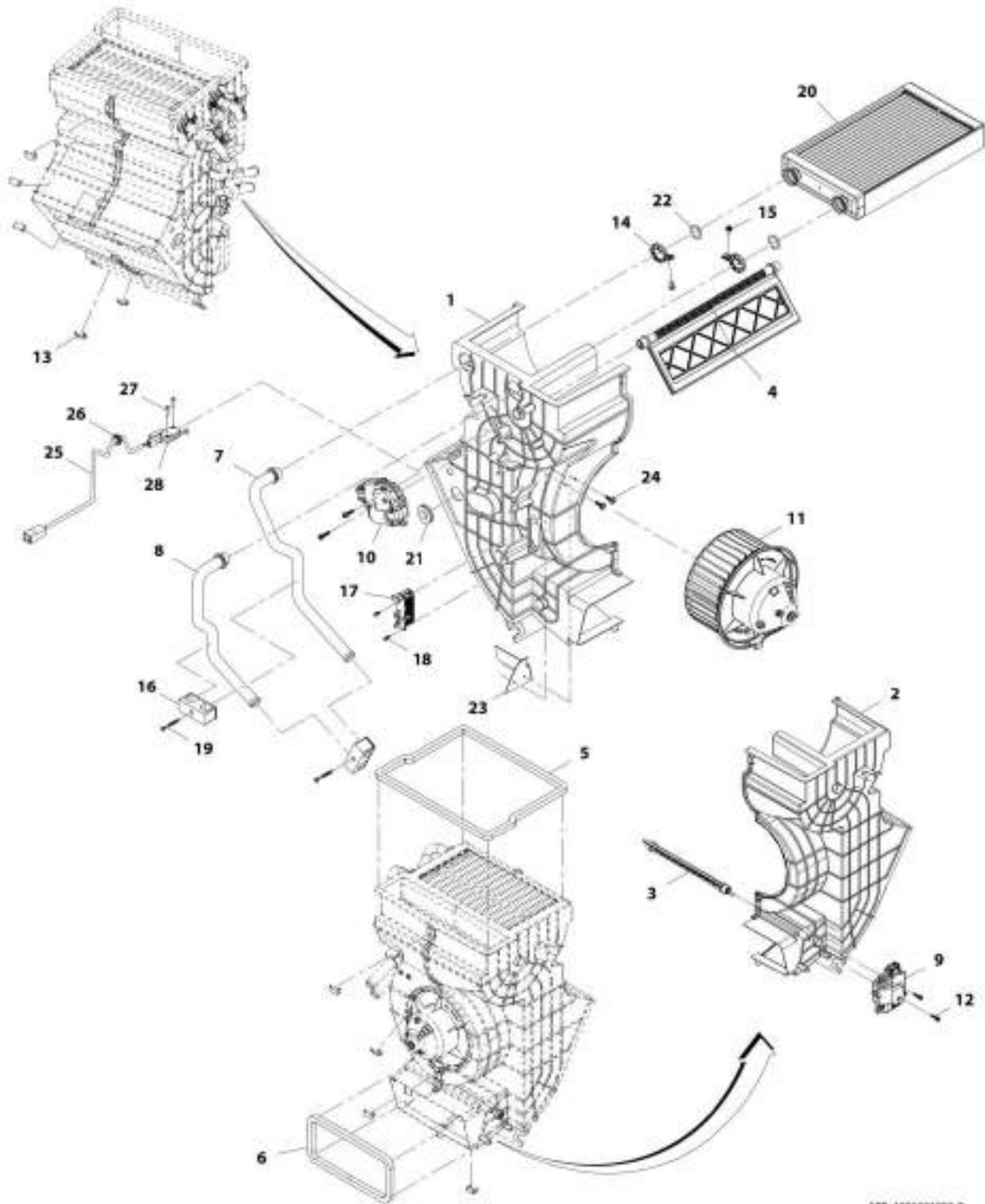
ART. 1001152008-E

FIGURE 6-42. HEATER

ITEM	PART NUMBER	QTY	DESCRIPTION	REV
	1001152908	NLA	Heater (no longer available, see items 1 through 23 for service or use 1001221052 for replacement)	E
1	1001166091	1	Housing, RH	
2	1001166092	1	Housing, LH	
3	1001184275	1	Flap, Recirculation with Foam	
4	1001184278	1	Flap, Mixing with Foam	
5	1001184294	1	Foam, Air Outlet	
6	1001184295	1	Foam, Air Inlet	
7	1001184296	1	Pipe, Water	
8	1001184297	1	Pipe, Water	
9	1001188577	1	Actuator, Fresh/Recirculation Air	
10	1001188578	1	Actuator, Hot/Cold	
12	1001188594	1	Fan, 12V	
13	1001188602	4	Screw	
14	1001188603	9	Clamp	
15	1001188604	2	Clamp	
16	1001188610	2	Screw	
17	1001188612	2	Clamp	
18	1001188614	1	Resistor	
19	1001188720	2	Screw	
20	1001188725	2	Screw	
21	1001188729	1	Radiator, Heater Core	
22	1001188733	1	Grommet	
23	1001189025	2	O-Ring	

# SECTION 6 - CAB

## FIGURE 6-43. HEATER



ART\_1001221053-B

FIGURE 6-43. HEATER

ITEM	PART NUMBER	QTY	DESCRIPTION	REV
	1001221052	Ref	Heater	B
1	1001166091	1	Housing, RH	
2	1001166092	1	Housing, LH	
3	1001184275	1	Flap, Recirculation with Foam	
4	1001184278	1	Flap, Mixing with Foam	
5	1001184294	1	Foam, Air Outlet	
6	1001184295	1	Foam, Air Inlet	
7	1001184296	1	Pipe, Water	
8	1001184297	1	Pipe, Water	
9	1001188577	1	Actuator, Fresh/Recirculation Air	
10	1001188578	1	Actuator, Hot/Cold	
11	1001188594	1	Fan, 12V	
12	1001188602	4	Screw	
13	1001188603	9	Clamp	
14	1001188604	2	Clamp	
15	1001188610	2	Screw	
16	1001188612	2	Clamp	
17	1001188614	1	Resistor	
18	1001188720	2	Screw	
19	1001188725	2	Screw	
20	1001188729	1	Radiator, Heater Core	
21	1001188733	1	Grommet	
22	1001189025	2	O-Ring	
23	1001221057	1	Plate	
24	1001221058	2	Screw	
25	1001228132	1	Harness, HVAC Sensor	
26	1001228140	1	Grommet	
27	1001228141	2	Screw	
28	1001228147	1	Valve, Water	

# SECTION 6 - CAB

## FIGURE 6-44. HEATER AND A/C

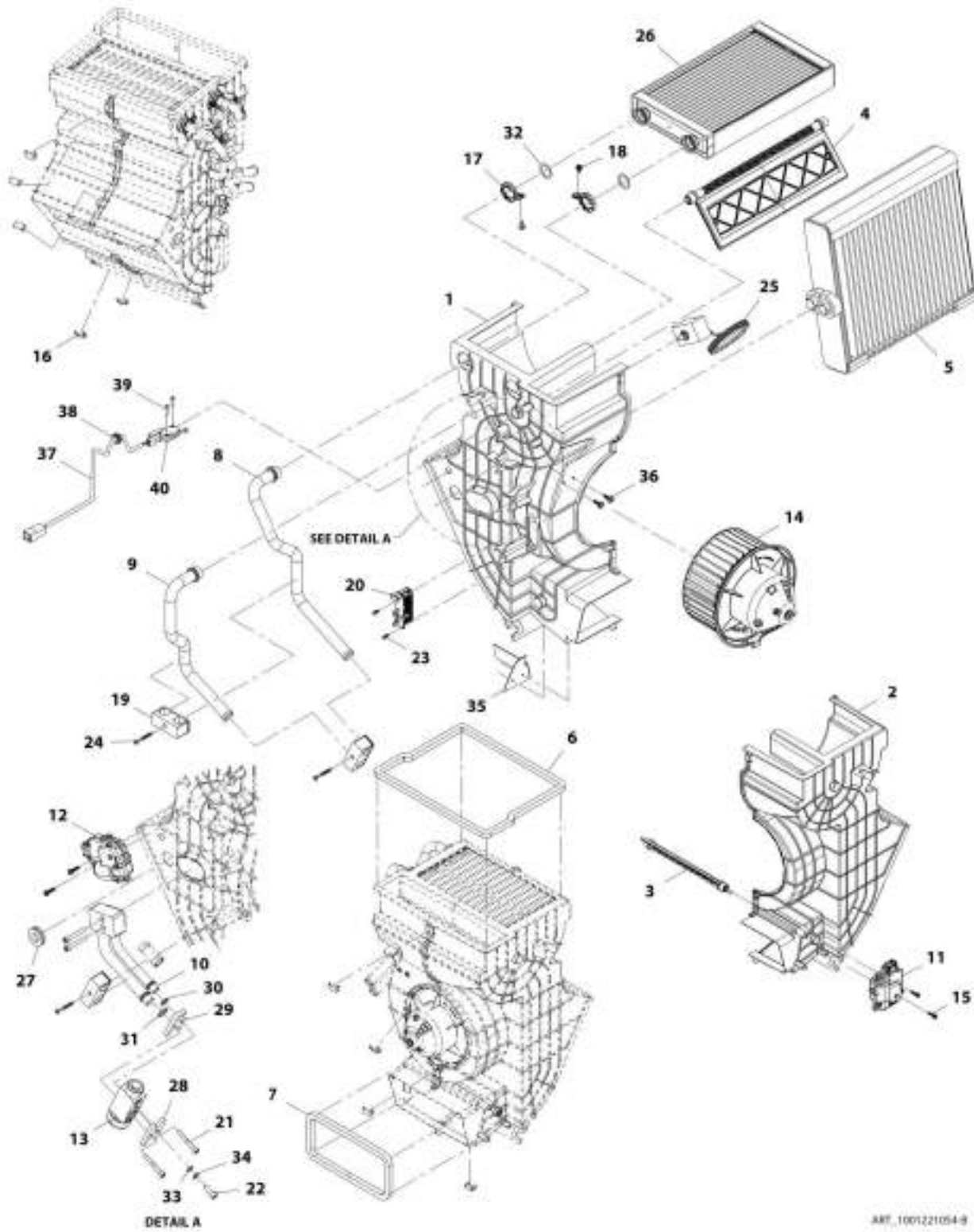




FIGURE 6-44. HEATER AND A/C

ITEM	PART NUMBER	QTY	DESCRIPTION	REV
	1001221054	Ref	Heater and A/C	B
1	1001166091	1	Housing, HVAC RH	
2	1001166092	1	Housing, HVAC LH	
3	1001184275	1	Foam, Heater Flap	
4	1001184278	1	Foam, Heater Mixing Flap	
5	1001184280	1	Evaporator, Heater	
6	1001184294	1	Seal, Heater Foam	
7	1001184295	1	Seal, Air Inlet Foam	
8	1001184296	1	Pipe, Heater Water	
9	1001184297	1	Pipe, Heater Water	
10	1001184427	1	Pipe, Heater	
11	1001188577	1	Actuator, Fresh/Recirculation Air	
12	1001188578	1	Actuator, Hot/Cold Mixing	
13	1001188592	1	Valve, HVAC Expansion	
14	1001188594	1	Fan, HVAC Centrifugal 12V	
15	1001188602	4	Screw, M4	
16	1001188603	9	Clamp, HVAC Case	
17	1001188604	2	Clamp, HVAC Pipe	
18	1001188610	2	Screw, M4X0.7	
19	1001188612	3	Clamp, Pipe	
20	1001188614	1	Resistor	
21	1001188618	4	Screw, M5	
22	1001188619	1	Screw, M6	
23	1001188720	2	Screw, M2.9X9.5	
24	1001188725	3	Screw, M4X35	
25	1001188728	1	Sensor, HVAC Thermostat	
26	1001188729	1	Radiator, Heater Core	
27	1001188733	1	Grommet	
28	1001188817	1	Clamp, Hose	
29	1001188818	1	Clamp, HVAC EVAP/Valve	
30	1001189023	1	O-Ring	
31	1001189024	1	O-Ring	
32	1001189025	2	O-Ring	
33	1001189048	1	Washer	
34	1001189054	1	Washer, Spring	
35	1001221057	1	Plate	
36	1001221058	2	Screw	
37	1001228132	1	Harness, HVAC Sensor	
38	1001228140	1	Grommet	
39	1001228141	2	Screw	
40	1001228147	1	Valve, Water Sensor	

# SECTION 6 - CAB

## FIGURE 6-45. ROOF WIPER INSTALLATION

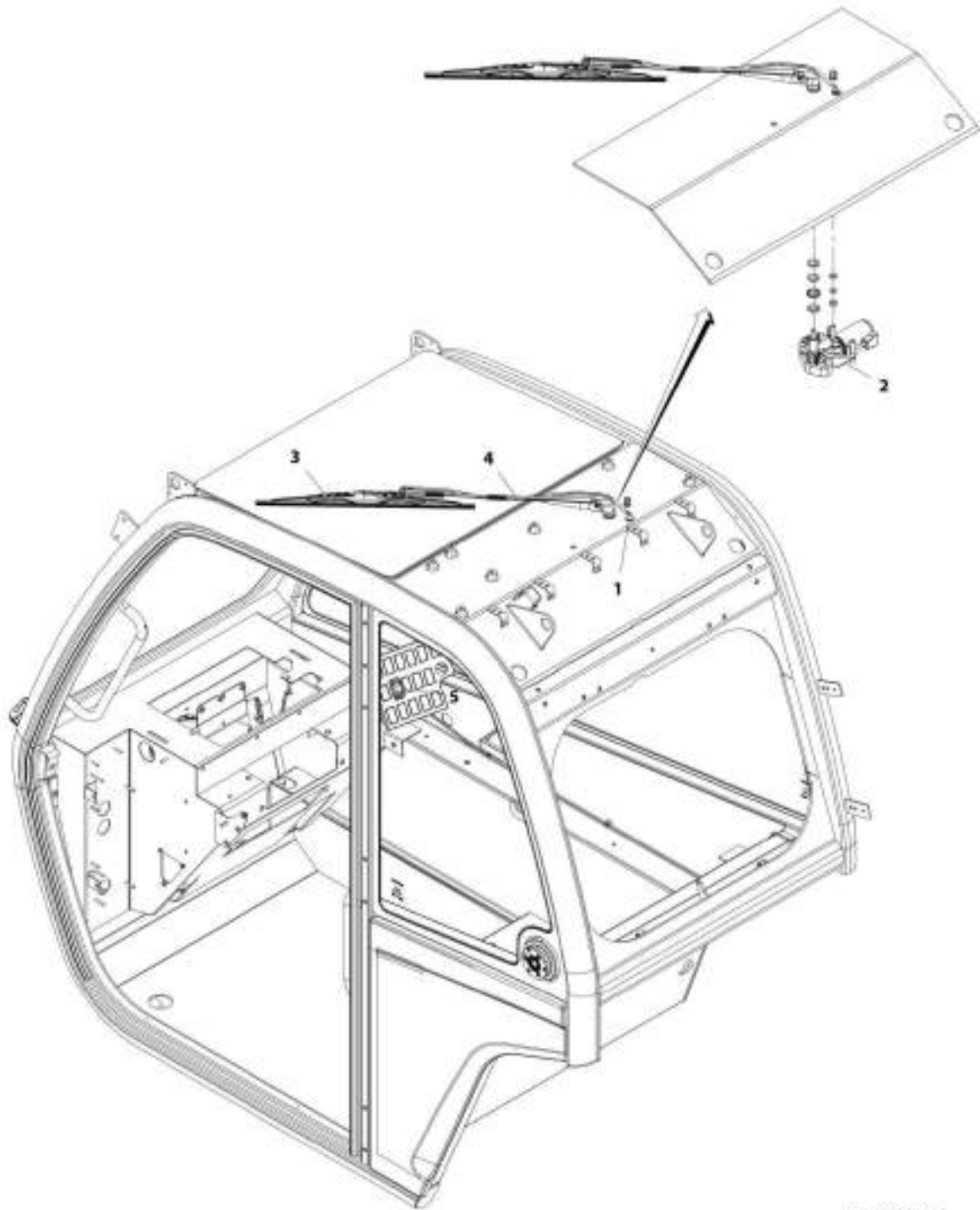
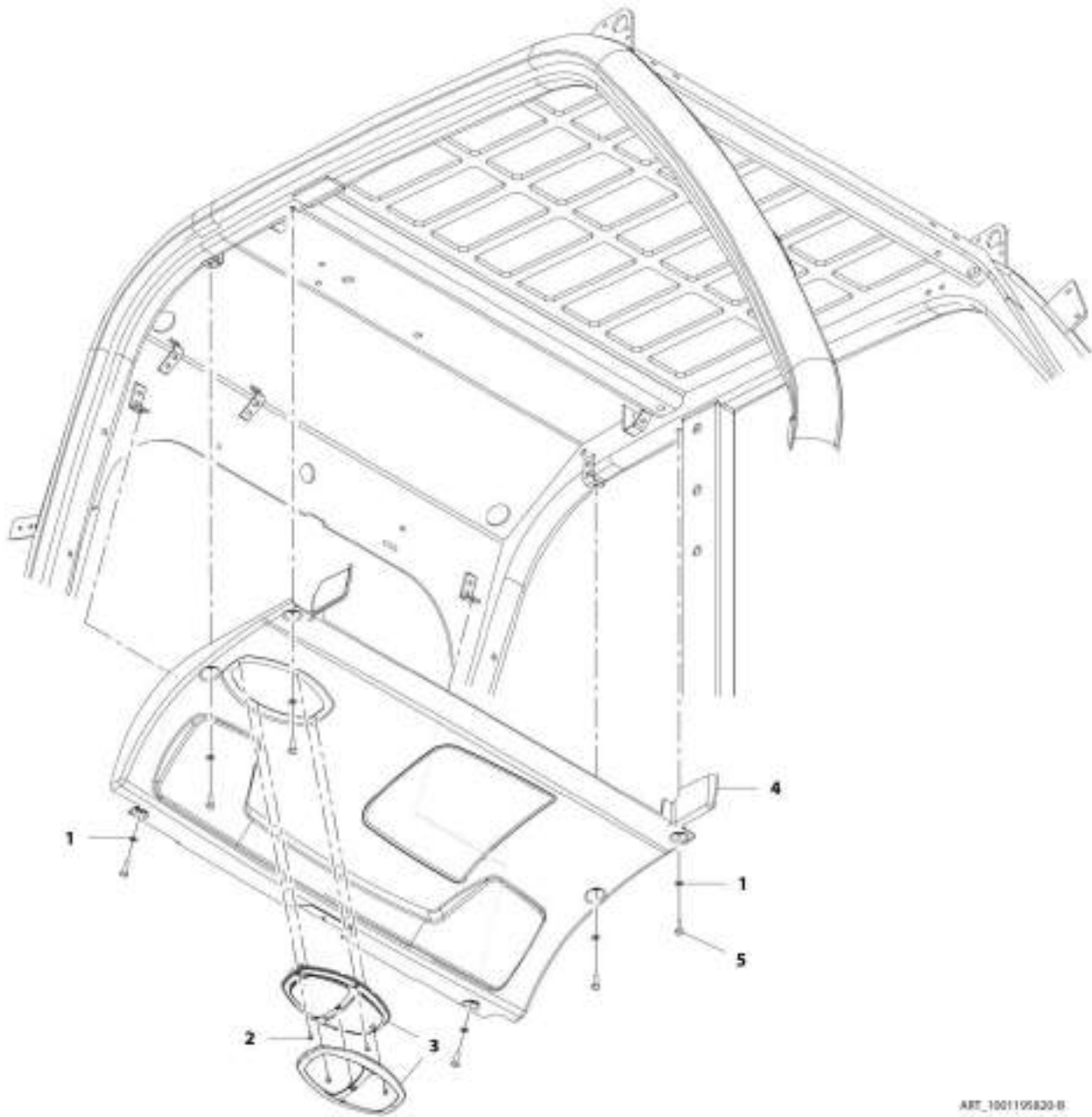


FIGURE 6-45. ROOF WIPER INSTALLATION

ITEM	PART NUMBER	QTY	DESCRIPTION	REV
	1001155486	Ref	Roof Wiper Installation	B
1	1001090343	1	Connector	
2	1001139551	1	Motor, Roof Wiper	
3	1001141313	1	Blade, Roof Wiper	
4	1001141311	1	Arm, Roof Wiper Blade	
5	1001159736	1	Switch, Roof Wiper	

# SECTION 6 - CAB

## FIGURE 6-46. HEADLINER INSTALLATION



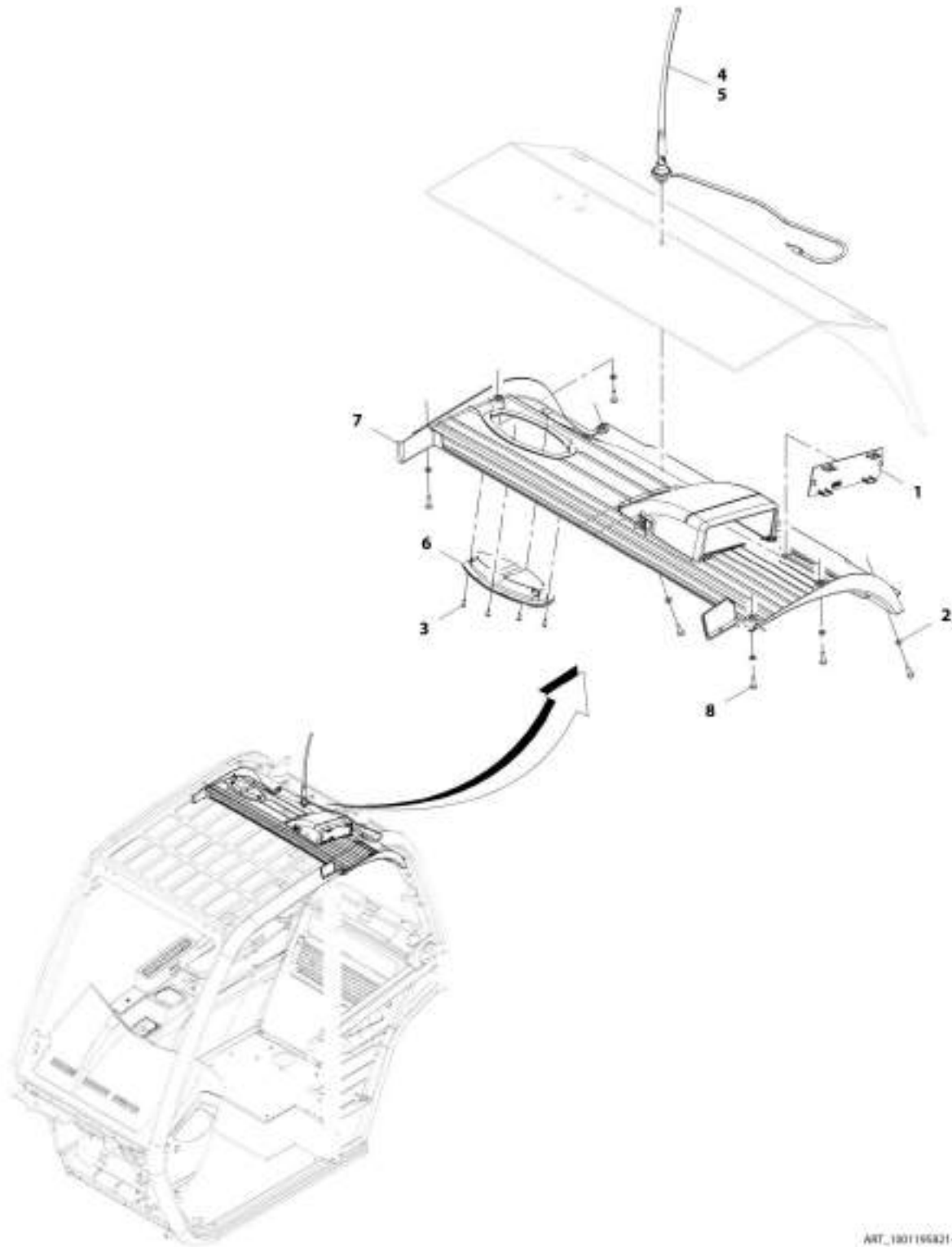
ART\_100119820-B

FIGURE 6-46. HEADLINER INSTALLATION

ITEM	PART NUMBER	QTY	DESCRIPTION	REV
	1001195820	Ref	Headliner Installation	B
1	4811700	6	Washer, M6	
2	7029486	4	Screw	
3	1001167015	1	Lamp, Dome	
4	1001195822	1	Panel, Headliner	
5	4010610002	6	Screw, M6X20	

# SECTION 6 - CAB

## FIGURE 6-47. HEADLINER/RADIO READY PACKAGE INSTALLATION



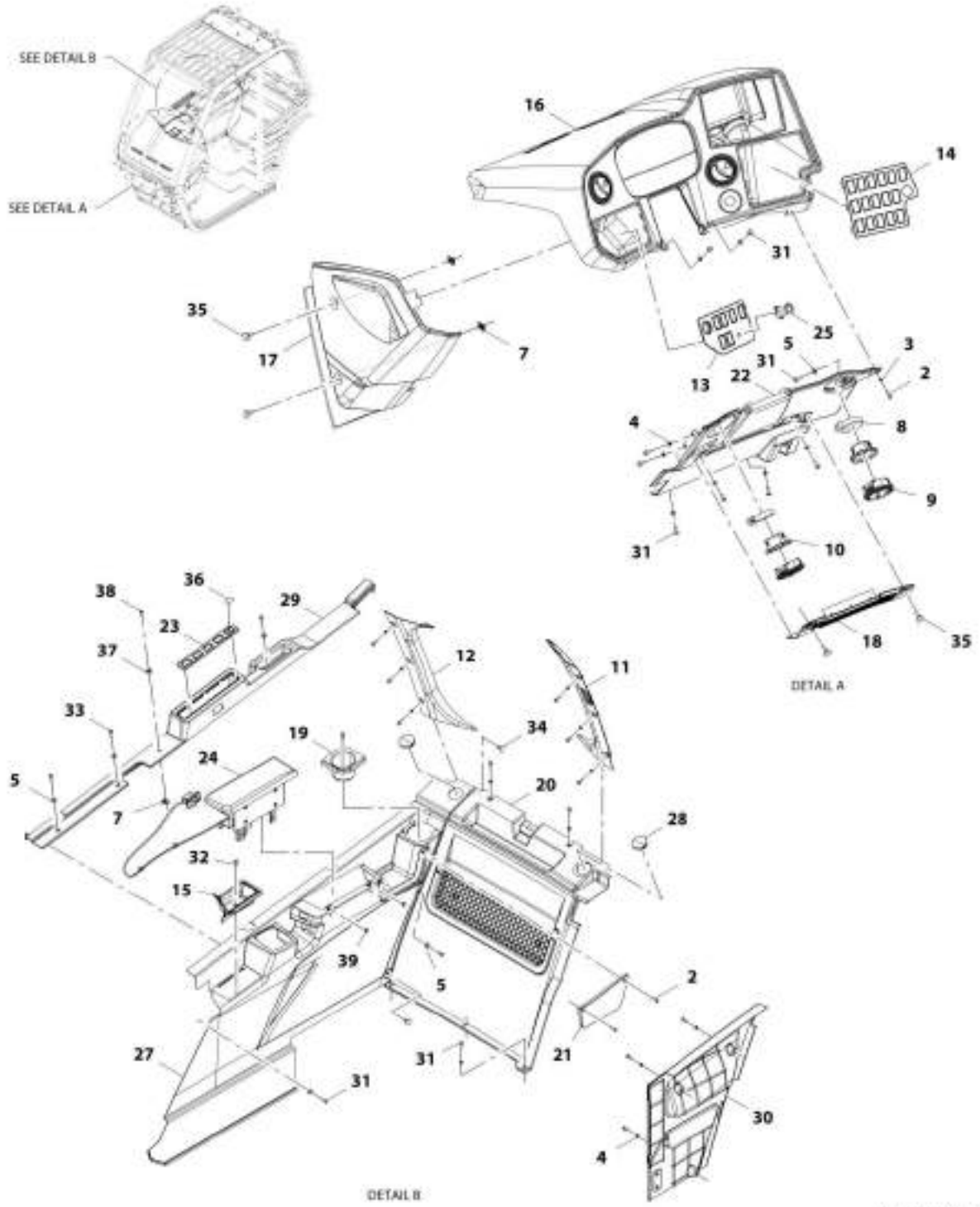
ART\_1801166821-B

FIGURE 6-47. HEADLINER/RADIO READY PACKAGE INSTALLATION

ITEM	PART NUMBER	QTY	DESCRIPTION	REV
	1001195821	Ref	Headliner/Radio Ready Package Installation	B
1	1001200968	1	Plate	
2	4811700	6	Washer, 6M	
3	7029486	4	Screw	
4	8005901	1	Antenna	
5	1001116128	AR	Sealant, Polysiloxane	
6	1001167015	1	Lamp	
7	1001195823	1	Cover, Headliner	
8	4010610002	6	Screw, M6X20	

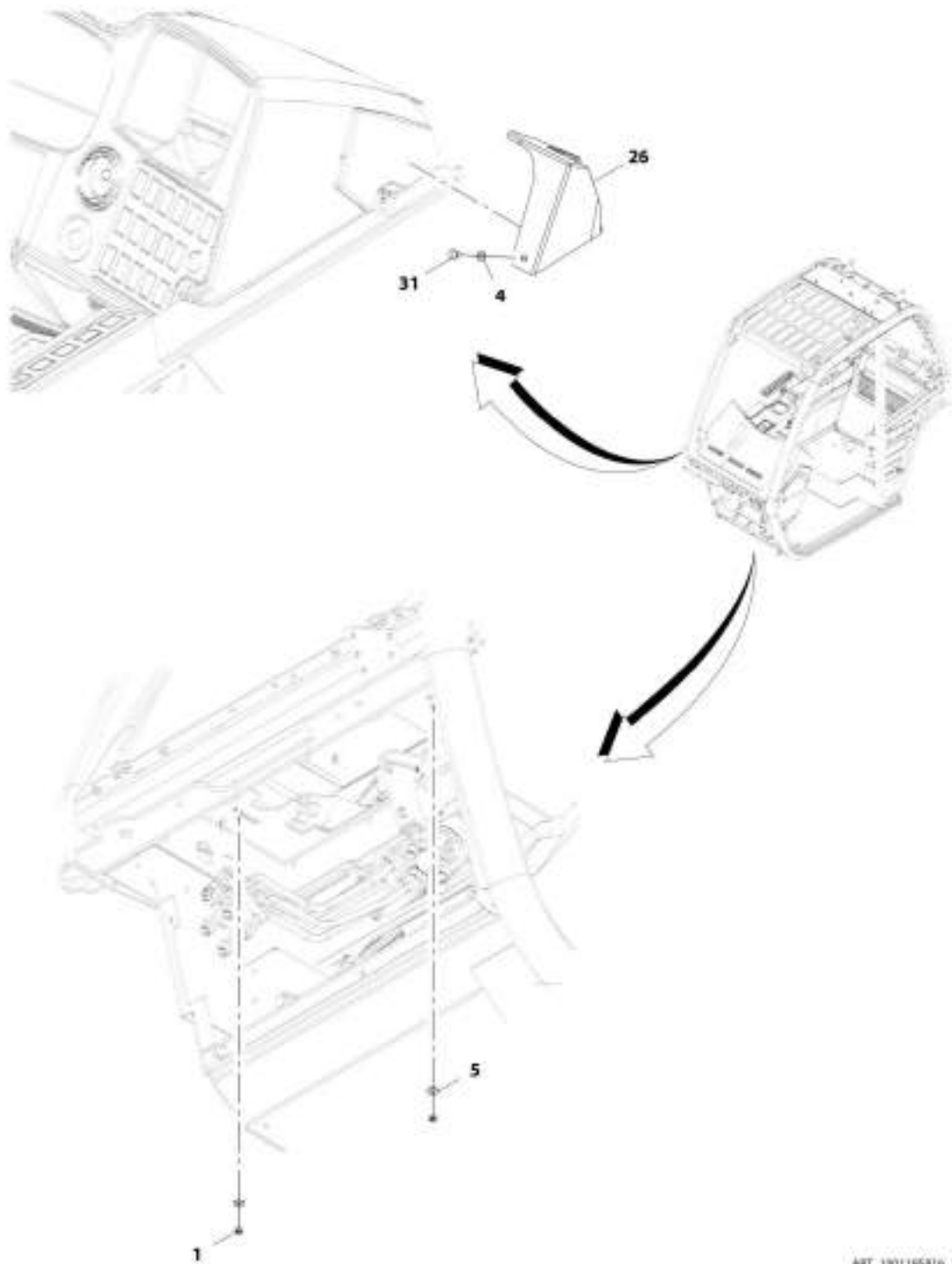
# SECTION 6 - CAB

## FIGURE 6-48. CAB TRIM INSTALLATION





# SECTION 6 - CAB



ART\_1901195816\_34

## SECTION 6 - CAB

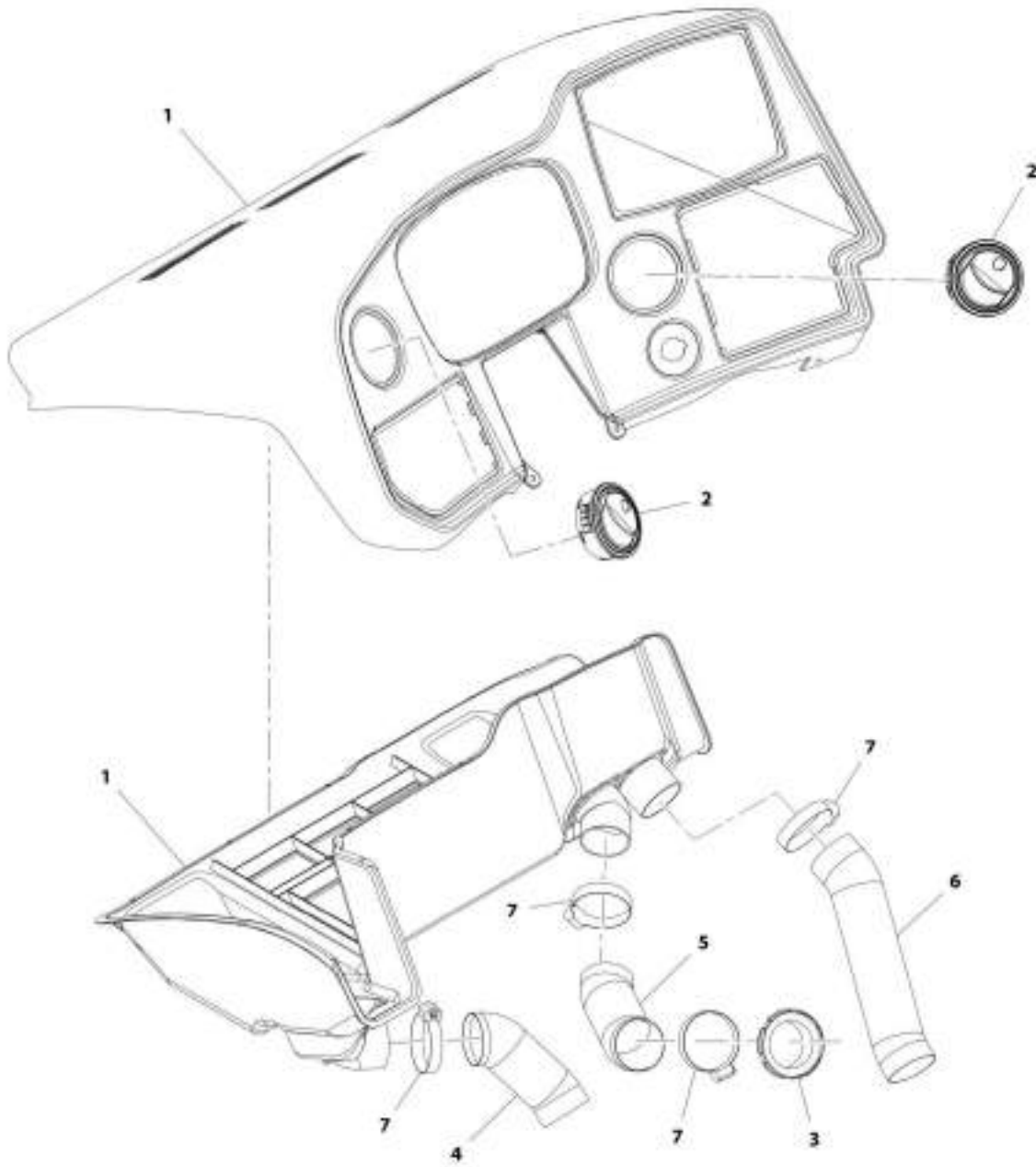
### FIGURE 6-48. CAB TRIM INSTALLATION

ITEM	PART NUMBER	QTY	DESCRIPTION	REV
	1001195816	Ref	Cab Trim Installation	I
1	3290605	2	Nut, Lock M6X1	
2	4031608001	3	Screw, M5X20	
3	4811600	1	Washer, M5	
4	4811700001	23	Washer, M6	
5	4811702001	7	Washer, M6	
7	8305919	2	Nut, M6	
8	8405201	2	Clamp	
9	1001147449	2	Vent	
10	1001149278	2	Connector, Vent	
11	1001161252	1	Cover, LH C-Post	
12	1001161253	1	Cover, RH C-Post	
13	1001219864	1	Plate, Switch	
14	1001219865	1	Plate, Switch	
15	1001169603	1	Tray	
16	1001169604	1	Assembly, Dash Cover (See Seperate Breakdown in this Section)	
17	1001161855	1	Cover, Side Dash	
18	1001170504	1	Cover, Recirculation Grille	
19	1001170518	1	Holder, Cup	
20	1001170519	1	Assembly, Rear Panel Cover (See Seperate Breakdown in this Section)	
21	1001173965	1	Bezel, Net	
22	1001175903	1	Cover, Lower Dash	
23	1001219863	1	Plate, Switch	
24	1001181726	1	Installation, Armrest (See Seperate Breakdown in this Section)	
25	1001184975	1	Decal, HVAC	
26	1001185870	1	Cover, Lower A-Post	
27	1001189182	1	Cover, RH Side	
28	1001223265	2	Grommet	
29	1001195817	1	Cover, RH Extension	
30	1001195818	1	Panel, LH Side	
31	4010608002	26	Screw, M6X16	
32	4010610002	1	Screw, M6X20	
33	4010612002	3	Screw, M6X25	
34	1001211907	2	Screw	
35	1001208308	4	Thumb Screw, M6X15	
36	1001226481	1	Decal, Blank	
37	1001098150	1	Washer, M6	
38	1001132564	1	Screw, M6X20	
39	1001227133	2	Grommet	



# SECTION 6 - CAB

## FIGURE 6-49. DASH COVER ASSEMBLY



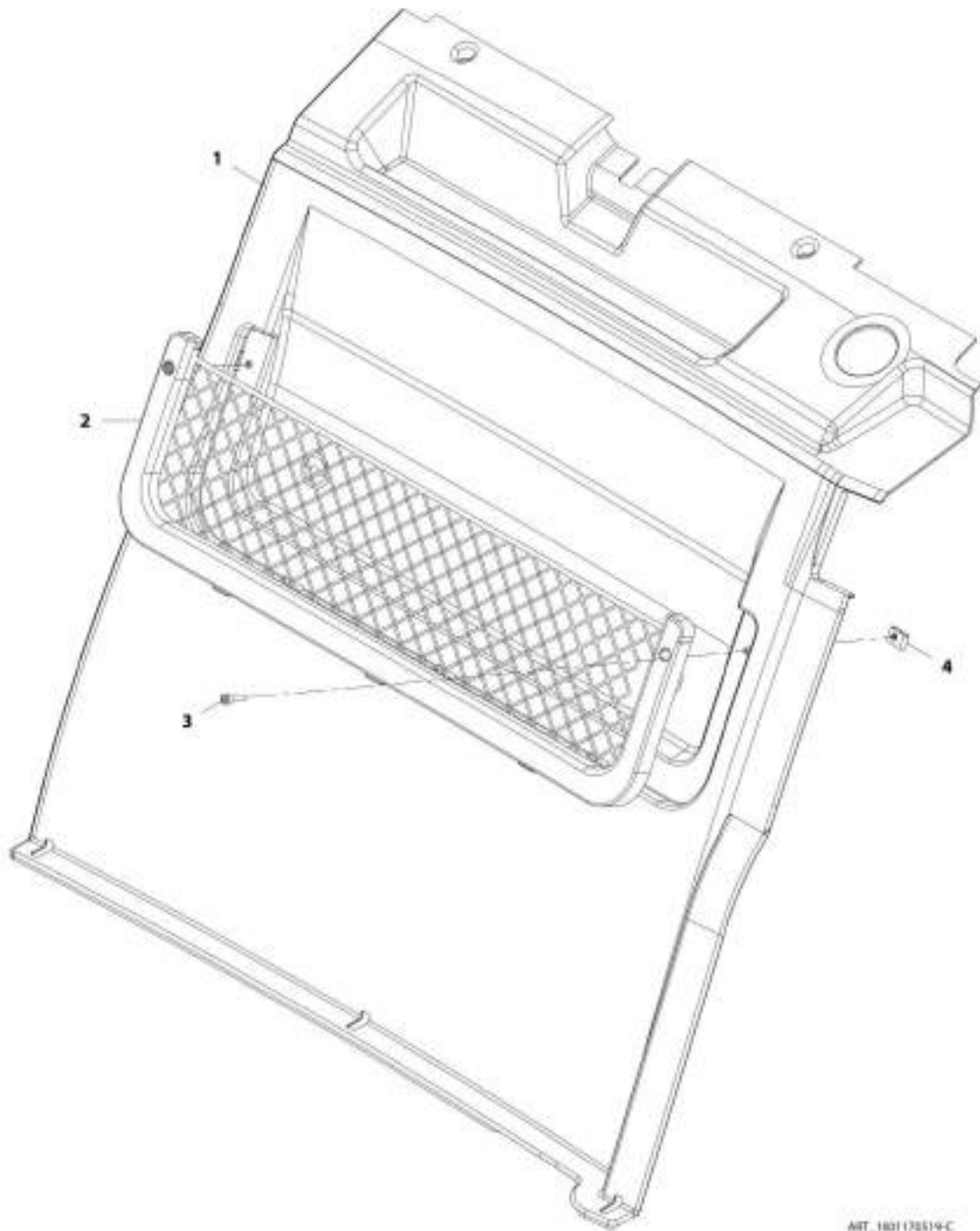
ART. 50116804-C

FIGURE 6-49. DASH COVER ASSEMBLY

ITEM	PART NUMBER	QTY	DESCRIPTION	REV
	1001169604	Ref	Dash Cover Assembly (Construction)	C
1	1001161851	1	Panel, Top Dash	
2	1001147449	2	Vent, Air	
3	1001149278	1	Vent, Connector	
4	1001174652	1	Hose	
5	1001174653	1	Hose	
6	1001174655	1	Hose	
7	8405201	4	Clamp, Gear	

# SECTION 6 - CAB

## FIGURE 6-50. REAR PANEL COVER ASSEMBLY



MIT\_180178519-C

FIGURE 6-50. REAR PANEL COVER ASSEMBLY

ITEM	PART NUMBER	QTY	DESCRIPTION	REV
	1001170519	Ref	Rear Panel Cover Assembly	C
1	1001161067	1	Panel, Rear	
2	1001170514	1	Storage Net, Rear Panel	
3	4031608	2	Bolt, M5X20	
4	1001183550	2	Nut, Cage M5	

# SECTION 6 - CAB

## FIGURE 6-51. ADJUSTABLE ARMREST INSTALLATION

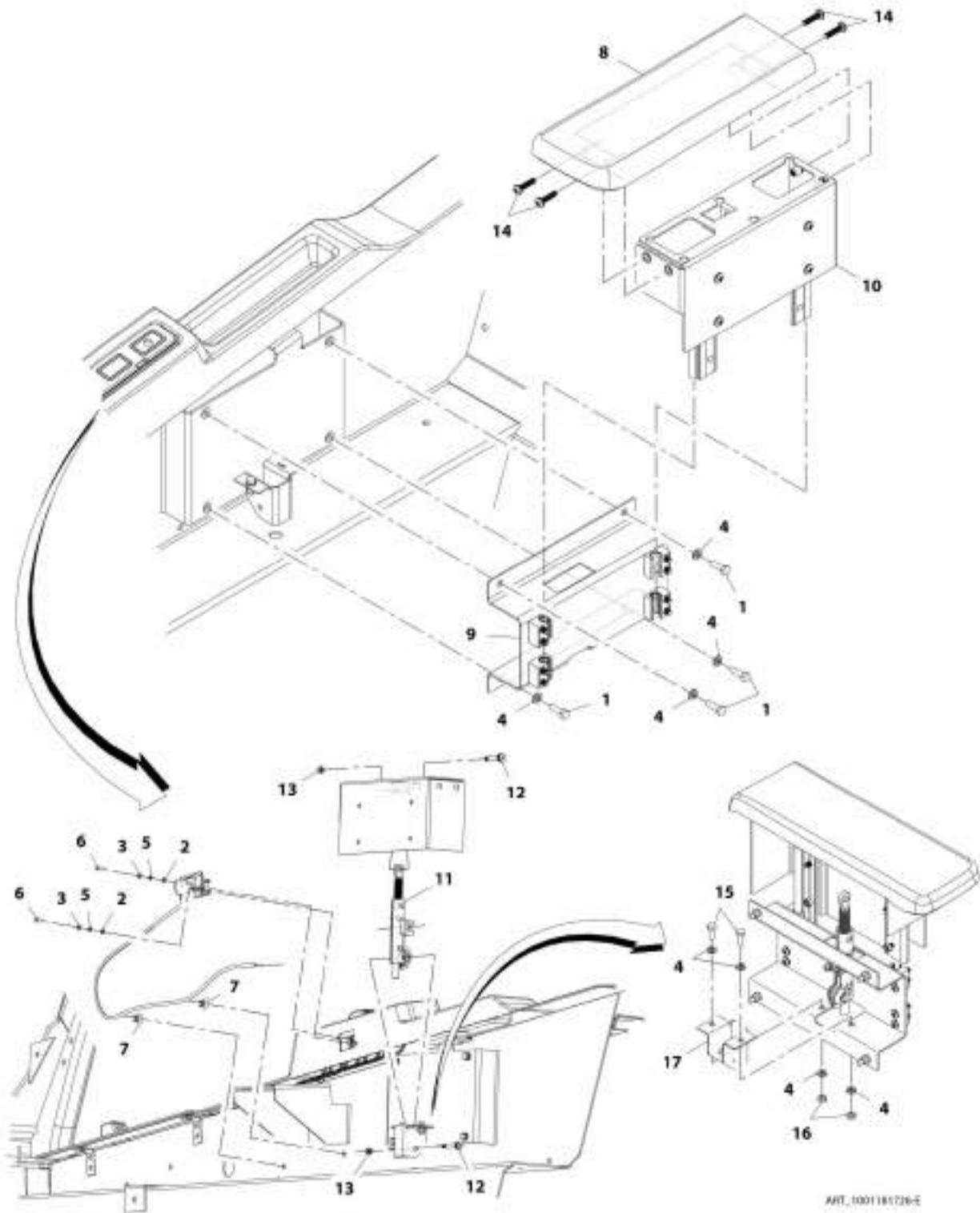


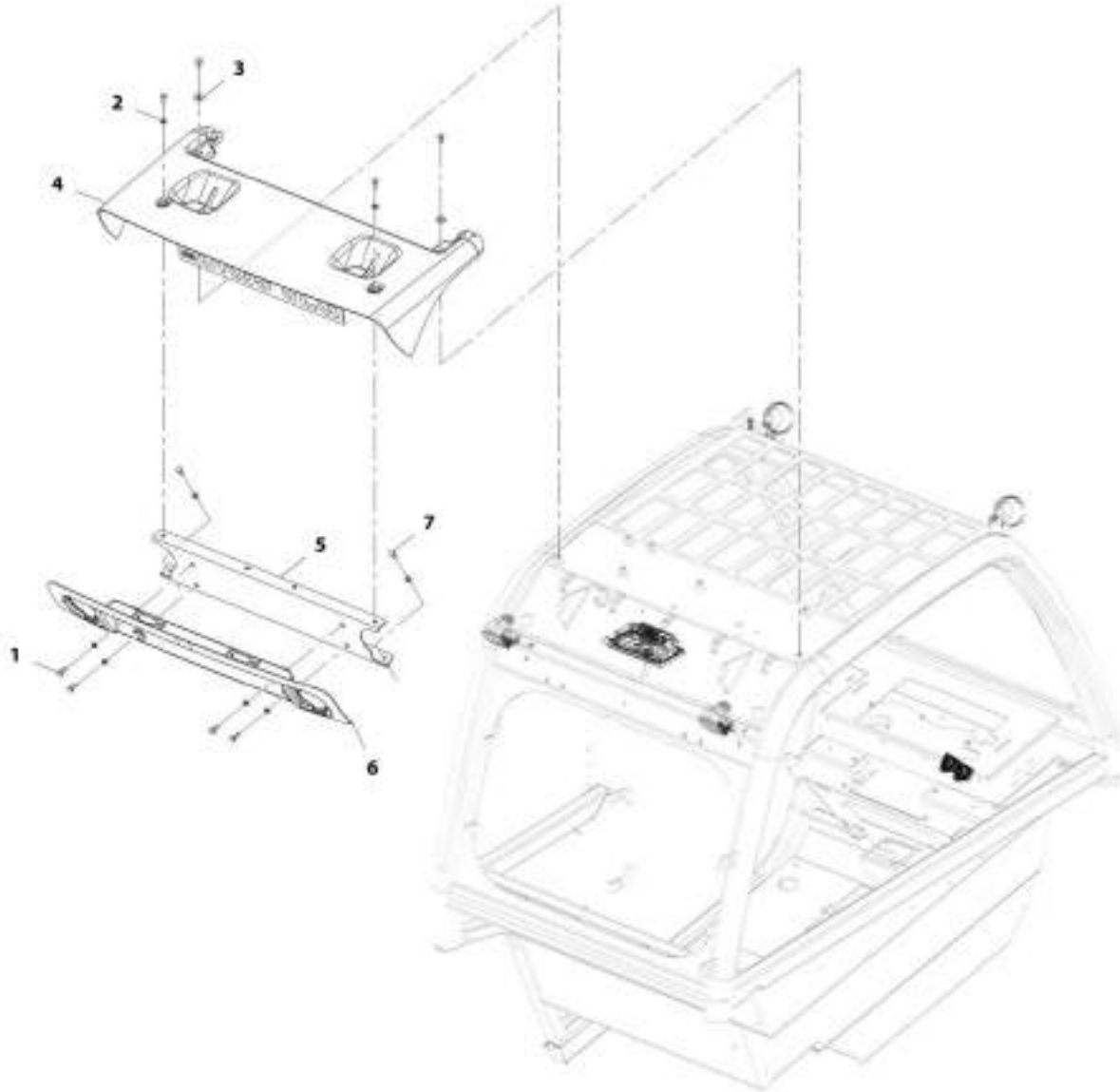


FIGURE 6-51. ADJUSTABLE ARMREST INSTALLATION

ITEM	PART NUMBER	QTY	DESCRIPTION	REV
	1001181726	Ref	Adjustable Armrest Installation	E
1	0700610	4	Bolt, M6X20	
2	3290401	2	Nut, M4X0.7	
3	4811400	2	Washer, M4	
4	4811700	8	Washer, M6	
5	4831400	2	Washer, Lock M4	
6	1001097244	2	Screw, M4X12	
7	1001165458	4	Hose	
8	1001191281	1	Armrest	
9	1001191283	1	Bracket, Fixed Armrest	
10	1001191284	1	Bracket, Moving Armrest	
11	1001191285	1	Spring	
12	1001191370	2	Screw, M6	
13	3290605	2	Nut, M6X1 Grade 8	
14	4010612002	4	Screw, M6X25	
15	0760608	2	Bolt, M6X16	
16	3290601	2	Nut, M6X1	
17	1001212468	1	Bracket, Locking Spring Mount	

# SECTION 6 - CAB

## FIGURE 6-52. ROOF CAP INSTALLATION (NO A/C)



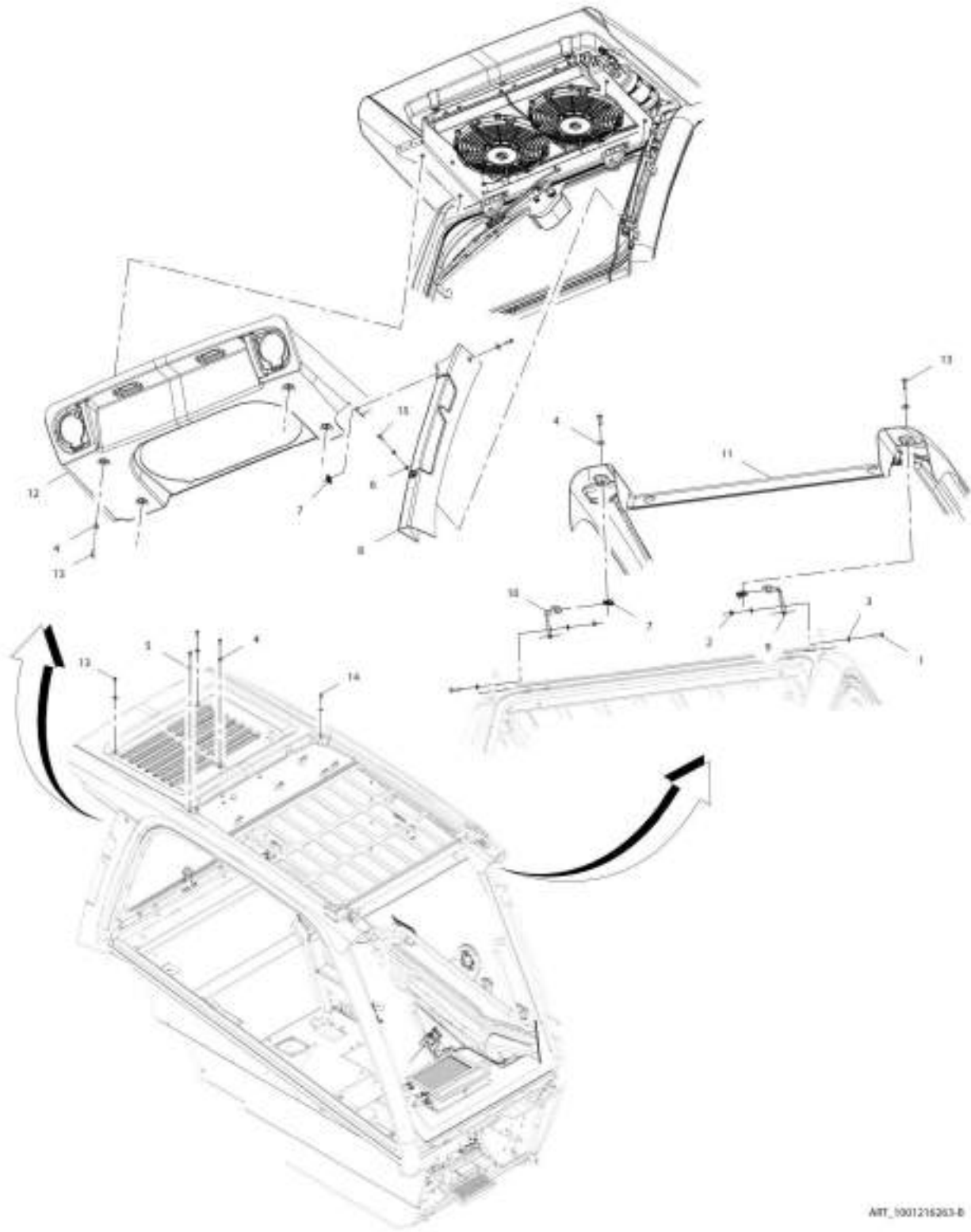
ART\_100121635-B

FIGURE 6-52. ROOF CAP INSTALLATION (NO A/C)

ITEM	PART NUMBER	QTY	DESCRIPTION	REV
	1001216265	Ref	Roof Cap Installation (no A/C)	B
1	0760810	8	Bolt, M8X20	
2	4811900	8	Washer, M8	
3	4811902	2	Washer, M8	
4	1001182330	1	Cover, Short Upper Roof Cap	
5	1001185633	1	Bracket, Roof Cap Mount	
6	1001216270	1	Cover, Short Lower Roof Cap	
7	0760808	2	Bolt, M8X16	

# SECTION 6 - CAB

## FIGURE 6-53. ROOF CAP INSTALLATION (A/C)



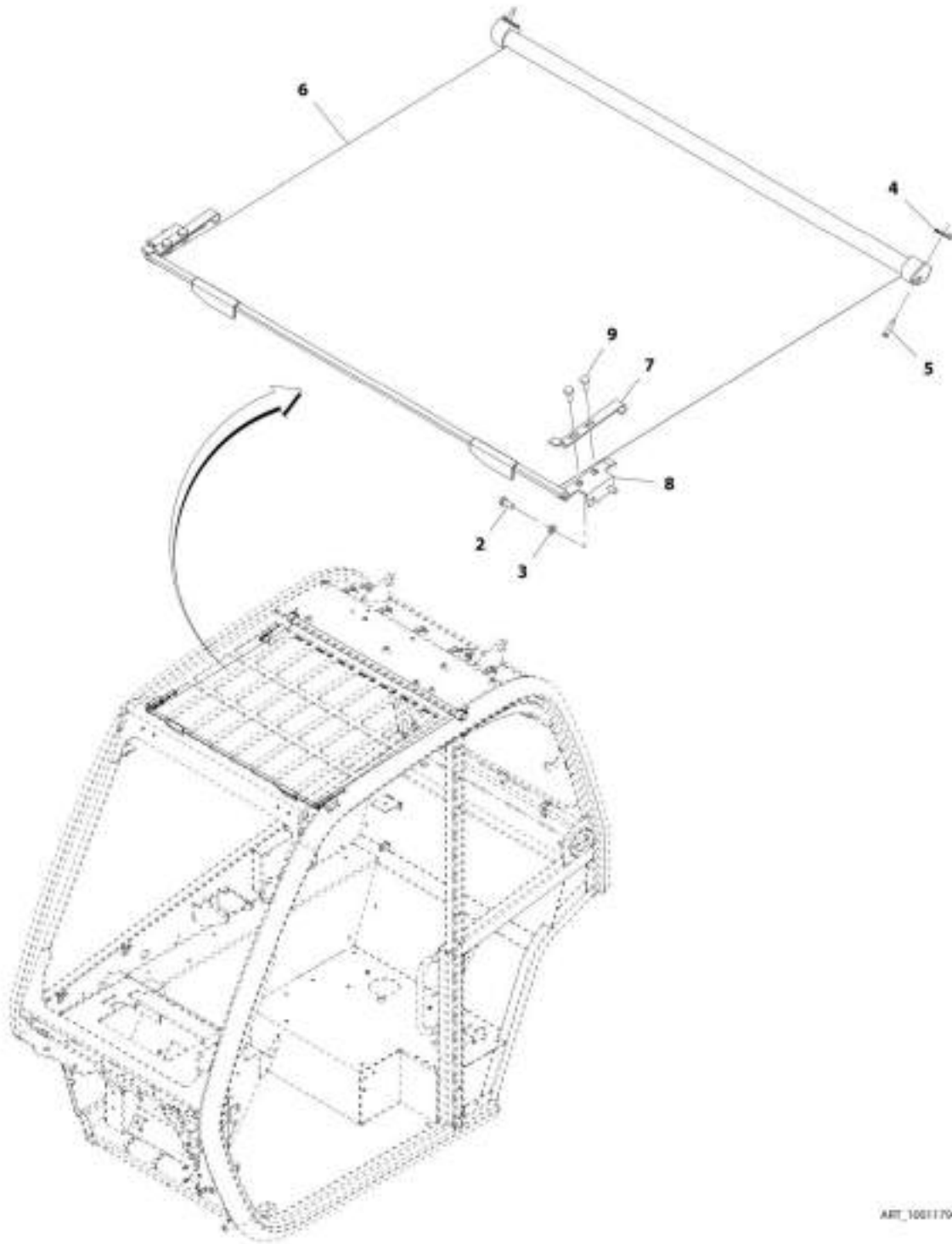
ART\_0001216263-B

FIGURE 6-53. ROOF CAP INSTALLATION (A/C)

ITEM	PART NUMBER	QTY	DESCRIPTION	REV
	1001216263	Ref	Roof Cap (A/C) Installation	B
1	0700610	4	Bolt, M6X20	
2	3290601	4	Nut, M6X1	
3	4811700	9	Washer, M6	
4	4811702	10	Washer, M6	
5	4811902	2	Washer, M8	
6	4831700	1	Washer, Lock M6	
7	8305919	3	Nut, M6	
8	1001174741	1	Cover	
9	1001174800	1	Bracket	
10	1001174801	1	Bracket	
11	1001216267	1	Cover, Upper Roof Cap	
12	1001216269	1	Cover, Lower Roof Cap	
13	4010610002	10	Screw, Posi-Drive M6X20	
14	0760808	2	Bolt, M8X16	
15	4010608002	1	Screw, M6X16	

# SECTION 6 - CAB

## FIGURE 6-54. RETRACTABLE SUNSCREEN INSTALLATION



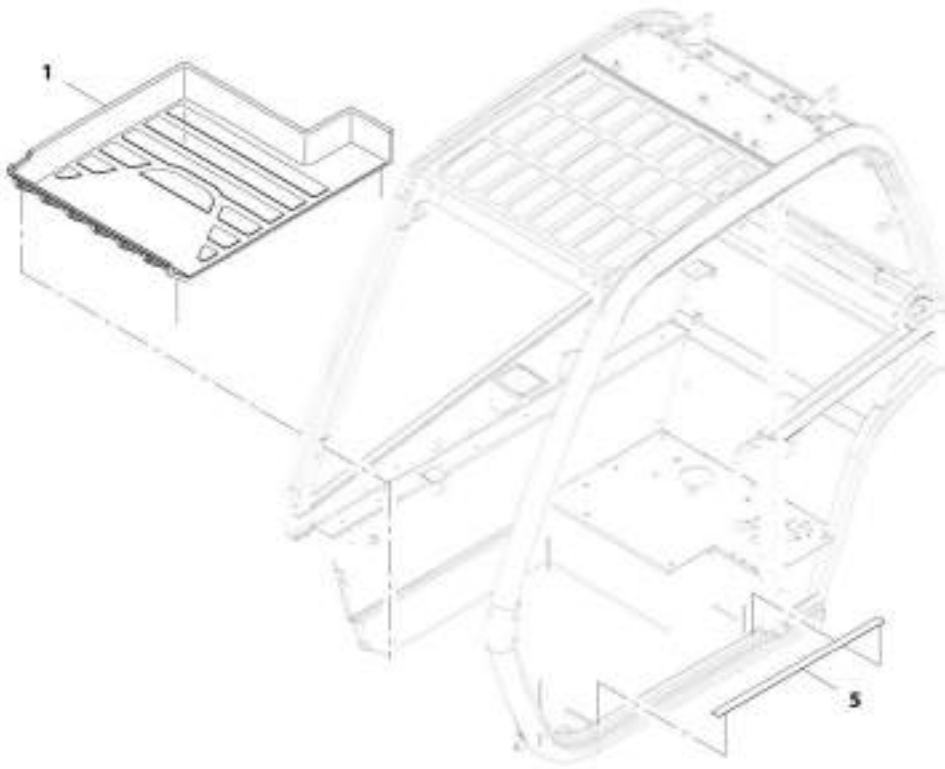
ART\_105170482-D

FIGURE 6-54. RETRACTABLE SUNSCREEN INSTALLATION

ITEM	PART NUMBER	QTY	DESCRIPTION	REV
	1001179482	Ref	Retractable Sunscreen Installation	D
2	0760608	4	Bolt, M6X16	
3	4811700	4	Washer, M6	
4	1001111076	2	Nut, Spire	
5	1001111147	2	Screw, Self Tapping	
6	1001179483	1	Cab, Sun Blind	
7	1001209463	2	Bracket	
8	1001166385	2	Bracket	
9	4010608002	4	Screw, Posi-Drive M6X16	

# SECTION 6 - CAB

## FIGURE 6-55. FLOOR MAT INSTALLATION



ART\_1001361080-E

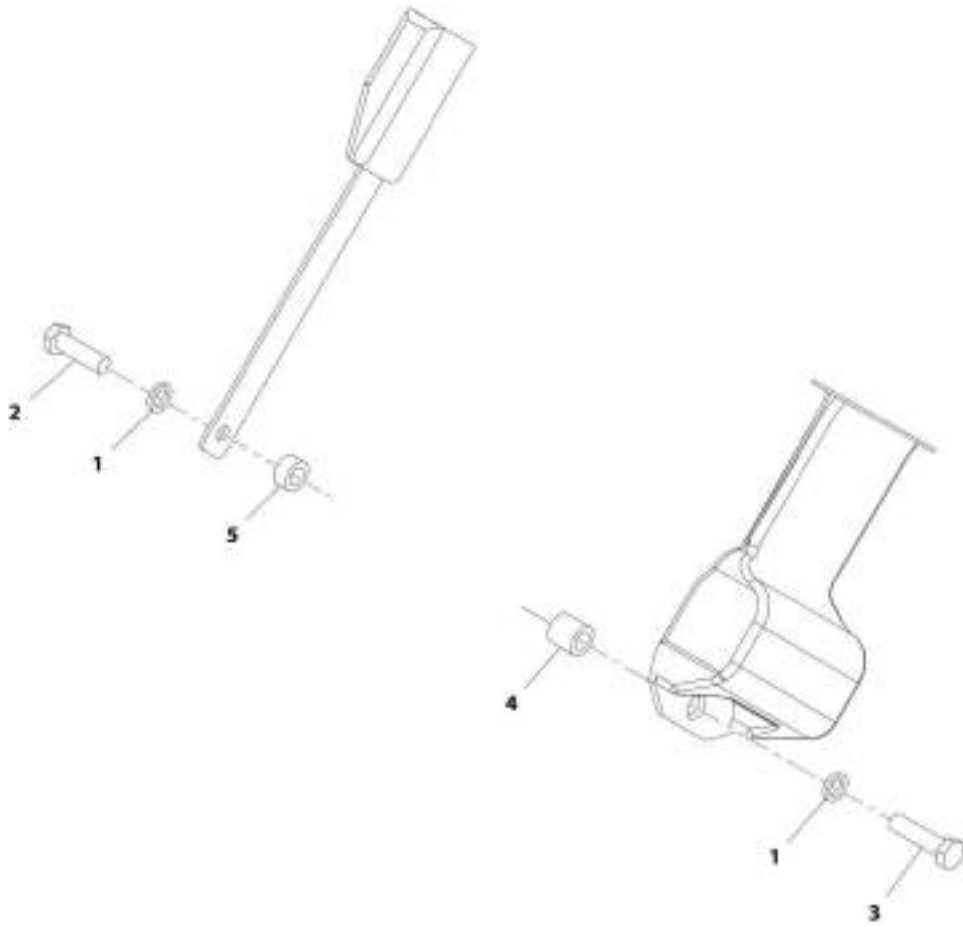


**FIGURE 6-55. FLOOR MAT INSTALLATION**

<b>ITEM</b>	<b>PART NUMBER</b>	<b>QTY</b>	<b>DESCRIPTION</b>	<b>REV</b>
	1001161080	Ref	Floor Mat Installation	E
1	1001161078	1	Cab, Floor Mat	
5	1001197259	1	Tape, Frame Non Skid	

# SECTION 6 - CAB

## FIGURE 6-56. SEAT BELT INSTALLATION (3IN)



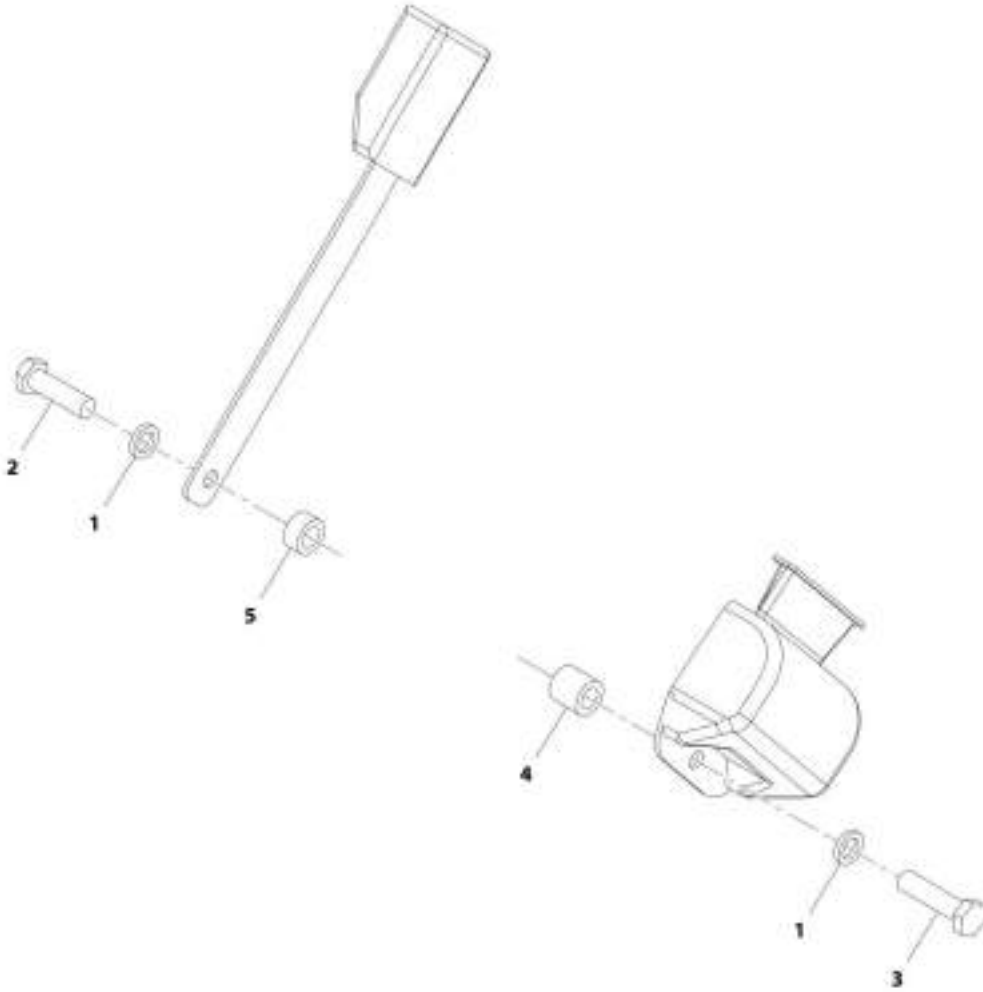
ARC\_1001006731-0

FIGURE 6-56. SEAT BELT INSTALLATION (3IN)

ITEM	PART NUMBER	QTY	DESCRIPTION	REV
	1001006731	Ref	Seat Belt Installation (3IN)	B
1	1001010646	2	Washer	
2	1001010647	1	Bolt	
3	1001010648	1	Bolt	
4	1001010649	1	Spacer	
5	1001010650	1	Spacer	

# SECTION 6 - CAB

## FIGURE 6-57. SEAT BELT INSTALLATION (2IN)



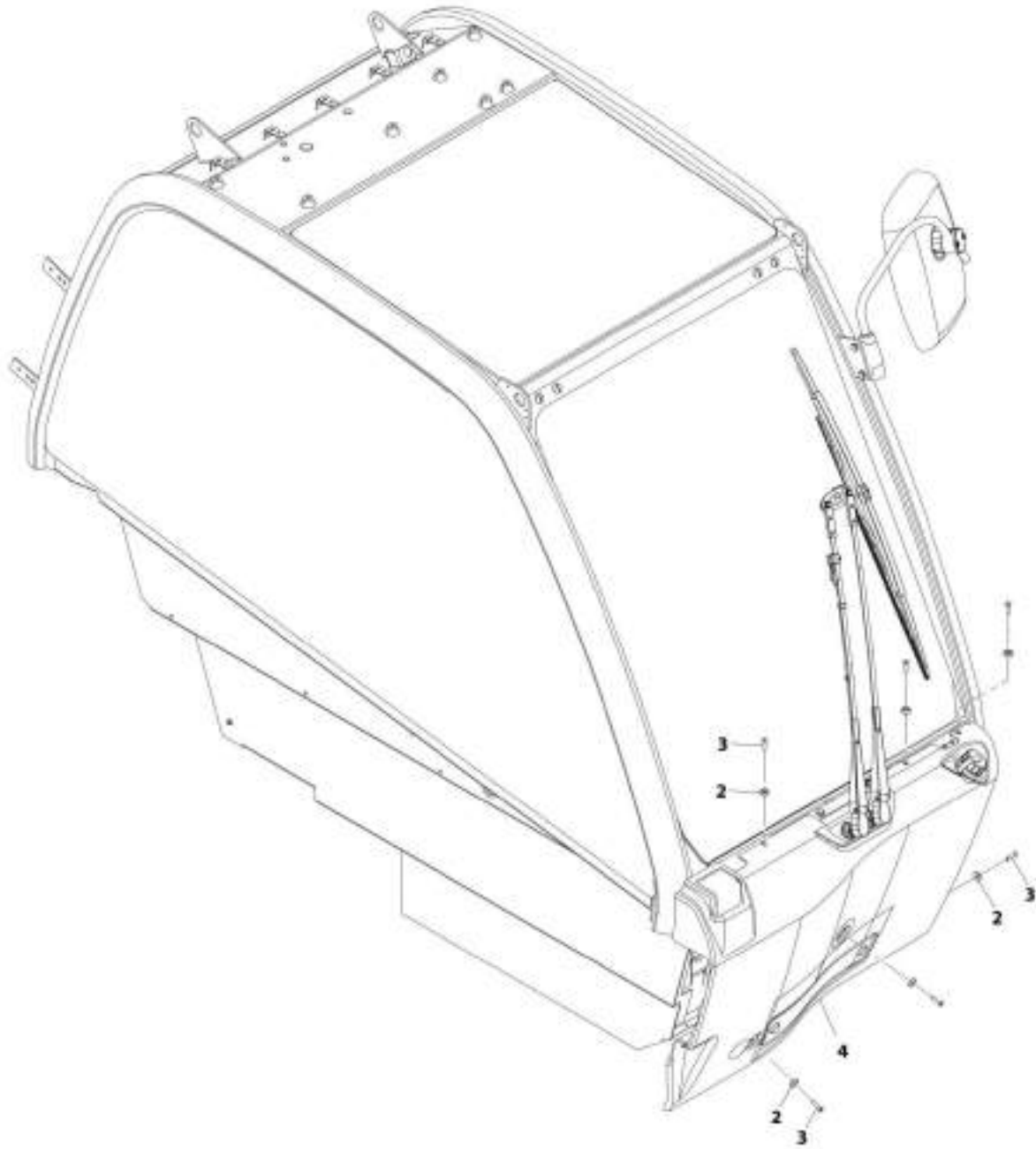
WIT\_1001066730-E

FIGURE 6-57. SEAT BELT INSTALLATION (2IN)

ITEM	PART NUMBER	QTY	DESCRIPTION	REV
	1001006730	Ref	Seat Belt Installation (2IN)	E
1	1001010646	2	Washer	
2	1001010647	1	Bolt	
3	1001010648	1	Bolt	
4	1001010649	1	Spacer, Shim	
5	1001010650	1	Spacer, Shim	

# SECTION 6 - CAB

## FIGURE 6-58. ENCLOSED CAB FRONT COVER INSTALLATION



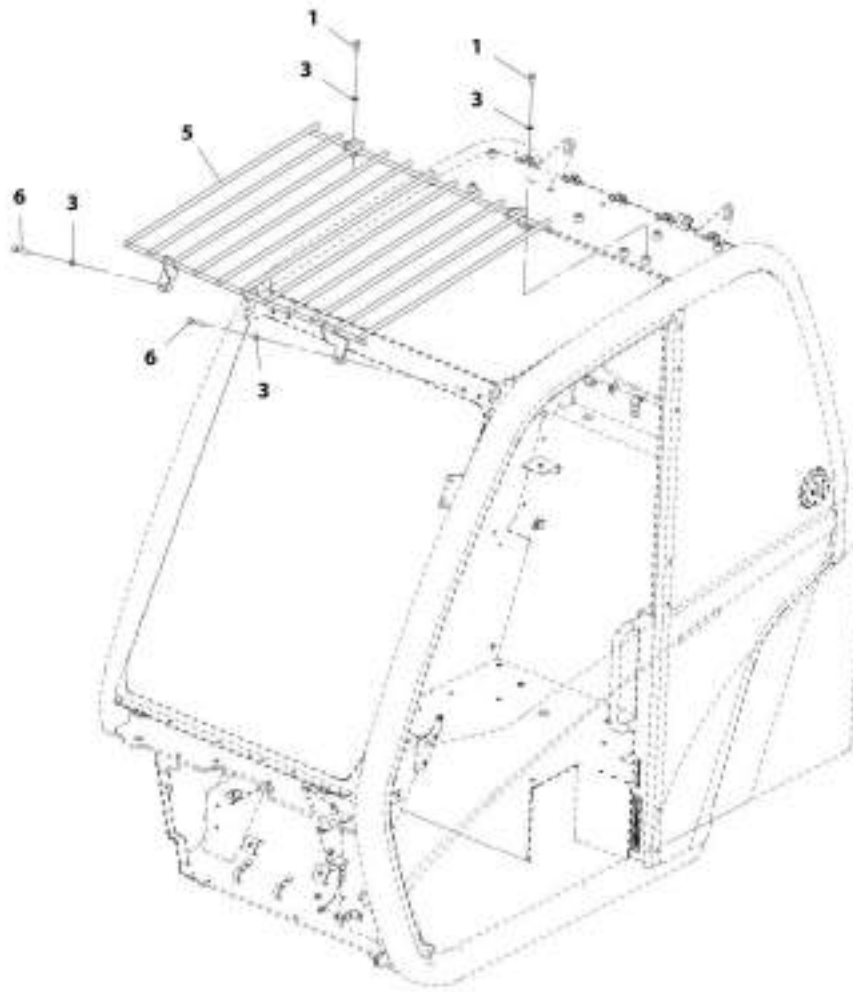
ART\_1001170502-G

**FIGURE 6-58. ENCLOSED CAB FRONT COVER INSTALLATION**

<b>ITEM</b>	<b>PART NUMBER</b>	<b>QTY</b>	<b>DESCRIPTION</b>	<b>REV</b>
	1001179592	Ref	Front Nose Cone Installation (No Sidelight)	G
2	1001097540	6	Washer, M6	
3	3900379	6	Screw, M6-1X25 Grade 10.9	
4	1001170325	1	Cover, Front	

# SECTION 6 - CAB

## FIGURE 6-59. CAB GUARD INSTALLATION (TOP)



ART\_1001100496-F

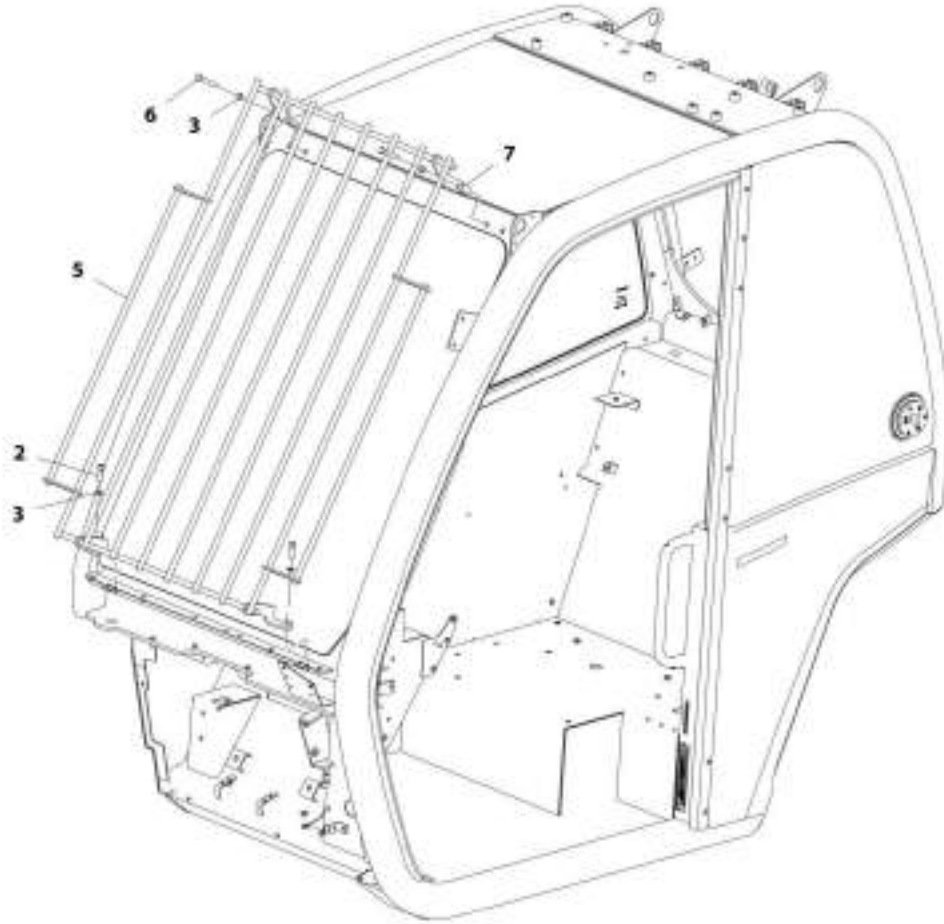


FIGURE 6-59. CAB GUARD INSTALLATION (TOP)

ITEM	PART NUMBER	QTY	DESCRIPTION	REV
	1001160496	Ref	Cab Guard Installation (Top)	F
1	0760810	2	Bolt, M8X20	
3	4811900	4	Washer, M8	
5	1001160503	1	Guard, Top Screen	
6	0700820	2	Bolt, M8X60	

# SECTION 6 - CAB

## FIGURE 6-60. CAB GUARD INSTALLATION (FRONT)



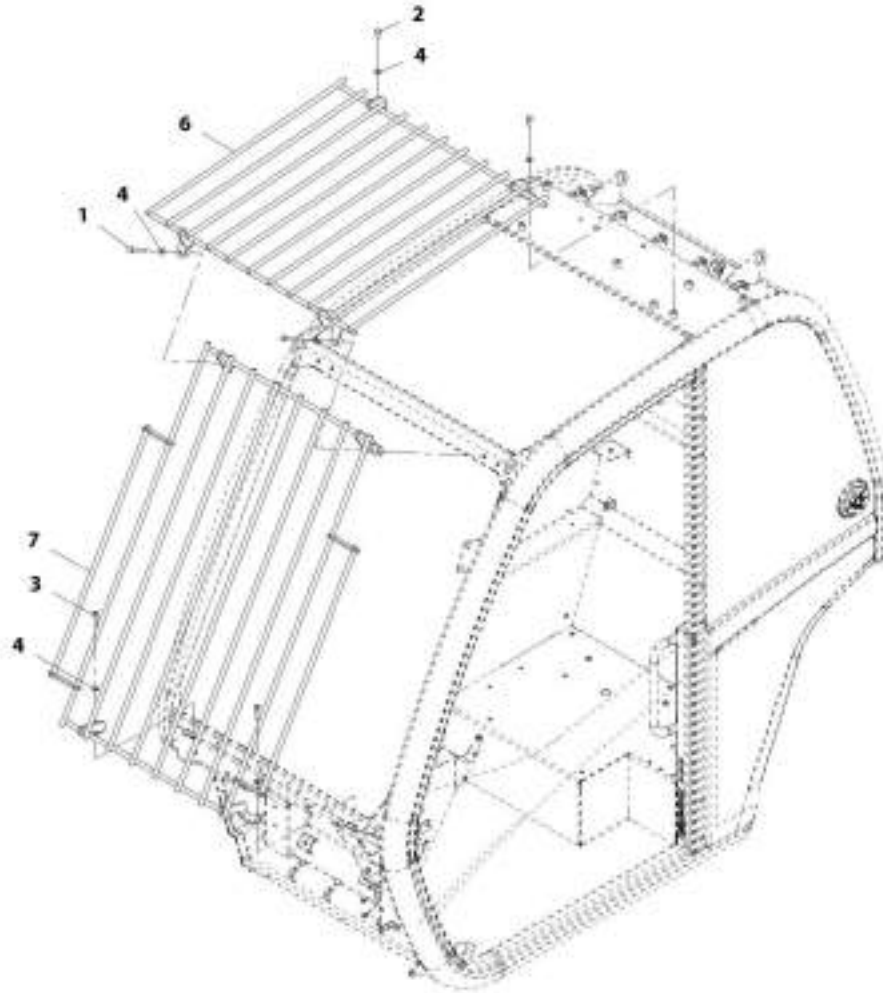
ART\_100190506-G

FIGURE 6-60. CAB GUARD INSTALLATION (FRONT)

ITEM	PART NUMBER	QTY	DESCRIPTION	REV
	1001160506	Ref	Cab Guard Installation (Front)	G
2	4031910	2	Bolt, M8X30	
3	4811900	4	Washer, M8	
5	1001180263	1	Guard, Front Screen	
6	0700820	2	Bolt, M8X60	
7	1001173257	2	Spacer	

# SECTION 6 - CAB

FIGURE 6-61. CAB GUARD INSTALLATION (TOP AND FRONT)



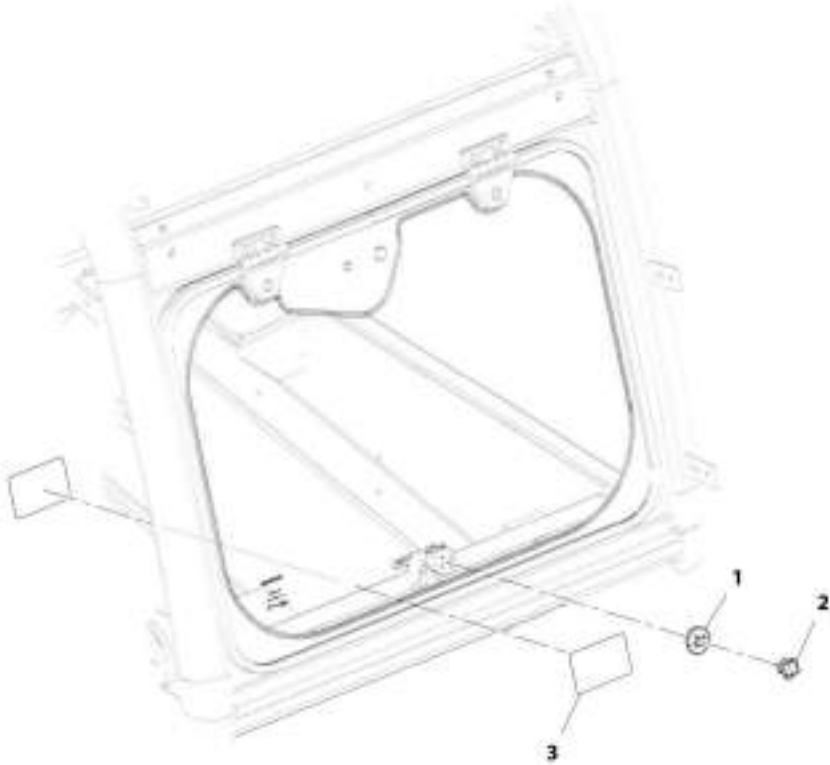
AWT\_1001122794-F

**FIGURE 6-61. CAB GUARD INSTALLATION (TOP AND FRONT)**

ITEM	PART NUMBER	QTY	DESCRIPTION	REV
	1001172774	Ref	Cab Guard Installation (Top and Front)	F
1	0700820	2	Bolt, M8X60	
2	0760810	2	Bolt, M8X20	
3	4031910	2	Bolt, M8X30	
4	4811900	6	Washer, M8	
6	1001160503	1	Guard, Top Screen	
7	1001180263	1	Guard, Front Screen	

**SECTION 6 - CAB**

**FIGURE 6-62. EXTERNAL WINDOW RELEASE INSTALLATION (ANSI - ENGLISH)**



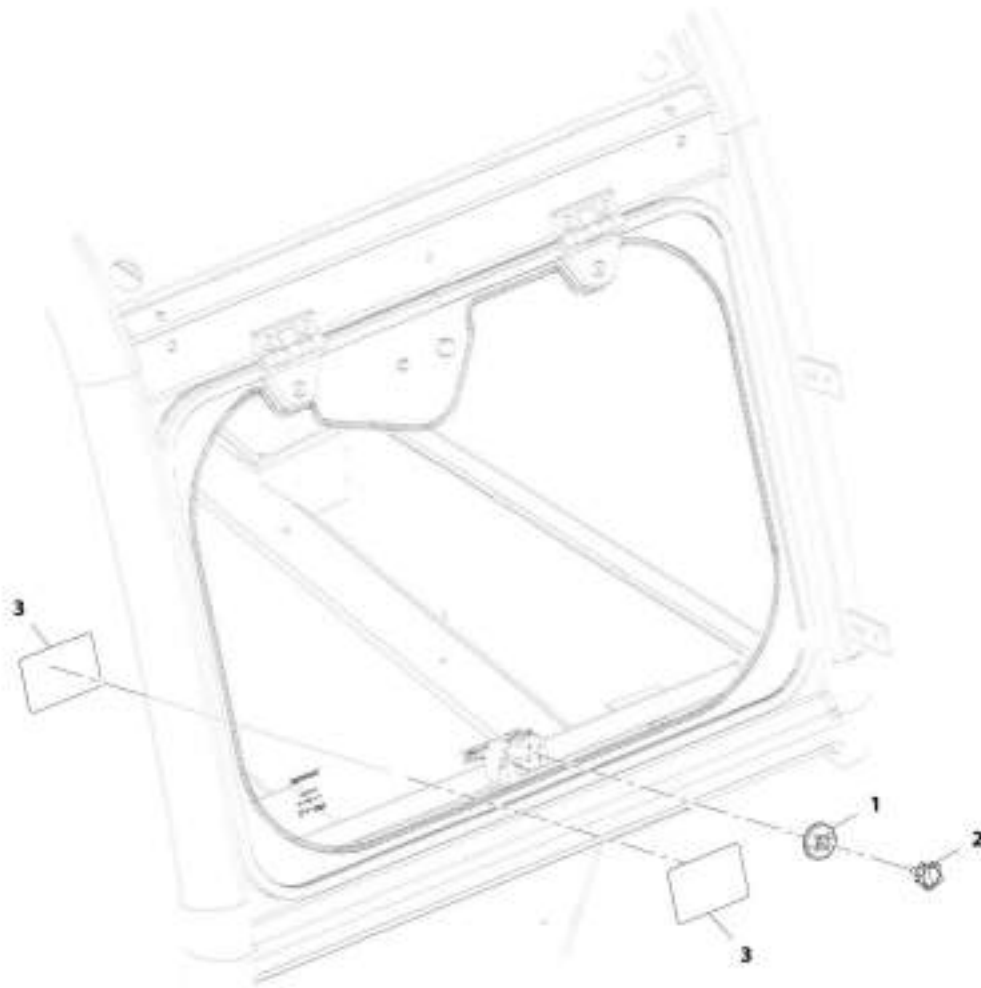
AWT\_1001212047-A

**FIGURE 6-62. EXTERNAL WINDOW RELEASE INSTALLATION (ANSI - ENGLISH)**

<b>ITEM</b>	<b>PART NUMBER</b>	<b>QTY</b>	<b>DESCRIPTION</b>	<b>REV</b>
	1001212047	Ref	Rear Window Installation (WO/Wiper) (ANSI)	A
1	1001179008	1	Cap, Latch Window	
2	1001179009	1	Cap, Knob M6	
3	1001212049	2	Decal, Emergency Exit	

# SECTION 6 - CAB

FIGURE 6-63. EXTERNAL WINDOW RELEASE INSTALLATION (ANSI - ENGLISH/FRENCH)



ART\_1001178826-C



**FIGURE 6-63. EXTERNAL WINDOW RELEASE INSTALLATION (ANSI - ENGLISH/FRENCH)**

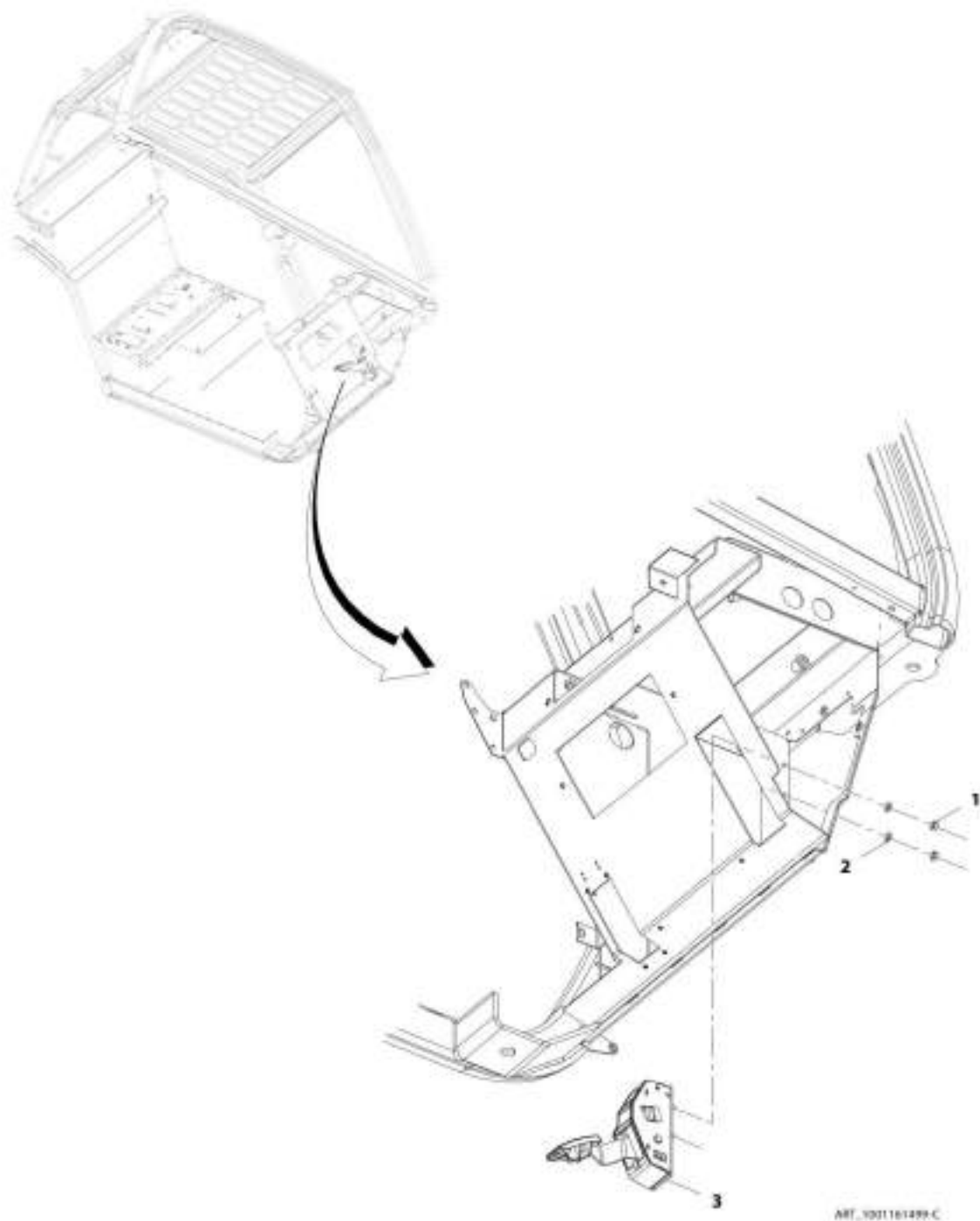
<b>ITEM</b>	<b>PART NUMBER</b>	<b>QTY</b>	<b>DESCRIPTION</b>	<b>REV</b>
	1001178826	Ref	Rear Window Installation (WO/Wiper) (CAN & ISO)	C
1	1001179008	1	Cap, Latch Window	
2	1001179009	1	Knob	
3	1001204709	2	Decal, Emergency Exit (English/French)	



**SECTION 7 - CONTROLS**

# SECTION 7 - CONTROLS

## FIGURE 7-1. ACCELERATOR PEDAL INSTALLATION



ART. 1001161489-C

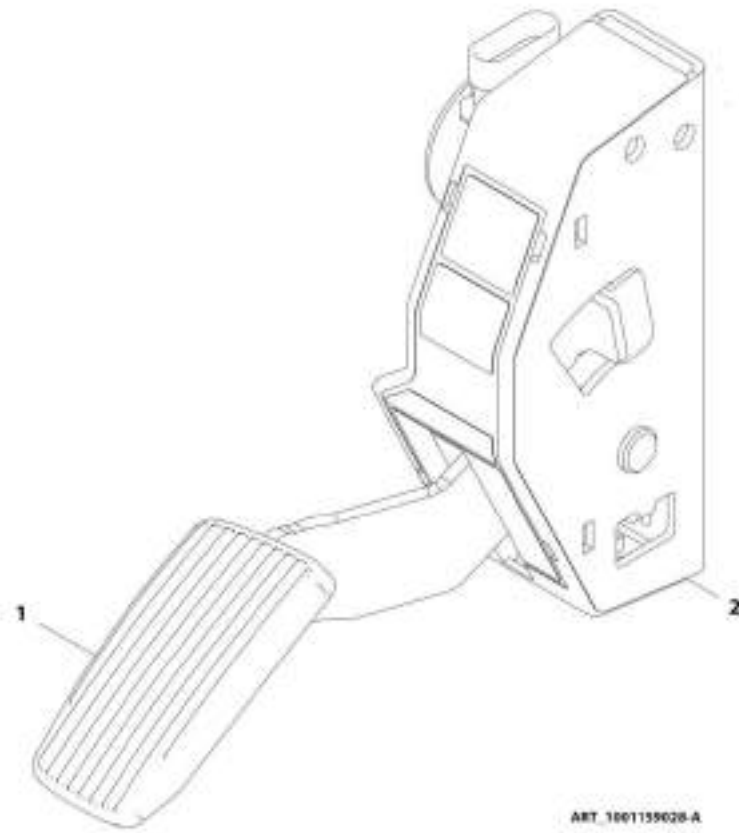
## SECTION 7 - CONTROLS

**FIGURE 7-1. ACCELERATOR PEDAL INSTALLATION**

ITEM	PART NUMBER	QTY	DESCRIPTION	REV
	1001161499	Ref	Accelerator Pedal Installation	C
1	3290801	2	Nut, M8X1.25	
2	4811900	2	Washer, M8	
3	1001159028	1	Pedal, Accelerator (See Separate Breakdown in this Section)	

# SECTION 7 - CONTROLS

## FIGURE 7-2. ACCELERATOR PEDAL



ART 1001159020-A

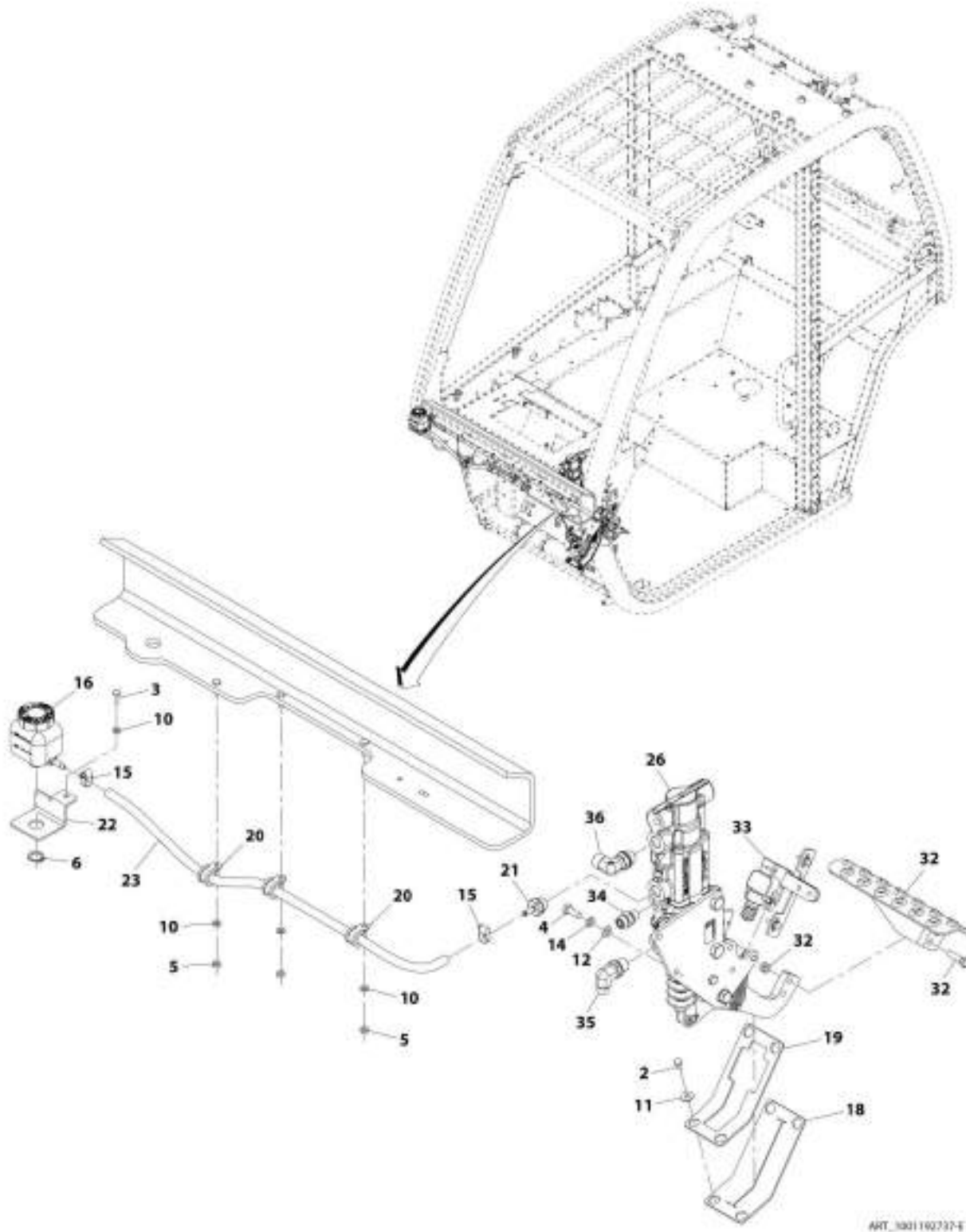
## SECTION 7 - CONTROLS

### FIGURE 7-2. ACCELERATOR PEDAL

ITEM	PART NUMBER	QTY	DESCRIPTION	REV
	1001159028	Ref	Accelerator Pedal	A
1	70025816	1	Pad, Rubber	
2	70025817	1	Cover, Rubber	

# SECTION 7 - CONTROLS

## FIGURE 7-3. BRAKE PEDAL INSTALLATION





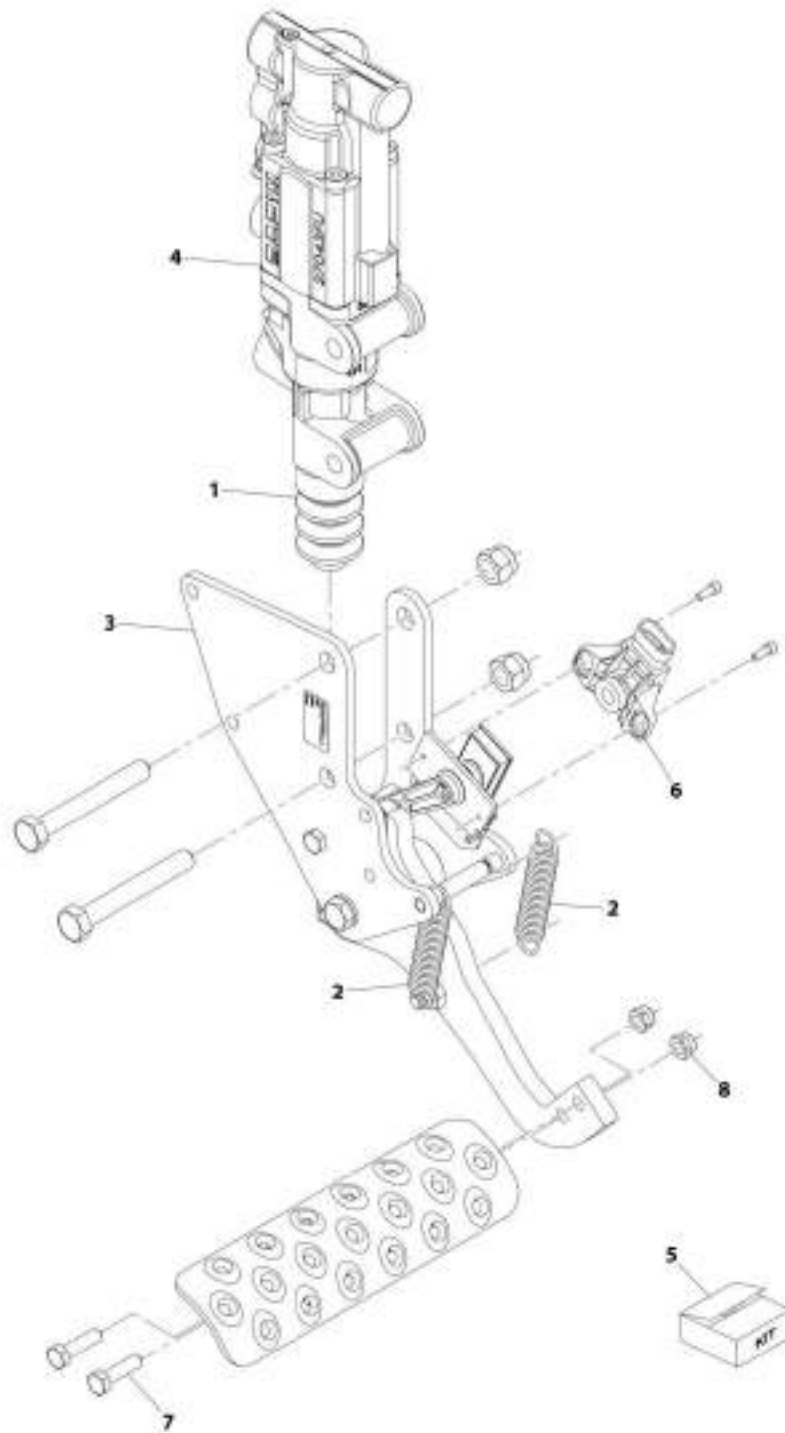
## SECTION 7 - CONTROLS

### FIGURE 7-3. BRAKE PEDAL INSTALLATION

ITEM	PART NUMBER	QTY	DESCRIPTION	REV
	1001192737	Ref	Brake Pedal Installation	E
2	0760605	4	Bolt, M6X10	
3	0760608	1	Bolt, M6X16	
4	0760810	3	Bolt, M8X20	
5	3290601	3	Nut, M6X1	
6	3760348	1	Ring, Retaining	
10	4811700	4	Washer, M6	
11	4811702	4	Washer, M6	
12	4811900	3	Washer, M8	
14	4831900	3	Washer, Lock M8	
15	8405009	2	Clamp	
16	1001214220	1	Reservoir, Brake	
18	1001162920	1	Seal	
19	1001162922	1	Plate	
20	1001170231	3	Clip	
21	1001171874	1	Fitting, Straight	
22	1001172088	1	Bracket	
23	1001172094	1	Hose	
26	1001213265	1	Assembly, Brake Pedal (See Seperate Breakdown in this Section)	
32	1001197139	1	Plate, Brake Pedal	
33	1001205061	Ref	Installation, Brake Sensor (See Seperate Breakdown in this Section)	
34	80233218	1	Fitting, Straight ORFS	
35	80333151	1	Fitting, 90 ORFS	
36	1001168054	1	Fitting, 90 ORFS	

# SECTION 7 - CONTROLS

## FIGURE 7-4. BRAKE PEDAL ASSEMBLY



ART\_1001213265-A

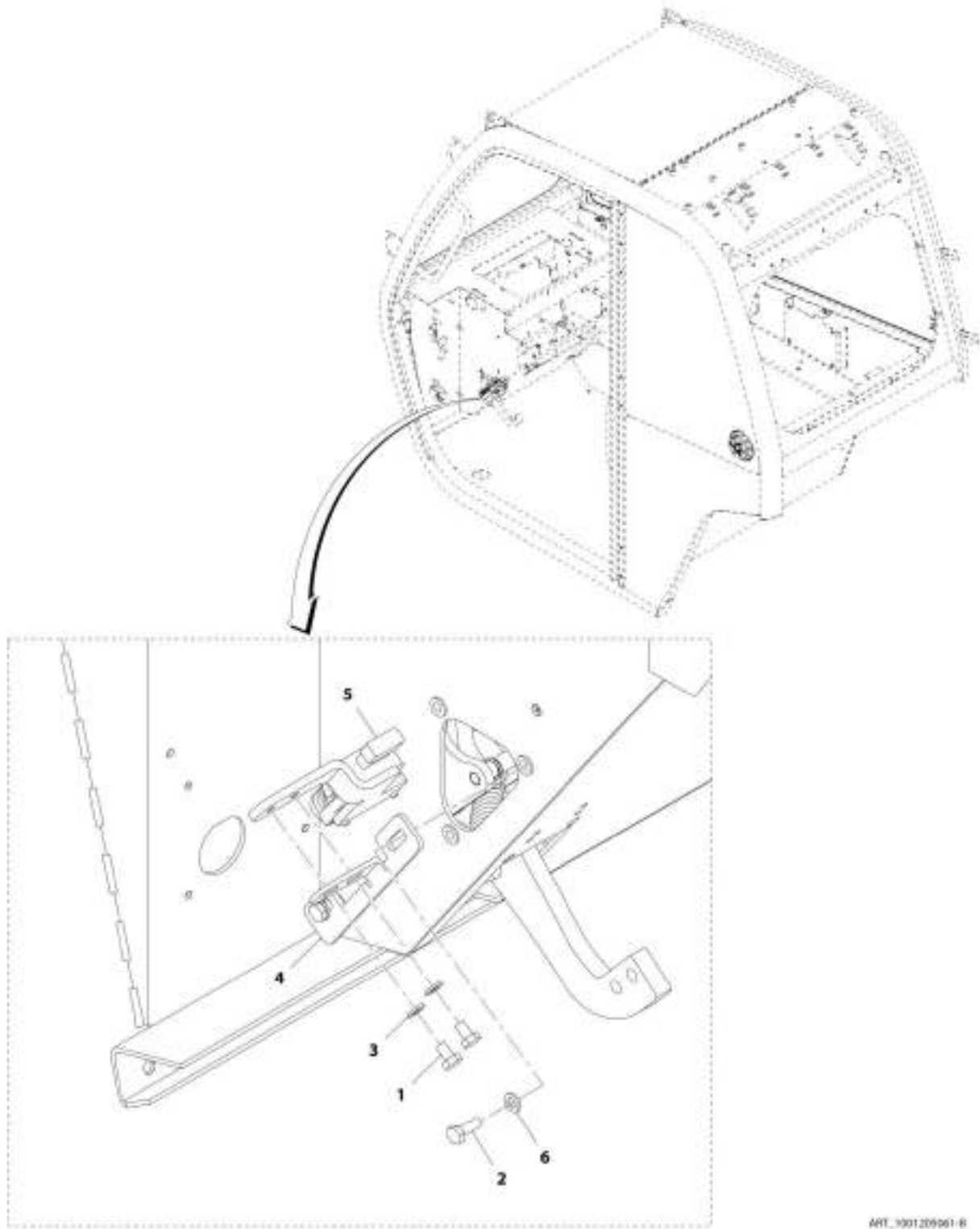
## SECTION 7 - CONTROLS

### FIGURE 7-4. BRAKE PEDAL ASSEMBLY

ITEM	PART NUMBER	QTY	DESCRIPTION	REV
	1001213265	Ref	Brake Pedal Assembly	A
1	70025859	1	Cover, Dust	
2	70025860	2	Spring, Return	
3	70028381	1	Support, Pedal	
4	70028382	1	Cylinder, Master	
5	70026434	1	Kit, Seal	
6	70028383	1	Sensor, Angle	
7	0770814	2	Bolt, M8X30 Grade 10.9	
8	3290805	2	Nut, Lock M8X1.25 Grade 8	

# SECTION 7 - CONTROLS

## FIGURE 7-5. BRAKE SENSOR INSTALLATION



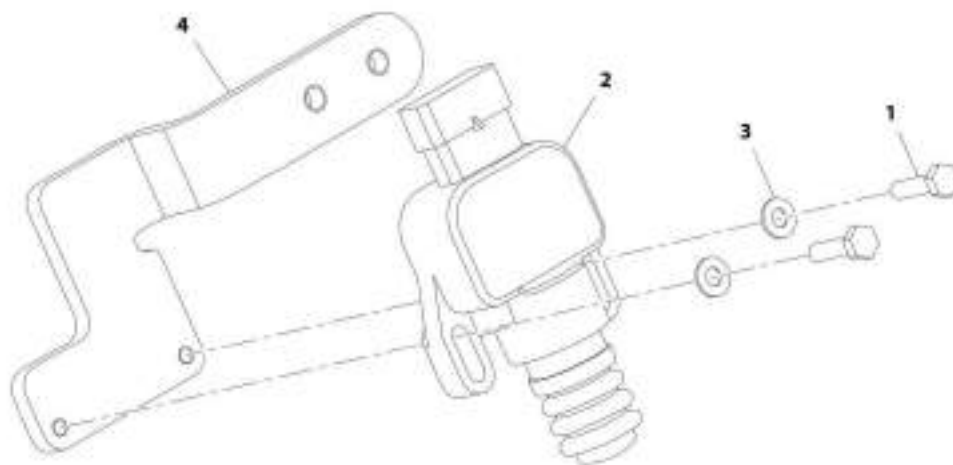
## SECTION 7 - CONTROLS

### FIGURE 7-5. BRAKE SENSOR INSTALLATION

ITEM	PART NUMBER	QTY	DESCRIPTION	REV
	1001205061	Ref	Brake Sensor Installation	B
1	0760605	2	Bolt, M6X10	
2	0760608	2	Bolt, M6X16	
3	4811700	2	Washer, M6	
4	1001201499	1	Plate, Switch Adjustment	
5	1001201501	1	Assembly, Switch Plate (See Separate Breakdown in this Section)	
6	4811702	2	Washer, M6	

## SECTION 7 - CONTROLS

FIGURE 7-6. SWITCH PLATE ASSEMBLY



MFT\_1001201301-4

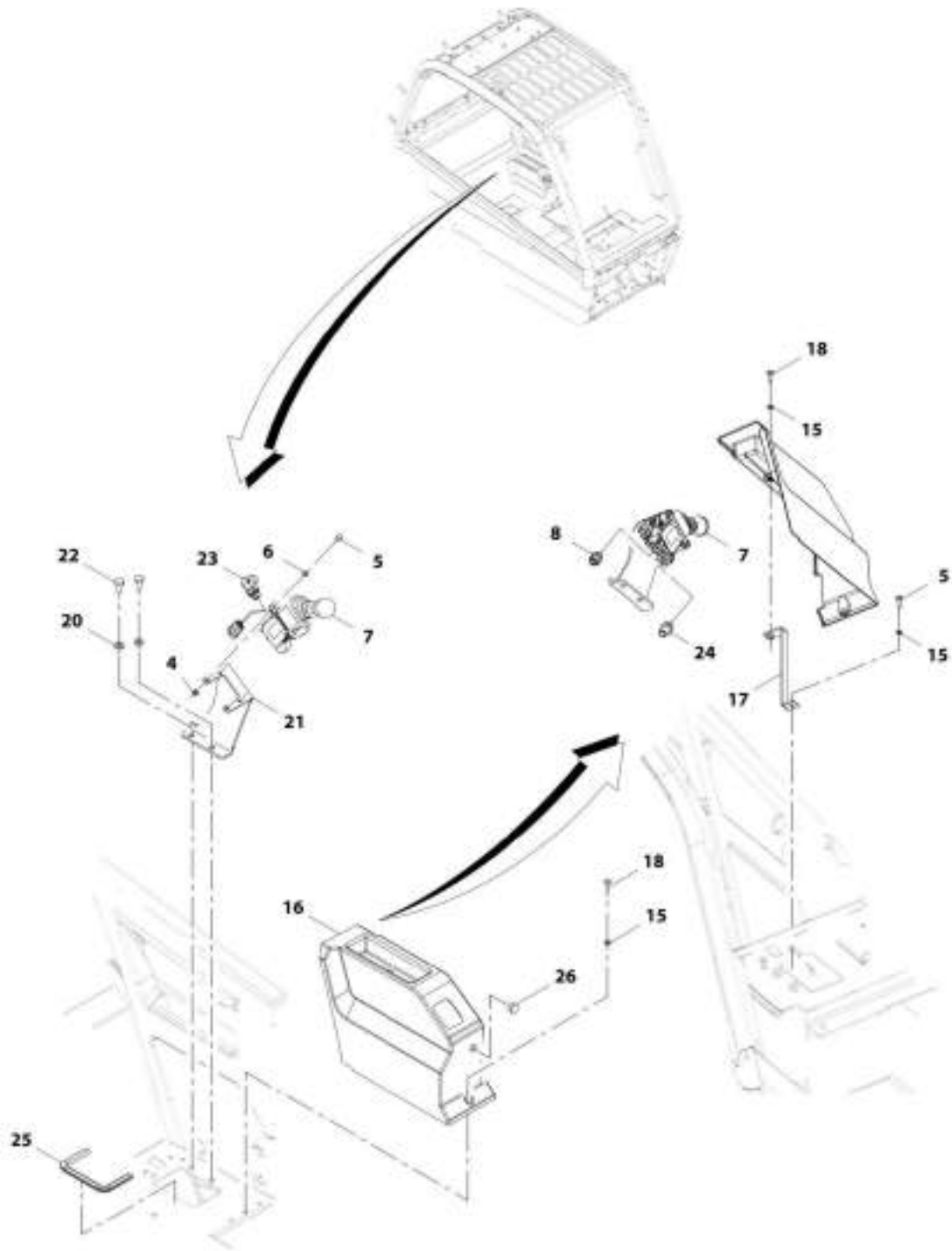
## SECTION 7 - CONTROLS

### FIGURE 7-6. SWITCH PLATE ASSEMBLY

ITEM	PART NUMBER	QTY	DESCRIPTION	REV
	1001201501	Ref	Switch Plate Assembly	A
1	0700408	2	Bolt, M4X16	
2	4360658	1	Switch, Brake Light	
3	4811400	2	Washer, M4	
4	1001201500	1	Plate	

# SECTION 7 - CONTROLS

## FIGURE 7-7. PARK BRAKE INSTALLATION



ART\_1801162862-M



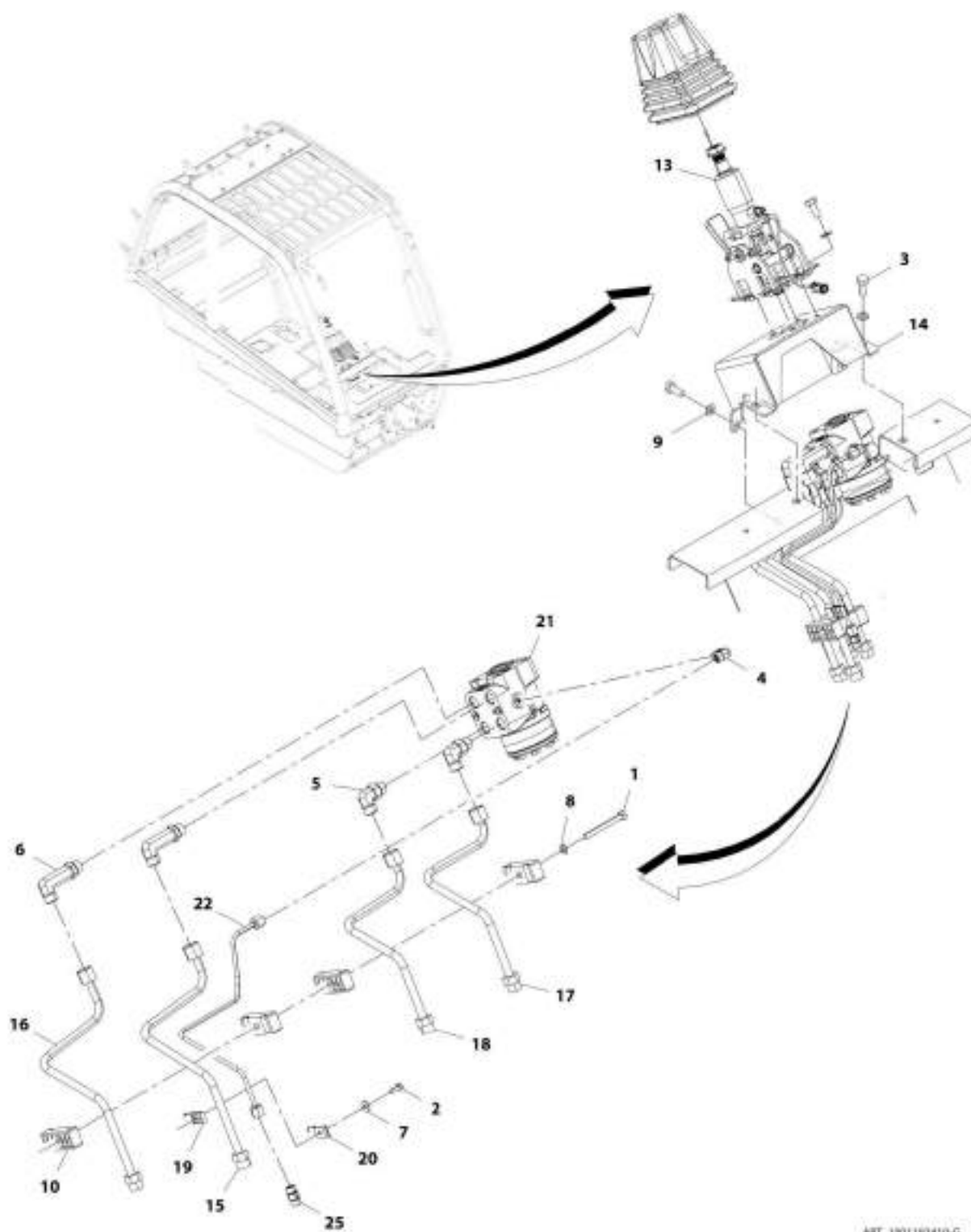
## SECTION 7 - CONTROLS

**FIGURE 7-7. PARK BRAKE INSTALLATION**

ITEM	PART NUMBER	QTY	DESCRIPTION	REV
	1001162062	Ref	Park Brake Installation	M
4	3290601	4	Nut, M6X1	
5	0760608	5	Bolt, M6X16	
6	4831700	4	Washer, Lock M6	
7	1001207956	1	Hydraulic Hand Brake	
7	70020922	1	Kit, Seal	
8	1001101702	1	Fitting, Straight ORFS	
15	4811700	3	Washer, M6	
16	1001193474	1	Panel	
17	1001195254	1	Bracket	
18	4010610002	2	Screw, M6X20	
20	4812000	2	Washer, M10	
21	1001191915	1	Bracket	
22	0761010	2	Bolt, M10X20	
23	1001125222	1	Fitting, 90 ORFS	
24	1001206744	1	Fitting, Grease	
25	1001208037	1	Seal	
26	3520028	1	Plug	

# SECTION 7 - CONTROLS

## FIGURE 7-8. TILT STEERING COLUMN INSTALLATION



ART\_1801102410-G

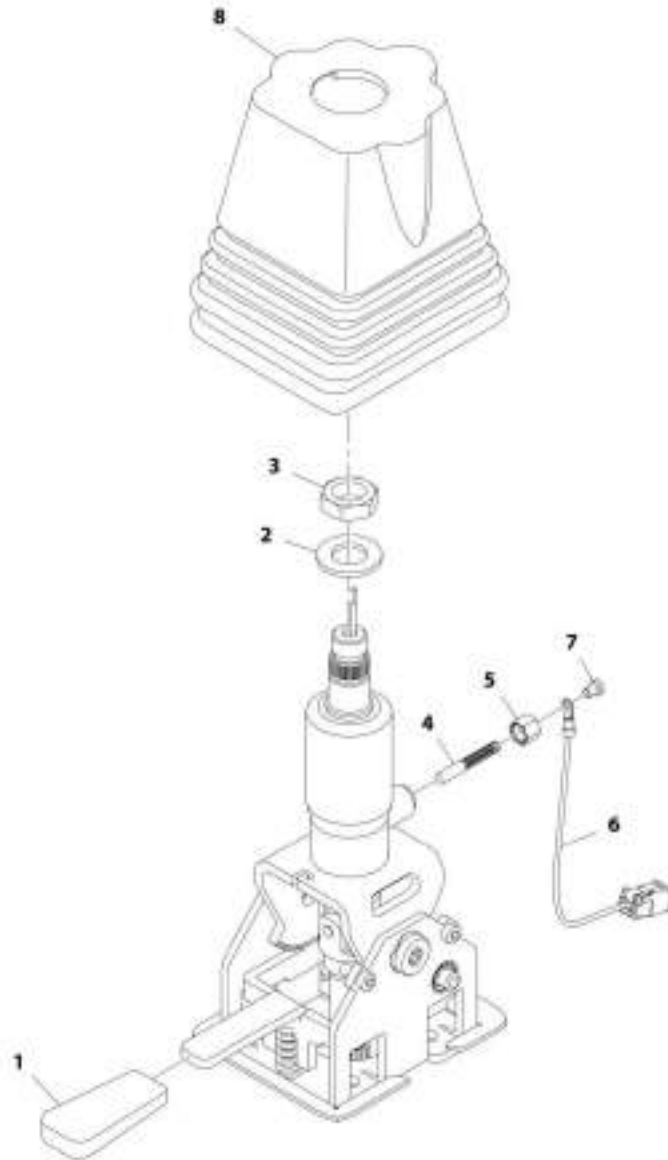
## SECTION 7 - CONTROLS

**FIGURE 7-8. TILT STEERING COLUMN INSTALLATION**

ITEM	PART NUMBER	QTY	DESCRIPTION	REV
	1001192410	Ref	Tilt Steering Column Installation	G
1	0700824	1	Bolt, M8X80	
2	0760608	1	Bolt, M6X16	
3	0761012	8	Bolt, M10X25	
4	2130404	1	Fitting, 90 ORFS	
5	2130808	2	Fitting, 90 ORFS	
6	2170208	2	Fitting, 90 ORFS	
7	4811702	1	Washer, M6	
8	4811900	1	Washer, M8	
9	4812000	8	Washer, M10	
10	1001004640	4	Clamp	
13	1001155276	1	Column, Tilt Steering (See Separate Breakdown in this Section)	
14	1001156265	1	Bracket, Support	
15	1001161672	1	Pipe	
16	1001161896	1	Pipe	
17	1001161897	1	Pipe	
18	1001161898	1	Pipe	
19	1001168142	1	Bracket	
20	1001168151	1	Bracket	
21	1001178670	1	Valve, Steering Unit (See Separate Breakdown in Hydraulic Components Section)	
22	1001194282	1	Pipe	
25	1001227945	1	Valve, Check	

# SECTION 7 - CONTROLS

## FIGURE 7-9. TILT STEERING COLUMN



ART\_100155234-F

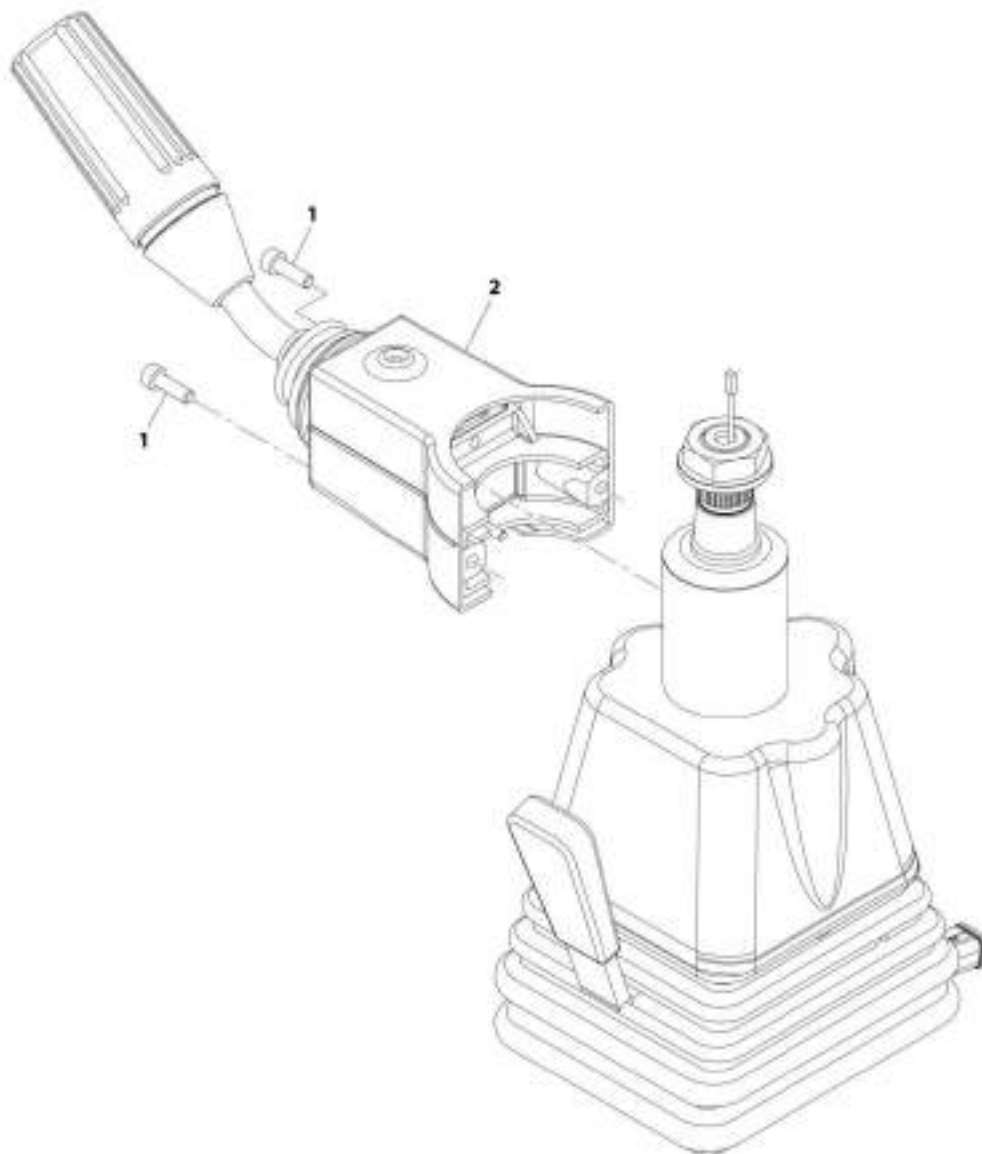
## SECTION 7 - CONTROLS

### FIGURE 7-9. TILT STEERING COLUMN

ITEM	PART NUMBER	QTY	DESCRIPTION	REV
	1001155276	Ref	Tilt Steering Column	F
1	70026366	1	Knob	
2	70026364	1	Washer	
3	70026363	1	Nut	
4	70026362	1	Contact, Sliding	
5	70026361	1	Cap, Brass	
6	70026367	1	Cable	
7	70026365	1	Screw, Cap	
8	1001184504	1	Gaiter	

## SECTION 7 - CONTROLS

FIGURE 7-10. COLUMN SHIFT INSTALLATION (2 SPEED)



ART\_1001230507-A

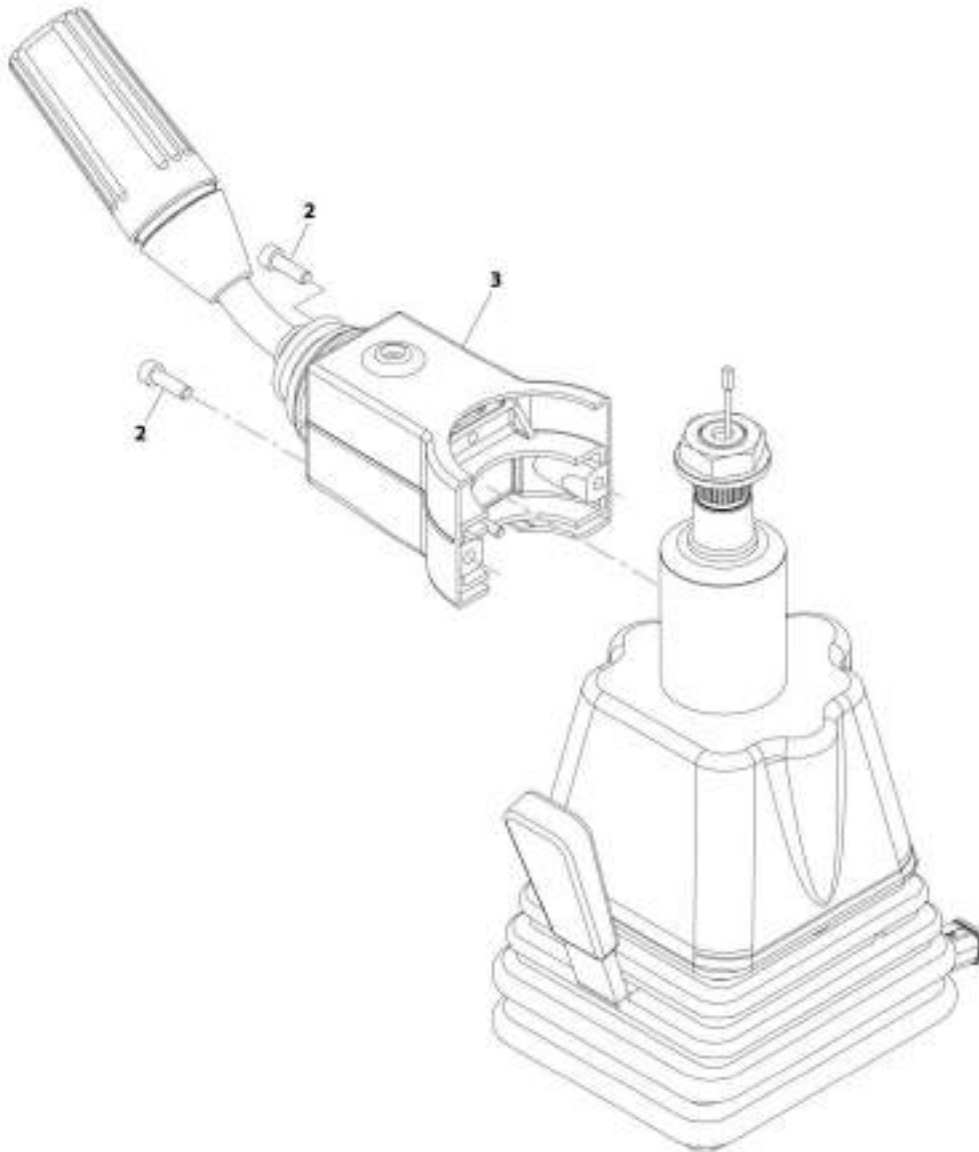
## SECTION 7 - CONTROLS

**FIGURE 7-10. COLUMN SHIFT INSTALLATION (2 SPEED)**

ITEM	PART NUMBER	QTY	DESCRIPTION	REV
	1001220507	Ref	Column Shift Installation (2 Speed)	A
1	4031607	2	Bolt, M5-0.8X16	
2	1001197667	1	Lever, FNR (2 Speed)	

## SECTION 7 - CONTROLS

FIGURE 7-11. COLUMN SHIFT INSTALLATION (0 SPEED)



ART\_1001179931-C



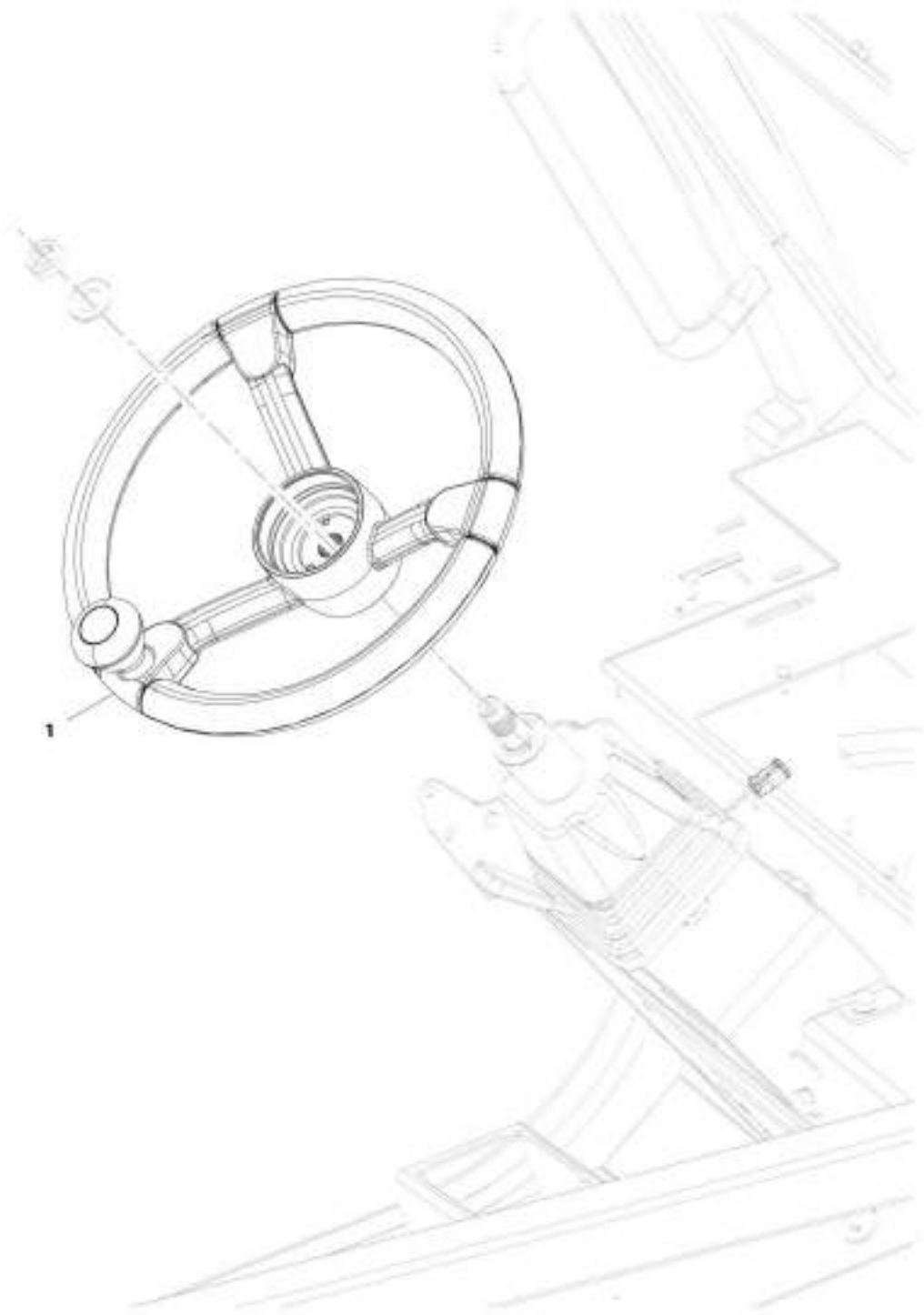
## SECTION 7 - CONTROLS

**FIGURE 7-11. COLUMN SHIFT INSTALLATION (0 SPEED)**

ITEM	PART NUMBER	QTY	DESCRIPTION	REV
	1001179931	Ref	Column Shift Installation (0 Speed)	C
2	4031607	2	Bolt, M5-0.8X16	
3	1001163697	1	Lever, FNR (0 Speed)	

## SECTION 7 - CONTROLS

FIGURE 7-12. STEERING WHEEL INSTALLATION



ART\_100168751-C

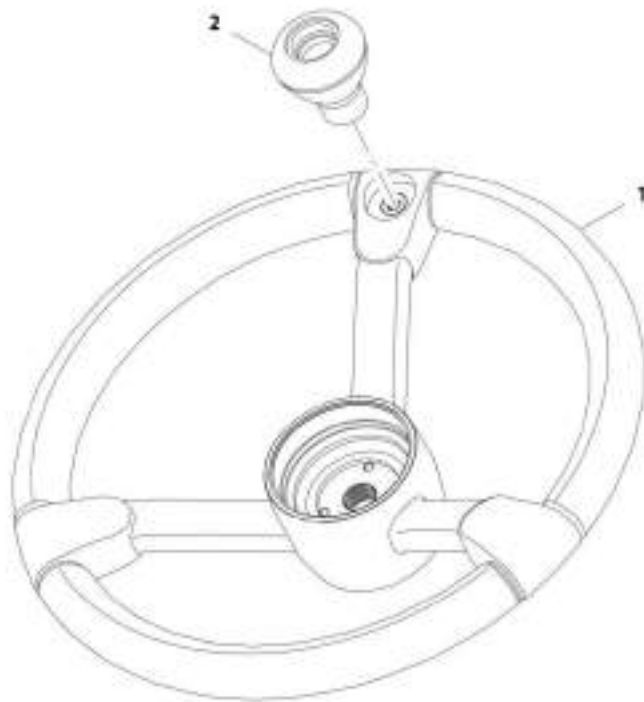
## SECTION 7 - CONTROLS

**FIGURE 7-12. STEERING WHEEL INSTALLATION**

ITEM	PART NUMBER	QTY	DESCRIPTION	REV
1	1001169751 1001169354	Ref 1	Steering Wheel Installation Wheel, Steering (See Separate Breakdown in this Section)	C

# SECTION 7 - CONTROLS

FIGURE 7-13. STEERING WHEEL



ART\_1001169354-D

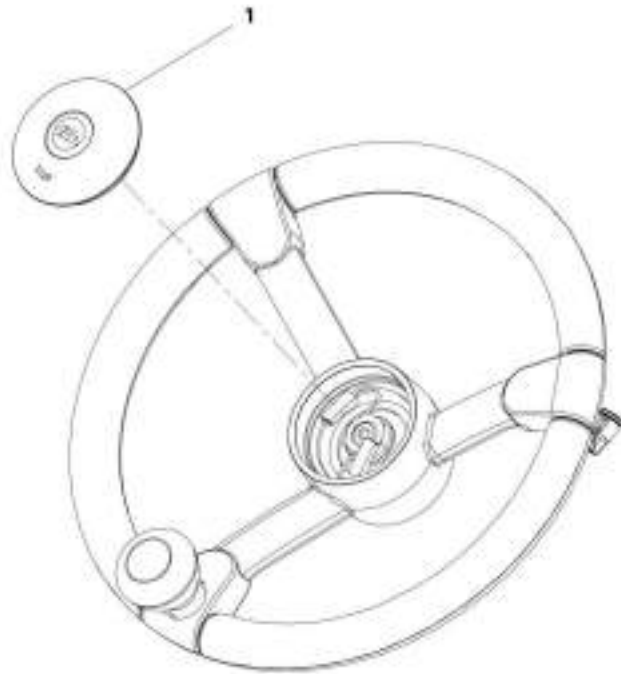
## SECTION 7 - CONTROLS

### FIGURE 7-13. STEERING WHEEL

ITEM	PART NUMBER	QTY	DESCRIPTION	REV
	1001169354	Ref	Steering Wheel	D
1	1001169367	1	Wheel, Steering	
2	1001169355	1	Handle, Steer Spinner	

## SECTION 7 - CONTROLS

FIGURE 7-14. HORN BUTTON INSTALLATION



ART\_100160763-A

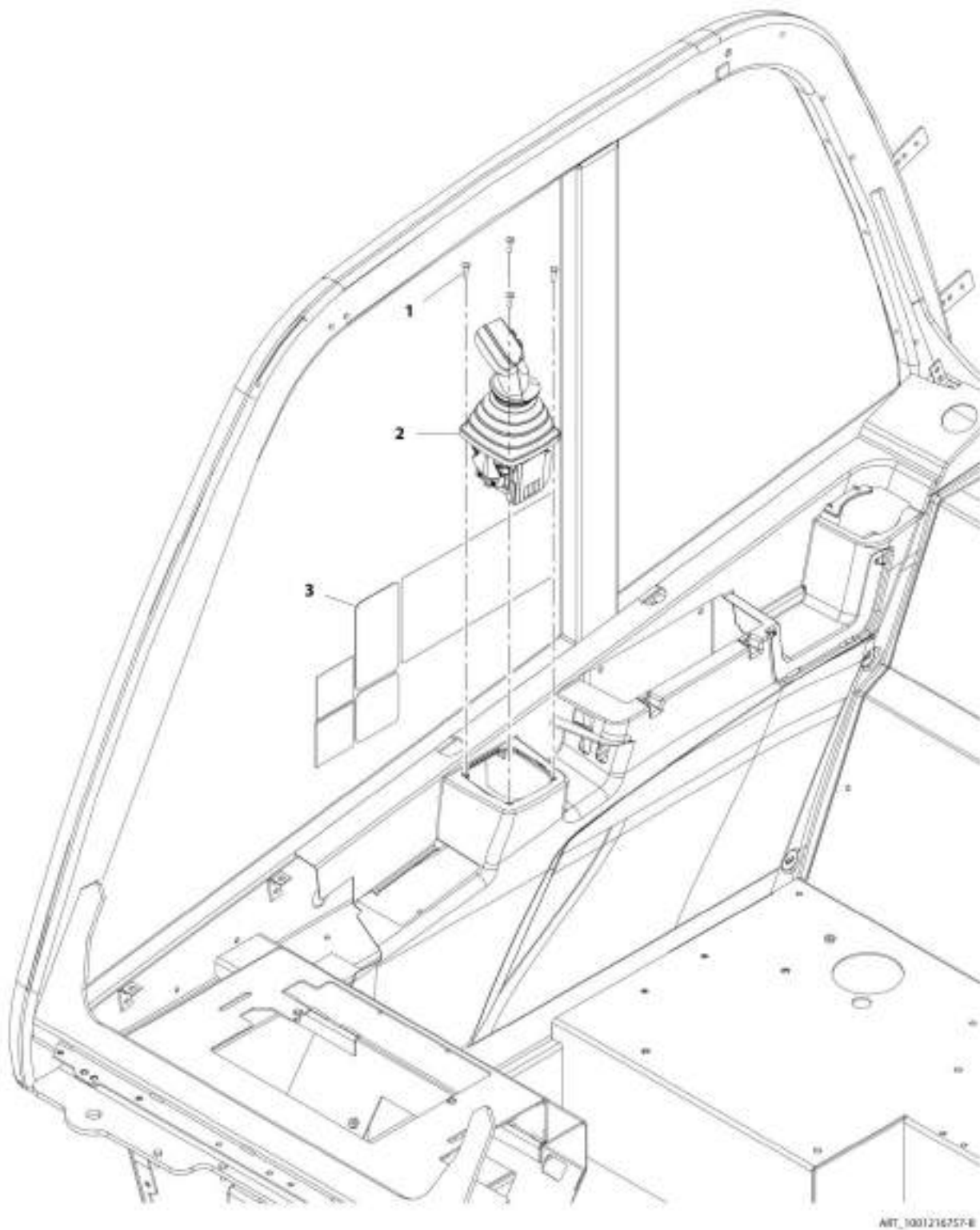
## SECTION 7 - CONTROLS

**FIGURE 7-14. HORN BUTTON INSTALLATION**

ITEM	PART NUMBER	QTY	DESCRIPTION	REV
1	1001169763 1001169268	Ref 1	Horn Button Installation Button, Horn	A

# SECTION 7 - CONTROLS

## FIGURE 7-15. JOYSTICK INSTALLATION (2 SPEED)



AIR\_1001216757-B



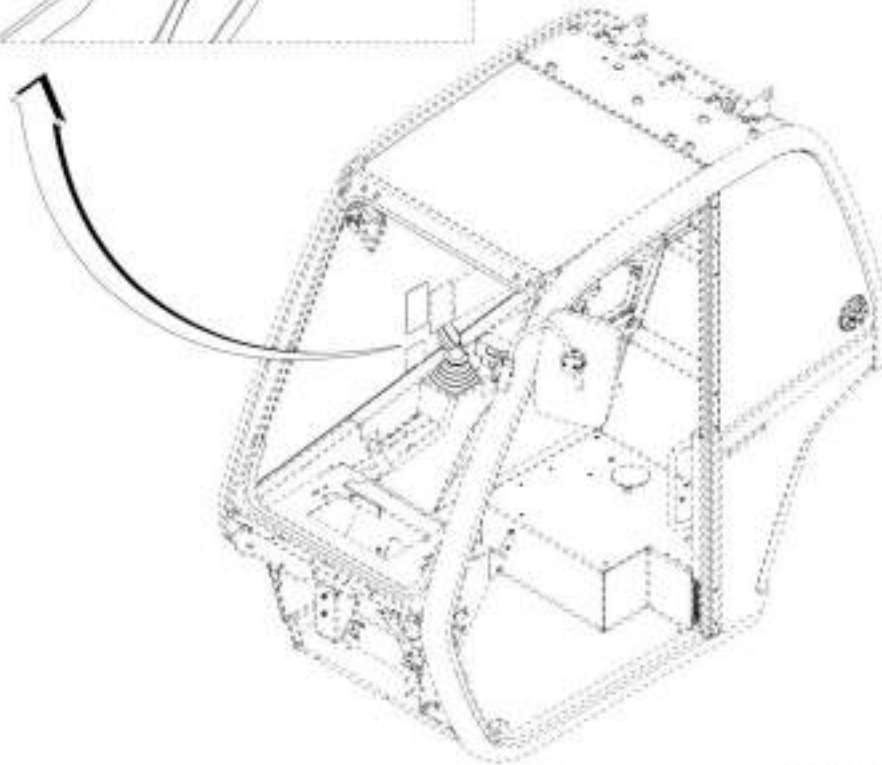
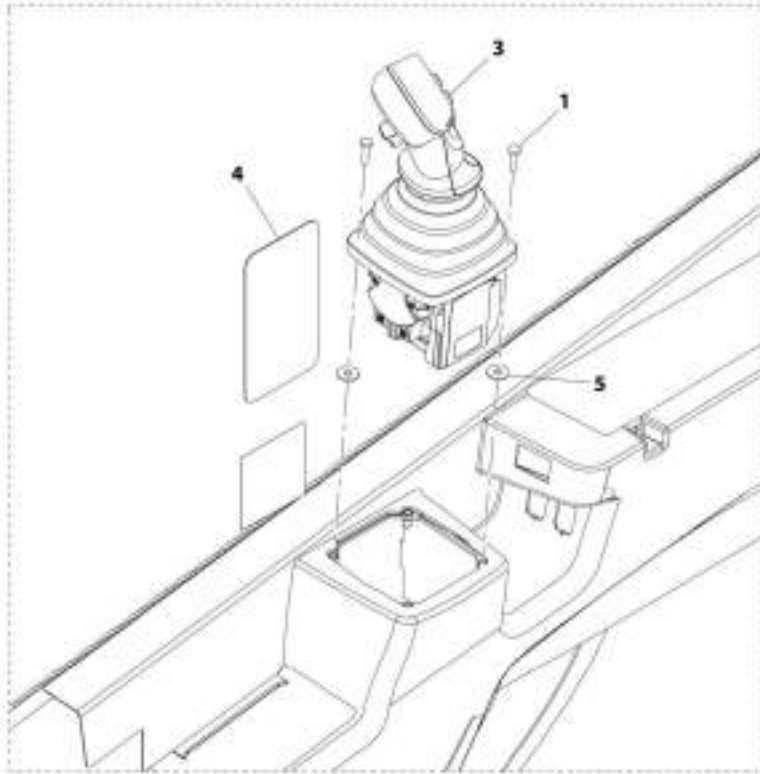
## SECTION 7 - CONTROLS

**FIGURE 7-15. JOYSTICK INSTALLATION (2 SPEED)**

ITEM	PART NUMBER	QTY	DESCRIPTION	REV
	1001216757	Ref	Joystick Installation (2 Speed)	B
1	4010510	4	Screw, M5X20	
2	1001222606	1	Joystick, 2R2B	
3	1001216803	1	Decal	

# SECTION 7 - CONTROLS

FIGURE 7-16. JOYSTICK INSTALLATION (0 SPEED)



ART. 1001967004-F

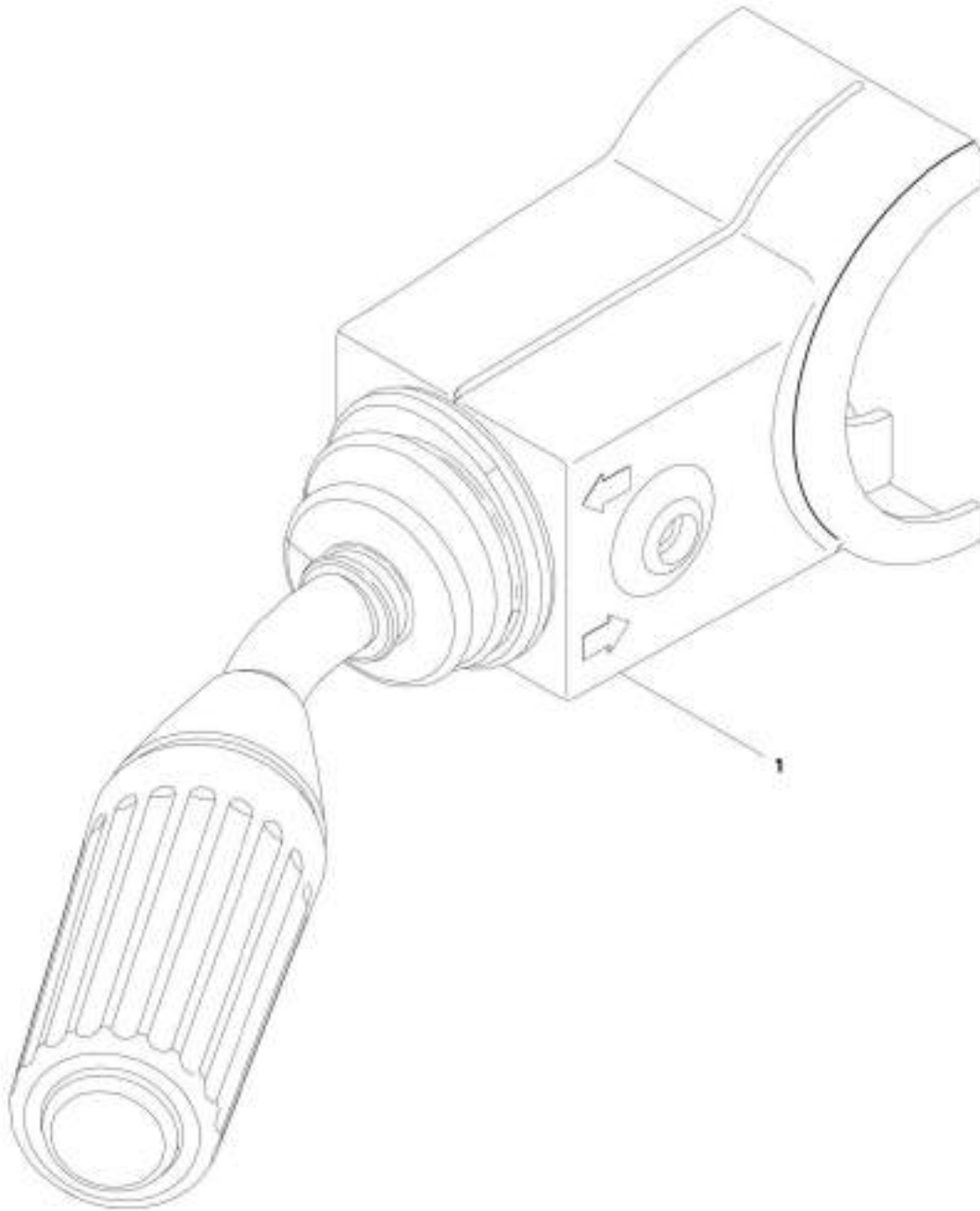
## SECTION 7 - CONTROLS

**FIGURE 7-16. JOYSTICK INSTALLATION (0 SPEED)**

ITEM	PART NUMBER	QTY	DESCRIPTION	REV
	1001167004	Ref	Joystick Installation	F
1	4010510	4	Screw, M5X20	
3	1001222603	1	Joystick	
4	1001236404	1	Decal, Joystick	
5	4811702001	AR	Washer, M6	

# SECTION 7 - CONTROLS

FIGURE 7-17. WIPER-TURN SWITCH



ART\_1001105655.A

## SECTION 7 - CONTROLS

FIGURE 7-17. WIPER-TURN SWITCH

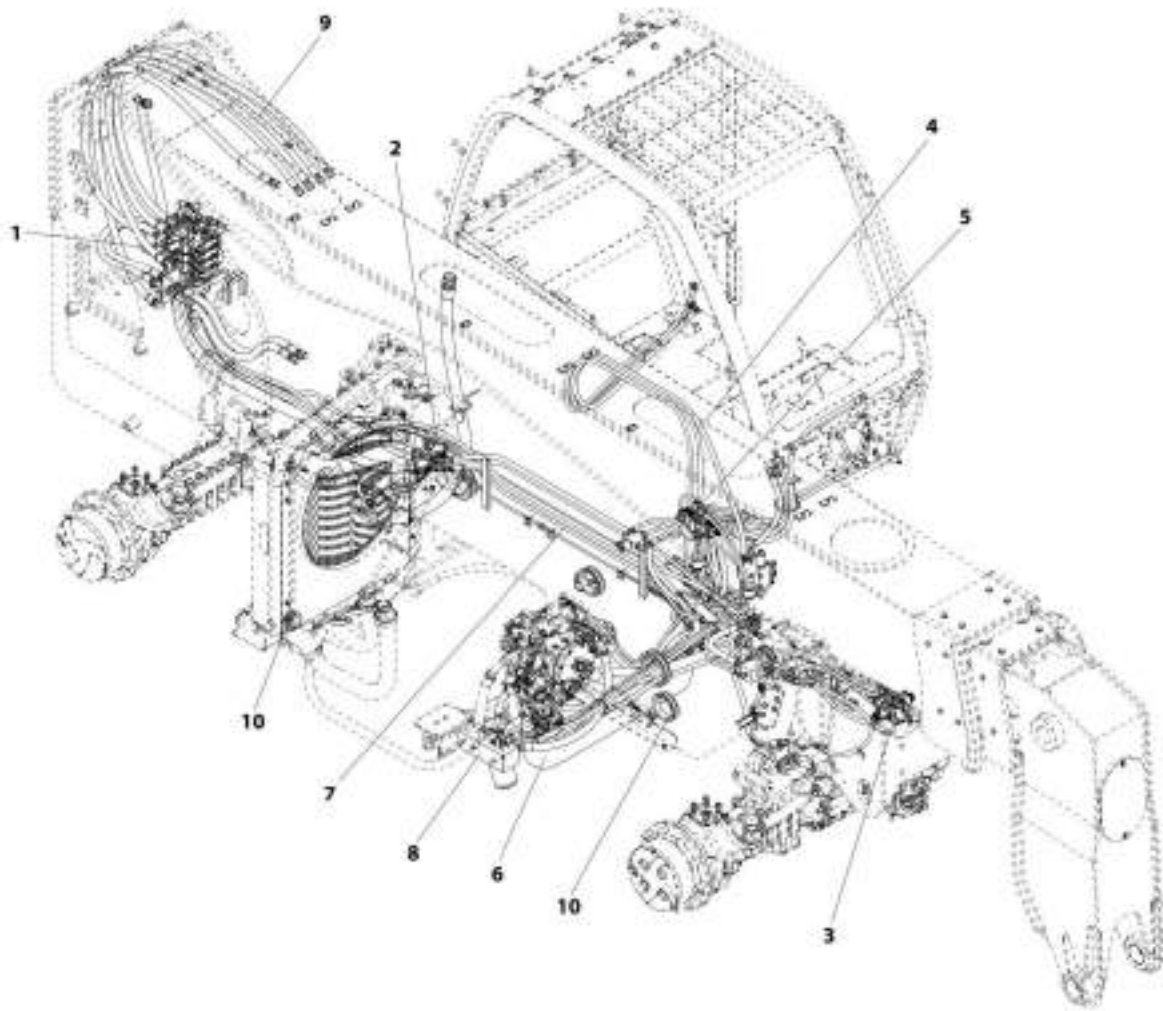
ITEM	PART NUMBER	QTY	DESCRIPTION	REV
1	1001163695	1	Wiper-Turn Switch	A



**SECTION 8 - HYDRAULIC CIRCUITS**

# SECTION 8 - HYDRAULIC CIRCUITS

## FIGURE 8-1. MAIN HYDRAULIC INSTALLATION



ARE\_1001302645-0



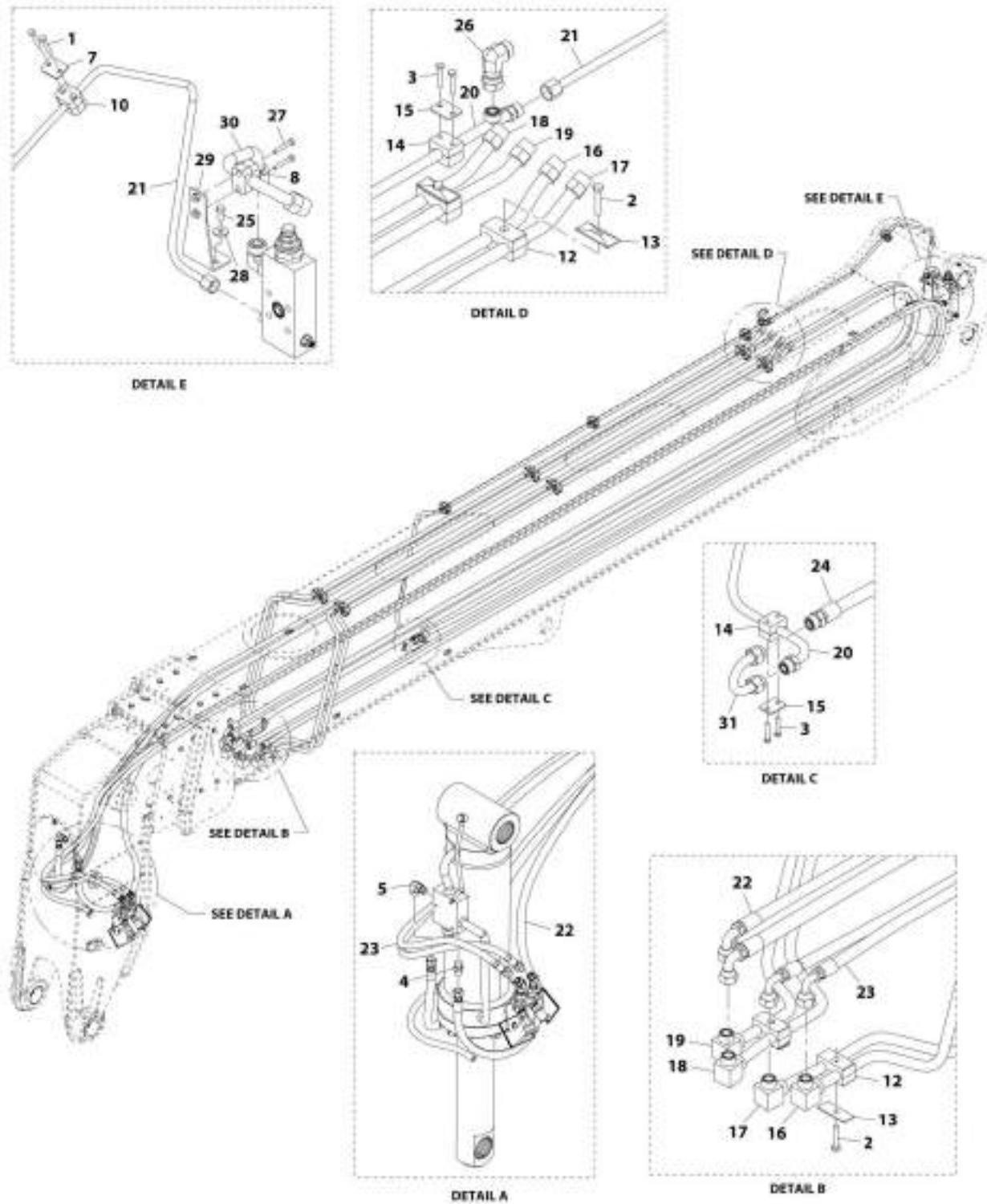
## SECTION 8 - HYDRAULIC CIRCUITS

**FIGURE 8-1. MAIN HYDRAULIC INSTALLATION**

ITEM	PART NUMBER	QTY	DESCRIPTION	REV
1	1001202645	Ref	Main Hydraulic Installation	D
	1001220457	Ref	Installation, Main Control Valve (See Seperate Breakdown in this Section)	
2	1001193516	Ref	Installation, Steering Select Valve (See Seperate Breakdown in this Section)	
3	1001193517	Ref	Installation, Frame Level Valve (See Seperate Breakdown in this Section)	
4	1001193709	Ref	Installation, Cab Hydraulics (See Seperate Breakdown in this Section)	
5	1001197196	Ref	Installation, Speed Control Valve (See Seperate Breakdown in this Section)	
6	1001202024	Ref	Installation, Engine Bay Hydraulic (See Seperate Breakdown in this Section)	
7	1001202025	Ref	Installation, Frame Hydraulics (See Seperate Breakdown in this Section)	
8	1001202026	Ref	Installation, Charge Filter Lines	
9	1001210522	Ref	Installation, Boom Lines (See Seperate Breakdown in this Section)	
10	1001213026	Ref	Installation, Grommets (See Seperate Breakdown in Frame and Attaching Parts Section)	

# SECTION 8 - HYDRAULIC CIRCUITS

## FIGURE 8-2. BOOM HYDRAULIC INSTALLATION



AWT\_1001205175-H

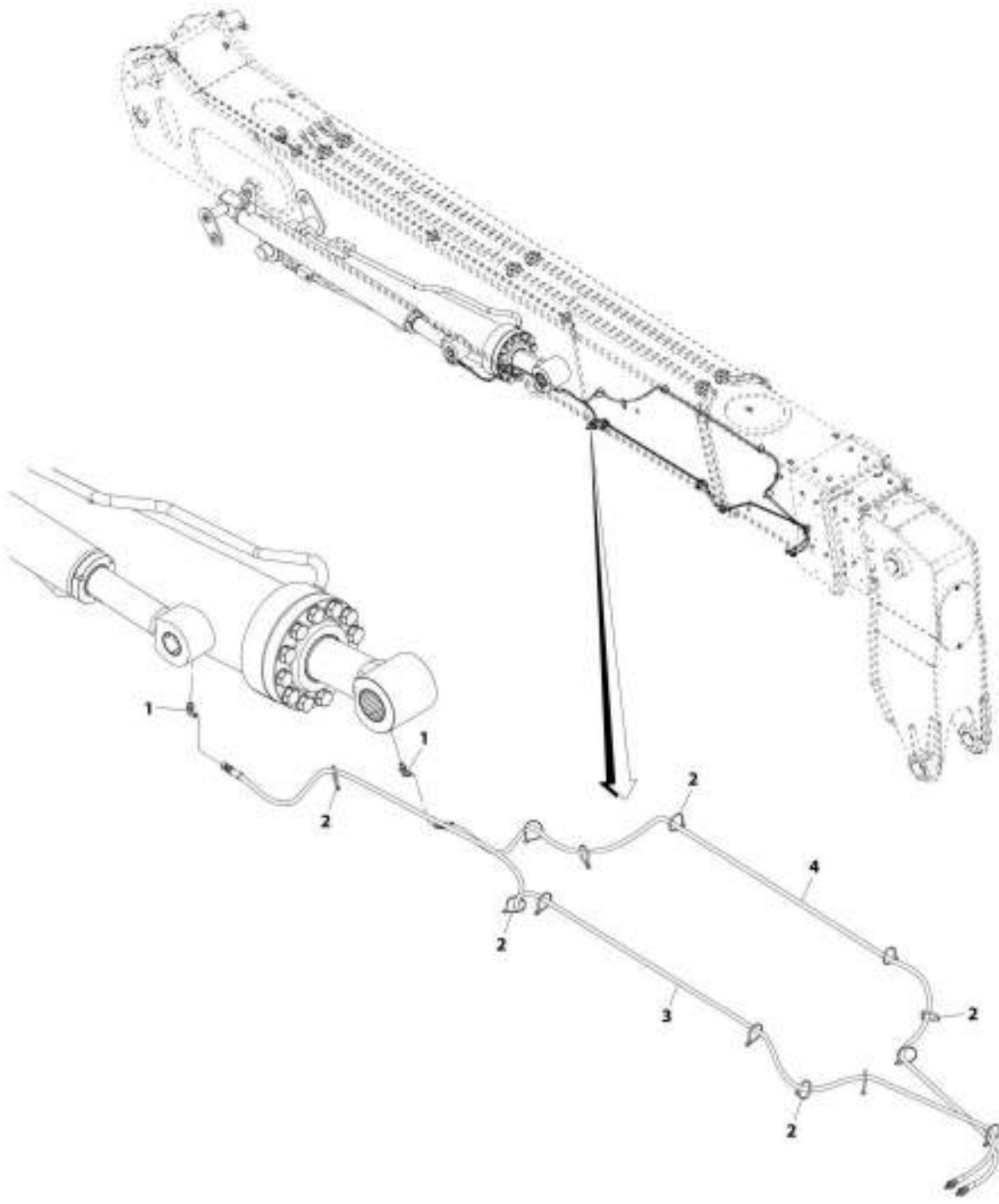
## SECTION 8 - HYDRAULIC CIRCUITS

**FIGURE 8-2. BOOM HYDRAULIC INSTALLATION**

ITEM	PART NUMBER	QTY	DESCRIPTION	REV
	1001205375	Ref	Boom Hydraulic Installation	F
1	0700616	2	Bolt, M6X40	
2	0700817	8	Bolt, M8X45	
3	0760615	8	Bolt, M6X35	
4	2111010	1	Fitting, Straight ORFS	
5	2131010	1	Fitting, 90 ORFS	
7	8769146	1	Plate, Cover	
8	8769152	1	Clamp	
10	8769199	1	Clamp	
12	77133136	8	Clamp	
13	77133137	8	Plate, Cover	
14	77133497	4	Clamp	
15	1001105093	4	Plate, Cover	
16	1001209201	1	Pipe	
17	1001209200	1	Pipe	
18	1001209202	1	Pipe	
19	1001209203	1	Pipe	
20	1001205380	1	Pipe	
21	1001205381	1	Tube	
22	1001210568	1	Hose	
23	1001210569	1	Hose	
24	1001229422	1	Hose	
25	0760810	2	Bolt, M8X20	
26	2172110	1	Fitting, 90 ORFS	
27	4031712	2	Bolt, M6X40	
28	4811902	2	Washer, M8	
29	1001209972	1	Bracket	
30	1001210270	1	Tube	
31	1001220942	1	Pipe	

# SECTION 8 - HYDRAULIC CIRCUITS

FIGURE 8-3. REMOTE GREASE INSTALLATION



ART\_1001217355-B

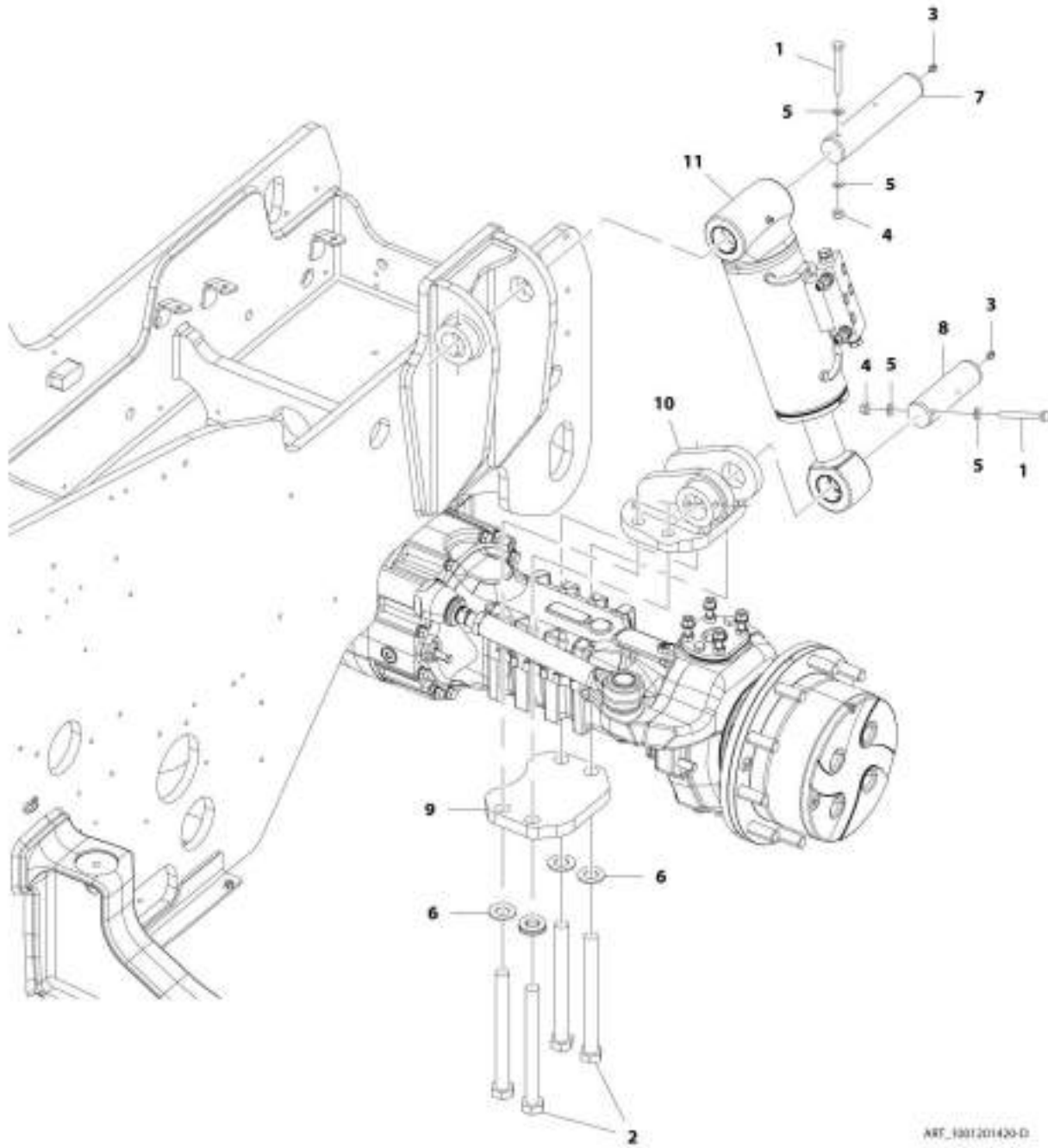
## SECTION 8 - HYDRAULIC CIRCUITS

### FIGURE 8-3. REMOTE GREASE INSTALLATION

ITEM	PART NUMBER	QTY	DESCRIPTION	REV
	1001217353	Ref	Remote Grease Installation	B
1	8770215	2	Fitting, 90 ORFS	
2	1001008559	13	Strap, Cable	
3	1001217355	1	Hose	
4	1001217354	1	Hose	

# SECTION 8 - HYDRAULIC CIRCUITS

## FIGURE 8-4. FRAME LEVEL INSTALLATION



ART\_1801201420-D

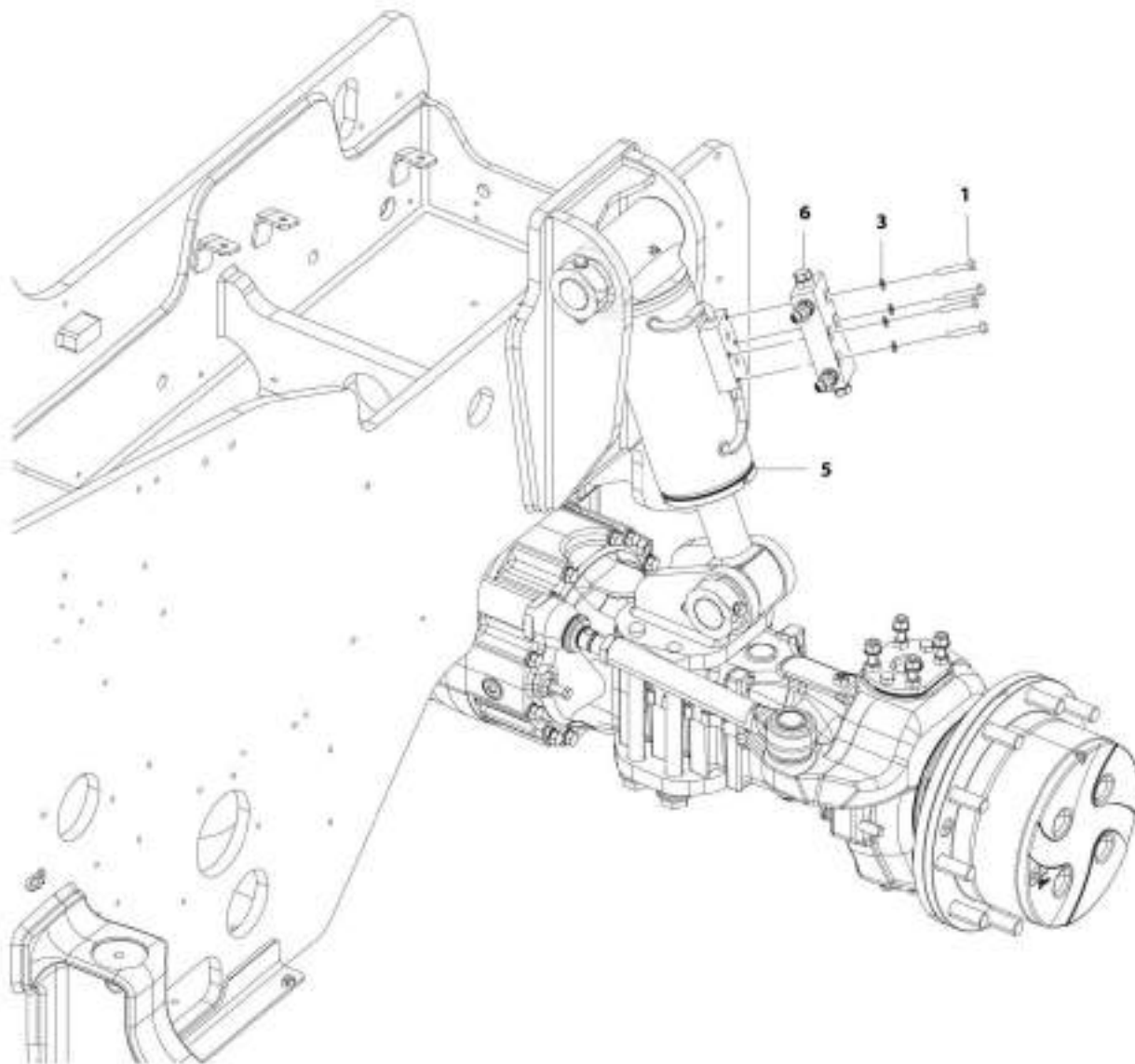
## SECTION 8 - HYDRAULIC CIRCUITS

### FIGURE 8-4. FRAME LEVEL INSTALLATION

ITEM	PART NUMBER	QTY	DESCRIPTION	REV
	1001201420	Ref	Frame Level Installation	D
1	0701027	2	Bolt, M10X100	
2	0712442	4	Bolt, M24X250 Grade 10.9	
3	2160016	2	Fitting, Grease	
4	3291005	2	Nut, Lock M0X1.5 Grade 8	
5	4812000	4	Washer, M10	
6	5242400	6	Washer, M24	
7	1001164971	1	Pin	
8	1001164972	1	Pin	
9	1001207325	1	Plate, Sway Bottom	
10	1001200226	1	Bracket, Axle Sway	
11	1001201074	Ref	Installation, Frame Level Cylinder (See Separate Breakdown in this Section)	

## SECTION 8 - HYDRAULIC CIRCUITS

FIGURE 8-5. FRAME LEVEL CYLINDER INSTALLATION



AWT\_1001281074-8



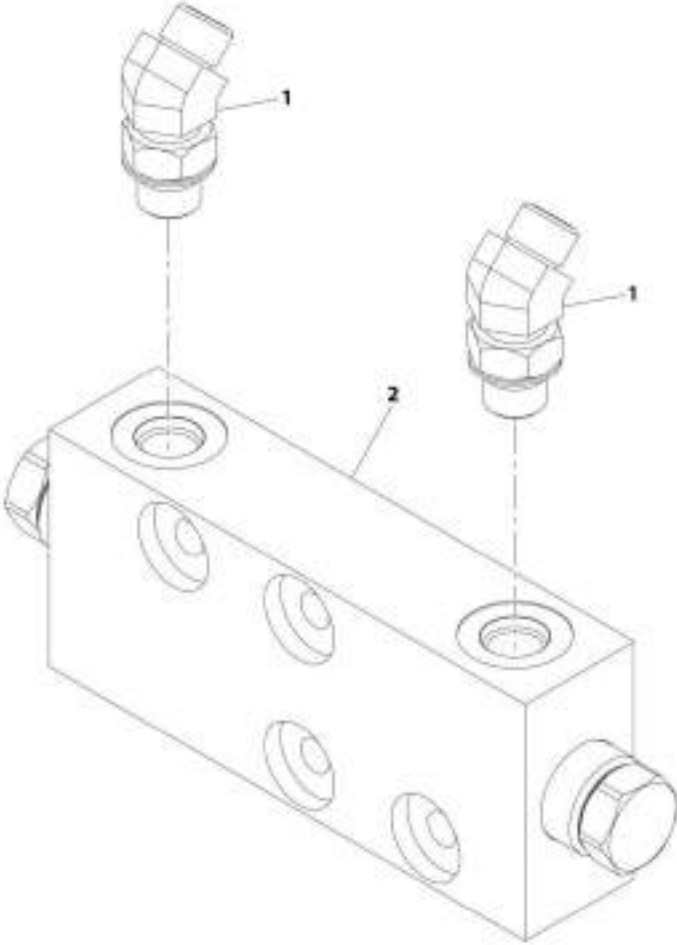
## SECTION 8 - HYDRAULIC CIRCUITS

### FIGURE 8-5. FRAME LEVEL CYLINDER INSTALLATION

ITEM	PART NUMBER	QTY	DESCRIPTION	REV
	1001201074	Ref	Frame Level Cylinder Installation	B
1	0700818	4	Bolt, M8X50	
3	4811900	4	Washer, M8	
5	1001201073	1	Cylinder, Frame Level (See Separate Breakdown in Hydraulic Components Section)	
6	1001217482	1	Assembly, Frame Level Valve (See Separate Breakdown in this Section)	

**SECTION 8 - HYDRAULIC CIRCUITS**

**FIGURE 8-6. FRAME LEVEL VALVE ASSEMBLY**



ART\_1001217463-A

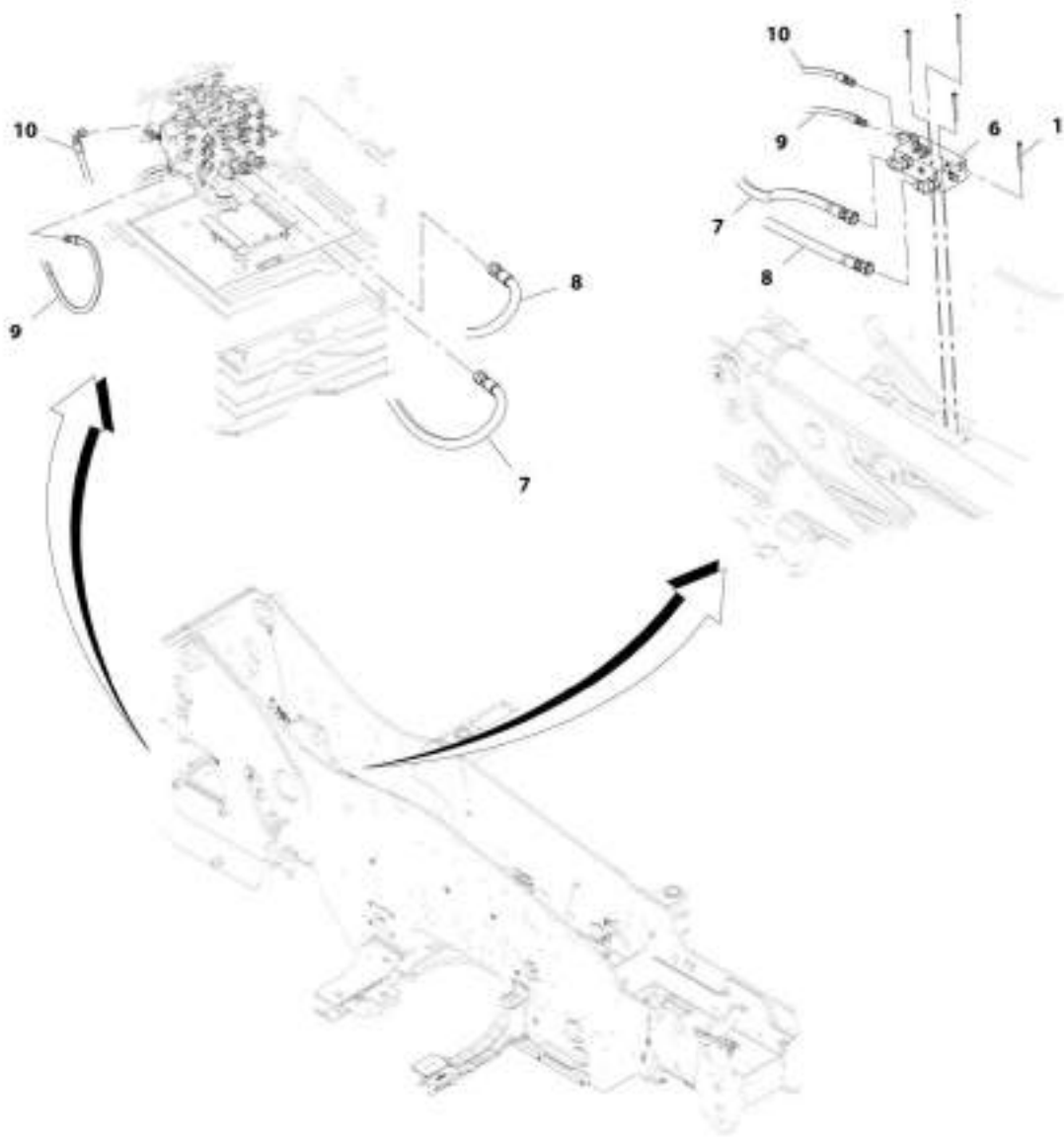
## SECTION 8 - HYDRAULIC CIRCUITS

FIGURE 8-6. FRAME LEVEL VALVE ASSEMBLY

ITEM	PART NUMBER	QTY	DESCRIPTION	REV
	1001217482	Ref	Frame Level Valve Assembly	A
1	2150406	2	Fitting, 45 ORFS	
2	1001168599	1	Valve, Counterbalance (See Seperate Breakdown in the Hydraulic Component Section)	

# SECTION 8 - HYDRAULIC CIRCUITS

FIGURE 8-7. BOOM RAISE HOSE INSTALLATION (NO RIDE CONTROL)



ART\_1001194702-F

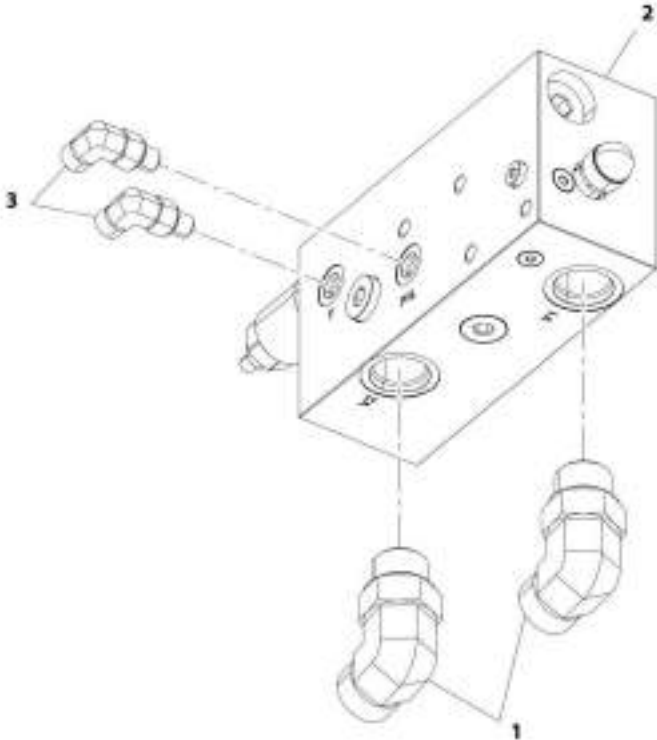
## SECTION 8 - HYDRAULIC CIRCUITS

**FIGURE 8-7. BOOM RAISE HOSE INSTALLATION (NO RIDE CONTROL)**

ITEM	PART NUMBER	QTY	DESCRIPTION	REV
	1001194702	Ref	Boom Raise Hose Installation (no Ride Control)	F
1	4031921	4	Bolt, M8X85	
6	1001219764	1	Valve, Boom Raise Counterbalance (no Ride Control) (See Separate Breakdown in this Section)	
7	1001225392	1	Hose, ORFS	
8	1001225393	1	Hose, ORFS	
9	1001226828	1	Hose, ORFS	
10	1001226829	1	Hose, ORFS	

**SECTION 8 - HYDRAULIC CIRCUITS**

**FIGURE 8-8. BOOM RAISE COUNTERBALANCE VALVE (NO RIDE CONTROL)**



ART\_1001219784-C

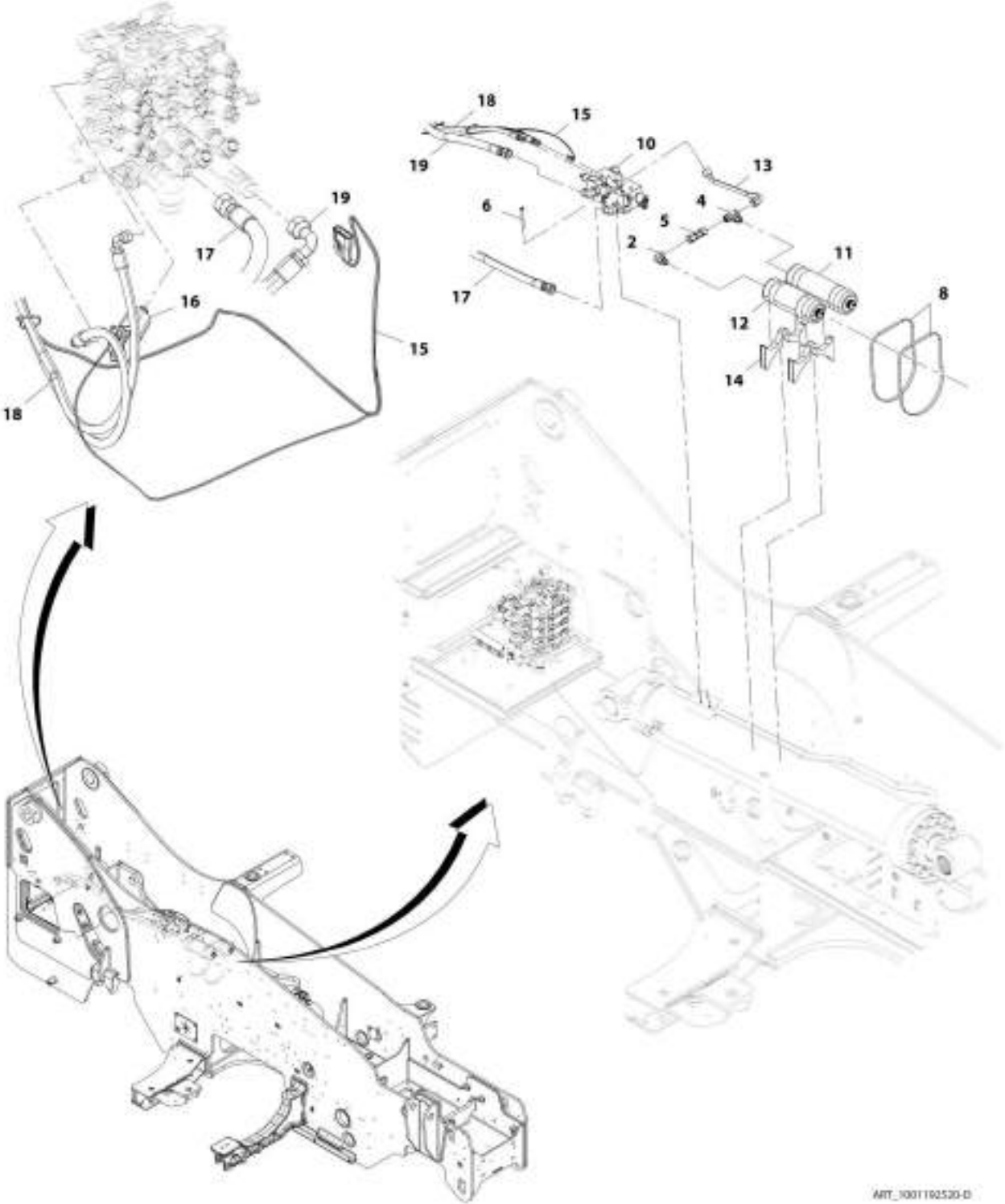
## SECTION 8 - HYDRAULIC CIRCUITS

**FIGURE 8-8. BOOM RAISE COUNTERBALANCE VALVE (NO RIDE CONTROL)**

ITEM	PART NUMBER	QTY	DESCRIPTION	REV
	1001219764	Ref	Boom Raise Counterbalance Valve (no Ride Control)	C
1	2131212	2	Fitting, 90 ORFS	
2	1001224944	1	Valve, GLS (See Seperate Breakdown in Hydraulic Components Section)	
3	2130404	2	Fitting, 90 ORFS	

# SECTION 8 - HYDRAULIC CIRCUITS

FIGURE 8-9. BOOM RAISE HOSE INSTALLATION (RIDE CONTROL)



ART\_1001102520-D



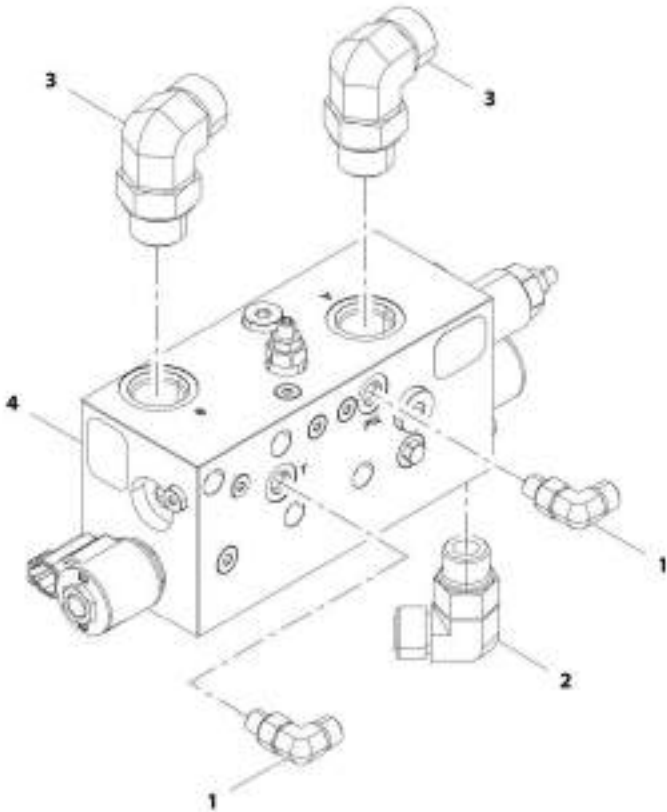
## SECTION 8 - HYDRAULIC CIRCUITS

**FIGURE 8-9. BOOM RAISE HOSE INSTALLATION (RIDE CONTROL)**

ITEM	PART NUMBER	QTY	DESCRIPTION	REV
	1001192520	Ref	Boom Raise Hose Installation (Ride Control)	D
2	2131010	1	Fitting, 90 ORFS	
4	2170410	1	Fitting, Tee ORFS	
5	2172410	1	Fitting, Straight ORFS	
6	4031921	4	Bolt, M8X85	
8	1001214829	2	Clamp	
10	1001219765	1	Assembly, Ride and Float Valve (See Separate Breakdown in this Section)	
11	1001192771	1	Cylinder, Piston	
12	1001192772	1	Cylinder, Piston	
13	1001225390	1	Pipe	
14	1001196402	2	Bumper	
15	1001200105	1	Installation, Ride Control Wiring (See Separate Breakdown in Electrical Section)	
16	1001202020	1	Valve, MCV Tank Cartridge	
17	1001225393	1	Hose	
18	1001226829	2	Hose	
19	1001227440	1	Hose	

**SECTION 8 - HYDRAULIC CIRCUITS**

**FIGURE 8-10. RIDE AND FLOAT VALVE ASSEMBLY**



AWT\_3001219702-B

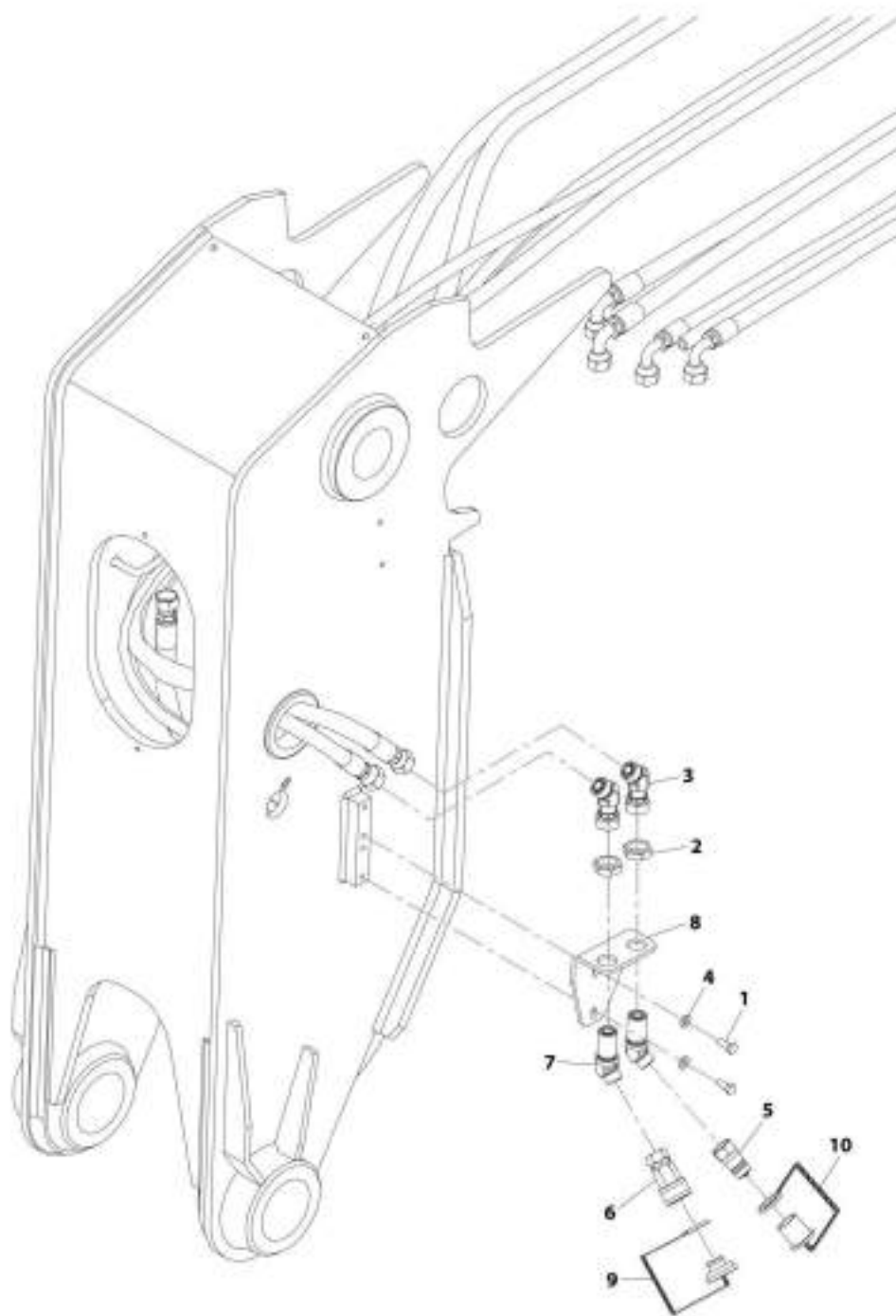
## SECTION 8 - HYDRAULIC CIRCUITS

FIGURE 8-10. RIDE AND FLOAT VALVE ASSEMBLY

ITEM	PART NUMBER	QTY	DESCRIPTION	REV
	1001219765	1	Ride and Float Valve Assembly	B
1	2130404	2	Fitting, 90 ORFS	
2	2131010	1	Fitting, 90 ORFS	
3	2131212	2	Fitting, 90 ORFS	
4	1001224945	1	Valve, GLS (See Separate Breakdown in Hydraulic Components Section)	

# SECTION 8 - HYDRAULIC CIRCUITS

## FIGURE 8-11. BOOM AUX HYDRAULIC INSTALLATION (MANUAL - SINGLE)



AWT\_1001192383-D

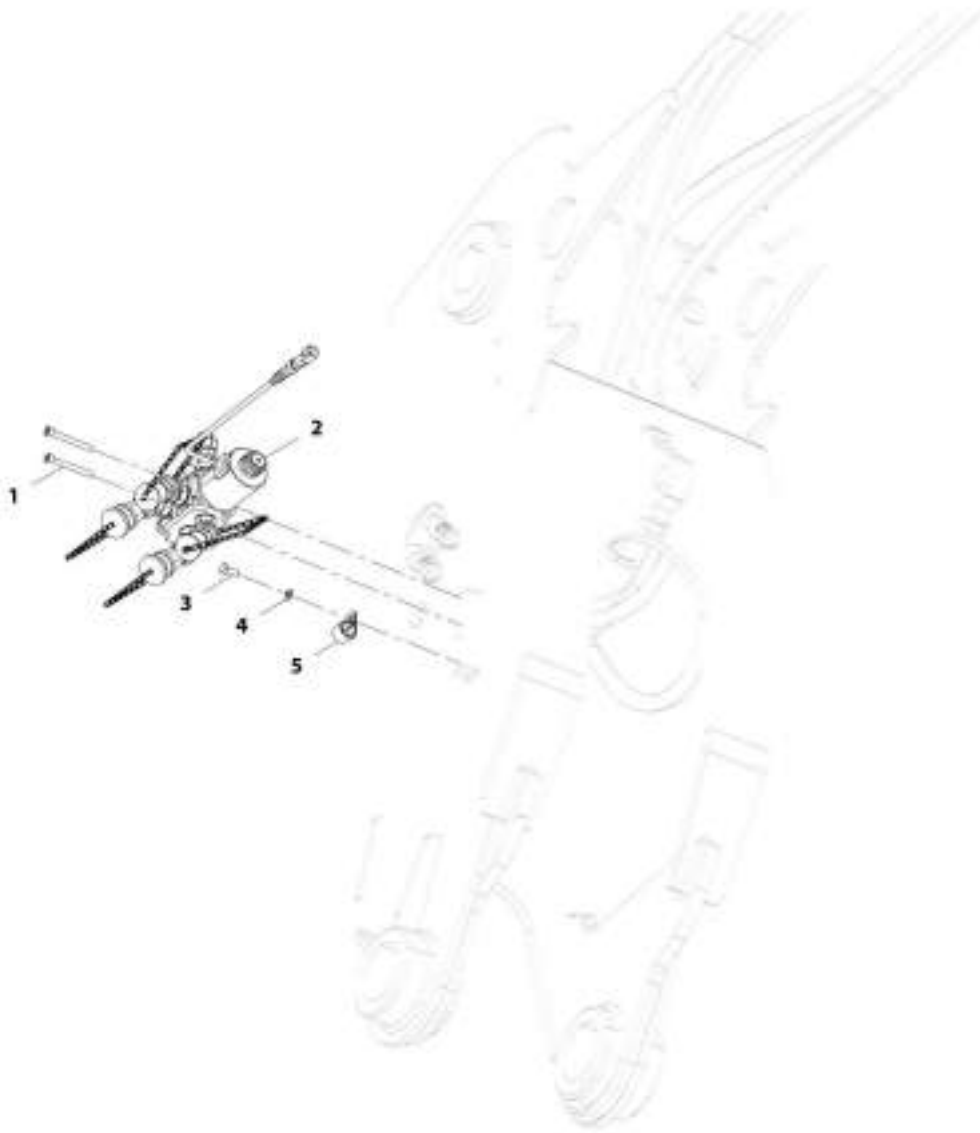
## SECTION 8 - HYDRAULIC CIRCUITS

**FIGURE 8-11. BOOM AUX HYDRAULIC INSTALLATION (MANUAL - SINGLE)**

ITEM	PART NUMBER	QTY	DESCRIPTION	REV
	1001192363	Ref	Boom Aux Hydraulic Installation (manual - single)	D
1	0760810	2	Bolt, M8X20	
2	8770075	2	Fitting, ORFS	
3	1001147416	2	Fitting, 45 ORFS	
4	5240800	2	Washer, M8	
5	1001101041	1	Coupling, Male Quick Disconnect	
6	1001101042	1	Coupling, Female Quick Disconnect	
7	1001217553	2	Fitting, 45 ORFS	
8	1001217552	1	Bracket	
9	91043125	1	Plug	
10	91043126	1	Cap, Dust	

## SECTION 8 - HYDRAULIC CIRCUITS

FIGURE 8-12. BOOM AUX HYDRAULIC INSTALLATION (MANUAL - TWIN)



ART\_1001192186-C

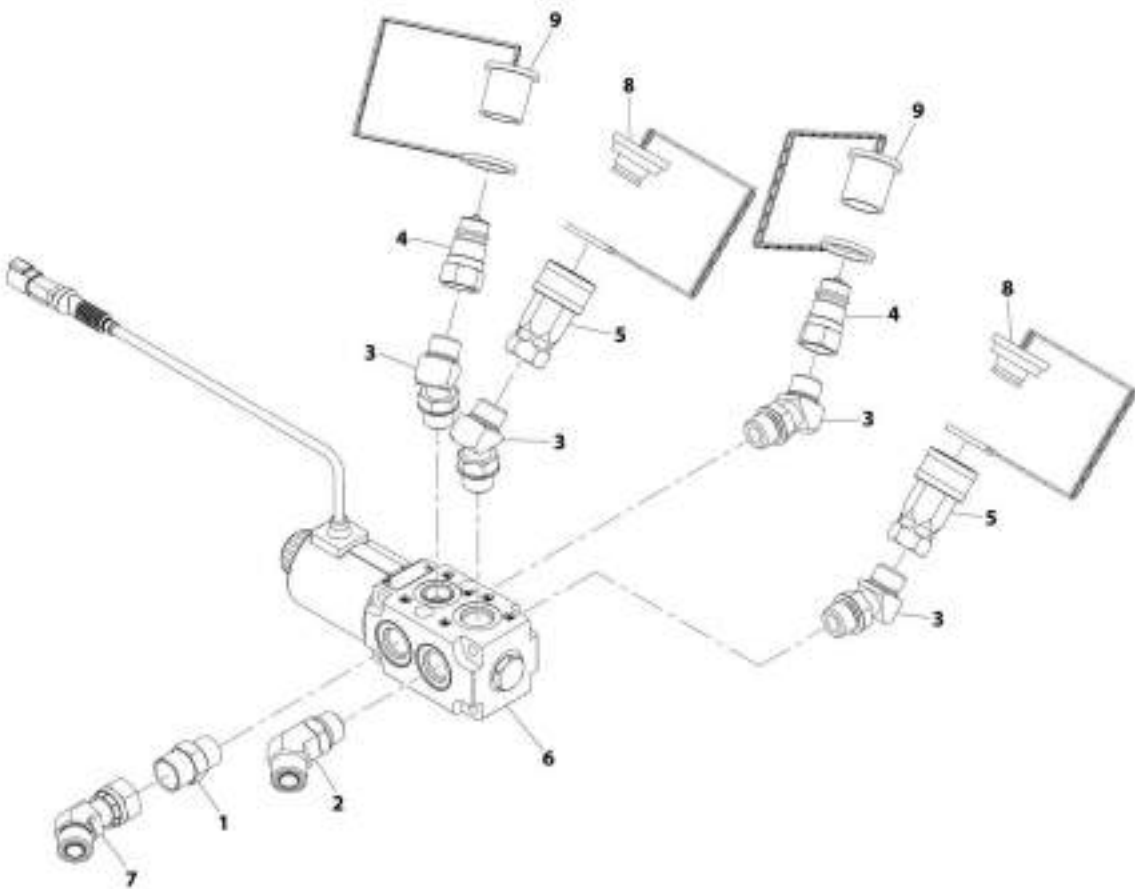
## SECTION 8 - HYDRAULIC CIRCUITS

**FIGURE 8-12. BOOM AUX HYDRAULIC INSTALLATION (MANUAL - TWIN)**

ITEM	PART NUMBER	QTY	DESCRIPTION	REV
	1001192366	Ref	Boom Aux Hydraulic Installation (manual - twin)	C
1	4031918	2	Bolt, M8X70	
2	1001213318	1	Assembly, Diverter Valve (manual - twin) (See Seperate Breakdown in this Section)	
3	0760810	1	Bolt, M8X20	
4	4811900	1	Washer, M8	
5	8406202	1	Clip	

**SECTION 8 - HYDRAULIC CIRCUITS**

**FIGURE 8-13. DIVERTER VALVE ASSEMBLY**



AWT\_1001213318-8



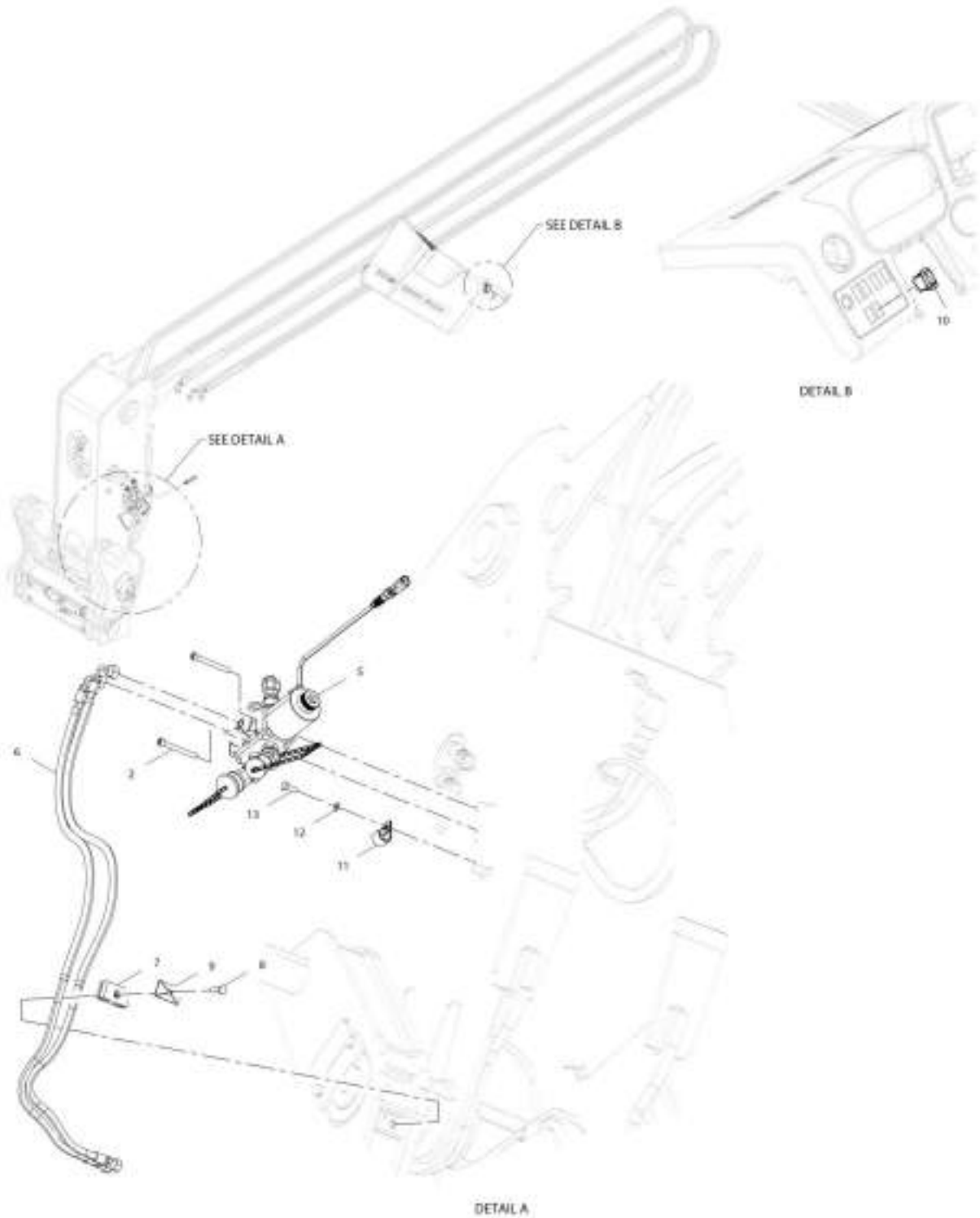
## SECTION 8 - HYDRAULIC CIRCUITS

### FIGURE 8-13. DIVERTER VALVE ASSEMBLY

ITEM	PART NUMBER	QTY	DESCRIPTION	REV
	1001213318	Ref	Diverter Valve Assembly	B
1	2111010	1	Fitting, Straight ORFS	
2	2151010	1	Fitting, 45 ORFS	
3	1001005904	4	Fitting, 45	
4	1001101041	2	Adapter, Male Quick Disconnect	
5	1001101042	2	Adapter, Female Quick Disconnect	
6	1001110023	1	Valve, Diverter (See Seperate Breakdown in Hydraulic Components Section)	
7	1001147416	1	Fitting, 45 ORFS	
8	91043125	2	Plug	
9	91043126	2	Cap	

# SECTION 8 - HYDRAULIC CIRCUITS

FIGURE 8-14. BOOM AUX HYDRAULIC INSTALLATION (HYDRAULIC - SINGLE)



ART\_0001192305-E

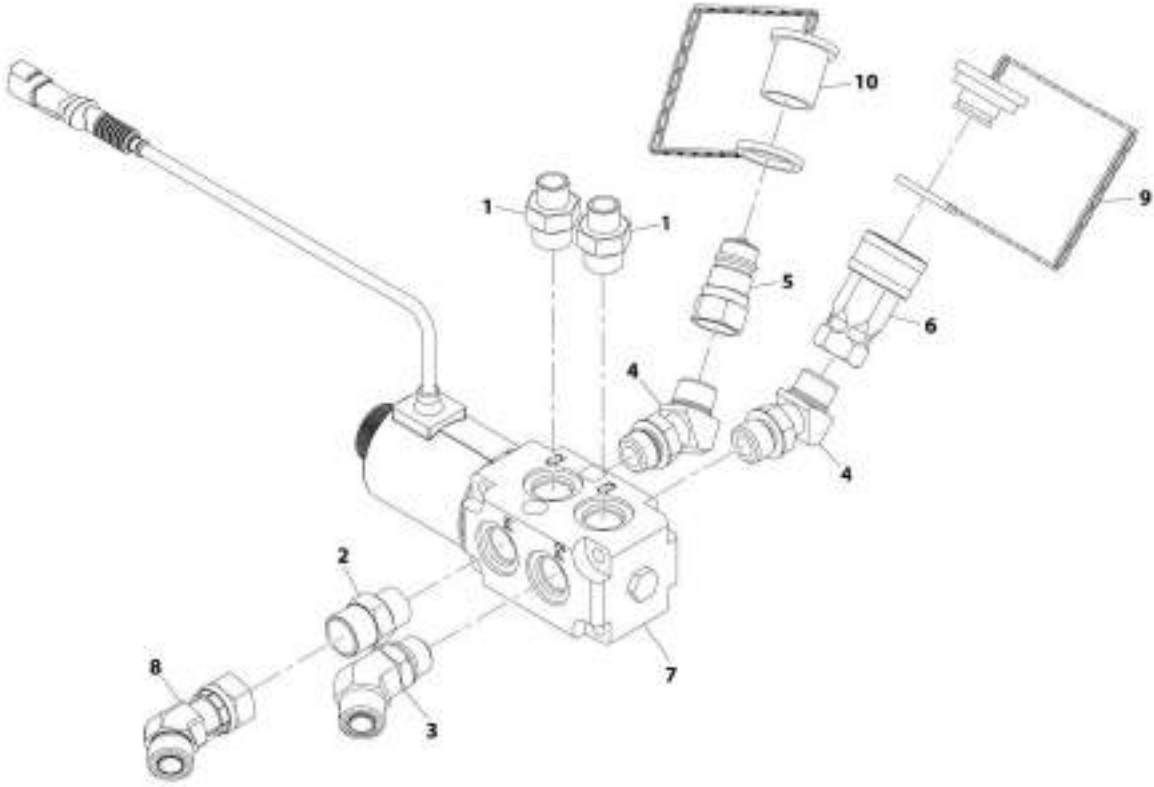
## SECTION 8 - HYDRAULIC CIRCUITS

**FIGURE 8-14. BOOM AUX HYDRAULIC INSTALLATION (HYDRAULIC - SINGLE)**

ITEM	PART NUMBER	QTY	DESCRIPTION	REV
	1001192365	Ref	Boom Aux Hydraulic Installation (hydraulic - single)	E
2	4031918	2	Bolt, M8X70	
5	1001213317	1	Assembly, Diverter Valve (hydraulic - single) (See Seperate Breakdown in this Section)	
6	1001193111	2	Hose	
7	8769126	1	Clamp	
8	0760815	1	Bolt, M8X35	
9	8769123	1	Plate, Cover	
10	1001080375	1	Switch	
11	8406202	1	Clip	
12	4811900	1	Washer, M8	
13	0760810	1	Bolt, M8X20	

**SECTION 8 - HYDRAULIC CIRCUITS**

**FIGURE 8-15. DIVERTER VALVE ASSEMBLY**



447\_1001211317-B

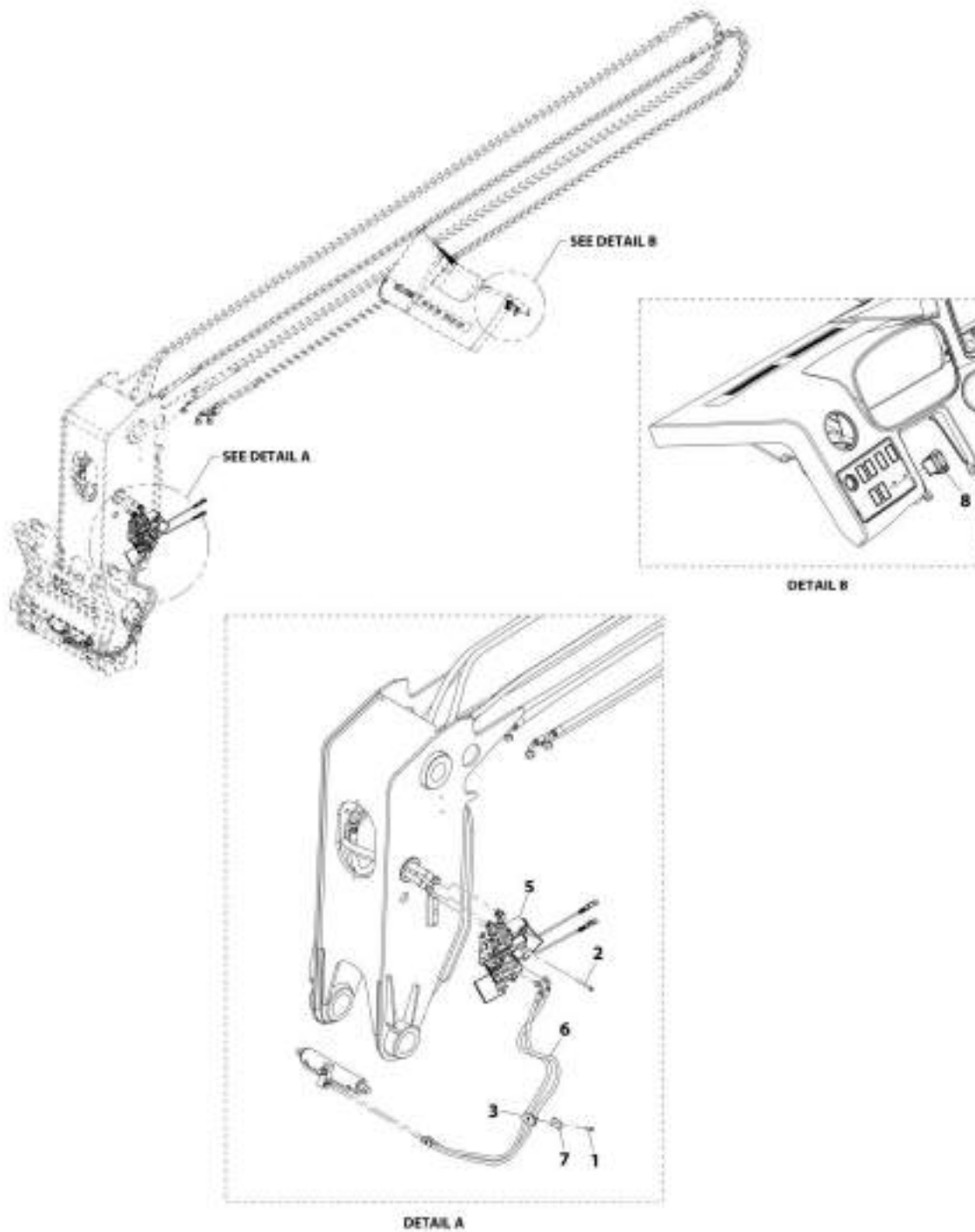
## SECTION 8 - HYDRAULIC CIRCUITS

### FIGURE 8-15. DIVERTER VALVE ASSEMBLY

ITEM	PART NUMBER	QTY	DESCRIPTION	REV
	1001213317	Ref	Diverter Valve Assembly	B
1	2110610	2	Fitting, Straight ORFS	
2	2111010	1	Fitting, Straight ORFS	
3	2151010	1	Fitting, 45 ORFS	
4	1001005904	2	Fitting, 45	
5	1001101041	1	Fitting, Male Quick Disconnect	
6	1001101042	1	Fitting, Female Quick Disconnect	
7	1001104477	1	Valve, Divertor (See Seperate Breakdown in Hydraulic Components Section)	
8	1001147416	1	Fitting, 45 ORFS	
9	91043125	1	Plug	
10	91043126	1	Cap, Dust	

# SECTION 8 - HYDRAULIC CIRCUITS

FIGURE 8-16. BOOM AUX HYDRAULIC INSTALLATION (HYDRAULIC - TWIN)



ART\_100192267-C

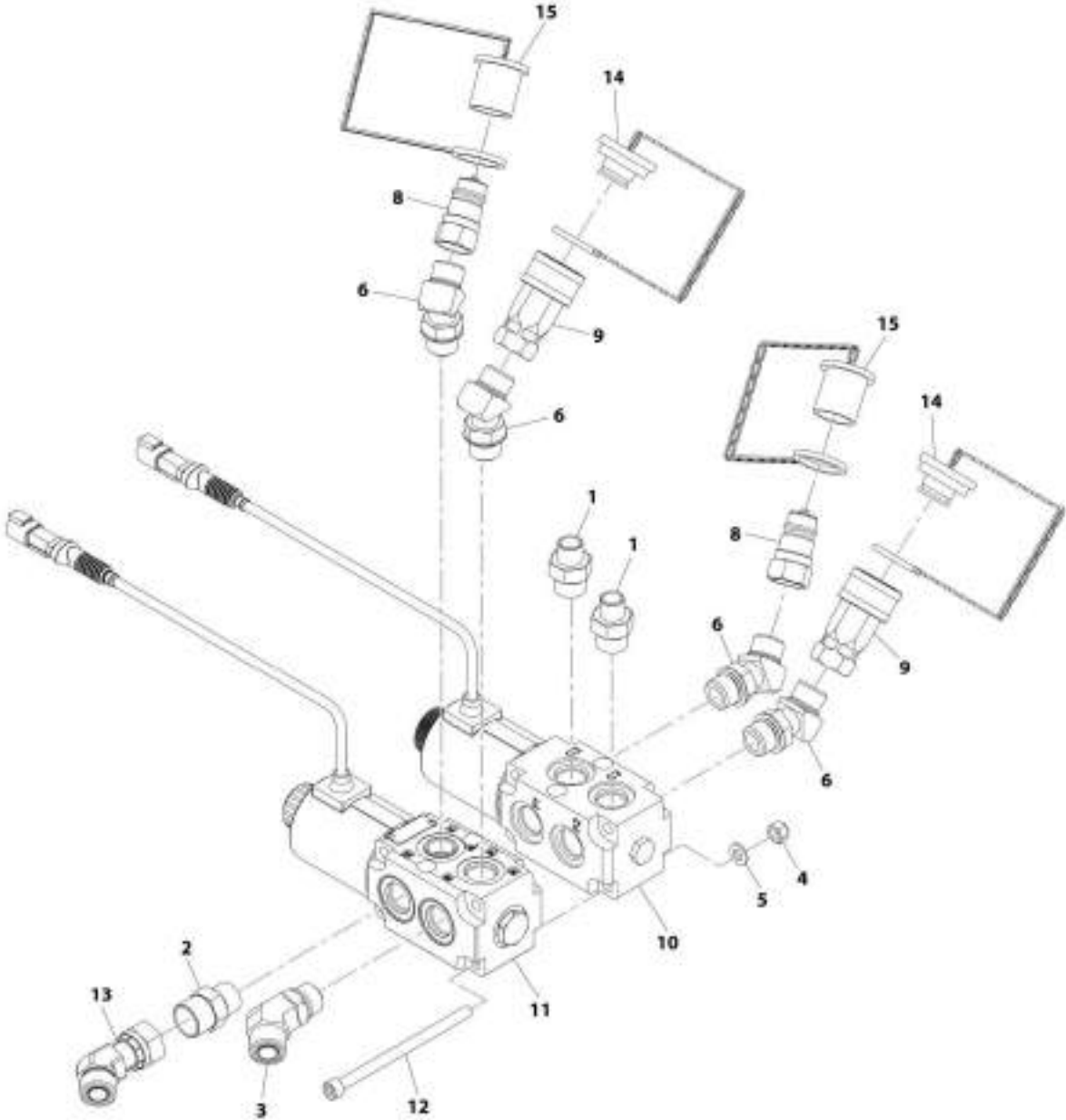
## SECTION 8 - HYDRAULIC CIRCUITS

**FIGURE 8-16. BOOM AUX HYDRAULIC INSTALLATION (HYDRAULIC - TWIN)**

ITEM	PART NUMBER	QTY	DESCRIPTION	REV
	1001192367	Ref	Boom Aux Hydraulic Installation (hydraulic - twin)	C
1	0760815	1	Bolt, M8X35	
2	4031918	3	Bolt, M8X70	
3	8769126	1	Clamp	
5	1001213319	1	Assembly, Diverter Valve (hydraulic - twin) (See Seperate Breakdown in this Section)	
6	1001193111	2	Hose	
7	8769123	1	Plate, Cover	
8	1001080375	1	Switch	

**SECTION 8 - HYDRAULIC CIRCUITS**

**FIGURE 8-17. DIVERTER VALVE ASSEMBLY**



ART\_1001213319-C



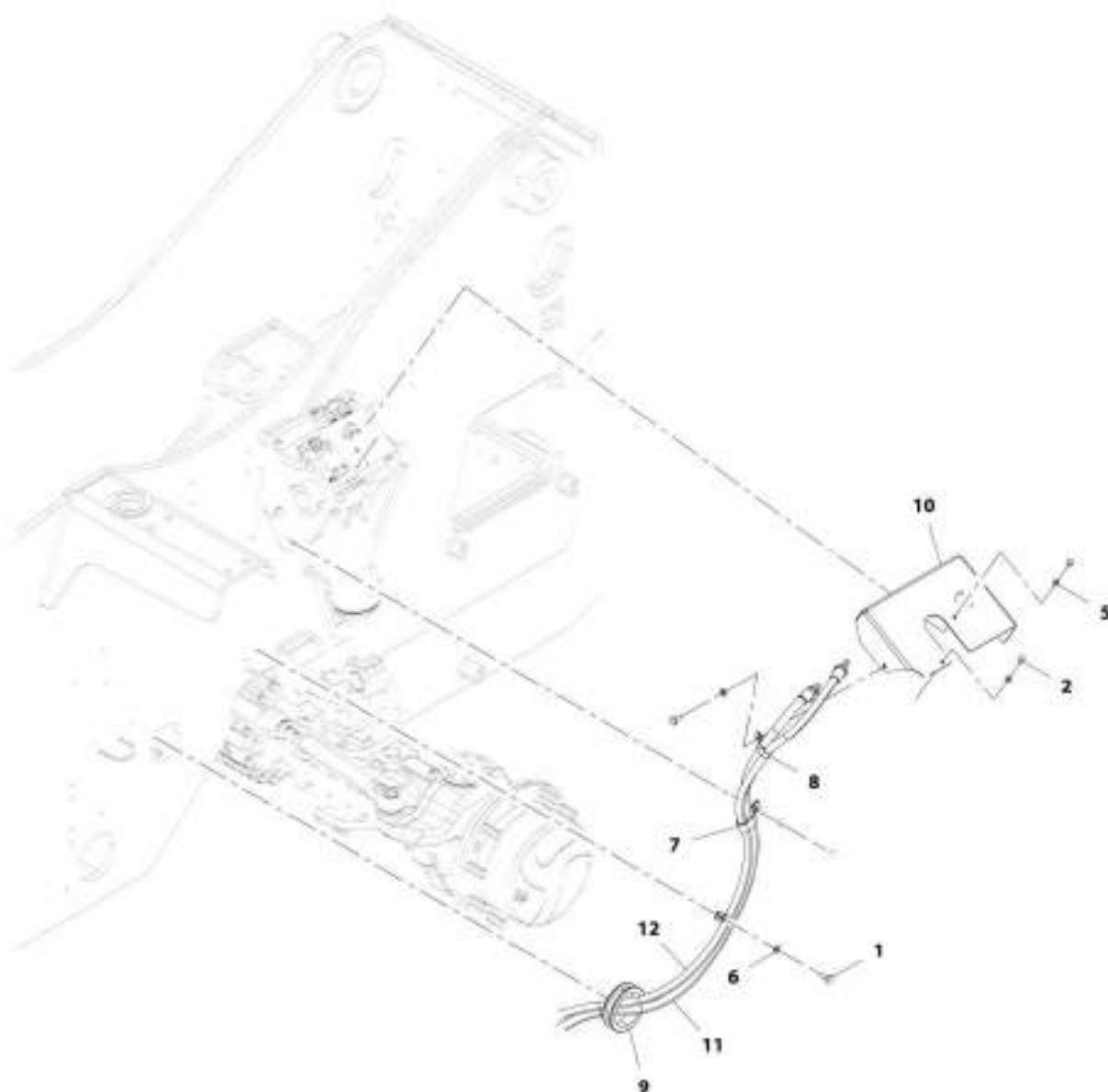
## SECTION 8 - HYDRAULIC CIRCUITS

### FIGURE 8-17. DIVERTER VALVE ASSEMBLY

ITEM	PART NUMBER	QTY	DESCRIPTION	REV
	1001213319	Ref	Diverter Valve Assembly	C
1	2110610	2	Fitting, Straight ORFS	
2	2111010	1	Fitting, Straight ORFS	
3	2151010	1	Fitting, 45 ORFS	
4	3290805	4	Nut, Lock M8X1.25	
5	4811900	4	Washer, M8	
6	1001005904	4	Fitting, 45	
8	1001101041	2	Fitting, Male Quick Disconnect	
9	1001101042	2	Fitting, Female Quick Disconnect	
10	1001104477	1	Valve, Divertor (See Seperate Breakdown in Hydraulic Component Section)	
11	1001110023	1	Valve, Divertor (See Seperate Breakdown in Hydraulic Components Section)	
12	1001110115	4	Bolt, M8X100	
13	1001147416	1	Fitting, 45 ORFS	
14	91043125	2	Plug	
15	91043126	2	Cap	

# SECTION 8 - HYDRAULIC CIRCUITS

FIGURE 8-18. RALP HYDRAULIC LINES INSTALLATION



ART\_0001182555-B

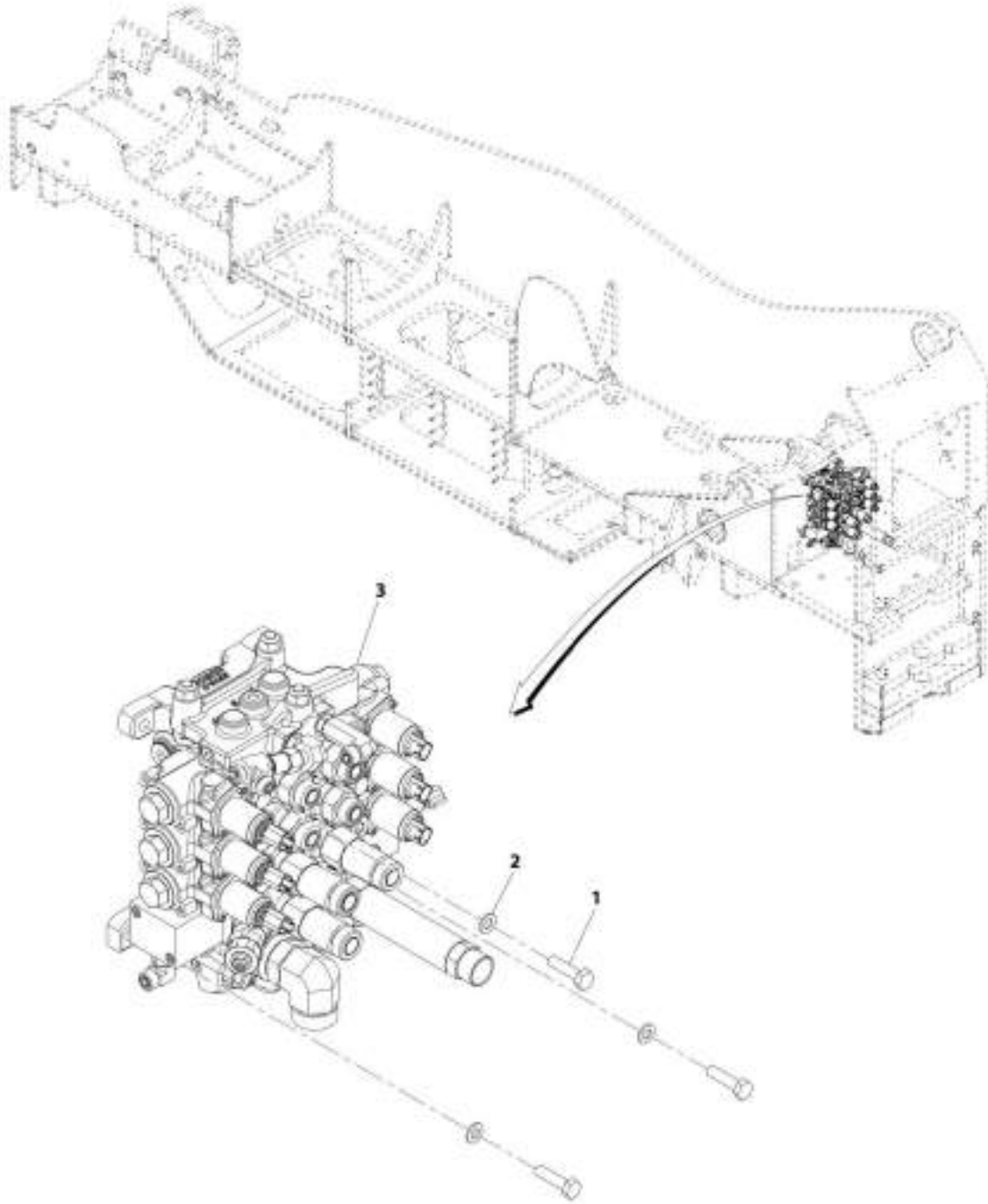
## SECTION 8 - HYDRAULIC CIRCUITS

### FIGURE 8-18. RALP HYDRAULIC LINES INSTALLATION

ITEM	PART NUMBER	QTY	DESCRIPTION	REV
	1001192555	1	RALP Hydraulic Lines Installation	B
1	0761010	2	Bolt, M10X20	
2	0760808	2	Bolt, M8X16	
5	4811900	2	Washer, M8	
6	4812000	2	Washer, M10	
7	1001026125	1	Clip	
8	1001026121	2	Clip	
9	1001028264	1	Grommet	
10	1001206608	1	Shield	
11	1001206607	1	Hose	
12	1001197489	1	Hose	

# SECTION 8 - HYDRAULIC CIRCUITS

FIGURE 8-19. MAIN CONTROL VALVE INSTALLATION



AFE\_1001220457-A

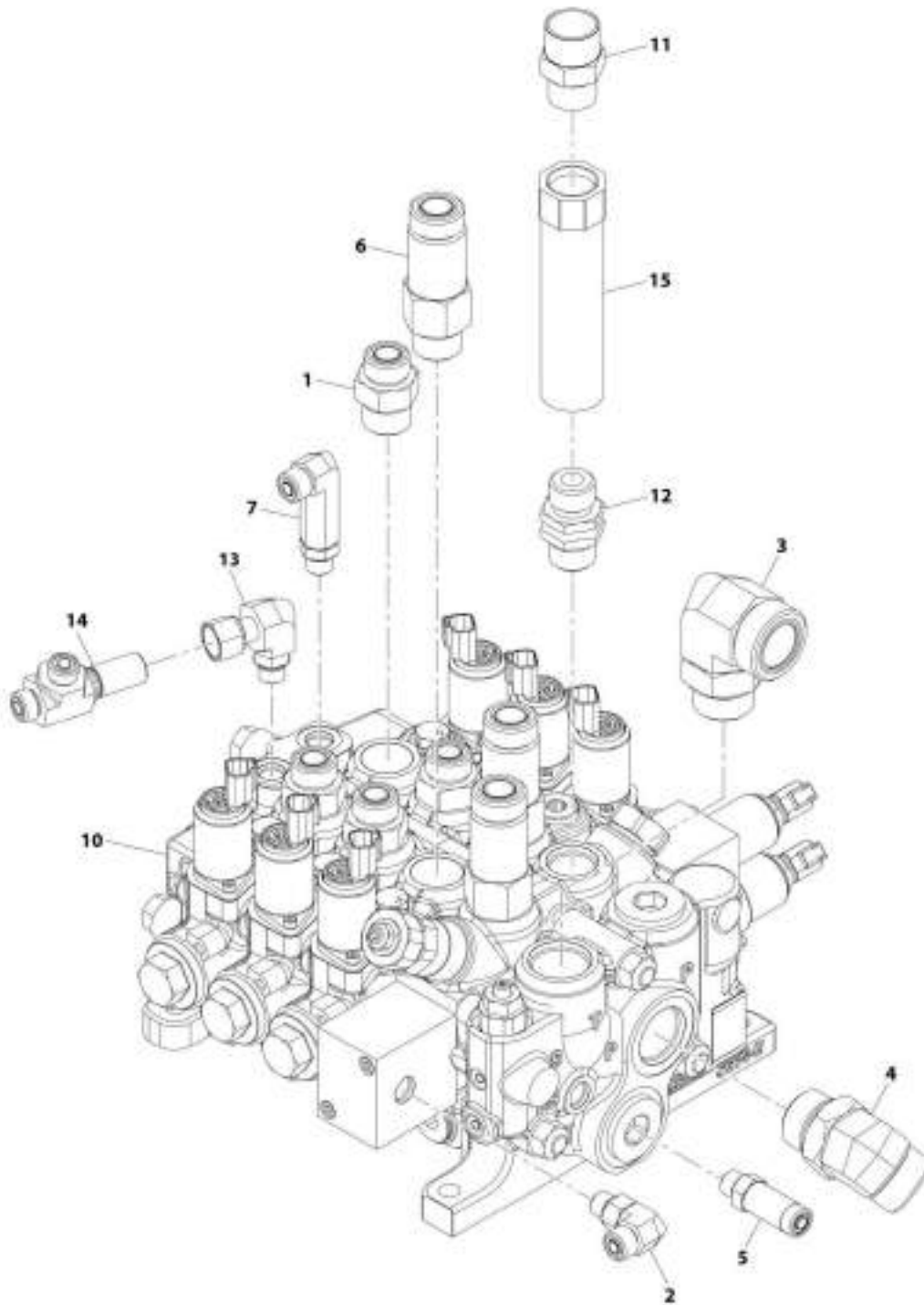
## SECTION 8 - HYDRAULIC CIRCUITS

**FIGURE 8-19. MAIN CONTROL VALVE INSTALLATION**

ITEM	PART NUMBER	QTY	DESCRIPTION	REV
	1001220457	Ref	Main Control Valve Installation	A
1	0701016	3	Bolt, M10X40	
2	4812000	3	Washer, M10	
3	1001220456	1	Assembly, Main Control Valve (See Seperate Breakdown in this Section)	

# SECTION 8 - HYDRAULIC CIRCUITS

## FIGURE 8-20. MAIN CONTROL VALVE ASSEMBLY



ART\_1001229400-B

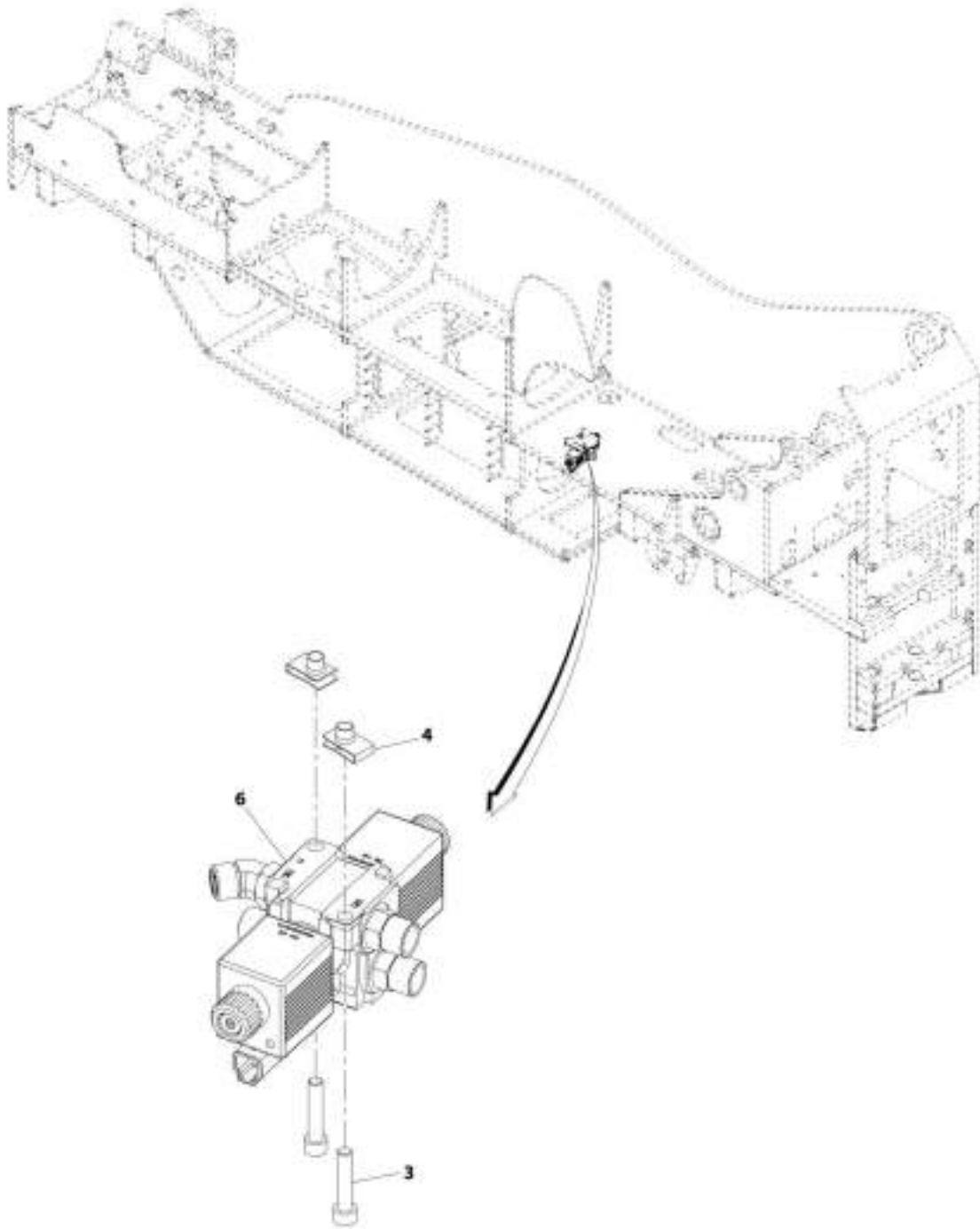
## SECTION 8 - HYDRAULIC CIRCUITS

**FIGURE 8-20. MAIN CONTROL VALVE ASSEMBLY**

ITEM	PART NUMBER	QTY	DESCRIPTION	REV
	1001220456	Ref	Main Control Valve Assembly	B
1	2111012	4	Fitting, Straight ORFS	
2	2130606	1	Fitting, 90 ORFS	
3	2132016	1	Fitting, 90 ORFS	
4	2151616	1	Fitting, 45 ORFS	
5	2170106	1	Fitting, Straight ORFS	
6	2170112	3	Fitting, Straight ORFS	
7	2170206	1	Fitting, 90 ORFS	
10	1001220295	1	Valve, Main Control (See Seperate Breakdown in Hydraulic Components Section)	
11	2111212	1	Fitting, Straight ORFS	
12	8770030	1	Fitting, Straight ORFS	
13	8770104	1	Fitting, 90 ORFS	
14	8770286	1	Fitting, 90 ORFS	
15	1001224946	1	Valve, Check	

# SECTION 8 - HYDRAULIC CIRCUITS

## FIGURE 8-21. STEERING SELECT VALVE INSTALLATION



APP\_1001105539\_R



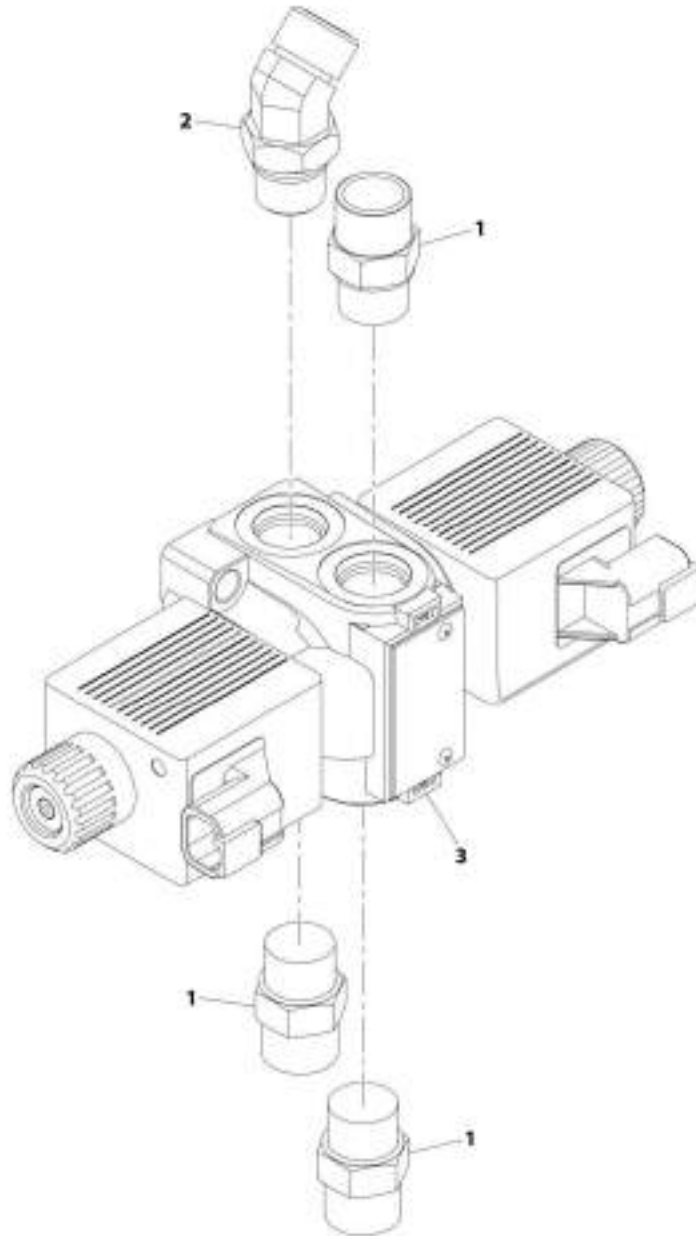
## SECTION 8 - HYDRAULIC CIRCUITS

FIGURE 8-21. STEERING SELECT VALVE INSTALLATION

ITEM	PART NUMBER	QTY	DESCRIPTION	REV
	1001193516	Ref	Steering Select Valve Installation	B
3	4031912	2	Bolt, M8X40	
4	8310686	2	Nut, M8X12.5	
6	1001212418	1	Assembly, Steering Select Valve (See Seperate Breakdown in this Section)	

## SECTION 8 - HYDRAULIC CIRCUITS

FIGURE 8-22. STEERING SELECT VALVE ASSEMBLY



ARE\_1001212419-A

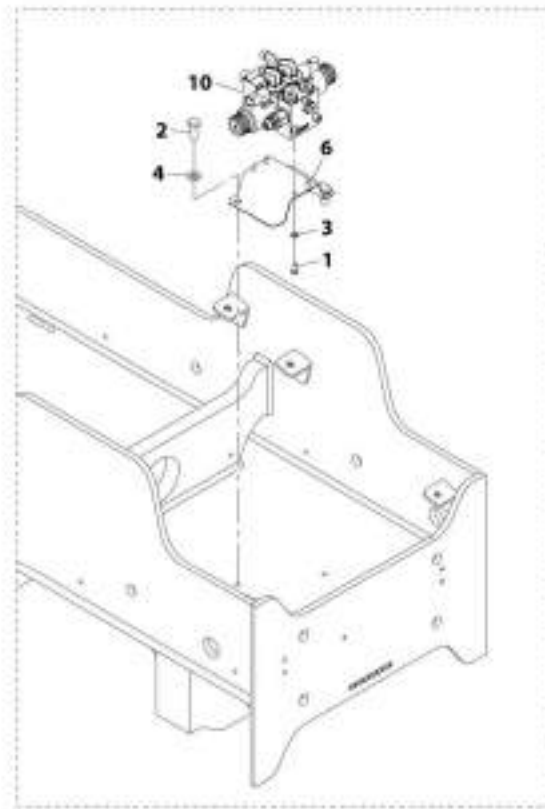
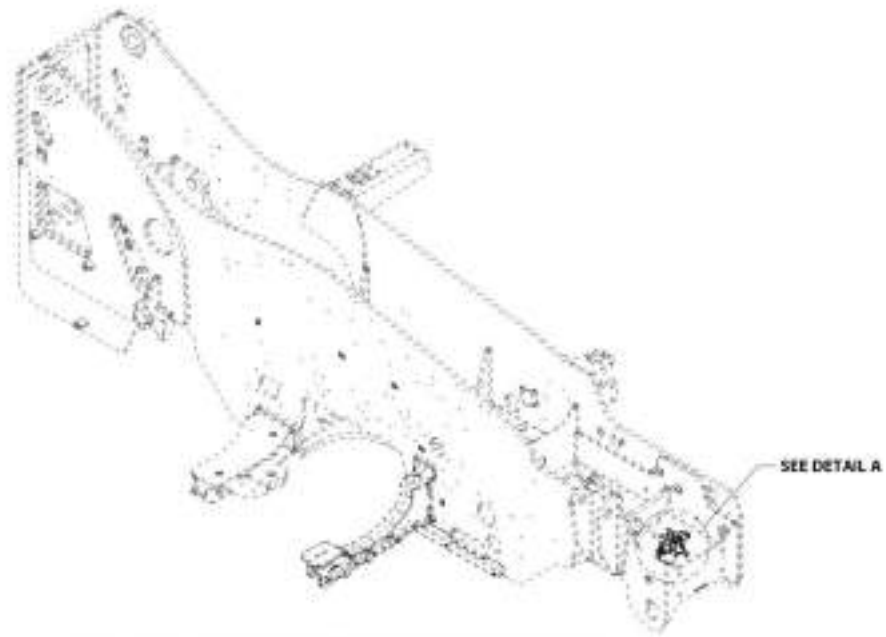
## SECTION 8 - HYDRAULIC CIRCUITS

### FIGURE 8-22. STEERING SELECT VALVE ASSEMBLY

ITEM	PART NUMBER	QTY	DESCRIPTION	REV
	1001212418	Ref	Steering Select Valve Assembly	A
1	2110808	3	Fitting, Straight ORFS	
2	2150808	1	Fitting, 45 ORFS	
3	1001153748	1	Valve, Steering Select (See Seperate Breakdown in Hydraulic Component Section)	

# SECTION 8 - HYDRAULIC CIRCUITS

FIGURE 8-23. FRAME LEVEL VALVE INSTALLATION



DETAIL A

ART\_1001193517-D

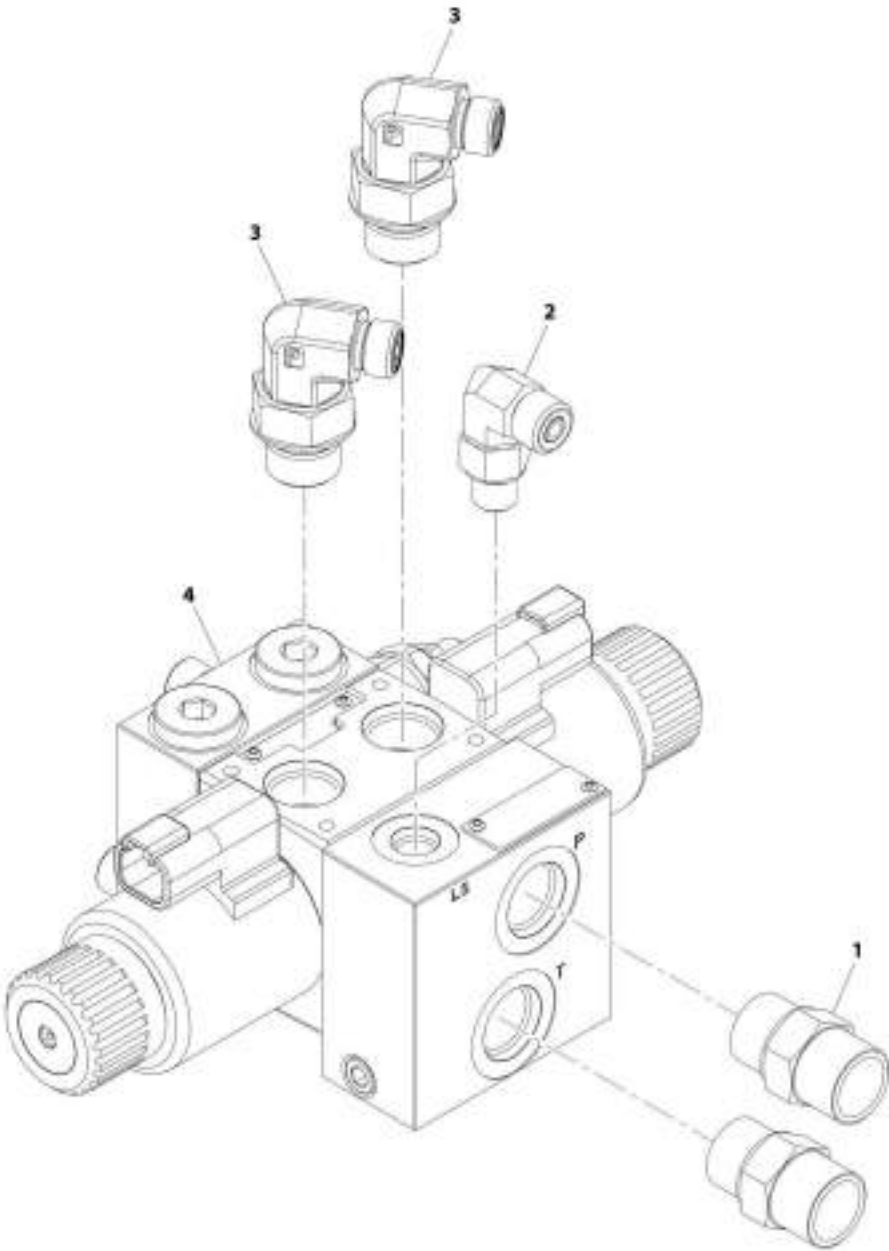
## SECTION 8 - HYDRAULIC CIRCUITS

**FIGURE 8-23. FRAME LEVEL VALVE INSTALLATION**

ITEM	PART NUMBER	QTY	DESCRIPTION	REV
	1001193517	Ref	Frame Level Valve Installation	D
1	0760607	4	Bolt, M6X14	
2	0761012	2	Bolt, M10X25	
3	4811700	4	Washer, M6	
4	4812000	2	Washer, M10	
6	1001195733	1	Bracket	
10	1001215341	1	Assembly, Frame Level Valve (See Seperate Breakdown in this Section)	

**SECTION 8 - HYDRAULIC CIRCUITS**

**FIGURE 8-24. FRAME LEVEL VALVE ASSEMBLY**



ART\_3001215341-B

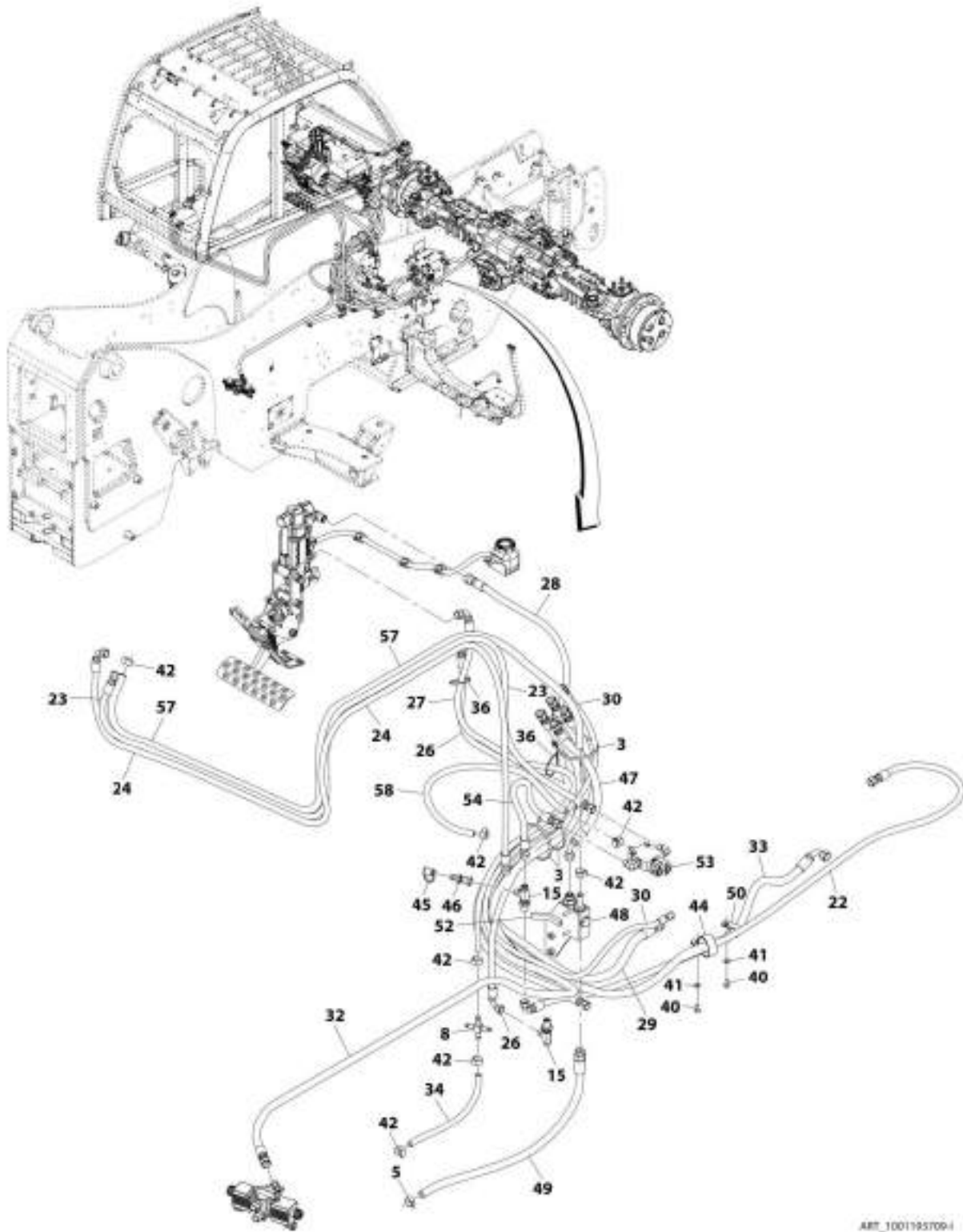
## SECTION 8 - HYDRAULIC CIRCUITS

### FIGURE 8-24. FRAME LEVEL VALVE ASSEMBLY

ITEM	PART NUMBER	QTY	DESCRIPTION	REV
	1001215341	Ref	Frame Level Valve Assembly	B
1	2110808	2	Fitting, Straight ORFS	
2	2130404	1	Fitting, 90 ORFS	
3	2130408	2	Fitting, 90 ORFS	
4	1001219615	1	Valve, Frame Level (See Seperate Breakdown in Hydraulic Components Section)	

# SECTION 8 - HYDRAULIC CIRCUITS

## FIGURE 8-25. CAB HYDRAULICS INSTALLATION



ARB\_1001195706-1



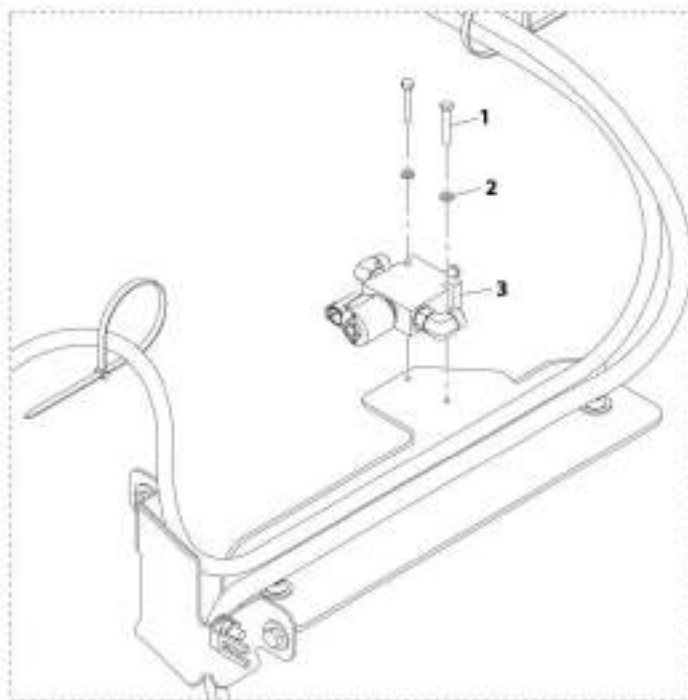
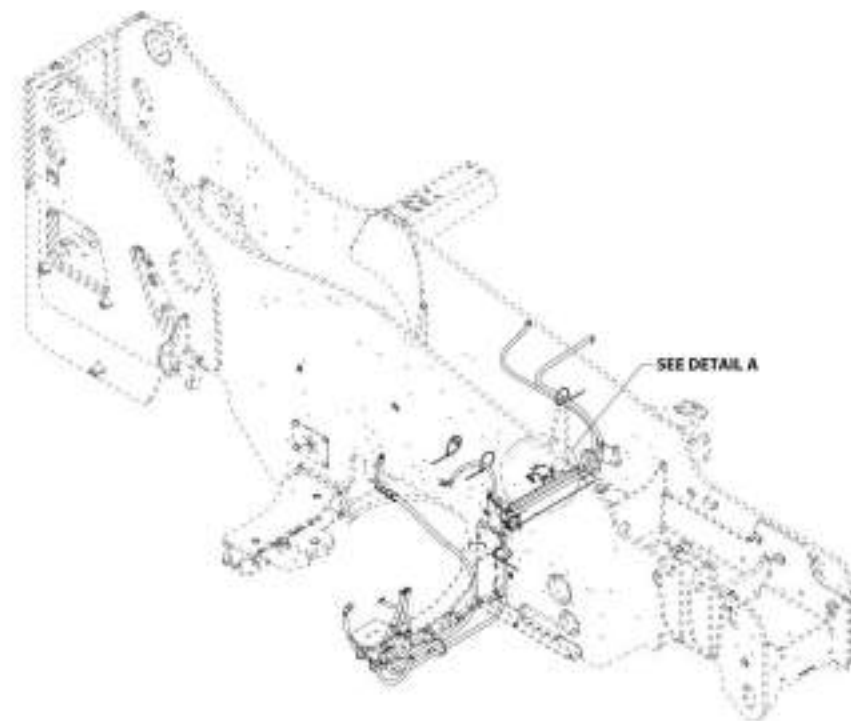
## SECTION 8 - HYDRAULIC CIRCUITS

### FIGURE 8-25. CAB HYDRAULICS INSTALLATION

ITEM	PART NUMBER	QTY	DESCRIPTION	REV
	1001193709	Ref	Cab Hydraulics Installation	1
3	4240018	3	Strap, Cable	
5	8405006	1	Clamp	
8	1001215256	1	Fitting, Cross Barb	
15	88662434	2	Fitting, Tee ORFS	
22	1001210800	1	Hose	
23	1001221989	1	Hose	
24	1001210327	1	Hose	
26	1001196989	1	Hose	
27	1001206709	1	Hose	
28	1001210282	1	Hose	
29	1001196992	1	Hose	
30	1001196993	1	Hose	
32	1001196995	1	Hose	
33	1001196996	1	Hose	
34	1001196997	1	Hose	
36	4240099	3	Tie, Wire	
40	0760807	2	Bolt, M8X14	
41	4811900	2	Washer, M8	
42	8410013	7	Clamp	
44	85941018	1	Clamp	
45	8430032	1	Plug	
46	8430081	1	Fitting, Straight ORFS	
47	1001212787	1	Hose	
48	1001212788	Ref	Installation, Check Valve (See Separate Breakdown in this Section)	
49	1001212880	1	Hose	
50	8406201	1	Clip	
52	90206198	186 mm	Compound, Locking	
53	1001221987	Ref	Installation, Solenoid Valve (See Separate Breakdown in this Section)	
54	1001221988	1	Hose	
57	2720160	2290 mm	Hose	
58	1001008654	750 mm	Hose	

# SECTION 8 - HYDRAULIC CIRCUITS

## FIGURE 8-26. SOLENOID VALVE INSTALLATION



DETAIL A

ART\_1001221087-A

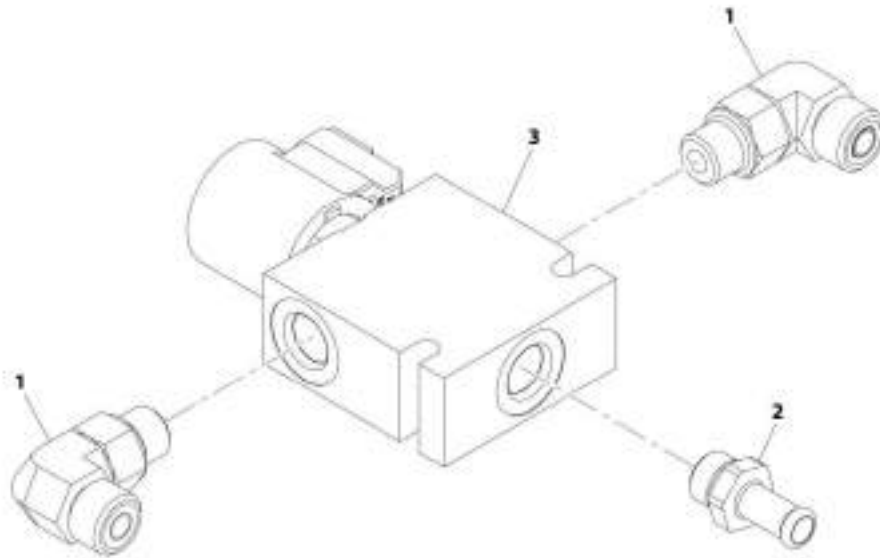
## SECTION 8 - HYDRAULIC CIRCUITS

FIGURE 8-26. SOLENOID VALVE INSTALLATION

ITEM	PART NUMBER	QTY	DESCRIPTION	REV
	1001221987	Ref	Solenoid Valve Installation	A
1	0700616	2	Bolt, M6X40	
2	4811700	2	Washer, M6	
3	1001221986	1	Assembly, Solenoid Valve (See Seperate Breakdown in this Section)	

## SECTION 8 - HYDRAULIC CIRCUITS

FIGURE 8-27. SOLENOID VALVE ASSEMBLY



ART\_100221986-A

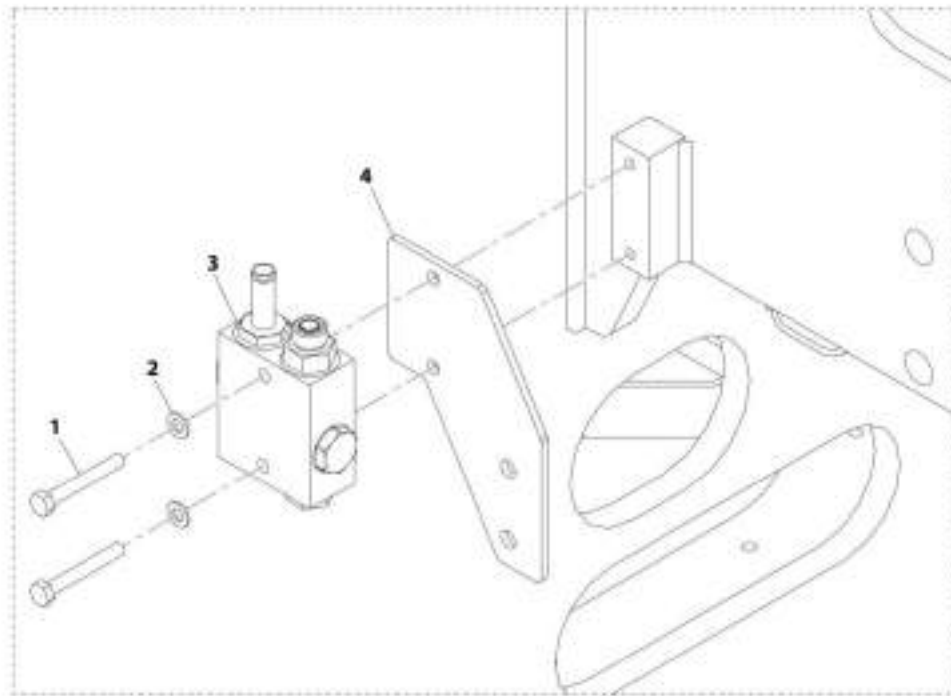
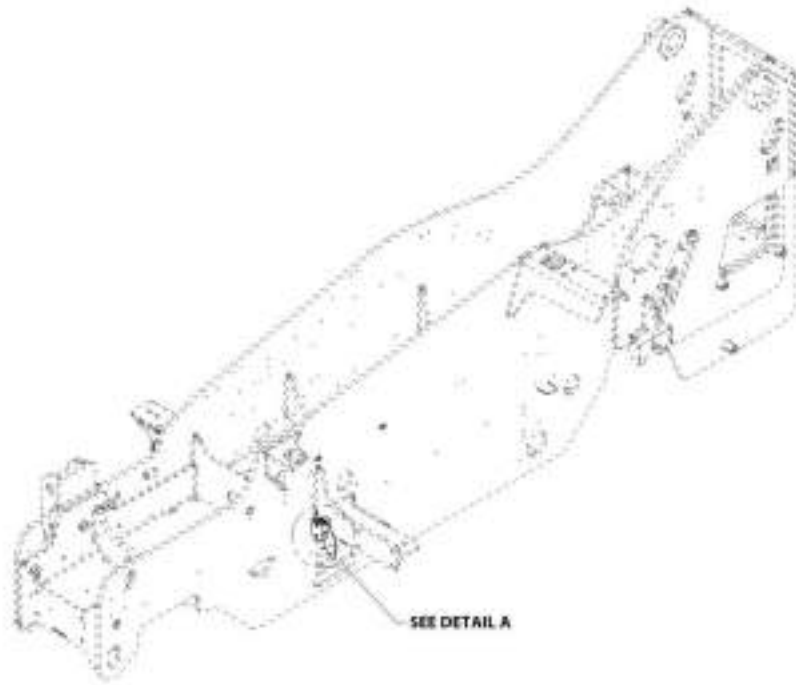
## SECTION 8 - HYDRAULIC CIRCUITS

### FIGURE 8-27. SOLENOID VALVE ASSEMBLY

ITEM	PART NUMBER	QTY	DESCRIPTION	REV
	1001221986	Ref	Solenoid Valve Assembly	A
1	2130606	2	Fitting, 90 ORFS	
2	1001168030	1	Fitting, Hose Barb	
3	1001221928	1	Valve, Solenoid (See Seperate Breakdown in Hydraulic Components Section)	

# SECTION 8 - HYDRAULIC CIRCUITS

## FIGURE 8-28. CHECK VALVE INSTALLATION



DETAIL A

ART\_1801212788-A

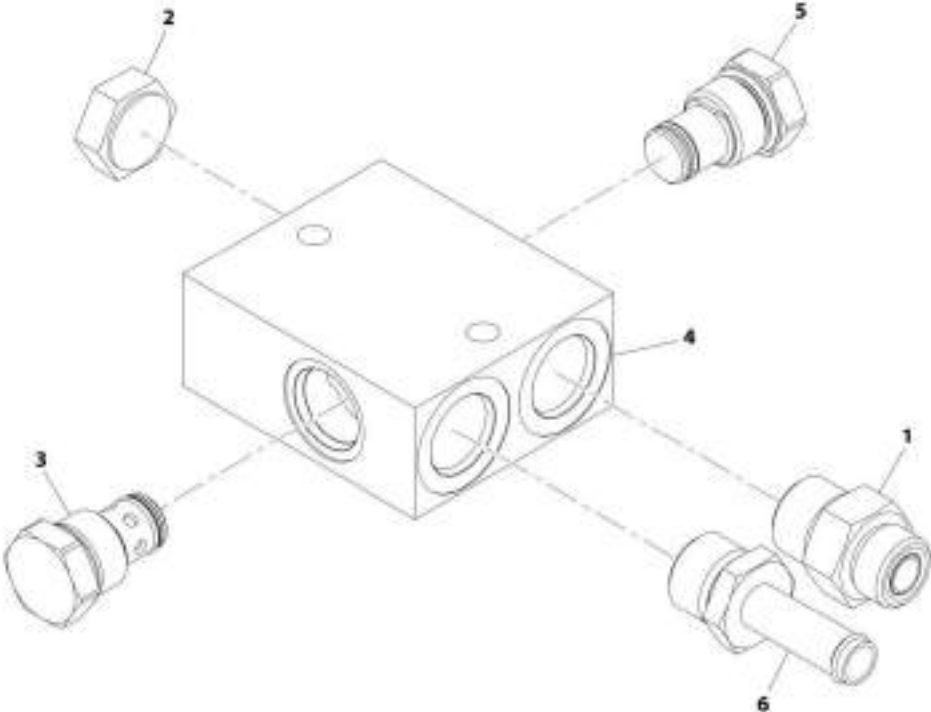
## SECTION 8 - HYDRAULIC CIRCUITS

**FIGURE 8-28. CHECK VALVE INSTALLATION**

ITEM	PART NUMBER	QTY	DESCRIPTION	REV
	1001212788	Ref	Check Valve Installation	A
1	0700820	2	Bolt, M8X60	
2	4811900	2	Washer, M8	
3	1001212789	1	Assembly, Check Valve (See Seperate Breakdown in this Section)	
4	1001219659	1	Plate	

**SECTION 8 - HYDRAULIC CIRCUITS**

**FIGURE 8-29. CHECK VALVE ASSEMBLY**



ART\_100121284-C



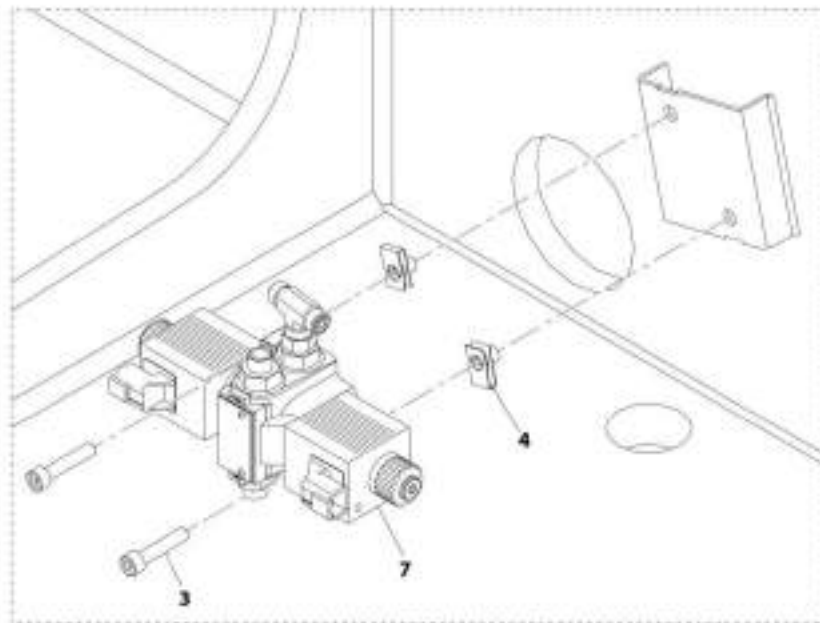
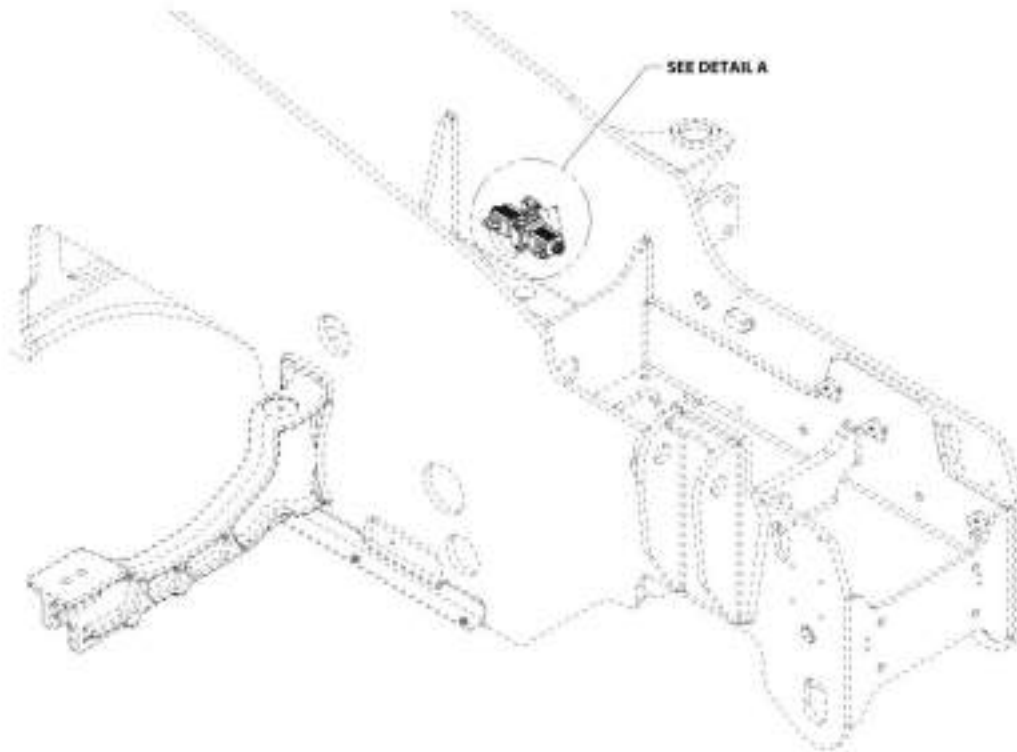
## SECTION 8 - HYDRAULIC CIRCUITS

### FIGURE 8-29. CHECK VALVE ASSEMBLY

ITEM	PART NUMBER	QTY	DESCRIPTION	REV
	1001212789	Ref	Check Valve Assembly	C
1	2110810	1	Fitting, Straight ORFS	
2	2220239	1	Plug	
3	1001231393	1	1001212789	
4	1001210780	1	Manifold, Dual Check Valve (See Seperate Breakdown in Hydraulic Components Section)	
5	1001210801	1	Valve, Check	
6	1001225656	1	Fitting, Barb	

# SECTION 8 - HYDRAULIC CIRCUITS

## FIGURE 8-30. SPEED CONTROL VALVE INSTALLATION



DETAIL A

AWT\_1001187196-B

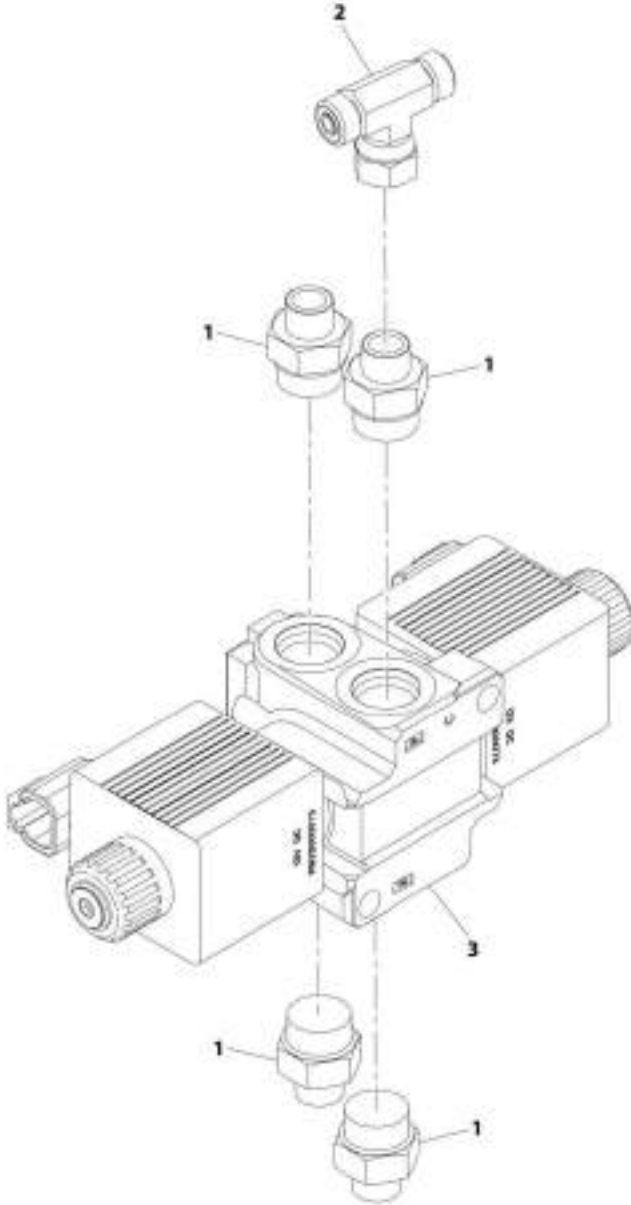
## SECTION 8 - HYDRAULIC CIRCUITS

### FIGURE 8-30. SPEED CONTROL VALVE INSTALLATION

ITEM	PART NUMBER	QTY	DESCRIPTION	REV
	1001197196	Ref	Speed Control Valve Installation	B
3	4031912	2	Bolt, M8X40	
4	8310686	2	Nut, M8X12.5	
7	1001220643	1	Assembly, Speed Control Valve (See Seperate Breakdown in this Section)	

**SECTION 8 - HYDRAULIC CIRCUITS**

**FIGURE 8-31. SPEED CONTROL VALVE ASSEMBLY**



ART\_1001230643-K

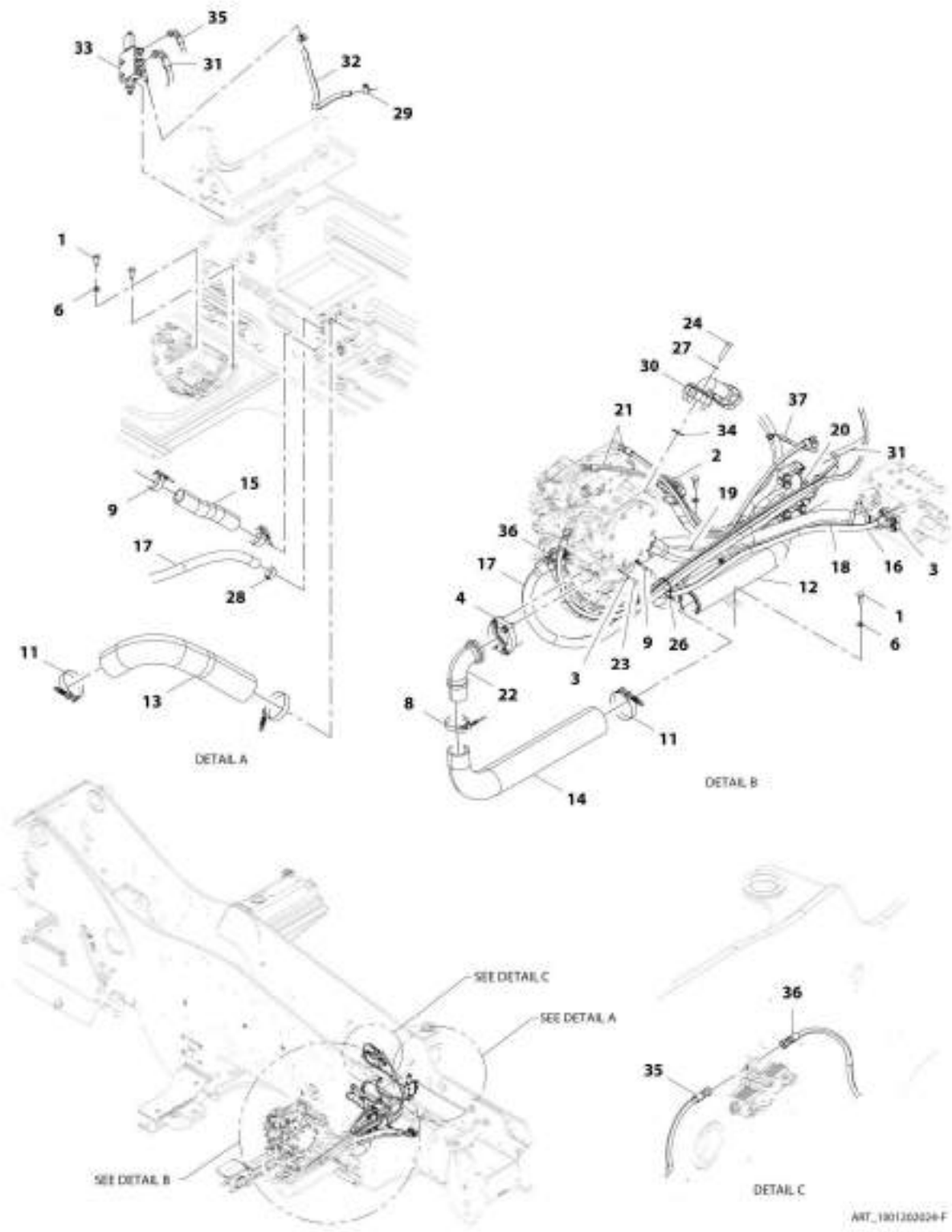
## SECTION 8 - HYDRAULIC CIRCUITS

FIGURE 8-31. SPEED CONTROL VALVE ASSEMBLY

ITEM	PART NUMBER	QTY	DESCRIPTION	REV
	1001220643	Ref	Speed Control Valve Assembly	A
1	2110408	4	Fitting, Straight ORFS	
2	2170804	1	Fitting, Tee	
3	4641520	1	Valve, Speed Control (See Seperate Breakdown in Hydraulic Components Section)	

# SECTION 8 - HYDRAULIC CIRCUITS

## FIGURE 8-32. ENGINE BAY HYDRAULIC INSTALLATION



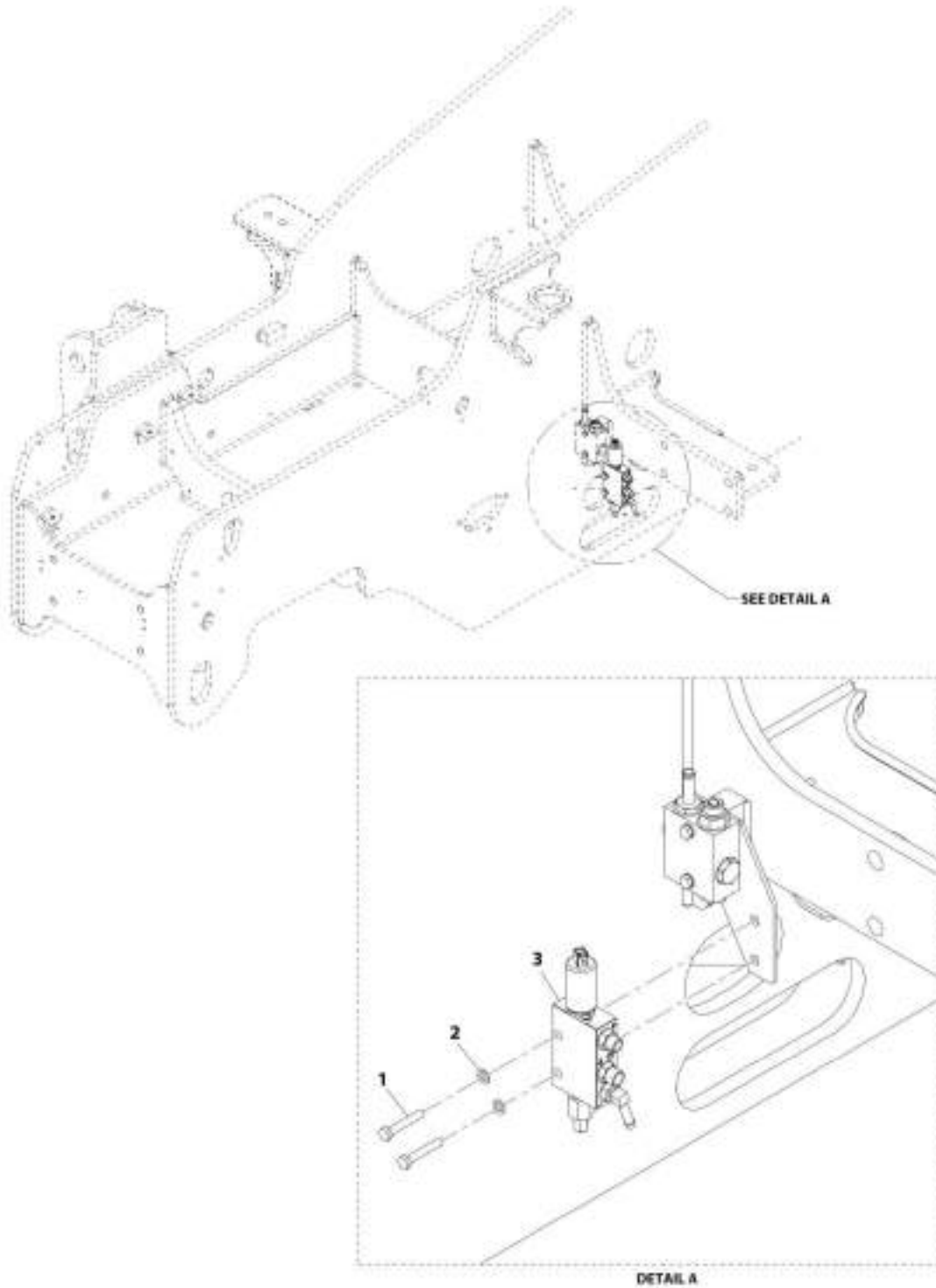
## SECTION 8 - HYDRAULIC CIRCUITS

**FIGURE 8-32. ENGINE BAY HYDRAULIC INSTALLATION**

ITEM	PART NUMBER	QTY	DESCRIPTION	REV
	1001202024	Ref	Engine Bay Installation	F
1	0761012	4	Bolt, M10X25	
2	1001217948	4	Kit, Flange (includes mounting hardware and o-ring)	
3	2171816	2	Kit, Flange (includes mounting hardware and o-ring)	
4	2171832	1	Kit, Flange (includes mounting hardware and o-ring)	
6	4812000	4	Washer, M10	
8	1001005438	1	Clamp	
9	1001014231	4	Clamp	
11	1001186843	3	Clamp	
12	1001187272	1	Pipe	
13	1001187273	1	Hose	
14	1001187275	1	Hose	
15	1001193461	1	Hose	
16	1001196959	1	Hose	
17	1001215802	1	Hose	
18	1001214431	1	Hose	
19	1001214430	1	Hose	
20	1001214429	1	Hose	
21	1001215539	2	Hose	
22	8424233	1	Fitting, 90	
23	1001202027	1	Hose	
24	0681714	4	Bolt, 7/16-14X1 3/4 Grade 8	
26	4240099	AR	Tie, Wire	
27	4761700	4	Washer, Lock 7/16	
28	8405007	1	Clamp	
29	8410013	2	Clamp	
30	1001200870	1	Fitting, 90	
31	1001213306	1	Hose	
32	1001213307	1	Hose	
33	1001213308	1	Installation, Inching Valve (See Seperate Breakdown in this Section)	
34	91083106	1	O-Ring	
35	1001215093	1	Hose	
36	1001215212	1	Hose	
37	1001223109	1	Hose	

# SECTION 8 - HYDRAULIC CIRCUITS

## FIGURE 8-33. INCHING VALVE INSTALLATION



ART\_1001215308-A



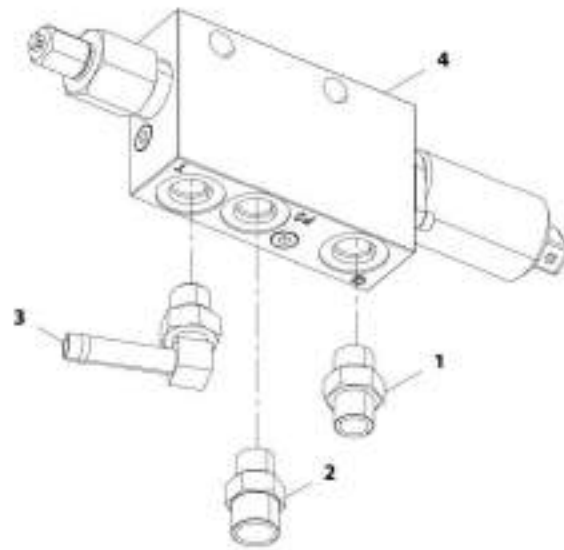
## SECTION 8 - HYDRAULIC CIRCUITS

### FIGURE 8-33. INCHING VALVE INSTALLATION

ITEM	PART NUMBER	QTY	DESCRIPTION	REV
	1001213308	Ref	Inching Valve Installation	A
1	0700818	2	Bolt, M8X50	
2	4811900	2	Washer, M8	
3	1001213309	1	Assembly, Inching Valve (See Seperate Breakdown in this Section)	

# SECTION 8 - HYDRAULIC CIRCUITS

FIGURE 8-34. INCHING VALVE ASSEMBLY



ART\_1001211300-B

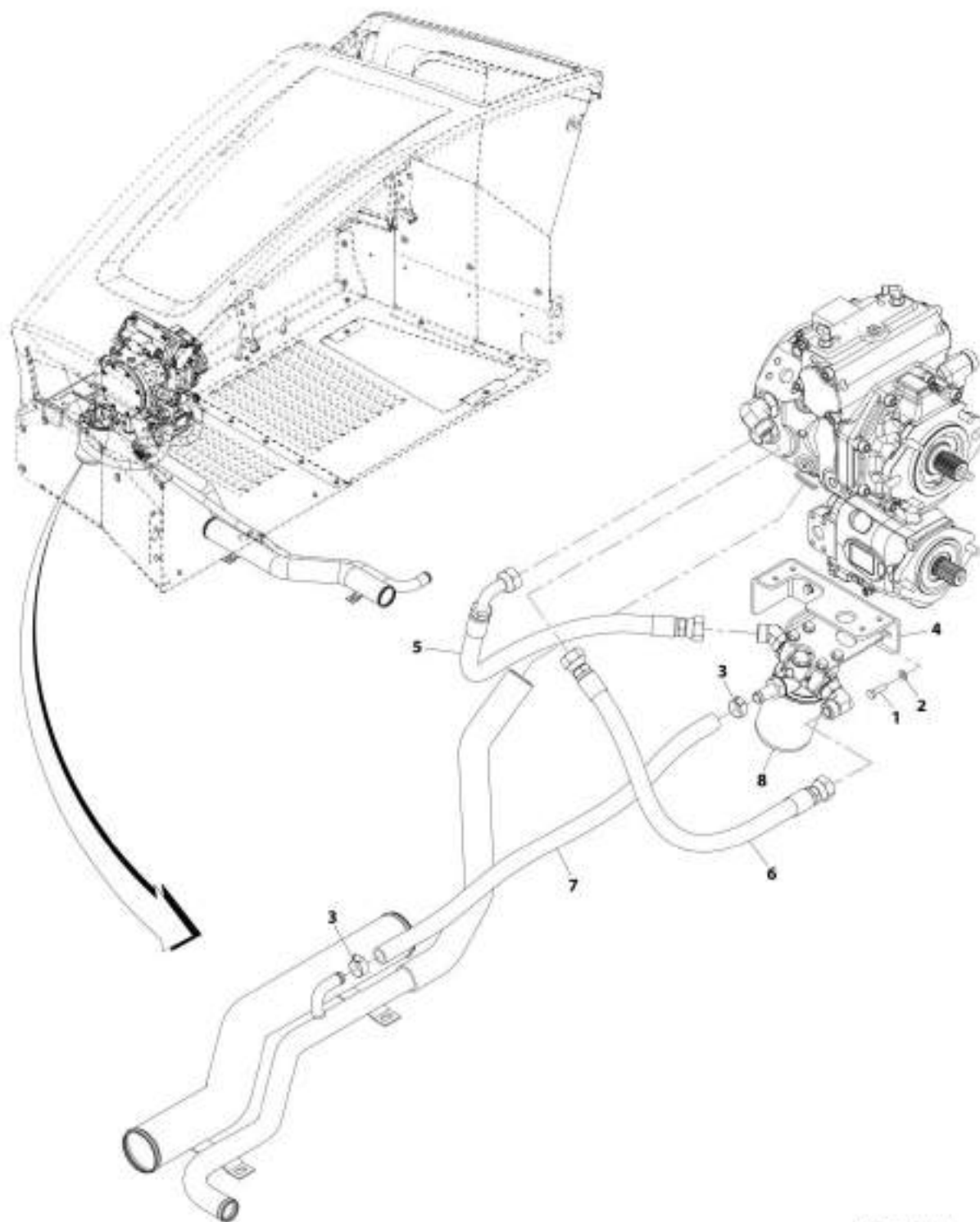
## SECTION 8 - HYDRAULIC CIRCUITS

### FIGURE 8-34. INCHING VALVE ASSEMBLY

ITEM	PART NUMBER	QTY	DESCRIPTION	REV
	1001213309	Ref	Inching Valve Assembly	B
1	2110406	1	Fitting, Straight ORFS	
2	2110606	1	Fitting, Straight ORFS	
3	8430034	1	Elbow, 90	
4	1001213311	1	Valve, Inching (See Seperate Breakdown in Hydraulic Component Section)	

# SECTION 8 - HYDRAULIC CIRCUITS

## FIGURE 8-35. CHARGE FILTER LINES INSTALLATION



ART\_1001200026-8

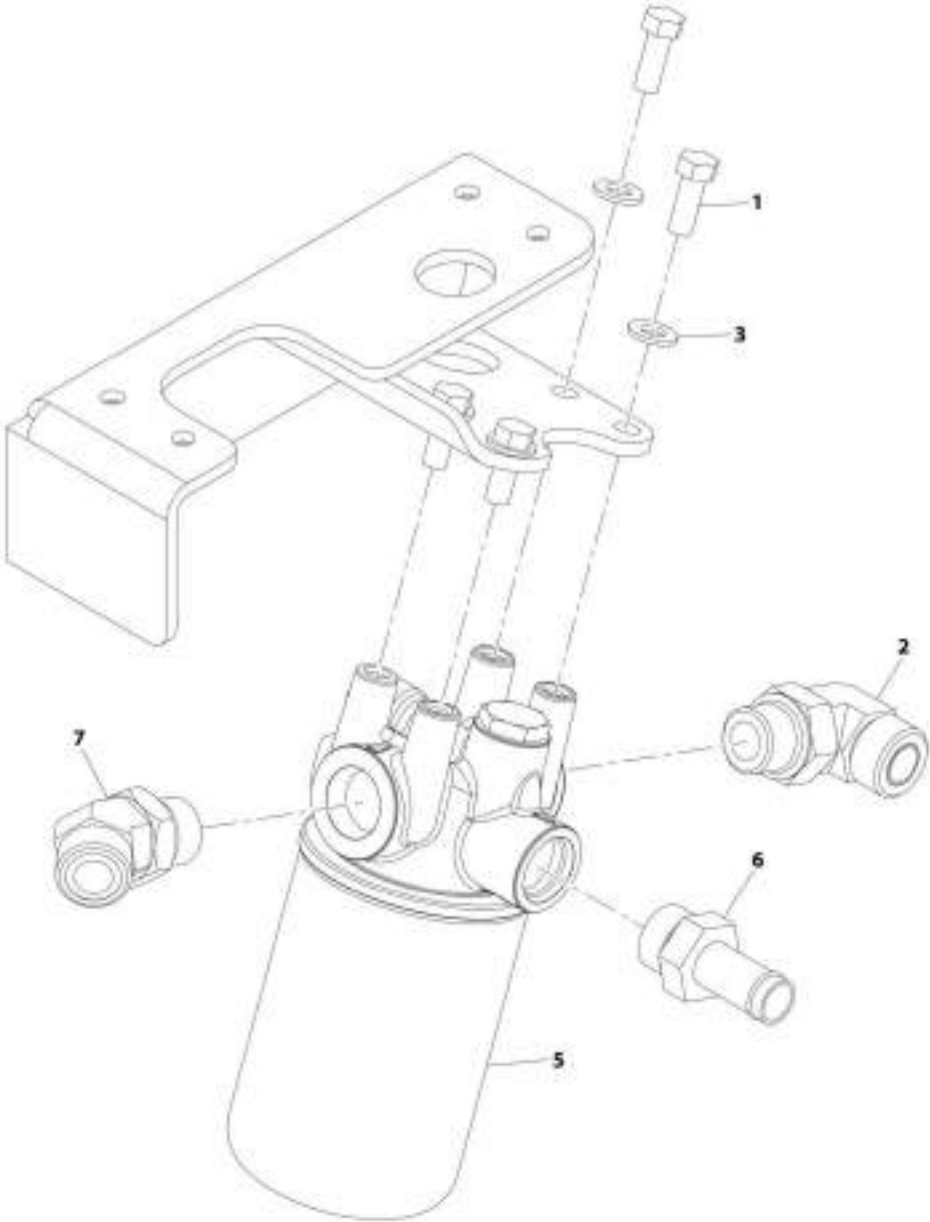
## SECTION 8 - HYDRAULIC CIRCUITS

### FIGURE 8-35. CHARGE FILTER LINES INSTALLATION

ITEM	PART NUMBER	QTY	DESCRIPTION	REV
	1001202026	Ref	Charge Filter Lines Installation	B
1	0700814	2	Bolt, M8X30	
2	4811900	2	Washer, M8	
3	8405007	2	Clamp	
4	1001195431	1	Bracket	
5	1001195433	1	Hose	
6	1001195434	1	Hose	
7	1001195435	1	Hose	
8	1001202038	Ref	Installation, Charge Filter (See Seperate Breakdown in this Section)	

**SECTION 8 - HYDRAULIC CIRCUITS**

**FIGURE 8-36. CHARGE FILTER INSTALLATION**



ART\_100190430-C

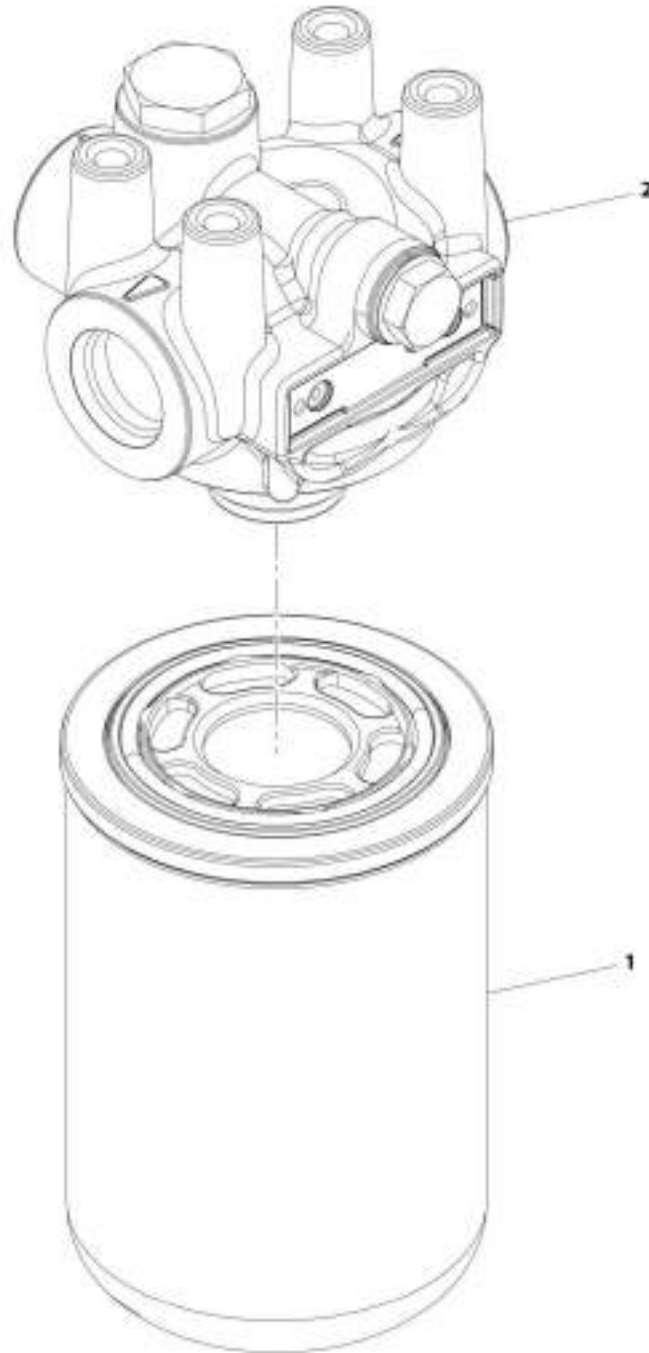
## SECTION 8 - HYDRAULIC CIRCUITS

### FIGURE 8-36. CHARGE FILTER INSTALLATION

ITEM	PART NUMBER	QTY	DESCRIPTION	REV
	1001195430	Ref	Charge Filter Installation	C
1	0641608	4	Bolt, 3/8-16X1	
2	2131212	1	Fitting, 90 ORFS	
3	4812000	4	Washer, M10	
5	1001141976	1	Assembly, Charge Filter (See Seperate Breakdown in this Section)	
6	1001183700	1	Fitting, Barb	
7	2151212	1	Fitting, 45 ORFS	

## SECTION 8 - HYDRAULIC CIRCUITS

FIGURE 8-37. IMPLEMENT PUMP FILTER ASSEMBLY



ART\_1001141075-A



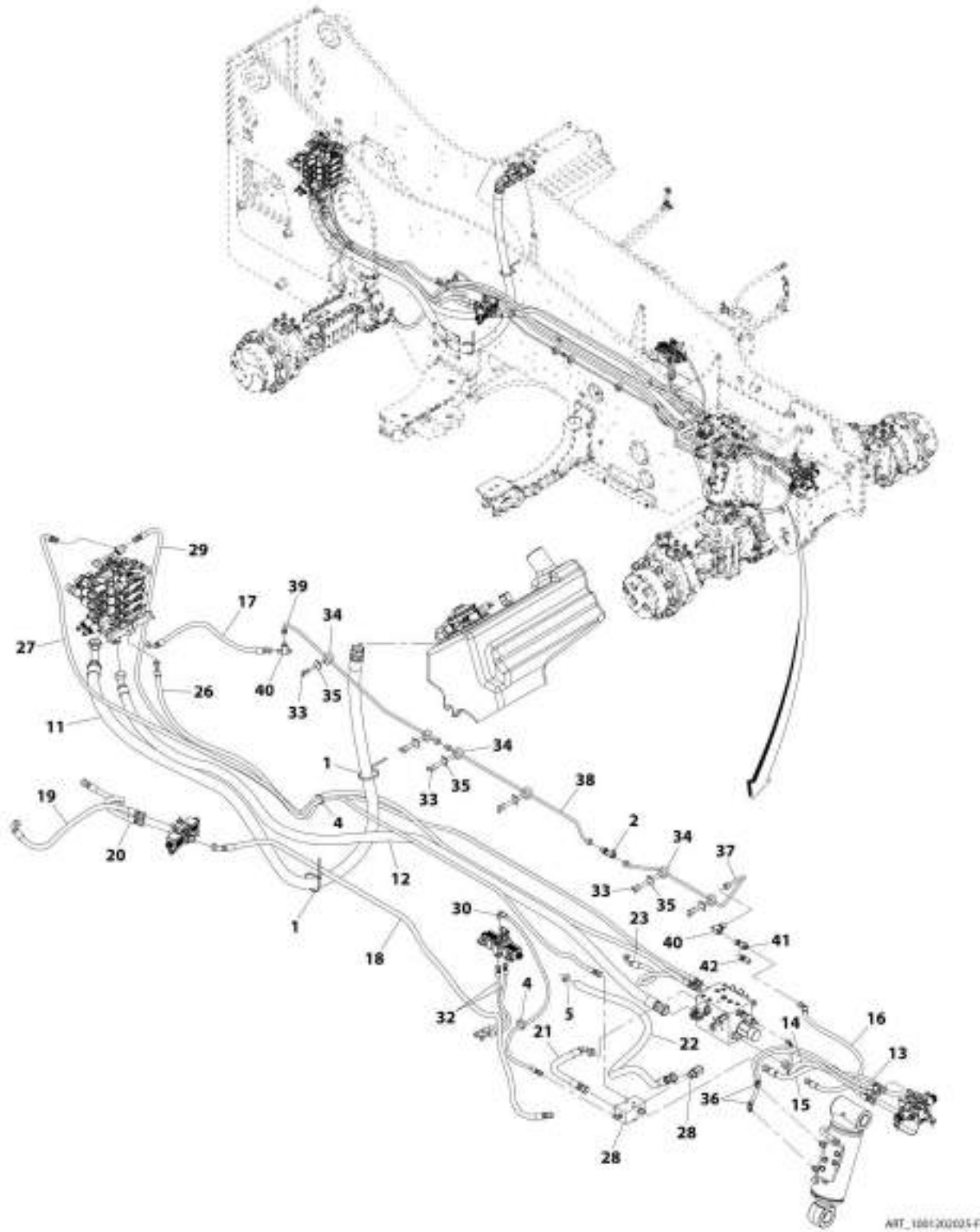
## SECTION 8 - HYDRAULIC CIRCUITS

**FIGURE 8-37. IMPLEMENT PUMP FILTER ASSEMBLY**

ITEM	PART NUMBER	QTY	DESCRIPTION	REV
	1001141976	Ref	Implement Pump Filter Assembly	A
1	1001141461	1	Filter	
2	1001141462	1	Pump, Filter	

# SECTION 8 - HYDRAULIC CIRCUITS

FIGURE 8-38. FRAME HYDRAULIC INSTALLATION



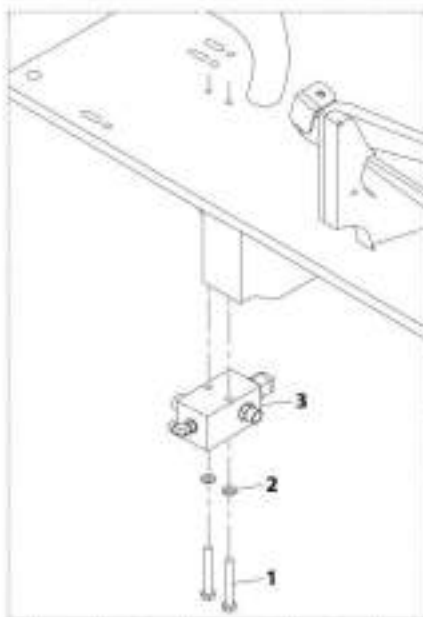
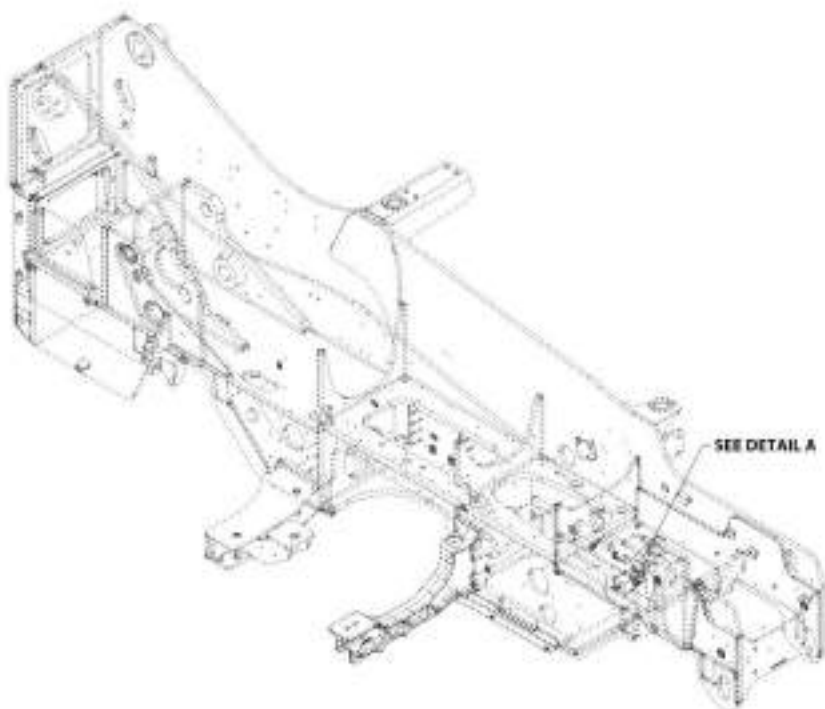
## SECTION 8 - HYDRAULIC CIRCUITS

**FIGURE 8-38. FRAME HYDRAULIC INSTALLATION**

ITEM	PART NUMBER	QTY	DESCRIPTION	REV
	1001202025	Ref	Frame Hydraulic Installation	F
1	1062255	2	Strap, Tie	
2	88662434	1	Fitting, Tee ORFS	
4	4240018	2	Strap, Tie	
5	8405007	1	Clamp	
11	1001196964	1	Hose	
12	1001196967	1	Hose	
13	1001210635	1	Hose	
14	1001196969	1	Hose	
15	1001196970	1	Hose	
16	1001208532	1	Hose	
17	1001208534	1	Hose	
18	1001196973	1	Hose	
19	1001196974	1	Hose	
20	1001196975	1	Hose	
21	1001196976	1	Hose	
22	1001196977	1	Hose	
23	1001196978	1	Hose	
26	1001196981	1	Hose	
27	1001196982	1	Hose	
28	1001197197	Ref	Installation, Manifold (See Seperate Breakdown in this Section)	
29	1001197199	1	Hose	
30	1001197200	1	Hose	
32	1001211020	2	Hose	
33	0700614	12	Bolt, M6X30	
34	9106-3040	6	Clamp	
35	9106-3039	6	Plate, Cover	
36	1001205573	2	Hose	
37	1001207788	1	Pipe	
38	1001207789	1	Pipe	
39	1001207790	1	Pipe	
40	1001210797	2	Bleeder, Brake	
41	1001111140	1	Fitting, ORFS	
42	1001147340	1	Sensor, Pressure	

# SECTION 8 - HYDRAULIC CIRCUITS

## FIGURE 8-39. MANIFOLD INSTALLATION



DETAIL A

ART\_1001197197-E

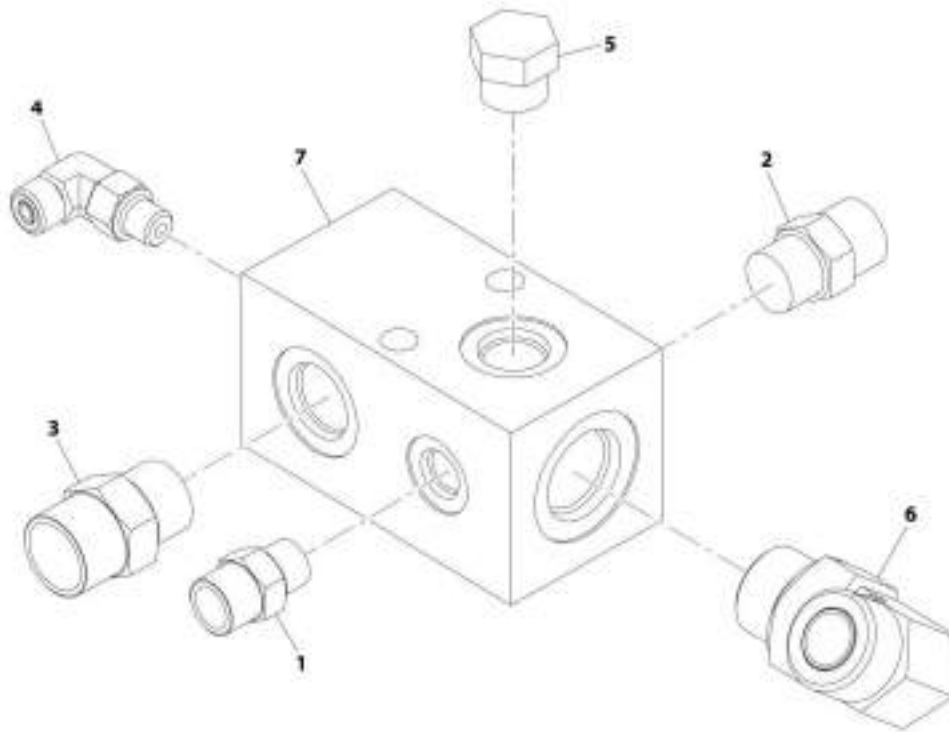
## SECTION 8 - HYDRAULIC CIRCUITS

**FIGURE 8-39. MANIFOLD INSTALLATION**

ITEM	PART NUMBER	QTY	DESCRIPTION	REV
	1001197197	Ref	Manifold Installation	B
1	0701024	2	Bolt, M10X80	
2	4812000	2	Washer, M10	
3	1001197198	1	Assembly, Manifold (See Seperate Breakdown in this Section)	

# SECTION 8 - HYDRAULIC CIRCUITS

FIGURE 8-40. MANIFOLD ASSEMBLY



ART\_1001197199-D

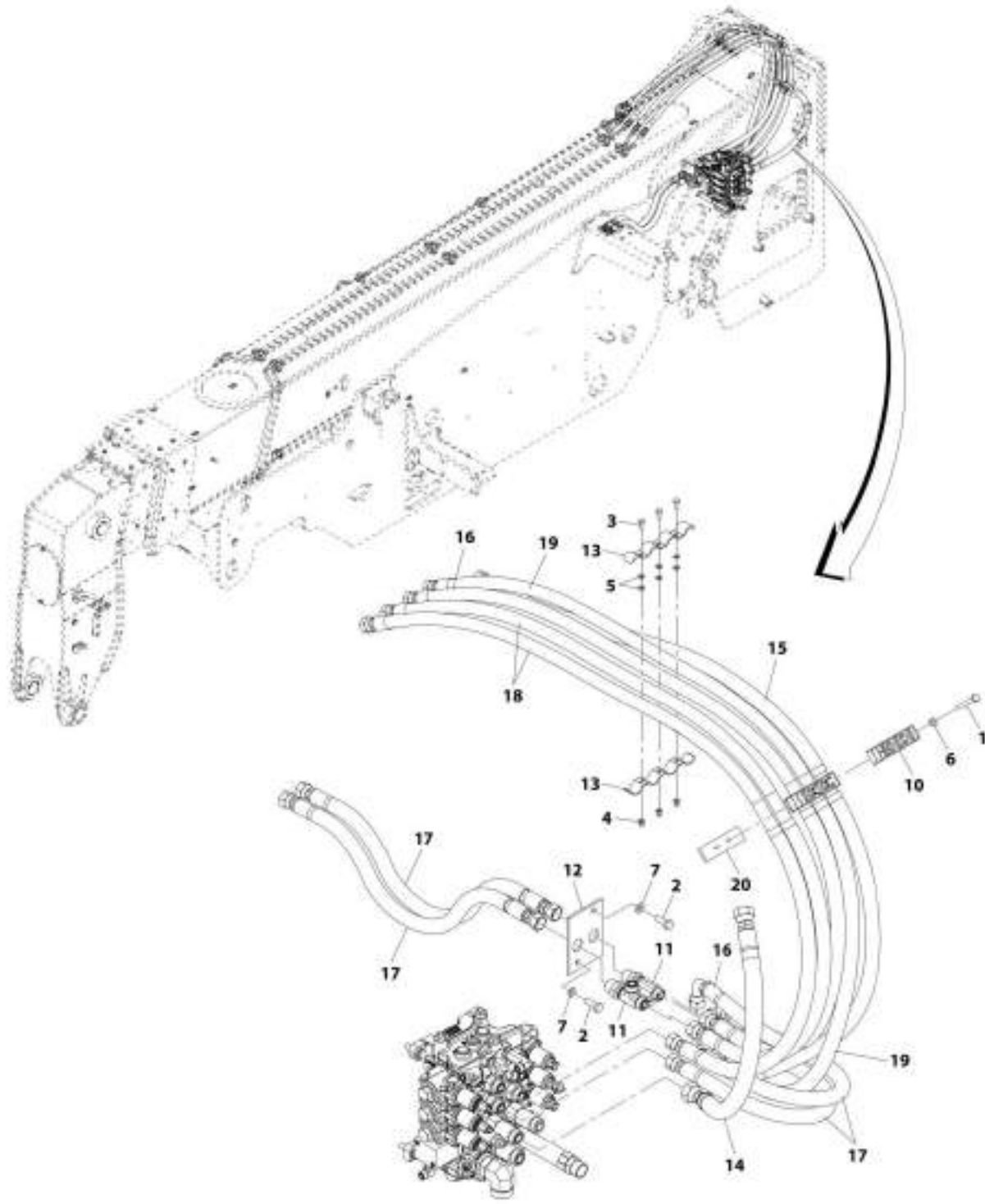
## SECTION 8 - HYDRAULIC CIRCUITS

### FIGURE 8-40. MANIFOLD ASSEMBLY

ITEM	PART NUMBER	QTY	DESCRIPTION	REV
	1001197198	Ref	Manifold Assembly	D
1	2110606	1	Fitting, Straight ORFS	
2	2110808	1	Fitting, Straight ORFS	
3	2111010	1	Fitting, Straight ORFS	
4	2130404	1	Fitting, 90 ORFS	
5	2220238	1	Plug	
6	2131212	1	Fitting, 90 ORFS	
7	1001228504	1	Manifold	

# SECTION 8 - HYDRAULIC CIRCUITS

## FIGURE 8-41. BOOM HYDRAULIC LINES INSTALLATION



AWT\_1001210522-F



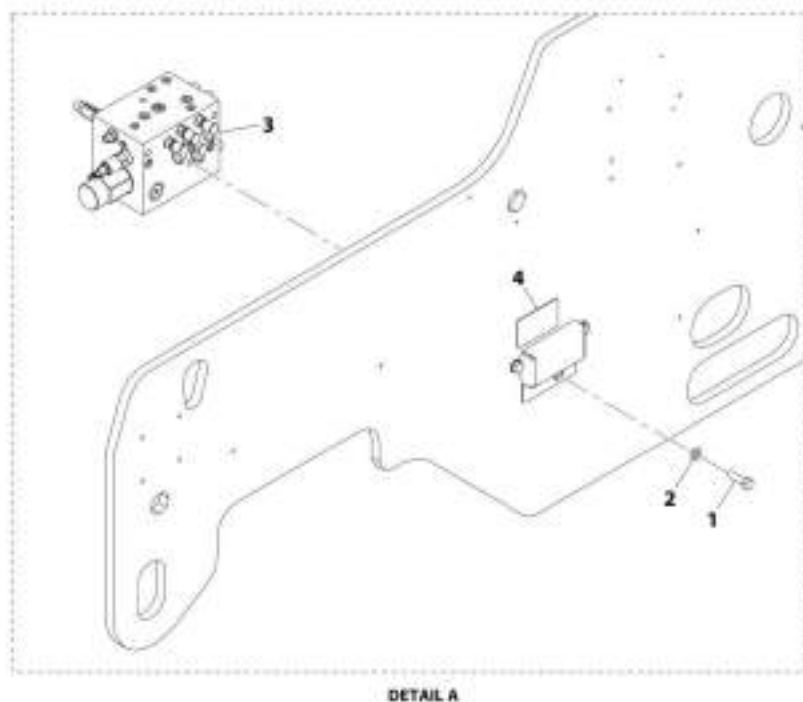
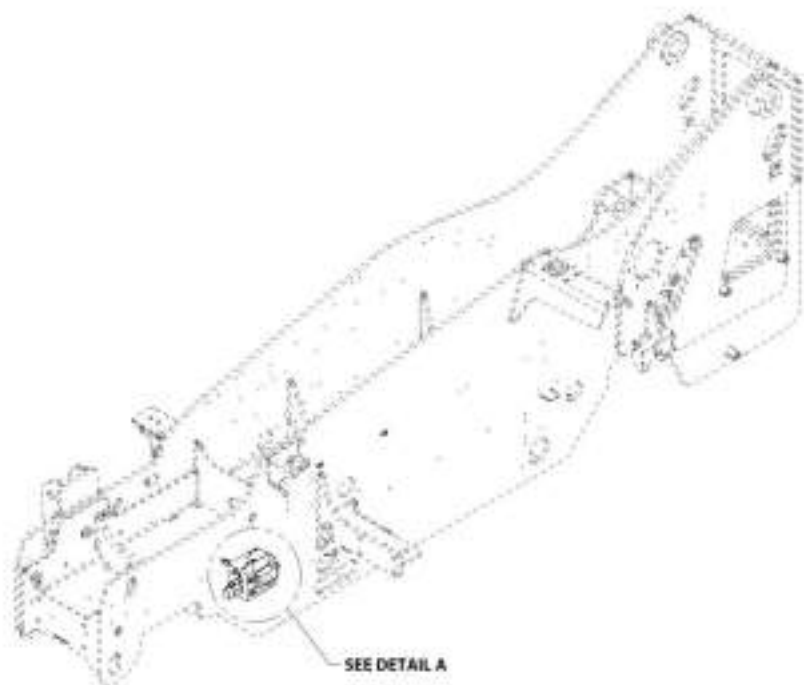
## SECTION 8 - HYDRAULIC CIRCUITS

**FIGURE 8-41. BOOM HYDRAULIC LINES INSTALLATION**

ITEM	PART NUMBER	QTY	DESCRIPTION	REV
	1001210522	Ref	Boom Hydraulic Lines Installation	F
1	0700821	4	Bolt, M8X65	
2	0701014	2	Bolt, M10X30	
3	0760608	3	Bolt, M6X16	
4	3290606	3	Nut, M6X1	
5	4811700	6	Washer, M6	
6	4811900	4	Washer, M8	
7	4812000	2	Washer, M10	
10	1001098128	2	Clamp	
11	1001192096	2	Fitting, Tee ORFS	
12	1001197011	1	Plate	
13	1001205618	2	Clamp	
14	1001210271	1	Hose	
15	1001210523	1	Hose	
16	1001210524	1	Hose	
17	1001210525	4	Hose	
18	1001210526	2	Hose	
19	1001218997	1	Hose	
20	1001226557	2	Plate	

# SECTION 8 - HYDRAULIC CIRCUITS

FIGURE 8-42. PRIORITY MANIFOLD INSTALLATION



ART\_1001192065-8

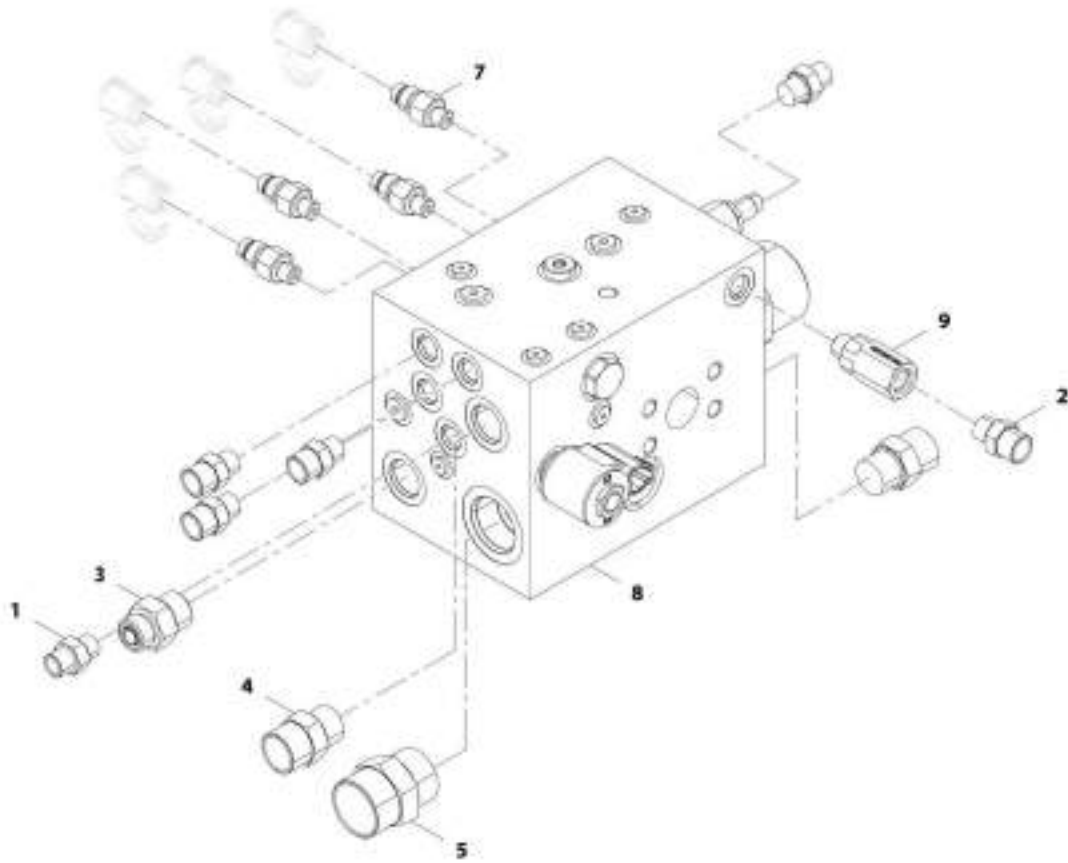
## SECTION 8 - HYDRAULIC CIRCUITS

**FIGURE 8-42. PRIORITY MANIFOLD INSTALLATION**

ITEM	PART NUMBER	QTY	DESCRIPTION	REV
	1001192885	Ref	Priority Manifold Installation	B
1	0701216	3	Bolt, M12X40	
2	4812100	3	Washer, M12	
3	1001192886	1	Assembly, Priority Valve (See Seperate Breakdown in this Section)	
4	1001192887	1	Decal	

## SECTION 8 - HYDRAULIC CIRCUITS

FIGURE 8-43. PRIORITY VALVE ASSEMBLY



ART\_1001162880-D

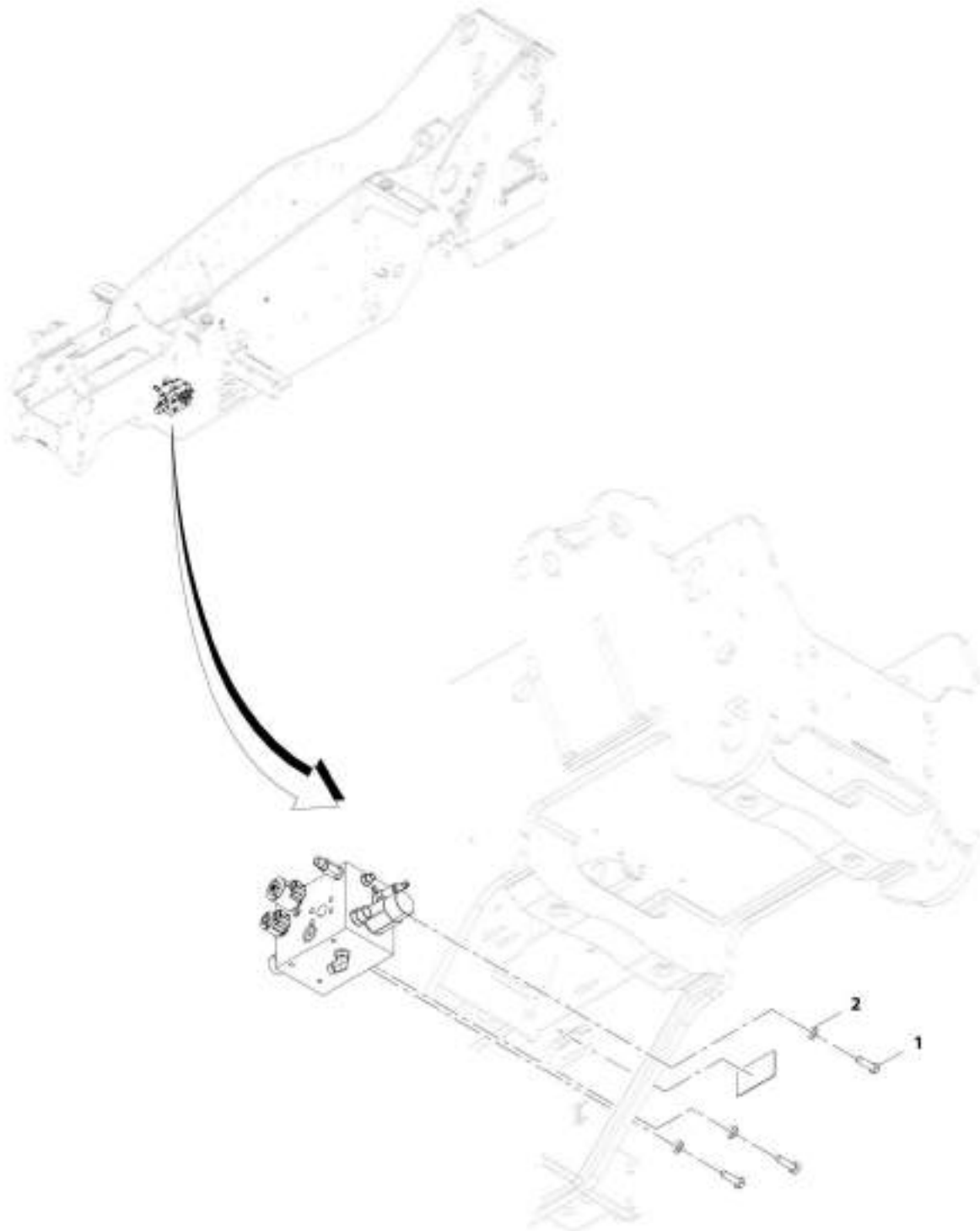
## SECTION 8 - HYDRAULIC CIRCUITS

### FIGURE 8-43. PRIORITY VALVE ASSEMBLY

ITEM	PART NUMBER	QTY	DESCRIPTION	REV
	1001192886	1	Priority Valve Assembly	D
1	2110406	2	Fitting, Straight ORFS	
2	2110606	4	Fitting, Straight ORFS	
3	2110810	1	Fitting, Straight ORFS	
4	2111010	2	Fitting, Straight ORFS	
5	2111616	1	Fitting, Straight ORFS	
7	8430033	4	Fitting, Straight	
8	1001192888	1	Assembly, Priority Valve(See Separate Breakdown in Hydraulic Components Section)	
9	1001187355	1	Valve, Check	

## SECTION 8 - HYDRAULIC CIRCUITS

FIGURE 8-44. PRIORITY MANIFOLD INSTALLATION (PLATFORM READY)



ART\_0001190830-B

## SECTION 8 - HYDRAULIC CIRCUITS

**FIGURE 8-44. PRIORITY MANIFOLD INSTALLATION (PLATFORM READY)**

ITEM	PART NUMBER	QTY	DESCRIPTION	REV
	1001193836	Ref	Priority Manifold Installation (Platform Ready)	B
1	0701216	3	Bolt, M12X40, Grade 10.9	
2	4812100	3	Washer, M12	
3	1001193838	1	Assembly, Priority Valve (Platform Ready) (See Seperate Breakdown in this Section)	
4	1001192887	1	Decal, Port ID	

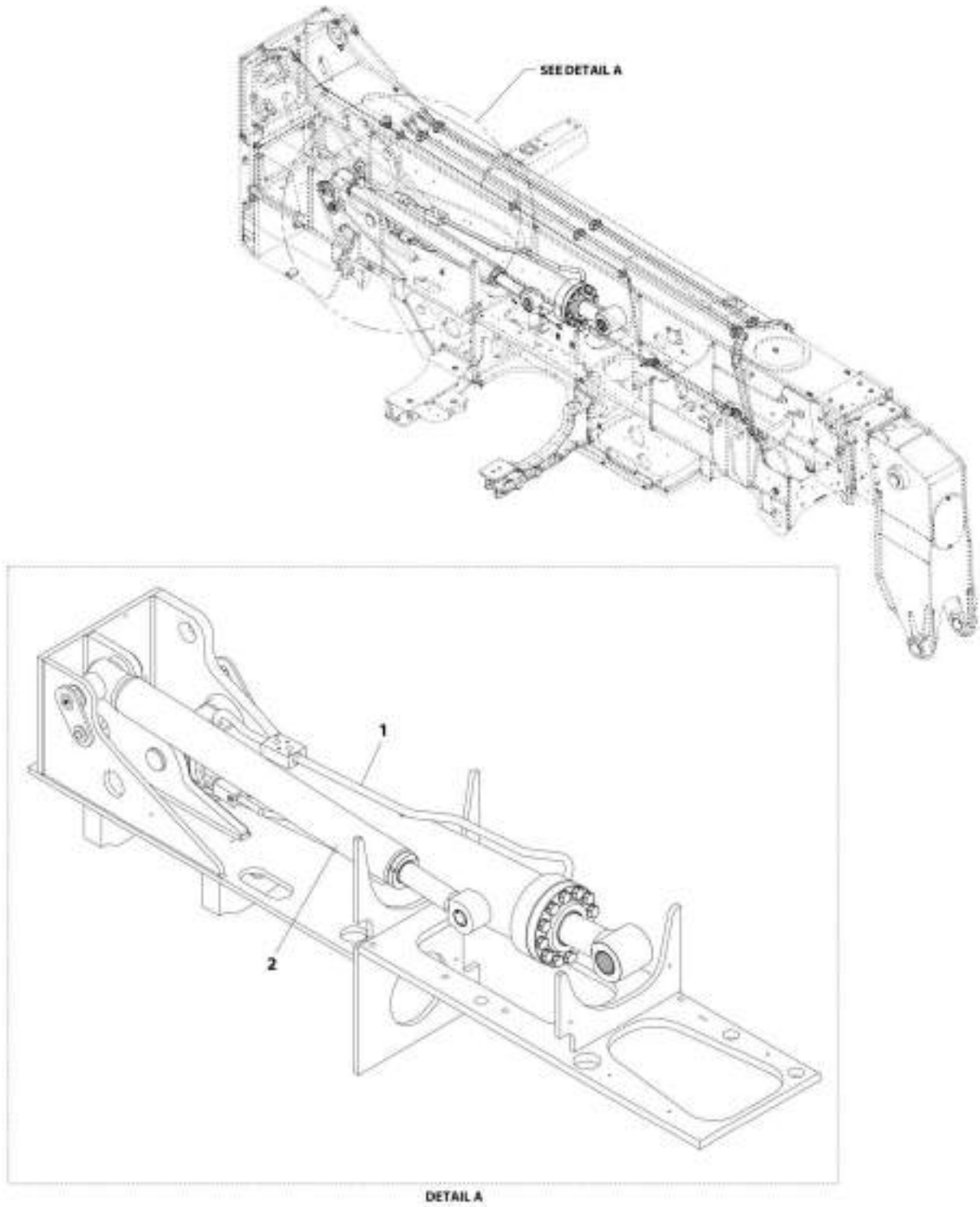




**SECTION 9 - HYDRAULIC COMPONENTS**

# SECTION 9 - HYDRAULIC COMPONENTS

FIGURE 9-1. CYLINDER GROUP INSTALLATION



ART\_1001192427-B

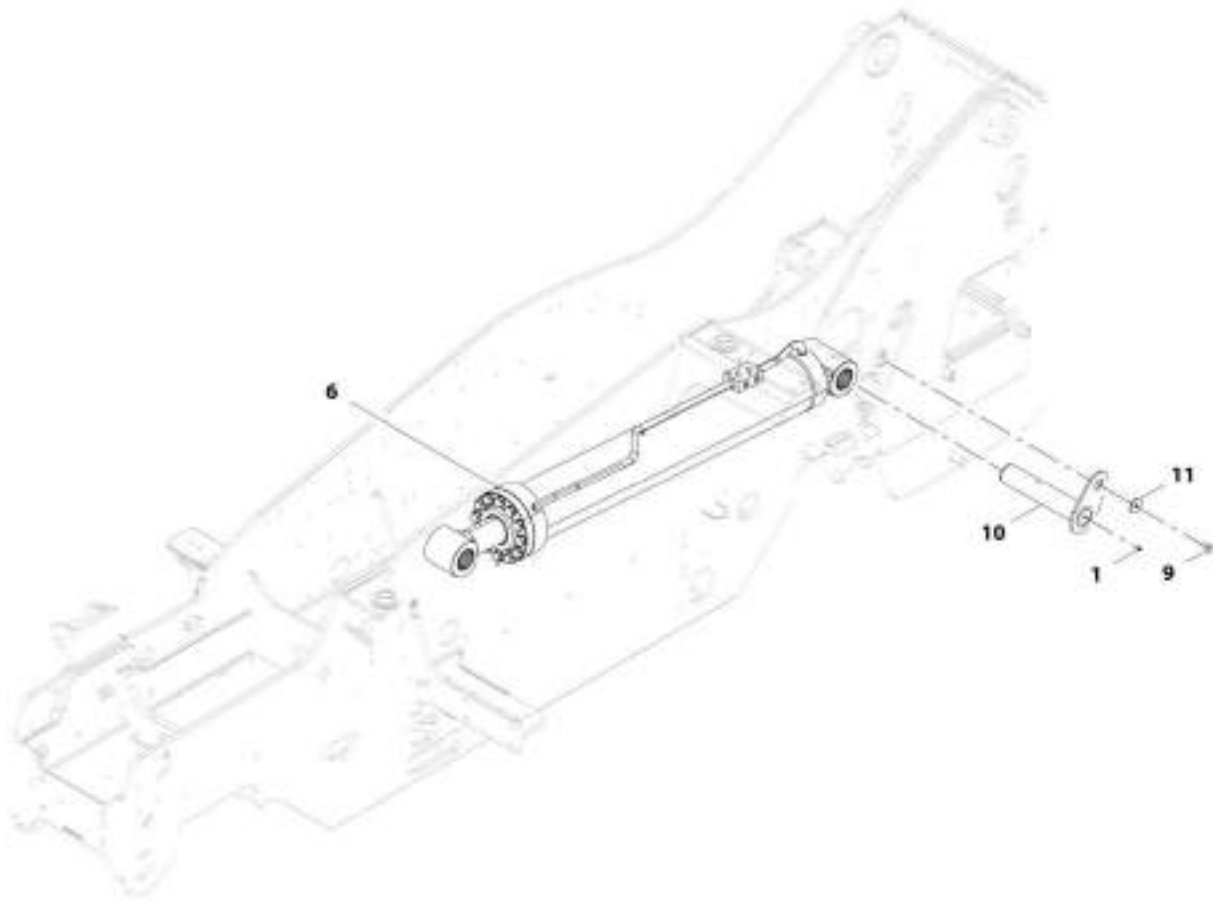
# SECTION 9 - HYDRAULIC COMPONENTS

## FIGURE 9-1. CYLINDER GROUP INSTALLATION

ITEM	PART NUMBER	QTY	DESCRIPTION	REV
1	1001192427	Ref	Cylinder Group Installation	B
	1001198577	Ref	Installation, Lift Cylinder (See Seperate Breakdown in this Section)	
	1001198578	ref	Installation, Compensation Cylinder (See Seperate Breakdown in this Section)	

# SECTION 9 - HYDRAULIC COMPONENTS

## FIGURE 9-2. LIFT CYLINDER INSTALLATION



ART\_1801198377-C

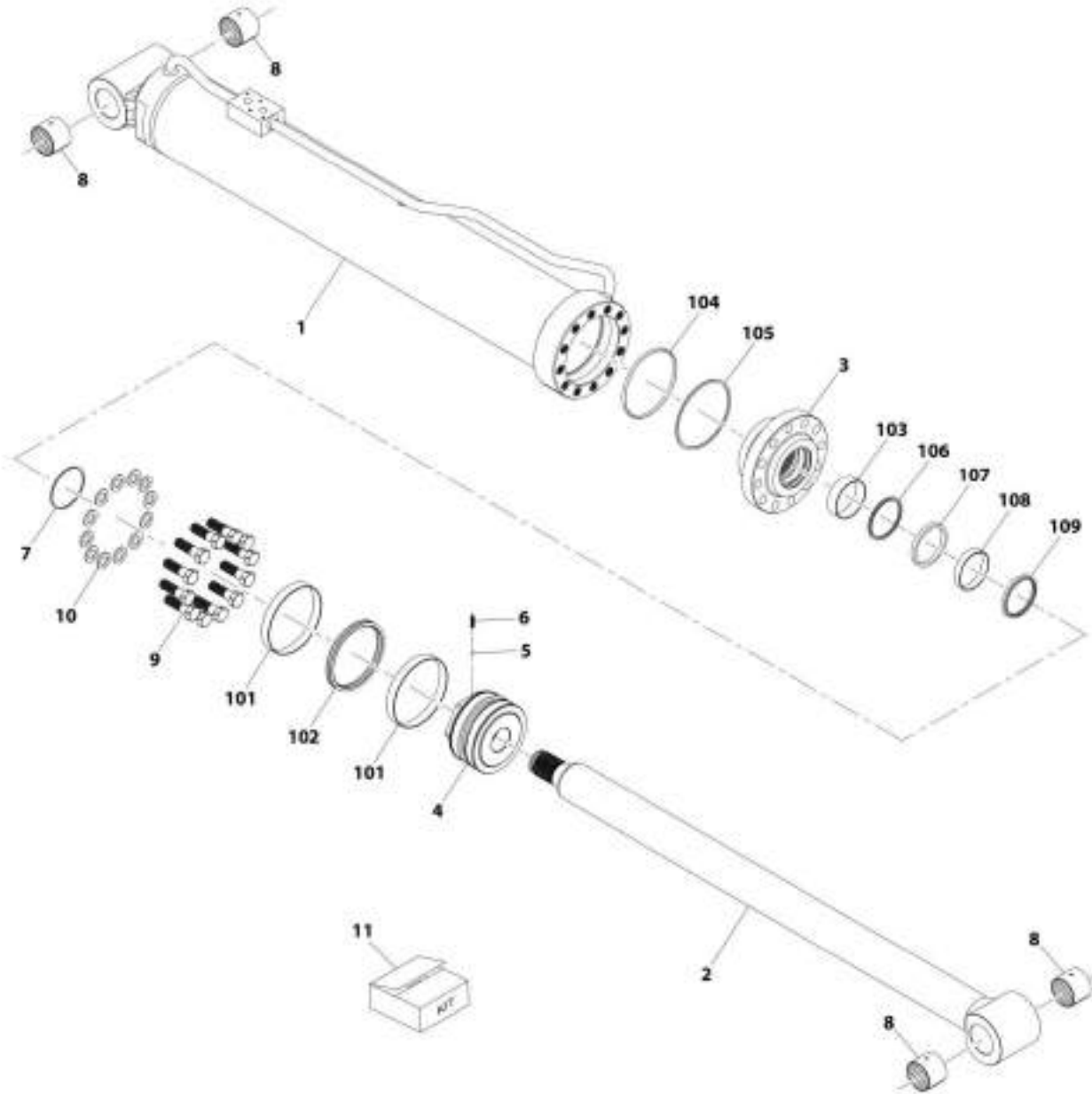
## SECTION 9 - HYDRAULIC COMPONENTS

### FIGURE 9-2. LIFT CYLINDER INSTALLATION

ITEM	PART NUMBER	QTY	DESCRIPTION	REV
	1001198577	Ref	Lift Cylinder Installation	C
2	2160016	1	Fitting, Grease	
6	1001198715	1	Cylinder, Lift (See Seperate Breakdown in this Section)	
9	0771414	1	Bolt, M14X30	
10	1001216331	1	Pin	
11	1001217226	1	Washer	

# SECTION 9 - HYDRAULIC COMPONENTS

## FIGURE 9-3. LIFT CYLINDER



ART\_1001198715-G

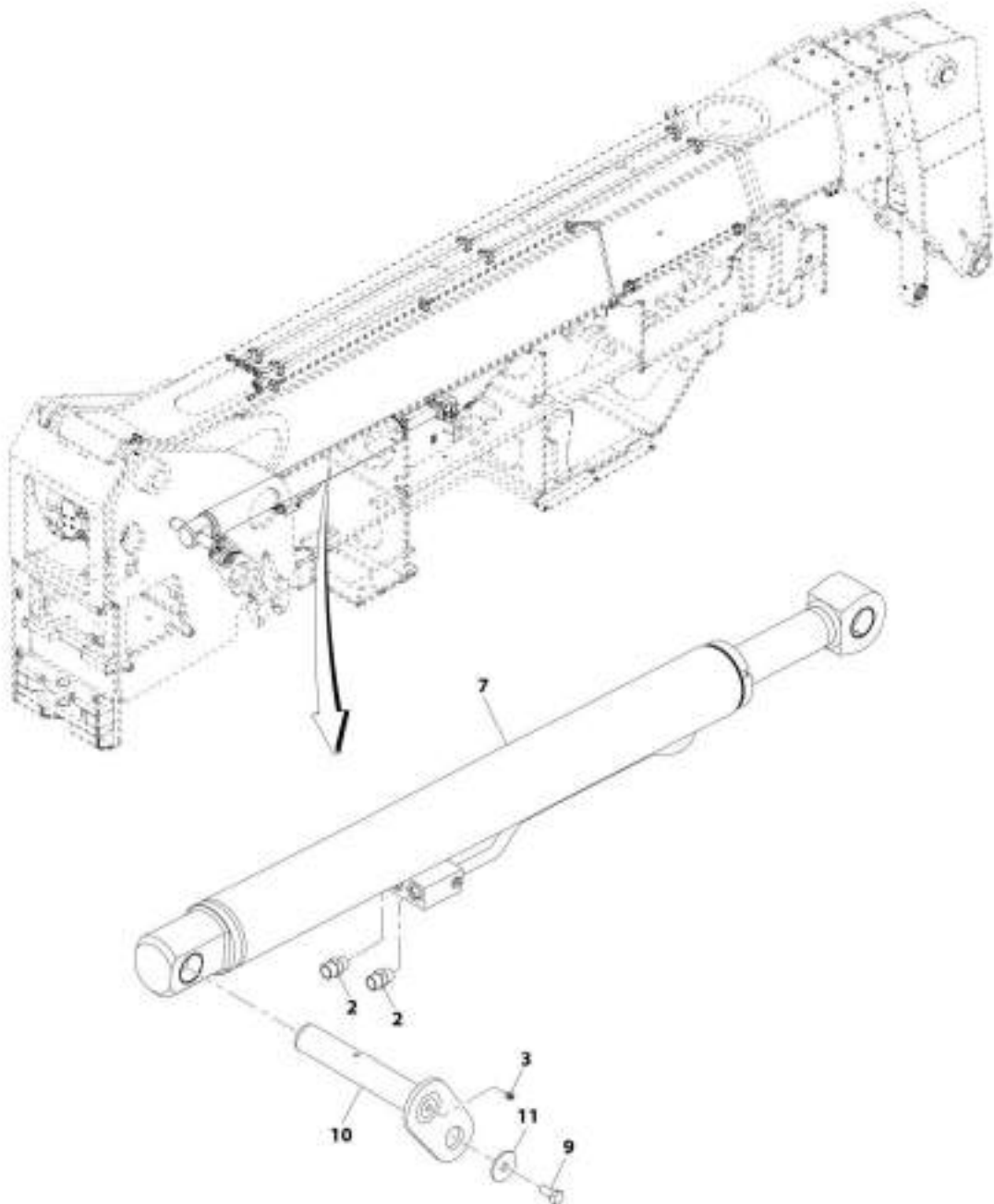
## SECTION 9 - HYDRAULIC COMPONENTS

### FIGURE 9-3. LIFT CYLINDER

ITEM	PART NUMBER	QTY	DESCRIPTION	REV
	1001198715	Ref	Lift Cylinder	G
1	N.S.S.	1	Barrel	
2	70028325	1	Rod	
3	70028307	1	Guide, Rod	
4	70028308	1	Piston	
5	70025614	1	Bearing	
6	70028309	1	Screw, Locking	
7	70025590	1	Ring, Snap	
8	70028310	4	Bushing	
9	70028311	12	Bolt	
10	70028312	12	Washer	
11	70028324	1	Kit, Seal (includes items 101 thru 109)	
101	Kit	2	Ring, Piston	
102	Kit	1	Seal	
103	Kit	1	Wiper, Rod	
104	Kit	1	O-Ring	
105	Kit	1	Ring, Backup	
106	Kit	1	Seal	
107	Kit	1	Seal	
108	Kit	1	Wiper, Rod	
109	Kit	1	Seal	

# SECTION 9 - HYDRAULIC COMPONENTS

## FIGURE 9-4. COMPENSATION CYLINDER INSTALLATION



ART\_3001198578-C



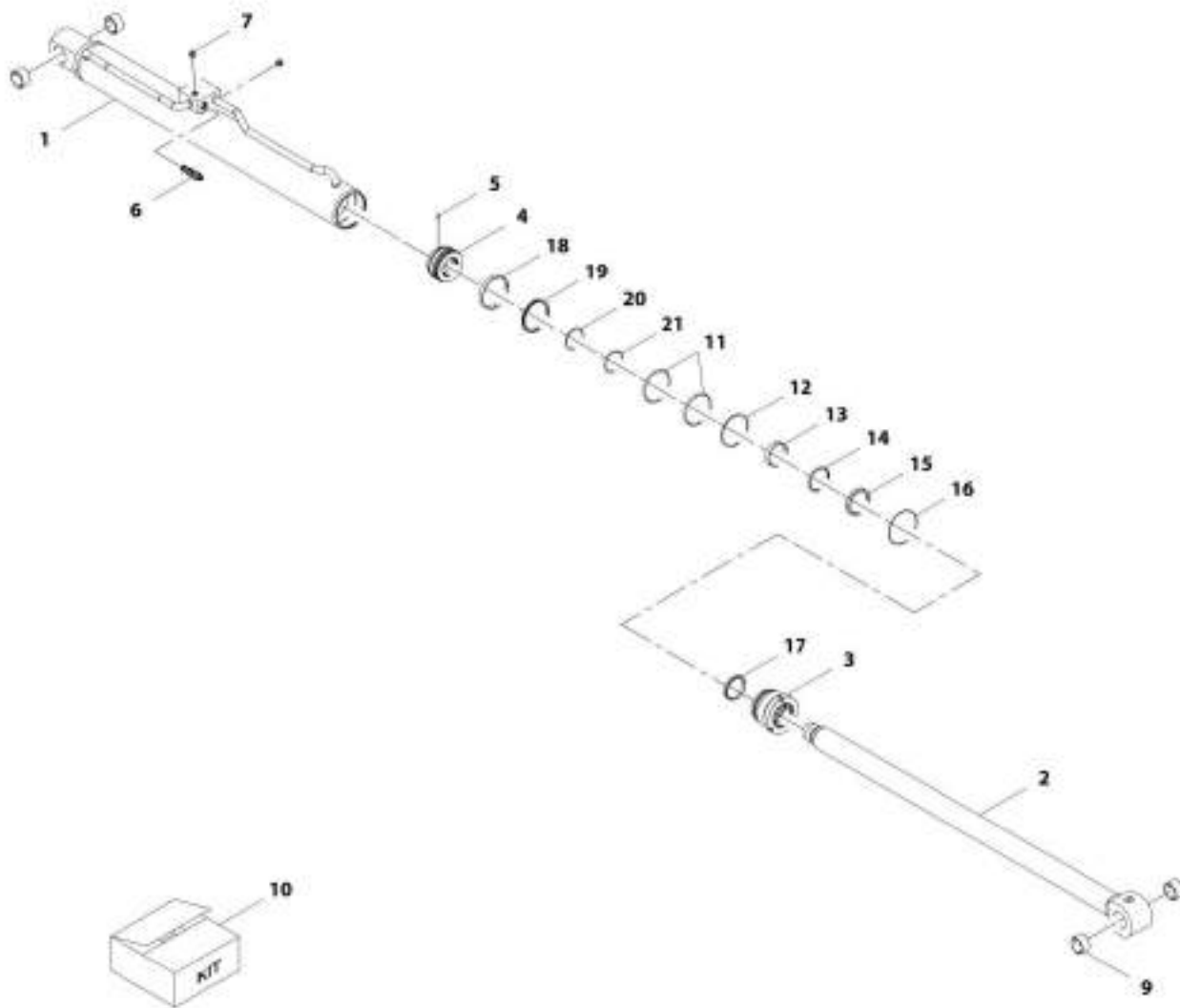
## SECTION 9 - HYDRAULIC COMPONENTS

FIGURE 9-4. COMPENSATION CYLINDER INSTALLATION

ITEM	PART NUMBER	QTY	DESCRIPTION	REV
	1001198578	Ref	Compensation Cylinder Installation	C
2	2111010	2	Fitting, Straight ORFS	
3	2160016	1	Fitting, Grease	
7	1001198717	1	Cylinder, Compensation (See Separate Breakdown in this Section)	
9	0771414	1	Bolt, M14X30	
10	1001216333	1	Pin	
11	1001217226	1	Washer	

# SECTION 9 - HYDRAULIC COMPONENTS

## FIGURE 9-5. COMPENSATION CYLINDER



ART\_100196717-E

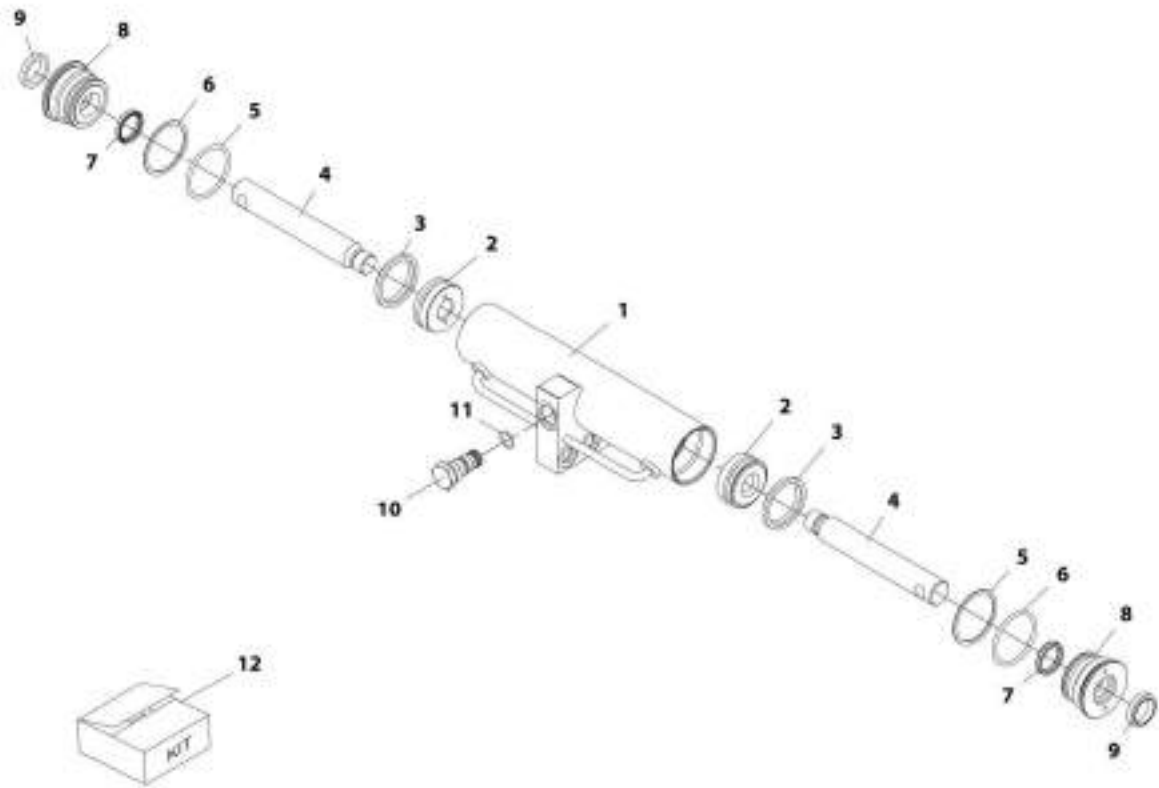
## SECTION 9 - HYDRAULIC COMPONENTS

### FIGURE 9-5. COMPENSATION CYLINDER

ITEM	PART NUMBER	QTY	DESCRIPTION	REV
	1001198717	Ref	Cylinder, Compensation	E
1	N.S.S.	1	Barrel	
2	70028376	1	Rod	
3	70028377	1	Guide, Rod	
4	70028378	1	Piston	
5	70026838	1	Screw	
6	70028384	1	Valve	
7	70028379	2	Plug	
9	70020476	4	Bushing	
10	70028380	1	Kit, Seal (includes items 11 thru 21)	
11	Kit	2	O-Ring	
12	Kit	1	Ring, Backup	
13	Kit	1	Bearing	
14	Kit	1	Buffer	
15	Kit	1	O-Ring	
16	Kit	1	Seal, Rod	
17	Kit	1	Wiper	
18	Kit	1	Bearing	
19	Kit	1	Seal, Piston	
20	Kit	1	Ring, Backup	
21	Kit	1	O-Ring	

**SECTION 9 - HYDRAULIC COMPONENTS**

**FIGURE 9-6. COUPLER LOCKING CYLINDER**



ART\_1001945390-A

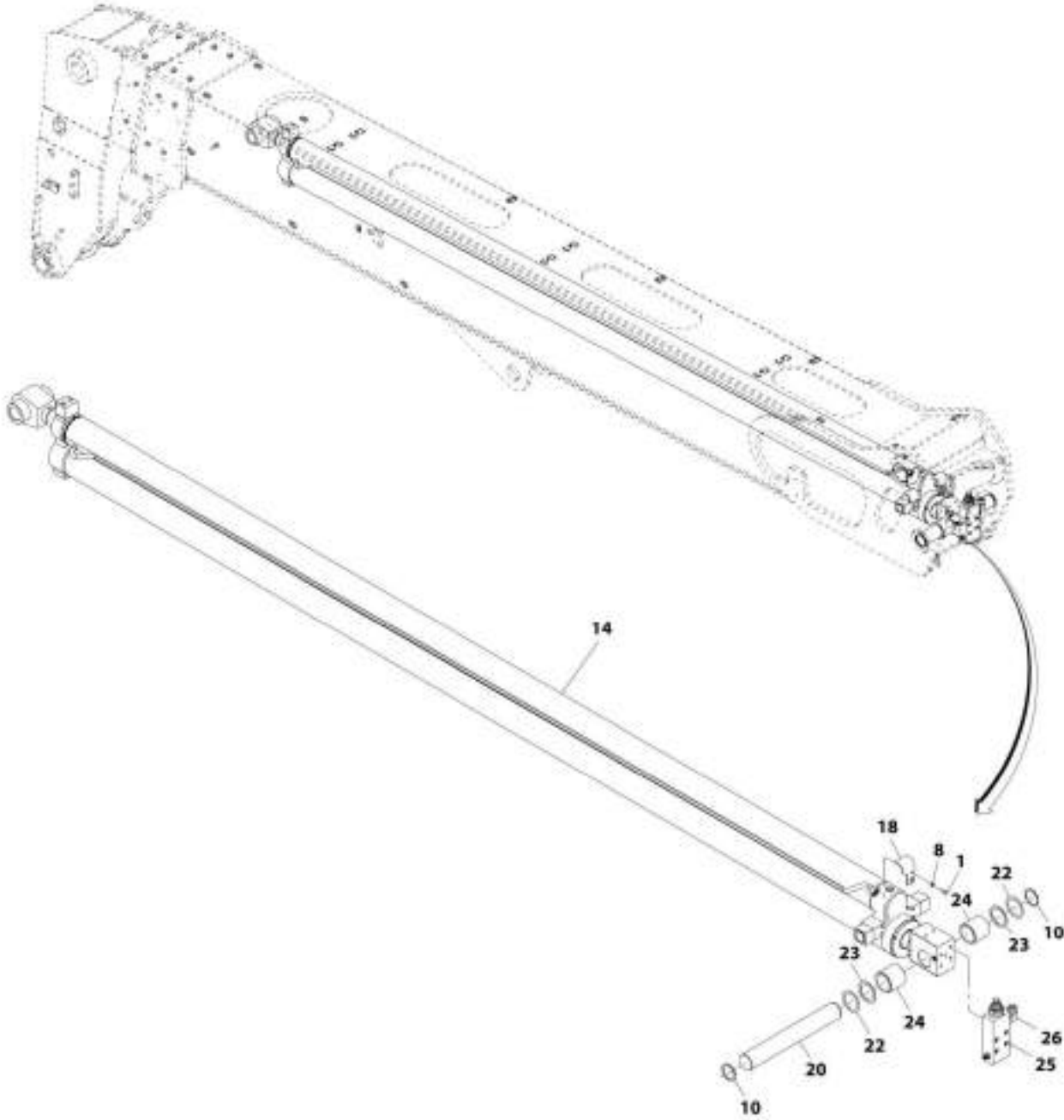
## SECTION 9 - HYDRAULIC COMPONENTS

### FIGURE 9-6. COUPLER LOCKING CYLINDER

ITEM	PART NUMBER	QTY	DESCRIPTION	REV
	1001145390	Ref	Coupler Locking Cylinder	A
1	70024164	2	Body	
2	70024165	2	Piston	
3	Kit	2	Seal, Piston	
4	70024166	2	Rod	
5	Kit	2	O-Ring	
6	Kit	2	Ring, Backup	
7	Kit	2	Seal, Rod	
8	70024167	2	Gland	
9	Kit	2	Seal, Wiper	
10	1001007056	1	Valve, Check	
11	91574001	1	Seal, Check Valve	
12	70024168	1	Kit, Seal (includes items 3, 5, 6, 7 & 9)	

# SECTION 9 - HYDRAULIC COMPONENTS

## FIGURE 9-7. EXTEND/RETRACT CYLINDER INSTALLATION



ART\_1001199325-H

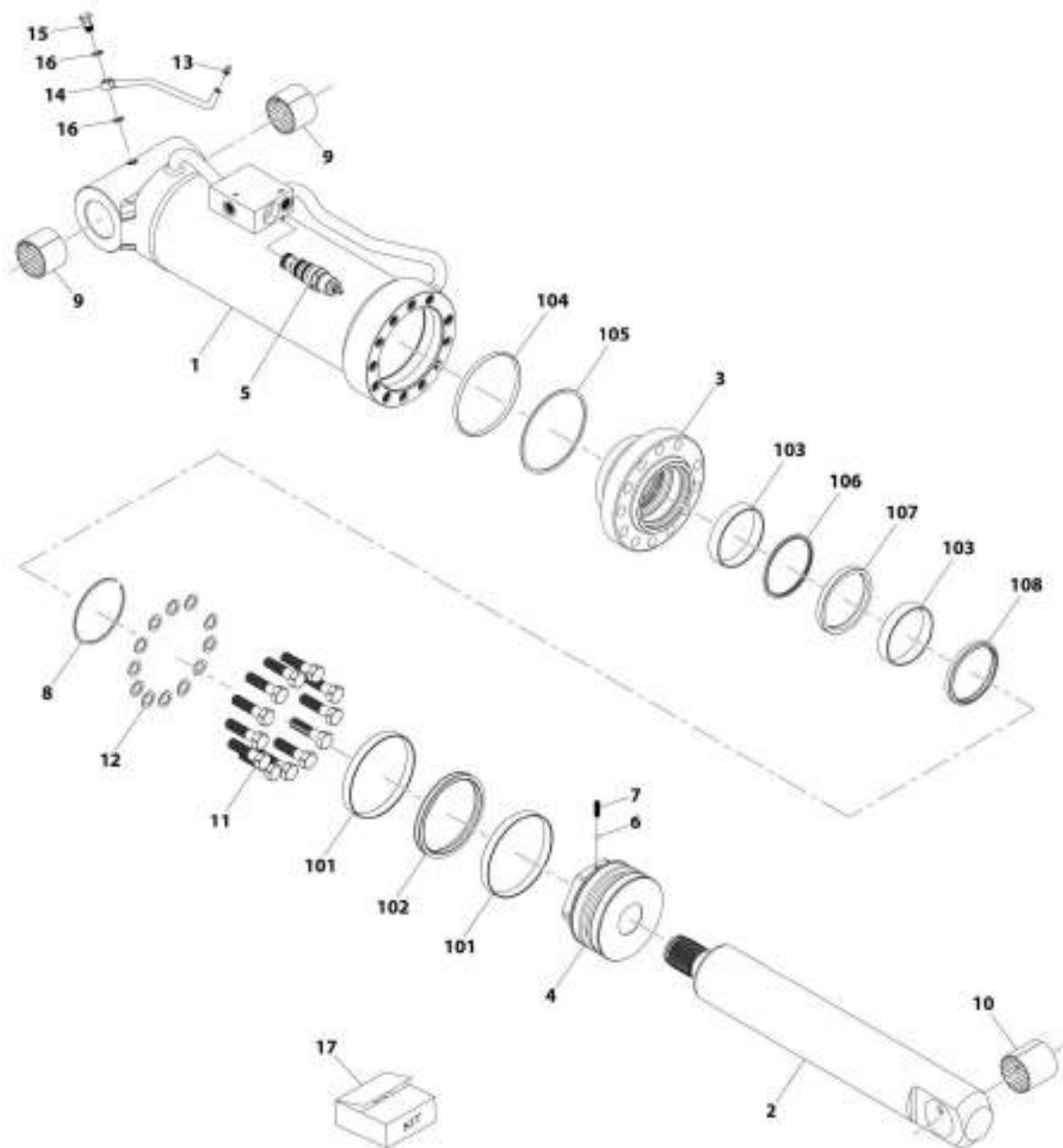
## SECTION 9 - HYDRAULIC COMPONENTS

### FIGURE 9-7. EXTEND/RETRACT CYLINDER INSTALLATION

ITEM	PART NUMBER	QTY	DESCRIPTION	REV
	1001199325	Ref	Extend/Retract Cylinder Installation	H
1	0760810	2	Bolt, M8X20	
8	4811900	2	Washer, M8	
10	8006258	2	Ring, Retaining	
14	1001226947	1	Cylinder, Extend/Retract	
18	1001213562	1	Plate	
20	1001205528	1	Pin	
22	1001100166	2	Shim	
23	1001100169	2	Shim	
24	1001208451	2	Spacer, M70X5X72	
25	2110806	1	Fitting, Straight ORFS	
26	2131212	1	Fitting, 90 ORFS	

# SECTION 9 - HYDRAULIC COMPONENTS

## FIGURE 9-8. TILT CYLINDER



ARE\_1001174012-D



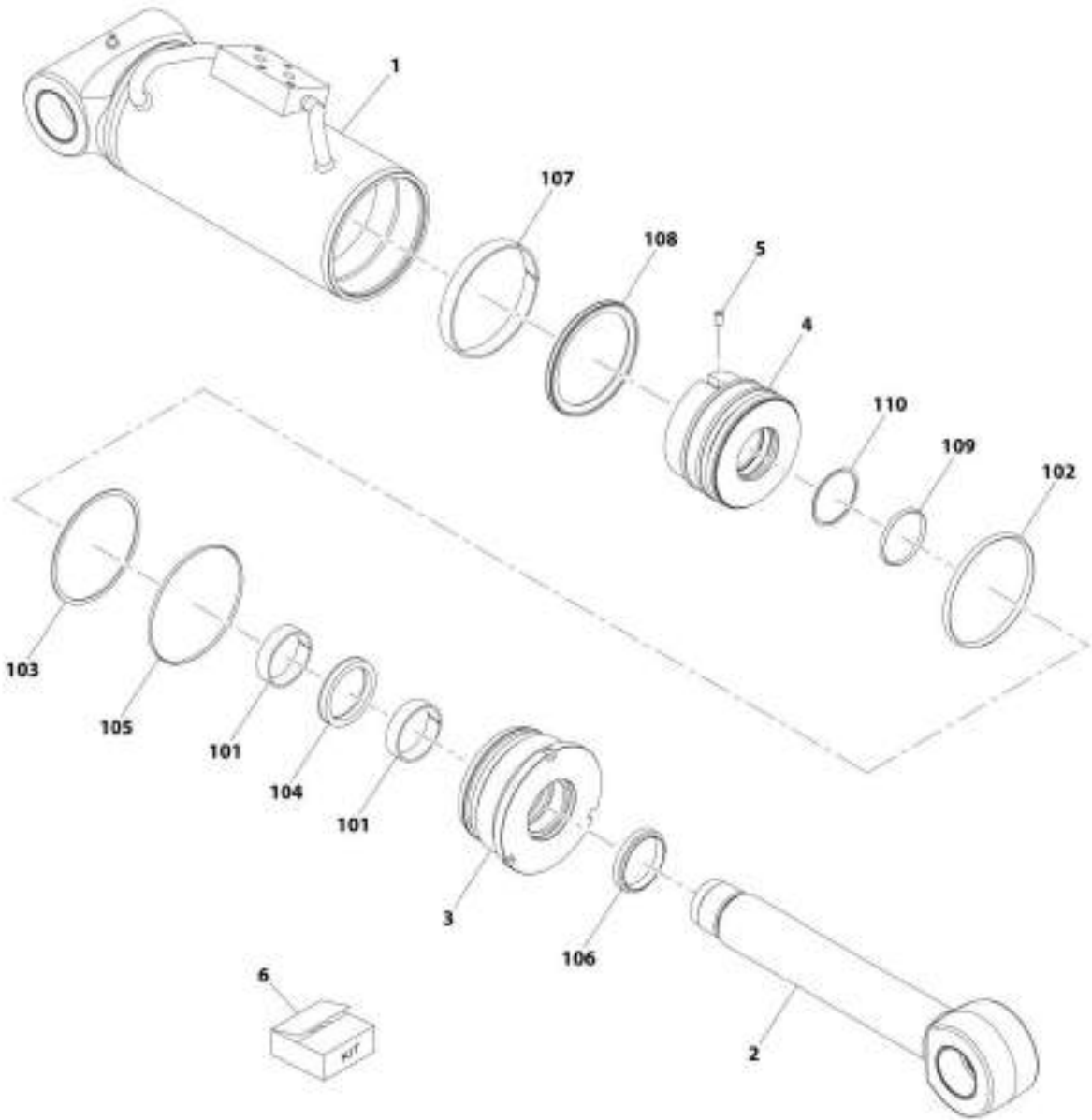
## SECTION 9 - HYDRAULIC COMPONENTS

### FIGURE 9-8. TILT CYLINDER

ITEM	PART NUMBER	QTY	DESCRIPTION	REV
	1001174812	Ref	Tilt Cylinder	D
1	N.S.S.	1	Barrel	
2	70028314	1	Rod	
3	70028315	1	Piston	
4	70028316	1	Head	
5	70028317	1	Valve, Counterbalance	
6	70025614	1	Bearing	
7	70028309	1	Screw, Locking	
8	70028318	1	Ring, Snap	
9	70028310	2	Bushing	
10	70028319	1	Bushing	
11	70028320	12	Bolt	
12	70028321	12	Washer	
13	70029941	2	Fitting, Grease	
14	70028322	1	Pipe	
15	70024035	1	Screw	
16	70028323	2	Washer	
17	70028324	1	Kit, Seal (includes items 101 thru 108)	
101	Kit	2	Ring, Piston	
102	Kit	1	Seal, Piston	
103	Kit	2	Ring, Rod	
104	Kit	1	"O" Ring	
105	Kit	1	Ring, Back-Up	
106	Kit	1	Seal, Rod	
107	Kit	1	Seal, Rod	
108	Kit	1	Wiper	

# SECTION 9 - HYDRAULIC COMPONENTS

FIGURE 9-9. FRAME LEVEL CYLINDER



ART\_1001201073-E

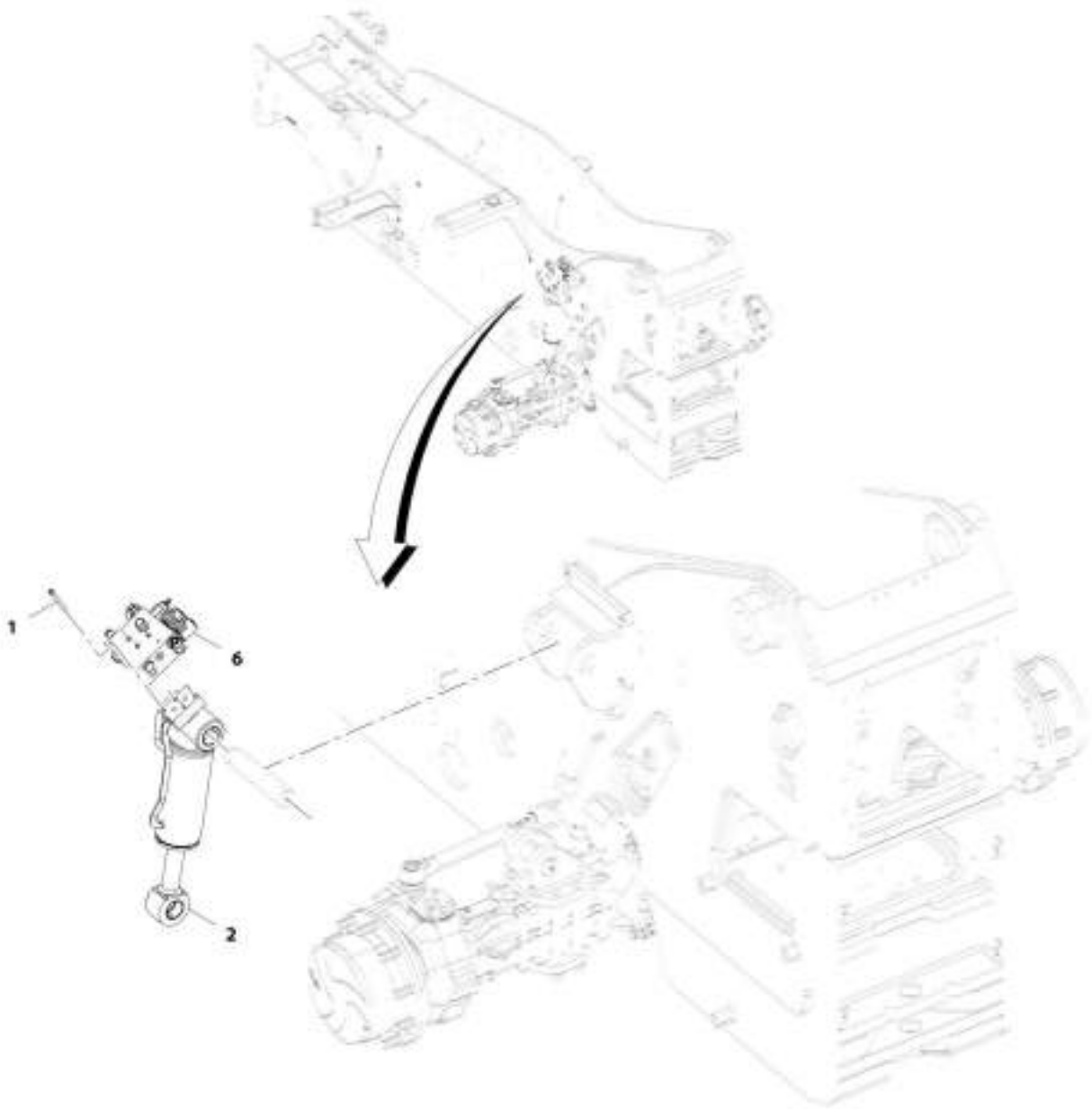
## SECTION 9 - HYDRAULIC COMPONENTS

### FIGURE 9-9. FRAME LEVEL CYLINDER

ITEM	PART NUMBER	QTY	DESCRIPTION	REV
	1001201073	Ref	Frame Level Cylinder	E
1	N.S.S.	1	Barrel	
2	70028362	1	Rod	
3	70026249	1	Head	
4	70026251	1	Piston	
5	70020438	1	Screw, Locking	
6	70026253	1	Seal kit (includes items 101 thru 110)	
101	Kit	2	Bearing	
102	Kit	1	O-Ring	
103	Kit	1	Backup Ring	
104	Kit	1	Rod Seal	
105	Kit	1	O-Ring	
106	Kit	1	Wiper	
107	Kit	1	Bearing	
108	Kit	1	Piston Seal	
109	Kit	1	O-Ring	
110	Kit	1	Backup Ring	

**SECTION 9 - HYDRAULIC COMPONENTS**

**FIGURE 9-10. RALP CYLINDER INSTALLATION**



ART\_0001100917-D

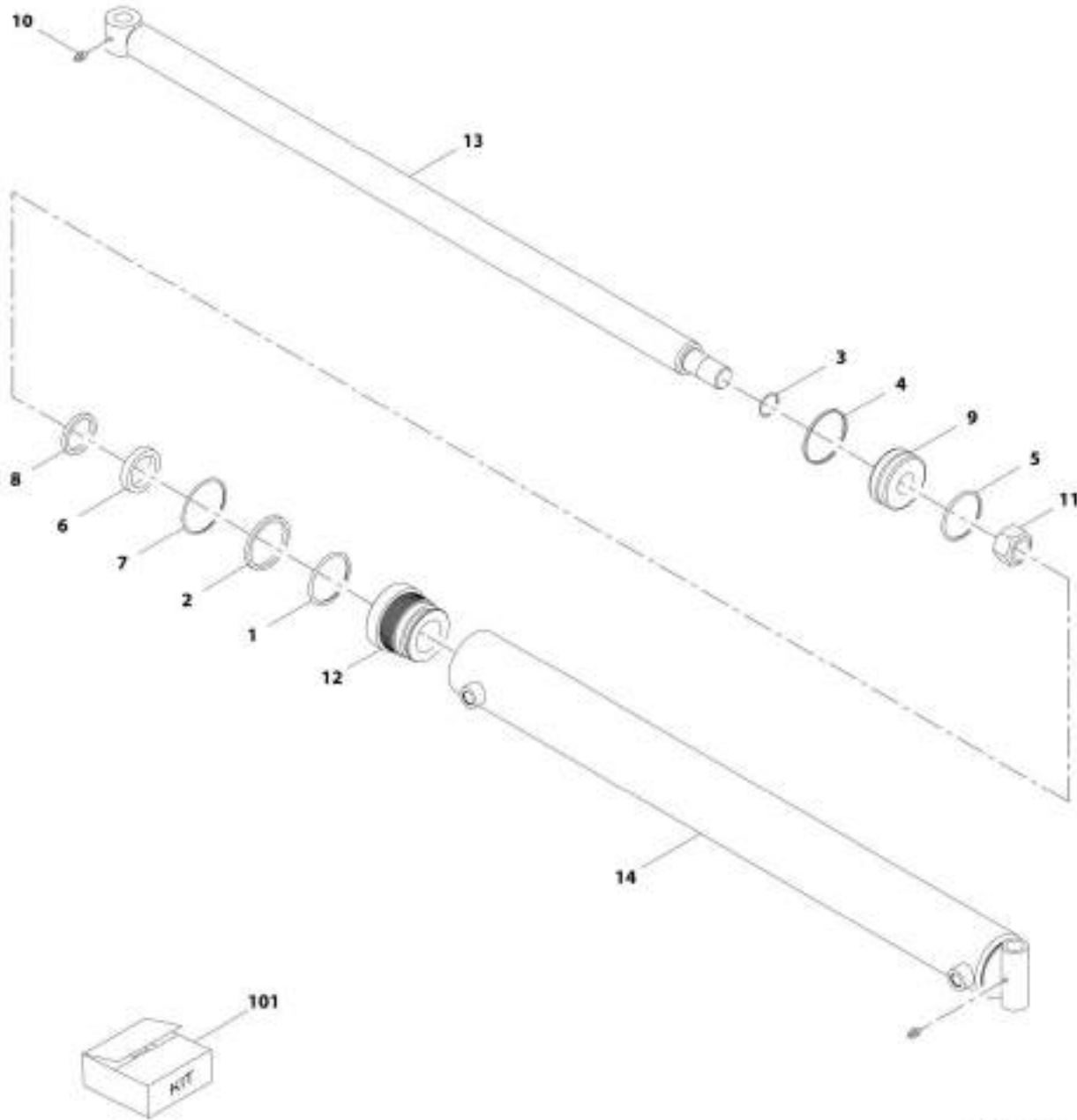
## SECTION 9 - HYDRAULIC COMPONENTS

### FIGURE 9-10. RALP CYLINDER INSTALLATION

ITEM	PART NUMBER	QTY	DESCRIPTION	REV
	1001193917	Ref	RALP Cylinder Installation	D
1	4031920	4	Screw, M8X1.25	
2	1001204576	1	Cylinder, RALP	
6	1001212511	1	Installation, Rear Axle Lock Valve (See Separate Breakdown in this Section)	

# SECTION 9 - HYDRAULIC COMPONENTS

## FIGURE 9-11. FORK POSITIONING CYLINDER ASSEMBLY



ART\_N028594-C

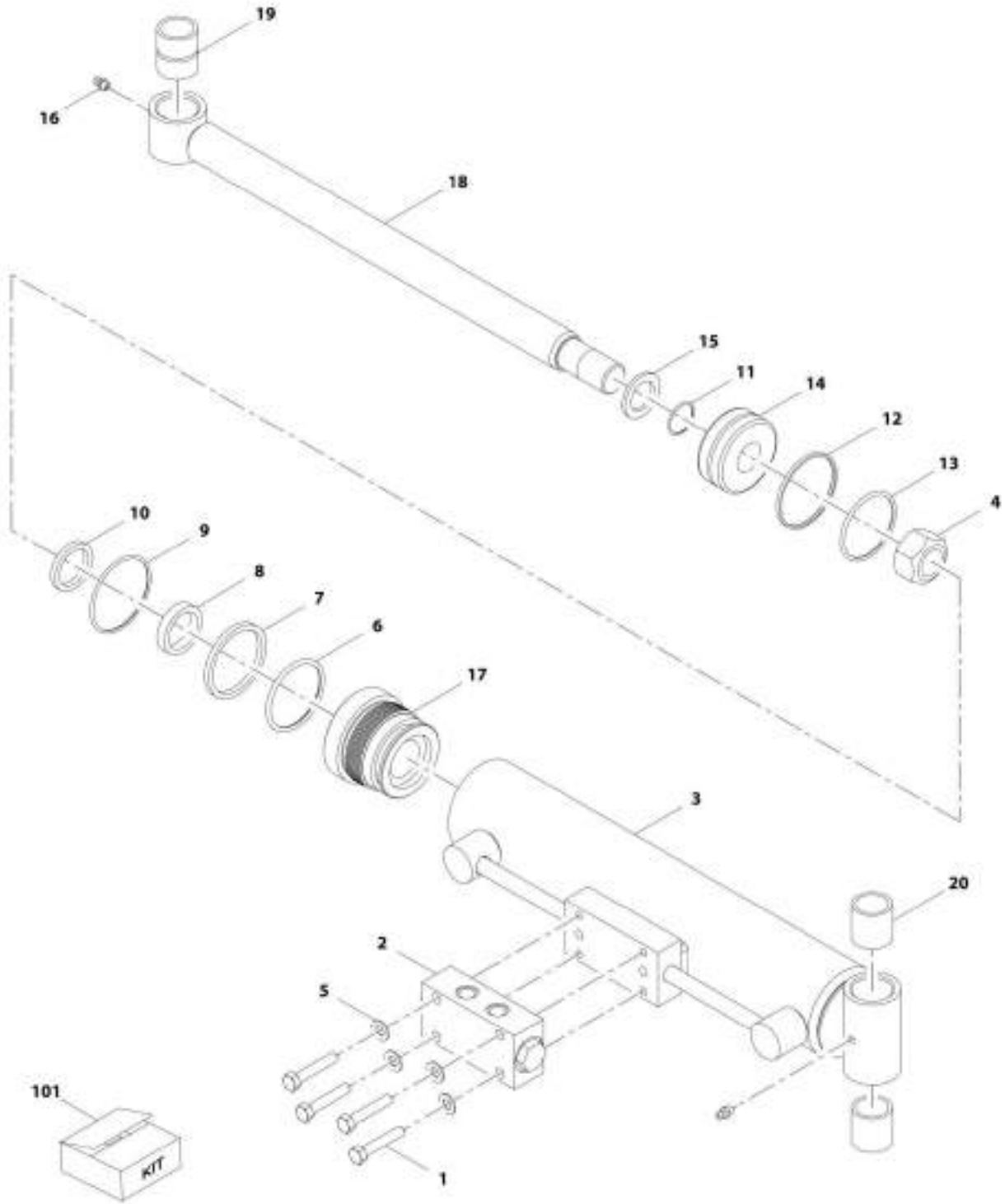
## SECTION 9 - HYDRAULIC COMPONENTS

**FIGURE 9-11. FORK POSITIONING CYLINDER ASSEMBLY**

ITEM	PART NUMBER	QTY	DESCRIPTION	REV
	70028599	Ref	Fork Positioning Cylinder Assembly	C
1	Kit	1	O-Ring	
2	Kit	1	O-Ring	
3	Kit	1	O-Ring	
4	Kit	1	Seal	
5	Kit	1	O-Ring	
6	Kit	1	Seal	
7	Kit	1	O-Ring	
8	Kit	1	Seal	
9	70028609	1	Piston, Cylinder	
10	90554045	2	Fitting, Grease	
11	70021440	1	Nut	
12	70028610	1	Gland, Cylinder	
13	70028611	1	Rod	
14	N.S.S.	1	Tube	
101	Kit	1	Kit, Seal	

# SECTION 9 - HYDRAULIC COMPONENTS

## FIGURE 9-12. SIDE SHIFT CYLINDER ASSEMBLY



ART\_0028601-C



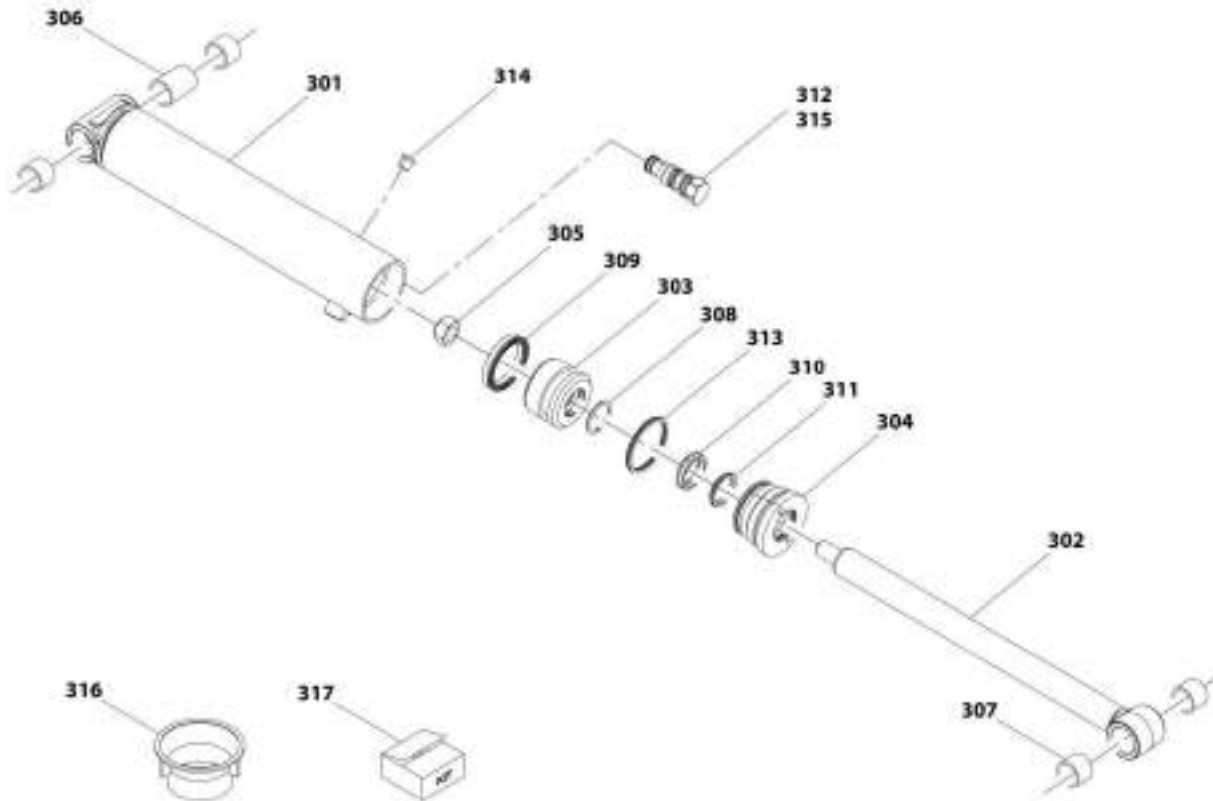
## SECTION 9 - HYDRAULIC COMPONENTS

**FIGURE 9-12. SIDE SHIFT CYLINDER ASSEMBLY**

ITEM	PART NUMBER	QTY	DESCRIPTION	REV
	70028603	Ref	Side Shift Cylinder Assembly	C
1	70028612	4	Bolt	
2	70028613	1	Valve	
3	N.S.S.	1	Tube	
4	70021440	1	Nut	
5	70028614	4	Washer, Flat	
6	Kit	1	O-Ring	
7	Kit	1	O-Ring	
8	Kit	1	Seal	
9	Kit	1	O-Ring	
10	Kit	1	Seal	
11	Kit	1	O-Ring	
12	Kit	1	Seal	
13	Kit	1	O-Ring	
14	70021451	1	Piston	
15	70021444	1	Spacer	
16	90554045	2	Fitting, Grease	
17	70021446	1	Gland, Cylinder	
18	70021445	1	Rod	
19	70021447	1	Bushing	
20	70021448	2	Bushing	
101	70021452	1	Kit, Seal (includes items 6 thru 13)	

# SECTION 9 - HYDRAULIC COMPONENTS

## FIGURE 9-13. UPPER CYLINDER ASSEMBLY



ART\_7902852-B

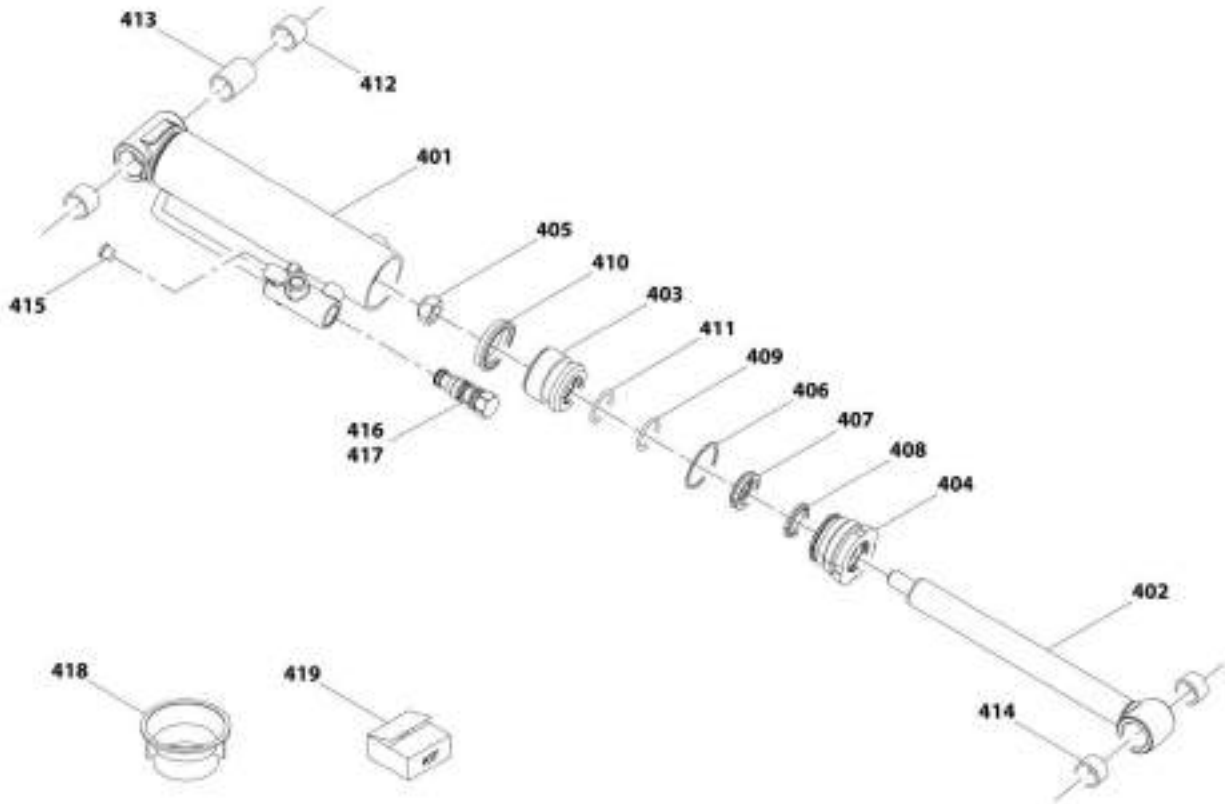
## SECTION 9 - HYDRAULIC COMPONENTS

### FIGURE 9-13. UPPER CYLINDER ASSEMBLY

ITEM	PART NUMBER	QTY	DESCRIPTION	REV
	70028652	Ref	Upper Cylinder Assembly	D
301	N.S.S.	1	Barrel	
302	70028270	1	Rod	
303	70028254	1	Piston	
304	70028255	1	Retainer	
305	70028258	1	Nut	
306	70028257	1	Spacer	
307	70028256	4	Bushing	
308	N.S.S.	1	O-Ring	
309	N.S.S.	1	Seal	
310	N.S.S.	1	Seal	
311	N.S.S.	1	Wiper	
312	70026502	1	Valve, Check	
313	N.S.S.	1	Seal	
314	70024129	2	Plug	
315	70024734	1	Kit, Check Valve	
316	70028691	1	Tool, Seal Loader	
317	70028770	1	Kit, Seal	

**SECTION 9 - HYDRAULIC COMPONENTS**

**FIGURE 9-14. LOWER CYLINDER ASSEMBLY**



INT\_7902853-B

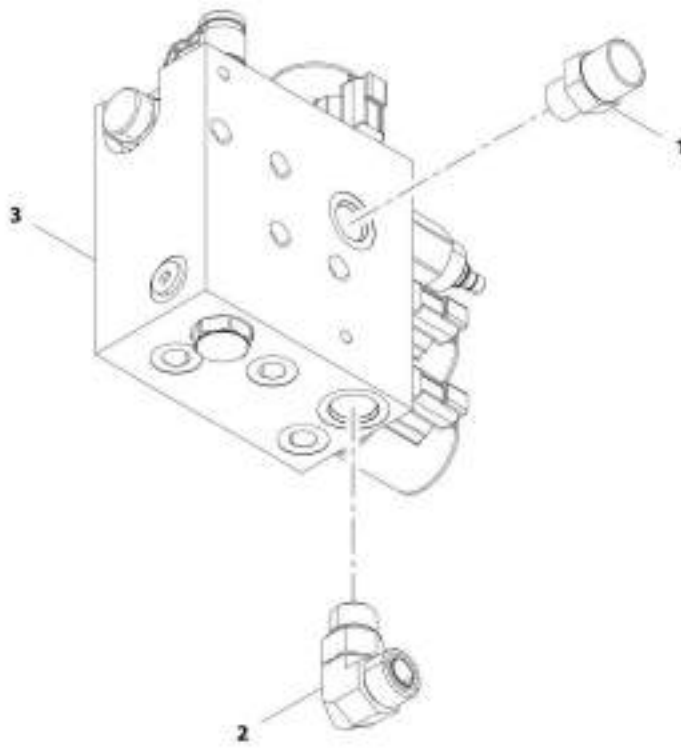
## SECTION 9 - HYDRAULIC COMPONENTS

### FIGURE 9-14. LOWER CYLINDER ASSEMBLY

ITEM	PART NUMBER	QTY	DESCRIPTION	REV
	70028653	Ref	Lower Cylinder Assembly	D
401	N.S.S.	1	Barrel	
402	70028692	1	Rod	
403	70024142	1	Piston	
404	70028693	1	Retainer	
405	70028258	1	Nut	
406	N.S.S.	1	Ring, Backup	
407	N.S.S.	1	Seal	
408	N.S.S.	1	Wiper	
409	N.S.S.	1	O-Ring	
410	N.S.S.	1	Seal	
411	N.S.S.	1	O-Ring	
412	70028256	2	Bushing	
413	70028257	1	Spacer	
414	70028694	2	Bushing	
415	70024129	2	Plug	
416	70026502	1	Valve, Check	
417	70024734	1	Kit, Check Valve	
418	70028691	1	Tool, Seal Loader	
419	70028771	1	Kit, Seal	

## SECTION 9 - HYDRAULIC COMPONENTS

FIGURE 9-15. REAR AXLE LOCK VALVE INSTALLATION



ART\_0001212511-A

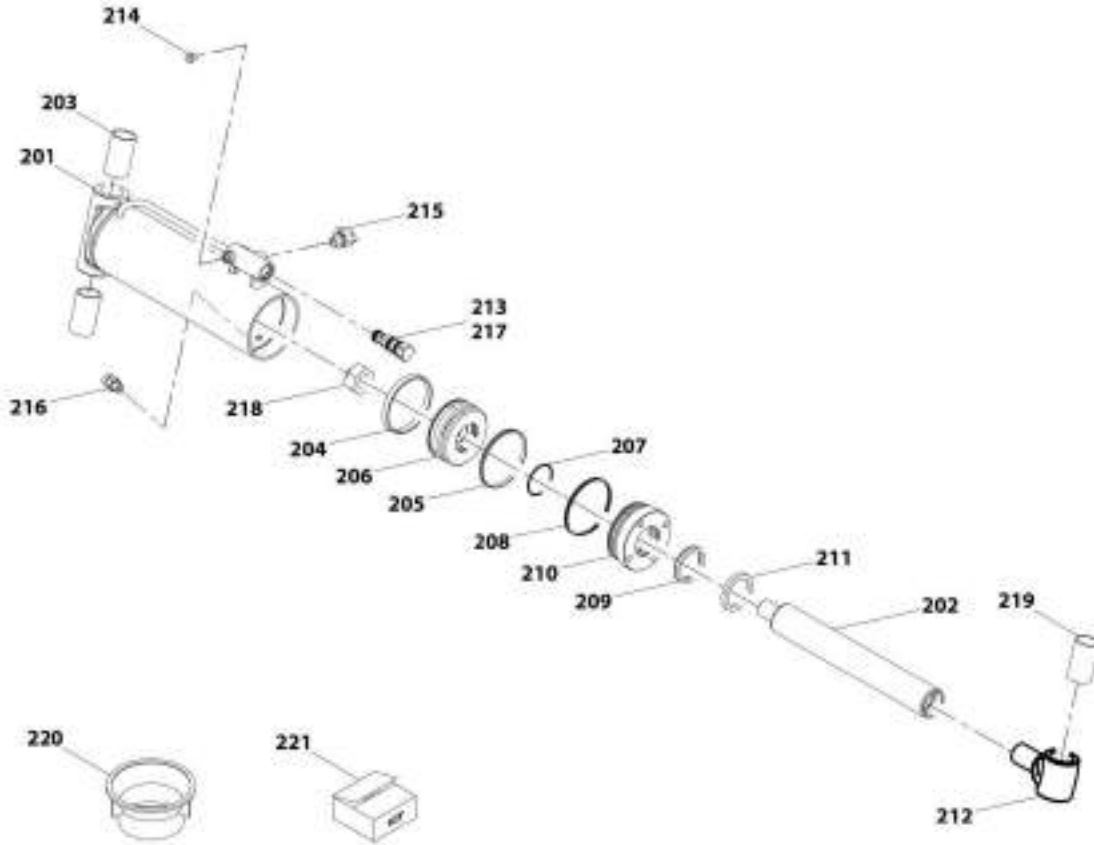
## SECTION 9 - HYDRAULIC COMPONENTS

FIGURE 9-15. REAR AXLE LOCK VALVE INSTALLATION

ITEM	PART NUMBER	QTY	DESCRIPTION	REV
	1001212511	Ref	Rear Axle Lock Valve Installation	A
1	2111008	1	Fitting, Straight ORFS	
2	2131010	1	Fitting, ORFS	
3	1001188203	1	Valve, Rear Axle Lock	

# SECTION 9 - HYDRAULIC COMPONENTS

FIGURE 9-16. LOG HANDLER CARRIAGE CYLINDER ASSEMBLY



ART\_3008704.C



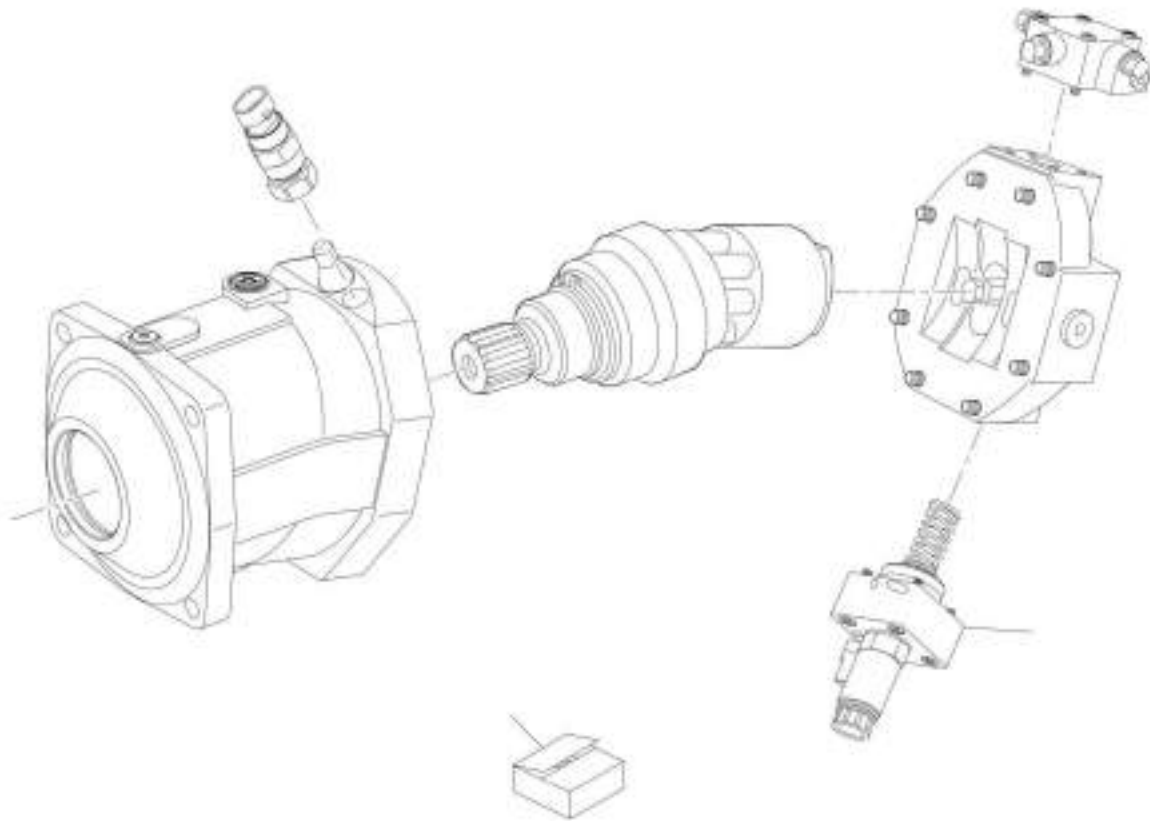
## SECTION 9 - HYDRAULIC COMPONENTS

**FIGURE 9-16. LOG HANDLER CARRIAGE CYLINDER ASSEMBLY**

ITEM	PART NUMBER	QTY	DESCRIPTION	REV
	70028704	Ref	Log Handler Carriage Cylinder Assembly	C
201	N.S.S.	1	Barrel	
202	70028728	1	Rod	
203	70028729	2	Bushing	
204	N.S.S.	1	Ring, Wear	
205	N.S.S.	1	Seal	
206	70028730	1	Piston	
207	N.S.S.	1	O-Ring	
208	N.S.S.	1	Seal	
209	N.S.S.	1	Seal	
210	70028731	1	Retainer	
211	N.S.S.	1	Wiper	
212	N.S.S.	1	End, Rod (included with item 202)	
213	70024733	1	Valve, Check	
214	70024129	2	Plug	
215	70024123	1	Fitting, 90	
216	70024130	1	Fitting, Straight	
217	70024734	1	Kit, Check Valve	
218	70028732	1	Nut	
219	70028729	1	Bushing (included with item 202)	
220	70028588	1	Tool, Seal Loader	
221	70028733	1	Kit, Seal (includes items 204, 205, 207, 208, 208, 211, 220)	

**SECTION 9 - HYDRAULIC COMPONENTS**

**FIGURE 9-17. HYDROSTATIC MOTOR**



ART\_100193308-C

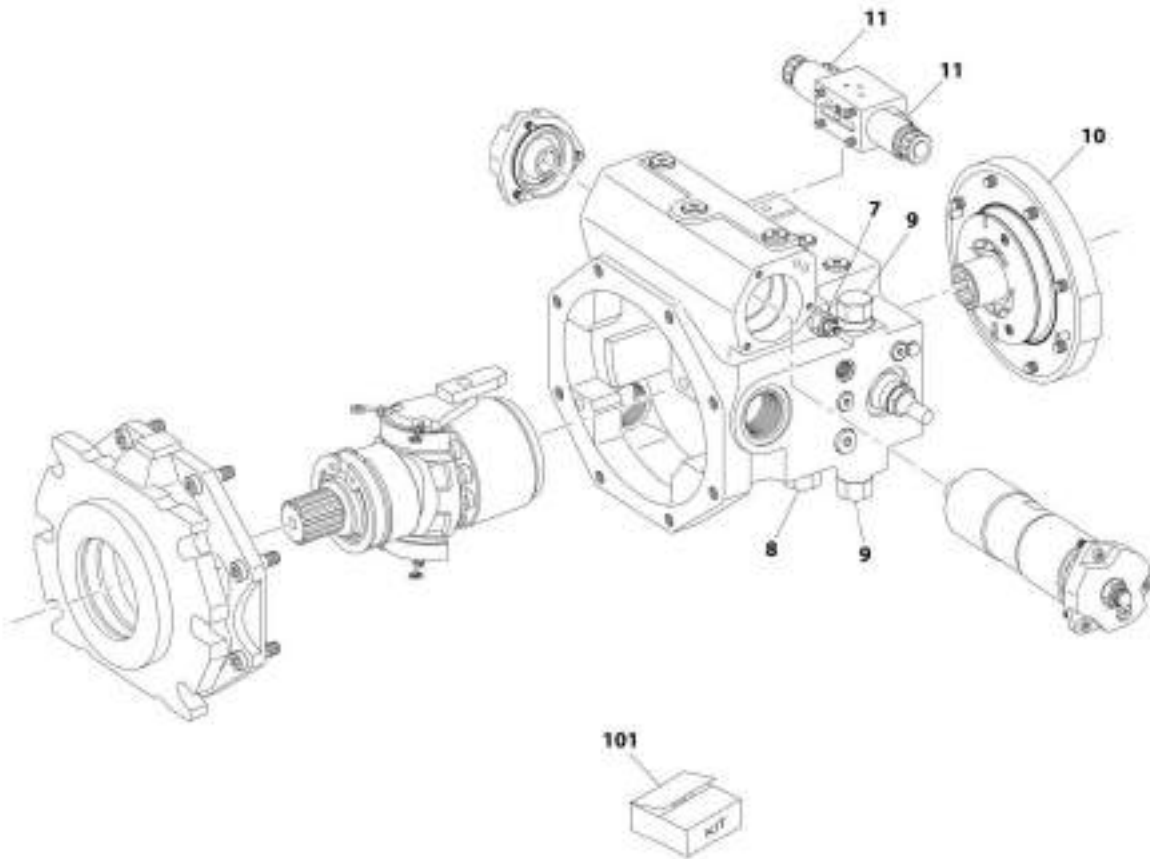
## SECTION 9 - HYDRAULIC COMPONENTS

### FIGURE 9-17. HYDROSTATIC MOTOR

ITEM	PART NUMBER	QTY	DESCRIPTION	REV
	1001193308	Ref	Hydrostatic Motor	C
6	70028420	1	Valve, Flushing	
101	70027601	1	Kit, Seal	
	Kit	1	Seal	
	Kit	1	O-Ring	
	Kit	2	Seal	
	Kit	7	O-Ring	
	Kit	1	O-Ring	
	Kit	2	O-Ring	
	Kit	2	O-Ring	
	Kit	3	O-Ring	
	Kit	2	O-Ring	
	Kit	2	Ring, Backup	
	Kit	1	Seal	
	Kit	1	O-Ring	
	Kit	2	O-Ring	
	Kit	1	O-Ring	
	Kit	1	O-Ring	
	Kit	1	O-Ring	
	Kit	1	O-Ring	
	Kit	1	O-Ring	
	Kit	1	O-Ring	
	Kit	1	O-Ring	
	Kit	1	O-Ring	
	Kit	1	O-Ring	
	Kit	1	O-Ring	
	Kit	1	O-Ring	
	Kit	1	O-Ring	
	Kit	1	O-Ring	
	Kit	1	O-Ring	
	Kit	1	O-Ring	
	Kit	1	O-Ring	
	Kit	1	O-Ring	
	Kit	1	O-Ring	
	Kit	1	Seal	

# SECTION 9 - HYDRAULIC COMPONENTS

## FIGURE 9-18. HYDROSTATIC PUMP



ART\_1001103307-D

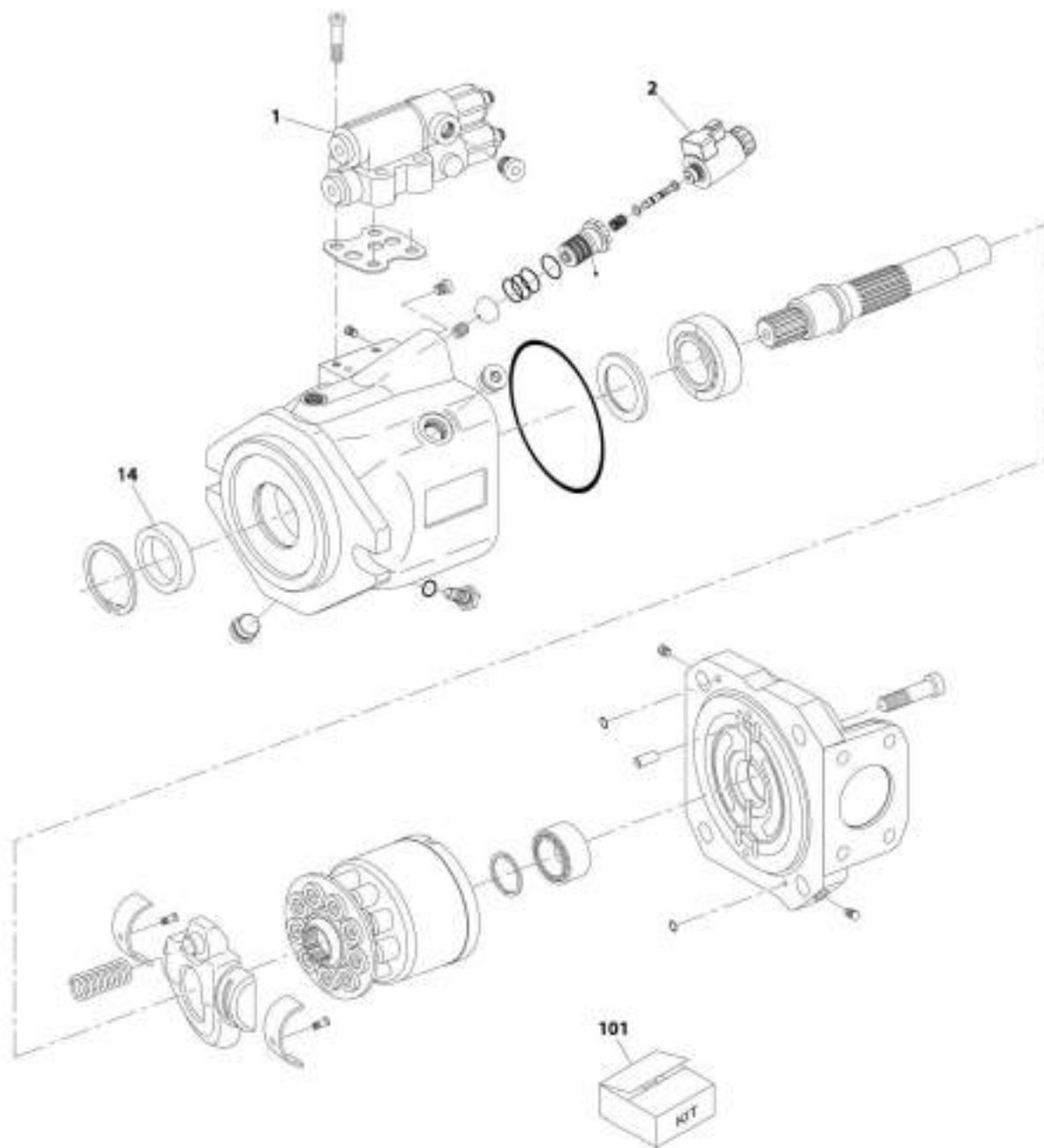
## SECTION 9 - HYDRAULIC COMPONENTS

**FIGURE 9-18. HYDROSTATIC PUMP**

ITEM	PART NUMBER	QTY	DESCRIPTION	REV
	1001193307	Ref	Hydrostatic Pump	D
7	70024946	1	Valve, Relief	
8	70027598	1	Valve, Pressure Override	
9	70024945	2	Valve, Relief	
10	70028411	1	Pump, Charge	
11	70022726	2	Solenoid	
101	70028410	1	Kit, Seal	
	Kit	1	Seal, Shaft	
	Kit	2	Retaining Ring	
	Kit	2	O-Ring	
	Kit	1	O-Ring	
	Kit	2	Seal, Rod	
	Kit	1	Nut, Sealing	
	Kit	3	O-Ring	
	Kit	2	O-Ring	
	Kit	1	O-Ring	
	Kit	2	Nut, Sealing	
	Kit	1	O-Ring	
	Kit	1	O-Ring	
	Kit	1	O-Ring	
	Kit	1	O-Ring	
	Kit	1	O-Ring	
	Kit	1	O-Ring	
	Kit	1	O-Ring	
	Kit	1	O-Ring	
	Kit	1	O-Ring	
	Kit	1	Kit, Seal	
	Kit	1	O-Ring	
	Kit	1	O-Ring	
	Kit	1	O-Ring	
	Kit	1	O-Ring	
	Kit	1	O-Ring	
	Kit	1	O-Ring	
	Kit	1	Seal	
	Kit	1	Seal	
	Kit	1	O-Ring	
	Kit	2	O-Ring	
	Kit	2	O-Ring	
	Kit	2	O-Ring	
	Kit	2	O-Ring	

# SECTION 9 - HYDRAULIC COMPONENTS

## FIGURE 9-19. IMPLEMENT PUMP



ART\_1001180370-F

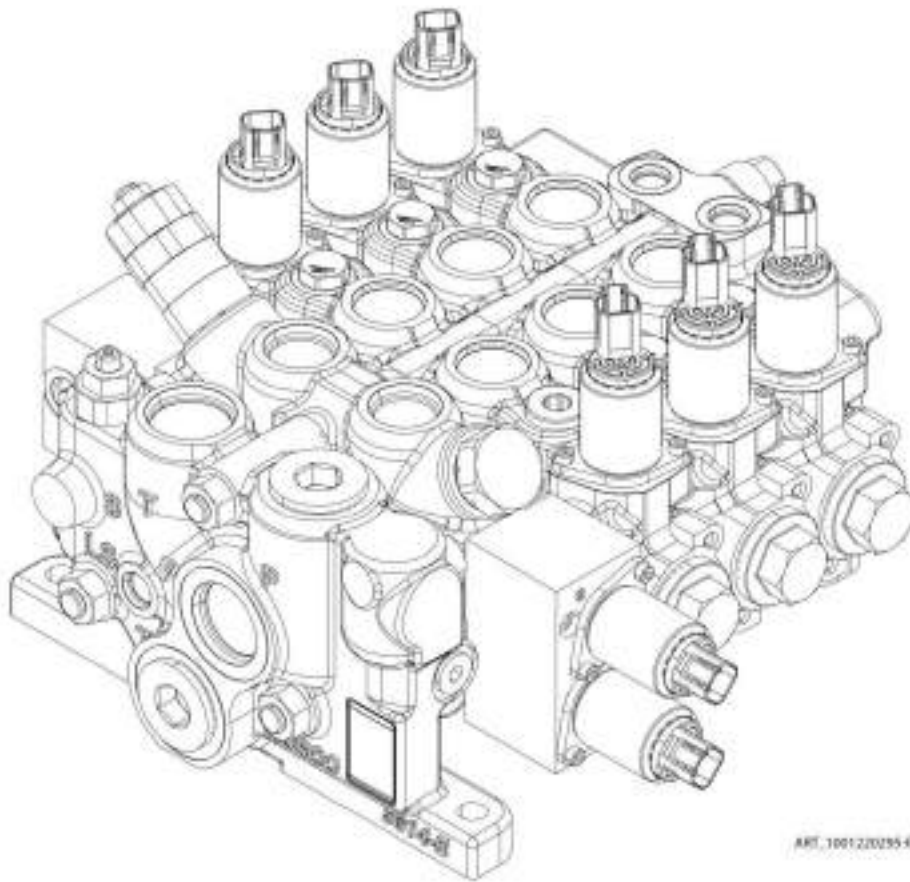
## SECTION 9 - HYDRAULIC COMPONENTS

### FIGURE 9-19. IMPLEMENT PUMP

ITEM	PART NUMBER	QTY	DESCRIPTION	REV
	1001180070	1	Implement Pump	F
1	70027595	1	Controller, DSR	
2	70028412	1	Controller, EK	
14	7024947	1	Seal, Shaft	
101	70028413	1	Kit, Seal	
	Kit	1	Seal	
	Kit	1	Plug	
	Kit	2	Plug	
	Kit	2	O-Ring	
	Kit	1	O-Ring	

## SECTION 9 - HYDRAULIC COMPONENTS

FIGURE 9-20. MAIN CONTROL VALVE



ART. 100120255-4



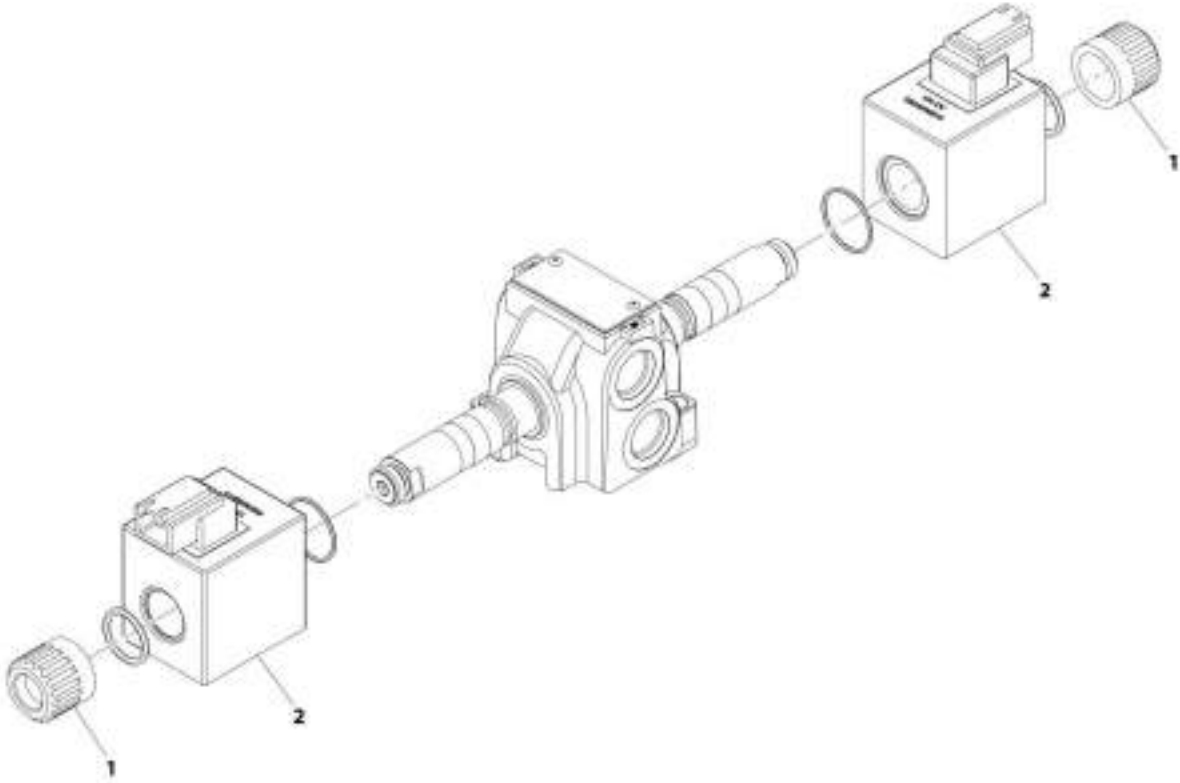
## SECTION 9 - HYDRAULIC COMPONENTS

FIGURE 9-20. MAIN CONTROL VALVE

ITEM	PART NUMBER	QTY	DESCRIPTION	REV
	1001220295	Ref	Main Control Valve	B

**SECTION 9 - HYDRAULIC COMPONENTS**

**FIGURE 9-21. STEERING SELECT VALVE**



AMF\_1001155748-C

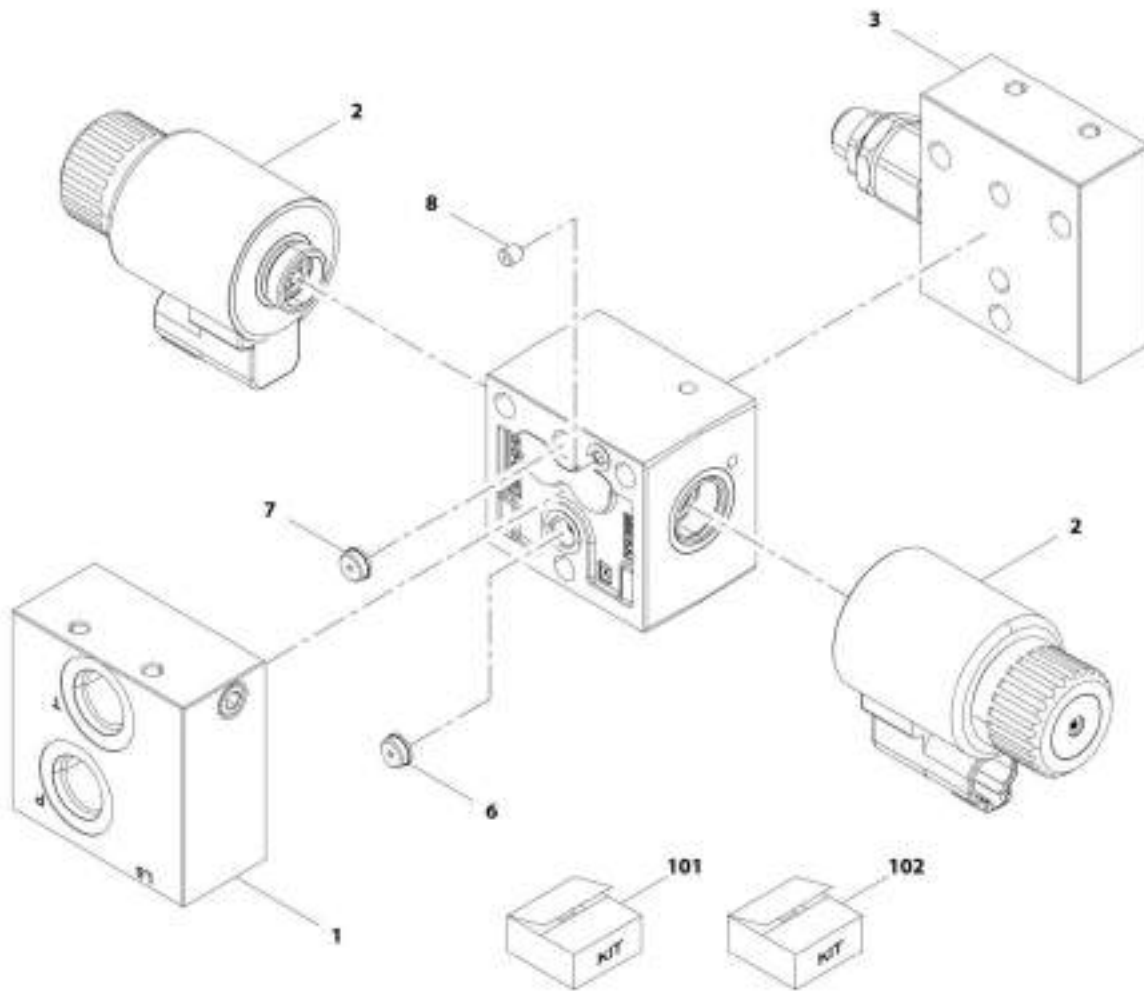
## SECTION 9 - HYDRAULIC COMPONENTS

### FIGURE 9-21. STEERING SELECT VALVE

ITEM	PART NUMBER	QTY	DESCRIPTION	REV
	1001153748	Ref	Steering Select Valve	C
1	70020867	2	Nut, Coil	
2	70026582	2	Coil	

# SECTION 9 - HYDRAULIC COMPONENTS

## FIGURE 9-22. FRAME LEVEL VALVE



ART\_100219415-D

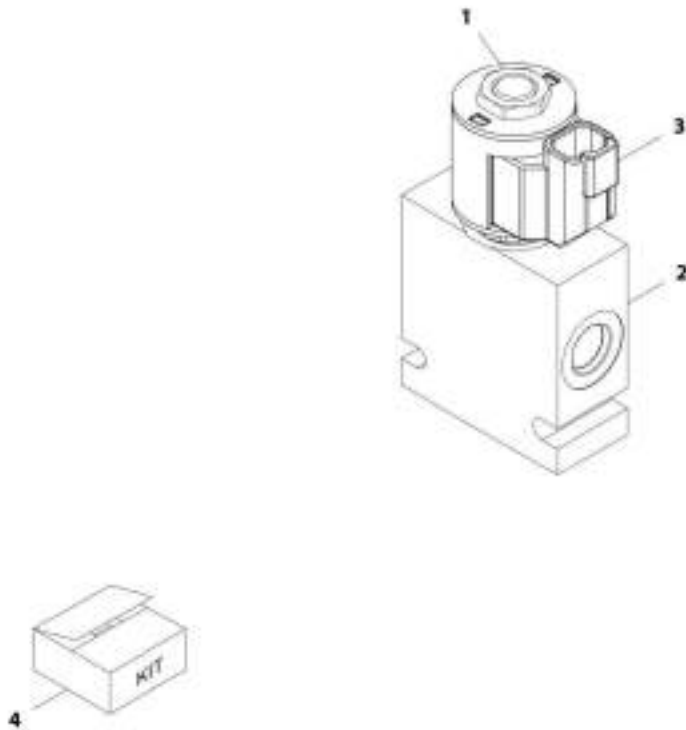
## SECTION 9 - HYDRAULIC COMPONENTS

### FIGURE 9-22. FRAME LEVEL VALVE

ITEM	PART NUMBER	QTY	DESCRIPTION	REV
	1001219615	Ref	Frame Level Valve	D
1	70028414	1	Valve, Section	
2	70004595	2	Coil	
3	70028504	1	Plate	
6	70028415	1	Screw	
7	70028243	1	Screw	
8	70028416	1	Screw	
101	70028502	2	Kit, Coil Nut	
	Kit	1	Nut	
	Kit	1	O-Ring	
102	70028503	1	Kit, Bolt and Seal	
	Kit	3	Bolt	
	Kit	3	Washer	
	Kit	2	O-Ring	
	Kit	4	O-Ring	
	Kit	2	O-Ring	

# SECTION 9 - HYDRAULIC COMPONENTS

FIGURE 9-23. SOLENOID VALVE



ART\_1001221928-4

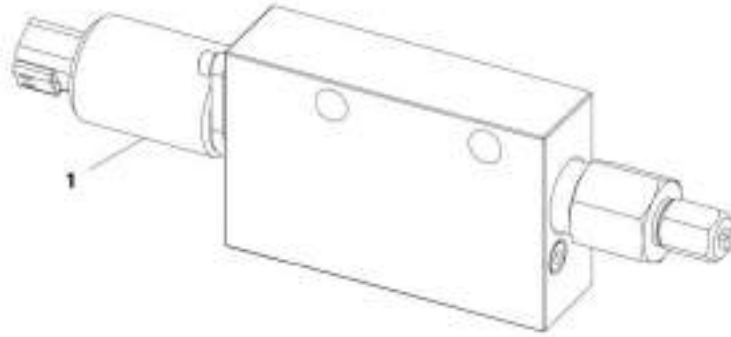
## SECTION 9 - HYDRAULIC COMPONENTS

### FIGURE 9-23. SOLENOID VALVE

ITEM	PART NUMBER	QTY	DESCRIPTION	REV
	1001221928	Ref	Solenoid Valve	A
1	70004387	1	Cartridge	
2	N.S.S.	Ref	Body	
3	70002963	1	Coil	
4	7010543	1	Kit, Seal	

# SECTION 9 - HYDRAULIC COMPONENTS

FIGURE 9-24. INCHING VALVE



ART\_3001213311-8



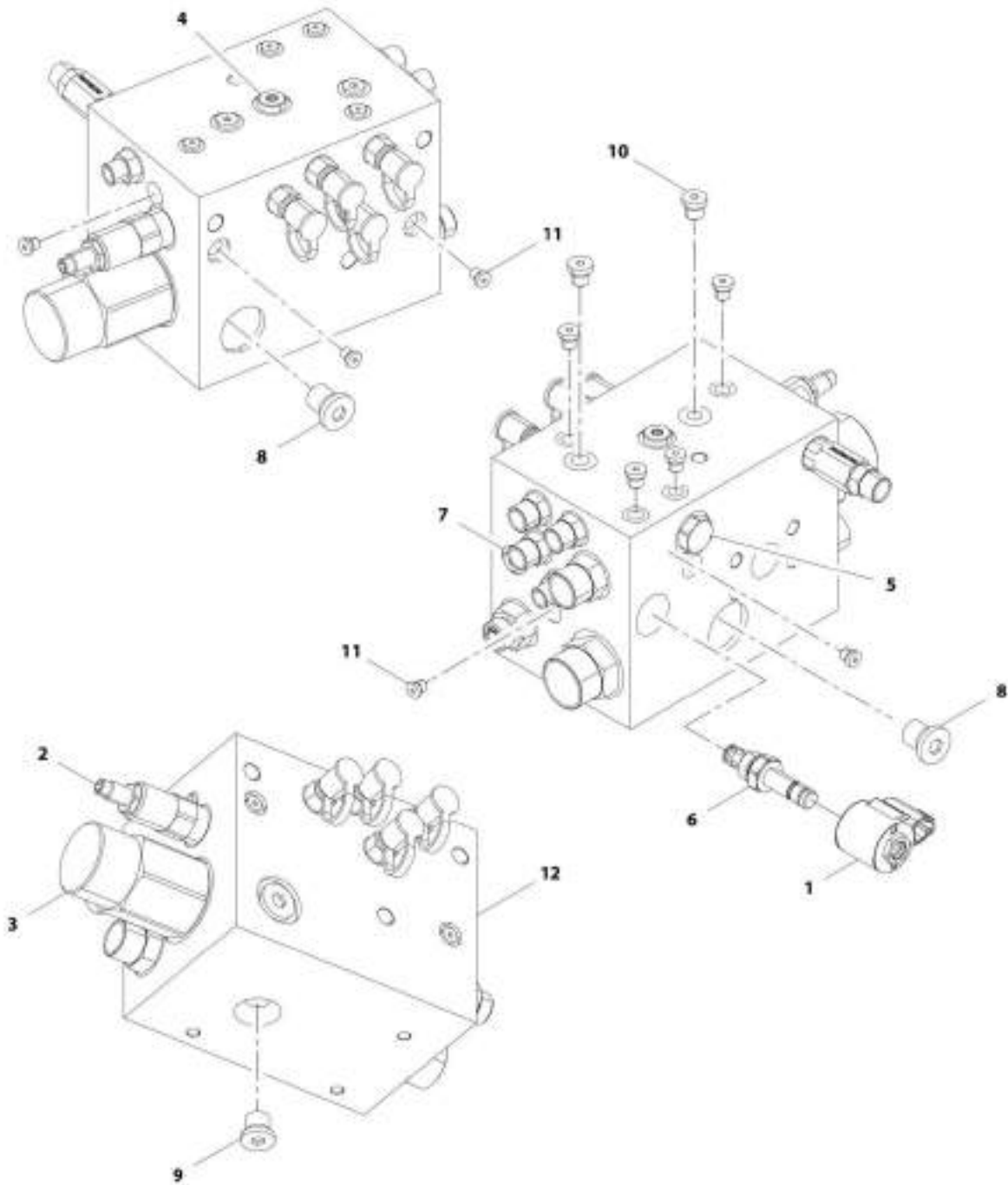
## SECTION 9 - HYDRAULIC COMPONENTS

### FIGURE 9-24. INCHING VALVE

ITEM	PART NUMBER	QTY	DESCRIPTION	REV
1	1001213311 70028361	Ref 1	Inching Valve Valve, Proportional	B

# SECTION 9 - HYDRAULIC COMPONENTS

## FIGURE 9-25. PRIORITY VALVE ASSEMBLY



AMT\_1001152088-E

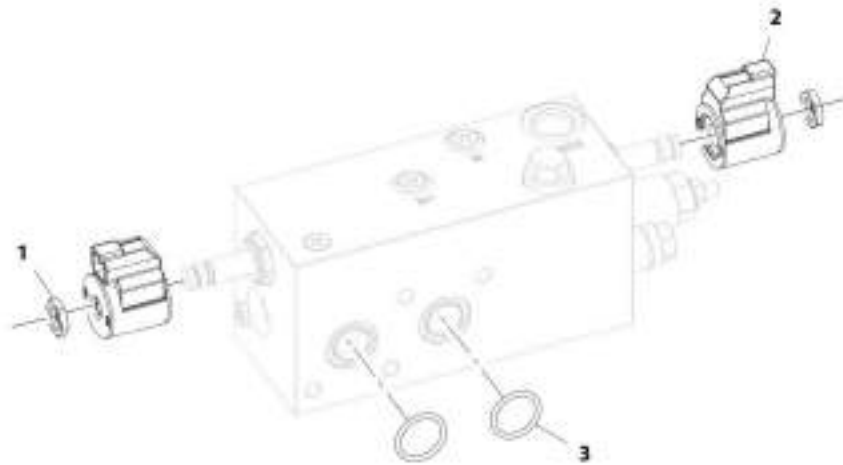
## SECTION 9 - HYDRAULIC COMPONENTS

**FIGURE 9-25. PRIORITY VALVE ASSEMBLY**

ITEM	PART NUMBER	QTY	DESCRIPTION	REV
	1001192888	Ref	Priority Valve Assembly	E
1	70028905	1	Cartridge	
2	70028904	1	Cartridge	
3	70028903	1	Cartridge	
4	70026312	1	Cartridge	
5	70028902	1	Cartridge	
6	70002963	1	Coil	
7	70006427	1	Orifice	
8	70026314	2	Plug	
9	2220886	1	Plug	
10	2220883	3	Plug	
11	70026315	9	Plug	
12	N.S.S.	1	Block	

## SECTION 9 - HYDRAULIC COMPONENTS

FIGURE 9-26. BOOM RAISE VALVE (RIDE CONTROL)



AWT\_3001224905-C

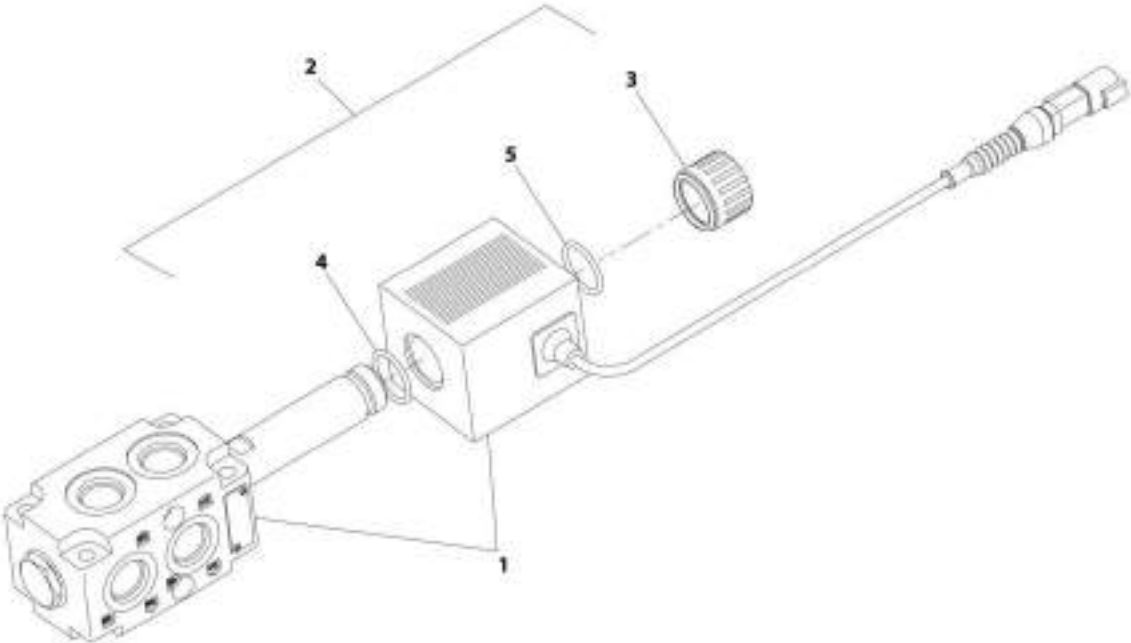
## SECTION 9 - HYDRAULIC COMPONENTS

FIGURE 9-26. BOOM RAISE VALVE (RIDE CONTROL)

ITEM	PART NUMBER	QTY	DESCRIPTION	REV
	1001224945	Ref	Boom Raise Valve (Ride Control)	C
1	7022390	2	Nut	
2	70028281	2	Coil	
3	70028282	2	O-Ring	

**SECTION 9 - HYDRAULIC COMPONENTS**

**FIGURE 9-27. DIVERTOR VALVE**



ART\_182184477-D

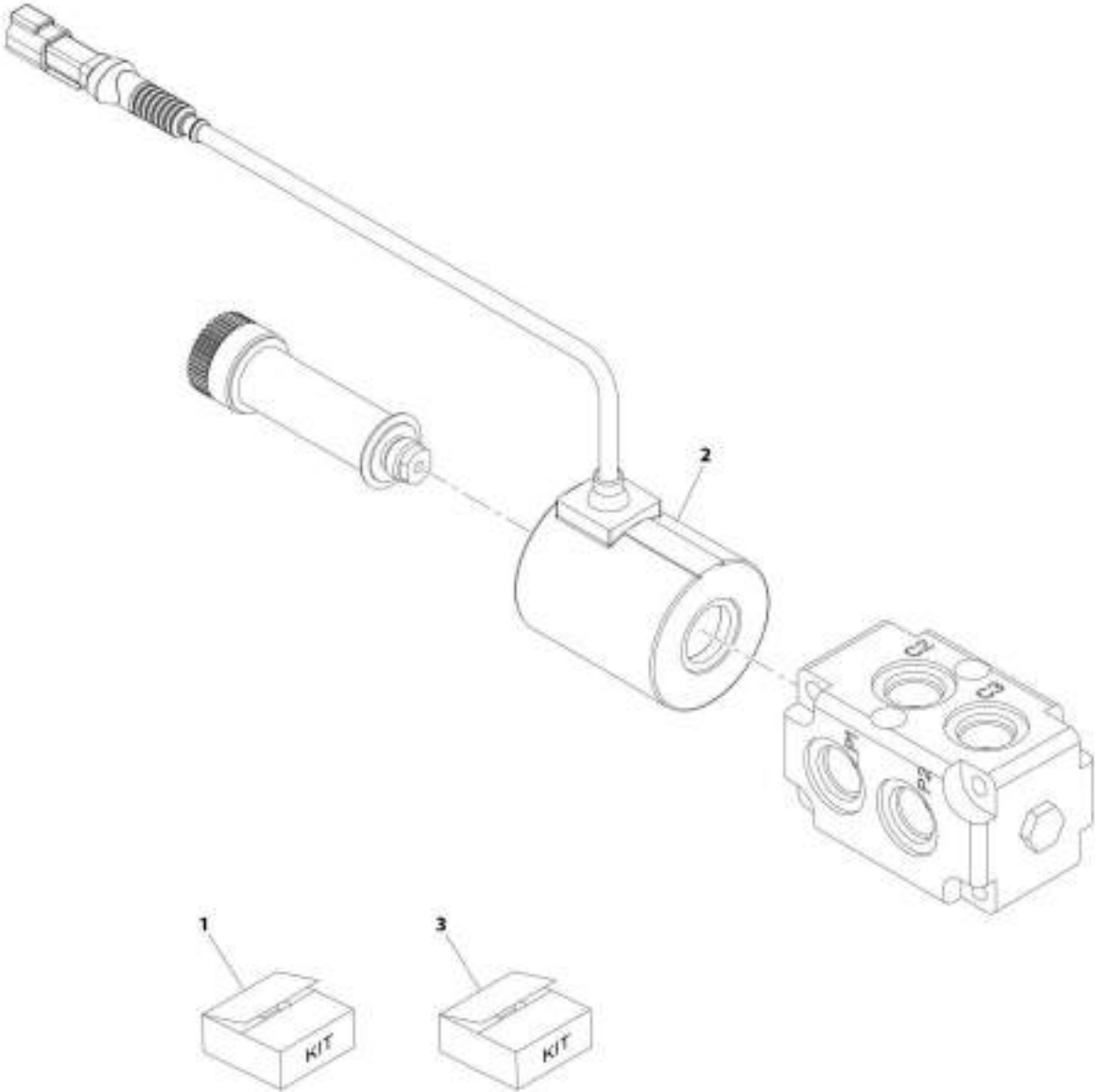
## SECTION 9 - HYDRAULIC COMPONENTS

### FIGURE 9-27. DIVERTOR VALVE

ITEM	PART NUMBER	QTY	DESCRIPTION	REV
	1001104477	Ref	Divertor Valve	D
1	70020764	1	Coil	
2	70021531	1	Kit, Retainer	
3	Kit	1	Nut	
4	Kit	1	O-Ring	
5	Kit	1	O-Ring	

**SECTION 9 - HYDRAULIC COMPONENTS**

**FIGURE 9-28. DIVERTOR VALVE**



ART\_1001130023-B



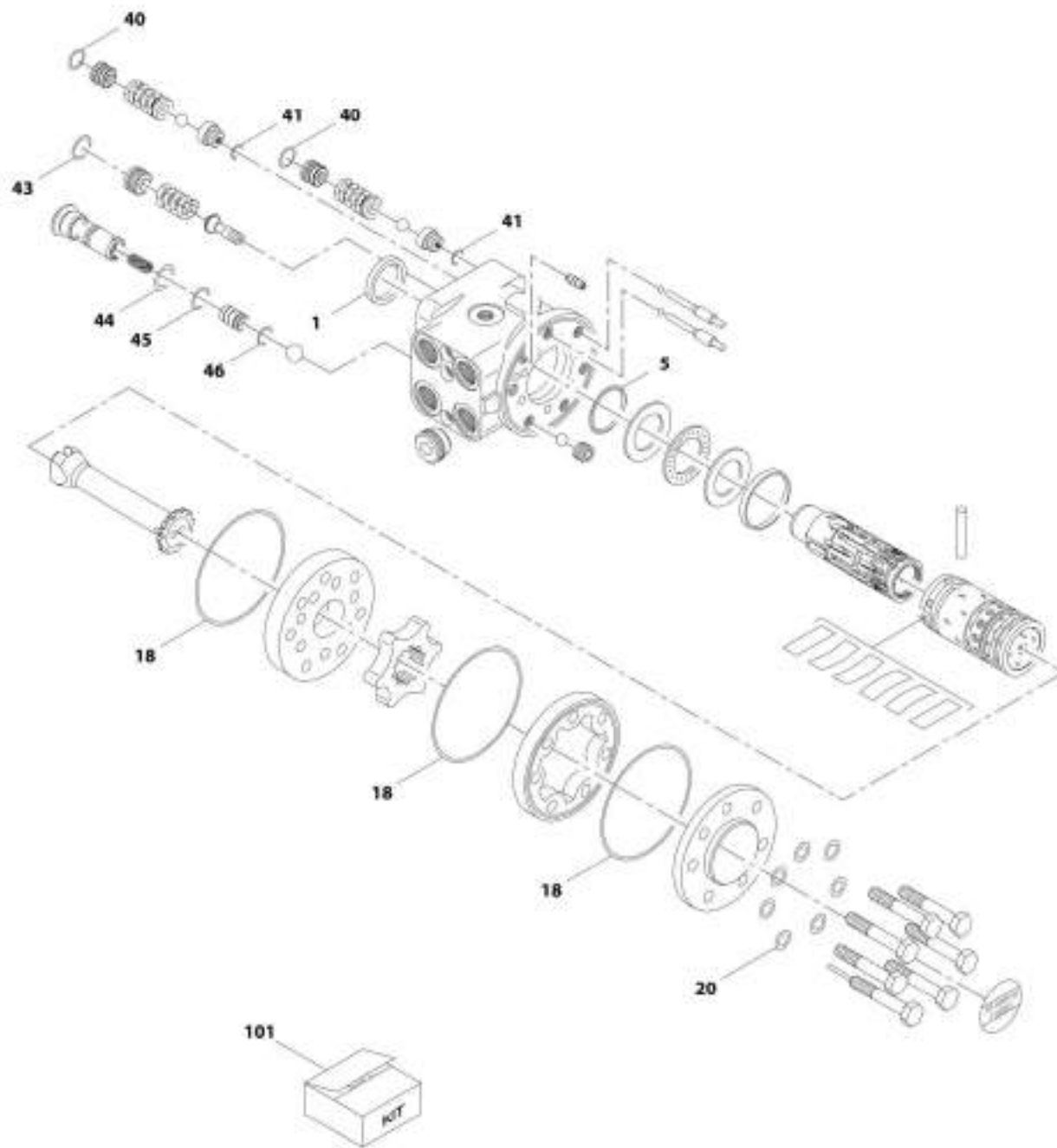
# SECTION 9 - HYDRAULIC COMPONENTS

## FIGURE 9-28. DIVERTOR VALVE

ITEM	PART NUMBER	QTY	DESCRIPTION	REV
	1001110023	Ref	Divertor Valve	B
1	70027596	1	Kit, Seal	
	Kit	2	O-Ring	
2	70020764	1	Coil	
3	70021531	1	Kit, Coil Nut	
	N.S.S.	1	O-Ring	
	N.S.S.	1	O-Ring	
	N.S.S.	1	Nut	

# SECTION 9 - HYDRAULIC COMPONENTS

## FIGURE 9-29. STEER UNIT VALVE



ART\_100178670-B

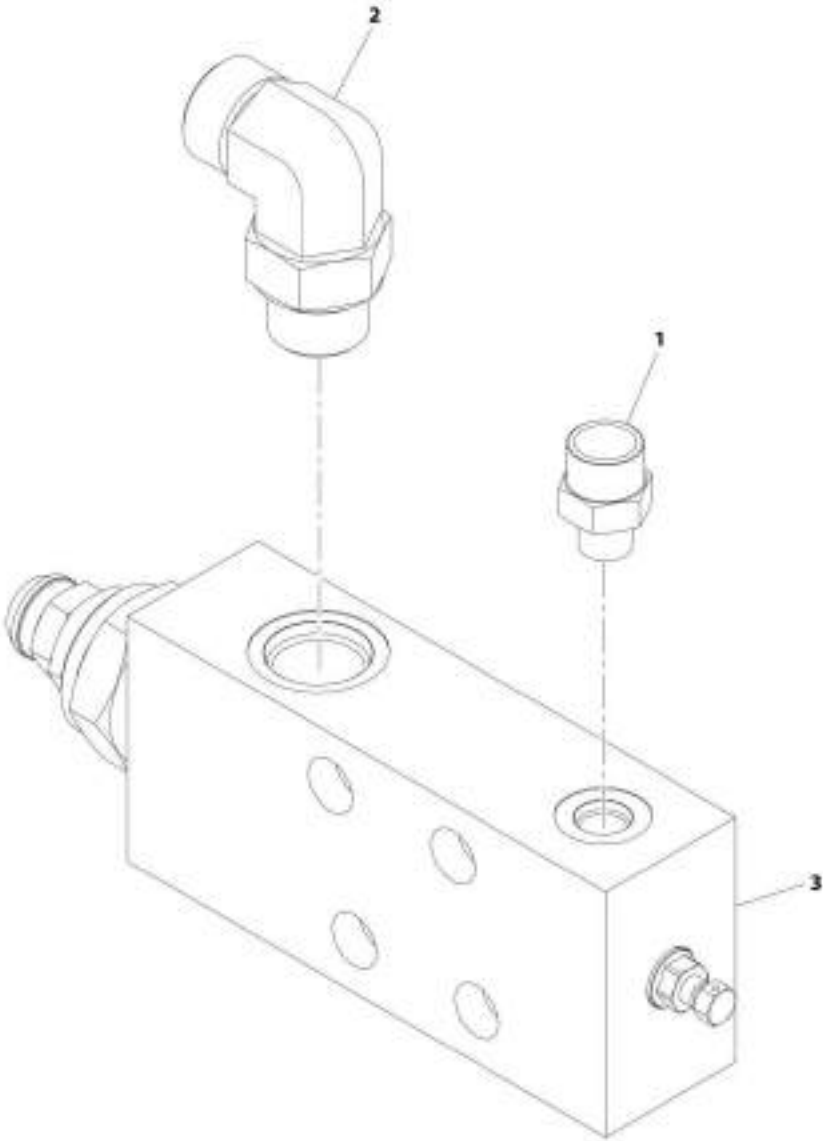
# SECTION 9 - HYDRAULIC COMPONENTS

## FIGURE 9-29. STEER UNIT VALVE

ITEM	PART NUMBER	QTY	DESCRIPTION	REV
	1001178670	Ref	Steer Unit Valve	B
1	Kit	2	Ring, Dust Seal	
5	Kit	2	Seal, Shaft	
18	Kit	2	O-Ring	
20	Kit	2	Washer	
40	Kit	2	O-Ring	
41	Kit	2	O-Ring	
43	Kit	2	O-Ring	
44	Kit	2	O-Ring	
45	Kit	2	O-Ring	
46	Kit	2	O-Ring	
101	70028285	1	Kit, Seal (includes items 1, 5, 18, 20, 40, 41 and 43 thru 46)	

**SECTION 9 - HYDRAULIC COMPONENTS**

**FIGURE 9-30. COUNTERBALANCE VALVE INSTALLATION**



ART\_100121200-A

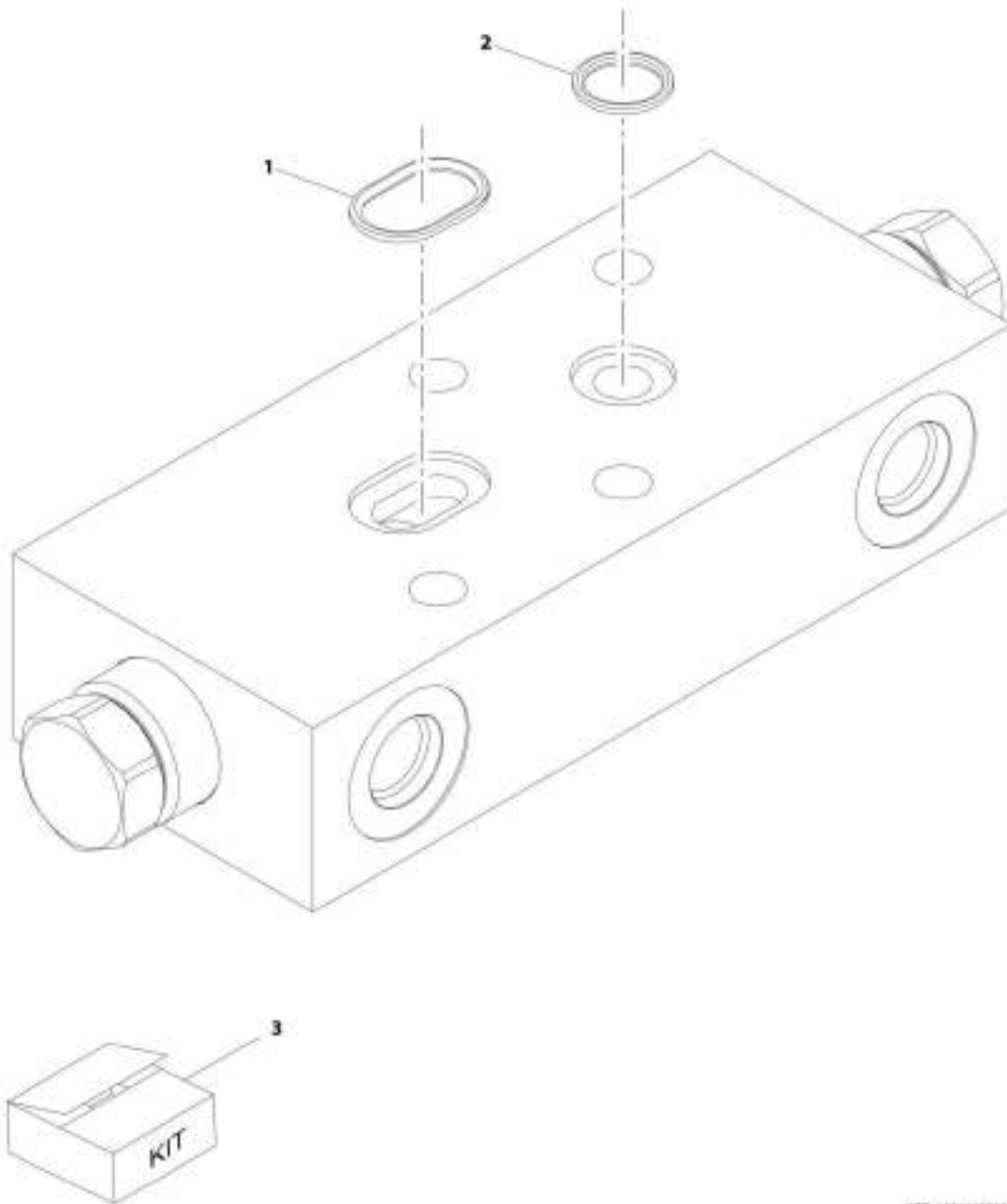
## SECTION 9 - HYDRAULIC COMPONENTS

**FIGURE 9-30. COUNTERBALANCE VALVE INSTALLATION**

ITEM	PART NUMBER	QTY	DESCRIPTION	REV
	1001212349	Ref	Counterbalance Valve Installation	A
1	2110806	1	Fitting, Straight ORFS	
2	2131212	1	Fitting, 90 ORFS	
3	1001200111	1	Valve, Counterbalance (See Seperate Breakdown in this Section)	

# SECTION 9 - HYDRAULIC COMPONENTS

FIGURE 9-31. COUNTERBALANCE VALVE



ART\_1001198506-C

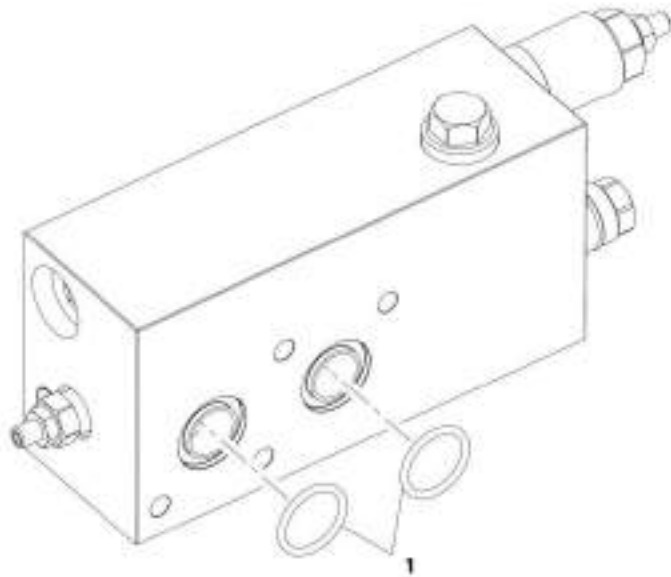
## SECTION 9 - HYDRAULIC COMPONENTS

### FIGURE 9-31. COUNTERBALANCE VALVE

ITEM	PART NUMBER	QTY	DESCRIPTION	REV
	1001168599	Ref	Counterbalance Valve	C
1	Kit	1	O-Ring	
2	Kit	1	O-Ring	
3	70028421	1	Kit, Seal (includes items 1 thru 2)	

## SECTION 9 - HYDRAULIC COMPONENTS

FIGURE 9-32. COUNTERBALANCE VALVE



ART\_300124944-C



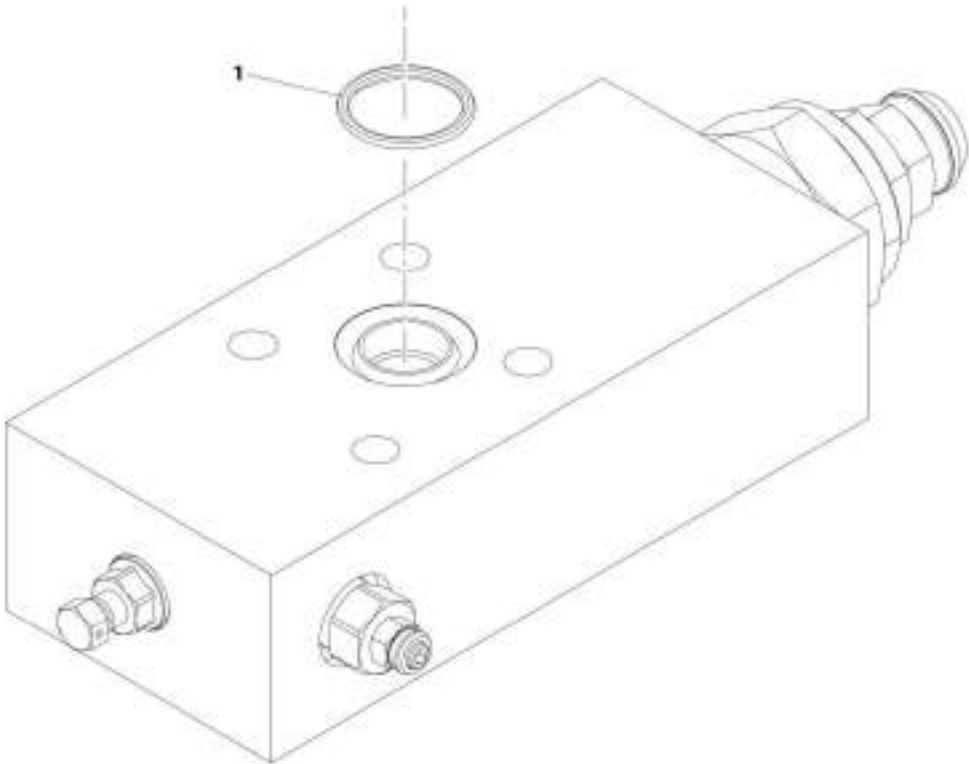
## SECTION 9 - HYDRAULIC COMPONENTS

FIGURE 9-32. COUNTERBALANCE VALVE

ITEM	PART NUMBER	QTY	DESCRIPTION	REV
1	1001224944 70028282	Ref 1	Counterbalance Valve O-Ring	C

**SECTION 9 - HYDRAULIC COMPONENTS**

**FIGURE 9-33. COUNTERBALANCE VALVE**



AWT\_3001200111-D

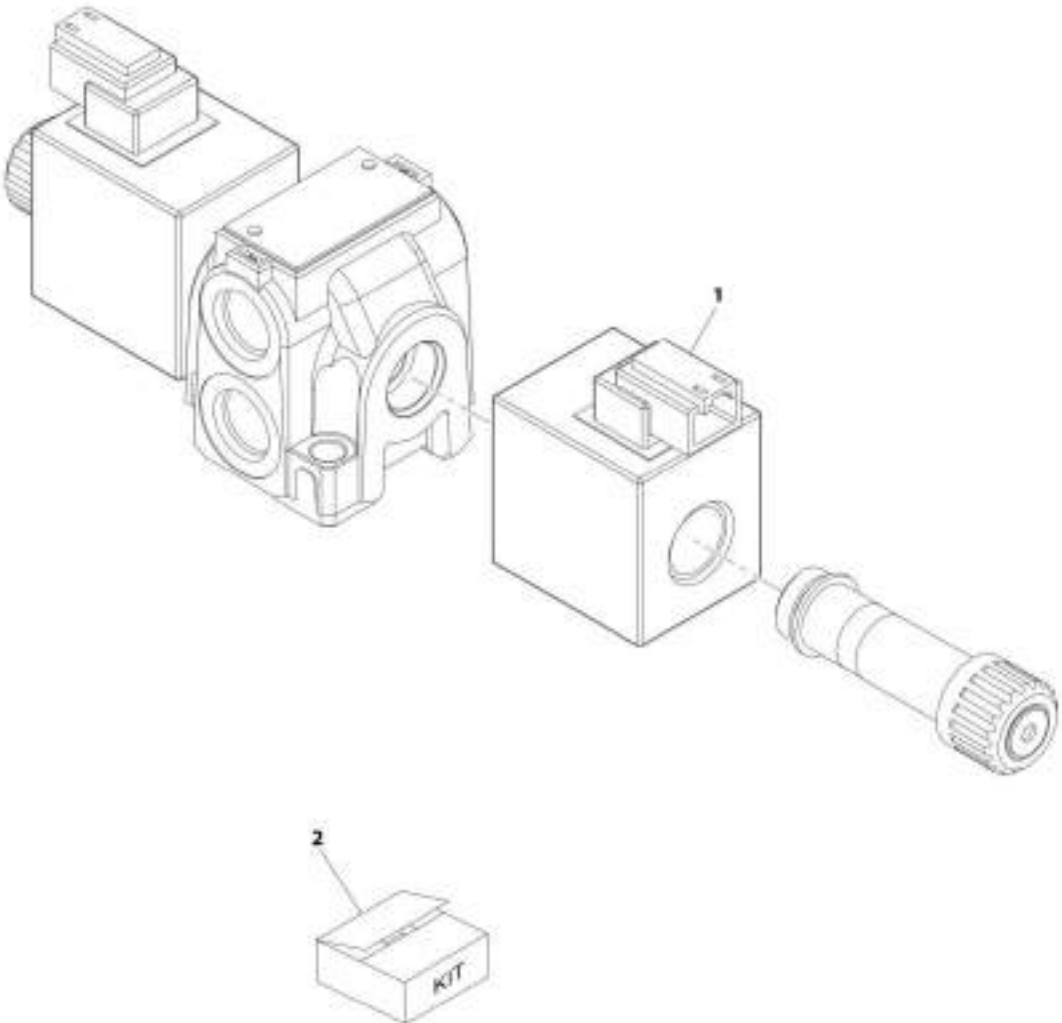
## SECTION 9 - HYDRAULIC COMPONENTS

FIGURE 9-33. COUNTERBALANCE VALVE

ITEM	PART NUMBER	QTY	DESCRIPTION	REV
1	1001200111 70028422	Ref 1	Counterbalance Valve O-Ring	D

**SECTION 9 - HYDRAULIC COMPONENTS**

**FIGURE 9-34. SPEED CONTROL VALVE**



ART\_464152D-B

## SECTION 9 - HYDRAULIC COMPONENTS

### FIGURE 9-34. SPEED CONTROL VALVE

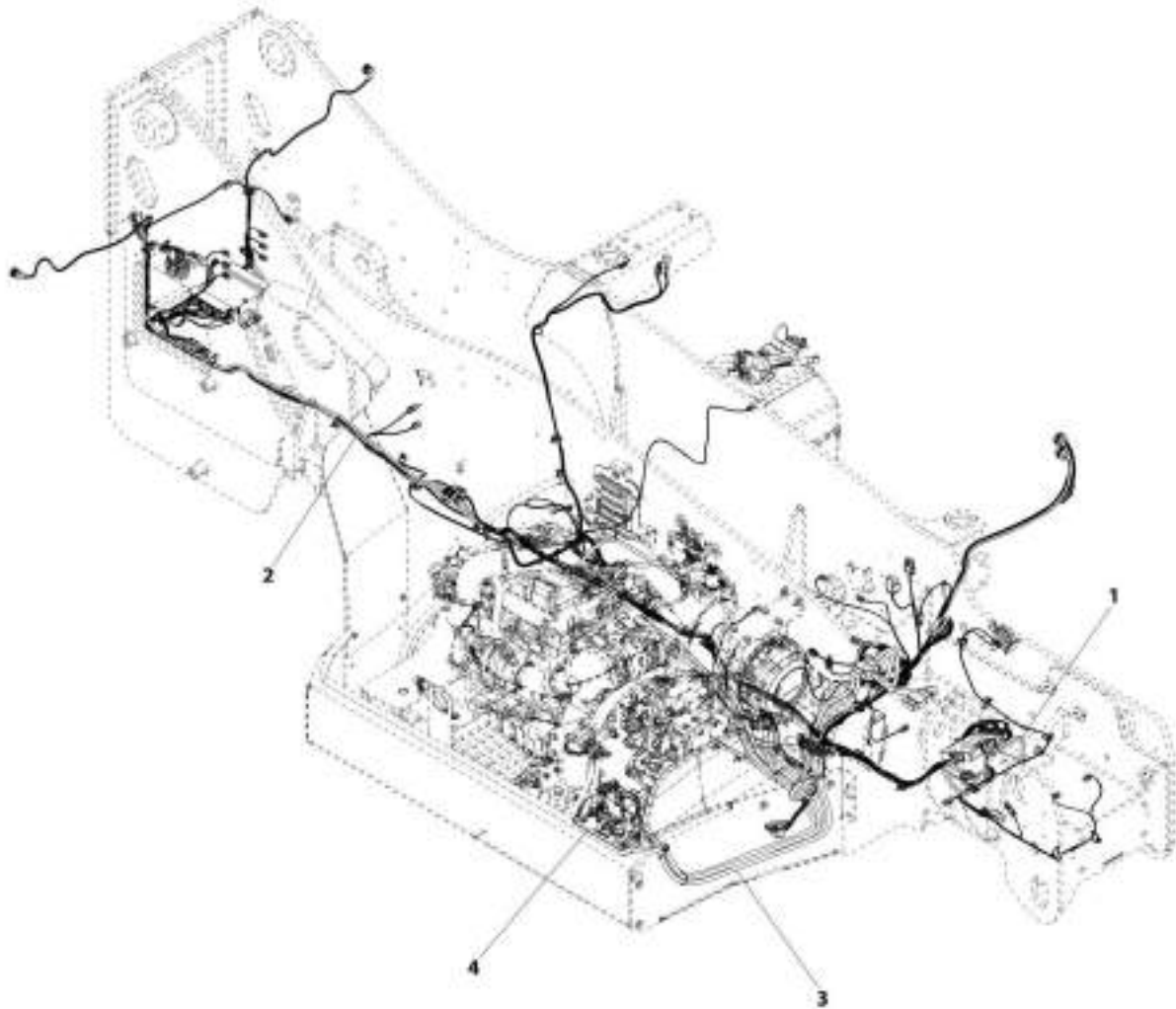
ITEM	PART NUMBER	QTY	DESCRIPTION	REV
	4641520	Ref	Speed Control Valve	B
1	70026582	1	Coil	
2	70020867	1	Kit, Coil Nut	
	N.S.S.	1	Seal	
	N.S.S.	1	Seal	
	N.S.S.	1	Nut, Coil	



**SECTION 10 - ELECTRICAL**

# SECTION 10 - ELECTRICAL

FIGURE 10-1. MAIN ELECTRICAL INSTALLATION (ULS)



ART\_1001192537-B



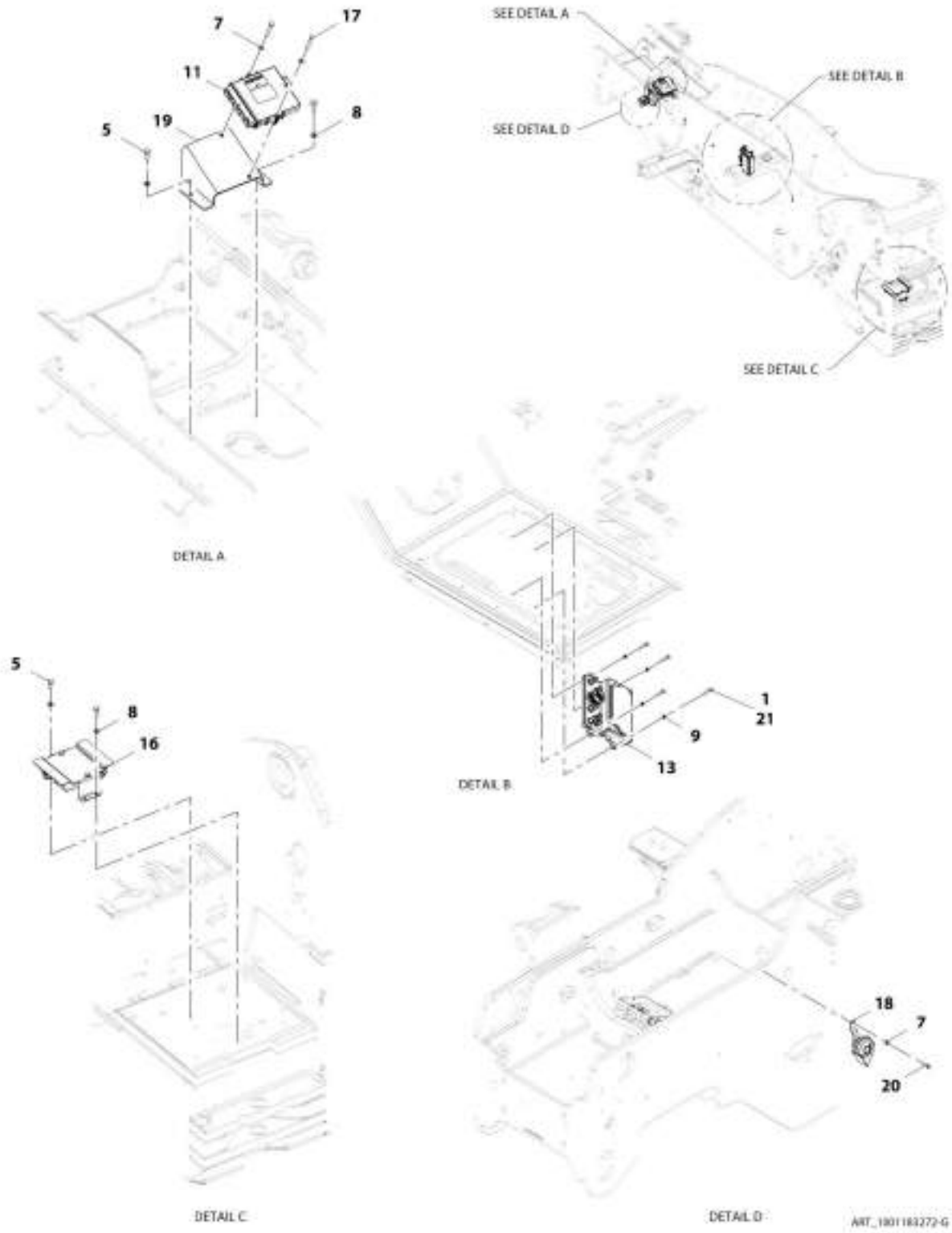
## SECTION 10 - ELECTRICAL

**FIGURE 10-1. MAIN ELECTRICAL INSTALLATION (ULS)**

ITEM	PART NUMBER	QTY	DESCRIPTION	REV
1	1001192537	Ref	Main Electrical Installation (ULS)	B
	1001183272	Ref	Installation, Frame Electrical (See Seperate Breakdown in this Section)	
2	1001200159	Ref	Installation, Frame Wiring (See Seperate Breakdown in this Section)	
3	1001200160	Ref	Installation, Engine Bay Electrical	
4	1001202172	Ref	Installation, Engine Pod Electrical (ULS) (See Seperate Breakdown in this Section)	

# SECTION 10 - ELECTRICAL

## FIGURE 10-2. FRAME ELECTRICAL INSTALLATION



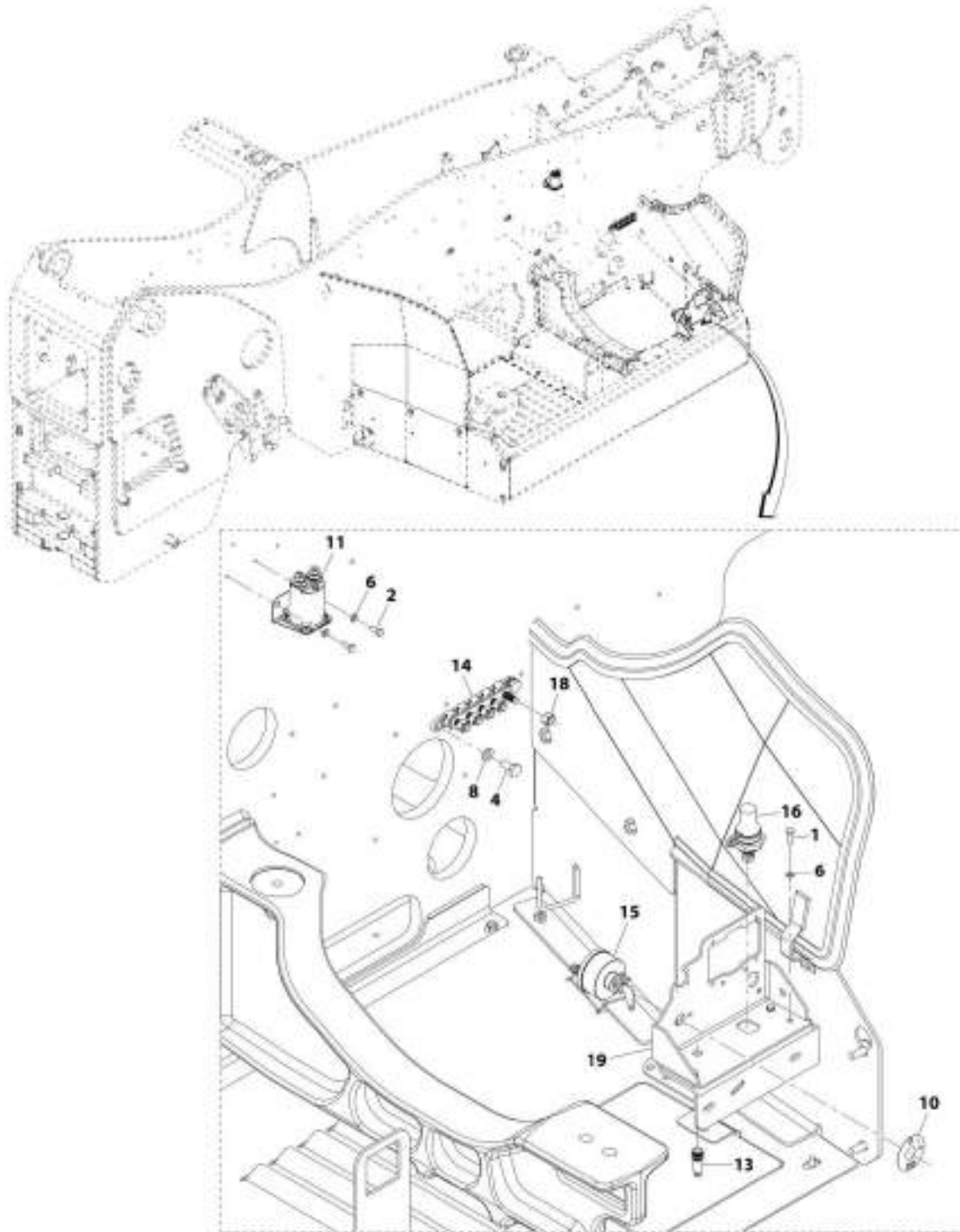
## SECTION 10 - ELECTRICAL

**FIGURE 10-2. FRAME ELECTRICAL INSTALLATION**

ITEM	PART NUMBER	QTY	DESCRIPTION	REV
	1001183272	Ref	Frame Electrical Installation	G
1	0700614	4	Bolt, M6X30	
5	0761012	4	Bolt, M10X25	
7	4811900	3	Washer, M8	
8	4812000	4	Washer, M10	
9	4831700	4	Washer, Lock M6	
11	1001162253	1	Control, Front Frame Module	
13	1001164402	1	Box, Power Distribution Electrical (See Seperate Breakdown in this Section)	
16	1001210770	1	Installation, Rear Frame Module (See Seperate Breakdown in this Section)	
17	0700820	2	Bolt, M8X60	
18	10713707	1	Horn	
19	1001215208	1	Bracket	
20	0760812	1	Bolt, M8X25	
21	1001180620	AR	Adhesive, Loctite	

# SECTION 10 - ELECTRICAL

## FIGURE 10-3. ENGINE POD ELECTRICAL INSTALLATION (ULS)



ART\_1001202172-4

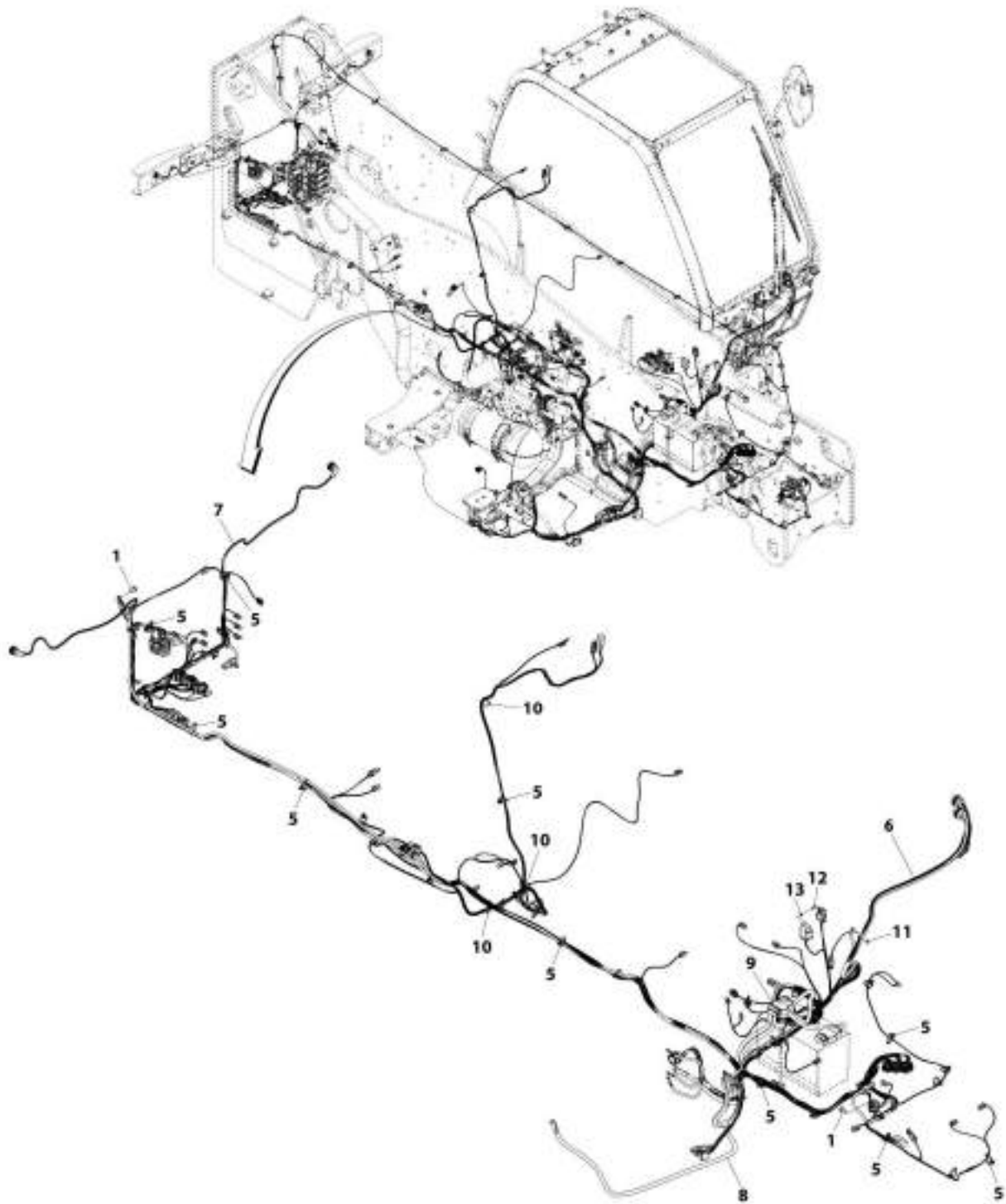
## SECTION 10 - ELECTRICAL

**FIGURE 10-3. ENGINE POD ELECTRICAL INSTALLATION (ULS)**

ITEM	PART NUMBER	QTY	DESCRIPTION	REV
	1001202172	Ref	Engine Pod Electrical Installation (ULS)	B
1	0700610	4	Bolt, M6X20	
2	0760608	2	Bolt, M6X16	
4	0761010	2	Bolt, M10X20	
6	4811700	6	Washer, M6	
8	4812000	2	Washer, M10	
10	1001008540	1	Plate	
11	1001117308	1	Relay	
13	1001169825	1	Lamp, 12V Yellow	
14	1001181128	1	Bussbar	
15	1001192142	1	Switch, Disconnect	
16	1001193993	1	Terminal, Battery	
18	3291005	5	Nut, Lock M10X1.5	
19	1001212886	1	Bracket	

# SECTION 10 - ELECTRICAL

## FIGURE 10-4. FRAME WIRING INSTALLATION



ART\_1001200159-E

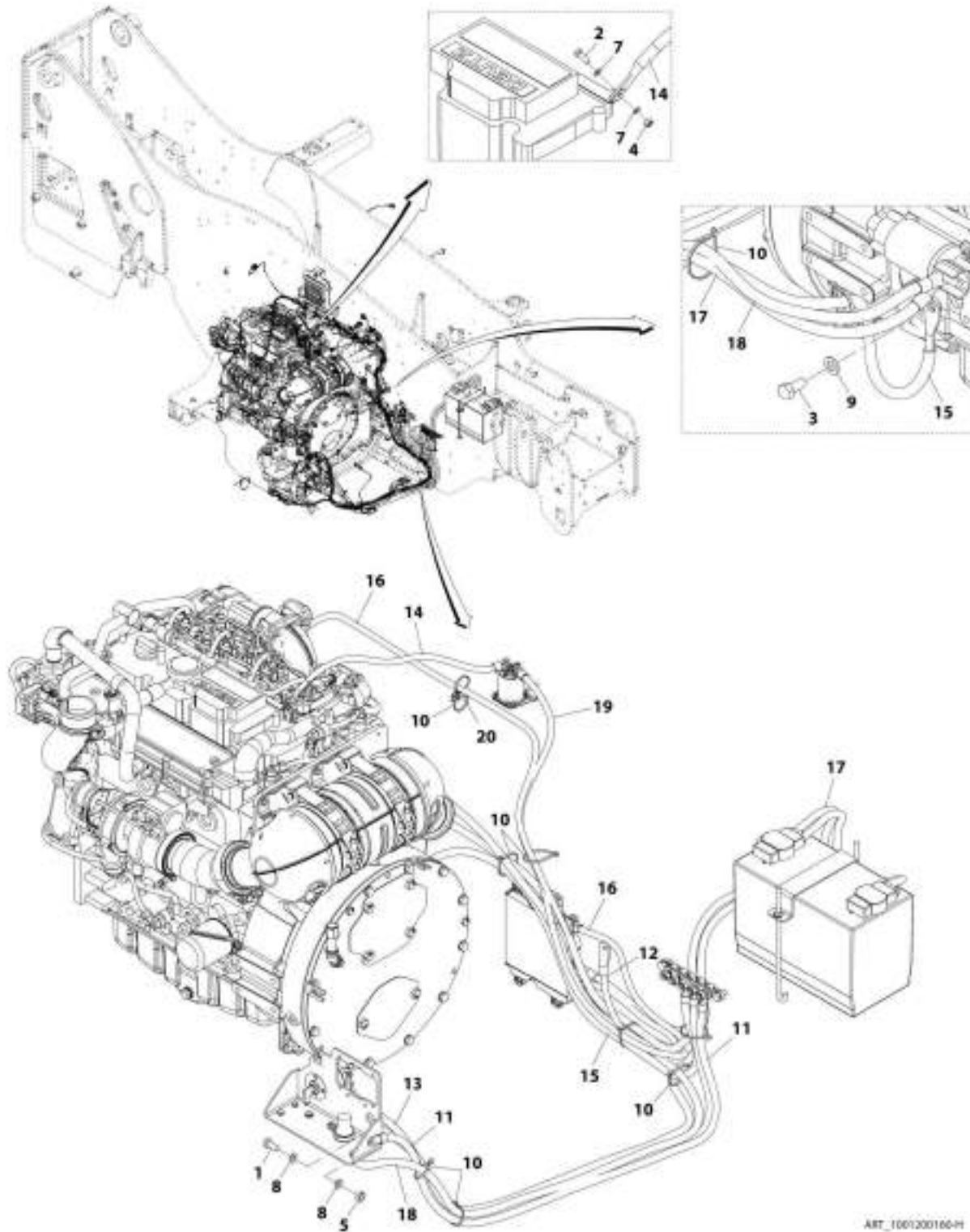
## SECTION 10 - ELECTRICAL

### FIGURE 10-4. FRAME WIRING INSTALLATION

ITEM	PART NUMBER	QTY	DESCRIPTION	REV
	1001200159	Ref	Frame Wiring Installation	E
1	0761010	2	Bolt, M10X20	
5	1001146588	35	Tie, Cable	
6	1001184396	1	Harness, Front Frame (See Seperate Breakdown in this Section)	
7	1001184397	1	Harness, Rear Frame (See Seperate Breakdown in this Section)	
8	1001200168	1	Cable, Negative Battery	
9	1001200169	1	Cable, Positive Battery	
10	1001008559	3	Strap, Cable	
11	3290601	1	Nut, M6X1	
12	0760607	1	Bolt, M6X14	
13	4811700	1	Washer, M6	

# SECTION 10 - ELECTRICAL

## FIGURE 10-5. ENGINE BAY ELECTRICAL INSTALLATION (ULS)



ART\_1001200160-H



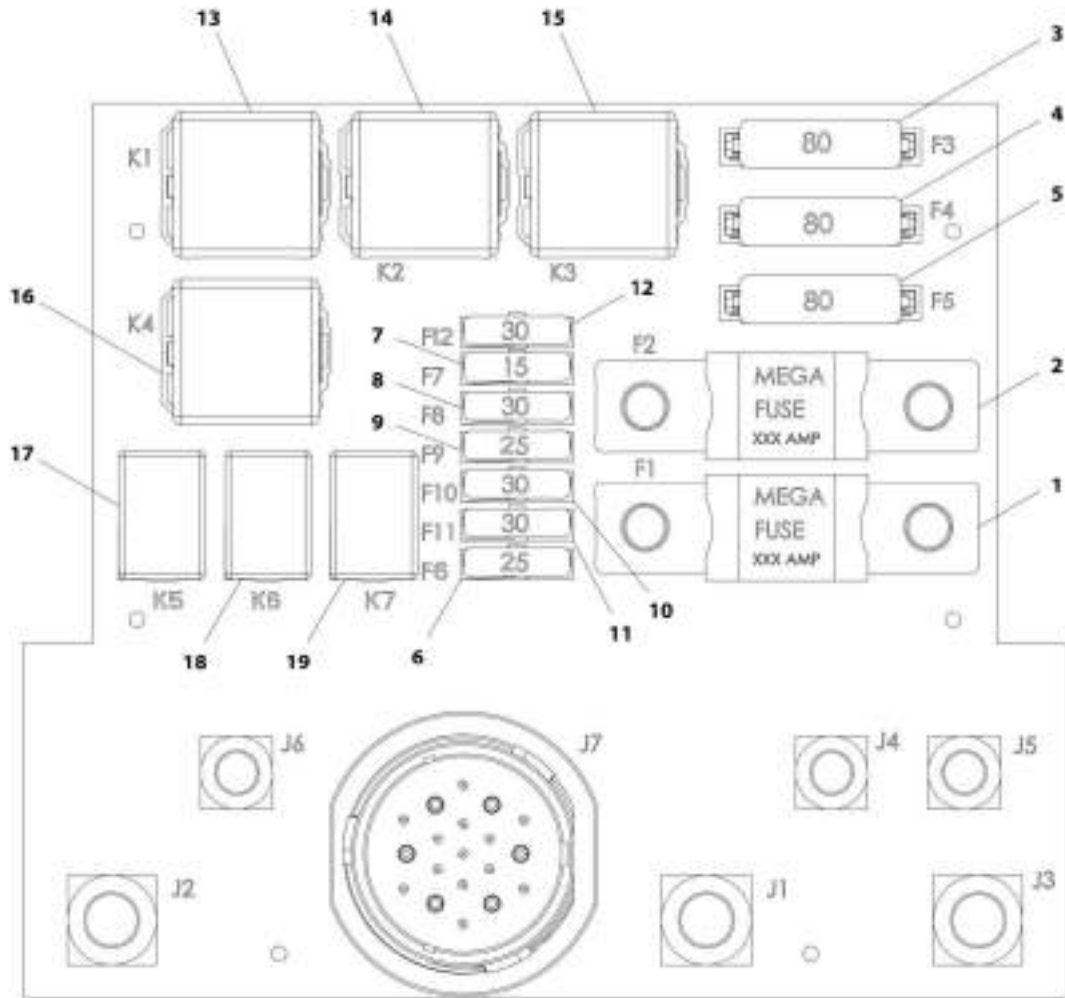
## SECTION 10 - ELECTRICAL

**FIGURE 10-5. ENGINE BAY ELECTRICAL INSTALLATION (ULS)**

ITEM	PART NUMBER	QTY	DESCRIPTION	REV
	1001200160	Ref	Engine Bay Electrical Installation	H
1	0761012	1	Bolt, M10X25	
2	0760507	1	Bolt, M5X14	
3	0761212	1	Bolt, M12X25	
4	3290505	1	Nut, Lock M5X0.8	
5	3291001	1	Nut, M10X1.5	
7	4811600	2	Washer, M5	
8	4812000	2	Washer, M10	
9	4812100	1	Washer, M12	
10	1001008559	10	Tie, Strap	
11	1001194103	1	Cable	
12	1001194244	1	Cable	
13	1001196502	1	Cable	
14	1001200161	1	Cable	
15	1001200162	1	Cable	
16	1001200164	1	Cable	
17	1001200165	1	Cable	
18	1001200166	1	Cable	
19	1001200167	1	Cable	
20	1001004723	1	Saddle	

# SECTION 10 - ELECTRICAL

## FIGURE 10-6. POWER DISTRIBUTION ELECTRICAL BOX



AWT\_1001104402.F

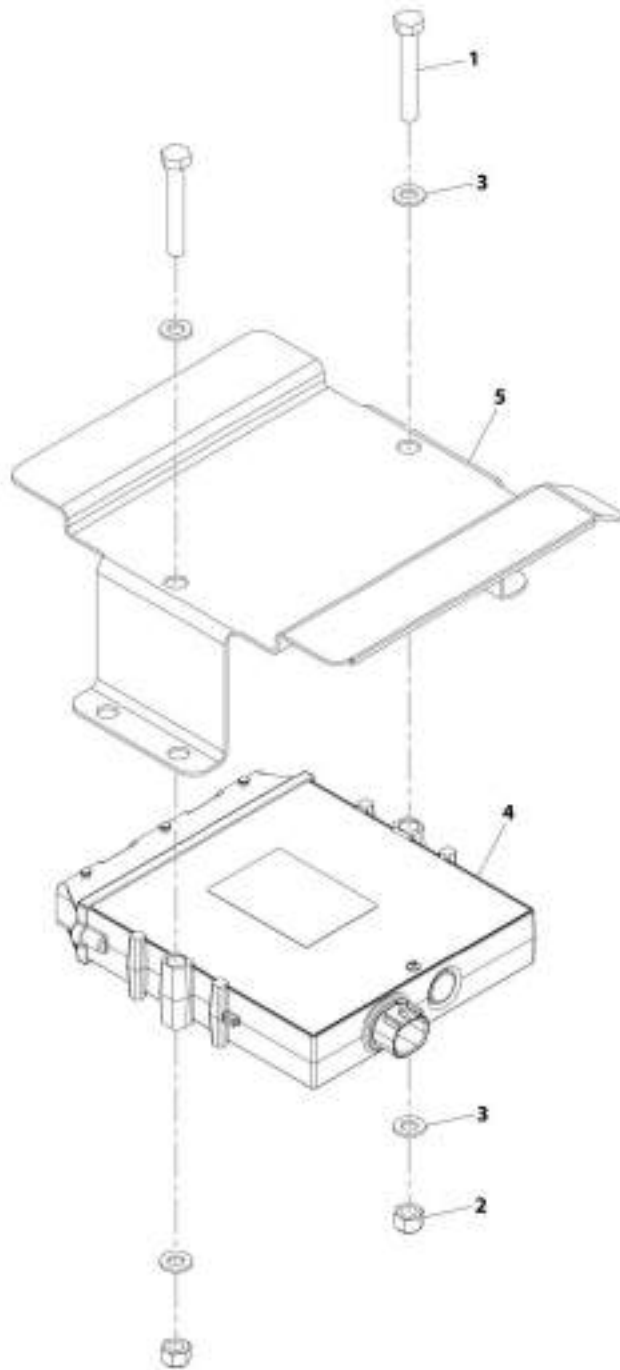
## SECTION 10 - ELECTRICAL

**FIGURE 10-6. POWER DISTRIBUTION ELECTRICAL BOX**

ITEM	PART NUMBER	QTY	DESCRIPTION	REV
	1001164402	Ref	Power Distribution Electrical Box	F
1	1001095336	1	Fuse, 150AMP	
2	70026296	1	Fuse, 200AMP	
3	70026297	1	Fuse, 80AMP	
4	70026297	1	Fuse, 80AMP	
5	70026297	1	Fuse, 80AMP	
6	8229247	1	Fuse, 25AMP	
7	8229244	1	Fuse, 15AMP	
8	8229245	1	Fuse, 30AMP	
9	8229247	1	Fuse, 25AMP	
10	8229245	1	Fuse, 30AMP	
11	8229245	1	Fuse, 30AMP	
12	8229245	1	Fuse, 30AMP	
13	70026294	1	Fuse, 70AMP	
14	70026294	1	Fuse, 70AMP	
15	70026294	1	Fuse, 70AMP	
16	70026294	1	Fuse, 70AMP	
17	70026295	1	Fuse, 35AMP	
18	70026295	1	Fuse, 35AMP	
19	70026295	1	Fuse, 35AMP	

# SECTION 10 - ELECTRICAL

## FIGURE 10-7. REAR FRAME MODULE INSTALLATION



ART\_1001210270-C

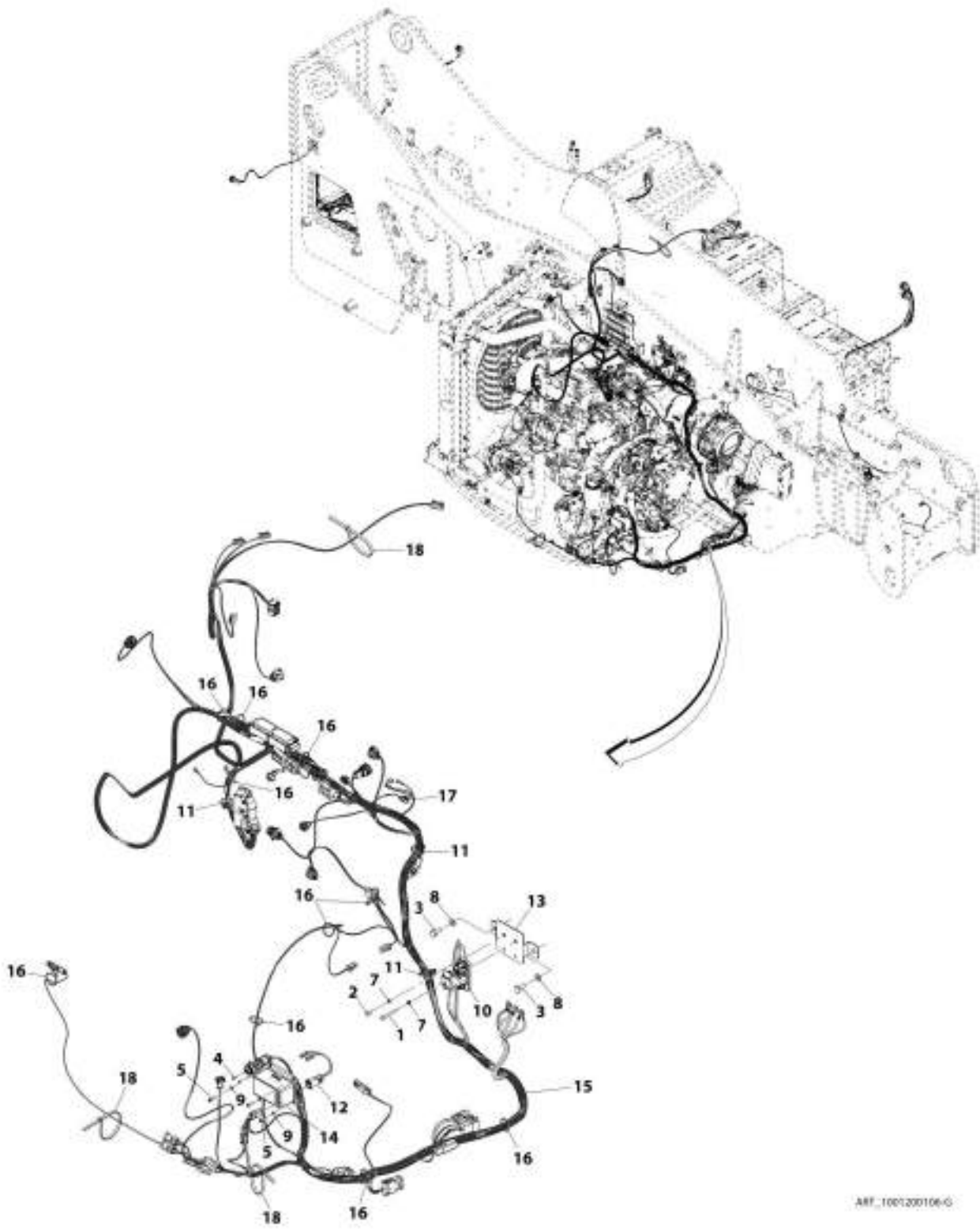
## SECTION 10 - ELECTRICAL

### FIGURE 10-7. REAR FRAME MODULE INSTALLATION

ITEM	PART NUMBER	QTY	DESCRIPTION	REV
	1001210770	Ref	Rear Frame Module Installation	C
1	0700819	2	Bolt, M8X55	
2	3290805	2	Nut, Lock M8X1.25	
3	4811900	4	Washer, M8	
4	1001162256	1	Control, Rear Frame Module	
5	1001225980	1	Bracket	

# SECTION 10 - ELECTRICAL

## FIGURE 10-8. ENGINE WIRING INSTALLATION (ULS)



ARF\_1001200106-G

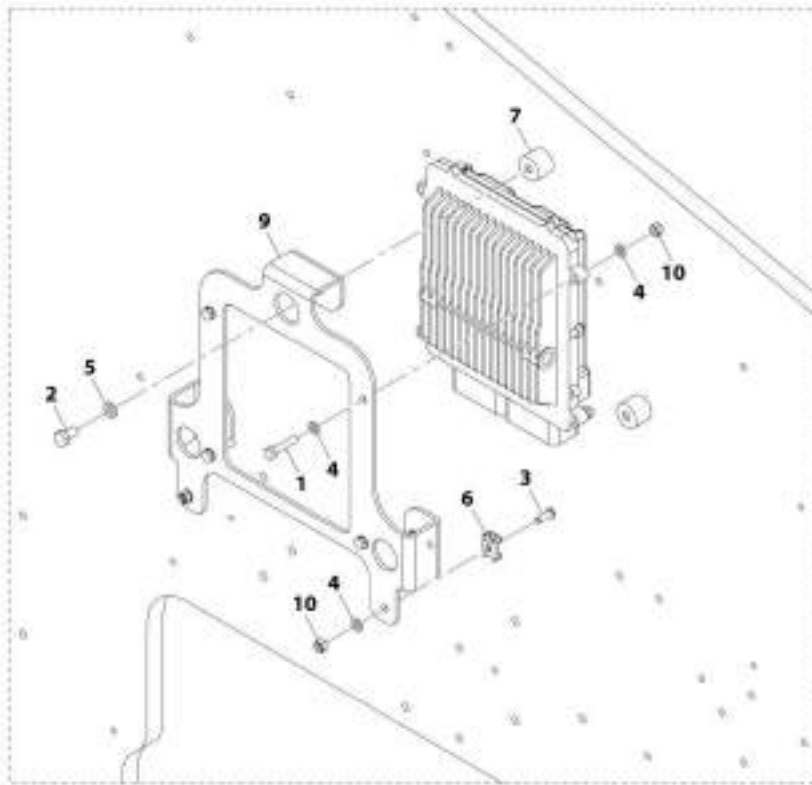
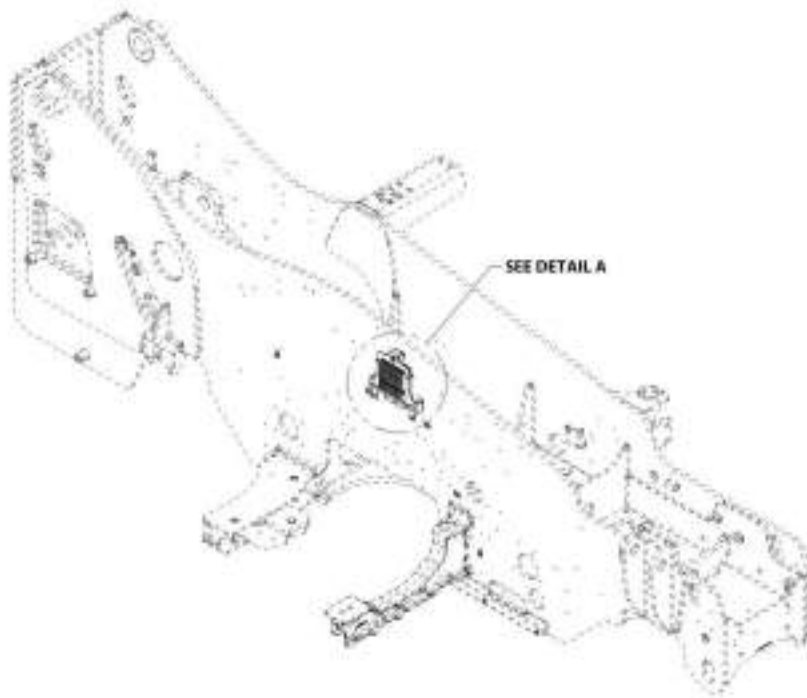
## SECTION 10 - ELECTRICAL

**FIGURE 10-8. ENGINE WIRING INSTALLATION (ULS)**

ITEM	PART NUMBER	QTY	DESCRIPTION	REV
	1001200106	Ref	Engine Wiring Installation (ULS)	G
1	0700618	1	Bolt, M6X50	
2	0760607	1	Bolt, M6X14	
3	0761010	2	Bolt M10X20	
4	4031205	3	Bolt, M3X10	
5	4031607	4	Bolt, M5-0.8X16	
7	4811700	2	Washer, M6	
8	4812000	2	Washer, M10	
9	4831600	4	Washer, Lock M5	
10	1001131177	1	Fuse	
11	1001146588	3	Strap, Cable Tie	
12	1001182929	1	Harness, Fuel Pump (See Seperate Breakdown in this Section)	
13	1001189046	1	Bracket	
14	1001191546	1	Decal, Fuse	
15	1001200108	1	Harness, Engine (ULS) (See Seperate Breakdown in this Section)	
16	1001008559	11	Strap, Cable	
17	1001182930	1	Harness, Glow Plug Relay (See Seperate Breakdown in this Section)	
18	1062255	4	Strap, Tie	

# SECTION 10 - ELECTRICAL

## FIGURE 10-9. ENGINE ECU INSTALLATION



DETAIL A

AWT\_1001208899-B



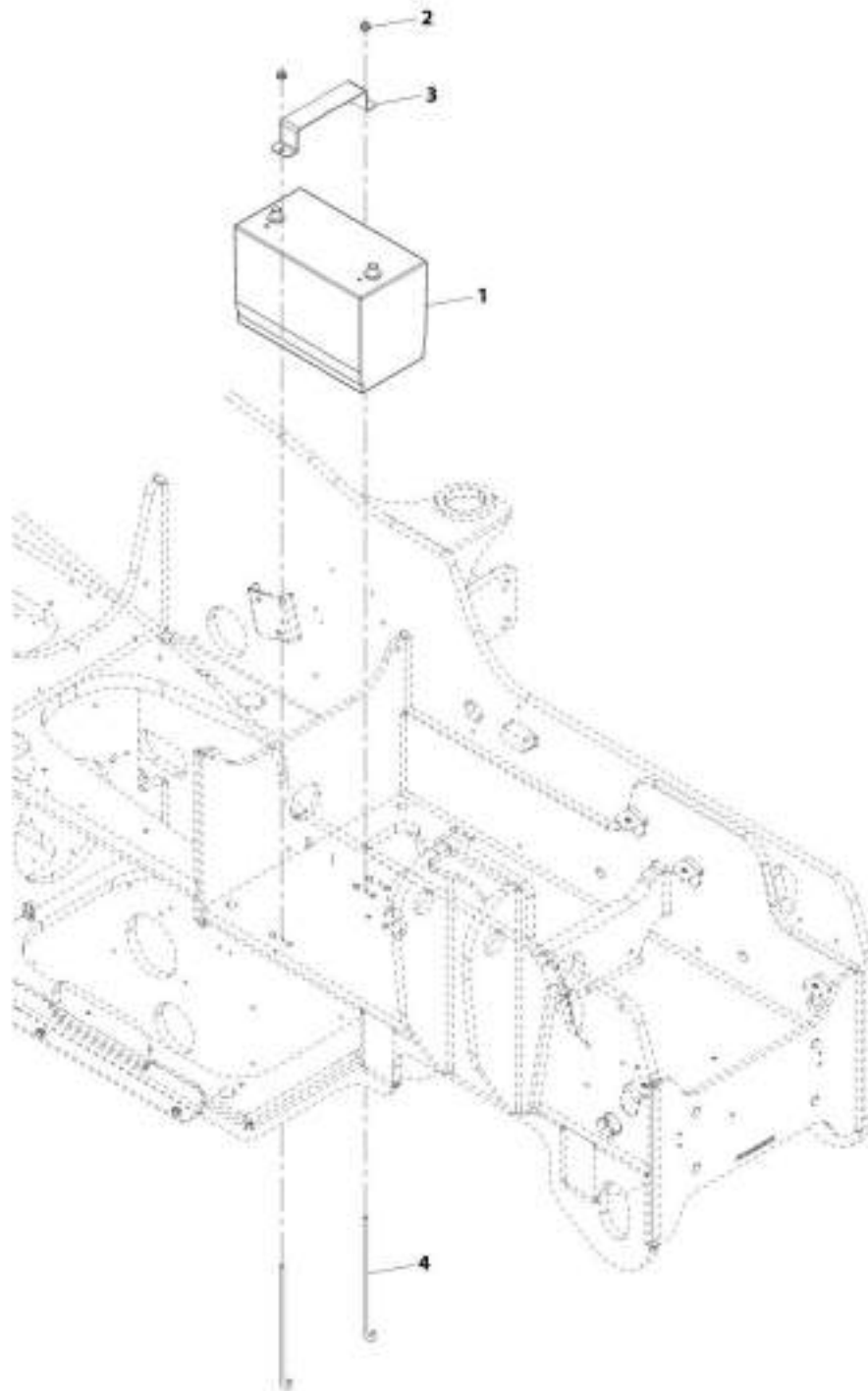
## SECTION 10 - ELECTRICAL

### FIGURE 10-9. ENGINE ECU INSTALLATION

ITEM	PART NUMBER	QTY	DESCRIPTION	REV
	1001200869	Ref	Engine ECU Installation	B
1	0700614	4	Bolt, M6X30	
2	0760807	3	Bolt, M8X14	
3	3900357	2	Capscrew, M6X16	
4	4811700	10	Washer, M6	
5	4831900	3	Washer, Lock M8	
6	1001138645	2	Mount, Cable Tie	
7	1001179907	3	Mount, Isolator	
9	1001210397	1	Plate	
10	3290605	6	Nut, Lock M6X1	

# SECTION 10 - ELECTRICAL

## FIGURE 10-10. BATTERY INSTALLATION



ART\_100138005-A

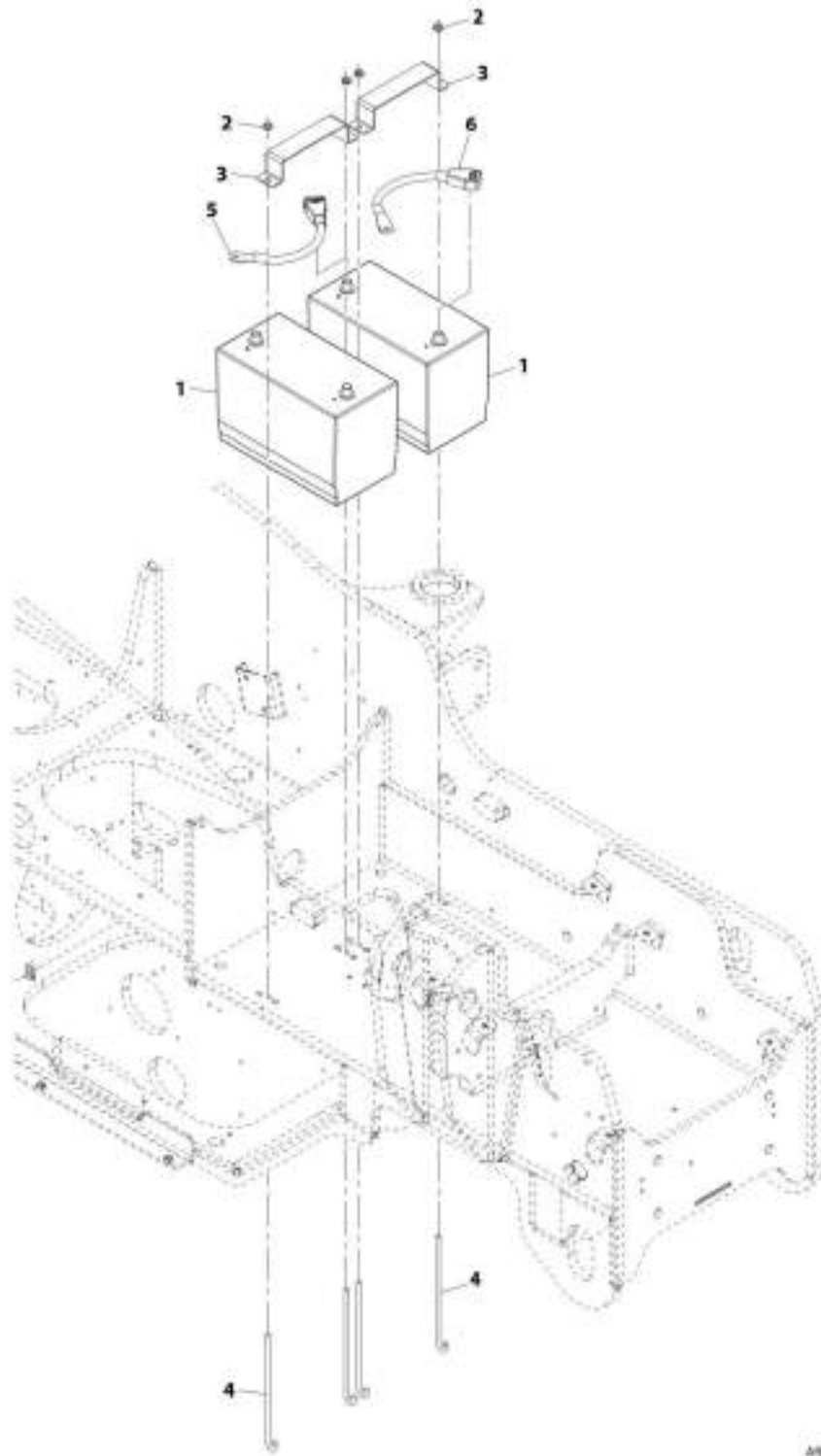
## SECTION 10 - ELECTRICAL

### FIGURE 10-10. BATTERY INSTALLATION

ITEM	PART NUMBER	QTY	DESCRIPTION	REV
	1001186855	Ref	Battery Installation	A
1	0400075	1	Battery, 12V	
2	5220800	2	Nut, Ripp M8	
3	1001160927	1	Plate	
4	1001160928	2	J-Bolt	

# SECTION 10 - ELECTRICAL

## FIGURE 10-11. DUAL BATTERY INSTALLATION



ART 300121148-B

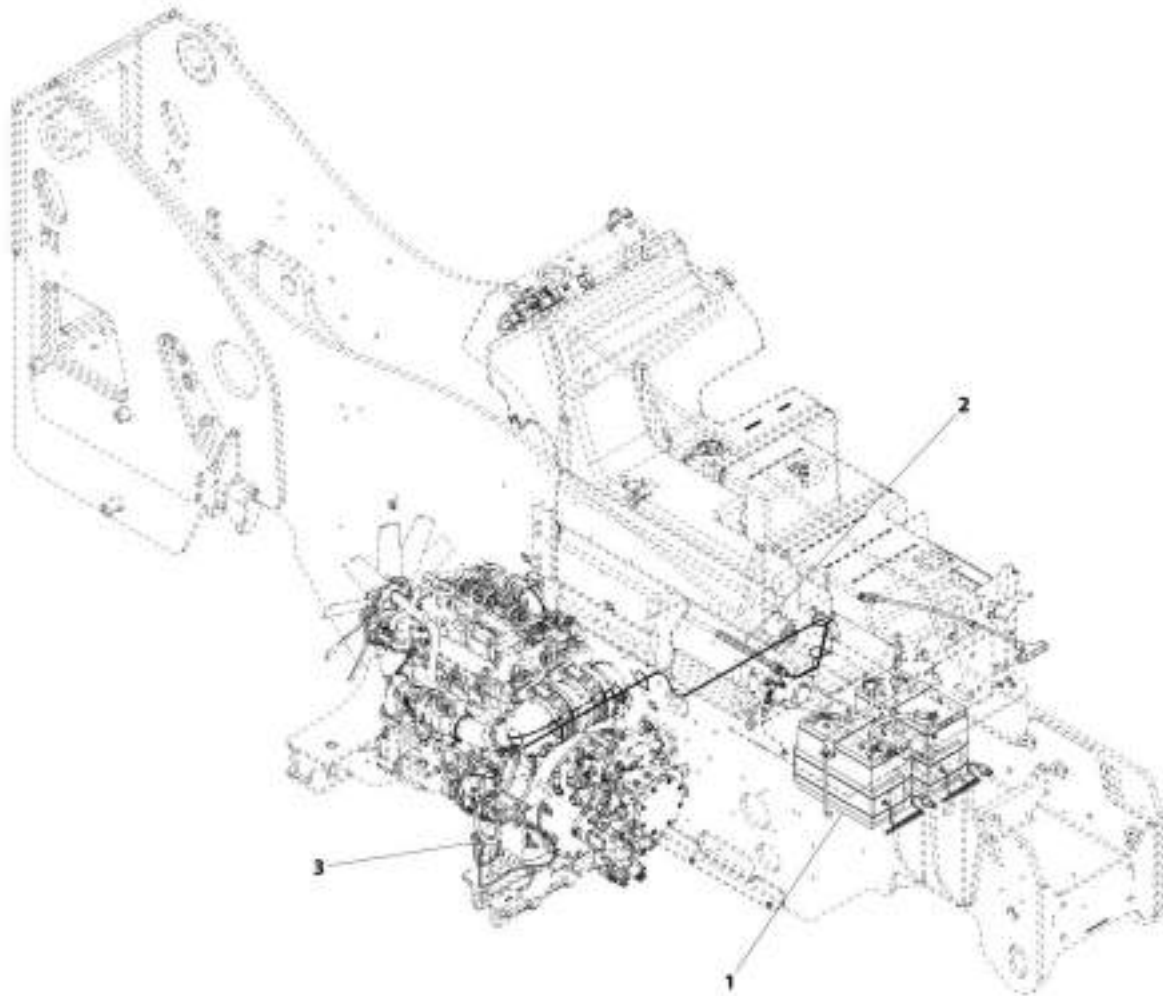
## SECTION 10 - ELECTRICAL

### FIGURE 10-11. DUAL BATTERY INSTALLATION

ITEM	PART NUMBER	QTY	DESCRIPTION	REV
	1001211445	Ref	Dual Battery Installation	B
1	0400075	2	Battery, 12V	
2	5220800	4	Nut, Ripp M8	
3	1001160927	2	Plate	
4	1001160928	4	J-Bolt	
5	1001172495	1	Cable, Positive Battery	
6	1001172496	1	Cable, Negative Battery	

# SECTION 10 - ELECTRICAL

## FIGURE 10-12. ARTIC BATTERY PACKAGE INSTALLATION (115V)



ART\_5001184850-C

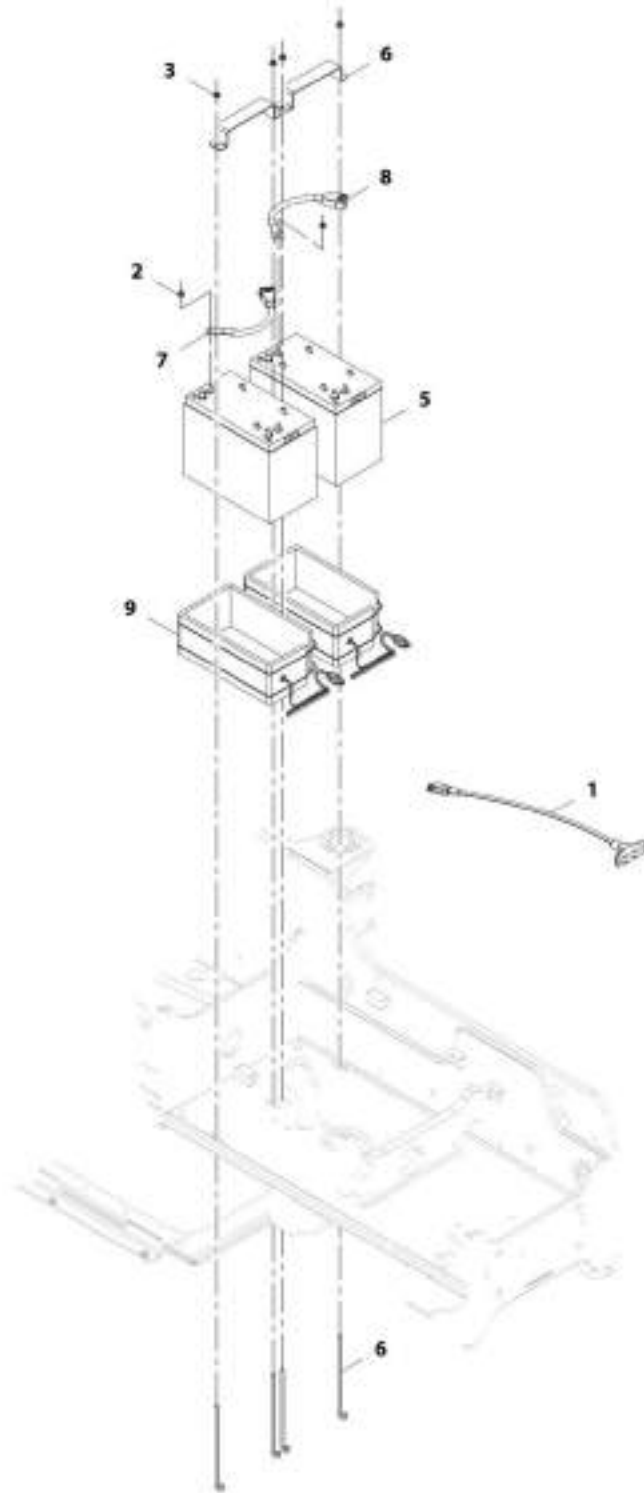
## SECTION 10 - ELECTRICAL

**FIGURE 10-12. ARTIC BATTERY PACKAGE INSTALLATION (115V)**

ITEM	PART NUMBER	QTY	DESCRIPTION	REV
1	1001186856	Ref	INSTALL,COLD WEATHER PKG ARCTIC, JLG	C
	1001195582	Ref	Installation, Arctic Battery Package (115V) (See Seperate Breakdown in this Section)	
2	1001195593	Ref	Installation, Hydraulic Tank Heater (115V) (See Seperate Breakdown in this Section)	
3	2580040	1	Heater, Engine Oil Pan	

# SECTION 10 - ELECTRICAL

## FIGURE 10-13. ARCTIC BATTERIES INSTALLATION (115V)



ART\_1801165382-B



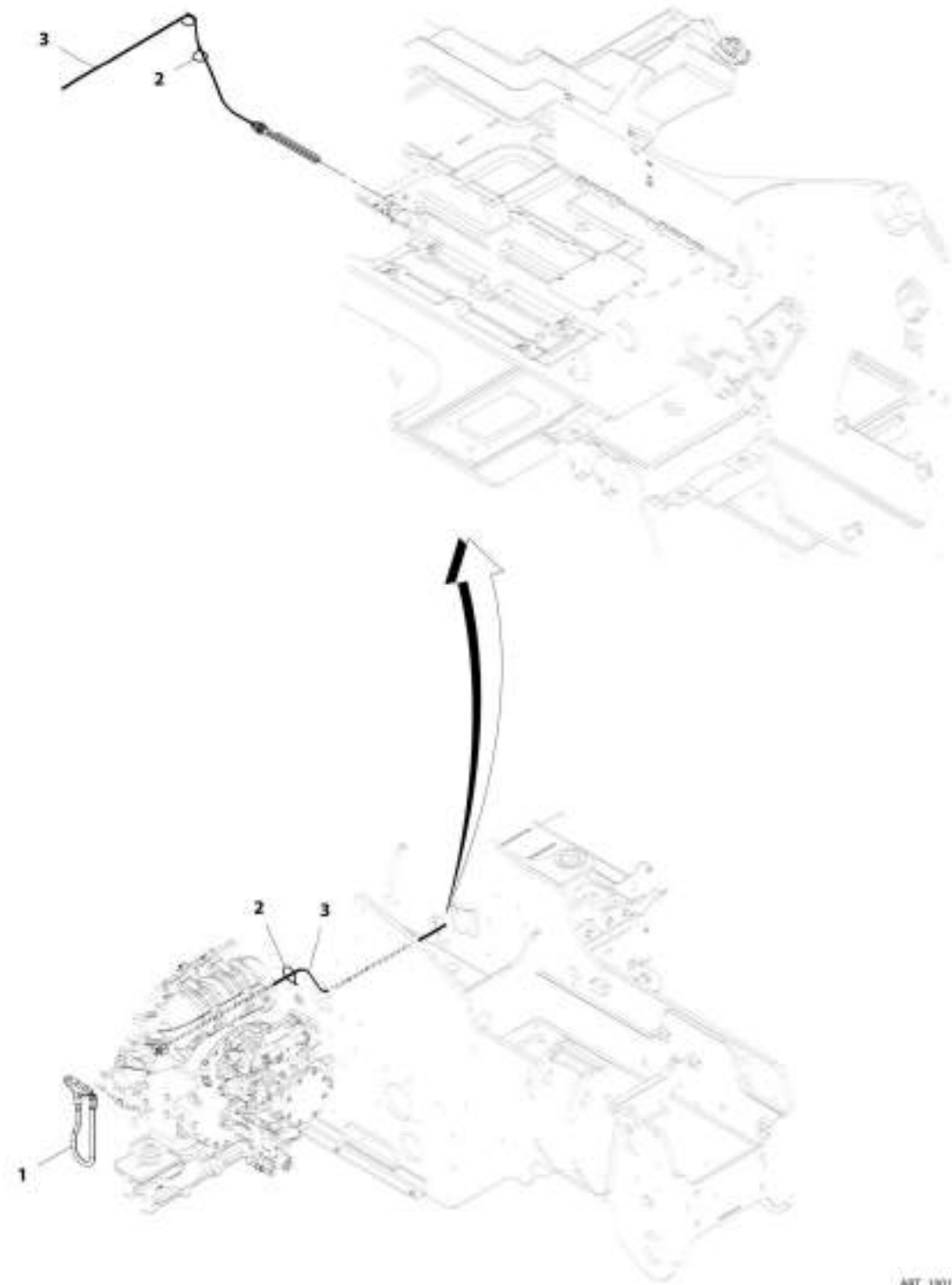
## SECTION 10 - ELECTRICAL

### FIGURE 10-13. ARCTIC BATTERIES INSTALLATION (115V)

ITEM	PART NUMBER	QTY	DESCRIPTION	REV
	1001195582	Ref	Arctic Batteries Installation (115V)	B
1	1060626	1	Cord, 3-Way Extension	
2	3311508	2	Nut, 5/16-18	
3	5220800	4	Nut, M8	
4	1001093564	2	Heater, Battery	
5	1001098762	2	Battery, 12V	
6	1001160927	2	Plate, Battery Hold Down	
7	1001160928	4	J-Bolt	
8	1001172495	1	Cable, Positive Battery	
9	1001172496	1	Cable, Negative Battery	

# SECTION 10 - ELECTRICAL

FIGURE 10-14. HYDRAULIC TANK HEATER INSTALLATION (115V)



ART\_1801105593-B

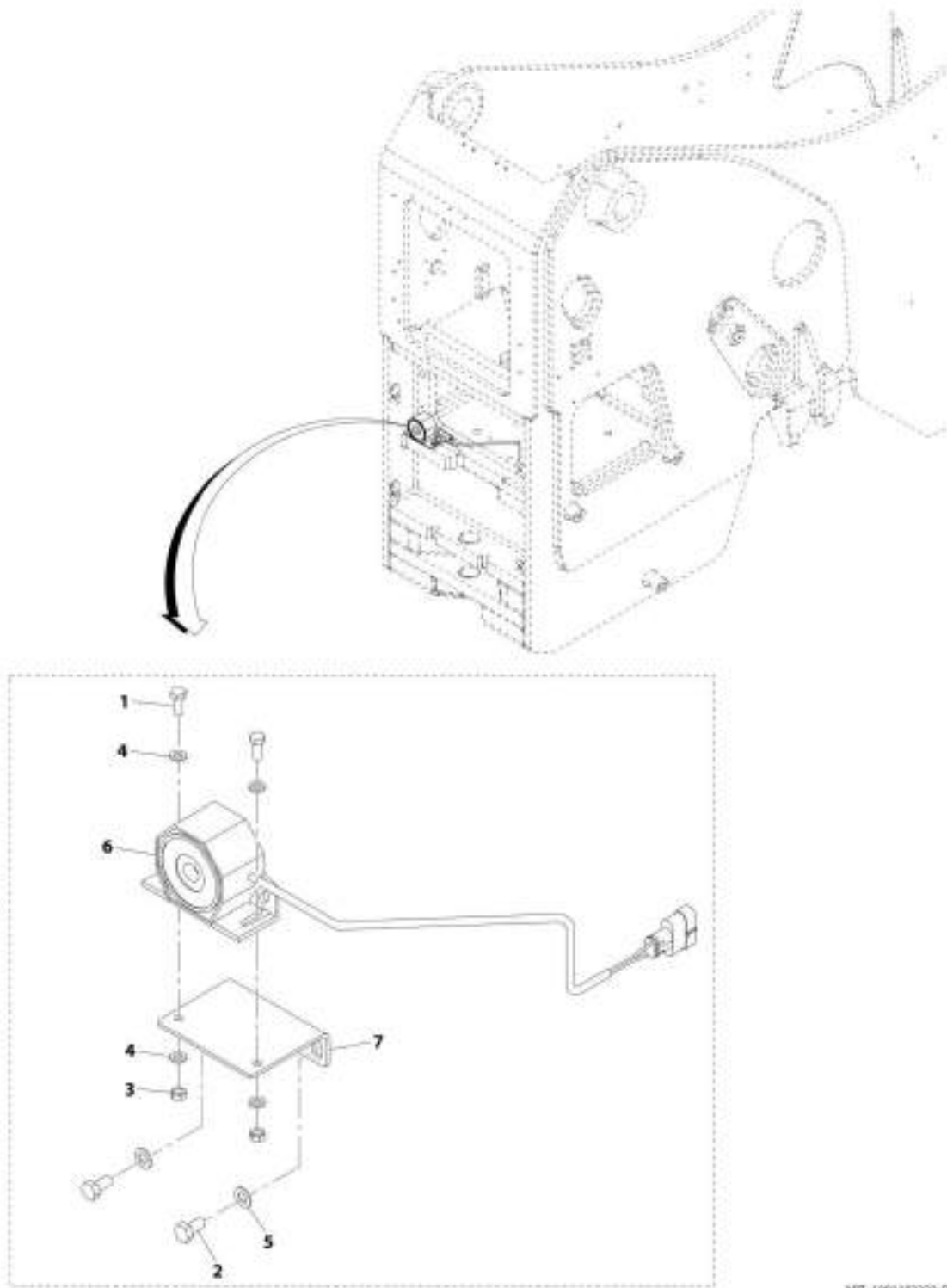
## SECTION 10 - ELECTRICAL

**FIGURE 10-14. HYDRAULIC TANK HEATER INSTALLATION (115V)**

ITEM	PART NUMBER	QTY	DESCRIPTION	REV
	1001195593	Ref	Hydraulic Tank Heater Installation (115V)	B
1	1060626	1	Cord, 3-Way Extension	
2	4240099	AR	Tie, Wire	
3	1001105886	1	Heater, Immersion	

# SECTION 10 - ELECTRICAL

## FIGURE 10-15. BACKUP ALARM INSTALLATION



ART\_100118223-D

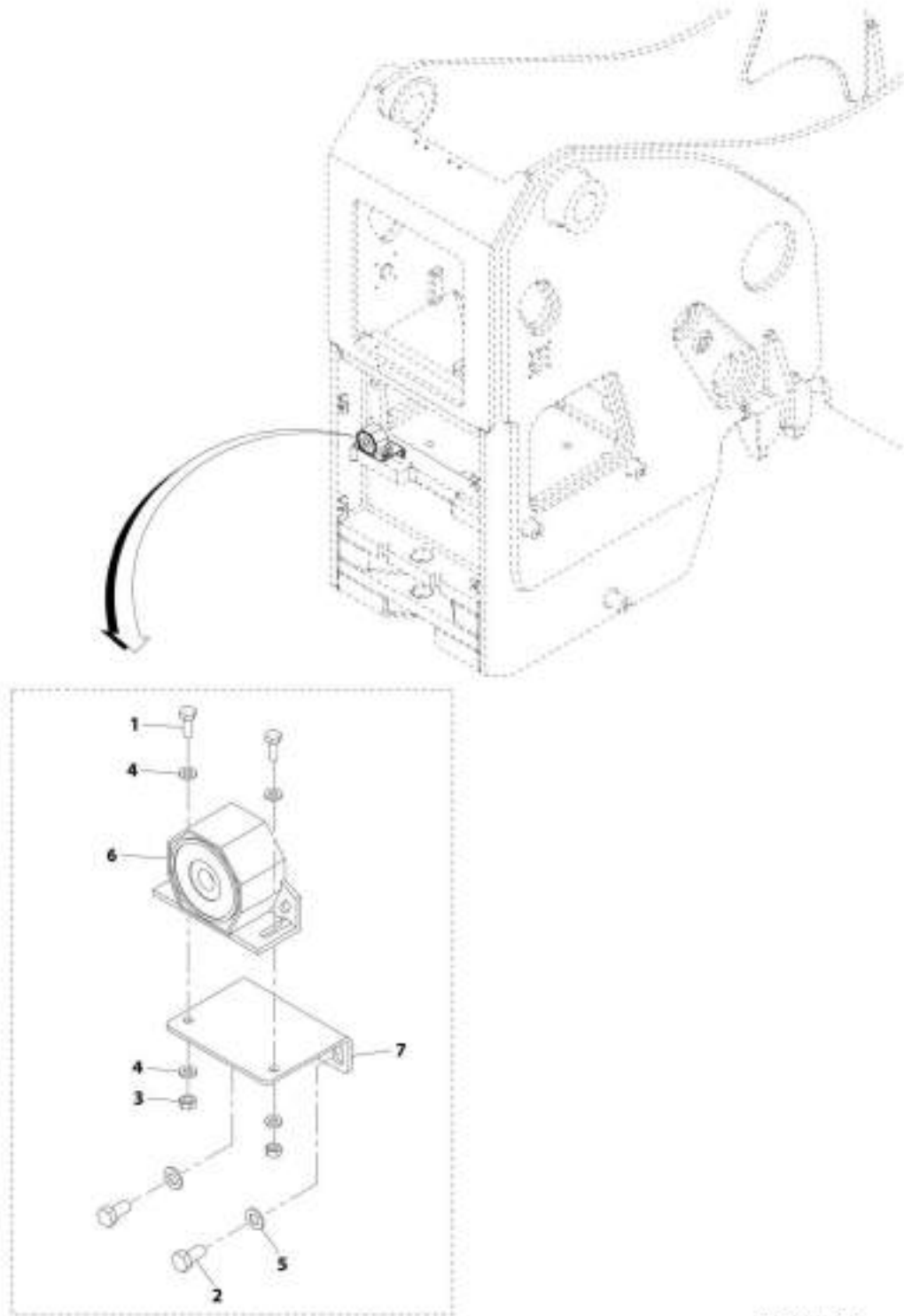
## SECTION 10 - ELECTRICAL

### FIGURE 10-15. BACKUP ALARM INSTALLATION

ITEM	PART NUMBER	QTY	DESCRIPTION	REV
	1001192323	Ref	Backup Alarm Installation	D
1	0760608	2	Bolt, M6X16	
2	0760808	2	Bolt, M8X16	
3	3290601	2	Nut, M6X1	
4	4811700	4	Washer, M6	
5	4811900	2	Washer, M8	
6	1001101808	1	Alarm, Backup	
7	1001193698	1	Bracket	

# SECTION 10 - ELECTRICAL

FIGURE 10-16. BACKUP ALARM INSTALLATION (WHITE NOISE)



ART\_1001185263-8

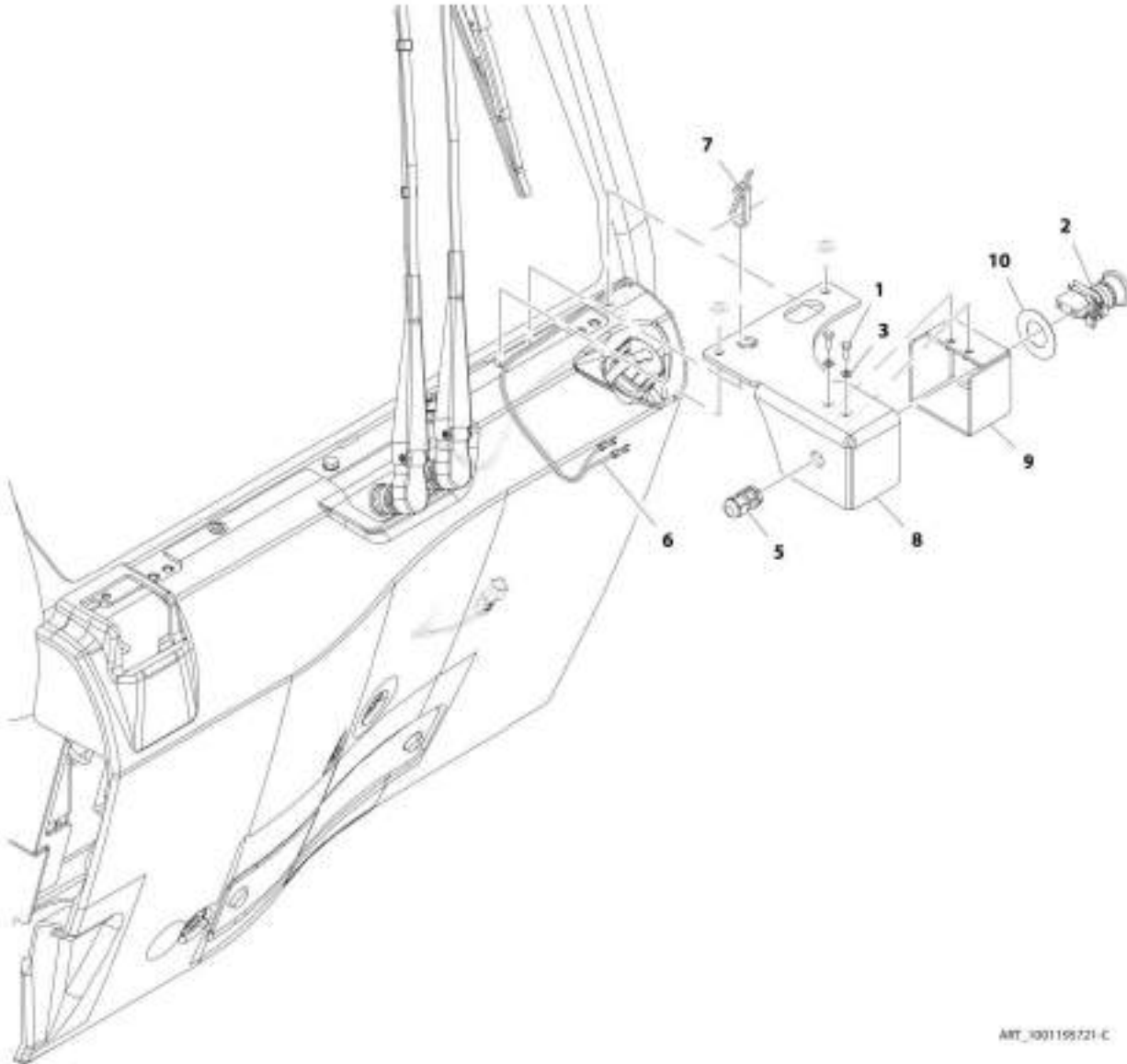
## SECTION 10 - ELECTRICAL

**FIGURE 10-16. BACKUP ALARM INSTALLATION (WHITE NOISE)**

ITEM	PART NUMBER	QTY	DESCRIPTION	REV
	1001195263	Ref	Backup Alarm Installation (White Noise)	B
1	0760608	2	Bolt, M6X16	
2	0760808	2	Bolt, M8X16	
3	3290601	2	Nut, M6X1	
4	4811700	4	Washer, M6	
5	4811900	2	Washer, M8	
6	1001165827	1	Alarm, Backup (White Noise)	
7	1001193698	1	Bracket	

# SECTION 10 - ELECTRICAL

## FIGURE 10-17. EMERGENCY STOP EXTERNAL INSTALLATION



ART\_1001195721-C



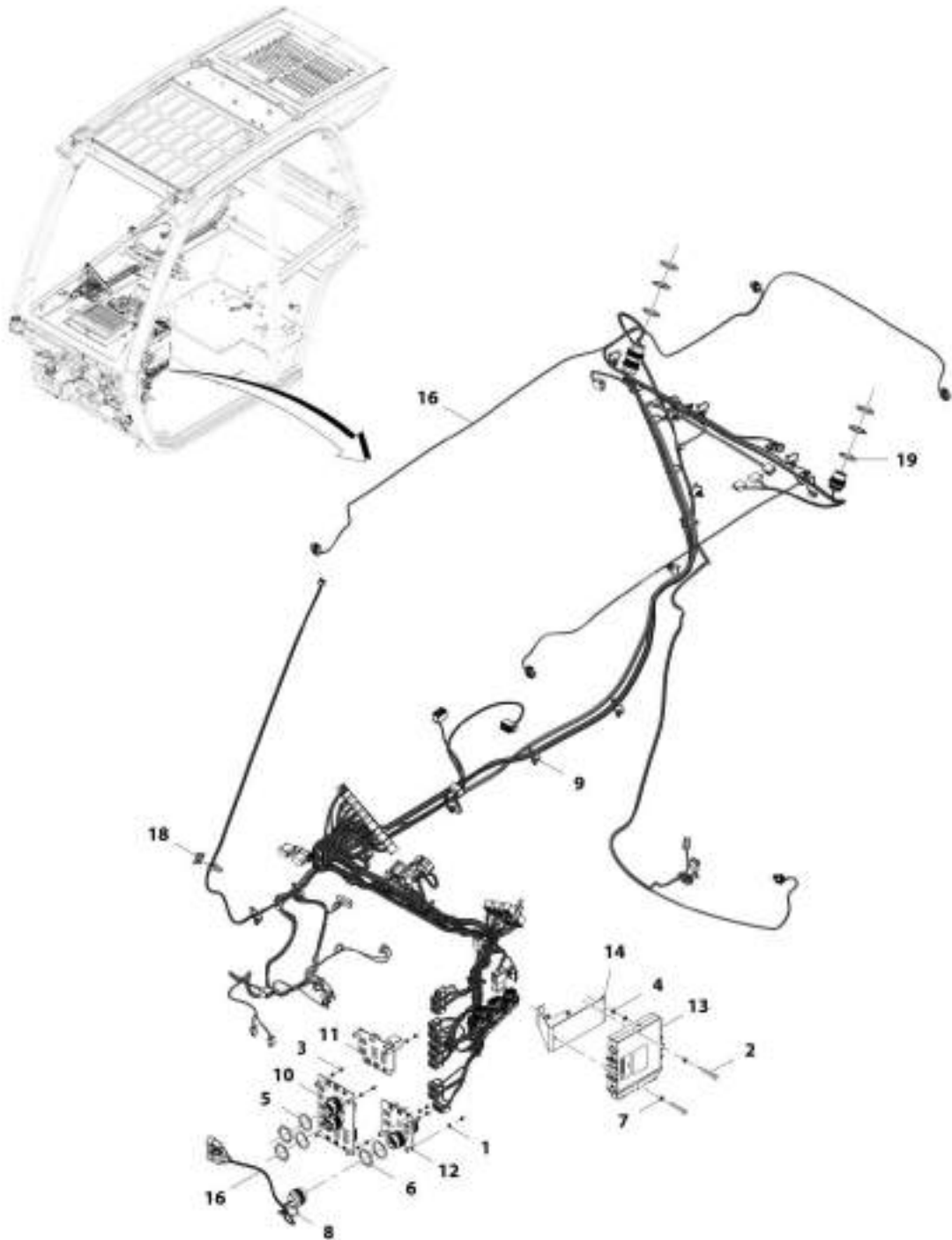
## SECTION 10 - ELECTRICAL

### FIGURE 10-17. EMERGENCY STOP EXTERNAL INSTALLATION

ITEM	PART NUMBER	QTY	DESCRIPTION	REV
	1001195721	Ref	Emergency Stop External Installation	C
1	0760507	2	Bolt, M5X14	
2	4360475	1	Switch, E-Stop	
3	4811600	2	Washer, M5	
5	4461000	1	Connector	
6	1001217320	1	Harness, External EMS	
7	1001008559	1	Strap, Tie	
8	1001220859	1	Bracket	
9	1001220861	1	Shield	
10	1704260	1	Decal, EMS	

# SECTION 10 - ELECTRICAL

## FIGURE 10-18. CAB ELECTRICAL INSTALLATION



ART\_1001102558-H

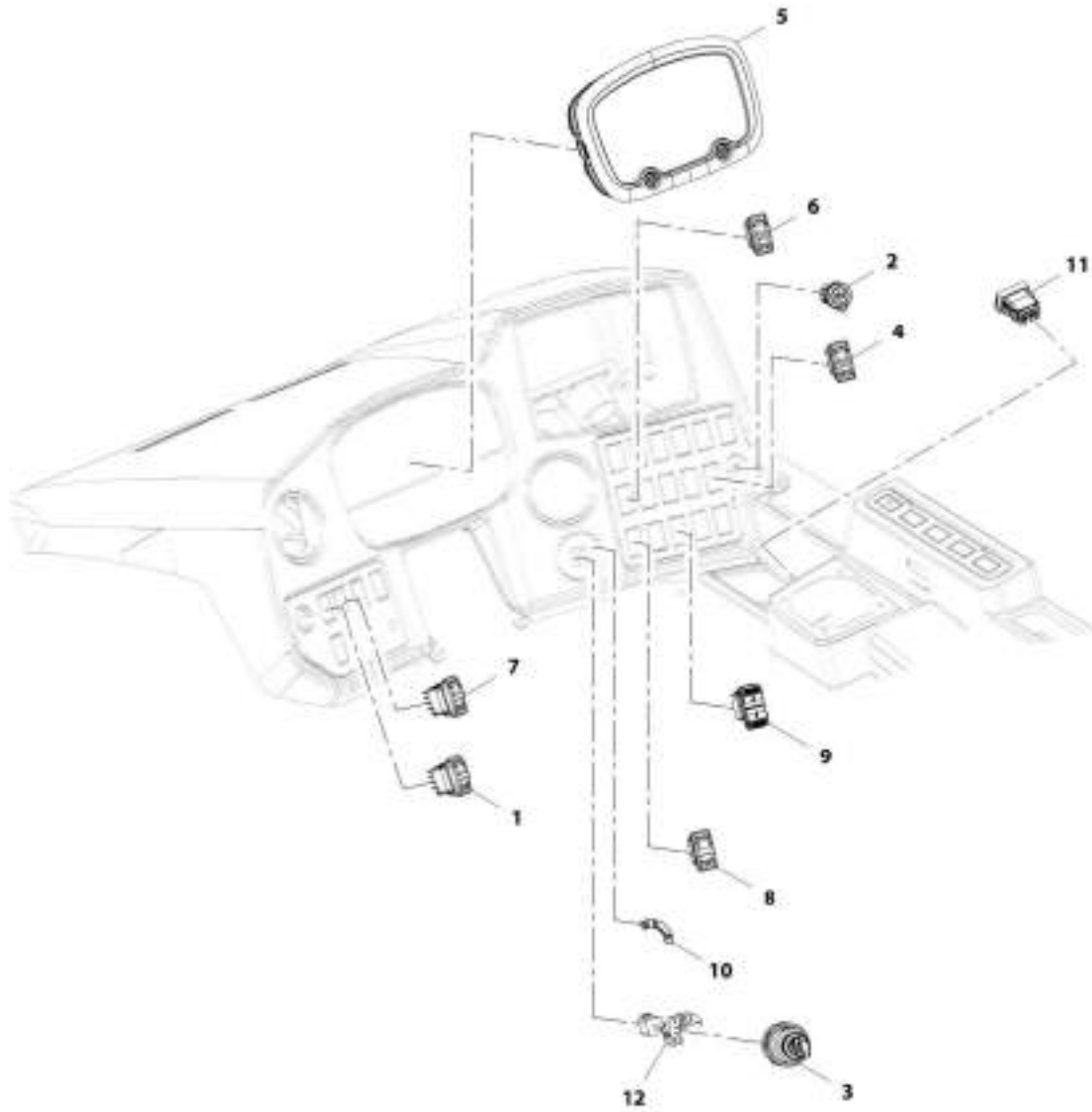
## SECTION 10 - ELECTRICAL

**FIGURE 10-18. CAB ELECTRICAL INSTALLATION**

ITEM	PART NUMBER	QTY	DESCRIPTION	REV
	1001192558	Ref	Cab Electrical Installation	H
1	120034	7	Washer, Plastic	
2	0700618	2	Bolt, M6X50	
3	3290501	7	Nut, M5X0.8	
4	3290601	2	Nut, M6X1	
5	4460496	5	Washer, Terminal Lock	
6	4460497	5	Nut, Terminal	
7	4811700	4	Washer, M6	
8	1001008559	2	Strap, Cable Tie	
9	1001146588	24	Strap, Cable Tie	
10	1001161769	1	Assembly, Standard Electrical Board (See Separate Breakdown in Electrical Section)	
11	1001161770	1	Assembly, Option 1 Electrical Board (See Separate Breakdown in Electrical Section)	
12	1001161771	1	Assembly, Option 2 Electrical Board (See Separate Breakdown in Electrical Section)	
13	1001162249	1	Module, Cab Control	
14	1001178933	1	Bracket	
15	1001181681	1	Harness, Cab Option LBP (See Separate Breakdown in Electrical Section)	
16	1001193940	1	Harness, Cab (See Separate Breakdown in Electrical Section)	
18	4460234	1	Terminal, Mount Cable Tie	
19	1001211693	2	Seal	

# SECTION 10 - ELECTRICAL

## FIGURE 10-19. DASH ELECTRICAL INSTALLATION



ART\_1801228717-C

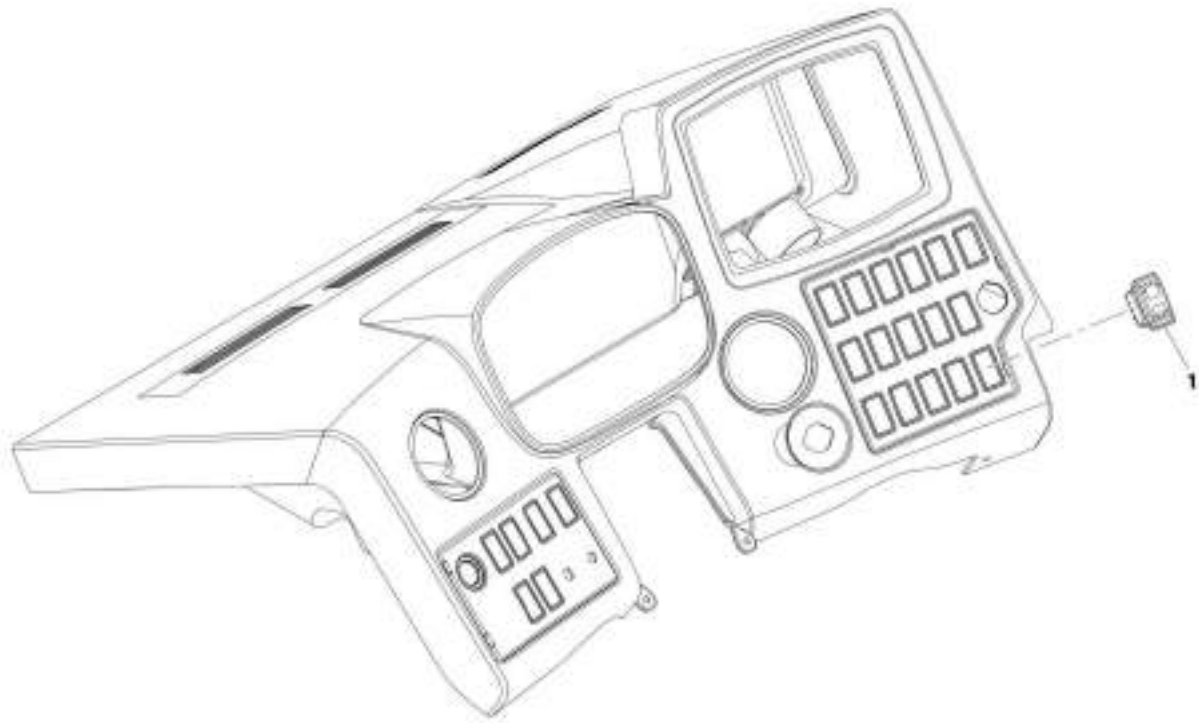
## SECTION 10 - ELECTRICAL

### FIGURE 10-19. DASH ELECTRICAL INSTALLATION

ITEM	PART NUMBER	QTY	DESCRIPTION	REV
	1001220717	Ref	Dash Electrical Installation	C
1	1001080978	1	Switch, Lift/Loader	
2	1001095804	1	Connector, 12V Power Socket	
3	1001102502	1	Switch, 4 Position Key	
3	70022765	1	Key, Ignition (set of 2)	
4	1001104654	1	Switch, AUX Decomp	
5	1001158146	1	Cluster, Electrical Gauge	
6	1001159735	1	Switch, Rear Wiper	
7	1001159741	1	Switch, Constant AUX	
8	1001159849	1	Switch, Steer Mode	
9	1001174712	1	Charger, USB	
10	1001181531	1	Decal, Ignition Switch	
11	1001212470	1	Switch, Frame Level	
12	1001223968	1	Harness, Ignition Switch (See Separate Breakdown in this Section)	

# SECTION 10 - ELECTRICAL

## FIGURE 10-20. LIGHT SWITCH INSTALLATION



ARD\_1001210121-A

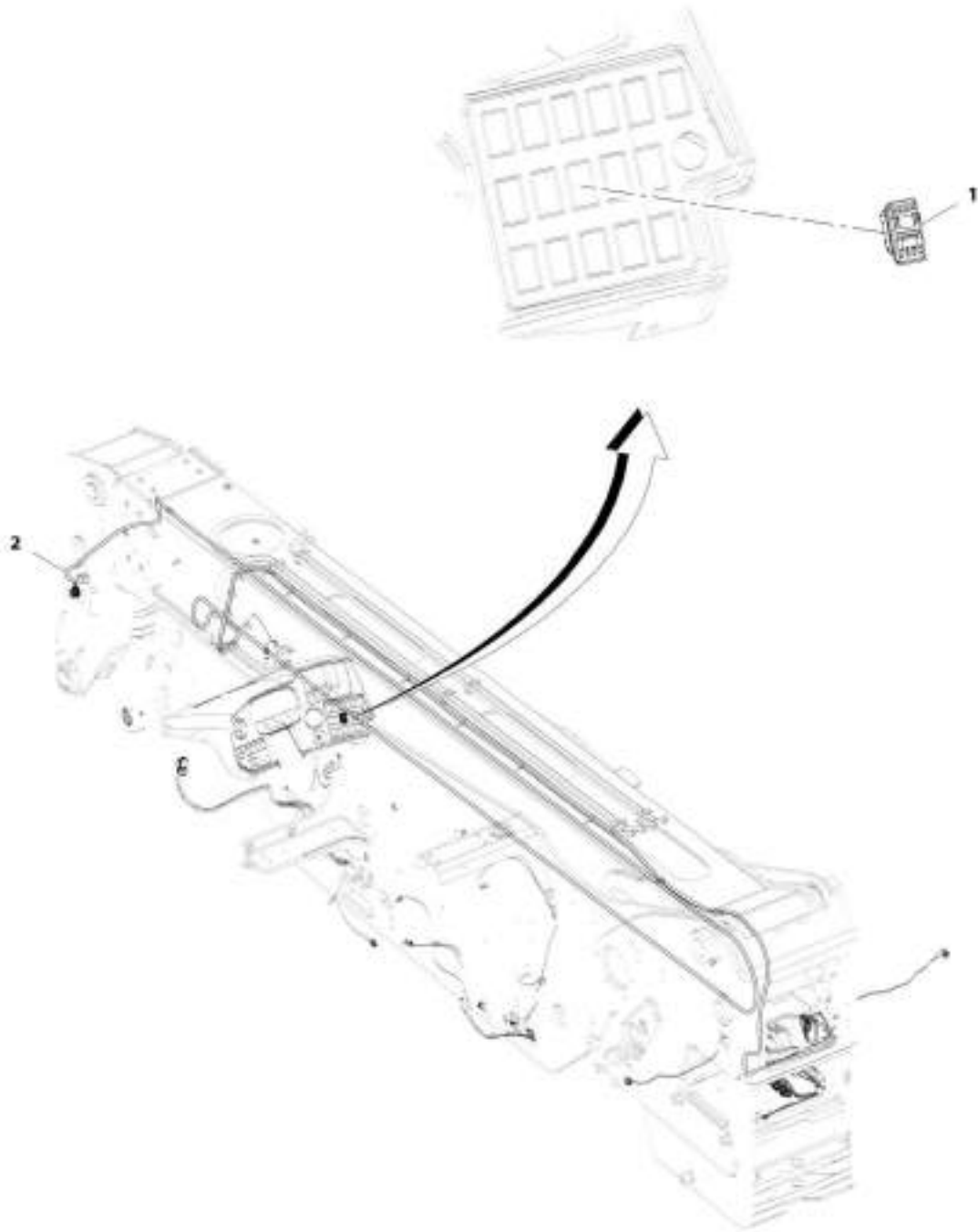
## SECTION 10 - ELECTRICAL

### FIGURE 10-20. LIGHT SWITCH INSTALLATION

ITEM	PART NUMBER	QTY	DESCRIPTION	REV
1	1001215121 1001163639	Ref 1	Light Switch Installation Switch, Light	A

# SECTION 10 - ELECTRICAL

## FIGURE 10-21. BOOM HARNESS INSTALLATION



ART\_180116375-B



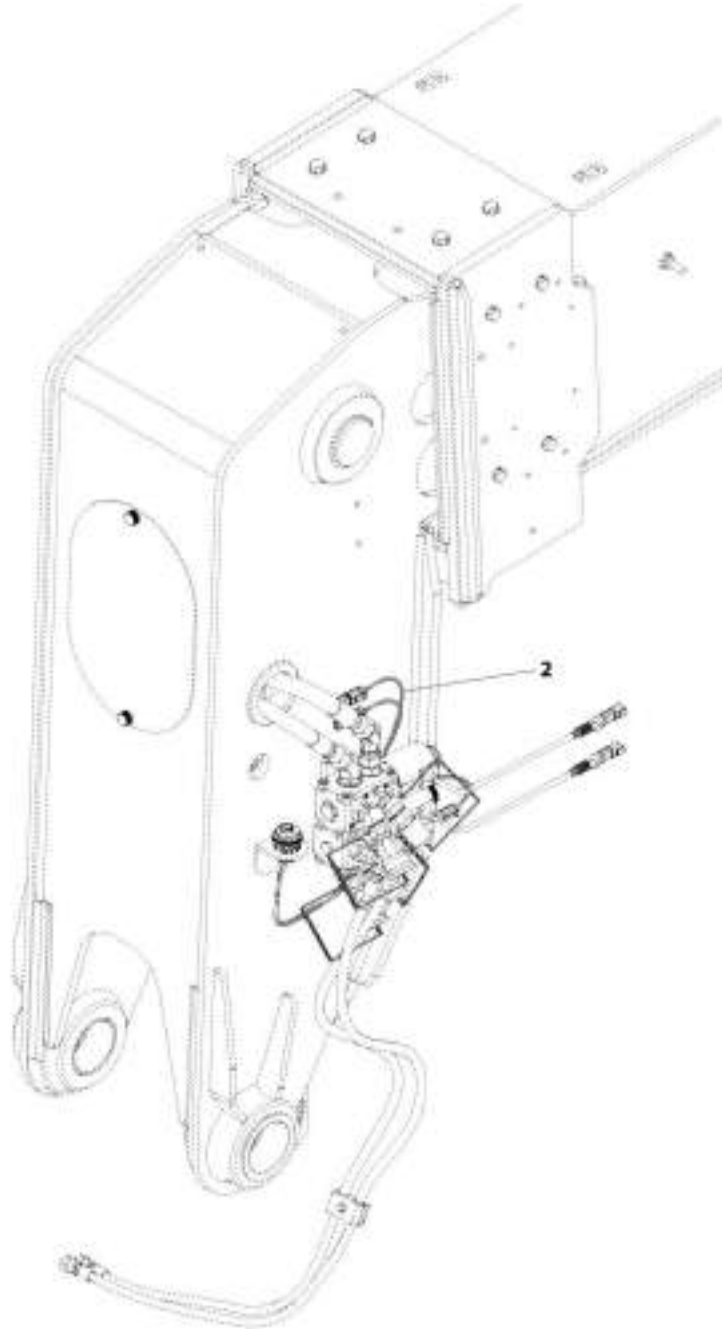
## SECTION 10 - ELECTRICAL

### FIGURE 10-21. BOOM HARNESS INSTALLATION

ITEM	PART NUMBER	QTY	DESCRIPTION	REV
	1001192575	Ref	Boom Harness Installation	B
	1001159746	1	Switch, Aux Electric	
	1001201124	1	Harness, Boom (See Seperate Breakdown in this Section)	

# SECTION 10 - ELECTRICAL

## FIGURE 10-22. BOOM AUX HARNESS INSTALLATION



ART\_1001192370-C

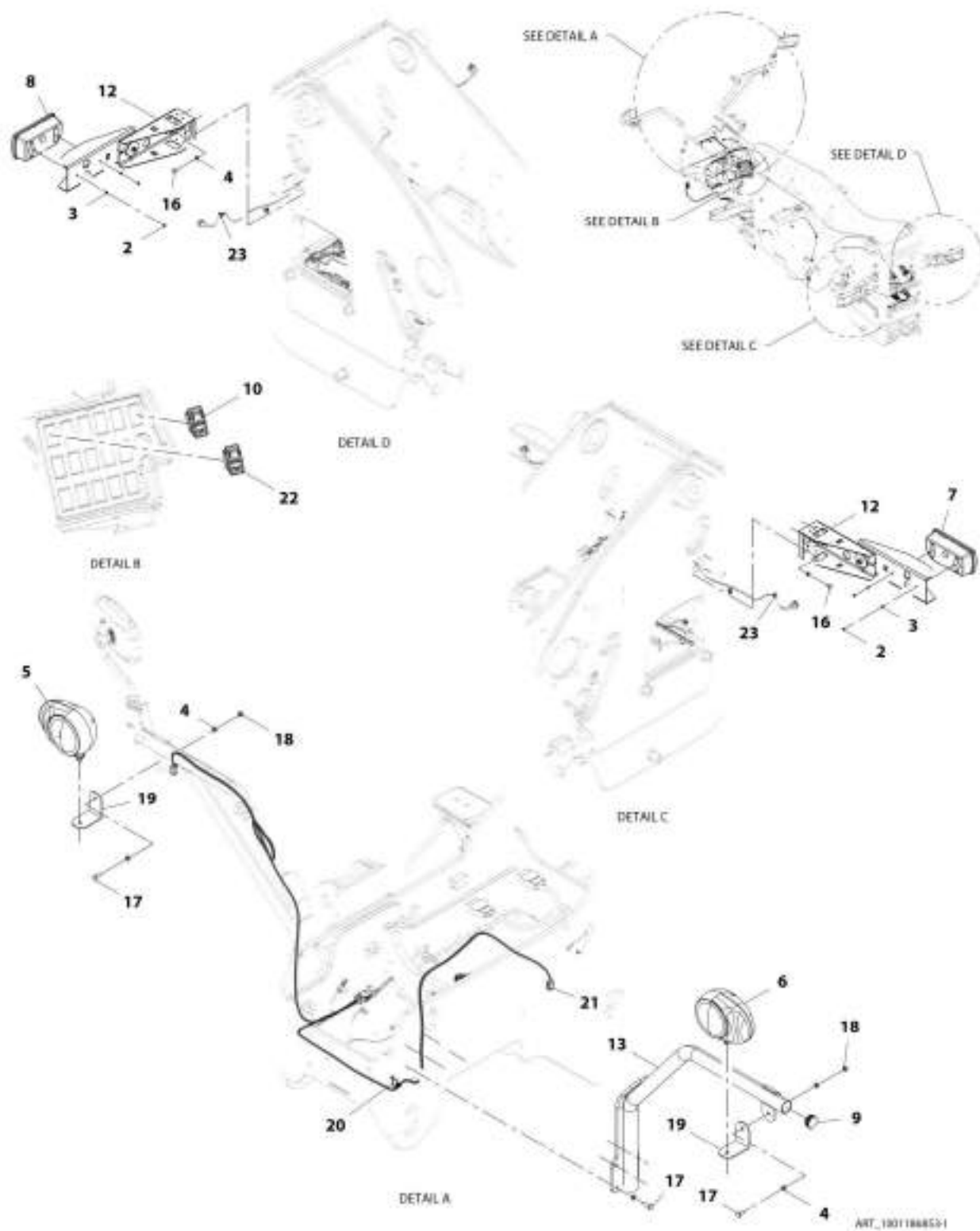
## SECTION 10 - ELECTRICAL

**FIGURE 10-22. BOOM AUX HARNESS INSTALLATION**

ITEM	PART NUMBER	QTY	DESCRIPTION	REV
2	1001192370 1001206633	Ref 1	Boom Aux Harness Installation Harness, Boom AUX (See Seperate Breakdown in this Section)	C

# SECTION 10 - ELECTRICAL

## FIGURE 10-23. DRIVING LIGHT INSTALLATION (RH DIP)



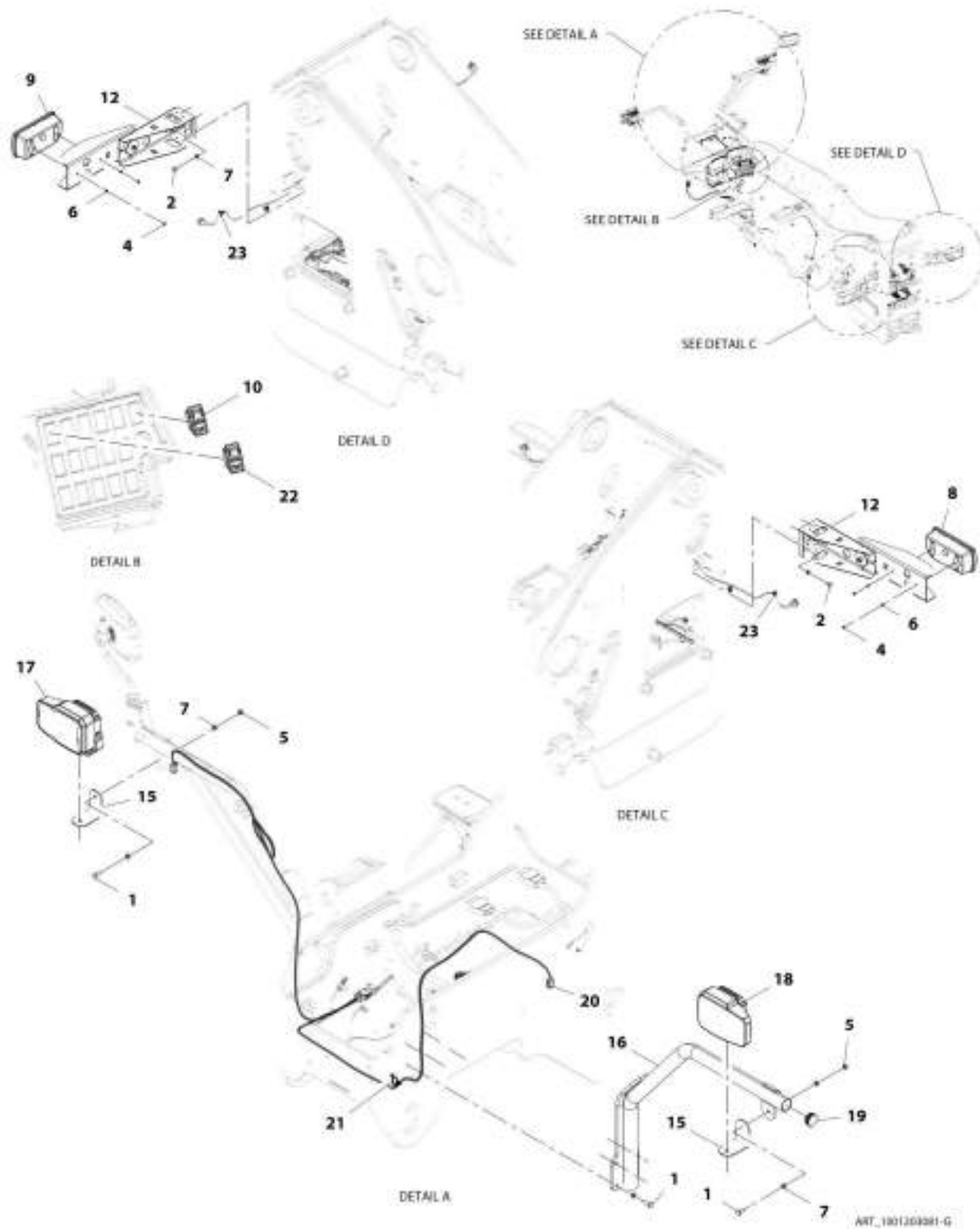
## SECTION 10 - ELECTRICAL

**FIGURE 10-23. DRIVING LIGHT INSTALLATION (RH DIP)**

ITEM	PART NUMBER	QTY	DESCRIPTION	REV
	1001186853	Ref	Driving Light Installation (RH Dip)	1
2	3290607	4	Nut, Lock M6X1	
3	4811700	4	Washer, M6	
4	4812000	16	Washer, M10	
5	2920208	1	Light, Driving (RH) (RH Dip)	
	7029969	1	Bulb, 4W	
	7029970	1	Bulb, 55W	
	7029971	1	Bulb, 21W	
6	2920207	1	Light, Driving (LH) (RH Dip)	
	7029969	1	Bulb, 4W	
	7029970	1	Bulb, 55W	
	7029971	1	Bulb, 21W	
7	1001091715	1	Light, Rear (LH)	
	70021341	1	Bulb, 5W	
	70021340	1	Bulb, 21W	
	7029971	1	Bulb, 21W	
8	1001091716	1	Light, Rear (RH)	
	70021341	1	Bulb, 5W	
	70021340	1	Bulb, 21W	
	7029971	1	Bulb, 21W	
9	1001209697	1	Cap	
10	1001159734	1	Switch, Hazard	
12	1001183112	2	Assembly, Rear Light Bracket (See Seperate Breakdown in this Section)	
13	1001206100	1	Bracket	
16	0761010	8	Bolt, M10X20	
17	0701014	6	Bolt, M10X30	
18	3291001	2	Nut, M10X1.5	
19	1001203368	2	Bracket	
20	1001146588	1	Strap, Tie	
21	1001215693	1	Harness, Headlight (See Seperate Breakdown in this Section)	
22	1001159737	1	Switch, Fog Lights	
23	1001008559	4	Strap, Cable	

# SECTION 10 - ELECTRICAL

## FIGURE 10-24. DRIVING LIGHT INSTALLATION (LED) (RH DIP)



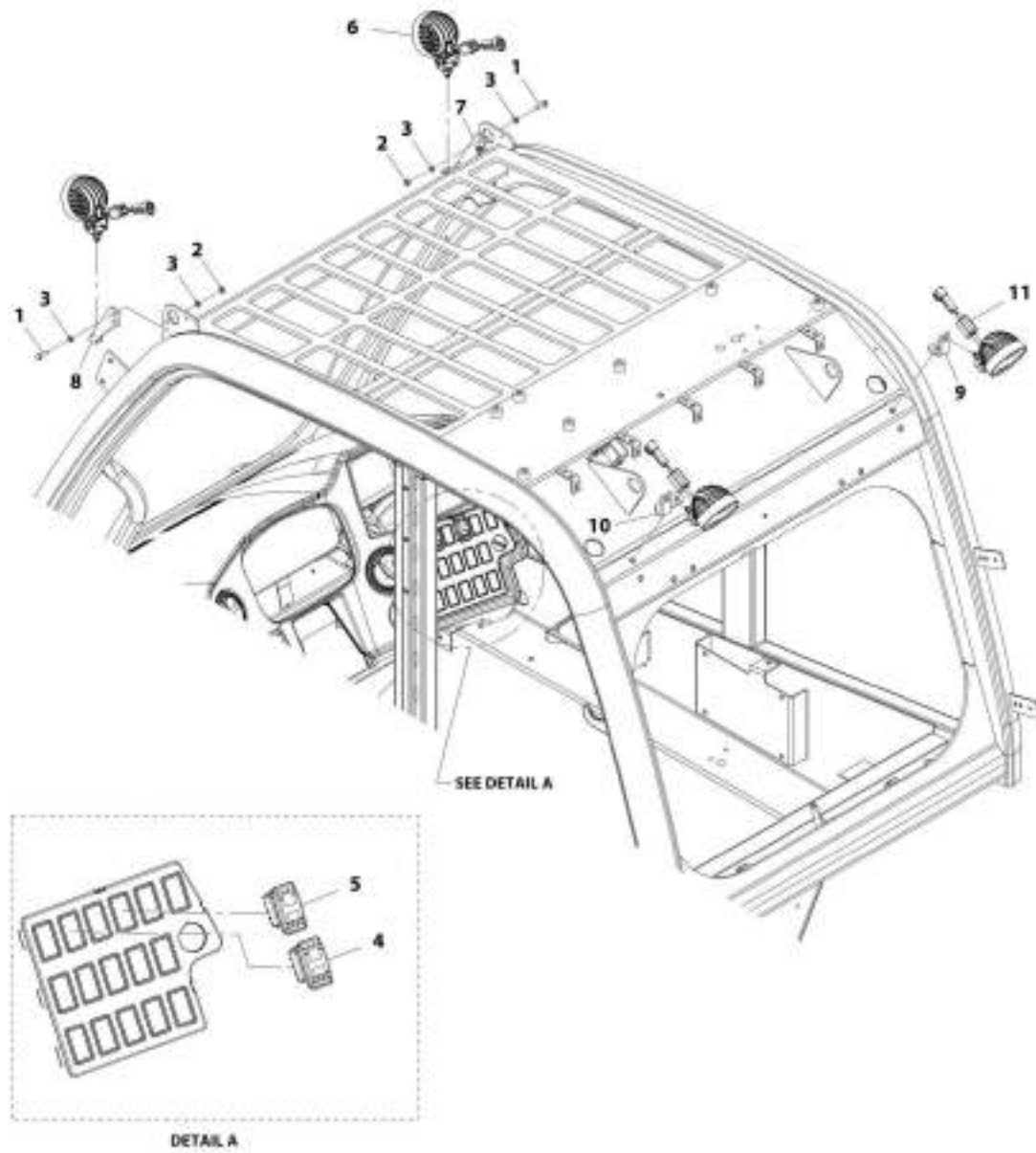
## SECTION 10 - ELECTRICAL

**FIGURE 10-24. DRIVING LIGHT INSTALLATION (LED) (RH DIP)**

ITEM	PART NUMBER	QTY	DESCRIPTION	REV
	1001203081	Ref	Driving Light Installation (LED) (RH Dip)	G
1	0701014	6	Bolt, M10X30	
2	0761010	8	Bolt, M10X20	
4	3290607	4	Bolt, M6X1	
5	3291001	2	Nut, M10X1.5	
6	4811700	4	Washer, M6	
7	4812000	16	Washer, M10	
8	1001091715	1	Light, Rear (LH)	
	70021341	1	Bulb, 5W	
	70021340	1	Bulb, 21W	
	7029971	1	Bulb, 21W	
9	1001091716	1	Light, Rear (RH)	
	70021341	1	REPLACEMENT BULB, 12V-5W	
	70021340	1	Bulb, 21W	
	7029971	1	Bulb, 21W	
10	1001159734	1	Switch, Hazard	
12	1001183112	2	Assembly, Rear Light Bracket (See Seperate Breakdown in this Section)	
15	1001203368	2	Bracket	
16	1001206100	1	Bracket	
17	1001209690	1	Light, Driving (RH - LED) (RH Dip)	
18	1001209691	1	Light, Driving (LH - LED) (LH Dip)	
19	1001209697	1	Cap	
20	1001215693	1	Harness, Headlights (See Seperate Breakdown in this Section)	
21	1001146588	1	Strap, Cable Tie	
22	1001159737	1	Switch, Fog Lights	
23	1001008559	4	Strap, Cable Tie	

# SECTION 10 - ELECTRICAL

## FIGURE 10-25. CAB WORKLIGHTS INSTALLATION (NO A/C - LED)



ART\_1001200538-C



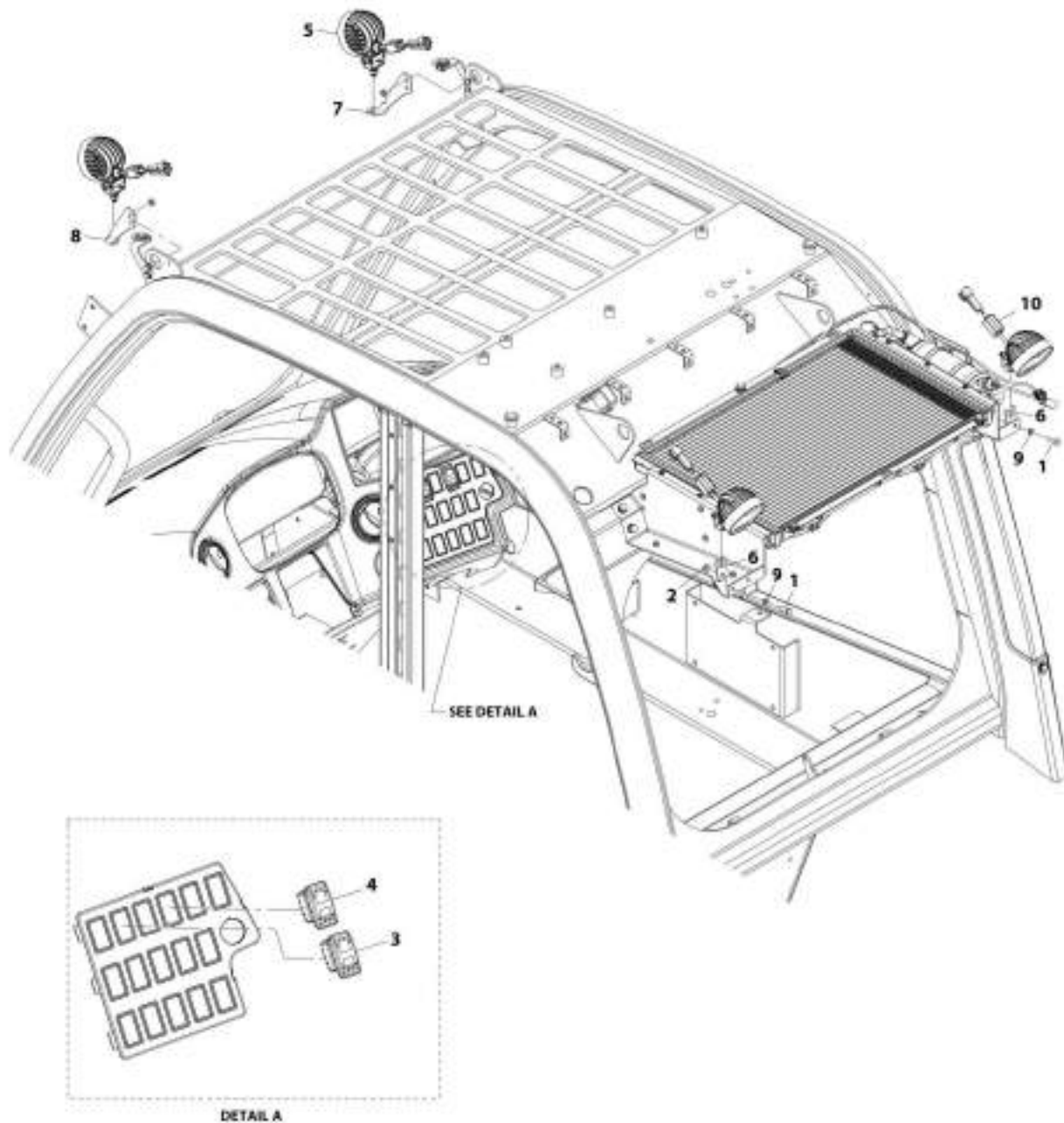
## SECTION 10 - ELECTRICAL

### FIGURE 10-25. CAB WORKLIGHTS INSTALLATION (NO A/C - LED)

ITEM	PART NUMBER	QTY	DESCRIPTION	REV
	1001200538	Ref	Cab Worklights Installation (No A/C - LED)	C
1	0700610	4	Bolt, M6X20	
2	3290601	4	Nut, M6X1	
3	4811700	8	Washer, M6	
4	1001159845	1	Switch, Front Worklights	
5	1001159846	1	Switch, Rear Worklights	
6	1001203640	4	Lamp, LED Work Light	
7	1001204444	1	Support, LED Work Light RH	
8	1001204445	1	Support, LED Work Light LH	
9	1001204528	1	Support, LED Work Light RH	
10	1001204530	1	Support, LED Work Light LH	
11	1001228989	4	Harness, Ferrite	

# SECTION 10 - ELECTRICAL

## FIGURE 10-26. CAB WORKLIGHTS INSTALLATION (A/C - LED)



ART\_3001200529-C

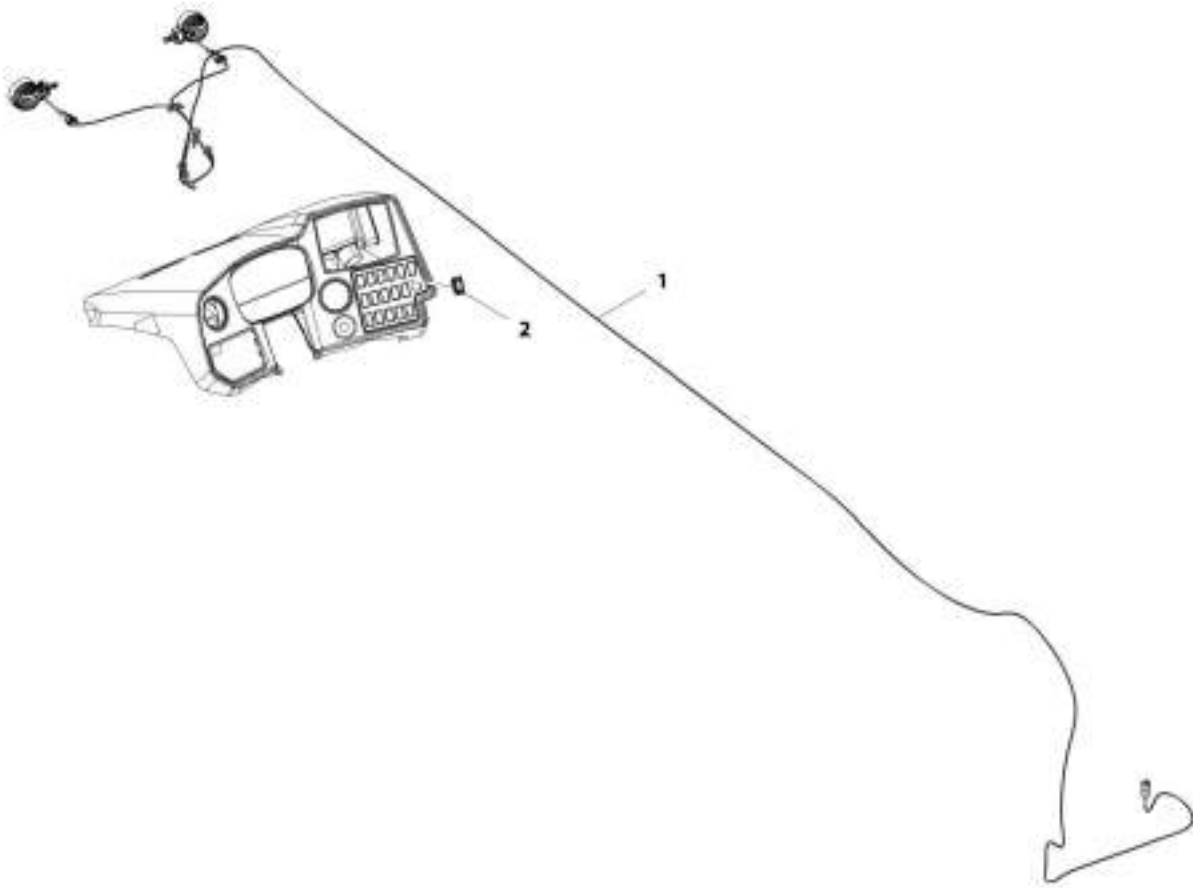
## SECTION 10 - ELECTRICAL

### FIGURE 10-26. CAB WORKLIGHTS INSTALLATION (A/C - LED)

ITEM	PART NUMBER	QTY	DESCRIPTION	REV
	1001200539	Ref	Cab Worklights Installation (A/C - LED)	C
1	0700610	2	Bolt, M6X20	
2	5220600	2	Nut, M6	
3	1001159845	1	Switch, Front Worklights	
4	1001159846	1	Switch, Rear Worklights	
5	1001203640	4	Lamp, LED Work Light	
6	1001204060	2	Bracket	
7	1001204444	1	Support, LED Work Light RH	
8	1001204445	1	Support, LED Work Light LH	
9	4811700	2	Washer, M6	
10	1001228989	4	Harness, Ferrite	

# SECTION 10 - ELECTRICAL

FIGURE 10-27. BOOM WORK LIGHTS (LED)



ART\_1001206427-0

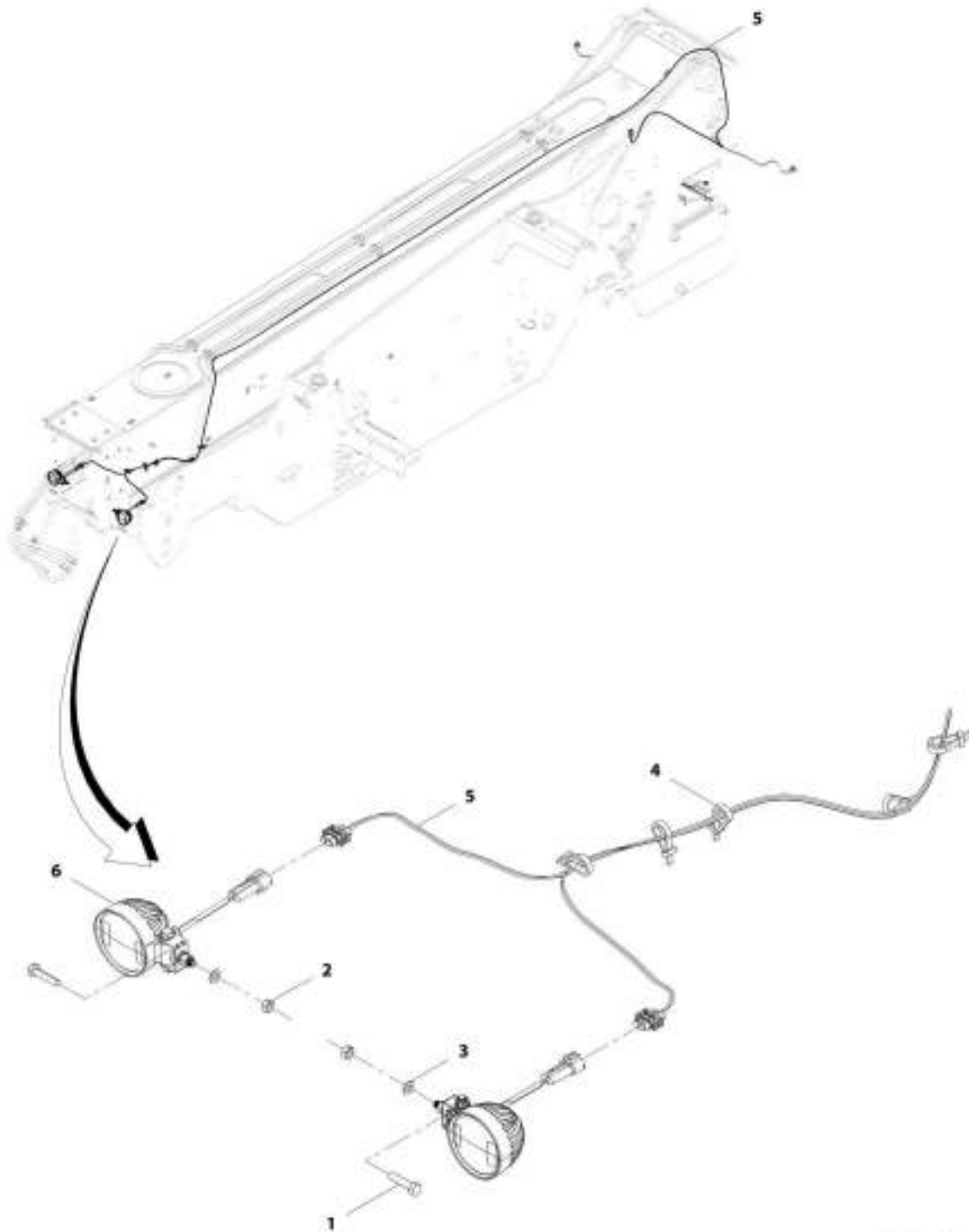
## SECTION 10 - ELECTRICAL

### FIGURE 10-27. BOOM WORK LIGHTS (LED)

ITEM	PART NUMBER	QTY	DESCRIPTION	REV
	1001209427	Ref	Boom Work Lights (LED)	B
1	1001159739	1	Switch, Boom Worklights	
2	1001209456	1	Installation, LED Boom Work lights (See Seperate Breakdown in this Section)	

# SECTION 10 - ELECTRICAL

## FIGURE 10-28. BOOM WORK LIGHT INSTALLATION (LED)



ART\_1001209456-C

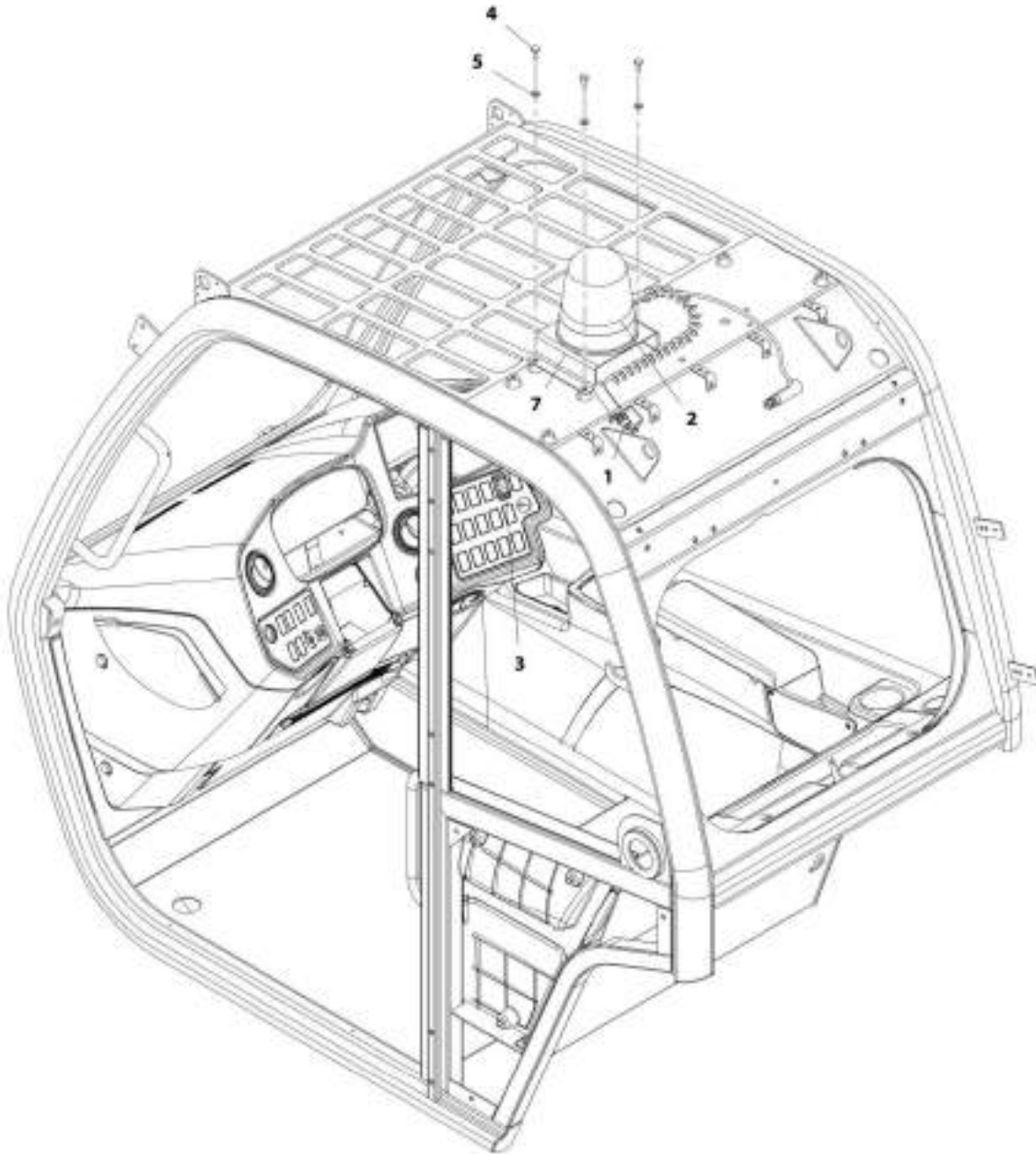
## SECTION 10 - ELECTRICAL

### FIGURE 10-28. BOOM WORK LIGHT INSTALLATION (LED)

ITEM	PART NUMBER	QTY	DESCRIPTION	REV
	1001209456	Ref	Boom Work Light Installation (LED)	C
1	0700815	2	Bolt, M8X35	
2	3290801	2	Nut, M8X1.25	
3	4811900	2	Washer, M8	
4	1001008923	5	Strap, Cable	
5	1001184796	1	Harness, Boom Work Lights (See Seperate Breakdown in this Section)	
6	1001203640	2	Lamp, LED Worklight (See Seperate Breakdown in this Section)	

# SECTION 10 - ELECTRICAL

## FIGURE 10-29. BEACON INSTALLATION



ART\_1001371162-E



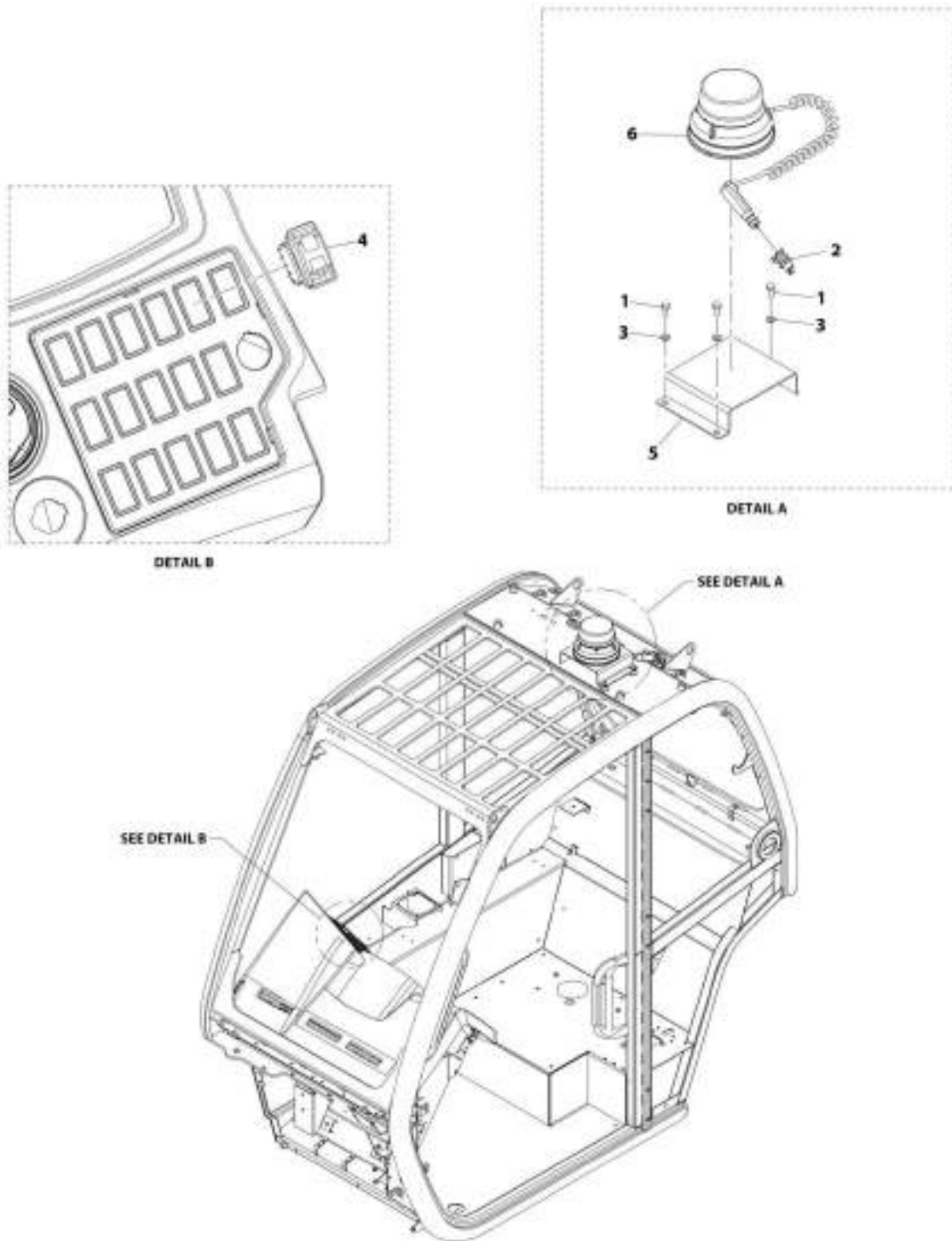
## SECTION 10 - ELECTRICAL

### FIGURE 10-29. BEACON INSTALLATION

ITEM	PART NUMBER	QTY	DESCRIPTION	REV
	1001171162	Ref	Beacon Installation	E
1	4461174	1	Terminal	
2	1001091573	NLA	Light, Warning, (no longer available, use 1001217623 for replacement)	
2	1001217623	1	Light, Warning	
3	1001159738	1	Switch	
4	0760808	3	Bolt, M8X16	
5	4811900	3	Washer, M8	
7	1001174796	1	Bracket	

# SECTION 10 - ELECTRICAL

## FIGURE 10-30. BEACON INSTALLATION (LED)



ART\_100109580-A

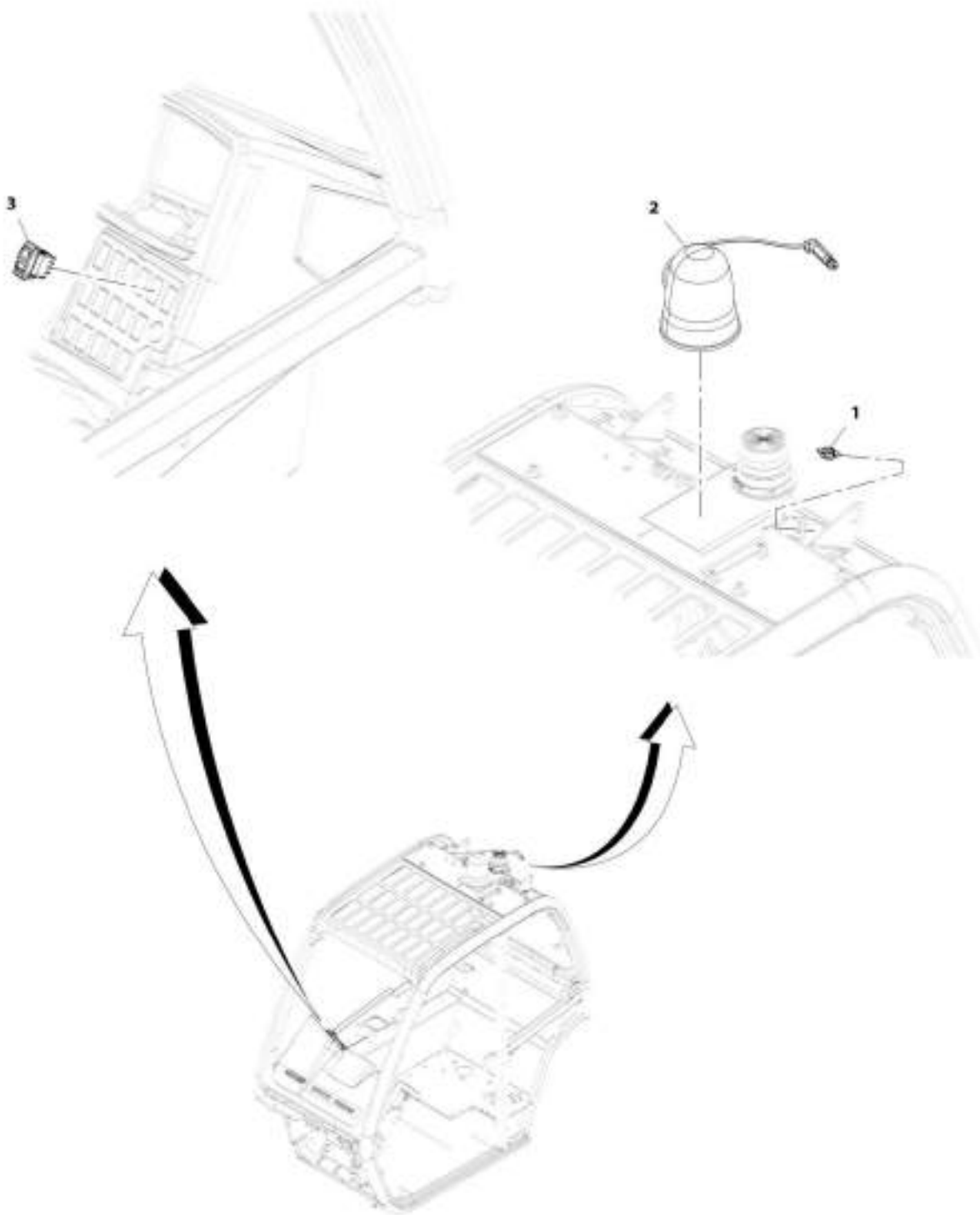
## SECTION 10 - ELECTRICAL

### FIGURE 10-30. BEACON INSTALLATION (LED)

ITEM	PART NUMBER	QTY	DESCRIPTION	REV
	1001195883	Ref	Beacon Installation (LED)	A
1	0760808	3	Bolt, M8X16	
2	4461174	1	Terminal	
3	4811900	3	Washer, M8	
4	1001159738	1	Switch	
5	1001174796	1	Bracket	
6	1001198893	1	Light, Beacon (LED)	

# SECTION 10 - ELECTRICAL

FIGURE 10-31. BEACON (REMOTE BOOM CONTROL) INSTALLATION



ART\_0001209357-0

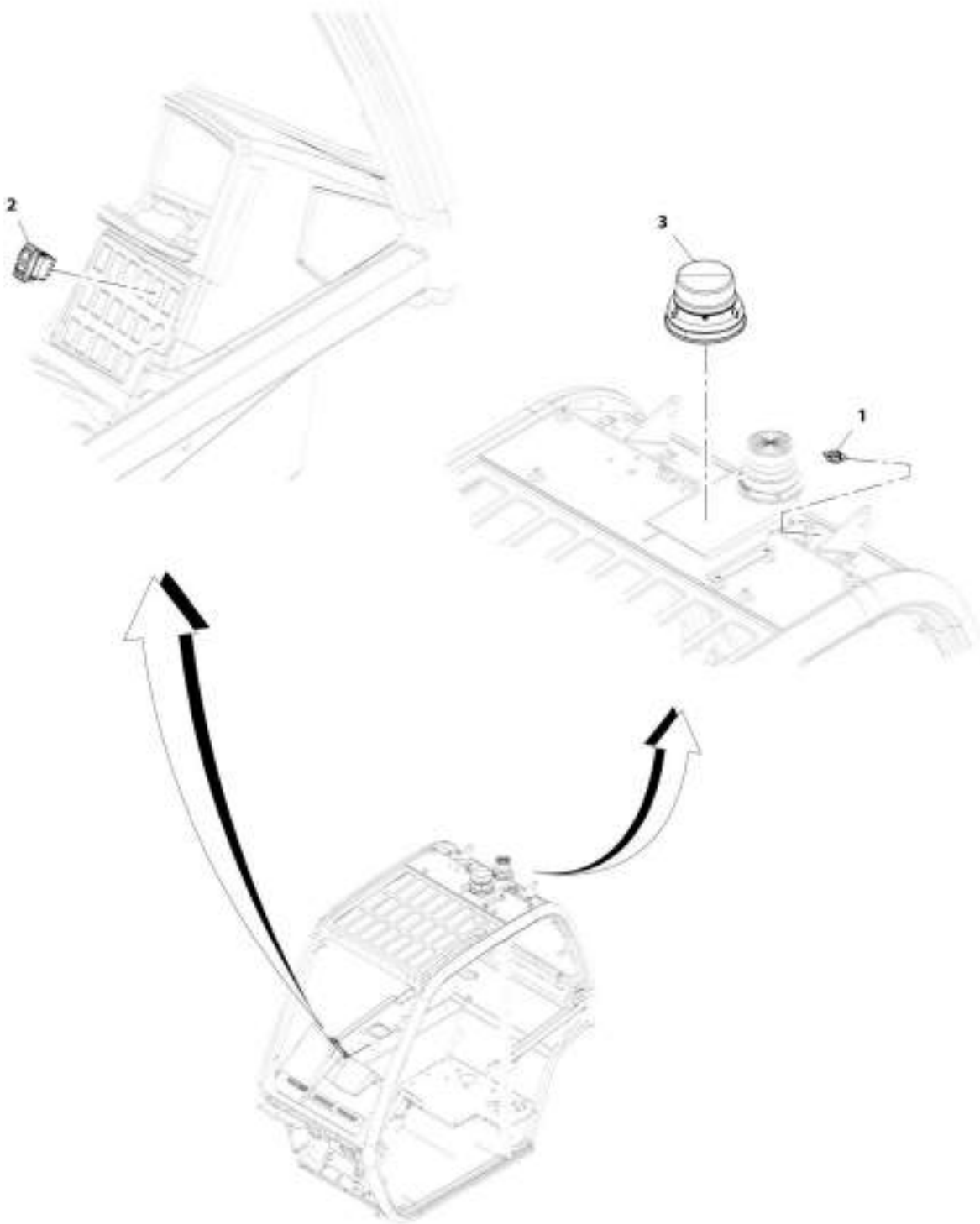
## SECTION 10 - ELECTRICAL

### FIGURE 10-31. BEACON (REMOTE BOOM CONTROL) INSTALLATION

ITEM	PART NUMBER	QTY	DESCRIPTION	REV
	1001209357	Ref	Beacon (Remote Boom Control) Installation	B
1	4461174	1	Terminal, 12 Volt	
2	1001217623	1	Light, Warning	
3	1001159738	1	Switch, Beacon	

# SECTION 10 - ELECTRICAL

## FIGURE 10-32. BEACON (LED) (REMOTE BOOM CONTROL) INSTALLATION



ART\_0001209358-A

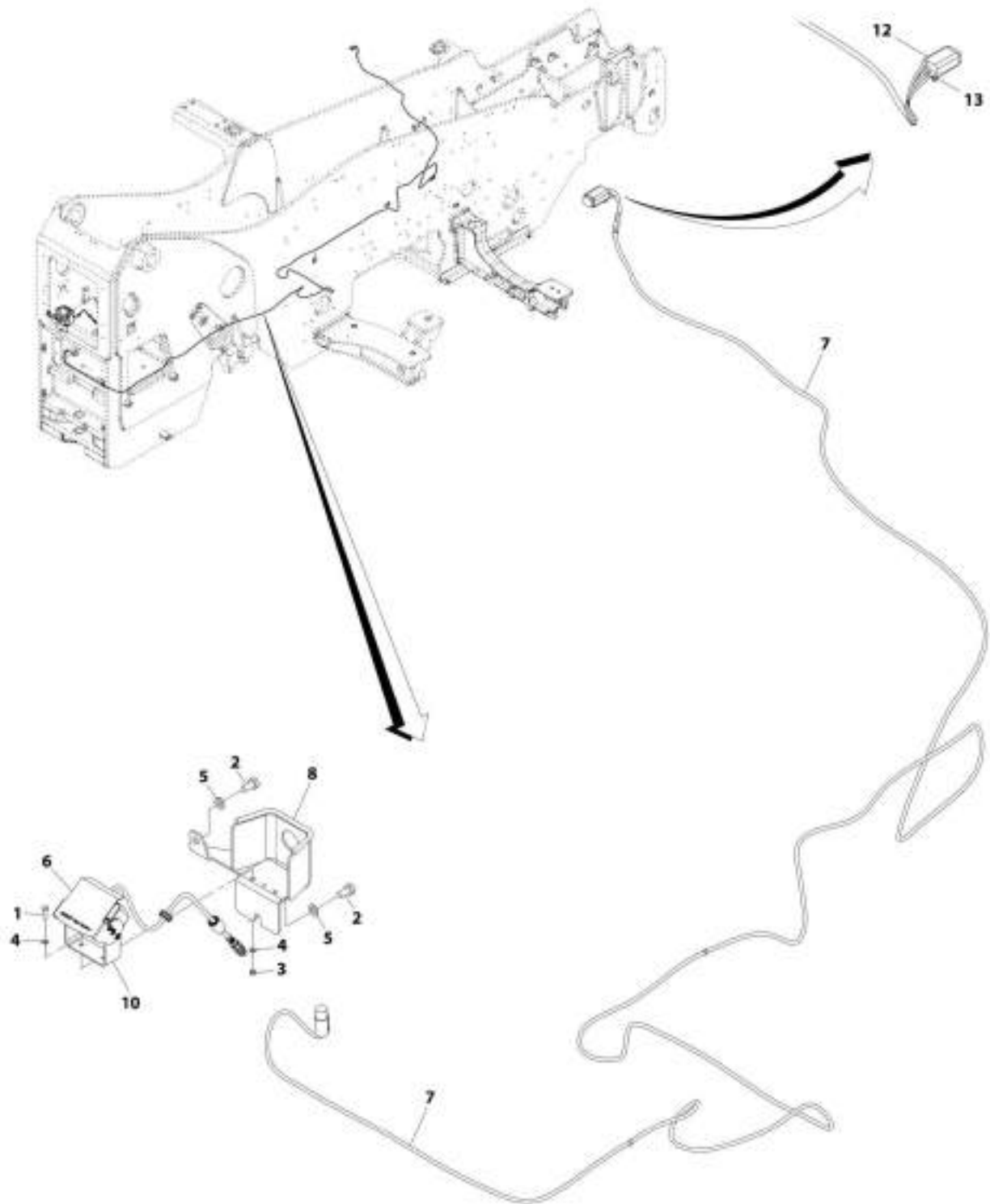
## SECTION 10 - ELECTRICAL

**FIGURE 10-32. BEACON (LED) (REMOTE BOOM CONTROL) INSTALLATION**

ITEM	PART NUMBER	QTY	DESCRIPTION	REV
	1001209358	Ref	Beacon (LED) (Remote Boom Control) Installation	A
1	4461174	1	Terminal, 12 Volt	
2	1001159738	1	Switch, Beacon	
3	1001198893	1	Light, Warning	

# SECTION 10 - ELECTRICAL

## FIGURE 10-33. REVERSE CAMERA INSTALLATION



AWT\_1001192321-0



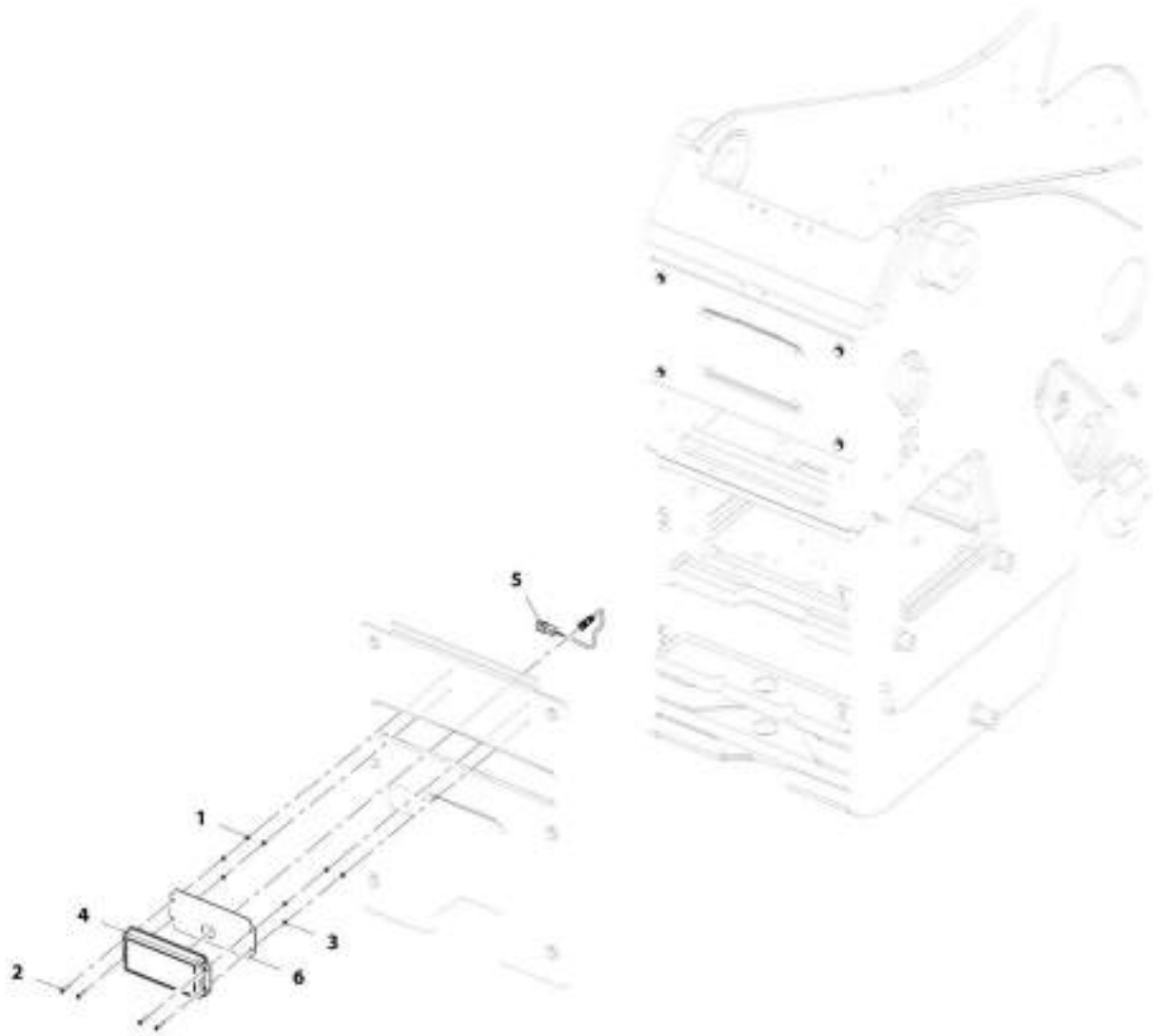
## SECTION 10 - ELECTRICAL

### FIGURE 10-33. REVERSE CAMERA INSTALLATION

ITEM	PART NUMBER	QTY	DESCRIPTION	REV
	1001192321	Ref	Reverse Camera Installation	G
1	0700408	2	Bolt, M4X16	
2	0760808	2	Bolt, M8X16	
3	3290401	2	Nut, M4X0.7	
4	4811400	4	Washer, M4	
5	4811900	2	Washer, M8	
6	1001167017	1	Camera, Reverse	
7	1001171962	1	Cable, Camera	
8	1001205307	1	Bracket	
10	1001202621	1	Bracket	
12	4460884	1	Connector	
13	4460466	1	Terminal	

# SECTION 10 - ELECTRICAL

## FIGURE 10-34. REVERSE SENSOR INSTALLATION



ART\_180110332-E

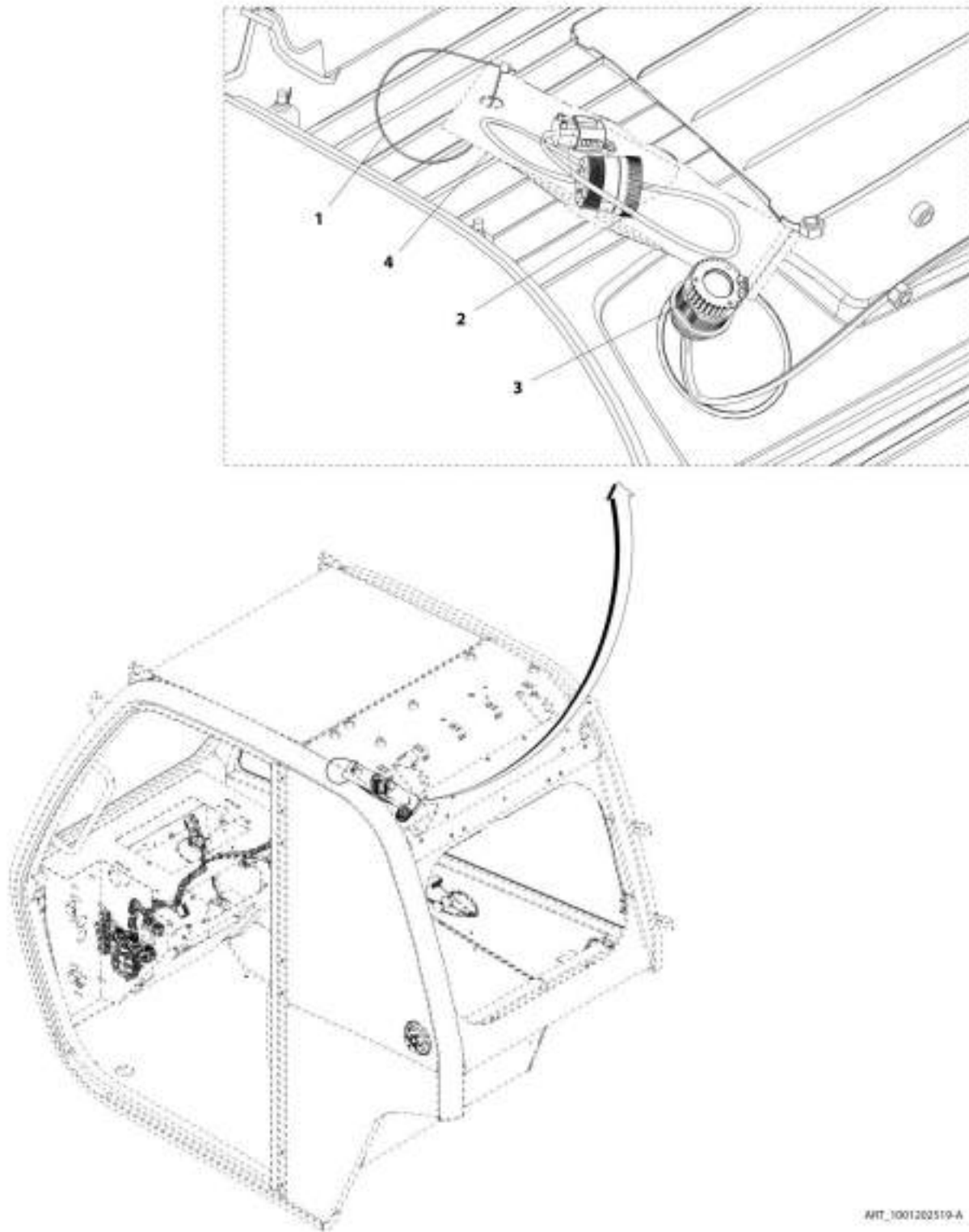
## SECTION 10 - ELECTRICAL

### FIGURE 10-34. REVERSE SENSOR INSTALLATION

ITEM	PART NUMBER	QTY	DESCRIPTION	REV
	1001192322	Ref	Reverse Sensor Installation	E
1	3290501	4	Nut, M5X0.8	
2	5271609	4	Screw, M5X25	
3	4811600	4	Washer, M5	
4	1001189997	1	Sensor, Reverse	
5	1001175776	1	Harness, Reverse Sensor (See Seperate Breakdown in this Section)	
6	1001231217	1	Plate	

# SECTION 10 - ELECTRICAL

FIGURE 10-35. TELEMATICS READY INSTALLATION



AHT\_1001202519-A

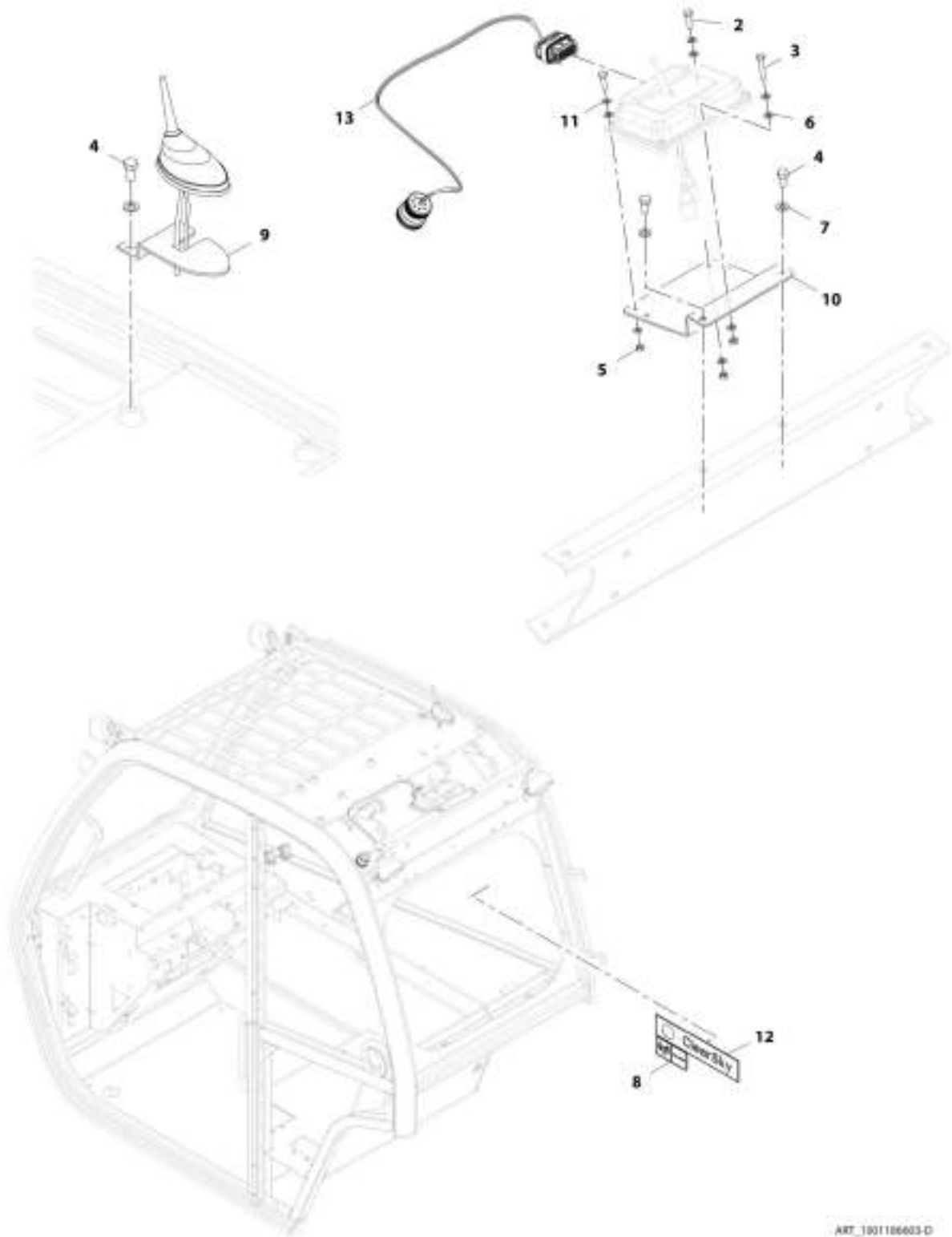
## SECTION 10 - ELECTRICAL

### FIGURE 10-35. TELEMATICS READY INSTALLATION

ITEM	PART NUMBER	QTY	DESCRIPTION	REV
	1001202519	Ref	Telematics Ready Installation	A
1	8584003	1	Strap, Tie	
2	1001196289	1	Harness, Telematics Ready (See Separate Breakdown in this Section)	
3	1001201162	1	Cap	
4	1001202617	1	Bag	

# SECTION 10 - ELECTRICAL

FIGURE 10-36. CLEARSKY INSTALLATION (NO A/C - SHORT ROOF CAP)



ART\_1001106603-D

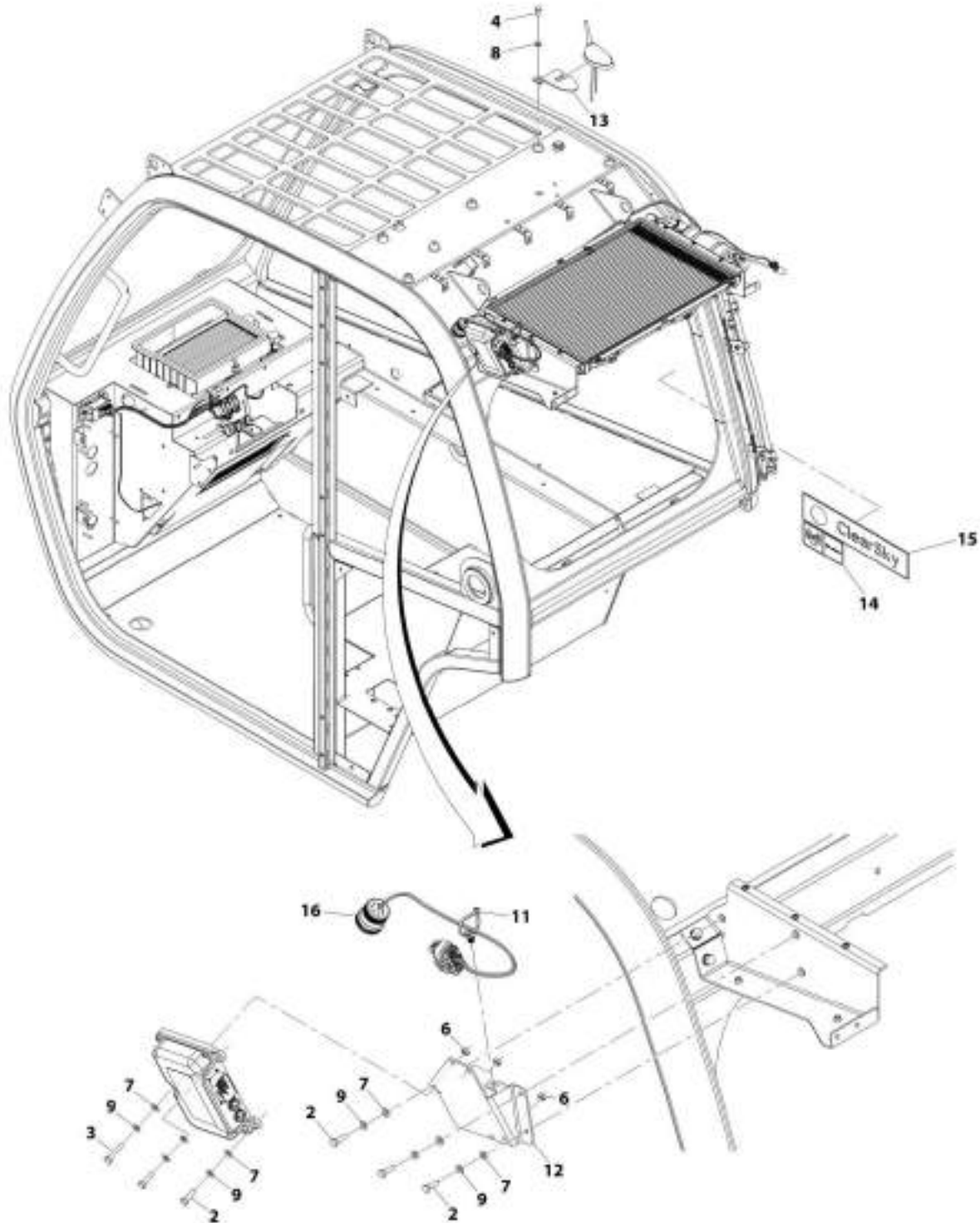
## SECTION 10 - ELECTRICAL

**FIGURE 10-36. CLEARSKY INSTALLATION (NO A/C - SHORT ROOF CAP)**

ITEM	PART NUMBER	QTY	DESCRIPTION	REV
	1001186603	Ref	Clearsky Installation (No A/C - Short Roof Cap)	D
2	0700610	2	Bolt, M6X20	
3	0700614	1	Bolt, M6X30	
4	0760808	3	Bolt, M8X16	
5	3290601	3	Nut, M6X1 Grade 8	
6	4811700	6	Washer, M6	
7	4811900	3	Washer, M8	
8	1001120989	1	Decal, Radio Frequency	
9	1001174372	1	Bracket, Antenna	
10	1001185722	1	Bracket	
11	4831700	3	Washer, Lock M6	
12	1001116208	1	Decal, Clearsky	
13	1001196452	1	Harness, Clearsky (See Separate Breakdown in this Section)	

# SECTION 10 - ELECTRICAL

## FIGURE 10-37. CLEARSKY INSTALLATION (A/C - LONG ROOF CAP)



ART\_1001174308-0



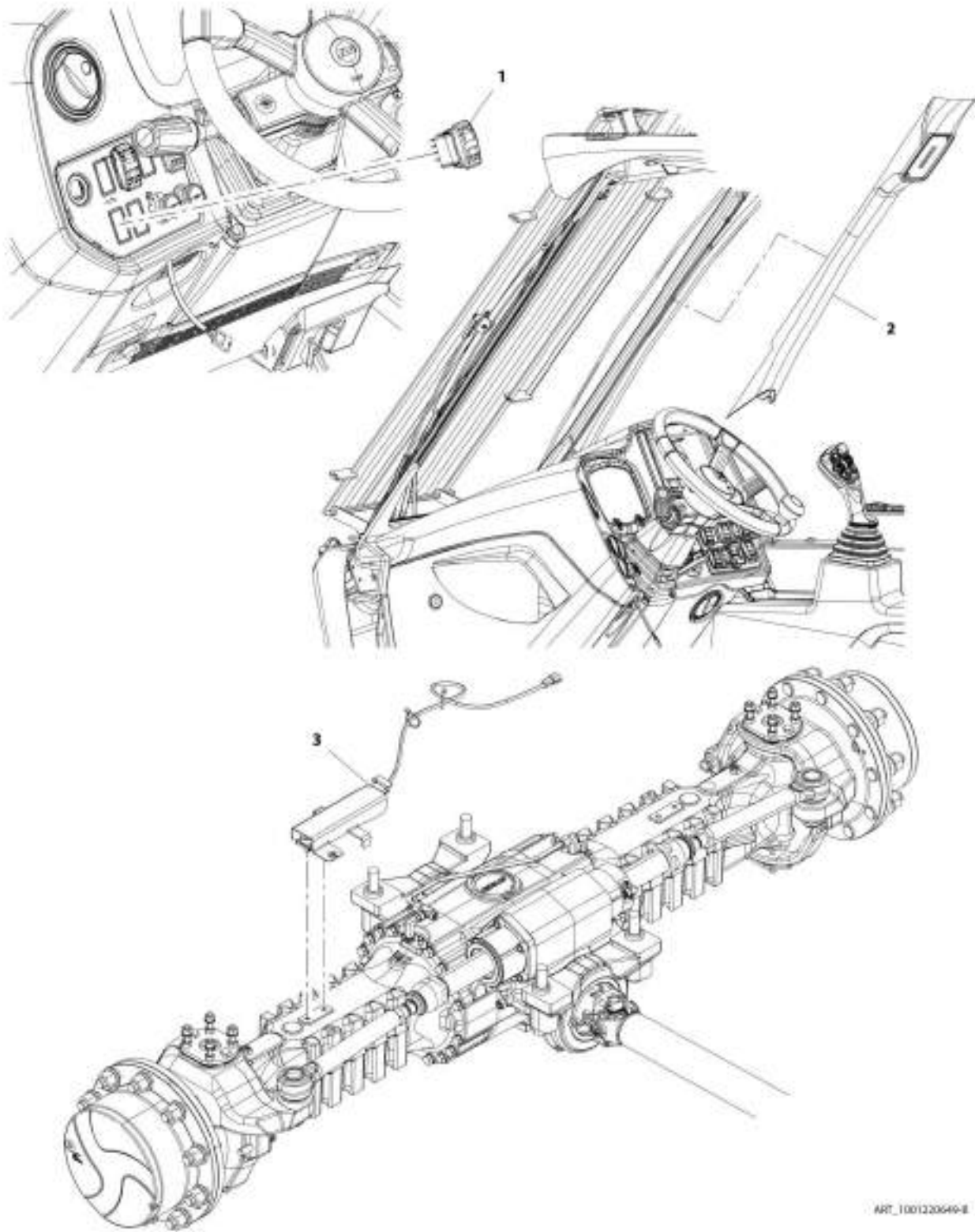
## SECTION 10 - ELECTRICAL

**FIGURE 10-37. CLEARSKY INSTALLATION (A/C - LONG ROOF CAP)**

ITEM	PART NUMBER	QTY	DESCRIPTION	REV
	1001174368	Ref	Clearsky Installation (A/C - Long Roof Cap)	G
2	0700610	5	Bolt, M6X20	
3	0700614	1	Bolt, M6X30	
4	0760808	1	Bolt, M8X16	
6	3290601	3	Nut, M6X1 Grade 8	
7	4811700	6	Washer, M6	
8	4811900	1	Washer, M8	
9	4831700	6	Washer, Lock M6	
11	1001146588	1	Strap, Cable	
12	1001220947	1	Bracket	
13	1001174372	1	Bracket, Antenna	
14	1001120989	1	Decal, Radio Frequency	
15	1001116208	1	Decal, Clearsky	
16	1001196452	1	Harness, Clearsky (See Separate Breakdown in this Section)	

# SECTION 10 - ELECTRICAL

## FIGURE 10-38. LSI INSTALLATION



ART\_100120649-8

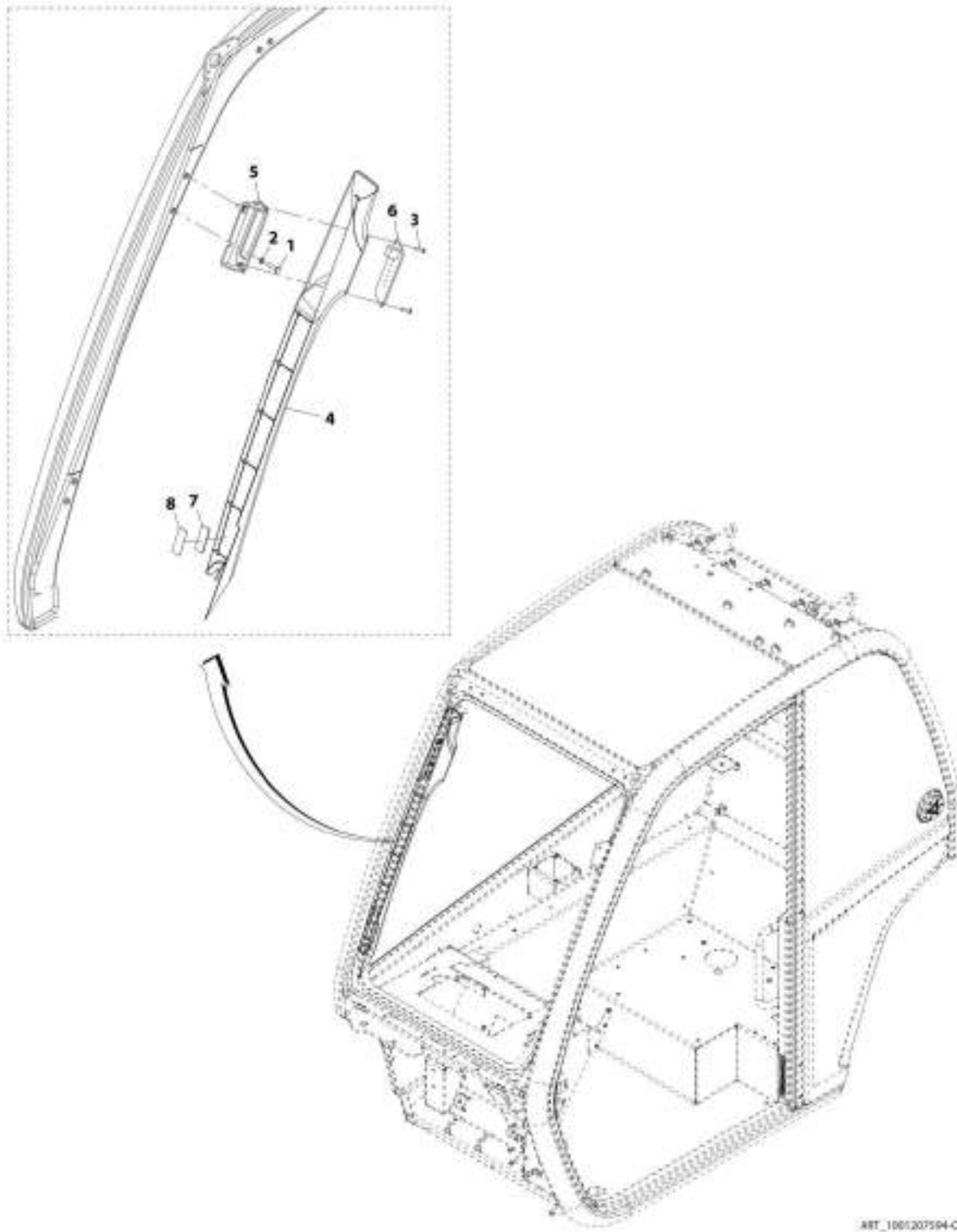
## SECTION 10 - ELECTRICAL

### FIGURE 10-38. LSI INSTALLATION

ITEM	PART NUMBER	QTY	DESCRIPTION	REV
	1001220649	Ref	LSI Installation	B
1	1001159742	1	Switch, LSI Override	
2	1001207594	Ref	Installation, LSI Display (See Seperate Breakdown in this Section)	
3	1001220650	Ref	Installation, LSI Sensor (See Seperate breakdown in this Section)	

# SECTION 10 - ELECTRICAL

## FIGURE 10-39. LSI DISPLAY INSTALLATION



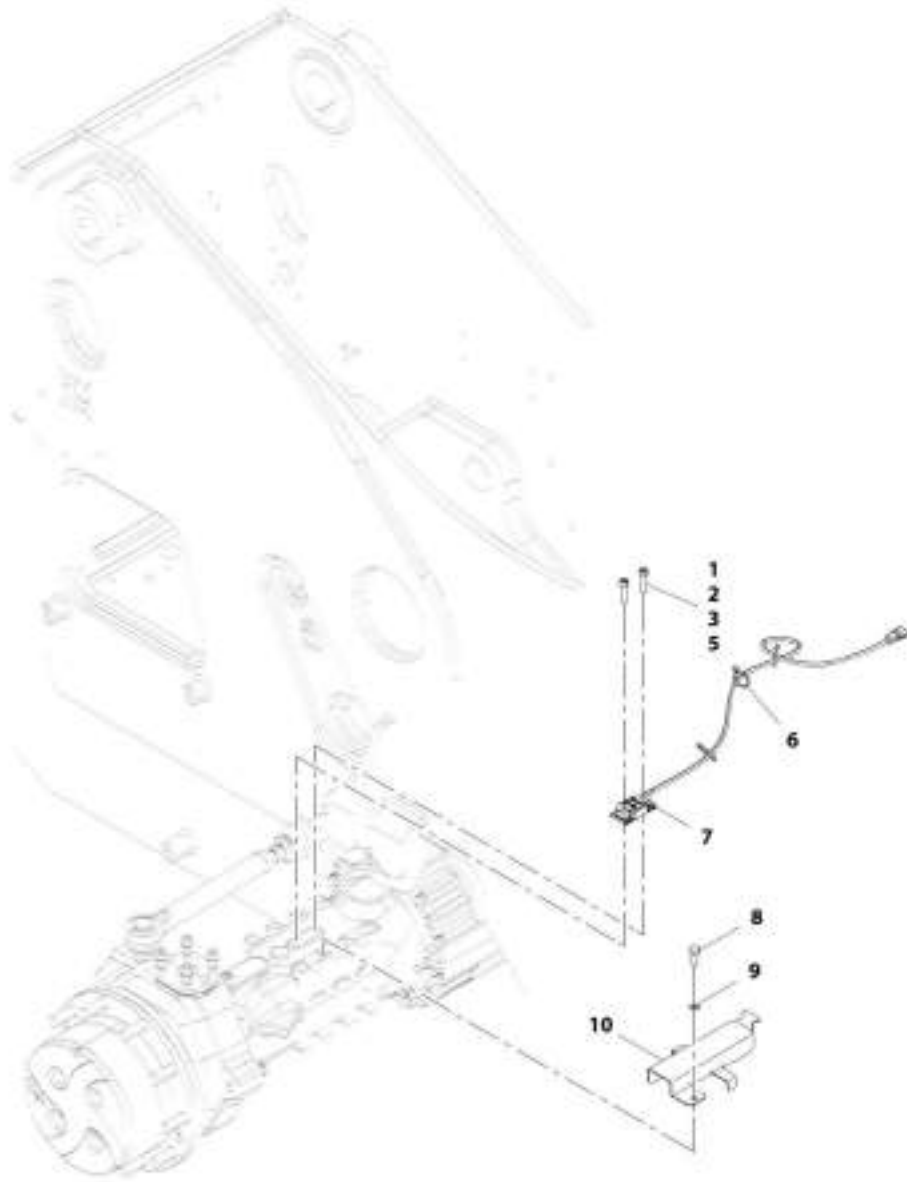
## SECTION 10 - ELECTRICAL

### FIGURE 10-39. LSI DISPLAY INSTALLATION

ITEM	PART NUMBER	QTY	DESCRIPTION	REV
	1001207594	Ref	LSI Display Installation	C
1	0760610	2	Bolt, M6X20	
2	4811700	2	Washer, M6	
3	1001126837	2	Screw, M4X16	
4	1001182839	1	Cover	
5	1001214401	1	Bracket	
6	1001213752	1	Display, LSI	
7	1001221318	1	Tape, Hook Fastener	
8	1001221319	1	Tape, Hook Fastener	

# SECTION 10 - ELECTRICAL

## FIGURE 10-40. LSI SENSOR INSTALLATION



ART\_180122850-B

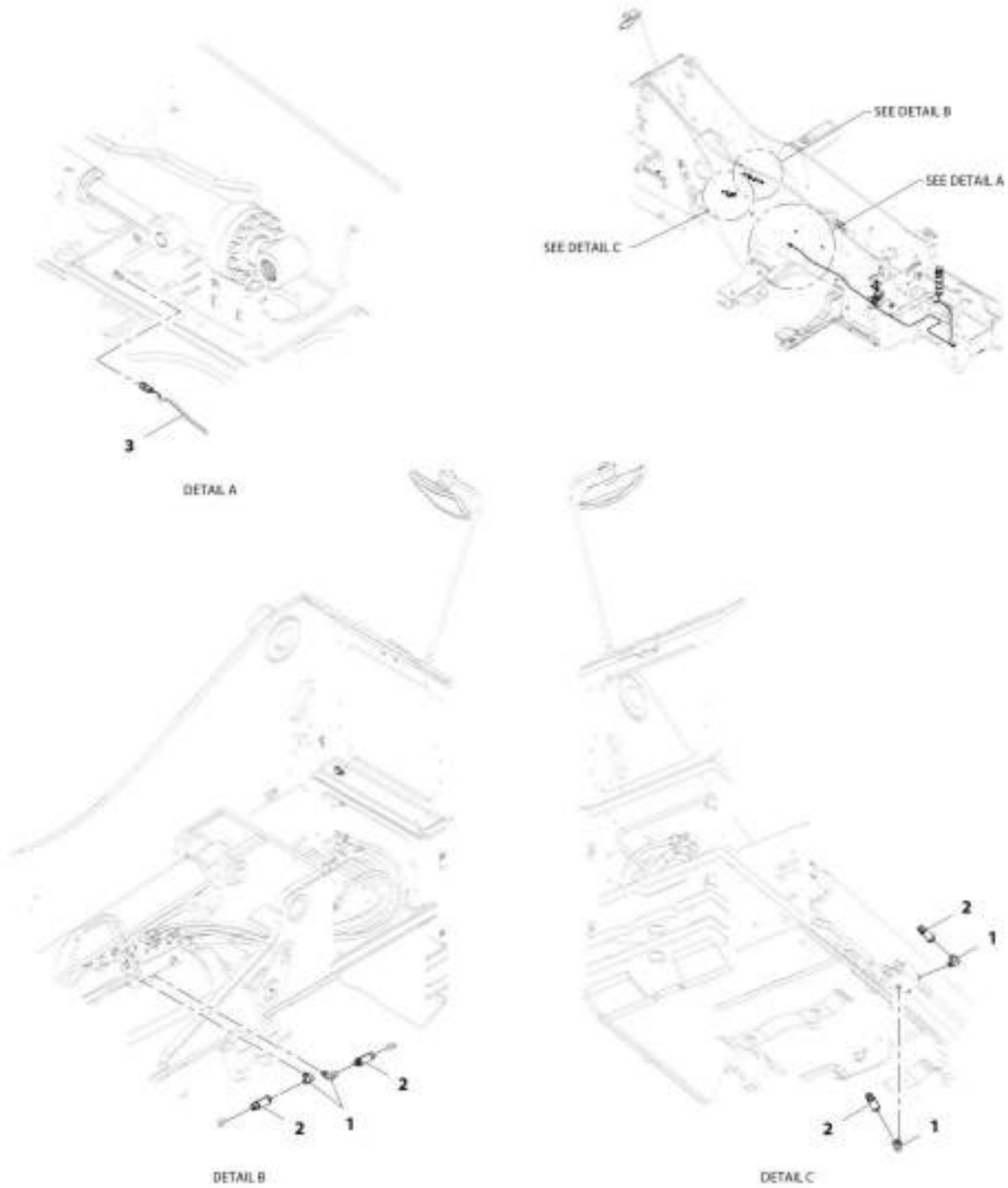
## SECTION 10 - ELECTRICAL

### FIGURE 10-40. LSI SENSOR INSTALLATION

ITEM	PART NUMBER	QTY	DESCRIPTION	REV
	1001220650	Ref	LSI Sensor Installation	B
1	5272012	2	Bolt, M10X40	
2	1001116128	AR	Sealant	
3	1001125465	AR	Compound, Locking	
5	1001129425	AR	Compound, Locking	
6	1001008559	3	Strap, Cable	
7	1001160730	1	Sensor, LSI	
8	0761010	1	Bolt, M10X20	
9	4812000	1	Washer, M10	
10	1001230850	1	Bracket, LSI Cover	

# SECTION 10 - ELECTRICAL

## FIGURE 10-41. LMIS INSTALLATION (HIGH END DISPLAY)



ART\_1801182549-B



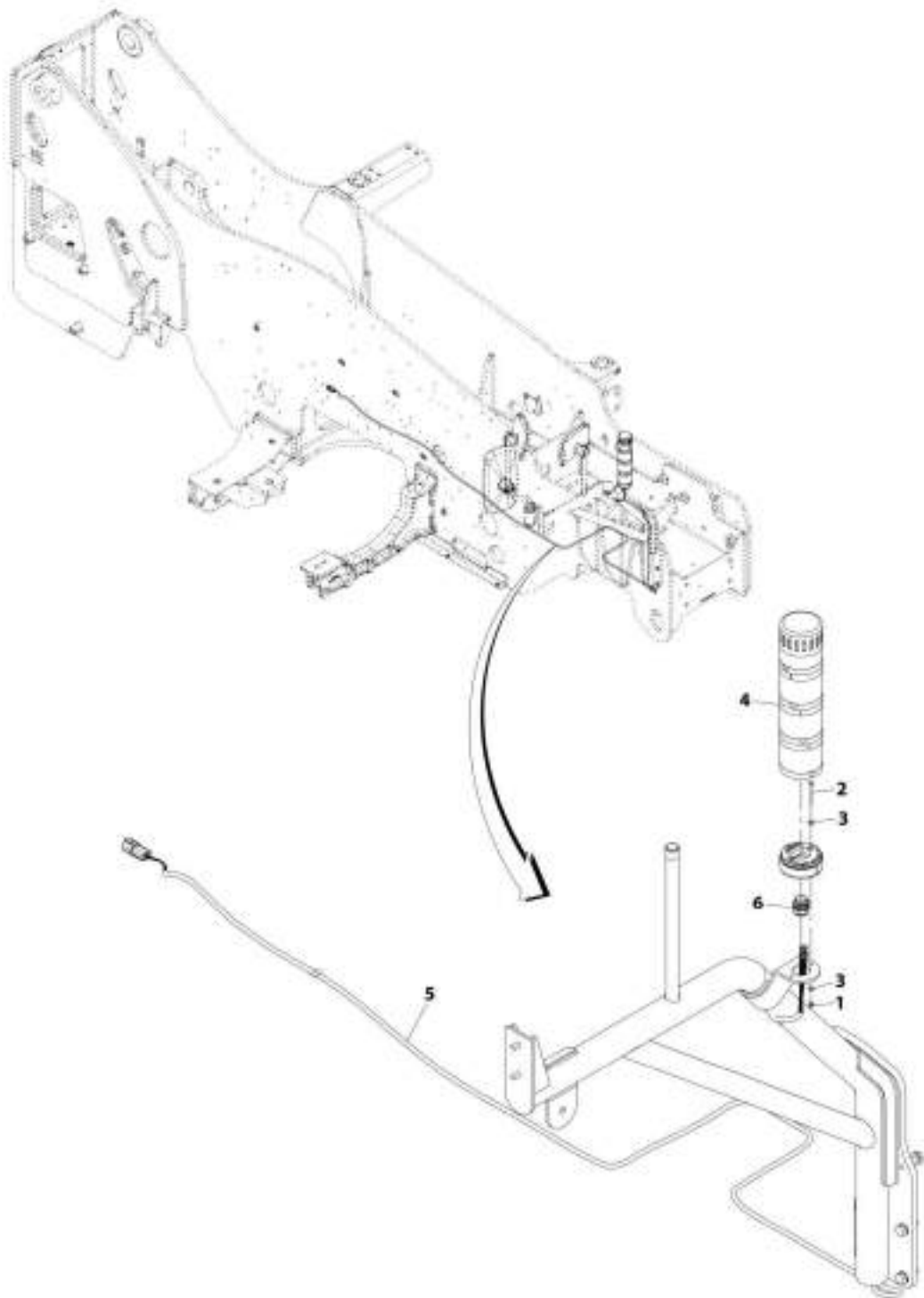
## SECTION 10 - ELECTRICAL

### FIGURE 10-41. LMIS INSTALLATION (HIGH END DISPLAY)

ITEM	PART NUMBER	QTY	DESCRIPTION	REV
	1001183549	Ref	LMIS Installation (High End Display)	B
1	1001101855	4	Fitting, 90	
2	1001162885	4	Sensor, LMIS	
3	1001195591	1	Installation, LMIS Beacon Light (See Seperate Breakdown in this Section)	

# SECTION 10 - ELECTRICAL

## FIGURE 10-42. LMIS BEACON LIGHT INSTALLATION



ART\_100192581-D

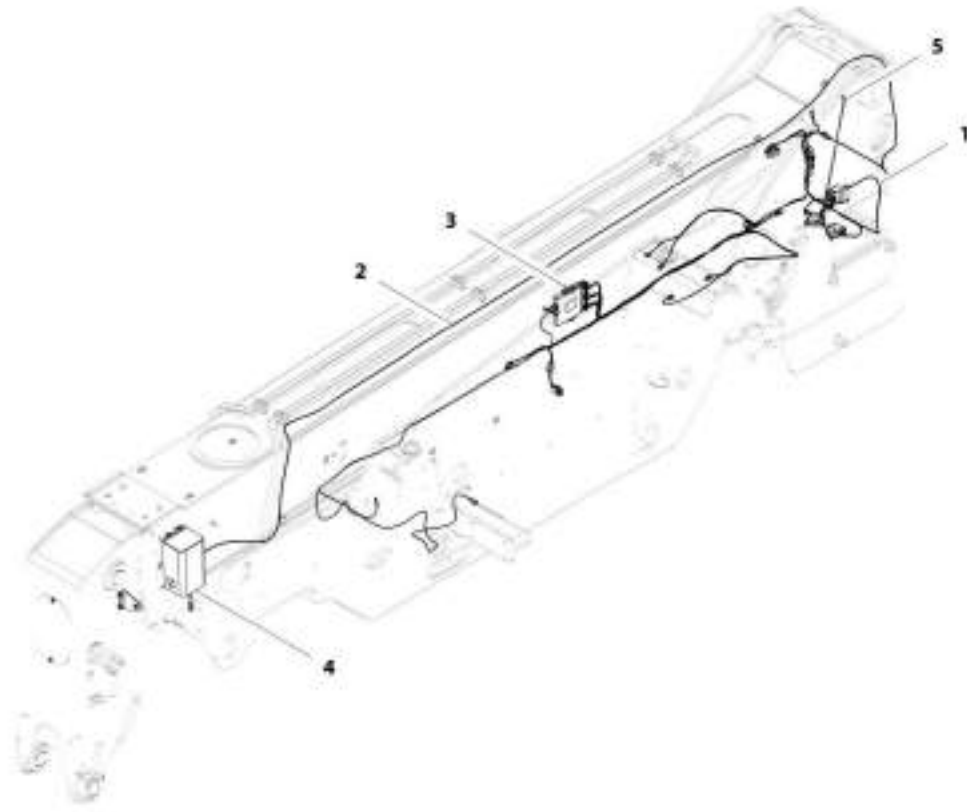
## SECTION 10 - ELECTRICAL

### FIGURE 10-42. LMIS BEACON LIGHT INSTALLATION

ITEM	PART NUMBER	QTY	DESCRIPTION	REV
	1001195591	Ref	LMIS Beacon Light Installation	D
1	3290405	2	Nut, Lock M4X0.7	
2	4010416	2	Screw, M4X40	
3	4811400	4	Washer, M4	
4	1001108661	1	Light, LMIS Beacon	
5	1001117247	1	Harness, LMIS Beacon Option (See Seperate Breakdown in this Section)	
6	E000269	1	Relief, Strain	

# SECTION 10 - ELECTRICAL

FIGURE 10-43. LMIS CONTROL PACKAGE INSTALLATION



ART\_1801160431-F

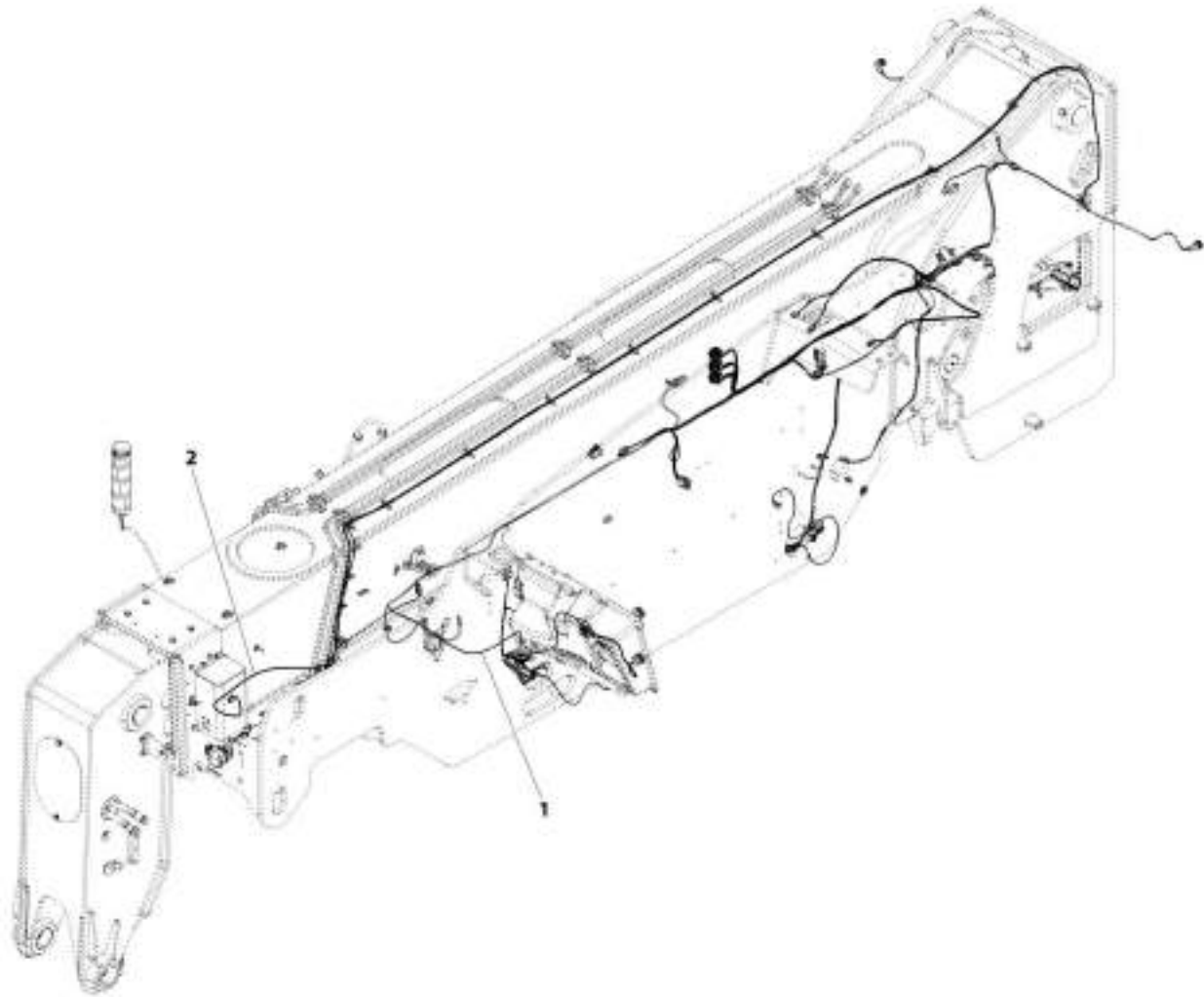
## SECTION 10 - ELECTRICAL

### FIGURE 10-43. LMIS CONTROL PACKAGE INSTALLATION

ITEM	PART NUMBER	QTY	DESCRIPTION	REV
	1001192431	Ref	LMIS Control Package Installation	F
1	1001195200	1	Installation, Tilt Sensor (See Seperate Breakdown in this Section)	
2	1001195201	1	Installation, LMIS Wiring (See Seperate Breakdown in this Section)	
3	1001195471	1	Installation, LMIS Controller (See Seperate Breakdown in this Section)	
4	1001195473	1	Installation, LMIS Cable Reel (See Seperate Breakdown in this Section)	
5	1001195590	1	Installation, Boom Angle Sensor (LMIS) (See Seperate Breakdown in this Section)	

# SECTION 10 - ELECTRICAL

## FIGURE 10-44. LMIS WIRING INSTALLATION



ART. 1001595201-0

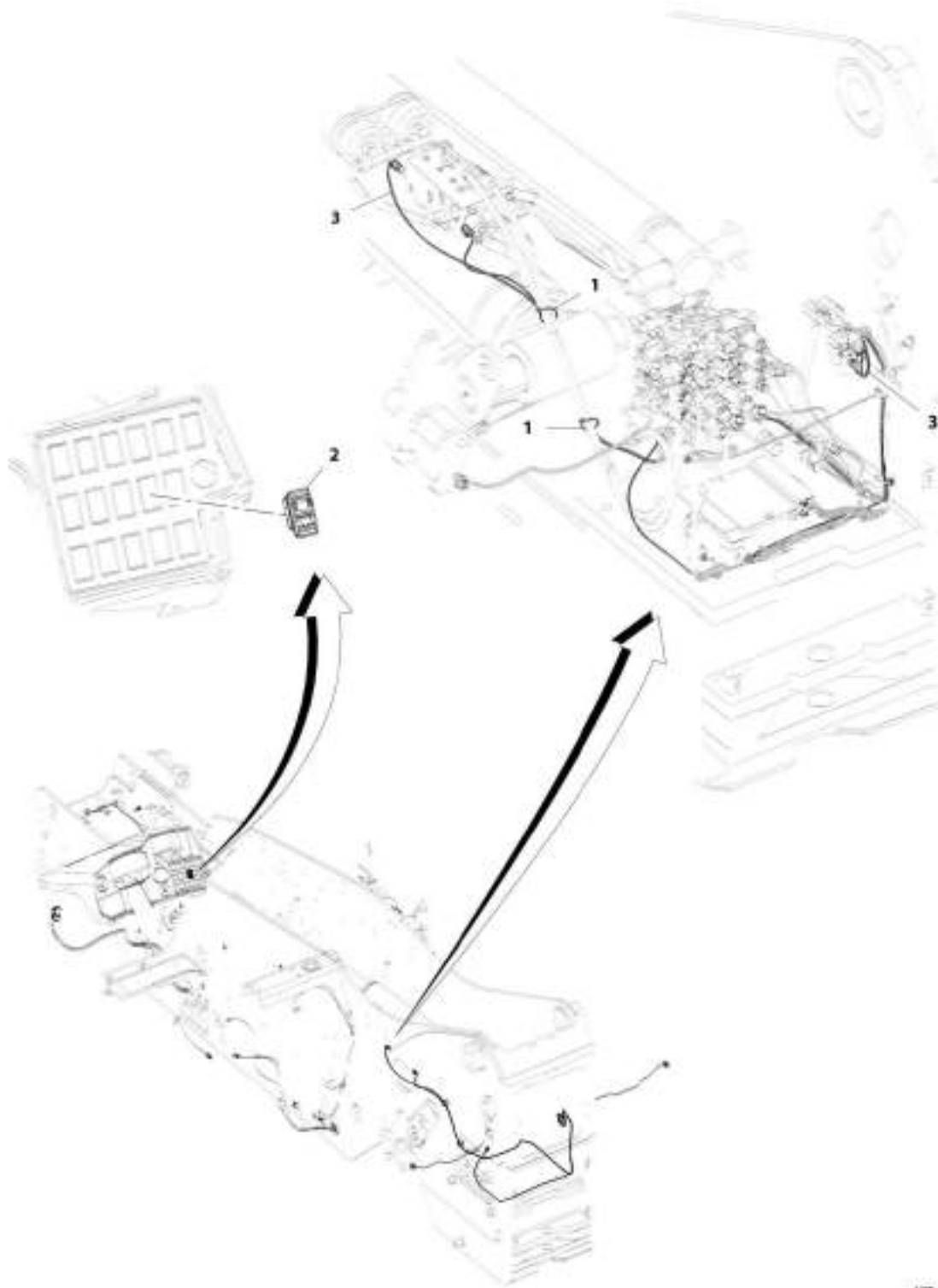
## SECTION 10 - ELECTRICAL

### FIGURE 10-44. LMIS WIRING INSTALLATION

ITEM	PART NUMBER	QTY	DESCRIPTION	REV
1	1001195201	Ref	LMIS Wiring Installation	D
	1001184795	1	Harness, Chassis Option (See Seperate Breakdown in this Section)	
2	1001192619	1	Harness, LMIS Boom (See Seperate Breakdown in this Section)	

# SECTION 10 - ELECTRICAL

## FIGURE 10-45. RIDE CONTROL WIRING INSTALLATION



ART\_3001200105-B



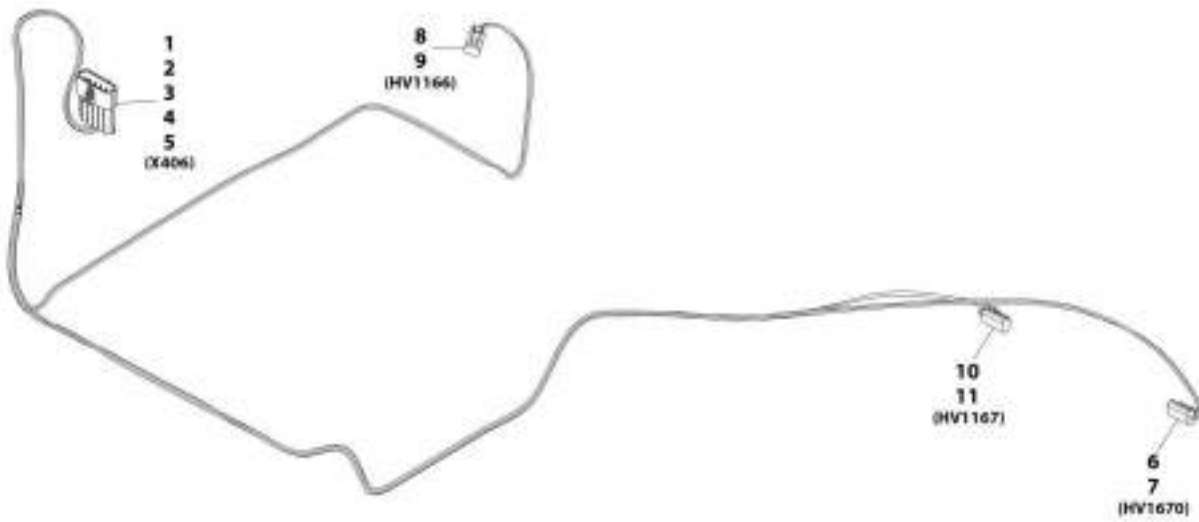
## SECTION 10 - ELECTRICAL

### FIGURE 10-45. RIDE CONTROL WIRING INSTALLATION

ITEM	PART NUMBER	QTY	DESCRIPTION	REV
	1001200105	Ref	Ride Control Wiring Installation	B
1	1001008559	2	Strap, Cable Tie	
2	1001159745	1	Switch, Boom Ride	
3	1001197668	1	Harness, Boom Ride Float (See Separate Breakdown in this Section)	

# SECTION 10 - ELECTRICAL

## FIGURE 10-46. BOOM RIDE CONTROL HARNESS



MTT\_1001157655-C

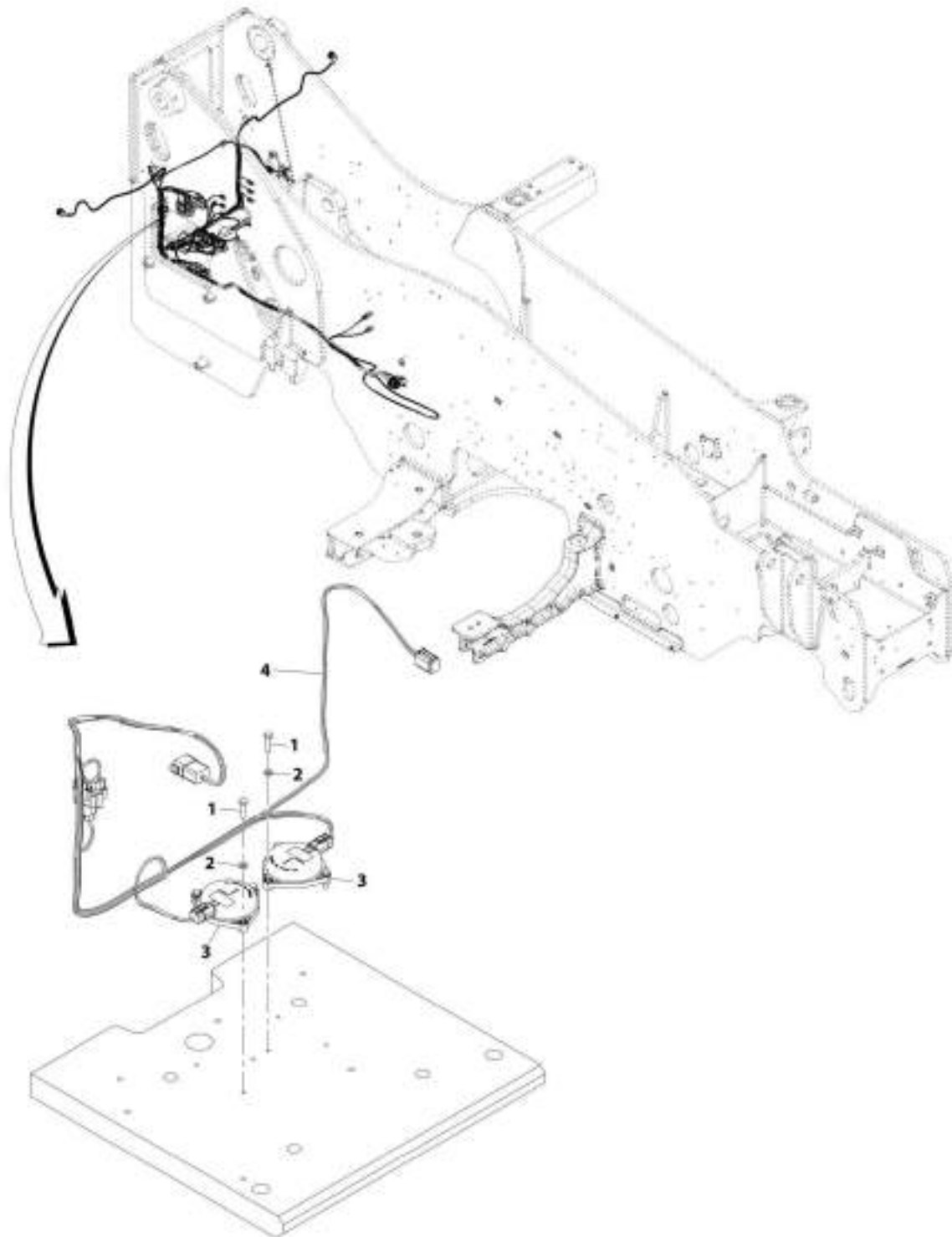
## SECTION 10 - ELECTRICAL

### FIGURE 10-46. BOOM RIDE CONTROL HARNESS

ITEM	PART NUMBER	QTY	DESCRIPTION	REV
	1001197668	Ref	Boom Ride Control Harness	C
1	1001121727	1	Connector	
2	1001116745	3	Terminal	
3	1001116729	1	Terminal	
4	4460458	4	Terminal Seal	
5	1001116727	1	Plug	
6	4460891	1	Connector	
7	4460465	2	Terminal	
8	4460891	1	Connector	
9	4460465	2	Terminal	
10	4460891	1	Connector	
11	4460465	2	Terminal	

# SECTION 10 - ELECTRICAL

## FIGURE 10-47. TILT SENSOR INSTALLATION



AWT\_1001195200-B

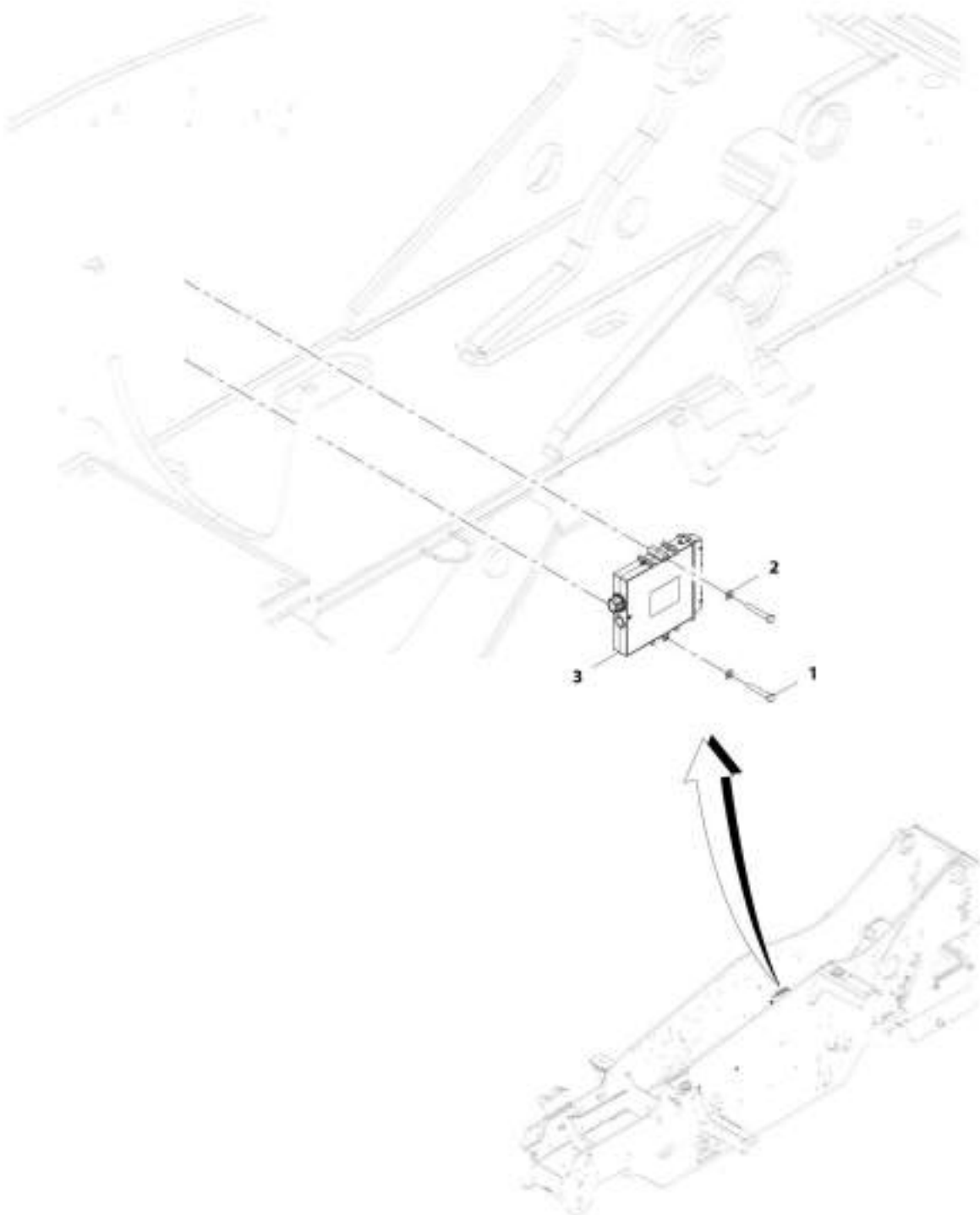
## SECTION 10 - ELECTRICAL

### FIGURE 10-47. TILT SENSOR INSTALLATION

ITEM	PART NUMBER	QTY	DESCRIPTION	REV
	1001195200	Ref	Tilt Sensor Installation	B
1	0700612	6	Bolt, M6X25	
2	4811700	6	Washer, M6	
3	1001163095	2	Sensor, Tilt	
4	1001195202	1	Harness, Platform Ready (See Seperate Breakdown in this Section)	

# SECTION 10 - ELECTRICAL

## FIGURE 10-48. LMIS CONTROLLER INSTALLATION



ART\_1801195471-B

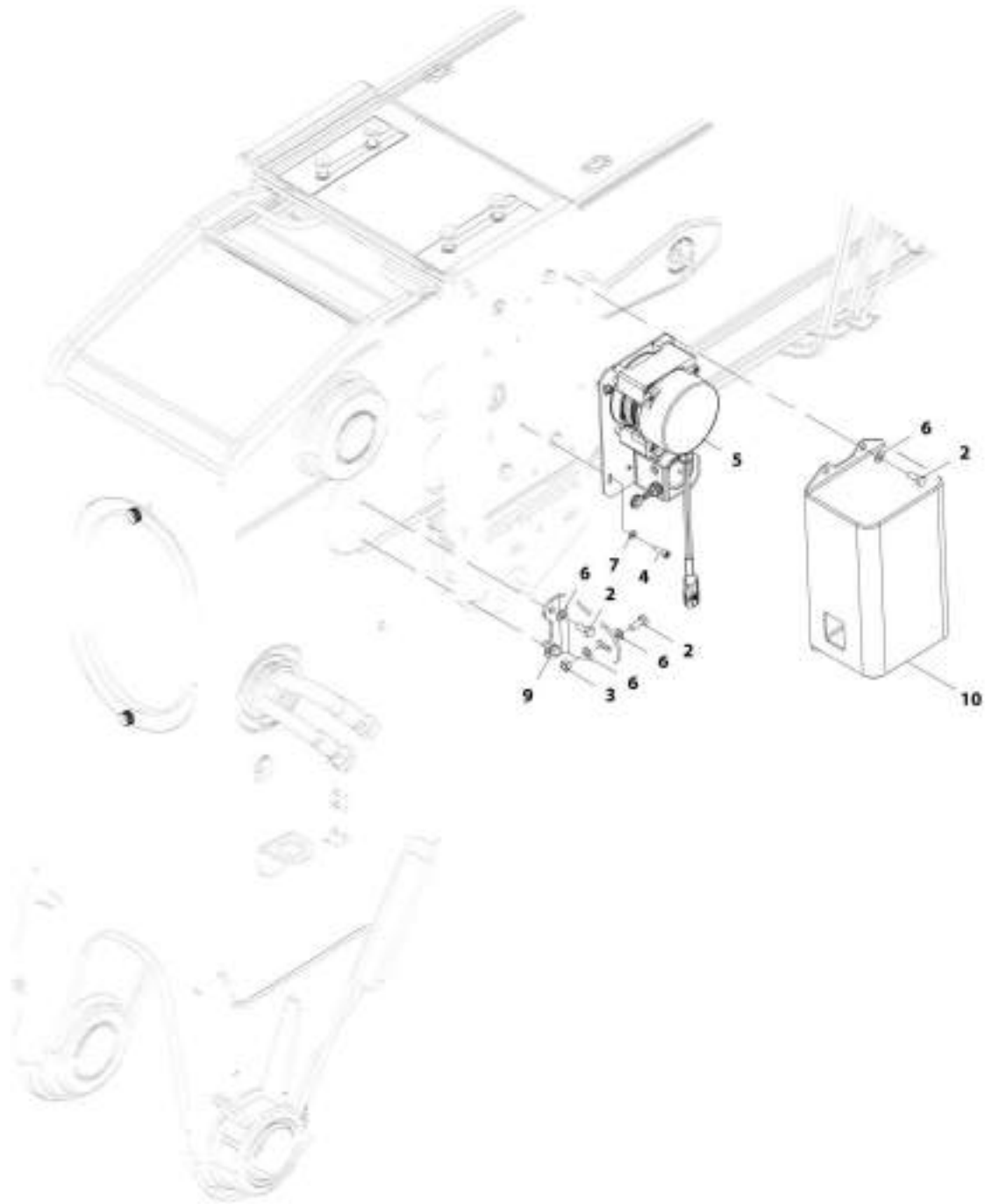
## SECTION 10 - ELECTRICAL

### FIGURE 10-48. LMIS CONTROLLER INSTALLATION

ITEM	PART NUMBER	QTY	DESCRIPTION	REV
	1001195471	Ref	LMIS Controller Installation	B
1	0700818	2	Bolt, M8X50	
2	4811900	2	Washer, M8	
3	1001179901	1	Module, LMIS Control	

# SECTION 10 - ELECTRICAL

## FIGURE 10-49. LMIS CABLE REEL INSTALLATION





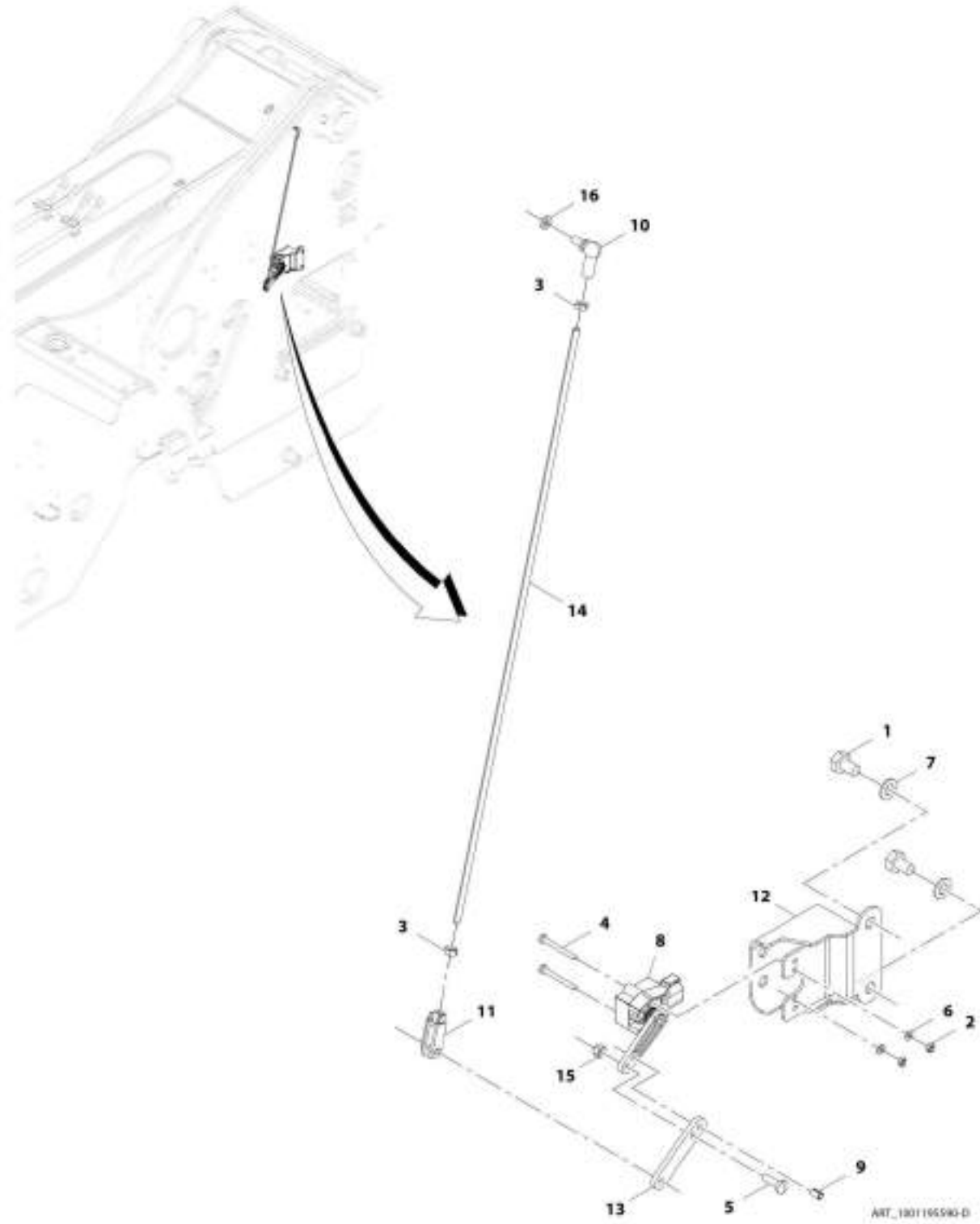
## SECTION 10 - ELECTRICAL

### FIGURE 10-49. LMIS CABLE REEL INSTALLATION

ITEM	PART NUMBER	QTY	DESCRIPTION	REV
	1001195473	Ref	LMIS Cable Reel Installation	D
2	0760810	7	Bolt, M8X20	
3	3290801	1	Nut, M8X1.25	
4	4031708	4	Screw, M6X20	
5	1001223903	1	Sensor, Boom Length	
6	4811900	8	Washer, M8	
7	5240600	4	Washer, M6	
9	1001224127	1	Bracket	
10	1001224128	1	Panel	

# SECTION 10 - ELECTRICAL

## FIGURE 10-50. BOOM ANGLE SENSOR INSTALLATION (LMIS)



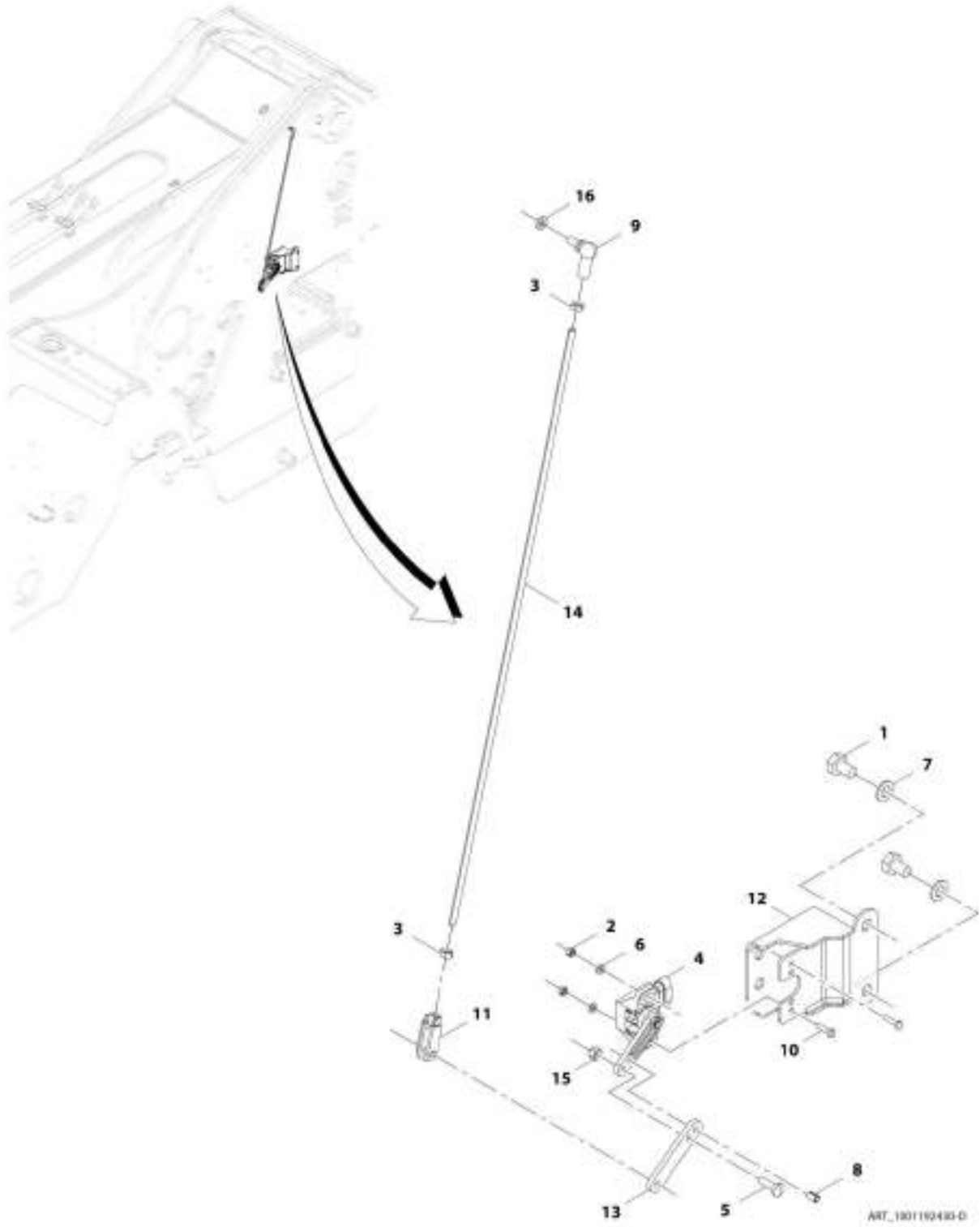
## SECTION 10 - ELECTRICAL

**FIGURE 10-50. BOOM ANGLE SENSOR INSTALLATION (LMIS)**

ITEM	PART NUMBER	QTY	DESCRIPTION	REV
	1001195590	Ref	Boom Angle Sensor Installation (LMIS)	D
1	0761008	2	Bolt, M10X16	
2	3290405	2	Nut, Lock M4X0.7	
3	3290601	2	Nut, M6X1	
4	4010416	2	Screw, M4X40	
5	4010610	1	Screw, M6X20	
6	4811400	2	Washer, M4	
7	4812000	2	Washer, M10	
8	1001099717	1	Sensor, Boom Angle	
9	1001103156	1	Pin	
10	1001103300	1	Fitting, Ball Joint	
11	1001134274	1	Clevis	
12	1001213775	1	Bracket	
13	1001195731	1	Link, Boom Angle Sensor	
14	1001195732	1	Rod	
15	3290605	1	Nut, Lock M6X1	
16	4811700	1	Washer, M6	

**SECTION 10 - ELECTRICAL**

**FIGURE 10-51. BOOM ANGLE SENSOR INSTALLATION (NO LMIS)**



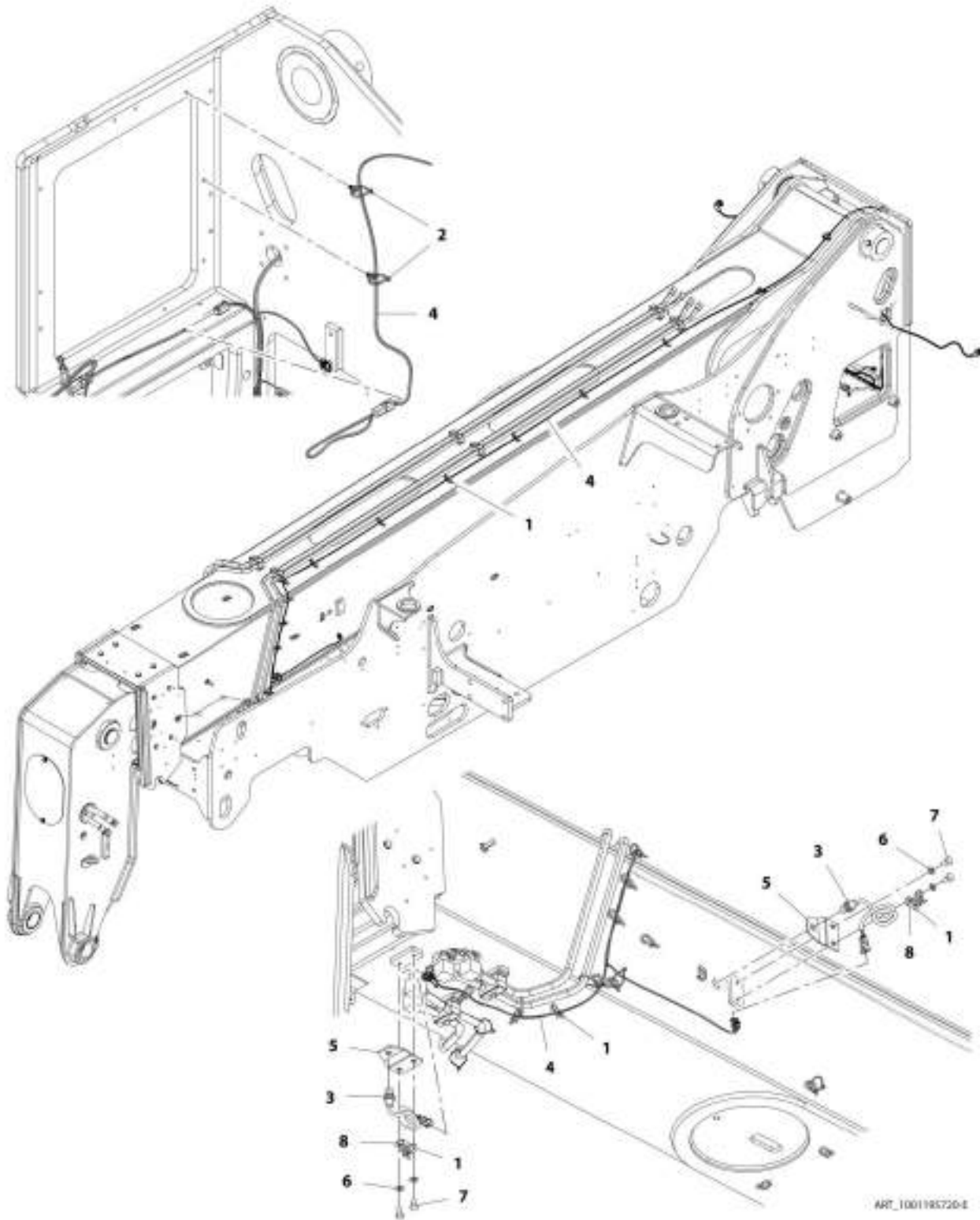
## SECTION 10 - ELECTRICAL

**FIGURE 10-51. BOOM ANGLE SENSOR INSTALLATION (NO LMIS)**

ITEM	PART NUMBER	QTY	DESCRIPTION	REV
	1001192430	Ref	Boom Angle Sensor Installation (no LMIS)	D
1	0761008	2	Bolt, M10X16	
2	3290405	2	Nut, Lock M4X0.7	
3	3290601	2	Nut, M6X1	
4	4000015	1	Sensor, Boom Angle	
5	4010610	1	Screw, M6X20	
6	4811400	2	Washer, M4	
7	4812000	2	Washer, M10	
8	1001103156	1	Pin	
9	1001103300	1	Fitting, Ball Joint	
10	1001126837	2	Screw, M4X16	
11	1001134274	1	Clevis	
12	1001213775	1	Bracket	
13	1001195731	1	Link	
14	1001195732	1	Rod	
15	3290605	1	Nut, Lock M6X1	
16	4811700	1	Washer, M6	

# SECTION 10 - ELECTRICAL

## FIGURE 10-52. BOOM RETRACT SENSOR INSTALLATION



ART\_100198720-E

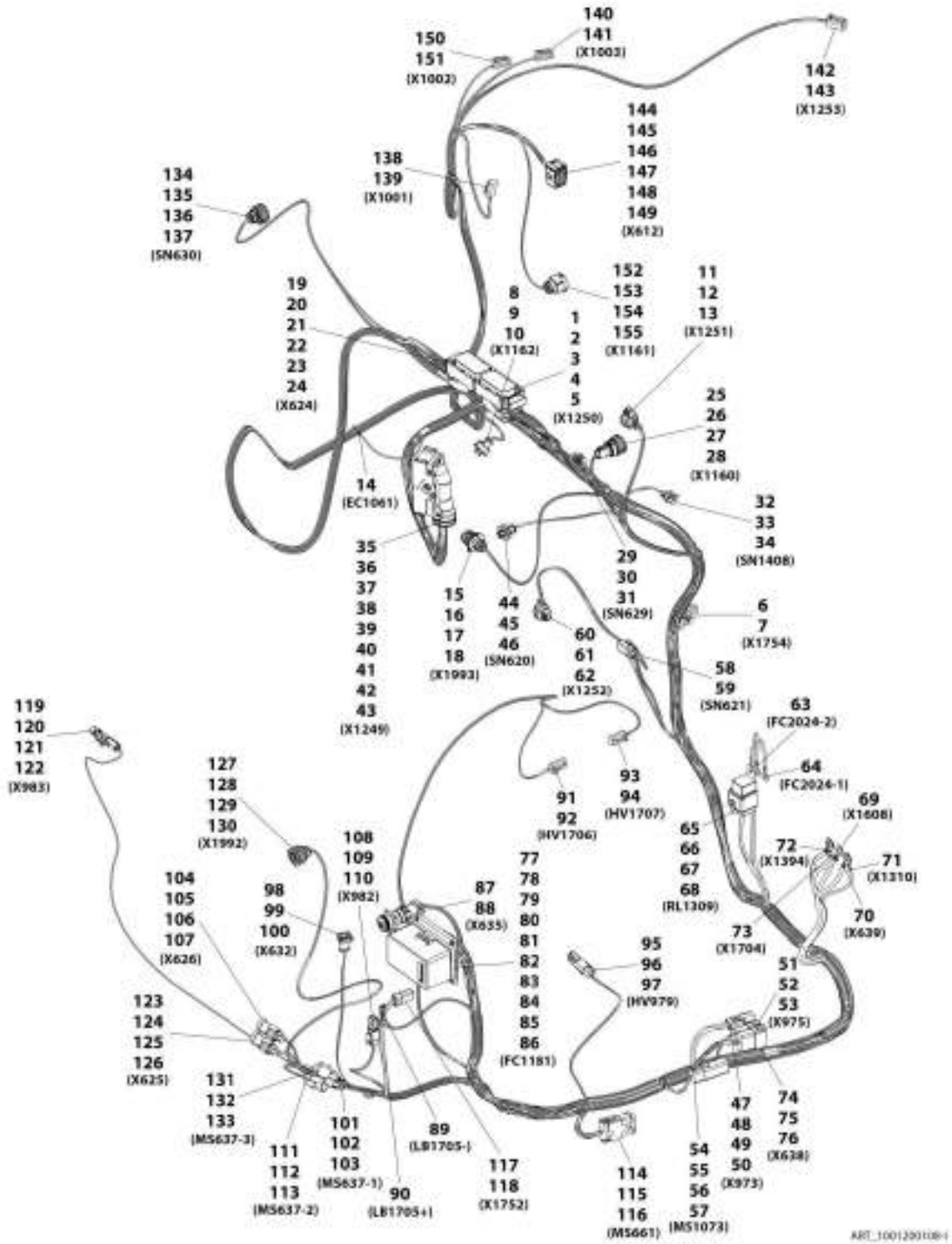
## SECTION 10 - ELECTRICAL

### FIGURE 10-52. BOOM RETRACT SENSOR INSTALLATION

ITEM	PART NUMBER	QTY	DESCRIPTION	REV
	1001195720	Ref	Boom Retract Sensor Installation	C
1	1001008923	19	Strap, Cable	
2	1001146588	2	Strap, Fir Tree Cable Tie	
3	1001183024	2	Sensor	
4	1001195953	1	Harness, Proximity Sensor	
5	1001210567	2	Bracket	
6	4812000	4	Washer, M10	
7	0761009	4	Bolt	
8	1001003305	2	Clip	

# SECTION 10 - ELECTRICAL

## FIGURE 10-53. ENGINE HARNESS (ULS)





## SECTION 10 - ELECTRICAL

### FIGURE 10-53. ENGINE HARNESS (ULS)

ITEM	PART NUMBER	QTY	DESCRIPTION	REV
	1001200108	Ref	Engine Harness (ULS)	I
1	1001202723	1	Connector	
2	1001167623	5	Plug	
3	1001166555	13	Terminal	
4	1001167621	50	Terminal	
5	1001167622	37	Plug	
6	4460539	1	Connector	
7	4460465	3	Terminal	
8	1001126487	1	Connector	
9	1001167635	2	Terminal	
10	1001126485	2	Terminal Seal	
11	1001167631	1	Connector	
12	1001167630	4	Terminal	
13	1001126485	4	Terminal Seal	
14	1001187070	1	Ring Terminal	
15	1001148842	1	Connector	
16	1001148841	3	Terminal	
17	1001135651	1	Plug	
18	1001135650	3	Terminal Seal	
19	1001202722	1	Connector	
20	1001166551	6	Terminal	
21	1001126353	6	Terminal Seal	
22	1001167622	58	Plug	
23	1001167621	21	Terminal	
24	1001167623	6	Plug	
25	1001138116	1	Connector	
26	1001187882	1	Cover	
27	1001133715	3	Terminal	
28	1001135650	4	Terminal Seal	
29	1001126487	1	Connector	
30	1001167634	2	Terminal	
31	1001126485	2	Terminal Seal	
32	1001209097	1	Connector	
33	8220124	2	Terminal	
34	4460608	2	Terminal Seal	
35	1001126362	1	Connector	
36	1001166556	30	Terminal	
37	1001126393	40	Terminal Seal	
38	1001126391	16	Plug	
39	4461008	2	Plug	
40	4461008	2	Terminal Seal	
41	4461054	2	Terminal Wire Seal	
42	1001166543	4	Terminal	
43	1001166774	10	Terminal	
44	1001126487	1	Connector	
45	1001167634	2	Terminal	
46	1001126485	2	Terminal Seal	
47	1001116811	1	Connector	
48	1001150610	2	Terminal	
49	4460508	1	Terminal	

## SECTION 10 - ELECTRICAL

ITEM	PART NUMBER	QTY	DESCRIPTION	REV
50	4460466	1	Plug	
51	1001144147	1	Connector	
52	4460464	2	Terminal	
53	4460466	1	Plug	
54	4460894	1	Connector	
55	4460892	1	Mating Connector	
56	4460466	1	Plug	
57	4460465	5	Terminal	
58	1001126245	1	Connector	
59	1001126008	2	Terminal	
60	1001167629	1	Connector	
61	1001167630	4	Terminal	
62	1001126485	4	Terminal Seal	
63	1001207171	1	Ring Terminal, (with boot)	
64	1001207171	1	Ring Terminal, (with boot)	
65	1001118282	1	Connector	
66	1001116734	2	Terminal	
67	1001116732	2	Terminal	
68	1001128128	1	Plug	
69	1001187080	1	Ring Terminal	
70	1001187080	1	Ring Terminal	
71	1001187078	1	Ring Terminal	
72	1001187080	1	Ring Terminal	
73	1001187080	1	Ring Terminal	
74	4460970	1	Connector	
75	4460464	9	Terminal	
76	4460466	2	Plug	
77	1001167616	1	Connector	
78	1001190921	1	Fuse Box Foam Seal	
79	4460748	9	Plug	
80	8220097	21	Terminal	
81	1001175265	19	Terminal Seal	
82	8220098	9	Terminal	
83	4460458	11	Terminal Seal	
84	1001116725	6	Terminal	
85	80963067	1	Terminal Seal	
86	1001190037	5	Terminal Seal	
87	2902443	1	Connector	
88	4461071	6	Terminal	
89	1001201885	1	Faston Terminal	
90	1001201885	1	Faston Terminal	
91	4460891	1	Connector	
92	4460465	2	Terminal	
93	4460891	1	Connector	
94	4460465	2	Terminal	
95	4460891	1	Connector	
96	4460465	2	Terminal	
97	4460897	1	Mating Connector	
98	1001167636	1	Connector	
99	1001166707	2	Terminal	
100	4461006	2	Terminal Seal	

## SECTION 10 - ELECTRICAL

ITEM	PART NUMBER	QTY	DESCRIPTION	REV
101	1001116812	1	Connector	
102	4460944	2	Terminal	
103	4460466	1	Plug	
104	4461095	1	Connector	
105	4461070	1	Terminator Resistor	
106	4460944	2	Terminal	
107	4460466	1	Plug	
108	4460891	1	Connector	
109	4460897	1	Mating Connector	
110	4460465	2	Terminal	
111	4460539	1	Connector	
112	4460944	2	Terminal	
113	4460466	1	Plug	
114	4460933	1	Connector	
115	1001125677	1	Mating Connector	
116	4460465	12	Terminal	
117	4461018	1	Connector	
118	4460509	2	Terminal	
119	80963056	1	Connector	
120	80963055	1	Mating Connector	
121	4460979	1	Terminal	
122	1001175265	1	Terminal Seal	
123	4461095	1	Connector	
124	4461070	1	Terminator Resistor	
125	4460944	2	Terminal	
126	4460466	1	Plug	
127	1001133714	1	Connector	
128	1001133715	3	Terminal	
129	1001135650	3	Terminal Seal	
130	1001135651	1	Plug	
131	1001116812	1	Connector	
132	4460944	2	Terminal	
133	4460466	1	Plug	
134	1001133714	1	Connector	
135	1001133715	3	Terminal	
136	1001135650	3	Terminal Seal	
137	1001135651	1	Plug	
138	4460891	1	Connector	
139	4460942	2	Terminal	
140	4460891	1	Connector	
141	4460942	2	Terminal	
142	4460884	1	Connector	
143	4460465	4	Terminal	
144	1001165194	1	Connector	
145	1001126391	2	Plug	
146	1001166556	8	Terminal	
147	1001166774	2	Terminal	
148	1001126393	8	Terminal Seal	
149	1001223459	2	Terminal Seal	
150	4460891	1	Connector	
151	4460942	2	Terminal	

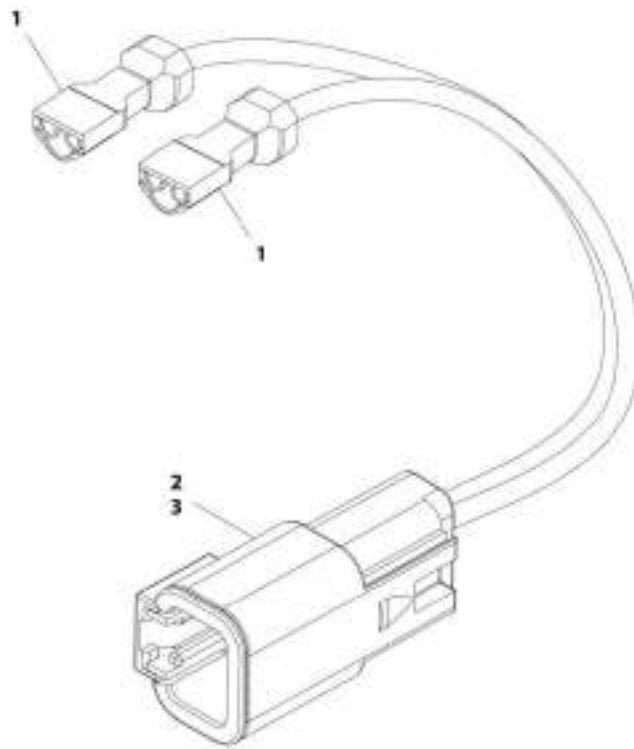
## SECTION 10 - ELECTRICAL

ITEM	PART NUMBER	QTY	DESCRIPTION	REV
152	1001167620	1	Connector	
153	1001176004	2	Terminal	
154	1001176002	2	Terminal Seal	
155	1001167624	2	Plug	



# SECTION 10 - ELECTRICAL

## FIGURE 10-54. FUEL PUMP HARNESS



APP\_100182920-0

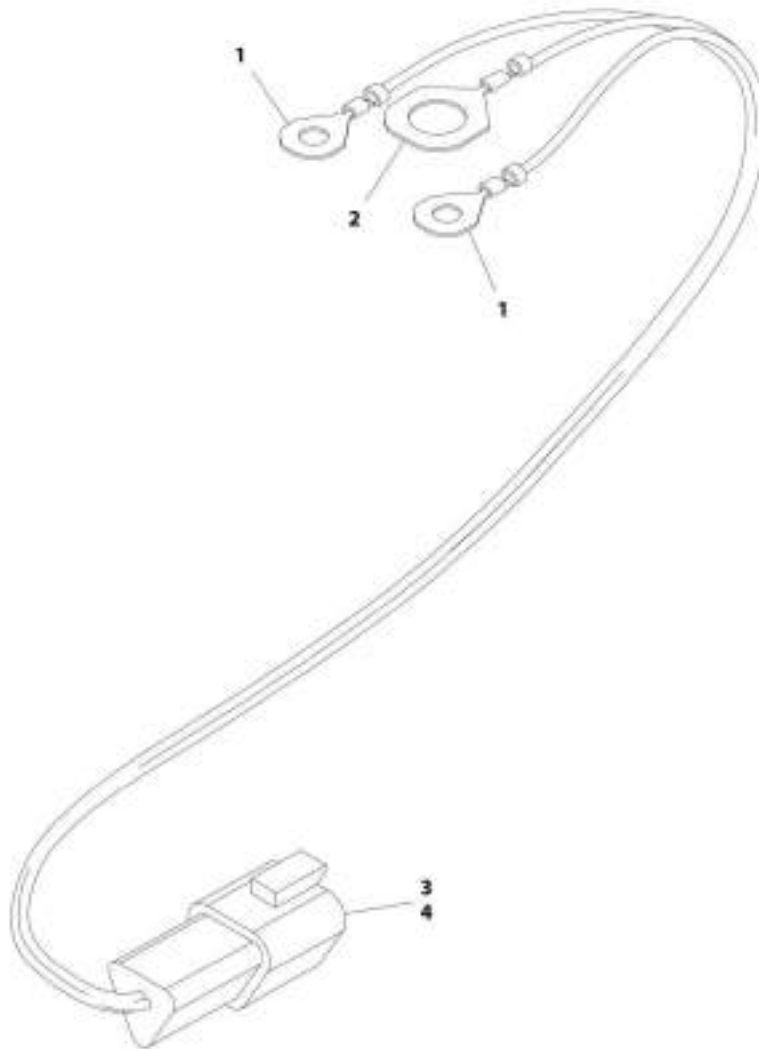
## SECTION 10 - ELECTRICAL

### FIGURE 10-54. FUEL PUMP HARNESS

ITEM	PART NUMBER	QTY	DESCRIPTION	REV
	1001182929	Ref	Fuel Pump Harness	E
1	8220043	2	Connector	
2	4461017	1	Connector	
3	4460508	2	Terminal	

# SECTION 10 - ELECTRICAL

## FIGURE 10-55. GLOW PLUG RELAY HARNESS



AME\_100118/2930-C



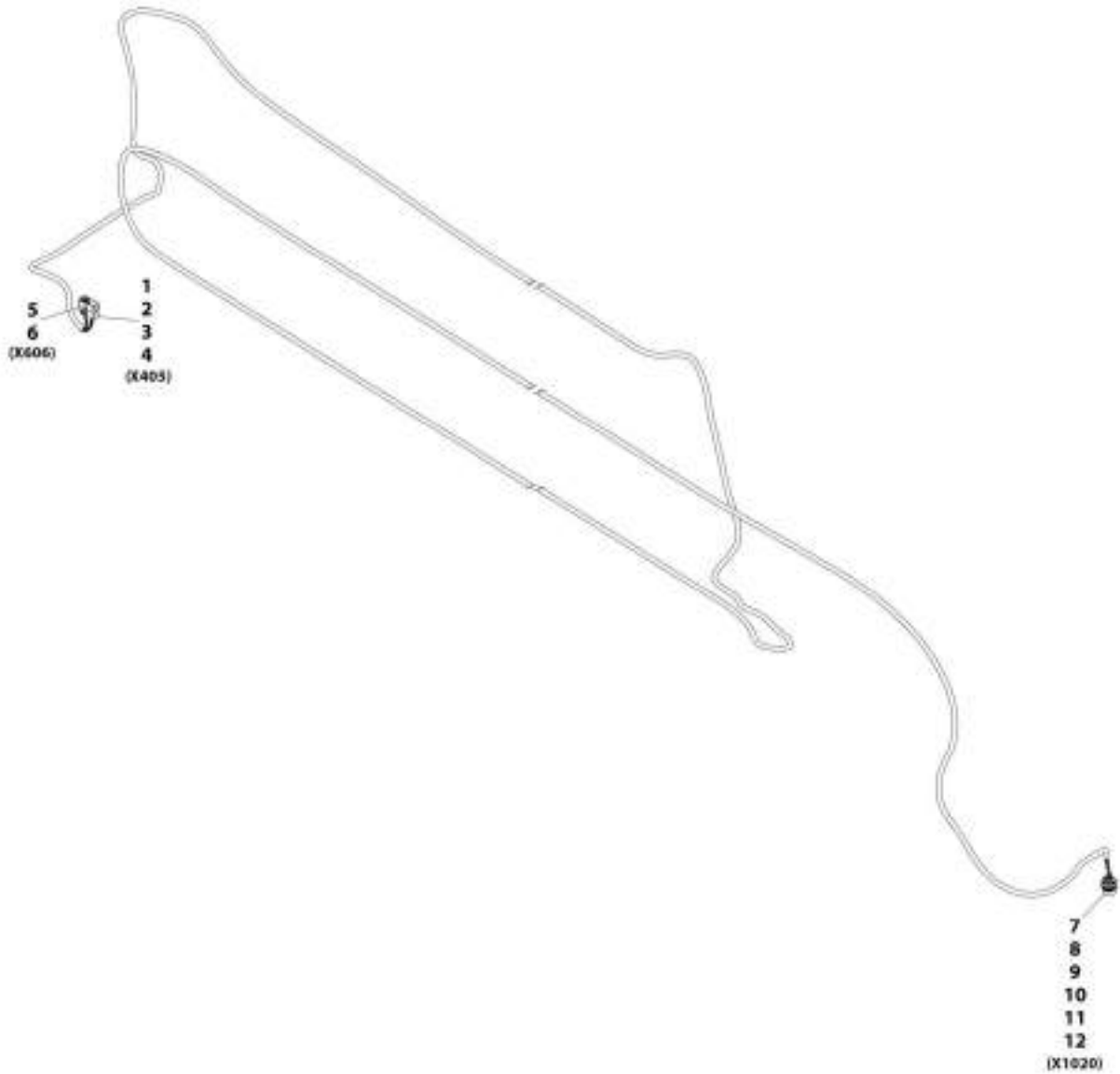
## SECTION 10 - ELECTRICAL

### FIGURE 10-55. GLOW PLUG RELAY HARNESS

ITEM	PART NUMBER	QTY	DESCRIPTION	REV
	1001182930	Ref	Glow Plug Relay Harness	C
1	1001187070	2	Ring, Terminal	
2	1001187077	1	Ring, Terminal	
3	4460536	1	Connector	
4	4460464	3	Terminal	

# SECTION 10 - ELECTRICAL

## FIGURE 10-56. BOOM HARNESS



ART\_1001201124-R

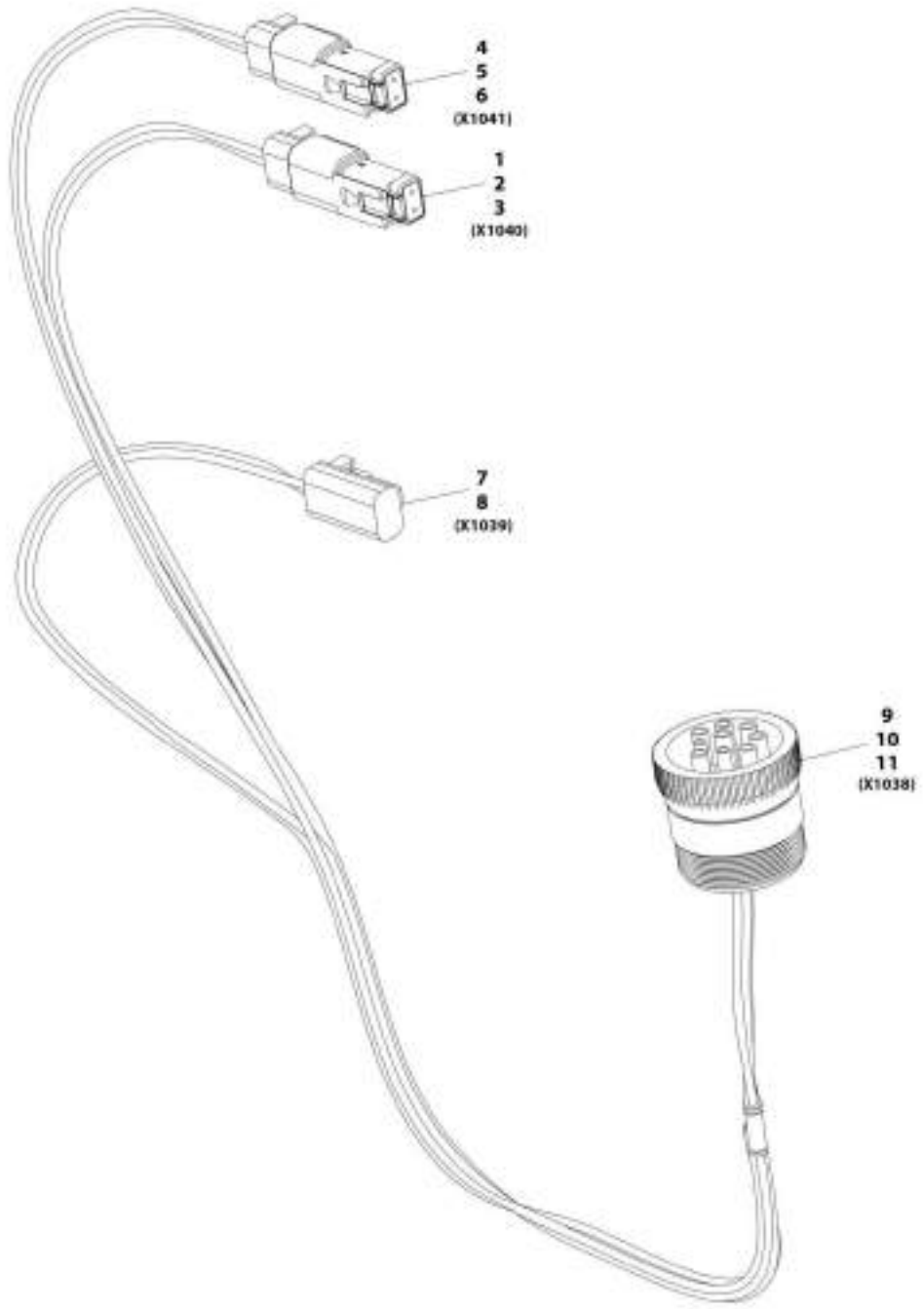
# SECTION 10 - ELECTRICAL

## FIGURE 10-56. BOOM HARNESS

ITEM	PART NUMBER	QTY	DESCRIPTION	REV
	1001201124	Ref	Boom Harness	B
1	4460931	1	Connector	
2	4460943	2	Terminal	
3	4460464	4	Terminal	
4	4460466	2	Plug	
5	4461017	1	Connector	
6	4460508	2	Terminal	
7	1001112612	1	Connector	
8	1001183221	1	Boot	
9	1001157891	2	Terminal	
10	4460464	4	Terminal	
11	4460943	2	Terminal	
12	4460466	1	Plug	

# SECTION 10 - ELECTRICAL

## FIGURE 10-57. BOOM AUX HARNESS



MTI\_100129655-A

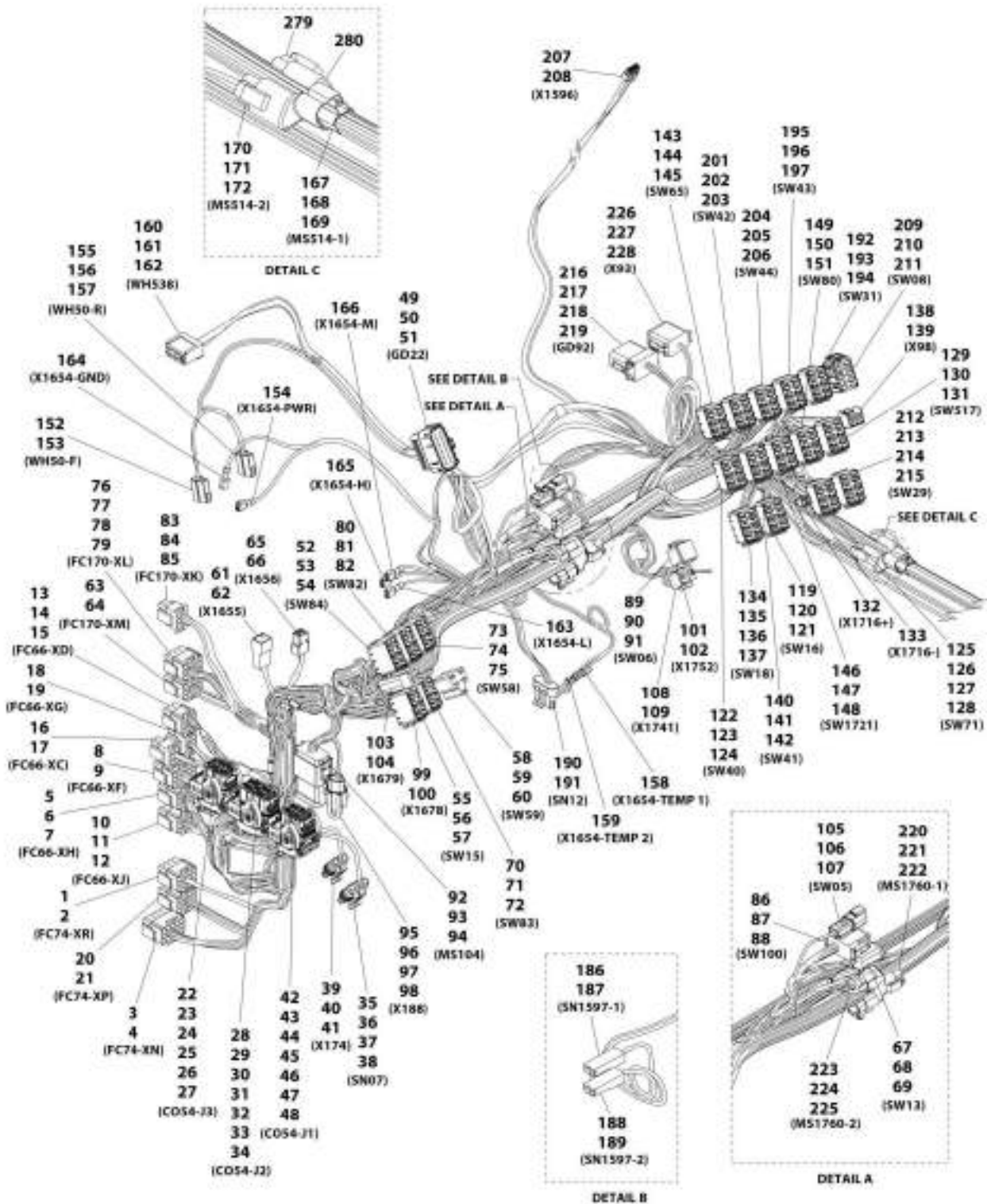
# SECTION 10 - ELECTRICAL

## FIGURE 10-57. BOOM AUX HARNESS

ITEM	PART NUMBER	QTY	DESCRIPTION	REV
	1001206633	Ref	Boom Aux Harness	A
1	4460891	1	Connector	
2	7760897	1	Mating Connector	
3	4460465	2	Terminal	
4	4460891	1	Connector	
5	7760897	1	Mating Connector	
6	4460465	2	Terminal	
7	4460891	1	Connector	
8	4460465	2	Terminal	
9	1001112796	1	Connector	
10	4460465	4	Terminal	
11	4460466	5	Plug	

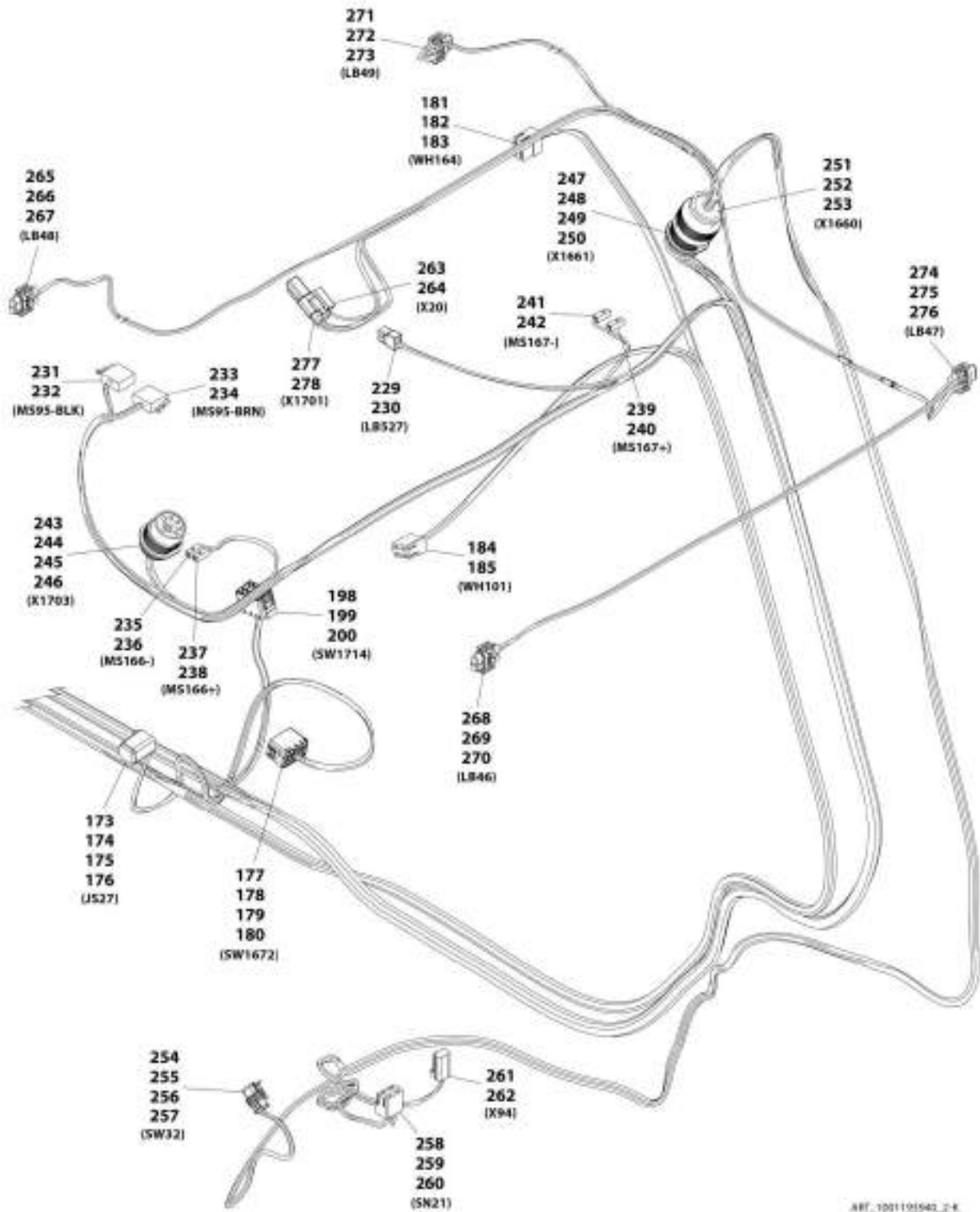
# SECTION 10 - ELECTRICAL

## FIGURE 10-58. CAB HARNESS



ART\_3001103043\_1-8

# SECTION 10 - ELECTRICAL



REF. 1001101540\_2-R

# SECTION 10 - ELECTRICAL

## FIGURE 10-58. CAB HARNESS

ITEM	PART NUMBER	QTY	DESCRIPTION	REV
	1001193940	Ref	Cab Harness	K
1	4460343	1	Connector	
2	4460267	3	Terminal	
3	4460434	1	Connector	
4	4460268	9	Terminal	
5	4460343	1	Connector	
6	4460268	8	Terminal	
7	10011223457	1	Terminal	
8	4460434	1	Connector	
9	4460268	15	Terminal	
10	4460343	1	Connector	
11	4460267	8	Terminal	
12	1001223456	1	Terminal	
13	4460265	1	Connector	
14	1001223457	3	Terminal	
15	4460268	6	Terminal	
16	4460225	1	Connector	
17	4460267	4	Terminal	
18	4460225	1	Connector	
19	4460268	5	Terminal	
20	4460343	1	Connector	
21	4460268	8	Terminal	
22	1001161959	1	Connector	
23	943191201	1	Cover	
24	1001161100	10	Plug	
25	1001161097	14	Terminal	
26	1001161098	1	Terminal	
27	1001161101	7	Plug	
28	1001160502	1	Connector	
29	643201301	1	Cover	
30	1001161097	20	Terminal	
31	1001161100	20	Plug	
32	1001161098	5	Terminal	
33	1001161099	1	Terminal	
34	1001161101	2	Plug	
35	1001103012	1	Connector	
36	1001116698	2	Plug	
37	1001116697	2	Terminal	
38	1001104498	2	Terminal Seal	
39	4461262	1	Connector	
40	1001107854	3	Terminal	
41	1001104498	3	Terminal Seal	
42	1001160498	1	Connector	
43	643191201	1	Cover	
44	1001161097	19	Terminal	
45	1001161100	5	Plug	
46	1001161098	5	Terminal	
47	1001161101	2	Plug	
48	1001161099	1	Terminal	
49	1001162886	1	Connector	



## SECTION 10 - ELECTRICAL

ITEM	PART NUMBER	QTY	DESCRIPTION	REV
50	1001163340	13	Plug	
51	1001162887	7	Terminal	
52	1001117081	1	Connector	
53	1001116723	6	Terminal	
54	1001222455	1	Terminal	
55	1001117081	1	Connector	
56	1001116723	6	Terminal	
57	1001223455	1	Terminal	
58	1001173411	1	Connector	
59	1001116716	3	Terminal	
60	1001104519	3	Terminal	
61	1001116999	1	Connector	
62	1001116700	4	Terminal	
63	4460343	1	Connector	
64	4460267	7	Terminal	
65	1001116991	1	Connector	
66	1001116723	2	Terminal	
67	4460933	1	Connector	
68	4460466	6	Plug	
69	4460465	6	Terminal	
70	1001117081	1	Connector	
71	1001116723	6	Terminal	
72	1001223455	1	Terminal	
73	1001117081	1	Connector	
74	1001116723	4	Terminal	
75	1001118384	2	Terminal	
76	4460343	1	Connector	
77	4460268	8	Terminal	
78	4460906	1	Terminal	
79	1001223457	1	Terminal	
80	1001117081	1	Connector	
81	1001116723	6	Terminal	
82	1001223455	1	Terminal	
83	4460225	1	Connector	
84	4460267	5	Terminal	
85	4460705	1	Terminal	
86	4460836	1	Connector	
87	4460942	4	Terminal	
88	4460465	8	Terminal	
89	4460894	1	Connector	
90	4460465	4	Terminal	
91	4460466	2	Plug	
92	4460933	1	Connector	
93	1001125677	1	Mating Connector	
94	4460465	12	Terminal	
95	1001116812	1	Connector	
96	1001144296	1	Cap	
97	4460944	2	Terminal	
98	4460466	1	Plug	
99	4460320	1	Connector	
100	4460267	2	Terminal	

## SECTION 10 - ELECTRICAL

ITEM	PART NUMBER	QTY	DESCRIPTION	REV
101	4460320	1	Connector	
102	4460267	2	Terminal	
103	4460424	1	Connector	
104	4460268	2	Terminal	
105	4460897	1	Connector	
106	4460464	1	Terminal	
107	4460466	1	Plug	
108	4460424	1	Connector	
109	4460268	2	Terminal	
119	1001117081	1	Connector	
120	1001116723	6	Terminal	
121	1001223455	1	Terminal	
122	1001117081	1	Connector	
123	1001116723	6	Terminal	
124	1001118384	4	Terminal	
125	1001117081	1	Connector	
126	1001116723	6	Terminal	
127	1001223455	2	Terminal	
128	1001118384	2	Terminal	
129	1001117081	1	Connector	
130	1001116723	6	Terminal	
131	1001223455	1	Terminal	
132	1001194421	1	Terminal	
133	1001194421	1	Terminal	
134	1001117081	1	Connector	
135	1001116723	6	Terminal	
136	1001223455	3	Terminal	
137	1001118384	2	Terminal	
138	1001118684	1	Connector	
139	1001116754	2	Terminal	
140	1001117081	1	Connector	
141	1001116723	4	Terminal	
142	1001118384	3	Terminal	
143	1001117081	1	Connector	
144	1001116723	6	Terminal	
145	1001118384	1	Terminal	
146	1001117081	1	Connector	
147	1001116723	6	Terminal	
148	1001118384	1	Terminal	
149	1001117081	1	Connector	
150	1001116723	6	Terminal	
151	1001223455	1	Terminal	
152	4460994	1	Connector	
153	1001118384	2	Terminal	
154	8220051	1	Terminal	
155	4460994	1	Connector	
156	1001118384	1	<b>Terminal</b>	
157	1001116723	2	Terminal	
158	1001194421	1	Terminal	
159	1001194421	1	Terminal	
160	1001116997	1	Connector	

## SECTION 10 - ELECTRICAL

ITEM	PART NUMBER	QTY	DESCRIPTION	REV
161	1001118384	4	Terminal	
162	1001116723	1	Terminal	
163	8220051	1	Terminal	
164	8220051	1	Terminal	
165	8220051	1	Terminal	
166	8220051	1	Terminal	
167	1001116812	1	Connector	
168	4460944	2	Terminal	
169	4460466	1	Plug	
170	4460539	1	Connector	
171	4460944	2	Terminal	
172	4460466	1	Plug	
173	4460894	1	Connector	
174	4460465	3	Terminal	
175	4460466	1	Plug	
176	4460944	2	Terminal	
177	1001117081	1	Connector	
178	1001116723	2	Terminal	
179	1001223455	2	Terminal	
180	1001118384	2	Terminal	
181	1001116986	1	Connector	
182	1001117011	1	Mating Connector	
183	1001118384	4	Terminal	
184	1001116986	1	Connector	
185	1001118384	4	Terminal	
186	1001116995	1	Connector	
187	1001118379	1	Terminal	
188	1001116995	1	Connector	
189	1001118379	1	Terminal	
190	1001117064	1	Connector	
191	91554014	6	Terminal	
192	1001117081	1	Connector	
193	1001116723	4	Terminal	
194	1001118384	2	Terminal	
195	1001117081	1	Connector	
196	1001116723	4	Terminal	
197	1001118384	2	Terminal	
198	1001117081	1	Connector	
199	1001223455	2	Terminal	
200	1001118384	4	Terminal	
201	1001117081	1	Connector	
202	1001116723	4	Terminal	
203	1001118384	2	Terminal	
204	1001117081	1	Connector	
205	1001116723	4	Terminal	
206	1001118384	2	Terminal	
207	1001150735	1	Connector	
208	1001150737	7	Terminal	
209	1001117079	1	Connector	
210	1001223455	2	Terminal	
211	1001116723	6	Terminal	

## SECTION 10 - ELECTRICAL

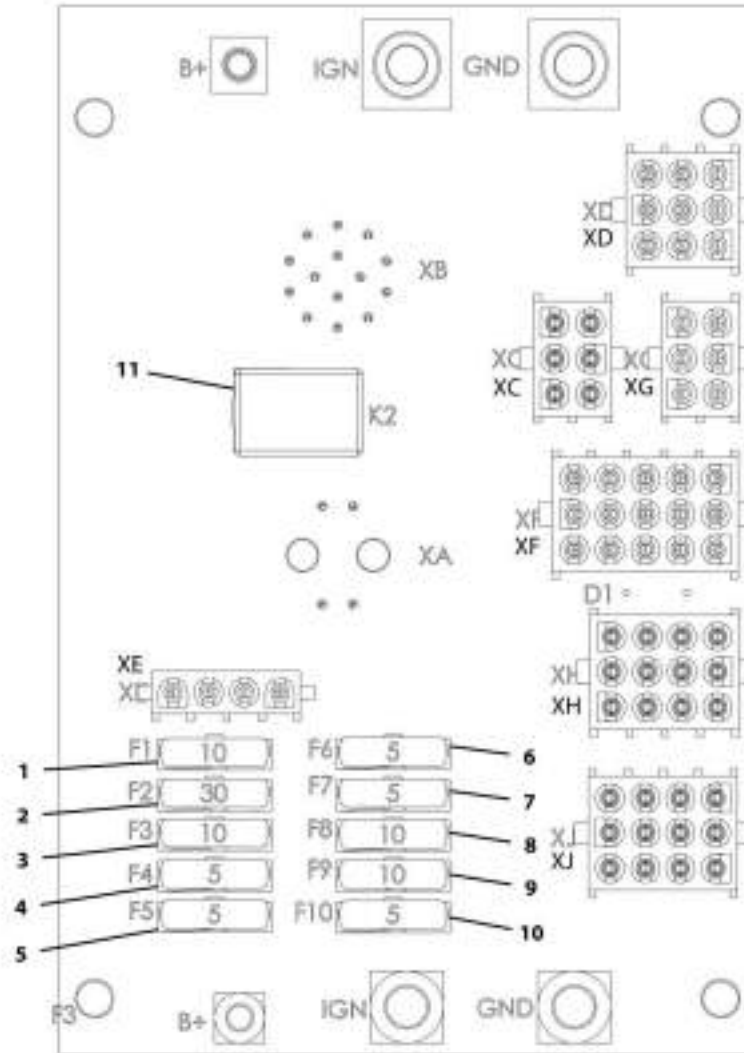
ITEM	PART NUMBER	QTY	DESCRIPTION	REV
212	1001117081	1	Connector	
213	1001116723	8	Terminal	
214	1001118384	1	Terminal	
215	1001223455	1	Terminal	
216	1001176333	1	Connector	
217	4460466	11	Plug	
218	4460465	3	Terminal	
219	4460944	4	Terminal	
220	1001116812	1	Connector	
221	4460944	2	Terminal	
222	4460466	1	Plug	
223	4460539	1	Connector	
224	4460944	2	Terminal	
225	4460466	1	Plug	
226	4460930	1	Connector	
227	4460931	1	Mating Connector	
228	4460466	6	Plug	
229	1001116991	1	Connector	
230	1001118384	2	Terminal	
231	1001116985	1	Connector	
232	1001118386	3	Terminal	
233	1001116984	1	Connector	
234	1001118386	4	Terminal	
235	1001116998	1	Connector	
236	1001118387	1	Terminal	
237	1001116998	1	Connector	
238	1001118387	1	Terminal	
239	1001116998	1	Connector	
240	1001118387	1	Terminal	
241	1001116998	1	Connector	
242	1001118387	1	Terminal	
243	1001112612	1	Connector	
244	4460464	3	Terminal	
245	4460943	2	Terminal	
246	4460466	4	Plug	
247	1001137000	1	Connector	
248	4460928	3	Terminal	
249	1001126008	13	Terminal	
250	4460518	5	Plug	
251	1001136999	1	Connector	
252	1001126011	16	Terminal	
253	4460518	5	Plug	
254	4461262	1	Connector	
255	1001107854	2	Terminal	
256	1001116698	1	Terminal	
257	1001104498	3	Terminal Seal	
258	1001116986	1	Connector	
259	1001118384	3	Terminal	
260	1001116723	2	Terminal	
261	4460891	1	Connector	
262	4460465	2	Terminal	

## SECTION 10 - ELECTRICAL

ITEM	PART NUMBER	QTY	DESCRIPTION	REV
263	4460944	1	Connector	
264	1001118384	2	Terminal	
265	4461115	1	Connector	
266	4460746	2	Terminal	
267	4460458	2	Terminal Seal	
268	4461115	1	Connector	
269	4460746	2	Terminal	
270	4460458	2	Terminal Seal	
271	4461115	1	Connector	
272	4460746	2	Terminal	
273	4460458	2	Terminal Seal	
274	4461115	1	Connector	
275	4460746	2	Terminal	
276	4460458	2	Terminal Seal	
277	4460891	1	Connector	
278	4460465	2	Terminal	
279	1001116815	1	Connector	
280	4460945	1	Connector, 3 Way	

# SECTION 10 - ELECTRICAL

FIGURE 10-59. STANDARD ELECTRICAL BOARD ASSEMBLY



ART\_100161769-C

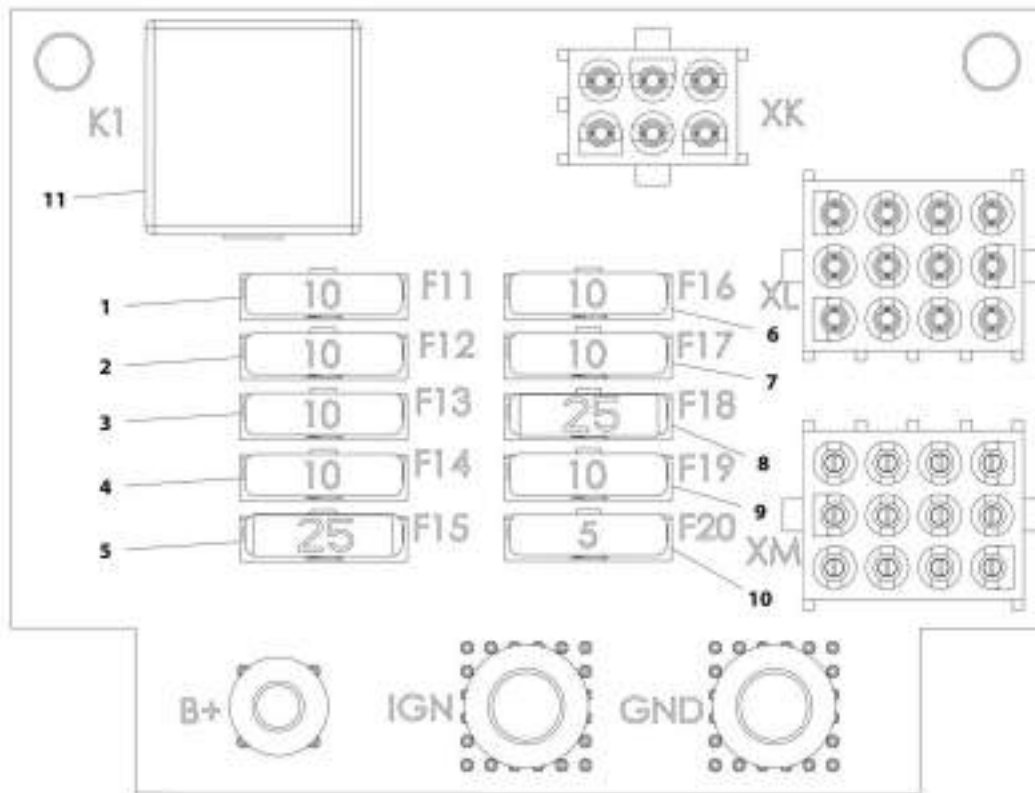
## SECTION 10 - ELECTRICAL

### FIGURE 10-59. STANDARD ELECTRICAL BOARD ASSEMBLY

ITEM	PART NUMBER	QTY	DESCRIPTION	REV
	1001161769	Ref	Standard Electrical Board Assembly	C
1	80983191	1	Fuse, 10AMP	
2	8229245	1	Fuse, 30AMP	
3	80983191	1	Fuse, 10AMP	
4	8229242	1	Fuse, 5AMP	
5	8229242	1	Fuse, 5AMP	
6	8229242	1	Fuse, 5AMP	
7	8229242	1	Fuse, 5AMP	
8	80983191	1	Fuse, 10AMP	
9	80983191	1	Fuse, 10AMP	
10	8229242	1	Fuse, 5AMP	
11	70026292	1	Fuse, 35AMP	

# SECTION 10 - ELECTRICAL

FIGURE 10-60. OPTION 1 ELECTRICAL BOARD ASSEMBLY



ART\_100198177D/C



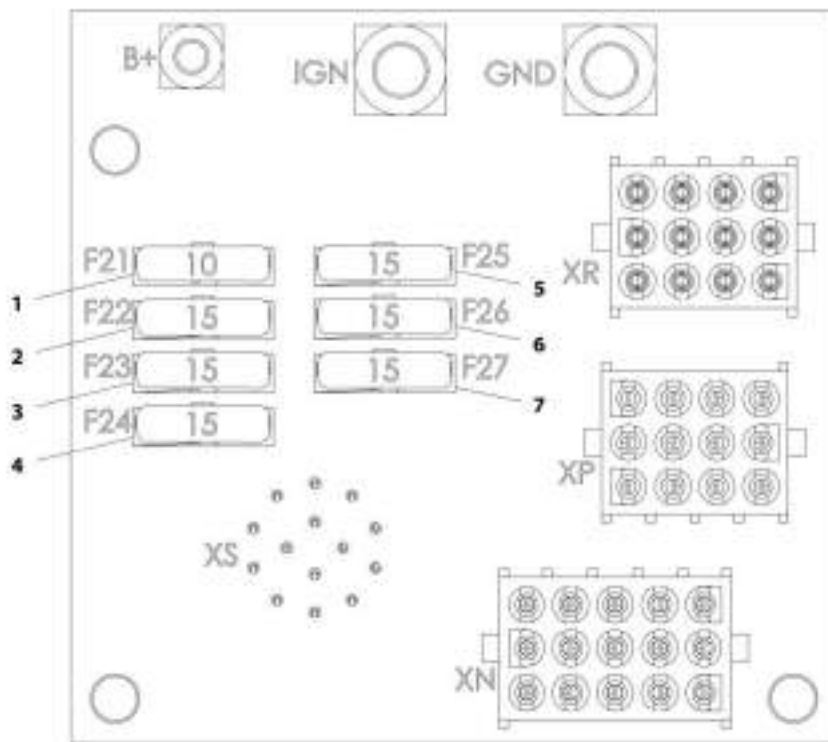
## SECTION 10 - ELECTRICAL

### FIGURE 10-60. OPTION 1 ELECTRICAL BOARD ASSEMBLY

ITEM	PART NUMBER	QTY	DESCRIPTION	REV
	1001161770	Ref	Option 1 Electrical Board Assembly	C
1	80983191	1	Fuse, 10AMP	
2	80983191	1	Fuse, 10AMP	
3	80983191	1	Fuse, 10AMP	
4	80983191	1	Fuse, 10AMP	
5	8229247	1	Fuse, 25AMP	
6	80983191	1	Fuse, 10AMP	
7	80983191	1	Fuse, 10AMP	
8	8229247	1	Fuse, 25AMP	
9	80983191	1	Fuse, 10AMP	
10	8229242	1	Fuse, 5AMP	
11	70026293	1	Fuse, 50AMP	

# SECTION 10 - ELECTRICAL

## FIGURE 10-61. OPTION 2 ELECTRICAL BOARD ASSEMBLY



ART\_300191771-8

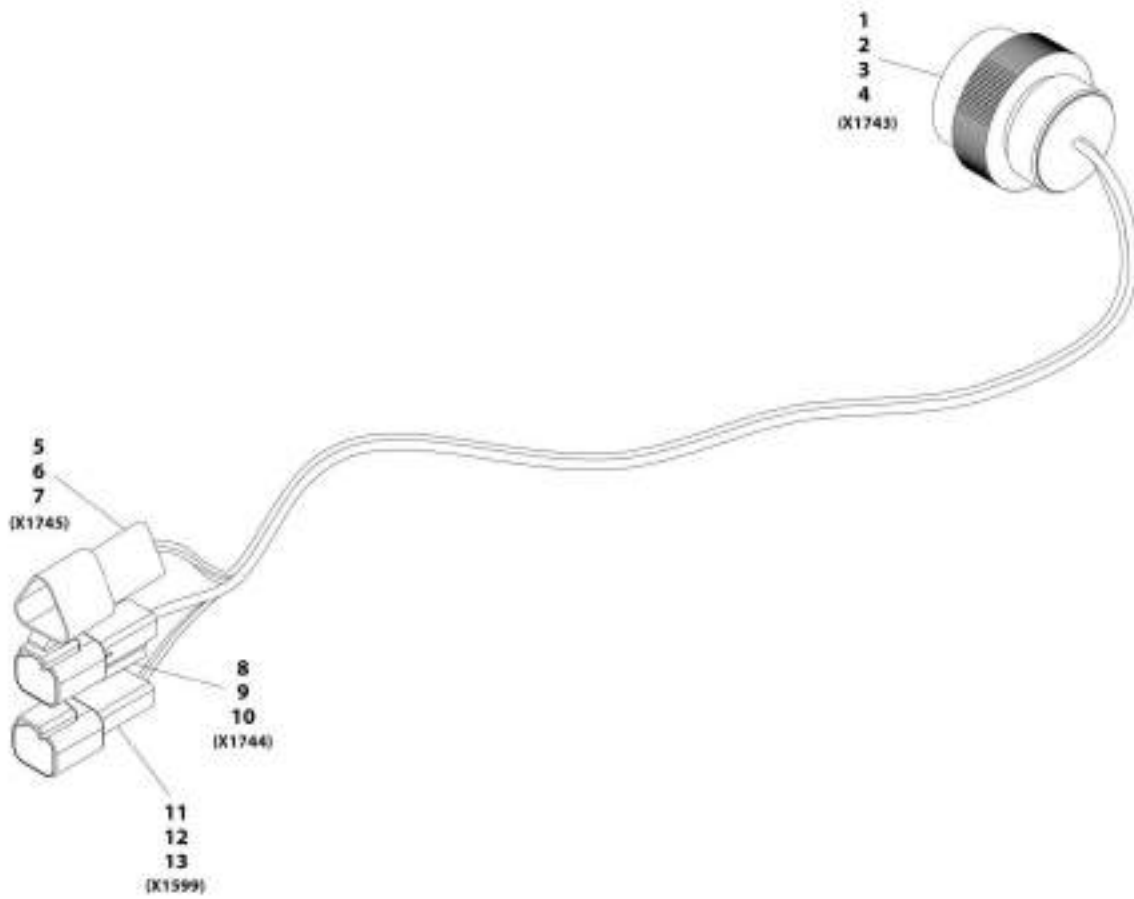
## SECTION 10 - ELECTRICAL

### FIGURE 10-61. OPTION 2 ELECTRICAL BOARD ASSEMBLY

ITEM	PART NUMBER	QTY	DESCRIPTION	REV
	1001161771	Ref	Option 2 Electrical Board Assembly	B
1	80983191	1	Fuse, 10AMP	
2	8229244	1	Fuse, 15AMP	
3	8229244	1	Fuse, 15AMP	
4	8229244	1	Fuse, 15AMP	
5	8229244	1	Fuse, 15AMP	
6	8229244	1	Fuse, 15AMP	
7	8229244	1	Fuse, 15AMP	

# SECTION 10 - ELECTRICAL

## FIGURE 10-62. CAB OPTION HARNESS



ART\_1001181681-C

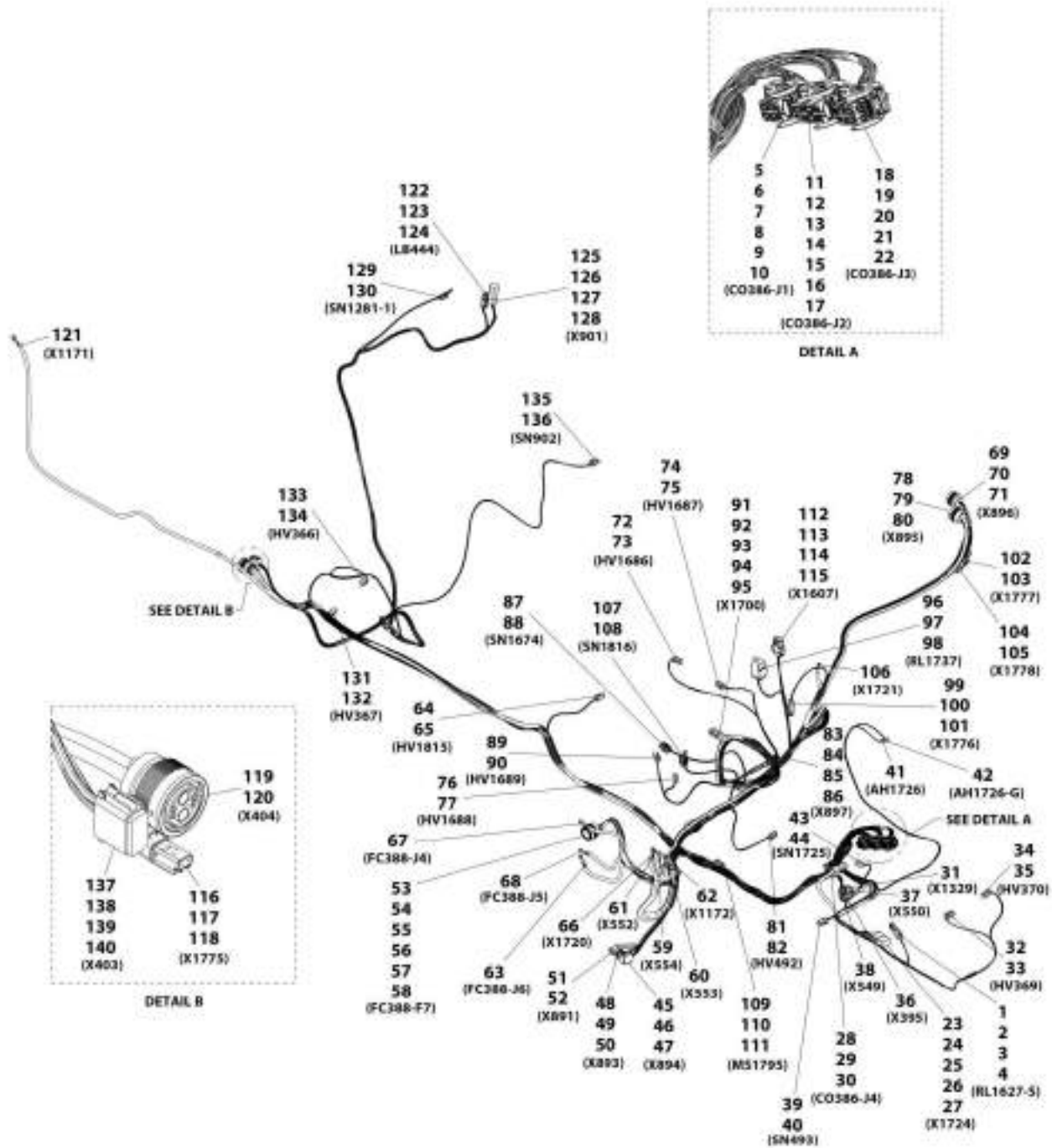
# SECTION 10 - ELECTRICAL

## FIGURE 10-62. CAB OPTION HARNESS

ITEM	PART NUMBER	QTY	DESCRIPTION	REV
	1001181681	Ref	Cab Option Harness	C
1	4461015	1	Connector	
2	4460465	5	Terminal	
3	4460466	8	Plug	
4	4460942	1	Terminal	
5	1001144147	1	Connector	
6	4460943	2	Terminal	
7	4460466	1	Plug	
8	4460897	1	Connector	
9	4460941	1	Terminal	
10	4460466	1	Plug	
11	4460932	1	Connector	
12	4460464	3	Terminal	
13	4460466	1	Plug	

# SECTION 10 - ELECTRICAL

## FIGURE 10-63. FRONT FRAME HARNESS



ART\_1001184396-J

# SECTION 10 - ELECTRICAL

## FIGURE 10-63. FRONT FRAME HARNESS

ITEM	PART NUMBER	QTY	DESCRIPTION	REV
	1001184396	Ref	Front Frame Harness	J
1	4460891	1	Connector	
2	4460897	1	Mating Connector	
3	4460466	2	Plug	
4	4460465	2	Terminal	
5	1001161957	1	Connector	
6	643191201	1	Cover	
7	1001161100	12	Plug	
8	1001161097	12	Terminal	
9	1001161101	5	Plug	
10	1001161098	3	Terminal	
11	1001161963	1	Connector	
12	643201301	1	Cover	
13	1001161097	21	Terminal	
14	1001161100	19	Plug	
15	1001161099	6	Terminal	
16	1001161098	1	Terminal	
17	1001161101	1	Plug	
18	1001160500	1	Connector	
19	643191201	1	Cover	
20	1001161097	10	Terminal	
21	1001161100	15	Plug	
22	1001161099	7	Terminal	
23	4460933	1	Connector	
24	4460970	1	Mating Connector	
25	4460466	2	Plug	
26	4460942	10	Terminal	
27	4460466	2	Plug	
28	1001160509	1	Connector	
29	1001160510	1	Terminal	
30	1001175267	1	Seal	
31	1001187080	1	Ring Terminal	
32	4460891	1	Connector	
33	4460465	2	Terminal	
34	4460891	1	Connector	
35	4460465	2	Terminal	
36	1001187080	1	Ring Terminal	
37	1001187079	1	Ring Terminal	
38	1001187079	1	Ring Terminal	
39	4460539	1	Connector	
40	4460465	3	Terminal	
41	8220051	1	Ring Terminal	
42	1001187073	1	Ring Terminal	
43	4460539	1	Connector	
44	4460465	3	Terminal	
45	4460933	1	Connector	
46	4460465	11	Terminal	
47	4460466	1	Plug	
48	1001116812	1	Connector	
49	4460465	2	Terminal	

## SECTION 10 - ELECTRICAL

ITEM	PART NUMBER	QTY	DESCRIPTION	REV
50	4460466	1	Plug	
51	1001116810	1	Connector	
52	1001150611	4	Terminal	
53	1001165309	1	Connector	
54	4460466	2	Plug	
55	4460465	9	Terminal	
56	4460942	2	Terminal	
57	4460509	3	Terminal	
58	1001150611	3	Terminal	
59	1001187079	1	Ring Terminal	
60	1001187076	1	Ring Terminal	
61	1001187079	1	Ring Terminal	
62	1001187076	1	Ring Terminal	
63	1001187075	1	Ring Terminal	
64	4460891	1	Connector	
65	4460465	2	Terminal	
66	1001117109	1	Ring Terminal	
67	1001187075	1	Ring Terminal	
68	1001187075	1	Ring Terminal	
69	4461015	1	Connector	
70	4460465	12	Terminal	
71	4460466	2	Plug	
72	4460891	1	Connector	
73	4460465	2	Terminal	
74	4460891	1	Connector	
75	4460465	2	Terminal	
76	4461290	1	Connector	
77	4460928	2	Terminal	
78	1001118323	1	Connector	
79	4460942	4	Terminal	
80	91013192	2	Terminal	
81	4460891	1	Connector	
82	4460465	2	Terminal	
83	4460891	1	Connector	
84	4460897	1	Mating Connector	
85	4460942	1	Terminal	
86	4460466	1	Plug	
87	1001116950	1	Connector	
88	4460465	2	Terminal	
89	4460891	1	Connector	
90	4460465	2	Terminal	
91	4460884	1	Connector	
92	4460932	1	Mating Connector	
93	4460466	1	Sealing Plug	
94	4460465	3	Terminal	
95	4460942	1	Terminal	
96	1001118202	1	Connector	
97	1001116732	4	Terminal	
98	1001128128	1	Plug	
99	4460891	1	Connector	
100	4460897	1	Mating Connector	

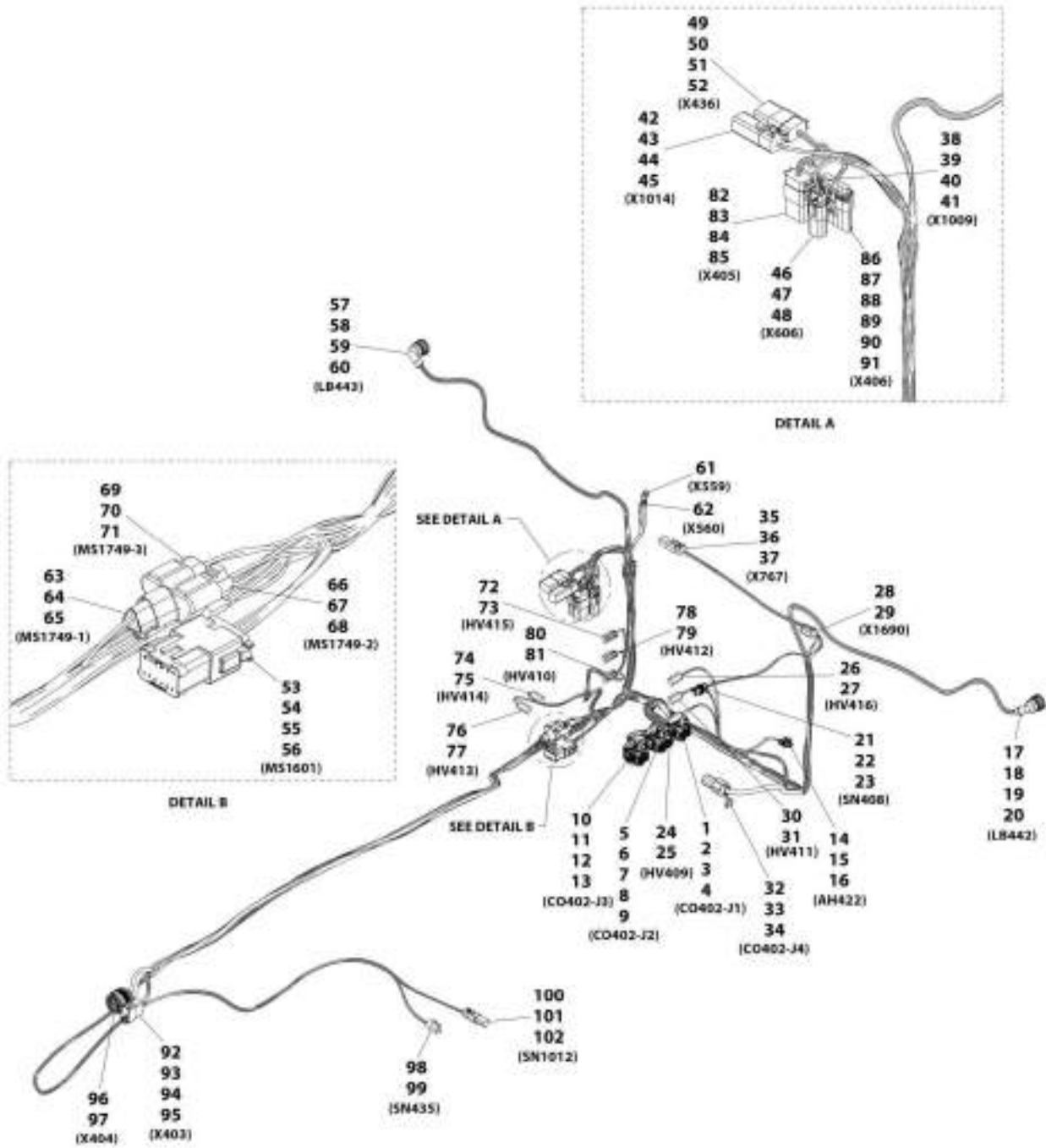


## SECTION 10 - ELECTRICAL

ITEM	PART NUMBER	QTY	DESCRIPTION	REV
101	4460465	2	Terminal	
102	4460891	1	Connector	
103	4460465	2	Terminal	
104	4460897	1	Connector	
105	4460464	2	Terminal	
106	8220116	1	Ring Terminal	
107	1001116950	1	Connector	
108	4460465	2	Terminal	
109	4460930	1	Connector	
110	4460984	1	Mating Connector	
111	4460465	8	Terminal	
112	1001116774	1	Connector	
113	1001132169	1	Mating Connector	
114	4460518	7	Plug	
115	1001126008	5	Terminal	
116	4460891	1	Connector	
117	4460897	1	Mating Connector	
118	4460465	2	Terminal	
119	1001165310	1	Connector	
120	91013192	2	Terminal	
121	1001187076	1	Ring Terminal	
122	4460891	1	Connector	
123	4460897	1	Mating Connector	
124	4460942	2	Terminal	
125	4460894	1	Connector	
126	4460899	1	Mating Connector	
127	4460465	2	Terminal	
128	4460942	4	Terminal	
129	4460891	1	Connector	
130	4460465	2	Terminal	
131	4460891	1	Connector	
132	4460465	2	Terminal	
133	4460891	1	Connector	
134	4460465	2	Terminal	
135	4460891	1	Connector	
136	4460465	2	Terminal	
137	4460933	1	Connector	
138	4460465	6	Terminal	
139	4460942	1	Terminal	
140	4460466	5	Plug	

# SECTION 10 - ELECTRICAL

## FIGURE 10-64. REAR FRAME HARNESS



ART\_100104307-H

# SECTION 10 - ELECTRICAL

## FIGURE 10-64. REAR FRAME HARNESS

ITEM	PART NUMBER	QTY	DESCRIPTION	REV
	1001184397	Ref	Rear Frame Harness	H
1	1001161957	1	Connector	
2	1001161097	6	Terminal	
3	1001161100	18	Plug	
4	1001161101	8	Plug	
5	1001161963	1	Connector	
6	1001161097	26	Terminal	
7	1001161100	14	Plug	
8	1001161099	6	Terminal	
9	1001161101	2	Plug	
10	1001160500	1	Connector	
11	1001161100	18	Plug	
12	1001161097	6	Terminal	
13	1001161099	8	Terminal	
14	4461118	1	Connector	
15	1001107854	2	Terminal	
16	1001116763	2	Terminal Seal	
17	1001116996	1	Connector	
18	1001118392	6	Terminal	
19	1001116696	1	Plug	
20	4461054	6	Terminal Seal	
21	4461262	1	Connector	
22	1001107854	3	Terminal	
23	1001104498	3	Terminal Seal	
24	4460891	1	Connector	
25	4460465	2	Terminal	
26	4460891	1	Connector	
27	4460465	2	Terminal	
28	4460884	1	Connector	
29	4460465	4	Terminal	
30	4460891	1	Connector	
31	4460465	2	Terminal	
32	1001160509	1	Connector	
33	1001160510	1	Terminal	
34	1001175267	1	Terminal Seal	
35	4460884	1	Connector	
36	4460932	1	Mating Connector	
37	4460465	4	Terminal	
38	4460884	1	Connector	
39	4460932	1	Mating Connector	
40	4460466	2	Plug	
41	4460465	2	Terminal	
42	4460894	1	Connector	
43	4460899	1	Mating Connector	
44	4460466	3	Plug	
45	4460465	3	Terminal	
46	4461018	1	Connector	
47	4461017	1	Mating Connector	
48	4460509	2	Terminal	
49	4460930	1	Connector	

## SECTION 10 - ELECTRICAL

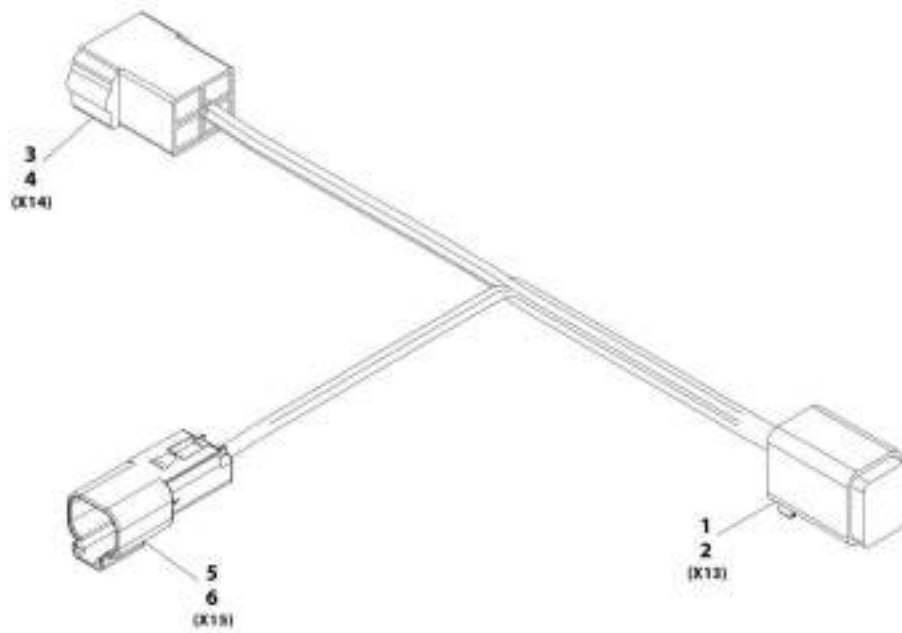
ITEM	PART NUMBER	QTY	DESCRIPTION	REV
50	4460931	1	Mating Connector	
51	4460466	2	Plug	
52	4460465	6	Terminal	
53	4460933	1	Connector	
54	1001125677	1	Bussbar Connector	
55	4460465	10	Terminal	
56	4460466	2	Plug	
57	1001116996	1	Connector	
58	1001118392	6	Terminal	
59	1001116696	1	Plug	
60	4461054	6	Terminal Seal	
61	1001187080	1	Ring Terminal	
62	1001187079	1	Ring Terminal	
63	1001116812	1	Connector	
64	4460944	2	Terminal	
65	4460466	1	Plug	
66	4460539	1	Connector	
67	4460944	2	Terminal	
68	4460466	1	Plug	
69	1001116812	1	Connector	
70	4460944	2	Terminal	
71	4460466	1	Plug	
72	4460891	1	Connector	
73	4460465	2	Terminal	
74	4460891	1	Connector	
75	4460465	2	Terminal	
76	4460891	1	Connector	
77	4460465	2	Terminal	
78	4460891	1	Connector	
79	4460465	2	Terminal	
80	4460891	1	Connector	
81	4460465	2	Terminal	
82	4460930	1	Connector	
83	4460931	1	Mating Connector	
84	4460466	2	Plug	
85	4460465	6	Terminal	
86	1001121726	1	Connector	
87	1001121727	1	Mating Connector	
88	1001116728	4	Terminal	
89	4460748	1	Plug	
90	1001175265	3	Terminal Seal	
91	4460458	1	Terminal Seal	
92	4460970	1	Connector	
93	4460464	6	Terminal	
94	4460941	1	Terminal	
95	4460466	5	Plug	
96	1001165311	1	Connector	
97	91013191	2	Terminal	
98	4460539	1	Connector	
99	4460944	3	Terminal	
100	4460539	1	Connector	

## SECTION 10 - ELECTRICAL

ITEM	PART NUMBER	QTY	DESCRIPTION	REV
101	4460536	1	Mating Connector	
102	4460465	3	Terminal	

# SECTION 10 - ELECTRICAL

## FIGURE 10-65. SEAT ADAPTOR HARNESS



ART\_1001168531-A

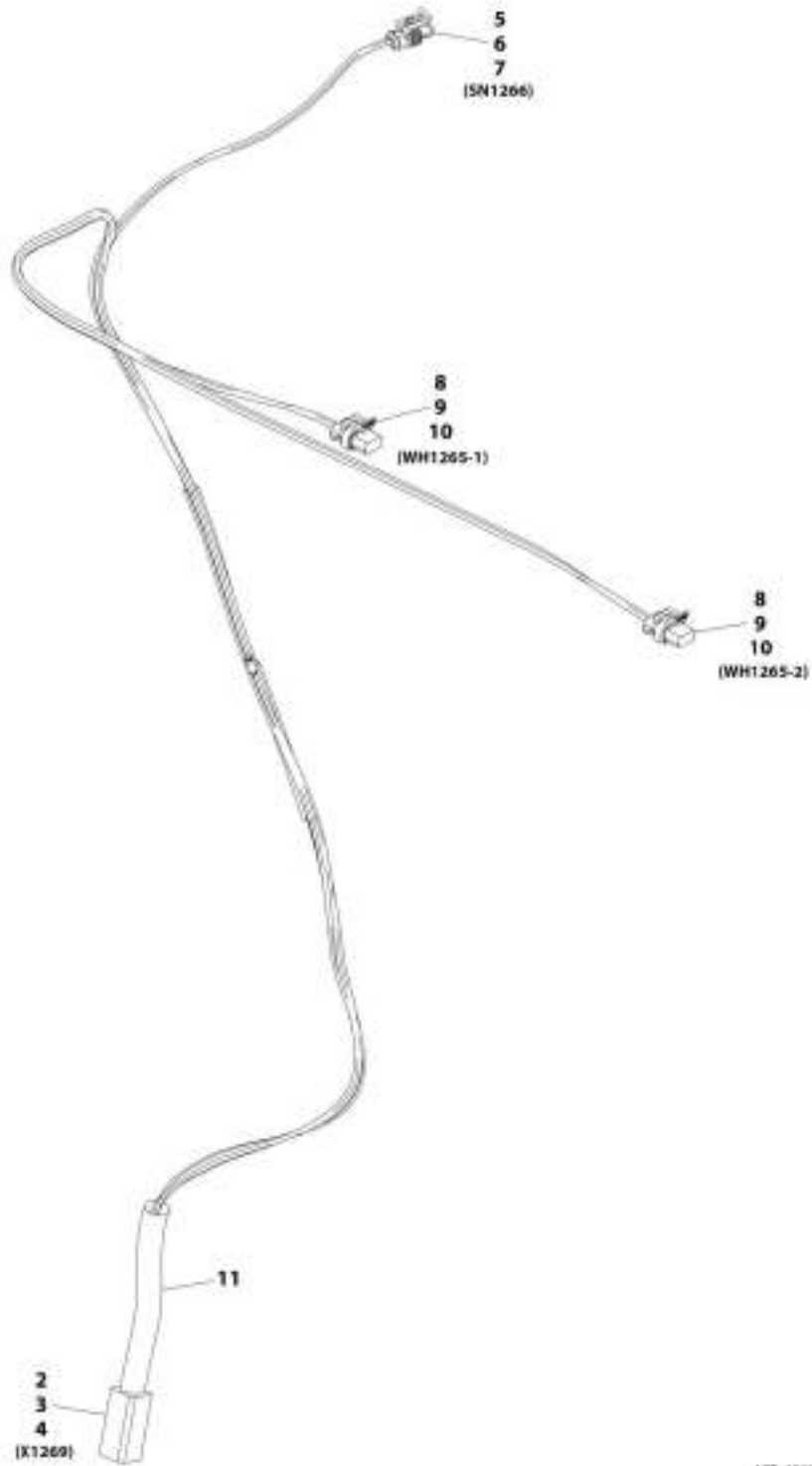
## SECTION 10 - ELECTRICAL

### FIGURE 10-65. SEAT ADAPTOR HARNESS

ITEM	PART NUMBER	QTY	DESCRIPTION	REV
	1001168531	Ref	Seat Adaptor Harness	A
1	4460894	1	Connector	
2	91504107	1	Lock, Connector	
3	4460465	6	Terminal	
4	1001117011	1	Connector	
5	1001116700	3	Terminal	
6	4460897	1	Connector	
7	80604017	1	Lock, Connector	
8	4460943	2	Terminal	

# SECTION 10 - ELECTRICAL

## FIGURE 10-66. A/C OPTION HARNESS





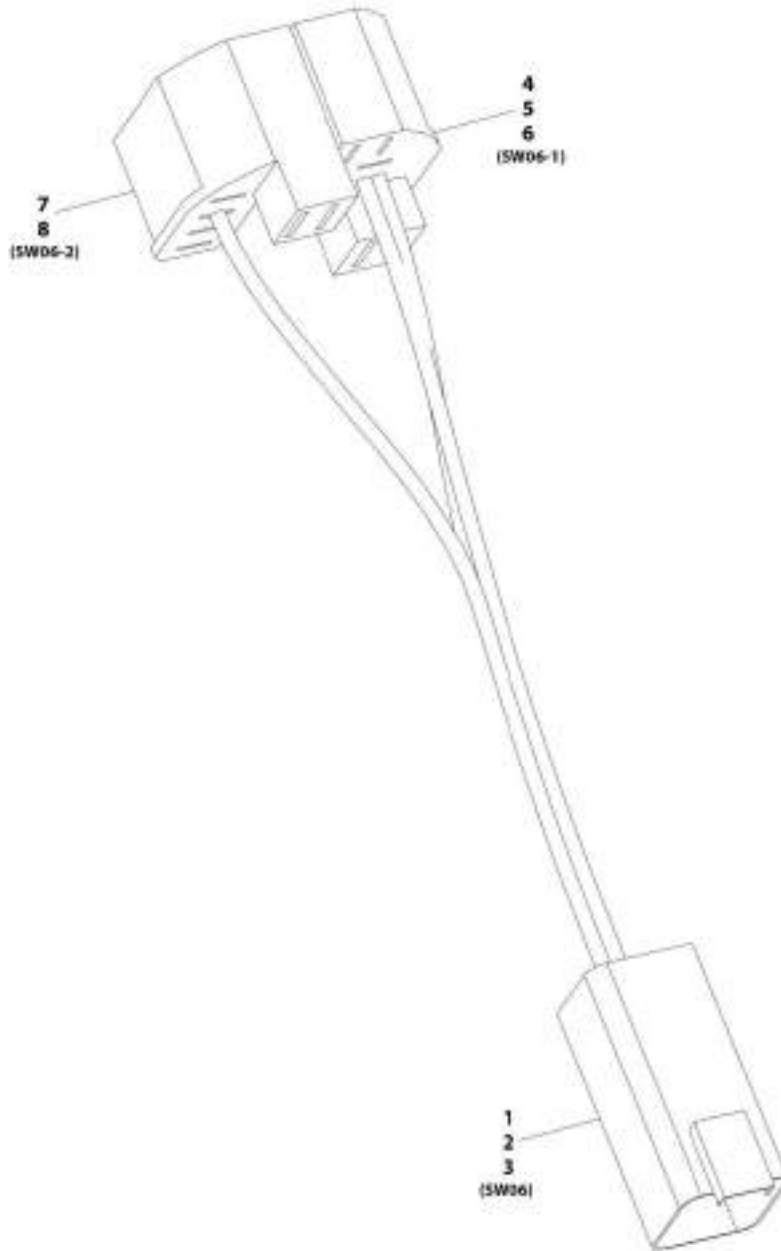
## SECTION 10 - ELECTRICAL

### FIGURE 10-66. A/C OPTION HARNESS

ITEM	PART NUMBER	QTY	DESCRIPTION	REV
	1001169151	Ref	A/C Option Harness	E
2	4460899	1	Connector	
3	4460941	4	Terminal	
4	4460464	2	Terminal	
5	4461118	1	Connector	
6	1001107854	2	Terminal	
7	1001116763	2	Seal	
8	1001117021	2	Connector	
9	1001116747	4	Terminal	
10	4460789	4	Seal	
11	70028546	1	Backshell	

# SECTION 10 - ELECTRICAL

## FIGURE 10-67. IGNITION SWITCH HARNESS



ART\_100122960-A

## SECTION 10 - ELECTRICAL

### FIGURE 10-67. IGNITION SWITCH HARNESS

ITEM	PART NUMBER	QTY	DESCRIPTION	REV
	1001223968	Ref	Ignition Switch Harness	A
1	4460899	1	Connector	
2	4460464	3	Terminal	
3	4460466	3	Plug	
4	1001118685	1	Connector	
5	1001104519	1	Terminal	
6	1001118383	1	Terminal	
7	1001117121	1	Connector	
8	1001104519	1	Terminal	

# SECTION 10 - ELECTRICAL

## FIGURE 10-68. REVERSE SENSOR HARNESS



AWT\_300175774-C

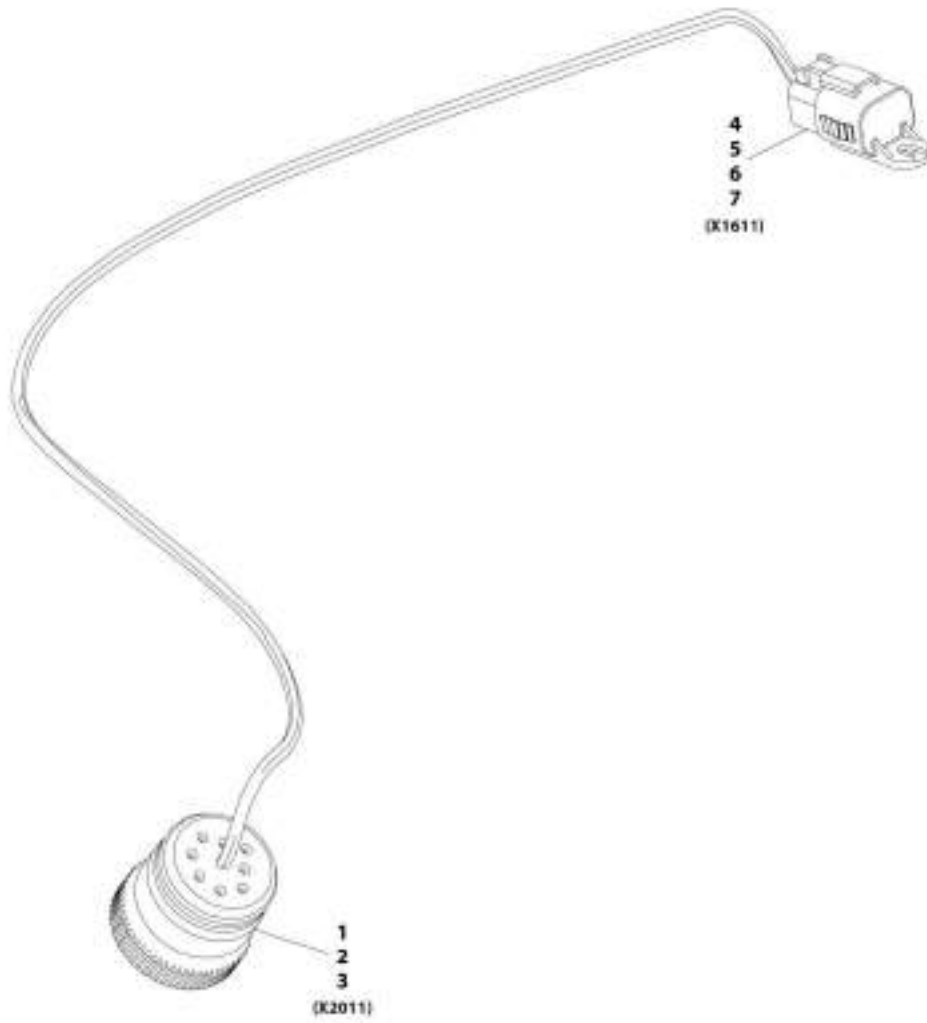
## SECTION 10 - ELECTRICAL

### FIGURE 10-68. REVERSE SENSOR HARNESS

ITEM	PART NUMBER	QTY	DESCRIPTION	REV
	1001175776	Ref	Reverse Sensor Harness	C
1	4460932	1	Connector	
2	4460464	4	Terminal	
3	1001175733	1	Connector	

# SECTION 10 - ELECTRICAL

## FIGURE 10-69. TELEMATICS READY HARNESS



ARC\_1001196200-A

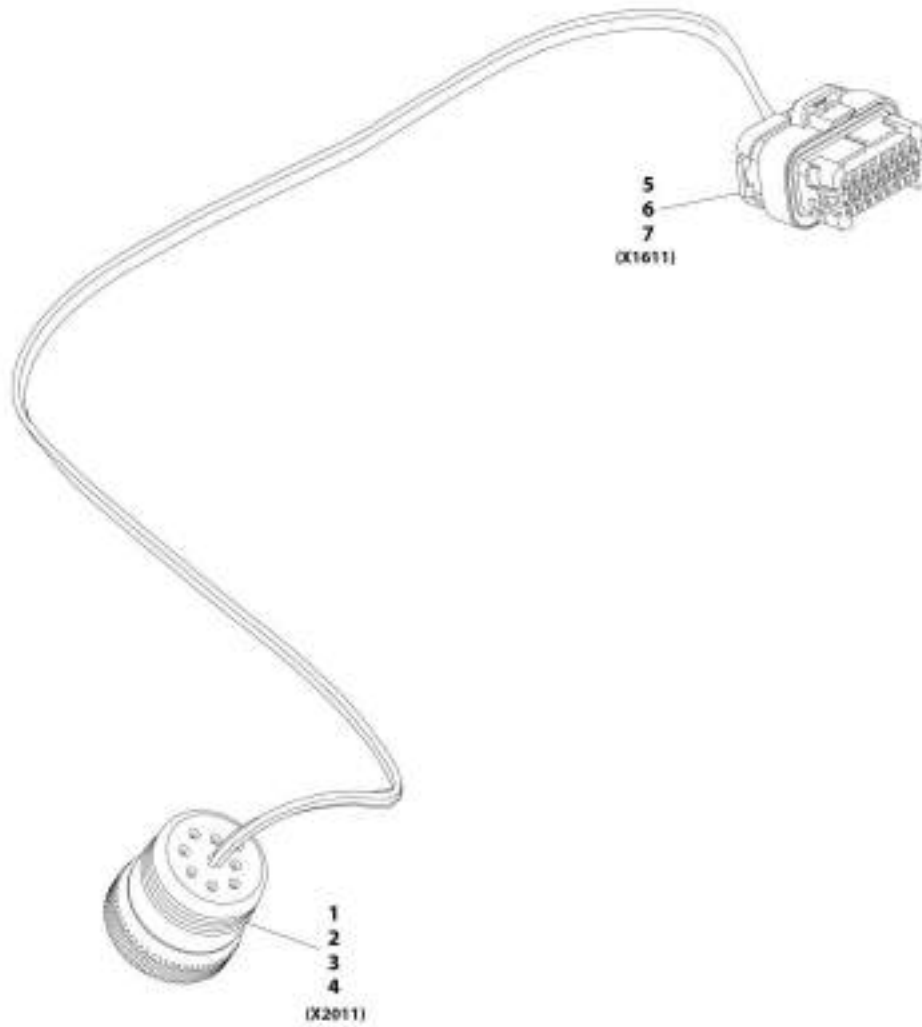
## SECTION 10 - ELECTRICAL

### FIGURE 10-69. TELEMATICS READY HARNESS

ITEM	PART NUMBER	QTY	DESCRIPTION	REV
	1001196289	Ref	Telematics Ready Harness	A
1	1001112796	1	Connector	
2	4460465	3	Terminal	
3	4460466	6	Plug	
4	4460884	1	Connector	
5	4460465	3	Terminal	
6	4460466	1	Plug	
7	80604021	1	Lock, Connector	

# SECTION 10 - ELECTRICAL

## FIGURE 10-70. CLEARSKY HARNESS (A/C)



ART. 3001196452-A



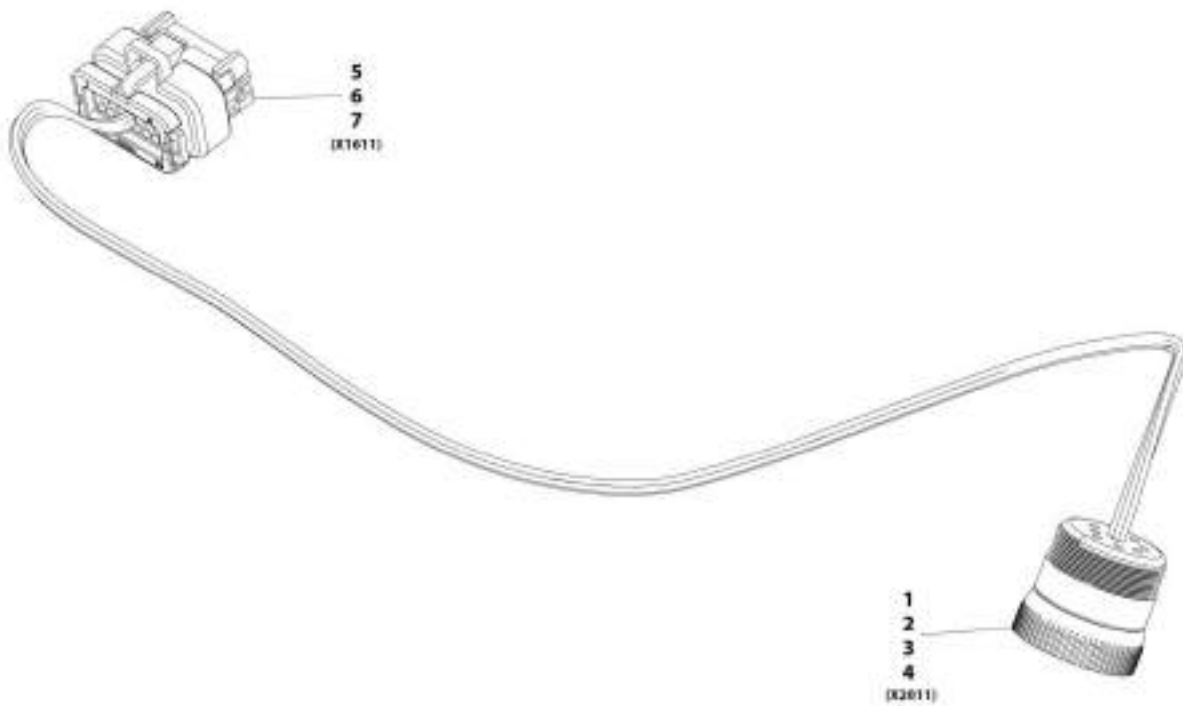
## SECTION 10 - ELECTRICAL

### FIGURE 10-70. CLEARSKY HARNESS (A/C)

ITEM	PART NUMBER	QTY	DESCRIPTION	REV
	1001196452	Ref	Clearsky Harness (A/C)	A
1	1001112796	1	Connector	
2	4460465	3	Terminal	
3	4460944	2	Terminal	
4	4460466	4	Plug	
5	1001116994	1	Connector	
6	4460871	5	Terminal	
7	4460905	18	Plug	

# SECTION 10 - ELECTRICAL

## FIGURE 10-71. CLEARSKY HARNESS (NO A/C)



ART\_100176587-C

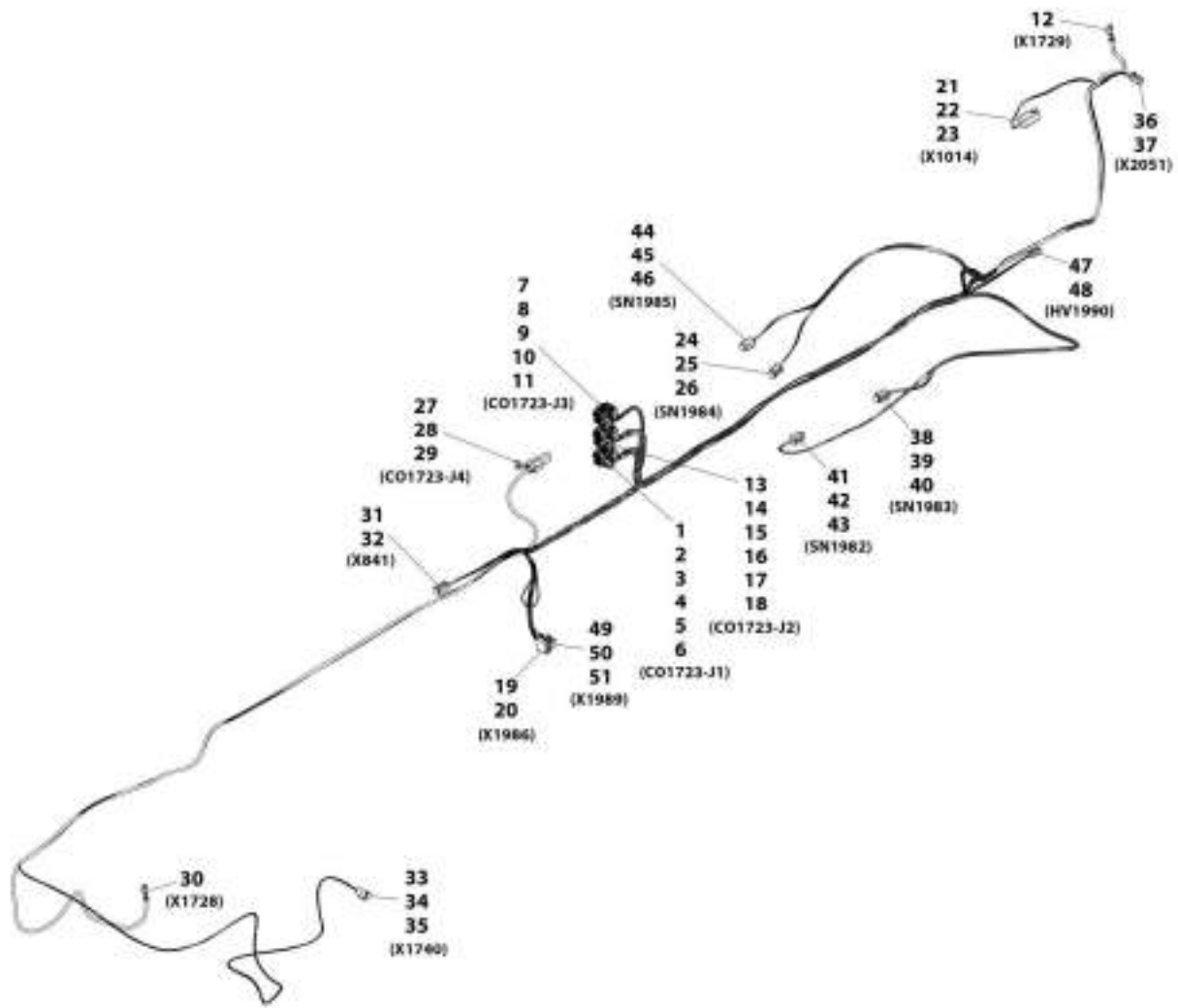
## SECTION 10 - ELECTRICAL

### FIGURE 10-71. CLEARSKY HARNESS (NO A/C)

ITEM	PART NUMBER	QTY	DESCRIPTION	REV
	1001176587	Ref	Clearsky Harness (no A/C)	C
1	1001112796	1	Connector	
2	4460465	3	Terminal	
3	4460944	2	Terminal	
4	4460466	4	Plug	
5	1001116994	1	Connector	
6	4460871	5	Terminal	
7	4460905	18	Plug	

# SECTION 10 - ELECTRICAL

## FIGURE 10-72. LMIS CHASSIS OPTION HARNESS



ART. 1001184795-E

## SECTION 10 - ELECTRICAL

### FIGURE 10-72. LMIS CHASSIS OPTION HARNESS

ITEM	PART NUMBER	QTY	DESCRIPTION	REV
	1001184795	Ref	LMIS Chassis Option Harness	E
1	1001161957	1	Connector	
2	1001161097	17	Terminal	
3	1001161100	7	Plug	
4	1001161101	2	Plug	
5	1001161098	2	Terminal	
6	1001161099	4	Terminal	
7	1001160500	1	Connector	
8	1001161100	16	Plug	
9	1001161097	8	Terminal	
10	1001161101	7	Plug	
11	1001161098	1	Terminal	
12	1001187076	1	Ring Terminal	
13	1001161963	1	Connector	
14	1001161097	24	Terminal	
15	1001161100	16	Plug	
16	1001161095	1	Terminal	
17	1001161099	3	Terminal	
18	1001161101	4	Plug	
19	1001116774	1	Connector	
20	4460928	12	Terminal	
21	4460899	1	Connector	
22	4460464	3	Terminal	
23	4460466	3	Plug	
24	4460884	1	Connector	
25	4460942	1	Terminal	
26	4460465	3	Terminal	
27	1001160509	1	Connector	
28	1001160510	1	Terminal	
29	1001175266	1	Terminal Seal	
30	1001187075	1	Ring Terminal	
31	4460884	1	Connector	
32	4460465	4	Terminal	
33	1001116812	1	Connector	
34	4460944	2	Terminal	
35	4460466	1	Plug	
36	4460539	1	Connector	
37	4460465	3	Terminal	
38	4460884	1	Connector	
39	4460942	1	Terminal	
40	4460465	3	Terminal	
41	4460884	1	Connector	
42	4460942	1	Terminal	
43	4460465	3	Terminal	
44	4460884	1	Connector	
45	4460942	1	Terminal	
46	4460465	3	Terminal	
47	4460891	1	Connector	
48	4460465	2	Terminal	
49	4460891	1	Connector	

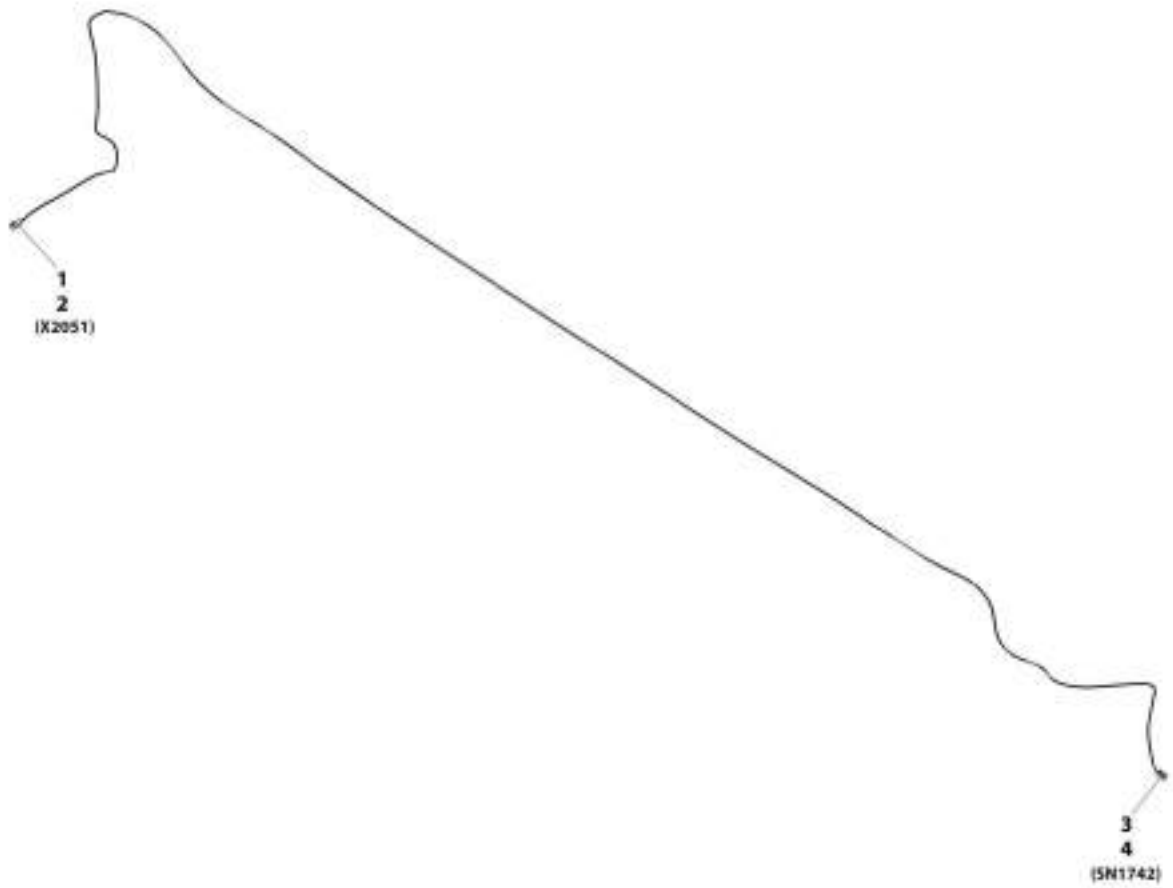
## SECTION 10 - ELECTRICAL

ITEM	PART NUMBER	QTY	DESCRIPTION	REV
50	4460465	1	Terminal	
51	4460942	1	Terminal	



# SECTION 10 - ELECTRICAL

## FIGURE 10-73. LMIS BOOM HARNESS



ART\_100100019-C



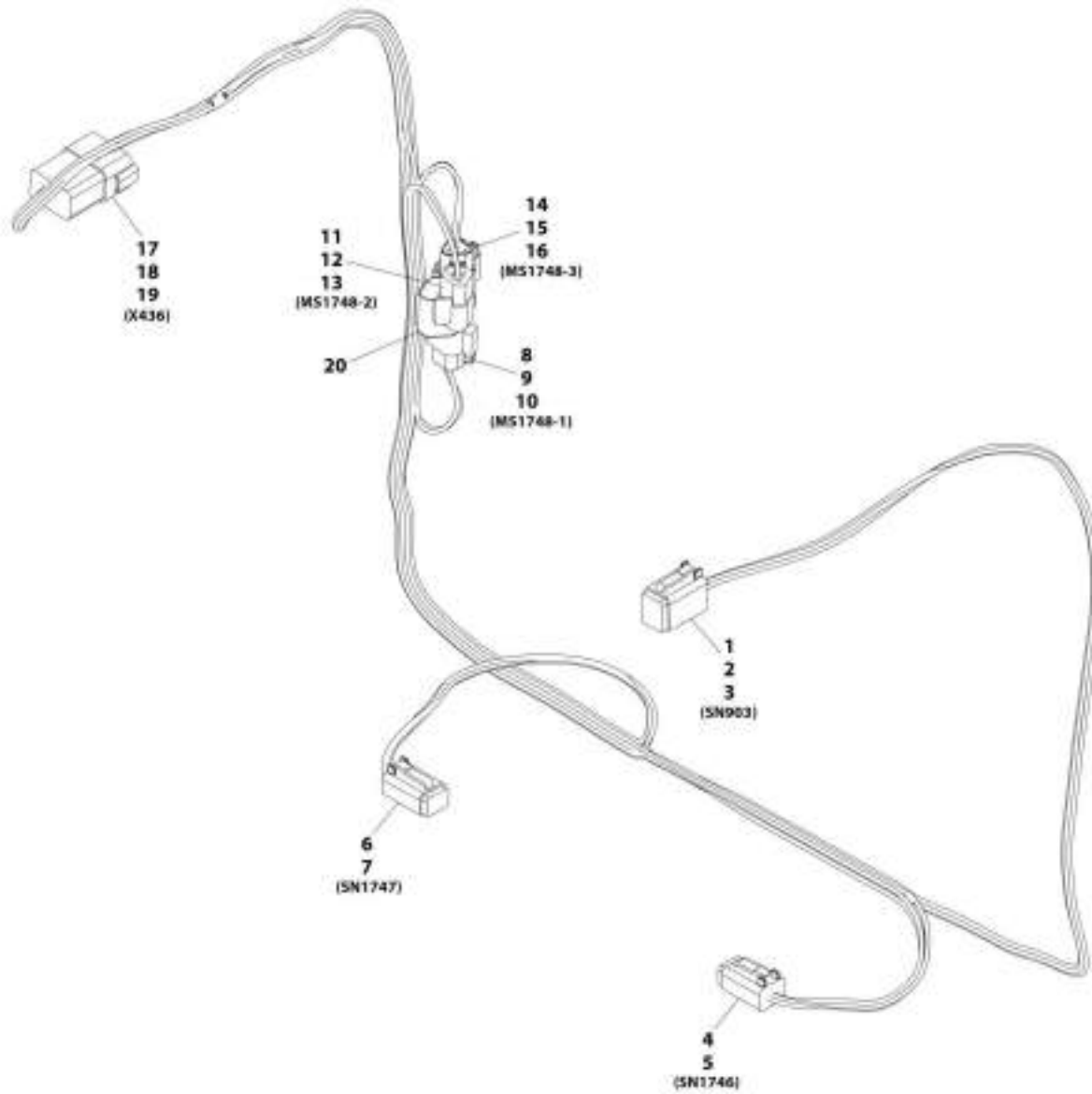
## SECTION 10 - ELECTRICAL

### FIGURE 10-73. LMIS BOOM HARNESS

ITEM	PART NUMBER	QTY	DESCRIPTION	REV
	1001192619	Ref	LMIS Boom Harness	C
1	4460536	1	Connector	
2	4460464	3	Terminal	
3	4460539	1	Connector	
4	4460465	3	Terminal	

# SECTION 10 - ELECTRICAL

## FIGURE 10-74. PLATFORM READY HARNESS



AWT\_1001195202-6

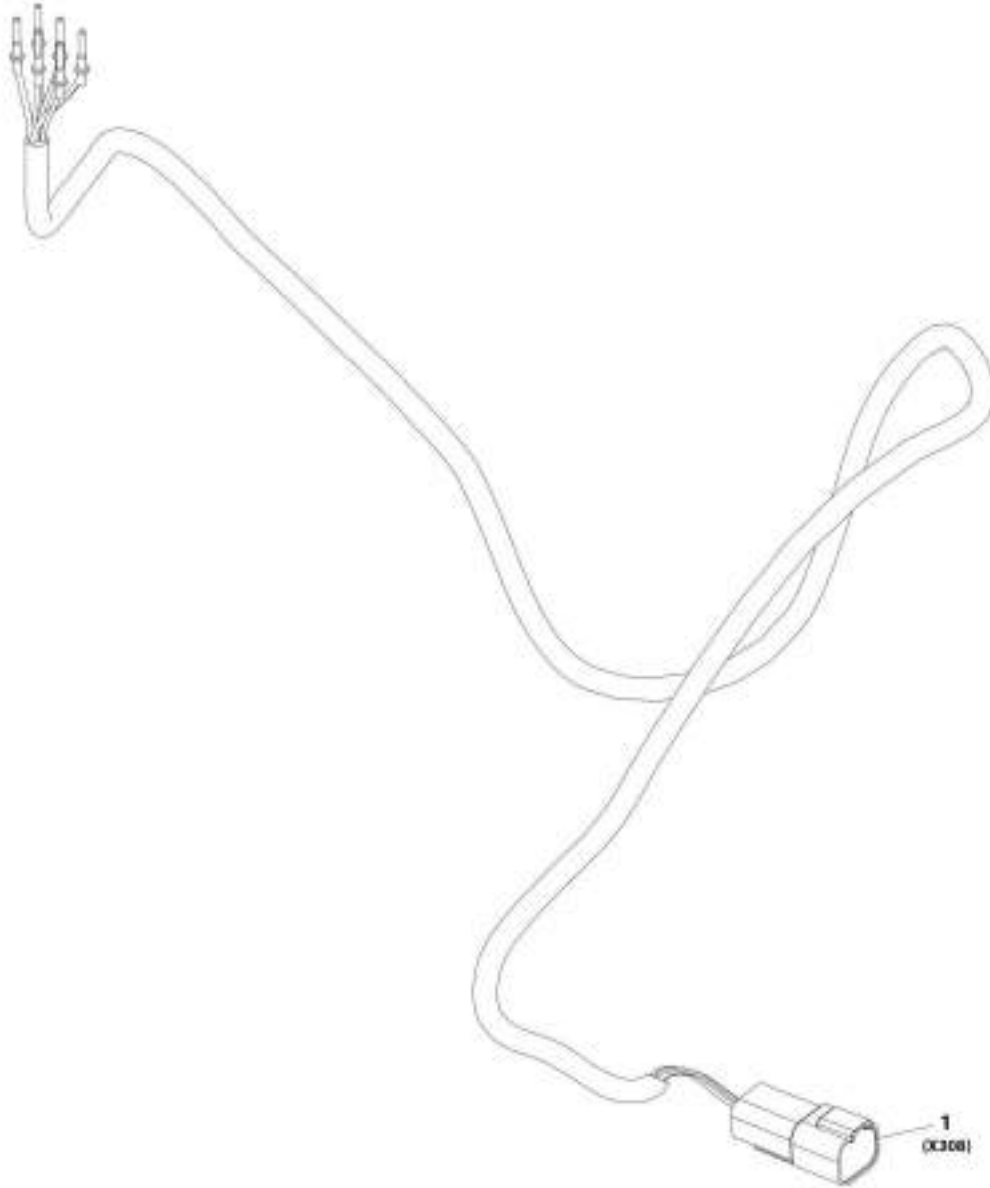
## SECTION 10 - ELECTRICAL

### FIGURE 10-74. PLATFORM READY HARNESS

ITEM	PART NUMBER	QTY	DESCRIPTION	REV
	1001195202	Ref	Platform Ready Harness	A
1	4460894	1	Connector	
2	4460465	4	Terminal	
3	4460466	2	Plug	
4	4460884	1	Connector	
5	4460944	4	Terminal	
6	4460884	1	Connector	
7	4460944	4	Terminal	
8	1001116812	1	Connector	
9	4460944	2	Terminal	
10	4460466	1	Plug	
11	4460539	1	Connector	
12	4460944	2	Terminal	
13	4460466	1	Plug	
14	1001116812	1	Connector	
15	4460944	2	Terminal	
16	4460466	1	Plug	
17	4460931	1	Connector	
18	4460464	6	Terminal	
19	4460466	2	Plug	
20	4460945	1	Connector, 3 Way	

# SECTION 10 - ELECTRICAL

## FIGURE 10-75. LMIS BEACON OPTION HARNESS



ART\_308117247-R

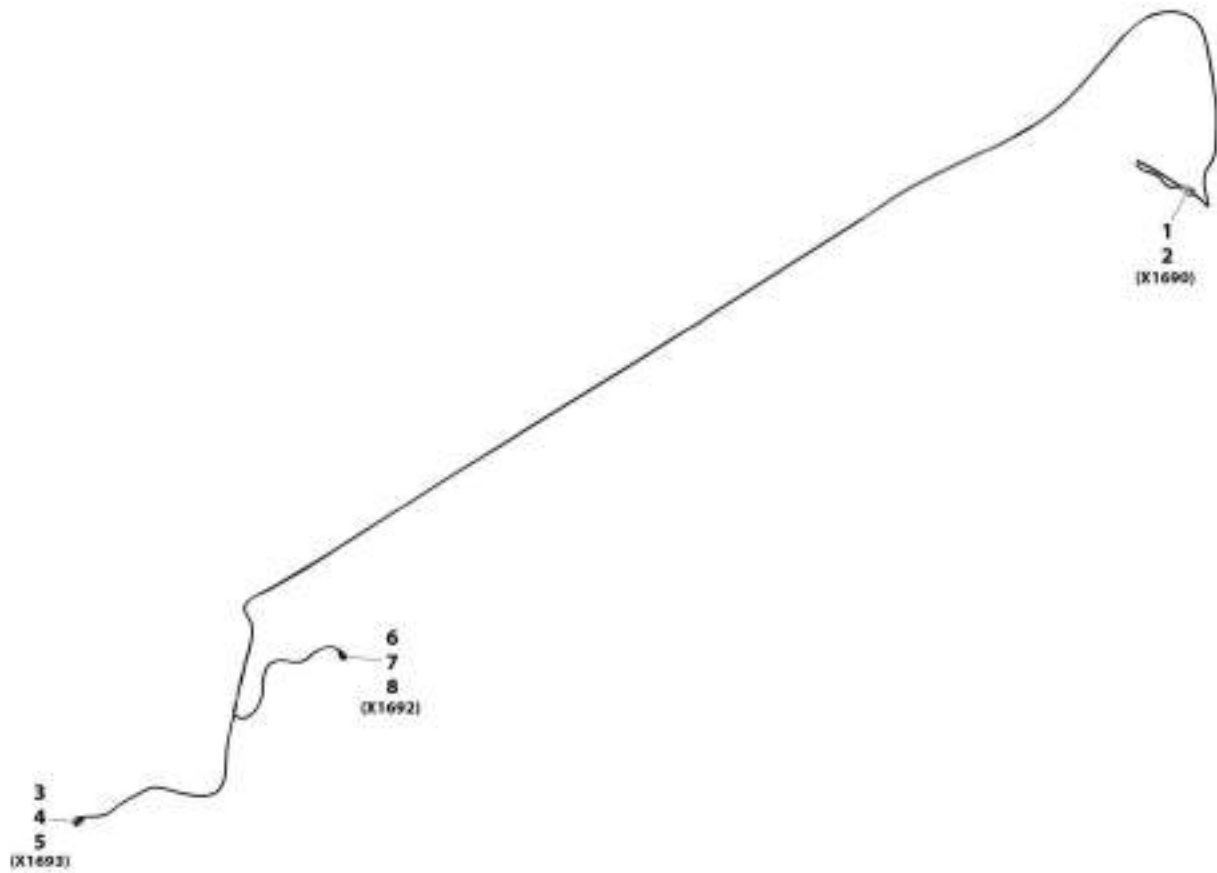
## SECTION 10 - ELECTRICAL

### FIGURE 10-75. LMIS BEACON OPTION HARNESS

ITEM	PART NUMBER	QTY	DESCRIPTION	REV
1	1001117247 4460932	Ref 1	LMIS Beacon Option Harness Connector	B

# SECTION 10 - ELECTRICAL

## FIGURE 10-76. PROXIMITY SENSOR HARNESS



AWT\_1001105953-F

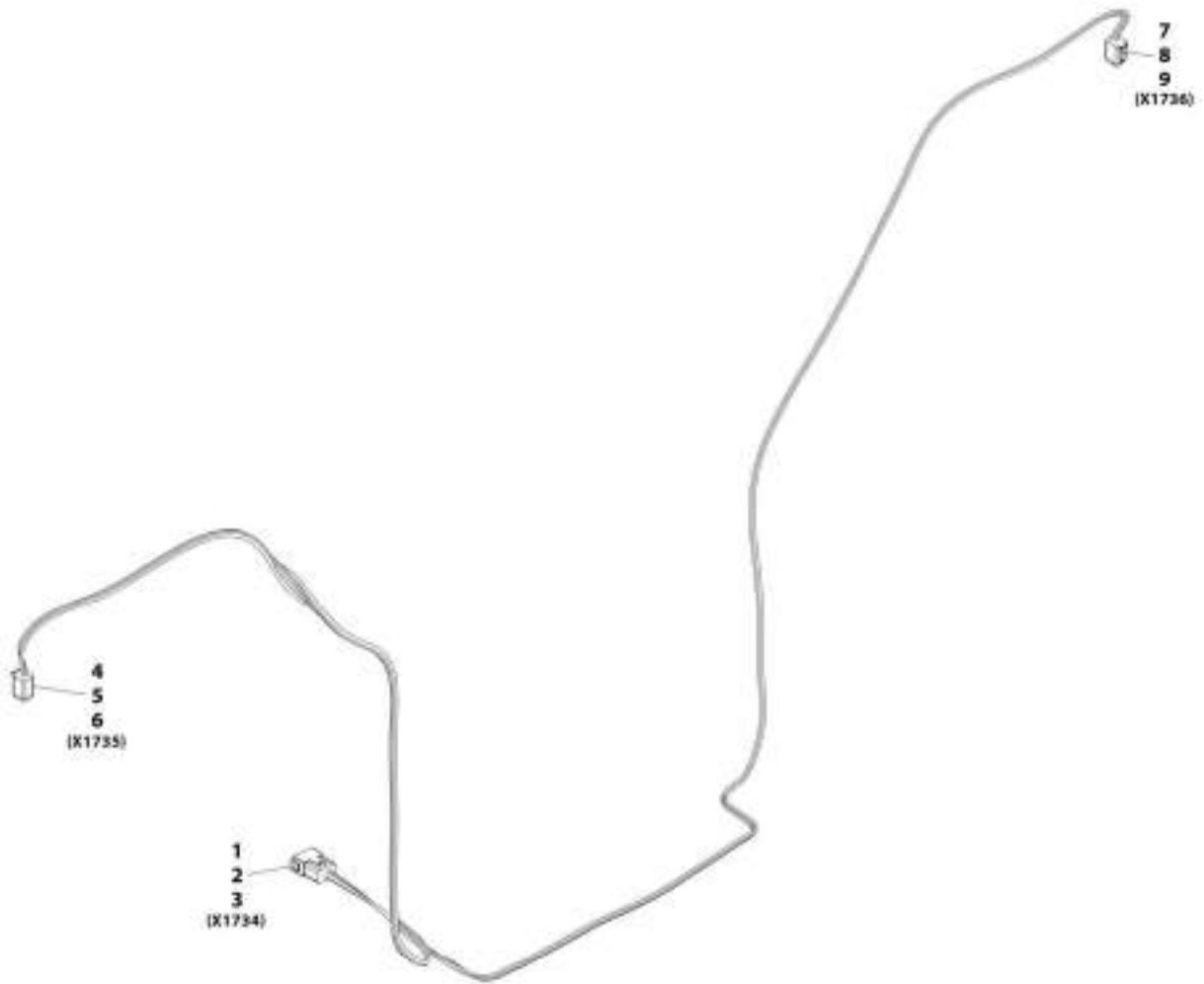
## SECTION 10 - ELECTRICAL

### FIGURE 10-76. PROXIMITY SENSOR HARNESS

ITEM	PART NUMBER	QTY	DESCRIPTION	REV
	1001195953	Ref	Proximity Sensor Harness	F
1	4460932	1	Connector	
2	4460464	4	Terminal	
3	4461262	1	Connector	
4	1001107854	3	Terminal	
5	1001104498	3	Terminal Seal	
6	4461262	1	Connector	
7	1001107854	3	Terminal	
8	1001104498	3	Terminal Seal	

# SECTION 10 - ELECTRICAL

## FIGURE 10-77. HEADLIGHT HARNESS



ARC\_1001215683-0



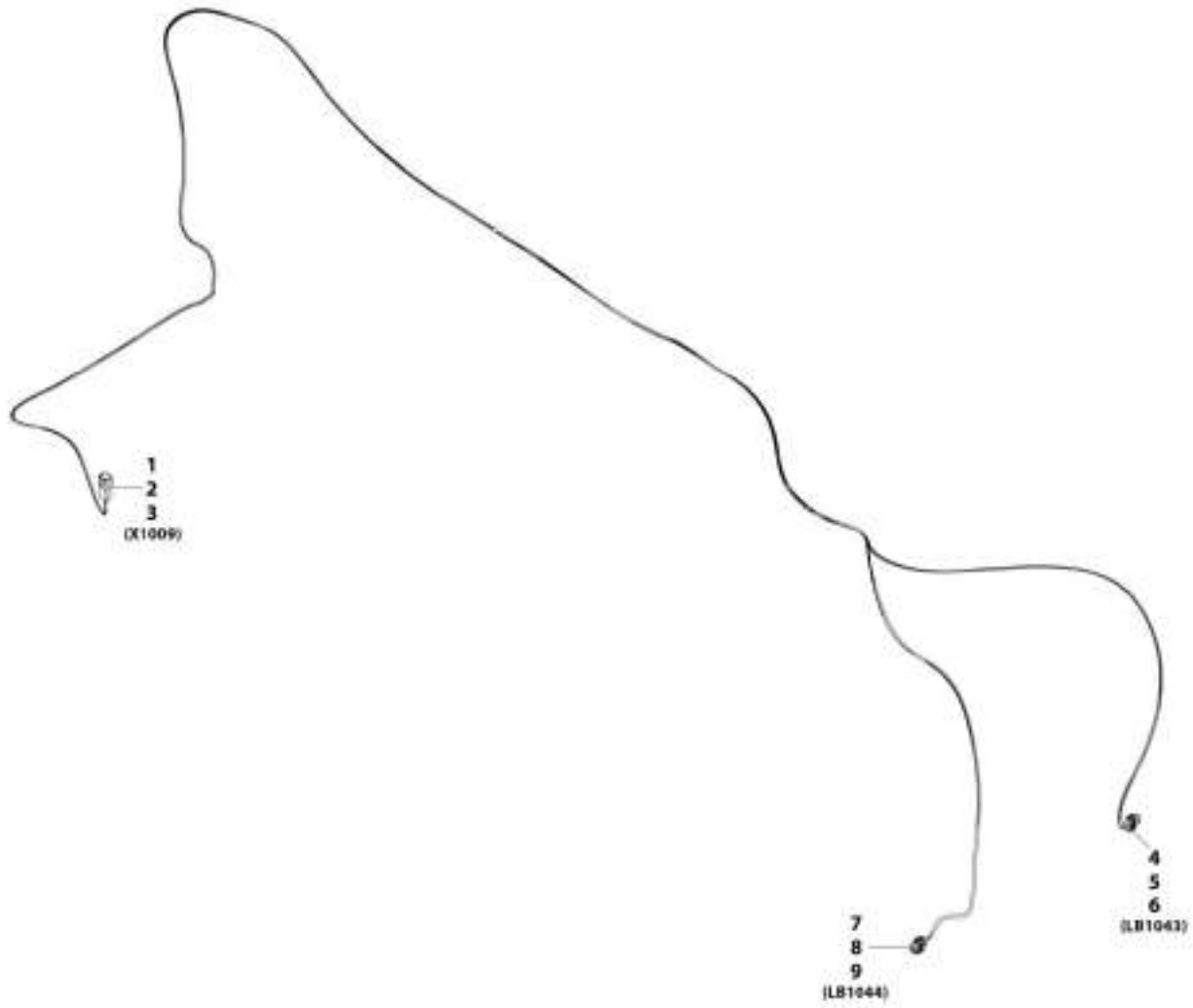
## SECTION 10 - ELECTRICAL

### FIGURE 10-77. HEADLIGHT HARNESS

ITEM	PART NUMBER	QTY	DESCRIPTION	REV
	1001215693	Ref	Headlight Harness	B
1	4460970	1	Connector	
2	4460941	10	Terminal	
3	4460466	2	Plug	
4	4460894	1	Connector	
5	4460942	5	Terminal	
6	4460466	1	Plug	
7	4460894	1	Connector	
8	4460942	5	Terminal	
9	4460466	1	Plug	

# SECTION 10 - ELECTRICAL

## FIGURE 10-78. BOOM WORKLIGHTS HARNESS



APT\_1001184796-D

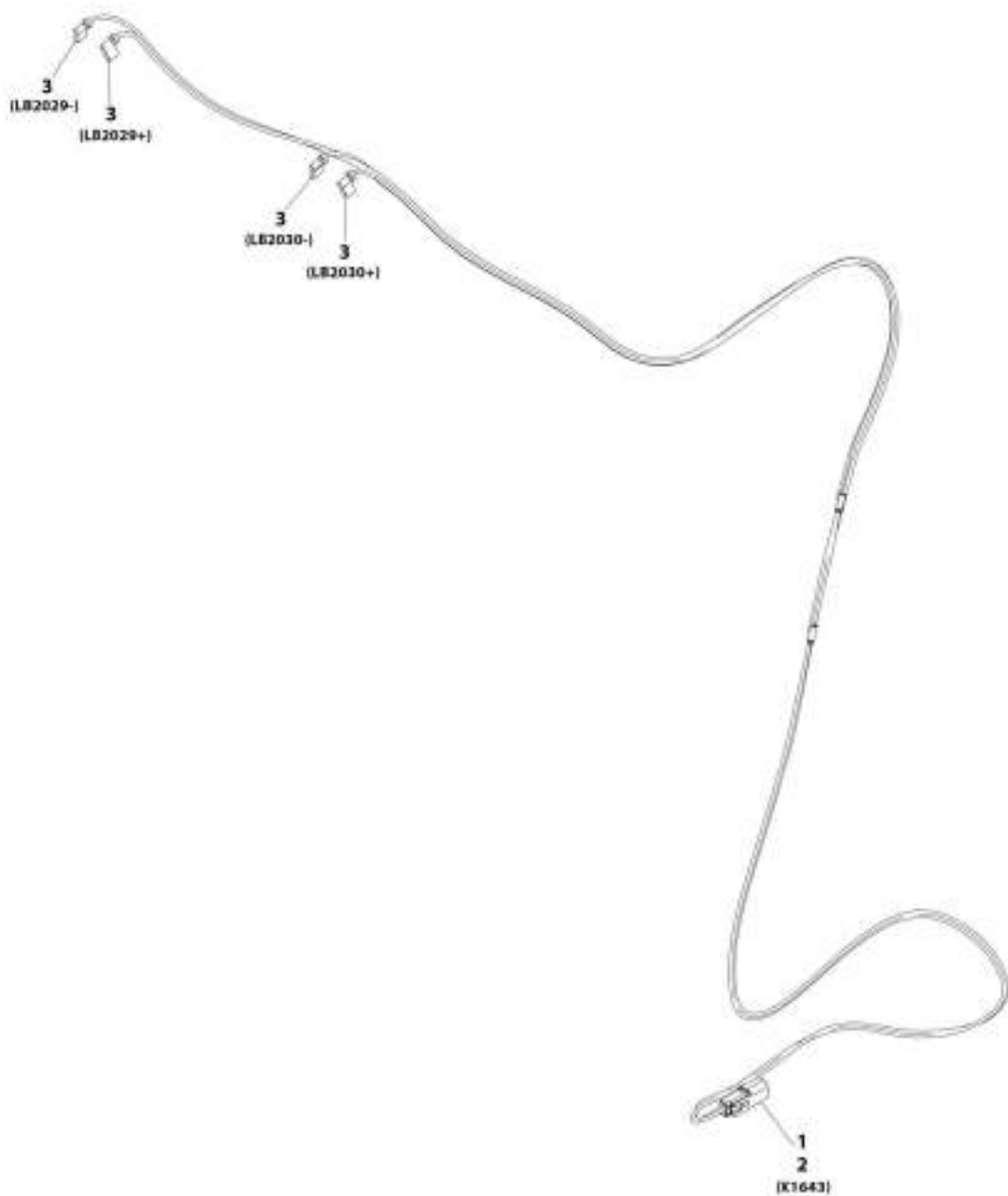
## SECTION 10 - ELECTRICAL

### FIGURE 10-78. BOOM WORKLIGHTS HARNESS

ITEM	PART NUMBER	QTY	DESCRIPTION	REV
	1001184796	Ref	Boom Worklights Harness	D
1	4460932	1	Connector	
2	4460464	2	Terminal	
3	4460466	2	Plug	
4	4461115	1	Connector	
5	1001116728	2	Terminal	
6	4460458	2	Terminal Seal	
7	4461115	1	Connector	
8	1001116728	2	Terminal	
9	4460458	2	Terminal Seal	

# SECTION 10 - ELECTRICAL

## FIGURE 10-79. LICENSE LIGHT HARNESS



ART\_1001178055-C

## SECTION 10 - ELECTRICAL

### FIGURE 10-79. LICENSE LIGHT HARNESS

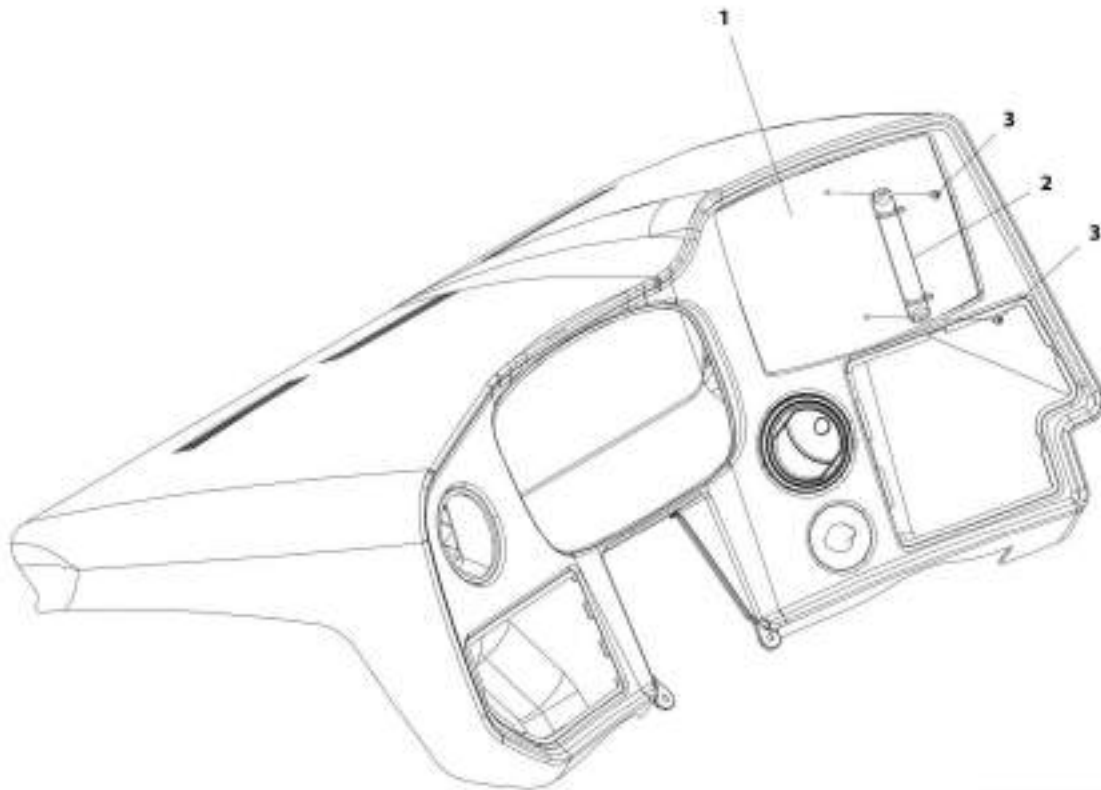
ITEM	PART NUMBER	QTY	DESCRIPTION	REV
	1001178053	Ref	License Light Harness	C
1	4460897	1	Connector	
2	4460941	2	Terminal	
3	1001190396	4	Connector	



**SECTION 11 - DECALS**

# SECTION 11 - DECALS

## FIGURE 11-1. CAPACITY CHART HOLDER INSTALLATION



ART\_1001178700-A



## SECTION 11 - DECALS

### FIGURE 11-1. CAPACITY CHART HOLDER INSTALLATION

ITEM	PART NUMBER	QTY	DESCRIPTION	REV
	1001178706	Ref	Capacity Chart Holder Installation	A
1	1001179297	1	Load Chart, Bezel	
2	1001005960	1	Holder	
3	7029486	2	Screw	

# SECTION 11 - DECALS

FIGURE 11-2. REVERSE SENSOR SYSTEM DECAL (ENGLISH)



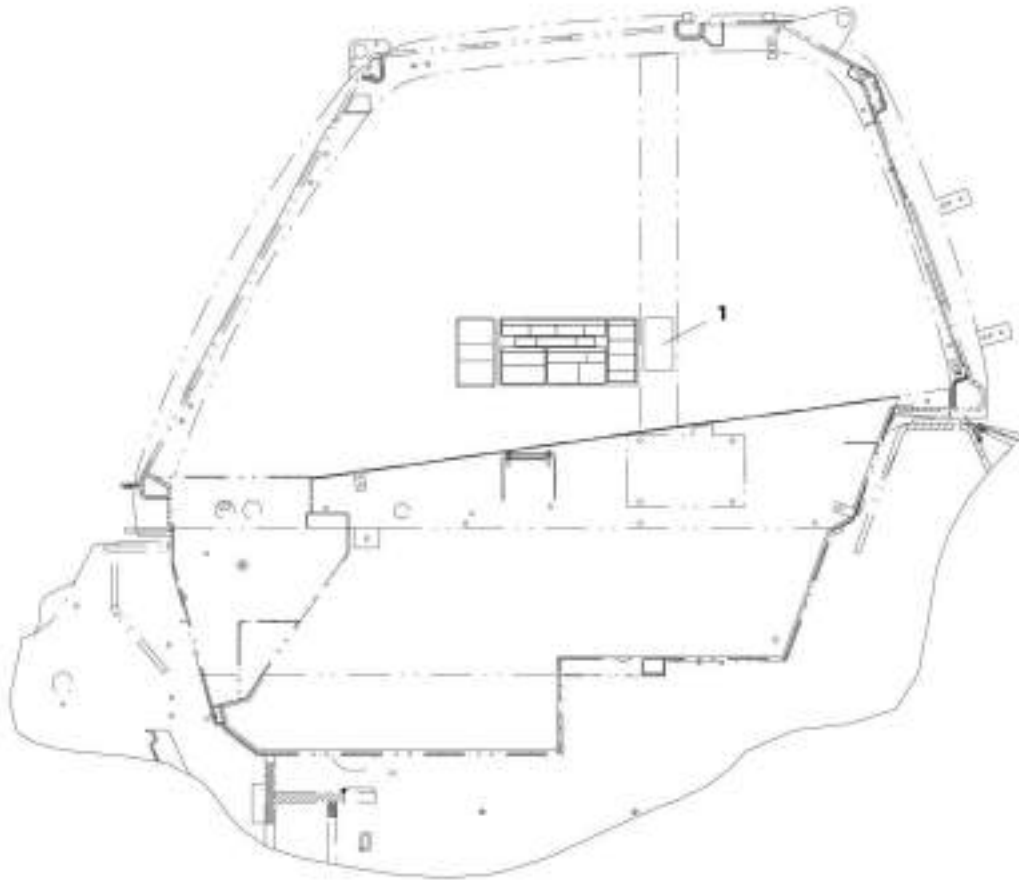
## SECTION 11 - DECALS

**FIGURE 11-2. REVERSE SENSOR SYSTEM DECAL (ENGLISH)**

ITEM	PART NUMBER	QTY	DESCRIPTION	REV
1	1001160072	1	Reverse Sensor System Decal (English)	A

## SECTION 11 - DECALS

FIGURE 11-3. REVERSE SENSING SYSTEM DECAL, (ENGLISH/FRENCH)



ART\_1001160945-A

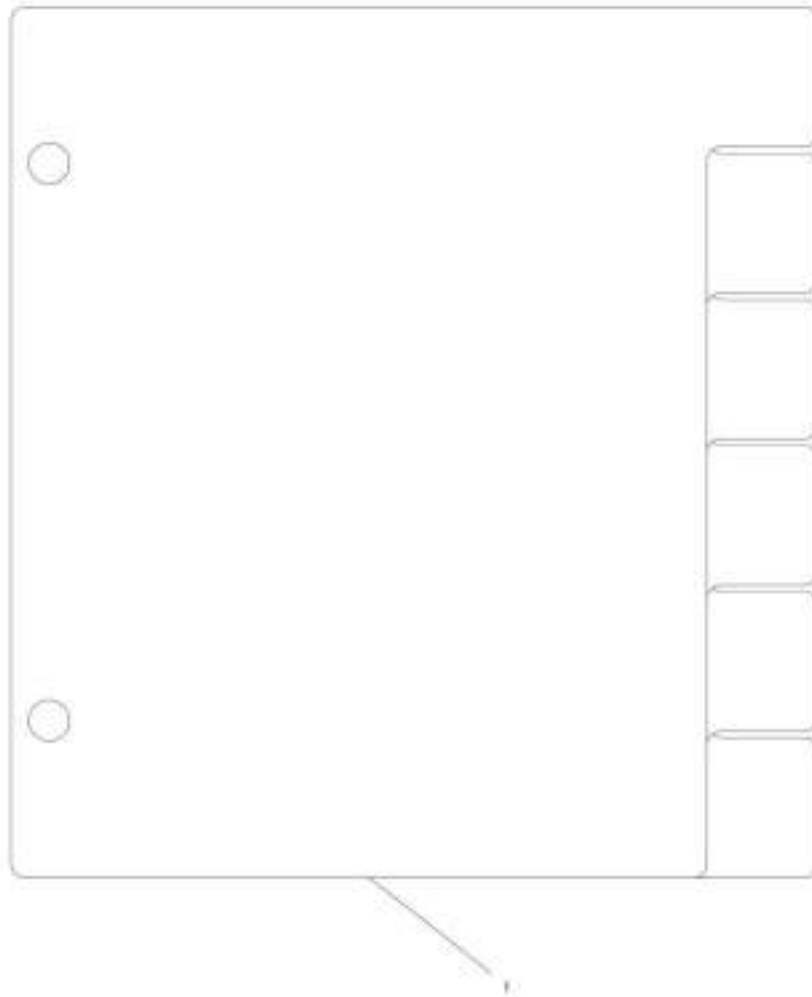
## SECTION 11 - DECALS

**FIGURE 11-3. REVERSE SENSING SYSTEM DECAL, (ENGLISH/FRENCH)**

ITEM	PART NUMBER	QTY	DESCRIPTION	REV
1	1001160945	1	Reverse Sensing System Decal (ENGLISH/FRENCH)	A

# SECTION 11 - DECALS

## FIGURE 11-4. CAPACITY CHART



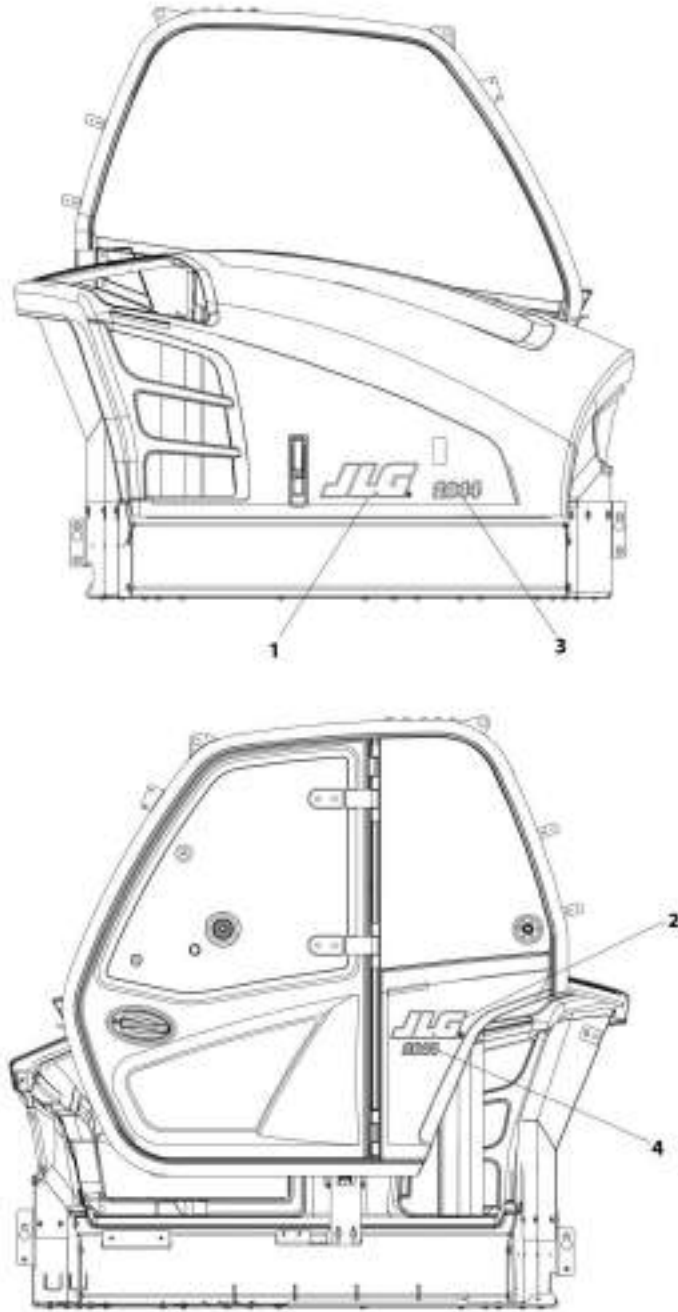
ART\_100123430-A

**FIGURE 11-4. CAPACITY CHART**

ITEM	PART NUMBER	QTY	DESCRIPTION	REV
1	1001233430	1	Capacity Chart	A

# SECTION 11 - DECALS

## FIGURE 11-5. 1644 DECAL INSTALLATION



ART\_1001226333-A



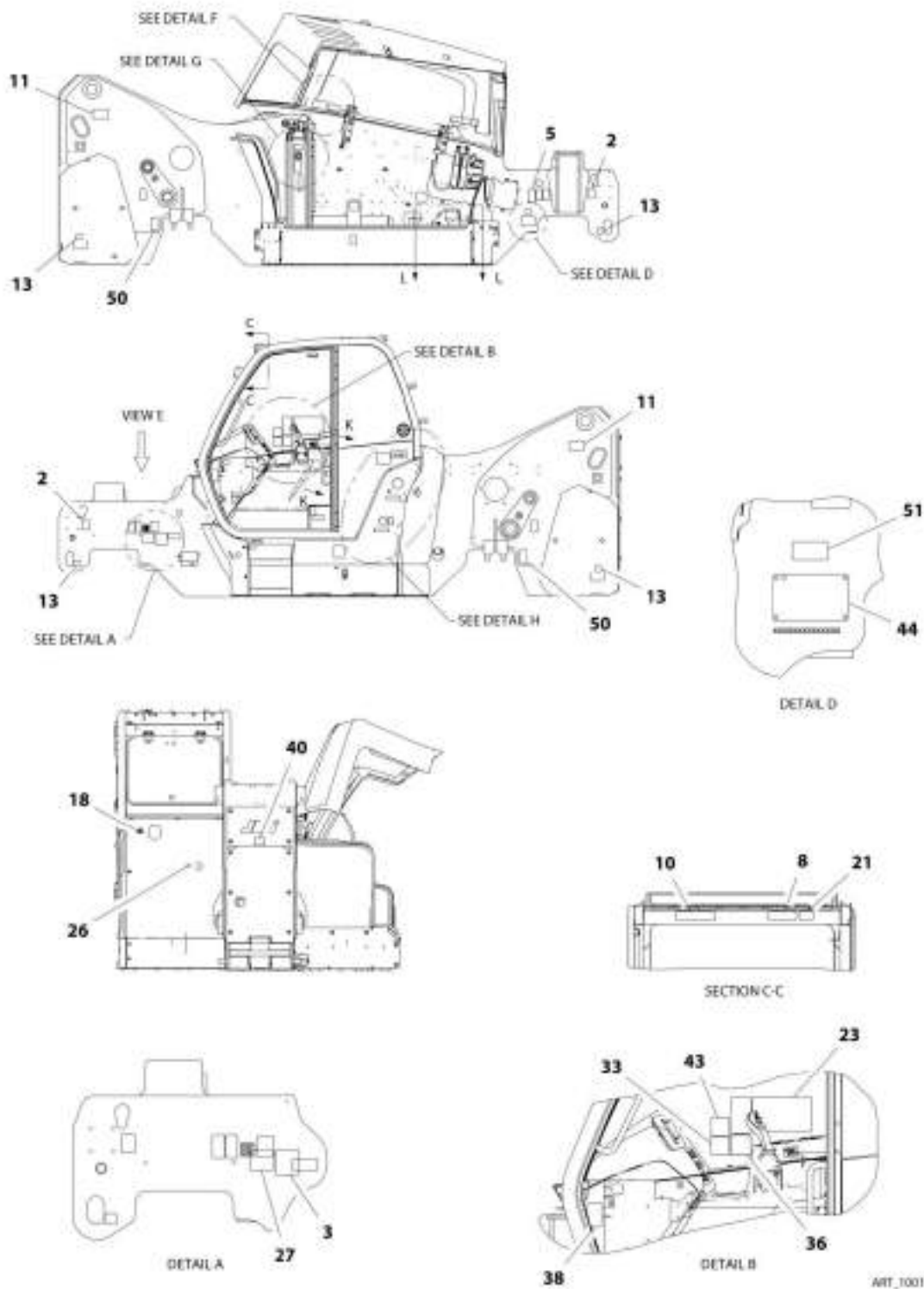
## SECTION 11 - DECALS

### FIGURE 11-5. 1644 DECAL INSTALLATION

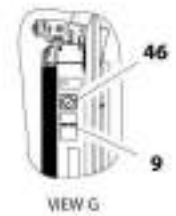
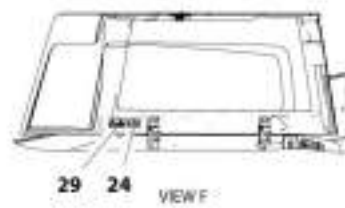
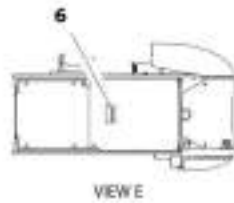
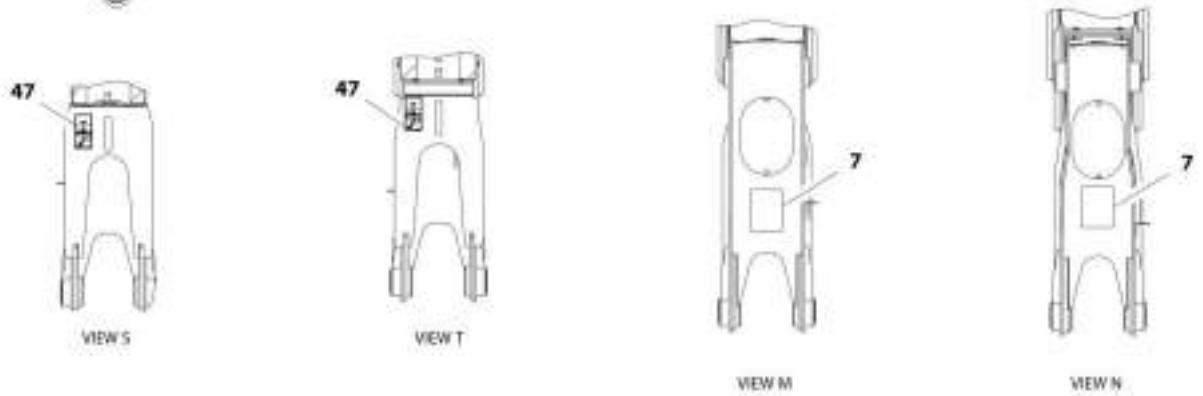
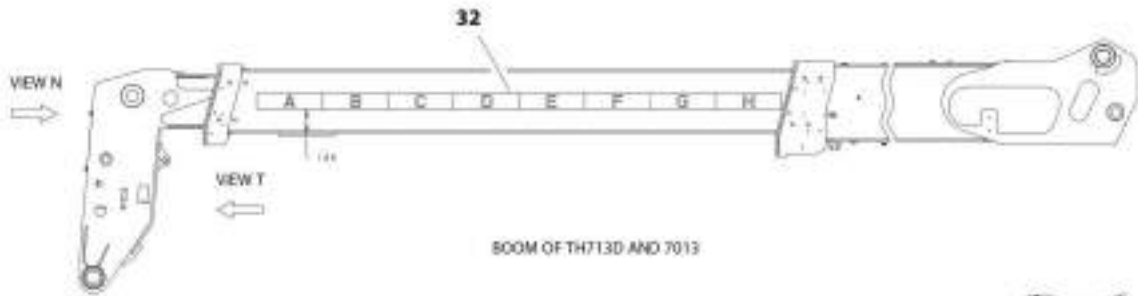
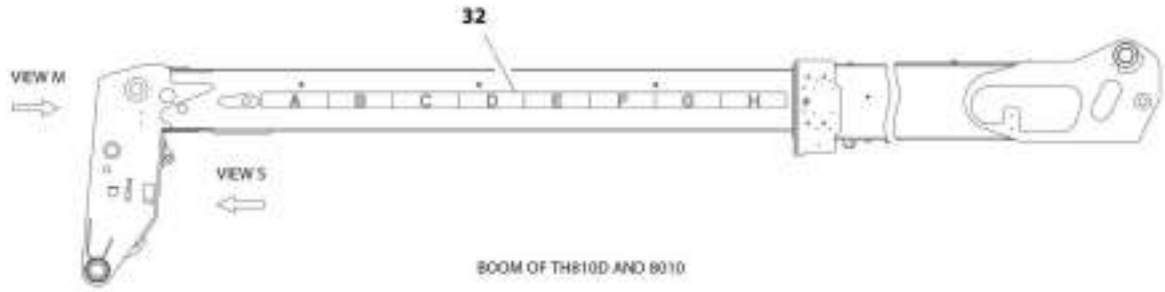
ITEM	PART NUMBER	QTY	DESCRIPTION	REV
	1001226533	Ref	1644 Decal Installation	A
1	1001160775	1	Decal, JLG 5 Black	
2	1001169674	1	Decal, JLG M100X285	
3	1001226536	1	Decal, JLG 1644 Hood	
4	1001226537	1	Decal, JLG 1644 Cab	

# SECTION 11 - DECALS

## FIGURE 11-6. DECAL INSTALLATION (ENGLISH)

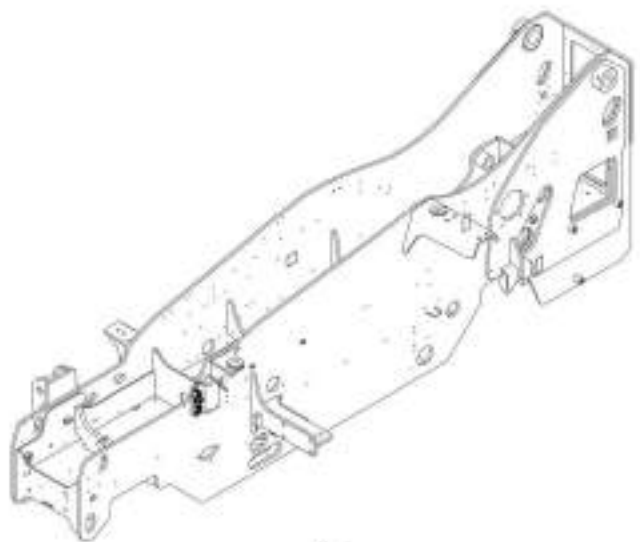


# SECTION 11 - DECALS

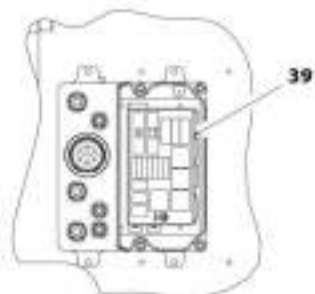


ART\_1001182746\_2-F

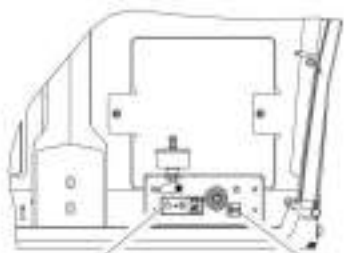
# SECTION 11 - DECALS



VIEW P



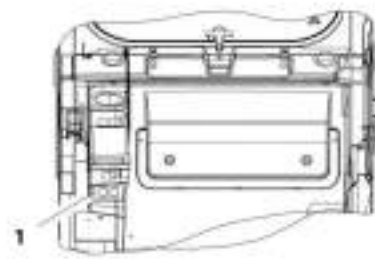
VIEW P



41 SECTION L-L 35



SECTION J-J



SECTION L-L

ART\_1001192745\_3/F

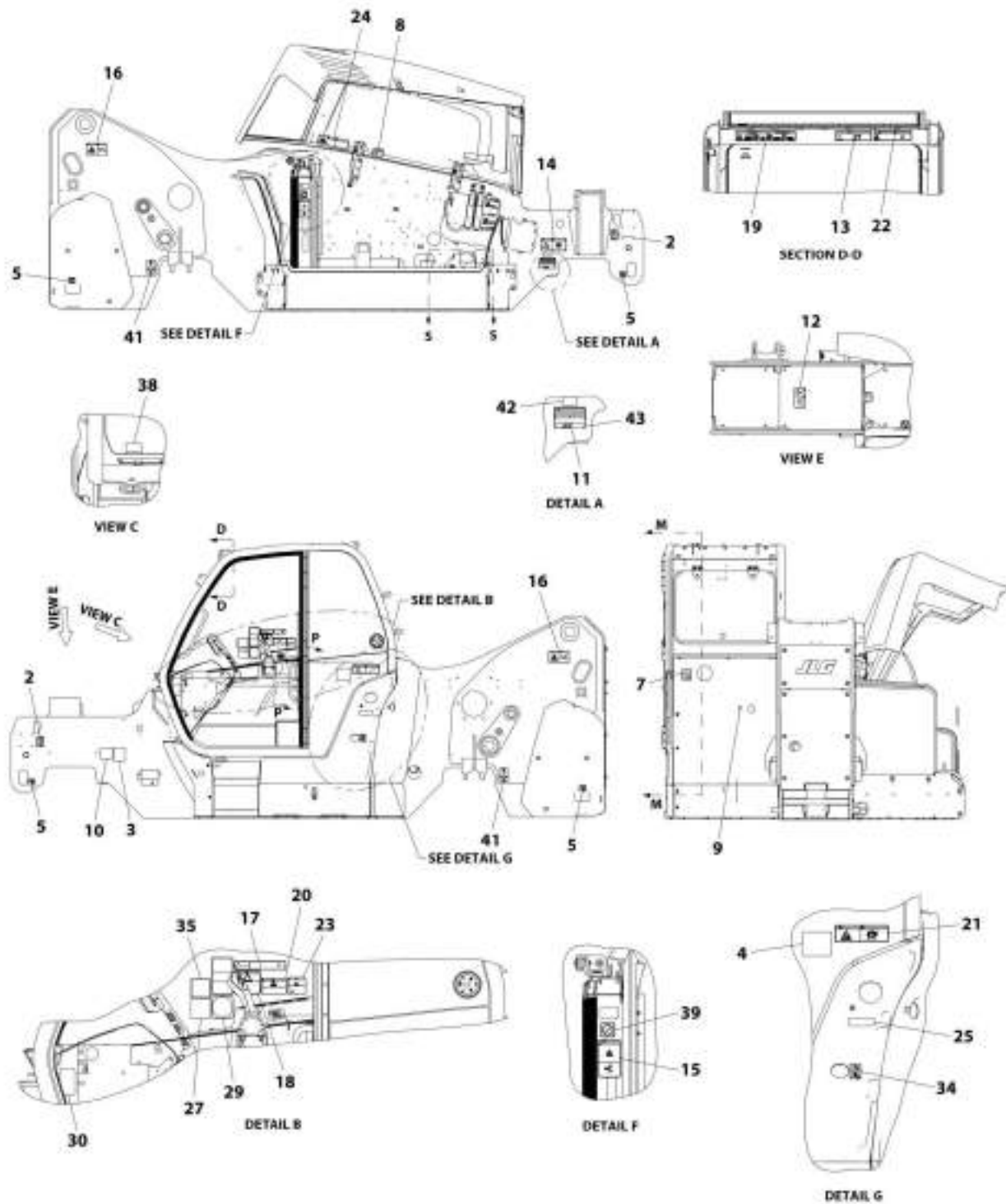
## SECTION 11 - DECALS

**FIGURE 11-6. DECAL INSTALLATION (ENGLISH)**

ITEM	PART NUMBER	QTY	DESCRIPTION	REV
	1001192745	Ref	Decal Installation (English)	F
1	1670836	1	Cover, Boom	
2	1701500	2	Decal, Lift	
3	1702631	1	Decal, Bar Code	
5	1706300	1	Decal, Ether Warning	
6	1706296	1	Decal, Battery Warning	
7	1001195849	1	Decal, Carry Personnel	
8	1706299	1	Decal, Contacting Power Lines Warning	
9	1706301	1	Decal, Keep Clear Of Rotating Parts Warning	
10	1706306	1	Decal, Tip Over Warning	
11	1706302	2	Decal, Pinch Point Boom Holes	
12	3251813	1	Decal, USA	
13	4109801	4	Decal, Tie Down Point	
18	1001094708	1	Decal, Hydraulic Oil	
21	1706850	1	Decal, Crush Hazard Warning	
22	1706768	1	Decal, Vehicle Roll Away	
23	1707078	1	Decal, Warning/Danger	
24	1001109053	1	Decal, Coolant Fill	
26	1001130323	1	Decal, Oil Level	
27	1001131271	1	Decal, Patent	
28	1001218704	1	Decal, Ultra Low Sulfur Diesel	
29	1001139578	1	Decal, Hot Fluid Warning	
32	1001171277	1	Decal, Boom Extend	
33	1001172035	1	Decal, No Weld or Drill	
35	1001184632	1	Decal, Battery Positive	
36	1001188372	1	Decal, Sway	
38	1001191229	1	Decal, Fuse Panel	
39	1001191487	1	Decal, Fuse Panel	
41	1001195855	1	Decal, Battery Disconnect	
42	1001196806	1	Decal, Diesel Exhaust Fluid	
43	1001227287	1	Decal, Manual	
44	1001229575	1	Decal, SN Plate JLG	
44	1001154580	1	Decal, SN Plate JLG	
45	1001214206	1	Decal, Park Brake	
46	AU2105	1	Decal, No Karcher	
47	1001207217	1	Decal, Danger Swinging Loads	
48	1001218659	1	Decal, Brake Fluid	
49	1001219212	1	Decal, DEF Fluid	
50	1001222650	2	Decal, Axle Lift	
51	1001223453	1	DECAL,ICES (CAN)	

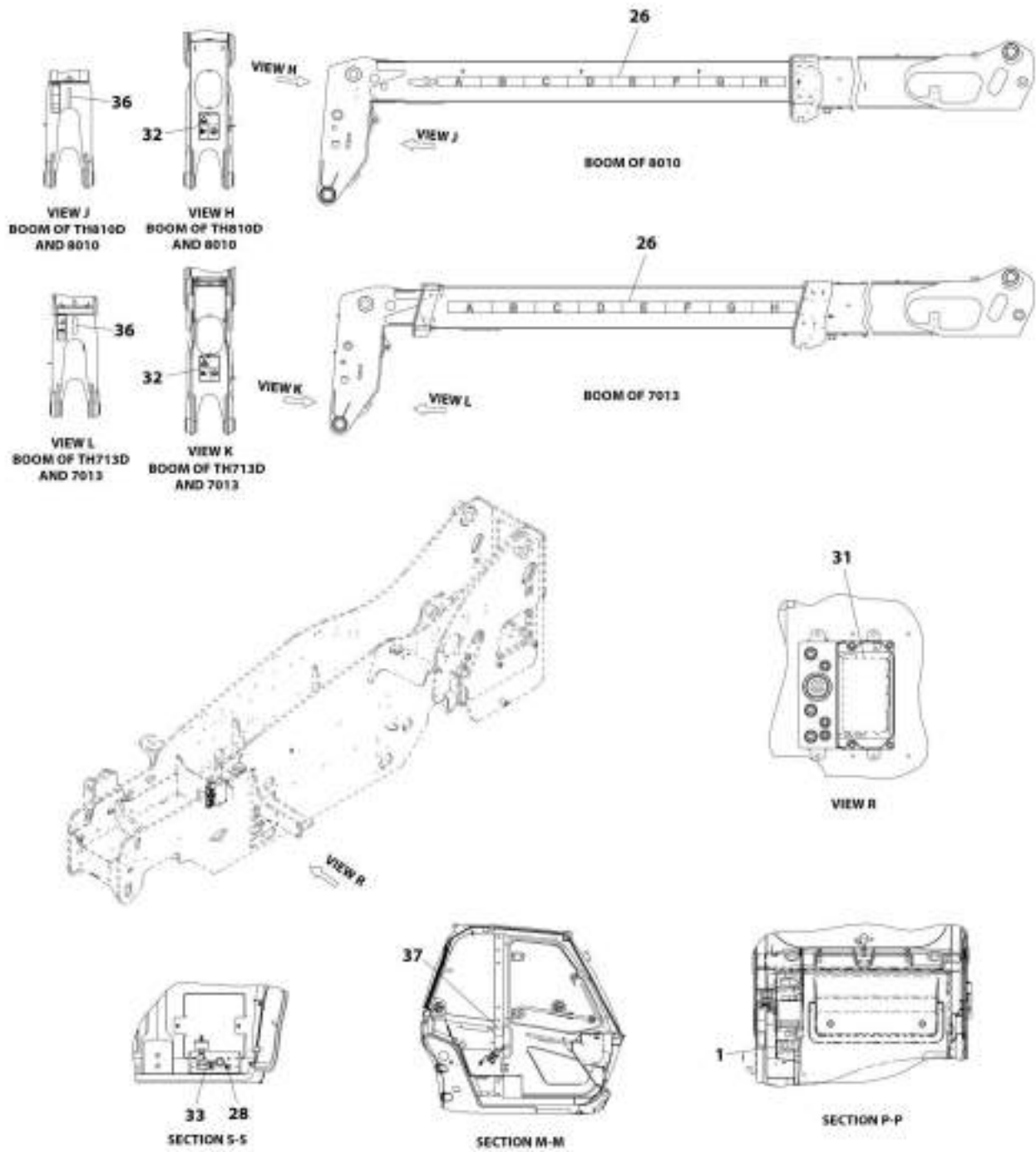
# SECTION 11 - DECALS

## FIGURE 11-7. DECAL INSTALLATION (ENGLISH/FRENCH)



ART\_100120020\_1-F

# SECTION 11 - DECALS



ART\_100120296\_2-F

## SECTION 11 - DECALS

FIGURE 11-7. DECAL INSTALLATION (ENGLISH/FRENCH)

ITEM	PART NUMBER	QTY	DESCRIPTION	REV
	1001220230	Ref	Decal Installation (English/French)	F
1	1670836	1	Cover, Boom	
2	1701500	2	Decal, Lift	
3	1702631	1	Decal, Bar Code	
4	3251813	1	Decal, USA	
5	4109801	4	Decal, Tie Down Point	
7	1001094708	1	Decal, Hydraulic Oil	
8	1001109053	1	Decal, Coolant Fill	
9	1001130323	1	Decal, Oil Level	
10	1001131271	1	Decal, Patent Telehandlers USA/Canada	
11	1001229575	1	Decal, SN Plate JLG	
12	1001163174	1	Decal, Battery Warning	
13	1001163210	1	Decal, Electrocutation Hazard	
14	1001163212	1	Decal, Warning No Either	
15	1001163222	1	Decal, Moving Parts	
16	1001163223	2	Decal, Pinch Point	
17	1001163273	1	Decal, Read Manual	
18	1001163276	1	Decal, Warning Run Over Hazard	
19	1001163285	1	Decal, Warning Tip Over	
20	1001163291	1	Decal, Warning Machine Roll Away	
21	1001163300	1	Decal, No Riders	
22	1001163304	1	Decal, Warning Crushing Hazard	
23	1001163321	1	Decal, Warning Do Not Jump	
24	1001163323	1	Decal, Warning Hot Fluid	
25	1001163355	1	Decal, Ultra Low Sulfur Diesel	
26	1001171277	1	Decal, Boom Extend	
27	1001172035	1	Decal, No Weld or Drill	
28	1001184632	1	Decal, Battery Positive	
29	1001188372	1	Decal, Sway	
30	1001191229	1	Decal, Fuse Panel	
31	1001191487	1	Decal, Fuse Panel	
32	1001195851	1	Decal, Carry Personnel	
33	1001195855	1	Decal, Battery Disconnect	
34	1001196806	1	Decal, Diesel Exhaust Fluid	
35	1001227287	1	Decal, Manual	
36	1001209625	1	Decal, Danger Swinging Loads	
37	1001214206	1	Decal, Park Brake	
38	1001219211	1	Decal, Brake Fluid	
39	AU2105	1	Decal, No Karcher	
41	1001222650	2	Decal, Axle Lift	
42	1001223453	1	Decal, ICES	
43	2080057	1	Tack, Metal	



## **SECTION 12 - RECOMMENDED SPARE PARTS**

## **SECTION 12 - RECOMMENDED SPARE PARTS**

## SECTION 12 - RECOMMENDED SPARE PARTS

FIGURE 12-1. RECOMMENDED SPARE PARTS

ITEM	PART NUMBER	QTY	DESCRIPTION	REV
		Ref	<b>Frame and Attaching Parts</b>	
	1001194980	1	Cap, Locking Fuel	
	1001142659	1	Cap, Hydraulic	
	1001191163	1	Filter	
		Ref	<b>Boom</b>	
	1001219905	AR	Shim, M50X169X1	
	1001219953	AR	Shim, Boom Pivot	
	8008640	AR	Shim, M50X200X0.5	
	1001003031	AR	Shim, M50X198X1.5	
	1001195194	AR	Shim, M0.5X67X204	
	1001201268	AR	Shim, M67X198X0.5	
	1001204198	AR	Shim, M49X181X1	
	1001204199	AR	Shim, M49X181X5	
	1001195655	AR	Pad, M44X50X160	
	8002200	AR	Pad, M15X50X200	
	1001227337	AR	Pad, M70X200X39	
	1001227334	AR	Pad, M34X54X165	
	1001163140	AR	Pad, M17X198X67	
	1001204200	AR	Pad, M35X181X49	
		Ref	<b>Engine and Attaching Parts</b>	
	7016331	1	Filter, Oil	
	70024961	1	Filter, Fuel (Primary)	
	70027417	1	Filter, Fuel (Secondary)	
	70005549	1	Filter, DEF	
	70027657	1	Dipstick	
	70028419	1	Belt, V-Ribbed	
	1001166565	1	Filter, Air Cleaner	
		Ref	<b>Cab</b>	
	1001218996	1	Filter, HVAC Air	
	1001172553	1	Filter, HVAC Recirculation Air	
	4807718	1	Blade, Rear Wiper	
	1001141281	1	Blade, Front Wiper	
	1001141313	1	Blade, Roof Wiper	
		Ref	<b>Hydraulic Components</b>	
	70028324	1	Kit, Lift Cylinder Seal	
	70027806	1	Kit, Extend/Retract Cylinder Seal	
	70028324	1	Kit, Tilt Cylinder Seal	
	70026253	1	Kit, Frame Level Cylinder Seal	
	70027601	1	Kit, Hydrostatic Motor Seal	
	70028410	1	Kit, Hydrostatic Pump Seal	
	70028413	1	Kit, Implement Pump Seal	
		Ref	<b>Electrical</b>	
	0400075	1	Battery, 12V	
	70022765	1	Key, Ignition (Set of 2)	

**PART NUMBER INDEX**

# PART NUMBER INDEX

0100081.....27	0760607..... 45, 183, 185, 189, 313, 513, 635, 643	1001005904 ..... 493, 497, 501	1001099717.....727
0400075.....647, 649, 822	0760608 ... 187, 333, 339, 343, 405, 411, 437, 441, 445, 447, 549, 633, 657, 659	1001005960 ..... 805	1001100166.....571
0498748.....313	0760610 ..... 705	1001006730 ..... 417	1001100169.....571
0630576.....45	0760615 ..... 471	1001006731 ..... 415	1001100319.....161
0641510.....149	0760806 ..... 187	1001007056 ..... 67, 569	1001101041....85, 87, 93, 95, 101, 105, 108, 112, 489, 493, 497, 501
0641608.....539	0760807 ..... 39, 517, 645	1001007641 ..... 333, 335	1001101042....85, 87, 93, 95, 101, 105, 108, 112, 489, 493, 497, 501
0681714.....531	0760808 ..... 39, 331, 407, 409, 503, 657, 659, 685, 687, 693, 699, 701	1001008475 ..... 335	1001101702.....445
0700408.....443, 693	0760810 ... 37, 47, 49, 53, 55, 61, 161, 179, 187, 201, 337, 355, 359, 363, 367, 370, 407, 421, 425, 437, 471, 489, 491, 495, 571, 725	1001008540 ..... 633	1001101808.....657
0700610...23, 27, 45, 185, 197, 405, 409, 633, 677, 679, 699, 701	0760812 25, 27, 163, 185, 295, 297, 317, 631	1001008559 ..... 131, 201, 473, 635, 637, 643, 661, 663, 673, 675, 707, 717	1001101855.....709
0700612.....45, 721	0760815 .... 317, 495, 499	1001008575 ..... 25	1001102502.....665
0700614....185, 370, 543, 631, 645, 699, 701	0760823 ..... 23, 191	1001008604 ..... 335	1001103012.....748
0700616.....471, 519	0761008 ..... 727, 729	1001008654 ..... 517	1001103156.....727, 729
0700618.....643, 663	0761009 ..... 731	1001008742 ..... 339	1001103300.....727, 729
0700814.....39, 175, 177, 185, 537	0761010 ... 37, 39, 41, 43, 47, 77, 147, 167, 185, 445, 503, 633, 635, 643, 673, 675, 707	1001008834 ..... 87	1001104477.....497, 501, 611
0700815.....683	0761012 ... 33, 37, 45, 63, 65, 141, 447, 513, 531, 631, 637	1001008857 ..... 317	1001104498.....748, 752, 767, 795
0700816.....161, 171, 187	0761210 ..... 71, 163	1001008923 ..... 683, 731	1001104519.....749, 775
0700817.....471	0761212 ..... 167, 637	1001008988 ..... 313	1001104654.....665
0700818....477, 533, 723	0761214 ..... 23, 137, 185	1001008999 ..... 39	1001105093.....471
0700819.....641	0761215 ..... 137, 163	1001009018 ..... 19	1001105886.....655
0700820....421, 423, 425, 523, 631	0761217 ..... 125	1001009124 ..... 335	1001107192.....313
0700821.....549	0761218 ..... 163	1001009163 ..... 275	1001107339.....197
0700824.....447	0770814 ..... 439	1001009325 ..... 147	1001107854.....748, 752, 767, 773, 795
0700826.....187	0770815 ..... 179	1001010646 ..... 415, 417	1001108661.....711
0701014....39, 47, 49, 69, 143, 185, 197, 549, 673, 675	0771010 ..... 59, 61	1001010647 ..... 415, 417	1001109053.....817, 820
0701016.....143, 505	0771012 ..... 59	1001010648 ..... 415, 417	1001109387.....125
0701018.....141, 163, 197	0771212 ..... 59, 61	1001010649 ..... 415, 417	1001110023.....493, 501, 613
0701020.....25, 163	0771414 ..... 561, 565	1001010650 ..... 415, 417	1001110115.....501
0701024.....545	0771416 ..... 267	1001010839 ..... 335	1001111076.....411
0701026.....149	0771618 ..... 273	1001014231 ..... 531	1001111140.....543
0701027.....475	0771620 ..... 265	1001026121 ..... 503	1001111147.....411
0701216.23, 71, 551, 555	0791605 ..... 171	1001026125 ..... 503	1001111317.....311, 315
0701222.....27	1001002946 ..... 317	1001028264 ..... 19, 503	1001112612.....743, 752
0701618.....137	1001002947 ..... 317	1001028291 ..... 19	1001112796.....745, 779, 781, 783
0701626.....137	1001002953 ..... 317	1001028306 ..... 19	1001114495.....169
0701628...79, 81, 83, 137	1001002957 ..... 317	1001028308 ..... 19	1001114803.....163
0701630.....137	1001003031 ... 57, 59, 61, 822	1001028377 ..... 19	1001116128.....395, 707
0711015.....55	1001003043 ..... 325	1001028400 ..... 19	1001116208.....699, 701
0711016.....59	1001003227 ..... 39	1001047062 ..... 313	1001116696.....767, 768
0711017.....57	1001003301 ..... 33	1001080375 ..... 495, 499	1001116697.....748
0711027.....265	1001003305 .... 147, 149, 197, 731	1001080978 ..... 665	1001116698.....748, 752
0711030.....197	1001003427 ..... 29	1001081085 ..... 269	1001116700.....749, 771
0711215.....59	1001003803 ..... 63	1001090343 .... 339, 351, 391	1001116716.....749
0711216.57, 59, 153, 157	1001004640 ..... 447	1001091573 ..... 685	1001116723.....749, 750, 751, 752
0711217.....57	1001004720 ..... 131	1001091715 ..... 673, 675	1001116725.....734
0711230.....53	1001004723 ..... 637	1001091716 ..... 673, 675	1001116727.....719
0711630.....35	1001005368 ..... 327	1001091951 ..... 35	1001116728.....768, 799
0711635.....53	1001005438 ..... 531	1001093564 ..... 653	1001116729.....719
0712020.....303		1001094516 ..... 35	1001116732.....734, 764
0712022.....303		1001094708 ..... 817, 820	1001116734.....734
0712027.....305		1001095301 ..... 143	1001116745.....719
0712442.....265, 475		1001095336 ..... 639	1001116747.....773
0750804.....311		1001095804 ..... 665	1001116754.....750
0760405.....79, 81, 83		1001096365 ..... 317	1001116763.....767, 773
0760407.....77		1001097244 ..... 405	1001116774.....765, 785
0760507....145, 637, 661		1001097540 ..... 45, 419	1001116810.....764
0760512.....339		1001097586 ..... 325	1001116811.....733
0760605....139, 313, 437, 441		1001097587 ..... 209, 215	
		1001098128 ..... 549	
		1001098150 ..... 398	
		1001098762 ..... 653	
		1001099566 ..... 201	

## PART NUMBER INDEX

1001116812 ..... 735, 749, 751, 752, 763, 768, 785, 791	1001131271..... 817, 820	1001158596..... 359	1001161851 ..... 401
1001116815 ..... 753	1001132168..... 41, 43	1001158601..... 355	1001161855 ..... 398
1001116950 ..... 764, 765	1001132169..... 765	1001158736C ..... 363	1001161858 ..... 367, 379
1001116984 ..... 752	1001132564..... 398	1001158738C ..... 355	1001161896 ..... 447
1001116985 ..... 752	1001133714..... 735	1001159028..... 433, 435	1001161897 ..... 447
1001116986 ..... 751, 752	1001133715..... 733, 735	1001159734..... 673, 675	1001161898 ..... 447
1001116991 ..... 749, 752	1001133793..... 143	1001159735..... 665	1001161957 ..... 763, 767, 785
1001116994 ..... 781, 783	1001134274..... 727, 729	1001159736..... 391	1001161959 ..... 748
1001116995 ..... 751	1001135650..... 733, 735	1001159737..... 673, 675	1001161963 ..... 763, 767, 785
1001116996 ..... 767, 768	1001135651..... 733, 735	1001159738..... 685, 687, 689, 691	1001162062 ..... 445
1001116997 ..... 750	1001136975..... 147	1001159739..... 681	1001162212 ..... 161
1001116998 ..... 752	1001136999..... 752	1001159741 ..... 665	1001162249 ..... 663
1001116999 ..... 749	1001137000..... 752	1001159742..... 703	1001162253 ..... 631
1001117011 ..... 751, 771	1001138116..... 733	1001159745..... 717	1001162256 ..... 641
1001117021 ..... 773	1001138645..... 645	1001159746..... 669	1001162662 ..... 33
1001117064 ..... 751	1001138827..... 171	1001159845..... 677, 679	1001162789 ..... 307, 339
1001117079 ..... 751	1001138945..... 197	1001159846..... 677, 679	1001162885 ..... 709
1001117081 ..... 749, 750, 751, 752	1001139551..... 391	1001159849..... 665	1001162886 ..... 748
1001117109 ..... 764	1001139552..... 351	1001159925..... 367, 370	1001162887 ..... 749
1001117121 ..... 775	1001139568..... 327	1001160042..... 370	1001162920 ..... 437
1001117247 ..... 711, 793	1001139578..... 817	1001160043..... 367	1001162922 ..... 437
1001117308 ..... 633	1001141246..... 317	1001160072..... 807	1001162953 ..... 370, 373
1001118202 ..... 764	1001141281..... 337, 822	1001160326..... 370	1001163095 ..... 721
1001118282 ..... 734	1001141311..... 391	1001160345..... 311	1001163140 ..... 822
1001118323 ..... 764	1001141312..... 351	1001160420..... 175	1001163174 ..... 820
1001118379 ..... 751	1001141313..... 391, 822	1001160496..... 421	1001163210 ..... 820
1001118383 ..... 775	1001141461..... 541	1001160498..... 748	1001163212 ..... 820
1001118384 ..... 749, 750, 751, 752, 753	1001141462..... 541	1001160500..... 763, 767, 785	1001163222 ..... 820
1001118386 ..... 752	1001141976..... 539, 541	1001160502..... 748	1001163223 ..... 820
1001118387 ..... 752	1001142659..... 822	1001160503..... 421, 425	1001163273 ..... 820
1001118392 ..... 767, 768	1001143200..... 329	1001160506..... 423	1001163276 ..... 820
1001118684 ..... 750	1001144147..... 734, 761	1001160508..... 307, 331	1001163285 ..... 820
1001118685 ..... 775	1001144296..... 749	1001160509..... 763, 767, 785	1001163291 ..... 820
1001119467 ..... 355	1001145204..... 181	1001160510..... 763, 767, 785	1001163300 ..... 820
1001120989 ..... 699, 701	1001145390..... 67, 569	1001160730..... 707	1001163304 ..... 820
1001121726 ..... 768	1001145391..... 65, 67	1001160775..... 813	1001163323 ..... 820
1001121727 ..... 719, 768	1001145539..... 370	1001160927 ..... 647, 649, 653	1001163340 ..... 749
10011223457 ..... 748	1001146588..... 147, 161, 167, 181, 185, 635, 643, 663, 673, 675, 701, 731	1001160928..... 647, 649, 653	1001163355 ..... 820
1001125117 ... 57, 59, 61, 71	1001147340..... 543	1001160945..... 809	1001163639 ..... 667
1001125222 ..... 445	1001147416..... 489, 493, 497, 501	1001161067 ..... 403	1001163695 ..... 465
1001125465 ..... 707	1001147449..... 398, 401	1001161078..... 413	1001163697 ..... 453
1001125677 ..... 735, 749, 768	1001148841..... 733	1001161080..... 413	1001164402 ..... 631, 639
1001126008 ..... 734, 752, 765	1001148842..... 733	1001161095..... 785	1001164655 ..... 331
1001126011 ..... 752	1001149278..... 398, 401	1001161097..... 748, 763, 767, 785	1001164726 ..... 313
1001126245 ..... 734	1001150294..... 355, 357	1001161098..... 748, 763, 785	1001164967 ..... 193
1001126353 ..... 733	1001150610..... 733	1001161100..... 748, 763, 767, 785	1001164971 ..... 265, 475
1001126362 ..... 733	1001150611..... 764	1001161101..... 748, 763, 767, 785	1001164972 ..... 265, 475
1001126391 ..... 733, 735	1001150735..... 751	1001161252..... 398	1001165035 ..... 147
1001126393 ..... 733, 735	1001150737..... 751	1001161253..... 398	1001165194 ..... 735
1001126485 ..... 733, 734	1001152908..... 379, 385	1001161439..... 45, 61	1001165269 ..... 339, 341
1001126487 ..... 733	1001152915..... 311	1001161499..... 307, 433	1001165270 ..... 339
1001126837 ..... 705, 729	1001152947..... 311	1001161672..... 447	1001165273 ..... 341
1001128128 ..... 734, 764	1001153748..... 511, 599	1001161769..... 663, 755	1001165275 ..... 317
1001128144 ..... 171	1001154580..... 817	1001161770..... 663, 757	1001165276 ..... 315
1001128341 ..... 171	1001155228..... 309, 313	1001161771..... 663, 759	1001165309 ..... 764
1001128478 ..... 33, 275	1001155276..... 447, 449		1001165310 ..... 765
1001129425 ..... 707	1001155446..... 301, 305		1001165311 ..... 768
1001130220 ..... 45	1001155447..... 307, 337		1001165327 ..... 341
1001130323 ..... 817, 820	1001155486..... 391		1001165351 ..... 339
1001131177 ..... 643	1001155540..... 163		1001165407 ..... 339
	1001156265..... 447		1001165416 ..... 339
	1001157891..... 743		1001165455 ..... 339
	1001158146..... 665		1001165458 ..... 339, 405
			1001165573 ..... 359, 361

# PART NUMBER INDEX

1001165637.....337	1001169751.....455	1001174372.....699, 701	1001180306.....19
1001165827.....659	1001169763.....459	1001174652.....401	1001180437.....189
1001166091.....385, 387, 389	1001169825.....633	1001174653.....401	1001180542.....167
1001166092.....385, 387, 389	1001169880.....315	1001174655.....401	1001180553.....167
1001166191.....333	1001170106.....29	1001174712.....665	1001180620.....631
1001166192.....333	1001170113J.....315	1001174741.....409	1001180682.....353
1001166385.....411	1001170114.....313, 315	1001174795.....193	1001180683.....353
1001166543.....733	1001170231.....437	1001174796.....685, 687	1001181128.....633
1001166551.....733	1001170311.....179	1001174800.....409	1001181411.....327
1001166555.....733	1001170325.....419	1001174801.....409	1001181531.....665
1001166556.....733, 735	1001170326.....345	1001174812.....55, 573	1001181681.....663, 761
1001166565.....141, 822	1001170366.....307, 343	1001175058.....301	1001181726.....398, 405
1001166634.....315, 317	1001170432.....195	1001175201.....191	1001181920.....329
1001166698.....41	1001170504.....398	1001175265.....734, 735, 768	1001181921.....329
1001166707.....734	1001170514.....403	1001175266.....785	1001182123.....329
1001166715.....141	1001170518.....398	1001175267.....763, 767	1001182139.....329
1001166754.....305	1001170519.....398, 403	1001175347.....19	1001182330.....407
1001166755.....305	1001170601J.....313	1001175470.....345	1001182529.....363, 365
1001166774.....733, 735	1001170944.....317	1001175471.....343, 347	1001182530.....363
1001167004.....463	1001170993.....347	1001175477.....313	1001182839.....705
1001167015.....393, 395	1001171162.....685	1001175477.....313	1001182881.....139
1001167017.....693	1001171179.....25	1001175568.....147	1001182929.....643, 739
1001167186.....175	1001171182.....327	1001175733.....777	1001182930.....643, 741
1001167266.....373, 375	1001171183.....327	1001175776.....695, 777	1001183024.....731
1001167409.....161	1001171277.....817, 820	1001175903.....398	1001183112.....673, 675
1001167616.....734	1001171756.....339	1001176002.....736	1001183221.....743
1001167620.....736	1001171767.....347	1001176004.....736	1001183272.....629, 631
1001167621.....733	1001171874.....437	1001176121.....343, 345	1001183306.....293, 295
1001167622.....733	1001171885.....37	1001176272.....329	1001183307.....293, 297
1001167623.....733	1001171913.....185	1001176273.....329	1001183308.....295
1001167624.....736	1001171962.....693	1001176333.....752	1001183309.....297
1001167629.....734	1001172035.....817, 820	1001176338.....353	1001183447.....79
1001167630.....733, 734	1001172088.....437	1001176587.....783	1001183549.....709
1001167631.....733	1001172094.....437	1001176626.....329	1001183550.....403
1001167634.....733	1001172146.....25	1001177082.....25	1001183700.....539
1001167635.....733	1001172147.....25	1001178053.....801	1001183831.....141
1001167636.....734	1001172193.....311, 315	1001178123.....339	1001183835.....141
1001167937.....321	1001172401.....307, 349	1001178159.....311	1001184275.....385, 387, 389
1001167958.....313, 321	1001172495.....649, 653	1001178160.....311	1001184278.....385, 387, 389
1001168030.....521	1001172496.....649, 653	1001178170.....370	1001184280.....389
1001168054.....437	1001172547.....367, 370	1001178474.....23	1001184280.....389
1001168142.....447	1001172550.....367, 370	1001178670.....447, 615	1001184280.....389
1001168151.....447	1001172551.....379, 381, 383	1001178680.....327	1001184294.....385, 387, 389
1001168264.....295, 297	1001172553.....367, 370, 822	1001178681.....327	1001184295.....385, 387, 389
1001168327.....370	1001172693.....29	1001178693.....23	1001184296.....385, 387, 389
1001168330.....370	1001172755.....147	1001178706.....805	1001184297.....385, 387, 389
1001168331.....370	1001172774.....425	1001178783.....353	1001184306.....383
1001168456.....370	1001172995.....71	1001178791.....191	1001184307.....383
1001168531.....363, 771	1001172999.....71	1001178826.....429	1001184309.....383
1001168599.....479, 619	1001173257.....423	1001178933.....663	1001184310.....383
1001168629.....265	1001173298.....313	1001179008.....427, 429	1001184396.....635, 763
1001168758.....45	1001173398.....313	1001179009.....427, 429	1001184397.....635, 767
1001168834.....37, 41	1001173411.....749	1001179080.....373	1001184403.....377
1001169135.....363, 365	1001173411.....749	1001179081.....373	1001184404.....377
1001169151.....370, 773	1001173457.....163	1001179130.....373, 377	1001184405.....377
1001169265.....39	1001173528.....169	1001179297.....805	1001184406.....377
1001169268.....459	1001173571.....379	1001179482.....411	1001184427.....389
1001169354.....455, 457	1001173679.....71	1001179483.....411	1001184439.....313
1001169355.....457	1001173739.....71	1001179592.....419	1001184504.....449
1001169367.....457	1001173873.....189	1001179850.....21, 25	1001184610.....65
1001169368.....171	1001173965.....398	1001179851.....25, 33	1001184632.....817, 820
1001169454.....23	1001174104.....63	1001179852.....33	1001184795.....715, 785
1001169603.....398	1001174129.....293	1001179901.....723	1001184796.....683, 799
1001169604.....398, 401	1001174295.....313, 323	1001179907.....187, 645	
1001169674.....813	1001174320.....311	1001179931.....453	
	1001174321.....317	1001180070.....159, 595	
	1001174368.....701	1001180263.....423, 425	

## PART NUMBER INDEX

1001184869..... 45	1001188604..... 385, 387, 389	1001192096..... 549	1001193307..... 155, 593
1001184872..... 45	1001188610..... 385, 387, 389	1001192124..... 29	1001193308..... 275, 591
1001184874..... 45	1001188612..... 385, 387, 389	1001192125..... 23, 29	1001193393..... 129, 157
1001184975..... 398	1001188614..... 385, 387, 389	1001192142..... 633	1001193461..... 531
1001184976..... 205	1001188618..... 389	1001192168..... 279	1001193474..... 445
1001184977..... 205, 207	1001188619..... 389	1001192170..... 285	1001193516..... 469, 509
1001184978..... 205, 213	1001188720..... 385, 387, 389	1001192177..... 279, 281	1001193517..... 469, 513
1001184979..... 205, 267	1001188725..... 385, 387, 389	1001192178..... 279, 283	1001193576..... 263
1001184980..... 205, 273	1001188728..... 389	1001192180..... 285	1001193698..... 657, 659
1001184981..... 205, 277	1001188729..... 385, 387, 389	1001192181..... 285	1001193703..... 129, 149
1001184982..... 207, 209	1001188733..... 385, 387, 389	1001192309..... 313	1001193704..... 129, 153
1001184983..... 213, 215	1001188757..... 137	1001192320..... 37	1001193705..... 149, 151
1001184984..... 209, 219	1001188817..... 389	1001192321..... 693	1001193709..... 469, 517
1001184985..... 215, 233	1001188818..... 389	1001192322..... 695	1001193797..... 197
1001184986..... 267, 269	1001188855..... 197	1001192323..... 657	1001193836..... 555
1001184987..... 277	1001188856..... 197	1001192324..... 49	1001193838..... 555
1001184988..... 277	1001188971..... 61	1001192326..... 35	1001193917..... 577
1001185026..... 179	1001189023..... 389	1001192339..... 83	1001193918J..... 265
1001185633..... 407	1001189024..... 389	1001192342..... 87	1001193919..... 265
1001185722..... 699	1001189025..... 385, 387, 389	1001192344..... 85	1001193940..... 663, 748
1001185870..... 398	1001189046..... 643	1001192354..... 53	1001193993..... 633
1001185931..... 27	1001189048..... 389	1001192358..... 65	1001194103..... 637
1001185933..... 27	1001189054..... 389	1001192363..... 489	1001194244..... 637
1001185935..... 27	1001189182..... 398	1001192365..... 495	1001194282..... 447
1001186603..... 699	1001189246..... 27	1001192366..... 491	1001194421..... 750
1001186843..... 531	1001189288J..... 281, 283, 289, 291	1001192367..... 499	1001194534..... 141
1001186853..... 673	1001189980..... 383	1001192370..... 671	1001194698..... 307
1001186855..... 647	1001189997..... 695	1001192392..... 29	1001194699..... 307, 309
1001186856..... 651	1001190037..... 734	1001192410..... 447	1001194700..... 309, 311
1001186898..... 141	1001190250..... 63, 65	1001192427..... 559	1001194702..... 481
1001187070..... 733, 741	1001190254..... 53	1001192430..... 729	1001194969..... 39
1001187073..... 763	1001190256..... 53	1001192431..... 713	1001194980..... 31, 822
1001187075..... 764, 785	1001190257..... 53	1001192520..... 485	1001194981..... 33
1001187076..... 764, 765, 785	1001190260..... 53	1001192537..... 629	1001195089..... 187
1001187077..... 741	1001190264..... 63, 65	1001192555..... 263, 503	1001195194..... 57, 59, 61, 822
1001187078..... 734	1001190396..... 801	1001192558..... 663	1001195200..... 713, 721
1001187079..... 763, 764, 768	1001190921..... 734	1001192575..... 669	1001195201..... 713, 715
1001187080..... 734, 763, 768	1001191091..... 323	1001192615..... 89	1001195202..... 721, 791
1001187272..... 531	1001191108..... 79	1001192616..... 91	1001195254..... 445
1001187273..... 531	1001191110..... 55	1001192619..... 715, 789	1001195263..... 659
1001187275..... 531	1001191157..... 33	1001192622..... 37, 39	1001195263..... 659
1001187355..... 553	1001191163..... 33, 822	1001192623J..... 39	1001195342..... 375
1001187423..... 281, 283	1001191229..... 817, 820	1001192627..... 39	1001195343..... 375
1001187820..... 63, 65	1001191255..... 301, 303	1001192631..... 39	1001195345..... 375
1001187821..... 63	1001191256..... 303	1001192643..... 319	1001195346..... 375
1001187847..... 63, 65	1001191257..... 303	1001192644..... 321	1001195385..... 375
1001187848..... 63, 65	1001191281..... 405	1001192646..... 313	1001195386..... 375
1001187882..... 733	1001191283..... 405	1001192649..... 101	1001195430..... 539
1001188203..... 587	1001191284..... 405	1001192650..... 105	1001195431..... 537
1001188303..... 370, 381	1001191285..... 405	1001192700..... 99	1001195433..... 537
1001188372..... 817, 820	1001191370..... 405	1001192713..... 263	1001195434..... 537
1001188577..... 385, 387, 389	1001191487..... 817, 820	1001192722..... 107	1001195435..... 537
1001188578..... 385, 387, 389	1001191546..... 643	1001192723..... 97	1001195437..... 375
1001188590..... 367, 370	1001191635..... 49	1001192734..... 111	1001195438..... 375
1001188592..... 389	1001191685..... 33	1001192735..... 115	1001195471..... 713, 723
1001188594..... 385, 387, 389	1001191789..... 61	1001192737..... 437	1001195473..... 713, 725
1001188602..... 385, 387, 389	1001191915..... 445	1001192745..... 817	1001195582..... 651, 653
1001188603..... 385, 387, 389		1001192755..... 319	1001195590..... 713, 727
		1001192766..... 313, 319	1001195591..... 709, 711
		1001192771..... 485	1001195593..... 651, 655
		1001192772..... 485	1001195655..... 53, 822
		1001192885..... 551	1001195720..... 731
		1001192886..... 551, 553	1001195721..... 661
		1001192887..... 551, 555	1001195731..... 727, 729
		1001192888..... 553, 607	1001195732..... 727, 729
		1001193111..... 495, 499	1001195733..... 513
		1001193210..... 315	1001195737..... 57, 59, 61

# PART NUMBER INDEX

1001195814.....309, 329	1001197489..... 503	1001201268..... 822	1001204060..... 679
1001195816.....398	1001197667..... 451	1001201269..... 57	1001204066..... 317
1001195817.....398	1001197668..... 717, 719	1001201298..... 129, 161	1001204115..... 317
1001195818.....398	1001197733..... 47	1001201299..... 161	1001204120..... 317
1001195820.....393	1001197734..... 47	1001201300..... 161	1001204177..... 55, 59
1001195821.....395	1001197955..... 35	1001201301..... 163, 165	1001204178..... 59
1001195822.....393	1001198307..... 45, 47	1001201302..... 163, 167	1001204198..... 59, 822
1001195823.....395	1001198577..... 559, 561	1001201303..... 163, 169	1001204199..... 59, 822
1001195849..... 817	1001198578..... 559, 565	1001201304..... 163, 171	1001204200..... 59, 822
1001195851..... 820	1001198715..... 561, 563	1001201305..... 163, 173	1001204411..... 185
1001195855..... 817, 820	1001198717..... 565, 567	1001201309..... 167	1001204413..... 185
1001195878..... 311	1001198893..... 687, 691	1001201314..... 169	1001204414..... 185
1001195881..... 75	1001199325..... 55, 571	1001201315..... 169	1001204444..... 677, 679
1001195883..... 687	1001199670..... 187	1001201316..... 169	1001204445..... 677, 679
1001195953..... 731, 795	1001199822..... 189	1001201317..... 171	1001204486..... 39
1001196191..... 163	1001199823..... 189	1001201331..... 339	1001204528..... 677
1001196193..... 163	1001199902..... 185	1001201418J..... 17	1001204530..... 677
1001196289..... 697, 779	1001200105..... 485, 717	1001201420..... 475	1001204576..... 577
1001196402..... 485	1001200106..... 129, 643	1001201425..... 129, 131	1001204709..... 429
1001196452..... 699, 701, 781	1001200108..... 643, 733	1001201432..... 71	1001205061..... 437, 441
1001196502..... 637	1001200111..... 617, 623	1001201499..... 441	1001205307..... 693
1001196664..... 155	1001200159..... 629, 635	1001201500..... 443	1001205375..... 55, 471
1001196778..... 125	1001200160..... 629, 637	1001201501..... 441, 443	1001205380..... 471
1001196779..... 125	1001200161..... 637	1001201588..... 27	1001205381..... 471
1001196782..... 125	1001200162..... 637	1001201589..... 27	1001205528..... 571
1001196806..... 817, 820	1001200164..... 637	1001201848..... 45	1001205532..... 313, 317
1001196879..... 71	1001200165..... 637	1001201856..... 185	1001205564..... 173
1001196949..... 123	1001200166..... 637	1001201857..... 185	1001205565..... 173
1001196950..... 121	1001200167..... 637	1001201858..... 185	1001205573..... 543
1001196951..... 119	1001200168..... 635	1001201885..... 734	1001205618..... 549
1001196952..... 117	1001200169..... 635	1001202018..... 185, 187	1001205619..... 71
1001196959..... 531	1001200177..... 263, 265	1001202020..... 485	1001205621..... 71
1001196964..... 543	1001200226..... 475	1001202021..... 185	1001205622..... 71
1001196967..... 543	1001200249..... 185	1001202024..... 469, 531	1001205627..... 71
1001196969..... 543	1001200393..... 63, 65	1001202025..... 469, 543	1001206099..... 49
1001196970..... 543	1001200395..... 65	1001202026..... 469, 537	1001206100..... 673, 675
1001196973..... 543	1001200443..... 129	1001202027..... 531	1001206607..... 503
1001196974..... 543	1001200445..... 163	1001202038..... 537	1001206608..... 503
1001196975..... 543	1001200447..... 185	1001202172..... 629, 633	1001206633..... 671, 745
1001196976..... 543	1001200451..... 195	1001202321..... 197, 199	1001206709..... 517
1001196977..... 543	1001200453..... 197	1001202325..... 199	1001206725..... 77
1001196978..... 543	1001200498..... 163	1001202519..... 697	1001206744..... 445
1001196981..... 543	1001200499..... 163	1001202526..... 161, 195	1001206843..... 75
1001196982..... 543	1001200538..... 677	1001202617..... 697	1001207171..... 734
1001196989..... 517	1001200539..... 679	1001202621..... 693	1001207217..... 817
1001196992..... 517	1001200701..... 197	1001202645..... 469	1001207325..... 475
1001196993..... 517	1001200862..... 129, 137	1001202722..... 733	1001207594..... 703, 705
1001196995..... 517	1001200863..... 129, 139	1001202723..... 733	1001207788..... 543
1001196996..... 517	1001200864..... 129, 141	1001202730..... 77	1001207789..... 543
1001196997..... 517	1001200865..... 129, 143	1001202786..... 295, 297	1001207790..... 543
1001197011..... 549	1001200866..... 129, 147	1001202899..... 185	1001207866..... 75, 77
1001197056..... 47	1001200867..... 185, 189	1001202901..... 131	1001207898..... 207, 211
1001197057..... 47	1001200869..... 129, 645	1001203005..... 161	1001207899..... 213, 217
1001197072..... 137	1001200870..... 531	1001203081..... 675	1001207956..... 445
1001197139..... 437	1001200871..... 137	1001203368..... 673, 675	1001208037..... 445
1001197196..... 469, 527	1001200872..... 137	1001203640..... 677, 679, 683	1001208308..... 398
1001197197..... 543, 545	1001200873..... 137	1001203932..... 37	1001208451..... 571
1001197198..... 545, 547	1001200874..... 137	1001203933..... 37	1001208532..... 543
1001197199..... 543	1001200885..... 139	1001203934..... 37	1001208534..... 543
1001197200..... 543	1001200886..... 139	1001203947..... 163	1001209097..... 733
1001197259..... 413	1001200968..... 395	1001203948..... 163	1001209200..... 471
1001197262..... 55	1001201073..... 477, 575	1001203985..... 55, 61	1001209201..... 471
1001197339..... 37	1001201074..... 475, 477	1001203986..... 61	1001209202..... 471
1001197414..... 131, 133	1001201124..... 669, 743	1001203987..... 61	1001209203..... 471
1001197480..... 23	1001201162..... 697	1001203989..... 55	1001209346..... 49
1001197481..... 27	1001201266..... 55, 57	1001203990..... 55	1001209357..... 689
	1001201267J..... 57		1001209358..... 691



## PART NUMBER INDEX

1001209387 ..... 41, 43	1001213306..... 531	1001217553..... 489	1001221054 ..... 381, 389
1001209388 ..... 39	1001213307..... 531	1001217620..... 273, 275	1001221056 ..... 379, 381
1001209427 ..... 681	1001213308..... 531, 533	1001217623..... 685, 689	1001221057 ..... 387, 389
1001209456 ..... 681, 683	1001213309..... 533, 535	1001217669..... 275	1001221058 ..... 387, 389
1001209463 ..... 411	1001213311..... 535, 605	1001217753..... 181	1001221059 ..... 367, 370
1001209625 ..... 820	1001213317..... 495, 497	1001217754..... 177	1001221087 ..... 289, 291
1001209690 ..... 675	1001213318..... 491, 493	1001217755..... 177	1001221157 ..... 287, 289
1001209691 ..... 675	1001213319..... 499, 501	1001217756..... 181	1001221270 ..... 287
1001209697 ..... 673, 675	1001213322..... 35	1001217757..... 181, 183	1001221295 ..... 367, 370
1001209899 ..... 329	1001213323J..... 35	1001217758..... 183	1001221318 ..... 705
1001209972 ..... 471	1001213324J..... 35	1001217759..... 183	1001221319 ..... 705
1001210270 ..... 471	1001213331..... 317	1001217760..... 181	1001221321 ..... 287, 291
1001210271 ..... 549	1001213462..... 55	1001217761..... 167	1001221349 ..... 187
1001210281 ..... 211	1001213562..... 571	1001217762..... 167	1001221383 ..... 187
1001210282 ..... 517	1001213752..... 705	1001217763..... 167	1001221493 ..... 181
1001210326 ..... 63, 65	1001213775..... 727, 729	1001217931..... 21	1001221734 ..... 287
1001210327 ..... 517	1001213791..... 313	1001217932..... 21, 23	1001221868 ..... 147
1001210397 ..... 645	1001213833..... 45	1001217933..... 23, 27	1001221928 ..... 521, 603
1001210522 ..... 469, 549	1001213834..... 45	1001217948..... 531	1001221986 ..... 519, 521
1001210523 ..... 549	1001213959..... 55	1001218529..... 367, 370	1001221987 ..... 517, 519
1001210524 ..... 549	1001213961..... 55	1001218542..... 367, 370	1001221988 ..... 517
1001210525 ..... 549	1001214092..... 337	1001218659..... 817	1001221989 ..... 517
1001210526 ..... 549	1001214123..... 179	1001218694..... 47	1001222188 ..... 29
1001210567 ..... 731	1001214206..... 817, 820	1001218704..... 817	1001222190 ..... 29
1001210568 ..... 471	1001214220..... 437	1001218754..... 83	1001222455 ..... 749
1001210569 ..... 471	1001214254..... 81	1001218755..... 79, 81, 83	1001222460 ..... 131
1001210635 ..... 543	1001214349..... 201	1001218996..... 367, 370, 822	1001222603 ..... 463
1001210769 ..... 211, 217	1001214401..... 705	1001218997..... 549	1001222606 ..... 461
1001210770 ..... 631, 641	1001214415..... 81	1001219113J..... 39	1001222650 ..... 817, 820
1001210771 ..... 153, 155	1001214429..... 531	1001219115..... 39	1001222741 ..... 317
1001210780 ..... 525	1001214430..... 531	1001219211..... 820	1001223109 ..... 531
1001210797 ..... 543	1001214431..... 531	1001219212..... 817	1001223265 ..... 398
1001210800 ..... 517	1001214829..... 485	1001219220..... 329	1001223435 ..... 95
1001210801 ..... 525	1001215022..... 169	1001219250..... 39	1001223453 ..... 817, 820
1001210870 ..... 147	1001215024..... 169	1001219615..... 515, 601	1001223455 ..... 749, 750, 751, 752
1001211020 ..... 543	1001215093..... 531	1001219659..... 523	1001223456 ..... 748
1001211357 ..... 353	1001215121..... 667	1001219764..... 481, 483	1001223457 ..... 748, 749
1001211427 ..... 53, 55	1001215208..... 631	1001219765..... 485, 487	1001223459 ..... 735
1001211445 ..... 649	1001215212..... 531	1001219863..... 398	1001223509 ..... 187
1001211616 ..... 173	1001215256..... 517	1001219864..... 398	1001223902 ..... 59
1001211617 ..... 173	1001215319..... 193	1001219865..... 398	1001223903 ..... 725
1001211693 ..... 663	1001215341..... 513, 515	1001219905..... 53, 822	1001223920 ..... 59
1001211899 ..... 47	1001215531..... 317	1001219953..... 53, 822	1001223948 ..... 59
1001211900 ..... 47	1001215539..... 531	1001220230..... 820	1001223968 ..... 665, 775
1001211907 ..... 398	1001215693..... 673, 675, 797	1001220248..... 69	1001223983 ..... 59
1001212011 ..... 323	1001215802..... 531	1001220286..... 71	1001224127 ..... 725
1001212047 ..... 427	1001216263..... 409	1001220295..... 507, 597	1001224128 ..... 725
1001212049 ..... 427	1001216265..... 407	1001220329..... 307, 351	1001224450J ..... 39
1001212349 ..... 617	1001216267..... 409	1001220338..... 325, 327	1001224598 ..... 211
1001212369 ..... 337	1001216269..... 409	1001220339..... 309, 325	1001224938 ..... 217
1001212418 ..... 509, 511	1001216270..... 407	1001220456..... 505, 507	1001224944 ..... 483, 621
1001212468 ..... 405	1001216331..... 561	1001220457..... 469, 505	1001224945 ..... 487, 609
1001212470 ..... 665	1001216333..... 565	1001220507..... 451	1001224946 ..... 507
1001212511 ..... 577, 587	1001216757..... 461	1001220540..... 305	1001225317 ..... 293
1001212739 ..... 157, 159	1001216798..... 199	1001220641..... 69	1001225390 ..... 485
1001212787 ..... 517	1001216799..... 199	1001220643..... 527, 529	1001225392 ..... 481
1001212788 ..... 517, 523	1001216803..... 461	1001220649..... 703	1001225393 ..... 481, 485
1001212789 ..... 523, 525	1001216974..... 355, 359, 363	1001220650..... 703, 707	1001225656 ..... 525
1001212880 ..... 517	1001217226..... 561, 565	1001220717..... 665	1001225676 ..... 191, 193
1001212886 ..... 633	1001217320..... 661	1001220760..... 275	1001225677 ..... 193
1001212920 ..... 173	1001217353..... 55, 473	1001220859..... 661	1001225980 ..... 641
1001212921 ..... 173	1001217354..... 473	1001220861..... 661	1001226481 ..... 398
1001212923 ..... 185, 191	1001217355..... 473	1001220942..... 471	1001226523 ..... 139
1001212924 ..... 191	1001217482..... 477, 479	1001220947..... 701	1001226533 ..... 813
1001212925 ..... 191	1001217552..... 489	1001221041..... 129, 145	1001226536 ..... 813
1001213026 ..... 19, 469		1001221052..... 379, 387	1001226537 ..... 813
1001213265 ..... 437, 439			

# PART NUMBER INDEX

1001226557.....549	1706296.....817	2171832.....531	4010610002.....393, 395, 398, 409, 445
1001226681.....191	1706299.....817	2172110.....471	4010612002.....315, 398, 405
1001226797.....185	1706300.....817	2172116.....173	4031205.....643
1001226828.....481	1706301.....817	2172410.....485	4031607 29, 33, 451, 453, 643
1001226829.....481, 485	1706302.....817	2200223.....163	4031608.....403
1001226947.....571	1706306.....817	2220238.....547	4031608001.....398
1001227090.....197	1706768.....817	2220239.....33, 525	4031708.....725
1001227133.....398	1706850.....817	2220240.....33	4031712.....471
1001227186.....311	1707078.....817	2220767.....167	4031910.....423, 425
1001227187.....315	2080057.....820	2220811.....275	4031912.....509, 527
1001227188.....315	2080078.....327	2220883.....607	4031918.....491, 495, 499
1001227287.....817, 820	2080086.....311	2220886.....607	4031920.....577
1001227334.....57, 59, 61, 822	2080087.....311	24921332.....185	4031921.....481, 485
1001227337.....57, 822	2080092.....343	2580040.....651	4032010.....53
1001227440.....485	2110406.....535, 553	2720160.....517	4032314.....55
1001227670.....79, 81, 83, 85, 87, 89, 91, 97, 101, 108, 115	2110408.....529	2902443.....734	4060919.....19
1001227802.....313	2110410.....155	2920207.....673	4109801.....817, 820
1001227945.....447	2110606 65, 87, 535, 547, 553	2920208.....673	4240018.....517, 543
1001228132.....387, 389	2110610.....497, 501	3020037.....273	4240099.....517, 531, 655
1001228140.....387, 389	2110806.....571, 617	314689.....55	4280307.....27
1001228141.....387, 389	2110808.....511, 515, 547	3251813.....817, 820	4360475.....661
1001228147.....387, 389	2110810.....525, 553	3290401... 367, 370, 405, 693	4360658.....443
1001228248.....147	2111008.....587	3290405.....77, 319, 711, 727, 729	4460225.....748, 749
1001228427.....93	2111010... 159, 471, 493, 497, 501, 547, 553, 565	3290501.....663, 695	4460234.....663
1001228504.....547	2111012.....507	3290505.....71, 77, 637	4460265.....748
1001228872.....161	2111212.....507	3290507.....77	4460267.....748, 749, 750
1001228989.....677, 679	2111216.....155	3290601... 370, 405, 409, 437, 445, 635, 657, 659, 663, 677, 699, 701, 727, 729	4460268.....748, 749, 750
1001229057.....61	2111616... 173, 275, 553	3290605 41, 43, 197, 398, 405, 645, 727, 729	4460320.....749, 750
1001229201.....279	2130404... 447, 483, 487, 515, 547	3290606.....549	4460343.....748, 749
1001229407.....35	2130406.....155	3290607.....673, 675	4460424.....750
1001229422.....471	2130408.....515	3290801... 163, 313, 433, 683, 725	4460434.....748
1001229575.....817, 820	2130606.....507, 521	3290805... 161, 187, 439, 501, 641	4460458... 719, 734, 753, 768, 799
1001229609.....37	2130808... 211, 217, 447	3290806.....327	4460464... 734, 741, 743, 750, 752, 761, 765, 768, 773, 775, 777, 785, 789, 791, 795, 799
1001229981.....267	2131010... 471, 485, 487, 587	3291001... 141, 147, 163, 197, 637, 673, 675	4460465... 719, 733, 734, 735, 745, 749, 751, 752, 753, 761, 763, 764, 765, 767, 768, 769, 771, 779, 781, 783, 785, 786, 789, 791
1001230163.....323	2131212... 483, 487, 539, 547, 571, 617	3291005... 143, 163, 197, 265, 475, 633	4460466... 693, 734, 735, 743, 745, 749, 750, 751, 752, 761, 763, 764, 765, 767, 768, 775, 779, 781, 783, 785, 791, 797, 799
1001230850.....707	2131216.....155	3291201.....125, 167	4460496.....663
1001230967.....55	2132016.....507	3291205.....53	4460497.....663
1001230986.....55	2144603.....267	3291601.....35	4460508.....733, 739, 743
1001231217.....695	2144606.....143	3291605... 53, 79, 81, 83, 137	4460509.....735, 764, 767
1001231385.....45	2150406.....479	3311508.....653	4460518.....752, 765
1001231393.....525	2150606.....87	3332011.....305	4460536... 741, 769, 789
1001232850.....147	2150608.....155	3520028.....445	4460539... 733, 735, 751, 752, 763, 768, 785, 789, 791
1001232988.....77	2150808... 211, 217, 511	3520193.....35, 57	4460608.....733
1001233430.....811	2151010... 493, 497, 501	3760348.....437	4460705.....749
1001233783.....77	2151212.....539	3900357.....645	4460746.....753
1001234395.....77	2151616.....173, 507	3900379.....419	4460748.....734, 768
1001234455.....43	2152020.....33	39844923.....237	4460789.....773
1001234596.....77	2160016. 57, 63, 65, 265, 475, 561, 565	3986405.....269	4460836.....749
1001234802.....77	2170104.....159	3986610.....365	
1001235963.....37, 43	2170106.....507	3986643.....365	
1001236404.....463	2170112.....507	4000015.....729	
1060626.....653, 655	2170206.....87, 507	4010416.....711, 727	
1062255... 147, 161, 167, 173, 181, 195, 199, 543, 643	2170208.....447	4010510.....461, 463	
10713707.....631	2170216.....173	4010608002... 313, 398, 409, 411	
10725554.....223, 237	2170316.....155	4010610.....727, 729	
120034.....663	2170410.....485		
1320022.....370	2170704.....155		
1320060.....167	2170716.....173		
1670836.....817, 820	2170804.....529		
1701500.....817, 820	2170806.....211, 217		
1702631.....817, 820	2171816.....531		
1704260.....661			

## PART NUMBER INDEX

4460871 .....	781, 783	4811400 ...	77, 79, 81, 83, 367, 370, 405, 443, 693, 711, 727, 729	5241000.....	197	70021613.....	241	
4460884 ...	693, 735, 764, 767, 779, 785, 791	481160071, 77, 145, 398, 637, 661, 695	4811700 ...	23, 27, 41, 43, 45, 139, 185, 187, 197, 311, 313, 333, 339, 370, 393, 395, 405, 409, 411, 437, 441, 445, 513, 519, 549, 633, 635, 643, 645, 657, 659, 663, 673, 675, 677, 679, 699, 701, 705, 721, 727, 729	5241200.....	125	70022034.....	357
4460891 ...	719, 734, 735, 745, 752, 753, 763, 764, 765, 767, 768, 785	4811700001.....	398	5241400.....	267	70022140.....	223, 237	
4460892 .....	734	4811702 ...	343, 409, 437, 441, 447	5241600.....	265	70022726.....	593	
4460894 ...	734, 749, 751, 765, 767, 771, 791, 797	4811702001.....	313, 315, 398, 463	5242400.....	265, 475	70022765.....	665, 822	
4460897 ...	734, 735, 750, 761, 763, 764, 765, 771, 801	4811900 ...	23, 25, 27, 47, 49, 53, 55, 149, 161, 163, 171, 179, 185, 187, 191, 201, 313, 317, 331, 337, 355, 359, 363, 370, 407, 421, 423, 425, 433, 437, 447, 477, 491, 495, 501, 503, 517, 523, 533, 537, 549, 571, 631, 641, 657, 659, 683, 685, 687, 693, 699, 701, 723, 725	5250608.....	375	70022773.....	229, 243	
4460899 ...	765, 767, 773, 775, 785	4811902 .	37, 39, 61, 175, 177, 185, 367, 370, 407, 409, 471	5251012.....	131	70022938.....	93, 95, 108, 111	
4460905 .....	781, 783	4812000 ...	33, 41, 43, 47, 49, 53, 55, 57, 59, 61, 63, 65, 69, 77, 141, 143, 149, 167, 185, 197, 265, 445, 447, 475, 503, 505, 513, 531, 539, 545, 549, 631, 633, 637, 643, 673, 675, 707, 727, 729, 731	5271609.....	695	70023179.....	365	
4460906 .....	749	4812100 .	23, 27, 53, 137, 167, 185, 551, 555, 637	5272012.....	707	70023181.....	365	
4460928 ....	752, 764, 785	4812102 .....	23, 163, 293	643191201.....	748, 763	70023182.....	365	
4460930 ...	752, 765, 767, 768	4812300 .	35, 53, 55, 137, 273	643201301.....	748, 763	70023184.....	365	
4460931 ...	743, 752, 768, 791	4812500 .....	303, 305	70002963.....	603, 607	70023186.....	365	
4460932 ...	761, 764, 767, 777, 793, 795, 799	4831400 ...	367, 370, 405	70004387.....	603	70023189.....	365	
4460933 ...	735, 749, 763, 765, 768	4831600 .....	33, 643	70004512.....	133	70023469.....	223, 237	
4460941 ...	761, 768, 773, 797, 801	4831700 ....	45, 189, 409, 445, 631, 699, 701	70004595.....	601	70023489.....	247	
4460942 ...	735, 749, 761, 763, 764, 765, 785, 786, 797	4831900 ...	175, 177, 367, 370, 437, 645	70005490.....	133	70023490.....	247, 249	
4460943 ...	743, 752, 761, 771	4832100 .....	163	70005492.....	133	70023493.....	247	
4460944 ...	735, 749, 751, 752, 753, 768, 781, 783, 785, 791	4892600 .....	209, 215	70005495.....	133	70023494.....	223, 237	
4460945 .....	753, 791	5220600 .....	679	70005504.....	133	70024004.....	249	
4460970 ...	734, 763, 768, 797	5220800 ....	647, 649, 653	70005505.....	133	70024035.....	573	
4460979 .....	735	5240600 .....	725	70005507.....	133, 134	70024107.....	365	
4460984 .....	765	5240800 .....	489	70005510.....	133	70024123... 95, 107, 111, 589		
4460994 .....	750			70005511.....	133	70024129.. 583, 585, 589		
4461000 .....	661			70005513.....	133	70024130..... 93, 95, 108, 111, 589		
4461006 .....	734			70005522.....	134	70024142..... 585		
4461008 .....	733			70005523.....	134	70024146.. 225, 239, 257		
4461015 .....	761, 764			70005524.....	134	70024147.. 225, 239, 257		
4461017 ....	739, 743, 767			70005544.....	134	70024164..... 569		
4461018 .....	735, 767			70005548.....	134	70024165..... 569		
4461054 ....	733, 767, 768			70005549.....	134, 822	70024166..... 569		
4461070 .....	735			70005556.....	134	70024167..... 569		
4461071 .....	734			70005557.....	134	70024168..... 569		
4461095 .....	735			70005558.....	134	70024210..... 227, 241		
4461115 .....	753, 799			70005559.....	134	70024213..... 227		
4461118 .....	767, 773			70005730.....	133	70024215..... 227		
4461174 ...	685, 687, 689, 691			70006144.....	133	70024216..... 241		
4461262 ...	748, 752, 767, 795			70006427.....	607	70024459..... 365		
4461290 .....	764			70020276.....	269	70024474..... 134		
4641520 .....	529, 625			70020438.....	575	70024484..... 133		
471678 .....	339			70020476.....	567	70024487..... 133		
4740274 .....	163			70020555.....	97, 99	70024489..... 133		
4740532 .....	153, 157			70020764.....	611, 613	70024493..... 133		
4740550 .....	163			70020867.....	599, 625	70024494..... 133		
4761700 .....	531			70020922.....	445	70024495..... 133		
4807718 .....	351, 822			70021251.....	357	70024504..... 133		
				70021252.....	357	70024505..... 134		
				70021317.....	361	70024507..... 133		
				70021318.....	361	70024538..... 107		
				70021319.....	361	70024721..... 108, 111		
				70021322.....	361	70024733..... 589		
				70021340.....	673, 675	70024734.. 583, 585, 589		
				70021341.....	673, 675	70024772..... 108, 111		
				70021349.....	85, 101, 105	70024848..... 227		
				70021350.....	101, 105	70024849..... 227		
				70021367.....	105	70024856..... 365		
				70021422.....	105	70024857..... 365		
				70021440.....	579, 581	70024858..... 365		
				70021444.....	581	70024859..... 365		
				70021445.....	581	70024861..... 365		
				70021446.....	581	70024881.. 225, 239, 255		
				70021447.....	581	70024918..... 133		
				70021448.....	581	70024945..... 593		
				70021451.....	581	70024946..... 593		
				70021452.....	581	70024961..... 133, 822		
				70021531.....	611, 613			
				70021606.....	241			

# PART NUMBER INDEX

70025012.....	225	70026315.....	607	70027595.....	595	70028340.....	151
70025014.....	225	70026353.....	165	70027596.....	613	70028341.....	151
70025153.....	133	70026354.....	165	70027598.....	593	70028342.....	151
70025242.....	134	70026359.....	165	70027601.....	591, 822	70028343.....	151
70025335.....	221, 235	70026361.....	449	70027657.....	133, 822	70028344.....	151
70025337.....	247	70026362.....	449	70027773.....	101	70028345.....	151
70025338.....	247	70026363.....	449	70027796.....	227	70028346.....	151
70025339.....	247, 249	70026364.....	449	70027806.....	822	70028347.....	151
70025483.....	357	70026365.....	449	70027862.....	269	70028348.....	151
70025485.....	357	70026366.....	449	70027879.....	87	70028349.....	151
70025486.....	357	70026367.....	449	70027880.....	87	70028350.....	151
70025489.....	357	70026434.....	439	70027881.....	87	70028351.....	151
70025490.....	357	70026469.....	95	70027882.....	87	70028352.....	151
70025491.....	357	70026470.....	95	70027887.....	87	70028353.....	151
70025535.....	134	70026471.....	95, 107	70027888.....	87	70028354.....	151
70025561.....	225, 239	70026472.....	95, 107	70027889.....	87	70028355.....	151
70025562.....	225, 239	70026473.....	95, 107	70027890.....	87	70028357.....	151
70025590.....	563	70026474.....	95	70027896.....	87	70028358.....	151
70025614.....	563, 573	70026475.....	95	70027899.....	87	70028359.....	151
70025707.....	134	70026476.....	95, 107	70027986.....	229, 243	70028360.....	151
70025722.....	133	70026477.....	93, 95	70027989.....	85	70028361.....	605
70025737.....	133	70026478.....	95	70028243.....	601	70028362.....	575
70025743.....	133	70026479.....	93, 95	70028253.....	107	70028376.....	567
70025755.....	133	70026480.....	93, 95	70028254.....	583	70028377.....	567
70025757.....	133	70026481.....	93, 95, 107, 111	70028255.....	583	70028378.....	567
70025760.....	134	70026482.....	93, 95, 107, 111	70028256.....	583, 585	70028379.....	567
70025761.....	134	70026483.....	93	70028257.....	583, 585	70028380.....	567
70025763.....	133	70026501.....	107	70028258.....	583, 585	70028381.....	439
70025765.....	133	70026502.....	583, 585	70028262.....	107	70028382.....	439
70025768.....	133	70026504.....	111	70028263.....	93	70028383.....	439
70025772.....	133	70026582.....	599, 625	70028267.....	108, 111	70028384.....	567
70025775.....	133	70026614.....	93, 95	70028270.....	583	70028387.....	225, 239
70025780.....	134	70026616.....	95	70028281.....	609	70028388.....	221, 225, 235, 239
70025786.....	133	70026631.....	269	70028282.....	609, 621	70028389.....	221, 225, 235, 239
70025816.....	435	70026745.....	97, 99	70028285.....	615	70028390.....	223, 249
70025817.....	435	70026746.....	97, 99	70028307.....	563	70028391.....	223
70025856.....	249	70026747.....	241	70028308.....	563	70028392.....	225, 239
70025859.....	439	70026748.....	241	70028309.....	563, 573	70028393.....	229, 243
70025860.....	439	70026750.....	249	70028310.....	563, 573	70028394.....	229, 243
70025877.....	134	70026838.....	567	70028311.....	563	70028396.....	225, 239
70025884.....	231, 245	70026892.....	269	70028312.....	563	70028397.....	239
70025887.....	223, 237	70026896.....	269	70028314.....	573	70028398.....	237, 247
70025970.....	227	70026897.....	269	70028315.....	573	70028399.....	237
70026002.....	225, 239	70026898.....	269	70028316.....	573	70028400.....	239
70026011.....	133	70026901.....	269	70028317.....	573	70028401.....	223, 237
70026081.....	165	70026904.....	269	70028318.....	573	70028405.....	107
70026082.....	165	70026908.....	269	70028319.....	573	70028406.....	107
70026210.....	134	70026909.....	269	70028320.....	573	70028410.....	593, 822
70026238.....	225, 239	70026911.....	269	70028321.....	573	70028411.....	593
70026249.....	575	70026927.....	270	70028322.....	573	70028412.....	595
70026251.....	575	70027022.....	227, 241	70028323.....	573	70028413.....	595, 822
70026253.....	575, 822	70027092.....	227	70028324.....	563, 573, 822	70028414.....	601
70026260.....	225, 239, 251	70027105.....	247, 249	70028325.....	563	70028415.....	601
70026261.....	225, 239, 253	70027109.....	269	70028326.....	365	70028416.....	601
70026262.....	227	70027110.....	269	70028327.....	151	70028417.....	133
70026263.....	227	70027180.....	117, 119, 121, 123	70028328.....	151	70028418.....	133
70026264.....	227	70027317.....	227, 241	70028329.....	151	70028419.....	133, 822
70026265.....	231, 245	70027392.....	361	70028330.....	151	70028420.....	591
70026266.....	231, 245, 255	70027395.....	361	70028331.....	151	70028421.....	619
70026292.....	755	70027404.....	133	70028332.....	151	70028422.....	623
70026293.....	757	70027405.....	133	70028333.....	151	70028485.....	85, 101, 105
70026294.....	639	70027417.....	133, 822	70028334.....	151	70028486.....	85, 105
70026295.....	639	70027426.....	133	70028335.....	151	70028487.....	105
70026296.....	639	70027567.....	133	70028336.....	151	70028488.....	85, 105
70026297.....	639			70028337.....	151	70028489.....	101, 105
70026312.....	607			70028338.....	151		
70026314.....	607			70028339.....	151		

## PART NUMBER INDEX

70028490 ..... 101, 105	70028610 ..... 579	70028686 ..... 108	70028828 ..... 269
70028491 ..... 105	70028611 ..... 579	70028687 ..... 108, 111	70028829 ..... 269
70028492 ..... 105	70028612 ..... 581	70028688 ..... 108, 111	70028830 ..... 269
70028493 ..... 105	70028613 ..... 581	70028689 ..... 108, 111	70028831 ..... 269
70028494 ..... 105	70028614 ..... 581	70028690 ..... 108	70028832 ..... 269
70028495 .... 85, 101, 105	70028615 ..... 101	70028691 ..... 583, 585	70028833 ..... 269
70028496 .... 85, 101, 105	70028616 ..... 101	70028692 ..... 585	70028834 ..... 269
70028497 ..... 105	70028617 ..... 101	70028693 ..... 585	70028835 ..... 269
70028498 ..... 105	70028618 ..... 101	70028694 ..... 585	70028836 ..... 269
70028499 ..... 105	70028619 ..... 101	70028695 ..... 108	70028837 ..... 269
70028500 ..... 105	70028620 ..... 101	70028696 ..... 108	70028838 ..... 269
70028501 ..... 105	70028621 ..... 101	70028697 ..... 95, 108, 112	70028839 ..... 269
70028502 ..... 601	70028622 ..... 101	70028701 ..... 111	70028840 ..... 269
70028503 ..... 601	70028623 ..... 101	70028702 ..... 111	70028841 ..... 270
70028504 ..... 601	70028624 ..... 101	70028703 ..... 111	70028842 ..... 270
70028505 ..... 87	70028625 ..... 101	70028704 ..... 111, 589	70028843 ..... 270
70028506 ..... 87	70028626 ..... 101	70028705 ..... 111	70028844 ..... 270
70028507 ..... 87	70028627 ..... 101	70028706 ..... 111	70028845 ..... 270
70028508 ..... 87	70028628 ..... 101	70028707 ..... 111	70028846 ..... 270
70028509 ..... 87	70028629 ..... 101	70028708 ..... 111	70028847 ..... 270
70028510 ..... 87	70028630 ..... 101	70028709 ..... 111	70028848 ..... 270
70028511 ..... 87	70028631 ..... 101	70028710 ..... 111	70028902 ..... 607
70028512 ..... 87	70028632 ..... 101	70028711 ..... 111	70028903 ..... 607
70028513 ..... 87	70028633 ..... 101	70028712 ..... 111	70028904 ..... 607
70028525 ..... 85	70028634 ..... 102	70028713 ..... 111	70028905 ..... 607
70028526 ..... 85	70028635 ..... 101	70028714 ..... 111	70029941 ..... 573
70028546 ..... 773	70028636 ..... 101	70028715 ..... 111	7010543 ..... 603
70028554 .... 85, 97, 101, 115	70028637 ..... 101	70028716 ..... 111	70124445 ..... 133
70028563 ..... 93	70028638 ..... 101	70028717 ..... 111	70126616 ..... 133
70028564 ..... 93	70028648 ..... 107	70028718 ..... 111	7016331 ..... 133, 822
70028565 ..... 93	70028649 ..... 107	70028719 ..... 111	7020208 ..... 133
70028566 ..... 93	70028650 ..... 107	70028720 ..... 111	7020442 ..... 133
70028567 ..... 93	70028651 ..... 107	70028721 ..... 111	7022390 ..... 609
70028568 ..... 93	70028652 ..... 107, 583	70028722 ..... 111	7024947 ..... 595
70028569 ..... 93	70028653 ..... 107, 585	70028723 ..... 111	7026731 ..... 261
70028570 ..... 93	70028654 ..... 107	70028724 ..... 111	7028621 ..... 365
70028571 ..... 93	70028655 ..... 107	70028725 ..... 111	7028714 ..... 225, 239
70028572 ..... 93	70028656 ..... 107	70028726 ..... 111	7028715 ..... 225, 239
70028573 ..... 93	70028657 ..... 107	70028727 ..... 111	7028716 ..... 225, 239
70028574 ..... 93	70028658 ..... 107	70028728 ..... 589	7028733 ..... 225, 239
70028575 ..... 93	70028659 ..... 107	70028729 ..... 589	7029127 ..... 229, 243
70028576 ..... 93	70028660 ..... 107	70028730 ..... 589	7029288 ..... 221, 235
70028577 ..... 93	70028661 ..... 107	70028731 ..... 589	7029290 ..... 255
70028578 ..... 93	70028662 ..... 107	70028732 ..... 589	7029307 ..... 229, 243
70028579 ..... 93	70028663 ..... 107	70028733 ..... 589	7029317 ..... 225
70028580 ..... 93	70028664 ..... 107	70028734 ..... 112	7029486 .... 393, 395, 805
70028588 ..... 589	70028665 ..... 107	70028749 ..... 95	7029702 ..... 85
70028589 ..... 93	70028666 ..... 107	70028750 ..... 95	7029703 ..... 85
70028591 ..... 85	70028667 ..... 107	70028751 ..... 95	7029704 ..... 85
70028592 ..... 85	70028668 ..... 107	70028752 ..... 95	7029709 ..... 101
70028593 ..... 85	70028669 ..... 107	70028753 ..... 95	7029711 .... 85, 101, 105
70028594 ..... 85	70028670 ..... 107	70028767 ..... 107	7029712 ..... 101
70028595 ..... 85	70028671 ..... 107	70028768 ..... 107	7029733 ..... 239, 261
70028596 ..... 85	70028672 .... 95, 107, 111	70028770 ..... 583	7029734 ..... 227, 241
70028597 ..... 85	70028673 ..... 107	70028771 ..... 585	7029735 ..... 227, 241
70028598 ..... 85	70028674 ..... 107	70028801 ..... 270	7029743 ..... 225
70028599 ..... 85, 579	70028675 ..... 107	70028817 ..... 269	7029767 ..... 357
70028600 ..... 85	70028676 ..... 107	70028818 ..... 269	7029785 ..... 241
70028601 ..... 85	70028677 ..... 107	70028819 ..... 269	7029787 ..... 227
70028602 ..... 85	70028678 ..... 108	70028820 ..... 269	7029969 ..... 673
70028603 ..... 85, 581	70028679 ..... 108	70028821 ..... 269	7029970 ..... 673
70028604 ..... 85	70028680 ..... 108	70028822 ..... 269	7029971 ..... 673, 675
70028605 ..... 85	70028681 ..... 108	70028823 ..... 269	7300435 ..... 137
70028606 ..... 85	70028682 ..... 108	70028824 ..... 269	77133136 ..... 471
70028607 ..... 85	70028683 ..... 108	70028825 ..... 269	77133137 ..... 471
70028609 ..... 579	70028684 ..... 108	70028826 ..... 269	77133497 ..... 471
	70028685 ..... 108	70028827 ..... 269	77213042 ..... 185

## PART NUMBER INDEX

7760897.....745	8220051 .... 750, 751, 763	8769123 ..... 495, 499	91514083.....225
8000759.....327	8220097 ..... 734	8769126 ..... 495, 499	91514084.....225
8000803.....313	8220098 ..... 734	8769146 ..... 471	91514089.. 221, 225, 227, 235
8002200...57, 59, 61, 822	8220116 ..... 765	8769152 ..... 471	91514090.....255
8004398.....327	8220124 ..... 733	8769199 ..... 471	91514095.....225, 239
8005901.....395	8229242 ..... 755, 757	8770030 ..... 507	91514098.....221, 235
8006258.....571	8229244 ..... 639, 759	8770075 ..... 489	91514101.....221, 235
8008175.....229, 243	8229245 ..... 639, 755	8770104 ..... 507	91514111.....251, 253
8008640...57, 59, 61, 822	8229247 ..... 639, 757	8770215 ..... 473	91514112.....225, 239
80203020.....269	8275212 ..... 185	8770286 ..... 507	91514117.....225, 239
80203021.....269	8278020 ..... 163	8786549 ... 281, 283, 289, 291	91514118.....293
80204002.....221, 235	8305919 ... 183, 343, 398, 409	88662434 ..... 517, 543	91514123.....223
80204005...221, 235, 259	8307219 ..... 183	8880219-OM ..... 277	91514130.....223, 237
80204007.....269	8310559 ..... 323	90206196 ..... 47	91514133.....223, 237
80204012.....239	8310686 ..... 509, 527	90206198 ..... 517	91514134.....223, 237
80204016.....269	8405006 ..... 167, 517	90206202 ..... 19	91514143.....249
80204033.....223, 237	8405007 ... 167, 531, 537, 543	90554016 ..... 99	91514146.....259, 269
80204035.....223, 237	8405009 ... 167, 191, 437	90554017 ..... 85	91514147.....259
80204043.....223, 237	8405101 ..... 167	90554020 ..... 85	91514148.....259
80204048.....223, 237	8405102 ..... 173	90554042 ... 85, 101, 105	91514149... 225, 239, 259
80204060.....227	8405104 ..... 167	90554045 ... 85, 101, 105, 579, 581	91514151.....227
80204065.....225, 239	8405201 ... 167, 398, 401	90554065 ..... 101	91514154... 227, 241, 269
80204071.....225, 239	8405402 ..... 139	90554066 ..... 101	91514159.....227, 241
80204076.....225, 239	8406105 ..... 137	90554067 ..... 85, 101	91514174.....225, 239
80204108.....227	8406112 ..... 201	91013191 ..... 768	91514175... 225, 239, 257
80204117...227, 241, 255	8406201 ..... 517	91013192 ..... 764, 765	91514177... 225, 239, 257
80204143.....229, 243	8406202 ..... 491, 495	91043125 . 489, 493, 497, 501	91514178.....225, 239
80204144.....229, 243	8410009 ... 195, 367, 370	91043126 . 489, 493, 497, 501	91514179.....225, 239
80204176.....269	8410013 ... 161, 517, 531	9106-3039 ..... 543	91514180.....225, 239
80204215.....269	8420053 ... 85, 87, 93, 95, 101, 105, 108, 111	9106-3040 ..... 543	91514181.....225, 239
80204281.....227, 241	8420055 ... 85, 87, 93, 95, 101, 105, 108, 111	91083106 ..... 531	91514184.....225, 261
80214120.....225, 239	8424233 ..... 531	91163268 ..... 185	91514185.....225, 261
80233218.....437	8430032 ..... 517	91403193 ..... 205	91514186.....225, 261
80333151.....437	8430033 ..... 553	91474364 ..... 269	91514189.....225, 239
80363195.....331	8430034 ..... 535	91474512 ..... 221, 235	91554014.....751
80604017.....771	8430081 ..... 517	91504107 ..... 771	91574001.....569
80604021.....779	8466306 ..... 349	91513266 ..... 293	943191201.....748
80963055.....735	8584003 ..... 697	91514081 ..... 225, 239	AU2105.....817, 820
80963056.....735	85941018 ..... 517	91514082 ..... 225, 239	E000269 ..... 711
80963067.....734			N.S.S. .... 79, 81, 83, 603
80983191...755, 757, 759			
82033995.....161, 195			
8220043.....739			





31211281



An Oshkosh Corporation Company

*Corporate Office*  
*JLG Industries, Inc.*  
*1 JLG Drive*  
*McConnellsburg, PA 17233-9533 USA*  
☎ *(717) 485-5161 (Corporate)*  
☎ *(877) 554-5438 (Customer Support)*  
☎ *(717) 485-6417*

*Visit our website for JLG Worldwide Locations.*  
*[www.jlg.com](http://www.jlg.com)*