



---

# *Illustrated Parts Manual*

*Models*

**1043**

SN 0160084859 to Present

**31211315**

October 31, 2018 - Rev C





## EFFECTIVITY PAGE

April 6, 2018 - A - Original Issue of Manual  
July 18, 2018 - B - Revised Manual, Rev 1  
October 31, 2018 - C - Revised Manual

## Machine Configuration

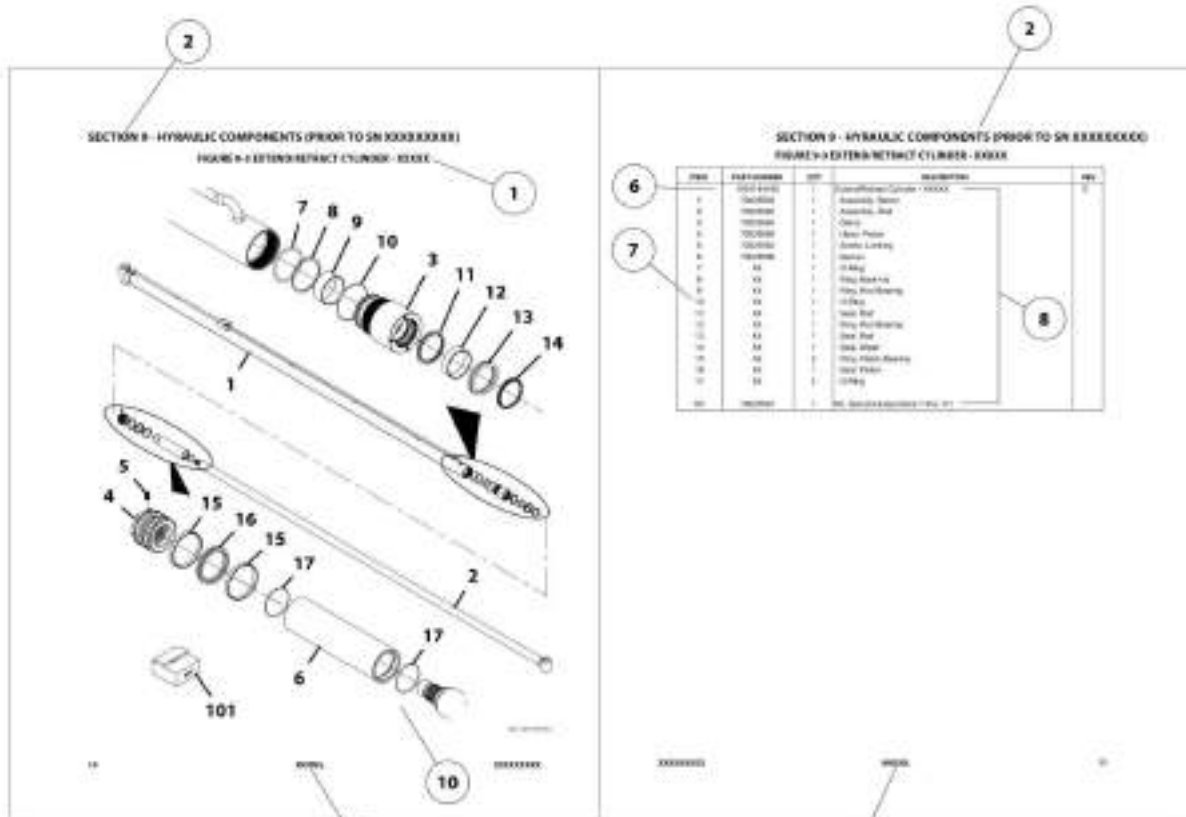
---



Two configurations of each machine are included in this manual. Determine if machine is equipped with Ultra Low Sulfur Fuel Decal (1).

If equipped with the Ultra Low Sulfur decal, all specific references to this machine configuration will be referred to as Ultra Low Sulfur (ULS) from this point forward.

If not equipped with the Ultra Low Sulfur decal, all specific references to this machine configuration will be referred to as Low Sulfur (LS) from this point forward.



## General Information

### 1. MACHINE IDENTIFICATION

Machines are identified by model and in some cases a combination of model, serial number (S/N) or regional standard (e.g. ANSI, CE, CSA, AUS). Components may also be identified by S/N or manufacturer. Common components that may be identified by these characteristics are attachments, engine, transmission and hydraulic components.

### 2. PARTS MANUAL ORGANIZATION

Product information in this manual is organized under section titles. Frame, Engine and Electrical are a few examples. Each section is organized by Figure and page number. The information within the Figure is then organized by item number, part number, description and corresponding illustration(s).

### 3. TABLE OF CONTENTS

A table of contents (TOC) is found toward the beginning of the manual. Figure number, description and page number are provided for quick reference to the page containing the related information.

### 4. RECOMMENDED SPARE PARTS

The Recommended Spare Parts, located near the end of the manual, references most frequently used maintenance parts.

### 5. PARTS NUMBER INDEX

A numerical index listing all part numbers and the corresponding page number(s) appears at the back of the manual.

### 6. NON-SERVICED PARTS

In some instances it is necessary to display non-serviced parts, assemblies or installations. In the case of assemblies and installations there will be a Ref in the QTY column and a note after the item description stating what is available for service within. In the case of parts that are not available for service within assemblies or components there will be a NSS (Not Sold Separately) listed in the part number column of the manual.

### 7. PARTS LIST ITEM NUMBERS

Numbers shown in the Item column correspond to numbers used in the associated illustration(s). Item numbers which are missing from sequence and are not shown in the illustration(s) are not used on that page.

### 8. INDENTED PART DESCRIPTION

An indented part description is included in the item under which it is indented.

## 9. ABBREVIATIONS AND SYMBOLS

AC	Alternating Current
A/C	Air Conditioning
ADE	Advanced Design Electronics
AG	Agriculture
AMP	Amperage
ANSI	American National Standards Institute
AR	As Required
ASSY	Assembly
AUS	Australia
AUX	Auxiliary
AWG	American Wire Gauge
CAC	Charge Air Cooler
CE	European Conformity
CM	Centimeter
CONST	Construction
CSA	Canadian Standards Association
DEF	Diesel Exhaust Fluid
DIA	Diameter
DC	Direct Current
DTZ	Decentralized Transmission Zeros
ECU	Electronic Control Unit
EMS	Emergency Stop
FNR	Forward Neutral Reverse
FT	Foot
GA	Gauge
GR	Grade
HBP	High Boom Pivot
HHP	High Horse Power
HOC	Hydraulic Oil Cooler
HVAC	Heating, Ventilating, and Air Conditioning
ID	Inside Diameter
IN	Inch
ISO	International Organization for Standards
ITSDF	Industrial Truck Standards Development Foundation
JIC	Joint Industry Council
KG	Kilogram
KW	Kilowatt
L	Liter

LB	Pound
LBP	Low Boom Pivot
LCD	Liquid Crystal Display
LED	Light Emitting Diode
LH	Left Hand
LHD	Left Hand Drive
LHP	Low Horse Power
LMIS	Load Management Indicator System
LS	Low Sulfur
LSI	Load Stability Indicator
LSS	Load Sensing System
M <sup>3</sup>	Cubic Meter
MA	Milliamp
M(m)	Metric/Meter
MM	Millimeter
N	Newton
NACD	North America Construction Division
NLA	No Longer Available
NSS	Not Sold Separately
OD	Outside Diameter
ORB	O-Ring Boss
ORFS	O-Ring Face Seal
OZ	Ounce
PR	Ply Rating
QT	Quart
QTY	Quantity
REF	Reference
REV	Revision
RH	Right Hand
RHD	Right Hand Drive
RHOC	Remote Hydraulic Oil Cooler
RUS	Russia
SAE	Society of Automotive Engineers
SAHR	Spring Applied Hydraulically Released
SN	Serial Number
SPO	Speed
TLU	Torque Lock Up
UGM	Universal Ground Module

## 10. ILLUSTRATION REFERENCE LETTERS

When necessary, illustrations may contain reference letters that are intended to track information from one point to another in the illustration such as harnesses and hoses or any other information that has been separated in the illustration.

**Note:** Due to continuous product improvements, JLG Industries, Inc. reserves the right to make specification changes without prior notification. Contact JLG Industries, Inc. for updated information.

# TABLE OF CONTENTS

SECTION 1 - FRAME AND ATTACHING PARTS.....	15
FIGURE 1-1. FRAME (OUTRIGGERS).....	16
FIGURE 1-2. ENGINE ENCLOSURE INSTALLATION.....	18
FIGURE 1-3. ENGINE ENCLOSURE COVER INSTALLATION.....	20
FIGURE 1-4. HOOD ASSEMBLY.....	22
FIGURE 1-5. HOOD ASSEMBLY.....	24
FIGURE 1-6. COVER INSTALLATION (OUTRIGGERS) (ULS).....	26
FIGURE 1-7. COVER INSTALLATION (OUTRIGGERS) (LS).....	28
FIGURE 1-8. COUNTERWEIGHT INSTALLATION.....	30
FIGURE 1-9. TANK INSTALLATION.....	32
FIGURE 1-10. FUEL TANK INSTALLATION.....	34
FIGURE 1-11. HYDRAULIC TANK INSTALLATION.....	36
FIGURE 1-12. FUEL CAP ASSEMBLY.....	38
FIGURE 1-13. OUTRIGGERS INSTALLATION.....	40
FIGURE 1-14. MIRROR INSTALLATION.....	42
FIGURE 1-15. BOOM PROP INSTALLATION (ANSI).....	44
FIGURE 1-16. BOOM PROP BRACKET.....	46
SECTION 2 - BOOM.....	49
FIGURE 2-1. BOOM ASSEMBLY.....	50
FIGURE 2-2. FIRST BOOM SECTION ASSEMBLY.....	52
FIGURE 2-3. SECOND BOOM SECTION ASSEMBLY.....	54
FIGURE 2-4. THIRD BOOM SECTION ASSEMBLY.....	56
FIGURE 2-5. RETRACT CHAIN SHEAVE.....	58
FIGURE 2-6. RETRACT CHAIN INSTALLATION.....	60
FIGURE 2-7. EXTEND CHAIN INSTALLATION.....	62
FIGURE 2-8. PINS INSTALLATION.....	64
FIGURE 2-9. EXTEND CHAIN ROLLER.....	66
FIGURE 2-10. HOSE BRACKET INSTALLATION.....	68
FIGURE 2-11. BOOM PINNING INSTALLATION.....	70
FIGURE 2-12. LIFT CYLINDER PINS INSTALLATION.....	72
FIGURE 2-13. COMPENSATION CYLINDER PINS INSTALLATION.....	74
FIGURE 2-14. BOOM PIVOT PIN INSTALLATION.....	76
FIGURE 2-15. MANUAL QUICK COUPLER INSTALLATION.....	78
FIGURE 2-16. HYDRAULIC QUICK COUPLER INSTALLATION.....	80
FIGURE 2-17. BOOM PIN INSTALLATION.....	82
FIGURE 2-18. TILT CYLINDER PIN INSTALLATION.....	84
FIGURE 2-19. BOOM ANGLE INDICATOR INSTALLATION.....	86
FIGURE 2-20. BOOM BRUSHES INSTALLATION.....	88
FIGURE 2-21. QUICK COUPLER ASSEMBLY.....	90
SECTION 3 - ATTACHMENTS.....	93
FIGURE 3-1. CARRIAGE ASSEMBLY (1270MM).....	94
FIGURE 3-2. CARRIAGE ASSEMBLY (1524 MM).....	96
FIGURE 3-3. CARRIAGE ASSEMBLY (1829 MM).....	98
FIGURE 3-4. SIDE TILT CARRIAGE ASSEMBLY.....	100
FIGURE 3-5. 90 SWING CARRIAGE ASSEMBLY (72 INCH).....	102
FIGURE 3-6. SIDE SHIFT CARRIAGE (5.5 TON - 1270 MM).....	104
FIGURE 3-7. FORK POSITIONING CARRIAGE WITH FORKS (4.5 TON).....	106
FIGURE 3-8. PALLET FORK (2.36X4X48).....	108
FIGURE 3-9. PALLET FORK (2.36X5X48).....	110
FIGURE 3-10. PALLET FORK (2.36X4X48).....	112
FIGURE 3-11. FORK - PALLET (2.4X4X60).....	114
FIGURE 3-12. LUMBER FORK (50X180X1540).....	116
FIGURE 3-13. LUMBER FORK (60X150X1524).....	118
FIGURE 3-14. PALLET FORK (2.00X6X72).....	120
FIGURE 3-15. BLOCKING FORK (50X50X1220).....	122
FIGURE 3-16. FORK CLAMPS INSTALL.....	124
FIGURE 3-17. FORK EXTENSIONS (62X163X2286).....	126
FIGURE 3-18. FORK MOUNTED BUCKET (1.0 M <sup>3</sup> ).....	128
FIGURE 3-19. BUCKET 1.0 YD <sup>3</sup> (ANSI - JLG).....	130
FIGURE 3-20. BUCKET (1.15 M <sup>3</sup> ).....	132
FIGURE 3-21. BUCKET (102 INCH).....	134

# TABLE OF CONTENTS

FIGURE 3-22. MULTI-PURPOSE GRAPPLE BUCKET (2450 MM) .....	136
FIGURE 3-23. TRUSS BOOM (0.9 TON - 3.7M) .....	138
FIGURE 3-24. TRUSS BOOM (15 FOOT) .....	140
FIGURE 3-25. ADJUSTABLE TRUSS BOOM .....	142
FIGURE 3-26. ADJUSTABLE TRUSS BOOM INSTALLATION (FORK MOUNTED).....	144
FIGURE 3-27. TRUSS BOOM (1.8 TON - 1M FT WITH WINCH).....	146
FIGURE 3-28. TRUSS BOOM (0.9 TON - 3.7M WITH WINCH) .....	148
FIGURE 3-29. FORK MOUNTED HOOK (4 TON) .....	150
FIGURE 3-30. CRANE HOOK .....	152
FIGURE 3-31. MAST (8 FOOT) .....	154
FIGURE 3-32. SIDE TILT ELECTRIC MAST (8 FOOT) .....	158
FIGURE 3-33. FORK MOUNTED BASKET .....	164
FIGURE 3-34. FORK MOUNTED BASKET .....	166
FIGURE 3-35. FORK MOUNTED BASKET .....	168
FIGURE 3-36. FORK MOUNTED PLATFORM .....	170
FIGURE 3-37. SWEEPER.....	172
FIGURE 3-38. FORK MOUNTED TRASH HOPPER .....	174
FIGURE 3-39. MAIN LIFT CYLINDER .....	176
FIGURE 3-40. KIT DECAL .....	178
FIGURE 3-41. DUAL FORK CARRIAGE VALVE ASSEMBLY .....	180
SECTION 4 - ENGINE AND ATTACHING PARTS.....	183
FIGURE 4-1. ENGINE INSTALLATION (ULS) .....	184
FIGURE 4-2. ENGINE INSTALLATION (LS).....	186
FIGURE 4-3. 3.8L ENGINE (ULS) .....	188
FIGURE 4-4. 3.8L ENGINE (LS).....	190
FIGURE 4-5. ENGINE MOUNTING INSTALLATION .....	192
FIGURE 4-6. FAN INSTALLATION .....	194
FIGURE 4-7. ENGINE WIRING INSTALLATION (ULS).....	196
FIGURE 4-8. ENGINE WIRING INSTALLATION (LS) .....	200
FIGURE 4-9. PRIMARY FUEL FILTER INSTALLATION (LS).....	204
FIGURE 4-10. PRIMARY FUEL FILTER INSTALLATION (ULS) .....	206
FIGURE 4-11. AIR CLEANER LINES INSTALLATION (LS) .....	208
FIGURE 4-12. AIR CLEANER LINES INSTALLATION (ULS).....	210
FIGURE 4-13. AIR CLEANER INSTALLATION (ULS) .....	212
FIGURE 4-14. AIR CLEANER INSTALLATION (LS).....	214
FIGURE 4-15. AIR CLEANER ASSEMBLY (74.4KW) .....	216
FIGURE 4-16. AIR CLEANER ASSEMBLY (90/100KW) .....	218
FIGURE 4-17. AIR INTAKE DUCT INSTALLATION .....	220
FIGURE 4-18. AIR INTAKE SHUT OFF VALVE INSTALLATION.....	222
FIGURE 4-19. ENGINE ECU INSTALLATION (ULS).....	224
FIGURE 4-20. ENGINE ECU INSTALLATION (LS) .....	226
FIGURE 4-21. FUEL LINES INSTALLATION (LS) .....	228
FIGURE 4-22. FUEL LINES INSTALLATION (ULS) .....	232
FIGURE 4-23. DEF LINES INSTALLATION.....	236
FIGURE 4-24. COOLING PACKAGE INSTALLATION (ULS).....	238
FIGURE 4-25. COOLING PACKAGE INSTALLATION (LS).....	240
FIGURE 4-26. RADIATOR COOLING PACKAGE .....	242
FIGURE 4-27. HOC LINES INSTALLATION.....	244
FIGURE 4-28. COOLANT LINES INSTALLATION (ULS) .....	246
FIGURE 4-29. COOLANT LINES INSTALLATION (LS).....	248
FIGURE 4-30. CAC LINES INSTALLATION (ULS) .....	250
FIGURE 4-31. CAC LINES INSTALLATION (LS) .....	252
FIGURE 4-32. TOC LINES INSTALLATION .....	254
FIGURE 4-33. SURGE TANK INSTALLATION.....	256
FIGURE 4-34. FAN GUARD INSTALLATION .....	258
FIGURE 4-35. EXHAUST INSTALLATION (ULS).....	260
FIGURE 4-36. EXHAUST INSTALLATION (LS) .....	262
FIGURE 4-37. ENGINE PARTS INSTALLATION (NO HEATER) .....	264
FIGURE 4-38. ENGINE PARTS INSTALLATION (HEATER).....	266
FIGURE 4-39. A/C PUMP INSTALLATION (ULS).....	268
FIGURE 4-40. A/C PUMP INSTALLATION (LS) .....	270
FIGURE 4-41. FUEL TANK ASSEMBLY.....	272
FIGURE 4-42. DEF TANK INSTALLATION .....	274
FIGURE 4-43. DEF TANK ASSEMBLY (SN 0160084859 through 0160091872) .....	276
FIGURE 4-44. DEF TANK ASSEMBLY (SN 0160091873 to Present) .....	278



# TABLE OF CONTENTS

FIGURE 4-45. DEF PUMP AND CONTROL INSTALLATION .....	280
FIGURE 4-46. DEF PUMP LINES INSTALLATION .....	282
FIGURE 4-47. MUFFLER INSTALLATION (LS) .....	284
FIGURE 4-48. A/C LINES INSTALLATION .....	286
FIGURE 4-49. HEATER BREATHER .....	288
SECTION 5 - DRIVETRAIN .....	291
FIGURE 5-1. DRIVETRAIN INSTALLATION .....	292
FIGURE 5-2. FRONT AXLE INSTALLATION .....	294
FIGURE 5-3. REAR AXLE INSTALLATION .....	296
FIGURE 5-4. DRIVE SHAFTS INSTALLATION .....	298
FIGURE 5-5. FRONT AXLE MOUNTING INSTALLATION .....	300
FIGURE 5-6. FRONT AXLE LINES INSTALLATION .....	302
FIGURE 5-7. REAR AXLE MOUNTING INSTALLATION .....	304
FIGURE 5-8. REAR AXLE LINES INSTALLATION .....	306
FIGURE 5-9. FRONT DRIVE SHAFT INSTALLATION .....	308
FIGURE 5-10. REAR DRIVE SHAFT INSTALLATION .....	310
FIGURE 5-11. FRONT AXLE .....	312
FIGURE 5-12. FRONT AXLE, CENTRAL HOUSING .....	314
FIGURE 5-13. FRONT AXLE, DIFFERENTIAL .....	316
FIGURE 5-14. FRONT AXLE, HUB REDUCTION .....	318
FIGURE 5-15. FRONT AXLE, BRAKES .....	320
FIGURE 5-16. FRONT AXLE, STEERING .....	322
FIGURE 5-17. FRONT AXLE, TRUNION .....	324
FIGURE 5-18. FRONT AXLE, DIFFERENTIAL KIT .....	326
FIGURE 5-19. FRONT AXLE, PLANET GEAR CARRIER .....	328
FIGURE 5-20. FRONT AXLE, RING GEAR SUPPORT .....	330
FIGURE 5-21. FRONT AXLE, PLANET GEAR CARRIER .....	332
FIGURE 5-22. FRONT AXLE, SUPPORT .....	334
FIGURE 5-23. FRONT AXLE, SUPPORT .....	336
FIGURE 5-24. REAR AXLE .....	338
FIGURE 5-25. REAR AXLE, BRAKES .....	340
FIGURE 5-26. REAR AXLE, CENTRAL HOUSING .....	342
FIGURE 5-27. REAR AXLE, DIFFERENTIAL .....	344
FIGURE 5-28. REAR AXLE, HUB REDUCTION .....	346
FIGURE 5-29. REAR AXLE, STEERING .....	348
FIGURE 5-30. REAR AXLE, TRUNION .....	350
FIGURE 5-31. REAR AXLE, DIFFERENTIAL KIT .....	352
FIGURE 5-32. REAR AXLE, PLANET GEAR CARRIER .....	354
FIGURE 5-33. REAR AXLE, PLANET GEAR CARRIER .....	356
FIGURE 5-34. REAR AXLE, SUPPORT .....	358
FIGURE 5-35. REAR AXLE, RING GEAR SUPPORT .....	360
FIGURE 5-36. TRANSMISSION INSTALLATION .....	362
FIGURE 5-37. POWERSHIFT TRANSMISSION .....	364
FIGURE 5-38. TRANSMISSION, ENGINE CONNECTION .....	368
FIGURE 5-39. TRANSMISSION, CONVERTER .....	370
FIGURE 5-40. TRANSMISSION, INPUT .....	372
FIGURE 5-41. TRANSMISSION, HOUSING GROUP 1 .....	374
FIGURE 5-42. TRANSMISSION, HOUSING GROUP 2 .....	376
FIGURE 5-43. TRANSMISSION, CLUTCH GROUP 1 .....	378
FIGURE 5-44. TRANSMISSION, CLUTCH GROUP 2 .....	380
FIGURE 5-45. TRANSMISSION, COUPLING GROUP 1 .....	382
FIGURE 5-46. TRANSMISSION, COUPLING GROUP 2 .....	384
FIGURE 5-47. TRANSMISSION, COUPLING GROUP 3 .....	386
FIGURE 5-48. TRANSMISSION, COUPLING GROUP 4 .....	388
FIGURE 5-49. TRANSMISSION, OUTPUT .....	390
FIGURE 5-50. TRANSMISSION, POWER TAKE-OFF .....	392
FIGURE 5-51. TRANSMISSION, CONTROL UNIT .....	394
FIGURE 5-52. TRANSMISSION, SHIFT SYSTEM .....	396
FIGURE 5-53. TRANSMISSION, PRESSURE REGULATOR .....	398
FIGURE 5-54. TRANSMISSION, PRESSURE OIL PUMP .....	400
FIGURE 5-55. TRANSMISSION, INDUCTIVE TRANSMITTER .....	402
FIGURE 5-56. TRANSMISSION, FILTER .....	404
FIGURE 5-57. TRANSMISSION, ACCESSORIES GROUP 1 .....	406
FIGURE 5-58. TRANSMISSION, PERIPHERALS GROUP 1 .....	408
FIGURE 5-59. TRANSMISSION, PERIPHERALS GROUP 2 .....	410

# TABLE OF CONTENTS

FIGURE 5-60. TRANSMISSION, ACCESSORIES GROUP 2 .....	412
FIGURE 5-61. TRANSMISSION, TRANSFER BOX.....	414
FIGURE 5-62. TRANSMISSION, TRANSFER BOX HOUSING 1.....	416
FIGURE 5-63. TRANSMISSION, TRANSFER BOX HOUSING 2.....	418
FIGURE 5-64. TRANSMISSION, TRANSFER BOX HOUSING INPUT .....	420
FIGURE 5-65. TRANSMISSION, TRANSFER BOX HOUSING OUTPUT 1 .....	422
FIGURE 5-66. TRANSMISSION, TRANSFER BOX HOUSING OUTPUT 2.....	424
FIGURE 5-67. TIRE/WHEEL SET 400/75-28 - AIR.....	426
FIGURE 5-68. TIRE/WHEEL ASSEMBLY 400/75-28 - AIR .....	428
FIGURE 5-69. TIRE/WHEEL SET 400/75-28 NON-MARKING – AIR.....	430
FIGURE 5-70. TIRE/WHEEL ASSEMBLY 400/75-28 NON-MARKING - AIR .....	432
FIGURE 5-71. TIRE/WHEEL SET 400/75-28 - FOAM .....	434
FIGURE 5-72. TIRE/WHEEL SET 400/75-28 NON-MARKING - FOAM .....	436
FIGURE 5-73. TIRE/WHEEL SET 14-24 16PR - AIR.....	438
FIGURE 5-74. TIRE/WHEEL RIGHT ASSEMBLY 14-24 16PR - AIR .....	440
FIGURE 5-75. TIRE/WHEEL LEFT ASSEMBLY 14-24 16PR - AIR .....	442
FIGURE 5-76. TIRE/WHEEL SET 14-24 12PR - FOAM .....	444
FIGURE 5-77. TIRE/WHEEL SET 360/85-28 - SOLID.....	446
FIGURE 5-78. FENDER INSTALLATION .....	448
FIGURE 5-79. WHEEL CHOCK INSTALLATION.....	450
FIGURE 5-80. TOOLBOX INSTALLATION .....	452
SECTION 6 - CAB .....	455
FIGURE 6-1. CAB MOUNTING.....	456
FIGURE 6-2. CAB MOUNTS INSTALLATION .....	458
FIGURE 6-3. FRONT CAB OUTRIGGER INSTALLATION.....	460
FIGURE 6-4. CAB FENDER INSTALLATION .....	462
FIGURE 6-5. CAB FENDER INSTALLATION REAR (LH) .....	464
FIGURE 6-6. OROPS CAB INSTALLATION.....	466
FIGURE 6-7. EROPS CAB INSTALLATION .....	468
FIGURE 6-8. CAB, TRIM KIT.....	470
FIGURE 6-9. CAB, TRIM KIT.....	472
FIGURE 6-10. OPEN CAB ASSEMBLY.....	474
FIGURE 6-11. OPEN CAB PLUG GROUP .....	476
FIGURE 6-12. CAB, EPD CAULK.....	478
FIGURE 6-13. ENCLOSED CAB ASSEMBLY .....	480
FIGURE 6-14. REAR WINDOW INSTALLATION .....	482
FIGURE 6-15. REAR WINDOW INSTALLATION (WO/WIPER) (ANSI).....	484
FIGURE 6-16. REAR WINDOW INSTALLATION (WO/WIPER) (ISO).....	486
FIGURE 6-17. REAR WINDOW ASSEMBLY.....	488
FIGURE 6-18. DOOR INSTALLATION .....	490
FIGURE 6-19. DOOR UPPER GLASS ASSEMBLY .....	492
FIGURE 6-20. DOOR UPPER GLASS ASSEMBLY .....	494
FIGURE 6-21. CAB LATCH ASSEMBLY .....	496
FIGURE 6-22. CAB DOOR TRIGGER ASSEMBLY.....	498
FIGURE 6-23. DOOR ASSEMBLY.....	500
FIGURE 6-24. CAB DOOR .....	502
FIGURE 6-25. DOOR STRAP INSTALLATION .....	504
FIGURE 6-26. ENCLOSED CAB PLUG GROUP.....	506
FIGURE 6-27. BASIC MIRROR INSTALLATION.....	508
FIGURE 6-28. FRONT COVER INSTALLATION .....	510
FIGURE 6-29. FILTER TRAY PANEL.....	512
FIGURE 6-30. FRONT DUCT COVER.....	514
FIGURE 6-31. LEVEL INDICATOR INSTALLATION .....	516
FIGURE 6-32. SEAT INSTALLATION.....	518
FIGURE 6-33. SEAT .....	520
FIGURE 6-34. SEAT BELT INSTALLATION (3IN).....	522
FIGURE 6-35. SEAT BELT INSTALLATION.....	524
FIGURE 6-36. HEATER INSTALLATION.....	526
FIGURE 6-37. HEATER ASSEMBLY.....	528
FIGURE 6-38. HEATER.....	530
FIGURE 6-39. HEATER.....	532
FIGURE 6-40. HEATER AND A/C INSTALLATION (CAB PARTS).....	534
FIGURE 6-41. HEATER AND A/C ASSEMBLY .....	538
FIGURE 6-42. HEATER AND A/C.....	540
FIGURE 6-43. HEATER AND A/C.....	542

# TABLE OF CONTENTS

FIGURE 6-44. HVAC CAB ACTUATOR .....	544
FIGURE 6-45. CAB CONDENSER ASSEMBLY .....	546
FIGURE 6-46. A/C RECEIVER DRIER .....	548
FIGURE 6-47. CONDENSER .....	550
FIGURE 6-48. FRONT WIPER INSTALLATION .....	552
FIGURE 6-49. REAR WIPER INSTALLATION .....	554
FIGURE 6-50. ROOF WIPER INSTALLATION .....	556
FIGURE 6-51. HEADLINER INSTALLATION .....	558
FIGURE 6-52. OPEN CAB TRIM INSTALLATION .....	560
FIGURE 6-53. ENCLOSED CAB TRIM INSTALLATION .....	564
FIGURE 6-54. ROOF CAP INSTALLATION (A/C) .....	568
FIGURE 6-55. ROOF CAP INSTALLATION (NO A/C) .....	570
FIGURE 6-56. OPEN CAB FRONT COVER INSTALLATION .....	572
FIGURE 6-57. ENCLOSED CAB FRONT COVER INSTALLATION .....	574
FIGURE 6-58. NON SKID TAPE INSTALLATION .....	576
FIGURE 6-59. EXTERNAL WINDOW RELEASE INSTALLATION (CAN & ISO) .....	578
FIGURE 6-60. WASHER TANK INSTALLATION .....	580
FIGURE 6-61. CAB GUARD INSTALLATION (TOP AND FRONT) .....	582
FIGURE 6-62. CAB GUARD INSTALLATION (TOP) .....	584
FIGURE 6-63. CAB GUARD INSTALLATION (FRONT) .....	586
FIGURE 6-64. ROOF PIGTAIL CAP INSTALLATION .....	588
FIGURE 6-65. ROOF PIGTAIL INSTALLATION .....	590
FIGURE 6-66. RETRACTABLE SUNSCREEN INSTALLATION .....	592
FIGURE 6-67. NO SUNSCREEN INSTALLATION .....	594
SECTION 7 - CONTROLS .....	597
FIGURE 7-1. BRAKE PEDAL INSTALLATION .....	598
FIGURE 7-2. BRAKE PEDAL .....	600
FIGURE 7-3. BRAKE PEDAL PLATE .....	602
FIGURE 7-4. ACCELERATOR PEDAL INSTALLATION .....	604
FIGURE 7-5. ACCELERATOR PEDAL .....	606
FIGURE 7-6. STEERING COLUMN INSTALLATION .....	608
FIGURE 7-7. EMERGENCY STEERING COLUMN INSTALLATION .....	610
FIGURE 7-8. STEERING WHEEL INSTALLATION .....	612
FIGURE 7-9. STEERING WHEEL .....	614
FIGURE 7-10. HORN BUTTON INSTALLATION .....	616
FIGURE 7-11. JOYSTICK INSTALLATION (2 ROLLER, 0 BUTTON) .....	618
FIGURE 7-12. COLUMN CLAMP INSTALLATION .....	620
FIGURE 7-13. WIPER-TURN SWITCH .....	622
FIGURE 7-14. OUTRIGGER SWITCHES INSTALLATION .....	624
FIGURE 7-15. JOYSTICK .....	626
SECTION 8 - HYDRAULIC CIRCUITS .....	629
FIGURE 8-1. MAIN HYDRAULIC INSTALLATION (OUTRIGGERS) .....	630
FIGURE 8-2. PISTON PUMP INSTALLATION .....	632
FIGURE 8-3. PISTON PUMP ASSEMBLY .....	634
FIGURE 8-4. VALVE INSTALLATION (OUTRIGGERS) .....	636
FIGURE 8-5. MAIN HYDRAULIC INSTALLATION .....	638
FIGURE 8-6. FRAME LEVEL HYDRAULICS INSTALLATION (OUTRIGGERS) .....	642
FIGURE 8-7. BOOM HYDRAULIC INSTALLATION .....	644
FIGURE 8-8. CAB HYDRAULIC INSTALLATION .....	646
FIGURE 8-9. MAIN HYDRAULIC INSTALLATION, SECONDARY STEERING (OUTRIGGERS) .....	648
FIGURE 8-10. CAB HYDRAULIC INSTALLATION, EMERGENCY STEERING .....	650
FIGURE 8-11. FRAME LEVEL INSTALLATION .....	652
FIGURE 8-12. REAR AXLE STABILIZER INSTALLATION .....	654
FIGURE 8-13. BOOM ANGLE SENSOR INSTALLATION .....	656
FIGURE 8-14. COUNTERBALANCE VALVE INSTALLATION (LIFT - GLS NO RIDE CONTRO .....	658
FIGURE 8-15. COUNTERBALANCE VALVE INSTALLATION .....	660
FIGURE 8-16. COUNTERBALANCE VALVE HYDRAULIC LINES (LIFT - RIDE CONTROL) .....	662
FIGURE 8-17. BOOM AUXILIARY HYDRAULICS INSTALLATION .....	664
FIGURE 8-18. BOOM AUXILIARY HYDRAULICS (HYDRAULIC COUPLER) .....	666
FIGURE 8-19. QUICK COUPLER VALVE ASSEMBLY .....	668
FIGURE 8-20. MAIN HYDRAULIC VALVES INSTALLATION .....	670
FIGURE 8-21. PRIORITY FUNCTION MANIFOLD INSTALLATION .....	672
FIGURE 8-22. MAIN CONTROL VALVE INSTALLATION .....	674

# TABLE OF CONTENTS

FIGURE 8-23. PRIORITY FUNCTION MANIFOLD VALVE ASSEMBLY .....	676
FIGURE 8-24. MAIN CONTROL VALVE ASSEMBLY .....	678
FIGURE 8-25. FRAME LEVEL AND OUTRIGGER VALVE INSTALLATION .....	680
FIGURE 8-26. STEERING SELECT VALVE MOUNTING INSTALLATION .....	682
FIGURE 8-27. FRAME LEVEL AND OUTRIGGER VALVE ASSEMBLY .....	684
FIGURE 8-28. STEERING SELECT VALVE INSTALLATION .....	686
FIGURE 8-29. STEERING SELECT VALVE ASSEMBLY .....	688
FIGURE 8-30. BOOM HYDRAULIC TUBES INSTALLATION .....	690
FIGURE 8-31. COUNTERBALANCE VALVE HYDRAULIC LINES (LIFT - RIDE CONTROL) .....	692
FIGURE 8-32. STEERING SELECT AND FRAME LEVEL VALVE INSTALLATION .....	694
FIGURE 8-33. PARK BRAKE INSTALLATION .....	696
FIGURE 8-34. PARK BRAKE VALVE ASSEMBLY .....	698
FIGURE 8-35. FRAME LEVEL VALVE ASSEMBLY .....	700
FIGURE 8-36. QUICK COUPLER CYLINDER ASSEMBLY .....	702
FIGURE 8-37. EMERGENCY STEERING MANIFOLD .....	704
FIGURE 8-38. HYDRAULIC QUICK COUPLER ASSEMBLY .....	706
SECTION 9 - HYDRAULIC COMPONENTS .....	709
FIGURE 9-1. CYLINDER GROUP INSTALLATION .....	710
FIGURE 9-2. LIFT CYLINDER .....	712
FIGURE 9-3. LIFT CYLINDER .....	714
FIGURE 9-4. LIFT CYLINDER .....	716
FIGURE 9-5. TILT CYLINDER ASSEMBLY .....	718
FIGURE 9-6. TILT CYLINDER .....	720
FIGURE 9-7. TILT CYLINDER .....	722
FIGURE 9-8. COMPENSATION CYLINDER .....	724
FIGURE 9-9. FRAME LEVEL CYLINDER INSTALLATION .....	726
FIGURE 9-10. FRAME LEVEL CYLINDER .....	728
FIGURE 9-11. EXTEND/RETRACT CYLINDER ASSEMBLY .....	730
FIGURE 9-12. EXTEND/RETRACT CYLINDER .....	732
FIGURE 9-13. REAR AXLE STABILIZER CYLINDER INSTALLATION .....	734
FIGURE 9-14. OUTRIGGER CYLINDER .....	736
FIGURE 9-15. REAR AXLE STABILITY CYLINDER .....	738
FIGURE 9-16. OUTRIGGER CYLINDER .....	740
FIGURE 9-17. SIDE TILT CYLINDER .....	742
FIGURE 9-18. REAR AXLE STABILIZER VALVE .....	744
FIGURE 9-19. MAIN CONTROL VALVE .....	746
FIGURE 9-20. PISTON PUMP .....	748
FIGURE 9-21. STEERING ORBITAL VALVE .....	750
FIGURE 9-22. STEERING SELECT VALVE .....	752
FIGURE 9-23. FRAME LEVEL VALVE .....	754
FIGURE 9-24. FRAME LEVEL AND OUTRIGGER VALVE .....	756
FIGURE 9-25. QUICK COUPLER CYLINDER .....	758
FIGURE 9-26. DIVERTOR VALVE .....	760
FIGURE 9-27. TANK HYDRAULIC .....	762
FIGURE 9-28. PRIORITY MANIFOLD VALVE .....	764
FIGURE 9-29. SWING CARRIAGE CYLINDER .....	766
FIGURE 9-30. GRAPPLE BUCKET CYLINDER .....	768
FIGURE 9-31. SIDE SHIFT CARRIAGE CYLINDER .....	770
FIGURE 9-32. AIR SHUT OFF VALVE .....	772
FIGURE 9-33. PARK BRAKE VALVE .....	774
FIGURE 9-34. FLOW DIVIDER VALVE .....	776
SECTION 10 - ELECTRICAL .....	779
FIGURE 10-1. MAIN ELECTRICAL INSTALLATION (ULS) .....	780
FIGURE 10-2. MAIN ELECTRICAL INSTALLATION (ULS) (74 HP) .....	782
FIGURE 10-3. MAIN ELECTRICAL INSTALLATION (LS) .....	784
FIGURE 10-4. ELECTRICAL FRAME INSTALLATION .....	786
FIGURE 10-5. POWER DISTRIBUTION ELECTRICAL BOX .....	788
FIGURE 10-6. ENGINE BAY WIRING INSTALLATION (ULS) .....	790
FIGURE 10-7. FRAME WIRING INSTALLATION (ULS) .....	792
FIGURE 10-8. ENGINE BAY WIRING INSTALLATION (LS) .....	794
FIGURE 10-9. FRAME WIRING INSTALLATION (ULS) .....	796
FIGURE 10-10. FRAME WIRING INSTALLATION (LS) .....	798
FIGURE 10-11. ENGINE BAY ELECTRICAL INSTALLATION .....	800

# TABLE OF CONTENTS

FIGURE 10-12. ENGINE WIRING INSTALLATION (ULS) .....	802
FIGURE 10-13. BOOM AUXILIARY ELECTRIC INSTALLATION .....	806
FIGURE 10-14. BOOM AUXILIARY ELECTRIC HARNESS INSTALLATION .....	808
FIGURE 10-15. BATTERY INSTALLATION .....	810
FIGURE 10-16. ARCTIC COLD WEATHER PACKAGE INSTALLATION .....	812
FIGURE 10-17. ARCTIC COLD WEATHER PACKAGE INSTALLATION (LS) .....	814
FIGURE 10-18. FUEL FILTER HEATER INSTALLATION .....	816
FIGURE 10-19. ARTIC BATTERIES INSTALLATION .....	818
FIGURE 10-20. HYDRAULIC TANK HEATER INSTALLATION .....	820
FIGURE 10-21. BACKUP ALARM INSTALLATION (120 DB) .....	822
FIGURE 10-22. BACKUP ALARM INSTALLATION (97 DB) .....	824
FIGURE 10-23. WHITE NOISE BACKUP ALARM INSTALLATION .....	826
FIGURE 10-24. CAB ELECTRICAL INSTALLATION .....	828
FIGURE 10-25. DASH ELECTRICAL INSTALLATION .....	830
FIGURE 10-26. DASH ELECTRICAL INSTALLATION (LS) .....	832
FIGURE 10-27. SWITCH LIGHT INSTALLATION .....	834
FIGURE 10-28. USB CHARGER INSTALLATION .....	836
FIGURE 10-29. OPEN CAB ELECTRICAL INSTALLATION WITH OPTIONS .....	838
FIGURE 10-30. MULTIFUNCTION DISPLAY INSTALLATION .....	840
FIGURE 10-31. ENCLOSED CAB ELECTRICAL INSTALLATION WITH OPTIONS .....	842
FIGURE 10-32. REVERSE CAMERA INSTALLATION .....	844
FIGURE 10-33. REVERSE SENSOR INSTALLATION .....	846
FIGURE 10-34. TELEMATICS READY INSTALLATION .....	848
FIGURE 10-35. TELEMATICS CANBUS INSTALLATION (CLEARSKY 2) (ANSI) .....	850
FIGURE 10-36. TELEMATICS CANBUS INSTALLATION (CLEARSKY 2) (C.E.) .....	852
FIGURE 10-37. 4WARD TELEMATIC, HARNESS (CLEARSKY 2) .....	854
FIGURE 10-38. CLEARSKY INSTALLATION 3-WIRE (ANSI) .....	856
FIGURE 10-39. CLEARSKY INSTALLATION 3-WIRE (C.E.) .....	858
FIGURE 10-40. ROAD LIGHTS INSTALLATION .....	860
FIGURE 10-41. CAB WORKLIGHTS INSTALLATION (NO A/C) .....	862
FIGURE 10-42. CAB WORKLIGHTS INSTALLATION (A/C) .....	864
FIGURE 10-43. CAB WORKLIGHTS INSTALLATION (NO A/C - LED) .....	866
FIGURE 10-44. CAB WORKLIGHTS INSTALLATION (A/C - LED) .....	868
FIGURE 10-45. BOOM WORK LIGHTS INSTALLATION .....	870
FIGURE 10-46. BOOM WORK LIGHTS INSTALLATION (LED) .....	872
FIGURE 10-47. BEACON INSTALLATION .....	874
FIGURE 10-48. BEACON INSTALLATION (LED) .....	876
FIGURE 10-49. OUTRIGGER HARNESS .....	878
FIGURE 10-50. RIDE CONTROL CB VALVE HARNESS INSTALLATION (LIFT) .....	880
FIGURE 10-51. RIDE CONTROL CB VALVE HARNESS (LIFT) .....	882
FIGURE 10-52. FRONT FRAME HARNESS .....	884
FIGURE 10-53. REAR FRAME HARNESS .....	890
FIGURE 10-54. ENGINE CHASSIS HARNESS (ULS) .....	894
FIGURE 10-55. TBAP HARNESS .....	898
FIGURE 10-56. BOOM ELECTRICAL HARNESS INSTALLATION .....	900
FIGURE 10-57. BOOM HARNESS .....	902
FIGURE 10-58. PLATFORM HARNESS .....	904
FIGURE 10-59. CAB HARNESS .....	906
FIGURE 10-60. FRONT FRAME HEADLIGHT HARNESS .....	910
FIGURE 10-61. TAIL LIGHTS HARNESS .....	912
FIGURE 10-62. BOOM WORKLIGHTS HARNESS .....	914
FIGURE 10-63. BOOM LIGHTS INSTALLATION .....	916
FIGURE 10-64. BOOM LED LIGHTS INSTALLATION .....	918
FIGURE 10-65. A/C OPTION HARNESS .....	920
FIGURE 10-66. REVERSE SENSOR HARNESS .....	922
FIGURE 10-67. OPTION 1 CAB HARNESS .....	924
FIGURE 10-68. OPTION 2 CAB HARNESS .....	928
FIGURE 10-69. ROOF PIGTAIL HARNESS .....	930
FIGURE 10-70. OPTION 2 ELECTRICAL BOARD ASSEMBLY .....	932
FIGURE 10-71. CAB OPTION HARNESS .....	934
FIGURE 10-72. TELEMATICS READY HARNESS .....	936
FIGURE 10-73. STANDARD ELECTRICAL BOARD ASSEMBLY .....	938
FIGURE 10-74. OPTION 1 ELECTRICAL BOARD ASSEMBLY .....	940
FIGURE 10-75. CABLE .....	942
FIGURE 10-76. CUSTOMER SUPPLIED TELEMATICS CANBUS .....	944
FIGURE 10-77. TELEMATICS HARNESS .....	946
FIGURE 10-78. GATEWAY CONTROLLER .....	948

# TABLE OF CONTENTS

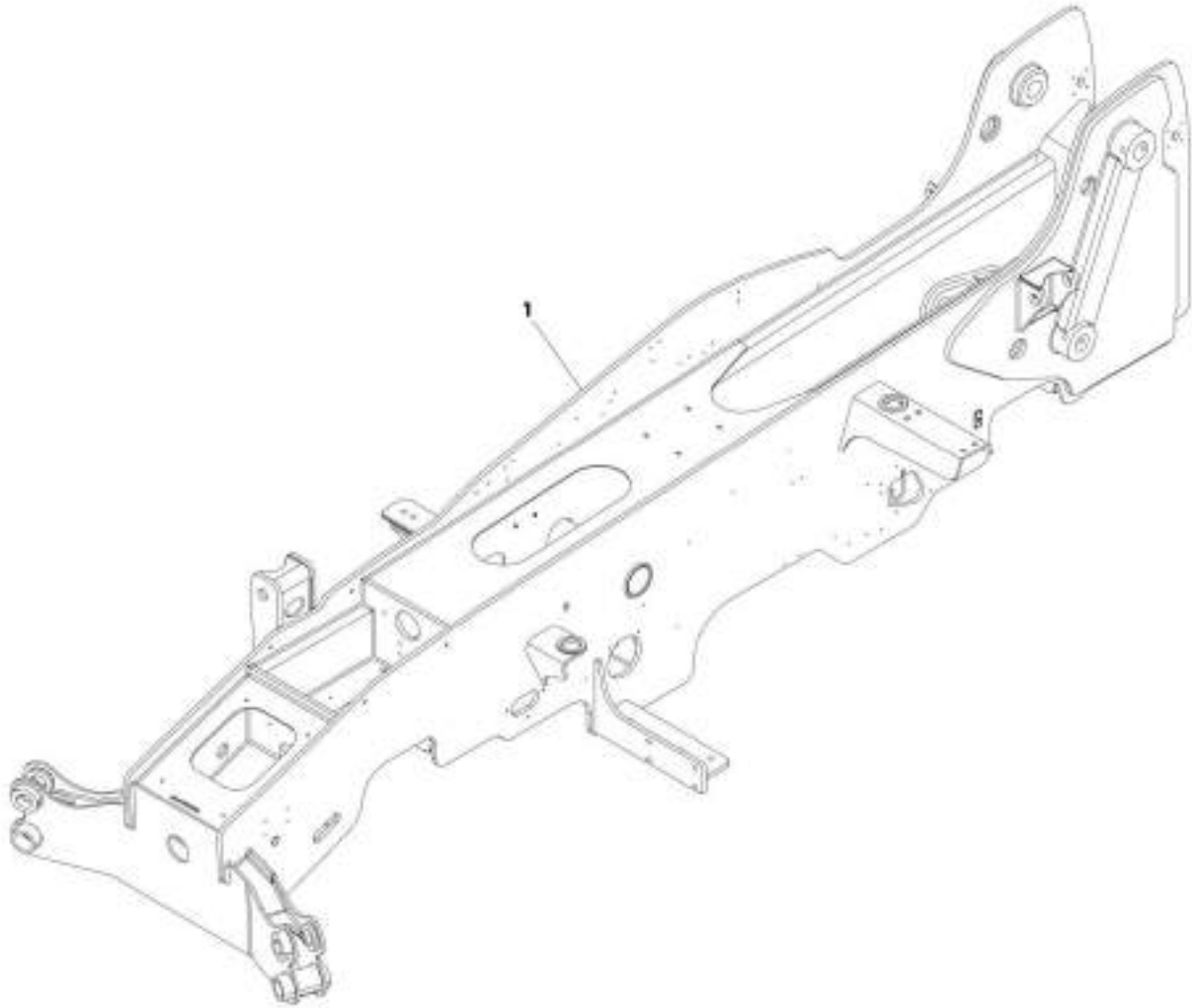
FIGURE 10-79. CONTROL ACCESSORY.....	950
FIGURE 10-80. CAB AIR SHUT OFF VALVE HARNESS.....	952
FIGURE 10-81. ENGINE AIR SHUT OFF VALVE HARNESS .....	954
SECTION 11 - DECALS .....	957
FIGURE 11-1. CAPACITY CHART HOLDER INSTALLATION .....	958
FIGURE 11-2. BRAND AND MODEL DECAL INSTALLATION .....	960
FIGURE 11-3. DECAL INSTALLATION (ANSI) .....	962
FIGURE 11-4. DECAL INSTALLATION (ISO).....	966
FIGURE 11-5. DECAL INSTALLATION (CSA ENGLISH/FRENCH) .....	970
FIGURE 11-6. CAPACITY CHART BOOKLET (ANSI) (OUTRIGGERS) .....	974
FIGURE 11-7. CAPACITY CHART BOOKLET (ISO) (OUTRIGGERS).....	976
FIGURE 11-8. REVERSE SENSOR SYSTEM DECAL (ENGLISH).....	978
FIGURE 11-9. CLEARSKY DECAL INSTALLATION .....	980
SECTION 12 - RECOMMENDED SPARE PARTS .....	983
FIGURE 12-1. RECOMMENDED SPARE PARTS.....	984
PART NUMBER INDEX.....	987

## **SECTION 1 - FRAME AND ATTACHING PARTS**

## **SECTION 1 - FRAME AND ATTACHING PARTS**

# SECTION 1 - FRAME AND ATTACHING PARTS

FIGURE 1-1. FRAME (OUTRIGGERS)



ART\_10013385571-6



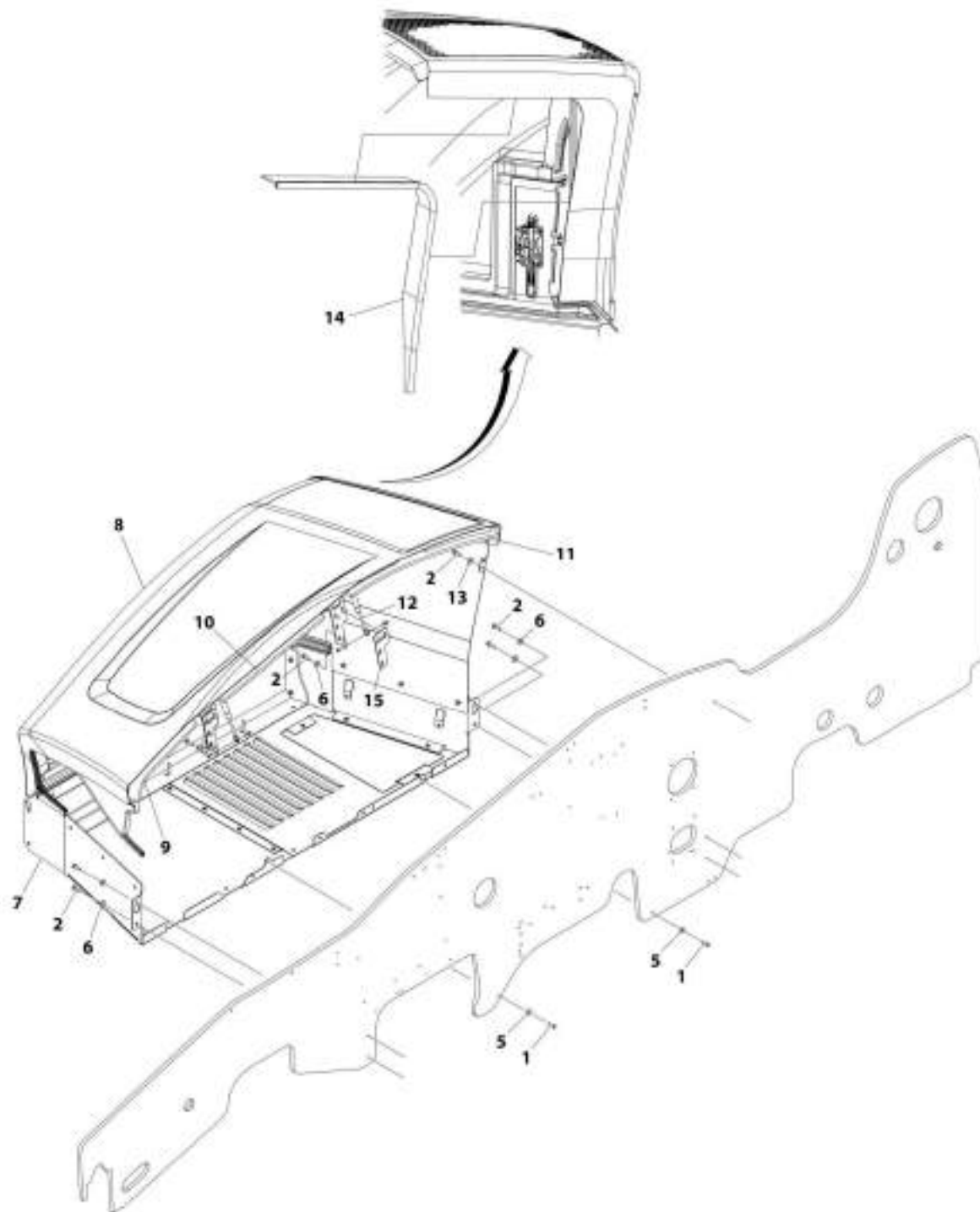
# SECTION 1 - FRAME AND ATTACHING PARTS

## FIGURE 1-1. FRAME (OUTRIGGERS)

ITEM	PART NUMBER	QTY	DESCRIPTION	REV
1	1001220557J	1	Frame (No Outriggers)	B

# SECTION 1 - FRAME AND ATTACHING PARTS

## FIGURE 1-2. ENGINE ENCLOSURE INSTALLATION



ART\_1001190253-2

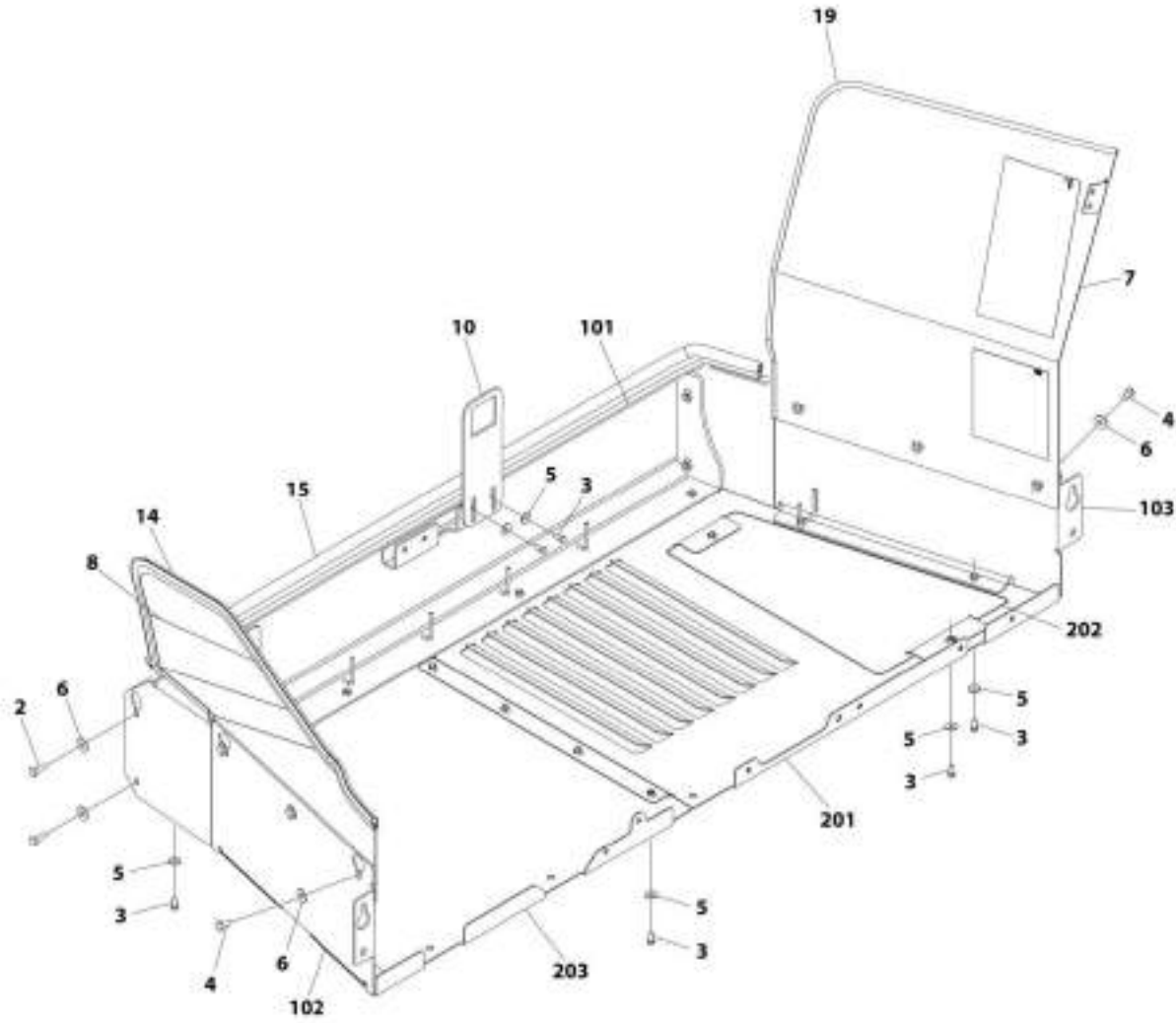
# SECTION 1 - FRAME AND ATTACHING PARTS

## FIGURE 1-2. ENGINE ENCLOSURE INSTALLATION

ITEM	PART NUMBER	QTY	DESCRIPTION	REV
	1001160253	Ref	Engine Enclosure Installation	J
1	0760815	2	Bolt, M8X35	
2	0701014	11	Bolt, M10X30	
5	4811902	2	Washer, M8	
6	4812002	10	Washer, M10	
7	1001162239	Ref	Installation, Engine Enclosure Cover (See Separate Breakdown in this Section)	
8	1001168834	NLA	Assembly, Hood, (no longer available, use 1001235963 for replacement) (See Separate Breakdown in this Section)	
8	1001235963	Ref	Assembly, Hood (See Separate Breakdown in this Section)	
9	1001203932	1	Seal	
10	1001203933	1	Seal	
11	1001203934	1	Seal	
12	1001171885	2	Spring, Gas	
13	4812000	1	Washer, M10	
14	1001197339	1	Trim, Lock Seal	
15	1001241836	AR	Shim <b>(SN 0160091707 to Present)</b>	

# SECTION 1 - FRAME AND ATTACHING PARTS

FIGURE 1-3. ENGINE ENCLOSURE COVER INSTALLATION



ART\_100160238-R

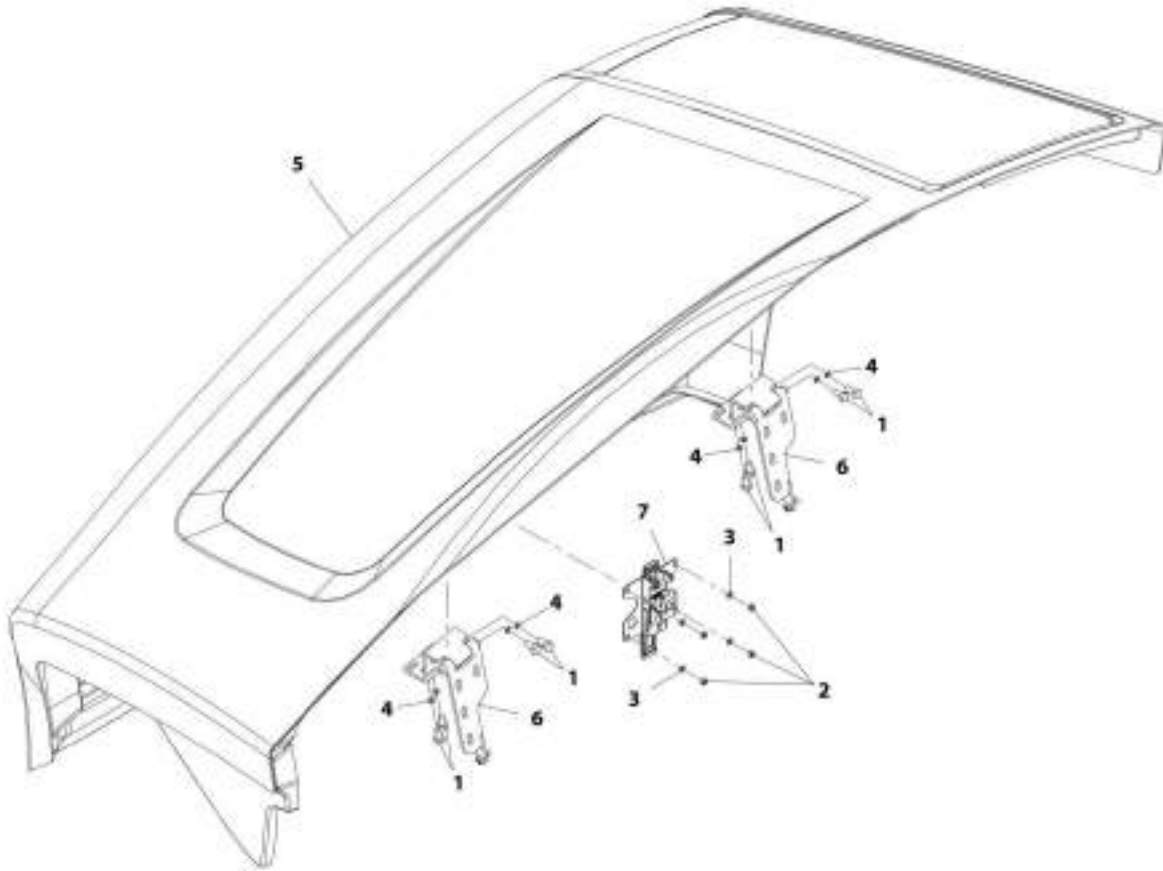
# SECTION 1 - FRAME AND ATTACHING PARTS

## FIGURE 1-3. ENGINE ENCLOSURE COVER INSTALLATION

ITEM	PART NUMBER	QTY	DESCRIPTION	REV
	1001162239	Ref	Engine Enclosure Cover Installation	N
2	0701014	4	Bolt, M10X30	
3	0760810	16	Bolt, M8X20	
4	0761010	6	Bolt, M10X20	
5	4811902	16	Washer, M8	
6	4812002	10	Washer, M10	
7	1001204086	1	Plate, Rear Cover	
8	1001184076	1	Panel, Front Cover	
10	1001209388	1	Latch, Hood	
14	1001003227	1375 mm	Seal	
15	1001204486	1795 mm	Seal	
19	1001008999	1345 mm	Trim, Edge <b>(SN 0160084859 through 0160091706)</b>	
19	90206198	1345 mm	Trim, Edge <b>(SN 0160091707 to Present)</b>	
101	1001162240J	1	Panel, Side Skirt	
102	1001213126J	1	Panel, Front Skirt	
103	1001196426J	1	Panel, Rear Skirt	
201	1001196422	1	Panel, Bottom Cover	
202	1001169265	1	Panel, Access	
203	1001196404	1	Panel, Engine Pod	

# SECTION 1 - FRAME AND ATTACHING PARTS

## FIGURE 1-4. HOOD ASSEMBLY



ART\_100108034-K

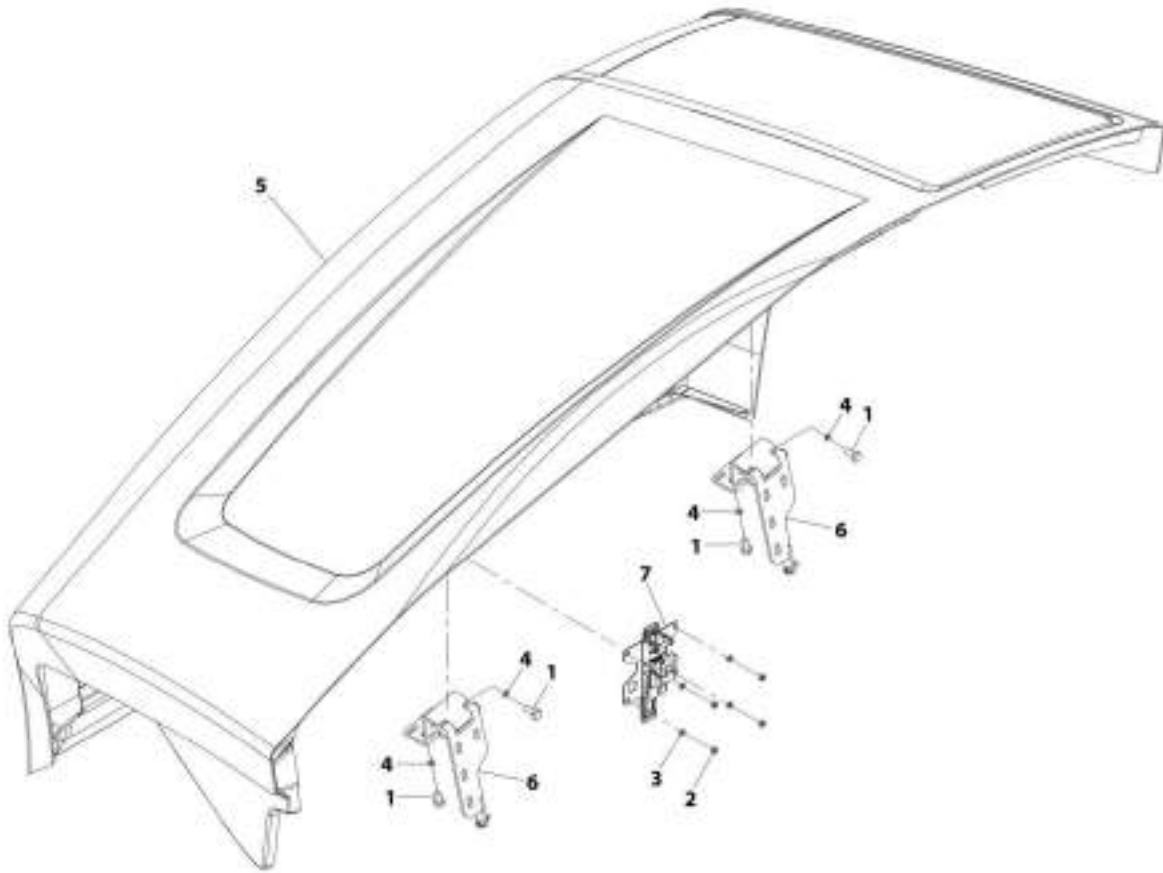
# SECTION 1 - FRAME AND ATTACHING PARTS

## FIGURE 1-4. HOOD ASSEMBLY

ITEM	PART NUMBER	QTY	DESCRIPTION	REV
	1001168834	NLA	Hood Assembly (no longer available, use items 1 thru 7 for service or 1001235963 for replacement)	K
1	0761010	8	Bolt, M10X20	
2	3290605	4	Nut, Lock M6X1	
3	4811700	4	Washer, M6	
4	4812000	8	Washer, M10	
5	1001166698	1	Hood	
6	1001209387	2	Hinge, Hood	
7	1001132168	1	Latch, Hood	

# SECTION 1 - FRAME AND ATTACHING PARTS

FIGURE 1-5. HOOD ASSEMBLY



ART\_1001255903-B



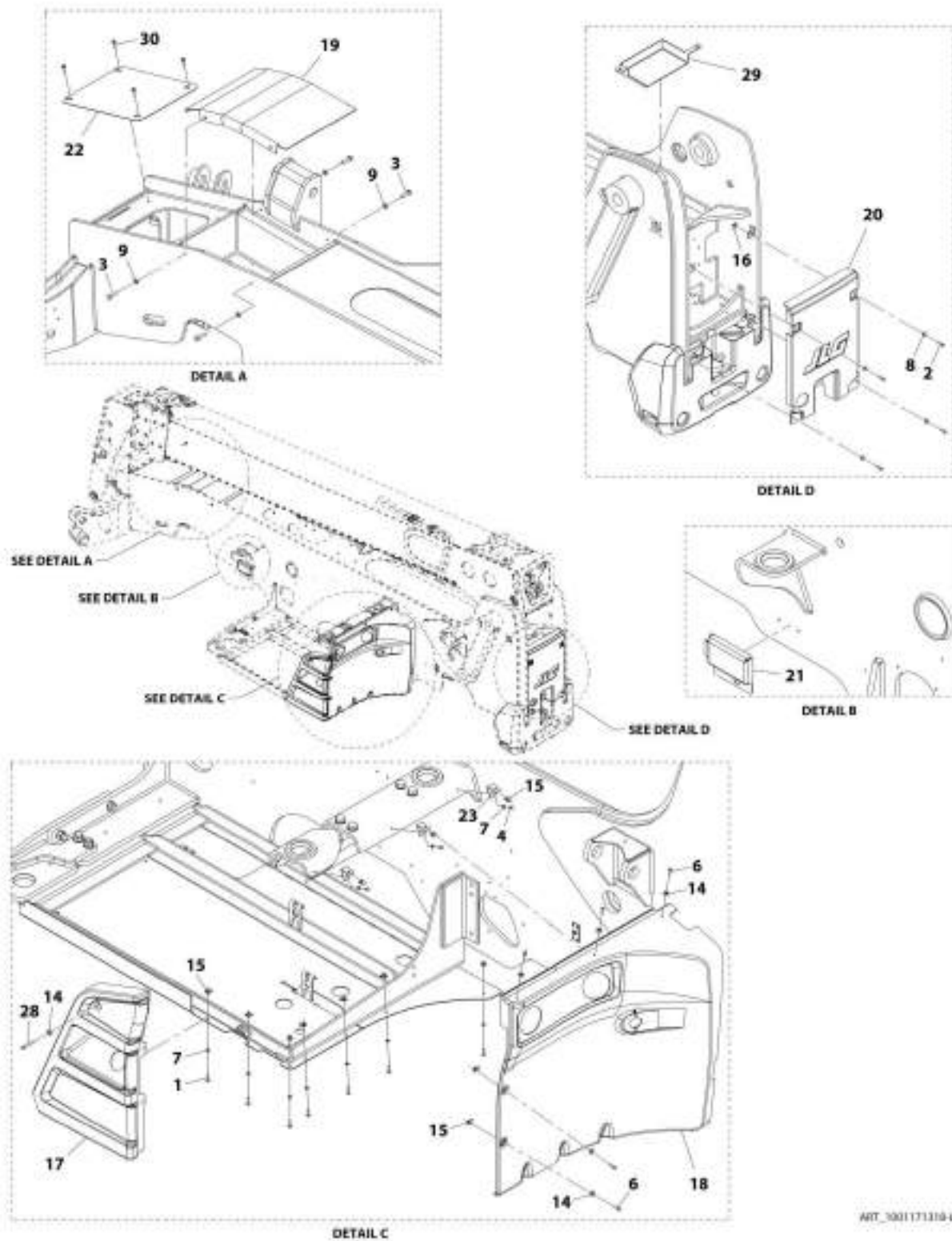
# SECTION 1 - FRAME AND ATTACHING PARTS

## FIGURE 1-5. HOOD ASSEMBLY

ITEM	PART NUMBER	QTY	DESCRIPTION	REV
	1001235963	Ref	Hood Assembly	B
1	0761010	8	Bolt, M10X20	
2	3290605	4	Nut, Lock M6X1	
3	4811700	4	Washer, M6	
4	4812000	8	Washer, M10	
5	1001234455	1	Hood	
6	1001209387	2	Hinge, Hood	
7	1001132168	1	Latch, Hood	

# SECTION 1 - FRAME AND ATTACHING PARTS

## FIGURE 1-6. COVER INSTALLATION (OUTRIGGERS) (ULS)



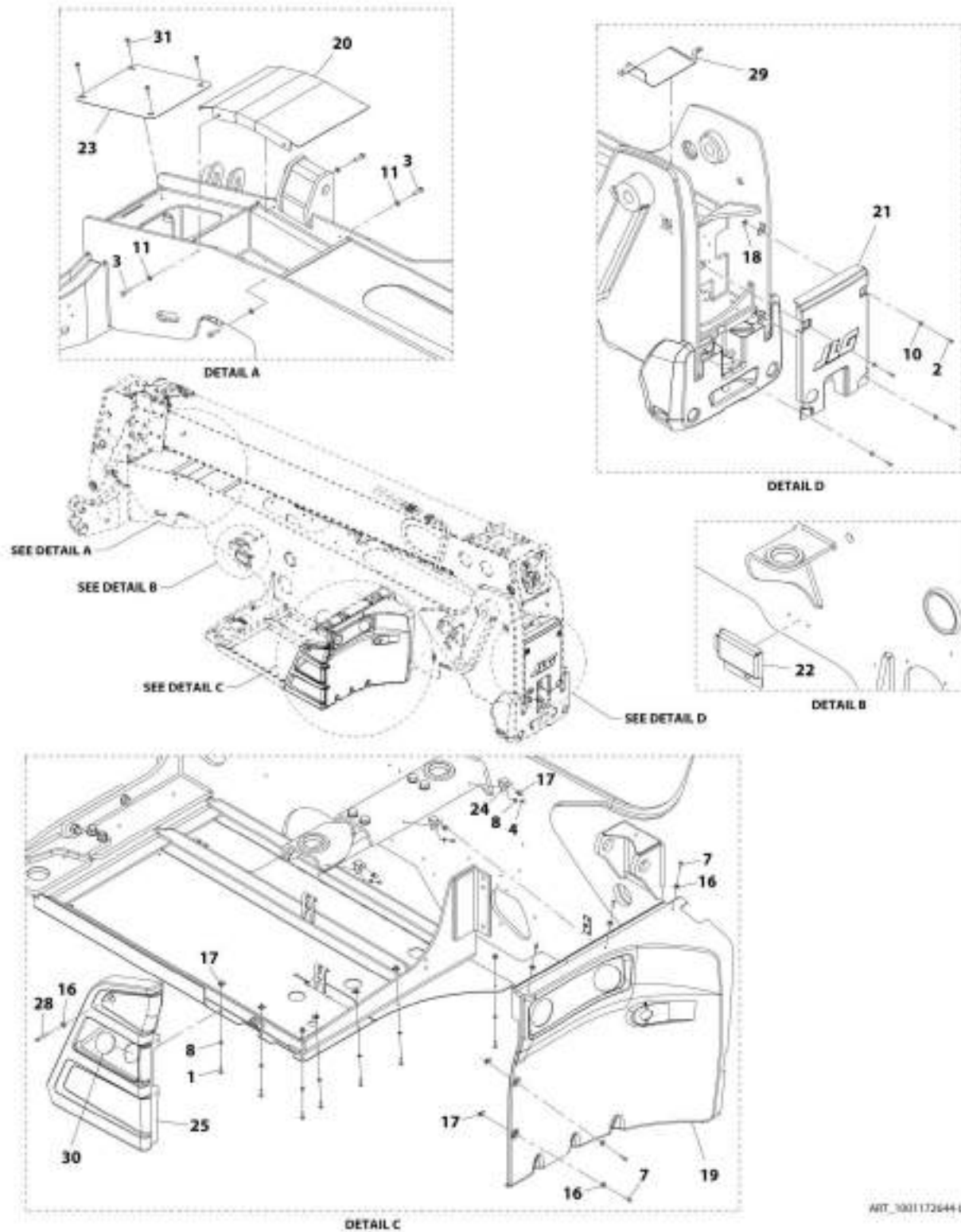
## SECTION 1 - FRAME AND ATTACHING PARTS

**FIGURE 1-6. COVER INSTALLATION (OUTRIGGERS) (ULS)**

ITEM	PART NUMBER	QTY	DESCRIPTION	REV
	1001171318	Ref	Cover Installation (Outriggers) (ULS)	L
1	0700610	7	Bolt, M6X20	
2	0700814	4	Bolt, M8X30	
3	0701016	4	Bolt, M10X40	
4	0760606	3	Bolt, M6X12	
6	3900379	5	Screw, M6-1X25	
7	4811700	10	Washer, M6	
8	4811902	4	Washer, M8	
9	4812000	4	Washer, M10	
14	1001097540	6	Washer, M6	
15	1001130220	12	Nut, M6	
16	1001149160	4	Nut, M8	
17	1001168760	1	Cover, Side Tank	
18	1001168761	1	Cover, Rear Tank	
19	1001207343	1	Shield, Battery	
20	1001170645	1	Cover	
21	1001201646	1	Shield, Inspection Port	
22	1001170665	1	Plate, Valve Cover	
23	1001171772	3	Plate, Angle Bracket	
28	1001112902	1	Screw, M6	
29	1001204488	1	Cover, Rear Frame Module	
30	5250814	4	Bolt, M8X30	

# SECTION 1 - FRAME AND ATTACHING PARTS

## FIGURE 1-7. COVER INSTALLATION (OUTRIGGERS) (LS)



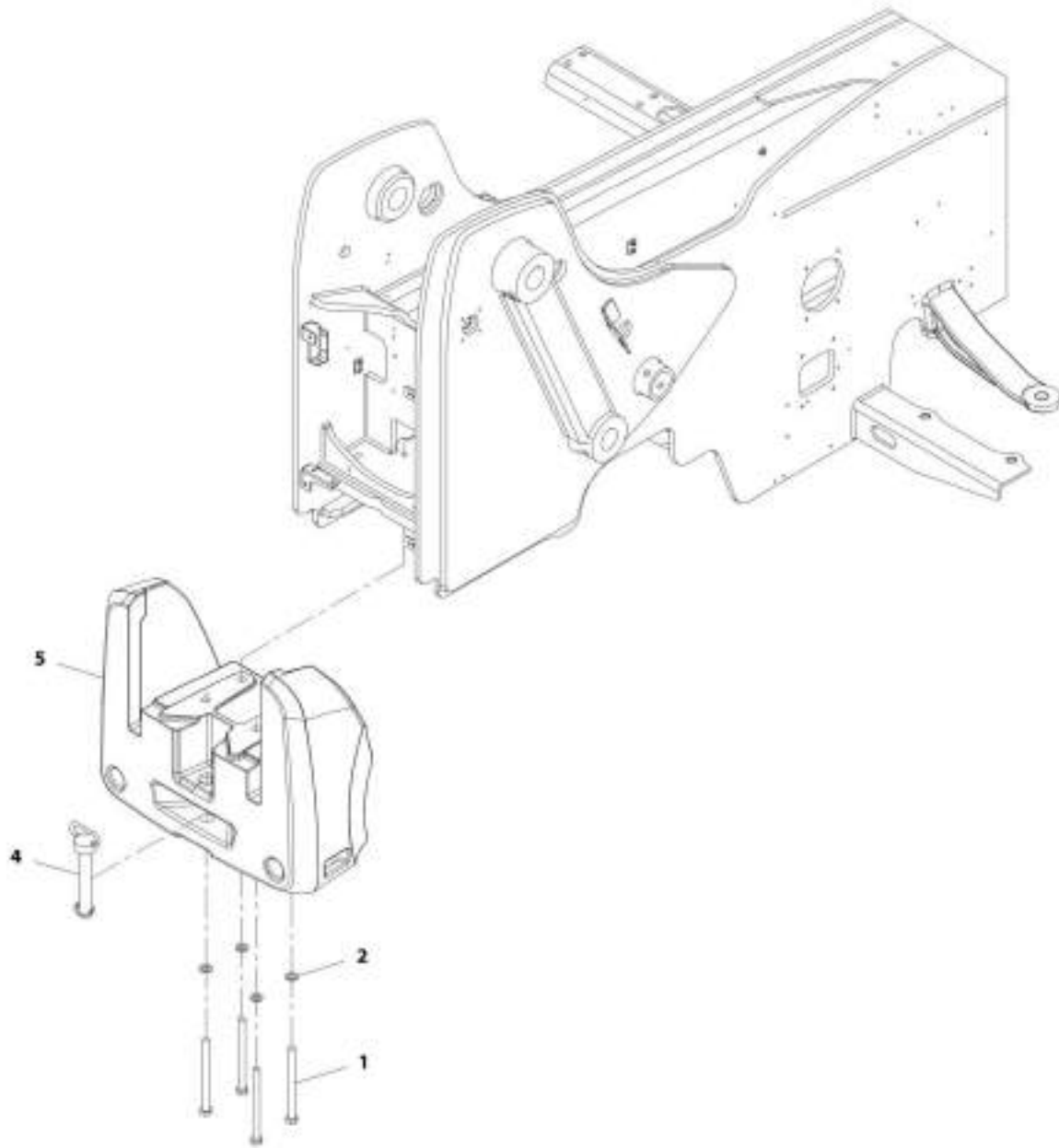
## SECTION 1 - FRAME AND ATTACHING PARTS

**FIGURE 1-7. COVER INSTALLATION (OUTRIGGERS) (LS)**

ITEM	PART NUMBER	QTY	DESCRIPTION	REV
	1001172644	Ref	Cover Installation (Outriggers) (LS)	L
1	0700610	7	Bolt, M6X20	
2	0700814	4	Bolt, M8X30	
3	0701016	4	Bolt, M10X40	
4	0760606	3	Bolt, M6X12	
7	3900379	5	Screw, M6-1X25	
8	4811700	10	Washer, M6	
10	4811902	4	Washer, M8	
11	4812000	4	Washer, M10	
16	1001097540	6	Washer, M6	
17	1001130220	12	Nut, M6	
18	1001149160	4	Nut, M8	
19	1001168761	1	Cover, Rear Tank	
20	1001207343	1	Shield, Battery	
21	1001170645	1	Cover	
22	1001201646	1	Shield, Inspection Port	
23	1001170665	1	Plate, Valve Cover	
24	1001171772	3	Plate, Angle Bracket	
25	1001168760	1	Cover, Side Tank	
28	1001112902	1	Screw, M6	
29	1001204488	1	Cover, Rear Frame Module	
30	1001206746	1	Cap, Side Tank Cover	
31	5250814	4	Bolt, M8X30	

# SECTION 1 - FRAME AND ATTACHING PARTS

## FIGURE 1-8. COUNTERWEIGHT INSTALLATION



ART\_100175368-D

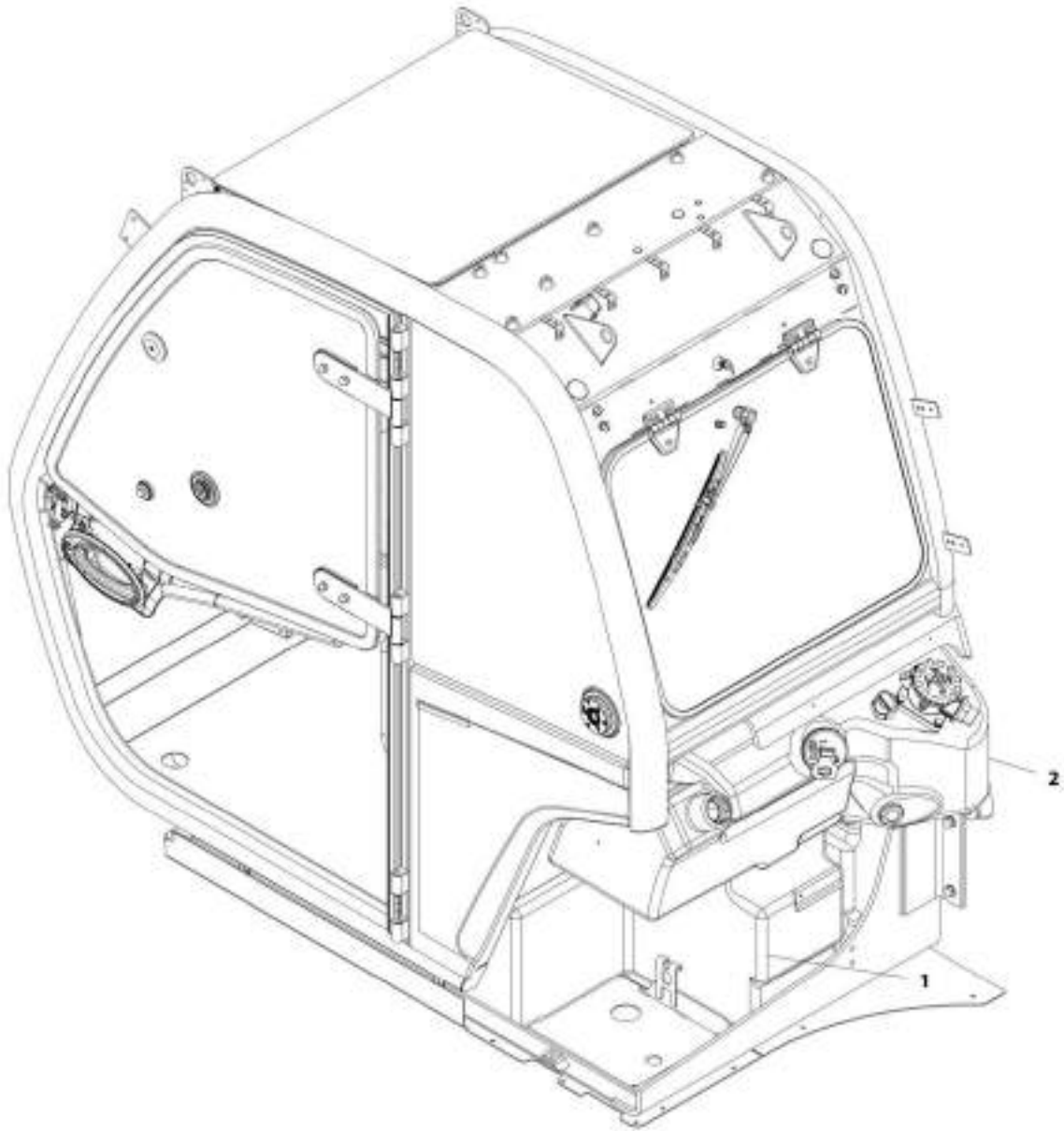
# SECTION 1 - FRAME AND ATTACHING PARTS

## FIGURE 1-8. COUNTERWEIGHT INSTALLATION

ITEM	PART NUMBER	QTY	DESCRIPTION	REV
	1001175368	Ref	Counterweight Installation	D
1	0712042	4	Bolt, M20X250 Grade 10.9	
2	8310620	4	Washer, M20	
4	1001211913	1	Pin, Hitch	
5	1001177654J	1	Counterweight	

# SECTION 1 - FRAME AND ATTACHING PARTS

## FIGURE 1-9. TANK INSTALLATION



ART\_1001160735-A



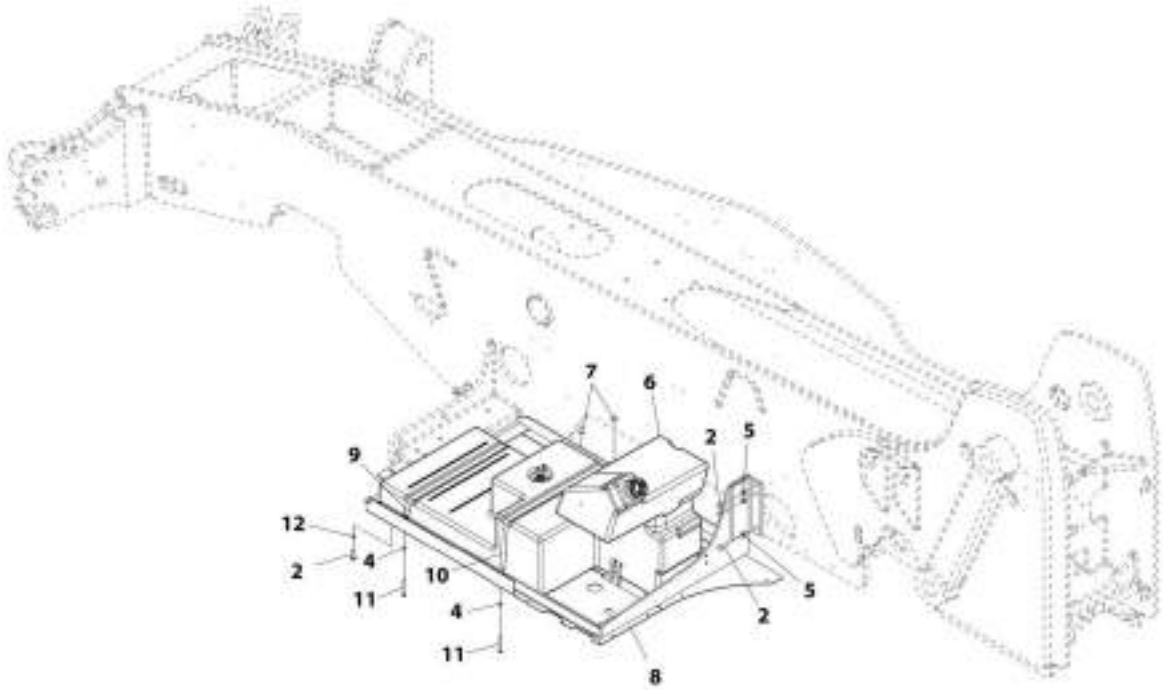
# SECTION 1 - FRAME AND ATTACHING PARTS

## FIGURE 1-9. TANK INSTALLATION

ITEM	PART NUMBER	QTY	DESCRIPTION	REV
1	1001160735	Ref	Tank Installation	A
	1001171153	Ref	Installation, Fuel Tank (See Separate Breakdown in this Section)	
	1001171154	Ref	Installation, Hydraulic Tank (See Separate Breakdown in this Section)	

# SECTION 1 - FRAME AND ATTACHING PARTS

FIGURE 1-10. FUEL TANK INSTALLATION



ART\_1001171133-H

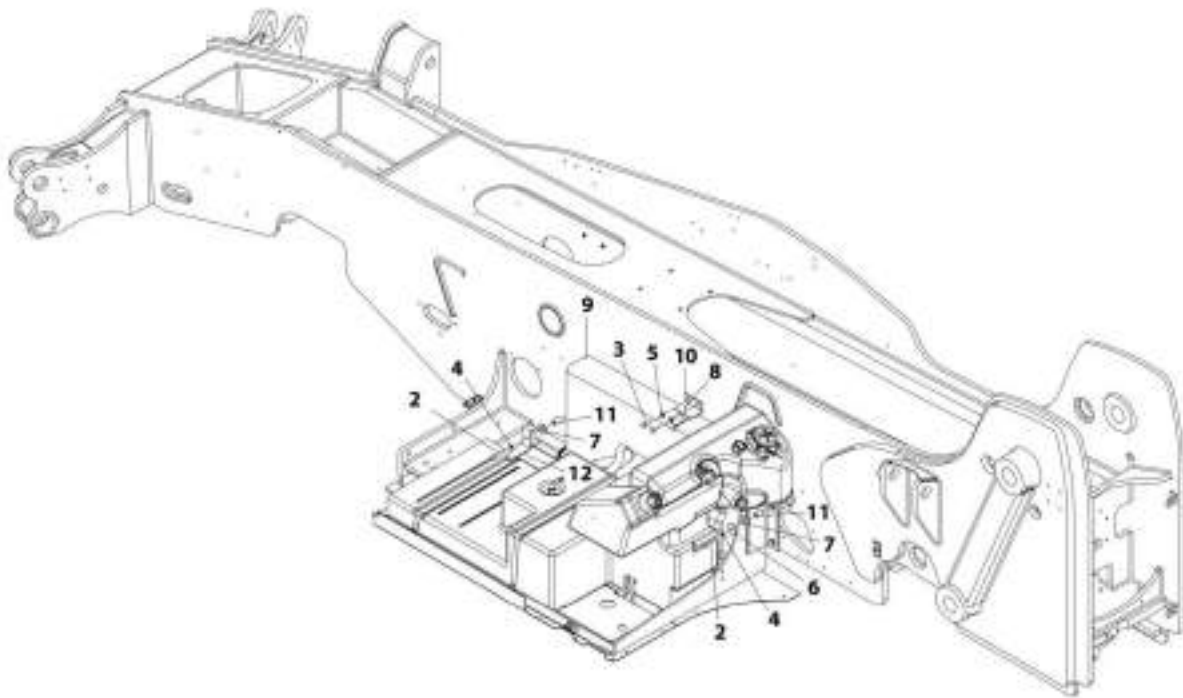
# SECTION 1 - FRAME AND ATTACHING PARTS

## FIGURE 1-10. FUEL TANK INSTALLATION

ITEM	PART NUMBER	QTY	DESCRIPTION	REV
	1001171153	Ref	Fuel Tank Installation	H
2	0761215	6	Bolt, M12X35	
4	4811900	2	Washer, M8	
5	4812100	3	Washer, M12	
6	1001211432	1	Tank, Fuel (See Separate Breakdown in Engine and Attaching Parts Section)	
7	1001169454	4	Mount, Buffer	
8	1001169602	1	Support, Tank Plate	
9	1001170071	1	Strap, Tank	
10	1001170072	1	Strap, Tank	
11	0760823	2	Bolt, M8X75	
12	4812102	3	Washer, M12	

# SECTION 1 - FRAME AND ATTACHING PARTS

FIGURE 1-11. HYDRAULIC TANK INSTALLATION



ART\_3001171154-E

# SECTION 1 - FRAME AND ATTACHING PARTS

## FIGURE 1-11. HYDRAULIC TANK INSTALLATION

ITEM	PART NUMBER	QTY	DESCRIPTION	REV
	1001171154	Ref	Hydraulic Tank Installation	E
2	0701020	2	Bolt, M10X60	
3	0761214	2	Bolt, M12X30	
4	4812000	2	Washer, M10	
5	4812100	2	Washer, M12	
6	1001172147	1	Washer, M10	
7	1001172146	2	Washer, Rubber	
8	1001008575	1	Bumper, Conical	
9	1001163067	Ref	Tank, Hydraulic (See Separate Breakdown in Hydraulic Components Section)	
10	1001169461	1	Bracket	
11	1001171179	2	Spacer	
12	1001210707	1	Bracket	

# SECTION 1 - FRAME AND ATTACHING PARTS

FIGURE 1-12. FUEL CAP ASSEMBLY



ART\_1001194929-A

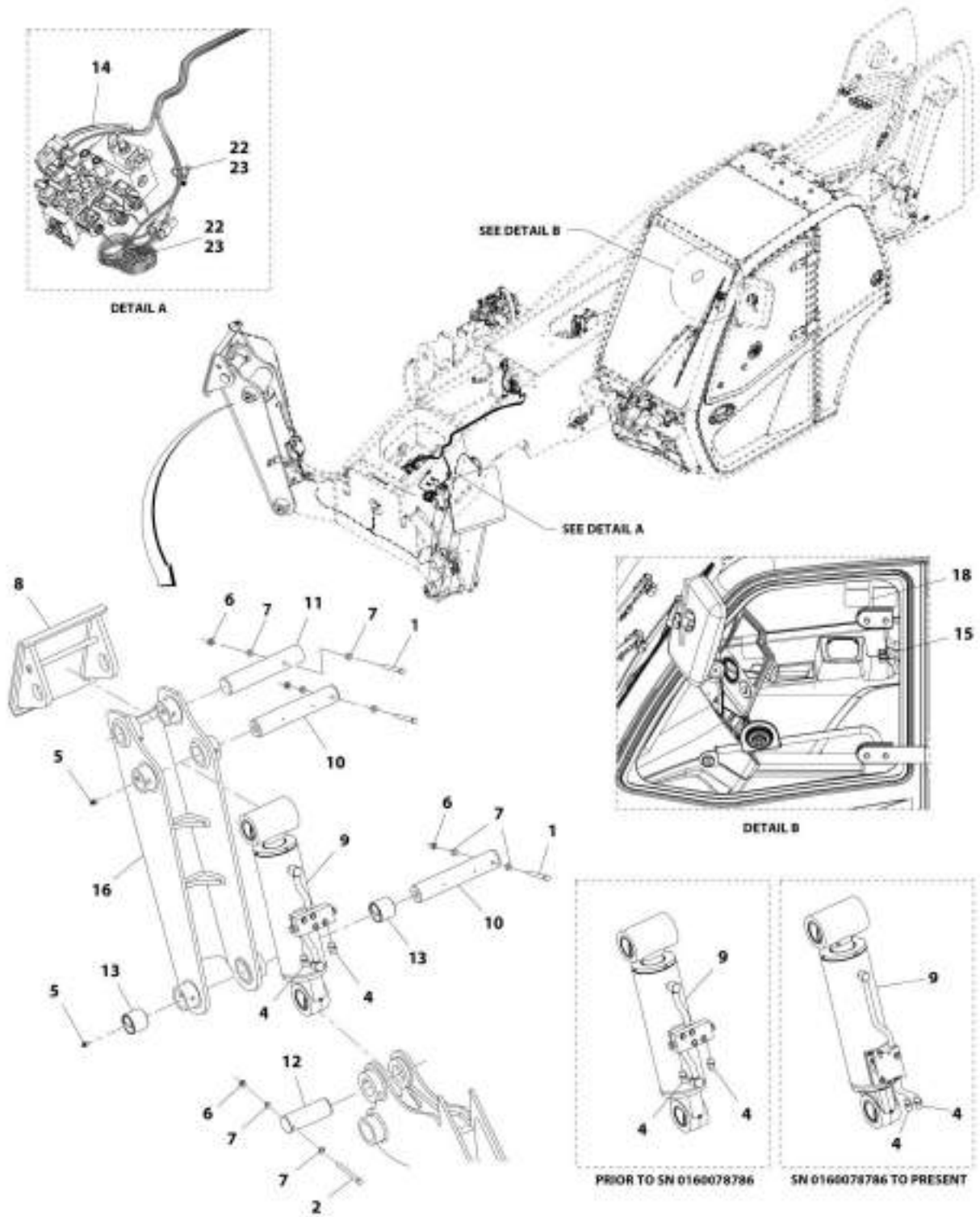
# SECTION 1 - FRAME AND ATTACHING PARTS

## FIGURE 1-12. FUEL CAP ASSEMBLY

ITEM	PART NUMBER	QTY	DESCRIPTION	REV
1	1001194978	1	Fuel Cap Assembly	A

# SECTION 1 - FRAME AND ATTACHING PARTS

## FIGURE 1-13. OUTRIGGERS INSTALLATION



ART\_1001609441



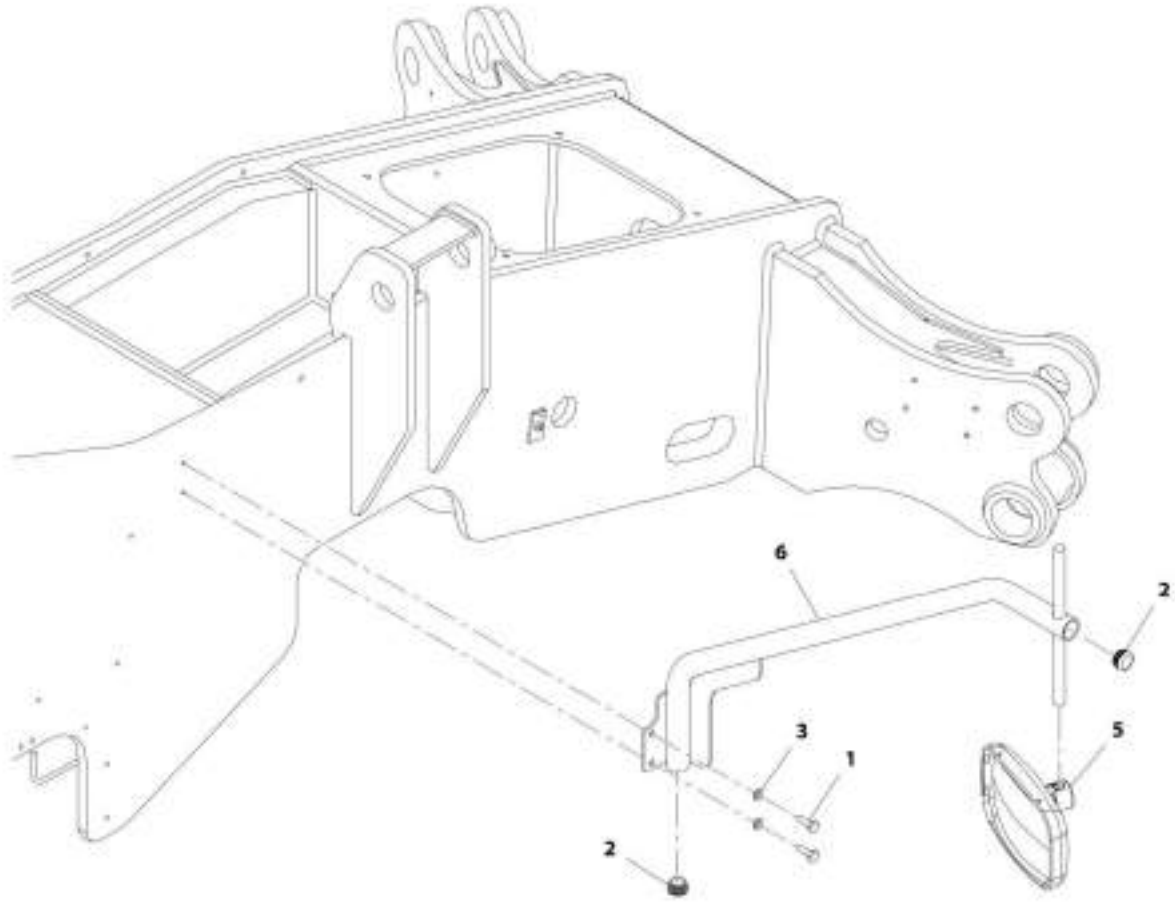
# SECTION 1 - FRAME AND ATTACHING PARTS

## FIGURE 1-13. OUTRIGGERS INSTALLATION

ITEM	PART NUMBER	QTY	DESCRIPTION	REV
	1001168644	Ref	Outriggers Installation	I
1	0701229	6	Bolt, M12X120	
2	0701230	2	Bolt, M12X130	
4	2110808	4	Fitting, Straight ORFS	
5	2160016	4	Fitting, Grease	
6	3291205	8	Nut, Lock M12X1.75 Grade 8	
7	4812100	16	Washer, M12	
8	1001161564	2	Weldment, Outrigger Pad	
9	1001213065	2	Outrigger Cylinder (See OUTRIGGER CYLINDER for Breakdown)	
10	1001164436	4	Pin, Outrigger	
11	1001207292	2	Pin, Outrigger	
12	1001164454	2	Pin, Cylinder Base	
13	1001168281	4	Bearing, Outrigger	
14	1001172822	1	Harness, Outrigger (See ELECTRICAL SECTION for Breakdown)	
15	1001174478	1	Installation, Outrigger Switches (See CONTROLS SECTION for Breakdown)	
16	1001207291J	2	Bracket, Outrigger Leg Weldment	
18	1001181537	1	Decal, Outrigger Switched	
22	1001202986	2	Strap, Cable Tie	
23	1001008559	2	Strap	

# SECTION 1 - FRAME AND ATTACHING PARTS

FIGURE 1-14. MIRROR INSTALLATION



AMF\_100160218-02

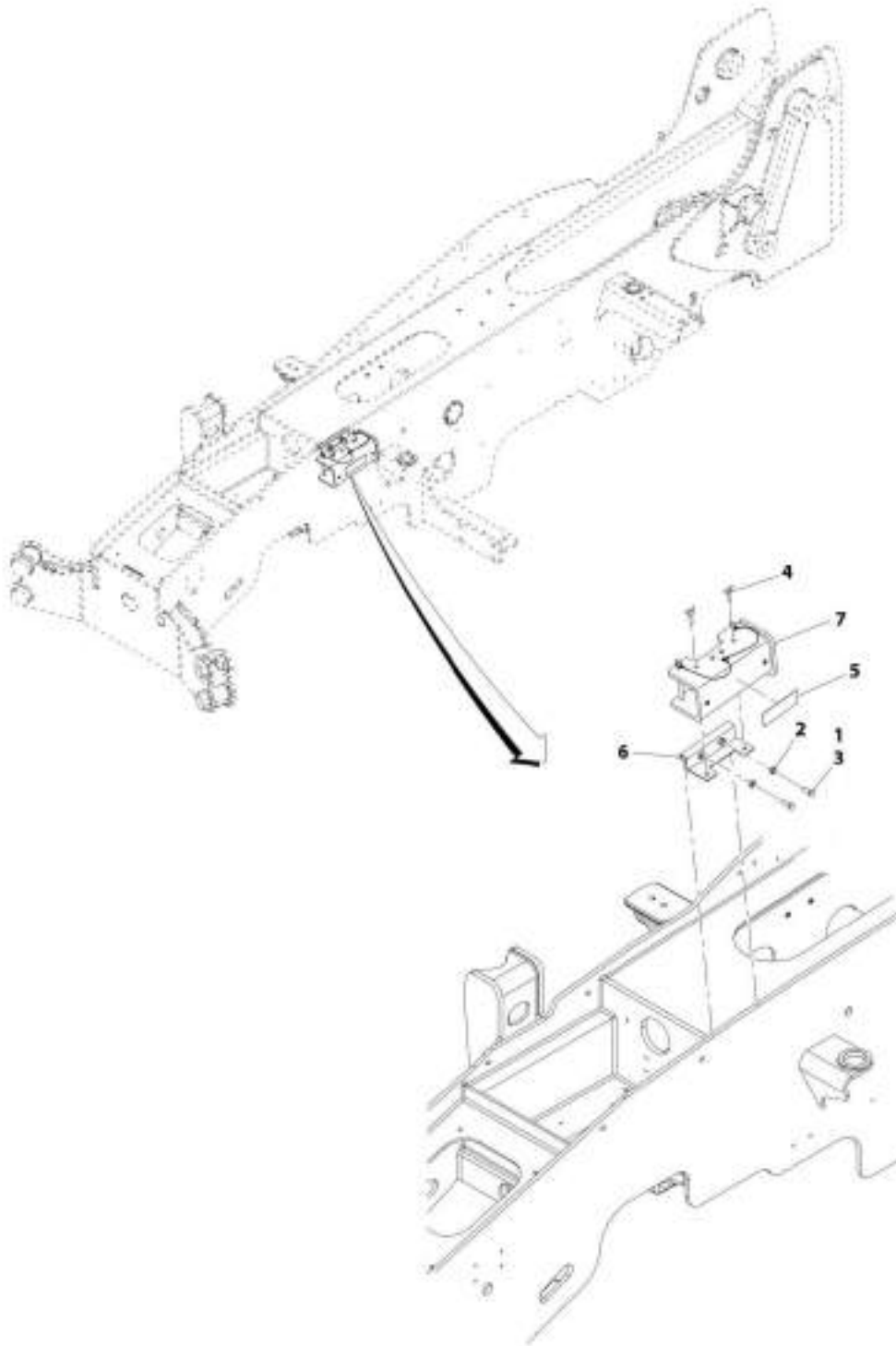
# SECTION 1 - FRAME AND ATTACHING PARTS

## FIGURE 1-14. MIRROR INSTALLATION

ITEM	PART NUMBER	QTY	DESCRIPTION	REV
	1001160255	Ref	Mirror Installation	D
1	0701014	2	Bolt, M10X30 Grade 8	
2	3520186	2	Plug	
3	4812000	2	Washer, M10	
5	1001191635	1	Mirror, Convex	
6	1001191603	1	Bracket	

# SECTION 1 - FRAME AND ATTACHING PARTS

FIGURE 1-15. BOOM PROP INSTALLATION (ANSI)



ART\_1001233330-A

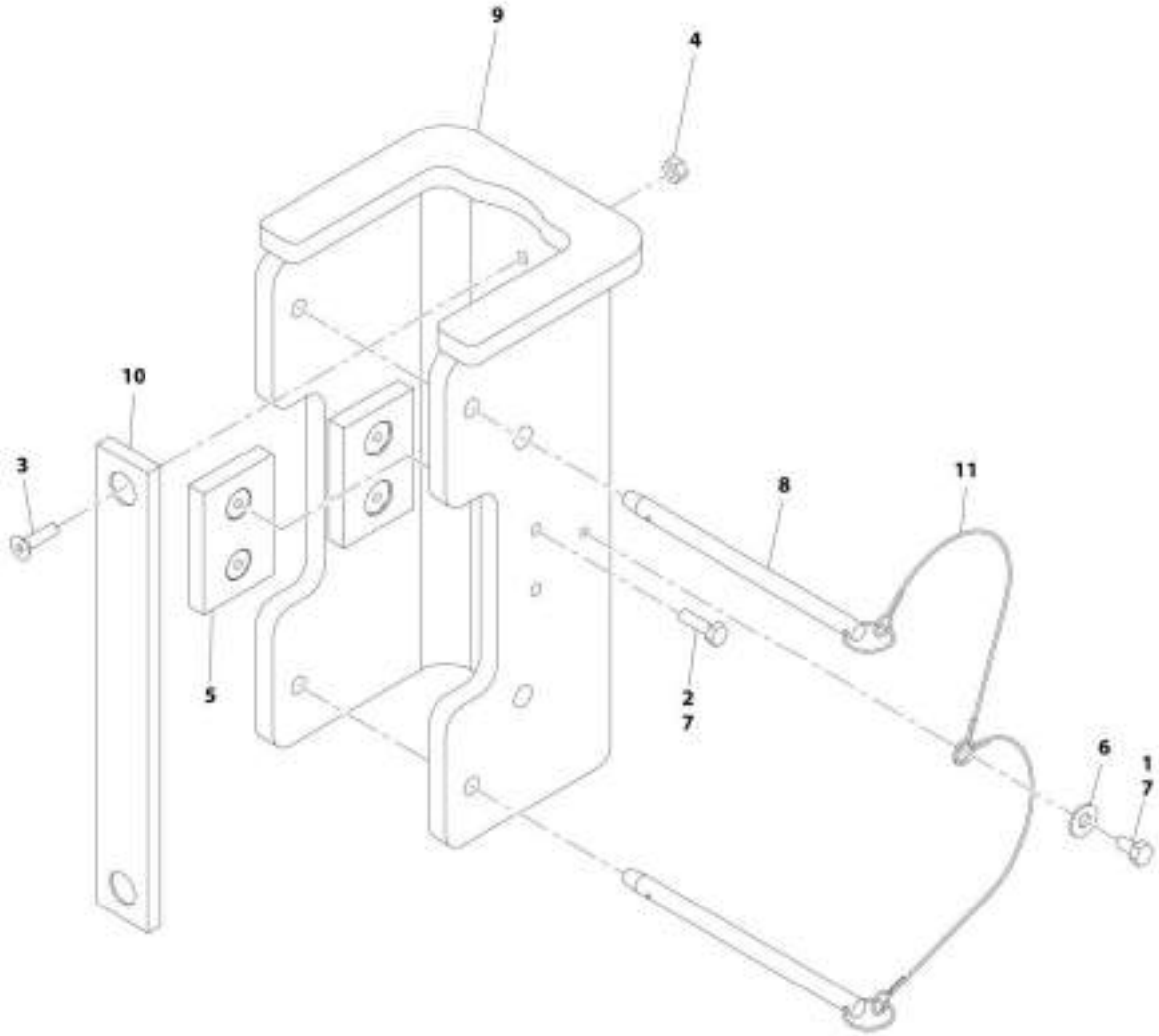
# SECTION 1 - FRAME AND ATTACHING PARTS

## FIGURE 1-15. BOOM PROP INSTALLATION (ANSI)

ITEM	PART NUMBER	QTY	DESCRIPTION	REV
	1001232338	Ref	Boom Prop Installation (ANSI)	A
1	0761214	2	Bolt, M12X30	
2	3291201	2	Nut, M12X1.75	
3	1001095650	AR	Compound, Locking	
4	1001101458	2	Wing Bolt, M8X40	
5	1001232147	1	Decal, Warning	
6	1001232299	1	Bracket, Mount	
7	1001232336	Ref	Bracket, Boom Prop (See Separate Breakdown in this Section)	

# SECTION 1 - FRAME AND ATTACHING PARTS

FIGURE 1-16. BOOM PROP BRACKET



ART\_100125233M-A

# SECTION 1 - FRAME AND ATTACHING PARTS

## FIGURE 1-16. BOOM PROP BRACKET

ITEM	PART NUMBER	QTY	DESCRIPTION	REV
	1001232336	Ref	Boom Prop Bracket	A
1	0641404	1	Bolt, 1/4-20X1/2	
2	0641407	4	Bolt, 1/4-20X7/8	
3	0741408	2	Bolt, 1/4-20	
4	3311405	2	Nut, Lock 1/4-20	
5	3340829	2	Pad, Wear	
6	4751400	1	Washer	
7	1001095650	AR	Compound, Locking	
8	1001164019	2	Pin, Ball Locking	
9	1001232588	1	Bracket	
10	4679000268	1	Pad, Wear	
11	1001164183	2	Lanyard, Boom Prop	

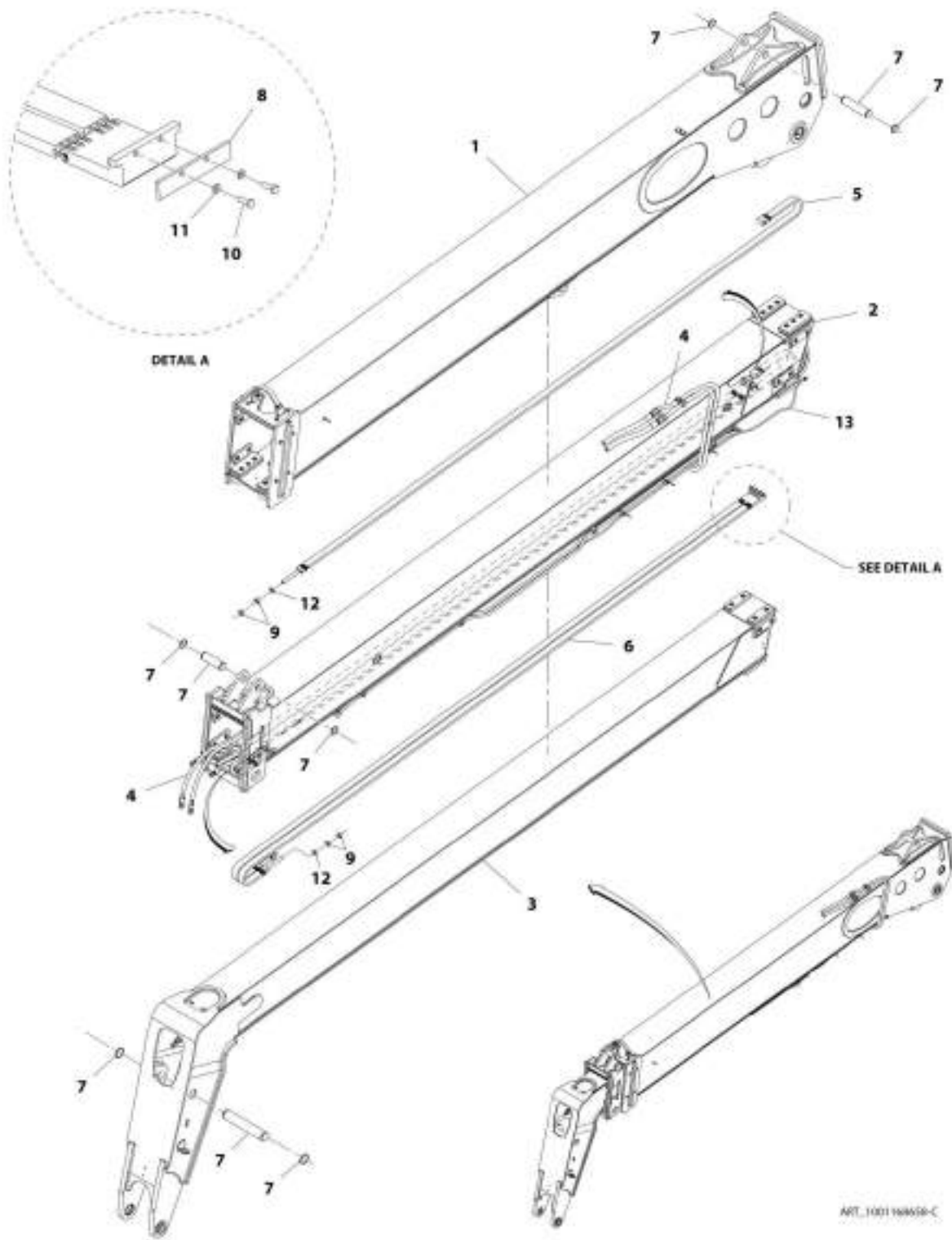




**SECTION 2 - BOOM**

# SECTION 2 - BOOM

## FIGURE 2-1. BOOM ASSEMBLY



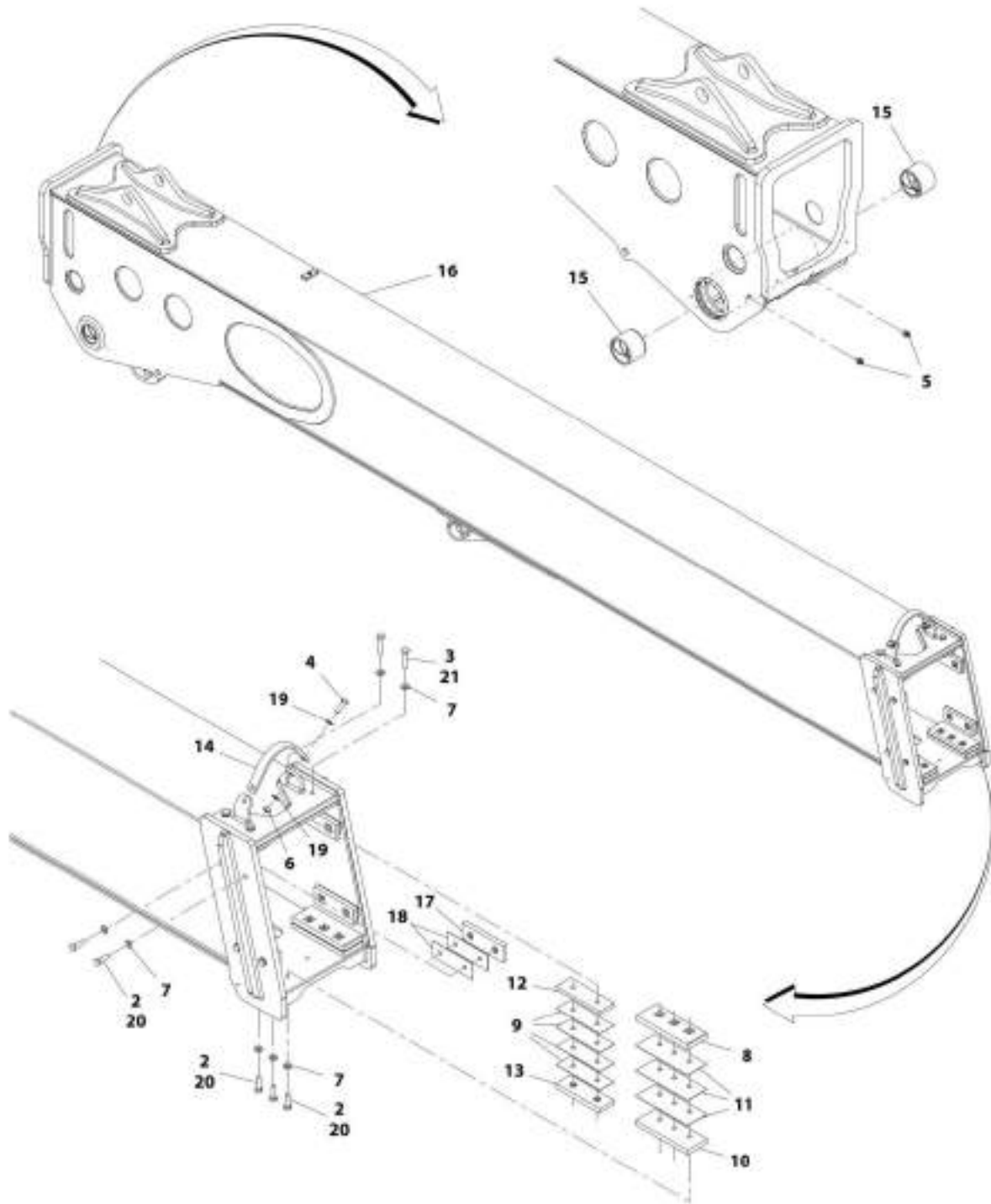
ART\_1001160A50-C

FIGURE 2-1. BOOM ASSEMBLY

ITEM	PART NUMBER	QTY	DESCRIPTION	REV
	1001168658	1	Boom Assembly	C
1	1001168341	1	Assembly, First Boom Section (See FIRST BOOM SECTION ASSEMBLY for Breakdown)	
2	1001168546	1	Assembly, Second Boom Section (See SECOND BOOM SECTION ASSEMBLY for Breakdown)	
3	1001168602	1	Assembly, Third Boom Section (See THIRD BOOM SECTION ASSEMBLY for Breakdown)	
4	1001173471	Ref	Installation, Boom Hydraulic Tubes (See HYDRAULIC CIRCUITS SECTION for Breakdown)	
5	1001169278	Ref	Installation, Retract Chain (See RETRACT CHAIN INSTALLATION for Breakdown)	
6	1001169281	Ref	Installation, Extend Chain (See EXTEND CHAIN INSTALLATION for Breakdown)	
7	1001173541	Ref	Installation, Pins (See PINS INSTALLATION for Breakdown)	
8	1001171450	1	Plate, Clevis	
9	3332011	6	Nut, M20X2.5	
10	0700610	2	Bolt, M6X20	
11	4811700	2	Washer, M6	
12	4812500	3	Washer, M20	
13	1001186859	1	Hose	

# SECTION 2 - BOOM

## FIGURE 2-2. FIRST BOOM SECTION ASSEMBLY



AFE\_1001166341-D

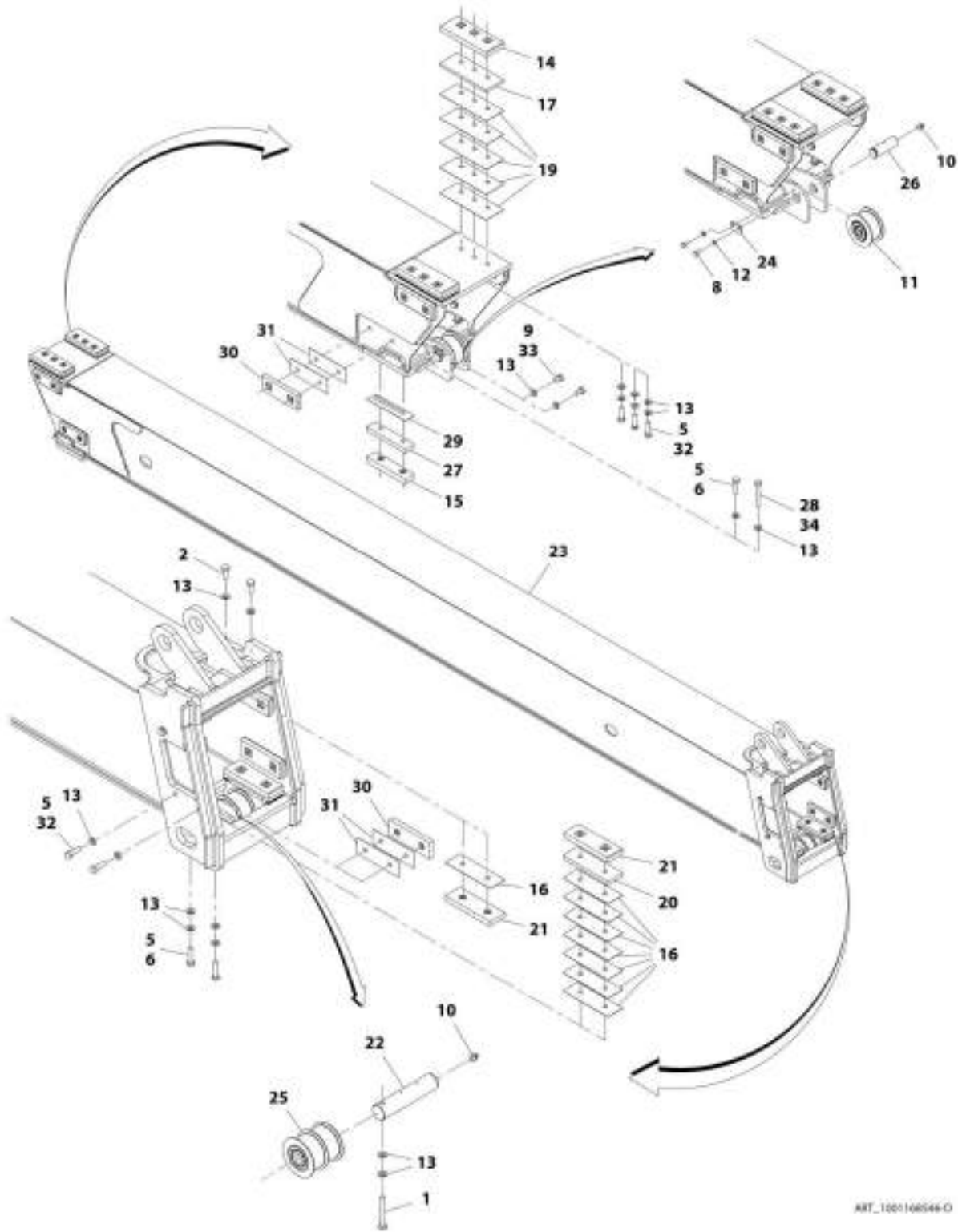
## SECTION 2 - BOOM

**FIGURE 2-2. FIRST BOOM SECTION ASSEMBLY**

ITEM	PART NUMBER	QTY	DESCRIPTION	REV
	1001168341	Ref	First Boom Section Assembly	D
2	0711216	14	Bolt, M12X40 Grade 10.9	
3	0711219	4	Bolt, M12X55 Grade 10.9	
4	0711215	2	Bolt, M12X35	
5	2160016	2	Fitting, Grease	
6	3291201	2	Nut, M12X1.75 Grade 8	
7	1001125117	AR	Washer, M12	
8	1001162469	2	Pad	
9	1001163034	AR	Plate, Spacer	
10	1001189714	2	Plate, Stop	
11	1001163112	AR	Plate, Spacer	
12	1001163136	2	Plate, Stop	
13	1001165171	2	Pad	
14	1001168368	1	Strap	
15	1001188244	2	Bearing, Boom Pivot	
16	1001168342J	1	Boom, First	
17	1001165172	4	Pad	
18	1001165367	AR	Plate, Spacer	
19	4812100	4	Washer, M12	
20	0711217	AR	Bolt, M12X45	
21	0711220	AR	Bolt, M12-1.75X60 Grade 10.9	

# SECTION 2 - BOOM

## FIGURE 2-3. SECOND BOOM SECTION ASSEMBLY



ART\_100160544-0

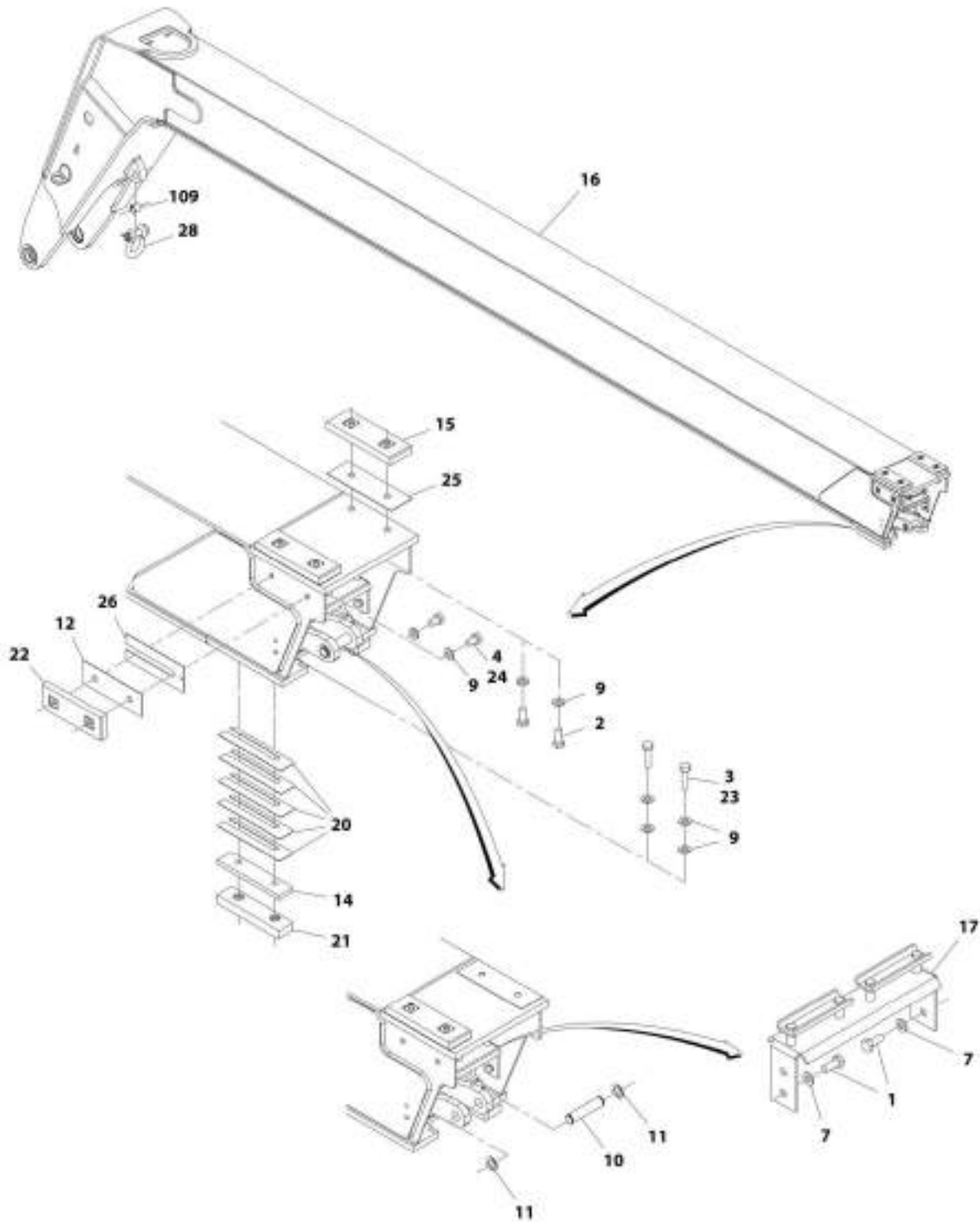
## SECTION 2 - BOOM

**FIGURE 2-3. SECOND BOOM SECTION ASSEMBLY**

ITEM	PART NUMBER	QTY	DESCRIPTION	REV
	1001168546	Ref	Second Boom Section Assembly	D
1	0701226	1	Bolt, M12X90 Grade 10.9	
2	0711214	4	Bolt, M12X30 Grade 10.9	
5	0711217	8	Bolt, M12X45	
6	0711218	4	Bolt, M12X50 Grade 10.9	
8	0770807	2	Bolt, M8X14 Grade 10.9	
9	0771210	8	Bolt, M12X20 Grade 10.9	
10	2160016	2	Fitting, Grease	
11	7138986	1	Sheave, Retract Chain (See RETRACT CHAIN SHEAVE for Breakdown)	
12	4811900	2	Washer, M8	
13	1001125117	AR	Washer, M12	
14	1001162469	2	Pad	
15	1001163029	2	Pad	
16	1001163034	AR	Plate, Spacer	
17	1001163035	2	Plate, Stop	
19	1001163112	AR	Plate, Spacer	
20	1001163136	2	Plate, Stop	
21	1001165171	4	Pad	
22	1001167493	1	Pin	
23	1001168547	1	Boom, Second	
24	1001168561	1	Bracket	
25	1001168567	1	Roller, Extend Chain (See EXTEND CHAIN ROLLER for Breakdown)	
26	1001168587	1	Pin, Boom Chain Pulley	
27	1001189492	2	Plate, Stop	
28	0711225	2	Bolt, M12X85 Grade 10.9	
29	1001189793	AR	Shim	
30	1001165172	8	Pad	
31	1001165367	AR	Plate, Spacer	
32	0711216	8	Bolt, M12X40 Grade 10.9	
33	0771212	AR	Bolt, M12X25 Grade 10.9	
34	0711226	AR	Bolt, M12X90 Grade 10.9	

# SECTION 2 - BOOM

## FIGURE 2-4. THIRD BOOM SECTION ASSEMBLY



AFT\_100158803.H



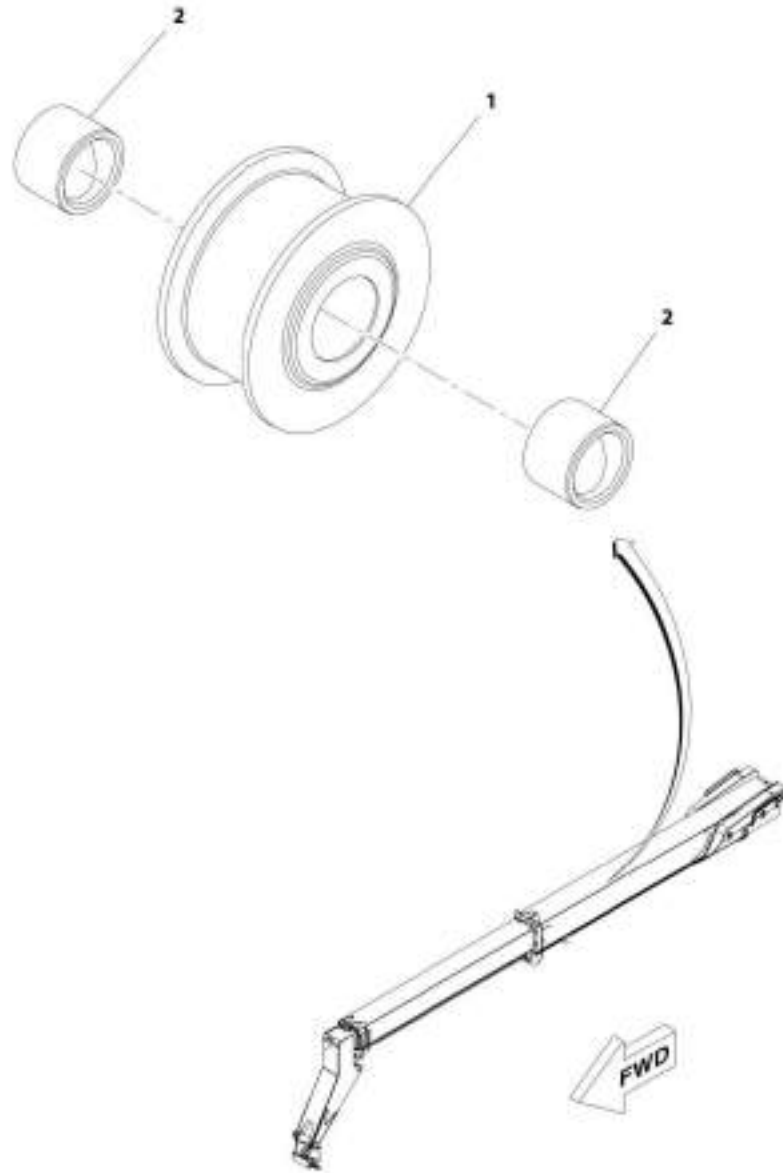
## SECTION 2 - BOOM

**FIGURE 2-4. THIRD BOOM SECTION ASSEMBLY**

ITEM	PART NUMBER	QTY	DESCRIPTION	REV
	1001168602	1	Third Boom Section Assembly	H
1	0760810	4	Bolt, M8X20	
2	0711214	4	Bolt, M12X30 Grade 10.9	
3	0711217	4	Bolt, M12X45	
4	0771210	4	Bolt, M12X20 Grade 10.9	
7	4811900	4	Washer, M8	
9	1001125117	AR	Washer, M12	
10	1001163712	1	Pin	
11	1001163704	2	Ring, M15	
12	1001165367	AR	Plate, Spacer	
14	1001168589	2	Plate, Stop	
15	1001165171	2	Pad	
16	1001168603	1	Boom, Third	
17	1001168630	Ref	Installation, Hose Bracket (See HOSE BRACKET INSTALLATION for Breakdown)	
20	1001189793	AR	Shim	
21	1001163029	2	Pad	
22	1001165172	2	Pad	
23	0711216	AR	Bolt, M12X40 Grade 10.9	
24	0771212	AR	Bolt, M12X25 Grade 10.9	
25	1001163034	AR	Plate, Spacer	
26	1001200989	AR	Plate, Shim	
28	1001204045	1	Clevis	
109	1001204047	1	Sleeve	

## SECTION 2 - BOOM

FIGURE 2-5. RETRACT CHAIN SHEAVE



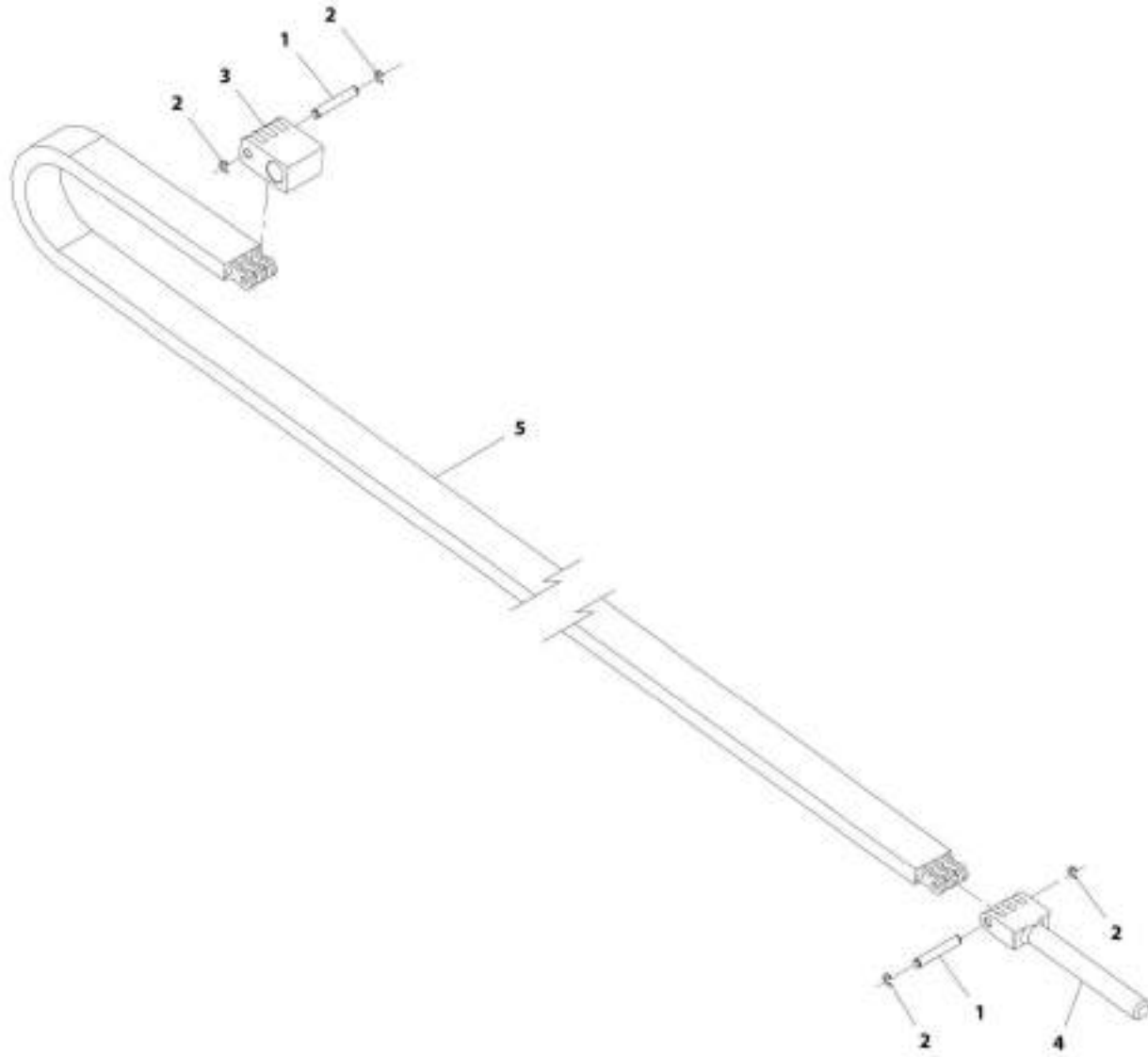
ART\_713096-C

**FIGURE 2-5. RETRACT CHAIN SHEAVE**

<b>ITEM</b>	<b>PART NUMBER</b>	<b>QTY</b>	<b>DESCRIPTION</b>	<b>REV</b>
	7138986	Ref	Retract Chain Sheave	C
1	7138978	1	Sheave, Retract Chain	
2	7138979	2	Bushing, Sheave Retract Chain	

## SECTION 2 - BOOM

FIGURE 2-6. RETRACT CHAIN INSTALLATION



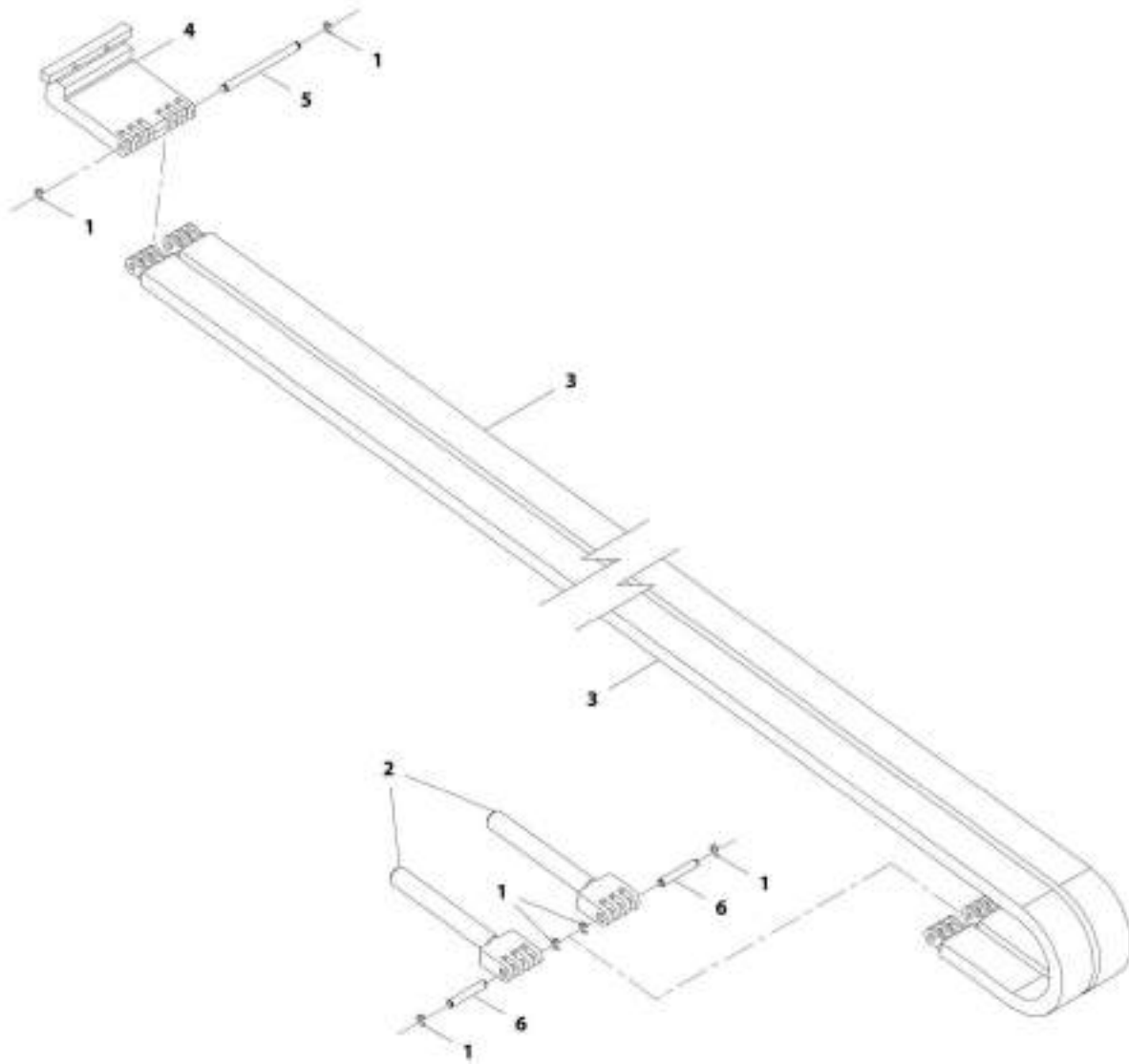
ART\_1001168278-B

FIGURE 2-6. RETRACT CHAIN INSTALLATION

ITEM	PART NUMBER	QTY	DESCRIPTION	REV
	1001169278	Ref	Retract Chain Installation	B
1	1001187785	2	Pin, Clevis	
2	1001166163	4	Ring, External M6	
3	1001166233	1	Clevis, Chain	
4	1001166235	1	Clevis, Chain	
5	1001169279	1	Chain, Retract	

# SECTION 2 - BOOM

## FIGURE 2-7. EXTEND CHAIN INSTALLATION



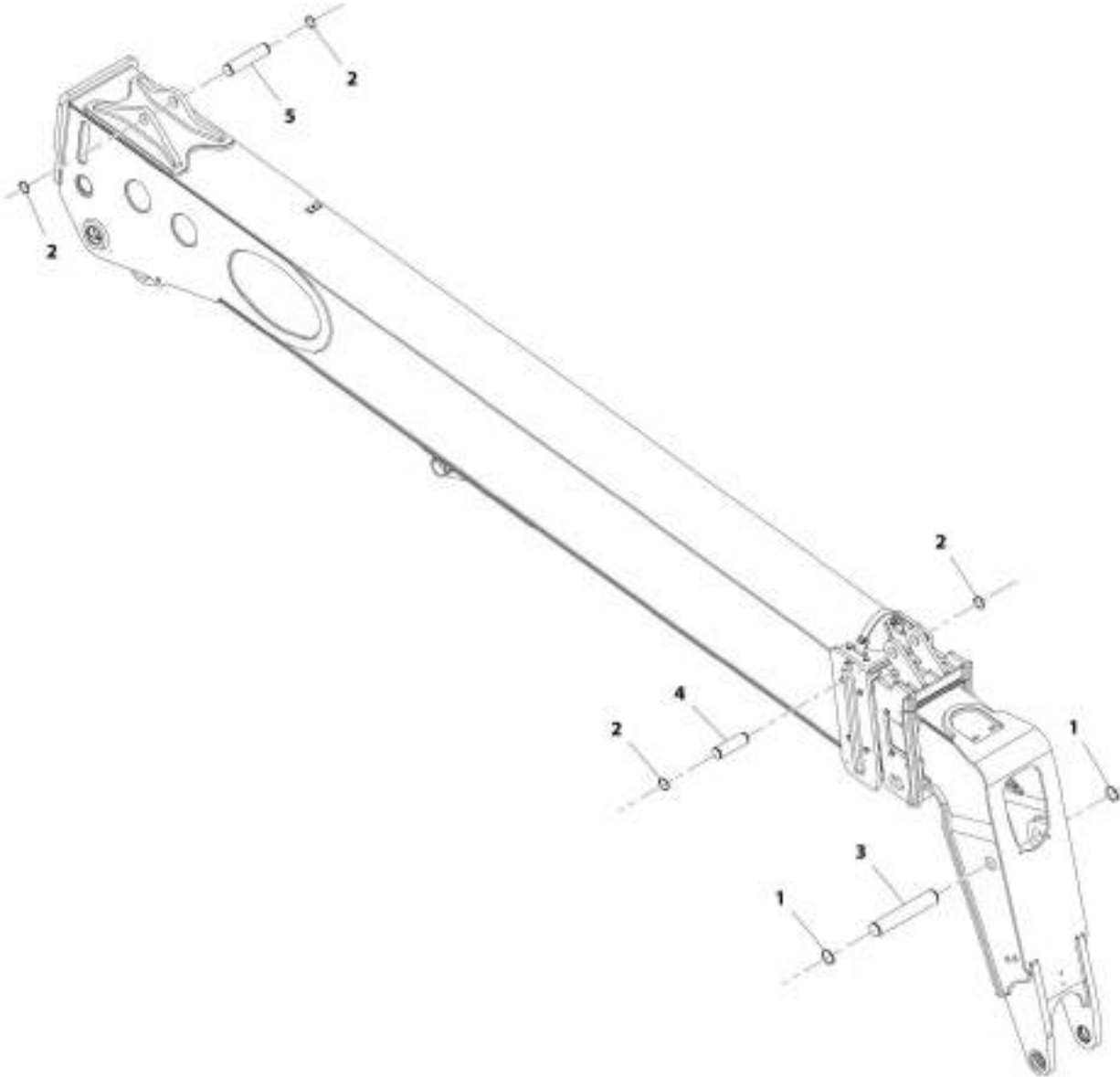
ART\_100189281-8

FIGURE 2-7. EXTEND CHAIN INSTALLATION

ITEM	PART NUMBER	QTY	DESCRIPTION	REV
	1001169281	Ref	Extend Chain Installation	B
1	1001166163	6	Ring, External M6	
2	1001166235	2	Clevis, Chain	
3	1001169279	2	Chain, Retract	
4	1001169373	1	Clevis, Dual	
5	1001169379	1	Pin, Clevis	
6	1001187785	2	Pin, Clevis	

## SECTION 2 - BOOM

FIGURE 2-8. PINS INSTALLATION



REF\_100175641-0

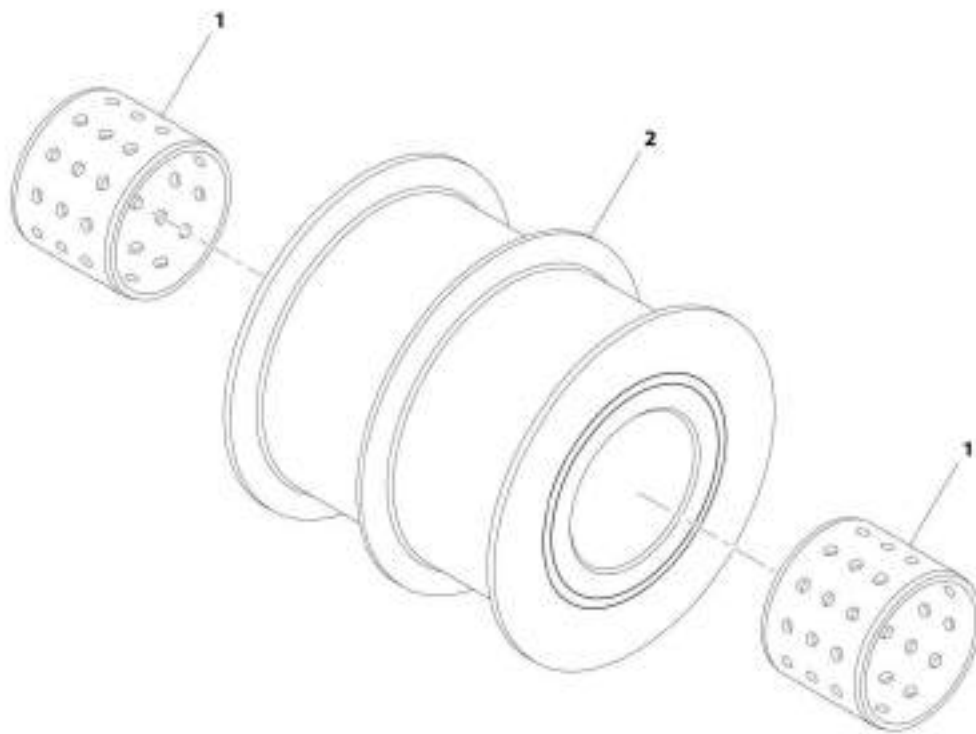


FIGURE 2-8. PINS INSTALLATION

ITEM	PART NUMBER	QTY	DESCRIPTION	REV
	1001173541	Ref	Pins Installation	B
1	3760463	2	Ring, Retaining M60	
2	3760493	4	Ring, Retaining M50	
3	1001173538	1	Pin, Tilt Cylinder	
4	1001173539	1	Pin	
5	1001173540	1	Pin	

## SECTION 2 - BOOM

FIGURE 2-9. EXTEND CHAIN ROLLER



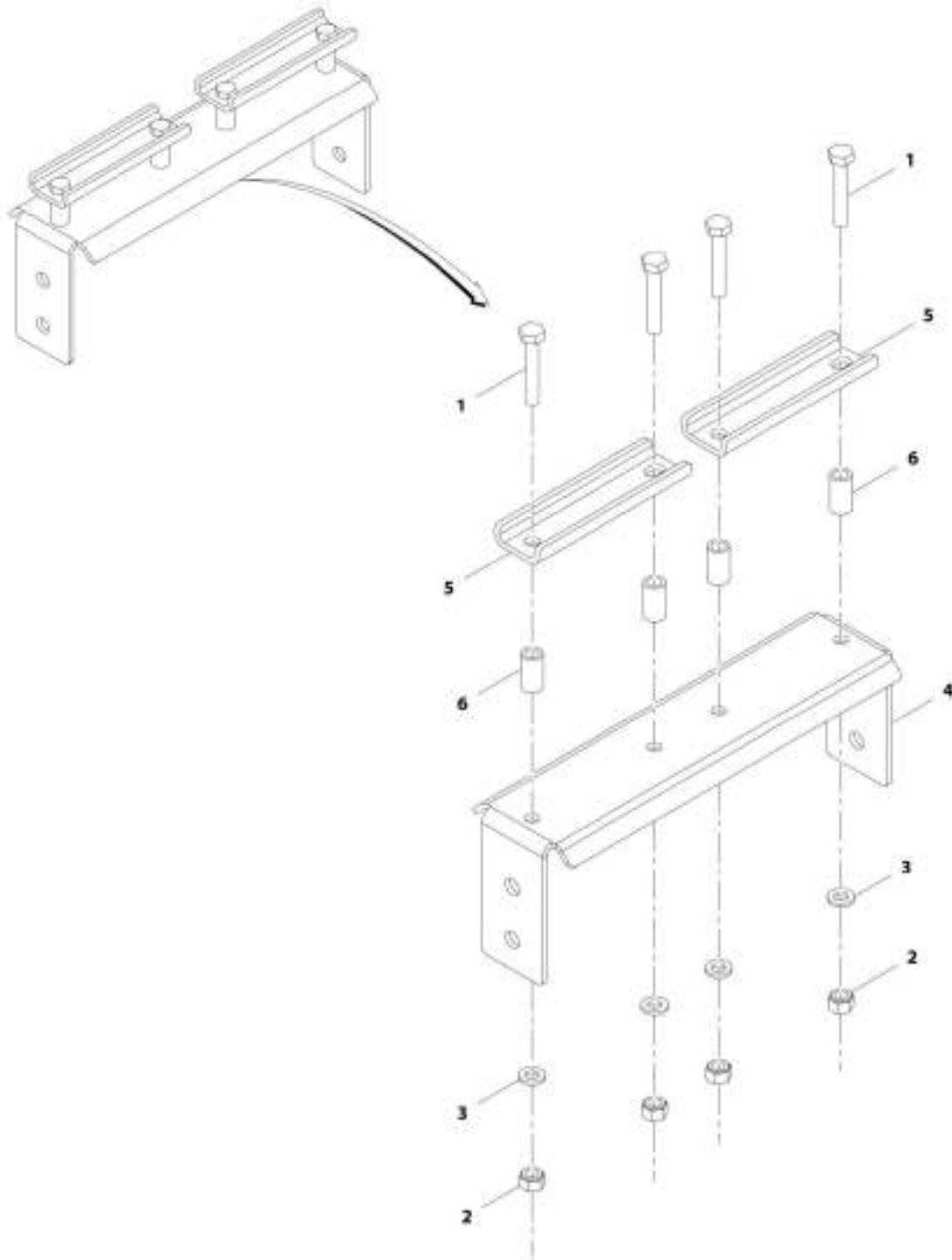
ART\_1001168567-C

**FIGURE 2-9. EXTEND CHAIN ROLLER**

<b>ITEM</b>	<b>PART NUMBER</b>	<b>QTY</b>	<b>DESCRIPTION</b>	<b>REV</b>
	1001168567	Ref	Extend Chain Roller	C
1	0440296	2	Bearing	
2	1001168831	1	Roller, Extend Chain	

## SECTION 2 - BOOM

FIGURE 2-10. HOSE BRACKET INSTALLATION



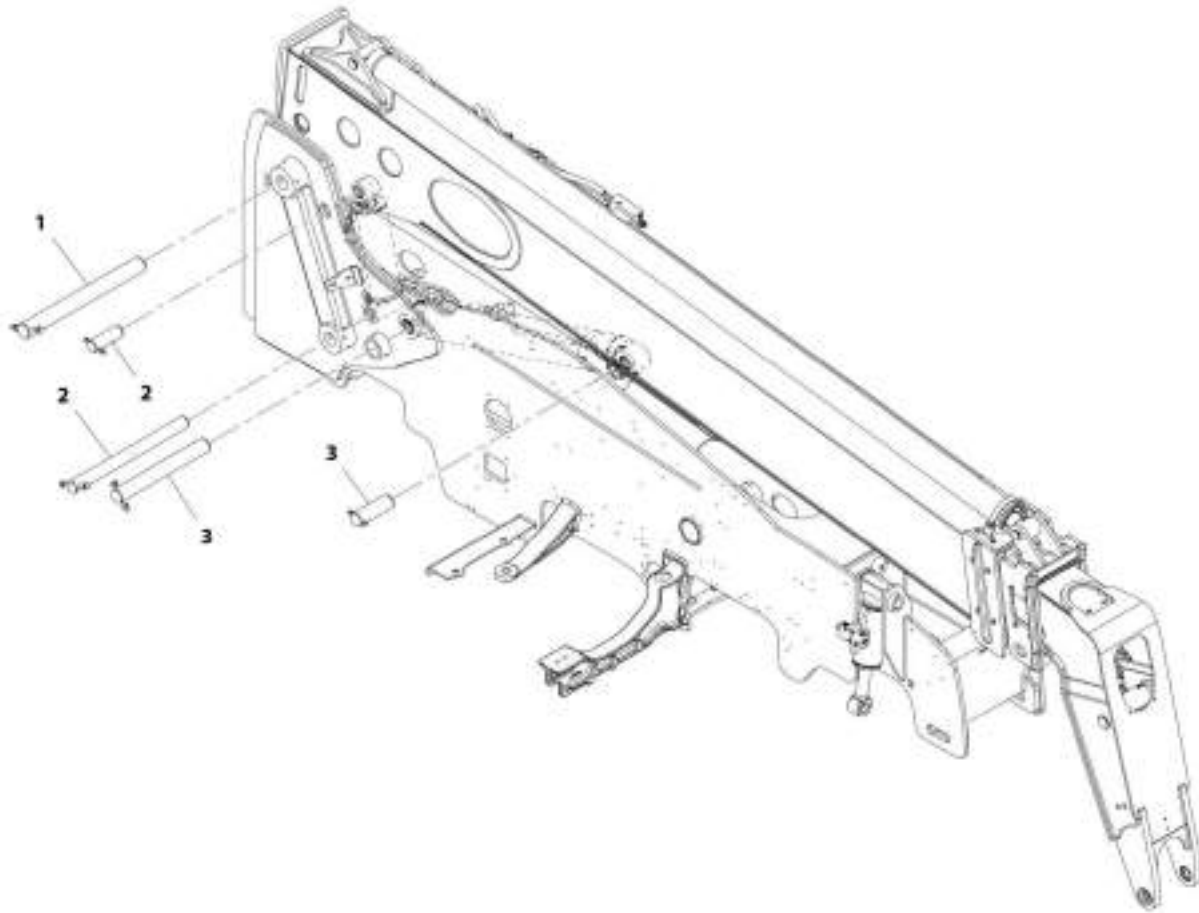
ART\_1001168630-01

**FIGURE 2-10. HOSE BRACKET INSTALLATION**

ITEM	PART NUMBER	QTY	DESCRIPTION	REV
	1001168630	Ref	Hose Bracket Installation	B
1	0760615	4	Bolt, M6X35	
2	3290605	4	Nut, Lock M6X1 Grade 8	
3	4811700	4	Washer, M6	
4	1001168632	1	Bracket	
5	1001169209	2	Plate	
6	1001169214	4	Spacer	

## SECTION 2 - BOOM

FIGURE 2-11. BOOM PINNING INSTALLATION



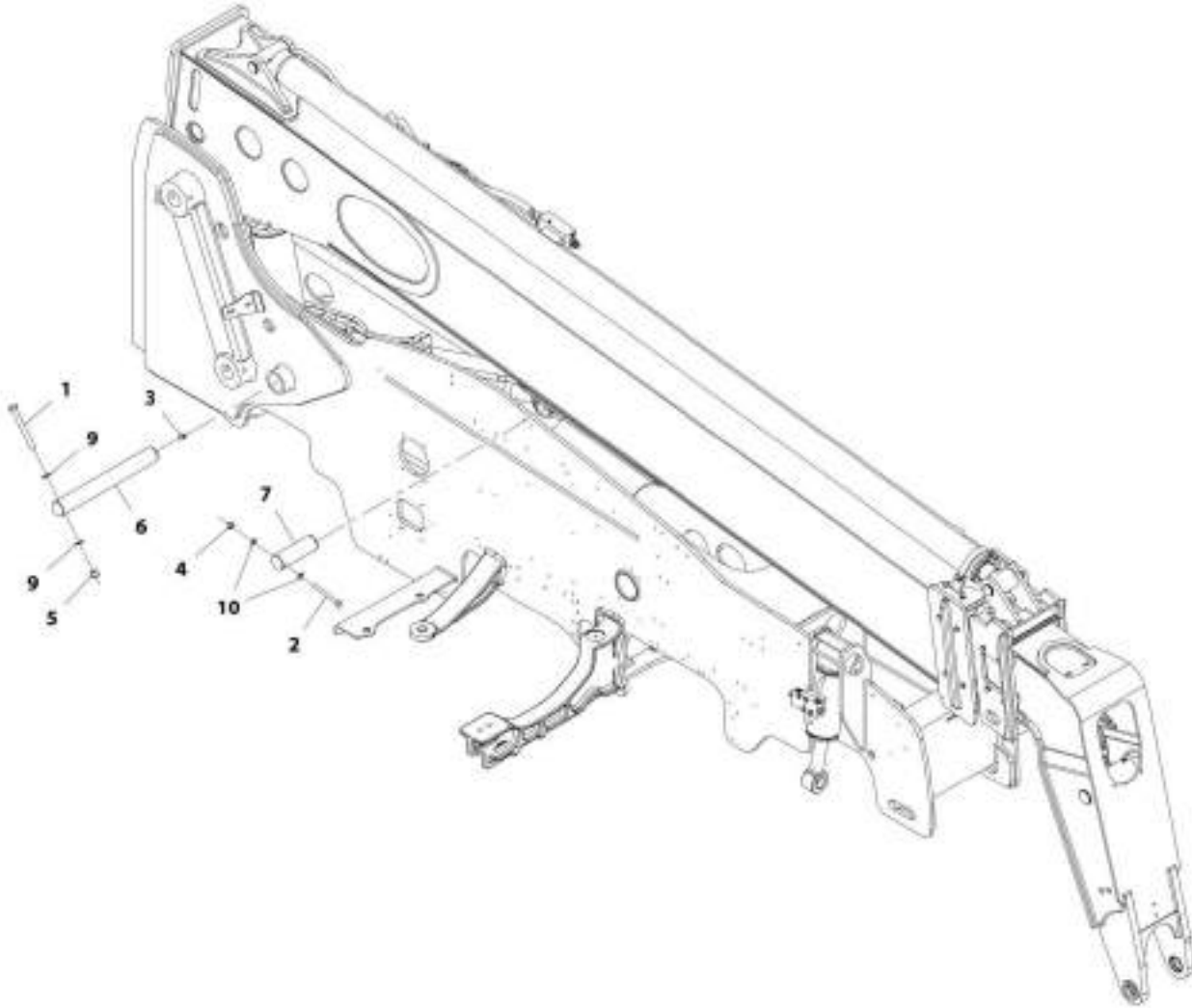
ART\_3301168406-E

**FIGURE 2-11. BOOM PINNING INSTALLATION**

ITEM	PART NUMBER	QTY	DESCRIPTION	REV
	1001168486	Ref	Boom Pinning Installation	B
1	1001172344	Ref	Installation, Boom Pivot Pin (See BOOM PIVOT PIN INSTALLATION for Breakdown)	
2	1001172345	Ref	Installation, Compensation Cylinder Pins (See COMPENSATION CYLINDER PINS INSTALLATION for Breakdown)	
3	1001172346	Ref	Installation, Lift Cylinder Pins (See LIFT CYLINDER PINS INSTALLATION for Breakdown)	

## SECTION 2 - BOOM

FIGURE 2-12. LIFT CYLINDER PINS INSTALLATION



ART\_100172944-G

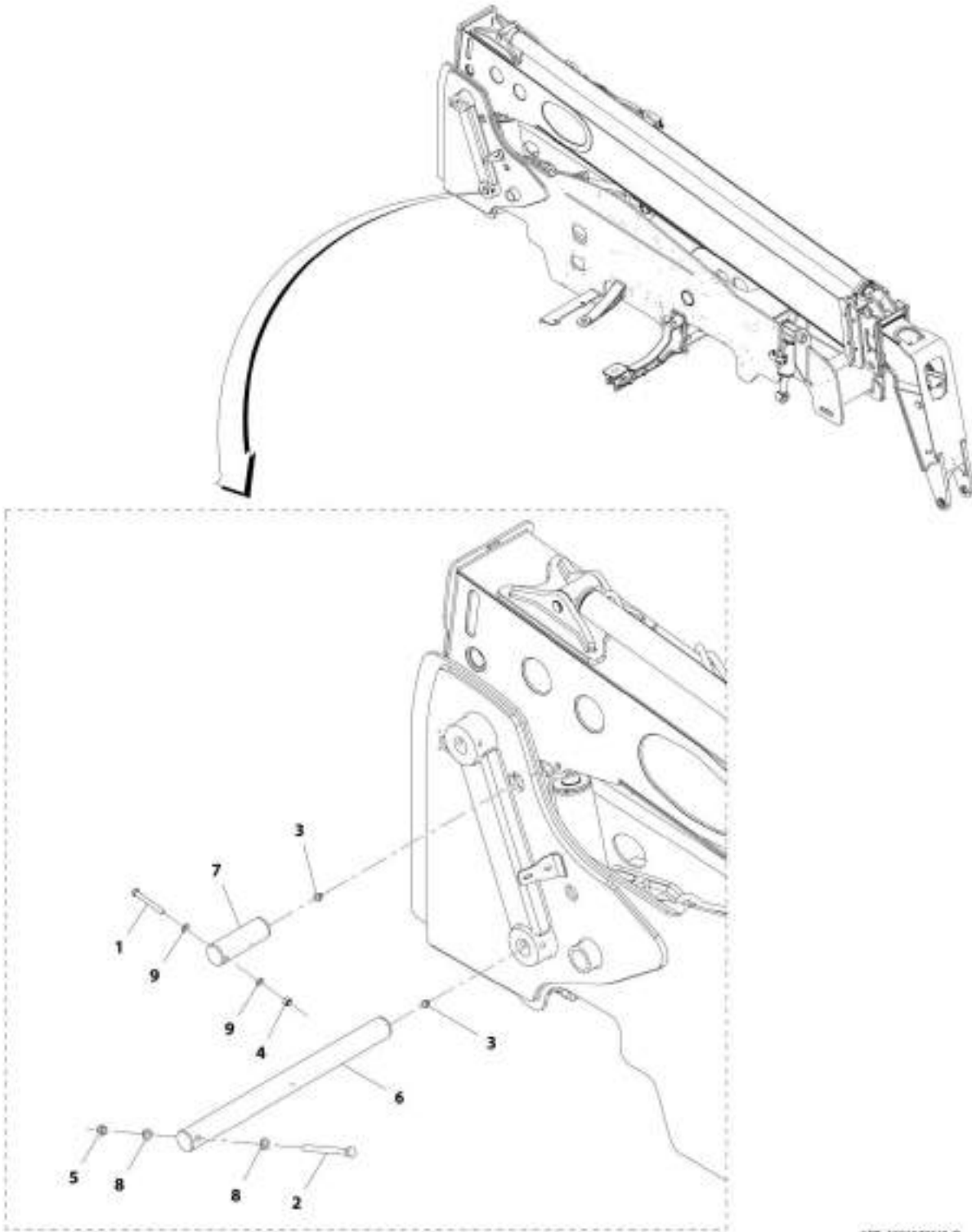


FIGURE 2-12. LIFT CYLINDER PINS INSTALLATION

ITEM	PART NUMBER	QTY	DESCRIPTION	REV
	1001172346	Ref	Lift Cylinder Pins Installation	G
1	0711631	1	Bolt, M16X140	
2	0711228	1	Bolt, M12X110	
3	2160016	1	Fitting, Grease	
4	3291205	1	Nut, Lock M12X1.75 Grade 8	
5	3291605	1	Nut, Lock M16X2 Grade 8	
6	1001172350	1	Pin, Cylinder	
7	1001205335	1	Pin, Cylinder	
9	4812300	2	Washer, M16	
10	4812100	2	Washer, M12	

## SECTION 2 - BOOM

FIGURE 2-13. COMPENSATION CYLINDER PINS INSTALLATION



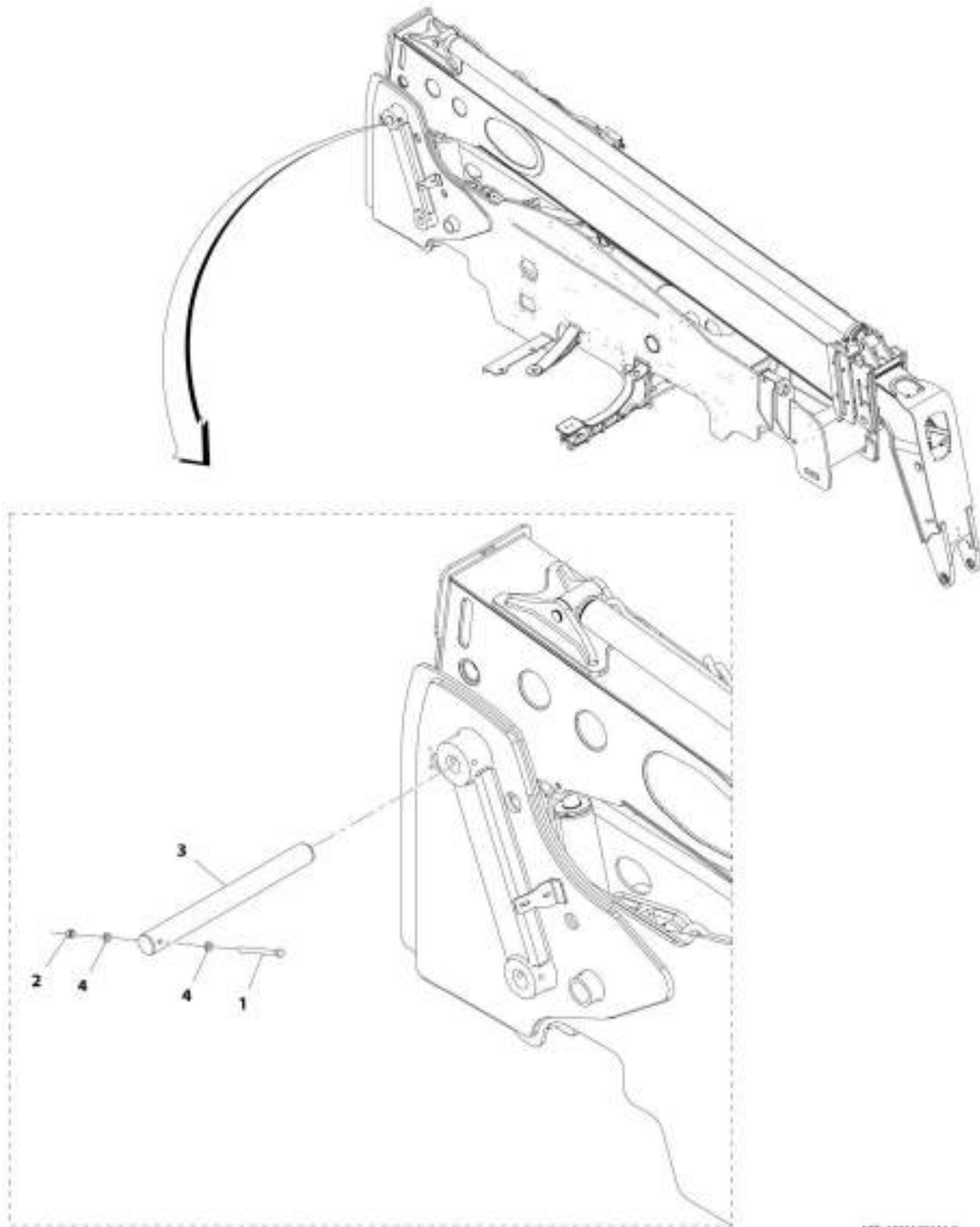
ABT\_1001172345-D

**FIGURE 2-13. COMPENSATION CYLINDER PINS INSTALLATION**

<b>ITEM</b>	<b>PART NUMBER</b>	<b>QTY</b>	<b>DESCRIPTION</b>	<b>REV</b>
	1001172345	Ref	Compensation Cylinder Pins Installation	D
1	0711229	1	Bolt, M12X120 Grade 10.9	
2	0711635	1	Bolt, M16X180 Grade 10.9	
3	2160016	2	Fitting, Grease	
4	3291205	1	Nut, Lock M12X1.75 Grade 8	
5	3291605	1	Nut, Lock M16X2 Grade 8	
6	1001172352	1	Pin, Cylinder Base	
7	1001172353	1	Pin, Cylinder End	
8	4812300	2	Washer, M16	
9	4812100	2	Washer, M12	

## SECTION 2 - BOOM

FIGURE 2-14. BOOM PIVOT PIN INSTALLATION



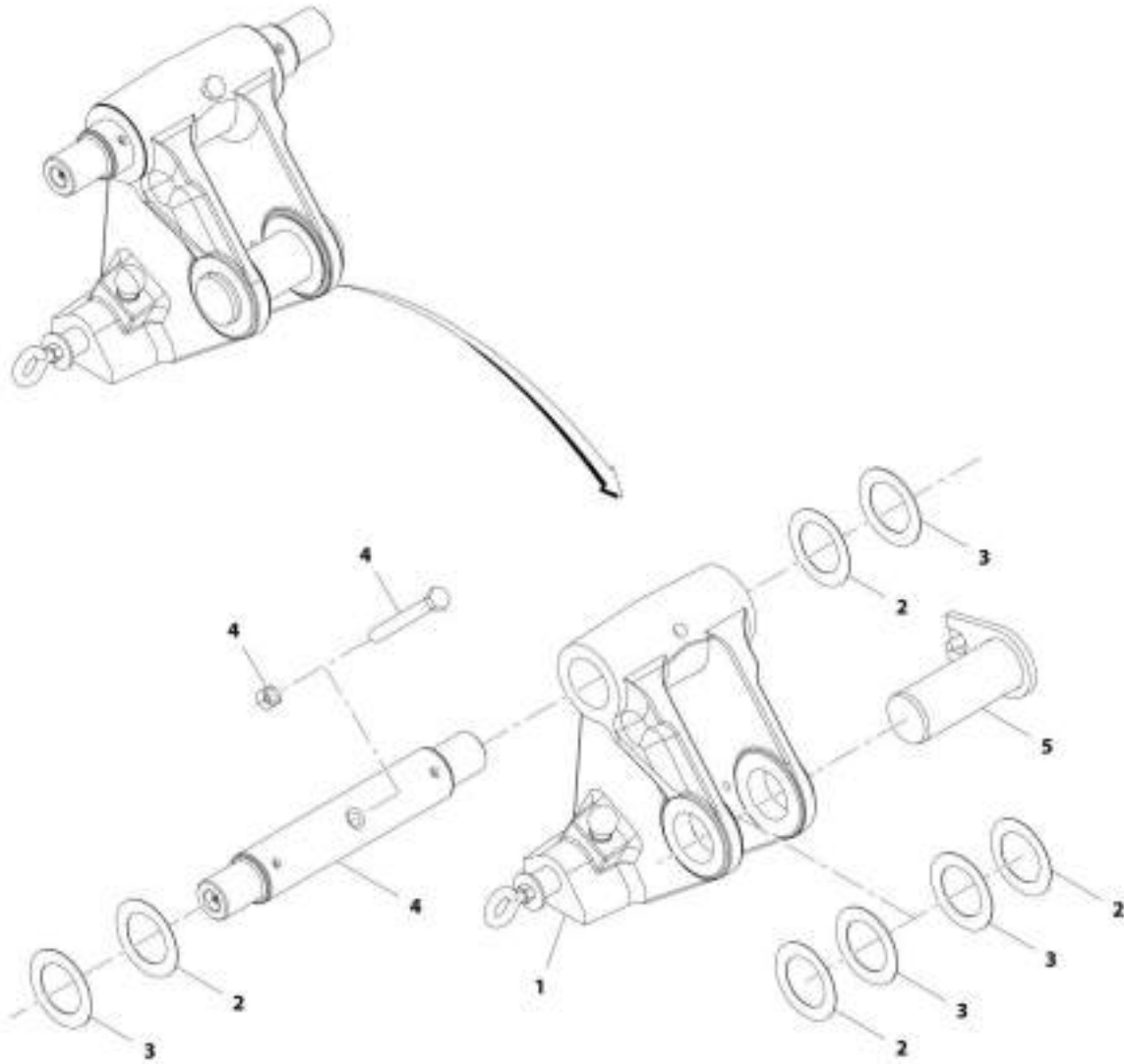
ART\_100172344-C

FIGURE 2-14. BOOM PIVOT PIN INSTALLATION

ITEM	PART NUMBER	QTY	DESCRIPTION	REV
	1001172344	Ref	Boom Pivot Pin Installation	C
1	1001091951	1	Bolt, M16X200	
2	3291605	1	Nut, Lock M16X2 Grade 8	
3	1001166975	1	Pin	
4	4812300	2	Washer, M16	

## SECTION 2 - BOOM

FIGURE 2-15. MANUAL QUICK COUPLER INSTALLATION



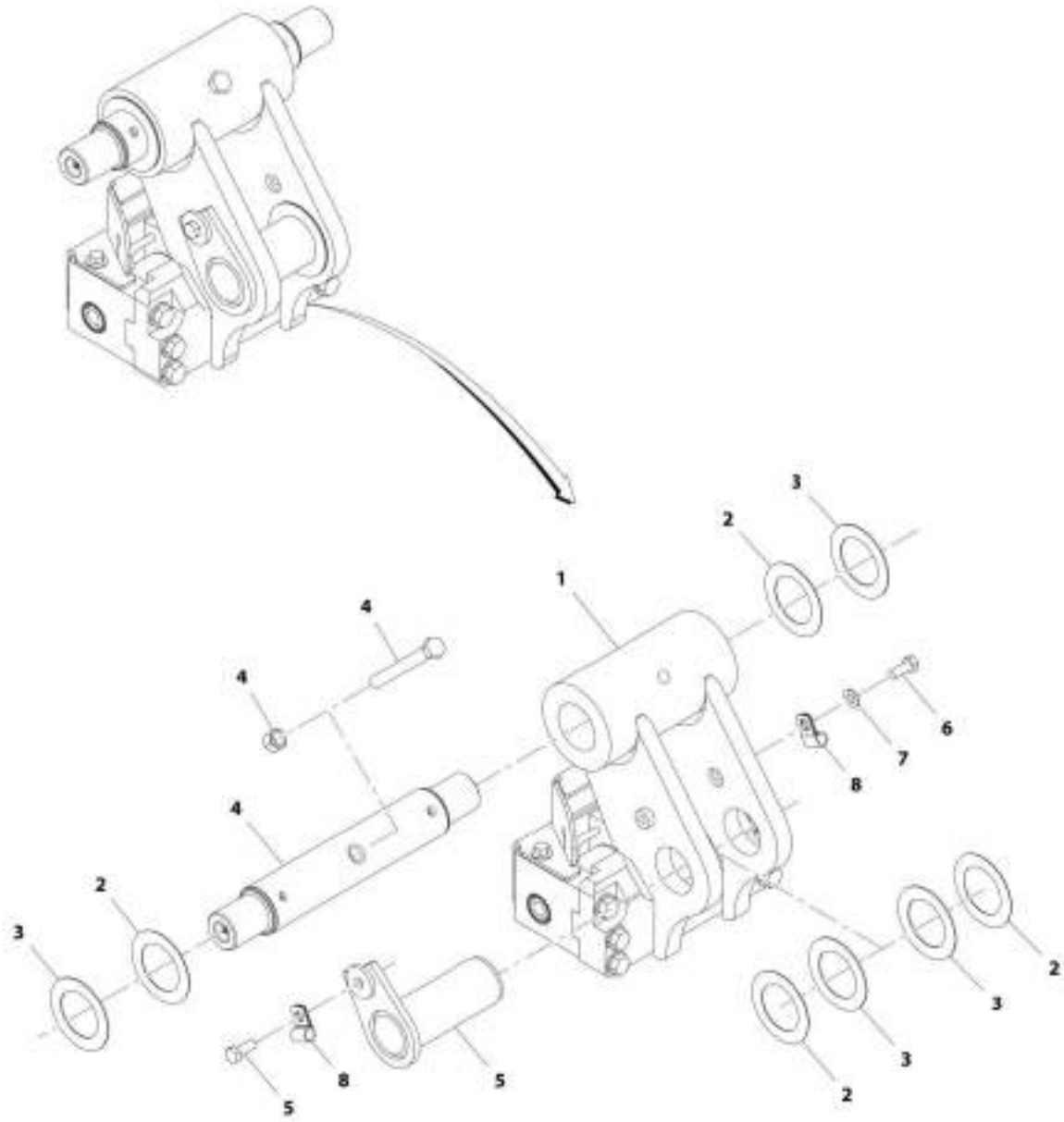
ART\_1001170620-A

**FIGURE 2-15. MANUAL QUICK COUPLER INSTALLATION**

ITEM	PART NUMBER	QTY	DESCRIPTION	REV
	1001170628	Ref	Manual Quick Coupler Installation	A
1	1001171764	1	Coupling, Quick Connect (See Separate Breakdown in this Section)	
2	1001164884	AR	Shim	
3	1001164885	AR	Shim	
4	1001167761	Ref	Installation, Boom Pin (See Separate Breakdown in this Section)	
5	1001167762	Ref	Installation, Tilt Cylinder Pin (See Separate Breakdown in this Section)	

## SECTION 2 - BOOM

FIGURE 2-16. HYDRAULIC QUICK COUPLER INSTALLATION



ART\_1001170631-8

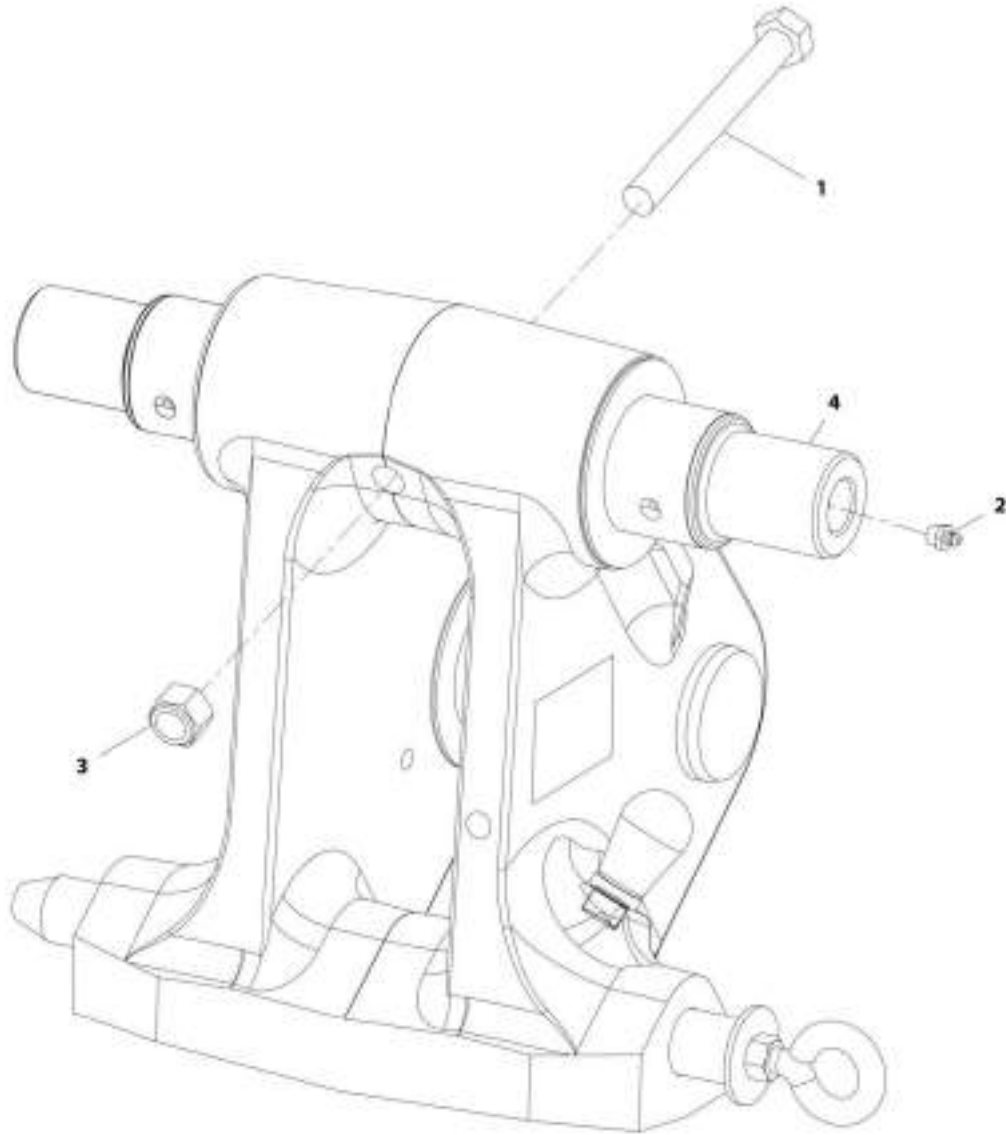


**FIGURE 2-16. HYDRAULIC QUICK COUPLER INSTALLATION**

<b>ITEM</b>	<b>PART NUMBER</b>	<b>QTY</b>	<b>DESCRIPTION</b>	<b>REV</b>
	1001170631	Ref	Hydraulic Quick Coupler Installation	B
1	1001172134	1	Assembly, Hydraulic Quick Coupler (See Separate Breakdown in Hydraulic Circuits Section)	
2	1001164884	AR	Shim	
3	1001164885	AR	Shim	
4	1001167761	Ref	Installation, Boom Pin (See Separate Breakdown in this Section)	
5	1001167762	Ref	Installation, Tilt Cylinder Pin (See Separate Breakdown in this Section)	
6	0761214	1	Capscrew, M12X30	
7	4812100	1	Washer, M12	
8	1001080996	2	Clamp	

## SECTION 2 - BOOM

FIGURE 2-17. BOOM PIN INSTALLATION



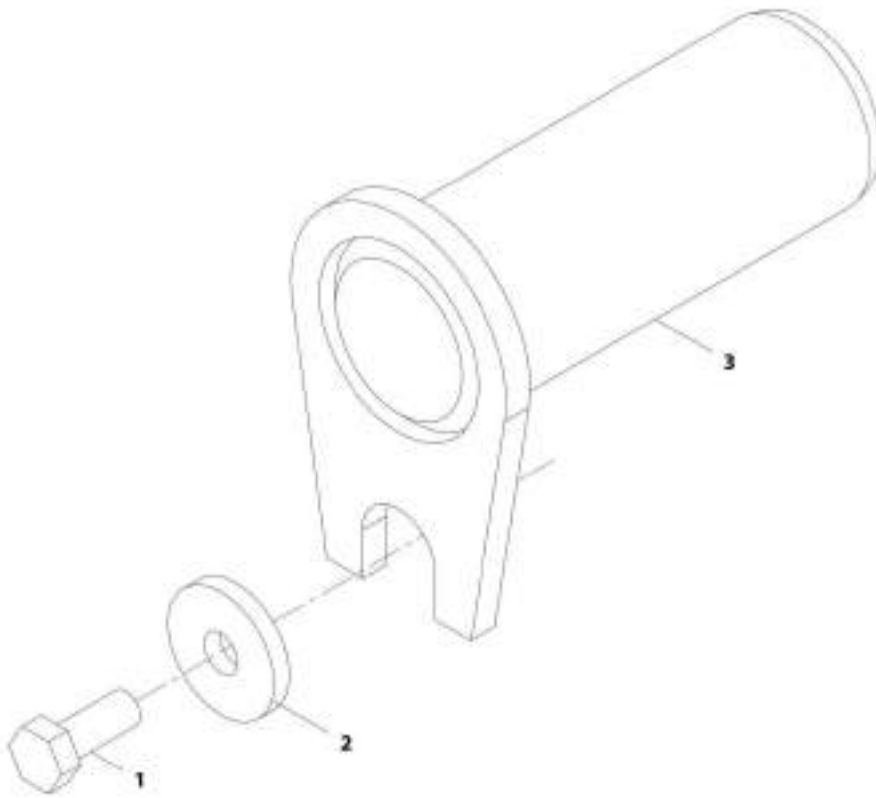
ART\_100157761-8

**FIGURE 2-17. BOOM PIN INSTALLATION**

<b>ITEM</b>	<b>PART NUMBER</b>	<b>QTY</b>	<b>DESCRIPTION</b>	<b>REV</b>
	1001167761	Ref	Boom Pin Installation	B
1	0711631	1	Bolt, M16X140	
2	2160016	2	Fitting, Straight	
3	3291605	1	Nut, Lock M16X2	
4	1001164871	1	Pin	

## SECTION 2 - BOOM

FIGURE 2-18. TILT CYLINDER PIN INSTALLATION



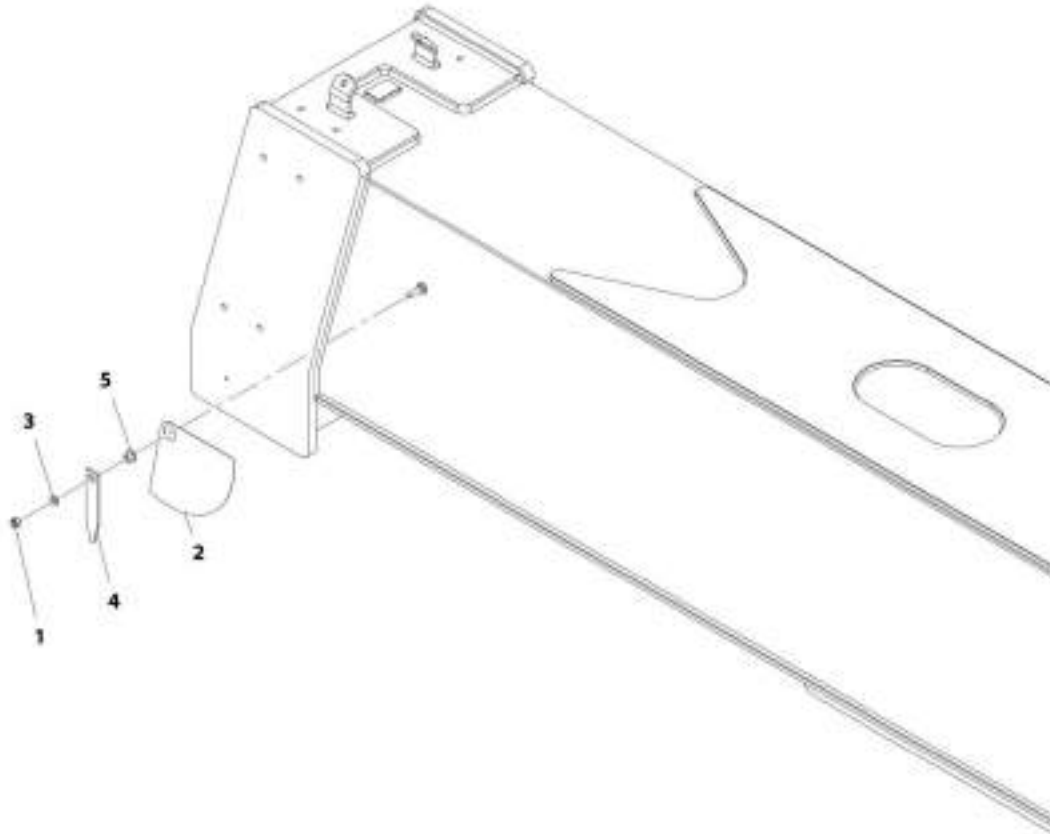
ART\_100116776G-A

**FIGURE 2-18. TILT CYLINDER PIN INSTALLATION**

<b>ITEM</b>	<b>PART NUMBER</b>	<b>QTY</b>	<b>DESCRIPTION</b>	<b>REV</b>
	1001167762	Ref	Tilt Cylinder Pin Installation	A
1	0761214	1	Bolt, M12X30	
2	4740003	1	Washer	
3	1001164881	1	Pin	

## SECTION 2 - BOOM

FIGURE 2-19. BOOM ANGLE INDICATOR INSTALLATION



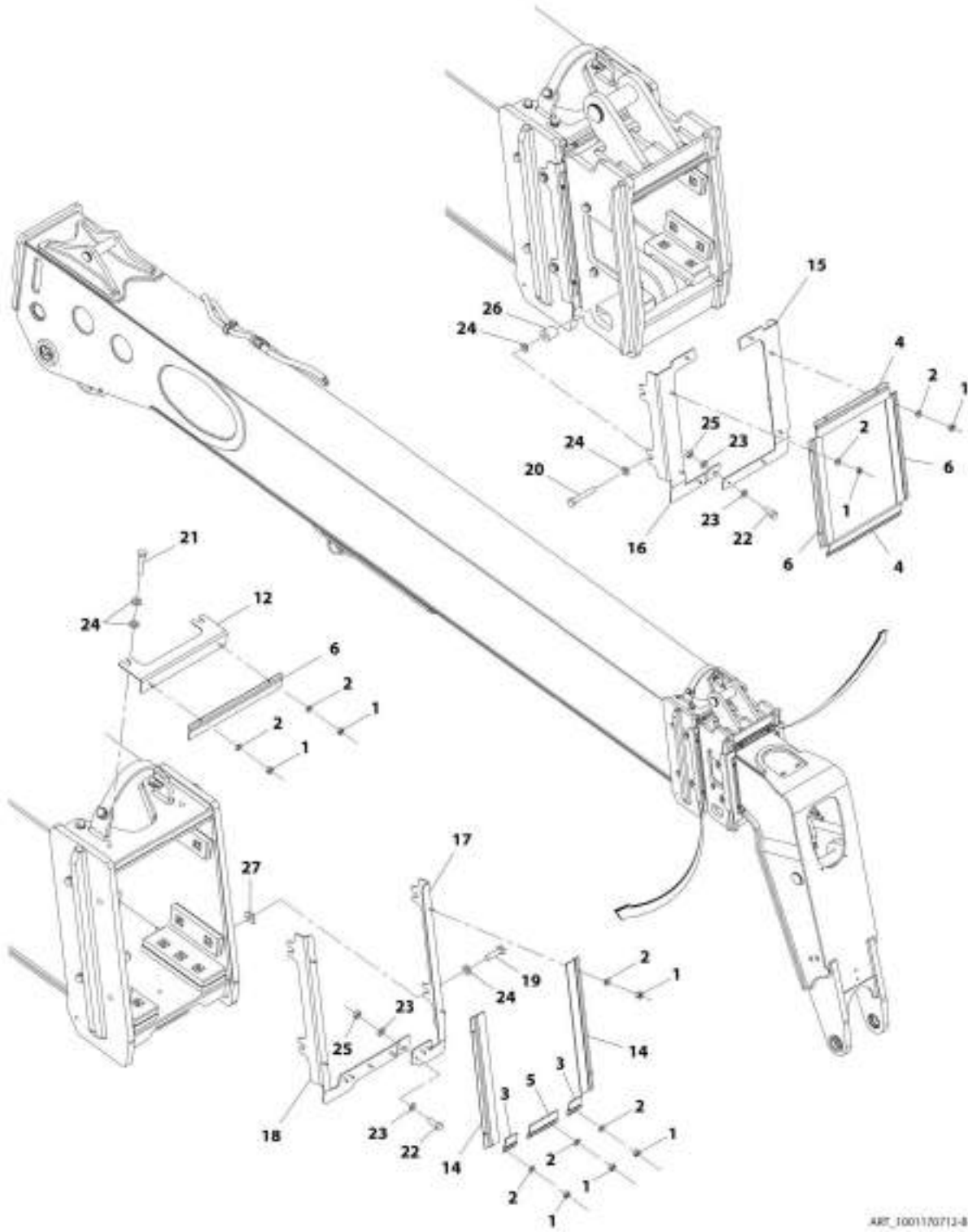
ART\_1001167800-B

FIGURE 2-19. BOOM ANGLE INDICATOR INSTALLATION

ITEM	PART NUMBER	QTY	DESCRIPTION	REV
	1001167806	Ref	Boom Angle Indicator Installation	B
1	3291005	1	Nut, Lock M10X1.5 Grade 8	
2	4105262	1	Decal, Boom Angle Indicator	
3	4812000	1	Washer, M10	
4	1001098769	1	Plate	
5	1001171808	1	Spacer	

# SECTION 2 - BOOM

## FIGURE 2-20. BOOM BRUSHES INSTALLATION



ART\_1001170712-8

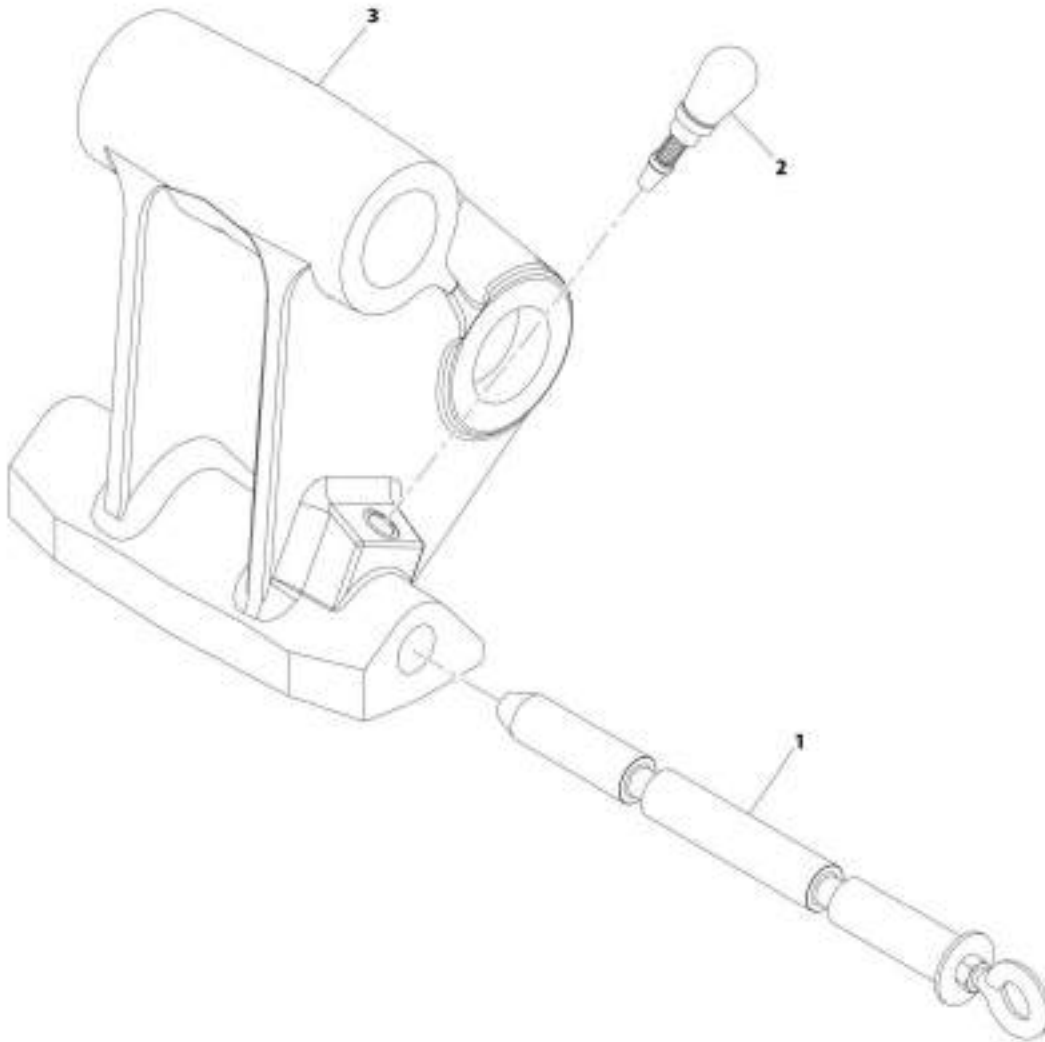


FIGURE 2-20. BOOM BRUSHES INSTALLATION

ITEM	PART NUMBER	QTY	DESCRIPTION	REV
	1001170712	Ref	Boom Brushes Installation	B
1	3290505	20	Nut, Lock M5X0.8 Grade 8	
2	4811600	20	Washer, M5	
3	1001172994	2	Brush, Boom	
4	1001172995	2	Brush, Boom	
5	1001172996	1	Brush, Boom	
6	1001172997	3	Brush, Boom	
12	1001175683	1	Bracket, Boom Brush	
14	1001173739	2	Brush, Boom	
15	1001193578	1	Bracket, Boom Brush	
16	1001193579	1	Bracket, Boom Brush	
17	1001194785	1	Bracket, Boom Brush	
18	1001194787	1	Bracket, Boom Brush	
19	0701217	4	Bolt, M12X45	
20	0701224	4	Bolt, M12X80	
21	0711220	2	Bolt, M12-1.75X60 Grade 10.9	
22	0760608	2	Bolt, M6X16	
23	4811700	4	Washer, M6	
24	1001125117	16	Washer, M12	
25	3290601	2	Nut, M6X1	
26	1001193577	4	Spacer	
27	1001194789	4	Plate	

## SECTION 2 - BOOM

FIGURE 2-21. QUICK COUPLER ASSEMBLY



ART\_1001171364-A

FIGURE 2-21. QUICK COUPLER ASSEMBLY

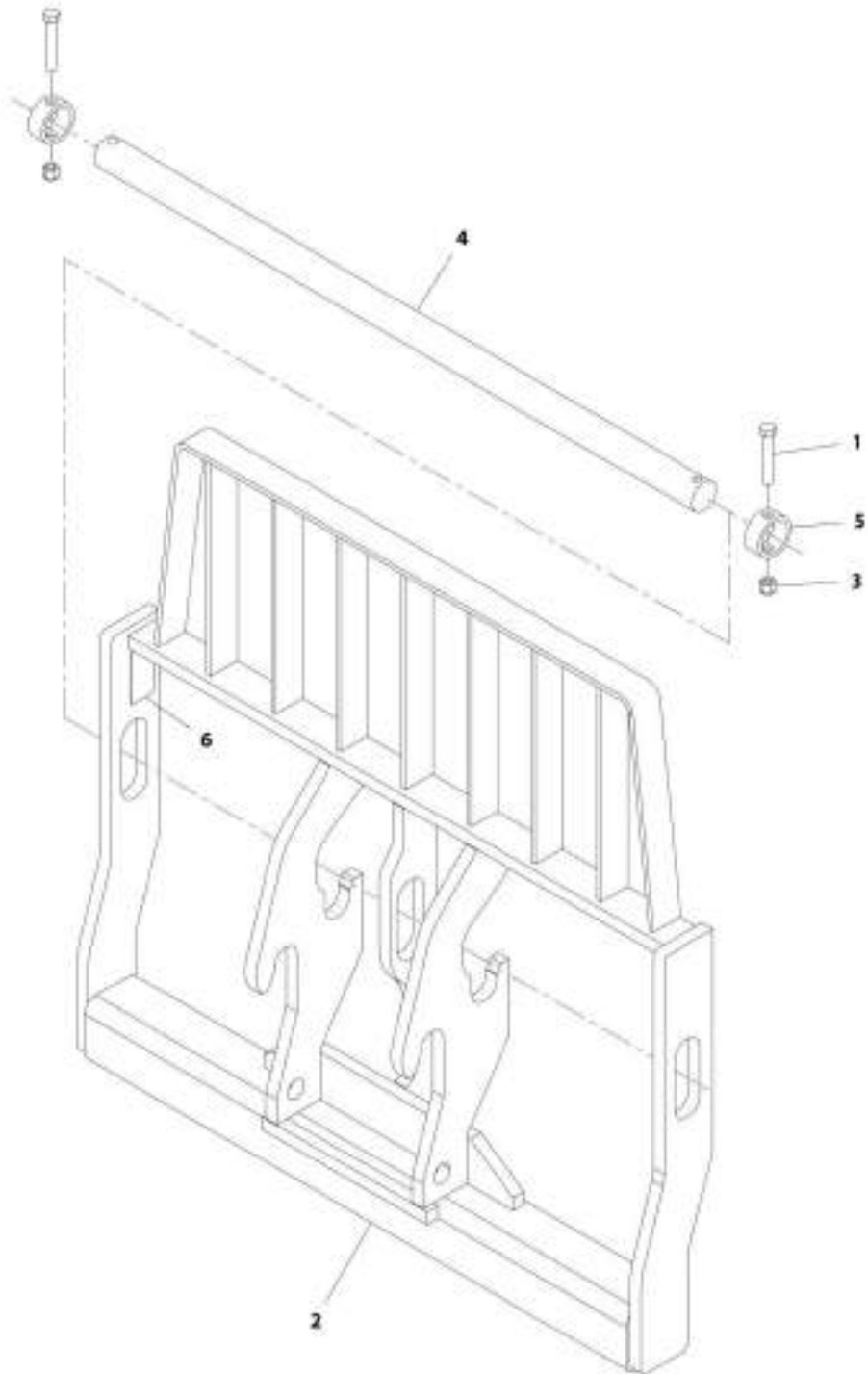
ITEM	PART NUMBER	QTY	DESCRIPTION	REV
	1001171764	Ref	Quick Coupler Assembly	A
1	1001105441	1	Pin	
2	1001143692	1	Pin, Poppin	
3	1001164567	1	Coupling, Quick Connect	



**SECTION 3 - ATTACHMENTS**

**SECTION 3 - ATTACHMENTS**

**FIGURE 3-1. CARRIAGE ASSEMBLY (1270MM)**



AWT\_1170021-F

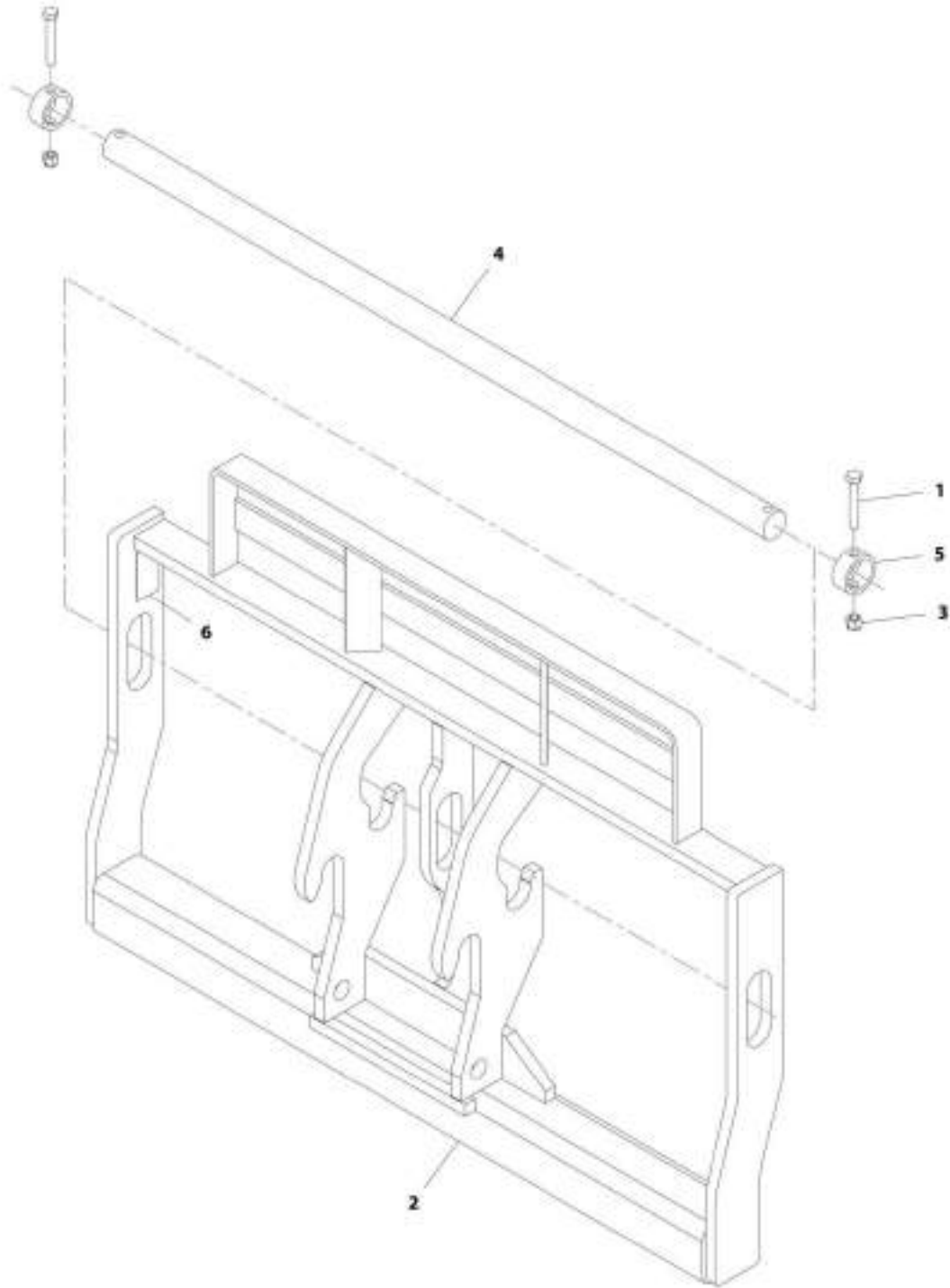
## SECTION 3 - ATTACHMENTS

### FIGURE 3-1. CARRIAGE ASSEMBLY (1270MM)

ITEM	PART NUMBER	QTY	DESCRIPTION	REV
	1170021	1	Carriage Assembly (1270MM)	F
1	0642032	2	Bolt, 5/8-11X4	
2	1170012	1	Weldment, Carriage	
3	3300240	2	Nut, Lock 5/8-11	
4	3423275	1	Pin, Fork	
5	90200003	2	Collar, Fork Pin	
6	N.S.S.	Ref	Plate, Serial Number	

# SECTION 3 - ATTACHMENTS

FIGURE 3-2. CARRIAGE ASSEMBLY (1524 MM)



ART\_117004-F



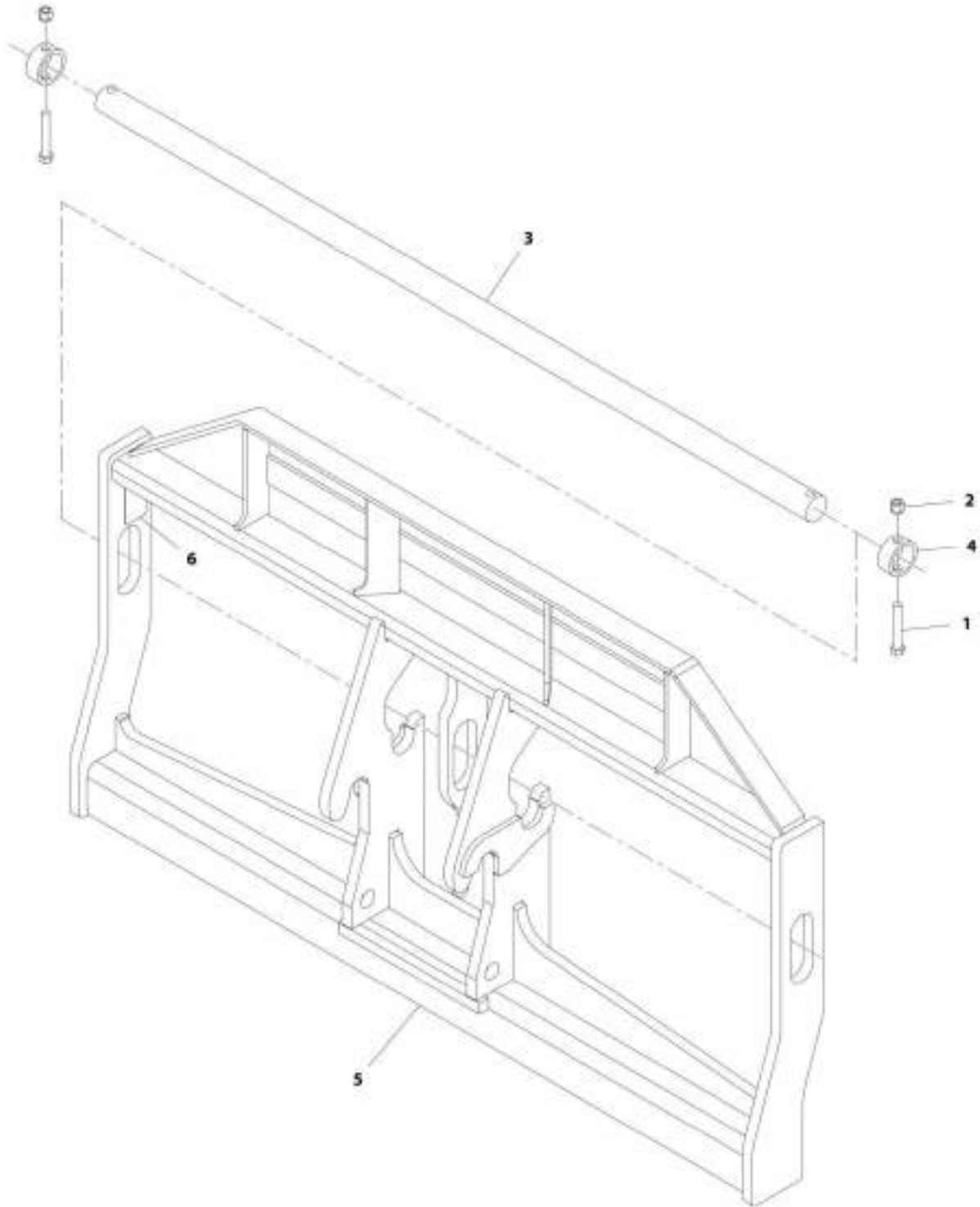
## SECTION 3 - ATTACHMENTS

### FIGURE 3-2. CARRIAGE ASSEMBLY (1524 MM)

ITEM	PART NUMBER	QTY	DESCRIPTION	REV
	1170024	1	Carriage Assembly (1524 MM)	F
1	0642032	2	Bolt, 5/8-11X4	
2	N.S.S.	1	Weldment, Carriage	
3	3300240	2	Nut, Locking 5/8-11	
4	3423242	1	Pin	
5	90200003	2	Sleeve	
6	N.S.S.	Ref	Plate, Serial Number	

# SECTION 3 - ATTACHMENTS

FIGURE 3-3. CARRIAGE ASSEMBLY (1829 MM)



ARC\_100/211214-A

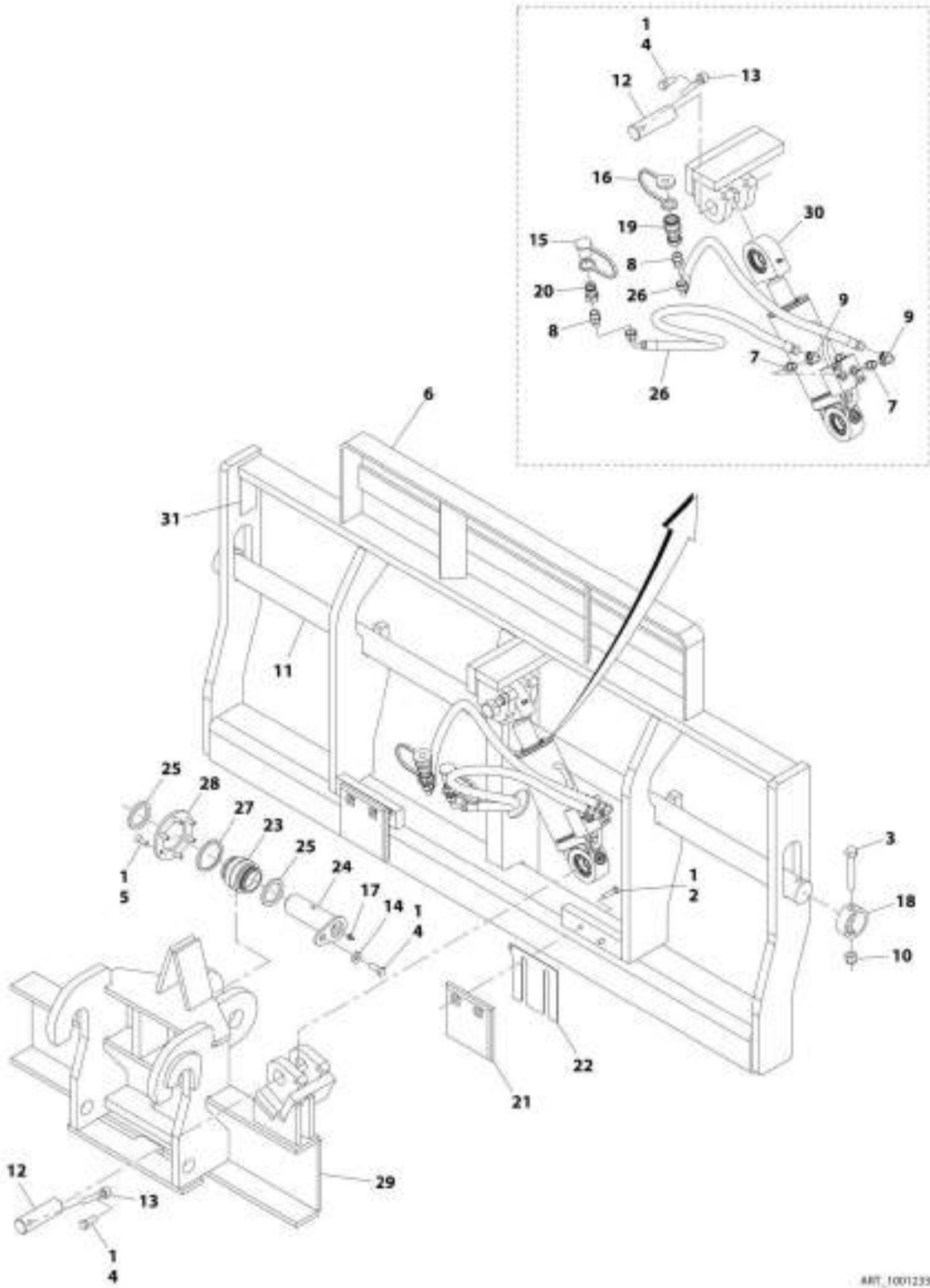
## SECTION 3 - ATTACHMENTS

### FIGURE 3-3. CARRIAGE ASSEMBLY (1829 MM)

ITEM	PART NUMBER	QTY	DESCRIPTION	REV
	1001211516	1	Carriage Assembly (1829 MM)	A
1	0642032	2	Bolt, 5/8-11X4	
2	3300240	2	Nut, Locking 5/8-11	
3	3423276	1	Pin	
4	90200003	2	Sleeve	
5	N.S.S.	Ref	Weldment, Carriage	
6	N.S.S.	Ref	Plate, Serial Number	

# SECTION 3 - ATTACHMENTS

## FIGURE 3-4. SIDE TILT CARRIAGE ASSEMBLY



ART\_1001233985-A

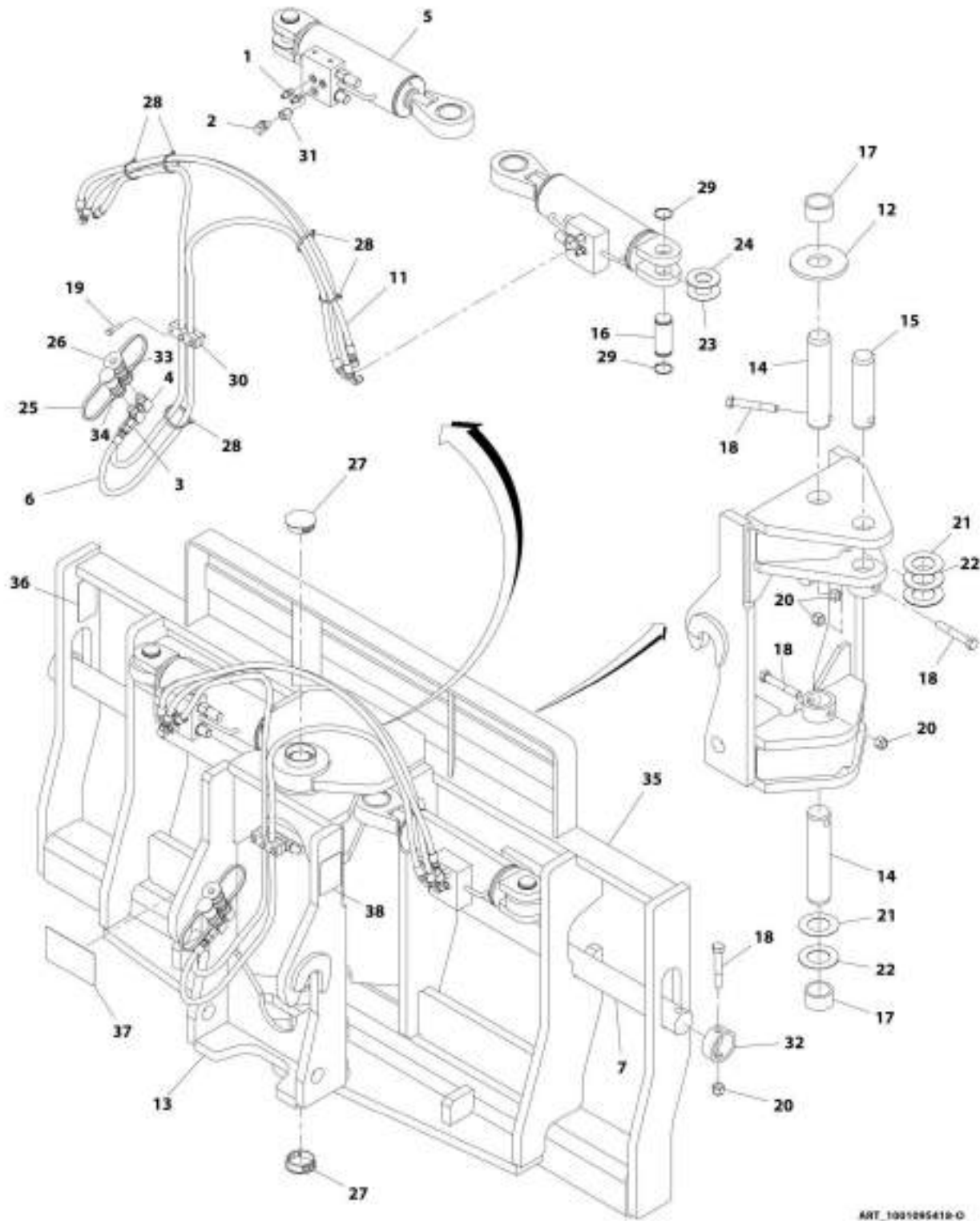
## SECTION 3 - ATTACHMENTS

**FIGURE 3-4. SIDE TILT CARRIAGE ASSEMBLY**

ITEM	PART NUMBER	QTY	DESCRIPTION	REV
	1001233385	Ref	Side Tilt Carriage Assembly (72 Inch)	A
1	0100011	AR	Compound, Locking	
2	0641612	4	Bolt, 3/8-16X1-1/2	
3	0642032	2	Bolt, 5/8-11X4	
4	0681810	3	Bolt, 1/2-13X1-1/4	
5	0741610	6	Screw, 3/8-16X1-1/4	
6	N.S.S.	1	Carriage, Side Tilt	
7	2110606	2	Adapter, Straight	
8	2110808	2	Adapter, Straight	
9	2172106	2	Adapter, 90	
10	3300240	2	Nut, Lock 5/8-11	
11	3423276	1	Pin, Fork	
12	3423307	2	Pin, Side Tilt Cylinder	
13	3841203	2	Keeper, Rod	
14	4891800	1	Washer, 1/2	
15	8420053	1	Cap, Dust	
16	8420055	1	Plug, Dust	
17	88671001	1	Fitting, Grease	
18	90200003	2	Collar, Fork Pin	
19	91403413	1	Adapter	
20	91403414	1	Adapter	
21	1001090063	2	Pad, Wear	
22	1001090064	AR	Shim, Wear Pad	
23	1001090140	1	Bearing, Side Tilt Spherical	
24	1001099113	1	Pin, Side Tilt Frame Pivot	
25	1001099115	2	Sleeve, Tilt Bearing Spacer	
26	1001102378	2	Hose	
27	1001120914	1	Shim, Bearing Retainer	
28	1001120915	1	Plate, Bearing Retainer	
29	1001133072	1	Carriage, Base Pivot	
30	1001163414	1	Cylinder, Side Tilt (See HYDRAULIC COMPONENTS SECTION for Breakdown)	
31	N.S.S.	1	S/N Plate	

# SECTION 3 - ATTACHMENTS

## FIGURE 3-5. 90 SWING CARRIAGE ASSEMBLY (72 INCH)



ART\_1001095410-0

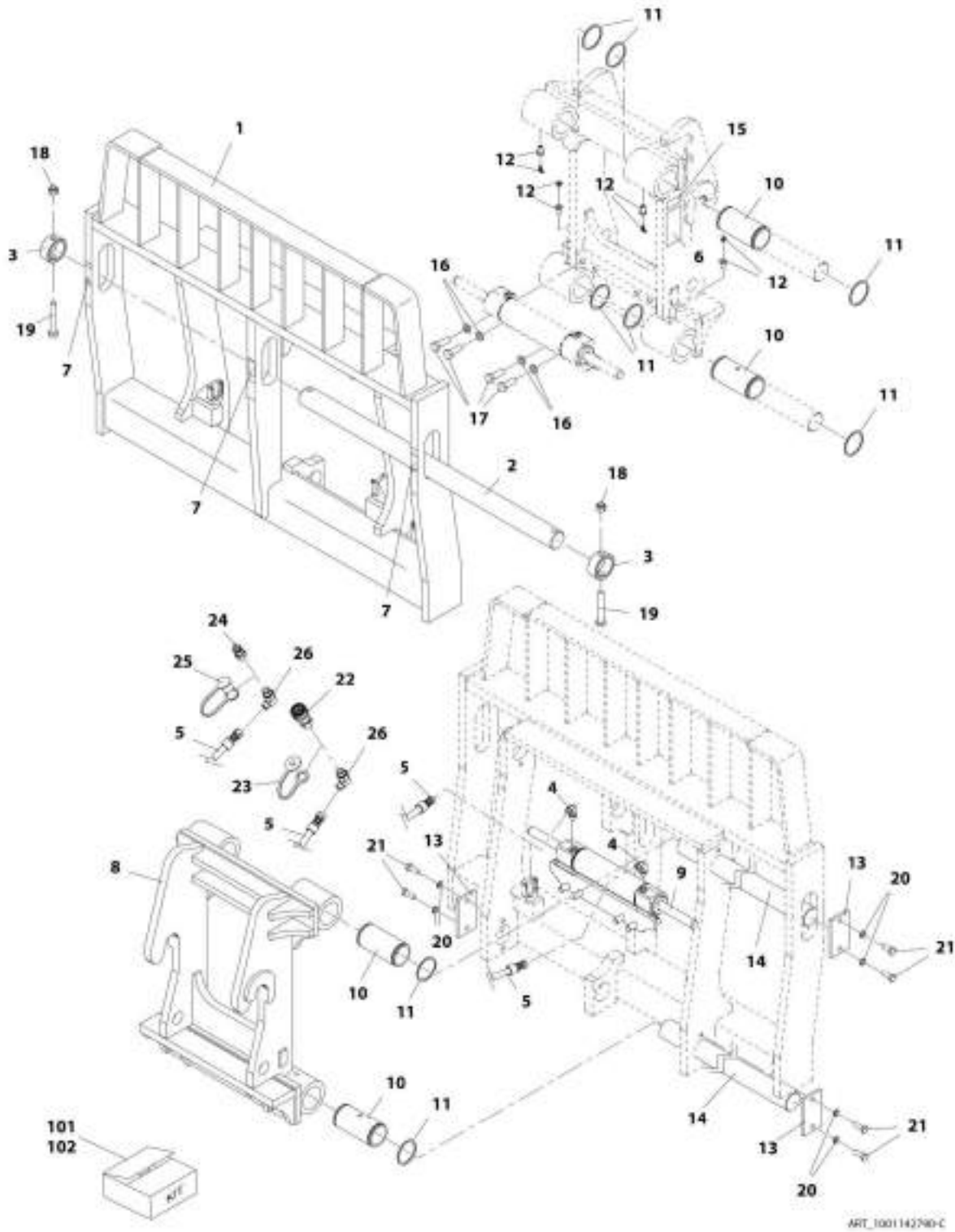
## SECTION 3 - ATTACHMENTS

**FIGURE 3-5. 90 SWING CARRIAGE ASSEMBLY (72 INCH)**

ITEM	PART NUMBER	QTY	DESCRIPTION	REV
	1001095418	1	90 Swing Carriage Assembly (72 Inch)	O
1	2220415	4	Fitting, Straight ORFS	
2	2220473	2	Fitting, 90 ORFS	
3	2220609	2	Connector	
4	2220628	2	Fitting, 90 ORFS	
5	1001103182	2	Swing Carriage Cylinder (See Separate Breakdown in Hydraulic Components Section)	
6	2717287	2	Hose	
7	3423276	1	Pin	
11	6604662	2	Hose	
12	7062922	1	Washer	
13	N.S.S.	1	Pivot	
14	7110702	2	Pin	
15	7110712	1	Pin	
16	7110722	2	Pin	
17	8065062	2	Bushing	
18	8303634	5	Bolt, 5/8-11X4	
19	8303715	3	Bolt, 5/16-18X1-1/2	
20	8305643	5	Nut, Lock 5/8-11	
21	8307904	AR	Washer	
22	8307918	AR	Washer	
23	8310160	AR	Washer	
24	8310161	AR	Washer	
25	8420053	1	Cap	
26	8420055	1	Plug	
27	8580315	2	Plug	
28	8584001	5	Tie Wrap	
29	8642207	4	Ring, Retaining	
30	8769132	2	Clamp	
31	8770016	2	Fitting, Straight ORFS	
32	90200003	2	Collar	
33	91403413	1	Fitting, Straight ORFS	
34	91403414	1	Fitting, Straight	
35	N.S.S.	Ref	Carriage	
36	N.S.S.	Ref	Plate	
37	1001110704	1	Decal, Warning Crushing Hazard	
38	1001111190	2	Decal, Warning	

# SECTION 3 - ATTACHMENTS

## FIGURE 3-6. SIDE SHIFT CARRIAGE (5.5 TON - 1270 MM)





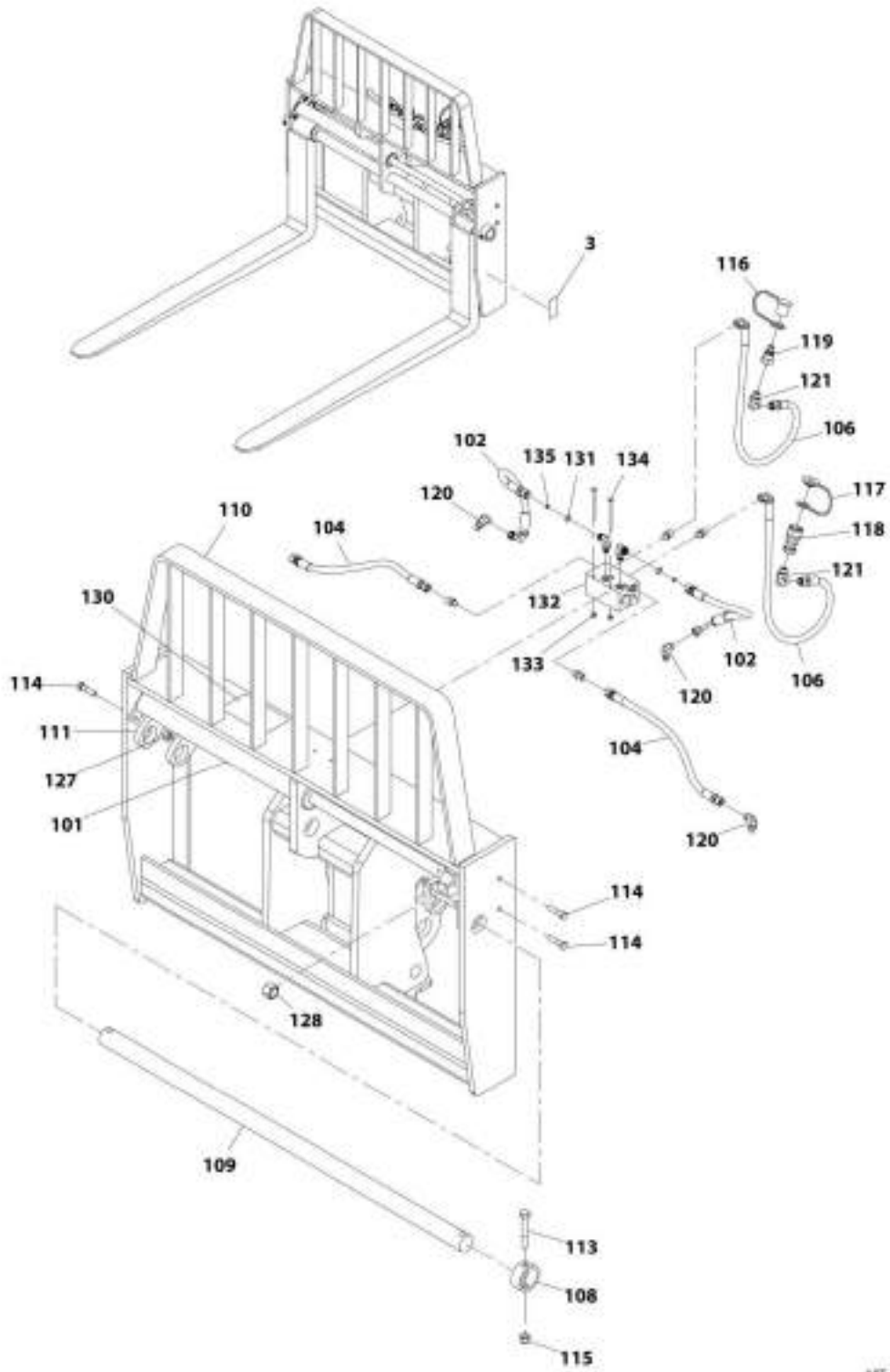
## SECTION 3 - ATTACHMENTS

**FIGURE 3-6. SIDE SHIFT CARRIAGE (5.5 TON - 1270 MM)**

ITEM	PART NUMBER	QTY	DESCRIPTION	REV
	1001142790	1	Side Shift Carriage (5.5 ton - 1270 MM)	C
1	N.S.S.	1	Weldment	
2	70024535	1	Shaft	
3	70024536	2	Collar	
4	70024123	2	Fitting, 90	
5	70024537	2	Hose	
6	N.S.S.	1	Plate, Serial Number	
7	70024538	3	Decal, Warning	
8	N.S.S.	1	Weldment	
9	70024539	1	Cylinder, Side Shift (ANSI) (See Separate Breakdown in Hydraulic Components Section)	
10	70024540	4	Bushing	
11	70024541	8	Circlip	
12	70024542	4	Fitting, Grease	
13	70024543	4	Retainer	
14	70024544	2	Shaft	
15	N.S.S.	1	Plate, Serial Number	
16	70024551	4	Washer, Lock M16	
17	70024552	4	Bolt, M16X45	
18	70024553	2	Nut, Hex M16	
19	70024554	2	Bolt, M16X100	
20	70022997	8	Washer, Lock M12	
21	70024555	8	Bolt, M12X35	
22	91403413	1	Fitting, Straight	
23	8420055	1	Plug	
24	91403414	1	Fitting, Straight	
25	8420053	1	Cap, Dust	
26	70024550	2	Fitting, 90	
101	70024545	1	Kit, Hydraulic Repair (includes items 5 & 22 thru 26)	
102	70024546	1	Kit, Retainer (includes items 13, 20 & 21)	

# SECTION 3 - ATTACHMENTS

## FIGURE 3-7. FORK POSITIONING CARRIAGE WITH FORKS (4.5 TON)



ART\_7301295-H

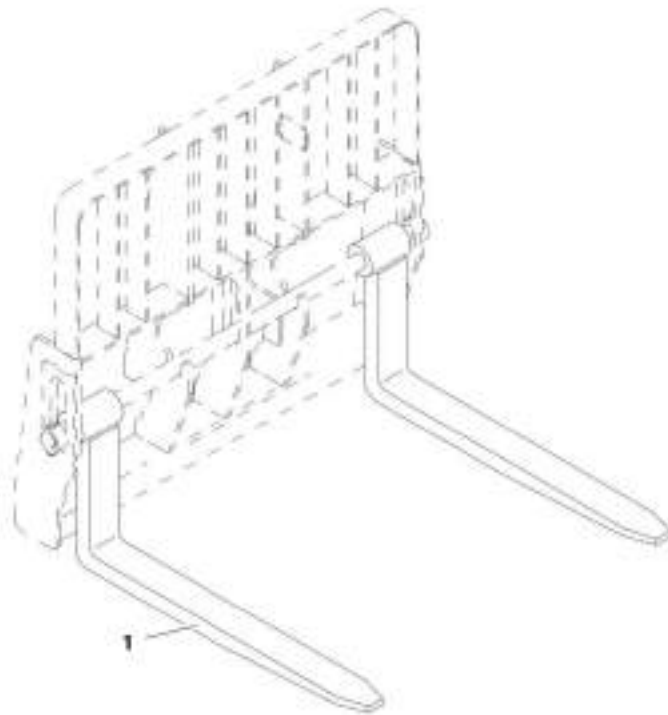
## SECTION 3 - ATTACHMENTS

**FIGURE 3-7. FORK POSITIONING CARRIAGE WITH FORKS (4.5 TON)**

ITEM	PART NUMBER	QTY	DESCRIPTION	REV
	7301295	1	Fork Positioning Carriage (4.5 ton)	H
3	N.S.S.	1	Plate, Serial Number	
101	2717283	1	Cylinder, Fork Positioning	
102	2717160	1	Hose	
104	2717161	1	Hose	
106	2717162	1	Hose	
108	90200003	1	Collar, Fork Pin	
109	90451058	1	Shaft, Fork	
110	N.S.S.	1	Weldment, Carriage	
111	N.S.S.	1	Weldment, Fork Adapter	
113	8303634	1	Bolt, 5/8-11X4	
114	8303658	1	Bolt, 1/2-13x2	
115	8305643	1	Nut, Lock 5/8-11	
116	8420053	1	Cap, Dust	
117	8420055	1	Plug, Dust	
118	91403413	1	Adapter, Quick Disconnect	
119	91403414	1	Adapter, Quick Disconnect	
120	2130606	1	Adapter, 90 Straight	
121	2130608	1	Adapter, 90 Straight	
127	8310302	1	Nut, Lock 1/2-13	
128	10705034	1	Nut, Lock 1-14	
130	4110473	1	Decal, Warning Route Hoses	
131	7139918	1	Disk, Orifice	
132	4641502	1	Assembly, Dual Fork Carriage Valve (See Separate Breakdown in this Section)	
133	8305624	1	Nut, Lock 1/4-20	
134	8310435	1	Bolt, 1/4-20X3-3/4	
135	8630003	1	O-Ring	

## SECTION 3 - ATTACHMENTS

FIGURE 3-8. PALLET FORK (2.36X4X48)



ART\_3340045\_B

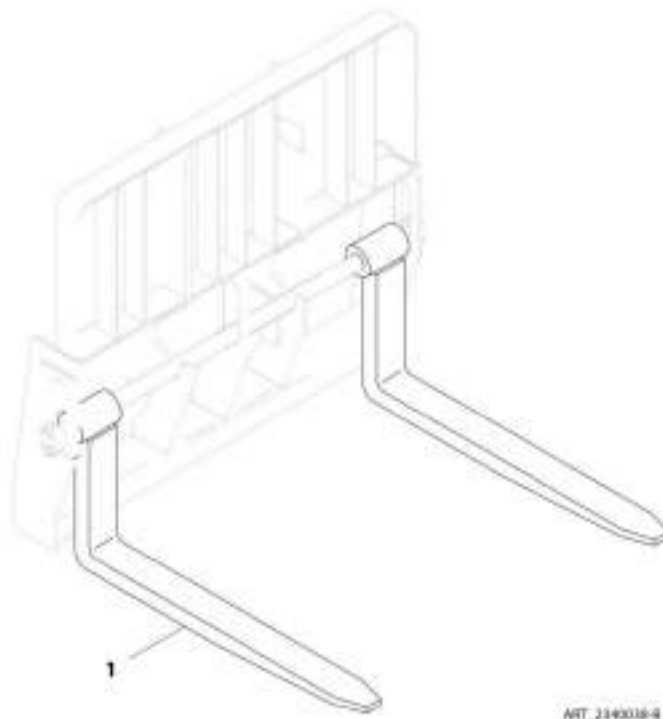
## SECTION 3 - ATTACHMENTS

**FIGURE 3-8. PALLET FORK (2.36X4X48)**

ITEM	PART NUMBER	QTY	DESCRIPTION	REV
1	2340045	2	Pallet Fork (2.36X4X48)	B
	Note	Ref	<b>FORKS RATED LESS THAN THE ATTACHMENT OR MACHINE'S CAPACITY DECREASES CAPACITY OF THE ATTACHMENT OR MACHINE TO THAT OF THE FORKS. FORKS RATED MORE THAN THE ATTACHMENT OR MACHINE'S CAPACITY DO NOT INCREASE ATTACHMENT OR MACHINE'S CAPACITY.</b>	
	Note	Ref	<b>PLEASE CONSULT JLG PARTS DEPARTMENT TO DETERMINE THE CORRECT FORKS APPLICABLE TO YOUR SPECIFIC CARRIAGE ASSEMBLY AND APPLICATION.</b>	

## SECTION 3 - ATTACHMENTS

FIGURE 3-9. PALLET FORK (2.36X5X48)



WIT\_3149038-4

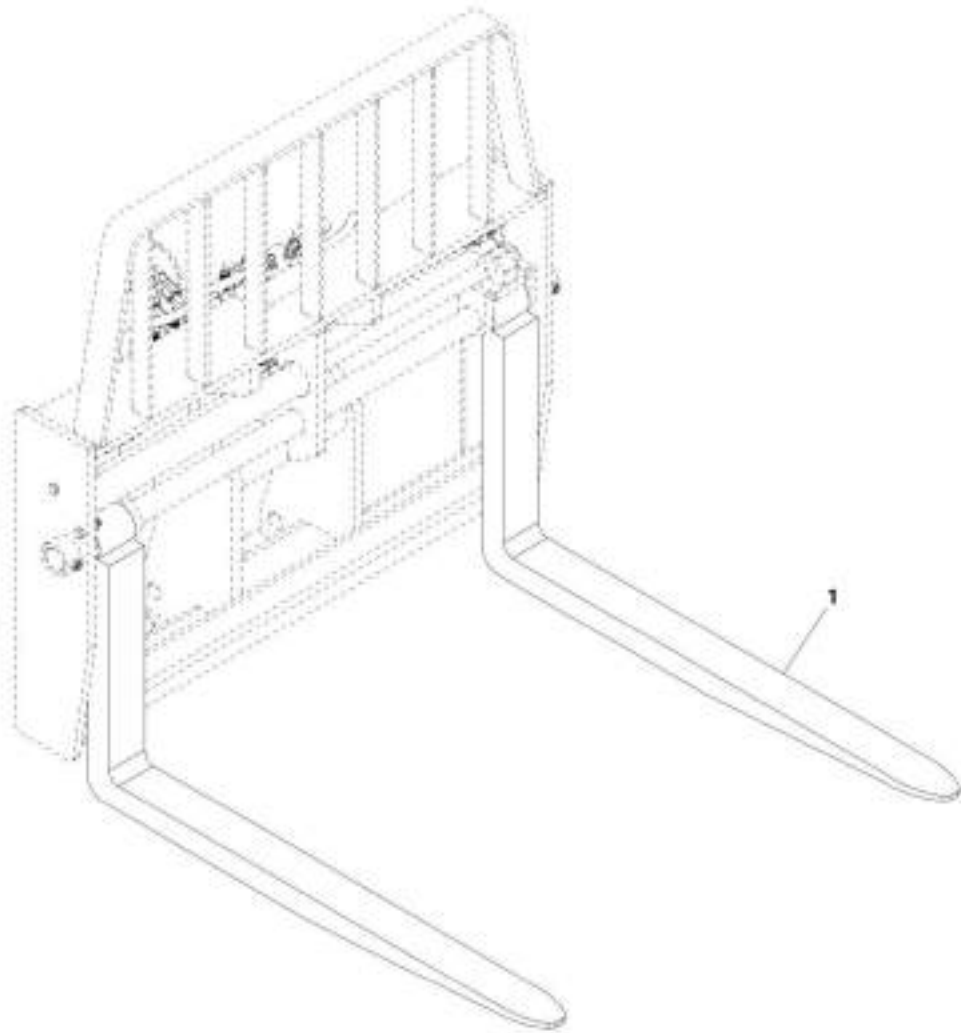
## SECTION 3 - ATTACHMENTS

**FIGURE 3-9. PALLET FORK (2.36X5X48)**

ITEM	PART NUMBER	QTY	DESCRIPTION	REV
1	2340038	2	Pallet Fork (2.36X5X48) (ANSI)	B
	Note	Ref	<b>FORKS RATED LESS THAN THE ATTACHMENT OR MACHINE'S CAPACITY DECREASES CAPACITY OF THE ATTACHMENT OR MACHINE TO THAT OF THE FORKS. FORKS RATED MORE THAN THE ATTACHMENT OR MACHINE'S CAPACITY DO NOT INCREASE ATTACHMENT OR MACHINE'S CAPACITY.</b>	
	Note	Ref	<b>PLEASE CONSULT JLG PARTS DEPARTMENT TO DETERMINE THE CORRECT FORKS APPLICABLE TO YOUR SPECIFIC CARRIAGE ASSEMBLY AND APPLICATION.</b>	

## SECTION 3 - ATTACHMENTS

FIGURE 3-10. PALLET FORK (2.36X4X48)



REF\_7301400-D



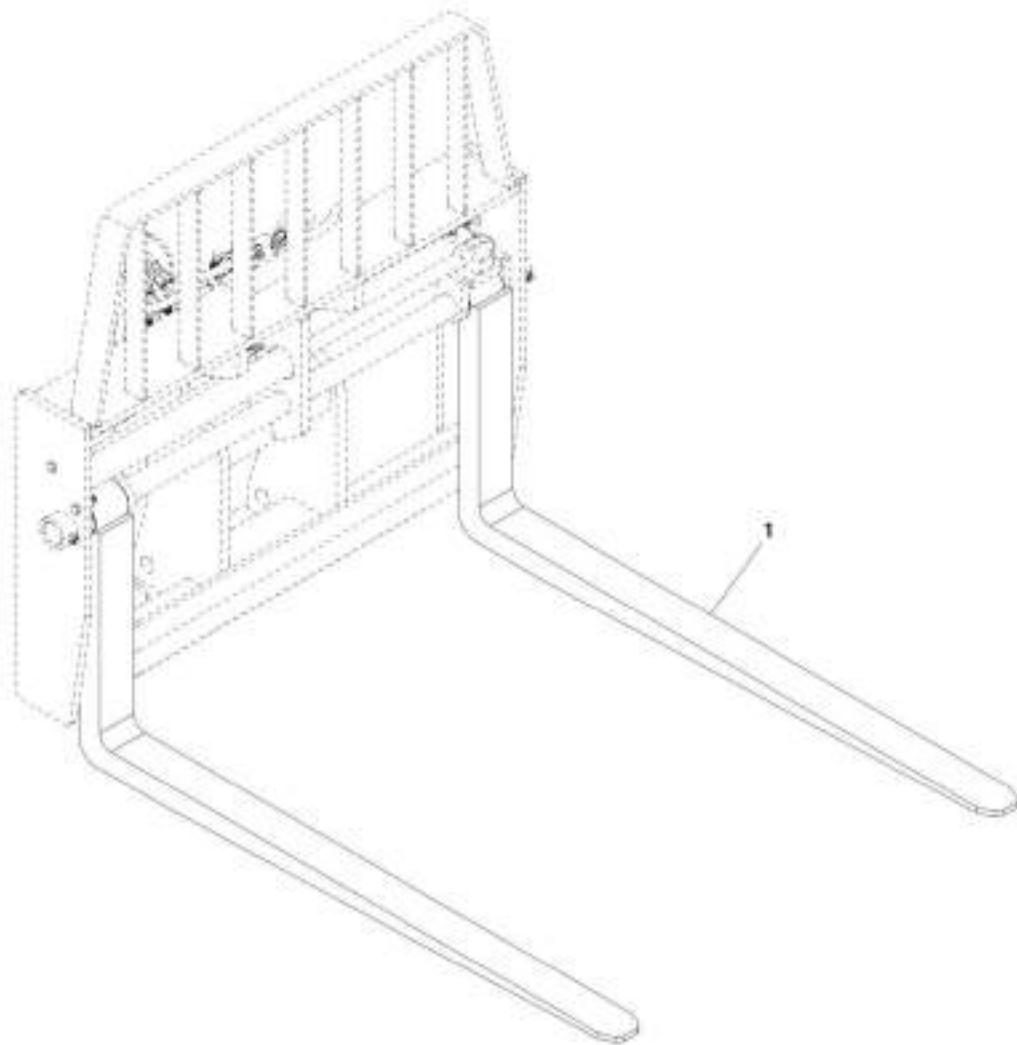
## SECTION 3 - ATTACHMENTS

**FIGURE 3-10. PALLET FORK (2.36X4X48)**

ITEM	PART NUMBER	QTY	DESCRIPTION	REV
1	7301408	2	Pallet Fork (2.36X4X48)	D
N1	Note	Ref	<b>FORKS RATED LESS THAN THE ATTACHMENT OR MACHINE'S CAPACITY DECREASES CAPACITY OF THE ATTACHMENT OR MACHINE TO THAT OF THE FORKS. FORKS RATED MORE THAN THE ATTACHMENT OR MACHINE'S CAPACITY DO NOT INCREASE ATTACHMENT OR MACHINE'S CAPACITY.</b>	
N2	Note	Ref	<b>PLEASE CONSULT JLG PARTS DEPARTMENT TO DETERMINE THE CORRECT FORKS APPLICABLE TO YOUR SPECIFIC CARRIAGE ASSEMBLY AND APPLICATION.</b>	

## SECTION 3 - ATTACHMENTS

FIGURE 3-11. FORK - PALLET (2.4X4X60)



ART\_1001227379-A

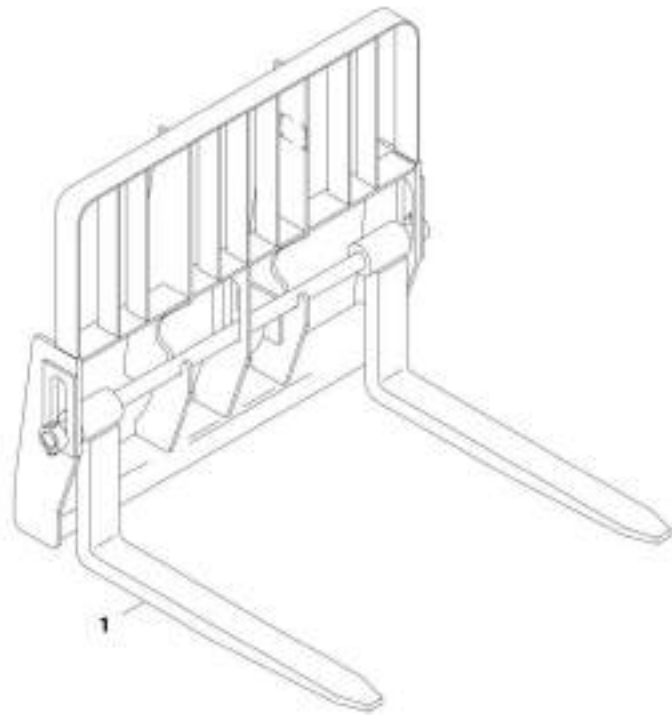
## SECTION 3 - ATTACHMENTS

**FIGURE 3-11. FORK - PALLET (2.4X4X60)**

ITEM	PART NUMBER	QTY	DESCRIPTION	REV
1	1001227379	2	Fork - Pallet (2.4X4X60)	A
N1	Note	Ref	<b>FORKS RATED LESS THAN THE ATTACHMENT OR MACHINE'S CAPACITY DECREASES CAPACITY OF THE ATTACHMENT OR MACHINE TO THAT OF THE FORKS. FORKS RATED MORE THAN THE ATTACHMENT OR MACHINE'S CAPACITY DO NOT INCREASE ATTACHMENT OR MACHINE'S CAPACITY.</b>	
N2	Note	Ref	<b>PLEASE CONSULT JLG PARTS DEPARTMENT TO DETERMINE THE CORRECT FORKS APPLICABLE TO YOUR SPECIFIC CARRIAGE ASSEMBLY AND APPLICATION.</b>	

## SECTION 3 - ATTACHMENTS

FIGURE 3-12. LUMBER FORK (50X180X1540)



ART\_1001097110-A

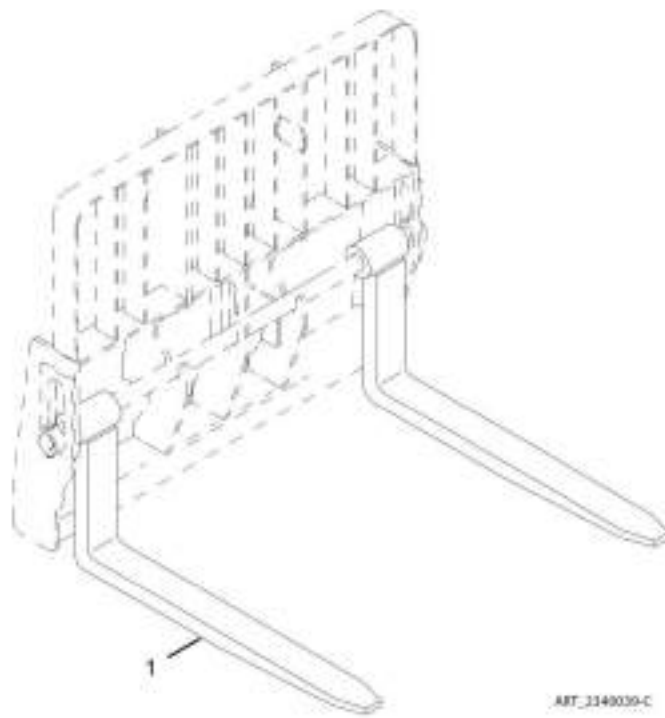
## SECTION 3 - ATTACHMENTS

**FIGURE 3-12. LUMBER FORK (50X180X1540)**

ITEM	PART NUMBER	QTY	DESCRIPTION	REV
1	1001097110	2	Lumber Fork (50X180X1540)	A
	Note	Ref	<b>FORKS RATED LESS THAN THE ATTACHMENT OR MACHINE'S CAPACITY DECREASES CAPACITY OF THE ATTACHMENT OR MACHINE TO THAT OF THE FORKS. FORKS RATED MORE THAN THE ATTACHMENT OR MACHINE'S CAPACITY DO NOT INCREASE ATTACHMENT OR MACHINE'S CAPACITY.</b>	
	Note	Ref	<b>PLEASE CONSULT JLG PARTS DEPARTMENT TO DETERMINE THE CORRECT FORKS APPLICABLE TO YOUR SPECIFIC CARRIAGE ASSEMBLY AND APPLICATION.</b>	

## SECTION 3 - ATTACHMENTS

FIGURE 3-13. LUMBER FORK (60X150X1524)



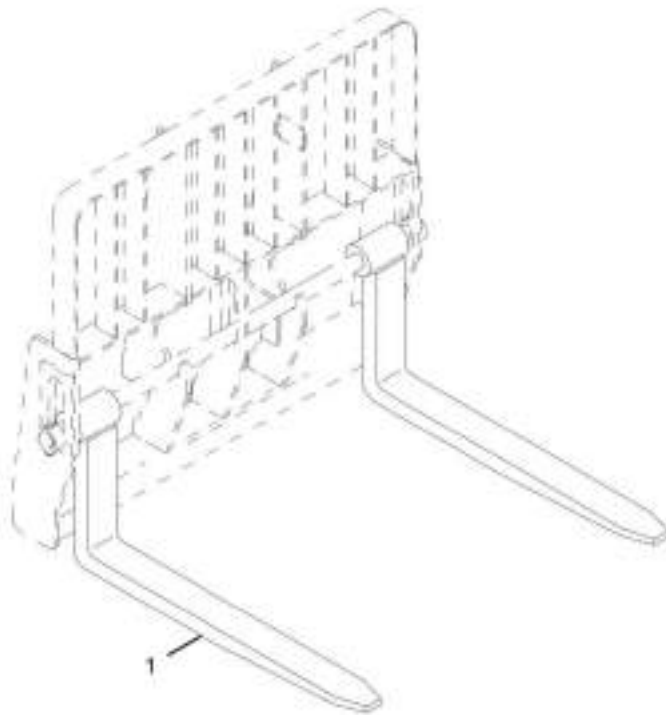
## SECTION 3 - ATTACHMENTS

**FIGURE 3-13. LUMBER FORK (60X150X1524)**

ITEM	PART NUMBER	QTY	DESCRIPTION	REV
1	2340039	2	Lumber Fork (60X150X1524)	C
	Note	Ref	<b>FORKS RATED LESS THAN THE ATTACHMENT OR MACHINE'S CAPACITY DECREASES CAPACITY OF THE ATTACHMENT OR MACHINE TO THAT OF THE FORKS. FORKS RATED MORE THAN THE ATTACHMENT OR MACHINE'S CAPACITY DO NOT INCREASE ATTACHMENT OR MACHINE'S CAPACITY.</b>	
	Note	Ref	<b>PLEASE CONSULT JLG PARTS DEPARTMENT TO DETERMINE THE CORRECT FORKS APPLICABLE TO YOUR SPECIFIC CARRIAGE ASSEMBLY AND APPLICATION.</b>	

## SECTION 3 - ATTACHMENTS

FIGURE 3-14. PALLET FORK (2.00X6X72)



ART\_1001092391\_3



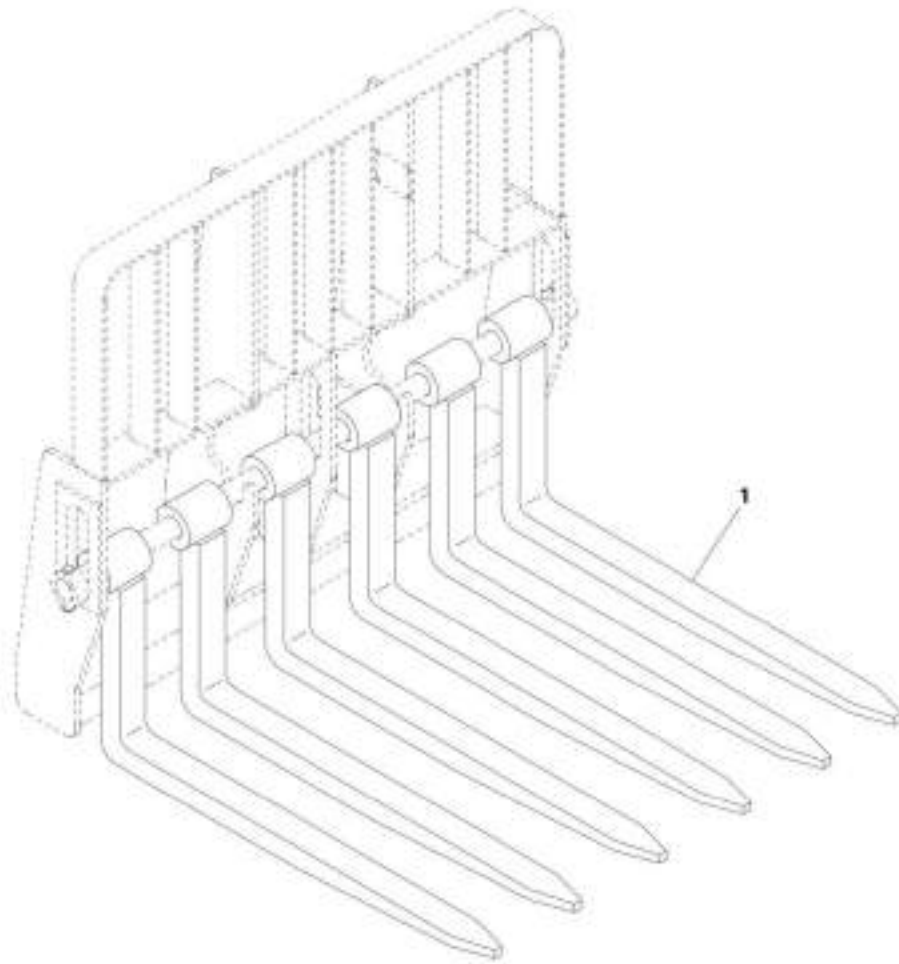
## SECTION 3 - ATTACHMENTS

**FIGURE 3-14. PALLET FORK (2.00X6X72)**

ITEM	PART NUMBER	QTY	DESCRIPTION	REV
1	1001092391	2	Fork - Pallet (2.36X6X72)	B
N1	Note	Ref	<b>FORKS RATED LESS THAN THE ATTACHMENT OR MACHINE'S CAPACITY DECREASES CAPACITY OF THE ATTACHMENT OR MACHINE TO THAT OF THE FORKS. FORKS RATED MORE THAN THE ATTACHMENT OR MACHINE'S CAPACITY DO NOT INCREASE ATTACHMENT OR MACHINE'S CAPACITY.</b>	
N2	Note	Ref	<b>PLEASE CONSULT JLG PARTS DEPARTMENT TO DETERMINE THE CORRECT FORKS APPLICABLE TO YOUR SPECIFIC CARRIAGE ASSEMBLY AND APPLICATION.</b>	

## SECTION 3 - ATTACHMENTS

FIGURE 3-15. BLOCKING FORK (50X50X1220)



MT\_254807-A

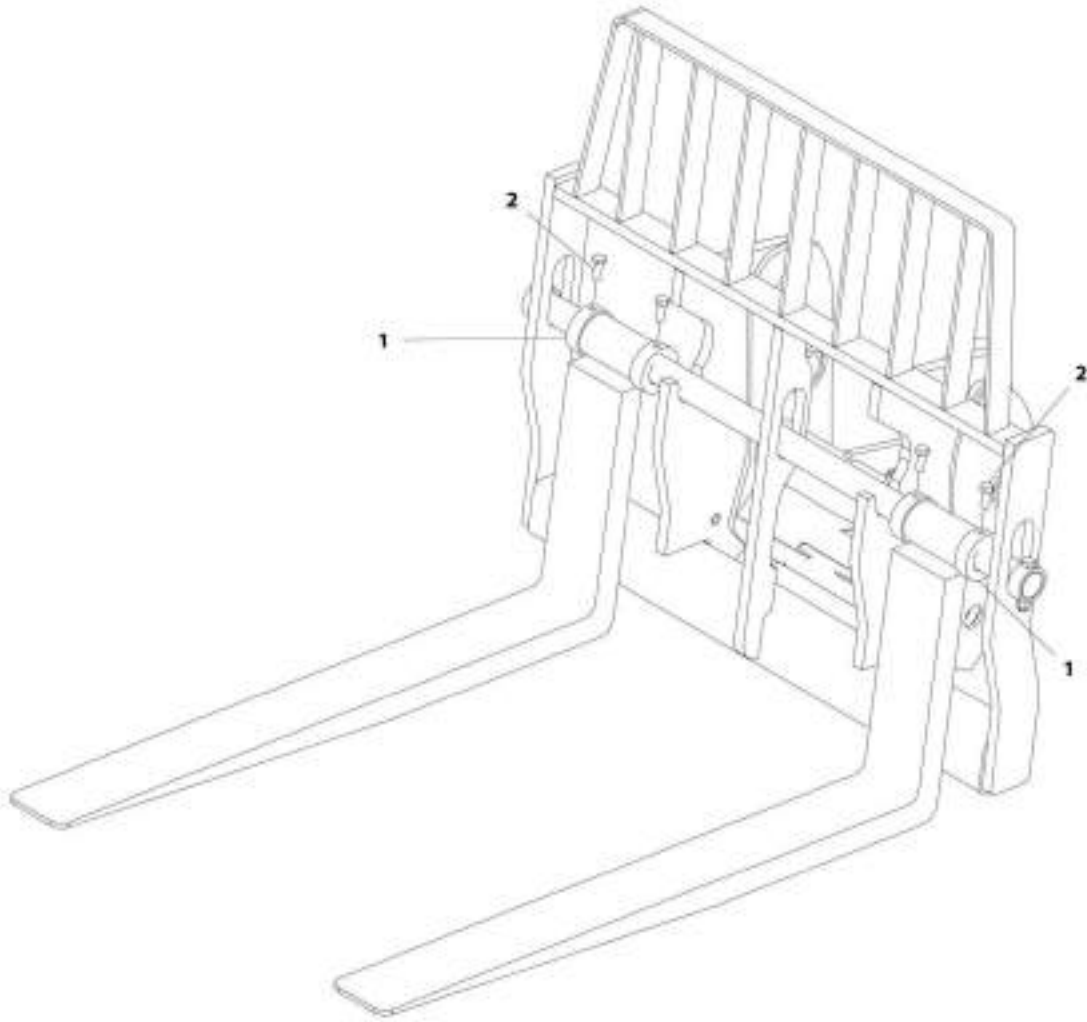
## SECTION 3 - ATTACHMENTS

**FIGURE 3-15. BLOCKING FORK (50X50X1220)**

ITEM	PART NUMBER	QTY	DESCRIPTION	REV
1	2340037	1	Blocking Fork (50X50X1220)	A
	Note	Ref	<b>FORKS RATED LESS THAN THE ATTACHMENT OR MACHINE'S CAPACITY DECREASES CAPACITY OF THE ATTACHMENT OR MACHINE TO THAT OF THE FORKS. FORKS RATED MORE THAN THE ATTACHMENT OR MACHINE'S CAPACITY DO NOT INCREASE ATTACHMENT OR MACHINE'S CAPACITY.</b>	
	Note	Ref	<b>PLEASE CONSULT JLG PARTS DEPARTMENT TO DETERMINE THE CORRECT FORKS APPLICABLE TO YOUR SPECIFIC CARRIAGE ASSEMBLY AND APPLICATION.</b>	

# SECTION 3 - ATTACHMENTS

## FIGURE 3-16. FORK CLAMPS INSTALL



ART\_1301094134-A

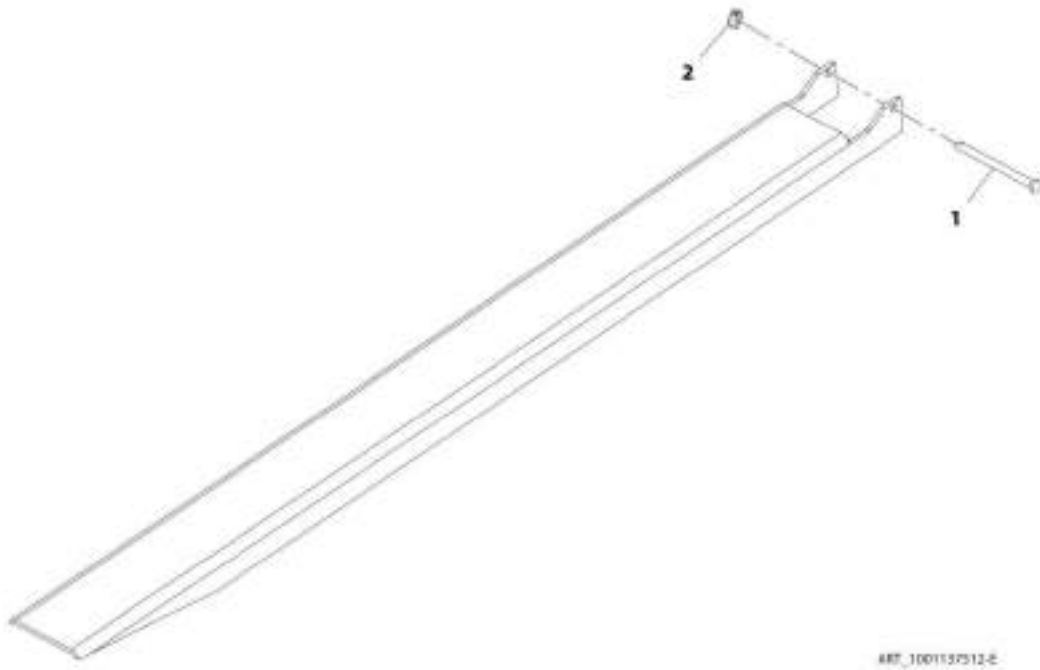
## SECTION 3 - ATTACHMENTS

### FIGURE 3-16. FORK CLAMPS INSTALL

ITEM	PART NUMBER	QTY	DESCRIPTION	REV
	1001094134	Ref	Fork Clamps Installation	A
1	1001094136	4	Clamp, Fork	
2	10700681	4	Bolt, 0.625-18X1.5	

# SECTION 3 - ATTACHMENTS

FIGURE 3-17. FORK EXTENSIONS (62X163X2286)



ART\_1001137512-2

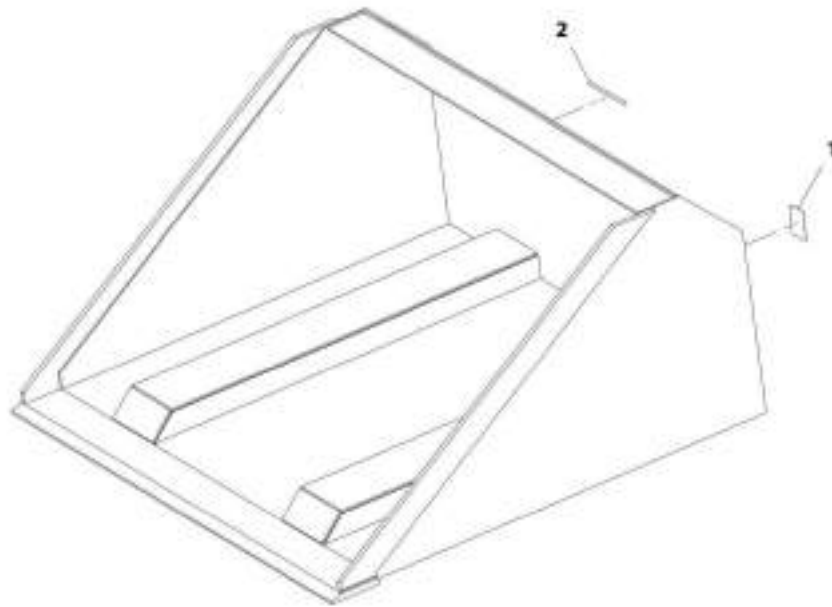
## SECTION 3 - ATTACHMENTS

**FIGURE 3-17. FORK EXTENSIONS (62X163X2286)**

ITEM	PART NUMBER	QTY	DESCRIPTION	REV
	1001137512	2 pr	Fork Extensions (62X163X2286)	E
1	70024306	1	Pin	
2	70024307	1	Clip	

## SECTION 3 - ATTACHMENTS

FIGURE 3-18. FORK MOUNTED BUCKET (1.0 M<sup>3</sup>)



ART\_1001195075-0



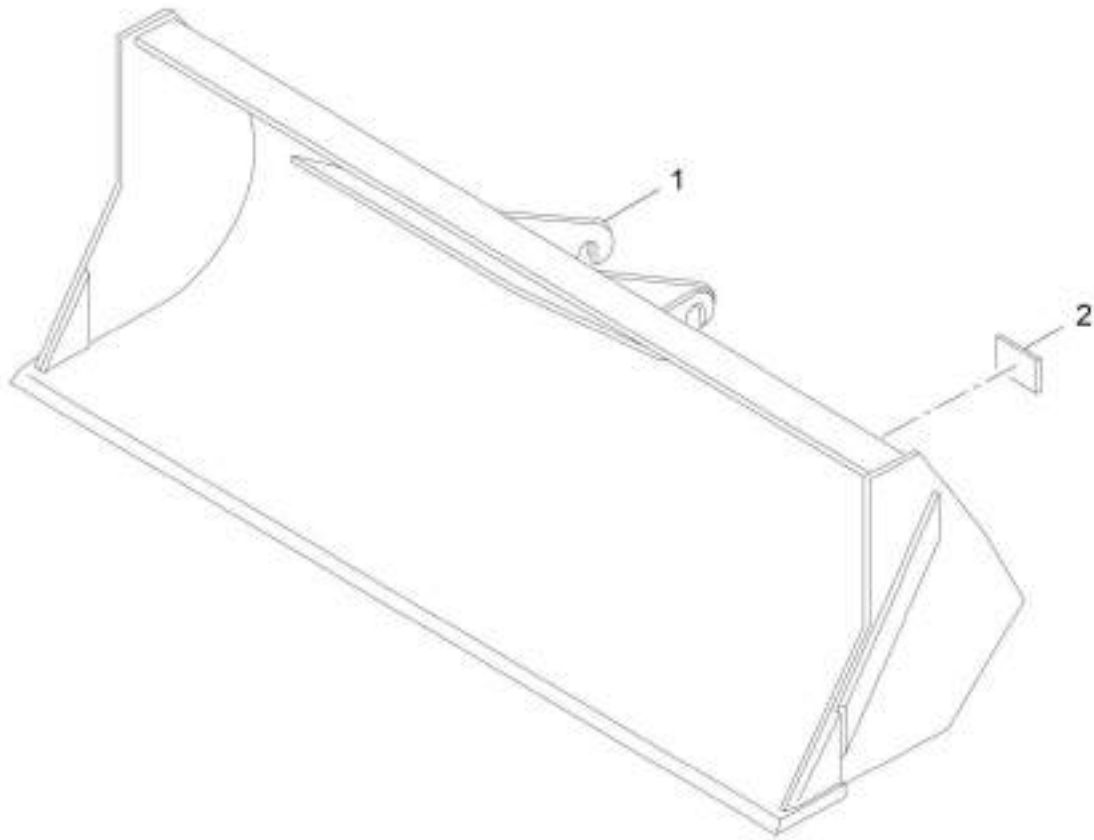
## SECTION 3 - ATTACHMENTS

### FIGURE 3-18. FORK MOUNTED BUCKET (1.0 M<sup>3</sup>)

ITEM	PART NUMBER	QTY	DESCRIPTION	REV
1	1001195970	1	Bucket 1.0 m <sup>3</sup> (Fork Mounted)	B
2	N.S.S.	1	Plate, Serial Number	

## SECTION 3 - ATTACHMENTS

FIGURE 3-19. BUCKET 1.0 YD<sup>3</sup> (ANSI - JLG)



ART 1001100822 ©

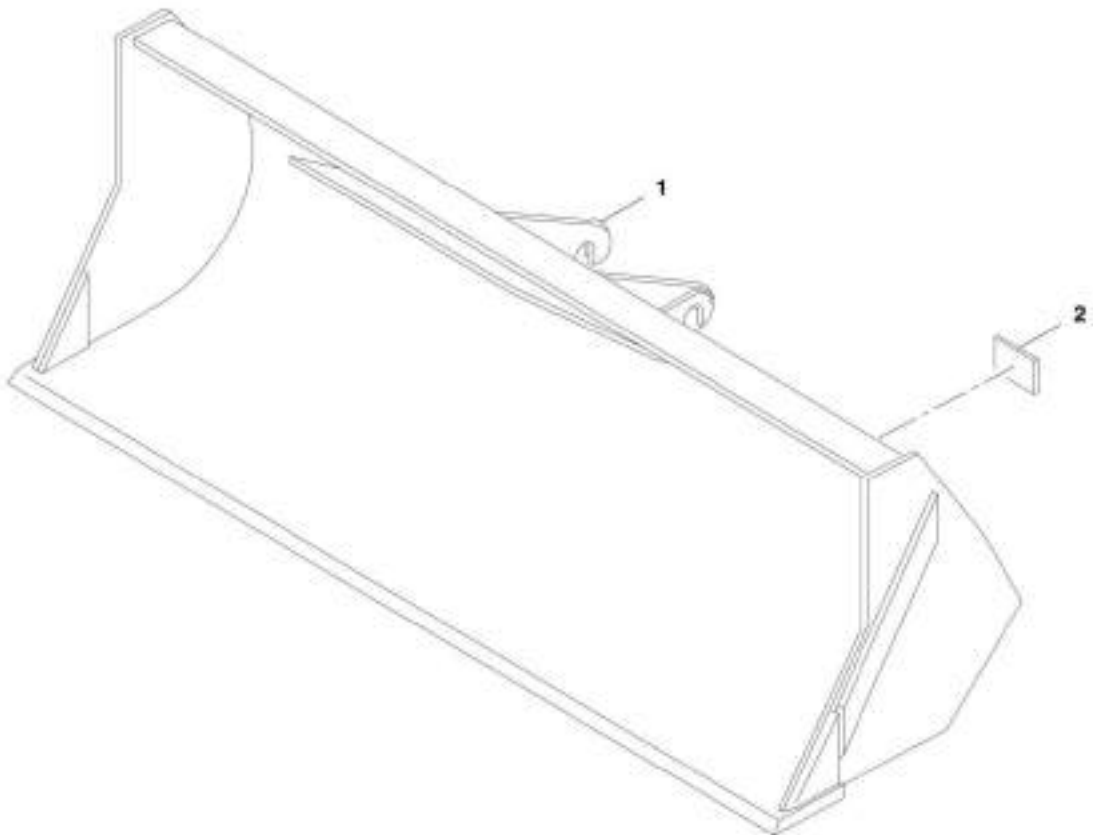
## SECTION 3 - ATTACHMENTS

**FIGURE 3-19. BUCKET 1.0 YD<sup>3</sup> (ANSI - JLG)**

ITEM	PART NUMBER	QTY	DESCRIPTION	REV
1	1001100822	1	Bucket 1.0 yd <sup>3</sup> (ANSI - JLG)	C
2	N.S.S.	1	Plate, Serial Number	

## SECTION 3 - ATTACHMENTS

FIGURE 3-20. BUCKET (1.15 M<sup>3</sup>)



ART\_1981106023-C

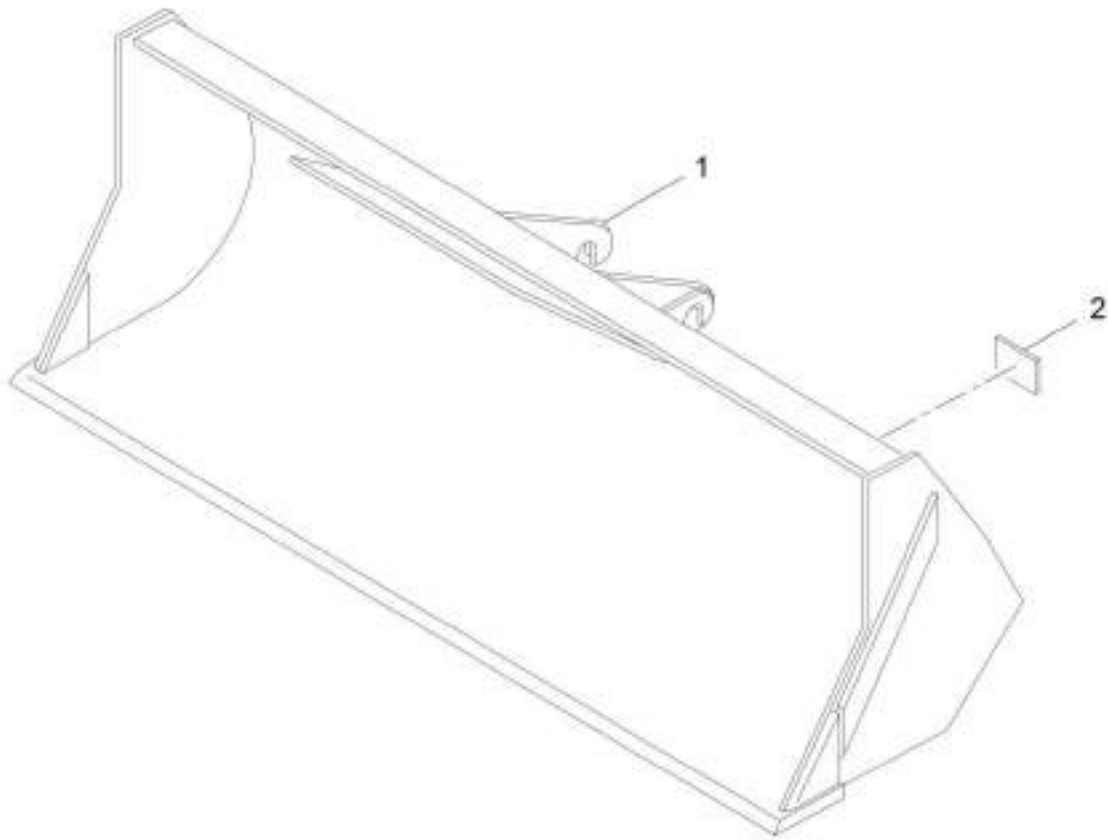
## SECTION 3 - ATTACHMENTS

**FIGURE 3-20. BUCKET (1.15 M<sup>3</sup>)**

ITEM	PART NUMBER	QTY	DESCRIPTION	REV
	1001100823	1	Bucket (1.15 m <sup>3</sup> )	C
1	1001100266	1	Bucket	
2	N.S.S.	1	Plate, Serial Number	

# SECTION 3 - ATTACHMENTS

FIGURE 3-21. BUCKET (102 INCH)



ART\_1001100024-C

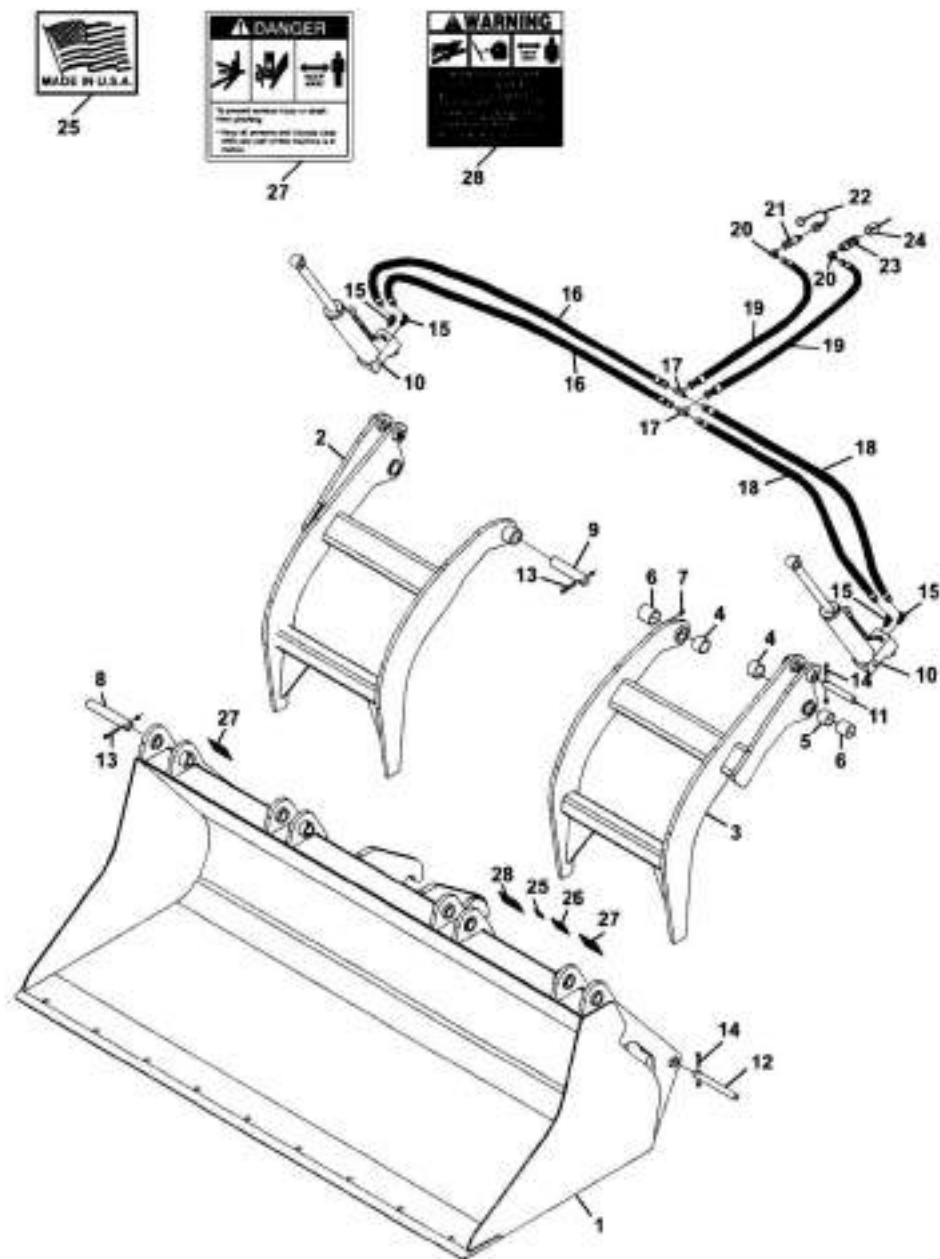
## SECTION 3 - ATTACHMENTS

**FIGURE 3-21. BUCKET (102 INCH)**

ITEM	PART NUMBER	QTY	DESCRIPTION	REV
1	1001100824	1	Bucket (102 Inch)	C
2	N.S.S.	1	S/N Plate	

# SECTION 3 - ATTACHMENTS

## FIGURE 3-22. MULTI-PURPOSE GRAPPLE BUCKET (2450 MM)



A8T\_D633025-H



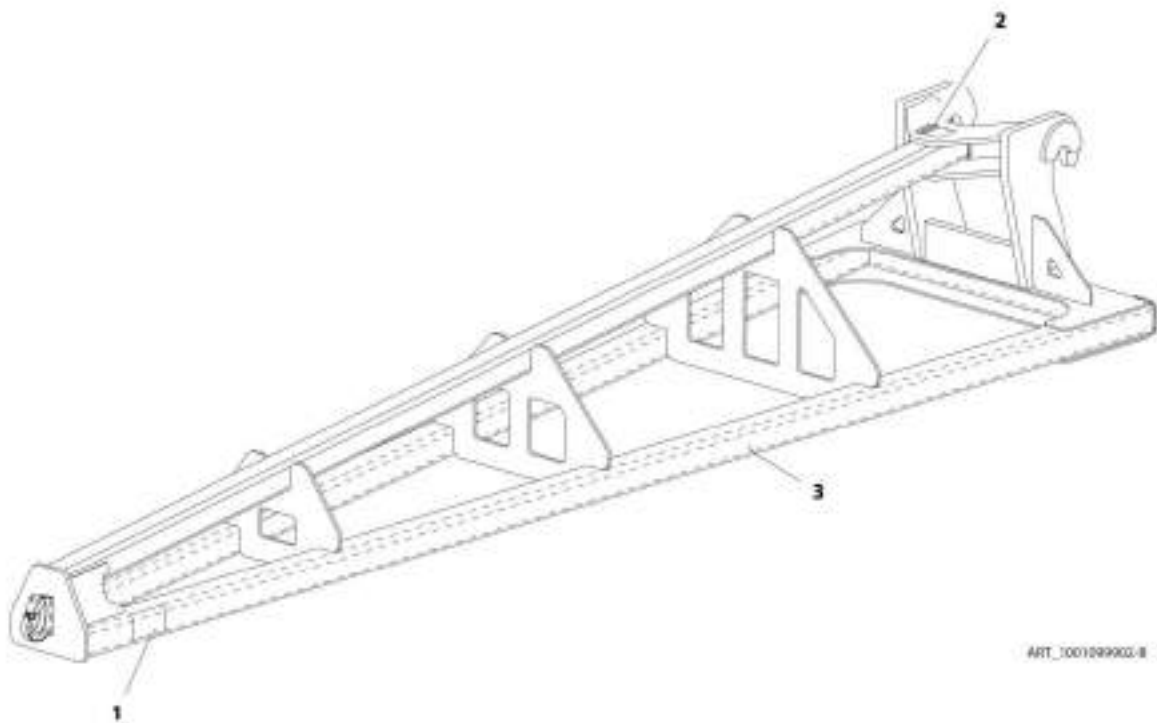
## SECTION 3 - ATTACHMENTS

**FIGURE 3-22. MULTI-PURPOSE GRAPPLE BUCKET (2450 MM)**

ITEM	PART NUMBER	QTY	DESCRIPTION	REV
	0930020	Ref	Multi-Purpose Grapple Bucket (2450 MM)	H
1	N.S.S.	1	Bucket	
1	70021387	4	Clamp, Hose	
2	70021391	1	Hook, RH Grapple	
3	70021392	1	Hook, LH Grapple	
4	70021358	4	Bushing	
5	70021359	2	Spacer	
6	70021360	4	Bushing	
7	7029714	4	Fitting, Grease	
8	70021361	2	Pin	
9	70021362	2	Pin	
10	70021393	2	Cylinder, Grapple Bucket (See Separate Breakdown in HYDRAULIC COMPONENTS Section)	
11	70021364	2	Pin	
12	70021365	2	Pin	
13	70021366	4	Bolt, 3/8X2-3/4	
13	70021367	4	Nut, Lock 3/8	
14	70021399	4	Bolt, 3/8X2-1/4	
14	70021367	4	Nut, Lock 3/8	
15	90554065	4	Fitting, 90	
16	70021980	2	Hose	
17	70020562	2	Fitting, Tee	
18	70021981	2	Hose	
19	70021982	2	Hose	
20	70022527	2	Fitting, 90	
21	7029692	1	Coupler	
22	90554062	1	Cover	
23	70021342	1	Coupler	
24	90554076	1	Cover	
25	90554016	1	Decal, Made in USA	
26	N.S.S.	1	Plate, Serial Number	
27	90554017	2	Decal, Danger Pinch Point	
28	90554018	1	Decal, Warning High Pressure	

## SECTION 3 - ATTACHMENTS

FIGURE 3-23. TRUSS BOOM (0.9 TON - 3.7M)



ART\_100109900-8

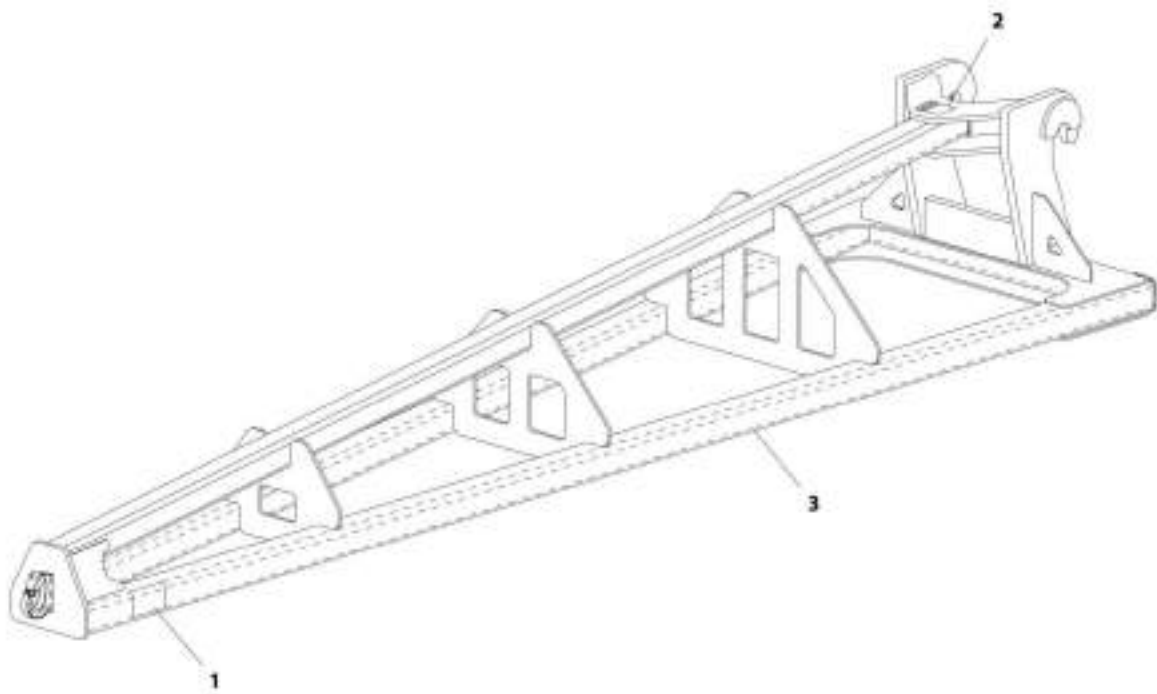
## SECTION 3 - ATTACHMENTS

**FIGURE 3-23. TRUSS BOOM (0.9 TON - 3.7M)**

ITEM	PART NUMBER	QTY	DESCRIPTION	REV
	1001099902	1	Truss Boom (0.9 Ton - 3.7M)	B
1	4110422	2	Decal, Danger Swinging Loads	
2	N.S.S.	1	Plate, Serial Number	
3	N.S.S.	1	Boom, Truss	

## SECTION 3 - ATTACHMENTS

FIGURE 3-24. TRUSS BOOM (15 FOOT)



ART. 10109900-C

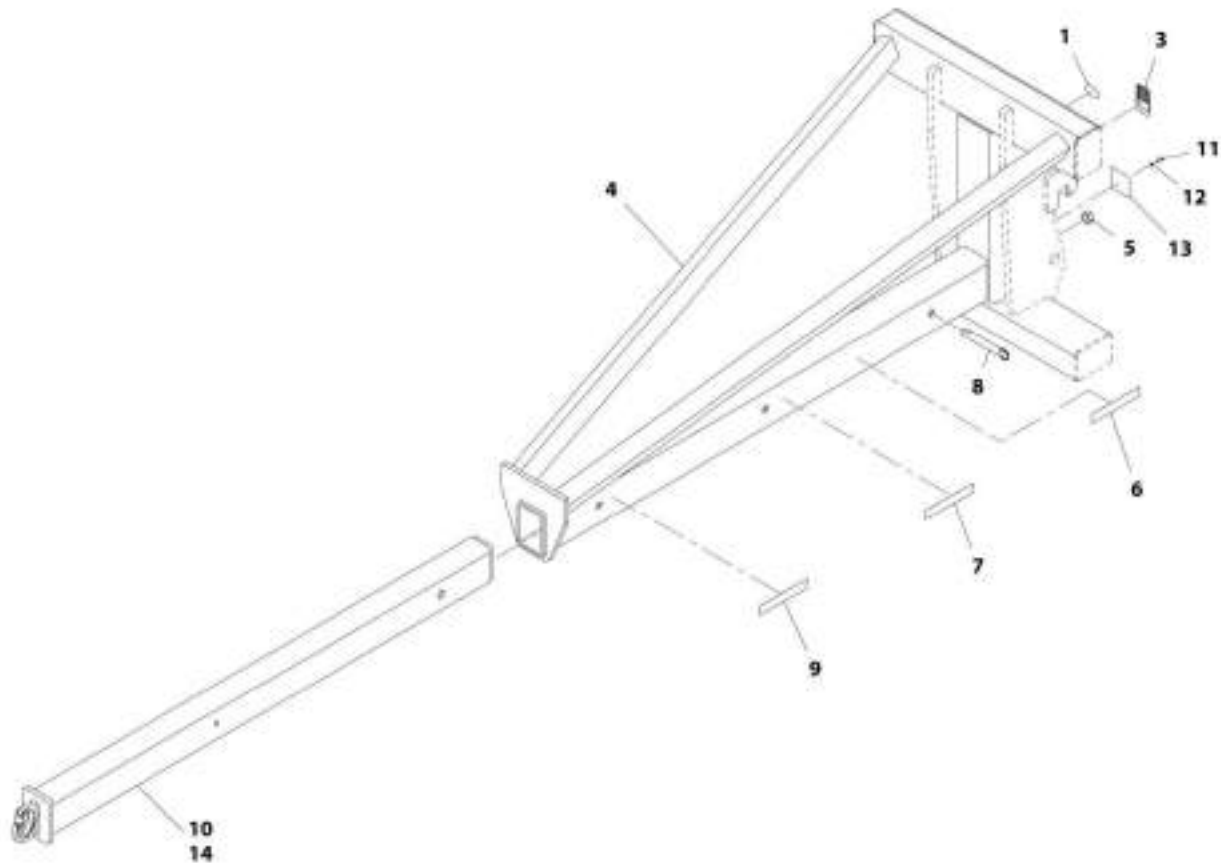
## SECTION 3 - ATTACHMENTS

### FIGURE 3-24. TRUSS BOOM (15 FOOT)

ITEM	PART NUMBER	QTY	DESCRIPTION	REV
	1001099901	1	Truss Boom (15 Foot)	C
1	4110422	2	Decal, Danger Swinging Loads	
2	N.S.S.	1	Plate, Serial Number	
3	N.S.S.	1	Boom, Truss	

# SECTION 3 - ATTACHMENTS

## FIGURE 3-25. ADJUSTABLE TRUSS BOOM



ART\_1001136515-B

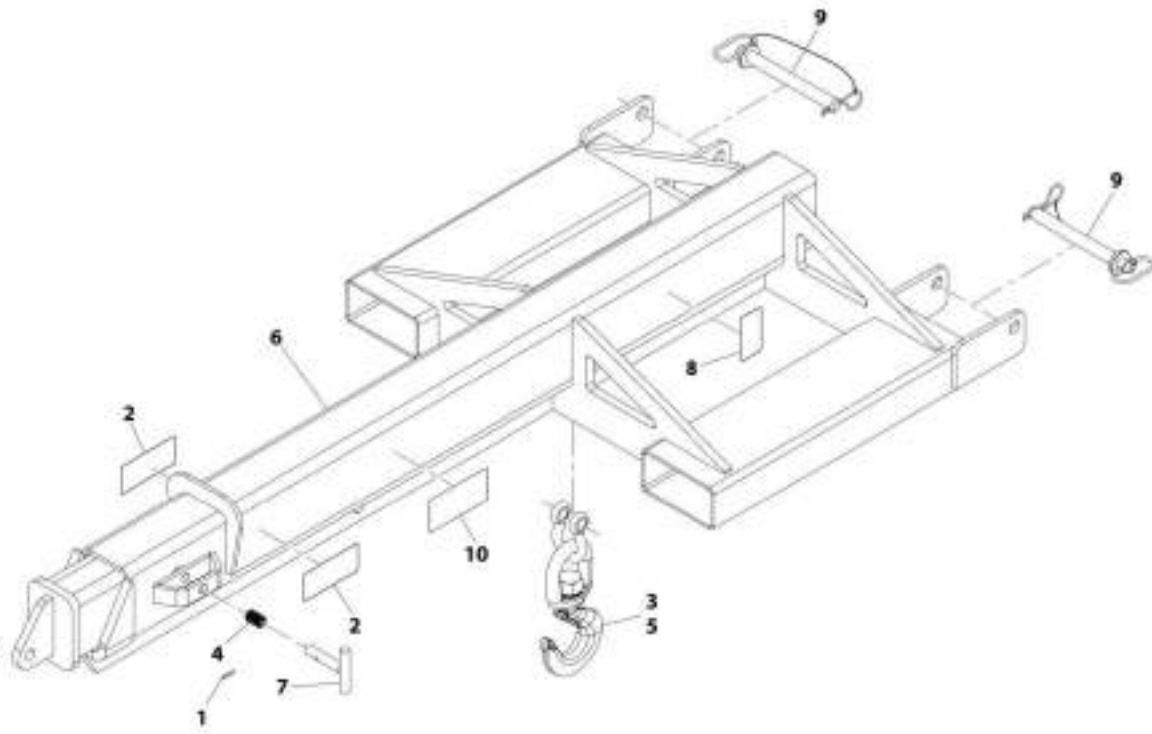
## SECTION 3 - ATTACHMENTS

### FIGURE 3-25. ADJUSTABLE TRUSS BOOM

ITEM	PART NUMBER	QTY	DESCRIPTION	REV
	1001176515	1	Adjustable Truss Boom	B
1	90554016	1	Decal, Made in USA	
3	N.S.S.	1	Plate, Serial Number	
4	N.S.S.	1	Truss Boom, Adjustable	
5	70021440	1	Nut, Lock	
6	70024062	2	Decal, 4000 lbs cap	
7	70026944	2	Decal, 3000 lbs cap	
8	70026946	1	Pin	
9	70026699	2	Decal, 2000 lbs cap	
10	70026747	1	Seal	
11	90554033	1	Bolt, 3/4X1/4	
12	90554034	1	Washer, Lock 1/4	
13	70026948	1	Plate, Stop	
14	70026949	1	Boom, Telescopic	

# SECTION 3 - ATTACHMENTS

FIGURE 3-26. ADJUSTABLE TRUSS BOOM INSTALLATION (FORK MOUNTED)



MIT\_1001230341-P



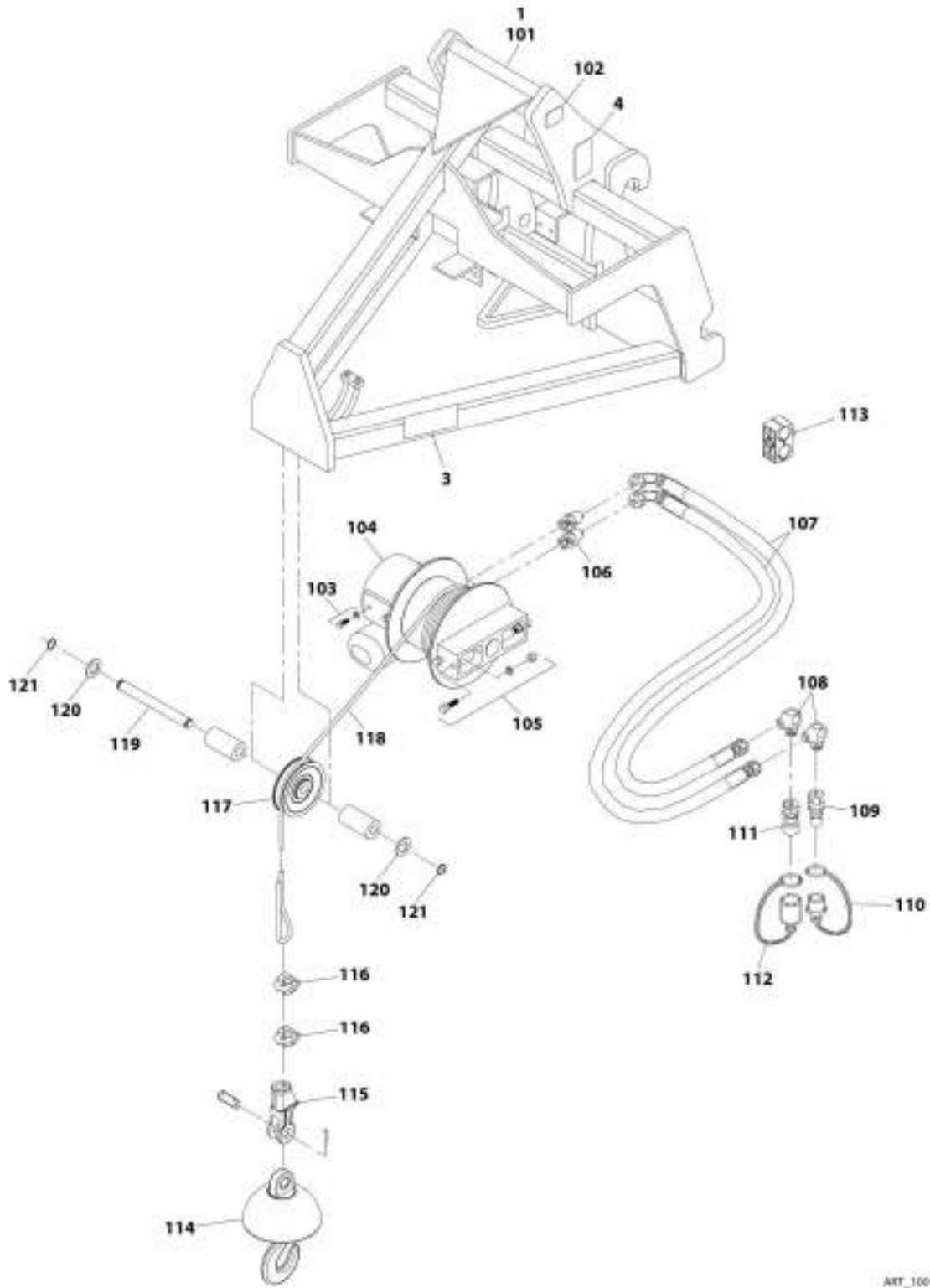
## SECTION 3 - ATTACHMENTS

**FIGURE 3-26. ADJUSTABLE TRUSS BOOM INSTALLATION (FORK MOUNTED)**

ITEM	PART NUMBER	QTY	DESCRIPTION	REV
	1001230241	Ref	Adjustable Truss Boom Installation (Fork Mounted)	F
1	3440620	1	Pin	
2	4110422	2	Decal, Danger Swinging Loads	
3	91403448	1	Hook, Swivel	
4	1001128890	1	Spring	
5	1001146160	1	Shackle	
6	N.S.S.	1	Truss Boom, Adjustable	
7	1001230239	1	Pin	
8	N.S.S.	1	Plate, Serial Number	
9	1001231692	2	Pin	
10	1001232500	1	Decal, Load Capacities	

# SECTION 3 - ATTACHMENTS

FIGURE 3-27. TRUSS BOOM (1.8 TON - 1M FT WITH WINCH)



ART\_100100967-C

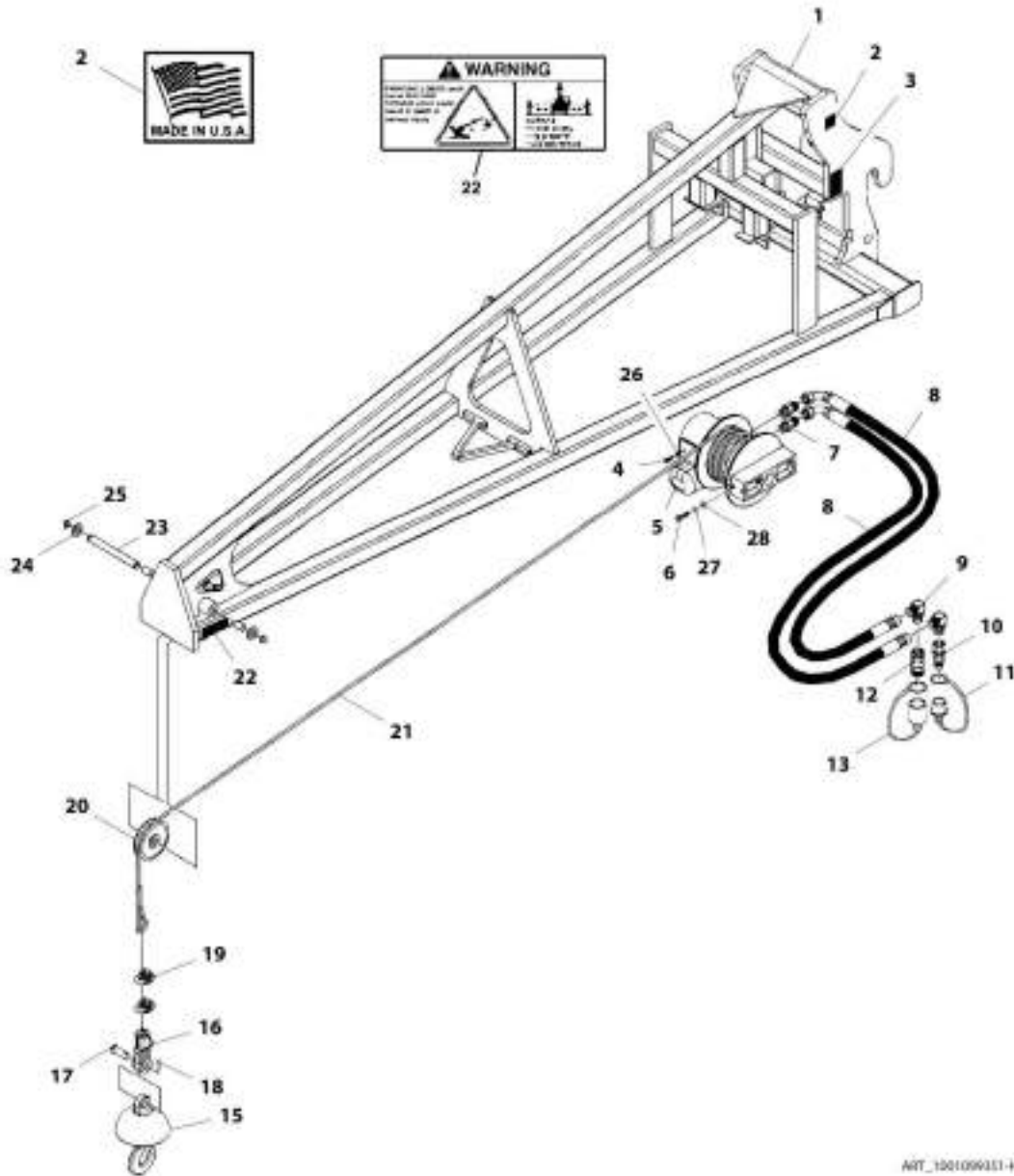
## SECTION 3 - ATTACHMENTS

**FIGURE 3-27. TRUSS BOOM (1.8 TON - 1M FT WITH WINCH)**

ITEM	PART NUMBER	QTY	DESCRIPTION	REV
	1001100967	Ref	Truss Boom Assembly (3 Foot with Winch) (includes items 1, 3, 4 & 101 thru 121)	C
1	8380008	NLA	Truss Boom (3 Foot with Winch) (no longer available, use 1001100967 for replacement)	
3	4110422	2	Decal, Danger, Swinging Loads	
4	N.S.S.	1	Plate, Serial Number	
101	N.S.S.	1	Truss Boom Frame	
102	90554016	1	Decal	
103	70021349	4	Bolt	
103	90554042	4	Washer	
104	70021921	1	Winch, Truss Boom	
105	70024059	4	Bolt	
105	90554054	4	Nut	
105	90554020	4	Washer	
106	70021415	2	Fitting	
107	70021977	2	Hose	
108	70022527	2	Fitting, 90	
109	91403414	1	Fitting, Straight	
110	8420053	1	Cap	
111	91403413	1	Fitting, Straight	
112	8420055	1	Plug	
113	70021387	1	Clamp	
114	70021978	1	Ball Swivel Safety Hook	
115	70021979	1	Assembly, Socket	
116	70022528	2	Clamp	
117	70021935	1	Pulley	
118	70022028	1	Cable	
119	70022529	1	Pin	
120	70027009	2	Washer	
121	70026698	2	Ring, Snap	

# SECTION 3 - ATTACHMENTS

FIGURE 3-28. TRUSS BOOM (0.9 TON - 3.7M WITH WINCH)



AIT\_1501099351-H

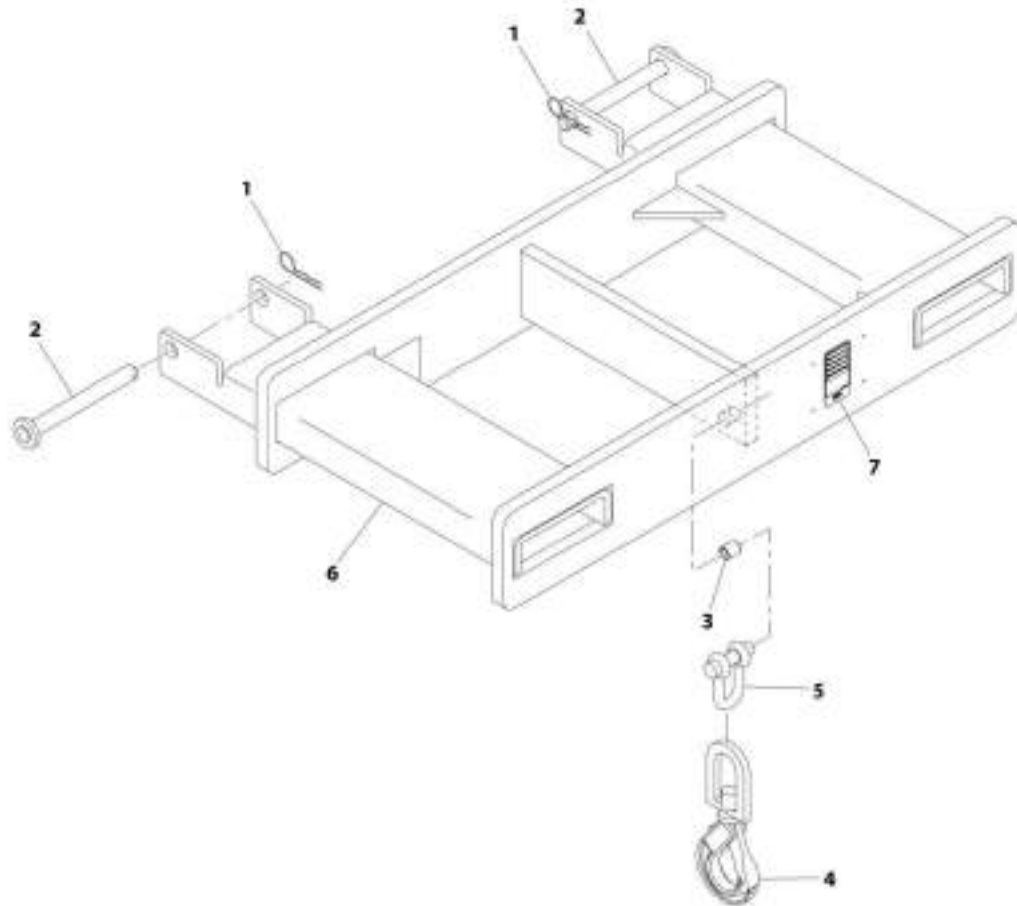
## SECTION 3 - ATTACHMENTS

**FIGURE 3-28. TRUSS BOOM (0.9 TON - 3.7M WITH WINCH)**

ITEM	PART NUMBER	QTY	DESCRIPTION	REV
	1001099351	1	Truss Boom (0.9 Ton - 3.7M with Winch)	H
1	N.S.S.	1	Frame, Truss Boom	
2	90554016	1	Decal, Made in USA	
3	N.S.S.	1	Plate, Serial Number	
4	70021349	4	Bolt, 3/8X1	
5	70021921	1	Motor, Truss Boom Winch	
6	70024059	2	Bolt, 1/2X1-3/4	
7	70021415	2	Connector	
8	70021977	2	Hose	
9	70022527	2	Fitting, 90	
10	7029692	1	Fitting, Straight	
11	90554062	1	Cap, Dust	
12	70021342	1	Fitting, Straight	
13	90554076	1	Cap, Dust	
15	70021978	1	Ball Swivel with Safety Hook	
16	70021979	1	Assembly, Socket (includes items 17 thru 18)	
17	N.S.S.	1	Pin	
18	N.S.S.	1	Pin, Cotter	
19	70022528	2	Clamp	
20	70021935	1	Pulley	
21	70022028	1	Cable	
22	4110422	2	Decal, Warning Swinging Loads	
23	70022529	1	Pin	
24	70024060	2	Washer	
25	70026698	2	Ring, Snap	
26	90554042	4	Washer, Lock 3/8	
27	90554020	2	Washer, Lock 1/2	
28	90554054	2	Nut, 1/2	

# SECTION 3 - ATTACHMENTS

## FIGURE 3-29. FORK MOUNTED HOOK (4 TON)



AJIT\_1001997200-H

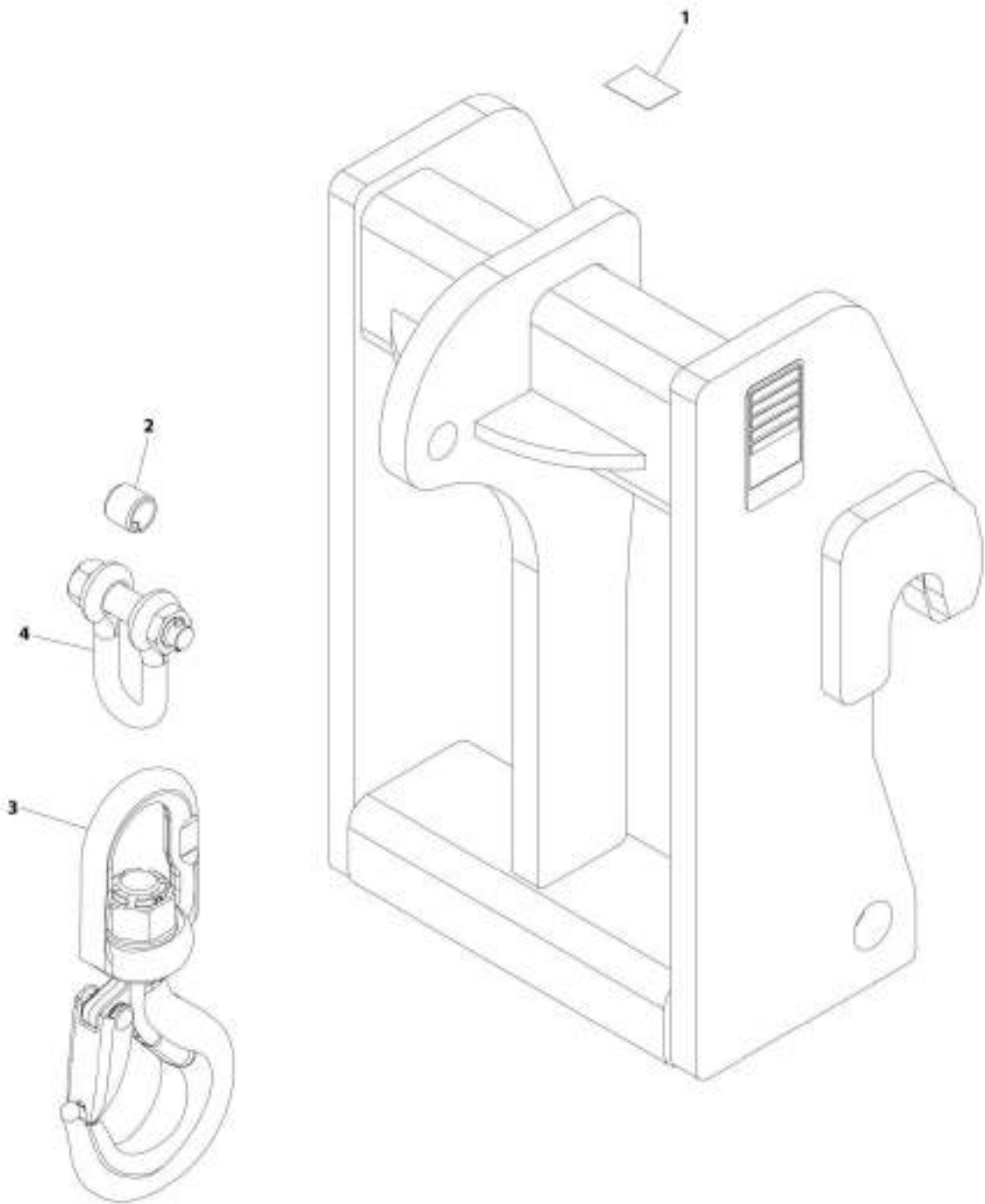
## SECTION 3 - ATTACHMENTS

### FIGURE 3-29. FORK MOUNTED HOOK (4 TON)

ITEM	PART NUMBER	QTY	DESCRIPTION	REV
	1001097205	1	Fork Mounted Hook (4 Ton)	H
1	7029520	2	Pin, Cotter	
2	1001093171	2	Pin	
3	70020555	1	Bushing	
4	90554080	1	Hook	
5	7029521	1	Shackle	
6	N.S.S.	1	Weldment, Hook	
7	N.S.S.	1	S/N Plate	

**SECTION 3 - ATTACHMENTS**

**FIGURE 3-30. CRANE HOOK**



ART\_1001207006-8



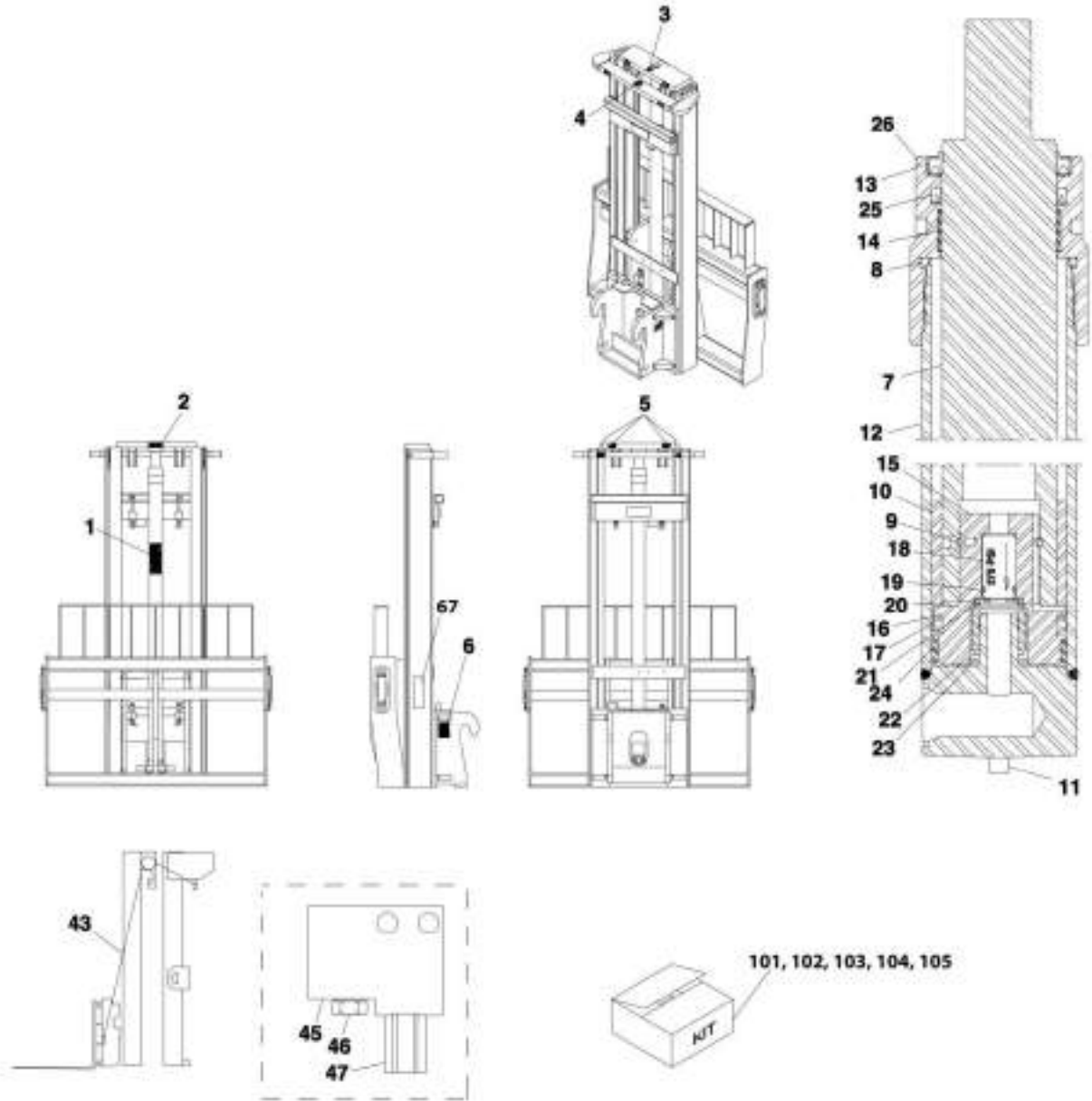
## SECTION 3 - ATTACHMENTS

### FIGURE 3-30. CRANE HOOK

ITEM	PART NUMBER	QTY	DESCRIPTION	REV
	1001207606	Ref	Crane Hook	B
1	90554016	1	Decal	
2	70020555	1	Bushing	
3	70026745	1	Hook Swivel	
4	70026746	1	Shackle Chain	

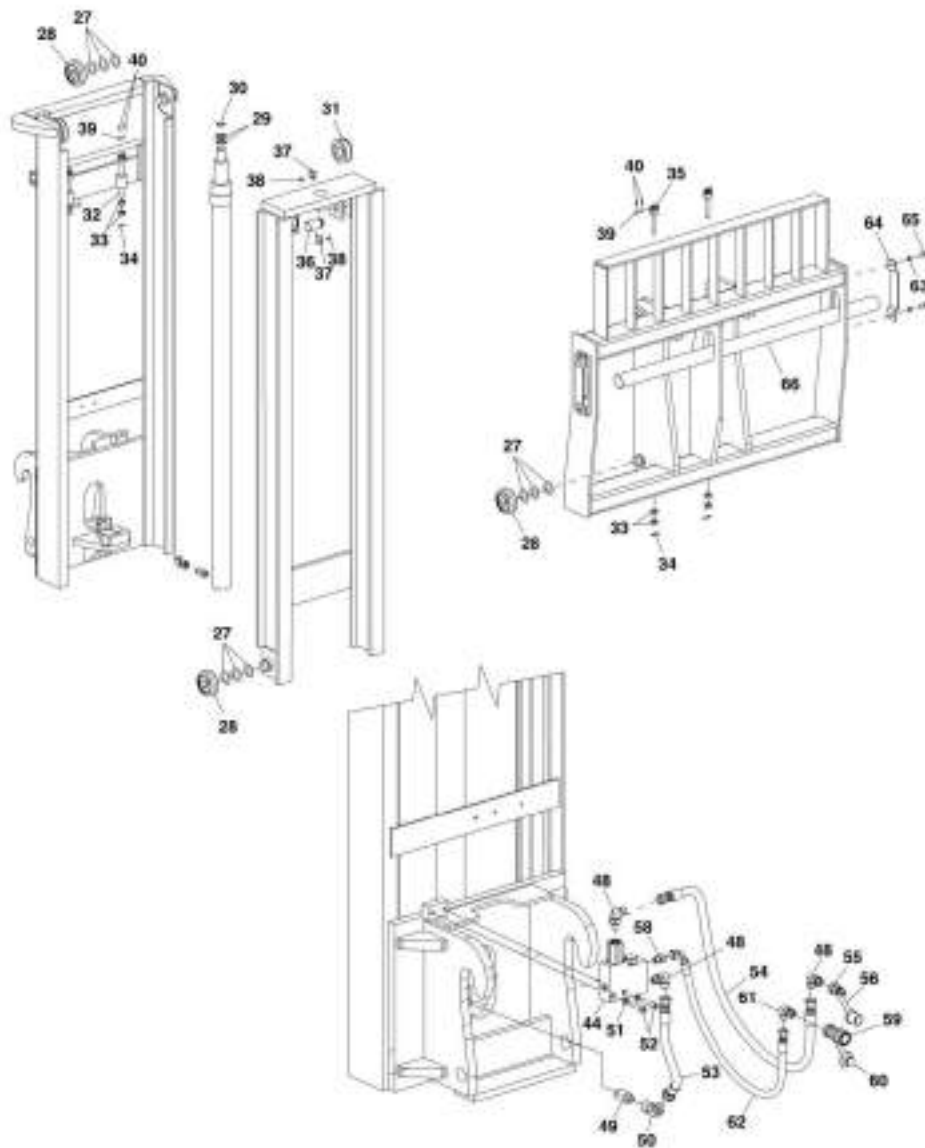
# SECTION 3 - ATTACHMENTS

## FIGURE 3-31. MAST (8 FOOT)



ART\_1001108668\_1-C

# SECTION 3 - ATTACHMENTS



ART\_100110666\_2-C

# SECTION 3 - ATTACHMENTS

## FIGURE 3-31. MAST (8 FOOT)

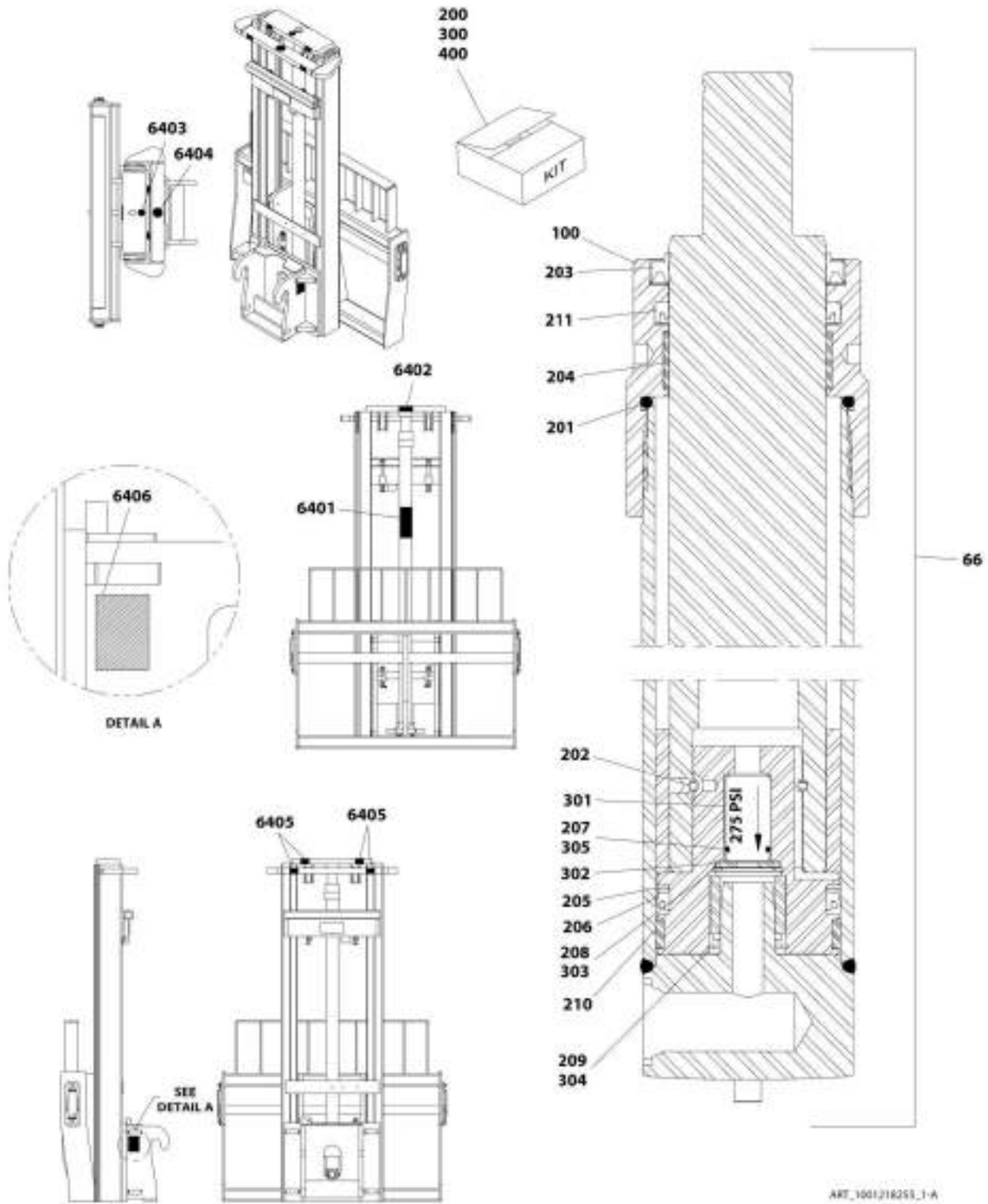
ITEM	PART NUMBER	QTY	DESCRIPTION	REV
	1001108668	1	Mast (8 Foot)	C
1	Kit	1	Decal, Warning	
2	Kit	1	Decal, Warning	
3	Kit	1	Decal, No Step	
4	Kit	1	Decal, No Step	
5	Kit	4	Decal, Hands Off	
6	Kit	1	Decal, Hose Routing	
	70023008	1	Cylinder, Main Lift (includes items 7 thru 26)	
7	N.S.S.	1	Rod/Plunger	
8	Kit	1	O-Ring	
9	Kit	1	Wire, Pull	
10	N.S.S.	1	Spacer	
11	N.S.S.	2	Pin, Roll	
12	N.S.S.	1	Barrel	
13	Kit	1	Wiper	
14	Kit	1	Bushing	
15	N.S.S.	1	Barrel	
16	Kit	1	Ring, Nylon	
17	Kit	1	Seal, Piston	
18	Kit	1	Valve, Check	
19	Kit	1	O-Ring	
20	Kit	1	Washer	
21	Kit	1	Circlip	
22	N.S.S.	1	Sleeve	
23	Kit	1	Ring, Retaining	
24	Kit	1	Ring, Wear	
25	Kit	1	Seal, Rod	
26	70023004	1	Retainer/Gland	
27	70023014	24	Shim	
28	70022987	8	Bearing, Ball	
29	Kit	2	Washer, Shim	
30	70023016	1	Ring, Snap	
31	70022969	2	Assembly, Sheave	
32	70022960	2	Anchor, Chain	
33	70022957	8	Nut, 5/8-18	
34	70022993	4	Pin, Cotter	
35	70022995	2	Anchor, Chain	
36	70022984	1	Shaft, Sheave	
37	70022970	2	Bar, Retainer	
38	70023003	2	Capscrew	
39	70022994	4	Pin, Chain Anchor	
40	70022992	8	Pin, Cotter	
41	70022985	1	Shaft, Sheave	
43	70023009	2	Chain, Lift	
44	70022932	1	Assembly, PO Check Valve (includes items 45, 46 & 47)	
45	N.S.S.	1	Manifold	
46	70022931	1	Cartridge, PO Check Valve	
47	70023010	1	Check, PO	
48	70022934	3	Fitting, 90	
49	70022936	1	Limitter, Flow	

## SECTION 3 - ATTACHMENTS

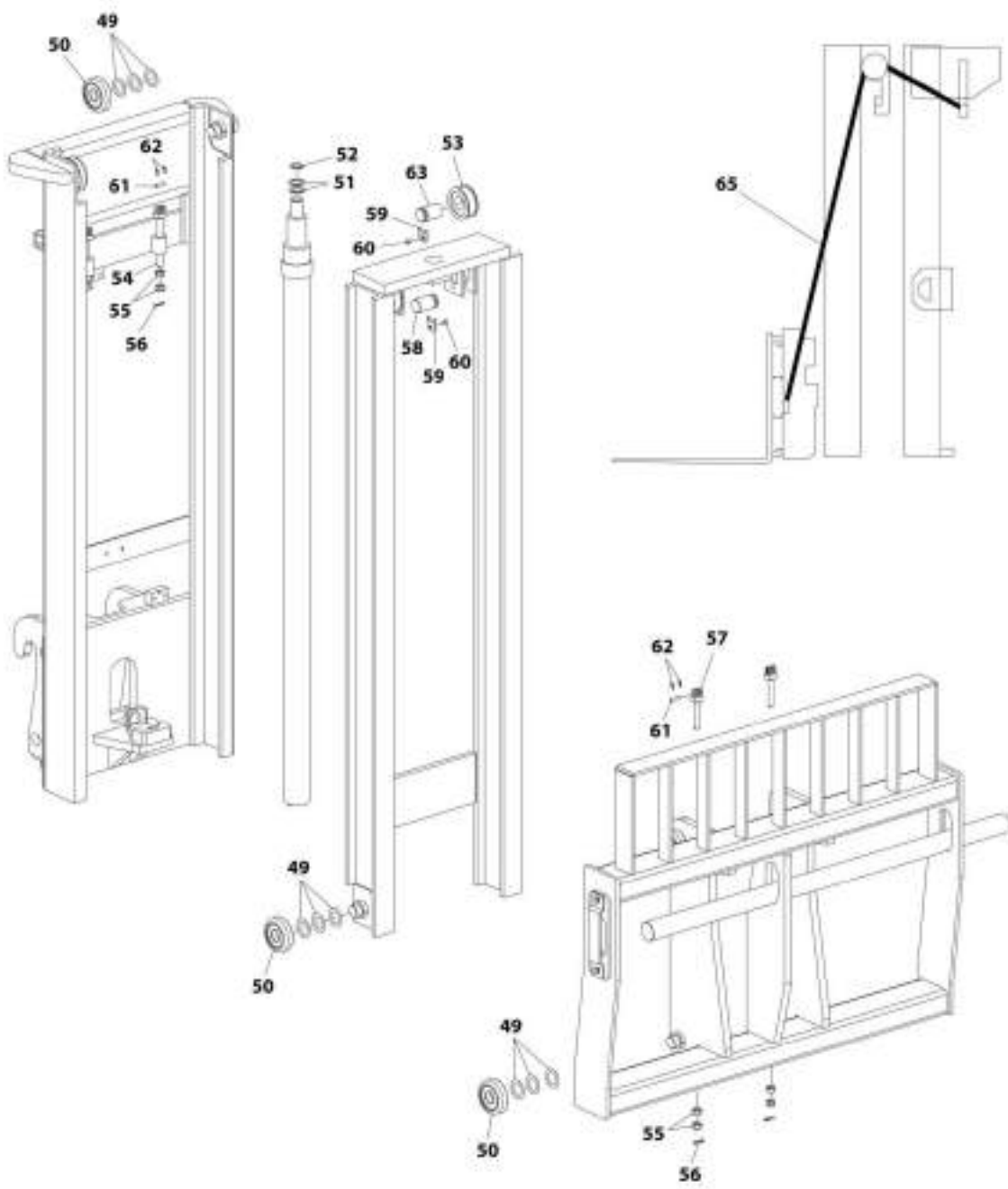
ITEM	PART NUMBER	QTY	DESCRIPTION	REV
50	70022937	1	Fitting, 45	
51	70022949	2	Washer, Lock M10	
52	70022950	2	Bolt	
53	70022942	1	Hose	
54	70022952	1	Hose	
55	91403414	1	Adapter, Male Quick Disconnect	
56	91043126	1	Cap, Dust	
58	70022939	1	Fitting, Straight	
59	91403413	1	Adapter, Female Quick Disconnect	
60	91043125	1	Plug, Dust	
61	70022935	1	Elbow, Straight Thread	
62	70022946	1	Hose	
63	70022949	4	Washer, Lock M10	
64	70022980	2	Keeper, Fork Pin	
65	70022998	4	Screw, M10X20	
66	70022990	1	Pin, Fork	
67	N.S.S.	1	S/N Plate	
101	70023925	1	Kit, Decal (includes items 1 thru 6)	
102	70023005	1	Seal Kit, Main Lift Cylinder (includes items 8, 9, 13, 14, 16, 17, 19, 21 & 23 thru 25)	
103	70023006	1	Kit, Check Valve (includes items 18 thru 21 & 23)	
104	70023007	1	Kit, Shim	
105	70023015	1	Kit, Mast Common Parts (includes items 27 thru 41)	

# SECTION 3 - ATTACHMENTS

## FIGURE 3-32. SIDE TILT ELECTRIC MAST (8 FOOT)

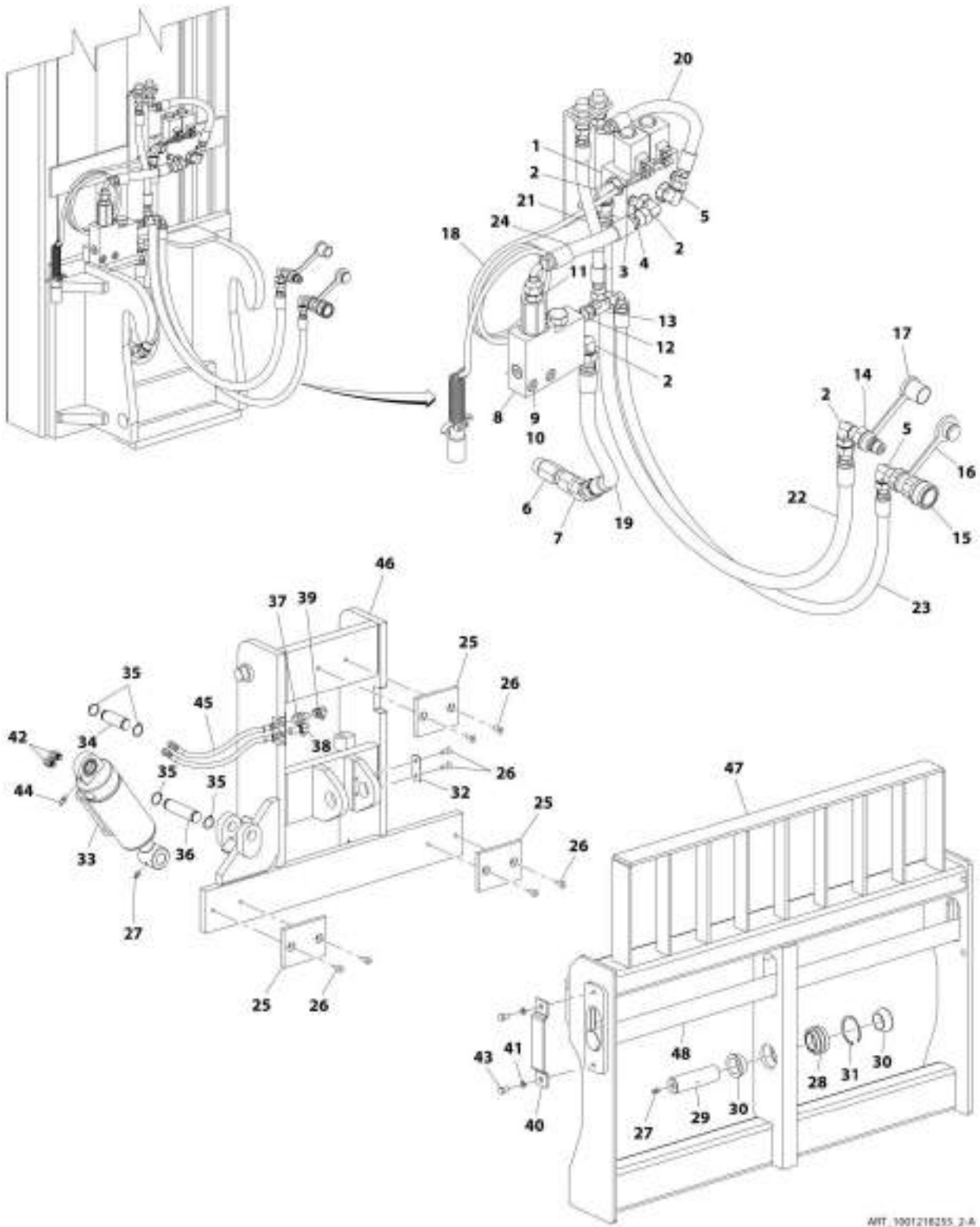


# SECTION 3 - ATTACHMENTS



WIT\_1001218255\_1-A

# SECTION 3 - ATTACHMENTS





## SECTION 3 - ATTACHMENTS

### FIGURE 3-32. SIDE TILT ELECTRIC MAST (8 FOOT)

ITEM	PART NUMBER	QTY	DESCRIPTION	REV
	1001218255	Ref	Side Tilt Electric Mast (8 Foot)	A
1	70022933	1	Solenoid Valve Bank	
2	70022934	4	Fitting, 90	
3	70022948	2	Washer, Lock M8	
4	70022951	2	Screw, M8X60	
5	70022935	2	Elbow, Straight Thread	
6	70022936	1	Limitter, Flow	
7	70022937	1	Fitting, 45	
8	70022932	1	Assembly, PO Check Valve	
9	70022949	2	Washer, Lock M10	
10	70022950	2	Bolt	
11	70022938	1	Fitting, Straight	
12	70022939	1	Fitting, Straight	
13	70022940	1	Tee Fitting	
14	91403414	1	Adapter, Male Quick Disconnect	
15	91403413	1	Adapter, Female Quick Disconnect	
16	8420055	1	Cover, Dust	
17	8420053	1	Cover, Dust	
18	70022941	1	Harness	
19	70022942	1	Hose	
20	70022943	1	Hose	
21	70022944	1	Hose	
22	70022945	1	Hose	
23	70022946	1	Hose	
24	70022947	1	Hose	
25	70022972	3	Wear Pad	
26	70022971	8	Capscrew, Flat Head	
27	70023001	2	Grease Fitting	
28	70022975	1	Spherical Bearing	
29	70022973	1	Pivot Shaft	
30	70022974	2	Beveled Spacer	
31	70022988	1	Ring, Retaining	
32	70022976	1	Retainer Plate	
33	2716143	1	Tilt Cylinder	
34	70022977	1	Pin	
35	70023016	4	Ring, Snap	
36	70022978	1	Pin	
37	70023000	1	Fitting	
38	70022999	1	Elbow	
39	70022982	1	Elbow, Straight Thread	
40	70022980	2	Keeper, Fork Pin	
41	70022949	4	Washer, Lock M10	
42	70022939	2	Fitting, Straight	
43	70022998	4	Screw, M10X20	
44	70022966	1	Grease Fitting 30	
45	70022979	2	Hose	
46	70025353	1	Spine Weldment	
47	N.S.S.	1	Front Frame Weldment	
48	70022990	1	Pin, Fork	
49	70023014	24	Shim	

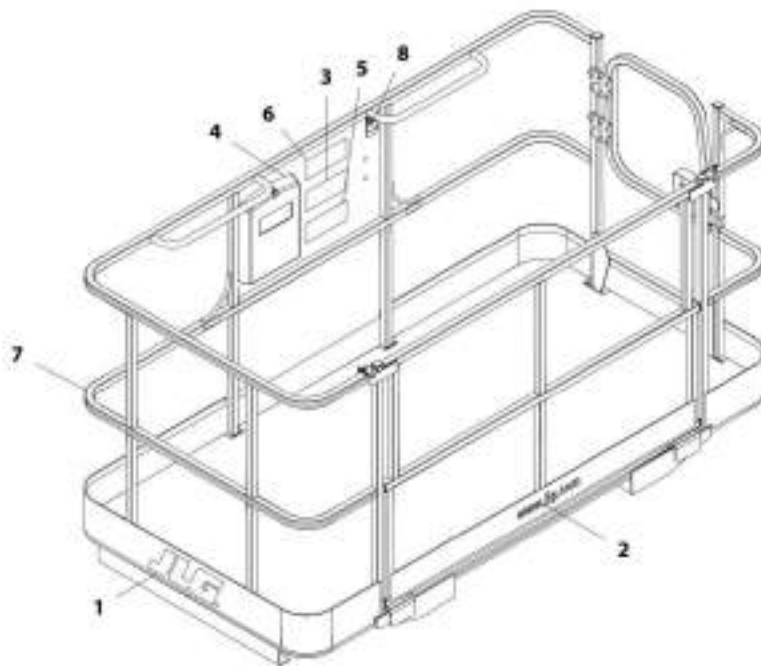
## SECTION 3 - ATTACHMENTS

ITEM	PART NUMBER	QTY	DESCRIPTION	REV
50	70022987	8	Bearing, Ball	
51	70027951	2	Washer, Shim	
52	70023016	1	Ring, Snap	
53	70022969	2	Assembly, Sheave	
54	70022960	2	Anchor, Chain	
55	70022957	8	Nut, 5/8-18	
56	70022993	4	Pin, Cotter	
57	70022995	2	Anchor, Chain	
58	70022984	1	Shaft, Sheave	
59	70022970	2	Bar, Retainer	
60	70023003	2	Capscrew	
61	70022994	4	Pin, Chain Anchor	
62	70022992	8	Pin, Cotter	
63	70022985	1	Shaft, Sheave	
64	70023925	1	Kit, Decal (not shown) (See Separate Breakdown in this Section)	
65	70023009	2	Chain, Lift	
66	70023008	1	Cylinder, Main Lift (not shown) (See Separate Breakdown in this Section)	



# SECTION 3 - ATTACHMENTS

## FIGURE 3-33. FORK MOUNTED BASKET



ART. 3001103637-F

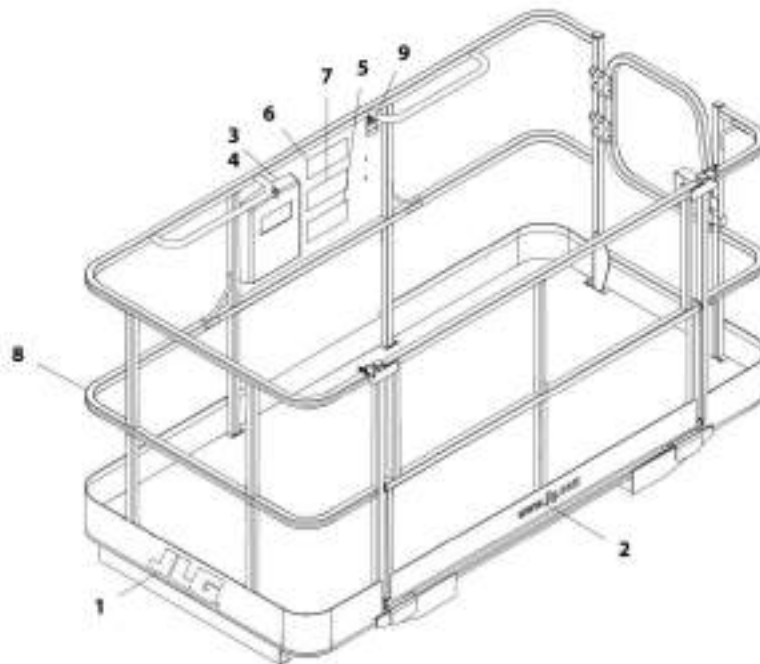
## SECTION 3 - ATTACHMENTS

### FIGURE 3-33. FORK MOUNTED BASKET

ITEM	PART NUMBER	QTY	DESCRIPTION	REV
	1001103637	1	Fork Mounted Basket (ANSI)	F
1	1702773	2	Decal, JLG	
2	1704885	1	Decal, Website	
3	1706892	1	Decal, Platform Warning	
4	31200160	1	Manual, Personnel Work Platform Operation and Safety	
5	1001092481	1	Decal, Warning Attachment	
6	1001092482	1	Decal, Platform Capacity	
7	1001096162	1	Platform, Fork Mounted (ANSI) (See Separate Breakdown in this Section)	
8	N.S.S.	1	Plate, Serial Number	

# SECTION 3 - ATTACHMENTS

## FIGURE 3-34. FORK MOUNTED BASKET



ART\_100103738-F

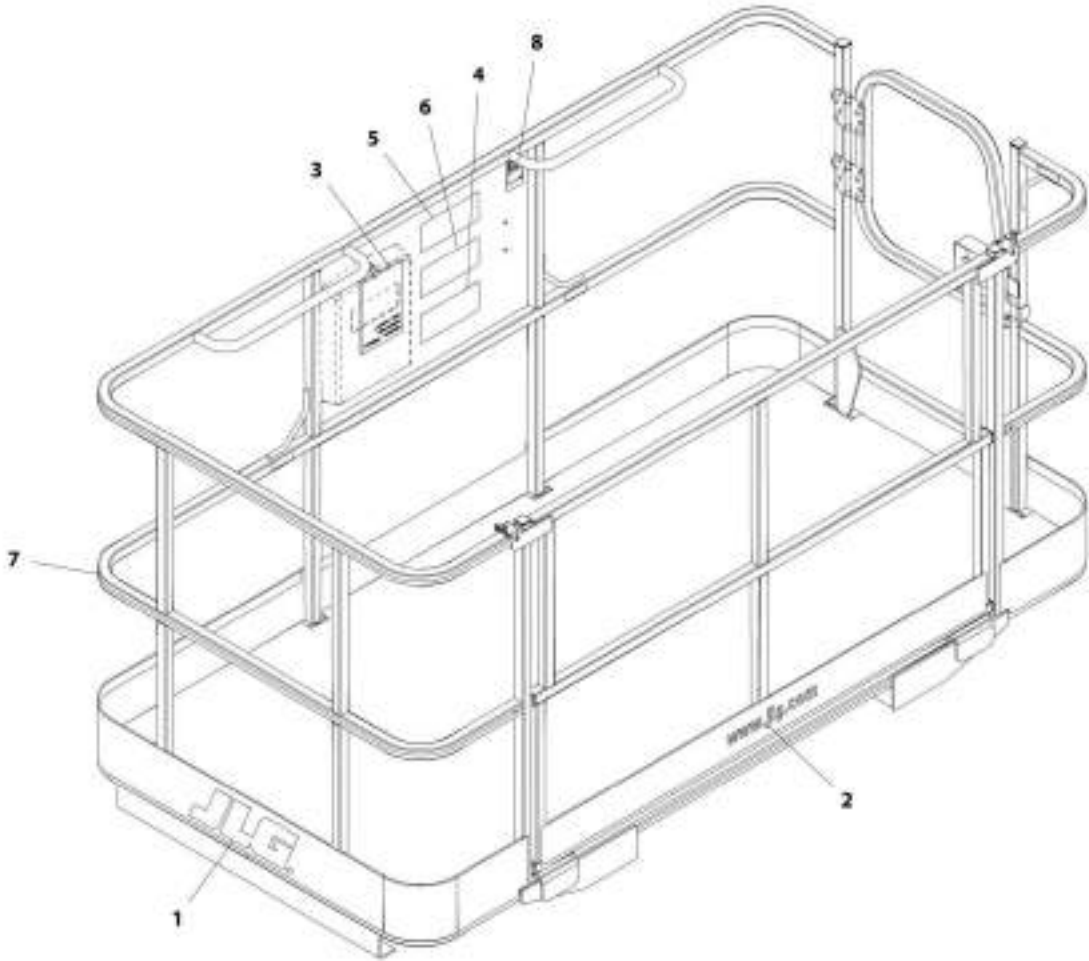
## SECTION 3 - ATTACHMENTS

**FIGURE 3-34. FORK MOUNTED BASKET**

ITEM	PART NUMBER	QTY	DESCRIPTION	REV
	1001103730	1	Fork Mounted Basket (ISO)	F
1	1702773	2	Decal, JLG	
2	1704885	1	Decal, Website	
3	31200387	1	Manual, Operation and Safety, Spanish	
4	31200388	1	Manual, Operation and Safety, Portuguese	
5	1001096021	1	Decal, Warning Attachment	
6	1001096023	1	Decal, Platform Capacity	
7	1001096025	1	Decal, Platform Warning	
8	1001096162	1	Platform, Fork Mounted (ANSI) (See Separate Breakdown in this Section)	
9	N.S.S.	1	Plate, Serial Number	

**SECTION 3 - ATTACHMENTS**

**FIGURE 3-35. FORK MOUNTED BASKET**



ART\_3001103790-F



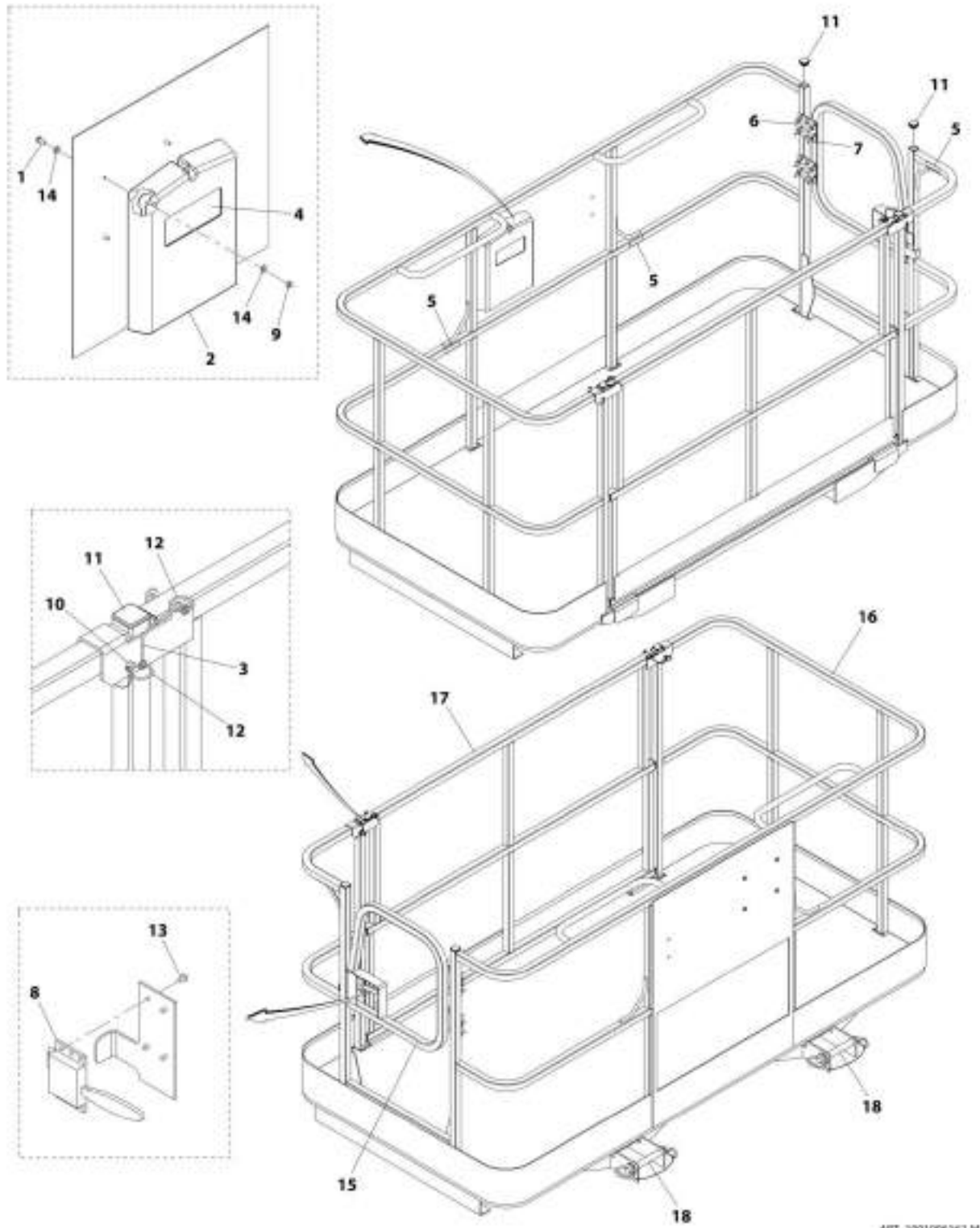
## SECTION 3 - ATTACHMENTS

### FIGURE 3-35. FORK MOUNTED BASKET

ITEM	PART NUMBER	QTY	DESCRIPTION	REV
	1001103736	1	Fork Mounted Basket (France)	F
1	1702773	2	Decal, JLG	
2	1704885	1	Decal, Website	
3	31200386	1	Manual, Operation and Safety (French)	
4	1001096019	1	Decal, Warning Attachment (French)	
5	1001096020	1	Decal, Platform Capacity (French)	
6	1001096024	1	Decal, Platform Warning (French)	
7	1001096162	1	Platform, Fork Mounted (ANSI) (See Separate Breakdown in this Section)	
8	N.S.S.	1	Plate, Serial Number	

# SECTION 3 - ATTACHMENTS

## FIGURE 3-36. FORK MOUNTED PLATFORM



MIT\_1001096182-M

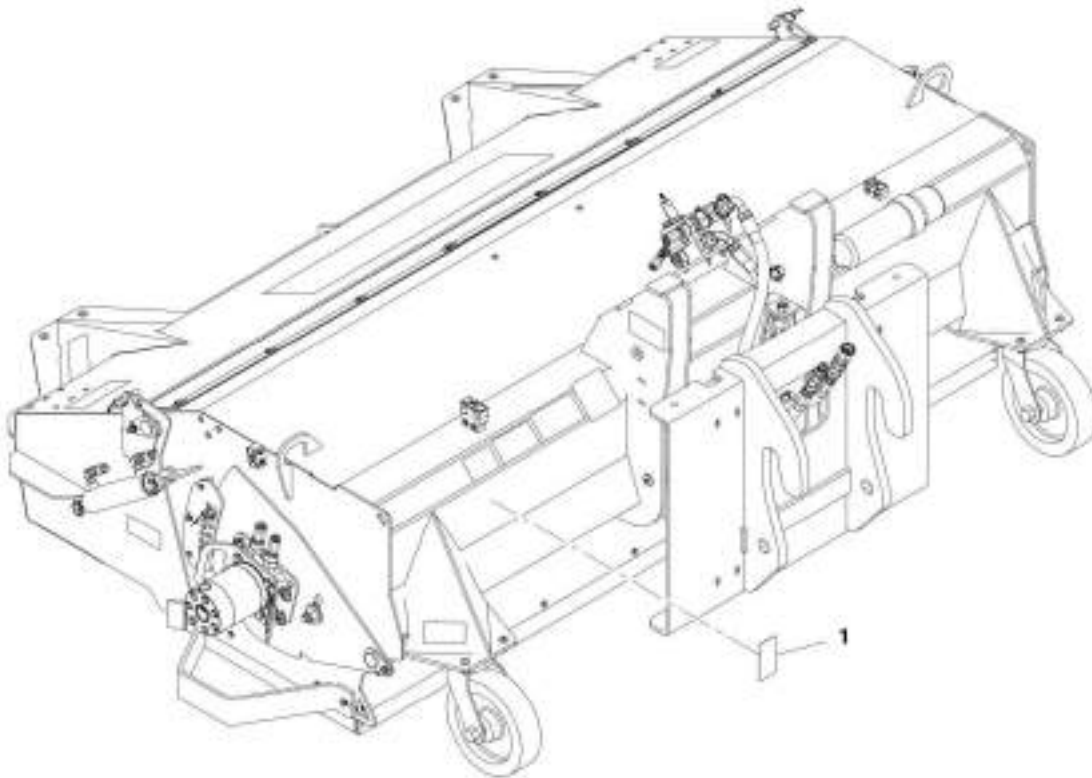
## SECTION 3 - ATTACHMENTS

**FIGURE 3-36. FORK MOUNTED PLATFORM**

ITEM	PART NUMBER	QTY	DESCRIPTION	REV
	1001096162	Ref	Fork Mounted Platform (ANSI)	M
1	0641405	4	Bolt, 1/4-20X5/8	
2	0860520	1	Box, Manual Storage	
3	1060379	2	Cable, Lanyard	
4	1701509	1	Decal, Manual	
5	1704277	3	Decal, Lanyard Attach	
6	2080040	16	Fastener	
7	2600281	2	Hinge	
8	2940074	1	Latch	
9	3311405	4	Nut, Lock 1/4-20	
10	3421453	2	Pin	
11	3520072	10	Plug	
12	3760170	4	Ring	
13	3820020	4	Rivet	
14	4711400	8	Washer, 1/4	
15	1001144629J	1	Weldment, Gate	
16	N.S.S.	1	Platform, Fork Mounted	
17	1001095810	1	Weldment, Gate	
18	1001102813	2	Pin, Hitch	

# SECTION 3 - ATTACHMENTS

FIGURE 3-37. SWEEPER



ART\_3001302904-B

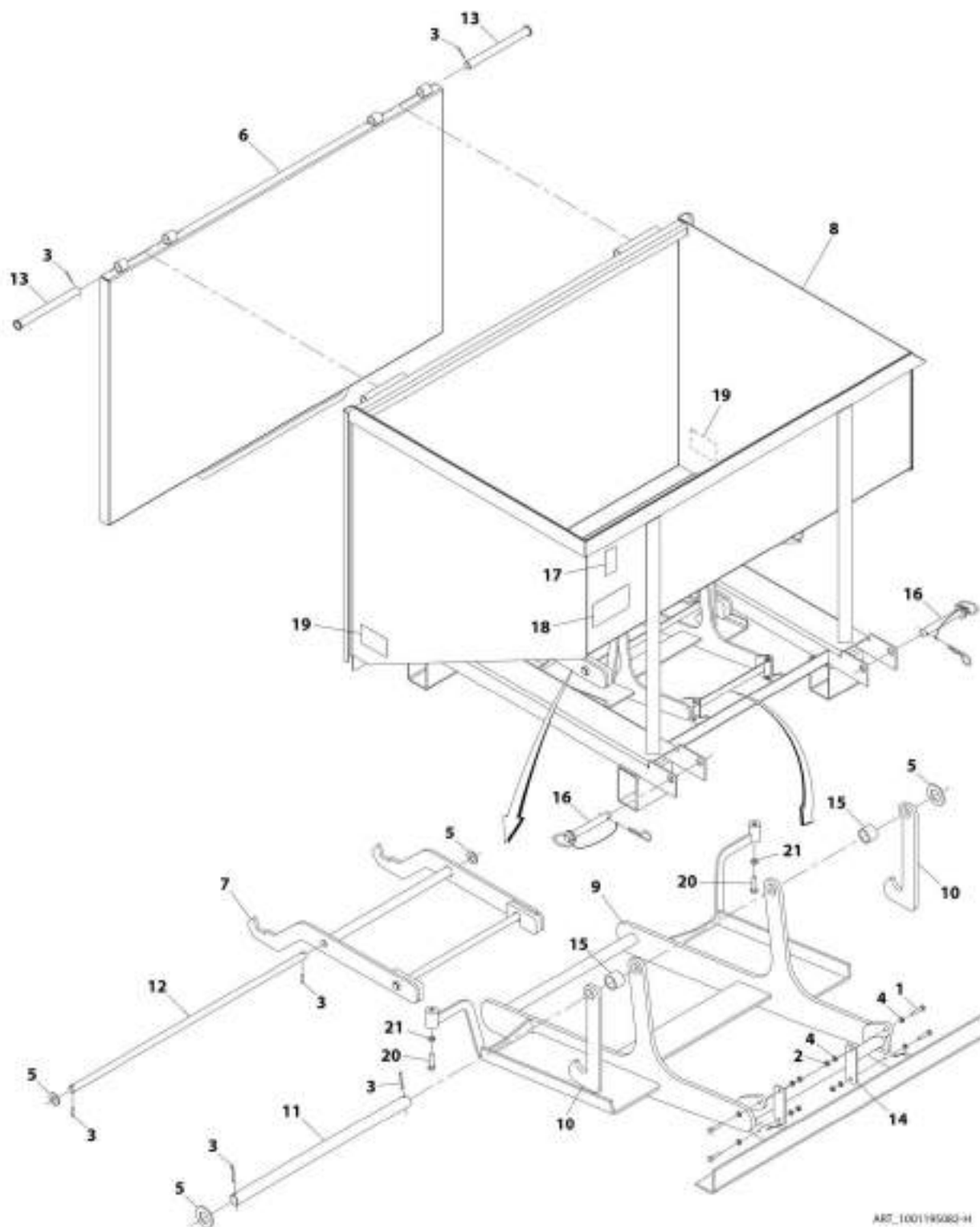
# SECTION 3 - ATTACHMENTS

## FIGURE 3-37. SWEEPER

ITEM	PART NUMBER	QTY	DESCRIPTION	REV
1	1001202904	1	Sweeper Assembly	B
	N.S.S.	1	Plate, Serial Number	

# SECTION 3 - ATTACHMENTS

## FIGURE 3-38. FORK MOUNTED TRASH HOPPER



ART\_100119583-H

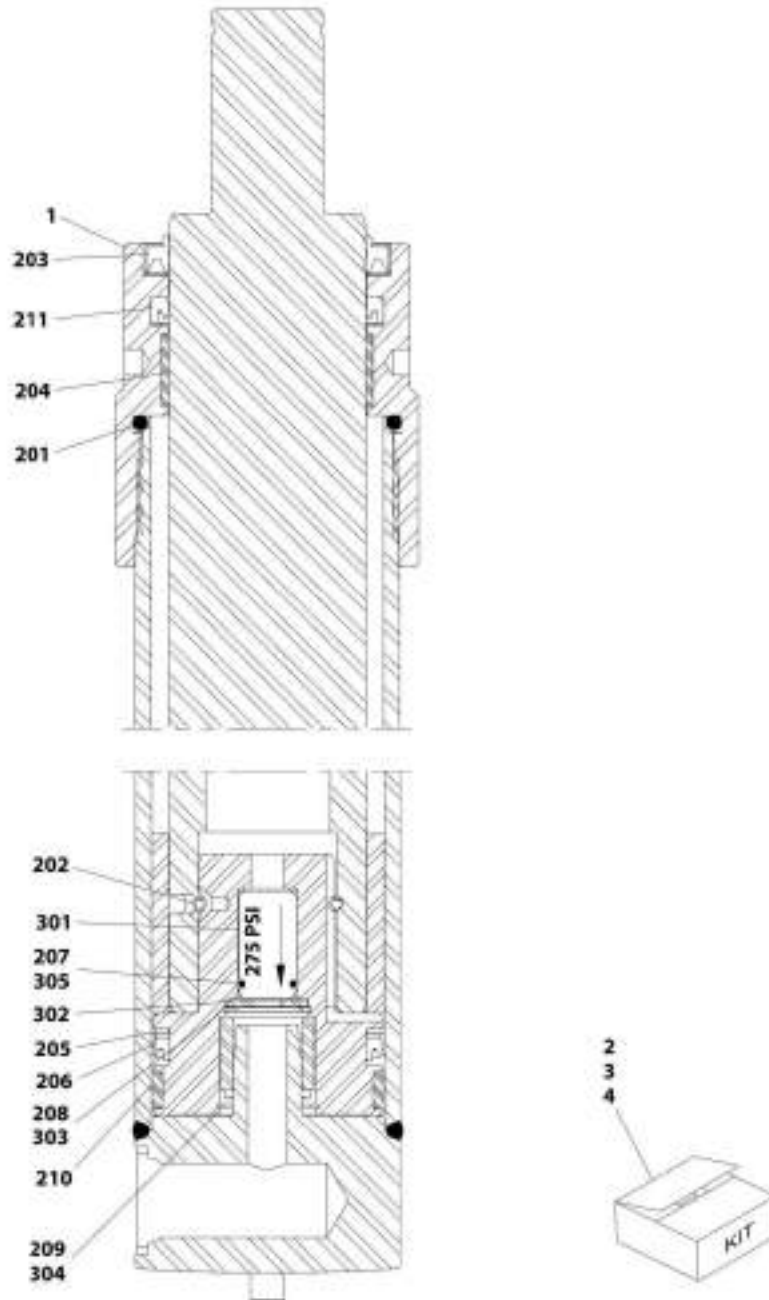
## SECTION 3 - ATTACHMENTS

**FIGURE 3-38. FORK MOUNTED TRASH HOPPER**

ITEM	PART NUMBER	QTY	DESCRIPTION	REV
	1001195082	1	Fork Mounted Trash Hopper	H
1	0700614	4	Bolt, M6X30	
2	3290601	4	Nut, M6X1 Grade 8	
3	3391410	6	Pin	
4	4811700	8	Washer, M6	
5	5242400	4	Washer, M24	
6	1001192711	1	Door Assembly	
7	1001192720	1	Hook Assembly	
8	N.S.S.	1	Weldment, Trash Hopper	
9	1001192875	1	Tray Assembly	
10	1001192876	2	Arm, Swing	
11	1001192877	1	Rod, Swing	
12	1001193525	1	Bar	
13	1001193540	2	Pin	
14	1001193729	2	Plate	
15	1001198355	2	Spacer	
16	1001102813	2	Pin	
17	N.S.S.	1	Plate, Serial Number	
18	1001203503	1	Decal, Trash Hopper Operation	
19	1706302	2	Decal, Pinch Point	
20	0641510	2	Bolt, 5/16-18 x 1-1/4	
21	3311502	2	Nut, 5/16-18	

# SECTION 3 - ATTACHMENTS

## FIGURE 3-39. MAIN LIFT CYLINDER



ART\_70023000-A



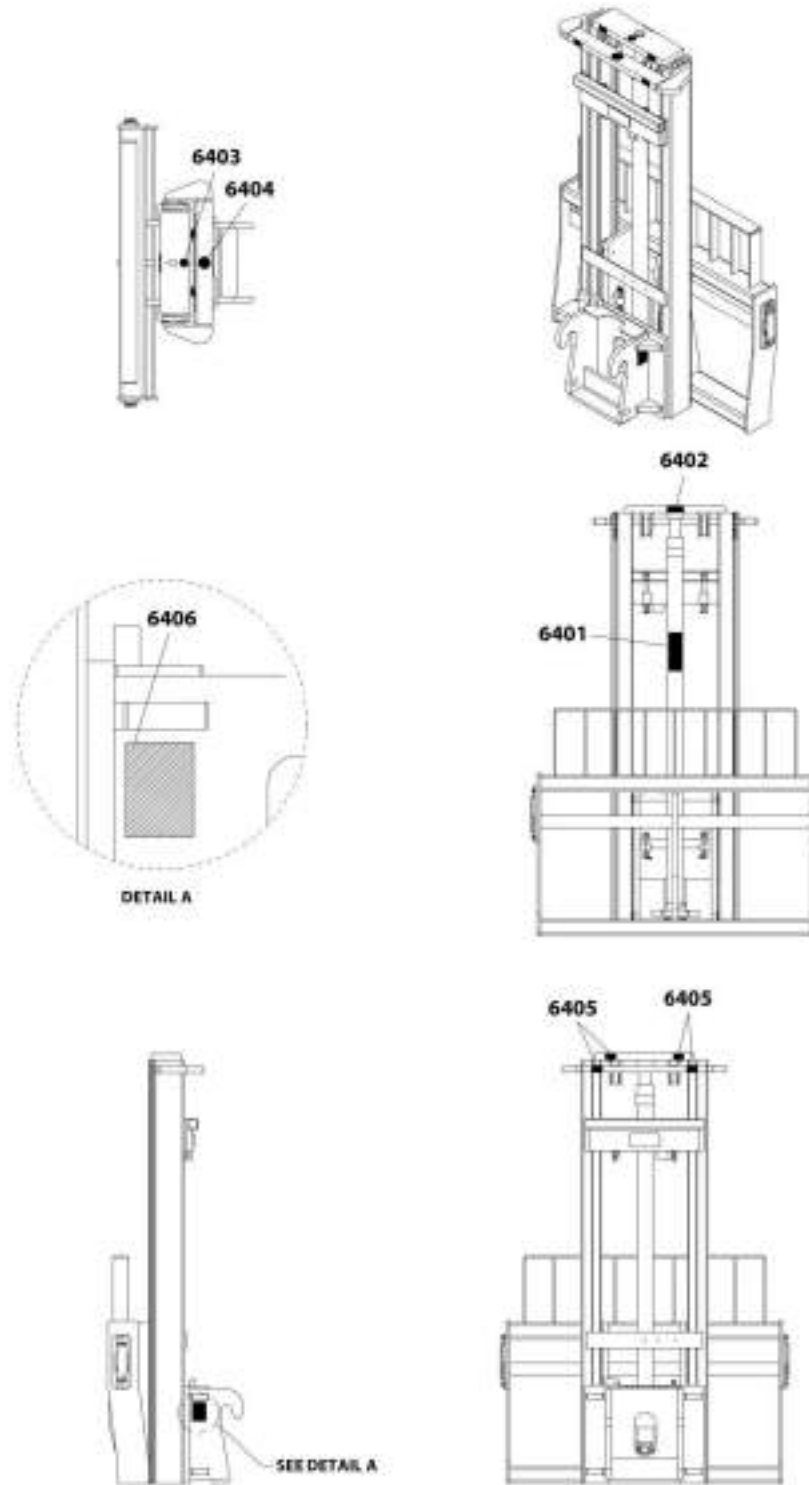
## SECTION 3 - ATTACHMENTS

### FIGURE 3-39. MAIN LIFT CYLINDER

ITEM	PART NUMBER	QTY	DESCRIPTION	REV
	70023008	Ref	Main Lift Cylinder	A
1	70023004	1	Retainer/Gland	
2	70023005	1	Seal Kit, Main Lift Cylinder	
201	Kit	1	O-Ring	
202	Kit	1	Wire, Pull	
203	Kit	1	Wiper	
204	Kit	1	Bushing	
205	Kit	1	Ring, Nylon	
206	Kit	1	Seal, Piston	
207	Kit	1	O-Ring	
208	Kit	1	Circlip	
209	Kit	1	Ring, Retaining	
210	Kit	1	Ring, Wear	
211	Kit	1	Seal, Rod	
3	70023006	1	Kit, Check Valve	
301	Kit	1	Valve, Check	
302	Kit	1	Washer	
303	Kit	1	Circlip	
304	Kit	1	Ring, Retaining	
304	Kit	1	O-Ring	
4	70023007	1	Kit, Shim	

# SECTION 3 - ATTACHMENTS

## FIGURE 3-40. KIT DECAL



ART\_70623025-A

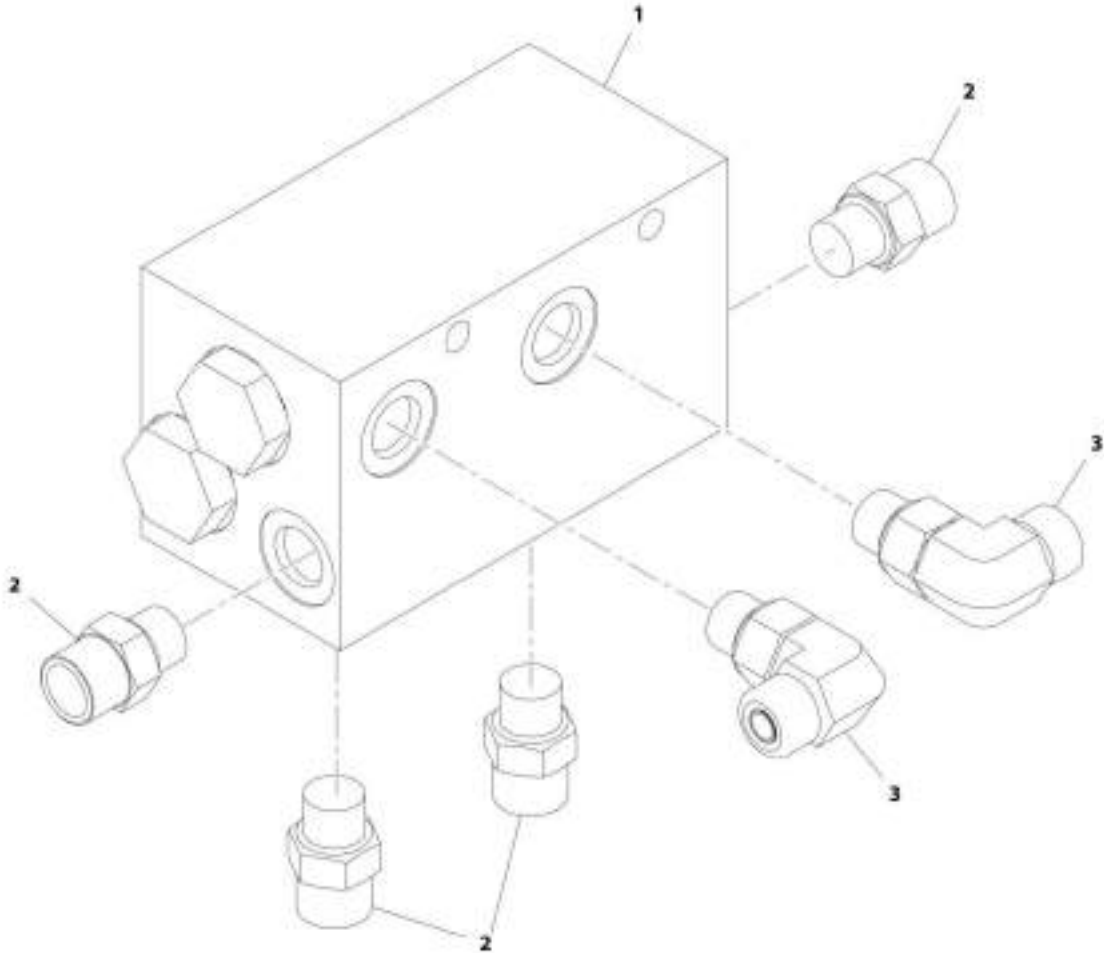
## SECTION 3 - ATTACHMENTS

### FIGURE 3-40. KIT DECAL

ITEM	PART NUMBER	QTY	DESCRIPTION	REV
	70023925	Ref	Kit, Decal	A
6401	Kit	1	Decal, Warning	
6402	Kit	1	Decal, Warning	
6403	Kit	1	Decal, No Step	
6404	Kit	1	Decal, No Step	
6405	Kit	4	Decal, Hands Off	
6406	Kit	2	Decal, Hose Routing	

**SECTION 3 - ATTACHMENTS**

**FIGURE 3-41. DUAL FORK CARRIAGE VALVE ASSEMBLY**



ART. 4641502-B

## SECTION 3 - ATTACHMENTS

### FIGURE 3-41. DUAL FORK CARRIAGE VALVE ASSEMBLY

ITEM	PART NUMBER	QTY	DESCRIPTION	REV
	4641502	Ref	Dual Fork Carriage Valve Assembly	B
1	4641501	1	Valve, Flow Divider (See Separate Breakdown in Hydraulic Components Section)	
2	2110606	4	Fitting, Straight ORFS	
3	2130606	2	Fitting, 90	

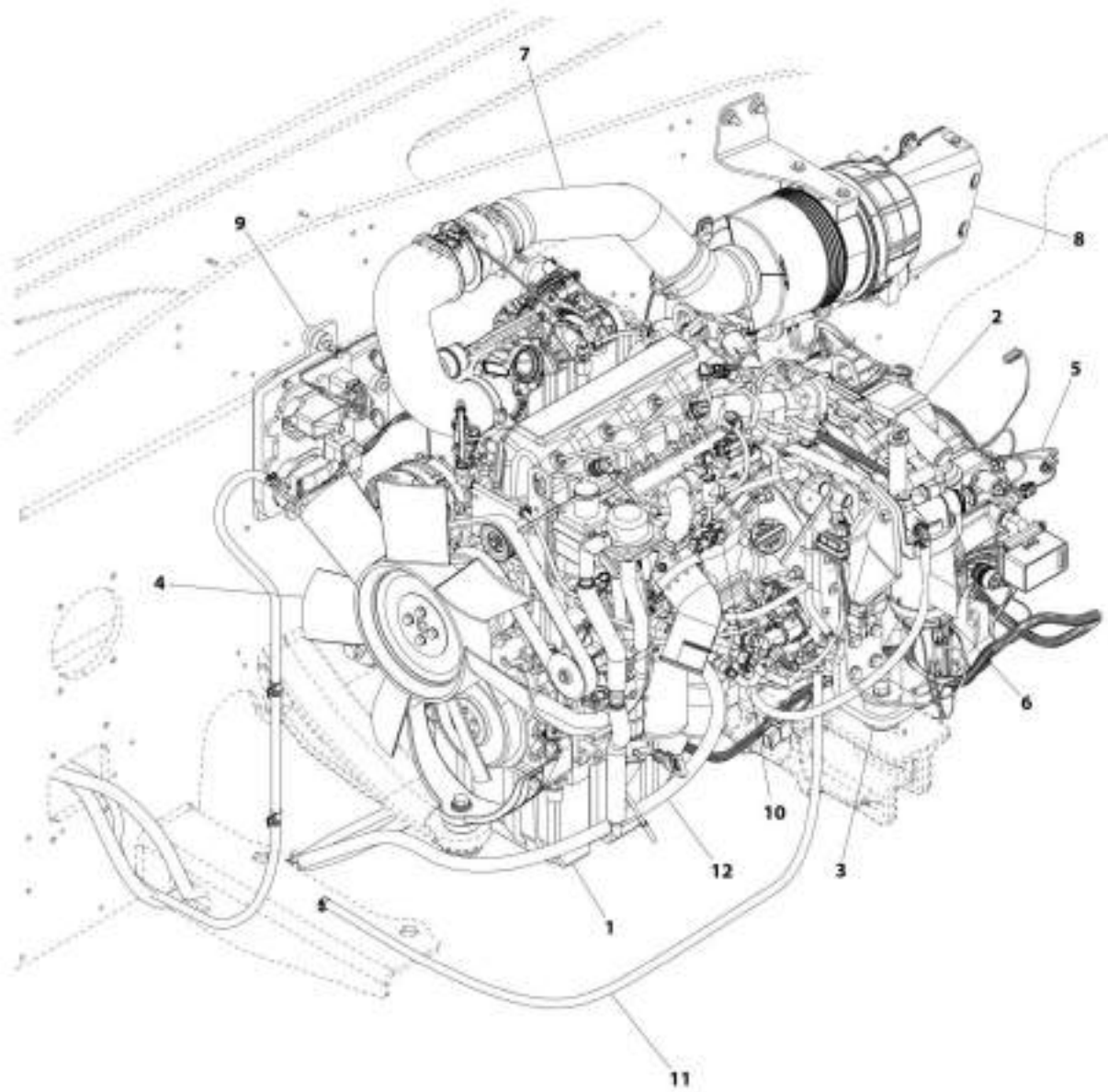


## **SECTION 4 - ENGINE AND ATTACHING PARTS**

## **SECTION 4 - ENGINE AND ATTACHING PARTS**

# SECTION 4 - ENGINE AND ATTACHING PARTS

FIGURE 4-1. ENGINE INSTALLATION (ULS)



ARC\_100159009-H



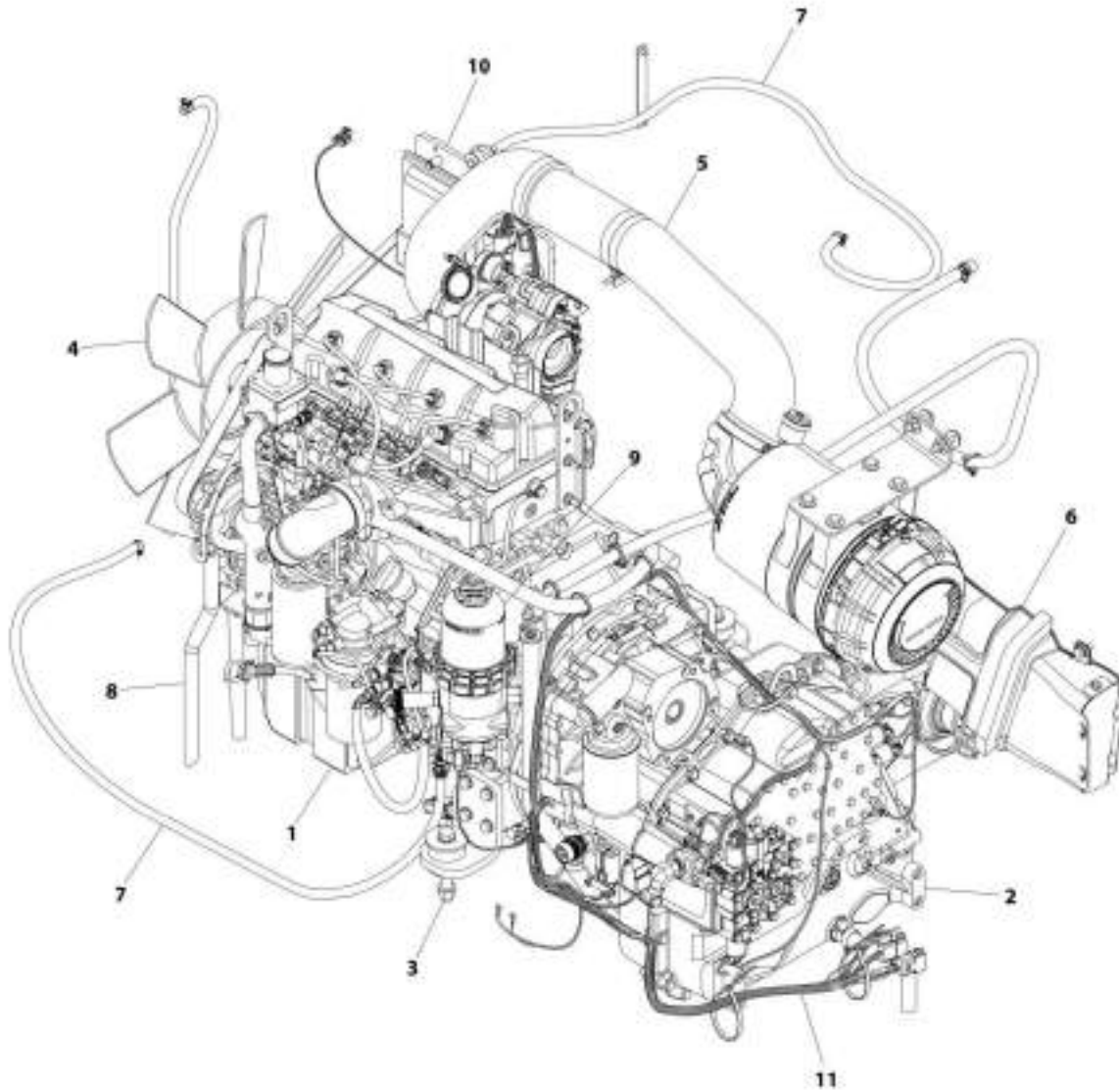
## SECTION 4 - ENGINE AND ATTACHING PARTS

**FIGURE 4-1. ENGINE INSTALLATION (ULS)**

ITEM	PART NUMBER	QTY	DESCRIPTION	REV
	1001169009	Ref	Engine Installation, 110HP (ULS)	H
1	1001154511	Ref	Engine, 110HP (ULS) (See Separate Breakdown in this Section)	
2	1001161664	Ref	Installation, Transmission (See Separate Breakdown in Drivetrain Section)	
3	1001163227	Ref	Installation, Engine Mounting (See Separate Breakdown in Drivetrain Section)	
4	1001163230	Ref	Installation, Fan (See Separate Breakdown in Drivetrain Section)	
5	1001163233	Ref	Installation, Engine Wiring (ULS) (See Separate Breakdown in Electrical Section)	
6	1001163235	Ref	Installation, Primary Fuel Filter (See Separate Breakdown in this Section)	
7	1001169011	Ref	Installation, Air Cleaner Lines (See Separate Breakdown in this Section)	
8	1001169012	Ref	Installation, Air Cleaner (See Separate Breakdown in this Section)	
9	1001194286	Ref	Installation, Engine ECU (See Separate Breakdown in Electrical Section)	
10	1062255	1	Strap, Tie	
11	1001163231	Ref	Installation, Fuel Lines (See Separate Breakdown in this Section)	
12	1001163232	Ref	Installation, DEF Lines (See Separate Breakdown in this Section)	

# SECTION 4 - ENGINE AND ATTACHING PARTS

## FIGURE 4-2. ENGINE INSTALLATION (LS)



ART\_1001180390-D

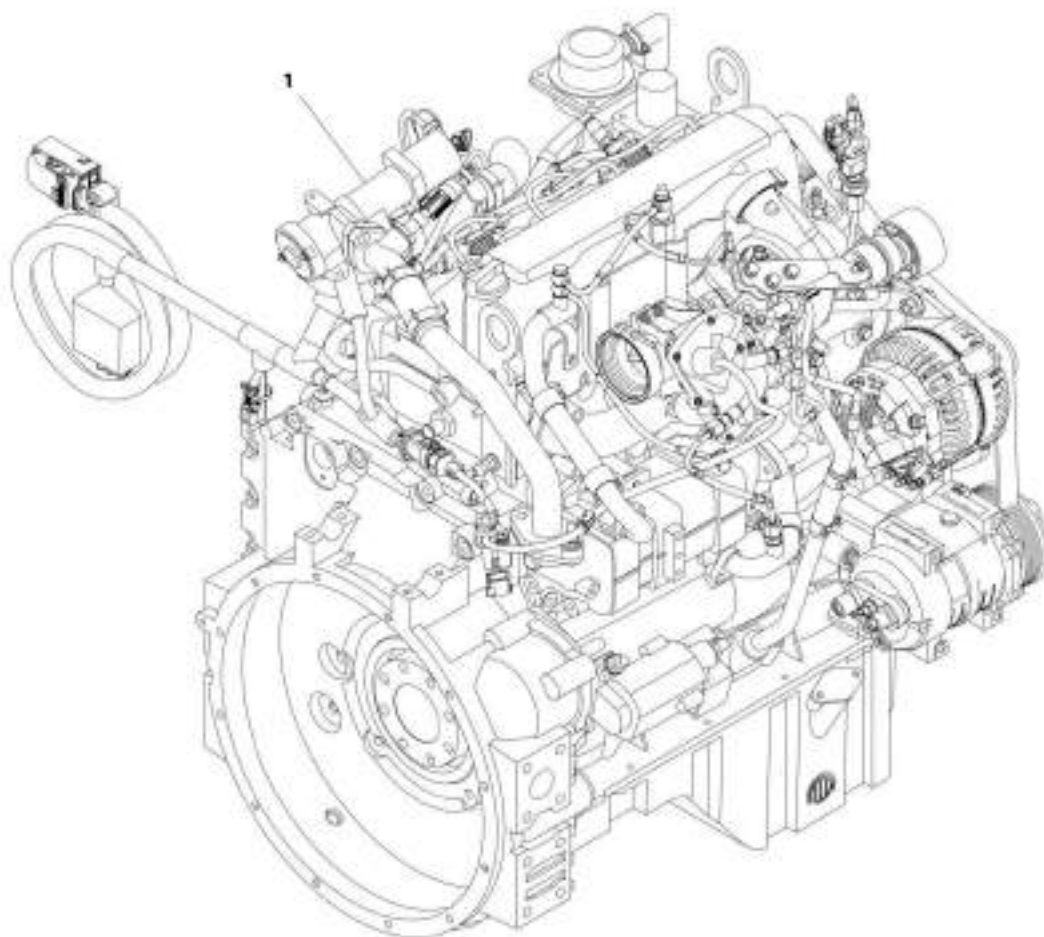
## SECTION 4 - ENGINE AND ATTACHING PARTS

**FIGURE 4-2. ENGINE INSTALLATION (LS)**

ITEM	PART NUMBER	QTY	DESCRIPTION	REV
	1001160396	Ref	ENGINE INSTALLATION, 110HP (LS)	D
1	1001154790	Ref	Engine, 110HP (LS) (See Separate Breakdown in this Section)	
2	1001161664	Ref	Installation, Transmission (See Separate Breakdown in Drivetrain Section)	
3	1001163227	Ref	Installation, Engine Mounting (See Separate Breakdown in this Section)	
4	1001163230	Ref	Installation, Fan (See Separate Breakdown in this Section)	
5	1001163238	Ref	Installation, Air Intake Lines (LS) (See Separate Breakdown in this Section)	
6	1001163239	Ref	Installation, Air Cleaner (LS) (See Separate Breakdown in this Section)	
7	1001163241	Ref	Installation, Fuel Lines (LS) (See Separate Breakdown in this Section)	
8	1001176228	1	Hose, 3.8L	
9	1001180076	Ref	Installation, Primary Fuel Filter (LS) (See Separate Breakdown in this Section)	
10	1001180242	Ref	Installation, Engine ECM (LS) (See Separate Breakdown in Electrical Section)	
11	1001163242	Ref	Installation, Engine Wiring (LS) (See Separate Breakdown in Electrical Section)	

## SECTION 4 - ENGINE AND ATTACHING PARTS

FIGURE 4-3. 3.8L ENGINE (ULS)



ART\_1001154011-P

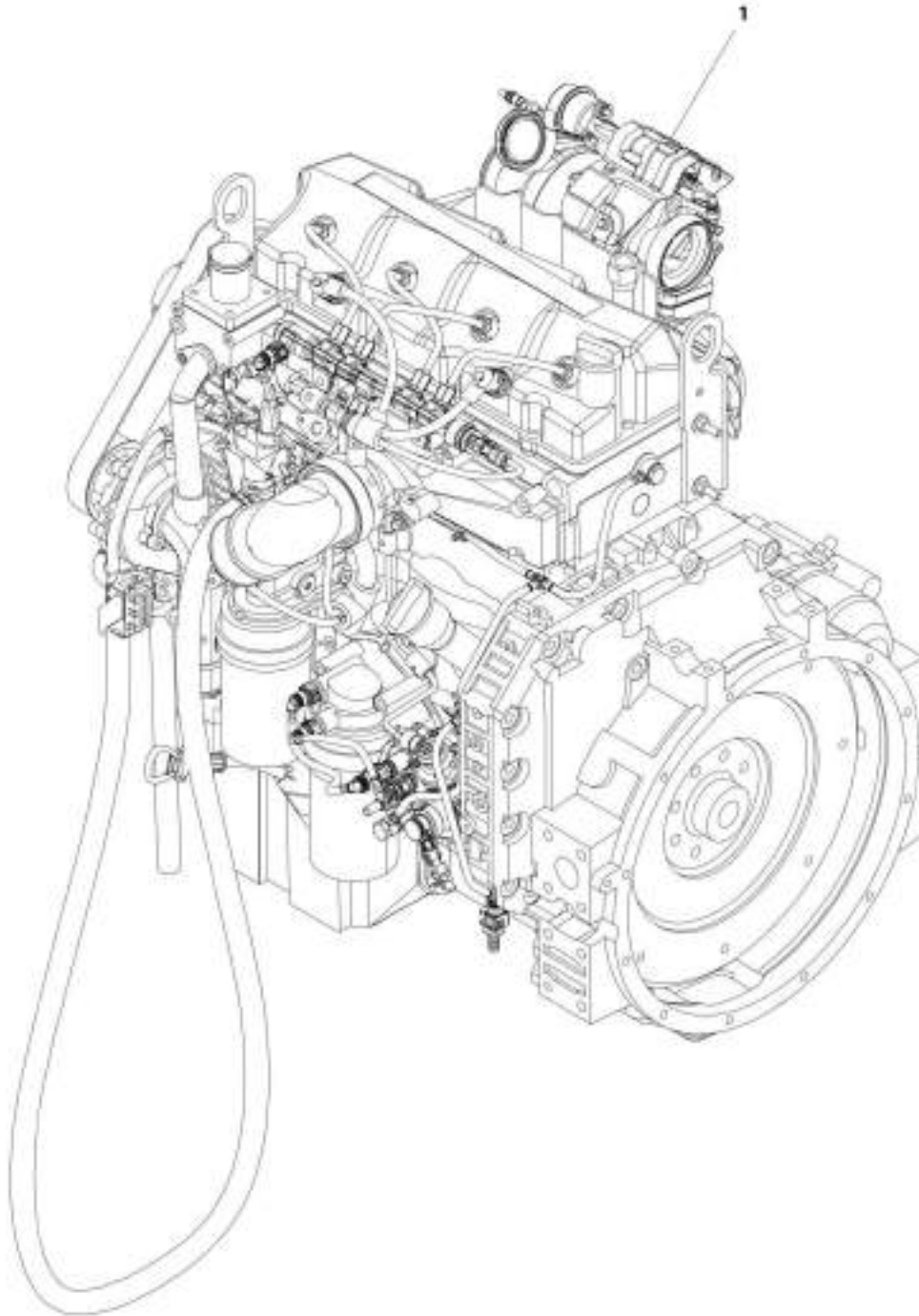
## SECTION 4 - ENGINE AND ATTACHING PARTS

**FIGURE 4-3. 3.8L ENGINE (ULS)**

ITEM	PART NUMBER	QTY	DESCRIPTION	REV
	1001154511	1	Engine, QSF 3.8L (if equipped for ULS)	P
	70026220	1	Assembly, Secondary Fuel Filter (includes shell, seal and cartridge)	
	70026453	1	Cartridge, Fuel Filter	
	70026223	1	Pan, Oil	
	70026224	1	Seal, Oil Pan	
	70026225	1	Plug, Oil Pan	
	70026226	1	Seal, Oil Pan Plug	
	1001128594	1	Starter	
	70026228	1	Filler Cap, Valve Cover	
	70026229	1	Fan Belt, V-Ribbed	
	70026230	1	Support, Fan	
	70026231	1	Pulley, Fan	
	70026232	1	Alternator	
	70026233	NLA	Assembly, Primary Fuel Filter, (includes filter head, seal and element), (no longer available, use 70028450 for replacement)	
	70028450	1	Assembly, Primary Fuel Filter, (includes filter head, seal and element)	
	70026235	1	Assembly, Dipstick Oil Level	
	70026236	1	Assembly, Block Heater	
	70026241	1	Assembly, Fuel Filter Plug	
	70026237	1	Filter, Oil	
	70023933	1	O-Ring, Oil Pressure Switch	
	70041620	2	Ring, Retaining	
	70041616	1	Bolt	
	70041617	1	Bearing, Ball	
	70041619	1	Retainer, Fan Hub	
	1322039	1	Spacer, Fan Pilot	
	1321094	16	Bolt, Fan Drive	
	70024016	1	Cap, Side Oil Fill	
	70022634	1	Flywheel w/Ring Gear	
	70023736	1	Ring Gear, Flywheel	
	1322040	1	Plug, Flywheel	

## SECTION 4 - ENGINE AND ATTACHING PARTS

FIGURE 4-4. 3.8L ENGINE (LS)



887\_1001154796-1

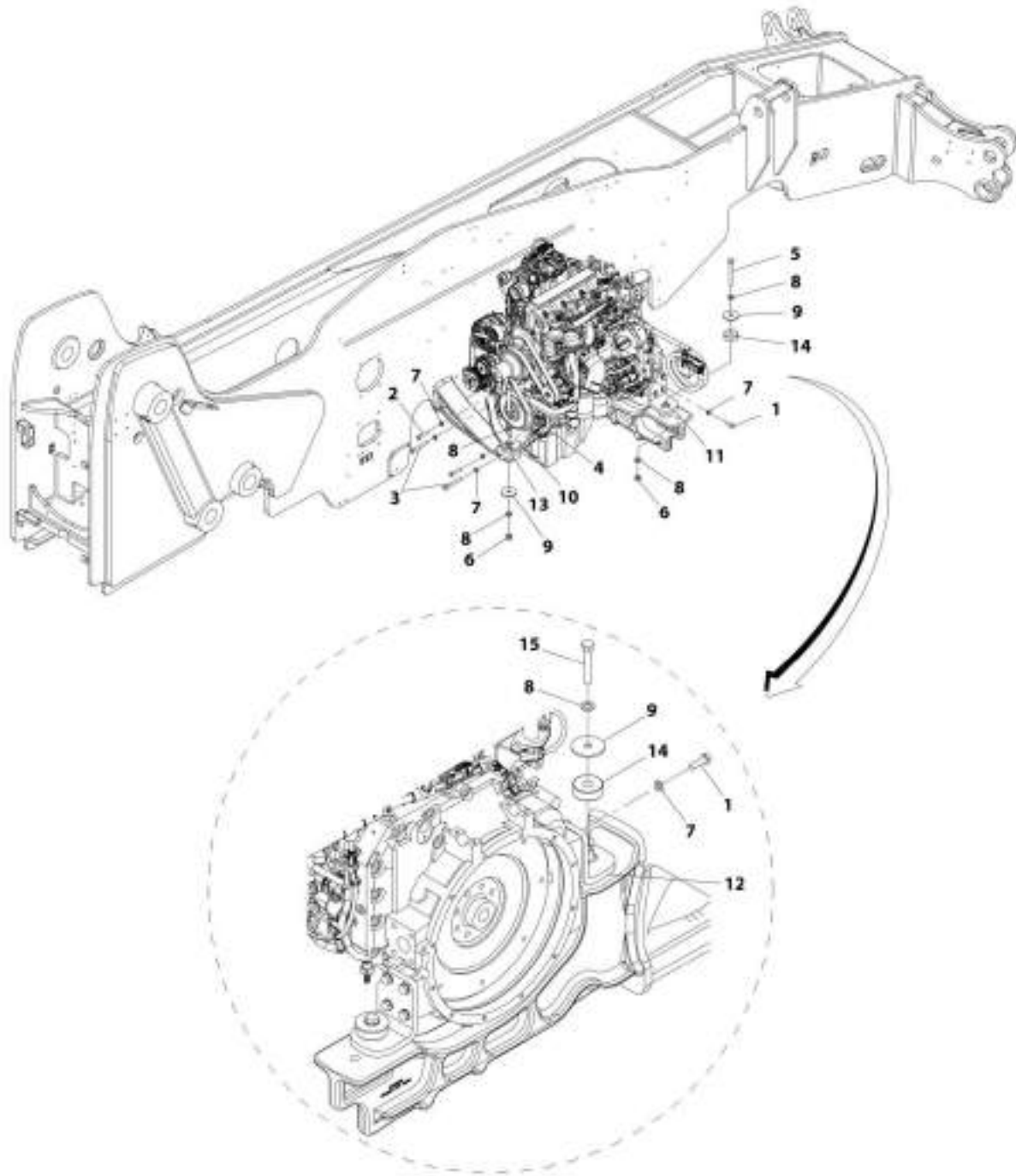
## SECTION 4 - ENGINE AND ATTACHING PARTS

### FIGURE 4-4. 3.8L ENGINE (LS)

ITEM	PART NUMBER	QTY	DESCRIPTION	REV
	1001154790	Ref	3.8L Engine (LS)	J
	70026800	1	Fuel Filter Assembly	
	70026801	1	Fuel Filter Element	
	70026222	1	Assembly, Flywheel Housing	
	70027281	1	Pan, Oil	
	70026224	1	Seal, Oil Pan	
	70026225	1	Plug, Oil Pan	
	70026226	1	Seal, Oil Pan Plug	
	1001128594	1	Starter	
	70026228	1	Filler Cap, Valve Cover	
	70026229	1	Fan Belt, V-Ribbed	
	70026230	1	Support, Fan	
	70026231	1	Pulley, Fan	
	70026232	1	Alternator	
	70026233	1	Assembly, Primary Fuel Filter	
	70026234	1	Element, Fuel Filter	
	70026235	1	Assembly, Dipstick Oil Level	
	70026241	1	Assembly, Fuel Filter Plug	
	70026237	1	Filter, Oil	
	70041620	2	Ring, Retaining	
	70041616	1	Bolt	
	70041617	1	Bearing, Ball	
	70041619	1	Retainer, Fan Hub	
	1322039	1	Spacer, Fan Pilot	
	1321094	17	Screw	
	70024016	1	Cap, Side Oil Fill	
	70022634	1	Flywheel w/Ring Gear	
	70023736	1	Ring Gear, Flywheel	
	1322040	1	Plug, Flywheel	

# SECTION 4 - ENGINE AND ATTACHING PARTS

## FIGURE 4-5. ENGINE MOUNTING INSTALLATION



AHT\_1001163327-H



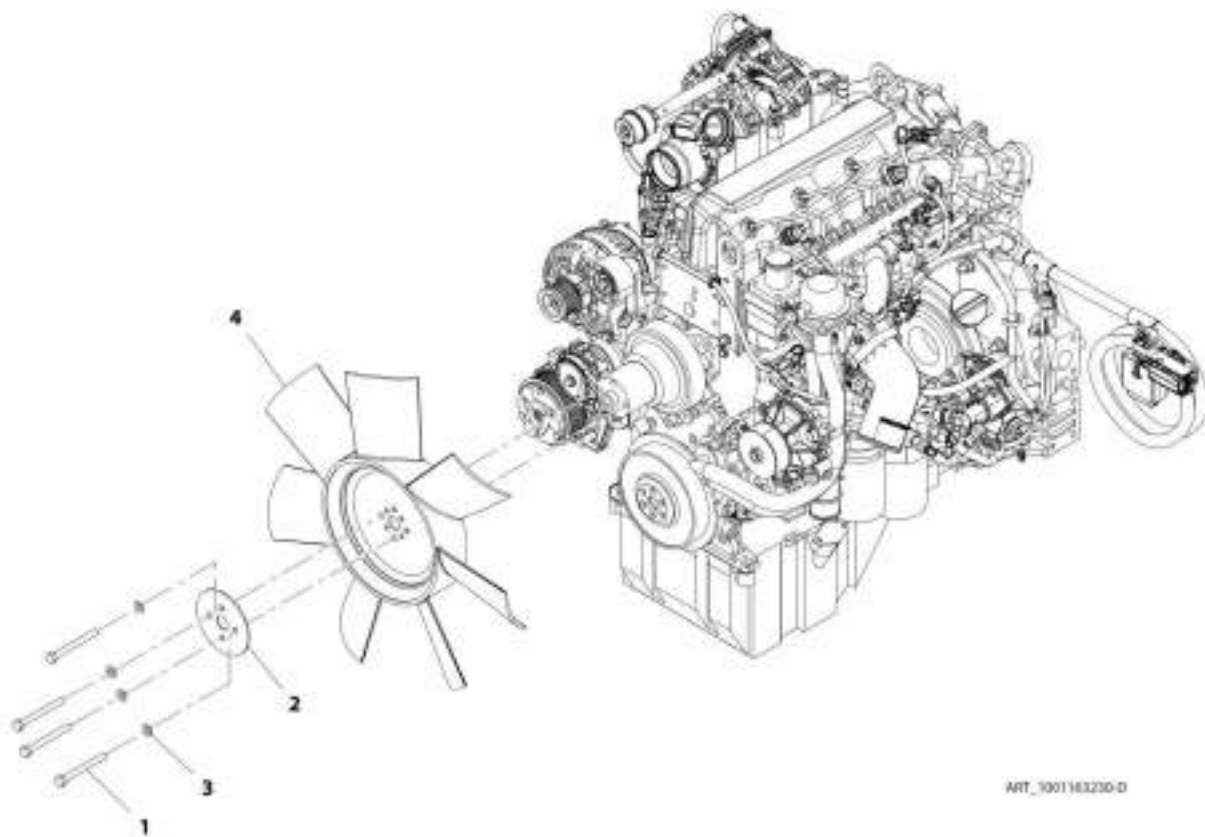
## SECTION 4 - ENGINE AND ATTACHING PARTS

**FIGURE 4-5. ENGINE MOUNTING INSTALLATION**

ITEM	PART NUMBER	QTY	DESCRIPTION	REV
	1001163227	Ref	Engine Mounting Installation	H
1	0701216	8	Bolt, M12X40	
2	0701220	2	Bolt, M12X60	
3	0701227	2	Bolt, M12X100	
4	0711629	1	Bolt, M16x120	
5	0711630	1	Bolt, M16X130	
6	3331615	2	Nut, M16	
7	4812100	12	Washer, M12	
8	4812300	5	Washer, M16	
9	7300435	3	Washer	
10	1001160116	1	Bracket, Engine	
11	1001168795	1	Plate, Engine Mount	
12	1001168797	1	Plate, Engine Mount	
13	1001160888	1	Mount, Isolator Engine	
14	1001195518	2	Mount, Isolator Engine	
15	0711626	1	Bolt, M16X90	

## SECTION 4 - ENGINE AND ATTACHING PARTS

FIGURE 4-6. FAN INSTALLATION



ART\_3001183230-D

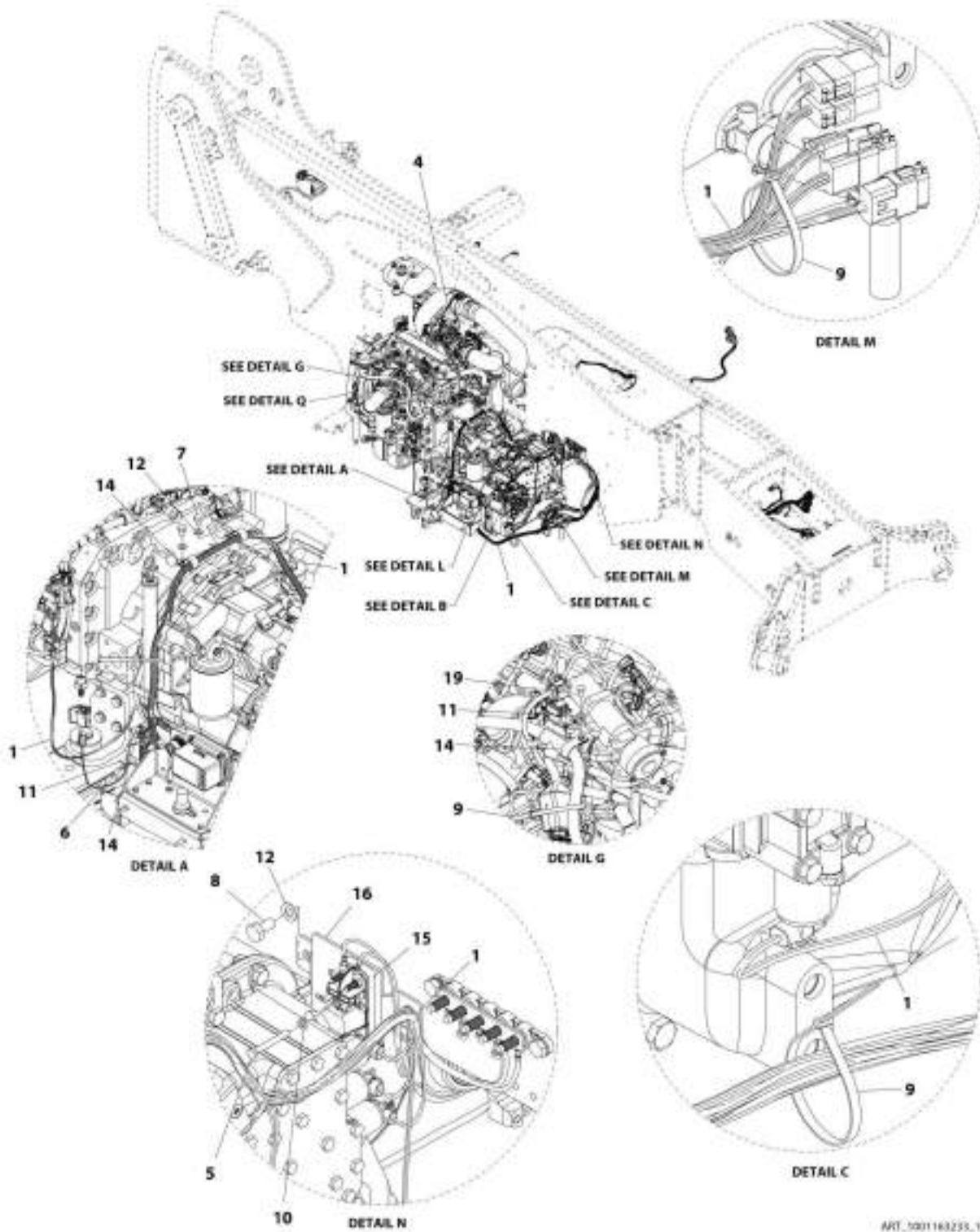
## SECTION 4 - ENGINE AND ATTACHING PARTS

### FIGURE 4-6. FAN INSTALLATION

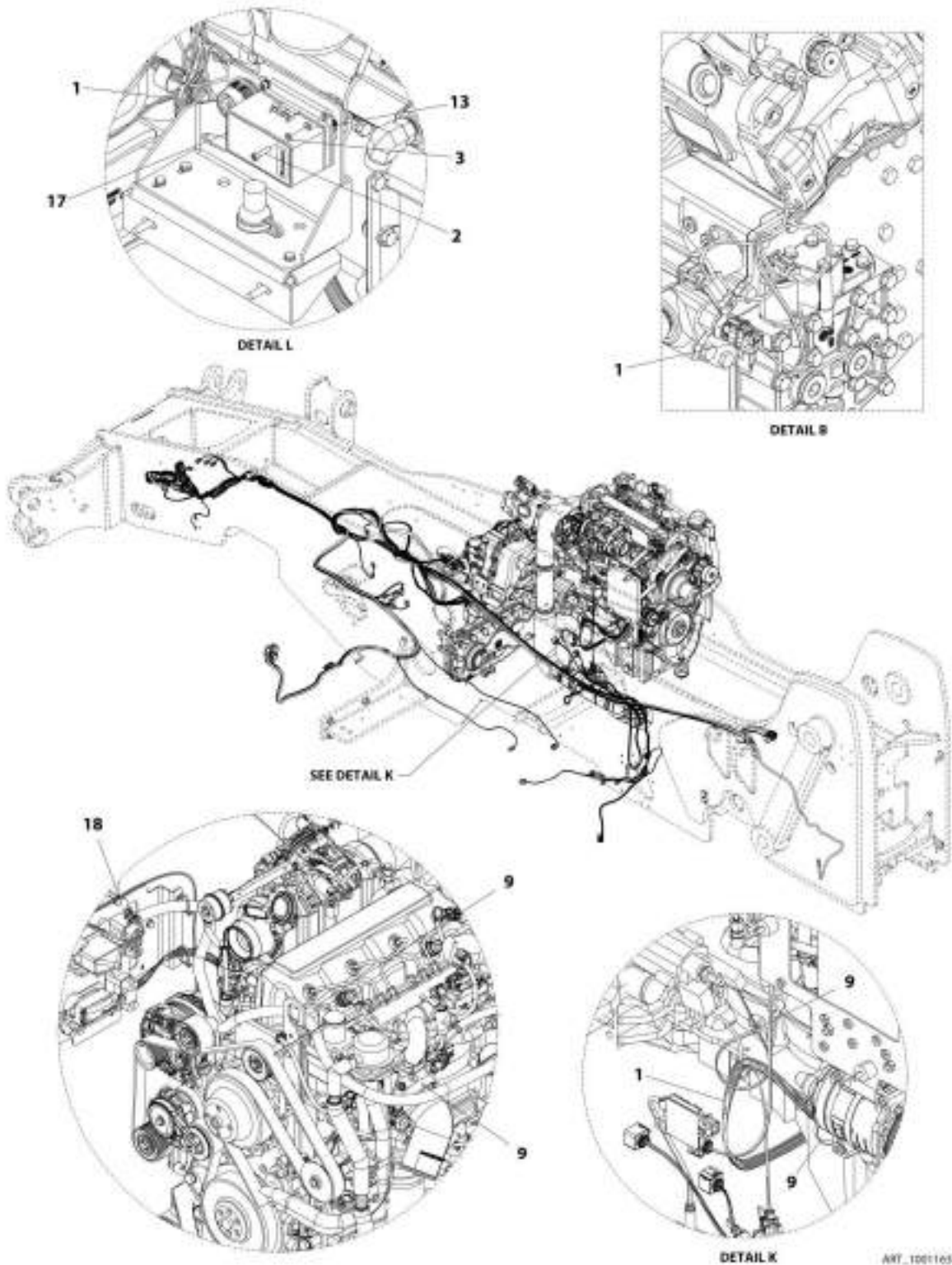
ITEM	PART NUMBER	QTY	DESCRIPTION	REV
	1001163230	Ref	Fan Installation	D
1	0701027	4	Bolt, M10X100	
2	3575947	1	Plate	
3	4812000	4	Washer, M10	
4	1001175269	1	Fan, Cooling	

# SECTION 4 - ENGINE AND ATTACHING PARTS

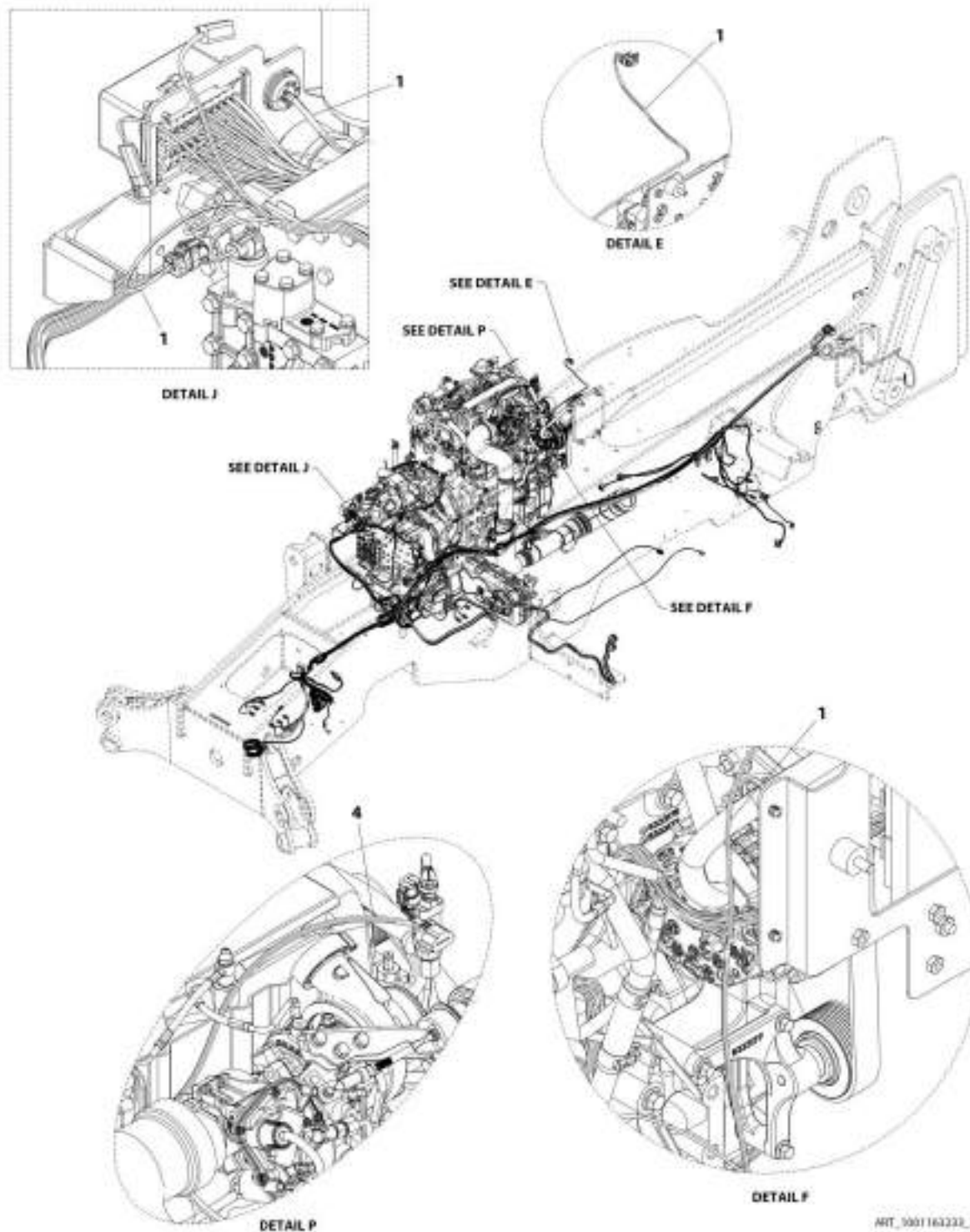
## FIGURE 4-7. ENGINE WIRING INSTALLATION (ULS)



# SECTION 4 - ENGINE AND ATTACHING PARTS



# SECTION 4 - ENGINE AND ATTACHING PARTS



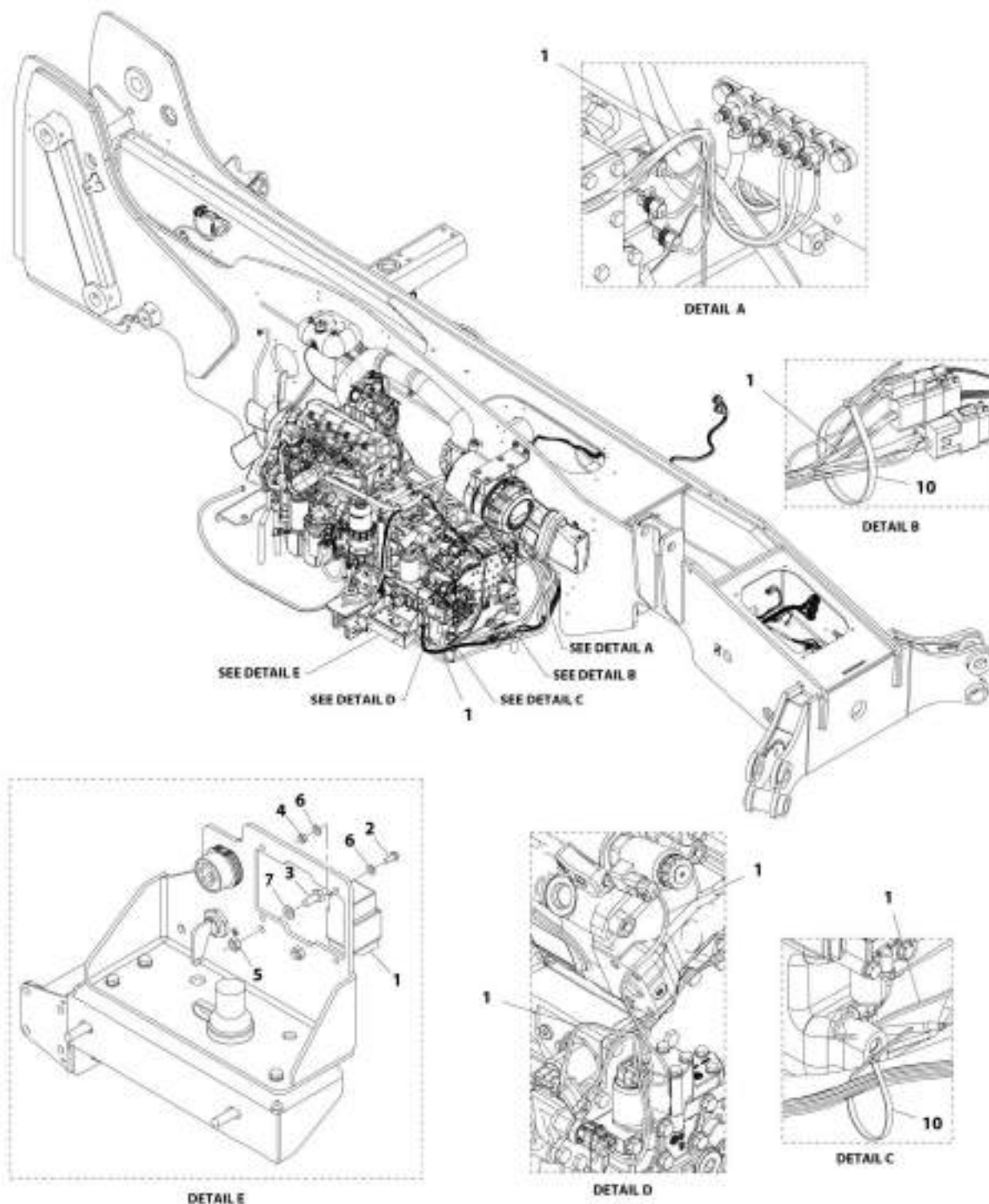
## SECTION 4 - ENGINE AND ATTACHING PARTS

**FIGURE 4-7. ENGINE WIRING INSTALLATION (ULS)**

ITEM	PART NUMBER	QTY	DESCRIPTION	REV
	1001163233	Ref	Engine Wiring Installation (ULS)	K
1		Ref	Harness, Engine (ULS) (See Separate Breakdown in this Section)	
2	4031608	4	Screw, M5X20	
3	4811600	4	Washer, M5	
4	1001184835	1	Harness, TBAP (See TBAP HARNESS for Breakdown)	
5	0700618	1	Bolt, M6X50	
6	0760808	1	Bolt, M8X16	
7	0761007	2	Bolt, M10X14	
8	0761010	2	Bolt, M10X20	
9	1062255	8	Strap, Tie	
10	4811700	1	Washer, M6	
11	4811900	2	Washer, M8	
12	4812000	4	Washer, M10	
13	4831600	4	Washer, Lock M5	
14	8406201	4	Clip, Tube	
15	1001131177	1	Fuse, Power Module	
16	1001189046	1	Bracket	
17	1001191486	1	Decal	
18	1001167646	1	Connector, Strain Relief	
19	0760807	1	Bolt, M8X14	

# SECTION 4 - ENGINE AND ATTACHING PARTS

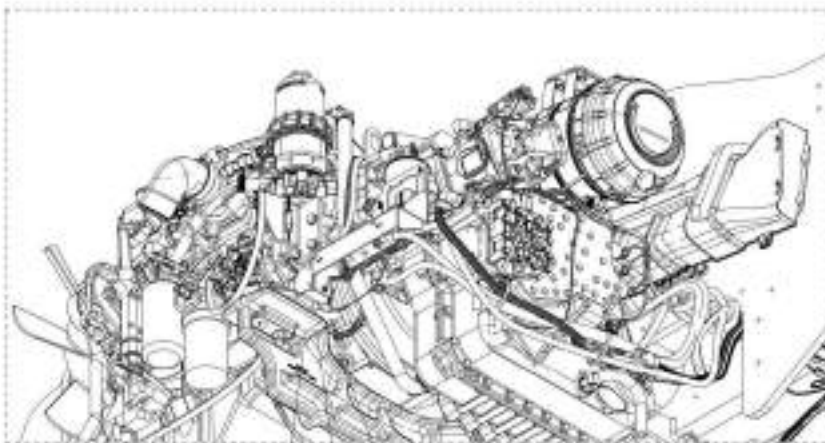
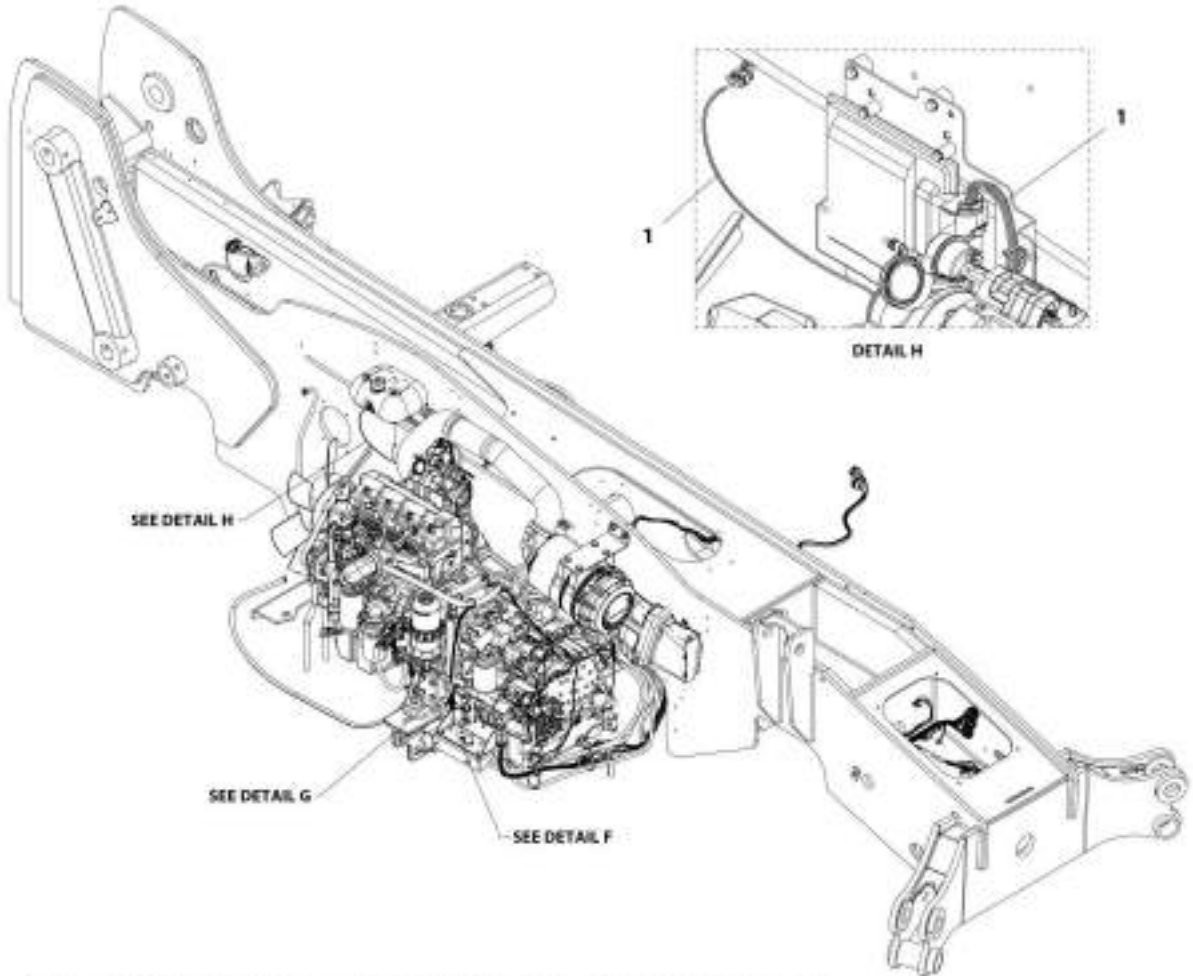
## FIGURE 4-8. ENGINE WIRING INSTALLATION (LS)



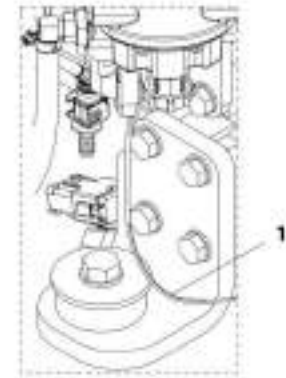
ART\_1001163242\_I-H



# SECTION 4 - ENGINE AND ATTACHING PARTS



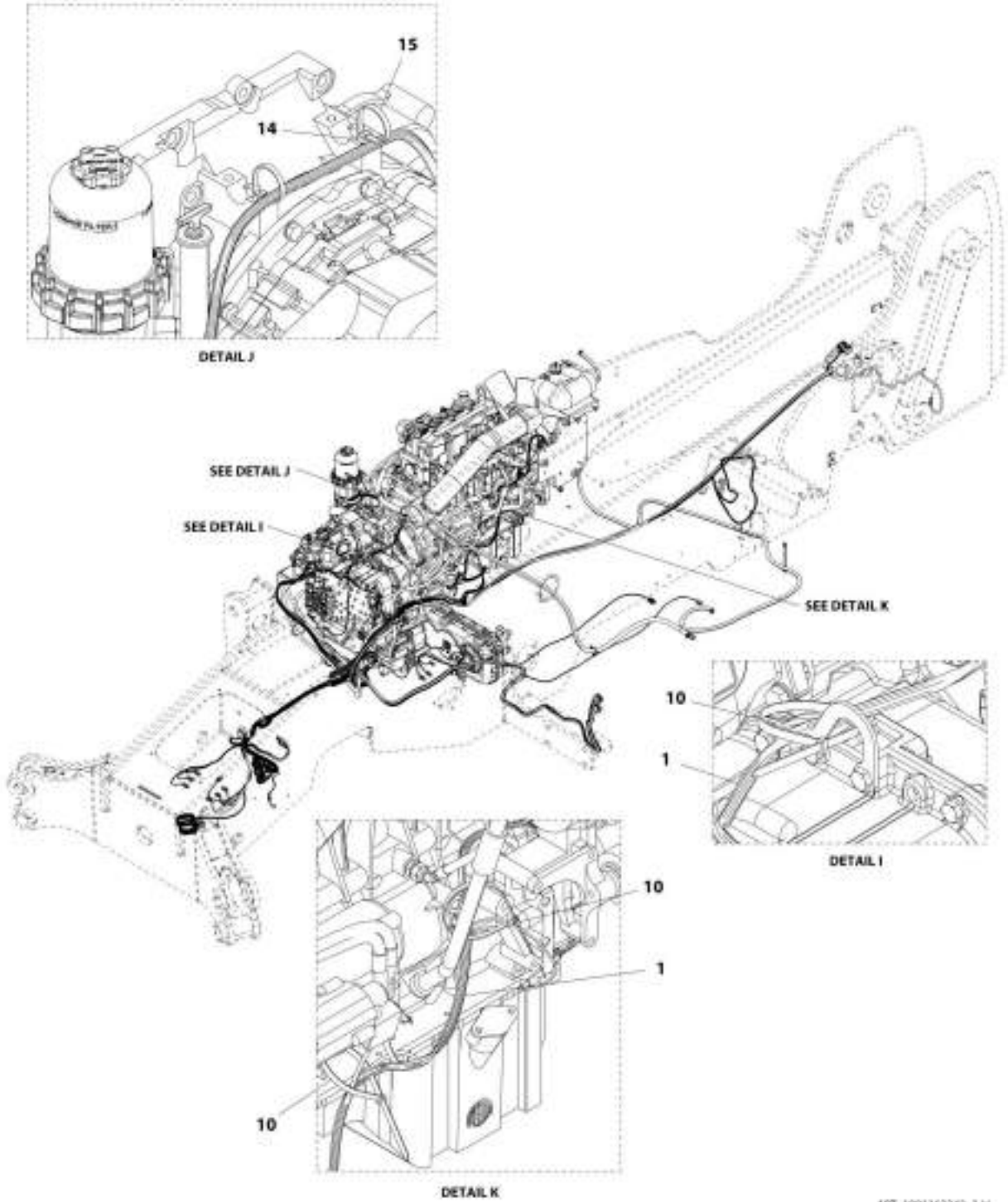
8 11 13 DETAIL F



DETAIL G

ART\_1001185242\_2-H

# SECTION 4 - ENGINE AND ATTACHING PARTS



AWT\_10011632M2\_3-H

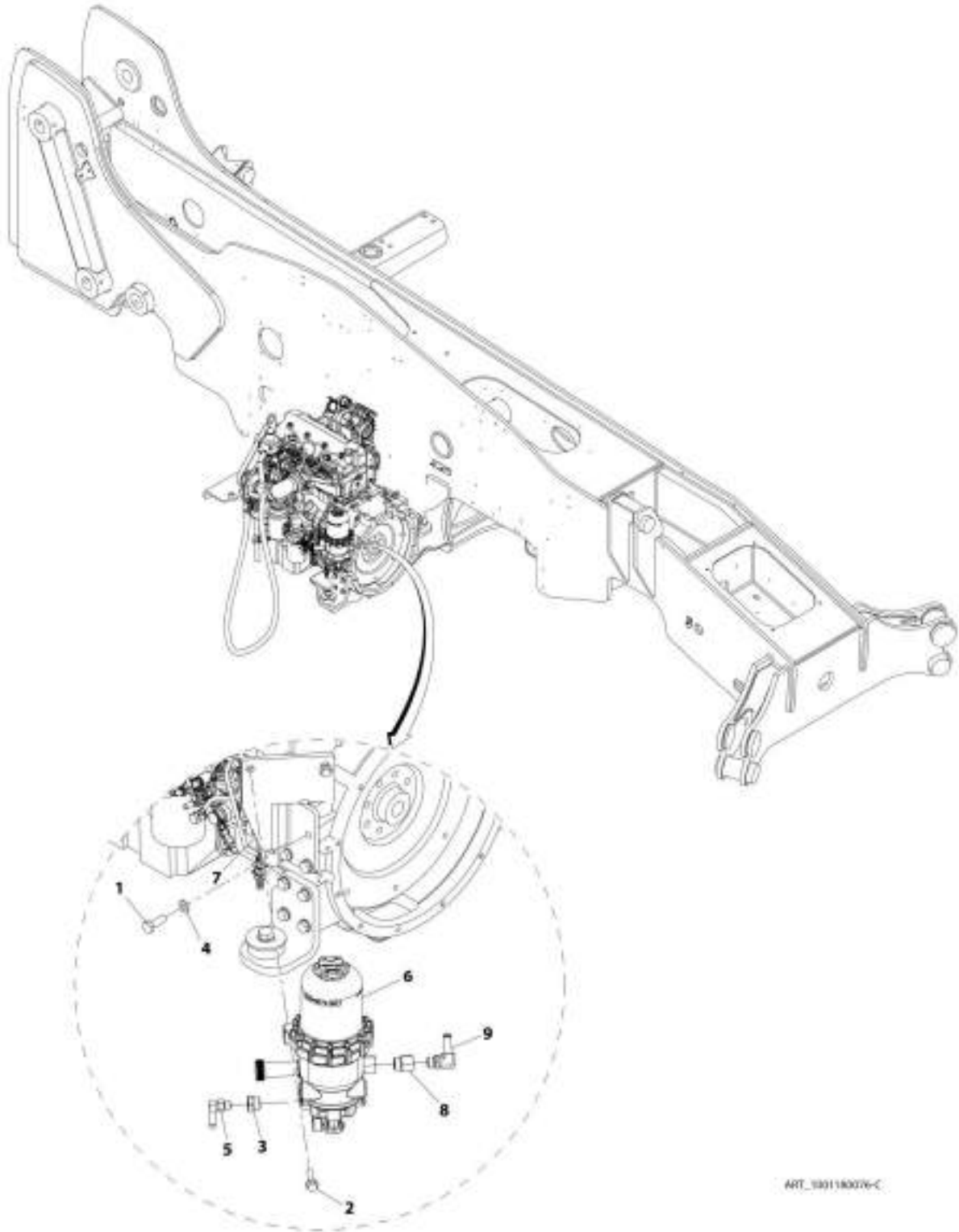
## SECTION 4 - ENGINE AND ATTACHING PARTS

### FIGURE 4-8. ENGINE WIRING INSTALLATION (LS)

ITEM	PART NUMBER	QTY	DESCRIPTION	REV
	1001163242	Ref	Engine Wiring Installation (LS)	H
1		Ref	Harness, Engine (LS) (See Separate Breakdown in this Section)	
2	0760405	1	Bolt, M4X10	
3	0760607	2	Bolt, M6X14	
4	3290401	1	Nut, M4X0.7	
5	3290601	2	Nut, M6X1 Grade 8	
6	4811400	2	Washer, M4	
7	4811700	2	Washer, M6	
8	0760808	1	Bolt, M8X16	
10	1062255	5	Strap, Tie	
11	4811900	1	Washer, M8	
13	8406201	1	Clip	
14	1001202986	2	Strap, Tie	
15	1001008559	2	Strap, Tie	

# SECTION 4 - ENGINE AND ATTACHING PARTS

FIGURE 4-9. PRIMARY FUEL FILTER INSTALLATION (LS)



ART\_1001180076-C

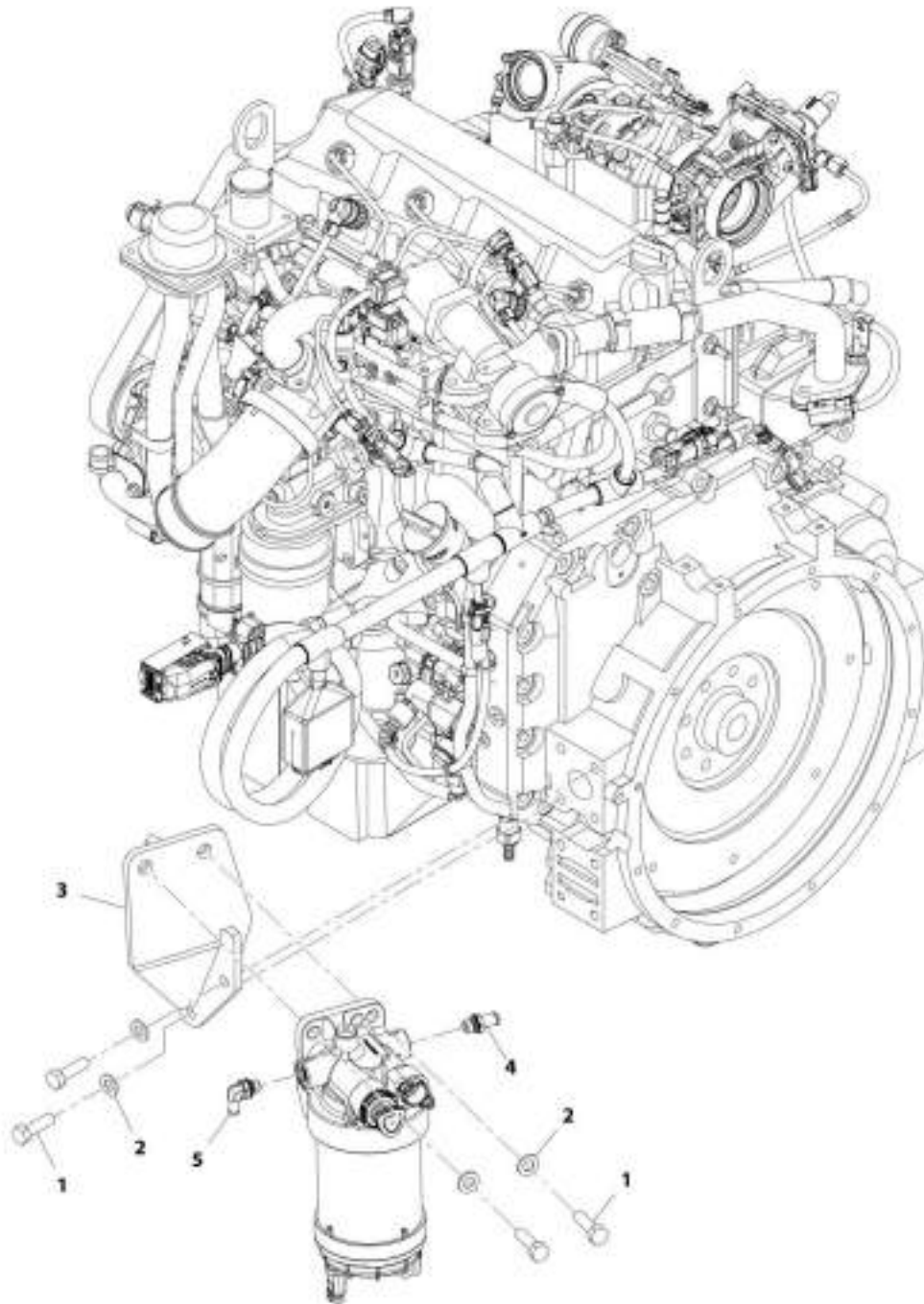
## SECTION 4 - ENGINE AND ATTACHING PARTS

FIGURE 4-9. PRIMARY FUEL FILTER INSTALLATION (LS)

ITEM	PART NUMBER	QTY	DESCRIPTION	REV
	1001180076	Ref	Primary Fuel Filter Installation (LS)	C
1	0701215	3	Bolt, M12X35	
2	0781016	2	Bolt, M10X40	
3	2220218	1	Fitting, Straight ORFS	
4	4812100	3	Washer, M12	
5	8430034	1	Elbow, 90	
6	1001133534	1	Filter, Fuel	
7	1001180078	1	Bracket, Fuel Filter Mount	
8	2220810	1	Fitting, Straight	
9	1001200239	1	Fitting, 90 ORFS	

## SECTION 4 - ENGINE AND ATTACHING PARTS

FIGURE 4-10. PRIMARY FUEL FILTER INSTALLATION (ULS)



ART. 3001162205-F

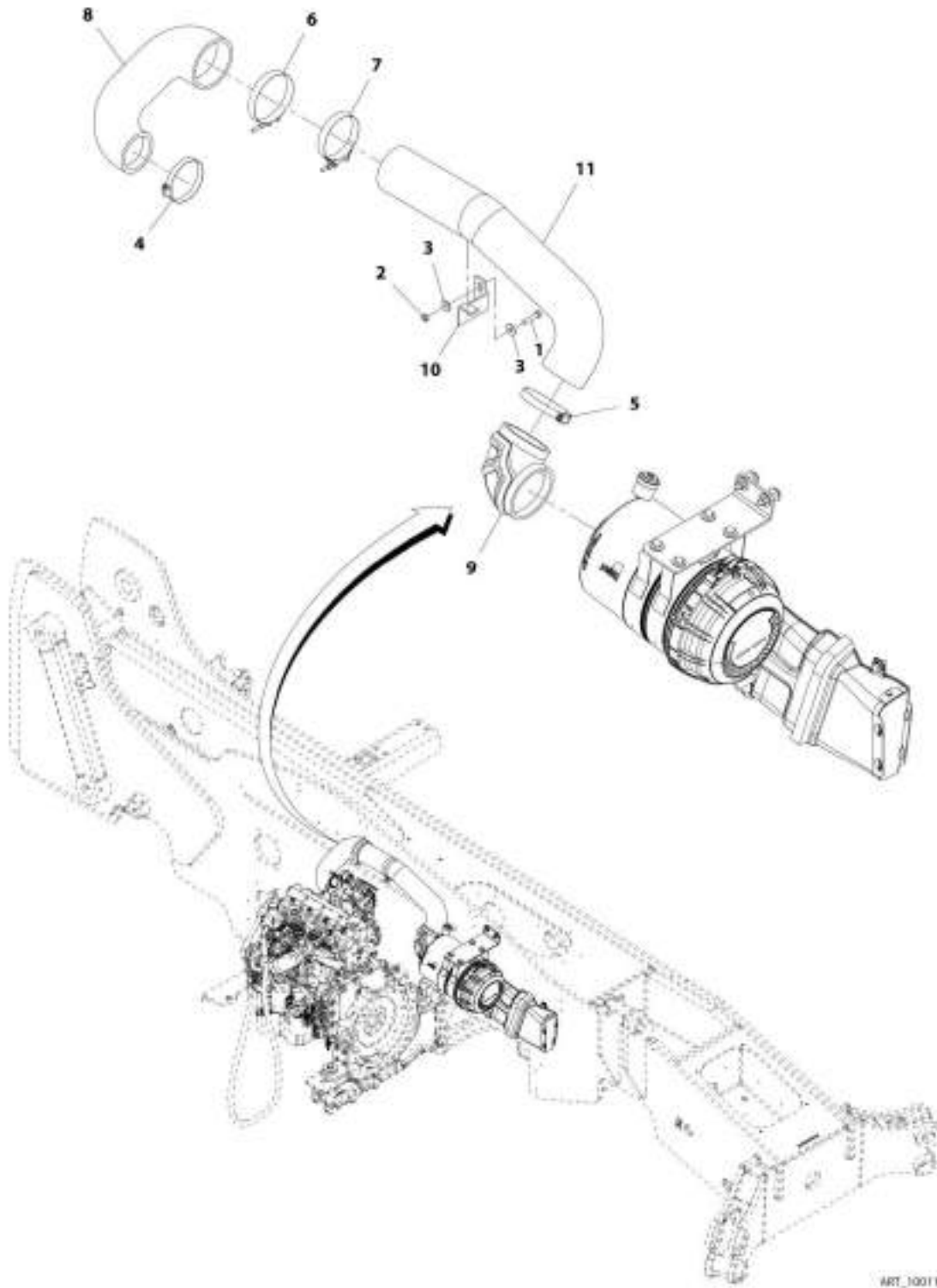
## SECTION 4 - ENGINE AND ATTACHING PARTS

FIGURE 4-10. PRIMARY FUEL FILTER INSTALLATION (ULS)

ITEM	PART NUMBER	QTY	DESCRIPTION	REV
	1001163235	Ref	Primary Fuel Filter Installation	F
1	0701216	4	Bolt, M12X40	
2	4812100	4	Washer, M12	
3	1001206019	1	Bracket, Fuel Filter Mount	
4	1001217467	1	Barb, Hose	
5	1001182094	1	Hose	

# SECTION 4 - ENGINE AND ATTACHING PARTS

## FIGURE 4-11. AIR CLEANER LINES INSTALLATION (LS)





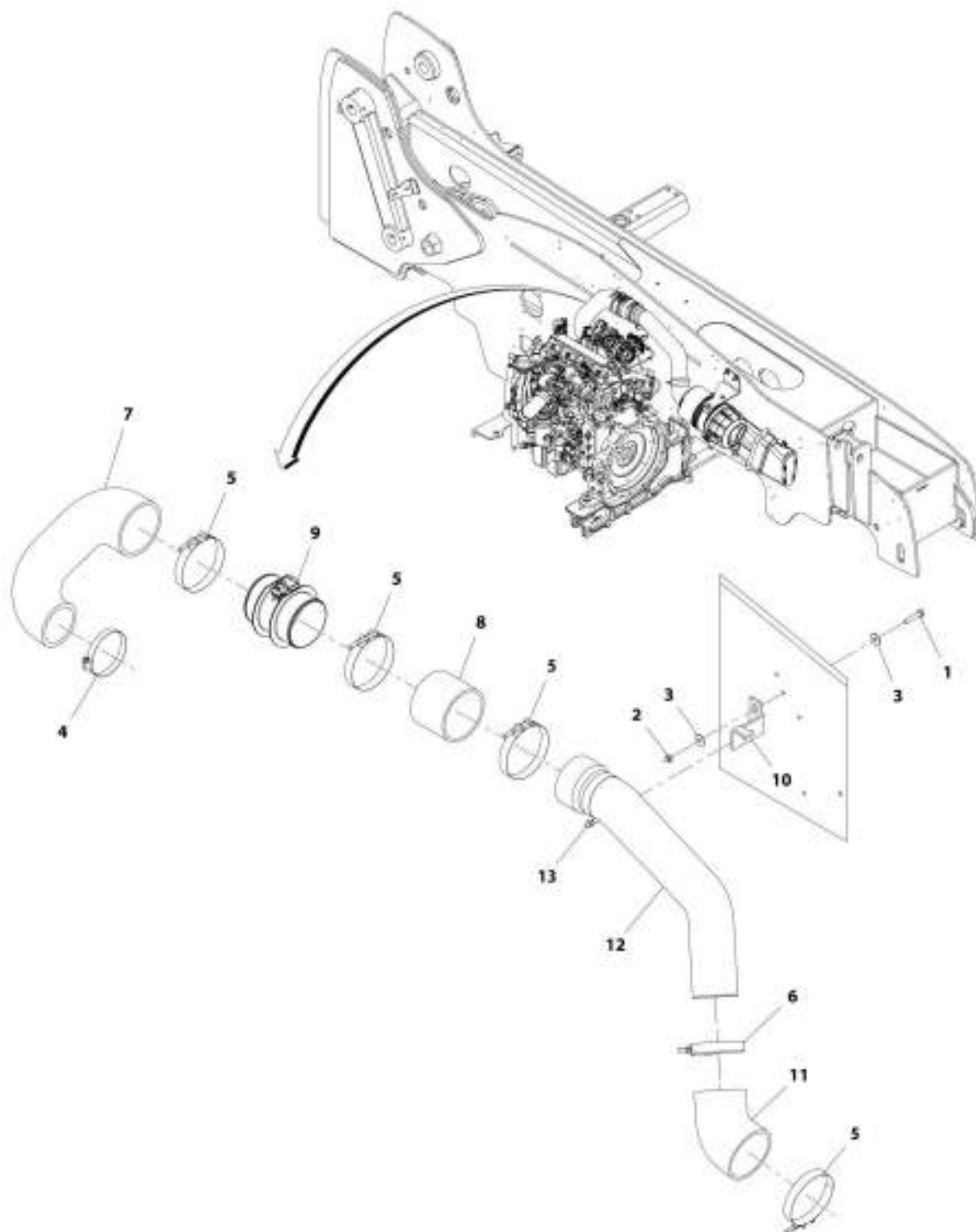
## SECTION 4 - ENGINE AND ATTACHING PARTS

FIGURE 4-11. AIR CLEANER LINES INSTALLATION (LS)

ITEM	PART NUMBER	QTY	DESCRIPTION	REV
	1001163238	Ref	Air Intake Lines Installation (LS)	C
1	0700816	1	Bolt, M8X40	
2	3290801	1	Nut, M8X1.25 Grade 8	
3	4811902	2	Washer, M8	
4	8410011	1	Clamp	
5	10719267	1	Clamp	
6	80933367	1	Clamp	
7	91413025	1	Clamp	
8	1001166449	1	Hose	
9	1001166451	1	Elbow	
10	1001169155	1	Bracket	
11	1001185498	1	Tube	

# SECTION 4 - ENGINE AND ATTACHING PARTS

## FIGURE 4-12. AIR CLEANER LINES INSTALLATION (ULS)



ART\_1001599011-C

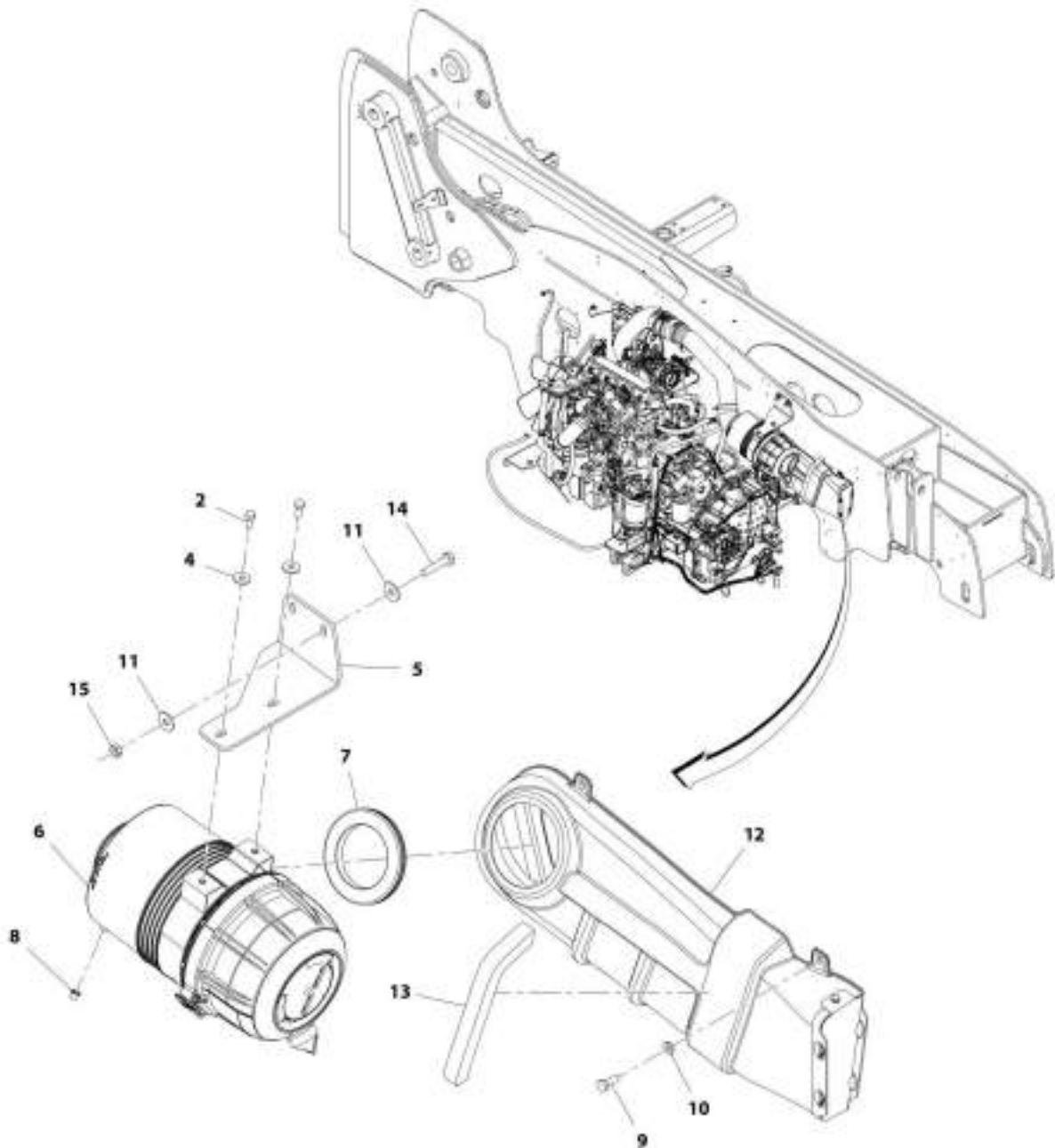
## SECTION 4 - ENGINE AND ATTACHING PARTS

**FIGURE 4-12. AIR CLEANER LINES INSTALLATION (ULS)**

ITEM	PART NUMBER	QTY	DESCRIPTION	REV
	1001169011	Ref	Air Cleaner Lines Installation	C
1	0700816	1	Bolt, M8X40	
2	3290801	1	Nut, M8X1.25 Grade 8	
3	4811902	2	Washer, M8	
4	8410011	1	Clamp	
5	80933367	4	Clamp	
6	91413025	1	Clamp	
7	1001166449	1	Hose	
8	1001166450	1	Hose	
9	1001168771	1	Tube	
10	1001169155	1	Bracket	
11	1001185505	1	Elbow	
12	1001185497	1	Tube	
13	8410007	1	Clamp, T-Bolt	

# SECTION 4 - ENGINE AND ATTACHING PARTS

## FIGURE 4-13. AIR CLEANER INSTALLATION (ULS)



ART\_100159013-F

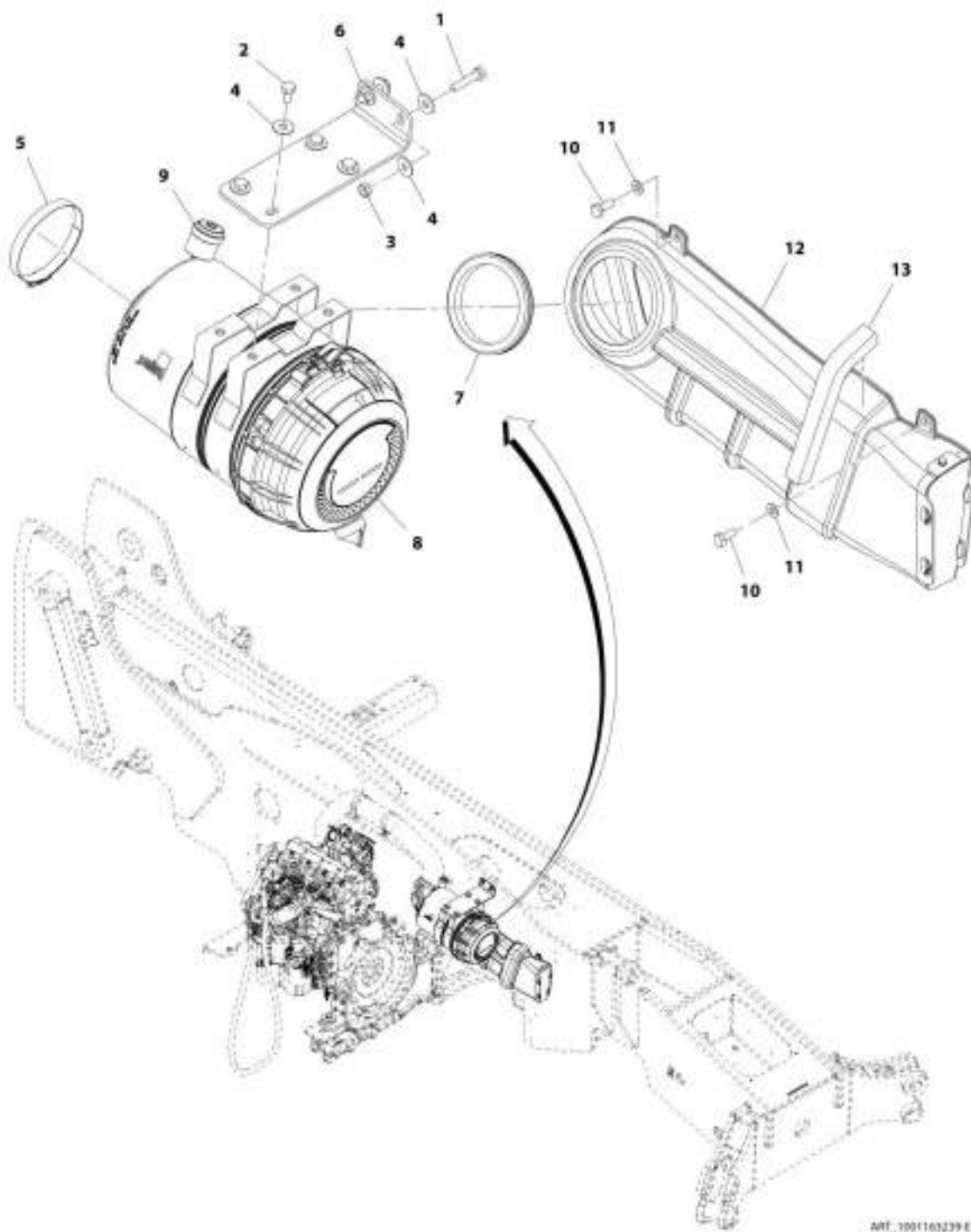
## SECTION 4 - ENGINE AND ATTACHING PARTS

FIGURE 4-13. AIR CLEANER INSTALLATION (ULS)

ITEM	PART NUMBER	QTY	DESCRIPTION	REV
	1001169012	Ref	Air Cleaner Installation	F
2	0760810	2	Bolt, M8X20	
4	4811902	2	Washer, M8	
5	1001185278	1	Bracket	
6	1001166566	1	Filter, Air Cleaner (See Separate Breakdown in this Section)	
7	1001183830	1	Grommet, Intake	
8	1001183177	1	Cap, Air Cleaner	
9	0761012	4	Bolt, M10X25	
10	4812000	4	Washer, M10	
11	4812002	4	Washer, M10	
12	1001183835	1	Installation, Air Intake Duct (See Separate Breakdown in this Section)	
13	1001186898	1	Seal	
14	0701018	2	Bolt, M8X50	
15	3291001	1	Nut, M10X1.5 Grade 8	

## SECTION 4 - ENGINE AND ATTACHING PARTS

FIGURE 4-14. AIR CLEANER INSTALLATION (LS)



ART\_1001163239-E

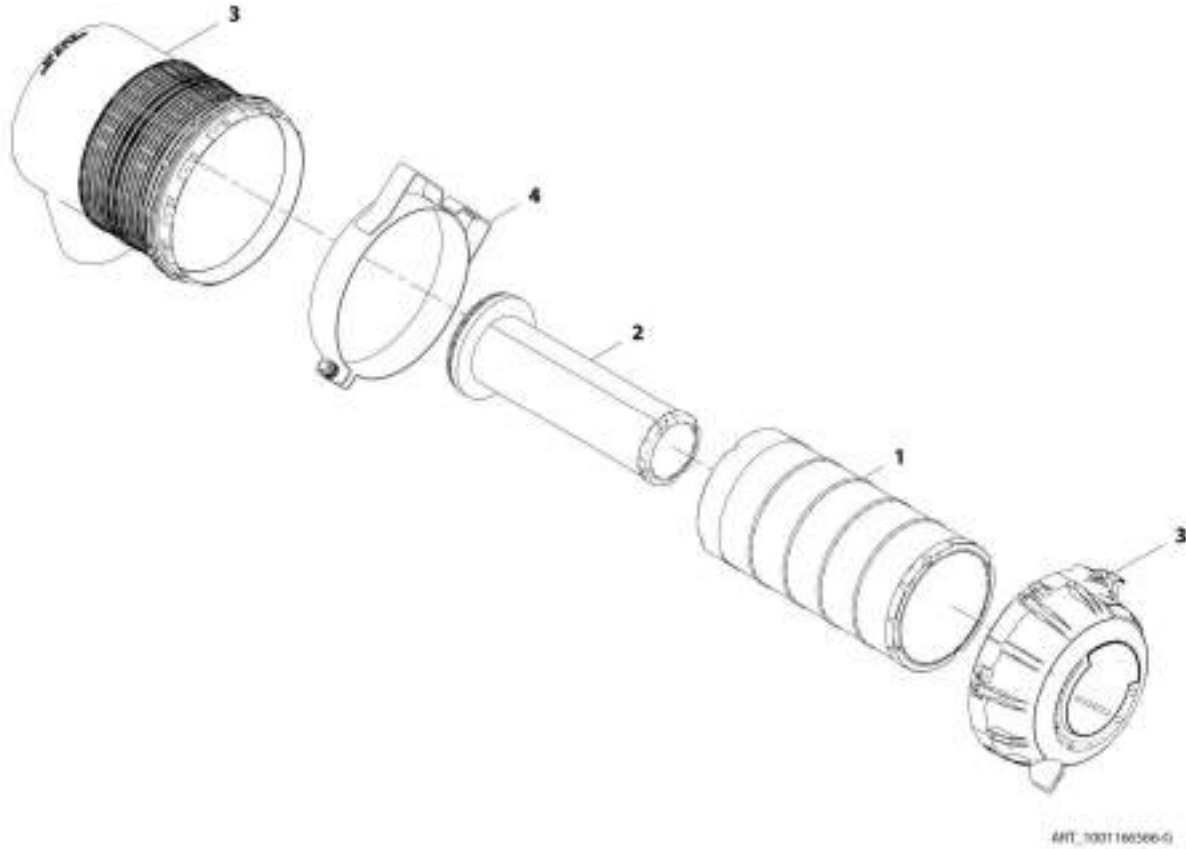
## SECTION 4 - ENGINE AND ATTACHING PARTS

**FIGURE 4-14. AIR CLEANER INSTALLATION (LS)**

ITEM	PART NUMBER	QTY	DESCRIPTION	REV
	1001163239	Ref	Air Cleaner Installation (LS)	E
1	0701018	2	Bolt, M10X50	
2	0761010	4	Bolt, M10X20	
3	3291001	2	Nut, M10X1.5 Grade 8	
4	4812002	8	Washer, M10	
5	8405402	1	Clamp	
6	1001194534	1	Bracket, Air Cleaner Mount	
7	1001183831	1	Grommet	
8	1001166565	1	Filter, Air Cleaner (See Separate Breakdown in this Section)	
9	1001166716	1	Indicator	
10	0761012	4	Bolt, M10X25	
11	4812000	4	Washer, M10	
12	1001183835	1	Installation, Duct Air Intake (See Separate Breakdown in this Section)	
13	1001186898	1	Seal	

## SECTION 4 - ENGINE AND ATTACHING PARTS

FIGURE 4-15. AIR CLEANER ASSEMBLY (74.4KW)





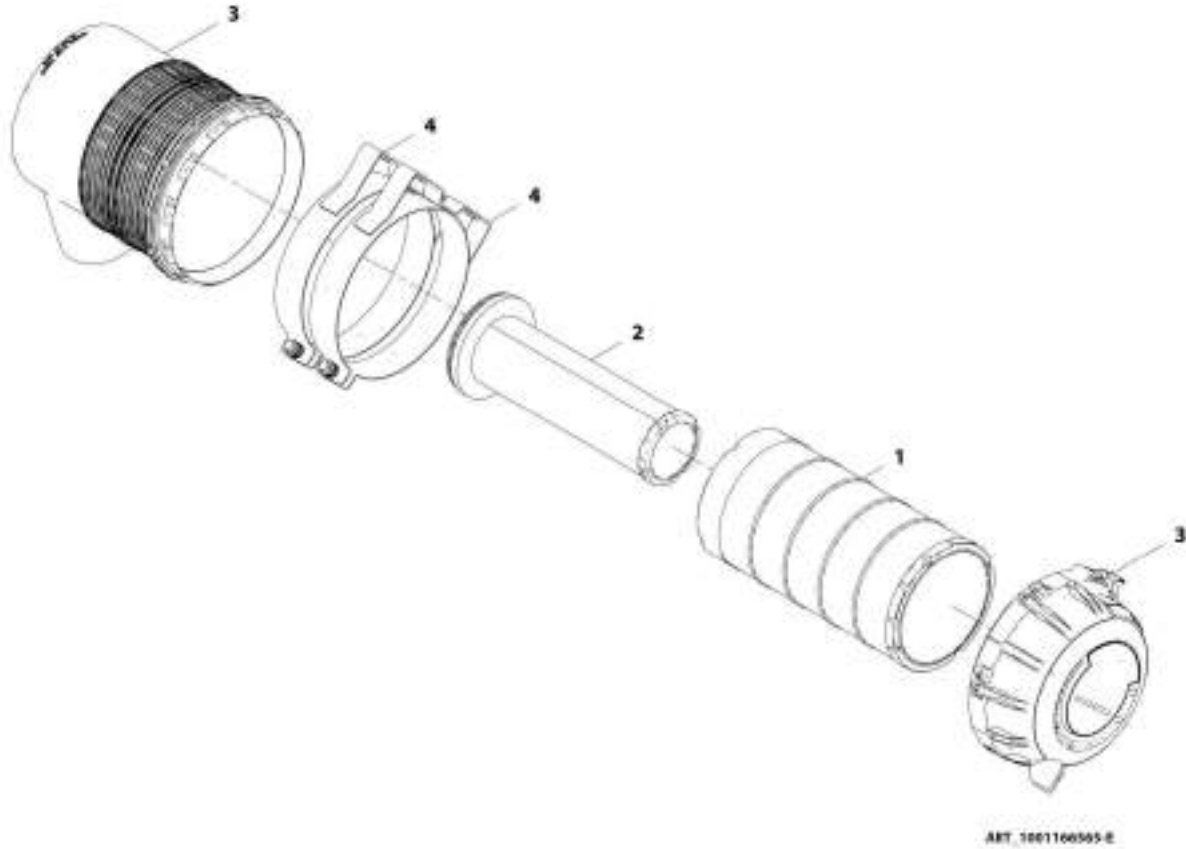
## SECTION 4 - ENGINE AND ATTACHING PARTS

FIGURE 4-15. AIR CLEANER ASSEMBLY (74.4KW)

ITEM	PART NUMBER	QTY	DESCRIPTION	REV
	1001166566	Ref	Air Cleaner Assembly (74.4KW)	G
1	70025852	1	Filter, Air Cylindrical Primary	
2	70025853	1	Filter, Air Cylindrical Secondary	
3	70026393	1	Cover, Air Cleaner	
4	70026394	1	Bracket, Mounting Band	

## SECTION 4 - ENGINE AND ATTACHING PARTS

FIGURE 4-16. AIR CLEANER ASSEMBLY (90/100KW)



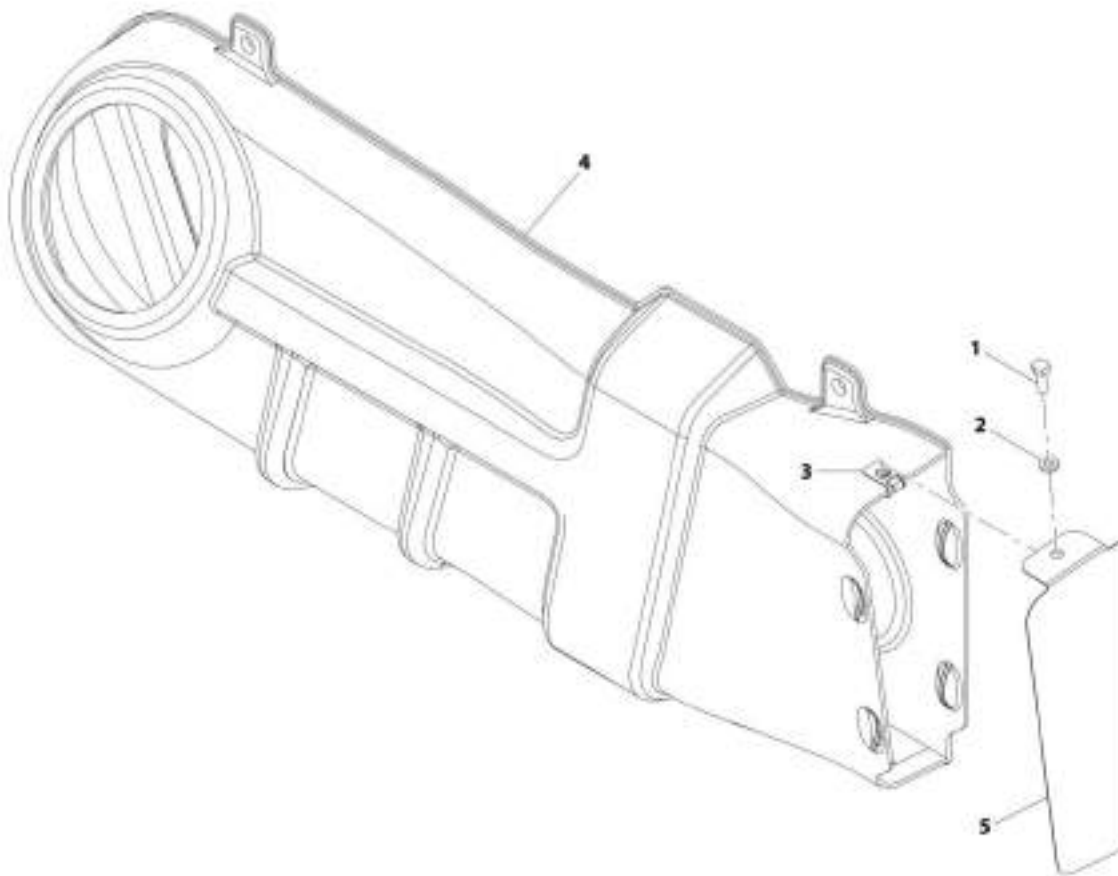
## SECTION 4 - ENGINE AND ATTACHING PARTS

FIGURE 4-16. AIR CLEANER ASSEMBLY (90/100KW)

ITEM	PART NUMBER	QTY	DESCRIPTION	REV
	1001166565	Ref	Air Cleaner Filter Assembly (90/100KW)	E
1	70025850	1	Filter, Cylindrical Air Primary	
2	70025851	1	Filter, Cylindrical Air Secondary	
3	70026395	1	Cover	
4	70026396	2	Bracket	

# SECTION 4 - ENGINE AND ATTACHING PARTS

FIGURE 4-17. AIR INTAKE DUCT INSTALLATION



ART\_1001183825-C

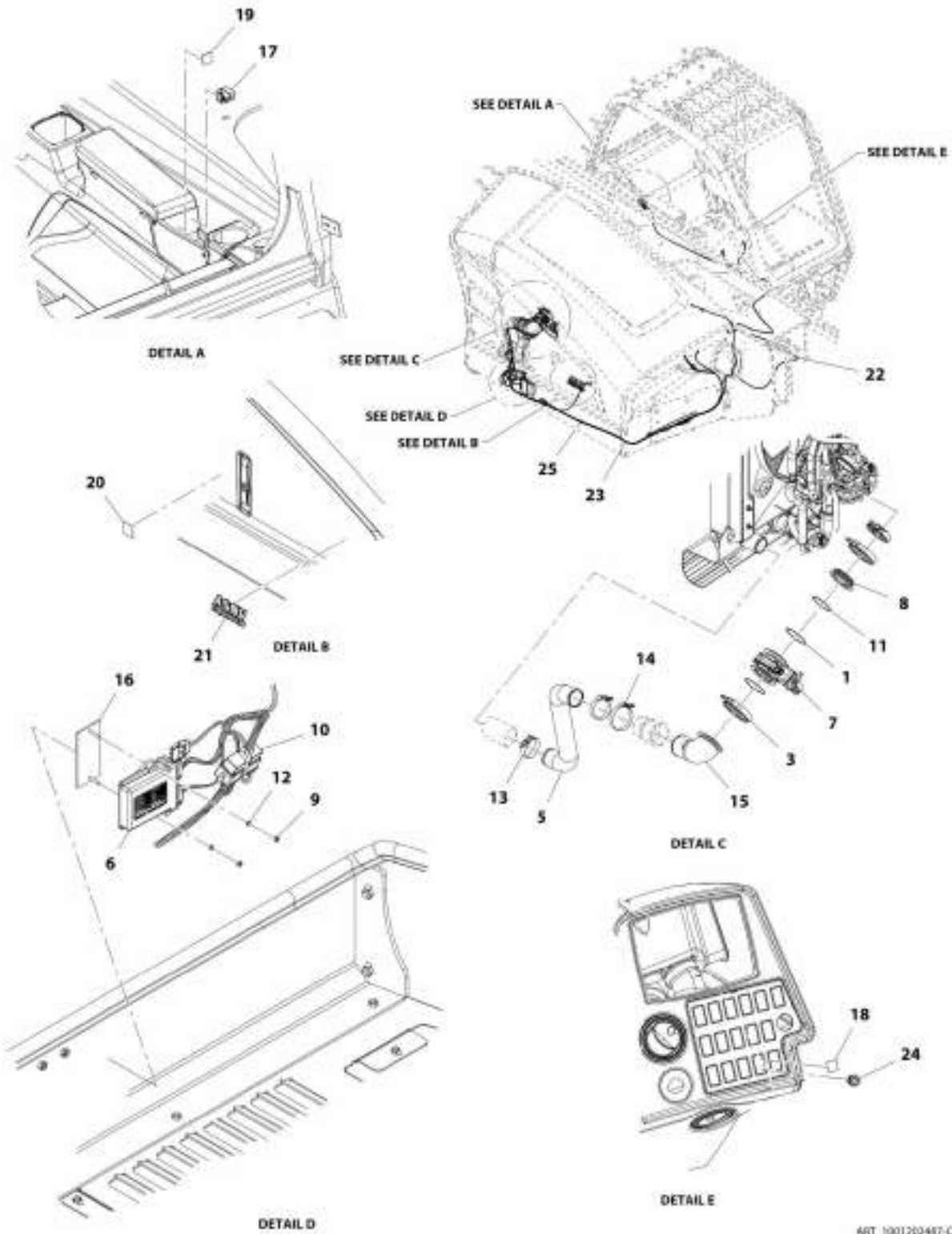
## SECTION 4 - ENGINE AND ATTACHING PARTS

FIGURE 4-17. AIR INTAKE DUCT INSTALLATION

ITEM	PART NUMBER	QTY	DESCRIPTION	REV
	1001183835	Ref	Air Intake Duct Installation	C
1	0760608	1	Bolt, M6X16	
2	4811702	1	Washer, M6	
3	8305919	1	Nut	
4	1001183827	1	Duct	
5	1001183829	1	Plate	

# SECTION 4 - ENGINE AND ATTACHING PARTS

## FIGURE 4-18. AIR INTAKE SHUT OFF VALVE INSTALLATION



ART\_1001200487-C

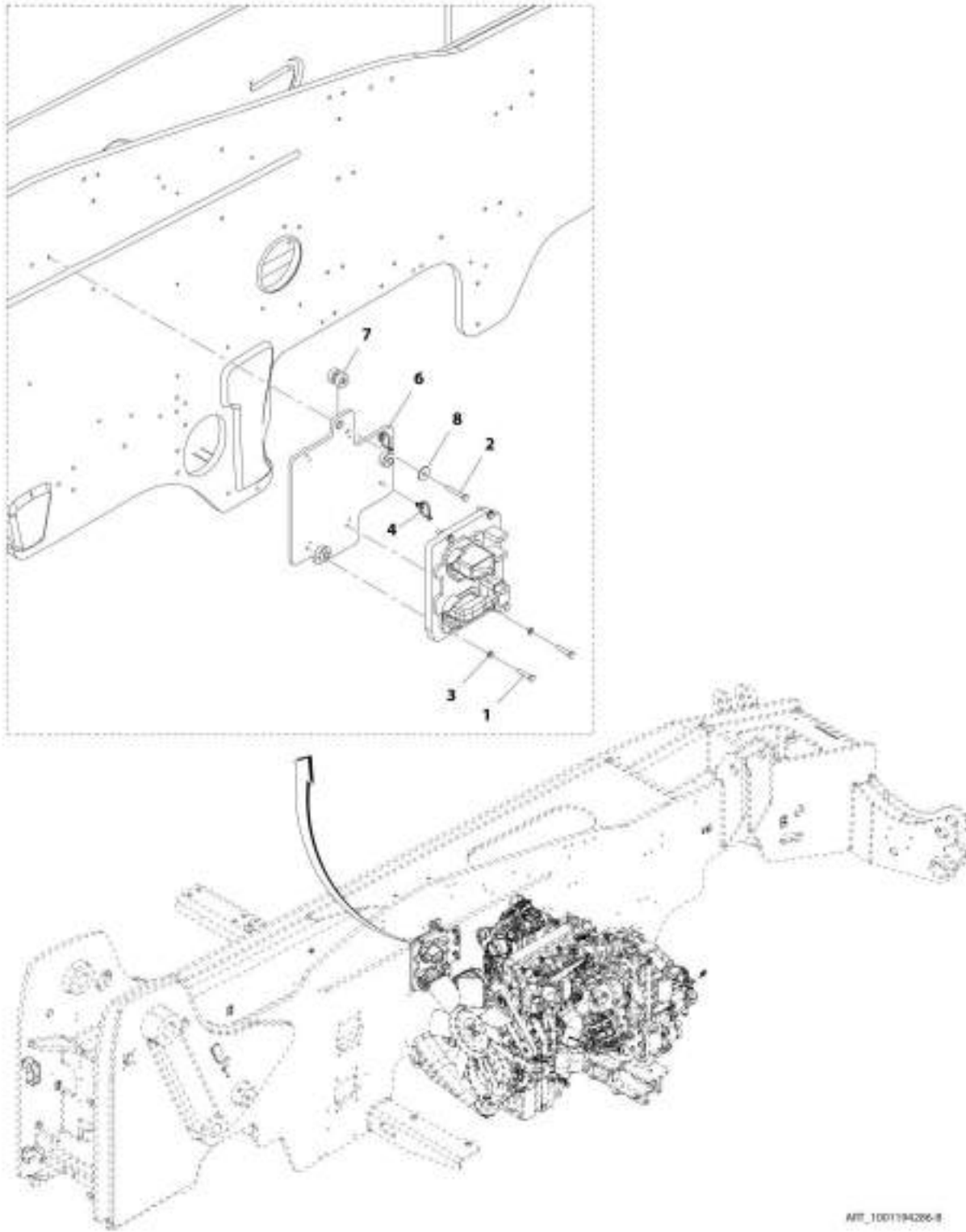
## SECTION 4 - ENGINE AND ATTACHING PARTS

**FIGURE 4-18. AIR INTAKE SHUT OFF VALVE INSTALLATION**

ITEM	PART NUMBER	QTY	DESCRIPTION	REV
	1001202487	Ref	Air Intake Shut Off Valve Installation	C
1	3790152	2	Ring	
3	1001202247	2	Clamp	
5	1001202491	1	Pipe	
6	1001203181	Ref	Accessory, Control (See Separate Breakdown in Electrical Section)	
7	1001204032	Ref	Valve, Air Shut Off (See Separate Breakdown in Hydraulic Circuits Section)	
8	1001206980	1	Plate	
9	3290505	2	Nut, Lock M5X0.8 Grade 8	
10	3740080	2	Relay	
11	3790151	1	O-Ring	
12	4811600	2	Washer, M5	
13	8405212	2	Clamp	
14	8405305	1	Clamp	
15	1001215476	1	Pipe	
16	1001219082	1	Bracket	
17	1001215941	1	Switch	
18	1001227077	1	Decal, Air Shut Off	
19	1001227964	1	Decal, ASOV Test	
20	1001228273	1	Decal, Air Shut Off	
21	1001228643	1	Decal, ASOV Equipped	
22	1001231407	Ref	Harness, Cab Air Shut Off Valve (See Separate Breakdown in Electrical Section)	
23	1001231483	Ref	Harness, Engine Air Shut Off Valve (See Separate Breakdown in Electrical Section)	
24	1001239539	1	Lamp	
25	91053419	AR	Strap, Cable	

# SECTION 4 - ENGINE AND ATTACHING PARTS

FIGURE 4-19. ENGINE ECU INSTALLATION (ULS)



AME\_1001194286-8



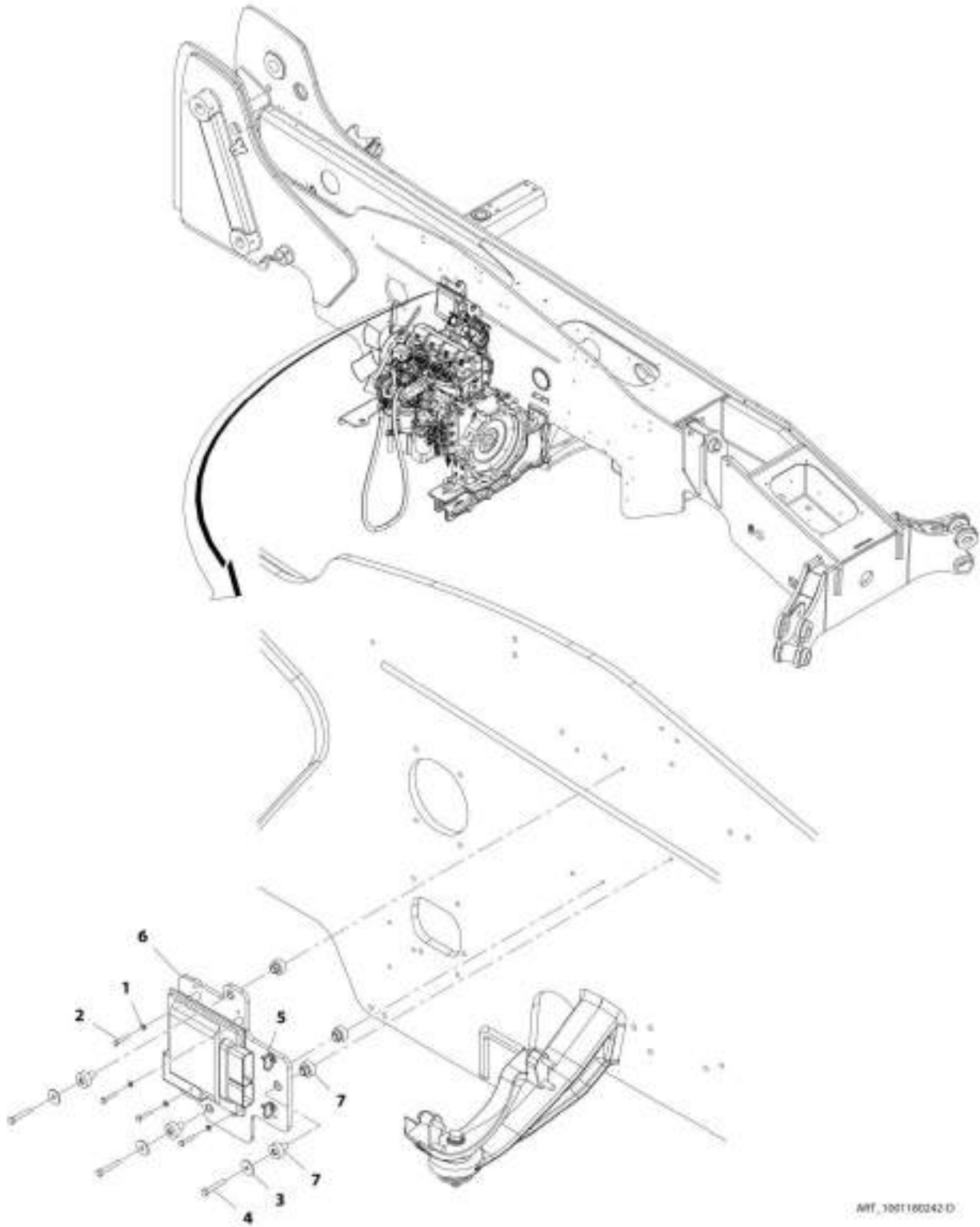
## SECTION 4 - ENGINE AND ATTACHING PARTS

FIGURE 4-19. ENGINE ECU INSTALLATION (ULS)

ITEM	PART NUMBER	QTY	DESCRIPTION	REV
	1001194286	Ref	Engine ECU Installation	B
1	0700816	4	Bolt, M8X40	
2	0700819	3	Bolt, M8X55	
3	4811900	4	Washer, M8	
4	1001146588	2	Strap, Tie	
6	1001192468	1	Bracket	
7	1001192471	3	Mount	
8	1001195089	3	Washer	

# SECTION 4 - ENGINE AND ATTACHING PARTS

FIGURE 4-20. ENGINE ECU INSTALLATION (LS)



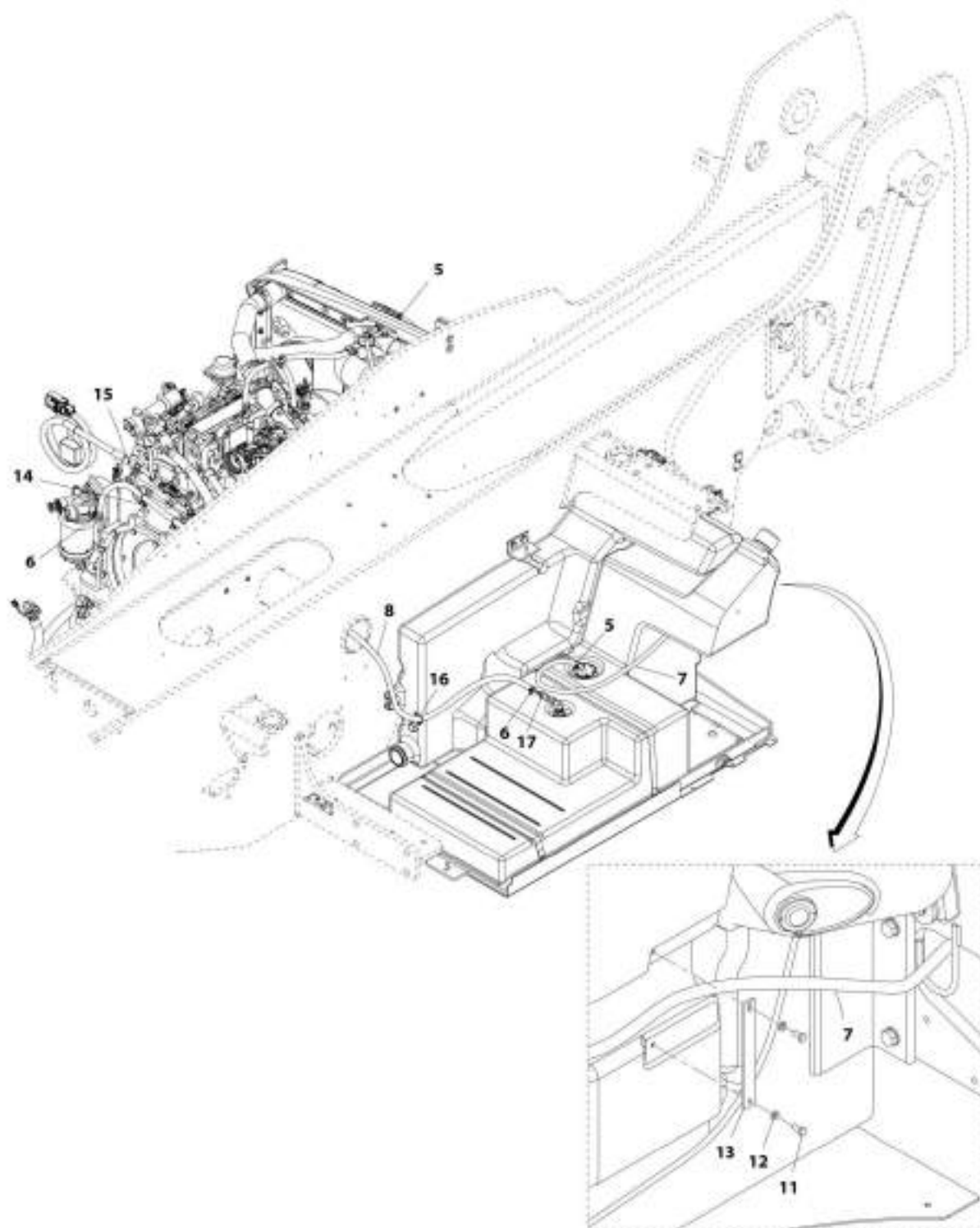
## SECTION 4 - ENGINE AND ATTACHING PARTS

FIGURE 4-20. ENGINE ECU INSTALLATION (LS)

ITEM	PART NUMBER	QTY	DESCRIPTION	REV
	1001180242	Ref	Engine ECM Installation (LS)	D
1	4811700	4	Washer, M6	
2	0760615	4	Bolt, M6X35	
3	1001195089	3	Washer	
4	0700819	3	Bolt, Grade 8	
5	1001146588	2	Strap, Tie	
6	1001192468	1	Bracket	
7	1001192471	3	Mount, Isolator	

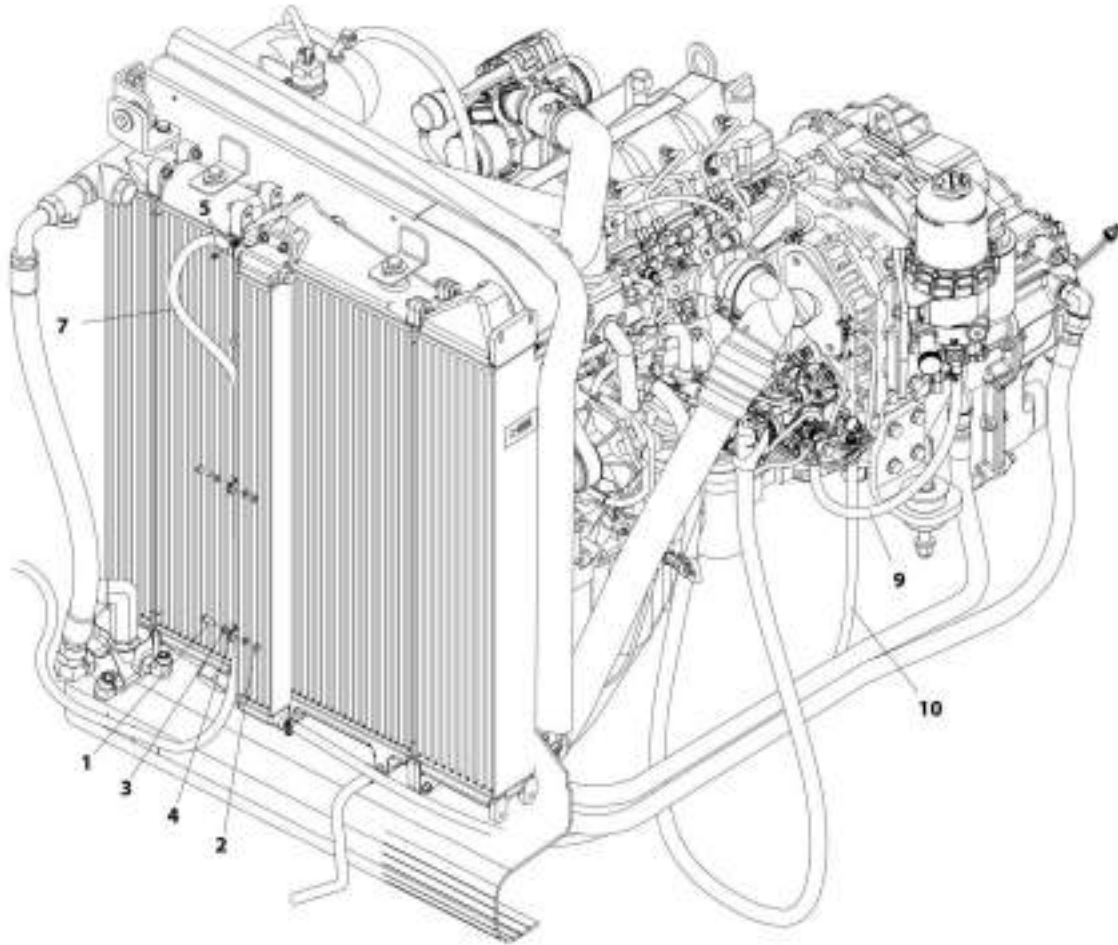
# SECTION 4 - ENGINE AND ATTACHING PARTS

## FIGURE 4-21. FUEL LINES INSTALLATION (LS)



ART\_1001163243\_1-0

# SECTION 4 - ENGINE AND ATTACHING PARTS



ART\_1001103241\_2-G

## SECTION 4 - ENGINE AND ATTACHING PARTS

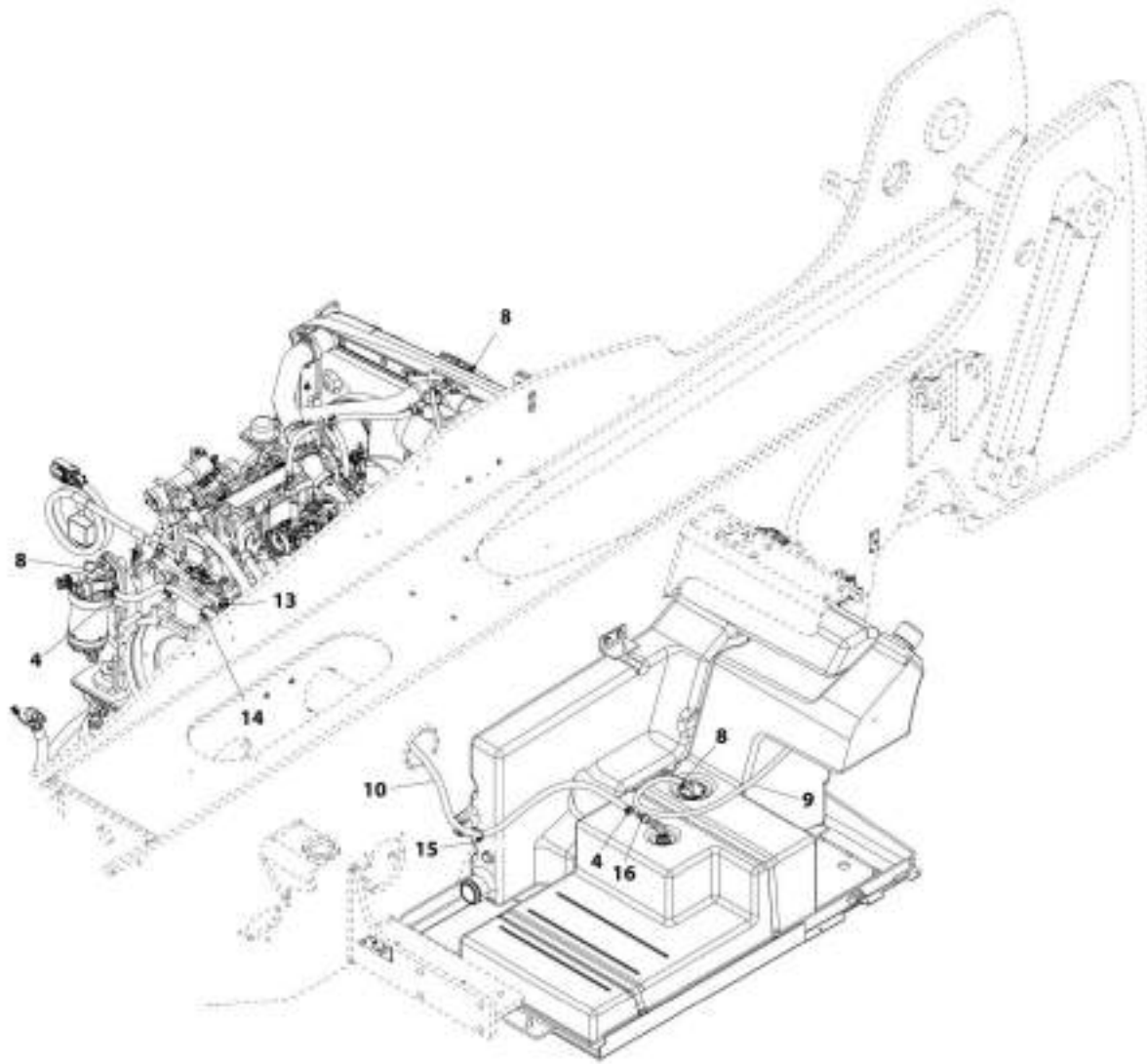
FIGURE 4-21. FUEL LINES INSTALLATION (LS)

ITEM	PART NUMBER	QTY	DESCRIPTION	REV
	1001163241	Ref	Fuel Lines Installation (LS)	G
1	0700610	2	Bolt, M6X20	
2	3290601	2	Nut, M6X1 Grade 8	
3	4811700	4	Washer, M6	
4	8406112	2	Clip	
5	1001136975	4	Clamp	
6	1001186342	2	Clip	
7	1001141400	3.7 m	Hose	
8	1001172755	2.4 m	Hose	
9	1001190980	1	Hose	
10	1001197299	1	Hose	
11	0760607	2	Bolt, M6X14	
12	4831700	2	Washer, Lock M6	
13	1001196440	1	Plate, Retainer	
14	1001202986	2	Strap, Fir Tree Push Mount	
15	1001008559	2	Strap	
16	1001146588	1	Strap	
17	1001206588	1	Fitting	



# SECTION 4 - ENGINE AND ATTACHING PARTS

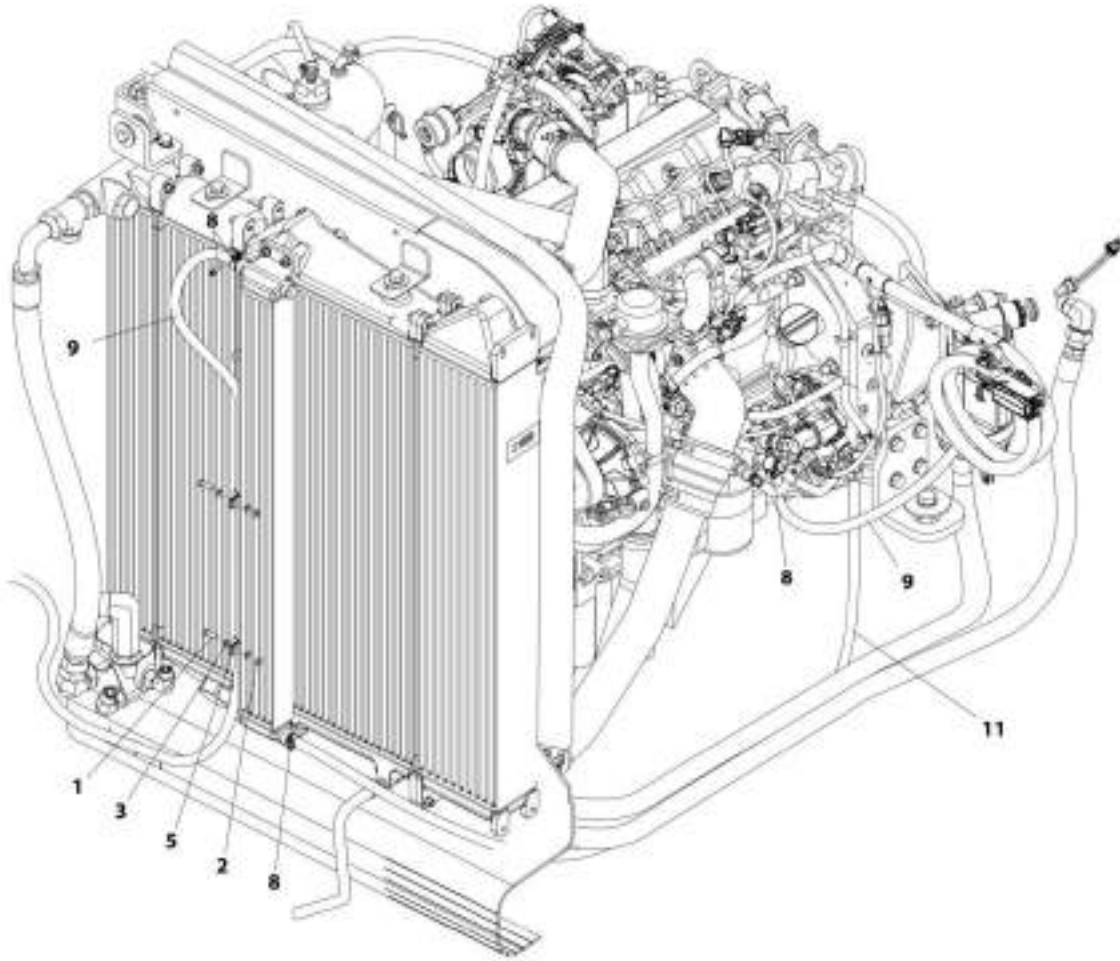
## FIGURE 4-22. FUEL LINES INSTALLATION (ULS)



ART\_1001105231\_1-I



# SECTION 4 - ENGINE AND ATTACHING PARTS



ART\_100163231\_24

## SECTION 4 - ENGINE AND ATTACHING PARTS

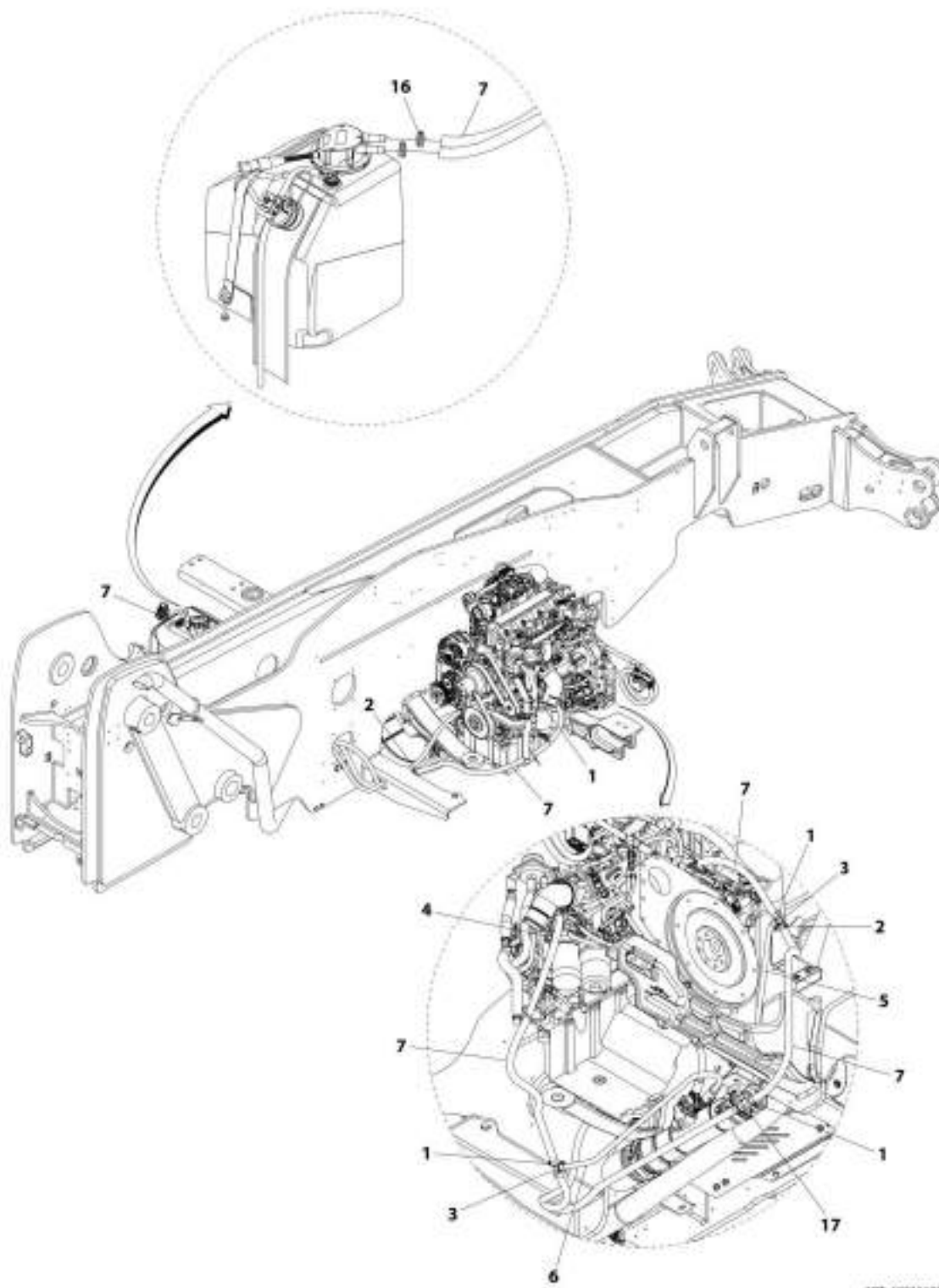
FIGURE 4-22. FUEL LINES INSTALLATION (ULS)

ITEM	PART NUMBER	QTY	DESCRIPTION	REV
	1001163231	Ref	Fuel Lines Installation	I
1	0700610	2	Bolt, M6X20	
2	3290601	2	Nut, M6X1 Grade 8	
3	4811700	4	Washer, M6	
4	1001186342	2	Clip, Hose	
5	8406112	2	Clip, Tube	
8	1001136975	5	Clamp	
9	1001141400	4.3 m	Hose	
10	1001172755	2.4 m	Hose	
11	1001197299	1	Hose	
13	1001008559	2	Strap	
14	1001202986	2	Strap, Fir Tree Push Mount	
15	1001146588	1	Strap	
16	1001206588	1	Fitting	



# SECTION 4 - ENGINE AND ATTACHING PARTS

## FIGURE 4-23. DEF LINES INSTALLATION



ART\_1001163232-I

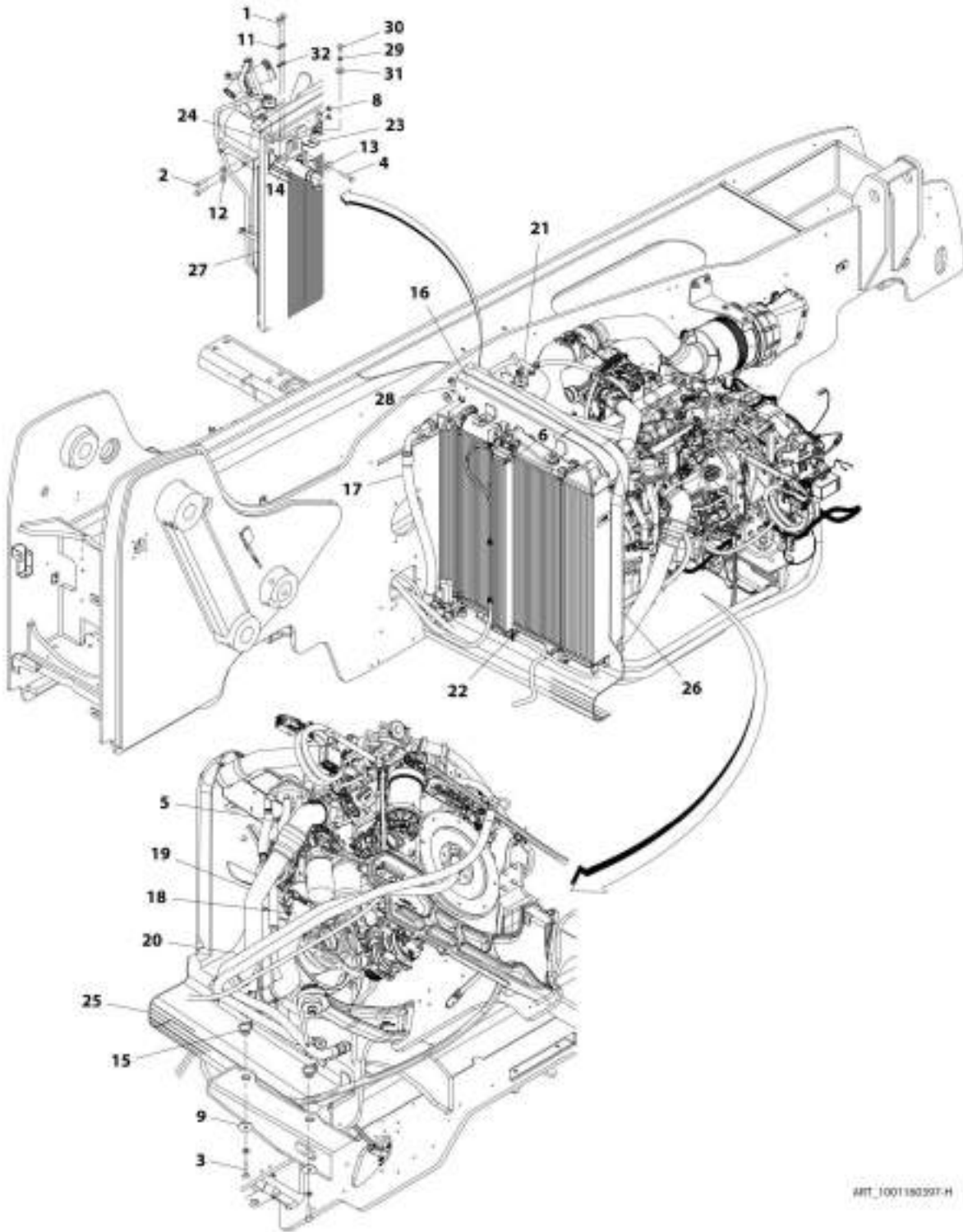
## SECTION 4 - ENGINE AND ATTACHING PARTS

FIGURE 4-23. DEF LINES INSTALLATION

ITEM	PART NUMBER	QTY	DESCRIPTION	REV
	1001163232	Ref	DEF Lines Installation	I
1	8410009	10	Gear Clamp	
2	8410013	2	Gear Clamp	
3	1001162212	2	Pipe	
4	1001168822	1	Pipe	
5	1001169409	1	Hose	
6	1001169410	1	Hose	
7	82033995	6.9 m	Hose	
16	1001202526	2	Clamp	
17	1001228872	1	Filter	

# SECTION 4 - ENGINE AND ATTACHING PARTS

FIGURE 4-24. COOLING PACKAGE INSTALLATION (ULS)



MIT\_1001180207-H

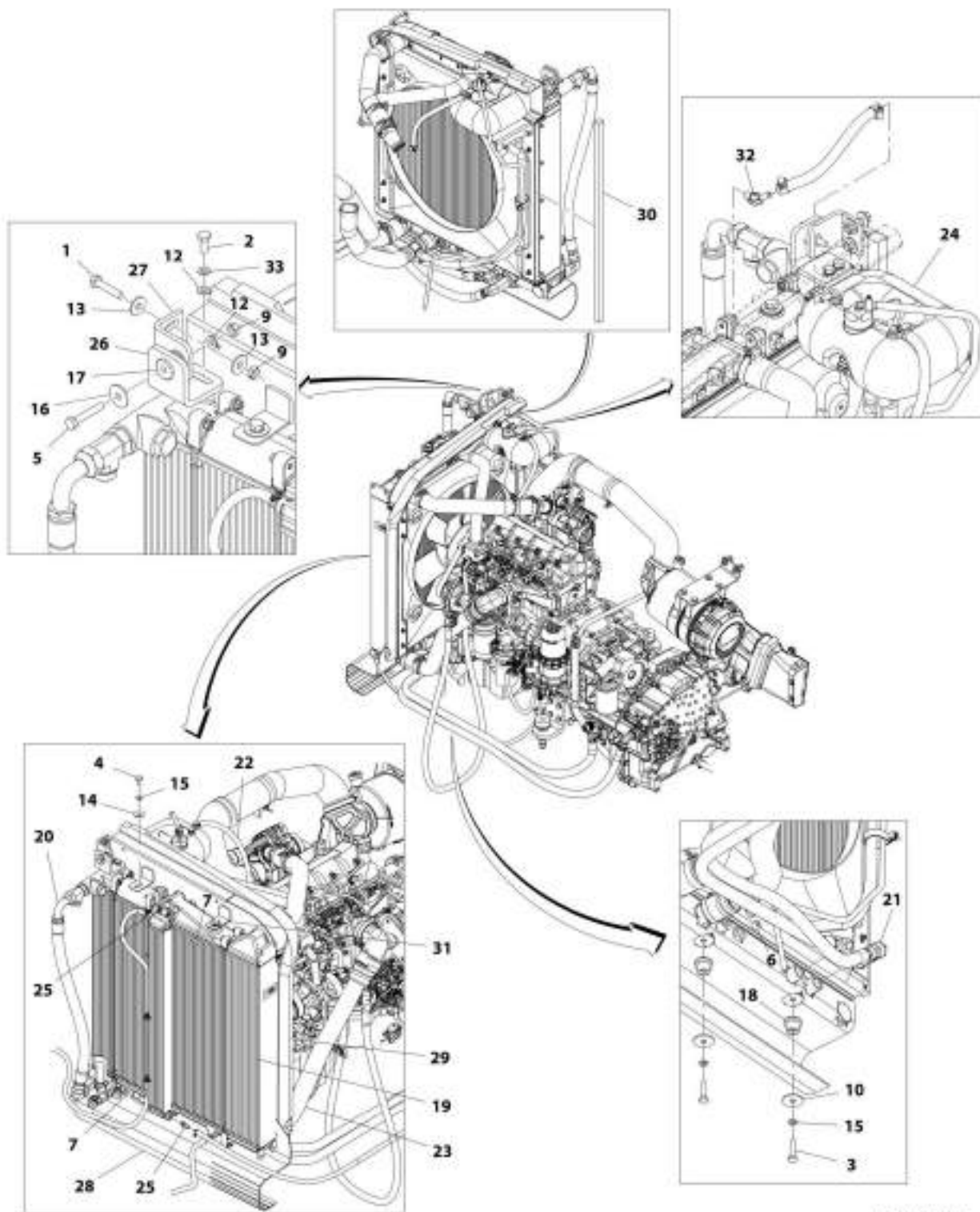
## SECTION 4 - ENGINE AND ATTACHING PARTS

**FIGURE 4-24. COOLING PACKAGE INSTALLATION (ULS)**

ITEM	PART NUMBER	QTY	DESCRIPTION	REV
	1001160397	Ref	Cooling Package Installation (ULS)	H
1	0761012	2	Bolt, M10X25	
2	0701018	2	Bolt, M10X50	
3	0761218	2	Bolt, M12X50	
4	0701020	1	Bolt, M10X60	
5	1001174356	1	Barb, Hose	
6	2220237	2	Plug	
8	3291001	3	Nut, M10X1.5 Grade 8	
9	4740274	4	Washer	
11	4812000	3	Washer, M10	
12	4812002	4	Washer, M10	
13	1001155540	2	Washer	
14	8278020	1	Mount	
15	1001114803	2	Mount	
16	1001159347	Ref	Radiator Cooling Package (See Separate Breakdown in this Section)	
17	1001163082	Ref	Installation, HOC Lines (See Separate Breakdown in this Section)	
18	1001163245	Ref	Installation, Coolant Lines (ULS) (See Separate Breakdown in this Section)	
19	1001163246	Ref	Installation, CAC Lines (ULS) (See Separate Breakdown in this Section)	
20	1001163247	Ref	Installation, TOC Lines (See Separate Breakdown in this Section)	
21	1001167078	Ref	Installation, Surge Tank (See Separate Breakdown in this Section)	
22	1001168030	2	Barb, Hose	
23	1001169173	1	Bracket	
24	1001169174	1	Bracket	
25	1001169965	1	Panel	
26	1001173452	1	Seal, Foam Gasket	
27	1001173457	1	Seal, Foam Gasket	
28	1001173546	1	Bracket	
29	4832100	4	Washer, Lock M12	
30	0761210	2	Bolt, M12X20	
31	4812102	2	Washer, M12	
32	4832000	2	Washer, Lock M10	

# SECTION 4 - ENGINE AND ATTACHING PARTS

## FIGURE 4-25. COOLING PACKAGE INSTALLATION (LS)



ART\_3001160412-E



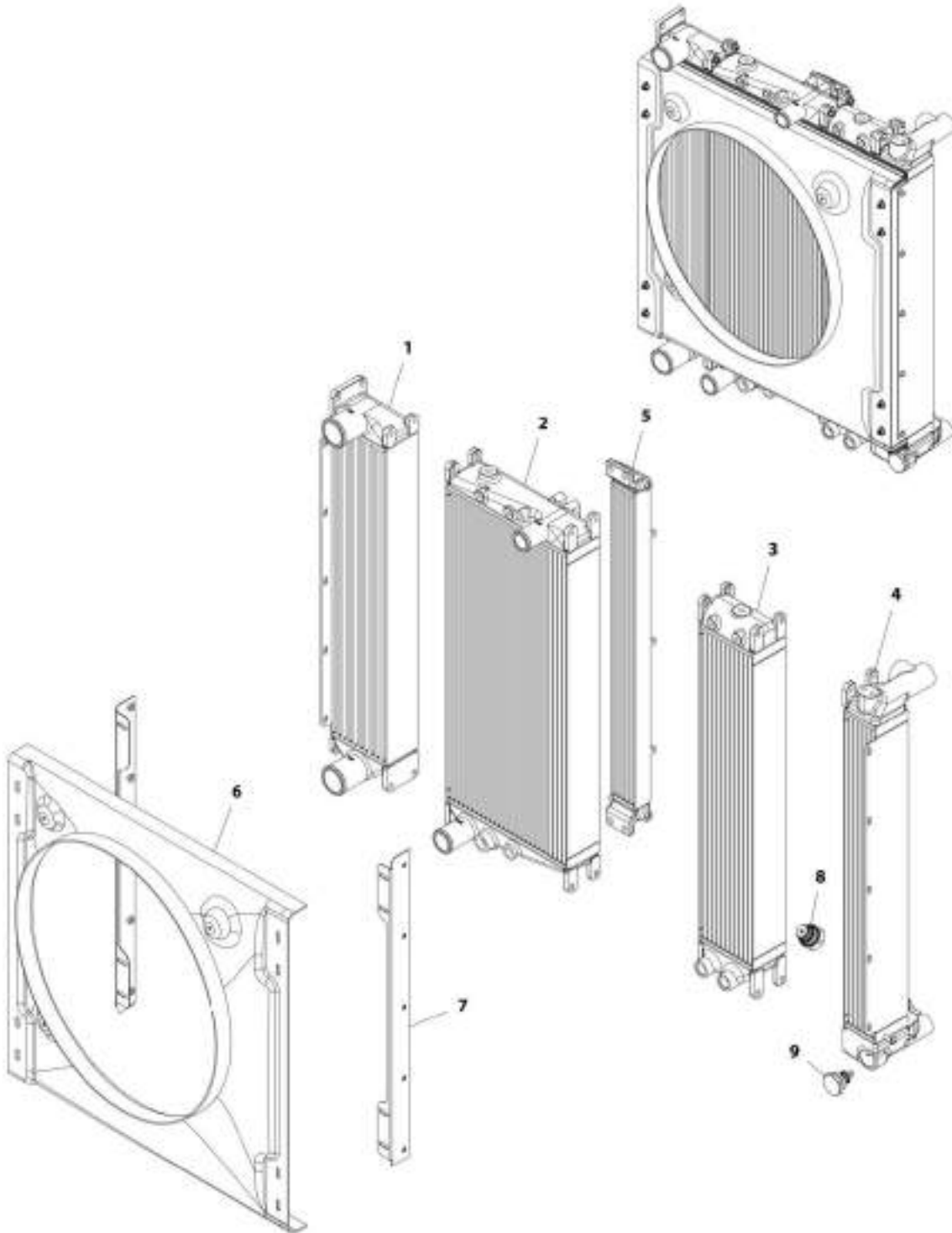
## SECTION 4 - ENGINE AND ATTACHING PARTS

**FIGURE 4-25. COOLING PACKAGE INSTALLATION (LS)**

ITEM	PART NUMBER	QTY	DESCRIPTION	REV
	1001160402	Ref	Cooling Package Installation (LS)	E
1	0701018	2	Bolt, M10X50	
2	0761012	2	Bolt, M10X25	
3	0761218	2	Bolt, M12X50	
4	0771210	2	Bolt, M12X20 Grade 10.9	
5	0701020	1	Bolt, M10X60	
6	2200223	1	Plug	
7	2220237	2	Plug	
9	3291001	3	Nut, M10X1.5 Grade 8	
10	4740274	4	Washer	
12	4812000	3	Washer, M10	
13	4812002	4	Washer, M10	
14	4812102	2	Washer, M12	
15	4832100	4	Washer, Lock M12	
16	1001155540	2	Washer	
17	8278020	1	Mount	
18	1001114803	2	Mount	
19	1001159347	Ref	Radiator Cooling Package (See Separate Breakdown in this Section)	
20	1001163082	Ref	Installation, HOC Lines (See Separate Breakdown in this Section)	
21	1001163247	Ref	Installation, TOC Lines (See Separate Breakdown in this Section)	
22	1001163248	Ref	Installation, Coolant Lines (LS) (See Separate Breakdown in this Section)	
23	1001163249	Ref	Installation, CAC Lines (LS) (See Separate Breakdown in this Section)	
24	1001167078	Ref	Installation, Surge Tank (See Separate Breakdown in this Section)	
25	1001168030	2	Barb, Hose	
26	1001169173	1	Bracket	
27	1001169174	1	Bracket	
28	1001169965	1	Panel, Air Dam	
29	1001173452	1	Gasket	
30	1001173457	1	Gasket	
31	1001173546	1	Bracket, Air Baffle	
32	1001174356	1	Barb, Hose	
33	4832000	2	Washer, Lock M10	

# SECTION 4 - ENGINE AND ATTACHING PARTS

## FIGURE 4-26. RADIATOR COOLING PACKAGE



MP\_100159347-G

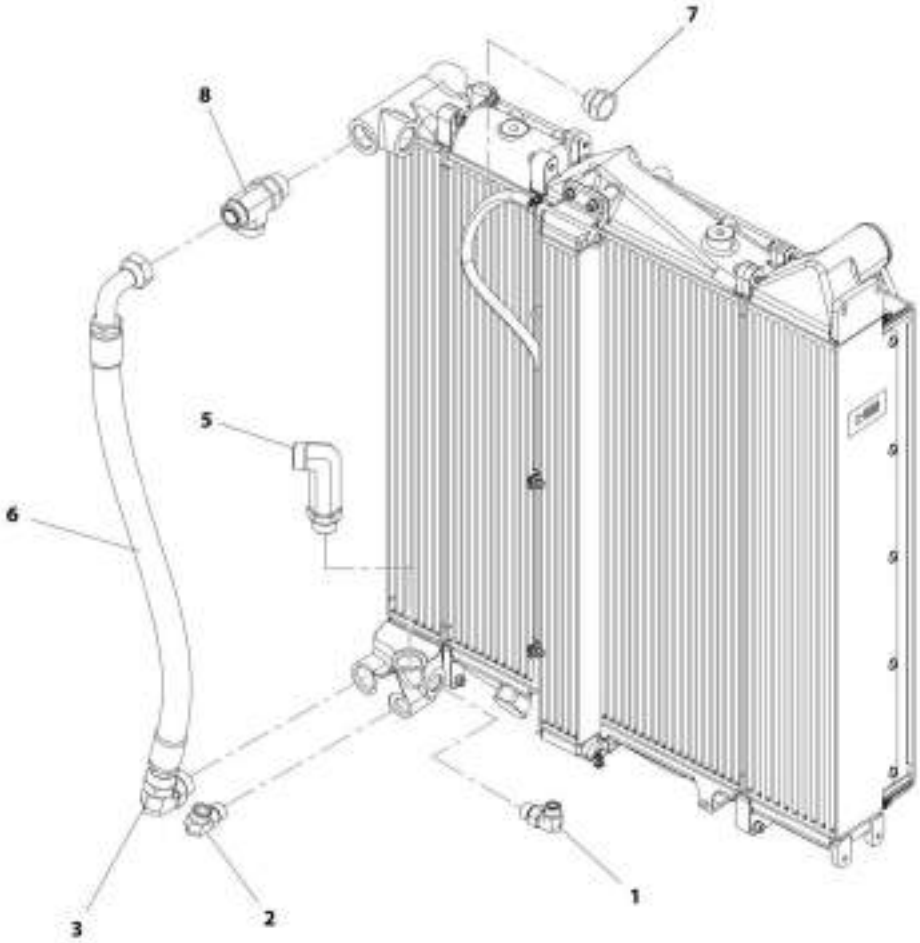
## SECTION 4 - ENGINE AND ATTACHING PARTS

FIGURE 4-26. RADIATOR COOLING PACKAGE

ITEM	PART NUMBER	QTY	DESCRIPTION	REV
	1001159347	Ref	Radiator Cooling Package	G
1	70026353	1	Cooler, Air Charge	
2	70026354	1	Radiator	
3	70026355	1	Cooler, Transmission Oil	
4	70026356	1	Cooler, Hydraulic Oil	
5	70026357	1	Cooler, Fuel	
6	70026358	1	Shroud	
7	70026359	2	Bracket, Shroud Mounting	
8	70026082	1	Valve, Bypass	
9	70026360	1	Valve, Bypass	

**SECTION 4 - ENGINE AND ATTACHING PARTS**

**FIGURE 4-27. HOC LINES INSTALLATION**



ART\_1001180802-C

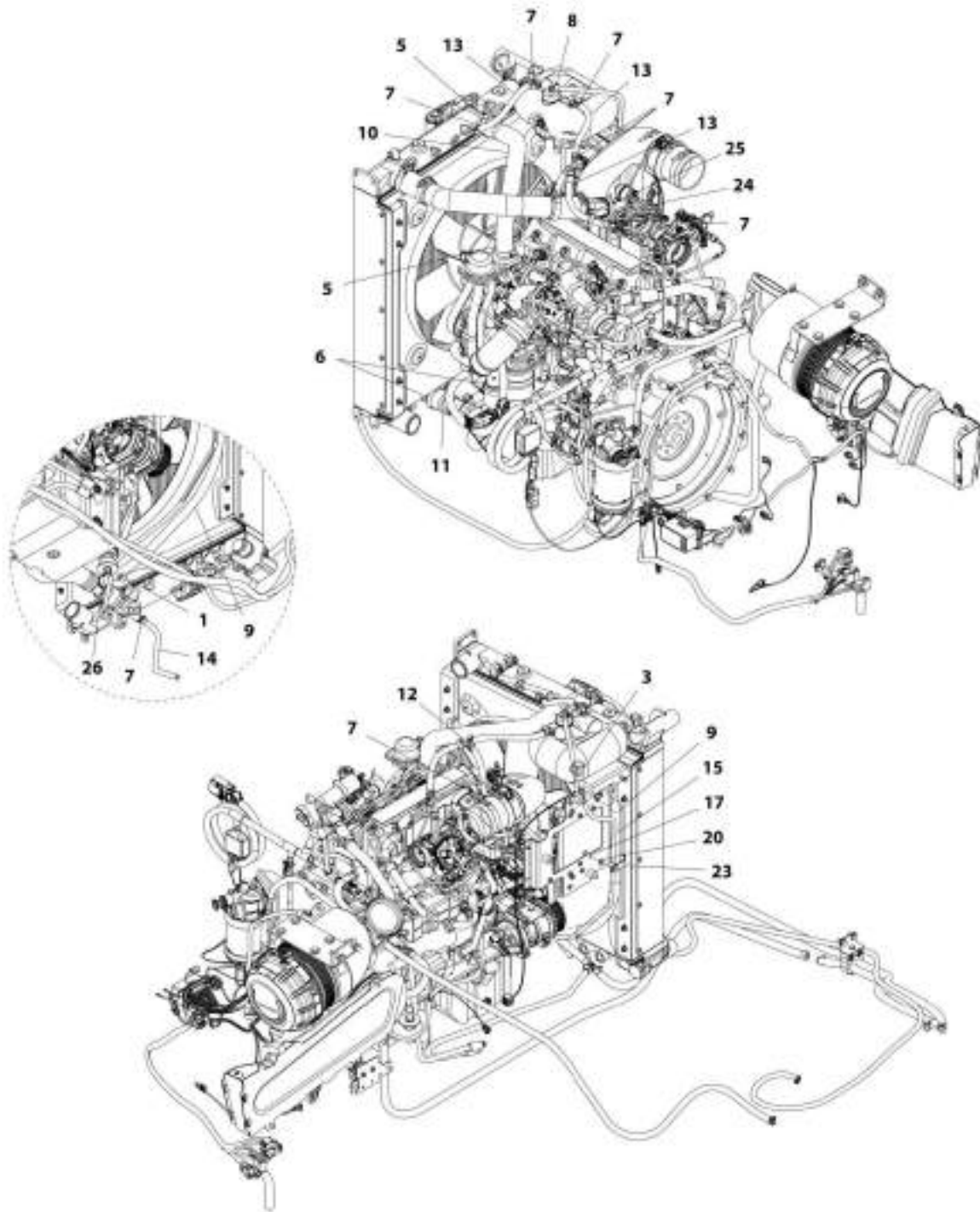
## SECTION 4 - ENGINE AND ATTACHING PARTS

FIGURE 4-27. HOC LINES INSTALLATION

ITEM	PART NUMBER	QTY	DESCRIPTION	REV
	1001163082	Ref	HOC Lines Installation	C
1	2130810	1	Fitting, ORFS	
2	2131010	1	Fitting, ORFS	
3	2131616	1	Fitting, ORFS	
5	2170216	1	Fitting, ORFS	
6	1001163723	1	Hose	
7	2220242	1	Fitting	
8	2170316	1	Fitting, Tee ORFS	

# SECTION 4 - ENGINE AND ATTACHING PARTS

FIGURE 4-28. COOLANT LINES INSTALLATION (ULS)



ART\_1001163245-I

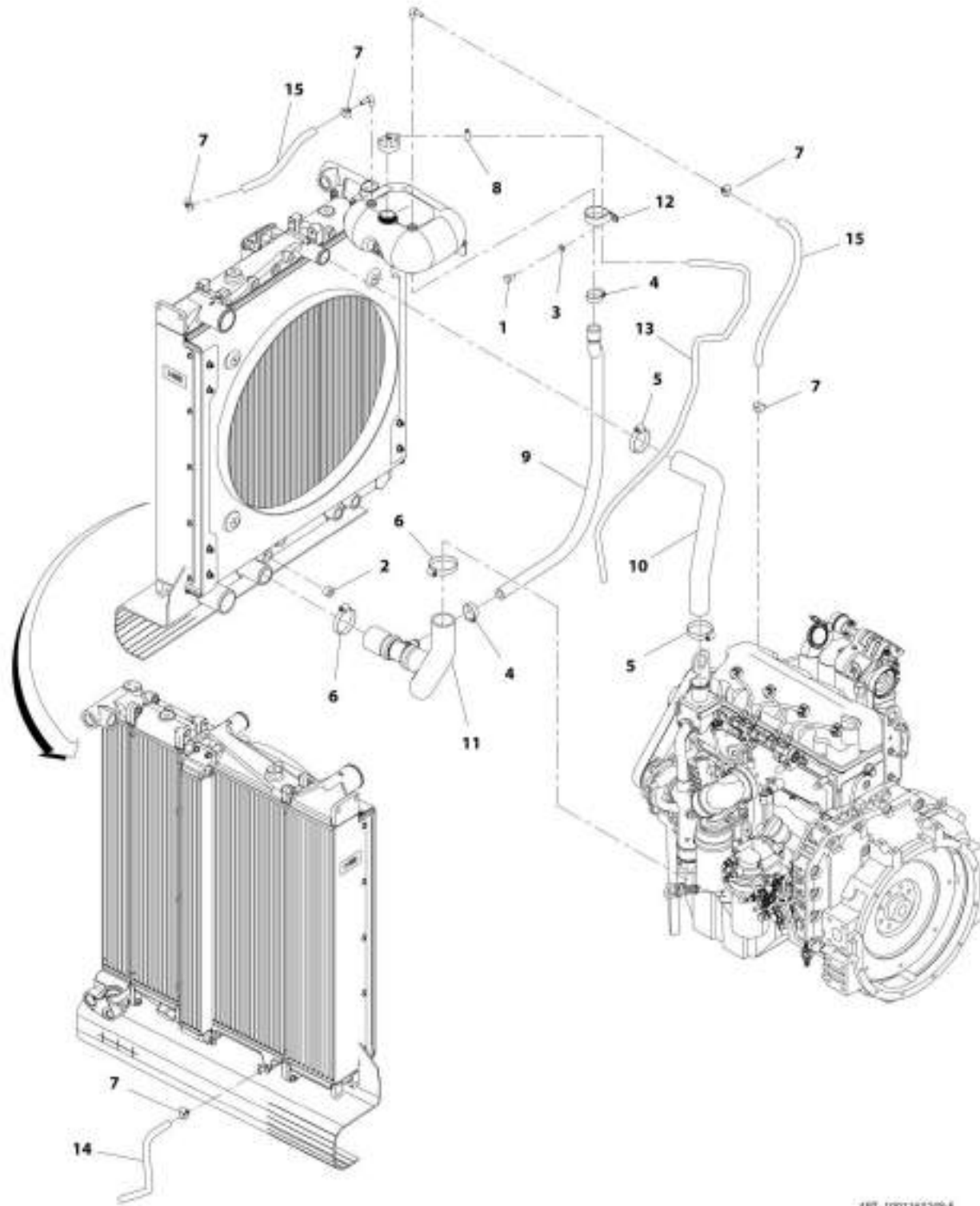
## SECTION 4 - ENGINE AND ATTACHING PARTS

**FIGURE 4-28. COOLANT LINES INSTALLATION (ULS)**

ITEM	PART NUMBER	QTY	DESCRIPTION	REV
	1001163245	Ref	Coolant Lines Installation (ULS)	I
1	2200224	1	Plug	
3	8405101	AR	Clamp, Gear	
5	8405201	2	Clamp, Gear	
6	8405202	2	Clamp, Gear	
7	8410013	9	Clamp, Gear	
8	8405009	1	Clamp, Gear	
9	1001182011	1	Hose	
10	1001166430	1	Pipe	
11	1001182012	1	Hose	
12	1001172953	1	Pipe, Tee	
13	1001181625	1042 mm	Hose	
14	1001180553	370 mm	Hose	
15	1001180542	1680 mm	Hose	
17	0761010	1	Bolt, M10X20	
20	4812000	1	Washer, M10	
23	1001097588	1	Clamp	
24	8410019	1	Clamp, 7/8	
25	0760605	1	Bolt, 6X10	
26	8405007	1	Clamp <b>(SN 0160091561 to Present)</b>	

# SECTION 4 - ENGINE AND ATTACHING PARTS

## FIGURE 4-29. COOLANT LINES INSTALLATION (LS)



ART\_1001185240-E



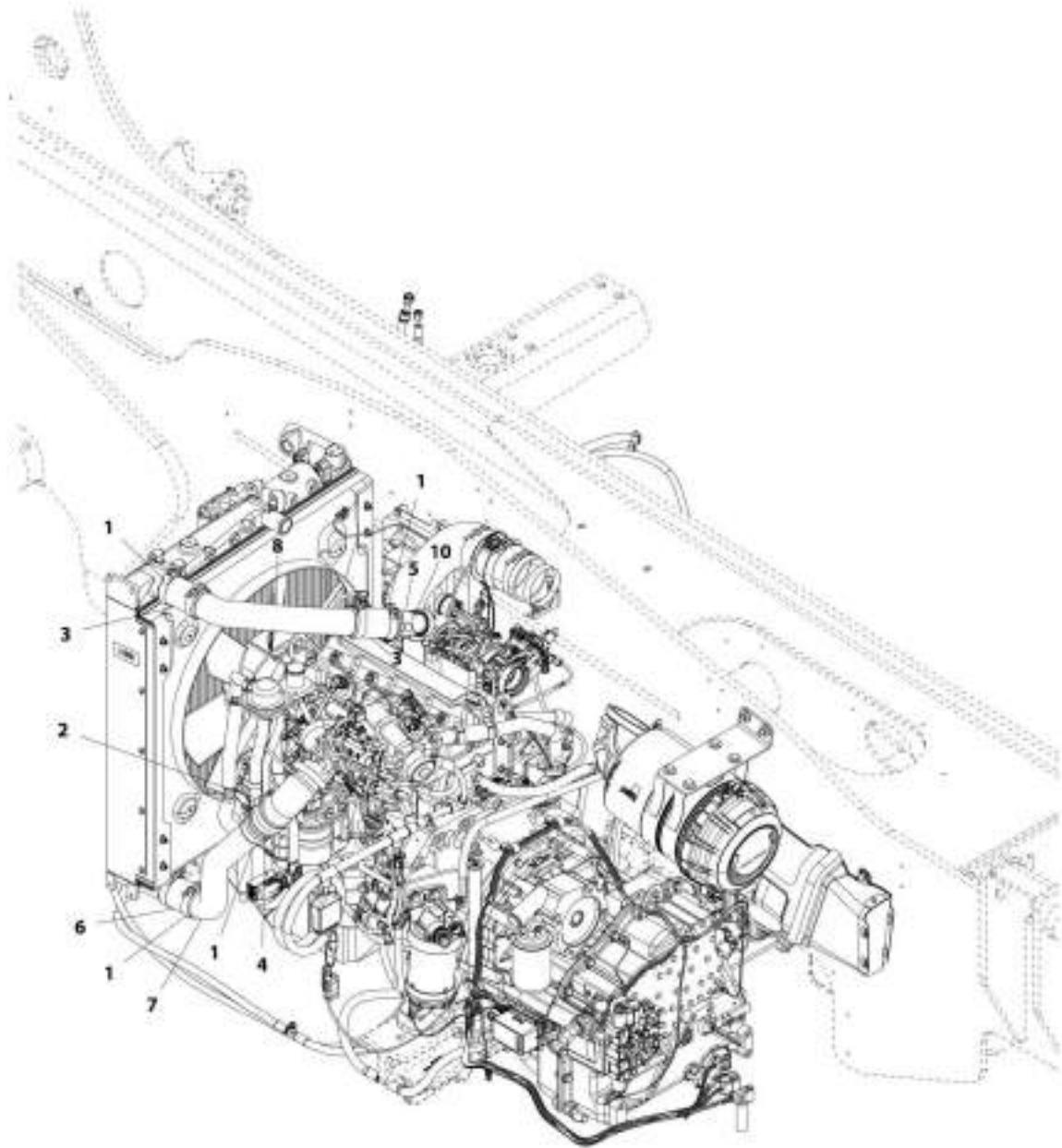
## SECTION 4 - ENGINE AND ATTACHING PARTS

**FIGURE 4-29. COOLANT LINES INSTALLATION (LS)**

ITEM	PART NUMBER	QTY	DESCRIPTION	REV
	1001163248	Ref	Coolant Lines Installation (LS)	E
1	0761010	1	Bolt, M10X20	
2	2200224	1	Plug	
3	4812000	1	Washer, M10	
4	8405101	2	Clamp, Gear	
5	8405201	2	Clamp, Gear	
6	8405202	2	Clamp, Gear	
7	8410013	5	Clamp, Gear	
8	8405009	1	Clamp, Gear	
9	1001182011	1	Hose	
10	1001166430	1	Pipe	
11	1001182012	1	Hose	
12	1001097588	1	Clamp	
13	1001180542	1680 mm	Hose	
14	1001180553	369 mm	Hose	
15	1001181625	711 mm	Hose	

# SECTION 4 - ENGINE AND ATTACHING PARTS

FIGURE 4-30. CAC LINES INSTALLATION (ULS)



ART\_1001163246-F

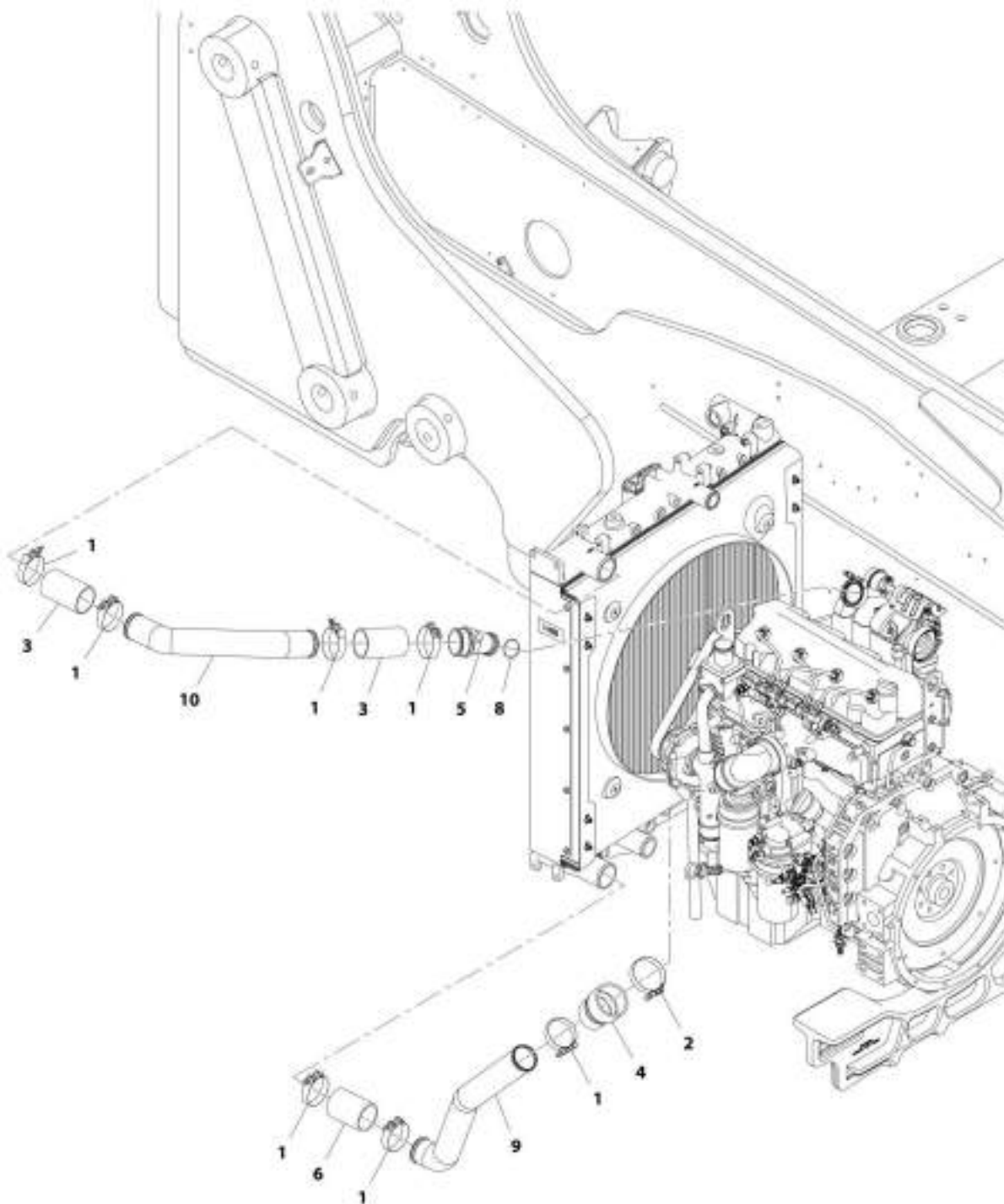
## SECTION 4 - ENGINE AND ATTACHING PARTS

FIGURE 4-30. CAC LINES INSTALLATION (ULS)

ITEM	PART NUMBER	QTY	DESCRIPTION	REV
	1001163246	Ref	CAC Lines Installation (ULS)	F
1	8405212	7	Clamp, T-Bolt	
2	8405305	1	Clamp, T-Bolt	
3	1001114495	2	Hose	
4	1001138348	1	Hose	
5	1001161920	1	Adapter Mech	
6	1001166416	1	Hose	
7	1001166925	1	Pipe	
8	1001166993	1	Pipe	
10	1001172591	1	O-Ring	

# SECTION 4 - ENGINE AND ATTACHING PARTS

## FIGURE 4-31. CAC LINES INSTALLATION (LS)



ART\_1001163289-C

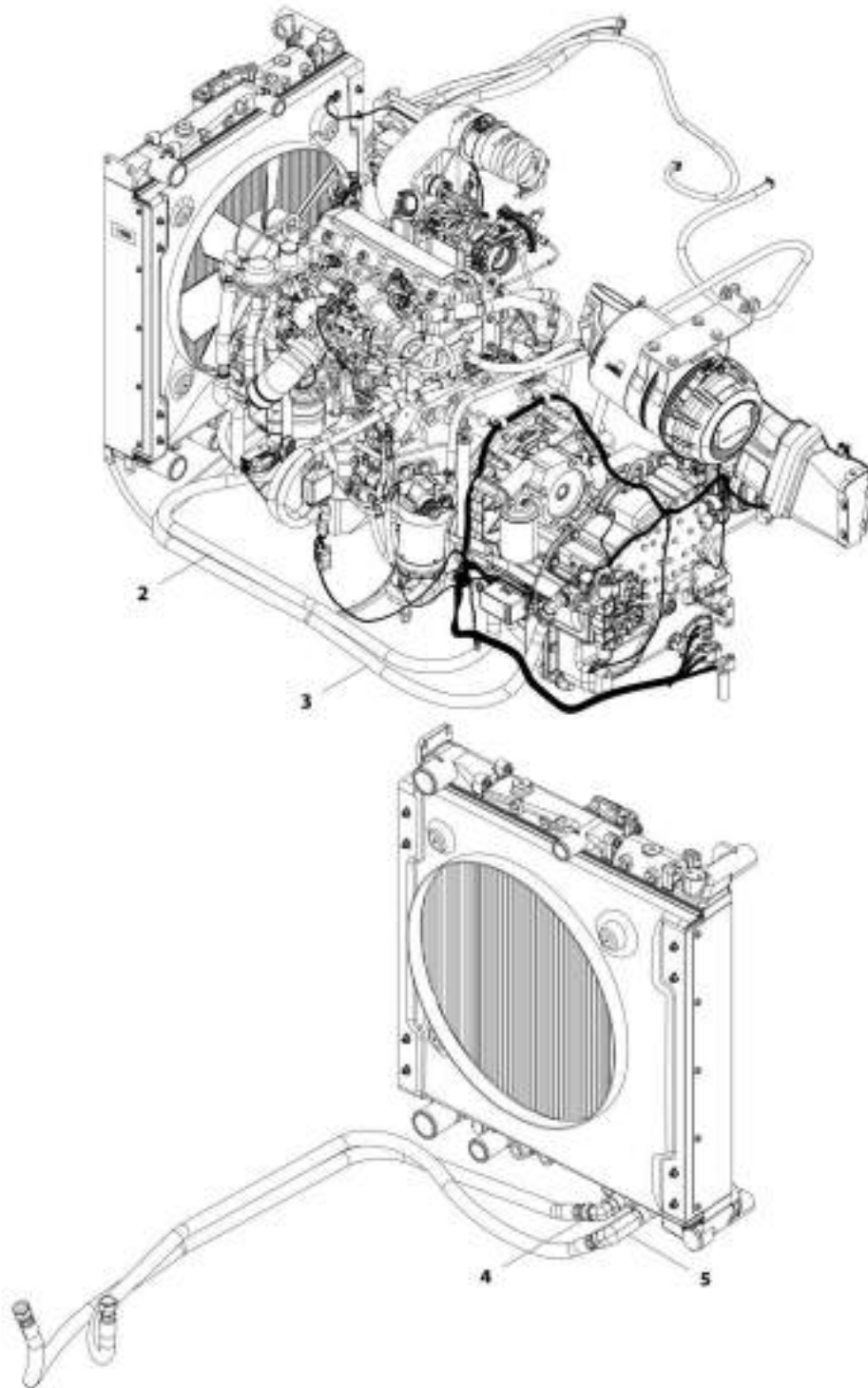
## SECTION 4 - ENGINE AND ATTACHING PARTS

FIGURE 4-31. CAC LINES INSTALLATION (LS)

ITEM	PART NUMBER	QTY	DESCRIPTION	REV
	1001163249	Ref	CAC Lines Installation (LS)	C
1	8405212	7	Clamp, T-Bolt	
2	8405305	1	Clamp, T-Bolt	
3	1001114495	2	Hose	
4	1001138348	1	Hose	
5	1001161920	1	Adapter Mech	
6	1001166416	1	Hose	
8	1001172591	1	O-Ring	
9	1001174832	1	Pipe	
10	1001179376	1	Pipe	

## SECTION 4 - ENGINE AND ATTACHING PARTS

FIGURE 4-32. TOC LINES INSTALLATION



WRT\_1001103247-C

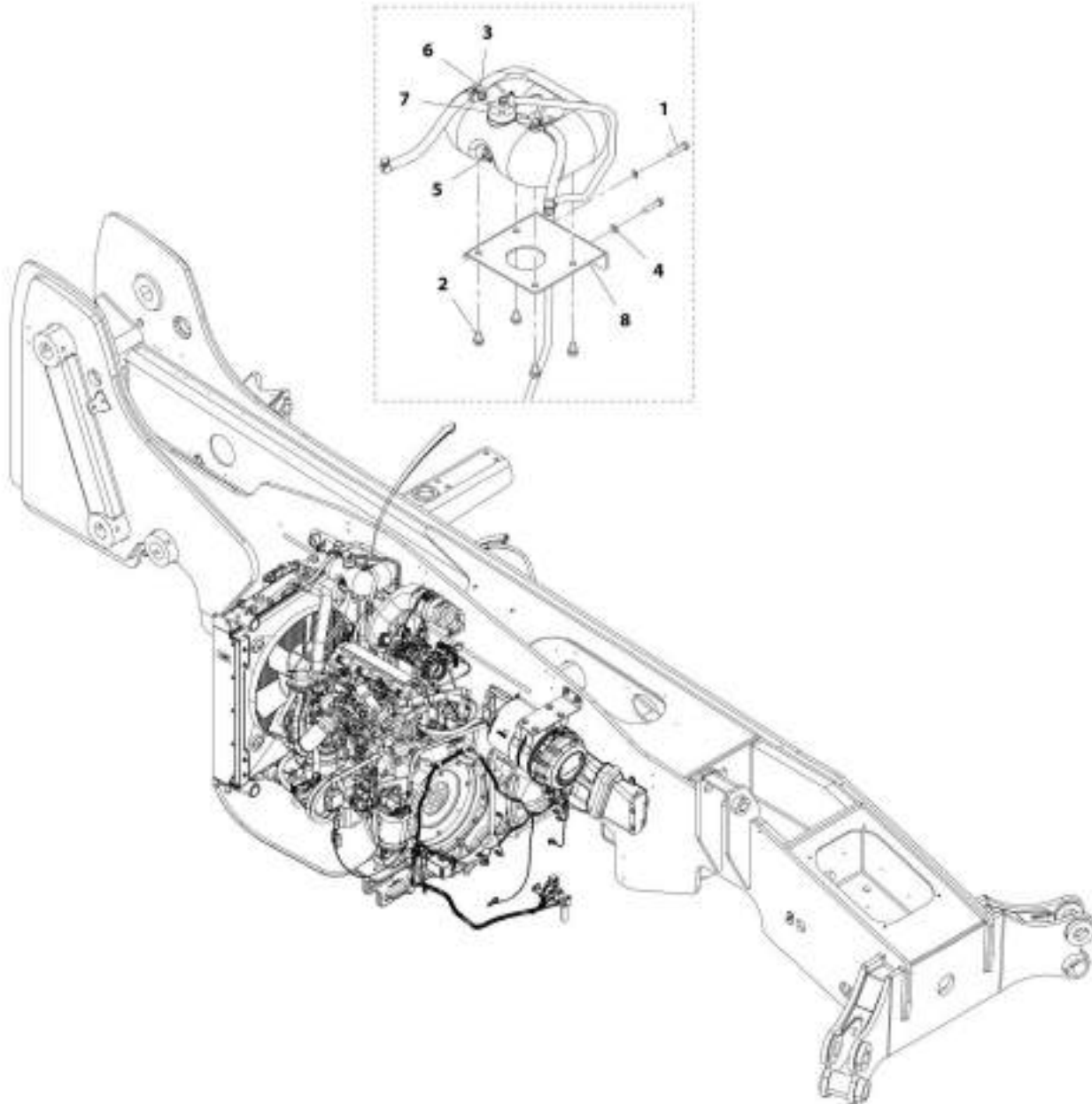
## SECTION 4 - ENGINE AND ATTACHING PARTS

### FIGURE 4-32. TOC LINES INSTALLATION

ITEM	PART NUMBER	QTY	DESCRIPTION	REV
	1001163247	Ref	TOC Lines Installation	C
2	1001169207	1	Hose	
3	1001169393	1	Hose	
4	2131212	1	Fitting, 90 ORFS	
5	2170212	1	Fitting, 90 ORFS	

# SECTION 4 - ENGINE AND ATTACHING PARTS

FIGURE 4-33. SURGE TANK INSTALLATION



ART\_1001167038-E



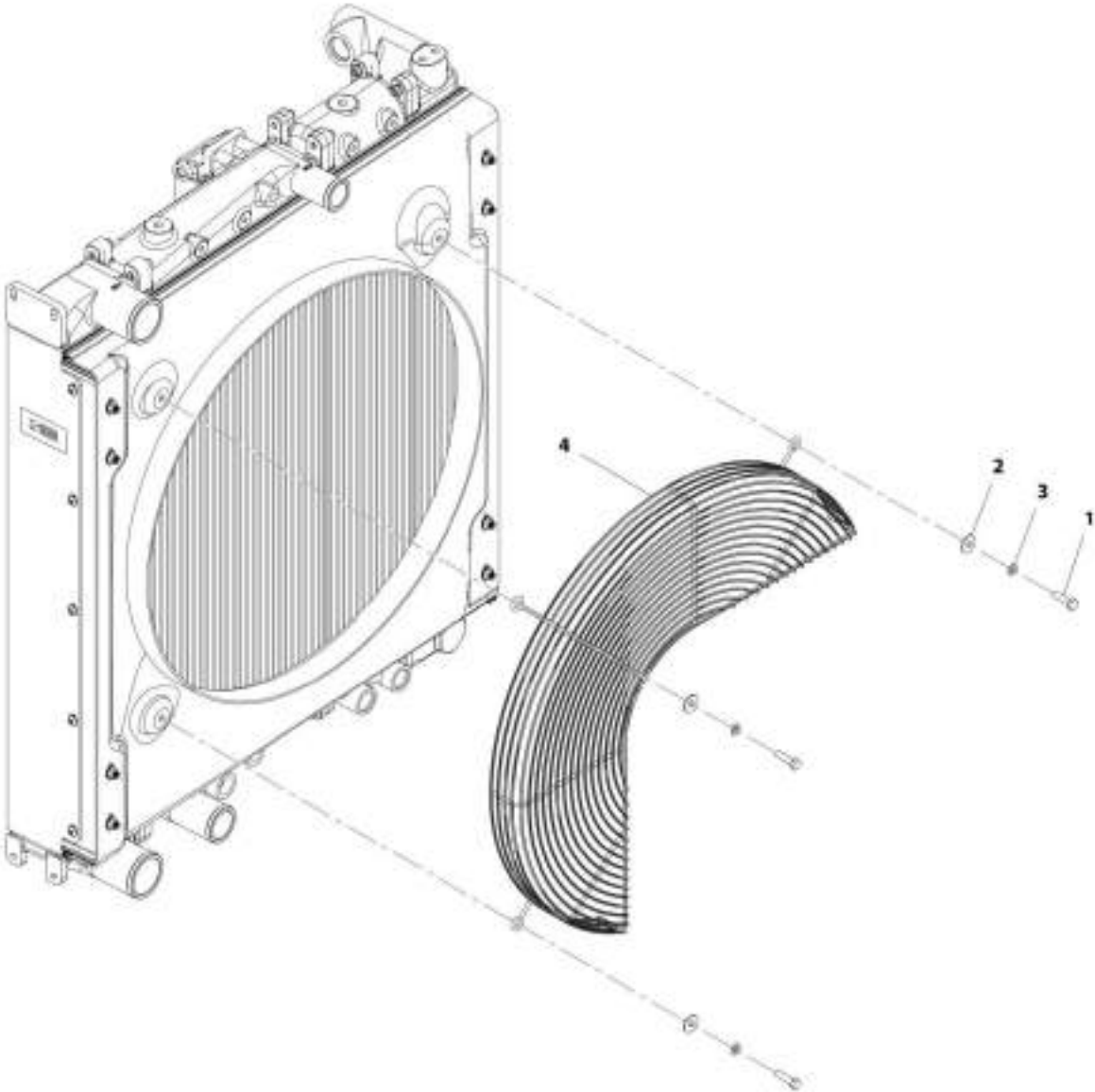
## SECTION 4 - ENGINE AND ATTACHING PARTS

FIGURE 4-33. SURGE TANK INSTALLATION

ITEM	PART NUMBER	QTY	DESCRIPTION	REV
	1001167078	Ref	Surge Tank Installation	E
1	0700816	2	Bolt, M8X40	
2	0791605	4	Bolt, M3/8-16X5/8	
3	2180467	2	Fitting	
4	4811900	2	Washer, M8	
5	1001121955	1	Sensor, Coolant Level	
6	1001128144	1	Tank, Coolant	
7	1001128341	1	Cap	
8	1001163637	1	Bracket, Coolant Tank	

**SECTION 4 - ENGINE AND ATTACHING PARTS**

**FIGURE 4-34. FAN GUARD INSTALLATION**



ART\_1001160420-D

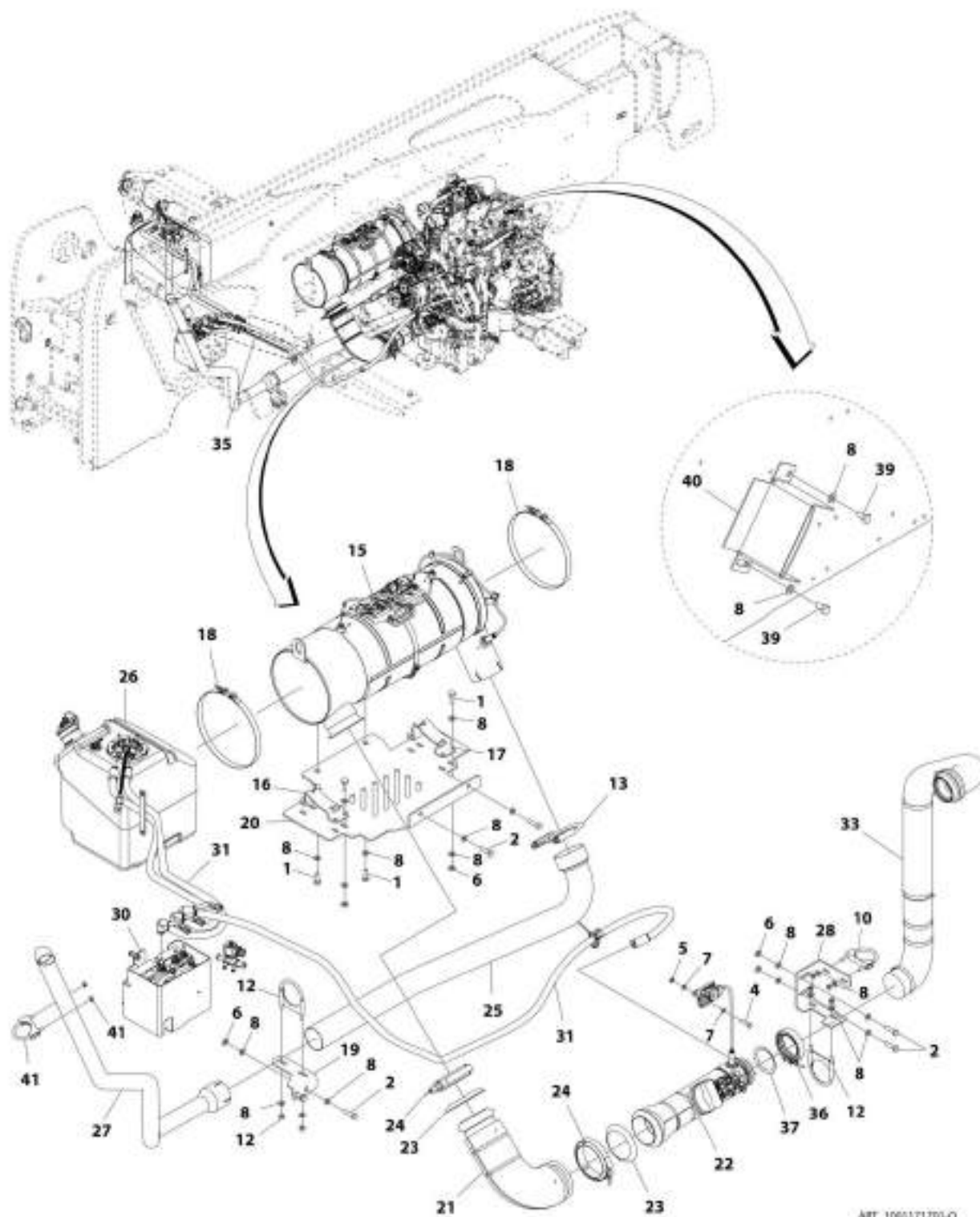
## SECTION 4 - ENGINE AND ATTACHING PARTS

### FIGURE 4-34. FAN GUARD INSTALLATION

ITEM	PART NUMBER	QTY	DESCRIPTION	REV
	1001160420	Ref	Fan Guard Installation	D
1	0700814	3	Bolt, M8X30	
2	4811902	3	Washer, M8	
3	4831900	3	Washer, Lock M8	
4	1001167186	1	Grill	

# SECTION 4 - ENGINE AND ATTACHING PARTS

## FIGURE 4-35. EXHAUST INSTALLATION (ULS)



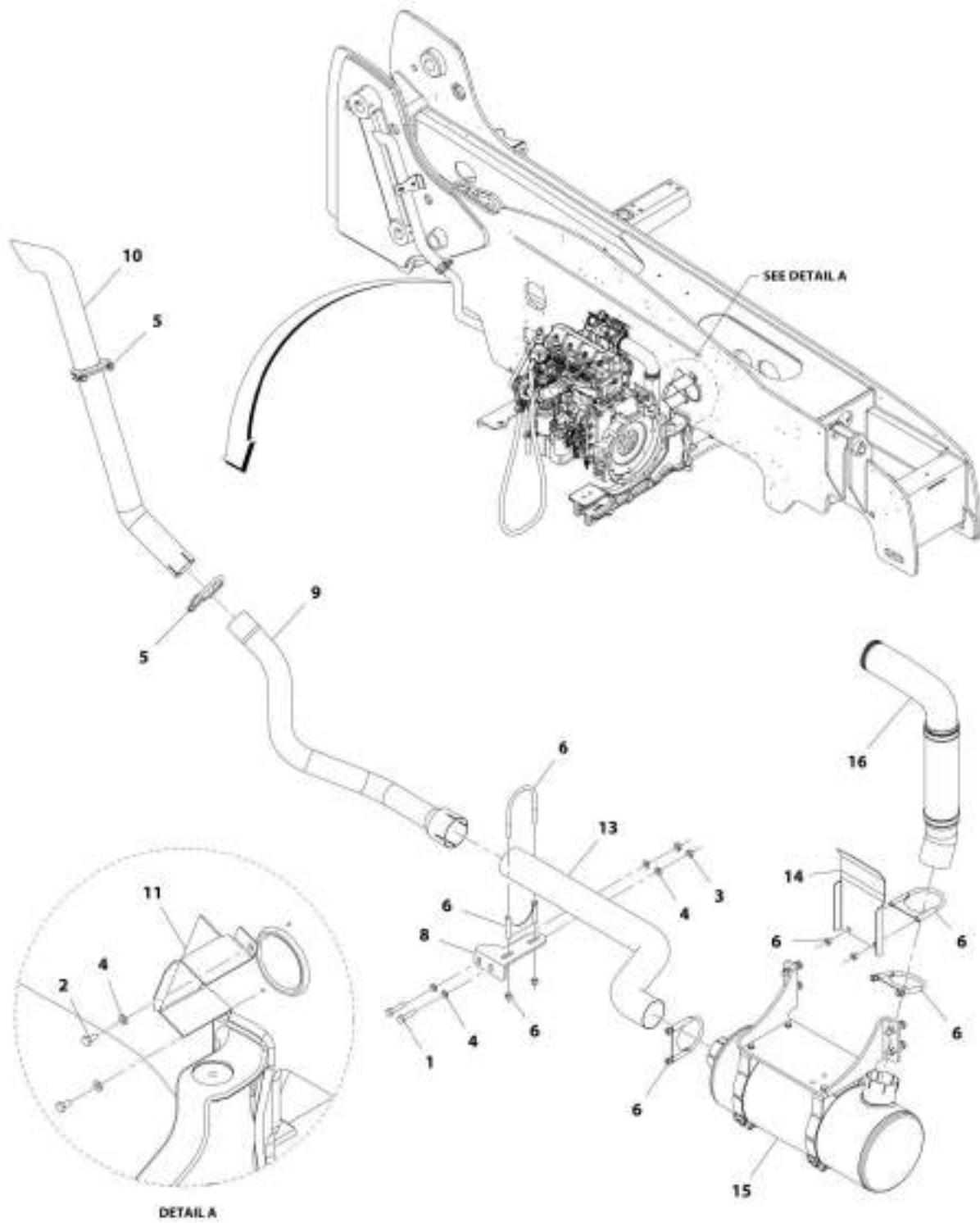
## SECTION 4 - ENGINE AND ATTACHING PARTS

**FIGURE 4-35. EXHAUST INSTALLATION (ULS)**

ITEM	PART NUMBER	QTY	DESCRIPTION	REV
	1001171701	1	Exhaust Installation (ULS)	O
1	0701014	10	Bolt, M10X30	
2	0701016	6	Bolt, M10X40	
4	0760815	2	Bolt, M8X35	
5	3290801	2	Nut, M8X1.25	
6	3291001	12	Nut, M10X1.5	
7	4811900	4	Washer, M8	
8	4812000	36	Washer, M10	
10	8275212	1	Clamp	
12	24921332	2	Clamp	
13	86883127	1	Clamp	
15	1001155261	1	Muffler	
16	1001159881	1	Bracket	
17	1001159882	1	Bracket	
18	1001176945	2	Strap	
19	1001162281	1	Support	
20	1001162597	1	Bracket	
21	1001163546	1	Pipe	
22	1001164404	1	Tube, Decomposition Reactor	
23	1001164837	2	Gasket	
24	1001164838	2	Clamp	
25	1001168560	1	Pipe	
26	1001168638	Ref	Installation, DEF Tank (See Separate Breakdown in this Section)	
27	1001171363	NLA	Pipe, (No longer available, use 1001204144 for replacement)	
27	1001204144	1	Pipe	
28	1001183836	1	Bracket	
29	1001173626	NLA	Pipe, (not shown) (No longer available, use 1001204144 for replacement)	
30	1001174271	Ref	Installation, DEF Pump and Control (See Separate Breakdown in this Section)	
31	1001163253	Ref	Installation, DEF Pump Lines (See Separate Breakdown in this Section)	
33	1001183759	1	Pipe	
35	90206195	490 mm	Trim-Lock	
36	1001167167	1	Clamp	
37	1001167168	1	Seal	
39	0761010	2	Bolt, M10X20	
40	1001179206	1	Bracket	
41	86683211	1	Clamp	

# SECTION 4 - ENGINE AND ATTACHING PARTS

## FIGURE 4-36. EXHAUST INSTALLATION (LS)



MT\_10016880-E

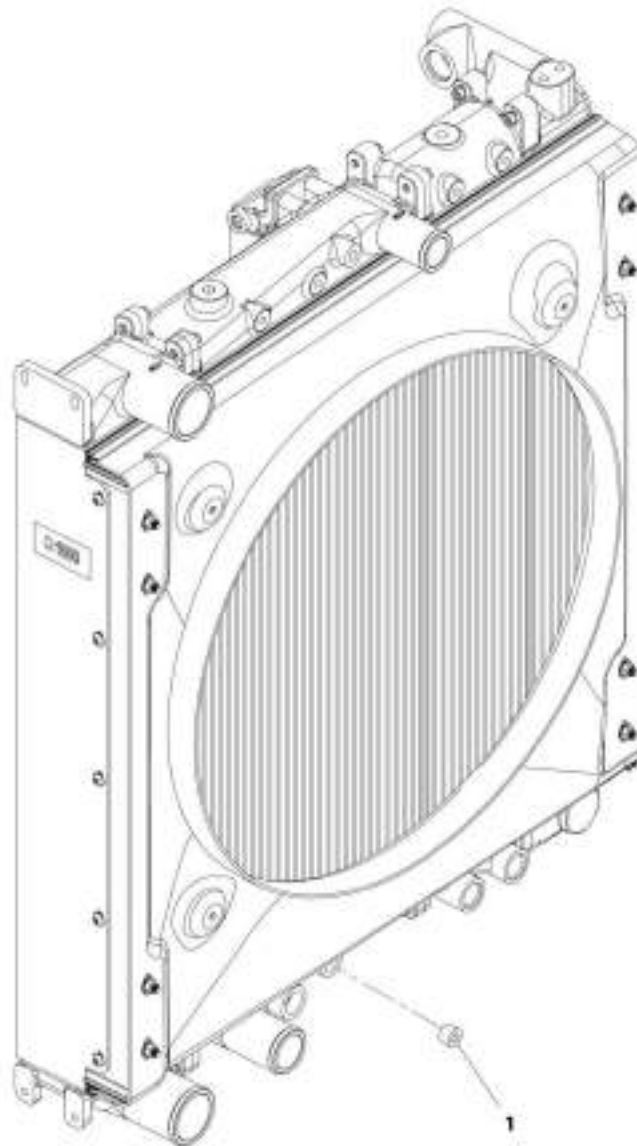
## SECTION 4 - ENGINE AND ATTACHING PARTS

**FIGURE 4-36. EXHAUST INSTALLATION (LS)**

ITEM	PART NUMBER	QTY	DESCRIPTION	REV
	1001169850	Ref	Exhaust Installation (LS)	E
1	0701017	2	Bolt, M10X45	
2	0761010	2	Bolt, M10X20	
3	3291001	2	Nut, M10X1.5	
4	4812000	6	Washer, M10	
5	8275212	2	Clamp, Exhaust	
6	24921332	4	Clamp, Exhaust	
8	1001162281	1	Bracket, Exhaust	
9	1001208186	1	Pipe, Exhaust	
10	1001173626	1	Pipe, Exhaust	
11	1001179206	1	Bracket, Heat Shield	
13	1001179972	1	Pipe, Exhaust	
14	1001181815	1	Plate, Heat Shield	
15	1001179968	1	Installation, Muffler (LS) (See Separate Breakdown in this Section)	
16	1001191348	1	Pipe, Exhaust Flex	

## SECTION 4 - ENGINE AND ATTACHING PARTS

FIGURE 4-37. ENGINE PARTS INSTALLATION (NO HEATER)



ART\_1001163133-C



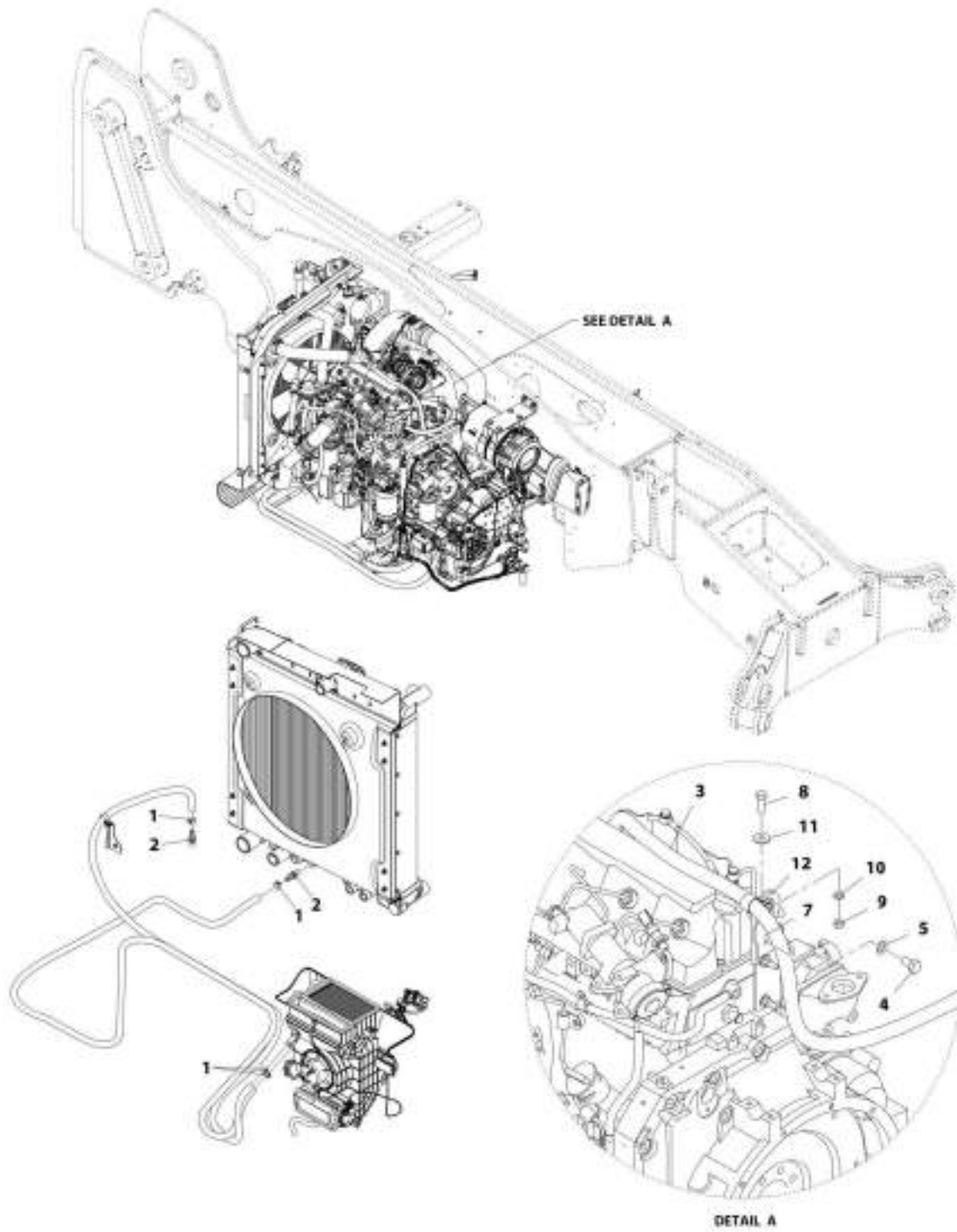
## SECTION 4 - ENGINE AND ATTACHING PARTS

FIGURE 4-37. ENGINE PARTS INSTALLATION (NO HEATER)

ITEM	PART NUMBER	QTY	DESCRIPTION	REV
1	1001163133 2200223	Ref 1	Engine Parts Installation (No Heater) Plug	C

# SECTION 4 - ENGINE AND ATTACHING PARTS

## FIGURE 4-38. ENGINE PARTS INSTALLATION (HEATER)



ART. 3001163134-J

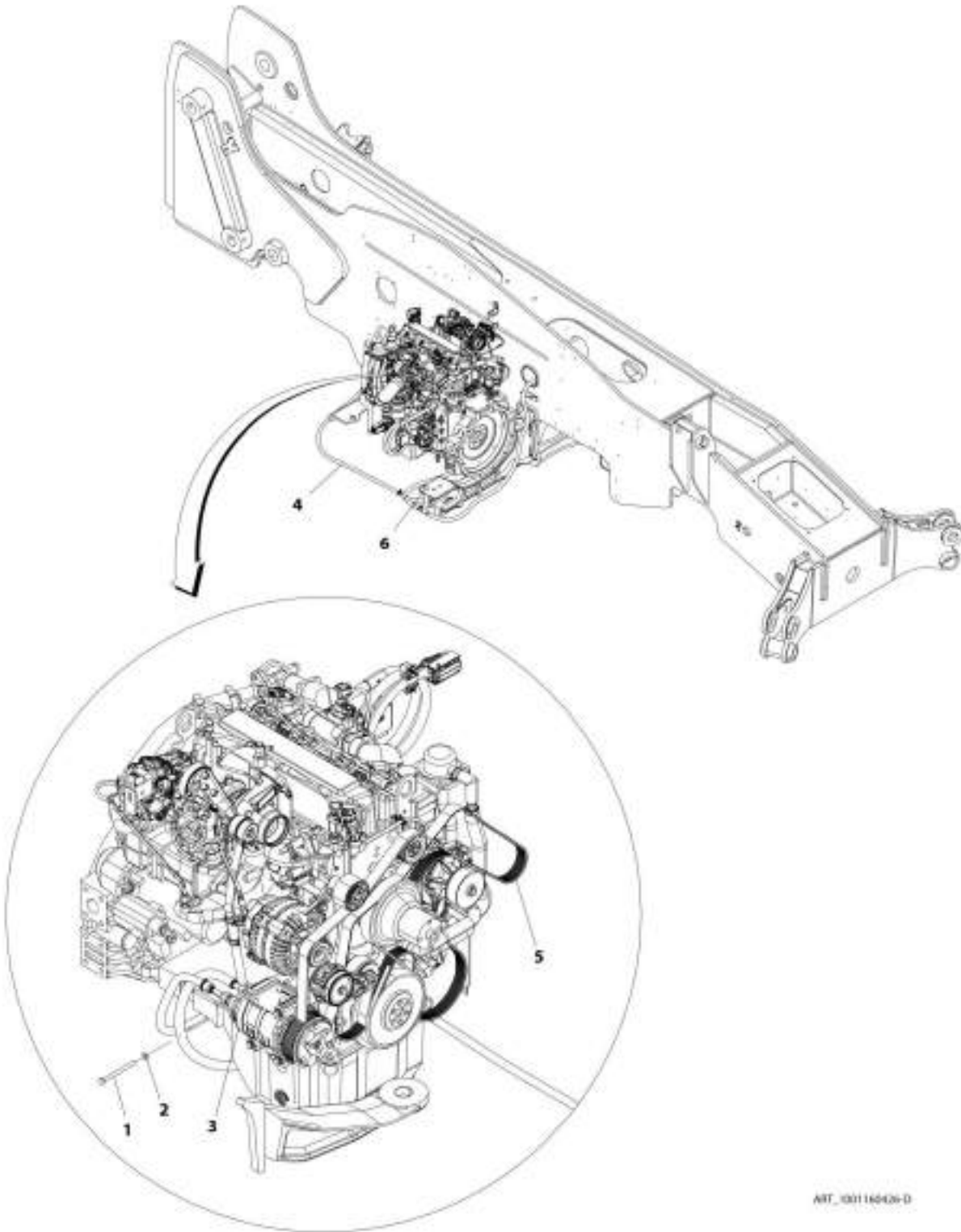
## SECTION 4 - ENGINE AND ATTACHING PARTS

FIGURE 4-38. ENGINE PARTS INSTALLATION (HEATER)

ITEM	PART NUMBER	QTY	DESCRIPTION	REV
	1001163134	Ref	Engine Parts Installation (Heater)	J
1	8410009	4	Clamp, Gear	
2	1001104685	2	Pipe	
3	82033995	7 m	Hose	
4	0760807	1	Bolt, M8X14	
5	4811900	1	Washer, M8	
7	1001200555	1	Bracket	
8	0700610	1	Bolt, M6X20	
9	3290601	1	Nut, M6X1	
10	4811700	1	Washer, M6	
11	4811702	1	Washer, M6	
12	8406201	1	Clip	

# SECTION 4 - ENGINE AND ATTACHING PARTS

FIGURE 4-39. A/C PUMP INSTALLATION (ULS)



ART\_1001165426-D

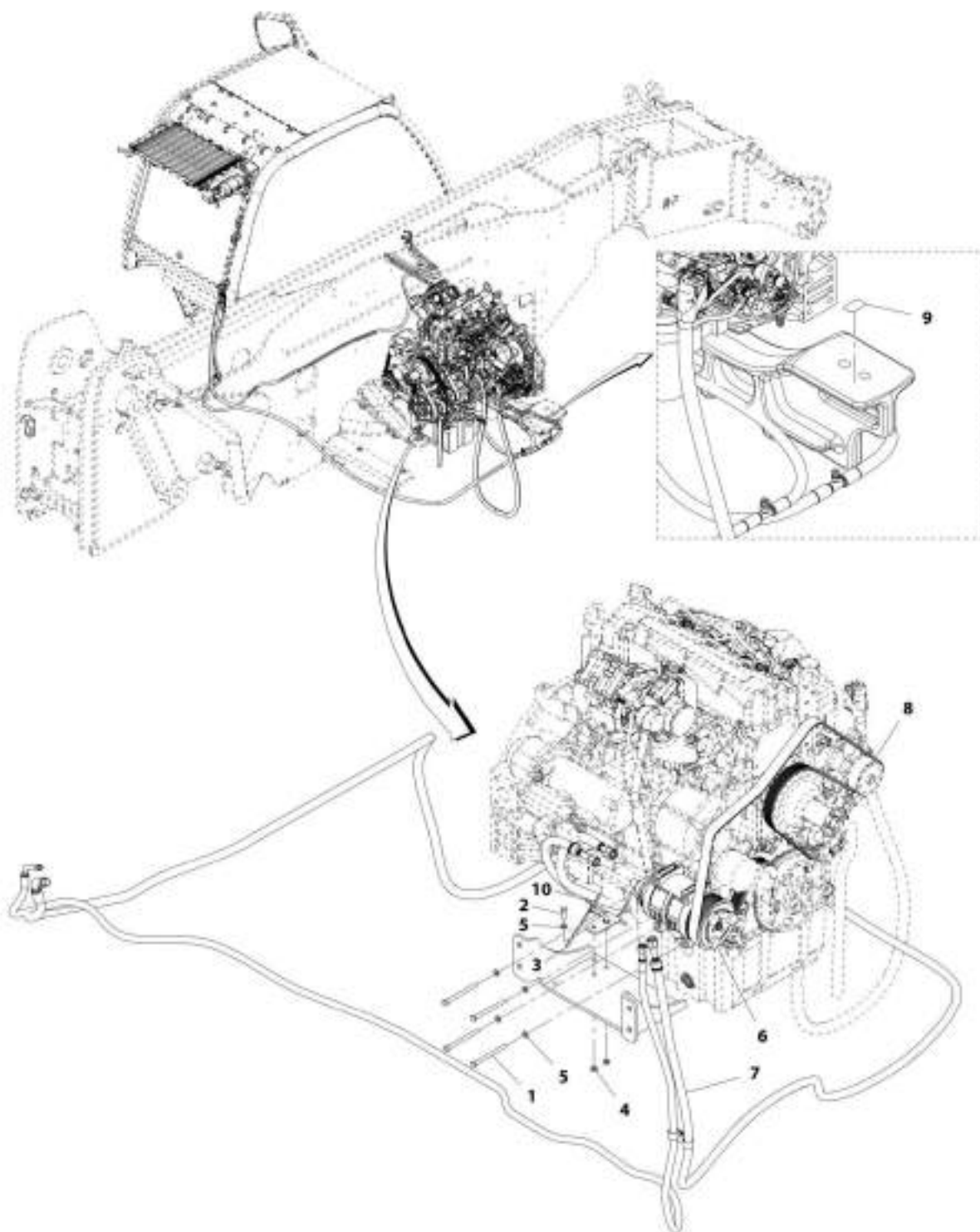
## SECTION 4 - ENGINE AND ATTACHING PARTS

FIGURE 4-39. A/C PUMP INSTALLATION (ULS)

ITEM	PART NUMBER	QTY	DESCRIPTION	REV
	1001160426	Ref	A/C Pump Installation (ULS)	D
1	0700827	4	Bolt, M8X100	
2	4811900	4	Washer, M8	
3	1001157663	1	Compressor, A/C	
4	1001163254	Ref	Installation, A/C Lines (See Separate Breakdown in this Section)	
5	1001167357	1	Belt	
6	1001193026	1	Decal, A/C Refrigerant	

# SECTION 4 - ENGINE AND ATTACHING PARTS

## FIGURE 4-40. A/C PUMP INSTALLATION (LS)



ART\_1001206440-A

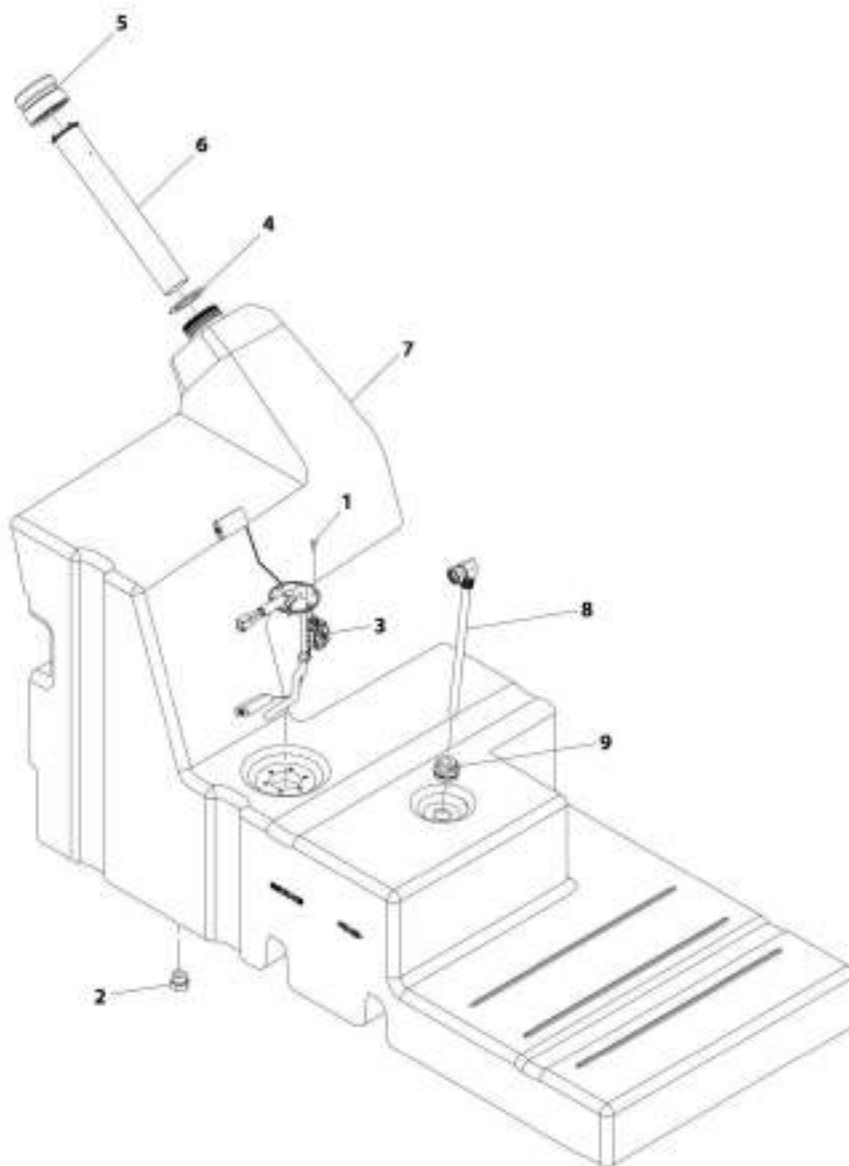
## SECTION 4 - ENGINE AND ATTACHING PARTS

FIGURE 4-40. A/C PUMP INSTALLATION (LS)

ITEM	PART NUMBER	QTY	DESCRIPTION	REV
	1001206448	Ref	A/C Pump Installation (LS)	A
1	0700827	4	Bolt, M8X100	
2	0760812	2	Bolt, M8X25	
3	1062255	1	Strap, Tie	
4	3290801	2	Nut, M8X1.25 Grade 8	
5	4811900	6	Washer, M8	
6	1001157663	1	Compressor, A/C	
7	1001163254	1	Installation, A/C Lines (See Separate Breakdown in this Section)	
8	1001167357	1	Belt	
9	1001193026	1	Decal, A/C Refrigerant	
10	1001206332	1	Bracket	

## SECTION 4 - ENGINE AND ATTACHING PARTS

FIGURE 4-41. FUEL TANK ASSEMBLY



ARR\_1001211432 F



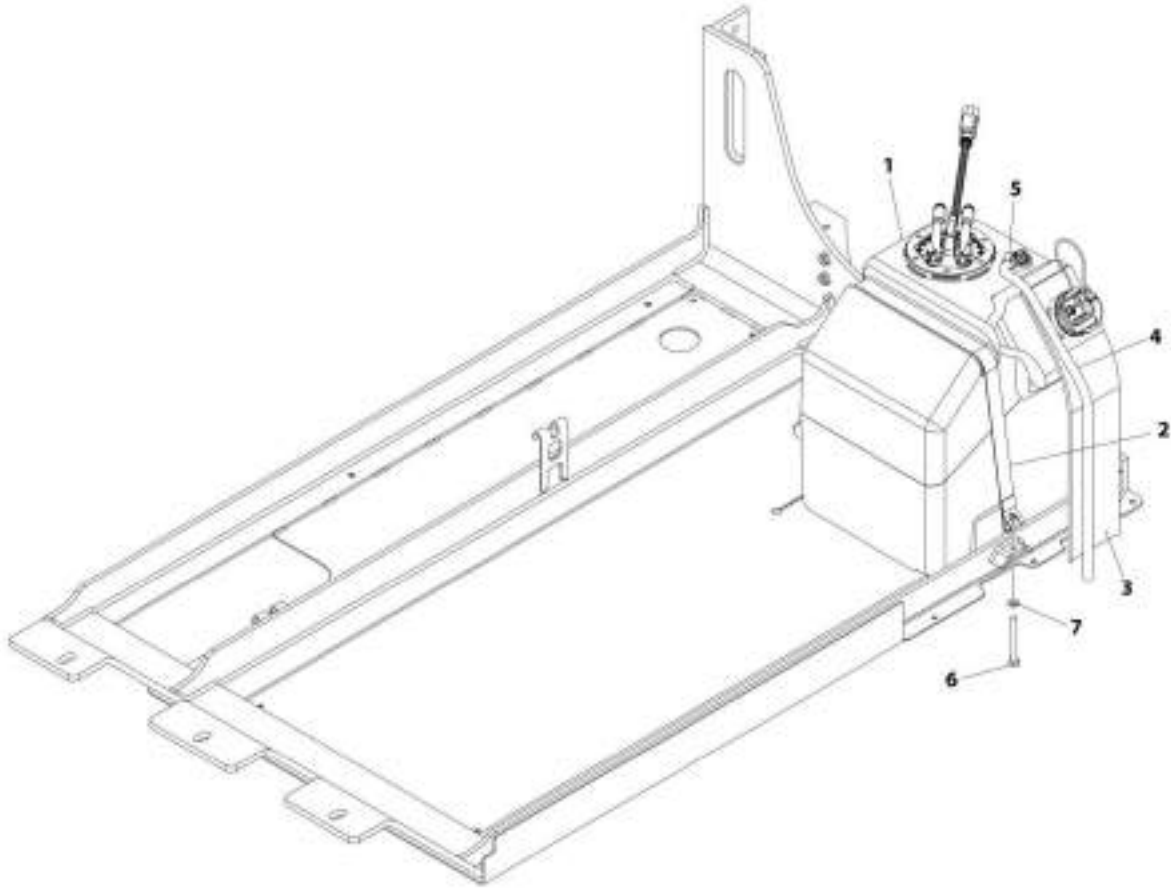
## SECTION 4 - ENGINE AND ATTACHING PARTS

### FIGURE 4-41. FUEL TANK ASSEMBLY

ITEM	PART NUMBER	QTY	DESCRIPTION	REV
	1001211432	Ref	Fuel Tank Assembly	F
1	0760507	6	Bolt, M5X14	
2	1001003427	1	Plug	
3	1001169867	NLA	Gauge, Fuel Level (no longer available, use 1001235100 for replacement)	
3	1001235100	1	Gauge, Fuel Level	
4	1001172178	1	Gasket	
5	1001207282	1	Adapter, Tank Cap	
6	1001207557	1	Pipe, Fuel Tank Drop	
7	1001211428	1	Tank, Fuel	
8	1001211429	1	Coupling, ORFS	
9	1001211747	1	Pipe, Fuel Supply	

## SECTION 4 - ENGINE AND ATTACHING PARTS

FIGURE 4-42. DEF TANK INSTALLATION



ART\_100116890-1

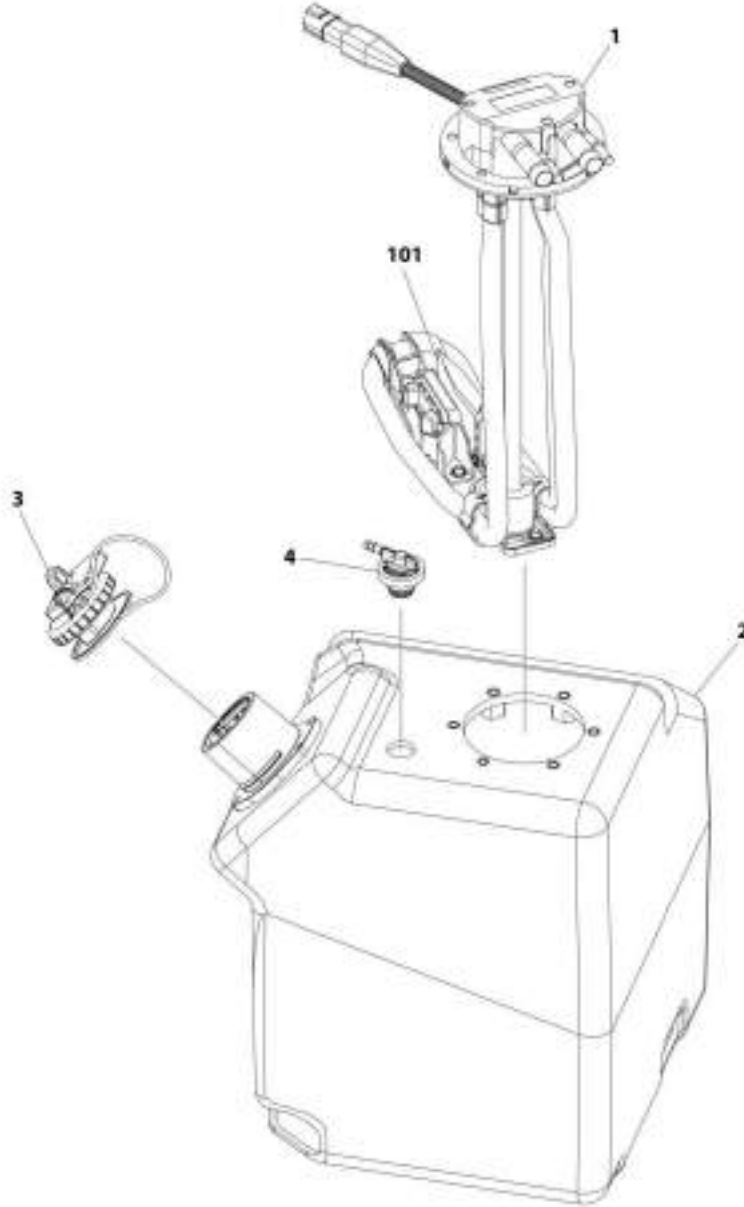
## SECTION 4 - ENGINE AND ATTACHING PARTS

**FIGURE 4-42. DEF TANK INSTALLATION**

ITEM	PART NUMBER	QTY	DESCRIPTION	REV
	1001168638	Ref	DEF Tank Installation	J
1	1001164966	1	Tank, DEF (See Separate Breakdown in this Section) <b>(SN 0160084859 through 0160091872)</b>	
1	1001230421	1	Tank, DEF (See Separate Breakdown in this Section) <b>(SN 0160091873 to Present)</b>	
2	1001178791	1	Strap, Tank	
3	1001168272	1	Sleeve	
4	1001175201	0.6 m	Hose	
5	8405009	1	Clamp, Gear	
6	0760823	1	Bolt, M8X75	
7	4811900	1	Washer, M8	

# SECTION 4 - ENGINE AND ATTACHING PARTS

FIGURE 4-43. DEF TANK ASSEMBLY (SN 0160084859 through 0160091872)



4RT\_180116466-G

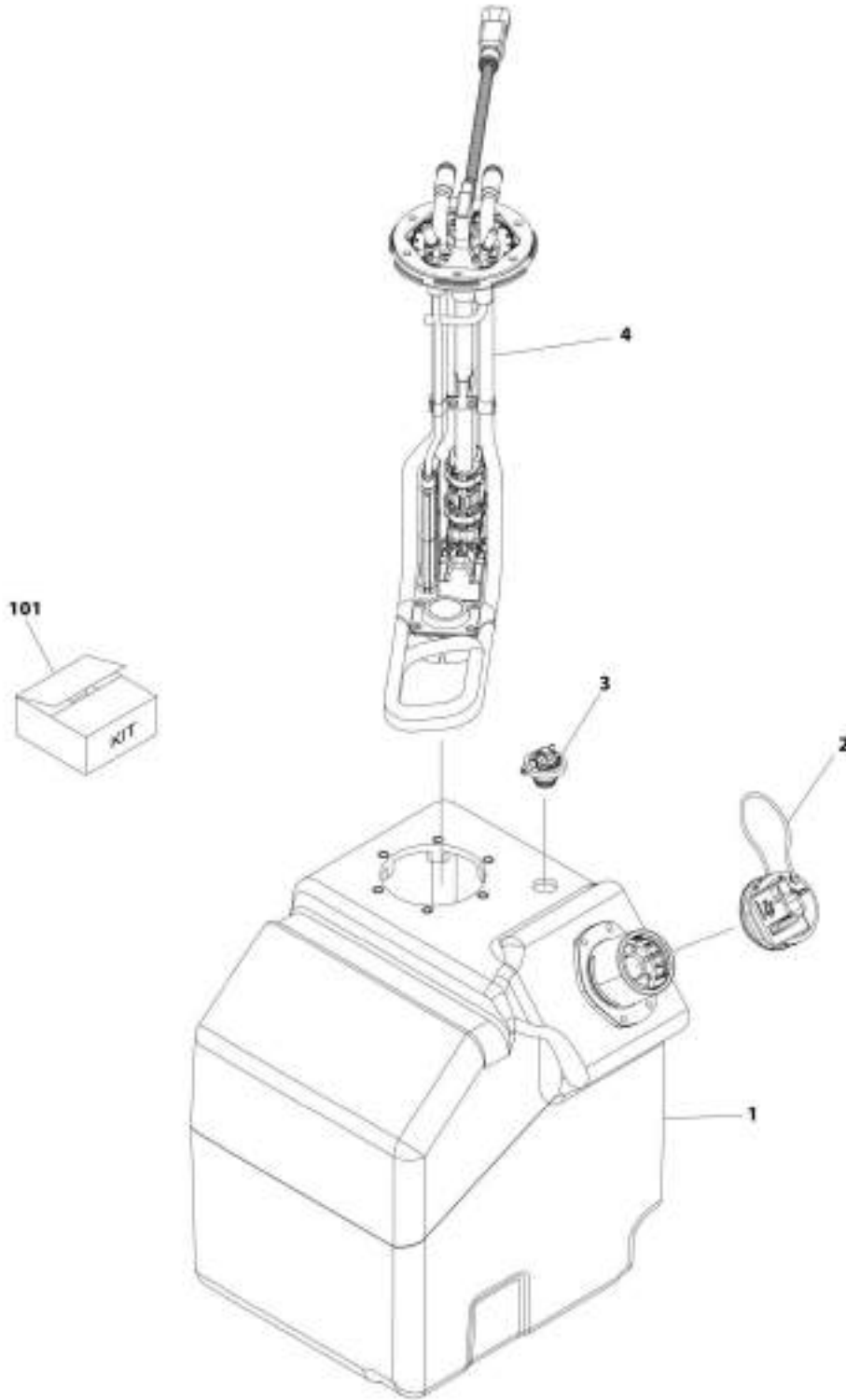
## SECTION 4 - ENGINE AND ATTACHING PARTS

FIGURE 4-43. DEF TANK ASSEMBLY (SN 0160084859 through 0160091872)

ITEM	PART NUMBER	QTY	DESCRIPTION	REV
	1001164966	Ref	DEF Tank Assembly	G
1	1001164964	1	Assembly, DEF Electrical (includes item 101)	
2	1001164967	1	Tank	
3	1001174795	1	Cap	
4	1001215319	1	Valve	
101	70026584	1	Filter, DEF	

# SECTION 4 - ENGINE AND ATTACHING PARTS

FIGURE 4-44. DEF TANK ASSEMBLY (SN 0160091873 to Present)



ART\_100130471-A

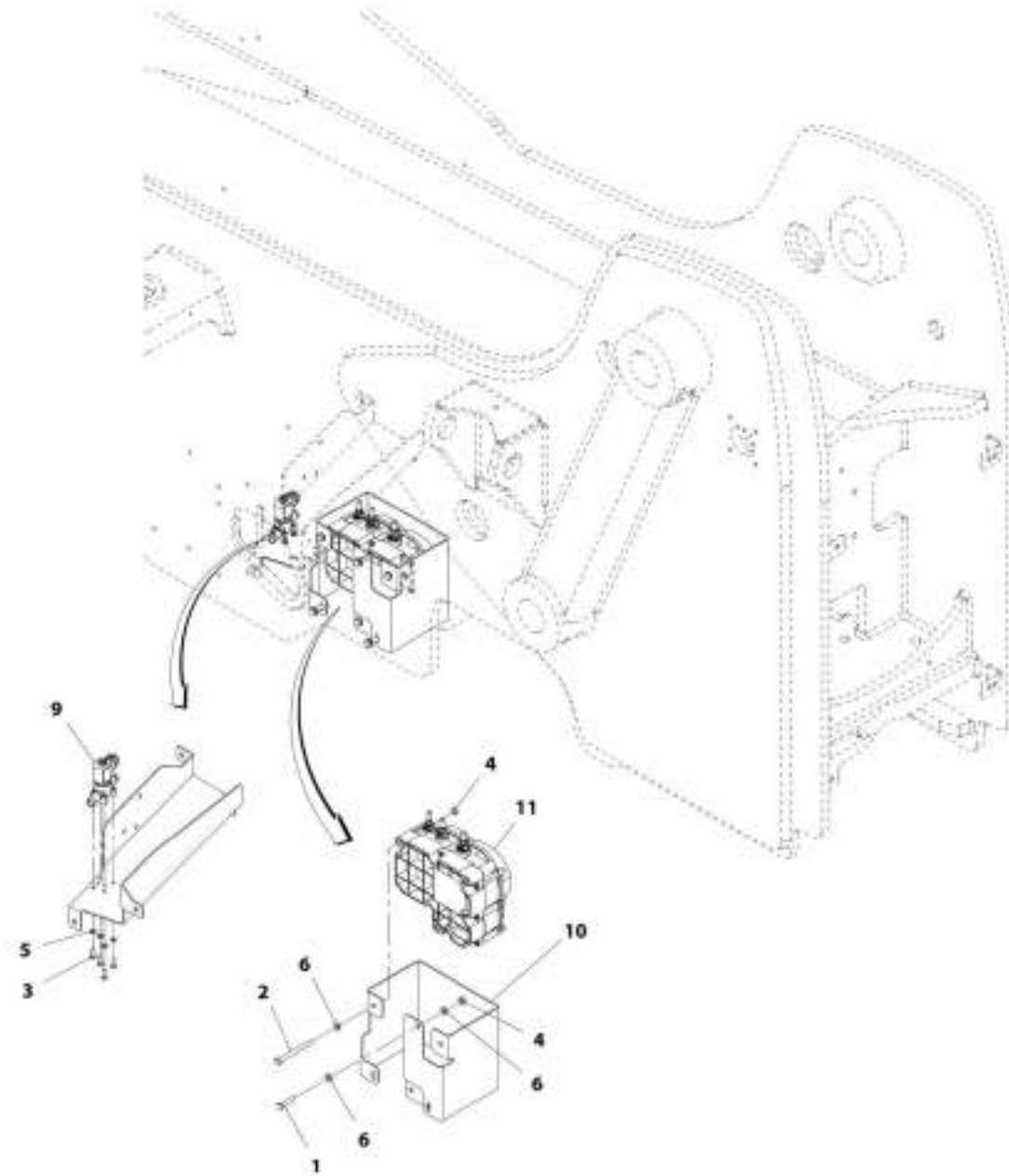
## SECTION 4 - ENGINE AND ATTACHING PARTS

FIGURE 4-44. DEF TANK ASSEMBLY (SN 0160091873 to Present)

ITEM	PART NUMBER	QTY	DESCRIPTION	REV
	1001230421	Ref	DEF Tank Assembly	A
1	1001164967	1	Tank	
2	1001174795	1	Cap	
3	1001215319	1	Valve	
4	1001230419	1	Assembly, DEF Electrical (includes item 101)	
101	70029473	1	Siphon Filter Kit	
101	70029474	1	Gasket, Rubber	
101	70029475	1	Flange	
101	70029476	1	Header Assembly w/o Flange and Gasket	

# SECTION 4 - ENGINE AND ATTACHING PARTS

## FIGURE 4-45. DEF PUMP AND CONTROL INSTALLATION



ART\_1001174273-H



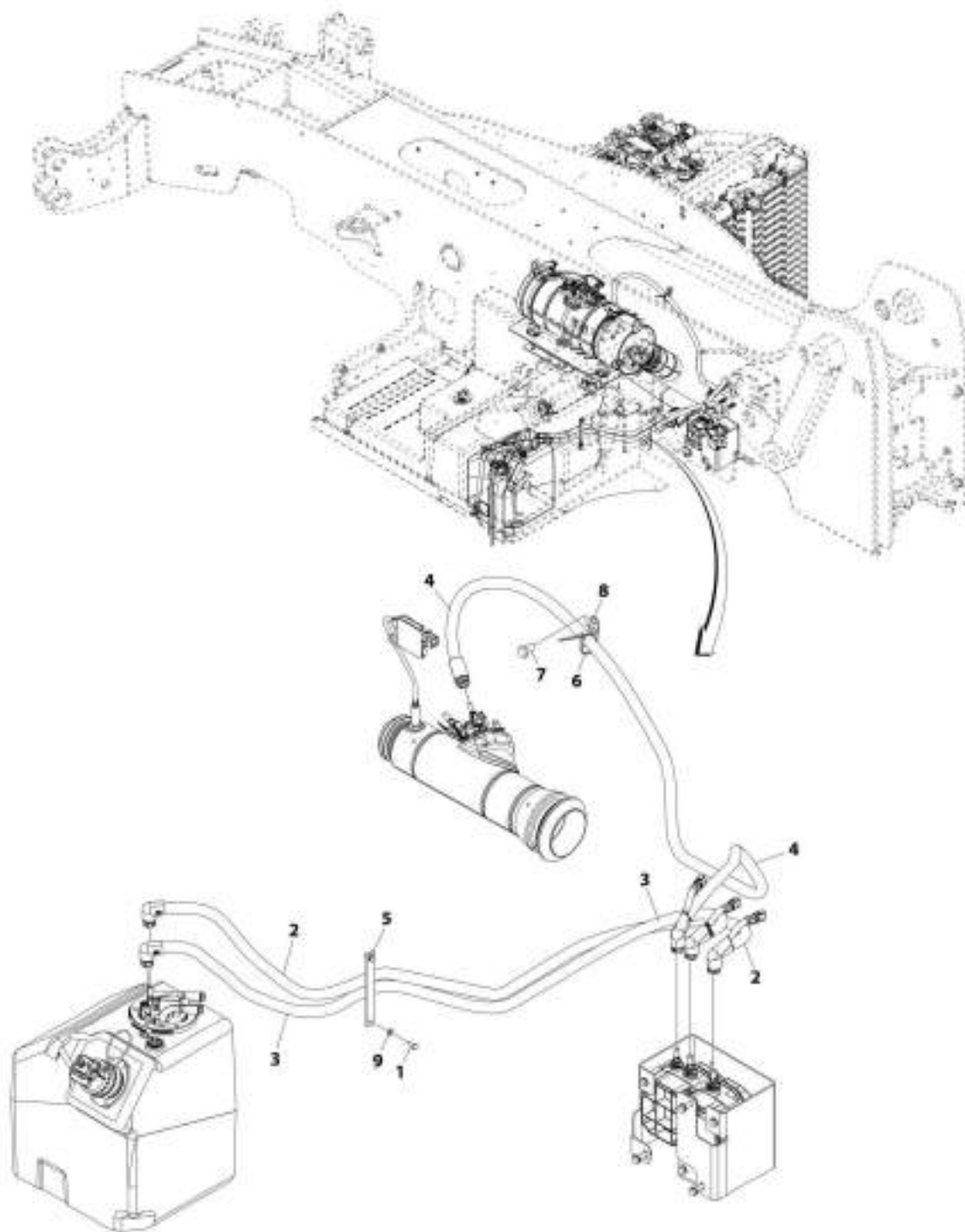
## SECTION 4 - ENGINE AND ATTACHING PARTS

FIGURE 4-45. DEF PUMP AND CONTROL INSTALLATION

ITEM	PART NUMBER	QTY	DESCRIPTION	REV
	1001174271	Ref	DEF Pump and Control Installation	H
1	0700815	3	Bolt, M8X35	
2	0700826	3	Bolt, M8X90	
3	0760608	4	Bolt, M6X16	
4	3290801	5	Nut, M8X1.25	
5	4811700	4	Washer, M6	
6	4811900	8	Washer, M8	
9	1001199670	1	Valve, DEF Tank Coolant Flow	
10	1001191168	1	Bracket	
11		Ref	Pump, Urea (See Separate Breakdown in this Section)	

# SECTION 4 - ENGINE AND ATTACHING PARTS

## FIGURE 4-46. DEF PUMP LINES INSTALLATION



ART\_1001163253-0

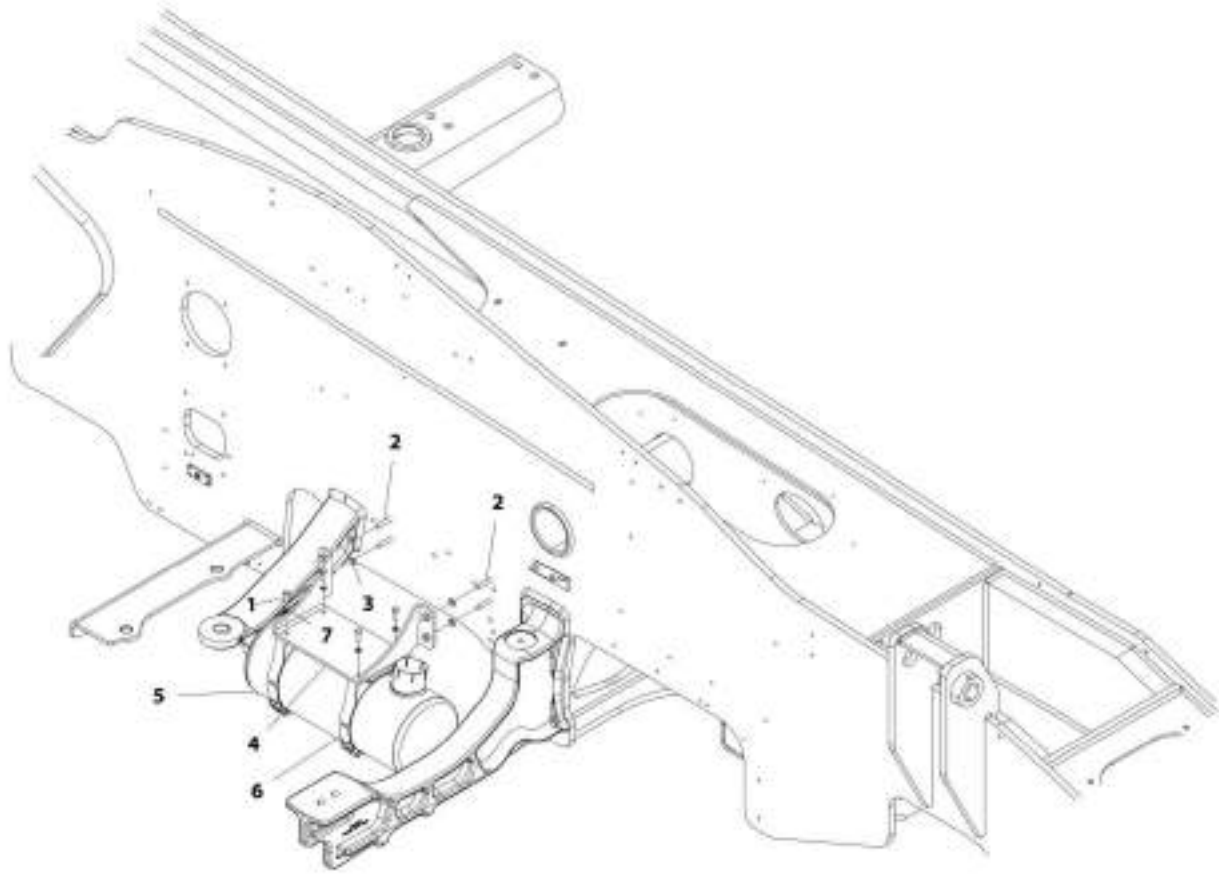
## SECTION 4 - ENGINE AND ATTACHING PARTS

**FIGURE 4-46. DEF PUMP LINES INSTALLATION**

ITEM	PART NUMBER	QTY	DESCRIPTION	REV
	1001163253	Ref	DEF Pump Lines Installation	I
1	0760607	AR	Bolt, M6X14	
2	1001196354	1	Hose <b>(SN 0160084859 through 0160091872)</b>	
2	1001231002	1	Hose <b>(SN 0160091873 to Present)</b>	
3	1001196421	1	Hose <b>(SN 0160084859 through 0160091872)</b>	
3	1001231003	1	Hose <b>(SN 0160091873 to Present)</b>	
4	1001167971	1	Hose	
5	1001196440	AR	Plate, Retainer	
6	8881802	1	Strap, Tie	
7	0761210	1	Bolt, M12X20	
8	1001025750	1	Clip	
9	4831700	AR	Washer, Lock M6	

## SECTION 4 - ENGINE AND ATTACHING PARTS

FIGURE 4-47. MUFFLER INSTALLATION (LS)



ART\_1001170668-D

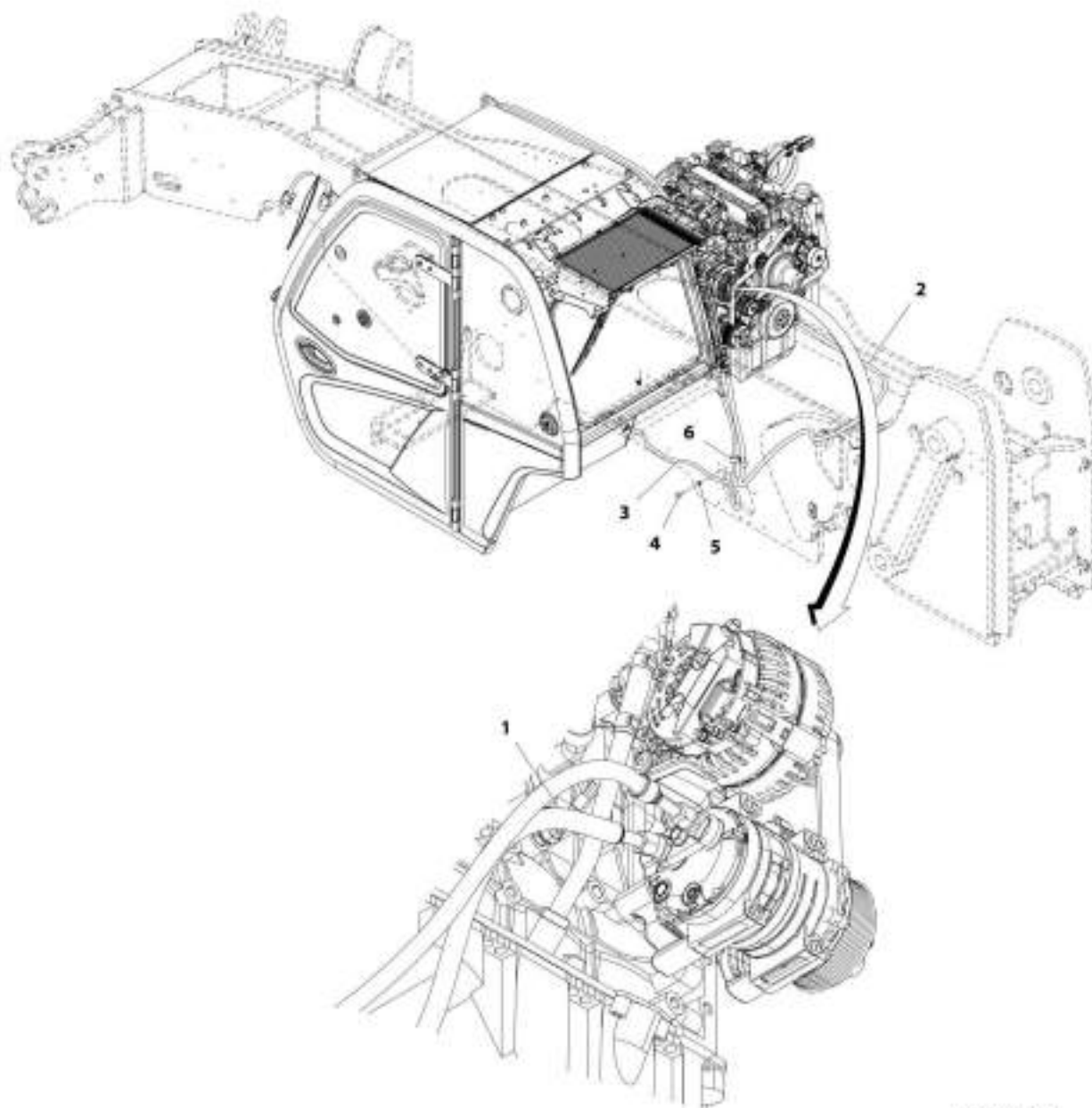
## SECTION 4 - ENGINE AND ATTACHING PARTS

### FIGURE 4-47. MUFFLER INSTALLATION (LS)

ITEM	PART NUMBER	QTY	DESCRIPTION	REV
	1001179968	Ref	Muffler Installation (LS)	D
1	0760812	4	Bolt, M8X25	
2	0701017	4	Bolt, M10X45	
3	4812000	4	Washer, M10	
4	1001179973	1	Bracket	
5	1001180226	1	Muffler	
6	1001180227	2	Clamp, Muffler	
7	4811900	4	Washer, M8	

## SECTION 4 - ENGINE AND ATTACHING PARTS

FIGURE 4-48. A/C LINES INSTALLATION



ART\_100163254-H

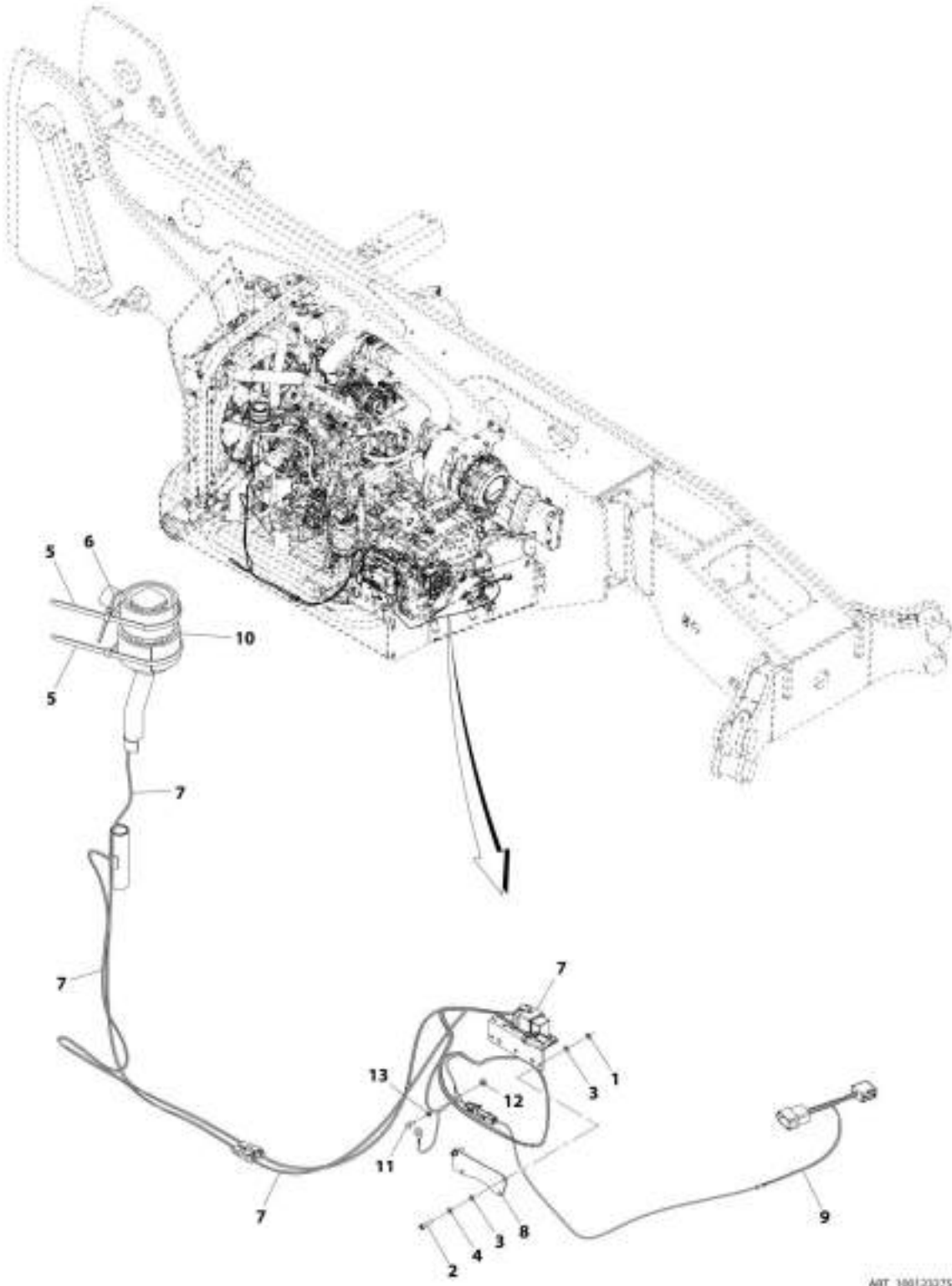
## SECTION 4 - ENGINE AND ATTACHING PARTS

### FIGURE 4-48. A/C LINES INSTALLATION

ITEM	PART NUMBER	QTY	DESCRIPTION	REV
	1001163254	Ref	A/C Lines Installation	H
1	1001196491	1	Hose	
2	1001184017	1	Hose	
3	1001186705	1	Hose	
4	0761012	1	Bolt, M10X25	
5	4812000	1	Washer, M10	
6	8406102	2	Clip	

# SECTION 4 - ENGINE AND ATTACHING PARTS

FIGURE 4-49. HEATER BREATHER



ART\_1001202751-0



## SECTION 4 - ENGINE AND ATTACHING PARTS

### FIGURE 4-49. HEATER BREATHER

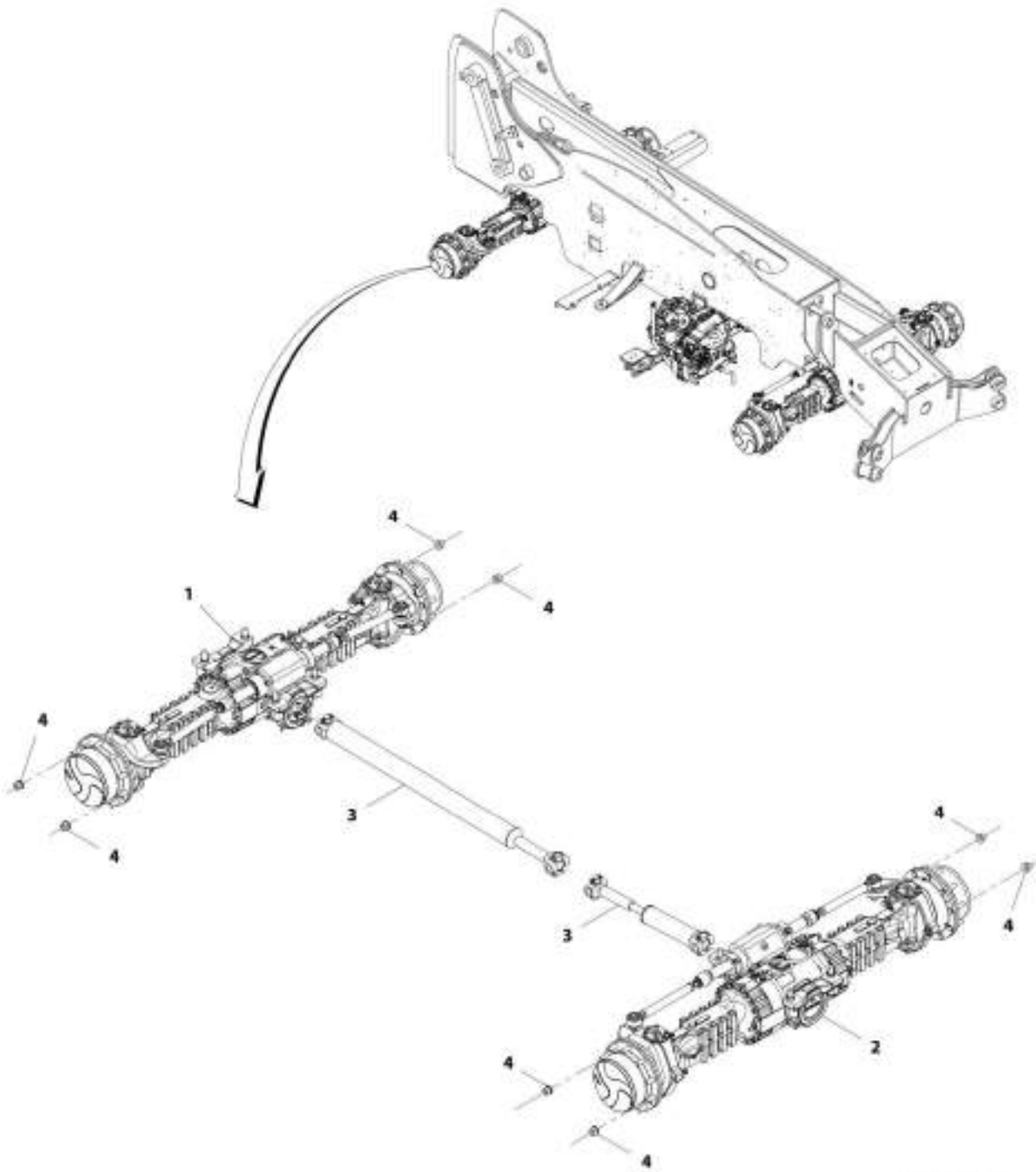
ITEM	PART NUMBER	QTY	DESCRIPTION	REV
	1001232751	Ref	Heater Breather - 110 HP	B
1	3290501	2	Nut, M5X0.8	
2	4031608	2	Screw, M5X20	
3	4811600	4	Washer, M5	
4	4831600	2	Washer, Lock M5	
5	01043892	2	Strap, Tie	
6	86683122	1	Strap, Tie	
7	1001232439	1	Engine, Cummins Breather Kit	
8	1001232440	1	Bracket	
9	1001232556	1	Harness, Cummins Heater Jump	
10	1001232624	1	Insulate, Cummins Insulation	
11	0760607	1	Bolt, M6X1	
12	3290601	1	Nut, M6X1	
13	4811700	2	Washer, M6	



**SECTION 5 - DRIVETRAIN**

# SECTION 5 - DRIVETRAIN

## FIGURE 5-1. DRIVETRAIN INSTALLATION



ART\_100166786-0

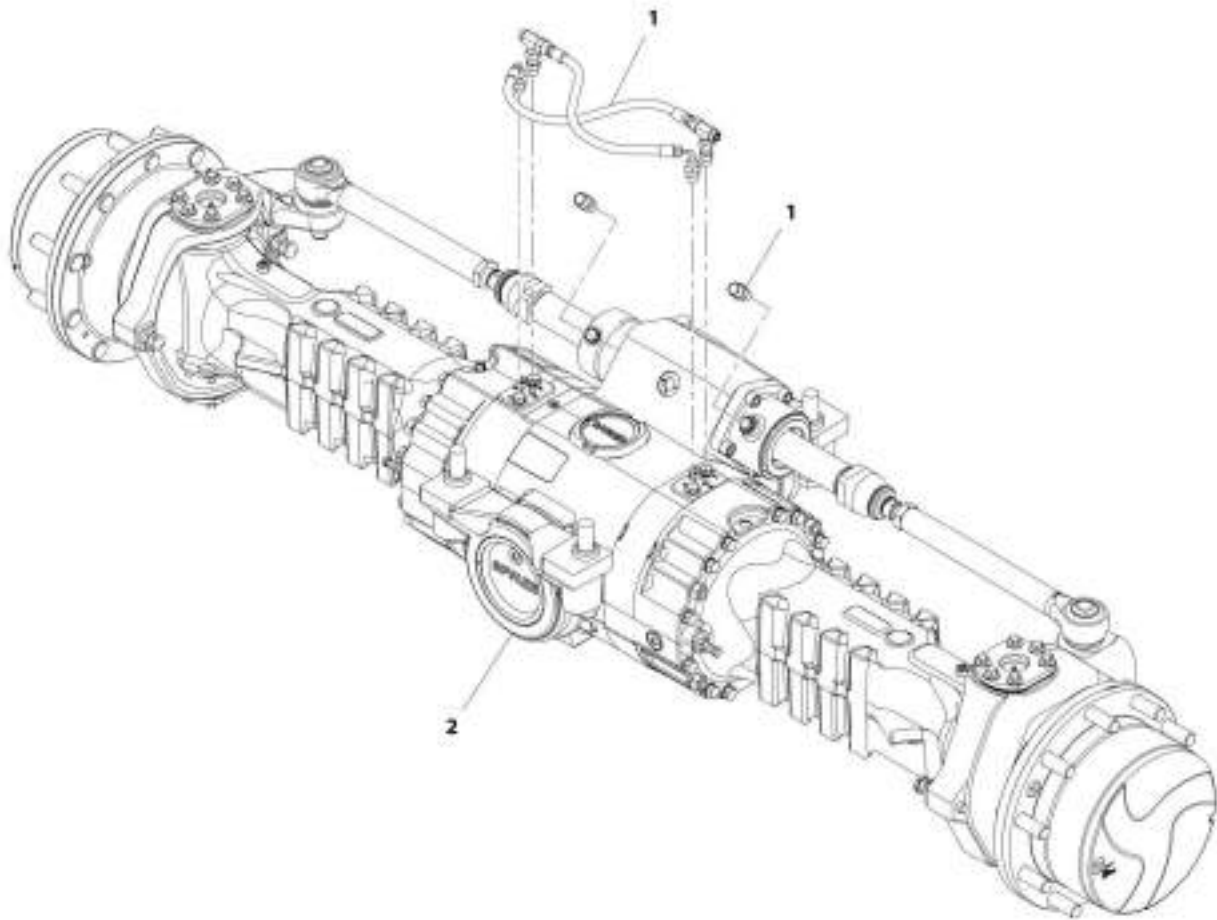
**SECTION 5 - DRIVETRAIN**

**FIGURE 5-1. DRIVETRAIN INSTALLATION**

<b>ITEM</b>	<b>PART NUMBER</b>	<b>QTY</b>	<b>DESCRIPTION</b>	<b>REV</b>
1	1001168786	Ref	Drivetrain Installation	B
	1001168783	Ref	Installation, Rear Axle (See REAR AXLE INSTALLATION for Breakdown)	
2	1001168785	Ref	Installation, Front Axle (See FRONT AXLE INSTALLATION for Breakdown)	
3	1001169350	Ref	Installation, Drive Shafts (See DRIVE SHAFTS INSTALLATION for Breakdown)	
4	91403193	40	Nut, Lug M22X1.5	

## SECTION 5 - DRIVETRAIN

FIGURE 5-2. FRONT AXLE INSTALLATION



MIT\_1001168785-A

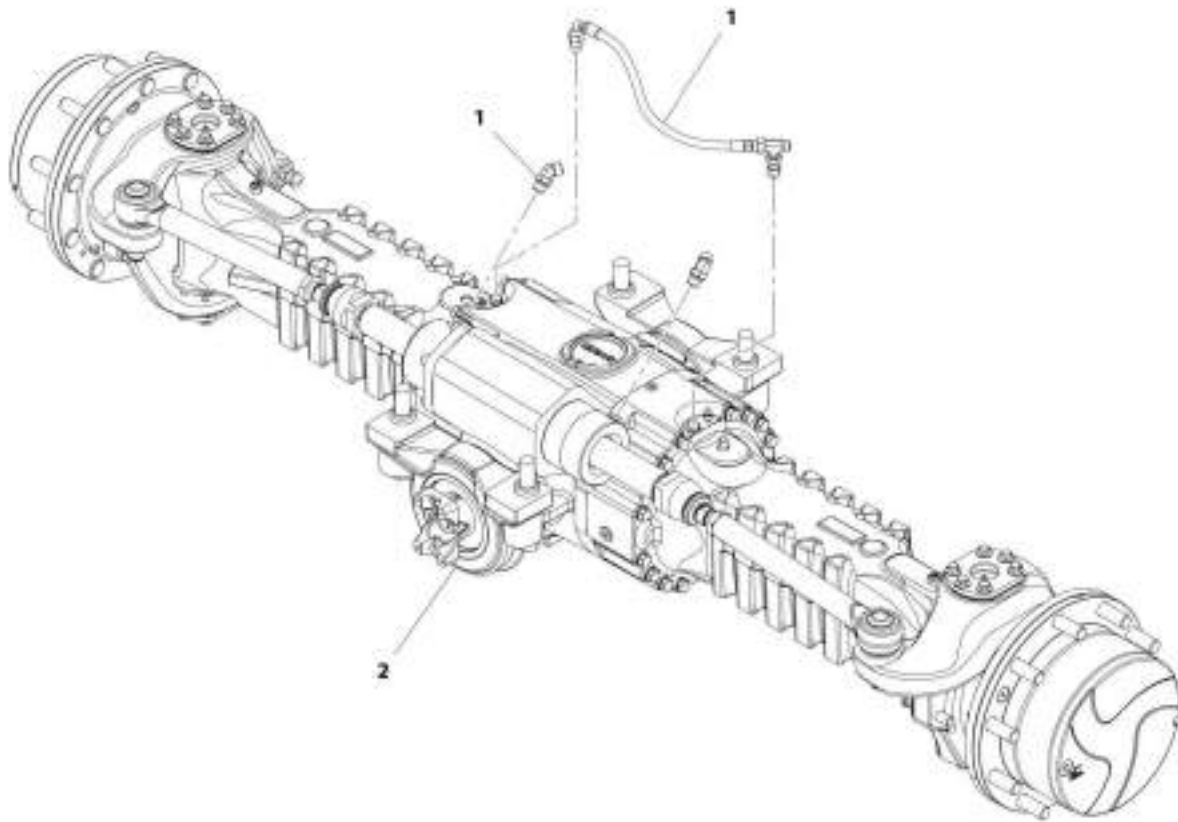
**SECTION 5 - DRIVETRAIN**

**FIGURE 5-2. FRONT AXLE INSTALLATION**

<b>ITEM</b>	<b>PART NUMBER</b>	<b>QTY</b>	<b>DESCRIPTION</b>	<b>REV</b>
1	1001168785	Ref	Front Axle Installation	A
	1001161421	Ref	Installation, Front Axle Lines (See FONT AXLE LINES INSTALLATION for Breakdown)	
2	1001168784	Ref	Installation, Front Axle Mounting (See FRONT AXLE MOUNTING INSTALLATION for Breakdown)	

## SECTION 5 - DRIVETRAIN

FIGURE 5-3. REAR AXLE INSTALLATION



ART\_100198763-A



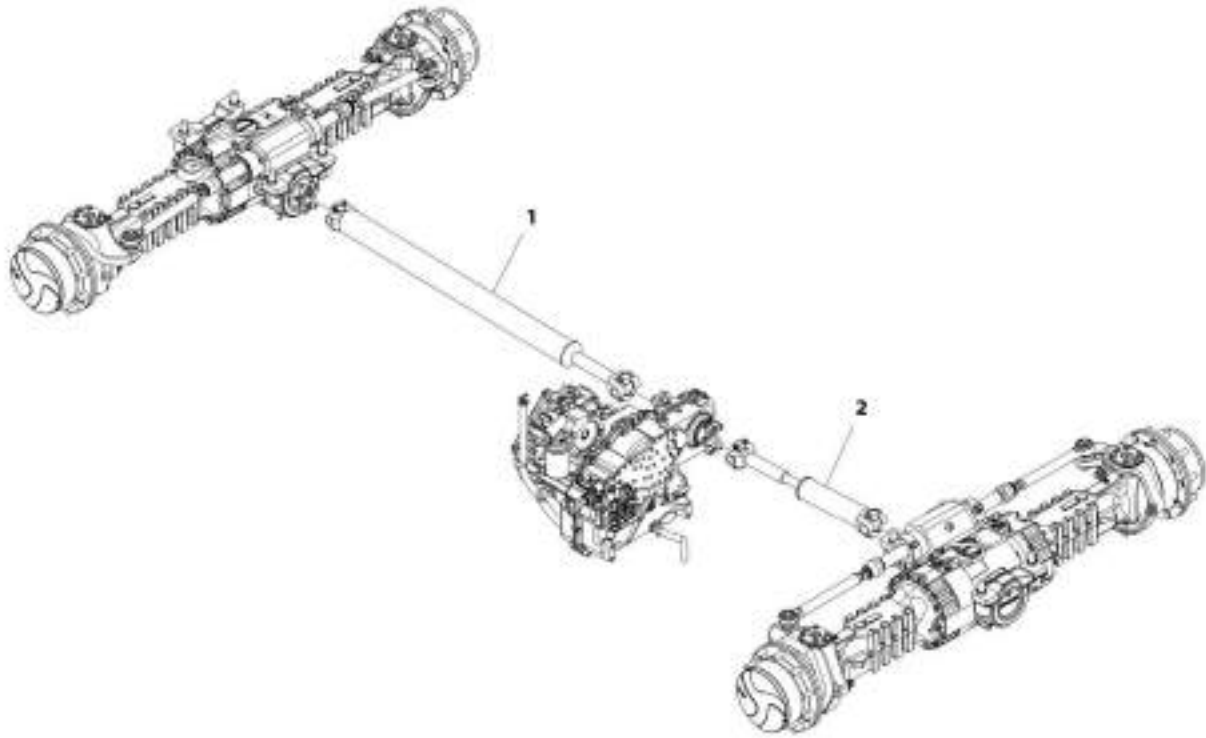
**SECTION 5 - DRIVETRAIN**

**FIGURE 5-3. REAR AXLE INSTALLATION**

<b>ITEM</b>	<b>PART NUMBER</b>	<b>QTY</b>	<b>DESCRIPTION</b>	<b>REV</b>
1	1001168783	Ref	Rear Axle Installation	A
	1001161424	Ref	Installation, Rear Axle Lines (See REAR AXLE LINES INSTALLATION for Breakdown)	
2	1001168782	Ref	Installation, Rear Axle Mounting (See REAR AXLE MOUNTING INSTALLATION for Breakdown)	

## SECTION 5 - DRIVETRAIN

FIGURE 5-4. DRIVE SHAFTS INSTALLATION



ART\_1001M9350-A

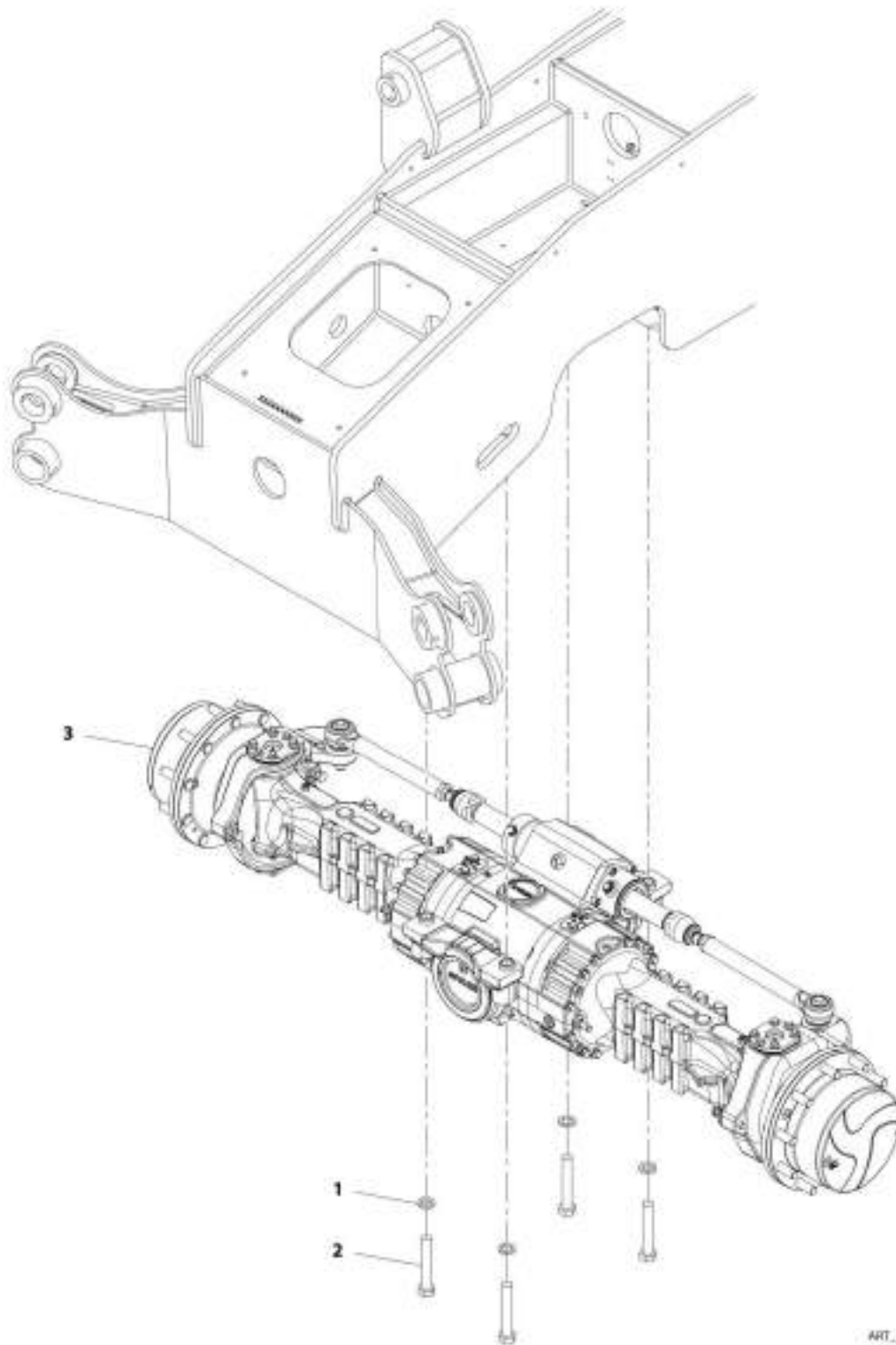
**SECTION 5 - DRIVETRAIN**

**FIGURE 5-4. DRIVE SHAFTS INSTALLATION**

<b>ITEM</b>	<b>PART NUMBER</b>	<b>QTY</b>	<b>DESCRIPTION</b>	<b>REV</b>
1	1001169350	Ref	Drive Shafts Installation	A
	1001169351	Ref	Installation, Rear Drive Shaft (See REAR DRIVE SHAFT INSTALLATION for Breakdown)	
2	1001172954	Ref	Installation, Front Drive Shaft (See FRONT DRIVE SHAFT INSTALLATION for Breakdown)	

## SECTION 5 - DRIVETRAIN

FIGURE 5-5. FRONT AXLE MOUNTING INSTALLATION



ART\_1001168794-C

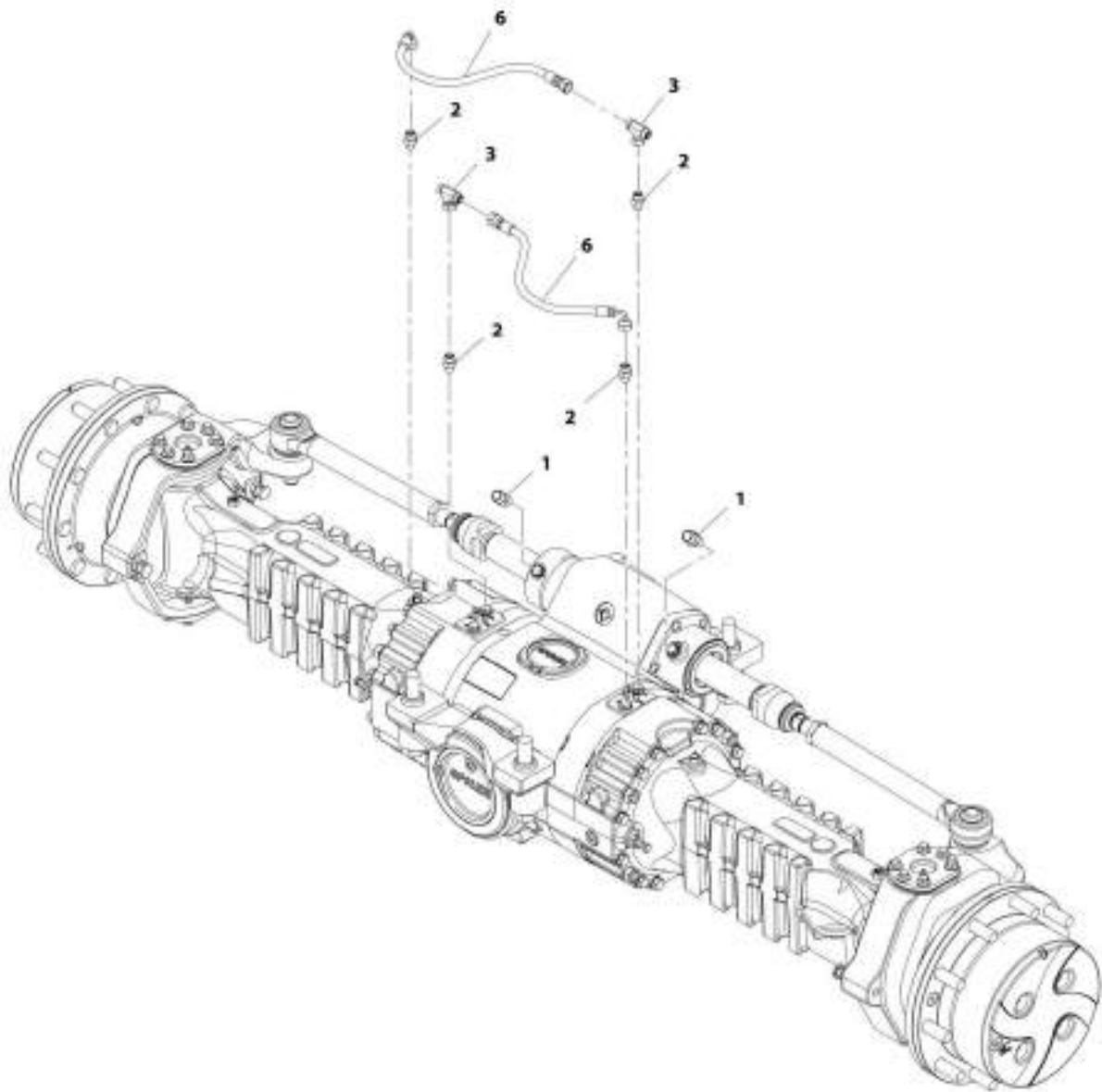
**SECTION 5 - DRIVETRAIN**

**FIGURE 5-5. FRONT AXLE MOUNTING INSTALLATION**

<b>ITEM</b>	<b>PART NUMBER</b>	<b>QTY</b>	<b>DESCRIPTION</b>	<b>REV</b>
	1001168784	Ref	Front Axle Mounting Installation	C
1	4892600	4	Washer	
2	1001097587	4	Bolt, M24-3X150	
3	1001165831	1	Axle, Front (See FRONT AXLE for Breakdown)	

## SECTION 5 - DRIVETRAIN

FIGURE 5-6. FONT AXLE LINES INSTALLATION



8RT\_100161A21-C

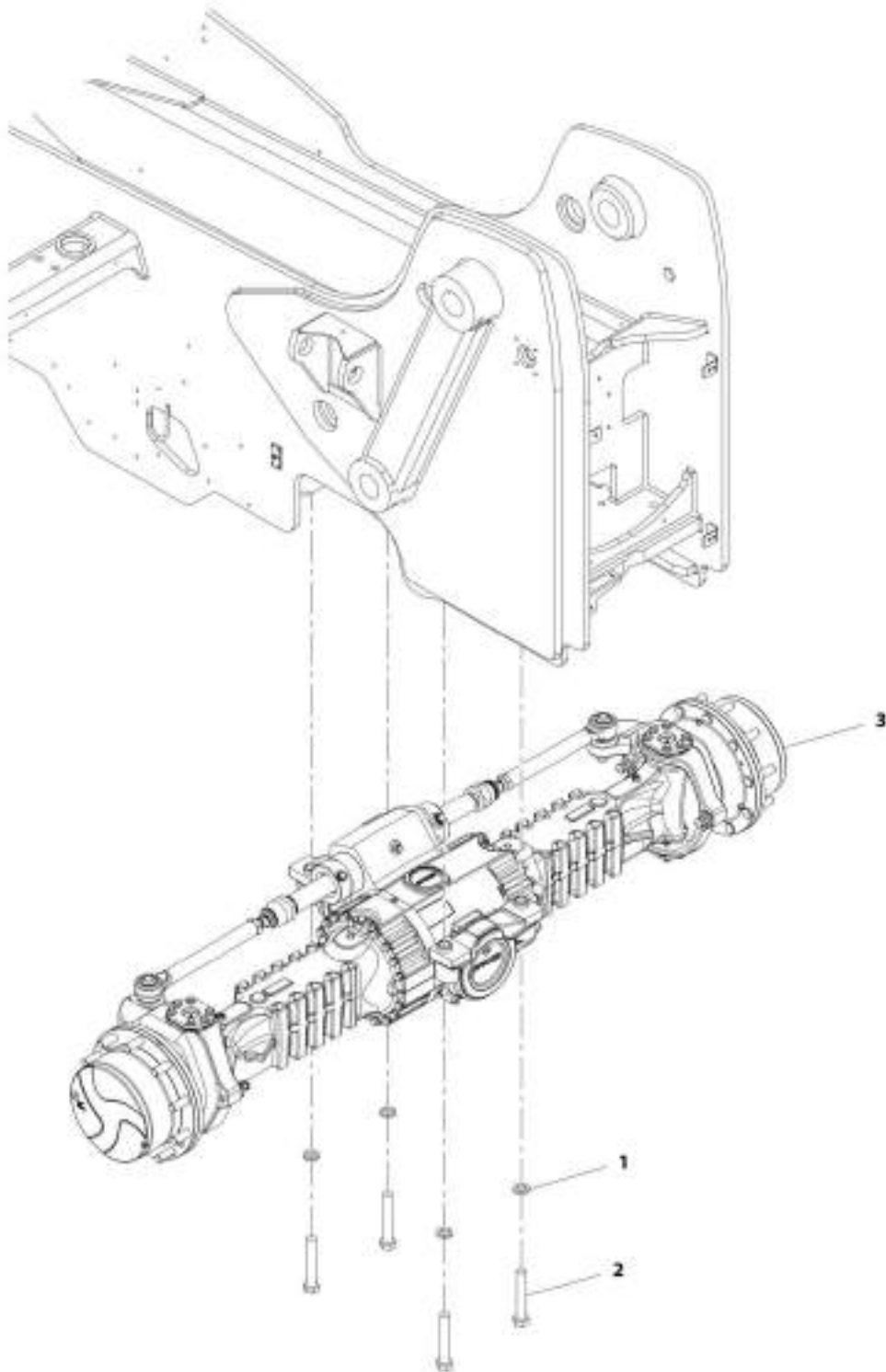
**SECTION 5 - DRIVETRAIN**

**FIGURE 5-6. FONT AXLE LINES INSTALLATION**

<b>ITEM</b>	<b>PART NUMBER</b>	<b>QTY</b>	<b>DESCRIPTION</b>	<b>REV</b>
	1001161421	Ref	Font Axle Lines Installation	C
1	2110808	2	Fitting, Straight ORFS	
2	2144605	4	Fitting, Straight ORFS	
3	2170806	2	Fitting, Tee ORFS	
6	1001097810	2	Hose	

## SECTION 5 - DRIVETRAIN

FIGURE 5-7. REAR AXLE MOUNTING INSTALLATION



ART\_100158790-C



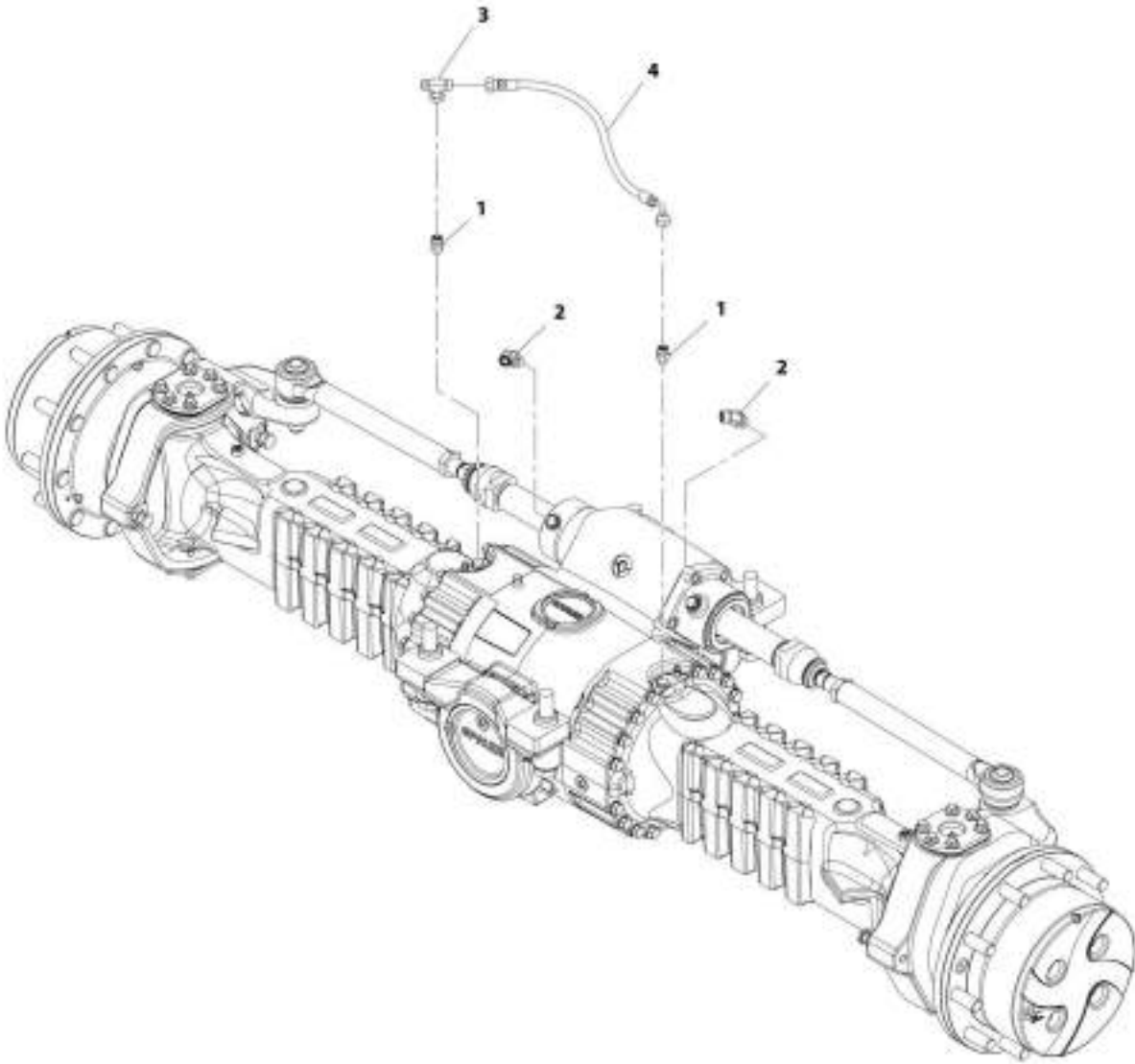
**SECTION 5 - DRIVETRAIN**

**FIGURE 5-7. REAR AXLE MOUNTING INSTALLATION**

<b>ITEM</b>	<b>PART NUMBER</b>	<b>QTY</b>	<b>DESCRIPTION</b>	<b>REV</b>
	1001168782	Ref	Rear Axle Mounting Installation	C
1	4892600	4	Washer	
2	1001097587	4	Bolt, M24X150	
3	1001165832	1	Axle, Rear (See REAR AXLE for Breakdown)	

## SECTION 5 - DRIVETRAIN

FIGURE 5-8. REAR AXLE LINES INSTALLATION



WRT\_1001181-024-C

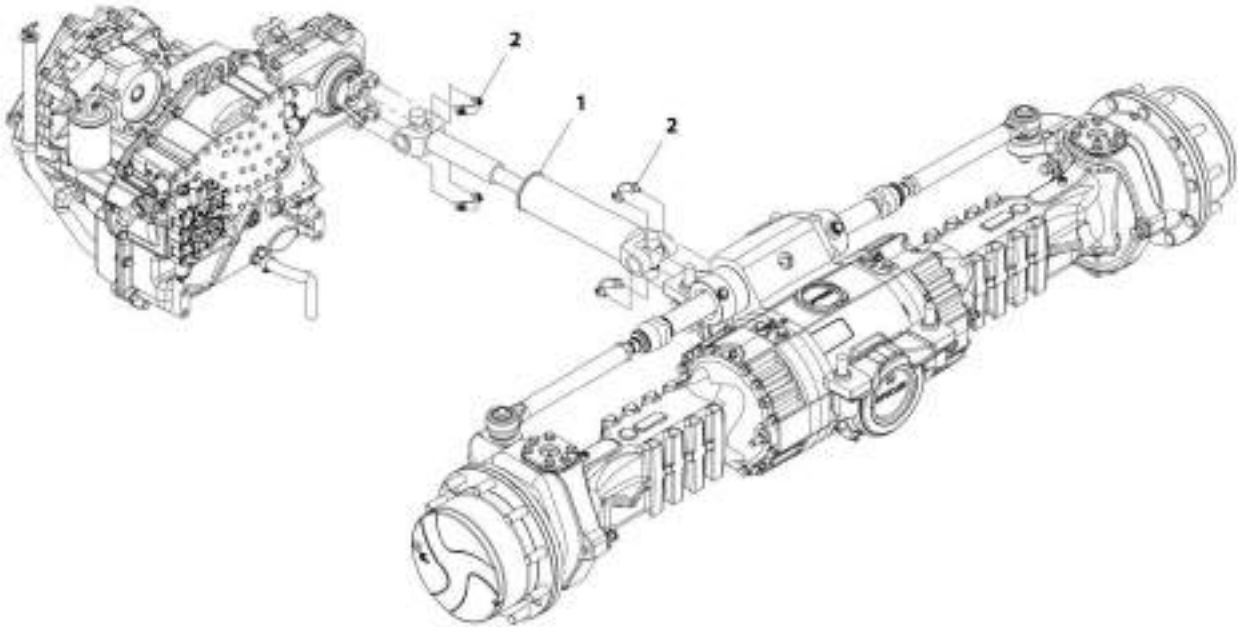
**SECTION 5 - DRIVETRAIN**

**FIGURE 5-8. REAR AXLE LINES INSTALLATION**

<b>ITEM</b>	<b>PART NUMBER</b>	<b>QTY</b>	<b>DESCRIPTION</b>	<b>REV</b>
	1001161424	Ref	Rear Axle Lines Installation	C
1	2144605	2	Fitting, Straight ORFS	
2	2150808	2	Fitting, 45 ORFS	
3	2170806	1	Fitting, Tee ORFS	
4	1001102509	1	Hose	

## SECTION 5 - DRIVETRAIN

FIGURE 5-9. FRONT DRIVE SHAFT INSTALLATION



ART\_3001172954-A

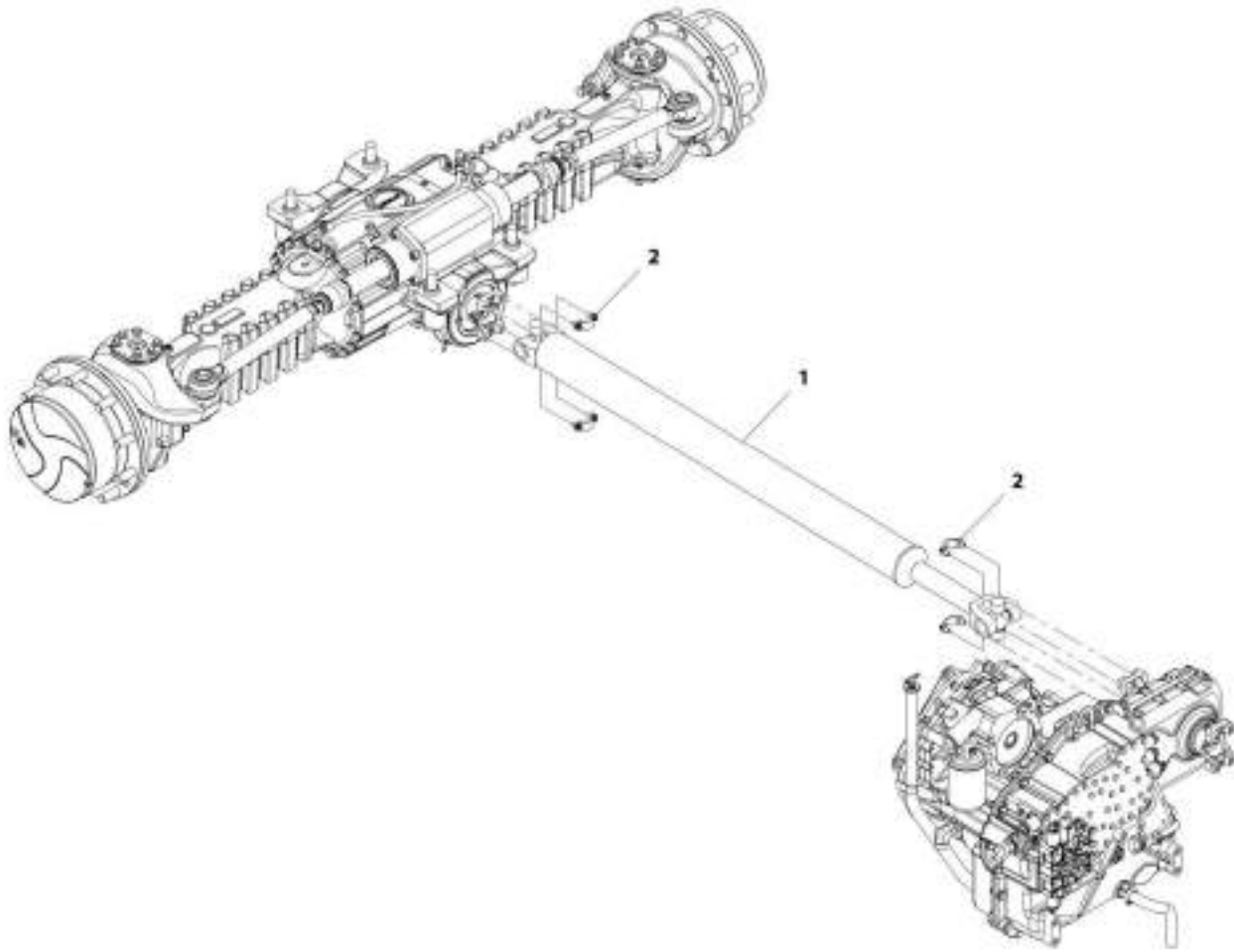
**SECTION 5 - DRIVETRAIN**

**FIGURE 5-9. FRONT DRIVE SHAFT INSTALLATION**

<b>ITEM</b>	<b>PART NUMBER</b>	<b>QTY</b>	<b>DESCRIPTION</b>	<b>REV</b>
	1001172954	Ref	Front Drive Shaft Installation	A
1	7150580	1	Drive Shaft, Front	
2	8880218-OM	2	Kit, Strap	

## SECTION 5 - DRIVETRAIN

FIGURE 5-10. REAR DRIVE SHAFT INSTALLATION



ART\_100138051-A

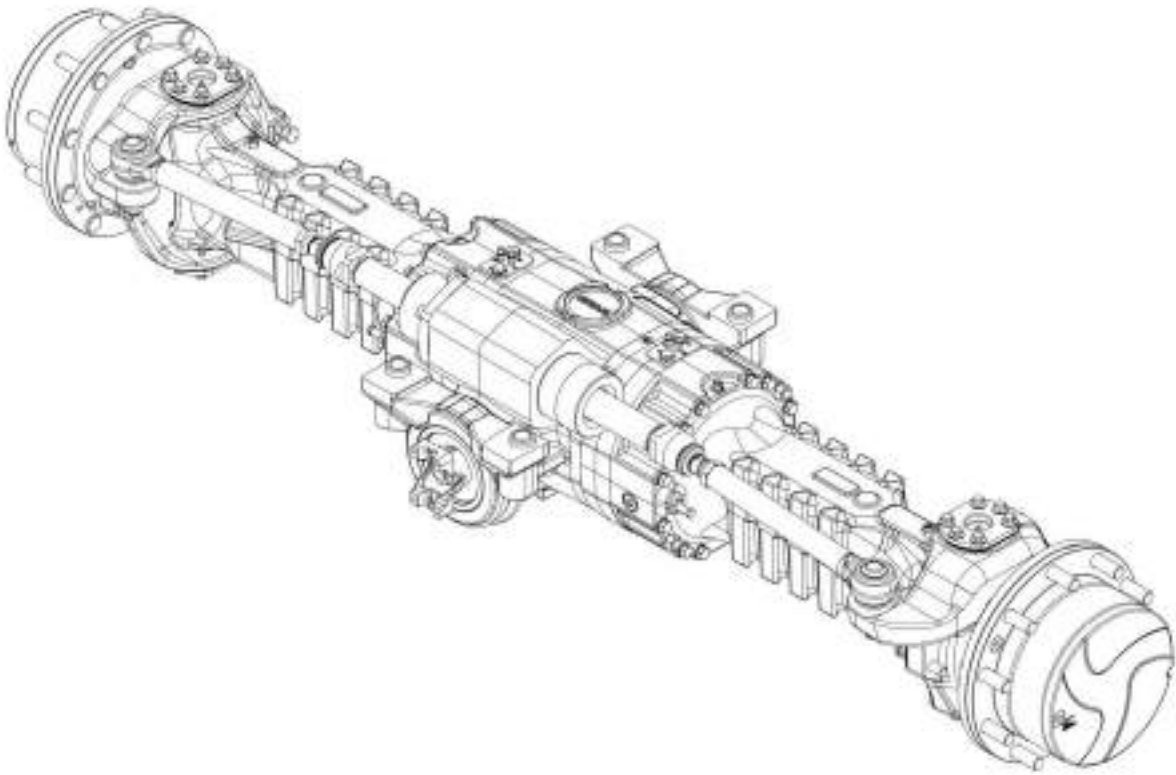
**SECTION 5 - DRIVETRAIN**

**FIGURE 5-10. REAR DRIVE SHAFT INSTALLATION**

<b>ITEM</b>	<b>PART NUMBER</b>	<b>QTY</b>	<b>DESCRIPTION</b>	<b>REV</b>
	1001169351	Ref	Rear Drive Shaft Installation	A
1	1001170616	1	Drive Shaft, Rear	
2	8880218-OM	2	Kit, Strap	

## SECTION 5 - DRIVETRAIN

FIGURE 5-11. FRONT AXLE



AIT\_1001105831-G



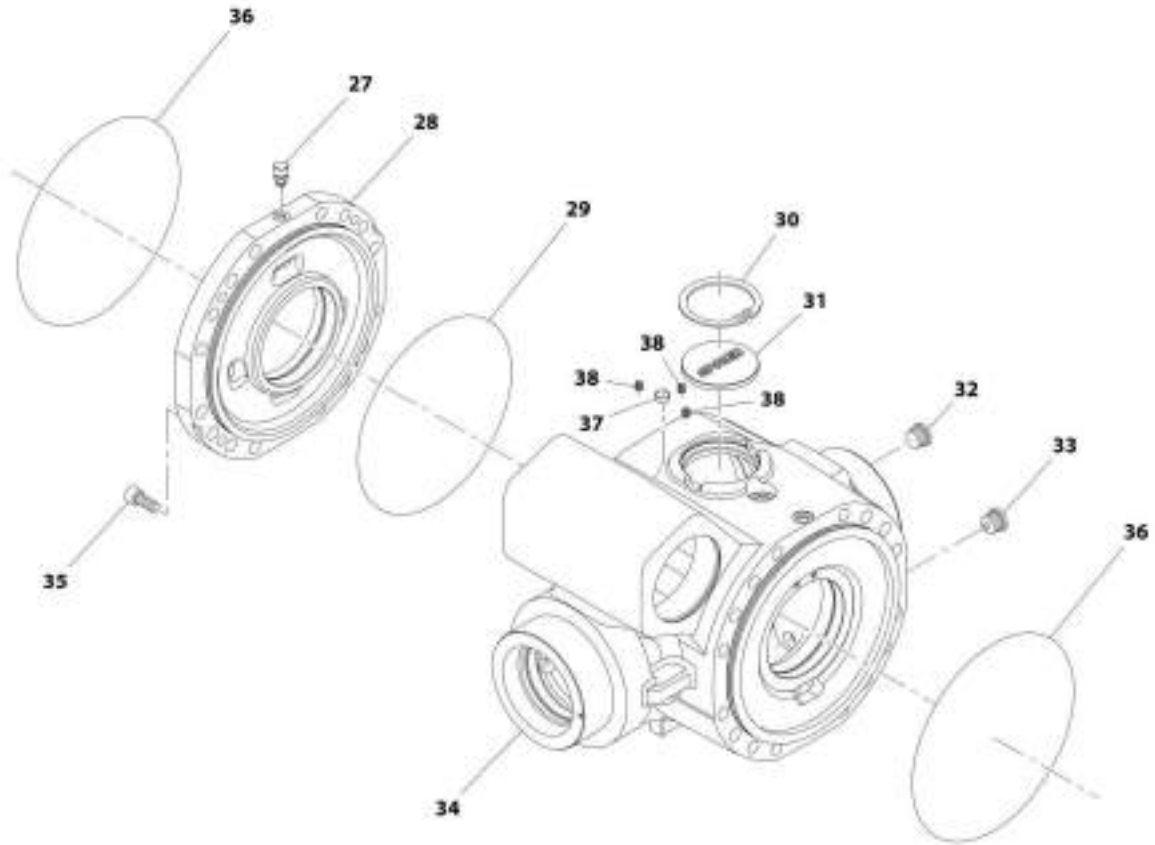
**SECTION 5 - DRIVETRAIN**

**FIGURE 5-11. FRONT AXLE**

ITEM	PART NUMBER	QTY	DESCRIPTION	REV
	1001165831	Ref	Front Axle	G
		Ref	Front Axle, Brakes (See BRAKES for Breakdown)	
		Ref	Front Axle, Central Housing (See CENTRAL HOUSING for Breakdown)	
		Ref	Front Axle, Differential (See DIFFERENTIAL for Breakdown)	
		Ref	Front Axle, Hub Reduction (See HUB REDUCTION for Breakdown)	
		Ref	Front Axle, Steering (See STEERING for Breakdown)	
		Ref	Front Axle, Trunion (See TRUNION for Breakdown)	
		Ref	Front Axle, Differential Kit (See DIFFERENTIAL KIT for Breakdown)	
		Ref	Front Axle, Planet Gear Carrier (See PLANET GEAR CARRIER for Breakdown)	
		Ref	Front Axle, Ring Gear Support (See RING GEAR SUPPORT for Breakdown)	
		Ref	Front Axle, Planet Gear Carrier (See PLANET GEAR CARRIER for Breakdown)	
		Ref	Front Axle, Support (See SUPPORT for Breakdown)	

# SECTION 5 - DRIVETRAIN

## FIGURE 5-12. FRONT AXLE, CENTRAL HOUSING



WIT\_300145801L\_2-G

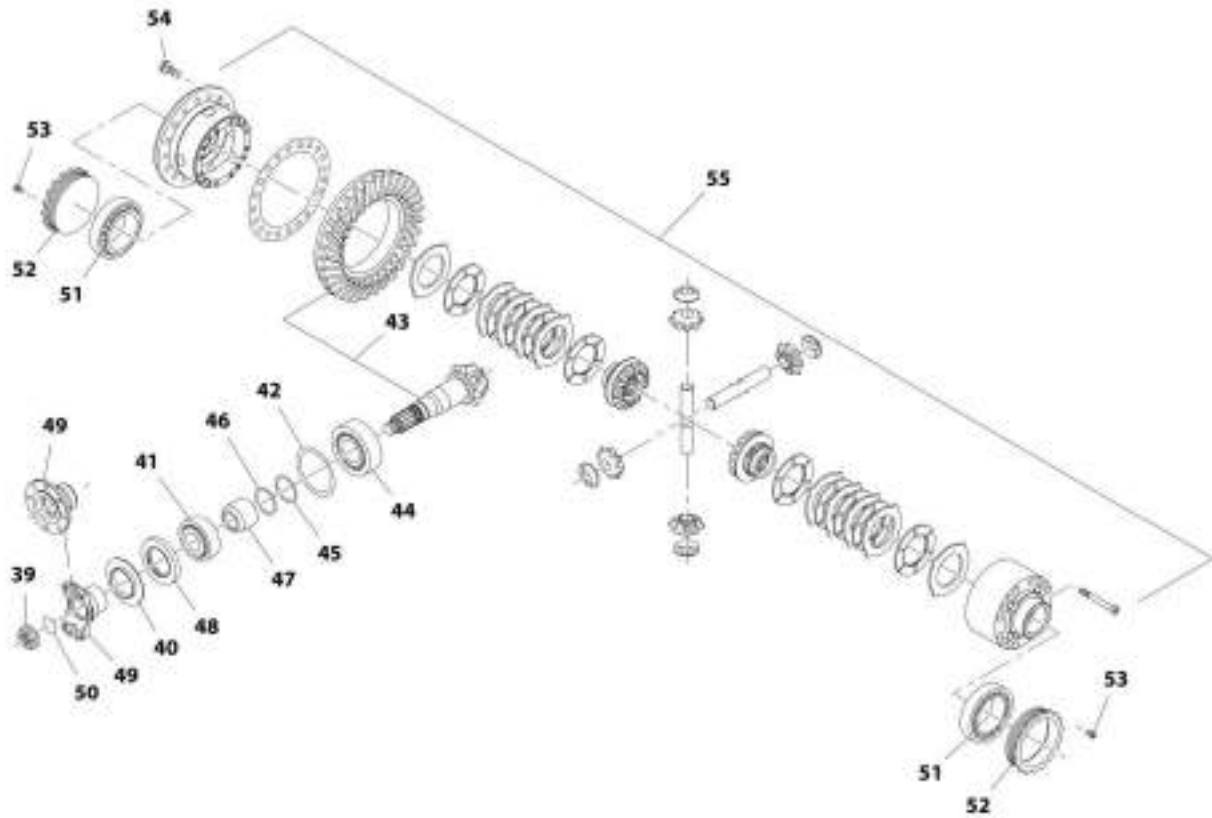
**SECTION 5 - DRIVETRAIN**

**FIGURE 5-12. FRONT AXLE, CENTRAL HOUSING**

<b>ITEM</b>	<b>PART NUMBER</b>	<b>QTY</b>	<b>DESCRIPTION</b>	<b>REV</b>
27	91474512	1	Vent	
28	7029288	1	Cover, Intermediate	
29	80204002	1	O-Ring	
30	80204005	1	Circlip	
31	91514098	1	Plug	
32	91514087	1	Plug	
33	70021177	1	Plug	
34	70025335	1	Housing	
35	91514101	4	Bolt	
36	91514089	2	O-Ring	
37	7029307	1	Plug	
38	8008175	3	Bolt	

# SECTION 5 - DRIVETRAIN

## FIGURE 5-13. FRONT AXLE, DIFFERENTIAL



ART\_1001168831\_3-G

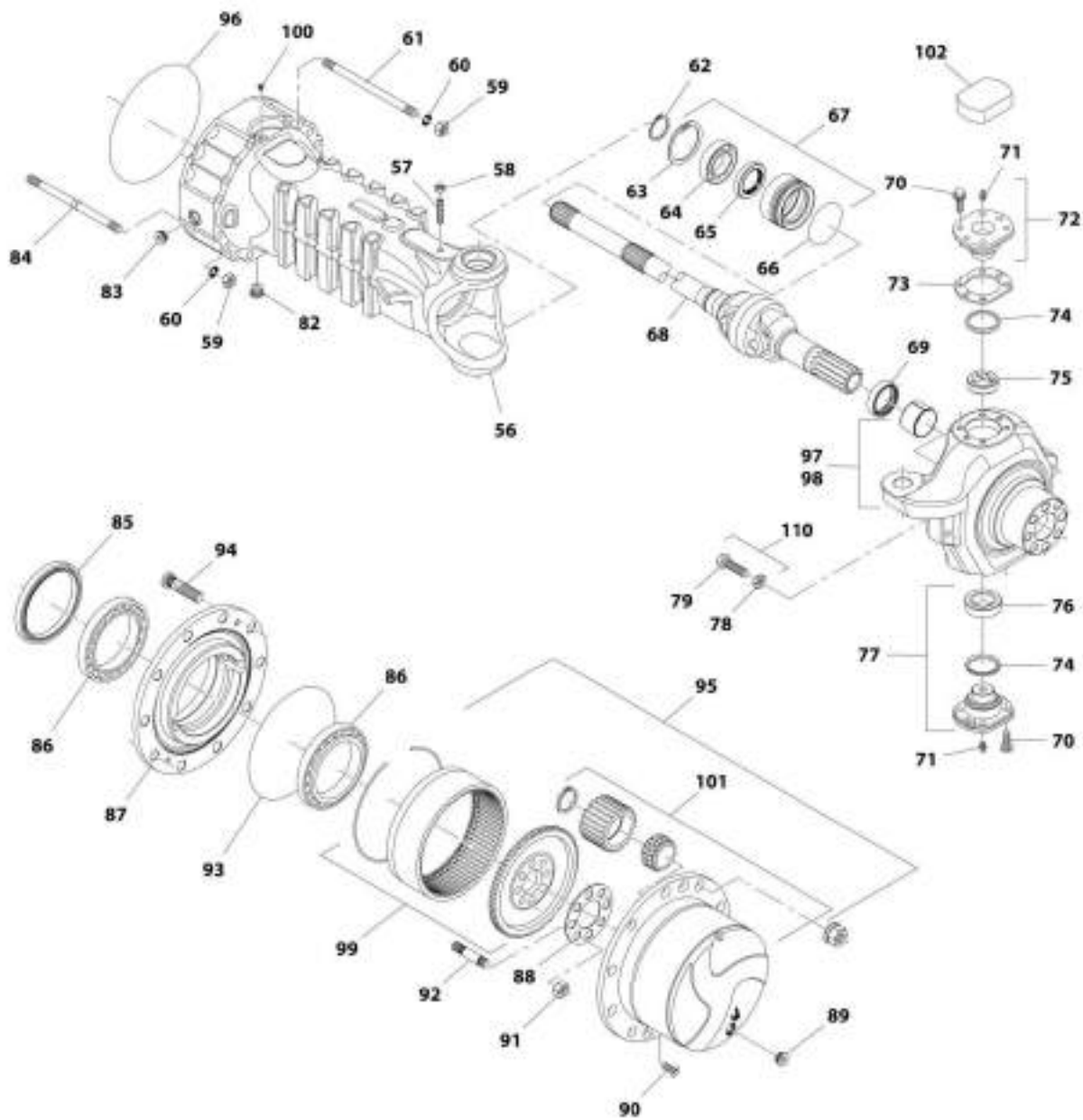
## SECTION 5 - DRIVETRAIN

**FIGURE 5-13. FRONT AXLE, DIFFERENTIAL**

ITEM	PART NUMBER	QTY	DESCRIPTION	REV
39	80204043	1	Nut	
40	91514130	1	Plate, Cover	
41	80204048	1	Bearing, Tape Roller	
42	70023469	1	Shim	
43	70026633	1	Gear, Bevel Set	
44	80204035	1	Bearing, Tape Roller	
45	70026438	1	Kit, Shim	
46	70026439	1	Kit, Shim	
47	70022140	1	Spacer	
48	70025887	1	Seal	
49	91514131	1	Flange	
50	10725554	1	O-Ring	
51	80204033	2	Bearing, Tape Roller	
52	91514133	2	Nut, Ring	
53	91514134	2	Bolt	
54	91514123	16	Bolt	
55	70024005	1	Kit, Differential (See DIFFERENTIAL KIT for Breakdown)	

# SECTION 5 - DRIVETRAIN

## FIGURE 5-14. FRONT AXLE, HUB REDUCTION



ART\_1061105831\_4-G

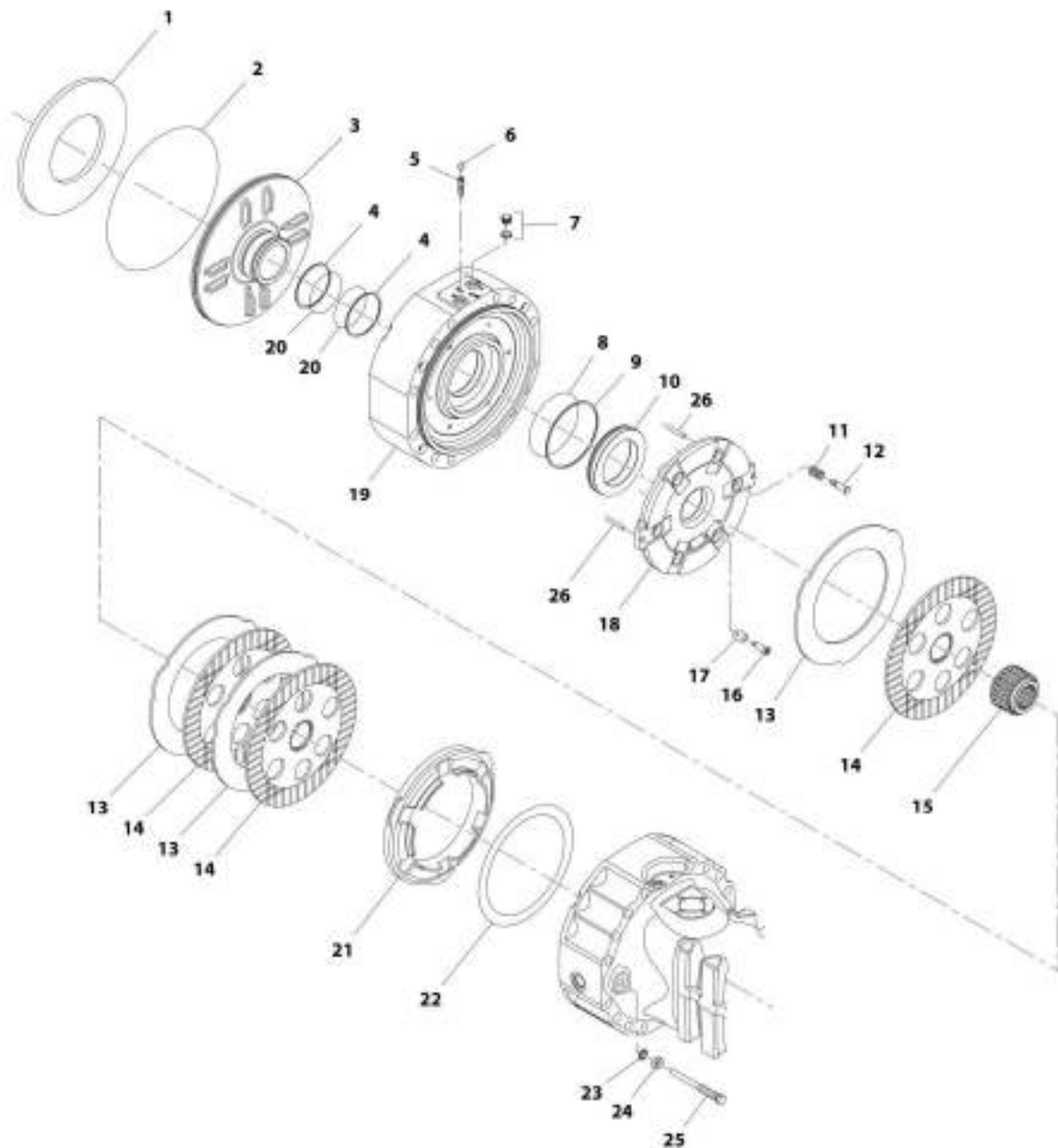
## SECTION 5 - DRIVETRAIN

### FIGURE 5-14. FRONT AXLE, HUB REDUCTION

ITEM	PART NUMBER	QTY	DESCRIPTION	REV
57	91514081	2	Bolt	
58	91514082	2	Nut	
59	91514083	8	Nut	
56	70024850	2	Case, Axle	
60	91514084	8	Washer	
61	7029309	24	Bolt	
62	80204071	2	Circlip	
63	80204005	2	Circlip	
64	91514146	2	Ball Bearing	
65	91514147	2	Seal	
66	91514148	2	O-Ring	
67	91514149	2	Bushing, Reduction	
68	70025855	2	Joint, Double Universal	
69	70026238	2	Seal	
70	91514123	24	Bolt	
71	91514099	4	Fitting, Grease	
72	91514112	2	Pin, Pivot	
73	70025561	1	Kit, Shim	
74	7028716	4	Seal, Dust	
75	7028714	2	Bushing	
76	91514095	2	Bearing	
77	7028715	2	Pin, Pivot	
78	80204065	4	Nut	
79	91514117	4	Bolt	
82	70021177	2	Plug	
83	91514087	2	Plug	
84	70024851	8	Stud	
85	7029300	2	Seal	
86	80204076	4	Bearing, Taper Roller	
87	91514174	2	Hub, Wheel	
88	91514178	1	Plate, Locking	
89	91514188	2	Plug	
90	91514189	4	Bolt	
91	91514179	16	Nut	
92	91514180	16	Stud	
93	91514181	2	O-Ring	
94	91514183	20	Stud	
95	70025972	2	Kit, Planet Gear Carrier (See PLANET GEAR CARRIER for Breakdown)	
96	91514089	2	O-Ring	
97	70026239	1	Case, Steering	
98	70026240	1	Case, Steering	
99	70024146	2	Kit, Ring Gear Support (See RING GEAR SUPPORT for Breakdown)	
110	7028733	1	Bolt, Steering Adjust (includes items 78 & 79)	
100	80204012	2	Plug	
101	7029733	2	Kit, Planet Gear Carrier (See PLANET GEAR CARRIER for Breakdown)	
102	91474524	2	Cover	

# SECTION 5 - DRIVETRAIN

## FIGURE 5-15. FRONT AXLE, BRAKES



ART\_1001105831\_1-G



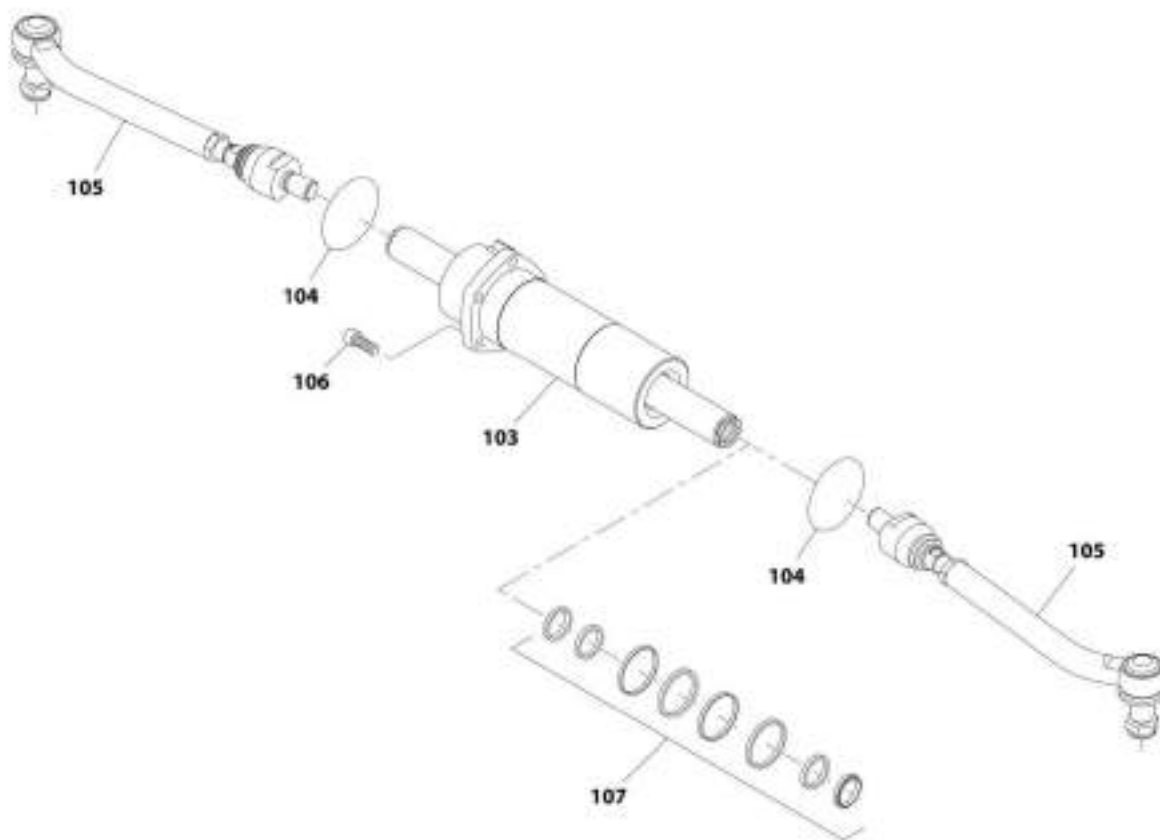
**SECTION 5 - DRIVETRAIN**

**FIGURE 5-15. FRONT AXLE, BRAKES**

<b>ITEM</b>	<b>PART NUMBER</b>	<b>QTY</b>	<b>DESCRIPTION</b>	<b>REV</b>
1	91514151	2	Washer	
2	91514089	2	O-Ring	
3	91514152	2	Piston	
4	91514153	4	Ring, Backup	
5	80204281	4	Bolt	
6	80204117	4	Plug	
7	91514154	4	Plug	
8	91514156	2	O-Ring	
9	91514157	2	Ring, Backup	
10	91514158	1	Piston	
11	91514159	6	Spring	
12	70024210	6	Adjusting	
13	91514161	6	Disc, Intermediate Brake	
14	7029735	6	Disc, Brake	
15	7029734	2	Bushing, Reduction	
16	7029789	6	Bolt	
17	91514165	6	Spring	
18	70024849	2	Disc, Intermediate Brake	
19	70024848	2	Cover	
20	91514167	4	O-Ring	
21	7029298	2	Spacer	
22	70025970	1	Shim	
23	80204108	4	Washer, Lock	
24	80204060	4	Nut	
25	70024213	4	Bolt, M12X122.5	
26	70024215	4	Dowel	

# SECTION 5 - DRIVETRAIN

## FIGURE 5-16. FRONT AXLE, STEERING



ART\_3001165831\_3-6

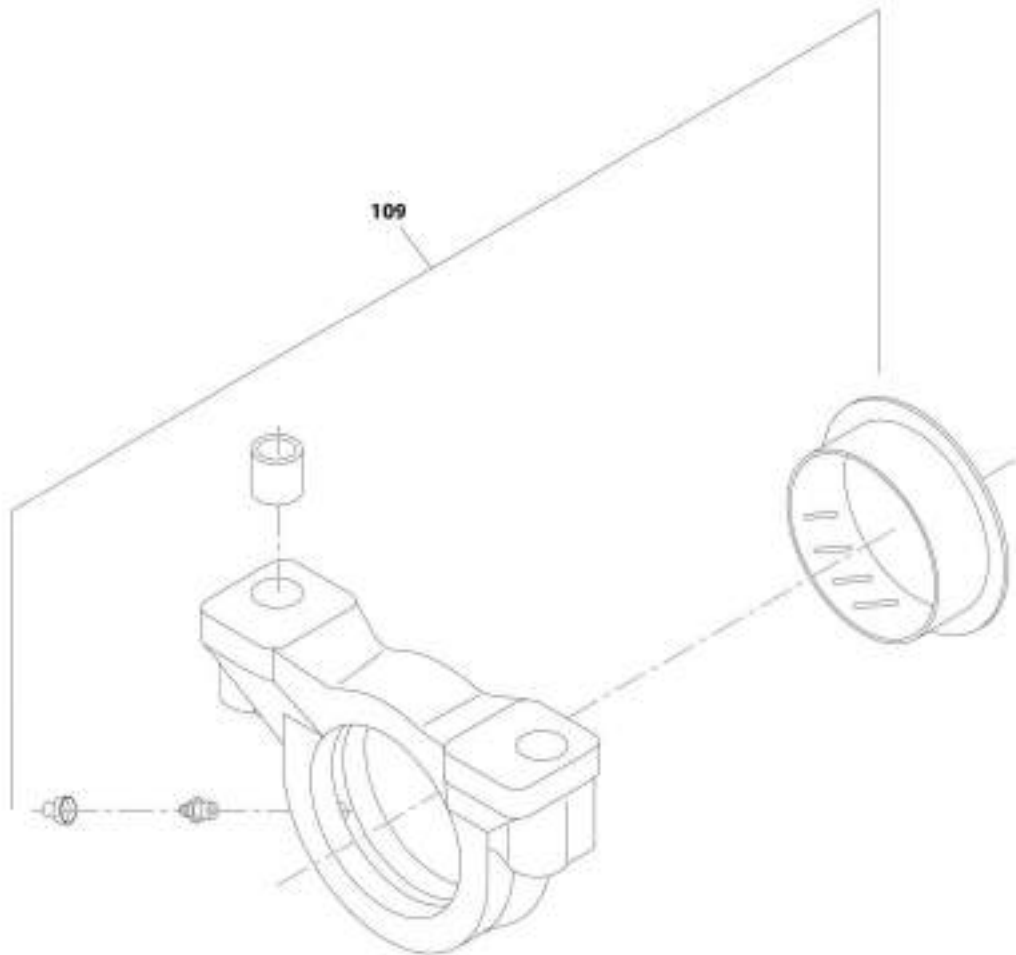
**SECTION 5 - DRIVETRAIN**

**FIGURE 5-16. FRONT AXLE, STEERING**

<b>ITEM</b>	<b>PART NUMBER</b>	<b>QTY</b>	<b>DESCRIPTION</b>	<b>REV</b>
103	7026490	1	Cylinder	
104	80204143	2	O-Ring	
105	70021614	2	Rod, Articulated Tie	
106	80204144	5	Bolt	
107	7029127	1	Kit, Seal	

# SECTION 5 - DRIVETRAIN

## FIGURE 5-17. FRONT AXLE, TRUNION



ART\_3001165831\_6-G

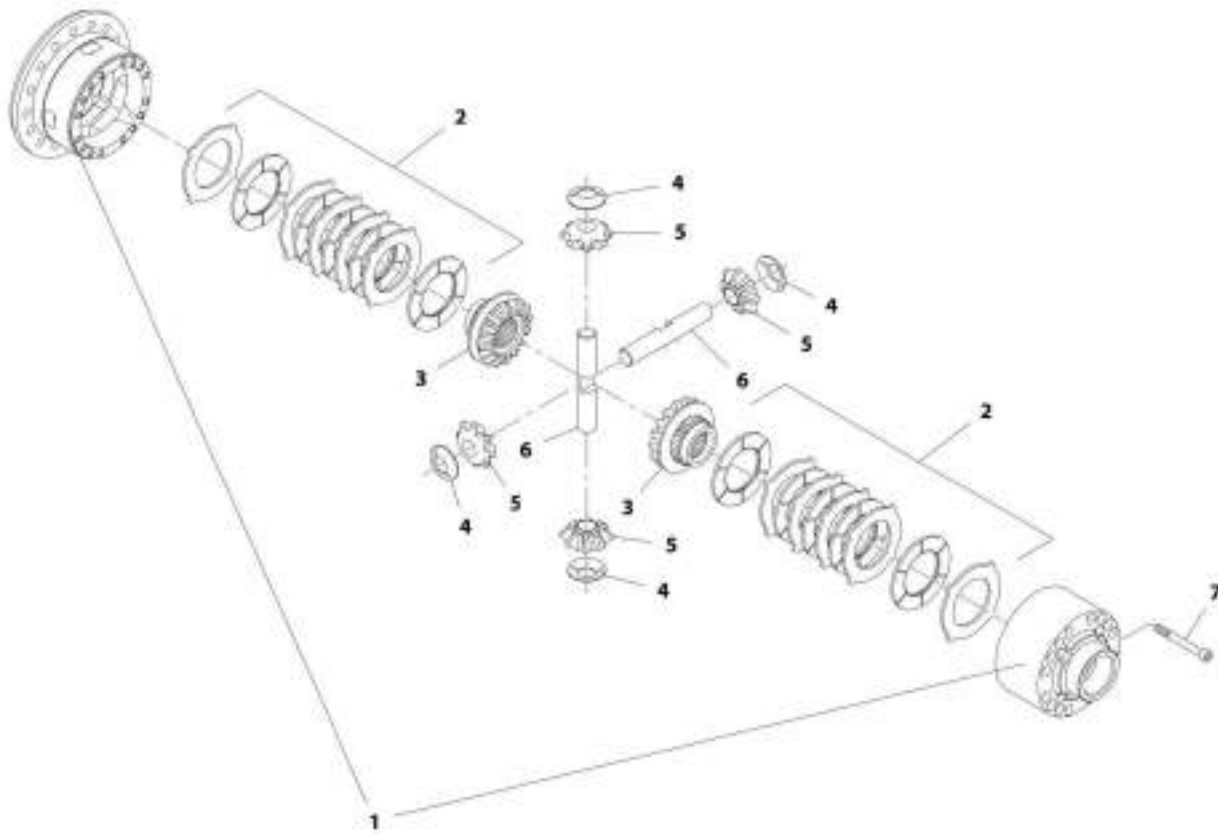
**SECTION 5 - DRIVETRAIN**

**FIGURE 5-17. FRONT AXLE, TRUNION**

ITEM	PART NUMBER	QTY	DESCRIPTION	REV
109	70026266	2	Trunion (See Support for Breakdown)	

# SECTION 5 - DRIVETRAIN

## FIGURE 5-18. FRONT AXLE, DIFFERENTIAL KIT



AWT\_1801165831\_7-G

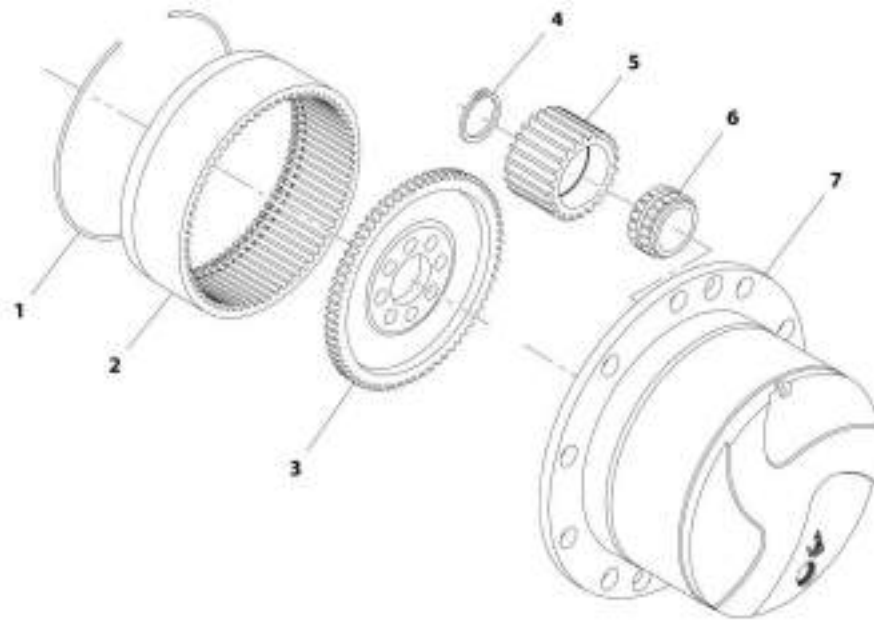
**SECTION 5 - DRIVETRAIN**

**FIGURE 5-18. FRONT AXLE, DIFFERENTIAL KIT**

<b>ITEM</b>	<b>PART NUMBER</b>	<b>QTY</b>	<b>DESCRIPTION</b>	<b>REV</b>
	70024005	Ref	Differential Kit	
1	70024004	1	Carrier, Differential	
2	70023496	2	Disc, Clutch	
3	70025856	2	Gear, Differential Side	
4	70023491	4	Washer	
5	70025339	4	Pinion, Differential	
6	70023490	2	Shaft, Differential	
7	91514143	1	Bolt	

## SECTION 5 - DRIVETRAIN

FIGURE 5-19. FRONT AXLE, PLANET GEAR CARRIER



ARF\_1001165831\_B-G



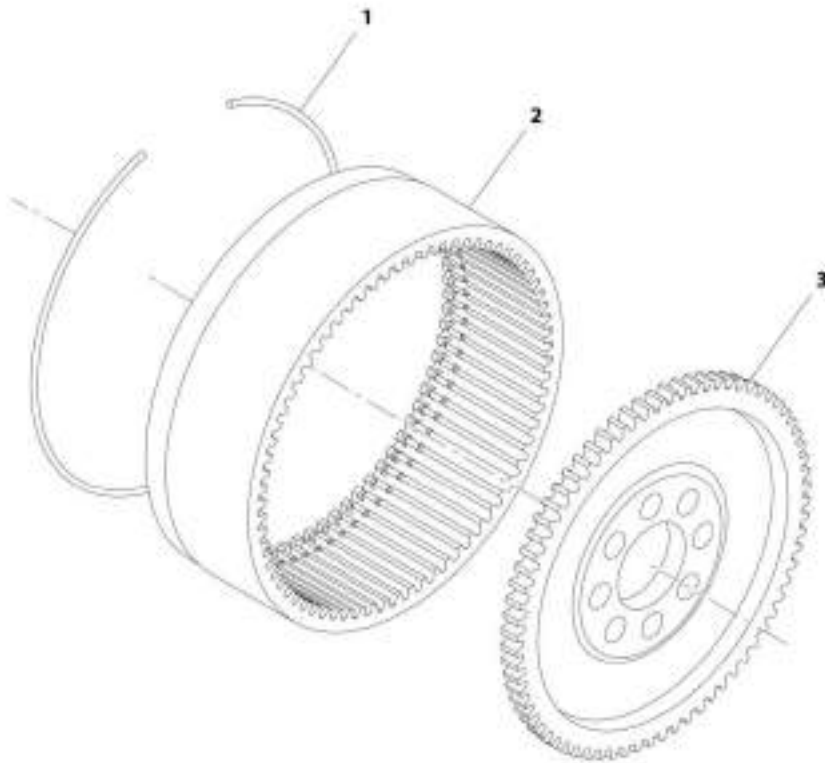
**SECTION 5 - DRIVETRAIN**

**FIGURE 5-19. FRONT AXLE, PLANET GEAR CARRIER**

<b>ITEM</b>	<b>PART NUMBER</b>	<b>QTY</b>	<b>DESCRIPTION</b>	<b>REV</b>
	70025972	Ref	Planet Gear Carrier	
1	91514175	1	Circlip	
2	70024147	1	Gear, Ring	
3	91514177	1	Gear, Ring Support	
4	91514184	3	Ring, Snap	
5	91514185	3	Gear, Planet	
6	91514186	3	Bearing	
7	7026731	1	Carrier, Planet Gear	

## SECTION 5 - DRIVETRAIN

FIGURE 5-20. FRONT AXLE, RING GEAR SUPPORT



ART\_100158285\_3-B

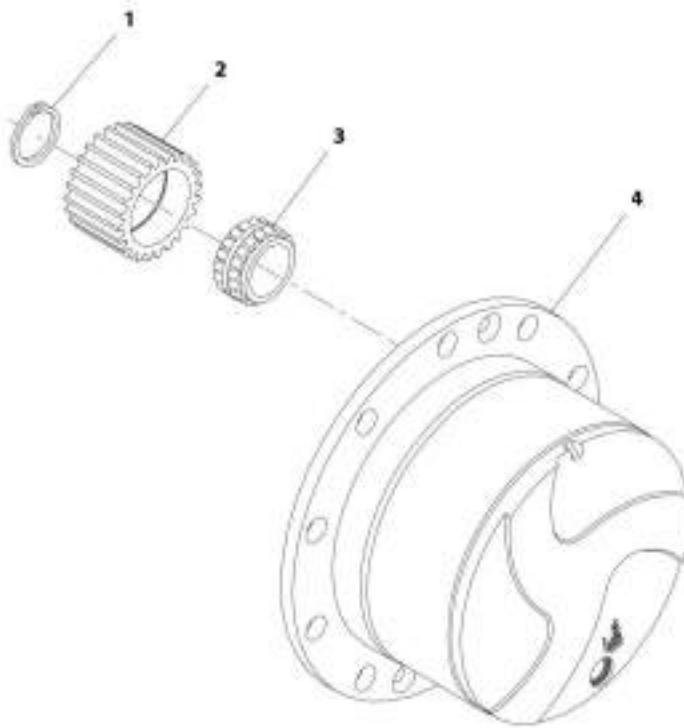
**SECTION 5 - DRIVETRAIN**

**FIGURE 5-20. FRONT AXLE, RING GEAR SUPPORT**

<b>ITEM</b>	<b>PART NUMBER</b>	<b>QTY</b>	<b>DESCRIPTION</b>	<b>REV</b>
	70024146	Ref	Ring Gear Support	
1	91514175	1	Circlip	
2	70024147	1	Gear, Ring	
3	91514177	1	Gear, Ring Support	

## SECTION 5 - DRIVETRAIN

FIGURE 5-21. FRONT AXLE, PLANET GEAR CARRIER



ART\_1001105801\_10-G

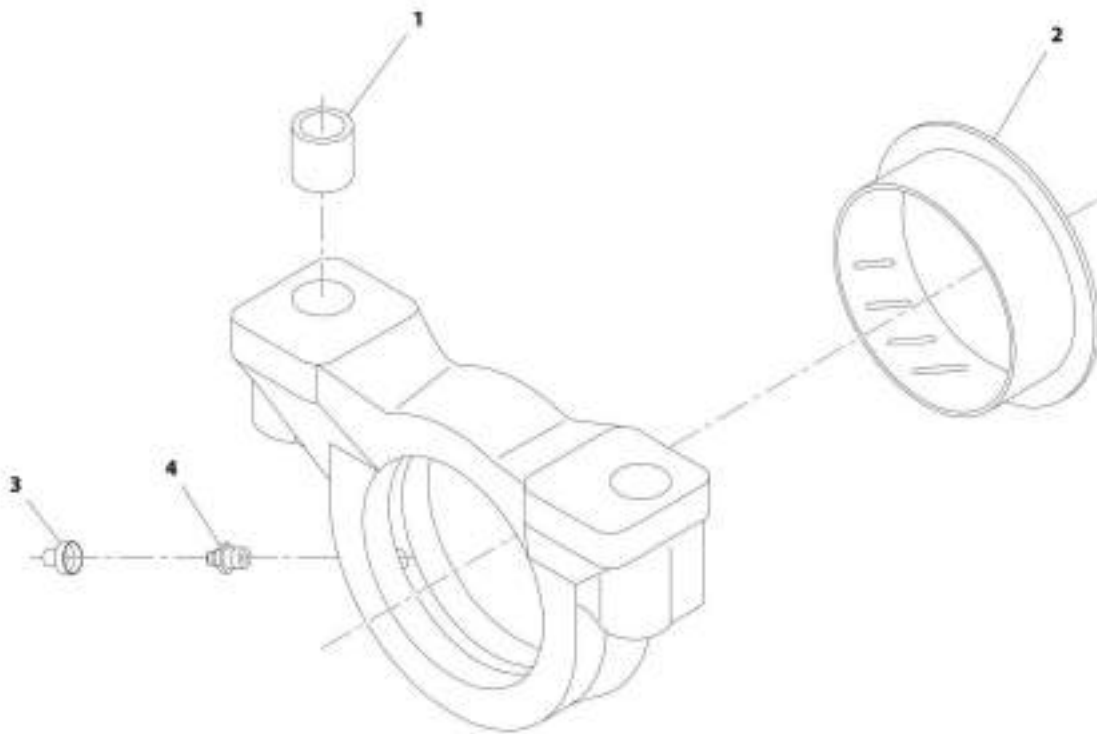
**SECTION 5 - DRIVETRAIN**

**FIGURE 5-21. FRONT AXLE, PLANET GEAR CARRIER**

<b>ITEM</b>	<b>PART NUMBER</b>	<b>QTY</b>	<b>DESCRIPTION</b>	<b>REV</b>
	7029733	Ref	Planet Gear Carrier	
1	91514184	3	Ring, Snap	
2	91514185	3	Gear, Planet	
3	91514186	3	Bearing	
4	7026731	1	Carrier, Planet Gear	

# SECTION 5 - DRIVETRAIN

## FIGURE 5-22. FRONT AXLE, SUPPORT



WIT\_1901165531\_31-G

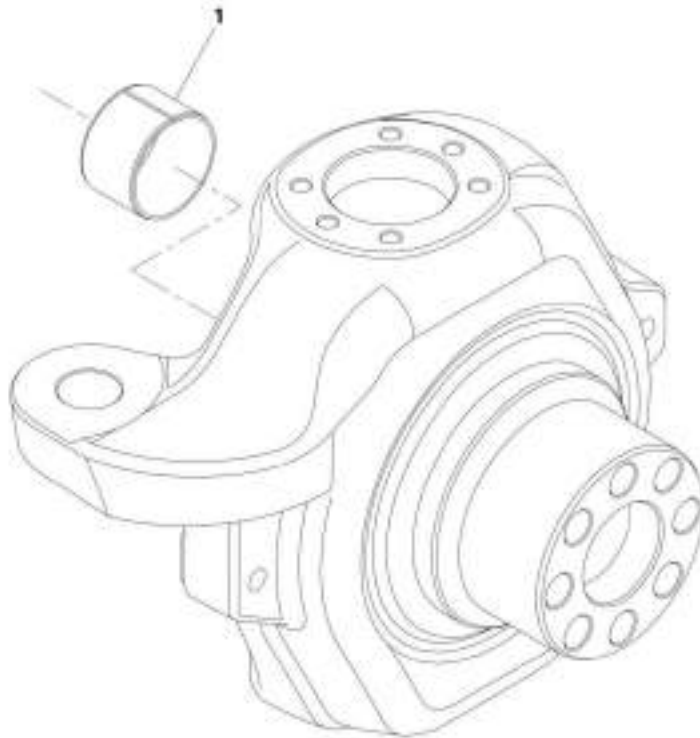
**SECTION 5 - DRIVETRAIN**

**FIGURE 5-22. FRONT AXLE, SUPPORT**

<b>ITEM</b>	<b>PART NUMBER</b>	<b>QTY</b>	<b>DESCRIPTION</b>	<b>REV</b>
	70026266	Ref	Support	
1	7029290	2	Bushing, Reduction	
2	91514090	1	Bushing, Thrust	
3	80204117	1	Plug	
4	91514099	1	Fitting, Grease	

## SECTION 5 - DRIVETRAIN

FIGURE 5-23. FRONT AXLE, SUPPORT



ART\_1001185831\_52-G



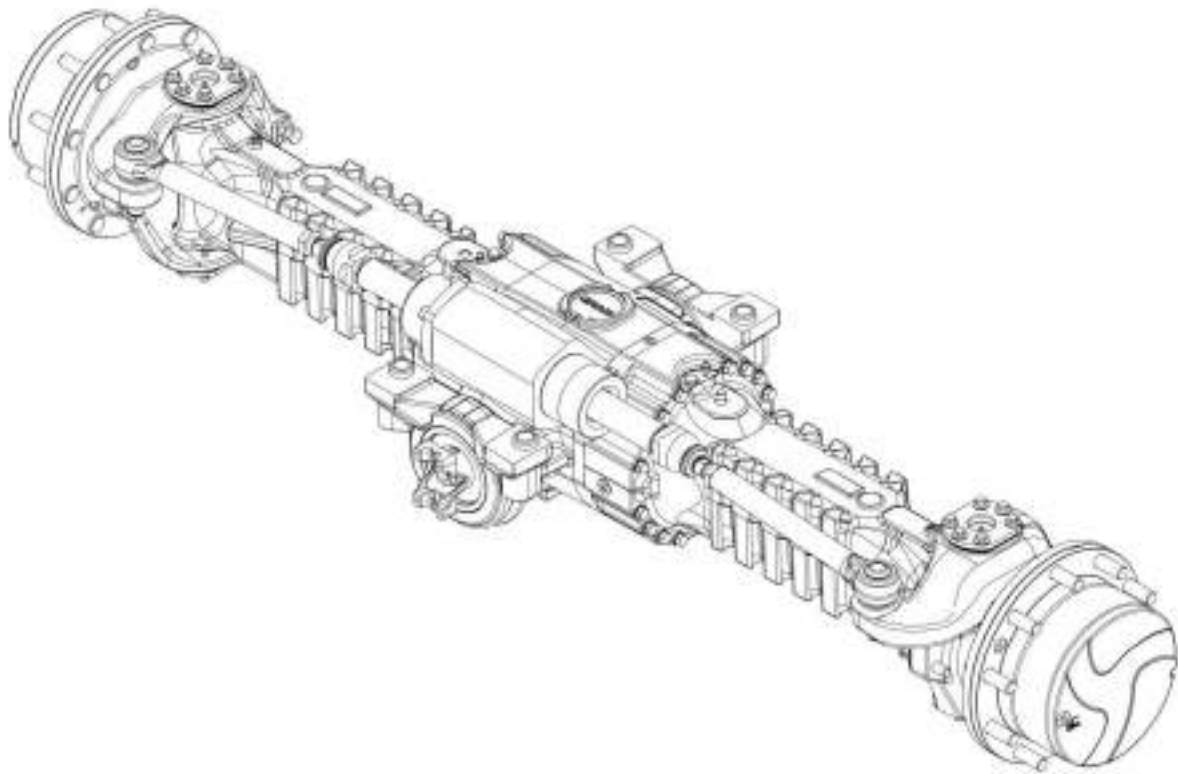
**SECTION 5 - DRIVETRAIN**

**FIGURE 5-23. FRONT AXLE, SUPPORT**

<b>ITEM</b>	<b>PART NUMBER</b>	<b>QTY</b>	<b>DESCRIPTION</b>	<b>REV</b>
	70026266	Ref	Support	
1	7029290	2	Bushing, Reduction	
2	91514090	1	Bushing, Thrust	
3	80204117	1	Plug	
4	91514099	1	Fitting, Grease	

## SECTION 5 - DRIVETRAIN

FIGURE 5-24. REAR AXLE



ART\_1001165832-G

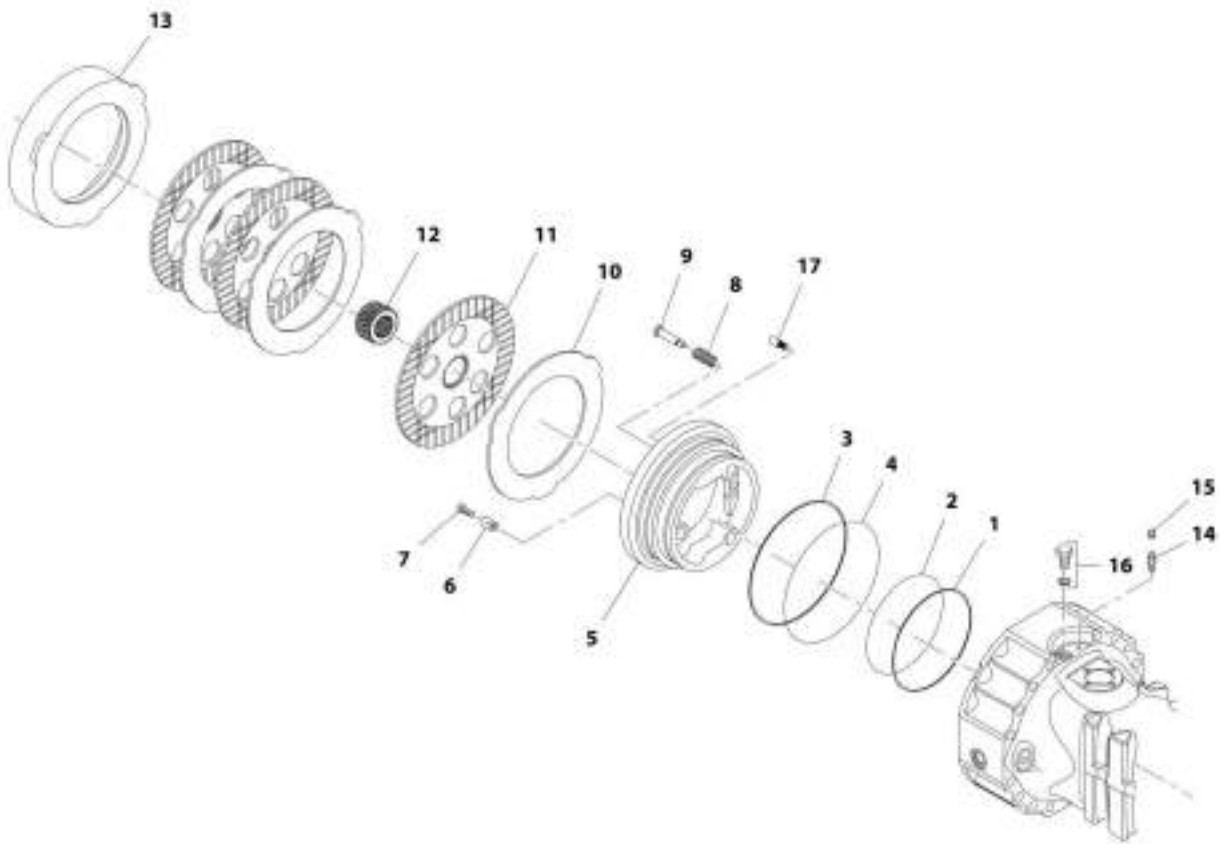
**SECTION 5 - DRIVETRAIN**

**FIGURE 5-24. REAR AXLE**

ITEM	PART NUMBER	QTY	DESCRIPTION	REV
	1001165832	Ref	Rear Axle	G
		Ref	Rear Axle, Brakes (See REAR AXLE, BRAKES for Breakdown)	
		Ref	Rear Axle, Central Housing (See REAR AXLE, CENTRAL HOUSING for Breakdown)	
		Ref	Rear Axle, Differential (See REAR AXLE, DIFFERENTIAL for Breakdown)	
		Ref	Rear Axle, Hub Reduction (See REAR AXLE, HUB REDUCTION for Breakdown)	
		Ref	Rear Axle, Steering (See REAR AXLE, STEERING for Breakdown)	
		Ref	Rear Axle, Trunion (See REAR AXLE, TRUNION for Breakdown)	

# SECTION 5 - DRIVETRAIN

## FIGURE 5-25. REAR AXLE, BRAKES



ART\_380165832\_1-G

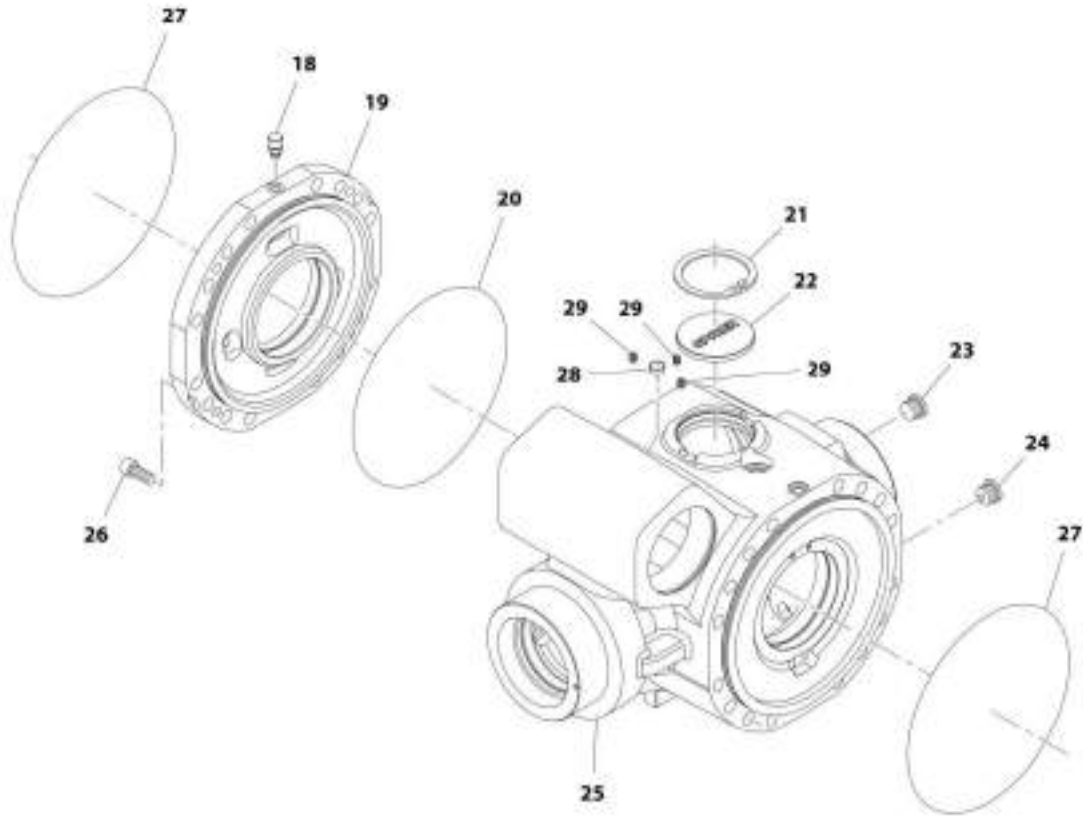
**SECTION 5 - DRIVETRAIN**

**FIGURE 5-25. REAR AXLE, BRAKES**

<b>ITEM</b>	<b>PART NUMBER</b>	<b>QTY</b>	<b>DESCRIPTION</b>	<b>REV</b>
1	70021609	2	Ring, Back-Up	
2	70021610	2	O-Ring	
3	70021612	2	Ring, Back-Up	
4	70021611	2	O-Ring	
5	70024216	2	Piston	
6	91514165	6	Spring	
7	70021607	6	Bolt, Adjusting	
8	91514159	6	Spring	
9	70024210	6	Bolt, Adjusting	
10	91514161	6	Disc, Intermediate Brake	
11	7029735	6	Disk, Brake	
12	7029734	2	Bushing, Reduction	
13	70021606	2	Spacer	
14	80204281	2	Bolt, Bleeding	
15	80204117	2	Plug	
16	91514154	2	Bolt	
17	70021613	2	Bolt, Pilot	

# SECTION 5 - DRIVETRAIN

## FIGURE 5-26. REAR AXLE, CENTRAL HOUSING



MTT\_V80185832\_2-G

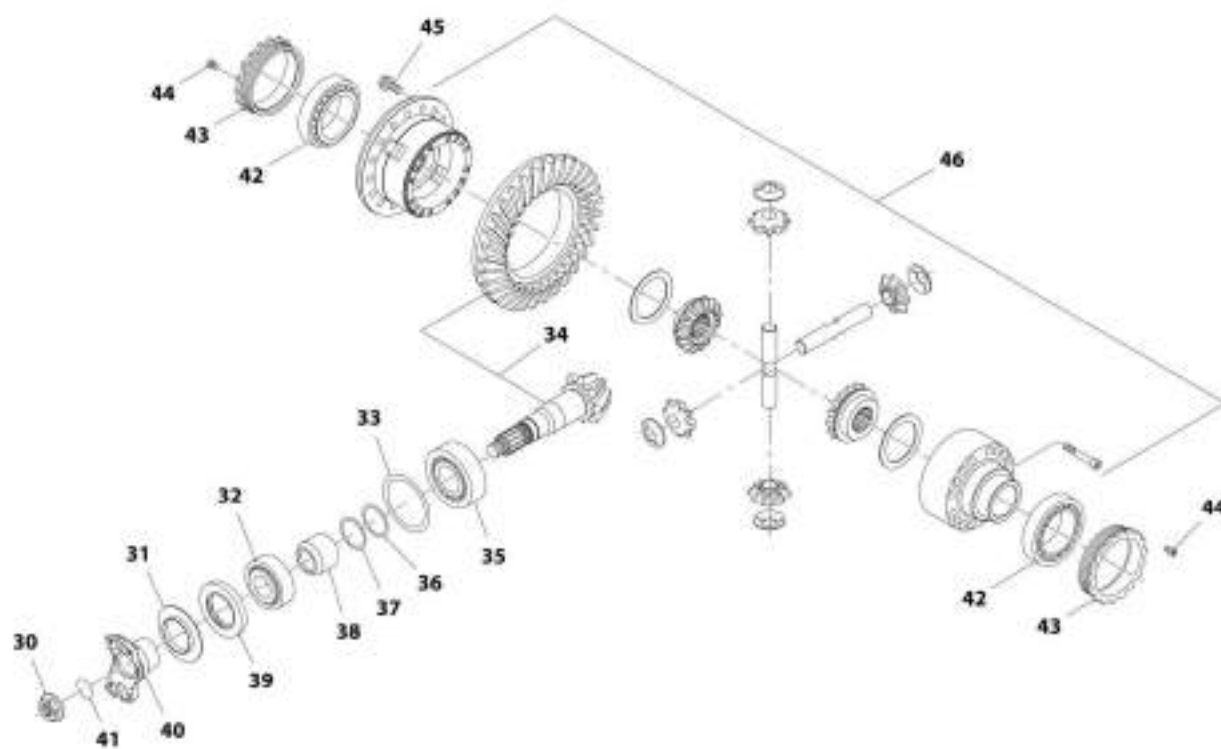
**SECTION 5 - DRIVETRAIN**

**FIGURE 5-26. REAR AXLE, CENTRAL HOUSING**

<b>ITEM</b>	<b>PART NUMBER</b>	<b>QTY</b>	<b>DESCRIPTION</b>	<b>REV</b>
18	91474512	1	Vent	
19	7029288	1	Cover, Intermediate	
20	80204002	1	O-Ring	
21	80204005	1	Circlip	
22	91514098	1	Plug	
23	91514087	1	Plug	
24	70021177	1	Plug	
25	70025335	1	Housing	
26	91514101	4	Bolt	
27	91514089	2	O-Ring	
28	7029307	1	Plug	
29	8008175	3	Bolt	

# SECTION 5 - DRIVETRAIN

## FIGURE 5-27. REAR AXLE, DIFFERENTIAL



ART\_1001165852\_3-0



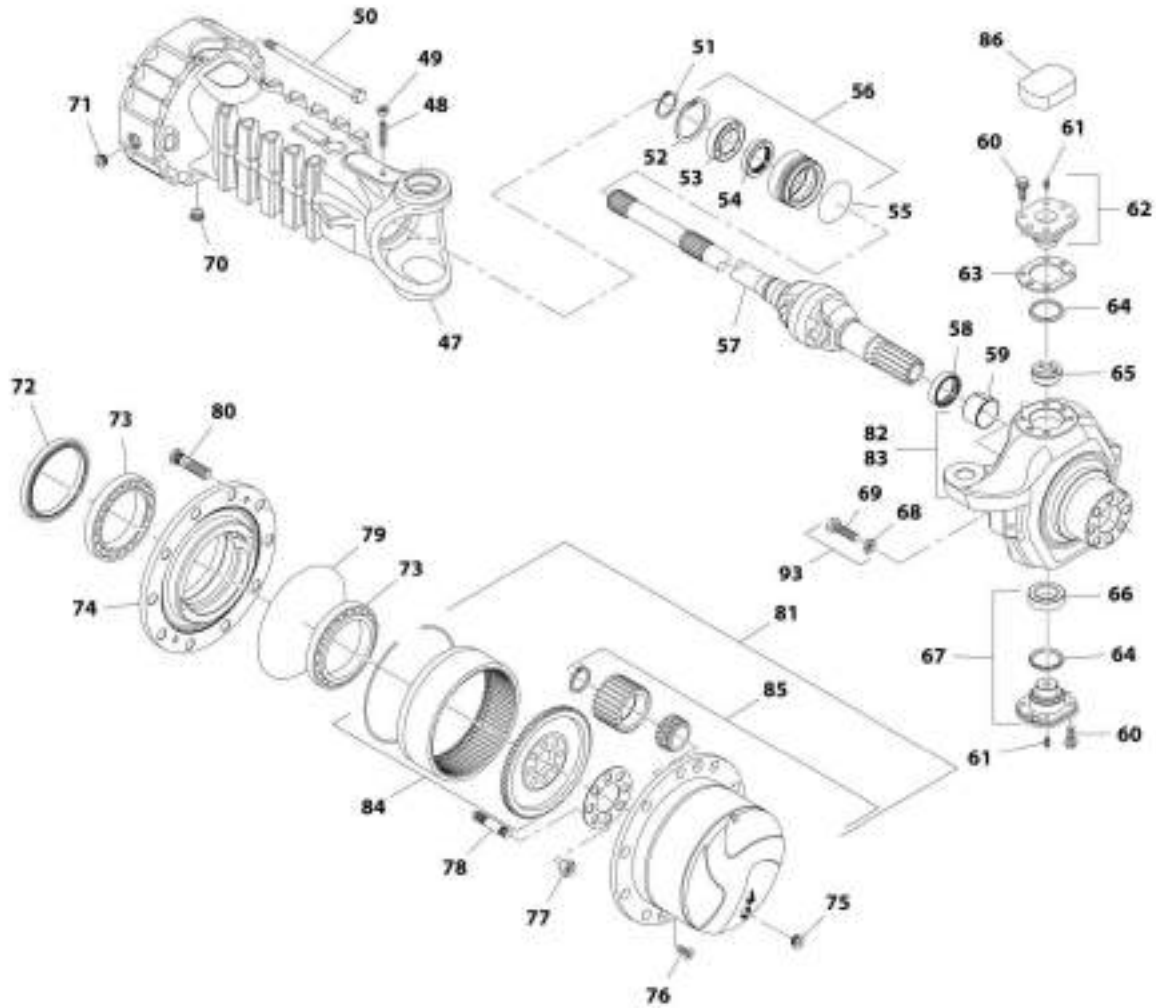
**SECTION 5 - DRIVETRAIN**

**FIGURE 5-27. REAR AXLE, DIFFERENTIAL**

<b>ITEM</b>	<b>PART NUMBER</b>	<b>QTY</b>	<b>DESCRIPTION</b>	<b>REV</b>
30	80204043	1	Nut	
31	91514130	1	Plate, Cover	
32	80204048	1	Bearing, Taper Roller	
33	70023469	1	Shim	
34	70026632	1	Gear, Bevel Set	
35	80204035	1	Bearing, Taper Roller	
36	70026438	1	Kit, Shim	
37	70026439	1	Kit, Shim	
38	70022140	1	Spacer	
39	70025887	1	Seal	
40	91514131	1	Flange	
41	10725554	1	O-Ring	
42	80204033	2	Bearing, Taper Roller	
43	91514133	2	Nut, Ring	
44	91514134	2	Bolt	
45	91514123	16	Bolt	
46	70026030	1	Kit, Differential (See DIFFERENTIAL KIT for Breakdown)	

# SECTION 5 - DRIVETRAIN

## FIGURE 5-28. REAR AXLE, HUB REDUCTION



ART\_1801165832\_4-0

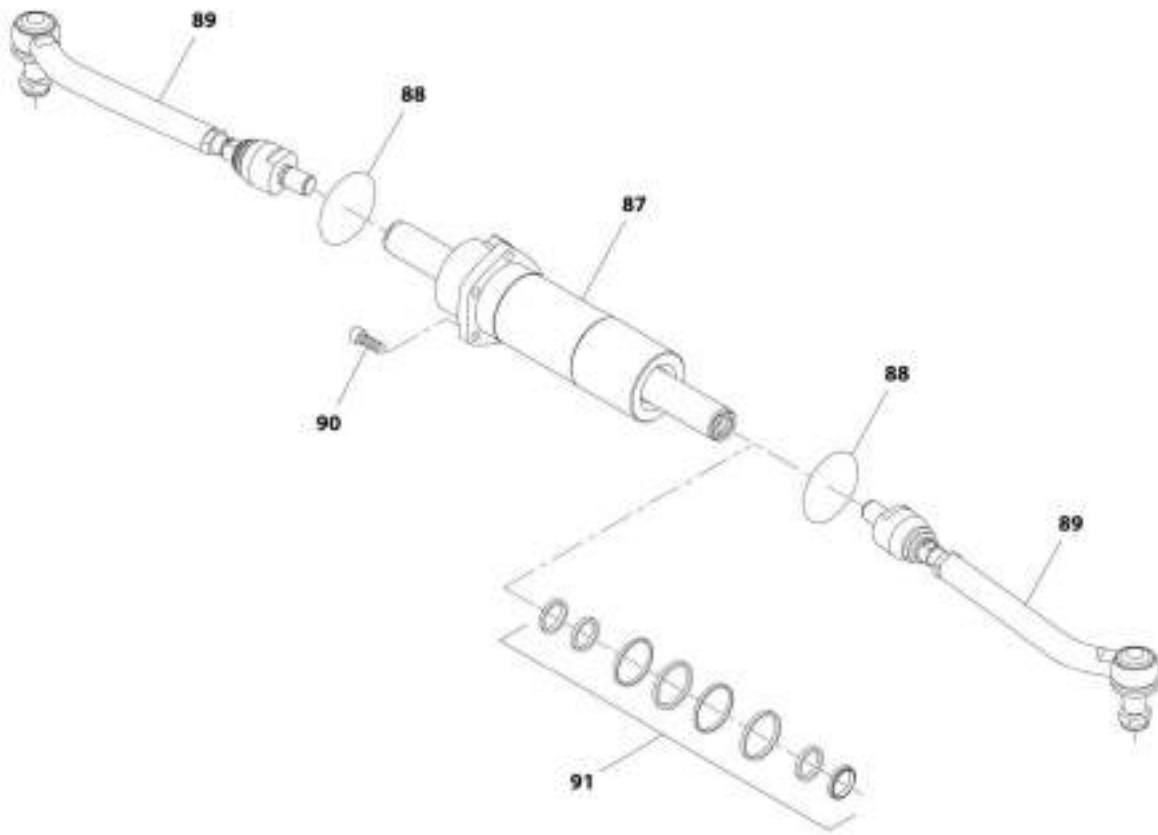
## SECTION 5 - DRIVETRAIN

**FIGURE 5-28. REAR AXLE, HUB REDUCTION**

ITEM	PART NUMBER	QTY	DESCRIPTION	REV
47	70025980	2	Case, Axle	
48	91514081	2	Bolt	
49	91514082	2	Nut	
50	70022814	32	Bolt	
51	80204071	2	Circlip	
52	80204005	2	Circlip	
53	91514146	2	Ball Bearing	
54	91514147	2	Seal	
55	91514148	2	O-Ring	
56	91514149	2	Bushing, Reduction	
57	70025855	2	Joint, Double Universal	
58	70026238	2	Seal	
59	91514111	2	Bushing, Thrust	
60	91514123	24	Bolt	
61	91514099	4	Fitting, Grease	
62	91514112	2	Pin, Pivot	
63	70025561	1	Kit, Shim	
64	7028716	4	Seal, Dust	
65	7028714	2	Bushing	
66	91514095	2	Bearing	
67	7028715	2	Pin, Pivot	
68	80204065	4	Nut	
69	91514117	4	Bolt	
70	70021177	2	Plug	
71	91514087	2	Plug	
72	7029300	2	Seal	
73	80204076	4	Bearing, Taper Roller	
74	91514174	2	Hub, Wheel	
75	91514188	2	Plug	
76	91514189	4	Bolt, Countersunk	
77	91514179	16	Nut	
78	91514180	16	Stud	
79	91514181	2	O-Ring	
80	91514183	20	Stud, Wheel	
81	70025972	2	Carrier, Planet Gear (See PLANET GEAR CARRIER for Breakdown)	
82	70026239	1	Case, Steering	
83	70026240	1	Case, Steering	
93	7028733	4	Bolt, Steering Adjust (includes items 68 & 69)	
84	70024146	2	Support, Ring Gear (See RING GEAR SUPPORT for Breakdown)	
85	7029733	2	Carrier, Planet Gear (See PLANET GEAR CARRIER for Breakdown)	
86	91474524	2	Cover	

# SECTION 5 - DRIVETRAIN

## FIGURE 5-29. REAR AXLE, STEERING



AWF\_1000105832\_3-0

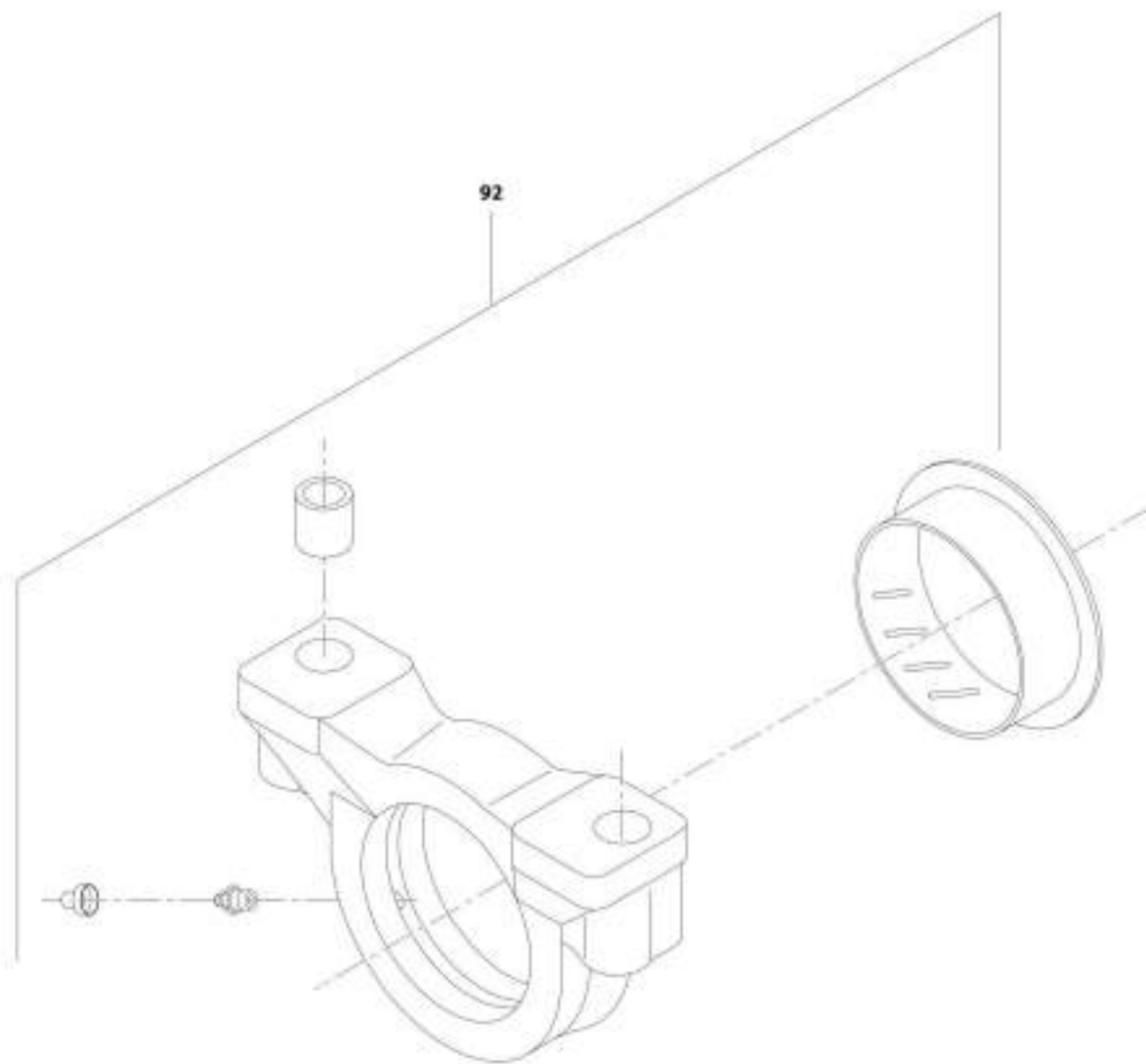
**SECTION 5 - DRIVETRAIN**

**FIGURE 5-29. REAR AXLE, STEERING**

<b>ITEM</b>	<b>PART NUMBER</b>	<b>QTY</b>	<b>DESCRIPTION</b>	<b>REV</b>
87	7026490	1	Cylinder	
88	80204143	2	O-Ring	
89	70021614	2	Bar	
90	80204144	5	Bolt	
91	7029127	1	Kit, Seal	

# SECTION 5 - DRIVETRAIN

## FIGURE 5-30. REAR AXLE, TRUNION



ART\_1001165832\_8-0

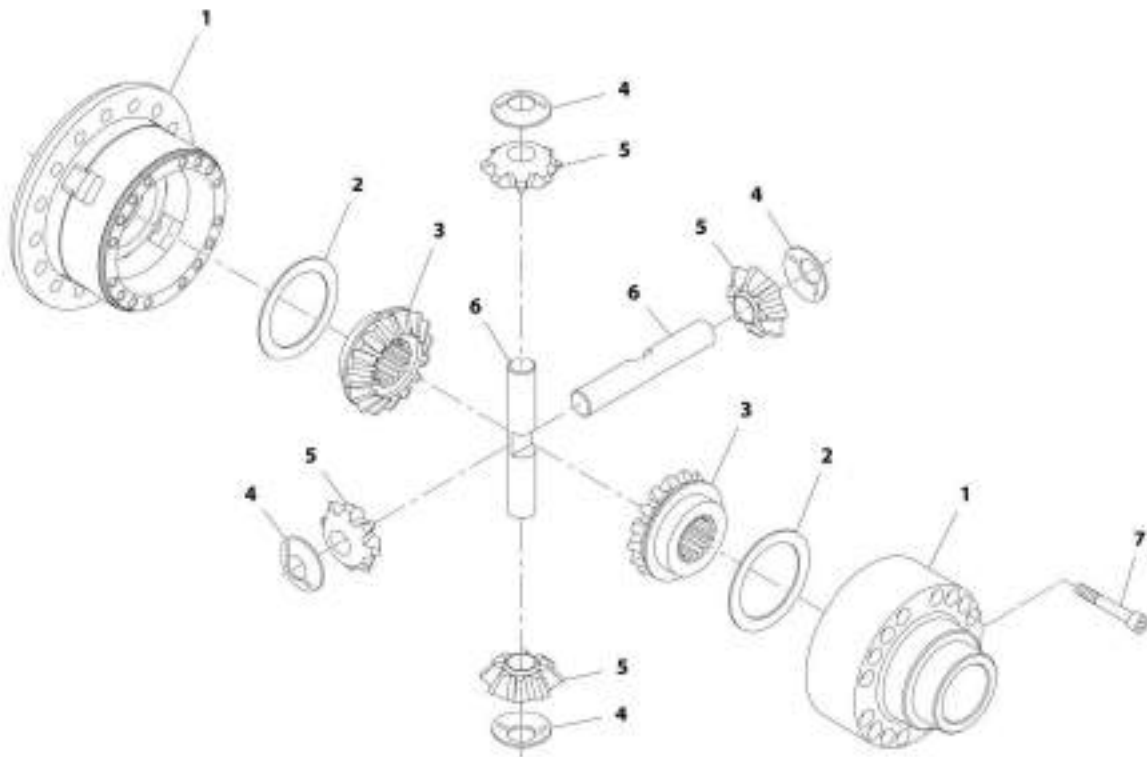
**SECTION 5 - DRIVETRAIN**

**FIGURE 5-30. REAR AXLE, TRUNION**

ITEM	PART NUMBER	QTY	DESCRIPTION	REV
92	70026266	2	Support (See SUPPORT for Breakdown)	

# SECTION 5 - DRIVETRAIN

## FIGURE 5-31. REAR AXLE, DIFFERENTIAL KIT



ART\_1001165802\_7-G



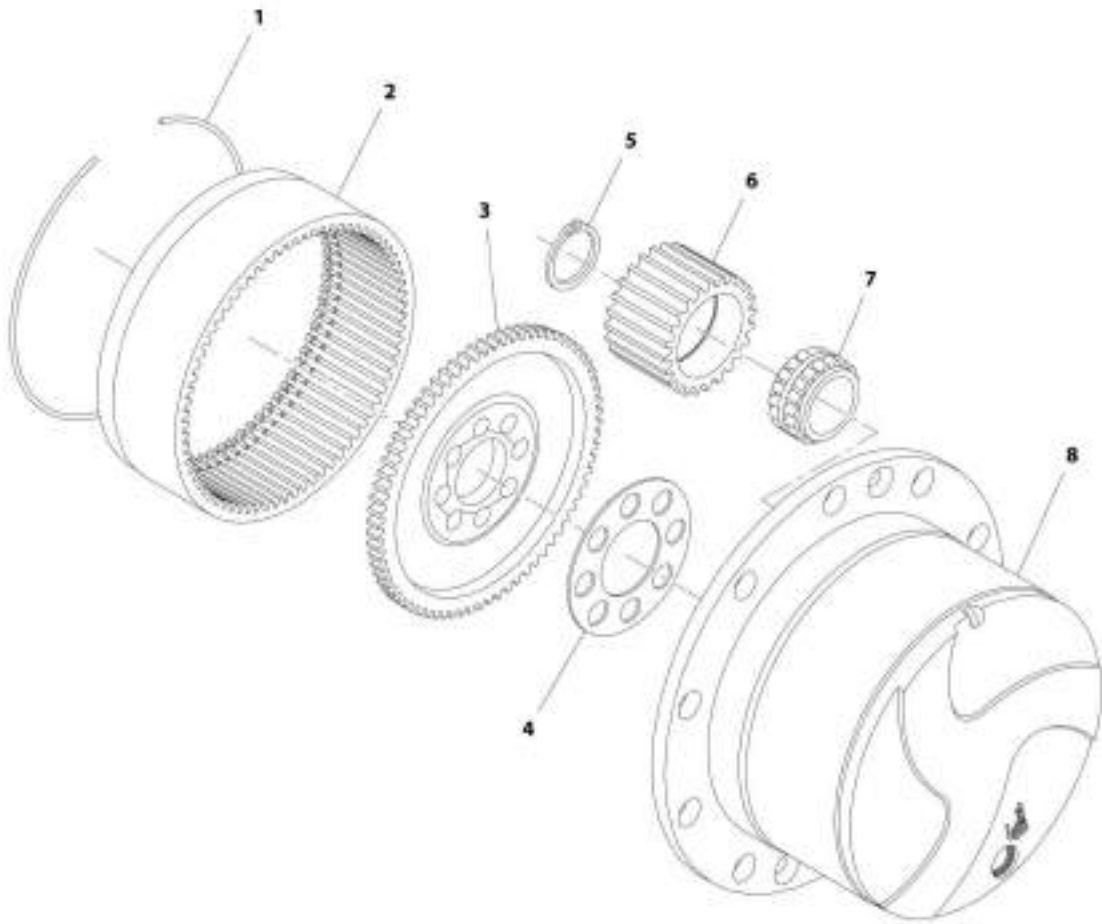
**SECTION 5 - DRIVETRAIN**

**FIGURE 5-31. REAR AXLE, DIFFERENTIAL KIT**

<b>ITEM</b>	<b>PART NUMBER</b>	<b>QTY</b>	<b>DESCRIPTION</b>	<b>REV</b>
	70026030	Ref	Differential Kit	
1	70025337	1	Carrier, Differential	
2	70023493	2	Washer, Friction	
3	70025338	2	Gear, Differential Side	
4	70023491	4	Washer, Friction	
5	70025339	4	Pinion, Differential	
6	70023490	2	Shaft, Differential	
7	70023489	15	Bolt	

## SECTION 5 - DRIVETRAIN

FIGURE 5-32. REAR AXLE, PLANET GEAR CARRIER



A0T\_1001106832\_8-G

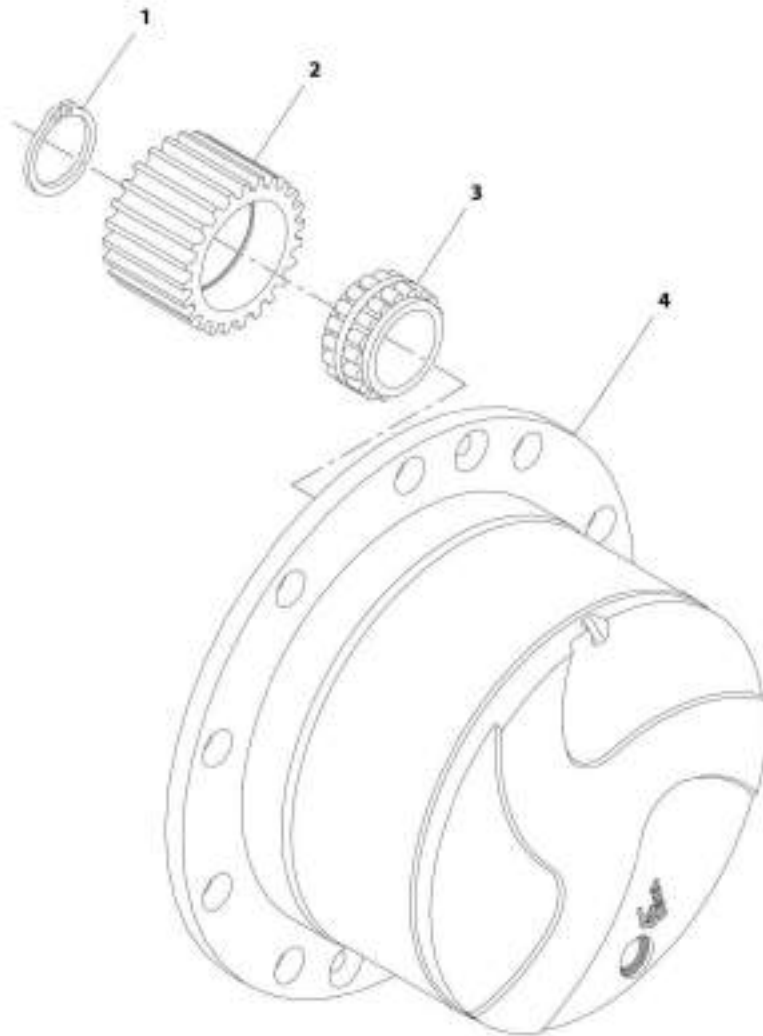
**SECTION 5 - DRIVETRAIN**

**FIGURE 5-32. REAR AXLE, PLANET GEAR CARRIER**

<b>ITEM</b>	<b>PART NUMBER</b>	<b>QTY</b>	<b>DESCRIPTION</b>	<b>REV</b>
	70025972	Ref	Planet Gear Carrier	
1	91514175	1	Circlip	
2	70024147	1	Gear, Ring	
3	91514177	1	Support, Ring Gear	
4	91514178	1	Plate, Locking	
5	91514184	3	Circlip	
6	91514185	3	Gear, Planet	
7	91514186	3	Bearing	
8	7026731	1	Carrier, Planetary Gear	

## SECTION 5 - DRIVETRAIN

FIGURE 5-33. REAR AXLE, PLANET GEAR CARRIER



ART\_1001165832\_9-G

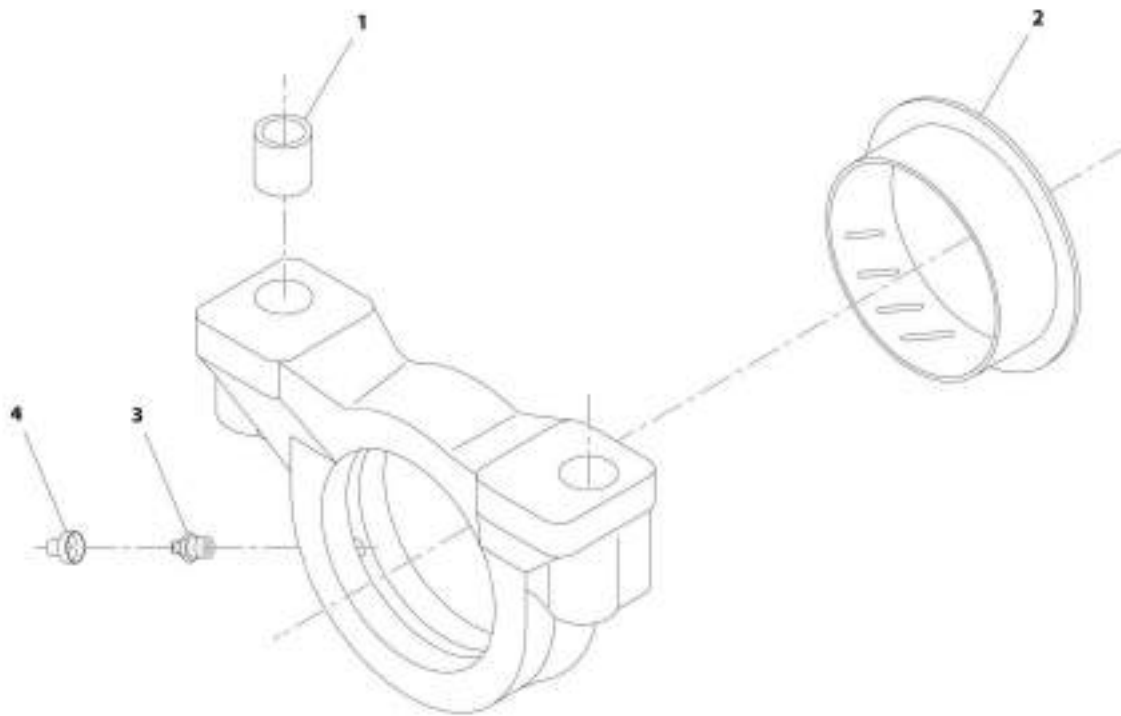
**SECTION 5 - DRIVETRAIN**

**FIGURE 5-33. REAR AXLE, PLANET GEAR CARRIER**

<b>ITEM</b>	<b>PART NUMBER</b>	<b>QTY</b>	<b>DESCRIPTION</b>	<b>REV</b>
	7029733	Ref	Planet Gear Carrier	
1	91514184	3	Circlip	
2	91514185	3	Gear, Planet	
3	91514186	3	Bearing	
4	7026731	1	Carrier, Planet Gear	

# SECTION 5 - DRIVETRAIN

## FIGURE 5-34. REAR AXLE, SUPPORT



ART\_1061165832\_10-G

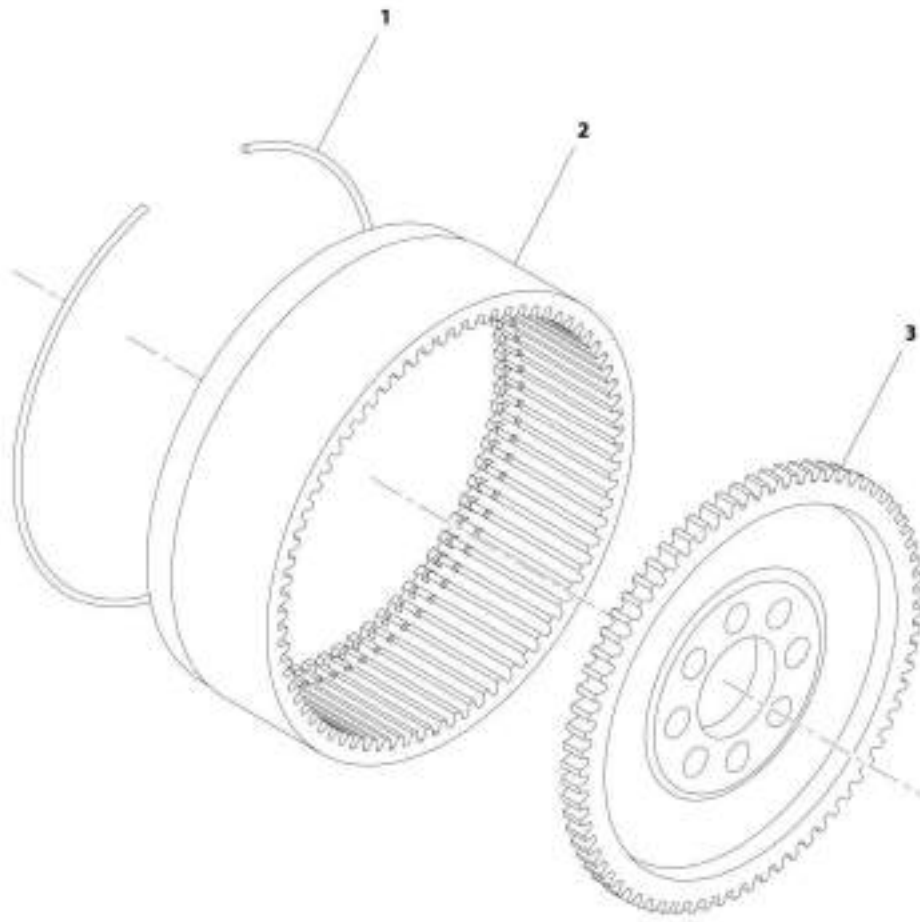
**SECTION 5 - DRIVETRAIN**

**FIGURE 5-34. REAR AXLE, SUPPORT**

<b>ITEM</b>	<b>PART NUMBER</b>	<b>QTY</b>	<b>DESCRIPTION</b>	<b>REV</b>
	70026266	Ref	Support	
1	7029290	2	Bushing	
2	91514090	1	Bushing, Thrust	
3	91514099	1	Fitting, Grease	
4	80204117	1	Plug	

# SECTION 5 - DRIVETRAIN

FIGURE 5-35. REAR AXLE, RING GEAR SUPPORT



ART\_108110282\_11-0



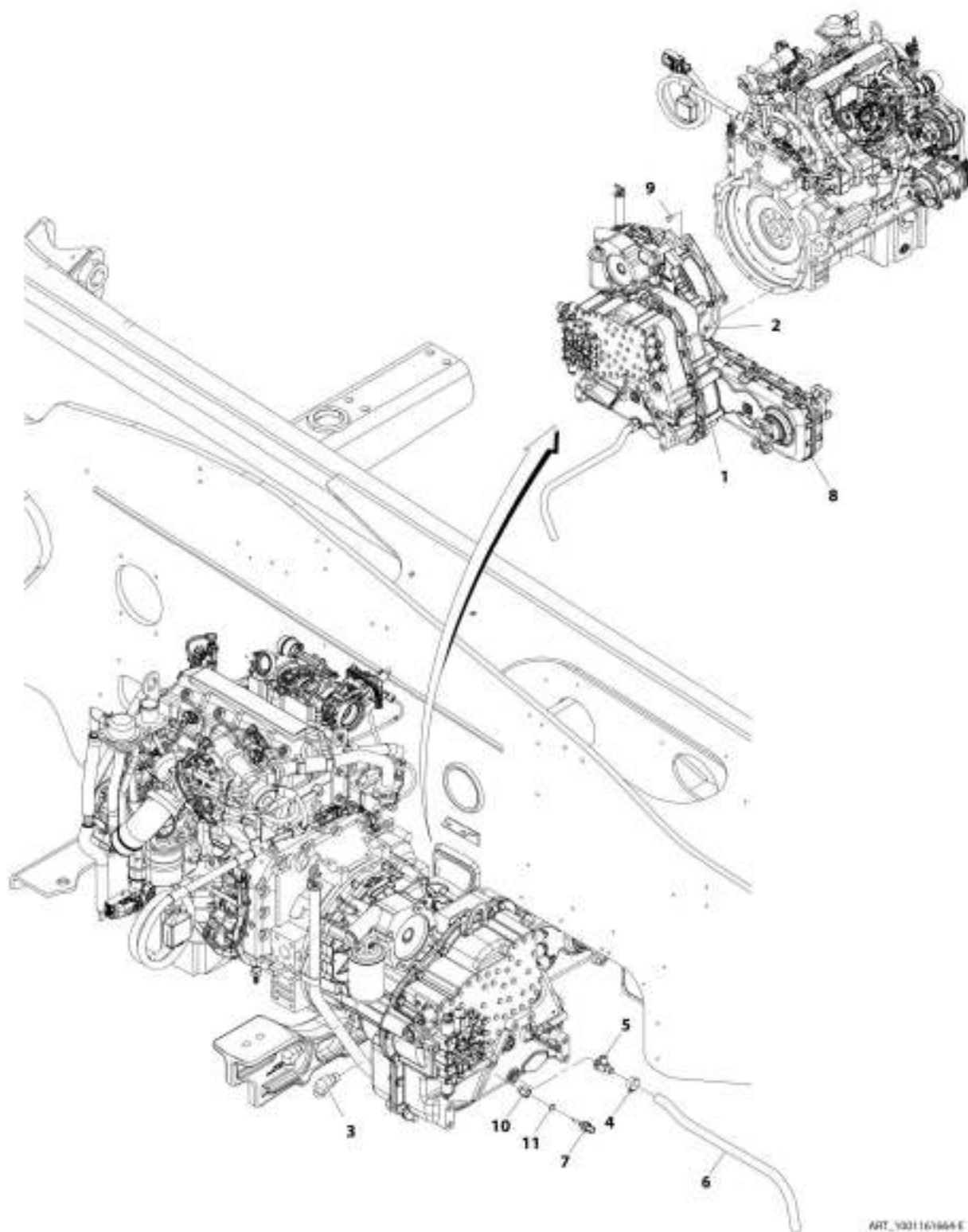
**SECTION 5 - DRIVETRAIN**

**FIGURE 5-35. REAR AXLE, RING GEAR SUPPORT**

<b>ITEM</b>	<b>PART NUMBER</b>	<b>QTY</b>	<b>DESCRIPTION</b>	<b>REV</b>
	70024146	Ref	Ring Gear Support	
1	91514175	1	Circlip	
2	70024147	1	Gear, Ring	
3	91514177	1	Support, Ring Gear	

## SECTION 5 - DRIVETRAIN

FIGURE 5-36. TRANSMISSION INSTALLATION



ART\_1001161044 E

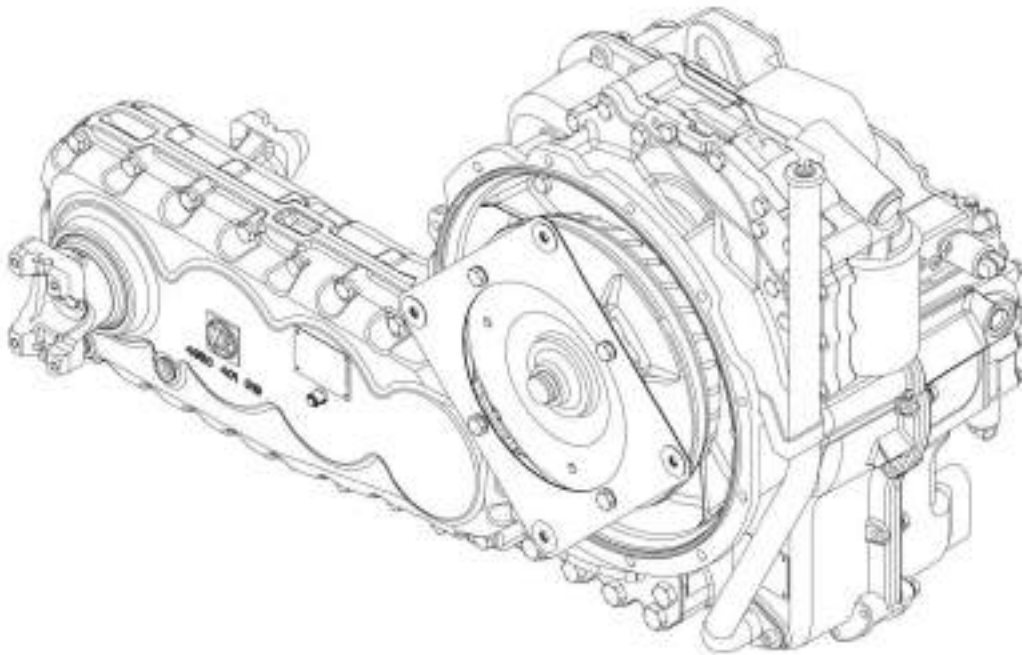
**SECTION 5 - DRIVETRAIN**

**FIGURE 5-36. TRANSMISSION INSTALLATION**

<b>ITEM</b>	<b>PART NUMBER</b>	<b>QTY</b>	<b>DESCRIPTION</b>	<b>REV</b>
	1001161664	Ref	Transmission Installation	E
1	0711015	12	Screw, M10X35	
2	4812000	12	Washer, M10	
3	2131210	2	Fitting, 90 ORFS	
4	8405007	1	Clamp, Hose	
5	1001097053	1	Valve, Oil Drain	
6	1001186225	1	Hose, Drain	
7	1001128478	1	Switch, Oil Temperature	
8	1001170171	1	Transmission, Powershift (See Separate Breakdown in this Section)	
9	0761010	4	Screw, M10X20	
10	1001220760	1	Adapter	
11	1001009163	1	Seal	

## SECTION 5 - DRIVETRAIN

FIGURE 5-37. POWERSHIFT TRANSMISSION



ARE\_106117017L\_1-C

**SECTION 5 - DRIVETRAIN**

**FIGURE 5-37. POWERSHIFT TRANSMISSION**

ITEM	PART NUMBER	QTY	DESCRIPTION	REV
	1001170171	Ref	Powershift Transmission	C
		Ref	Transmission, Engine Connection (See Separate Breakdown in this Section)	
		Ref	Transmission, Converter (See Separate Breakdown in this Section)	
		Ref	Transmission, Input (See Separate Breakdown in this Section)	
		Ref	Transmission, Housing Group 1 (See Separate Breakdown in this Section)	
		Ref	Transmission, Housing Group 2 (See Separate Breakdown in this Section)	
		Ref	Transmission, Clutch Group 1 (See Separate Breakdown in this Section)	
		Ref	Transmission, Clutch Group 2 (See Separate Breakdown in this Section)	
		Ref	Transmission, Coupling Group 1 (See Separate Breakdown in this Section)	
		Ref	Transmission, Coupling Group 2 (See Separate Breakdown in this Section)	
		Ref	Transmission, Coupling Group 3 (See Separate Breakdown in this Section)	
		Ref	Transmission, Coupling Group 4 (See Separate Breakdown in this Section)	
		Ref	Transmission, Output (See Separate Breakdown in this Section)	
		Ref	Transmission, Power Take-Off (See Separate Breakdown in this Section)	
		Ref	Transmission, Control Unit (See Separate Breakdown in this Section)	
		Ref	Transmission, Shift System (See Separate Breakdown in this Section)	
		Ref	Transmission, Pressure Regulator (See Separate Breakdown in this Section)	
		Ref	Transmission, Pressure Oil Pump (See Separate Breakdown in this Section)	
		Ref	Transmission, Inductive Transmitter (See Separate Breakdown in this Section)	
		Ref	Transmission, Filter (See Separate Breakdown in this Section)	
		Ref	Transmission, Accessories Group 1 (See Separate Breakdown in this Section)	
		Ref	Transmission, Peripherals Group 1 (See Separate Breakdown in this Section)	
		Ref	Transmission, Peripherals Group 2 (See Separate Breakdown in this Section)	
		Ref	Transmission, Accessories Group 2 (See Separate Breakdown in this Section)	
		Ref	Transmission, Housing Group (See Separate Breakdown in this Section)	
		Ref	Transmission, Housing 1 (See Separate Breakdown in this Section)	
		Ref	Transmission, Housing 2 (See Separate Breakdown in this Section)	
		Ref	Transmission, Housing Input (See Separate Breakdown in this Section)	
		Ref	Transmission, Housing Output 1 (See Separate Breakdown in this Section)	

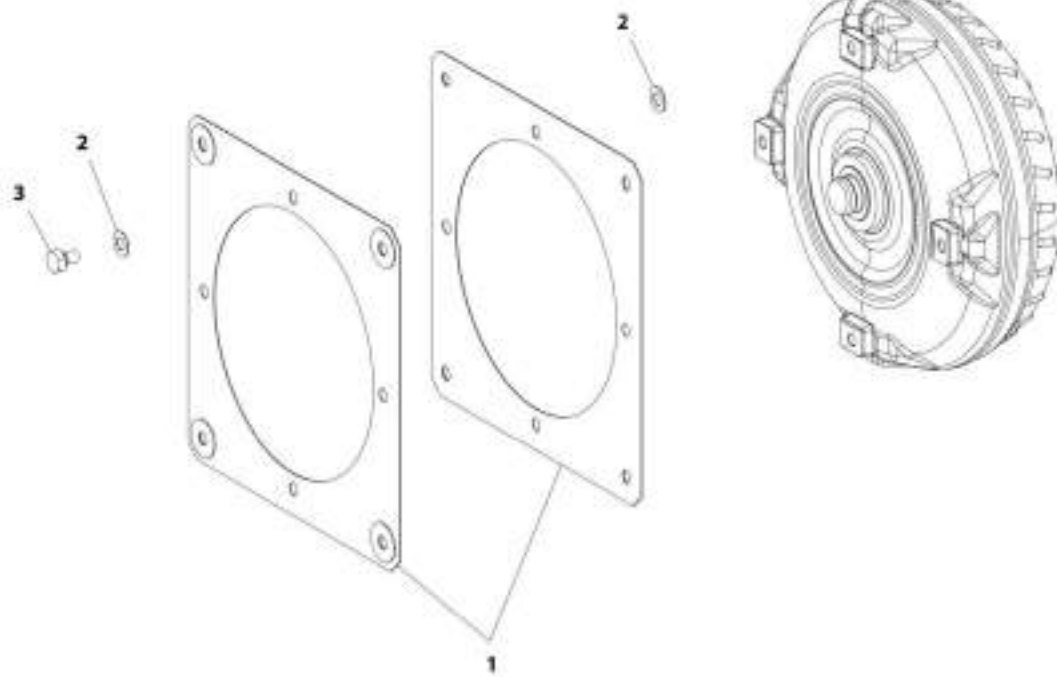
## SECTION 5 - DRIVETRAIN

ITEM	PART NUMBER	QTY	DESCRIPTION	REV
		Ref	Transmission, Housing Output 2 (See Separate Breakdown in this Section)	



# SECTION 5 - DRIVETRAIN

## FIGURE 5-38. TRANSMISION, ENGINE CONNECTION



ART\_100112017L2-C



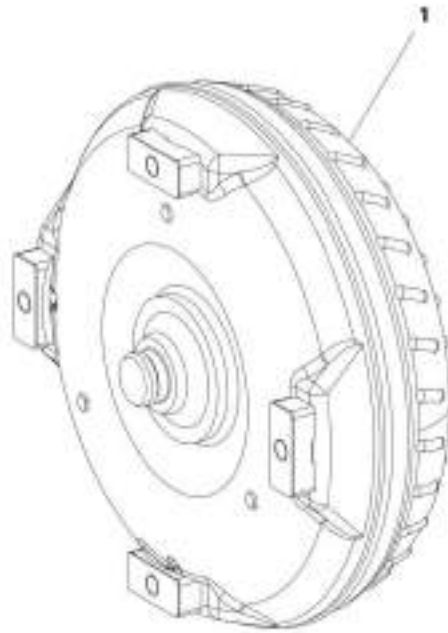
**SECTION 5 - DRIVETRAIN**

**FIGURE 5-38. TRANSMISION, ENGINE CONNECTION**

<b>ITEM</b>	<b>PART NUMBER</b>	<b>QTY</b>	<b>DESCRIPTION</b>	<b>REV</b>
1	1319229	2	Diaphragm	
2	7026745	8	Washer, Thrust M10	
3	7026744	4	Bolt, M10X16	

## SECTION 5 - DRIVETRAIN

FIGURE 5-39. TRANSMISSION, CONVERTER



ART\_1001170171\_3-C

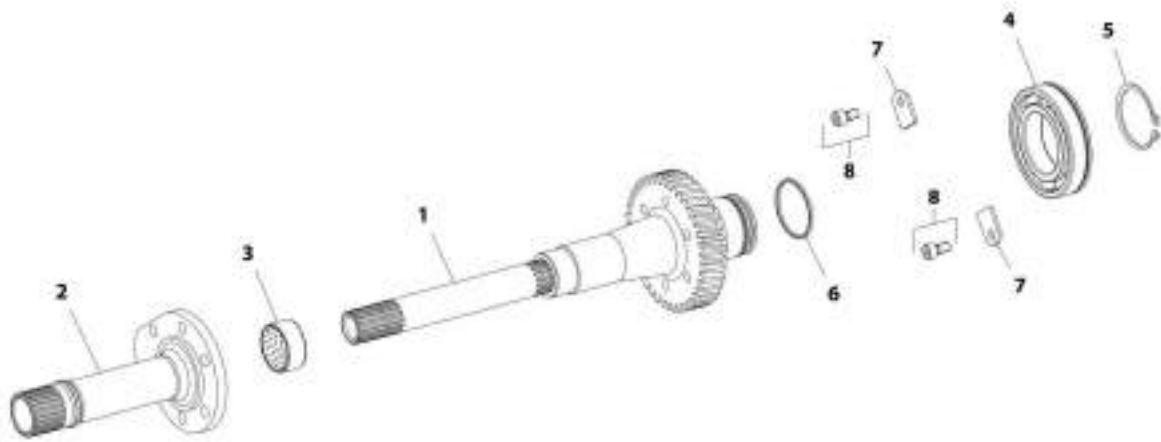
**SECTION 5 - DRIVETRAIN**

**FIGURE 5-39. TRANSMISSION, CONVERTER**

ITEM	PART NUMBER	QTY	DESCRIPTION	REV
1	7026746	1	Converter, Torque	

# SECTION 5 - DRIVETRAIN

## FIGURE 5-40. TRANSMISSION, INPUT



ART\_3801120171\_4C

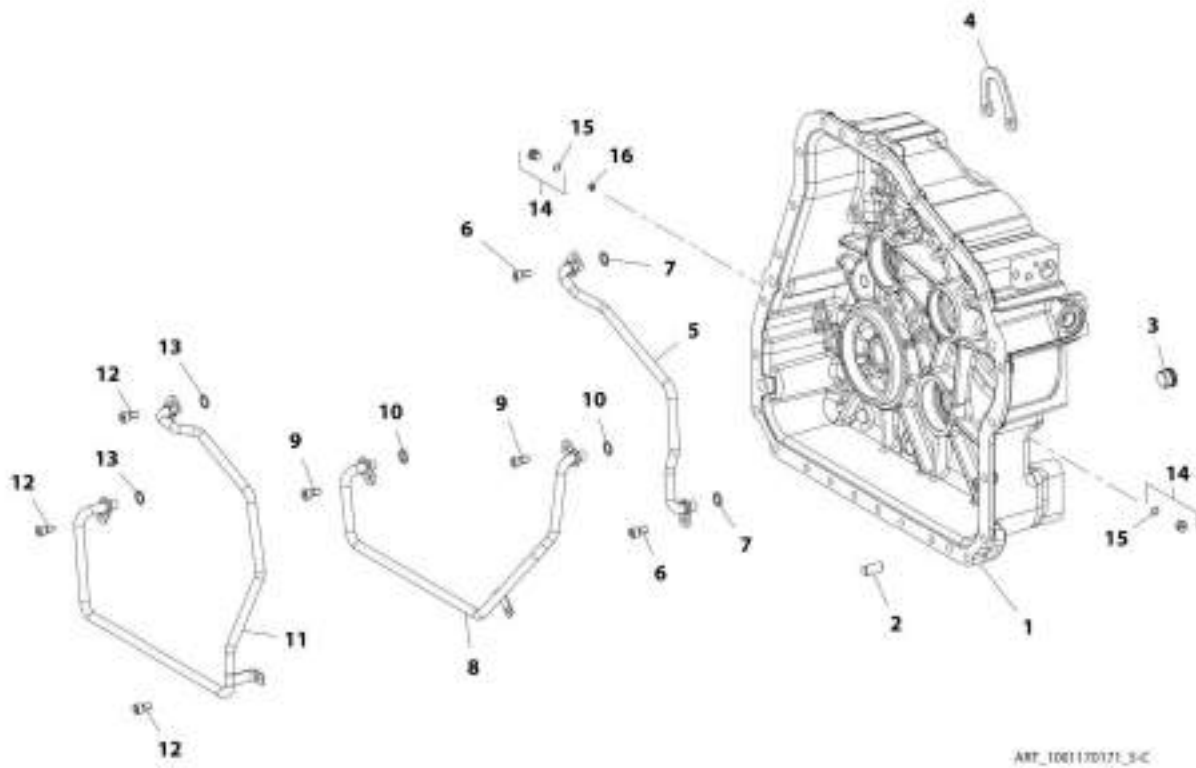
**SECTION 5 - DRIVETRAIN**

**FIGURE 5-40. TRANSMISSION, INPUT**

<b>ITEM</b>	<b>PART NUMBER</b>	<b>QTY</b>	<b>DESCRIPTION</b>	<b>REV</b>
1	7026747	1	Shaft, Turbine	
2	7026748	1	Shaft, Stator	
3	1319558	1	Bushing, Bearing	
4	1319563	1	Bearing, Ball	
5	80304405	1	Ring, Retaining	
6	7026749	1	Ring, Piston	
7	70026515	2	Strap	
8	70026516	2	Bolt, M8X16	

# SECTION 5 - DRIVETRAIN

## FIGURE 5-41. TRANSMISSION, HOUSING GROUP 1



ART\_1061170171\_3-C

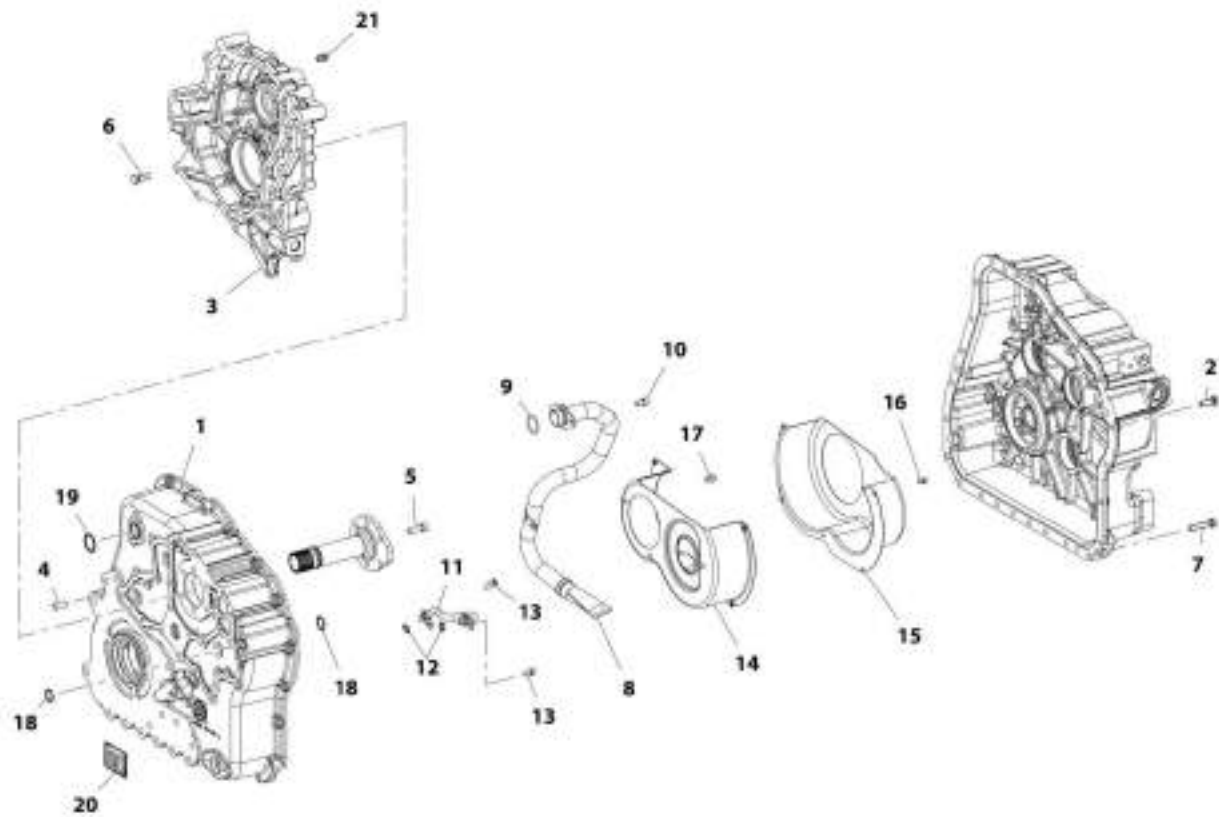
**SECTION 5 - DRIVETRAIN**

**FIGURE 5-41. TRANSMISSION, HOUSING GROUP 1**

<b>ITEM</b>	<b>PART NUMBER</b>	<b>QTY</b>	<b>DESCRIPTION</b>	<b>REV</b>
1	7029973	1	Housing	
2	1319571	2	Pin, Dowel	
3	70023404	1	Plug	
4	1319590	1	Bracket, Lift	
5	7026750	1	Pipe	
6	70026516	2	Bolt, M8X16	
7	8036847	2	O-Ring	
8	7026751	1	Pipe	
9	70026516	2	Bolt, M8X16	
10	8036847	2	O-Ring	
11	7026752	1	Pipe	
12	70026516	3	Bolt, M8X16	
13	8036847	2	O-Ring	
14	70026517	7	Plug, Screw	
15	10731709	7	O-Ring	
16	70026518	1	Nozzle	

# SECTION 5 - DRIVETRAIN

## FIGURE 5-42. TRANSMISSION, HOUSING GROUP 2



ART\_1001170171\_5-C



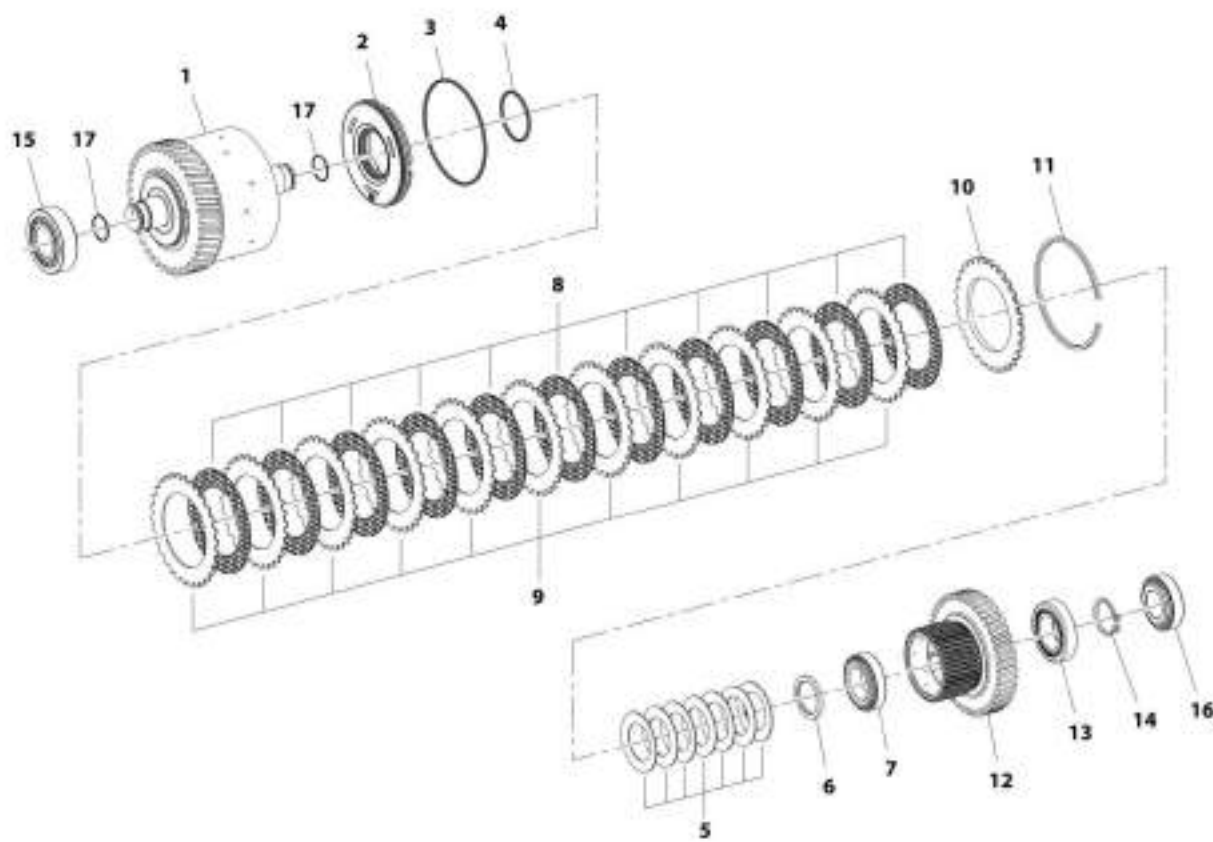
**SECTION 5 - DRIVETRAIN**

**FIGURE 5-42. TRANSMISSION, HOUSING GROUP 2**

<b>ITEM</b>	<b>PART NUMBER</b>	<b>QTY</b>	<b>DESCRIPTION</b>	<b>REV</b>
1	7029972	1	Housing	
2	80304394	18	Bolt, M10X30	
3	70021920	1	Housing, PTO	
4	1319571	2	Pin, Dowel	
5	70026519	6	Bolt, M10X30	
6	80304394	13	Bolt, M10X30	
7	7026794	6	Bolt, M10X50	
8	7026753	1	Tube, Suction	
9	70023885	1	O-Ring	
10	70026516	2	Bolt, M8X16	
11	7026754	1	Pipe	
12	8036847	2	O-Ring	
13	70026516	2	Bolt, M8X16	
14	7026755	1	Sheet, Screen	
15	7026756	1	Sheet, Screen	
16	70026520	5	Bolt, M6X10	
17	70026521	3	Bolt, M8X12	
18	7026792	2	O-Ring	
19	70023885	1	O-Ring	
20	N.S.S.	1	Plate, Serial Number	
21	10731744	1	Breather	

# SECTION 5 - DRIVETRAIN

## FIGURE 5-43. TRANSMISSION, CLUTCH GROUP 1



ART\_1001170170\_7-C

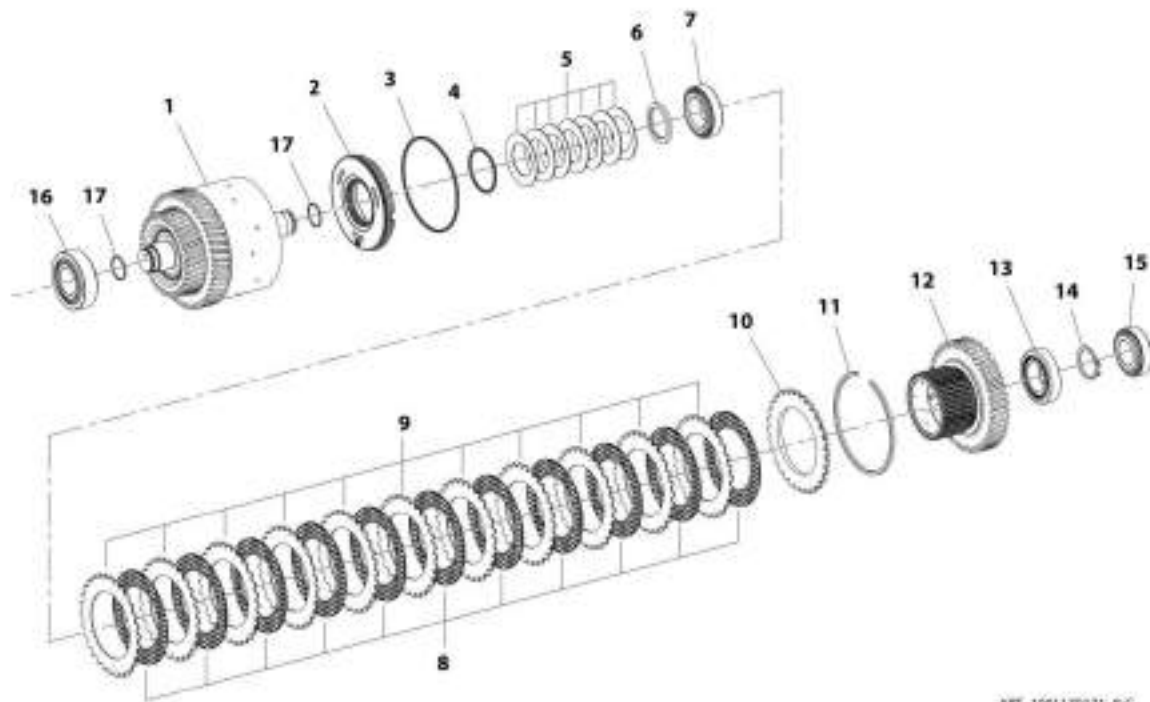
**SECTION 5 - DRIVETRAIN**

**FIGURE 5-43. TRANSMISSION, CLUTCH GROUP 1**

ITEM	PART NUMBER	QTY	DESCRIPTION	REV
1	7026757	1	Coupling	
2	70022075	1	Piston	
3	1319594	1	O-Ring	
4	1319593	1	O-Ring	
5	1319595	7	Spring, Cup	
6	1319617	1	Shim	
7	1319618	AR	Bearing, Roller	
8	7026758	11	Disc, Friction	
9	7026759	11	Disc, Clutch	
10	7026760	1	Shim	
11	70026527	AR	Ring, Snap 2.00	
11	70026528	AR	Ring, Snap 2.25	
11	70026529	AR	Ring, Snap 2.50	
11	7029852	AR	Ring	
11	1319602	AR	Ring	
11	7029849	AR	Ring	
11	1319601	AR	Ring	
11	7029850	AR	Ring	
11	1319600	AR	Ring	
12	1319638	1	Carrier, Inner Disc	
13	1319620	AR	Bearing, Roller	
14	1319632	AR	Ring	
14	1319631	AR	Ring	
14	1319630	AR	Ring	
14	1319629	AR	Ring	
14	1319628	AR	Ring	
14	1319627	AR	Ring	
14	1319626	AR	Ring	
14	1319625	AR	Ring	
14	1319624	AR	Ring	
14	1319623	AR	Ring	
14	1319622	AR	Ring	
14	1319621	AR	Ring	
15	1319615	1	Bearing, Roller	
16	1319636	1	Bearing, Roller	
17	7026761	2	Ring, Piston	

# SECTION 5 - DRIVETRAIN

## FIGURE 5-44. TRANSMISSION, CLUTCH GROUP 2



ART\_1061170171\_B/C

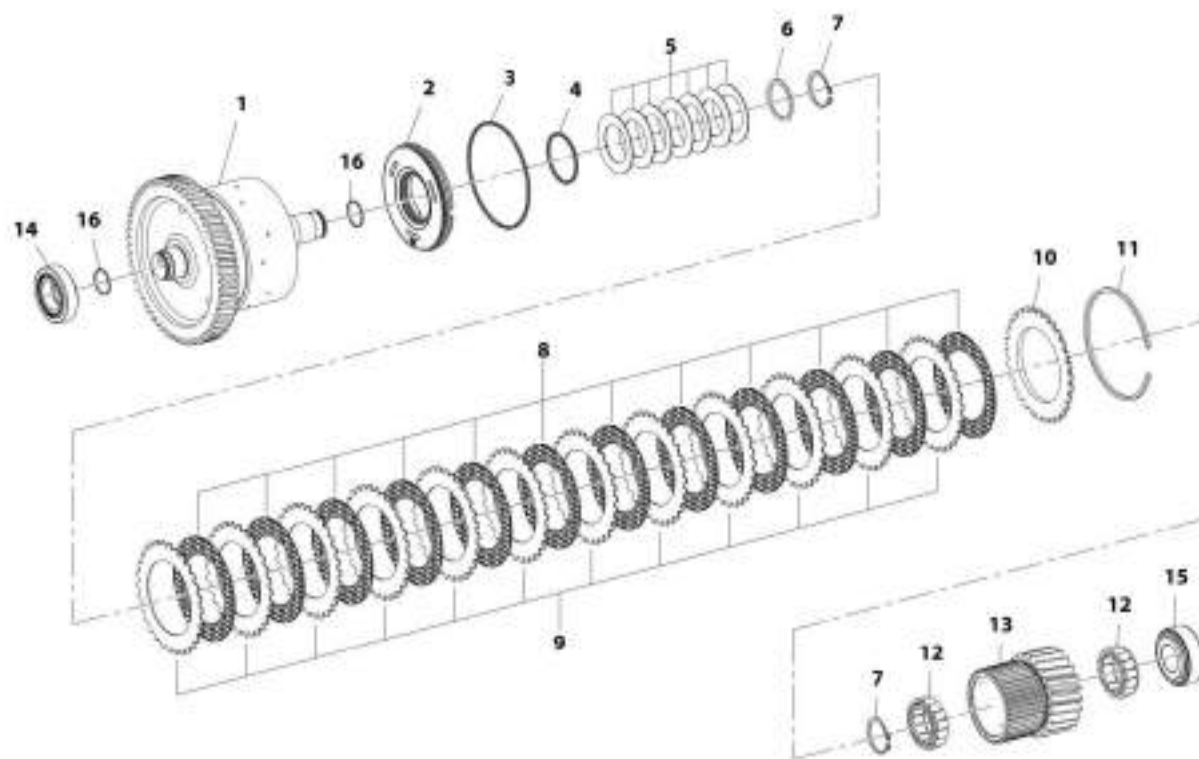
**SECTION 5 - DRIVETRAIN**

**FIGURE 5-44. TRANSMISSION, CLUTCH GROUP 2**

ITEM	PART NUMBER	QTY	DESCRIPTION	REV
1	7026762	1	Coupling	
2	70022075	1	Piston	
3	1319594	1	O-Ring	
4	1319593	1	O-Ring	
5	1319595	7	Spring, Cup	
6	1319617	1	Shim	
7	1319618	AR	Bearing, Roller	
8	7026758	11	Disc, Friction	
9	7026759	11	Disc, Static	
10	7026760	1	Shim	
11	70026527	AR	Ring, Snap 2.00	
11	70026528	AR	Ring, Snap 2.25	
11	70026529	AR	Ring, Snap 2.50	
11	7029852	AR	Ring	
11	1319602	AR	Ring	
11	7029849	AR	Ring	
11	1319601	AR	Ring	
11	7029850	AR	Ring	
11	1319600	AR	Ring	
12	1319638	1	Carrier, Disc	
13	1319620	1	Bearing, Roller	
14	1319632	AR	Ring	
14	1319631	AR	Ring	
14	1319630	AR	Ring	
14	1319629	AR	Ring	
14	1319628	AR	Ring	
14	1319627	AR	Ring	
14	1319626	AR	Ring	
14	1319625	AR	Ring	
14	1319624	AR	Ring	
14	1319623	AR	Ring	
14	1319622	AR	Ring	
14	1319621	AR	Ring	
15	1319615	1	Bearing, Roller	
16	1319636	1	Bearing, Roller	
17	7026761	2	Ring, Piston	

# SECTION 5 - DRIVETRAIN

## FIGURE 5-45. TRANSMISSION, COUPLING GROUP 1



MT\_1001170171\_9-C

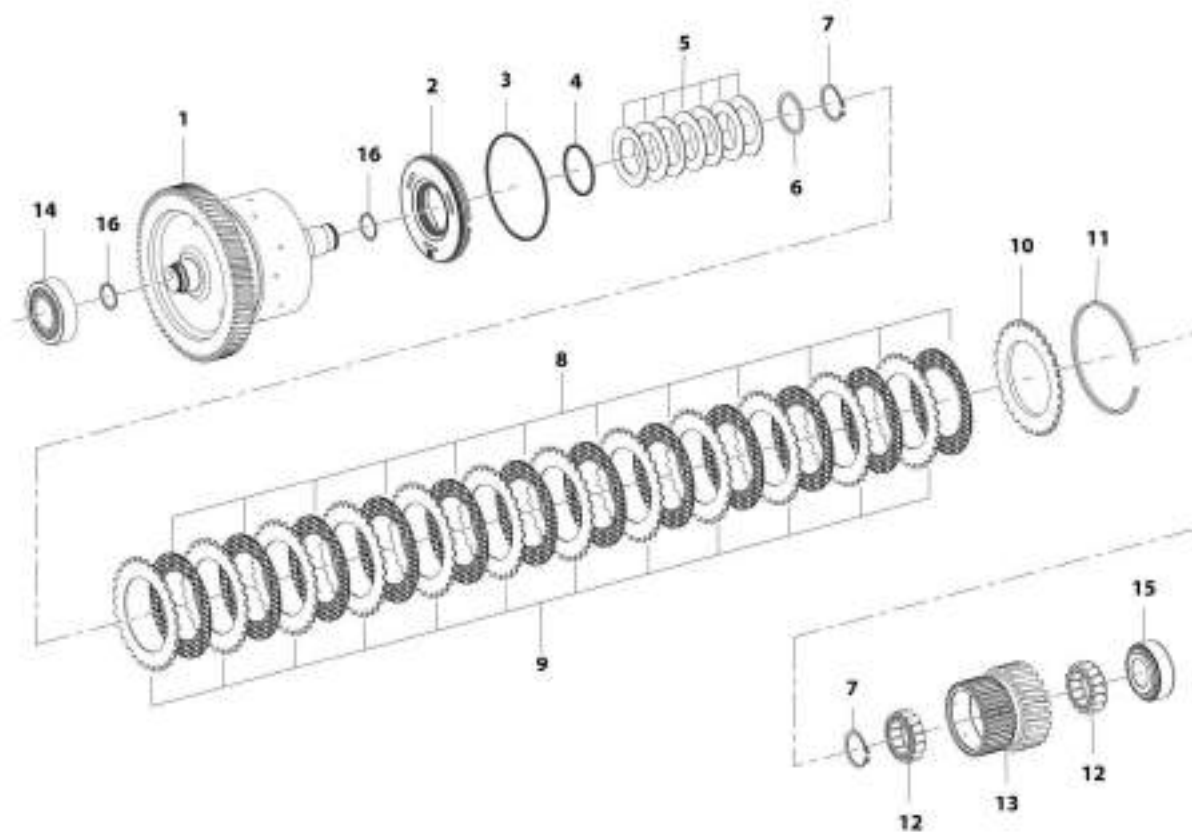
## SECTION 5 - DRIVETRAIN

**FIGURE 5-45. TRANSMISSION, COUPLING GROUP 1**

ITEM	PART NUMBER	QTY	DESCRIPTION	REV
1	70026530	1	Coupling	
2	70022075	1	Piston	
3	1319594	1	O-Ring	
4	1319593	1	O-Ring	
5	1319595	7	Spring, Cup	
6	1319596	1	Shim	
7	10731845	2	Ring, Retaining	
8	7026758	12	Disc, Friction	
9	7026759	12	Disc, Clutch	
10	7026760	1	Shim	
11	70026527	AR	Ring, Snap 2.00	
11	70026528	AR	Ring, Snap 2.25	
11	70026529	AR	Ring, Snap 2.50	
11	7029852	AR	Ring	
11	1319602	AR	Ring	
11	7029849	AR	Ring	
11	1319601	AR	Ring	
11	7029850	AR	Ring	
11	1319600	AR	Ring	
12	1319605	AR	Cage, Roller	
13	1319607	1	Carrier, Disc	
14	1319608	1	Bearing, Roller	
15	8036190	1	Bearing, Roller	
16	7026761	2	Piston Ring	

# SECTION 5 - DRIVETRAIN

## FIGURE 5-46. TRANSMISSION, COUPLING GROUP 2



ART. 3001170171\_10C



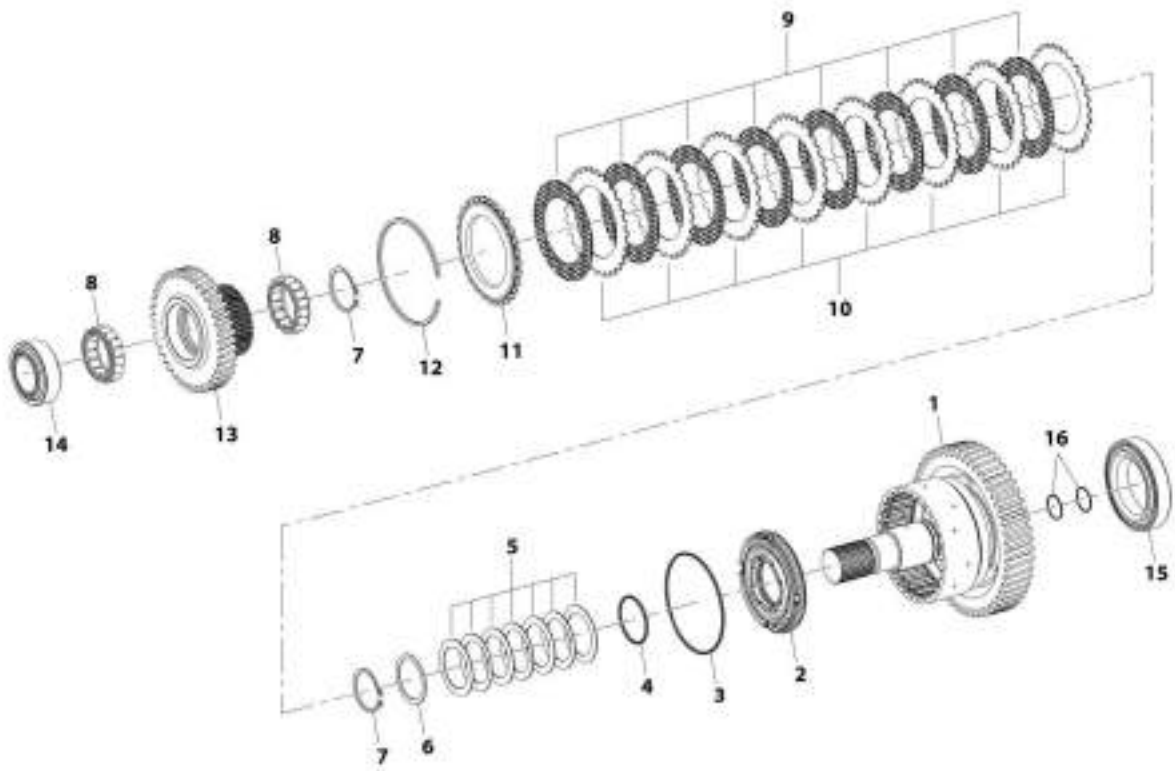
## SECTION 5 - DRIVETRAIN

**FIGURE 5-46. TRANSMISSION, COUPLING GROUP 2**

ITEM	PART NUMBER	QTY	DESCRIPTION	REV
1	70026531	1	Coupling	
2	70022075	1	Piston	
3	1319594	1	O-Ring	
4	1319593	1	O-Ring	
5	1319595	7	Spring, Cup	
6	1319596	1	Shim	
7	10731845	2	Ring, Retaining	
8	7026758	12	Disc, Friction	
9	7026759	12	Disc, Clutch	
10	7026760	1	Shim	
11	70026527	AR	Ring, Snap 2.00	
11	70026528	AR	Ring, Snap 2.25	
11	70026529	AR	Ring, Snap 2.50	
11	7029852	AR	Ring	
11	1319602	AR	Ring	
11	7029849	AR	Ring	
11	1319601	AR	Ring	
11	7029850	AR	Ring	
11	1319600	AR	Ring	
12	1319605	AR	Bearing, Roller	
13	1319614	1	Carrier, Disc	
14	1319615	1	Bearing, Roller	
15	8036190	1	Bearing, Roller	
16	7026761	2	Ring, Piston	

# SECTION 5 - DRIVETRAIN

## FIGURE 5-47. TRANSMISSION, COUPLING GROUP 3



ART\_100117012L\_11-C

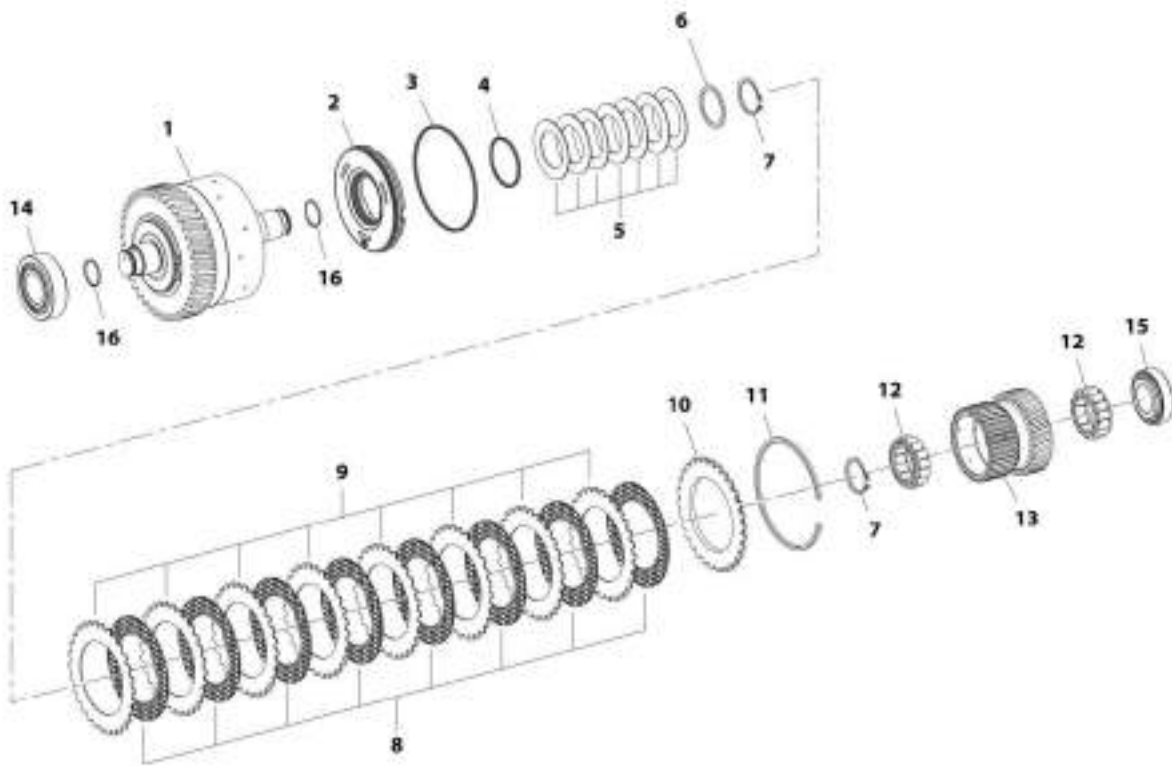
## SECTION 5 - DRIVETRAIN

**FIGURE 5-47. TRANSMISSION, COUPLING GROUP 3**

ITEM	PART NUMBER	QTY	DESCRIPTION	REV
1	70026532	1	Coupling	
2	70022075	1	Piston	
3	1319594	1	O-Ring	
4	1319593	1	O-Ring	
5	7026765	7	Spring, Cup	
6	7026766	1	Washer	
7	80304227	AR	Ring, Retaining	
8	70021227	AR	Ring	
8	70021228	AR	Cage, Roller	
9	7026758	AR	Disc, Friction	
10	7026759	AR	Disc, Clutch	
11	7026760	AR	Shim	
12	70026527	AR	Ring	
12	70026528	AR	Ring	
12	70026529	AR	Ring	
12	7029852	AR	Ring	
12	1319602	AR	Ring	
12	7029849	AR	Ring	
12	1319601	AR	Ring	
12	7029850	AR	Ring	
12	1319600	AR	Ring	
13	7027267	1	Carrier, Disc	
14	70021268	1	Bearing, Outer Ring	
14	70021269	1	Bearing, Inner Ring	
15	7026769	AR	Bearing, Roller	
16	7026761	2	Ring, Piston	

# SECTION 5 - DRIVETRAIN

## FIGURE 5-48. TRANSMISSION, COUPLING GROUP 4



ART\_1001170171\_12-C

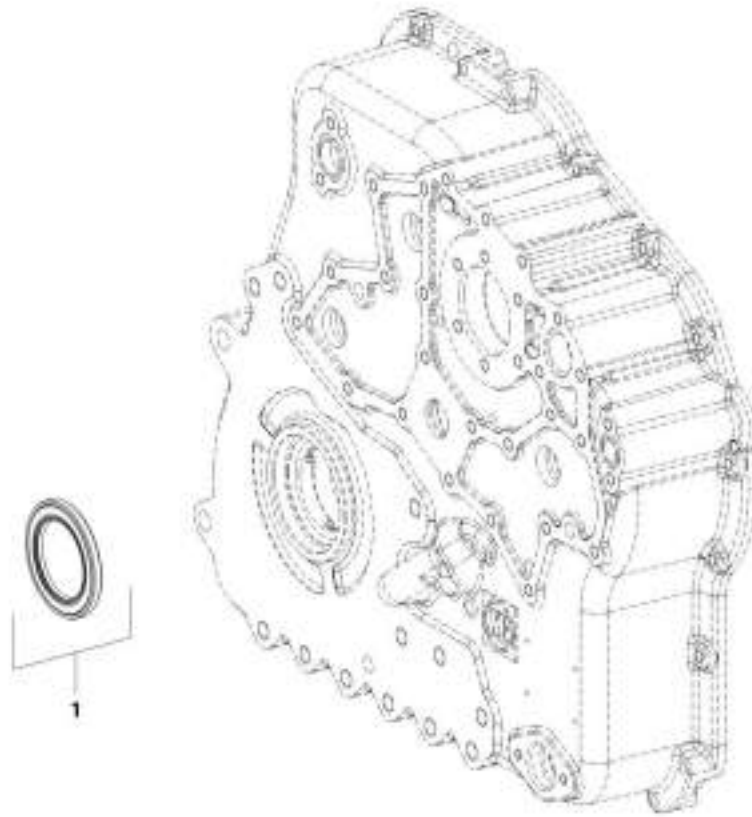
## SECTION 5 - DRIVETRAIN

**FIGURE 5-48. TRANSMISSION, COUPLING GROUP 4**

ITEM	PART NUMBER	QTY	DESCRIPTION	REV
1	70026535	1	Coupling	
2	70022075	1	Piston	
3	1319594	1	O-Ring	
4	1319593	1	O-Ring	
5	1319595	7	Spring, Cup	
6	1319596	1	Shim	
7	10731845	2	Ring, Retaining	
8	7026758	8	Disc, Friction	
9	7026759	8	Disc, Clutch	
10	7026760	1	Shim	
11	70026527	AR	Ring, Snap 2.00	
11	70026528	AR	Ring, Snap 2.25	
11	70026529	AR	Ring, Snap 2.50	
11	7029852	AR	Ring	
11	1319602	AR	Ring	
11	7029849	AR	Ring	
11	1319601	AR	Ring	
11	7029850	AR	Ring	
11	1319600	AR	Ring	
12	1319605	AR	Bearing, Roller	
13	1319635	1	Carrier, Disc	
14	1319615	1	Bearing, Roller	
15	1319636	1	Bearing, Roller	
16	7026761	2	Ring, Piston	

# SECTION 5 - DRIVETRAIN

## FIGURE 5-49. TRANSMISSION, OUTPUT



ART\_1001170171\_15-C

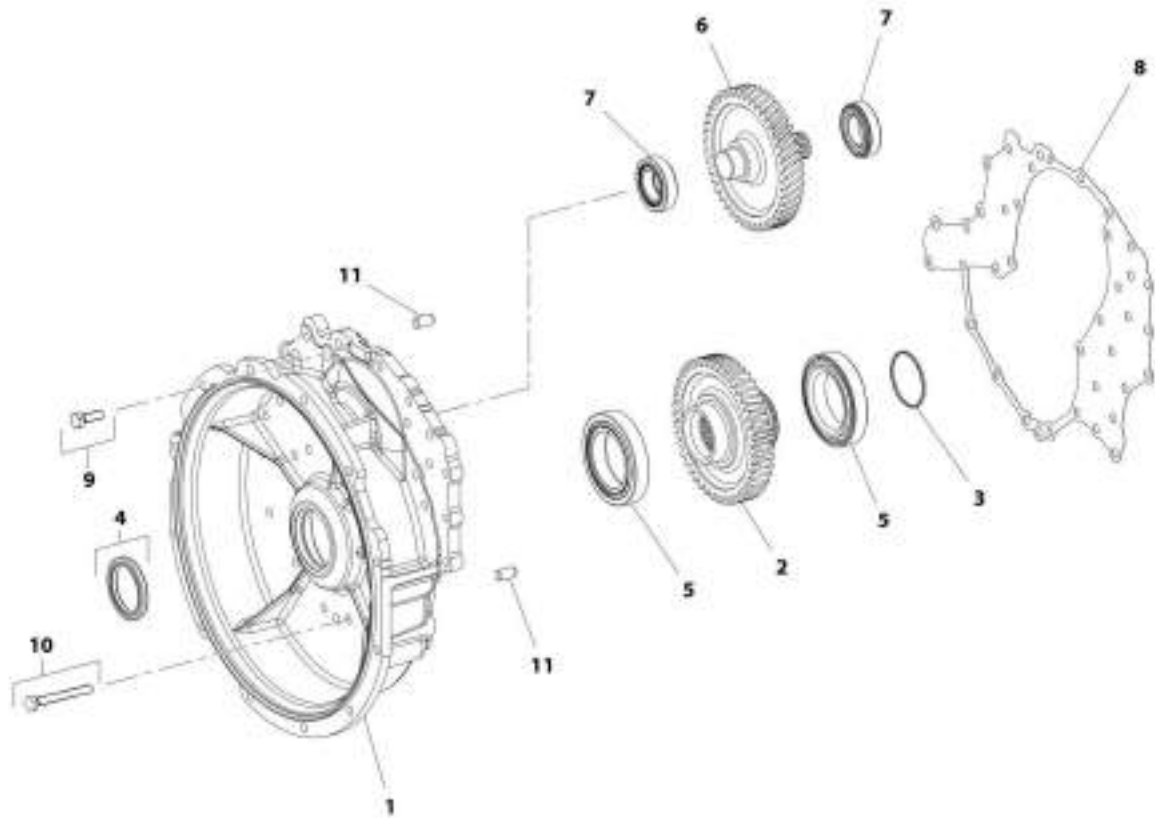
**SECTION 5 - DRIVETRAIN**

**FIGURE 5-49. TRANSMISSION, OUTPUT**

ITEM	PART NUMBER	QTY	DESCRIPTION	REV
1	70026536	1	Seal, Shaft	

# SECTION 5 - DRIVETRAIN

## FIGURE 5-50. TRANSMISSION, POWER TAKE-OFF



ART. 3001170171\_14-C



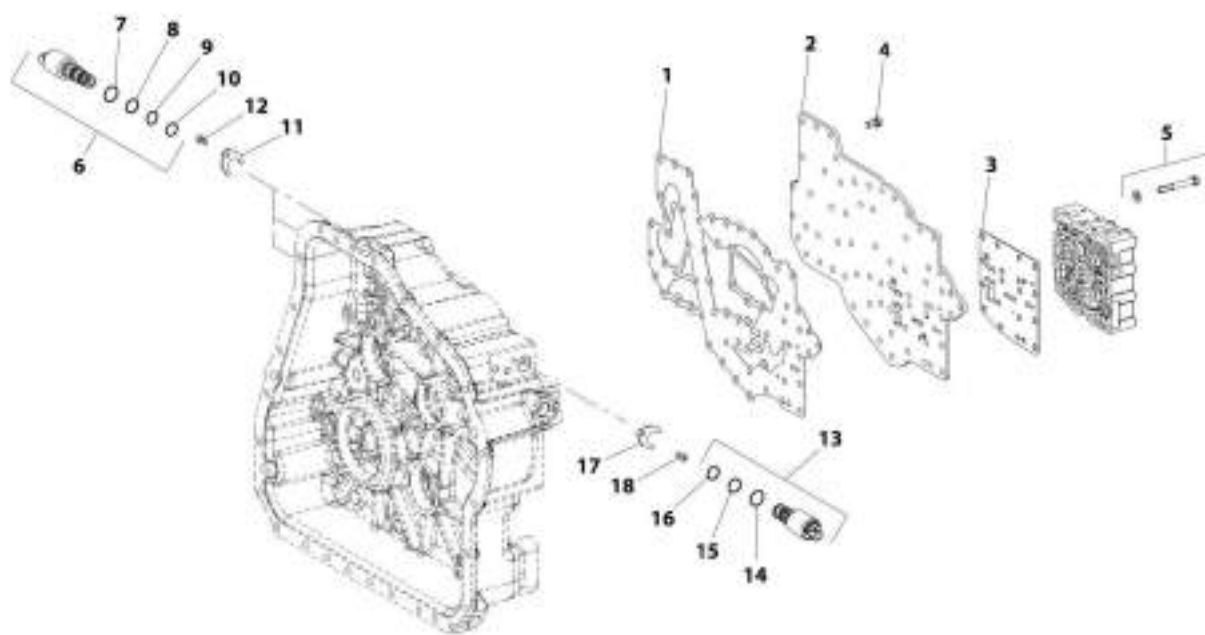
**SECTION 5 - DRIVETRAIN**

**FIGURE 5-50. TRANSMISSION, POWER TAKE-OFF**

<b>ITEM</b>	<b>PART NUMBER</b>	<b>QTY</b>	<b>DESCRIPTION</b>	<b>REV</b>
1	70021526	1	Housing	
2	7026771	1	Shaft	
3	7026772	1	Ring, Piston	
4	1319576	1	Seal, Shaft	
5	7026769	AR	Bearing, Roller	
6	7026773	1	Shaft	
7	1319608	AR	Bearing, Roller	
8	7026774	1	Gasket	
9	80304394	21	Bolt, M10X30	
10	7026775	15	Bolt, M10X80	
11	1319571	2	Pin	

# SECTION 5 - DRIVETRAIN

## FIGURE 5-51. TRANSMISSION, CONTROL UNIT



ART\_3001130171\_15-C

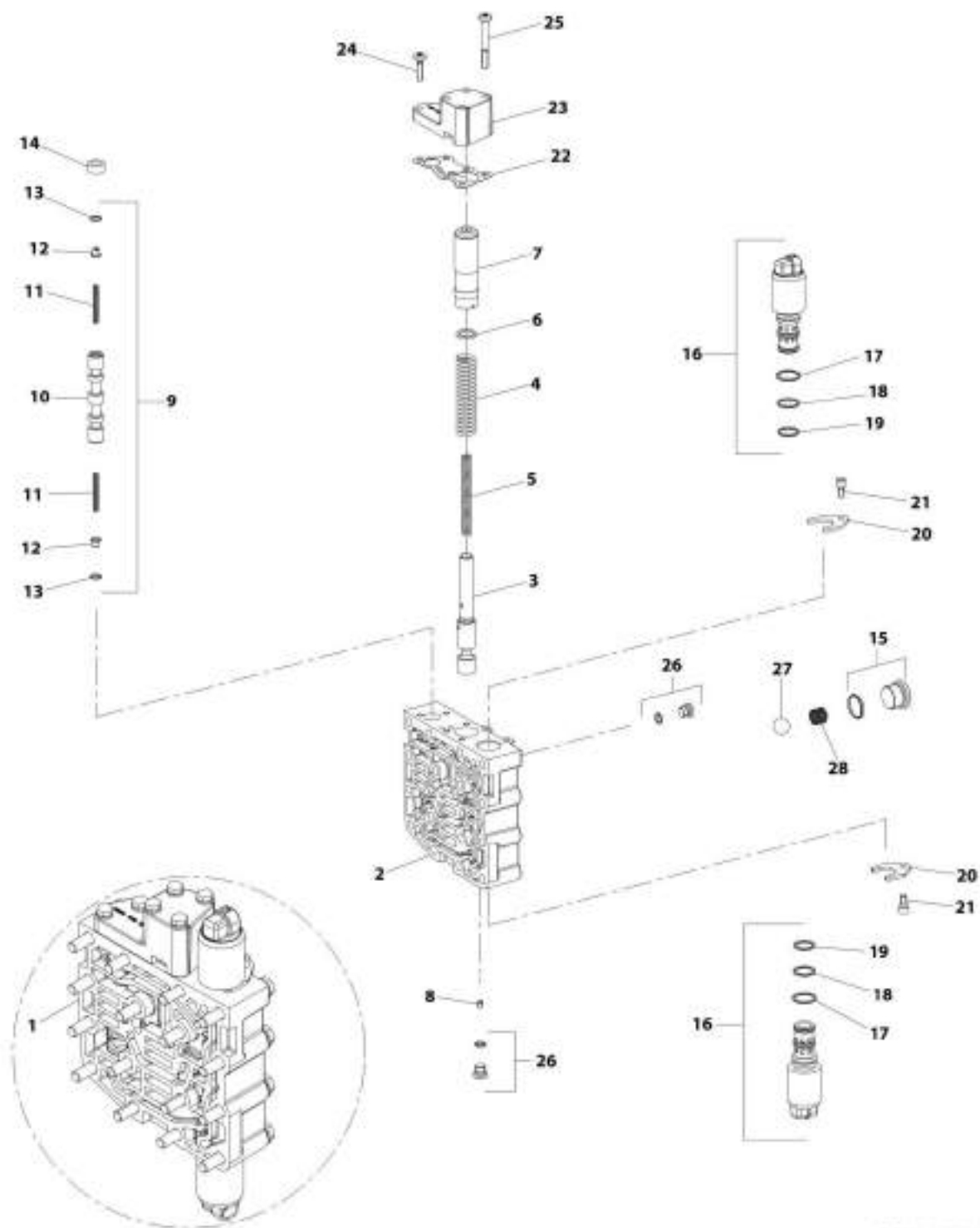
**SECTION 5 - DRIVETRAIN**

**FIGURE 5-51. TRANSMISSION, CONTROL UNIT**

ITEM	PART NUMBER	QTY	DESCRIPTION	REV
1	7026776	1	Gasket	
2	70026538	1	Plate	
3	70026539	1	Sheet, Intermediate	
4	7026780	46	Bolt, M8X16	
5	7026781	16	Bolt, M8X60 (includes washer)	
5	10732095	16	Washer	
6	8036529	3	Valve, Solenoid (includes items 7 thru 10)	
7	N.S.S.	3	O-Ring	
8	N.S.S.	3	O-Ring	
9	N.S.S.	3	O-Ring	
10	N.S.S.	3	O-Ring	
11	7029267	3	Bracket	
12	70026544	3	Bolt, M6X12	
13	8036528	1	Valve, Solenoid (includes items 14 thru 16)	
14	N.S.S.	1	O-Ring	
15	N.S.S.	1	O-Ring	
16	N.S.S.	1	O-Ring	
17	7029267	1	Bracket	
18	70026544	1	Bolt, M6X12	

# SECTION 5 - DRIVETRAIN

## FIGURE 5-52. TRANSMISSION, SHIFT SYSTEM



ARS\_1001170171\_38-C

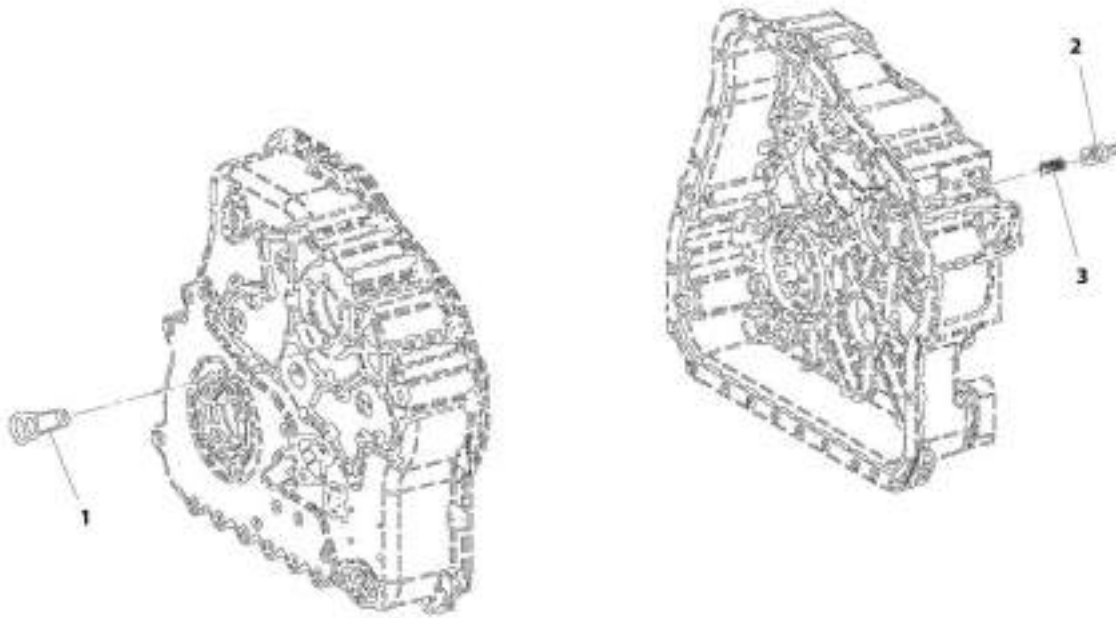
## SECTION 5 - DRIVETRAIN

### FIGURE 5-52. TRANSMISSION, SHIFT SYSTEM

ITEM	PART NUMBER	QTY	DESCRIPTION	REV
1	70026561	1	Assembly, Shift System (includes all items)	
2	70026546	1	Housing, Valve	
3	70026547	1	Piston, Control	
4	1319683	1	Spring	
5	1319684	1	Spring	
6	1319689	AR	Washer	
6	1319688	AR	Washer	
6	1319687	AR	Washer	
6	1319686	AR	Washer	
6	1319685	AR	Washer	
7	70026548	1	Piston	
8	70026549	1	Nozzle	
9	1319694	1	Assembly, Valve (includes items 10 thru 13)	
10	N.S.S.	1	Piston	
11	N.S.S.	2	Spring, Compression	
12	N.S.S.	2	Sleeve, Spring	
13	N.S.S.	2	Ring, Snap	
14	7026787	1	Spacer	
15	70026554	1	Plug, Screw (includes o-ring)	
15	70000656	1	O-Ring	
16	8036528	2	Valve, Solenoid (includes items 17 thru 19)	
17	N.S.S.	2	O-Ring	
18	N.S.S.	2	O-Ring	
19	N.S.S.	2	O-Ring	
20	7029267	2	Bracket	
21	70026544	2	Bolt, M6X12	
22	7026788	1	Gasket	
23	7026789	1	Cover	
24	70026555	2	Screw, Torx M6X23	
25	70026556	4	Screw, Torx M6X52	
26	70026517	2	Plug, Screw (includes o-ring)	
26	10731709	2	O-Ring	
27	10732071	1	Ball	
28	10732072	1	Spring	

## SECTION 5 - DRIVETRAIN

FIGURE 5-53. TRANSMISSION, PRESSURE REGULATOR



ART\_001170171\_17-C

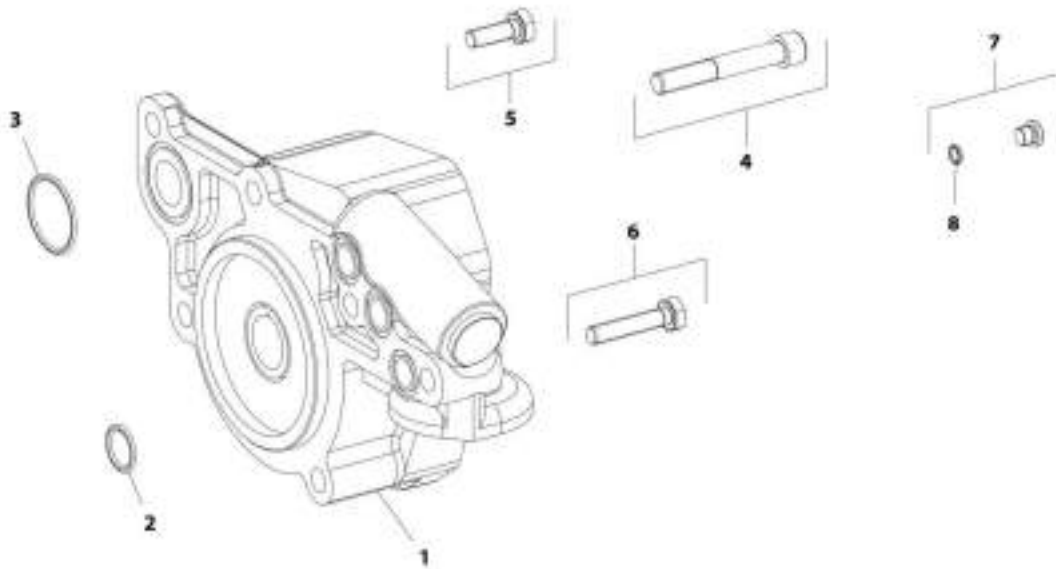
**SECTION 5 - DRIVETRAIN**

**FIGURE 5-53. TRANSMISSION, PRESSURE REGULATOR**

ITEM	PART NUMBER	QTY	DESCRIPTION	REV
1	7026782	1	Valve	
2	7026783	1	Piston	
3	7026784	1	Spring	

# SECTION 5 - DRIVETRAIN

## FIGURE 5-54. TRANSMISSION, PRESSURE OIL PUMP



WIT\_1001120171\_18-C



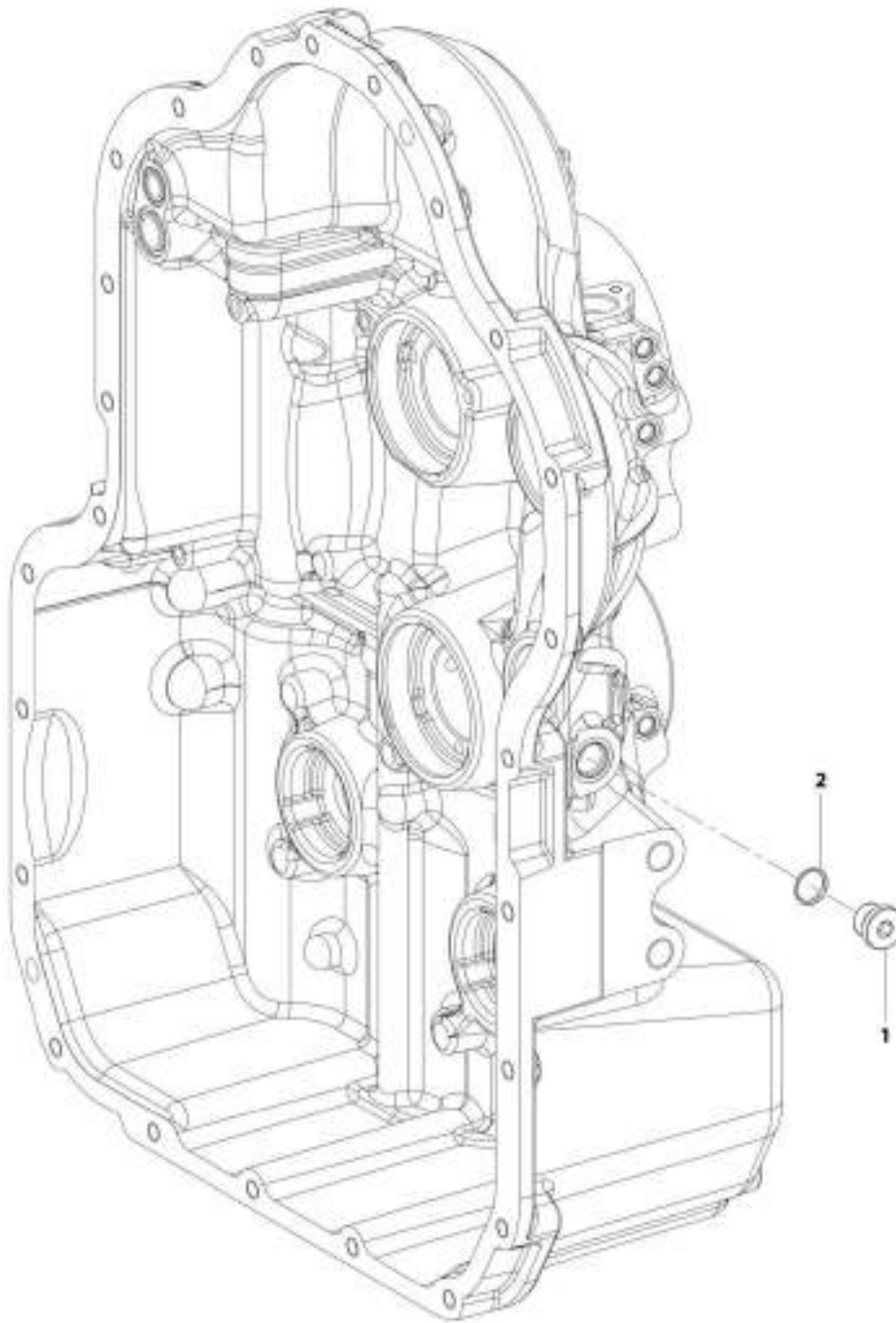
**SECTION 5 - DRIVETRAIN**

**FIGURE 5-54. TRANSMISSION, PRESSURE OIL PUMP**

<b>ITEM</b>	<b>PART NUMBER</b>	<b>QTY</b>	<b>DESCRIPTION</b>	<b>REV</b>
1	7026791	1	Pump	
2	7026792	3	O-Ring	
3	1319719	1	O-Ring	
4	7026793	4	Bolt, M12X80	
5	80304394	1	Bolt, M10X30	
6	7026794	1	Bolt, M10X50	
7	70026517	2	Plug, Screw	
8	10731709	2	O-Ring	

## SECTION 5 - DRIVETRAIN

FIGURE 5-55. TRANSMISSION, INDUCTIVE TRANSMITTER



MIT\_3001170171\_19-C

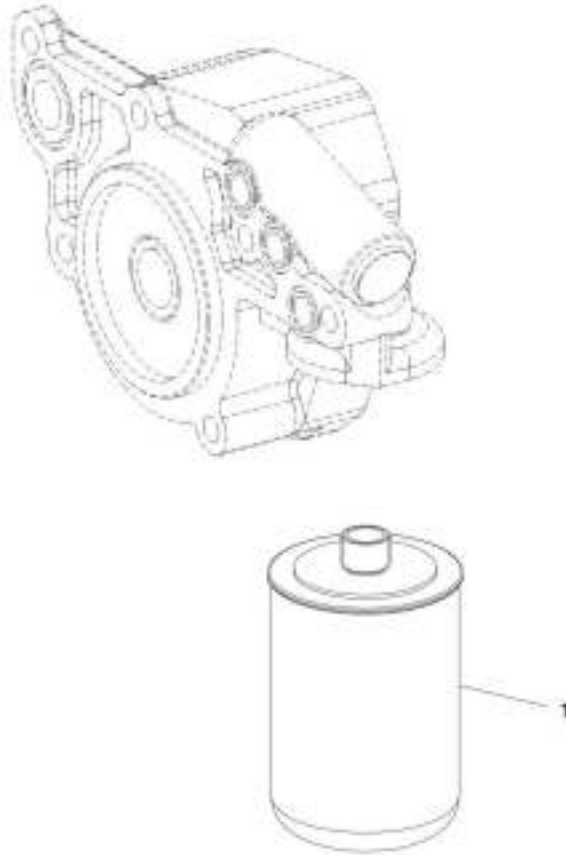
**SECTION 5 - DRIVETRAIN**

**FIGURE 5-55. TRANSMISSION, INDUCTIVE TRANSMITTER**

ITEM	PART NUMBER	QTY	DESCRIPTION	REV
1	70024895	1	Plug, Screw (includes o-ring)	
2	N.S.S.	1	O-Ring	

# SECTION 5 - DRIVETRAIN

FIGURE 5-56. TRANSMISSION, FILTER



ART\_1001130171\_20-C

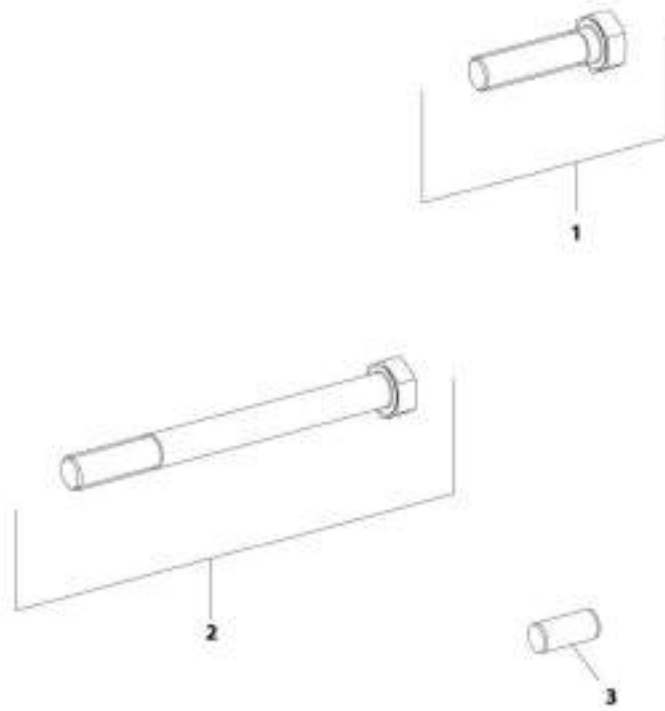
**SECTION 5 - DRIVETRAIN**

**FIGURE 5-56. TRANSMISSION, FILTER**

ITEM	PART NUMBER	QTY	DESCRIPTION	REV
1	1319726	1	Filter	

# SECTION 5 - DRIVETRAIN

FIGURE 5-57. TRANSMISSION, ACCESSORIES GROUP 1



ART. 3001170171\_21-C

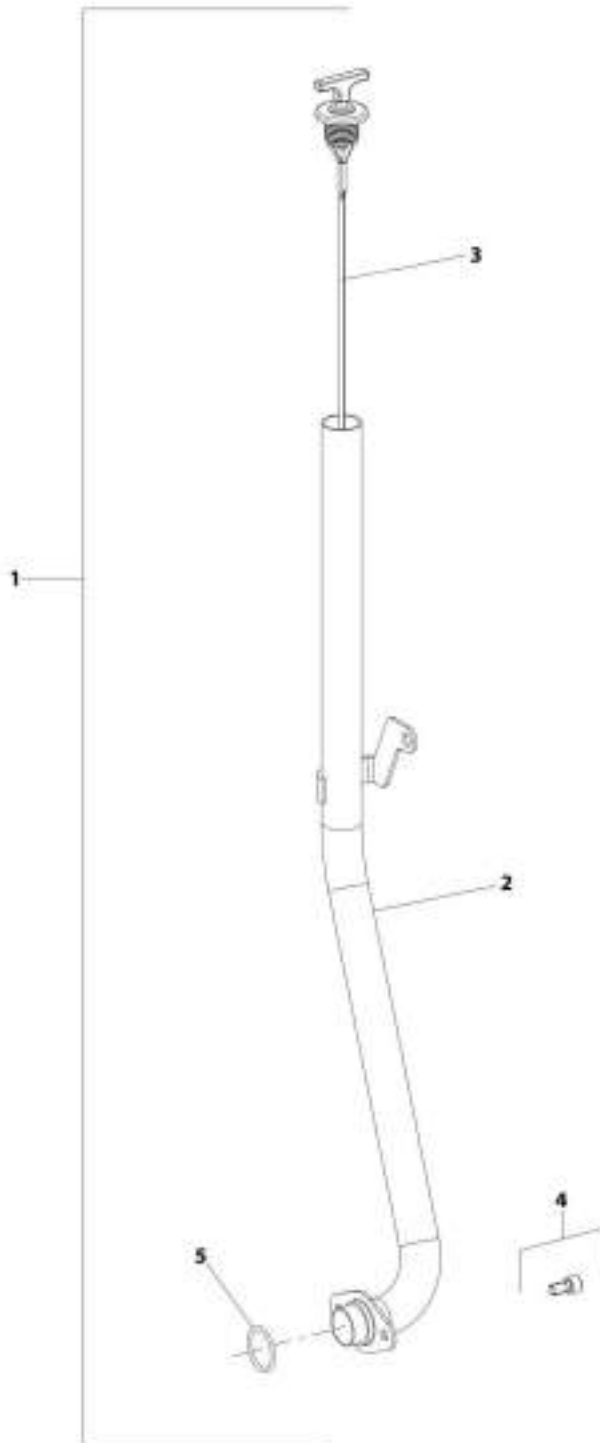
**SECTION 5 - DRIVETRAIN**

**FIGURE 5-57. TRANSMISSION, ACCESSORIES GROUP 1**

<b>ITEM</b>	<b>PART NUMBER</b>	<b>QTY</b>	<b>DESCRIPTION</b>	<b>REV</b>
1	7027254	12	Bolt, M14X55	
2	7027255	2	Bolt, M14X150	
3	1319571	1	Pin	

# SECTION 5 - DRIVETRAIN

FIGURE 5-58. TRANSMISSION, PERIPHERALS GROUP 1



ART\_1001170171\_22-C



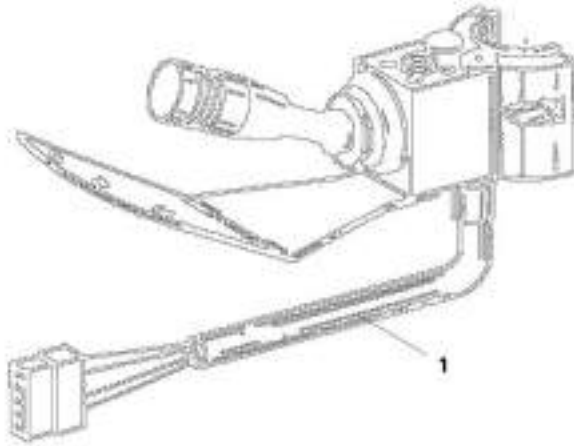
**SECTION 5 - DRIVETRAIN**

**FIGURE 5-58. TRANSMISSION, PERIPHERALS GROUP 1**

<b>ITEM</b>	<b>PART NUMBER</b>	<b>QTY</b>	<b>DESCRIPTION</b>	<b>REV</b>
1	1001095738	1	Kit, Oil Level Dipstick (includes items 2 & 3)	
2	1001095744	1	Tube, Oil Level	
3	8841322	1	Dipstick, Oil Level	
4	70026516	2	Bolt, M8X16	
5	70023885	1	O-Ring	

## SECTION 5 - DRIVETRAIN

FIGURE 5-59. TRANSMISSION, PERIPHERALS GROUP 2



ART\_1001170171\_23

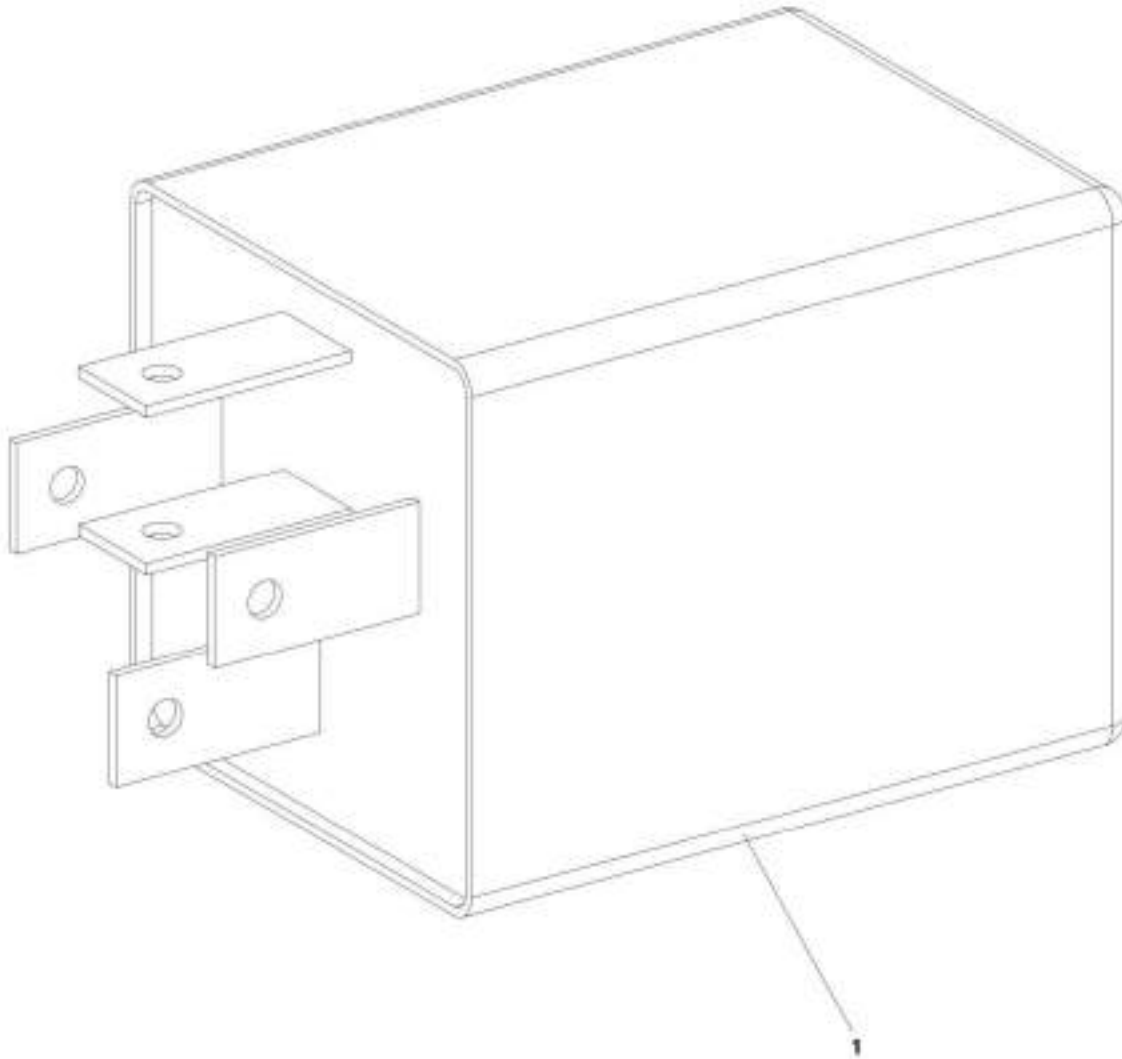
**SECTION 5 - DRIVETRAIN**

**FIGURE 5-59. TRANSMISSION, PERIPHERALS GROUP 2**

ITEM	PART NUMBER	QTY	DESCRIPTION	REV
1	70026558	1	Selector, Range	

# SECTION 5 - DRIVETRAIN

FIGURE 5-60. TRANSMISSION, ACCESSORIES GROUP 2



ART\_100170171\_24-C

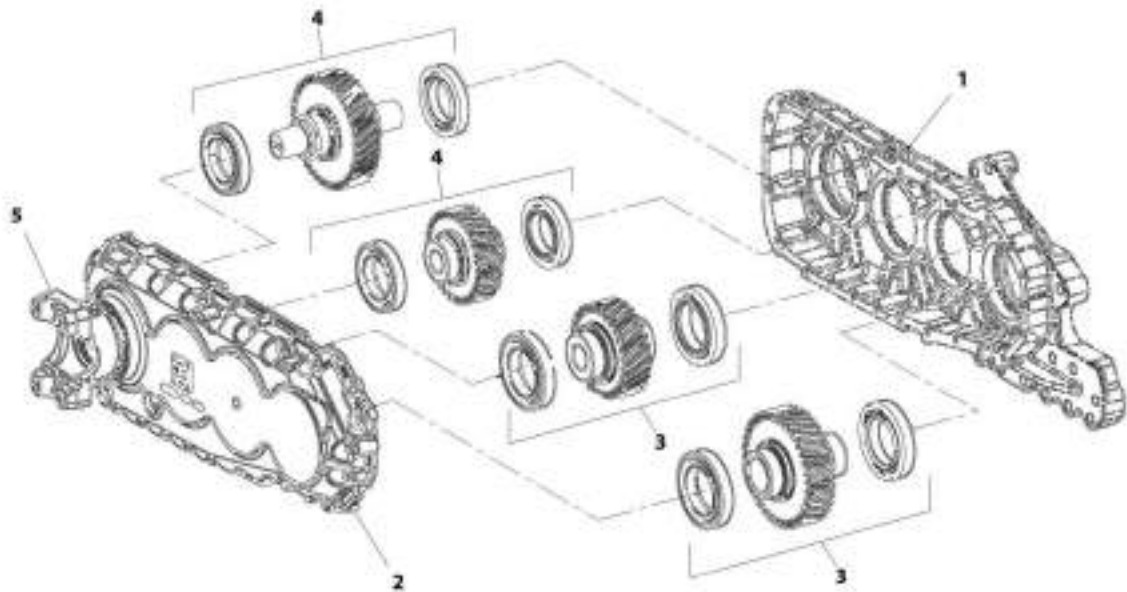
**SECTION 5 - DRIVETRAIN**

**FIGURE 5-60. TRANSMISSION, ACCESSORIES GROUP 2**

ITEM	PART NUMBER	QTY	DESCRIPTION	REV
1	70026559	1	Relay	

# SECTION 5 - DRIVETRAIN

FIGURE 5-61. TRANSMISSION, TRANSFER BOX



ART\_1001170171\_25<

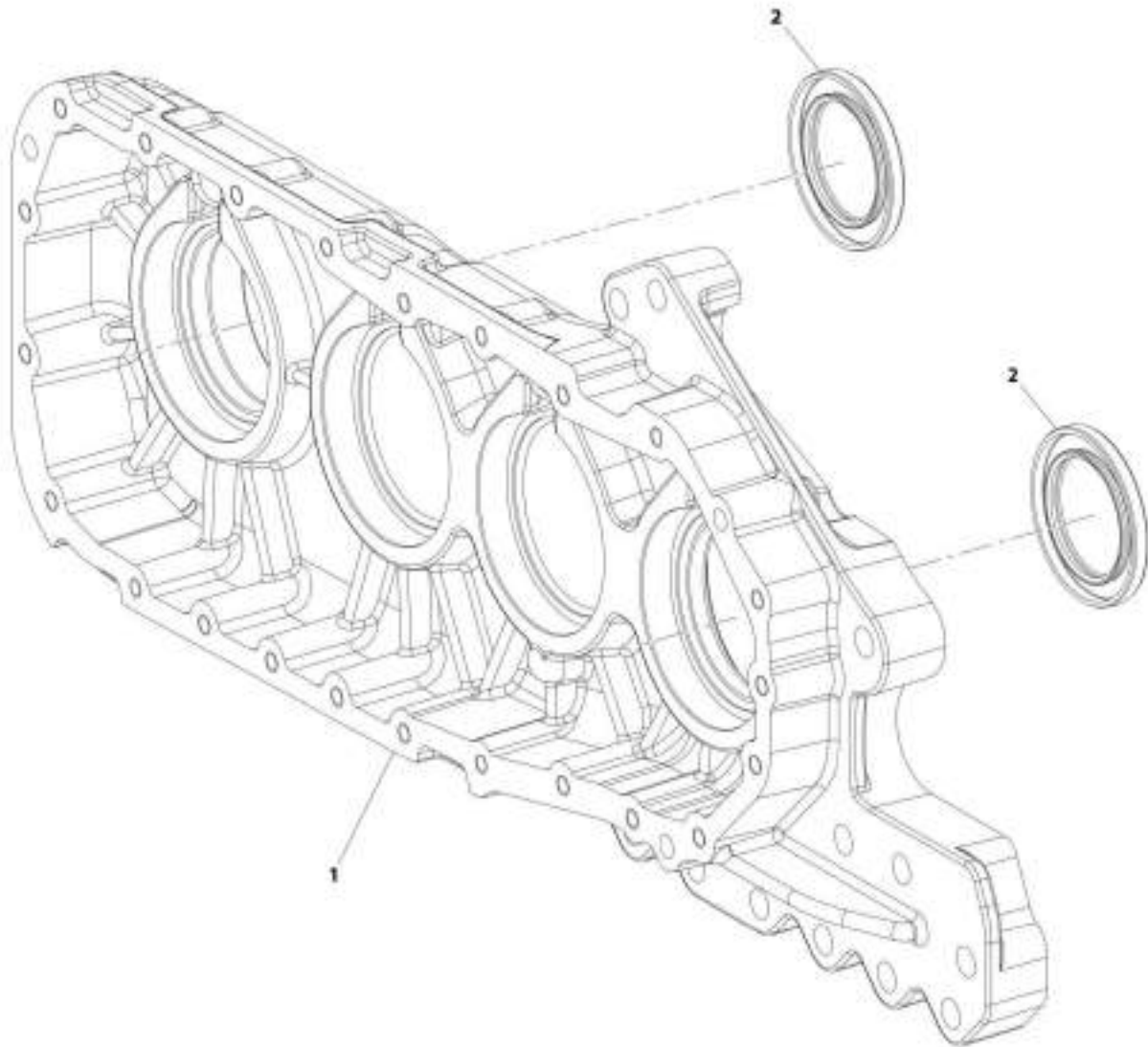
**SECTION 5 - DRIVETRAIN**

**FIGURE 5-61. TRANSMISSION, TRANSFER BOX**

<b>ITEM</b>	<b>PART NUMBER</b>	<b>QTY</b>	<b>DESCRIPTION</b>	<b>REV</b>
	70023502	1	Box Transfer (includes all items)	
1	N.S.S.	Ref	Housing 1, Transfer Box (See Separate Breakdown in this Section)	
2	N.S.S.	Ref	Housing 2, Transfer Box (See Separate Breakdown in this Section)	
3	N.S.S.	Ref	Input, Transfer Box (See Separate Breakdown in this Section)	
4	N.S.S.	Ref	Output 1, Transfer Box (See Separate Breakdown in this Section)	
5	N.S.S.	Ref	Output 2, Transfer Box (See Separate Breakdown in this Section)	

## SECTION 5 - DRIVETRAIN

FIGURE 5-62. TRANSMISSION, TRANSFER BOX HOUSING 1



ART\_1001179171\_34-C



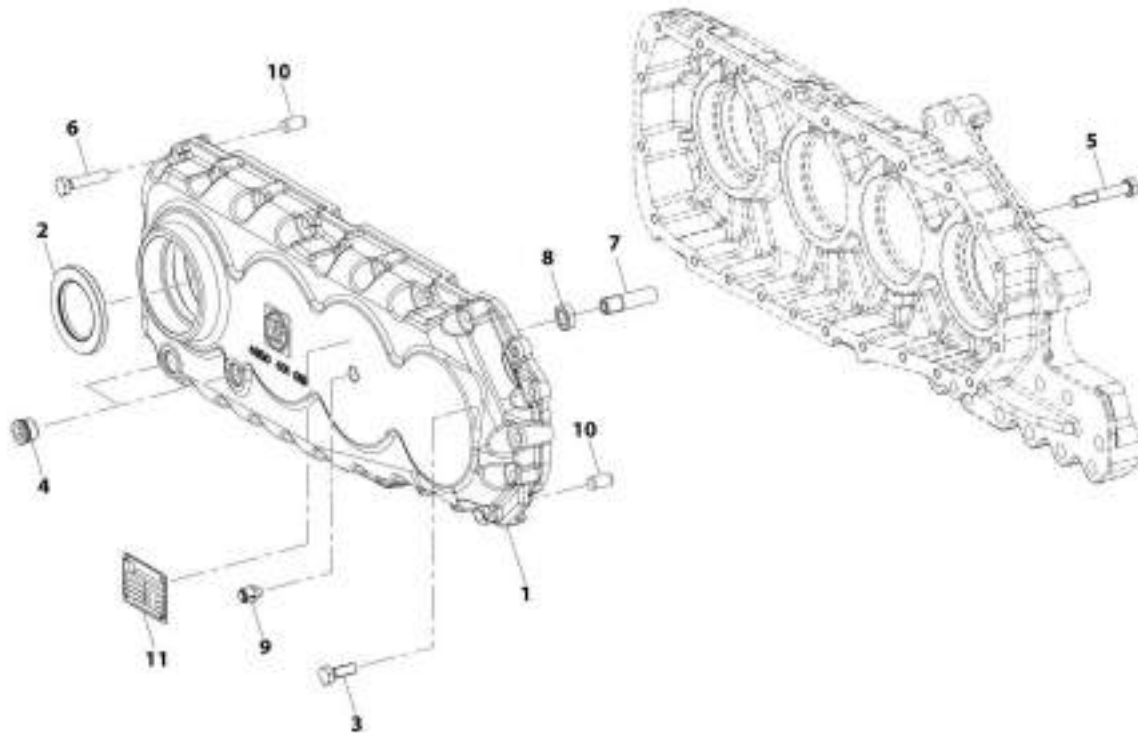
**SECTION 5 - DRIVETRAIN**

**FIGURE 5-62. TRANSMISSION, TRANSFER BOX HOUSING 1**

ITEM	PART NUMBER	QTY	DESCRIPTION	REV
1	70023474	1	Housing, Transfer Box	
2	70026536	2	Seal, Shaft	

## SECTION 5 - DRIVETRAIN

FIGURE 5-63. TRANSMISSION, TRANSFER BOX HOUSING 2



ART\_1001170171\_27-C

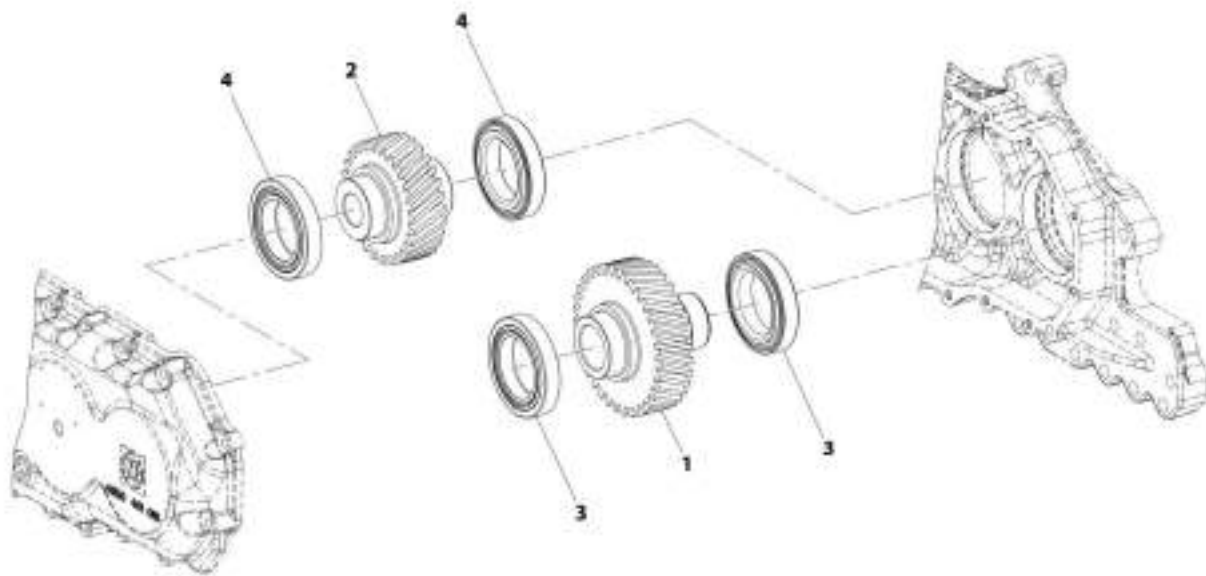
**SECTION 5 - DRIVETRAIN**

**FIGURE 5-63. TRANSMISSION, TRANSFER BOX HOUSING 2**

<b>ITEM</b>	<b>PART NUMBER</b>	<b>QTY</b>	<b>DESCRIPTION</b>	<b>REV</b>
1	70023475	1	Housing	
2	70026536	1	Seal, Shaft	
3	70023800	1	Bolt, M10X30	
4	70023404	2	Plug	
5	70023476	1	Bolt, M10X65	
6	70023801	22	Bolt, M10X50	
7	7026577	1	Sleeve	
8	7026578	1	Nut, M16	
9	1319436	1	Breather	
10	1319571	2	Pin	
11	N.S.S.	1	Plate, Serial Number	

## SECTION 5 - DRIVETRAIN

FIGURE 5-64. TRANSMISSION, TRANSFER BOX HOUSING INPUT



ART\_1001130171\_28-C

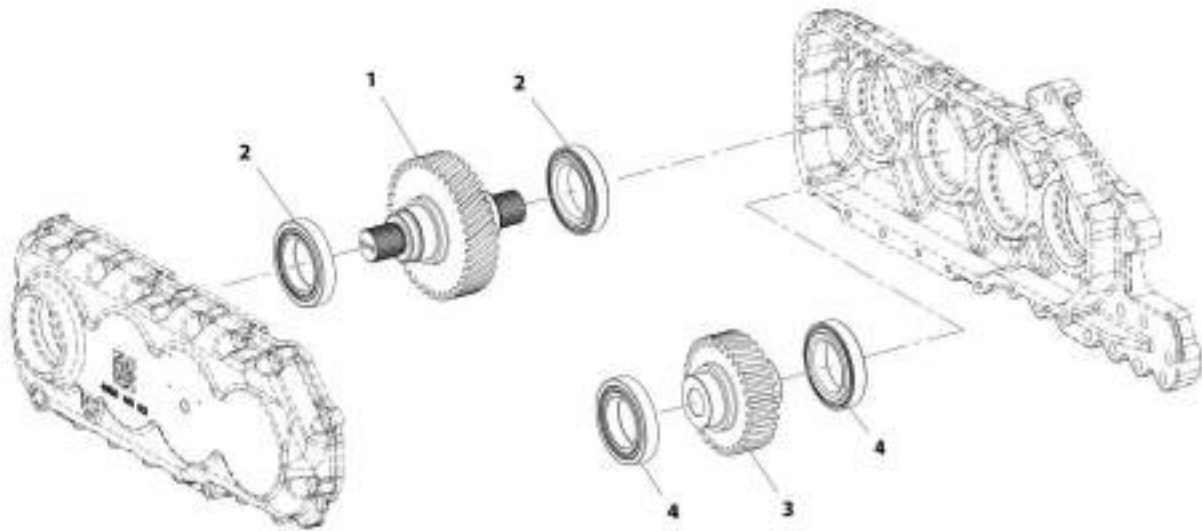
**SECTION 5 - DRIVETRAIN**

**FIGURE 5-64. TRANSMISSION, TRANSFER BOX HOUSING INPUT**

<b>ITEM</b>	<b>PART NUMBER</b>	<b>QTY</b>	<b>DESCRIPTION</b>	<b>REV</b>
1	7027269	1	Shaft	
2	7027270	1	Gear, Idler	
3	7026769	2	Bearing, Roller	
4	1320748	2	Cup, Tapered Roller	
4	1320754	2	Cone, Tapered Roller	

## SECTION 5 - DRIVETRAIN

FIGURE 5-65. TRANSMISSION, TRANSFER BOX HOUSING OUTPUT 1



ART\_1001170171\_29-C

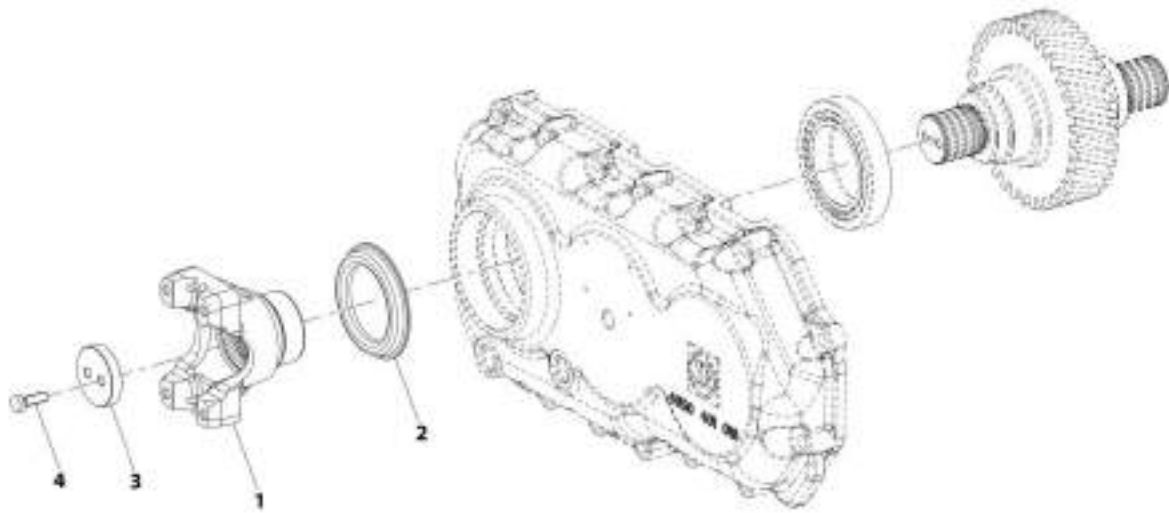
**SECTION 5 - DRIVETRAIN**

**FIGURE 5-65. TRANSMISSION, TRANSFER BOX HOUSING OUTPUT 1**

<b>ITEM</b>	<b>PART NUMBER</b>	<b>QTY</b>	<b>DESCRIPTION</b>	<b>REV</b>
1	7027271	1	Gear, Output	
2	7026769	2	Bearing, Roller	
3	7027272	1	Gear, Idler	
4	1320748	2	Cup, Tapered Roller	
4	1320754	2	Cone, Tapered Roller	

## SECTION 5 - DRIVETRAIN

FIGURE 5-66. TRANSMISSION, TRANSFER BOX HOUSING OUTPUT 2



ARS\_1001170171\_30-C



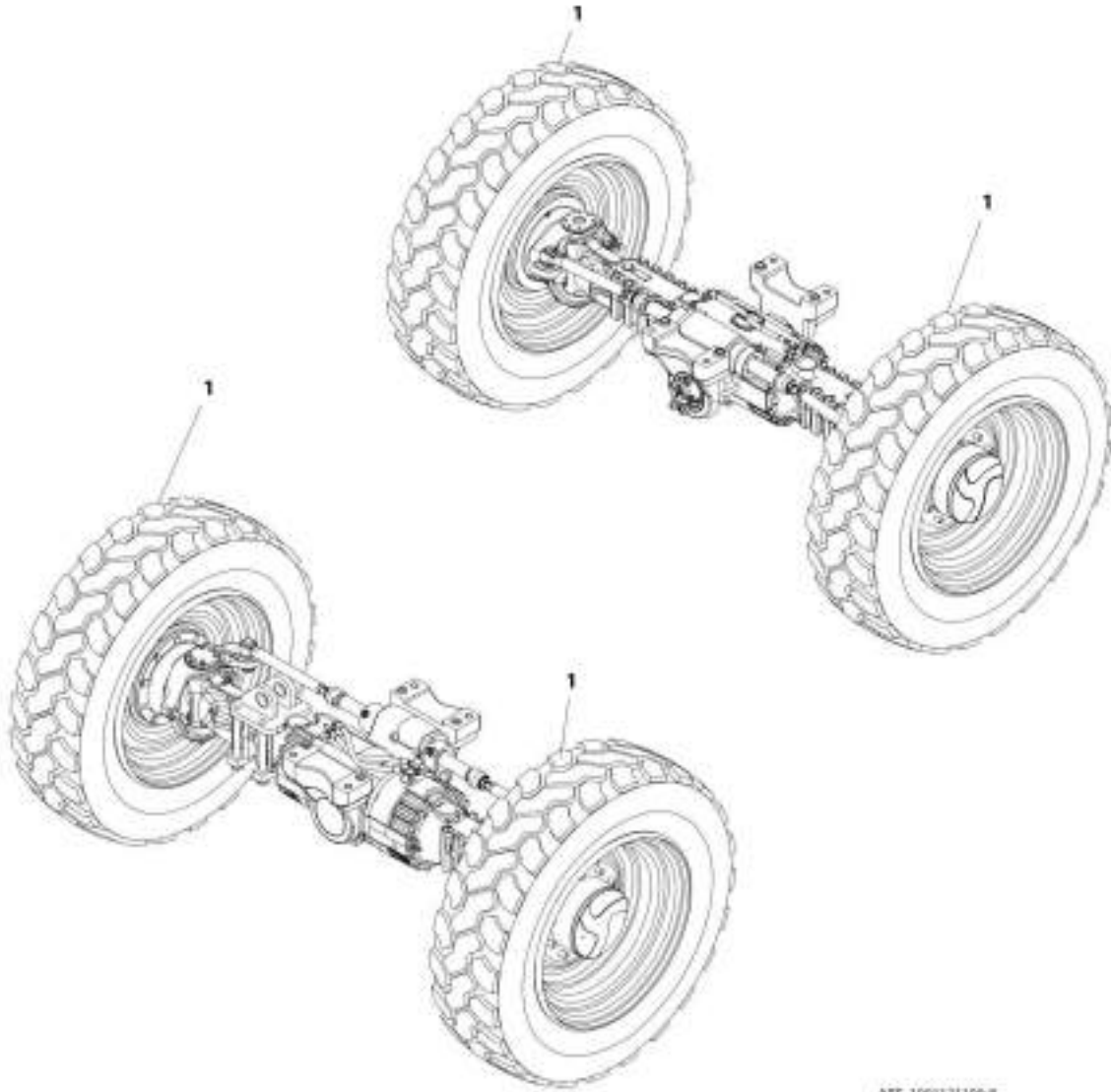
**SECTION 5 - DRIVETRAIN**

**FIGURE 5-66. TRANSMISSION, TRANSFER BOX HOUSING OUTPUT 2**

<b>ITEM</b>	<b>PART NUMBER</b>	<b>QTY</b>	<b>DESCRIPTION</b>	<b>REV</b>
1	7027273	2	Flange (one per side)	
2	1319647	2	Sheet, Screen (one per side)	
3	1319648	2	Washer, (one per side)	
4	10731959	4	Bolt, M8X25 (two per side)	

## SECTION 5 - DRIVETRAIN

FIGURE 5-67. TIRE/WHEEL SET 400/75-28 - AIR



ARF\_3001121106-8

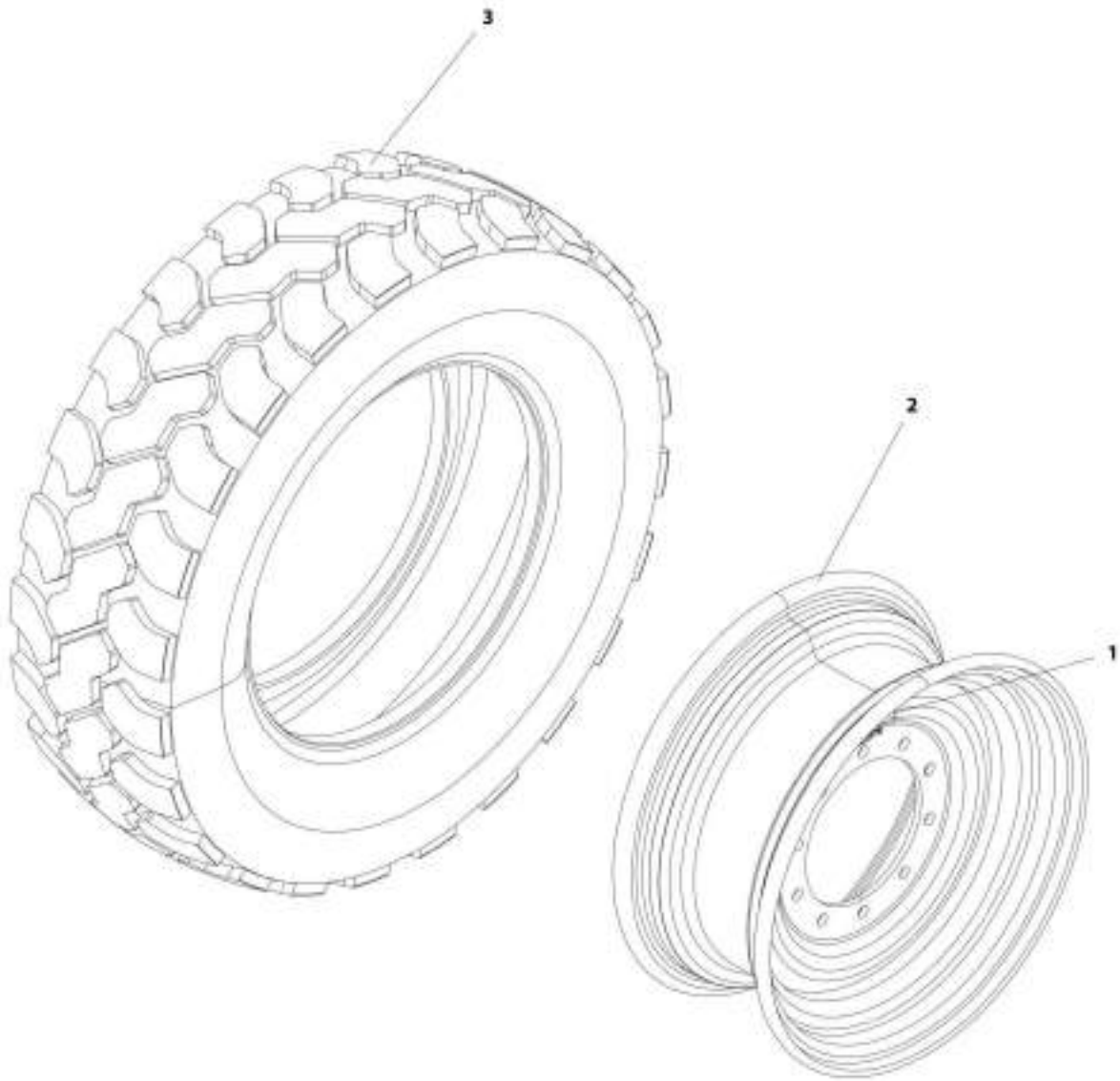
**SECTION 5 - DRIVETRAIN**

**FIGURE 5-67. TIRE/WHEEL SET 400/75-28 - AIR**

ITEM	PART NUMBER	QTY	DESCRIPTION	REV
1	1001121109	1	Tire/Wheel Set 400/75-28 - Air	B
	1001121103	4	Assembly, Tire/Wheel 400/75-28 - Air (See TIRE/WHEEL ASSEMBLY 400/75-28 - AIR for Breakdown)	

## SECTION 5 - DRIVETRAIN

FIGURE 5-68. TIRE/WHEEL ASSEMBLY 400/75-28 - AIR



ART\_100121303-B

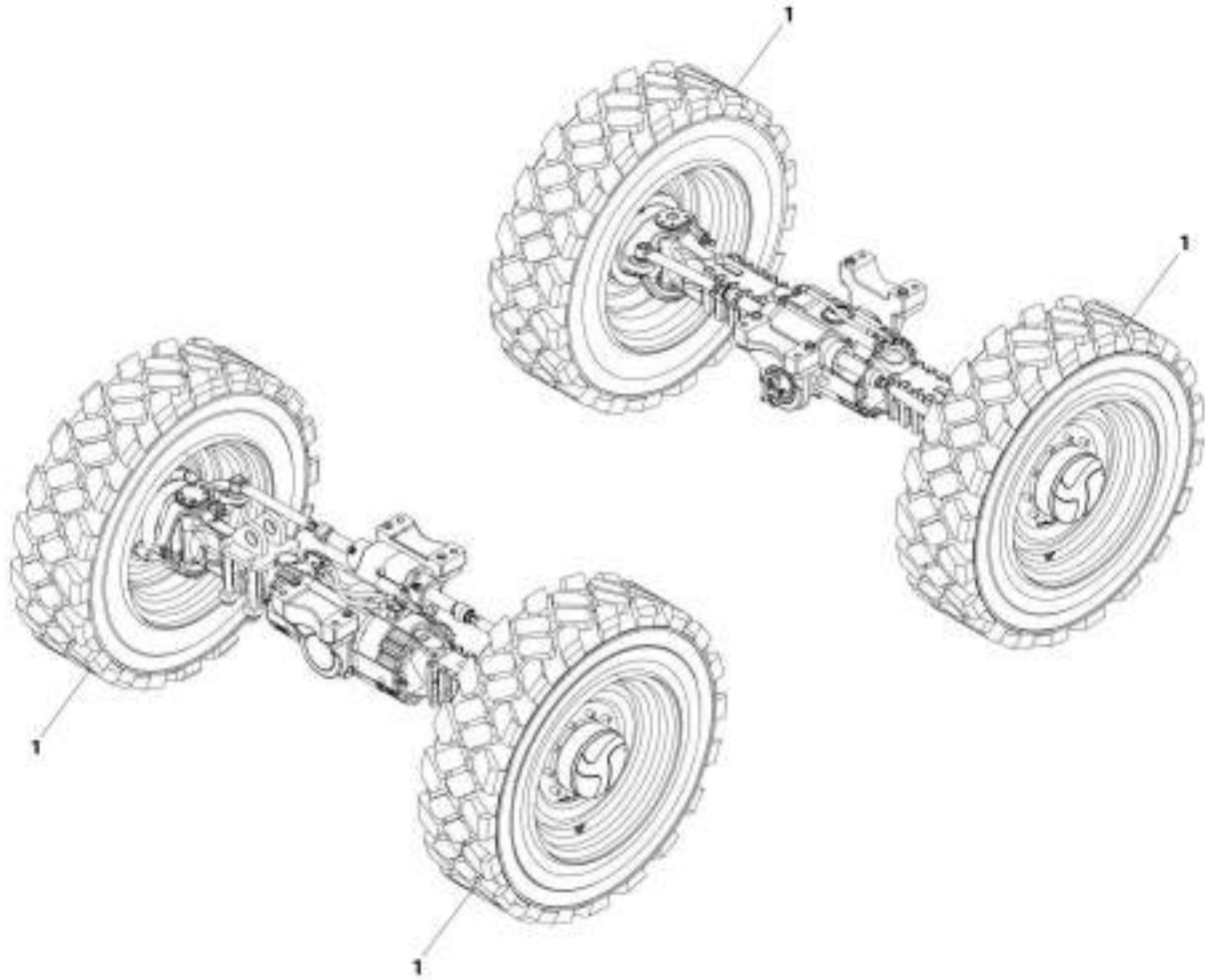
**SECTION 5 - DRIVETRAIN**

**FIGURE 5-68. TIRE/WHEEL ASSEMBLY 400/75-28 - AIR**

<b>ITEM</b>	<b>PART NUMBER</b>	<b>QTY</b>	<b>DESCRIPTION</b>	<b>REV</b>
	1001121103	Ref	Tire/Wheel Assembly 400/75-28 - Air	B
1	8786514	1	Valve, Stem	
2	1001120178	1	Wheel, 28.00x12w/.75 Offset	
3	1001120179	1	Tire, 400/75D-28	

## SECTION 5 - DRIVETRAIN

FIGURE 5-69. TIRE/WHEEL SET 400/75-28 NON-MARKING – AIR



ART\_1001241688-A

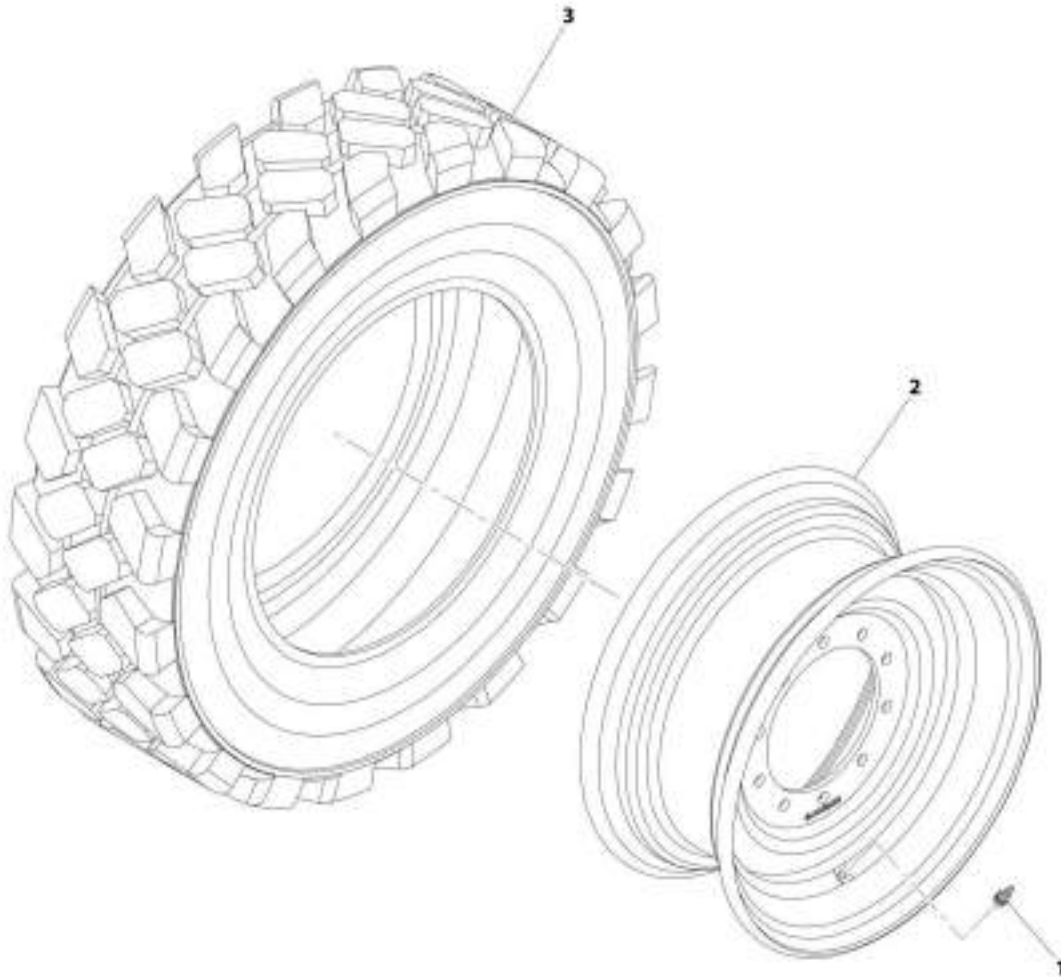
**SECTION 5 - DRIVETRAIN**

**FIGURE 5-69. TIRE/WHEEL SET 400/75-28 NON-MARKING – AIR**

ITEM	PART NUMBER	QTY	DESCRIPTION	REV
1	1001241848 1001241841	Ref 4	Tire Wheel Set - 400/75-28 - Pneumatic Non Marking Assembly, Tire and Wheel - 400/75-28 - Pneumatic Non-Marking (See Separate Breakdown in this Section)	A

## SECTION 5 - DRIVETRAIN

FIGURE 5-70. TIRE/WHEEL ASSEMBLY 400/75-28 NON-MARKING - AIR



ART\_1001241061-A



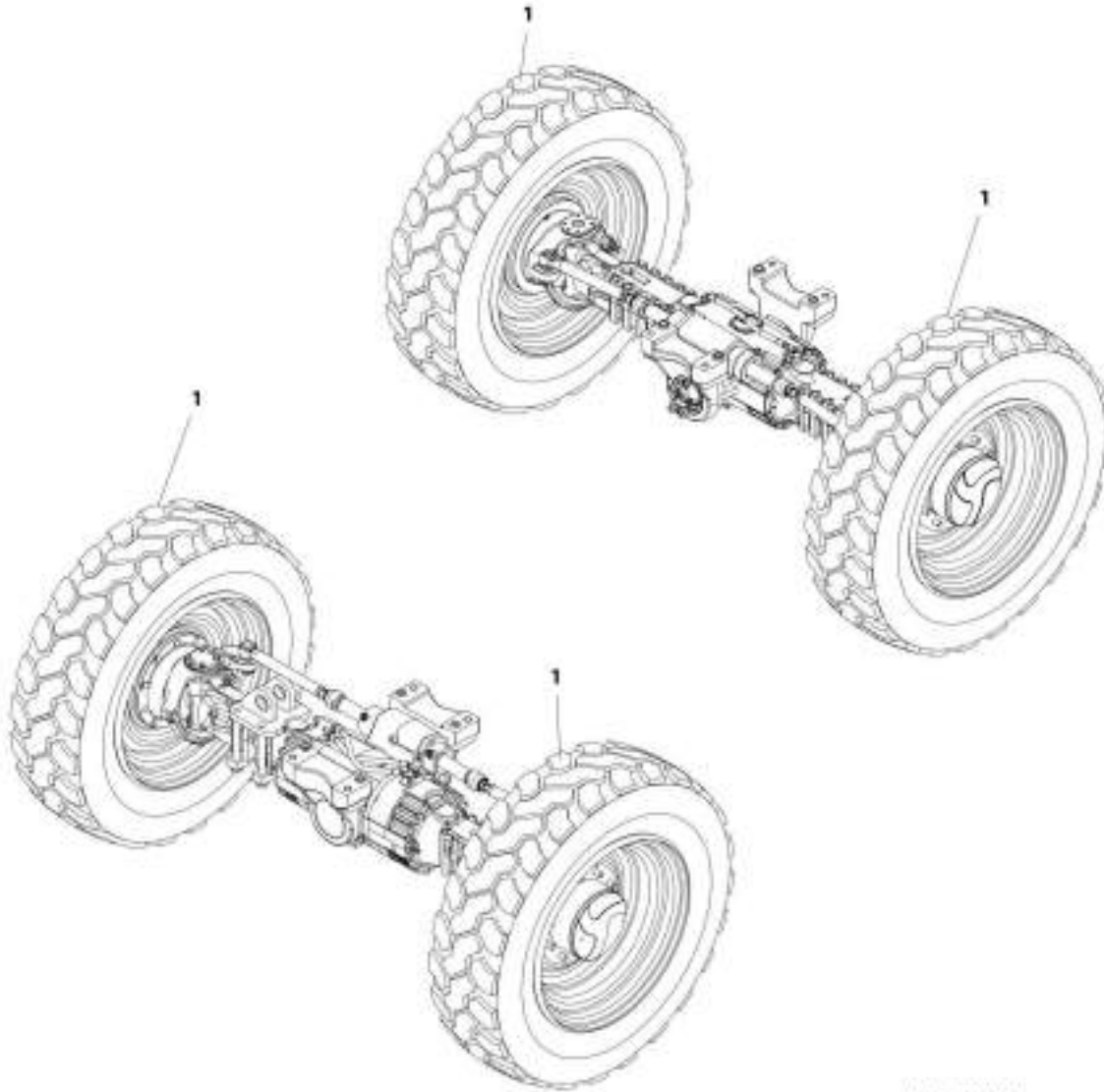
**SECTION 5 - DRIVETRAIN**

**FIGURE 5-70. TIRE/WHEEL ASSEMBLY 400/75-28 NON-MARKING - AIR**

<b>ITEM</b>	<b>PART NUMBER</b>	<b>QTY</b>	<b>DESCRIPTION</b>	<b>REV</b>
	1001241841	Ref	Tire and Wheel Assembly - 400/75-28 - Pneumatic Non Marking	A
1	8786514	1	Valve	
2	1001120178	1	Wheel, 28X12/W .75 Offset	
3	1001241837	1	Tire, 400/75-28, Non Marking	

## SECTION 5 - DRIVETRAIN

FIGURE 5-71. TIRE/WHEEL SET 400/75-28 - FOAM



ART\_1001129410-8

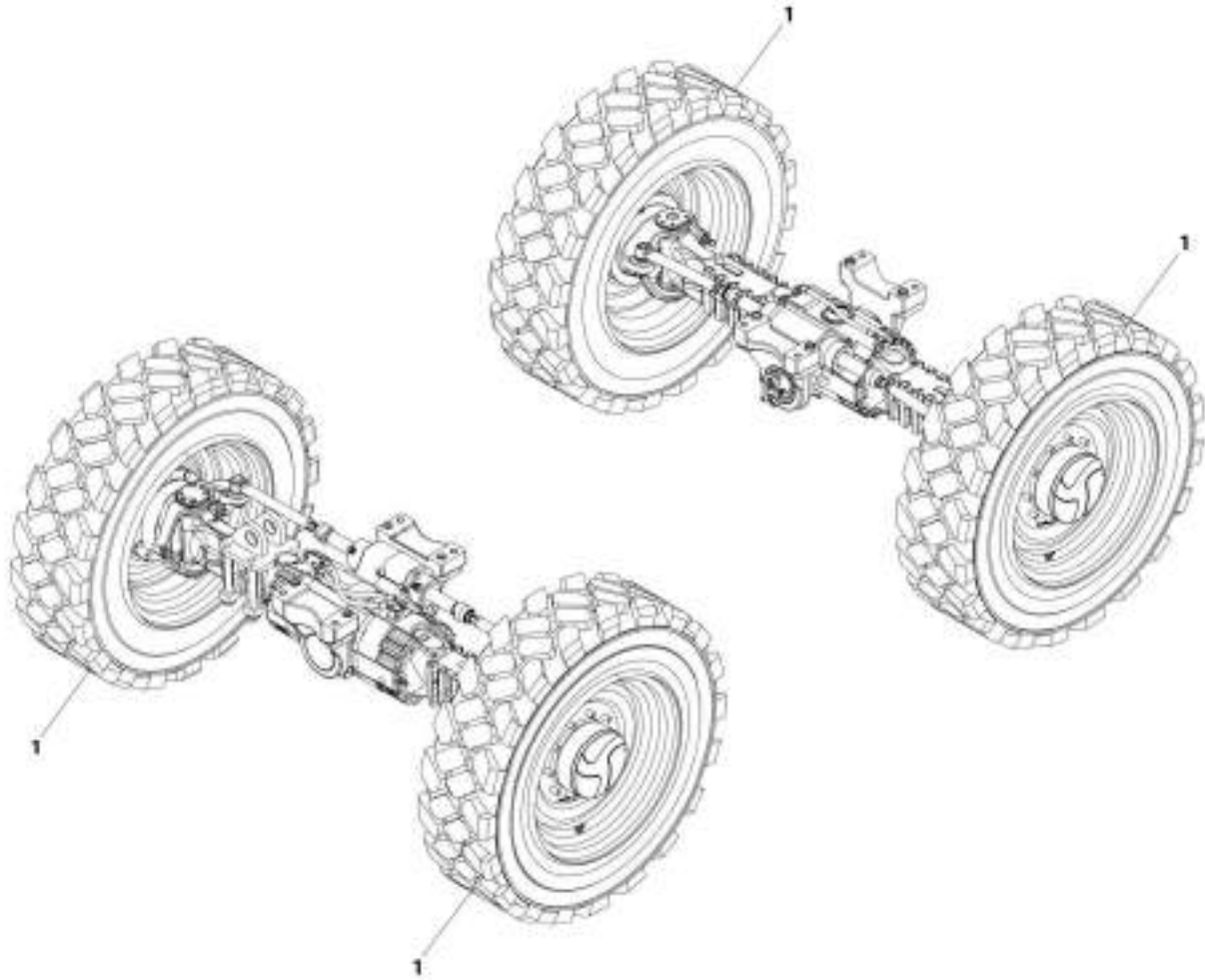
**SECTION 5 - DRIVETRAIN**

**FIGURE 5-71. TIRE/WHEEL SET 400/75-28 - FOAM**

<b>ITEM</b>	<b>PART NUMBER</b>	<b>QTY</b>	<b>DESCRIPTION</b>	<b>REV</b>
1	1001125410	1	Tire/Wheel Set 400/75-28 - Foam	B
	1001121105	4	Tire/Wheel 400/75-28 Foam	

## SECTION 5 - DRIVETRAIN

FIGURE 5-72. TIRE/WHEEL SET 400/75-28 NON-MARKING - FOAM



ART\_1001241649-A

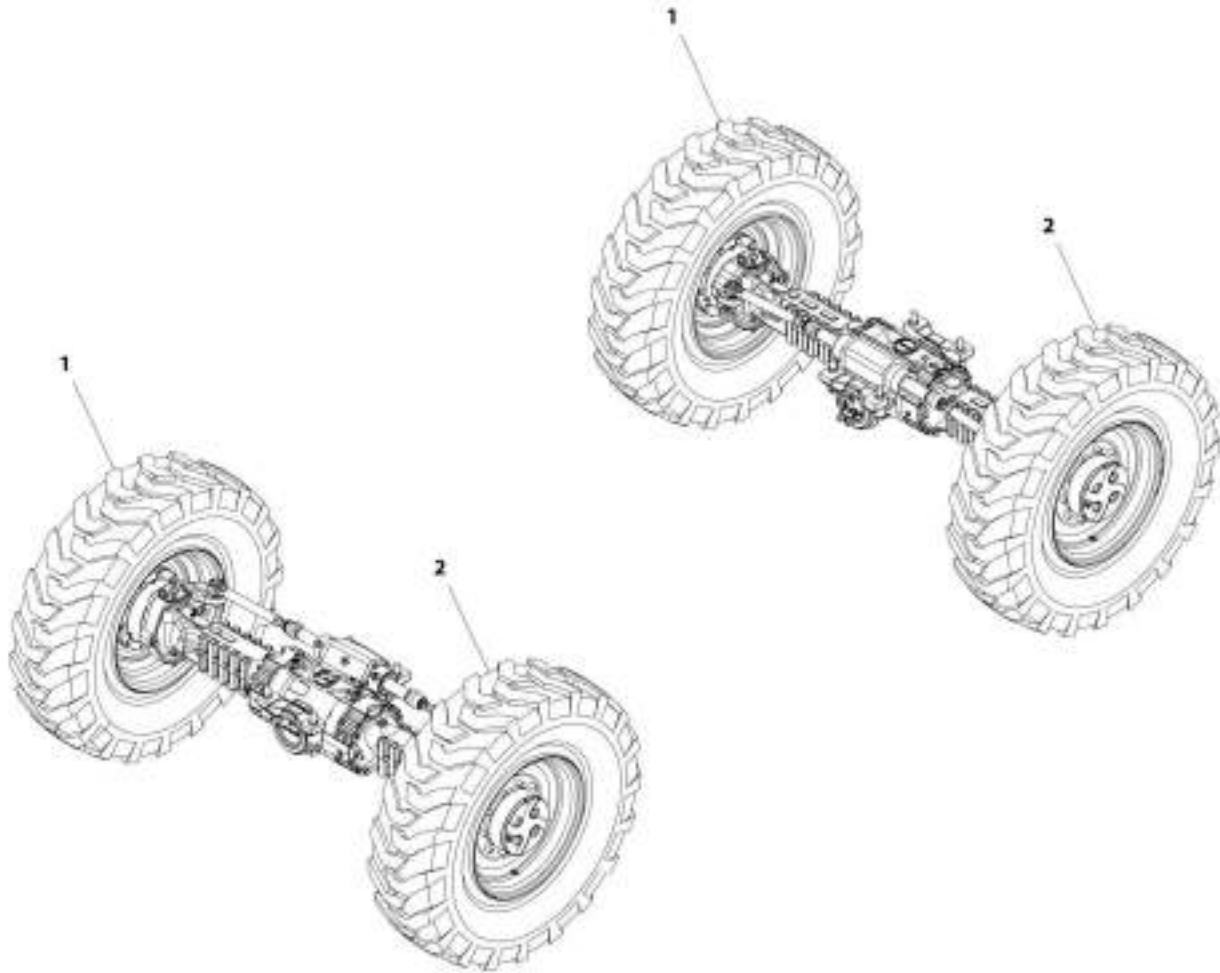
**SECTION 5 - DRIVETRAIN**

**FIGURE 5-72. TIRE/WHEEL SET 400/75-28 NON-MARKING - FOAM**

<b>ITEM</b>	<b>PART NUMBER</b>	<b>QTY</b>	<b>DESCRIPTION</b>	<b>REV</b>
1	1001241849	Ref	Tire Wheel Set - 400/75-28 - Foam Non Marking	A
	1001241842	4	Assembly, Tire and Wheel - 400/75-28 - Foam Non Marking	

## SECTION 5 - DRIVETRAIN

FIGURE 5-73. TIRE/WHEEL SET 14-24 16PR - AIR



ART\_1501190291-A

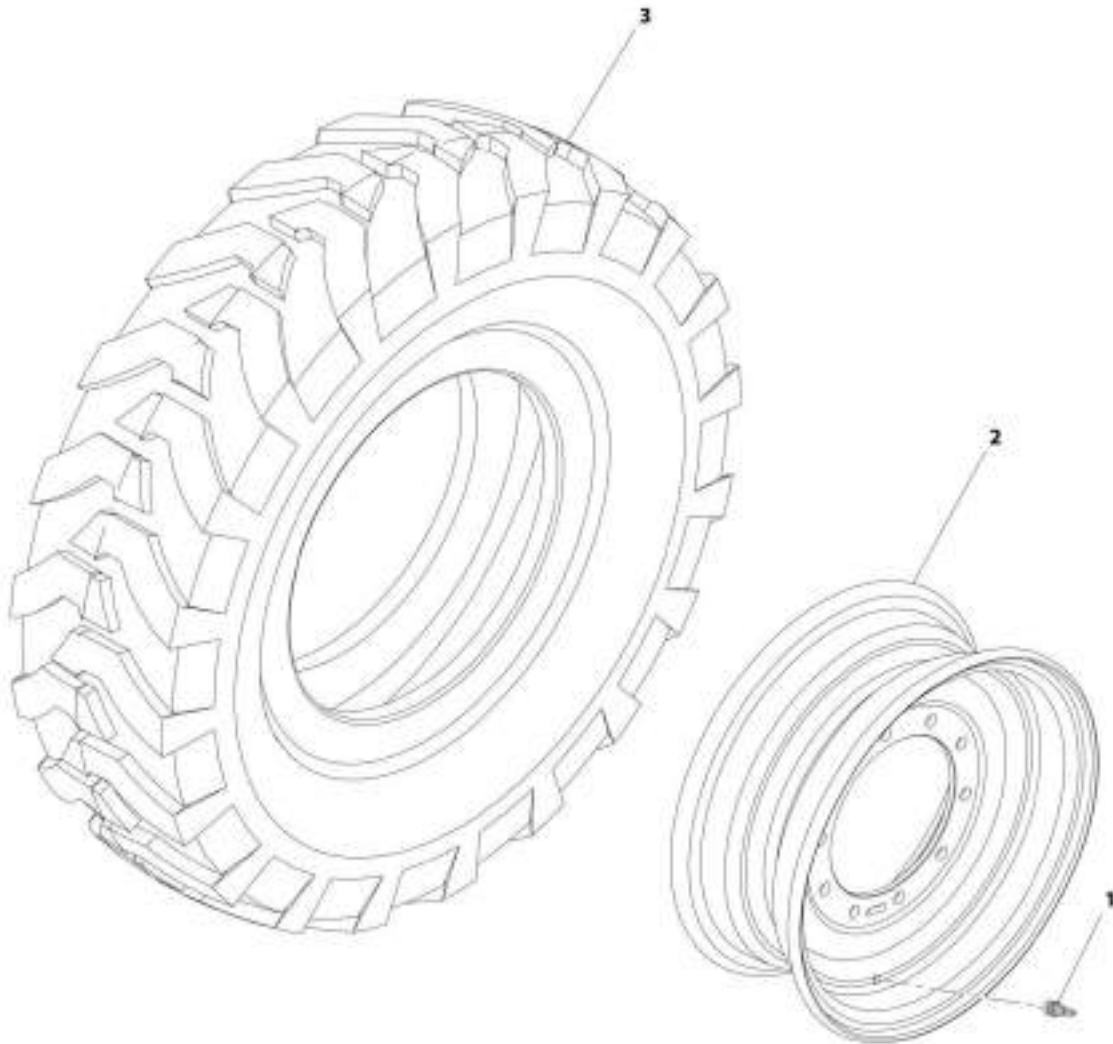
**SECTION 5 - DRIVETRAIN**

**FIGURE 5-73. TIRE/WHEEL SET 14-24 16PR - AIR**

<b>ITEM</b>	<b>PART NUMBER</b>	<b>QTY</b>	<b>DESCRIPTION</b>	<b>REV</b>
1	1001198291	1	Tire/Wheel Set 14-24 16PR - Air	A
	1001197715	2	Assembly, Tire/Wheel Right 14-24 16PR - Air (See TIRE/WHEEL RIGHT ASSEMBLY 14-24 16PR - AIR for Breakdown)	
2	1001197716	2	Assembly, Tire/Wheel Left 14-24 16PR - Air (See TIRE/WHEEL LEFT ASSEMBLY 14-24 16PR - AIR for Breakdown)	

## SECTION 5 - DRIVETRAIN

FIGURE 5-74. TIRE/WHEEL RIGHT ASSEMBLY 14-24 16PR - AIR



ART\_100107715-0



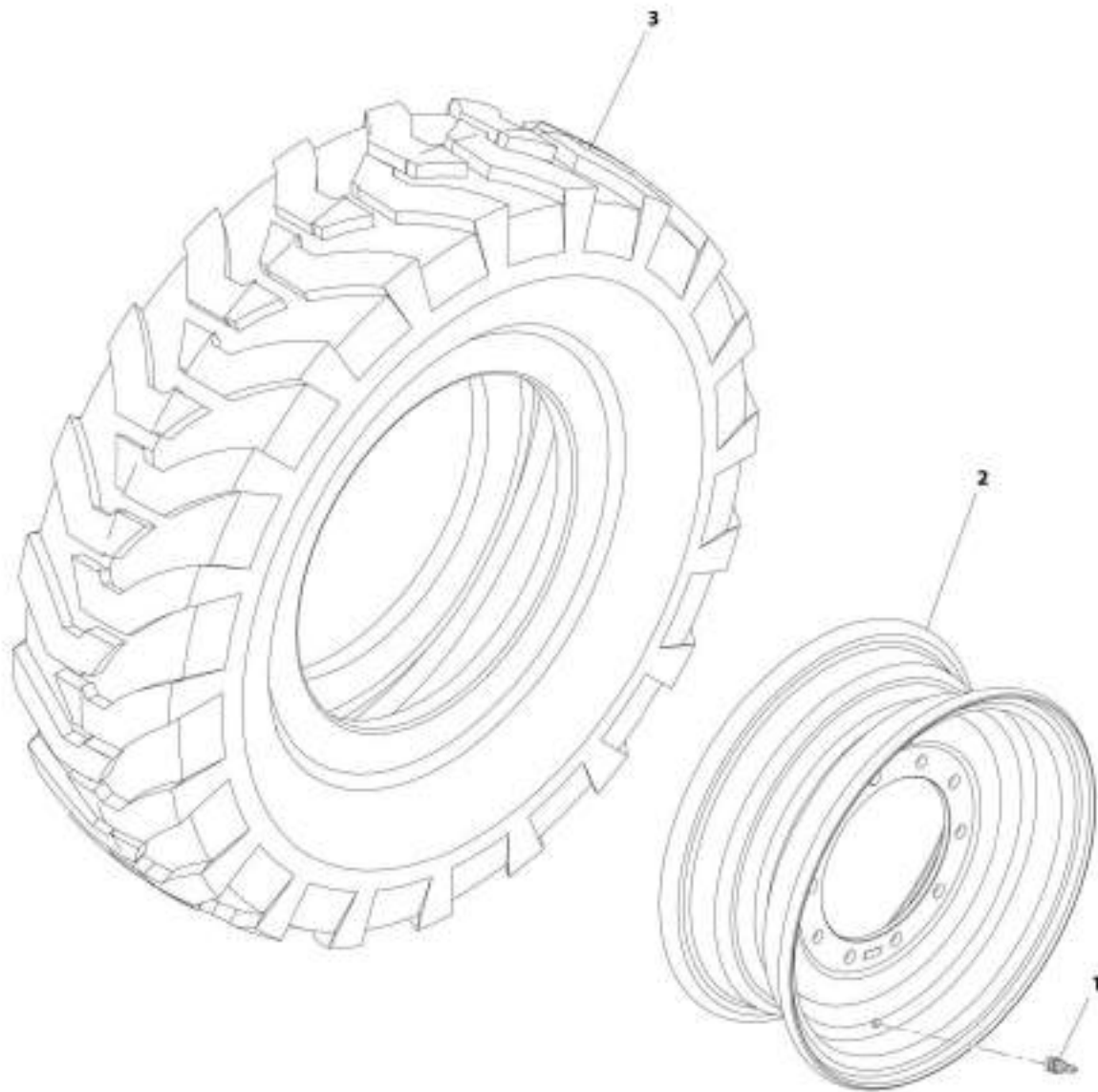
**SECTION 5 - DRIVETRAIN**

**FIGURE 5-74. TIRE/WHEEL RIGHT ASSEMBLY 14-24 16PR - AIR**

<b>ITEM</b>	<b>PART NUMBER</b>	<b>QTY</b>	<b>DESCRIPTION</b>	<b>REV</b>
	1001197715	Ref	Tire/Wheel Right Assembly 14-24 16PR - Air	B
1	8786514	1	Valve, Stem	
2	91473206	1	Wheel, 24x9.00 GR	
3	1001197709	1	Tire, 14.00x24 TG 16 PLY BIAS G2	

## SECTION 5 - DRIVETRAIN

FIGURE 5-75. TIRE/WHEEL LEFT ASSEMBLY 14-24 16PR - AIR



ART\_100197716-9

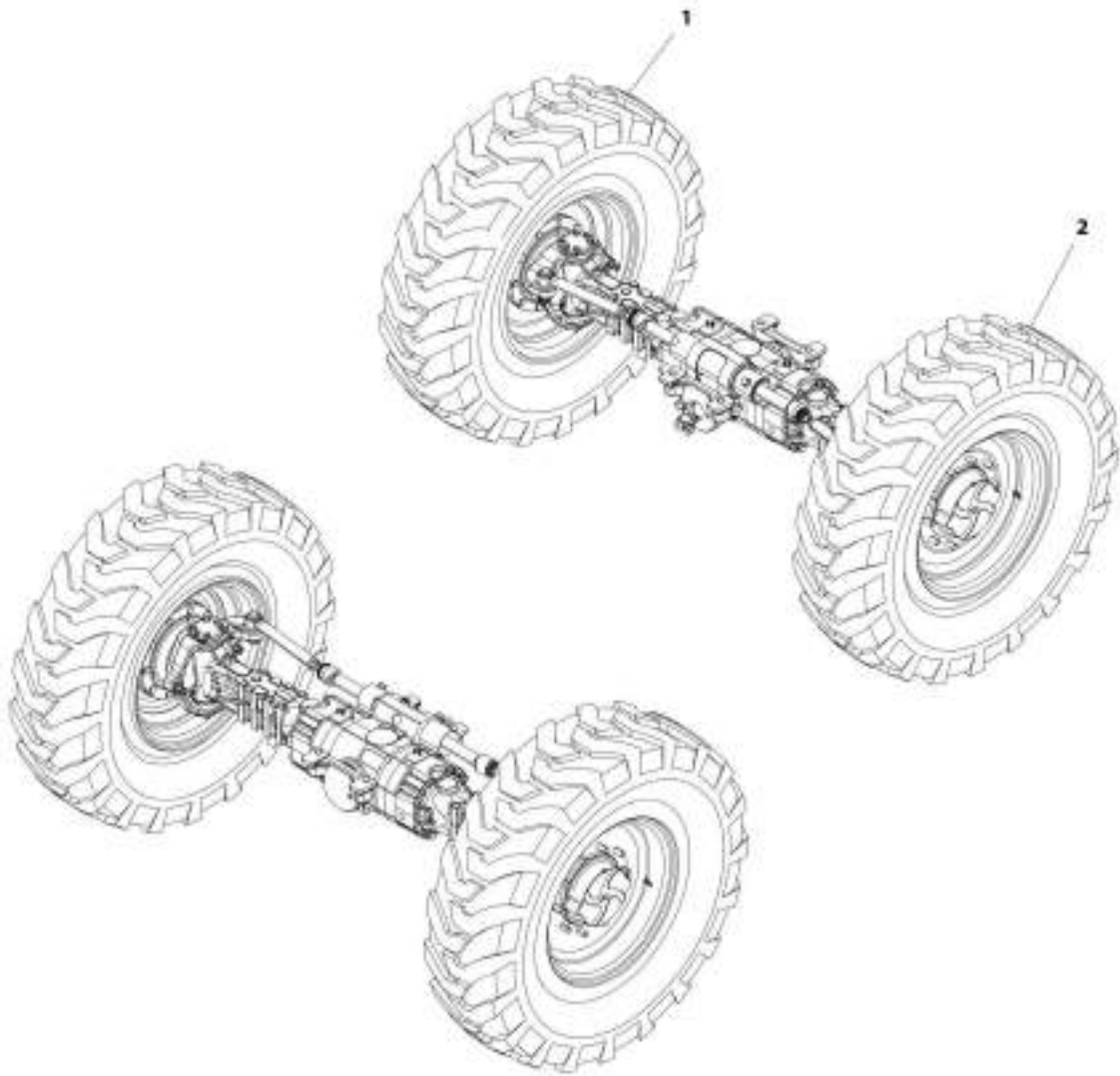
**SECTION 5 - DRIVETRAIN**

**FIGURE 5-75. TIRE/WHEEL LEFT ASSEMBLY 14-24 16PR - AIR**

<b>ITEM</b>	<b>PART NUMBER</b>	<b>QTY</b>	<b>DESCRIPTION</b>	<b>REV</b>
	1001197716	Ref	Tire/Wheel Left Assembly 14-24 16PR - Air	B
1	8786514	1	Valve, Stem	
2	91473206	1	Wheel, 24x9.00 GR	
3	1001197709	1	Tire, 14.00x24 TG 16 PLY BIAS G2	

## SECTION 5 - DRIVETRAIN

FIGURE 5-76. TIRE/WHEEL SET 14-24 12PR - FOAM



ART\_4520482-C

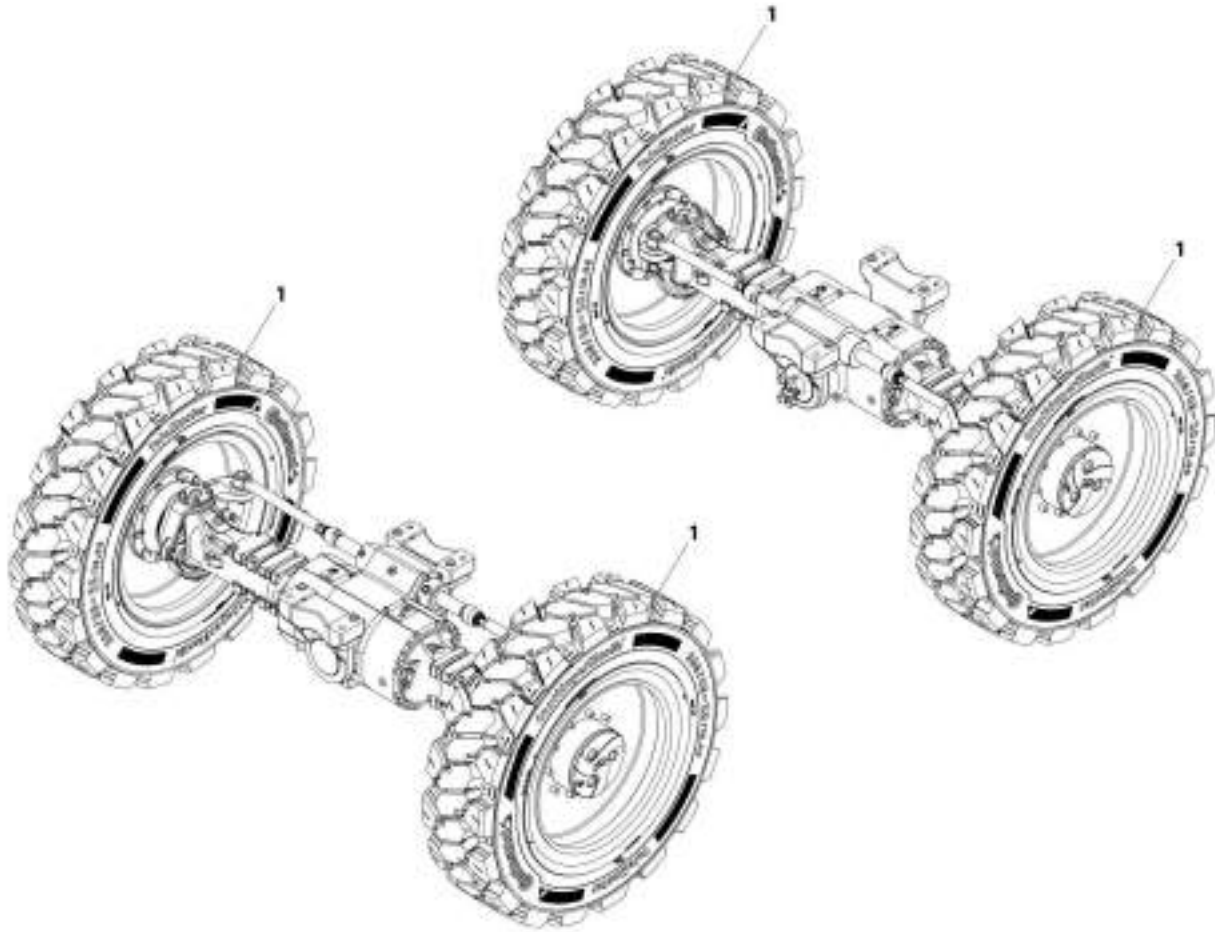
**SECTION 5 - DRIVETRAIN**

**FIGURE 5-76. TIRE/WHEEL SET 14-24 12PR - FOAM**

<b>ITEM</b>	<b>PART NUMBER</b>	<b>QTY</b>	<b>DESCRIPTION</b>	<b>REV</b>
	4520482	1	Tire/Wheel Set 14-24 12PR - Foam	C
1	91355037	2	Tire/Wheel Right 14-24 G-2 - Foam	
2	91355038	2	Tire/Wheel Left 14-24 G-2 - Foam	

## SECTION 5 - DRIVETRAIN

FIGURE 5-77. TIRE/WHEEL SET 360/85-28 - SOLID



ART\_1001221504-A

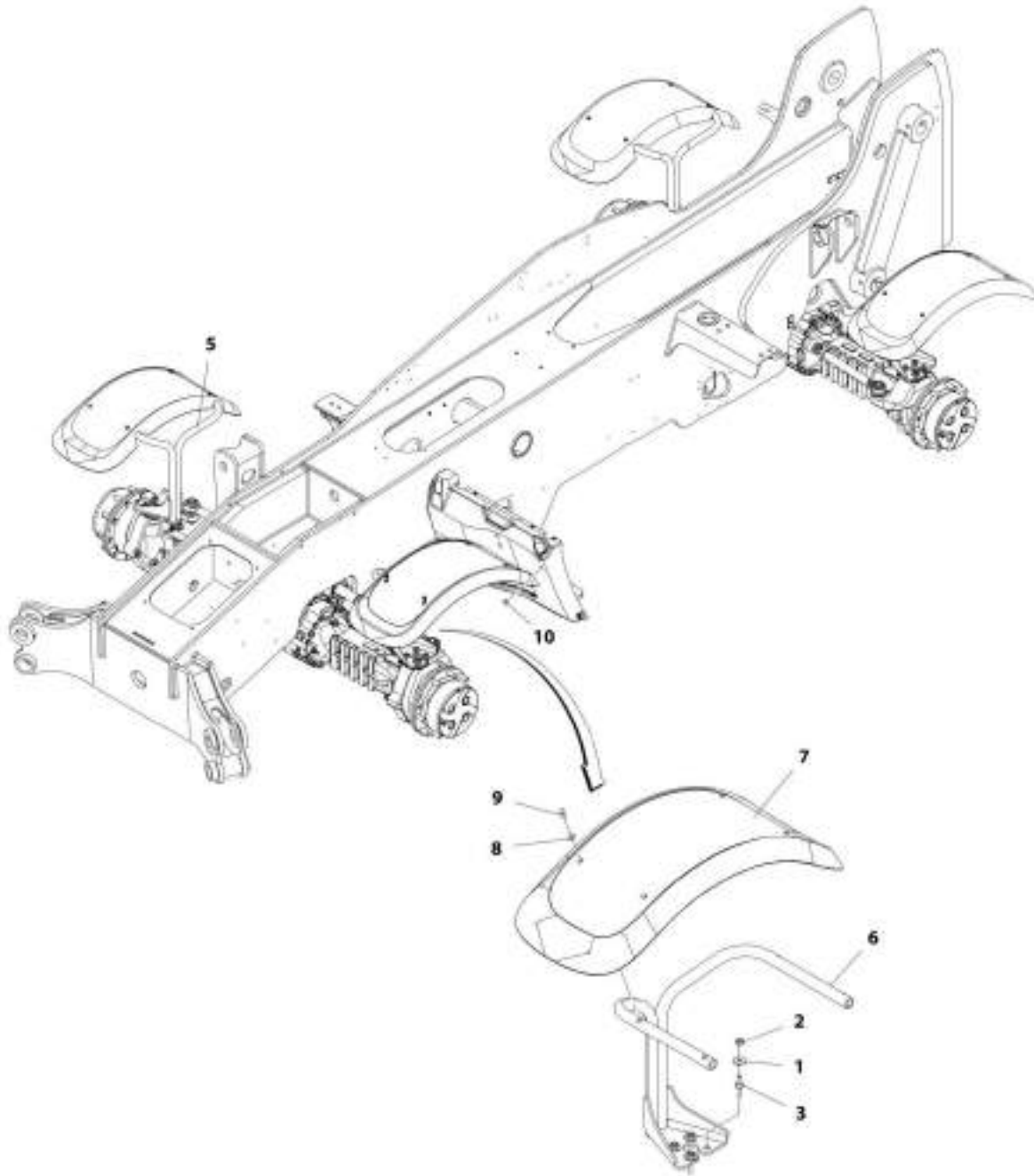
**SECTION 5 - DRIVETRAIN**

**FIGURE 5-77. TIRE/WHEEL SET 360/85-28 - SOLID**

<b>ITEM</b>	<b>PART NUMBER</b>	<b>QTY</b>	<b>DESCRIPTION</b>	<b>REV</b>
1	1001221504	1	Tire/Wheel Set 360/85-28 - Solid	A
	1001213200J	4	Tire/Wheel Solid 360/85-28/10 - 1M Offset	

# SECTION 5 - DRIVETRAIN

## FIGURE 5-78. FENDER INSTALLATION



ART\_1001171262-E



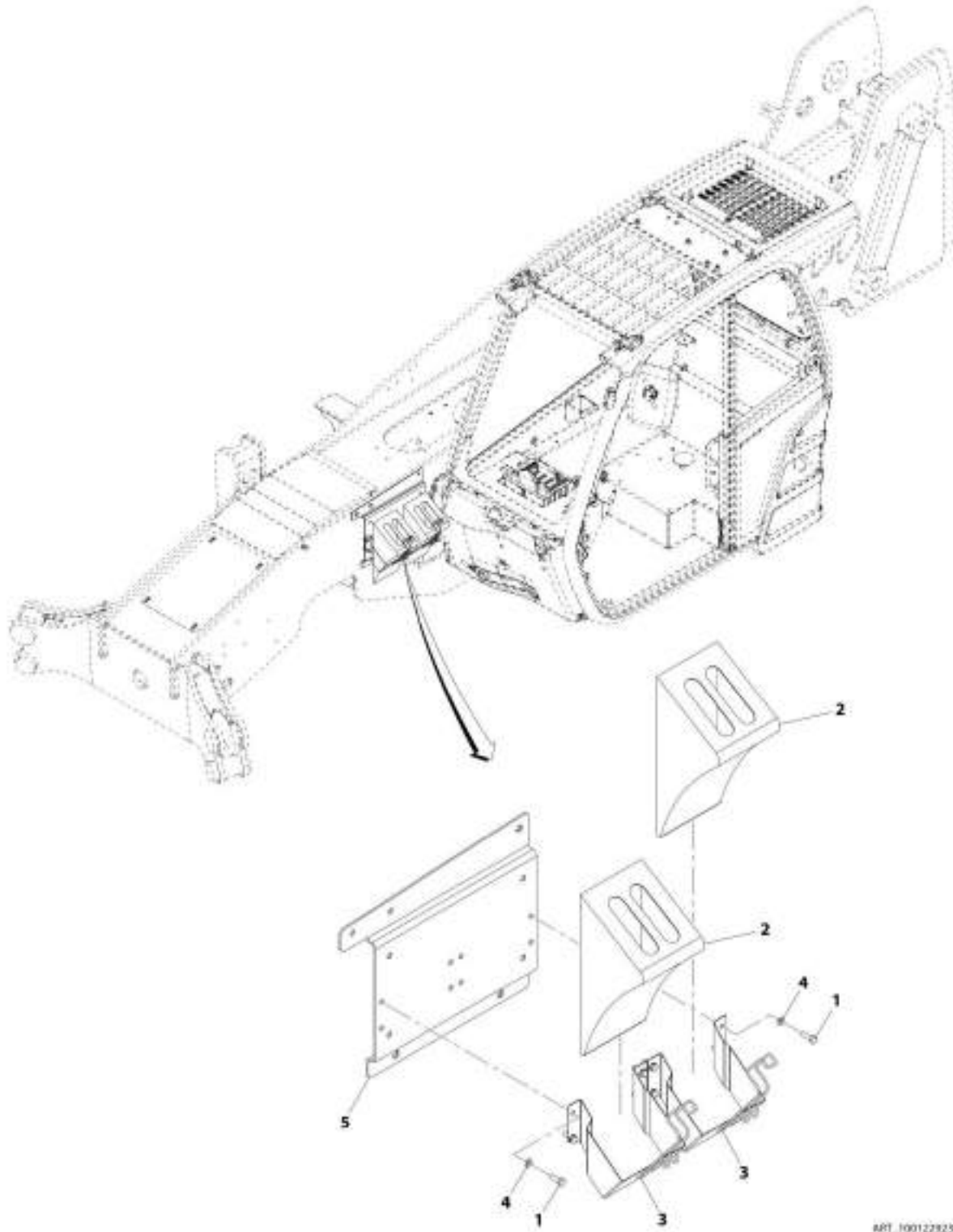
**SECTION 5 - DRIVETRAIN**

**FIGURE 5-78. FENDER INSTALLATION**

<b>ITEM</b>	<b>PART NUMBER</b>	<b>QTY</b>	<b>DESCRIPTION</b>	<b>REV</b>
	1001171242	1	Fender Installation	E
1	4812102	16	Washer, M12	
2	91513266	16	Nut, M12X1.25	
3	91514118	16	Stud, Fender	
5	1001202513	2	RH Bracket	
6	1001202512	2	LH Bracket	
7	1001168264	4	Fender	
8	1001202786	16	Washer	
9	0760812	16	Screw, M8X25	
10	1001208338	4	Plug	

# SECTION 5 - DRIVETRAIN

## FIGURE 5-79. WHEEL CHOCK INSTALLATION



MRT\_1001228235-A

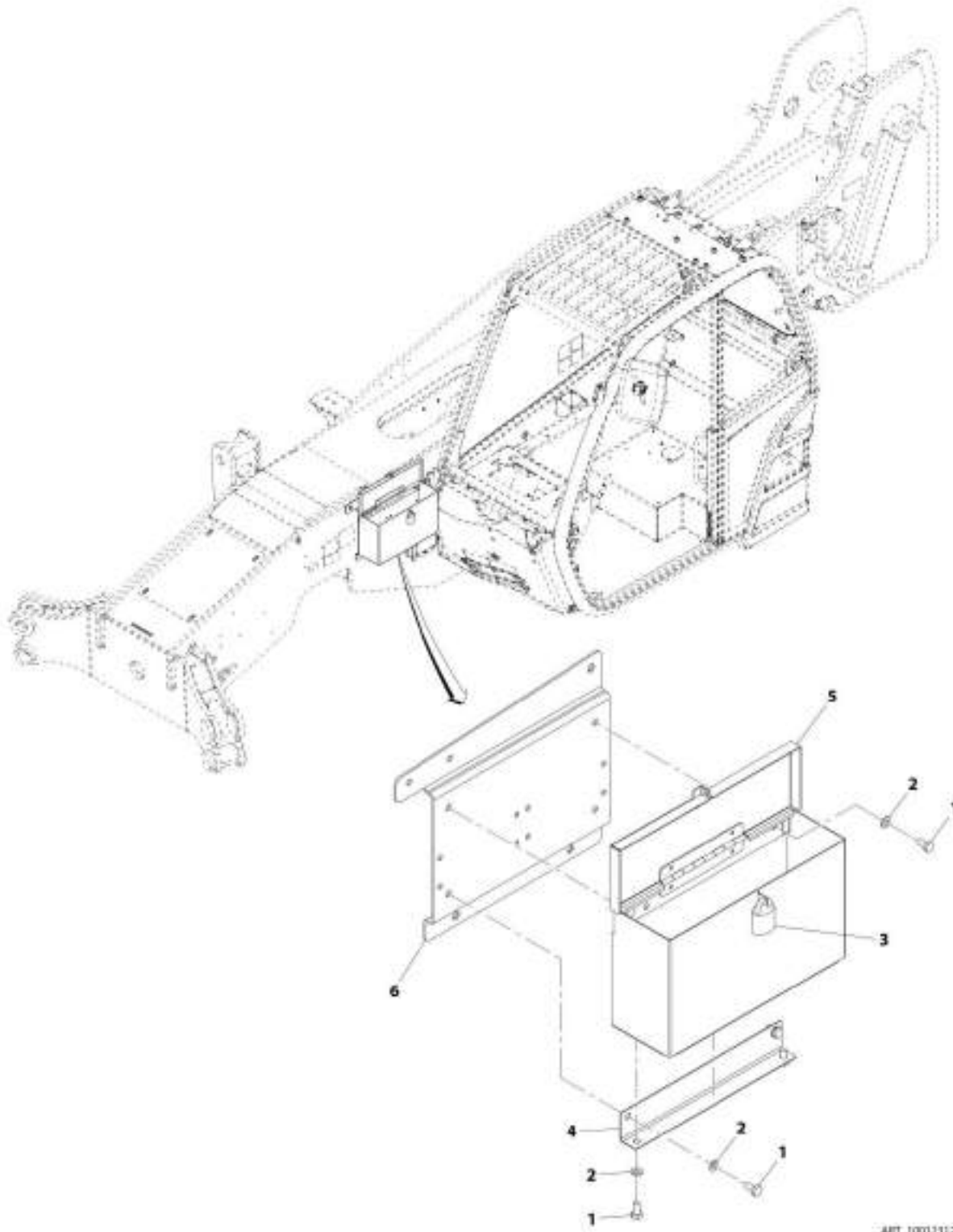
**SECTION 5 - DRIVETRAIN**

**FIGURE 5-79. WHEEL CHOCK INSTALLATION**

<b>ITEM</b>	<b>PART NUMBER</b>	<b>QTY</b>	<b>DESCRIPTION</b>	<b>REV</b>
	1001229235	Ref	Wheel Chock Installation (If equipped)	A
1	0700812	8	Screw, 8X25 LG	
2	806253	2	Wedge	
3	806264	2	Holder	
4	4811900	8	Washer, 8mm	
5	1001230713J	1	Bracket	

# SECTION 5 - DRIVETRAIN

## FIGURE 5-80. TOOLBOX INSTALLATION



AMT\_1001231244-A

**SECTION 5 - DRIVETRAIN**

**FIGURE 5-80. TOOLBOX INSTALLATION**

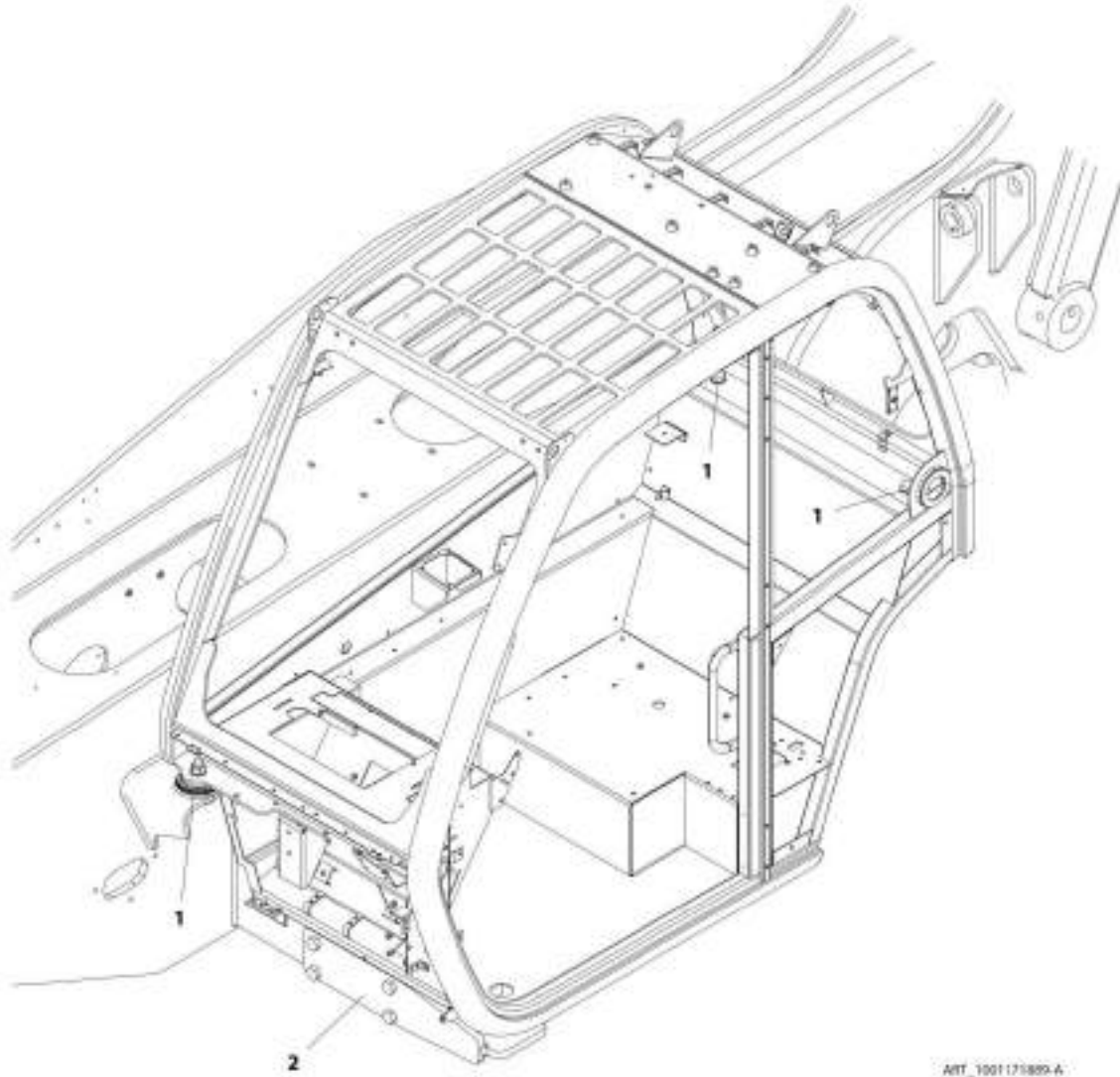
<b>ITEM</b>	<b>PART NUMBER</b>	<b>QTY</b>	<b>DESCRIPTION</b>	<b>REV</b>
	1001231244	Ref	ToolBox Installation (If equipped)	A
1	0761010	6	Bolt, M10X20	
2	4812000	6	Washer, M10	
3	1001008687	1	Padlock	
4	1001178729	1	Bracket	
5	1001192836	1	Box	
6	1001230713J	1	Bracket	



**SECTION 6 - CAB**

# SECTION 6 - CAB

## FIGURE 6-1. CAB MOUNTING



ATT\_1001171889-A

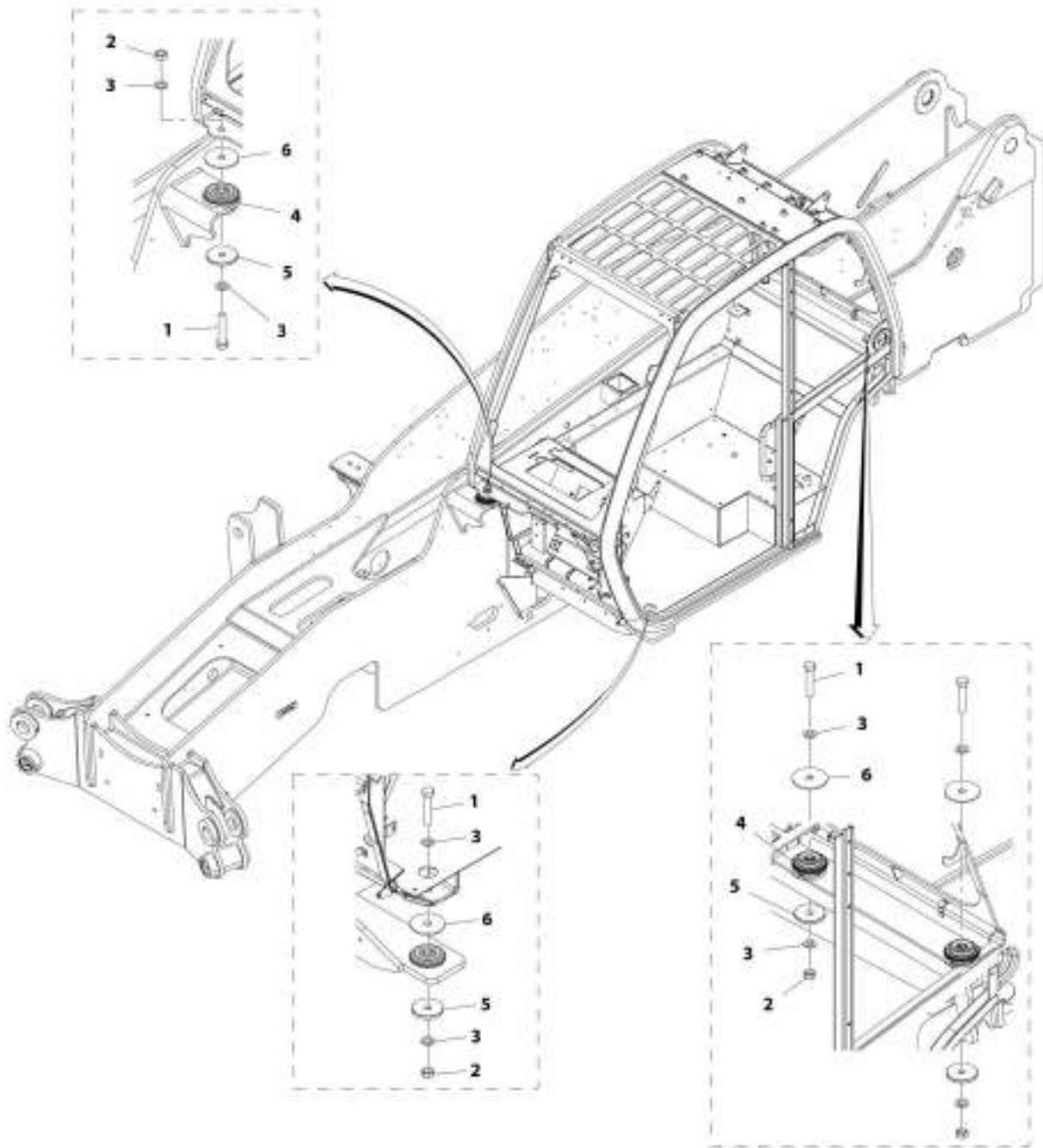


**FIGURE 6-1. CAB MOUNTING**

<b>ITEM</b>	<b>PART NUMBER</b>	<b>QTY</b>	<b>DESCRIPTION</b>	<b>REV</b>
	1001171889	1	Cab Mounting	A
1	1001155446	1	Installation, Cab Mounts (See Separate Breakdown in this Section)	
2	1001171890	1	Installation, Front Cab Outrigger (See Separate Breakdown in this Section)	

# SECTION 6 - CAB

## FIGURE 6-2. CAB MOUNTS INSTALLATION



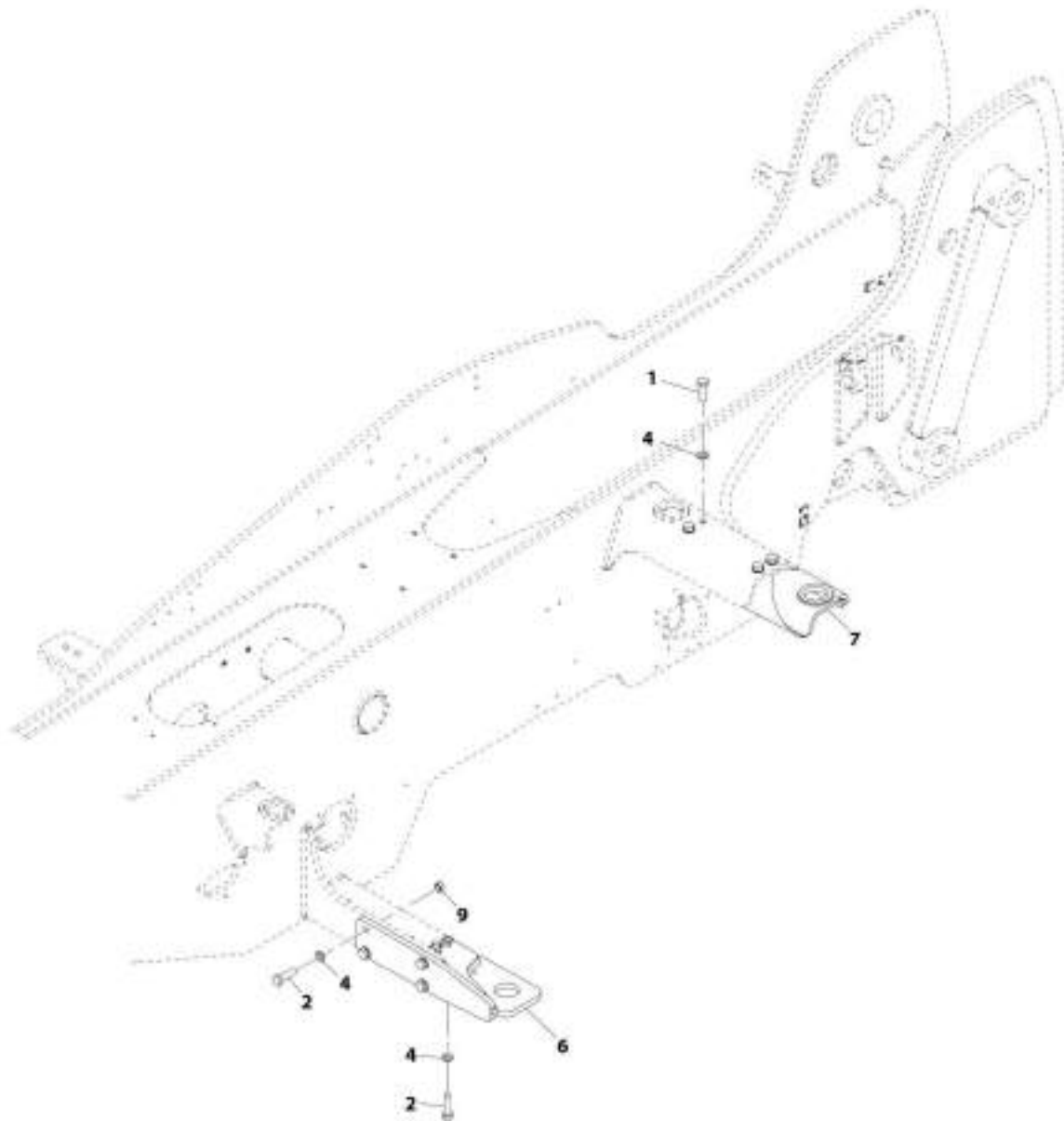
ART\_100155446-E

FIGURE 6-2. CAB MOUNTS INSTALLATION

ITEM	PART NUMBER	QTY	DESCRIPTION	REV
	1001155446	Ref	Cab Mounts Installation	E
1	0712027	4	Bolt, M20X100	
2	3332011	4	Nut, M20X2.5	
3	4812500	8	Washer, M20	
4	1001166754	4	Mount, Cab Isolation	
5	1001166755	4	Washer, Cab Rebound	
6	1001220540	4	Washer, Cab Mount	

# SECTION 6 - CAB

## FIGURE 6-3. FRONT CAB OUTRIGGER INSTALLATION



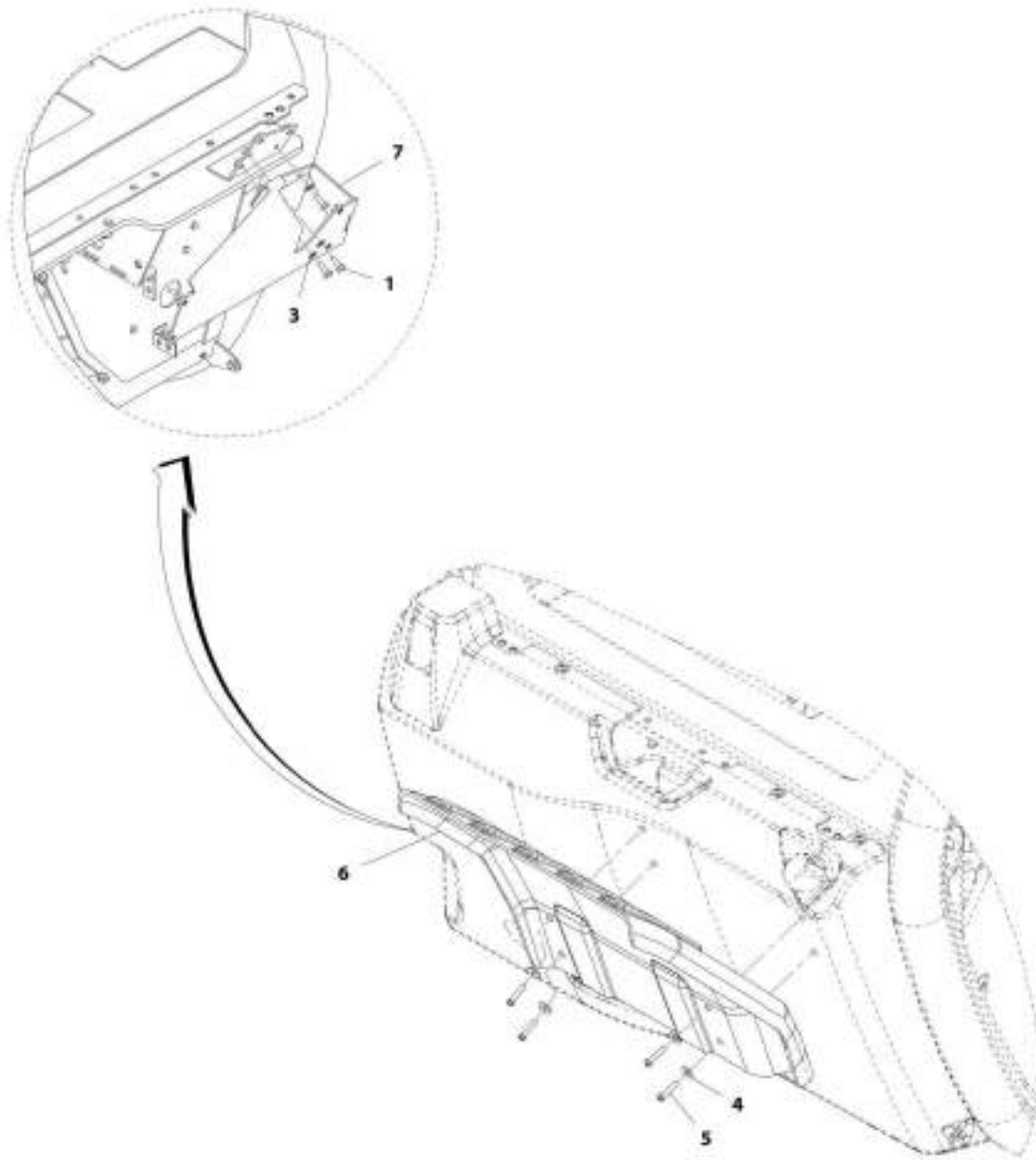
ART\_3001171890-E

FIGURE 6-3. FRONT CAB OUTRIGGER INSTALLATION

ITEM	PART NUMBER	QTY	DESCRIPTION	REV
	1001171890	Ref	Front Cab Outrigger Installation	E
1	0712020	4	Bolt, M20X60	
2	0712022	6	Bolt, M20X70	
4	4812500	10	Washer, M20	
6	1001171898	NLA	Bracket, Front Lower Cab, (no longer available, use 1001208106 for replacement)	
6	1001208106	1	Bracket, Front Lower Cab	
7	1001171903	NLA	Bracket, Rear Cab Mount, (no longer available, use 1001210782 for replacement)	
7	1001210782	1	Bracket, Rear Cab Mount	
9	3292001	4	Hex Nut, M20X2.5	

# SECTION 6 - CAB

## FIGURE 6-4. CAB FENDER INSTALLATION



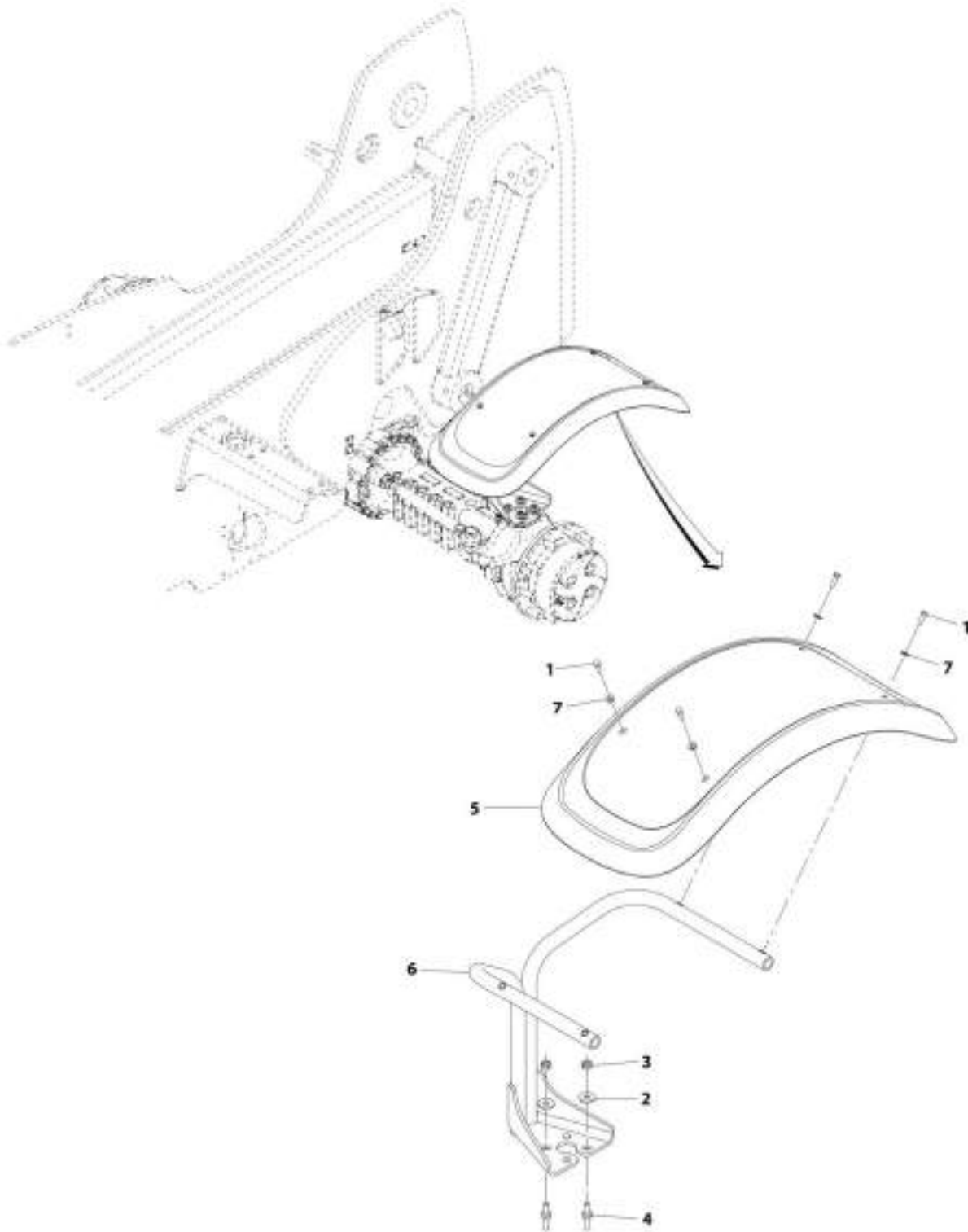
ART\_1001185972-C

FIGURE 6-4. CAB FENDER INSTALLATION

ITEM	PART NUMBER	QTY	DESCRIPTION	REV
	1001195972	1	Cab Fender Installation	C
1	0760608	3	Bolt, M6X16	
3	4811700	3	Washer, M6	
4	4811702	4	Washer, M6	
5	1001097202	4	Screw, M6X30	
6	1001187335	1	Fender, Front	
7	1001188048	1	Plate	

# SECTION 6 - CAB

## FIGURE 6-5. CAB FENDER INSTALLATION REAR (LH)



ART. 1001230542-A

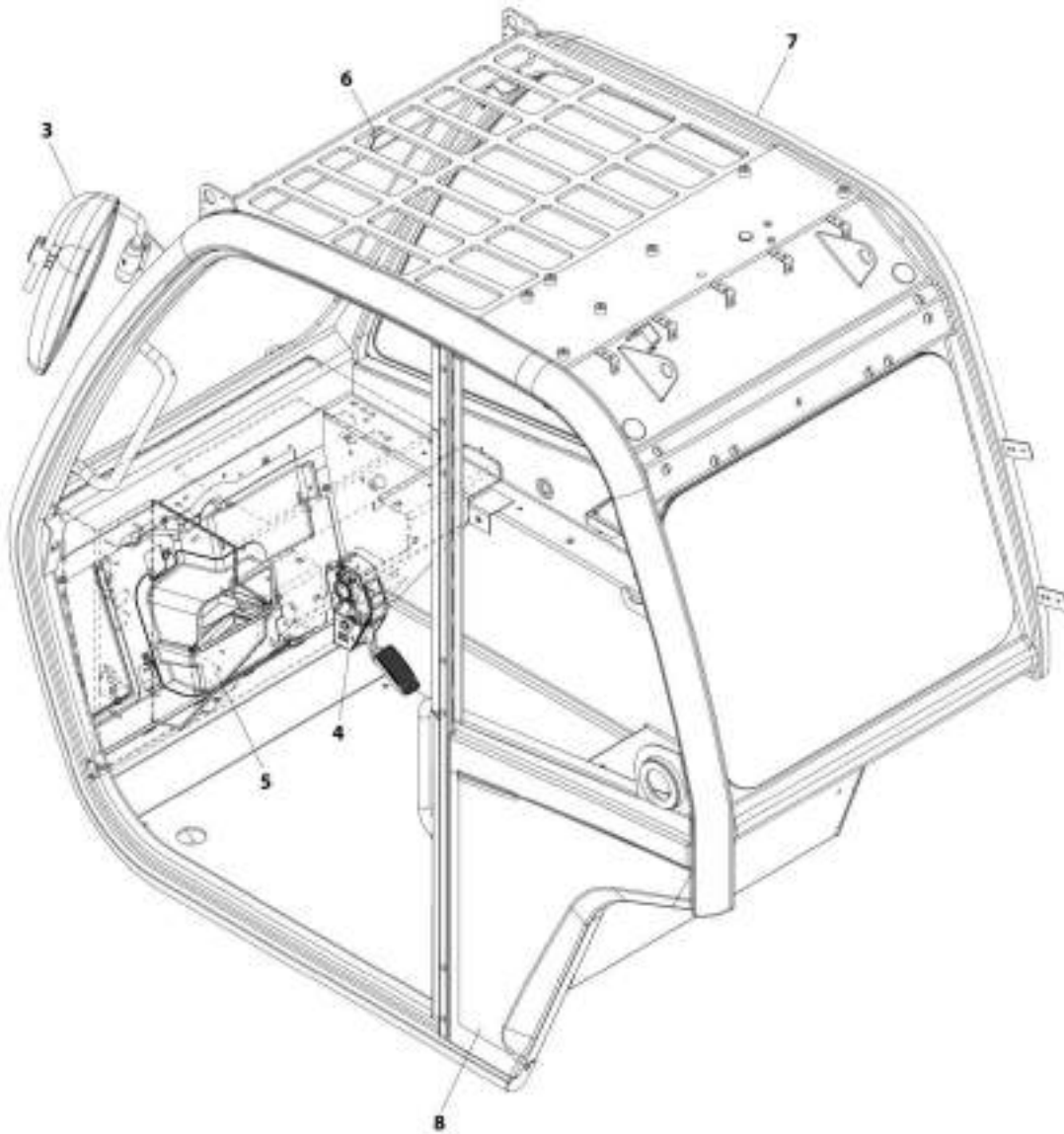


FIGURE 6-5. CAB FENDER INSTALLATION REAR (LH)

ITEM	PART NUMBER	QTY	DESCRIPTION	REV
	1001236542	Ref	Cab Fender Installation Rear (LH)	A
1	0760812	4	Bolt, M8X25	
2	4812102	4	Washer, M12	
3	91513266	4	Nut, M12X1.25	
4	91514118	4	Stud	
5	1001168264	1	Fender	
6	1001202512	1	Bracket	
7	1001202786	4	Washer	

# SECTION 6 - CAB

## FIGURE 6-6. OROPS CAB INSTALLATION



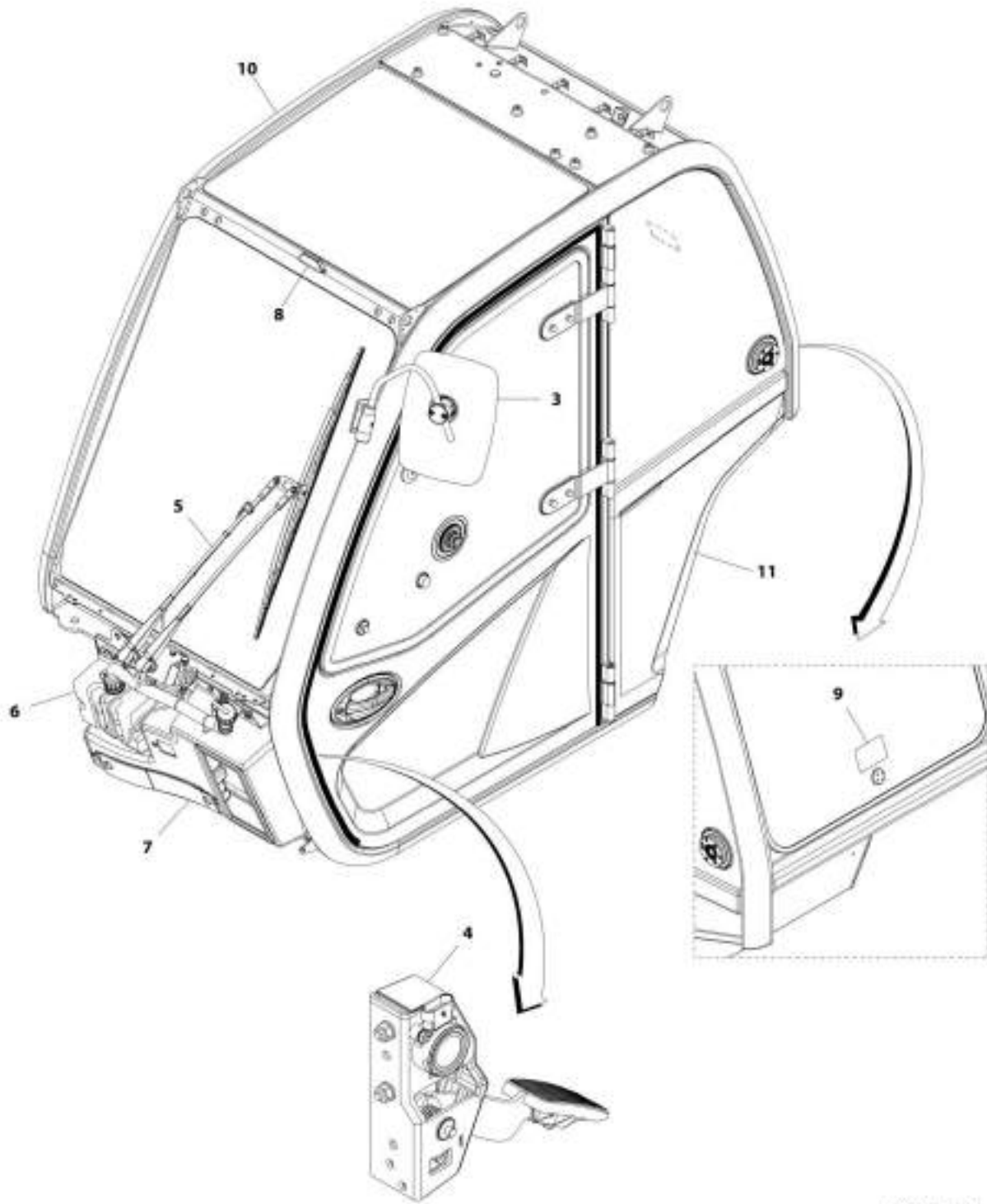
ART\_100134884-G

FIGURE 6-6. OROPS CAB INSTALLATION

ITEM	PART NUMBER	QTY	DESCRIPTION	REV
	1001154984	Ref	OROPS Cab Installation	G
3	1001160508	Ref	Installation, Mirror (See Separate Breakdown in this Section)	
4	1001161499	Ref	Installation, Accelerator Pedal (See Separate Breakdown in Controls Section)	
5	1001170366	Ref	Installation, Front Cover (See Separate Breakdown in this Section)	
6	1001172401	Ref	Installation, Level Indicator (See Separate Breakdown in this Section)	
7	1001214326	Ref	Cab, (See Separate Breakdown in this Section)	
8	1001214331	Ref	Installation, Open Cab, (See Separate Breakdown in this Section)	

# SECTION 6 - CAB

## FIGURE 6-7. EROPS CAB INSTALLATION



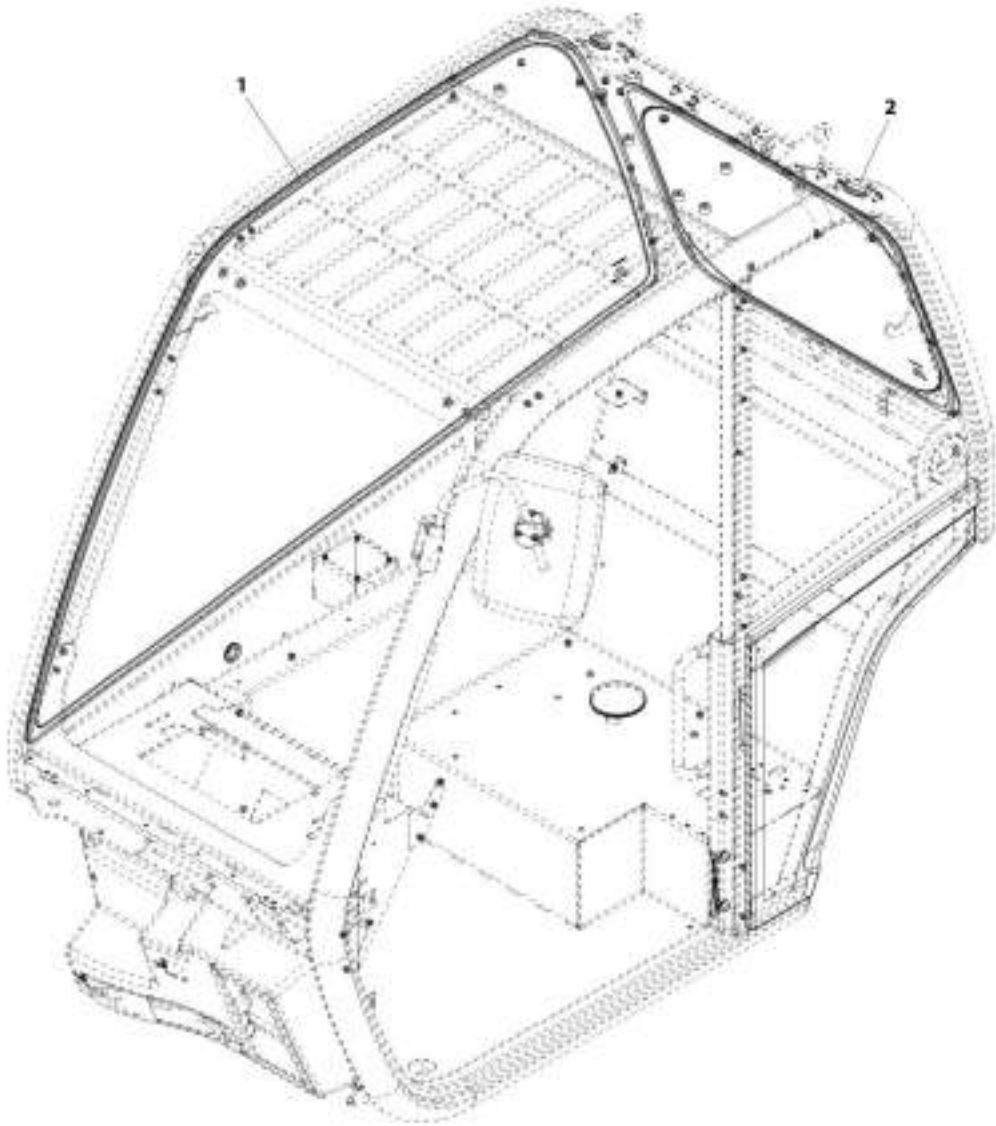
ART\_1001173419-1

FIGURE 6-7. EROPS CAB INSTALLATION

ITEM	PART NUMBER	QTY	DESCRIPTION	REV
	1001173419	Ref	EROPS Cab Installation	I
3	1001160508	Ref	Installation, Mirror (See Separate Breakdown in this Section)	
4	1001161499	Ref	Installation, Accelerator Pedal (See Separate Breakdown in Controls Section)	
5	1001155447	Ref	Installation, Front Wiper (See Separate Breakdown in this Section)	
6	1001162789	Ref	Installation, Washer Tank (See Separate Breakdown in this Section)	
7	1001170366	Ref	Installation, Front Cover (See Separate Breakdown in this Section)	
8	1001172401	Ref	Installation, Level Indicator (See Separate Breakdown in this Section)	
9	8005870	1	Decal, Emergency Exit	
10	1001214326	Ref	Cab, (See Separate Breakdown in this Section)	
11	1001214332	Ref	Installation, Enclosed Cab (See Separate Breakdown in this Section)	

SECTION 6 - CAB

FIGURE 6-8. CAB, TRIM KIT



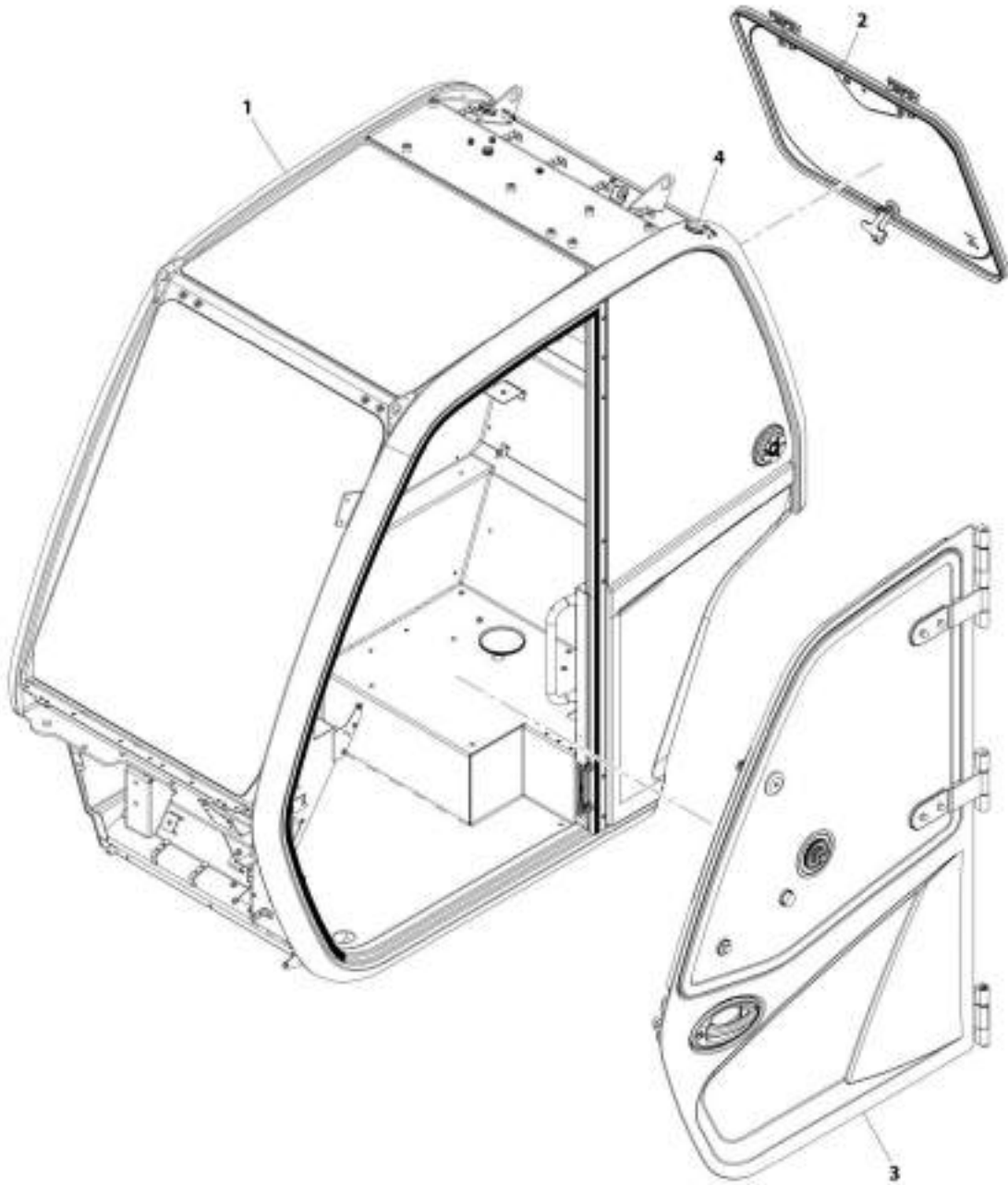
AWT\_1001214331-D

FIGURE 6-8. CAB, TRIM KIT

ITEM	PART NUMBER	QTY	DESCRIPTION	REV
	1001214331	Ref	Open Cab Installation	D
1	1001154721	1	Assembly, Open Cab (See Separate Breakdown in this Section)	
2	1001170495	1	Group, Open Cab Plug (See Separate Breakdown in this Section)	

# SECTION 6 - CAB

## FIGURE 6-9. CAB, TRIM KIT



AWT\_1001214332-F

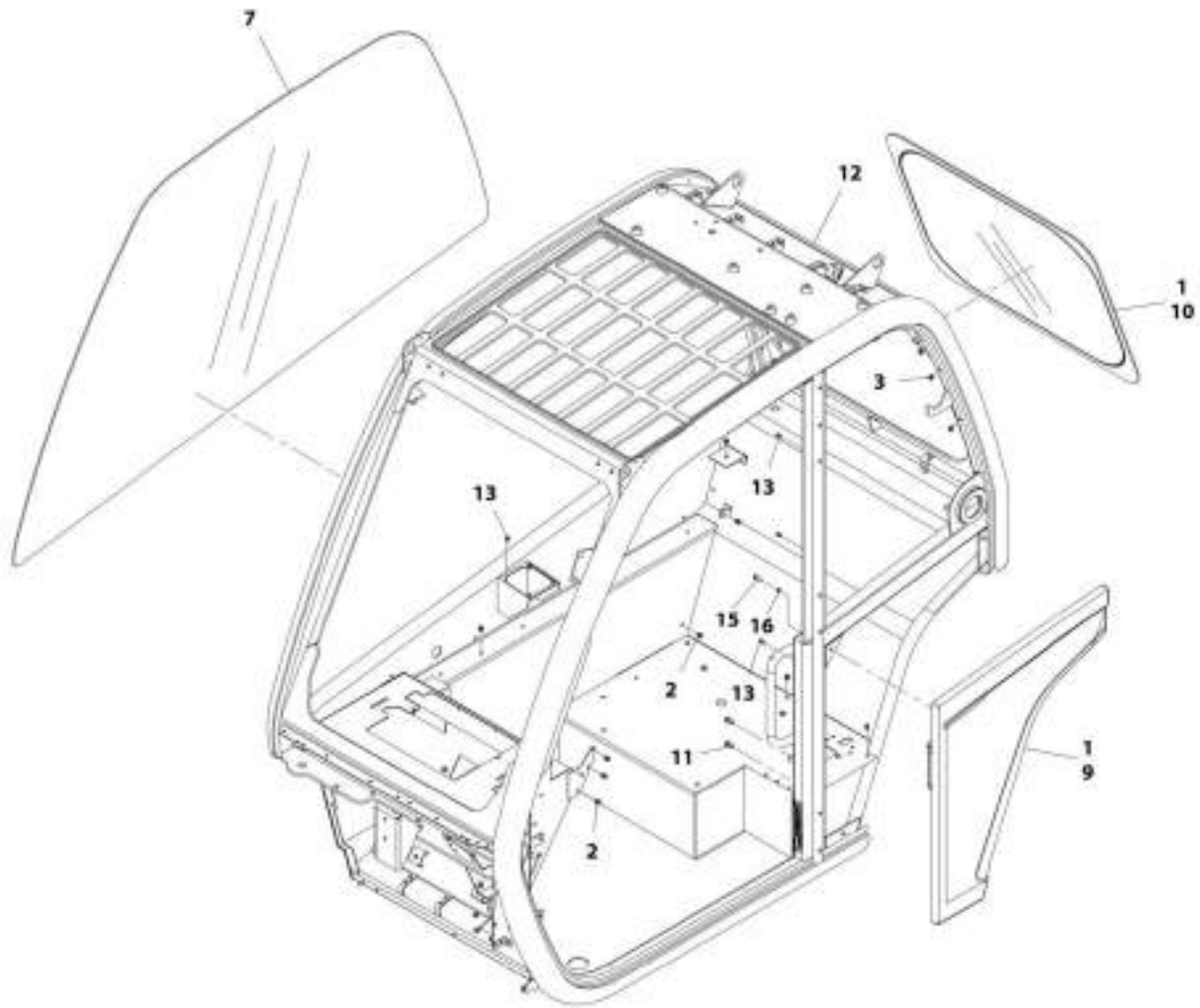


FIGURE 6-9. CAB, TRIM KIT

ITEM	PART NUMBER	QTY	DESCRIPTION	REV
1	1001214332	Ref	Enclosed Cab Installation	F
	1001154365	1	Assembly, Enclosed Cab (See Separate Breakdown in this Section)	
2	1001170500	1	Installation, Rear Window (See Separate Breakdown in this Section)	
3	1001165080	1	Installation, Door (See Separate Breakdown in this Section)	
4	1001170603	1	Group, Enclosed Cab Plug (See Separate Breakdown in this Section)	

# SECTION 6 - CAB

## FIGURE 6-10. OPEN CAB ASSEMBLY



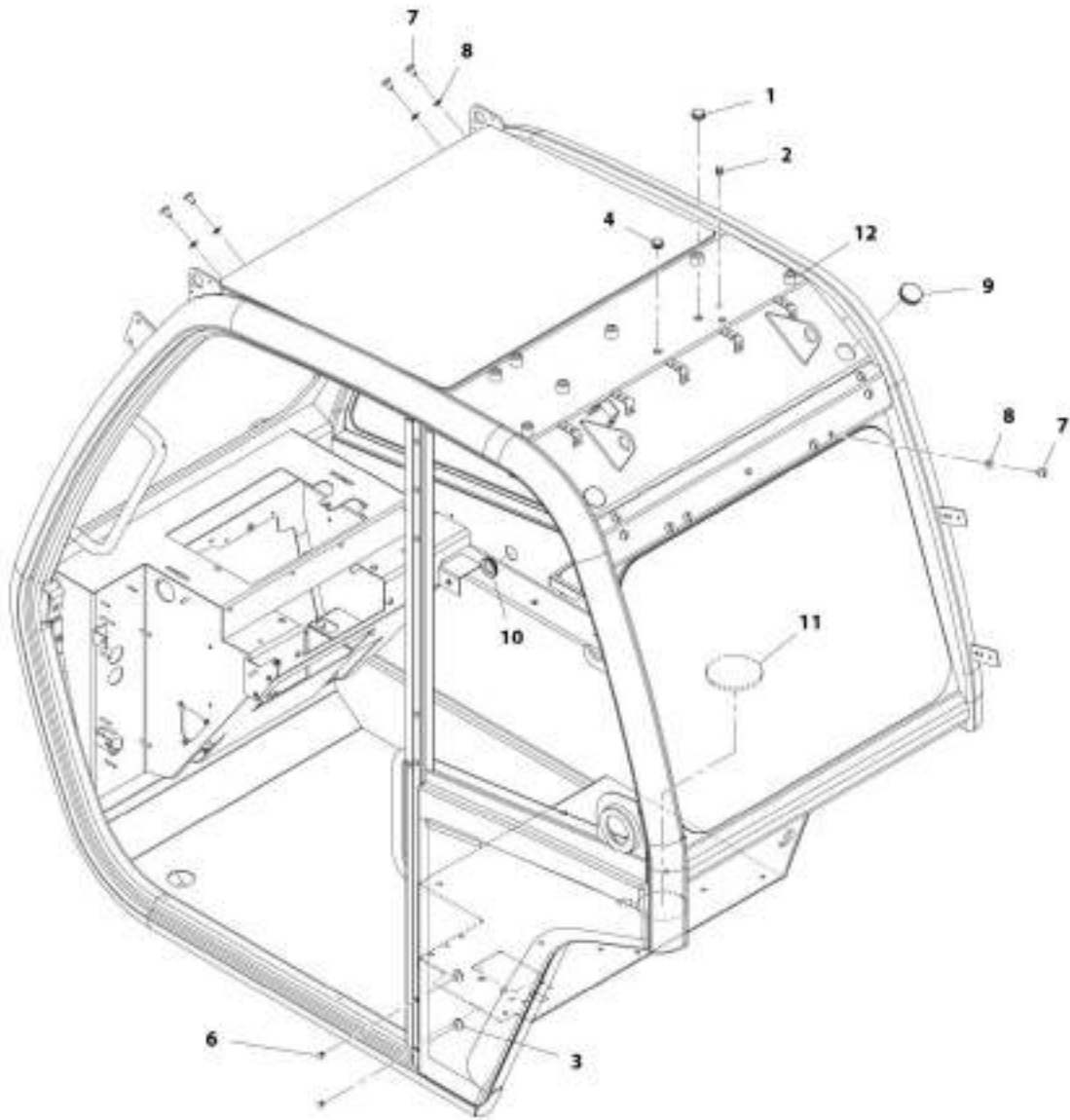
ART\_1001154721-I

FIGURE 6-10. OPEN CAB ASSEMBLY

ITEM	PART NUMBER	QTY	DESCRIPTION	REV
	1001154721	Ref	Open Cab Assembly	1
1	1001111317	AR	Compound, Locking	
2	2080086	17	Rivnut, M6X1	
3	2080087	16	Rivnut, M8X1.25	
7	1001152947	1	Glass, RH Screen	
9	N.S.S.	1	Panel, Cab Quarter	
10	1001161538	1	Glass, Rear Window	
11	1001172193	2	Rivnut, M5X0.8	
12	See Note	NSS	Weldment, Cab (Note: Not available for purchase)	
13	1001195878	7	Rivnut, M5X0.8	
15	N.S.S.	3	Screw	
16	4811700	3	Washer, M6	

# SECTION 6 - CAB

## FIGURE 6-11. OPEN CAB PLUG GROUP



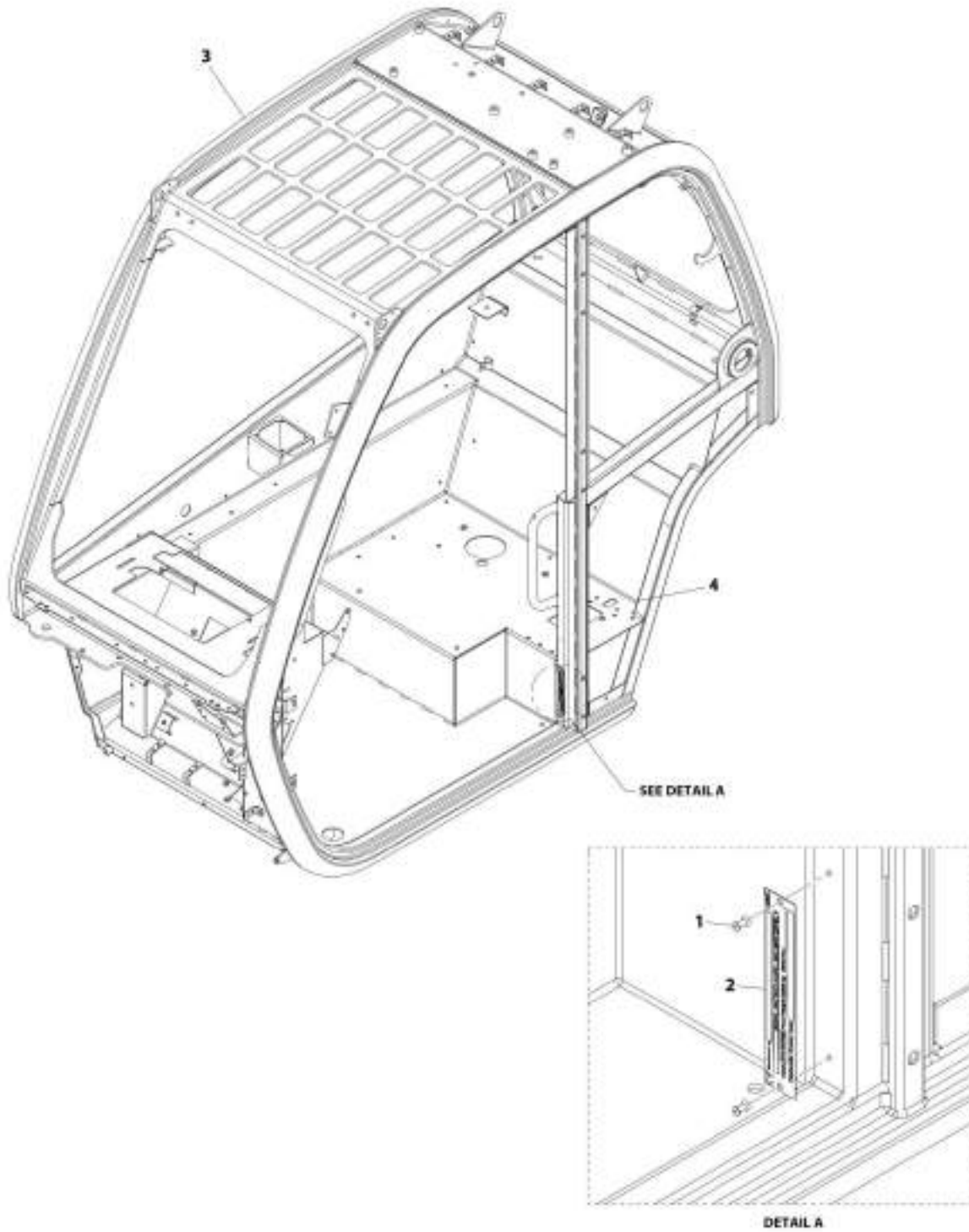
ART\_1001170495-E

FIGURE 6-11. OPEN CAB PLUG GROUP

ITEM	PART NUMBER	QTY	DESCRIPTION	REV
	1001170495	Ref	Open Cab Plug Group	E
1	1001176273	1	Plug	
2	1001176272	3	Plug	
3	1001143200	2	Plug	
4	1001176626	1	Plug	
6	1001170374	7	Plug	
7	1001181920	12	Screw, M8X16	
8	1001181921	12	Washer, M8 Rubber	
9	1001182123	2	Plug	
10	1001182139	1	Plug	
11	1001209899	1	Plug	
12	1001219220	1	Cap, Vinyl Round	

# SECTION 6 - CAB

## FIGURE 6-12. CAB, EPD CAULK



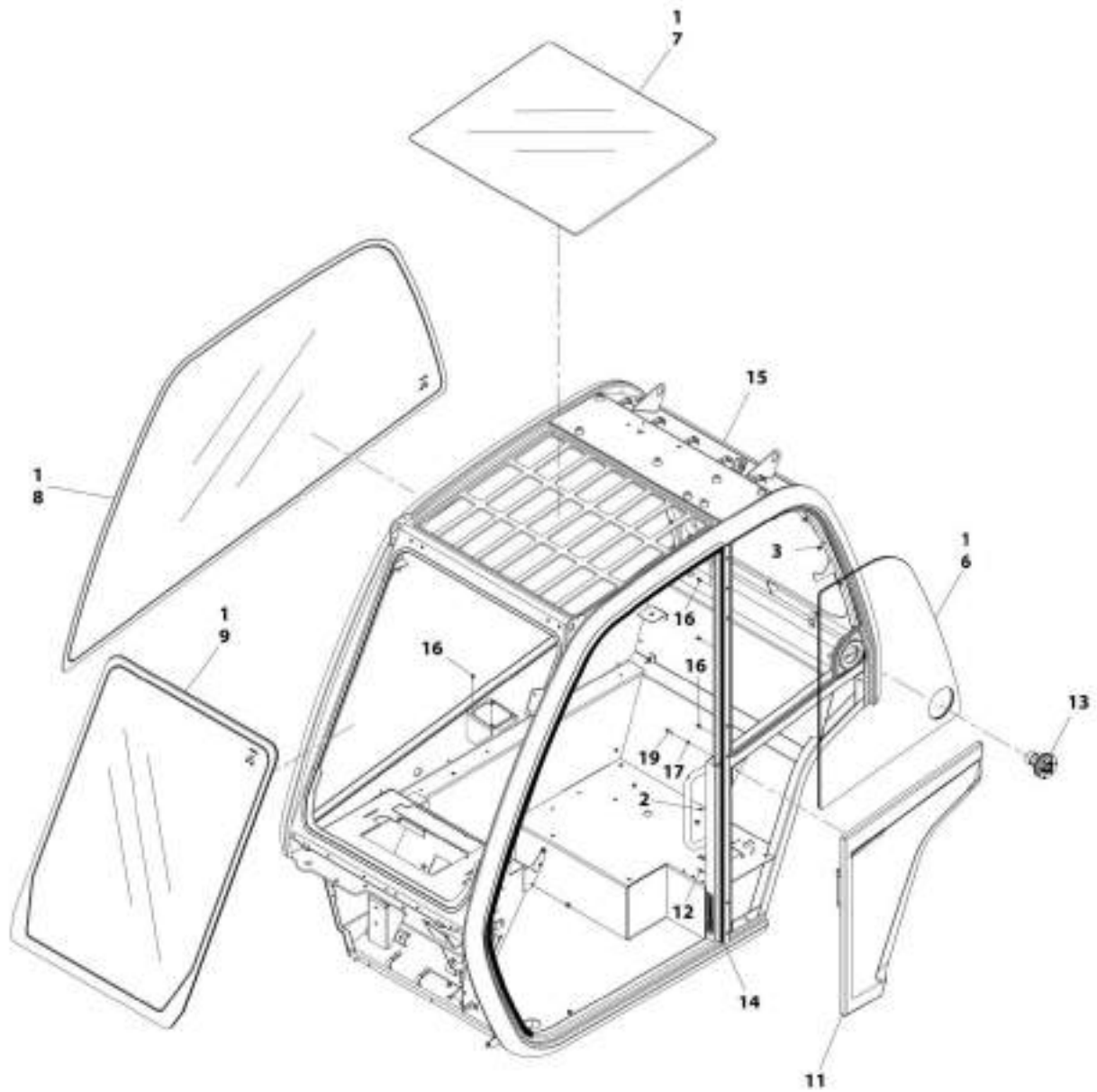
ART\_1001214326-D

FIGURE 6-12. CAB, EPD CAULK

ITEM	PART NUMBER	QTY	DESCRIPTION	REV
	1001214326	Ref	Cab	D
1	1001099170	2	Rivet, 4	
2	N.S.S.	1	Plate, Serial Number	
3	N.S.S.	1	Weldment	
4	1001205402	AR	Sealant	

# SECTION 6 - CAB

## FIGURE 6-13. ENCLOSED CAB ASSEMBLY



ART\_1001154302-2

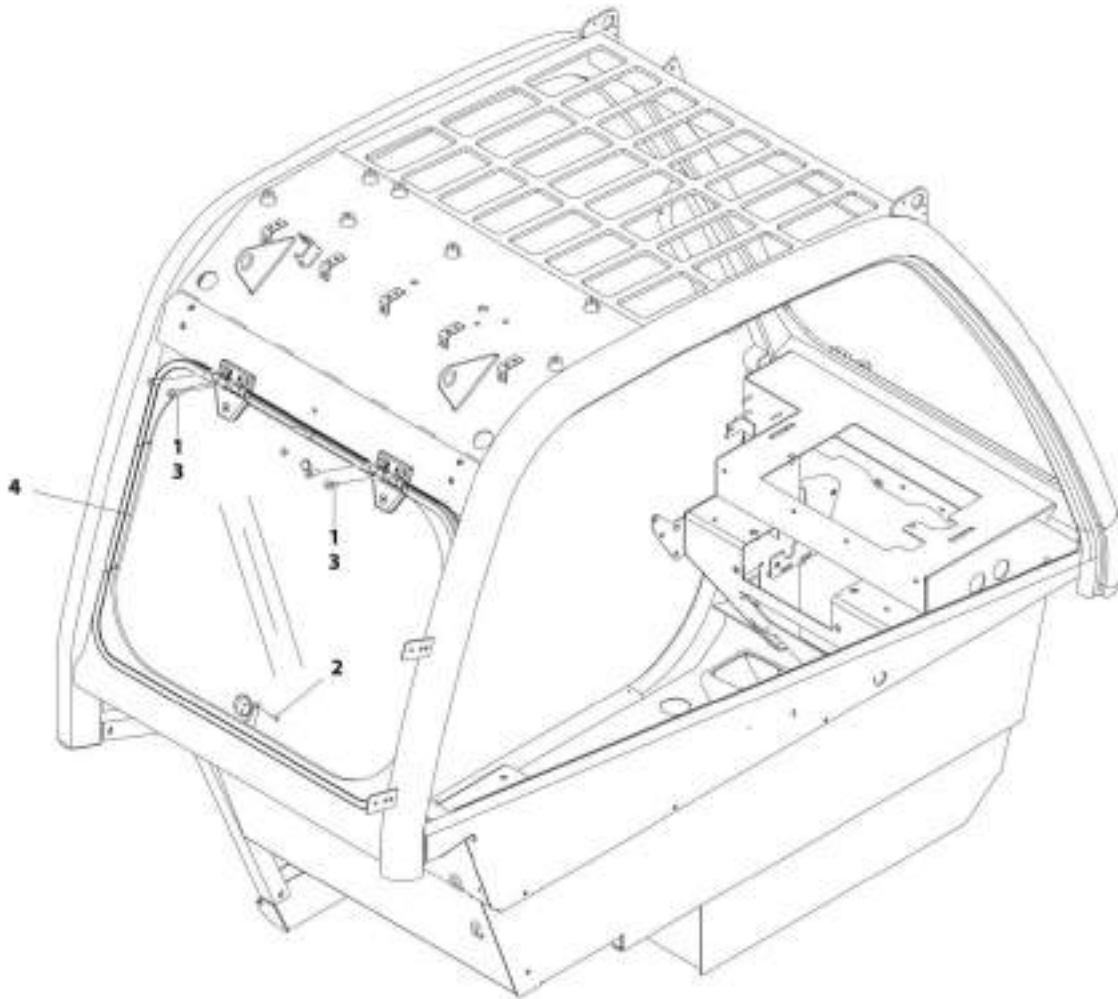


FIGURE 6-13. ENCLOSED CAB ASSEMBLY

ITEM	PART NUMBER	QTY	DESCRIPTION	REV
	1001154365	Ref	Enclosed Cab Assembly	J
1	1001111317	AR	Compound, Locking	
2	2080086	17	Rivnut, M6X1	
3	2080087	16	Rivnut, M8X1.25	
6	1001152915	1	Glass, LH Screen	
7	1001152934	1	Glass, Roof	
8	1001152947	1	Glass, RH Screen	
9	1001154419	1	Glass, Front	
11	N.S.S.	1	Panel, Cab Quarter	
12	1001172193	2	Rivnut, M5X0.8	
13	1001174320	1	Latch, Top Window	
14	1001175226	NLA	Seal, Cab Door, (no longer available, use 1001227186 for replacement)	
14	1001227186	1	Seal, Cab Door	
15	See Note	NSS	Weldment, Cab (Note: Not available for purchase)	
16	1001195878	7	Rivnut, M5X0.8	
17	4811700	3	Washer, M6	
19	N.S.S.	3	Screw	

# SECTION 6 - CAB

## FIGURE 6-14. REAR WINDOW INSTALLATION



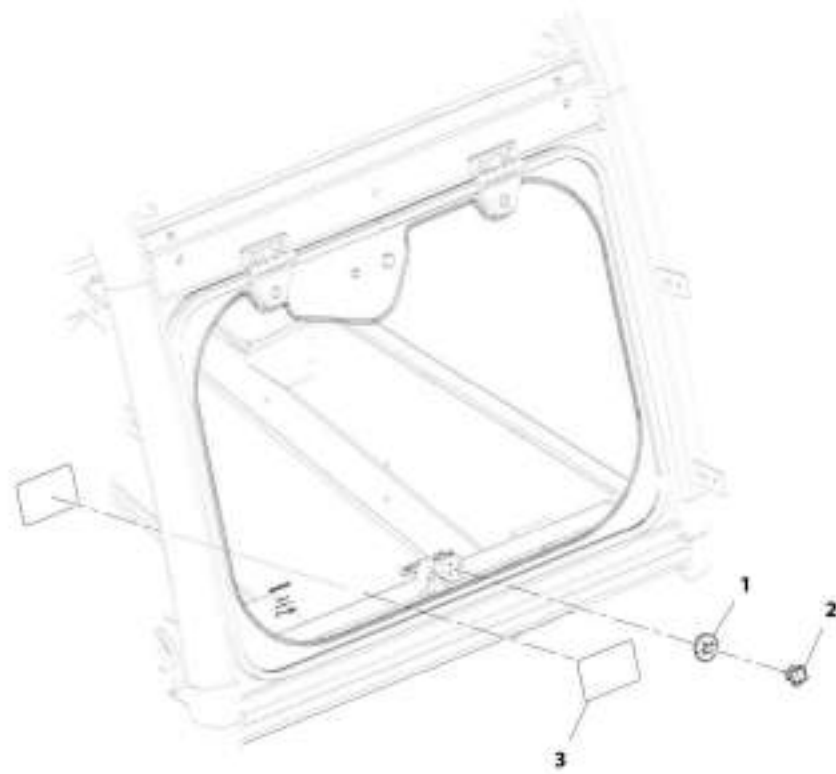
ART\_1001170500-C

FIGURE 6-14. REAR WINDOW INSTALLATION

ITEM	PART NUMBER	QTY	DESCRIPTION	REV
	1001170500	Ref	Rear Window Installation	C
1	1001095650	AR	Compound, Locking	
2	1001003043	1	Pin, Spring	
3	1001097586	4	Bolt, M8-1.25X25	
4	1001170502	1	Window, Rear (See Separate Breakdown in this Section)	

# SECTION 6 - CAB

FIGURE 6-15. REAR WINDOW INSTALLATION (WO/WIPER) (ANSI)



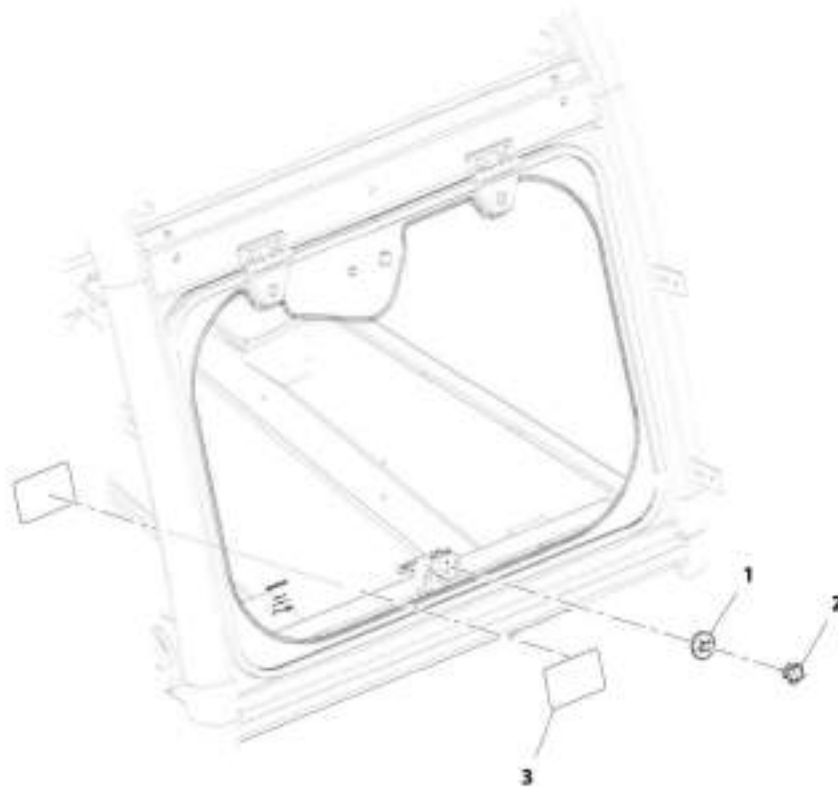
AWT\_1001212047-A

**FIGURE 6-15. REAR WINDOW INSTALLATION (WO/WIPER) (ANSI)**

<b>ITEM</b>	<b>PART NUMBER</b>	<b>QTY</b>	<b>DESCRIPTION</b>	<b>REV</b>
	1001212047	Ref	External Window Release Installation (ANSI - English)	A
1	1001179008	1	Cap, Latch Window	
2	1001179009	1	Cap, Knob M6	
3	1001212049	2	Decal, Emergency Exit	

# SECTION 6 - CAB

## FIGURE 6-16. REAR WINDOW INSTALLATION (WO/WIPER) (ISO)



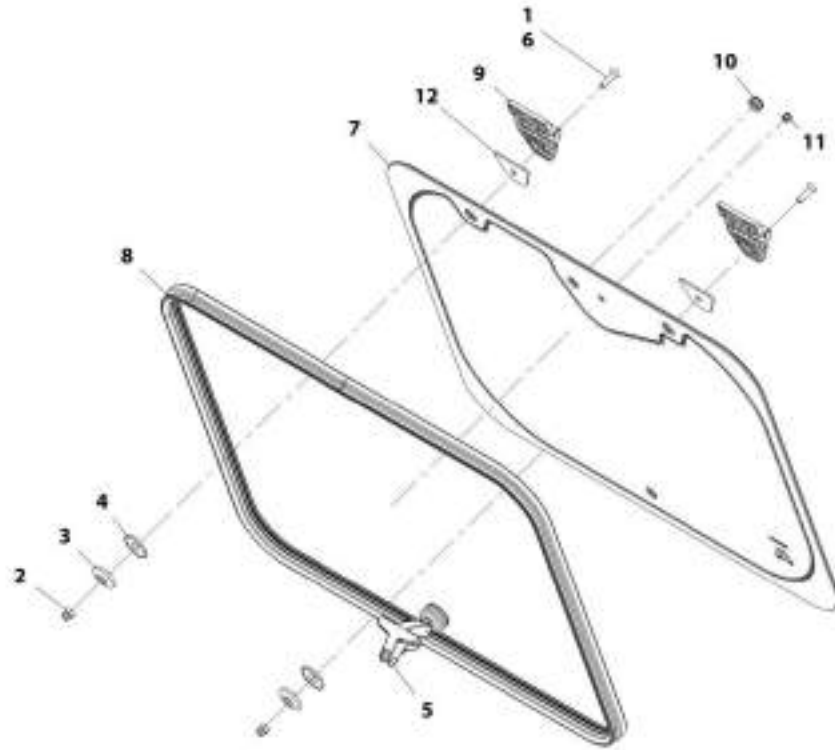
ART\_1801213540-A

**FIGURE 6-16. REAR WINDOW INSTALLATION (WO/WIPER) (ISO)**

<b>ITEM</b>	<b>PART NUMBER</b>	<b>QTY</b>	<b>DESCRIPTION</b>	<b>REV</b>
	1001212048	Ref	Rear Window Installation (WO/Wiper) (ISO)	A
1	1001179008	1	Cap, Latch Window	
2	1001179009	1	Cap, Knob M6	
3	1001212050	2	Decal, Emergency Exit	

# SECTION 6 - CAB

## FIGURE 6-17. REAR WINDOW ASSEMBLY



ART\_1001170502-C

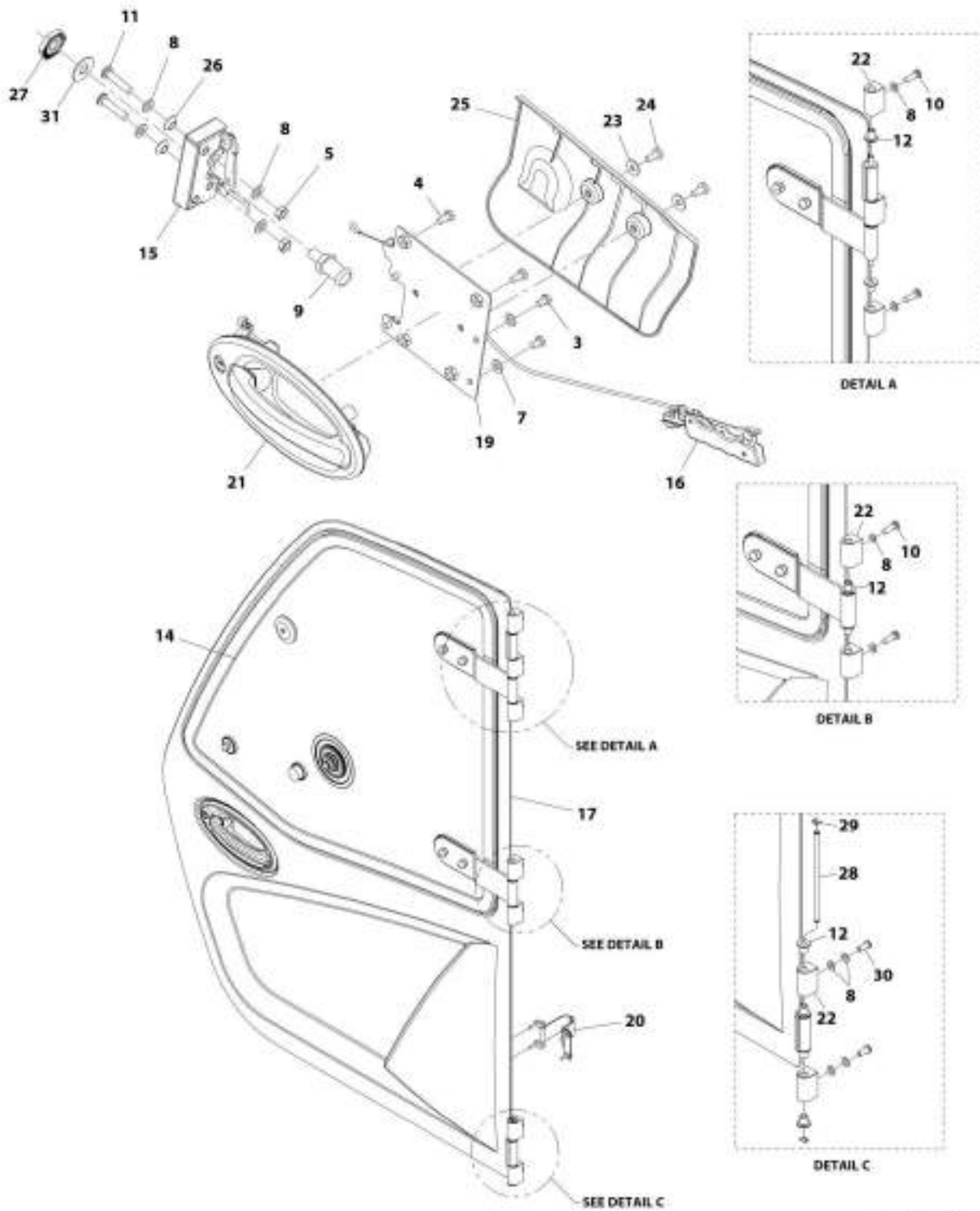


FIGURE 6-17. REAR WINDOW ASSEMBLY

ITEM	PART NUMBER	QTY	DESCRIPTION	REV
	1001170502	Ref	Rear Window Assembly	C
1	1001095650	AR	Compound, Locking	
2	3290806	2	Nut, M8X1.25 Grade 8	
3	8000759	2	Spacer	
4	8004398	2	Washer	
5	1001005368	1	Latch, Window	
6	2080078	2	Fastener, M8X30	
7	1001157481	1	Glass, Rear Window	
8	1001157487	1	Seal	
9	1001139568	2	Hinge	
10	1001171182	1	Grommet	
11	1001171183	1	Grommet	
12	1001181411	2	Gasket, Rear Window Hinge	

# SECTION 6 - CAB

## FIGURE 6-18. DOOR INSTALLATION



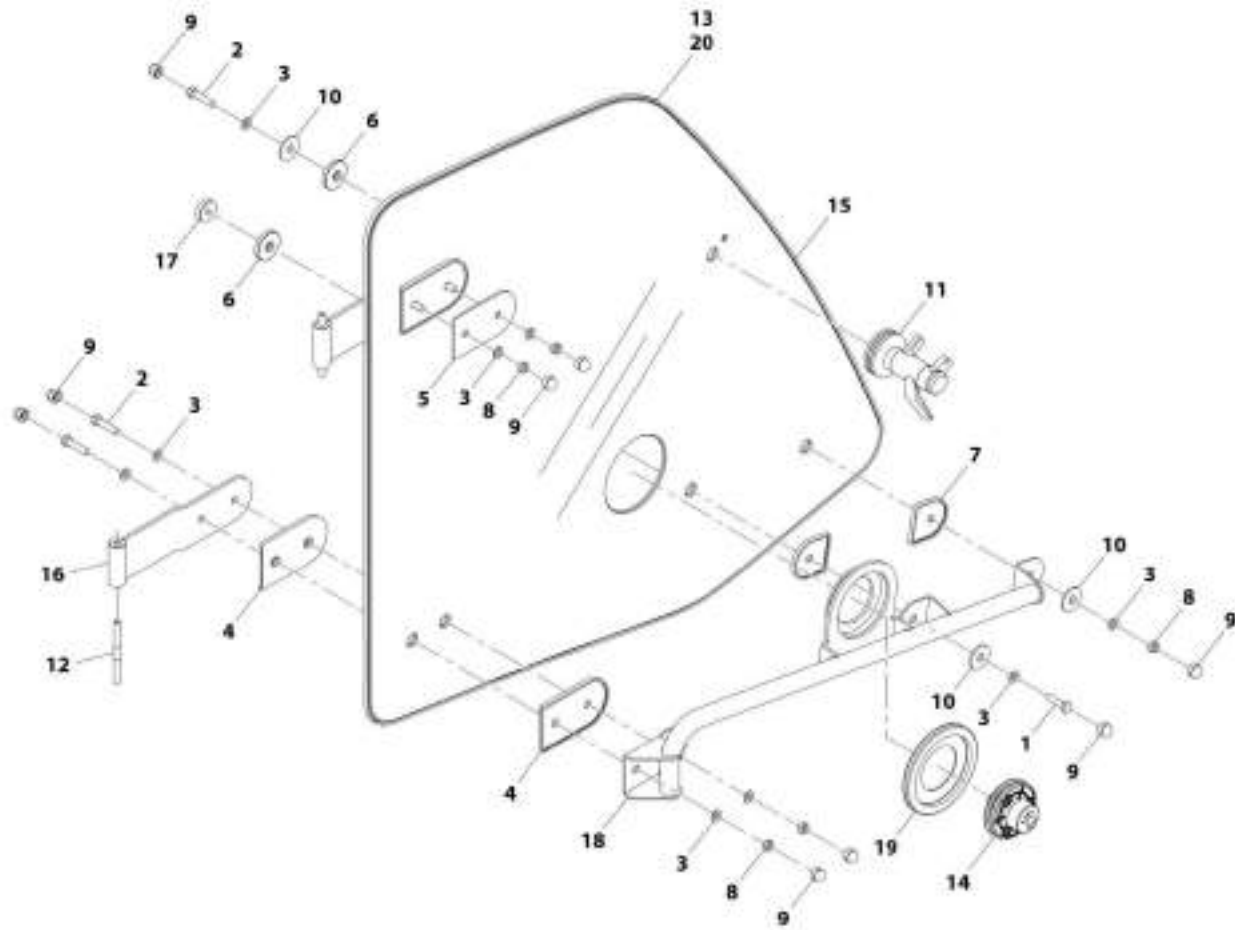
AHT\_1001185080-M

FIGURE 6-18. DOOR INSTALLATION

ITEM	PART NUMBER	QTY	DESCRIPTION	REV
	1001165080	Ref	Door Installation	M
3	0760605	4	Bolt, M6X10	
4	0760607	4	Bolt, M6X14	
5	3290801	2	Nut, M8X1.25 Grade 8	
7	4811700	4	Washer, M6	
8	4811900	13	Washer, M8	
9	8000803	1	Pin, Door Striker	
10	1001008988	5	Screw M8X25	
11	1001047062	2	Screw, M8X35	
12	1001107192	10	Sleeve, Hinge	
14	1001205532	1	Assembly, Door Upper Glass (See Separate Breakdown in this Section)	
15	1001192766	1	Assembly, Cab Latch (See Separate Breakdown in this Section)	
16	1001167958	1	Assembly, Cab Door Trigger (See Separate Breakdown in this Section)	
17	1001169881	1	Assembly, Door (See Separate Breakdown in this Section)	
19	1001173298	1	Bracket	
20	1001174295	1	Installation, Door Strap (See Separate Breakdown in this Section)	
21	1001192646	1	Handle, Exterior Door	
22	1001170601J	7	Lug, Hinge	
23	4811702001	2	Washer, M6	
24	4010608002	2	Screw, M6X16	
25	1001175477	1	Cover, Cab Door Interior	
26	1001184439	2	Bushing	
27	1001192309	1	Nut, M12X1	
28	1001213791	1	Pin, Hinge	
29	0498748	1	Clip, Snap Ring	
30	1001164726	1	Bolt, M8X20	
31	1001227802	1	Washer	

# SECTION 6 - CAB

## FIGURE 6-19. DOOR UPPER GLASS ASSEMBLY



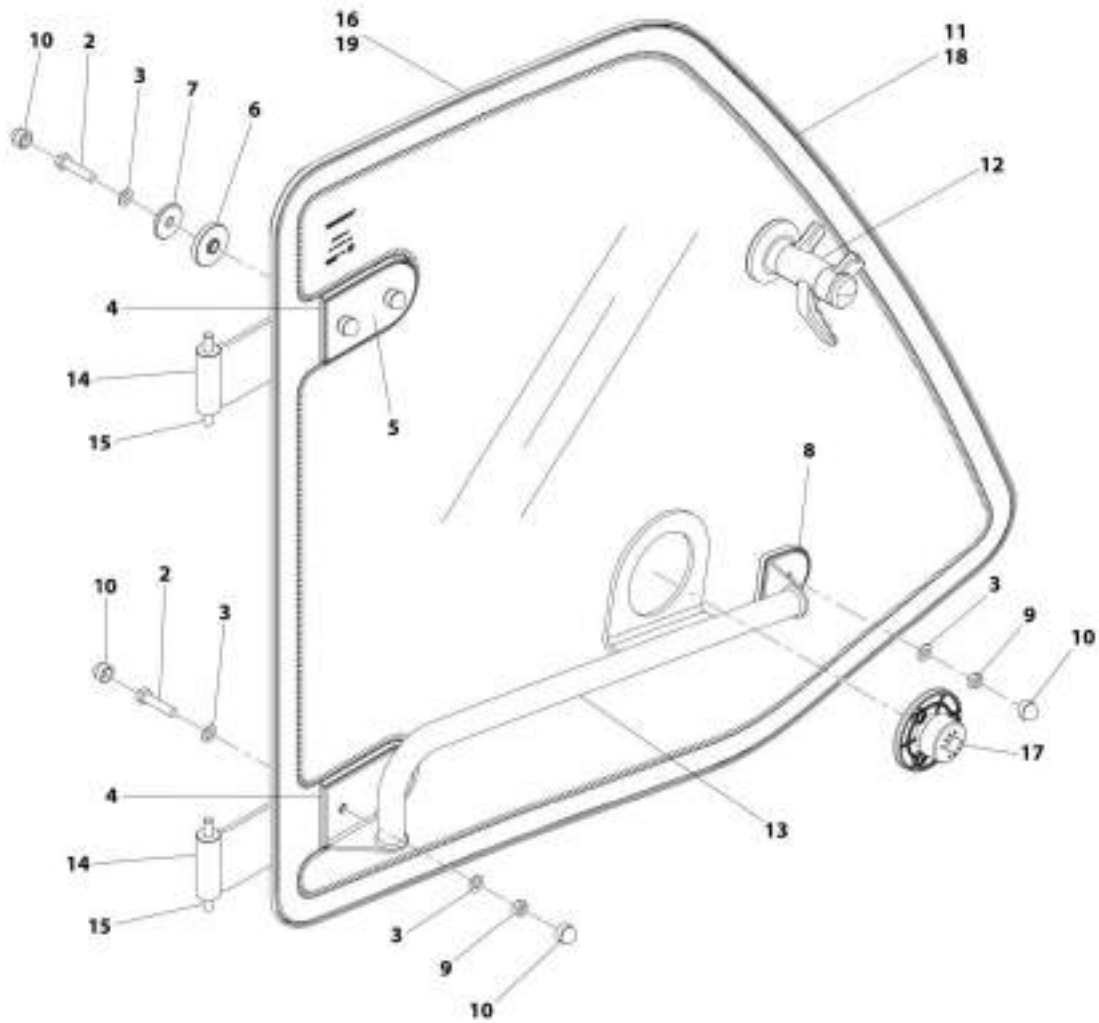
ART\_1001200532-E

FIGURE 6-19. DOOR UPPER GLASS ASSEMBLY

ITEM	PART NUMBER	QTY	DESCRIPTION	REV
	1001205532	Ref	Door Upper Glass Assembly	E
1	0760812	1	Bolt, M8X25	
2	0760815	5	Bolt, M8X35	
3	4811900	11	Washer, 8MM	
4	1001002946	4	Mount, Hinge	
5	1001002947	1	Mount, Hinge	
6	1001002953	2	Mount, Rubber	
7	1001002957	2	Mount, Latch	
8	1001008857	5	Nut, Lock	
9	1001096365	11	Cap, M8	
10	1001141246	3	Mount, Rubber	
11	1001165275	1	Latch, Window	
12	1001166634	2	Pin, Hinge	
13	1001170944	1	Panel, Window Surround	
14	1001174321	1	Striker, Top Window	
15	1001204066	1	Glass, Window	
16	1001204115	2	Hinge	
17	1001222741	1	Buffer, Cab	
18	1001204120	1	Handle	
19	1001213331	1	Gasket	
20	1001215531	AR	Adhesive	

# SECTION 6 - CAB

## FIGURE 6-20. DOOR UPPER GLASS ASSEMBLY



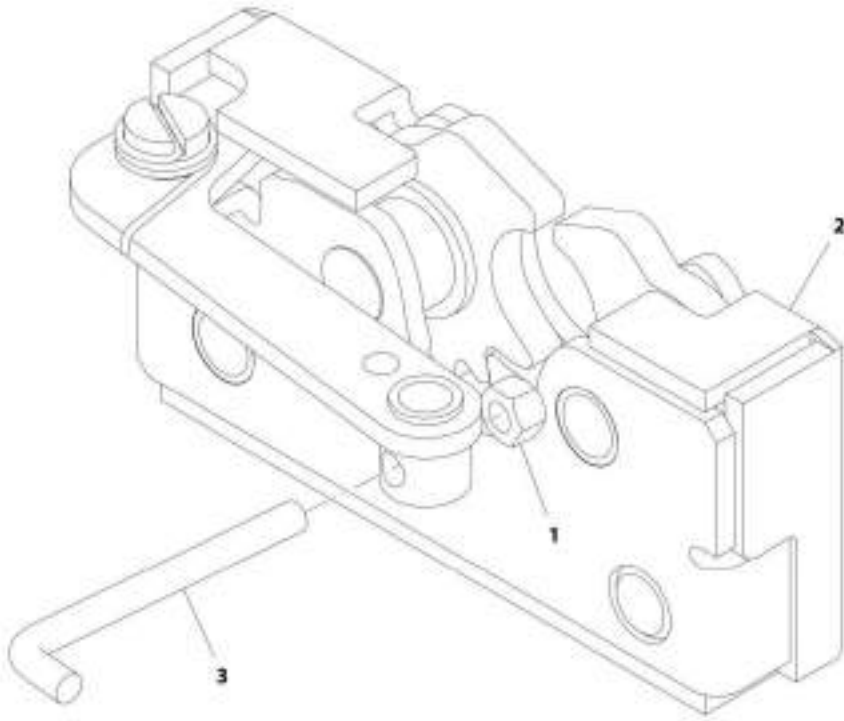
ART\_1001160186-F

FIGURE 6-20. DOOR UPPER GLASS ASSEMBLY

ITEM	PART NUMBER	QTY	DESCRIPTION	REV
	1001165186	Ref	Door Upper Glass Assembly	F
2	0760815	5	Bolt, M8X35	
3	4811900	10	Washer, 8MM	
4	1001002946	4	Mount, Hinge	
5	1001002947	1	Mount, Hinge	
6	1001002953	1	Mount, Hinge	
7	1001141246	1	Mount, Rubber	
8	1001002957	1	Mount, Latch	
9	1001008857	5	Nut, Lock	
10	1001096365	10	Cap, M8	
11	1001165187	1	Glass, Window	
12	1001165275	1	Latch, Window	
13	1001199915	1	Handle	
14	1001165459	2	Hinge	
15	1001166634	2	Pin, Hinge	
16	1001170944	1	Panel, Window Surround	
17	1001174321	1	Striker, Top Window	
18	1001111317	AR	Adhesive, Window Sealant	
19	1001200713	AR	Adhesive, Window Surround	

# SECTION 6 - CAB

## FIGURE 6-21. CAB LATCH ASSEMBLY



ART\_10011K2166-A

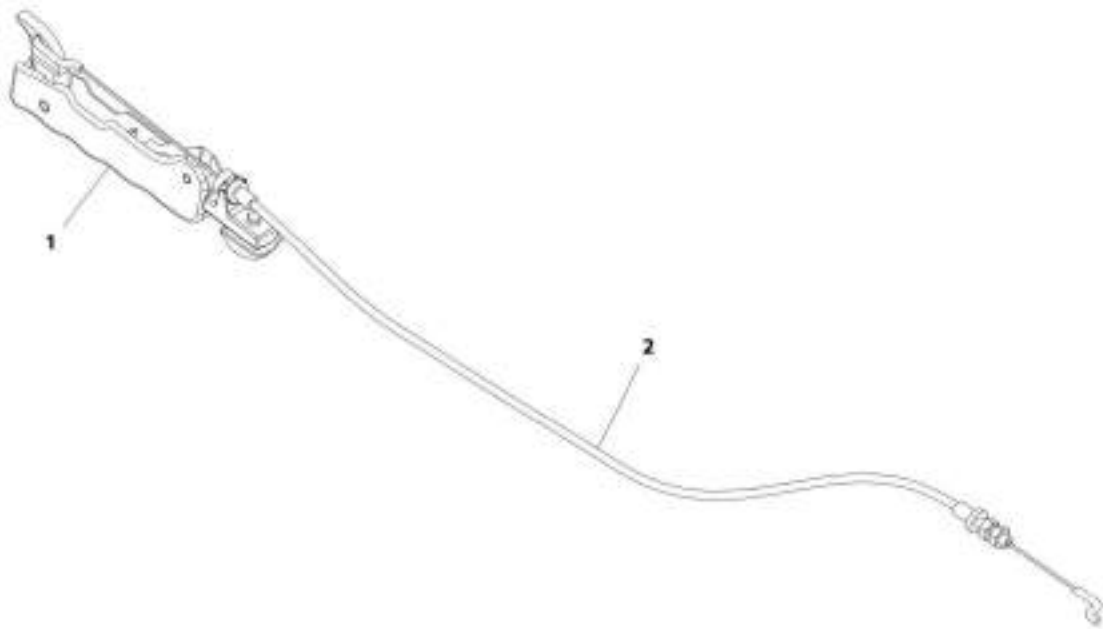


FIGURE 6-21. CAB LATCH ASSEMBLY

ITEM	PART NUMBER	QTY	DESCRIPTION	REV
	1001192766	Ref	Cab Latch Assembly	A
1	3290405	1	Nut, M4X0.7 Grade 8	
2	1001192643	1	Latch	
3	1001192755	1	Link, Door Handle	

# SECTION 6 - CAB

## FIGURE 6-22. CAB DOOR TRIGGER ASSEMBLY



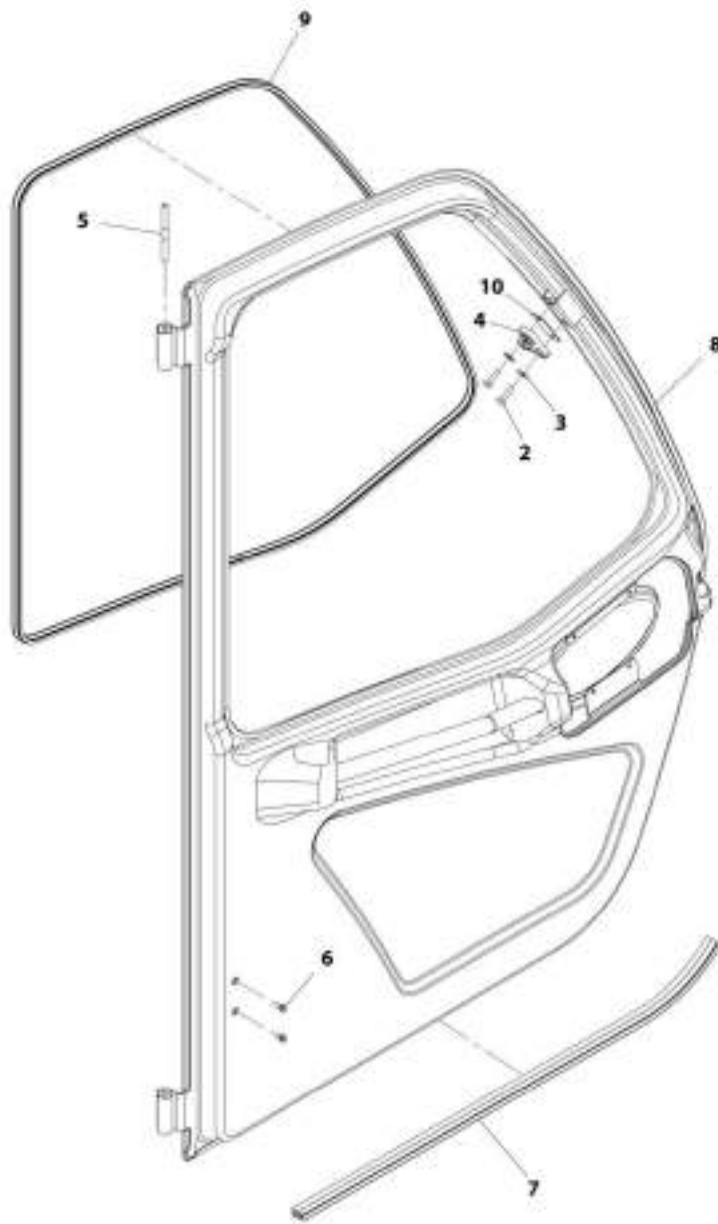
ART\_1001107958-E

**FIGURE 6-22. CAB DOOR TRIGGER ASSEMBLY**

<b>ITEM</b>	<b>PART NUMBER</b>	<b>QTY</b>	<b>DESCRIPTION</b>	<b>REV</b>
	1001167958	Ref	Cab Door Trigger Assembly	E
1	1001167937	1	Trigger, Cab Interior Release	
2	1001192644	1	Cable, Cab Latch Release	

# SECTION 6 - CAB

## FIGURE 6-23. DOOR ASSEMBLY



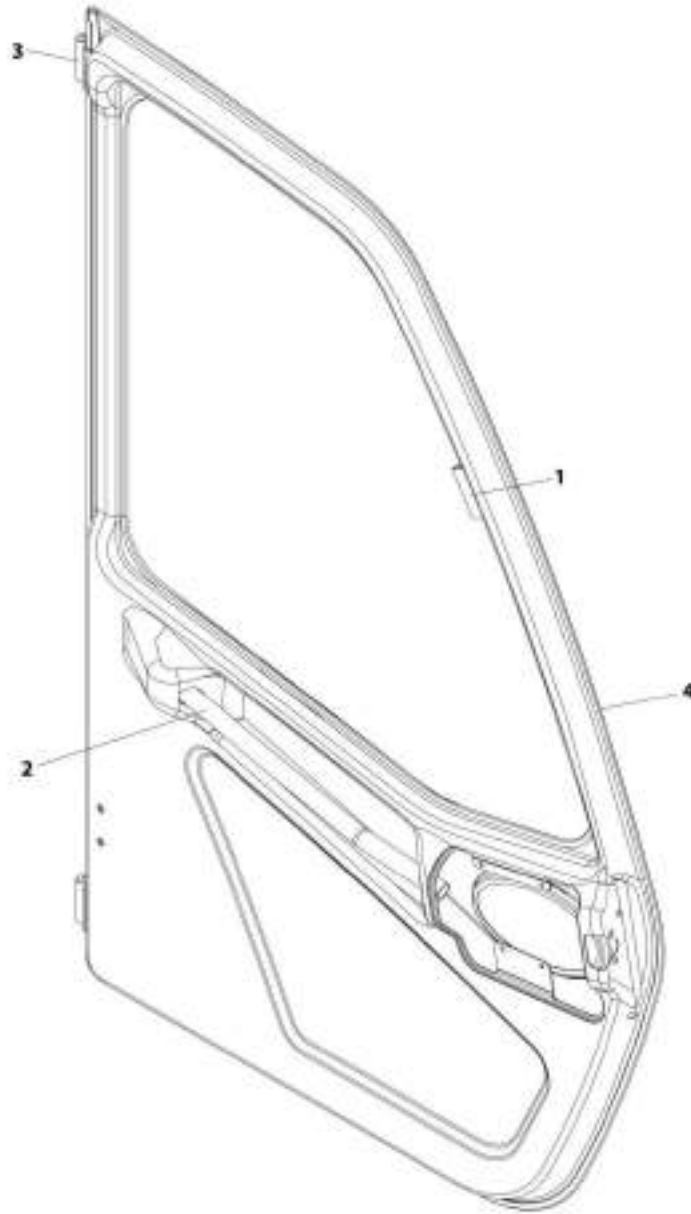
ART\_1001100001-J

FIGURE 6-23. DOOR ASSEMBLY

ITEM	PART NUMBER	QTY	DESCRIPTION	REV
	1001169881	Ref	Door Assembly	J
2	4010612002	2	Screw, Posi-Drive, M6X25	
3	4811702001	2	Washer, M6	
4	1001165276	1	Plate, Window Latch Striker	
5	1001166634	1	Pin, Hinge	
6	1001172193	2	Rivnut, M5X0.8	
7	1001227188	1	Seal, Cab Door	
8	1001165022J	1	Door, Cab (See Separate Breakdown in this Section)	
9	1001227187	1	Seal, Cab Door Window	
10	1001193210	AR	Shim, Window Latch	

SECTION 6 - CAB

FIGURE 6-24. CAB DOOR



ART\_1001165022-E

FIGURE 6-24. CAB DOOR

ITEM	PART NUMBER	QTY	DESCRIPTION	REV
	1001165022	Ref	Cab Door	E
1	1001169883	1	Bracket, Window Latch	
2	1001169885	1	Handle, Interior Door	
3	1001171037	1	Plate, Hinge	
4	1001171634	1	Frame, Door	

# SECTION 6 - CAB

## FIGURE 6-25. DOOR STRAP INSTALLATION

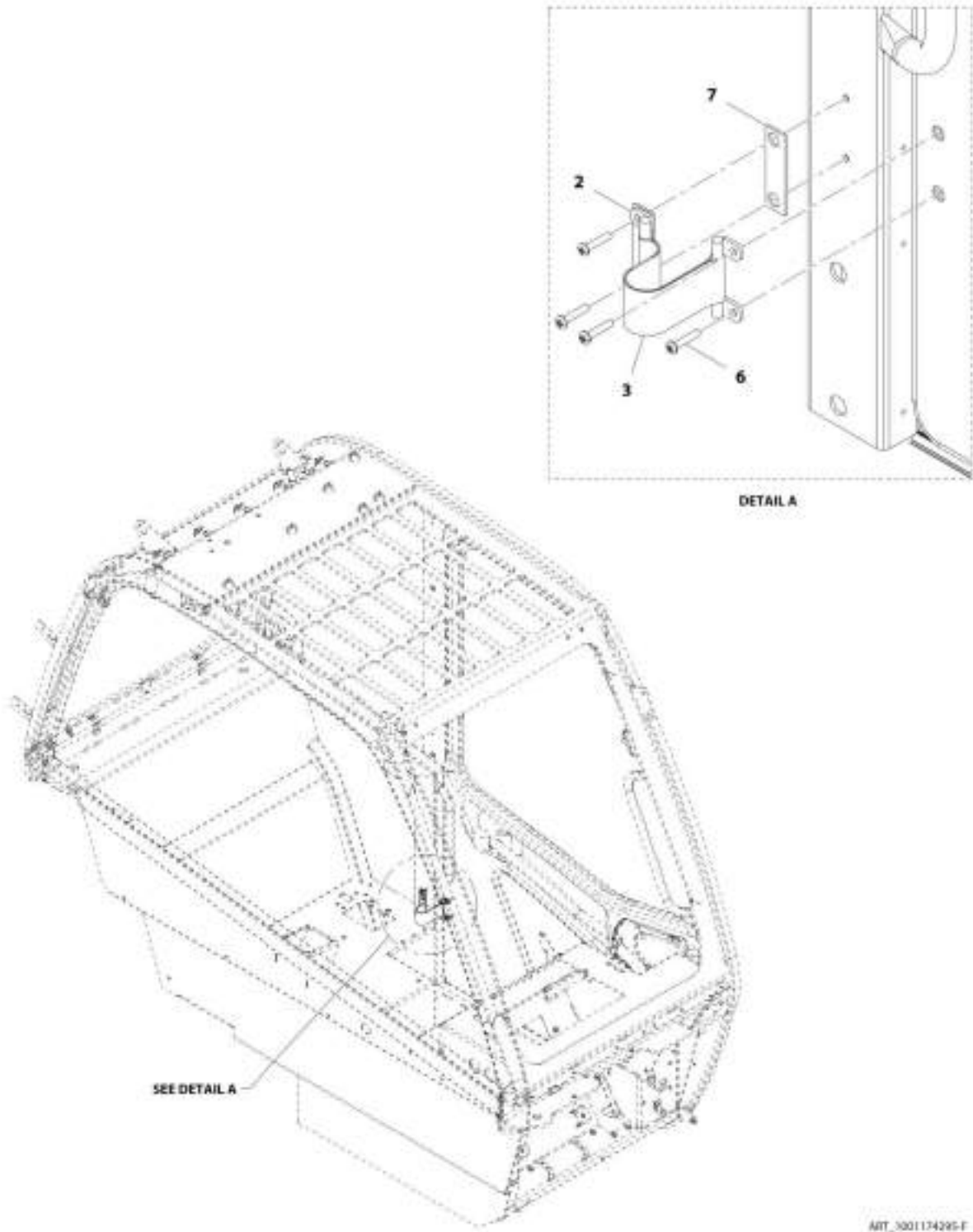


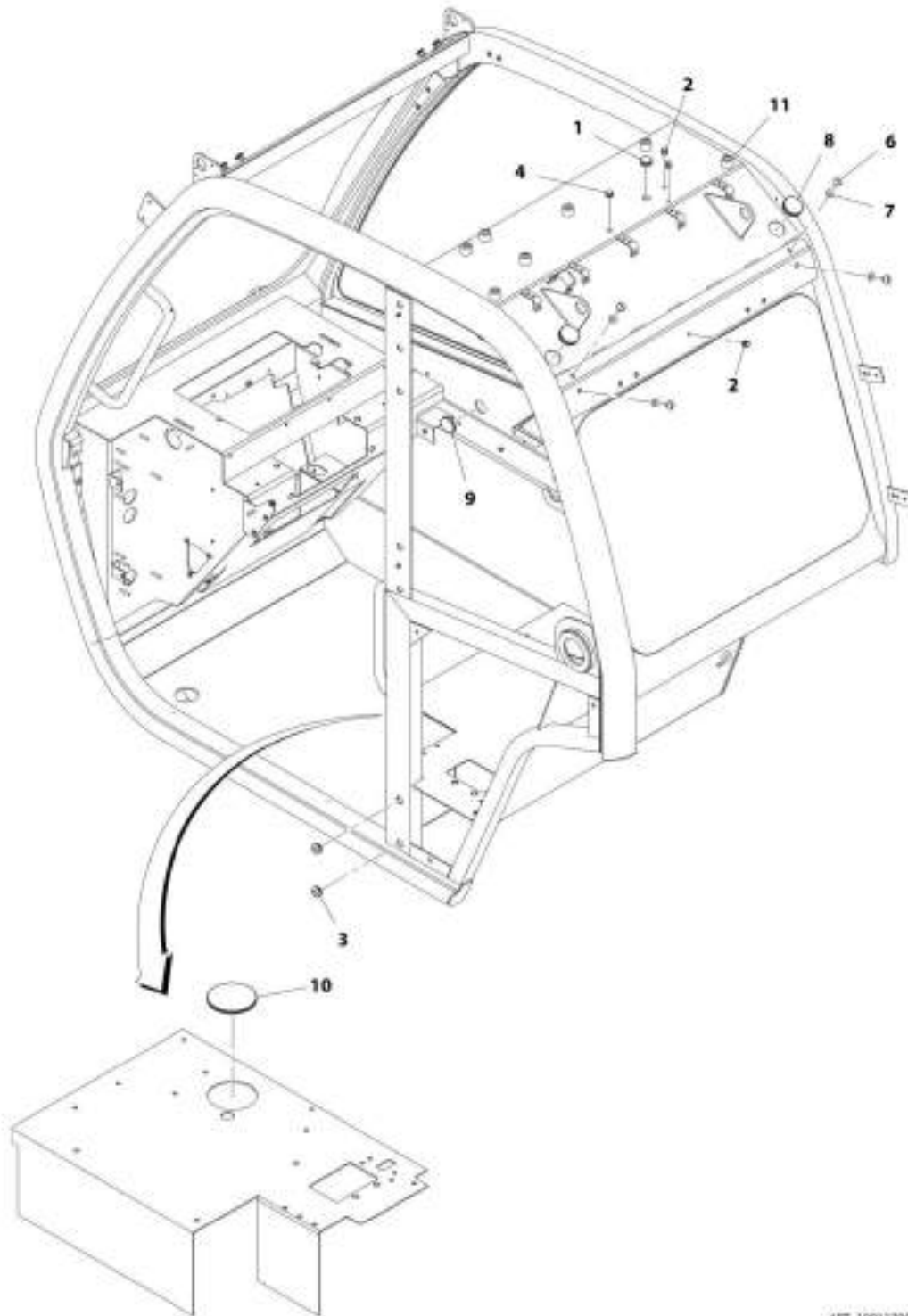


FIGURE 6-25. DOOR STRAP INSTALLATION

ITEM	PART NUMBER	QTY	DESCRIPTION	REV
	1001174295	Ref	Door Strap Installation	F
2	1001230163	2	Bracket, Strap Holder	
3	1001212011	1	Strap, Door Hold Open	
6	8310559	4	Screw	
7	1001191091	1	Plate, Cab Door Strap	

# SECTION 6 - CAB

## FIGURE 6-26. ENCLOSED CAB PLUG GROUP



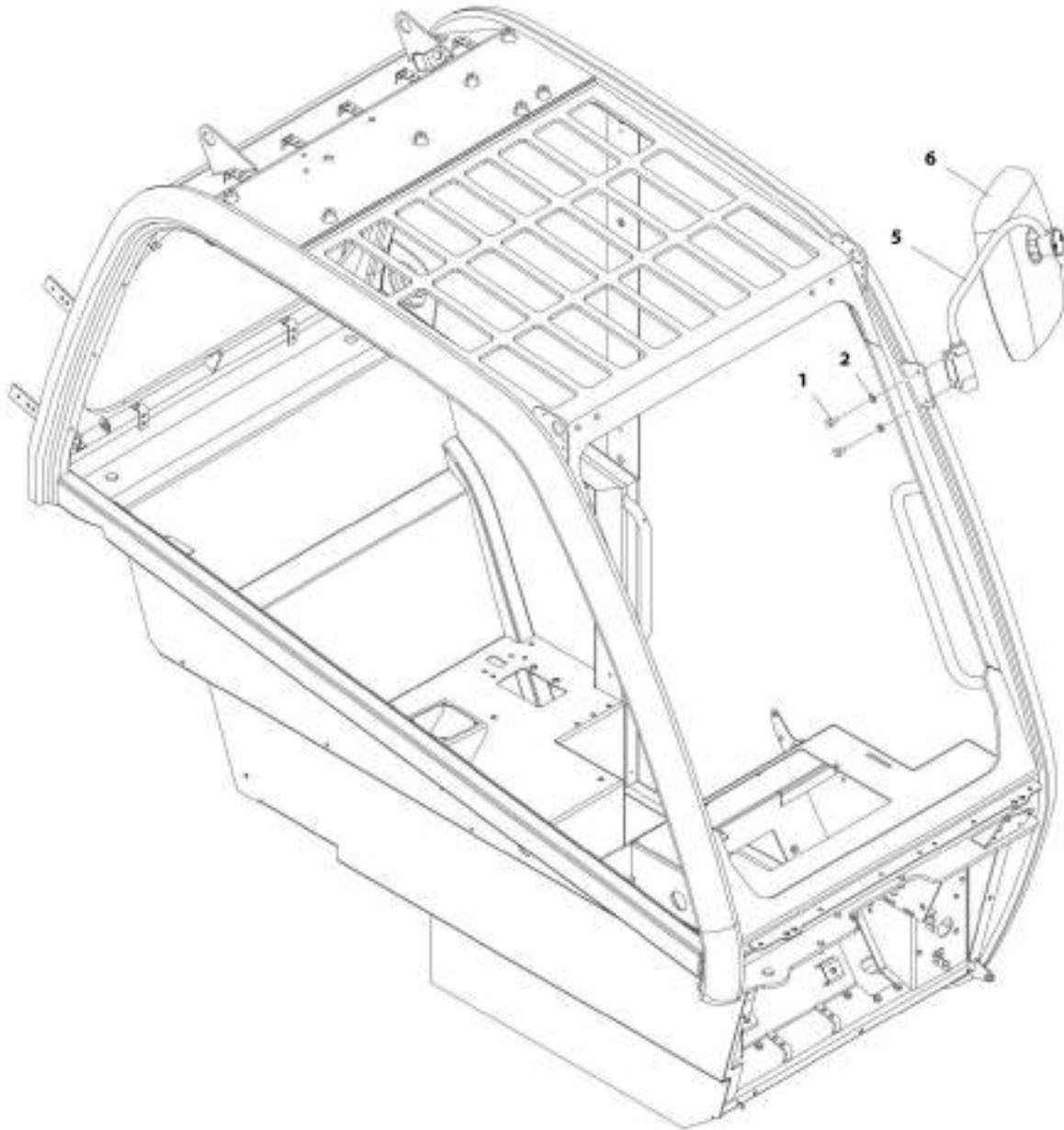
ARJ\_1001170603-E

FIGURE 6-26. ENCLOSED CAB PLUG GROUP

ITEM	PART NUMBER	QTY	DESCRIPTION	REV
	1001170603	Ref	Enclosed Cab Plug Group	E
1	1001176273	1	Plug	
2	1001176272	3	Plug	
3	1001143200	2	Plug	
4	1001176626	1	Plug	
6	1001181920	8	Screw, M8X16	
7	1001181921	8	Washer, Rubber M8	
8	1001182123	2	Plug	
9	1001182139	1	Plug	
10	1001209899	1	Plug	
11	1001219220	7	Cap, Vinyl Round	

# SECTION 6 - CAB

## FIGURE 6-27. BASIC MIRROR INSTALLATION



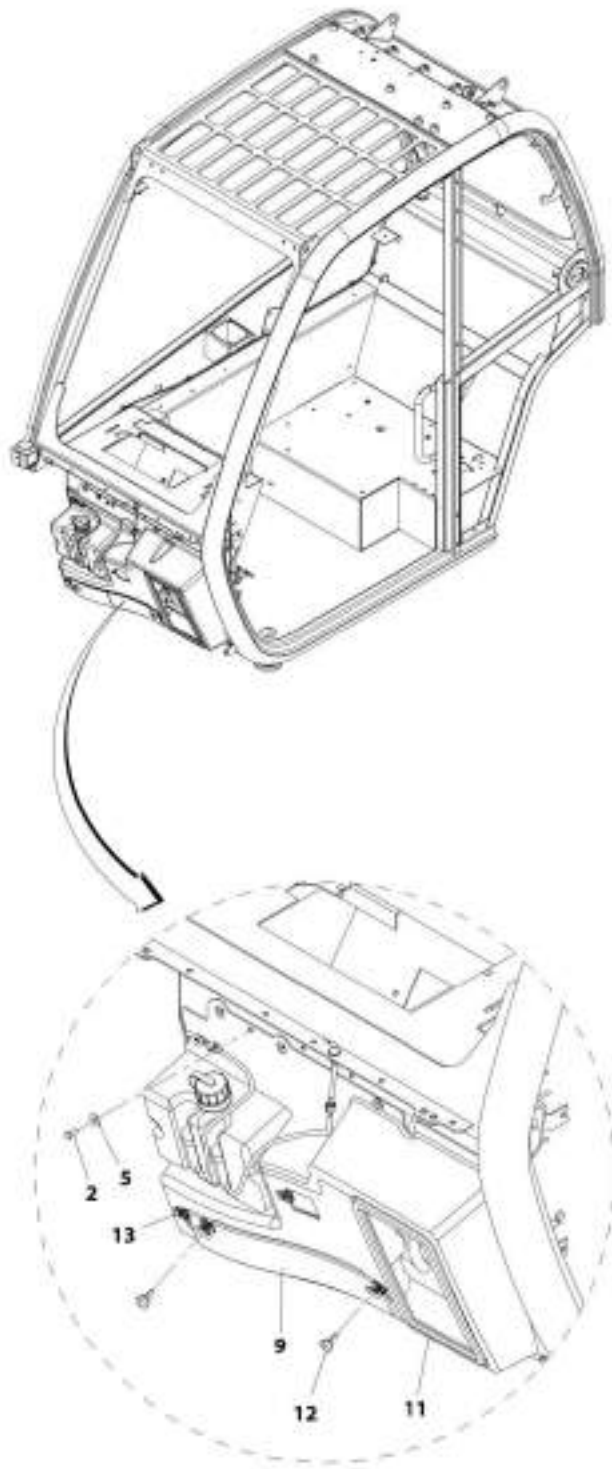
AWT\_1001166509 E

FIGURE 6-27. BASIC MIRROR INSTALLATION

ITEM	PART NUMBER	QTY	DESCRIPTION	REV
	1001160508	Ref	Basic Mirror Installation	E
1	0760808	2	Bolt, M8X16	
2	4811900	2	Washer, M8	
5	1001164655	1	Bracket	
6	80363195	1	Mirror	

# SECTION 6 - CAB

## FIGURE 6-28. FRONT COVER INSTALLATION



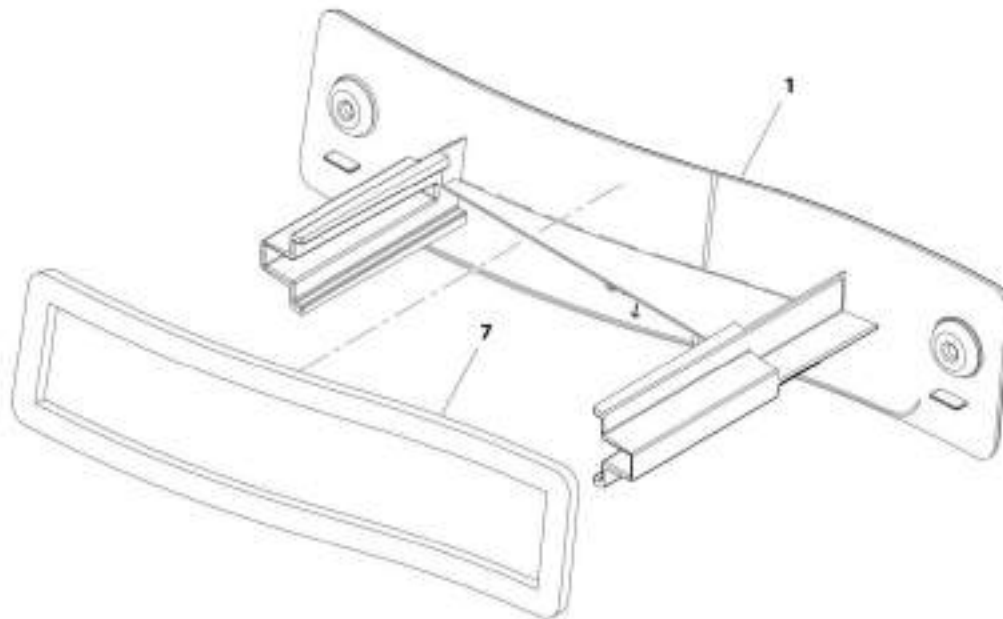
ART\_100170M6-G

FIGURE 6-28. FRONT COVER INSTALLATION

ITEM	PART NUMBER	QTY	DESCRIPTION	REV
	1001170366	Ref	Front Cover Installation	G
2	0760608	7	Bolt, M6X16	
5	4811702	7	Washer, M6	
9	1001175471	1	Panel, Filter Tray (See Separate Breakdown in this Section)	
11	1001176121	1	Cover, Front Duct (See Separate Breakdown in this Section)	
12	2080092	2	Thumb Screw, M6X16	
13	8305919	4	Nut, M6	

# SECTION 6 - CAB

## FIGURE 6-29. FILTER TRAY PANEL



AWT\_1001175471-D

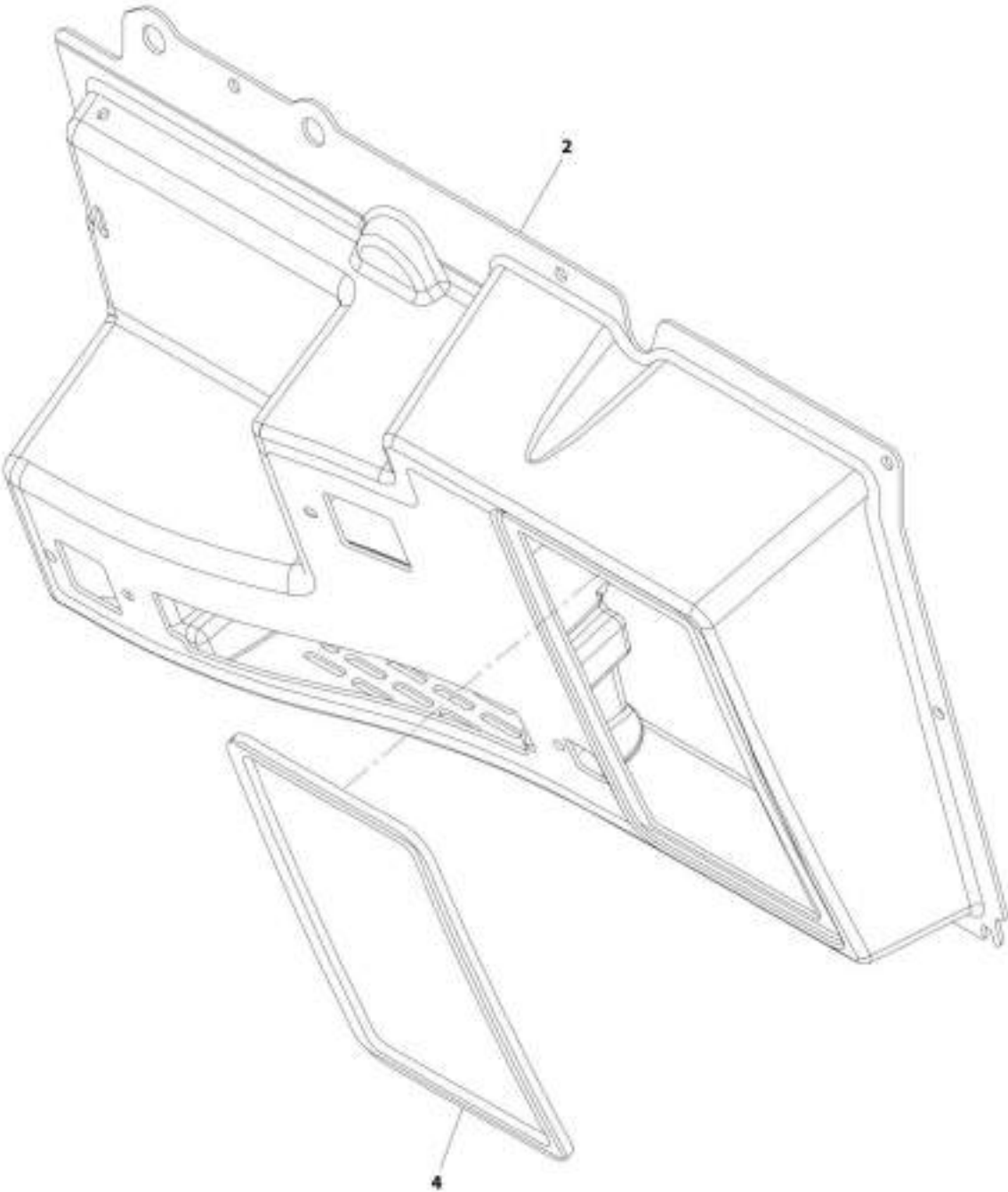


**FIGURE 6-29. FILTER TRAY PANEL**

<b>ITEM</b>	<b>PART NUMBER</b>	<b>QTY</b>	<b>DESCRIPTION</b>	<b>REV</b>
	1001175471	Ref	Filter Tray Panel	D
1	1001170993	1	Panel, Front Inlet	
7	1001171767	1	Cab, Front Panel Seal	

**SECTION 6 - CAB**

**FIGURE 6-30. FRONT DUCT COVER**



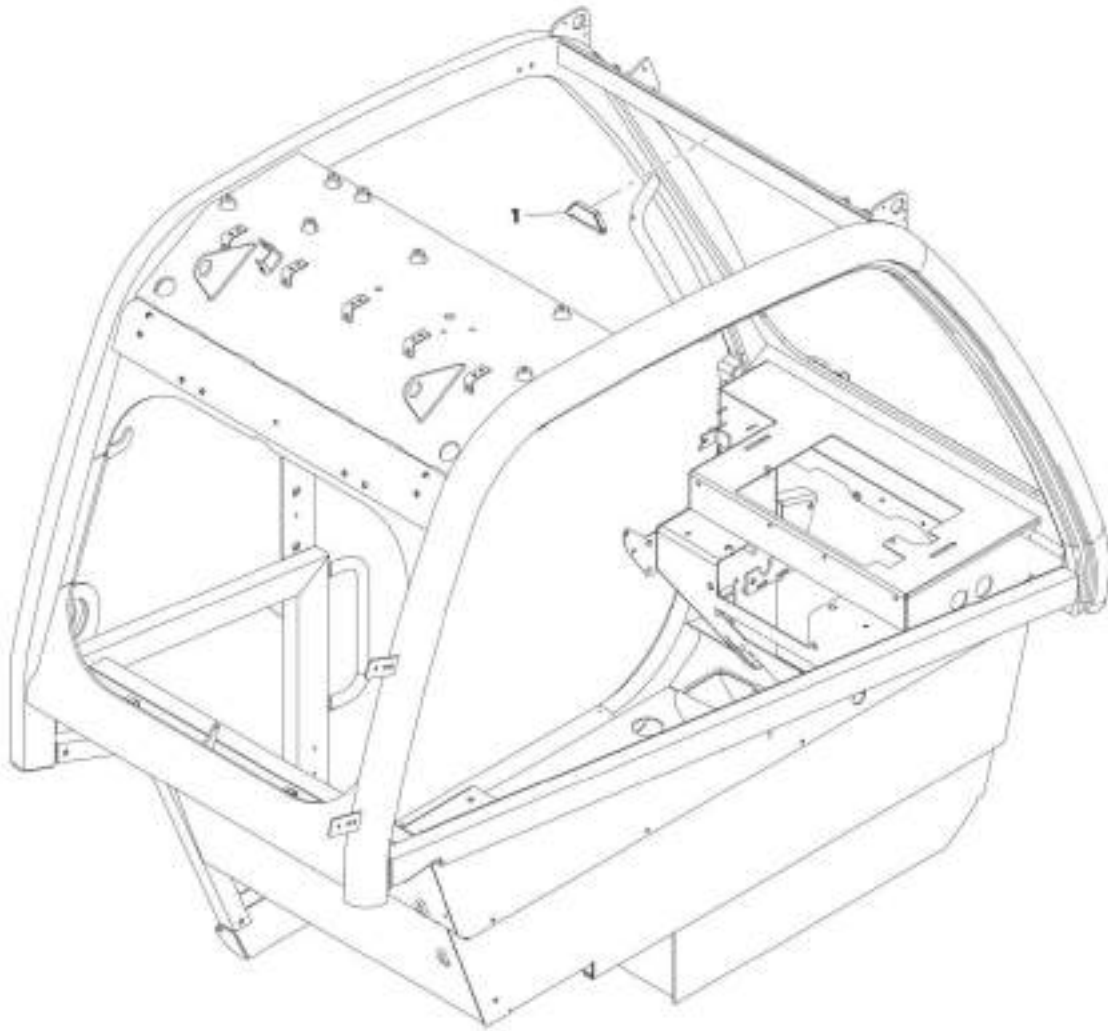
ART\_1001176121-G

**FIGURE 6-30. FRONT DUCT COVER**

<b>ITEM</b>	<b>PART NUMBER</b>	<b>QTY</b>	<b>DESCRIPTION</b>	<b>REV</b>
	1001176121	Ref	Font Duct Cover	G
2	1001170326	1	Cover, Front	
4	1001175470	1	Seal, Front Cab Panel	

## SECTION 6 - CAB

FIGURE 6-31. LEVEL INDICATOR INSTALLATION



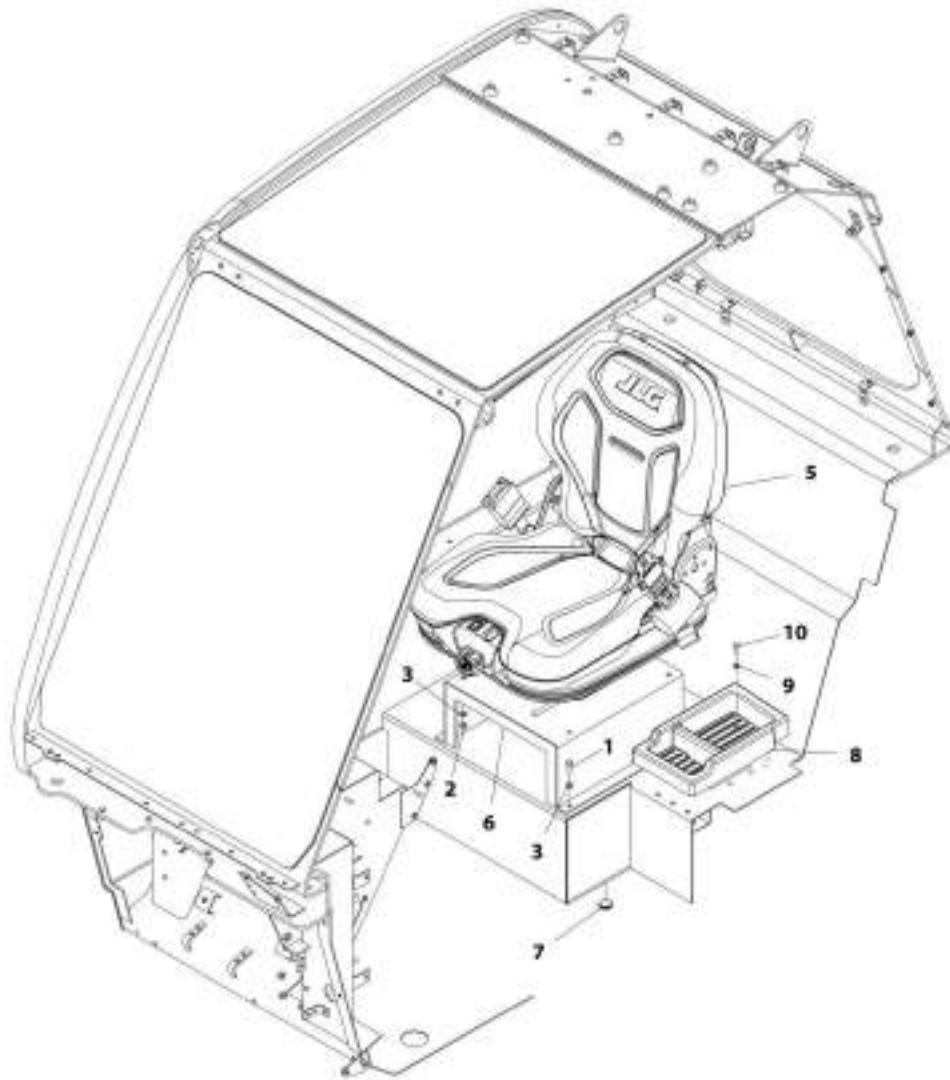
ART\_100172401-C

**FIGURE 6-31. LEVEL INDICATOR INSTALLATION**

ITEM	PART NUMBER	QTY	DESCRIPTION	REV
1	1001172401 8466306	Ref 1	Level Indicator Installation Gauge, Tilt Angle	C

# SECTION 6 - CAB

## FIGURE 6-32. SEAT INSTALLATION



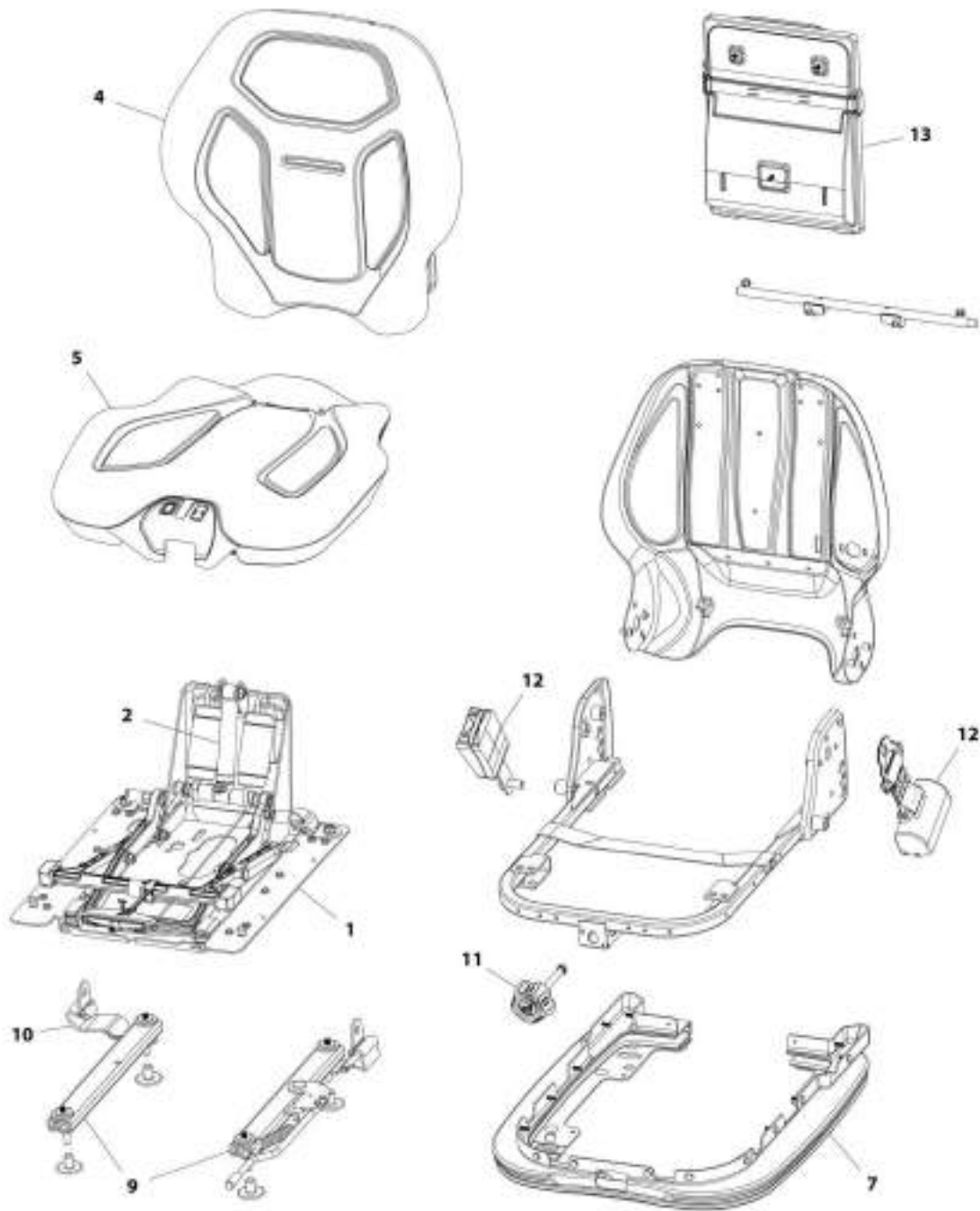
ART\_100116615-G

FIGURE 6-32. SEAT INSTALLATION

ITEM	PART NUMBER	QTY	DESCRIPTION	REV
	1001164615	Ref	Seat Installation	G
1	0760810	4	Bolt, M8X20	
2	3311505	4	Nut, Lock 5/16-18	
3	4811900	8	Washer, M8	
5	1001197027	1	Seat (See Separate Breakdown in this Section)	
6	1001164498	1	Plinth, Seat	
7	1001196076	1	Plug	
8	1001170515	1	Insert, Storage Tray	
9	4811700	1	Washer, M6	
10	4010608002	1	Screw, Posi-Drive, M6X16	

# SECTION 6 - CAB

## FIGURE 6-33. SEAT



ART\_1000107007-D

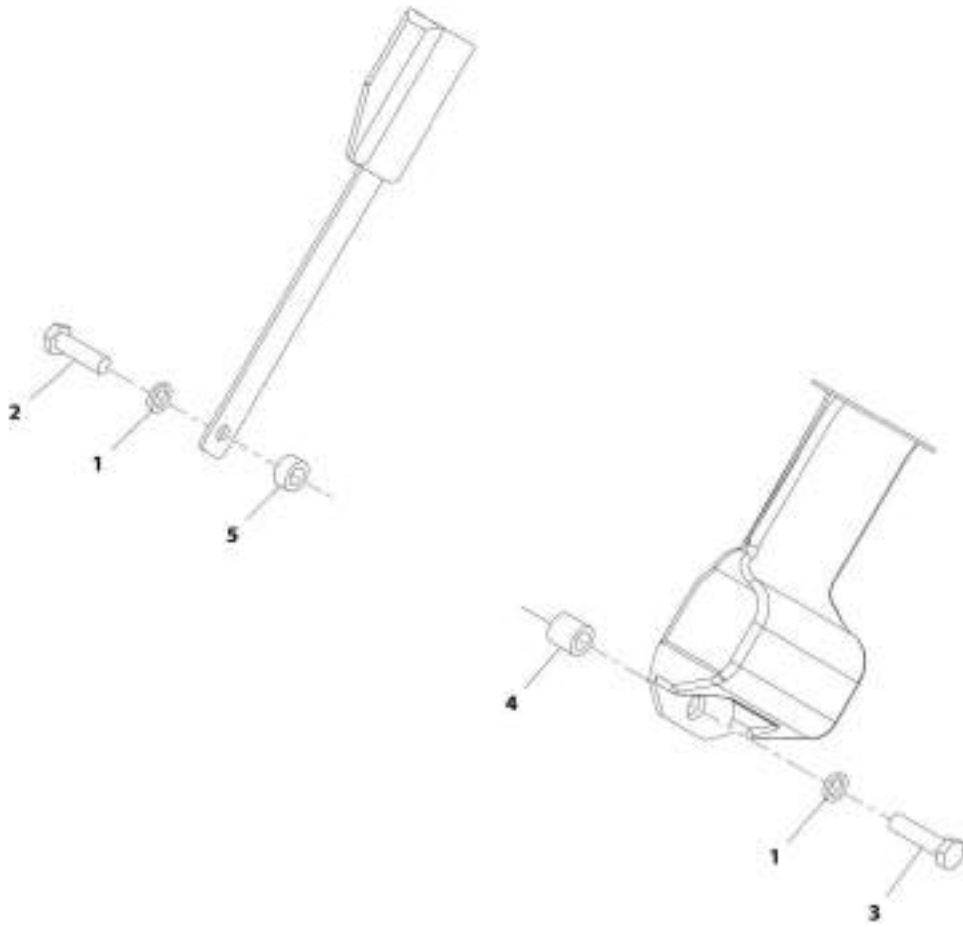


FIGURE 6-33. SEAT

ITEM	PART NUMBER	QTY	DESCRIPTION	REV
	1001197027	Ref	Seat	D
1	70027024	1	Suspension Assembly Kit	
2	70027025	1	Spring Saddle Assembly Kit	
4	70027026	1	Back Cushion Kit	
5	70027028	1	Seat Cushion Assembly Kit	
7	70027030	1	Boot Kit	
9	7026798	1	Adjuster Kit	
10	70027032	1	Tether Strap	
11	70027033	1	Weight Adjust Knob Kit	
12	70027034	2	Seat Belt Kit	
13	70027035	1	Document Box Kit	

# SECTION 6 - CAB

## FIGURE 6-34. SEAT BELT INSTALLATION (3IN)



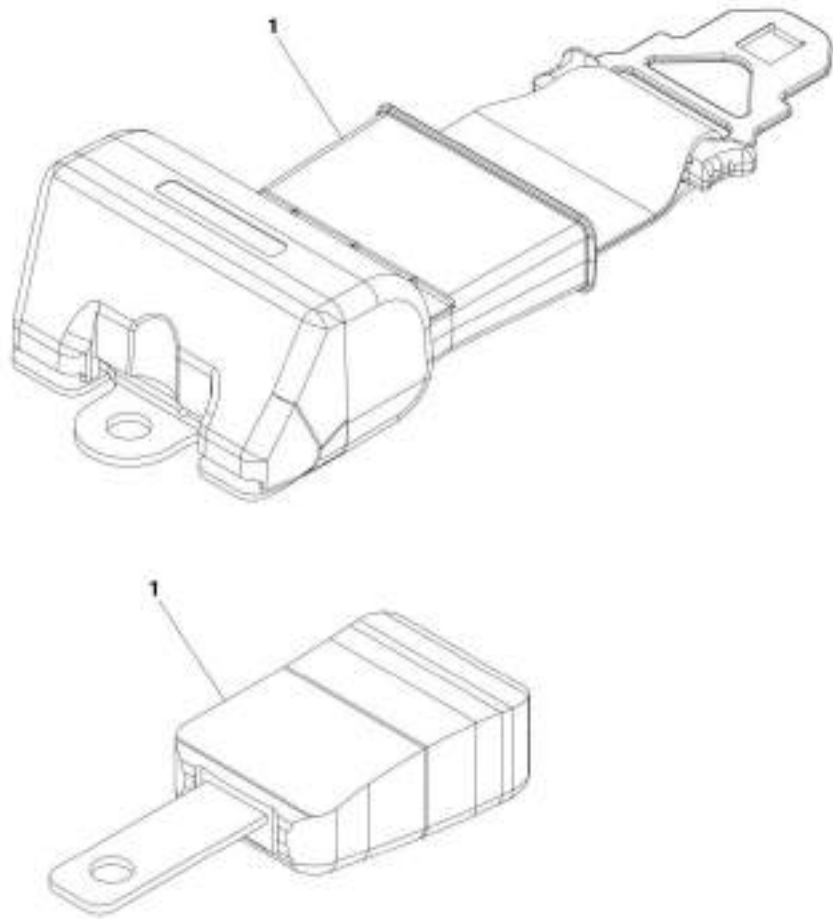
ARC\_1001006731-0

**FIGURE 6-34. SEAT BELT INSTALLATION (3IN)**

<b>ITEM</b>	<b>PART NUMBER</b>	<b>QTY</b>	<b>DESCRIPTION</b>	<b>REV</b>
	1001006731	Ref	Seat Belt Installation (3IN)	B
1	1001010646	2	Washer	
2	1001010647	1	Bolt	
3	1001010648	1	Bolt	
4	1001010649	1	Spacer	
5	1001010650	1	Spacer	

**SECTION 6 - CAB**

**FIGURE 6-35. SEAT BELT INSTALLATION**



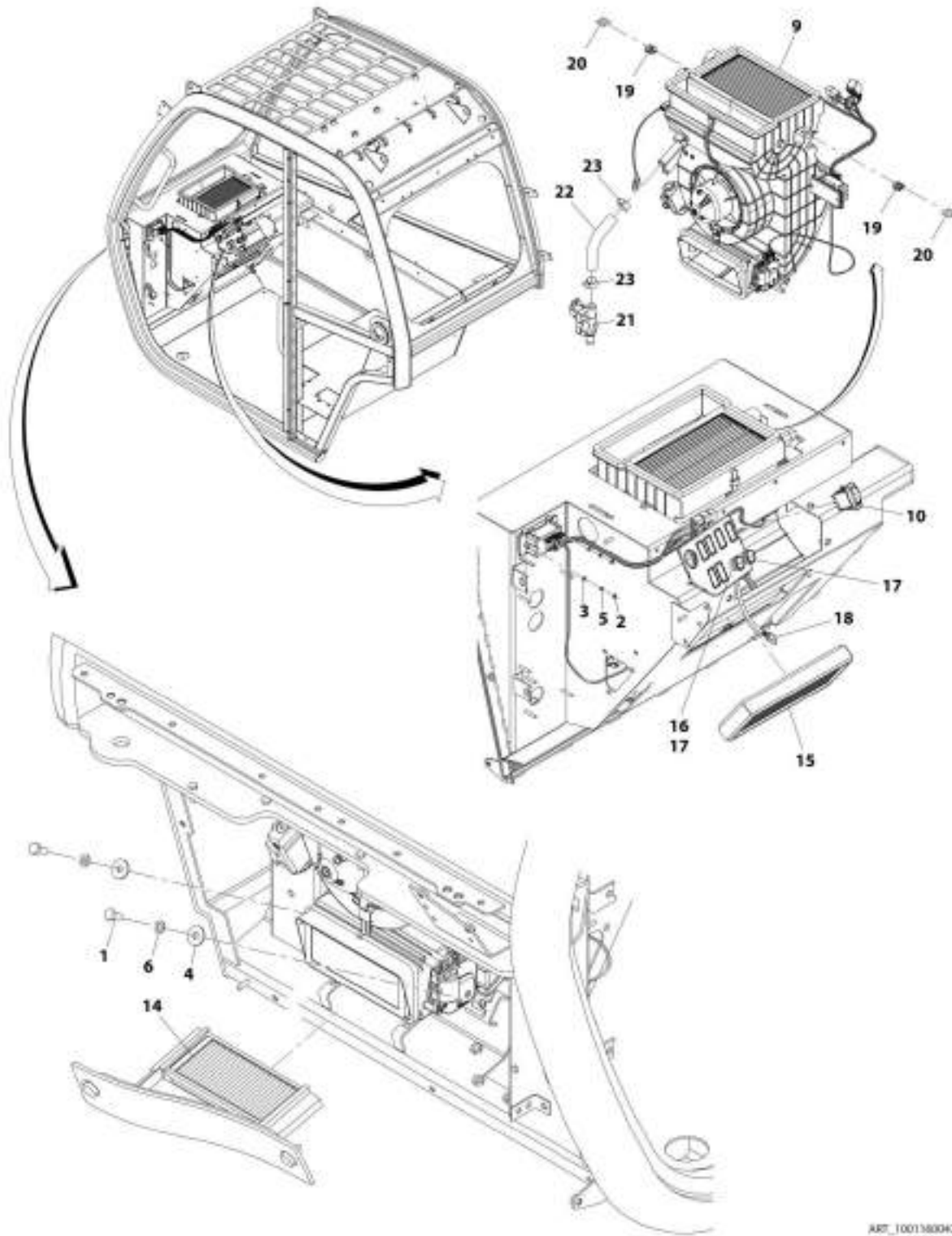
ART\_1001215718-B

**FIGURE 6-35. SEAT BELT INSTALLATION**

ITEM	PART NUMBER	QTY	DESCRIPTION	REV
1	1001215778	Ref	Seat Belt Installation (3 Inch)	B

# SECTION 6 - CAB

## FIGURE 6-36. HEATER INSTALLATION



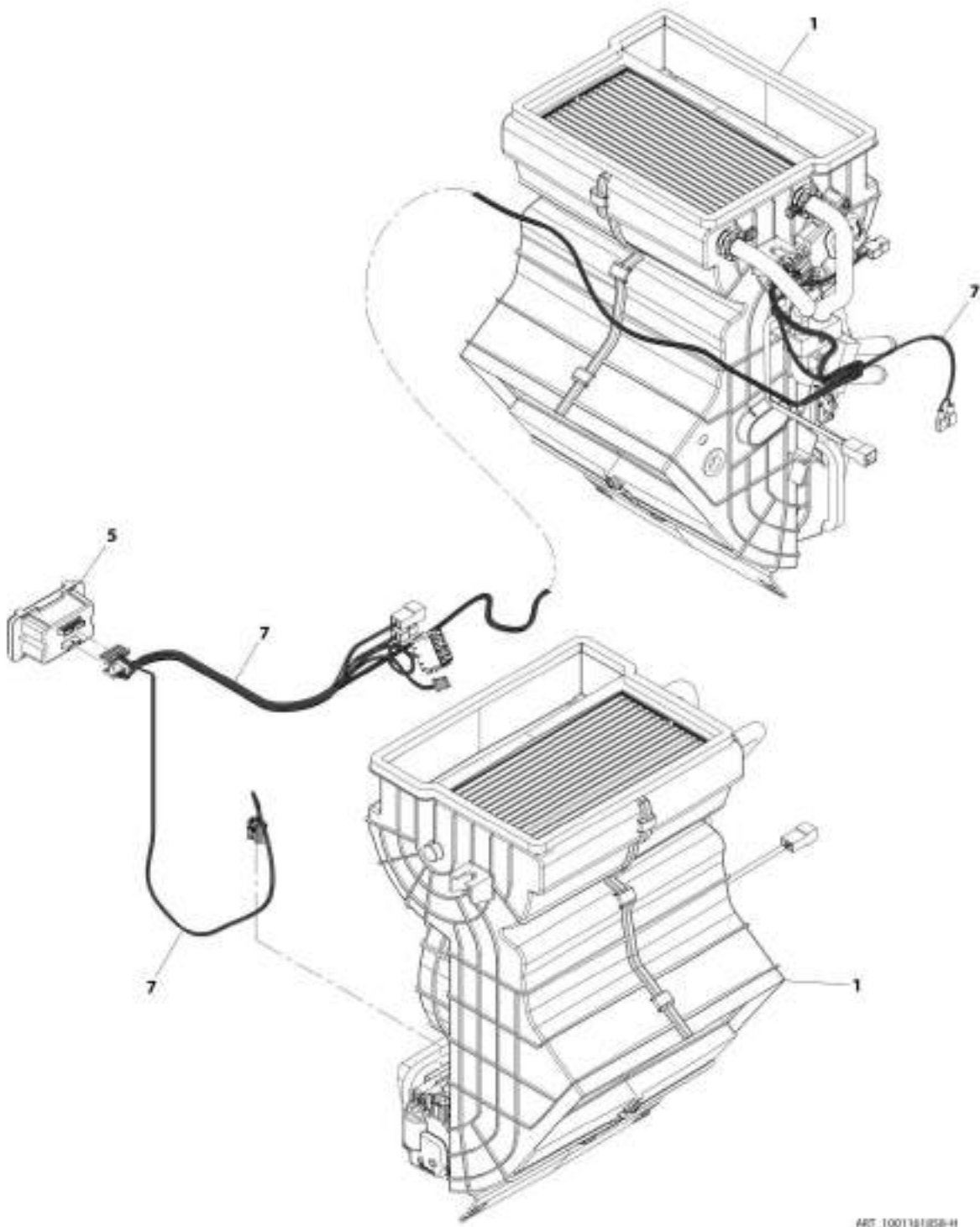
ART\_1001580043-E

FIGURE 6-36. HEATER INSTALLATION

ITEM	PART NUMBER	QTY	DESCRIPTION	REV
	1001160043	Ref	Heater Installation	K
1	0760810	2	Bolt, M8X20	
2	3290401	2	Nut, M4X0.7	
3	4811400	2	Washer, M4	
4	4811902	2	Washer, M8	
5	4831400	2	Washer, Lock M4	
6	4831900	2	Washer, M8	
9	1001161858	1	Assembly, Heater (See Separate Breakdown in this Section)	
10	1001159925	1	Switch, HVAC Recycle	
14	1001218996	1	Filter, HVAC Air	
15	1001172553	1	Filter, HVAC Recirculation Air	
16	1001172547	1	Switch, HVAC Rotary 3 Speed	
17	1001172550	2	Knob, HVAC Control	
18	1001218529	1	Cable, HVAC	
19	1001188590	2	Grommet	
20	1001218542	2	Shim	
21	1001221059	1	Valve, Water	
22	1001221295	1	House	
23	8410009	2	Clamp	

# SECTION 6 - CAB

## FIGURE 6-37. HEATER ASSEMBLY



ART\_1001181858-H

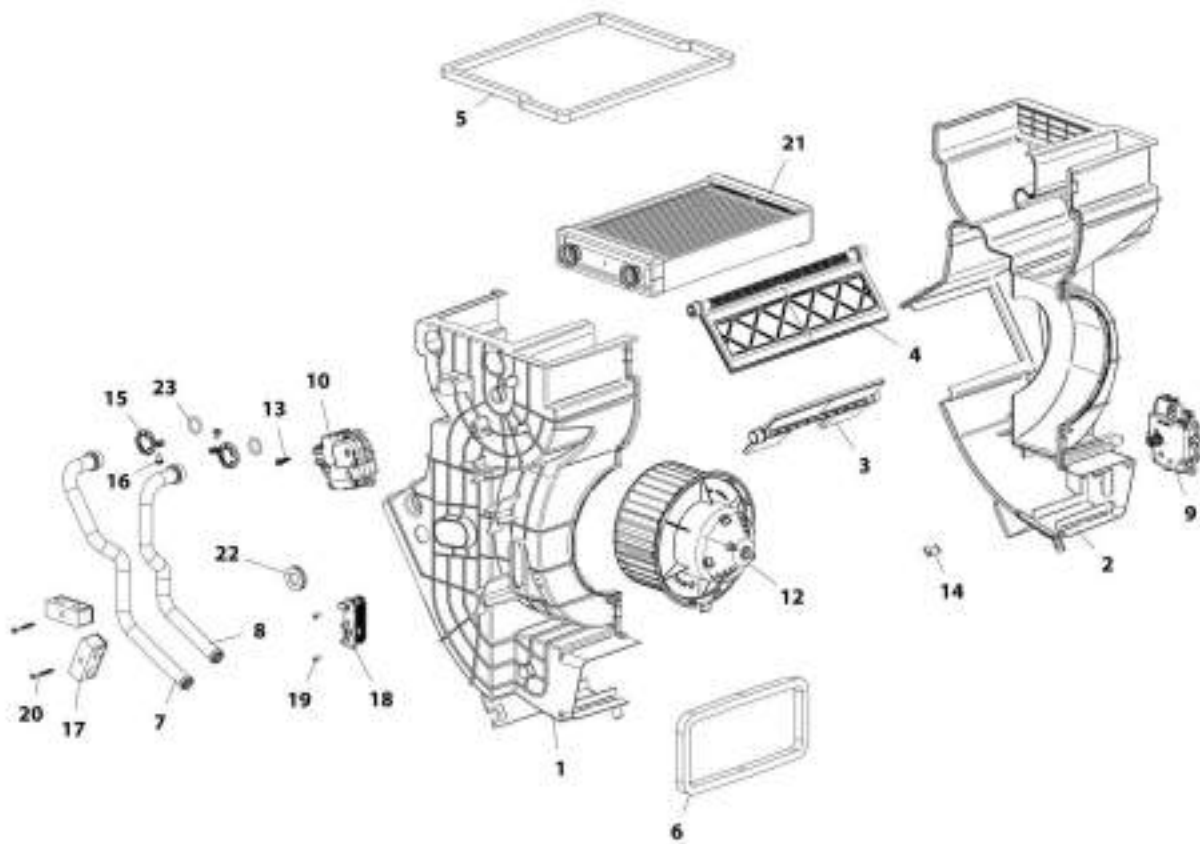


FIGURE 6-37. HEATER ASSEMBLY

ITEM	PART NUMBER	QTY	DESCRIPTION	REV
1	1001161858	Ref	Heater Assembly	H
	1001152908	NLA	Heater, Cab (no longer available, use 1001221052), (For Service, See Separate Breakdown in this Section)	
5	1001221052	1	Heater, Cab (See Separate Breakdown in this Section)	
5	1001172551	1	Actuator, HVAC Cab (See Separate Breakdown in this Section)	
7	1001173571	1	Harness, HVAC Actuator	
7	1001221056	1	Harness, HVAC Actuator	

# SECTION 6 - CAB

## FIGURE 6-38. HEATER



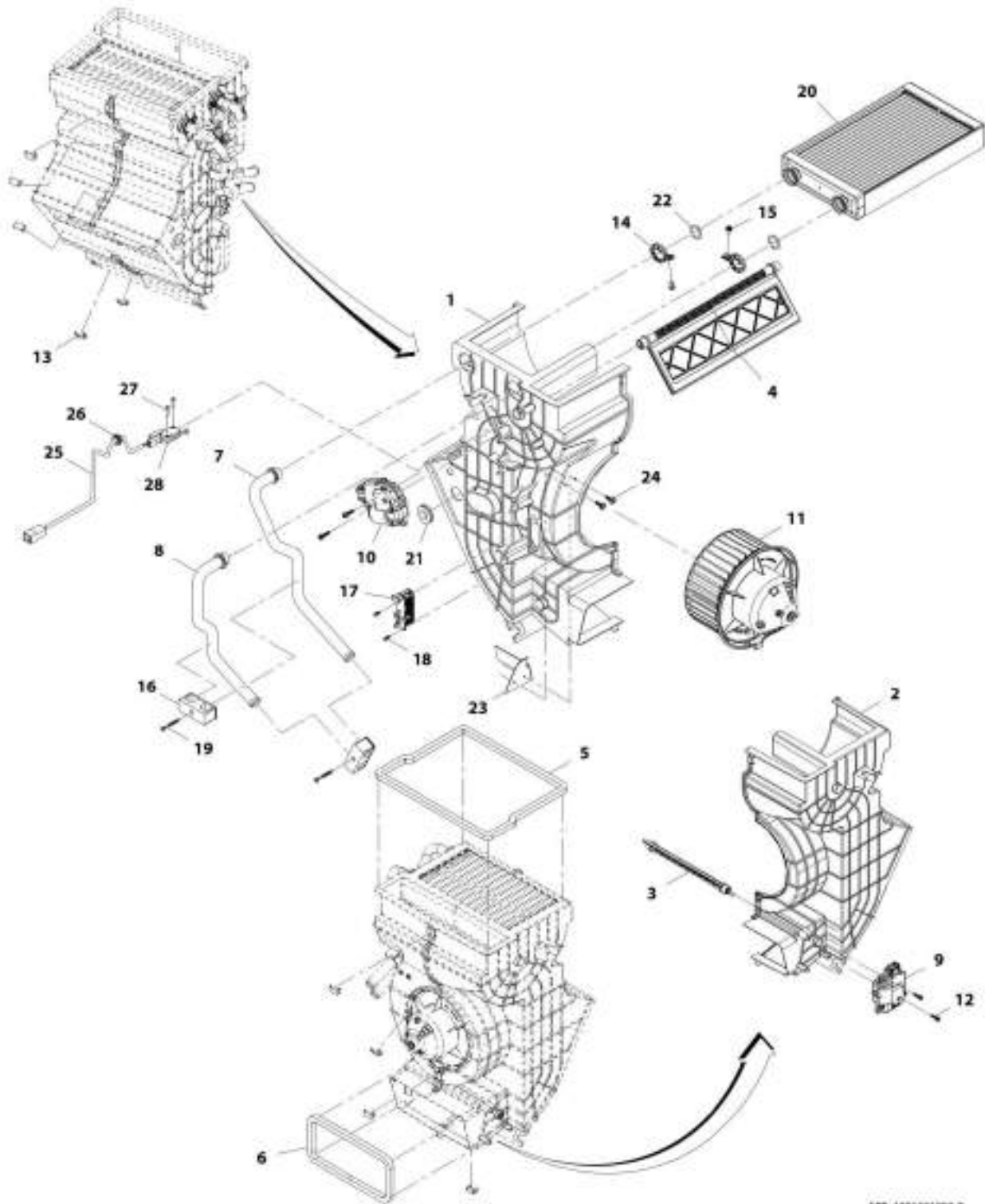
ART. 1001152008-E

FIGURE 6-38. HEATER

ITEM	PART NUMBER	QTY	DESCRIPTION	REV
	1001152908	NLA	Heater (no longer available, see items 1 through 23 for service or use 1001221052 for replacement)	E
1	1001166091	1	Housing, RH	
2	1001166092	1	Housing, LH	
3	1001184275	1	Flap, Recirculation with Foam	
4	1001184278	1	Flap, Mixing with Foam	
5	1001184294	1	Foam, Air Outlet	
6	1001184295	1	Foam, Air Inlet	
7	1001184296	1	Pipe, Water	
8	1001184297	1	Pipe, Water	
9	1001188577	1	Actuator, Fresh/Recirculation Air	
10	1001188578	1	Actuator, Hot/Cold	
12	1001188594	1	Fan, 12V	
13	1001188602	4	Screw	
14	1001188603	9	Clamp	
15	1001188604	2	Clamp	
16	1001188610	2	Screw	
17	1001188612	2	Clamp	
18	1001188614	1	Resistor	
19	1001188720	2	Screw	
20	1001188725	2	Screw	
21	1001188729	1	Radiator, Heater Core	
22	1001188733	1	Grommet	
23	1001189025	2	O-Ring	

# SECTION 6 - CAB

## FIGURE 6-39. HEATER



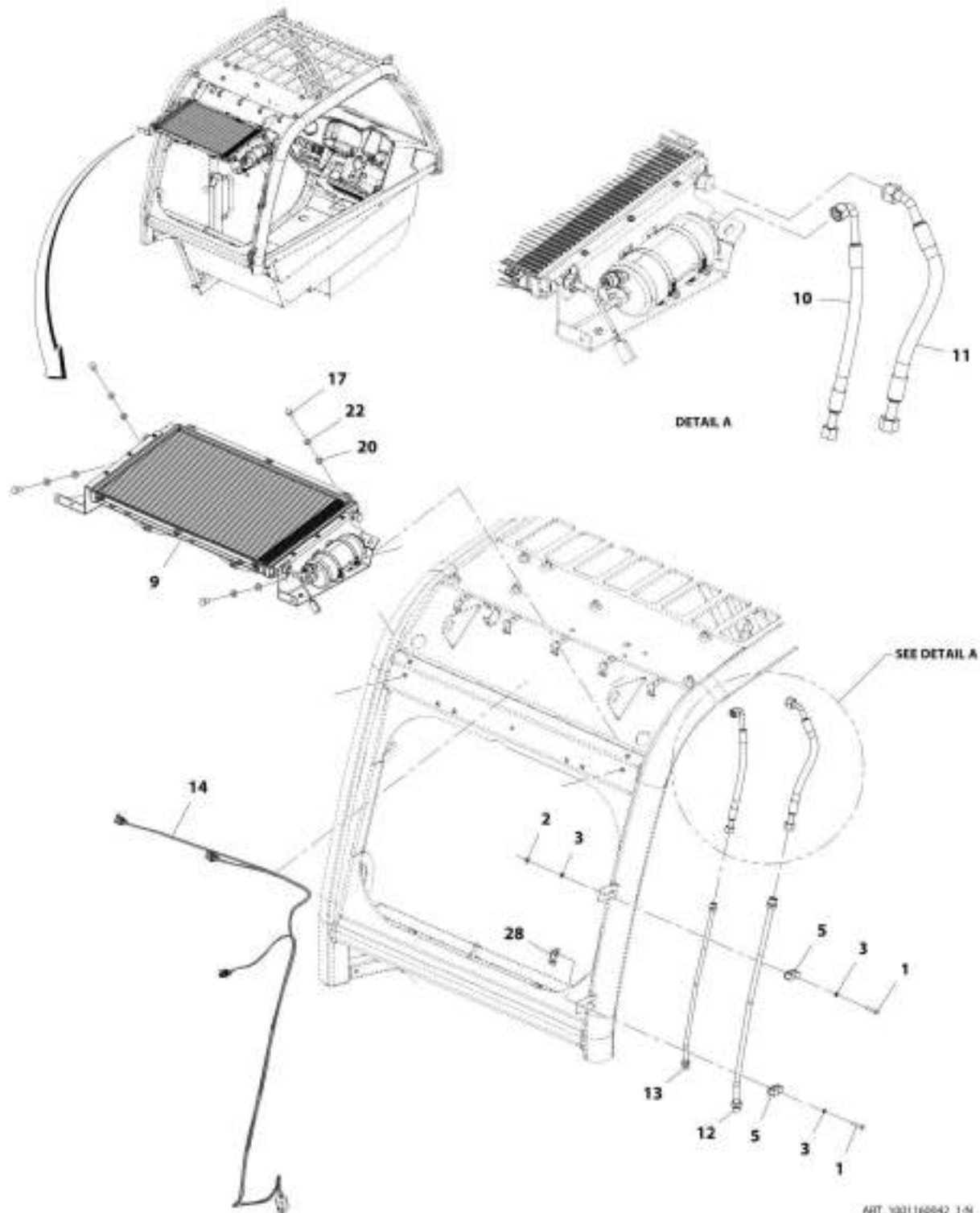
ART\_1001221053-8

FIGURE 6-39. HEATER

ITEM	PART NUMBER	QTY	DESCRIPTION	REV
	1001221052	Ref	Heater	B
1	1001166091	1	Housing, RH	
2	1001166092	1	Housing, LH	
3	1001184275	1	Flap, Recirculation with Foam	
4	1001184278	1	Flap, Mixing with Foam	
5	1001184294	1	Foam, Air Outlet	
6	1001184295	1	Foam, Air Inlet	
7	1001184296	1	Pipe, Water	
8	1001184297	1	Pipe, Water	
9	1001188577	1	Actuator, Fresh/Recirculation Air	
10	1001188578	1	Actuator, Hot/Cold	
11	1001188594	1	Fan, 12V	
12	1001188602	4	Screw	
13	1001188603	9	Clamp	
14	1001188604	2	Clamp	
15	1001188610	2	Screw	
16	1001188612	2	Clamp	
17	1001188614	1	Resistor	
18	1001188720	2	Screw	
19	1001188725	2	Screw	
20	1001188729	1	Radiator, Heater Core	
21	1001188733	1	Grommet	
22	1001189025	2	O-Ring	
23	1001221057	1	Plate	
24	1001221058	2	Screw	
25	1001228132	1	Harness, HVAC Sensor	
26	1001228140	1	Grommet	
27	1001228141	2	Screw	
28	1001228147	1	Valve, Water	

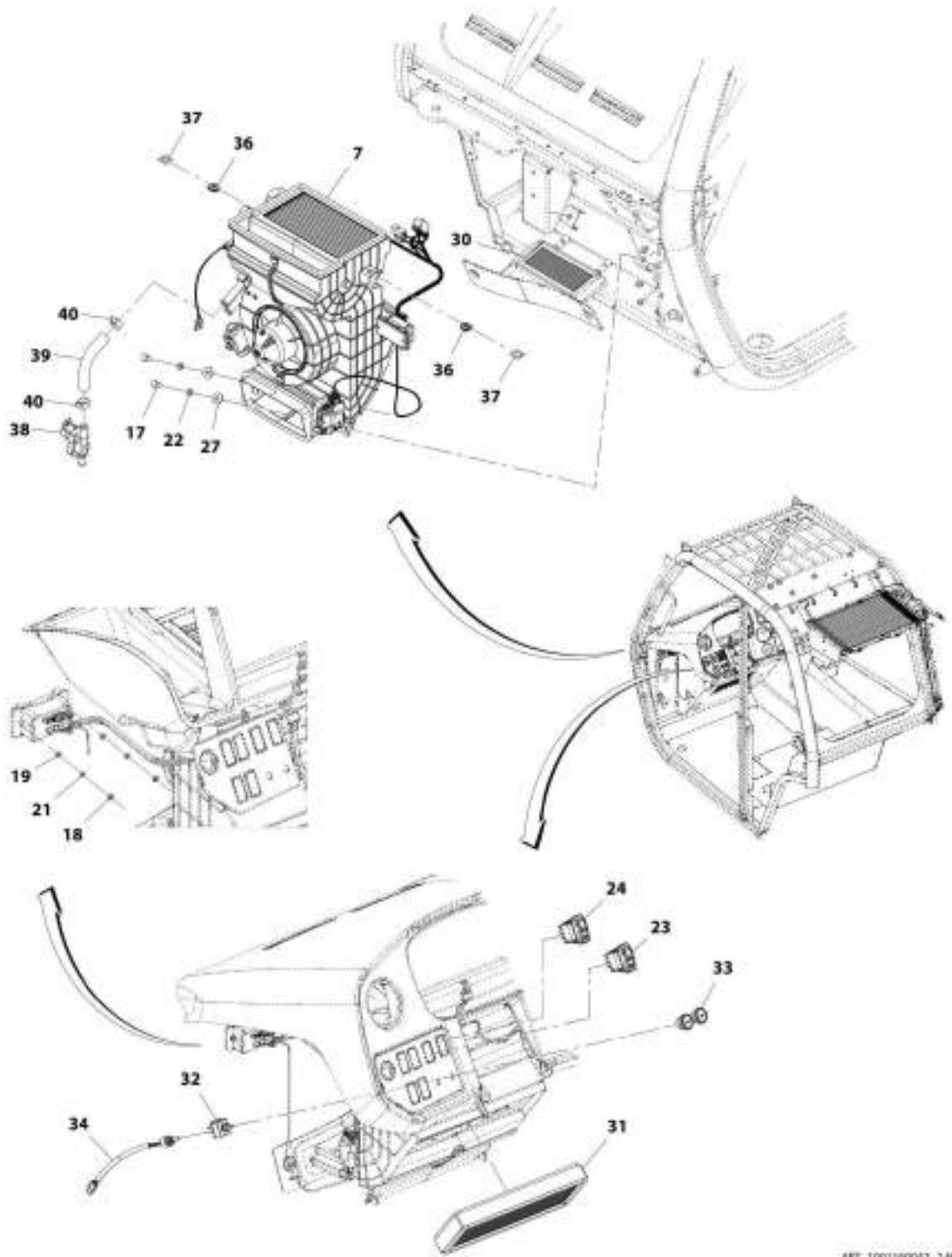
# SECTION 6 - CAB

## FIGURE 6-40. HEATER AND A/C INSTALLATION (CAB PARTS)



ART\_3031160942\_1-N

# SECTION 6 - CAB



ART\_100190042\_2-R

## SECTION 6 - CAB

**FIGURE 6-40. HEATER AND A/C INSTALLATION (CAB PARTS)**

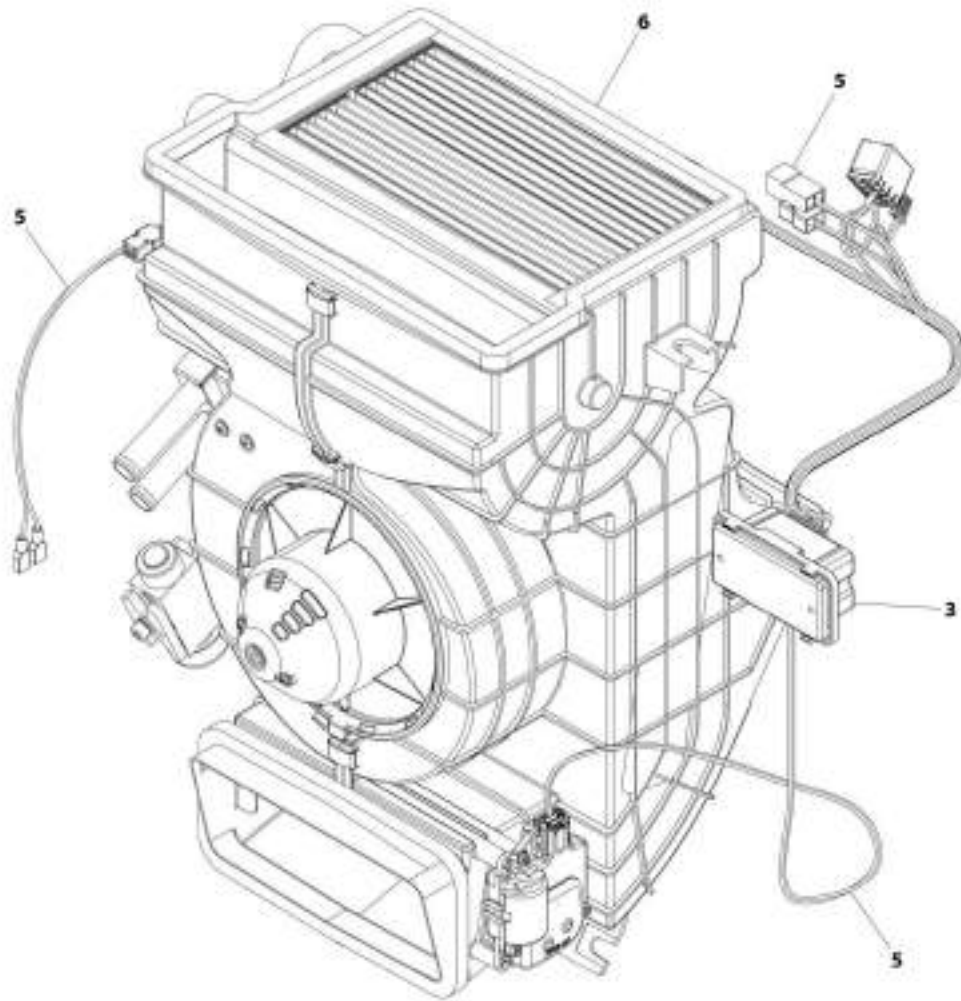
ITEM	PART NUMBER	QTY	DESCRIPTION	REV
	1001160042	Ref	Heater and A/C Installation (cab parts)	N
1	0700614	2	Bolt, M6X30	
2	3290601	1	Nut, M6X1	
3	4811700	3	Washer, M6	
5	1001145539	2	Support, Pipe	
7	1001188303	1	Assembly, Heater and A/C (See Separate Breakdown in this Section)	
9	1001162953	1	Assembly, Cab Condenser (See Separate Breakdown in this Section)	
10	1001168327	1	Hose	
11	1001168330	1	Hose	
12	1001168331	1	Tube	
13	1001168456	1	Tube	
14	1001169151	1	Harness, A/C Option (See Separate Breakdown in Electrical Section)	
17	0760810	6	Bolt, M8X20 GR8.8	
18	3290401	2	Nut, M4X0.7	
19	4811400	2	Washer, M4	
20	4811900	4	Washer, M8	
21	4831400	2	Washer, Lock M4	
22	4831900	6	Washer, Lock M8	
23	1001159925	1	Switch, HVAC Recycle	
24	1001160326	1	Switch, HVAC On/Off	
27	4811902	2	Washer, M8	
28	1001178170	1	Bracket	
30	1001218996	1	Filter, HVAC Fresh Air	
31	1001172553	1	Filter, HVAC Air Recirculation	
32	1001172547	1	Switch, HVAC Rotary 3 Speed	
33	1001172550	2	Knob, HVAC Control	
34	1001218529	1	Cable, HVAC	
35	1320022	1	Clamp	
36	1001188590	2	Grommet	
37	1001218542	2	Shim	
38	1001221059	1	Valve, Water	
39	1001221295	1	Hose	
40	8410009	2	Clamp	





# SECTION 6 - CAB

## FIGURE 6-41. HEATER AND A/C ASSEMBLY



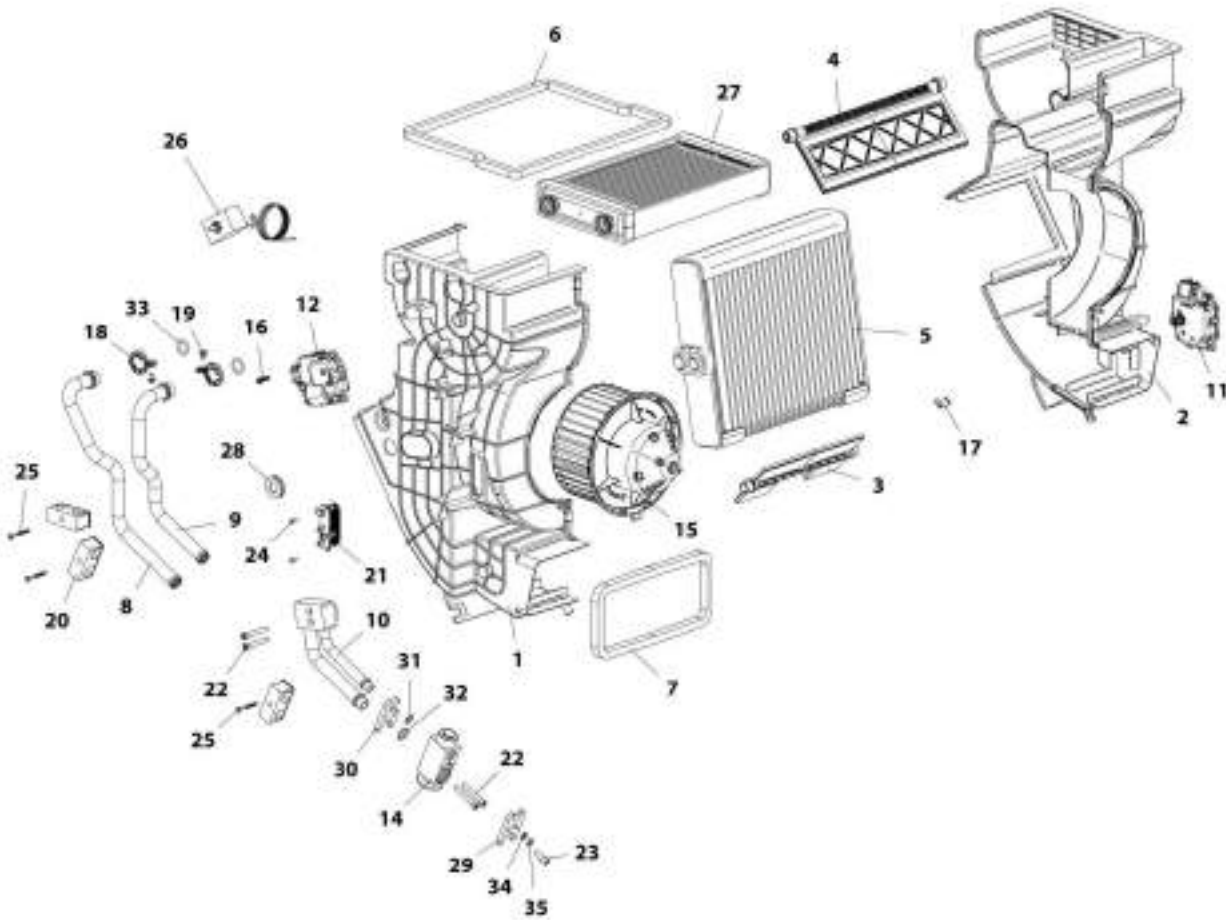
ART\_1001188303-G

FIGURE 6-41. HEATER AND A/C ASSEMBLY

ITEM	PART NUMBER	QTY	DESCRIPTION	REV
	1001188303	Ref	Heater and A/C Assembly	G
3	1001172551	1	Actuator, HVAC Cab (See Separate Breakdown in this Section)	
5	1001221056	1	Harness, HVAC Actuator	
6	1001221054	1	Heater and A/C (See Separate Breakdown in this Section)	

# SECTION 6 - CAB

## FIGURE 6-42. HEATER AND A/C



ART\_1001180275-D

FIGURE 6-42. HEATER AND A/C

ITEM	PART NUMBER	QTY	DESCRIPTION	REV
	1001188275	NLA	Heater and A/C (no longer available, see items 1 through 35 for service or use 1001221054 for replacement)	D
1	1001166091	1	Housing, HVAC RH	
2	1001166092	1	Housing, HVAC LH	
3	1001184275	1	Foam, Heater Flap	
4	1001184278	1	Foam, Heater Mixing Flap	
5	1001184280	1	Evaporator, Heater	
6	1001184294	1	Seal, Heater Foam	
7	1001184295	1	Seal, Air Inlet Foam	
8	1001184296	1	Pipe, Heater Water	
9	1001184297	1	Pipe, Heater Water	
10	1001184427	1	Pipe, Heater	
11	1001188577	1	Actuator, Fresh/Recirculation Air	
12	1001188578	1	Actuator, Hot/Cold Mixing	
14	1001188592	1	Valve, HVAC Expansion	
15	1001188594	1	Fan, HVAC Centrifugal 12V	
16	1001188602	4	Screw, M4	
17	1001188603	9	Clamp, HVAC Case	
18	1001188604	2	Clamp, HVAC Pipe	
19	1001188610	2	Screw, M4X0.7	
20	1001188612	3	Clamp, Pipe	
21	1001188614	1	Resistor	
22	1001188618	4	Screw, M5	
23	1001188619	1	Screw, M6	
24	1001188720	2	Screw, M2.9X9.5	
25	1001188725	3	Screw, M4X35	
26	1001188728	1	Sensor, HVAC Thermostat	
27	1001188729	1	Radiator, Heater Core	
28	1001188733	1	Grommet	
29	1001188817	1	Clamp, Hose	
30	1001188818	1	Clamp, HVAC EVAP/Valve	
31	1001189023	1	O-Ring	
32	1001189024	1	O-Ring	
33	1001189025	2	O-Ring	
34	1001189048	1	Washer	
35	1001189054	1	Washer, Spring	

# SECTION 6 - CAB

## FIGURE 6-43. HEATER AND A/C

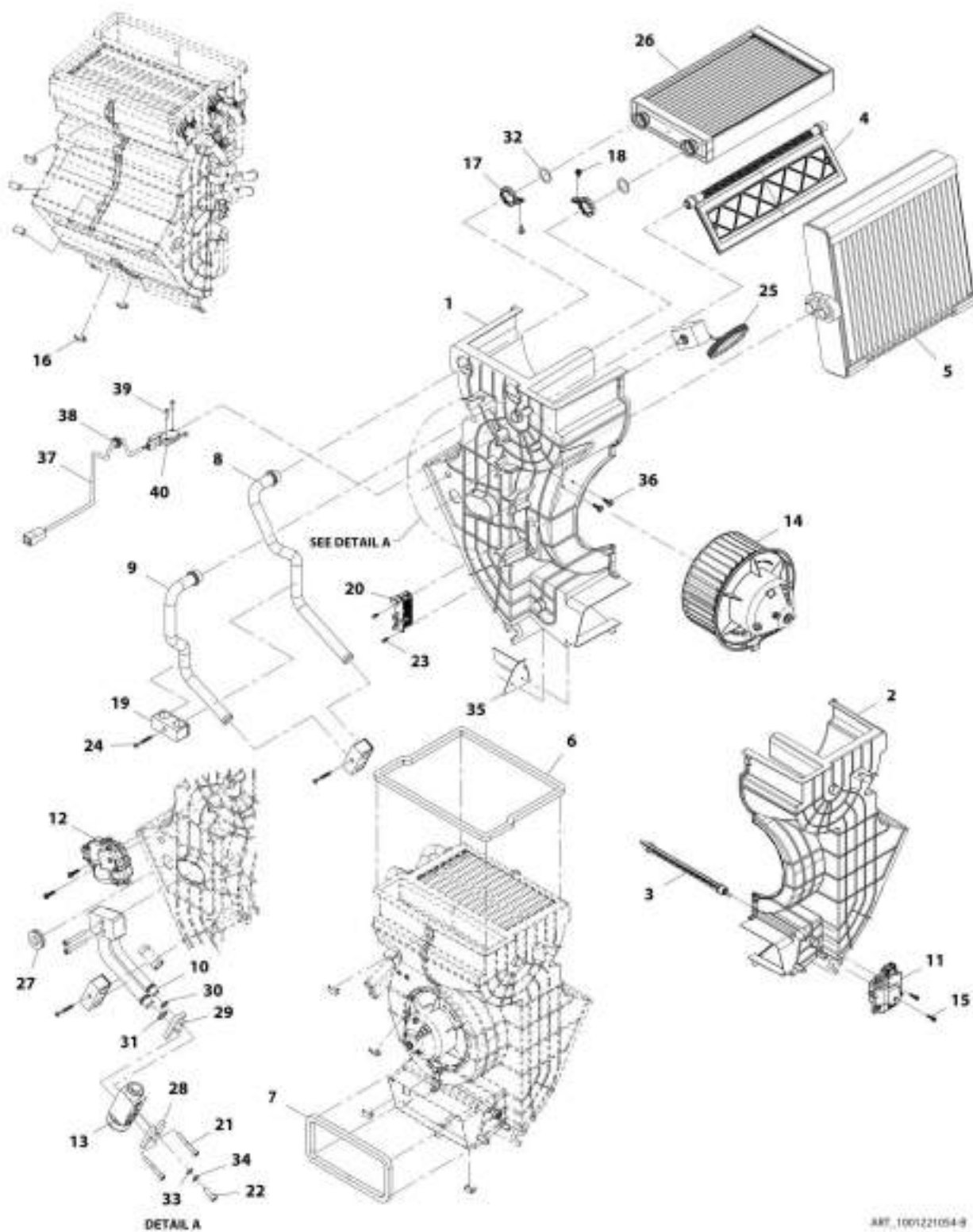
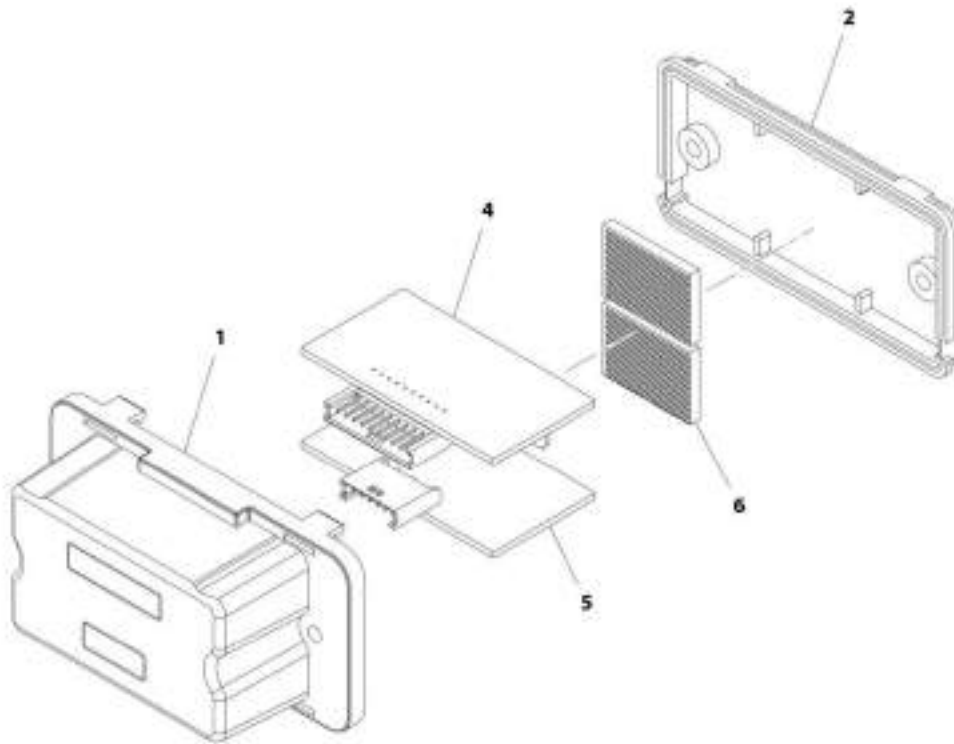


FIGURE 6-43. HEATER AND A/C

ITEM	PART NUMBER	QTY	DESCRIPTION	REV
	1001221054	Ref	Heater and A/C	B
1	1001166091	1	Housing, HVAC RH	
2	1001166092	1	Housing, HVAC LH	
3	1001184275	1	Foam, Heater Flap	
4	1001184278	1	Foam, Heater Mixing Flap	
5	1001184280	1	Evaporator, Heater	
6	1001184294	1	Seal, Heater Foam	
7	1001184295	1	Seal, Air Inlet Foam	
8	1001184296	1	Pipe, Heater Water	
9	1001184297	1	Pipe, Heater Water	
10	1001184427	1	Pipe, Heater	
11	1001188577	1	Actuator, Fresh/Recirculation Air	
12	1001188578	1	Actuator, Hot/Cold Mixing	
13	1001188592	1	Valve, HVAC Expansion	
14	1001188594	1	Fan, HVAC Centrifugal 12V	
15	1001188602	4	Screw, M4	
16	1001188603	9	Clamp, HVAC Case	
17	1001188604	2	Clamp, HVAC Pipe	
18	1001188610	2	Screw, M4X0.7	
19	1001188612	3	Clamp, Pipe	
20	1001188614	1	Resistor	
21	1001188618	4	Screw, M5	
22	1001188619	1	Screw, M6	
23	1001188720	2	Screw, M2.9X9.5	
24	1001188725	3	Screw, M4X35	
25	1001188728	1	Sensor, HVAC Thermostat	
26	1001188729	1	Radiator, Heater Core	
27	1001188733	1	Grommet	
28	1001188817	1	Clamp, Hose	
29	1001188818	1	Clamp, HVAC EVAP/Valve	
30	1001189023	1	O-Ring	
31	1001189024	1	O-Ring	
32	1001189025	2	O-Ring	
33	1001189048	1	Washer	
34	1001189054	1	Washer, Spring	
35	1001221057	1	Plate	
36	1001221058	2	Screw	
37	1001228132	1	Harness, HVAC Sensor	
38	1001228140	1	Grommet	
39	1001228141	2	Screw	
40	1001228147	1	Valve, Water Sensor	

# SECTION 6 - CAB

## FIGURE 6-44. HVAC CAB ACTUATOR



ART\_1001172551-C

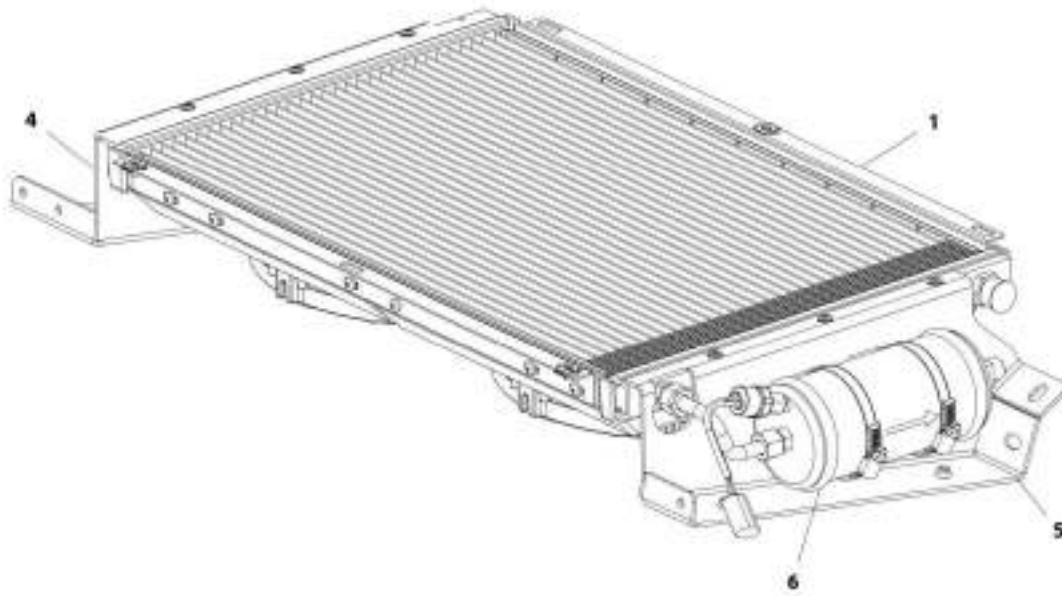


FIGURE 6-44. HVAC CAB ACTUATOR

ITEM	PART NUMBER	QTY	DESCRIPTION	REV
	1001172551	Ref	HVAC Cab Actuator	C
1	1001184306	1	Box, Heater Controller	
2	1001184307	1	Base, Heater Controller Box	
4	1001184309	1	Board, Heater Control	
5	1001184310	1	Board, Heater Control	
6	1001189980	2	Insulator, Heater Controller Box	

# SECTION 6 - CAB

## FIGURE 6-45. CAB CONDENSER ASSEMBLY



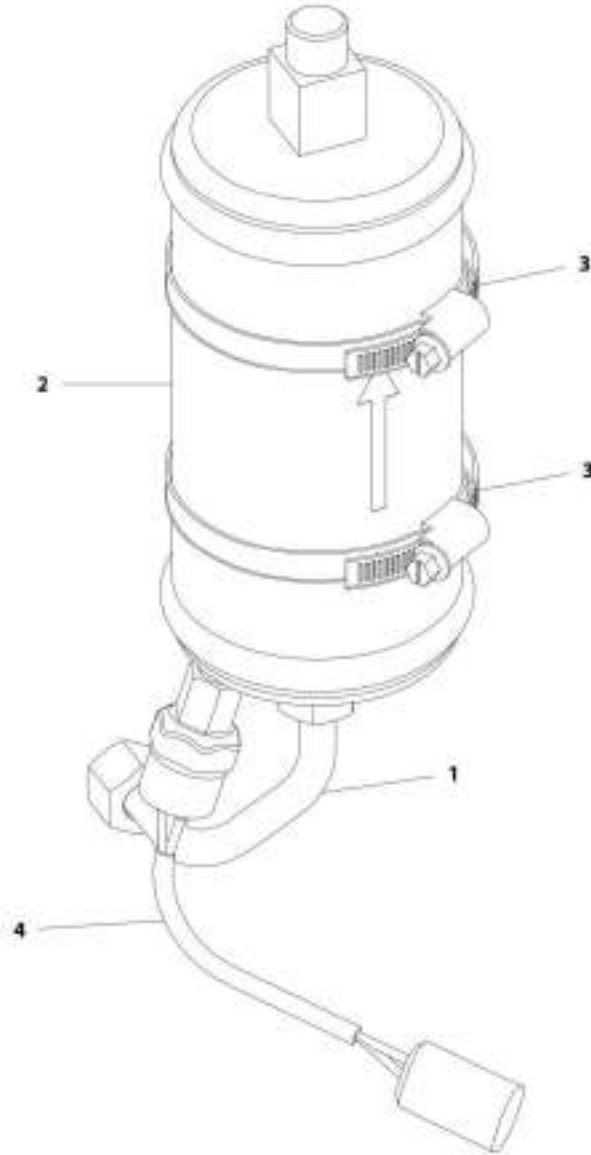
ART\_3001162953-F

FIGURE 6-45. CAB CONDENSER ASSEMBLY

ITEM	PART NUMBER	QTY	DESCRIPTION	REV
	1001162953	Ref	Cab Condenser Assembly	F
1	1001167266	1	Condenser (See Separate Breakdown in this Section)	
4	1001179080	1	Bracket	
5	1001179081	1	Bracket	
6	1001179130	1	Drier, A/C Receiver (See Separate Breakdown in this Section)	

SECTION 6 - CAB

FIGURE 6-46. A/C RECEIVER DRIER



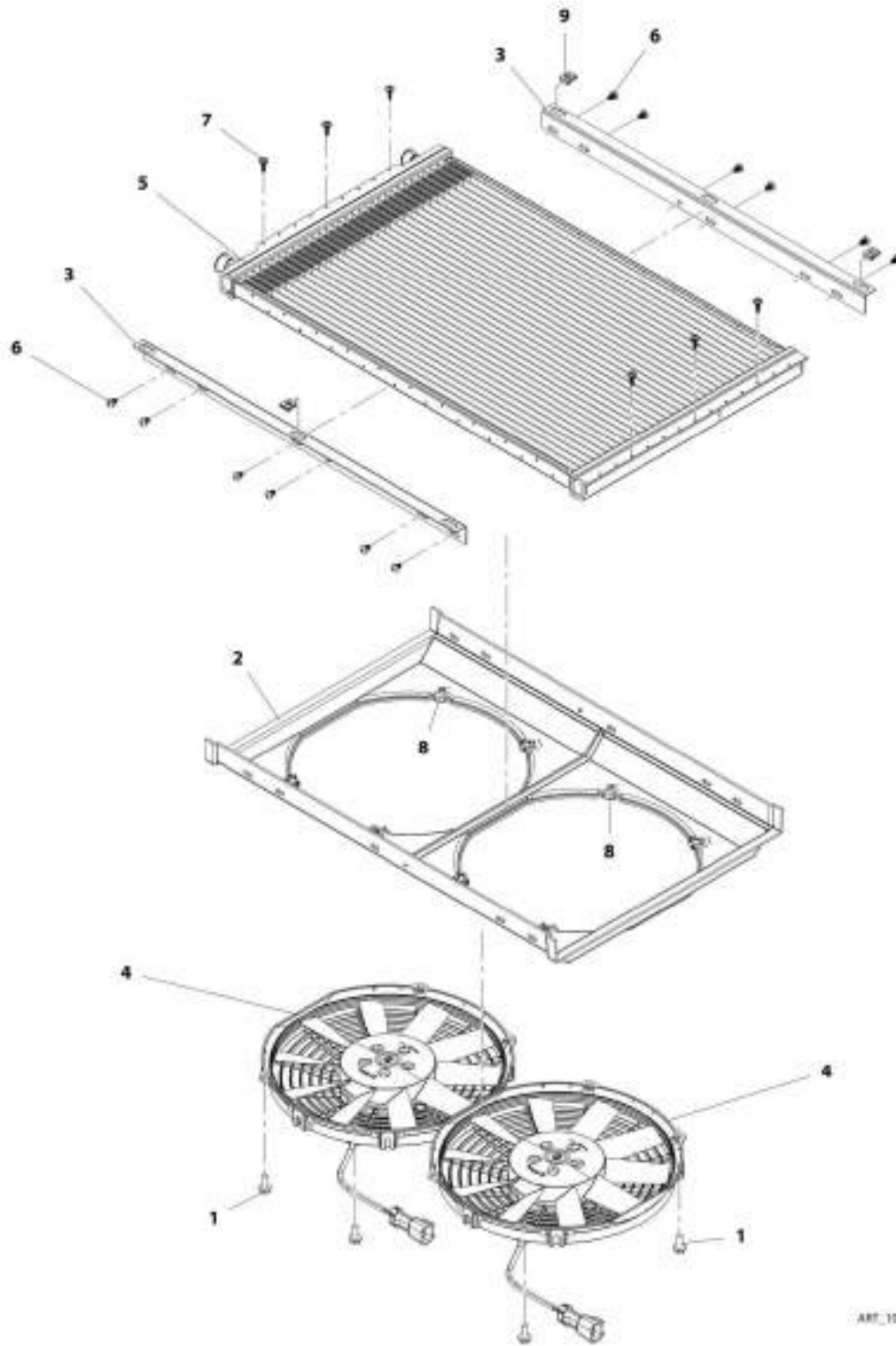
ART\_1001/P1130-B

FIGURE 6-46. A/C RECEIVER DRIER

ITEM	PART NUMBER	QTY	DESCRIPTION	REV
	1001179130	Ref	A/C Receiver Drier	B
1	1001184403	1	Tube, Heater	
2	1001184404	1	Receiver, Heater Drier	
3	1001184405	2	Clamp	
4	1001184406	1	Connector, Heater	

# SECTION 6 - CAB

## FIGURE 6-47. CONDENSER



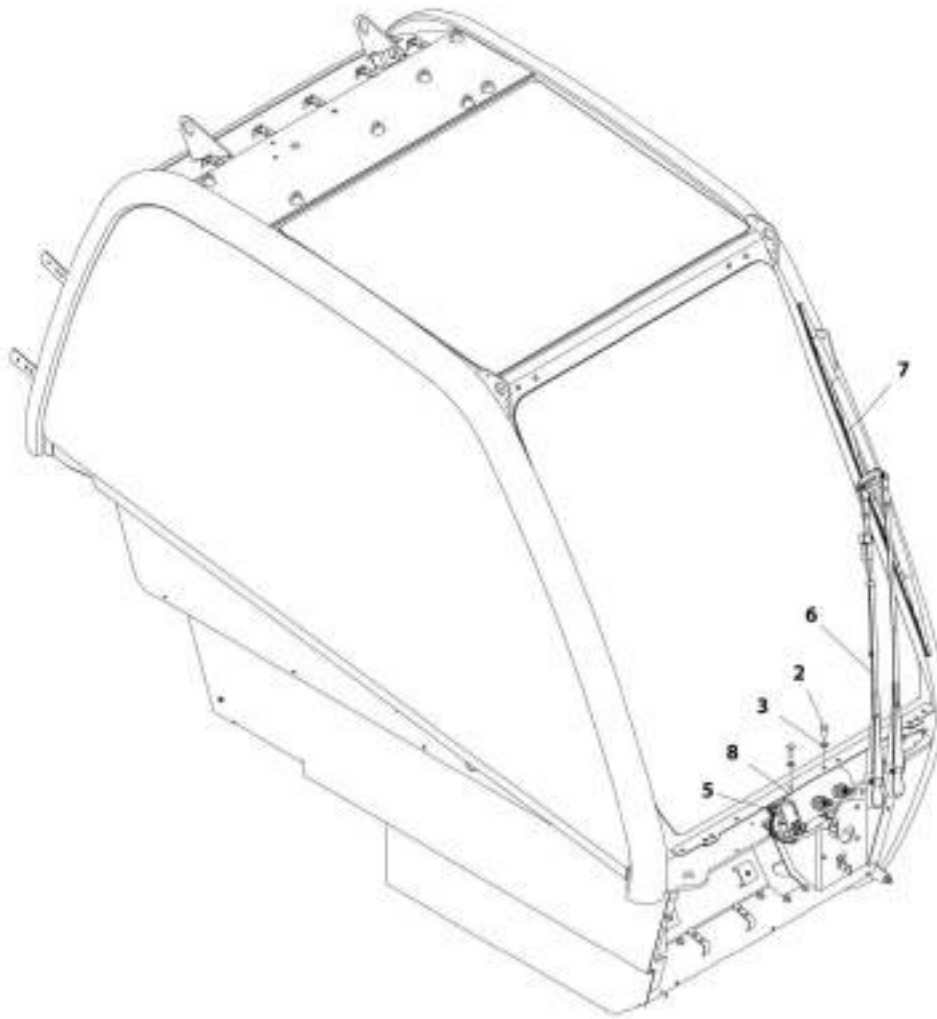
ART. 1001107290 C

FIGURE 6-47. CONDENSER

ITEM	PART NUMBER	QTY	DESCRIPTION	REV
	1001167266	Ref	Condenser	C
1	5250608	8	Bolt, M6X16	
2	1001195342	1	Bracket, Condenser Fan Mount	
3	1001195343	2	Support, Condenser	
4	1001195345	2	Fan, Condenser	
5	1001195346	1	Condenser	
6	1001195385	12	Screw, M3.9X9.5	
7	1001195386	6	Screw, M4.2X16	
8	1001195437	8	Clip, M6X1	
9	1001195438	3	Clip, M6X1	

# SECTION 6 - CAB

## FIGURE 6-48. FRONT WIPER INSTALLATION



ART\_9001155447-G

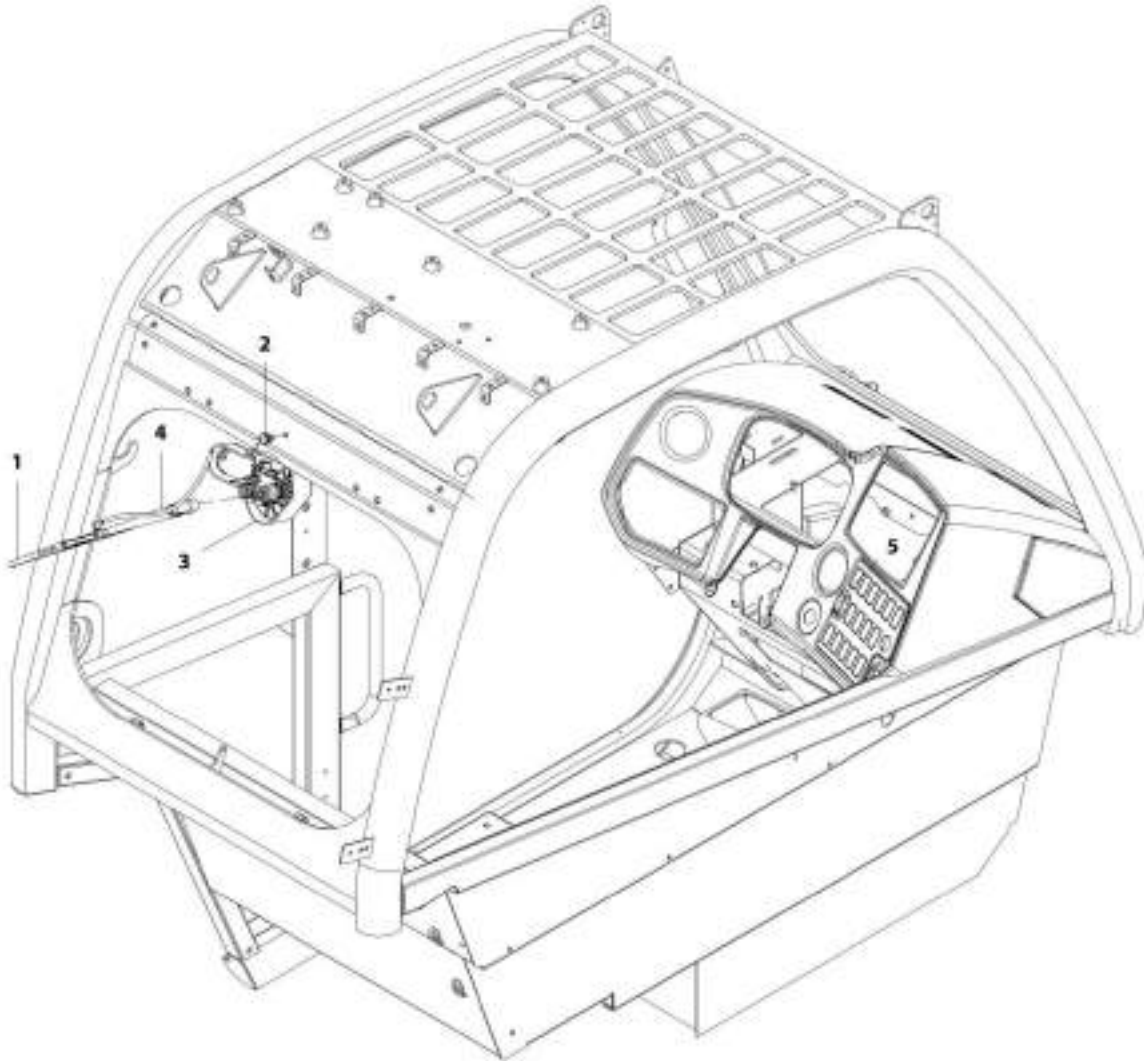


FIGURE 6-48. FRONT WIPER INSTALLATION

ITEM	PART NUMBER	QTY	DESCRIPTION	REV
	1001155447	Ref	Front Wiper Installation	G
2	0760810	2	Bolt, M8X20	
3	4811900	2	Washer, M8	
5	1001214092	1	Motor, Front Wiper	
6	1001212369	1	Arm, Front Wiper	
7	1001141281	1	Blade, Wiper	
8	1001165637	1	Bracket	

## SECTION 6 - CAB

FIGURE 6-49. REAR WIPER INSTALLATION



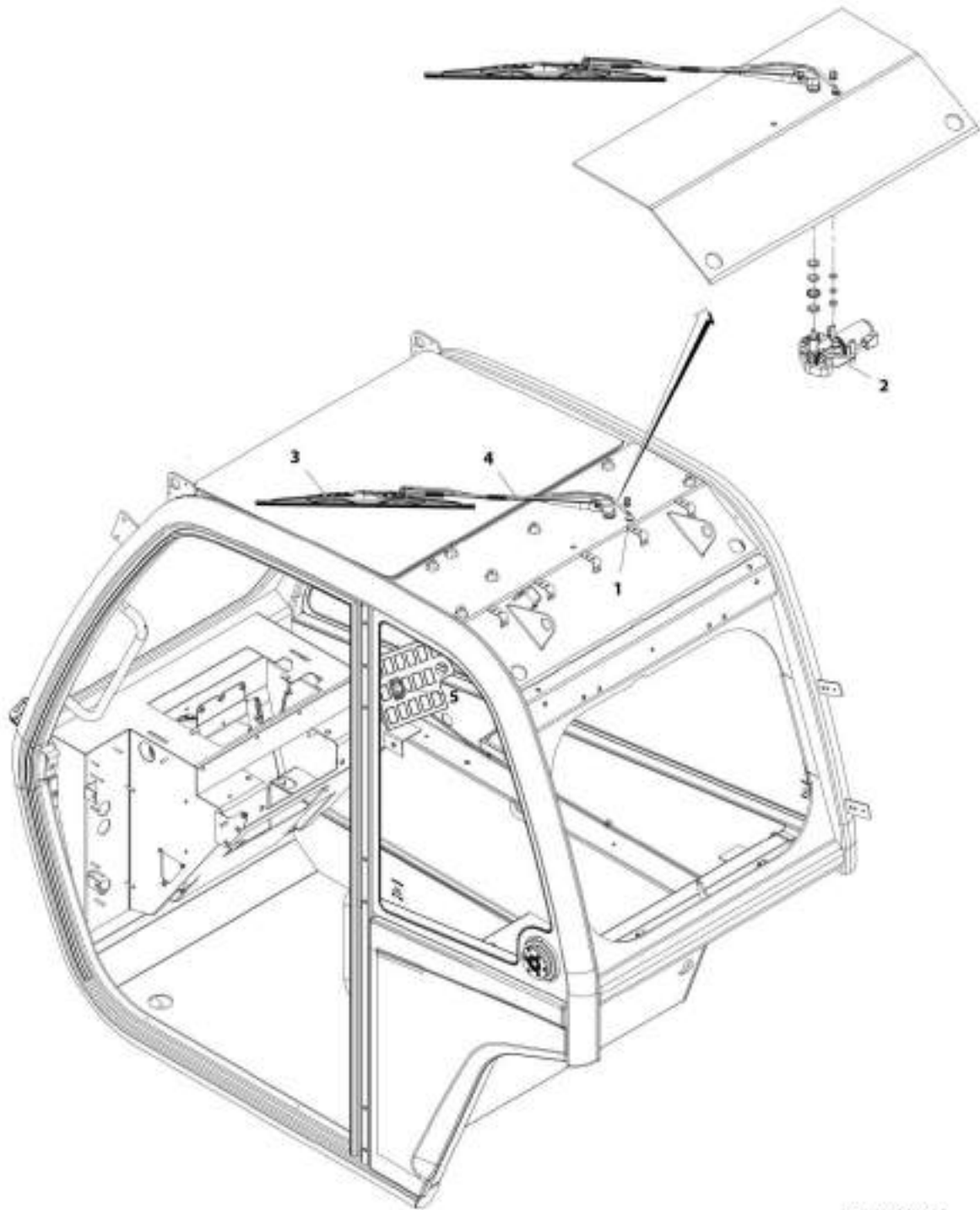
ART\_100176164-B

FIGURE 6-49. REAR WIPER INSTALLATION

ITEM	PART NUMBER	QTY	DESCRIPTION	REV
	1001176164	1	Rear Wiper Installation	B
1	4807718	1	Blade, Wiper	
2	1001090343	1	Connector	
3	1001139552	1	Motor, Rear Wiper Window	
4	1001141312	1	Arm, Rear Window Wiper Blade	
5	1001159735	1	Switch, Rear Wiper	

# SECTION 6 - CAB

## FIGURE 6-50. ROOF WIPER INSTALLATION



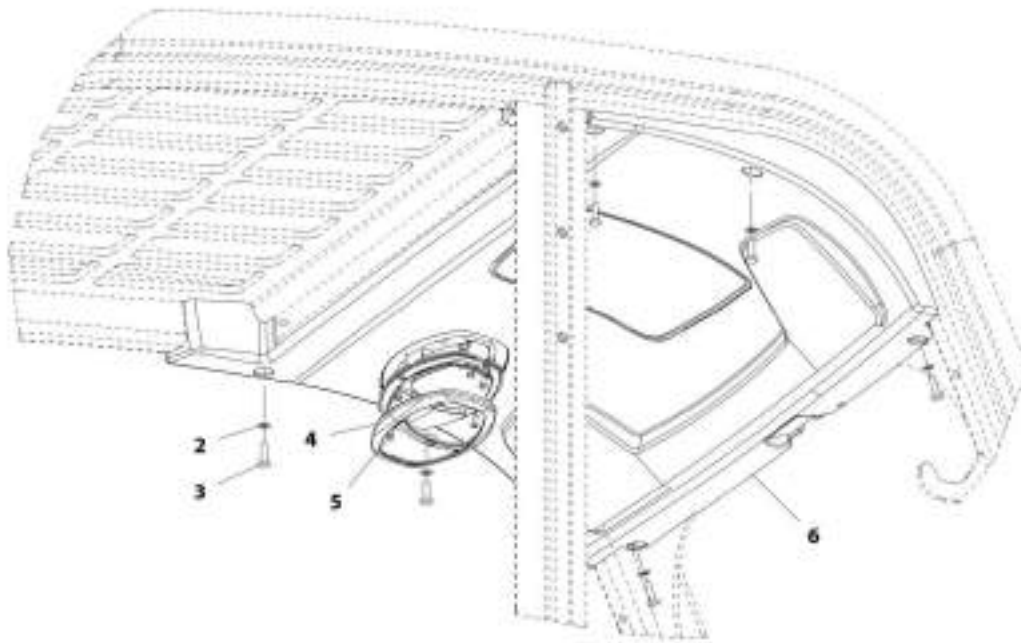
ART\_100155486-B

FIGURE 6-50. ROOF WIPER INSTALLATION

ITEM	PART NUMBER	QTY	DESCRIPTION	REV
	1001155486	Ref	Roof Wiper Installation	B
1	1001090343	1	Connector	
2	1001139551	1	Motor, Roof Wiper	
3	1001141313	1	Blade, Roof Wiper	
4	1001141311	1	Arm, Roof Wiper Blade	
5	1001159736	1	Switch, Roof Wiper	

# SECTION 6 - CAB

## FIGURE 6-51. HEADLINER INSTALLATION



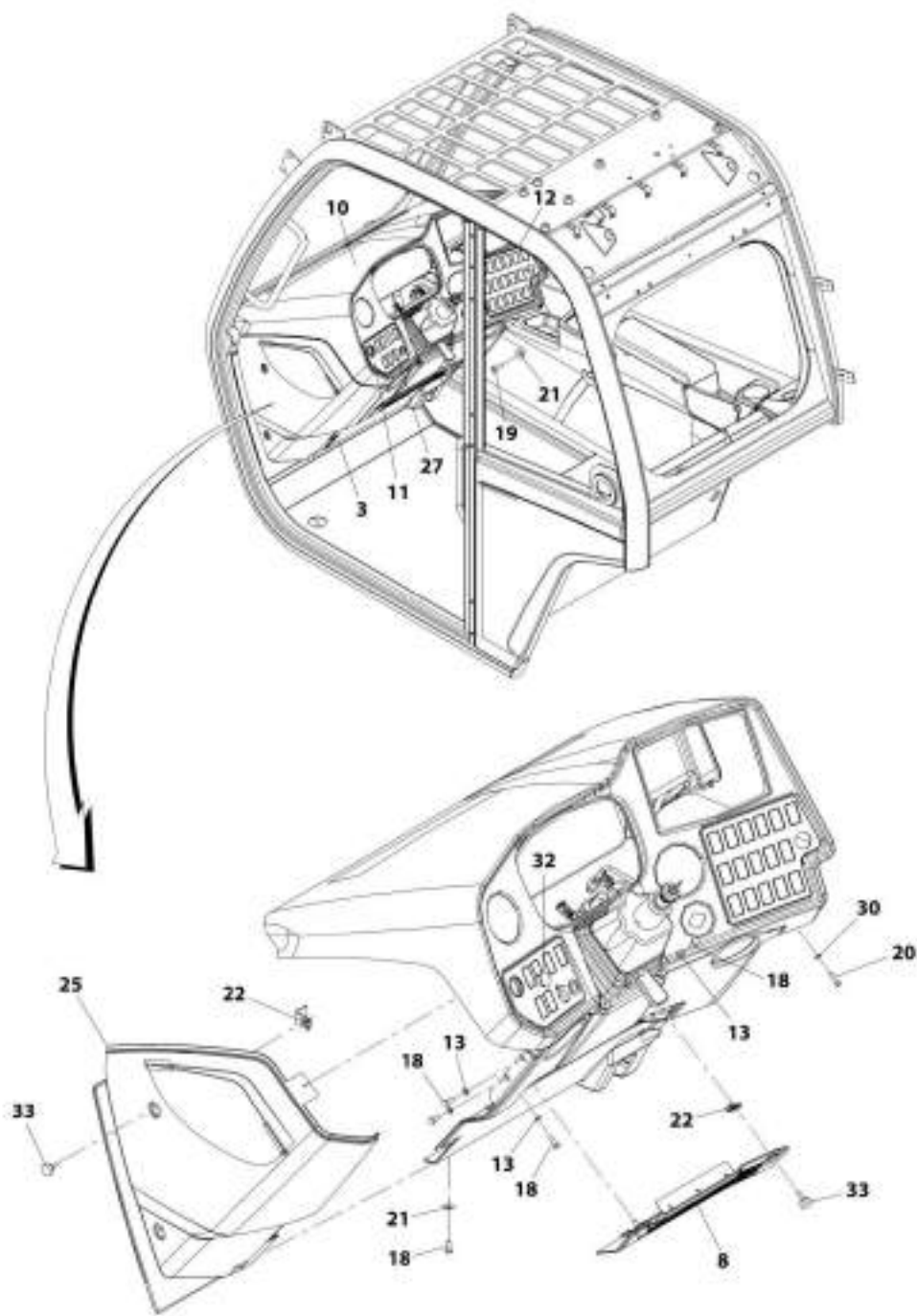
ART. 1001170317-D

FIGURE 6-51. HEADLINER INSTALLATION

ITEM	PART NUMBER	QTY	DESCRIPTION	REV
	1001170717	Ref	Headliner Installation	D
2	4811700	6	Washer, M6	
3	4010610002	6	Screw, M6X20	
4	1001167015	1	Lamp	
5	7029486	4	Screw	
6	1001161069	1	Panel, Headliner	

# SECTION 6 - CAB

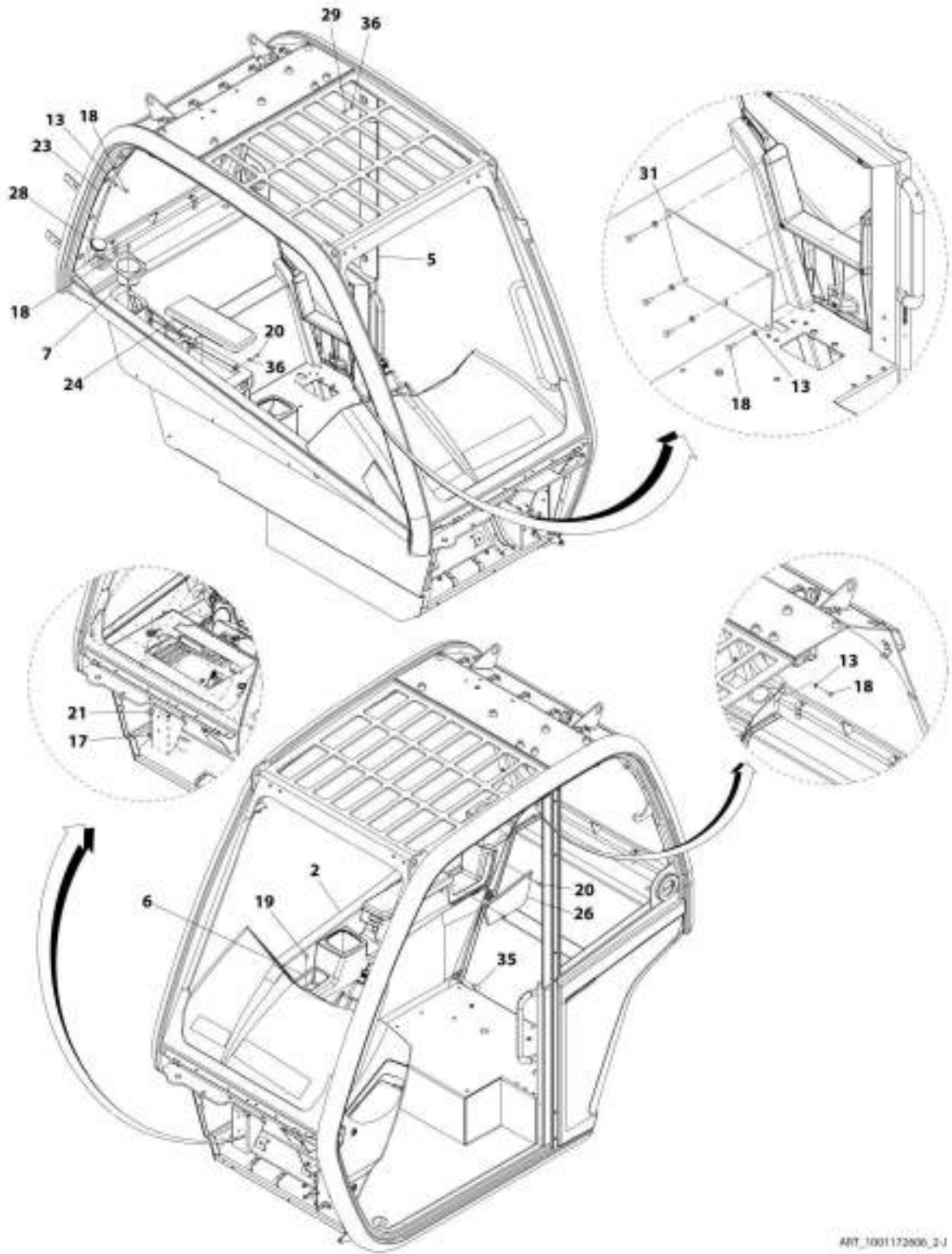
## FIGURE 6-52. OPEN CAB TRIM INSTALLATION



ART\_1001172006\_1-1



# SECTION 6 - CAB



ART\_1001172906\_2/1

## SECTION 6 - CAB

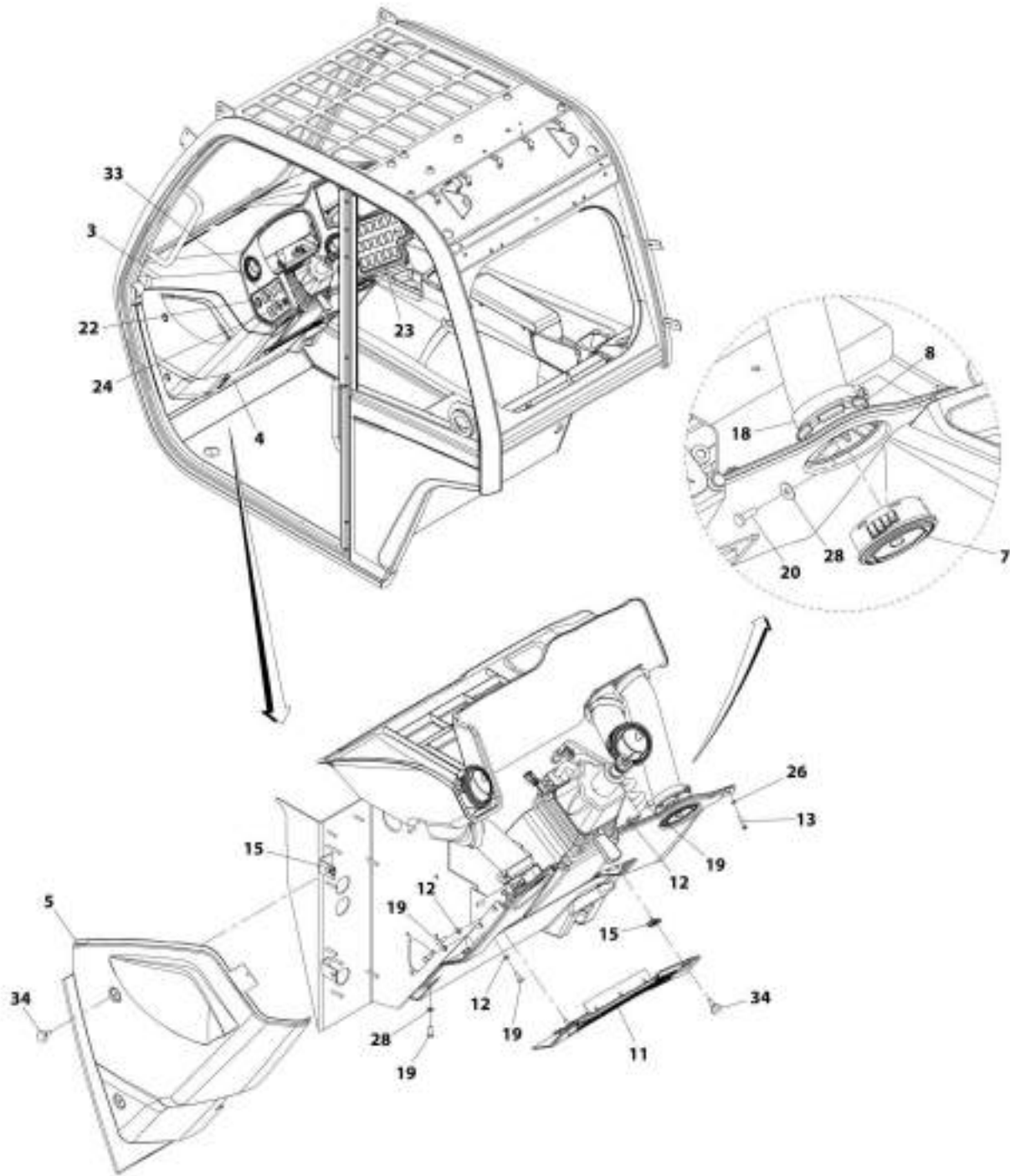
**FIGURE 6-52. OPEN CAB TRIM INSTALLATION**

ITEM	PART NUMBER	QTY	DESCRIPTION	REV
	1001172606	Ref	Open Cab Trim Installation	J
2	1001169605	1	Cover, Side	
3	1001175904	1	Panel, Lower Dash	
5	1001161251	NLA	Panel, Cover (no longer available, use 1001219076 for replacement)	
5	1001219076	1	Panel, Cover	
6	1001169603	1	Panel, Trinket Tray	
7	1001170518	1	Holder, Cup	
8	1001170506	NLA	Panel, Recirculation Grille Cover (no longer available, use 1001170504 for replacement)	
8	1001170504	1	Panel, Recirculation Grille Cover	
10	1001172608	1	Panel, Dash	
11	1001219864	1	Plate, LH Switch	
12	1001219865	1	Plate, RH Switch	
13	4811700001	14	Washer, M6	
17	3290605	2	Nut, Lock M6X1 Grade 8	
18	4010608002	18	Screw, Posi-Drive M6X16 GR4.8	
19	4010610002	2	Screw, Posi-Drive M6X20 GR4.8	
20	4031608001	5	Screw, M5X20	
21	4811702001	6	Washer, M6	
22	8305919	4	Nut, M6	
23	1001191617	1	Panel, Cover	
24	1001161854	1	Armrest	
25	1001161855	1	Panel, LH Dash	
26	1001173965	1	Bezel, RH	
27	1001190347	1	Decal, No HVAC	
28	1001223265	1	Plug	
29	4010508002	3	Screw, Posi-Drive M5X16	
30	4811600	1	Washer, M5	
31	1001185179	1	Cover, LH Rear Panel	
32	1001190589	1	Blanking Plug	
33	1001208308	4	Screw, M6X15	
35	1001211907	1	Screw	
36	4811602001	5	Washer, M5	



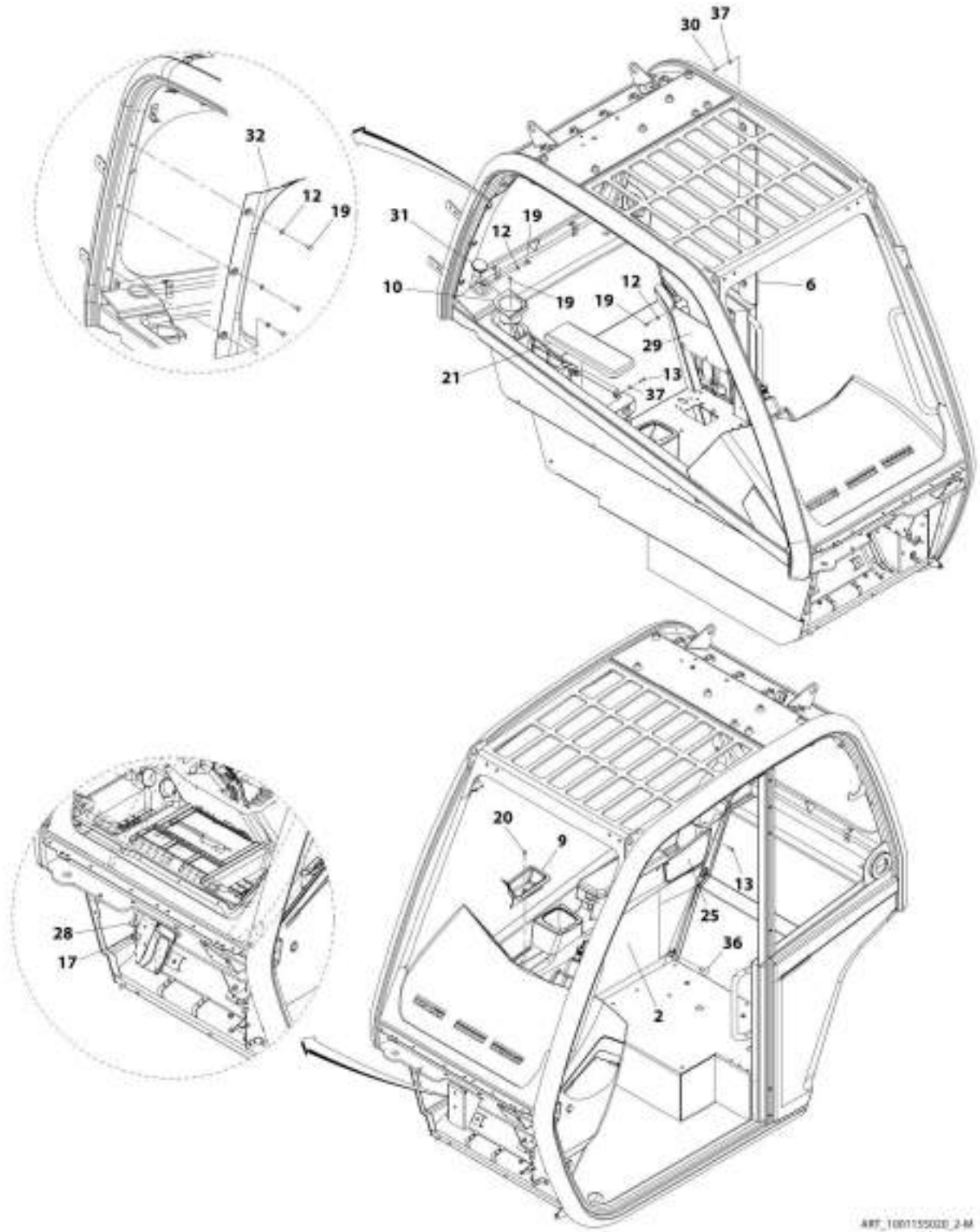
# SECTION 6 - CAB

## FIGURE 6-53. ENCLOSED CAB TRIM INSTALLATION



AWT\_1001159020\_1-04

# SECTION 6 - CAB



ART\_100135000\_2-M

## SECTION 6 - CAB

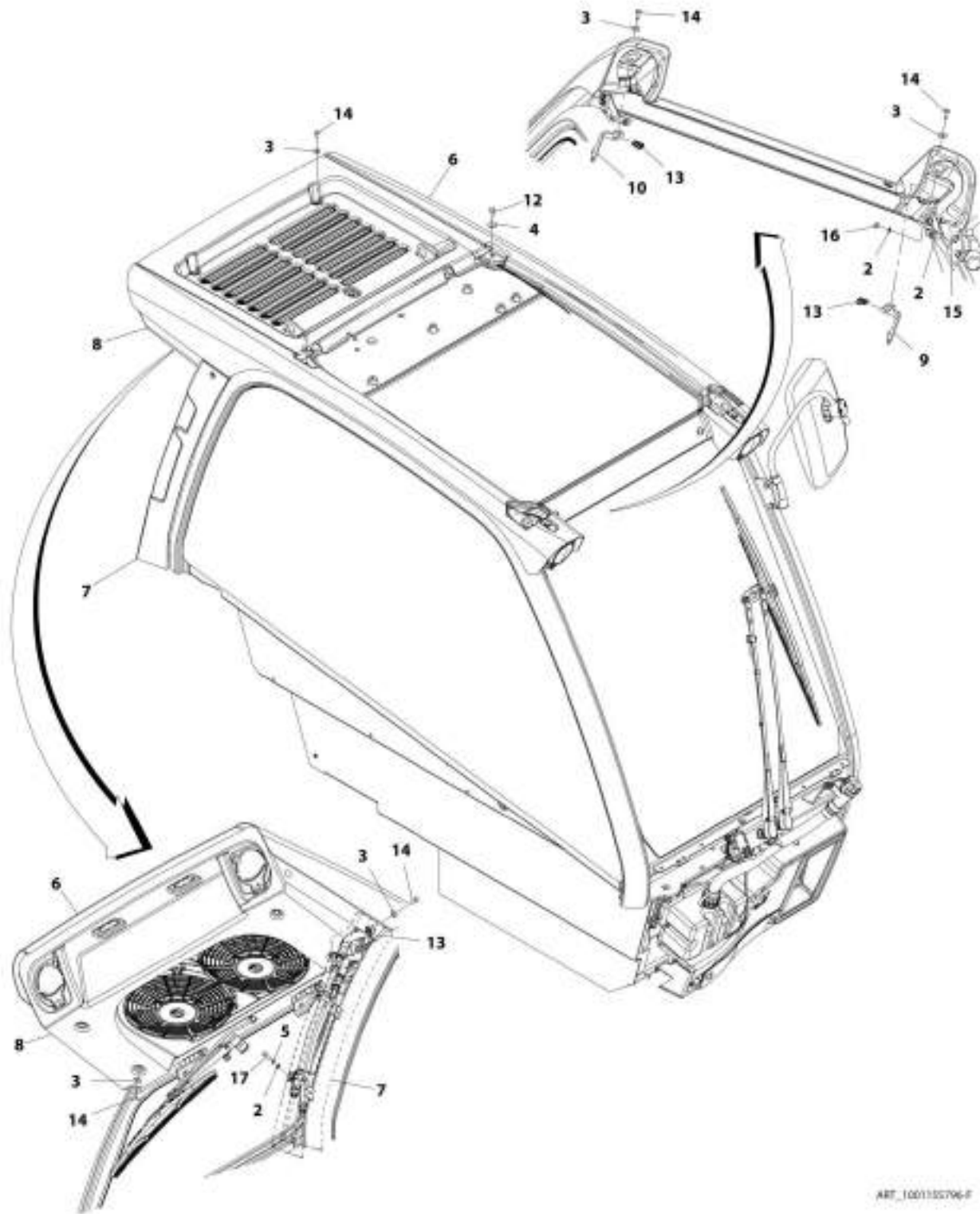
**FIGURE 6-53. ENCLOSED CAB TRIM INSTALLATION**

ITEM	PART NUMBER	QTY	DESCRIPTION	REV
	1001155020	1	Enclosed Cab Trim Installation	M
2	1001169605	1	Cover, Side	
3	1001169604	1	Cover, Dash	
4	1001175903	1	Panel, Lower Dash	
5	1001161855	1	Panel, Cover	
6	1001219076	1	Panel, Cover	
7	1001147449	2	Vent, Air	
8	1001149278	2	Vent, Connector	
9	1001169603	1	Panel, Trinket Tray	
10	1001170518	1	Holder, Cup	
11	1001170504	1	Panel, Recirculation Grille Cover	
12	4811700001	14	Washer, M6	
13	4031608001	5	Bolt, M5X20	
15	8305919	4	Nut, M6	
17	3290605	2	Nut, Lock M6X1 Grade 8	
18	8405201	2	Clamp, Gear	
19	4010608002	18	Screw, Posi-Drive, M6X16	
20	4010610002	1	Screw, M6X20	
21	1001161854	1	Armrest	
22	1001219864	1	Plate, LH Switch	
23	1001219865	1	Plate, RH Switch	
24	1001184975	1	Decal, HVAC	
25	1001173965	1	Bezel, RH	
26	4811600	1	Washer, M5	
28	4811702001	6	Washer, M6	
29	1001185179	1	Panel, LH Rear Cover	
30	4010508002	3	Screw, Posi-Drive M5X16	
31	1001223265	1	Plug	
32	1001191617	1	Panel, RH C Post	
33	1001190589	1	Blanking Plug	
34	1001208308	4	Thumb Screw, M6X15	
36	1001211907	1	Screw	
37	4811602001	5	Washer, Flat	



# SECTION 6 - CAB

## FIGURE 6-54. ROOF CAP INSTALLATION (A/C)



ART\_100135796-F

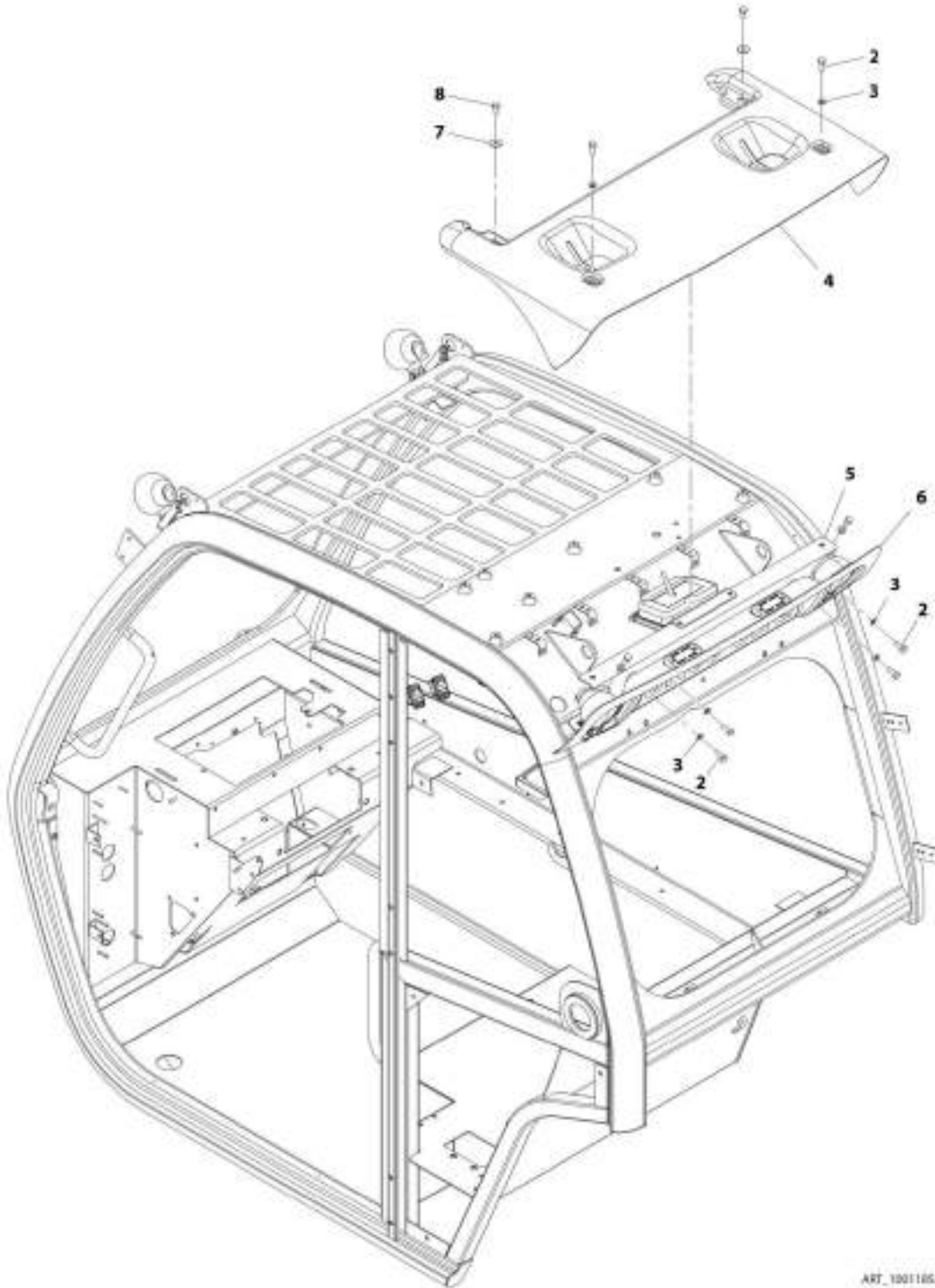


FIGURE 6-54. ROOF CAP INSTALLATION (A/C)

ITEM	PART NUMBER	QTY	DESCRIPTION	REV
	1001155796	Ref	Roof Cap Installation (A/C) (Construction)	F
2	4811700	9	Washer, M6	
3	4811702	10	Washer, M6	
4	4811902	2	Washer, M8	
5	4831700	1	Washer, Lock M6	
6	1001155800	1	Cover, Upper Roof Cap	
7	1001174741	1	Cover	
8	1001214156	1	Cover, Lower Roof Cap	
9	1001174800	1	Bracket, Roof Cap	
10	1001174801	1	Bracket, Roof Cap	
12	0760808	2	Bolt, M8X16	
13	8305919	3	Nut, M6	
14	4010610002	10	Screw, Posi-Drive M6X20	
15	0700610	4	Bolt, M6X20	
16	3290601	4	Nut, M6X1	
17	4010608002	1	Screw, Posi-Drive, M6X16	

# SECTION 6 - CAB

## FIGURE 6-55. ROOF CAP INSTALLATION (NO A/C)



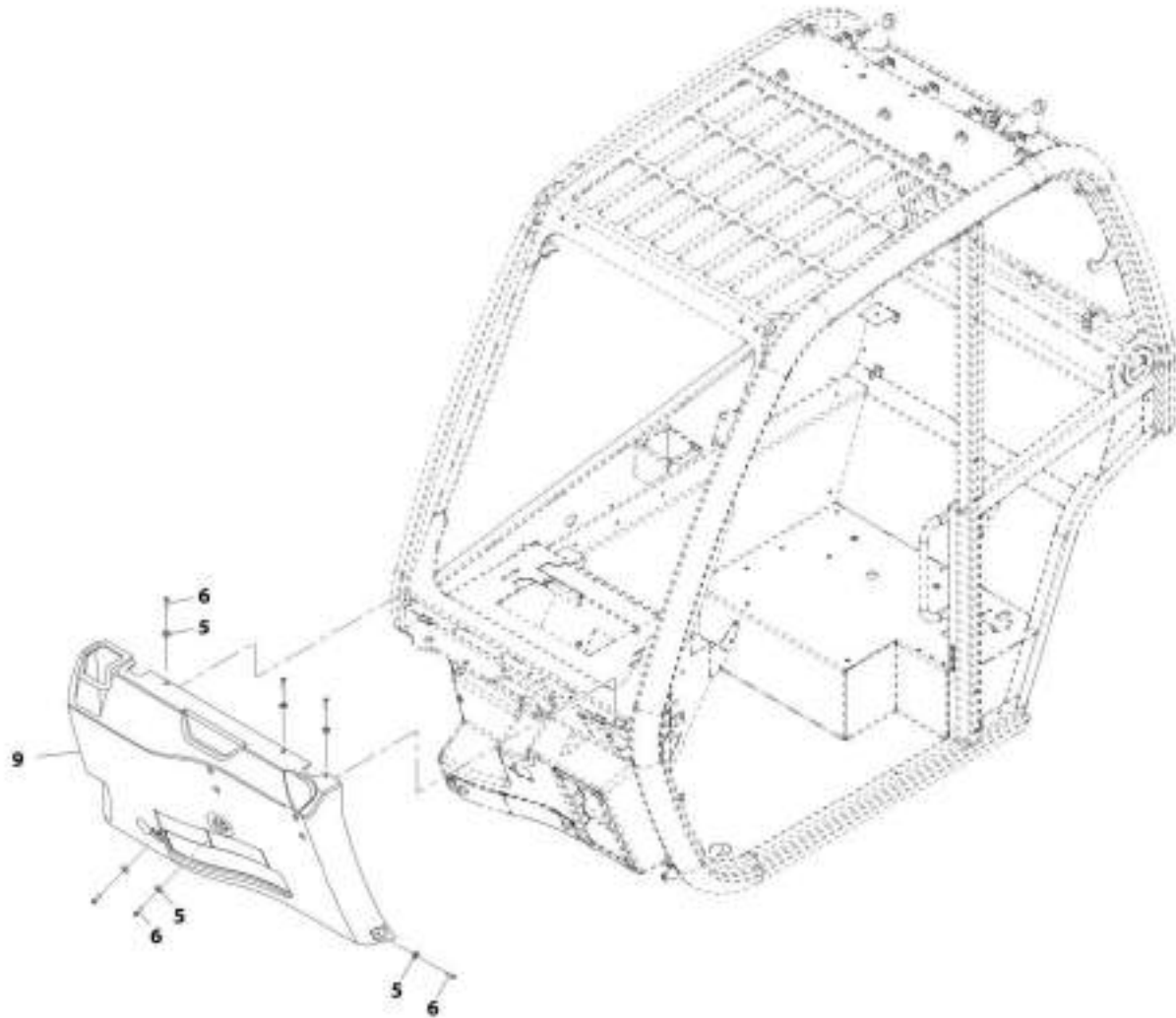
ART\_1001105846-D

FIGURE 6-55. ROOF CAP INSTALLATION (NO A/C)

ITEM	PART NUMBER	QTY	DESCRIPTION	REV
	1001185846	Ref	Roof Cap Installation (No A/C)	D
2	0760810	8	Bolt, M8X20	
3	4811900	8	Washer, M8	
4	1001182328	1	Cover, Short Upper Roof Cap	
5	1001185633	1	Bracket	
6	1001214535	2	Cover, Short Lower Roof Cap	
7	4811902	2	Washer, M8	
8	0760808	2	Bolt, M8X16	

# SECTION 6 - CAB

## FIGURE 6-56. OPEN CAB FRONT COVER INSTALLATION



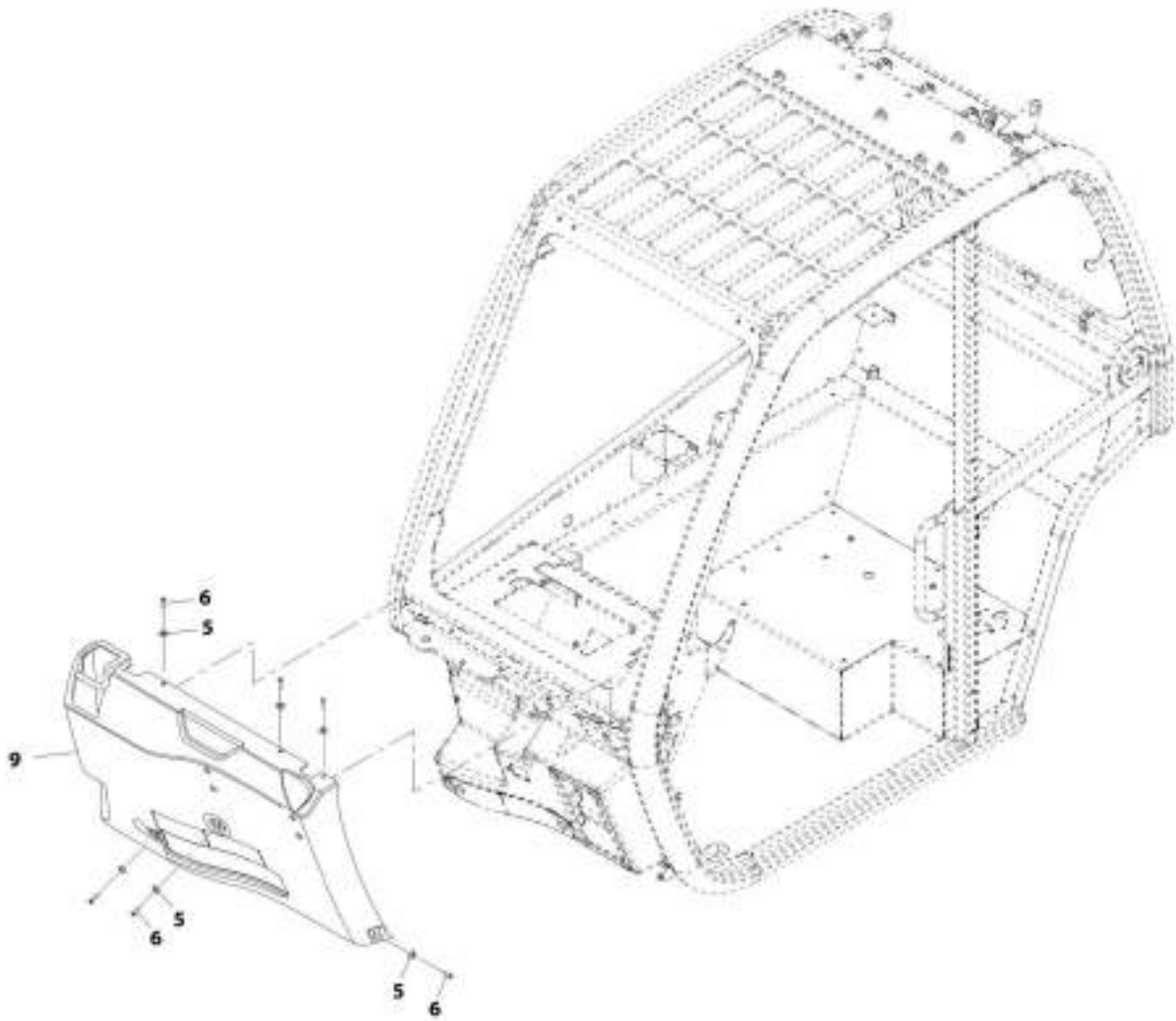
ART\_1001178653-G

FIGURE 6-56. OPEN CAB FRONT COVER INSTALLATION

ITEM	PART NUMBER	QTY	DESCRIPTION	REV
	1001179853	Ref	Open Cab Front Cover with Cab Fender Installation, (no longer available, use 1001229550 for replacement)	G
	1001229550	Ref	Open Cab Front Cover with Cab Fender Installation	A
1	3900379	6	Screw, M6X25	
2	1001097540	6	Washer, M6	
3	1001189658	Ref	Cover, (no longer available, use 1001229540 for replacement)	
3	1001229540	1	Cover	

# SECTION 6 - CAB

## FIGURE 6-57. ENCLOSED CAB FRONT COVER INSTALLATION



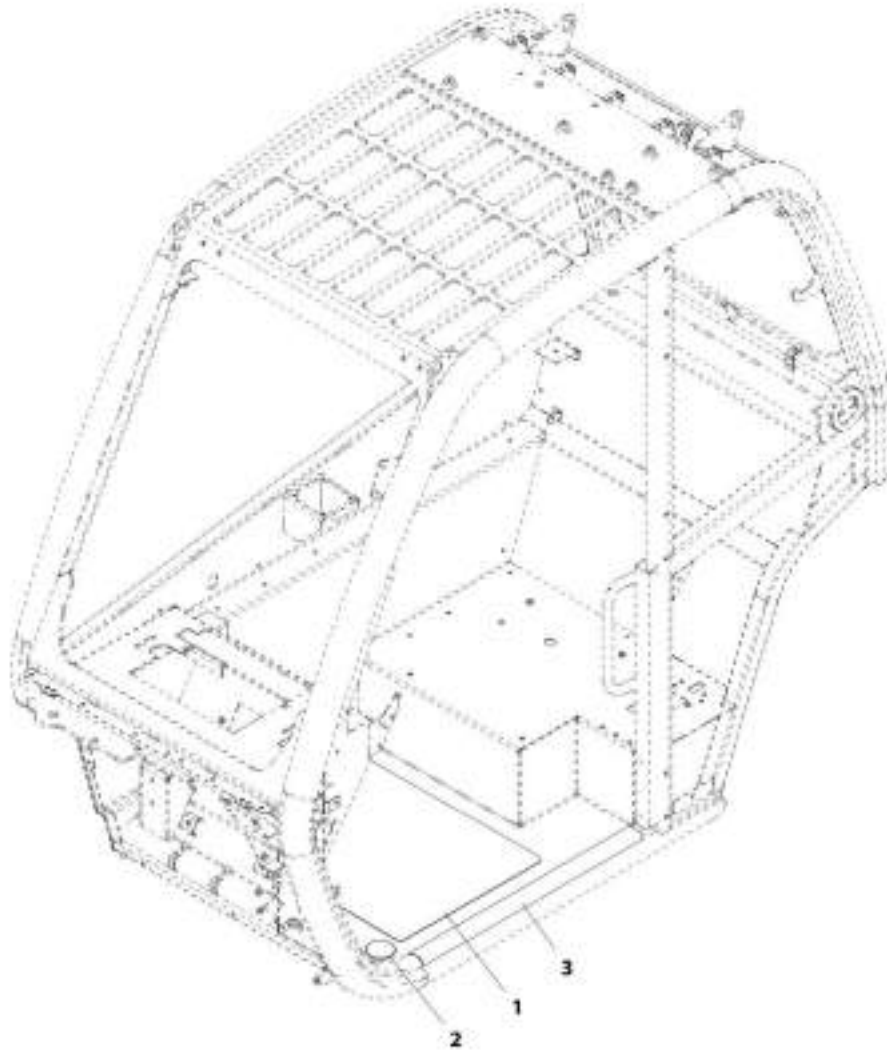
WIT\_1001182463-E

**FIGURE 6-57. ENCLOSED CAB FRONT COVER INSTALLATION**

ITEM	PART NUMBER	QTY	DESCRIPTION	REV
	1001192463	Ref	Enclosed Cab Front Cover with Cab Fender Installation, (no longer available, use 1001229551 for replacement)	E
	1001229551	Ref	Enclosed Cab Front Cover with Cab Fender Installation	A
1	3900379	6	Screw, M6X25	
2	1001097540	6	Washer, M6	
3	1001192464	Ref	Cover, (no longer available, use 1001229541 for replacement)	
3	1001229541	1	Cover	

# SECTION 6 - CAB

## FIGURE 6-58. NON SKID TAPE INSTALLATION



ART\_3001107219-B

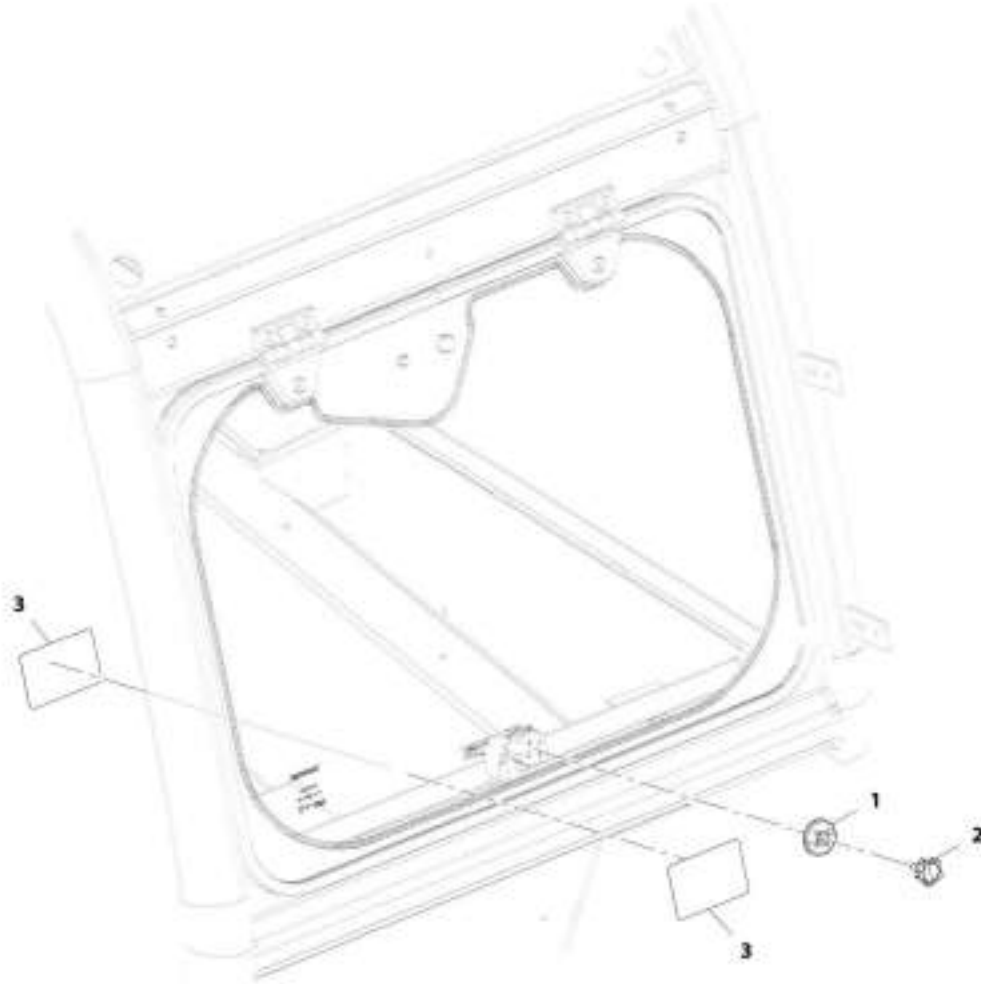


**FIGURE 6-58. NON SKID TAPE INSTALLATION**

<b>ITEM</b>	<b>PART NUMBER</b>	<b>QTY</b>	<b>DESCRIPTION</b>	<b>REV</b>
	1001197219	1	Non Skid Tape Installation	B
1	1001197217	1	Tape, Non Skid Floor	
2	1001197218	1	Grommet	
3	1001197259	1	Tape, Non Skid Frame	

# SECTION 6 - CAB

FIGURE 6-59. EXTERNAL WINDOW RELEASE INSTALLATION (CAN & ISO)



ART\_1001178826-C

**FIGURE 6-59. EXTERNAL WINDOW RELEASE INSTALLATION (CAN & ISO)**

<b>ITEM</b>	<b>PART NUMBER</b>	<b>QTY</b>	<b>DESCRIPTION</b>	<b>REV</b>
	1001178826	Ref	External Window Release Installation (ANSI - English/French)	C
1	1001179008	1	Cap, Latch Window	
2	1001179009	1	Knob	
3	1001204709	2	Decal, Emergency Exit (English/French)	

# SECTION 6 - CAB

## FIGURE 6-60. WASHER TANK INSTALLATION

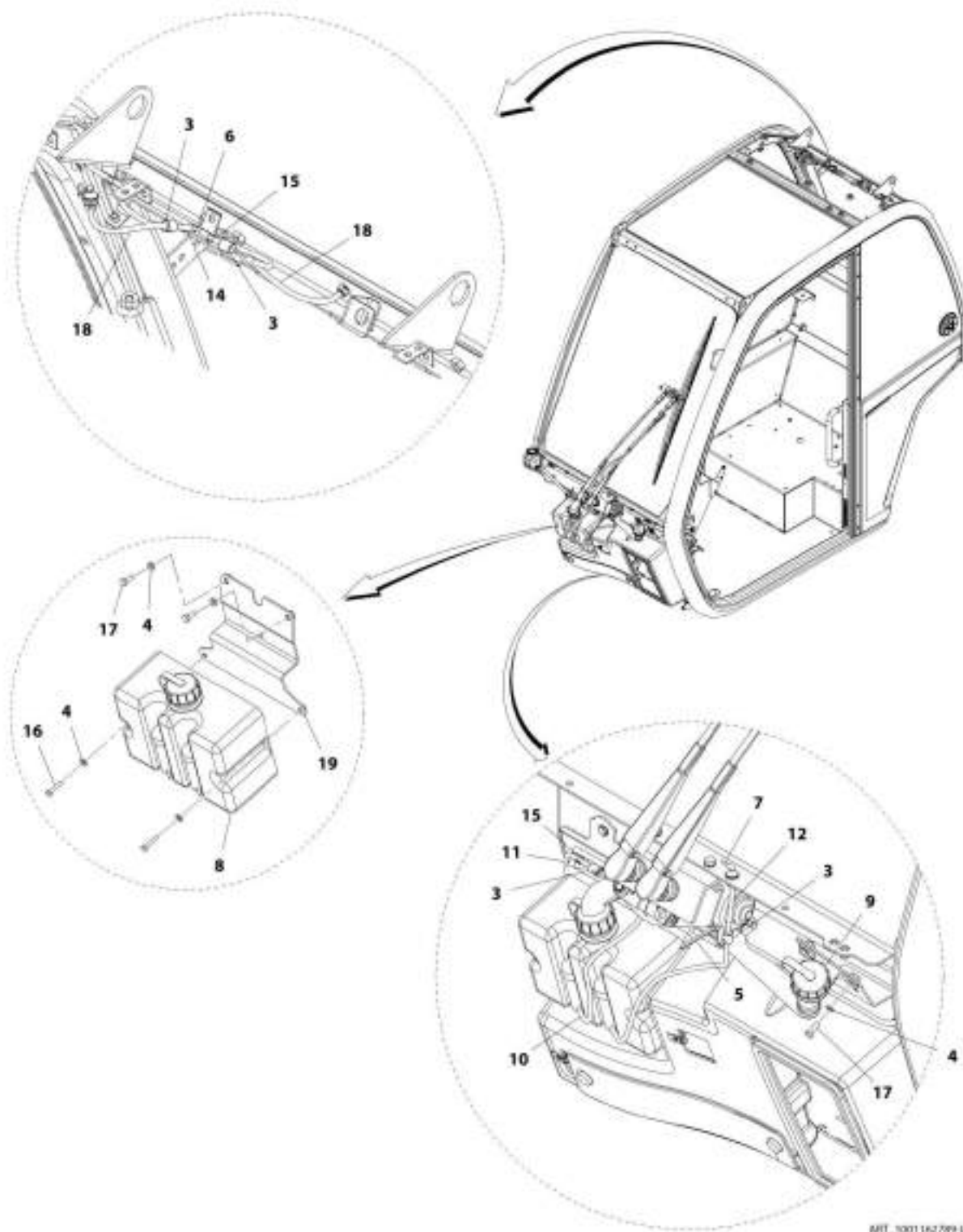
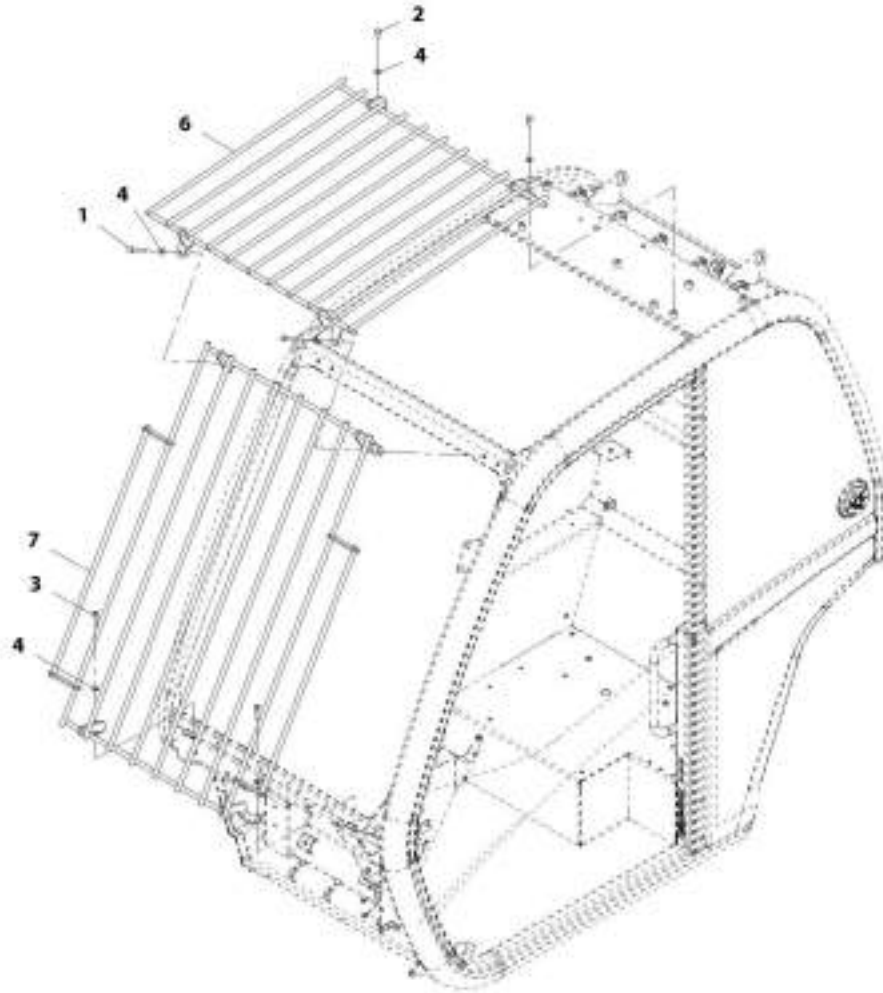


FIGURE 6-60. WASHER TANK INSTALLATION

ITEM	PART NUMBER	QTY	DESCRIPTION	REV
	1001162789	Ref	Washer Tank Installation	L
3	1001201331	4	Valve, Check	
4	4811700	6	Washer, M6	
5	471678	2	Strap, Tie	
6	1001008742	1	Coupling, Tee	
7	1001090343	1	Connector	
8	1001165269	1	Bottle, Washer (See Separate Breakdown in this Section)	
9	1001165270	1	Hose, Washer Filler	
10	1001165351	2	Hose	
11	1001165407	1	Hose	
12	1001165416	1	Hose	
14	1001165455	2	Hose	
15	1001165458	16	Hose	
16	0760512	2	Bolt M5X25	
17	0760608	4	Bolt, M6X16	
18	1001178123	2	Hose	
19	1001171756	1	Bracket	

## SECTION 6 - CAB

FIGURE 6-61. CAB GUARD INSTALLATION (TOP AND FRONT)



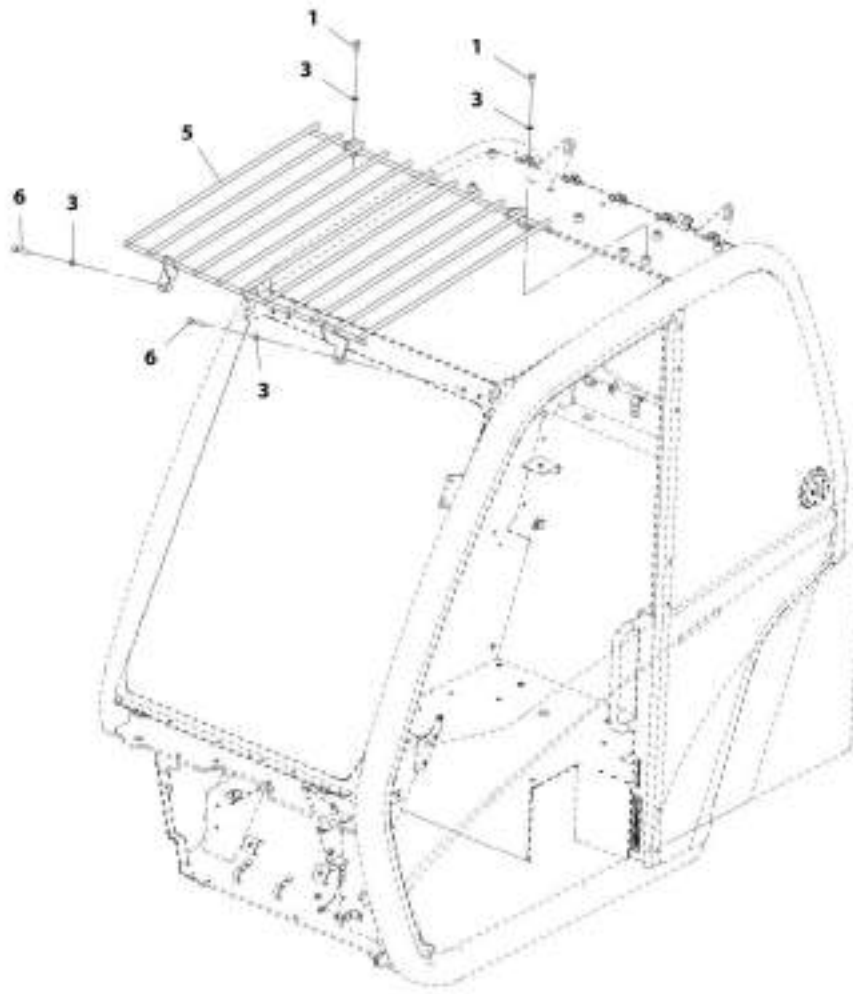
AWT\_1001122794-F

**FIGURE 6-61. CAB GUARD INSTALLATION (TOP AND FRONT)**

ITEM	PART NUMBER	QTY	DESCRIPTION	REV
	1001172774	Ref	Cab Guard Installation (Top and Front)	F
1	0700820	2	Bolt, M8X60	
2	0760810	2	Bolt, M8X20	
3	4031910	2	Bolt, M8X30	
4	4811900	6	Washer, M8	
6	1001160503	1	Guard, Top Screen	
7	1001180263	1	Guard, Front Screen	

# SECTION 6 - CAB

## FIGURE 6-62. CAB GUARD INSTALLATION (TOP)



ART\_1001100496-F

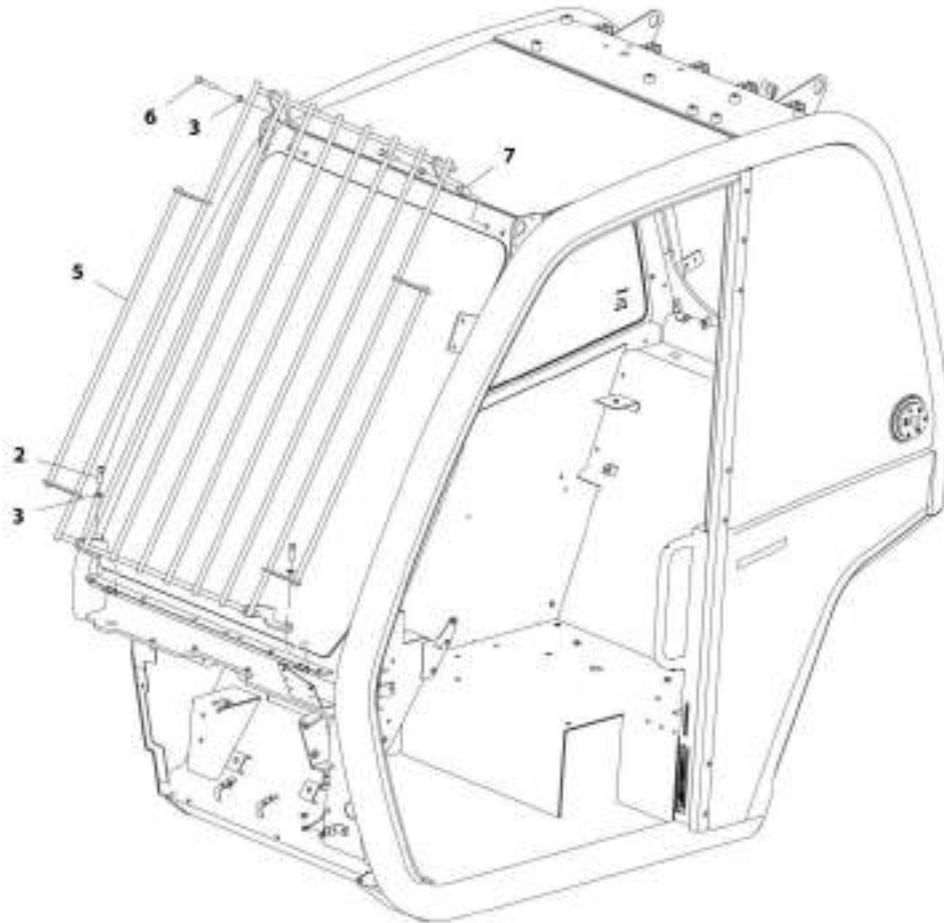


FIGURE 6-62. CAB GUARD INSTALLATION (TOP)

ITEM	PART NUMBER	QTY	DESCRIPTION	REV
	1001160496	Ref	Cab Guard Installation (Top)	F
1	0760810	2	Bolt, M8X20	
3	4811900	4	Washer, M8	
5	1001160503	1	Guard, Top Screen	
6	0700820	2	Bolt, M8X60	

## SECTION 6 - CAB

FIGURE 6-63. CAB GUARD INSTALLATION (FRONT)



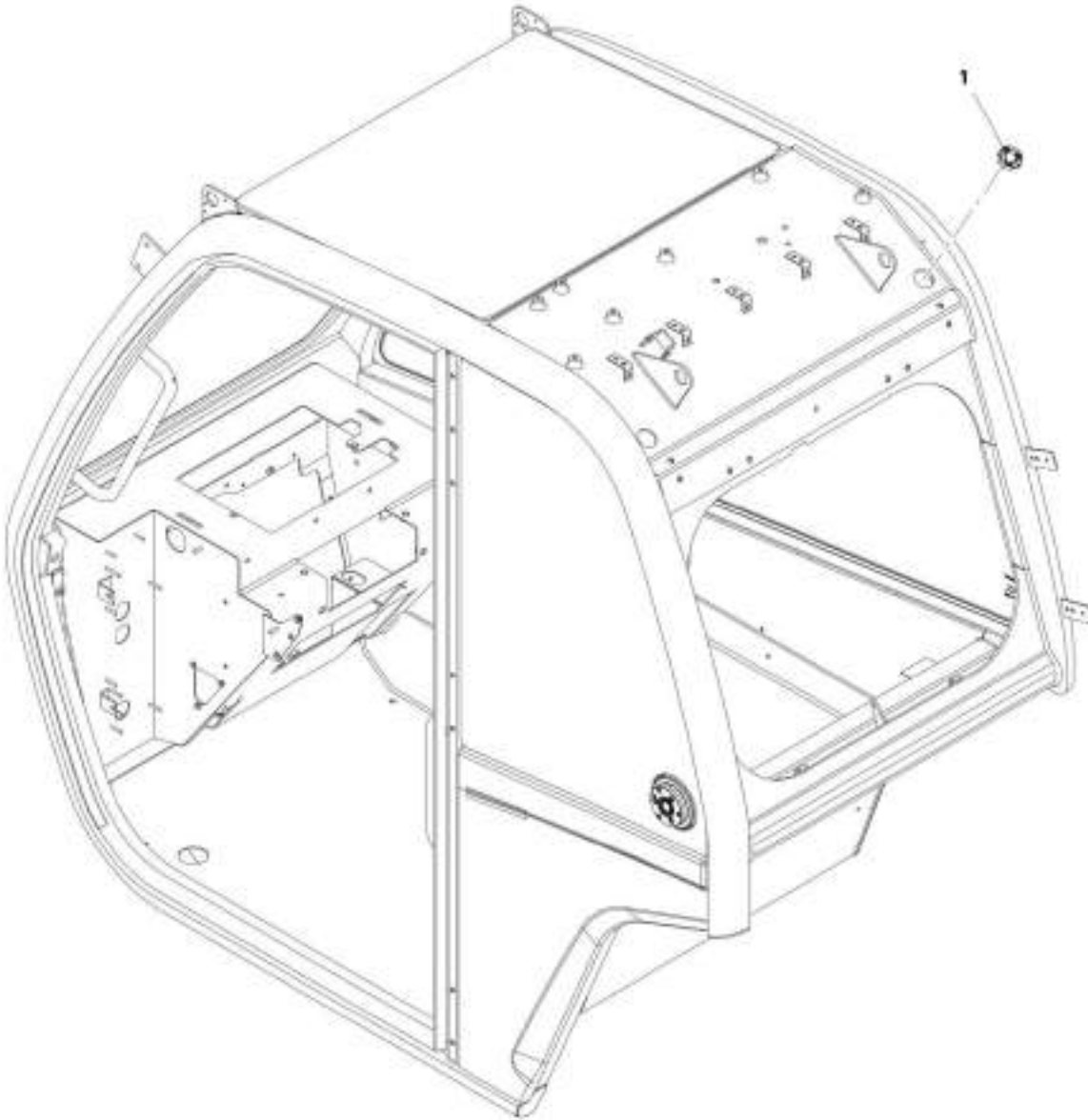
ART\_100190506-G

FIGURE 6-63. CAB GUARD INSTALLATION (FRONT)

ITEM	PART NUMBER	QTY	DESCRIPTION	REV
	1001160506	Ref	Cab Guard Installation (Front)	G
2	4031910	2	Bolt, M8X30	
3	4811900	4	Washer, M8	
5	1001180263	1	Guard, Front Screen	
6	0700820	2	Bolt, M8X60	
7	1001173257	2	Spacer	

# SECTION 6 - CAB

## FIGURE 6-64. ROOF PIGTAIL CAP INSTALLATION



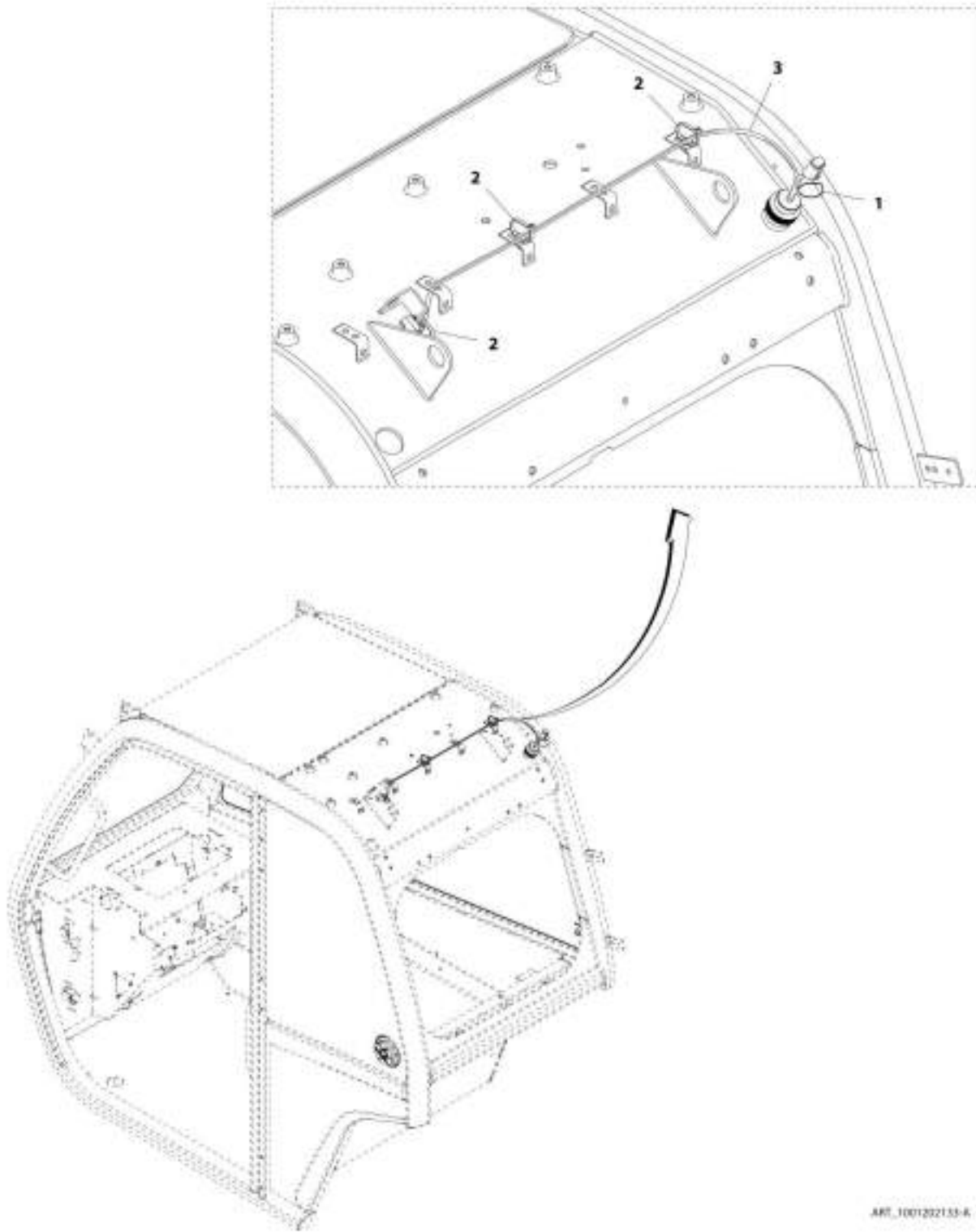
ART\_1001202138-A

**FIGURE 6-64. ROOF PIGTAIL CAP INSTALLATION**

<b>ITEM</b>	<b>PART NUMBER</b>	<b>QTY</b>	<b>DESCRIPTION</b>	<b>REV</b>
1	1001202138 1001202134	Ref 1	Roof Pigtail Cap Installation Cap, Deutsch Dust	A

# SECTION 6 - CAB

## FIGURE 6-65. ROOF PIGTAIL INSTALLATION



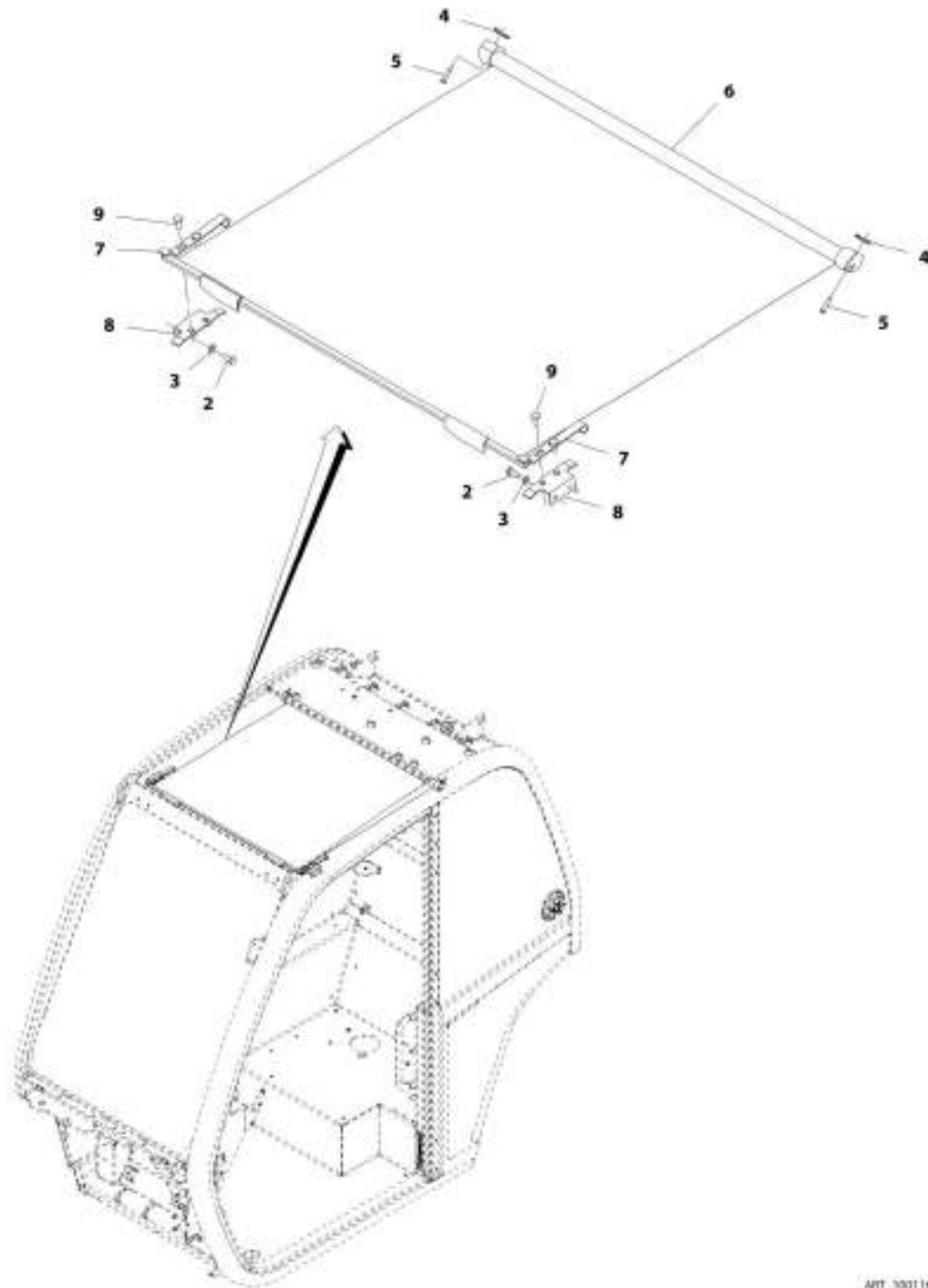
ART\_1001202153-R

FIGURE 6-65. ROOF PIGTAIL INSTALLATION

ITEM	PART NUMBER	QTY	DESCRIPTION	REV
	1001202133	Ref	Roof Pigtail Installation	A
1	4240033	1	Cable Tie	
2	1001146588	3	Strap	
3	1001202132	1	Harness, Roof Pigtail (See Separate Breakdown in Electrical Section)	

# SECTION 6 - CAB

## FIGURE 6-66. RETRACTABLE SUNSCREEN INSTALLATION



MTT\_5001163151-G

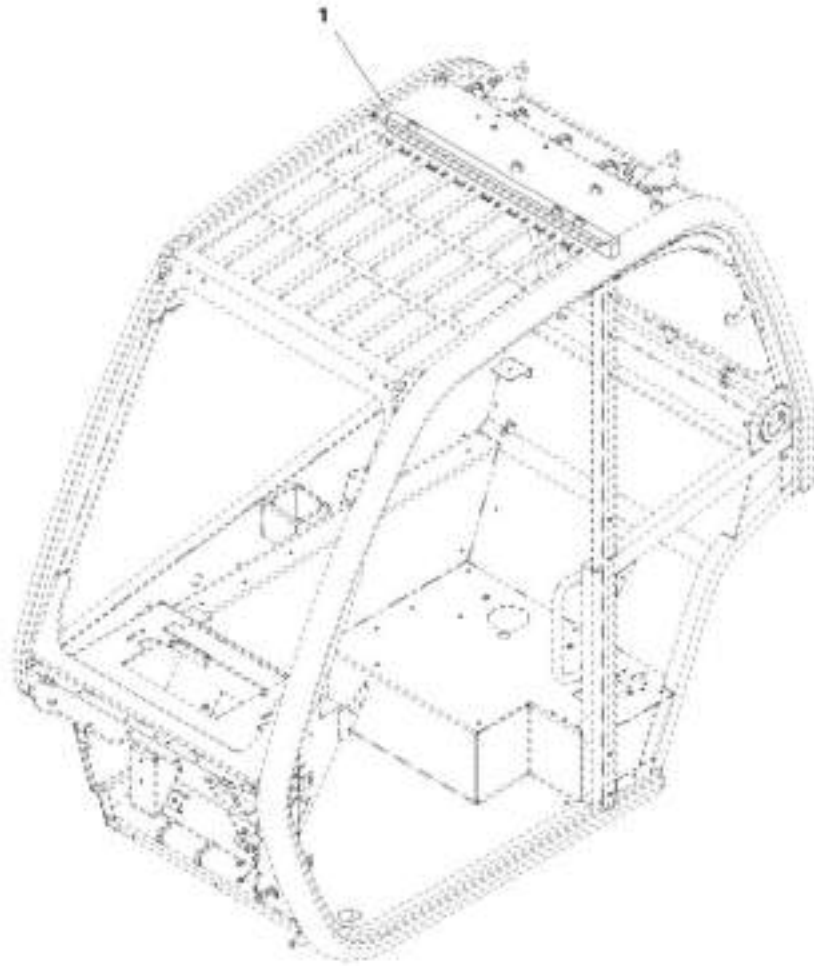


FIGURE 6-66. RETRACTABLE SUNSCREEN INSTALLATION

ITEM	PART NUMBER	QTY	DESCRIPTION	REV
	1001163151	Ref	Retractable Sunscreen Installation	G
2	0760608	4	Bolt, M6X16	
3	4811700	4	Washer, M6	
4	1001111076	2	Nut	
5	1001111147	2	Screw	
6	1001163170	1	Cab, Screen Blind	
7	1001209463	2	Bracket, Sunscreen Mount	
8	1001166385	2	Bracket	
9	4010608002	4	Screw, M6X16	

**SECTION 6 - CAB**

**FIGURE 6-67. NO SUNSCREEN INSTALLATION**



ART\_1001231041-A

**FIGURE 6-67. NO SUNSCREEN INSTALLATION**

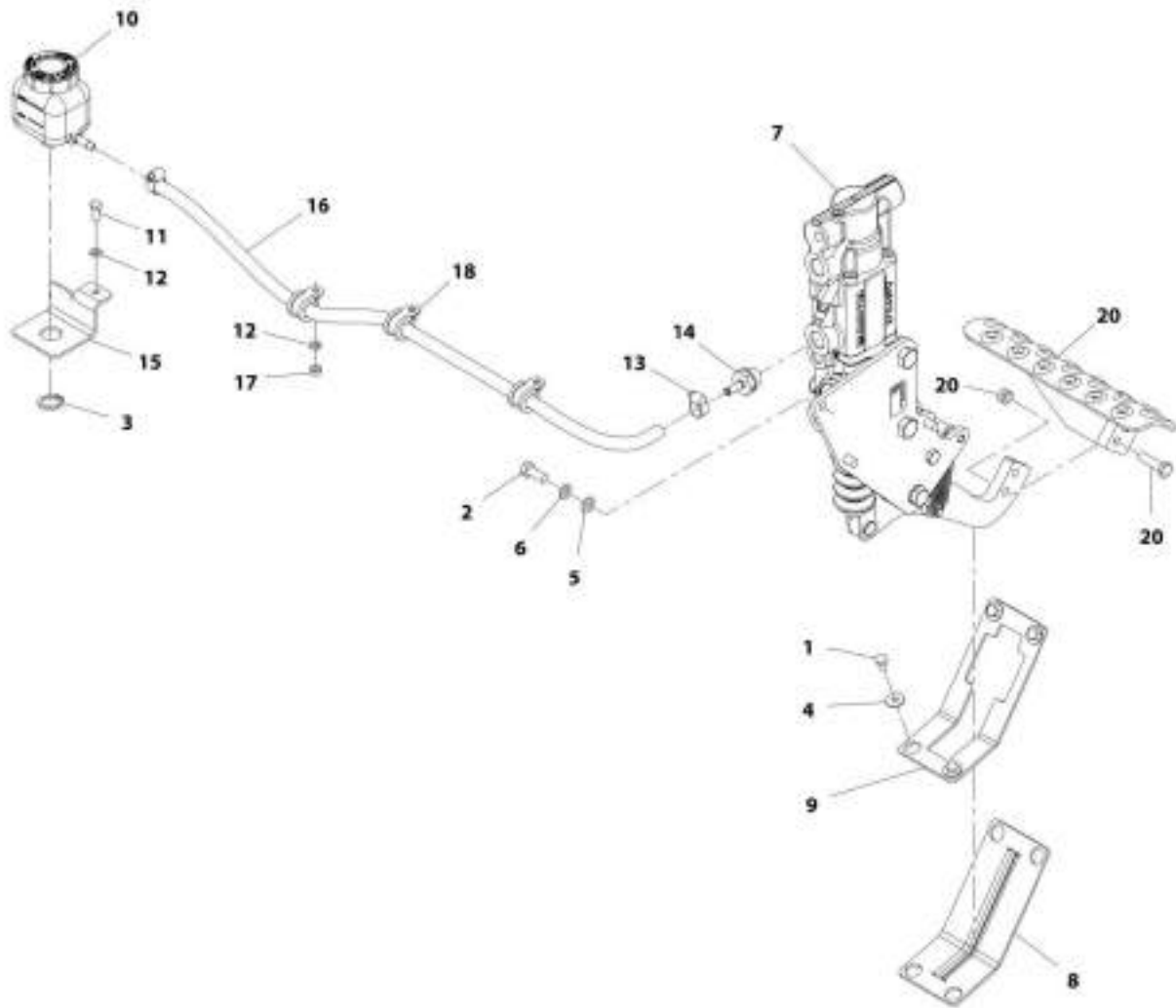
<b>ITEM</b>	<b>PART NUMBER</b>	<b>QTY</b>	<b>DESCRIPTION</b>	<b>REV</b>
1	1001211041 1001208192	Ref 1	No Sunscreen Installation Seal, Foam	A



**SECTION 7 - CONTROLS**

# SECTION 7 - CONTROLS

## FIGURE 7-1. BRAKE PEDAL INSTALLATION



ART\_1001204225-C

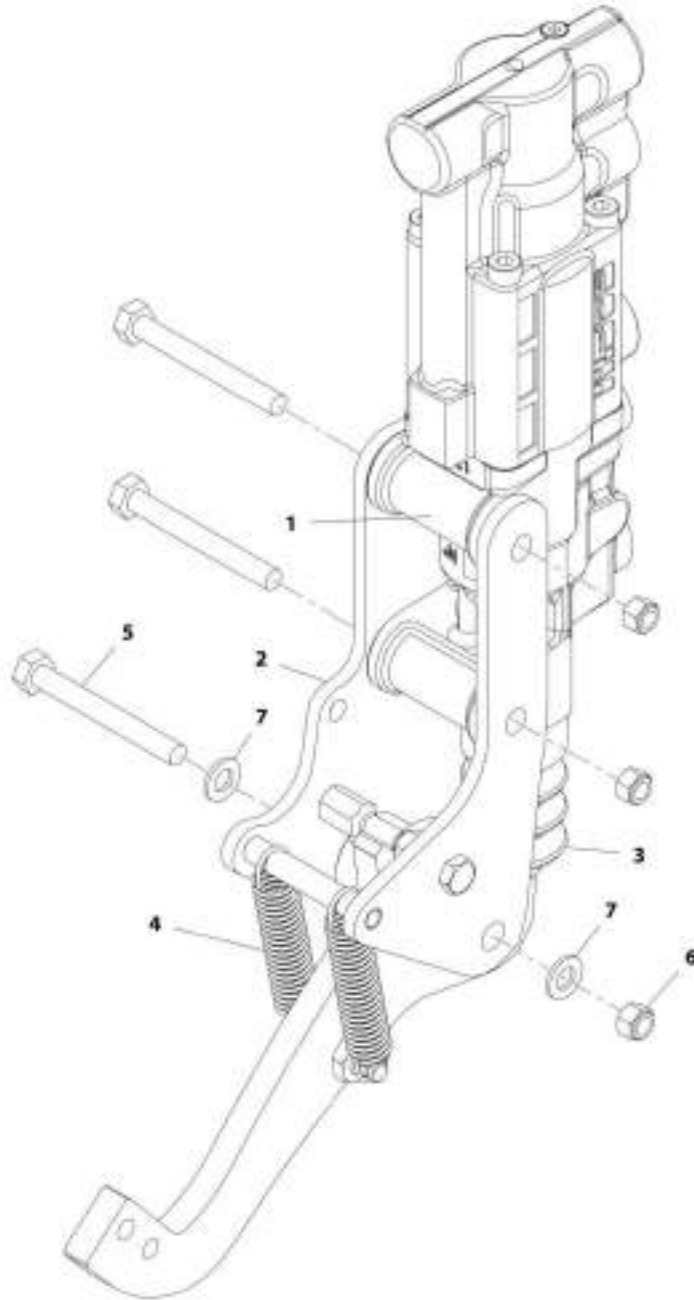
## SECTION 7 - CONTROLS

### FIGURE 7-1. BRAKE PEDAL INSTALLATION

ITEM	PART NUMBER	QTY	DESCRIPTION	REV
	1001204225	Ref	Brake Pedal Installation	C
1	0760605	4	Bolt, M6X10	
2	0760810	3	Bolt, M8X20	
3	3760348	1	Ring, Retaining	
4	4811702	4	Washer, M6	
5	4811900	3	Washer, M8	
6	4831900	3	Washer, Lock M8	
7	1001197138	1	Pedal, Brake (See BRAKE PEDAL for Breakdown)	
8	1001162920	1	Gasket, Brake Pedal	
9	1001162922	1	Plate	
10	1001214220	1	Reservoir, Brake	
11	0760608	1	Bolt, M6X16	
12	4811700	4	Washer, M6	
13	8405009	2	Clamp, Gear	
14	1001171874	1	Fitting, Hose Barb	
15	1001172088	1	Bracket, Brake Reservoir	
16	1001172094	1	Hose, Brake Reservoir	
17	3290601	3	Nut, M6X1	
18	1001170231	3	Clip, M6X15	
20	1001197139	1	Plate, Brake Pedal (See BRAKE PEDAL PLATE for Breakdown)	

# SECTION 7 - CONTROLS

## FIGURE 7-2. BRAKE PEDAL



ART\_1031197138-D



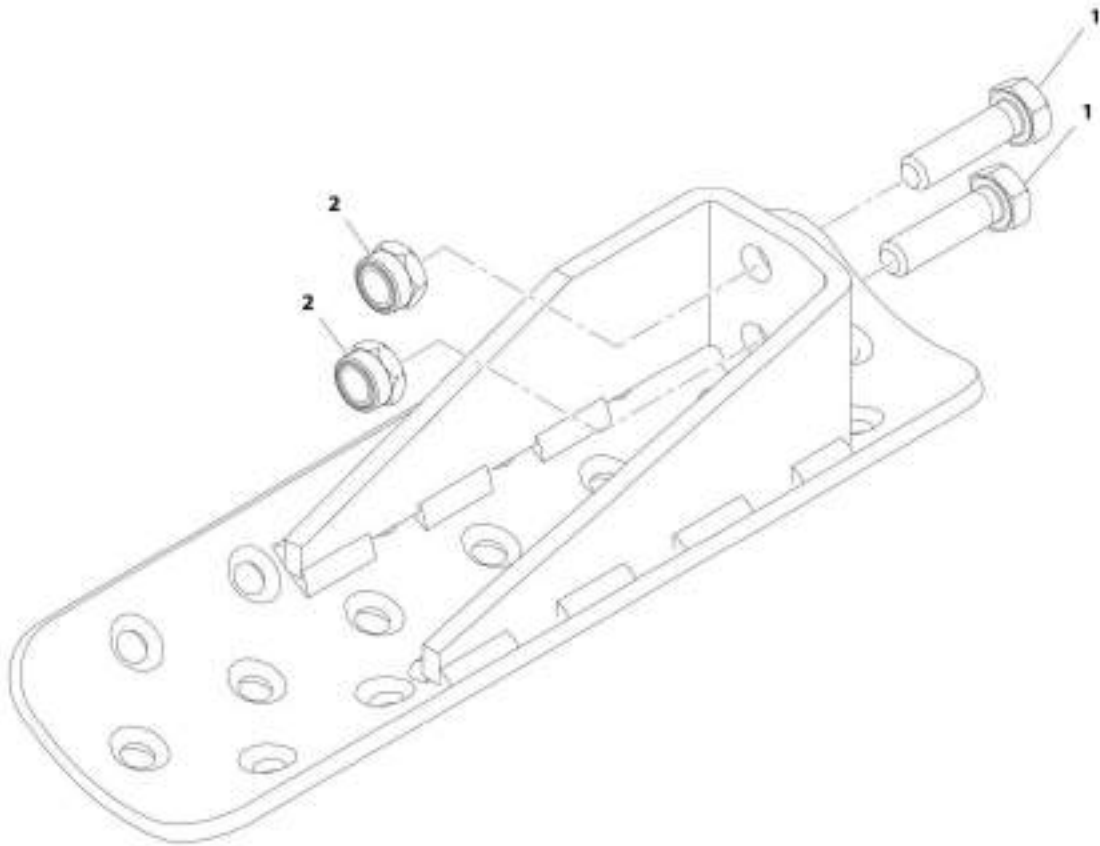
## SECTION 7 - CONTROLS

### FIGURE 7-2. BRAKE PEDAL

ITEM	PART NUMBER	QTY	DESCRIPTION	REV
	1001197138	Ref	Brake Pedal	D
1	70026432	1	Cylinder, Master	
2	70026433	1	Support	
3	70025859	1	Cover, Dust	
4	70025860	2	Spring, Return	
5	0701226	3	Bolt, M12X90	
6	3291205	3	Nut, Lock M12X1.75	
7	4812100	2	Washer, M12	

# SECTION 7 - CONTROLS

## FIGURE 7-3. BRAKE PEDAL PLATE



ART\_1001197136-A

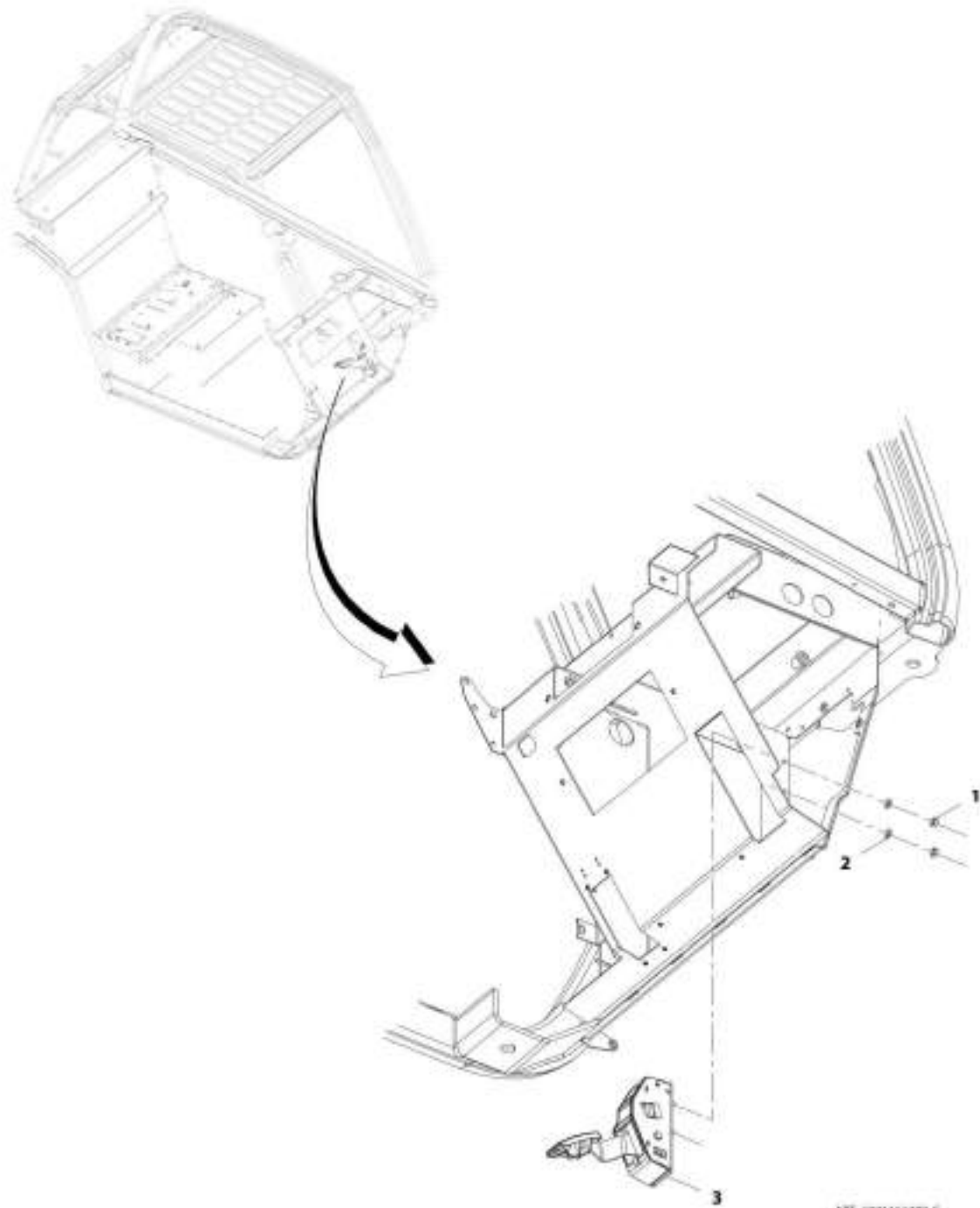
## SECTION 7 - CONTROLS

### FIGURE 7-3. BRAKE PEDAL PLATE

ITEM	PART NUMBER	QTY	DESCRIPTION	REV
	1001197139	Ref	Brake Pedal Plate	A
1	0770814	1	Bolt, M8X30 Grade 10.9	
2	3290805	1	Nut, Lock M8X1.25 Grade 8	

# SECTION 7 - CONTROLS

## FIGURE 7-4. ACCELERATOR PEDAL INSTALLATION



ART. 1001161489-C

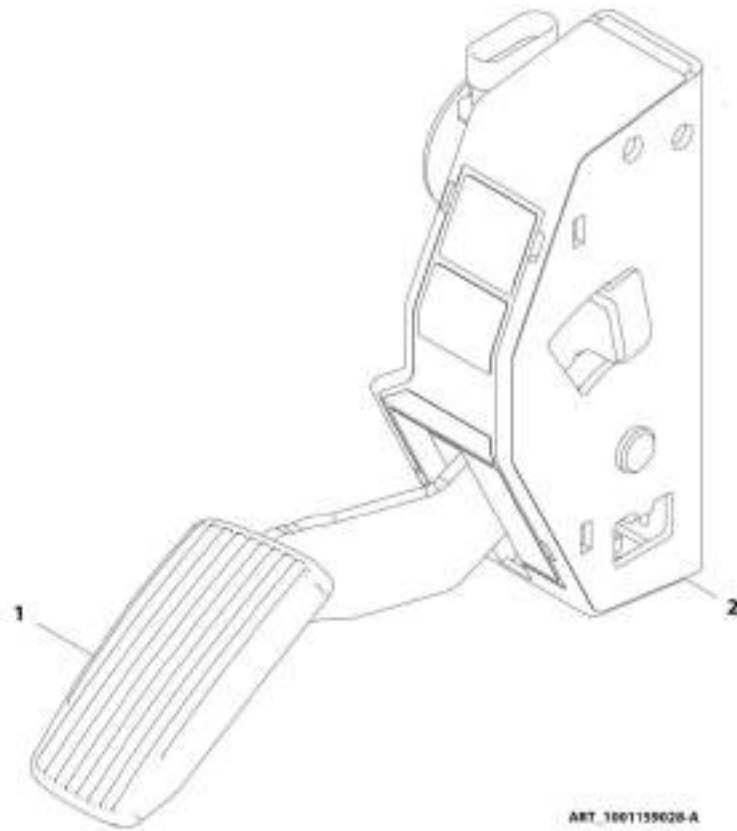
## SECTION 7 - CONTROLS

**FIGURE 7-4. ACCELERATOR PEDAL INSTALLATION**

ITEM	PART NUMBER	QTY	DESCRIPTION	REV
	1001161499	Ref	Accelerator Pedal Installation	C
1	3290801	2	Nut, M8X1.25	
2	4811900	2	Washer, M8	
3	1001159028	1	Pedal, Accelerator (See Separate Breakdown in this Section)	

## SECTION 7 - CONTROLS

FIGURE 7-5. ACCELERATOR PEDAL



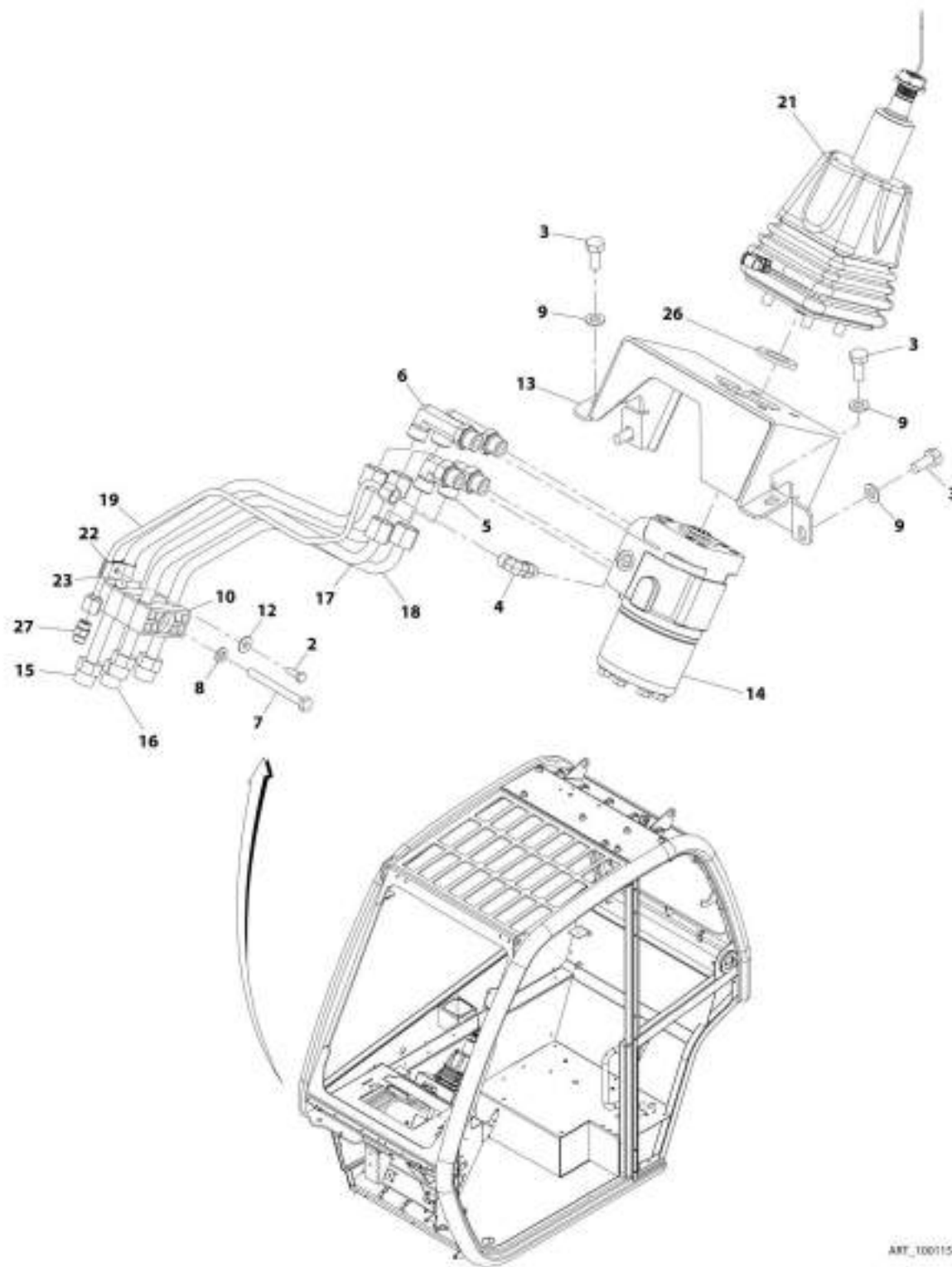
## SECTION 7 - CONTROLS

### FIGURE 7-5. ACCELERATOR PEDAL

ITEM	PART NUMBER	QTY	DESCRIPTION	REV
	1001159028	Ref	Accelerator Pedal	A
1	70025816	1	Pad, Rubber	
2	70025817	1	Cover, Rubber	

# SECTION 7 - CONTROLS

## FIGURE 7-6. STEERING COLUMN INSTALLATION



ART\_1001155307-P



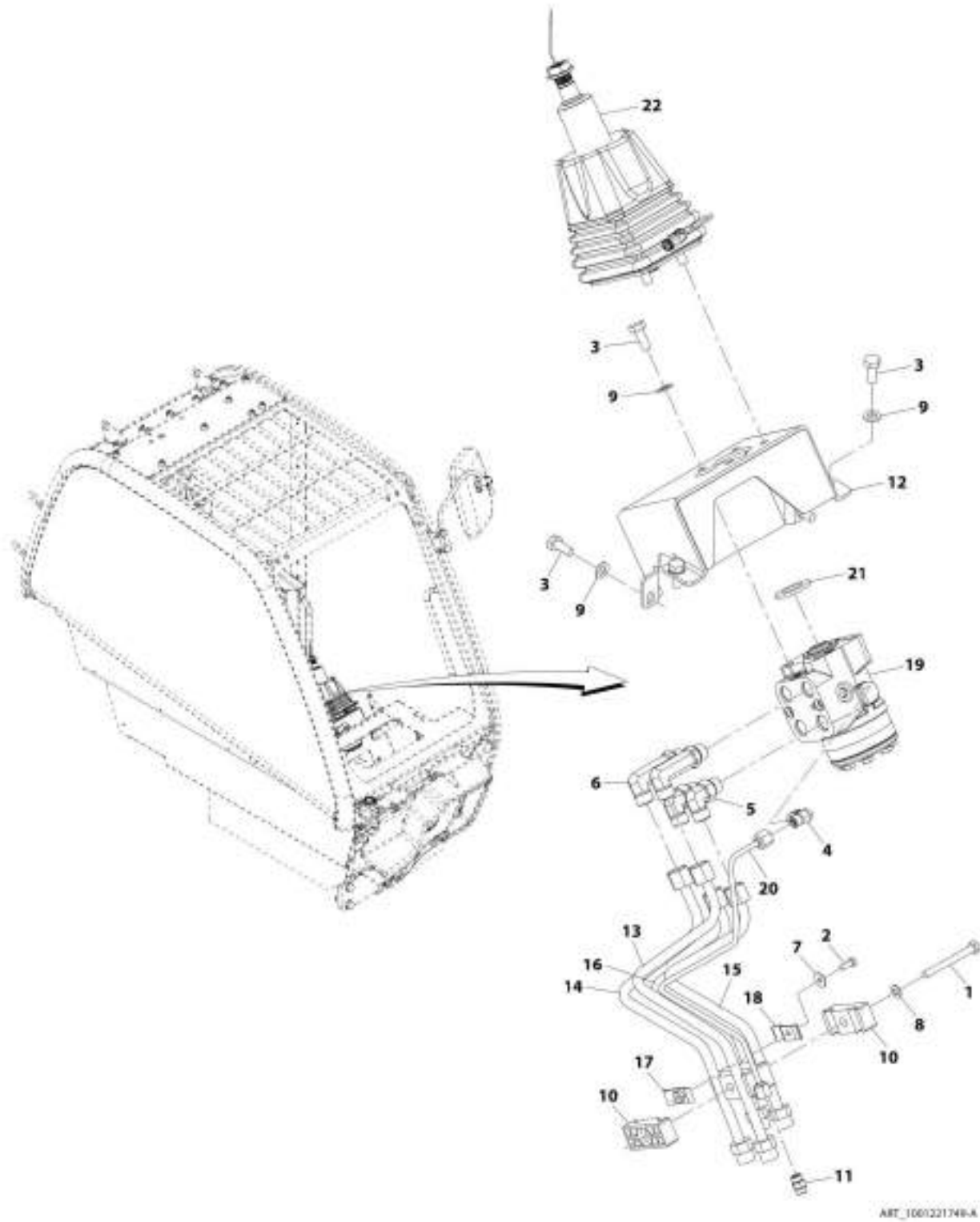
## SECTION 7 - CONTROLS

**FIGURE 7-6. STEERING COLUMN INSTALLATION**

ITEM	PART NUMBER	QTY	DESCRIPTION	REV
	1001155307	1	Steering Column Installation	F
2	0760608	1	Bolt, M6X16	
3	0761012	8	Bolt, M10X25	
4	2130404	1	Fitting, 90 ORFS	
5	2130808	2	Fitting, 90 ORFS	
6	2170208	2	Fitting, 90 ORFS	
7	0700824	1	Bolt, M8X80	
8	4811900	1	Washer, M8	
9	4812000	8	Washer, M10	
10	1001004640	4	Clamp	
12	4811702	1	Washer, M6	
13	1001156265	1	Cab, Steering Column Support	
14	1001158527	1	Valve, Steering (See HYDRAULIC COMPONENTS SECTION for Breakdown)	
15	1001161672	1	Pipe	
16	1001161896	1	Pipe	
17	1001161897	1	Pipe	
18	1001161898	1	Pipe	
19	1001162979	1	Pipe	
21	1001161733	NLA	Column, Steering (no longer available, see 1001214481 for replacement)	
21	1001214481	1	Column, Steering	
22	1001168142	1	Bracket	
23	1001168151	1	Bracket	
26	1001214480	1	Washer	
27	1001143857	1	Adaptor	

# SECTION 7 - CONTROLS

## FIGURE 7-7. EMERGENCY STEERING COLUMN INSTALLATION



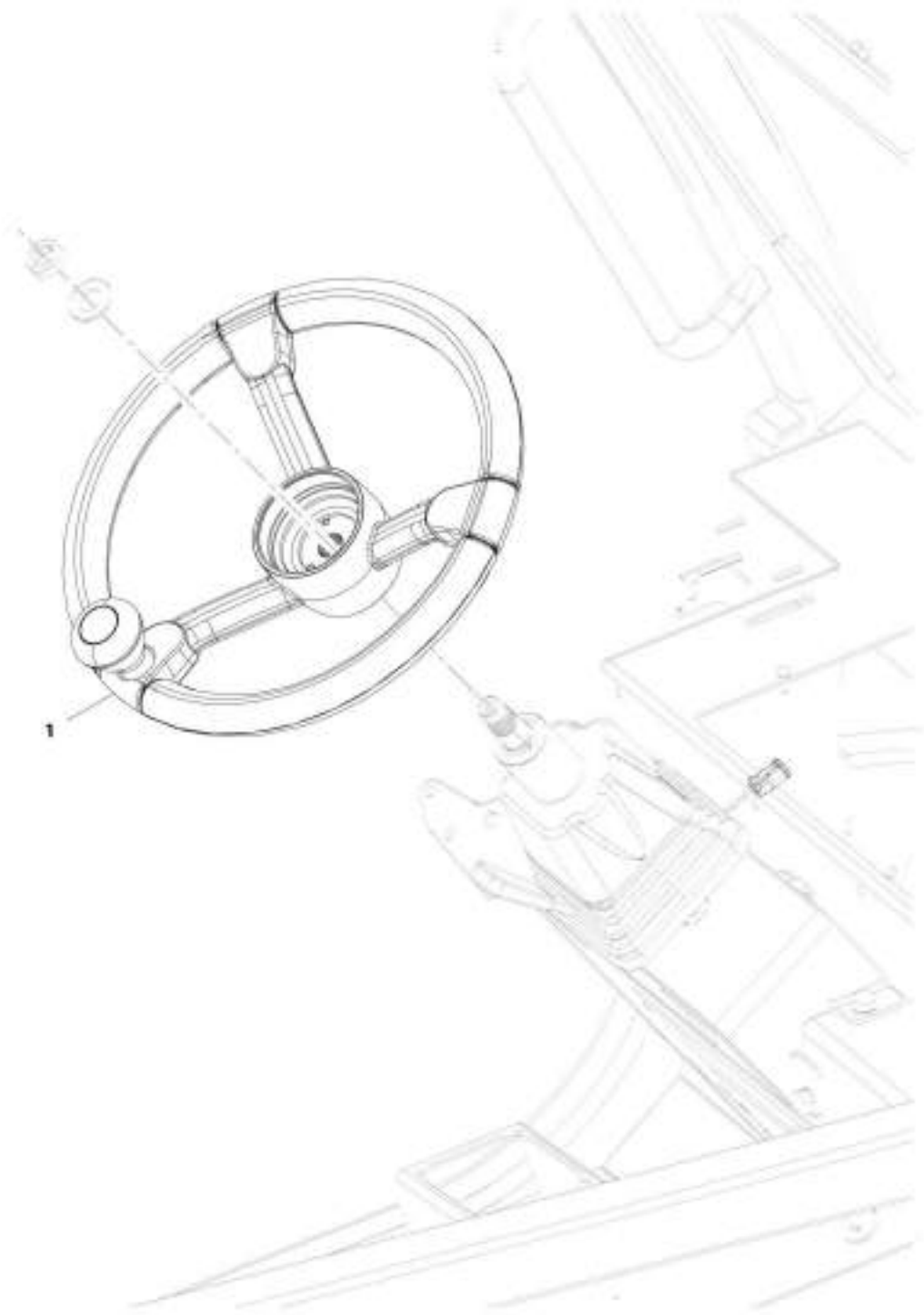
## SECTION 7 - CONTROLS

**FIGURE 7-7. EMERGENCY STEERING COLUMN INSTALLATION**

ITEM	PART NUMBER	QTY	DESCRIPTION	REV
	1001221749	Ref	Emergency Steering Column Installation	A
1	0700824	1	Bolt, M8X80	
2	0760608	1	Bolt, M6X16	
3	0761012	8	Bolt, M10X25	
4	2130404	1	Fitting, 90 ORFS	
5	2130808	2	Fitting, 90 ORFS	
6	2170208	2	Fitting, 90 ORFS	
7	4811702	1	Washer, M6	
8	4811900	1	Washer, M8	
9	4812000	8	Washer, M10	
10	1001004640	4	Clamp	
11	1001143857	1	Adapter	
12	1001156265	1	Cab, Steering Column Support	
13	1001161672	1	Pipe	
14	1001161896	1	Pipe	
15	1001161897	1	Pipe	
16	1001161898	1	Pipe	
17	1001168142	1	Bracket	
18	1001168151	1	Bracket	
19	1001178670	1	Valve, Steering	
20	1001194282	1	Pipe	
21	1001214480	1	Washer	
22	1001214481	1	Column, Steering	

## SECTION 7 - CONTROLS

FIGURE 7-8. STEERING WHEEL INSTALLATION



ART\_100168751-C

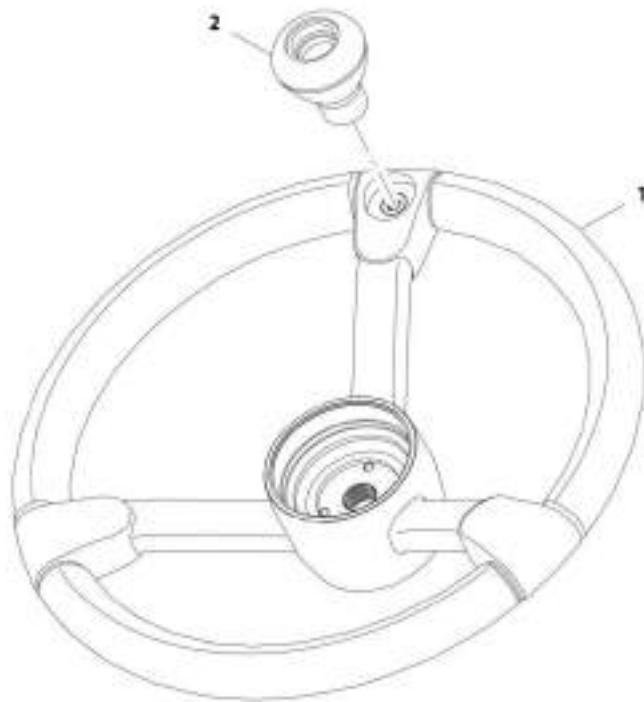
## SECTION 7 - CONTROLS

**FIGURE 7-8. STEERING WHEEL INSTALLATION**

ITEM	PART NUMBER	QTY	DESCRIPTION	REV
1	1001169751 1001169354	Ref 1	Steering Wheel Installation Wheel, Steering (See Separate Breakdown in this Section)	C

# SECTION 7 - CONTROLS

## FIGURE 7-9. STEERING WHEEL



ART\_1001169354-D

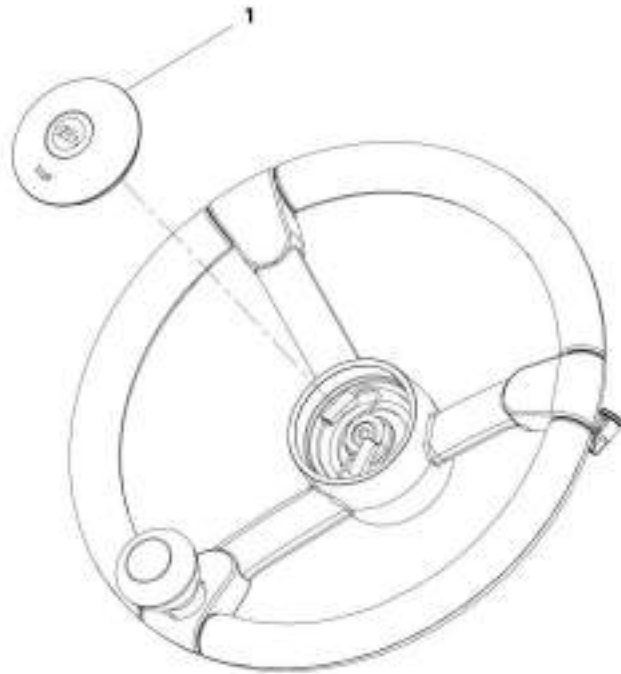
## SECTION 7 - CONTROLS

### FIGURE 7-9. STEERING WHEEL

ITEM	PART NUMBER	QTY	DESCRIPTION	REV
	1001169354	Ref	Steering Wheel	D
1	1001169367	1	Wheel, Steering	
2	1001169355	1	Handle, Steer Spinner	

## SECTION 7 - CONTROLS

FIGURE 7-10. HORN BUTTON INSTALLATION



ART\_100160763-A



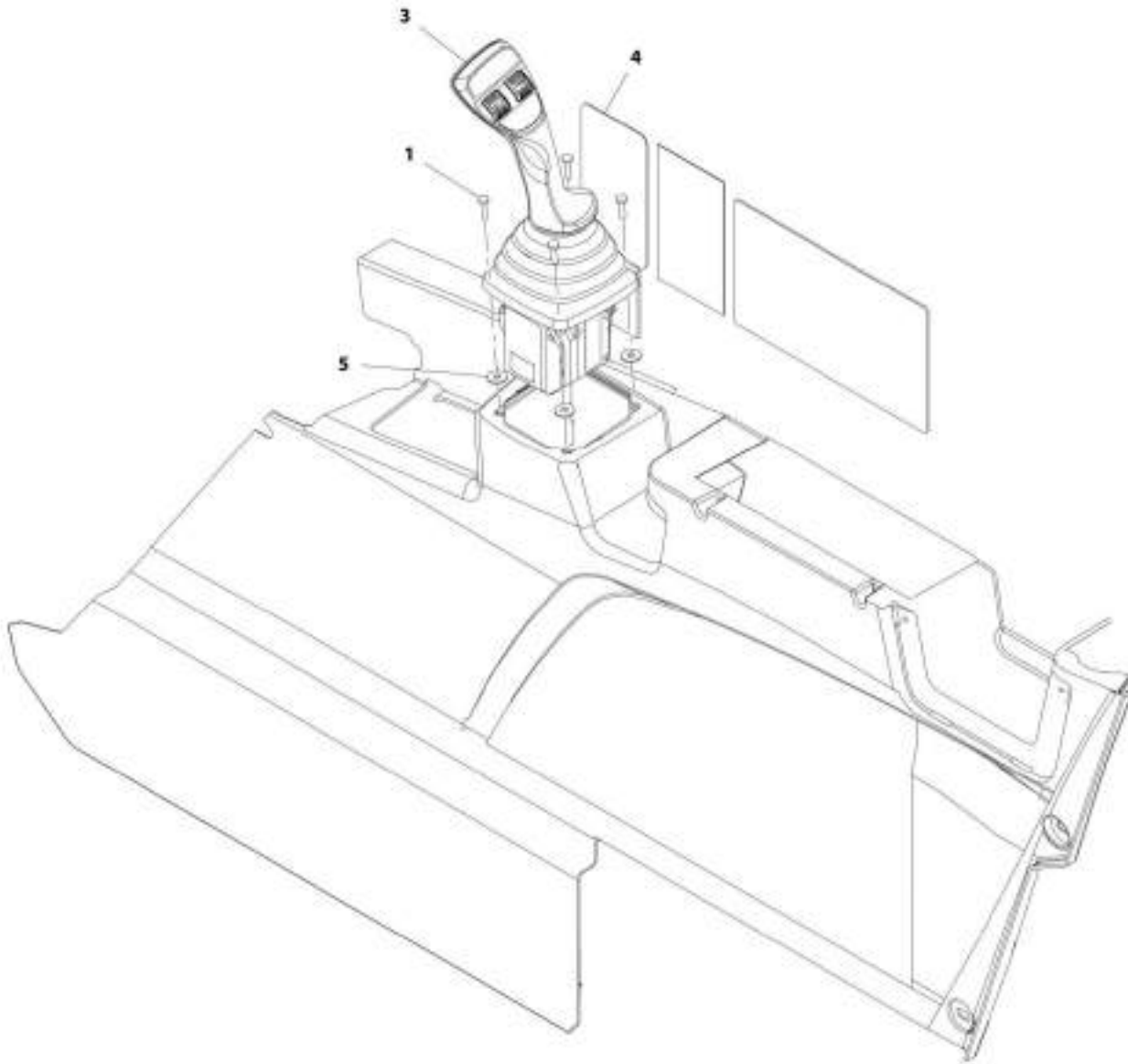
## SECTION 7 - CONTROLS

**FIGURE 7-10. HORN BUTTON INSTALLATION**

ITEM	PART NUMBER	QTY	DESCRIPTION	REV
1	1001169763 1001169268	Ref 1	Horn Button Installation Button, Horn	A

## SECTION 7 - CONTROLS

FIGURE 7-11. JOYSTICK INSTALLATION (2 ROLLER, 0 BUTTON)



ART\_1001167001-E

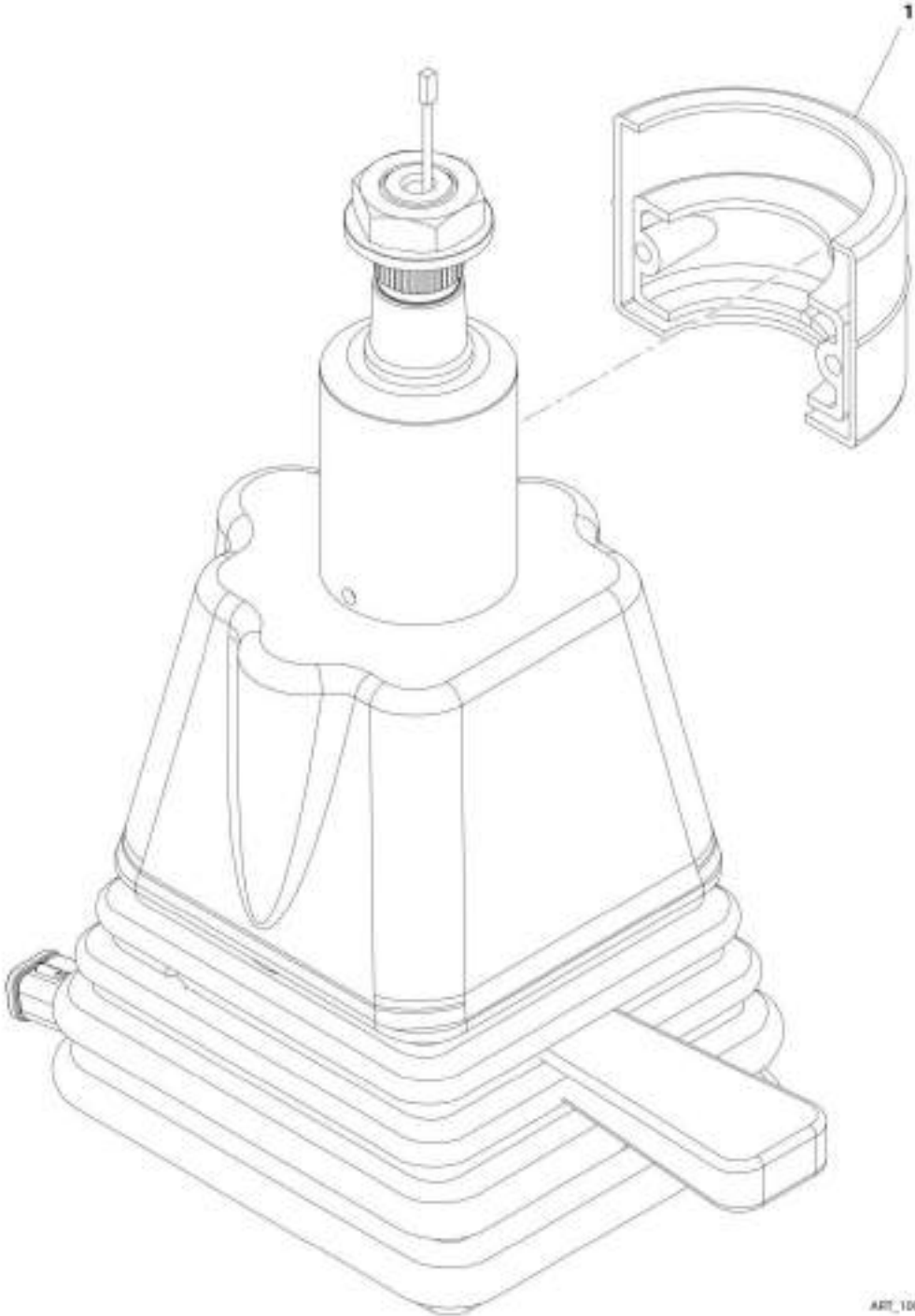
## SECTION 7 - CONTROLS

**FIGURE 7-11. JOYSTICK INSTALLATION (2 ROLLER, 0 BUTTON)**

ITEM	PART NUMBER	QTY	DESCRIPTION	REV
	1001167001	Ref	Joystick Installation (2 Roller, 0 Button)	E
1	4010510	4	Screw, M5X20	
3	1001222609	1	Joystick (See Separate Breakdown in this Section)	
4	1001181543	1	Decal, Joystick	
5	4811702001	AR	Washer	

**SECTION 7 - CONTROLS**

**FIGURE 7-12. COLUMN CLAMP INSTALLATION**



ARE\_1001162671-C

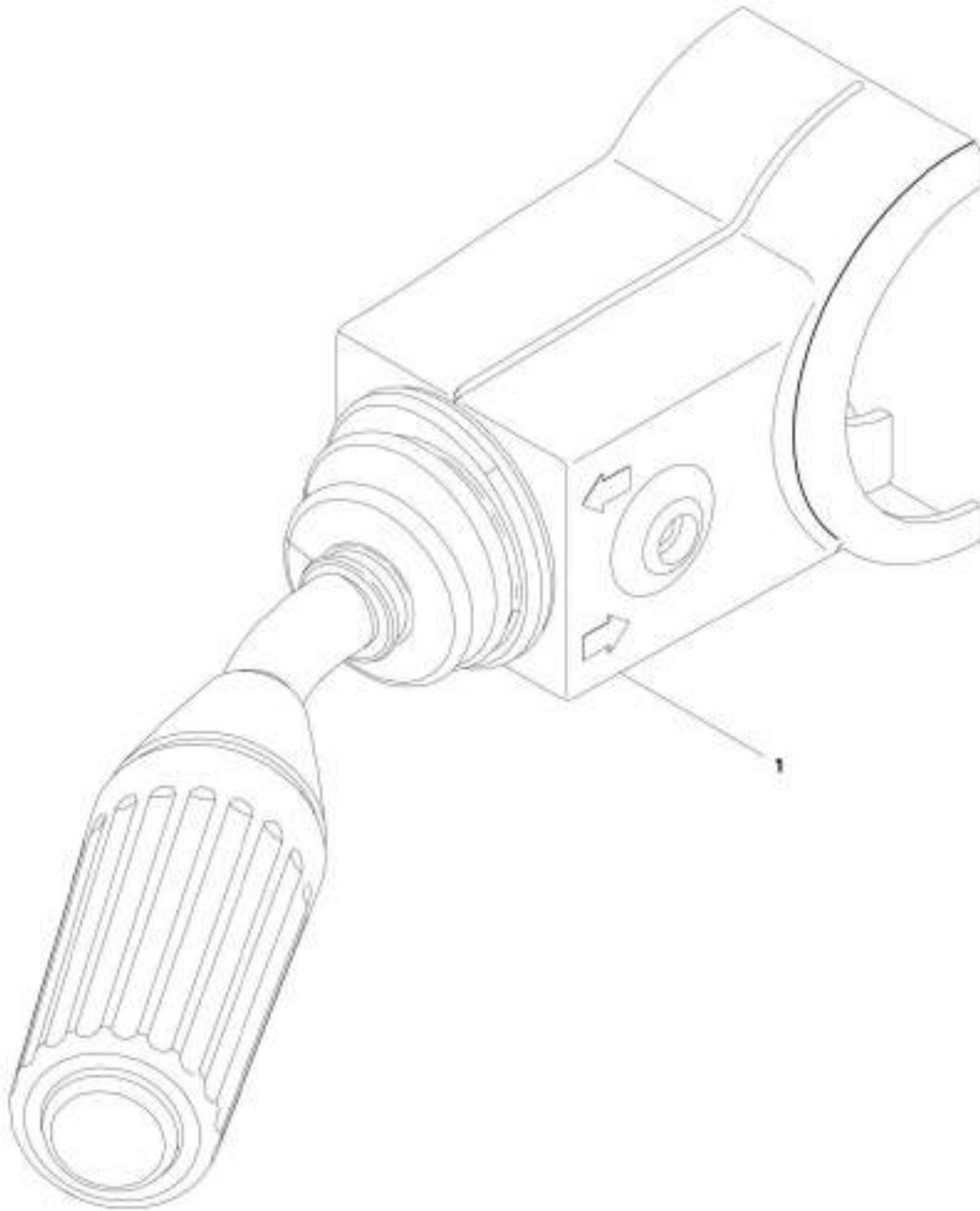
## SECTION 7 - CONTROLS

FIGURE 7-12. COLUMN CLAMP INSTALLATION

ITEM	PART NUMBER	QTY	DESCRIPTION	REV
1	1001182671	1	Column Clamp Installation	C
	1001199640	1	Clamp	

## SECTION 7 - CONTROLS

FIGURE 7-13. WIPER-TURN SWITCH



ART\_1001105655.A

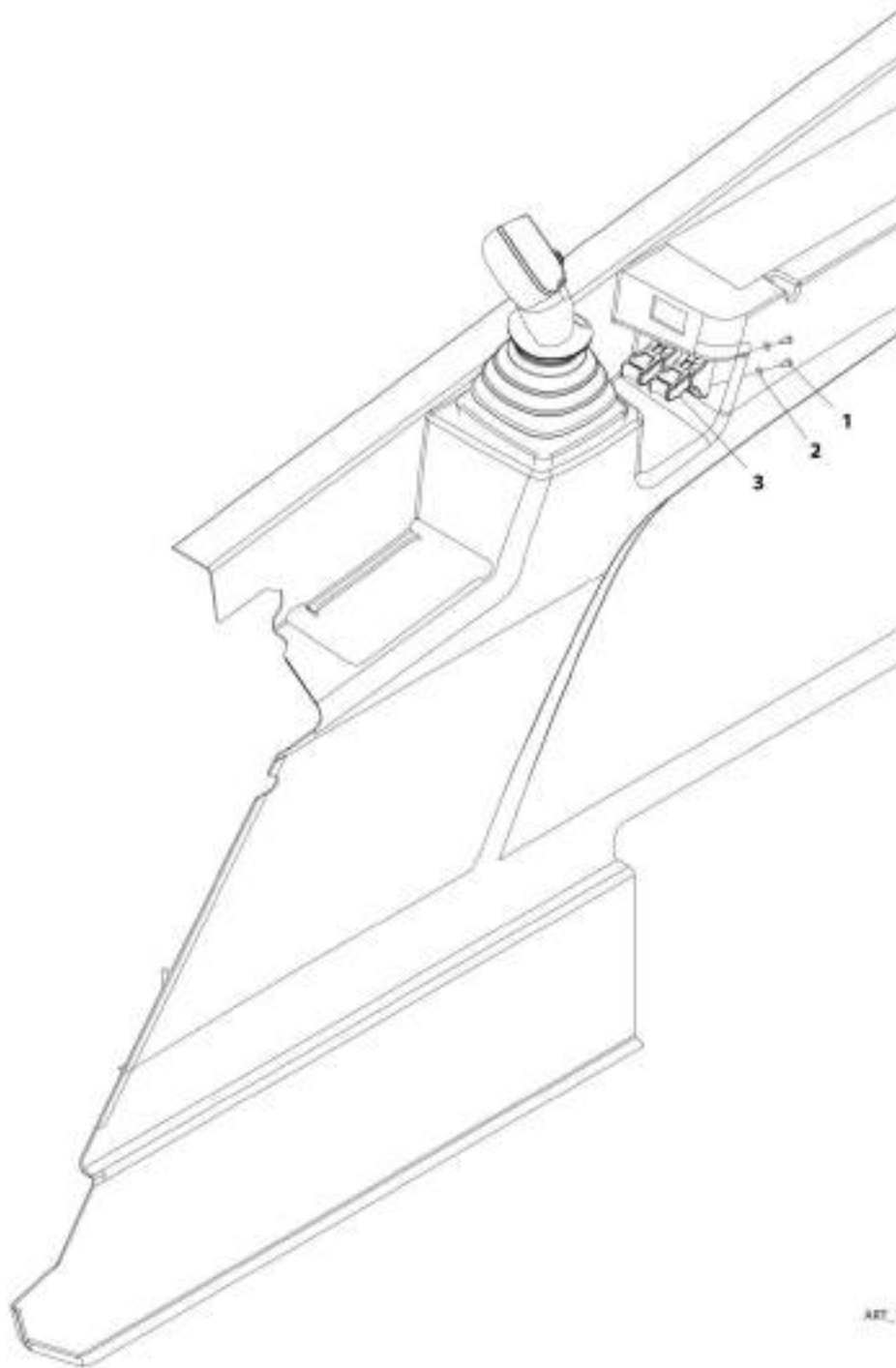
## SECTION 7 - CONTROLS

**FIGURE 7-13. WIPER-TURN SWITCH**

ITEM	PART NUMBER	QTY	DESCRIPTION	REV
1	1001163695	1	Wiper-Turn Switch	A

# SECTION 7 - CONTROLS

## FIGURE 7-14. OUTRIGGER SWITCHES INSTALLATION



ART\_100137478-B



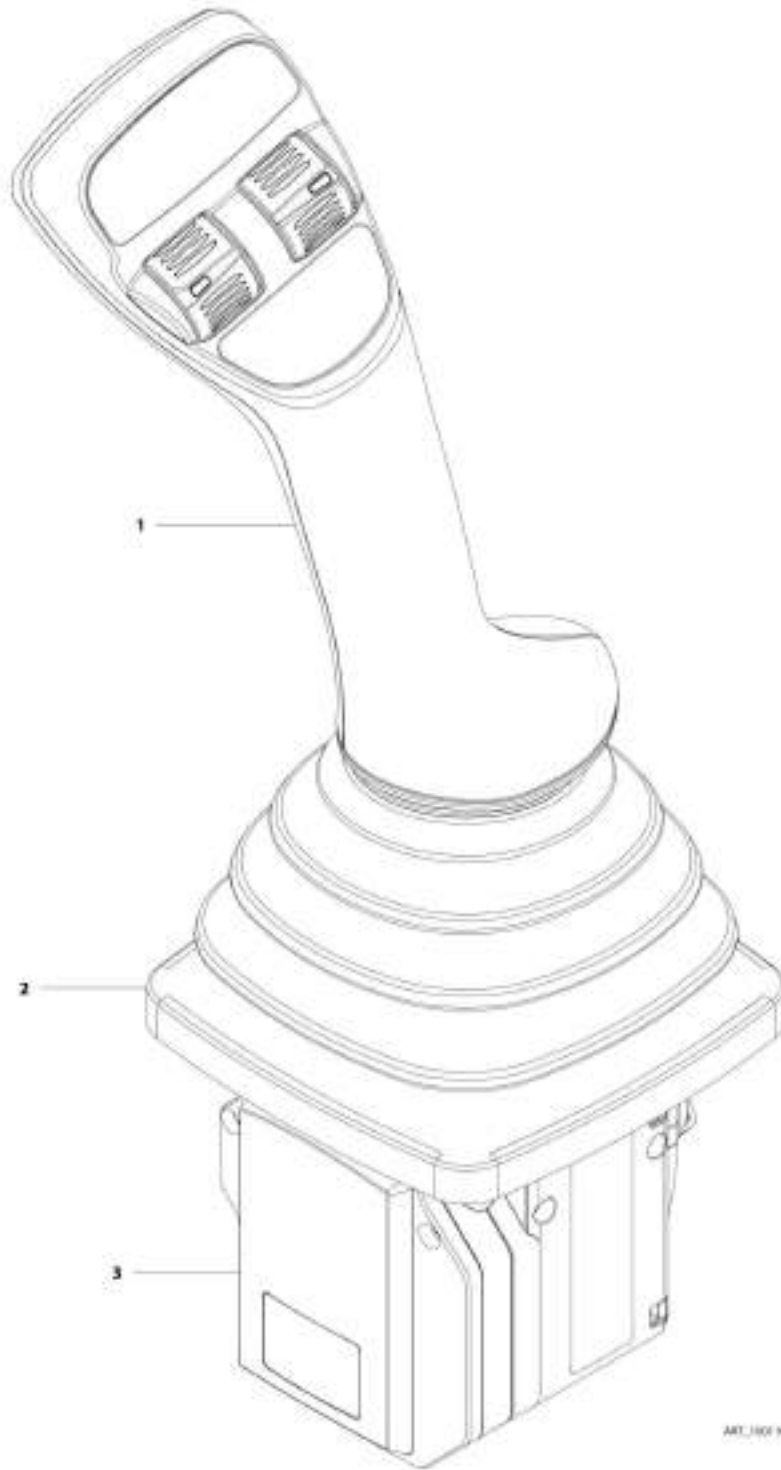
## SECTION 7 - CONTROLS

### FIGURE 7-14. OUTRIGGER SWITCHES INSTALLATION

ITEM	PART NUMBER	QTY	DESCRIPTION	REV
	1001174478	Ref	Outrigger Switches Installation	B
1	0760304	4	Bolt, M3X8 GR8.8	
2	1001110544	4	Washer, M3	
3	1001157919	2	Control, Fingertip Joystick	

# SECTION 7 - CONTROLS

## FIGURE 7-15. JOYSTICK



ART. 1001 000000

## SECTION 7 - CONTROLS

### FIGURE 7-15. JOYSTICK

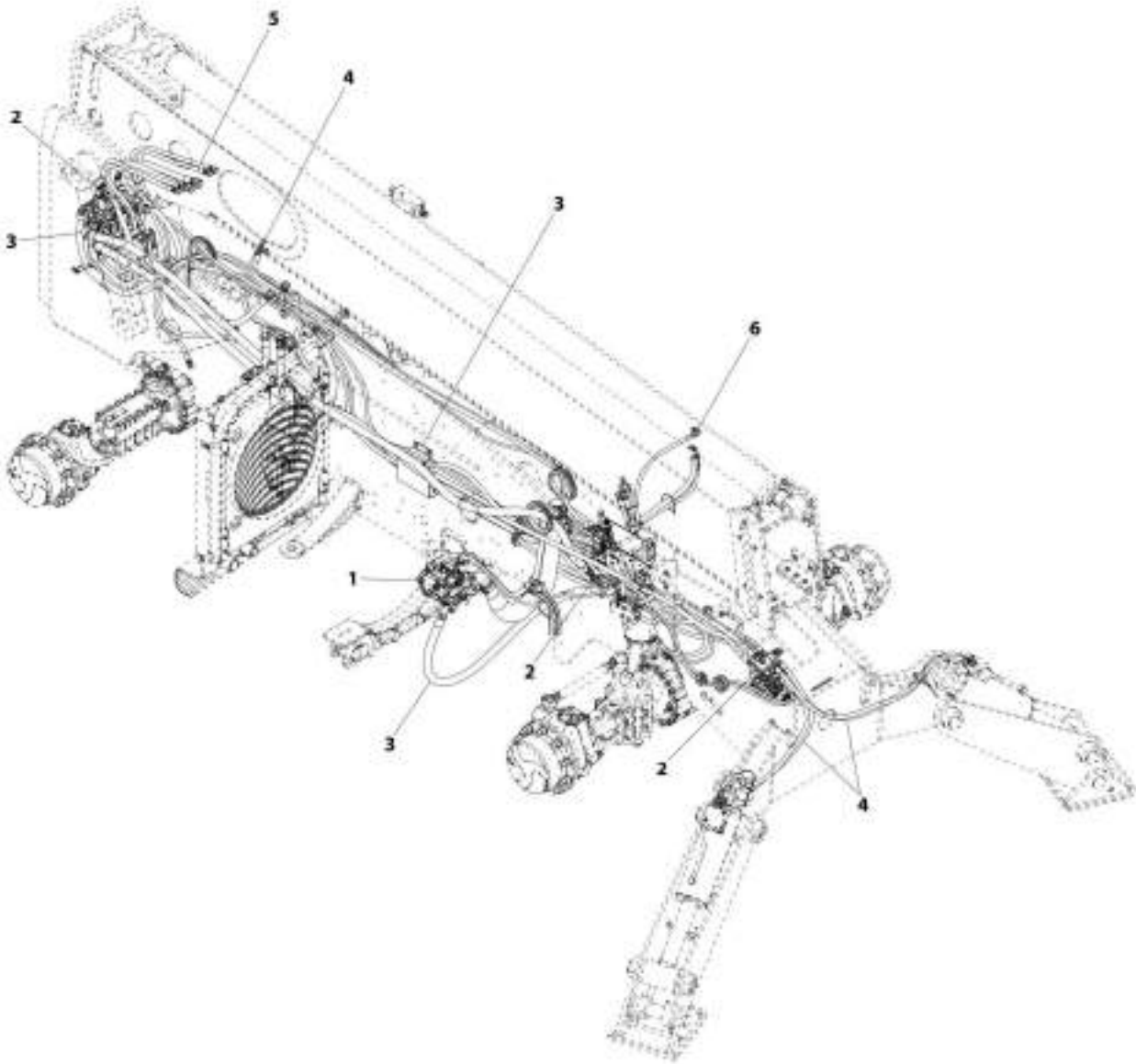
ITEM	PART NUMBER	QTY	DESCRIPTION	REV
	1001160122	NLA	Joystick, (no longer available, use 1001222609 for replacement)	F
	1001222609	Ref	Joystick	A
1	70026257	1	Handle, Joystick	
2	70025844	1	Gaiter	
3	70026258	1	Base, Joystick	



**SECTION 8 - HYDRAULIC CIRCUITS**

**SECTION 8 - HYDRAULIC CIRCUITS**

**FIGURE 8-1. MAIN HYDRAULIC INSTALLATION (OUTRIGGERS)**



ART\_1001227186-A

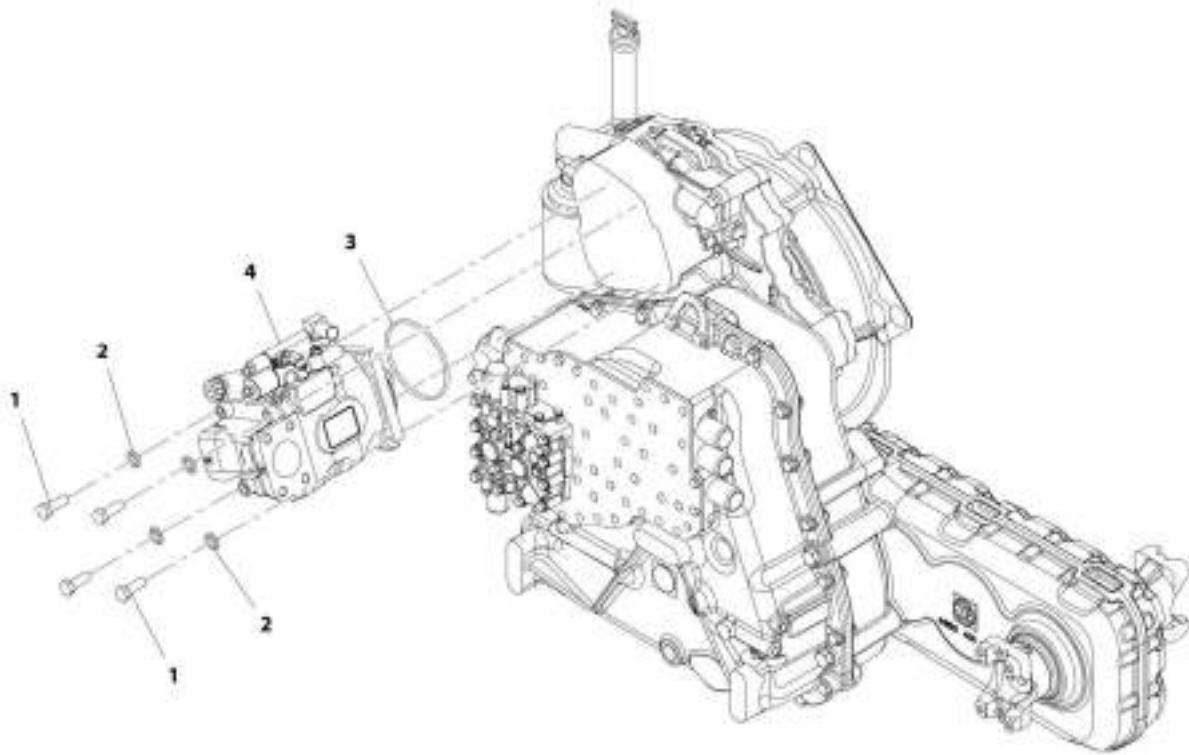
## SECTION 8 - HYDRAULIC CIRCUITS

**FIGURE 8-1. MAIN HYDRAULIC INSTALLATION (OUTRIGGERS)**

ITEM	PART NUMBER	QTY	DESCRIPTION	REV
1	1001227386	Ref	Main Hydraulic Installation (Outriggers)	A
	1001162670	Ref	Installation, Piston Pump (See Separate Breakdown in this Section)	
2	1001225749	Ref	Installation, Valve (See Separate Breakdown in this Section)	
3	1001227497	Ref	Installation, Main Hydraulics (See Separate Breakdown in this Section)	
4	1001168469	Ref	Installation, Frame Level Hydraulics (See Separate Breakdown in this Section)	
5	1001170100	Ref	Installation, Boom Hydraulic (See Separate Breakdown in this Section)	
6	1001175789	Ref	Installation, Cab Hydraulics (See Separate Breakdown in this Section)	

# SECTION 8 - HYDRAULIC CIRCUITS

## FIGURE 8-2. PISTON PUMP INSTALLATION



ART\_100102670-C



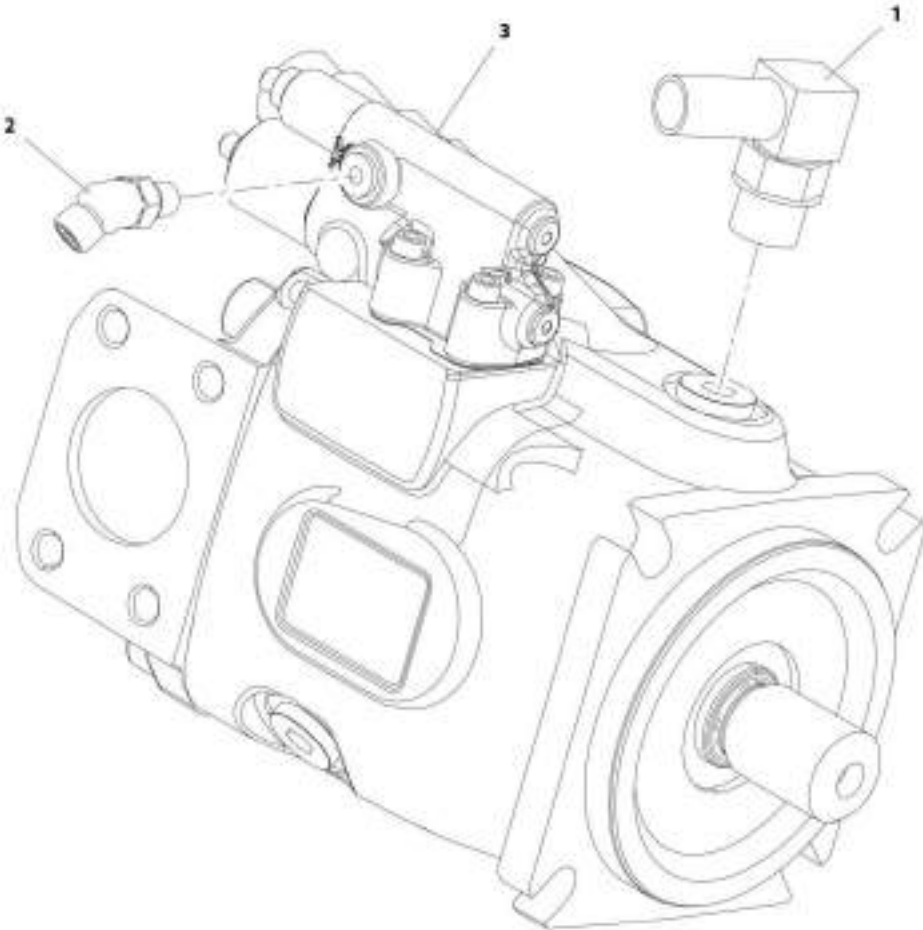
## SECTION 8 - HYDRAULIC CIRCUITS

### FIGURE 8-2. PISTON PUMP INSTALLATION

ITEM	PART NUMBER	QTY	DESCRIPTION	REV
	1001162670	Ref	Piston Pump Installation	C
1	0761215	4	Bolt, M12X35	
2	4740532	4	Washer	
3	80933113	1	O-Ring	
4	1001162674	1	Assembly, Piston Pump (See Separate Breakdown in this Section)	

**SECTION 8 - HYDRAULIC CIRCUITS**

**FIGURE 8-3. PISTON PUMP ASSEMBLY**



ART\_1001162674-C

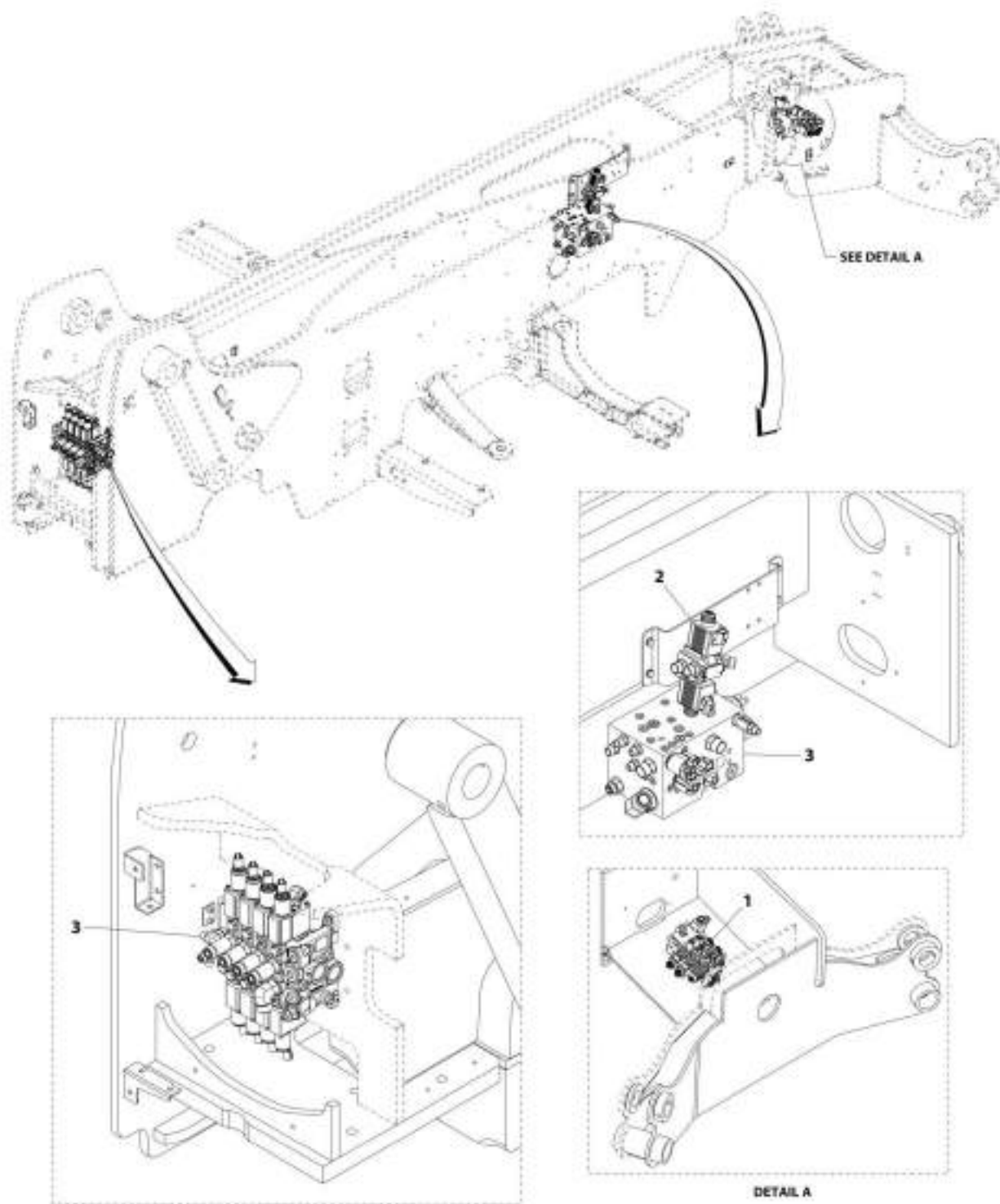
## SECTION 8 - HYDRAULIC CIRCUITS

### FIGURE 8-3. PISTON PUMP ASSEMBLY

ITEM	PART NUMBER	QTY	DESCRIPTION	REV
	1001162674	Ref	Piston Pump Assembly	C
1	8424217	1	Fitting, 90	
2	2150404	1	Fitting, 45 ORFS	
3	1001182279	1	Piston Pump (See Separate Breakdown in Hydraulic Components Section)	

# SECTION 8 - HYDRAULIC CIRCUITS

## FIGURE 8-4. VALVE INSTALLATION (OUTRIGGERS)



ART\_1001225749-A

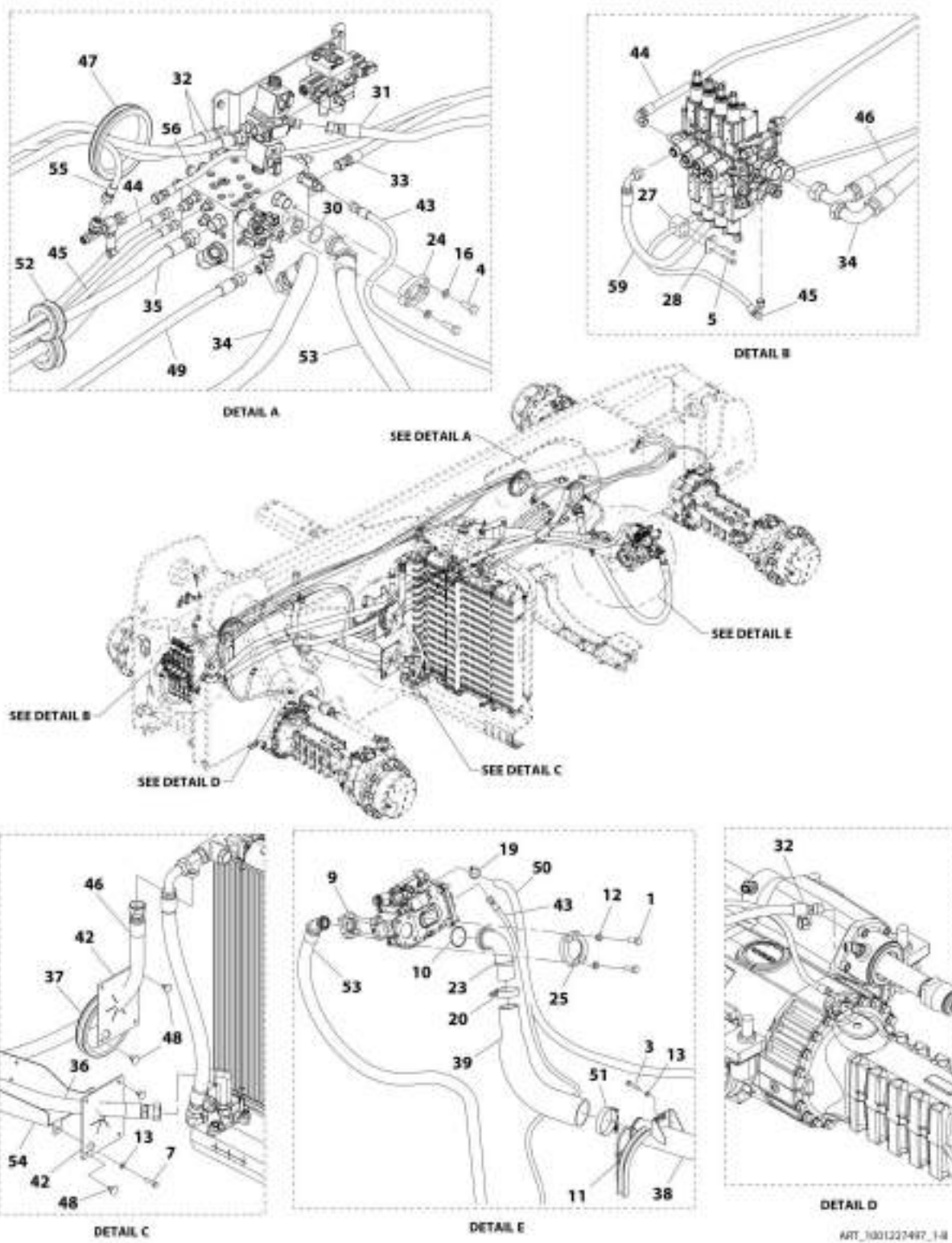
## SECTION 8 - HYDRAULIC CIRCUITS

**FIGURE 8-4. VALVE INSTALLATION (OUTRIGGERS)**

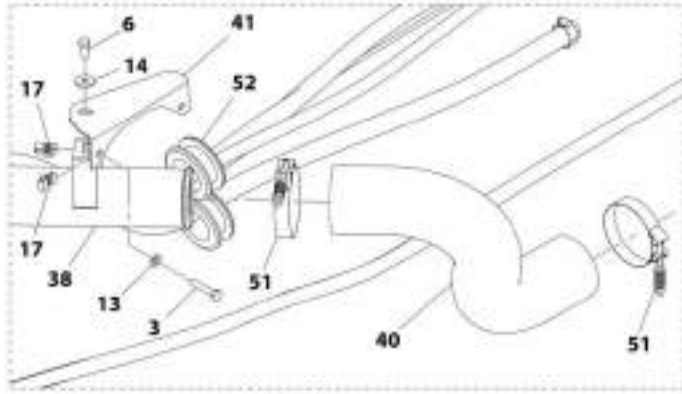
ITEM	PART NUMBER	QTY	DESCRIPTION	REV
1	1001225749	Ref	Valve Installation (Outriggers)	A
	1001159760	Ref	Installation, Frame Level and Outrigger Valve (See Separate Breakdown in this Section)	
2	1001168464	Ref	Installation, Steering Select Valve Mounting (See Separate Breakdown in this Section)	
3	1001225750	Ref	Installation, Main Control Valve (See Separate Breakdown in this Section)	

# SECTION 8 - HYDRAULIC CIRCUITS

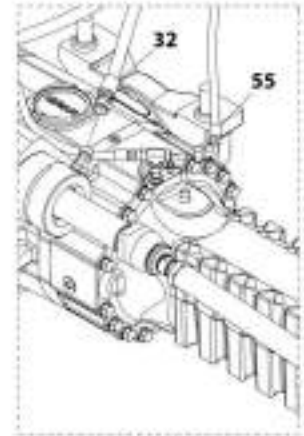
## FIGURE 8-5. MAIN HYDRAULIC INSTALLATION



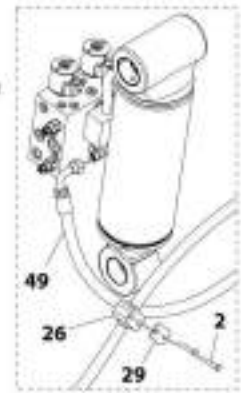
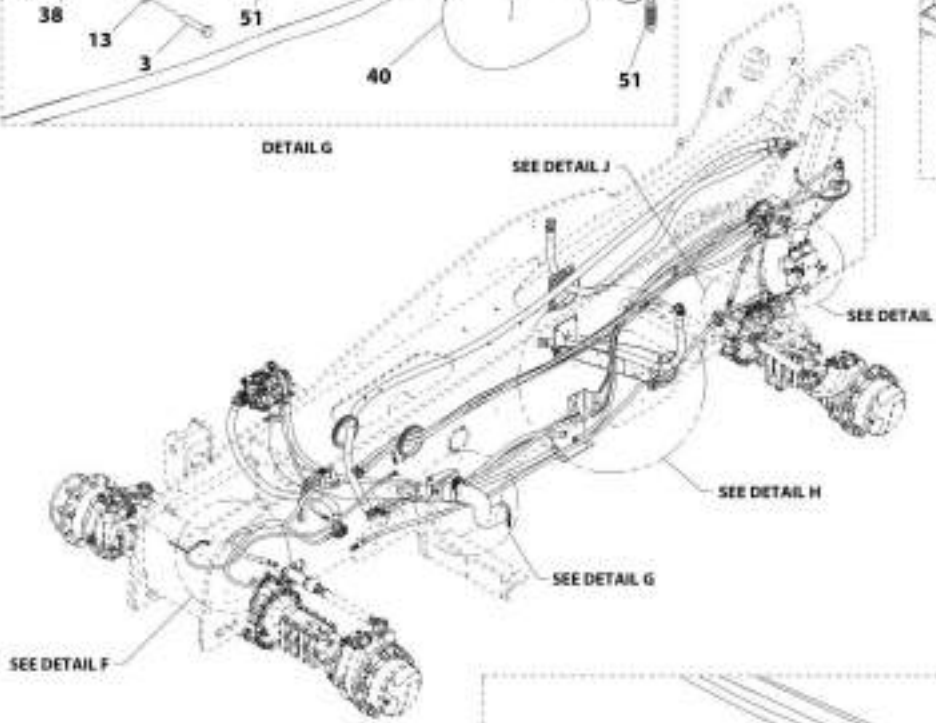
# SECTION 8 - HYDRAULIC CIRCUITS



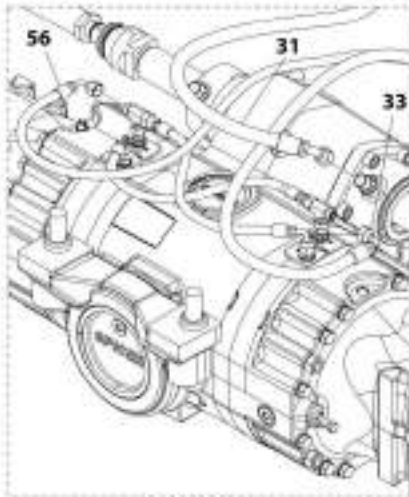
DETAIL G



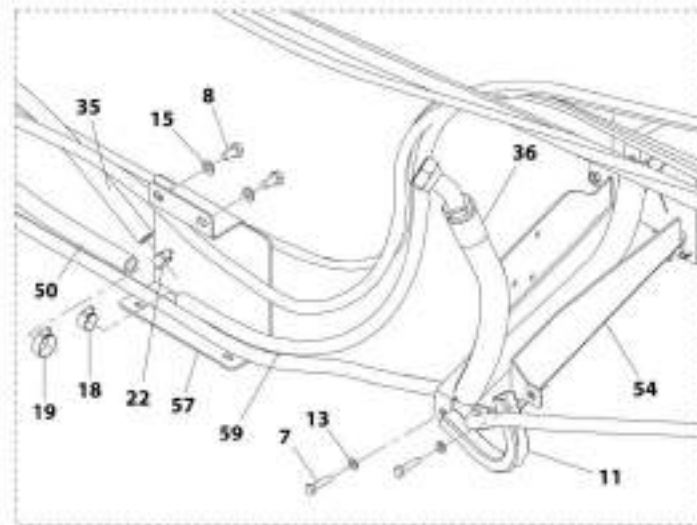
DETAIL J



DETAIL I



DETAIL F



DETAIL H

ART\_1001220487\_2-8

# SECTION 8 - HYDRAULIC CIRCUITS

## FIGURE 8-5. MAIN HYDRAULICS INSTALLATION

ITEM	PART NUMBER	QTY	DESCRIPTION	REV
	1001227497	Ref	Hydraulic Lines Installation (74HP)	B
1	0641812	4	Bolt, 1/2-13X1	
2	0700616	2	Bolt, M6X40	
3	0700816	4	Bolt, M8X40	
4	0701014	4	Bolt, M10X30	
5	0760615	4	Bolt, M6X35	
6	0760810	1	Bolt, M8X20	
7	0760815	4	Bolt, M8X35	
8	0761010	2	Bolt, M10X20	
9	2220478	1	Kit, Flange	
10	3790228	1	O-Ring	
11	4060919	467 mm	Trim	
12	4761800	4	Washer, Lock 1/2	
13	4811900	8	Washer, M8	
14	4811902	1	Washer, M8	
15	4812000	2	Washer, M10	
16	4832000	4	Washer, Lock M10	
17	8310686	3	Nut, Retainer M8X12.5	
18	8405006	1	Clamp, Gear	
19	8405007	2	Clamp, Hose	
20	8405209	1	Clamp, T-Bolt	
22	8410009	1	Clamp, Gear	
23	8424233	1	Elbow, 90	
24	8530030	2	Flange	
25	8546407	2	Flange, Half	
26	8750029	1	Clamp, Hose	
27	8750030	2	Clamp, Hose	
28	8769146	2	Plate, Cover	
29	8769153	1	Plate, Cover	
30	91083106	1	O-Ring	
31	1001161340	1	Hose	
32	1001161343	2	Hose	
33	1001161535	1	Hose	
34	1001161972	1	Hose	
35	1001161976	1	Hose	
36	1001161978	1	Hose	
37	1001169830	1	Grommet	
38	1001173446	1	Pipe	
39	1001173450	1	Hose	
40	1001173451	1	Hose	
41	1001174338	1	Bracket	
42	1001175347	2	Grommet	
43	1001175694	1	Hose	
44	1001175696	1	Hose	
45	1001175697	1	Hose	
46	1001175699	1	Hose	
47	1001177704	3	Grommet	
48	1001180306	8	Screw	
49	1001182506	1	Hose	
50	1001186418	1	Hose	

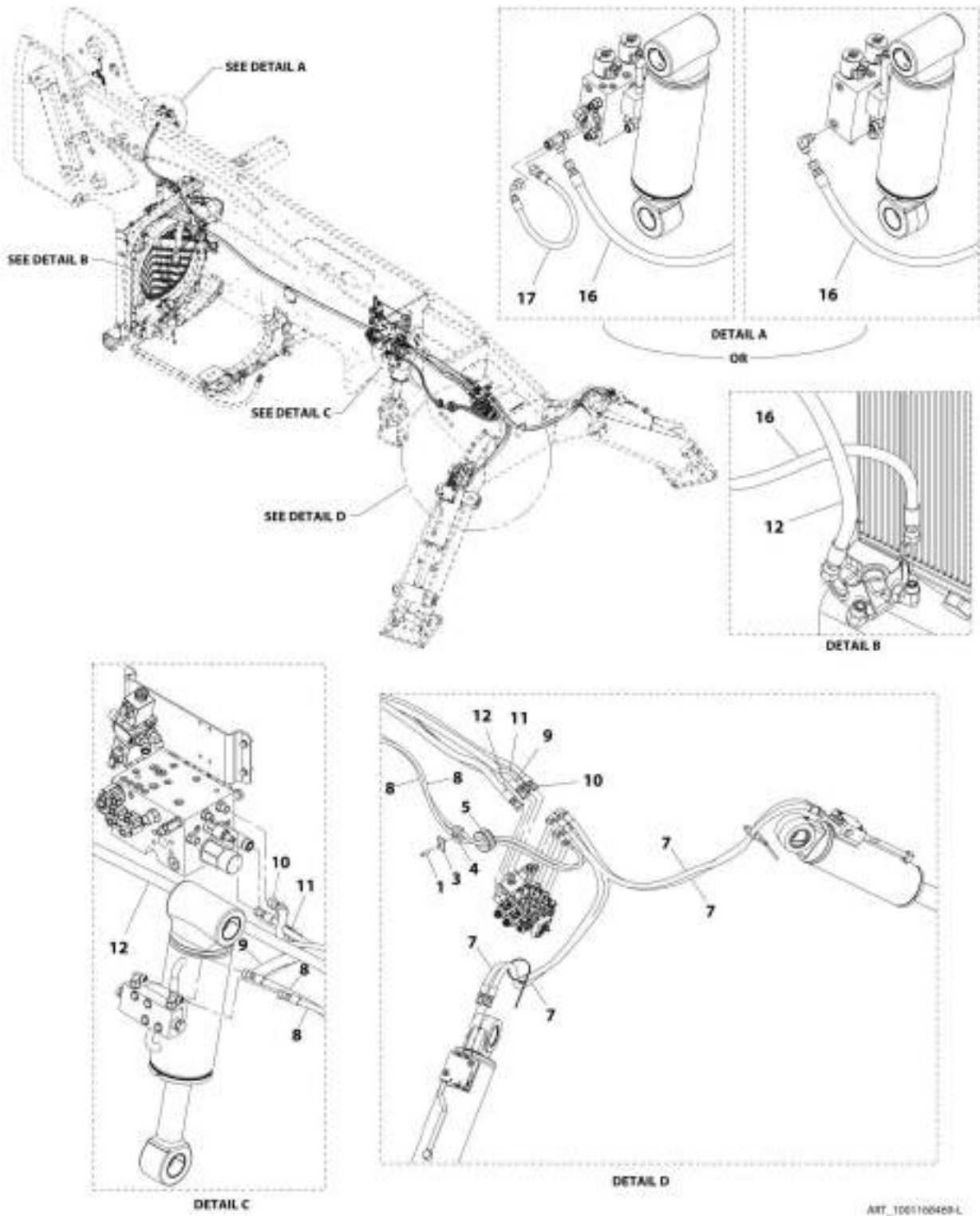


## SECTION 8 - HYDRAULIC CIRCUITS

ITEM	PART NUMBER	QTY	DESCRIPTION	REV
51	1001186843	3	Clamp, T-Bolt	
52	1001188971	2	Grommet	
53	1001192098	1	Hose	
54	1001199750	1	Channel	
55	1001202847	1	Hose	
56	1001203502	1	Hose	
57	1001208881	1	Bracket	
59	1001225467	1	Hose	

# SECTION 8 - HYDRAULIC CIRCUITS

## FIGURE 8-6. FRAME LEVEL HYDRAULICS INSTALLATION (OUTRIGGERS)



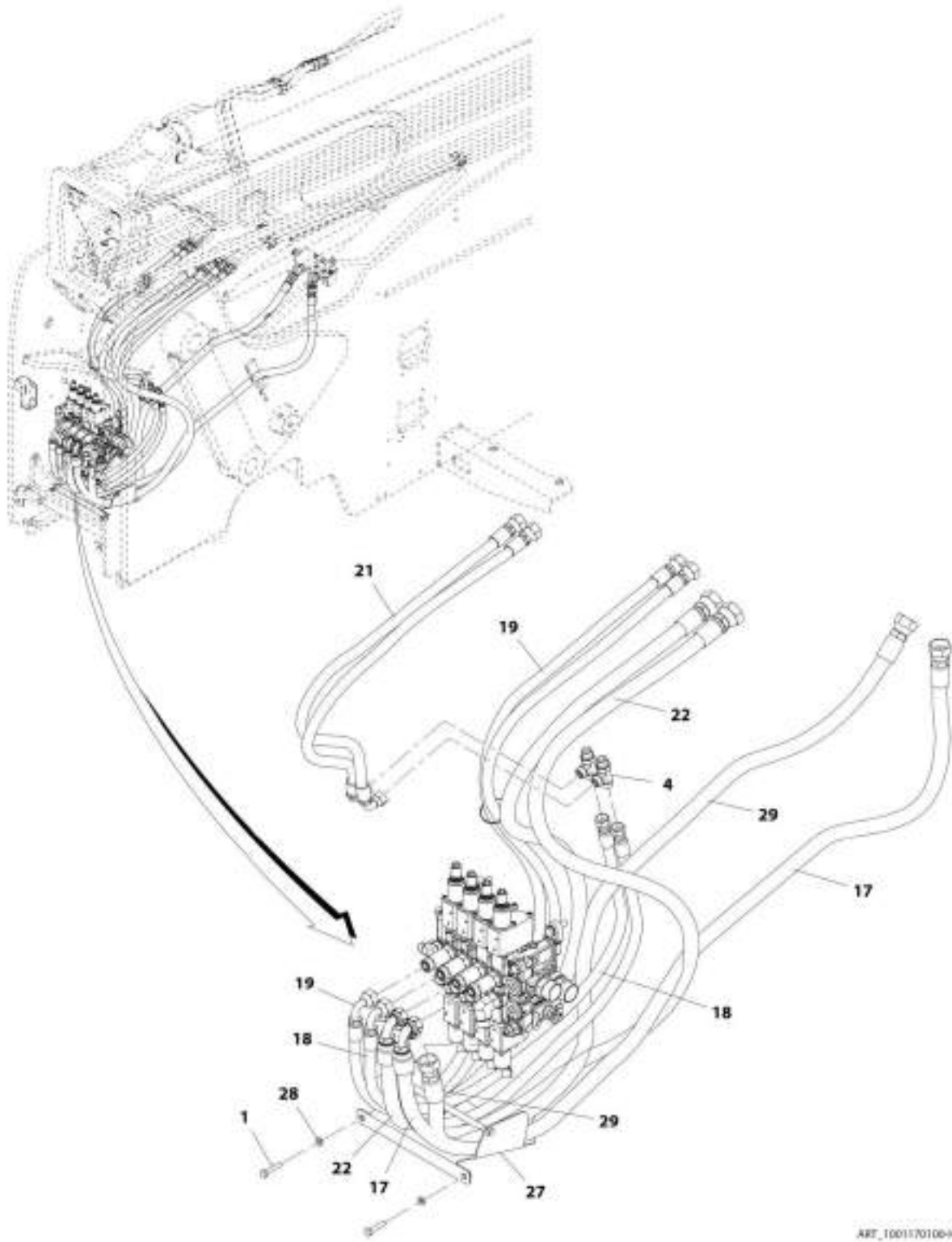
## SECTION 8 - HYDRAULIC CIRCUITS

**FIGURE 8-6. FRAME LEVEL HYDRAULICS INSTALLATION (OUTRIGGERS)**

ITEM	PART NUMBER	QTY	DESCRIPTION	REV
	1001168469	Ref	Frame Level Hydraulics Installation (Outriggers)	L
1	0760815	1	Bolt, M8X35	
3	1321752	1	Clamp	
4	77133168	1	Clamp	
5	1001028308	1	Grommet	
7	1001214468	4	Hose	
8	1001175570	2	Hose	
9	1001175705	1	Hose	
10	1001175706	1	Hose	
11	1001175707	1	Hose	
12	1001175814	1	Hose	
16	1001192042	1	Hose	
17	1001097810	AR	Hose	

# SECTION 8 - HYDRAULIC CIRCUITS

## FIGURE 8-7. BOOM HYDRAULIC INSTALLATION



ART\_1001170100-H

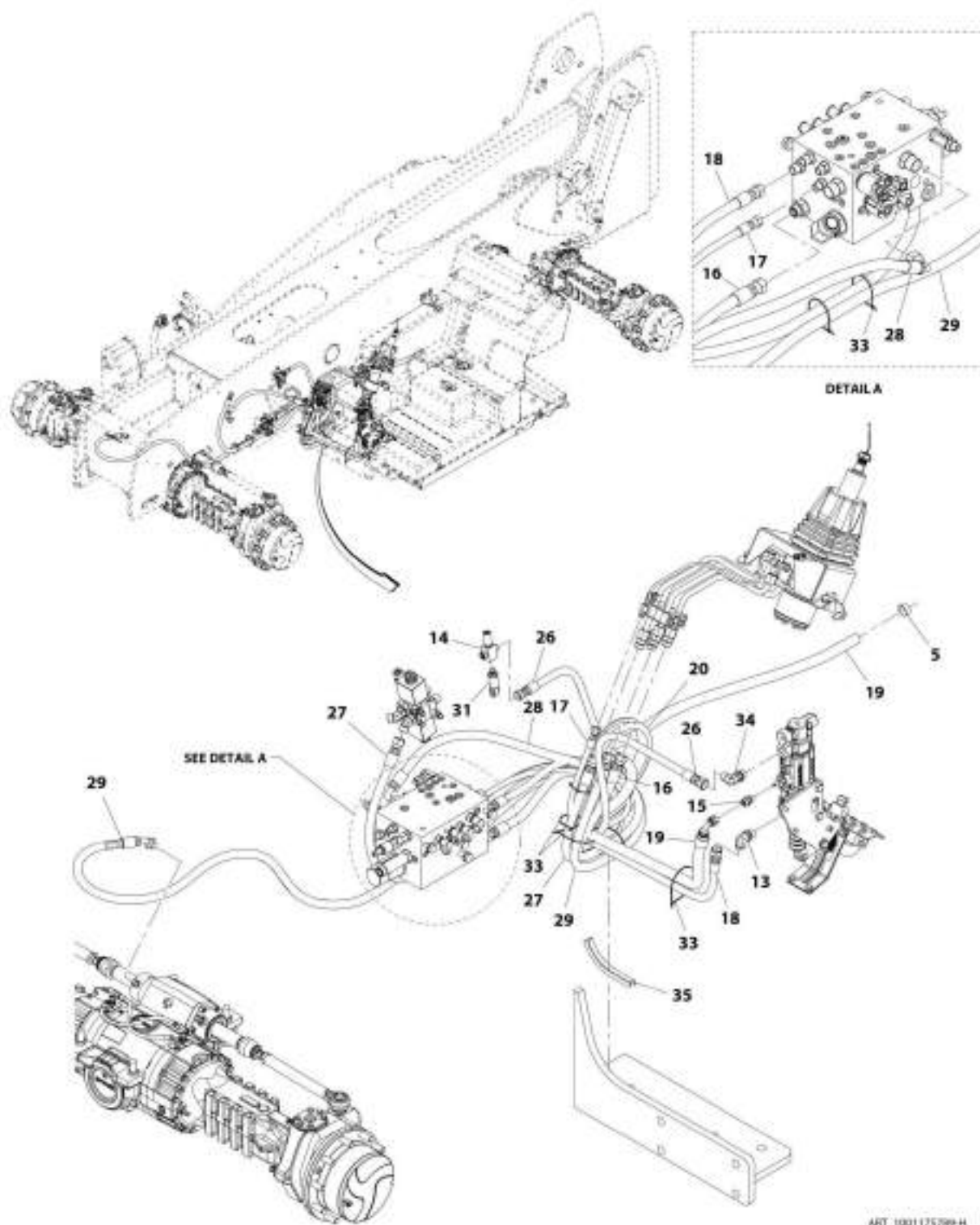
## SECTION 8 - HYDRAULIC CIRCUITS

### FIGURE 8-7. BOOM HYDRAULIC INSTALLATION

ITEM	PART NUMBER	QTY	DESCRIPTION	REV
	1001170100	Ref	Boom Hydraulic Installation, Emergency Steering	H
1	0700816	2	Bolt, M8X40	
4	2170308	2	Fitting, Tee ORFS	
17	1001169375	1	Hose	
18	1001188637	2	Hose	
19	1001169378	2	Hose	
21	1001175718	1	Hose	
22	1001169376	2	Hose	
27	1001193771	1	Channel, Boom Hose	
28	4811900	2	Washer, M8	
29	1001195217	1	Hose	

# SECTION 8 - HYDRAULIC CIRCUITS

## FIGURE 8-8. CAB HYDRAULIC INSTALLATION



ART\_1001175789-H

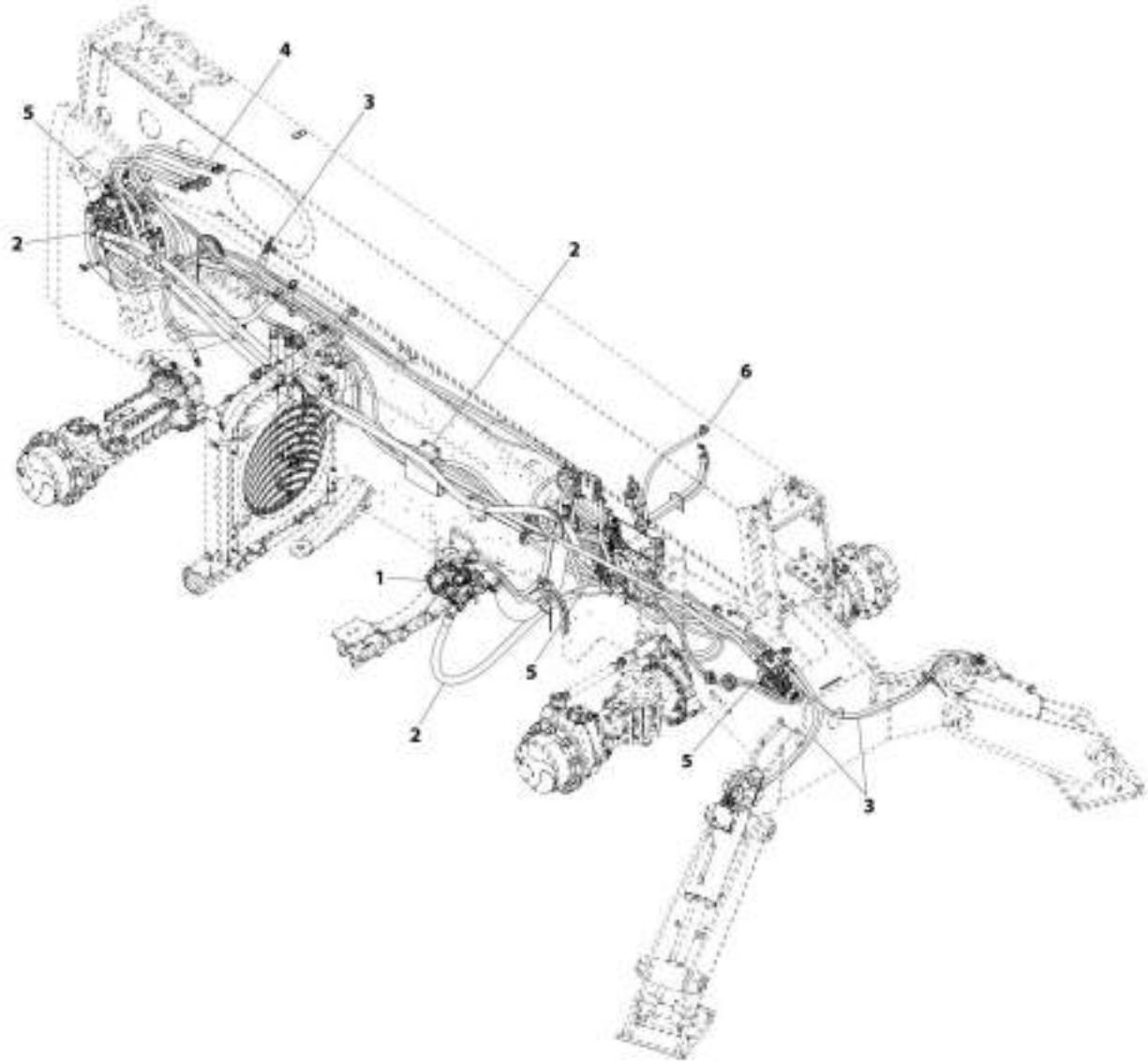
## SECTION 8 - HYDRAULIC CIRCUITS

**FIGURE 8-8. CAB HYDRAULIC INSTALLATION**

ITEM	PART NUMBER	QTY	DESCRIPTION	REV
	1001175789	Ref	Cab Hydraulic Installation	H
5	8405006	1	Clamp, Gear	
13	8770120	1	Fitting, 90 ORFS	
14	1001205756	1	Adapter	
15	80233218	1	Fitting, Straight ORFS	
16	1001161344	1	Hose	
17	1001161346	1	Hose	
18	1001161527	1	Hose	
19	1001161528	1	Hose	
20	1001169830	1	Grommet	
26	1001203067	1	Hose	
27	1001204152	1	Hose	
28	1001204154	1	Hose	
29	1001175713	1	Hose	
31	1001147340	1	Sensor, Pressure Transducer	
33	4240099	AR	Tie, Wire	
34	1001168054	1	Fitting, 90 ORFS	
35	4060919	230 mm	Trim, Hose Protection	

## SECTION 8 - HYDRAULIC CIRCUITS

FIGURE 8-9. MAIN HYDRAULIC INSTALLATION, SECONDARY STEERING (OUTRIGGERS)



ART\_1001227188-A



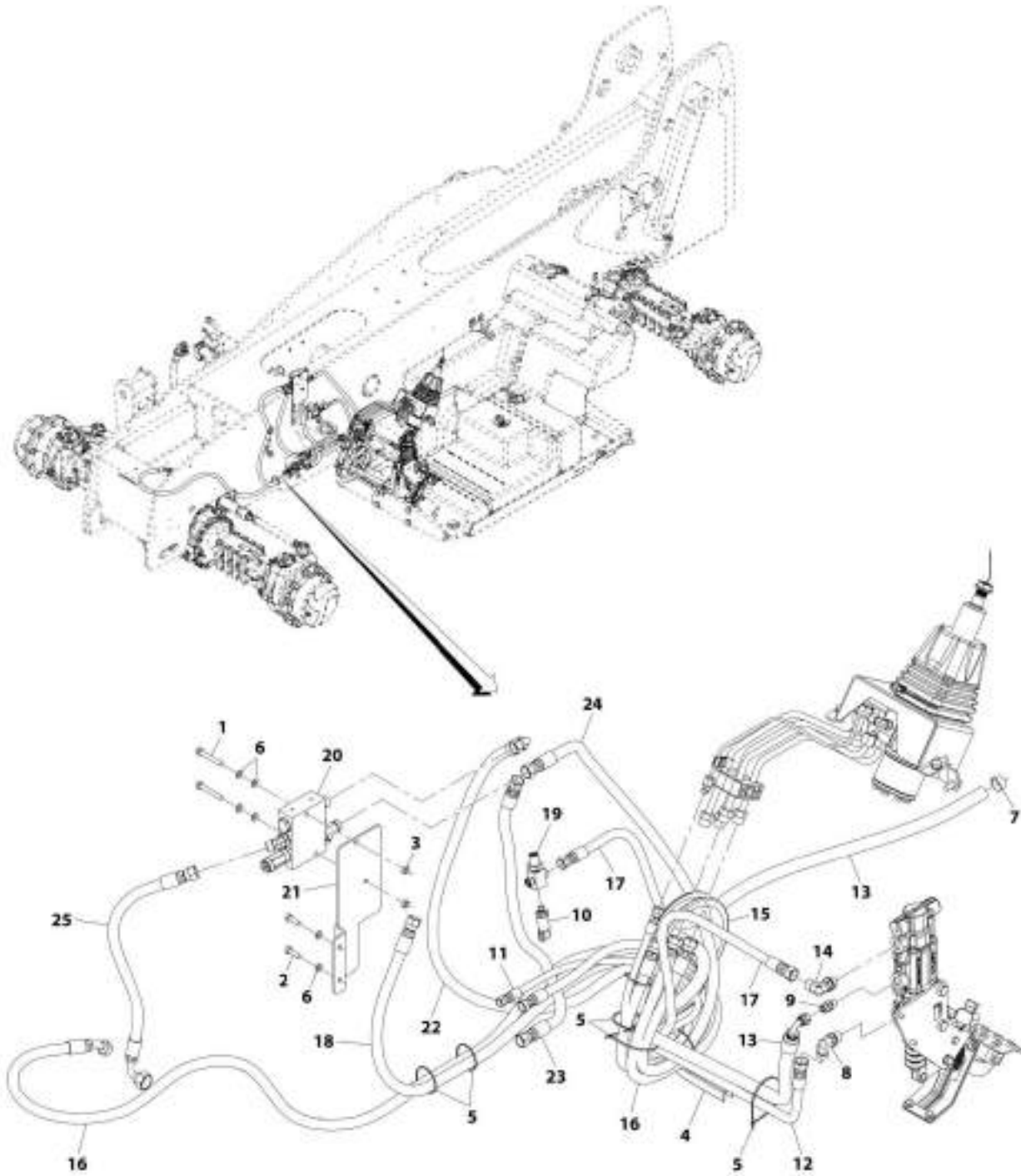
## SECTION 8 - HYDRAULIC CIRCUITS

**FIGURE 8-9. MAIN HYDRAULIC INSTALLATION, SECONDARY STEERING (OUTRIGGERS)**

ITEM	PART NUMBER	QTY	DESCRIPTION	REV
1	1001227388	Ref	Main Hydraulic Installation, Emergency Steering (Outriggers)	A
	1001162670	Ref	Installation, Piston Pump (See Separate Breakdown in this Section)	
2	1001227497	Ref	Installation, Hydraulic Lines (74HP) (See Separate Breakdown in this Section)	
3	1001168469	Ref	Installation, Frame Level Hydraulics (Outriggers) (See Separate Breakdown in this Section)	
4	1001170100	Ref	Installation, Boom Hydraulic (See Separate Breakdown in this Section)	
5	1001225749	Ref	Installation, Valve (See Separate Breakdown in this Section)	
6	1001226575	Ref	Installation, Cab Hydraulic, Emergency Steering (See Separate Breakdown in this Section)	

# SECTION 8 - HYDRAULIC CIRCUITS

## FIGURE 8-10. CAB HYDRAULIC INSTALLATION, EMERGENCY STEERING



ART. 1001226575-A

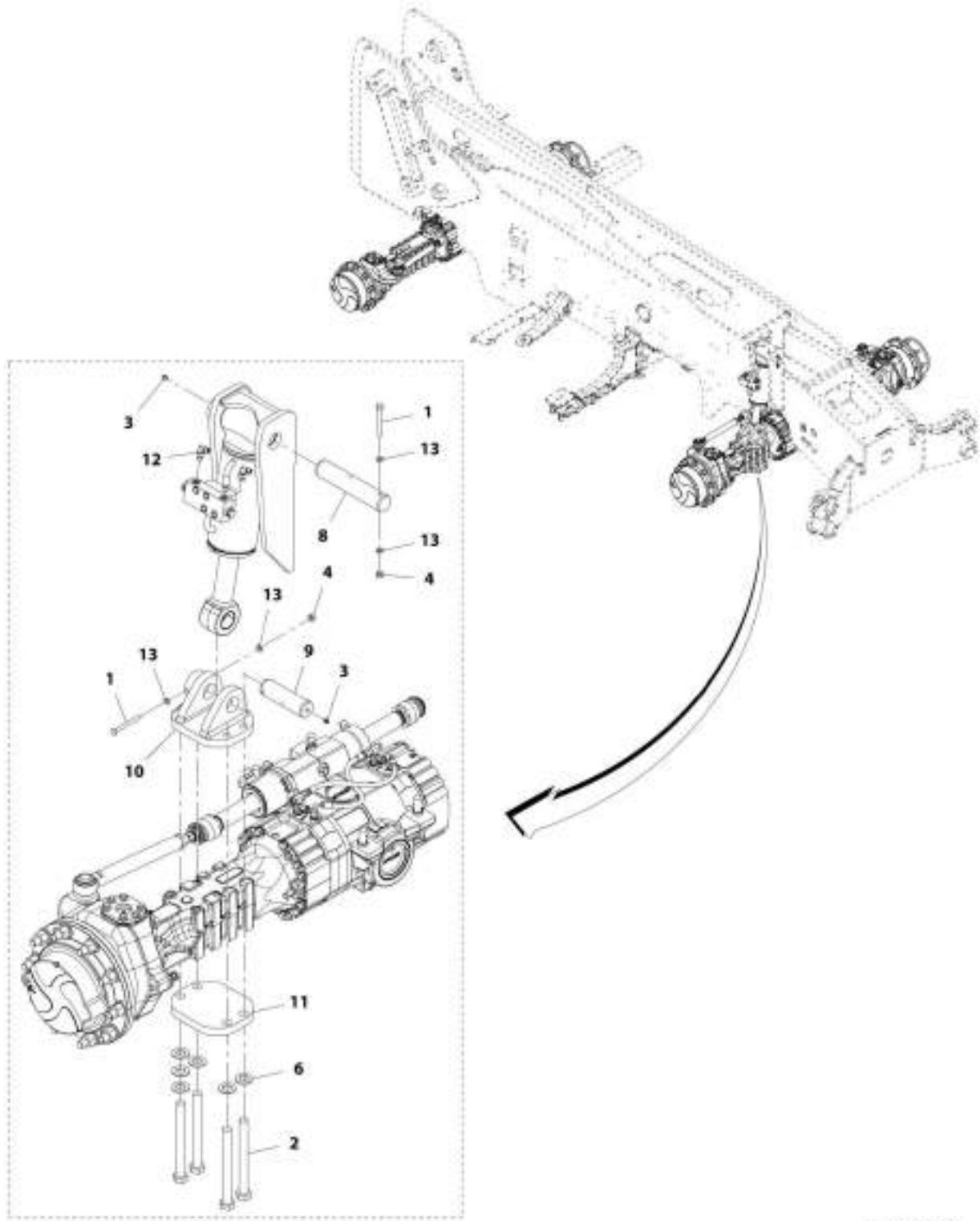
## SECTION 8 - HYDRAULIC CIRCUITS

**FIGURE 8-10. CAB HYDRAULIC INSTALLATION, EMERGENCY STEERING**

ITEM	PART NUMBER	QTY	DESCRIPTION	REV
	1001226575	Ref	Cab Hydraulic Installation, Emergency Steering (Outriggers)	A
1	0700819	2	Bolt, M8X55	
2	0760812	2	Bolt, M8X25	
3	3290801	2	Nut, M8X1.25	
4	4060919	230 mm	Trim, Hose Protection	
5	4240099	AR	Tie, Wire	
6	4811900	6	Washer, M8	
7	8405006	1	Clamp, Gear	
8	8770120	1	Fitting, 90 ORFS	
9	80233218	1	Fitting, Straight ORFS	
10	1001147340	1	Sensor, Pressure Transducer	
11	1001161346	1	Hose	
12	1001161527	1	Hose	
13	1001161528	1	Hose	
14	1001168054	1	Fitting, 90 ORFS	
15	1001169830	1	Grommet	
16	1001175713	1	Hose	
17	1001203067	1	Hose	
18	1001204152	1	Hose	
19	1001205756	1	Adapter	
20	1001219191	1	Emergency Steering Manifold Installation (See Separate Breakdown in HYDRAULIC COMPONENTS Section)	
21	1001221520	1	Bracket, Emergency Steer Manifold	
22	1001221527	1	Hose	
23	1001221741	1	Hose	
24	1001221742	1	Hose	
25	1001221744	1	Hose	

# SECTION 8 - HYDRAULIC CIRCUITS

## FIGURE 8-11. FRAME LEVEL INSTALLATION



ART\_1001108764-G

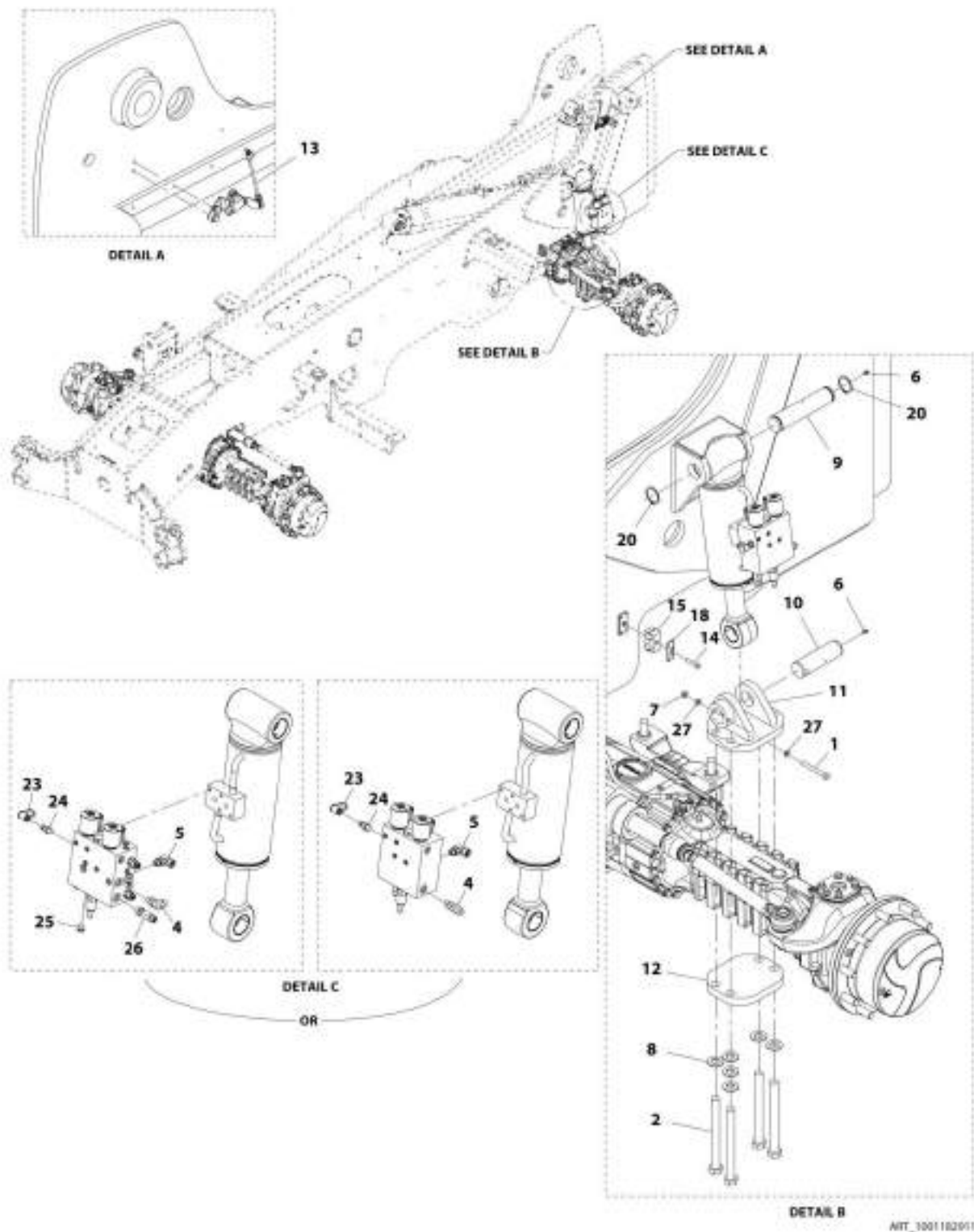
## SECTION 8 - HYDRAULIC CIRCUITS

### FIGURE 8-11. FRAME LEVEL INSTALLATION

ITEM	PART NUMBER	QTY	DESCRIPTION	REV
	1001168764	Ref	Frame Level Installation	G
1	0711027	2	Bolt, M10X100	
2	0712442	4	Bolt, M24X250	
3	2160016	2	Fitting, Grease	
4	3291005	2	Nut, Lock M10X1.5	
6	5242400	6	Washer, M24	
8	1001164971	1	Pin	
9	1001164972	1	Pin	
10	1001167697	1	Bracket	
11	1001168629	1	Plate	
12	2130406	2	Fitting, 90 ORFS	
13	4812000	4	Washer, M10	

# SECTION 8 - HYDRAULIC CIRCUITS

## FIGURE 8-12. REAR AXLE STABILIZER INSTALLATION



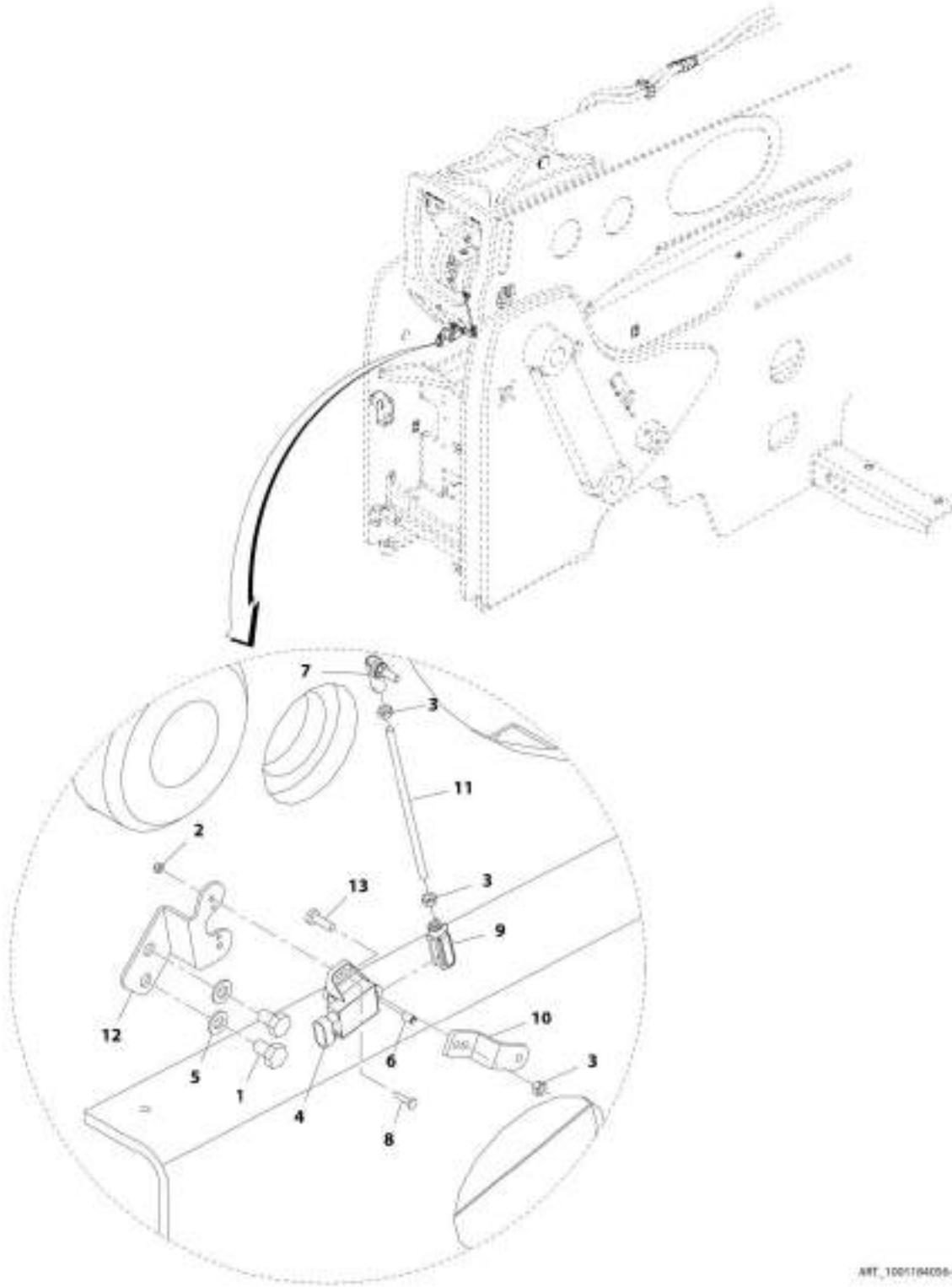
## SECTION 8 - HYDRAULIC CIRCUITS

### FIGURE 8-12. REAR AXLE STABILIZER INSTALLATION

ITEM	PART NUMBER	QTY	DESCRIPTION	REV
	1001182911	Ref	Rear Axle Stabilizer Installation	I
1	0711027	1	Bolt, M10X100	
2	0712442	4	Bolt, M24X250	
4	2130606	1	Fitting, 90 ORFS	
5	2130806	1	Fitting, 90 ORFS	
6	2160016	2	Fitting, Grease	
7	3291005	1	Nut, Lock M10X1.5	
8	5242400	6	Washer, M24	
9	1001192341	1	Pin	
10	1001164972	1	Pin	
11	1001167697	1	Bracket	
12	1001168629	1	Plate	
13	1001184056	Ref	Installation, Boom Angle Sensor (See BOOM ANGLE SENSOR INSTALLATION for Breakdown)	
14	0760817	1	Bolt, M8X45	
15	8750016	1	Clamp	
18	77133137	1	Plate	
20	3760493	2	Ring, Retaining	
23	8430032	1	Plug	
24	1001003590	1	Fitting, Straight	
25	2220885	AR	Plug	
26	2170306	AR	Fitting, Tee ORFS	
27	4812000	2	Washer, M10	

# SECTION 8 - HYDRAULIC CIRCUITS

FIGURE 8-13. BOOM ANGLE SENSOR INSTALLATION



ART\_1001194059-C



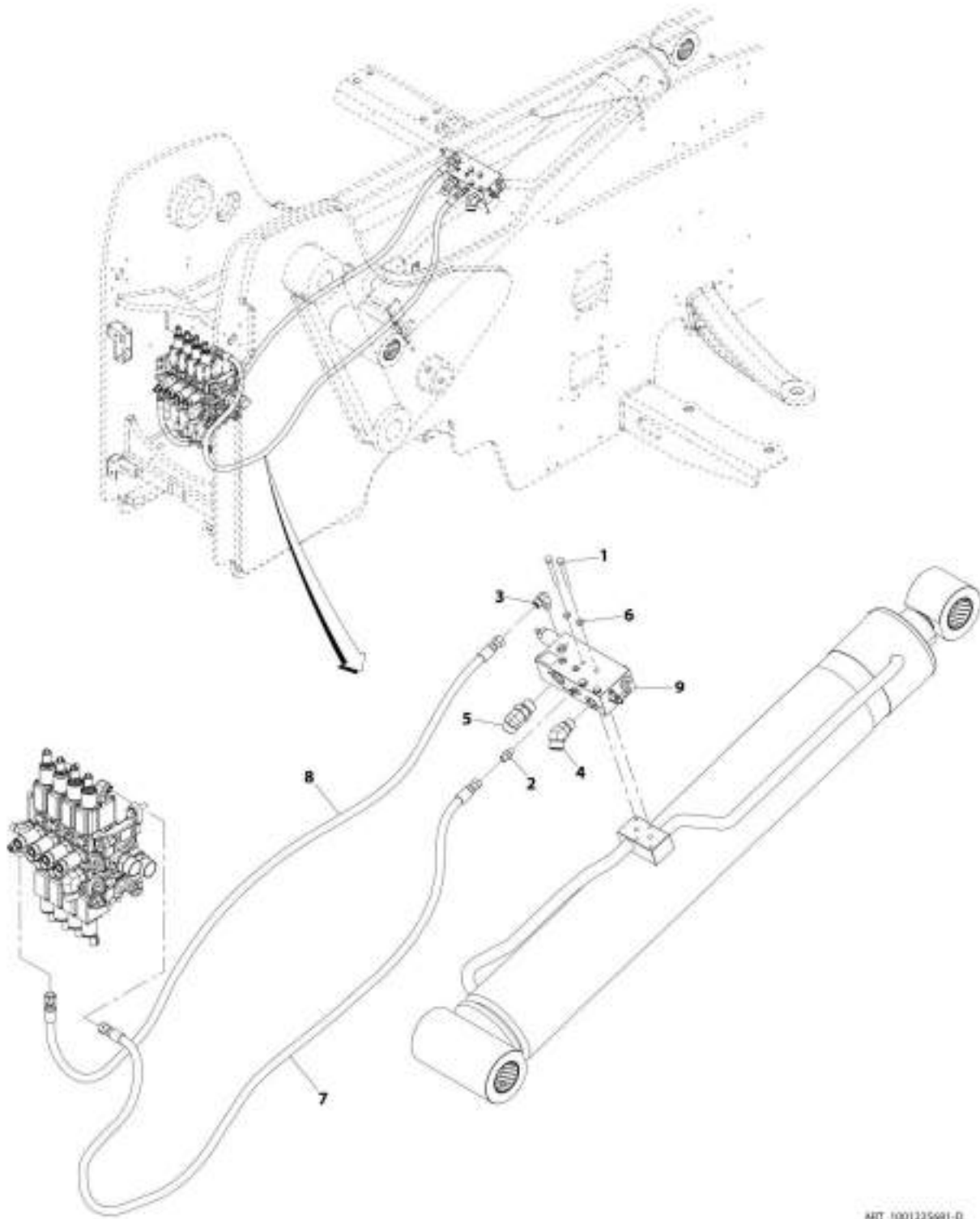
## SECTION 8 - HYDRAULIC CIRCUITS

**FIGURE 8-13. BOOM ANGLE SENSOR INSTALLATION**

ITEM	PART NUMBER	QTY	DESCRIPTION	REV
	1001184056	Ref	Boom Angle Sensor Installation	C
1	0761008	2	Bolt, M10X16	
2	3290405	2	Nut, Lock M4X0.7	
3	3290601	3	Nut, M6X1	
4	4000015	1	Sensor, Angle	
5	4812000	2	Washer, M10	
6	1001103156	1	Pin	
7	1001184484	1	Joint, Ball	
8	1001126837	2	Screw, M4X16	
9	1001134274	1	Clevis	
10	1001188787	1	Link, Boom Angle Sensor	
11	1001168482	1	Rod	
12	1001211059	1	Bracket, Boom Angle Sensor	
13	4010610002	1	Screw, M6X20	

# SECTION 8 - HYDRAULIC CIRCUITS

FIGURE 8-14. COUNTERBALANCE VALVE INSTALLATION (LIFT - GLS NO RIDE CONTROL)



ART. 1001325691-D

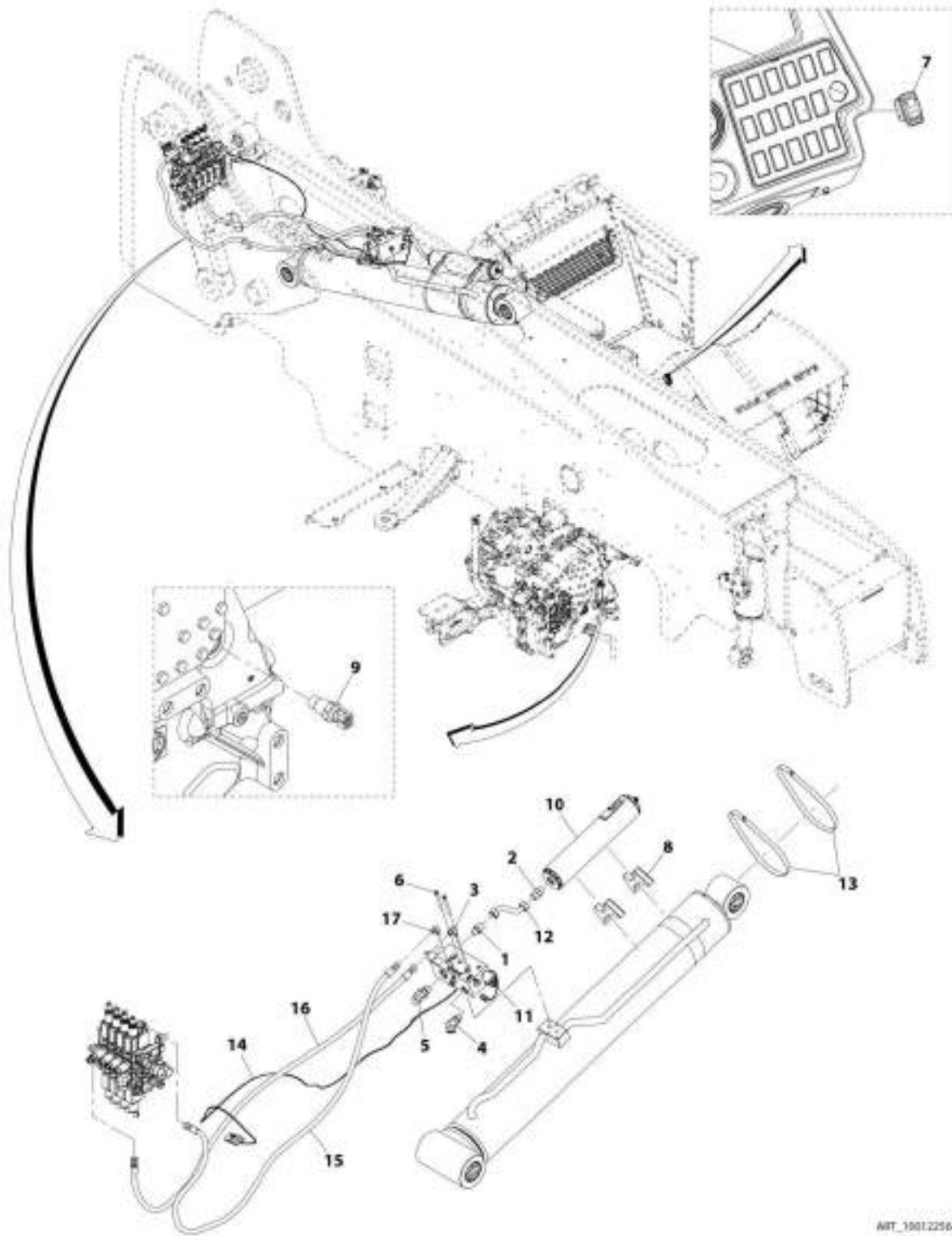
## SECTION 8 - HYDRAULIC CIRCUITS

**FIGURE 8-14. COUNTERBALANCE VALVE INSTALLATION (LIFT - GLS NO RIDE CONTROL)**

ITEM	PART NUMBER	QTY	DESCRIPTION	REV
	1001225681	Ref	Counterbalance Valve Installation (Lift - PGLS No Ride Control)	D
1	0700823	4	Bolt, M8X75	
2	2110404	1	Fitting, Straight ORFS	
3	2130604	1	Fitting, 90 ORFS	
4	2151210	1	Fitting, 45 ORFS	
5	2151212	1	Fitting, 45 ORFS	
6	4811900	4	Washer, M8	
7	1001225462	1	Hose	
8	1001225464	1	Hose	
9	1001226035	1	Valve, Counterbalance (PGLS)	

# SECTION 8 - HYDRAULIC CIRCUITS

## FIGURE 8-15. COUNTERBALANCE VALVE INSTALLATION



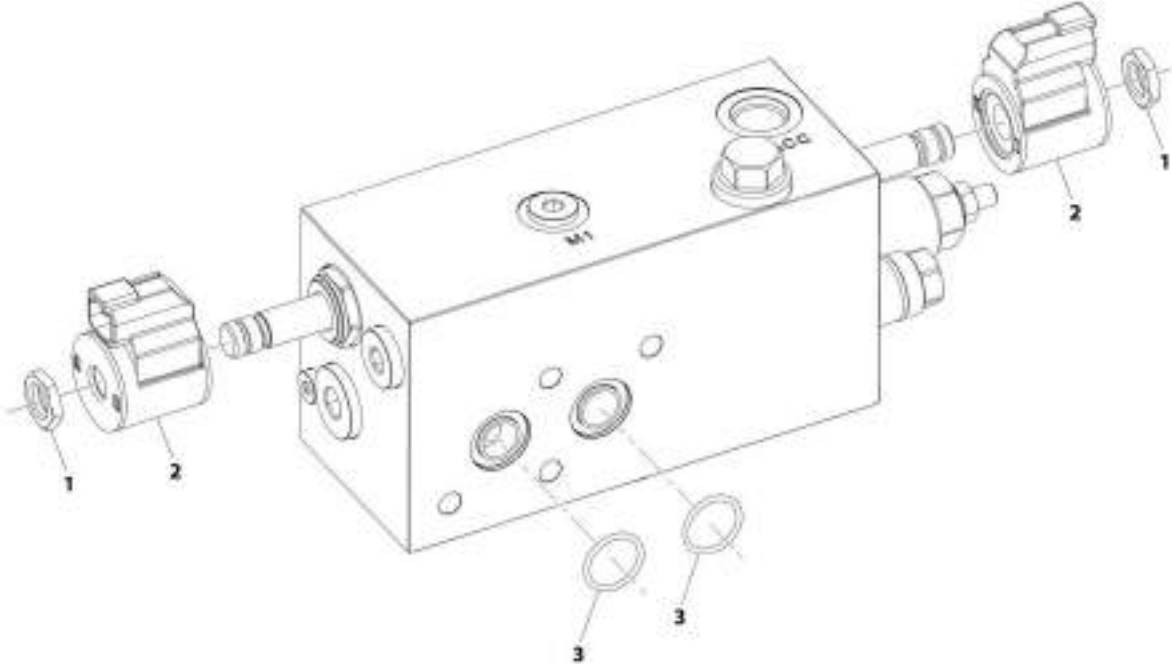
## SECTION 8 - HYDRAULIC CIRCUITS

### FIGURE 8-15. COUNTERBALANCE VALVE INSTALLATION

ITEM	PART NUMBER	QTY	DESCRIPTION	REV
	1001225682	Ref	Counterbalance Valve Installation (Lift - Ride Control)	E
1	2111008	1	Fitting, Straight ORFS	
2	2111010	1	Fitting, Straight ORFS	
3	2130604	1	Fitting, 90 ORFS	
4	2151210	1	Fitting, 45 ORFS	
5	2151212	1	Fitting, 45 ORFS	
6	4031921	4	Bolt, M8X85	
7	1001159745	1	Switch, Boom Ride	
8	1001175741	2	Bumper, Cylinder Saddle	
9	1001190881	1	Sensor, Speed	
10	1001192435	1	Cylinder, Piston	
11	1001227056	1	Line, Counterbalance Valve (Lift - Ride Control) (See Separate Breakdown in this Section)	
12	1001227137	1	Pipe, Ride Control	
13	1001095396	2	Clamp	
14	1001175677	Ref	Installation, Ride Control CB Valve Harness (Lift) (See Separate Breakdown in Electrical Section)	
15	1001225462	1	Hose	
16	1001225464	1	Hose	
17	2130404	1	Fitting, 90 ORFS	

**SECTION 8 - HYDRAULIC CIRCUITS**

**FIGURE 8-16. COUNTERBALANCE VALVE HYDRAULIC LINES (LIFT - RIDE CONTROL)**



ART\_1001227056-A

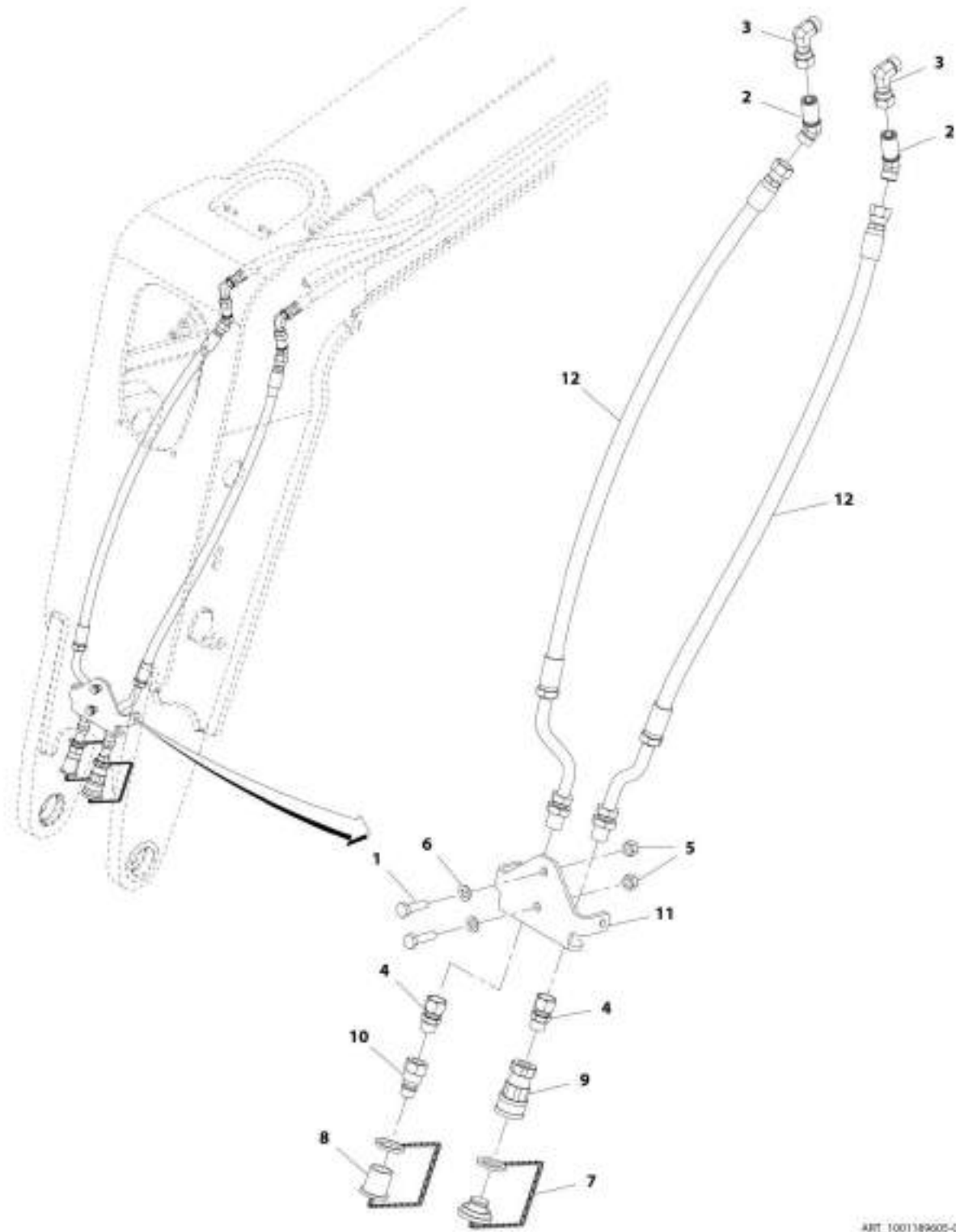
## SECTION 8 - HYDRAULIC CIRCUITS

**FIGURE 8-16. COUNTERBALANCE VALVE HYDRAULIC LINES (LIFT - RIDE CONTROL)**

ITEM	PART NUMBER	QTY	DESCRIPTION	REV
	1001227056	Ref	Counterbalance Valve Hydraulic Lines (Lift - Ride Control)	A
1	7022390	2	Nut	
2	70028281	2	Coil	
3	70028453	2	O-Ring	

# SECTION 8 - HYDRAULIC CIRCUITS

## FIGURE 8-17. BOOM AUXILIARY HYDRAULICS INSTALLATION



ART\_1001189005-C



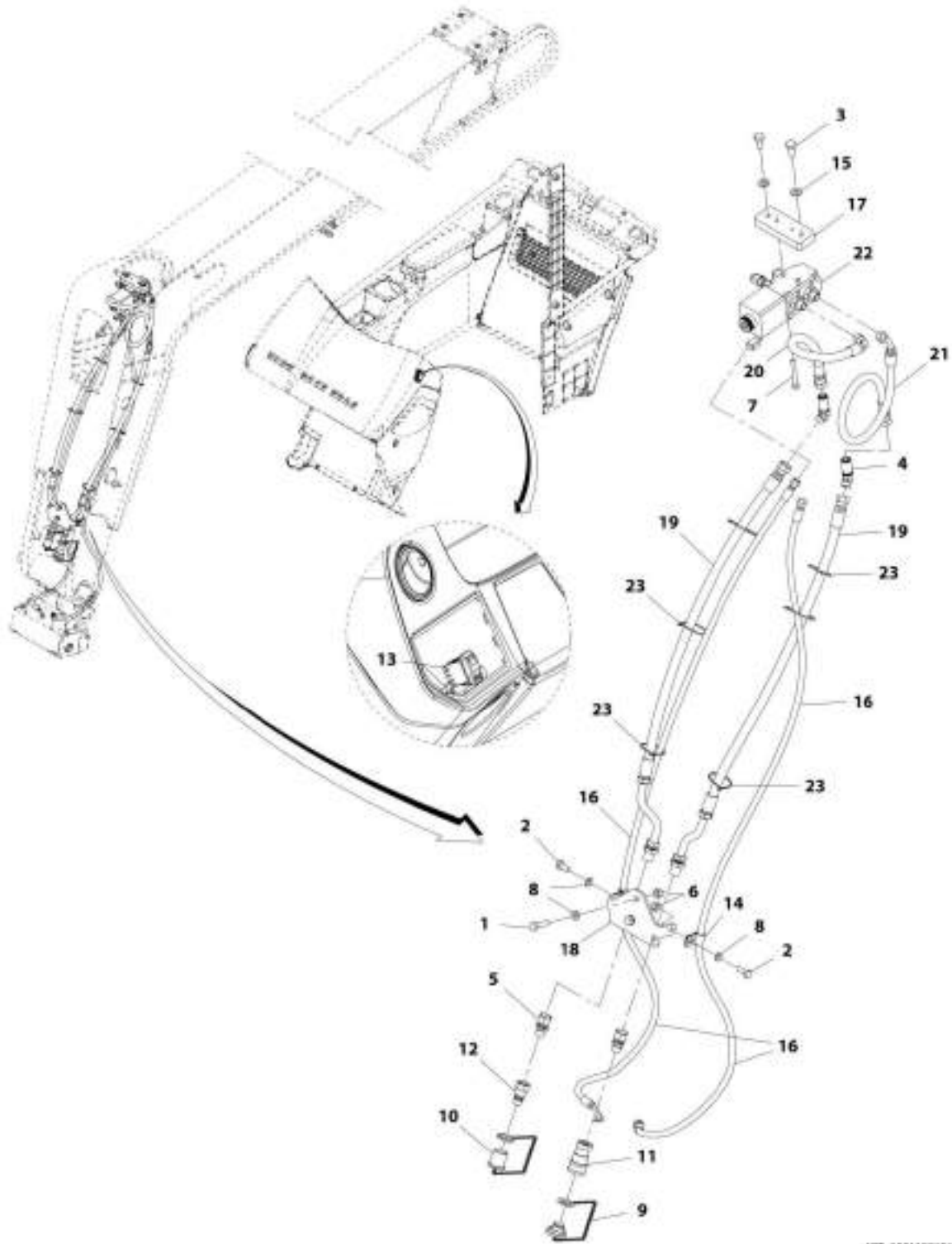
## SECTION 8 - HYDRAULIC CIRCUITS

### FIGURE 8-17. BOOM AUXILIARY HYDRAULICS INSTALLATION

ITEM	PART NUMBER	QTY	DESCRIPTION	REV
	1001189605	Ref	Boom Auxiliary Hydraulics Installation	C
1	0701016	2	Bolt, M10X40	
2	2171308	2	Fitting, 45 ORFS	
3	2172108	2	Fitting, 90 ORFS	
4	1001210775	2	Fitting, Straight	
5	3291005	2	Nut, Lock M10X1.5	
6	4812000	2	Washer, M10	
7	91043125	1	Plug	
8	91043126	1	Cap	
9	91403413	1	Fitting, Straight	
10	91403414	1	Fitting, Straight	
11	1001164948	1	Bracket	
12	1001189224	2	Hose	

# SECTION 8 - HYDRAULIC CIRCUITS

## FIGURE 8-18. BOOM AUXILIARY HYDRAULICS (HYDRAULIC COUPLER)



MIT\_1001189006-F

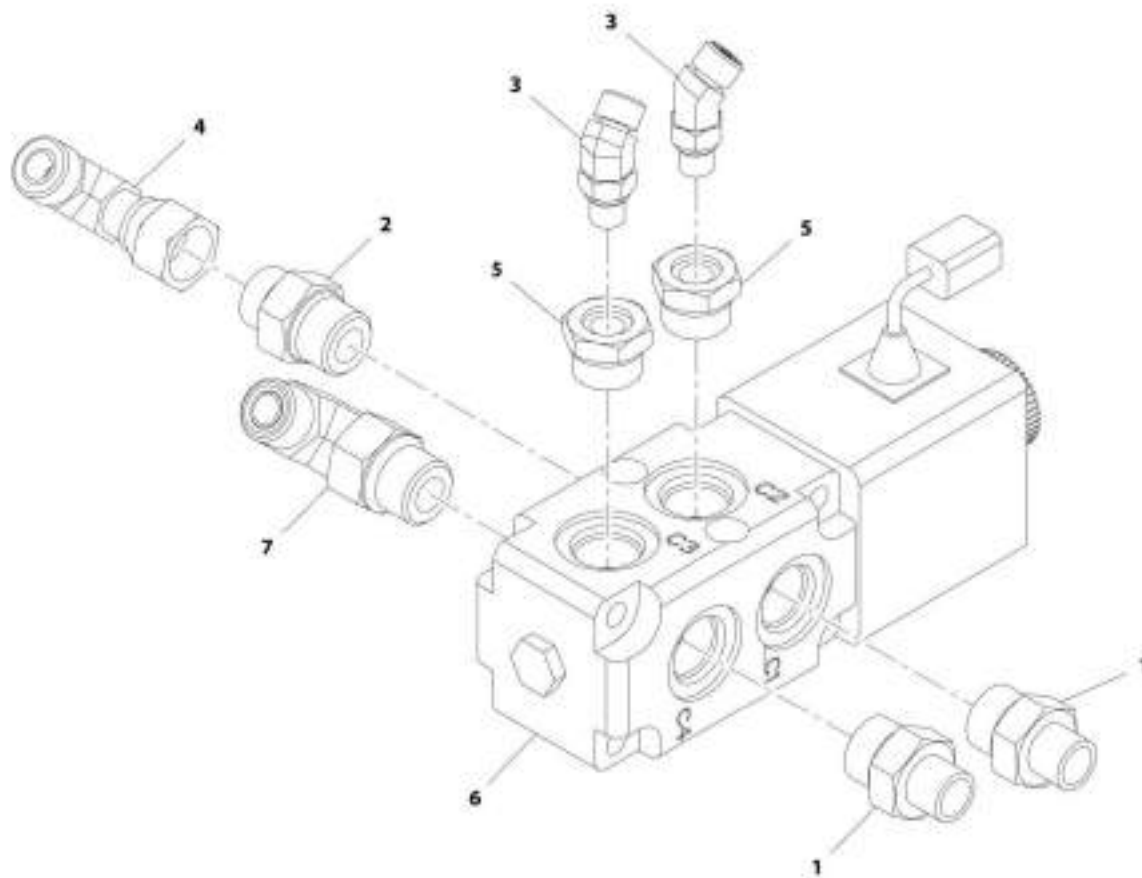
## SECTION 8 - HYDRAULIC CIRCUITS

**FIGURE 8-18. BOOM AUXILIARY HYDRAULICS (HYDRAULIC COUPLER)**

ITEM	PART NUMBER	QTY	DESCRIPTION	REV
	1001189606	1	Boom Auxiliary Hydraulics (Hydraulic Coupler)	F
1	0701016	2	Bolt, M10X40	
2	0761012	2	Bolt, M10X25	
3	0761212	2	Bolt, M12X25	
4	2171308	2	Fitting, 45 ORFS	
5	1001210775	2	Fitting, Straight	
6	3291005	4	Nut, Lock M10X1.5	
7	4031918	2	Bolt, M8X70	
8	4812000	4	Washer, M10	
9	91043125	1	Plug	
10	91043126	1	Cap	
11	91403413	1	Fitting, Straight	
12	91403414	1	Fitting, Straight	
13	1001080375	1	Switch	
14	1001080996	2	Clamp	
15	1001125117	2	Washer, M12	
16	1001210340	2	Hose	
17	1001164870	1	Plate	
18	1001164948	1	Bracket	
19	1001189224	2	Hose	
20	1001189299	1	Hose	
21	1001189308	1	Hose	
22	1001189663	1	Assembly, Valve Quick Coupler (See QUICK COUPLER VALVE ASSEMBLY for Breakdown)	
23	4240099	6	Strap, Tie	

# SECTION 8 - HYDRAULIC CIRCUITS

## FIGURE 8-19. QUICK COUPLER VALVE ASSEMBLY



ART. 1001199663-C

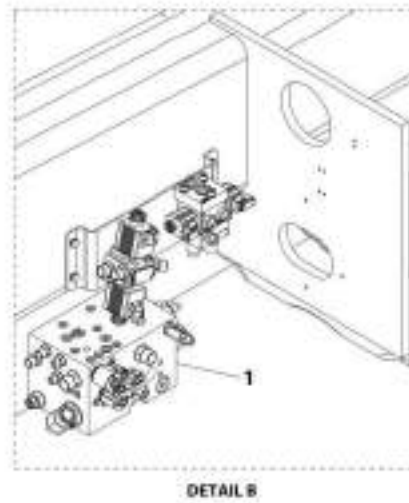
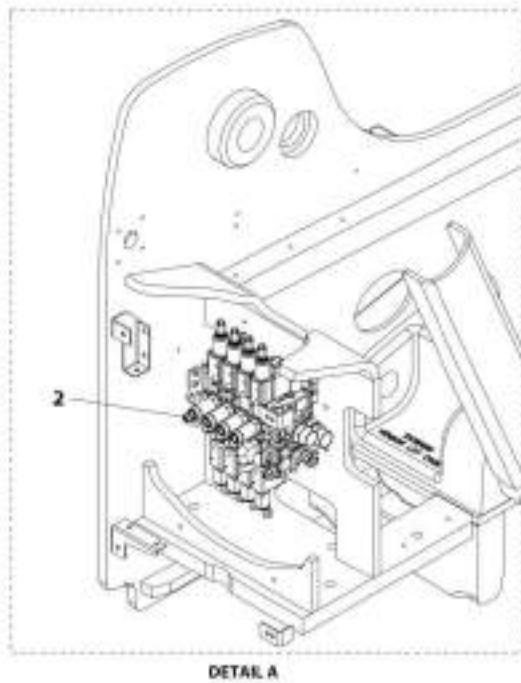
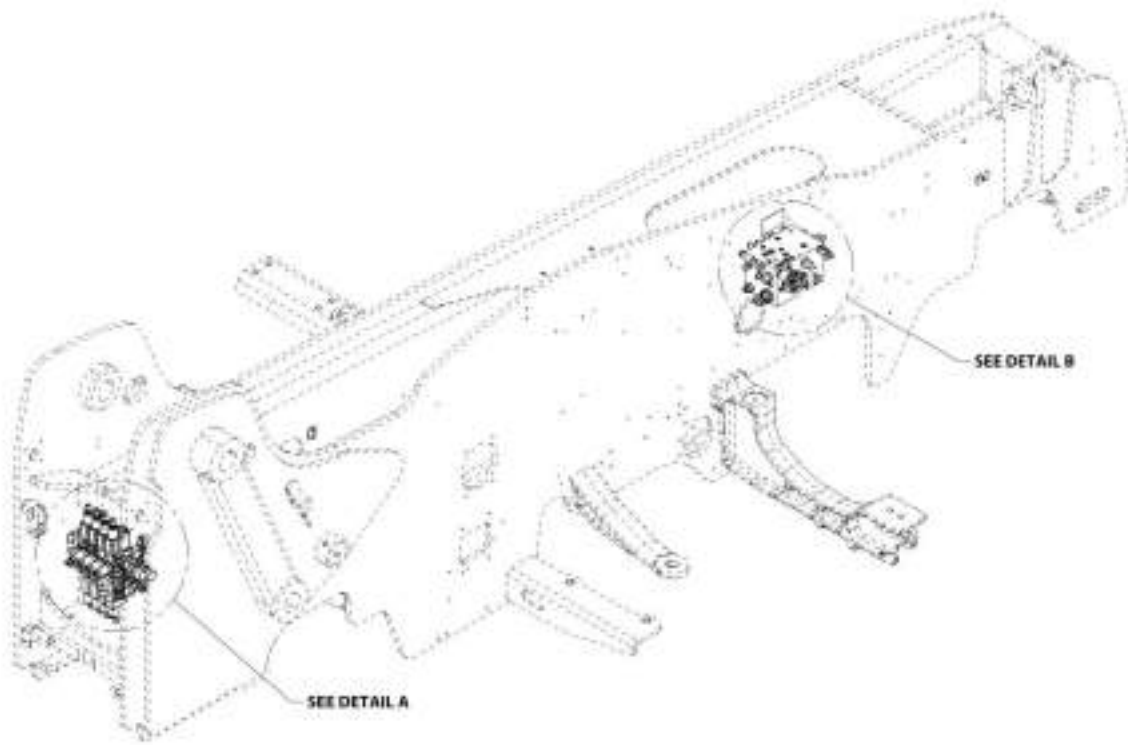
## SECTION 8 - HYDRAULIC CIRCUITS

**FIGURE 8-19. QUICK COUPLER VALVE ASSEMBLY**

ITEM	PART NUMBER	QTY	DESCRIPTION	REV
	1001189663	Ref	Quick Coupler Valve Assembly	C
1	2110610	2	Fitting, Straight ORFS	
2	2110810	1	Fitting, Straight ORFS	
3	2150404	2	Fitting, 45 ORFS	
4	2172108	1	Fitting, 90 ORFS	
5	1001001568	2	Reducer	
6	1001104477	1	Valve, Quick Coupler (See HYDRAULIC COMPONENTS SECTION for Breakdown)	
7	2130810	1	Fitting, 90 ORFS	

# SECTION 8 - HYDRAULIC CIRCUITS

## FIGURE 8-20. MAIN HYDRAULIC VALVES INSTALLATION



ART\_1001225750-A

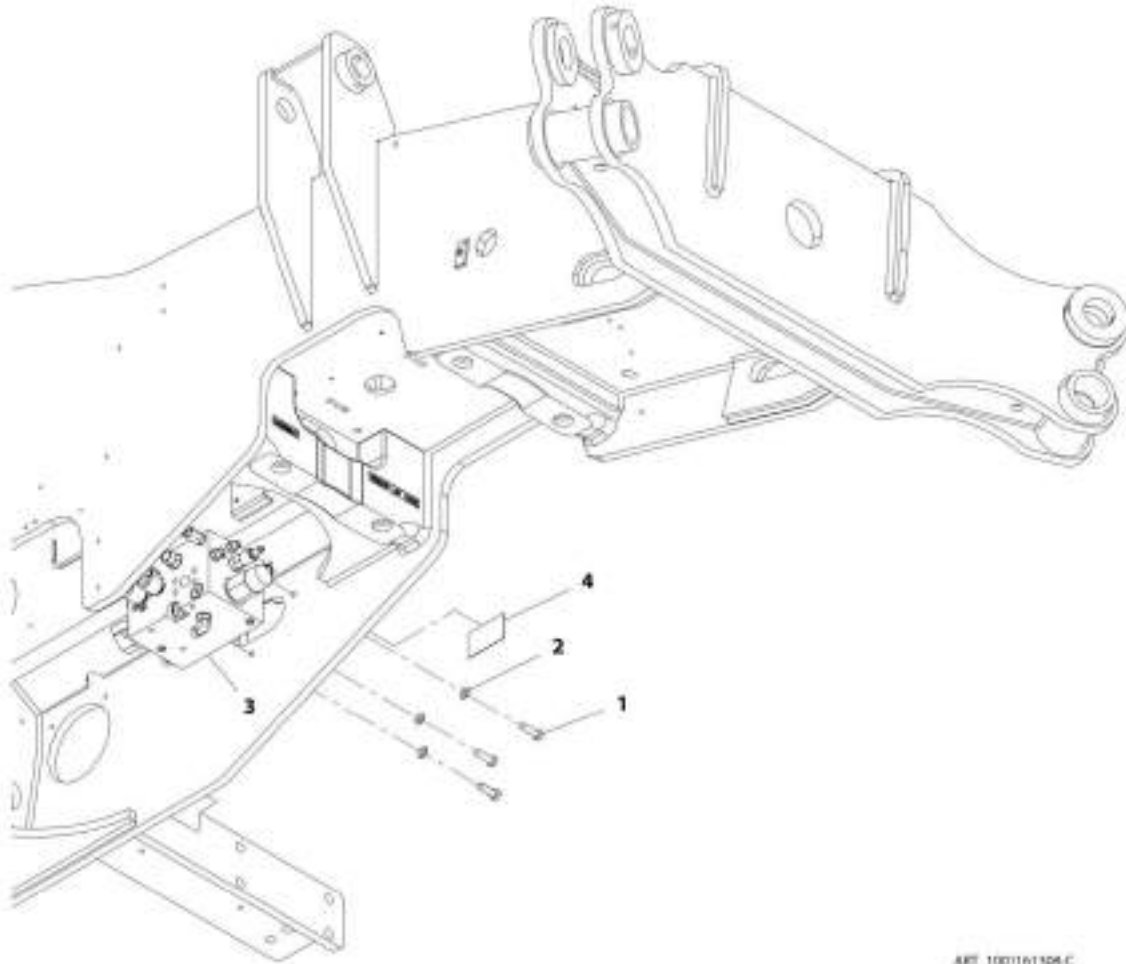
## SECTION 8 - HYDRAULIC CIRCUITS

**FIGURE 8-20. MAIN HYDRAULIC VALVES INSTALLATION**

ITEM	PART NUMBER	QTY	DESCRIPTION	REV
1	1001225750	Ref	Main Hydraulic Valves Installation	A
	1001161308	Ref	Installation, Priority Manifold Valve (See Separate Breakdown in this Section)	
2	1001225751	Ref	Installation, Main Control Valve (See Separate Breakdown in this Section)	

## SECTION 8 - HYDRAULIC CIRCUITS

FIGURE 8-21. PRIORITY FUNCTION MANIFOLD INSTALLATION



ARE\_1001161308-C



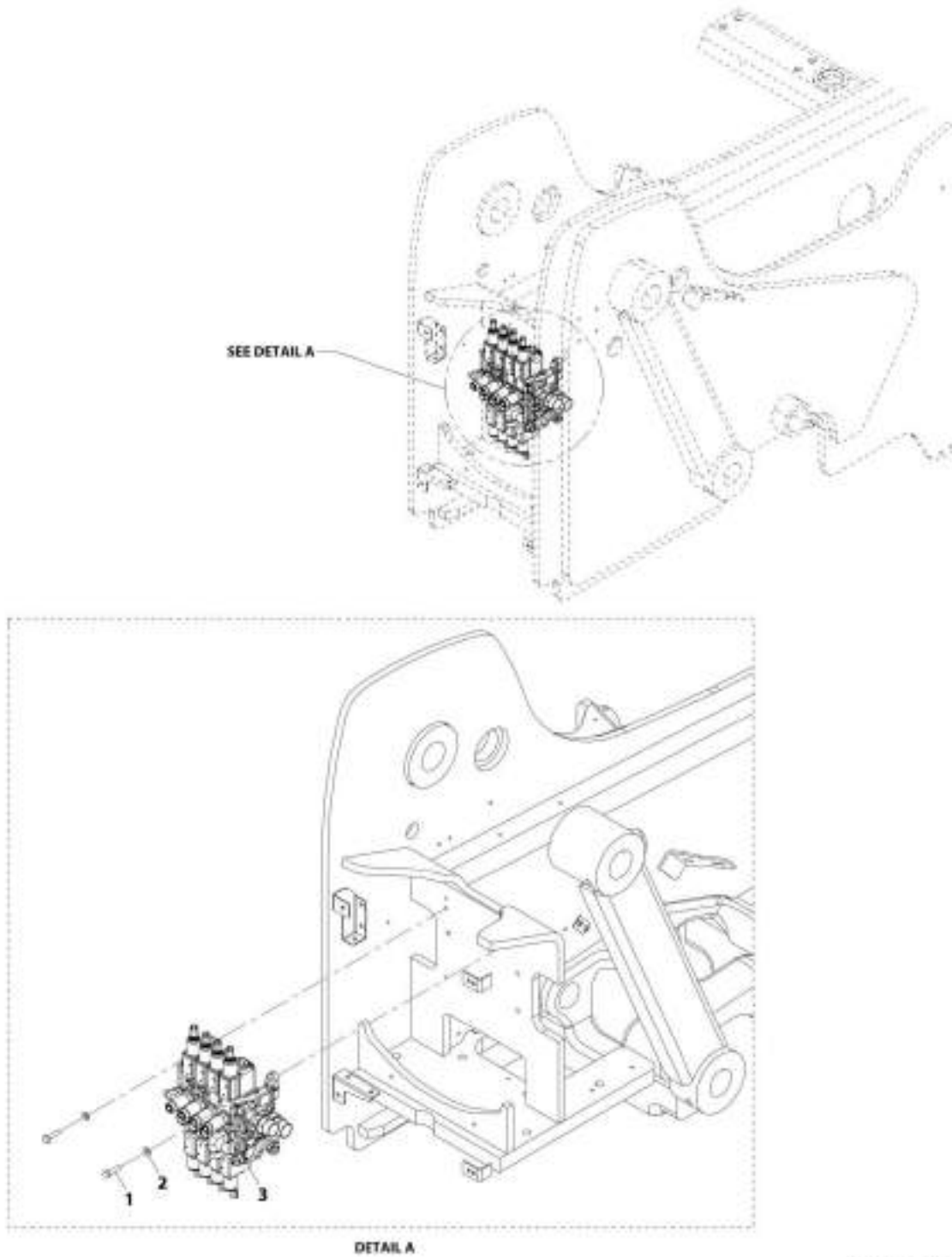
## SECTION 8 - HYDRAULIC CIRCUITS

### FIGURE 8-21. PRIORITY FUNCTION MANIFOLD INSTALLATION

ITEM	PART NUMBER	QTY	DESCRIPTION	REV
	1001161308	Ref	Priority Function Manifold Installation	C
1	0701216	3	Bolt, M12X40	
2	4812100	3	Washer, M12	
3	1001166223	1	Assembly, Priority Manifold Valve (See PRIORITY FUNCTION MANIFOLD VALVE ASSEMBLY for Breakdown)	
4	1001183243	1	Decal, Port ID	

# SECTION 8 - HYDRAULIC CIRCUITS

## FIGURE 8-22. MAIN CONTROL VALVE INSTALLATION



ART\_1001225751-A

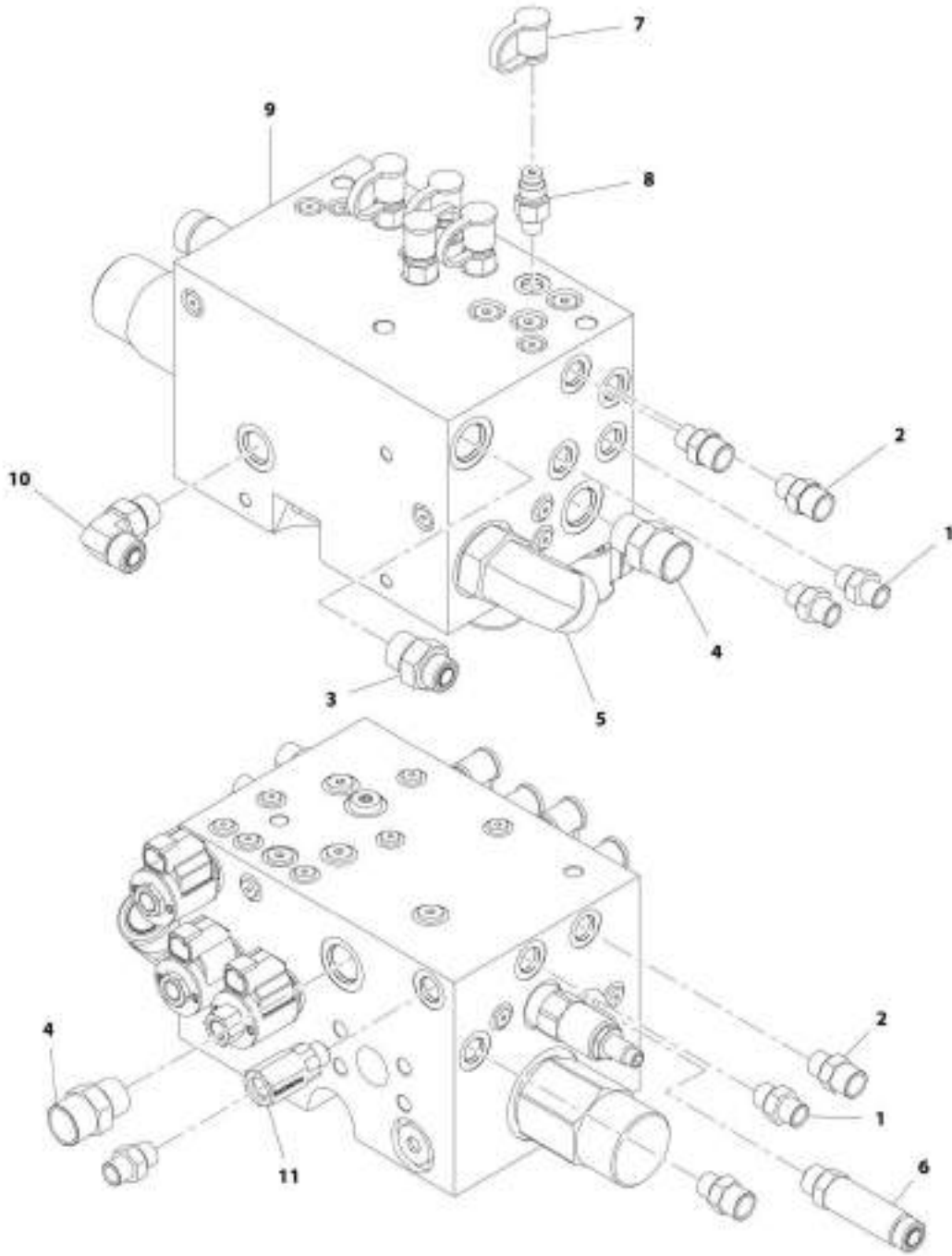
## SECTION 8 - HYDRAULIC CIRCUITS

**FIGURE 8-22. MAIN CONTROL VALVE INSTALLATION**

ITEM	PART NUMBER	QTY	DESCRIPTION	REV
	1001225751	Ref	Main Control Valve Installation	A
1	0701016	3	Bolt, M10X40	
2	4812000	3	Washer, M10	
3	1001225752	1	Assembly, Main Control Valve Assembly (See Separate Breakdown in this Section)	

# SECTION 8 - HYDRAULIC CIRCUITS

FIGURE 8-23. PRIORITY FUNCTION MANIFOLD VALVE ASSEMBLY



ART\_300116423-F

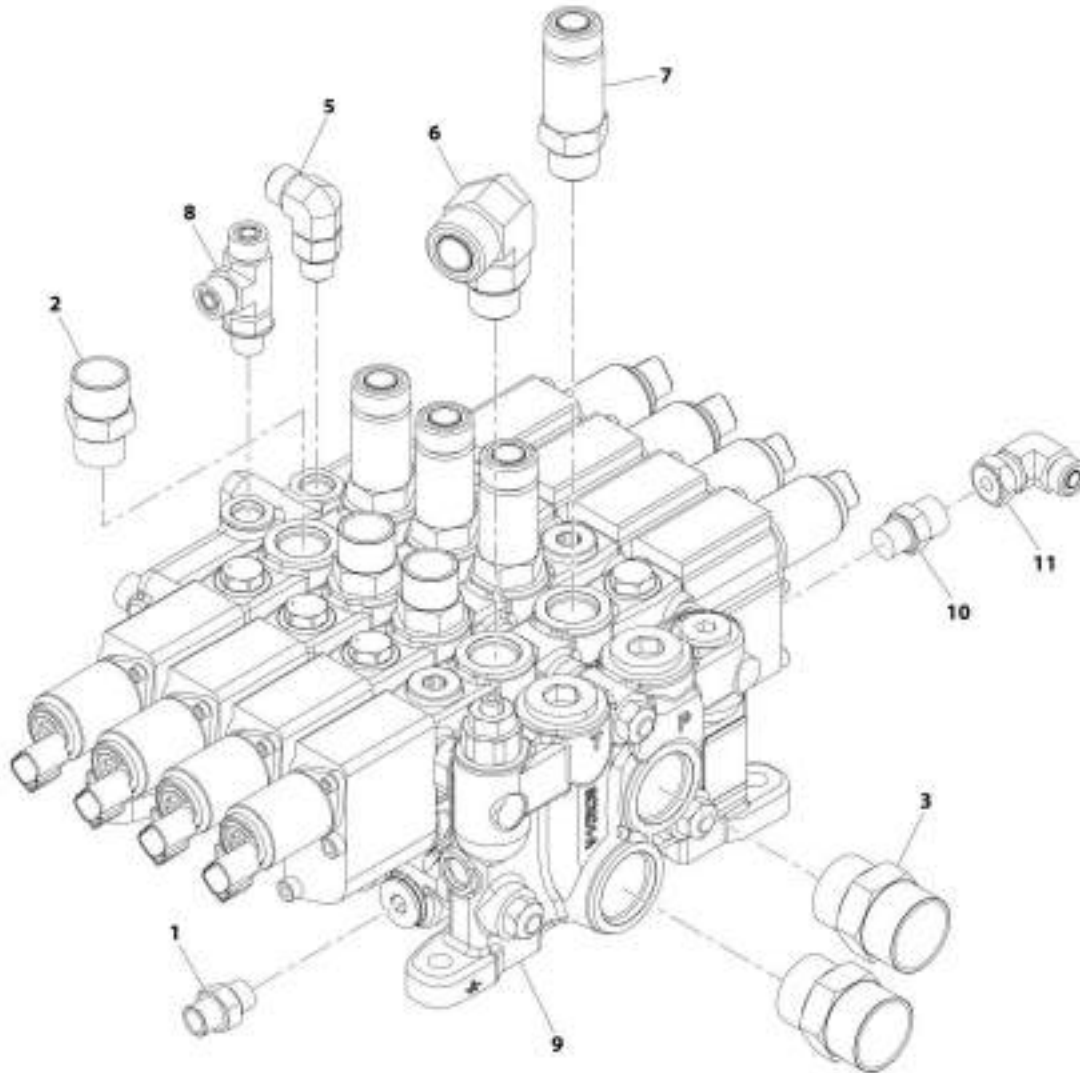
## SECTION 8 - HYDRAULIC CIRCUITS

FIGURE 8-23. PRIORITY FUNCTION MANIFOLD VALVE ASSEMBLY

ITEM	PART NUMBER	QTY	DESCRIPTION	REV
	1001166223	Ref	Priority Function Manifold Valve Assembly	F
1	2110406	4	Fitting, Straight ORFS	
2	2110606	4	Fitting, Straight ORFS	
3	2110810	1	Fitting, Straight ORFS	
4	2111010	2	Fitting, Straight ORFS	
5	2131616	1	Fitting, 90 ORFS	
6	1001201755	1	Fitting, Straight ORFS	
7	8430032	5	Plug	
8	8430033	5	Fitting, Straight	
9	1001162548	1	Valve, Priority Manifold (See HYDRAULIC COMPONENTS SECTION for Breakdown)	
10	2130808	1	Fitting, 90 ORFS	
11	1001196608	1	Valve, Check	

# SECTION 8 - HYDRAULIC CIRCUITS

FIGURE 8-24. MAIN CONTROL VALVE ASSEMBLY



ART. 1001225752-C

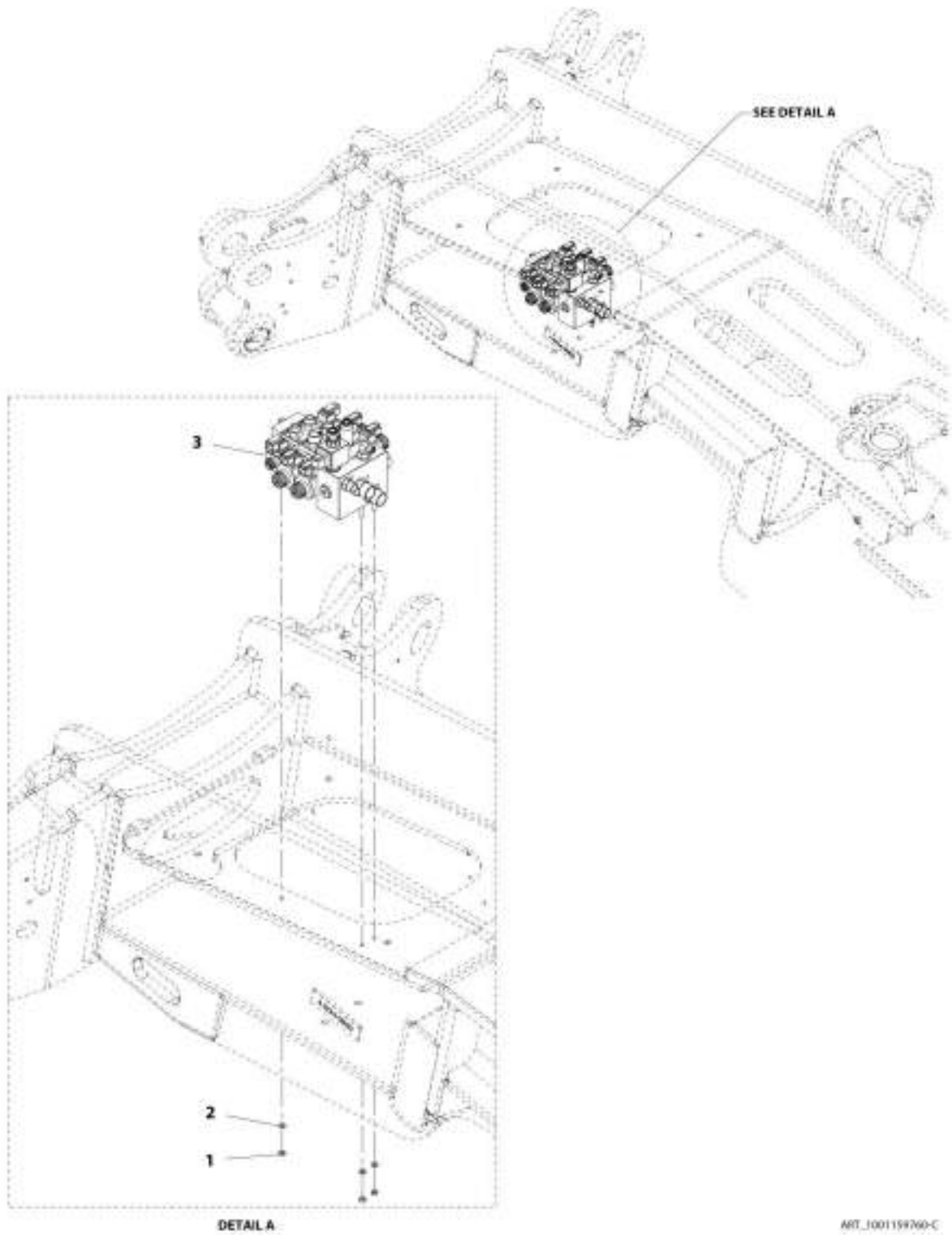
## SECTION 8 - HYDRAULIC CIRCUITS

**FIGURE 8-24. MAIN CONTROL VALVE ASSEMBLY**

ITEM	PART NUMBER	QTY	DESCRIPTION	REV
	1001225752	Ref	Main Control Valve Assembly	C
1	2110406	1	Fitting, Straight ORFS	
2	2111010	3	Fitting, Straight ORFS	
3	2111616	2	Fitting, Straight ORFS	
5	2130606	1	Fitting, 90 ORFS	
6	2131210	1	Fitting, 90 ORFS	
7	2170110	4	Fitting, Straight ORFS	
8	2170306	1	Fitting, Tee ORFS	
9		Ref	Valve, Main Control (See Separate Breakdown in HYDRAULIC COMPONENTS Section)	
10	2110606	1	Fitting, Straight ORFS	
11	2172106	1	Adapter, 90	

# SECTION 8 - HYDRAULIC CIRCUITS

FIGURE 8-25. FRAME LEVEL AND OUTRIGGER VALVE INSTALLATION



ART\_1001154760-C



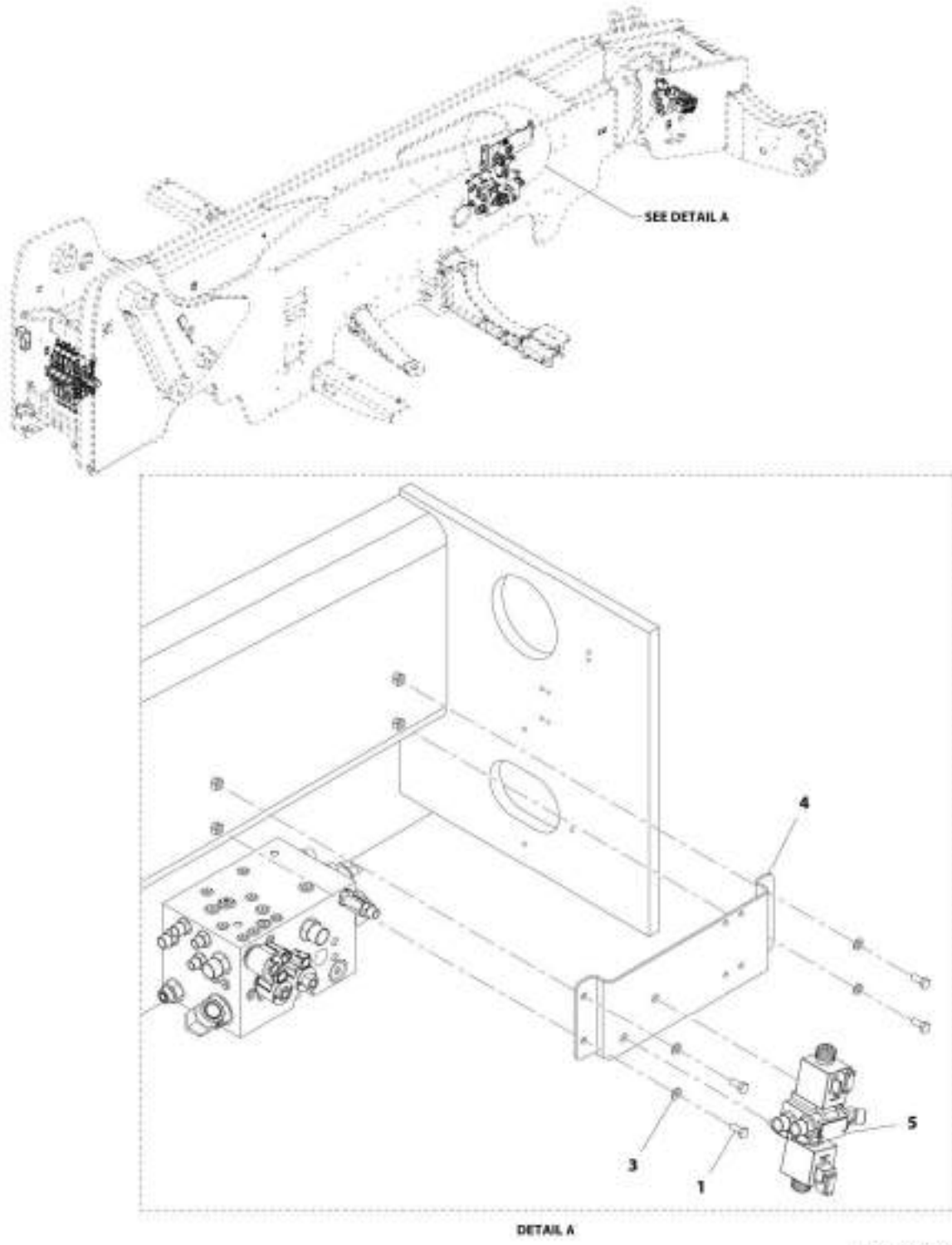
## SECTION 8 - HYDRAULIC CIRCUITS

**FIGURE 8-25. FRAME LEVEL AND OUTRIGGER VALVE INSTALLATION**

ITEM	PART NUMBER	QTY	DESCRIPTION	REV
	1001159760	Ref	Frame Level and Outrigger Valve Installation	C
1	3290601	3	Nut, M6X1	
2	4811700	3	Washer, M6	
3	1001159847	1	Assembly, Frame Level and Outrigger Valve (See FRAME LEVEL AND OUTRIGGER VALVE ASSEMBLY for Breakdown)	

# SECTION 8 - HYDRAULIC CIRCUITS

## FIGURE 8-26. STEERING SELECT VALVE MOUNTING INSTALLATION



APP\_1001508404-E

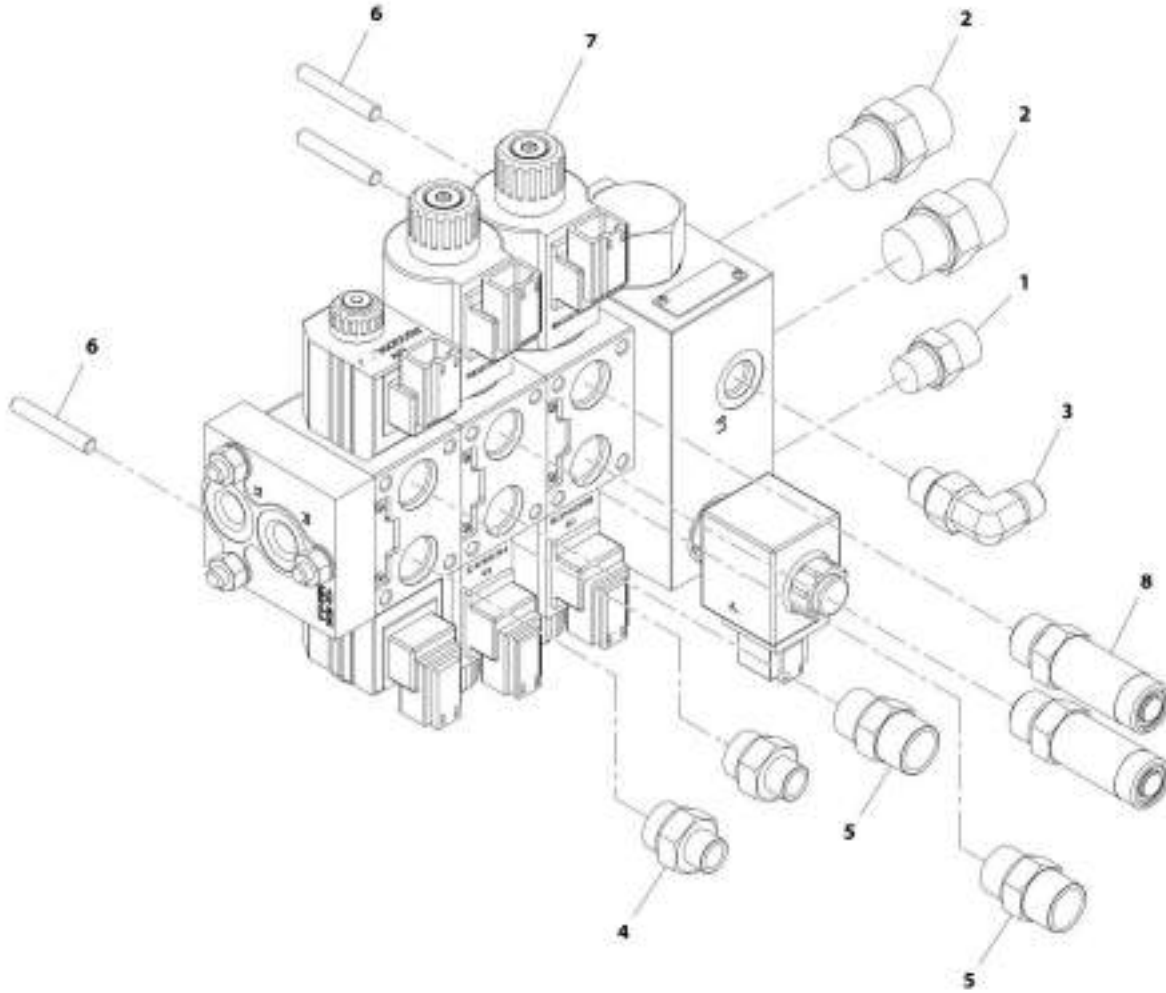
## SECTION 8 - HYDRAULIC CIRCUITS

**FIGURE 8-26. STEERING SELECT VALVE MOUNTING INSTALLATION**

ITEM	PART NUMBER	QTY	DESCRIPTION	REV
	1001168464	Ref	Steering Select Valve Mounting Installation	E
1	0760810	4	Bolt, M8X20	
3	4811900	4	Washer, M8	
4	1001167437	1	Bracket	
5	1001173702	Ref	Installation, Steering Select Valve (See Separate Breakdown in this Section)	

# SECTION 8 - HYDRAULIC CIRCUITS

FIGURE 8-27. FRAME LEVEL AND OUTRIGGER VALVE ASSEMBLY



MIT\_1001159847-E

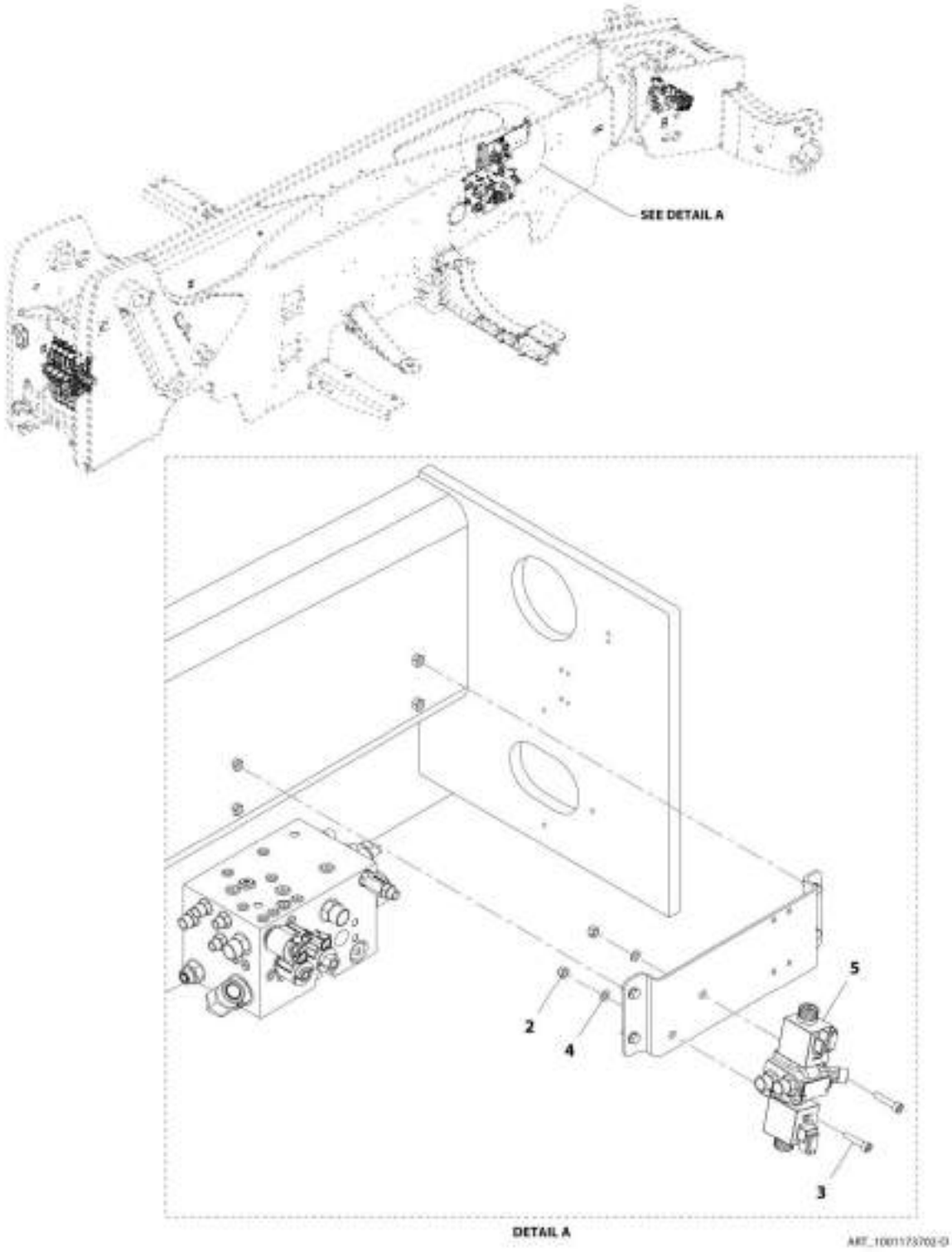
## SECTION 8 - HYDRAULIC CIRCUITS

**FIGURE 8-27. FRAME LEVEL AND OUTRIGGER VALVE ASSEMBLY**

ITEM	PART NUMBER	QTY	DESCRIPTION	REV
	1001159847	1	Frame Level and Outrigger Valve Assembly	E
1	2110606	1	Fitting, Straight	
2	2111010	2	Fitting, Straight ORFS	
3	2130406	1	Fitting, 90 ORFS	
4	2110408	2	Fitting, Straight ORFS	
5	2110808	2	Fitting, Straight ORFS	
6	1001177702	3	Stud, M6X40	
7	1001157972	1	Valve, Frame Level and Outrigger (See HYDRAULIC COMPONENTS SECTION for Breakdown)	
8	2170108	2	Fitting	

# SECTION 8 - HYDRAULIC CIRCUITS

## FIGURE 8-28. STEERING SELECT VALVE INSTALLATION



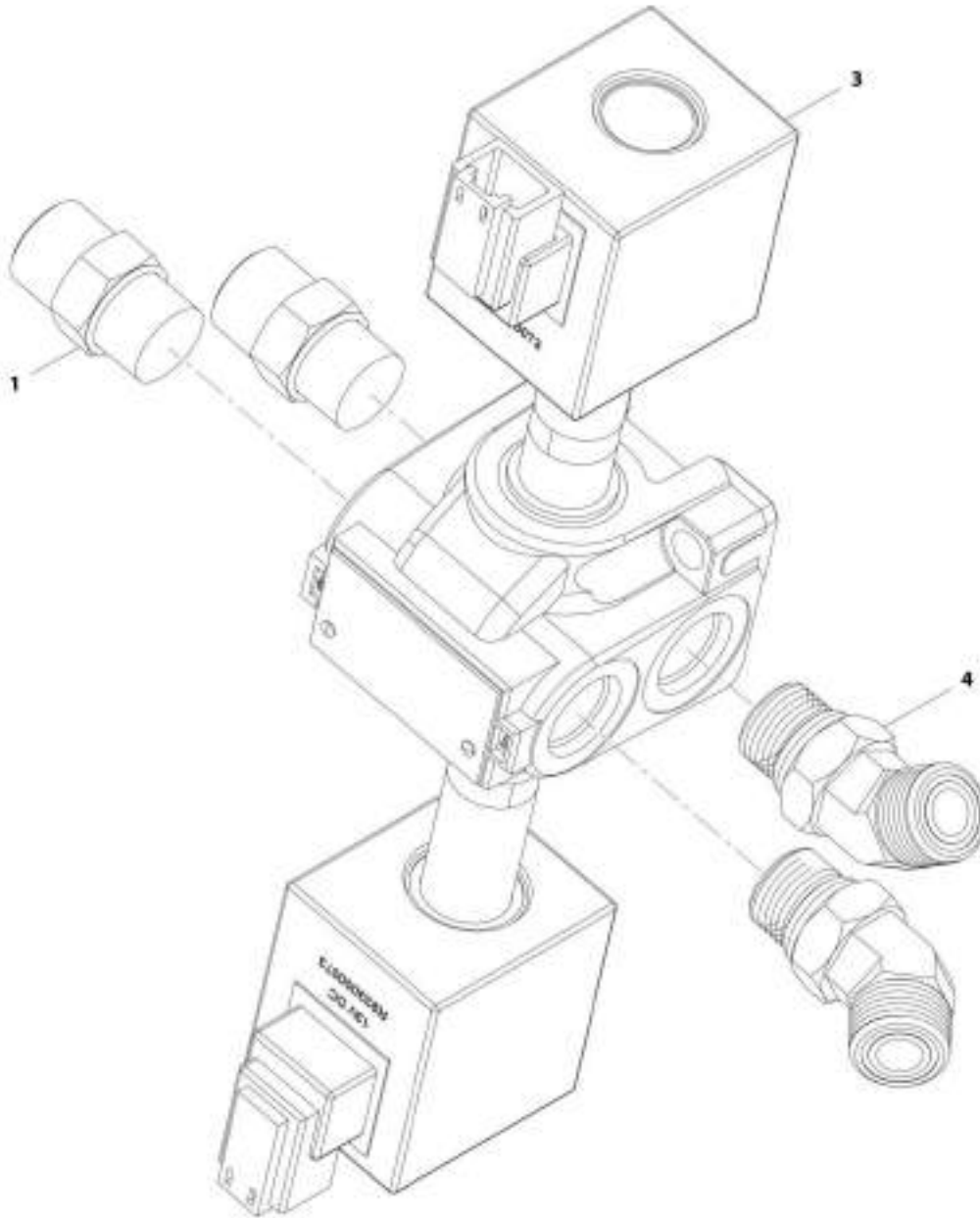
## SECTION 8 - HYDRAULIC CIRCUITS

### FIGURE 8-28. STEERING SELECT VALVE INSTALLATION

ITEM	PART NUMBER	QTY	DESCRIPTION	REV
	1001173702	Ref	Steering Select Valve Installation	D
2	3290805	2	Nut, Lock M8X1.25	
3	4031912	2	Bolt, M8X40	
4	4811900	2	Washer, M8	
5	1001161304	1	Assembly, Valve (See Separate Breakdown in this Section)	

## SECTION 8 - HYDRAULIC CIRCUITS

FIGURE 8-29. STEERING SELECT VALVE ASSEMBLY



ART 1001161304-B



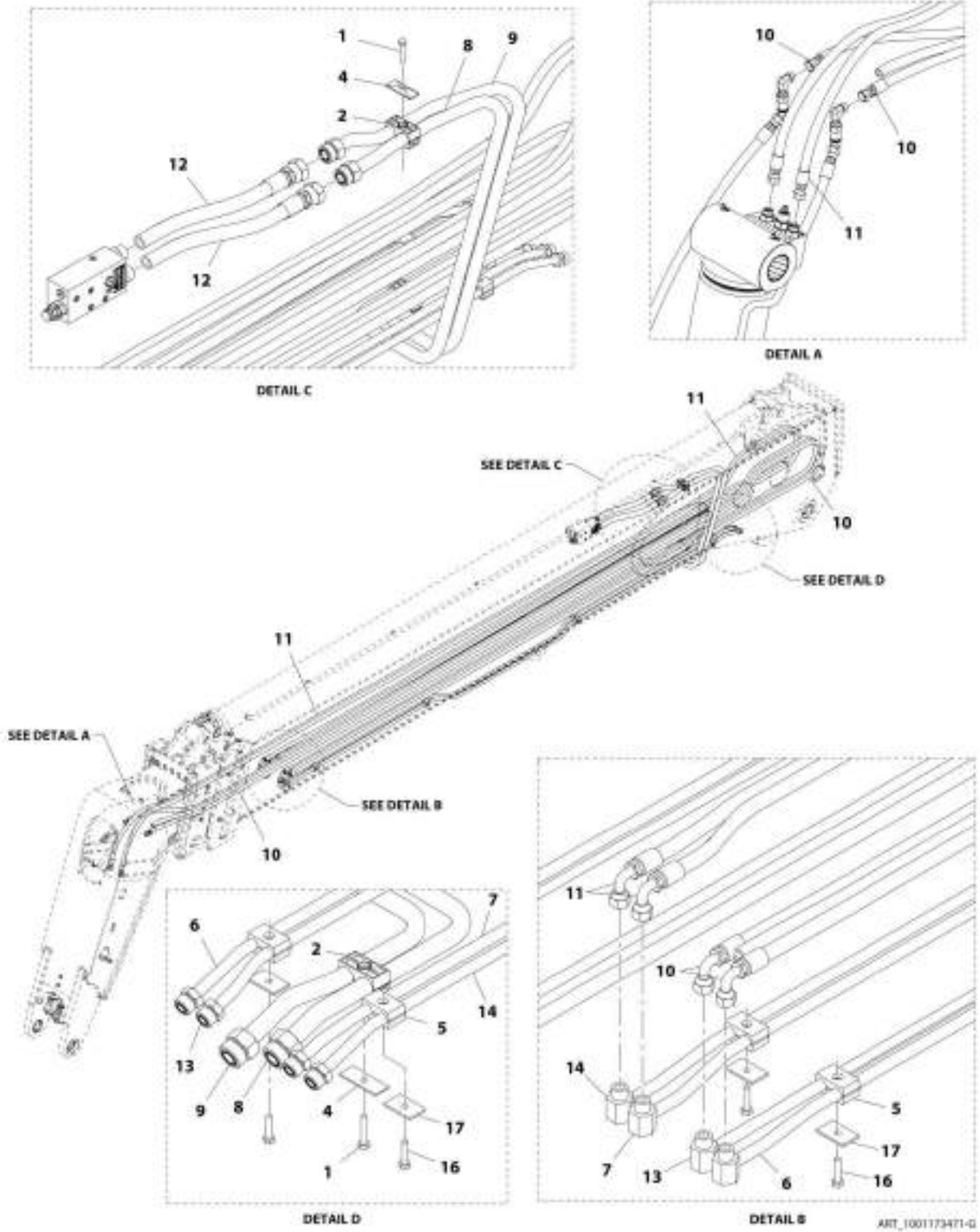
## SECTION 8 - HYDRAULIC CIRCUITS

**FIGURE 8-29. STEERING SELECT VALVE ASSEMBLY**

ITEM	PART NUMBER	QTY	DESCRIPTION	REV
	1001161304	Ref	Steering Select Valve Assembly	B
1	2110808	2	Fitting, Straight ORFS	
3	1001153748	1	Assembly, Valve (See Separate Breakdown in Hydraulic Components Section)	
4	2150808	2	Fitting, 45 ORFS	

# SECTION 8 - HYDRAULIC CIRCUITS

## FIGURE 8-30. BOOM HYDRAULIC TUBES INSTALLATION



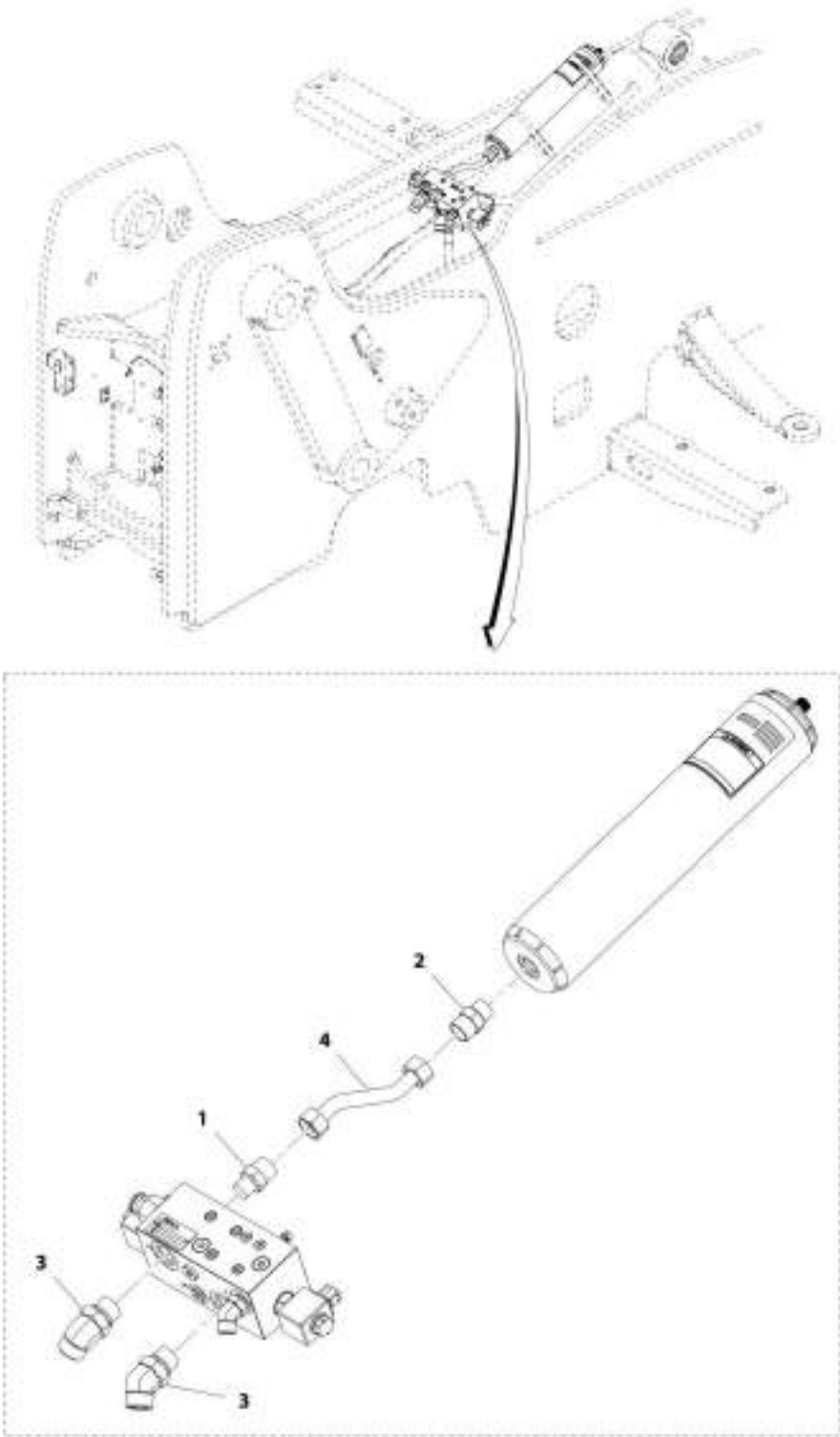
## SECTION 8 - HYDRAULIC CIRCUITS

**FIGURE 8-30. BOOM HYDRAULIC TUBES INSTALLATION**

ITEM	PART NUMBER	QTY	DESCRIPTION	REV
	1001173471	Ref	Boom Hydraulic Tubes Installation	G
1	0700817	2	Bolt, M8X45	
2	1321329	2	Clamp	
4	77133137	2	Plate, Cover	
5	77133139	8	Clamp	
6	1001162339	1	Tube	
7	1001162346	1	Tube	
8	1001162365	1	Tube	
9	1001162366	1	Tube	
10	1001163072	1	Hose	
11	1001163073	1	Hose	
12	1001170549	2	Hose	
13	1001173956	1	Tube	
14	1001173957	1	Tube	
16	0760815	8	Bolt, M8X35	
17	77133140	8	Plate, Cover	

**SECTION 8 - HYDRAULIC CIRCUITS**

**FIGURE 8-31. COUNTERBALANCE VALVE HYDRAULIC LINES (LIFT - RIDE CONTROL)**



WIT\_3021175744.D

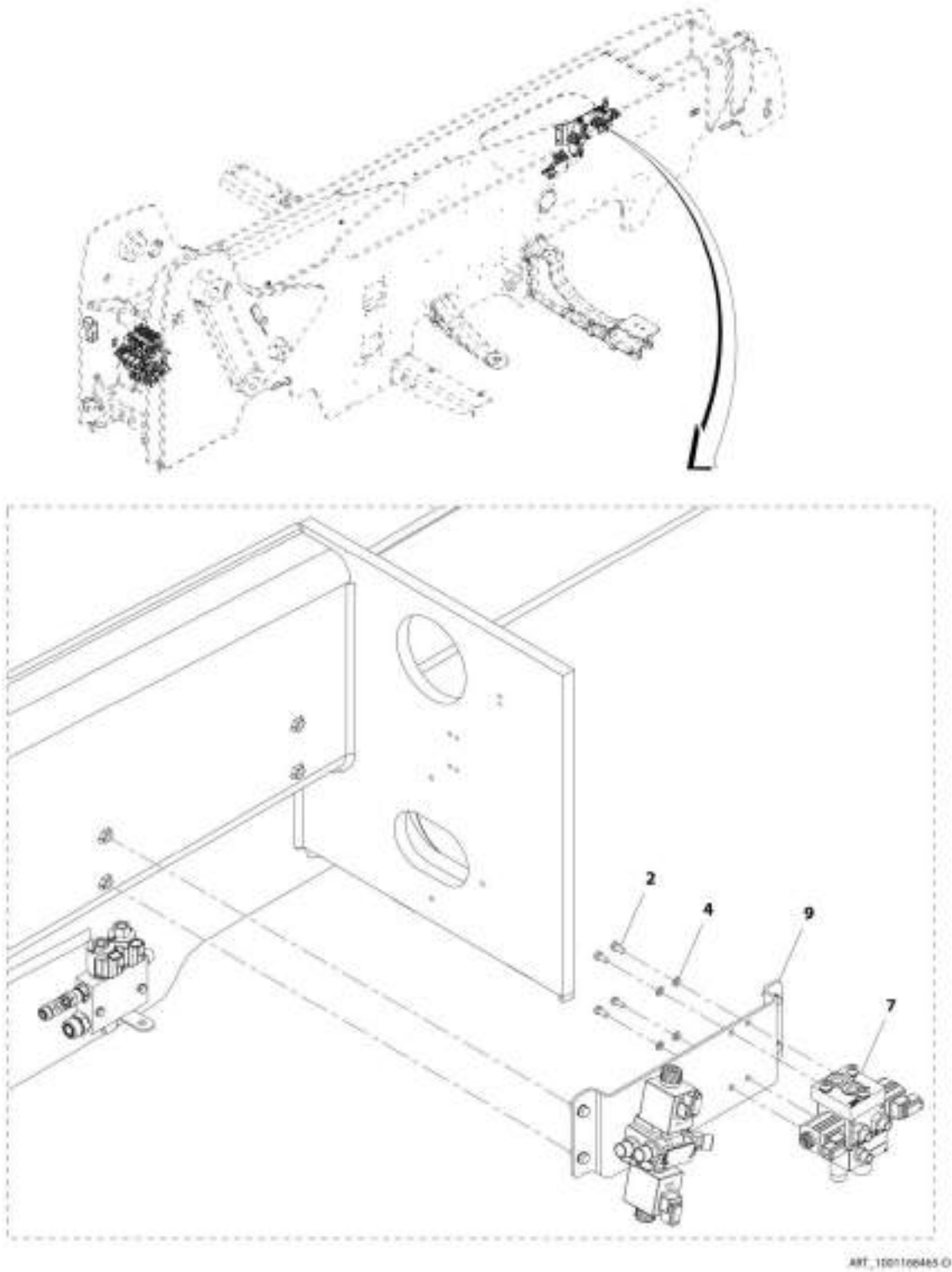
## SECTION 8 - HYDRAULIC CIRCUITS

**FIGURE 8-31. COUNTERBALANCE VALVE HYDRAULIC LINES (LIFT - RIDE CONTROL)**

ITEM	PART NUMBER	QTY	DESCRIPTION	REV
	1001175744	Ref	Counterbalance Valve Hydraulic Lines (Lift - Ride Control)	D
1	2111008	1	Fitting, Straight ORFS	
2	2111010	1	Fitting, Straight ORFS	
3	2151212	2	Fitting, 45 ORFS	
4	1001175745	1	Pipe	

## SECTION 8 - HYDRAULIC CIRCUITS

FIGURE 8-32. STEERING SELECT AND FRAME LEVEL VALVE INSTALLATION



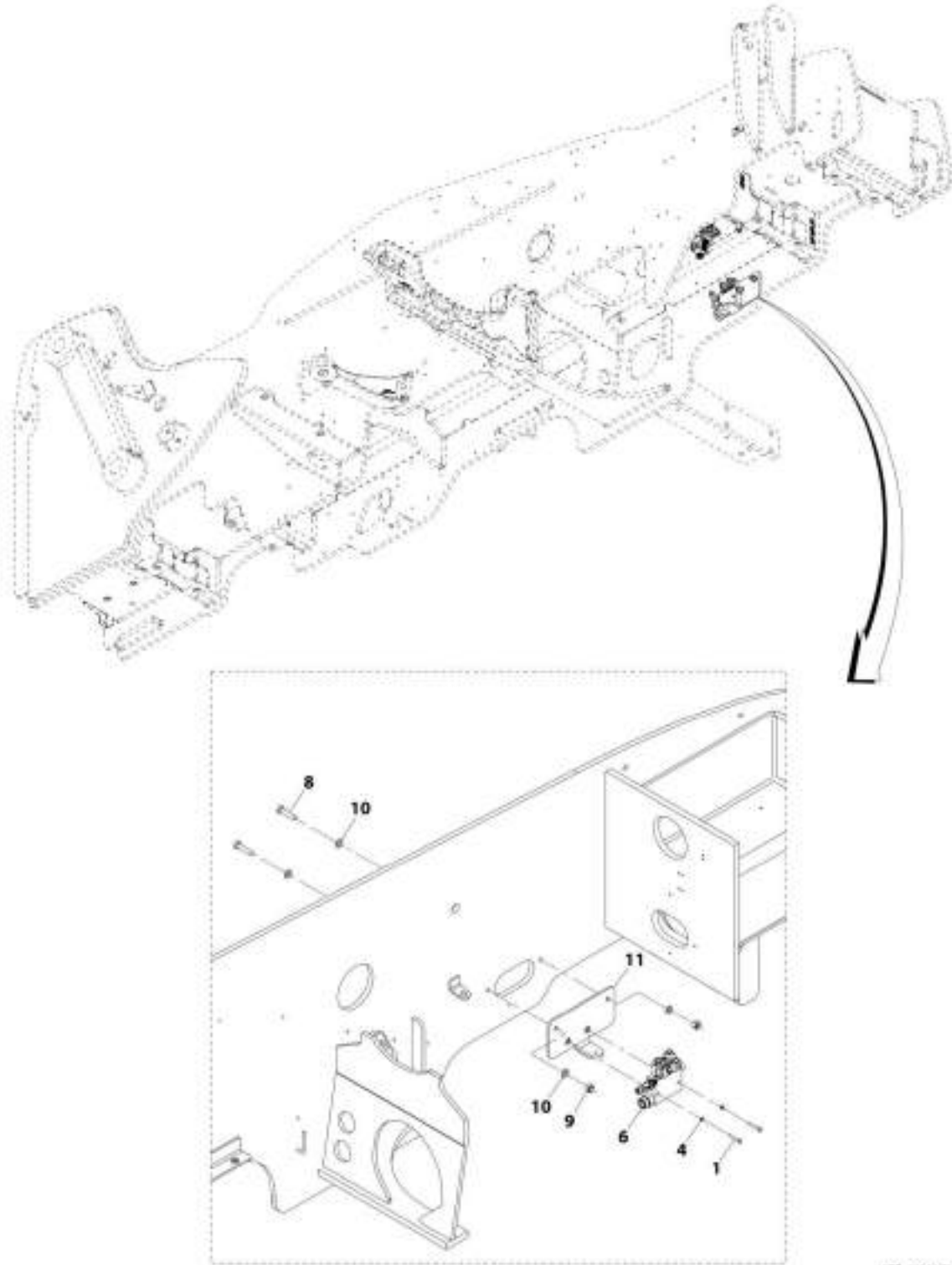
## SECTION 8 - HYDRAULIC CIRCUITS

**FIGURE 8-32. STEERING SELECT AND FRAME LEVEL VALVE INSTALLATION**

ITEM	PART NUMBER	QTY	DESCRIPTION	REV
	1001168465	Ref	Steering Select and Frame Level Valve Installation	D
2	0760607	4	Bolt, M6X14	
4	4811700	4	Washer, M6	
7	1001169087	1	Assembly, Frame Level Valve (See Separate Breakdown in this Section)	
9	1001168464	Ref	Installation, Steering Select Valve Mounting (See Separate Breakdown in this Section)	

# SECTION 8 - HYDRAULIC CIRCUITS

## FIGURE 8-33. PARK BRAKE INSTALLATION



ART\_1005172370-E



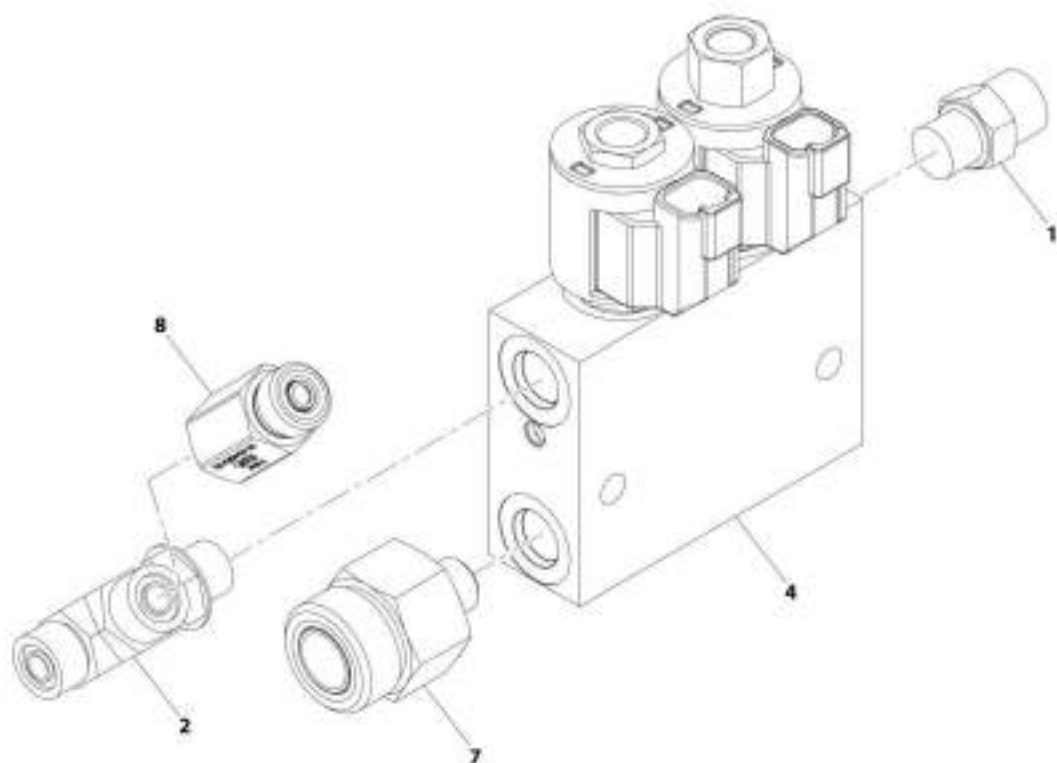
## SECTION 8 - HYDRAULIC CIRCUITS

### FIGURE 8-33. PARK BRAKE INSTALLATION

ITEM	PART NUMBER	QTY	DESCRIPTION	REV
	1001172370	Ref	Park Brake Installation	E
1	0700616	2	Bolt, M6X40	
4	4811700	2	Washer, M6	
6	1001170561	1	Installation, Park Brake Valve (See Separate Breakdown in this Section)	
8	0761218	2	Bolt, M12X50	
9	3291205	2	Nut, Lock M12X1.75 Grade 8	
10	4812100	4	Washer, M12	
11	1001225995	1	Bracket Assembly	

## SECTION 8 - HYDRAULIC CIRCUITS

FIGURE 8-34. PARK BRAKE VALVE ASSEMBLY



ART\_1001170501-F

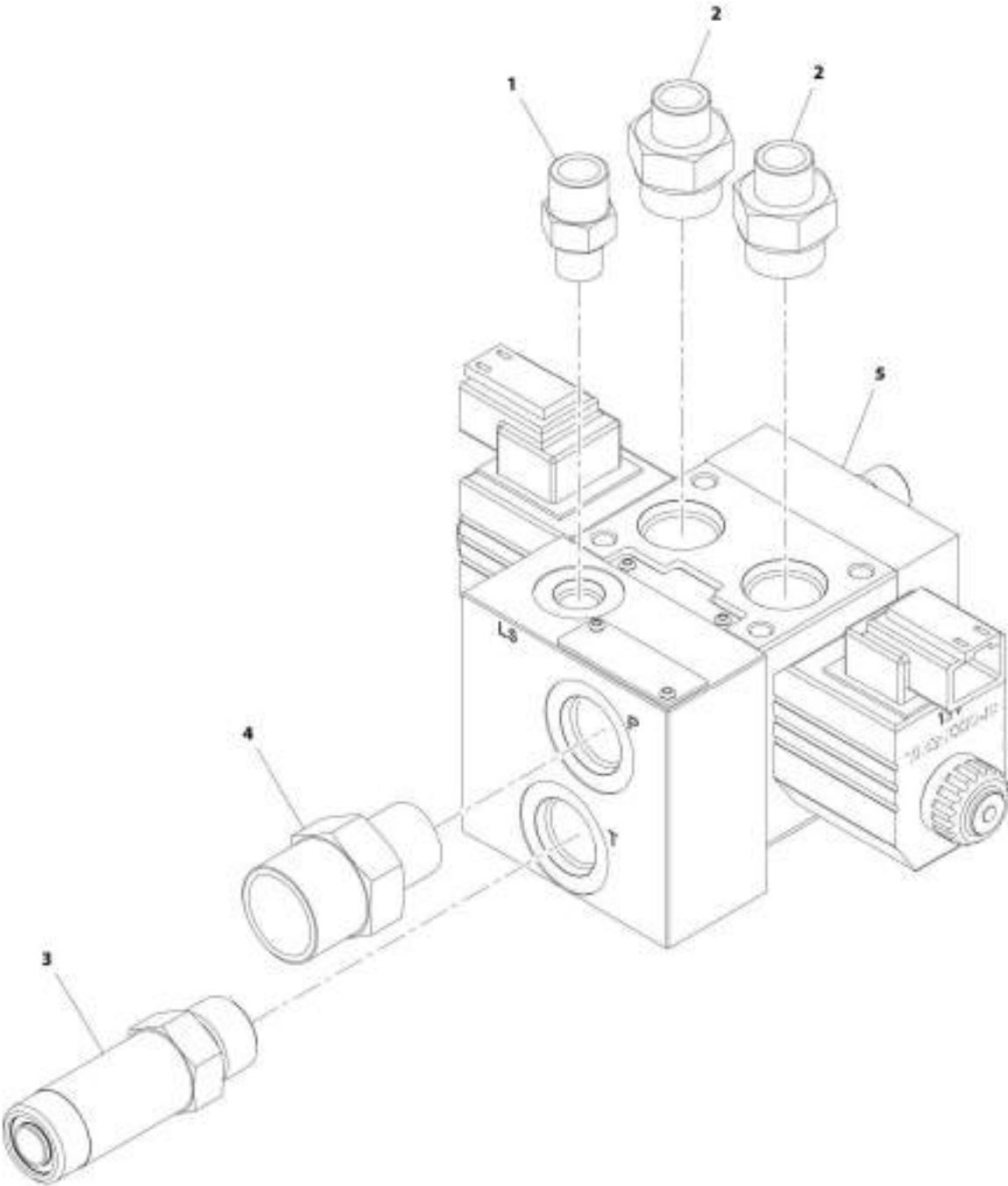
## SECTION 8 - HYDRAULIC CIRCUITS

### FIGURE 8-34. PARK BRAKE VALVE ASSEMBLY

ITEM	PART NUMBER	QTY	DESCRIPTION	REV
	1001170561	Ref	Park Brake Valve Assembly	F
1	2110606	1	Fitting, Straight ORFS	
2	2170306	1	Fitting, Tee ORFS	
4	1001164652	1	Valve, Park Brake (See Separate Breakdown in Hydraulic Components Section)	
7	1001207758	1	Fitting, Straight ORFS	
8	1001218781	1	Check Valve	

**SECTION 8 - HYDRAULIC CIRCUITS**

**FIGURE 8-35. FRAME LEVEL VALVE ASSEMBLY**



ART\_1001169007-E

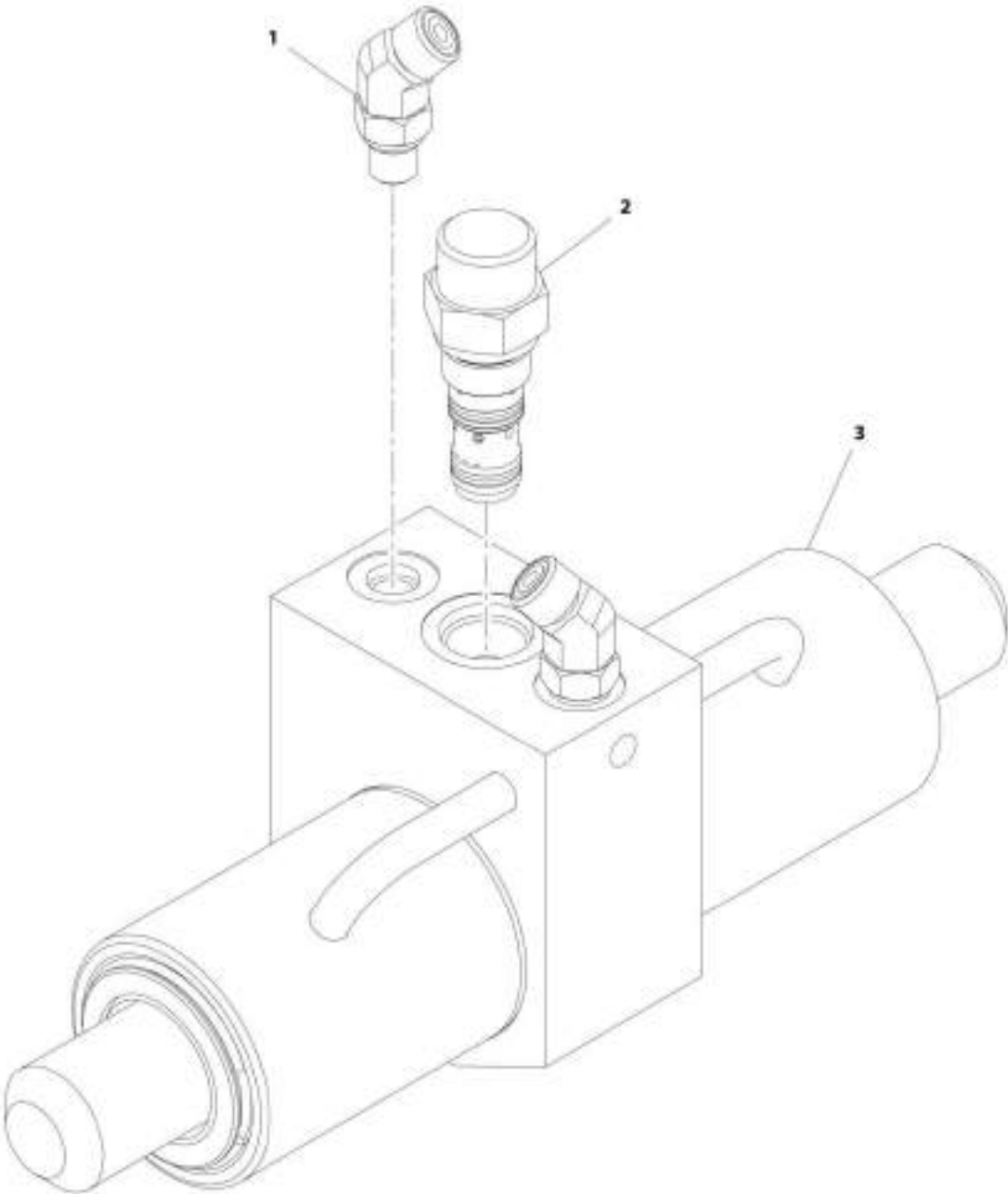
## SECTION 8 - HYDRAULIC CIRCUITS

### FIGURE 8-35. FRAME LEVEL VALVE ASSEMBLY

ITEM	PART NUMBER	QTY	DESCRIPTION	REV
	1001169087	1	Frame Level Valve Assembly	E
1	2110404	1	Fitting, Straight ORFS	
2	2110408	2	Fitting, Straight ORFS	
3	2170108	1	Fitting, Straight ORFS	
4	2111008	1	Fitting, Straight ORFS	
5	1001162959	1	Valve, Frame Level (See Separate Breakdown in Hydraulic Components Section)	

**SECTION 8 - HYDRAULIC CIRCUITS**

**FIGURE 8-36. QUICK COUPLER CYLINDER ASSEMBLY**



ART\_1001210300-A

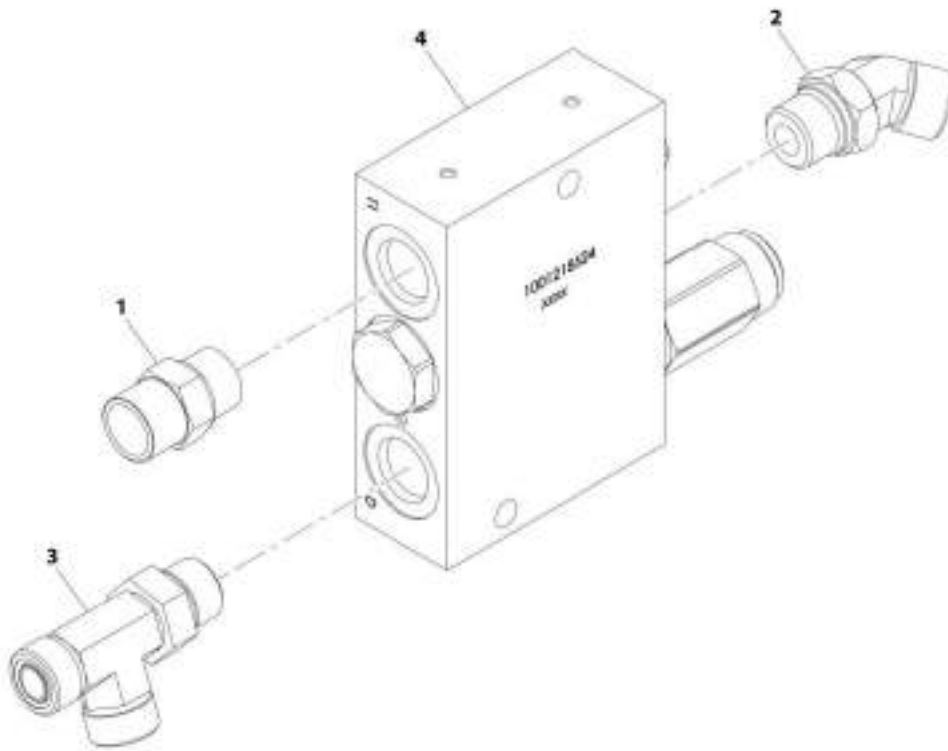
## SECTION 8 - HYDRAULIC CIRCUITS

**FIGURE 8-36. QUICK COUPLER CYLINDER ASSEMBLY**

ITEM	PART NUMBER	QTY	DESCRIPTION	REV
	1001210390	Ref	Quick Coupler Cylinder Assembly	A
1	2150404	2	Fitting, 45 ORFS	
2	1001007056	1	Valve, Check	
3	1001120163	1	Cylinder, Quick Coupler (See Separate Breakdown in Hydraulic Components Section)	

## SECTION 8 - HYDRAULIC CIRCUITS

FIGURE 8-37. EMERGENCY STEERING MANIFOLD



ART\_1001219191-A



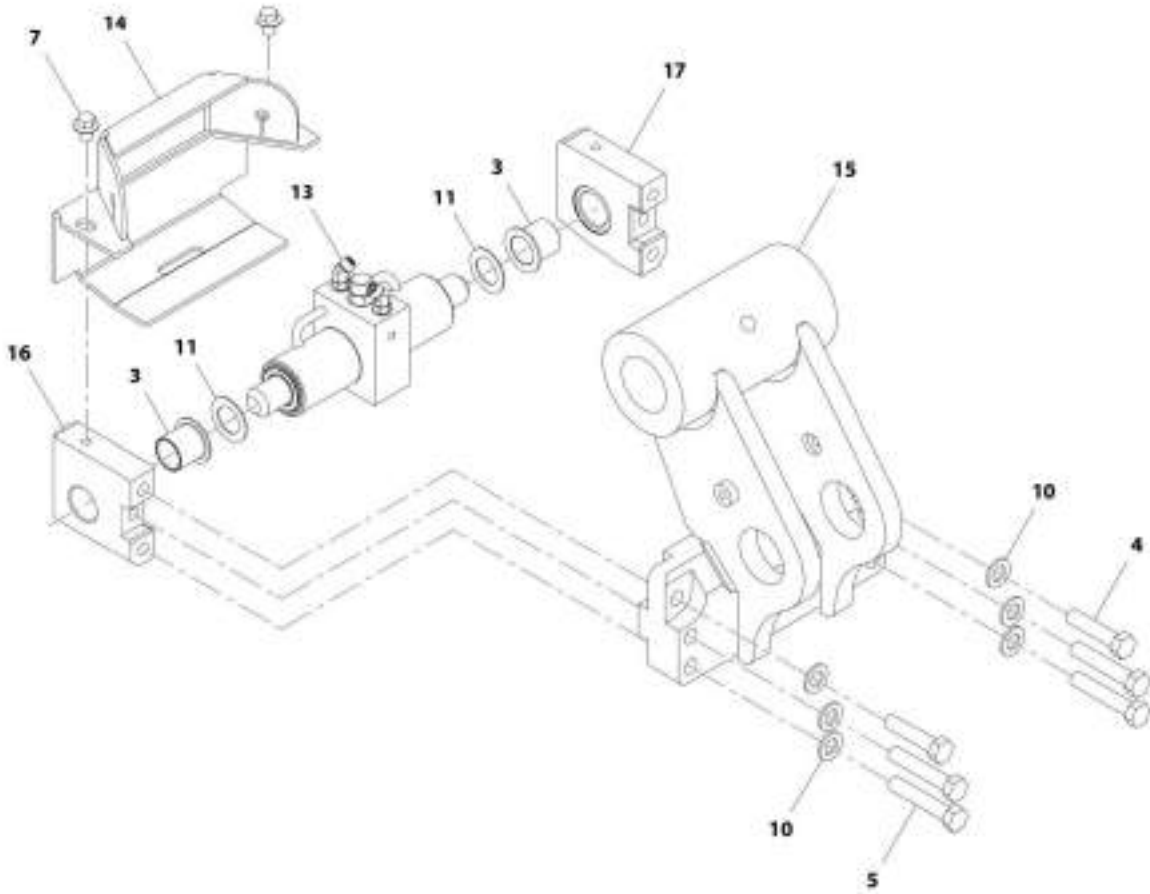
## SECTION 8 - HYDRAULIC CIRCUITS

### FIGURE 8-37. EMERGENCY STEERING MANIFOLD

ITEM	PART NUMBER	QTY	DESCRIPTION	REV
	1001219191	Ref	Emergency Steering Manifold	A
1	2110808	1	Fitting, Straight ORFS	
2	2150808	1	Fitting, 45 ORFS	
3	2170308	1	Fitting, Tee ORFS	
4	1001218524	1	Manifold	

# SECTION 8 - HYDRAULIC CIRCUITS

FIGURE 8-38. HYDRAULIC QUICK COUPLER ASSEMBLY



MT\_100112134 D

## SECTION 8 - HYDRAULIC CIRCUITS

**FIGURE 8-38. HYDRAULIC QUICK COUPLER ASSEMBLY**

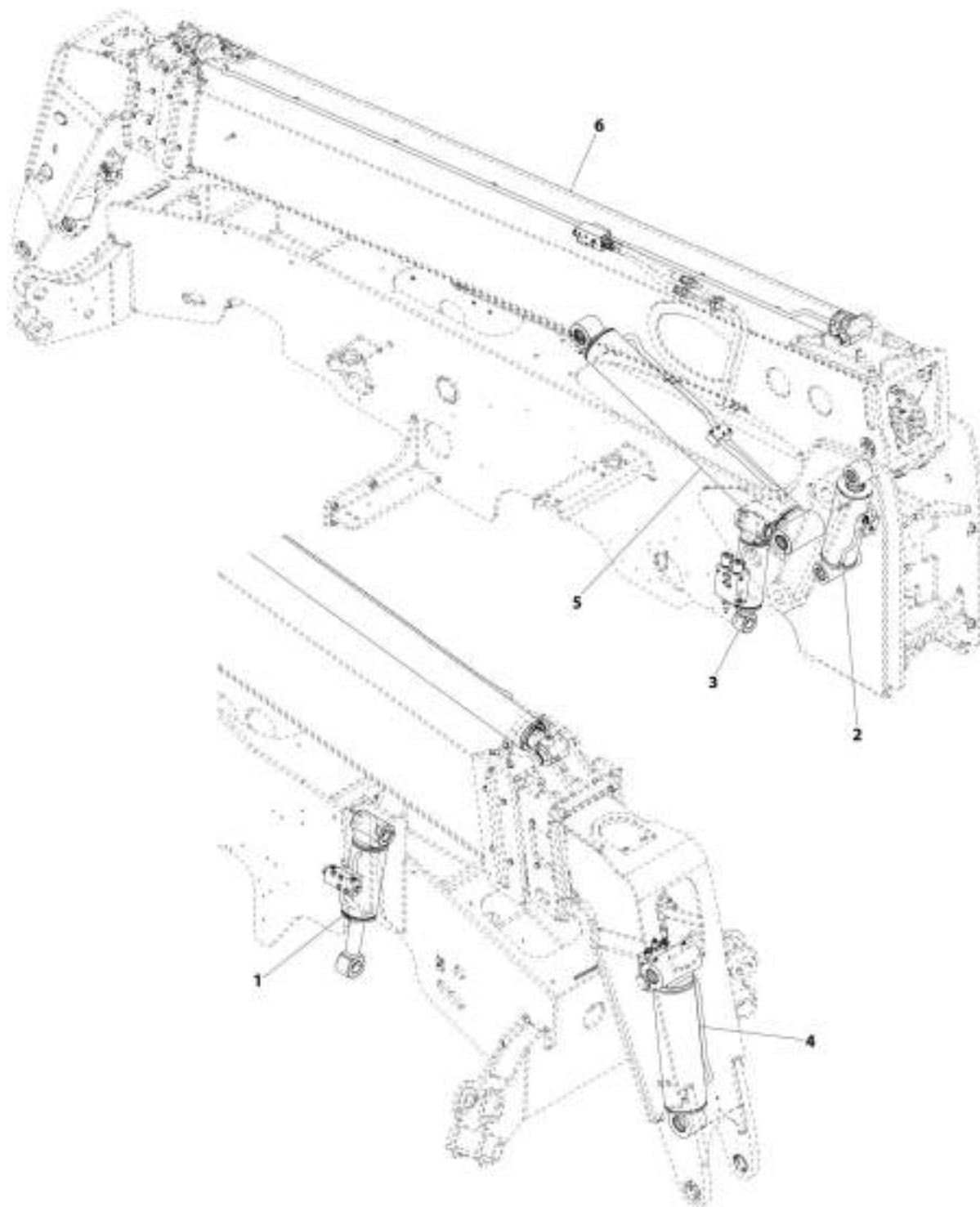
ITEM	PART NUMBER	QTY	DESCRIPTION	REV
	1001172134	Ref	Hydraulic Quick Coupler Assembly	D
3	0440321	2	Bearing, Flange	
4	1001191503	2	Bolt, M16X1.5X17 GR10.9	
5	1001191505	4	Bolt, M16X1.5X85 GR10.9	
7	0781208	2	Bolt, M12X16	
10	5241600	6	Washer, M16	
11	91561240	AR	Shim	
13	1001210390	1	Assembly, Quick Coupler Cylinder (See Separate Breakdown in this Section)	
14	1001164860	1	Cover	
15	1001172075	1	Fitting, Straight	
16	1001172077	1	Plate	
17	1001172078	1	Plate	



**SECTION 9 - HYDRAULIC COMPONENTS**

# SECTION 9 - HYDRAULIC COMPONENTS

## FIGURE 9-1. CYLINDER GROUP INSTALLATION



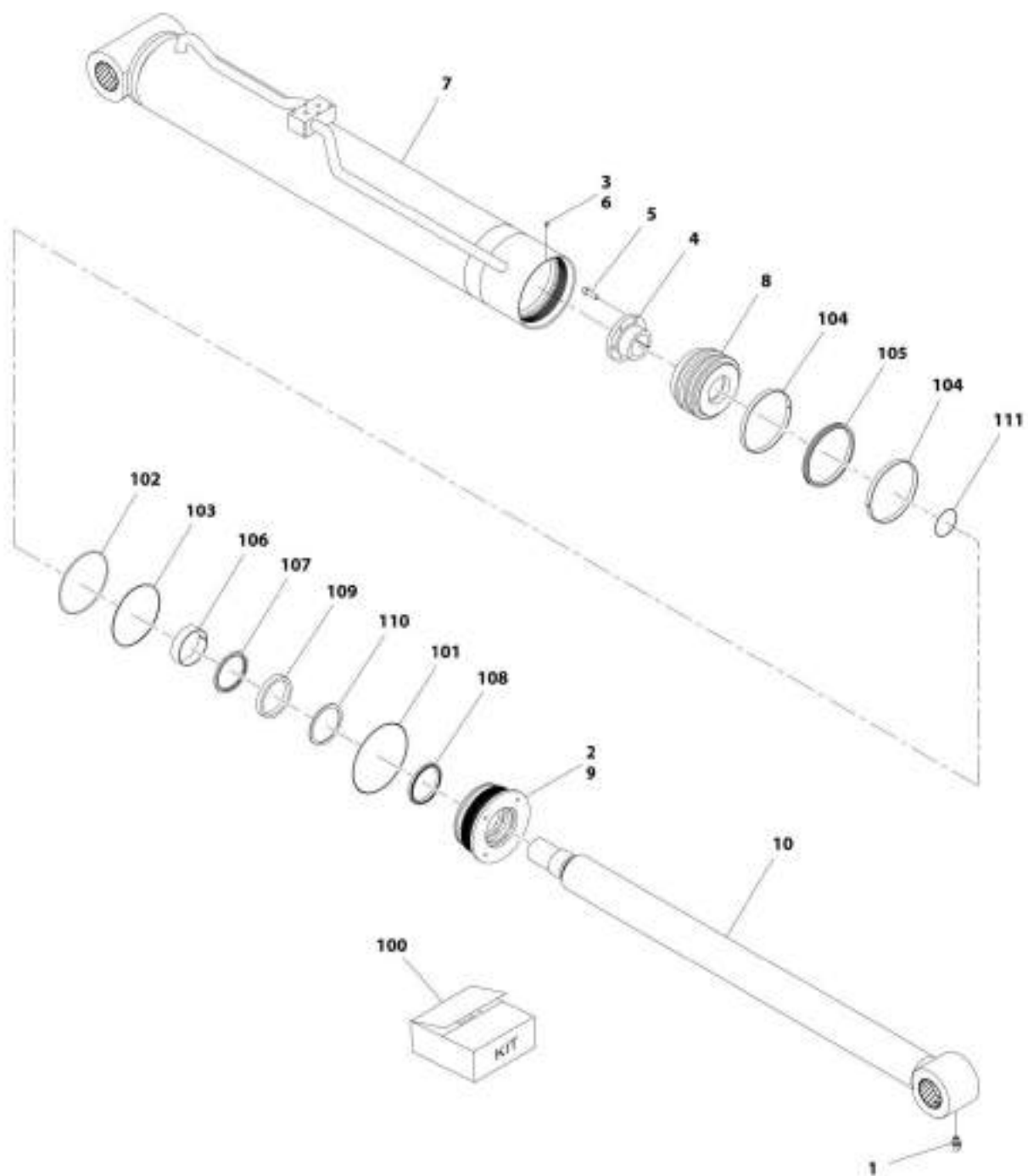
## SECTION 9 - HYDRAULIC COMPONENTS

FIGURE 9-1. CYLINDER GROUP INSTALLATION

ITEM	PART NUMBER	QTY	DESCRIPTION	REV
	1001227676	Ref	Cylinder Group Installation	D
1	1001162076	Ref	Cylinder, Frame Level (See Separate Breakdown in this Section)	
2	1001162600	Ref	Cylinder, Compensation (See Separate Breakdown in this Section)	
3	1001164036	Ref	Cylinder, Rear Axle Stabilizer (See Separate Breakdown in this Section)	
4	1001184640	Ref	Cylinder, Tilt (See Separate Breakdown in this Section)	
5	1001204380	NLA	Cylinder, Tilt (no longer available, use 1001228095 for replacement) (See Separate Breakdown in this Section)	
5	1001228095	Ref	Cylinder, Lift (See Separate Breakdown in this Section)	
6	1001227677	Ref	Cylinder, Extend/Retract (See Separate Breakdown in this Section)	

# SECTION 9 - HYDRAULIC COMPONENTS

## FIGURE 9-2. LIFT CYLINDER



ART. 1001294880-C



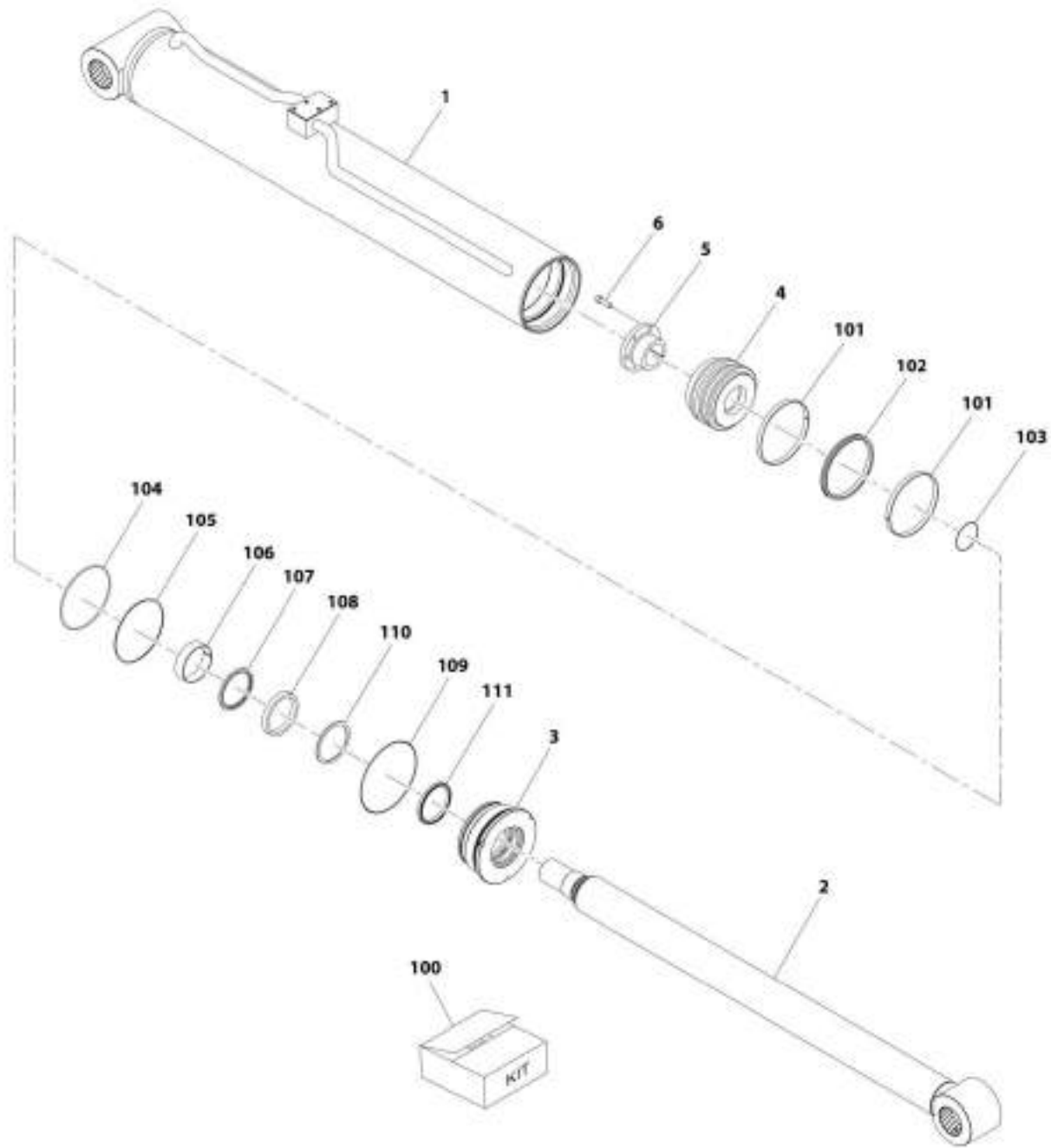
## SECTION 9 - HYDRAULIC COMPONENTS

### FIGURE 9-2. LIFT CYLINDER

ITEM	PART NUMBER	QTY	DESCRIPTION	REV
	1001204380	NLA	Lift Cylinder (no longer available, use items 1 thru 100 for service or 1001228095 for replacement)	C
1	8770215	1	Fitting, 90	
2	3020043	AR	Lube, Anti-Seize	
3	0100011	AR	Compound, Locking	
4	0961903	1	Bushing, Tapered	
5	5272011	3	Bolt, M10X35	
6	1001125137	1	Screw, Self Tapping	
7	1001167610	1	Barrel	
8	1001167785	1	Piston	
9	1001167788	1	Head	
10	1001204378	1	Rod	
100	1001168661	1	Kit, Seal (includes items 101 thru 111)	
101	Kit	1	O-Ring	
102	Kit	1	O-Ring	
103	Kit	1	Ring, Backup	
104	Kit	2	Ring, Wear	
105	Kit	1	Seal	
106	Kit	1	Ring, Wear	
107	Kit	1	Seal, Buffer	
108	Kit	1	Seal, Wiper	
109	Kit	1	Seal	
110	Kit	1	Ring, Backup	
111	Kit	1	O-Ring	

# SECTION 9 - HYDRAULIC COMPONENTS

## FIGURE 9-3. LIFT CYLINDER



ART. 1001228095-A

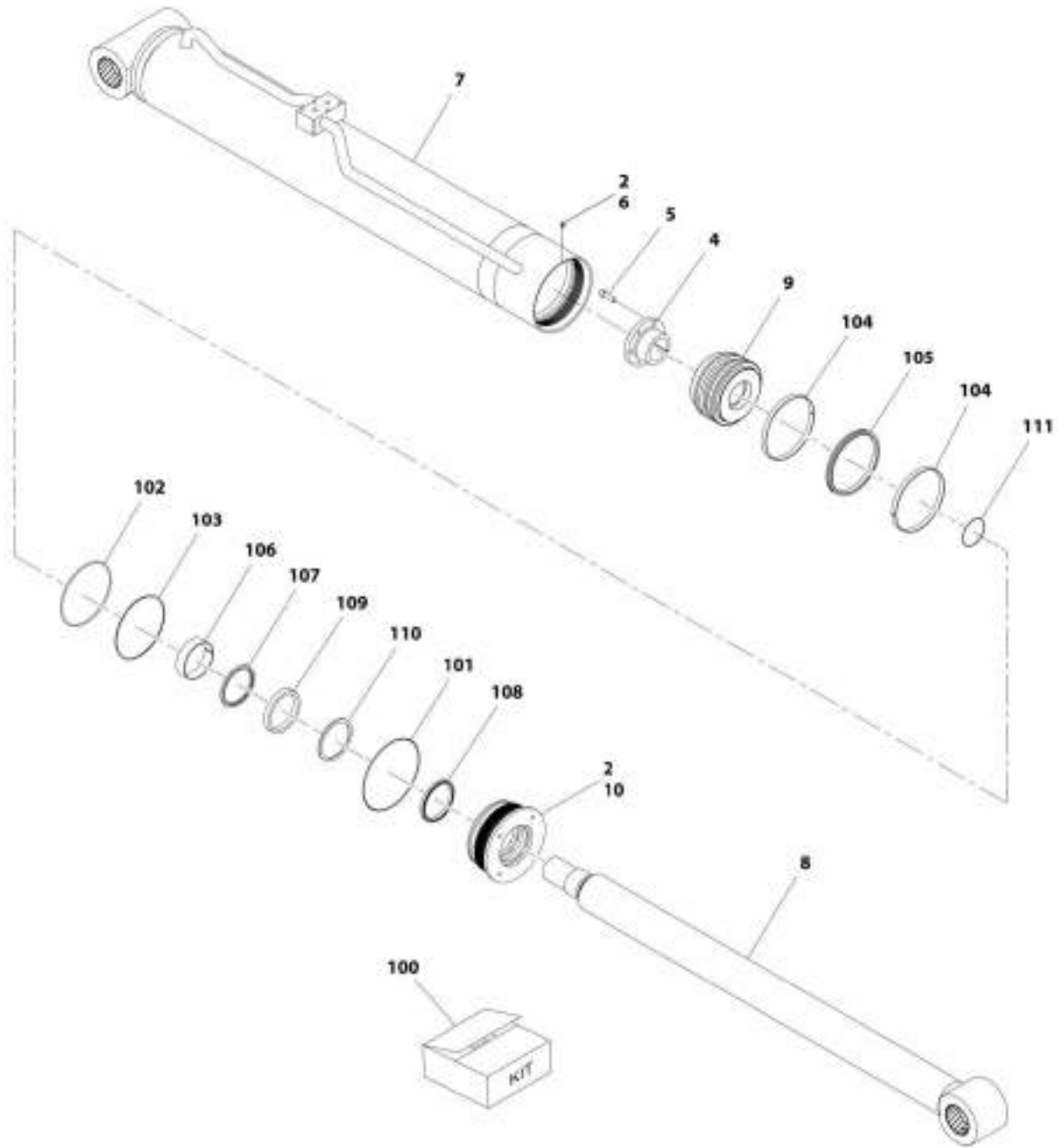
## SECTION 9 - HYDRAULIC COMPONENTS

### FIGURE 9-3. LIFT CYLINDER

ITEM	PART NUMBER	QTY	DESCRIPTION	REV
	1001228095	Ref	Lift Cylinder	A
1	N.S.S.	1	Barrel	
2	70028776	1	Rod	
3	70028777	1	Rod Guide	
4	70028778	1	Piston	
5	0961903	1	Bushing, Tapered	
6	5272011	3	Bolt, M10X35	
100	1001168661	1	Kit, Seal (includes items 101 thru 111)	
101	Kit	2	Bearing	
102	Kit	1	Piston Seal	
103	Kit	1	O-Ring	
104	Kit	1	O-Ring	
105	Kit	1	Ring, Backup	
106	Kit	1	Bearing	
107	Kit	1	Seal, Buffer	
108	Kit	1	Seal, Rod	
109	Kit	1	O-Ring	
110	Kit	1	Ring, Backup	
111	Kit	1	Wiper	

# SECTION 9 - HYDRAULIC COMPONENTS

## FIGURE 9-4. LIFT CYLINDER



ART. 1001162083-H

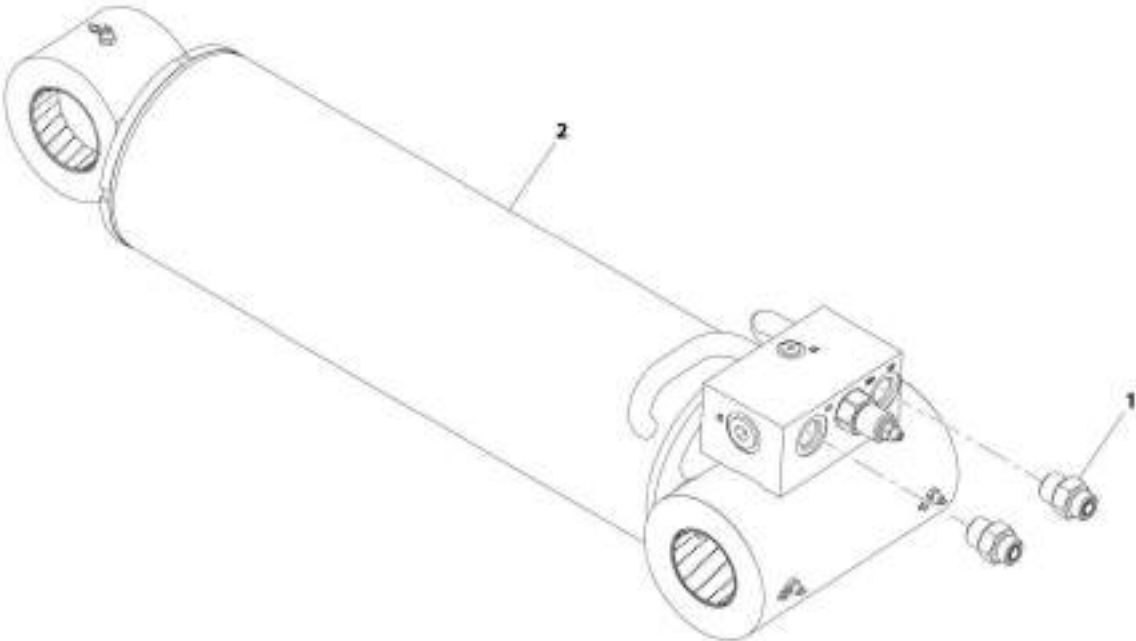
## SECTION 9 - HYDRAULIC COMPONENTS

### FIGURE 9-4. LIFT CYLINDER

ITEM	PART NUMBER	QTY	DESCRIPTION	REV
	1001162043	Ref	Lift Cylinder	H
2	3020043	AR	Lube, Anti-Seize	
4	0961903	1	Bushing, Tapered	
5	5272011	3	Bolt, M10X35	
6	1001125137	1	Screw, Self Tapping	
7	1001167610	1	Barrel	
8	1001167613	1	Rod	
9	1001167785	1	Piston	
10	1001167788	1	Head	
100	1001168661	1	Kit, Seal (includes items 101 thru 111)	
101	Kit	1	O-Ring	
102	Kit	1	O-Ring	
103	Kit	1	Ring, Backup	
104	Kit	2	Ring, Wear	
105	Kit	1	Seal	
106	Kit	1	Ring, Wear	
107	Kit	1	Seal, Buffer	
108	Kit	1	Seal, Wiper	
109	Kit	1	Seal	
110	Kit	1	Ring, Backup	
111	Kit	1	O-Ring	

**SECTION 9 - HYDRAULIC COMPONENTS**

**FIGURE 9-5. TILT CYLINDER ASSEMBLY**



ART\_1001104640.C

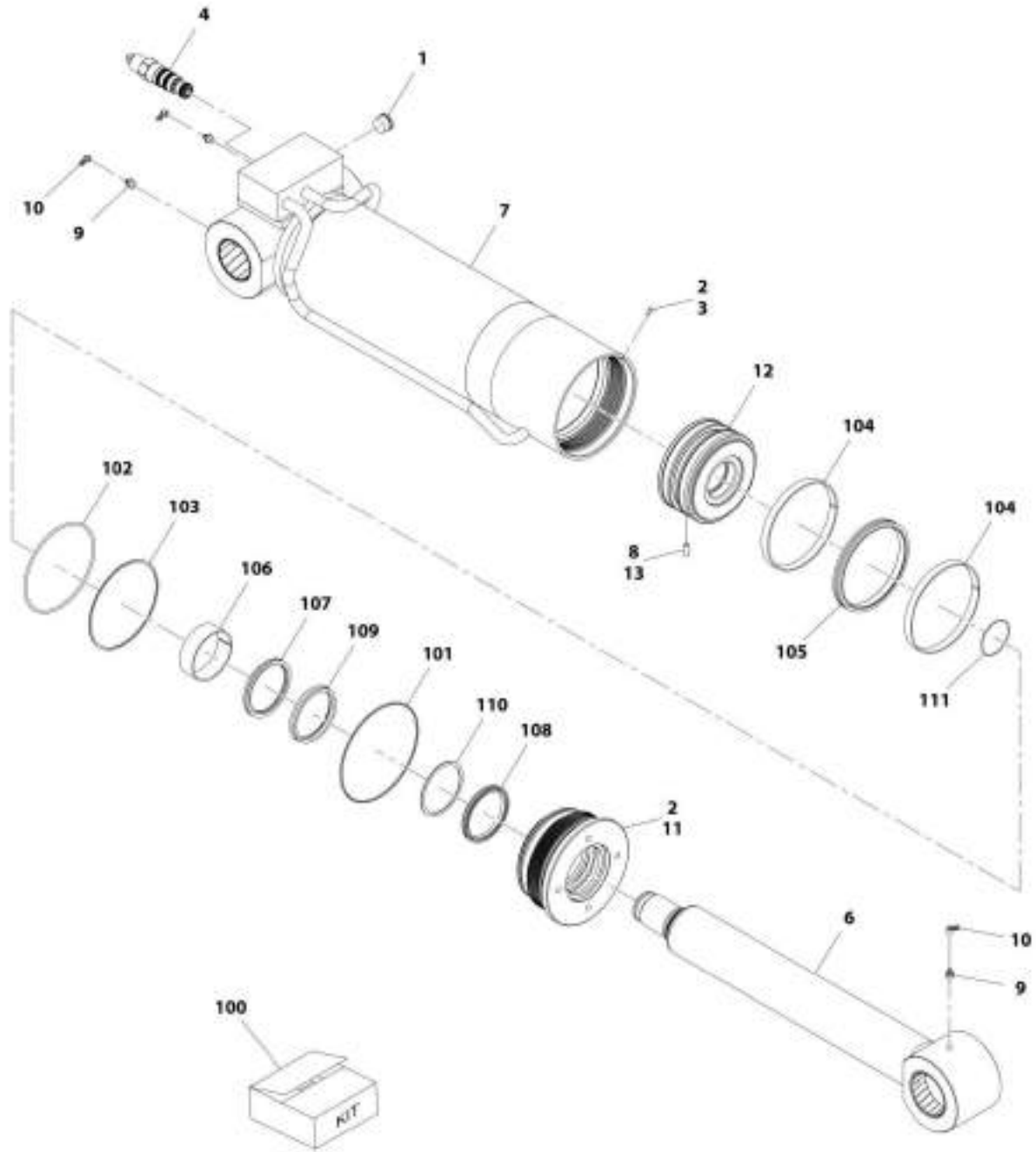
## SECTION 9 - HYDRAULIC COMPONENTS

### FIGURE 9-5. TILT CYLINDER ASSEMBLY

ITEM	PART NUMBER	QTY	DESCRIPTION	REV
	1001184640	Ref	Tilt Cylinder Assembly	C
1	2110810	2	Fitting, Straight ORFS	
2	1001162599	NLA	Tilt Cylinder (no longer available, use 1001228073 for replacement) (See Separate Breakdown in this Section)	
2	1001228073	Ref	Tilt Cylinder (See Separate Breakdown in this Section)	

# SECTION 9 - HYDRAULIC COMPONENTS

## FIGURE 9-6. TILT CYLINDER



ART\_1001162599-1



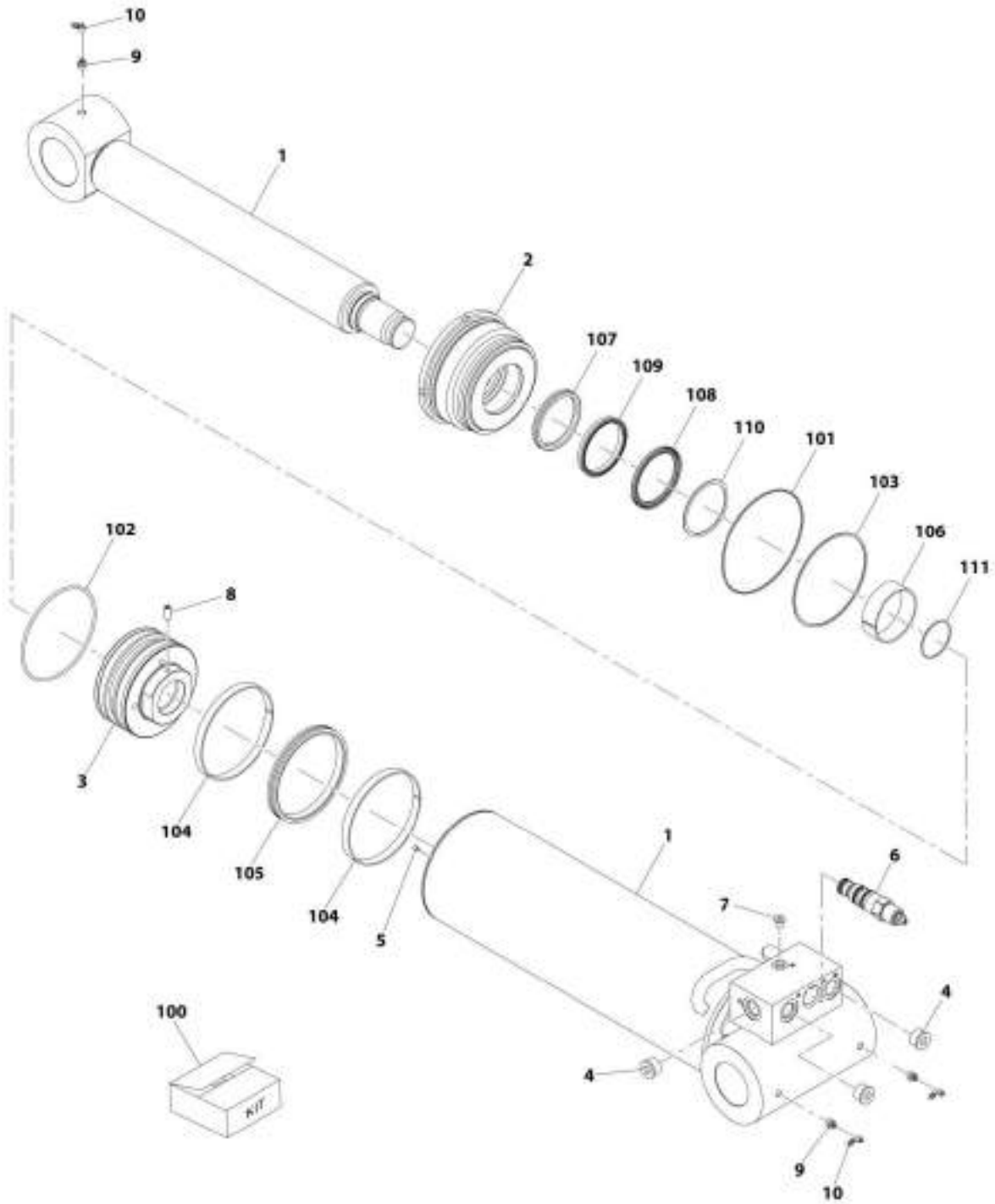
## SECTION 9 - HYDRAULIC COMPONENTS

### FIGURE 9-6. TILT CYLINDER

ITEM	PART NUMBER	QTY	DESCRIPTION	REV
	1001162599	NLA	Tilt Cylinder (no longer available, use items 1 thru 100 for service or 1001228073 for replacement)	1
1	2220887	1	Plug	
2	3020043	AR	Lube, Anti-Seize	
3	1001125137	1	Screw, Self Tapping	
4	1001189888	1	Valve, Counterbalance	
6	1001167929	1	Rod	
7	1001167931	1	Barrel	
8	1001169050	1	Screw, M8X1.25	
9	2160016	3	Fitting, Grease	
10	8887145	3	Cap, Grease Fitting	
11	1001169071	1	Cylinder, Head	
12	1001169072	1	Cylinder, Piston	
13	0100035	AR	Adhesive, Loctite	
100	1001168666	1	Kit, Seal (includes items 101 thru 111)	
101	Kit	1	O-Ring	
102	Kit	1	O-Ring	
103	Kit	1	Ring, Back-Up	
104	Kit	2	Ring, Piston Wear	
105	Kit	1	Seal, Piston Cap	
106	Kit	1	Seal, Wear Rod	
107	Kit	1	Seal, Rod Buffer	
108	Kit	1	Seal, Rod Wiper	
109	Kit	1	Seal, Rod Type B	
110	Kit	1	Ring, Back-Up	
111	Kit	1	O-Ring	

# SECTION 9 - HYDRAULIC COMPONENTS

## FIGURE 9-7. TILT CYLINDER



MHT\_1001228073-A

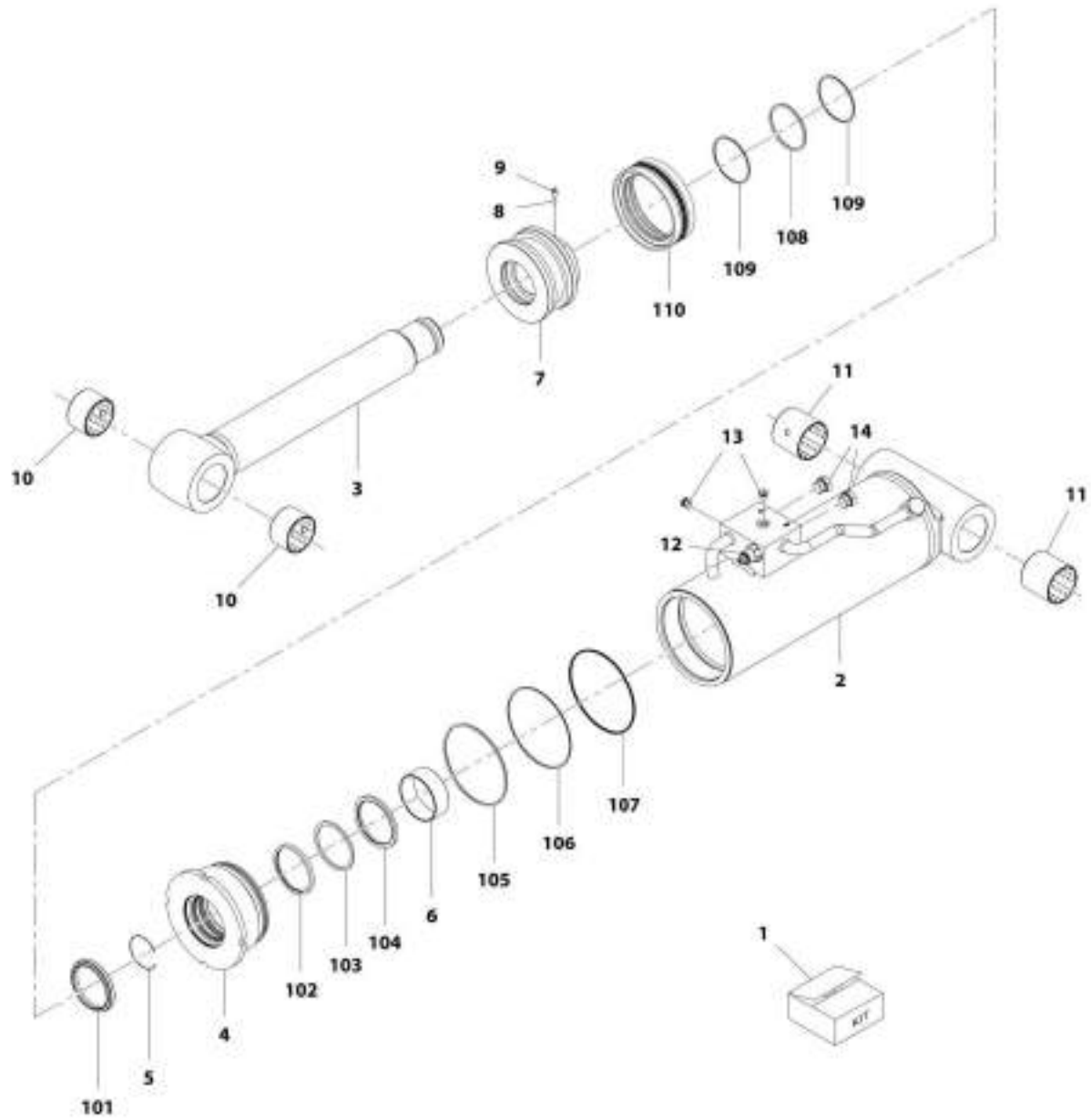
## SECTION 9 - HYDRAULIC COMPONENTS

### FIGURE 9-7. TILT CYLINDER

ITEM	PART NUMBER	QTY	DESCRIPTION	REV
	1001228073	Ref	Tilt Cylinder	A
1	70029036	1	Rod Assembly	
2	70029037	1	Gland	
3	70029038	1	Piston	
4	2220887	3	Plug	
5	1001125137	1	Screw, Self Tapping	
6	1001189888	1	Valve, Counterbalance	
7	1001163267	1	Plug	
8	1001169050	1	Screw, M8X1.25	
9	2160016	3	Fitting, Grease	
10	8887145	3	Cap, Grease Fitting	
100	1001168666	1	Kit, Seal (includes items 101 thru 111)	
101	Kit	1	O-Ring	
102	Kit	1	O-Ring	
103	Kit	1	Ring, Back-Up	
104	Kit	2	Ring, Piston Wear	
105	Kit	1	Seal, Piston Cap	
106	Kit	1	Seal, Wear Head	
107	Kit	1	Seal, Rod Buffer	
108	Kit	1	Seal, Rod Wiper	
109	Kit	1	Seal, Rod Type B	
110	Kit	1	Ring, Back-Up	
111	Kit	1	O-Ring	

# SECTION 9 - HYDRAULIC COMPONENTS

## FIGURE 9-8. COMPENSATION CYLINDER



ART\_1001182800-F

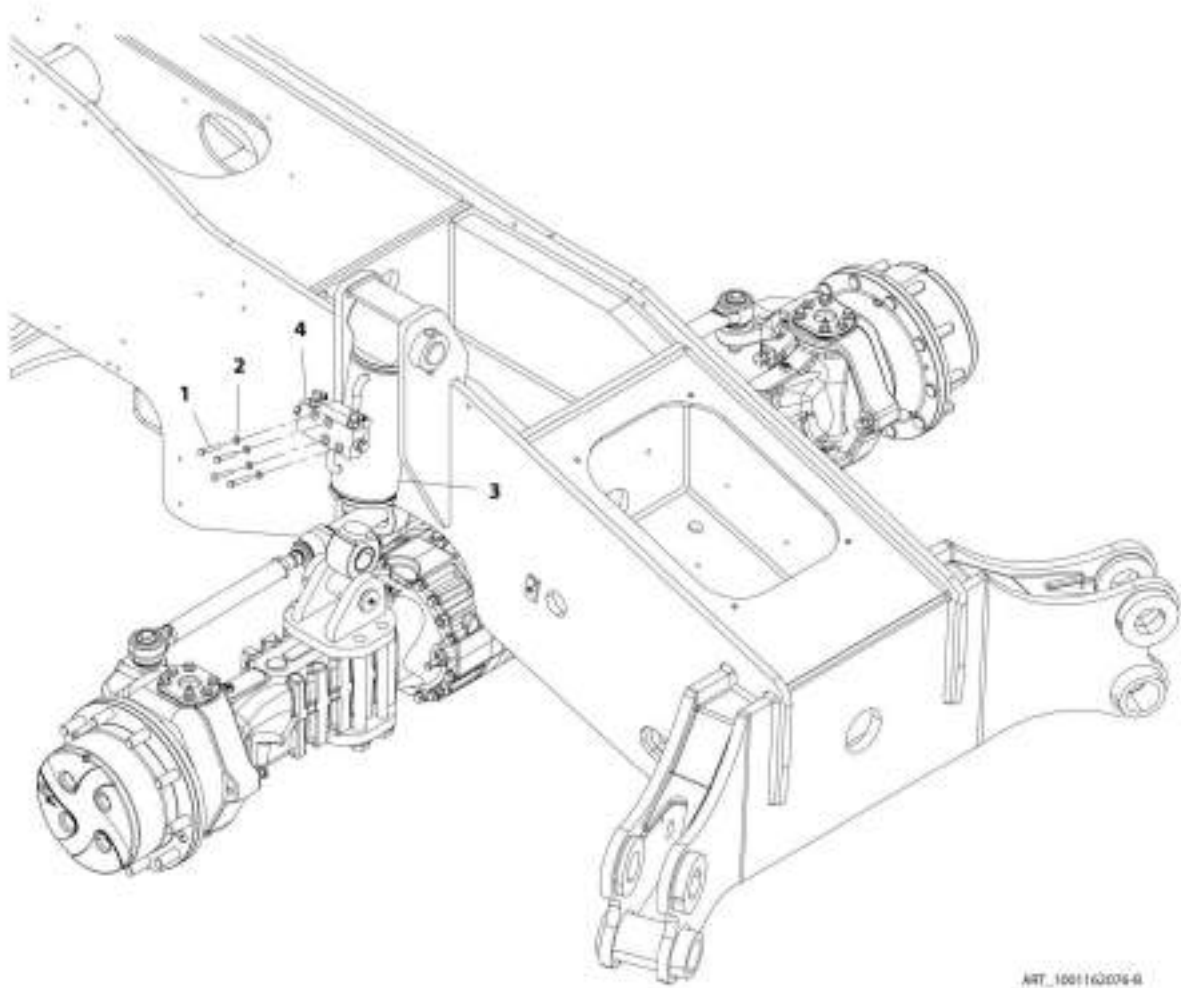
## SECTION 9 - HYDRAULIC COMPONENTS

### FIGURE 9-8. COMPENSATION CYLINDER

ITEM	PART NUMBER	QTY	DESCRIPTION	REV
	1001162600	Ref	Compensation Cylinder	F
1	70026550	1	Kit, Seal (includes items 101 thru 110)	
2	70026540	1	Barrel	
3	70026541	1	Gland	
4	70026542	1	Ring, Retaining	
5	70023379	1	Ring, Retaining	
6	70026302	1	Bearing, Dry	
7	70026303	1	Piston	
8	70022564	1	Ball, Steel	
9	70023369	1	Screw, Set	
10	70026543	2	Bearing, Dry	
11	70026545	2	Bearing, Dry	
12	70026336	1	Valve, Counterbalance	
13	70023370	2	Plug, Socket	
14	70023372	2	Plug, Hex	
101	Kit	1	Wiper, Dust	
102	Kit	1	Seal, Rod	
103	Kit	1	Ring, Backup	
104	Kit	1	Ring, Buffer	
105	Kit	1	O-Ring	
106	Kit	1	Ring, Backup	
107	Kit	1	O-Ring	
108	Kit	1	O-Ring	
109	Kit	2	Ring, Backup	
110	Kit	1	Seal, Piston	

# SECTION 9 - HYDRAULIC COMPONENTS

FIGURE 9-9. FRAME LEVEL CYLINDER INSTALLATION



ART\_1001162076-01

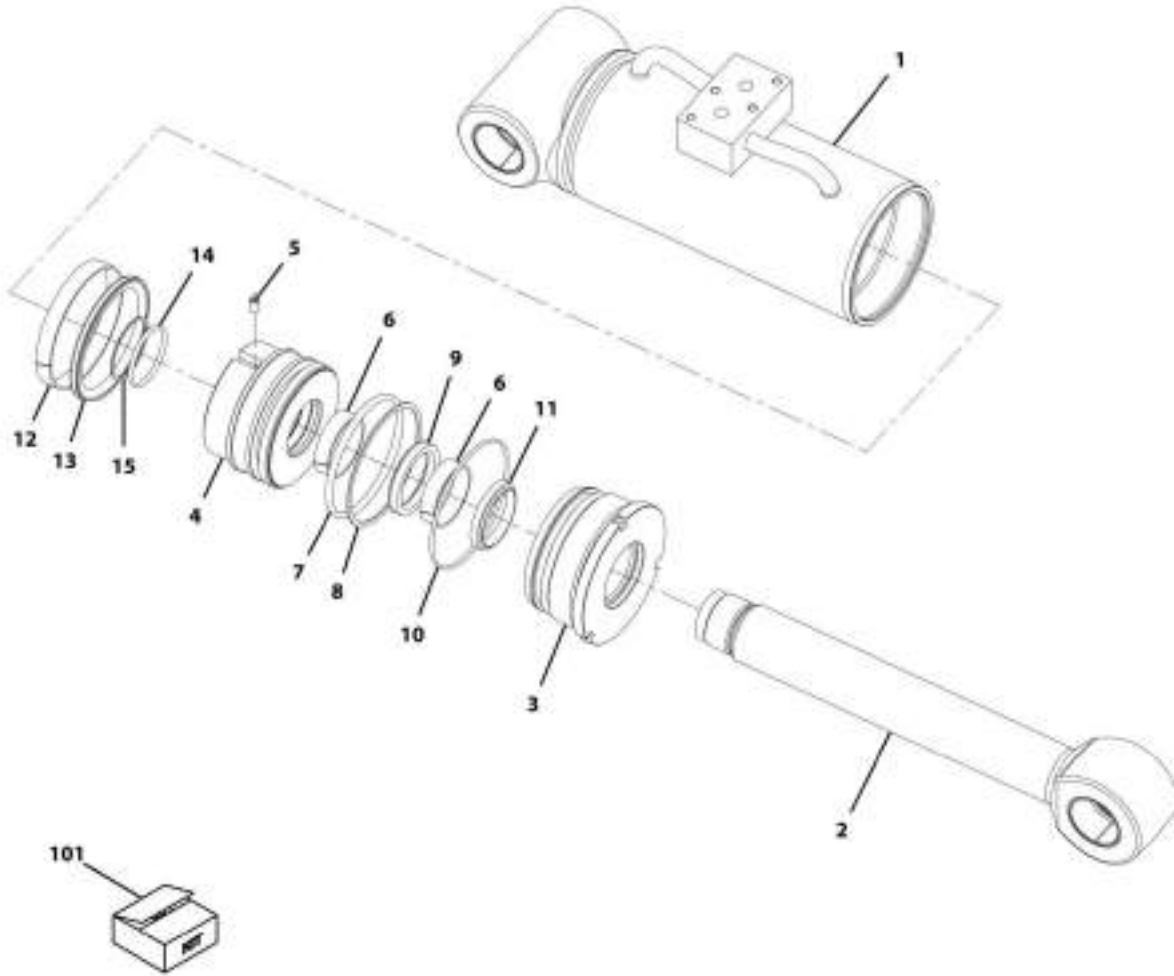
## SECTION 9 - HYDRAULIC COMPONENTS

**FIGURE 9-9. FRAME LEVEL CYLINDER INSTALLATION**

ITEM	PART NUMBER	QTY	DESCRIPTION	REV
	1001162076	Ref	Frame Level Cylinder Installation	B
1	0700818	4	Bolt, M8X50	
2	4811900	4	Washer, M8	
3	1001179369	1	Cylinder, Frame Stability (See Separate Breakdown in this Section)	
4	1001168599	1	Valve, Counterbalance	

# SECTION 9 - HYDRAULIC COMPONENTS

## FIGURE 9-10. FRAME LEVEL CYLINDER



ART\_1901179360-A



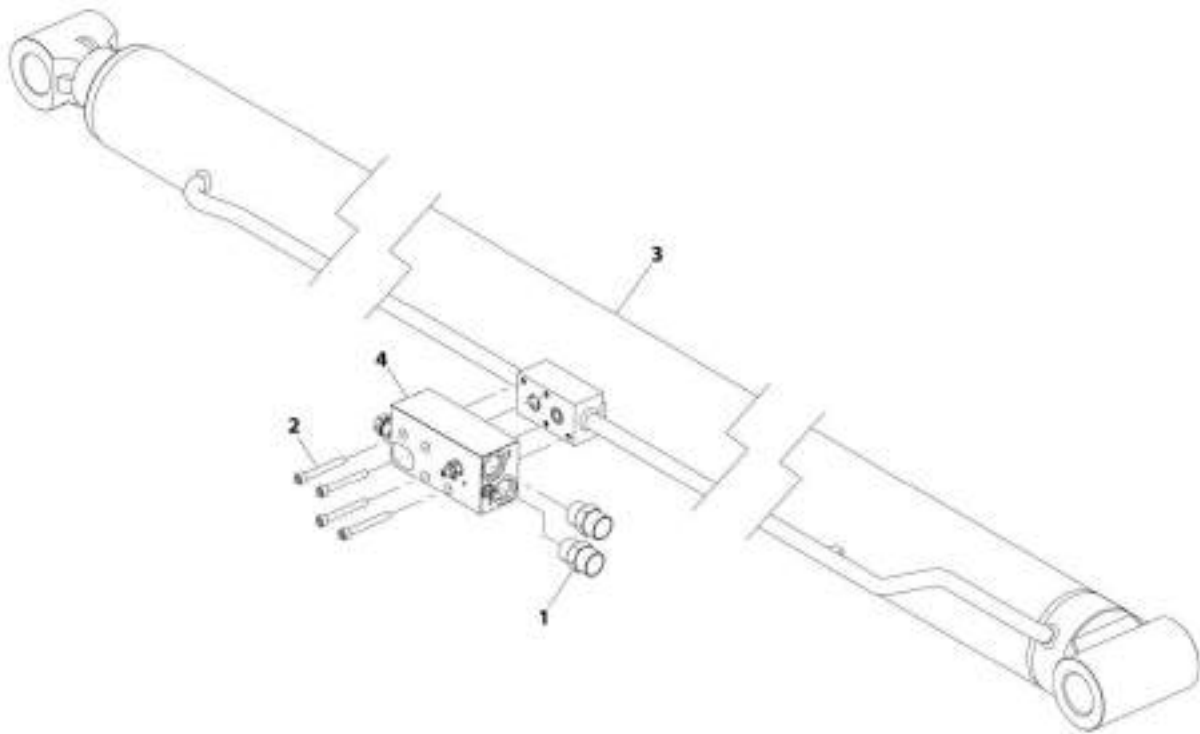
## SECTION 9 - HYDRAULIC COMPONENTS

### FIGURE 9-10. FRAME LEVEL CYLINDER

ITEM	PART NUMBER	QTY	DESCRIPTION	REV
	1001179369	Ref	Frame Level Cylinder	A
1	70026435	1	Barrel	
2	70026436	1	Rod	
3	70026249	1	Guide, Rod	
4	70026251	1	Piston	
5	70020438	1	Screw	
6	Kit	2	Bearing	
7	Kit	1	O-Ring	
8	Kit	1	Ring, Backup	
9	Kit	1	Seal, Rod	
10	Kit	1	O-Ring	
11	Kit	1	Wiper	
12	Kit	1	Bearing	
13	Kit	1	Seal, Piston	
14	Kit	1	O-Ring	
15	Kit	2	Ring, Backup	
101	70026253	1	Kit, Seal (includes items 6 thru 15)	

# SECTION 9 - HYDRAULIC COMPONENTS

FIGURE 9-11. EXTEND/RETRACT CYLINDER ASSEMBLY



ARC\_1001227677-A

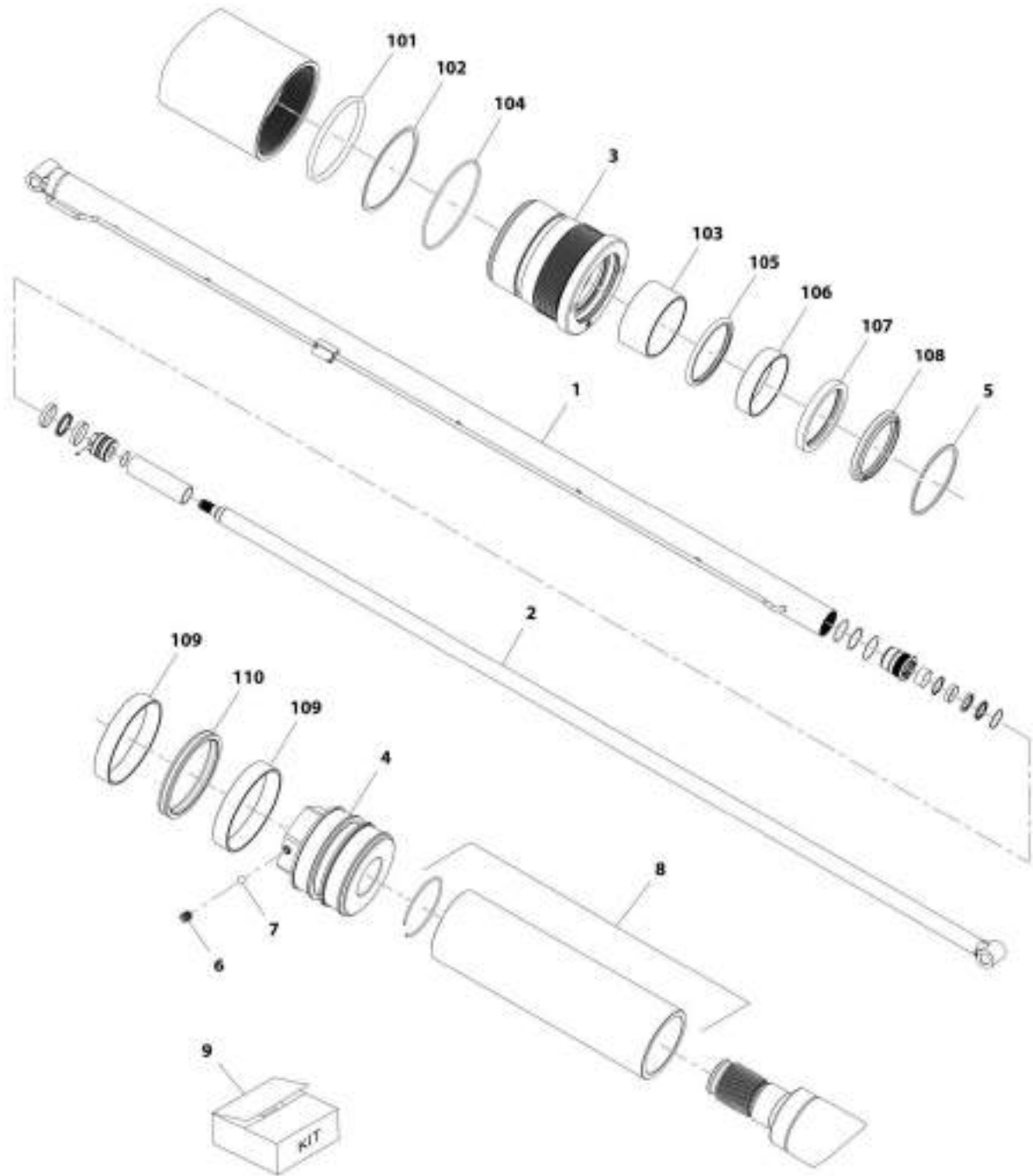
## SECTION 9 - HYDRAULIC COMPONENTS

FIGURE 9-11. EXTEND/RETRACT CYLINDER ASSEMBLY

ITEM	PART NUMBER	QTY	DESCRIPTION	REV
	1001227677	Ref	Extend/Retract Cylinder Assembly	A
1	2111212	2	Fitting, Straight ORFS	
2	4031917	4	Bolt, M8X65	
3	1001162685	1	Extend/Retract Cylinder, (See Separate Breakdown in this Section)	
4	1001226876	1	Valve, Counterbalance, (includes 2 O-Ring)	

# SECTION 9 - HYDRAULIC COMPONENTS

## FIGURE 9-12. EXTEND/RETRACT CYLINDER



ARS\_100116285-E

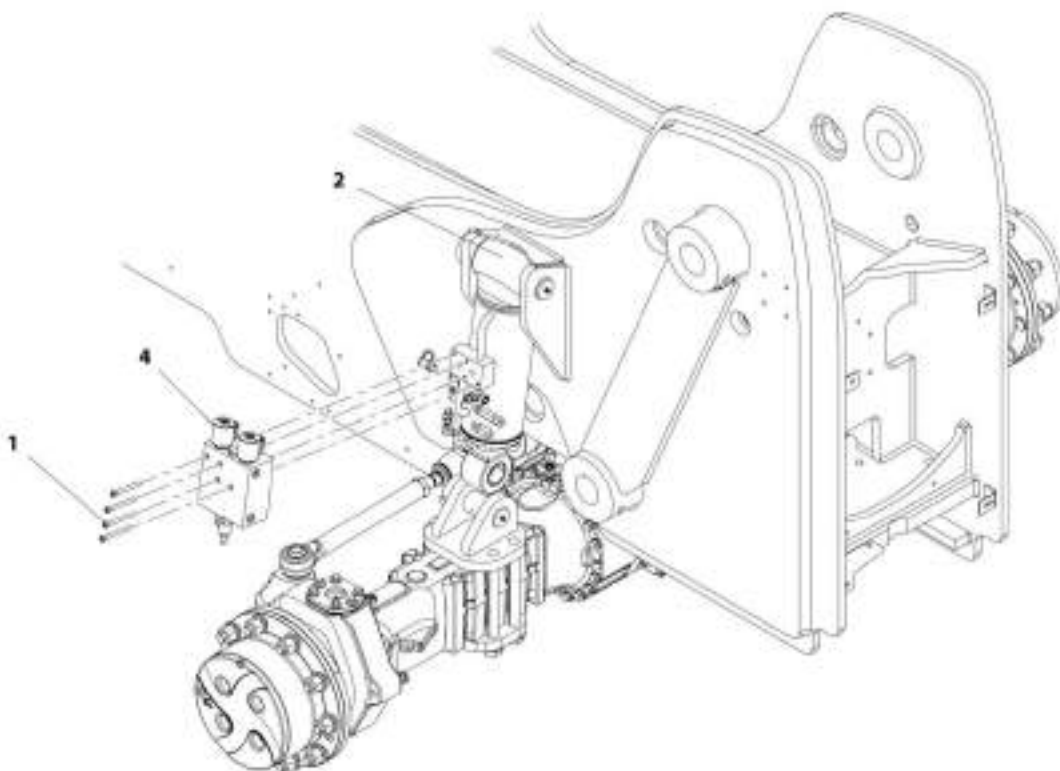
## SECTION 9 - HYDRAULIC COMPONENTS

### FIGURE 9-12. EXTEND/RETRACT CYLINDER

ITEM	PART NUMBER	QTY	DESCRIPTION	REV
	1001162685	Ref	Extend/Retract Cylinder	E
1	70026456	1	Barrel	
2	70026457	1	Rod	
3	70026459	1	Gland	
4	70026460	1	Head, Piston	
5	70023086	1	Ring, Snap	
6	70026461	1	Screw, Set	
7	70025614	1	Ball, Steel	
8	70026458	1	Spacer	
9	70026462	1	Kit, Seal (includes items 101 thru 110)	
101	Kit	1	O-Ring	
102	Kit	1	Ring, Backup	
103	Kit	1	Ring, Bearing	
104	Kit	1	O-Ring	
105	Kit	1	Seal, Rod	
106	Kit	1	Ring, Bearing	
107	Kit	1	Seal, Rod	
108	Kit	1	Seal, Wiper	
109	Kit	2	Ring, Bearing	
110	Kit	1	Seal, Piston	

## SECTION 9 - HYDRAULIC COMPONENTS

FIGURE 9-13. REAR AXLE STABILIZER CYLINDER INSTALLATION



ART\_1001194036-E

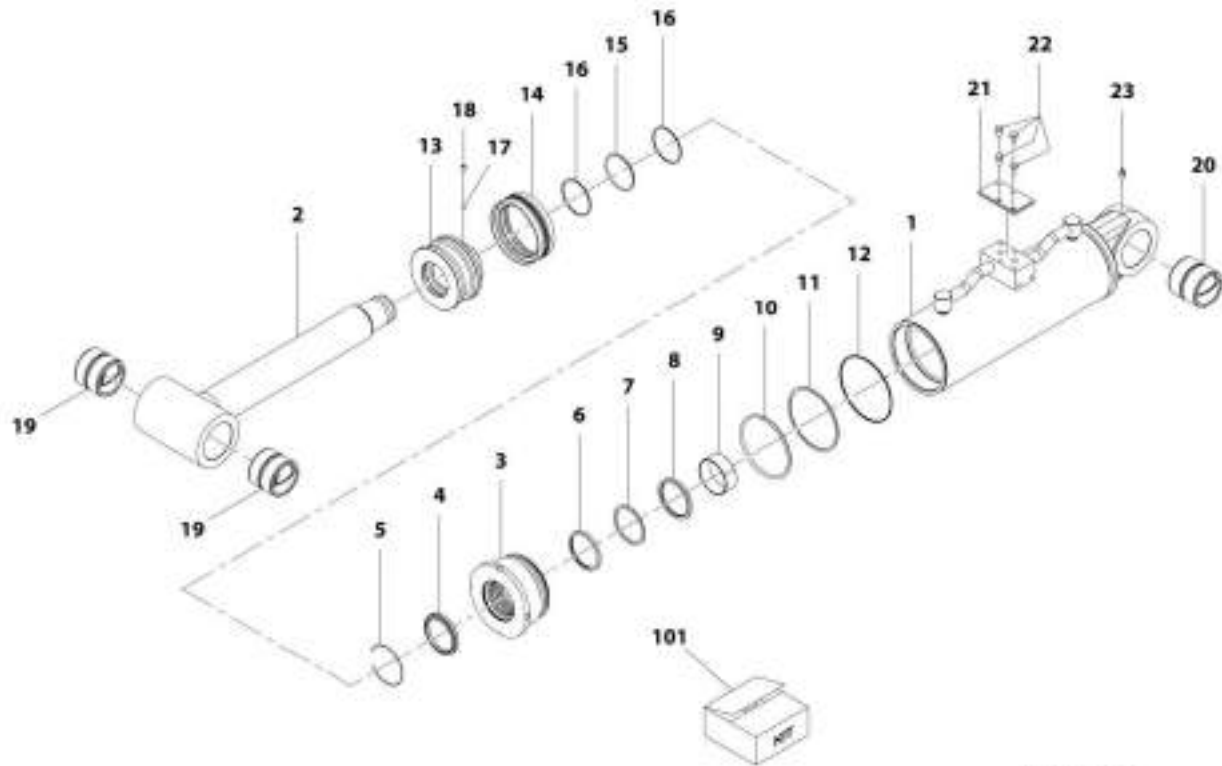
## SECTION 9 - HYDRAULIC COMPONENTS

**FIGURE 9-13. REAR AXLE STABILIZER CYLINDER INSTALLATION**

ITEM	PART NUMBER	QTY	DESCRIPTION	REV
	1001164036	Ref	Rear Axle Stabilizer Cylinder Installation	E
1	4031920	4	Screw, M8X1.25	
2	1001158620	1	Cylinder, Frame Stability (See Separate Breakdown in this Section)	
4		Ref	Valve (See Separate Breakdown in this Section)	

# SECTION 9 - HYDRAULIC COMPONENTS

## FIGURE 9-14. OUTRIGGER CYLINDER



MT\_100163040-D



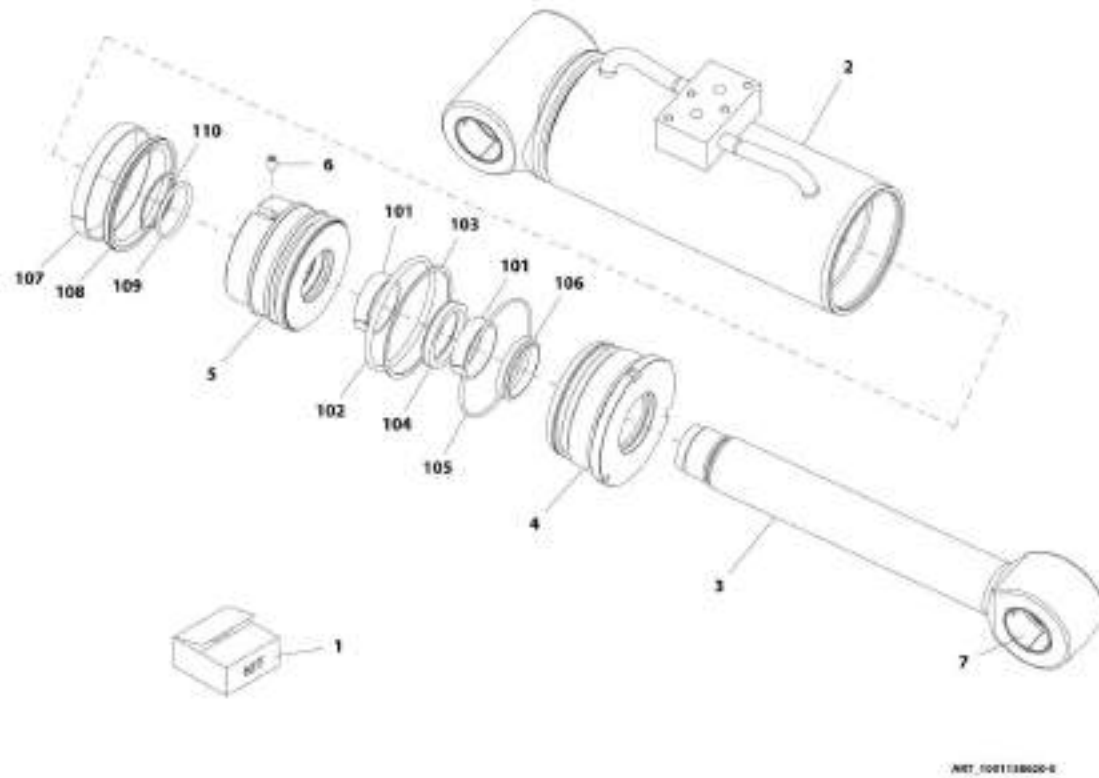
## SECTION 9 - HYDRAULIC COMPONENTS

### FIGURE 9-14. OUTRIGGER CYLINDER

ITEM	PART NUMBER	QTY	DESCRIPTION	REV
	1001163040	Ref	Outrigger Cylinder	D
1	70026299	1	Barrel	
2	70026300	1	Rod	
3	70026301	1	Gland	
4	Kit	1	Wiper, Dust	
5	70023379	1	Ring, Retaining	
6	Kit	1	Seal, Rod	
7	Kit	1	Ring, Back-Up	
8	Kit	1	Ring, Buffer	
9	70026302	1	Bearing, Dry	
10	Kit	1	O-Ring	
11	Kit	1	Ring, Back-up	
12	Kit	1	O-Ring	
13	70026303	1	Piston	
14	Kit	1	Seal, Piston	
15	Kit	1	O-Ring	
16	Kit	2	Ring, Back-Up	
17	70022564	1	Ball, Steel	
18	70023369	1	Screw, Set	
19	70026304	2	Pin	
20	70026305	1	Pin	
21	70026306	1	Cover, Dust	
22	70026307	4	Bolt	
23	70026308	1	Fitting, Grease	
101	70026309	1	Kit, Seal (includes items 4, 6 thru 8, 10 thru 12, 14 thru 16)	

# SECTION 9 - HYDRAULIC COMPONENTS

## FIGURE 9-15. REAR AXLE STABILITY CYLINDER



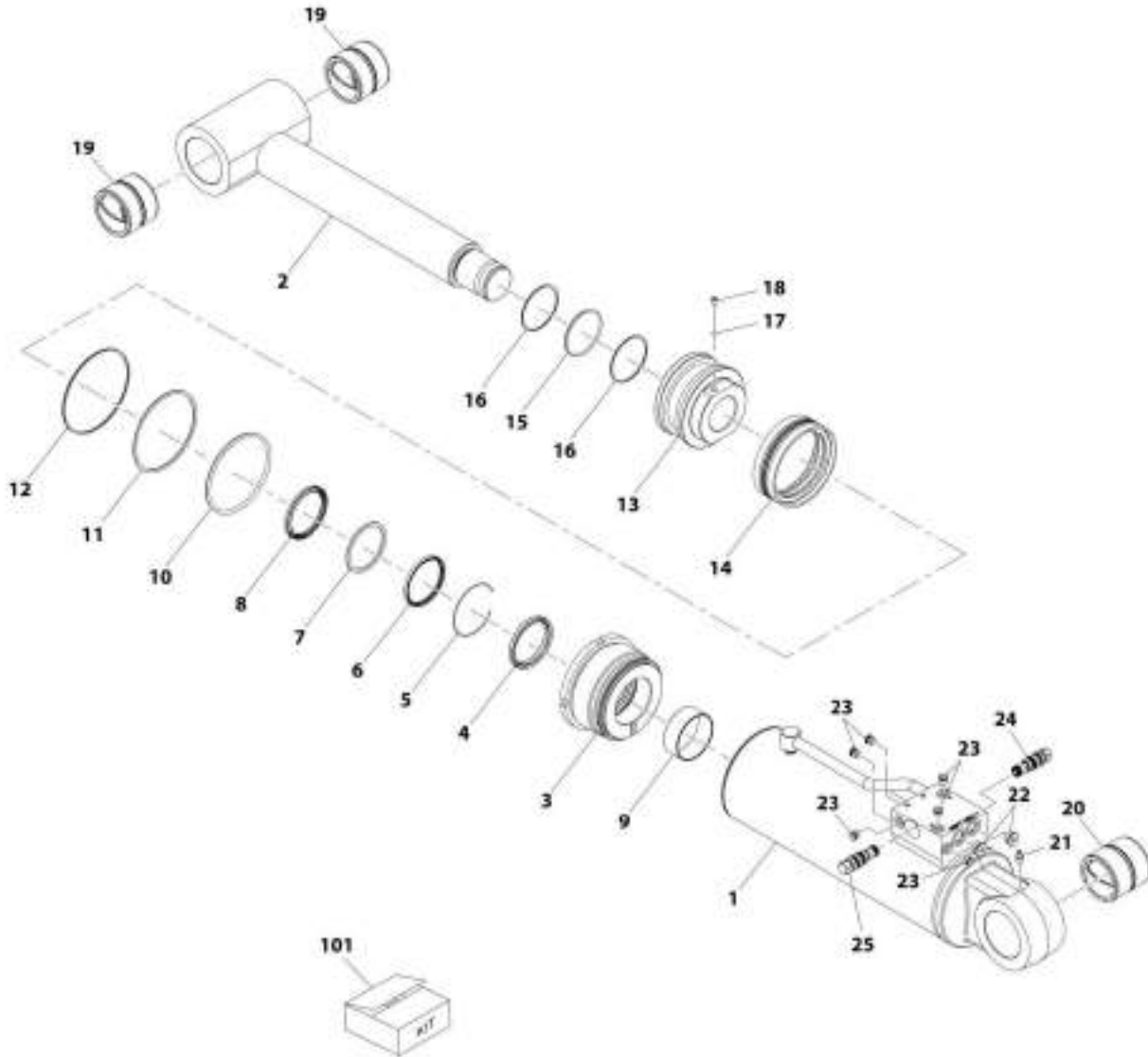
## SECTION 9 - HYDRAULIC COMPONENTS

**FIGURE 9-15. REAR AXLE STABILITY CYLINDER**

ITEM	PART NUMBER	QTY	DESCRIPTION	REV
	1001158620	Ref	Rear Axle Stability Cylinder	E
2	70026250	1	Barrel	
3	70026252	1	Rod	
4	70026249	1	Rod, Guide	
5	70026261	1	Piston	
6	70020438	1	Screw	
7	70020476	1	Bushing	
1	70026253	1	Kit, Seal (includes items 101 thru 110)	
101	Kit	2	Bearing	
102	Kit	1	O-Ring	
103	Kit	1	Ring, Back-Up	
104	Kit	1	Seal, Rod	
105	Kit	1	O-Ring	
106	Kit	1	Wiper	
107	Kit	1	Bearing	
108	Kit	1	Seal, Piston	
109	Kit	1	O-Ring	
110	Kit	1	Ring, Back-Up	

# SECTION 9 - HYDRAULIC COMPONENTS

## FIGURE 9-16. OUTRIGGER CYLINDER



AMT\_1001213005-C

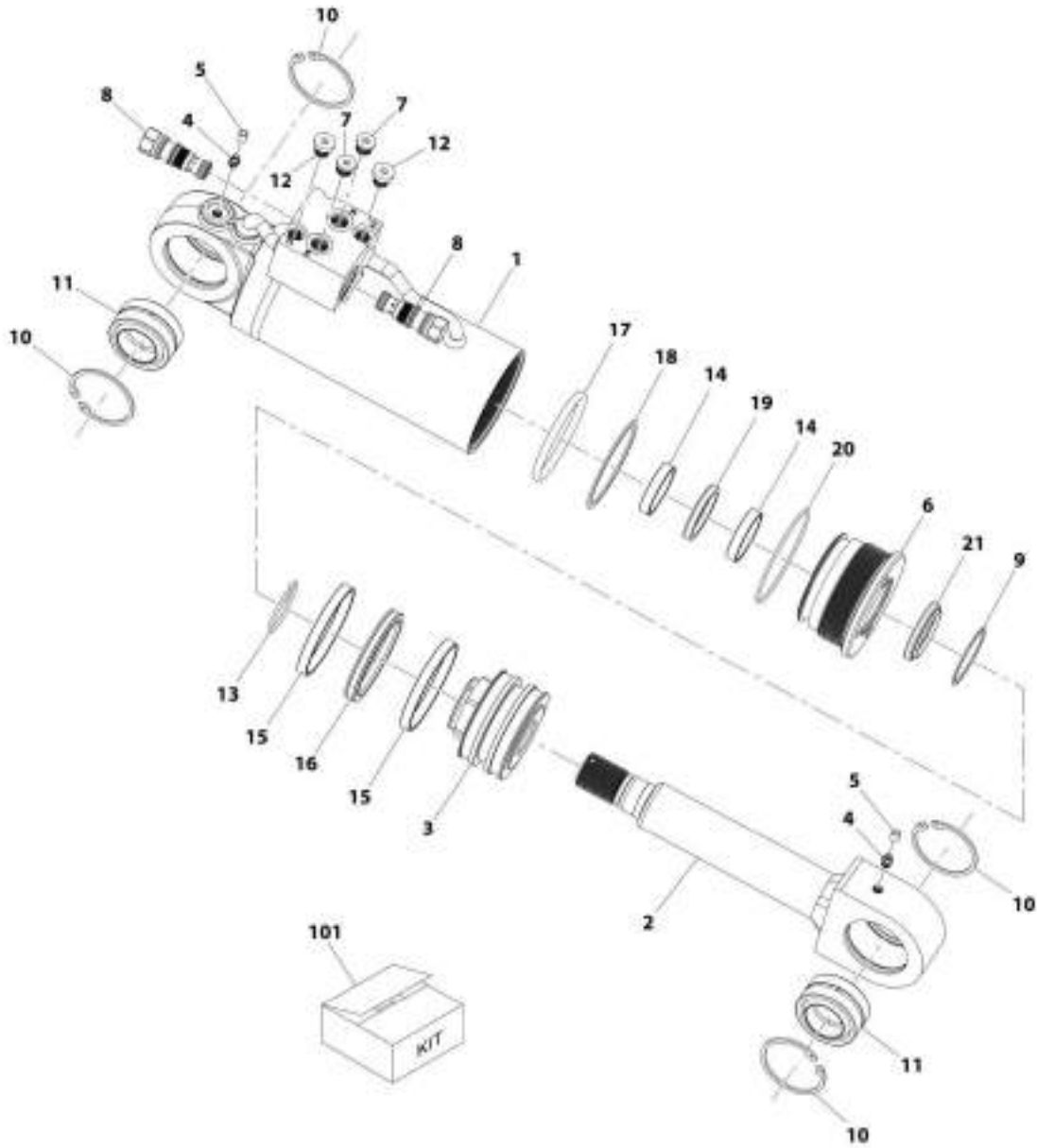
## SECTION 9 - HYDRAULIC COMPONENTS

### FIGURE 9-16. OUTRIGGER CYLINDER

ITEM	PART NUMBER	QTY	DESCRIPTION	REV
	1001213065	Ref	Outrigger Cylinder	C
1	70027758	1	Tube Assembly	
2	70026300	1	Rod Assembly	
3	70026301	1	Gland	
4	Kit	1	Dust Wiper	
5	70023379	1	Retain Ring	
6	Kit	1	Rod Seal	
7	Kit	1	Back-up Ring	
8	Kit	1	Buffer Ring	
9	70026302	1	Dry Bearing	
10	Kit	1	O-ring	
11	Kit	1	Back-up Ring	
12	Kit	1	O-ring	
13	70026303	1	Piston	
14	Kit	1	Piston Seal	
15	Kit	1	O-ring	
16	Kit	2	Back-up Ring	
17	70022564	1	Steel Ball	
18	70023369	1	Set Screw	
19	70026304	2	Pin Bush	
20	70026305	1	Pin Bush	
21	70026308	1	Grease Nipple	
22	2220886	2	Hex Soc. Plug	
23	2220883	6	Hex Soc. Plug	
24	1001214653	1	Counter Balance Valve	
25	1001214654	1	Counter Balance Valve	
101	70026309	1	Kit, Seal (includes items 4, 6, 7, 8, 10, 11, 12 & 14 thru 16)	

# SECTION 9 - HYDRAULIC COMPONENTS

FIGURE 9-17. SIDE TILT CYLINDER



ART\_1001103434-A

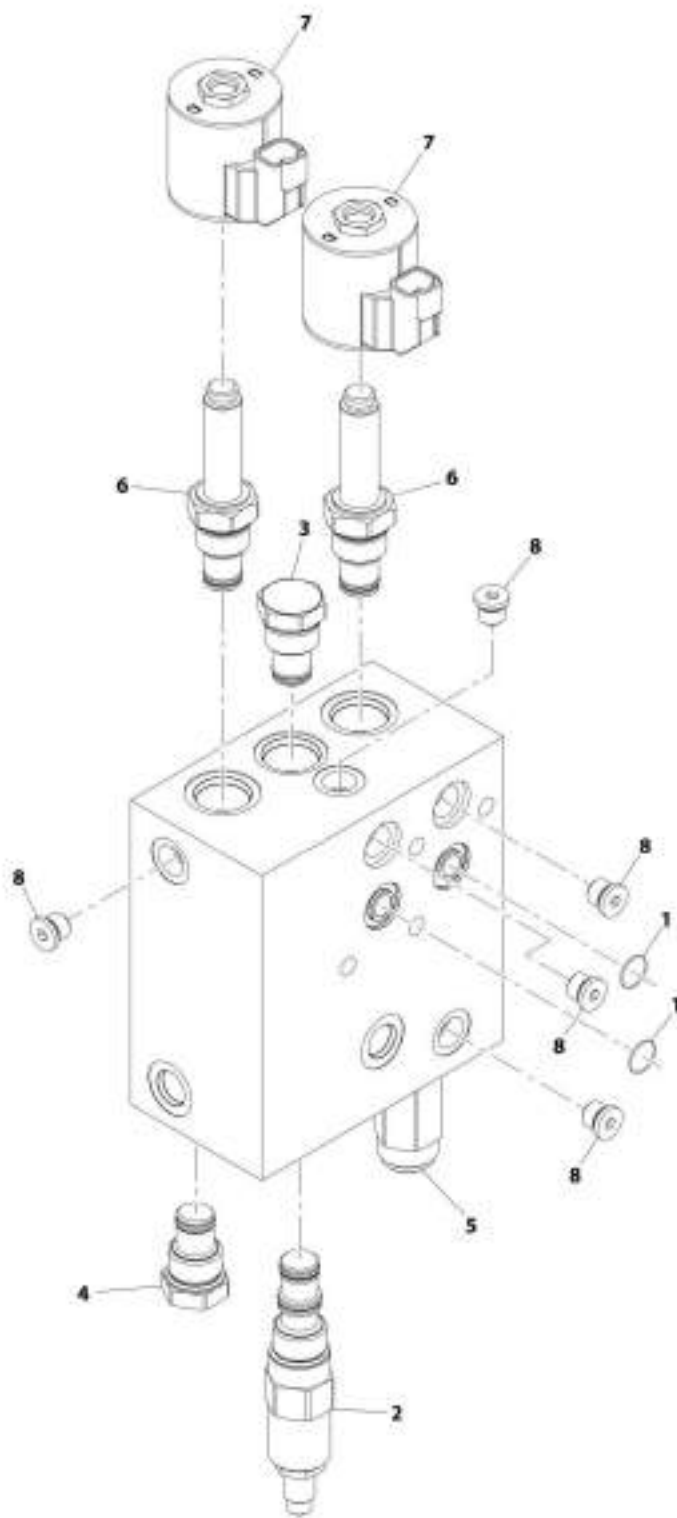
## SECTION 9 - HYDRAULIC COMPONENTS

### FIGURE 9-17. SIDE TILT CYLINDER

ITEM	PART NUMBER	QTY	DESCRIPTION	REV
	1001163414	Ref	Side Tilt Cylinder	A
1	70026056	1	Barrel	
2	70026057	1	Rod	
3	70026058	1	Head, Piston	
4	70025606	2	Nipple, Grease	
5	70024020	2	Fitting, Grease	
6	70003849	1	Gland	
7	70025959	2	Plug	
8	70026059	2	Valve, P.O. Check	
9	70002219	1	Ring, Internal Snap	
10	70026060	4	Ring, Internal Snap	
11	70026061	2	Bearing, Spherical	
12	70024262	2	Plug	
13	70002224	1	Ring, Locking	
14	Kit	2	Ring, Rod Bearing	
15	Kit	2	Ring, Piston Bearing	
16	Kit	1	Seal, Piston	
17	Kit	1	O-Ring	
18	Kit	1	Ring, Back-Up	
19	Kit	1	Seal, Rod	
20	Kit	1	O-Ring	
21	Kit	1	Seal, Wiper	
101	70026062	1	Kit, Seal (includes items 14 thru 21)	

# SECTION 9 - HYDRAULIC COMPONENTS

## FIGURE 9-18. REAR AXLE STABILIZER VALVE



ARE\_1001997600-A



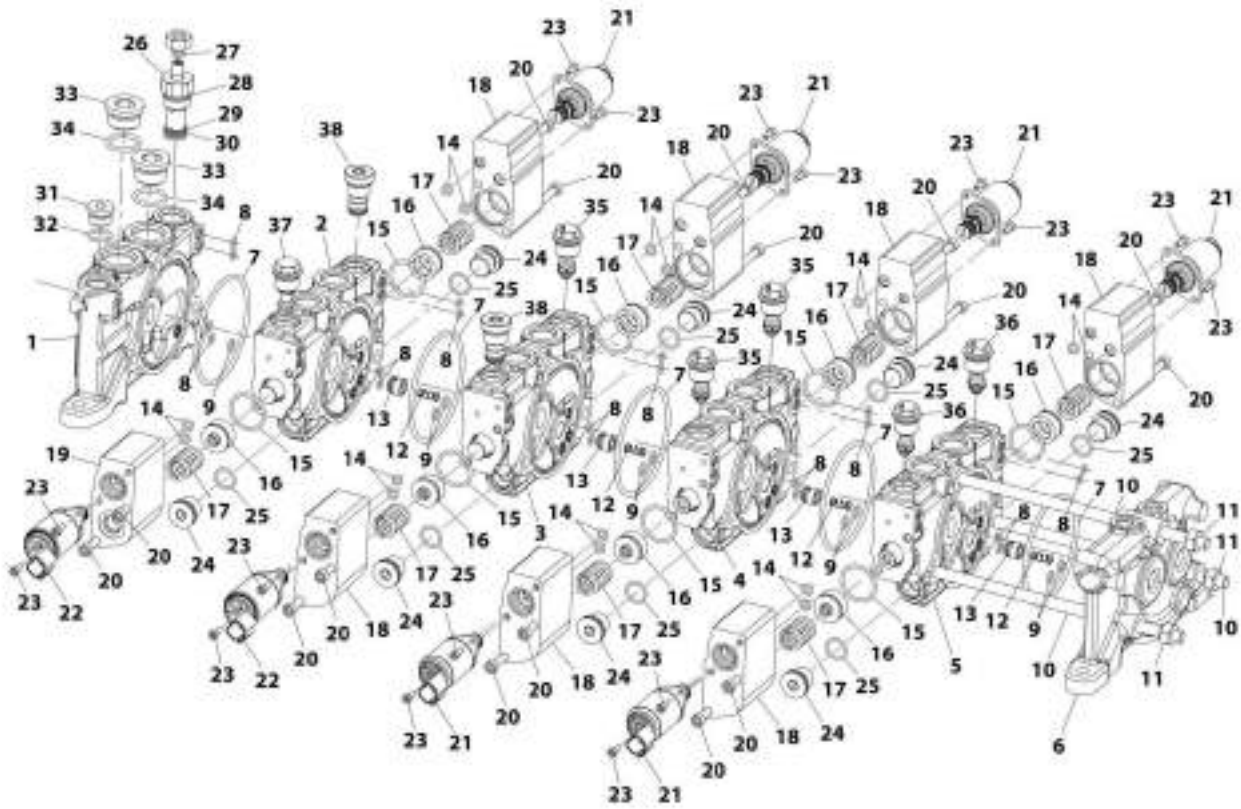
## SECTION 9 - HYDRAULIC COMPONENTS

**FIGURE 9-18. REAR AXLE STABILIZER VALVE**

ITEM	PART NUMBER	QTY	DESCRIPTION	REV
	1001197600	Ref	Rear Axle Stabilizer Valve	A
1	70026440	2	O-Ring	
2	70026442	1	Cartridge Valve	
2	7012510	1	Seal Kit	
2	Kit	1	O-Ring	
2	Kit	1	O-Ring	
2	Kit	1	O-Ring	
3	70026443	1	Cartridge Valve	
3	7024808	1	Seal Kit	
3	Kit	1	O-Ring	
3	Kit	1	O-Ring	
4	70026444	1	Cartridge Valve	
4	7022399	1	Seal Kit	
4	Kit	1	O-Ring	
4	Kit	1	O-Ring	
5	70028451	1	Cartridge Valve	
5	7024808	1	Seal Kit	
5	Kit	1	O-Ring	
5	Kit	1	O-Ring	
6	70026445	2	Cartridge Valve	
6	70026446	1	Seal Kit	
6	Kit	1	O-Ring	
7	70003788	2	Coil	
8	2220883	5	Plug	

# SECTION 9 - HYDRAULIC COMPONENTS

FIGURE 9-19. MAIN CONTROL VALVE



AHT\_1001226812-D

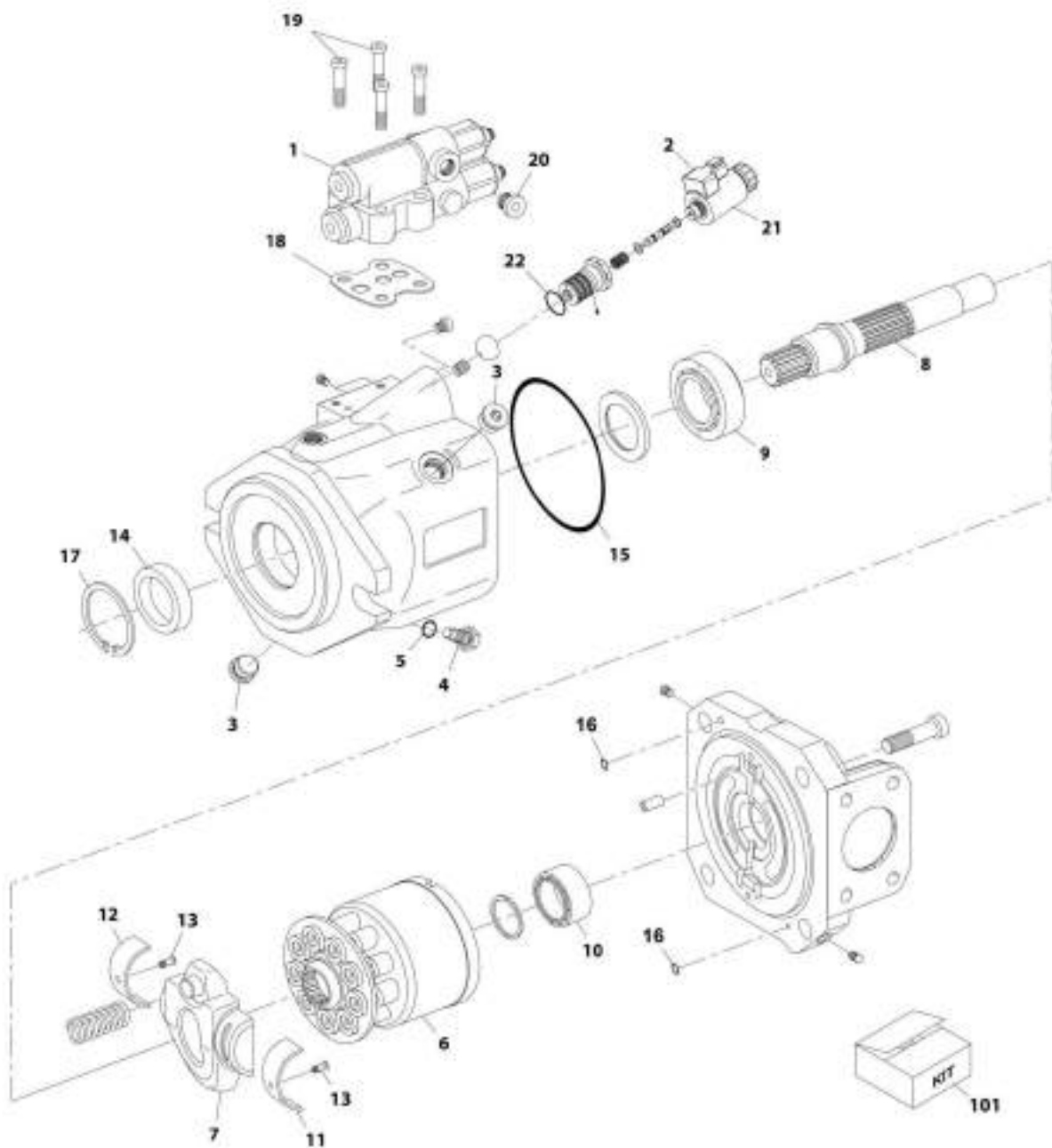
## SECTION 9 - HYDRAULIC COMPONENTS

### FIGURE 9-19. MAIN CONTROL VALVE

ITEM	PART NUMBER	QTY	DESCRIPTION	REV
	1001226812	Ref	Main Control Valve	D
1	70028478	1	Section, Inlet	
2	70028479	1	Section, Spool	
3	70028480	1	Section, Spool	
4	70026387	1	Section, Spool	
5	70028481	1	Section, Spool	
6	70026389	1	Section, Outlet	
7	8034697	5	O-Ring	
8	70050508	20	O-Ring	
9	70050507	9	O-Ring	
10	70026375	3	Rod, Tie	
11	70050481	6	Nut	
12	10837937	4	Spring	
13	10837929	4	Poppet	
14	70026369	16	O-Ring	
15	70026380	8	O-Ring	
16	70026378	8	Spring	
17	70026377	8	Spring	
18	70026381	7	Cap	
19	70028482	1	Cap	
20	70026383	16	Cap	
21	70022013	6	Valve	
22	70028483	2	Valve	
23	70022014	16	Bolt	
24	70050504	8	Plug	
25	70027130	8	O-Ring	
26	70022012	1	Regulator	
27	70026373	1	O-Ring	
28	10837928	1	O-Ring	
29	70026376	1	Ring	
30	70026370	1	O-Ring	
31	8035382	1	Plug	
32	70024202	1	O-Ring	
33	70050472	2	Plug	
34	70026374	2	O-Ring	
35	70022010	3	Valve	
36	70027098	2	Valve	
37	70028484	1	Valve	
38	70022008	2	Plug	

# SECTION 9 - HYDRAULIC COMPONENTS

## FIGURE 9-20. PISTON PUMP



ART\_100168370-B

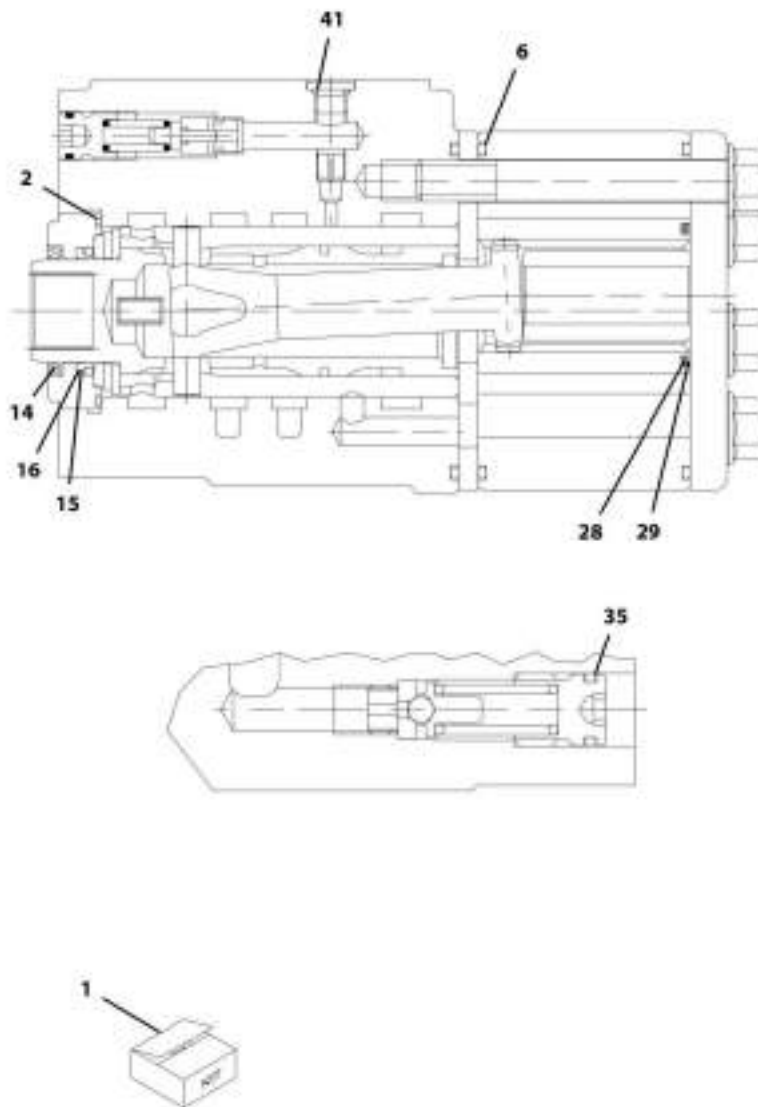
## SECTION 9 - HYDRAULIC COMPONENTS

### FIGURE 9-20. PISTON PUMP

ITEM	PART NUMBER	QTY	DESCRIPTION	REV
	1001182279	Ref	Piston Pump	B
1	70026572	1	Valve, Control	
2	70024186	1	Valve, Control	
3	70024407	2	Plug	
4	70024408	1	Screw, Stop	
5	Kit	1	O-Ring	
6	70024188	1	Group, Rotary	
7	70026583	1	Plate, Swash	
8	7024939	1	Shaft, Drive	
9	7024943	1	Bearing, Front	
10	7024944	1	Bearing, Rear	
11	70024414	1	Liner, Bearing	
12	70024415	1	Liner, Bearing	
13	7024953	2	Screw, M5X16	
14	80634004	1	Seal, Shaft	
15	Kit	1	O-Ring	
16	Kit	2	Sing, Seal	
17	80334277	1	Ring, Safety	
18	70021867	1	Gasket	
19	7024954	4	Screw, M6X30	
20	70024416	1	Plug	
21	70025897	1	Solenoid	
22	Kit	1	O-Ring	
101	70024189	1	Kit, Seal (includes items 5, 15 thru 16 & 22)	

# SECTION 9 - HYDRAULIC COMPONENTS

FIGURE 9-21. STEERING ORBITAL VALVE



ART\_1001198527-E

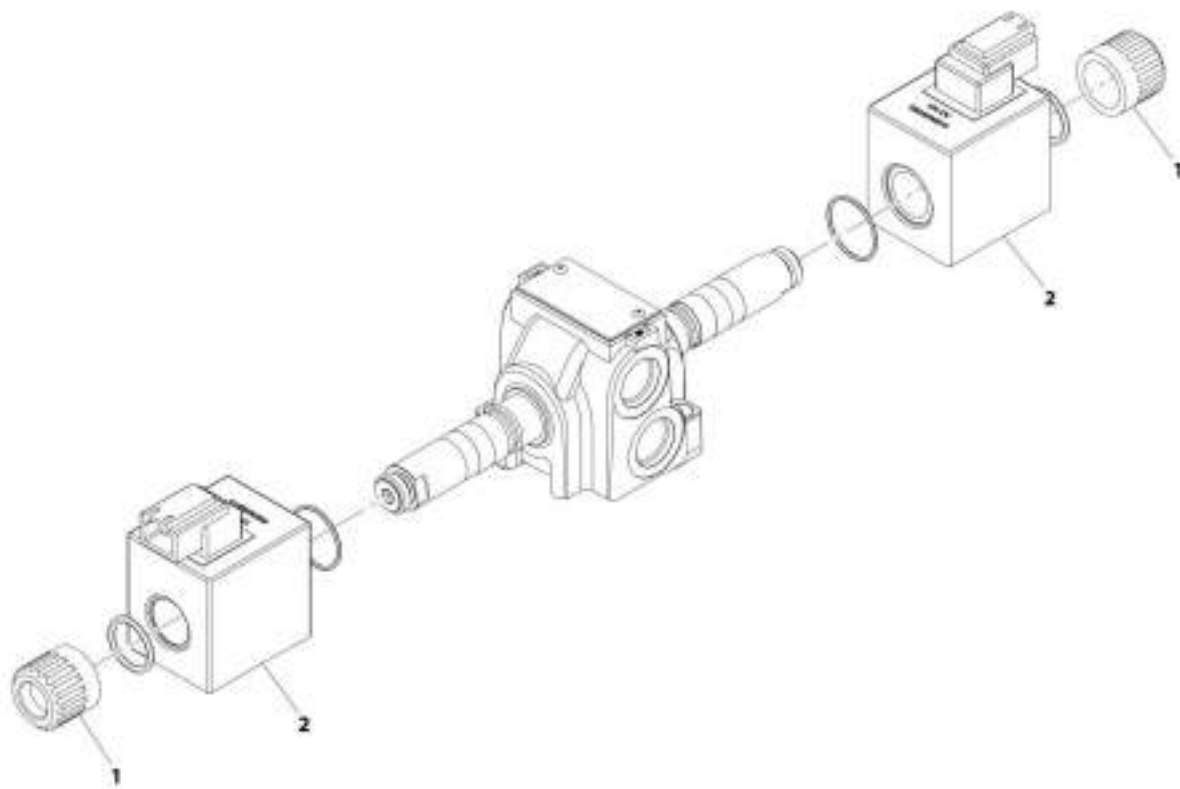
## SECTION 9 - HYDRAULIC COMPONENTS

**FIGURE 9-21. STEERING ORBITAL VALVE**

ITEM	PART NUMBER	QTY	DESCRIPTION	REV
	1001158527	1	Steering Orbital Valve	E
1	70026401	1	Kit, Seal (includes items 2 thru 41)	
2	Kit	1	O-Ring	
6	Kit	3	O-Ring	
14	Kit	1	Seal, Dust	
15	Kit	1	O-Ring	
16	Kit	1	Seal, Shaft	
28	Kit	1	Washer, Back-Up	
29	Kit	1	Seal, Ring	
35	Kit	3	O-Ring	
41	Kit	2	O-Ring	

# SECTION 9 - HYDRAULIC COMPONENTS

## FIGURE 9-22. STEERING SELECT VALVE



AMF\_1001155748-C



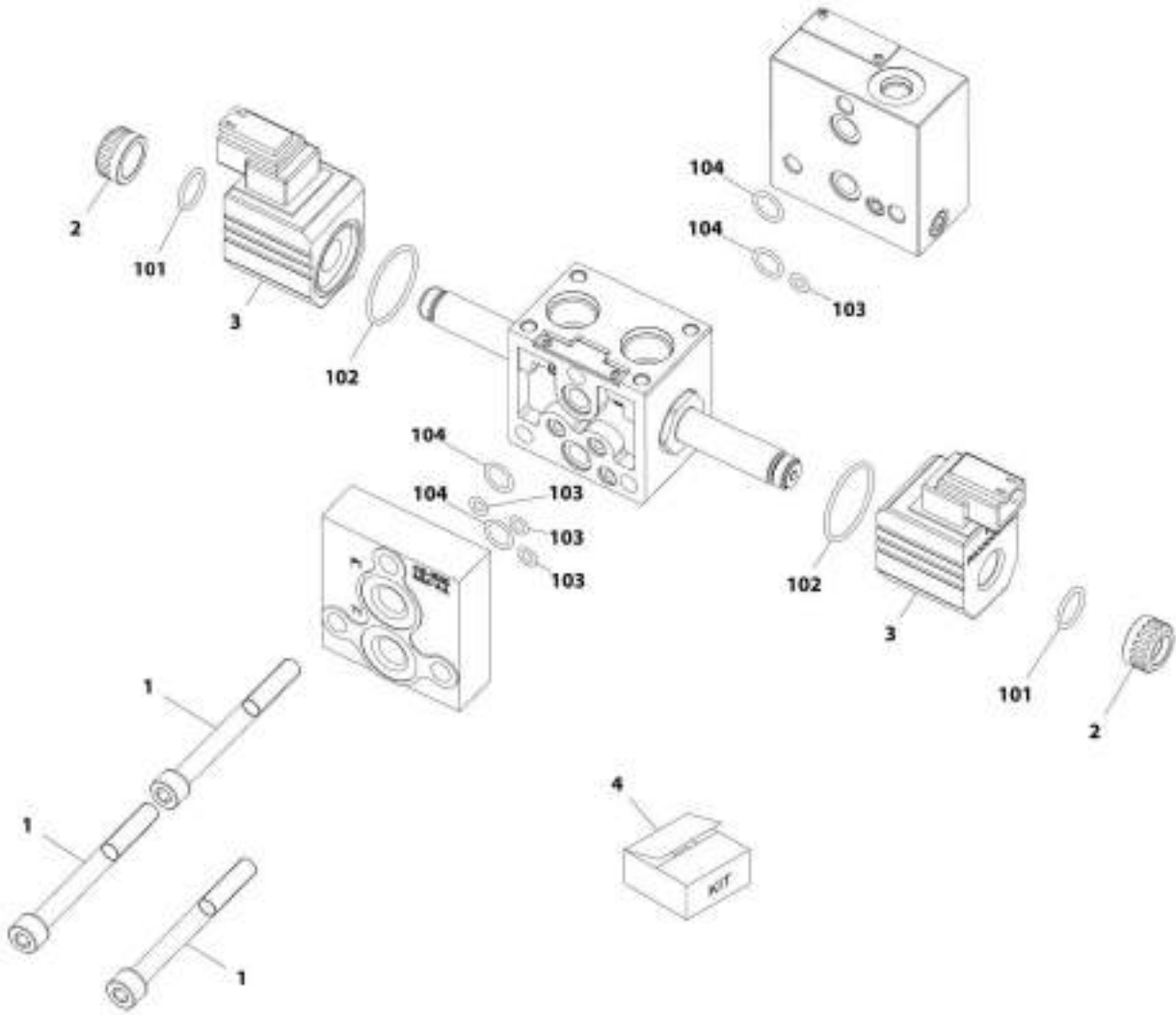
## SECTION 9 - HYDRAULIC COMPONENTS

FIGURE 9-22. STEERING SELECT VALVE

ITEM	PART NUMBER	QTY	DESCRIPTION	REV
	1001153748	Ref	Steering Select Valve	C
1	70020867	2	Nut, Coil	
2	70026582	2	Coil	

# SECTION 9 - HYDRAULIC COMPONENTS

## FIGURE 9-23. FRAME LEVEL VALVE



ART\_1001101959-D

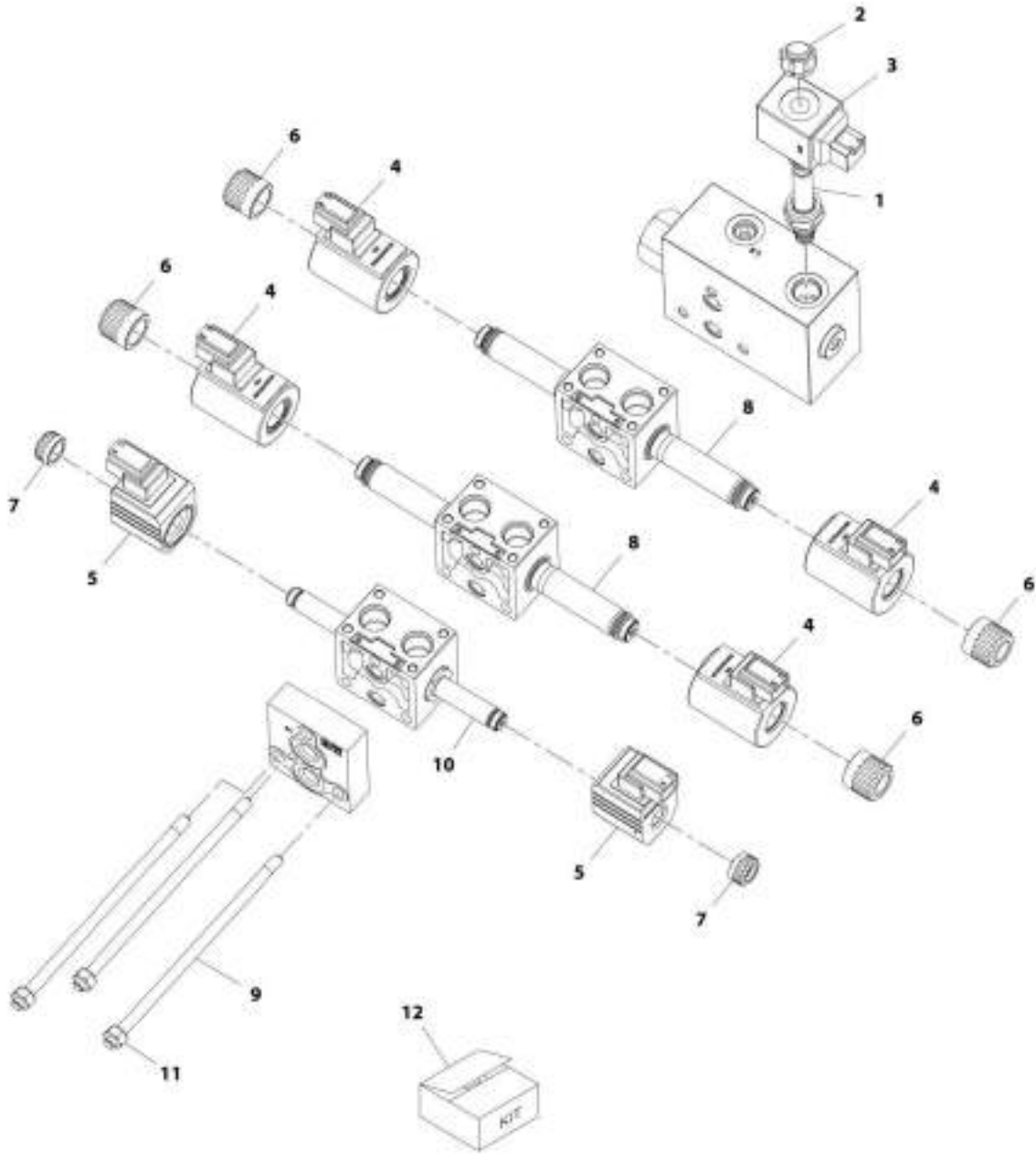
# SECTION 9 - HYDRAULIC COMPONENTS

## FIGURE 9-23. FRAME LEVEL VALVE

ITEM	PART NUMBER	QTY	DESCRIPTION	REV
	1001162959	Ref	Frame Level Valve	D
1	70026685	3	Screw	
2	70021209	2	Retainer	
3	70021208	2	Coil	
4	70026686	1	Kit, Seal (includes items 101 thru 104)	
101	Kit	2	O-Ring	
102	Kit	2	O-Ring	
103	Kit	4	O-Ring	
104	Kit	4	O-Ring	

# SECTION 9 - HYDRAULIC COMPONENTS

FIGURE 9-24. FRAME LEVEL AND OUTRIGGER VALVE



ART\_3001137972 E

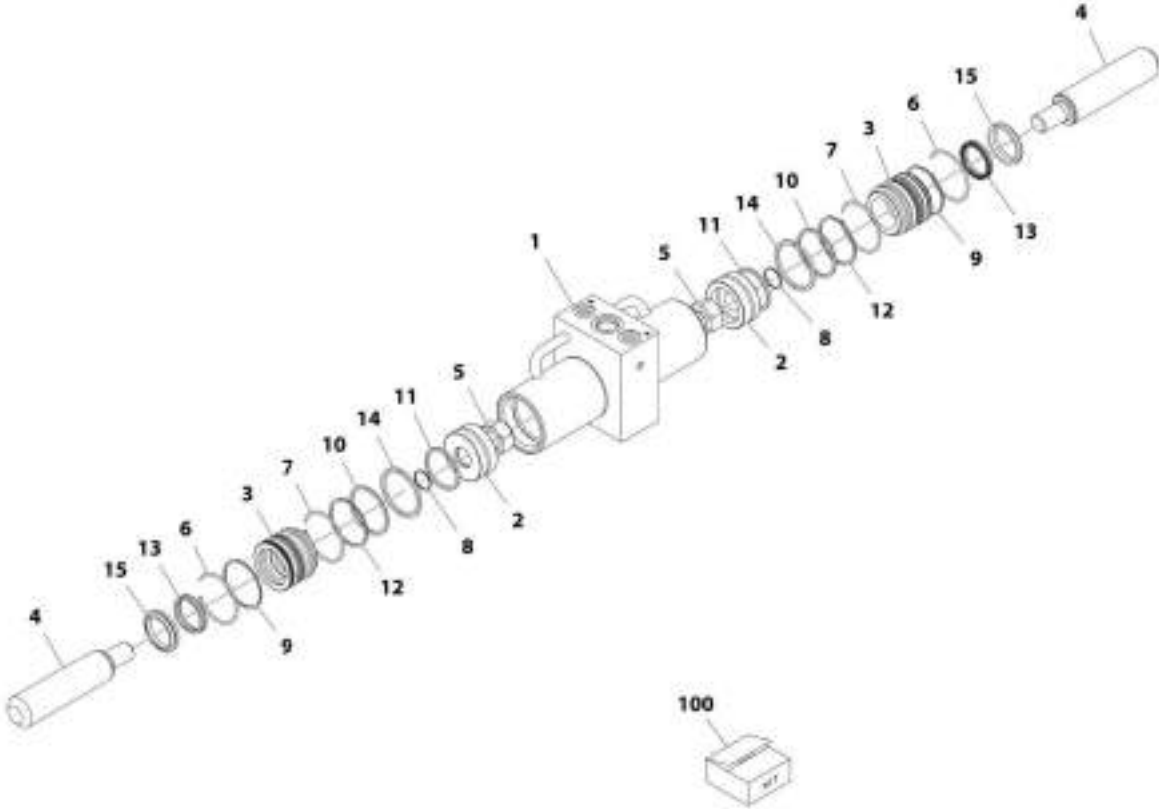
## SECTION 9 - HYDRAULIC COMPONENTS

**FIGURE 9-24. FRAME LEVEL AND OUTRIGGER VALVE**

ITEM	PART NUMBER	QTY	DESCRIPTION	REV
	1001157972	Ref	Valve, Frame Level and Outrigger	E
1	70023327	1	Solenoid	
2	70004654	1	Nut, Coil	
3	70022147	1	Coil	
4	70020868	4	Coil	
5	70021208	2	Coil	
6	70020867	4	Kit, Retainer, W/Seals	
7	70021209	2	Kit, Retainer, W/Seals	
8	70026568	2	Section, Outrigger Valve	
9	70026569	3	Rod, Tie	
10	70021213	1	Section, Frame Level	
11	70026570	3	Nut	
12	70026571	1	Kit, Seal	
	Kit	1	O-Ring	
	Kit	1	O-Ring	
	Kit	1	O-Ring	
	Kit	1	O-Ring	
	Kit	1	O-Ring	
	Kit	1	O-Ring	
	Kit	4	O-Ring	
	Kit	4	O-Ring	
	Kit	2	O-Ring	
	Kit	2	O-Ring	

**SECTION 9 - HYDRAULIC COMPONENTS**

**FIGURE 9-25. QUICK COUPLER CYLINDER**



ART\_1001130163-D

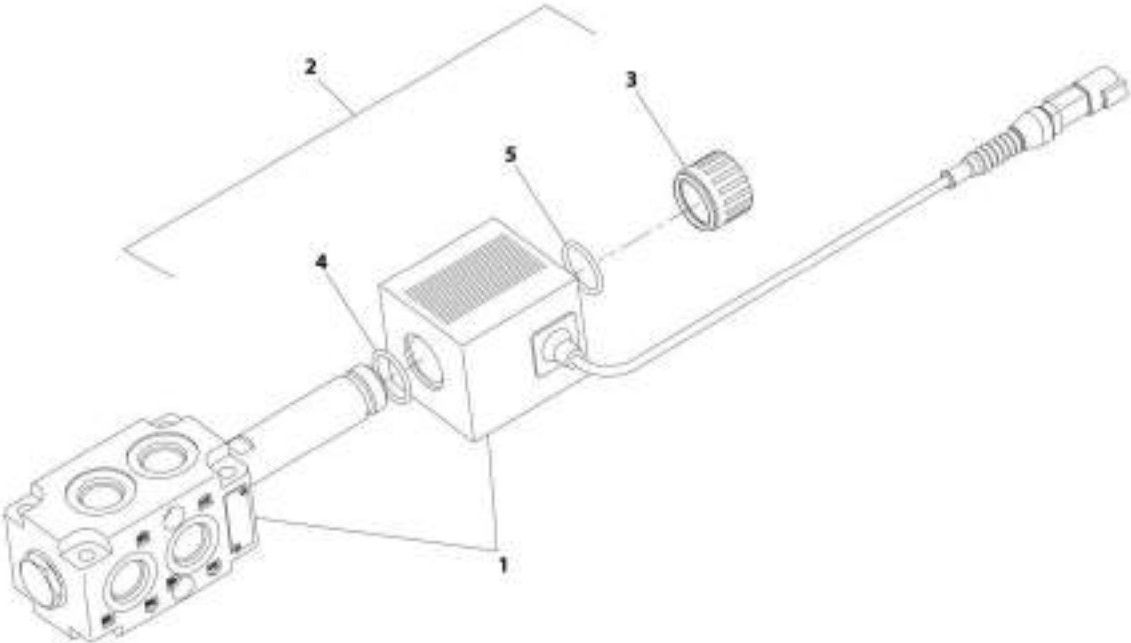
## SECTION 9 - HYDRAULIC COMPONENTS

**FIGURE 9-25. QUICK COUPLER CYLINDER**

ITEM	PART NUMBER	QTY	DESCRIPTION	REV
	1001120163	Ref	Quick Coupler Cylinder	D
1	70026211	1	Barrel	
2	70026212	2	Piston	
3	70026213	2	Head Gland	
4	70026214	2	Cylinder Rod	
5	8037140	2	Locknut	
6	Kit	2	Round Retaining Ring	
7	Kit	2	Round Retaining Ring	
8	Kit	2	O-Ring	
9	Kit	2	O-Ring	
10	Kit	2	O-Ring	
11	Kit	2	Square Ring	
12	Kit	2	Backup Ring	
13	Kit	2	Rod Seal	
14	Kit	2	Piston Seal	
15	Kit	2	Rod Wiper	
100	70026215	1	Seal Kit (includes items 6 thru 15)	

**SECTION 9 - HYDRAULIC COMPONENTS**

**FIGURE 9-26. DIVERTOR VALVE**



ART\_102104077-D



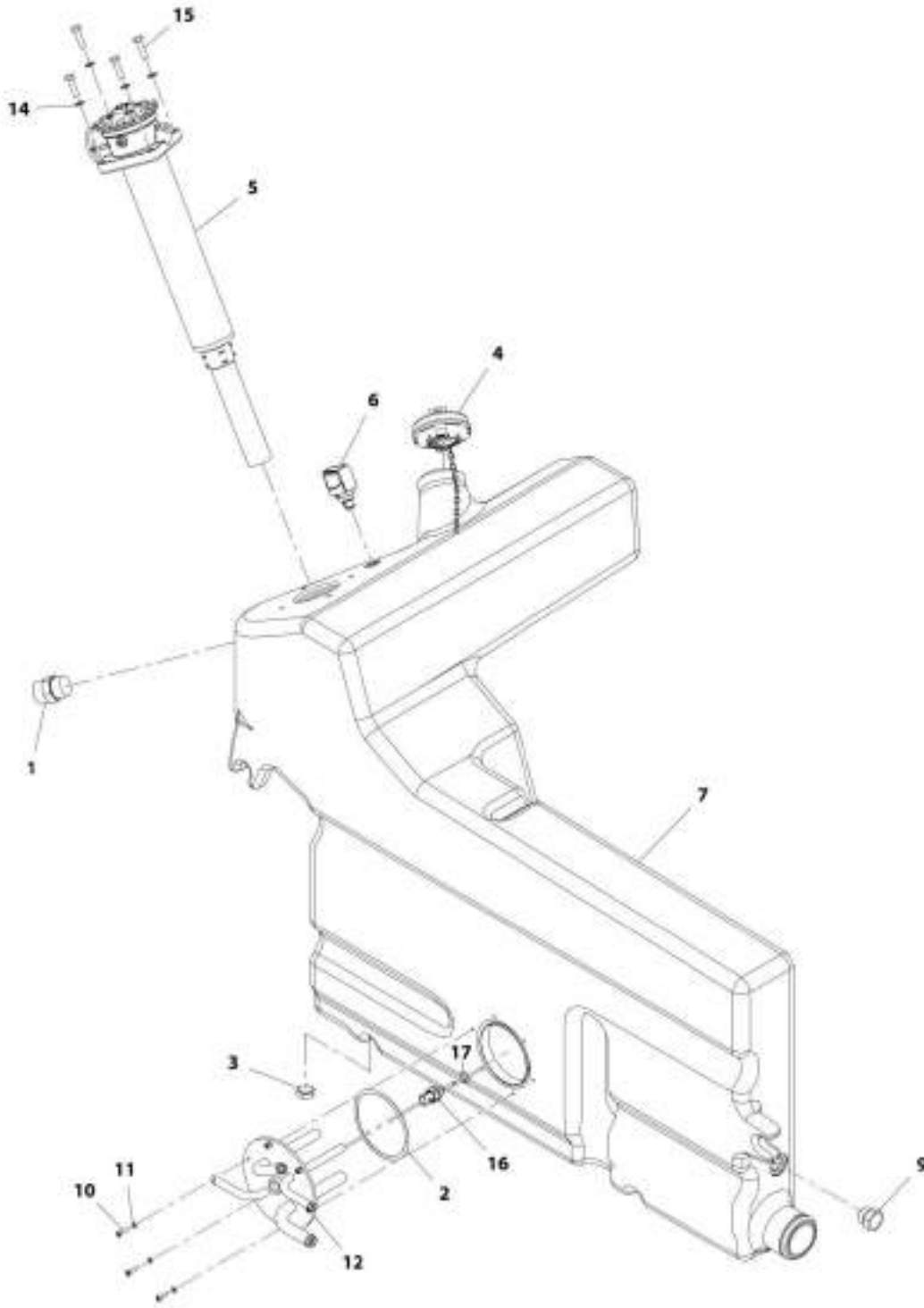
## SECTION 9 - HYDRAULIC COMPONENTS

### FIGURE 9-26. DIVERTOR VALVE

ITEM	PART NUMBER	QTY	DESCRIPTION	REV
	1001104477	Ref	Divertor Valve	D
1	70020764	1	Coil	
2	70021531	1	Kit, Retainer	
3	Kit	1	Nut	
4	Kit	1	O-Ring	
5	Kit	1	O-Ring	

# SECTION 9 - HYDRAULIC COMPONENTS

## FIGURE 9-27. TANK HYDRAULIC



ART\_1001903067-4

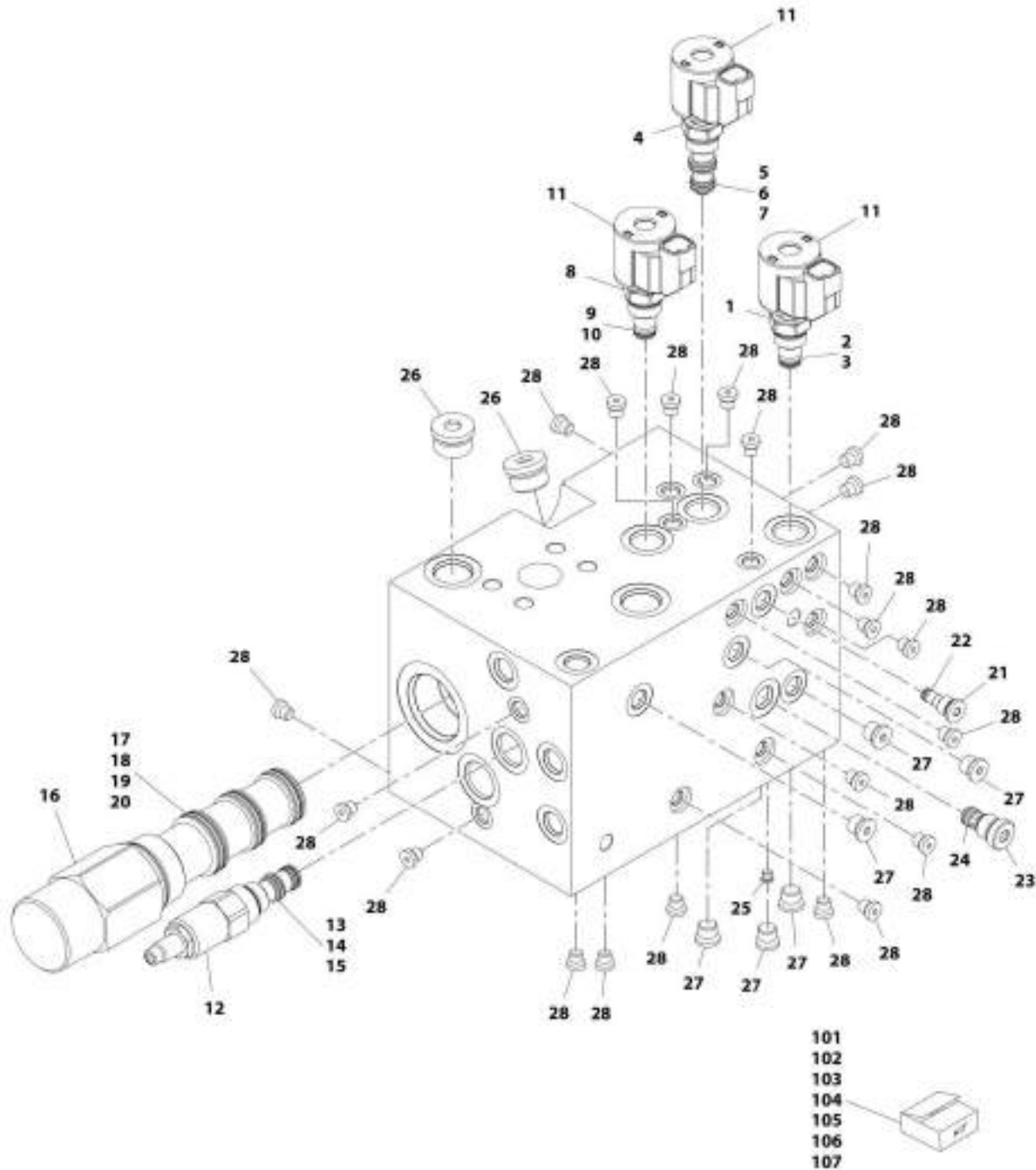
## SECTION 9 - HYDRAULIC COMPONENTS

### FIGURE 9-27. TANK HYDRAULIC

ITEM	PART NUMBER	QTY	DESCRIPTION	REV
	1001163067	Ref	Hydraulic Tank	N
1	2111616	1	Fitting, Straight ORFS	
2	1001003301	1	Seal O-Ring	
3	2220239	1	Plug	
4	1001194981	1	Cap	
5	1001162660	1	Filter	
6	1001162662	1	Filter, Breather	
7	1001162765	1	Tank	
9	2220240	1	Adapter	
10	4031607	6	Screw, M5-0.8X16	
11	4831600	6	Washer, Lock M5	
12	1001167281	1	Manifold, Hydraulic Return	
14	4811900	4	Washer, M8	
15	0700814	4	Bolt, M8X30	
16	1001128478	1	Sensor	
17	1001009163	1	Seal	

# SECTION 9 - HYDRAULIC COMPONENTS

## FIGURE 9-28. PRIORITY MANIFOLD VALVE



MIT\_1001182546-F

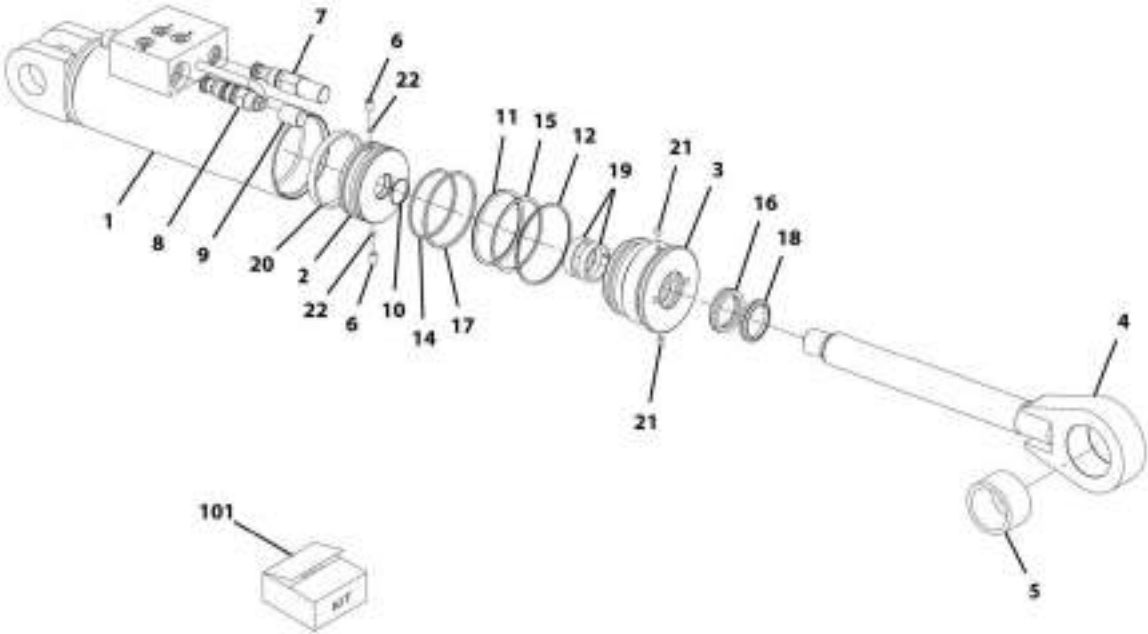
## SECTION 9 - HYDRAULIC COMPONENTS

**FIGURE 9-28. PRIORITY MANIFOLD VALVE**

ITEM	PART NUMBER	QTY	DESCRIPTION	REV
	1001162548	Ref	Priority Manifold Valve	F
1	H000071	1	Cartridge	
2	Kit	1	Seal	
3	Kit	1	Seal	
4	7012941	1	Cartridge	
5	Kit	1	Seal	
6	Kit	1	Seal	
7	Kit	1	Seal	
8	7017410	1	Cartridge	
9	Kit	1	Seal	
10	Kit	1	Seal	
11	70002963	3	Coil	
12	70026310	1	Cartridge	
13	Kit	1	Seal	
14	Kit	1	Seal	
15	Kit	1	Seal	
16	70026311	1	Cartridge	
17	Kit	1	Seal	
18	Kit	1	Seal	
19	Kit	1	Seal	
20	Kit	1	Seal	
21	70002975	1	Cartridge	
22	Kit	1	Seal	
23	70026312	1	Cartridge	
24	Kit	1	Seal	
25	70026313	1	Plug	
26	70026314	2	Plug	
27	7017406	6	Plug	
28	70026315	21	Plug	
101	7012953	1	Kit, Seal (includes items 2 thru 3)	
102	7010543	1	Kit, Seal (includes items 5 thru 7)	
103	7012953	1	Kit, Seal (includes items 9 thru 10)	
104	7021653	1	Kit, Seal (includes items 13 thru 15)	
105	70026333	1	Kit, Seal (includes items 17 thru 20)	
106	70002976	1	Kit, Seal (includes items 22)	
107	70026334	1	Kit, Seal (includes items 24)	

**SECTION 9 - HYDRAULIC COMPONENTS**

**FIGURE 9-29. SWING CARRIAGE CYLINDER**



WIT\_1001103/82-B

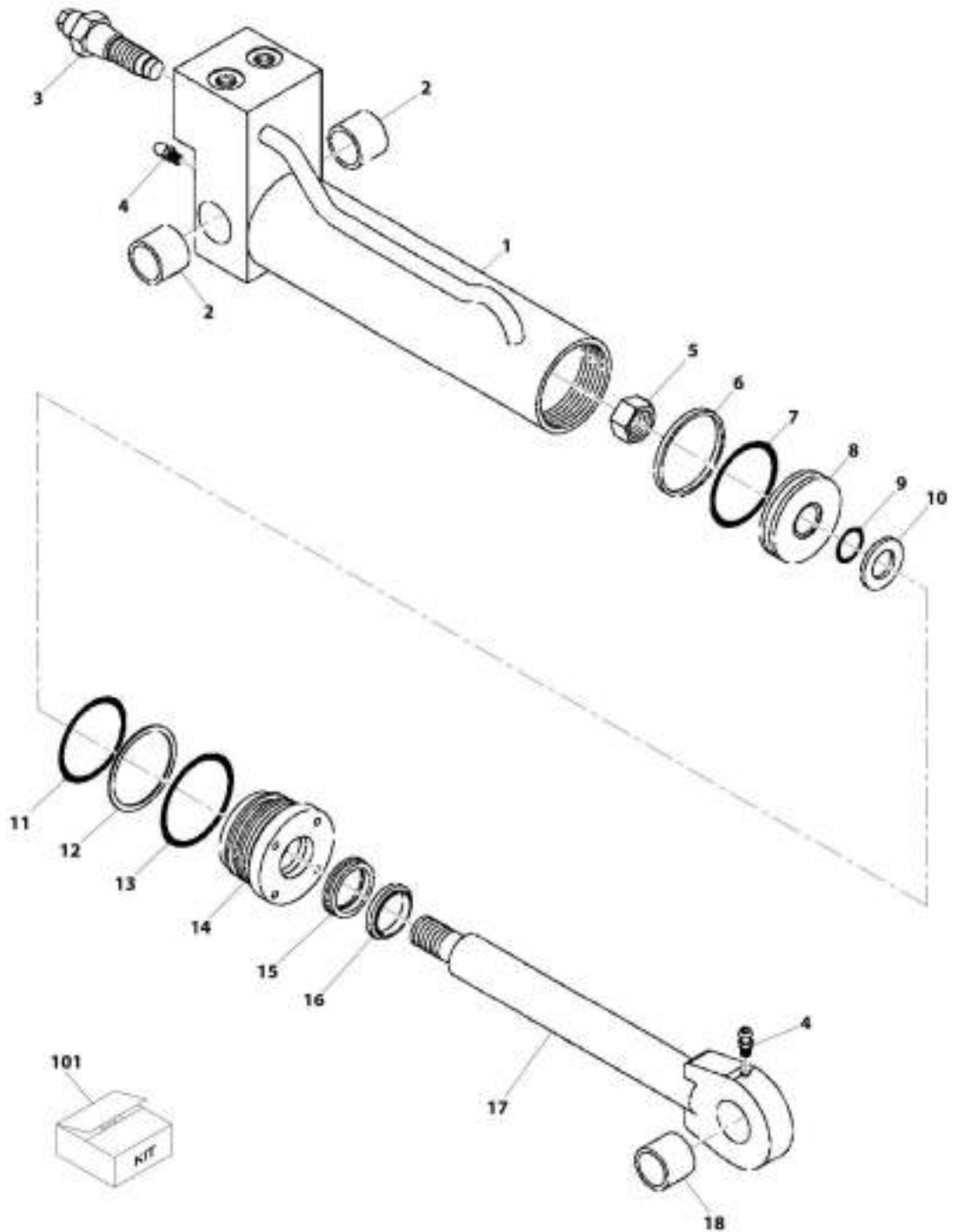
## SECTION 9 - HYDRAULIC COMPONENTS

### FIGURE 9-29. SWING CARRIAGE CYLINDER

ITEM	PART NUMBER	QTY	DESCRIPTION	REV
	1001103182	Ref	Swing Carriage Cylinder	B
1	70022044	1	Assembly, Tube	
2	8035863	1	Piston	
3	8035862	1	Gland, Head	
4	70022045	1	Assembly, Rod	
5	70022046	1	Bearing	
6	8035536	2	Screw, Set 5/16-18X1/2	
7	70020428	1	Valve, Relief	
7	7024574	1	Kit, Seal	
8	8033786	1	Valve, Counterbalance	
8	8205655	1	Kit, Seal	
11	Kit	1	O-Ring	
12	Kit	1	O-Ring	
13	Kit	1	O-Ring	
14	Kit	1	Ring, Square	
15	Kit	1	Ring, Backup	
16	Kit	1	Seal	
17	Kit	1	Seal, Piston	
18	Kit	1	Wiper, Rod	
19	Kit	2	Wearband	
20	Kit	1	Wearband	
21	Kit	2	Insert	
22	Kit	2	Insert	
101	2915023	1	Kit, Seal (includes items 11 thru 22)	

# SECTION 9 - HYDRAULIC COMPONENTS

## FIGURE 9-30. GRAPPLE BUCKET CYLINDER





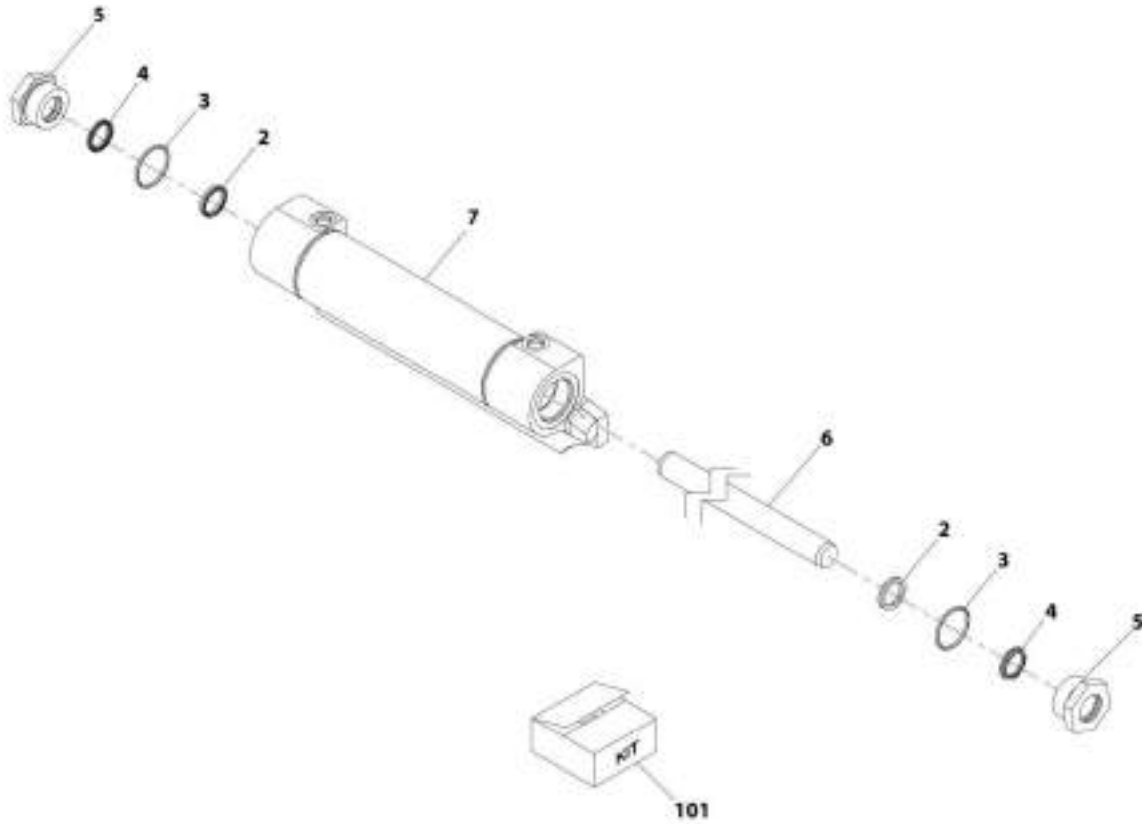
## SECTION 9 - HYDRAULIC COMPONENTS

### FIGURE 9-30. GRAPPLE BUCKET CYLINDER

ITEM	PART NUMBER	QTY	DESCRIPTION	REV
	70021393	Ref	Grapple Bucket Cylinder	A
1	70021465	1	Tube, Cylinder	
2	70021448	2	Bushing	
3	70021464	2	Cartridge, Valve	
4	90554045	2	Fitting, Grease	
5	70021440	1	Nut	
6	Kit	1	Ring, Piston	
7	Kit	1	O-Ring	
8	70021451	1	Piston	
9	Kit	1	O-Ring	
10	70021444	1	Washer	
11	Kit	1	O-Ring	
12	Kit	1	Washer, Back-Up	
13	Kit	1	O-Ring	
14	70021446	1	Gland, Cylinder	
15	Kit	1	Seal, Poly-Pak	
16	Kit	1	Wiper, Rod	
17	70021466	1	Rod, Piston	
18	70021447	1	Bushing	
101	70021452	1	Kit, Seal (includes items 6, 7, 9, 11 thru 13, 15 & 16)	

# SECTION 9 - HYDRAULIC COMPONENTS

FIGURE 9-31. SIDE SHIFT CARRIAGE CYLINDER



AWT\_70004539-B

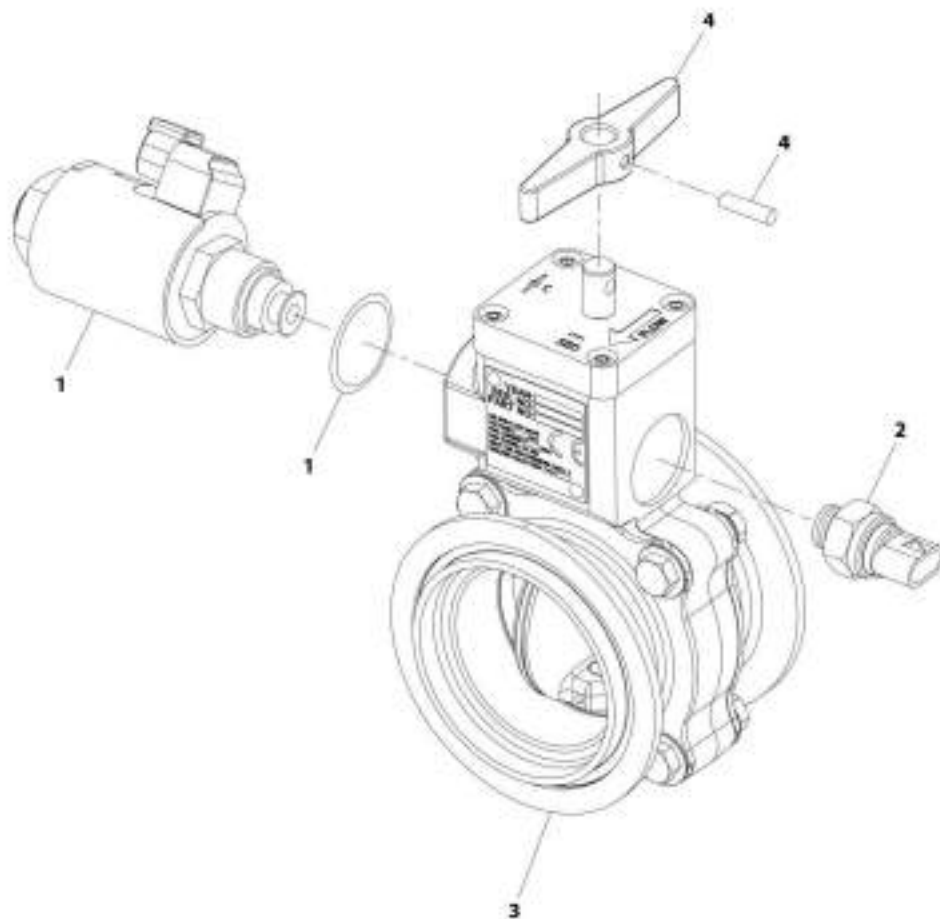
## SECTION 9 - HYDRAULIC COMPONENTS

### FIGURE 9-31. SIDE SHIFT CARRIAGE CYLINDER

ITEM	PART NUMBER	QTY	DESCRIPTION	REV
	70024539	Ref	Side Shift Carriage Cylinder	B
2	Kit	2	Seal, Rod	
3	70024547	2	O-Ring	
4	Kit	2	Seal, Rod Wiper	
5	70024548	2	Seal, Retainer	
6	N.S.S.	1	Rod	
7	N.S.S.	1	Barrel	
101	70024549	1	Kit, Seal (includes items 2 & 4)	

# SECTION 9 - HYDRAULIC COMPONENTS

## FIGURE 9-32. AIR SHUT OFF VALVE



ART\_100120403-A

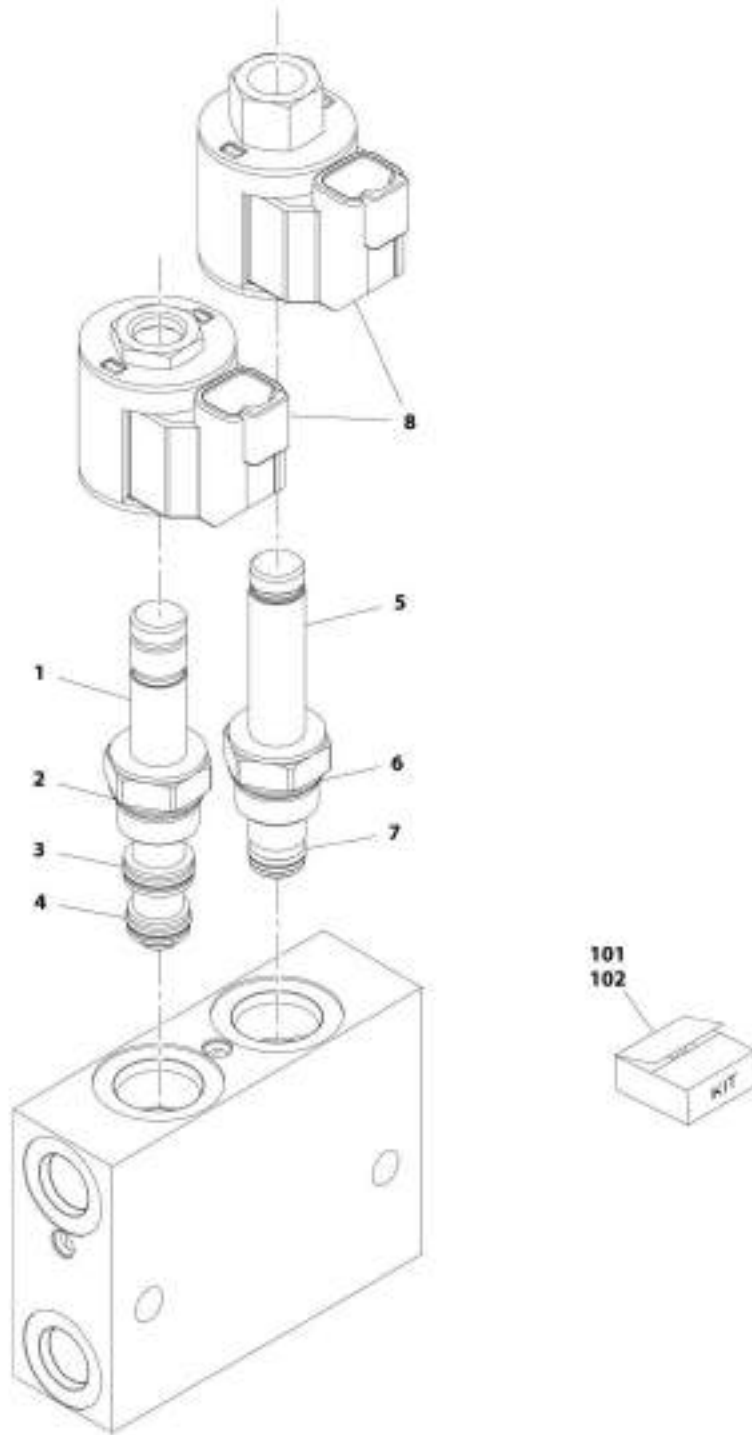
## SECTION 9 - HYDRAULIC COMPONENTS

### FIGURE 9-32. AIR SHUT OFF VALVE

ITEM	PART NUMBER	QTY	DESCRIPTION	REV
1	1001204032	Ref	Air Shut Off Valve	A
	70028514	1	Kit, Solenoid 12V	
	N.S.S.	1	Solenoid	
	N.S.S.	1	Coil, 12V	
	N.S.S.	1	O-Ring	
2	70028515	1	Kit, Switch	
	N.S.S.	1	Switch, Ball	
	N.S.S.	1	O-Ring	
3	70028516	1	Kit, Flange and Hardware	
	N.S.S.	1	Flange, Female	
	N.S.S.	1	Flange, Male	
	N.S.S.	4	Bolt	
	N.S.S.	8	Washer	
	N.S.S.	4	Locknut	
4	70028517	1	Handle	
	N.S.S.	1	Handle, Reset	
	N.S.S.	1	Pin	

# SECTION 9 - HYDRAULIC COMPONENTS

FIGURE 9-33. PARK BRAKE VALVE



ART\_1001164052.A

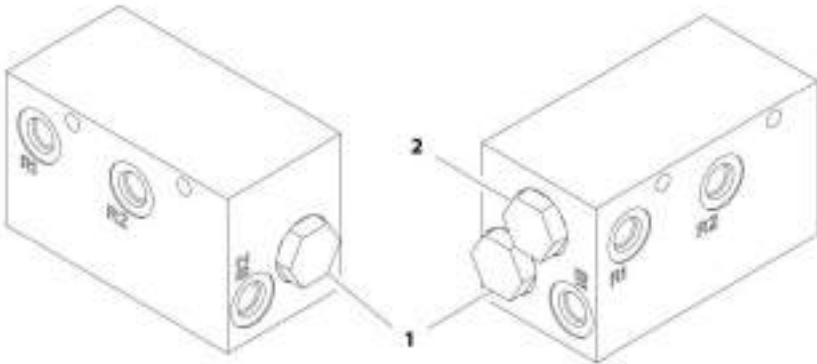
## SECTION 9 - HYDRAULIC COMPONENTS

### FIGURE 9-33. PARK BRAKE VALVE

ITEM	PART NUMBER	QTY	DESCRIPTION	REV
	1001164652	1	Park Brake Valve	A
1	7012941	1	Valve	
2	Kit	1	O-Ring	
3	Kit	1	O-Ring	
4	Kit	1	O-Ring	
5	7017410	1	Valve	
6	Kit	1	O-Ring	
7	Kit	1	O-Ring	
8	70002386	2	Coil	
101	7010543	1	Kit, Seal (includes items 2 thru 4)	
102	7012967	1	Kit, Seal (includes items 6 thru 7)	

**SECTION 9 - HYDRAULIC COMPONENTS**

**FIGURE 9-34. FLOW DIVIDER VALVE**



ART\_4641500-A



## SECTION 9 - HYDRAULIC COMPONENTS

### FIGURE 9-34. FLOW DIVIDER VALVE

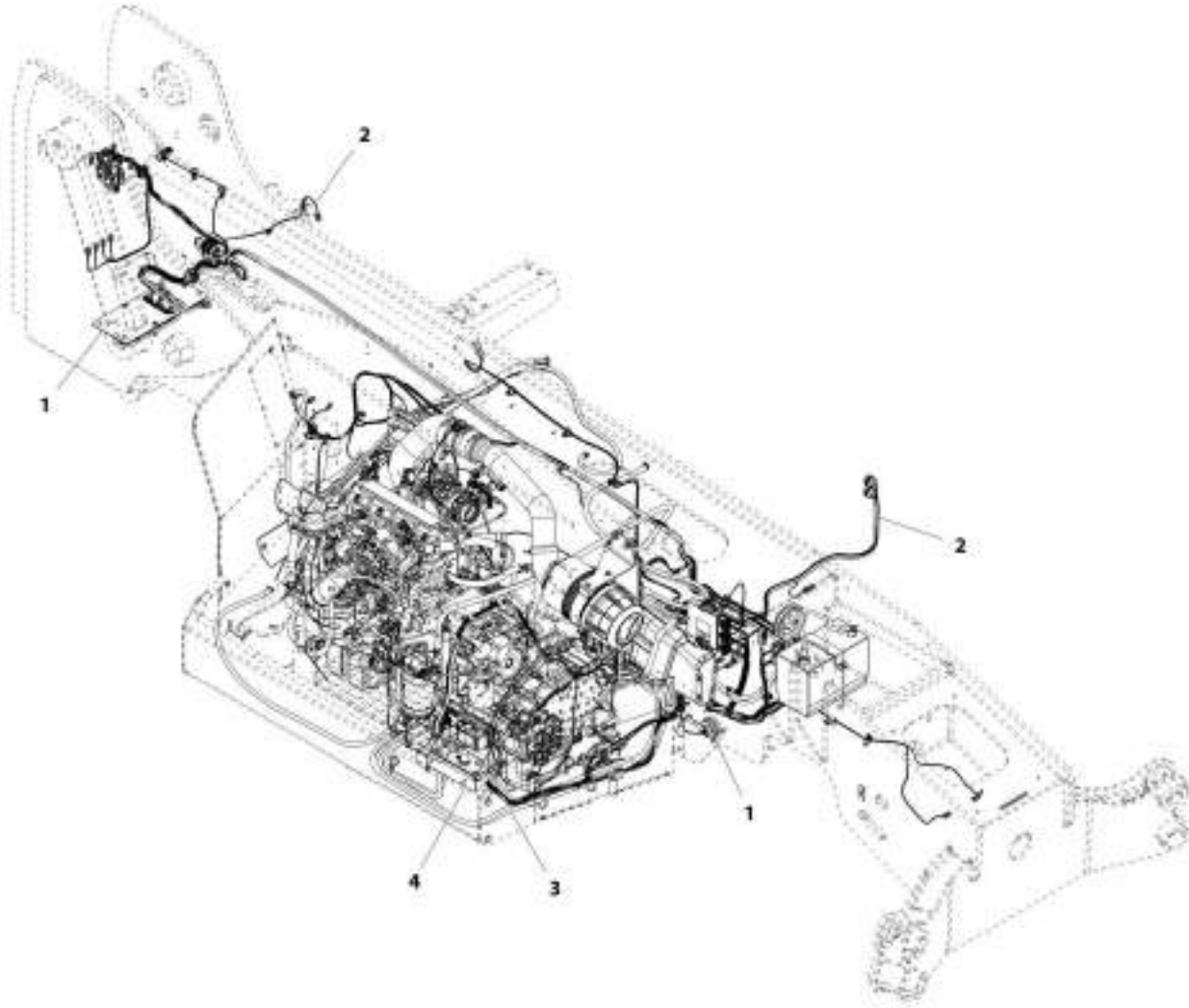
ITEM	PART NUMBER	QTY	DESCRIPTION	REV
	4641501	Ref	Flow Divider Valve	A
1	70023928	2	Cartridge, PO Check Valve	
2	70023929	1	Cartridge, Valve	



**SECTION 10 - ELECTRICAL**

# SECTION 10 - ELECTRICAL

FIGURE 10-1. MAIN ELECTRICAL INSTALLATION (ULS)



ART\_1001162250-C

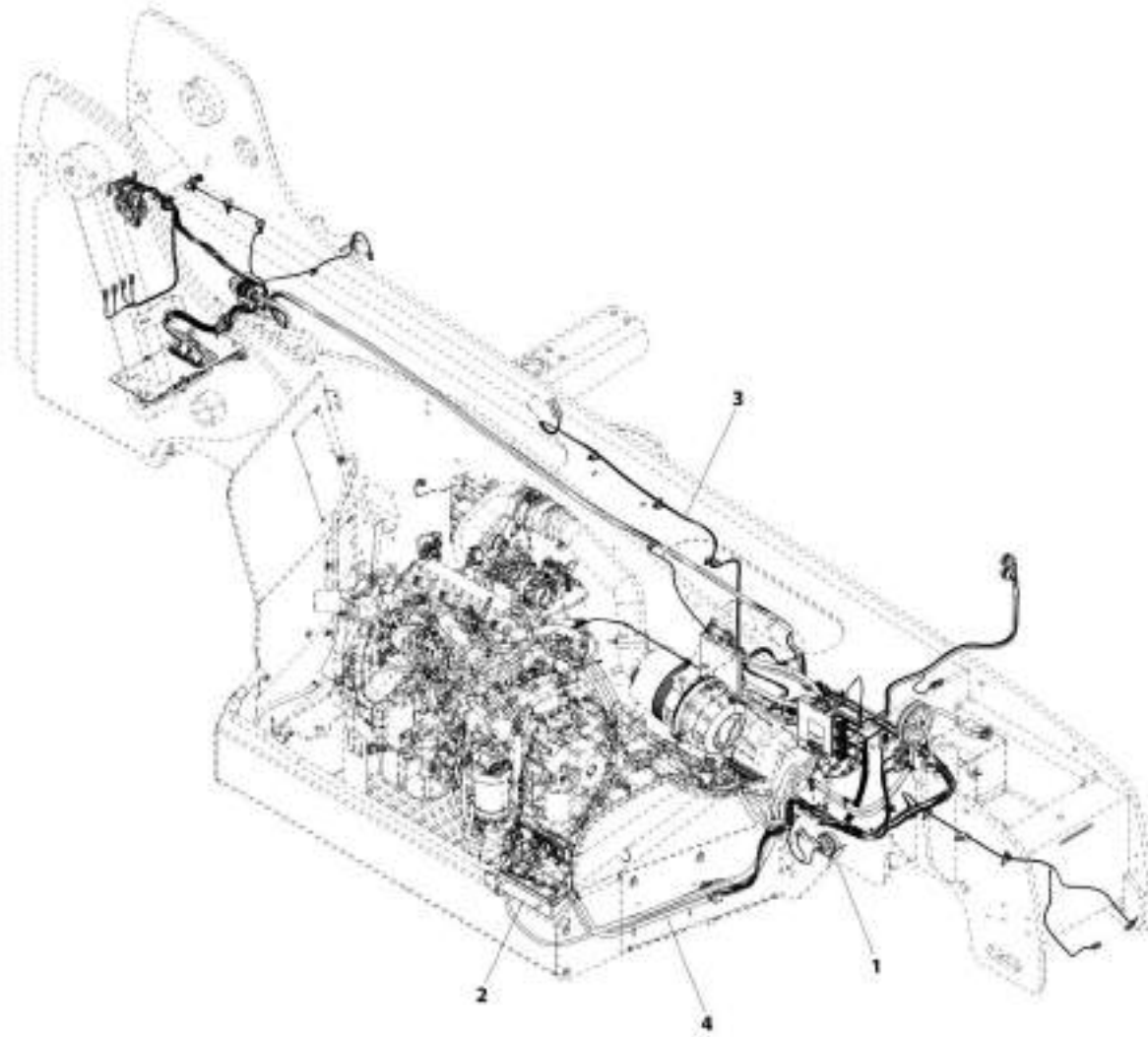
## SECTION 10 - ELECTRICAL

**FIGURE 10-1. MAIN ELECTRICAL INSTALLATION (ULS)**

ITEM	PART NUMBER	QTY	DESCRIPTION	REV
1	1001167050	Ref	Main Electrical Installation (ULS)	C
	1001167051	Ref	Installation, Electrical Frame (See ELECTRICAL FRAME INSTALLATION for Breakdown)	
2	1001173530	Ref	Installation, Frame Wiring (ULS) (See FRAME WIRING INSTALLATION (ULS) for Breakdown)	
3	1001173531	Ref	Installation, Engine Bay Wiring (ULS) (See ENGINE BAY WIRING INSTALLATION (ULS) for Breakdown)	
4		Ref	Installation, Engine Bay Electrical (See ENGINE BAY ELECTRICAL INSTALLATION for Breakdown)	

# SECTION 10 - ELECTRICAL

FIGURE 10-2. MAIN ELECTRICAL INSTALLATION (ULS) (74 HP)



AWT\_1001225986-R

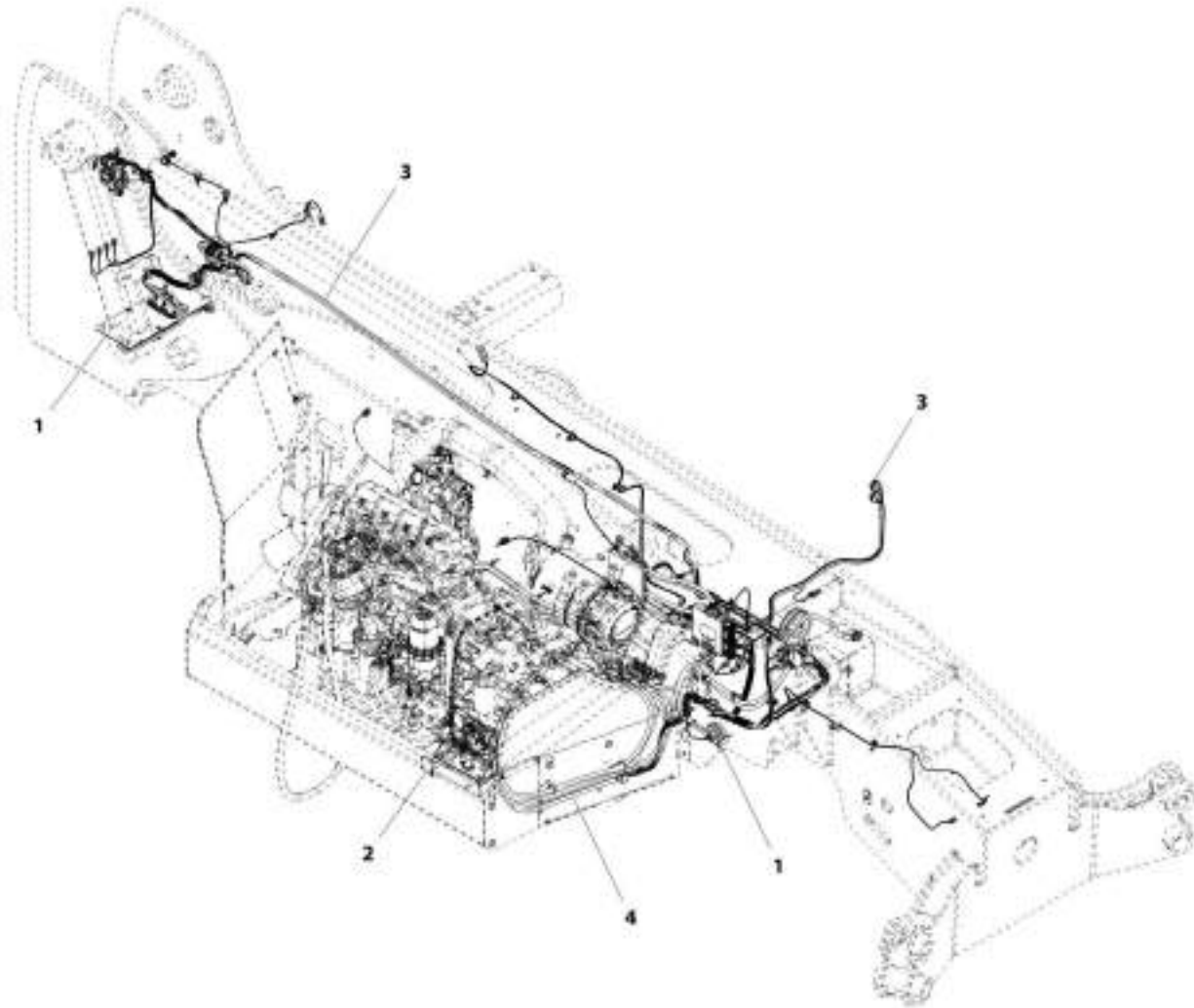
## SECTION 10 - ELECTRICAL

**FIGURE 10-2. MAIN ELECTRICAL INSTALLATION (ULS) (74 HP)**

ITEM	PART NUMBER	QTY	DESCRIPTION	REV
1	1001225986	Ref	Main Electrical Installation (ULS) (74 HP)	B
	1001167051	Ref	Installation, Electrical Frame (See Separate Breakdown in this Section)	
2	1001173765	Ref	Installation, Engine Bay Electrical (See Separate Breakdown in this Section)	
3	1001225987	Ref	Installation, Wiring Frame (See Separate Breakdown in this Section)	
4		Ref	Installation, Engine Bay Wiring (See Separate Breakdown in this Section)	

# SECTION 10 - ELECTRICAL

## FIGURE 10-3. MAIN ELECTRICAL INSTALLATION (LS)



ART\_1001103303-A



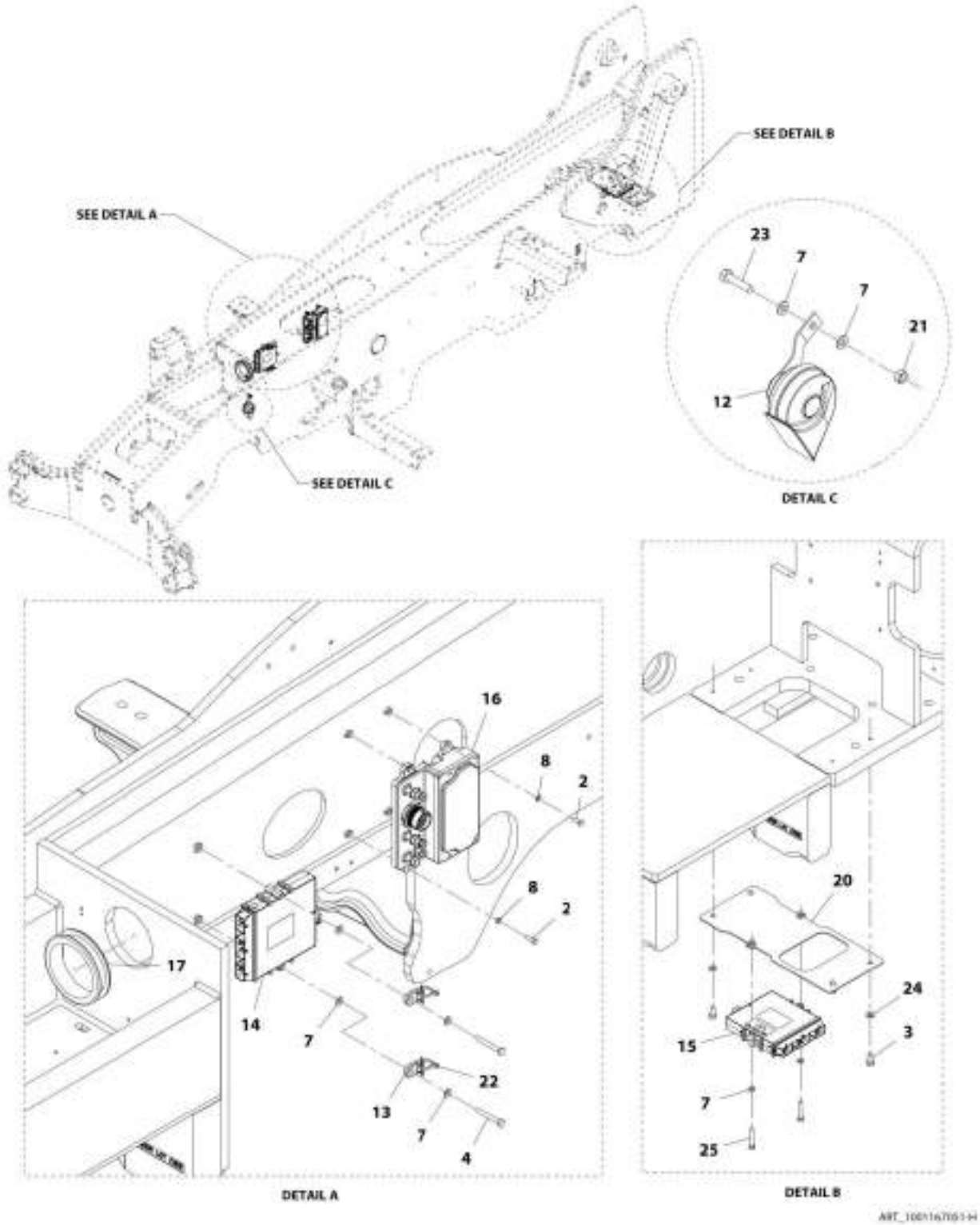
## SECTION 10 - ELECTRICAL

### FIGURE 10-3. MAIN ELECTRICAL INSTALLATION (LS)

ITEM	PART NUMBER	QTY	DESCRIPTION	REV
1	1001192303	Ref	Main Electrical Installation (LS)	A
	1001167051	Ref	Installation, Electrical Frame (See ELECTRICAL FRAME INSTALLATION for Breakdown)	
2	1001173765	Ref	Installation, Engine Bay Electrical (See ENGINE BAY ELECTRICAL INSTALLATION for Breakdown)	
3	1001192305	Ref	Installation, Frame Wiring (LS) (See FRAME WIRING INSTALLATION (LS) for Breakdown)	
4	1001193171	Ref	Installation, Engine Bay Wiring (See ENGINE BAY WIRING INSTALLATION for Breakdown)	

# SECTION 10 - ELECTRICAL

## FIGURE 10-4. ELECTRICAL FRAME INSTALLATION



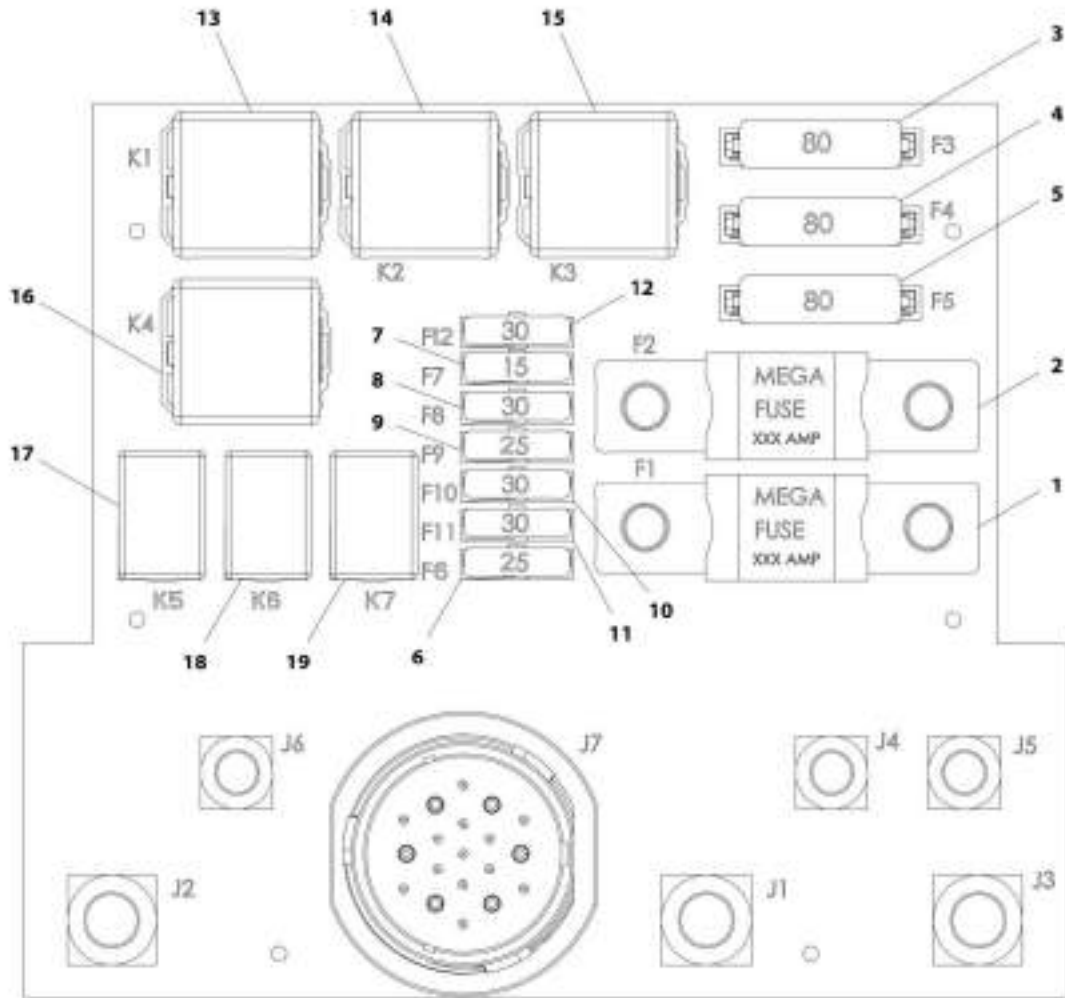
## SECTION 10 - ELECTRICAL

**FIGURE 10-4. ELECTRICAL FRAME INSTALLATION**

ITEM	PART NUMBER	QTY	DESCRIPTION	REV
	1001167051	Ref	Electrical Frame Installation	H
2	0700610	4	Bolt, M6 X 20	
3	0761010	4	Bolt, M10 X 20	
4	0700820	2	Bolt, M8 X 60	
7	4811900	8	Washer, M8	
8	4811700	4	Washer, M6	
12	10713707	1	Horn	
13	1001169146	2	Mount	
14	1001162253	1	Module, Front Frame Control	
15	1001162256	1	Module, Rear Frame Control	
16	1001164402	1	Box, Power Distribution Electrical (See Separate Breakdown in this Section)	
17	1001166397	1	Grommet	
20	1001210450	1	Plate, Mounting	
21	3290801	1	Nut, M8X1.25	
22	1001008559	2	Strap, Cable	
23	0760815	1	Bolt, M8X35	
24	4812000	4	Washer, M10	
25	0700818	2	Bolt, M8X50	

# SECTION 10 - ELECTRICAL

## FIGURE 10-5. POWER DISTRIBUTION ELECTRICAL BOX



AWT\_1001104402.F

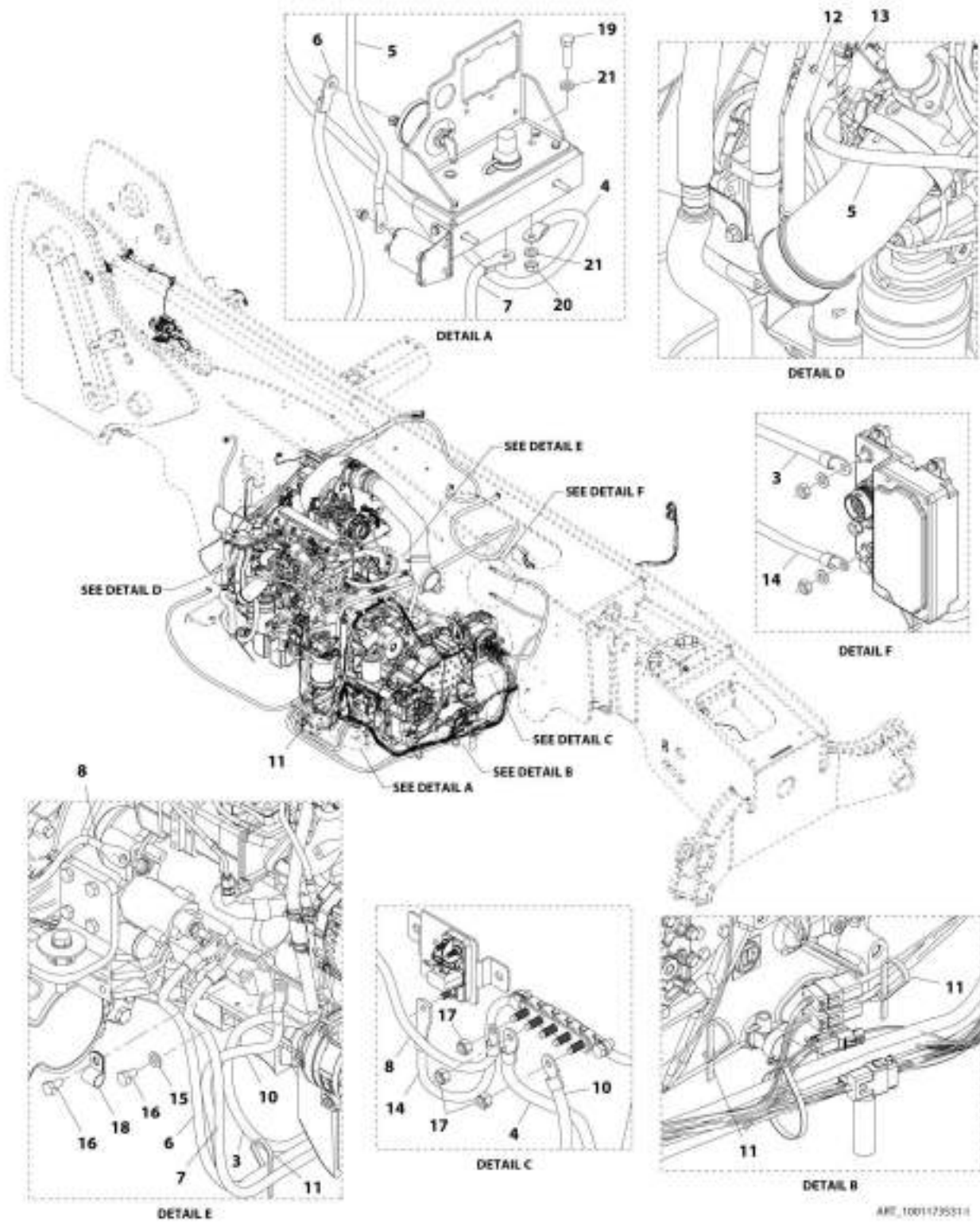
## SECTION 10 - ELECTRICAL

### FIGURE 10-5. POWER DISTRIBUTION ELECTRICAL BOX

ITEM	PART NUMBER	QTY	DESCRIPTION	REV
	1001164402	Ref	Power Distribution Electrical Box	F
1	1001095336	1	Fuse, 150AMP	
2	70026296	1	Fuse, 200AMP	
3	70026297	1	Fuse, 80AMP	
4	70026297	1	Fuse, 80AMP	
5	70026297	1	Fuse, 80AMP	
6	8229247	1	Fuse, 25AMP	
7	8229244	1	Fuse, 15AMP	
8	8229245	1	Fuse, 30AMP	
9	8229247	1	Fuse, 25AMP	
10	8229245	1	Fuse, 30AMP	
11	8229245	1	Fuse, 30AMP	
12	8229245	1	Fuse, 30AMP	
13	70026294	1	Fuse, 70AMP	
14	70026294	1	Fuse, 70AMP	
15	70026294	1	Fuse, 70AMP	
16	70026294	1	Fuse, 70AMP	
17	70026295	1	Fuse, 35AMP	
18	70026295	1	Fuse, 35AMP	
19	70026295	1	Fuse, 35AMP	

# SECTION 10 - ELECTRICAL

## FIGURE 10-6. ENGINE BAY WIRING INSTALLATION (ULS)



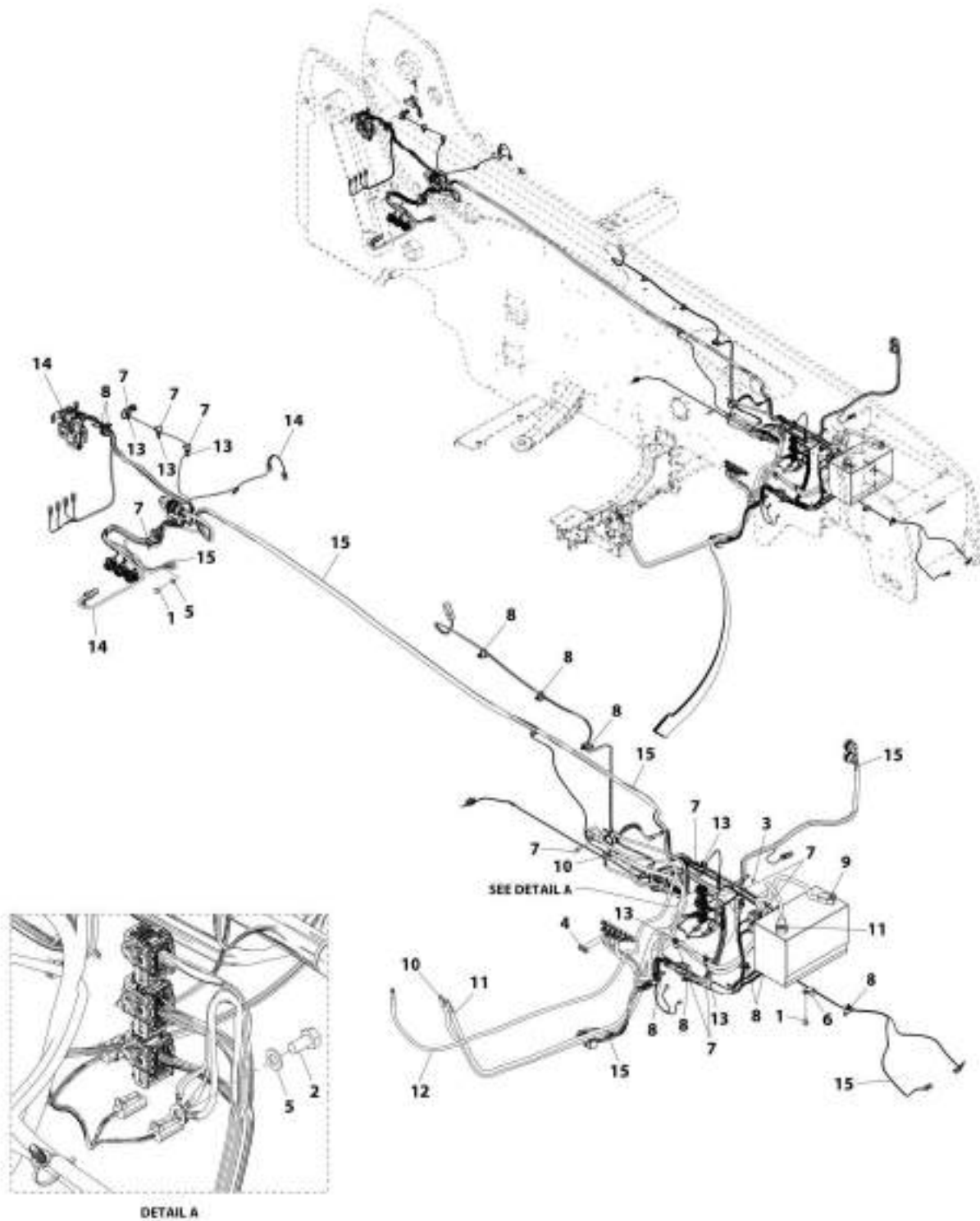
## SECTION 10 - ELECTRICAL

**FIGURE 10-6. ENGINE BAY WIRING INSTALLATION (ULS)**

ITEM	PART NUMBER	QTY	DESCRIPTION	REV
	1001173531	Ref	Engine Bay Wiring Installation (ULS)	1
3	1001170215	1	Cable, PDM to ALT+	
4	1001200102	1	Cable, Ground Buss to Remote Ground	
5	1001170816	1	Cable, Grid Heater	
6	1001170740	1	Cable, Starter to Battery Disconnect	
7	1001170741	1	Cable, Starter to Remote B+	
8	1001170320	1	Cable, Starter Ground	
10	1001170749	1	Cable, Engine Ground	
11	1001008559	5	Strap, Cable	
12	3290605	1	Nut, Lock M6X1	
13	4811700	1	Washer, M6	
14	1001190585	1	Cable, Glow Plug	
15	4812100	1	Washer, M12	
16	0761210	2	Bolt, M12X20	
17	3291005	3	Nut, Lock M10X1.5	
18	8406105	1	Clip, Tube	
19	0701016	1	Bolt, M10X40	
20	3291001	1	Nut, M10X1.5	
21	4812000	2	Washer, M10	

# SECTION 10 - ELECTRICAL

## FIGURE 10-7. FRAME WIRING INSTALLATION (ULS)



ARB\_1001225987-B



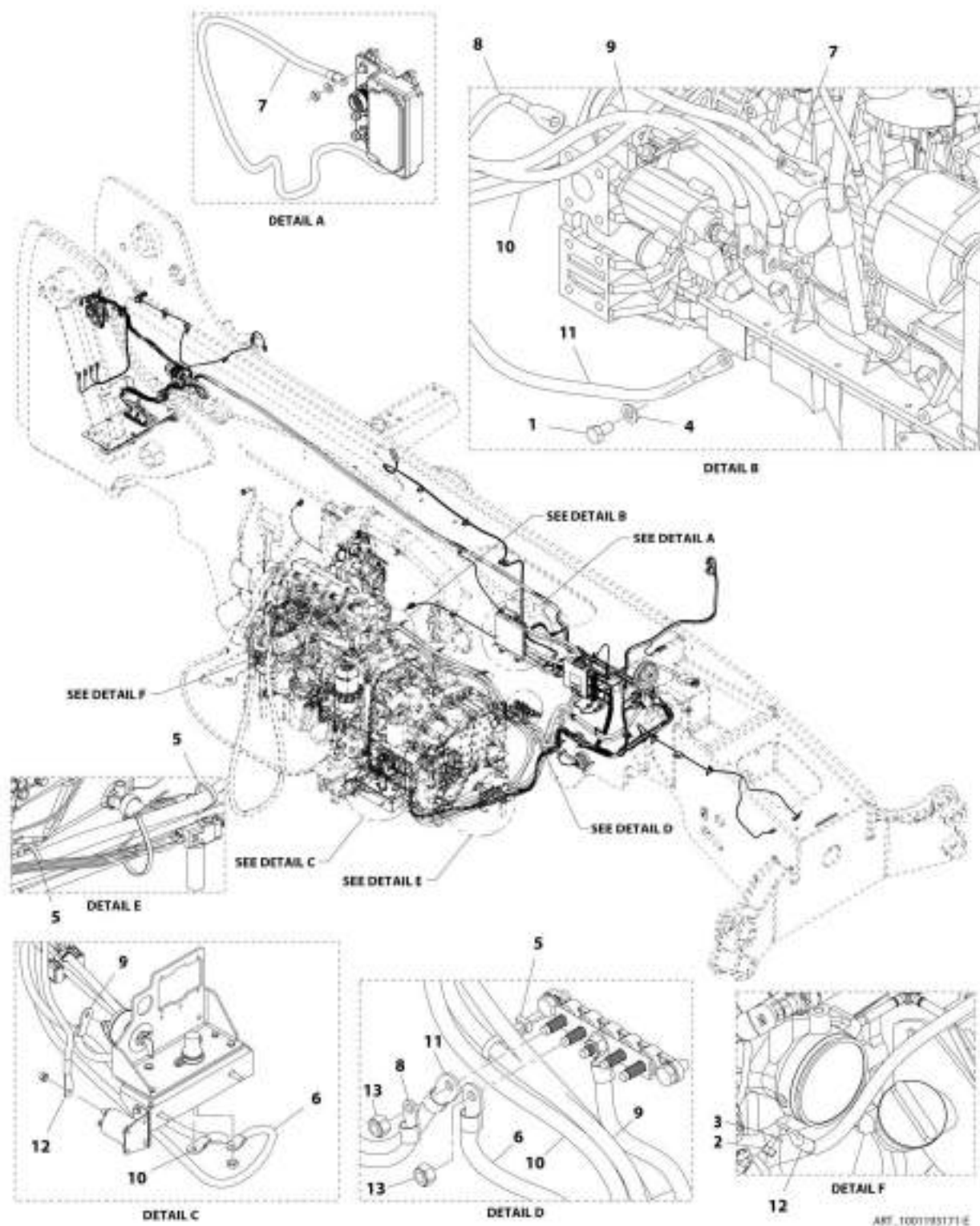
## SECTION 10 - ELECTRICAL

**FIGURE 10-7. FRAME WIRING INSTALLATION (ULS)**

ITEM	PART NUMBER	QTY	DESCRIPTION	REV
	1001225987	Ref	Frame Wiring Installation (ULS)	B
1	0761007	2	Bolt, M10X14	
2	0761010	1	Bolt, M10X20	
3	3290601	1	Nut, M6X1	
4	3291005	5	Nut, Lock M10X1.5	
5	4812000	2	Washer, M10	
6	8406201	1	Clip, Wire and Tube	
7	1001008559	19	Strap, Tie	
8	1001146588	13	Strap, Tie	
9	1001169365	1	Cable, Battery Negative	
10	1001170566	1	Cable, Battery Disconnect to PDM	
11	1001170624	1	Cable, Battery + to Battery Disconnect	
12	1001200082	1	Cable, PDM to Grid Heater	
13	1001202986	8	Strap	
14	1001204352	1	Harness, Rear Frame (See Separate Breakdown in this Section)	
15	1001221728	1	Harness, Front Frame (See Separate Breakdown in this Section)	

# SECTION 10 - ELECTRICAL

## FIGURE 10-8. ENGINE BAY WIRING INSTALLATION (LS)



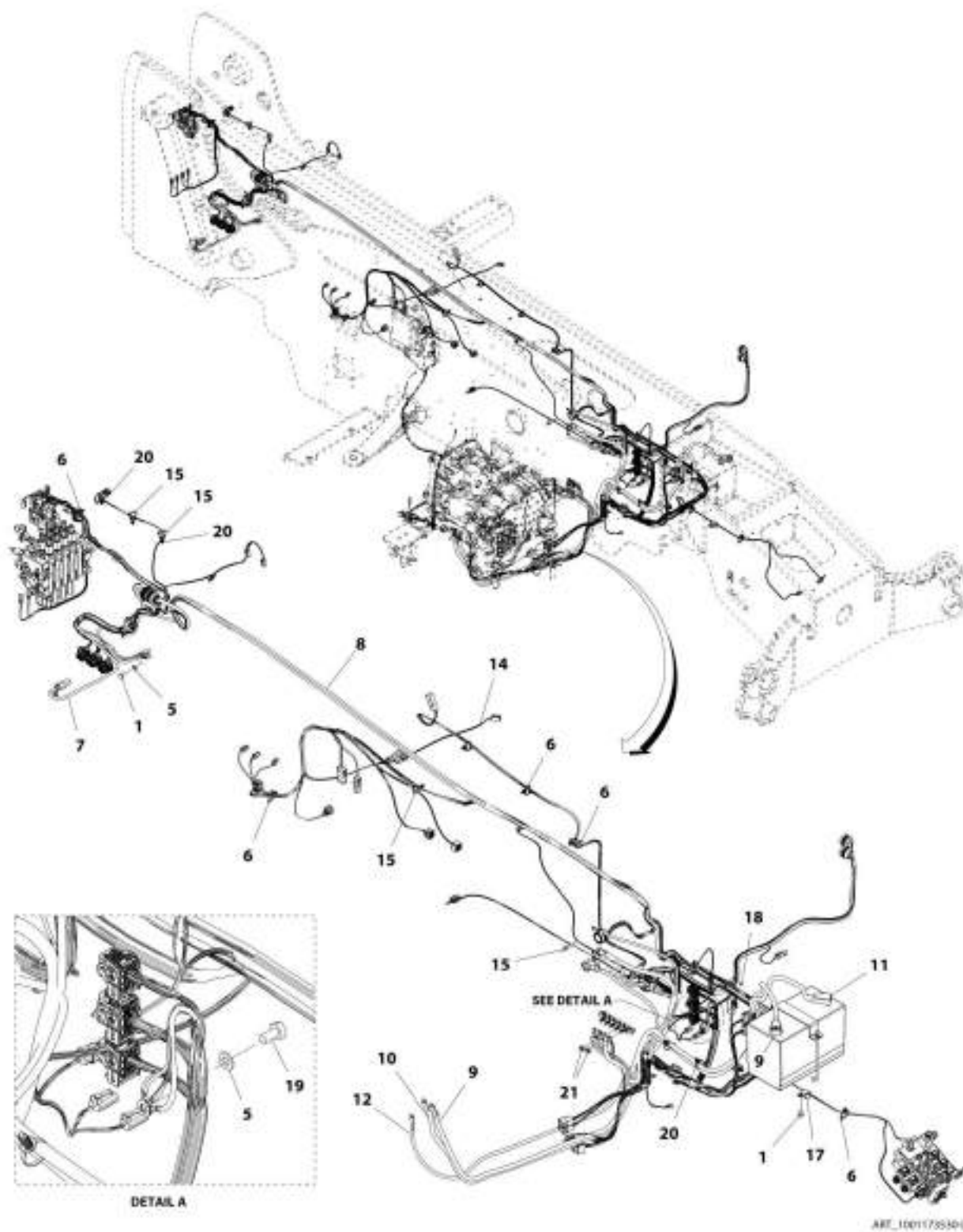
## SECTION 10 - ELECTRICAL

**FIGURE 10-8. ENGINE BAY WIRING INSTALLATION (LS)**

ITEM	PART NUMBER	QTY	DESCRIPTION	REV
	1001193171	Ref	Engine Bay Wiring Installation (LS)	E
1	0761210	1	Bolt, M12X20	
2	3290605	1	Nut, Lock M6X1	
3	4811700	1	Washer, M6	
4	4812100	1	Washer, M12	
5	1001008559	6	Strap, Cable	
6	1001200102	1	Cable, Ground Buss to Remote Ground	
7	1001205254	1	Cable, PDM to Alt+	
8	1001170320	1	Cable, Starter Ground	
9	1001187623	1	Cable, Starter to Battery Disconnect	
10	1001187624	1	Cable, Starter to Remote B+	
11	1001205255	1	Cable, Engine Ground	
12	1001170816	1	Cable, Grid Heater	
13	3291005	2	Nut, Lock M10X1.5	

# SECTION 10 - ELECTRICAL

## FIGURE 10-9. FRAME WIRING INSTALLATION (ULS)



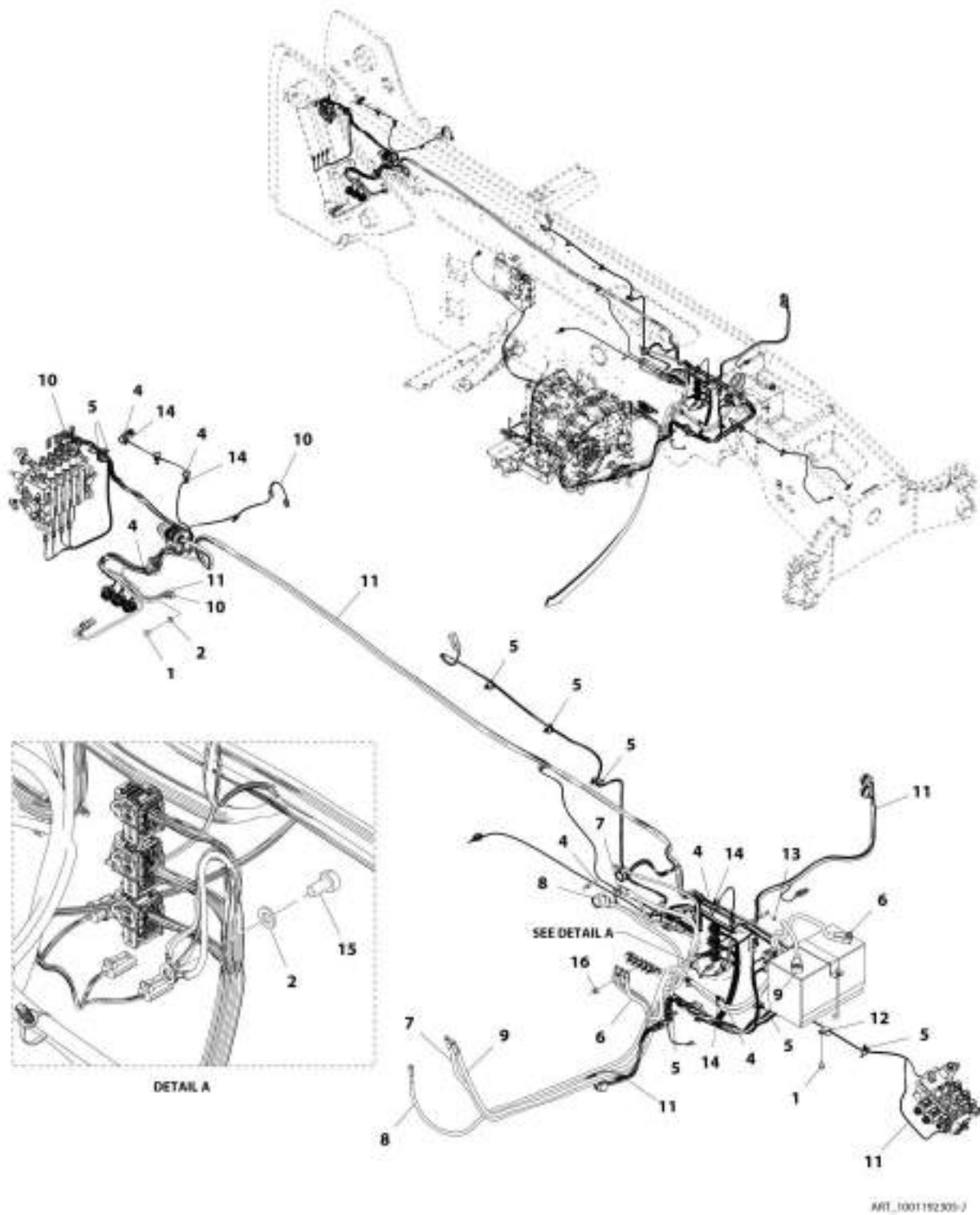
## SECTION 10 - ELECTRICAL

**FIGURE 10-9. FRAME WIRING INSTALLATION (ULS)**

ITEM	PART NUMBER	QTY	DESCRIPTION	REV
	1001173530	Ref	Frame Wiring Installation (ULS)	L
1	0761007	2	Bolt, M10X14	
5	4812000	2	Washer, M10	
6	1001146588	14	Strap, Fir Tree Cable Tie	
7	1001204352	1	Harness, Rear Frame (See REAR FRAME HARNESS for Breakdown)	
8		Ref	Harness, Front Frame (See Separate Breakdown in this Section)	
9	1001170624	1	Cable, Battery + to Battery Disconnect	
10	1001170566	1	Cable, Battery Disconnect to PDM	
11	1001169365	1	Cable, Battery Negative	
12	1001200082	1	Cable, PDM to Grid Heater	
14	1001173091	1	Harness, Engine Chassis Harness (See ENGINE CHASSIS HARNESS (ULS) for Breakdown)	
15	1001008559	19	Strap, Cable	
17	8406201	1	Clip, Wire and Tube	
18	3290601	1	Nut, M6X1	
19	0761010	1	Bolt, M10X20	
20	1001202986	9	Strap, Fir Tree Push Mount	
21	3291005	2	Nut, Lock M10X1.5	

# SECTION 10 - ELECTRICAL

## FIGURE 10-10. FRAME WIRING INSTALLATION (LS)



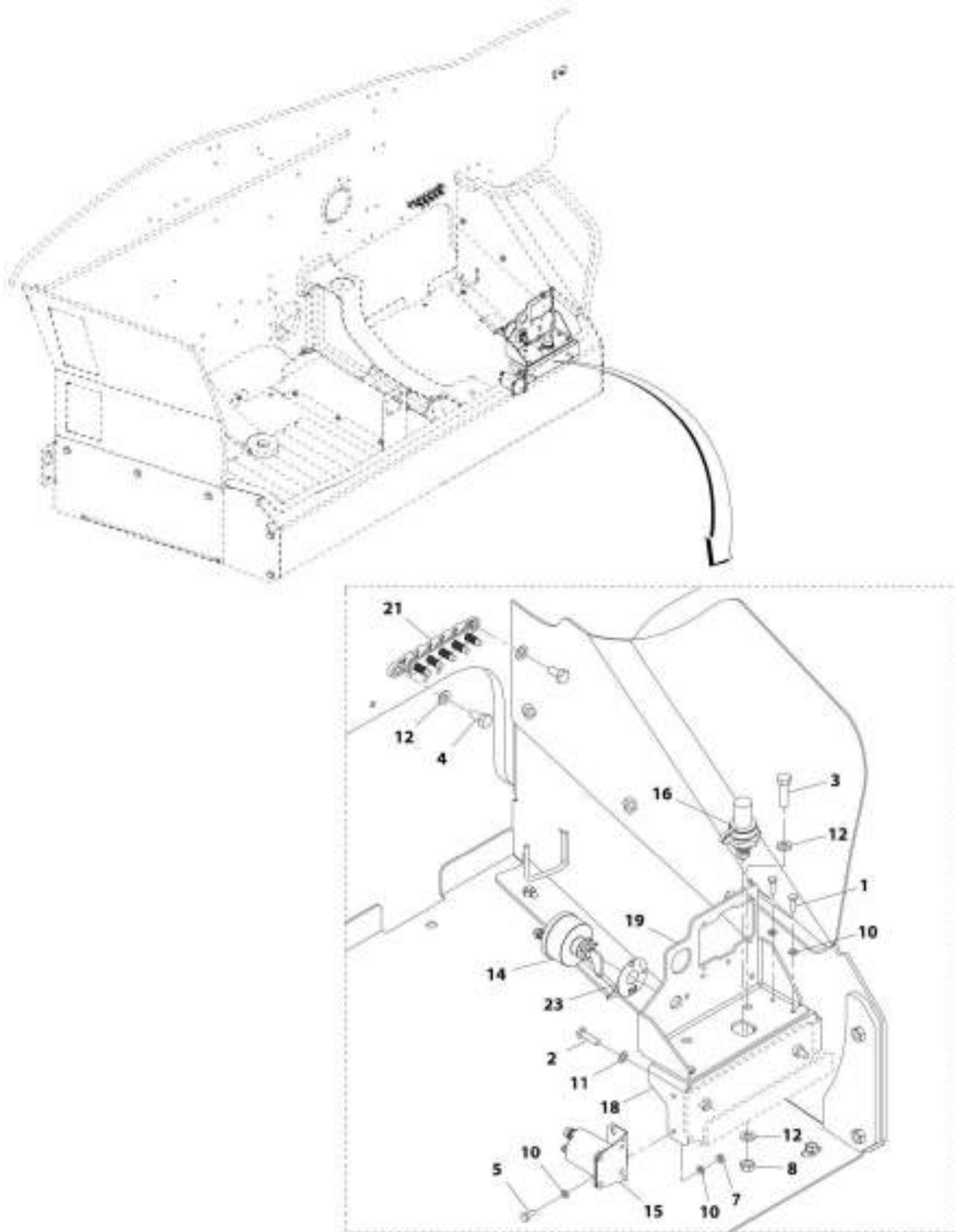
## SECTION 10 - ELECTRICAL

**FIGURE 10-10. FRAME WIRING INSTALLATION (LS)**

ITEM	PART NUMBER	QTY	DESCRIPTION	REV
	1001192305	Ref	Frame Wiring Installation (LS)	J
1	0761007	2	Bolt, M10X14	
2	4812000	2	Washer, M10	
4	1001008559	19	Strap, Cable	
5	1001146588	13	Strap, Fir Tree Cable Tie	
6	1001169365	1	Cable, Battery Negative	
7	1001170566	1	Cable, Battery Disconnect to PDM	
8	1001200082	1	Cable, PDM to Grid Heater	
9	1001170624	1	Cable, Battery + to Battery Disconnect	
10	1001204352	1	Harness, Rear Frame (See REAR FRAME HARNESS for Breakdown)	
11		Ref	Harness, Front Frame (See Separate Breakdown in this Section)	
12	8406201	1	Clip, Wire and Tube	
13	3290601	1	Nut, M6X1	
14	1001202986	8	Strap, Fir Tree Push Mount	
15	0761010	1	Bolt, M10X20	
16	3291005	1	Nut, Lock M10X1.5	

# SECTION 10 - ELECTRICAL

## FIGURE 10-11. ENGINE BAY ELECTRICAL INSTALLATION



ART\_100175765-I



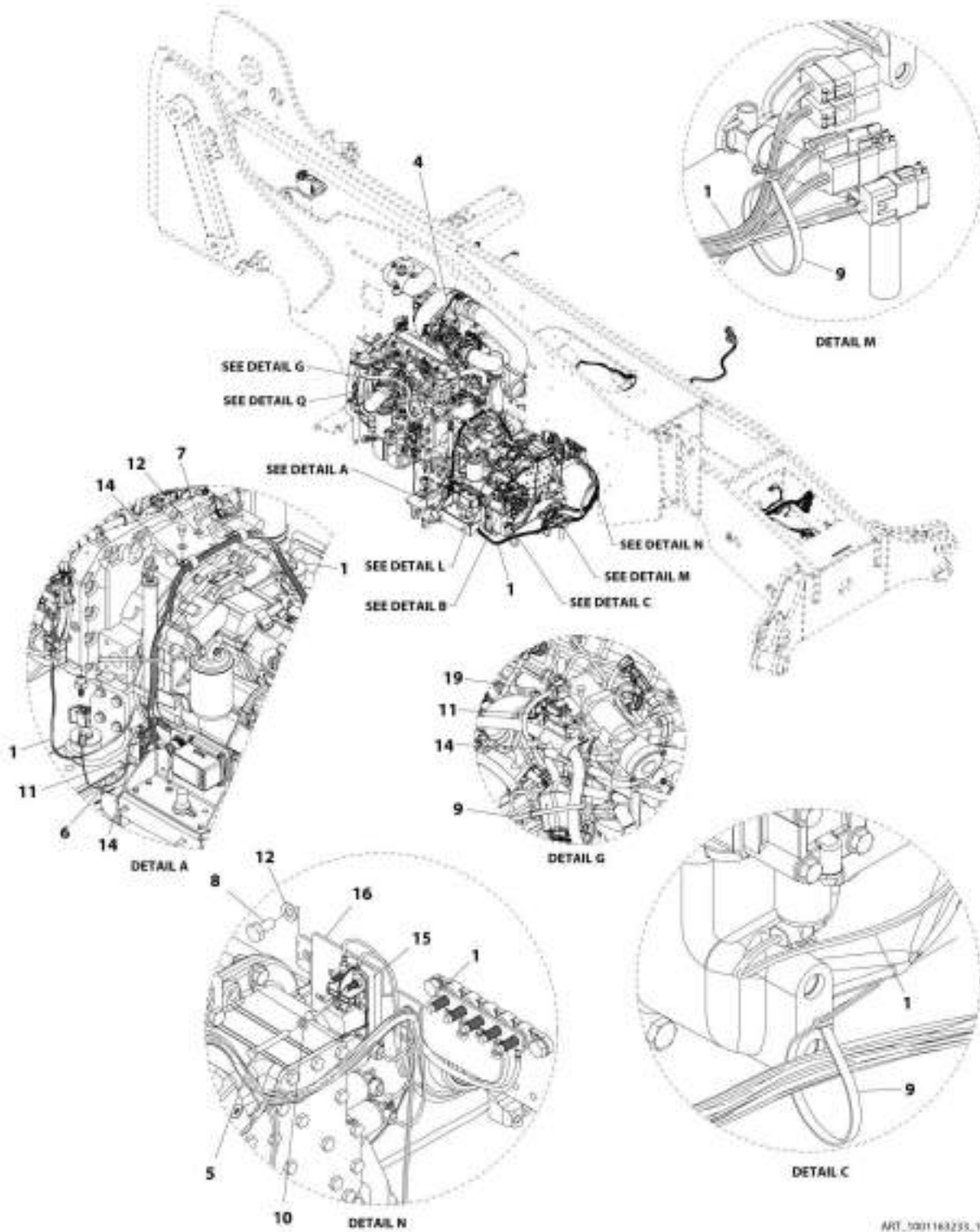
## SECTION 10 - ELECTRICAL

### FIGURE 10-11. ENGINE BAY ELECTRICAL INSTALLATION

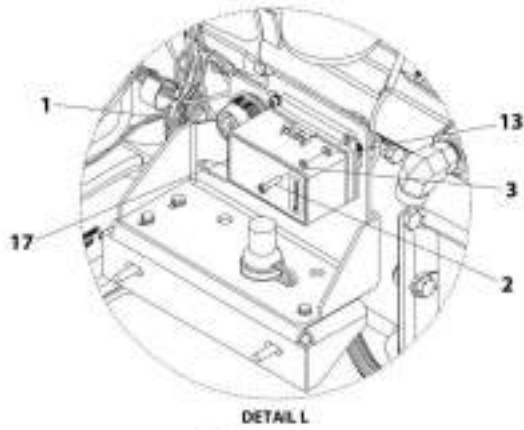
ITEM	PART NUMBER	QTY	DESCRIPTION	REV
	1001173765	Ref	Engine Bay Electrical Installation	J
1	0700610	4	Bolt, M6X20	
2	0700814	2	Bolt, M8X30	
3	0701016	1	Bolt, M10X40	
4	0761010	2	Bolt, M10X20	
5	0760608	2	Bolt, M6X16	
7	3290601	2	Nut, M6X1	
8	3291001	1	Nut, M10X1.5	
10	4811700	8	Washer, M6	
11	4811900	2	Washer, M8	
12	4812000	4	Washer, M10	
14	1001192142	1	Switch	
15	1001117308	1	Relay	
16	1001193993	1	Terminal	
18	1001199099	1	Bracket	
19	1001198321	1	Bracket	
21	1001181128	1	Bussbar	
23	1001008540	1	Plate	

# SECTION 10 - ELECTRICAL

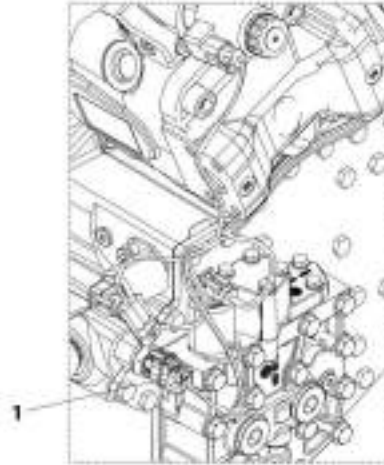
## FIGURE 10-12. ENGINE WIRING INSTALLATION (ULS)



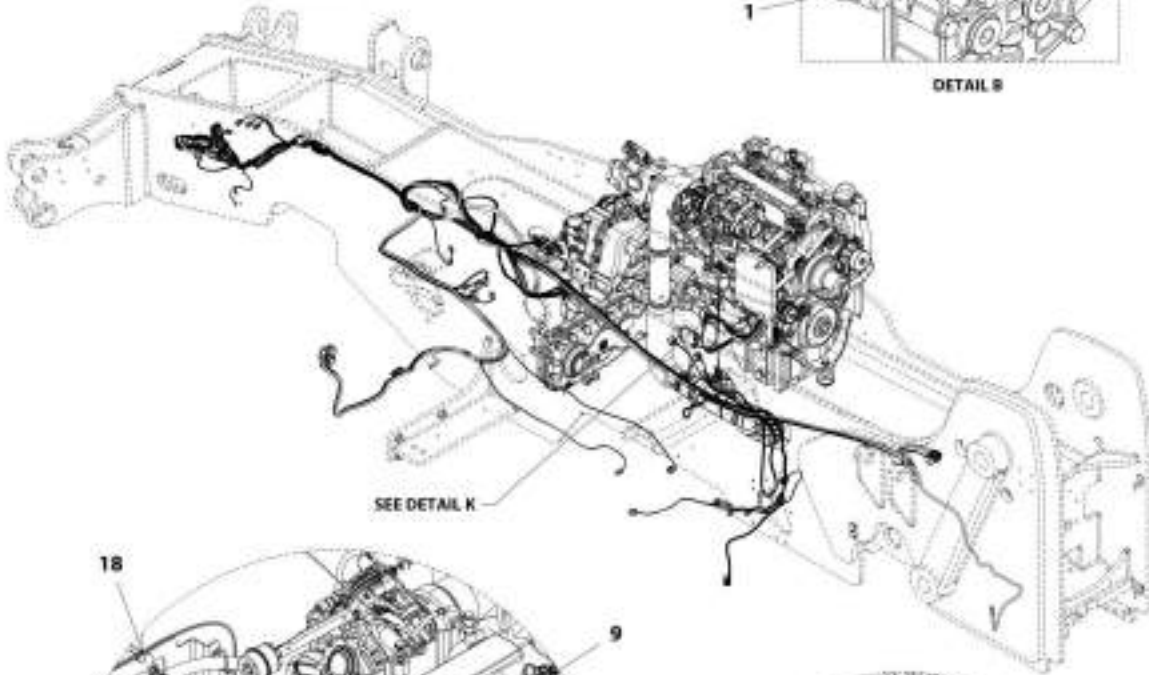
# SECTION 10 - ELECTRICAL



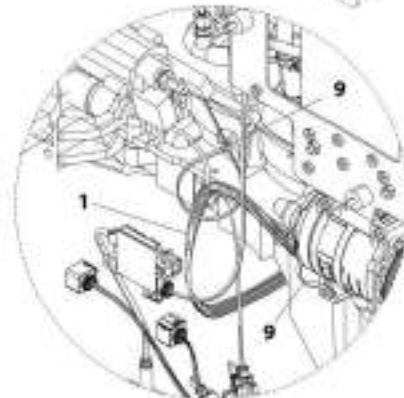
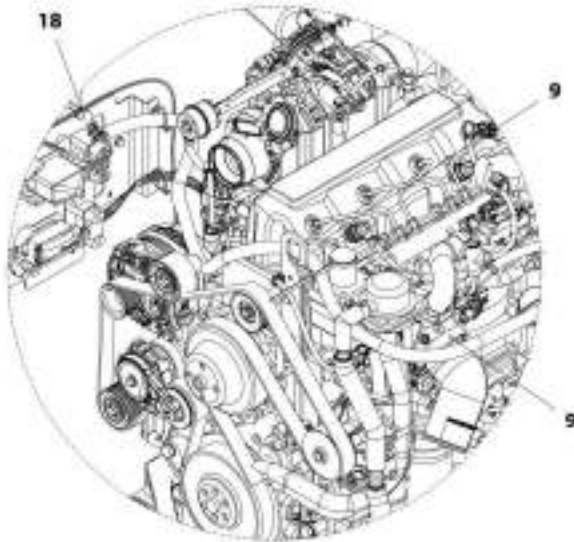
DETAIL L



DETAIL B



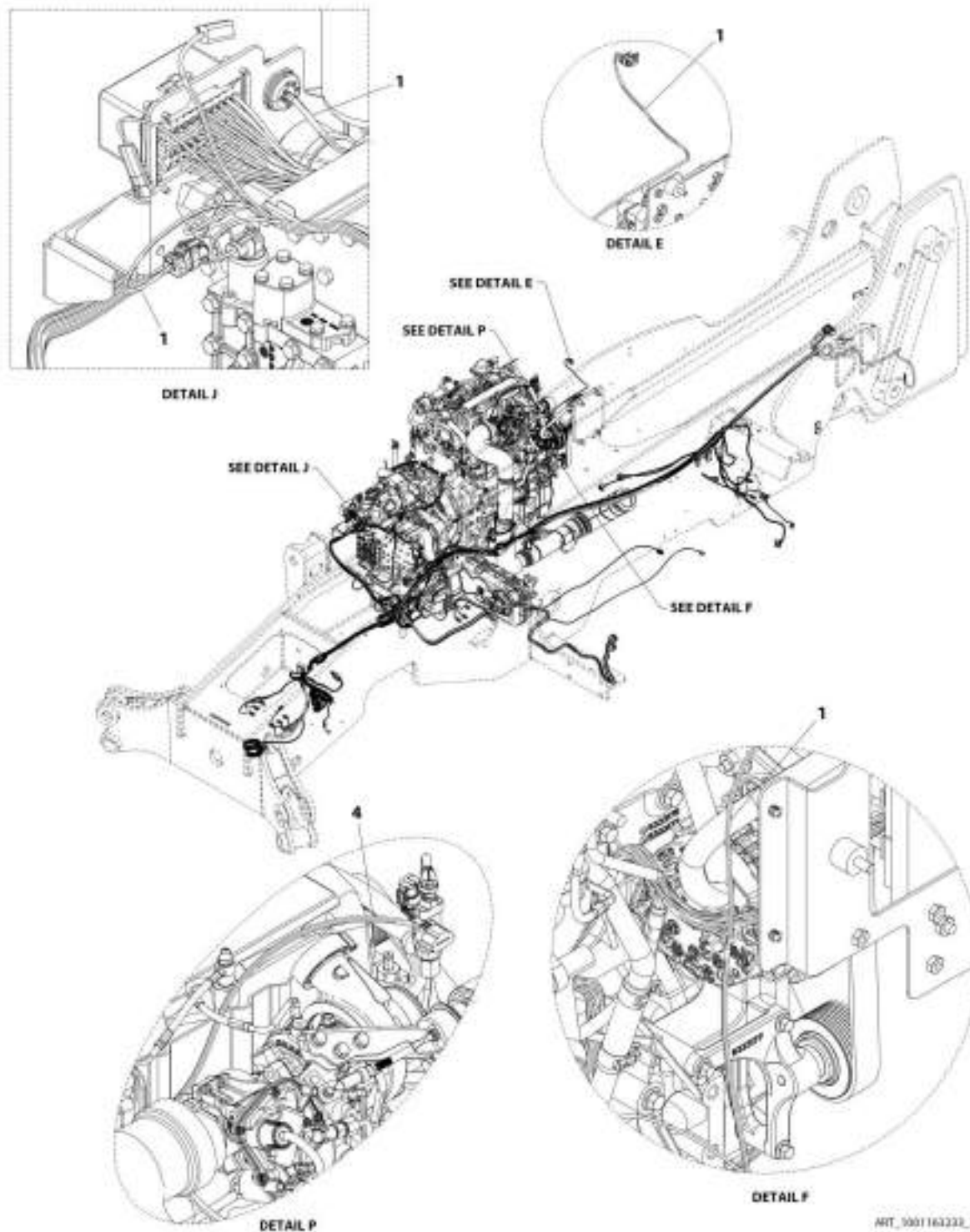
SEE DETAIL K



DETAIL K

ART\_1001163233\_3-K

# SECTION 10 - ELECTRICAL



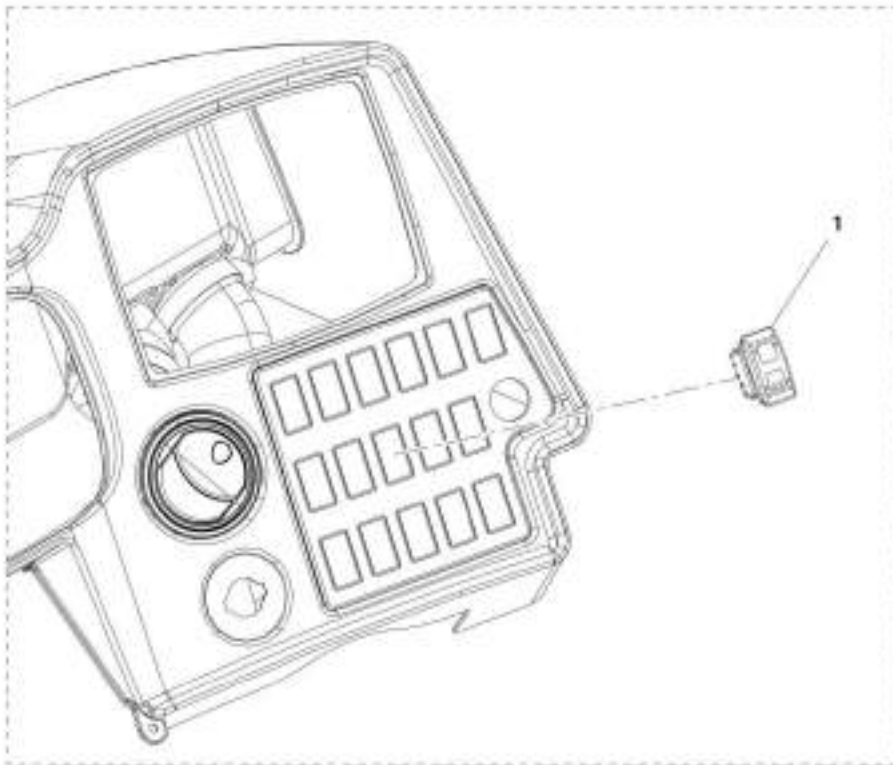
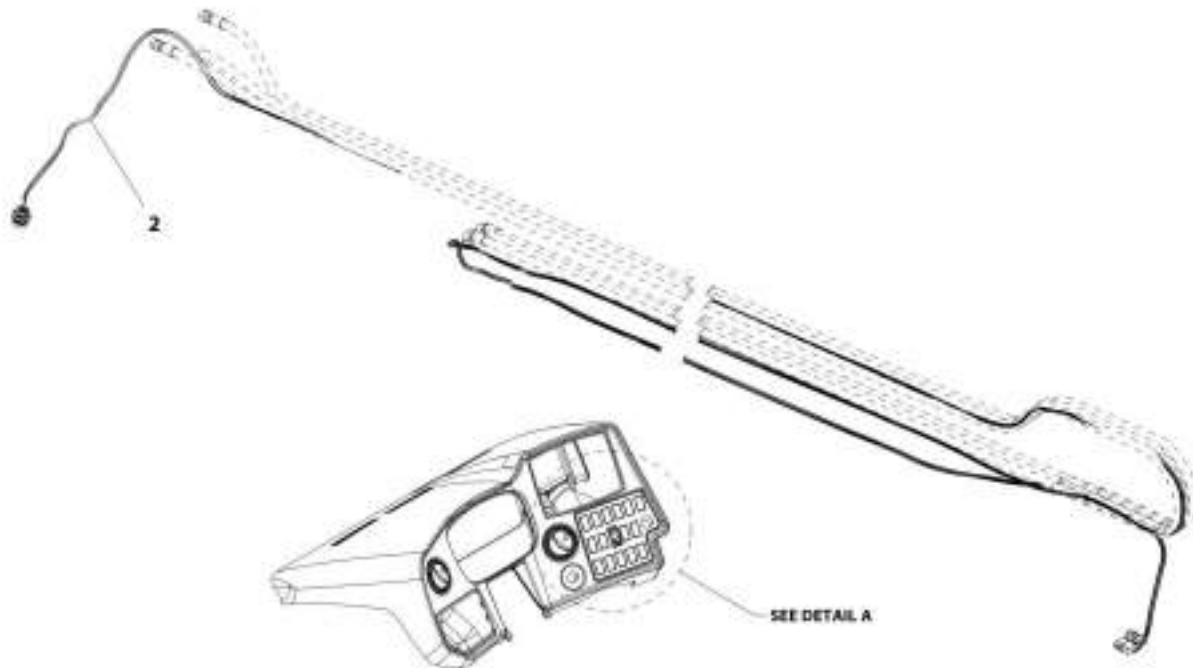
## SECTION 10 - ELECTRICAL

**FIGURE 10-12. ENGINE WIRING INSTALLATION (ULS)**

ITEM	PART NUMBER	QTY	DESCRIPTION	REV
	1001163233	Ref	Engine Wiring Installation (ULS)	K
1		Ref	Harness, Engine (ULS) (See Separate Breakdown in this Section)	
2	4031608	4	Screw, M5X20	
3	4811600	4	Washer, M5	
4	1001184835	1	Harness, TBAP (See TBAP HARNESS for Breakdown)	
5	0700618	1	Bolt, M6X50	
6	0760808	1	Bolt, M8X16	
7	0761007	2	Bolt, M10X14	
8	0761010	2	Bolt, M10X20	
9	1062255	8	Strap, Tie	
10	4811700	1	Washer, M6	
11	4811900	2	Washer, M8	
12	4812000	4	Washer, M10	
13	4831600	4	Washer, Lock M5	
14	8406201	4	Clip, Tube	
15	1001131177	1	Fuse, Power Module	
16	1001189046	1	Bracket	
17	1001191486	1	Decal	
18	1001167646	1	Connector, Strain Relief	
19	0760807	1	Bolt, M8X14	

# SECTION 10 - ELECTRICAL

## FIGURE 10-13. BOOM AUXILIARY ELECTRIC INSTALLATION



DETAIL A

ART.1001107532-A

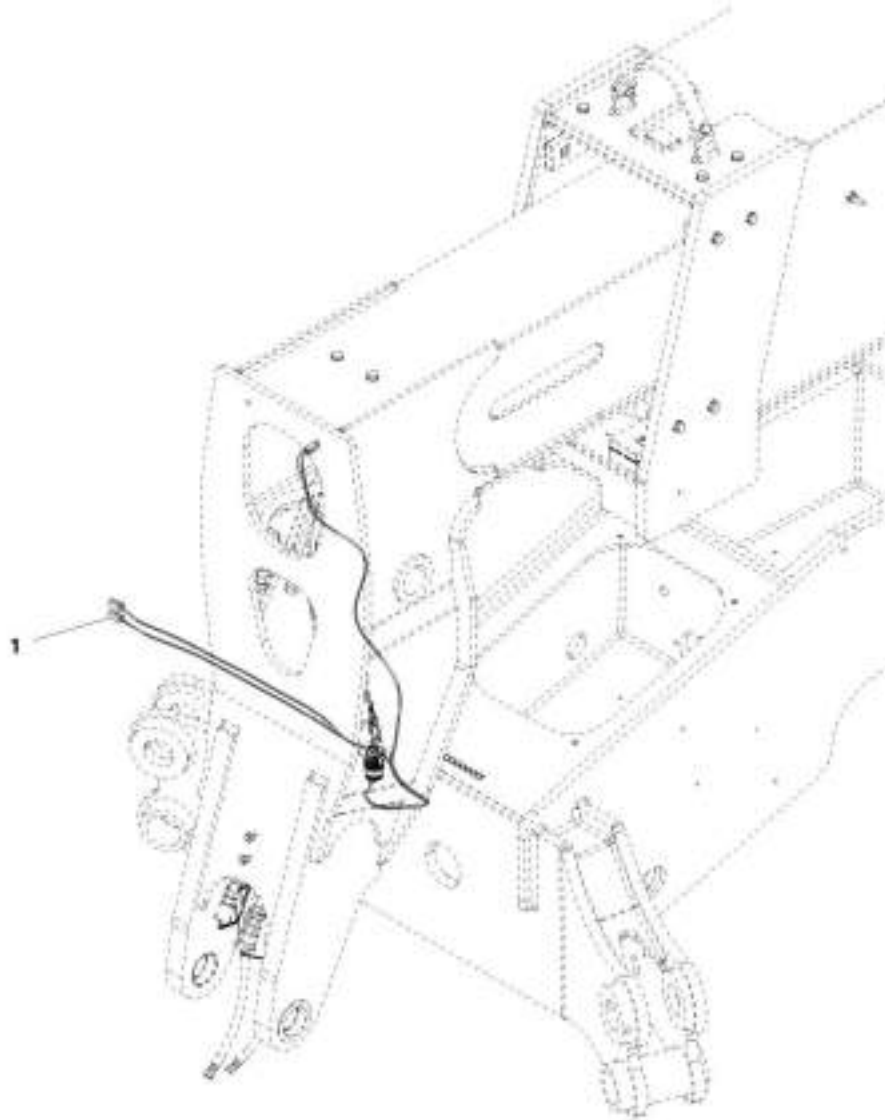
## SECTION 10 - ELECTRICAL

**FIGURE 10-13. BOOM AUXILIARY ELECTRIC INSTALLATION**

ITEM	PART NUMBER	QTY	DESCRIPTION	REV
	1001187532	Ref	Boom Auxiliary Electric Installation	A
1	1001159746	1	Switch, Auxiliary Electric	
2	1001174426	1	Installation, Boom Electrical Harness (See Separate Breakdown in this Section)	

# SECTION 10 - ELECTRICAL

## FIGURE 10-14. BOOM AUXILIARY ELECTRIC HARNESS INSTALLATION



ARE\_100160799-A



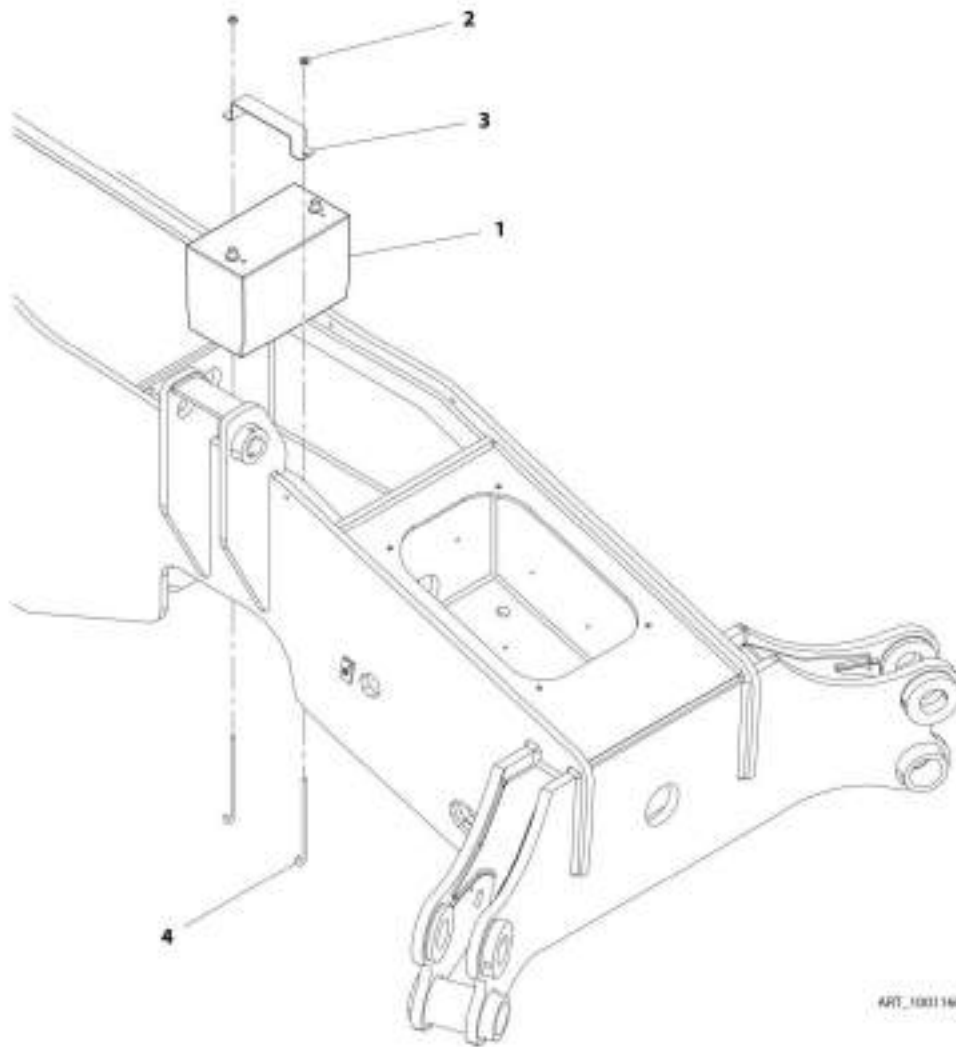
## SECTION 10 - ELECTRICAL

**FIGURE 10-14. BOOM AUXILIARY ELECTRIC HARNESS INSTALLATION**

ITEM	PART NUMBER	QTY	DESCRIPTION	REV
1	1001167799 1001167695	Ref 1	Boom Auxiliary Electric Harness Installation Harness, Platform (See Separate Breakdown in this Section)	A

# SECTION 10 - ELECTRICAL

## FIGURE 10-15. BATTERY INSTALLATION



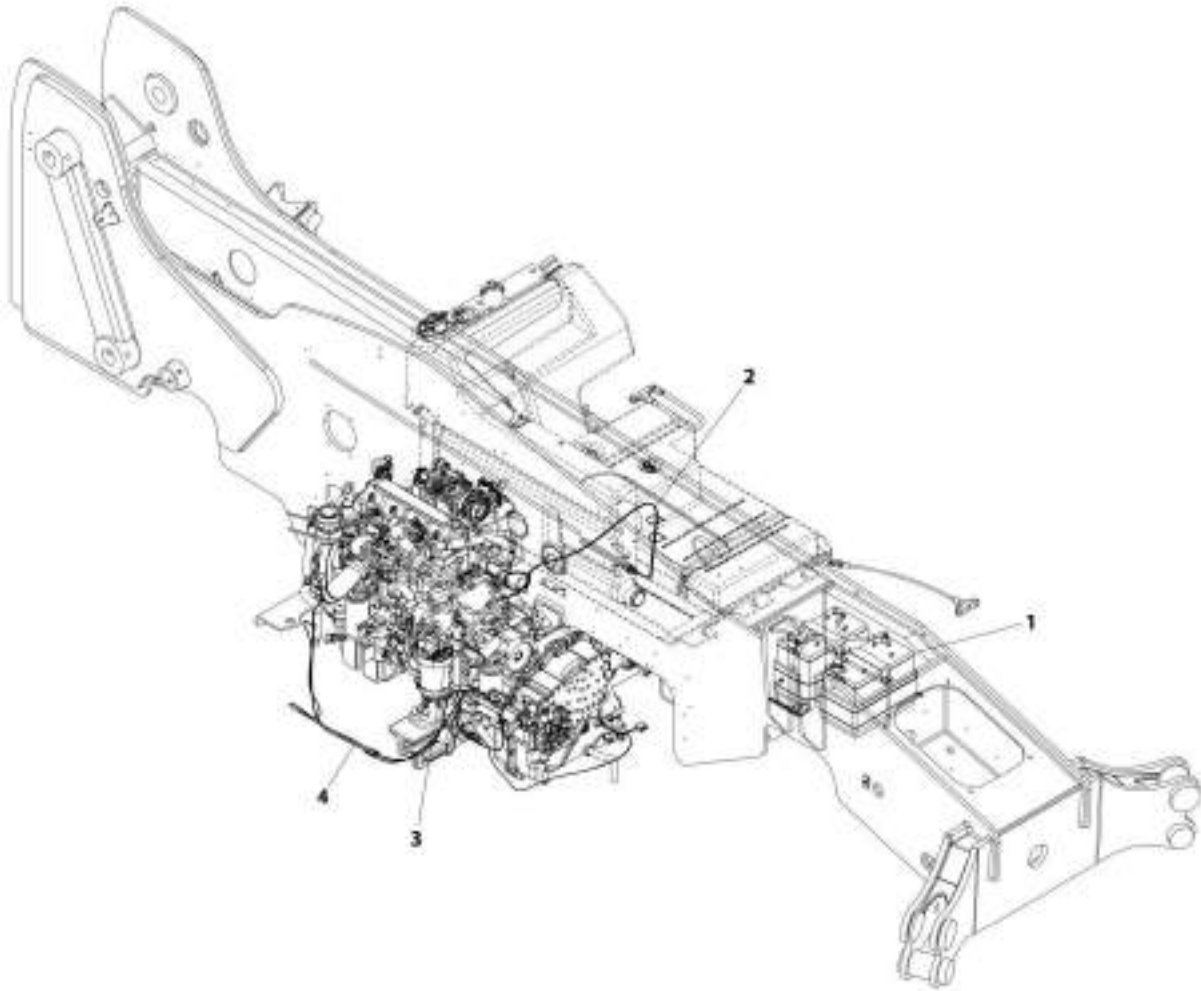
## SECTION 10 - ELECTRICAL

### FIGURE 10-15. BATTERY INSTALLATION

ITEM	PART NUMBER	QTY	DESCRIPTION	REV
	1001160711	Ref	Battery Installation	C
1	0400075	1	Battery, 12V	
2	5220800	2	Nut, M8	
3	1001160927	1	Plate	
4	1001181961	2	J-Bolt	

## SECTION 10 - ELECTRICAL

FIGURE 10-16. ARCTIC COLD WEATHER PACKAGE INSTALLATION



MT\_1001190129-D

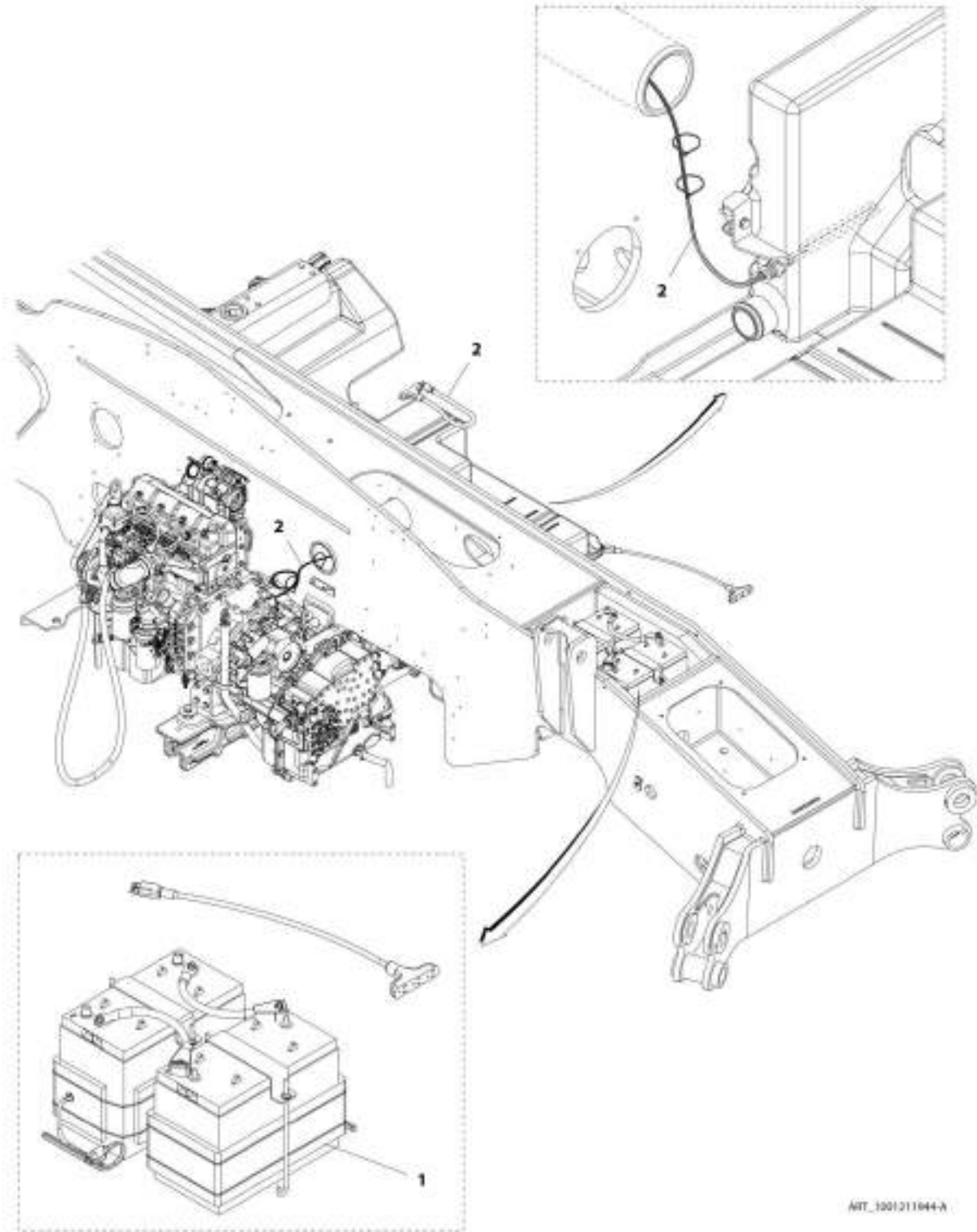
## SECTION 10 - ELECTRICAL

**FIGURE 10-16. ARCTIC COLD WEATHER PACKAGE INSTALLATION**

ITEM	PART NUMBER	QTY	DESCRIPTION	REV
1	1001190179	Ref	Arctic Weather Package Installation - 110 HP (ULS)	D
	1001190670	Ref	Installation, Arctic Batteries (See Separate Breakdown in this Section)	
2	1001190671	Ref	Installation, Tank Heater (See Separate Breakdown in this Section)	
3	1001204095	Ref	Installation, Fuel Filter Heater (See Separate Breakdown in this Section)	
4	1001232751	Ref	Heater, Breather - 110 HP (See Separate Breakdown in Engine And Attaching Parts Section)	

# SECTION 10 - ELECTRICAL

## FIGURE 10-17. ARCTIC COLD WEATHER PACKAGE INSTALLATION (LS)



AWT\_1001211044-A

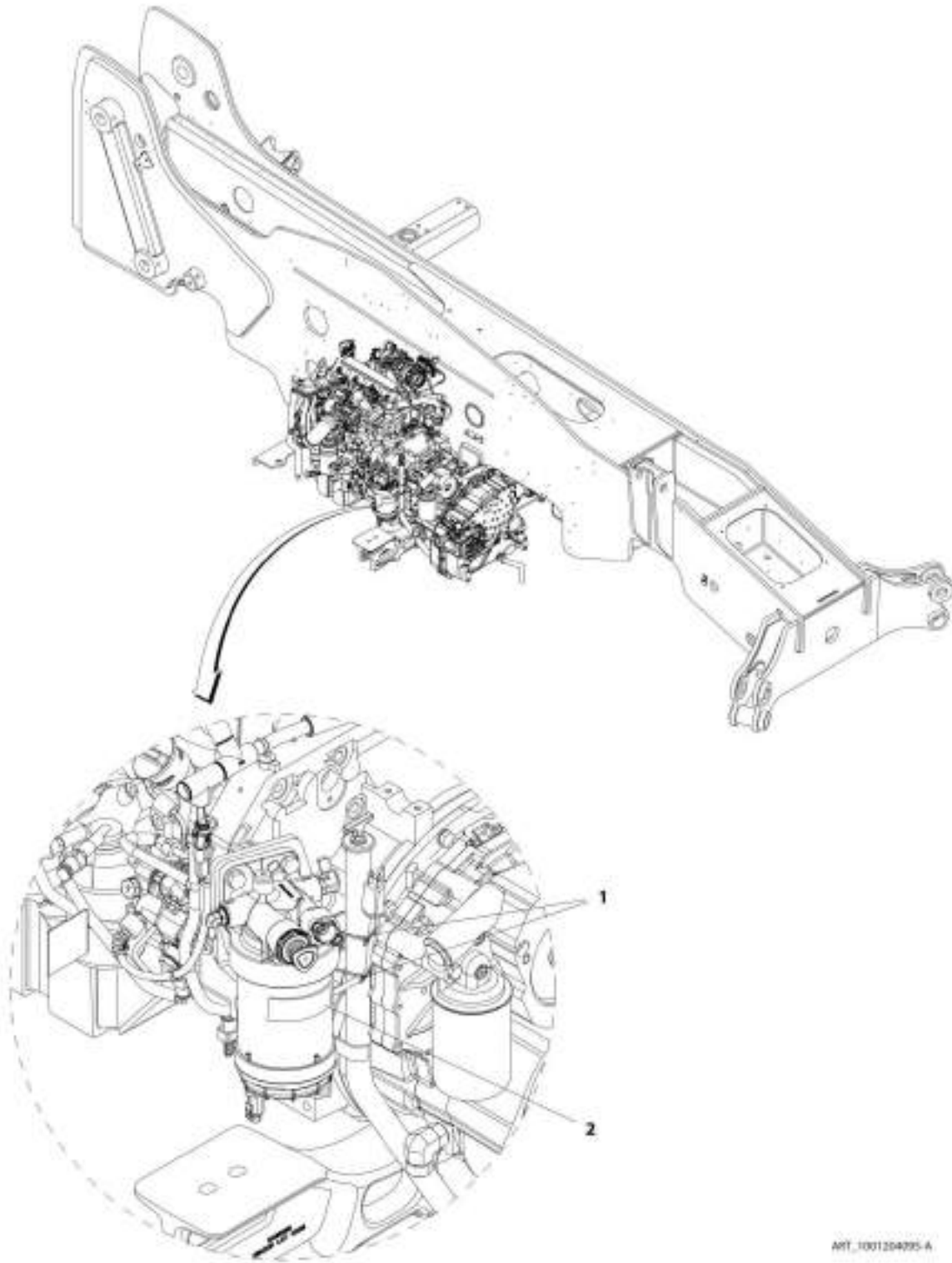
## SECTION 10 - ELECTRICAL

**FIGURE 10-17. ARCTIC COLD WEATHER PACKAGE INSTALLATION (LS)**

ITEM	PART NUMBER	QTY	DESCRIPTION	REV
1	1001211944	Ref	Arctic Weather Package Installation (LS)	A
	1001190670	Ref	Installation, Arctic Batteries (See Separate Breakdown in this Section)	
2	1001190671	Ref	Installation, Tank Heater (See HYDRAULIC TANK HEATER INSTALLATION for Breakdown)	

# SECTION 10 - ELECTRICAL

## FIGURE 10-18. FUEL FILTER HEATER INSTALLATION



ART\_1001204095-A



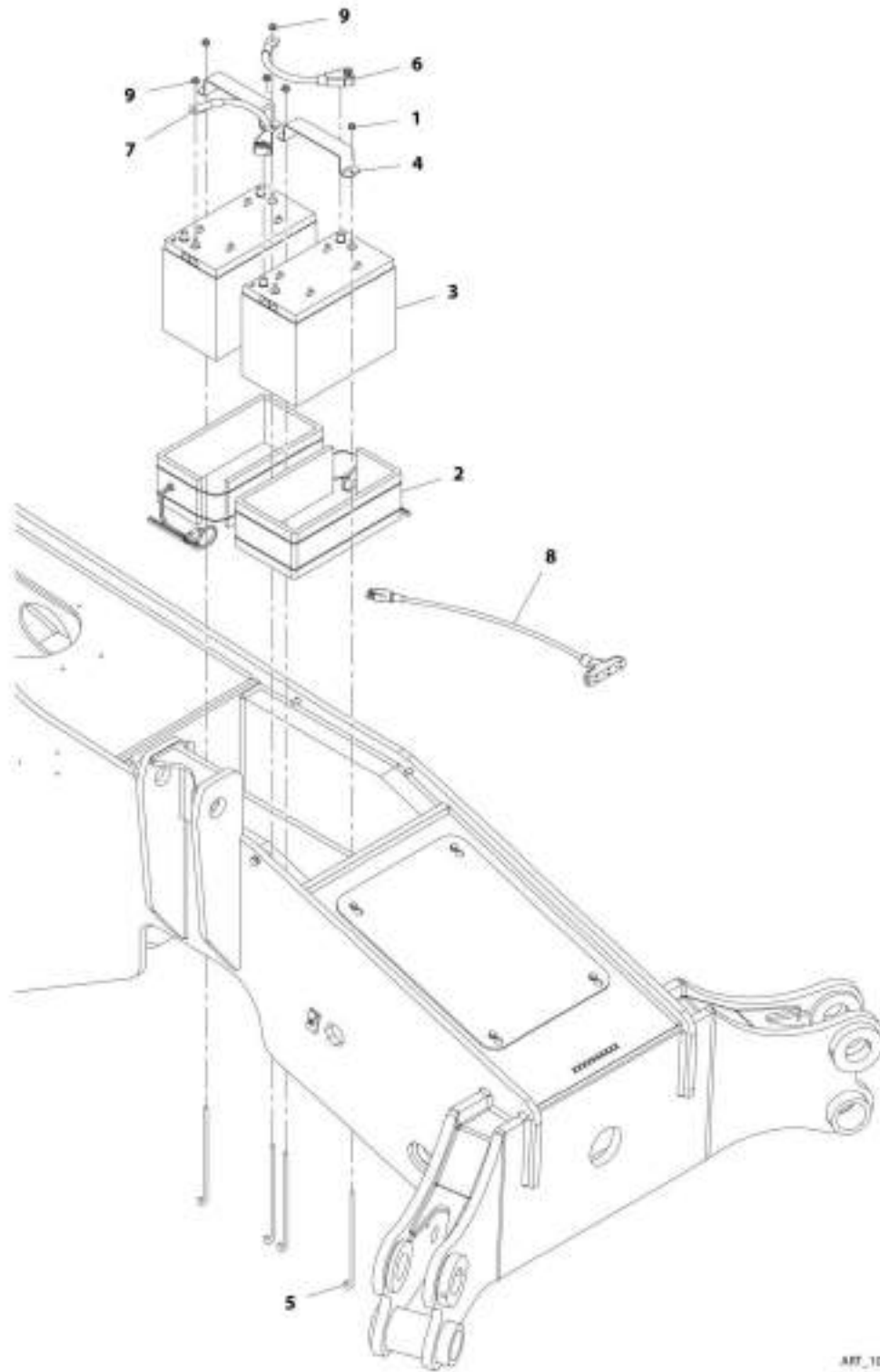
## SECTION 10 - ELECTRICAL

### FIGURE 10-18. FUEL FILTER HEATER INSTALLATION

ITEM	PART NUMBER	QTY	DESCRIPTION	REV
	1001204095	Ref	Fuel Filter Heater Installation	A
1	4240099	2	Strap, Tie	
2	1001202498	1	Pad	

# SECTION 10 - ELECTRICAL

## FIGURE 10-19. ARTIC BATTERIES INSTALLATION



ART\_1001100670-C

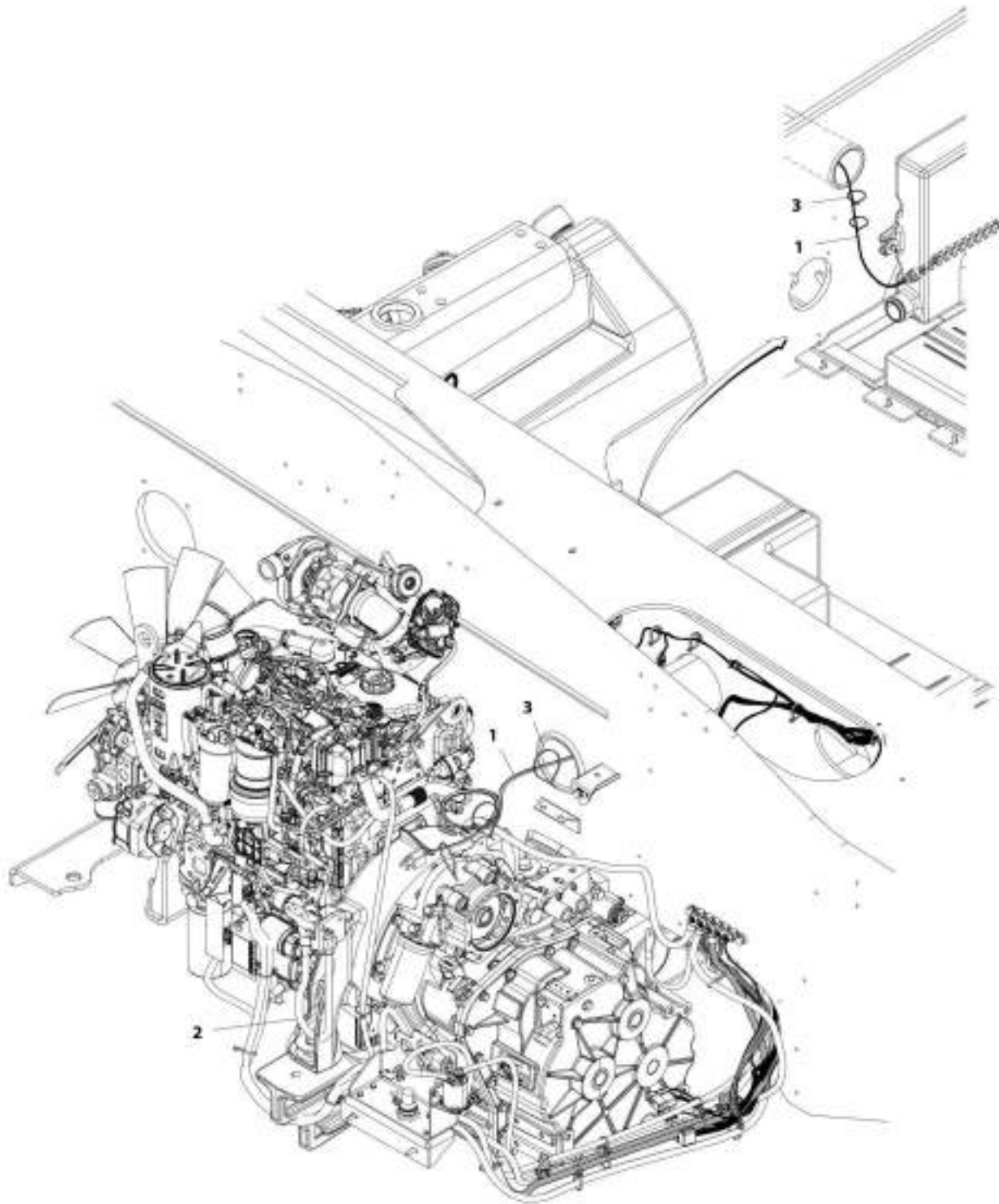
## SECTION 10 - ELECTRICAL

### FIGURE 10-19. ARTIC BATTERIES INSTALLATION

ITEM	PART NUMBER	QTY	DESCRIPTION	REV
	1001190670	Ref	Artic Batteries Installation	C
1	5220800	4	Nut, M8	
2	1001093564	2	Heater, Battery	
3	1001098762	2	Battery, 12V	
4	1001160927	2	Plate	
5	1001160928	4	J-Bolt	
6	1001172495	1	Cable	
7	1001172496	1	Cable	
8	1060626	1	Cord, 3-Way Extension	
9	3311508	2	Nut	

# SECTION 10 - ELECTRICAL

## FIGURE 10-20. HYDRAULIC TANK HEATER INSTALLATION



ART\_100190671-0

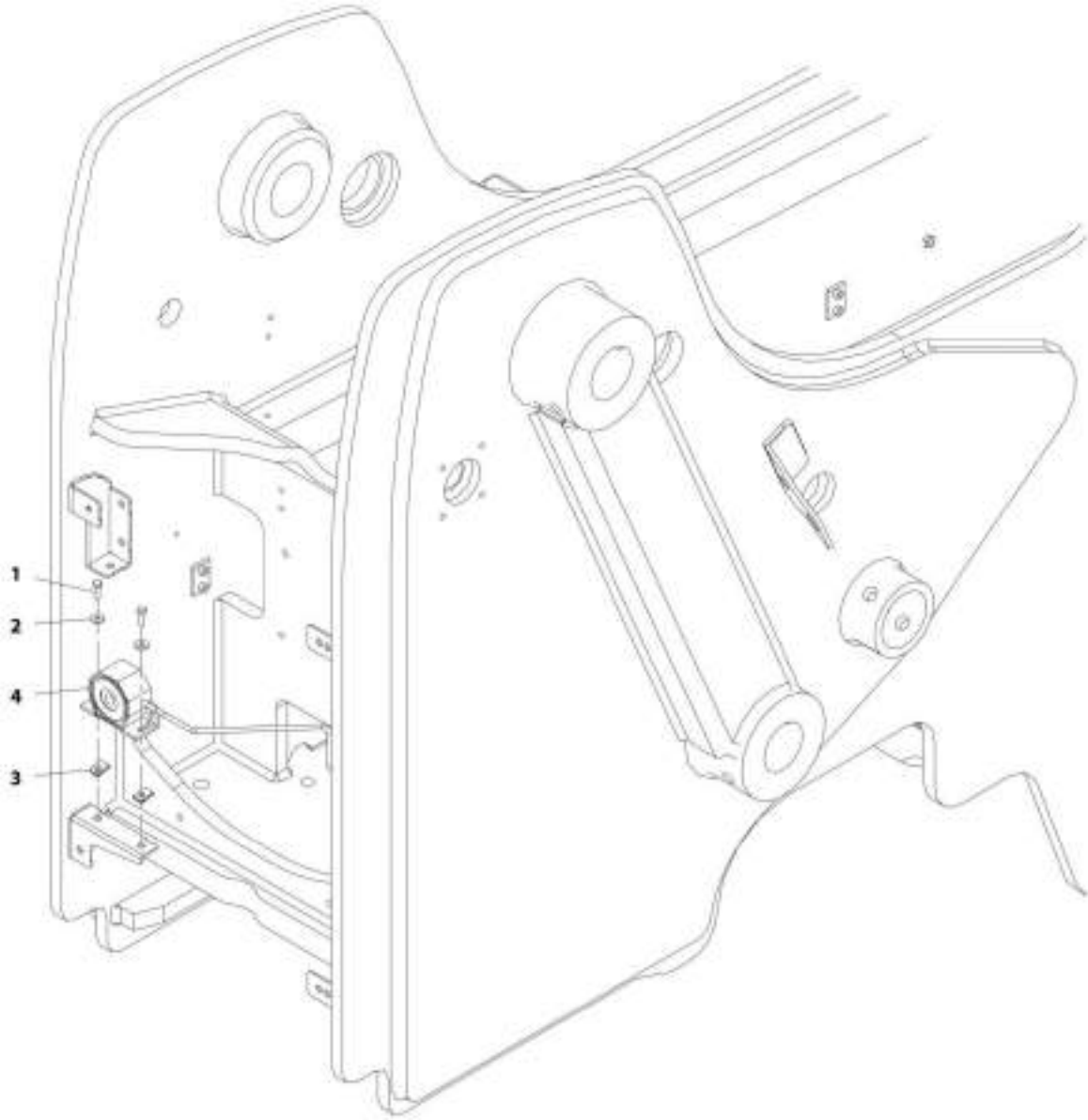
## SECTION 10 - ELECTRICAL

### FIGURE 10-20. HYDRAULIC TANK HEATER INSTALLATION

ITEM	PART NUMBER	QTY	DESCRIPTION	REV
	1001190671	Ref	Hydraulic Tank Heater Installation	B
1	1001105886	1	Heater, Immersion	
2	1060626	1	Cord, 3-Way Extension	
3	4240099	5	Strap, Tie	

# SECTION 10 - ELECTRICAL

FIGURE 10-21. BACKUP ALARM INSTALLATION (120 DB)



AWT\_1001104143-B

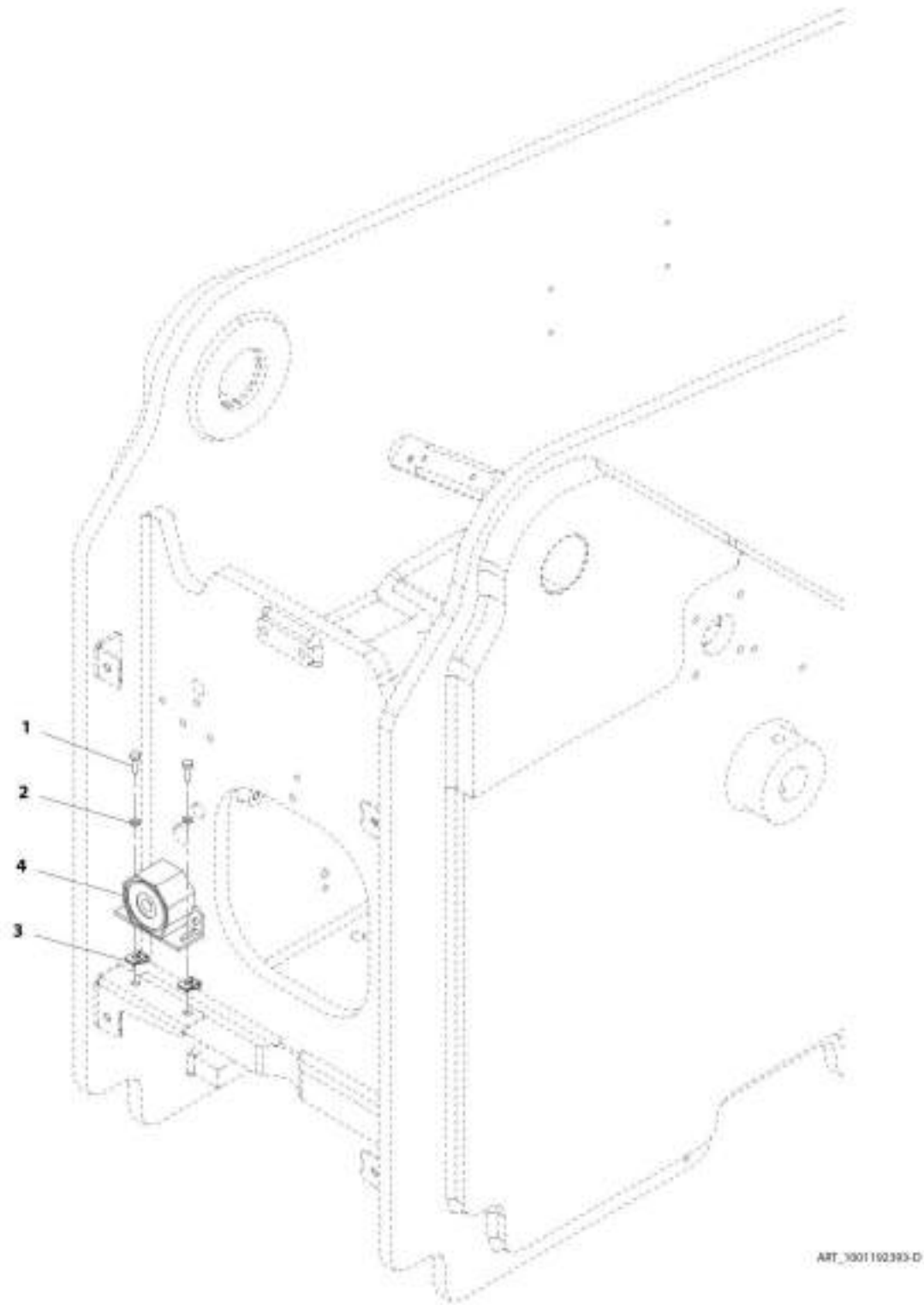
## SECTION 10 - ELECTRICAL

**FIGURE 10-21. BACKUP ALARM INSTALLATION (120 DB)**

ITEM	PART NUMBER	QTY	DESCRIPTION	REV
	1001199183	Ref	Backup Alarm Installation (120 dB)	B
1	0700610	2	Bolt, M6X20	
2	4811702	2	Washer, M6	
3	1001130220	2	Nut, M6	
4	1001147060	1	Alarm, Backup	

# SECTION 10 - ELECTRICAL

## FIGURE 10-22. BACKUP ALARM INSTALLATION (97 DB)





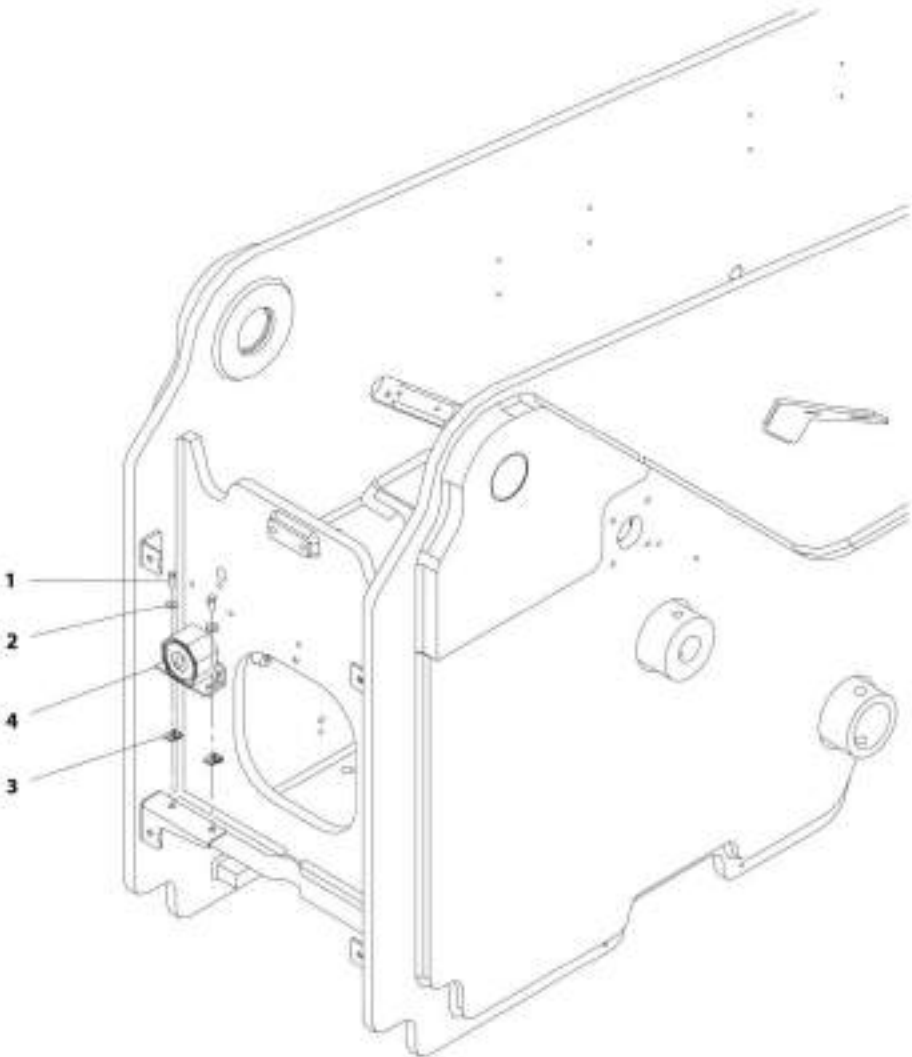
## SECTION 10 - ELECTRICAL

**FIGURE 10-22. BACKUP ALARM INSTALLATION (97 DB)**

ITEM	PART NUMBER	QTY	DESCRIPTION	REV
	1001192393	Ref	Backup Alarm Installation (97 dB)	D
1	0700610	2	Bolt, M6X20	
2	4811702	2	Washer, M6	
3	8305919	2	Nut, M6	
4	1001101808	1	Alarm, Backup	

**SECTION 10 - ELECTRICAL**

**FIGURE 10-23. WHITE NOISE BACKUP ALARM INSTALLATION**



ART\_1001192394-D

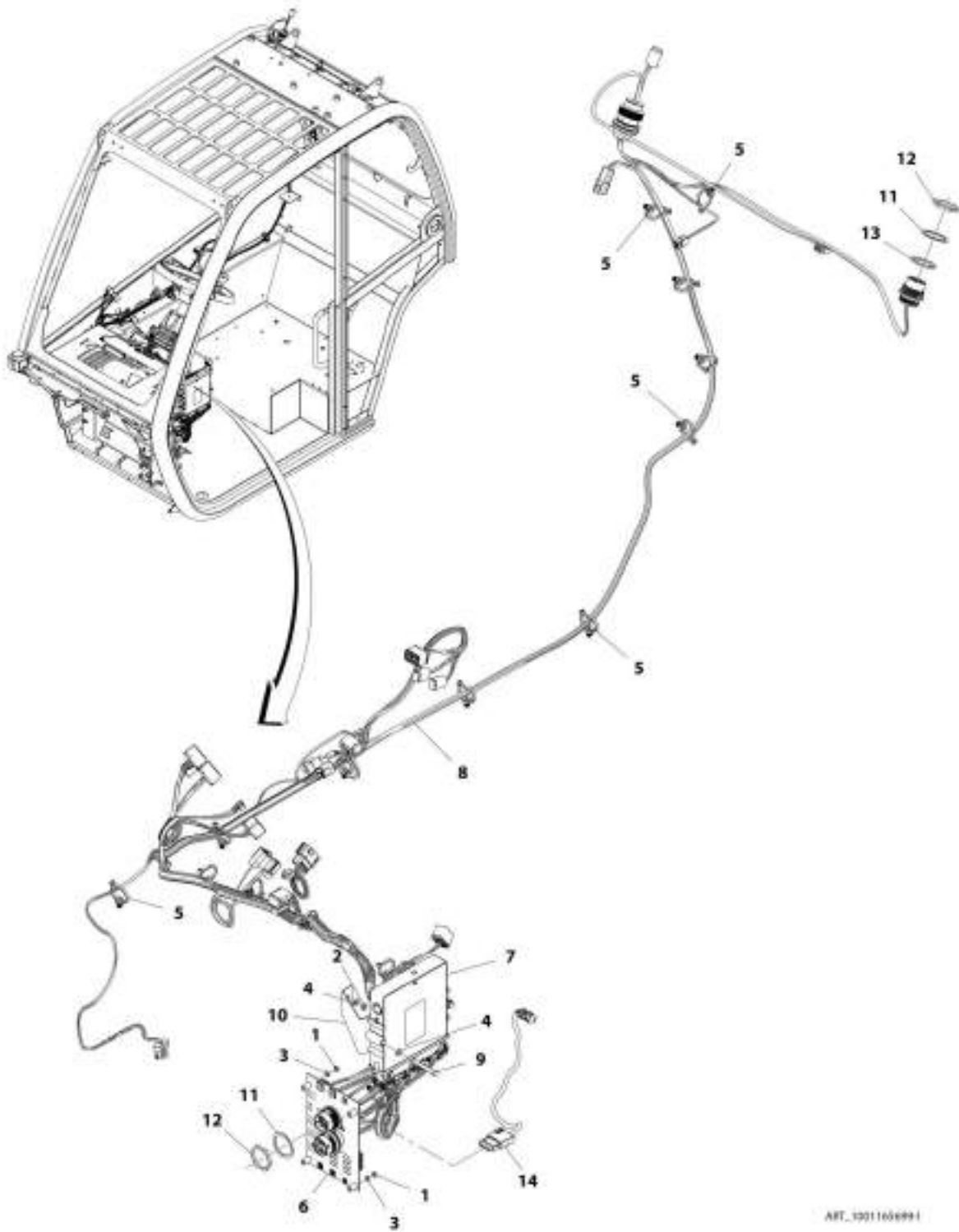
## SECTION 10 - ELECTRICAL

**FIGURE 10-23. WHITE NOISE BACKUP ALARM INSTALLATION**

ITEM	PART NUMBER	QTY	DESCRIPTION	REV
	1001192394	Ref	White Noise Backup Alarm Installation	D
1	0700610	2	Bolt, M6X20	
2	4811702	2	Washer, M6	
3	8305919	2	Nut, M6	
4	1001165827	1	Alarm, White Noise Backup	

# SECTION 10 - ELECTRICAL

## FIGURE 10-24. CAB ELECTRICAL INSTALLATION



ART\_10011006991

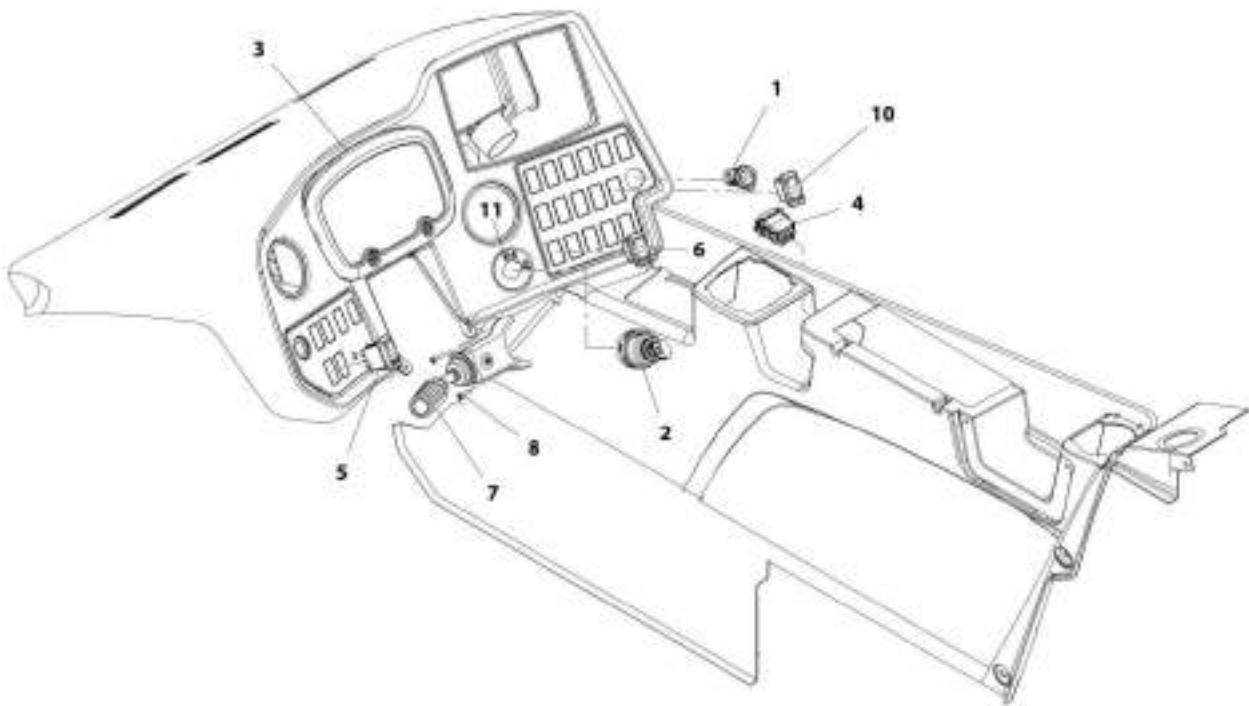
## SECTION 10 - ELECTRICAL

**FIGURE 10-24. CAB ELECTRICAL INSTALLATION**

ITEM	PART NUMBER	QTY	DESCRIPTION	REV
	1001165699	Ref	Cab Electrical Installation	1
1	3290501	3	Nut, M5X0.8	
2	3290601	2	Nut, M6X1	
3	120034	3	Washer, Plastic	
4	4811700	4	Washer, M6	
5	1001146588	16	Strap, Tie	
6	1001161769	1	Assembly, Standard Electrical Board (See Separate Breakdown in this Section)	
7	1001162249	1	Module	
8	1001196451	1	Harness, Cab (See Separate Breakdown in this Section)	
9	0700618	2	Bolt, M6X50	
10	1001178933	1	Bracket	
11	4460496	4	Washer, Terminal Lock	
12	4460497	4	Nut, Terminal	
13	1001211693	2	Seal	
14	1001213988	1	Cable (See Separate Breakdown in this Section)	

# SECTION 10 - ELECTRICAL

## FIGURE 10-25. DASH ELECTRICAL INSTALLATION



ARL100175849-G

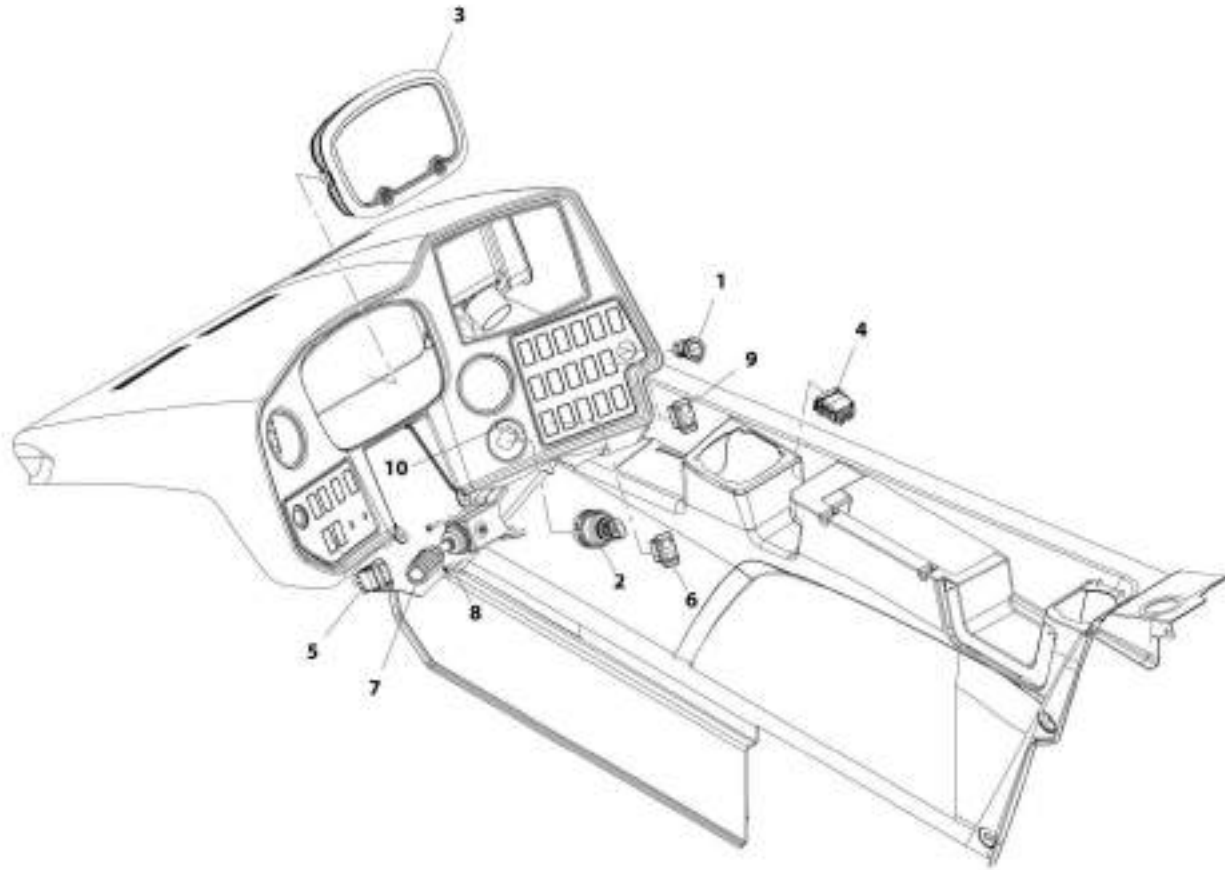
## SECTION 10 - ELECTRICAL

### FIGURE 10-25. DASH ELECTRICAL INSTALLATION

ITEM	PART NUMBER	QTY	DESCRIPTION	REV
	1001173849	Ref	Dash Electrical Installation (if equipped for ULS)	G
1	1001095804	1	Connector, 12V Power Socket	
2	1001102502	1	Switch, 4 Position Key	
2	70022765	1	Key, Ignition	
3	1001158146	1	Cluster, Electrical Gauge	
4	1001212470	1	Switch, Frame Level	
5	1001159753	1	Switch, Park Brake	
6	1001159849	1	Switch, Steer Mode	
7	1001163698	1	Switch, FNR 4 Speed	
8	4031607	2	Screw, M5-0.8X16	
10	1001104654	1	Switch, AUX	
11	1001181531	1	Decal, Ignition Switch	

# SECTION 10 - ELECTRICAL

FIGURE 10-26. DASH ELECTRICAL INSTALLATION (LS)



ART\_1001203225-C



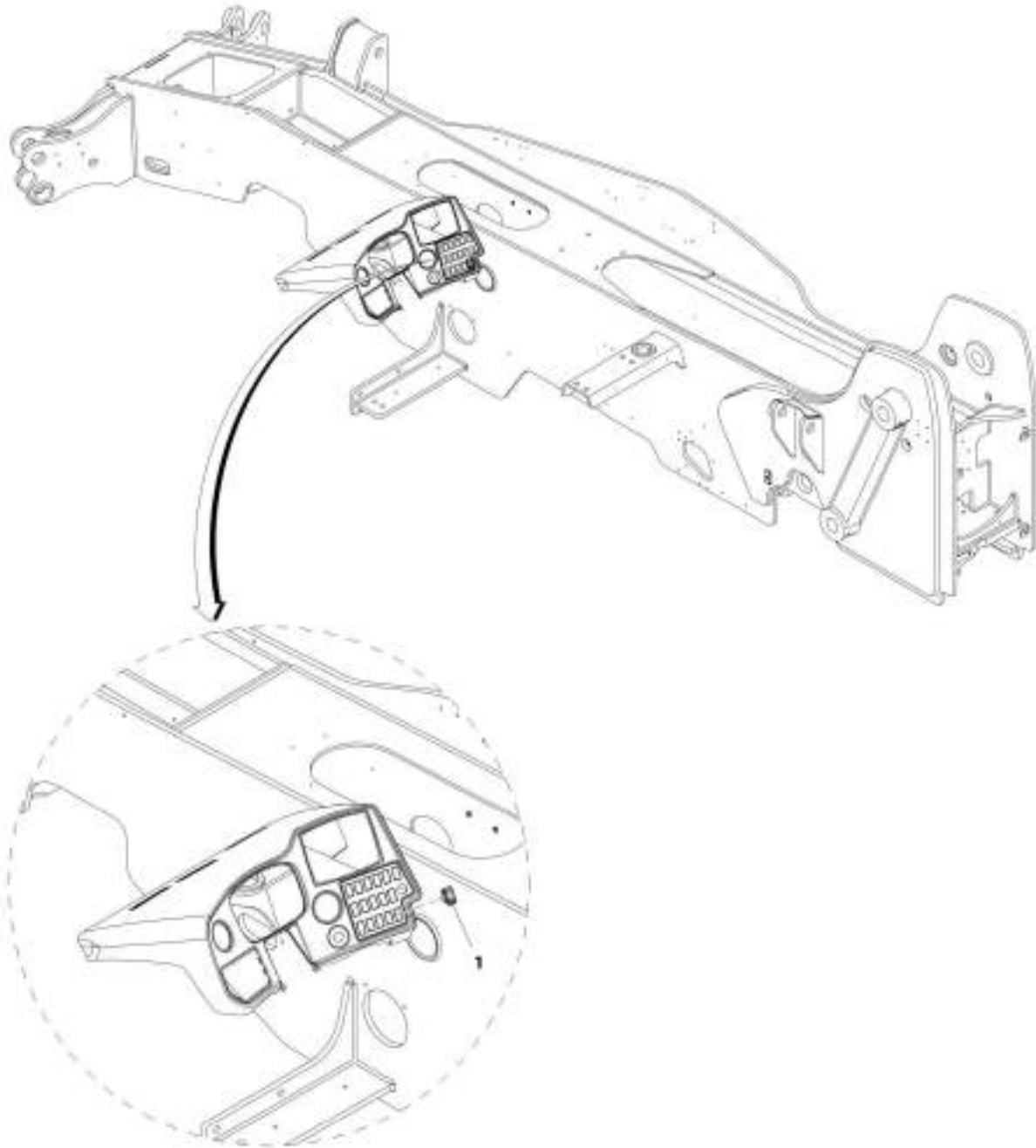
## SECTION 10 - ELECTRICAL

### FIGURE 10-26. DASH ELECTRICAL INSTALLATION (LS)

ITEM	PART NUMBER	QTY	DESCRIPTION	REV
	1001203225	Ref	Dash Electrical Installation (LS)	C
1	1001095804	1	Connector, 12V Power Socket	
2	1001102502	1	Switch, 4 Position Key	
2	70022765	1	Key, Ignition	
3	1001202454	1	Cluster, Electrical Gauge	
4	1001212470	1	Switch, Frame Level	
5	1001159753	1	Switch, Park Brake	
6	1001159849	1	Switch, Steer Mode	
7	1001163698	1	Switch, FNR 4 Speed	
8	4031607	2	Screw, M5X16	
9	1001104654	1	Switch, AUX	
10	1001181531	1	Decal, Ignition Switch	

# SECTION 10 - ELECTRICAL

## FIGURE 10-27. SWITCH LIGHT INSTALLATION



ART\_100197282-A

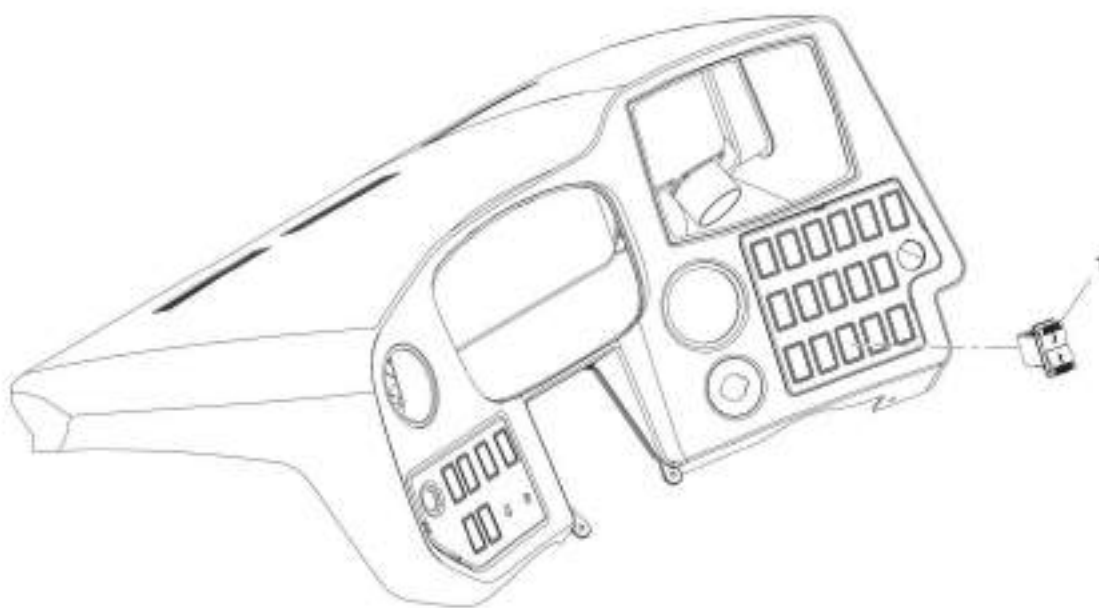
# SECTION 10 - ELECTRICAL

## FIGURE 10-27. SWITCH LIGHT INSTALLATION

ITEM	PART NUMBER	QTY	DESCRIPTION	REV
1	1001197282 1001163639	Ref 1	Switch Light Installation Switch, Driving Lights	A

# SECTION 10 - ELECTRICAL

## FIGURE 10-28. USB CHARGER INSTALLATION



ART\_1001200152-A

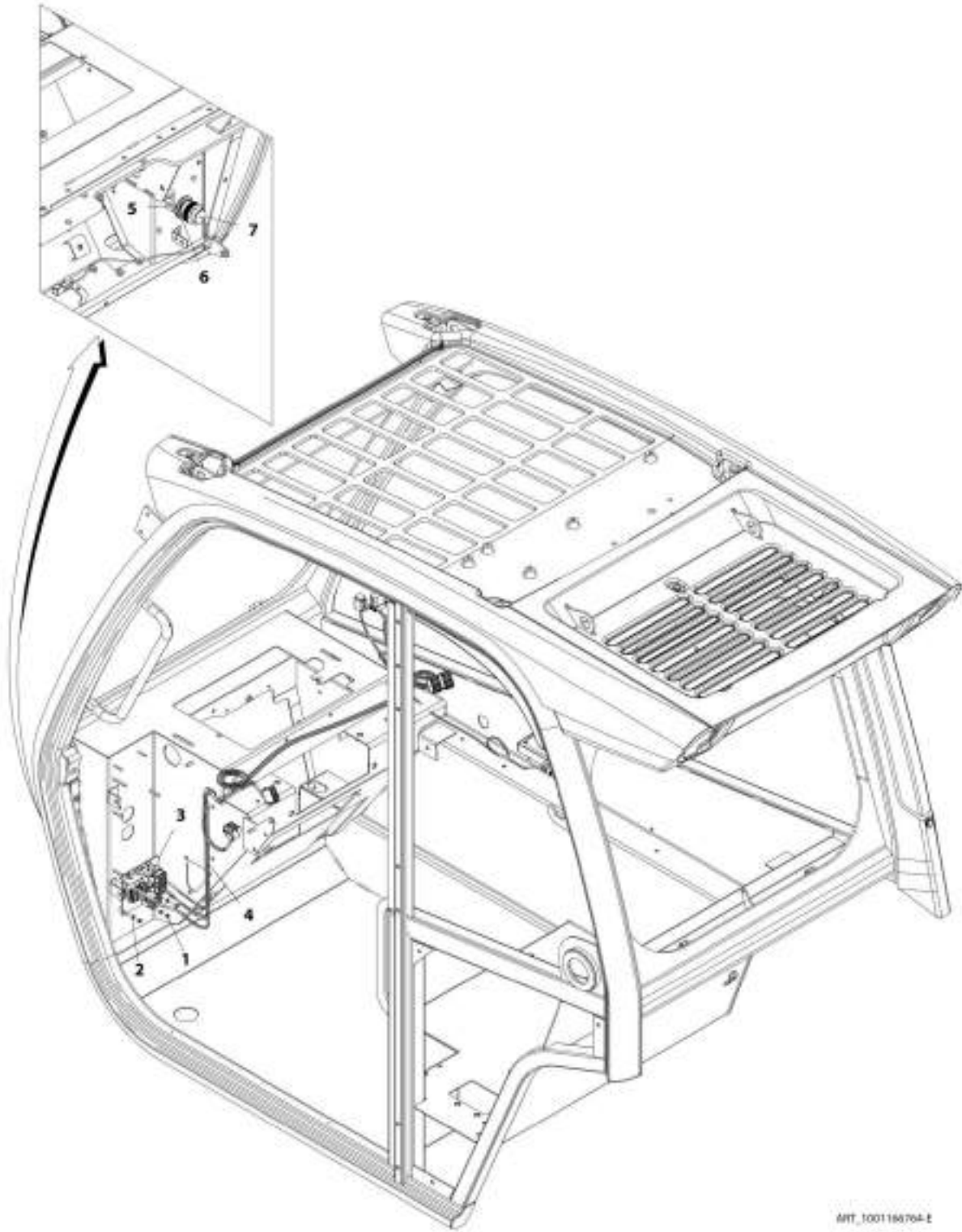
## SECTION 10 - ELECTRICAL

### FIGURE 10-28. USB CHARGER INSTALLATION

ITEM	PART NUMBER	QTY	DESCRIPTION	REV
1	1001200152 1001174712	Ref 1	USB Charger Installation USB Charger Assembly	A

## SECTION 10 - ELECTRICAL

FIGURE 10-29. OPEN CAB ELECTRICAL INSTALLATION WITH OPTIONS



MIT\_1001166704-E

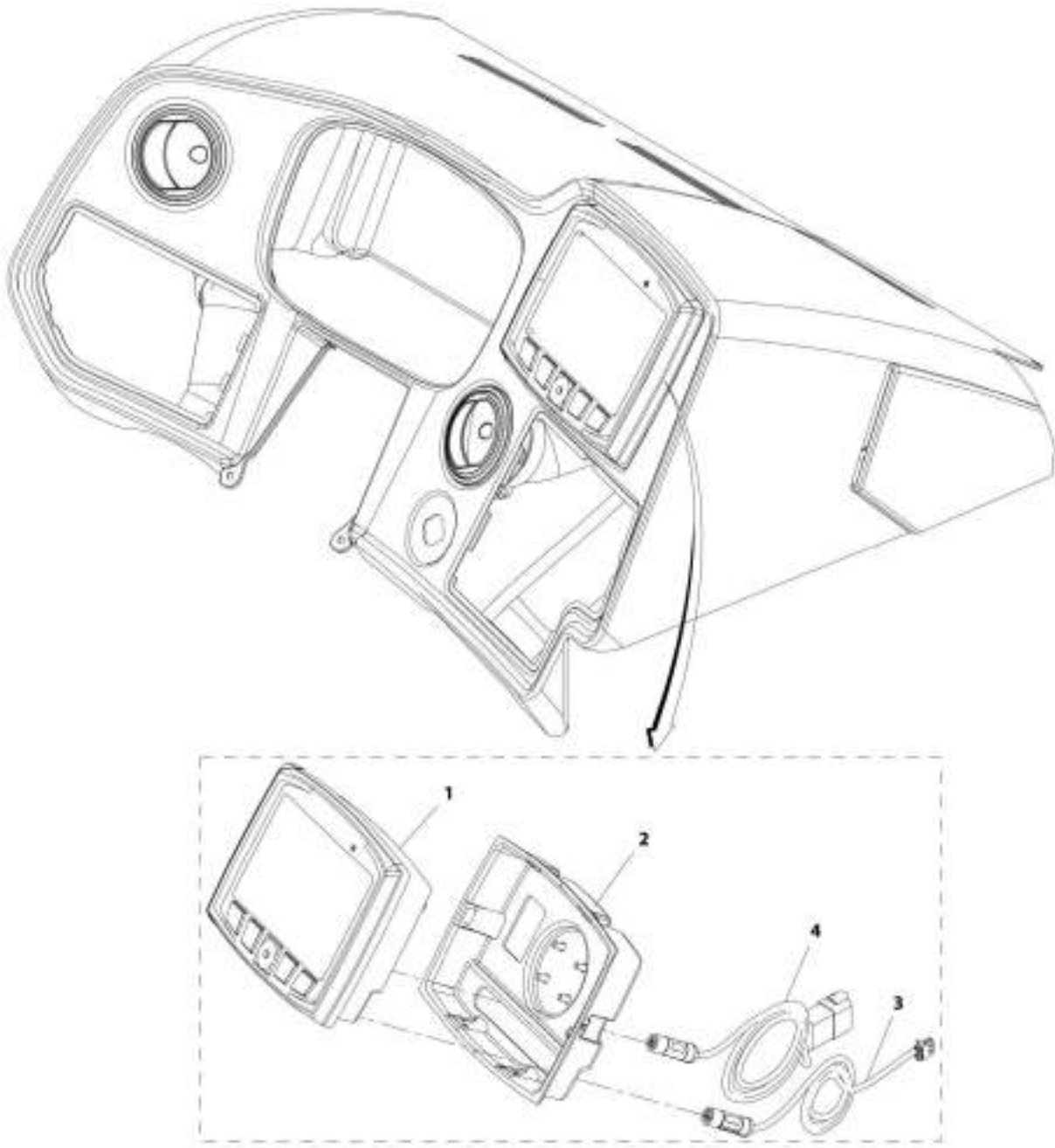
## SECTION 10 - ELECTRICAL

**FIGURE 10-29. OPEN CAB ELECTRICAL INSTALLATION WITH OPTIONS**

ITEM	PART NUMBER	QTY	DESCRIPTION	REV
	1001166764	Ref	Open Cab Electrical Installation with Options	E
1	3290501	3	Nut, M5X0.8	
2	120034	3	Washer, Plastic	
3	1001161771	1	Assembly, Option 2 Electrical Board (See Separate Breakdown in this Section)	
4	1001163372	1	Harness, Option 2 Cab (See Separate Breakdown in this Section)	
5	4460496	1	Washer, Terminal Lock	
6	4460497	1	Nut, Terminal	
7	1001181573	1	Harness, Cab Option (See Separate Breakdown in this Section)	

# SECTION 10 - ELECTRICAL

## FIGURE 10-30. MULTIFUNCTION DISPLAY INSTALLATION



APP\_1001176338-0



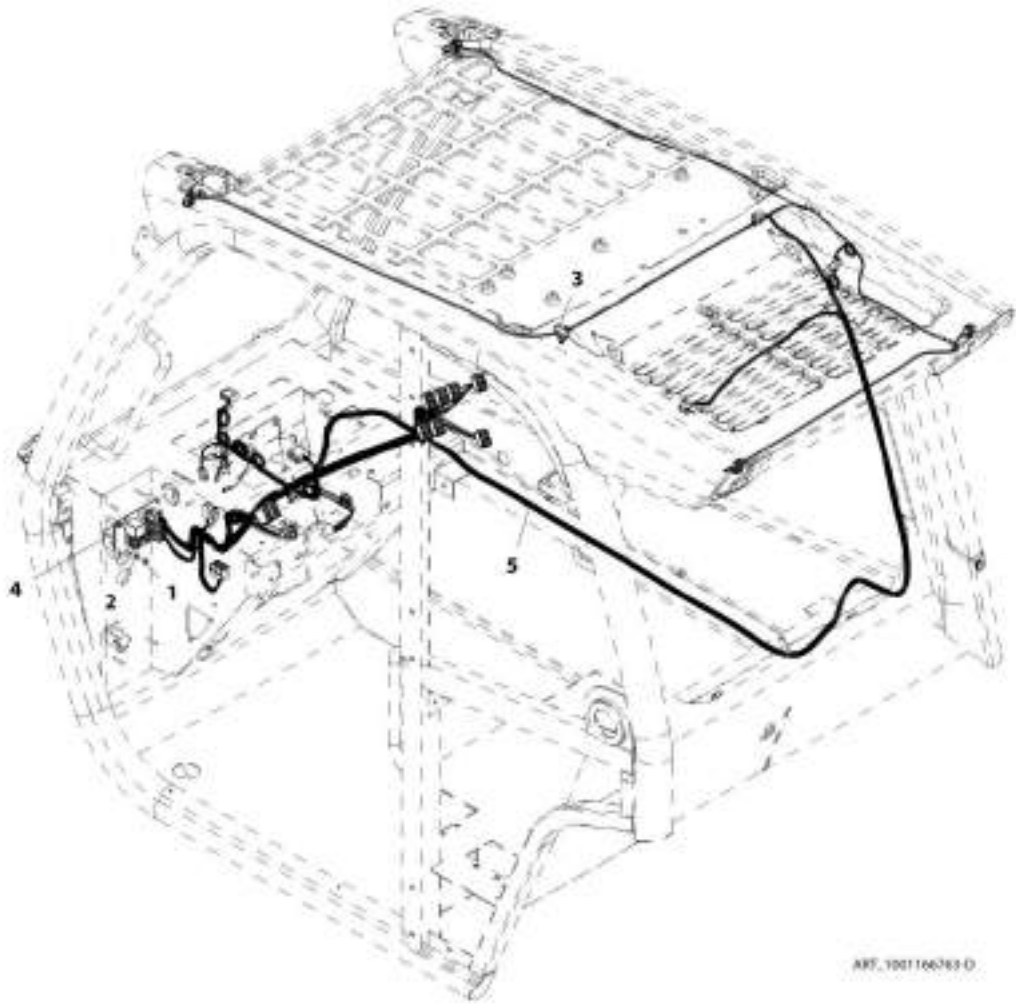
## SECTION 10 - ELECTRICAL

### FIGURE 10-30. MULTIFUNCTION DISPLAY INSTALLATION

ITEM	PART NUMBER	QTY	DESCRIPTION	REV
	1001176338	Ref	Multifunction Display Installation	B
1	1001211357	1	Display	
2	1001178783	1	Bezel	
3	1001180682	1	Cable	
4	1001180683	1	Cable, Video	

# SECTION 10 - ELECTRICAL

FIGURE 10-31. ENCLOSED CAB ELECTRICAL INSTALLATION WITH OPTIONS



ART. 101166783-D

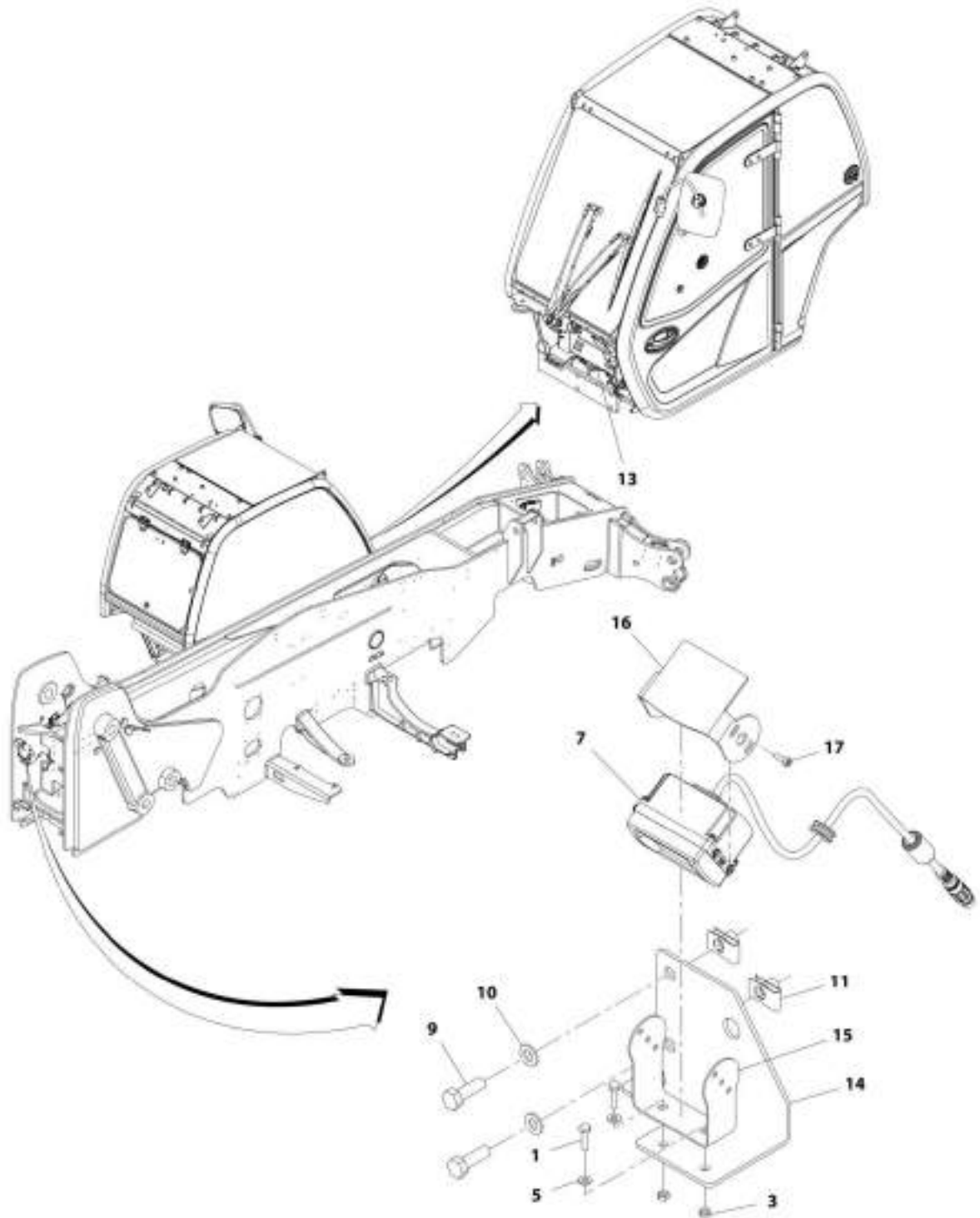
## SECTION 10 - ELECTRICAL

**FIGURE 10-31. ENCLOSED CAB ELECTRICAL INSTALLATION WITH OPTIONS**

ITEM	PART NUMBER	QTY	DESCRIPTION	REV
	1001166763	Ref	Enclosed Cab Electrical Installation with Options	D
1	3290501	1	Nut, M5X0.8	
2	120034	1	Washer, Plastic	
3	1001146588	1	Strap, Tie	
4	1001161770	1	Assembly, Option 1 Electrical Board (See Separate Breakdown in this Section)	
5	1001163371	1	Harness, Option 1 Cab (See Separate Breakdown in this Section)	

# SECTION 10 - ELECTRICAL

## FIGURE 10-32. REVERSE CAMERA INSTALLATION



ARF\_1001108031-E

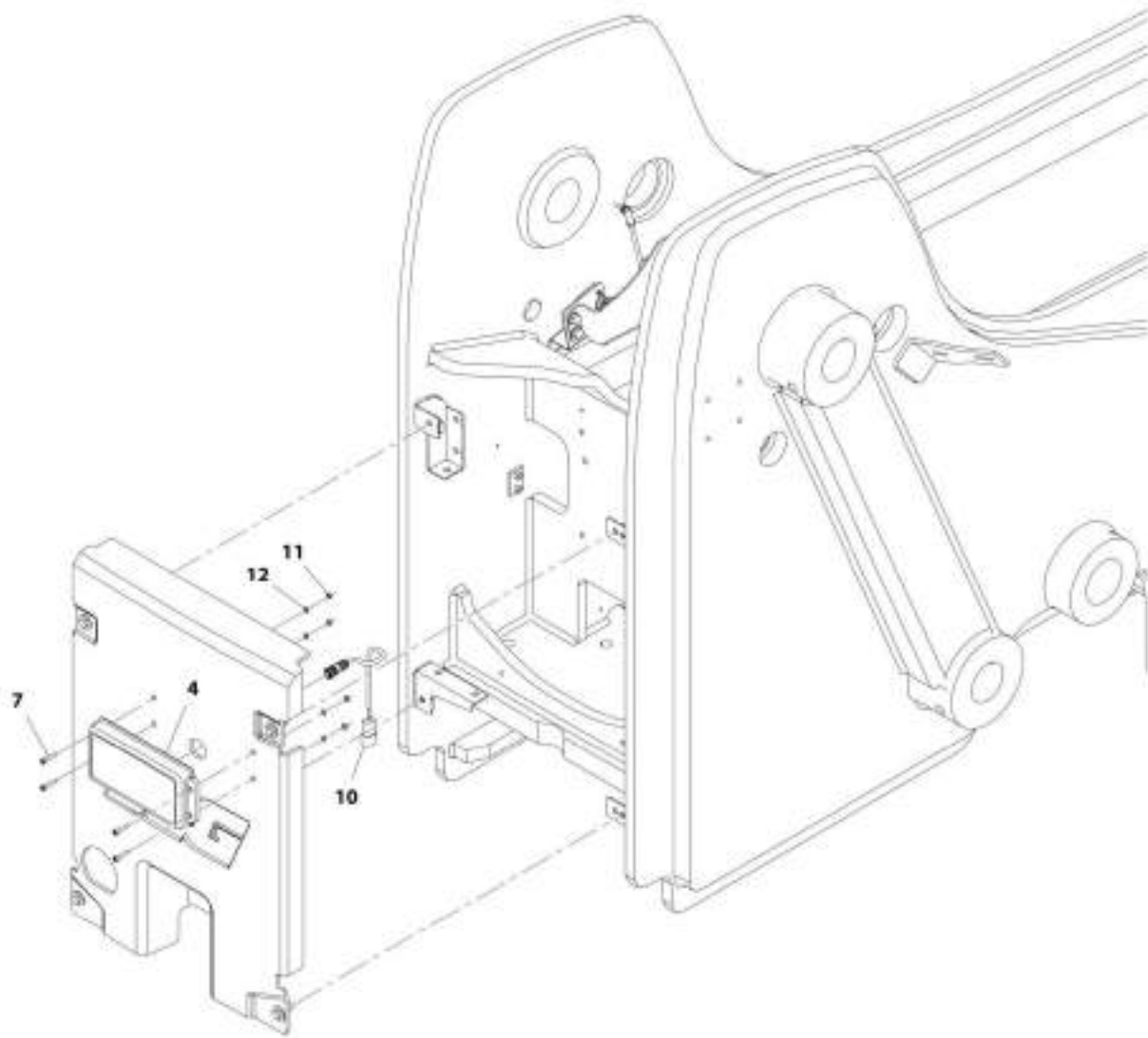
## SECTION 10 - ELECTRICAL

**FIGURE 10-32. REVERSE CAMERA INSTALLATION**

ITEM	PART NUMBER	QTY	DESCRIPTION	REV
	1001168031	Ref	Reverse Camera Installation	E
1	0700408	2	Bolt, M4X16	
3	3290401	2	Nut, M4X0.7	
5	4811400	2	Washer, M4	
7	1001167017	1	Camera	
9	0760812	3	Bolt, M8X25	
10	4811900	3	Washer, M8	
11	8310686	3	Nut, Retainer M8X12.5	
13	1001171962	1	Cable, Reverse Camera	
14	1001202620	1	Bracket, Reverse Camera Mount	
15	1001202621	1	Bracket, Reverse Camera Mount	
16	1001202622	1	Bracket, Reverse Sun Shield	
17	4031205	4	Bolt, M3X10	

# SECTION 10 - ELECTRICAL

## FIGURE 10-33. REVERSE SENSOR INSTALLATION



ART\_1001172590-H

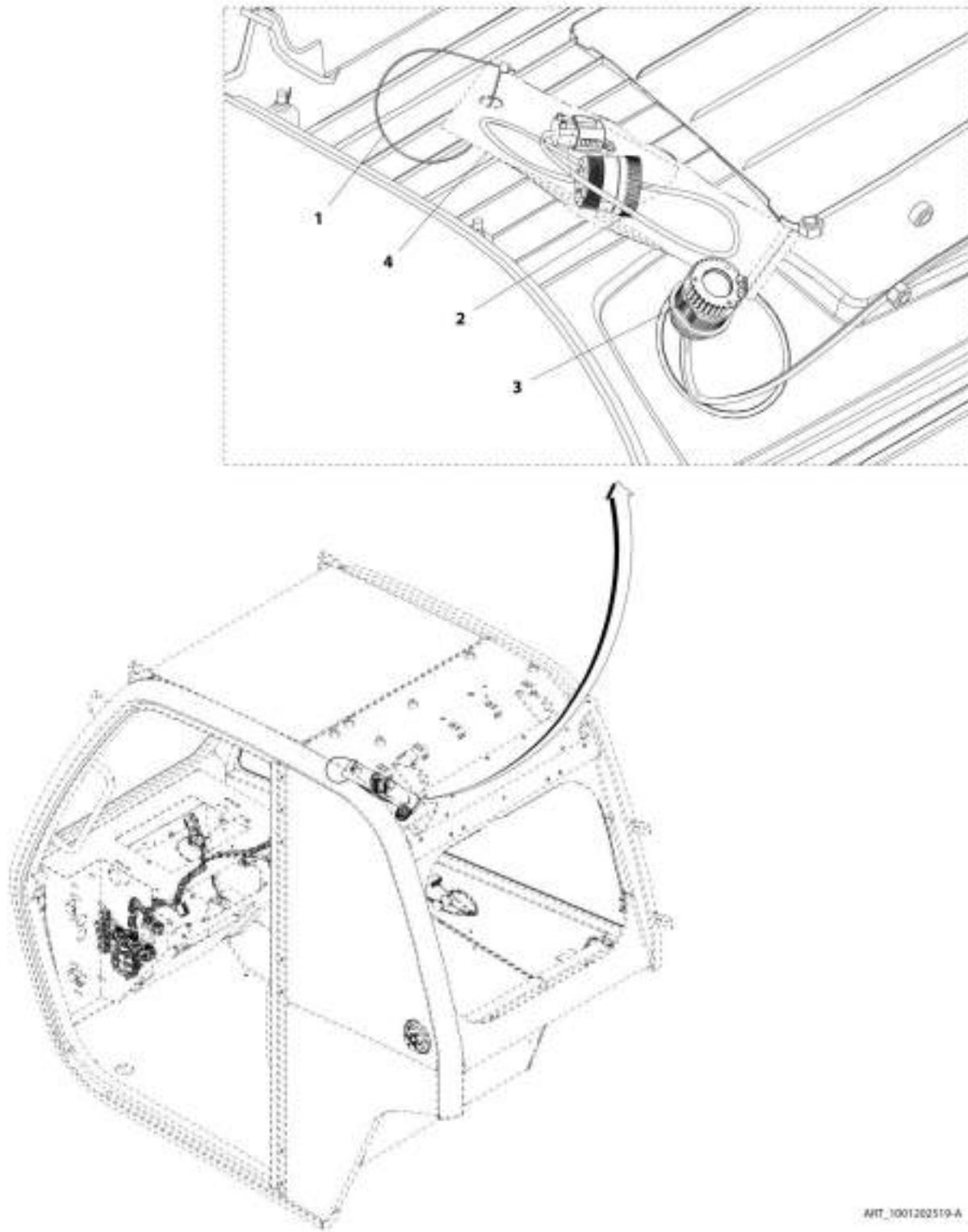
## SECTION 10 - ELECTRICAL

### FIGURE 10-33. REVERSE SENSOR INSTALLATION

ITEM	PART NUMBER	QTY	DESCRIPTION	REV
	1001172536	Ref	Reverse Sensor Installation	H
4	1001189997	1	Sensor, Reverse	
7	5271609	4	Screw, M5X25	
10	1001175776	1	Harness, Reverse Sensor (See Separate Breakdown in this Section)	
11	3290501	4	Nut, M5X0.8	
12	4811600	4	Washer, M5	

# SECTION 10 - ELECTRICAL

FIGURE 10-34. TELEMATICS READY INSTALLATION



AHT\_1001202519-A



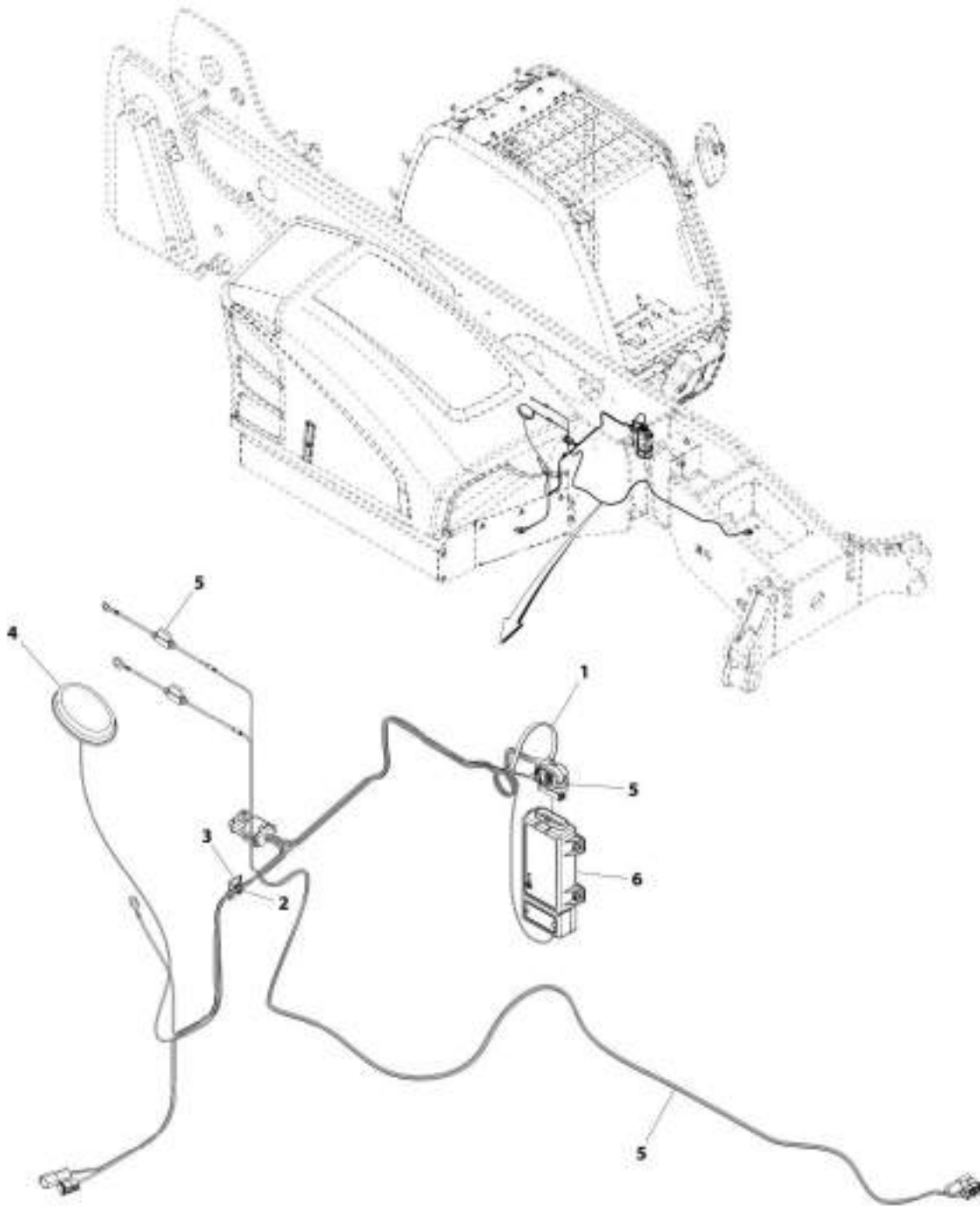
## SECTION 10 - ELECTRICAL

### FIGURE 10-34. TELEMATICS READY INSTALLATION

ITEM	PART NUMBER	QTY	DESCRIPTION	REV
	1001202519	Ref	Telematics Ready Installation	A
1	8584003	1	Strap, Tie	
2	1001196289	1	Harness, Telematics Ready (See Separate Breakdown in this Section)	
3	1001201162	1	Cap	
4	1001202617	1	Bag	

# SECTION 10 - ELECTRICAL

FIGURE 10-35. TELEMATICS CANBUS INSTALLATION (CLEARSKY 2) (ANSI)



ART\_1001221045-A

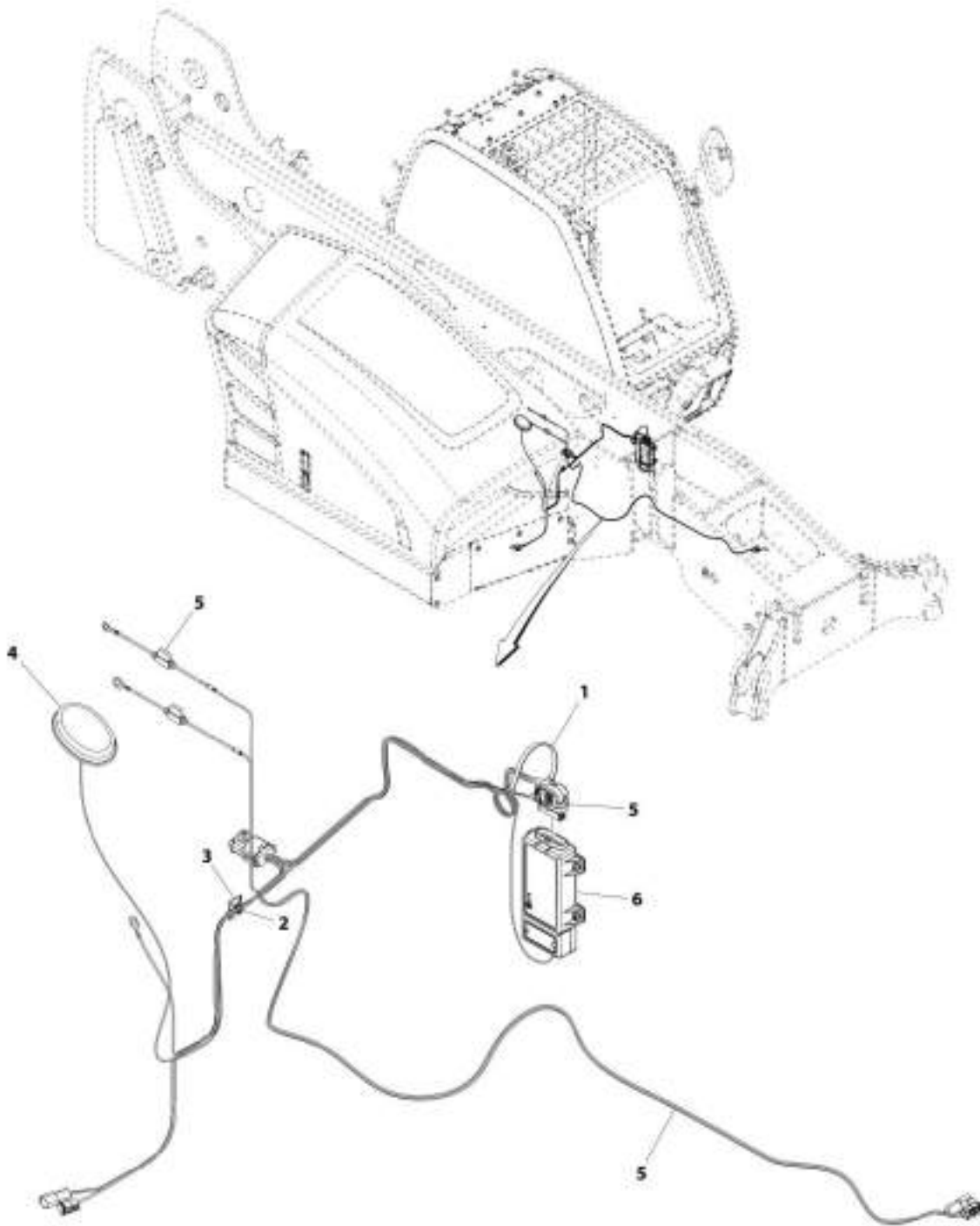
## SECTION 10 - ELECTRICAL

**FIGURE 10-35. TELEMATICS CANBUS INSTALLATION (CLEARSKY 2) (ANSI)**

ITEM	PART NUMBER	QTY	DESCRIPTION	REV
	1001221941	Ref	Telematics Canbus Installation (Clearsky 2)	A
1	1062255	AR	Tie, Strap	
2	4240032	AR	Tie, Strap	
3	4460234	AR	Tie, Strap	
4	1001226799	1	Antenna	
5	1001227297	1	Harness, 4ward Telematics (Clearsky 2) (See Separate Breakdown in this section)	
6	1001229955	1	Module	

# SECTION 10 - ELECTRICAL

FIGURE 10-36. TELEMATICS CANBUS INSTALLATION (CLEARSKY 2) (C.E.)



ART\_1001230246-A

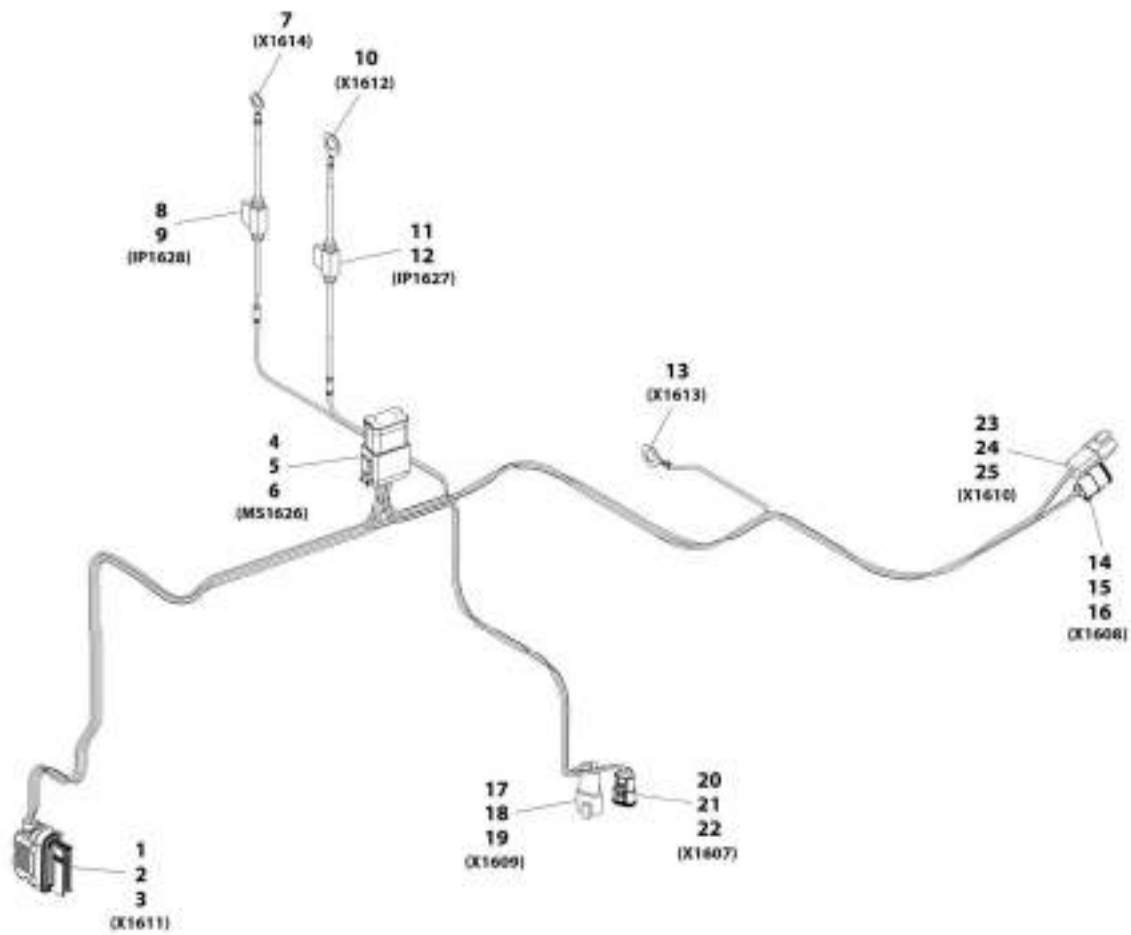
## SECTION 10 - ELECTRICAL

**FIGURE 10-36. TELEMATICS CANBUS INSTALLATION (CLEARSKY 2) (C.E.)**

ITEM	PART NUMBER	QTY	DESCRIPTION	REV
	1001239249	Ref	Telematics Canbus Installation (Clearsky 2)	A
1	1062255	AR	Tie, Strap	
2	4240032	AR	Tie, Strap	
3	4460234	AR	Tie, Strap	
4	1001226799	1	Antenna	
5	1001227297	1	Harness, 4ward Telematics (Clearsky 2) (See Separate Breakdown in this section)	
6	1001239194	1	Module	

# SECTION 10 - ELECTRICAL

## FIGURE 10-37. 4WARD TELEMATIC, HARNESS (CLEARSKY 2)



MIT\_1001227297-8

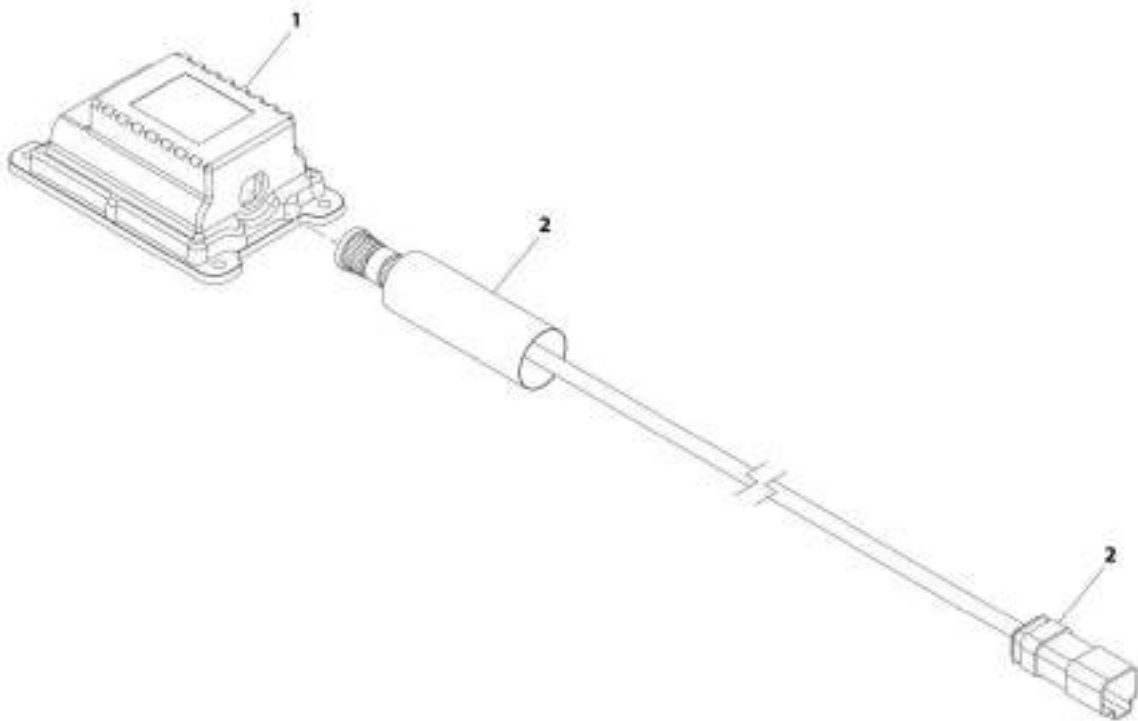
## SECTION 10 - ELECTRICAL

**FIGURE 10-37. 4WARD TELEMATIC, HARNESS (CLEARSKY 2)**

ITEM	PART NUMBER	QTY	DESCRIPTION	REV
	1001227297	Ref	4ward Telematic, Harness (Clearsky 2)	B
1	1001226636	1	Connector	
2	1001226637	7	Terminal	
3	1001116731	17	Plug	
4	4460933	1	Connector	
5	4460465	12	Terminal	
6	1001200206	1	Connector, DT 12 Pin 4X3 Buss	
7	4460670	1	Connector	
8	2400060	1	Connector	
9	8229242	1	Fuse, 5amp	
10	1001187078	1	Connector	
11	2400060	1	Connector	
12	8229242	1	Fuse, 5amp	
13	1001187081	1	Connector	
14	1001116812	1	Connector	
15	4460465	2	Terminal	
16	4460466	1	Plug	
17	1001144147	1	Connector	
18	4460464	2	Terminal	
19	4460466	1	Plug	
20	1001116812	1	Connector	
21	4460465	2	Terminal	
22	4460466	1	Plug	
23	1001144147	1	Connector	
24	4460464	2	Terminal	
25	4460466	1	Plug	

# SECTION 10 - ELECTRICAL

FIGURE 10-38. CLEARSKY INSTALLATION 3-WIRE (ANSI)



ART\_100229107-C



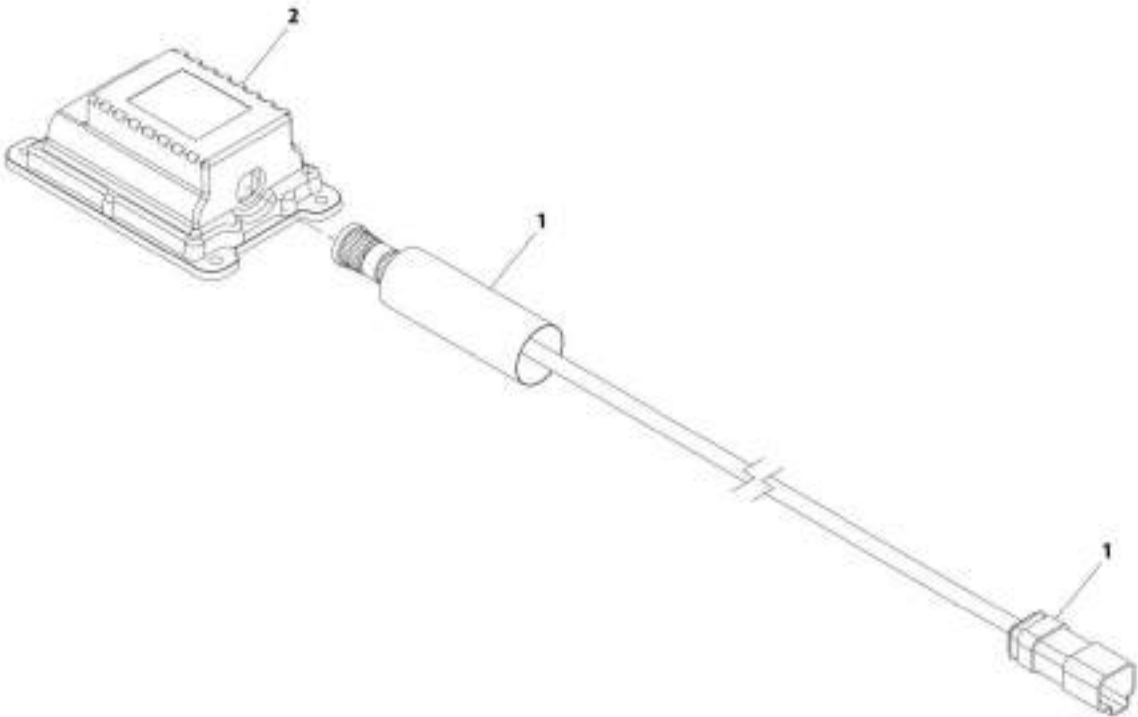
## SECTION 10 - ELECTRICAL

**FIGURE 10-38. CLEARSKY INSTALLATION 3-WIRE (ANSI)**

ITEM	PART NUMBER	QTY	DESCRIPTION	REV
1	1001229107	Ref	Clearsky Installation 3-Wire	C
	1001226328	1	Module, 3W TCU	
	1001227066	Ref	Telematics Harness (See Separate Breakdown in this Section)	

**SECTION 10 - ELECTRICAL**

**FIGURE 10-39. CLEARSKY INSTALLATION 3-WIRE (C.E.)**



ART\_1001255137-C

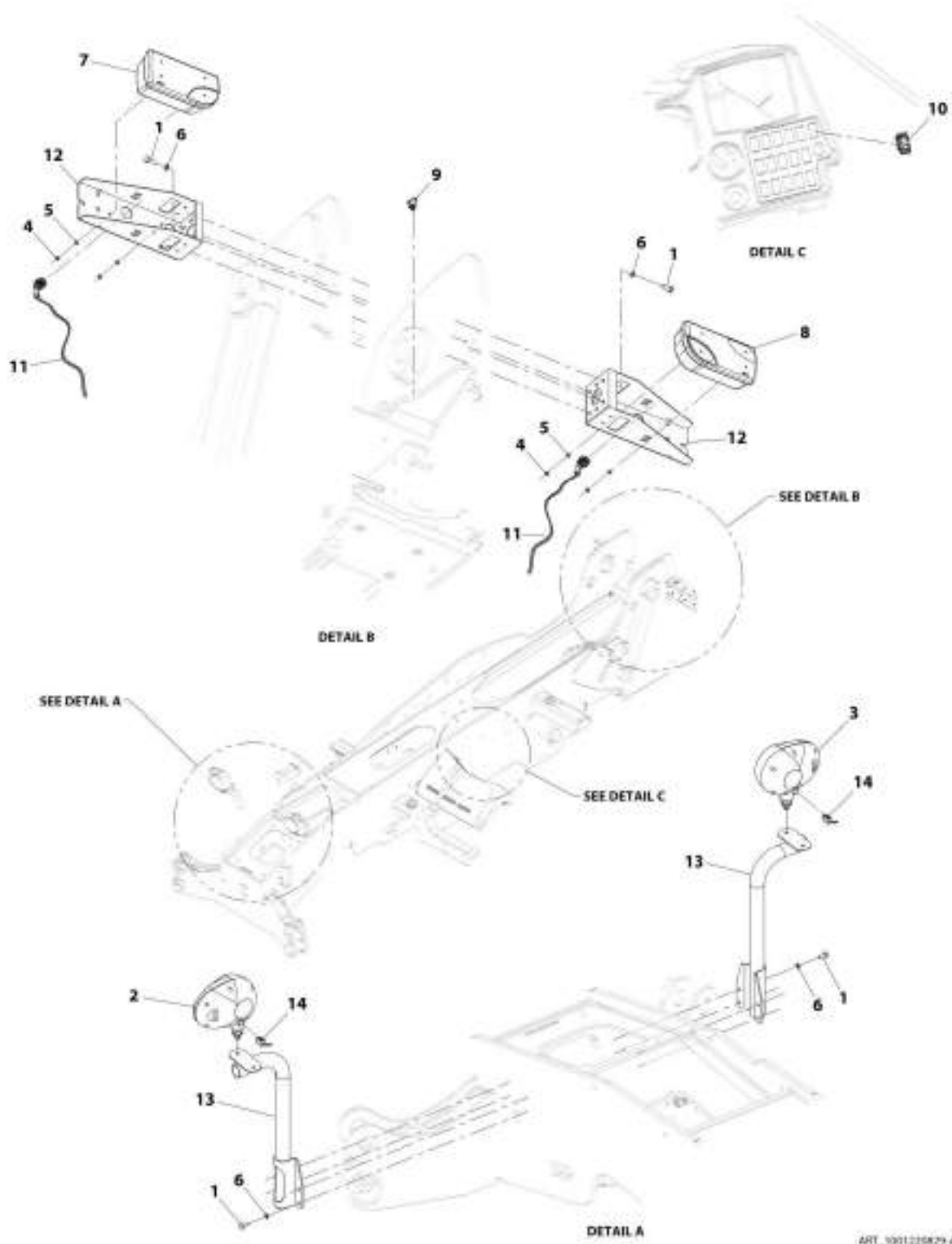
## SECTION 10 - ELECTRICAL

**FIGURE 10-39. CLEARSKY INSTALLATION 3-WIRE (C.E.)**

ITEM	PART NUMBER	QTY	DESCRIPTION	REV
1	1001233237	Ref	Clearsky Installation 3-Wire	C
	1001227066	Ref	Telematics Harness (See Separate Breakdown in this Section)	
2	1001233236	1	Module, 3W TCU	

# SECTION 10 - ELECTRICAL

## FIGURE 10-40. ROAD LIGHTS INSTALLATION



ART. 3001225829-A

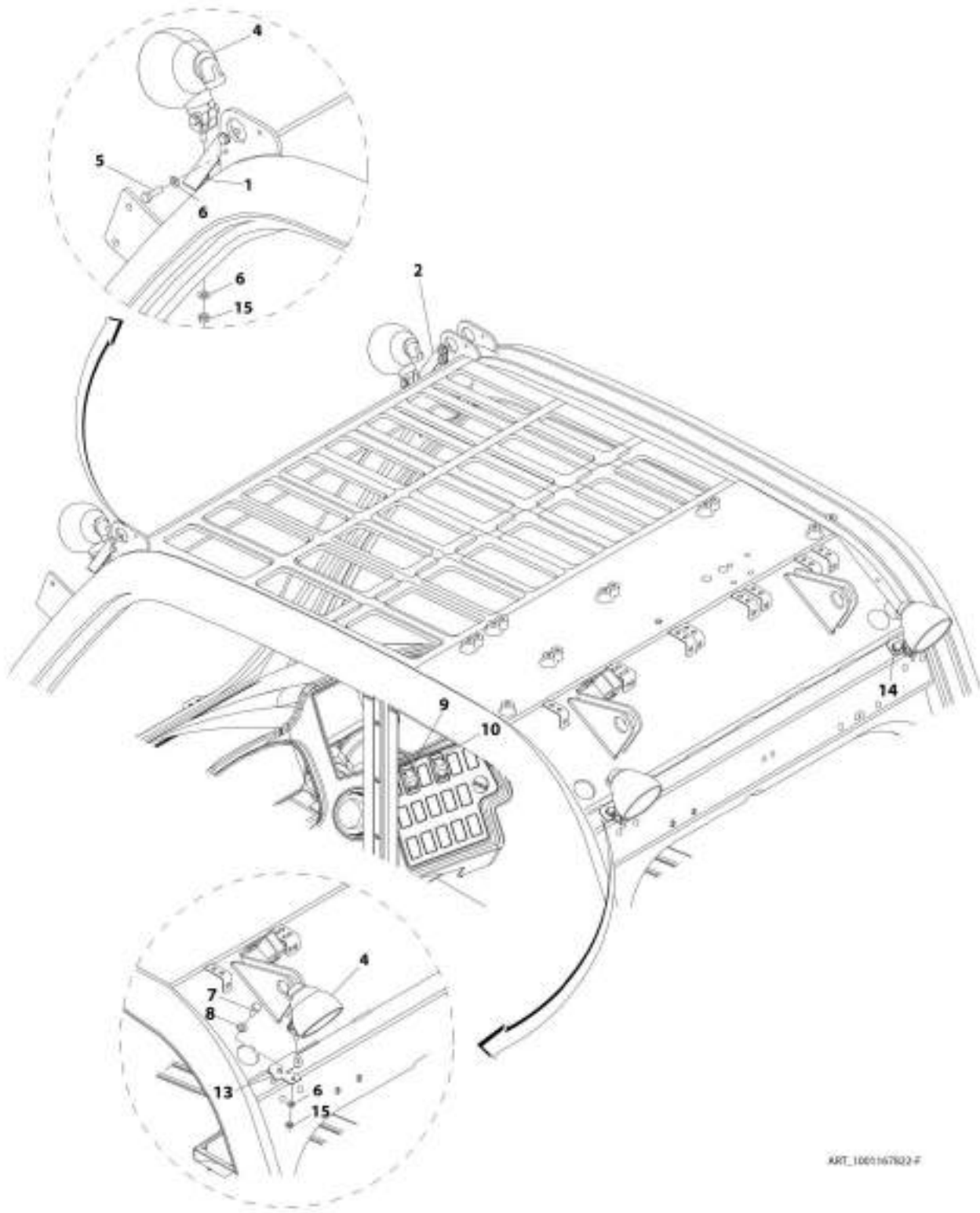
## SECTION 10 - ELECTRICAL

### FIGURE 10-40. ROAD LIGHTS INSTALLATION

ITEM	PART NUMBER	QTY	DESCRIPTION	REV
	1001220829	Ref	Road Lights Installation	A
1	0761010	16	Bolt, M10X20	
2	2920207	1	Driving Light, LH	
3	2920208	1	Driving Light, RH	
4	3290607	4	Nut, M6X1	
5	4811700	4	Washer, M6	
6	4812000	16	Washer, M10	
7	1001091715	1	Lamp, Rear LH	
8	1001091716	1	Lamp, Rear RH	
9	1001146588	1	Strap, Cable	
10	1001159734	1	Switch, Hazard	
11	1001173092	1	Harness, HBP Tail Lights (See Separate Breakdown in Electrical Section)	
12	1001196100	2	Bracket	
13	1001220817	2	Bracket	
14	1001165360	1	Harness, Front Frame Headlight (See Separate Breakdown in Electrical Section)	

# SECTION 10 - ELECTRICAL

## FIGURE 10-41. CAB WORKLIGHTS INSTALLATION (NO A/C)



ART\_1001167822-F

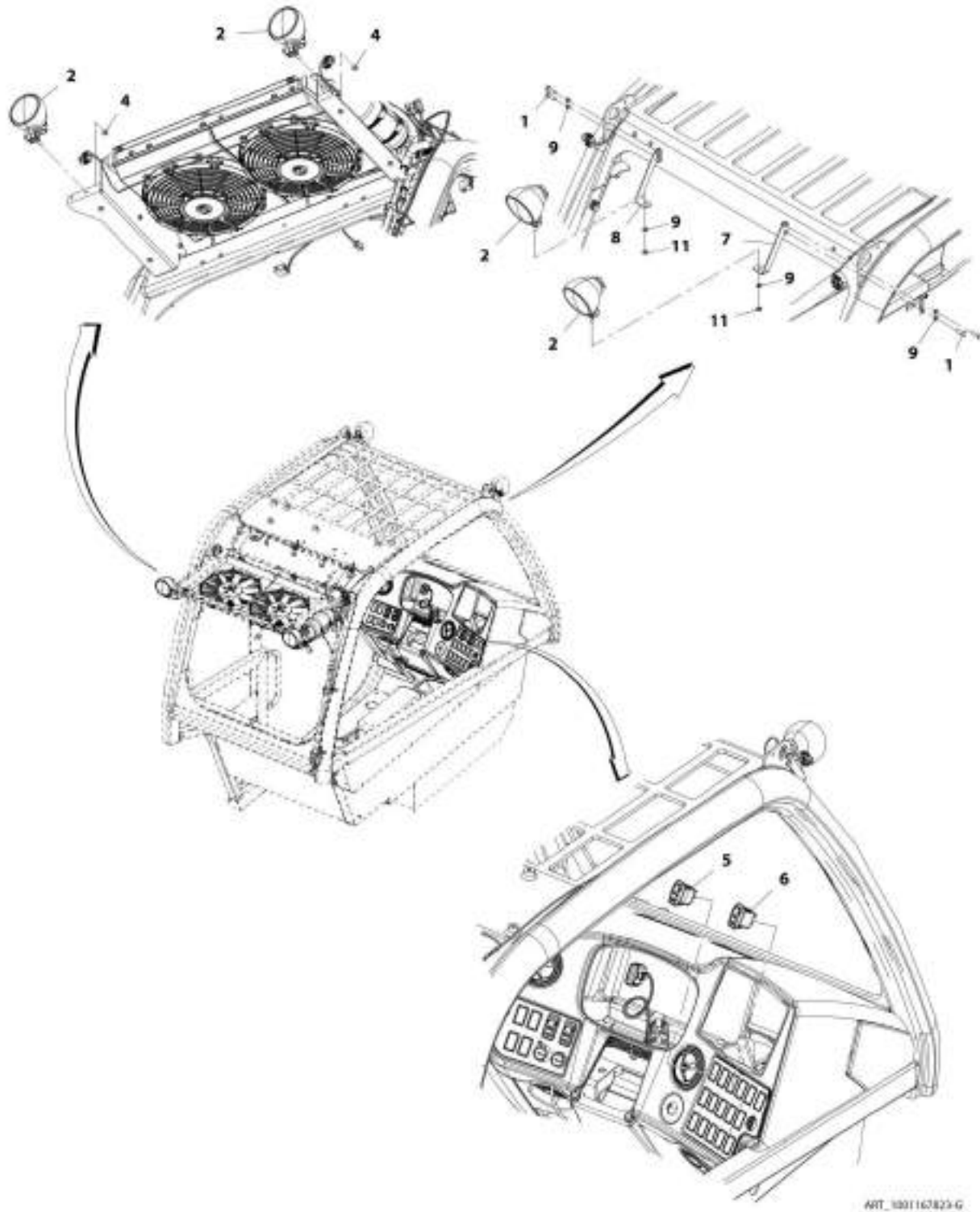
## SECTION 10 - ELECTRICAL

### FIGURE 10-41. CAB WORKLIGHTS INSTALLATION (NO A/C)

ITEM	PART NUMBER	QTY	DESCRIPTION	REV
	1001167822	Ref	Cab Worklights Installation (No A/C)	F
1	1001186567	1	Bracket, Work Light LH	
2	1001186565	1	Bracket, Work Light RH	
4	2920206	4	Worklight	
5	0700610	4	Bolt, M6X20	
6	4811700	8	Washer, M6	
7	0760810	2	Bolt, M8X20	
8	4811900	2	Washer, M8	
9	1001159845	1	Switch, Front Worklights	
10	1001159846	1	Switch, Rear Worklights	
13	1001183888	1	Bracket, Work Light LH	
14	1001183890	1	Bracket, Work Light RH	
15	3290601	4	Nut, M6X1 Grade 8	

# SECTION 10 - ELECTRICAL

## FIGURE 10-42. CAB WORKLIGHTS INSTALLATION (A/C)





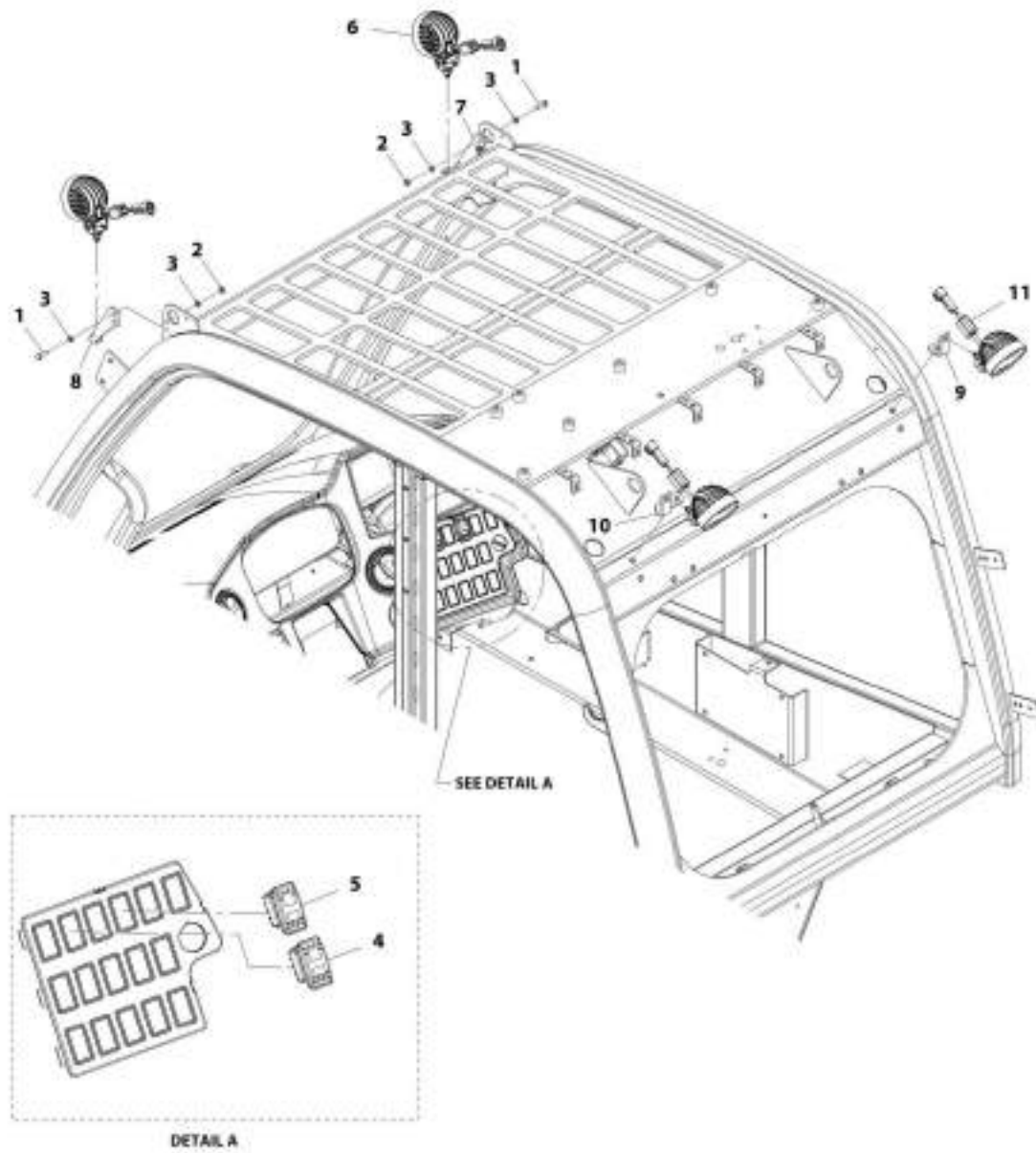
## SECTION 10 - ELECTRICAL

### FIGURE 10-42. CAB WORKLIGHTS INSTALLATION (A/C)

ITEM	PART NUMBER	QTY	DESCRIPTION	REV
	1001167823	Ref	Cab Worklights Installation (A/C)	G
1	0700610	4	Bolt, M6X20	
2	2920206	4	Worklight	
4	5220600	2	Nut, M6	
5	1001159845	1	Switch, Front Worklights	
6	1001159846	1	Switch, Rear Worklights	
7	1001186567	1	Bracket, Work Light LH	
8	1001186565	1	Bracket, Work Light RH	
9	4811700	6	Washer, M6	
11	3290601	2	Nut, M6X1 Grade 8	

# SECTION 10 - ELECTRICAL

## FIGURE 10-43. CAB WORKLIGHTS INSTALLATION (NO A/C - LED)



ART\_1001200538-C

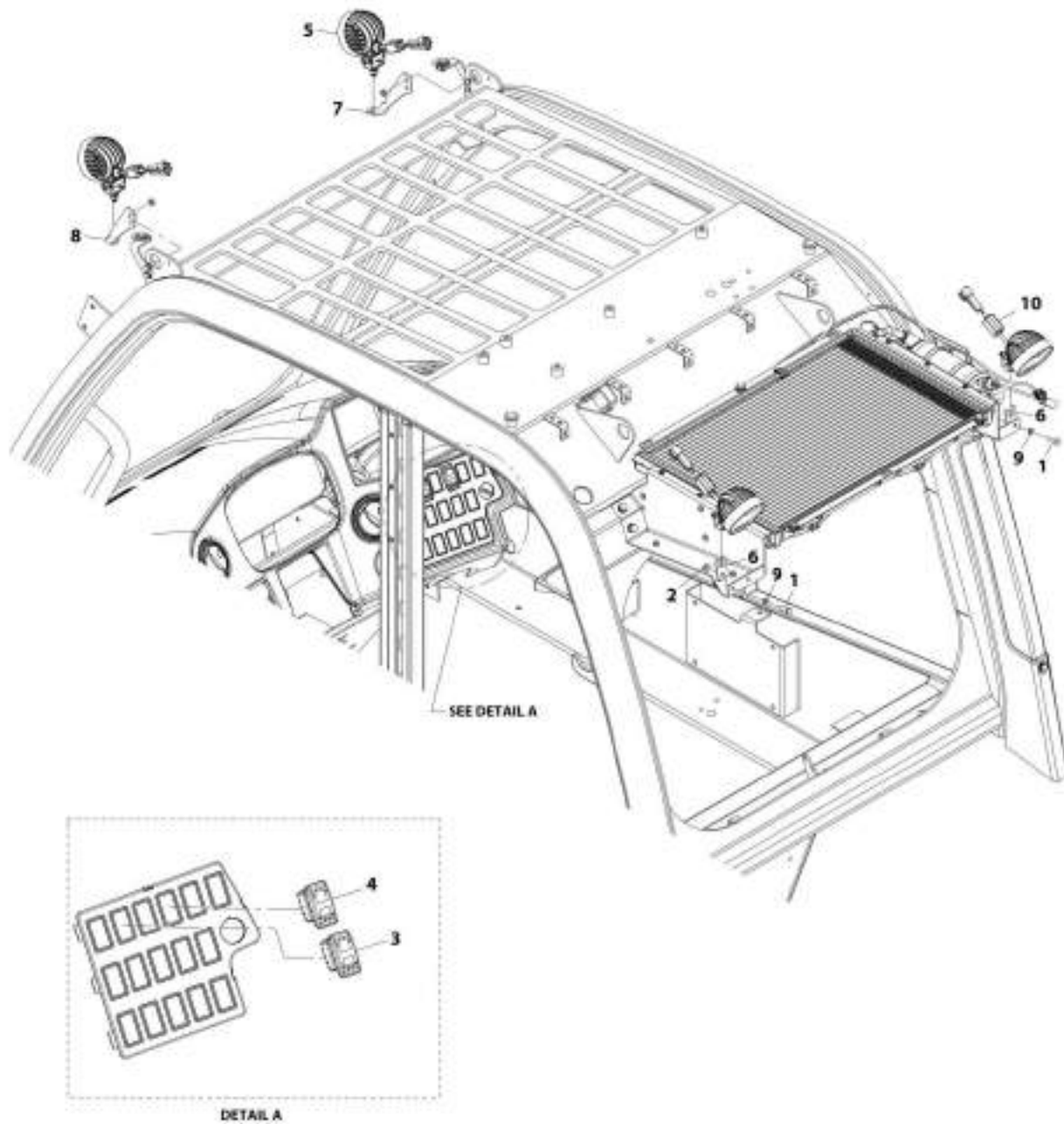
## SECTION 10 - ELECTRICAL

**FIGURE 10-43. CAB WORKLIGHTS INSTALLATION (NO A/C - LED)**

ITEM	PART NUMBER	QTY	DESCRIPTION	REV
	1001200538	Ref	Cab Worklights Installation (No A/C - LED)	C
1	0700610	4	Bolt, M6X20	
2	3290601	4	Nut, M6X1	
3	4811700	8	Washer, M6	
4	1001159845	1	Switch, Front Worklights	
5	1001159846	1	Switch, Rear Worklights	
6	1001203640	4	Lamp, LED Work Light	
7	1001204444	1	Support, LED Work Light RH	
8	1001204445	1	Support, LED Work Light LH	
9	1001204528	1	Support, LED Work Light RH	
10	1001204530	1	Support, LED Work Light LH	
11	1001228989	4	Harness, Ferrite	

# SECTION 10 - ELECTRICAL

## FIGURE 10-44. CAB WORKLIGHTS INSTALLATION (A/C - LED)



ART\_3001200529-C

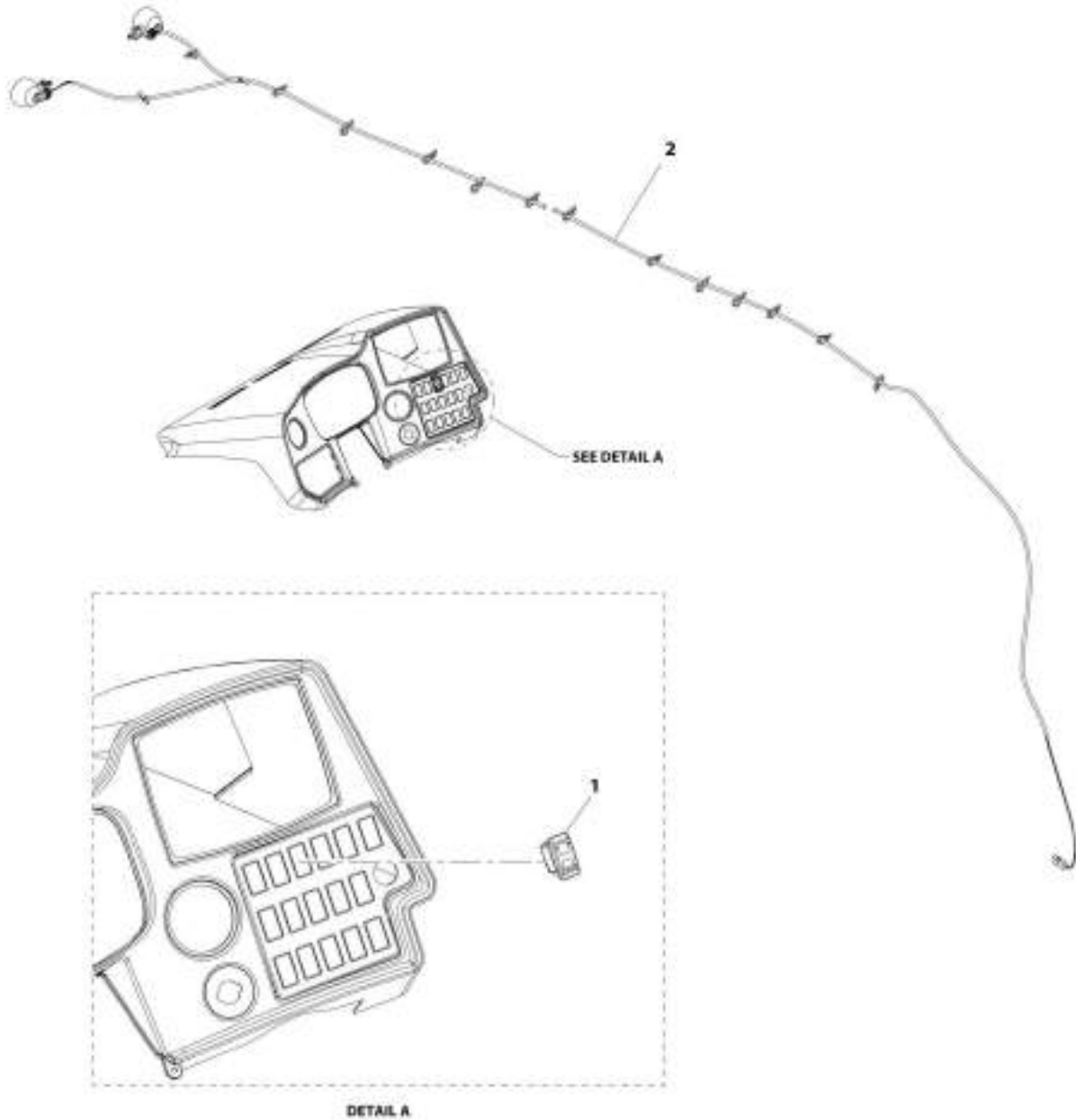
## SECTION 10 - ELECTRICAL

### FIGURE 10-44. CAB WORKLIGHTS INSTALLATION (A/C - LED)

ITEM	PART NUMBER	QTY	DESCRIPTION	REV
	1001200539	Ref	Cab Worklights Installation (A/C - LED)	C
1	0700610	2	Bolt, M6X20	
2	5220600	2	Nut, M6	
3	1001159845	1	Switch, Front Worklights	
4	1001159846	1	Switch, Rear Worklights	
5	1001203640	4	Lamp, LED Work Light	
6	1001204060	2	Bracket	
7	1001204444	1	Support, LED Work Light RH	
8	1001204445	1	Support, LED Work Light LH	
9	4811700	2	Washer, M6	
10	1001228989	4	Harness, Ferrite	

# SECTION 10 - ELECTRICAL

## FIGURE 10-45. BOOM WORK LIGHTS INSTALLATION



ART\_1901162083-C

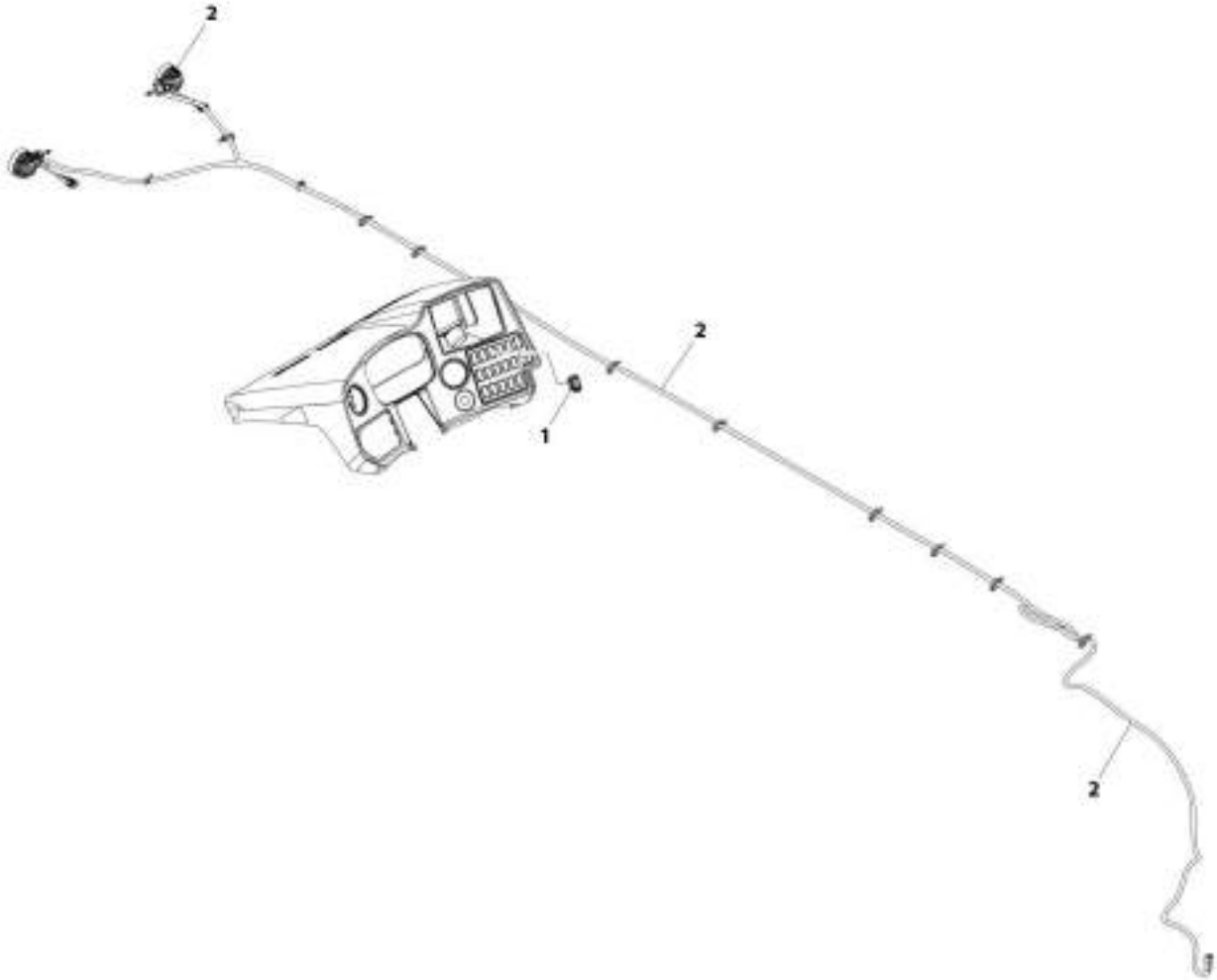
## SECTION 10 - ELECTRICAL

### FIGURE 10-45. BOOM WORK LIGHTS INSTALLATION

ITEM	PART NUMBER	QTY	DESCRIPTION	REV
1	1001182083	Ref	Boom Work Lights Installation	C
	1001159739	1	Switch, Driving Lights	
	1001174932	Ref	Installation, Boom Work Lights (See Separate Breakdown in this Section)	

# SECTION 10 - ELECTRICAL

## FIGURE 10-46. BOOM WORK LIGHTS INSTALLATION (LED)



AME\_1001280599-A



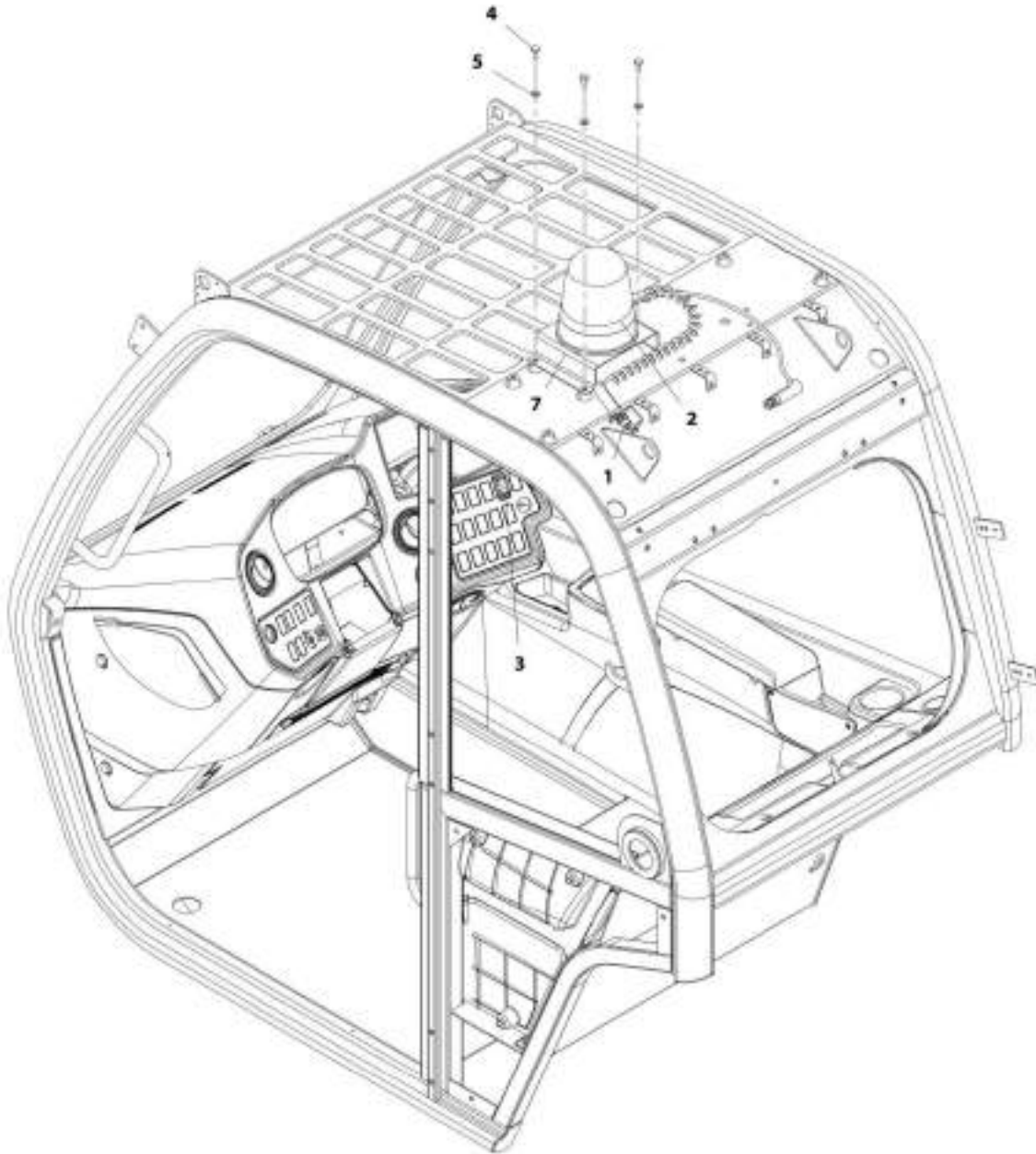
## SECTION 10 - ELECTRICAL

**FIGURE 10-46. BOOM WORK LIGHTS INSTALLATION (LED)**

ITEM	PART NUMBER	QTY	DESCRIPTION	REV
	1001230599	Ref	Boom Work Lights Installation	A
1	1001159739	1	Switch, Boom Work Lights	
2	1001230623	1	Installation, Boom LED Work Lights, (See Separate Breakdown in this Section)	

# SECTION 10 - ELECTRICAL

## FIGURE 10-47. BEACON INSTALLATION



ART\_1001371162-E

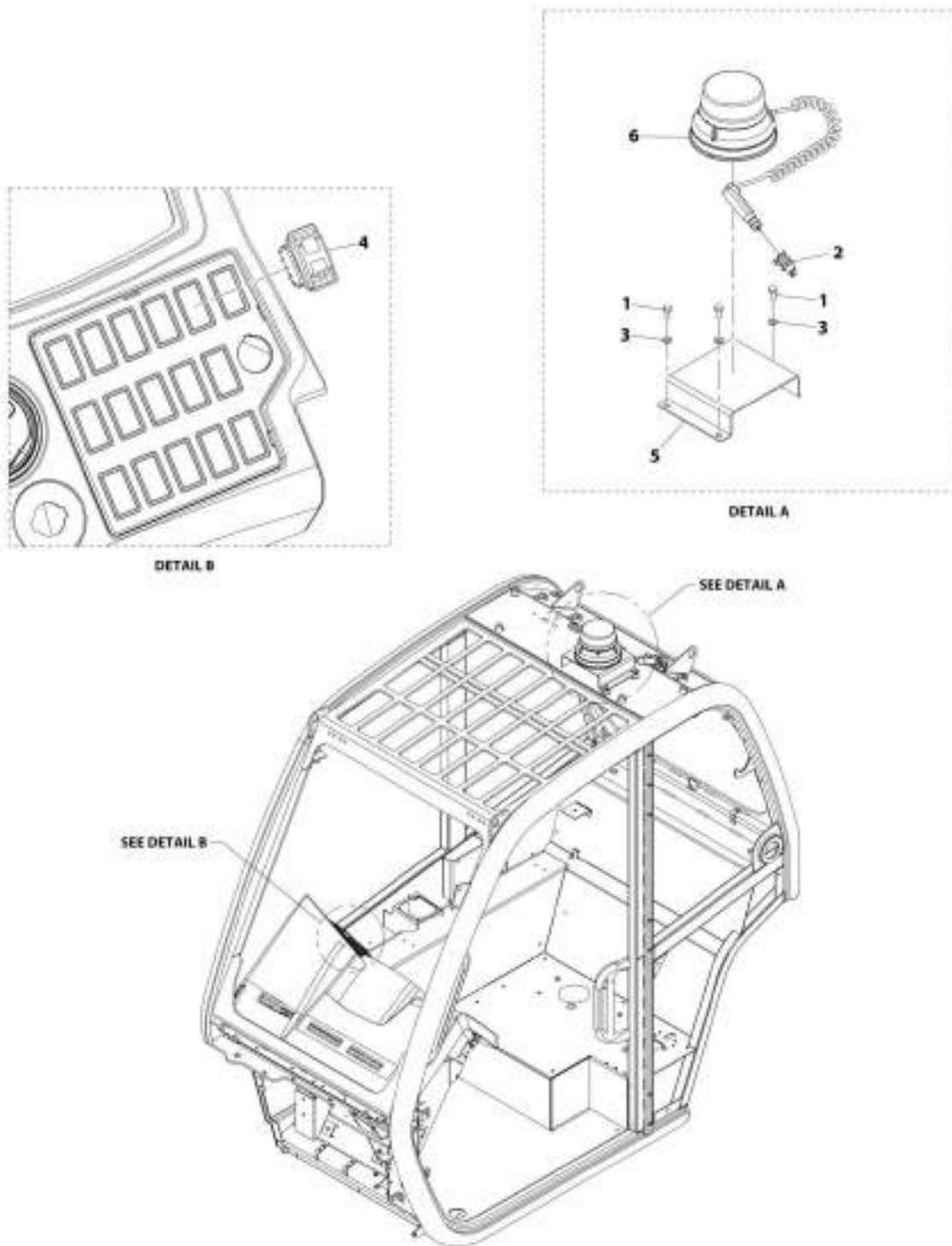
## SECTION 10 - ELECTRICAL

### FIGURE 10-47. BEACON INSTALLATION

ITEM	PART NUMBER	QTY	DESCRIPTION	REV
	1001171162	Ref	Beacon Installation	E
1	4461174	1	Terminal	
2	1001091573	NLA	Light, Warning, (no longer available, use 1001217623 for replacement)	
2	1001217623	1	Light, Warning	
3	1001159738	1	Switch	
4	0760808	3	Bolt, M8X16	
5	4811900	3	Washer, M8	
7	1001174796	1	Bracket	

# SECTION 10 - ELECTRICAL

## FIGURE 10-48. BEACON INSTALLATION (LED)



ART\_1001095880-A

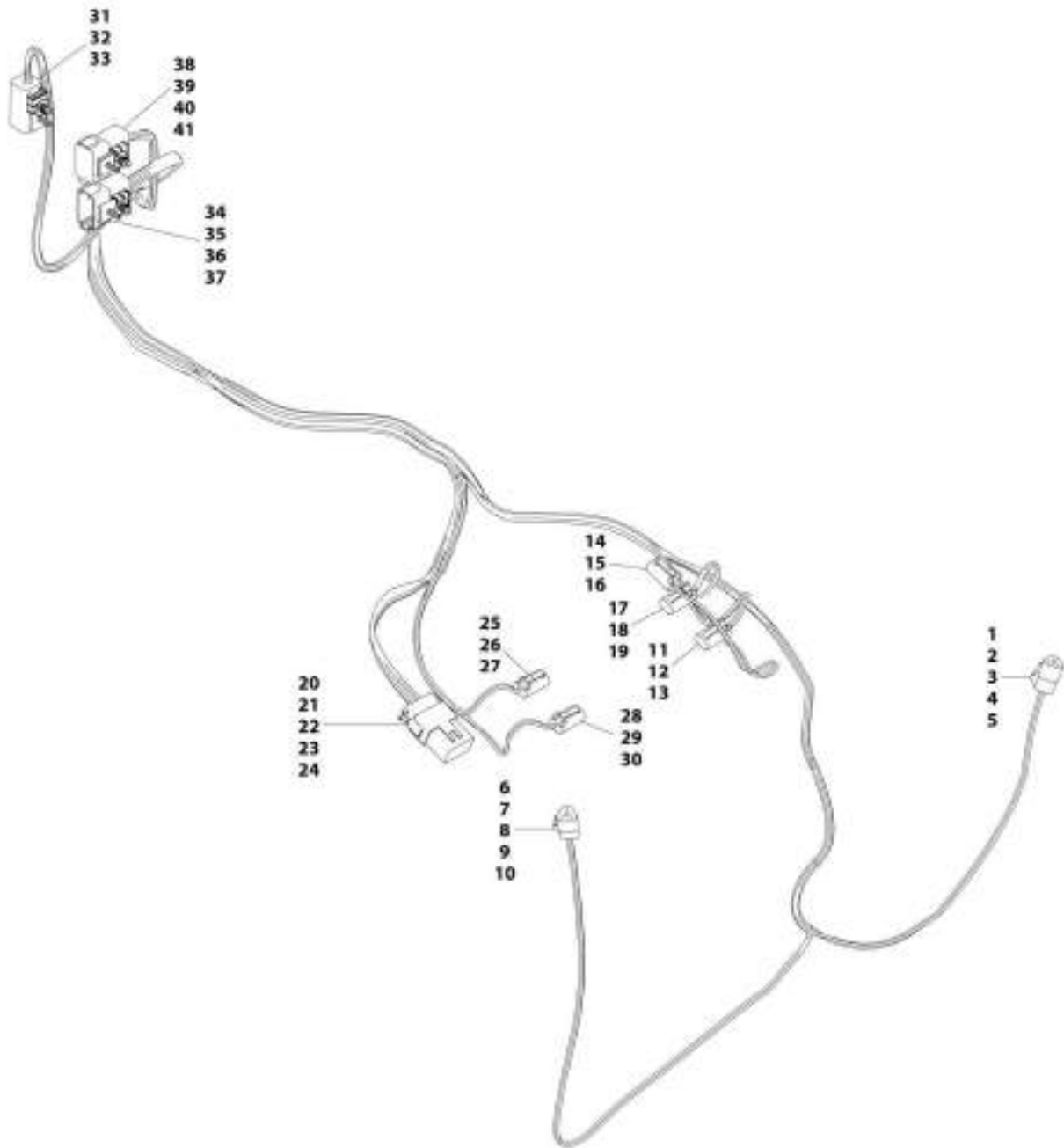
## SECTION 10 - ELECTRICAL

### FIGURE 10-48. BEACON INSTALLATION (LED)

ITEM	PART NUMBER	QTY	DESCRIPTION	REV
	1001195883	Ref	Beacon Installation (LED)	A
1	0760808	3	Bolt, M8X16	
2	4461174	1	Terminal	
3	4811900	3	Washer, M8	
4	1001159738	1	Switch	
5	1001174796	1	Bracket	
6	1001198893	1	Light, Beacon (LED)	

# SECTION 10 - ELECTRICAL

## FIGURE 10-49. OUTRIGGER HARNESS



ART\_1001172023-E

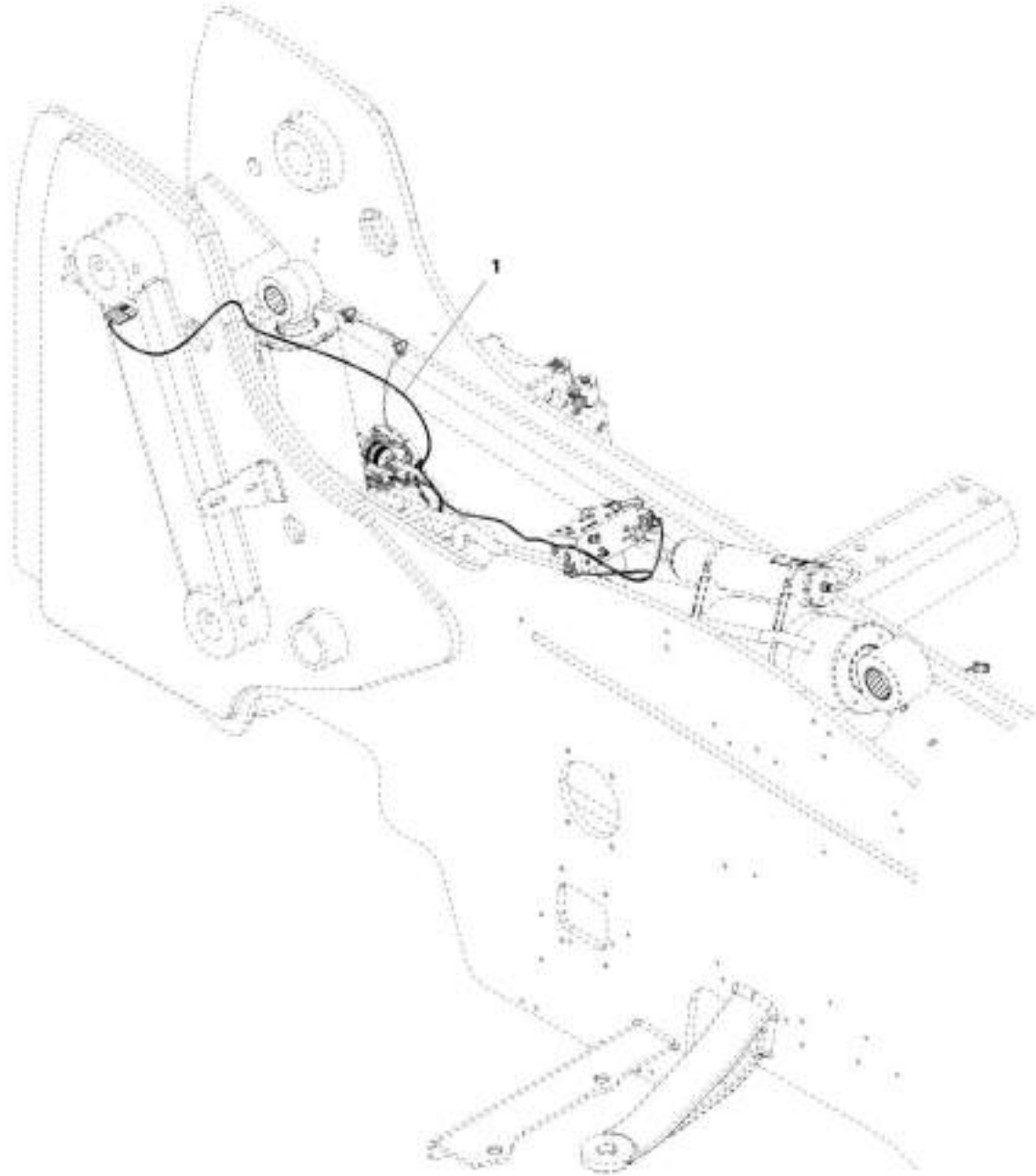
## SECTION 10 - ELECTRICAL

### FIGURE 10-49. OUTRIGGER HARNESS

ITEM	PART NUMBER	QTY	DESCRIPTION	REV
	1001172822	Ref	Outrigger Harness	E
1	4460539	1	Connector	
2	77363244	1	Lock, Secondary	
3	4460536	1	Terminal, 3 Pin Male	
4	4460465	3	Terminal	
5	4460466	1	Plug	
6	4460539	1	Connector	
7	77363244	1	Lock, Secondary	
8	4460536	1	Terminal, 3 Pin Male	
9	4460465	3	Terminal	
10	4460466	1	Plug	
11	4460891	1	Connector	
12	80604018	1	Lock, Secondary	
13	4460465	2	Terminal	
14	4460891	1	Connector	
15	80604018	1	Lock, Secondary	
16	4460465	2	Terminal	
17	4460891	1	Connector	
18	80604018	1	Lock, Secondary	
19	4460465	2	Terminal	
20	4460933	1	Connector	
21	80604016	1	Lock, Secondary	
22	4460970	1	Terminal, Receptacle	
23	4460942	10	Terminal	
24	4460466	2	Plug	
25	4460891	1	Connector	
26	80604018	1	Lock, Secondary	
27	4460465	2	Terminal	
28	4460891	1	Connector	
29	80604018	1	Lock, Secondary	
30	4460465	2	Terminal	
31	4460899	1	Connector	
32	80604022	1	Lock, Secondary	
33	4460464	6	Terminal	
34	4460970	1	Connector	
35	80363179	1	Lock, Secondary	
36	4460941	10	Terminal	
37	4460466	2	Plug	
38	4460950	1	Connector	
39	80363179	1	Lock, Secondary	
40	4460464	7	Terminal	
41	4460466	5	Plug	

# SECTION 10 - ELECTRICAL

FIGURE 10-50. RIDE CONTROL CB VALVE HARNESS INSTALLATION (LIFT)



INT\_105175677-A



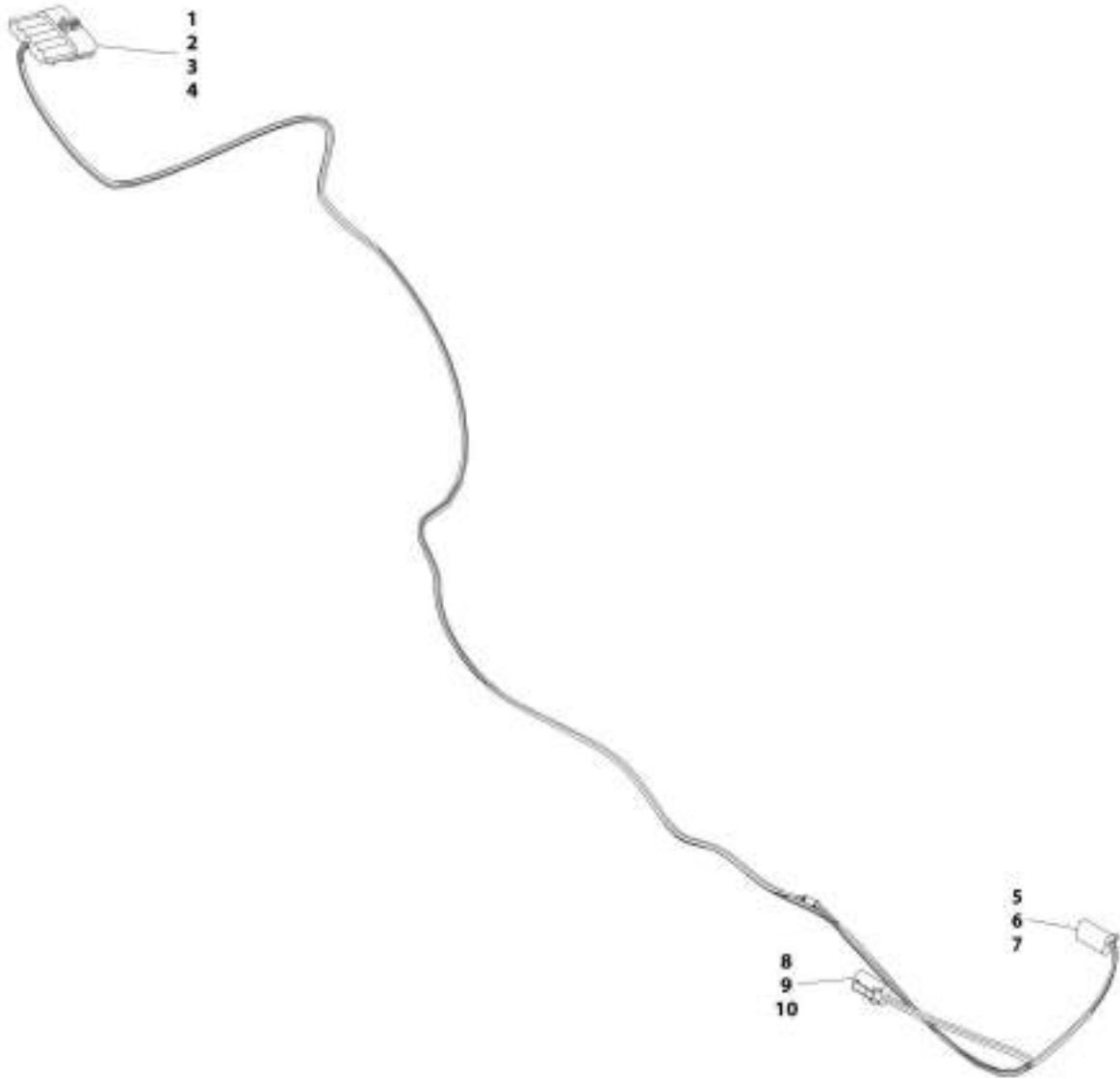
## SECTION 10 - ELECTRICAL

**FIGURE 10-50. RIDE CONTROL CB VALVE HARNESS INSTALLATION (LIFT)**

ITEM	PART NUMBER	QTY	DESCRIPTION	REV
1	1001175677 1001173527	Ref 1	Ride Control CB Valve Harness Installation Harness, Ride Control CB Valve (See RIDE CONTROL CB VALVE HARNESS for Breakdown)	A

# SECTION 10 - ELECTRICAL

FIGURE 10-51. RIDE CONTROL CB VALVE HARNESS (LIFT)



WIT\_1001173527-B

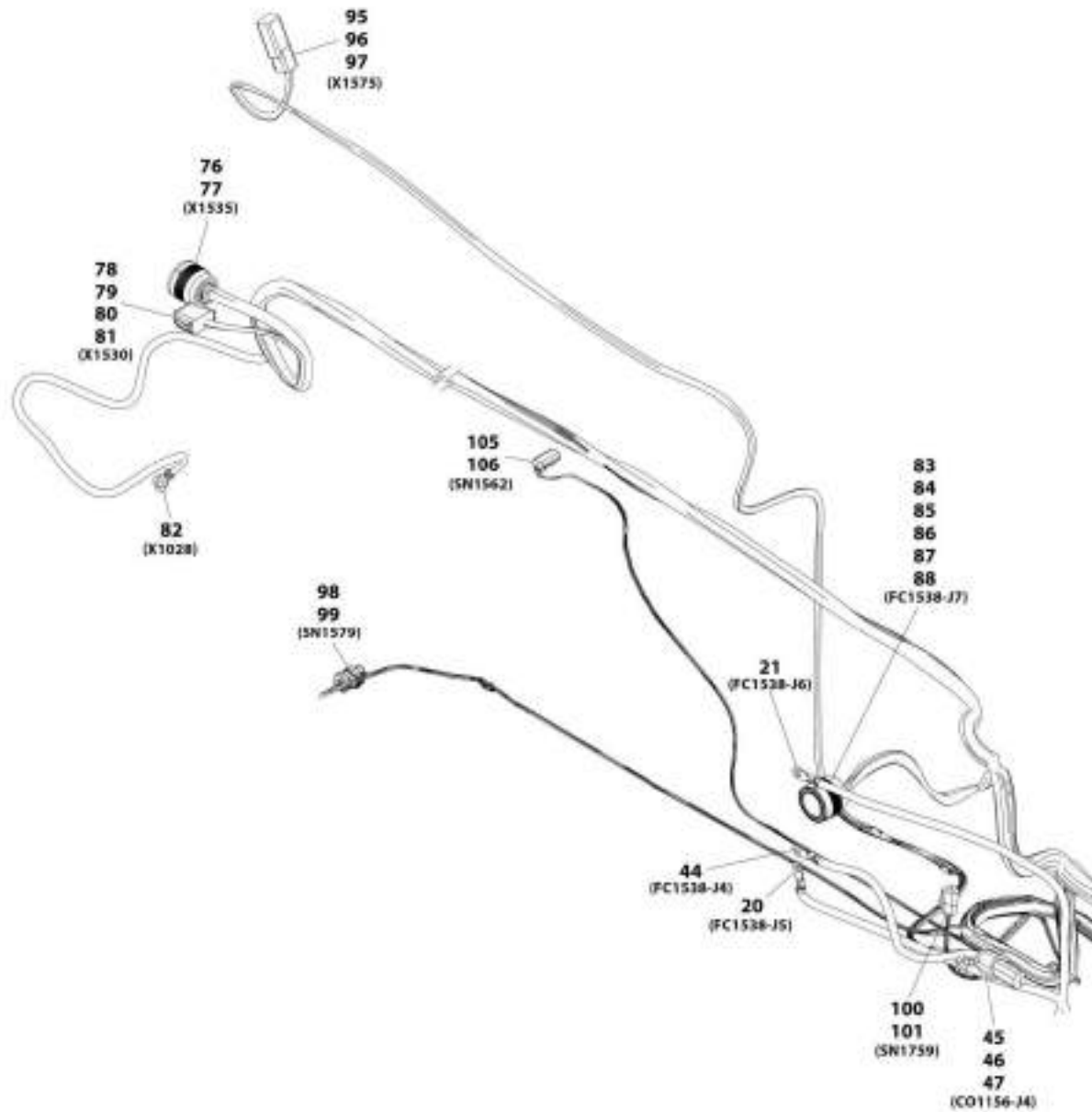
## SECTION 10 - ELECTRICAL

### FIGURE 10-51. RIDE CONTROL CB VALVE HARNESS (LIFT)

ITEM	PART NUMBER	QTY	DESCRIPTION	REV
	1001173527	Ref	Ride Control CB Valve Harness	B
1	1001121727	1	Connector	
2	1001166727	2	Plug	
3	1001116745	2	Terminal	
4	1001116729	1	Terminal	
5	4460891	1	Connector	
6	4460465	2	Terminal	
7	80604018	1	Lock, Secondary	
8	4460891	1	Connector	
9	4460465	2	Terminal	
10	80604018	1	Lock, Secondary	

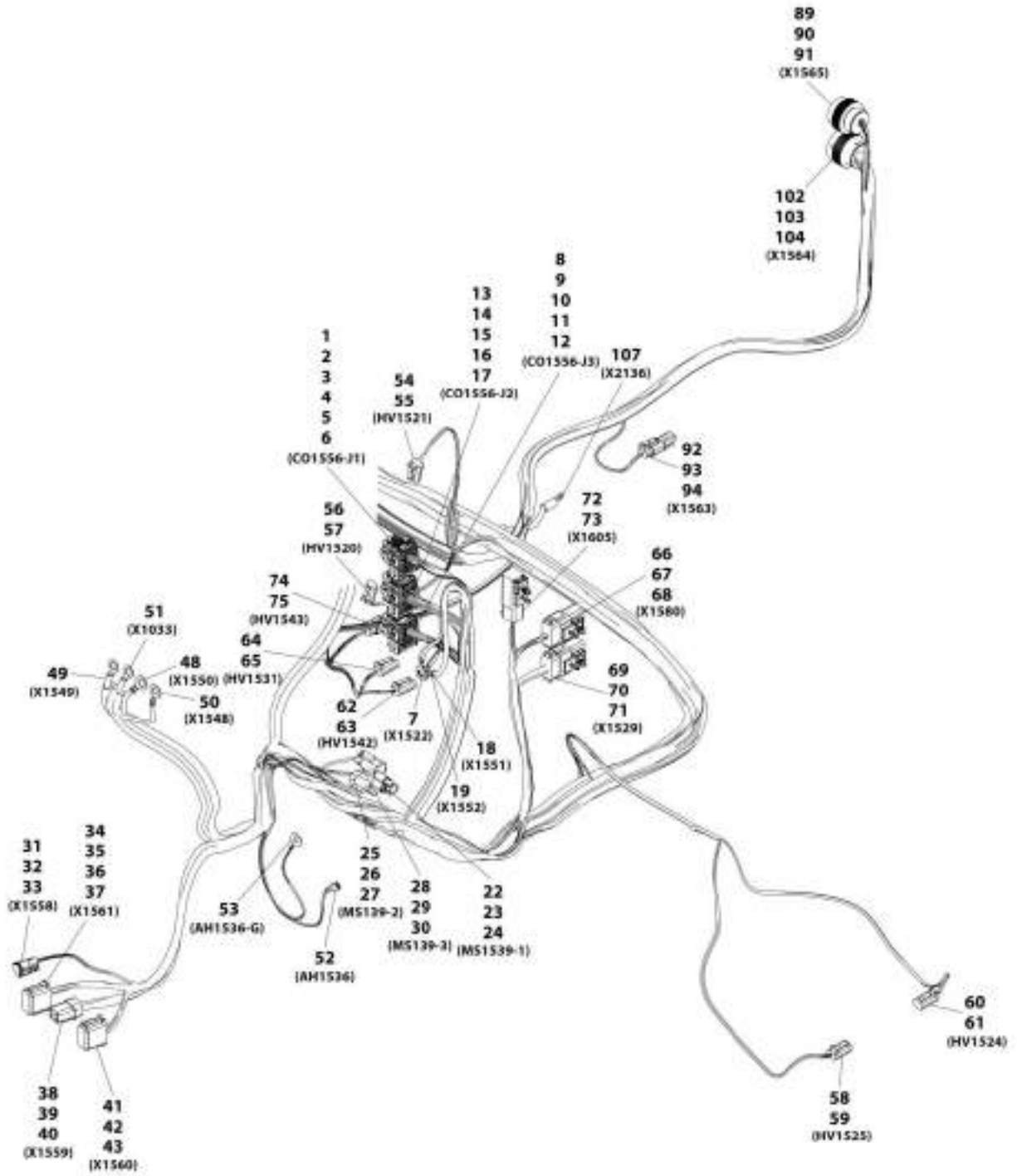
# SECTION 10 - ELECTRICAL

## FIGURE 10-52. FRONT FRAME HARNESS



ART\_1001231726\_3-9

# SECTION 10 - ELECTRICAL



ART\_1001221726\_2.0

# SECTION 10 - ELECTRICAL

## FIGURE 10-52. FRONT FRAME HARNESS

ITEM	PART NUMBER	QTY	DESCRIPTION	REV
	1001221728	Ref	Front Frame Harness	B
1	1001161963	1	Connector	
2	1001161097	21	Terminal	
3	1001161099	5	Terminal	
4	1001161098	1	Terminal	
5	1001161100	19	Plug	
6	1001161101	2	Plug	
7	1001187079	1	Terminal, Ring	
8	1001160500	1	Connector	
9	1001161097	9	Terminal	
10	1001161099	7	Terminal	
11	1001161100	15	Plug	
12	1001161101	1	Plug	
13	1001161957	1	Connector	
14	1001161097	21	Terminal	
15	1001161099	1	Terminal	
16	1001161100	3	Plug	
17	1001161101	7	Plug	
18	1001187080	1	Terminal, Ring	
19	1001187080	1	Terminal, Ring	
20	1001187075	1	Terminal, Ring	
21	1001187075	1	Terminal, Ring	
22	1001116812	1	Connector	
23	4460944	2	Terminal	
24	4460466	1	Plug	
25	4460539	1	Connector	
26	4460944	2	Terminal	
27	4460466	1	Plug	
28	1001116812	1	Connector	
29	4460944	2	Terminal	
30	4460466	1	Plug	
31	1001116812	1	Connector	
32	4460465	2	Terminal	
33	4460466	1	Plug	
34	4460836	1	Connector	
35	4460942	1	Terminal	
36	4460465	10	Terminal	
37	4460466	1	Plug	
38	1001116810	1	Connector	
39	1001150611	3	Terminal	
40	4460509	1	Terminal	
41	4460933	1	Connector	
42	4460465	8	Terminal	
43	4460466	4	Plug	
44	1001187075	1	Terminal, Ring	
45	1001160509	1	Connector	
46	1001160510	1	Terminal	
47	1001175267	1	Seal	
48	1001187080	1	Terminal, Ring	
49	1001128127	1	Terminal, Ring	

## SECTION 10 - ELECTRICAL

ITEM	PART NUMBER	QTY	DESCRIPTION	REV
50	1001187079	1	Terminal, Ring	
51	1001128127	1	Terminal, Ring	
52	8220051	1	Terminal, Blade	
53	1001211775	1	Terminal, Ring	
54	4460891	1	Connector	
55	4460465	2	Terminal	
56	4460891	1	Connector	
57	4460465	2	Terminal	
58	4460891	1	Connector	
59	4460465	2	Terminal	
60	4460891	1	Connector	
61	4460465	2	Terminal	
62	4460891	1	Connector	
63	4460465	2	Terminal	
64	4460891	1	Connector	
65	4460465	2	Terminal	
66	4460836	1	Connector	
67	4460465	7	Terminal	
68	4460466	5	Plug	
69	4460933	1	Connector	
70	4460942	10	Terminal	
71	4460466	2	Plug	
72	4460894	1	Connector	
73	4460465	6	Terminal	
74	4460891	1	Connector	
75	4460465	2	Terminal	
76	1001165310	1	Connector	
77	91013192	2	Terminal	
78	4460933	1	Connector	
79	4460465	3	Terminal	
80	4460942	2	Terminal	
81	4460466	7	Plug	
82	1001187076	1	Terminal, Ring	
83	1001165309	1	Connector	
84	4460465	7	Terminal	
85	4460942	3	Terminal	
86	4460509	3	Terminal	
87	1001150611	3	Terminal	
88	4460466	3	Plug	
89	4461015	1	Connector	
90	4460465	7	Terminal	
91	4460466	7	Plug	
92	4460891	1	Connector	
93	4460942	1	Terminal	
94	4460466	1	Plug	
95	4460894	1	Connector	
96	4460942	4	Terminal	
97	4460465	2	Terminal	
98	1001116950	1	Connector	
99	4460465	2	Terminal	
100	4460539	1	Connector	

## SECTION 10 - ELECTRICAL

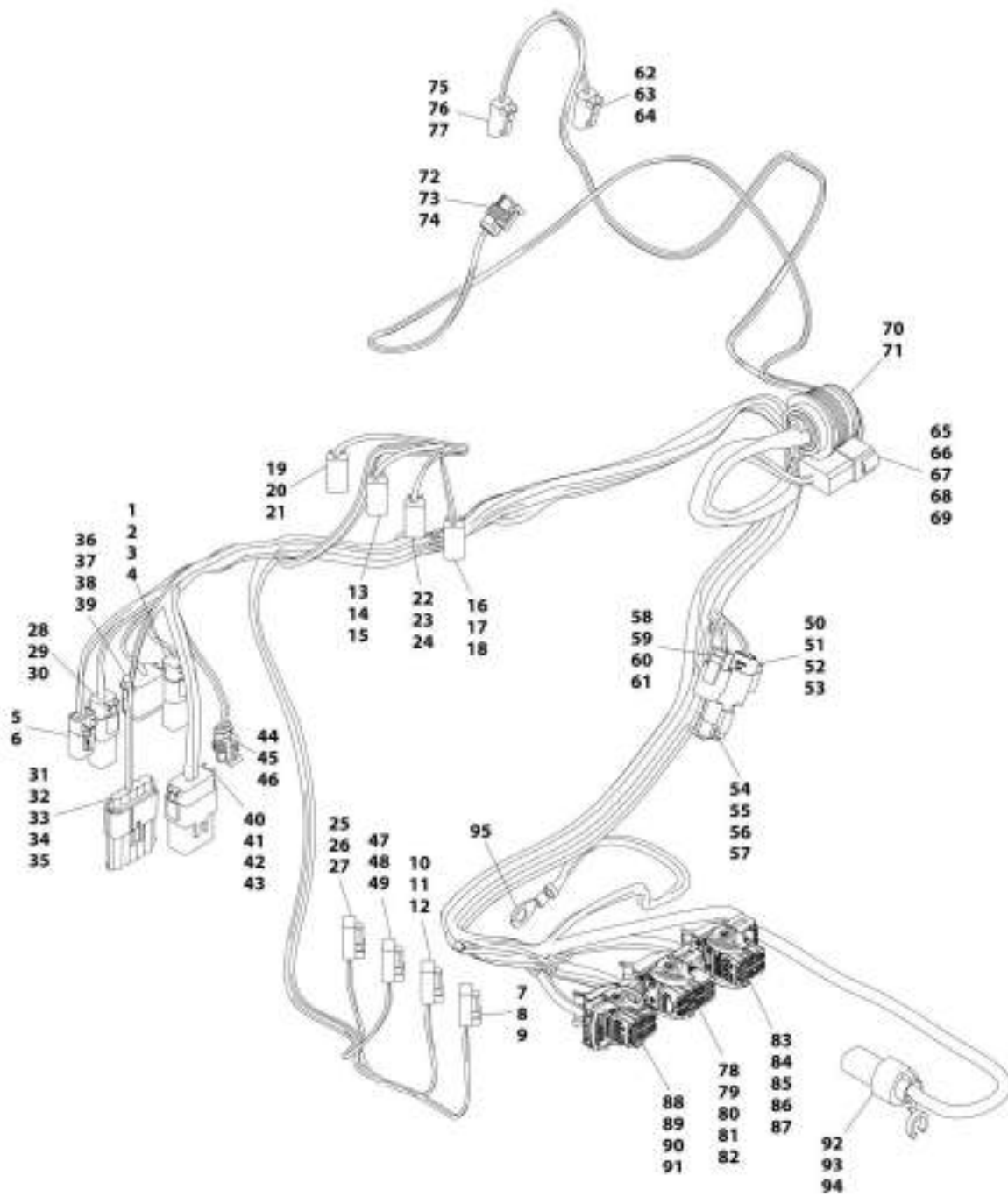
ITEM	PART NUMBER	QTY	DESCRIPTION	REV
101	4460465	3	Terminal	
102	1001118323	1	Connector	
103	4460942	4	Terminal	
104	91013192	2	Terminal	
105	4460891	1	Connector	
106	4460465	2	Terminal	
107	8220116	1	Terminal, Ring	





# SECTION 10 - ELECTRICAL

## FIGURE 10-53. REAR FRAME HARNESS



ART\_10013942G2-A

# SECTION 10 - ELECTRICAL

## FIGURE 10-53. REAR FRAME HARNESS

ITEM	PART NUMBER	QTY	DESCRIPTION	REV
	1001204352	Ref	Rear Frame Harness	A
1	4460884	1	Connector	
2	80604021	1	Lock, Connector	
2	4460465	2	Terminal	
3	4460466	2	Plug	
5	4461018	1	Connector	
6	4460509	2	Terminal	
7	4460891	1	Connector	
8	80604018	1	Lock, Connector	
9	4460465	2	Terminal	
10	4460891	1	Connector	
11	80604018	1	Connector	
12	4460465	2	Terminal	
13	4460891	1	Connector	
14	80604018	1	Lock, Connector	
15	4460465	2	Terminal	
16	4460891	1	Connector	
17	80604018	1	Lock, Connector	
18	4460465	2	Terminal	
19	4460891	1	Connector	
20	80604018	1	Lock, Connector	
21	4460465	2	Terminal	
22	4460891	1	Connector	
23	80604018	1	Lock, Connector	
24	4460465	2	Terminal	
25	4460891	1	Connector	
26	80604018	1	Lock, Connector	
27	4460465	2	Terminal	
28	4460884	1	Connector	
29	4460465	4	Terminal	
30	80604021	1	Lock, Connector	
31	1001121726	1	Connector	
32	1001116728	3	Terminal	
33	1001175265	2	Seal	
34	4460458	1	Seal	
35	1001116727	2	Plug	
36	4460930	1	Connector	
37	8220525	1	Lock, Connector	
38	4460465	2	Terminal	
39	4460466	6	Plug	
40	4460933	1	Connector	
41	80604016	1	Connector, Lock	
42	4460942	10	Terminal	
43	4460466	2	Plug	
44	4461118	1	Connector	
45	1001107854	2	Terminal	
46	1001116763	2	Seal	
47	4460891	1	Connector	
48	80604018	1	Lock, Connector	
49	4460465	2	Terminal	

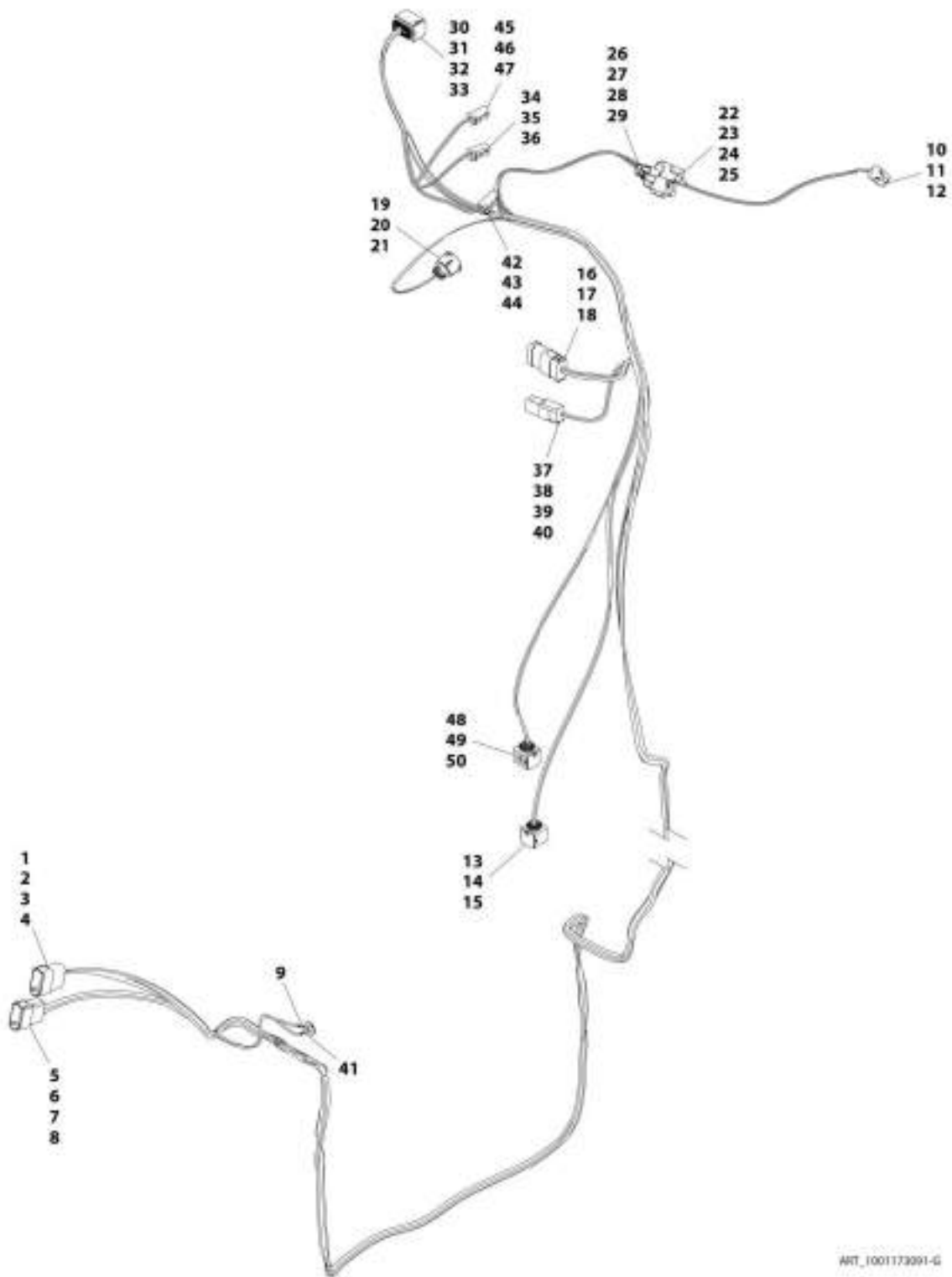
## SECTION 10 - ELECTRICAL

ITEM	PART NUMBER	QTY	DESCRIPTION	REV
50	1001116812	1	Connector	
51	91554019	1	Lock, Connector	
52	4460944	2	Terminal	
53	4460466	1	Plug	
54	1001116812	1	Connector	
55	91554019	1	Lock, Connector	
56	4460944	2	Terminal	
57	4460466	1	Plug	
58	4460539	1	Connector	
59	1001146021	1	Seal	
60	4460944	2	Terminal	
61	4460466	1	Plug	
62	4460891	1	Connector	
63	80604018	1	Lock, Connector	
64	4460465	2	Terminal	
65	4460970	1	Connector	
66	80363179	1	Lock, Connector	
67	4460464	4	Terminal	
68	4460941	1	Terminal	
69	4460466	7	Plug	
70	1001165311	1	Connector	
71	91013191	2	Terminal	
72	4461262	1	Connector	
73	1001107854	3	Terminal	
74	1001104498	3	Seal	
75	4460891	1	Connector	
76	80604018	1	Lock, Connector	
77	4460465	2	Terminal	
78	1001161963	1	Connector	
79	1001161097	21	Terminal	
80	1001161099	5	Terminal	
81	1001161100	19	Plug	
82	1001161101	3	Plug	
83	1001160500	1	Connector	
84	1001161097	2	Terminal	
85	1001161099	7	Terminal	
86	1001161100	22	Plug	
87	1001161101	1	Plug	
88	1001161957	1	Connector	
89	1001161097	7	Terminal	
90	1001161100	17	Plug	
91	1001161101	8	Plug	
92	1001160509	1	Connector	
93	1001160510	1	Terminal	
94	1001175267	1	Seal	
95	1001187076	1	Ring, Terminal	



# SECTION 10 - ELECTRICAL

## FIGURE 10-54. ENGINE CHASSIS HARNESS (ULS)



ART\_1001173091-G

## SECTION 10 - ELECTRICAL

**FIGURE 10-54. ENGINE CHASSIS HARNESS (ULS)**

ITEM	PART NUMBER	QTY	DESCRIPTION	REV
	1001173091	Ref	Engine Chassis Harness (ULS)	G
1	4460982	1	Connector	
2	80363179	1	Lock, Connector	
3	4460464	11	Terminal	
4	4460466	1	Plug	
5	1001152742	1	Connector	
6	80363179	1	Lock, Connector	
7	4460464	10	Terminal	
8	4460466	2	Plug	
9	1001187077	1	Terminal, Ring	
10	4460884	1	Connector	
11	80604021	1	Lock, Connector	
12	4460465	4	Terminal	
13	1001167528	1	Connector	
14	1001166704	4	Terminal	
15	1001137578	4	Seal, Terminal	
16	4460930	1	Connector	
17	80604025	1	Lock, Connector	
18	4460465	8	Terminal	
19	1001167620	1	Connector	
20	1001176004	2	Terminal	
21	1001167624	2	Plug	
22	4460539	1	Connector	
23	77363244	1	Lock, Connector	
24	4460944	2	Terminal	
25	4460466	1	Plug	
26	1001116812	1	Connector	
27	91554019	1	Lock, Connector	
28	4460944	2	Terminal	
29	4460466	1	Plug	
30	1001165194	1	Connector	
31	1001166703	10	Terminal	
32	1001126393	10	Seal, Terminal	
33	1001126391	2	Plug	
34	4460891	1	Connector	
35	80604018	1	Lock, Connector	
36	4460465	2	Terminal	
37	4460894	1	Connector	
38	91504107	1	Lock, Connector	
39	4460465	4	Terminal	
40	4460466	2	Plug	
41	1001187077	1	Terminal, Ring	
42	4460891	1	Connector	
43	80604018	1	Lock, Connector	
44	4460465	2	Terminal	
45	4460891	1	Connector	
46	80604018	1	Lock, Connector	
47	4460465	2	Terminal	
48	1001176935	1	Connector	
49	1001166704	4	Terminal	

## SECTION 10 - ELECTRICAL

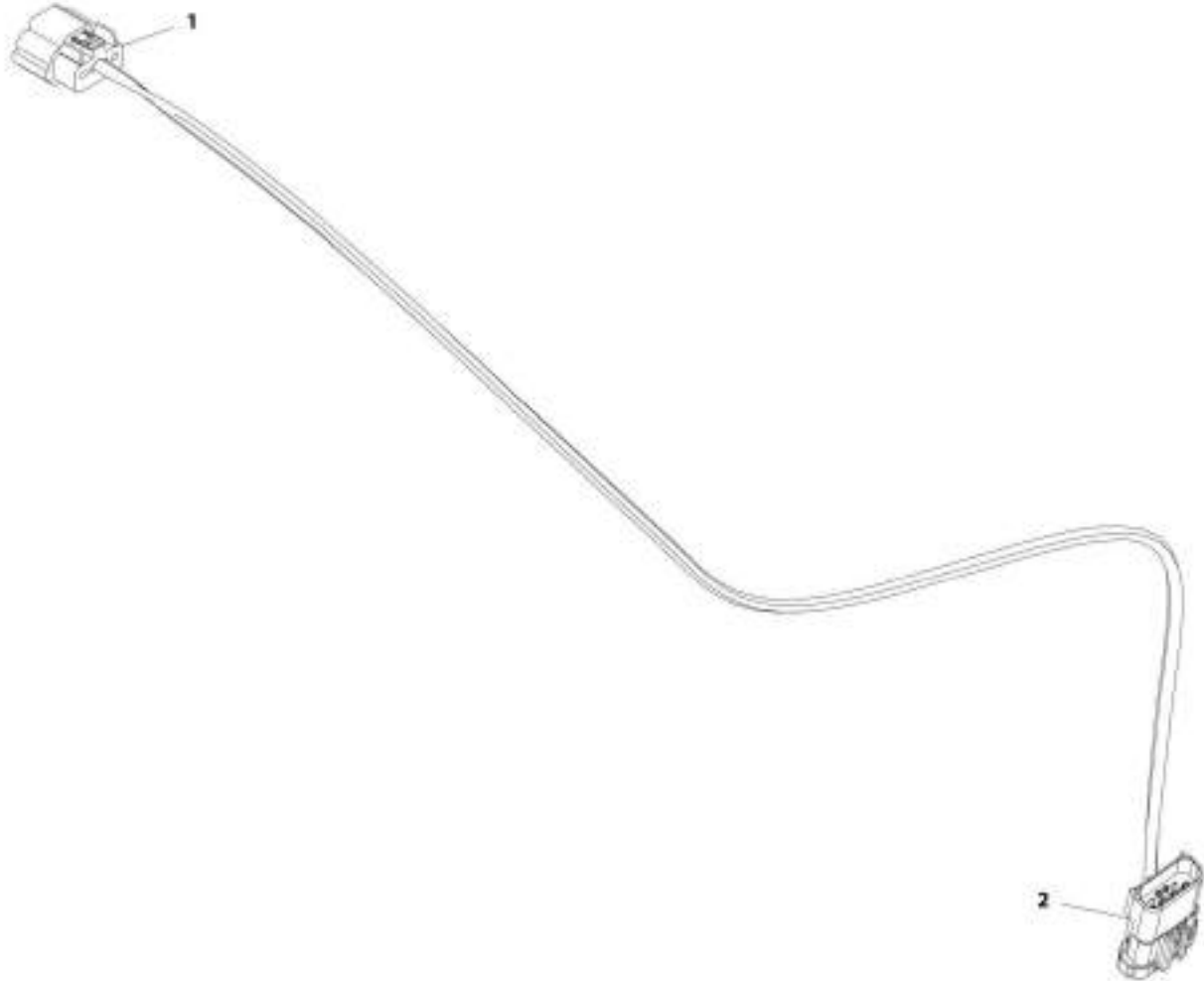
ITEM	PART NUMBER	QTY	DESCRIPTION	REV
50	1001137578	4	Seal, Terminal	





# SECTION 10 - ELECTRICAL

## FIGURE 10-55. TBAP HARNESS



ART\_1001104833-A

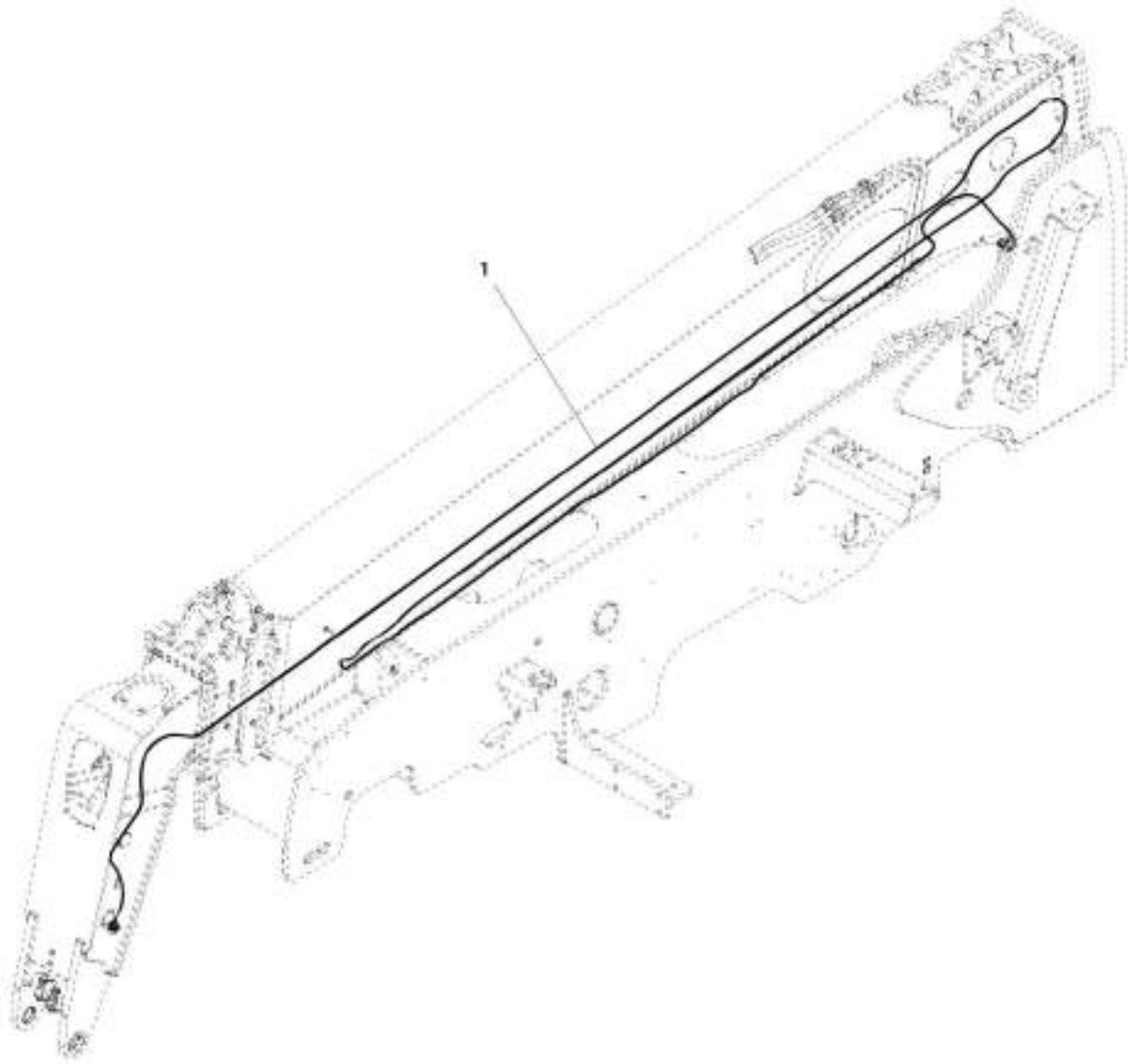
# SECTION 10 - ELECTRICAL

## FIGURE 10-55. TBAP HARNESS

ITEM	PART NUMBER	QTY	DESCRIPTION	REV
1	1001184835	Ref	TBAP Harness	A
	10011184495	1	Connector	
	1001184494	4	Terminal	
	1001184496	4	Seal	
2	1001184491	1	Connector	
	1001184493	4	Terminal	

# SECTION 10 - ELECTRICAL

FIGURE 10-56. BOOM ELECTRICAL HARNESS INSTALLATION



ART\_100174438-E

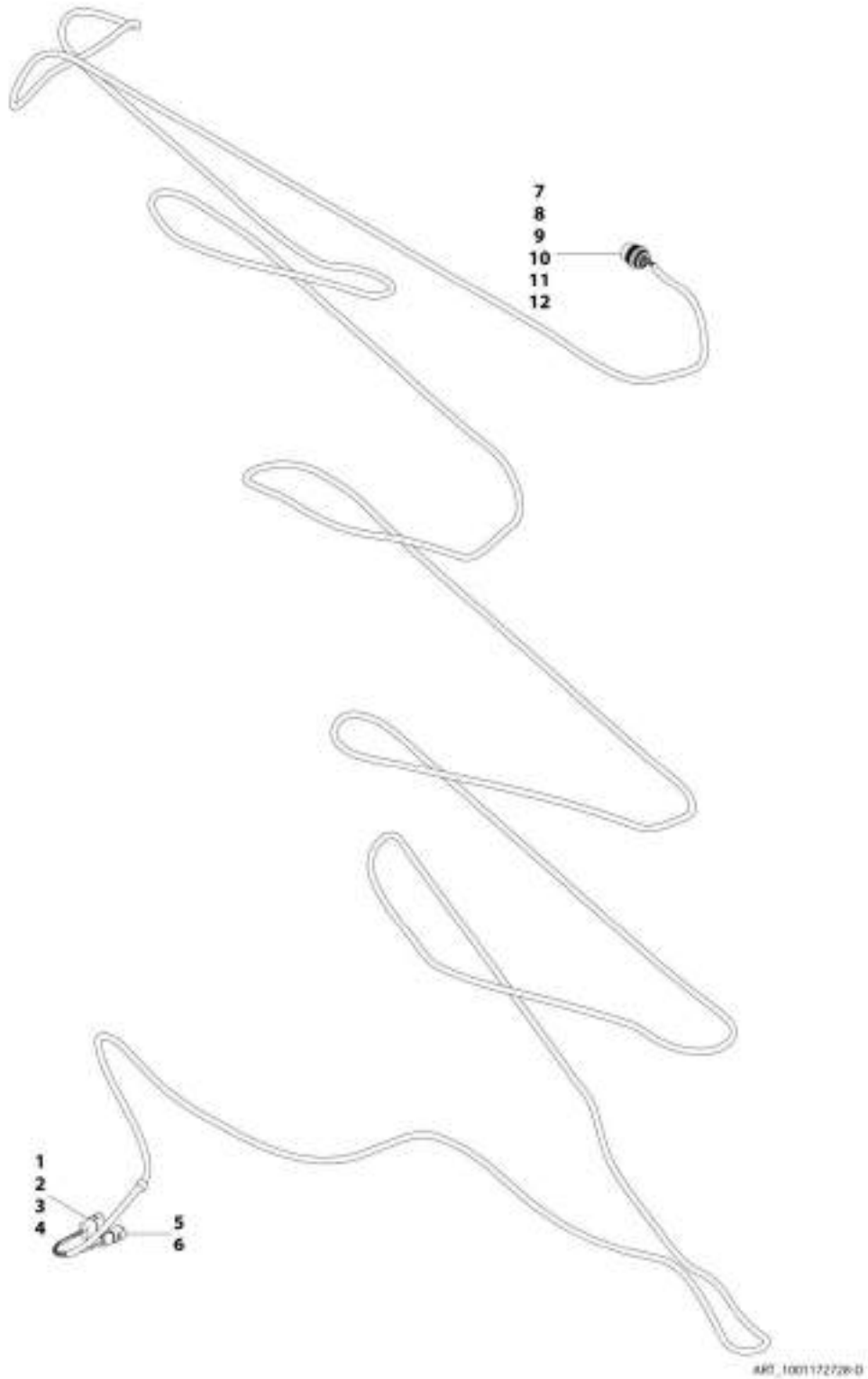
## SECTION 10 - ELECTRICAL

**FIGURE 10-56. BOOM ELECTRICAL HARNESS INSTALLATION**

ITEM	PART NUMBER	QTY	DESCRIPTION	REV
1	1001174426 1001172728	Ref 1	Boom Electrical Harness Installation Harness, Boom (See Separate Breakdown in this Section)	E

# SECTION 10 - ELECTRICAL

## FIGURE 10-57. BOOM HARNESS



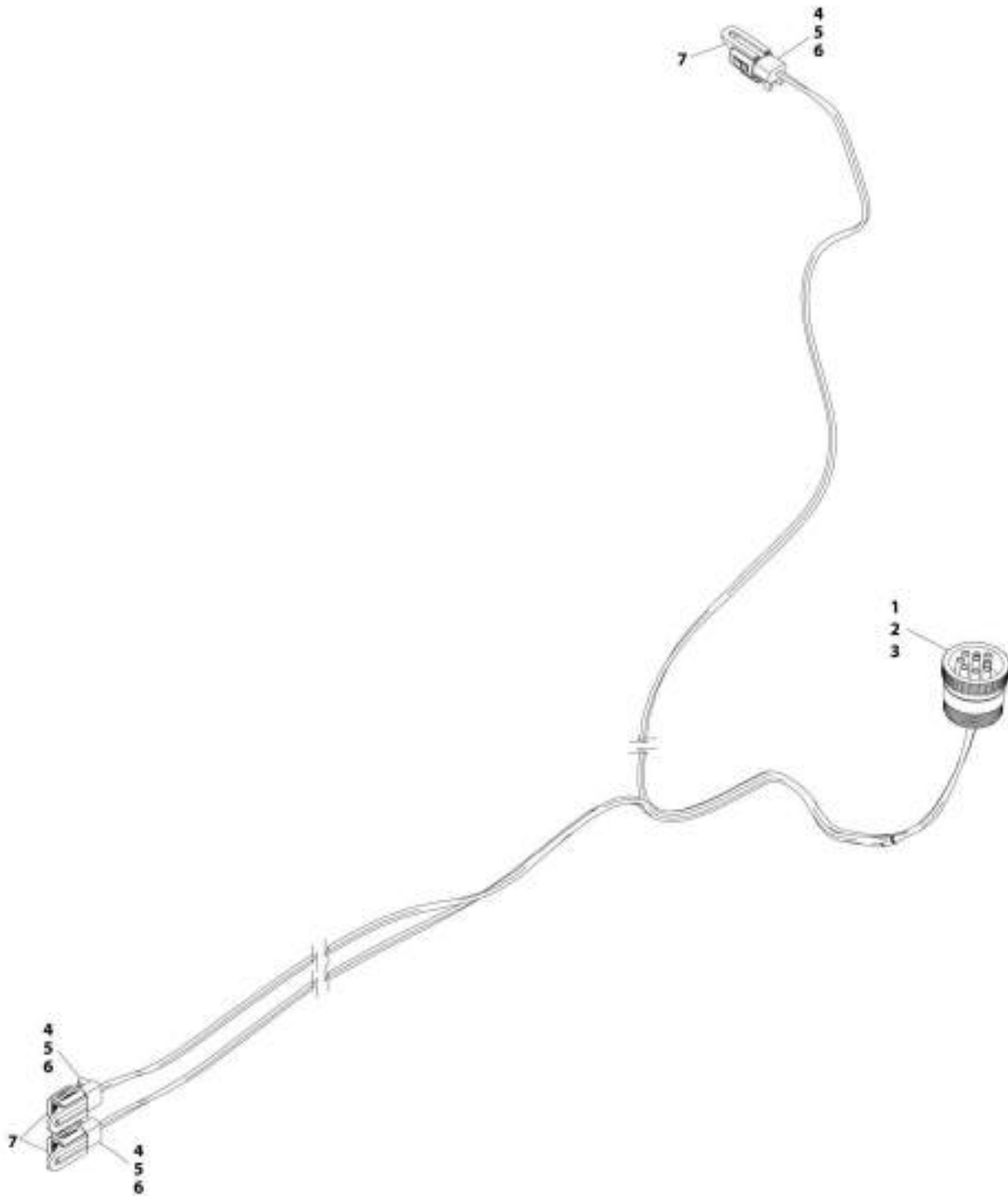
## SECTION 10 - ELECTRICAL

### FIGURE 10-57. BOOM HARNESS

ITEM	PART NUMBER	QTY	DESCRIPTION	REV
	1001172728	Ref	Boom Harness	D
1	4460931	1	Connector	
2	4460943	2	Terminal	
3	4460464	4	Terminal	
4	4460466	2	Plug	
5	4461017	1	Connector	
6	4460508	2	Terminal	
7	1001112612	1	Connector	
8	1001183221	1	Boot	
9	1001157891	1	Terminal	
10	4460464	4	Terminal	
11	4460943	2	Terminal	
12	4460466	1	Plug	

# SECTION 10 - ELECTRICAL

## FIGURE 10-58. PLATFORM HARNESS



AWT\_1001107685-C



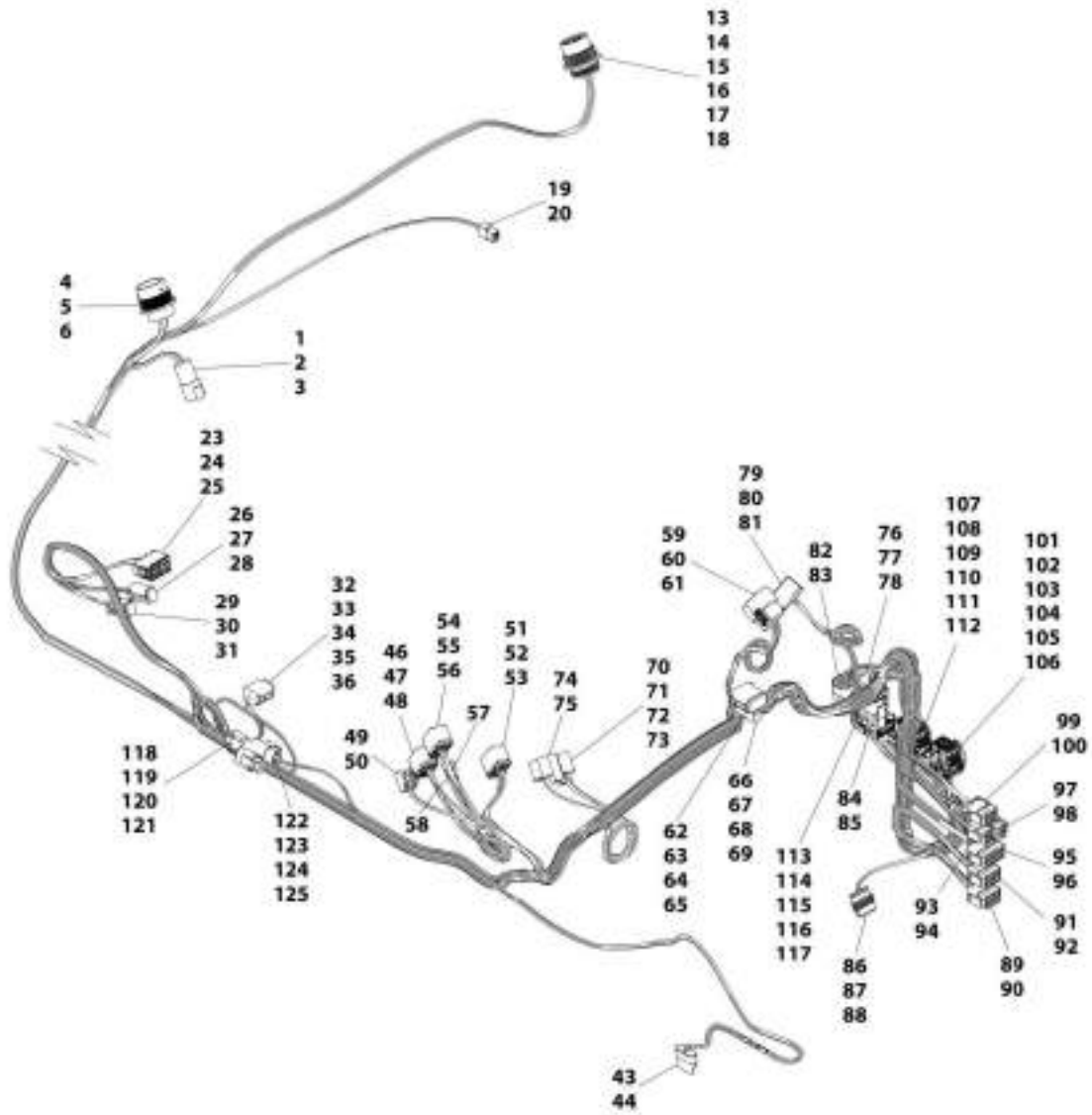
## SECTION 10 - ELECTRICAL

### FIGURE 10-58. PLATFORM HARNESS

ITEM	PART NUMBER	QTY	DESCRIPTION	REV
	1001167695	Ref	Platform Harness	C
1	1001112796	1	Connector	
2	4460466	5	Terminal	
3	4460465	4	Terminal	
4	4460891	3	Connector, (includes rear seal)	
5	4460465	2	Terminal	
6	80604018	2	Lock, Connector	
7	1001155806	3	Cap, Dust	

# SECTION 10 - ELECTRICAL

## FIGURE 10-59. CAB HARNESS



ART\_1001106451-C

# SECTION 10 - ELECTRICAL

## FIGURE 10-59. CAB HARNESS

ITEM	PART NUMBER	QTY	DESCRIPTION	REV
	1001196451	Ref	Cab Harness	C
1	4460932	1	Connector	
2	80604020	1	Lock, Connector	
3	4460941	4	Terminal	
4	1001201081	1	Connector	
5	4460941	6	Terminal	
6	4460466	8	Plug	
13	1001112612	1	Connector	
14	4460497	1	Nut	
15	4460496	1	Washer, Lock	
16	4460464	3	Terminal	
17	4460943	2	Terminal	
18	4460466	4	Plug	
19	1001116991	1	Connector	
20	1001118384	2	Terminal	
23	1001117081	1	Connector	
24	1001118384	4	Terminal	
25	1001116723	2	Terminal	
26	4460884	1	Connector	
27	80604021	1	Lock, Connector	
28	4460465	4	Terminal	
29	4460884	1	Connector	
30	80604021	1	Lock, Connector	
31	4460465	4	Terminal	
32	4460894	1	Connector	
33	80604023	1	Lock, Connector	
34	4460465	3	Terminal	
35	4460944	2	Terminal	
36	4460466	1	Plug	
43	1001117064	1	Connector	
44	91554014	6	Terminal	
46	1001117081	1	Connector	
47	1001116723	6	Terminal	
48	1001118384	1	Terminal	
49	1001118684	1	Connector	
50	1001116754	2	Terminal	
51	1001117081	1	Connector	
52	1001118384	5	Terminal	
53	1001116723	6	Terminal	
54	1001117081	1	Connector	
55	1001118384	2	Terminal	
56	1001116723	4	Terminal	
57	8220051	1	Terminal, Female Blade	
58	8220051	1	Terminal, Female Blade	
59	1001162886	1	Connector	
60	1001162887	7	Terminal	
61	1001163340	13	Plug	
62	4460933	1	Connector	
63	80604016	1	Lock, Connector	
64	4460465	9	Terminal	

## SECTION 10 - ELECTRICAL

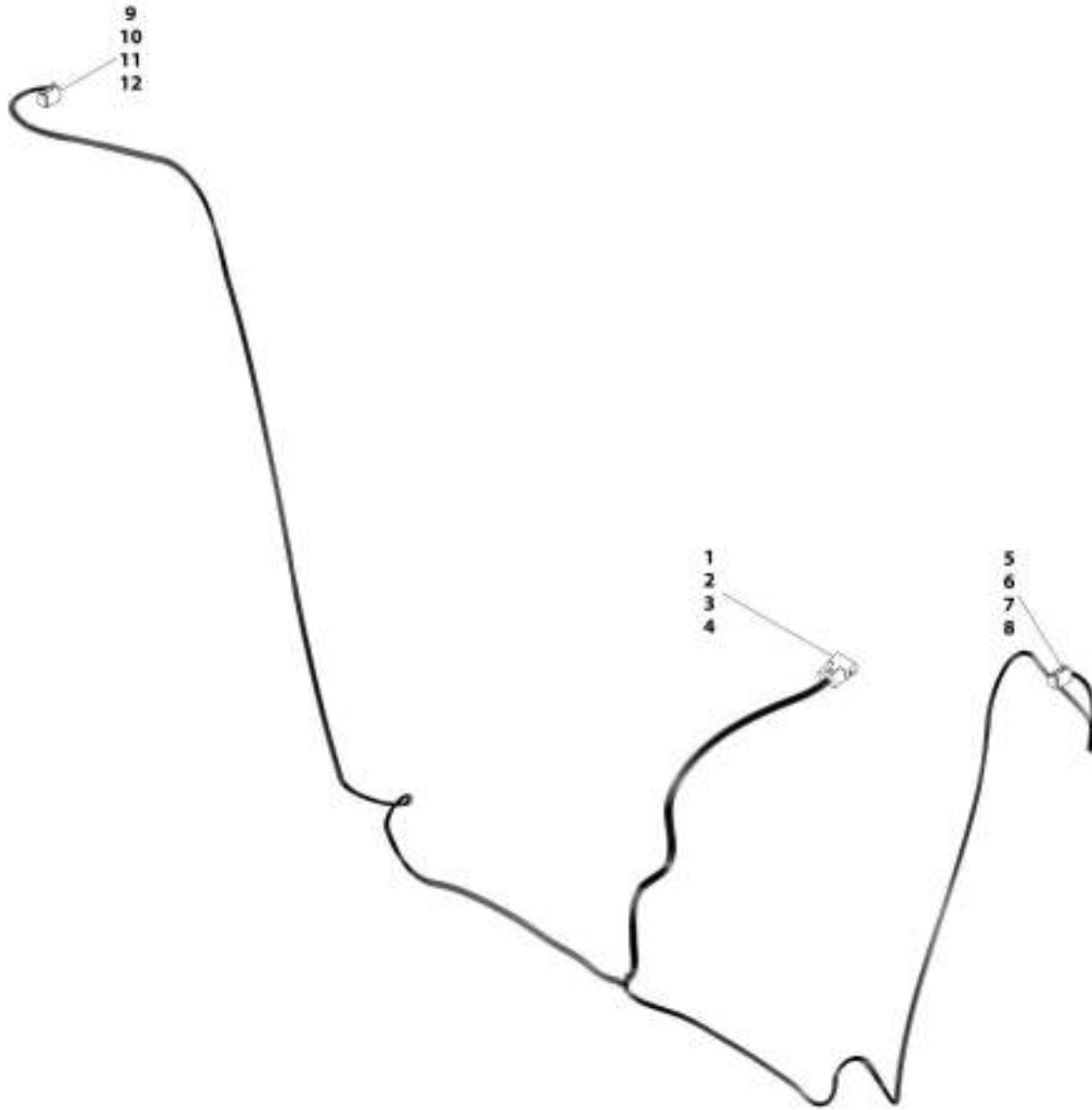
ITEM	PART NUMBER	QTY	DESCRIPTION	REV
65	4460466	3	Plug	
66	4460897	1	Connector	
67	80604017	1	Lock, Connector	
68	4460464	1	Terminal	
69	4460466	1	Plug	
70	1001118685	1	Connector	
71	1001116723	2	Terminal	
72	1001118383	1	Terminal	
73	1001118384	1	Terminal	
74	1001117121	1	Connector	
75	1001184841	1	Terminal	
76	4460930	1	Connector	
77	80604025	1	Lock, Connector	
78	4460465	8	Terminal	
79	1001117081	1	Connector	
80	1001118384	2	Terminal	
81	1001116723	4	Terminal	
82	4460343	1	Connector	
83	4460268	8	Terminal	
84	4460434	1	Connector	
85	4460268	14	Terminal	
86	1001103012	1	Connector	
87	1001116697	2	Terminal	
88	1001116698	2	Plug	
89	4460343	1	Connector	
90	4460267	10	Terminal	
91	4460343	1	Connector	
92	4460268	9	Terminal	
93	4460225	1	Connector	
94	4460268	5	Terminal	
95	4460434	1	Connector	
96	4460268	10	Terminal	
97	4460225	1	Connector	
98	4460267	3	Terminal	
99	4460265	1	Connector	
100	4460268	5	Terminal	
101	1001160498	1	Connector	
102	1001161095	22	Terminal	
103	1001161098	5	Terminal	
104	1001161099	1	Terminal	
105	1001161100	2	Plug	
106	1001161101	2	Plug	
107	1001160502	1	Connector	
108	1001161095	17	Terminal	
109	1001161098	5	Terminal	
110	1001161099	1	Terminal	
111	1001161100	23	Plug	
112	1001161101	2	Plug	
113	1001161959	1	Connector	
114	1001161095	6	Terminal	
115	1001161098	1	Terminal	

## SECTION 10 - ELECTRICAL

ITEM	PART NUMBER	QTY	DESCRIPTION	REV
116	1001161100	18	Plug	
117	1001161101	7	Plug	
118	1001116812	1	Connector	
119	4460944	2	Terminal	
120	4460466	1	Plug	
121	91554019	1	Lock, Connector	
122	4460539	1	Connector	
123	4460944	2	Terminal	
124	4460466	1	Plug	
125	77363244	1	Lock, Connector	

# SECTION 10 - ELECTRICAL

## FIGURE 10-60. FRONT FRAME HEADLIGHT HARNESS



ARE\_1001165360-D

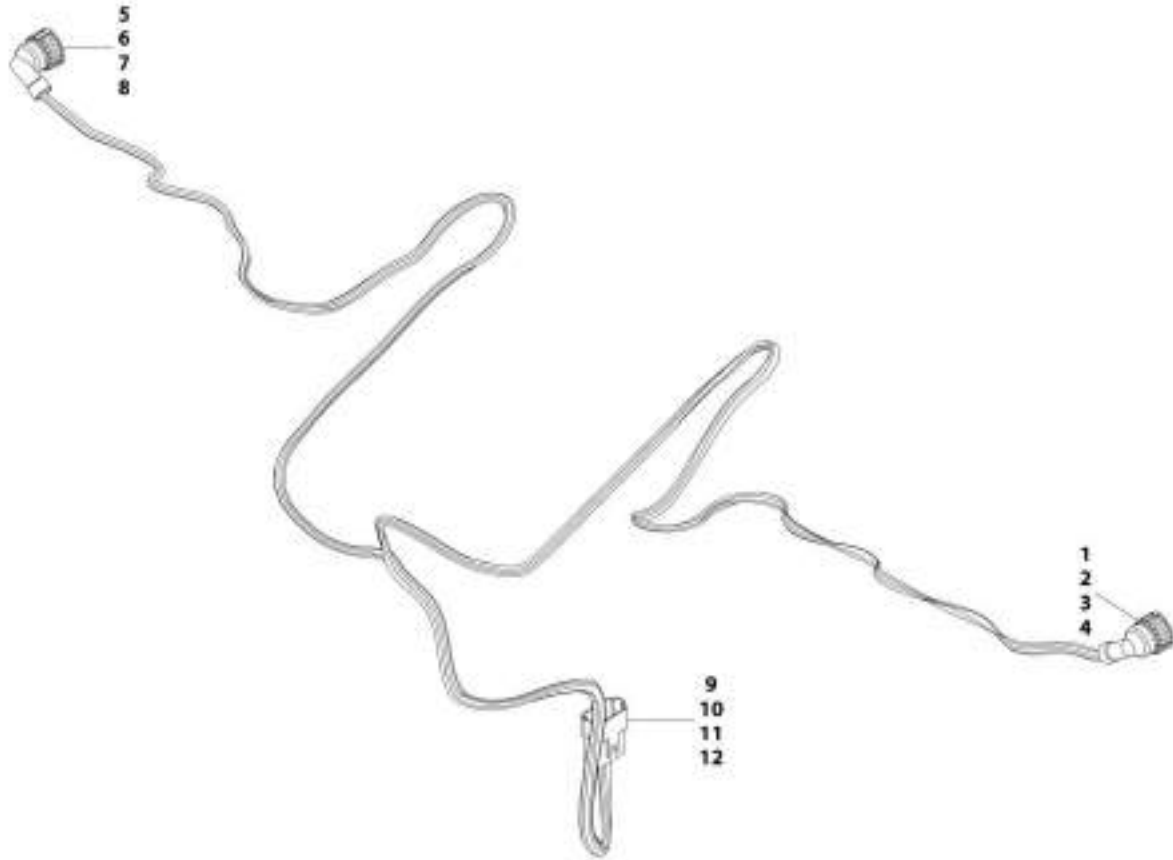
## SECTION 10 - ELECTRICAL

### FIGURE 10-60. FRONT FRAME HEADLIGHT HARNESS

ITEM	PART NUMBER	QTY	DESCRIPTION	REV
	1001165360	Ref	Front Frame Headlight Harness	D
1	4460970	1	Connector	
2	80363179	1	Lock, Connector	
3	4460941	10	Terminal	
4	4460466	2	Plug	
5	4460894	1	Connector	
6	91504107	1	Lock, Connector	
7	4460942	5	Terminal	
8	4460466	1	Plug	
9	4460894	1	Connector	
10	91504107	1	Lock, Connector	
11	4460942	5	Terminal	
12	4460466	1	Plug	

# SECTION 10 - ELECTRICAL

## FIGURE 10-61. TAIL LIGHTS HARNESS



ART\_100117002-0



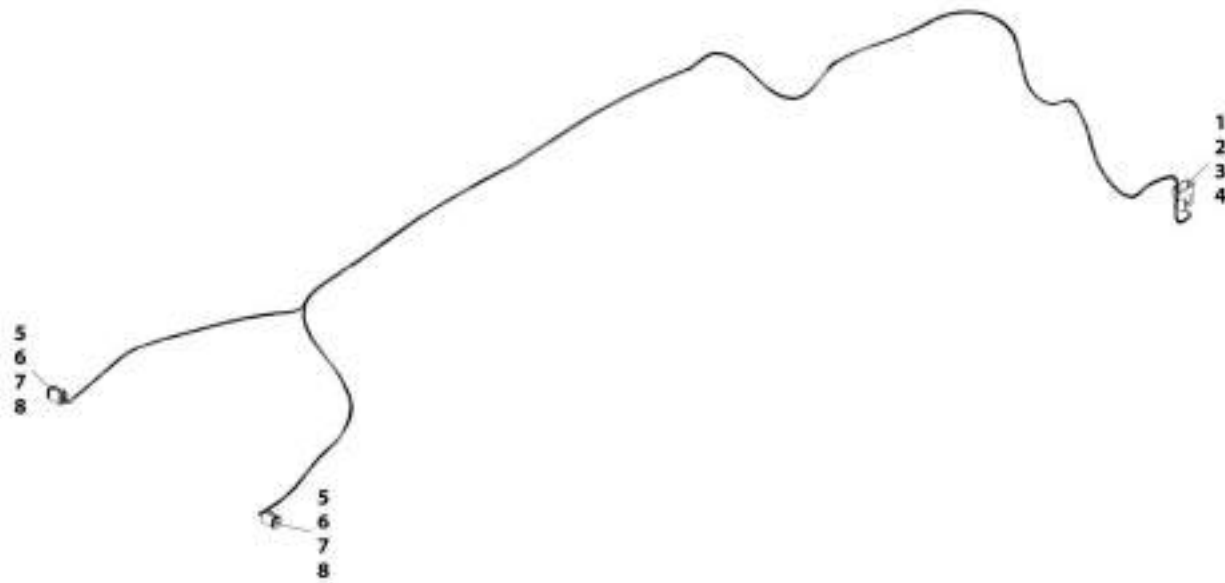
## SECTION 10 - ELECTRICAL

### FIGURE 10-61. TAIL LIGHTS HARNESS

ITEM	PART NUMBER	QTY	DESCRIPTION	REV
	1001173092	Ref	HBP Tail Lights Harness	D
1	1001116996	1	Connector	
2	1001118392	5	Terminal	
3	4461054	5	Seal	
4	1001116696	2	Plug	
5	1001116996	1	Connector	
6	1001118392	5	Terminal	
7	4461054	5	Seal	
8	1001116696	2	Plug	
9	4460970	1	Connector	
10	80363179	1	Lock, Connector	
11	4460941	10	Terminal	
12	4460466	2	Plug	

# SECTION 10 - ELECTRICAL

## FIGURE 10-62. BOOM WORKLIGHTS HARNESS



ART\_3001167808-E

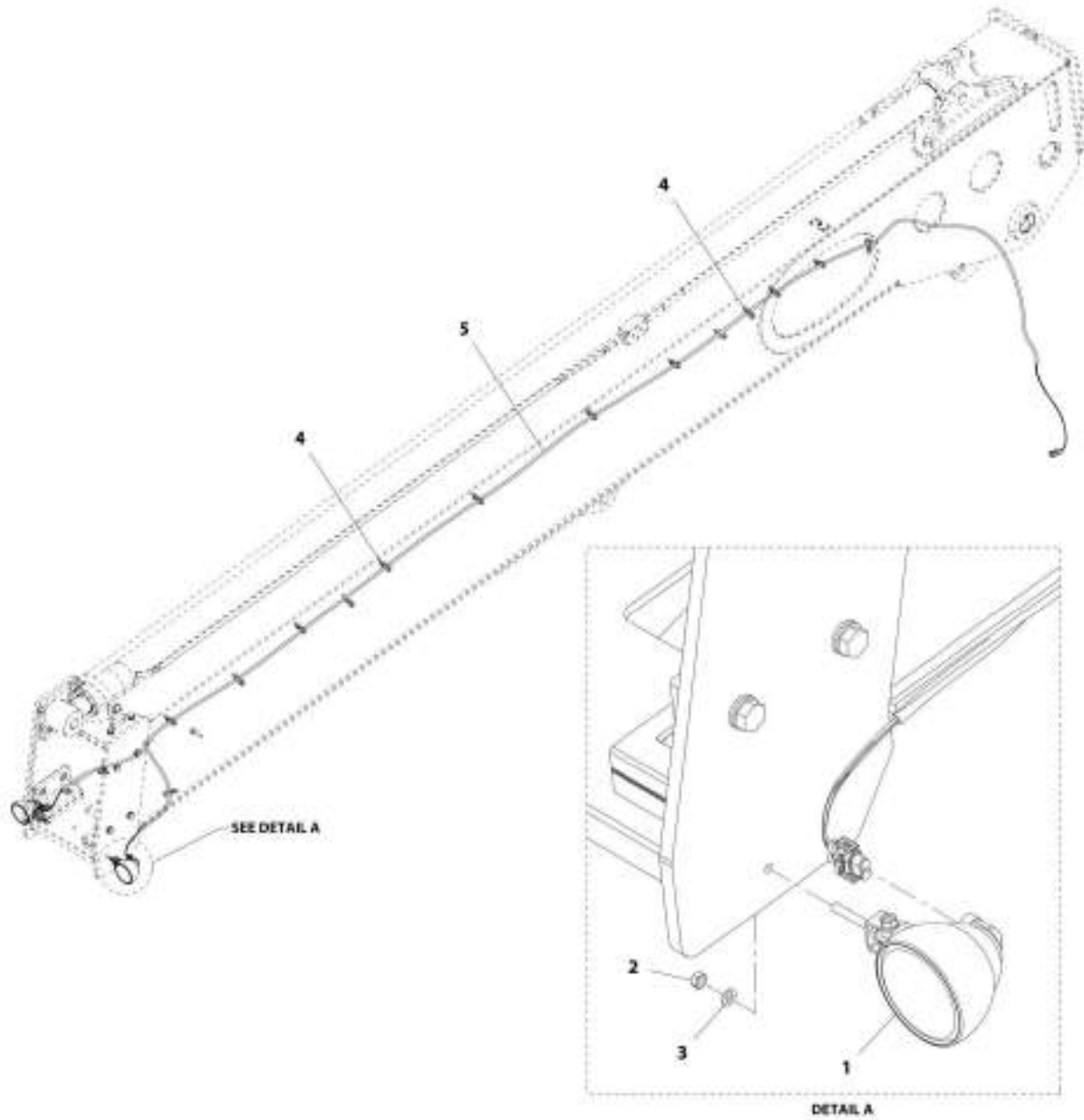
## SECTION 10 - ELECTRICAL

### FIGURE 10-62. BOOM WORKLIGHTS HARNESS

ITEM	PART NUMBER	QTY	DESCRIPTION	REV
	1001167608	Ref	Boom Worklights Harness	E
1	4460932	1	Connector	
2	80604020	1	Lock, Connector	
3	4460464	2	Terminal	
4	4460466	2	Plug	
5	4461115	2	Connector	
6	1001116728	2	Terminal	
7	4460458	2	Seal	
8	1001103564	2	Lock, Terminal	

# SECTION 10 - ELECTRICAL

## FIGURE 10-63. BOOM LIGHTS INSTALLATION



MT\_1001174532-E

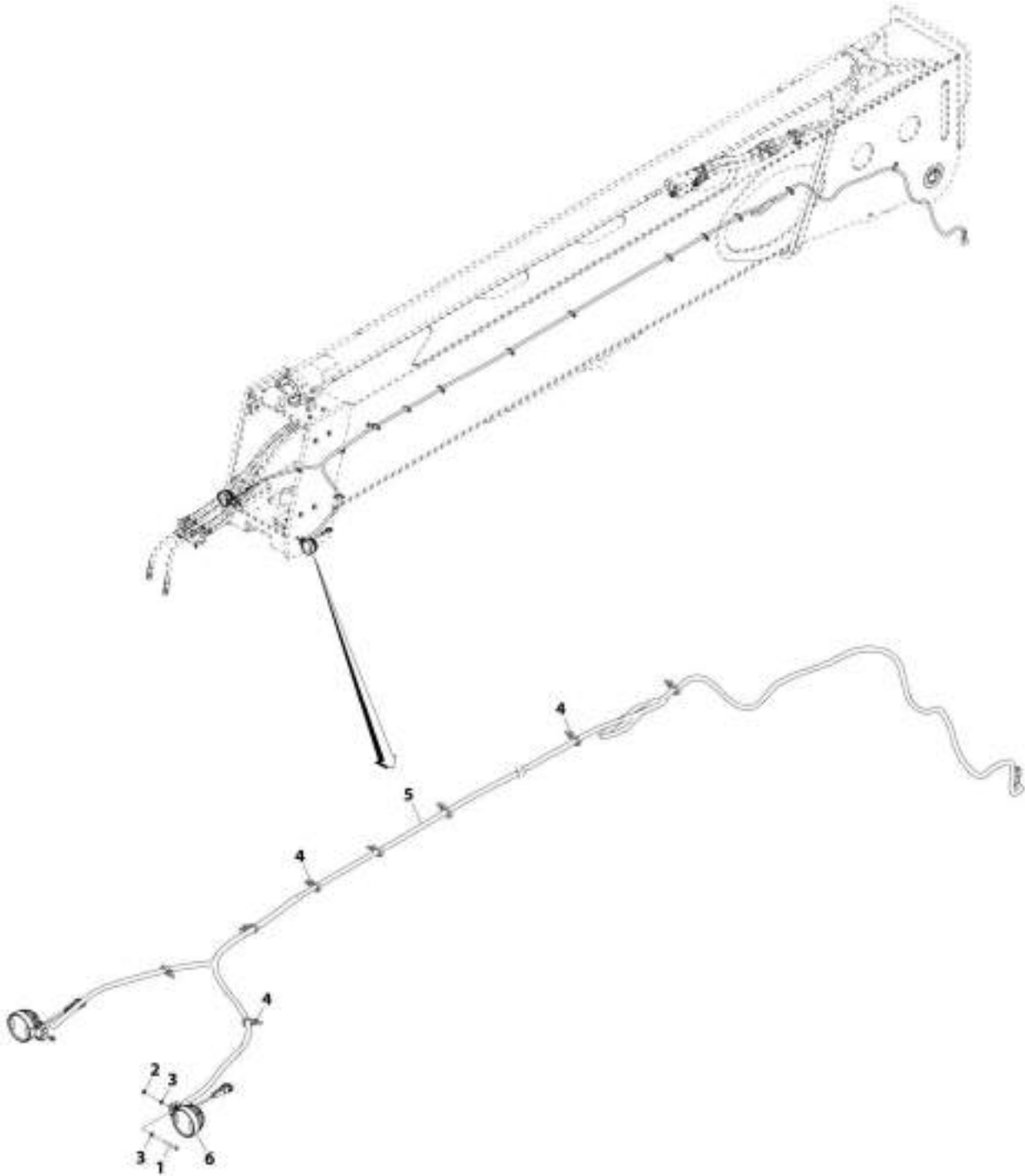
## SECTION 10 - ELECTRICAL

### FIGURE 10-63. BOOM LIGHTS INSTALLATION

ITEM	PART NUMBER	QTY	DESCRIPTION	REV
	1001174932	Ref	Boom Lights Installation	E
1	1001207287	2	Worklight	
2	3290601	2	Nut, M6X1	
3	4811700	2	Washer, M6	
4	1001008923	AR	Strap, Tie	
5	1001167608	1	Harness, Boom Worklight (See Separate Breakdown in this Section)	

# SECTION 10 - ELECTRICAL

## FIGURE 10-64. BOOM LED LIGHTS INSTALLATION



AWT\_1005230623-A

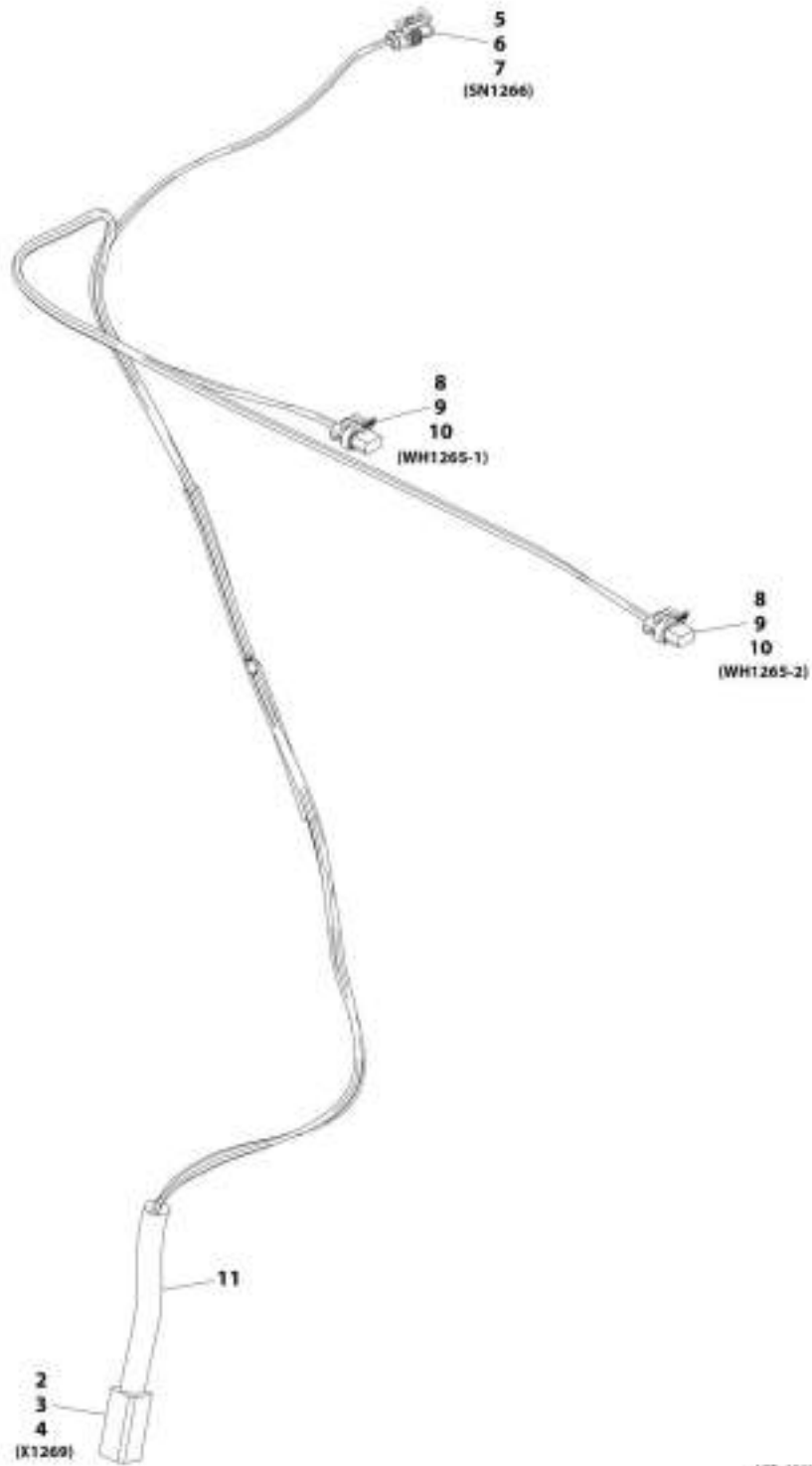
## SECTION 10 - ELECTRICAL

### FIGURE 10-64. BOOM LED LIGHTS INSTALLATION

ITEM	PART NUMBER	QTY	DESCRIPTION	REV
	1001230623	Ref	Boom LED Lights Installation	A
1	0700616	2	Bolt, M6X40	
2	3290601	2	Nut, M6X1	
3	4811700	4	Washer, M6	
4	1001008923	AR	Strap, Cable	
5	1001167608	1	Harness, Boom Worklights (See Separate Breakdown in this Section)	
6	1001203640	2	Lamp, LED Work light	

# SECTION 10 - ELECTRICAL

## FIGURE 10-65. A/C OPTION HARNESS





# SECTION 10 - ELECTRICAL

## FIGURE 10-65. A/C OPTION HARNESS

ITEM	PART NUMBER	QTY	DESCRIPTION	REV
	1001169151	Ref	A/C Option Harness	E
2	4460899	1	Connector	
3	4460941	4	Terminal	
4	4460464	2	Terminal	
5	4461118	1	Connector	
6	1001107854	2	Terminal	
7	1001116763	2	Seal	
8	1001117021	2	Connector	
9	1001116747	4	Terminal	
10	4460789	4	Seal	
11	70028546	1	Backshell	

# SECTION 10 - ELECTRICAL

## FIGURE 10-66. REVERSE SENSOR HARNESS



AWT\_3001175774-C

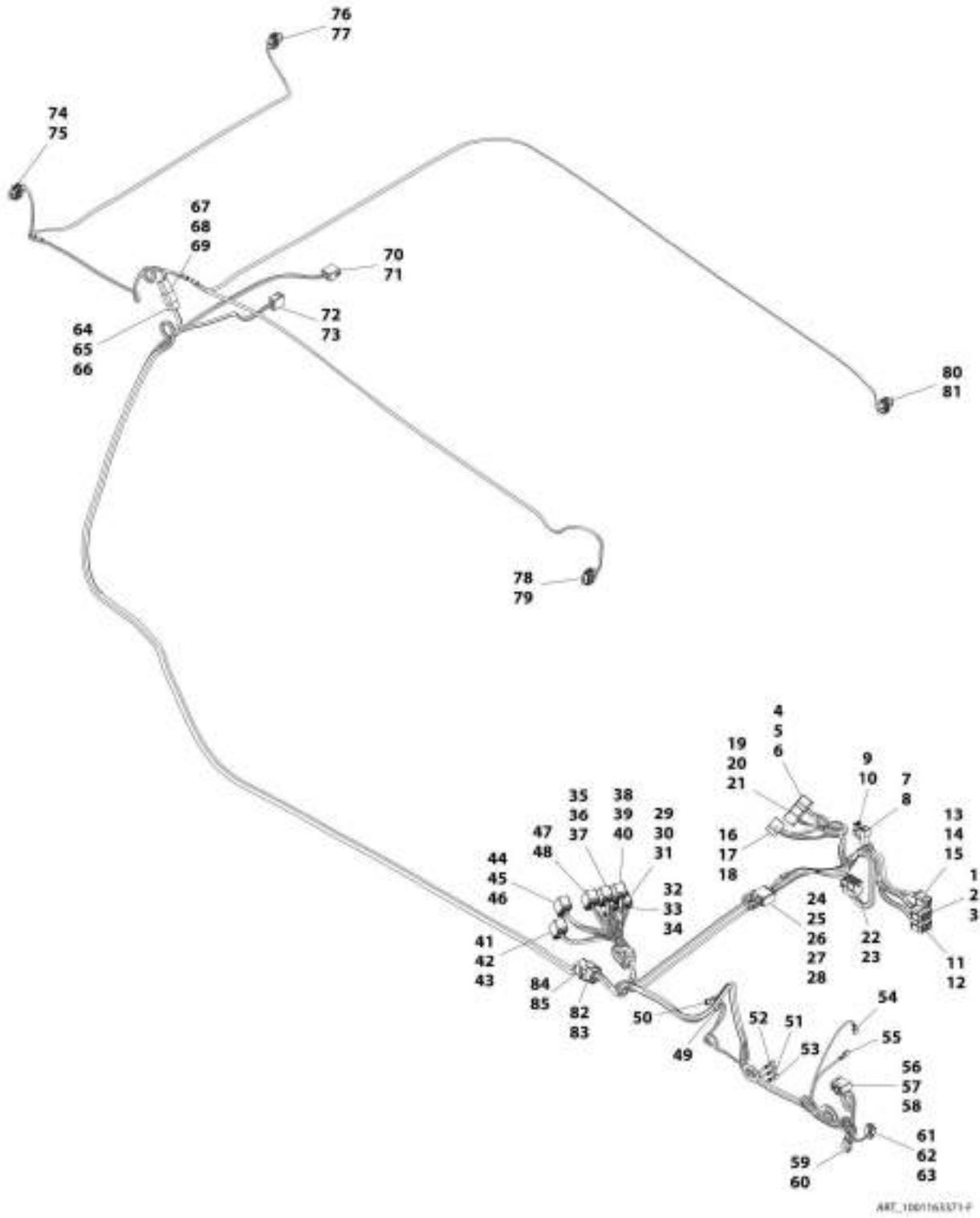
## SECTION 10 - ELECTRICAL

### FIGURE 10-66. REVERSE SENSOR HARNESS

ITEM	PART NUMBER	QTY	DESCRIPTION	REV
	1001175776	Ref	Reverse Sensor Harness	C
1	4460932	1	Connector	
2	4460464	4	Terminal	
3	1001175733	1	Connector	

# SECTION 10 - ELECTRICAL

## FIGURE 10-67. OPTION 1 CAB HARNESS



# SECTION 10 - ELECTRICAL

## FIGURE 10-67. OPTION 1 CAB HARNESS

ITEM	PART NUMBER	QTY	DESCRIPTION	REV
	1001163371	Ref	Option 1 Cab Harness	F
1	4460343	1	Connector	
2	4460268	10	Terminal	
3	4460906	1	Terminal	
4	1001117081	1	Connector	
5	1001116723	6	Terminal	
6	1001118384	1	Terminal	
7	1001116999	1	Connector	
8	1001116700	4	Terminal	
9	1001116991	1	Connector	
10	1001118384	2	Terminal	
11	4460343	1	Connector	
12	4460267	6	Terminal	
13	4460225	1	Connector	
14	4460267	5	Terminal	
15	4460705	1	Terminal	
16	1001173411	1	Connector	
17	1001116716	4	Terminal	
18	1001104519	3	Terminal	
19	1001117081	1	Connector	
20	1001118384	2	Terminal	
21	1001116723	4	Terminal	
22	4460708	1	Connector	
23	4460267	14	Terminal	
24	4460836	1	Connector	
25	4460942	3	Terminal	
26	4460465	8	Terminal	
27	1001157890	1	Terminal	
28	80604016	1	Lock, Connector	
29	1001117081	1	Connector	
30	1001118384	4	Terminal	
31	1001116723	6	Terminal	
32	1001117081	1	Connector	
33	1001118384	3	Terminal	
34	1001116723	4	Terminal	
35	1001117081	1	Connector	
36	1001118384	2	Terminal	
37	1001116723	4	Terminal	
38	1001117081	1	Connector	
39	1001118384	2	Terminal	
40	1001116723	4	Terminal	
41	1001117081	1	Connector	
42	1001116723	8	Terminal	
43	1001118384	2	Terminal	
44	1001117079	1	Connector	
45	1001116723	6	Terminal	
46	1001118384	2	Terminal	
47	1001117081	1	Connector	
48	1001118384	4	Terminal	
49	8220051	1	Female Blade Coupler	

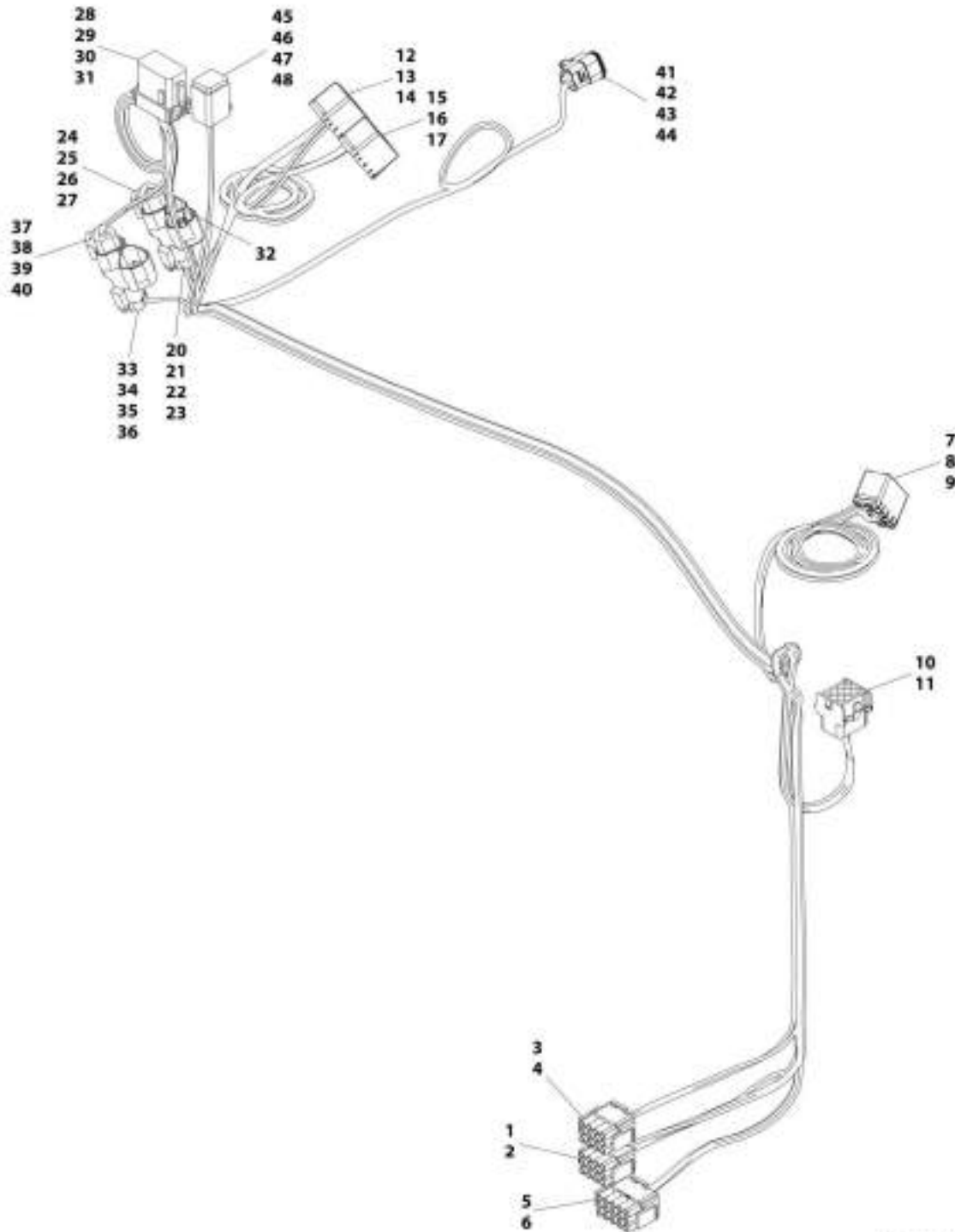
## SECTION 10 - ELECTRICAL

ITEM	PART NUMBER	QTY	DESCRIPTION	REV
50	8220051	1	Female Blade Coupler	
51	8220051	1	Female Blade Coupler	
52	8220051	1	Female Blade Coupler	
53	8220051	1	Female Blade Coupler	
54	8220051	1	Female Blade Coupler	
55	8220051	1	Female Blade Coupler	
56	1001116997	1	Connector	
57	1001118384	4	Terminal	
58	1001116723	1	Terminal	
59	4460994	1	Connector	
60	1001118384	2	Terminal	
61	4460994	1	Connector	
62	1001118384	1	Terminal	
63	1001116723	2	Terminal	
64	4460884	1	Connector	
65	4460942	4	Terminal	
66	80604021	1	Lock, Connector	
67	4460932	1	Connector	
68	4460941	4	Terminal	
69	80604021	1	Lock, Connector	
70	1001116986	1	Connector	
71	1001118384	4	Terminal	
72	1001116986	1	Connector	
73	1001118384	4	Terminal	
74	4461115	1	Connector	
75	1001116747	2	Terminal	
76	4461115	1	Connector	
77	1001116747	2	Terminal	
78	4461115	1	Connector	
79	1001116747	2	Terminal	
80	4461115	1	Connector	
81	1001116747	2	Terminal	
82	4460343	1	Connector	
83	4460268	12	Terminal	
84	4460367	1	Connector	
85	4460267	12	Terminal	



# SECTION 10 - ELECTRICAL

## FIGURE 10-68. OPTION 2 CAB HARNESS



AWT\_3001163372-E



## SECTION 10 - ELECTRICAL

### FIGURE 10-68. OPTION 2 CAB HARNESS

ITEM	PART NUMBER	QTY	DESCRIPTION	REV
	1001163372	Ref	Option 2 Cab Harness	E
1	4460343	1	Connector	
2	4460268	5	Terminal	
3	4460343	1	Connector	
4	4460267	2	Terminal	
5	4460434	1	Connector	
6	4460268	4	Terminal	
7	1001117081	1	Connector	
8	1001116723	6	Terminal	
9	1001118384	1	Terminal	
10	4460367	1	Connector	
11	4460267	6	Terminal	
12	1001117081	1	Connector	
13	1001118384	2	Terminal	
14	1001116723	4	Terminal	
15	1001117081	1	Connector	
16	1001118384	3	Terminal	
17	1001116723	2	Terminal	
20	1001116812	1	Connector	
21	4460944	2	Terminal	
22	4460466	1	Plug	
23	91554019	1	Lock, Connector	
24	4460539	1	Connector	
25	77363244	1	Wedge Lock	
26	4460466	1	Plug	
27	4460944	2	Terminal	
28	1001176333	1	Connector	
29	4460944	4	Terminal	
30	4460466	11	Plug	
31	4460465	3	Terminal	
32	1001116815	1	Connector	
33	1001116812	1	Connector	
34	4460944	2	Terminal	
35	4460466	1	Plug	
36	91554019	1	Connector	
37	4460539	1	Connector	
38	77363244	1	Wedge Lock	
39	4460466	1	Plug	
40	4460944	2	Terminal	
41	1001116812	1	Connector	
42	4460944	2	Terminal	
43	4460466	1	Plug	
44	91554019	1	Lock, Connector	
45	4460930	1	Connector	
46	4460466	6	Plug	
47	4460465	2	Terminal	
48	80604025	1	Lock, Connector	

# SECTION 10 - ELECTRICAL

## FIGURE 10-69. ROOF PIGTAIL HARNESS



48T\_1001202132-A

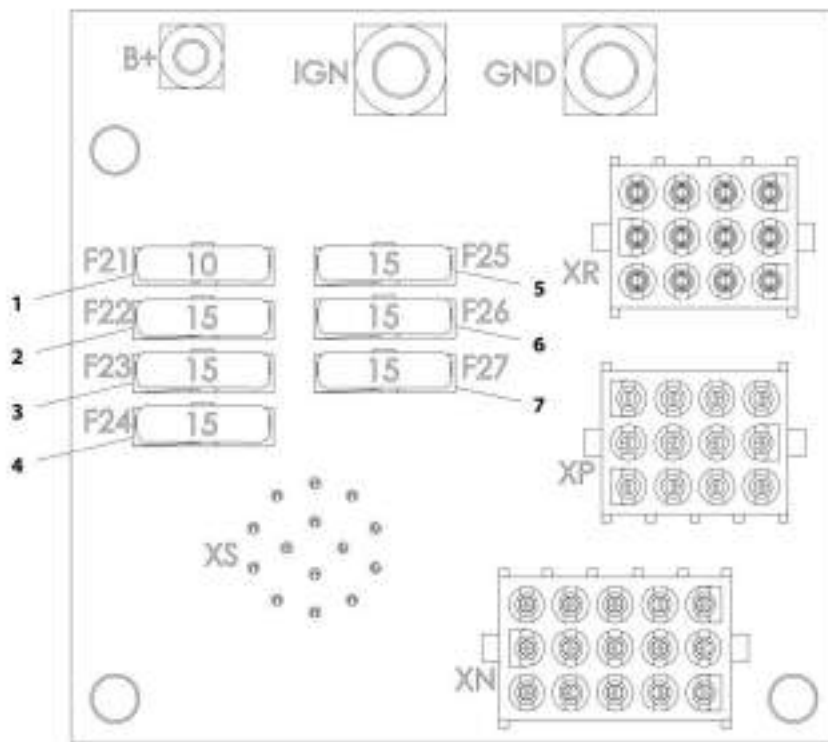
## SECTION 10 - ELECTRICAL

### FIGURE 10-69. ROOF PIGTAIL HARNESS

ITEM	PART NUMBER	QTY	DESCRIPTION	REV
	1001202132	Ref	Roof Pigtail Harness	A
1	1001201080	1	Connector	
2	4460942	6	Terminal	
3	4460466	8	Plug	
4	4460884	1	Connector	
5	4460942	4	Terminal	
6	80604021	1	Wedge Lock	
7	4460994	1	Connector	
8	1001118384	1	Terminal	

# SECTION 10 - ELECTRICAL

FIGURE 10-70. OPTION 2 ELECTRICAL BOARD ASSEMBLY



ART\_300161771-8

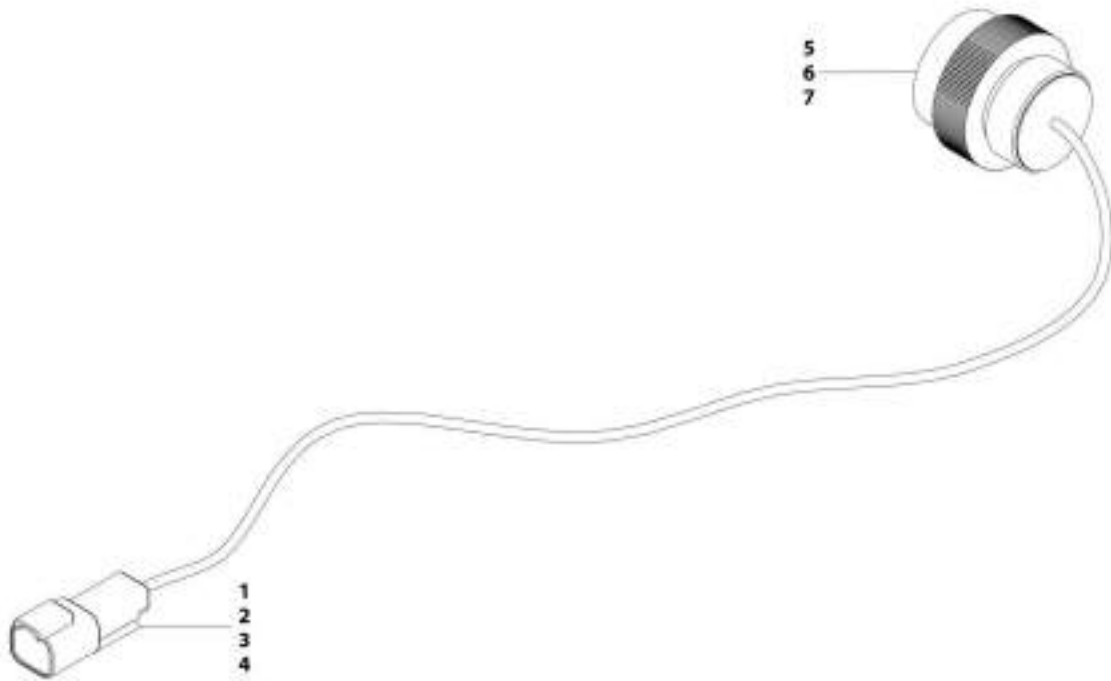
## SECTION 10 - ELECTRICAL

### FIGURE 10-70. OPTION 2 ELECTRICAL BOARD ASSEMBLY

ITEM	PART NUMBER	QTY	DESCRIPTION	REV
	1001161771	Ref	Option 2 Electrical Board Assembly	B
1	80983191	1	Fuse, 10AMP	
2	8229244	1	Fuse, 15AMP	
3	8229244	1	Fuse, 15AMP	
4	8229244	1	Fuse, 15AMP	
5	8229244	1	Fuse, 15AMP	
6	8229244	1	Fuse, 15AMP	
7	8229244	1	Fuse, 15AMP	

# SECTION 10 - ELECTRICAL

## FIGURE 10-71. CAB OPTION HARNESS



APR\_1001181573-B

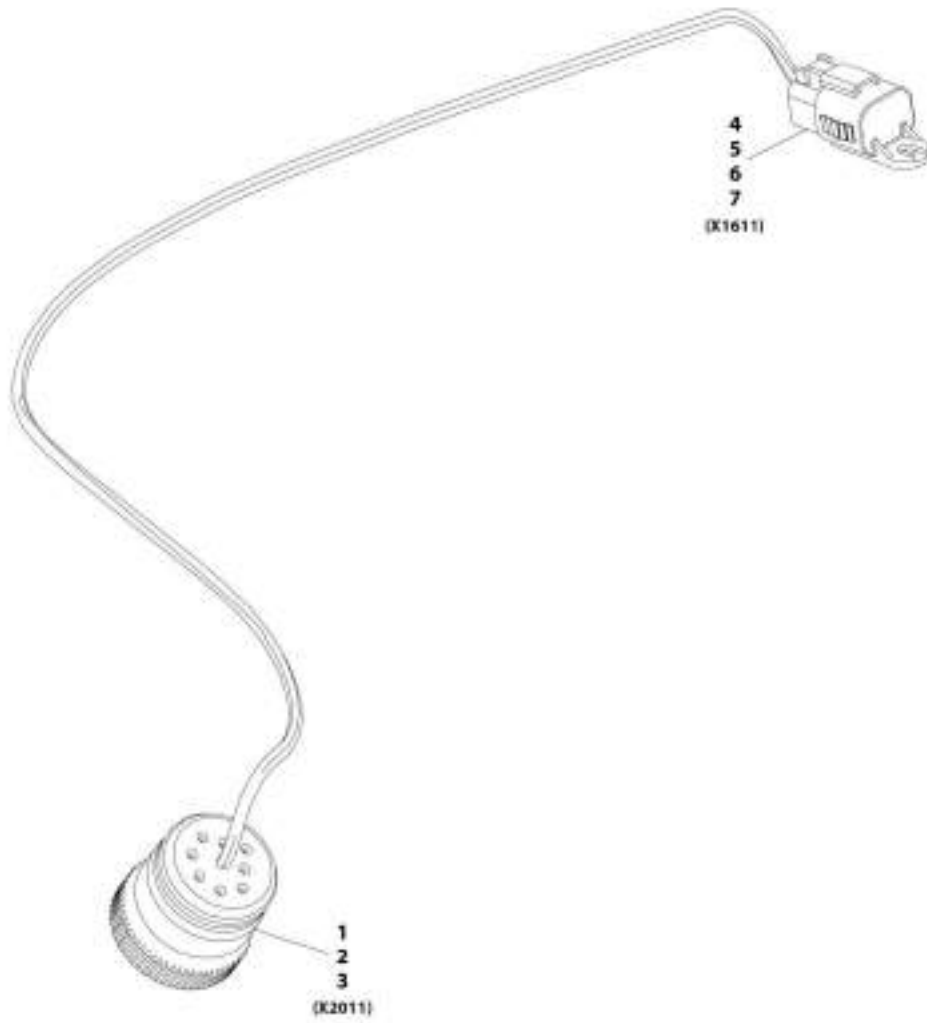
# SECTION 10 - ELECTRICAL

## FIGURE 10-71. CAB OPTION HARNESS

ITEM	PART NUMBER	QTY	DESCRIPTION	REV
	1001181573	Ref	Cab Option Harness	B
1	4460897	1	Connector	
2	4460941	1	Terminal	
3	4460466	1	Seal	
4	80604017	1	Wedge Lock	
5	4461015	1	Connector	
6	4460466	13	Plug	
7	4460942	1	Terminal	

# SECTION 10 - ELECTRICAL

## FIGURE 10-72. TELEMATICS READY HARNESS



ARC\_1001196200-A



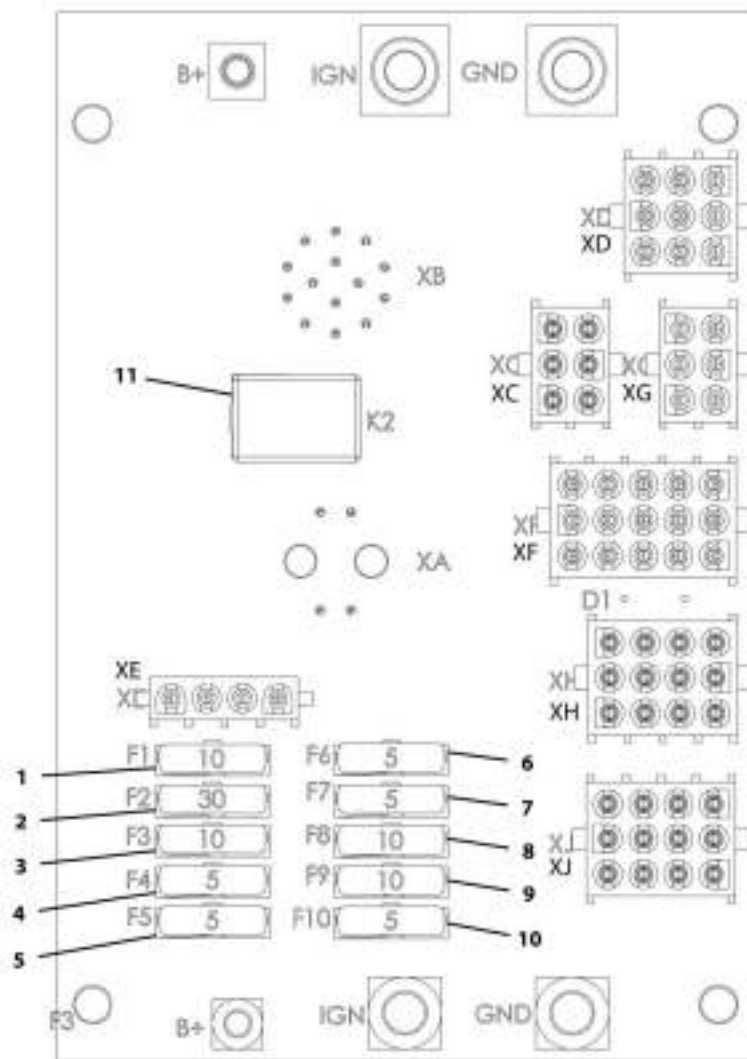
## SECTION 10 - ELECTRICAL

### FIGURE 10-72. TELEMATICS READY HARNESS

ITEM	PART NUMBER	QTY	DESCRIPTION	REV
	1001196289	Ref	Telematics Ready Harness	A
1	1001112796	1	Connector	
2	4460465	3	Terminal	
3	4460466	6	Plug	
4	4460884	1	Connector	
5	4460465	3	Terminal	
6	4460466	1	Plug	
7	80604021	1	Lock, Connector	

# SECTION 10 - ELECTRICAL

FIGURE 10-73. STANDARD ELECTRICAL BOARD ASSEMBLY



ART\_100161769-C

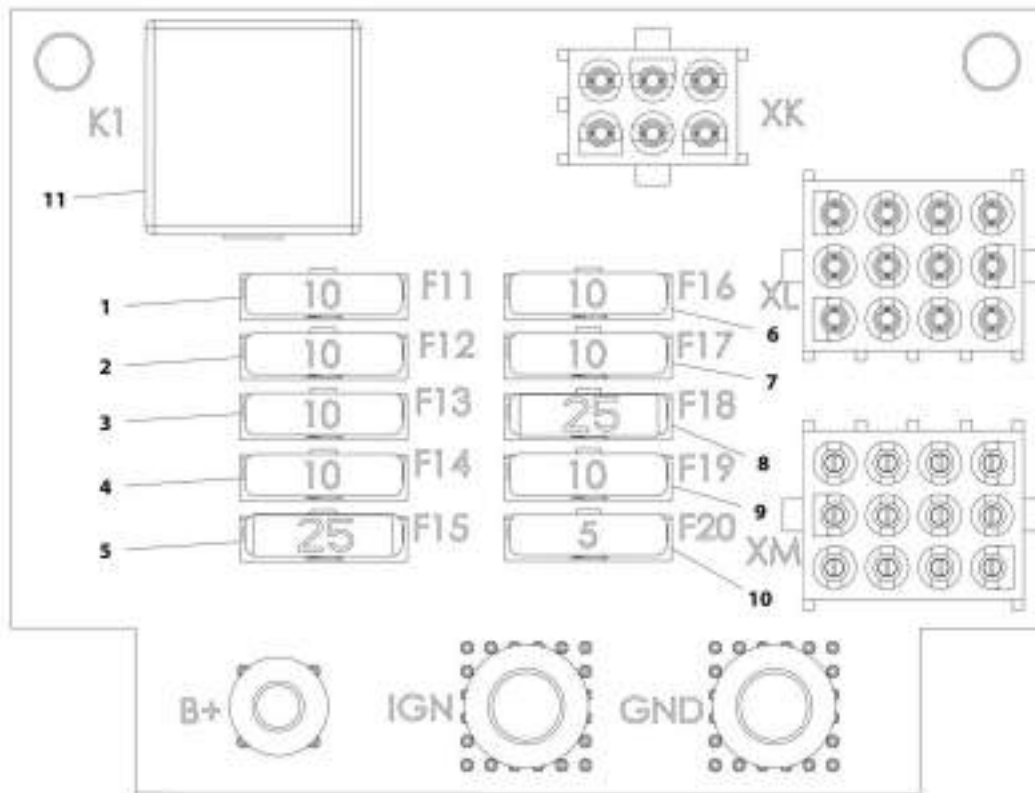
## SECTION 10 - ELECTRICAL

### FIGURE 10-73. STANDARD ELECTRICAL BOARD ASSEMBLY

ITEM	PART NUMBER	QTY	DESCRIPTION	REV
	1001161769	Ref	Standard Electrical Board Assembly	C
1	80983191	1	Fuse, 10AMP	
2	8229245	1	Fuse, 30AMP	
3	80983191	1	Fuse, 10AMP	
4	8229242	1	Fuse, 5AMP	
5	8229242	1	Fuse, 5AMP	
6	8229242	1	Fuse, 5AMP	
7	8229242	1	Fuse, 5AMP	
8	80983191	1	Fuse, 10AMP	
9	80983191	1	Fuse, 10AMP	
10	8229242	1	Fuse, 5AMP	
11	70026292	1	Fuse, 35AMP	

# SECTION 10 - ELECTRICAL

FIGURE 10-74. OPTION 1 ELECTRICAL BOARD ASSEMBLY



ART\_100198177D/C

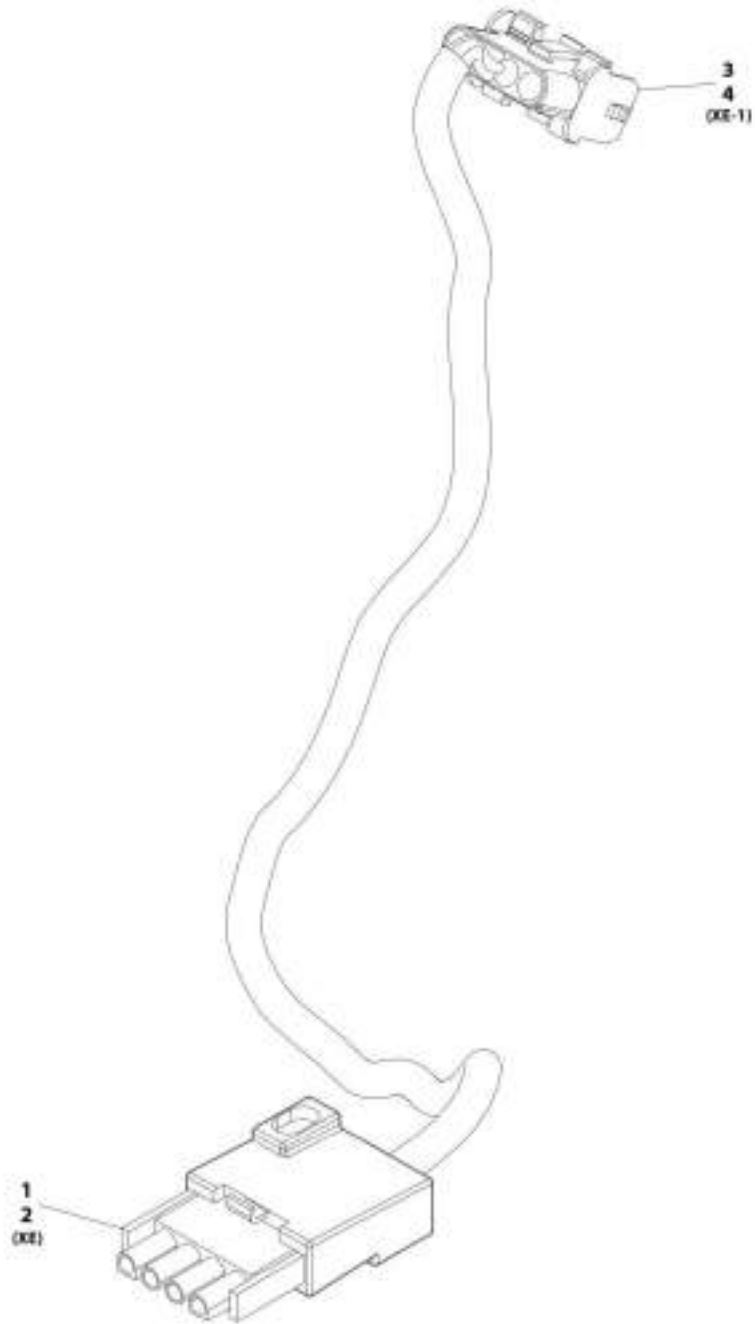
## SECTION 10 - ELECTRICAL

### FIGURE 10-74. OPTION 1 ELECTRICAL BOARD ASSEMBLY

ITEM	PART NUMBER	QTY	DESCRIPTION	REV
	1001161770	Ref	Option 1 Electrical Board Assembly	C
1	80983191	1	Fuse, 10AMP	
2	80983191	1	Fuse, 10AMP	
3	80983191	1	Fuse, 10AMP	
4	80983191	1	Fuse, 10AMP	
5	8229247	1	Fuse, 25AMP	
6	80983191	1	Fuse, 10AMP	
7	80983191	1	Fuse, 10AMP	
8	8229247	1	Fuse, 25AMP	
9	80983191	1	Fuse, 10AMP	
10	8229242	1	Fuse, 5AMP	
11	70026293	1	Fuse, 50AMP	

# SECTION 10 - ELECTRICAL

## FIGURE 10-75. CABLE



ART\_1001213968-A

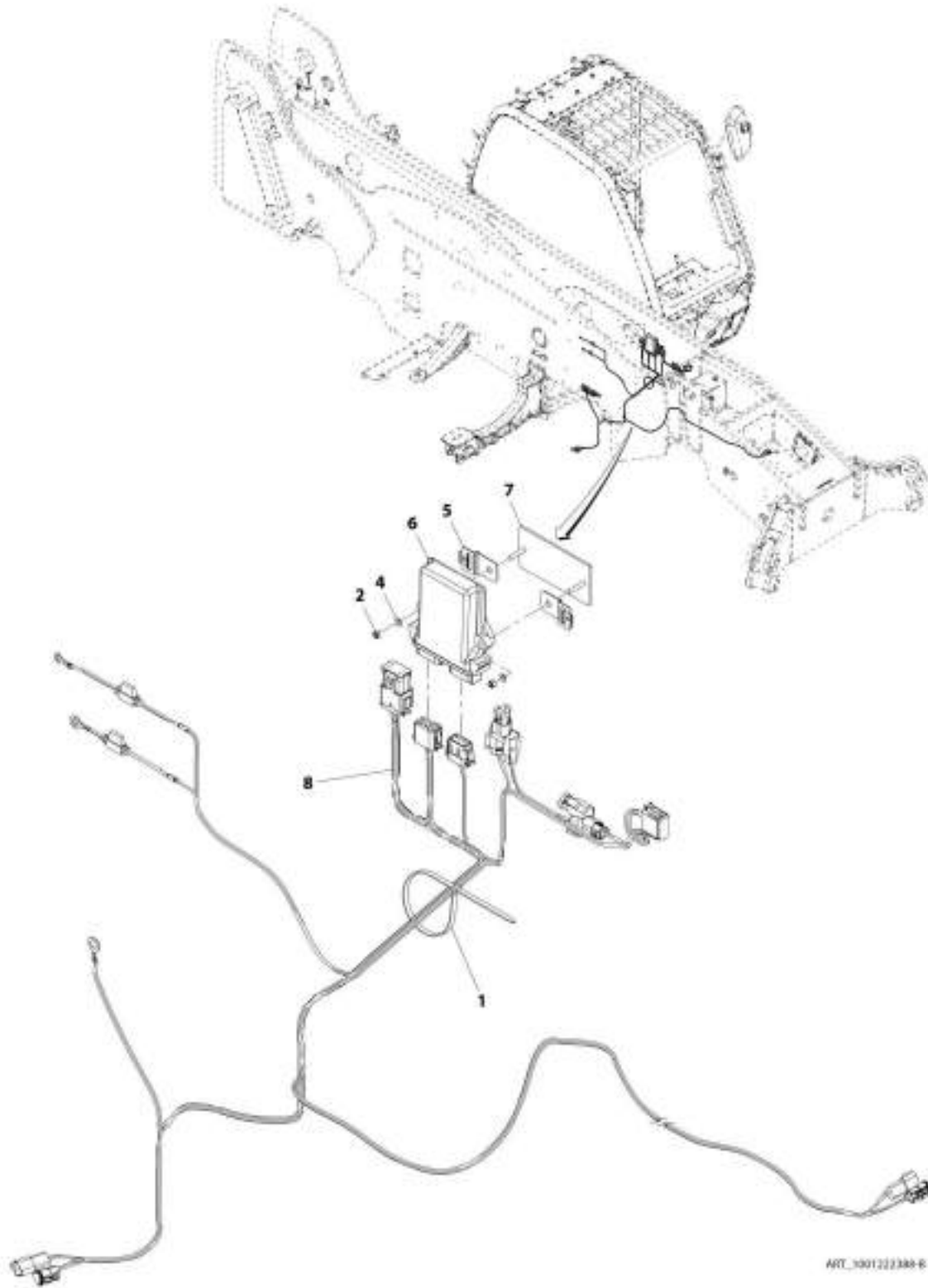
## SECTION 10 - ELECTRICAL

### FIGURE 10-75. CABLE

ITEM	PART NUMBER	QTY	DESCRIPTION	REV
	1001213988	Ref	Communication Analyzer Cable	A
1	4460321	1	Connector	
2	4460268	4	Terminal	
3	4460761	1	Connector	
4	4460267	4	Terminal	

# SECTION 10 - ELECTRICAL

## FIGURE 10-76. CUSTOMER SUPPLIED TELEMATICS CANBUS





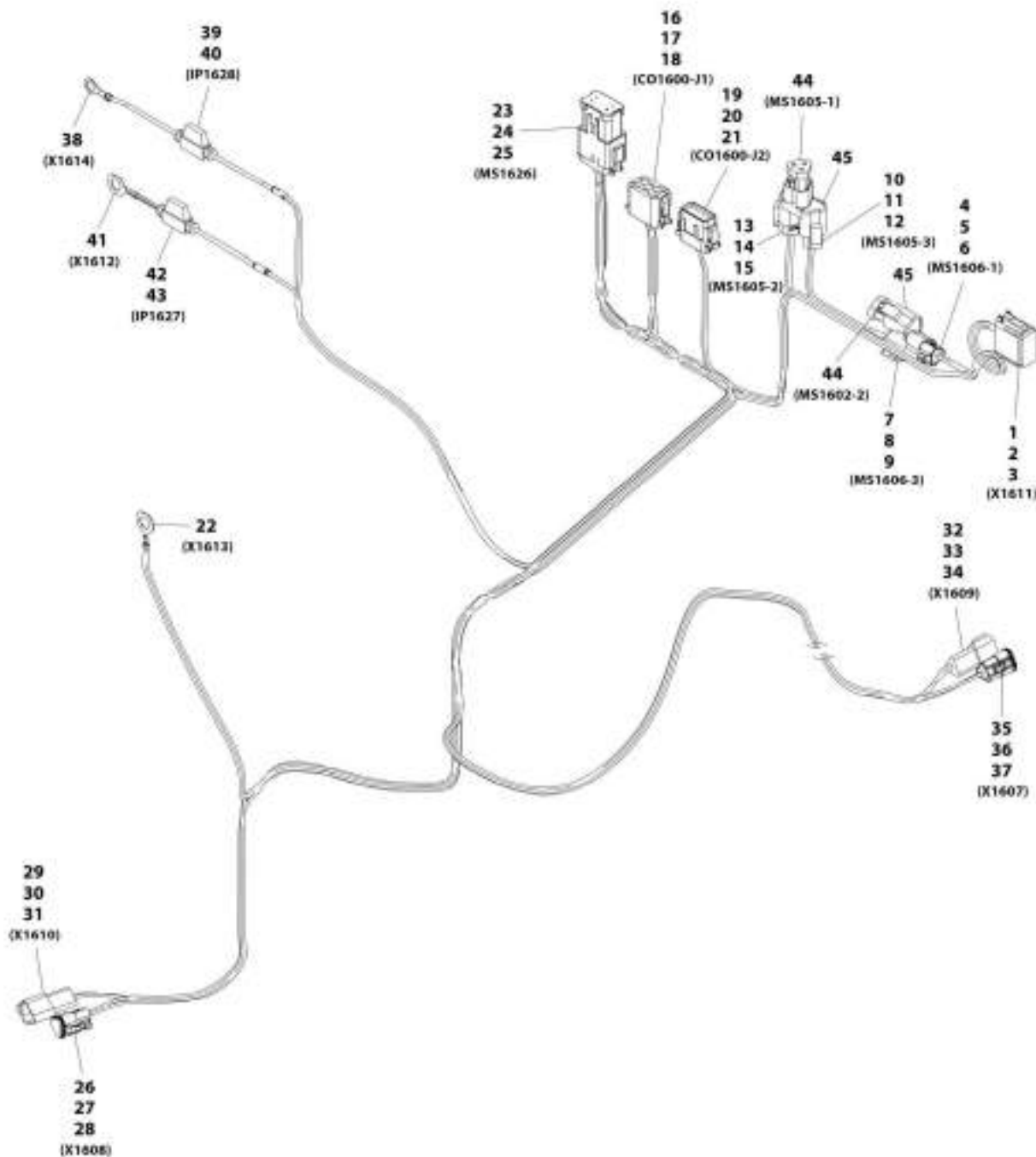
## SECTION 10 - ELECTRICAL

**FIGURE 10-76. CUSTOMER SUPPLIED TELEMATICS CANBUS**

ITEM	PART NUMBER	QTY	DESCRIPTION	REV
	1001222388	Ref	Customer Supplied Telematics Canbus	B
1	1062255	AR	Tie, Strap	
2	3290505	2	Nut, Lock M5X0.8	
4	4811600	2	Washer, M5	
5	1001153749	2	Clip	
6	1001229458	1	Controller, Gateway (See Separate Breakdown in this section)	
7	1001219082	1	Bracket	
8	1001225259	1	Harness, 4ward Telematics (See Separate Breakdown in this section)	

# SECTION 10 - ELECTRICAL

## FIGURE 10-77. TELEMATICS HARNESS



ART\_1001225259-E

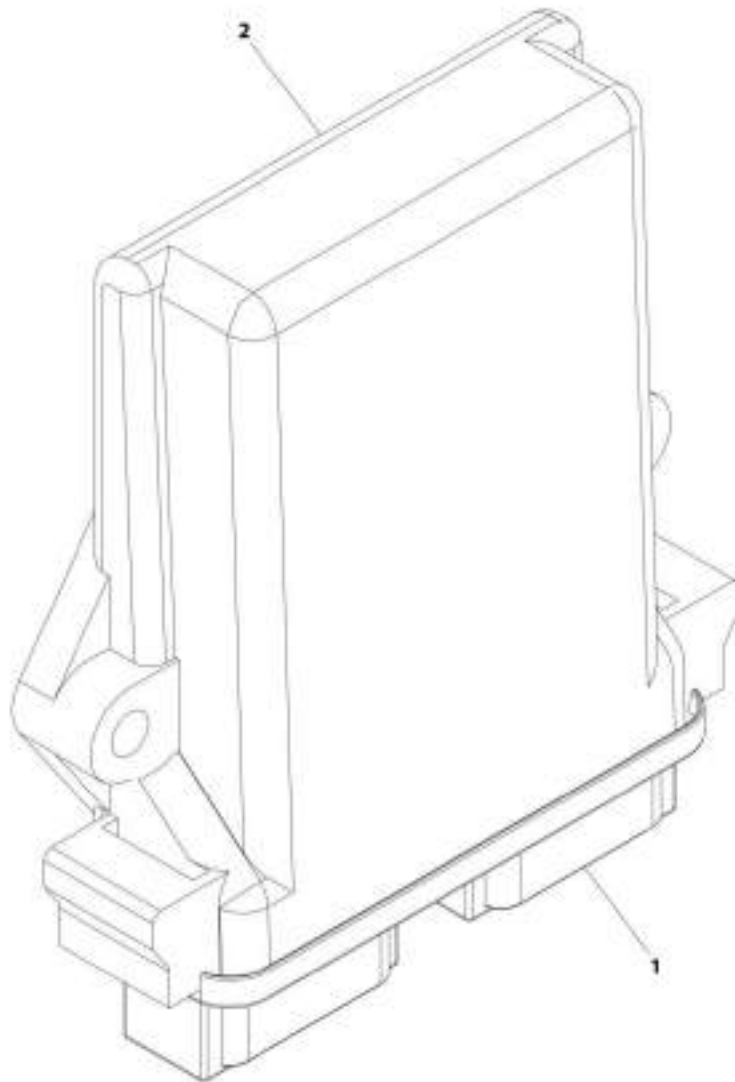
## SECTION 10 - ELECTRICAL

### FIGURE 10-77. TELEMATICS HARNESS

ITEM	PART NUMBER	QTY	DESCRIPTION	REV
	1001225259	Ref	Telematic Harness	B
1	4460933	1	Connector	
2	4460465	5	Terminal	
3	4460466	7	Plug	
4	1001116812	1	Connector	
5	4460465	2	Terminal	
6	4460466	1	Plug	
7	4460539	1	Connector	
8	4460465	2	Terminal	
9	4460466	1	Plug	
10	4460539	1	Connector	
11	4460465	2	Terminal	
12	4460466	1	Plug	
13	1001116812	1	Connector	
14	4460465	2	Terminal	
15	4460466	1	Plug	
16	1001116774	1	Connector	
17	4460518	6	Plug	
18	1001126008	6	Terminal	
19	1001116808	1	Connector	
20	4460518	10	Plug	
21	1001126008	2	Terminal	
22	1001187081	1	Connector	
23	4460933	1	Connector	
24	1001200206	1	Connector, DT 12 Pin 4X3 Buss	
25	4460465	13	Terminal	
26	1001116812	1	Connector	
27	4460465	2	Terminal	
28	4460466	1	Plug	
29	1001144147	1	Connector	
30	4460464	2	Terminal	
31	4460466	1	Plug	
32	1001144147	1	Connector	
33	4460464	2	Terminal	
34	4460466	1	Plug	
35	1001116812	1	Connector	
36	4460465	2	Terminal	
37	4460466	1	Plug	
38	4460670	1	Connector	
39	2400060	1	Connector	
40	8229242	1	Terminal	
41	1001187078	1	Connector	
42	2400060	1	Connector	
43	8229242	1	Terminal	
44	1001116815	2	Connector, 3 Pin	
45	4460945	2	Terminal, 3 Way "T" Receptacle	

# SECTION 10 - ELECTRICAL

## FIGURE 10-78. GATEWAY CONTROLLER



ART. 101225439 B

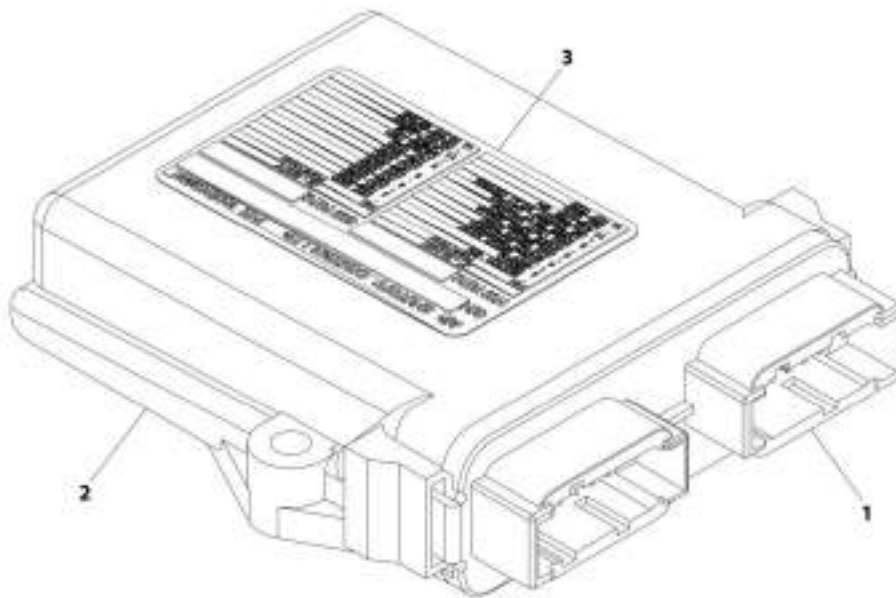
## SECTION 10 - ELECTRICAL

### FIGURE 10-78. GATEWAY CONTROLLER

ITEM	PART NUMBER	QTY	DESCRIPTION	REV
	1001229458	Ref	Gateway Controller	B
1	1001100828	1	PC Board	
2	1001100829	1	Box, Circuit Card	
3	1001229457	1	Software, Gateway (not shown)	

# SECTION 10 - ELECTRICAL

## FIGURE 10-79. CONTROL ACCESSORY



ART\_1001203101-C

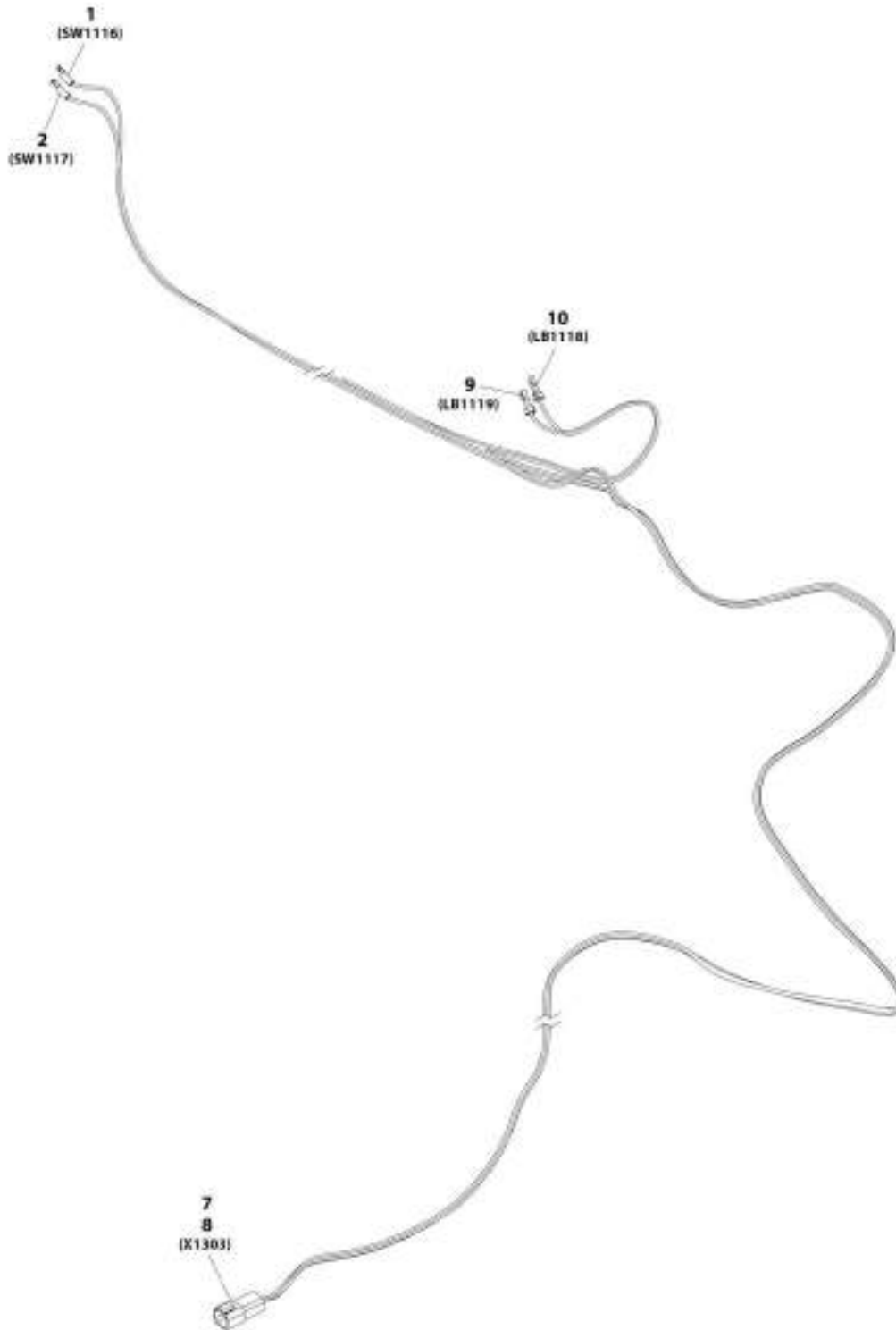
## SECTION 10 - ELECTRICAL

### FIGURE 10-79. CONTROL ACCESSORY

ITEM	PART NUMBER	QTY	DESCRIPTION	REV
	1001203181	Ref	Control Accessory	C
1	1001215630	1	PC Board	
2	0861493	1	Box, Circuit Card	
3	1001215631	1	Decal	
4	1001215632	1	Software (not shown)	

# SECTION 10 - ELECTRICAL

## FIGURE 10-80. CAB AIR SHUT OFF VALVE HARNESS



ART\_1001231407-C



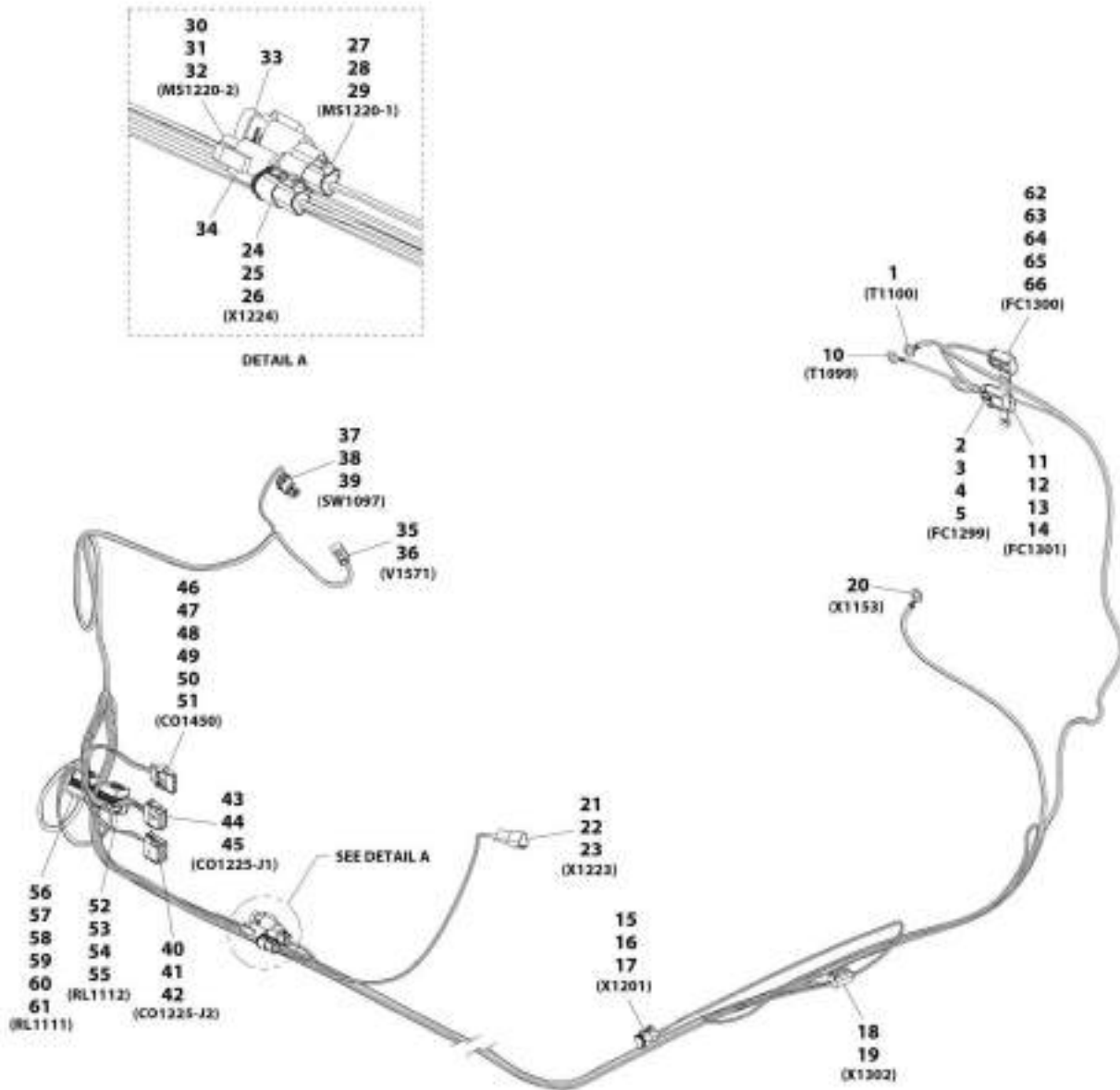
## SECTION 10 - ELECTRICAL

### FIGURE 10-80. CAB AIR SHUT OFF VALVE HARNESS

ITEM	PART NUMBER	QTY	DESCRIPTION	REV
	1001231407	1	Cab Air Shutoff Valve Harness	C
1	8220035	1	Terminal, Ring	
2	8220035	1	Terminal, Ring	
7	4460932	1	Connector	
8	4460464	4	Pin	
9	8220108	1	Connector, Female	
10	8220108	1	Connector, Female	

# SECTION 10 - ELECTRICAL

## FIGURE 10-81. ENGINE AIR SHUT OFF VALVE HARNESS



ART 1001231483-C

## SECTION 10 - ELECTRICAL

**FIGURE 10-81. ENGINE AIR SHUT OFF VALVE HARNESS**

ITEM	PART NUMBER	QTY	DESCRIPTION	REV
	1001231483	Ref	Engine Air Shut Off Valve Harness	C
1	1001187079	1	Terminal, Ring	
2	1001231397	1	Connector	
3	8229235	1	Fuse, 20amp	
4	1001231401	2	Terminal	
5	1001230402	2	Seal	
10	1001187078	1	Terminal, Ring	
11	1001231397	1	Connector	
12	8229261	1	Fuse, 20amp	
13	1001231400	2	Terminal	
14	1001230403	2	Seal	
15	1001116812	1	Connector	
16	4460465	2	Terminal	
17	4460466	1	Plug	
18	4460884	1	Connector	
19	4460465	4	Terminal	
20	1001187079	1	Terminal, Ring	
21	1001144147	1	Connector	
22	4460464	2	Terminal	
23	4460466	1	Plug	
24	1001116812	1	Connector	
25	4460465	2	Terminal	
26	4460466	1	Plug	
27	1001116812	1	Connector	
28	4460465	2	Terminal	
29	4460466	1	Plug	
30	4460539	1	Connector	
31	4460465	2	Terminal	
32	4460466	1	Plug	
33	1001116815	1	Connector, 3 Pin	
34	4460945	1	Terminal, 3 Way "T" Receptacle	
35	4460891	1	Connector	
36	1001157890	2	Terminal	
37	4460742	1	Connector	
38	4460475	2	Terminal	
39	4460458	2	Plug	
40	1001116774	1	Connector	
41	4460518	8	Plug	
42	1001126008	4	Terminal	
43	1001116808	1	Connector	
44	1001126008	9	Terminal	
45	4460518	3	Plug	
46	4460761	1	Connector	
47	4460321	1	Terminal	
48	1001118378	4	Terminal	
49	4460809	4	Plug	
50	1001143551	1	Seal	
51	1001218358	1	Lanyard Rope	
52	1001231398	1	Connector	
53	1001231400	4	Terminal	

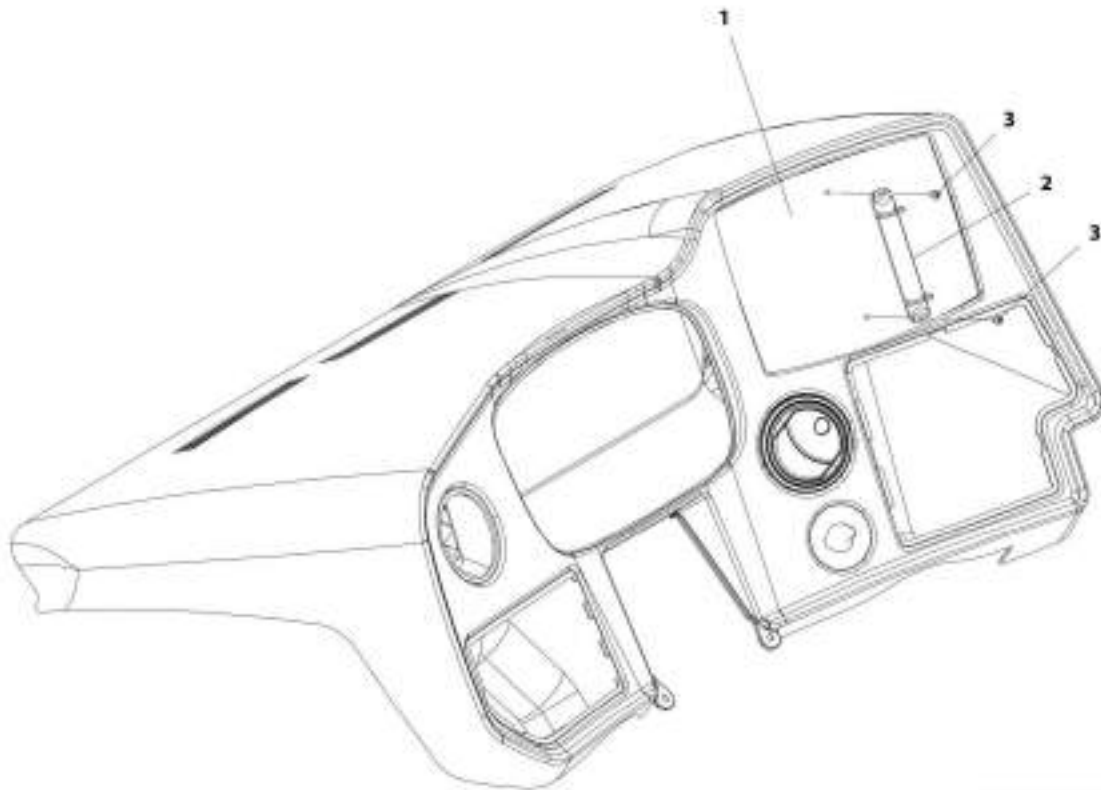
## SECTION 10 - ELECTRICAL

ITEM	PART NUMBER	QTY	DESCRIPTION	REV
54	1001231404	4	Seal	
55	1001231406	1	Plug	
56	1001231398	1	Connector	
57	1001231401	2	Terminal	
58	1001231402	2	Seal	
59	1001231400	2	Terminal	
60	1001231404	2	Seal	
61	1001231406	1	Plug	
62	1001231397	1	Connector	
63	8229234	1	Fuse, 20amp	
64	1001231400	2	Terminal	
65	1001230403	1	Seal	
66	1001230404	1	Seal	

**SECTION 11 - DECALS**

# SECTION 11 - DECALS

## FIGURE 11-1. CAPACITY CHART HOLDER INSTALLATION



ART\_1001178700-A

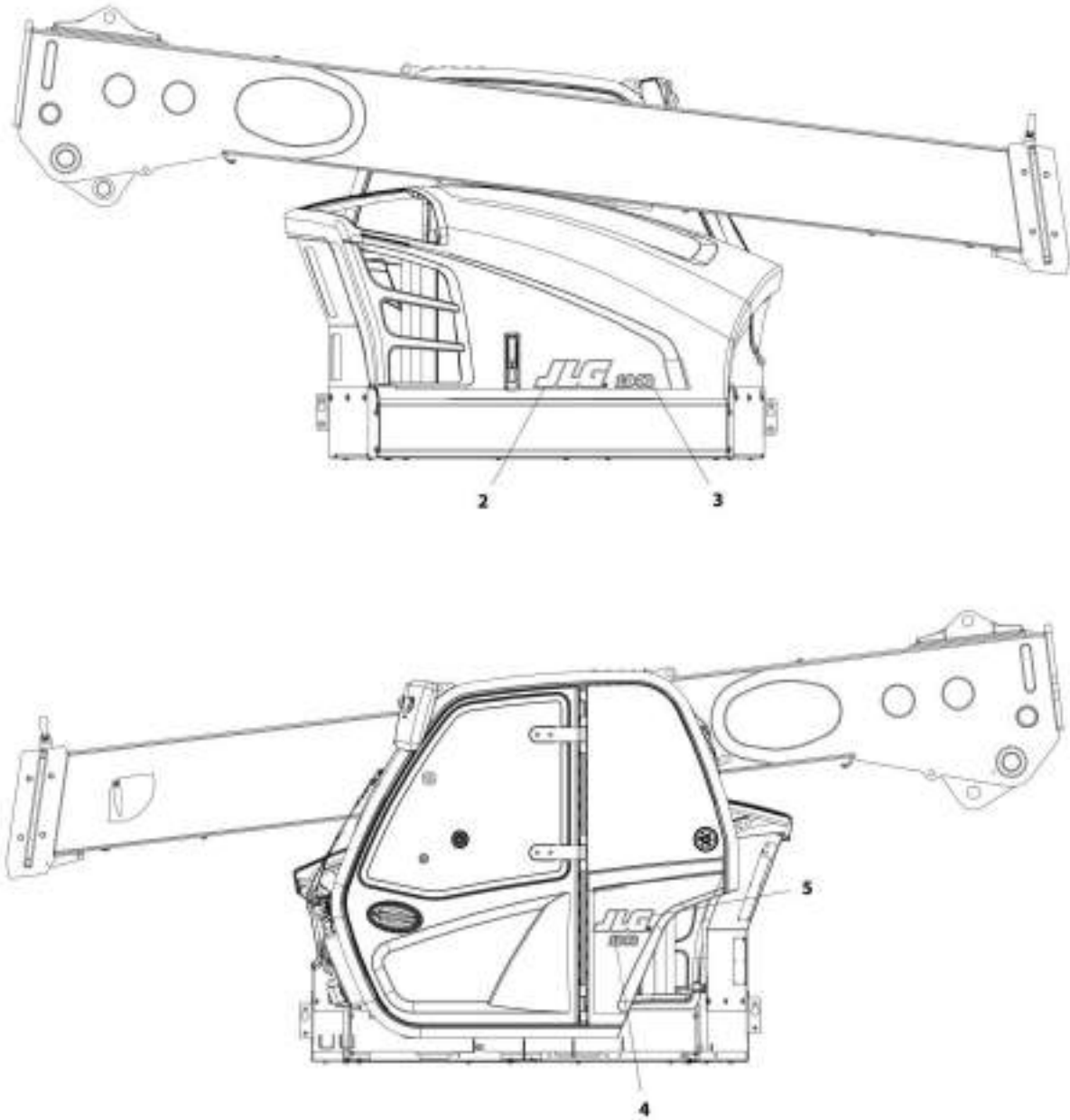
## SECTION 11 - DECALS

### FIGURE 11-1. CAPACITY CHART HOLDER INSTALLATION

ITEM	PART NUMBER	QTY	DESCRIPTION	REV
	1001178706	Ref	Capacity Chart Holder Installation	A
1	1001179297	1	Load Chart, Bezel	
2	1001005960	1	Holder	
3	7029486	2	Screw	

# SECTION 11 - DECALS

## FIGURE 11-2. BRAND AND MODEL DECAL INSTALLATION



MIT\_1001172970-D



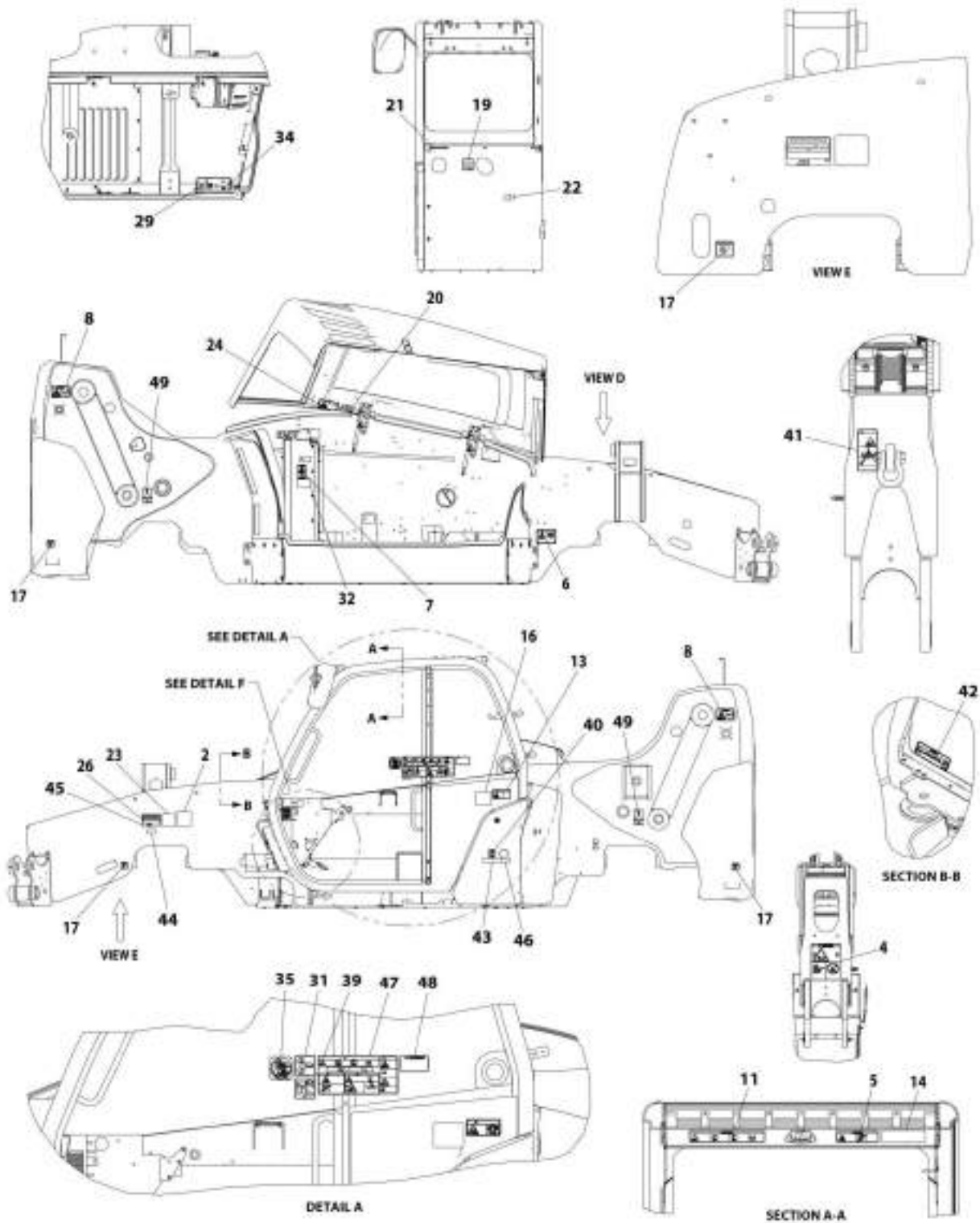
## SECTION 11 - DECALS

FIGURE 11-2. BRAND AND MODEL DECAL INSTALLATION

ITEM	PART NUMBER	QTY	DESCRIPTION	REV
	1001172979	Ref	Brand and Model Decal Installation	D
2	1001160775	1	Decal, JLG 5 Black	
3	1001172960	1	Decal, JLG 1043	
4	1001172961	1	Decal, JLG 1043 Cab	
5	1001169674	1	Decal, JLG	

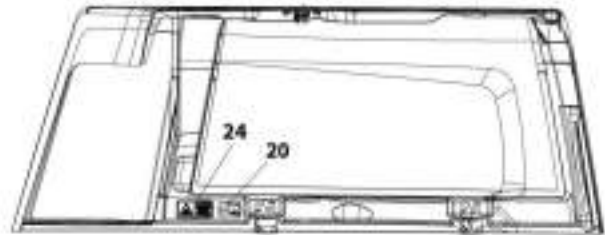
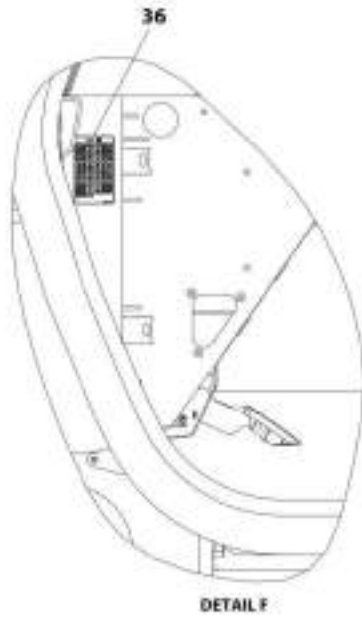
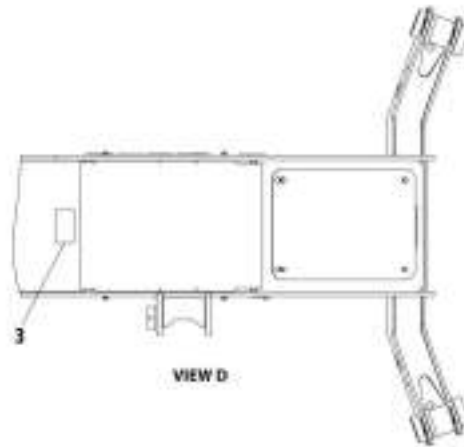
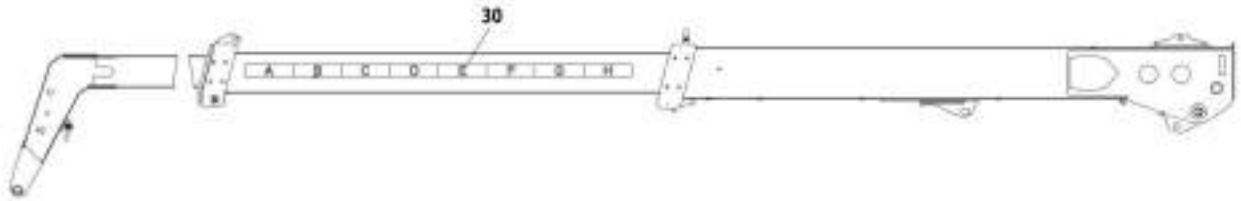
# SECTION 11 - DECALS

## FIGURE 11-3. DECAL INSTALLATION (ANSI)



ART. 1001173420\_1-D

# SECTION 11 - DECALS



ART\_1001179426\_2-0

## SECTION 11 - DECALS

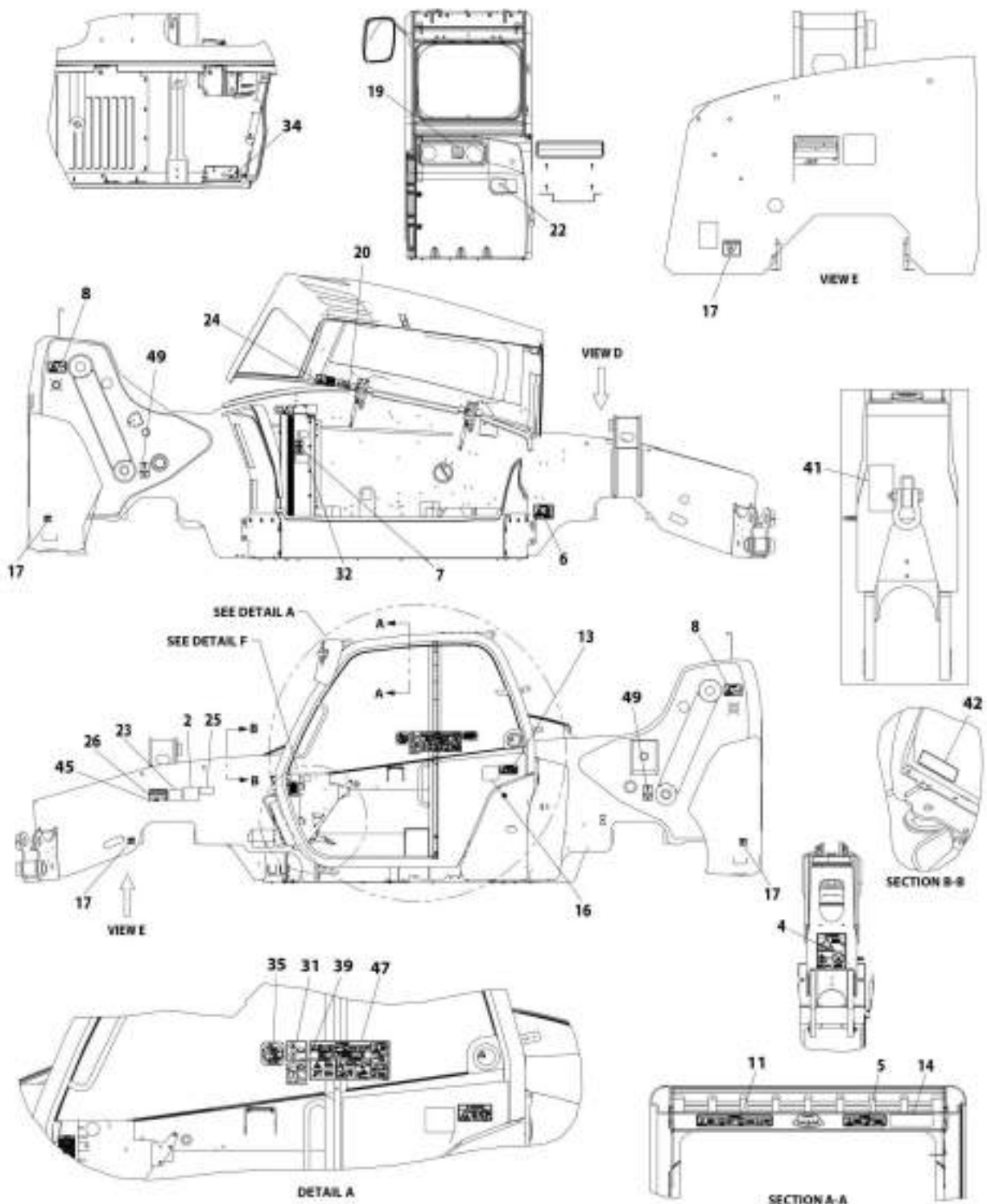
FIGURE 11-3. DECAL INSTALLATION (ANSI)

ITEM	PART NUMBER	QTY	DESCRIPTION	REV
	1001173429	Ref	Decal Installation	O
2	1702631	1	Decal, Bar Code	
3	1706296	1	Decal, Battery Warning	
4	1001195849	1	Decal, Carry Personnel	
5	1706299	1	Decal, Contacting Power Lines Warning	
6	1706300	1	Decal, Ether Warning	
7	1706301	1	Decal, Keep Clear Of Rotating Parts Warning	
8	1706302	2	Decal, Pinch Point Boom Holes	
9	1706303	1	Decal, Read Manual Warning (Not Shown) <b>(SN 0160084859 through 0160086246)</b>	
10	1706304	1	Decal, Run Over Hazard Warning (Not Shown) <b>(SN 0160084859 through 0160086246)</b>	
11	1706306	1	Decal, Tip Over Warning	
12	1706767	1	Decal, Machine Roll Away Warning (Not Shown) <b>(SN 0160084859 through 0160086246)</b>	
13	1706768	1	Decal, Vehicle Roll Away	
14	1706850	1	Decal, Crush Hazard Warning	
15	1706851	1	Decal, Do Not Jump Warning (Not Shown) <b>(SN 0160084859 through 0160086246)</b>	
16	3251813	1	Decal, USA	
17	4109801	4	Decal, Tie Down Point	
19	1001094708	1	Decal, Hydraulic Oil	
20	1001109053	1	Decal, Coolant Fill	
21	1001218704	1	Decal, Ultra Low Sulfur Diesel	
22	1001130323	1	Decal, Oil Level	
23	1001131271	1	Decal, Patent	
24	1001139578	1	Decal, Hot Fluid Warning	
26	1001229575	1	Decal, Nameplate	
29	1001195855	1	Decal, Battery Disconnect	
30	1001171277	1	Decal, Boom Extend	
31	1001172035	1	Decal, No Weld or Drill	
32	1001173422	1	Decal, MCO 110HP	
34	1001184632	1	Decal, Battery Positive	
35	1001188372	1	Decal, Sway	
36	1001191229	1	Decal, Fuse Panel	
39	1001200101	1	Decal, Manual	
40	1001196806	1	Decal, Diesel Exhaust Fluid	
41	1001207217	1	Decal, Danger Swinging Loads	
42	1001218659	1	Decal, Brake Fluid	
43	1001219212	1	Decal, DEF Fluid	
44	1001223453	1	Decal, ICES	
45	1001009178	4	Decal, Track Metal	
46	1001230310	1	Decal, JLG DEF Tank Service	
47	1707078	1	Decal, Warning/Danger Cab <b>(SN 0160086246 to Present)</b>	
48	1001231801	1	Decal, Warning Prop 65 Diesel <b>(SN 0160086246 to Present)</b>	
49	1001222650	2	Decal, Axle Lift <b>(SN 0160086246 to Present)</b>	



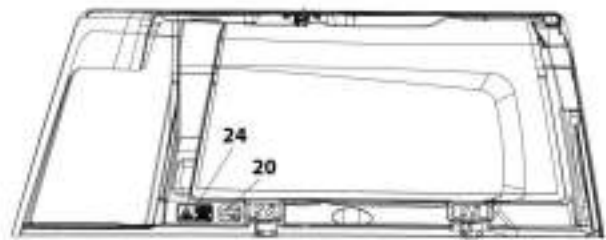
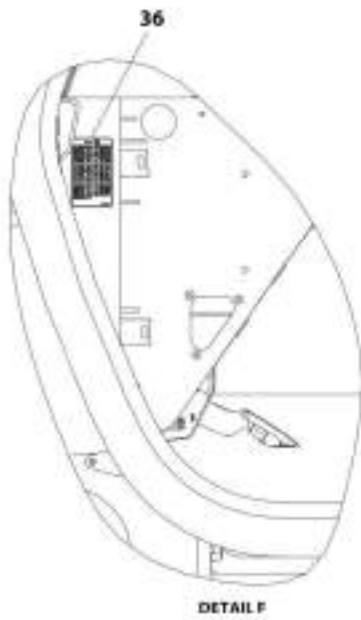
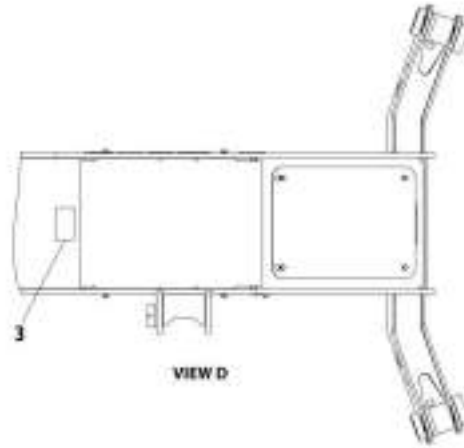
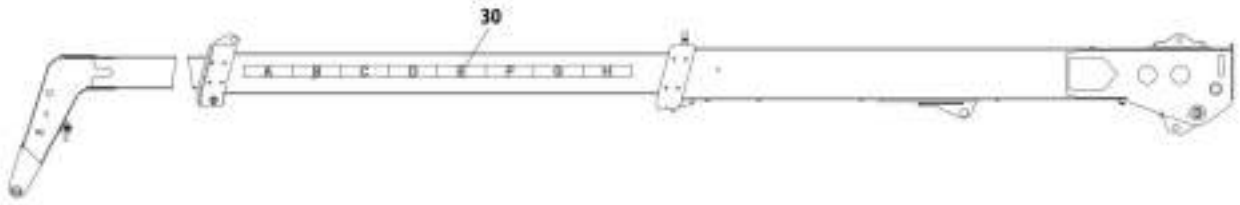
# SECTION 11 - DECALS

## FIGURE 11-4. DECAL INSTALLATION (ISO)



MIT\_1001173431\_1-G

# SECTION 11 - DECALS



ART.1001179A01\_3-0

## SECTION 11 - DECALS

FIGURE 11-4. DECAL INSTALLATION (ISO)

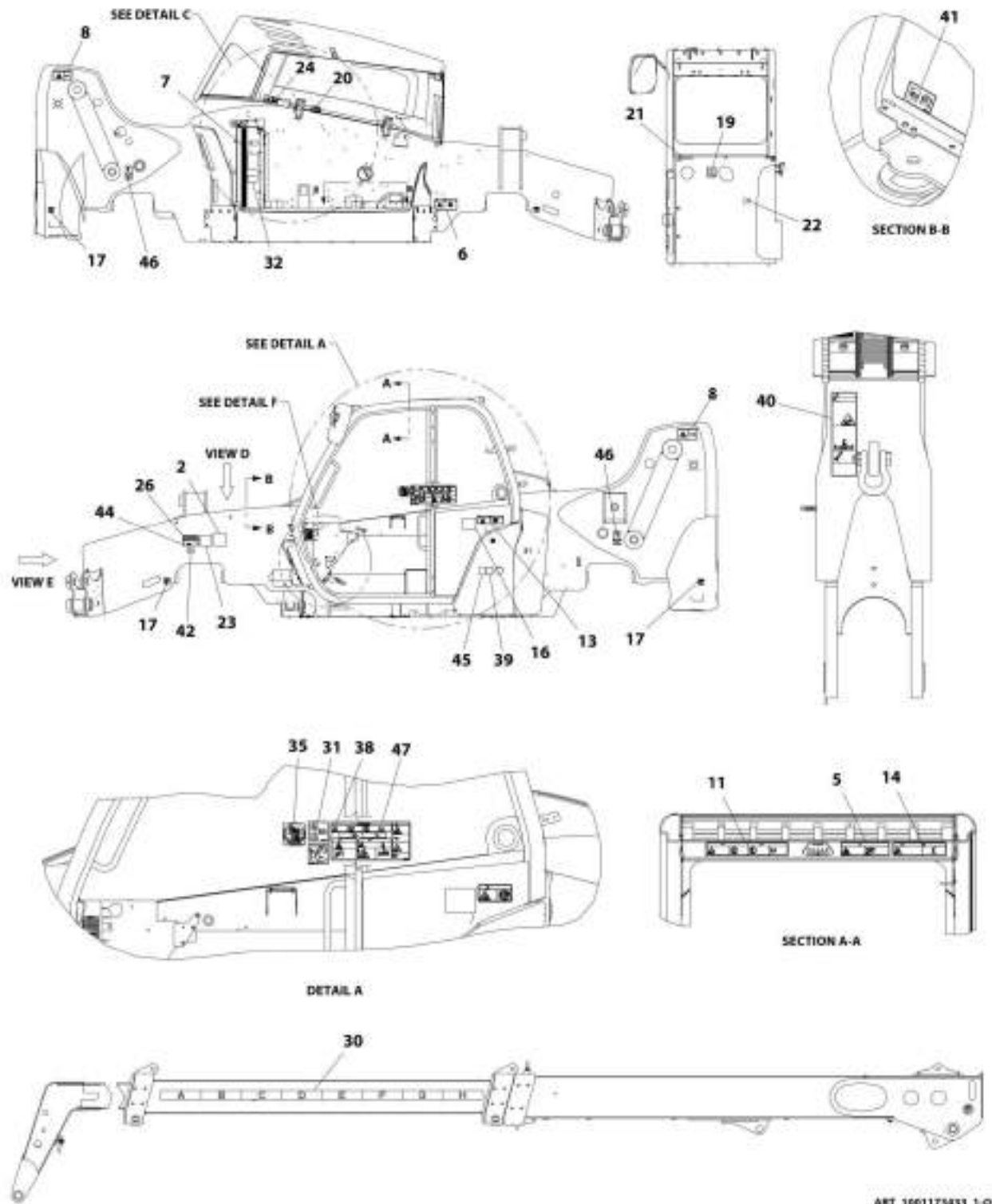
ITEM	PART NUMBER	QTY	DESCRIPTION	REV
	1001173431	1	Decal Installation (ISO)	O
2	1702631	1	Decal, Bar Code	
3	1706281	1	Decal, Battery Warning	
4	1706282	1	Decal, Carry Personnel	
5	1706284	1	Decal, Electrocutation Hazard	
6	1706098	1	Decal, Ether Warning	
7	1706285	1	Decal, Keep Clear of Rotating Parts Warning	
8	1706292	2	Decal, Pinch Point Boom Holes	
9	1706287	1	Decal, Read Manual Warning (Not Shown) <b>(SN 0160084859 through 0160086246)</b>	
10	1706293	1	Decal, Run Over Hazard Warning (Not Shown) <b>(SN 0160084859 through 0160086246)</b>	
11	1706288	1	Decal, Tip Over Warning	
12	1706289	1	Decal, Machine Roll Away Warning (Not Shown) <b>(SN 0160084859 through 0160086246)</b>	
13	1001092878	1	Decal, No Riders	
14	1001092877	1	Decal, Crush Hazard Warning	
15	1706283	1	Decal, Do Not Jump Warning (Not Shown) <b>(SN 0160084859 through 0160086246)</b>	
16	3251813	1	Decal, USA	
17	4109801	4	Decal, Tie Down Point	
19	1001094708	1	Decal, Hydraulic Oil	
20	1001109053	1	Decal, Coolant Fill	
22	1001130323	1	Decal, Oil Level	
23	1001131271	1	Decal, Patent	
24	1001139942	1	Decal, Hot Fluid Warning	
25	1001143852	1	Decal, EPA (LS)	
26	1001229575	1	Decal, Nameplate	
30	1001171277	1	Decal, Boom Extend	
31	1001172035	1	Decal, No Weld or Drill	
32	1001173422	1	Decal, MCO 110HP	
34	1001184632	1	Decal, Battery Positive	
35	1001188372	1	Decal, Sway	
36	1001191229	1	Decal, Fuse Panel	
39	1001200101	1	Decal, Manual	
41	1001207218	1	Decal, Danger Swinging Loads	
42	1001219211	1	Decal, Brake Fluid	
45	1001009178	4	Decal, Track Metal	
47	1001101895	1	Decal, Warning <b>(SN 0160086246 to Present)</b>	
49	1001222650	2	Decal, Axle Lift <b>(SN 0160086246 to Present)</b>	





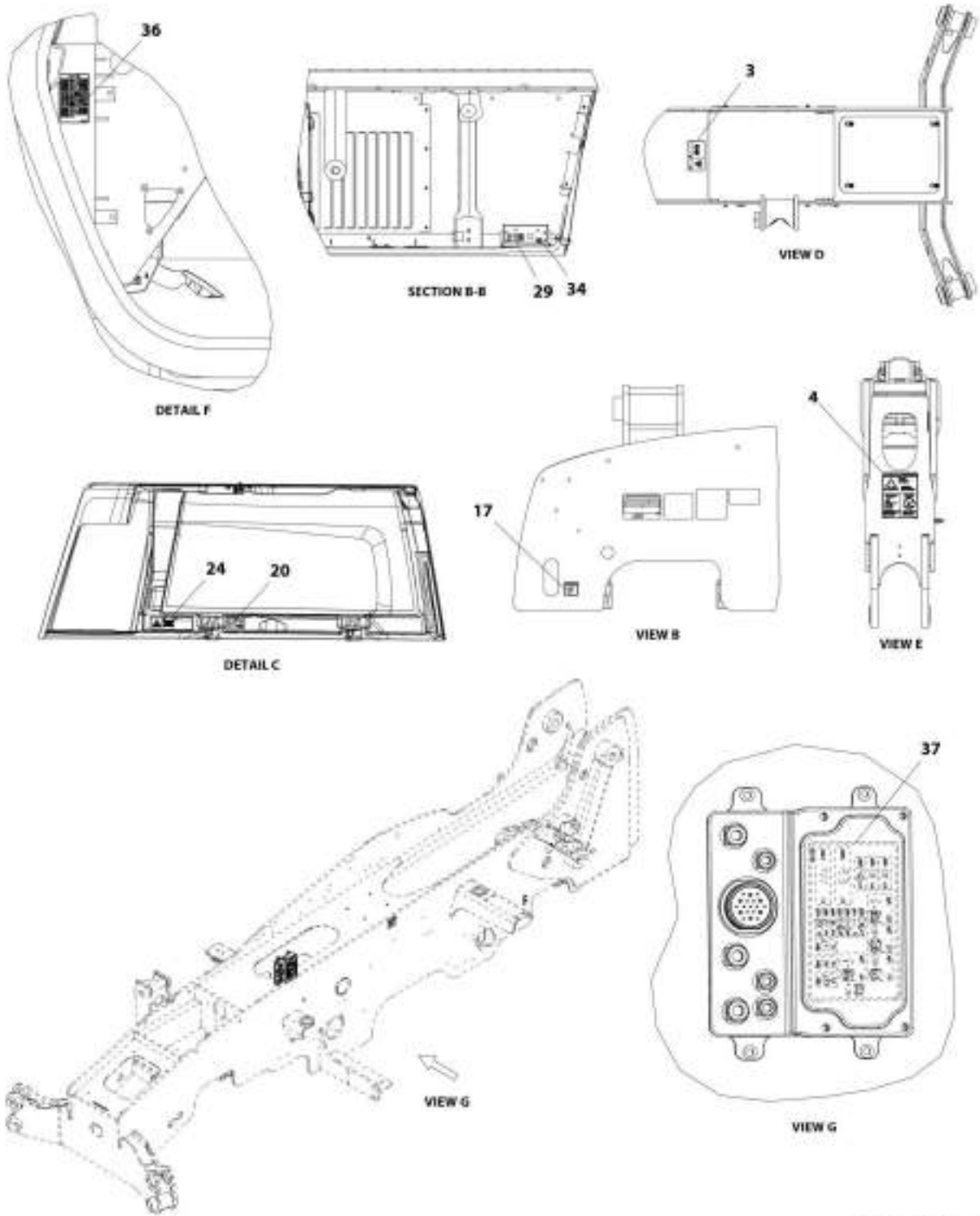
# SECTION 11 - DECALS

## FIGURE 11-5. DECAL INSTALLATION (CSA ENGLISH/FRENCH)



ART 1601175433 1-0

# SECTION 11 - DECALS



MT\_300117443\_2-0

## SECTION 11 - DECALS

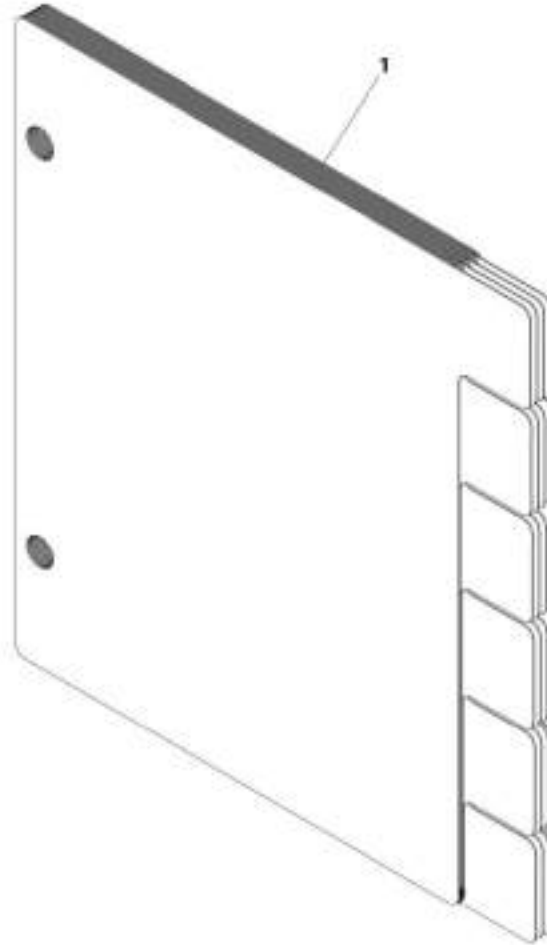
FIGURE 11-5. DECAL INSTALLATION (CSA ENGLISH/FRENCH)

ITEM	PART NUMBER	QTY	DESCRIPTION	REV
	1001173433	Ref	Decal Installation (CSA English/French)	O
2	1702631	1	Decal, Bar Code	
3	1001163174	1	Decal, Battery Warning	
4	1001195851	1	Decal, Carry Personnel	
5	1001163210	1	Decal, Electrocutation Hazard	
6	1001163212	1	Decal, Warning No Either	
7	1001163222	1	Decal, Moving Parts	
8	1001163223	2	Decal, Pinch Point	
9	1001163273	1	Decal, Read Manual (Not Shown) <b>(SN 0160084859 through 0160086246)</b>	
10	1001163276	1	Decal, Warning Run Over Hazard (Not Shown) <b>(SN 0160084859 through 0160086246)</b>	
11	1001163285	1	Decal, Warning Tip Over	
12	1001163291	1	Decal, Warning Machine Roll Away (Not Shown) <b>(SN 0160084859 through 0160086246)</b>	
13	1001163300	1	Decal, No Riders	
14	1001163304	1	Decal, Warning Crushing Hazard	
15	1001163321	1	Decal, Warning Do Not Jump (Not Shown) <b>(SN 0160084859 through 0160086246)</b>	
16	3251813	1	Decal, USA	
17	4109801	1	Decal, Tie Down Point	
19	1001094708	1	Decal, Hydraulic Oil	
20	1001109053	1	Decal, Coolant Fill	
21	1001163355	1	Decal, Ultra Low Sulfur Diesel	
22	1001130323	1	Decal, Oil Level	
23	1001131271	1	Decal, Patent	
24	1001163323	1	Decal, Warning Hot Fluid	
26	1001229575	1	Decal, Nameplate	
29	1001195855	1	Decal, Battery Disconnect	
30	1001171277	1	Decal, Boom Extend	
31	1001172035	1	Decal, No Weld Or Drill	
32	1001173422	1	Decal, MCO, 130HP	
34	1001184632	1	Decal, Battery Positive	
35	1001188372	1	Decal, Sway	
36	1001191229	1	Decal, Fuse Panel	
37	1001191487	1	Decal, Fuse Panel (Note: Supply with power distribution box)	
38	1001200101	1	Decal, Manual	
39	1001196806	1	Decal, Diesel Exhaust Fluid	
40	1001209625	1	Decal, Danger Swinging Loads	
41	1001219211	1	Decal, Brake Fluid	
42	1001223453	1	Decal, ICES	
44	1001009178	4	Decal, Track Metal	
45	1001230311	1	Decal DEF Tank	
46	1001222650	2	Decal, Axle Lift <b>(SN 0160086246 to Present)</b>	
47	1001233558	1	Decal, Warning/Danger Cab <b>(SN 0160086246 to Present)</b>	



## SECTION 11 - DECALS

FIGURE 11-6. CAPACITY CHART BOOKLET (ANSI) (OUTRIGGERS)



ART\_1001212419-G

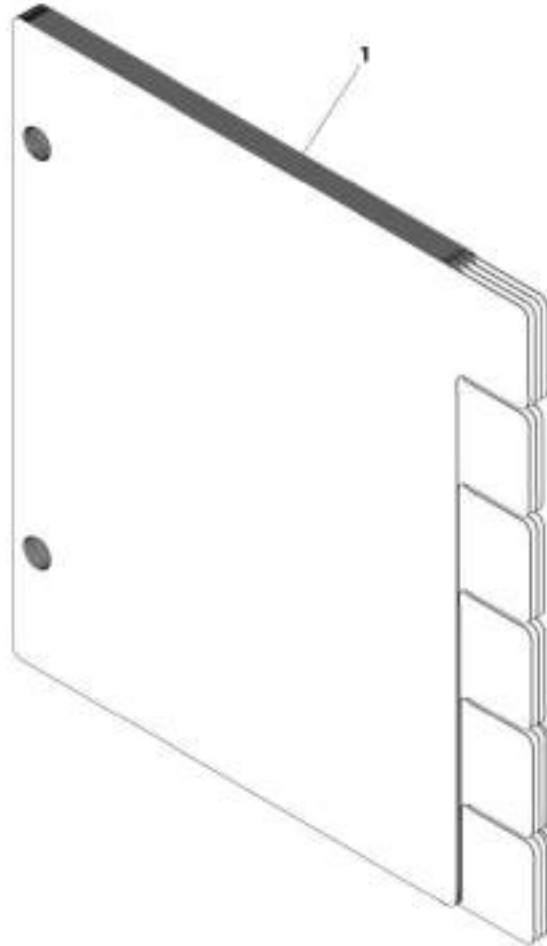
## SECTION 11 - DECALS

**FIGURE 11-6. CAPACITY CHART BOOKLET (ANSI) (OUTRIGGERS)**

ITEM	PART NUMBER	QTY	DESCRIPTION	REV
1	1001212419	1	Capacity Chart Booklet (ANSI), (Outriggers) - 1043	G

## SECTION 11 - DECALS

FIGURE 11-7. CAPACITY CHART BOOKLET (ISO) (OUTRIGGERS)



ARE\_100-206371-F



## SECTION 11 - DECALS

**FIGURE 11-7. CAPACITY CHART BOOKLET (ISO) (OUTRIGGERS)**

ITEM	PART NUMBER	QTY	DESCRIPTION	REV
1	1001206371	1	Capacity Chart Booklet (ISO), (Outriggers) - 1043	F

# SECTION 11 - DECALS

FIGURE 11-8. REVERSE SENSOR SYSTEM DECAL (ENGLISH)



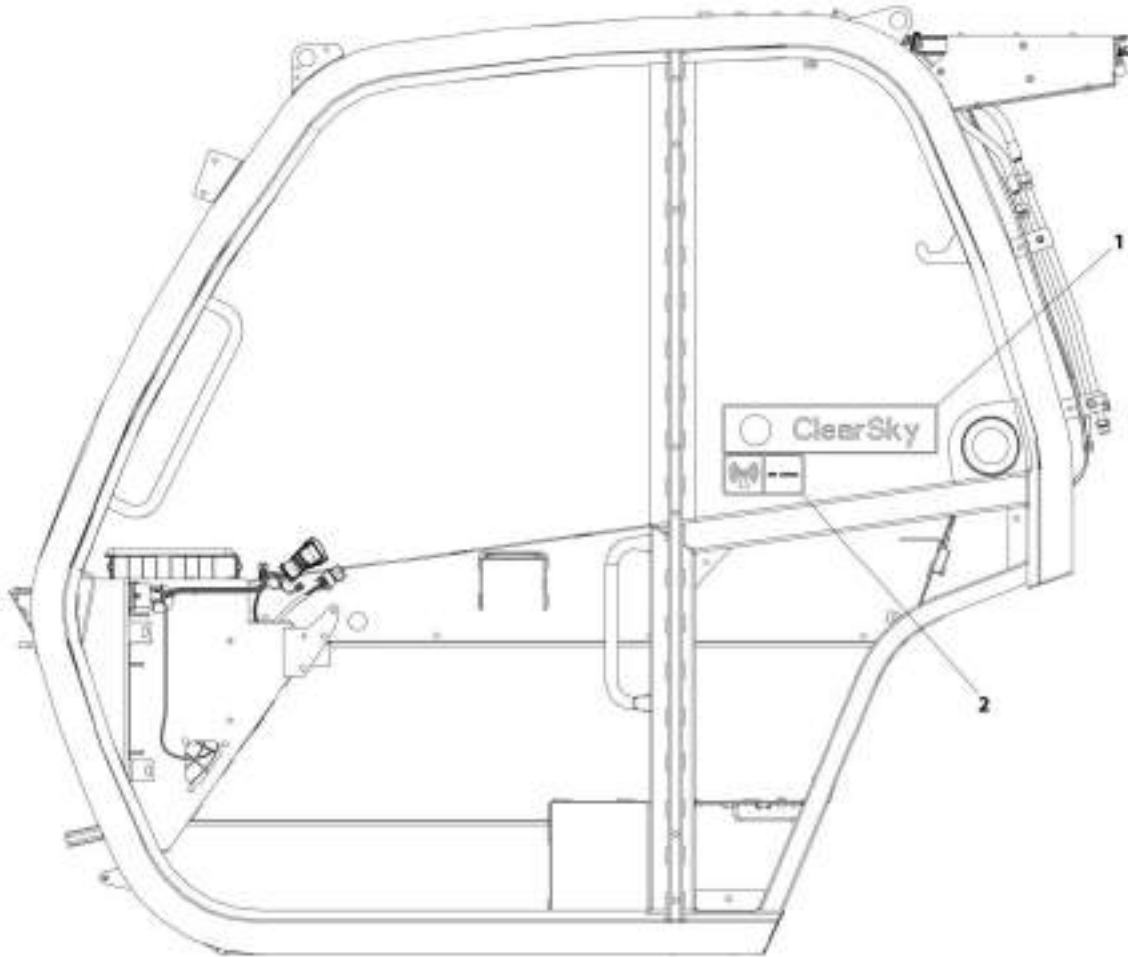
## SECTION 11 - DECALS

**FIGURE 11-8. REVERSE SENSOR SYSTEM DECAL (ENGLISH)**

ITEM	PART NUMBER	QTY	DESCRIPTION	REV
1	1001160072	1	Reverse Sensor System Decal (English)	A

# SECTION 11 - DECALS

## FIGURE 11-9. CLEARSKY DECAL INSTALLATION



ART\_100129707-A

## SECTION 11 - DECALS

### FIGURE 11-9. CLEARSKY DECAL INSTALLATION

ITEM	PART NUMBER	QTY	DESCRIPTION	REV
	1001229707	Ref	Clearsky Decal Installation	A
1	1001116208	1	Clearsky Decal	
2	1001120989	1	Radio Frequency Decal	



**SECTION 12 - RECOMMENDED SPARE PARTS**

## SECTION 12 - RECOMMENDED SPARE PARTS

FIGURE 12-1. RECOMMENDED SPARE PARTS

ITEM	PART NUMBER	QTY	DESCRIPTION	REV
		Ref	<b>Frame and Attaching Parts</b>	
	1001194978	1	Cap, Locking Fuel	
		Ref	<b>Boom</b>	
	1001163034	AR	Plate, Spacer	
	1001163038	AR	Plate, Spacer	
	1001165367	AR	Plate, Spacer	
	1001163112	AR	Plate, Spacer	
	1001163108	AR	Plate, Spacer	
	1001165171	AR	Pad, Wear	
	1001165172	AR	Pad, Wear	
	1001162469	AR	Pad, Wear	
	1001163029	AR	Pad, Wear	
	1001165173	AR	Pad, Wear	
	1001189793	AR	Shim	
		Ref	<b>Engine and Attaching Parts</b>	
	70026453	1	Cartridge, Fuel Filter (ULS)	
	70026233	1	Filter, Primary Fuel	
	70026234	1	Element, Fuel Filter	
	70026227	1	Starter	
	70026229	1	Fan Belt, V-Ribbed	
	70026242	1	Dipstick	
	70026237	1	Filter, Oil	
	70025852	1	Filter, Air Cylindrical Primary (ULS)	
	70025853	1	Filter, Air Cylindrical Secondary (ULS)	
	70025850	1	Filter, Cylindrical Air Primary (LS)	
	70025851	1	Filter, Cylindrical Air Secondary (LS)	
	70026584	1	Filter, DEF	
	1001208643	1	Kit, Filter, 250 Hour	
	70026237	1	Filter, Oil	
	70026234	1	Element, Fuel Filter	
	70026453	1	Cartridge, Fuel Filter	
	70025852	1	Filter, Cylindrical Air Primary	
	70025853	1	Filter, Cylindrical Air Secondary	
	1001208644	1	Kit, Filter, 1000 Hour	
	70026237	1	Filter, Oil	
	70026234	1	Element, Fuel Filter	
	70026453	1	Cartridge, Fuel Filter	
	70025852	1	Filter, Cylindrical Air Primary	
	70025853	1	Filter, Cylindrical Air Secondary	
	1001162663	1	Element, Filter	
	1001162662	1	Breather, Filter	
	1319726	1	Filter, Transmission	
		Ref	<b>Drivetrain</b>	
	1319726	1	Filter, Transmission Oil	
	1001163698	1	Switch, FNR 4 Speed	
		Ref	<b>Cab</b>	
	1001172546	NLA	Filter, HVAC Air (no longer available, use 1001218996 for replacement)	
	1001218996	1	Filter, HVAC Fresh Air	



## SECTION 12 - RECOMMENDED SPARE PARTS

ITEM	PART NUMBER	QTY	DESCRIPTION	REV
	1001172553	1	Filter, HVAC Recirculation Air	
	1001141281	1	Blade, Front Wiper	
	4807718	1	Blade, Rear Wiper	
	1001141313	1	Blade, Roof Wiper	
		Ref	<b>Hydraulic Components</b>	
	1001168661	1	Kit, Seal, Lift Cylinder	
	1001168666	1	Kit, Seal, Tilt Cylinder	
	70026550	1	Kit, Seal, Compensation Cylinder	
	70026253	1	Kit, Seal, Frame Level Cylinder	
	70026462	1	Kit, Seal, Extend/Retract Cylinder	
	70026253	1	Kit, Seal, Rear Axle Stability Cylinder	
	70026309	1	Kit, Seal, Outrigger Cylinder	
	70026062	1	Kit, Seal, Side Tilt Cylinder	
	1001194981	1	Cap, Hydraulic	
	1001162660	1	Filter, Hydraulic	
		Ref	<b>Electrical</b>	
	0400075	1	Battery, 12V	
	70022765	1	Key, Ignition	



**PART NUMBER INDEX**

# PART NUMBER INDEX

0100011.....	101, 713	0711226.....	55	0961903 ....	713, 715, 717	1001095744.....	409
0100035.....	721	0711228.....	73	1001001568 .....	669	1001095804.....	831, 833
01043892.....	289	0711229.....	75	1001002946 .....	493, 495	1001095810.....	171
0400075.....	811, 985	0711626.....	193	1001002947 .....	493, 495	1001096019.....	169
0440296.....	67	0711629.....	193	1001002953 .....	493, 495	1001096020.....	169
0440321.....	707	0711630.....	193	1001002957 .....	493, 495	1001096021.....	167
0498748.....	491	0711631.....	73, 83	1001003043 .....	483	1001096023.....	167
0641404.....	47	0711635.....	75	1001003227 .....	21	1001096024.....	169
0641405.....	171	0712020.....	461	1001003301 .....	763	1001096025.....	167
0641407.....	47	0712022.....	461	1001003427 .....	273	1001096162.....	165, 167, 169, 171
0641510.....	175	0712027.....	459	1001003590 .....	655	1001096365.....	493, 495
0641612.....	101	0712042.....	31	1001004640 .....	609, 611	1001097053.....	363
0641812.....	640	0712442.....	653, 655	1001005368 .....	489	1001097110.....	117
0642032...95, 97, 99, 101		0741408.....	47	1001005960 .....	959	1001097202.....	463
0681810.....	101	0741610.....	101	1001006731 .....	523	1001097205.....	151
0700408.....	845	0760304.....	625	1001007056 .....	703	1001097540..27, 29, 573, 575	
0700610..27, 29, 51, 230, 234, 267, 569, 787, 801, 823, 825, 827, 863, 865, 867, 869		0760405.....	203	1001008540 .....	801	1001097586.....	483
0700614.....	175, 536	0760507.....	273	100100855941, 203, 230, 234, 787, 791, 793, 795, 797, 799		1001097587.....	301, 305
0700616.....	640, 697, 919	0760512.....	581	1001008575 .....	37	1001097588.....	247, 249
0700618.....	199, 805, 829	0760605 ....	247, 491, 599	1001008687 .....	453	1001097810.....	303, 643
0700812.....	451	0760606.....	27, 29	1001008742 .....	581	1001098762.....	819
070081427, 29, 259, 763, 801		0760607 ...	203, 230, 283, 289, 491, 695	1001008857 .....	493, 495	1001098769.....	87
0700815.....	281	0760608.....	89, 221, 281, 463, 511, 581, 593, 599, 609, 611, 801	1001008923 .....	917, 919	1001099113.....	101
0700816...209, 211, 225, 257, 640, 645		0760615.....	69, 227, 640	1001008988 .....	491	1001099115.....	101
0700817.....	691	0760807 ...	199, 267, 805	1001008999 .....	21	1001099170.....	479
0700818.....	727, 787	0760808 ...	199, 203, 509, 569, 571, 805, 875, 877	1001009163 .....	363, 763	1001099351.....	149
0700819.....	225, 227, 651	076081021, 57, 213, 519, 527, 536, 553, 571, 583, 585, 599, 640, 683, 863		1001009178 .....	964, 968, 972	1001099901.....	141
0700820...583, 585, 587, 787		0760812 ...	271, 285, 449, 465, 493, 651, 845	1001010646 .....	523	1001099902.....	139
0700823.....	659	0760815.....	19, 261, 493, 495, 640, 643, 691, 787	1001010647 .....	523	1001100266.....	133
0700824.....	609, 611	0760817.....	655	1001010648 .....	523	1001100822.....	131
0700826.....	281	0760823.....	35, 275	1001010649 .....	523	1001100823.....	133
0700827.....	269, 271	0761007 ...	199, 793, 797, 799, 805	1001010650 .....	523	1001100824.....	135
0701014..19, 21, 43, 261, 640		0761008.....	657	1001025750 .....	283	1001100828.....	949
070101627, 29, 261, 665, 667, 675, 791, 801		0761010. 21, 23, 25, 199, 215, 247, 249, 261, 263, 363, 453, 640, 787, 793, 797, 799, 801, 805, 861		1001028308 .....	643	1001100829.....	949
0701017.....	263, 285	0761210 ...	239, 283, 791, 795	1001047062 .....	491	1001100967.....	147
0701018...213, 215, 239, 241		0761212.....	667	1001080375 .....	667	1001101458.....	45
0701020.....	37, 239, 241	0761214 ....	37, 45, 81, 85	1001080996 .....	81, 667	1001101808.....	825
0701027.....	195	0761215.....	35, 633	1001080996 .....	81, 667	1001101895.....	968
0701215.....	205	0761218.....	239, 241, 697	1001090063 .....	101	1001102378.....	101
0701216.....	193, 207, 673	0770807.....	55	1001090064 .....	101	1001102502.....	831, 833
0701217.....	89	0770814.....	603	1001090140 .....	101	1001102509.....	307
0701220.....	193	0771210.....	55, 57, 241	1001090343 .....	555, 557, 581	1001102813.....	171, 175
0701224.....	89	0771212.....	55, 57	1001091573 .....	875	1001103012.....	908
0701226.....	55, 601	0781016.....	205	1001091715 .....	861	1001103156.....	657
0701227.....	193	0781208.....	707	1001091716 .....	861	1001103182.....	103, 767
0701229.....	41	0791605.....	257	1001091951 .....	77	1001103564.....	915
0701230.....	41	0860520.....	171	1001092391 .....	121	1001103637.....	165
0711015.....	363	0861493.....	951	1001092481 .....	165	1001103730.....	167
0711027.....	653, 655	0930020.....	137	1001092482 .....	165	1001103736.....	169
0711214.....	55, 57			1001092877 .....	968	1001104477.....	669, 761
0711215.....	53			1001092878 .....	968	1001104498.....	892
0711216.....	53, 55, 57			1001093171 .....	151	1001104519.....	925
0711217.....	53, 55, 57			1001093564 .....	819	1001104654.....	831, 833
0711218.....	55			1001094134 .....	125	1001104685.....	267
0711219.....	53			1001094136 .....	125	1001105441.....	91
0711220.....	53, 89			1001094708 .....	964, 968, 972	1001105886.....	821
0711225.....	55			1001095336 .....	789	1001107192.....	491
				1001095396 .....	661	1001107854.....	891, 892, 921
				1001095418 .....	103	1001108668.....	156
				1001095650 .45, 47, 483, 489		1001109053.....	964, 968, 972
				1001095738 .....	409	1001110544.....	625
						1001110704.....	103

## PART NUMBER INDEX

1001111076 ..... 593	1001121955.....257	1001153748.....689, 753	1001160503 ..... 583, 585
1001111147 ..... 593	1001125117.... 53, 55, 57, 89, 667	1001153749.....945	1001160506 ..... 587
1001111190 ..... 103	1001125137.....713, 717, 721, 723	1001154365.....473, 481	1001160508 ..... 467, 469, 509
1001111317 ..... 475, 481, 495	1001125410.....435	1001154419.....481	1001160509 ..... 886, 892
1001112612 ..... 903, 907	1001126008..... 947, 955	1001154511 ..... 185, 189	1001160510 ..... 886, 892
1001112796 ..... 905, 937	1001126391.....895	1001154721 ..... 471, 475	1001160711 ..... 811
1001112902 ..... 27, 29	1001126393.....895	1001154790..... 187, 191	1001160735 ..... 33
1001114495 ..... 251, 253	1001126837.....657	1001154984.....467	1001160775 ..... 961
1001114803 ..... 239, 241	1001128127..... 886, 887	1001155020.....566	1001160888 ..... 193
1001116208 ..... 981	1001128144.....257	1001155261 ..... 261	1001160927 ..... 811, 819
1001116696 ..... 913	1001128341.....257	1001155307.....609	1001160928 ..... 819
1001116697 ..... 908	1001128478..... 363, 763	1001155446..... 457, 459	1001161069 ..... 559
1001116698 ..... 908	1001128594..... 189, 191	1001155447 ..... 469, 553	1001161095 ..... 908
1001116700 ..... 925	1001128890..... 145	1001155486.....557	1001161097 ..... 886, 892
1001116716 ..... 925	1001130220...27, 29, 823	1001155540.....239, 241	1001161098 ..... 886, 908
1001116723 ..... 907, 908, 925, 926, 929	1001130323.....964, 968, 972	1001155796.....569	1001161099 ..... 886, 892, 908
1001116727 ..... 891	1001131177..... 199, 805	1001155800.....569	1001161100 ..... 886, 892, 908, 909
1001116728 ..... 891, 915	1001131271.....964, 968, 972	1001156265.....609, 611	1001161101 ..... 886, 892, 908, 909
1001116729 ..... 883	1001132168.....23, 25	1001157481 ..... 489	1001161251 ..... 562
1001116731 ..... 855	1001133072..... 101	1001157487 ..... 489	1001161304 ..... 687, 689
1001116745 ..... 883	1001133534.....205	1001157663.....269, 271	1001161308 ..... 671, 673
1001116747 ..... 921, 926	1001134274.....657	1001157890.....925, 955	1001161340 ..... 640
1001116754 ..... 907	1001136975.....230, 234	1001157891 ..... 903	1001161343 ..... 640
1001116763 ..... 891, 921	1001137512..... 127	1001157919 ..... 625	1001161344 ..... 647
1001116774 ..... 947, 955	1001137578..... 895, 896	1001157972 ..... 685, 757	1001161346 ..... 647, 651
1001116808 ..... 947, 955	1001138348..... 251, 253	1001158146 ..... 831	1001161347 ..... 640
1001116810 ..... 886	1001139551.....557	1001158527 ..... 609, 751	1001161348 ..... 647, 651
1001116812 ..... 855, 886, 892, 895, 909, 929, 947, 955	1001139552.....555	1001158620 ..... 735, 739	1001161421 ..... 295, 303
1001116815 ..... 929, 947, 955	1001139568.....489	1001159028 ..... 605, 607	1001161424 ..... 297, 307
1001116950 ..... 887	1001139578.....964	1001159347 .....239, 241, 243	1001161499 ..... 467, 469, 605
1001116986 ..... 926	1001139942.....968	1001159734 ..... 861	1001161527 ..... 647, 651
1001116991 ..... 907, 925	1001141246..... 493, 495	1001159735 ..... 555	1001161528 ..... 647, 651
1001116996 ..... 913	1001141281..... 553, 985	1001159736 ..... 557	1001161535 ..... 640
1001116997 ..... 926	1001141311.....557	1001159738 ..... 875, 877	1001161538 ..... 475
1001116999 ..... 925	1001141312.....555	1001159739 ..... 871, 873	1001161564 ..... 41
1001117021 ..... 921	1001141313..... 557, 985	1001159745 ..... 661	1001161664 ..... 185, 187, 363
1001117064 ..... 907	1001141400.....230, 234	1001159746 ..... 807	1001161672 ..... 609, 611
1001117079 ..... 925	1001142790..... 105	1001159753 ..... 831, 833	1001161733 ..... 609
1001117081 ..... 907, 908, 925, 929	1001143200..... 477, 507	1001159760 ..... 637, 681	1001161769 ..... 829, 939
1001117121 ..... 908	1001143551.....955	1001159845 ..... 863, 865, 867, 869	1001161770 ..... 843, 941
1001117308 ..... 801	1001143692..... 91	1001159846 ..... 863, 865, 867, 869	1001161771 ..... 839, 933
1001118323 ..... 888	1001143852.....968	1001159847 ..... 681, 685	1001161854 ..... 562, 566
1001118378 ..... 955	1001143857..... 609, 611	1001159849 ..... 831, 833	1001161855 ..... 562, 566
1001118383 ..... 908	1001144147..... 855, 947, 955	1001159881 ..... 261	1001161858 ..... 527, 529
1001118384 ..... 907, 908, 925, 926, 929, 931	1001144629J..... 171	1001159882 ..... 261	1001161896 ..... 609, 611
1001118392 ..... 913	1001145539.....536	1001159925 ..... 527, 536	1001161897 ..... 609, 611
10011184495 ..... 899	1001146021.....892	1001160042 ..... 536	1001161898 ..... 609, 611
1001118684 ..... 907	1001146160..... 145	1001160043 ..... 527	1001161920 ..... 251, 253
1001118685 ..... 908	1001146588..... 225, 227, 230, 234, 591, 793, 797, 799, 829, 843, 861	1001160072 ..... 979	1001161957 ..... 886, 892
1001120163 ..... 703, 759	1001147060.....823	1001160116 ..... 193	1001161959 ..... 908
1001120178 ..... 429, 433	1001147340..... 647, 651	1001160122 ..... 627	1001161963 ..... 886, 892
1001120179 ..... 429	1001147449.....566	1001160253 ..... 19	1001161972 ..... 640
1001120914 ..... 101	1001149160..... 27, 29	1001160255 ..... 43	1001161976 ..... 640
1001120915 ..... 101	1001149278.....566	1001160326 ..... 536	1001161978 ..... 640
1001120989 ..... 981	1001150611..... 886, 887	1001160396 ..... 187	1001162043 ..... 717
1001121103 ..... 427, 429	1001152742.....895	1001160397 ..... 239	1001162076 ..... 711, 727
1001121105 ..... 435	1001152908..... 529, 531	1001160402 ..... 241	1001162212 ..... 237
1001121109 ..... 427	1001152915.....481	1001160420 ..... 259	1001162239 ..... 19, 21
1001121726 ..... 891	1001152934.....481	1001160426 ..... 269	1001162240J ..... 21
1001121727 ..... 883	1001152947..... 475, 481	1001160496 ..... 585	1001162249 ..... 829
		1001160498 ..... 908	1001162253 ..... 787
		1001160500 ..... 886, 892	1001162256 ..... 787
		1001160502 ..... 908	1001162281 ..... 261, 263

# PART NUMBER INDEX

1001162339.....691	1001163253..... 261, 283	1001165276..... 501	1001167608.....915, 917, 919
1001162346.....691	1001163254..... 269, 271, 287	1001165309..... 887	1001167610.....713, 717
1001162365.....691	1001163267..... 723	1001165310..... 887	1001167613.....717
1001162366.....691	1001163273..... 972	1001165311..... 892	1001167620.....895
1001162469...53, 55, 984	1001163276..... 972	1001165351..... 581	1001167624.....895
1001162548.....677, 765	1001163285..... 972	1001165360..... 861, 911	1001167646.....199, 805
1001162597.....261	1001163291..... 972	1001165367...53, 55, 57, 984	1001167695.....809, 905
1001162599.....719, 721	1001163300..... 972	1001165407..... 581	1001167697.....653, 655
1001162600.....711, 725	1001163304..... 972	1001165416..... 581	1001167761.....79, 81, 83
1001162660.....763, 985	1001163321..... 972	1001165455..... 581	1001167762.....79, 81, 85
1001162662.....763, 984	1001163323..... 972	1001165458..... 581	1001167785.....713, 717
1001162663.....984	1001163340..... 907	1001165459..... 495	1001167788.....713, 717
1001162670.....631, 633, 649	1001163355..... 972	1001165637..... 553	1001167799.....809
1001162674.....633, 635	1001163371..... 843, 925	1001165699..... 829	1001167806..... 87
1001162685.....731, 733	1001163372..... 839, 929	1001165827..... 827	1001167822.....863
1001162765.....763	1001163414..... 101, 743	1001165831..... 301, 313	1001167823.....865
1001162789.....469, 581	1001163546..... 261	1001165832..... 305, 339	1001167929.....721
1001162886.....907	1001163637..... 257	1001166091..... 531, 533, 541, 543	1001167931.....721
1001162887.....907	1001163639..... 835	1001166092..... 531, 533, 541, 543	1001167937.....499
1001162920.....599	1001163695..... 623	1001166163..... 61, 63	1001167958.....491, 499
1001162922.....599	1001163698..... 831, 833, 984	1001166223..... 673, 677	1001167971.....283
1001162953.....536, 547	1001163704..... 57	1001166233..... 61	1001168030.....239, 241
1001162959.....701, 755	1001163712..... 57	1001166235..... 61, 63	1001168031.....845
1001162979.....609	1001163723..... 245	1001166385..... 593	1001168054.....647, 651
1001163029...55, 57, 984	1001164019..... 47	1001166397..... 787	1001168142.....609, 611
1001163034...53, 55, 57, 984	1001164036..... 711, 735	1001166416..... 251, 253	1001168151.....609, 611
1001163035.....55	1001164183..... 47	1001166430..... 247, 249	1001168264.....449, 465
1001163038.....984	1001164402..... 787, 789	1001166449..... 209, 211	1001168272.....275
1001163040.....737	1001164404..... 261	1001166450..... 211	1001168281.....41
1001163067.....37, 763	1001164436..... 41	1001166451..... 209	1001168327.....536
1001163072.....691	1001164454..... 41	1001166565..... 215, 219	1001168330.....536
1001163073.....691	1001164498..... 519	1001166566..... 213, 217	1001168331.....536
1001163082.....239, 241, 245	1001164567..... 91	1001166634..... 493, 495, 501	1001168341.....51, 53
1001163108.....984	1001164615..... 519	1001166698..... 23	1001168342J.....53
1001163112...53, 55, 984	1001164652..... 699, 775	1001166703..... 895	1001168368.....53
1001163133.....265	1001164655..... 509	1001166704..... 895	1001168456.....536
1001163134.....267	1001164726..... 491	1001166716..... 215	1001168464.....637, 683, 695
1001163136.....53, 55	1001164837..... 261	1001166727..... 883	1001168465.....695
1001163151.....593	1001164838..... 261	1001166754..... 459	1001168469.....631, 643, 649
1001163170.....593	1001164860..... 707	1001166755..... 459	1001168482.....657
1001163174.....972	1001164870..... 667	1001166763..... 843	1001168486.....71
1001163210.....972	1001164871..... 83	1001166764..... 839	1001168546.....51, 55
1001163212.....972	1001164881..... 85	1001166925..... 251	1001168547.....55
1001163222.....972	1001164884..... 79, 81	1001166975..... 77	1001168560.....261
1001163223.....972	1001164885..... 79, 81	1001166993..... 251	1001168561.....55
1001163227.....185, 187, 193	1001164948..... 665, 667	1001167001..... 619	1001168567.....55, 67
1001163230.....185, 187, 195	1001164964..... 277	1001167015..... 559	1001168587.....55
1001163231.....185, 234	1001164966..... 275, 277	1001167017..... 845	1001168589.....57
1001163232.....185, 237	1001164967..... 277, 279	1001167050..... 781	1001168599.....727
1001163233.....185, 199, 805	1001164971..... 653	1001167051..... 781, 783, 785, 787	1001168602.....51, 57
1001163235.....185, 207	1001164972..... 653, 655	1001167078..... 239, 241, 257	1001168603.....57
1001163238.....187, 209	1001165022..... 503	1001167167..... 261	1001168629.....653, 655
1001163239.....187, 215	1001165022J..... 501	1001167168..... 261	1001168630.....57, 69
1001163241.....187, 230	1001165080..... 473, 491	1001167186..... 259	1001168632.....69
1001163242.....187, 203	1001165171...53, 55, 57, 984	1001167266..... 547, 551	1001168638.....261, 275
1001163245.....239, 247	1001165172...53, 55, 57, 984	1001167281..... 763	1001168644.....41
1001163246.....239, 251	1001165173..... 984	1001167357..... 269, 271	1001168658.....51
1001163247.....239, 241, 255	1001165186..... 495	1001167437..... 683	1001168661.....713, 715, 717, 985
1001163248.....241, 249	1001165187..... 495	1001167493..... 55	1001168666.....721, 723, 985
1001163249.....241, 253	1001165194..... 895	1001167528..... 895	1001168760.....27, 29
	1001165269..... 581		1001168761.....27, 29
	1001165270..... 581		1001168764.....653
	1001165275..... 493, 495		

## PART NUMBER INDEX

1001168771 ..... 211	1001170171..... 363, 365	1001172078..... 707	1001173540 ..... 65
1001168782 ..... 297, 305	1001170215..... 791	1001172088..... 599	1001173541 ..... 51, 65
1001168783 ..... 293, 297	1001170231..... 599	1001172094..... 599	1001173546 ..... 239, 241
1001168784 ..... 295, 301	1001170320..... 791, 795	1001172134..... 81, 707	1001173571 ..... 529
1001168785 ..... 293, 295	1001170326..... 515	1001172146..... 37	1001173626 ..... 261, 263
1001168786 ..... 293	1001170366..... 467, 469, 511	1001172147..... 37	1001173702 ..... 683, 687
1001168795 ..... 193	1001170374..... 477	1001172178..... 273	1001173739 ..... 89
1001168797 ..... 193	1001170495..... 471, 477	1001172193..... 475, 481, 501	1001173765 ..... 783, 785, 801
1001168822 ..... 237	1001170500..... 473, 483	1001172344..... 71, 77	1001173849 ..... 831
1001168831 ..... 67	1001170502..... 483, 489	1001172345..... 71, 75	1001173956 ..... 691
1001168834 ..... 19, 23	1001170504..... 562, 566	1001172346..... 71, 73	1001173957 ..... 691
1001169009 ..... 185	1001170506..... 562	1001172350..... 73	1001173965 ..... 562, 566
1001169011 ..... 185, 211	1001170515..... 519	1001172352..... 75	1001174271 ..... 261, 281
1001169012 ..... 185, 213	1001170518..... 562, 566	1001172353..... 75	1001174295 ..... 491, 505
1001169050 ..... 721, 723	1001170549..... 691	1001172370..... 697	1001174320 ..... 481
1001169071 ..... 721	1001170561..... 697, 699	1001172401 ..... 467, 469, 517	1001174321 ..... 493, 495
1001169072 ..... 721	1001170566..... 793, 797, 799	1001172495..... 819	1001174338 ..... 640
1001169087 ..... 695, 701	1001170601J..... 491	1001172496..... 819	1001174356 ..... 239, 241
1001169146 ..... 787	1001170603..... 473, 507	1001172536..... 847	1001174426 ..... 807, 901
1001169151 ..... 536, 921	1001170616..... 311	1001172546..... 984	1001174478 ..... 41, 625
1001169155 ..... 209, 211	1001170624..... 793, 797, 799	1001172547 ..... 527, 536	1001174712 ..... 837
1001169173 ..... 239, 241	1001170628..... 79	1001172550 ..... 527, 536	1001174741 ..... 569
1001169174 ..... 239, 241	1001170631..... 81	1001172551 ..... 529, 539, 545	1001174795 ..... 277, 279
1001169207 ..... 255	1001170645..... 27, 29	1001172553 ..... 527, 536, 985	1001174796 ..... 875, 877
1001169209 ..... 69	1001170665..... 27, 29	1001172591 ..... 251, 253	1001174800 ..... 569
1001169214 ..... 69	1001170712..... 89	1001172606..... 562	1001174801 ..... 569
1001169265 ..... 21	1001170717..... 559	1001172608..... 562	1001174832 ..... 253
1001169268 ..... 617	1001170740..... 791	1001172644..... 29	1001174932 ..... 871, 917
1001169278 ..... 51, 61	1001170741..... 791	1001172728 ..... 901, 903	1001175201 ..... 275
1001169279 ..... 61, 63	1001170749..... 791	1001172755 ..... 230, 234	1001175226 ..... 481
1001169281 ..... 51, 63	1001170816..... 791, 795	1001172774..... 583	1001175265 ..... 891
1001169350 ..... 293, 299	1001170944..... 493, 495	1001172822 ..... 41, 879	1001175267 ..... 886, 892
1001169351 ..... 299, 311	1001170993..... 513	1001172953..... 247	1001175269 ..... 195
1001169354 ..... 613, 615	1001171037..... 503	1001172954 ..... 299, 309	1001175347 ..... 640
1001169355 ..... 615	1001171153..... 33, 35	1001172960..... 961	1001175368 ..... 31
1001169365 ..... 793, 797, 799	1001171154..... 33, 37	1001172961..... 961	1001175470 ..... 515
1001169367 ..... 615	1001171162..... 875	1001172966..... 961	1001175471 ..... 511, 513
1001169373 ..... 63	1001171179..... 37	1001172979..... 961	1001175477 ..... 491
1001169375 ..... 645	1001171182..... 489	1001172994..... 89	1001175570 ..... 643
1001169376 ..... 645	1001171183..... 489	1001172995..... 89	1001175677 ..... 661, 881
1001169378 ..... 645	1001171242..... 449	1001172996..... 89	1001175683 ..... 89
1001169379 ..... 63	1001171277..... 964, 968, 972	1001172997..... 89	1001175694 ..... 640
1001169393 ..... 255	1001171318..... 27	1001173091 ..... 797, 895	1001175697 ..... 640
1001169399 ..... 237	1001171363..... 261	1001173092 ..... 861, 913	1001175699 ..... 640
1001169409 ..... 237	1001171450..... 51	1001173257..... 587	1001175705 ..... 643
1001169410 ..... 237	1001171634..... 503	1001173298..... 491	1001175706 ..... 643
1001169454 ..... 35	1001171701..... 261	1001173411..... 925	1001175707 ..... 643
1001169461 ..... 37	1001171756..... 581	1001173419..... 469	1001175713 ..... 647, 651
1001169602 ..... 35	1001171764..... 79, 91	1001173422 ..... 964, 968, 972	1001175718 ..... 645
1001169603 ..... 562, 566	1001171767..... 513	1001173429..... 964	1001175733 ..... 923
1001169604 ..... 566	1001171772..... 27, 29	1001173431..... 968	1001175741 ..... 661
1001169605 ..... 562, 566	1001171808..... 87	1001173433..... 972	1001175744 ..... 693
1001169674 ..... 961	1001171874..... 599	1001173446..... 640	1001175745 ..... 693
1001169751 ..... 613	1001171885..... 19	1001173450..... 640	1001175776 ..... 847, 923
1001169763 ..... 617	1001171889..... 457	1001173451..... 640	1001175789 ..... 631, 647
1001169830 ..... 640, 647, 651	1001171890..... 457, 461	1001173452 ..... 239, 241	1001175814 ..... 643
1001169850 ..... 263	1001171898..... 461	1001173457 ..... 239, 241	1001175903 ..... 566
1001169867 ..... 273	1001171903..... 461	1001173471 ..... 51, 691	1001175904 ..... 562
1001169881 ..... 491, 501	1001171962..... 845	1001173527 ..... 881, 883	1001176004 ..... 895
1001169883 ..... 503	1001172035..... 964, 968, 972	1001173530 ..... 781, 797	1001176121 ..... 511, 515
1001169885 ..... 503	1001172075..... 707	1001173531 ..... 781, 791	1001176164 ..... 555
1001169965 ..... 239, 241	1001172077..... 707	1001173538..... 65	1001176228 ..... 187
1001170071 ..... 35		1001173539..... 65	1001176272 ..... 477, 507
1001170072 ..... 35			1001176273 ..... 477, 507
1001170100 ..... 631, 645, 649			1001176333 ..... 929

# PART NUMBER INDEX

1001176338.....841	1001183243..... 673	1001187077 ..... 895	1001189658.....573
1001176515.....143	1001183759..... 261	1001187078 ..... 855, 947, 955	1001189663.....667, 669
1001176626.....477, 507	1001183827..... 221	1001187079 ..... 886, 887, 955	1001189714..... 53
1001176935.....895	1001183829..... 221	1001187080 ..... 886	1001189793...55, 57, 984
1001176945.....261	1001183830..... 213	1001187081 ..... 855, 947	1001189888.....721, 723
1001177654J.....31	1001183831..... 215	1001187335 ..... 463	1001189980.....545
1001177702.....685	1001183835 ..... 213, 215, 221	1001187532 ..... 807	1001189997.....847
1001177704.....640	1001183836..... 261	1001187623 ..... 795	1001190179.....813
1001178123.....581	1001183888..... 863	1001187624 ..... 795	1001190347.....562
1001178170.....536	1001183890..... 863	1001187785 ..... 61, 63	1001190585.....791
1001178670.....611	1001184017..... 287	1001188048 ..... 463	1001190589.....562, 566
1001178706.....959	1001184056 ..... 655, 657	1001188244 ..... 53	1001190670.....813, 815, 819
1001178729.....453	1001184076..... 21	1001188275 ..... 541	1001190671.....813, 815, 821
1001178783.....841	1001184275 ..... 531, 533, 541, 543	1001188303 ..... 536, 539	1001190881.....661
1001178791.....275	1001184278 ..... 531, 533, 541, 543	1001188372 ..... 964, 968, 972	1001190980.....230
1001178826.....579	1001184280 ..... 541, 543	1001188577 ..... 531, 533, 541, 543	1001191091.....505
1001178933.....829	1001184294 ..... 531, 533, 541, 543	1001188578 ..... 531, 533, 541, 543	1001191168.....281
1001179008.....485, 487, 579	1001184295 ..... 531, 533, 541, 543	1001188590 ..... 527, 536	1001191229.....964, 968, 972
1001179009.....485, 487, 579	1001184296 ..... 531, 533, 541, 543	1001188592 ..... 541, 543	1001191348.....263
1001179080.....547	1001184297 ..... 531, 533, 541, 543	1001188594 ..... 531, 533, 541, 543	1001191486.....199, 805
1001179081.....547	1001184306..... 545	1001188602 ..... 531, 533, 541, 543	1001191487.....972
1001179130.....547, 549	1001184307..... 545	1001188603 ..... 531, 533, 541, 543	1001191503.....707
1001179206.....261, 263	1001184309..... 545	1001188604 ..... 531, 533, 541, 543	1001191505.....707
1001179297.....959	1001184310..... 545	1001188610 ..... 531, 533, 541, 543	1001191603.....43
1001179369.....727, 729	1001184403..... 549	1001188612 ..... 531, 533, 541, 543	1001191617.....562, 566
1001179376.....253	1001184404..... 549	1001188614 ..... 531, 533, 541, 543	1001191635.....43
1001179853.....573	1001184405..... 549	1001188618 ..... 541, 543	1001192042.....643
1001179968.....263, 285	1001184406..... 549	1001188619 ..... 541, 543	1001192098.....641
1001179972.....263	1001184427 ..... 541, 543	1001188637 ..... 645	1001192142.....801
1001179973.....285	1001184439..... 491	1001188720 ..... 531, 533, 541, 543	1001192303.....785
1001180076.....187, 205	1001184484..... 657	1001188725 ..... 531, 533, 541, 543	1001192305.....785, 799
1001180078.....205	1001184491..... 899	1001188728 ..... 541, 543	1001192309.....491
1001180226.....285	1001184493..... 899	1001188729 ..... 531, 533, 541, 543	1001192341.....655
1001180227.....285	1001184494..... 899	1001188733 ..... 531, 533, 541, 543	1001192393.....825
1001180242.....187, 227	1001184496..... 899	1001188787 ..... 657	1001192394.....827
1001180263.....583, 587	1001184632 ..... 964, 968, 972	1001188817 ..... 541, 543	1001192435.....661
1001180306.....640	1001184640 ..... 711, 719	1001188818 ..... 541, 543	1001192463.....575
1001180542.....247, 249	1001184835 ..... 199, 805, 899	1001188871 ..... 641	1001192464.....575
1001180553.....247, 249	1001184841 ..... 908	10011889023 ..... 541, 543	1001192468.....225, 227
1001180682.....841	1001184975 ..... 566	1001189024 ..... 541, 543	1001192471.....225, 227
1001180683.....841	1001185179 ..... 562, 566	1001189025 ..... 531, 533, 541, 543	1001192643.....497
1001181128.....801	1001185278 ..... 213	1001189046 ..... 199, 805	1001192644.....499
1001181411.....489	1001185497 ..... 211	1001189048 ..... 541, 543	1001192646.....491
1001181531.....831, 833	1001185498 ..... 209	1001189054 ..... 541, 543	1001192711.....175
1001181537.....41	1001185505 ..... 211	1001189224 ..... 665, 667	1001192720.....175
1001181543.....619	1001185633 ..... 571	1001189299 ..... 667	1001192755.....497
1001181573.....839, 935	1001185846 ..... 571	1001189308 ..... 667	1001192766.....491, 497
1001181625.....247, 249	1001186225 ..... 363	1001189492 ..... 55	1001192836.....453
1001181815.....263	1001186342 ..... 230, 234	1001189605 ..... 665	1001192875.....175
1001181920.....477, 507	1001186418 ..... 640	1001189606 ..... 667	1001192876.....175
1001181921.....477, 507	1001186565 ..... 863, 865		1001192877.....175
1001181961.....811	1001186567 ..... 863, 865		1001193026.....269, 271
1001182011.....247, 249	1001186705 ..... 287		1001193171.....785, 795
1001182012.....247, 249	1001186843 ..... 641		1001193210.....501
1001182083.....871	1001186859 ..... 51		1001193525.....175
1001182094.....207	1001186898 ..... 213, 215		1001193540.....175
1001182123.....477, 507	1001187075 ..... 886		1001193577.....89
1001182139.....477, 507	1001187076 ..... 887, 892		1001193578.....89
1001182279.....635, 749			1001193579.....89
1001182328.....571			1001193729.....175
1001182506.....640			1001193771.....645
1001182671.....621			1001193993.....801
1001182911.....655			1001194282.....611
1001183177.....213			1001194286.....185, 225
1001183221.....903			



## PART NUMBER INDEX

1001194534 ..... 215	1001200152..... 837	1001204528..... 867	1001213126J ..... 21
1001194785 ..... 89	1001200206..... 855, 947	1001204530..... 867	1001213200J ..... 447
1001194787 ..... 89	1001200239..... 205	1001204709..... 579	1001213331 ..... 493
1001194789 ..... 89	1001200538..... 867	1001205254..... 795	1001213791 ..... 491
1001194978 ..... 39, 984	1001200539..... 869	1001205255..... 795	1001213988 ..... 829, 943
1001194981 ..... 763, 985	1001200555..... 267	1001205335..... 73	1001214092 ..... 553
1001195082 ..... 175	1001200713..... 495	1001205402..... 479	1001214156 ..... 569
1001195089 ..... 225, 227	1001200989..... 57	1001205532..... 491, 493	1001214220 ..... 599
1001195217 ..... 645	1001201080..... 931	1001205756..... 647, 651	1001214326 ..... 467, 469, 479
1001195342 ..... 551	1001201081..... 907	1001206019..... 207	1001214331 ..... 467, 471
1001195343 ..... 551	1001201162..... 849	1001206332..... 271	1001214332 ..... 469, 473
1001195345 ..... 551	1001201331..... 581	1001206371..... 977	1001214468 ..... 643
1001195346 ..... 551	1001201646..... 27, 29	1001206448..... 271	1001214480 ..... 609, 611
1001195385 ..... 551	1001201755..... 677	1001206588..... 230, 234	1001214481 ..... 609, 611
1001195386 ..... 551	1001202132..... 591, 931	1001206746..... 29	1001214535 ..... 571
1001195437 ..... 551	1001202133..... 591	1001206980..... 223	1001214653 ..... 741
1001195438 ..... 551	1001202134..... 589	1001207217..... 964	1001214654 ..... 741
1001195518 ..... 193	1001202138..... 589	1001207218..... 968	1001215319 ..... 277, 279
1001195849 ..... 964	1001202247..... 223	1001207282..... 273	1001215476 ..... 223
1001195851 ..... 972	1001202454..... 833	1001207287..... 917	1001215531 ..... 493
1001195855 ..... 964, 972	1001202487..... 223	1001207291J..... 41	1001215630 ..... 951
1001195878 ..... 475, 481	1001202491..... 223	1001207292..... 41	1001215631 ..... 951
1001195883 ..... 877	1001202498..... 817	1001207343..... 27, 29	1001215632 ..... 951
1001195970 ..... 129	1001202512..... 449, 465	1001207557..... 273	1001215778 ..... 525
1001195972 ..... 463	1001202513..... 449	1001207606..... 153	1001215941 ..... 223
1001196076 ..... 519	1001202519..... 849	1001207758..... 699	1001217467 ..... 207
1001196100 ..... 861	1001202526..... 237	1001208106..... 461	1001217623 ..... 875
1001196289 ..... 849, 937	1001202617..... 849	1001208186..... 263	1001218255 ..... 161
1001196354 ..... 283	1001202620..... 845	1001208192..... 595	1001218358 ..... 955
1001196404 ..... 21	1001202621..... 845	1001208308..... 562, 566	1001218524 ..... 705
1001196421 ..... 283	1001202622..... 845	1001208338..... 449	1001218529 ..... 527, 536
1001196422 ..... 21	1001202786..... 449, 465	1001208643..... 984	1001218542 ..... 527, 536
1001196426J ..... 21	1001202847..... 641	1001208644..... 984	1001218659 ..... 964
1001196440 ..... 230, 283	1001202904..... 173	1001208881..... 641	1001218704 ..... 964
1001196451 ..... 829, 907	1001202986 41, 203, 230, 234, 793, 797, 799	1001209387 ..... 23, 25	1001218781 ..... 699
1001196491 ..... 287	1001203067..... 647, 651	1001209388..... 21	1001218996 ..... 527, 536, 984
1001196608 ..... 677	1001203181..... 223, 951	1001209463..... 593	1001219076 ..... 562, 566
1001196806 ..... 964, 972	1001203225..... 833	1001209625..... 972	1001219082 ..... 223, 945
1001197027 ..... 519, 521	1001203502..... 641	1001209899..... 477, 507	1001219191 ..... 651, 705
1001197138 ..... 599, 601	1001203503..... 175	1001210340..... 667	1001219211 ..... 968, 972
1001197139 ..... 599, 603	1001203640..... 867, 869, 919	1001210390..... 703, 707	1001219212 ..... 964
1001197217 ..... 577	1001203932..... 19	1001210450..... 787	1001219220 ..... 477, 507
1001197218 ..... 577	1001203933..... 19	1001210707..... 37	1001219864 ..... 562, 566
1001197219 ..... 577	1001203934..... 19	1001210775..... 665, 667	1001219865 ..... 562, 566
1001197282 ..... 835	1001204032..... 223, 773	1001210782..... 461	1001220540 ..... 459
1001197299 ..... 230, 234	1001204045..... 57	1001211041..... 595	1001220557J ..... 17
1001197339 ..... 19	1001204047..... 57	1001211059..... 657	1001220760 ..... 363
1001197600 ..... 745	1001204060..... 869	1001211357..... 841	1001220817 ..... 861
1001197709 ..... 441, 443	1001204066..... 493	1001211428..... 273	1001220829 ..... 861
1001197715 ..... 439, 441	1001204086..... 21	1001211429..... 273	1001221052 ..... 529, 533
1001197716 ..... 439, 443	1001204095..... 813, 817	1001211432..... 35, 273	1001221059 ..... 527, 536
1001198291 ..... 439	1001204115..... 493	1001211516..... 99	1001221295 ..... 527, 536
1001198321 ..... 801	1001204120..... 493	1001211693..... 829	1001221504 ..... 447
1001198355 ..... 175	1001204144..... 261	1001211747..... 273	1001221527 ..... 651
1001198893 ..... 877	1001204152..... 647, 651	1001211775..... 887	1001221728 ..... 793, 886
1001199099 ..... 801	1001204154..... 647	1001211907..... 562, 566	1001221741 ..... 651
1001199183 ..... 823	1001204225..... 599	1001211913..... 31	1001221742 ..... 651
1001199640 ..... 621	1001204352..... 793, 797, 799, 891	1001211944..... 815	1001221744 ..... 651
1001199670 ..... 281	1001204378..... 713	1001212011..... 505	1001221749 ..... 611
1001199750 ..... 641	1001204380..... 711, 713	1001212047..... 485	1001221941 ..... 851
1001199915 ..... 495	1001204444..... 867, 869	1001212048..... 487	
1001200082 ..... 793, 797, 799	1001204445..... 867, 869	1001212049..... 485	
1001200101 ..... 964, 968, 972	1001204486..... 21	1001212050..... 487	
1001200102 ..... 791, 795	1001204488..... 27, 29	1001212369..... 553	
		1001212419..... 975	
		1001212470..... 831, 833	
		1001213065..... 41, 741	

# PART NUMBER INDEX

1001222388.....945	1001229707.....981	10731744.....377	1319694.....397
1001222609.....619, 627	1001229955.....851	10731845 .. 383, 385, 389	1319719.....401
1001222650.....964, 968, 972	1001230163.....505	10731959.....425	1319726.....405, 984
1001222741.....493	1001230239.....145	10732071.....397	1320022.....536
10012223265.....562, 566	1001230241.....145	10732072.....397	1320748.....421, 423
10012223453.....964, 972	1001230310.....964	10732095.....395	1320754.....421, 423
10012225259.....945, 947	1001230311.....972	10837928.....747	1321094.....189, 191
10012225462.....659, 661	1001230402.....955	10837929.....747	1321329.....691
10012225464.....659, 661	1001230403.....955, 956	10837937.....747	1321752.....643
10012225467.....641	1001230404.....956	1170012.....95	1322039.....189, 191
10012225681.....659	1001230419.....279	1170021.....95	1322040.....189, 191
10012225682.....661	1001230421.....275, 279	1170024.....97	1701509.....171
10012225749.....631, 637, 649	1001230599.....873	120034.....829, 839, 843	1702631.....964, 968, 972
10012225750.....637, 671	1001230623.....873, 919	1319229.....369	1702773.....165, 167, 169
10012225751.....671, 675	1001230713J....451, 453	1319436.....419	1704277.....171
10012225752.....675, 679	1001231002.....283	1319558.....373	1704885.....165, 167, 169
10012225986.....783	1001231003.....283	1319563.....373	1706098.....968
10012225987.....783, 793	1001231244.....453	1319571...375, 377, 393, 407, 419	1706281.....968
10012225995.....697	1001231397.....955, 956	1319576.....393	1706282.....968
10012226035.....659	1001231398.....955, 956	1319590.....375	1706283.....968
10012226328.....857	1001231400.....955, 956	1319593...379, 381, 383, 385, 387, 389	1706284.....968
10012226575.....649, 651	1001231401.....955, 956	1319594...379, 381, 383, 385, 387, 389	1706285.....968
10012226636.....855	1001231402.....956	1319595...379, 381, 383, 385, 389	1706287.....968
10012226637.....855	1001231404.....956	1319596...383, 385, 389	1706288.....968
10012226799.....851, 853	1001231406.....956	1319600...379, 381, 383, 385, 387, 389	1706289.....968
10012226812.....747	1001231407.....223, 953	1319601...379, 381, 383, 385, 387, 389	1706292.....968
10012226876.....731	1001231483.....223, 955	1319602...379, 381, 383, 385, 387, 389	1706293.....968
10012227056.....661, 663	1001231692.....145	1319605...383, 385, 389	1706296.....964
10012227066.....857, 859	1001231801.....964	1319607.....383	1706299.....964
10012227077.....223	1001232147.....45	1319608.....383, 393	1706300.....964
10012227137.....661	1001232299.....45	1319614.....385	1706301.....964
10012227186.....481	1001232336.....45, 47	1319615...379, 381, 385, 389	1706302.....175, 964
10012227187.....501	1001232338.....45	1319617.....379, 381	1706303.....964
10012227188.....501	1001232439.....289	1319618.....379, 381	1706304.....964
10012227297.....851, 853, 855	1001232440.....289	1319620.....379, 381	1706306.....964
10012227379.....115	1001232500.....145	1319621.....379, 381	1706307.....964
10012227386.....631	1001232556.....289	1319622.....379, 381	1706308.....964
10012227388.....649	1001232588.....47	1319623.....379, 381	1706309.....964
10012227497.....631, 640, 649	1001232624.....289	1319624.....379, 381	1706310.....964
10012227676.....711	1001232751.....289, 813	1319625.....379, 381	1706311.....964
10012227677.....711, 731	1001233236.....859	1319626.....379, 381	1706312.....964
10012227802.....491	1001233237.....859	1319627.....379, 381	1706313.....964
10012227964.....223	1001233385.....101	1319628.....379, 381	1706314.....964
10012228073.....719, 723	1001233558.....972	1319629.....379, 381	1706315.....964
10012228095.....711, 715	1001234455.....25	1319630.....379, 381	1706316.....964
10012228132.....533, 543	1001235100.....273	1319631.....379, 381	1706317.....964
10012228140.....533, 543	1001235963.....19, 25	1319632.....379, 381	1706318.....964
10012228141.....533, 543	1001236542.....465	1319633.....379, 381	1706319.....964
10012228147.....533, 543	1001239194.....853	1319634.....379, 381	1706320.....964
10012228273.....223	1001239249.....853	1319635.....389	1706321.....964
10012228643.....223	1001239539.....223	1319636...379, 381, 389	1706322.....964
10012228872.....237	1001241836.....433	1319637.....379, 381	1706323.....964
10012228989.....867, 869	1001241841.....431, 433	1319638.....379, 381	1706324.....964
10012229107.....857	1001241842.....437	1319639.....379, 381	1706325.....964
10012229235.....451	1001241848.....431	1319640.....379, 381	1706326.....964
10012229457.....949	1001241849.....437	1319641.....425	1706327.....964
10012229458.....945, 949	1060379.....171	1319642.....425	1706328.....964
10012229540.....573	1060626.....819, 821	1319643.....425	1706329.....964
10012229541.....575	1062255...185, 199, 203, 271, 805, 851, 853, 945	1319644.....425	1706330.....964
10012229550.....573	10700681.....125	1319645.....397	1706331.....964
10012229551.....575	10705034.....107	1319646.....397	1706332.....964
10012229575.....964, 968, 972	10713707.....787	1319647.....397	1706333.....964
	10719267.....209	1319648.....397	1706334.....964
	10725554.....317, 345	1319649.....397	1706335.....964
	10731709..375, 397, 401	1319650.....397	1706336.....964
		1319651.....397	1706337.....964
		1319652.....397	1706338.....964
		1319653.....397	1706339.....964
		1319654.....397	1706340.....964
		1319655.....397	1706341.....964
		1319656.....397	1706342.....964
		1319657.....397	1706343.....964
		1319658.....397	1706344.....964
		1319659.....397	1706345.....964
		1319660.....397	1706346.....964
		1319661.....397	1706347.....964
		1319662.....397	1706348.....964
		1319663.....397	1706349.....964
		1319664.....397	1706350.....964
		1319665.....397	1706351.....964
		1319666.....397	1706352.....964
		1319667.....397	1706353.....964
		1319668.....397	1706354.....964
		1319669.....397	1706355.....964
		1319670.....397	1706356.....964
		1319671.....397	1706357.....964
		1319672.....397	1706358.....964
		1319673.....397	1706359.....964
		1319674.....397	1706360.....964
		1319675.....397	1706361.....964
		1319676.....397	1706362.....964
		1319677.....397	1706363.....964
		1319678.....397	1706364.....964
		1319679.....397	1706365.....964
		1319680.....397	1706366.....964
		1319681.....397	1706367.....964
		1319682.....397	1706368.....964
		1319683.....397	1706369.....964
		1319684.....397	1706370.....964
		1319685.....397	1706371.....964
		1319686.....397	1706372.....964
		1319687.....397	1706373.....964
		1319688.....397	1706374.....964
		1319689.....397	1706375.....964
		1319690.....397	1706376.....964
		1319691.....397	1706377.....964
		1319692.....397	1706378.....964
		1319693.....397	1706379.....964
		1319694.....397	1706380.....964
		1319695.....397	1706381.....964
		1319696.....397	1706382.....964
		1319697.....397	1706383.....964
		1319698.....397	1706384.....964
		1319699.....397	1706385.....964
		1319700.....397	1706386.....964
		1319701.....397	1706387.....964
		1319702.....397	1706388.....964
		1319703.....397	1706389.....964
		1319704.....397	1706390.....964
		1319705.....397	1706391.....964
		1319706.....397	1706392.....964
		1319707.....397	1706393.....964
		1319708.....397	1706394.....964
		1319709.....397	1706395.....964
		1319710.....397	1706396.....964
		1319711.....397	1706397.....964
		1319712.....397	1706398.....964
		1319713.....397	1706399.....964
		1319714.....397	1706400.....964
		1319715.....397	1706401.....964
		1319716.....397	1706402.....964
		1319717.....397	1706403.....964
		1319718.....397	1706404.....964
		1319719.....397	1706405.....964
		1319720.....397	1706406.....964
		1319721.....397	1706407.....964
		1319722.....397	1706408.....964
		1319723.....397	1706409.....964
		1319724.....397	1706410.....964
		1319725.....397	1706411.....964
		1319726.....397	1706412.....964
		1319727.....397	1706413.....964
		1319728.....397	1706414.....964
		1319729.....397	1706415.....964
		1319730.....397	1706416.....964
		1319731.....397	1706417.....964
		1319732.....397	1706418.....964
		1319733.....397	1706419.....964
		1319734.....397	1706420.....964
		1319735.....397	1706421.....964
		1319736.....397	1706422.....964
		1319737.....397	1706423.....964
		1319738.....397	1706424.....964
		1319739.....397	1706425.....964
		1319740.....397	1706426.....964
		1319741.....397	1706427.....964
		1319742.....397	1706428.....964
		1319743.....397	1706429.....964
		1319744.....397	1706430.....964
		1319745.....397	1706431.....964
		1319746.....397	1706432.....964
		1319747.....397	1706433.....964
		1319748.....397	1706434.....964
		1319749.....397	1706435.....964
		1319750.....397	1706436.....964
		1319751.....397	1706437.....964
		1319752.....397	1706438.....964
		1319753.....397	1706439.....964
		1319754.....397	1706440.....964
		1319755.....397	1706441.....964
		1319756.....397	1706442.....964
		1319757.....397	1706443.....964
		1319758.....397	1706444.....964
		1319759.....397	1706445.....964
		1319760.....397	1706446.....964
		1319761.....397	1706447.....964
		1319762.....397	1706448.....964
		1319763.....397	1706449.....964
		1319764.....397	1706450.....964
		1319765.....397	1706451.....964
		1319766.....397	1706452.....964
		1319767.....397	1706453.....964
		1319768.....397	1706454.....964
		1319769.....397	1706455.....964
		1319770.....397	1706456.....964
		1319771.....397	1706457.....964
		1319772.....397	1706458.....964
		1319773.....397	1706459.....964
		1319774.....397	1706460.....964
		13	

# PART NUMBER INDEX

2130808 .... 609, 611, 677	3251813 .... 964, 968, 972	4010612002..... 501	4460884 ... 891, 895, 907,
2130810 ..... 245, 669	3290401 ... 203, 527, 536,	4031205..... 845	926, 931, 937, 955
2131010 ..... 245	845	4031607..... 763, 831, 833	4460891 ... 879, 883, 887,
2131210 ..... 363, 679	3290405 ..... 497, 657	4031608..... 199, 289, 805	888, 891, 892, 895,
2131212 ..... 255	3290501 ... 289, 829, 839,	4031608001..... 562, 566	905, 955
2131616 ..... 245, 677	843, 847	4031910..... 583, 587	4460894 ... 887, 895, 907,
2144605 ..... 303, 307	3290505 ..... 89, 223, 945	4031912..... 687	911
2150404 .... 635, 669, 703	3290601 ..... 89, 175, 203,	4031917..... 731	4460897 ..... 908, 935
2150808 .... 307, 689, 705	230, 234, 267, 289,	4031918..... 667	4460899 ..... 879, 921
2151210 ..... 659, 661	536, 569, 599, 657,	4031920..... 735	4460906 ..... 925
2151212 .... 659, 661, 693	681, 793, 797, 799,	4031921..... 661	4460930 ... 891, 895, 908,
2160016 ... 41, 53, 55, 73,	801, 829, 863, 865,	4060919..... 640, 647, 651	929
75, 83, 653, 655, 721,	867, 917, 919	4105262..... 87	4460931 ..... 903
723	3290605 .23, 25, 69, 562,	4109801..... 964, 968, 972	4460932 ... 907, 915, 923,
2170108 ..... 685, 701	566, 791, 795	4110422.... 139, 141, 145,	926, 953
2170110 ..... 679	3290607 ..... 861	4110473..... 107	4460933 ... 855, 879, 886,
2170208 ..... 609, 611	3290801 ... 209, 211, 261,	4240032..... 851, 853	887, 891, 907, 947
2170212 ..... 255	271, 281, 491, 605,	4240033..... 591	4460941 ... 879, 892, 907,
2170216 ..... 245	651, 787	4240099.... 647, 651, 667,	911, 913, 921, 926, 935
2170306 .... 655, 679, 699	3290805 ..... 603, 687	817, 821	4460942 ... 879, 886, 887,
2170308 ..... 645, 705	3290806 ..... 489	4460225..... 908, 925	888, 891, 911, 925,
2170316 ..... 245	3291001 ... 213, 215, 239,	4460234..... 851, 853	926, 931, 935
2170806 ..... 303, 307	241, 261, 263, 791, 801	4460265..... 908	4460943 ..... 903, 907
2171308 ..... 665, 667	3291005 ..... 87, 653, 655,	4460267.... 908, 925, 926,	4460944 ... 886, 892, 895,
2172106 ..... 101, 679	665, 667, 791, 793,	929, 943	907, 909, 929
2172108 ..... 665, 669	795, 797, 799	4460268.... 908, 925, 926,	4460945 ..... 947, 955
2180467 ..... 257	3291201 ..... 45, 53	929, 943	4460950 ..... 879
2200223 ..... 241, 265	3291205 .41, 73, 75, 601,	4460321 ..... 943, 955	4460970 ... 879, 892, 911,
2200224 ..... 247, 249	697	4460343.... 908, 925, 926,	913
2220218 ..... 205	3291605 .... 73, 75, 77, 83	929	4460982 ..... 895
2220237 ..... 239, 241	3292001 ..... 461	4460367 ..... 926, 929	4460994 ..... 926, 931
2220239 ..... 763	3300240 .. 95, 97, 99, 101	4460434..... 908, 929	4461015 ..... 887, 935
2220240 ..... 763	3311405 ..... 47, 171	4460458.... 891, 915, 955	4461017 ..... 903
2220242 ..... 245	3311502 ..... 175	4460464.... 855, 879, 892,	4461018 ..... 891
2220415 ..... 103	3311505 ..... 519	895, 903, 907, 908,	4461054 ..... 913
2220473 ..... 103	3311508 ..... 819	915, 921, 923, 947,	4461115 ..... 915, 926
2220478 ..... 640	3331615 ..... 193	953, 955	4461118 ..... 891, 921
2220609 ..... 103	3332011 ..... 51, 459	4460465.... 855, 879, 883,	4461174 ..... 875, 877
2220628 ..... 103	3340829 ..... 47	886, 887, 888, 891,	4461262 ..... 892
2220810 ..... 205	3391410 ..... 175	892, 895, 905, 907,	4520482 ..... 445
2220883 ..... 741, 745	3421453 ..... 171	908, 925, 929, 937,	4641501 ..... 181, 777
2220885 ..... 655	3423242 ..... 97	947, 955	4641502 ..... 107, 181
2220886 ..... 741	3423275 ..... 95	4460466.... 855, 879, 886,	4679000268 ..... 47
2220887 ..... 721, 723	3423276 ..... 99, 101, 103	887, 891, 892, 895,	4711400 ..... 171
2340037 ..... 123	3423307 ..... 101	903, 905, 907, 908,	471678 ..... 581
2340038 ..... 111	3440620 ..... 145	909, 911, 913, 915,	4740003 ..... 85
2340039 ..... 119	3520072 ..... 171	929, 931, 935, 937,	4740274 ..... 239, 241
2340045 ..... 109	3520186 ..... 43	947, 955	4740532 ..... 633
2400060 ..... 855, 947	3575947 ..... 195	4460475..... 955	4751400 ..... 47
24921332 ..... 261, 263	3740080 ..... 223	4460496.... 829, 839, 907	4761800 ..... 640
2600281 ..... 171	3760170 ..... 171	4460497.... 829, 839, 907	4807718 ..... 555, 985
2716143 ..... 161	3760348 ..... 599	4460508 ..... 903	4811400 ... 203, 527, 536,
2717160 ..... 107	3760463 ..... 65	4460509.... 886, 887, 891	845
2717161 ..... 107	3760493 ..... 65, 655	4460518..... 947, 955	4811600 .... 89, 199, 223,
2717162 ..... 107	3790151 ..... 223	4460536..... 879	289, 562, 566, 805,
2717283 ..... 107	3790152 ..... 223	4460539.... 879, 886, 887,	847, 945
2717287 ..... 103	3790228 ..... 640	892, 895, 909, 929,	4811602001 ..... 562, 566
2915023 ..... 767	3820020 ..... 171	947, 955	4811700 ... 23, 25, 27, 29,
2920206 ..... 863, 865	3841203 ..... 101	4460670..... 855, 947	51, 69, 89, 175, 199,
2920207 ..... 861	3900379 27, 29, 573, 575	4460705..... 925	203, 227, 230, 234,
2920208 ..... 861	4000015 ..... 657	4460708..... 925	267, 281, 289, 463,
2940074 ..... 171	4010508002..... 562, 566	4460742..... 955	475, 481, 491, 519,
3020043 .... 713, 717, 721	4010510 ..... 619	4460761..... 943, 955	536, 559, 569, 581,
31200160 ..... 165	4010608002..... 491, 519,	4460789..... 921	593, 599, 681, 695,
31200386 ..... 169	562, 566, 569, 593	4460809..... 955	697, 787, 791, 795,
31200387 ..... 167	4010610002..... 559, 562,	4460836.... 886, 887, 925	801, 805, 829, 861,
31200388 ..... 167	566, 569, 657		

# PART NUMBER INDEX

863, 865, 867, 869, 917, 919	70002976..... 765	70021982..... 137	70022995..... 156, 162
4811700001.....562, 566	70003788..... 745	70022008..... 747	70022997.....105
4811702....221, 267, 463, 511, 569, 599, 609, 611, 823, 825, 827	70003849..... 743	70022010..... 747	70022998..... 157, 161
4811702001.....491, 501, 562, 566, 619	70004654..... 757	70022012..... 747	70022999.....161
4811900..35, 55, 57, 199, 203, 225, 257, 261, 267, 269, 271, 275, 281, 285, 451, 491, 493, 495, 509, 519, 536, 553, 571, 583, 585, 587, 599, 605, 609, 611, 640, 645, 651, 659, 683, 687, 727, 763, 787, 801, 805, 845, 863, 875, 877	70020428..... 767	70022013..... 747	70023000.....161
4811902....19, 21, 27, 29, 209, 211, 213, 259, 527, 536, 569, 571, 640	70020438..... 729, 739	70022014..... 747	70023001.....161
4812000....19, 23, 25, 27, 29, 37, 43, 87, 195, 199, 213, 215, 239, 241, 247, 249, 261, 263, 285, 287, 363, 453, 609, 611, 640, 653, 655, 657, 665, 667, 675, 787, 791, 793, 797, 799, 801, 805, 861	70020476..... 739	70022028..... 147, 149	70023003..... 156, 162
4812002 19, 21, 213, 215, 239, 241	70020555..... 151, 153	70022044..... 767	70023004..... 156, 177
4812100....35, 37, 41, 53, 73, 75, 81, 193, 205, 207, 601, 673, 697, 791, 795	70020562..... 137	70022045..... 767	70023005..... 157, 177
4812102.....35, 239, 241, 449, 465	70020764..... 761	70022046..... 767	70023006..... 157, 177
4812300...73, 75, 77, 193	70020867..... 753, 757	70022075 . 379, 381, 383, 385, 387, 389	70023007..... 157, 177
4812500.....51, 459, 461	70020868..... 757	70022140..... 317, 345	70023008... 156, 162, 177
4831400.....527, 536	70021177 . 315, 319, 343, 347	70022147..... 757	70023009..... 156, 162
4831600....199, 289, 763, 805	70021208..... 755, 757	700222147..... 757	70023010..... 156
4831700....230, 283, 569	70021209..... 755, 757	70022527 .. 137, 147, 149	70023014..... 156, 161
4831900....259, 527, 536, 599	70021213..... 757	70022528..... 147, 149	70023015..... 157
4832000....239, 241, 640	70021227..... 387	70022529..... 147, 149	70023016... 156, 161, 162
4832100.....239, 241	70021228..... 387	70022564 .. 725, 737, 741	70023086.....733
4891800.....101	70021268..... 387	70022634..... 189, 191	70023327.....757
4892600.....301, 305	70021269..... 387	70022765 .. 831, 833, 985	70023369... 725, 737, 741
5220600.....865, 869	70021342..... 137, 149	70022814..... 347	70023370.....725
5220800.....811, 819	70021349..... 147, 149	70022931..... 156	70023372.....725
5241600.....707	70021358..... 137	70022932..... 156, 161	70023379... 725, 737, 741
5242400....175, 653, 655	70021359..... 137	70022933..... 161	70023404.....375, 419
5250608.....551	70021360..... 137	70022934..... 156, 161	70023469.....317, 345
5250814.....27, 29	70021361..... 137	70022935..... 157, 161	70023474.....417
5271609.....847	70021362..... 137	70022936..... 156, 161	70023475.....419
5272011....713, 715, 717	70021364..... 137	70022937..... 157, 161	70023476.....419
6604662.....103	70021365..... 137	70022938..... 161	70023489.....353
70000656.....397	70021366..... 137	70022939..... 157, 161	70023490.....327, 353
70002219.....743	70021367..... 137	70022940..... 161	70023491..... 327, 353
70002224.....743	70021387..... 137, 147	70022941..... 161	70023493.....353
70002386.....775	70021391..... 137	70022942..... 157, 161	70023496.....327
70002963.....765	70021392..... 137	70022943..... 161	70023502.....415
70002975.....765	70021393..... 137, 769	70022944..... 161	70023736..... 189, 191
	70021399..... 137	70022945..... 161	70023800.....419
	70021415..... 147, 149	70022946..... 157, 161	70023801.....419
	70021440..... 143, 769	70022947..... 161	70023885.....377, 409
	70021444..... 769	70022948..... 161	70023925... 157, 162, 179
	70021446..... 769	70022949..... 157, 161	70023928.....777
	70021447..... 769	70022950..... 157, 161	70023929.....777
	70021448..... 769	70022951..... 161	70023933.....189
	70021451..... 769	70022952..... 157	70024004.....327
	70021452..... 769	70022957..... 156, 162	70024005..... 317, 327
	70021464..... 769	70022960..... 156, 162	70024016..... 189, 191
	70021465..... 769	70022966..... 161	70024020.....743
	70021466..... 769	70022969..... 156, 162	70024059..... 147, 149
	70021526..... 393	70022970..... 156, 162	70024060.....149
	70021531..... 761	70022971..... 161	70024062.....143
	70021606..... 341	70022972..... 161	70024123..... 105
	70021607..... 341	70022973..... 161	70024146.. 319, 331, 347, 361
	70021609..... 341	70022974..... 161	70024147.. 329, 331, 355, 361
	70021610..... 341	70022975..... 161	70024186.....749
	70021611..... 341	70022976..... 161	70024188.....749
	70021612..... 341	70022977..... 161	70024189.....749
	70021613..... 341	70022978..... 161	70024202.....747
	70021614..... 323, 349	70022979..... 161	70024210..... 321, 341
	70021867..... 749	70022980..... 157, 161	70024213..... 321
	70021920..... 377	70022982..... 161	70024215.....321
	70021921..... 147, 149	70022984..... 156, 162	70024216.....341
	70021935..... 147, 149	70022985..... 156, 162	70024262.....743
	70021977..... 147, 149	70022987..... 156, 162	70024306.....127
	70021978..... 147, 149	70022988..... 161	70024307.....127
	70021979..... 147, 149	70022990..... 157, 161	70024407.....749
	70021980..... 137	70022992..... 156, 162	70024408.....749
	70021981..... 137	70022993..... 156, 162	
		70022994..... 156, 162	

## PART NUMBER INDEX

70024414 .....	749	70026214 .....	759	70026360 .....	243	70026547 .....	397
70024415 .....	749	70026215 .....	759	70026369 .....	747	70026548 .....	397
70024416 .....	749	70026220 .....	189	70026370 .....	747	70026549 .....	397
70024535 .....	105	70026222 .....	191	70026373 .....	747	70026550 .....	725, 985
70024536 .....	105	70026223 .....	189	70026374 .....	747	70026554 .....	397
70024537 .....	105	70026224 .....	189, 191	70026375 .....	747	70026555 .....	397
70024538 .....	105	70026225 .....	189, 191	70026376 .....	747	70026556 .....	397
70024539 .....	105, 771	70026226 .....	189, 191	70026377 .....	747	70026558 .....	411
70024540 .....	105	70026227 .....	984	70026378 .....	747	70026559 .....	413
70024541 .....	105	70026228 .....	189, 191	70026380 .....	747	70026561 .....	397
70024542 .....	105	70026229 .....	189, 191, 984	70026381 .....	747	70026568 .....	757
70024543 .....	105	70026230 .....	189, 191	70026383 .....	747	70026569 .....	757
70024544 .....	105	70026231 .....	189, 191	70026387 .....	747	70026570 .....	757
70024545 .....	105	70026232 .....	189, 191	70026389 .....	747	70026571 .....	757
70024546 .....	105	70026233 .....	189, 191, 984	70026393 .....	217	70026572 .....	749
70024547 .....	771	70026234 .....	191, 984	70026394 .....	217	70026582 .....	753
70024548 .....	771	70026235 .....	189, 191	70026395 .....	219	70026583 .....	749
70024549 .....	771	70026236 .....	189	70026396 .....	219	70026584 .....	277, 984
70024550 .....	105	70026237 .....	189, 191, 984	70026401 .....	751	70026632 .....	345
70024551 .....	105	70026238 .....	319, 347	70026432 .....	601	70026633 .....	317
70024552 .....	105	70026239 .....	319, 347	70026433 .....	601	70026685 .....	755
70024553 .....	105	70026240 .....	319, 347	70026435 .....	729	70026686 .....	755
70024554 .....	105	70026241 .....	189, 191	70026436 .....	729	70026698 .....	147, 149
70024555 .....	105	70026242 .....	984	70026438 .....	317, 345	70026699 .....	143
70024848 .....	321	70026249 .....	729, 739	70026439 .....	317, 345	70026745 .....	153
70024849 .....	321	70026250 .....	739	70026440 .....	745	70026746 .....	153
70024850 .....	319	70026251 .....	729	70026442 .....	745	70026747 .....	143
70024851 .....	319	70026252 .....	739	70026443 .....	745	70026800 .....	191
70024895 .....	403	70026253 .....	729, 739, 985	70026444 .....	745	70026801 .....	191
70025335 .....	315, 343	70026257 .....	627	70026445 .....	745	70026944 .....	143
70025337 .....	353	70026258 .....	627	70026446 .....	745	70026946 .....	143
70025338 .....	353	70026261 .....	739	70026453 .....	189, 984	70026948 .....	143
70025339 .....	327, 353	70026266 .....	325, 335, 337, 351, 359	70026456 .....	733	70026949 .....	143
70025353 .....	161	70026292 .....	939	70026457 .....	733	70027009 .....	147
70025561 .....	319, 347	70026293 .....	941	70026458 .....	733	70027024 .....	521
70025606 .....	743	70026294 .....	789	70026459 .....	733	70027025 .....	521
70025614 .....	733	70026295 .....	789	70026460 .....	733	70027026 .....	521
70025816 .....	607	70026296 .....	789	70026461 .....	733	70027028 .....	521
70025817 .....	607	70026297 .....	789	70026462 .....	733, 985	70027030 .....	521
70025844 .....	627	70026299 .....	737	70026515 .....	373	70027032 .....	521
70025850 .....	219, 984	70026300 .....	737, 741	70026516 .....	373, 375, 377, 409	70027033 .....	521
70025851 .....	219, 984	70026301 .....	737, 741	70026517 .....	375, 397, 401	70027034 .....	521
70025852 .....	217, 984	70026302 .....	725, 737, 741	70026518 .....	375	70027035 .....	521
70025853 .....	217, 984	70026303 .....	725, 737, 741	70026519 .....	377	70027098 .....	747
70025855 .....	319, 347	70026304 .....	737, 741	70026520 .....	377	70027130 .....	747
70025856 .....	327	70026305 .....	737, 741	70026521 .....	377	70027281 .....	191
70025859 .....	601	70026306 .....	737	70026522 .....	377	70027758 .....	741
70025860 .....	601	70026307 .....	737	70026527 .....	379, 381, 383, 385, 387, 389	70027951 .....	162
70025887 .....	317, 345	70026308 .....	737, 741	70026528 .....	379, 381, 383, 385, 387, 389	70028281 .....	663
70025897 .....	749	70026309 .....	737, 741, 985	70026529 .....	379, 381, 383, 385, 387, 389	70028450 .....	189
70025959 .....	743	70026310 .....	765	70026530 .....	383	70028451 .....	745
70025970 .....	321	70026311 .....	765	70026531 .....	385	70028453 .....	663
70025972 .....	319, 329, 347, 355	70026312 .....	765	70026532 .....	387	70028478 .....	747
70025980 .....	347	70026313 .....	765	70026533 .....	389	70028479 .....	747
70026030 .....	345, 353	70026314 .....	765	70026535 .....	389	70028480 .....	747
70026056 .....	743	70026315 .....	765	70026536 .....	391, 417, 419	70028481 .....	747
70026057 .....	743	70026333 .....	765	70026538 .....	395	70028482 .....	747
70026058 .....	743	70026334 .....	765	70026539 .....	395	70028483 .....	747
70026059 .....	743	70026336 .....	725	70026540 .....	725	70028484 .....	747
70026060 .....	743	70026353 .....	243	70026541 .....	725	70028514 .....	773
70026061 .....	743	70026354 .....	243	70026542 .....	725	70028515 .....	773
70026062 .....	743, 985	70026355 .....	243	70026543 .....	725	70028516 .....	773
70026082 .....	243	70026356 .....	243	70026544 .....	395, 397	70028517 .....	773
70026211 .....	759	70026357 .....	243	70026545 .....	725	70028546 .....	921
70026212 .....	759	70026358 .....	243	70026546 .....	397	70028776 .....	715
70026213 .....	759	70026359 .....	243			70028777 .....	715
						70028778 .....	715

# PART NUMBER INDEX

70029036.....	723	7026773 .....	393	77133137 .....	655, 691	8205655.....	767
70029037.....	723	7026774 .....	393	77133139 .....	691	8220035.....	953
70029038.....	723	7026775 .....	393	77133140 .....	691	8220051....	887, 907, 925, 926
70029473.....	279	7026776 .....	395	77133168 .....	643	8220108.....	953
70029474.....	279	7026780 .....	395	77363244 .	879, 895, 909, 929	8220116.....	888
70029475.....	279	7026781 .....	395	8000759 .....	489	8220525.....	891
70029476.....	279	7026782 .....	399	8000803 .....	491	8229234.....	956
70041616.....	189, 191	7026783 .....	399	8004398 .....	489	8229235.....	955
70041617.....	189, 191	7026784 .....	399	8005870 .....	469	8229242....	855, 939, 941, 947
70041619.....	189, 191	7026787 .....	397	8008175 .....	315, 343	8229244.....	789, 933
70041620.....	189, 191	7026788 .....	397	80204002 .....	315, 343	8229245.....	789, 939
70050472.....	747	7026789 .....	397	80204005 .	315, 319, 343, 347	8229247.....	789, 941
70050481.....	747	7026791 .....	401	80204012 .....	319	8229261.....	955
70050504.....	747	7026792 .....	377, 401	80204033 .....	317, 345	8275212.....	261, 263
70050507.....	747	7026793 .....	401	80204035 .....	317, 345	8278020.....	239, 241
70050508.....	747	7026794 .....	377, 401	80204043 .....	317, 345	8303634.....	103, 107
7010543.....	765, 775	7026798 .....	521	80204048 .....	317, 345	8303658.....	107
7012510.....	745	7027254 .....	407	80204060 .....	321	8303715.....	103
7012941.....	765, 775	7027255 .....	407	80204065 .....	319, 347	8305624.....	107
7012953.....	765	7027267 .....	387	80204071 .....	319, 347	8305643.....	103, 107
7012967.....	775	7027269 .....	421	80204076 .....	319, 347	8305919....	221, 511, 562, 566, 569, 825, 827
7017406.....	765	7027270 .....	421	80204108 .....	321	8307904.....	103
7017410.....	765, 775	7027271 .....	423	80204117 .	321, 335, 337, 341, 359	8307918.....	103
7021653.....	765	7027272 .....	423	80204143 .....	323, 349	8310160.....	103
7022390.....	663	7027273 .....	425	80204144 .....	323, 349	8310161.....	103
7022399.....	745	7028714 .....	319, 347	80204281 .....	321, 341	8310302.....	107
7024574.....	767	7028715 .....	319, 347	80233218 .....	647, 651	8310435.....	107
7024808.....	745	7028716 .....	319, 347	80304227 .....	387	8310559.....	505
7024939.....	749	7028733 .....	319, 347	80304394 .	377, 393, 401	8310620.....	31
7024943.....	749	7029127 .....	323, 349	80304405 .....	373	8310686.....	640, 845
7024944.....	749	7029267 .....	395, 397	80334277 .....	749	8380008.....	147
7024953.....	749	7029288 .....	315, 343	8033786 .....	767	8405006....	640, 647, 651
7024954.....	749	7029290 ...	335, 337, 359	8034697 .....	747	8405007....	247, 363, 640
7026490.....	323, 349	7029298 .....	321	8035382 .....	747	8405009....	247, 249, 275, 599
7026577.....	419	7029299 .....	321	8035536 .....	767	8405101.....	247, 249
7026578.....	419	7029300 .....	319, 347	8035862 .....	767	8405201....	247, 249, 566
7026731 ....	329, 333, 355, 357	7029307 .....	315, 343	8036190 .....	383, 385	8405202.....	247, 249
7026744.....	369	7029309 .....	319	80363179 .	879, 892, 895, 911, 913	8405209.....	640
7026745.....	369	7029486 .....	559, 959	80363195 .....	509	8405212....	223, 251, 253
7026746.....	371	7029520 .....	151	8036528 .....	395, 397	8405305....	223, 251, 253
7026747.....	373	7029521 .....	151	8036529 .....	395	8405402.....	215
7026748.....	373	7029692 .....	137, 149	8036847 .....	375, 377	8406102.....	287
7026749.....	373	7029714 .....	137	8037140 .....	759	8406105.....	791
7026750.....	375	7029733 ...	319, 333, 347, 357	80604016 .	879, 891, 907, 925	8406112.....	230, 234
7026751.....	375	7029734 .....	321, 341	80604017 .....	908, 935	8406201....	199, 203, 267, 793, 797, 799, 805
7026752.....	375	7029735 .....	321, 341	80604018 .	879, 883, 891, 892, 895, 905	8410007.....	211
7026753.....	377	7029789 .....	321	80604020 .....	907, 915	8410009....	237, 267, 527, 536, 640
7026754.....	377	7029849 ...	379, 381, 383, 385, 387, 389	80604021 .	891, 895, 907, 926, 931, 937	8410011.....	209, 211
7026755.....	377	7029850 ...	379, 381, 383, 385, 387, 389	80604022 .....	879	8410013....	237, 247, 249
7026756.....	377	7029852 ...	379, 381, 383, 385, 387, 389	80604023 .....	907	8410019.....	247
7026757.....	379	7029972 .....	377	80604025 ..	895, 908, 929	8420053....	101, 103, 105, 107, 147, 161
7026758....	379, 381, 383, 385, 387, 389	7029973 .....	375	806253 .....	451	8420055....	101, 103, 105, 107, 147, 161
7026759....	379, 381, 383, 385, 387, 389	7062922 .....	103	806264 .....	451	8424217.....	635
7026760....	379, 381, 383, 385, 387, 389	7110702 .....	103	80634004 .....	749	8424233.....	640
7026761....	379, 381, 383, 385, 387, 389	7110712 .....	103	8065062 .....	103	8430032.....	655, 677
7026762.....	381	7110722 .....	103	80933113 .....	633	8430033.....	677
7026765.....	387	7138978 .....	59	80933367 .....	209, 211	8430034.....	205
7026766.....	387	7138979 .....	59	80983191 .	933, 939, 941	8466306.....	517
7026769....	387, 393, 421, 423	7138986 .....	55, 59	82033995 .....	237, 267	8530030.....	640
7026771.....	393	7139918 .....	107				
7026772.....	393	7150580 .....	309				
		7300435 .....	193				
		7301295 .....	107				
		7301408 .....	113				

## PART NUMBER INDEX

8546407 .....	640	90554018 .....	137	91514081 .....	319, 347	91514156 .....	321
8580315 .....	103	90554020 .....	147, 149	91514082 .....	319, 347	91514157 .....	321
8584001 .....	103	90554033 .....	143	91514083 .....	319	91514158 .....	321
8584003 .....	849	90554034 .....	143	91514084 .....	319	91514159 .....	321, 341
8630003 .....	107	90554042 .....	147, 149	91514087 .....	315, 319, 343, 347	91514161 .....	321, 341
8642207 .....	103	90554045 .....	769	91514089 .....	315, 319, 321, 343	91514165 .....	321, 341
86683122 .....	289	90554054 .....	147, 149	91514090 .....	335, 337, 359	91514167 .....	321
86683211 .....	261	90554062 .....	137, 149	91514095 .....	319, 347	91514174 .....	319, 347
86883127 .....	261	90554065 .....	137	91514098 .....	315, 343	91514175 .....	329, 331, 355, 361
8750016 .....	655	90554076 .....	137, 149	91514099 .....	319, 335, 337, 347, 359	91514177 .....	329, 331, 355, 361
8750029 .....	640	90554080 .....	151	91514101 .....	315, 343	91514178 .....	319, 355
8750030 .....	640	91013191 .....	892	91514111 .....	347	91514179 .....	319, 347
8769132 .....	103	91013192 .....	887, 888	91514112 .....	319, 347	91514180 .....	319, 347
8769146 .....	640	91043125 .....	157, 665, 667	91514117 .....	319, 347	91514181 .....	319, 347
8769153 .....	640	91043126 .....	157, 665, 667	91514118 .....	449, 465	91514183 .....	319, 347
8770016 .....	103	91053419 .....	223	91514123 .....	317, 319, 345, 347	91514184 .....	329, 333, 355, 357
8770120 .....	647, 651	91083106 .....	640	91514130 .....	317, 345	91514185 .....	329, 333, 355, 357
8770215 .....	713	91355037 .....	445	91514131 .....	317, 345	91514186 .....	329, 333, 355, 357
8786514 ...	429, 433, 441, 443	91355038 .....	445	91514133 .....	317, 345	91514188 .....	319, 347
8841322 .....	409	91403193 .....	293	91514134 .....	317, 345	91514189 .....	319, 347
88671001 .....	101	91403413 .....	101, 103, 105, 107, 147, 157, 161, 665, 667	91514143 .....	327	91554014 .....	907
8880218-OM .....	309, 311	91403414 .....	101, 103, 105, 107, 147, 157, 161, 665, 667	91514146 .....	319, 347	91554019 .....	892, 895, 909, 929
8881802 .....	283	91403448 .....	145	91514147 .....	319, 347	91561240 .....	707
8887145 .....	721, 723	91413025 .....	209, 211	91514148 .....	319, 347	H000071 .....	765
90200003 .....	95, 97, 99, 101, 103, 107	91473206 .....	441, 443	91514149 .....	319, 347		
90206195 .....	261	91474512 .....	315, 343	91514151 .....	321		
90206198 .....	21	91474524 .....	319, 347	91514152 .....	321		
90451058 .....	107	91504107 .....	895, 911	91514153 .....	321		
90554016 .....	137, 143, 147, 149, 153	91513266 .....	449, 465	91514154 .....	321, 341		
90554017 .....	137						



31211315



An Deere Corporation Company

**Corporate Office**  
**JLG Industries, Inc.**  
**1 JLG Drive**  
**McConnellsburg, PA 17233-9533 USA**  
**☎ (717) 485-5161 (Corporate)**  
**☎ (877) 554-5438 (Customer Support)**  
**☎ (717) 485-6417**

**Visit our website for JLG Worldwide Locations.**  
**[www.jlg.com](http://www.jlg.com)**