



Illustrated Parts Manual

Models

G5-18A

SN 0160091004 to Present, Including 0160088263 & 0160088264
and Excluding 0160091013 through 0160091021

31211319

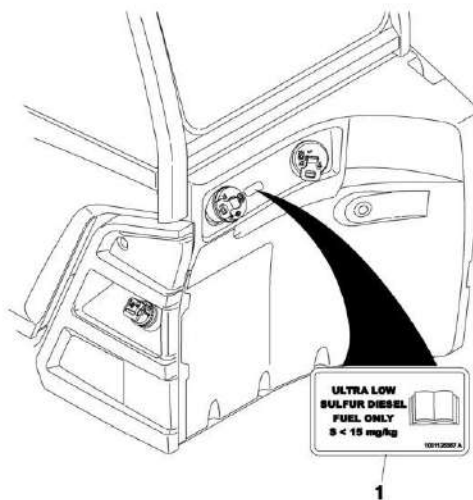
August 31, 2018 - Rev A



EFFECTIVITY PAGE

August 31, 2018 - A - Original Issue of Manual

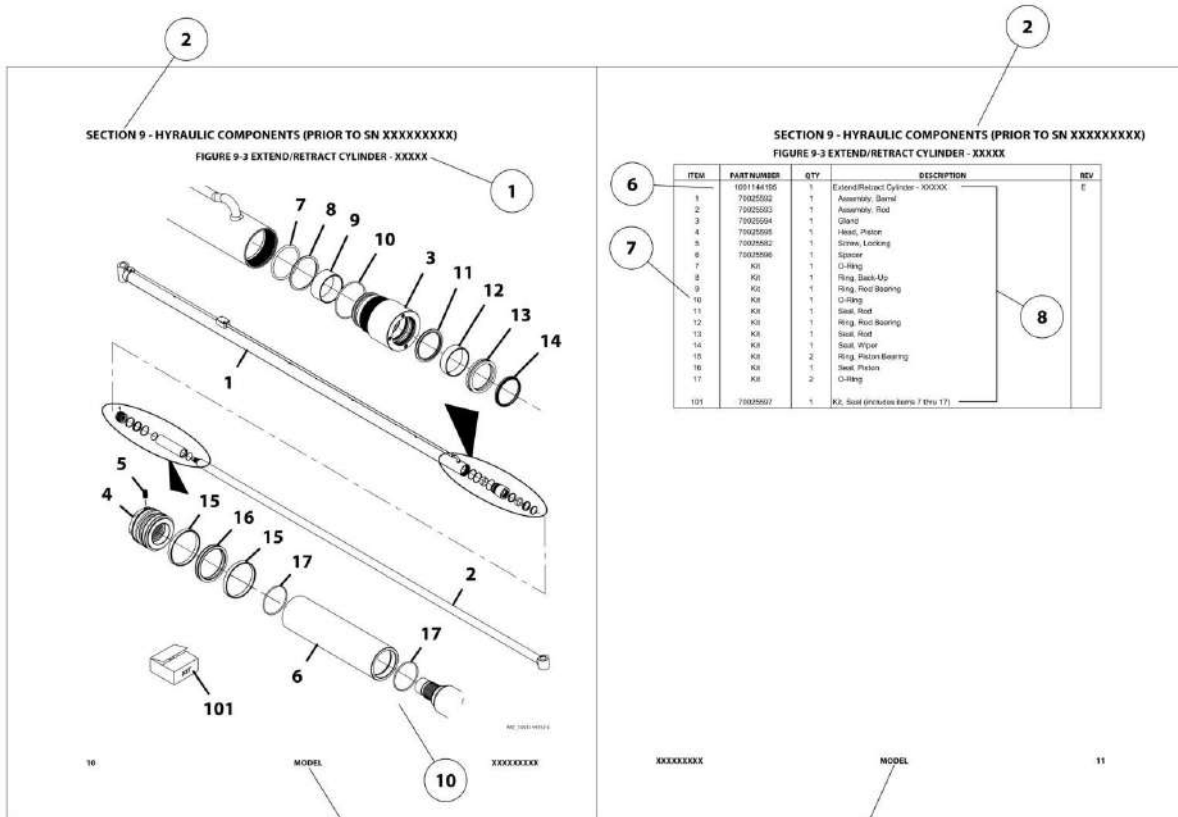
Machine Configuration



Two configurations of each machine are included in this manual. Determine if machine is equipped with Ultra Low Sulfur Fuel Decal (1).

If equipped with the Ultra Low Sulfur decal, all specific references to this machine configuration will be referred to as Ultra Low Sulfur (ULS) from this point forward.

If not equipped with the Ultra Low Sulfur decal, all specific references to this machine configuration will be referred to as Low Sulfur (LS) from this point forward.



General Information

1. MACHINE IDENTIFICATION

Machines are identified by model and in some cases a combination of model, serial number (S/N) or regional standard (e.g. ANSI, CE, CSA, AUS). Components may also be identified by S/N or manufacturer. Common components that may be identified by these characteristics are attachments, engine, transmission and hydraulic components.

2. PARTS MANUAL ORGANIZATION

Product information in this manual is organized under section titles. Frame, Engine and Electrical are a few examples. Each section is organized by Figure and page number. The information within the Figure is then organized by item number, part number, description and corresponding illustration(s).

3. TABLE OF CONTENTS

A table of contents (TOC) is found toward the beginning of the manual. Figure number, description and page number are provided for quick reference to the page containing the related information.

4. RECOMMENDED SPARE PARTS

The Recommended Spare Parts, located near the end of the manual, references most frequently used maintenance parts.

5. PARTS NUMBER INDEX

A numerical index listing all part numbers and the corresponding page number(s) appears at the back of the manual.

6. NON-SERVICED PARTS

In some instances it is necessary to display non-serviced parts, assemblies or installations. In the case of assemblies and installations there will be a Ref in the QTY column and a note after the item description stating what is available for service within. In the case of parts that are not available for service within assemblies or components there will be a NSS (Not Sold Separately) listed in the part number column of the manual.

7. PARTS LIST ITEM NUMBERS

Numbers shown in the Item column correspond to numbers used in the associated illustration(s). Item numbers which are missing from sequence and are not shown in the illustration(s) are not used on that page.

8. INDENTED PART DESCRIPTION

An indented part description is included in the item under which it is indented.

9. ABBREVIATIONS AND SYMBOLS

AC	Alternating Current
A/C	Air Conditioning
ADE	Advanced Design Electronics
AG	Agriculture
AMP	Amperage
ANSI	American National Standards Institute
AR	As Required
ASSY	Assembly
AUS	Australia
AUX	Auxiliary
AWG	American Wire Gauge
CAC	Charge Air Cooler
CE	European Conformity
CM	Centimeter
CONST	Construction
CSA	Canadian Standards Association
DEF	Diesel Exhaust Fluid
DIA	Diameter
DC	Direct Current
DTZ	Decentralized Transmission Zeros
ECU	Electronic Control Unit
EMS	Emergency Stop
FNR	Forward Neutral Reverse
FT	Foot
GA	Gauge
GR	Grade
HBP	High Boom Pivot
HHP	High Horse Power
HOC	Hydraulic Oil Cooler
HVAC	Heating, Ventilating, and Air Conditioning
ID	Inside Diameter
IN	Inch
ISO	International Organization for Standards
ITSDF	Industrial Truck Standards Development Foundation
JIC	Joint Industry Council
KG	Kilogram
KW	Kilowatt
L	Liter

LB	Pound
LBP	Low Boom Pivot
LCD	Liquid Crystal Display
LED	Light Emitting Diode
LH	Left Hand
LHD	Left Hand Drive
LHP	Low Horse Power
LMIS	Load Management Indicator System
LS	Low Sulfur
LSI	Load Stability Indicator
LSS	Load Sensing System
M ³	Cubic Meter
MA	Milliamp
M(m)	Metric/Meter
MM	Millimeter
N	Newton
NACD	North America Construction Division
NLA	No Longer Available
NSS	Not Sold Separately
OD	Outside Diameter
ORB	O-Ring Boss
ORFS	O-Ring Face Seal
OZ	Ounce
PR	Ply Rating
QT	Quart
QTY	Quantity
REF	Reference
REV	Revision
RH	Right Hand
RHD	Right Hand Drive
RHOC	Remote Hydraulic Oil Cooler
RUS	Russia
SAE	Society of Automotive Engineers
SAHR	Spring Applied Hydraulically Released
SN	Serial Number
SPD	Speed
TLU	Torque Lock Up
UGM	Universal Ground Module

10. ILLUSTRATION REFERENCE LETTERS

When necessary, illustrations may contain reference letters that are intended to track information from one point to another in the illustration such as harnesses and hoses or any other information that has been separated in the illustration

Note: Due to continuous product improvements, JLG Industries, Inc. reserves the right to make specification changes without prior notification. Contact JLG Industries, Inc. for updated information.

TABLE OF CONTENTS

SECTION 1 - FRAME AND ATTACHING PARTS.....	13
FIGURE 1-1. FRAME WELDMENT	14
FIGURE 1-2. HOODS INSTALLATION	16
FIGURE 1-3. HOOD ASSEMBLY	18
FIGURE 1-4. PAD LOCK.....	20
FIGURE 1-5. COUNTERWEIGHT INSTALLATION.....	22
FIGURE 1-6. TANK INSTALLATION	24
FIGURE 1-7. OIL TANK.....	26
FIGURE 1-8. FUEL TANK ASSEMBLY	28
FIGURE 1-9. FUEL CAP INSTALLATION	30
FIGURE 1-10. MIRROR INSTALLATION.....	32
FIGURE 1-11. REAR CONVEX MIRROR INSTALLATION	34
FIGURE 1-12. MIRROR ASSEMBLY (CONVEX).....	36
FIGURE 1-13. WHEEL CHOCKS	38
FIGURE 1-14. BATTERY COVER INSTALLATION	40
FIGURE 1-15. REAR COVER PLATE INSTALLATION, (NO HITCH)	42
FIGURE 1-16. HITCH INSTALLATION, MECHANICAL	44
FIGURE 1-17. HITCH INSTALLATION, MECHANICAL, AUTOMATIC	46
FIGURE 1-18. HITCH INSTALLATION.....	48
FIGURE 1-19. HITCH INSTALLATION - EEC	50
FIGURE 1-20. HITCH ASSEMBLY (FIXED).....	52
FIGURE 1-21. HITCH INSTALLATION - CUNA-C.....	54
FIGURE 1-22. HITCH ASSEMBLY (CUNA-C)	56
FIGURE 1-23. LICENSE HOLDER INSTALLATION, SMALL.....	58
FIGURE 1-24. LICENSE HOLDER INSTALLATION, LARGE	60
FIGURE 1-25. LIFT CYLINDER PROP SUPPORT	62
SECTION 2 - BOOM	65
FIGURE 2-1. BOOM ASSEMBLY INSTALLATION, STD W/AUX.....	66
FIGURE 2-2. BOOM ASSEMBLY INSTALLATION, W/AUX FOR QS	68
FIGURE 2-3. BOOM INSTALLATION, W/O AUX	70
FIGURE 2-4. BOOM W/O AUXILIARY HYDRAULIC INSTALLATION	72
FIGURE 2-5. COUPLER INSTALLATION (MANUAL)	76
FIGURE 2-6. COUPLER INSTALLATION (HYDRAULIC)	78
FIGURE 2-7. FORK LOCKING CYLINDER KIT	80
FIGURE 2-8. COUPLER INSTALLATION, UNIVERSAL (MANUAL).....	82
FIGURE 2-9. UNIVERSAL QUICK COUPLER ASSEMBLY	84
FIGURE 2-10. BOOM SIDE COVER INSTALLATION.....	86
FIGURE 2-11. BOOM BRUSHES INSTALLATION	88
SECTION 3 - ATTACHMENTS	91
FIGURE 3-1. CARRIAGE ASSEMBLY, (50INCH/1270MM)	92
FIGURE 3-2. CARRIAGE ASSEMBLY, UNIVERSAL QUICK ATTACH, (48IN/1219.2MM)	94
FIGURE 3-3. CARRIAGE, SIDE TILT, (48IN).....	96
FIGURE 3-4. CARRIAGE, SIDE TILT, UNIVERSAL QUICK ATTACH, (48IN)	98
FIGURE 3-5. CARRIAGE, SIDE SHIFT, UNIVERSAL QUICK ATTACH, (48IN).....	100
FIGURE 3-6. LIGHT MATERIAL BUCKET, (72INCH) (1.0 YD ³ /0.76 M ³)	102
FIGURE 3-7. LIGHT MATERIAL BUCKET, (72INCH) (1.7 YD ³ /1.29 M ³)	104
FIGURE 3-8. MULTI-PURPOSE GRAPPLE BUCKET (1850MM) (ANSI - JLG)	106
FIGURE 3-9. UNIVERSAL HITCH ATTACHMENT	108
FIGURE 3-10. BLOCKING FORK (50X50X1220)	110
FIGURE 3-11. PALLET FORK (2X4X48).....	112
FIGURE 3-12. LUMBER FORK (40X150X1540).....	114
FIGURE 3-13. FORK MOUNTED HOOK (4 TON).....	116
SECTION 4 - ENGINE AND ATTACHING PARTS	119
FIGURE 4-1. ENGINE INSTALLATION.....	120
FIGURE 4-2. ENGINE MOUNT INSTALLATION.....	122
FIGURE 4-3. ENGINE MOUNT INSTALLATION, (HEATER).....	124
FIGURE 4-4. ENGINE MOUNT INSTALLATION, (HEATER & A/C).....	126
FIGURE 4-5. ENGINE (55.4KW - ULS).....	128
FIGURE 4-6. ENGINE (55.4KW - LS).....	130

TABLE OF CONTENTS

FIGURE 4-7. FAN INSTALLATION	132
FIGURE 4-8. FAN INSTALLATION, REVERSING	134
FIGURE 4-9. RADIATOR INSTALLATION	136
FIGURE 4-10. RADIATOR LOWER HOSE ASSEMBLY	138
FIGURE 4-11. AIR CLEANER INSTALLATION	140
FIGURE 4-12. AIR FILTER	142
FIGURE 4-13. RAIN CAP	144
FIGURE 4-14. PRECLEANER	146
FIGURE 4-15. EXHAUST INSTALLATION (ULS)	148
FIGURE 4-16. EXHAUST INSTALLATION (LS)	150
FIGURE 4-17. HYDROSTATIC DRIVE PUMP ASSEMBLY	152
FIGURE 4-18. HEATER LINES INSTALLATION	154
FIGURE 4-19. LUBRICITY DOSER INSTALLATION (MIRROR)	156
FIGURE 4-20. LUBRICITY DOSER INSTALLATION (LIGHT & MIRROR)	158
SECTION 5 - DRIVE TRAIN	161
FIGURE 5-1. DRIVETRAIN INSTALLATION	162
FIGURE 5-2. FRONT AXLE ASSEMBLY	164
FIGURE 5-3. FRONT AXLE	166
FIGURE 5-4. FRONT AXLE, CENTRAL HOUSING	168
FIGURE 5-5. FRONT AXLE, DIFFERENTIAL	170
FIGURE 5-6. FRONT AXLE, HUB REDUCTION	172
FIGURE 5-7. FRONT AXLE, BRAKES	176
FIGURE 5-8. FRONT AXLE, STEERING	178
FIGURE 5-9. REAR AXLE ASSEMBLY	180
FIGURE 5-10. REAR AXLE	182
FIGURE 5-11. REAR AXLE, CENTRAL HOUSING	184
FIGURE 5-12. REAR AXLE, DIFFERENTIAL	186
FIGURE 5-13. REAR AXLE, HUB REDUCTION	188
FIGURE 5-14. REAR AXLE, STEERING	190
FIGURE 5-15. REAR AXLE, TRUNION	192
FIGURE 5-16. DIFFERENTIAL KIT	194
FIGURE 5-17. STEERING CASE KIT (LF/RR)	196
FIGURE 5-18. STEERING CASE KIT (RF/LR)	198
FIGURE 5-19. RING GEAR SUPPORT KIT	200
FIGURE 5-20. PLANET GEAR CARRIER KIT	202
FIGURE 5-21. TIRE/WHEEL SET, CAMSO (AIR 12-16.5 - 12 PLY)	204
FIGURE 5-22. RIGHT TIRE/WHEEL ASSEMBLY, CAMSO (AIR 12-16.5 - 12 PLY)	206
FIGURE 5-23. LEFT TIRE/WHEEL ASSEMBLY, CAMSO (AIR 12-16.5 - 12 PLY)	208
FIGURE 5-24. TIRE/WHEEL SET, FIRESTONE (AIR 12-16.5 - 12 PLY)	210
FIGURE 5-25. RIGHT TIRE/WHEEL ASSEMBLY, FIRESTONE (AIR 12-16.5 - 12 PLY)	212
FIGURE 5-26. LEFT TIRE/WHEEL ASSEMBLY, FIRESTONE (AIR 12-16.5 - 12 PLY)	214
FIGURE 5-27. TIRE/WHEEL SET (AIR 14-17.5 - 12 PLY)	216
FIGURE 5-28. RIGHT TIRE/WHEEL ASSEMBLY (AIR 12-16.5 - 12 PLY)	218
FIGURE 5-29. LEFT TIRE/WHEEL ASSEMBLY (AIR 12-16.5 - 12 PLY)	220
FIGURE 5-30. TIRE/WHEEL SET, CAMSO (FOAM 12-16.5 - 12 PLY)	222
FIGURE 5-31. TIRE/WHEEL SET, FIRESTONE (FOAM 12-16.5 - 12 PLY)	224
FIGURE 5-32. TIRE/WHEEL SET (FOAM 12-16.5 - 14 PLY)	226
FIGURE 5-33. TIRE/WHEEL SET (SOLID 33X12-20 - NM)	228
FIGURE 5-34. TIRE/WHEEL SET, AG (AIR 10.5-18 - 16 PR)	230
FIGURE 5-35. RIGHT TIRE/WHEEL ASSEMBLY, AG (AIR 10.5-18 - 16 PR)	232
FIGURE 5-36. LEFT TIRE/WHEEL ASSEMBLY, AG (AIR 10.5-18 - 16 PR)	234
FIGURE 5-37. FENDER INSTALLATION	236
FIGURE 5-38. FENDER ASSEMBLY	238
SECTION 6 - CAB	241
FIGURE 6-1. CAB INSTALLATION	242
FIGURE 6-2. OPEN CAB INSTALLATION (ANSI - FIXED STEERING)	244
FIGURE 6-3. OPEN CAB INSTALLATION (ANSI - TILT STEERING)	246
FIGURE 6-4. ENCLOSED CAB INSTALLATION (ANSI - TILT STEERING) (HEAT)	248
FIGURE 6-5. ENCLOSED CAB INSTALLATION (ANSI - TILT STEERING) (HEAT & A/C)	250
FIGURE 6-6. ENCLOSED CAB INSTALLATION (LSI - TILT STEERING) (HEAT)	252
FIGURE 6-7. ENCLOSED CAB INSTALLATION (LSI - TILT STEERING) (HEAT & A/C)	254
FIGURE 6-8. CAB COMMON INSTALLATION	256
FIGURE 6-9. CAB COMMON COMPONENTS, ENCLOSED	260

TABLE OF CONTENTS

FIGURE 6-10. CAB GLASS INSTALLATION, OPEN	262
FIGURE 6-11. CAB GLASS INSTALLATION, ENCLOSED	264
FIGURE 6-12. REAR WINDOW ASSEMBLY	266
FIGURE 6-13. DOOR ASSEMBLY INSTALLATION	268
FIGURE 6-14. JLG COMMON INSTALLATION	270
FIGURE 6-15. SEAT RISER COVER INSTALLATION	272
FIGURE 6-16. SEAT RISER COVER INSTALLATION, HVAC	274
FIGURE 6-17. OPEN CAB COMMON COMPONENTS INSTALLATION	276
FIGURE 6-18. DASH INSTALLATION, OPEN CAB	278
FIGURE 6-19. DASH INSTALLATION, ENCLOSED CAB	280
FIGURE 6-20. RIGHT SIDE CONSOLE	282
FIGURE 6-21. NA COMMON INSTALLATION	284
FIGURE 6-22. NA COMMON COMPONENTS INSTALLATION (LSI)	286
FIGURE 6-23. FRONT WIPER ASSEMBLY	288
FIGURE 6-24. WASHER TANK W/PUMP INSTALLATION	290
FIGURE 6-25. ROOF/REAR WIPER INSTALLATION	292
FIGURE 6-26. AUX WIPER ASSEMBLY	294
FIGURE 6-27. SEAT	296
FIGURE 6-28. SEAT, LSI	298
FIGURE 6-29. SEAT BELT INSTALLATION (3 INCH)	300
FIGURE 6-30. SEAT BELT INSTALLATION, LSI (3 INCH)	302
FIGURE 6-31. CONTROL COVER INSTALLATION	304
FIGURE 6-32. HEATER INSTALLATION (CAB PARTS)	306
FIGURE 6-33. HEATER AND A/C INSTALLATION (CAB PARTS)	308
FIGURE 6-34. HEATER ASSEMBLY, 3 SPEED	310
FIGURE 6-35. HEATER AND A/C ASSEMBLY, 3 SPEED	312
FIGURE 6-36. HEATER	314
FIGURE 6-37. HEATER AND A/C	316
FIGURE 6-38. A/C KIT	318
FIGURE 6-39. A/C CONDENSER INSTALLATION	320
FIGURE 6-40. CONDENSER	322
FIGURE 6-41. OVERHEAD CONSOLE INSTALLATION	324
FIGURE 6-42. OVERHEAD CONSOLE INSTALLATION (OPEN)	326
FIGURE 6-43. FRONT FOPS INSTALLATION	328
FIGURE 6-44. OVERHEAD CONSOLE INSTALLATION (LSI)	330
FIGURE 6-45. RADIO READY PACKAGE INSTALLATION	332
FIGURE 6-46. FLOOR MAT INSTALLATION	334
FIGURE 6-47. CAB FENDER INSTALLATION	336
FIGURE 6-48. CAB GUARD INSTALLATION (TOP)	338
FIGURE 6-49. CAB GUARD INSTALLATION (FRONT)	340
FIGURE 6-50. REAR WINDOW ENTRY KIT INSTALLATION (ANSI)	342
FIGURE 6-51. REAR WINDOW ENTRY KIT INSTALLATION (ENGLISH/FRENCH)	344
FIGURE 6-52. REAR WINDOW ENTRY KIT INSTALLATION (ISO)	346
FIGURE 6-53. FIRE EXTINGUISHER INSTALLATION	348
FIGURE 6-54. WASHER FLUID TANK ASSEMBLY	350
FIGURE 6-55. EMERGENCY ENTRY/EXIT WINDOW	352
SECTION 7 - CONTROLS	355
FIGURE 7-1. ACCELERATOR PEDAL ASSEMBLY	356
FIGURE 7-2. ACCELERATOR PEDAL	358
FIGURE 7-3. BRAKE PEDAL INSTALLATION	360
FIGURE 7-4. MASTER CYLINDER VALVE ASSEMBLY	362
FIGURE 7-5. PARK BRAKE VALVE INSTALLATION	364
FIGURE 7-6. PARK BRAKE VALVE INSTALLATION (EURO)	366
FIGURE 7-7. PARK BRAKE VALVE ASSEMBLY	368
FIGURE 7-8. PARK BRAKE VALVE ASSEMBLY (EURO)	370
FIGURE 7-9. FIXED STEERING COLUMN INSTALLATION	372
FIGURE 7-10. FIXED STEERING COLUMN	374
FIGURE 7-11. TILT STEERING COLUMN INSTALLATION	376
FIGURE 7-12. TILT STEERING COLUMN	378
FIGURE 7-13. HYDRAULIC CONTROLLER ASSEMBLY	380
FIGURE 7-14. HEATER CONTROL SWITCH	382
FIGURE 7-15. HVAC CONTROL SWITCH	384
FIGURE 7-16. BOOM JOYSTICK	386
SECTION 8 - HYDRAULIC CIRCUITS	389

TABLE OF CONTENTS

FIGURE 8-1. VALVE INSTALLATION (ANSI).....	390
FIGURE 8-2. VALVE INSTALLATION (CE)	392
FIGURE 8-3. PILOT SELECT VALVE ASSEMBLY (ANSI).....	394
FIGURE 8-4. PILOT SELECT VALVE ASSEMBLY (CE)	396
FIGURE 8-5. PILOT SELECT VALVE (ANSI).....	398
FIGURE 8-6. PILOT SELECT VALVE (CE)	400
FIGURE 8-7. HYDRAULIC VALVE INSTALLATION.....	402
FIGURE 8-8. STEERING SELECT VALVE ASSEMBLY.....	404
FIGURE 8-9. MAIN CONTROL VALVE ASSEMBLY	406
FIGURE 8-10. PRIORITY VALVE ASSEMBLY	408
FIGURE 8-11. BRAKE VALVE ASSEMBLY.....	410
FIGURE 8-12. BOOM HYDRAULIC INSTALLATION.....	412
FIGURE 8-13. BOOM HYDRAULIC INSTALLATION, W/QS	414
FIGURE 8-14. REMOTE GREASE INSTALLATION	416
FIGURE 8-15. FRAME HYDRAULIC HOSE INSTALLATION.....	418
FIGURE 8-16. HYDRAULIC HOSE INSTALLATION (ANSI).....	420
FIGURE 8-17. HYDRAULIC HOSE INSTALLATION (CE)	422
FIGURE 8-18. STEERING VALVE ASSEMBLY	424
FIGURE 8-19. CAB HYDRAULICS INSTALLATION, (ANSI)	426
FIGURE 8-20. CAB HYDRAULICS INSTALLATION (LSI)	428
FIGURE 8-21. IMPLEMENT PUMP FILTER ASSEMBLY	430
FIGURE 8-22. HYDRAULIC FILTER ASSEMBLY	432
FIGURE 8-23. HYDRAULIC TANK BREATHER INSTALLATION.....	434
FIGURE 8-24. HYDRAULIC TANK BREATHER INSTALLTION (A/C).....	436
FIGURE 8-25. REAR HYDRAULIC OUTLET INSTALLATION	438
FIGURE 8-26. REAR DIVERTER VALVE ASSEMBLY	440
FIGURE 8-27. DIVERTOR VALVE.....	442
FIGURE 8-28. BOOM AUX HOSE INSTALLATION.....	444
 SECTION 9 - HYDRAULIC COMPONENTS	 447
FIGURE 9-1. BOOM CYLINDER INSTALLATION, ANSI.....	448
FIGURE 9-2. BOOM CYLINDER INSTALLATION, CE	450
FIGURE 9-3. LIFT CYLINDER, ANSI.....	452
FIGURE 9-4. LIFT CYLINDER ASSEMBLY, CE	454
FIGURE 9-5. LIFT CYLINDER, CE	456
FIGURE 9-6. COMPENSATION CYLINDER	458
FIGURE 9-7. EXTEND/RETRACT CYLINDER	460
FIGURE 9-8. TILT CYLINDER	462
FIGURE 9-9. HYDROSTATIC MOTOR.....	464
FIGURE 9-10. HYDROSTATIC PUMP.....	466
FIGURE 9-11. GEAR PUMP	468
FIGURE 9-12. FAN MOTOR	470
FIGURE 9-13. FAN MOTOR, REVERSING	472
FIGURE 9-14. PARK BRAKE RELEASE VALVE.....	474
FIGURE 9-15. HYDRAULIC PARK BRAKE RELEASE VALVE	476
FIGURE 9-16. STEERING SELECT VALVE.....	478
FIGURE 9-17. MAIN CONTROL VALVE (W/AUX).....	480
FIGURE 9-18. BRAKE MASTER CYLINDER VALVE	482
FIGURE 9-19. DIVERTOR VALVE.....	484
FIGURE 9-20. SIDE TILT CARRIAGE CYLINDER	486
FIGURE 9-21. UNIVERSAL SIDE SHIFT CYLINDER.....	488
FIGURE 9-22. FORK LOCKING CYLINDER	490
 SECTION 10 - ELECTRICAL.....	 493
FIGURE 10-1. MAIN ELECTRICAL INSTALLATION	494
FIGURE 10-2. FRAME OPTIONS HARNESS INSTALLATION	496
FIGURE 10-3. FRAME OPTIONS HARNESS INSTALLATION (ANSI).....	498
FIGURE 10-4. FRAME OPTIONS HARNESS INSTALLATION (CE).....	500
FIGURE 10-5. BLOCK HEATER INSTALLATION (ANSI).....	502
FIGURE 10-6. BLOCK HEATER INSTALLATION (CE)	504
FIGURE 10-7. BLOCK HEATER INSTALLATION (115V) (LS)	506
FIGURE 10-8. SPEED SENSOR JUMPER HARNESS	508
FIGURE 10-9. BATTERY INSTALLATION.....	510
FIGURE 10-10. BATTERY DISCONNECT SWITCH INSTALLATION	512
FIGURE 10-11. START SWITCH JUMPER HARNESS.....	514

TABLE OF CONTENTS

FIGURE 10-12. JUMPER HARNESS	516
FIGURE 10-13. ROAD LIGHT INSTALLATION (ANSI)	518
FIGURE 10-14. ROAD LIGHT INSTALLATION (LSI)	520
FIGURE 10-15. ROAD LIGHT INSTALLATION (LH DIP)	522
FIGURE 10-16. WORK LIGHT INSTALLATION	524
FIGURE 10-17. WORK LIGHT INSTALLATION (OPEN CAB)	526
FIGURE 10-18. BOOM WORK LIGHT	528
FIGURE 10-19. BEACON INSTALLATION	530
FIGURE 10-20. BEACON INSTALLATION (OPEN CAB)	532
FIGURE 10-21. REVERSE SENSING SYSTEM INSTALLATION	534
FIGURE 10-22. CLEARSKY INSTALLATION	536
FIGURE 10-23. TELEMATICS, CUSTOMER-SUPPLIED	538
FIGURE 10-24. BOOM SENSOR INSTALLATION	540
FIGURE 10-25. BOOM SENSOR ASSEMBLY INSTALLATION	542
FIGURE 10-26. ENGINE HARNESS	544
FIGURE 10-27. BOOM AUX HARNESS	548
FIGURE 10-28. CAB HARNESS	550
FIGURE 10-29. CAB ROOF HARNESS	556
FIGURE 10-30. FRAME HARNESS	558
FIGURE 10-31. FRAME BASE JUMPER HARNESS	562
FIGURE 10-32. FUNCTION JUMPER HARNESS	564
FIGURE 10-33. FRAME OPTION HARNESS	566
FIGURE 10-34. TELEMATICS GATEWAY HARNESS	570
FIGURE 10-35. REVERSE SENSOR HARNESS	572
FIGURE 10-36. TELEMATICS READY HARNESS	574
FIGURE 10-37. CLEARSKY HARNESS	576
FIGURE 10-38. CLEARSKY INSTALLATION 3-WIRE	578
FIGURE 10-39. BOOM SENSOR HARNESS	580
FIGURE 10-40. OPEN CAB WORKLIGHT HARNESS	582
FIGURE 10-41. CAB WORKLIGHT HARNESS	584
FIGURE 10-42. BOOM WORKLIGHT JUMPER HARNESS (LONG)	586
FIGURE 10-43. PROXIMITY SENSOR HARNESS	588
FIGURE 10-44. BOOM WORKLIGHT JUMPER HARNESS (SHORT)	590
FIGURE 10-45. BOOM WORKLIGHTS HARNESS	592
FIGURE 10-46. CONDENSOR FAN HARNESS	594
FIGURE 10-47. MODE SELECT HARNESS	596
FIGURE 10-48. TRAILER PLUG INSTALLATION (7 PIN)	598
FIGURE 10-49. ELECTRICAL HARNESS CAPS INSTALLATION	600
FIGURE 10-50. TELEMATICS HARNESS	602
FIGURE 10-51. RH TAIL LIGHT INSTALLATION	604
FIGURE 10-52. LH TAIL LIGHT INSTALLATION	606
FIGURE 10-53. LH DRIVE LIGHT INSTALLATION	608
FIGURE 10-54. JUMPER HARNESS	610
FIGURE 10-55. GATEWAY CONTROLLER	612
SECTION 11 - DECALS	615
FIGURE 11-1. DECAL INSTALLATION	616
FIGURE 11-2. DECAL INSTALLATION, (ANSI)	618
FIGURE 11-3. DECAL INSTALLATION, (ISO)	622
FIGURE 11-4. DECAL INSTALLATION (ENGLISH/FRENCH)	626
FIGURE 11-5. LOAD CHART MOUNT	630
FIGURE 11-6. CAPACITY CHART	632
FIGURE 11-7. CAPACITY CHART (UNIVERSAL QUICK SWITCH)	634
FIGURE 11-8. CAPACITY CHART - METRIC	636
FIGURE 11-9. CAPACITY CHART (UNIVERSAL QUICK SWITCH - METRIC)	638
FIGURE 11-10. MACHINE DECAL (ULS - ANSI)	640
FIGURE 11-11. MACHINE DECAL (ULS - ISO)	642
FIGURE 11-12. MACHINE DECAL (ULS - ENGLISH/FRENCH)	644
FIGURE 11-13. MACHINE DECAL (LS)	646
FIGURE 11-14. REVERSE SENSOR SYSTEM DECAL (ENGLISH)	648
FIGURE 11-15. REVERSE SENSING SYSTEM DECAL, (ENGLISH/FRENCH)	650
FIGURE 11-16. REVERSE SENSING SYSTEM DECAL (ISO)	652
FIGURE 11-17. CLEARSKY DECAL INSTALLATION	654
SECTION 12 - RECOMMENDED SPARE PARTS	657

TABLE OF CONTENTS

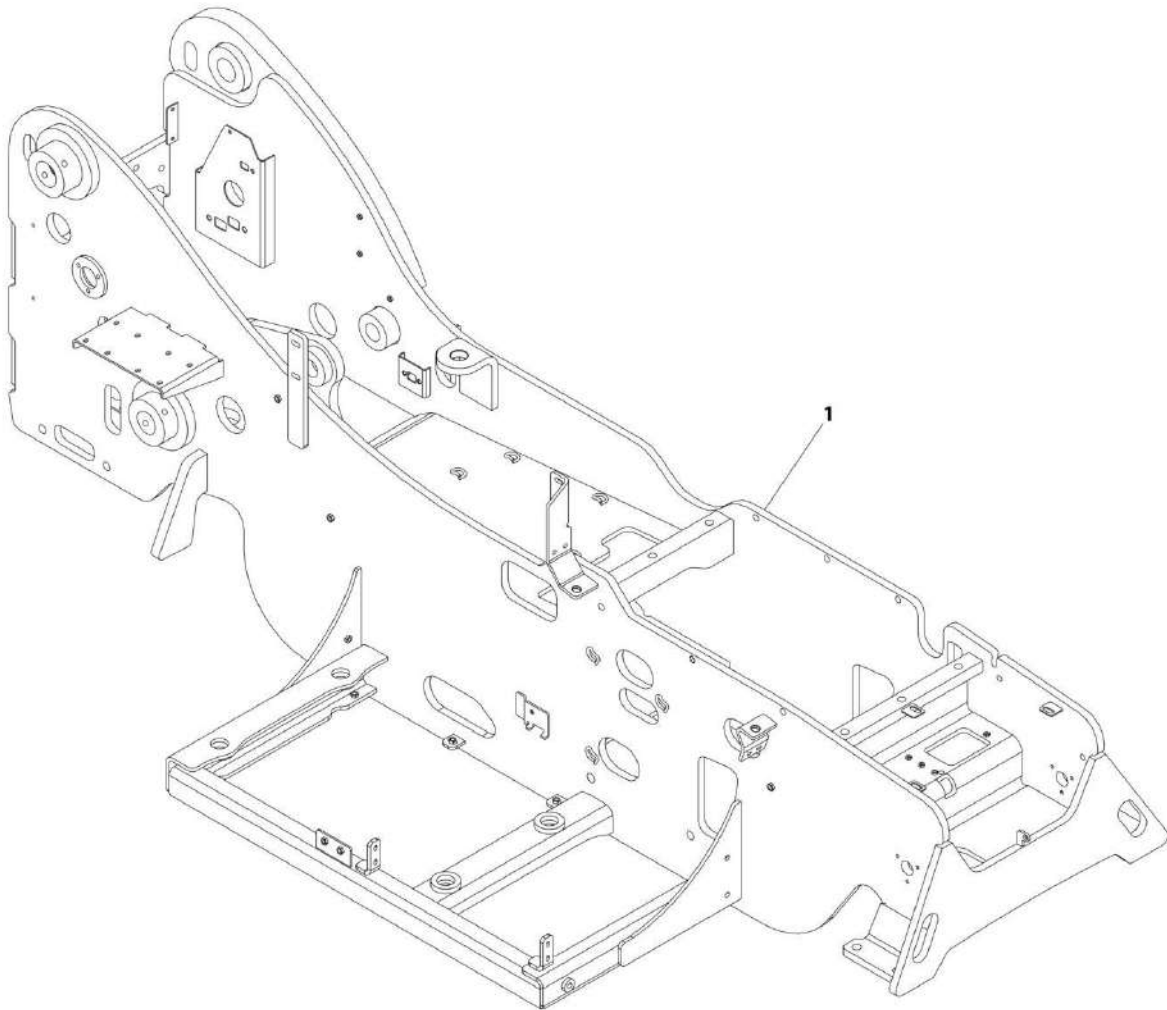
FIGURE 12-1. RECOMENDED SPARE PARTS.....	658
PART NUMBER INDEX.....	661

SECTION 1 - FRAME AND ATTACHING PARTS

SECTION 1 - FRAME AND ATTACHING PARTS

SECTION 1 - FRAME AND ATTACHING PARTS

FIGURE 1-1. FRAME WELDMENT



ART_1001232716J-A

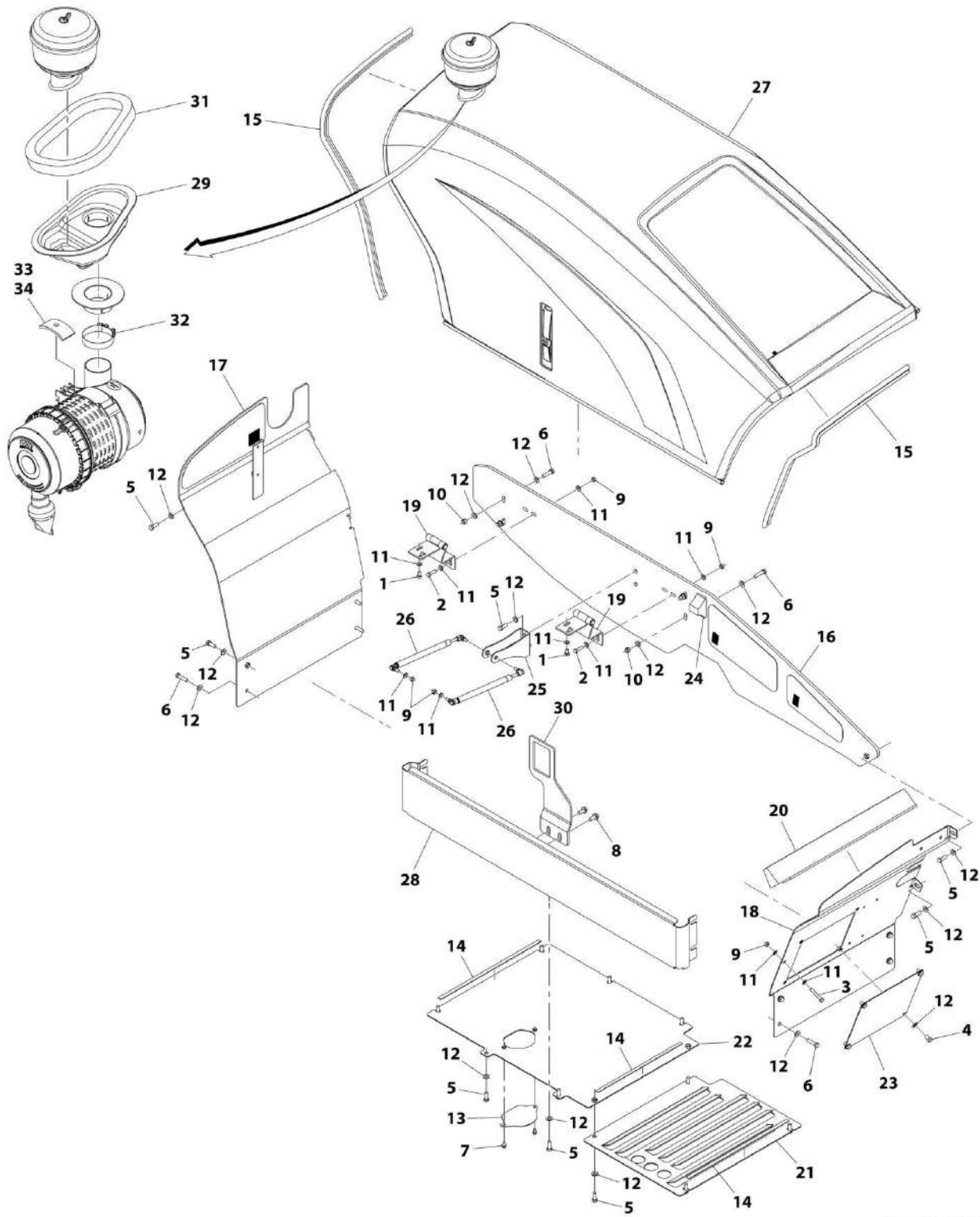
SECTION 1 - FRAME AND ATTACHING PARTS

FIGURE 1-1. FRAME WELDMENT

ITEM	PART NUMBER	QTY	DESCRIPTION	REV
1	1001232716J	1	Frame Weldment	A

SECTION 1 - FRAME AND ATTACHING PARTS

FIGURE 1-2. HOODS INSTALLATION



ART_1001190762-C

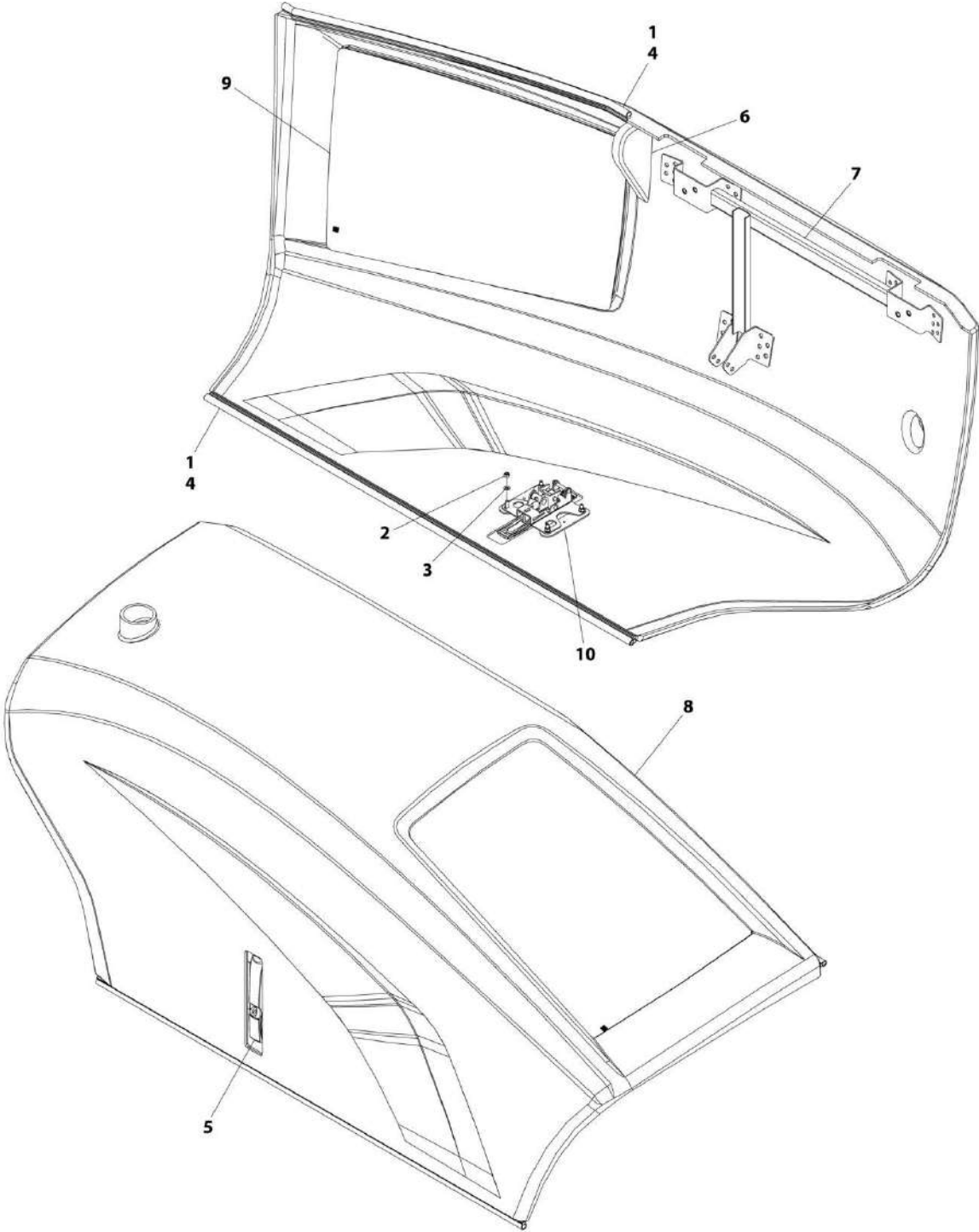
SECTION 1 - FRAME AND ATTACHING PARTS

FIGURE 1-2. HOODS INSTALLATION

ITEM	PART NUMBER	QTY	DESCRIPTION	REV
	1001190762	Ref	Hoods Installation	C
1	0641505	4	Hex HD Capscrew, 5/16-18X5/8, GR5	
2	0641509	4	Hex HD Capscrew, 5/16-18X1-1/8, GR5	
3	0641516	1	Hex HD Capscrew, 5/16-18X2, GR5	
4	0641605	4	Hex HD Capscrew, 3/8-16X5/8	
5	0641608	21	Hex HD Capscrew, 3/8-16X1, GR5	
6	0641612	8	Hex HD Capscrew, 3/8-16X1-1/2, GR5	
7	0791404	2	Screw, 1/4-20X1/2	
8	0791607	2	Screw, 3/8-16X7/8	
9	3271501	7	Hex Nut, 5/16-18	
10	3271601	4	Hex Nut, 3/8-16, GR8	
11	4711500	16	Washer, 5/16	
12	4711600	37	Flat Washer, 3/8	
13	1001081299K	1	Fuel Filter Access Panel	
14	1001090344	1320 mm	Neoprene Tape, 1/16X1/2	
15	1001097160	1980 mm	Self-Gripping Bulb Seal	
16	1001142265	1	Hood Hinge Mount Weldment Plate	
17	1001197401	1	Rear Fender Weldment Panel	
18	1001142267	1	Front Fender Weldment Panel	
19	1001143142	2	Hood Hinge	
20	1001144369	1	Foam Gasket Seal	
21	1001149810	1	Belly Pan Plate	
22	1001149811	1	Belly Pan Weldment Plate	
23	1001156315	1	Cover Plate	
24	1001158318	1	Foam Gasket Seal	
25	1001158428	1	Gas Spring Weldment Mount	
26	1001160078	2	Gas Spring	
27	1001190743	1	Hood Assembly	
28	1001190788	1	Side Skirt Panel	
29	1001191640	1	Air Intake Channel	
30	1001191820	1	Latch Catch Bracket	
31	1001192255	1	Air Intake Seal	
32	90028488	1	T-Bolt Clamp	
33	0100081	AR	Loctite 454	
34	3340943	1	Pad, Rubber	

SECTION 1 - FRAME AND ATTACHING PARTS

FIGURE 1-3. HOOD ASSEMBLY



ART_1001190743-E

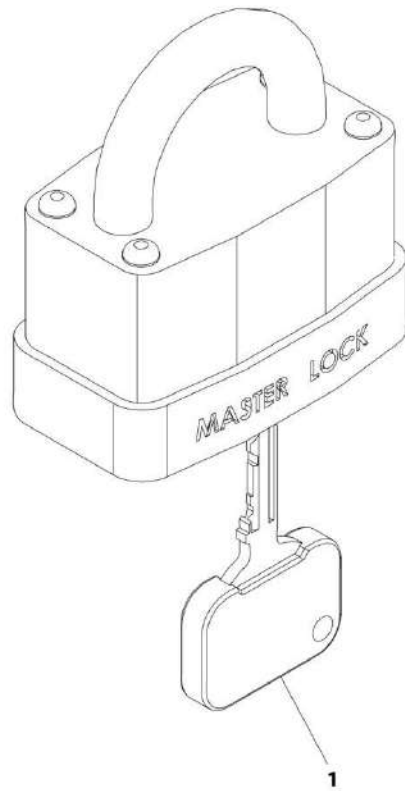
SECTION 1 - FRAME AND ATTACHING PARTS

FIGURE 1-3. HOOD ASSEMBLY

ITEM	PART NUMBER	QTY	DESCRIPTION	REV
	1001190743	Ref	Hood Assembly	E
1	0100090	AR	Loctite 454	
2	3290605	4	Hex Locknut, M6X1	
3	4811700	4	Washer, M6	
4	1001097159	2110 mm	Self-Gripping Bulb Seal	
5	1001132168	1	Compression Latch	
6	1001193423	1	Air Dam Seal	
7	1001190728	1	Hinge And Gas Spring Mount	
8	1001190754	1	Hood	
9	1001191643	1	Cooler Vent	
10	1001192022	2	Support, Latch	

SECTION 1 - FRAME AND ATTACHING PARTS

FIGURE 1-4. PAD LOCK



ART_1001102157-A

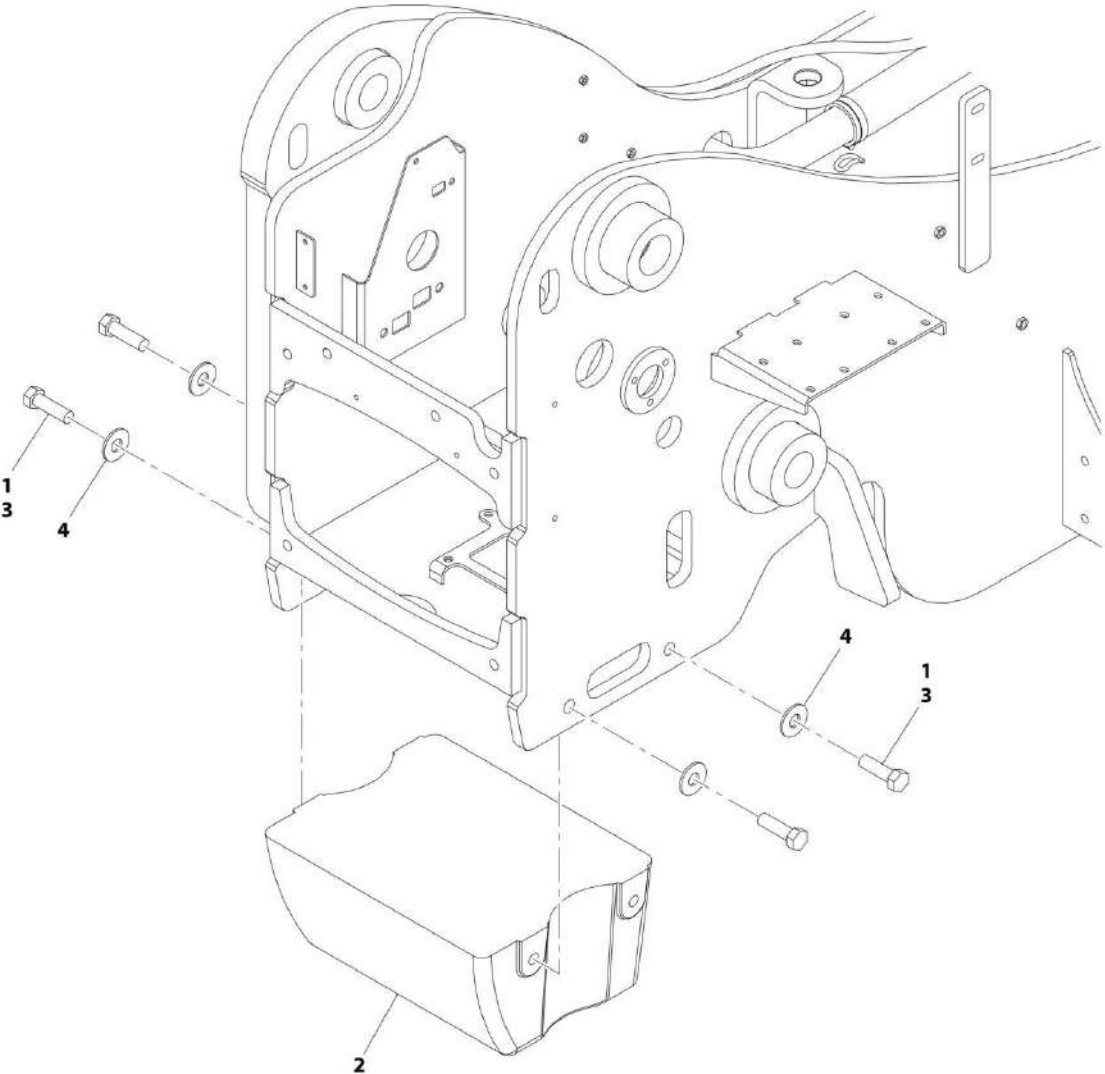
SECTION 1 - FRAME AND ATTACHING PARTS

FIGURE 1-4. PAD LOCK

ITEM	PART NUMBER	QTY	DESCRIPTION	REV
1	1001102157 8342813	Ref 1	Pad Lock Key	A

SECTION 1 - FRAME AND ATTACHING PARTS

FIGURE 1-5. COUNTERWEIGHT INSTALLATION



ART_1001201083-C

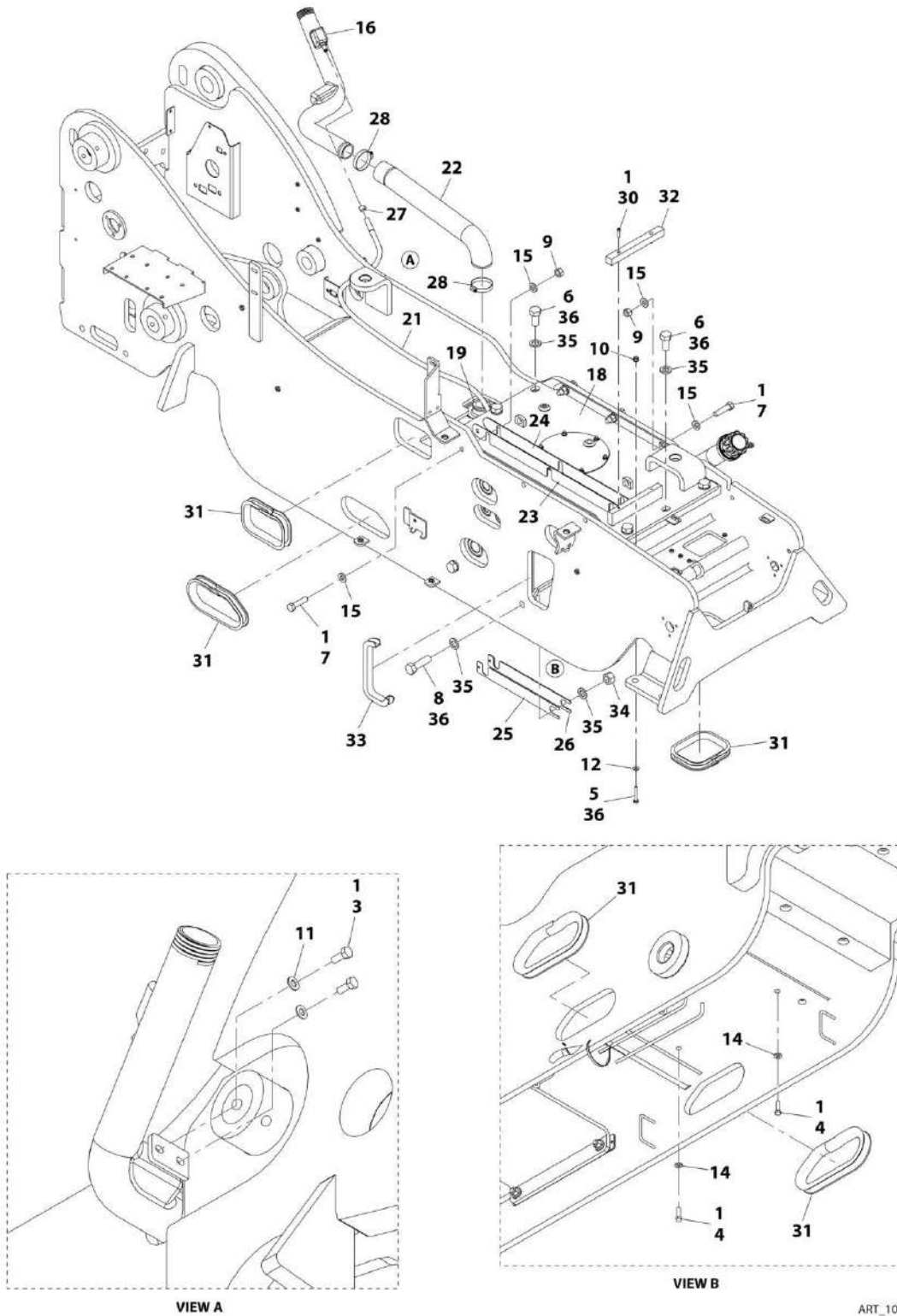
SECTION 1 - FRAME AND ATTACHING PARTS

FIGURE 1-5. COUNTERWEIGHT INSTALLATION

ITEM	PART NUMBER	QTY	DESCRIPTION	REV
	1001201083	Ref	Counterweight Installation	C
1	0100019	AR	Loctite 271	
2	1001080861	1	Counterweight, 460 LB/209 KG	
3	0682220	4	Hex HD Capscrew, 3/4-10X2-1/2, GR8	
4	4752200	4	Washer, 3/4	

SECTION 1 - FRAME AND ATTACHING PARTS

FIGURE 1-6. TANK INSTALLATION



ART_1001193316-H

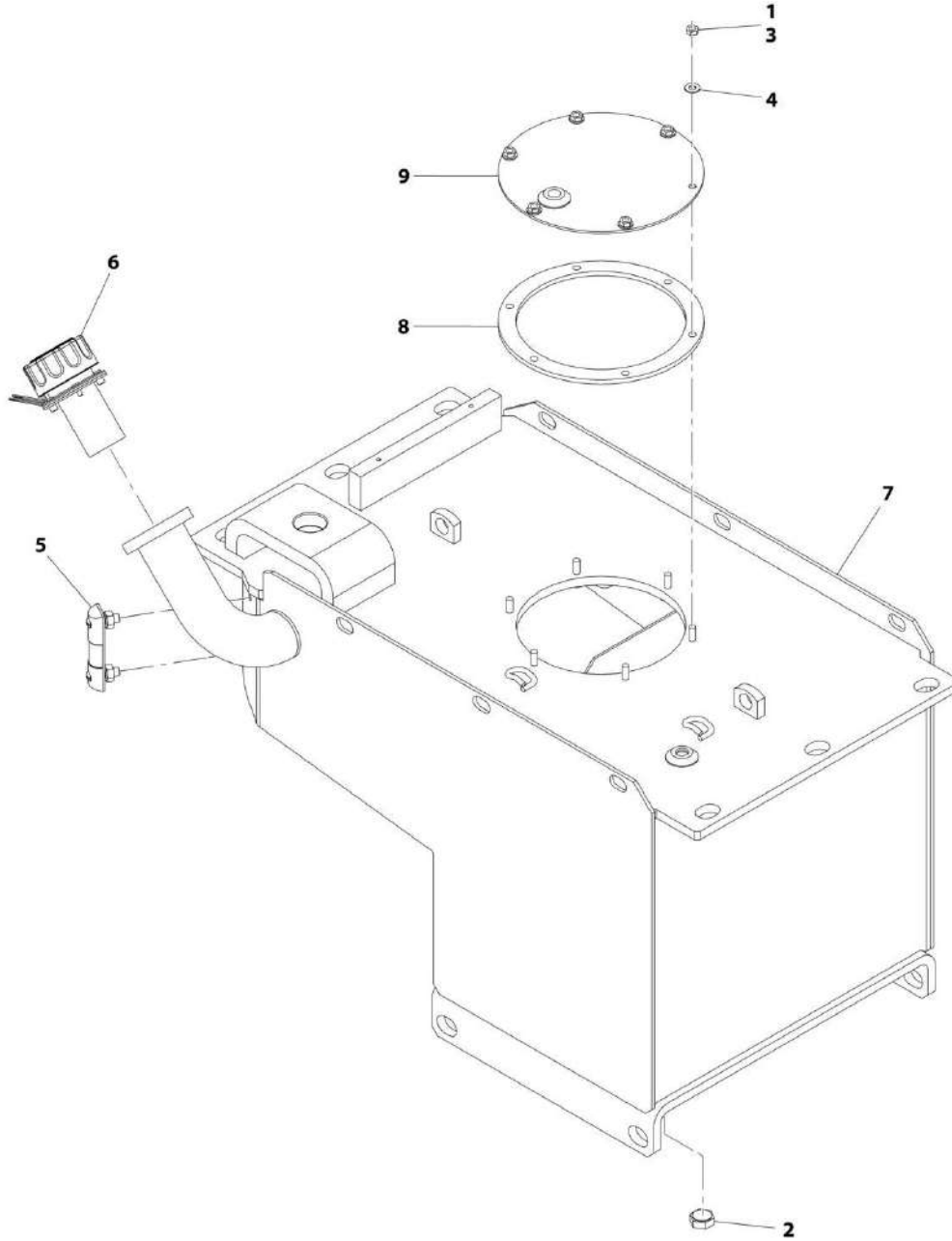
SECTION 1 - FRAME AND ATTACHING PARTS

FIGURE 1-6. TANK INSTALLATION

ITEM	PART NUMBER	QTY	DESCRIPTION	REV
	1001193316	Ref	Tank Installation	H
1	0100011	AR	Loctite 242	
3	0641506	2	Hex HD Capscrew, 5/16-18X3/4, GR5	
4	0641610	3	Hex HD Capscrew, 3/8-16X1-1/4	
5	0630399	1	Tap Bolt	
6	0682414	6	Hex HD Capscrew, 7/8-9X1-3/4	
7	0692020	6	Hex HD Capscrew, 8/8-18X2-1/2	
8	0682424	4	Hex HD Capscrew, 7/8-9X3	
9	3282001	6	Hex Nut, 5/8-18	
10	3311608	1	Hex Nut, 3/8-16	
11	4711500	2	Washer, 5/16	
12	4711600	1	Washer, 3/8	
14	4891600	3	Washer, 3/8	
15	4892000	12	Washer, 5/8	
16	1001080573	1	Fuel Nozzle Tube	
18	1001193351	1	Oil Tank (See Separate Breakdown in this Section)	
19	1001194100	1	Fuel Tank (See Separate Breakdown in this Section)	
21	1001148483	1	Fuel Tank Vent	
22	1001198730	1	Fuel Fill Pipe	
23	1001200682	AR	Shim, 1.5mm	
24	1001200683	AR	Shim, 3mm	
25	1001200684	AR	Shim, 1.5mm	
26	1001200685	AR	Shim, 3mm	
27	8405006	2	Gear Clamp	
28	86883327	2	Clamp, Hose	
30	3931416	2	Socket HD Capscrew, 1/4-20X1	
31	1001142680	2100 mm	Conduit	
32	1001200925	1	Pad	
33	1001081364	2	Grommet	
34	3272401	4	Hex Nut, 7/8-9, GR8	
35	4892400	14	Washer, 7/8	
36	0100019	AR	Loctite 271	

SECTION 1 - FRAME AND ATTACHING PARTS

FIGURE 1-7. OIL TANK



ART_1001193351-E

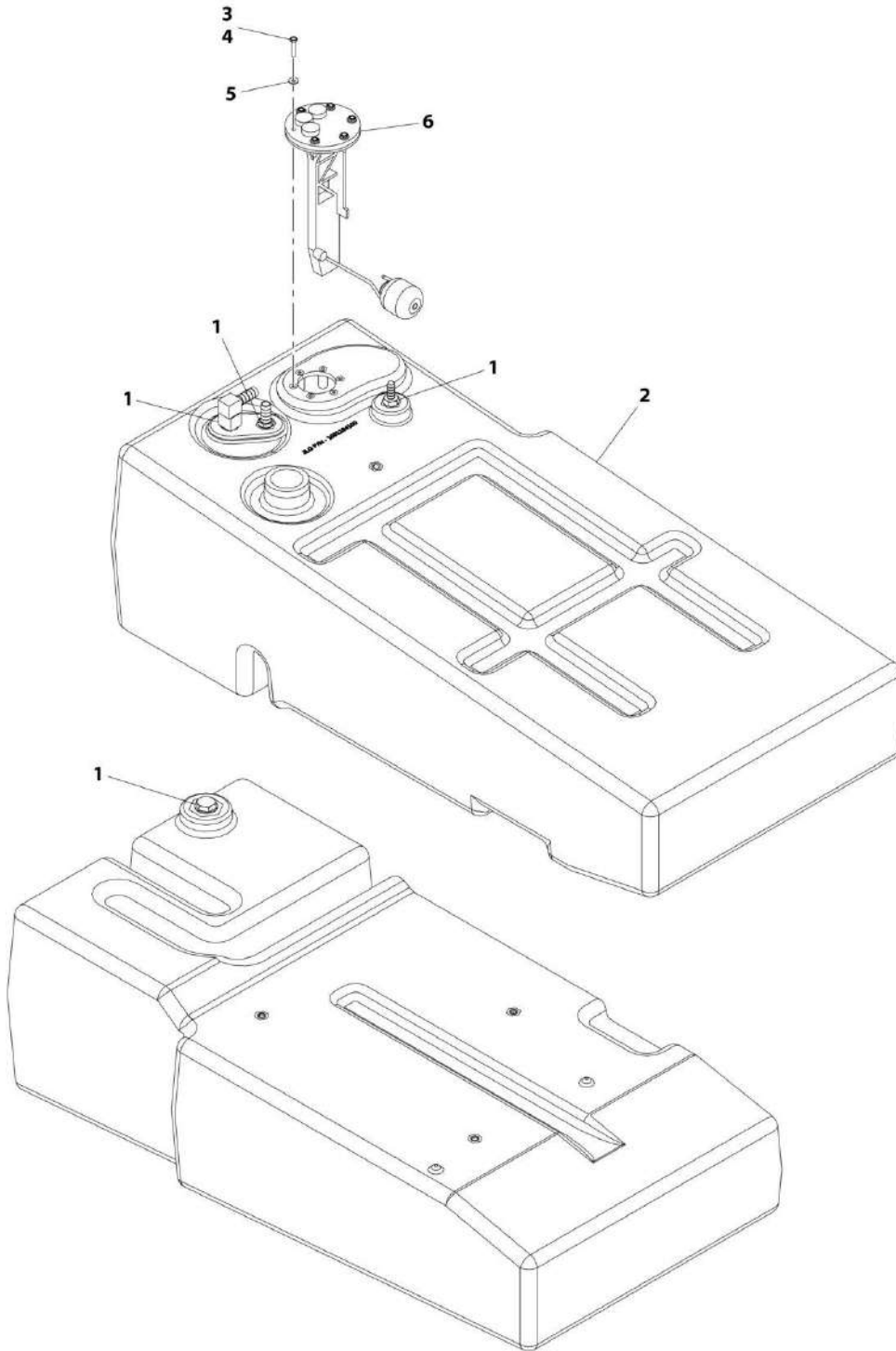
SECTION 1 - FRAME AND ATTACHING PARTS

FIGURE 1-7. OIL TANK

ITEM	PART NUMBER	QTY	DESCRIPTION	REV
	1001193351	Ref	Oil Tank	E
1	0100011	AR	Loctite 242	
2	2220239	1	Adapter, Plug	
3	3311502	6	Hex Nut, 5/16-18	
4	4711500	6	Washer, 5/16	
5	91563136	1	Oil Level Indicator	
6	1001187150	1	Lockable Hydraulic Filler Cap	
7	1001193470	1	Oil Tank Weldment	
8	1001193473	1	Gasket	
9	1001195884	1	Tank Access Cover	

SECTION 1 - FRAME AND ATTACHING PARTS

FIGURE 1-8. FUEL TANK ASSEMBLY



ART_1001194100-E

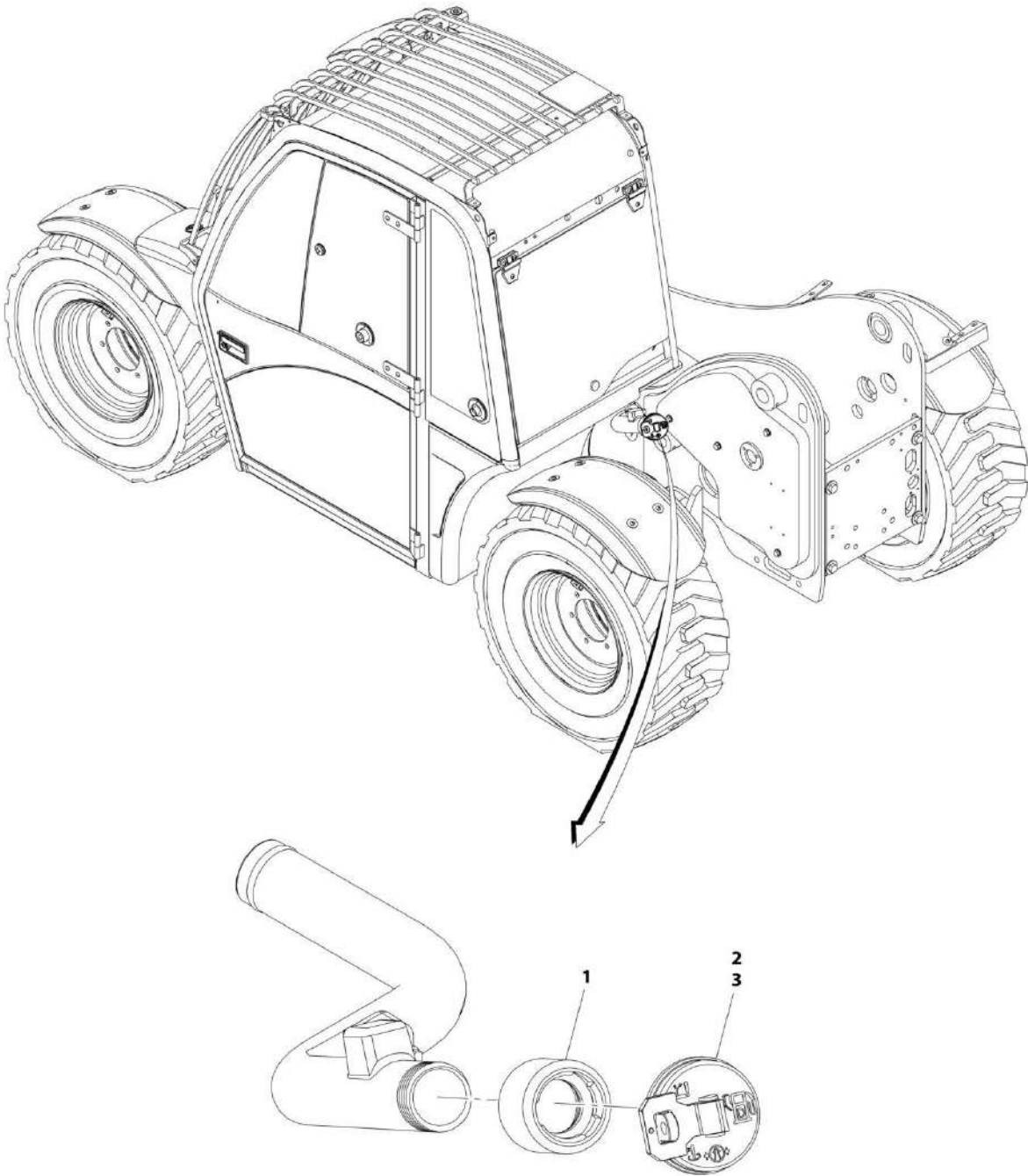
SECTION 1 - FRAME AND ATTACHING PARTS

FIGURE 1-8. FUEL TANK ASSEMBLY

ITEM	PART NUMBER	QTY	DESCRIPTION	REV
	1001194100	Ref	Fuel Tank Assembly	E
1	0100020	AR	Loctite 567	
2	1001194099	1	Fuel Tank	
3	0100035	AR	Loctite 222	
4	0720606	6	Hex HD Bolt	
5	4750600	6	Washer, M6	
6	1001197965	1	Fuel Level Sensor	

SECTION 1 - FRAME AND ATTACHING PARTS

FIGURE 1-9. FUEL CAP INSTALLATION



ART_1001080571-B

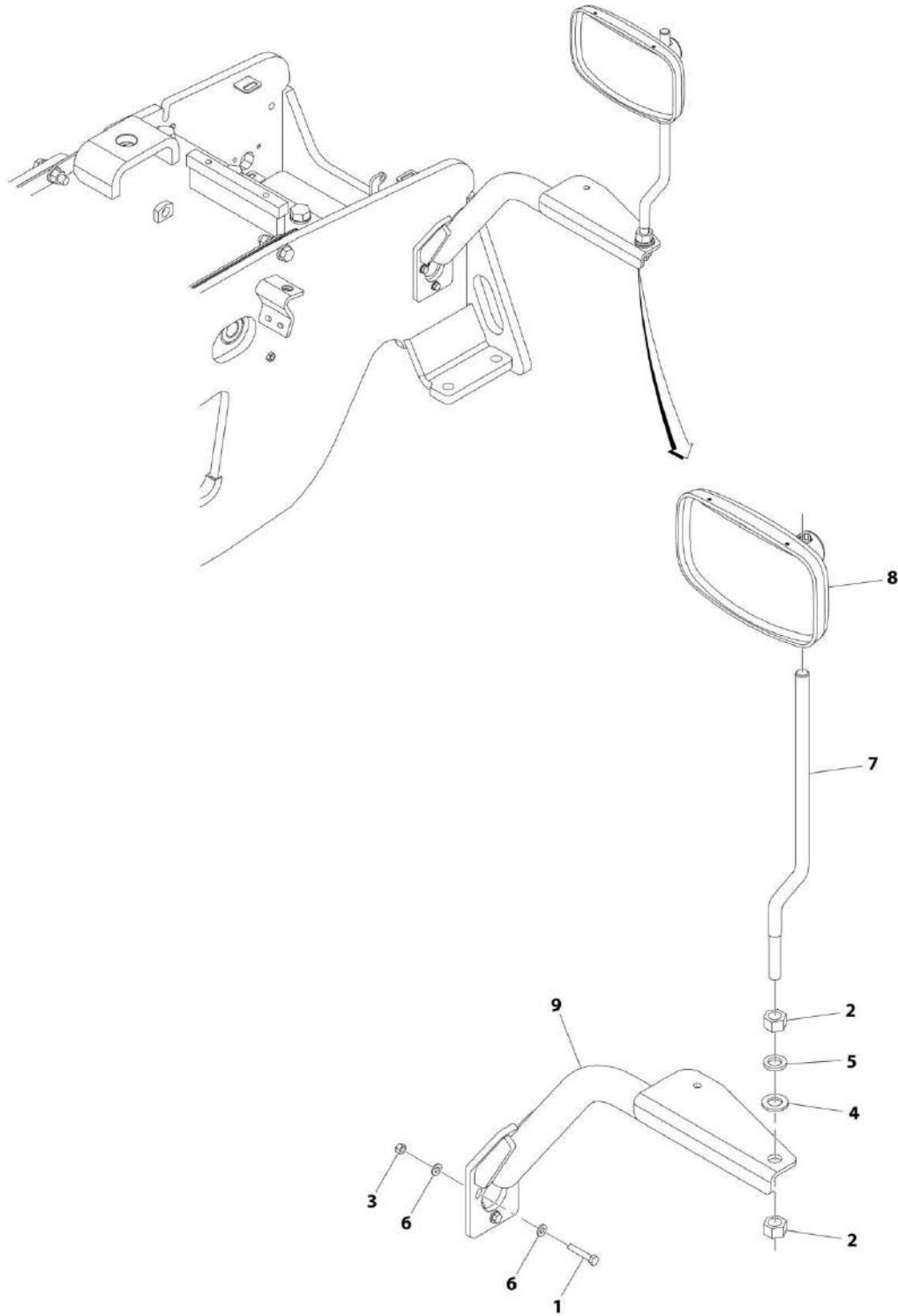
SECTION 1 - FRAME AND ATTACHING PARTS

FIGURE 1-9. FUEL CAP INSTALLATION

ITEM	PART NUMBER	QTY	DESCRIPTION	REV
	1001080571	Ref	Fuel Cap Installation	B
1	1001001422	1	Filler Neck Tank Adapter	
2	1001080707	1	Diesel Fuel Locking Cap	
3	0100093	AR	Loctite 30512	

SECTION 1 - FRAME AND ATTACHING PARTS

FIGURE 1-10. MIRROR INSTALLATION



ART_1001200928-B

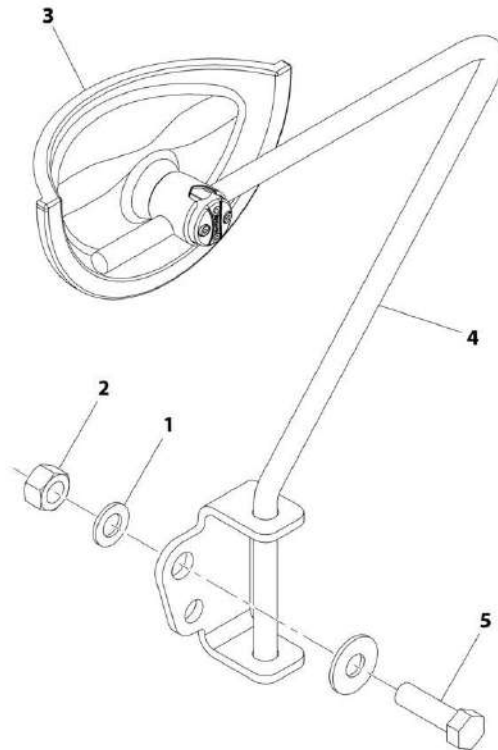
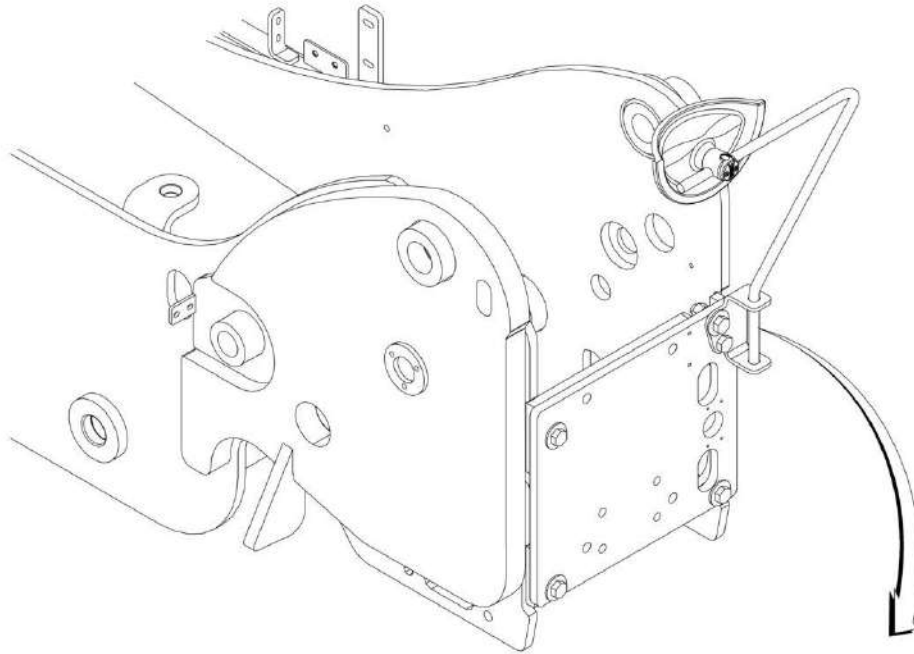
SECTION 1 - FRAME AND ATTACHING PARTS

FIGURE 1-10. MIRROR INSTALLATION

ITEM	PART NUMBER	QTY	DESCRIPTION	REV
	1001200928	Ref	Mirror Installaton	B
1	0641514	3	Hex HD Capscrew, 5/16-18X1-3/4, GR5	
2	3272201	2	Hex Nut, 3/4-10, GR8	
3	3311505	3	Locknut, 5/16-18	
4	4712200	1	Washer, 3/4	
5	4762200	1	Lockwasher, 3/4	
6	4891500	6	Washer, 5/16	
7	1001144474	1	Mirror Bracket	
8	1001191635	1	Mirror Assembly	
9	1001190639	1	Headlight Bracket	

SECTION 1 - FRAME AND ATTACHING PARTS

FIGURE 1-11. REAR CONVEX MIRROR INSTALLATION



ART_1001200851-C

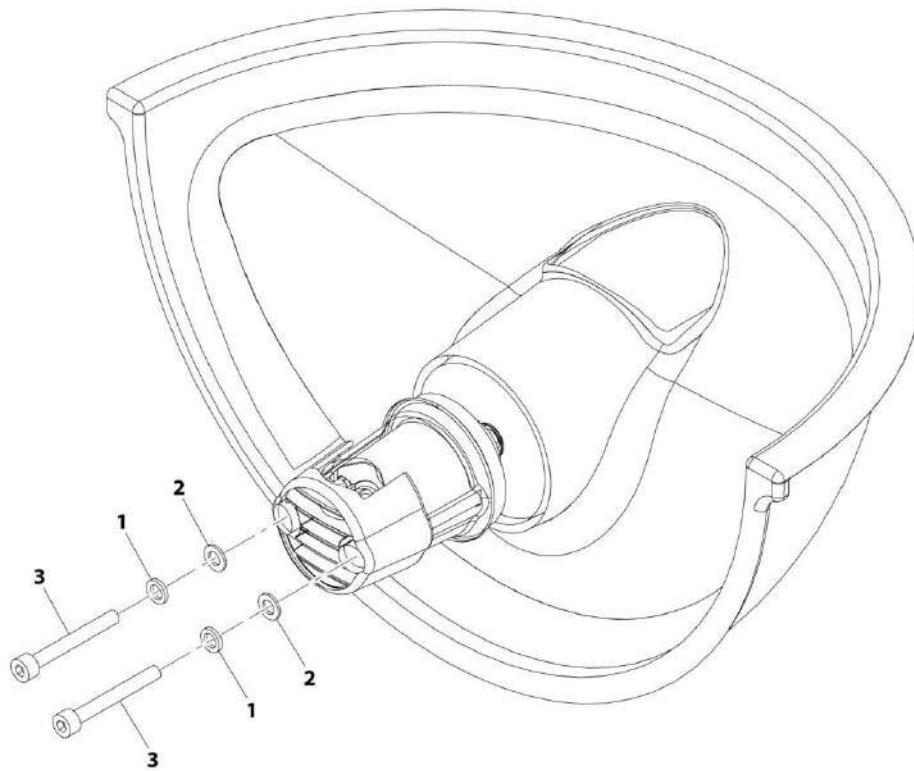
SECTION 1 - FRAME AND ATTACHING PARTS

FIGURE 1-11. REAR CONVEX MIRROR INSTALLATION

ITEM	PART NUMBER	QTY	DESCRIPTION	REV
	1001200851	Ref	Rear Convex Mirror Installation	C
1	4712200	1	Washer, 3/4	
2	88501012	1	Hex Nut, 3/4-10	
3	1001008436	1	Mirror Assembly (See Separate Breakdown in this Section)	
4	1001208759	1	Rear Mount Mirror Bar	
5	0682220	1	Hex HD Capscrew, 3/4-10X2-1/2, GR8	

SECTION 1 - FRAME AND ATTACHING PARTS

FIGURE 1-12. MIRROR ASSEMBLY (CONVEX)



ART_1001008436-D

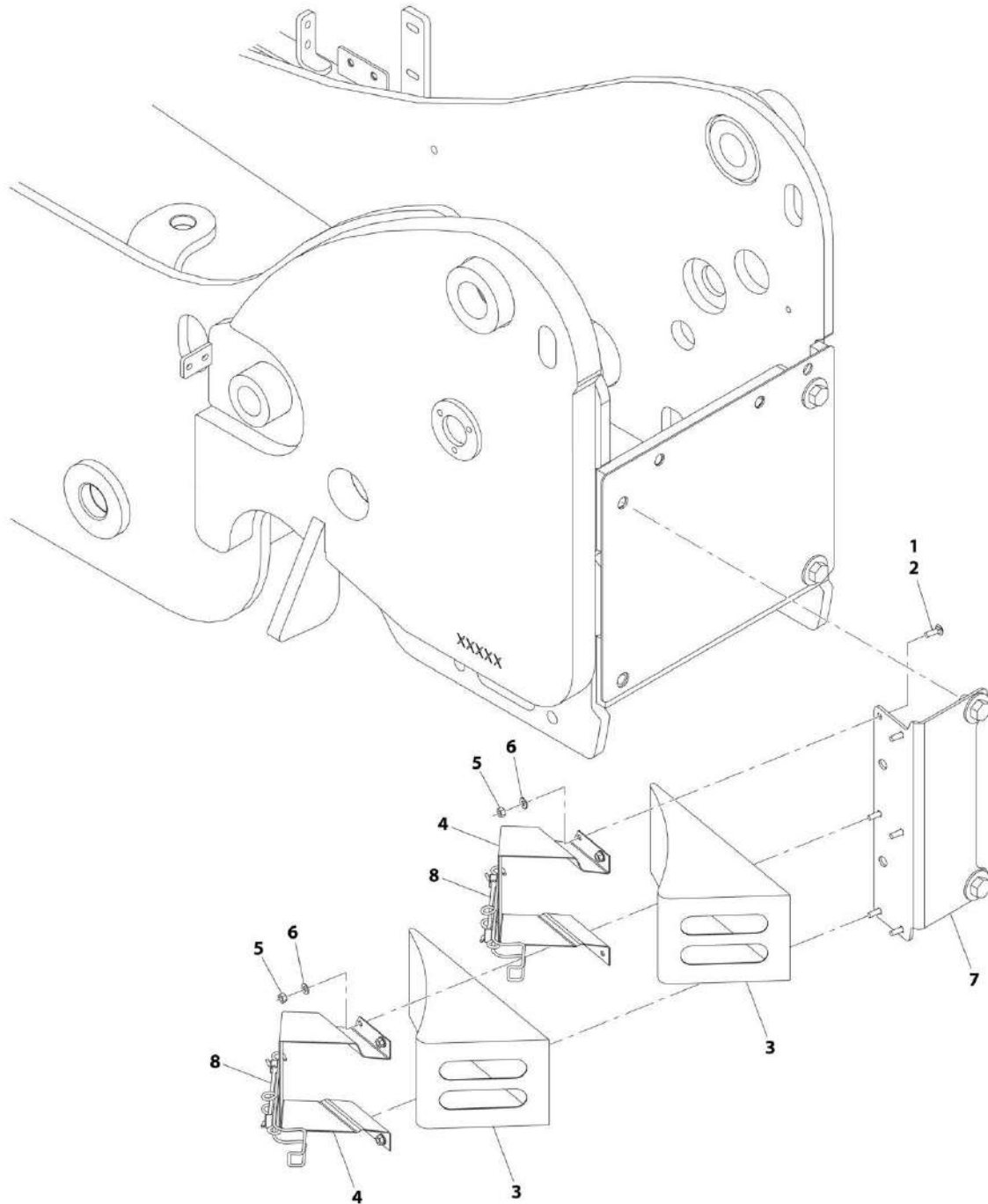
SECTION 1 - FRAME AND ATTACHING PARTS

FIGURE 1-12. MIRROR ASSEMBLY (CONVEX)

ITEM	PART NUMBER	QTY	DESCRIPTION	REV
	1001008436	1	Mirror Assembly (Convex)	D
1	1001008475	2	Washer, Lock	
2	1001009062	2	Washer	
3	1001010838	2	Bolt	

SECTION 1 - FRAME AND ATTACHING PARTS

FIGURE 1-13. WHEEL CHOCKS



ART_1001201527-B

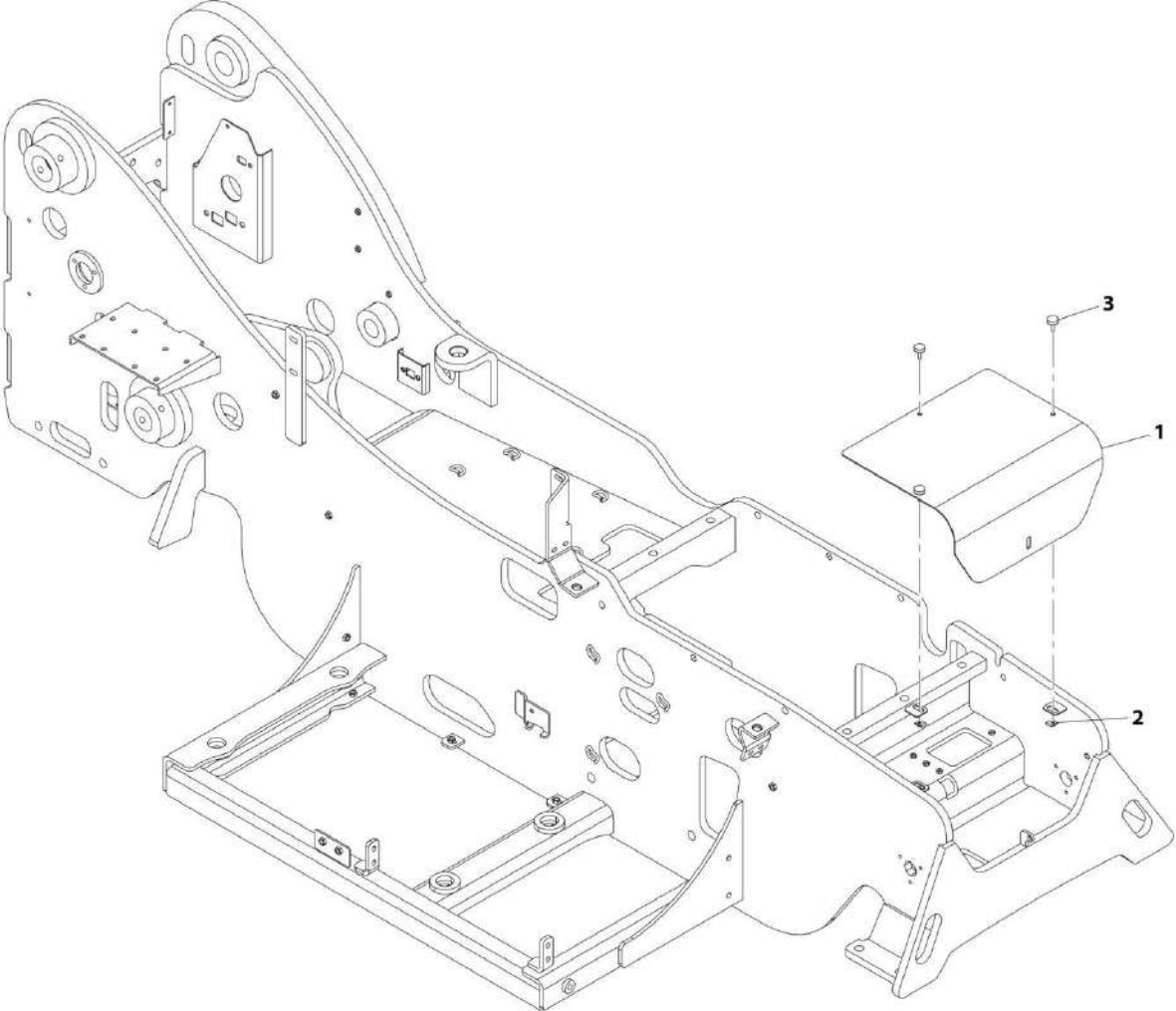
SECTION 1 - FRAME AND ATTACHING PARTS

FIGURE 1-13. WHEEL CHOCKS

ITEM	PART NUMBER	QTY	DESCRIPTION	REV
	1001201527	Ref	Wheel Chocks	B
1	0100011	AR	Loctite 242	
2	0630383	6	Bolt, Carriage	
3	806253	2	Wedge Assembly	
4	806264	2	Wedge Holder	
5	3311501	6	Hex Nut, 5/16-18, GR2	
6	4711500	6	Washer, 5/16	
7	1001201526	1	Wheel Chock Mounting	
8	1060628	2	Tie Down Cable	

SECTION 1 - FRAME AND ATTACHING PARTS

FIGURE 1-14. BATTERY COVER INSTALLATION



ART_1001200247-B

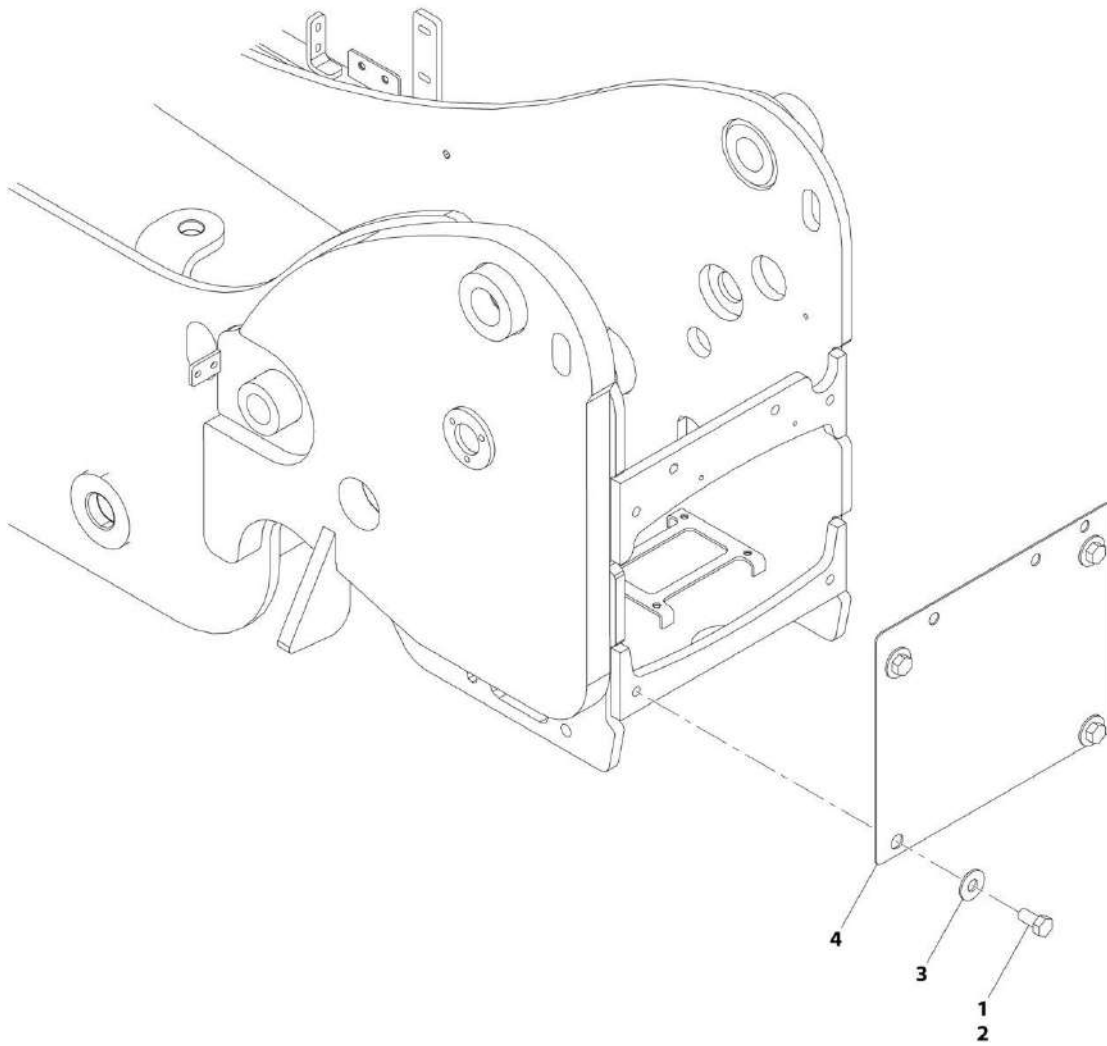
SECTION 1 - FRAME AND ATTACHING PARTS

FIGURE 1-14. BATTERY COVER INSTALLATION

ITEM	PART NUMBER	QTY	DESCRIPTION	REV
	1001200247	Ref	Battery Cover Installation	B
1	1001198349	1	Battery Cover	
2	1001130220	3	Tinnerman Nut, M6	
3	1001151183	3	Thumb Screw, M6-1X25.4	

SECTION 1 - FRAME AND ATTACHING PARTS

FIGURE 1-15. REAR COVER PLATE INSTALLATION, (NO HITCH)



ART_1001200598-D

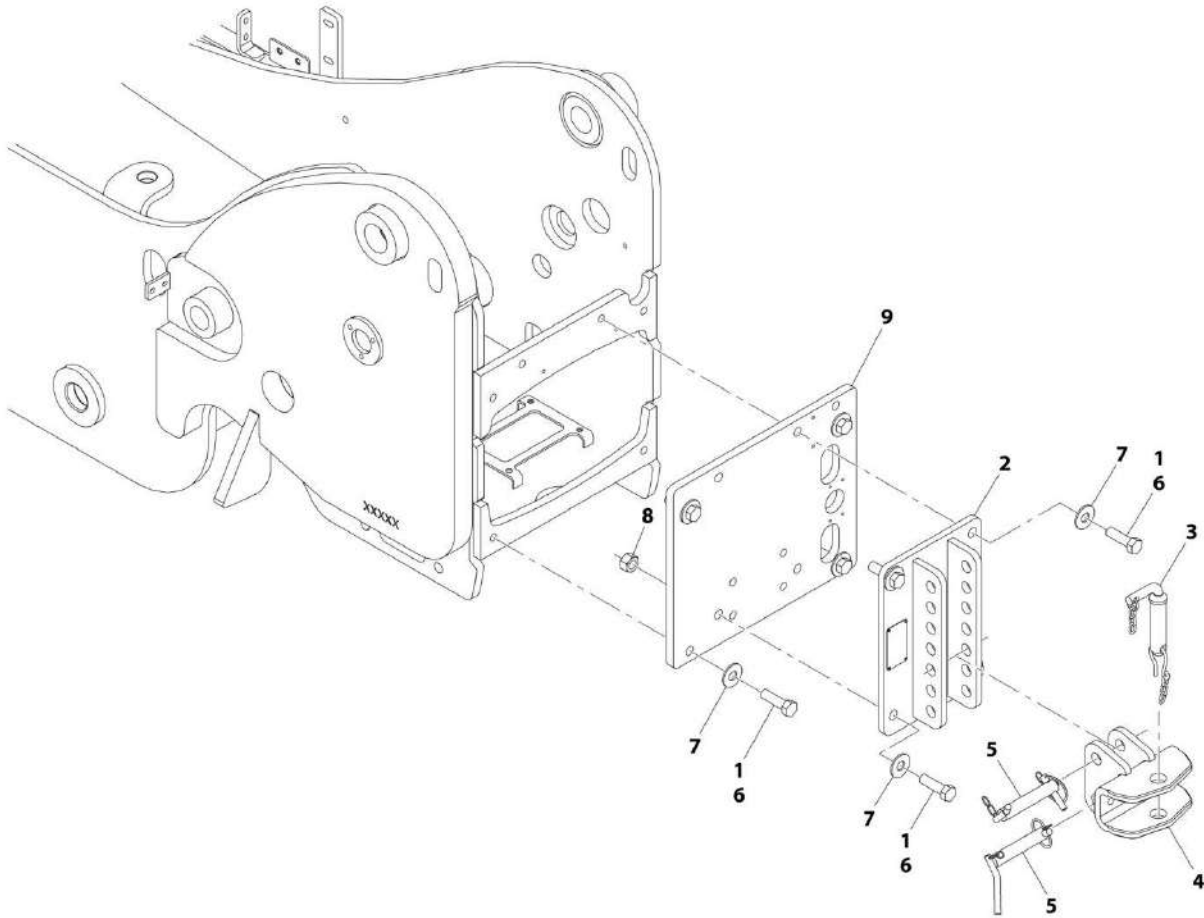
SECTION 1 - FRAME AND ATTACHING PARTS

FIGURE 1-15. REAR COVER PLATE INSTALLATION, (NO HITCH)

ITEM	PART NUMBER	QTY	DESCRIPTION	REV
	1001200598	Ref	Rear Cover Plate Installation, (No Hitch)	D
1	0100011	AR	Loctite 242	
2	0642212	4	Hex HD Capscrew, 3/4 - 10X1-1/2	
3	4752200	4	Washer, 3/4	
4	1001197490	1	Plate, Rear	

SECTION 1 - FRAME AND ATTACHING PARTS

FIGURE 1-16. HITCH INSTALLATION, MECHANICAL



ART_1001200599-B

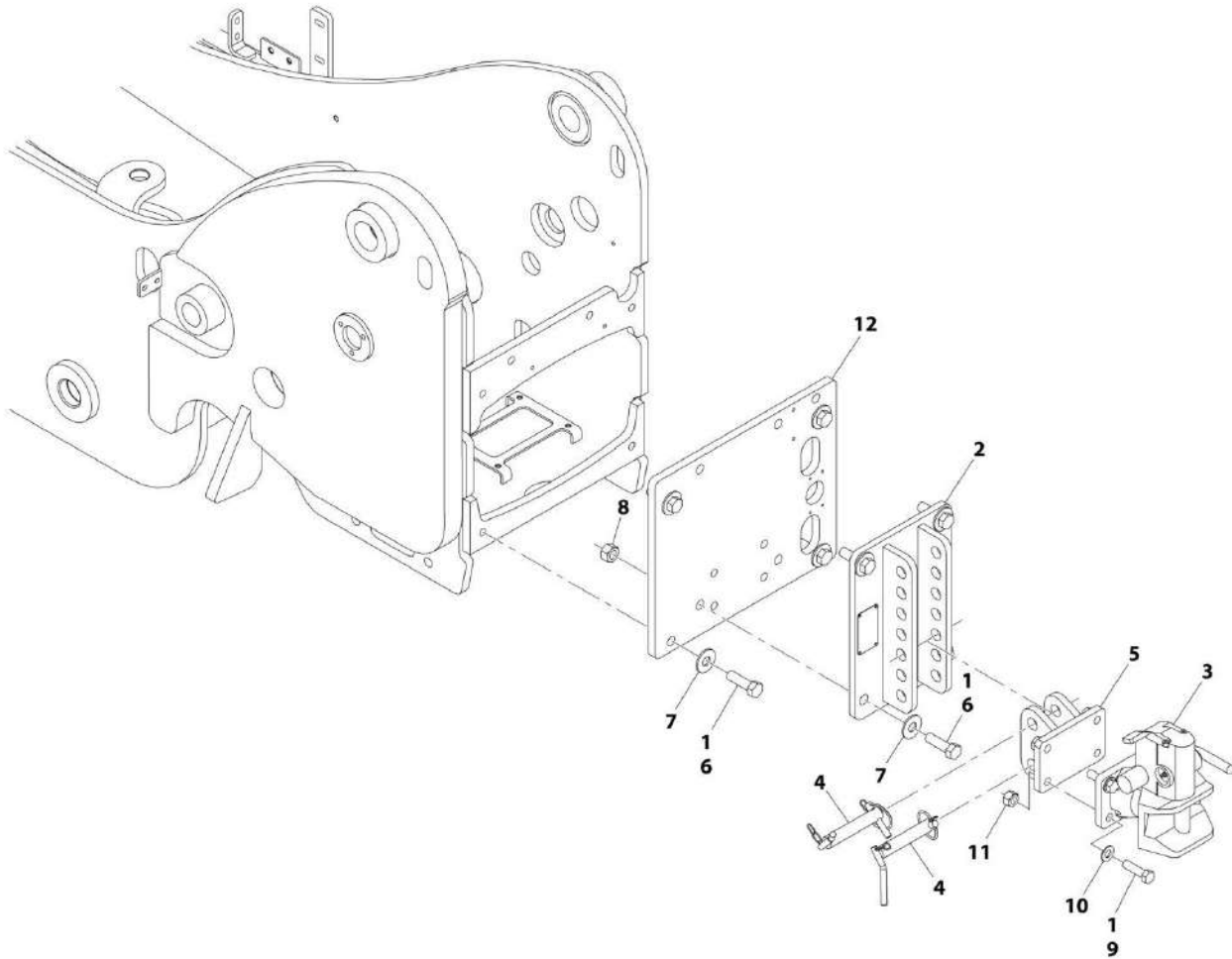
SECTION 1 - FRAME AND ATTACHING PARTS

FIGURE 1-16. HITCH INSTALLATION, MECHANICAL

ITEM	PART NUMBER	QTY	DESCRIPTION	REV
	1001200599	Ref	Hitch Installation, Mechanical	B
1	0100011	AR	Loctite 242	
2	0903083	1	Hitch Mounting Bracket	
3	3944574	1	Hitch Pin	
4	8010200	1	Hitch	
5	8010204	2	Hitch Mounting Pin	
6	0682220	8	Hex HD Capscrew, 3/4-10X2-1/2, GR8	
7	4752200	8	Washer, 3/4	
8	88501012	2	Hex Nut, 3/4-10	
9	1001200378	1	Plate, Rear Hitch Mount	

SECTION 1 - FRAME AND ATTACHING PARTS

FIGURE 1-17. HITCH INSTALLATION, MECHANICAL, AUTOMATIC



ART_1001200600-B

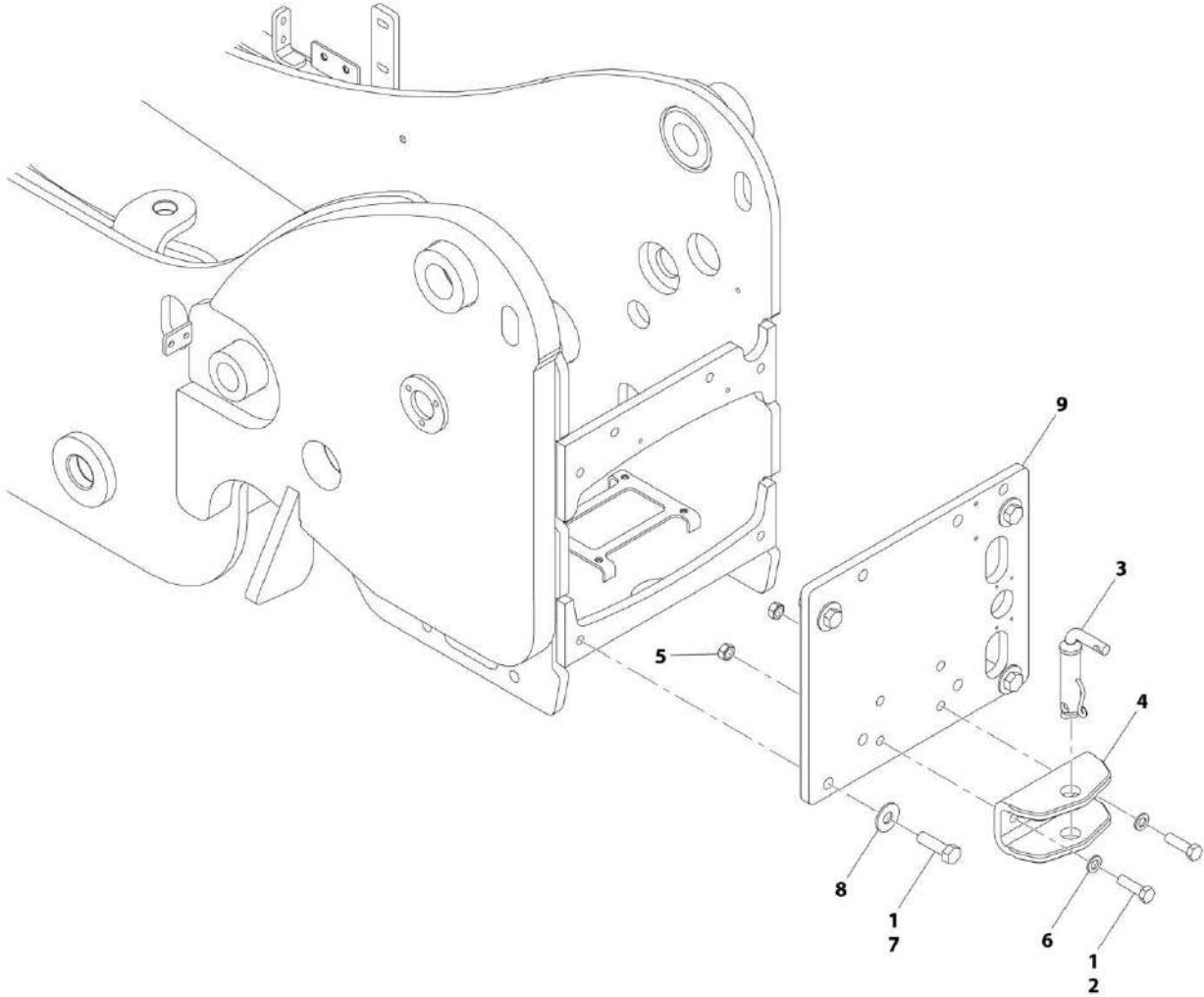
SECTION 1 - FRAME AND ATTACHING PARTS

FIGURE 1-17. HITCH INSTALLATION, MECHANICAL, AUTOMATIC

ITEM	PART NUMBER	QTY	DESCRIPTION	REV
	1001200600	Ref	Hitch Install, Mechanical, Automatic	B
1	0100011	AR	Loctite 242	
2	0903083	1	Hitch Mounting Bracket	
3	8002789	1	Automatic Hitch	
4	8010204	2	Hitch Mounting Pin	
5	8010234	1	Hitch Adapter	
6	0682220	8	Hex HD Capscrew, 3/4-10X2-1/2, GR8	
7	4752200	8	Washer, 3/4	
8	88501012	2	Hex Nut, 3/4-10	
9	0682018	4	Hex HD Capscrew, 5/8-11X2-1/4, GR8	
10	4712000	4	Washer, 5/8	
11	88501010	4	Hex Nut, 5/8-11	
12	1001200378	1	Plate, Rear Hitch Mount	

SECTION 1 - FRAME AND ATTACHING PARTS

FIGURE 1-18. HITCH INSTALLATION



ART_1001200601-B

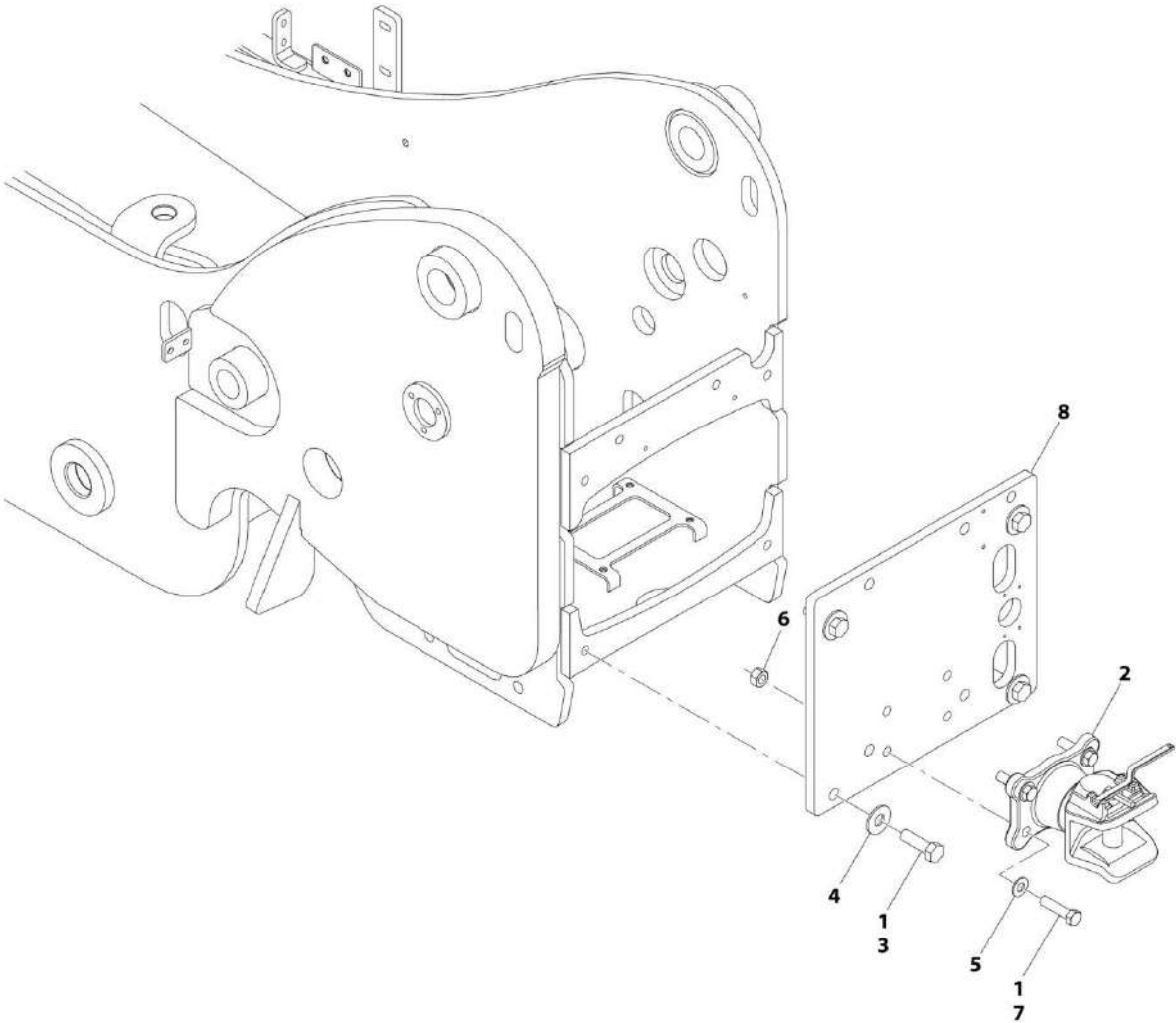
SECTION 1 - FRAME AND ATTACHING PARTS

FIGURE 1-18. HITCH INSTALLATION

ITEM	PART NUMBER	QTY	DESCRIPTION	REV
	1001200601	Ref	Hitch Installation	B
1	0100011	AR	Loctite 242	
2	0771619	2	Hex HD Capscrew, M16X55, GR10.9	
3	3944574	1	Hitch Pin	
4	4804533	1	Hitch	
5	4805921	2	Hex Nut, M16X2	
6	4812300	2	Washer, M16	
7	0682220	4	Hex HD Capscrew, 3/4-10X2-1/2, GR8	
8	4752200	4	Washer, 3/4	
9	1001200378	1	Plate, Rear Hitch Mount	

SECTION 1 - FRAME AND ATTACHING PARTS

FIGURE 1-19. HITCH INSTALLATION - EEC



ART_1001200602-B

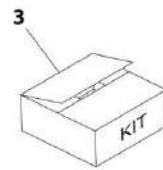
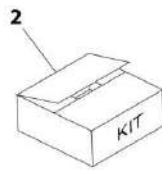
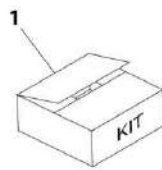
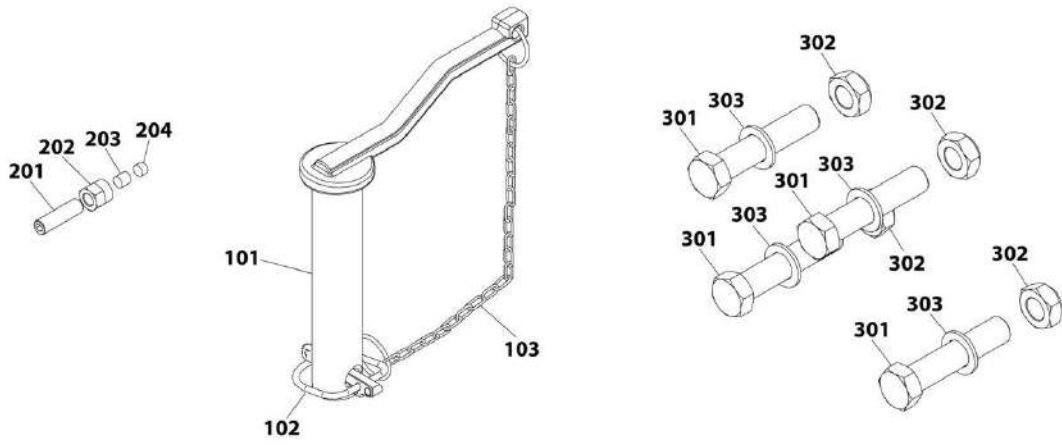
SECTION 1 - FRAME AND ATTACHING PARTS

FIGURE 1-19. HITCH INSTALLATION - EEC

ITEM	PART NUMBER	QTY	DESCRIPTION	REV
	1001200602	Ref	Hitch Installation - EEC	B
1	0100011	AR	Loctite 242	
2	1001110849	1	Hitch Assembly, (EEC) (See Separate Breakdown in this Section)	
3	0682220	4	Hex HD Capscrew, 3/4-10X2-1/2, GR8	
4	4752200	4	Washer, 3/4	
5	4712000	4	Washer, 5/8	
6	88501010	4	Hex Nut, 5/8-11	
7	83201102	4	Hex HD Capscrew, 5/8-11X2-1/2	
8	1001200378	1	Plate, Rear Hitch Mount	

SECTION 1 - FRAME AND ATTACHING PARTS

FIGURE 1-20. HITCH ASSEMBLY (FIXED)



ART_1001110849-B

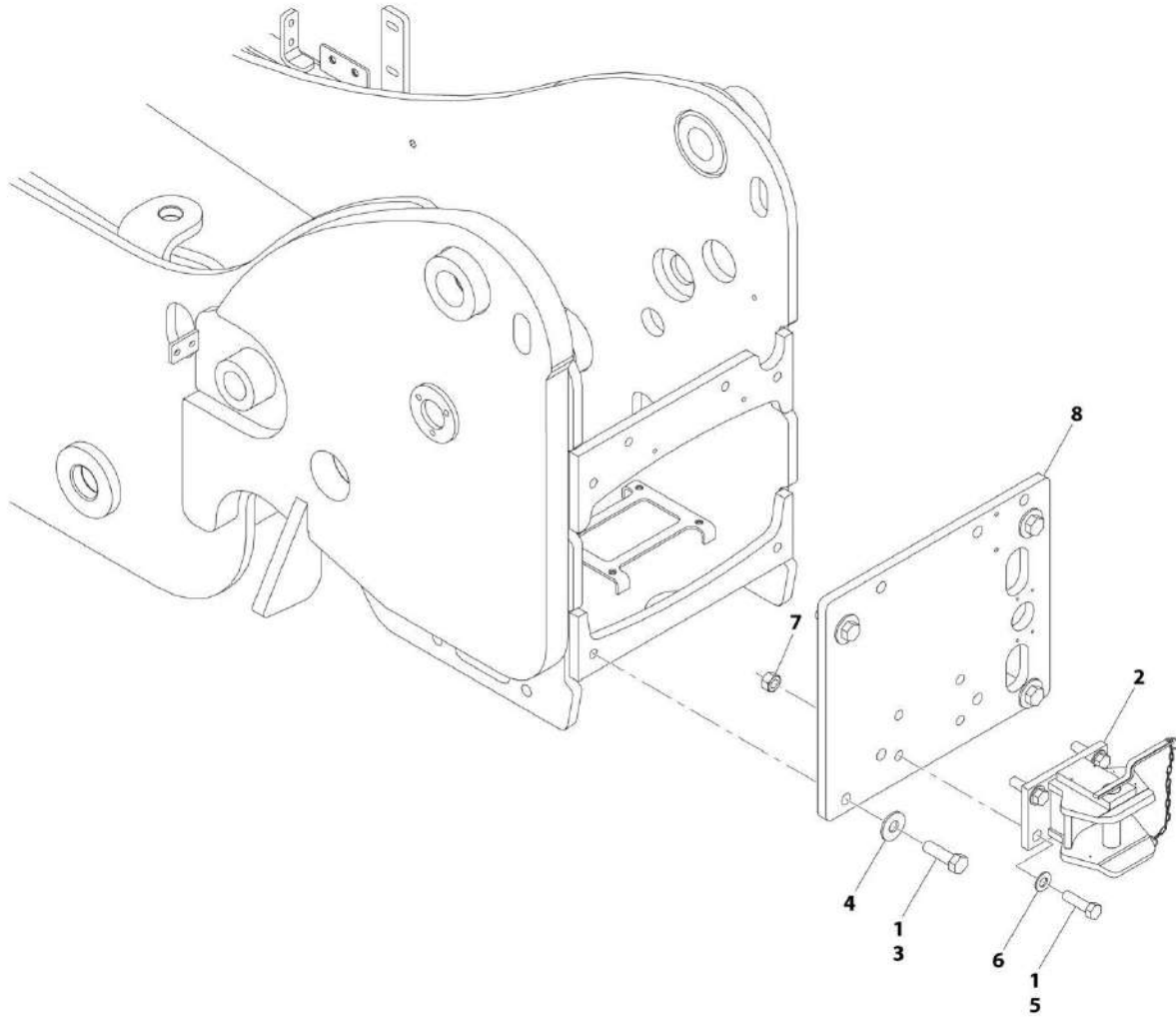
SECTION 1 - FRAME AND ATTACHING PARTS

FIGURE 1-20. HITCH ASSEMBLY (FIXED)

ITEM	PART NUMBER	QTY	DESCRIPTION	REV
	1001110849	Ref	Hitch Assembly (Fixed)	B
1	70027178	1	Kit, Towing Pin (includes items 101 thru 103)	
2	70027176	1	Kit, Friction (includes items 201 thru 204)	
3	70027177	1	Kit, Screws (includes items 301 thru 303)	
101	Kit	1	Pin	
102	Kit	1	Chain, Safety	
103	Kit	1	Pin, Safety	
201	Kit	1	Screw, M16X80	
202	Kit	1	Nut, M10	
203	Kit	1	Insert	
204	Kit	1	Insert	
301	Kit	4	Screw, M16X80	
302	Kit	4	Nut, M16	
303	Kit	4	Washer	

SECTION 1 - FRAME AND ATTACHING PARTS

FIGURE 1-21. HITCH INSTALLATION - CUNA-C



ART_1001200603-B

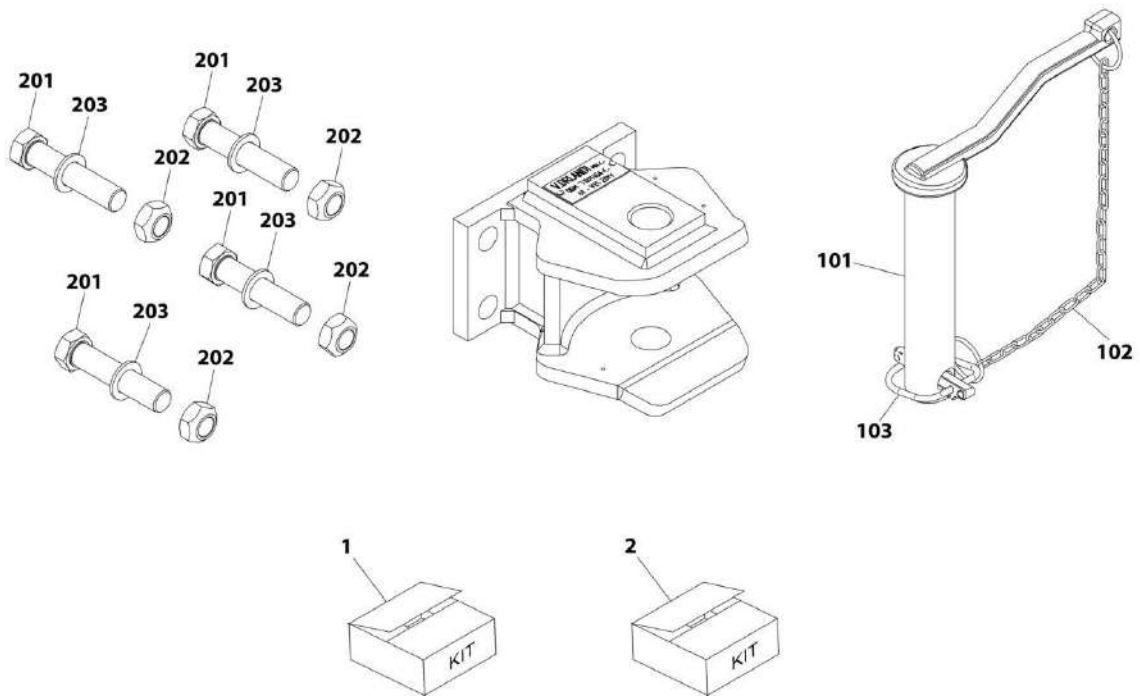
SECTION 1 - FRAME AND ATTACHING PARTS

FIGURE 1-21. HITCH INSTALLATION - CUNA-C

ITEM	PART NUMBER	QTY	DESCRIPTION	REV
	1001200603	Ref	Hitch Installation - Cuna-C	B
1	0100011	1	Loctite 242	
2	2620052	1	Hitch, 6M TON, (CUNA-C), (See Separate Breakdown in this Section)	
3	0682220	1	Hex HD Capscrew, 3/4-10X2-1/2, GR8	
4	4752200	1	Washer, 3/4	
5	0682018	1	Hex HD Capscrew, 5/8-11X2-1/4, GR8	
6	4712000	1	Washer, 5/8	
7	88501010	1	Hex Nut, 5/8-11	
8	1001200378	1	Plate, Rear Hitch Mount	

SECTION 1 - FRAME AND ATTACHING PARTS

FIGURE 1-22. HITCH ASSEMBLY (CUNA-C)



ART_2620052-A

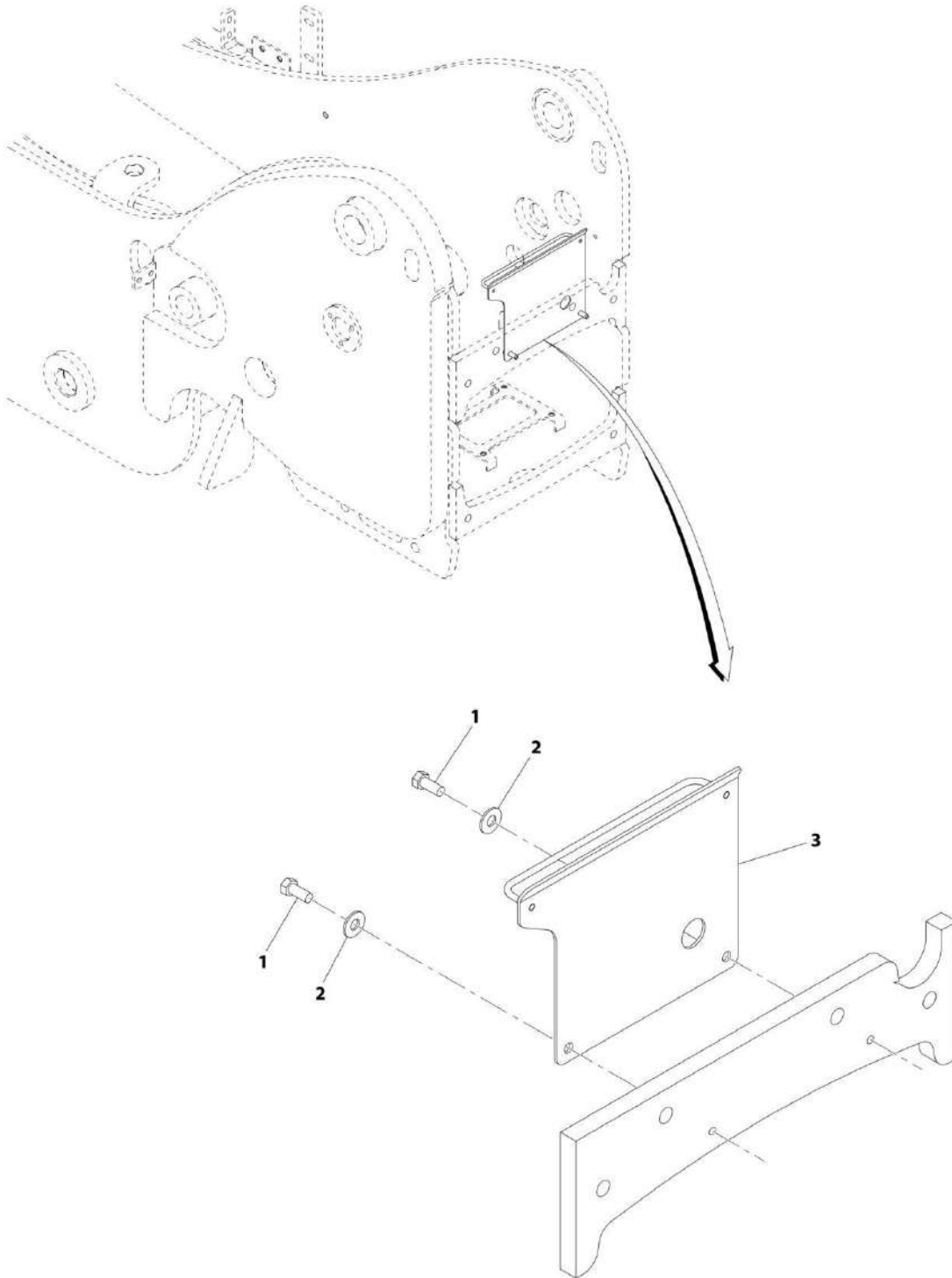
SECTION 1 - FRAME AND ATTACHING PARTS

FIGURE 1-22. HITCH ASSEMBLY (CUNA-C)

ITEM	PART NUMBER	QTY	DESCRIPTION	REV
	2620052	1	Hitch Assembly, (CUNA-C)	A
1	70022818	1	Towing Pin Kit, (Includes Items 101 thru 103)	
101	Kit	1	Pin	
102	Kit	1	Safety Chain	
103	Kit	1	Safety Pin	
2	70027176	1	Screw Kit, (Includes Items 201 thru 203)	
201	Kit	4	Screw, M16X80	
202	Kit	4	Nut, M16	
203	Kit	4	Washer	

SECTION 1 - FRAME AND ATTACHING PARTS

FIGURE 1-23. LICENSE HOLDER INSTALLATION, SMALL



ART_1001233572-B

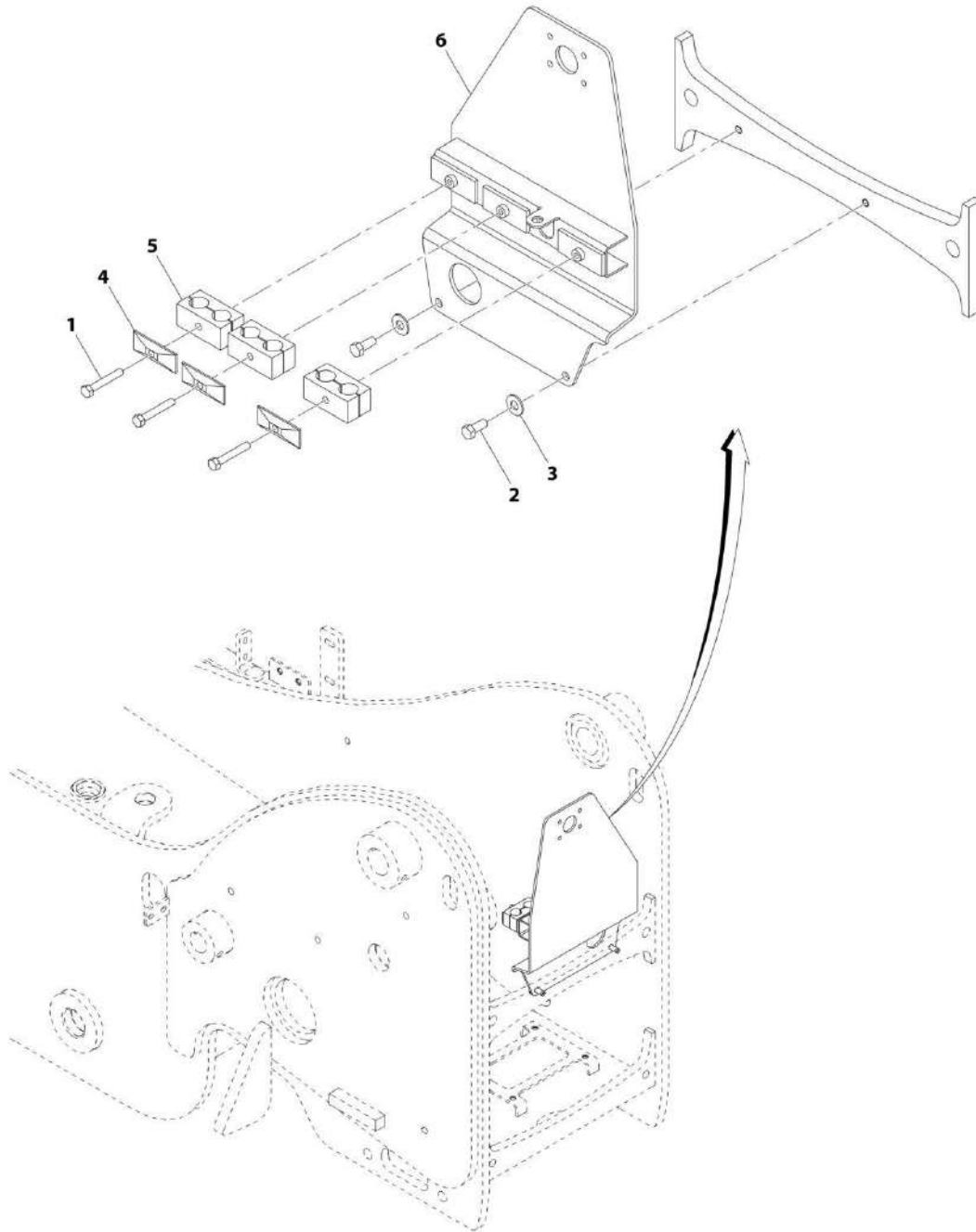
SECTION 1 - FRAME AND ATTACHING PARTS

FIGURE 1-23. LICENSE HOLDER INSTALLATION, SMALL

ITEM	PART NUMBER	QTY	DESCRIPTION	REV
	1001233572	Ref	License Holder Installation, Small	B
1	0641607	2	Hex HD Capscrew, 3/8-16X7/8, GR5	
2	4751600	2	Washer, 3/8	
3	1001232719	1	Support, Boom Hose Guide	

SECTION 1 - FRAME AND ATTACHING PARTS

FIGURE 1-24. LICENSE HOLDER INSTALLATION, LARGE



ART_1001160823-A

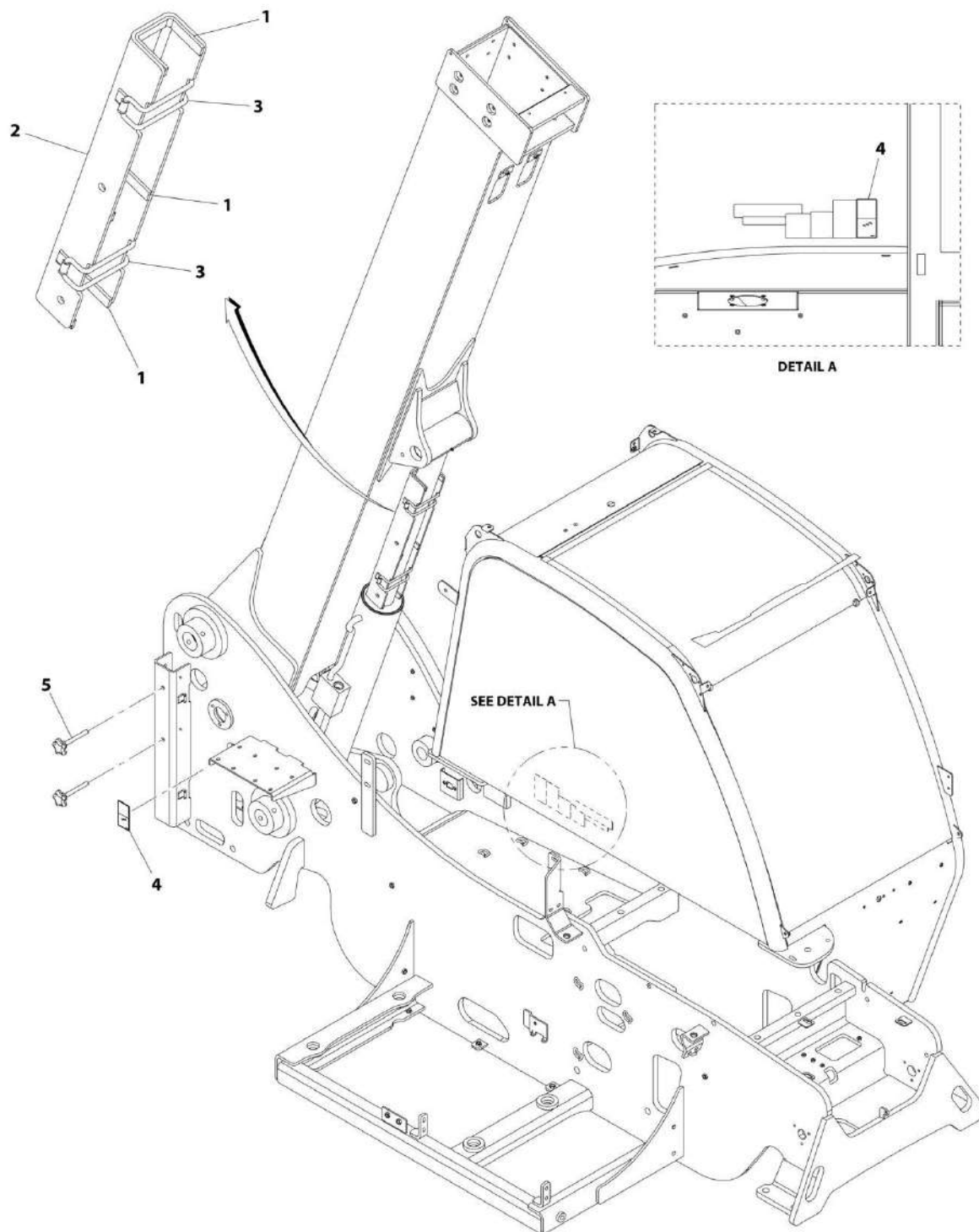
SECTION 1 - FRAME AND ATTACHING PARTS

FIGURE 1-24. LICENSE HOLDER INSTALLATION, LARGE

ITEM	PART NUMBER	QTY	DESCRIPTION	REV
	1001160823	Ref	License Holder Install, Larger	A
1	0641516	3	Hex HD Capscrew, 5/16-18X2, GR5	
2	0641607	2	Hex HD Capscrew, 3/8-16X7/8	
3	4751600	2	Washer, 3/8	
4	77133137	3	Cover Plate	
5	77323029	3	Clamp Set	
6	1001160113	1	License Bracket Hose Clamp Support	

SECTION 1 - FRAME AND ATTACHING PARTS

FIGURE 1-25. LIFT CYLINDER PROP SUPPORT



ART_1001201659-A

SECTION 1 - FRAME AND ATTACHING PARTS

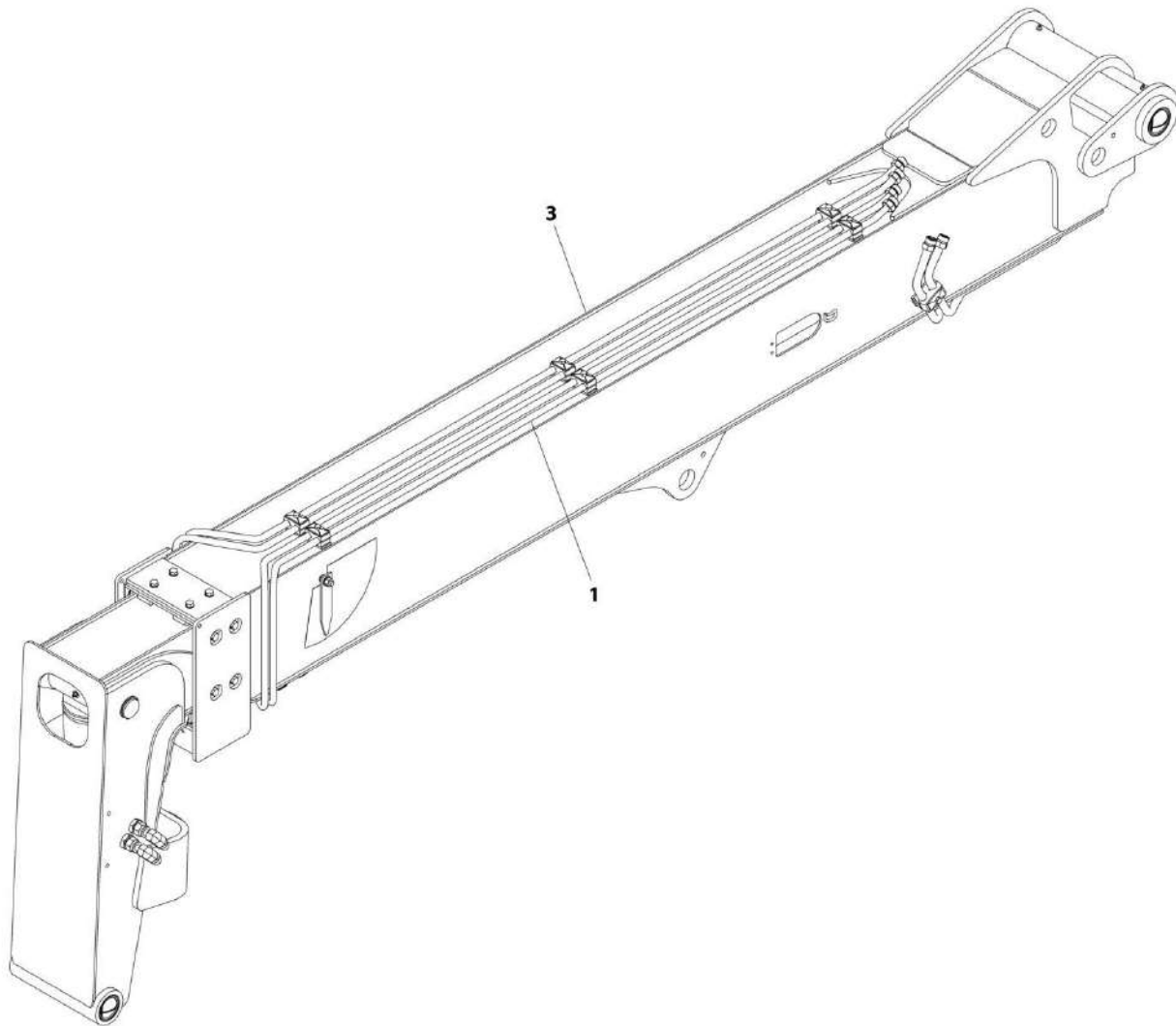
FIGURE 1-25. LIFT CYLINDER PROP SUPPORT

ITEM	PART NUMBER	QTY	DESCRIPTION	REV
	1001201659	Ref	Lift Cylinder Lock Installation	A
1	909304	640 mm	Rubber Profile, 18X5mm	
2	1271599	1	Lift Cylinder Lock Weldment	
3	1784861	2	O-Ring	
4	8005671	2	Cylinder Lock Warning Decal	
5	1001099887	2	Handle Screw, 12X103mm	

SECTION 2 - BOOM

SECTION 2 - BOOM

FIGURE 2-1. BOOM ASSEMBLY INSTALLATION, STD W/AUX



ART_1001233661-B

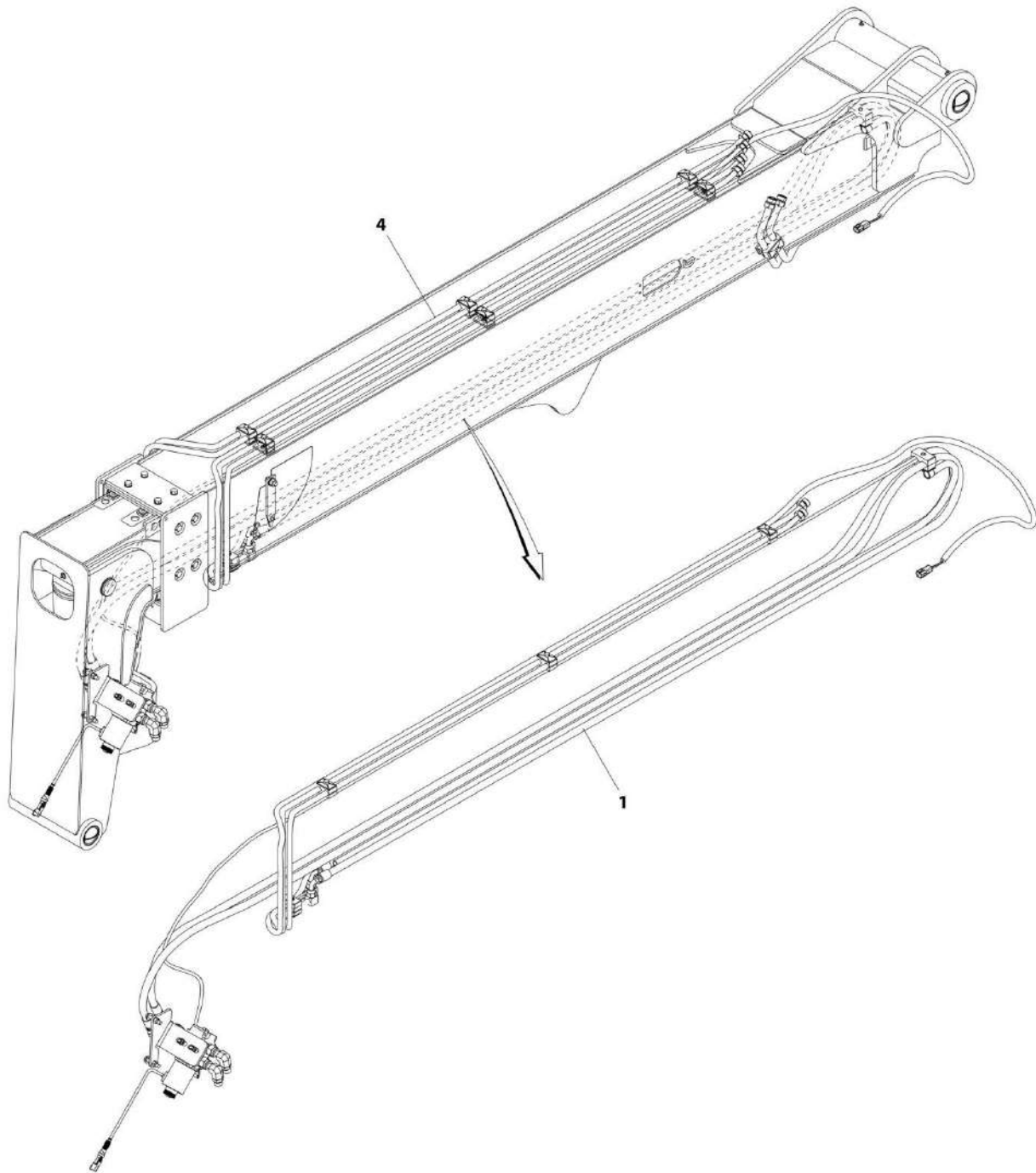
SECTION 2 - BOOM

FIGURE 2-1. BOOM ASSEMBLY INSTALLATION, STD W/AUX

ITEM	PART NUMBER	QTY	DESCRIPTION	REV
1	1001233661	Ref	Boom Assembly Installation, STD W/AUX	B
	1001237192	Ref	Installation, Standard Auxiliary Hydraulics (See Separate Breakdown in HYDRAULIC CIRCUITS Section)	
3	1001233660	Ref	Installation, Boom W/O Auxiliary (See Separate Breakdown in this Section)	

SECTION 2 - BOOM

FIGURE 2-2. BOOM ASSEMBLY INSTALLATION, W/AUX FOR QS



ART_1001233662-B

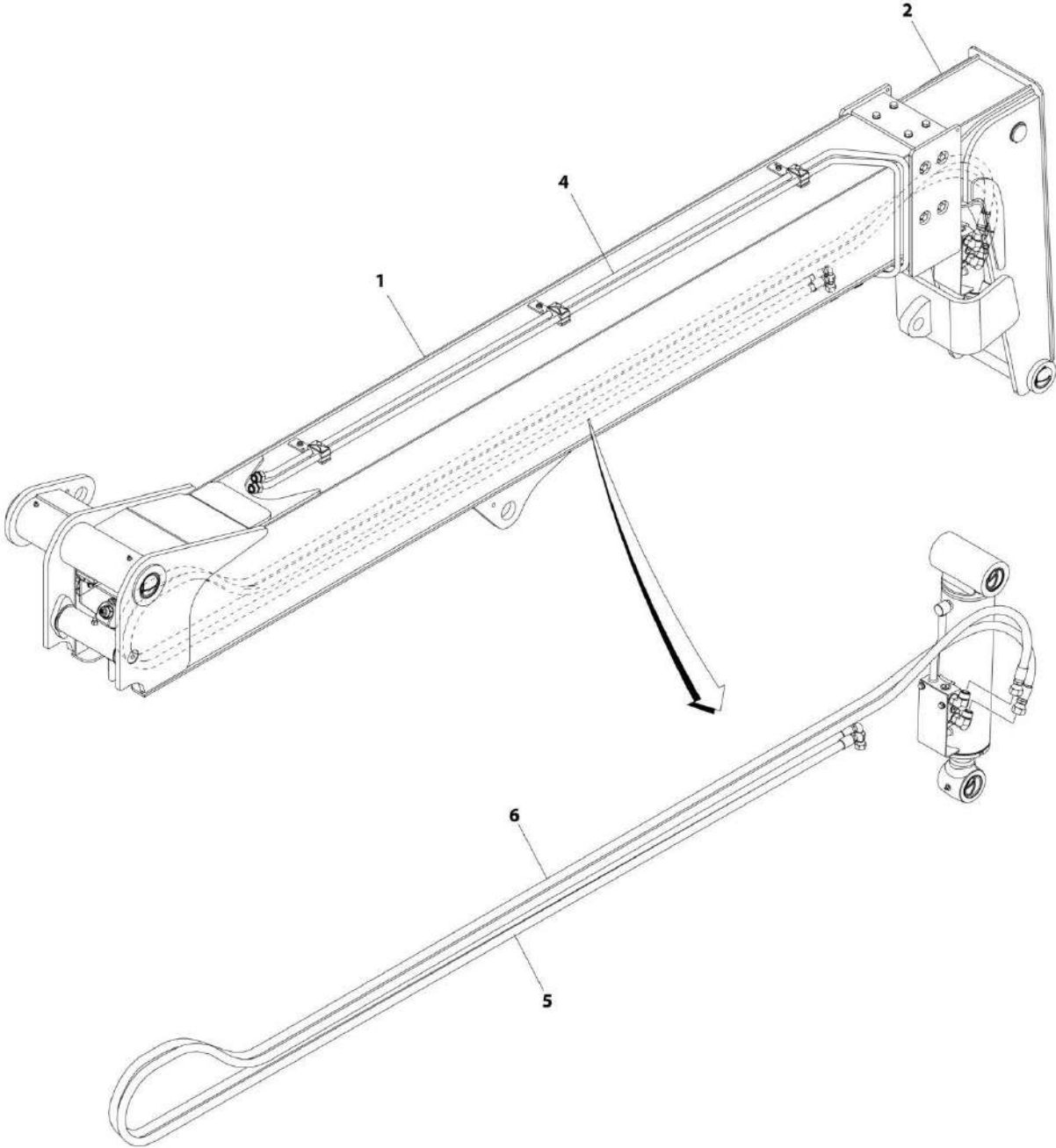
SECTION 2 - BOOM

FIGURE 2-2. BOOM ASSEMBLY INSTALLATION, W/AUX FOR QS

ITEM	PART NUMBER	QTY	DESCRIPTION	REV
1	1001233662	Ref	Boom Assembly Installation, W/AUX for QS	B
	1001237214	Ref	Installation, Auxiliary Hydraulics W/Quick Switch (See Separate Breakdown in HYDRAULIC CIRCUITS Section)	
4	1001233660	Ref	Installation, Boom W/O Auxiliary Assembly (See Separate Breakdown in this Section)	

SECTION 2 - BOOM

FIGURE 2-3. BOOM INSTALLATION, W/O AUX



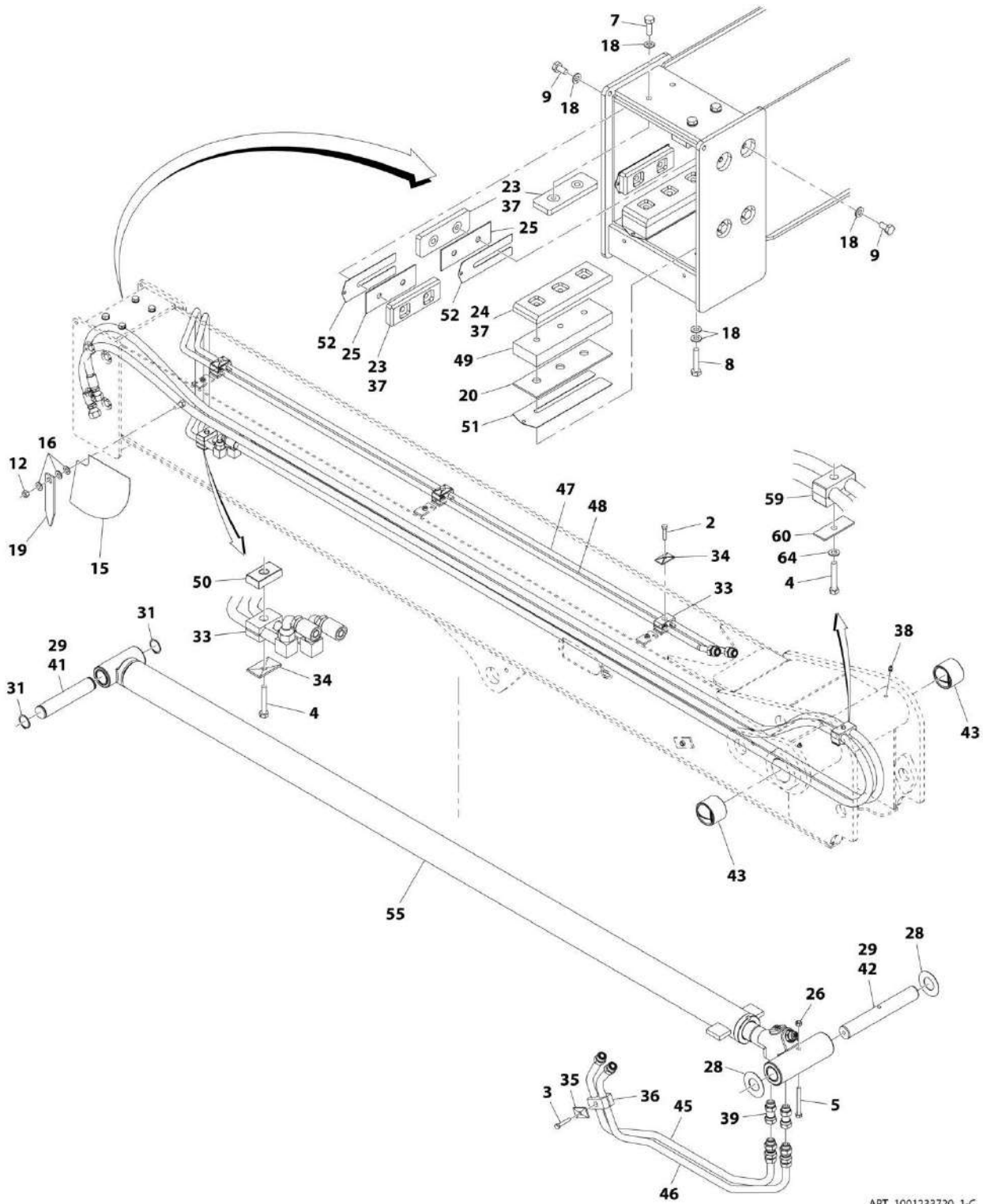
ART_1001233660-B

FIGURE 2-3. BOOM INSTALLATION, W/O AUX

ITEM	PART NUMBER	QTY	DESCRIPTION	REV
	1001233660	Ref	Boom Assembly Installation, W/O Auxiliary	B
1	1001130338	1	First Boom Section	
2	1001228447	1	Second Boom Section	
4	1001233720	Ref	Installation, Boom Assembly (See Separate Breakdown in this Section)	
5	1001236782	1	Hose	
6	1001236783	1	Hose	

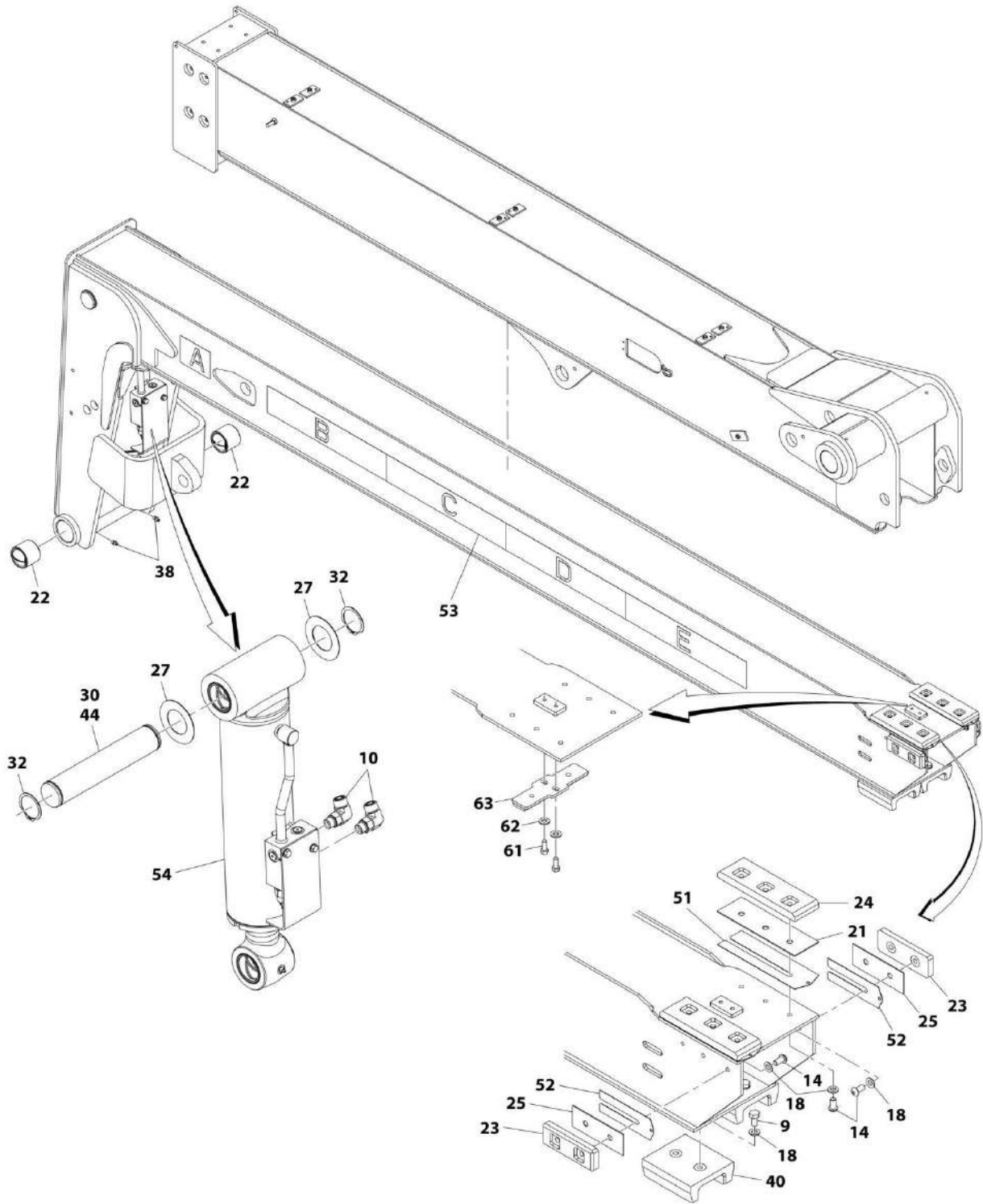
SECTION 2 - BOOM

FIGURE 2-4. BOOM W/O AUXILIARY HYDRAULIC INSTALLATION



ART_1001233720_1-C

SECTION 2 - BOOM



ART_1001233720_2-C

SECTION 2 - BOOM

FIGURE 2-4. BOOM W/O AUXILIARY HYDRAULIC INSTALLATION

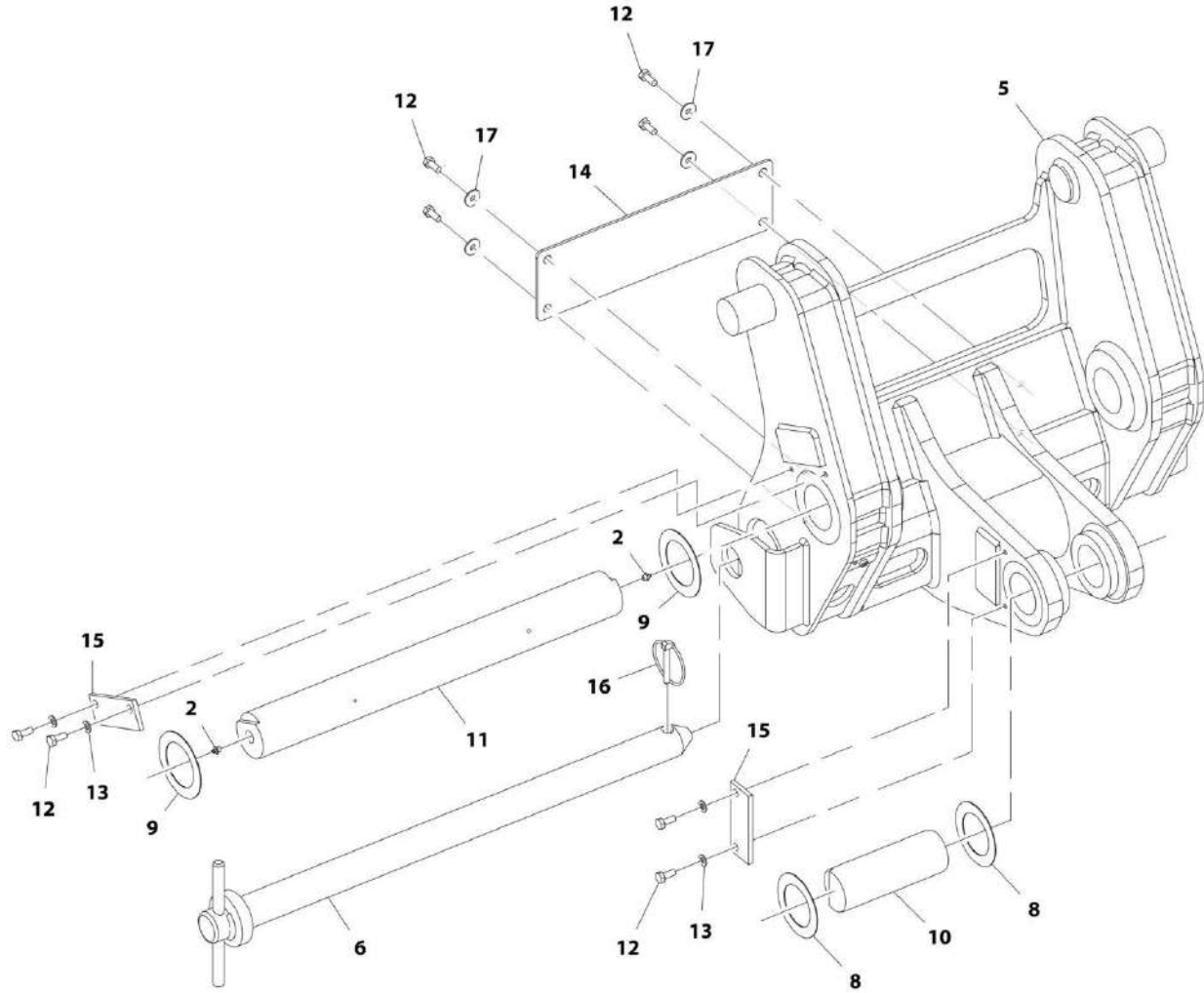
ITEM	PART NUMBER	QTY	DESCRIPTION	REV
	1001233720	Ref	Boom W/O Auxiliary Hydraulic Installation	C
2	0641512	3	Hex HD Capscrew, 5/16-18X1-1/2, GR5	
3	0641514	1	Hex HD Capscrew, 5/16-18X1-3/4, GR5	
4	0641516	2	Hex HD Capscrew, 5/16-18X2, GR5	
5	0641628	1	Hex HD Capscrew, 3/8-16X3-1/2, GR5	
7	0701014	4	Bolt, M10X30	
8	0701018	6	Hex HD Capscrew, M10X50, GR8.8	
9	0761010	12	Hex HD Capscrew, M10X20, GR8.8	
10	2131008	2	Fitting, 90 ORFS	
12	3311705	1	Locknut, 7/16-14	
14	3900393	10	Button HD Capscrew, M10-1.5X20	
15	4105262	1	Boom Angle Decal	
16	4711700	3	Flat Washer, 7/16	
18	4812000	38	Washer, M10	
19	7075611	1	Boom Angle Indicator	
20	7082362	AR	Spacer	
21	7126182	AR	Spacer	
22	7126662	2	Chain Sheave Bushing	
23	7300032	8	Wear Pad	
24	7300034	4	Wear Pad	
25	7300518	AR	Spacer, 1.90mm	
26	8305645	1	Hex Locknut, 3/8-16	
27	8307904	AR	Shim Washer, 2X0.048X3	
28	8310160	AR	Shim Washer, 1.50X0.048X3.00	
29	8522012	AR	Anti-Seize Lube	
30	8522031	AR	Multi-Purpose Grease	
31	8642207	2	Retaining Ring, 1.50	
32	8642224	2	Retaining Ring, 2.00	
33	8769122	4	Clamp Set, 5/8 Dia	
34	8769123	4	Twin Cover Plate	
35	8769128	1	Twin Cover Plate	
36	8769139	1	Clamp Set, 3/4 Dia	
37	14404793	AR	Mystik Tetrimoly Grease	
38	88671001	4	Straight Lube Fitting, 1/8	
39	1001001556	2	Fitting, Straight ORFS	
40	1001080050	2	Wear Pad Channel Assy	
41	1001080116	1	Base Pin	
42	1001080117	1	Rod Pin	
43	1001080124	2	Bushing	
44	1001080152	1	Base Pin	
45	1001080203	1	Tube Assy	
46	1001080204	1	Tube Assy	
47	1001080205	1	Tube Assy	
48	1001080206	1	Tube Assy	
49	1001080391	2	Wear Pad Spacer	
50	1001080394	1	Twin Line Clamp Spacer	
51	1001096584	AR	Shim	
52	1001096585	AR	Shim	
53	1001099783	1	Boom Extend Decal	
54	1001200581	1	Cylinder, Tilt (See Separate Breakdown in Hydraulic Components)	

SECTION 2 - BOOM

ITEM	PART NUMBER	QTY	DESCRIPTION	REV
55	1001201668	1	Section) Cylinder, Extend/Retract (See Separate Breakdown in HYDRAULIC COMPONENT Section)	
59	77133136	1	Set Clamp	
60	77133137	1	Cover Plate	
61	0760810	2	Hex HD Capscrew, M8X20, GR8.8	
62	4811900	2	Washer, M8	
63	1001238317	1	Bracket	
64	4711500	1	Washer, 5/16	

SECTION 2 - BOOM

FIGURE 2-5. COUPLER INSTALLATION (MANUAL)



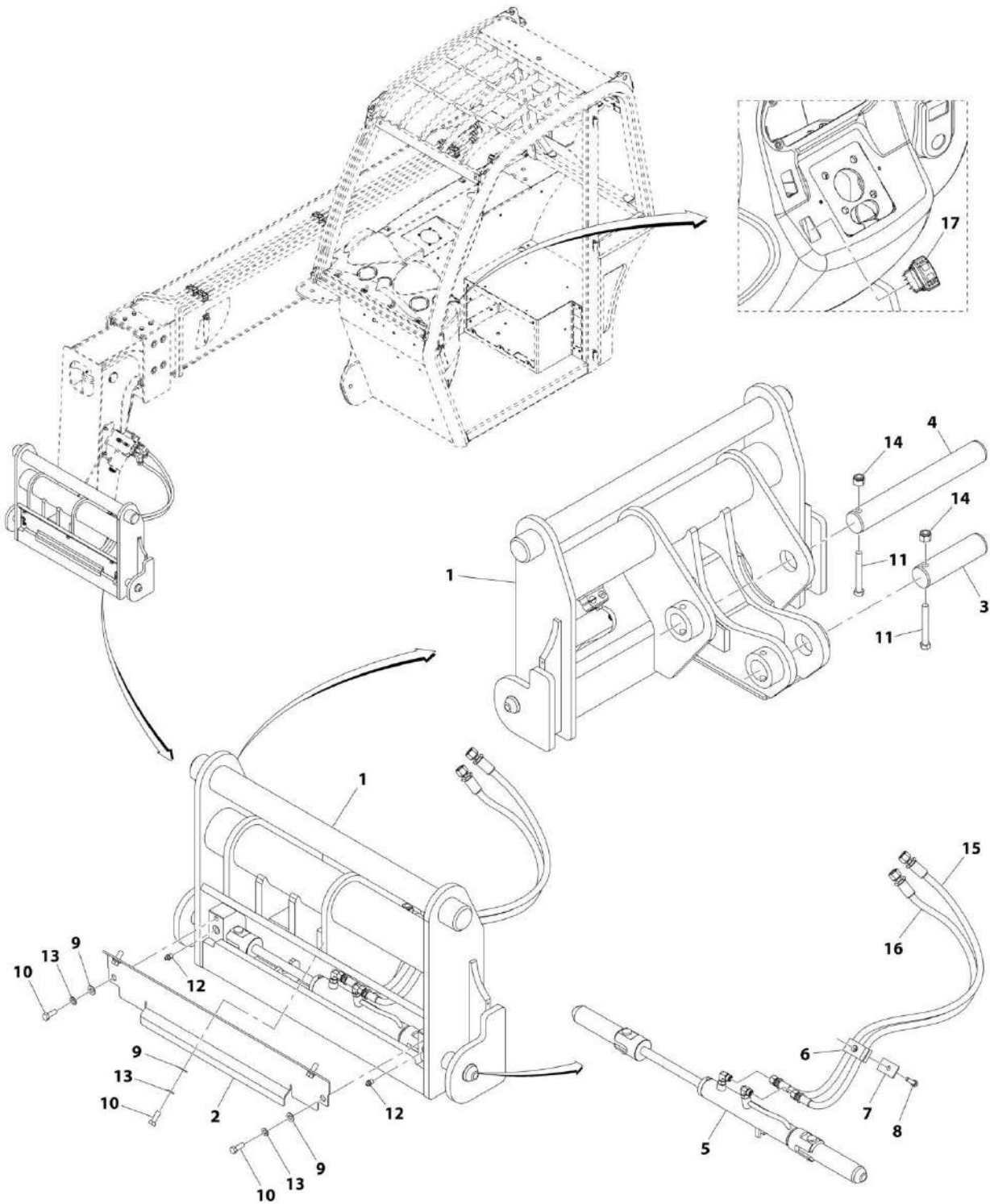
ART_1001174104-G

FIGURE 2-5. COUPLER INSTALLATION (MANUAL)

ITEM	PART NUMBER	QTY	DESCRIPTION	REV
	1001174104	Ref	Coupler Installation (Manual)	G
2	2160016	2	Fitting, Grease	
5	1001187820	1	Coupling, Manual	
6	1001187821	1	Pin	
8	1001187847	AR	Shim	
9	1001187848	AR	Shim	
10	1001190250	1	Pin, Tilt	
11	1001190264	1	Pin	
12	0761012	8	Bolt, M10X25	
13	4812000	4	Washer, M10	
14	1001200393	1	Plate, Front Cover	
15	1001210326	2	Plate	
16	1001003803	1	Pin	
17	4812002	4	Washer, M10	

SECTION 2 - BOOM

FIGURE 2-6. COUPLER INSTALLATION (HYDRAULIC)



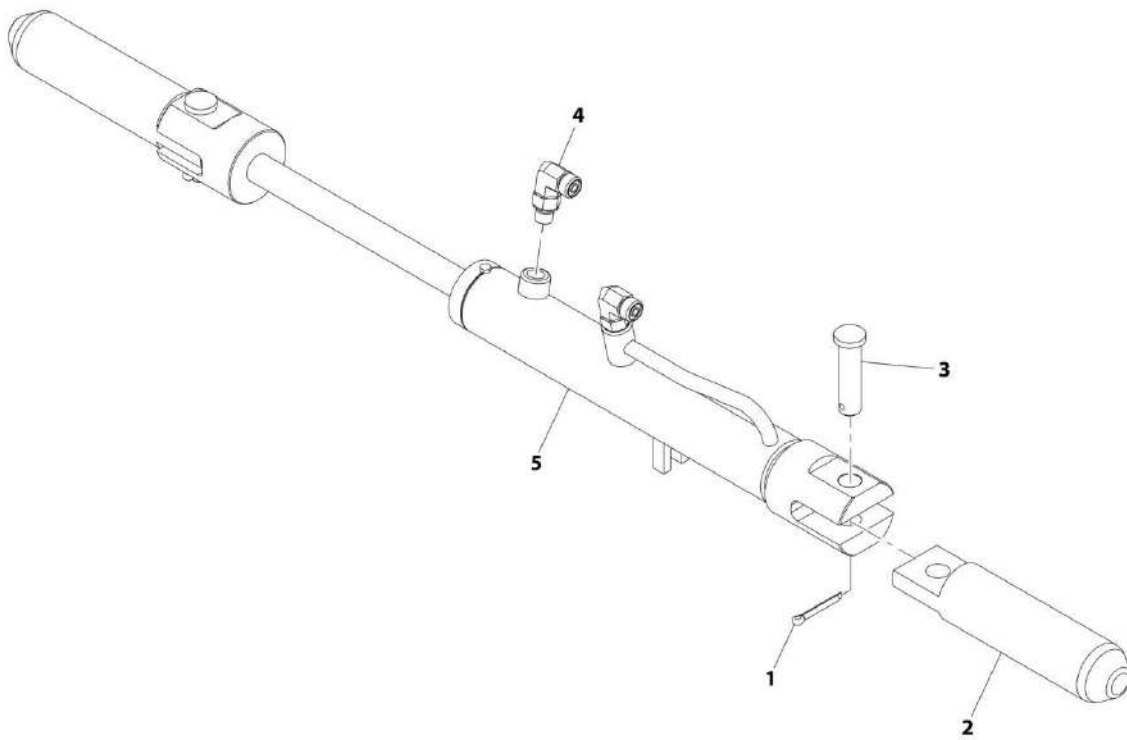
ART_1001097255-G

FIGURE 2-6. COUPLER INSTALLATION (HYDRAULIC)

ITEM	PART NUMBER	QTY	DESCRIPTION	REV
	1001097255	Ref	Coupler Installation (Hydraulic)	G
1	1001097252	1	Hydraulic Quick Coupler Weldment	
2	1001097628	1	Cover Plate	
3	1001097728	1	Fork Cylinder Rod Pin	
4	1001097729	1	Quick Coupler Pivot Pin	
5	1001080333	Ref	Fork Locking Cylinder Kit, (See Separate Breakdown in this Section)	
6	8769122	1	Twin Clamp Set	
7	8769123	1	Twin Cover Plate	
8	8303739	1	Hex HD Capscrew, 5/16-18X1-1/4	
9	4711600	5	Flat Washer, 3/8	
10	0641608	5	Hex HD Capscrew, 3/8-16X1, GR5	
11	0681832	2	Hex HD Capscrew, 1/2-13X4, GR8	
12	2160002	2	Grease Fitting	
13	4761600	5	Lockwasher, 3/8	
14	88521208	2	Locknut, 1/2-13	
15	1001080565	1	Hose Assy	
16	1001096730	1	Hose Assy	
17	1001080375	Ref	Quick Coupler Switch	

SECTION 2 - BOOM

FIGURE 2-7. FORK LOCKING CYLINDER KIT



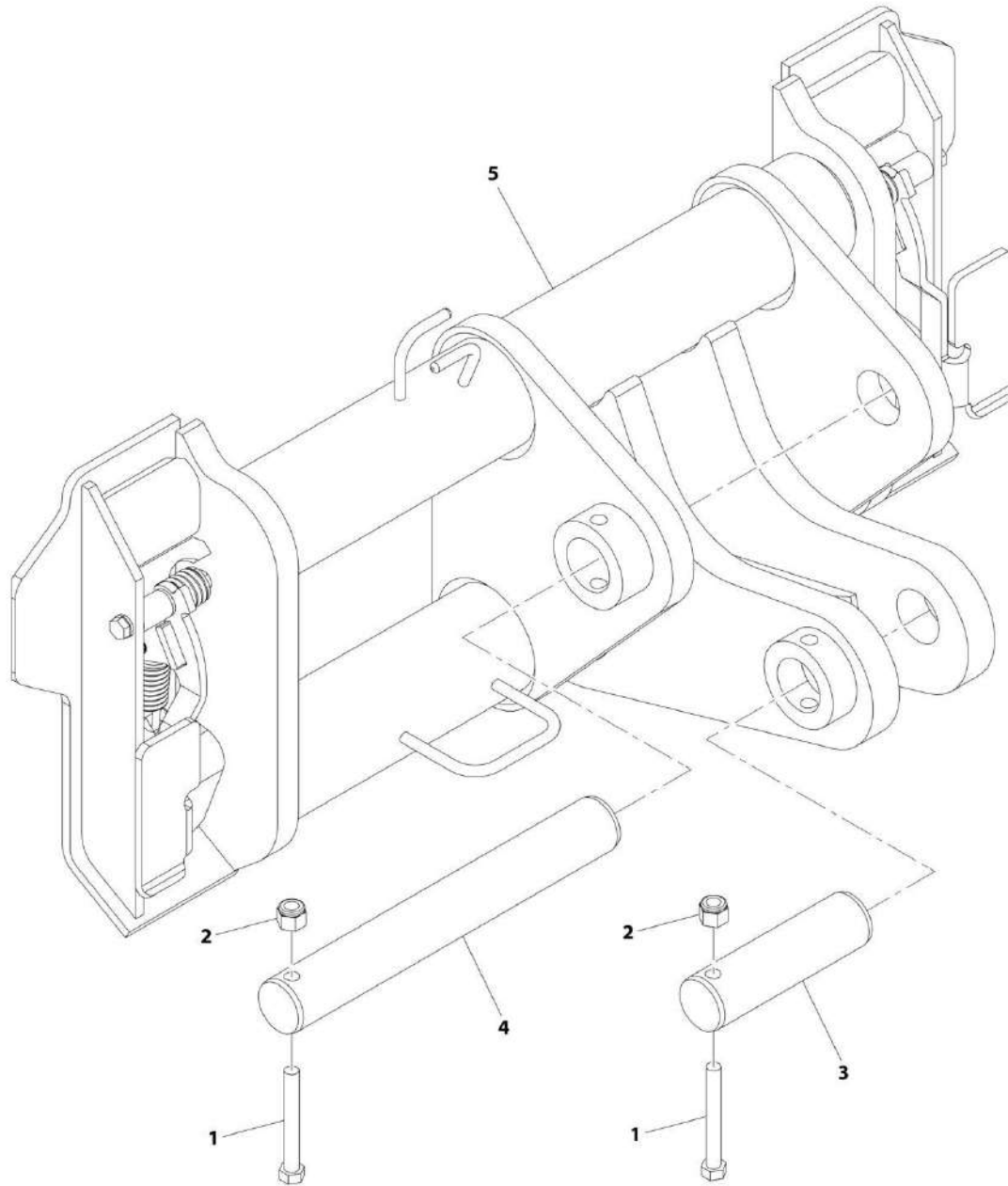
ART_1001080333-C

FIGURE 2-7. FORK LOCKING CYLINDER KIT

ITEM	PART NUMBER	QTY	DESCRIPTION	REV
	1001080333	Ref	Fork Locking Cylinder Kit	C
1	3391410	2	Split Pin	
2	8001888	2	Pin	
3	8002110	2	Clevis Pin	
4	2130404	2	Elbow, 90	
5	1001080334	Ref	Hydraulic Quick Coupler Cylinder, (See Separate Breakdown in HYDRAULIC COMPONENTS Section)	

SECTION 2 - BOOM

FIGURE 2-8. COUPLER INSTALLATION, UNIVERSAL (MANUAL)



ART_1001101185-C

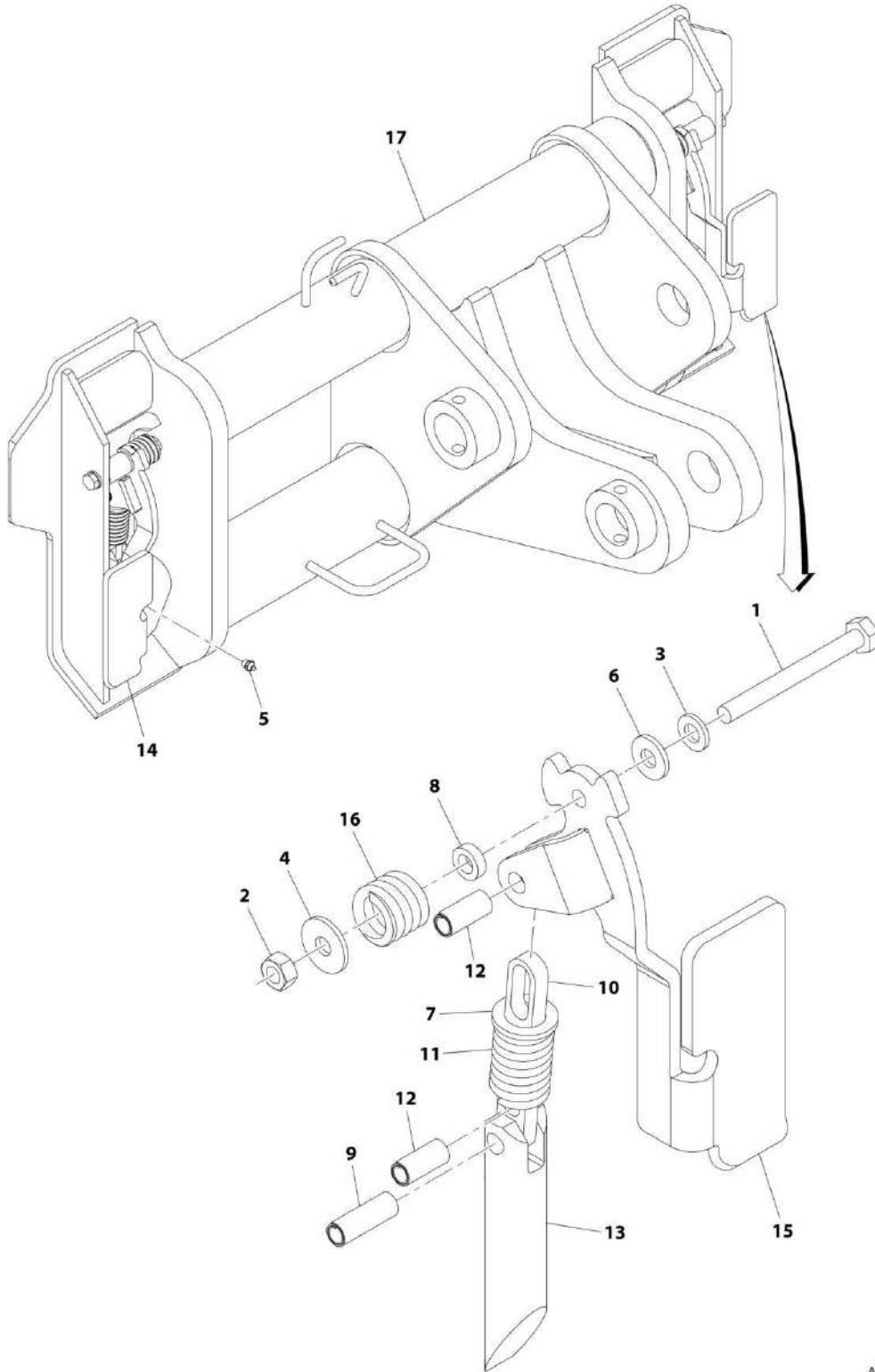
SECTION 2 - BOOM

FIGURE 2-8. COUPLER INSTALLATION, UNIVERSAL (MANUAL)

ITEM	PART NUMBER	QTY	DESCRIPTION	REV
	1001101185	Ref	Coupler Installation, Universal (Manual)	C
1	0681832	2	Hex HD Capscrew, 1/2-13X4, GR8	
2	88521208	2	Locknut, 1/2-13	
3	1001097728	1	Fork Cylinder Rod Pin	
4	1001097729	1	Universal Quick Coupler Pivot Pin	
5	1001117498	Ref	Universal Quick Coupler Assembly (See Separate Breakdown in this Section)	

SECTION 2 - BOOM

FIGURE 2-9. UNIVERSAL QUICK COUPLER ASSEMBLY



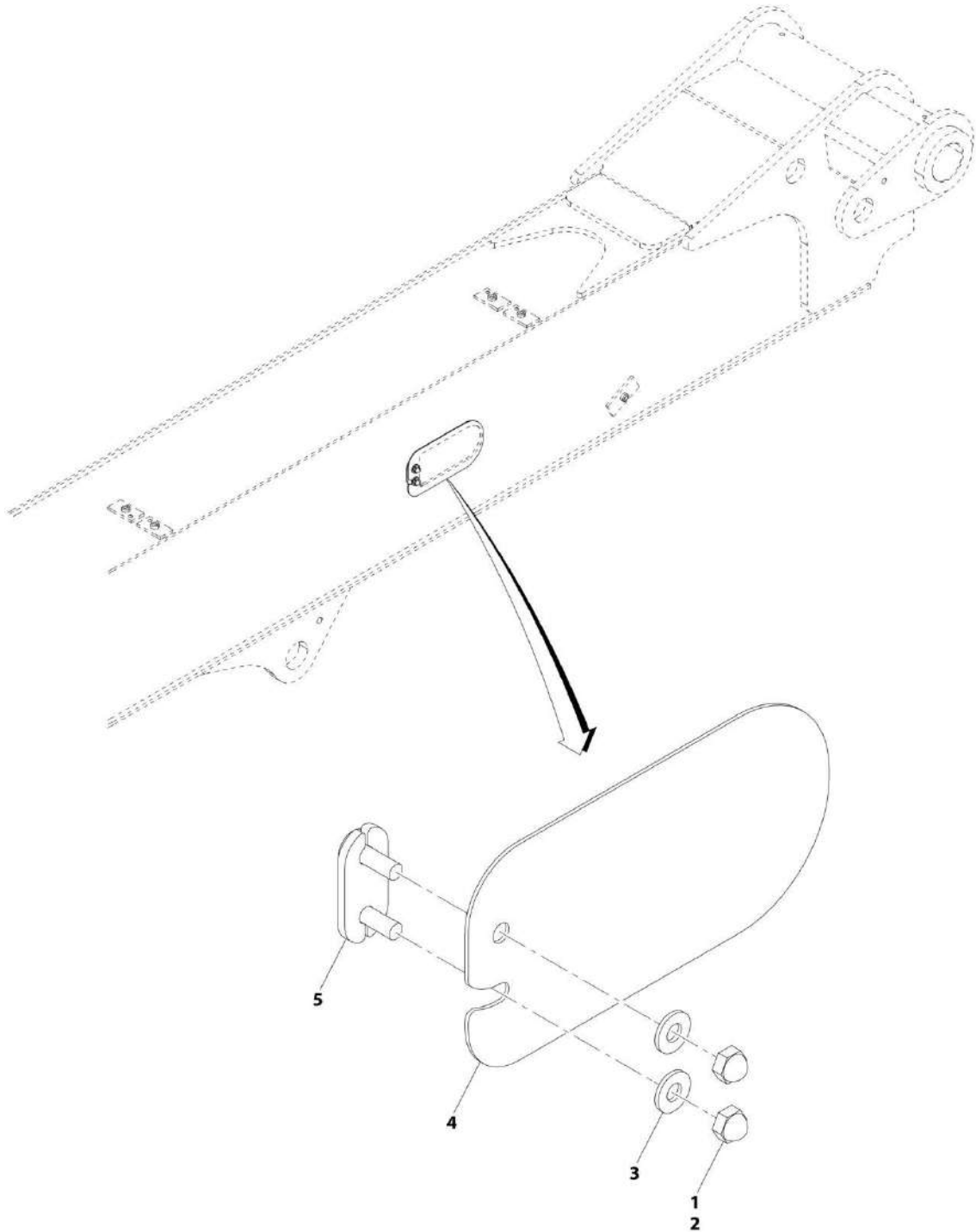
ART_1001117498-C

FIGURE 2-9. UNIVERSAL QUICK COUPLER ASSEMBLY

ITEM	PART NUMBER	QTY	DESCRIPTION	REV
	1001117498	Ref	Universal Quick Coupler Assembly, (if ordering for the first time, refer to Decals Section for the appropriate capacity chart)	C
1	0701027	2	Hex HD Capscrew	
2	3291007	2	Hex Locknut, M10X1.5, Gr8	
3	5241000	2	Washer, 10mm	
4	1001003299	2	Washer	
5	1001008479	2	Grease Fitting	
6	1001008979	2	Washer	
7	1001009094	2	Washer	
8	1001055652	2	Washer	
9	1001061633	2	Spring Pin	
10	1001061659	2	Plate	
11	1001061660	2	Spring	
12	1001061662	4	Spring Pin	
13	1001061891	2	Pin	
14	1001061892	1	LH Handle	
15	1001061893	1	RH Handle	
16	1001062117	2	Spring	
17	N.S.S.	1	Universal Quick Coupler Weldment	

SECTION 2 - BOOM

FIGURE 2-10. BOOM SIDE COVER INSTALLATION



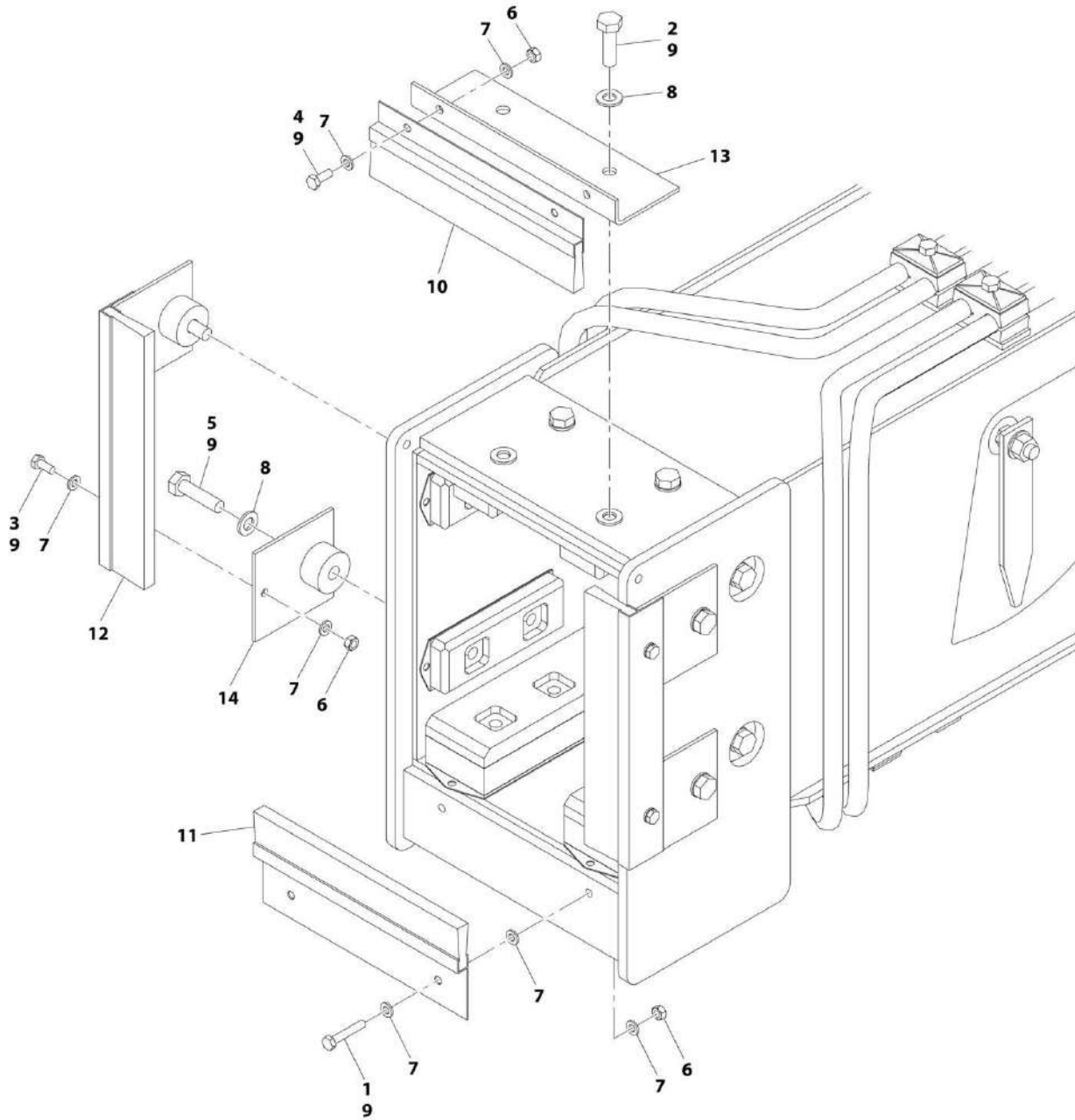
ART_1001139177-C

FIGURE 2-10. BOOM SIDE COVER INSTALLATION

ITEM	PART NUMBER	QTY	DESCRIPTION	REV
	1001139177	Ref	Boom Side Cover Installation	C
1	0100011	AR	Compound, Locking	
2	3300430	2	Acorn Nut, 1/4-20	
3	4711400	2	Washer, 1/4	
4	1001139042	1	Boom Side Cover Panel	
5	1001139043	1	Cover Retainer Screw	

SECTION 2 - BOOM

FIGURE 2-11. BOOM BRUSHES INSTALLATION



ART_1001146888-B

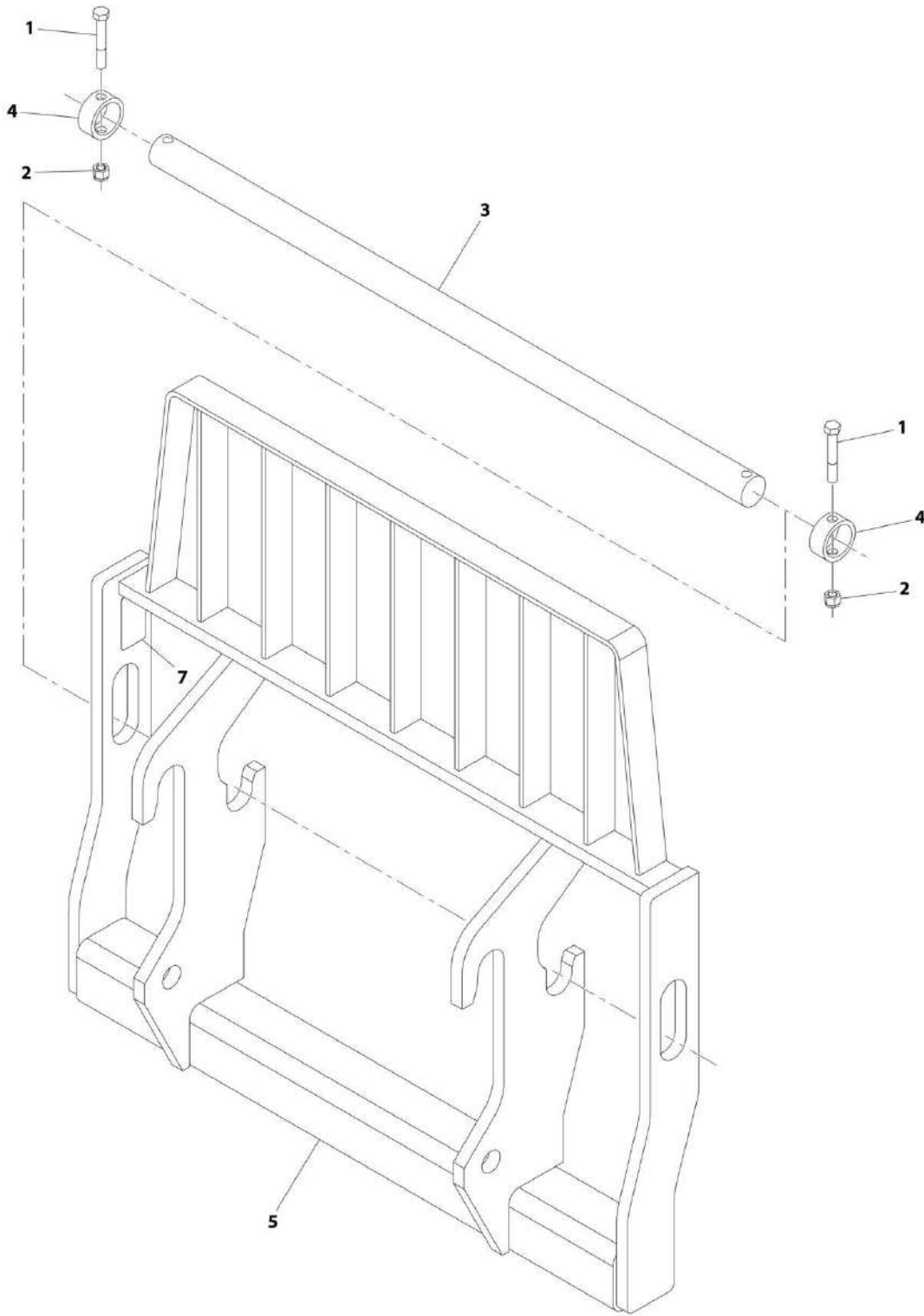
FIGURE 2-11. BOOM BRUSHES INSTALLATION

ITEM	PART NUMBER	QTY	DESCRIPTION	REV
	1001146888	Ref	Boom Brushes Installation	B
1	0700615	2	Hex HD Capscrew, M6X35, GR8.8	
2	0701015	2	Hex HD Capscrew, M10X35, GR8.8	
3	0760607	4	Hex HD Capscrew, M6X14, GR8.8	
4	0760608	2	Hex HD Capscrew, M6X16, GR8.8	
5	0761016	4	Hex HD Capscrew, M10X40, GR8.	
6	3290601	8	Hex Nut, M6X1	
7	4811700	18	Washer, M6	
8	4812000	6	Washer, M10	
9	1001095650	AR	Compound, Locking	
10	1001146830	1	Brush Seal, Boom Top	
11	1001146831	1	Brush Seal, Boom Bottom	
12	1001146832	2	Brush Seal, Boom Side	
13	1001146887	1	Stiffener Bar	
14	1001153277	4	Side Boom Brush Plate	

SECTION 3 - ATTACHMENTS

SECTION 3 - ATTACHMENTS

FIGURE 3-1. CARRIAGE ASSEMBLY, (50INCH/1270MM)



ART_1001104435-E

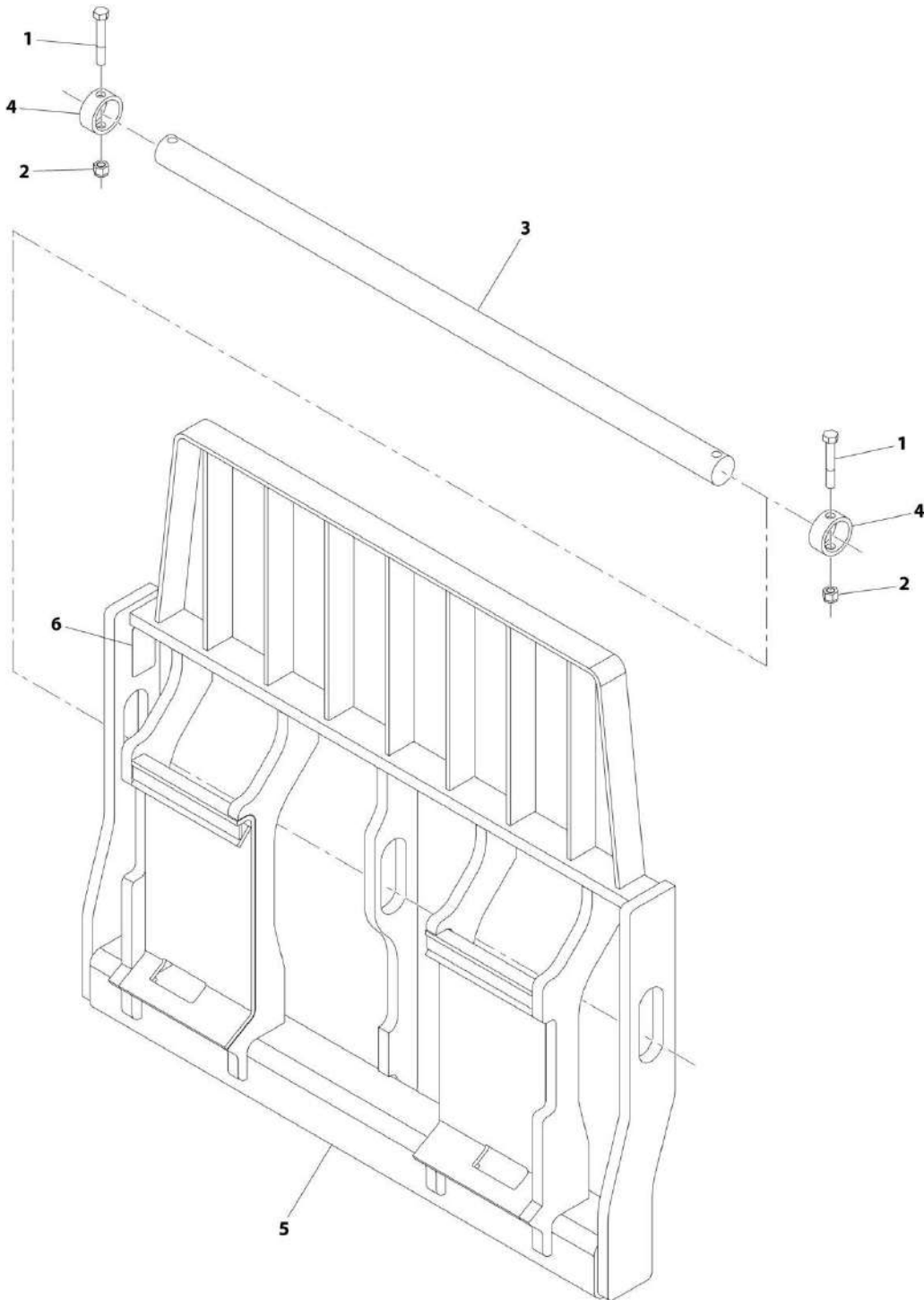
SECTION 3 - ATTACHMENTS

FIGURE 3-1. CARRIAGE ASSEMBLY, (50INCH/1270MM)

ITEM	PART NUMBER	QTY	DESCRIPTION	REV
	1001104435	Ref	Carriage Assembly, (50Inch/1270mm)	E
1	0642032	2	Hex HD Capscrew, 5/8-11X4	
2	3300240	2	Locknut, 5/8-11	
3	3423275	1	Fork Pin	
4	90200003	2	Collar	
5	N.S.S.	1	Carriage Weldment	
7	N.S.S.	1	S/N Plate	

SECTION 3 - ATTACHMENTS

FIGURE 3-2. CARRIAGE ASSEMBLY, UNIVERSAL QUICK ATTACH, (48IN/1219.2MM)



ART_1001113038-D

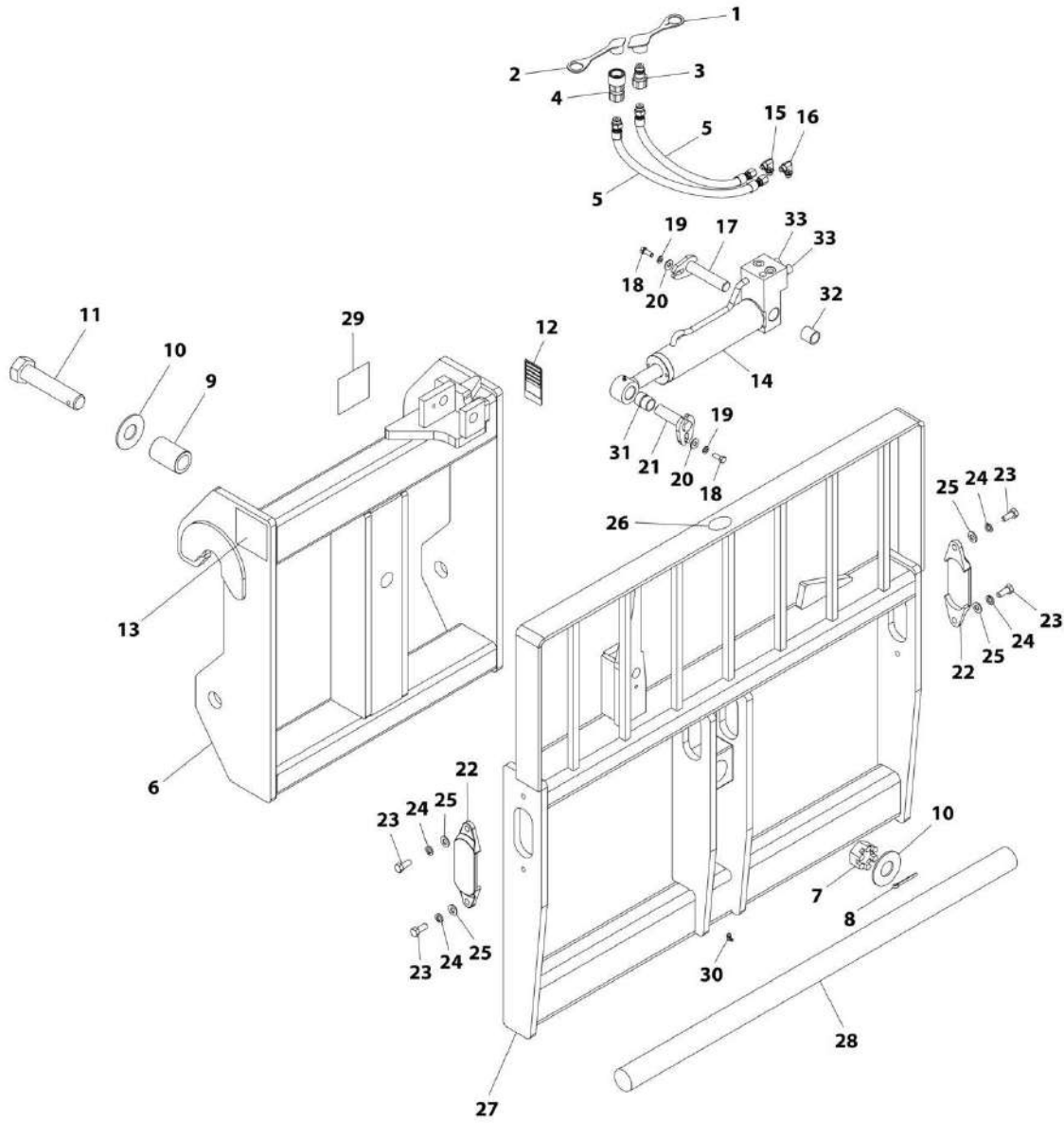
SECTION 3 - ATTACHMENTS

FIGURE 3-2. CARRIAGE ASSEMBLY, UNIVERSAL QUICK ATTACH, (48IN/1219.2MM)

ITEM	PART NUMBER	QTY	DESCRIPTION	REV
	1001113038	Ref	Carriage Assembly, Universal Quick Attach, (48Inch/1219.2mm)	D
1	0642032	2	Hex HD Capscrew, 5/8-11X4, GR5	
2	3300240	2	Locknut, 5/8-11	
3	3423275	1	Fork Pin	
4	90200003	2	Collar	
5	N.S.S.	1	Carriage Weldment	
6	N.S.S.	1	S/N Plate	

SECTION 3 - ATTACHMENTS

FIGURE 3-3. CARRIAGE, SIDE TILT, (48IN)



ART_1001102331-G

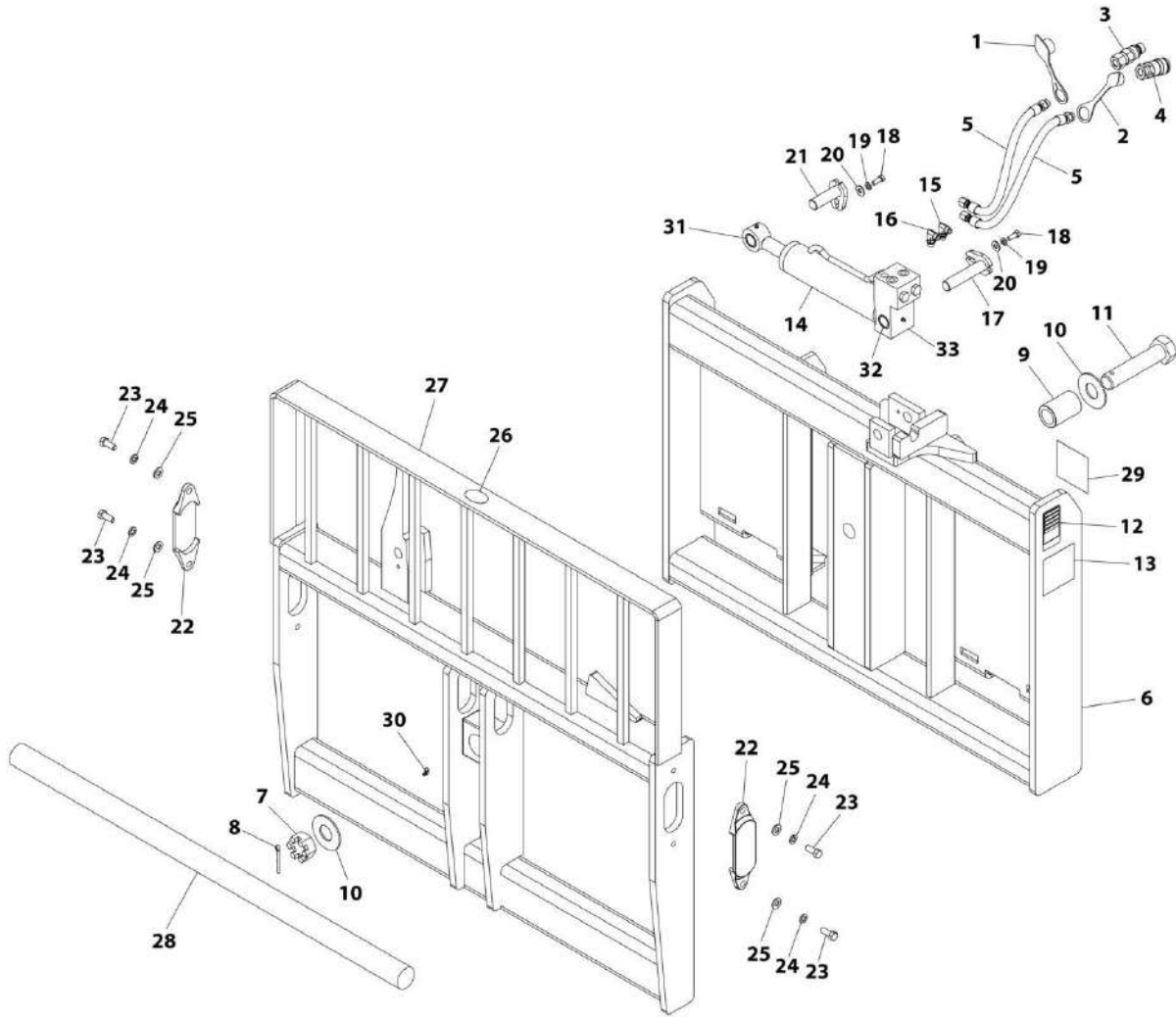
SECTION 3 - ATTACHMENTS

FIGURE 3-3. CARRIAGE, SIDE TILT, (48IN)

ITEM	PART NUMBER	QTY	DESCRIPTION	REV
	1001102331	Ref	Carriage, Side Tilt (48in)	G
1	1001003475	1	Dust Cap, Male	
2	1001003474	1	Plug, Dust, Female	
3	7029692	1	Hydraulic Couplier, Male	
4	70021342	1	Hydraulic Couplier, Female	
5	70021343	2	Hose	
6	N.S.S.	1	Rear Frame Weldment	
7	7029713	1	Nut	
8	7029700	1	Pin, Cotter	
9	70021345	1	Spacer	
10	70021346	2	Washer	
11	70021347	1	Bolt	
12	N.S.S.	1	Serial Tag	
13	90554017	1	Decal	
14	70021363	1	Cylinder Assembly (See Separate Breakdown in HYDRAULIC COMPONENTS Section)	
15	90554065	1	Hydraulic Fitting	
16	7029705	1	Hydraulic Fitting	
17	70021348	1	Pin	
18	70021349	2	Bolt	
19	90554042	2	Washer, Lock	
20	70021350	2	Washer	
21	70021351	1	Pin	
22	7029690	2	Fork Pin Retainer	
23	7029691	4	Bolt	
24	90554020	4	Washer, Lock	
25	70021338	4	Washer	
26	90554016	1	Decal	
27	N.S.S.	1	Front Frame	
28	70022105	1	Fork Pin	
29	7029711	1	Decal	
30	70022106	1	Zerk, Grease	
31	70021447	1	Bushing	
32	70021448	2	Bushing	
33	70021464	2	Valve	

SECTION 3 - ATTACHMENTS

FIGURE 3-4. CARRIAGE, SIDE TILT, UNIVERSAL QUICK ATTACH, (48IN)



ART_1001104009-G

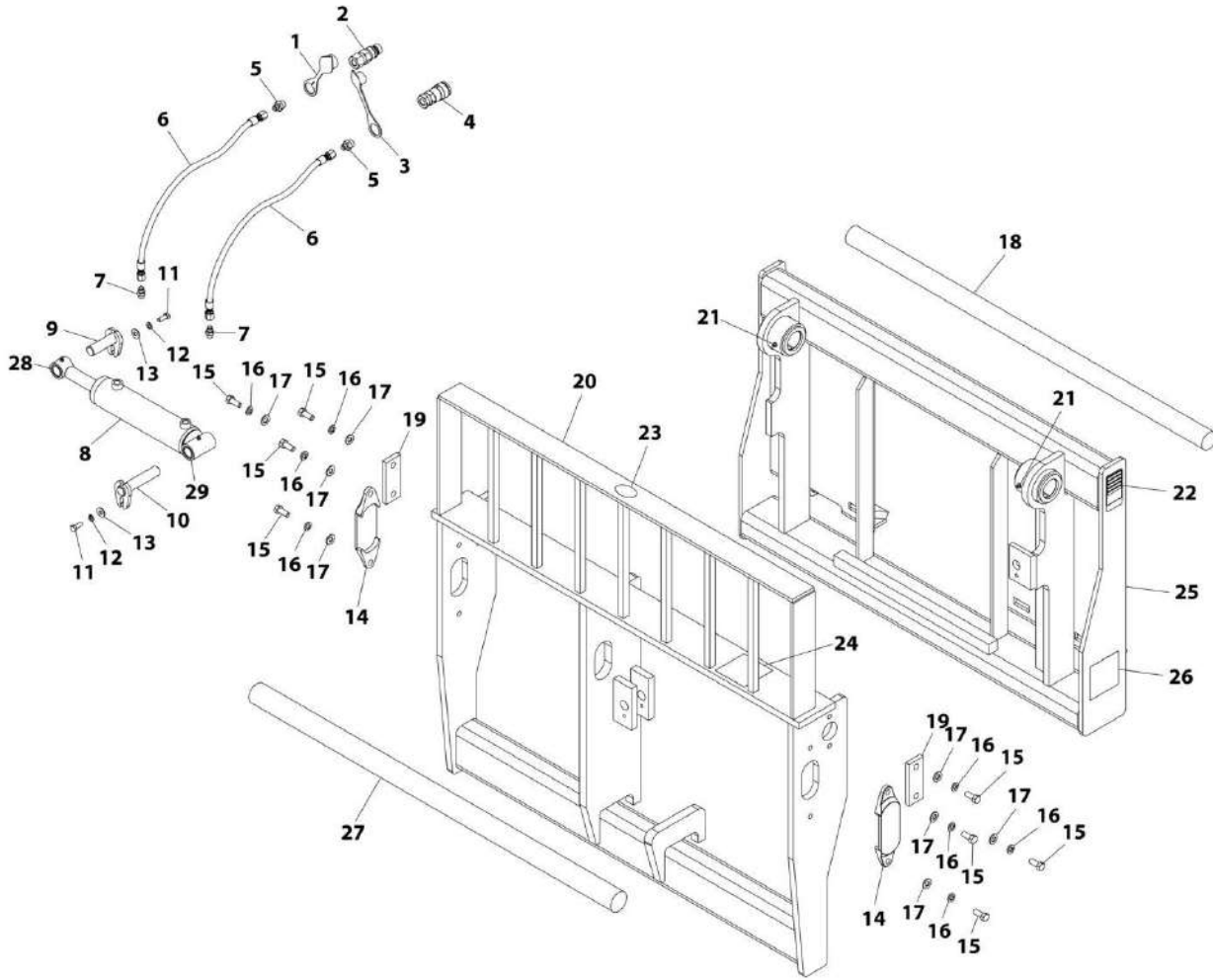
SECTION 3 - ATTACHMENTS

FIGURE 3-4. CARRIAGE, SIDE TILT, UNIVERSAL QUICK ATTACH, (48IN)

ITEM	PART NUMBER	QTY	DESCRIPTION	REV
	1001104009	Ref	Carriage, Side Tilt, Universal Quick Attach (48in)	G
1	70022097	1	Dust Cap, Male	
2	70022102	1	Plug, Dust, Female	
3	70022103	1	Hydraulic Couplier, Male	
4	70022104	1	Hydraulic Couplier, Female	
5	70021343	2	Hose	
6	N.S.S.	1	Rear Frame Weldment	
7	7029713	1	Nut	
8	7029700	1	Pin, Cotter	
9	70021345	1	Spacer	
10	70021346	2	Washer	
11	70021347	1	Bolt	
12	N.S.S.	1	Serial Tag	
13	90554017	1	Decal	
14	70021363	1	Cylinder Assembly (See Separate Breakdown in HYDRAULIC COMPONENTS Section)	
15	90554065	1	Hydraulic Fitting	
16	7029705	1	Hydraulic Fitting	
17	70021348	1	Pin	
18	70021349	2	Bolt	
19	90554042	2	Washer, Lock	
20	70021350	2	Washer	
21	70021351	1	Pin	
22	7029690	2	Fork Pin Retainer	
23	7029691	4	Bolt	
24	90554020	4	Washer, Lock	
25	70021338	4	Washer	
26	90554016	1	Decal	
27	N.S.S.	1	Front Frame	
28	70022105	1	Fork Pin	
29	7029711	1	Decal	
30	70022106	1	Zerk, Grease	
31	70021447	1	Bushing	
32	70021448	2	Bushing	
33	70021464	2	Valve	

SECTION 3 - ATTACHMENTS

FIGURE 3-5. CARRIAGE, SIDE SHIFT, UNIVERSAL QUICK ATTACH, (48IN)



ART_1001104025-G

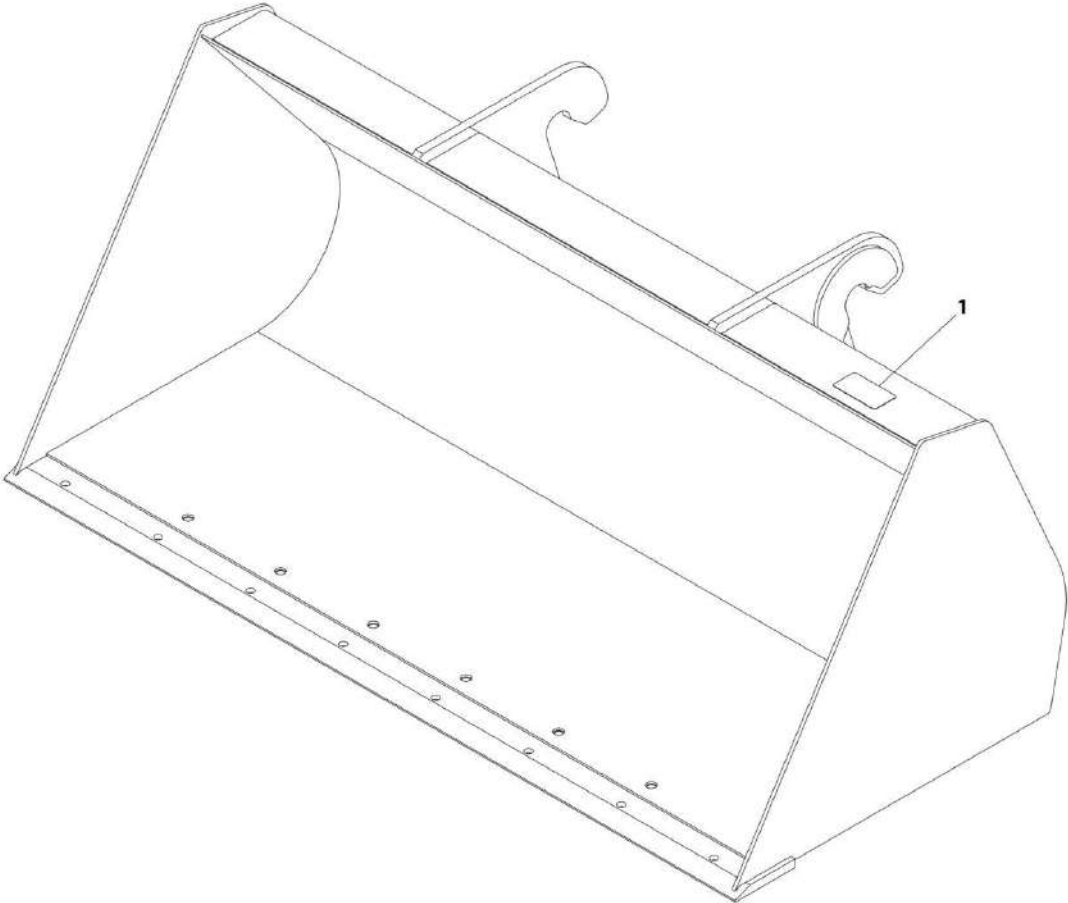
SECTION 3 - ATTACHMENTS

FIGURE 3-5. CARRIAGE, SIDE SHIFT, UNIVERSAL QUICK ATTACH, (48IN)

ITEM	PART NUMBER	QTY	DESCRIPTION	REV
	1001104025	Ref	Carriage, Side Shift, Universal Quick Attach (48in)	G
1	70022097	1	Dust Cap, Male	
2	70022103	1	Hydraulic Couplier, Male	
3	70022102	1	Plug, Dust, Female	
4	70022104	1	Hydraulic Couplier, Female	
5	70021397	2	Hydraulic Fitting	
6	70022107	2	Hose	
7	70021415	2	Hydraulic Fitting	
8	70022108	1	Cylinder Assembly (See Separate Breakdown in HYDRAULIC COMPONENTS Section)	
9	70021351	1	Pin	
10	70022110	1	Pin	
11	70021349	2	Bolt	
12	90554042	2	Washer, Lock	
13	70021350	2	Washer	
14	7029690	2	Fork Pin Retainer	
15	70027989	8	Bolt	
16	90554020	8	Washer, Lock	
17	70021338	4	Washer	
18	70022111	1	Fork Pin	
19	70022112	2	Pin Retainer Bar	
20	N.S.S.	1	Front Frame	
21	7029714	2	Zerk, Grease	
22	N.S.S.	1	Serial Tag	
23	70050641	1	Decal	
24	7029711	1	Decal	
25	N.S.S.	1	Rear Frame	
26	90554017	2	Decal	
27	70022105	1	Fork Pin	
28	70021447	1	Bushing	
29	70021448	2	Bushing	

SECTION 3 - ATTACHMENTS

FIGURE 3-6. LIGHT MATERIAL BUCKET, (72INCH) (1.0 YD³/0.76 M³)



ART_1001102324-F

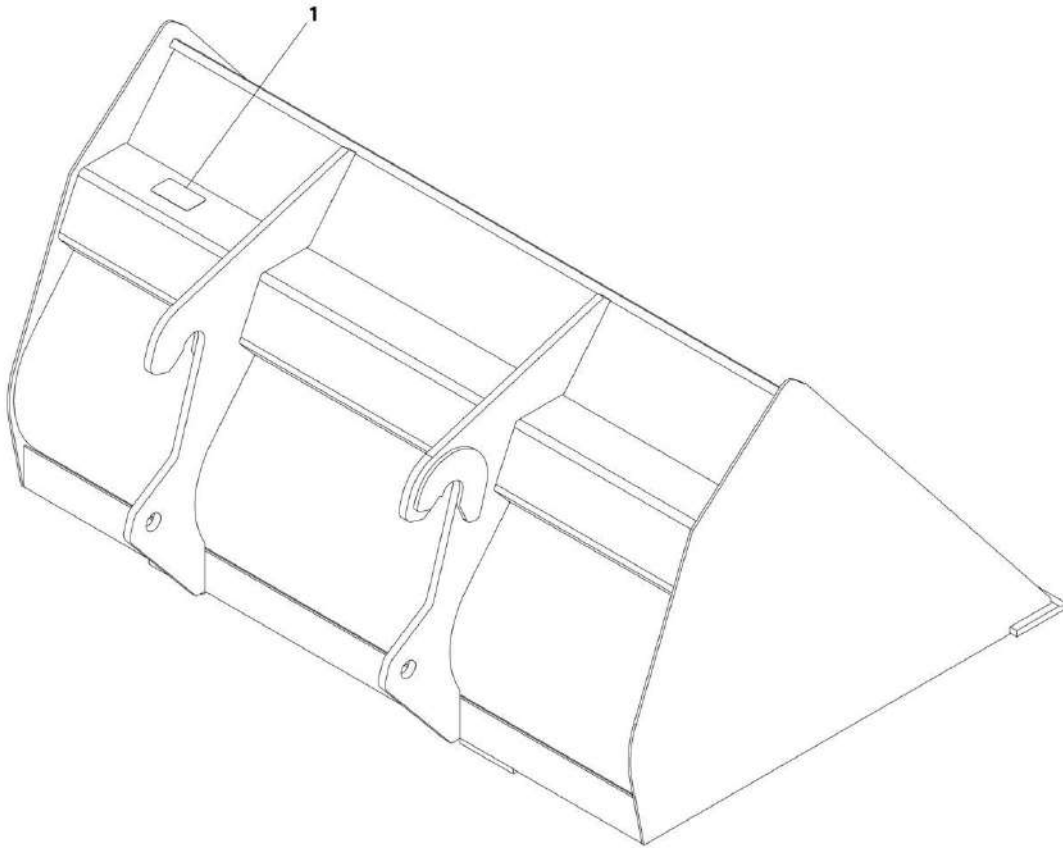
SECTION 3 - ATTACHMENTS

FIGURE 3-6. LIGHT MATERIAL BUCKET, (72INCH) (1.0 YD³/0.76 M³)

ITEM	PART NUMBER	QTY	DESCRIPTION	REV
	1001102324 N.S.S.	Ref 1	Light Material Bucket (72Inch) (1.0 yd ³ /0.76 m ³) S/N Plate	F

SECTION 3 - ATTACHMENTS

FIGURE 3-7. LIGHT MATERIAL BUCKET, (72INCH) (1.7 YD³/1.29 M³)



ART_1001102323-F

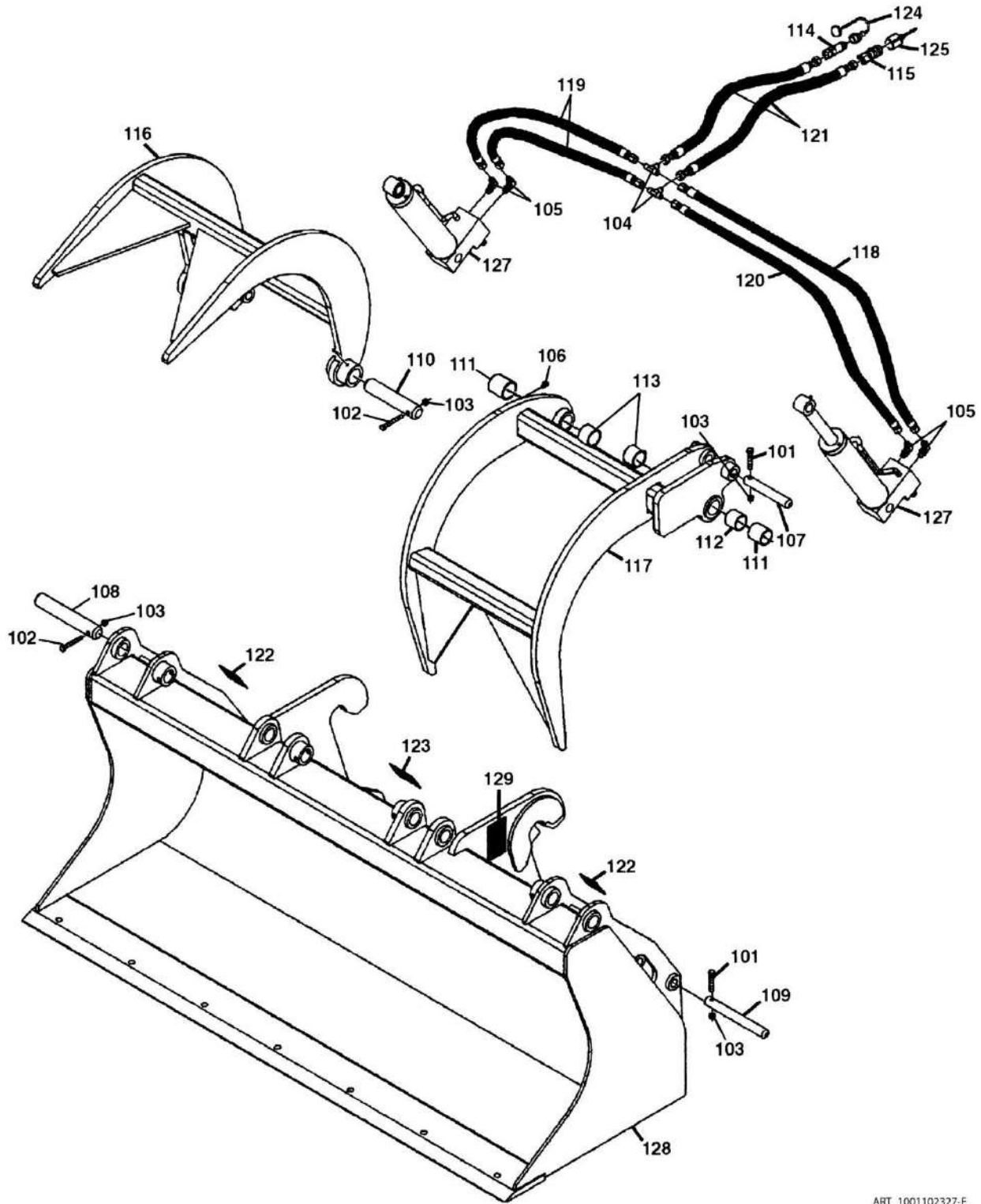
SECTION 3 - ATTACHMENTS

FIGURE 3-7. LIGHT MATERIAL BUCKET, (72INCH) (1.7 YD³/1.29 M³)

ITEM	PART NUMBER	QTY	DESCRIPTION	REV
1	1001102323 N.S.S.	Ref 1	Light Material Bucket (72Inch) (1.7 yd ³ /1.29 m ³) S/N Plate	F

SECTION 3 - ATTACHMENTS

FIGURE 3-8. MULTI-PURPOSE GRAPPLE BUCKET (1850MM) (ANSI - JLG)



ART_1001102327-E

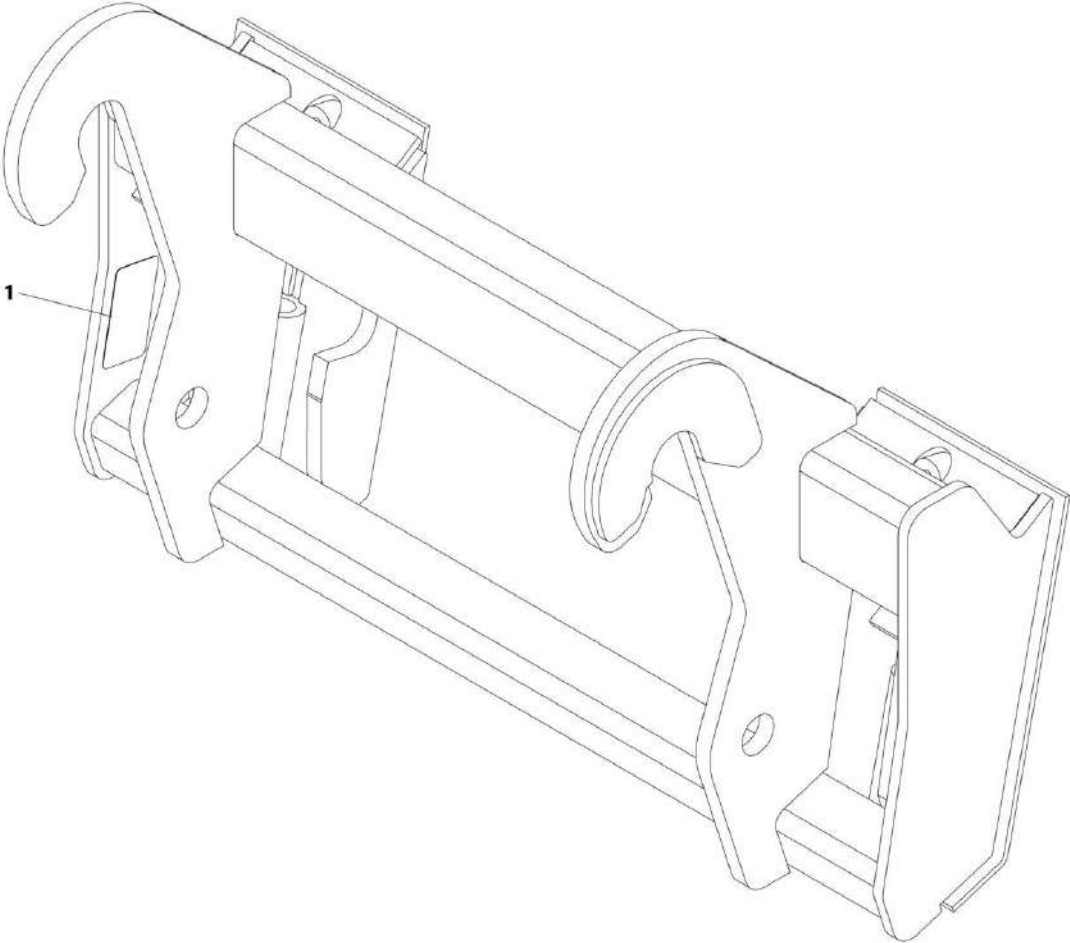
SECTION 3 - ATTACHMENTS

FIGURE 3-8. MULTI-PURPOSE GRAPPLE BUCKET (1850MM) (ANSI - JLG)

ITEM	PART NUMBER	QTY	DESCRIPTION	REV
	1001102327	1	Multi-Purpose Grapple Bucket (1850mm) (ANSI - JLG)	E
101	70021399	4	Screw	
102	70021366	4	Screw	
103	70021367	8	Nut	
104	70020562	2	Fitting, Tee	
105	90554065	4	Fitting, 90	
106	7029714	4	Fitting, Grease	
107	70021364	2	Pin	
108	70021361	2	Pin	
109	70021365	2	Pin	
110	70021362	2	Pin	
111	70021360	4	Bushing	
112	70021359	2	Spacer	
113	70021358	4	Bushing	
114	7029692	1	Fitting, Straight	
115	70021342	1	Fitting, Straight	
116	70021356	1	Grapple Hook, RH	
117	70021357	1	Grapple Hook, LH	
118	70020560	1	Hose	
119	70021368	2	Hose	
120	70021370	1	Hose	
121	70021369	2	Hose	
122	90554017	2	Decal, Pinch Point	
123	7029711	1	Decal, High Pressure	
124	90554062	1	Cap, Dust	
125	90554076	1	Plug, Dust	
126	70021387	4	Clamp (not shown)	
127	70021363	2	Cylinder, Multi-Purpose Grapple Bucket (1850mm) (See Separate Breakdown in Hydraulic Components Section)	
128	N.S.S.	1	Bucket, Grapple	
129	N.S.S.	1	Plate, Serial Number	

SECTION 3 - ATTACHMENTS

FIGURE 3-9. UNIVERSAL HITCH ATTACHMENT



ART_1001102332-E

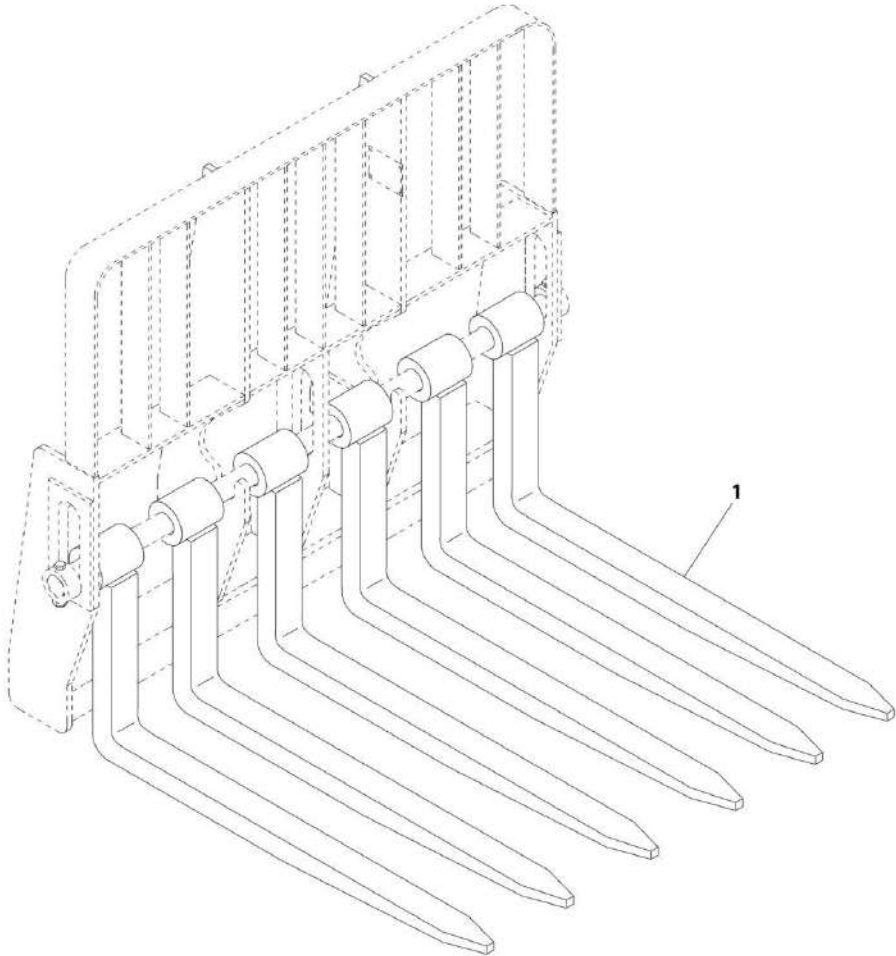
SECTION 3 - ATTACHMENTS

FIGURE 3-9. UNIVERSAL HITCH ATTACHMENT

ITEM	PART NUMBER	QTY	DESCRIPTION	REV
1	1001102332 N.S.S.	Ref 1	Universal Hitch Attachment S/N Plate	E

SECTION 3 - ATTACHMENTS

FIGURE 3-10. BLOCKING FORK (50X50X1220)



ART_2340037-A

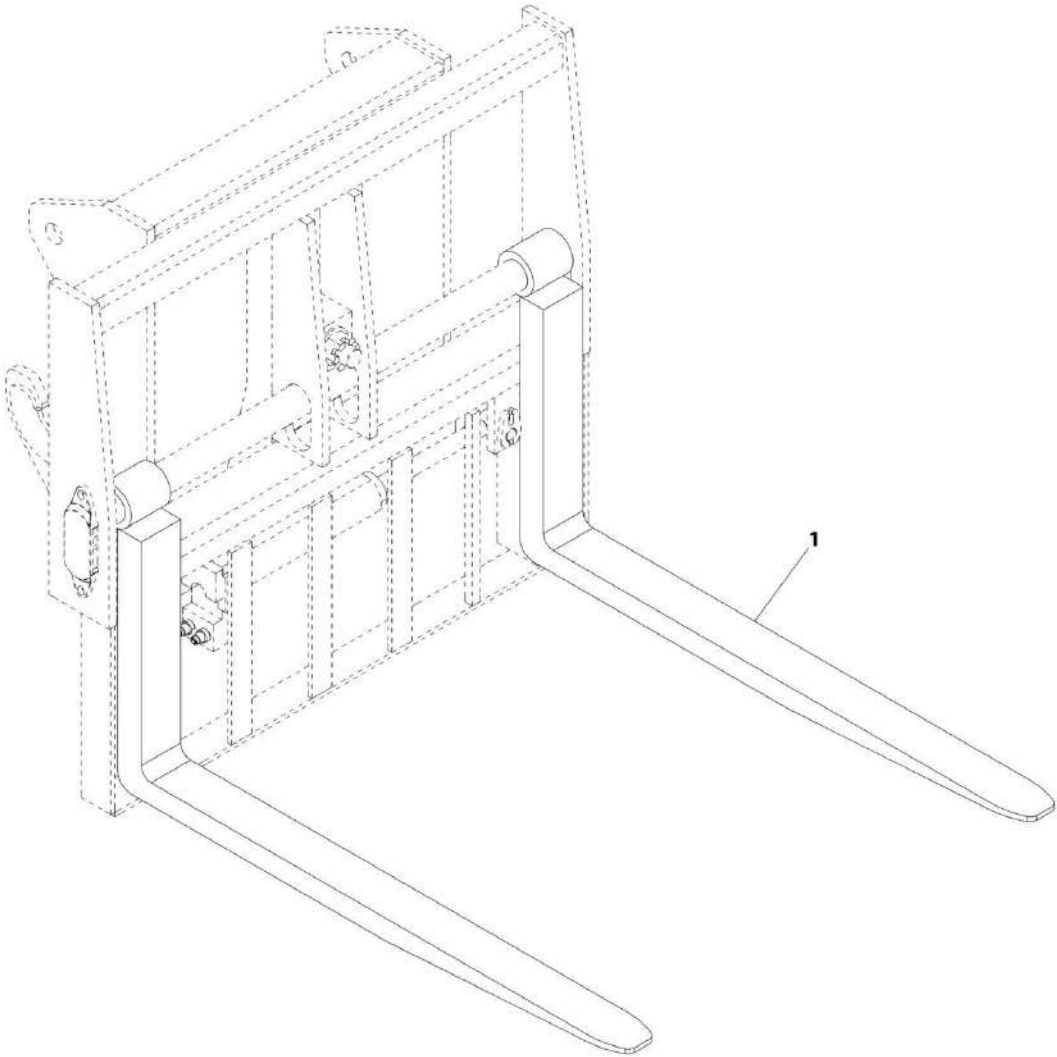
SECTION 3 - ATTACHMENTS

FIGURE 3-10. BLOCKING FORK (50X50X1220)

ITEM	PART NUMBER	QTY	DESCRIPTION	REV
1	2340037	1	Blocking Fork (50X50X1220)	A
	Note	Ref	FORKS RATED LESS THAN THE ATTACHMENT OR MACHINE'S CAPACITY DECREASES CAPACITY OF THE ATTACHMENT OR MACHINE TO THAT OF THE FORKS. FORKS RATED MORE THAN THE ATTACHMENT OR MACHINE'S CAPACITY DO NOT INCREASE ATTACHMENT OR MACHINE'S CAPACITY.	
	Note	Ref	PLEASE CONSULT JLG PARTS DEPARTMENT TO DETERMINE THE CORRECT FORKS APPLICABLE TO YOUR SPECIFIC CARRIAGE ASSEMBLY AND APPLICATION.	

SECTION 3 - ATTACHMENTS

FIGURE 3-11. PALLET FORK (2X4X48)



ART_1001099458-C

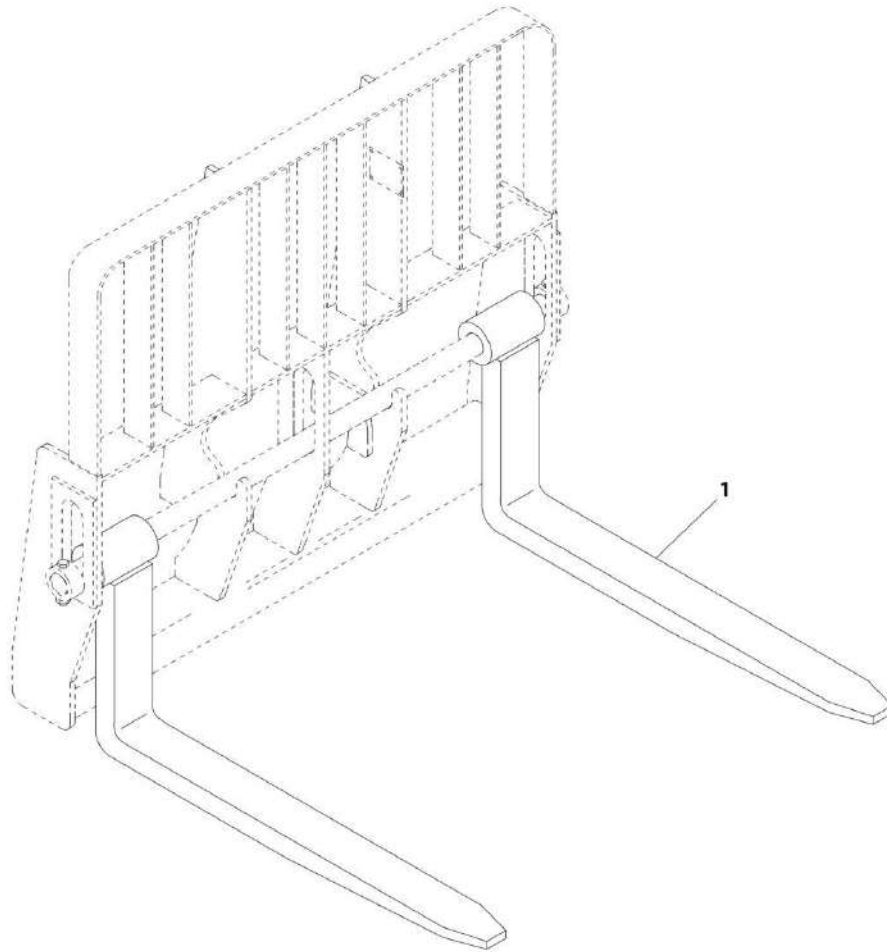
SECTION 3 - ATTACHMENTS

FIGURE 3-11. PALLET FORK (2X4X48)

ITEM	PART NUMBER	QTY	DESCRIPTION	REV
1	1001099458	Ref	Pallet Fork (2X4X48)	C
	Note	Ref	FORKS RATED LESS THAN THE ATTACHMENT OR MACHINE'S CAPACITY DECREASES CAPACITY OF THE ATTACHMENT OR MACHINE TO THAT OF THE FORKS. FORKS RATED MORE THAN THE ATTACHMENT OR MACHINE'S CAPACITY DO NOT INCREASE ATTACHMENT OR MACHINE'S CAPACITY.	
	Note	Ref	PLEASE CONSULT JLG PARTS DEPARTMENT TO DETERMINE THE CORRECT FORKS APPLICABLE TO YOUR SPECIFIC CARRIAGE ASSEMBLY AND APPLICATION.	

SECTION 3 - ATTACHMENTS

FIGURE 3-12. LUMBER FORK (40X150X1540)



ART_1001099457-C

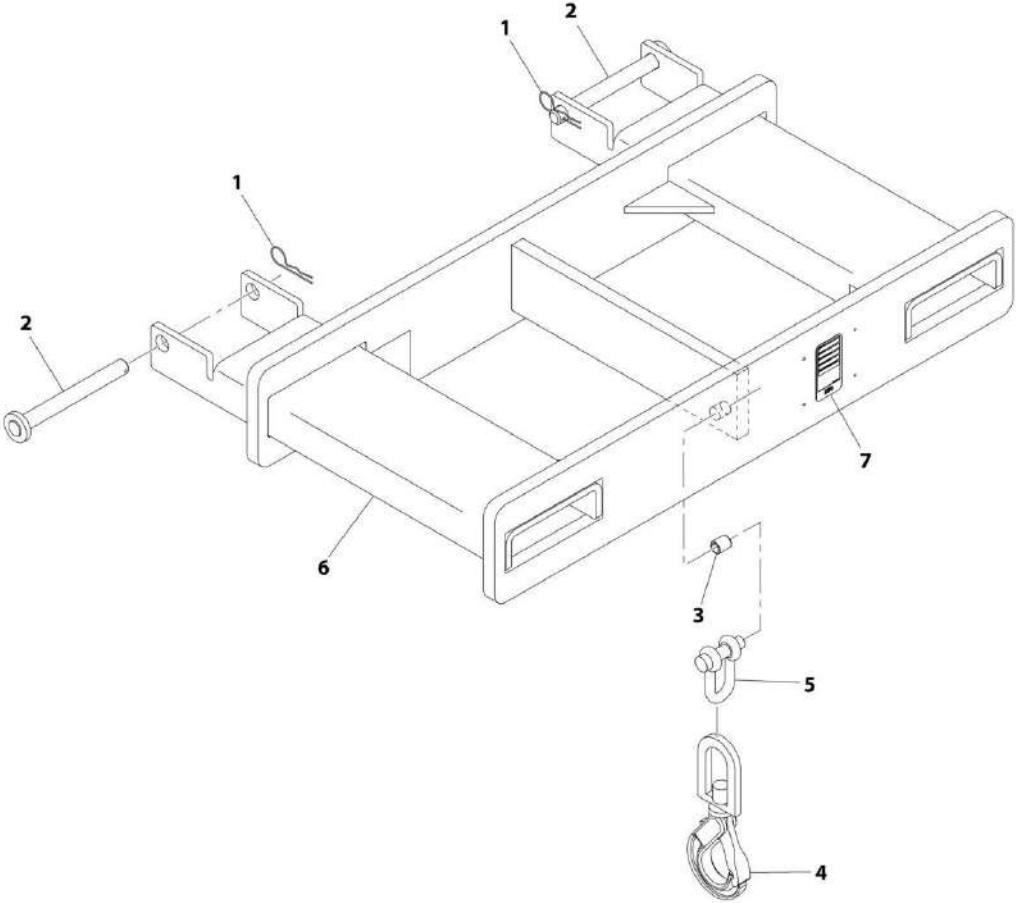
SECTION 3 - ATTACHMENTS

FIGURE 3-12. LUMBER FORK (40X150X1540)

ITEM	PART NUMBER	QTY	DESCRIPTION	REV
1	1001099457	2	Lumber Fork (40X150X1540)	C
	Note	Ref	FORKS RATED LESS THAN THE ATTACHMENT OR MACHINE'S CAPACITY DECREASES CAPACITY OF THE ATTACHMENT OR MACHINE TO THAT OF THE FORKS. FORKS RATED MORE THAN THE ATTACHMENT OR MACHINE'S CAPACITY DO NOT INCREASE ATTACHMENT OR MACHINE'S CAPACITY.	
	Note	Ref	PLEASE CONSULT JLG PARTS DEPARTMENT TO DETERMINE THE CORRECT FORKS APPLICABLE TO YOUR SPECIFIC CARRIAGE ASSEMBLY AND APPLICATION.	

SECTION 3 - ATTACHMENTS

FIGURE 3-13. FORK MOUNTED HOOK (4 TON)



ART_1001097205-H

SECTION 3 - ATTACHMENTS

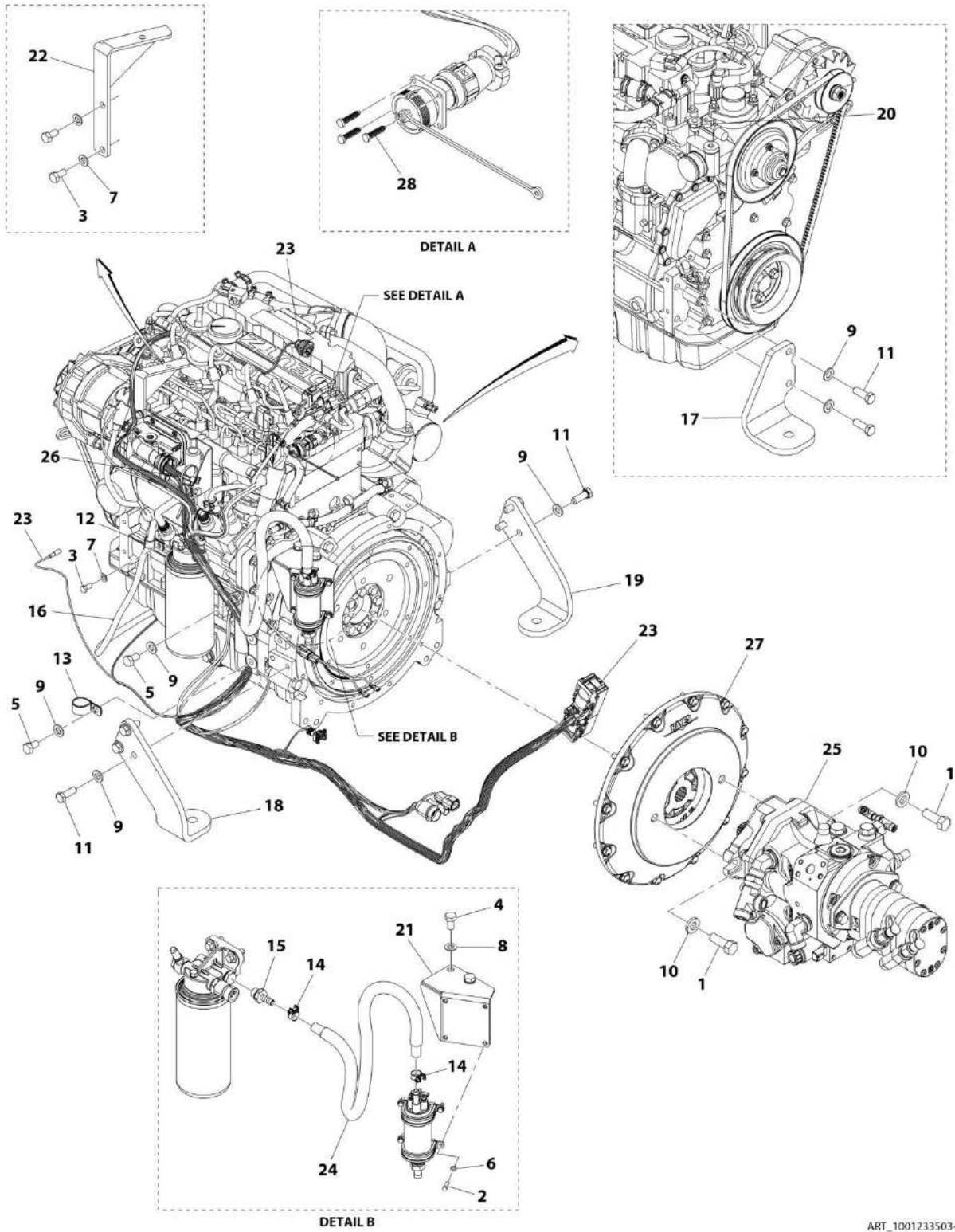
FIGURE 3-13. FORK MOUNTED HOOK (4 TON)

ITEM	PART NUMBER	QTY	DESCRIPTION	REV
	1001097205	1	Fork Mounted Hook (4 Ton)	H
1	7029520	2	Pin, Cotter	
2	1001093171	2	Pin	
3	70020555	1	Bushing	
4	90554080	1	Hook	
5	7029521	1	Shackle	
6	N.S.S.	1	Weldment, Hook	
7	N.S.S.	1	S/N Plate	

SECTION 4 - ENGINE AND ATTACHING PARTS

SECTION 4 - ENGINE AND ATTACHING PARTS

FIGURE 4-1. ENGINE INSTALLATION



ART_1001233503-A

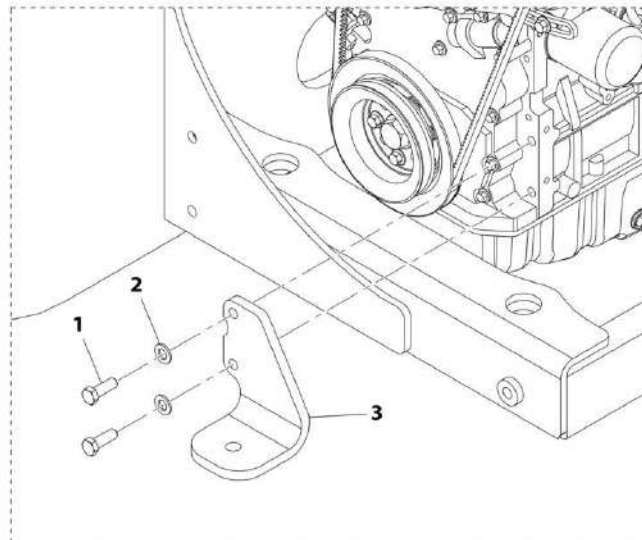
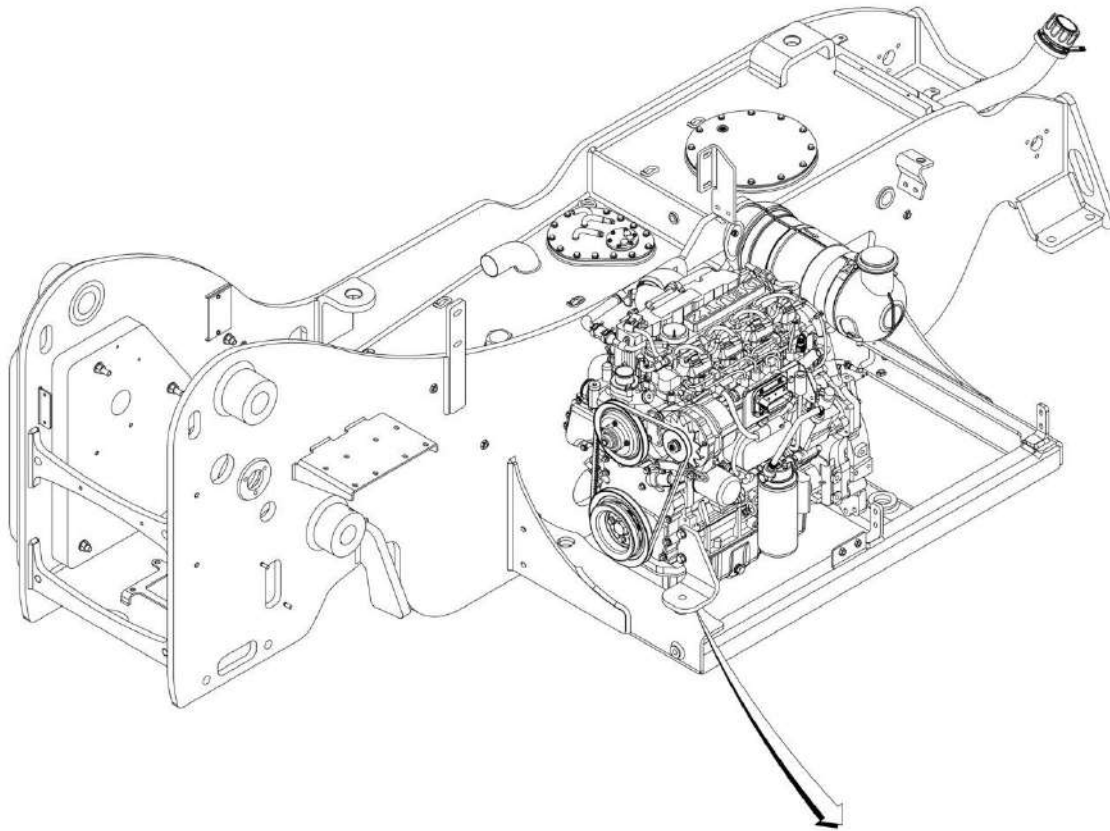
SECTION 4 - ENGINE AND ATTACHING PARTS

FIGURE 4-1. ENGINE INSTALLATION

ITEM	PART NUMBER	QTY	DESCRIPTION	REV
	1001233503	Ref	Engine Installation	A
1	0642014	2	Hex HD Capscrew, 5/8-11X1-3/4, GR5	
2	0760508	4	Hex HD Capscrew, M5X16, GR8.8	
3	0760808	3	Hex HD Capscrew, M8X16, GR8.8	
4	0761010	2	Hex HD Capscrew, M10X20, GR8.8	
5	0761210	2	Hex HD Capscrew, M12X20, GR8.8	
6	4811600	4	Washer, M5	
7	4811900	3	Washer, M8	
8	4812000	2	Washer, M10	
9	4812100	10	Washer, M12	
10	4892000	2	Washer, 5/8	
11	8310297	8	Hex HD Capscrew, M12X35, GR10.9	
12	8406112	1	Clip	
13	80673023	1	Clip	
14	1001136975	2	Fuel Hose Clamp	
15	1001141717	1	Hose Barb Fitting	
16	1001142242	1	150 AMP Link Harness	
17	1001143641	1	Engine Support	
18	1001143642	1	Engine Support	
19	1001143643	1	Engine Support	
20	1001143801	1	Plug, M16X1.5	
21	1001143839	1	Pump Bracket	
22	1001149828	1	Hose Support Plate	
23	1001156229	1	Engine Harness, (See Separate Breakdown in ELECTRICAL Section)	
24	1001165200	1	Fuel Supply Engine Hose	
25	1001190821	1	Pump	
26	1001228975	1	Clip, Tie Strap	
27	1001233451	1	Coupling Assembly	
28	1001233504	3	Screw	

SECTION 4 - ENGINE AND ATTACHING PARTS

FIGURE 4-2. ENGINE MOUNT INSTALLATION



ART_1001143678-C

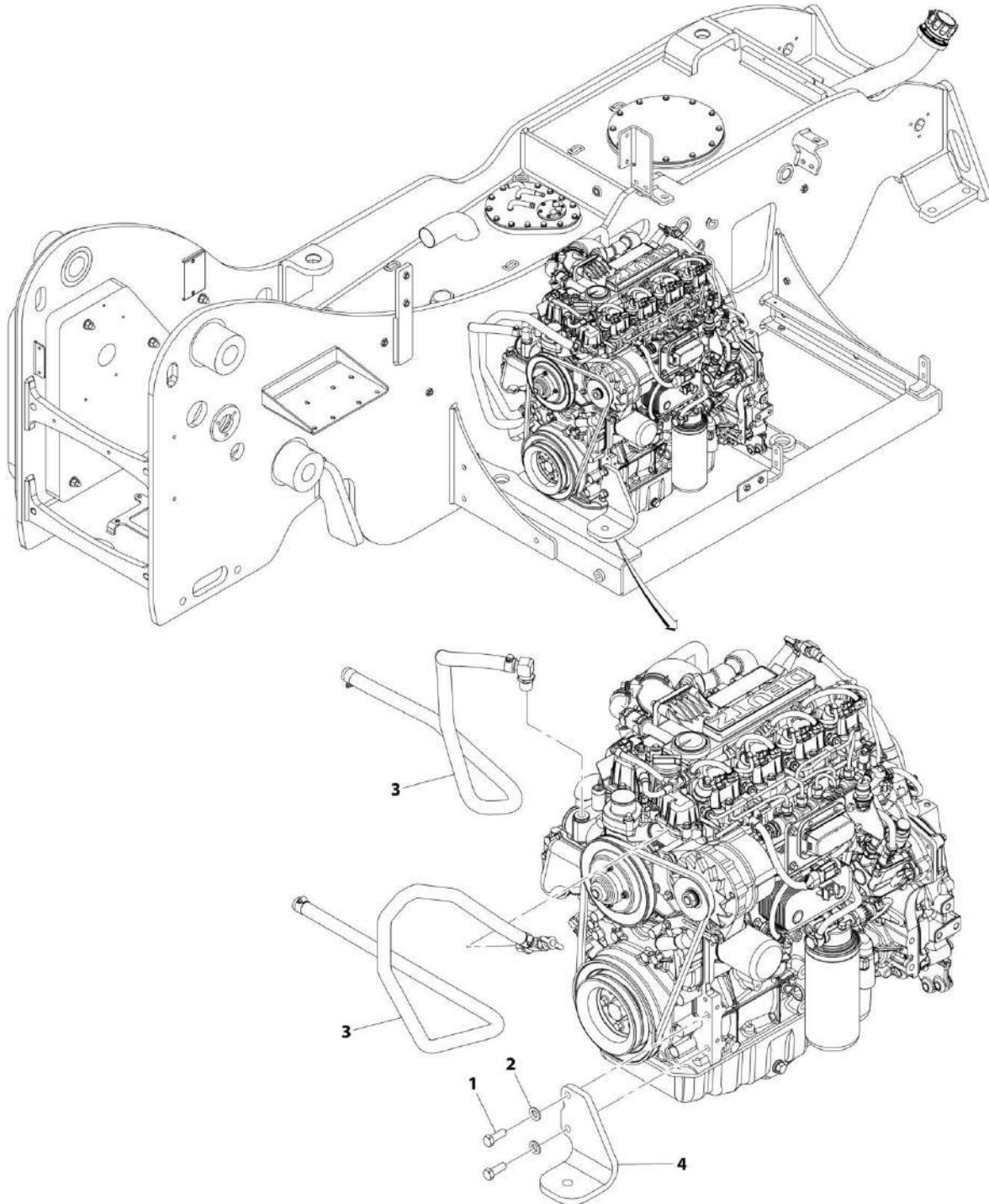
SECTION 4 - ENGINE AND ATTACHING PARTS

FIGURE 4-2. ENGINE MOUNT INSTALLATION

ITEM	PART NUMBER	QTY	DESCRIPTION	REV
	1001143678	Ref	Engine Mount Installation	C
1	8310297	2	Hex HD Capscrew, M12X35, GR10.9	
2	4812100	2	Washer, M12	
3	1001143640	1	Engine Support	

SECTION 4 - ENGINE AND ATTACHING PARTS

FIGURE 4-3. ENGINE MOUNT INSTALLATION, (HEATER)



ART_1001143677-C

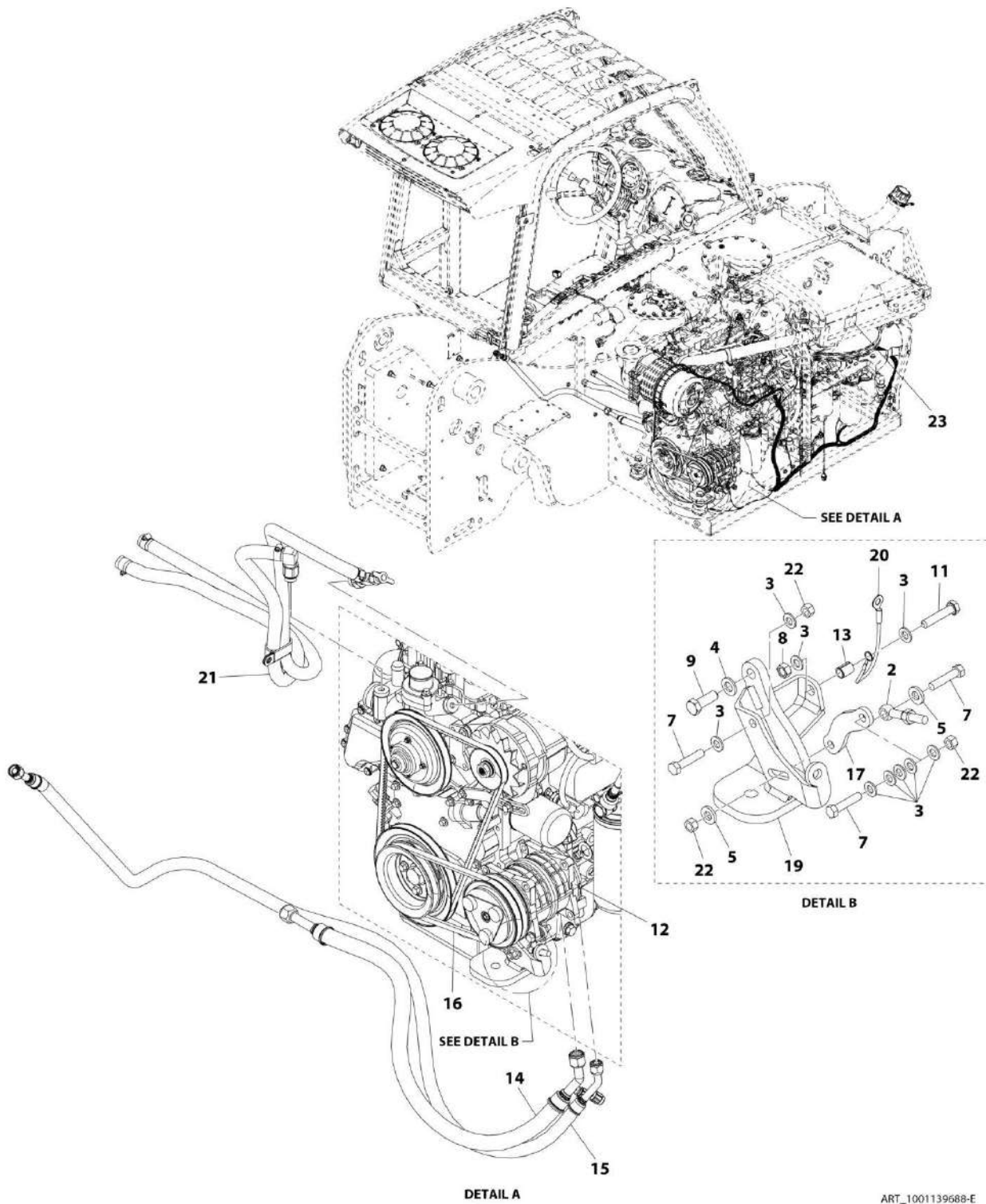
SECTION 4 - ENGINE AND ATTACHING PARTS

FIGURE 4-3. ENGINE MOUNT INSTALLATION, (HEATER)

ITEM	PART NUMBER	QTY	DESCRIPTION	REV
	1001143677	Ref	Engine Mount Installation, (Heater)	C
1	8310297	2	Hex HD Capscrew, M12X35, GR10.9	
2	4812100	2	Washer, M12	
3	1001139684	1	Heater Lines Installation (See Separate Breakdown in this Section)	
4	1001143640	1	Engine Support	

SECTION 4 - ENGINE AND ATTACHING PARTS

FIGURE 4-4. ENGINE MOUNT INSTALLATION, (HEATER & A/C)



ART_1001139688-E

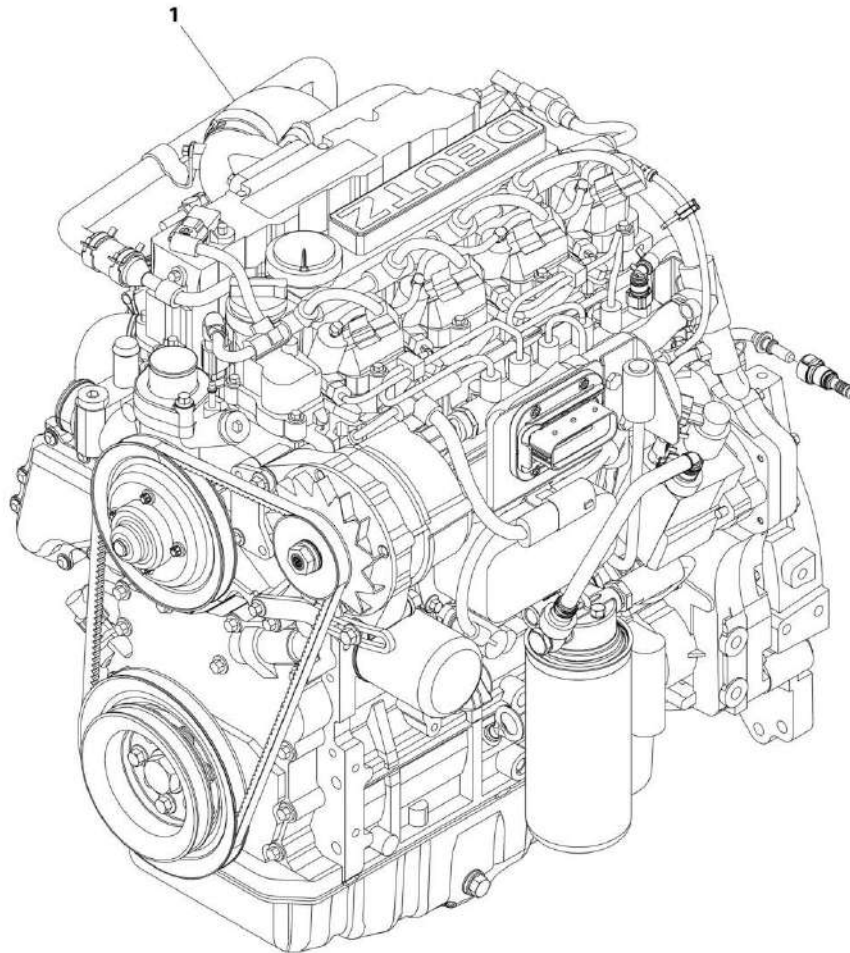
SECTION 4 - ENGINE AND ATTACHING PARTS

FIGURE 4-4. ENGINE MOUNT INSTALLATION, (HEATER & A/C)

ITEM	PART NUMBER	QTY	DESCRIPTION	REV
	1001139688	Ref	Engine Mount Installation, (Heater & A/C)	E
2	1001156849	1	Rod Assembly W/Locknut	
3	4812000	9	Washer, M10	
4	4812100	2	Washer, M12	
5	4891700	2	Washer, 7/16	
7	0681614	3	Hex HD Capscrew, 3/8-16X1-3/4	
8	8305038	1	Hex Nut, M10X1.5	
9	8310297	2	Hex HD Capscrew, M12X35, GR10.9	
11	8310748	1	Hex HD Capscrew, M10X50, GR8.8	
12	1001080789	1	A/C Compressor Pump	
13	1001131818	1	Sleeve, Split Bushing	
14	1001143815	1	Hose Assembly, Compressor To Evaporator	
15	1001143816	1	Hose Assembly, Compressor To Condenser	
16	1001144359	1	Belt	
17	1001144373	1	Tension Arm Plate	
19	1001144378	1	Engine/AC Mount Support	
20	1001147071	1	A/C Ground Harness	
21	1001139684	1	Heater Lines Installation (See Separate Breakdown in this Section)	
22	3271601	3	Hex Nut, 3/8-16, GR8	
23	1001227091	1	Decal, A/C Installation	

SECTION 4 - ENGINE AND ATTACHING PARTS

FIGURE 4-5. ENGINE (55.4KW - ULS)



ART_1001136095-F

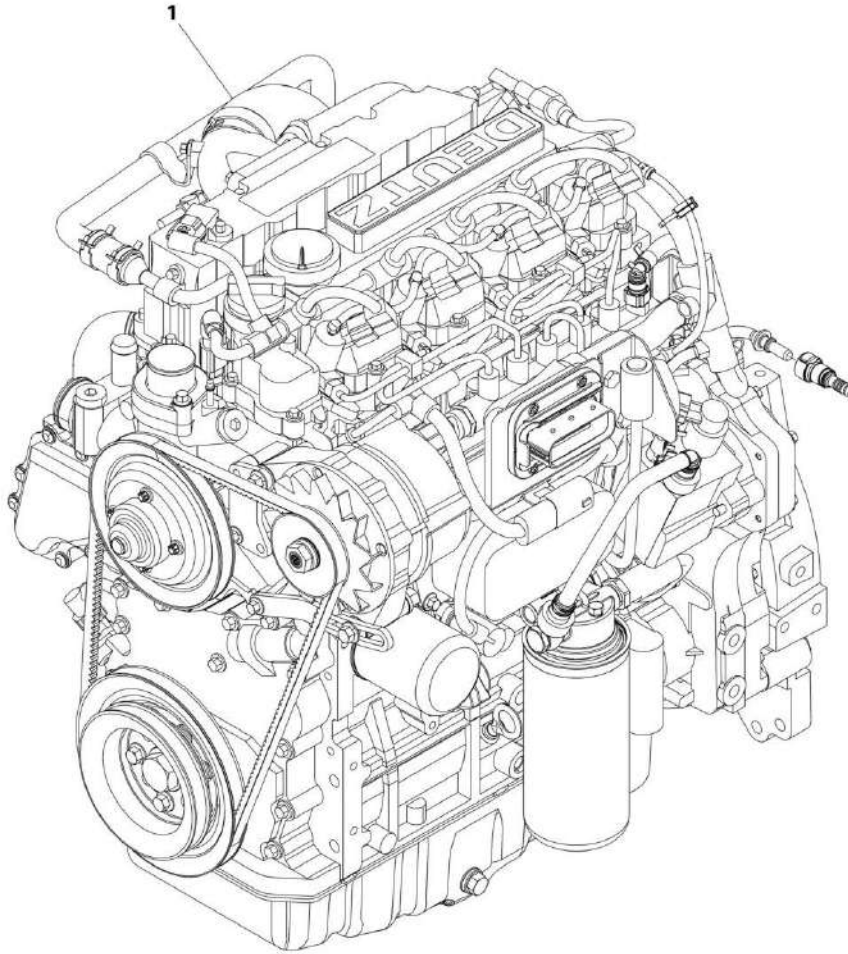
SECTION 4 - ENGINE AND ATTACHING PARTS

FIGURE 4-5. ENGINE (55.4KW - ULS)

ITEM	PART NUMBER	QTY	DESCRIPTION	REV
1	1001136095	Ref	Engine (55.4KW - ULS)	F

SECTION 4 - ENGINE AND ATTACHING PARTS

FIGURE 4-6. ENGINE (55.4KW - LS)



ART_1001139668-F

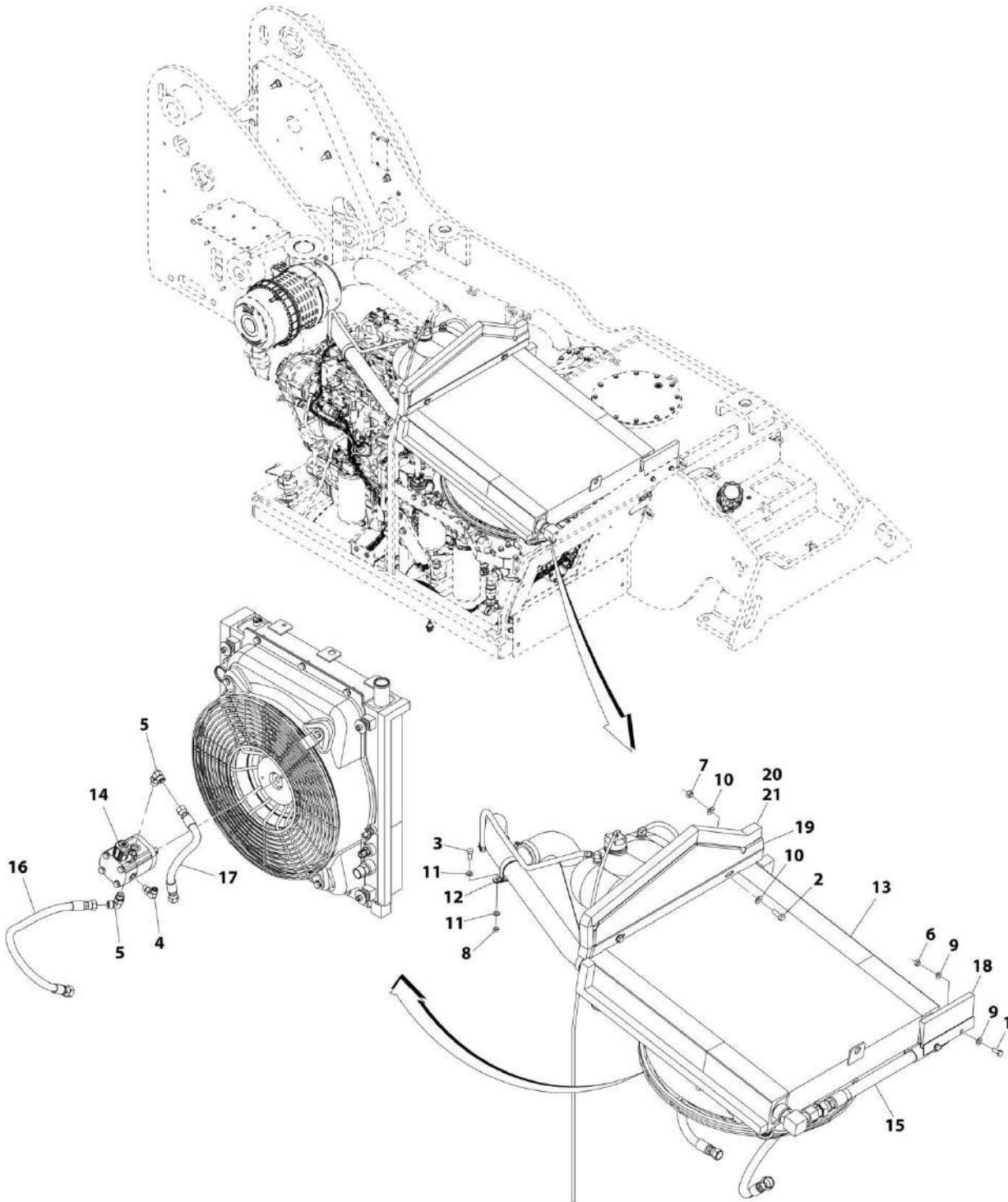
SECTION 4 - ENGINE AND ATTACHING PARTS

FIGURE 4-6. ENGINE (55.4KW - LS)

ITEM	PART NUMBER	QTY	DESCRIPTION	REV
1	1001139668	Ref	Engine (55.4KW - LS)	F

SECTION 4 - ENGINE AND ATTACHING PARTS

FIGURE 4-7. FAN INSTALLATION



ART_1001192128-D

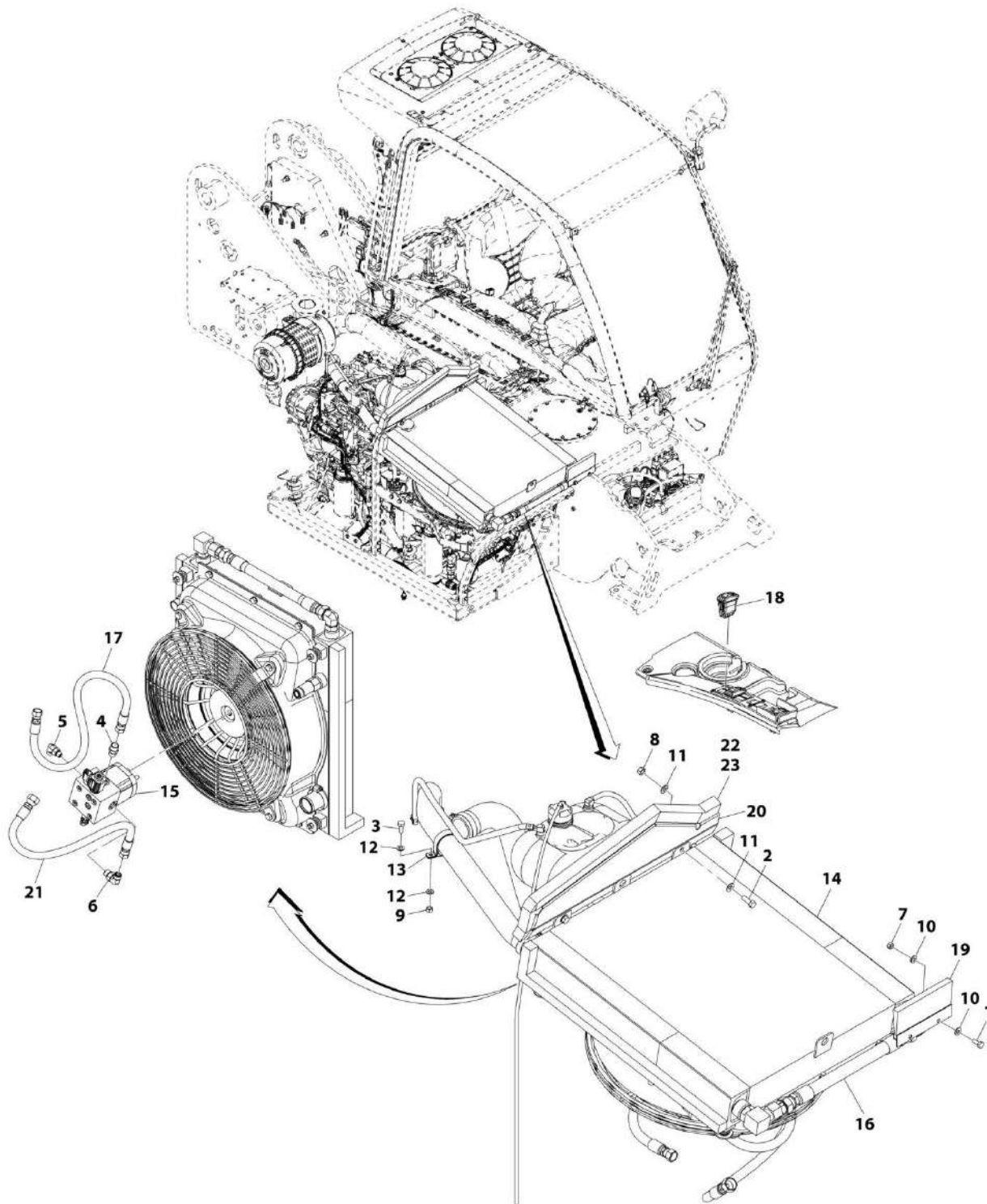
SECTION 4 - ENGINE AND ATTACHING PARTS

FIGURE 4-7. FAN INSTALLATION

ITEM	PART NUMBER	QTY	DESCRIPTION	REV
	1001192128	Ref	Fan Installation	D
1	0681506	2	Hex HD Capscrew, 5/16-18X3/4	
2	0681608	2	Hex HD Capscrew, 3/8-16X1	
3	0760810	1	Hex HD Capscrew, M8X20, GR8.8	
4	2130606	1	Adapter, 90	
5	2130808	2	Adapter, 90	
6	3271501	2	Hex Nut, 5/16-18, GR8	
7	3271601	2	Hex Nut, 3/8-16, GR8	
8	3290801	1	Hex Nut, M8X1.25	
9	4711500	4	Washer, 5/16	
10	4711600	4	Washer, 3/8	
11	4811900	2	Washer, M8	
12	8410001	1	Hose Clamp	
13	1001138877	1	Radiator Installation (See Separate Breakdown in this Section)	
14	1001141779	1	Fan Motor, Variable	
15	1001143041	1	Hose Assembly	
16	1001144692	1	Hose Assembly	
17	1001144693	1	Hose Assembly	
18	1001145710	1	Brush Seal	
19	1001191830	1	Air Dam Plate	
20	1001192256	1	Seal	
21	0100081	AR	Loctite 454	

SECTION 4 - ENGINE AND ATTACHING PARTS

FIGURE 4-8. FAN INSTALLATION, REVERSING



ART_1001192129-D

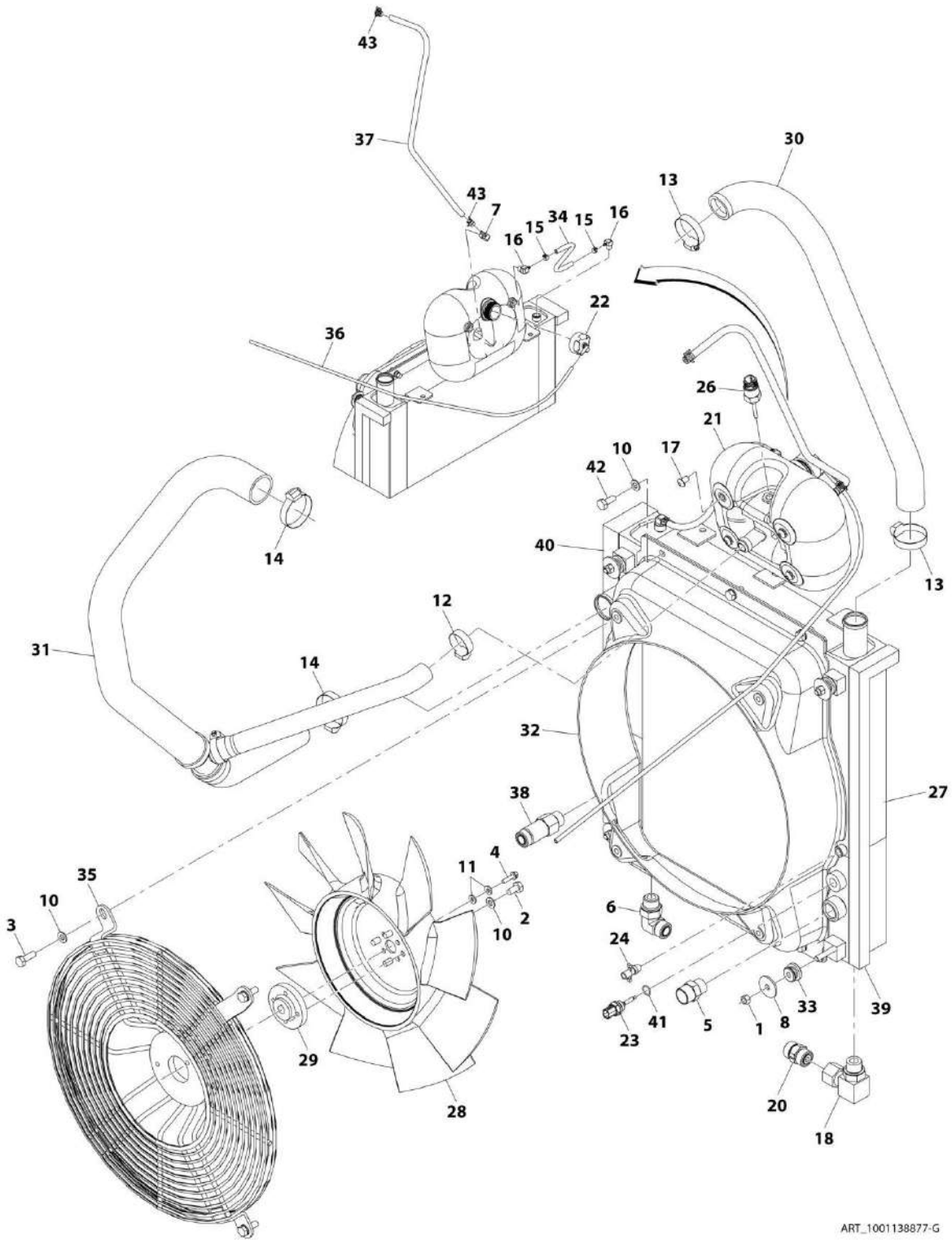
SECTION 4 - ENGINE AND ATTACHING PARTS

FIGURE 4-8. FAN INSTALLATION, REVERSING

ITEM	PART NUMBER	QTY	DESCRIPTION	REV
	1001192129	Ref	Fan Installation, Reversing	D
1	0681506	2	Hex HD Capscrew, 5/16-18X3/4	
2	0681608	2	Hex HD Capscrew, 3/8-16X1	
3	0760810	1	Hex HD Capscrew, M8X20, GR8.8	
4	2110808	1	Adapter, Straight	
5	2130606	1	Adapter 90	
6	2130808	1	Adapter 90	
7	3271501	2	Hex Nut, 5/16-18, GR8	
8	3271601	2	Hex Nut, 3/8-16, GR8	
9	3290801	1	Hex Nut, M8X1.25	
10	4711500	4	Washer, 5/6	
11	4711600	4	Washer, 3/8	
12	4811900	2	Washer, M8	
13	8410001	1	Hose Clamp	
14	1001138877	1	Radiator Installation (See Separate Breakdown in this Section)	
15	1001141780	1	Fan Motor, Variable, Reversing	
16	1001143041	1	Hose Assembly	
17	1001144695	1	Hose Assembly	
18	1001145204	1	Reverse Fan Switch	
19	1001145710	1	Brush Seal	
20	1001191830	1	Air Dam Plate	
21	1001144694	1	Hose Assembly	
22	1001192256	1	Seal	
23	0100081	AR	Loctite 454	

SECTION 4 - ENGINE AND ATTACHING PARTS

FIGURE 4-9. RADIATOR INSTALLATION



ART_1001138877-G

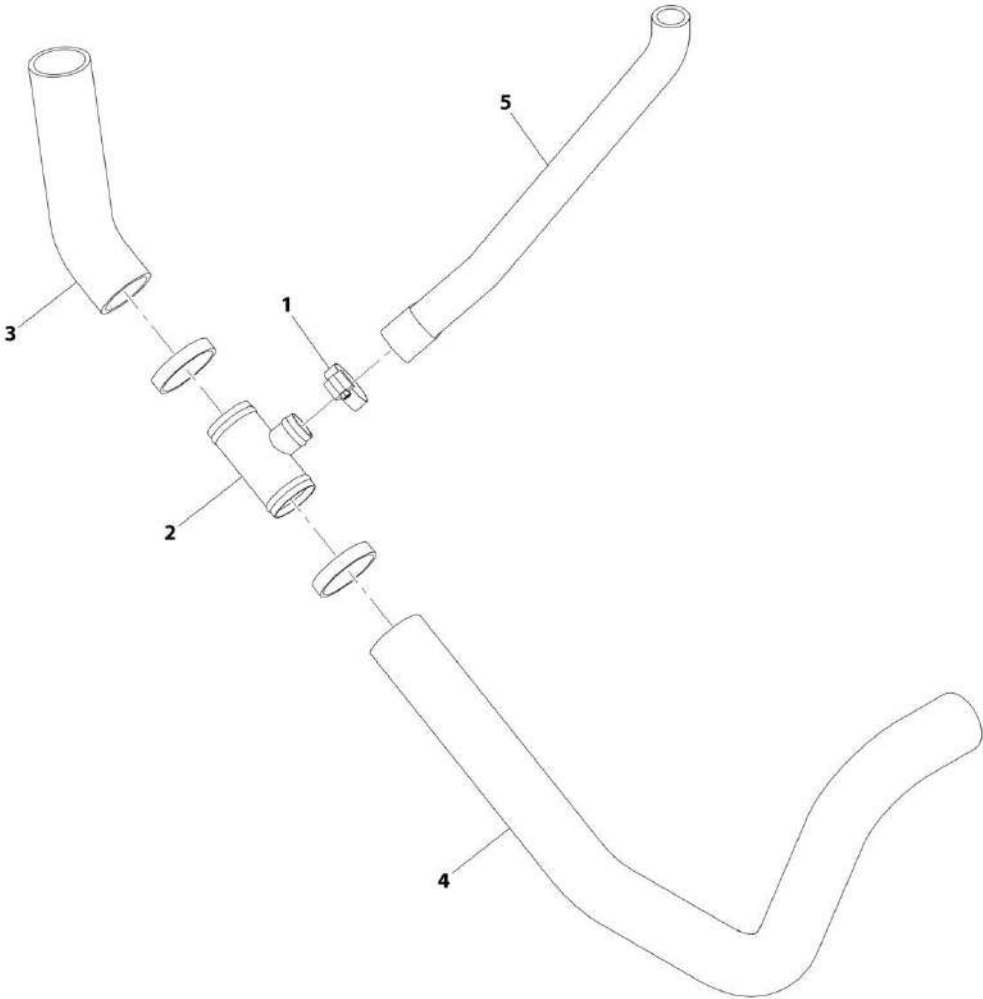
SECTION 4 - ENGINE AND ATTACHING PARTS

FIGURE 4-9. RADIATOR INSTALLATION

ITEM	PART NUMBER	QTY	DESCRIPTION	REV
	1001138877	Ref	Radiator Installation	G
1	3271601	4	Hex Nut, 3/8-16	
2	0761010	4	Hex HD Capscrew, M10X20, GR8.8	
3	0761014	4	Hex HD Capscrew, M10X30, GR8.8	
4	0811408	1	Screw, 1/4-20X1	
5	2111212	1	Adapter, Straight	
6	2131212	1	Adapter, 90	
7	8420227	1	Hose Barb Elbow, 90	
8	4740281	4	Special Washer	
10	4812000	14	Washer M10	
11	4891400	2	Washer, 1/4	
12	8405102	1	Gear Clamp, 1.75	
13	8405104	2	Gear Clamp, 2.25	
14	8405201	2	Gear Clamp, 2.50	
15	1001157075	2	Hose Clamp	
16	8420236	2	Hose Barb Elbow, 90	
17	88261026	4	Button HD Capscrew, 3/8-16X5/8	
18	1001003680	1	Adapter, 90	
20	1001127967	1	Check Valve	
21	1001128144	1	Coolant Tank	
22	1001136834	1	Deaeration Tank Cap	
23	1001128478	1	Temperature Sensor	
24	8904001	1	External Seal, Drain Cock	
26	1001138827	1	Coolant Level Sensor	
27	1001138888	1	Water/Oil Radiator	
28	1001148423	1	Fan, 20in, 9 Blade	
29	1001145871	1	Adapter, Fan	
30	1001141786	1	Radiator Inlet Hose	
31	1001141787	1	Lower Radiator Hose Assembly (See Separate Breakdown in this Section)	
32	1001141796	1	Fan Shroud	
33	1001141801	4	Mounting Pad	
34	1001141834	1	Radiator Vent Hose, 3/16	
35	1001141881	1	Fan Guard Grill	
36	1001141896	1	Coolant Overflow Hose	
37	1001141944	1	Engine Vent Hose	
38	2170112	1	Adapter, Straight	
39	1001144367	1	Foam Gasket Seal	
40	1001144368	1	Foam Gasket Seal	
41	1001009163	1	Seal	
42	0761012	6	Hex HD Capscrew, M10X25, GR8.8	
43	1001156087	2	Hose Clamp	

SECTION 4 - ENGINE AND ATTACHING PARTS

FIGURE 4-10. RADIATOR LOWER HOSE ASSEMBLY



ART_1001141787-D

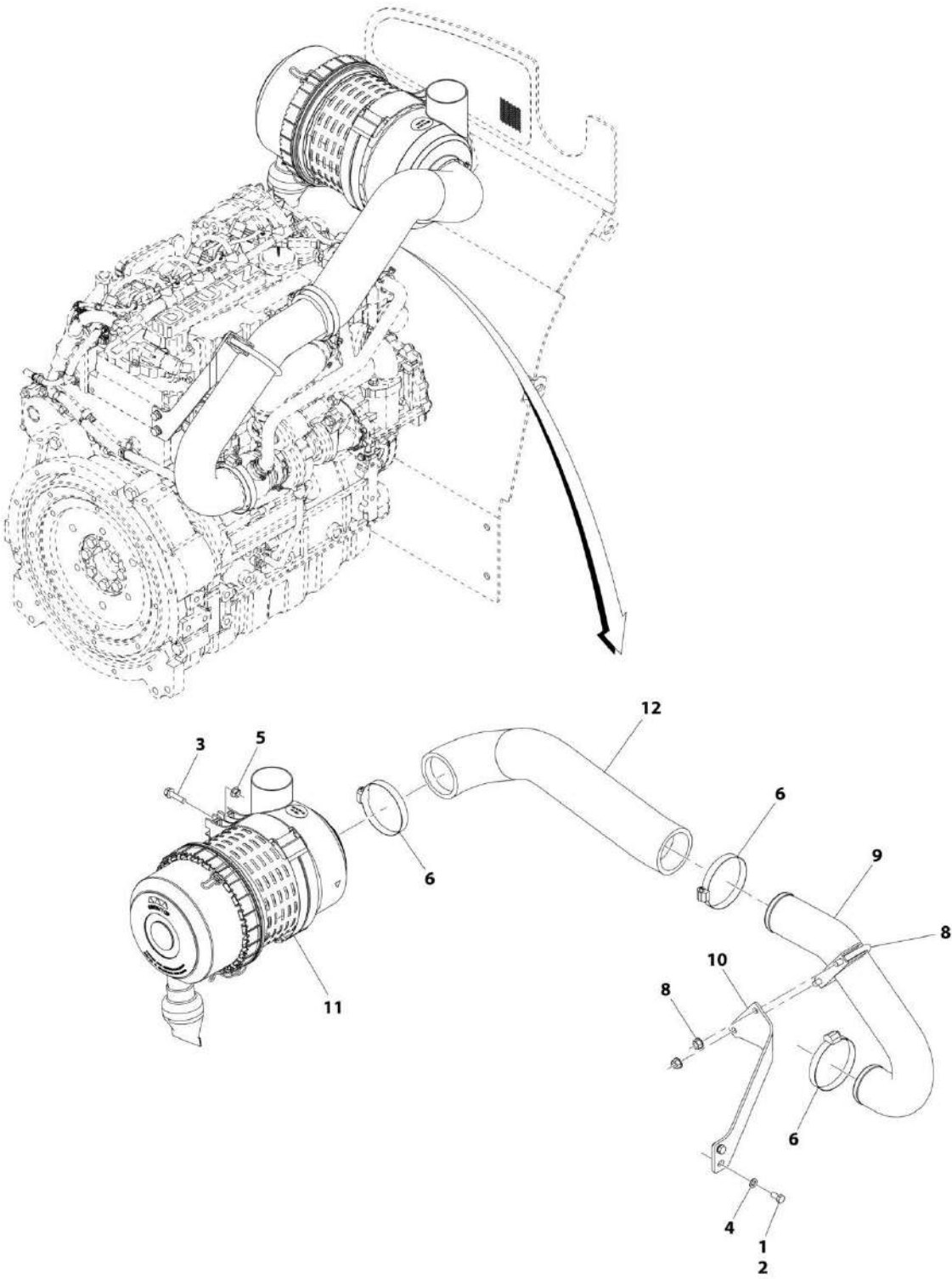
SECTION 4 - ENGINE AND ATTACHING PARTS

FIGURE 4-10. RADIATOR LOWER HOSE ASSEMBLY

ITEM	PART NUMBER	QTY	DESCRIPTION	REV
	1001141787	Ref	Radiator Lower Hose Assembly	D
1	8405102	1	Gear Clamp, 1.75	
2	1001121514	1	Tee Pipe	
3	1001141788	1	Water Inlet Hose	
4	1001141789	1	Radiator Outlet Hose	
5	1001141791	1	Surge Tank Return Hose	

SECTION 4 - ENGINE AND ATTACHING PARTS

FIGURE 4-11. AIR CLEANER INSTALLATION



ART_1001193752-B

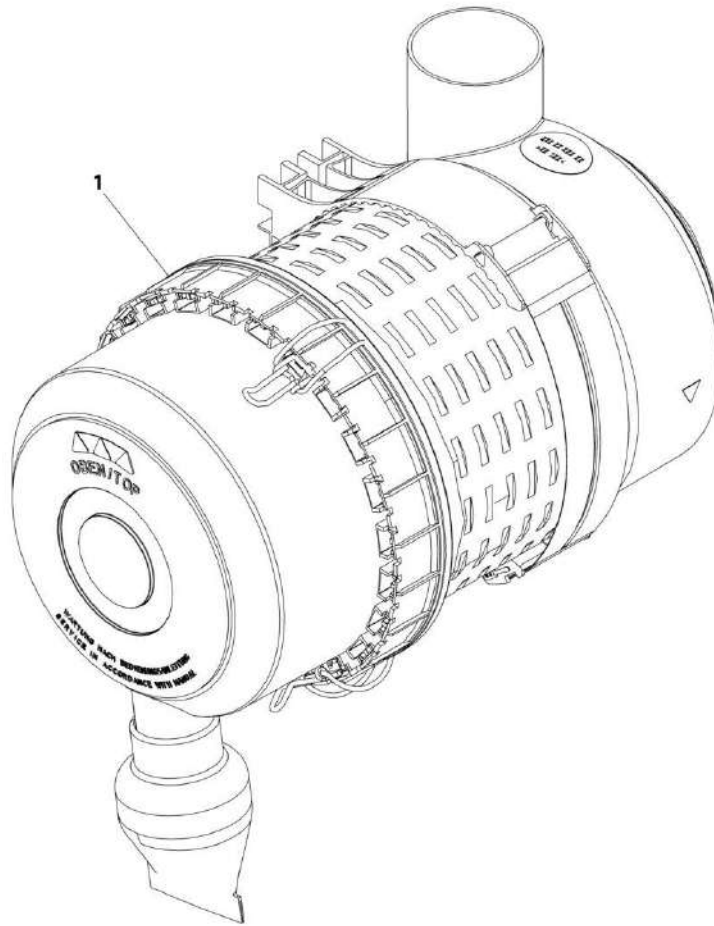
SECTION 4 - ENGINE AND ATTACHING PARTS

FIGURE 4-11. AIR CLEANER INSTALLATION

ITEM	PART NUMBER	QTY	DESCRIPTION	REV
	1001193752	Ref	Air Cleaner Installation	B
1	0100011	AR	Loctite 242	
2	0760808	2	Hex HD Capscrew, M8X16, GR8.8	
3	0811510	2	Screw, 5/16-18X1-1/4	
4	4811900	2	Washer, M8	
5	8310420	2	Flange Nut, 5/16-18	
6	8410011	3	Gear Clamp, 3.25	
8	1001101451	1	Muffler Clamp	
9	1001139155	1	Air Intake Tube	
10	1001141310	1	Tube Bracket	
11	1001142259	1	Air Filter	
12	1001143201	1	Air Intake Hose	

SECTION 4 - ENGINE AND ATTACHING PARTS

FIGURE 4-12. AIR FILTER



ART_1001142259-D

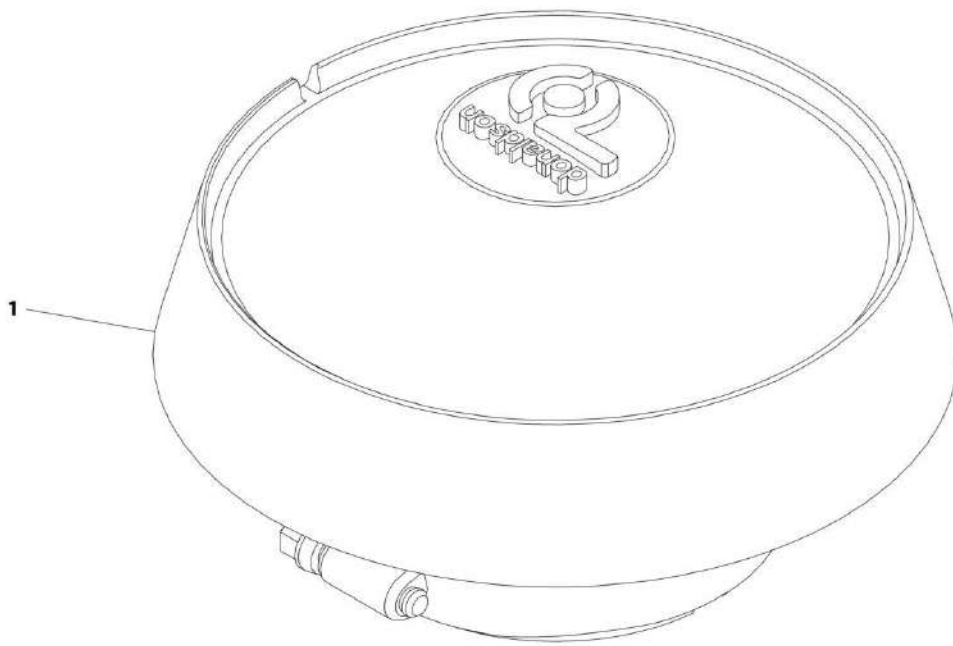
SECTION 4 - ENGINE AND ATTACHING PARTS

FIGURE 4-12. AIR FILTER

ITEM	PART NUMBER	QTY	DESCRIPTION	REV
1	1001142259	Ref	Air Filter	D

SECTION 4 - ENGINE AND ATTACHING PARTS

FIGURE 4-13. RAIN CAP



ART_1001144015-A

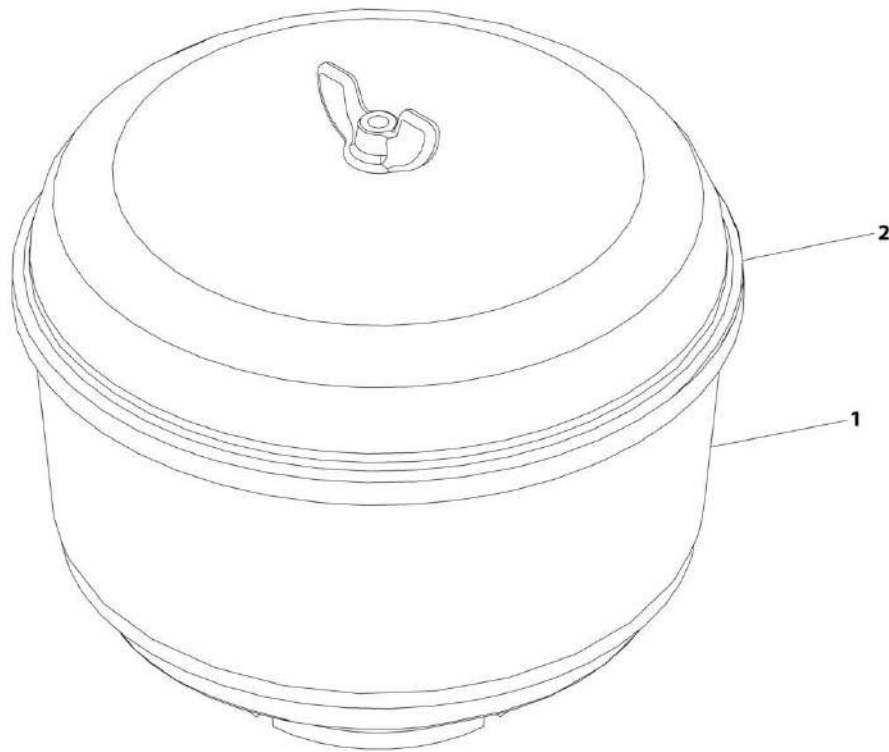
SECTION 4 - ENGINE AND ATTACHING PARTS

FIGURE 4-13. RAIN CAP

ITEM	PART NUMBER	QTY	DESCRIPTION	REV
1	1001144015	Ref	Rain Cap	A

SECTION 4 - ENGINE AND ATTACHING PARTS

FIGURE 4-14. PRECLEANER



ART_1001062773-B

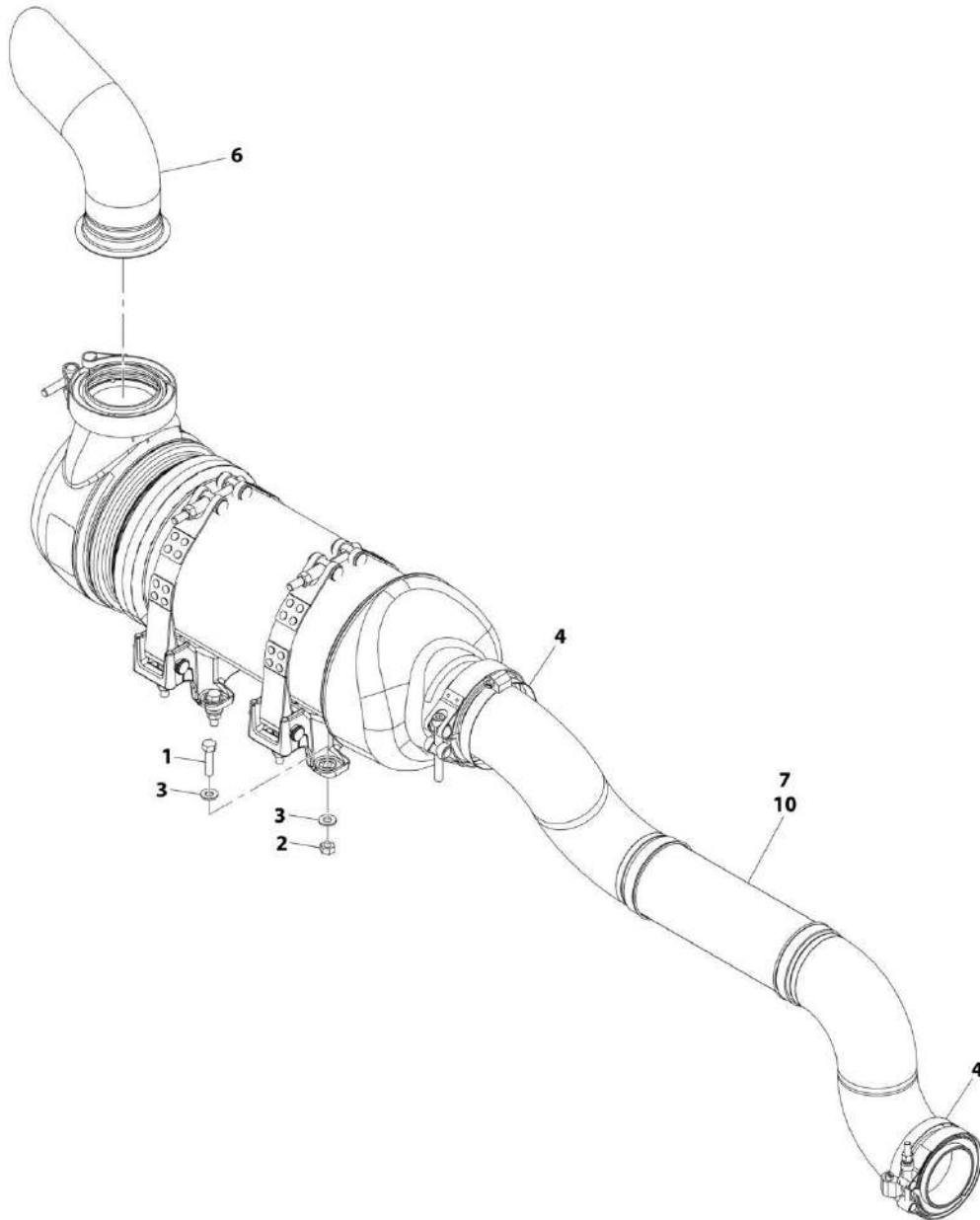
SECTION 4 - ENGINE AND ATTACHING PARTS

FIGURE 4-14. PRECLEANER

ITEM	PART NUMBER	QTY	DESCRIPTION	REV
	1001062773	Ref	Precleaner	B
1	70027591	1	Bowl	
2	70027592	1	Cover	

SECTION 4 - ENGINE AND ATTACHING PARTS

FIGURE 4-15. EXHAUST INSTALLATION (ULS)



ART_1001139681-D

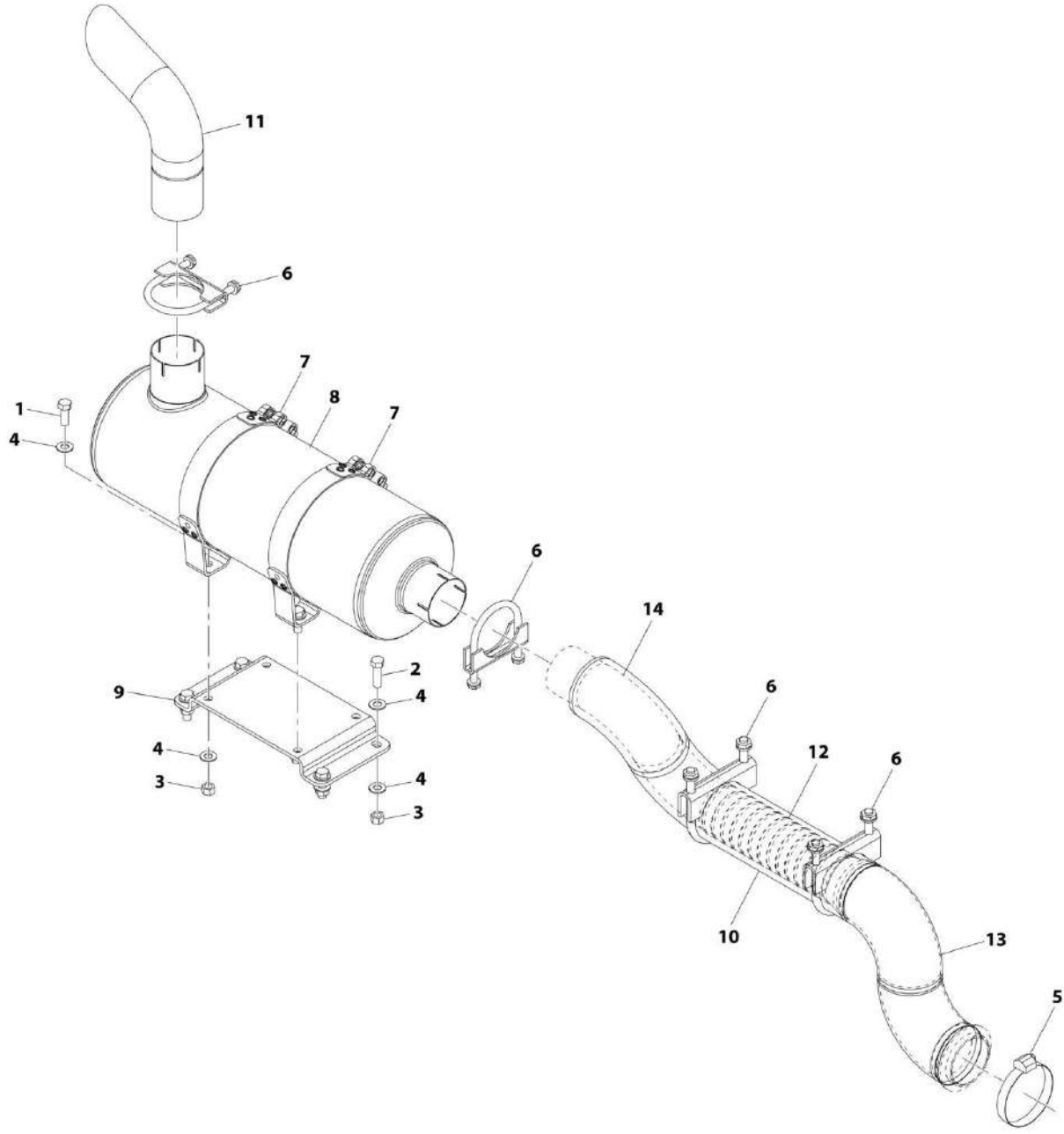
SECTION 4 - ENGINE AND ATTACHING PARTS

FIGURE 4-15. EXHAUST INSTALLATION (ULS)

ITEM	PART NUMBER	QTY	DESCRIPTION	REV
	1001139681	Ref	Exhaust Installation (ULS)	D
1	0681510	8	Hex HD Capscrew, 5/16-18X1 1/4 LG	
2	3271501	8	Hex Nut, 5/16-18	
3	4711500	16	Washer, 5/16	
4	8410011	2	Gear Clamp, 3.25	
6	1001141551	1	Exhaust Elbow Pipe	
7	1001143216	1	Exhaust Pipe	
10	1001143304	1	Thermal Sock Insulate	

SECTION 4 - ENGINE AND ATTACHING PARTS

FIGURE 4-16. EXHAUST INSTALLATION (LS)



ART_1001139682-C

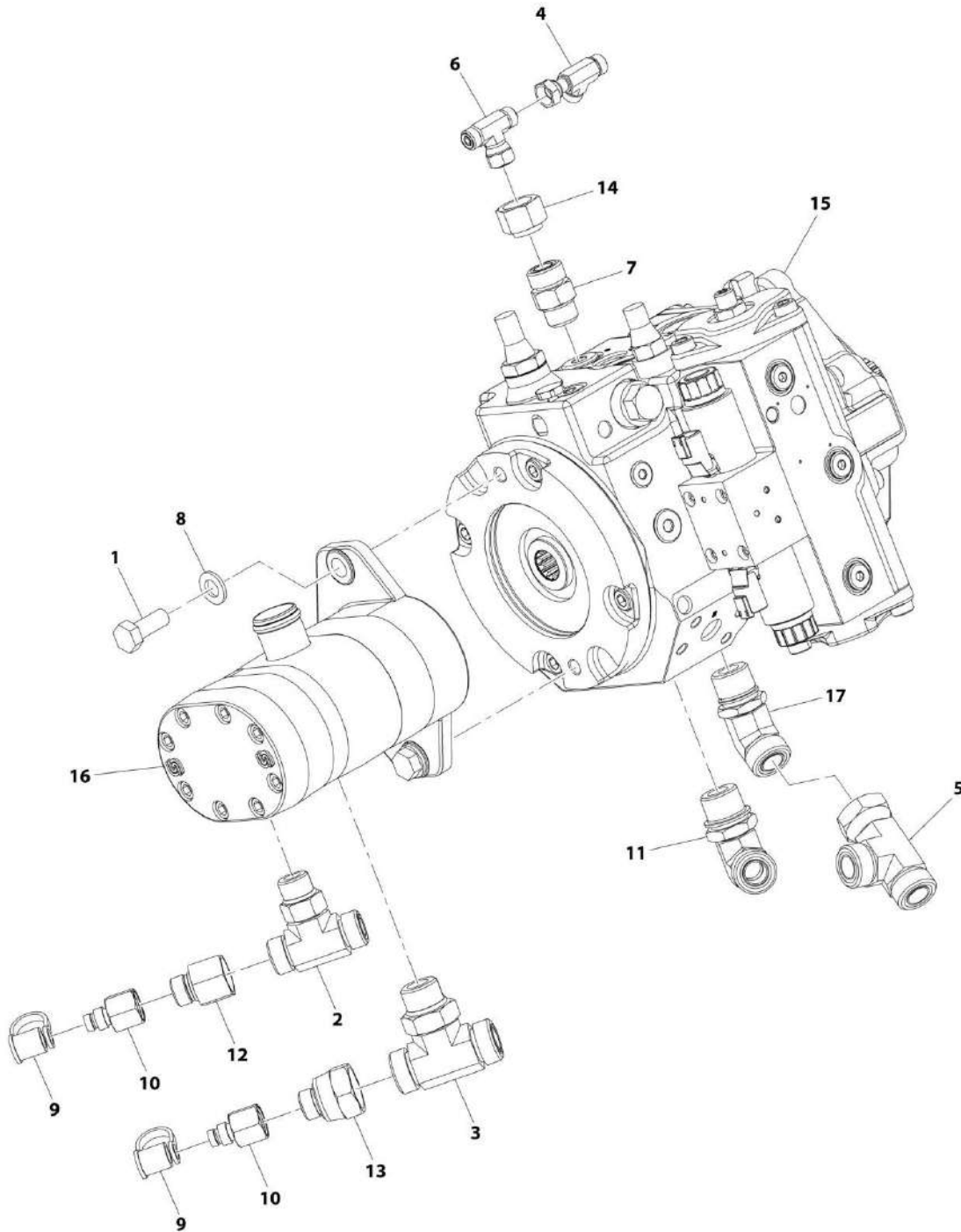
SECTION 4 - ENGINE AND ATTACHING PARTS

FIGURE 4-16. EXHAUST INSTALLATION (LS)

ITEM	PART NUMBER	QTY	DESCRIPTION	REV
	1001139682	Ref	Exhaust Installation (LS)	C
1	0681608	4	Hex HD Capscrew, 3/8-16X1	
2	0681610	4	Hex HD Capscrew, 3/8-16X1-1/4	
3	3271601	8	Hex Nut, 3/8-16, GR8	
4	4711600	16	Washer, 3/8	
5	8405204	1	Gear Clamp, 3.25	
6	8275212	4	Muffler Clamp	
7	1001119727	2	Muffler Clamp	
8	1001140671	1	Muffler	
9	1001141019	1	Support Plate	
10	1001143304	1	Thermal Sock Insulate	
11	1001153410	1	Exhaust Elbow Pipe	
12	1001153411	1	Flex Tube	
13	1001153412	1	Exhaust Pipe	
14	1001153413	1	Exhaust Pipe	

SECTION 4 - ENGINE AND ATTACHING PARTS

FIGURE 4-17. HYDROSTATIC DRIVE PUMP ASSEMBLY



ART_1001190821-B

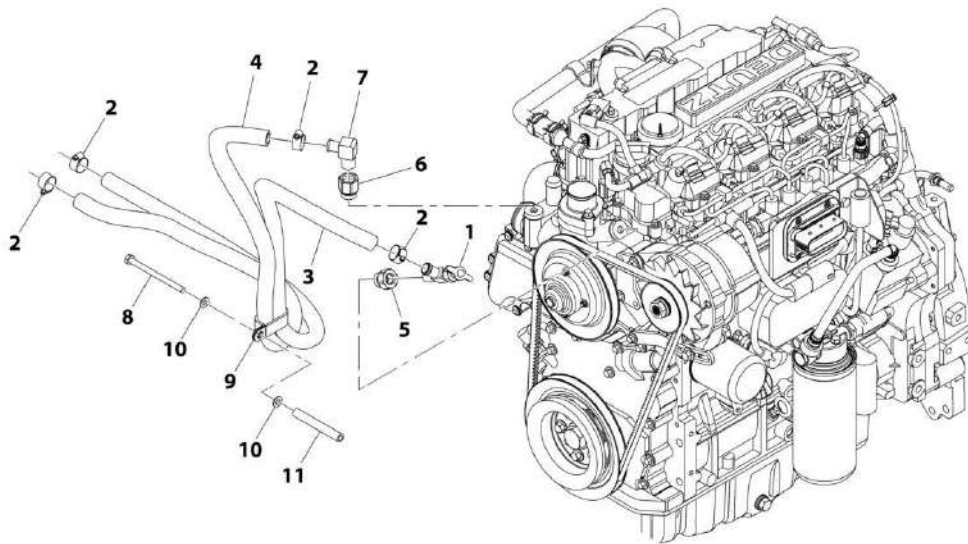
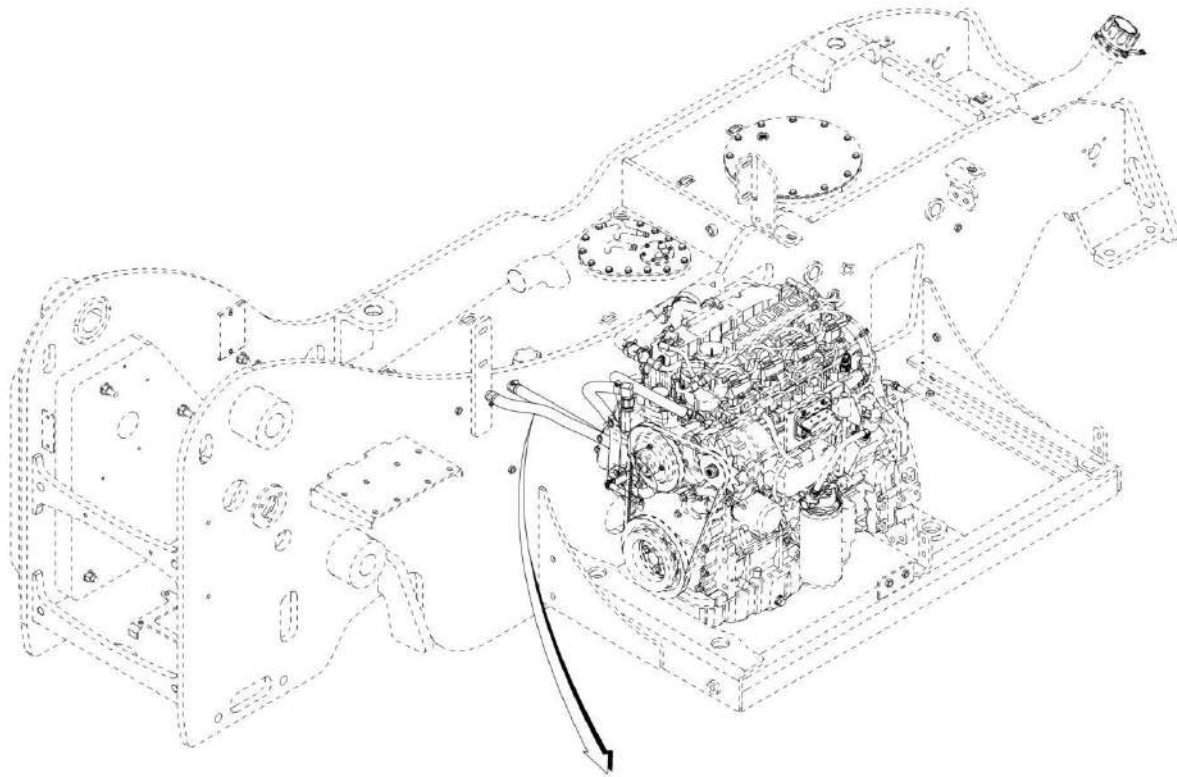
SECTION 4 - ENGINE AND ATTACHING PARTS

FIGURE 4-17. HYDROSTATIC DRIVE PUMP ASSEMBLY

ITEM	PART NUMBER	QTY	DESCRIPTION	REV
	1001190821	Ref	Hydrostatic Drive Pump Assembly	B
1	0761214	2	Hex HD Capscrew, M12X30, GR8.9	
2	2170410	1	Adapter, Branch Tee	
3	2170412	1	Adapter, Branch Tee	
4	2170704	1	Swivel Nut Run Tee	
5	2170712	1	Adapter, Run Tee	
6	2170804	1	Adapter, Branch Tee	
7	2221257	1	Adapter, Connector	
8	4812100	2	Washer, M12	
9	8430032	2	Dust Cap	
10	8430082	2	Adapter, Connector	
11	8770248	1	Adapter, 90	
12	8770296	1	Adapter, Connector, (includes o-ring)	
13	88662480	1	Adapter, Connector, (includes o-ring)	
14	1001119721	1	Adapter, Straight, (includes o-ring)	
15	1001138887	1	Hydrostatic Drive Pump (See Separate Breakdown in HYDRAULIC COMPONENTS Section)	
16	1001139997	1	Gear Pump (See Separate Breakdown in HYDRAULIC COMPONENTS Section)	
17	1001151264	1	Adapter 45, (includes o-ring)	

SECTION 4 - ENGINE AND ATTACHING PARTS

FIGURE 4-18. HEATER LINES INSTALLATION



ART_1001139684-C

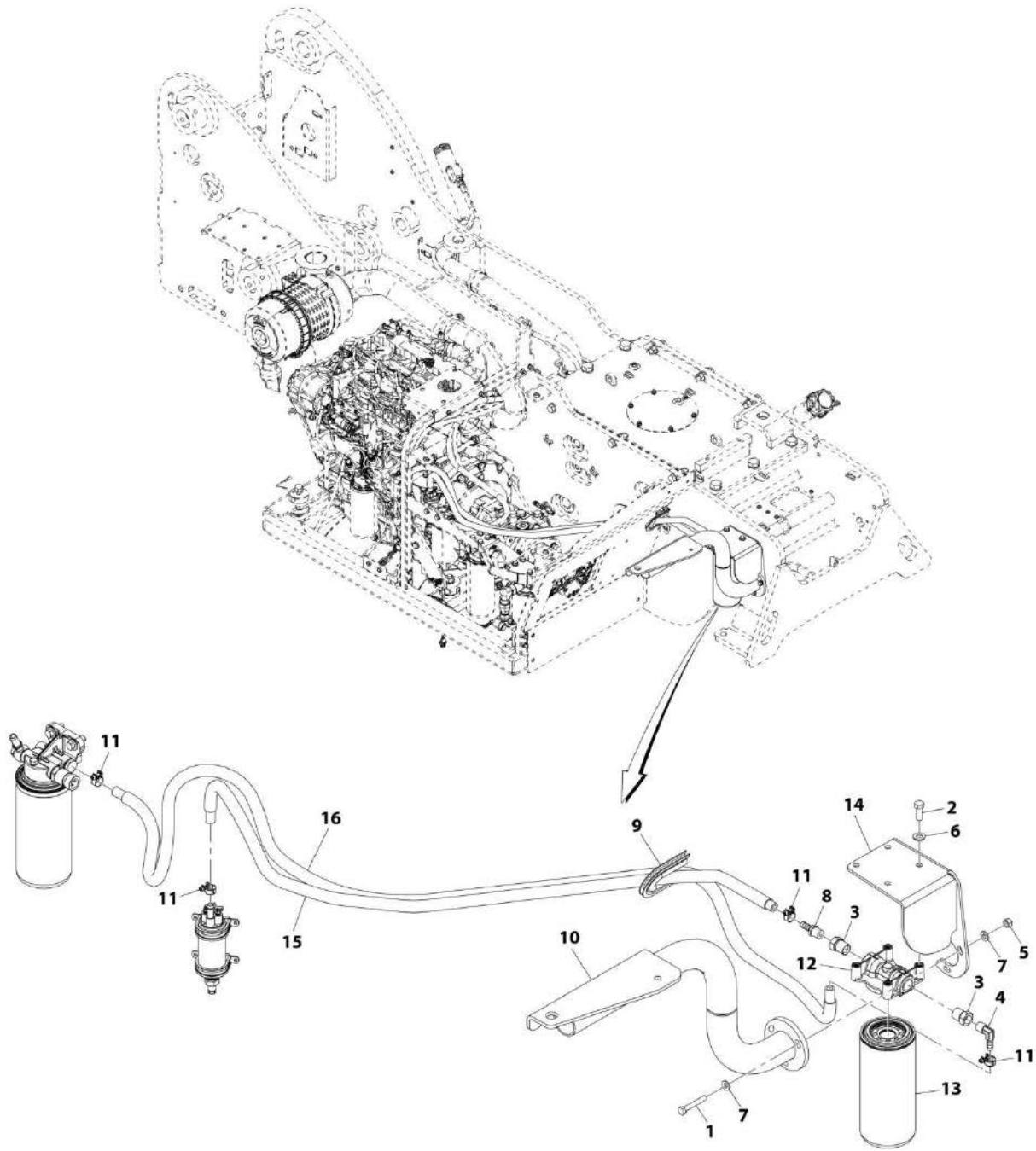
SECTION 4 - ENGINE AND ATTACHING PARTS

FIGURE 4-18. HEATER LINES INSTALLATION

ITEM	PART NUMBER	QTY	DESCRIPTION	REV
	1001139684	Ref	Heater Lines Installation	C
1	8360005	1	Shut-Off Valve	
2	8410009	4	Gear Clamp	
3	1001143254	1	Cab Heater Hose	
4	1001143255	1	Cab Heater Hose	
5	1001143467	1	Straight Adapter	
6	1001143468	1	Straight Adapter	
7	84712749	1	Brass Elbow	
8	0760828	1	Hex HD Capscrew, M8X110, GR8.8	
9	1321716	1	Clamp	
10	8307222	2	Plain Washer, M8	
11	1001157088	1	Sleeve	

SECTION 4 - ENGINE AND ATTACHING PARTS

FIGURE 4-19. LUBRICITY DOSER INSTALLATION (MIRROR)



ART_1001201538-A

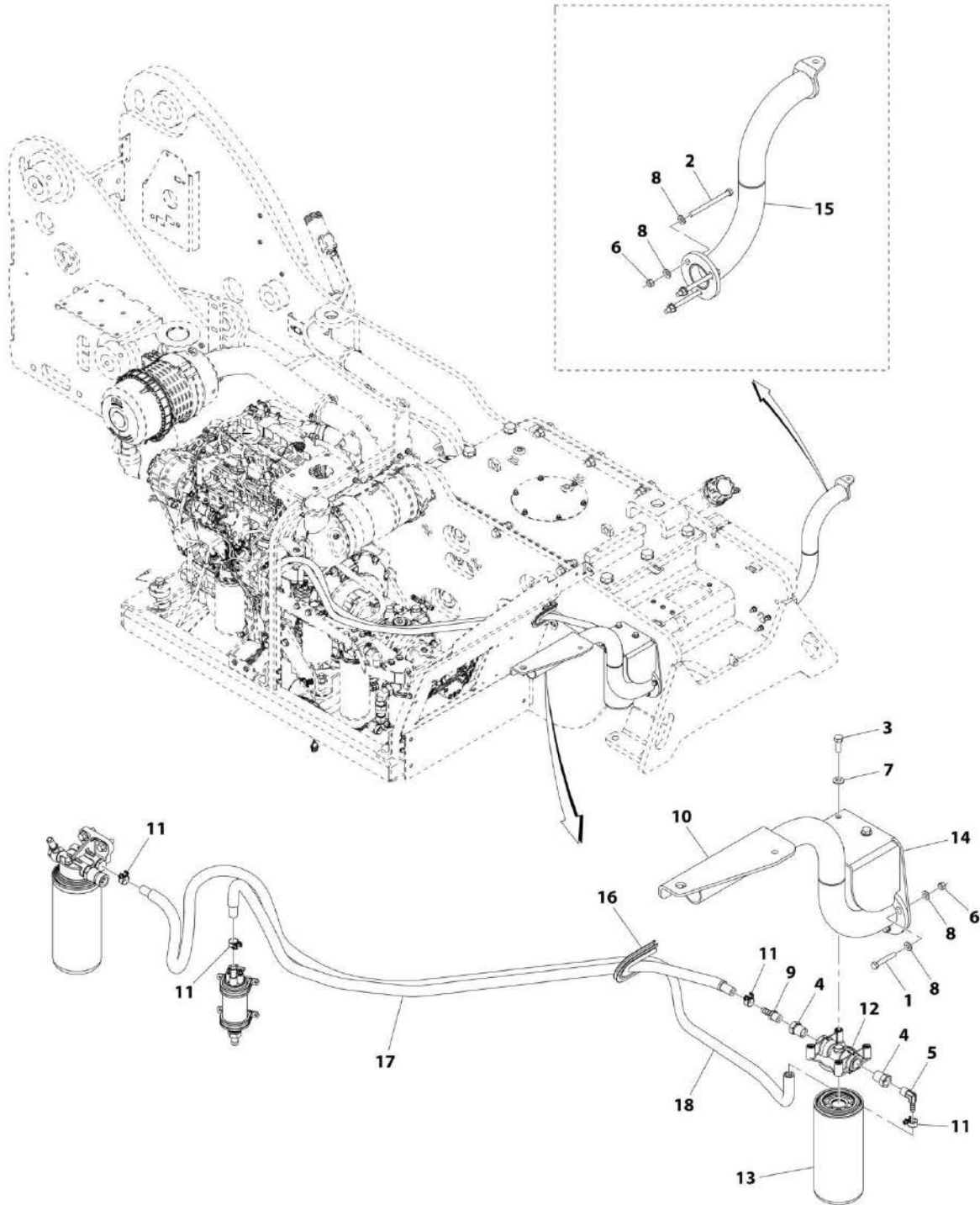
SECTION 4 - ENGINE AND ATTACHING PARTS

FIGURE 4-19. LUBRICITY DOSER INSTALLATION (MIRROR)

ITEM	PART NUMBER	QTY	DESCRIPTION	REV
	1001201538	Ref	Lubricity Doser Installation (Mirror)	A
1	0641516	3	Hex HD Capscrew, 5/16-18X2	
2	0681608	4	Hex HD Capscrew, 3/8-16X1	
3	2220251	2	Adapter, Straight	
4	2220313	1	Barb Fitting, 90	
5	3311505	3	Hex Locknut, 5/16-18, GR2	
6	4711600	4	Plain Washer, 3/8	
7	4891500	6	Hardened Washer, 5/16	
8	8430068	1	Hose Barb Coupling	
9	1001097160	6 in	Self-Gripping Bulb Seal	
10	1001133822	1	Bracket Headlight	
11	1001136975	4	Fuel Hose Clamp	
12	1001141287	1	Lubricity Doser Mount	
13	1001141591	1	Lubricity Doser Element Filter	
14	1001146575	1	Doser Bracket	
15	1001165202	1	Engine Fuel Supply Hose	
16	1001165203	1	Engine Fuel Supply Hose	

SECTION 4 - ENGINE AND ATTACHING PARTS

FIGURE 4-20. LUBRICITY DOSER INSTALLATION (LIGHT & MIRROR)



ART_1001213994-A

SECTION 4 - ENGINE AND ATTACHING PARTS

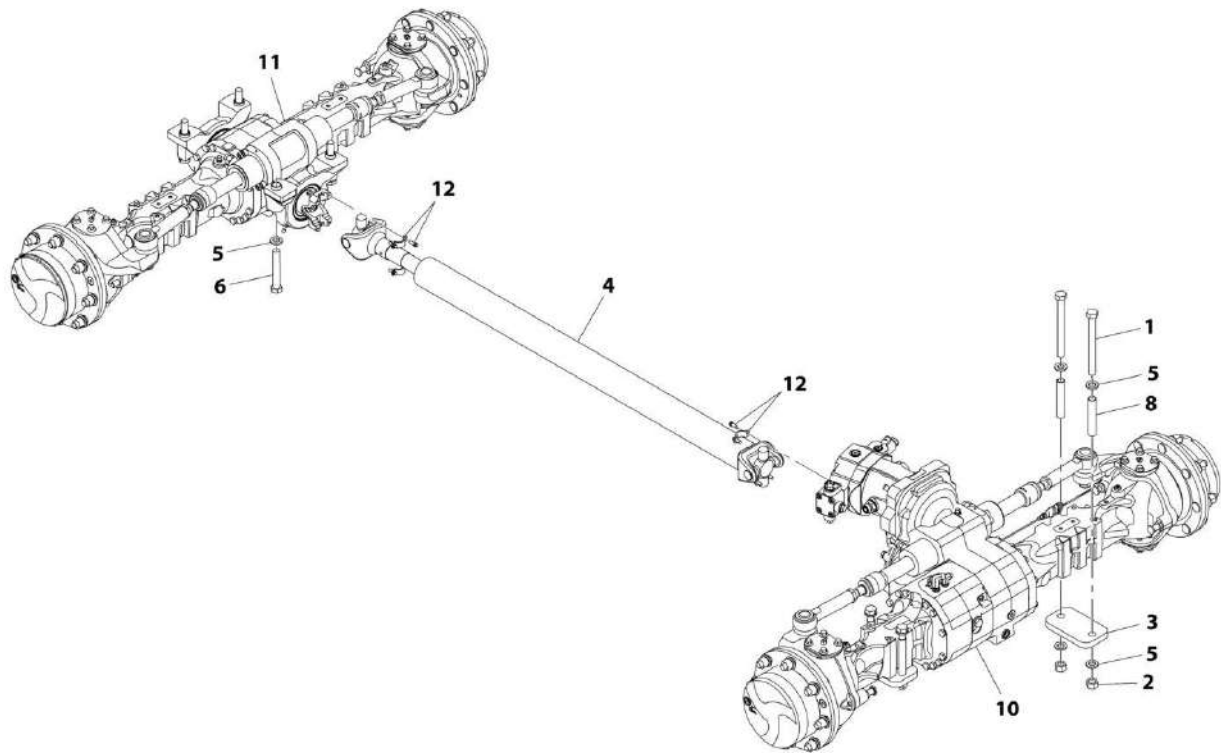
FIGURE 4-20. LUBRICITY DOSER INSTALLATION (LIGHT & MIRROR)

ITEM	PART NUMBER	QTY	DESCRIPTION	REV
	1001213994	Ref	Lubricity Doser Installation (Light & Mirror)	A
1	0641516	3	Hex HD Capscrew, 5/16-18X2	
2	0641532	3	Hex HD Capscrew, 5/16-18X4	
3	0681608	4	Hex HD Capscrew, 3/8-16X1	
4	2220251	2	Adapter, Straight	
5	2220313	1	Barb Fitting, 90	
6	3311505	6	Hex Locknut, 5/16-18, GR2	
7	4711600	4	Plain Washer, 3/8	
8	4891500	12	Hardened Washer, 5/16	
9	8430068	1	Hose Barb Coupling	
10	1001133822	1	Bracket Headlight	
11	1001136975	4	Fuel Hose Clamp	
12	1001141287	1	Lubricity Doser Mount	
13	1001141591	1	Lubricity Doser Element Filter	
14	1001146575	1	Doser Bracket	
15	1001213955	1	Bracket Headlight Mount	
16	1001097160	6 in	Self-Gripping Bulb Seal	
17	1001165202	1	Engine Fuel Supply Hose	
18	1001165203	1	Engine Fuel Supply Hose	

SECTION 5 - DRIVE TRAIN

SECTION 5 - DRIVE TRAIN

FIGURE 5-1. DRIVETRAIN INSTALLATION



ART_1001233725-C

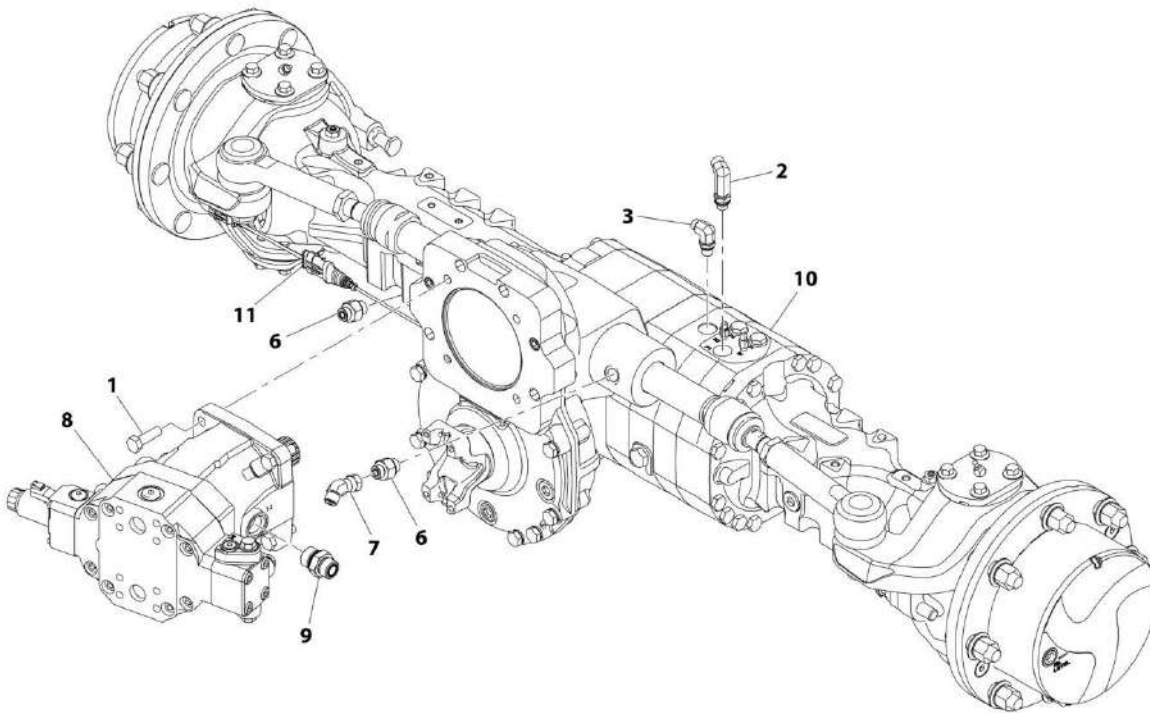
SECTION 5 - DRIVE TRAIN

FIGURE 5-1. DRIVETRAIN INSTALLATION

ITEM	PART NUMBER	QTY	DESCRIPTION	REV
	1001233725	Ref	Drive Train Installation	C
1	0682264	4	Hex HD Capscrew, 3/4-10X8, GR8	
2	3272201	4	Hex Nut, 3/4-10, GR8	
3	3576766	2	Mounting Plate	
4	4040291	1	Drive Shaft	
5	4892200	12	Washer, 3/4	
6	91403412	4	Hex HD Capscrew, 3/4-10X5, GR8	
8	1001081071	4	Front Axle Mount Sleeve	
10	1001233723	1	Front Axle Assembly (See Separate Breakdown in this Section)	
11	1001233724	1	Rear Axle Assembly (See Separate Breakdown in this Section)	
12	8880219-OM	2	Strap Kit	
12	8880221	4	Screw	
12	8880220	2	Strap	

SECTION 5 - DRIVE TRAIN

FIGURE 5-2. FRONT AXLE ASSEMBLY



ART_1001233723-C

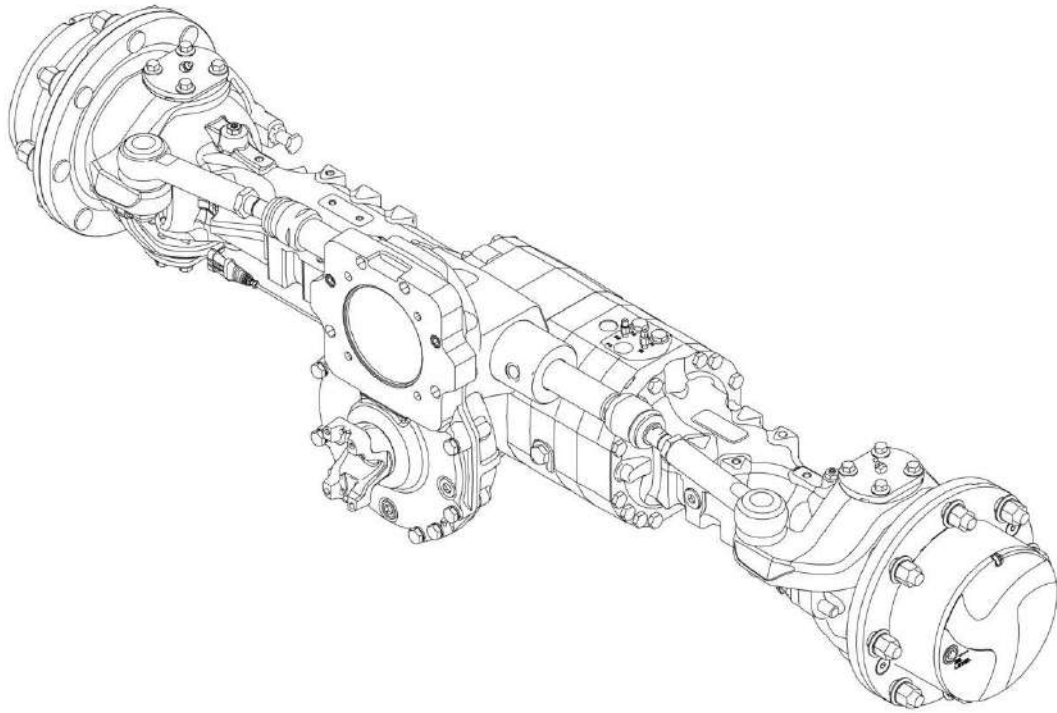
SECTION 5 - DRIVE TRAIN

FIGURE 5-2. FRONT AXLE ASSEMBLY

ITEM	PART NUMBER	QTY	DESCRIPTION	REV
	1001233723	Ref	Front Axle Assembly	C
1	0761216	4	Hex HD Capscrew, M12X40	
2	2221285	1	Elbow, 90	
3	8770241	1	Elbow, 90	
6	1001081333	2	Fitting, Straight	
7	1001105990	1	Fitting, 45	
8	1001138823	1	Hydrostatic Motor (See Separate Breakdown in Hydraulic Components Section)	
9	1001144255	1	Fitting, Straight	
10	1007367100	1	Front Axle (See Separate Breakdown in this Section)	
11	1001234992	1	Speed Sensor Jumper Harness (See Separate Breakdown in Electrical Section)	

SECTION 5 - DRIVE TRAIN

FIGURE 5-3. FRONT AXLE



ART_1007367100-D

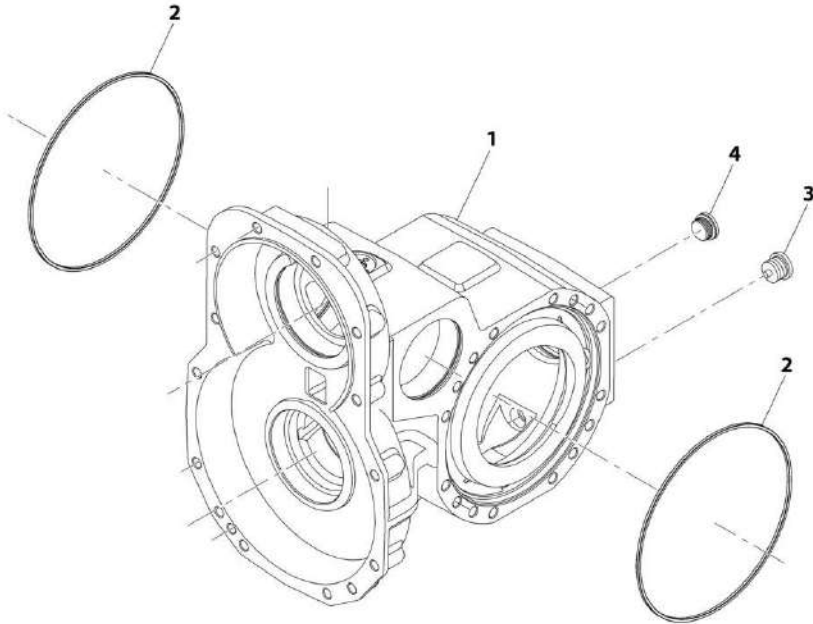
SECTION 5 - DRIVE TRAIN

FIGURE 5-3. FRONT AXLE

ITEM	PART NUMBER	QTY	DESCRIPTION	REV
	1007367100	Ref	Front Axle	D
		Ref	Front Axle, Central Housing (See Separate Breakdown in this Section)	
		Ref	Front Axle, Differential (See Separate Breakdown in this Section)	
		Ref	Front Axle, Hub Reduction (See Separate Breakdown in this Section)	
		Ref	Front Axle, Brakes (See Separate Breakdown in this Section)	
		Ref	Front Axle, Steering (See Separate Breakdown in this Section)	

SECTION 5 - DRIVE TRAIN

FIGURE 5-4. FRONT AXLE, CENTRAL HOUSING



ART_1007367100_1-D

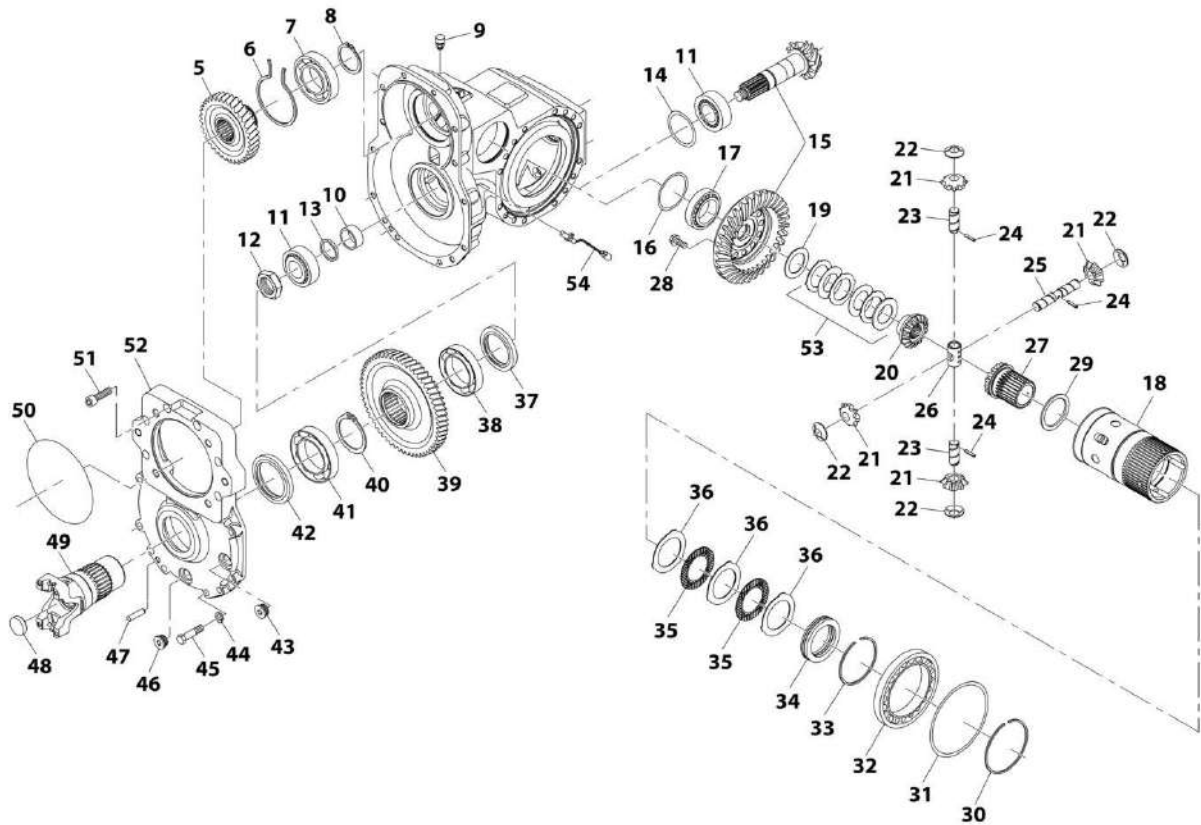
SECTION 5 - DRIVE TRAIN

FIGURE 5-4. FRONT AXLE, CENTRAL HOUSING

ITEM	PART NUMBER	QTY	DESCRIPTION	REV
1	70029265	1	Housing	
2	70021147	2	O-Ring	
3	7028706	1	Magnetic Plug	
4	91514188	1	Plug With Seal Washer	

SECTION 5 - DRIVE TRAIN

FIGURE 5-5. FRONT AXLE, DIFFERENTIAL



ART_1007367100_2-D

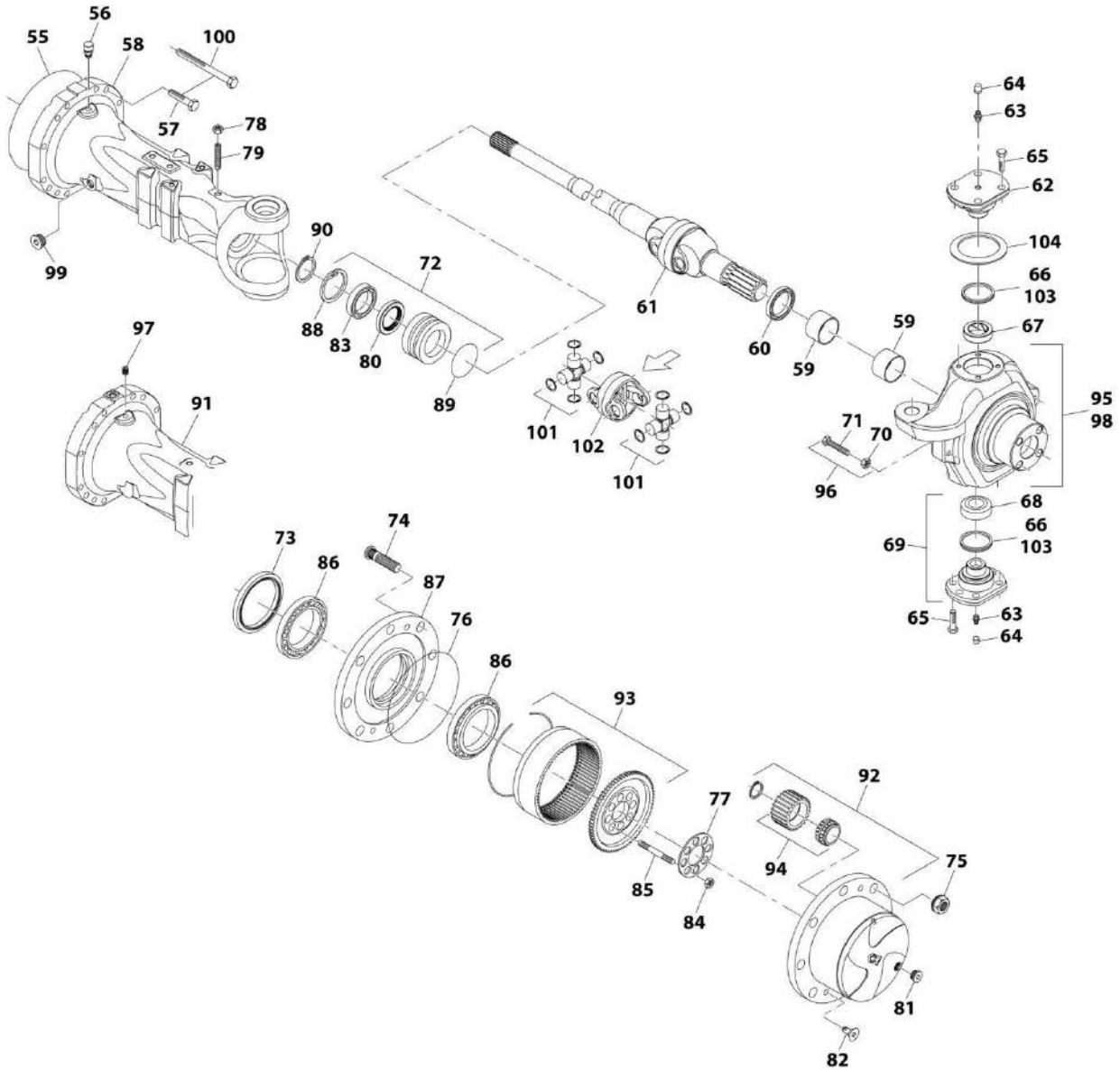
SECTION 5 - DRIVE TRAIN

FIGURE 5-5. FRONT AXLE, DIFFERENTIAL

ITEM	PART NUMBER	QTY	DESCRIPTION	REV
5	70024863	1	Gear	
6	70020230	1	Circlip	
7	70020231	1	Ball Bearing	
8	70020232	1	Circlip	
9	91474512	1	Plug	
10	70024864	1	Spacer	
11	70020234	2	Bearing	
12	70020235	1	Ring Nut	
13	70024927	1	Shim Kit	
14	70024866	1	Shim Kit	
15	70029266	1	Bevel Gear Set	
16	70024929	1	Shim Kit	
17	70020240	1	Tapered Roller Bearing	
18	70021939	1	Differential Carrier	
19	70029267	1	Friction Washer	
20	70020243	1	Differential Side Gear	
21	70020244	4	Differential Pinion	
22	70020245	4	Friction Washer	
23	70021929	2	Pin	
24	70020247	3	Dowel	
25	70021928	1	Pin	
26	70020249	1	Shaft Retainer	
27	70020250	1	Differential Side Gear	
28	70020251	12	Bolt	
29	70020252	1	Friction Washer	
30	70020253	1	Circlip	
31	70027859	1	Shim Kit	
32	3984301	1	Bearing	
33	70020255	1	Circlip	
34	70020256	1	Bearing	
35	70020257	7	Clutch Disc	
36	70020258	8	Intermediate Clutch	
37	70020259	1	Seal	
38	70020260	1	Ball Bearing	
39	70020261	1	Gear	
40	70020262	1	Circlip	
41	80204178	1	Ball Bearing	
42	70020263	1	Seal	
43	70028389	1	Plug	
44	80204147	8	Spring Washer	
45	70024873	8	Bolt	
46	70028388	1	Plug	
47	70020265	1	Dowel	
48	70020266	1	Plug	
49	70020267	1	Flange	
50	70024874	1	O-Ring	
51	70020269	6	Cylinder Bolt	
52	70024875	1	Cover	
53	70020271	1	Clutch Disc	
54	70029268	1	Speed Sensor	

SECTION 5 - DRIVE TRAIN

FIGURE 5-6. FRONT AXLE, HUB REDUCTION



ART_1007367100_3-D

SECTION 5 - DRIVE TRAIN

FIGURE 5-6. FRONT AXLE, HUB REDUCTION

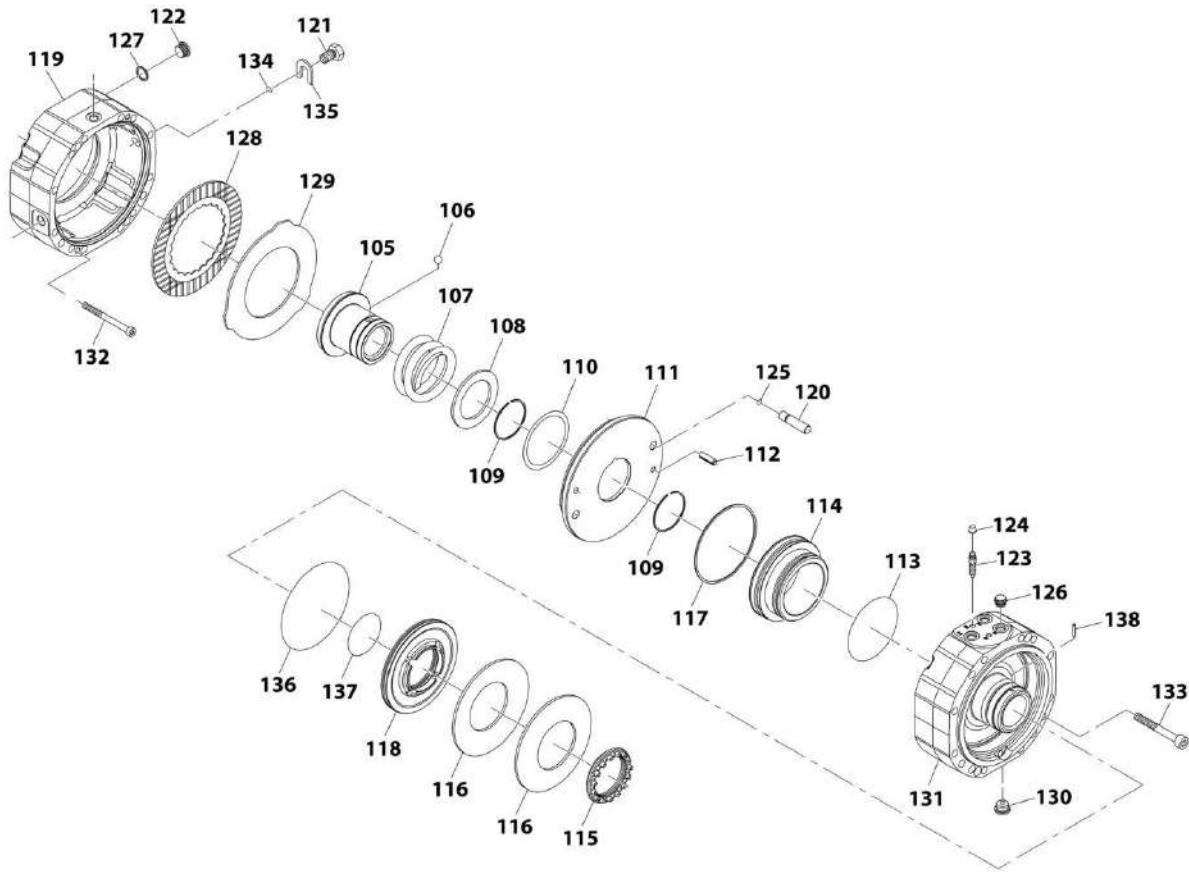
ITEM	PART NUMBER	QTY	DESCRIPTION	REV
55	70021147	2	O-Ring	
56	91474512	1	Vent	
57	70024878	14	Bolt	
58	70029269	1	Axle Case	
59	70021150	2	Thrust Bushing	
60	70021151	2	Seal	
61	70029270	2	Universal Joint & Shaft	
62	70029271	2	Pivot Pin	
63	70024881	4	Grease Fitting	
64	80204117	4	Plug	
65	70025562	20	Bolt	
66	70021155	2	Seal	
67	70029272	2	Reduction Bushing	
68	70029273	2	Articulation	
69	70029274	2	Pivot Pin	
70	80204065	4	Nut	
71	91514117	4	Bolt	
72	70029275	2	Reduction Bushing	
73	70029276	2	Seal	
74	70024883	16	Wheel Stud	
75	70026875	16	Nut	
76	91474507	2	O-Ring	
77	3983731	2	Locking Plate	
78	80204172	2	Nut	
79	70029277	2	Bolt	
80	70029278	2	Seal	
81	7028706	2	Magnetic Plug	
82	91514189	4	Countersunk Bolt	
83	70029279	2	Bearing	
84	91474584	8	Nut	
85	70027315	8	Stud	
86	3984301	4	Bearing	
87	70029280	2	Wheel Hub	
88	70029281	2	Circlip	
89	70029282	2	O-Ring	
90	70029283	2	Circlip	
91	70029284	1	Axle Case	
92	70029285	2	Planet Gear Carrier Kit (See Separate Breakdown in this Section)	
93	7029432	2	Ring Gear Support Kit (See Separate Breakdown in this Section)	
94	70027114	6	Planet Gear Kit	
95	70029286	1	Steering Case Kit (LF, RR) (See Separate Breakdown in this Section)	
96	7028733	4	Steering Adjust Bolt Kit	
97	80204012	1	Plug	
98	70029287	1	Steering Case Kit (RF, LR) (See Separate Breakdown in this Section)	
99	91514188	1	Plug W/ Sealing Washer	
100	70029288	14	Hex Bolt	
101	70029289	2	Joint Cross	
102	70029290	1	Joint Center Section	

SECTION 5 - DRIVE TRAIN

ITEM	PART NUMBER	QTY	DESCRIPTION	REV
103	70029291	2	Dust Excluder	
104	70029292	4	Spring	

SECTION 5 - DRIVE TRAIN

FIGURE 5-7. FRONT AXLE, BRAKES



ART_1007367100_4-D

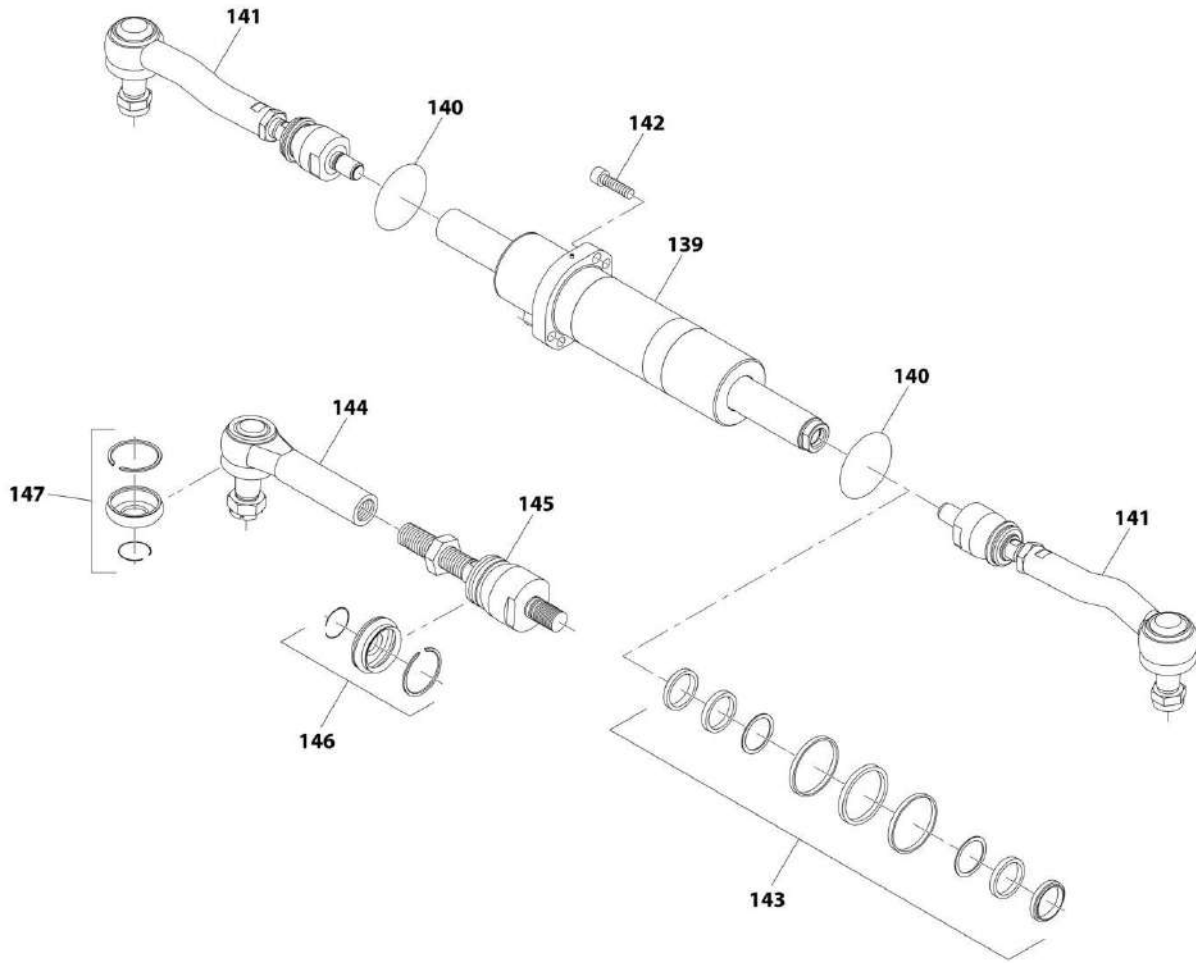
SECTION 5 - DRIVE TRAIN

FIGURE 5-7. FRONT AXLE, BRAKES

ITEM	PART NUMBER	QTY	DESCRIPTION	REV
105	70021942	1	Reduction Bushing	
106	70020276	2	Detend Ball	
107	70020285	1	Spring	
108	70021941	1	Spacer	
109	70020284	2	Circlip	
110	70027862	1	Shim Kit	
111	70021940	1	Intermediate Brake Disc	
112	70029293	2	Roll Pin	
113	70028884	1	O-Ring, Anti-Twist	
114	70020280	1	Piston	
115	70020296	1	Ring Nut	
116	70020295	2	Spring	
117	70026263	1	Seal	
118	70024897	1	Piston	
119	70029294	1	Steering Axle Housing	
120	70020291	3	Pin	
121	70020297	2	Bolt	
122	70029295	1	Plug	
123	80204281	2	Bleeding Bolt	
124	80204117	2	Plug	
125	70020290	3	O-Ring	
126	70020282	1	Plug	
127	70029296	1	Washer	
128	70020273	6	Brake Disc	
129	70024528	6	Disc, Intermediate Brake	
130	7028706	1	Magnetic Plug	
131	70029297	1	Steering Axle Housing	
132	70029298	2	Cylinder Bolt	
133	70029299	3	Cylinder Bolt	
134	80204111	2	O-Ring	
135	70020298	2	Spacer	
136	70020292	1	O-Ring	
137	70020293	1	O-Ring	
138	70020247	1	Dowel	

SECTION 5 - DRIVE TRAIN

FIGURE 5-8. FRONT AXLE, STEERING



ART_1007367100_5-D

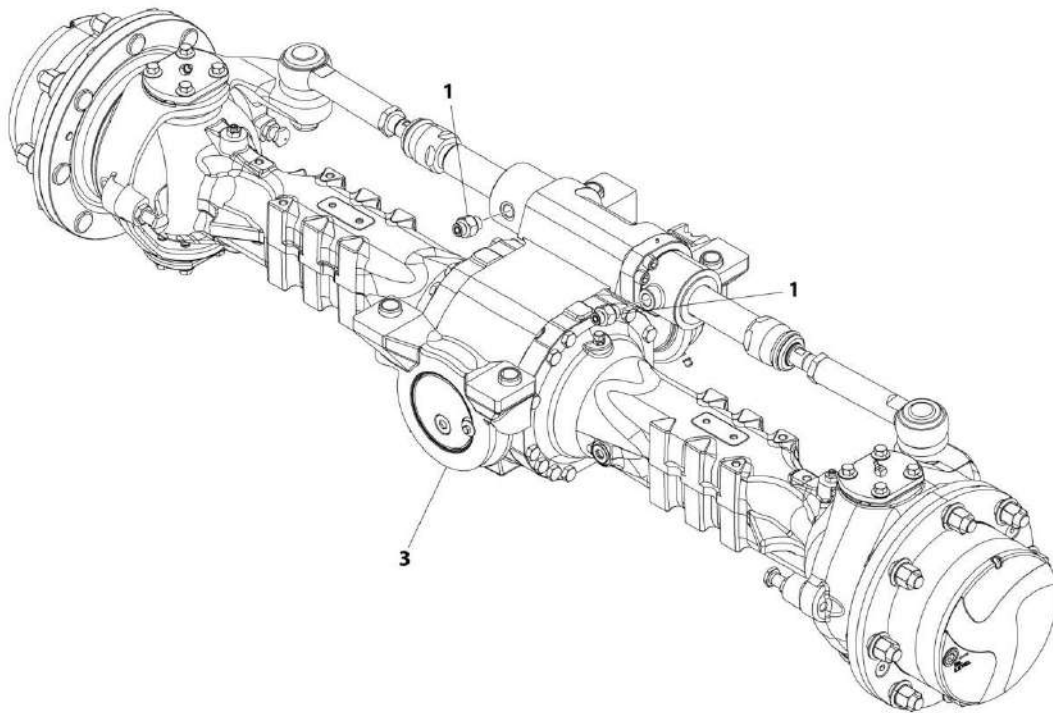
SECTION 5 - DRIVE TRAIN

FIGURE 5-8. FRONT AXLE, STEERING

ITEM	PART NUMBER	QTY	DESCRIPTION	REV
139	70023035	1	Steer Cylinder	
140	70020301	2	O-Ring	
141	70020302	2	Tie Rod	
142	70020269	4	Cylinder Bolt	
143	70023036	1	Seal Kit, Steer Cylinder	
144	70029300	1	Joint, 90 Degree	
145	70029301	1	Axle Joint	
146	70027866	1	Rubber Boot and Locking Ring Kit	
147	70027865	1	Rubber Boot and Locking Ring Kit	

SECTION 5 - DRIVE TRAIN

FIGURE 5-9. REAR AXLE ASSEMBLY



ART_1001233724-B

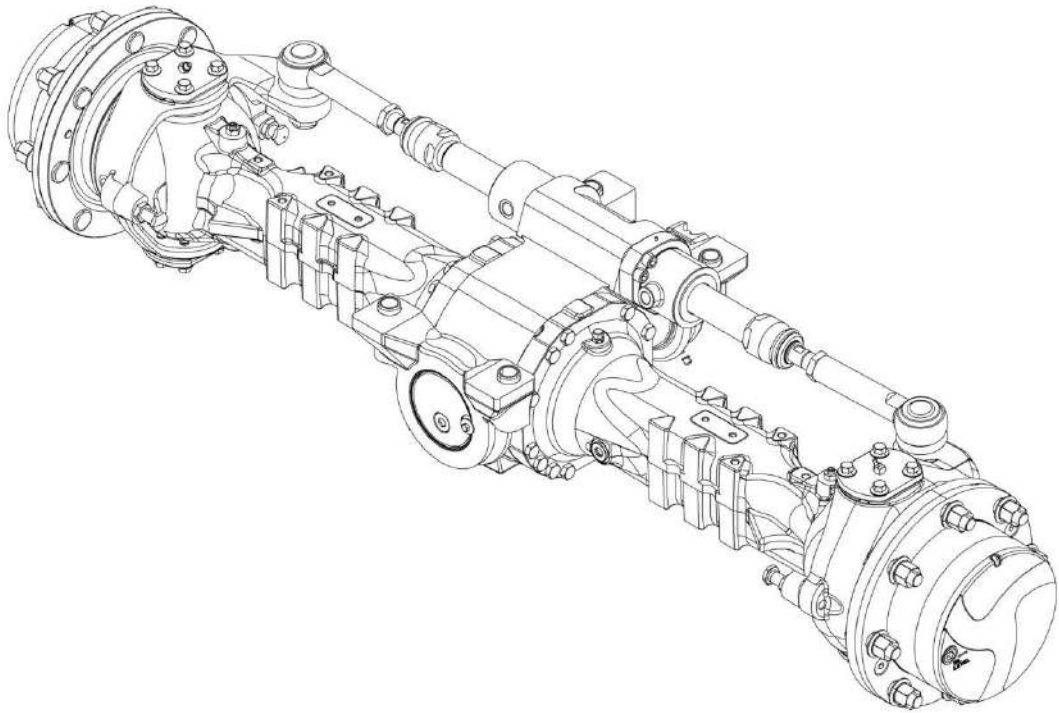
SECTION 5 - DRIVE TRAIN

FIGURE 5-9. REAR AXLE ASSEMBLY

ITEM	PART NUMBER	QTY	DESCRIPTION	REV
1	1001233724	Ref	Rear Axle Assembly	B
	1001081333	2	Fitting	
3	1007367300	1	Rear Axle (See Separate Breakdown in this Section)	

SECTION 5 - DRIVE TRAIN

FIGURE 5-10. REAR AXLE



ART_1007367300-D

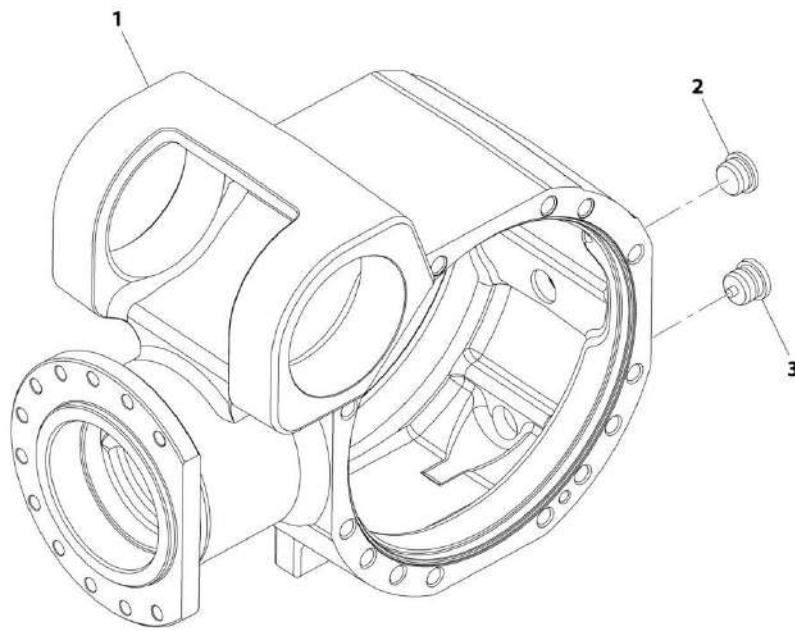
SECTION 5 - DRIVE TRAIN

FIGURE 5-10. REAR AXLE

ITEM	PART NUMBER	QTY	DESCRIPTION	REV
	1007367300	Ref	Rear Axle	D
		Ref	Rear Axle, Central Housing (See Separate Breakdown in this Section)	
		Ref	Rear Axle, Differential (See Separate Breakdown in this Section)	
		Ref	Rear Axle, Hub Reduction (See Separate Breakdown in this Section)	
		Ref	Rear Axle, Steering (See Separate Breakdown in this Section)	
		Ref	Rear Axle, Trunion (See Separate Breakdown in this Section)	

SECTION 5 - DRIVE TRAIN

FIGURE 5-11. REAR AXLE, CENTRAL HOUSING



ART_1007367300_1-D

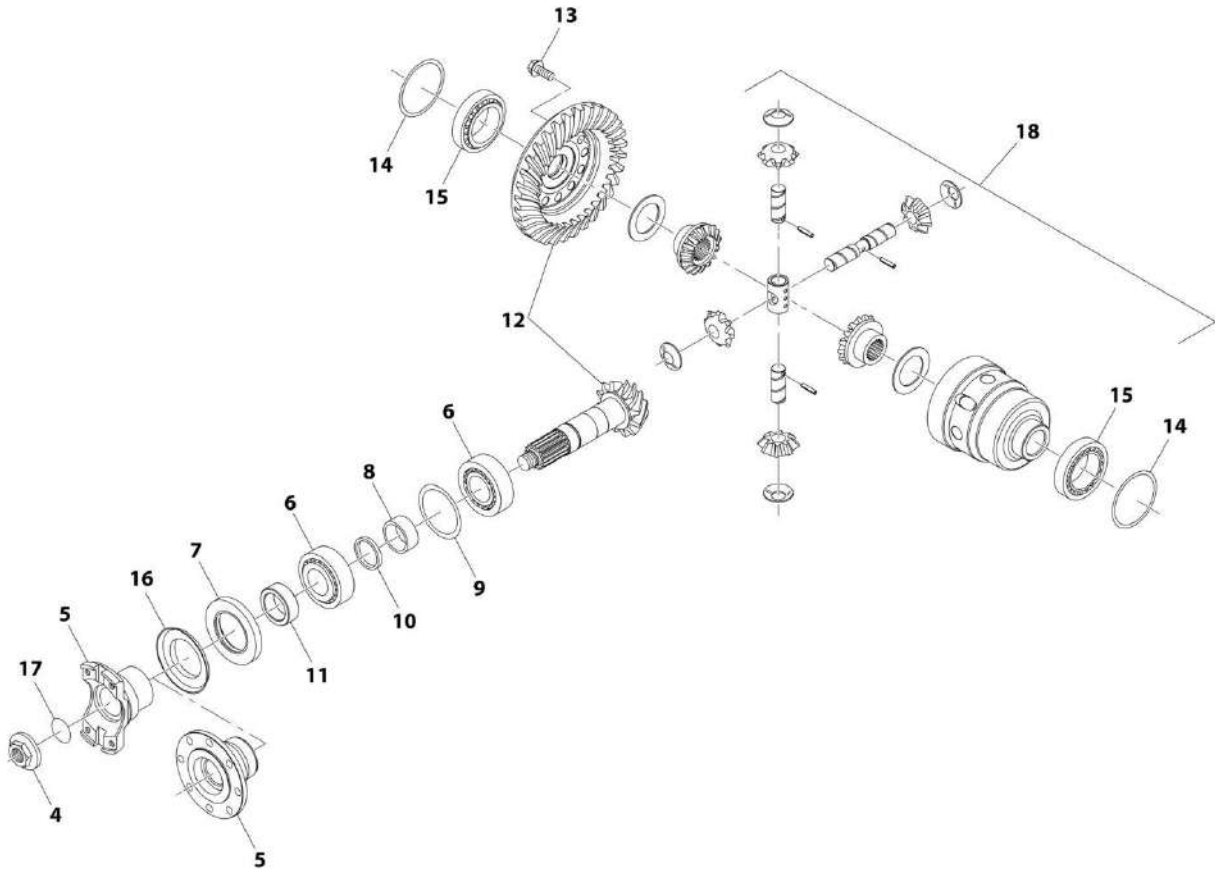
SECTION 5 - DRIVE TRAIN

FIGURE 5-11. REAR AXLE, CENTRAL HOUSING

ITEM	PART NUMBER	QTY	DESCRIPTION	REV
1	70029265	1	Housing	
2	91514188	1	Plug	
3	7028706	1	Magnetic Plug	

SECTION 5 - DRIVE TRAIN

FIGURE 5-12. REAR AXLE, DIFFERENTIAL



ART_1007367300_2-D

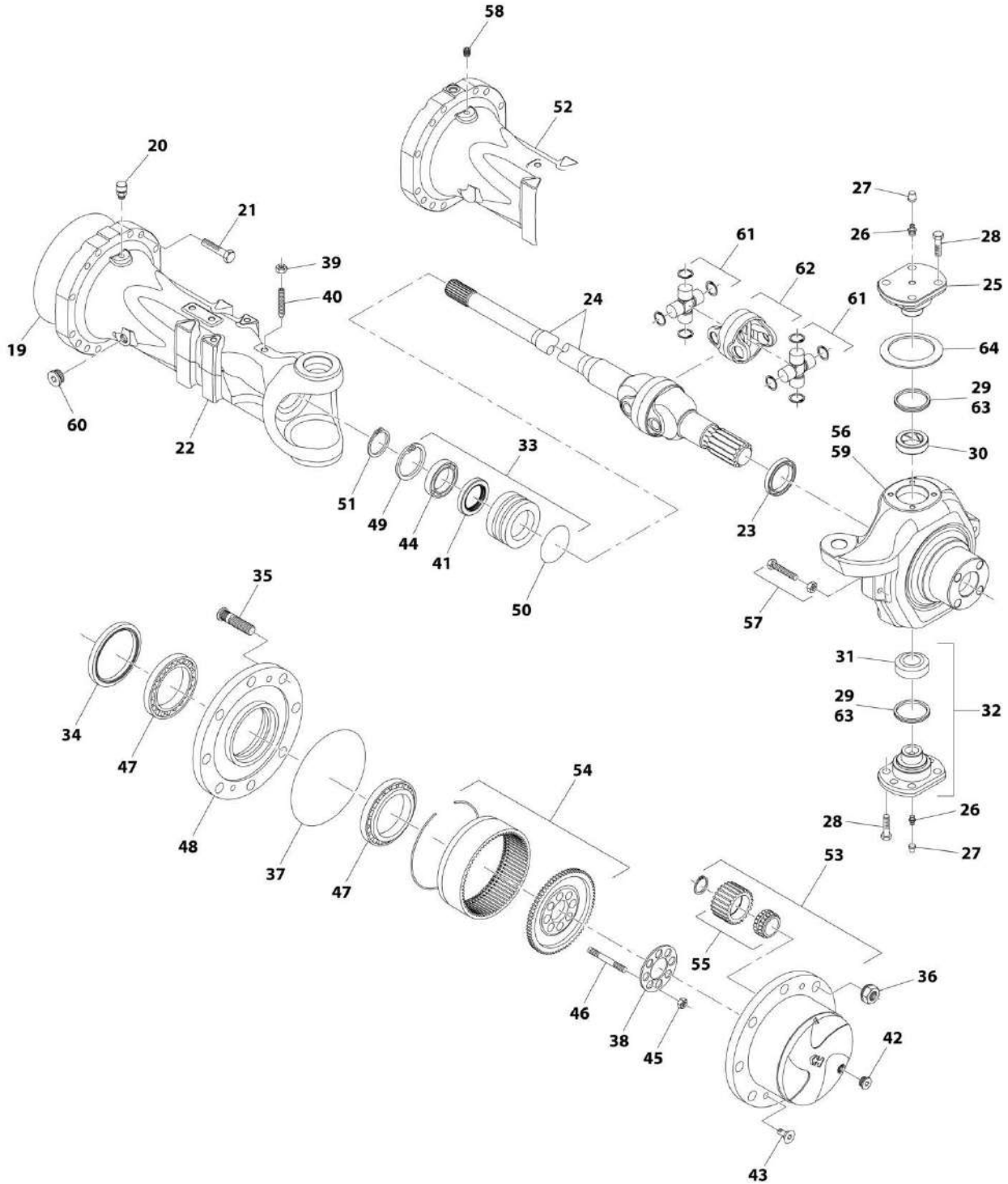
SECTION 5 - DRIVE TRAIN

FIGURE 5-12. REAR AXLE, DIFFERENTIAL

ITEM	PART NUMBER	QTY	DESCRIPTION	REV
4	80204213	1	Nut	
5	70020288	1	Flange	
6	70020234	2	Bearing	
7	91474532	1	Seal	
8	70020233	1	Spacer	
9	70024866	1	Shim Kit	
10	70024927	1	Shim Kit	
11	70020303	1	Spacer	
12	70029302	1	Bevel Gear Set	
13	70020251	12	Bolt	
14	70024929	1	Shim Kit	
15	70020240	2	Tapered Roller Bearing	
16	70021076	1	Cover Plate	
17	70021196	1	O-Ring	
18	70029303	1	Differential Kit (See Separate Breakdown in this Section)	

SECTION 5 - DRIVE TRAIN

FIGURE 5-13. REAR AXLE, HUB REDUCTION



ART_1007367300_3-D

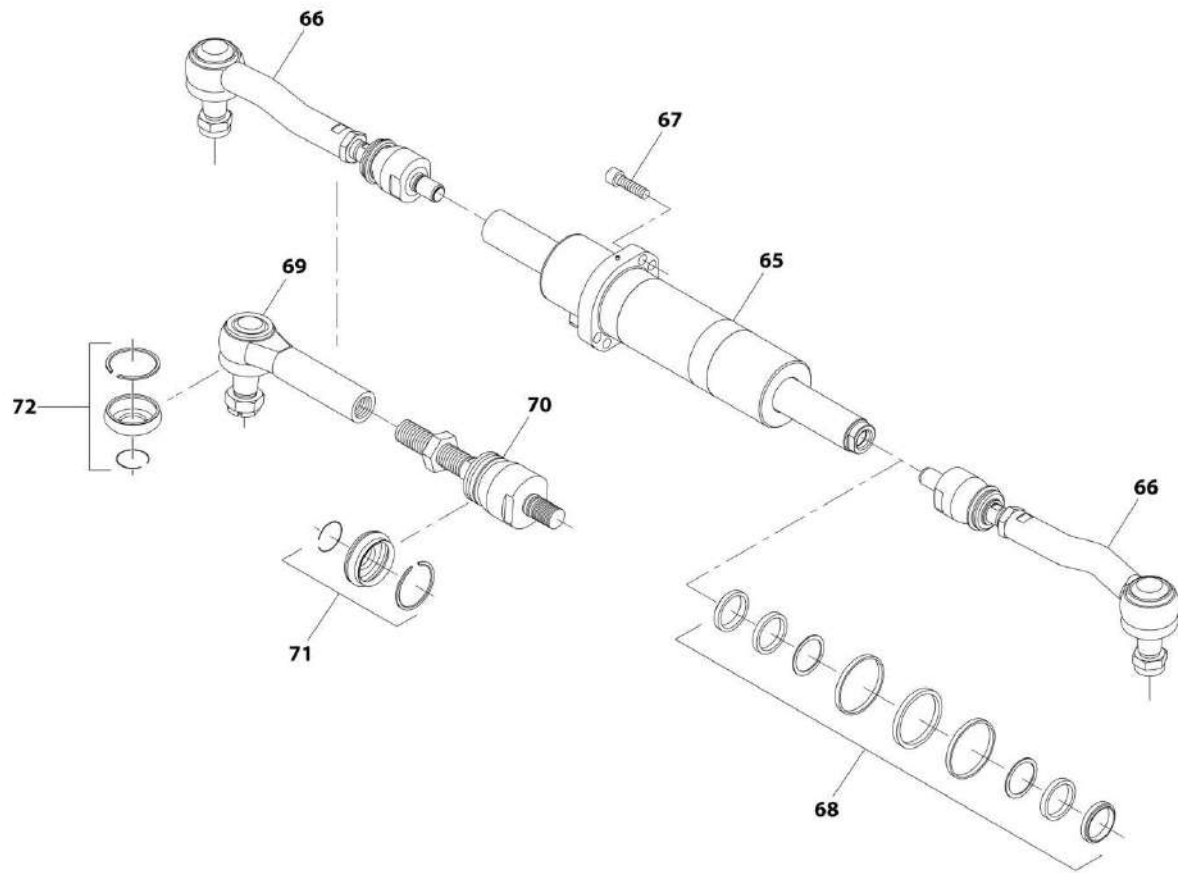
SECTION 5 - DRIVE TRAIN

FIGURE 5-13. REAR AXLE, HUB REDUCTION

ITEM	PART NUMBER	QTY	DESCRIPTION	REV
19	70021147	2	O-Ring	
20	91474512	1	Breather	
21	70024878	28	Bolt	
22	70029304	1	Axle Case	
23	70021151	2	Seal	
24	70029270	2	Universal Joint and Shaft	
25	70029271	2	Pivot Pin	
26	70024881	4	Grease Fitting	
27	80204117	4	Plug	
28	70025562	20	Bolt	
29	70021155	2	Seal	
30	70029272	2	Reduction Bushing	
31	70029273	2	Articulation	
32	70029274	2	Pivot Pin	
33	70029275	2	Reduction Bushing	
34	70029276	2	Seal	
35	70024883	16	Wheel Stud	
36	70026875	16	Nut	
37	91474507	2	O-Ring	
38	3983731	2	Locking Plate	
39	80204172	2	Nut	
40	70029277	2	Bolt	
41	70029278	2	Seal	
42	7028706	2	Magnetic Plug	
43	91514189	4	Bolt, Countersunk	
44	70029279	2	Bearing	
45	91474584	8	Nut	
46	70027315	8	Stud	
47	3984301	4	Bearing	
48	70029280	2	Wheel Hub	
49	70029281	2	Circlip	
50	70029282	2	O-Ring	
51	70029283	2	Circlip	
52	70029284	1	Axle Case	
53	70029285	2	Planet Gear Carrier Kit (See Separate Breakdown in this Section)	
54	7029432	2	Ring Gear Support Assembly (See Separate Breakdown in this Section)	
55	70027114	6	Kit, Planet Gear	
56	70029286	1	Steering Case Kit (LF, RR) (See Separate Breakdown in this Section)	
57	7028733	4	Steering Adjust Bolt Kit	
58	80204012	1	Plug	
59	70029287	1	Steering Case Kit (RF, LR) (See Separate Breakdown in this Section)	
60	70028389	1	Plug	
61	70029289	2	Joint Cross	
62	70029290	1	Joint Center Section	
63	70029291	2	Dust Excluder	
64	70029292	4	Spring	

SECTION 5 - DRIVE TRAIN

FIGURE 5-14. REAR AXLE, STEERING



ART_1007367300_4-D

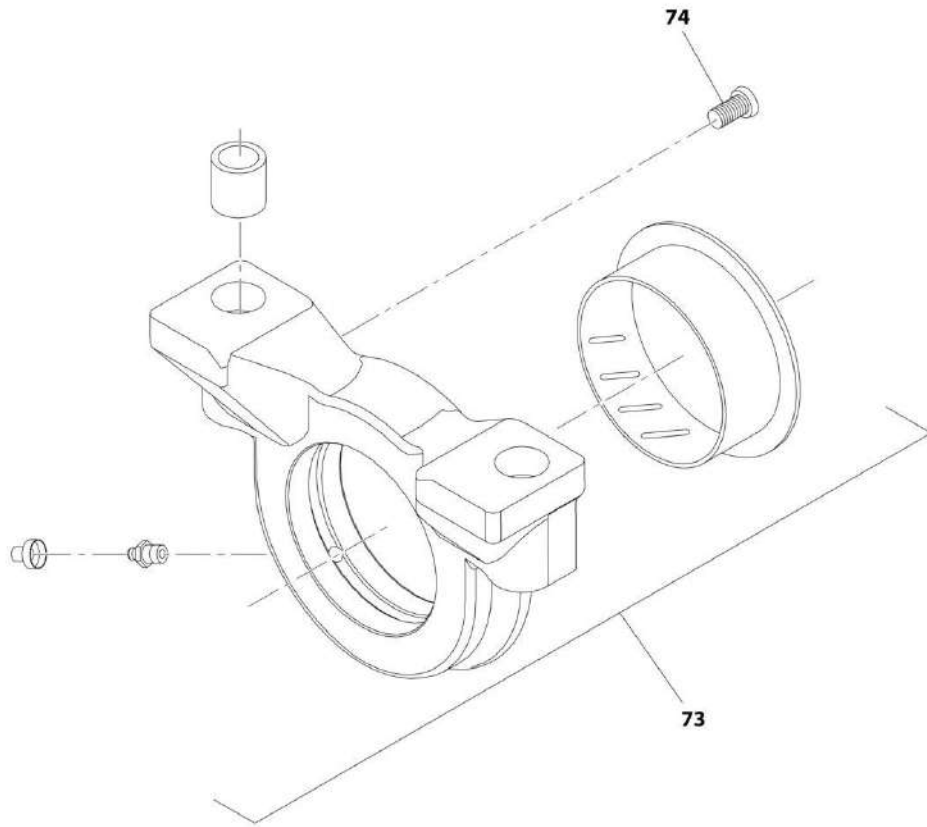
SECTION 5 - DRIVE TRAIN

FIGURE 5-14. REAR AXLE, STEERING

ITEM	PART NUMBER	QTY	DESCRIPTION	REV
65	70023035	1	Steer Cylinder	
66	70020302	2	Tie Rod	
67	70020269	4	Cylinder Bolt	
68	70023036	1	Seal Kit, Steer Cylinder	
69	70029300	1	Joint, 90 Degree	
70	70029301	1	Axle Joint	
71	70027866	1	Rubber Boot and Locking Ring Kit	
72	70027865	1	Rubber Boot and Locking Ring Kit	

SECTION 5 - DRIVE TRAIN

FIGURE 5-15. REAR AXLE, TRUNION



ART_1007367300_5-D

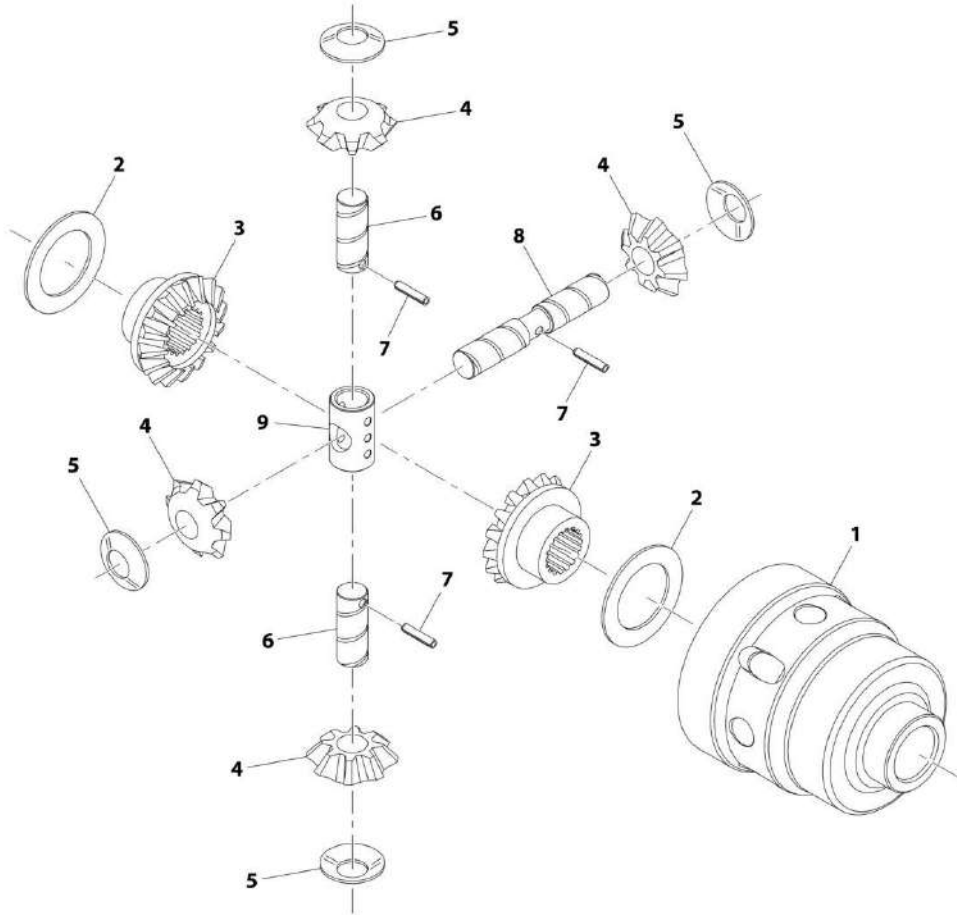
SECTION 5 - DRIVE TRAIN

FIGURE 5-15. REAR AXLE, TRUNION

ITEM	PART NUMBER	QTY	DESCRIPTION	REV
73	70021200	2	Support Assembly	
74	70028535	2	Bolt	

SECTION 5 - DRIVE TRAIN

FIGURE 5-16. DIFFERENTIAL KIT



ART_70029303

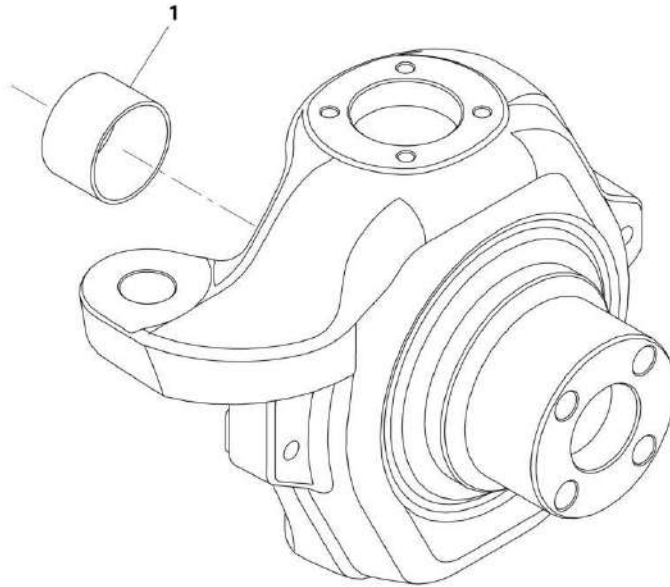
SECTION 5 - DRIVE TRAIN

FIGURE 5-16. DIFFERENTIAL KIT

ITEM	PART NUMBER	QTY	DESCRIPTION	REV
	70029303	Ref	Differential Kit	
1	70020346	1	Differential Carrier	
2	70029267	2	Friction Washer	
3	70021221	2	Differential Side Gear	
4	70020244	4	Differential Pinion	
5	70020245	4	Friction Washer	
6	70021929	2	Pin	
7	70020247	3	Dowel	
8	70021928	1	Pin	
9	70020249	1	Shaft Retainer	

SECTION 5 - DRIVE TRAIN

FIGURE 5-17. STEERING CASE KIT (LF/RR)



ART_70029286

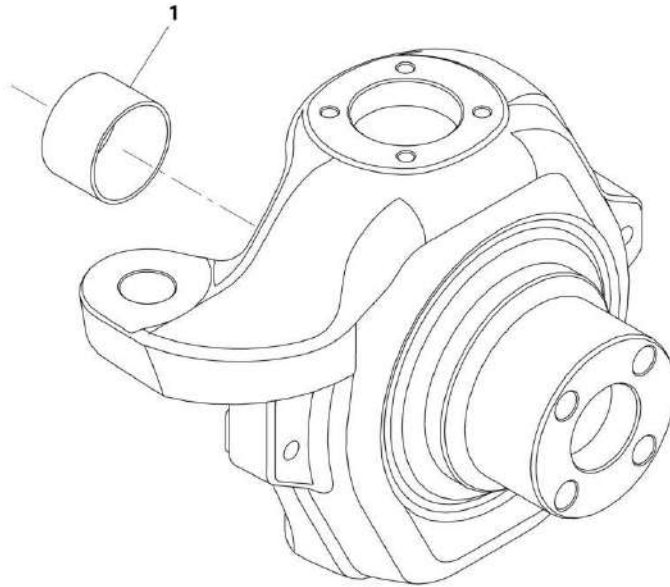
SECTION 5 - DRIVE TRAIN

FIGURE 5-17. STEERING CASE KIT (LF/RR)

ITEM	PART NUMBER	QTY	DESCRIPTION	REV
1	70029286	Ref	Steering Case Kit (LF, RR)	
	70021150	2	Thrust Bushing	

SECTION 5 - DRIVE TRAIN

FIGURE 5-18. STEERING CASE KIT (RF/LR)



ART_70029287

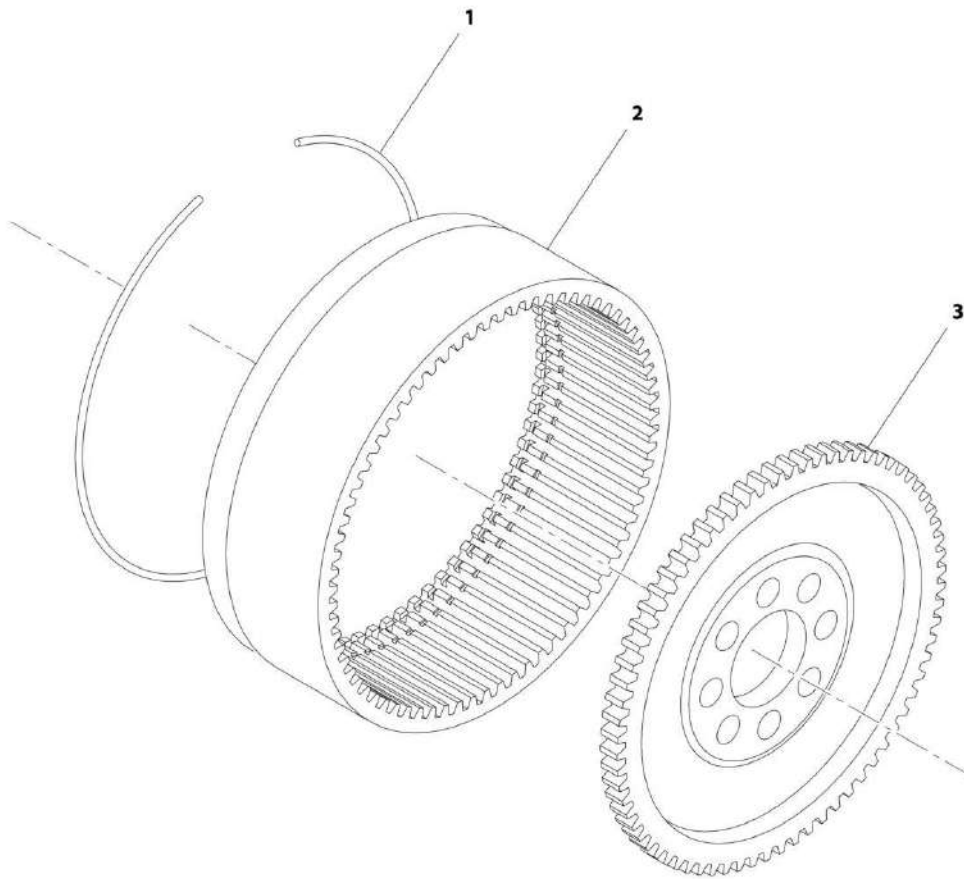
SECTION 5 - DRIVE TRAIN

FIGURE 5-18. STEERING CASE KIT (RF/LR)

ITEM	PART NUMBER	QTY	DESCRIPTION	REV
1	70029287	Ref	Steering Case Kit (RF, LR)	
	70021150	2	Thrust Bushing	

SECTION 5 - DRIVE TRAIN

FIGURE 5-19. RING GEAR SUPPORT KIT



ART_7029432

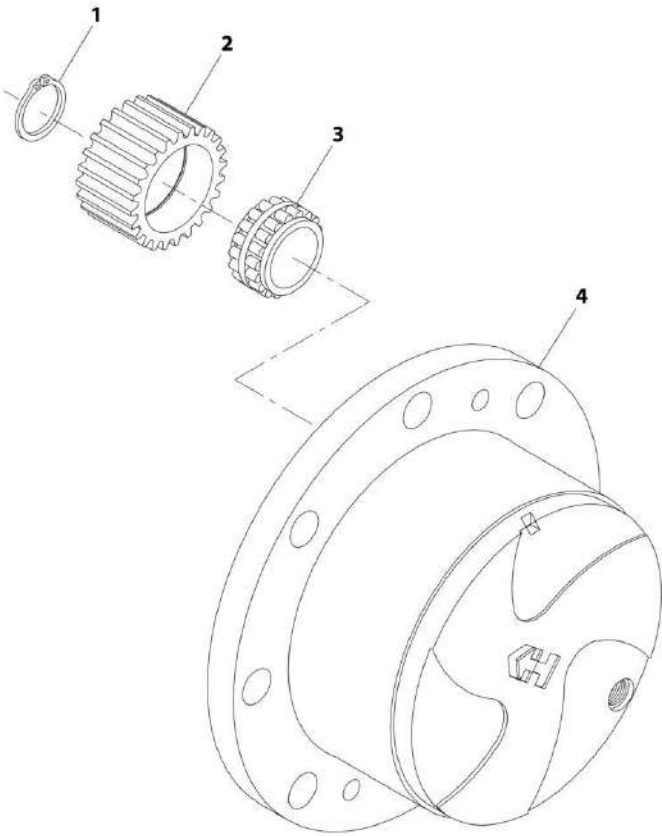
SECTION 5 - DRIVE TRAIN

FIGURE 5-19. RING GEAR SUPPORT KIT

ITEM	PART NUMBER	QTY	DESCRIPTION	REV
	7029432	Ref	Ring Gear Support Kit	
1	91474580	1	Gear, Ring	
2	3983720	1	Support, Ring Gear	
3	91474579	1	Circlip	

SECTION 5 - DRIVE TRAIN

FIGURE 5-20. PLANET GEAR CARRIER KIT



ART_70029285

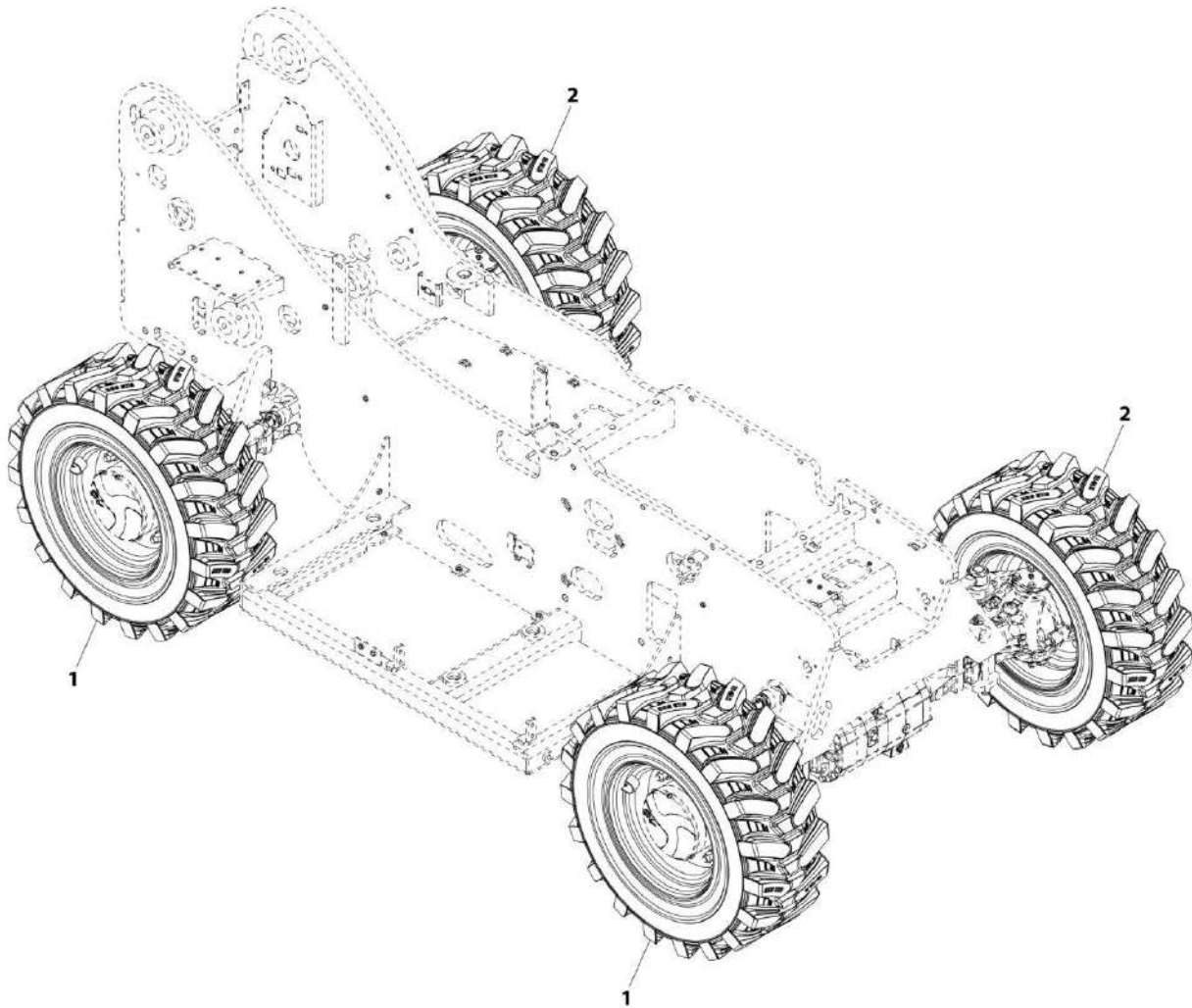
SECTION 5 - DRIVE TRAIN

FIGURE 5-20. PLANET GEAR CARRIER KIT

ITEM	PART NUMBER	QTY	DESCRIPTION	REV
	70029285	Ref	Planet Gear Carrier Kit	
1	91474585	3	Circlip	
2	70028473	6	Planet Gear	
3	70028474	6	Bearing	
4	70024888	1	Planet Gear Carrier	

SECTION 5 - DRIVE TRAIN

FIGURE 5-21. TIRE/WHEEL SET, CAMSO (AIR 12-16.5 - 12 PLY)



ART_1001236316-A

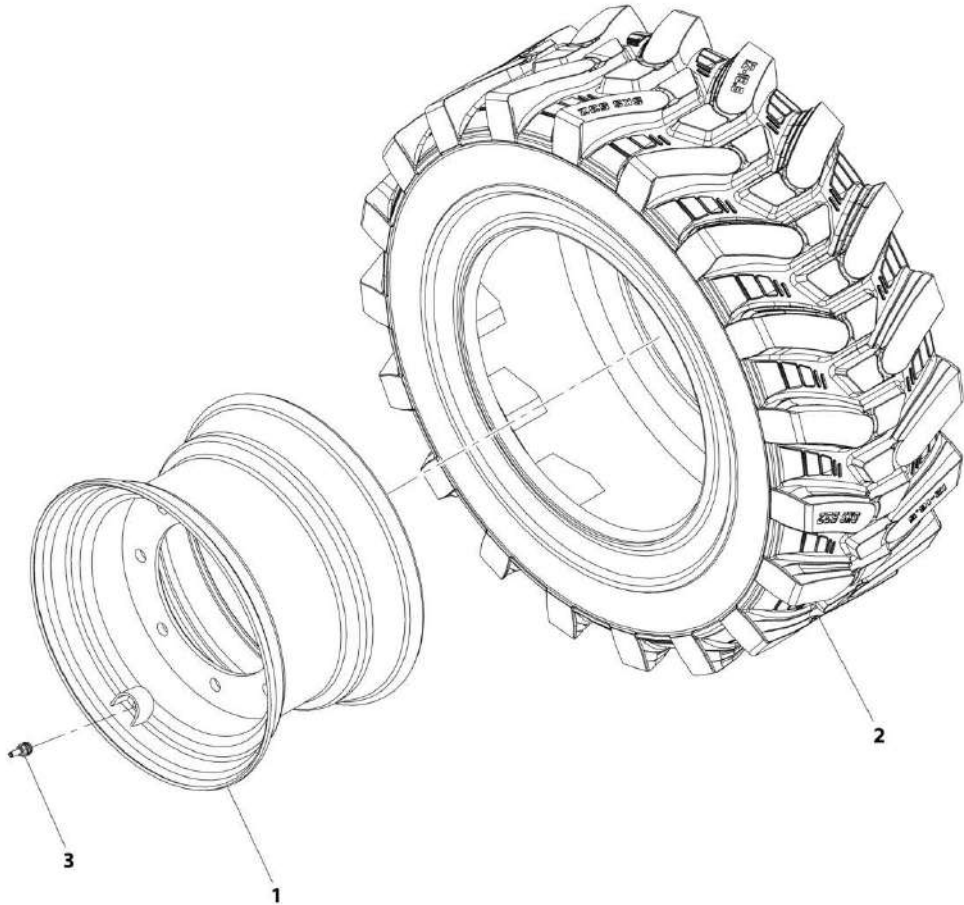
SECTION 5 - DRIVE TRAIN

FIGURE 5-21. TIRE/WHEEL SET, CAMSO (AIR 12-16.5 - 12 PLY)

ITEM	PART NUMBER	QTY	DESCRIPTION	REV
1	1001236316	Ref	Tire/Wheel Set, Camso (Air 12-16.5 - 12 PLY)	A
	1001236666	2	Right Tire/Wheel Assembly, Camso (Air 12-16.5 - 12 Ply) (See Separate Breakdown in this Section)	
2	1001236667	2	Left Tire/Wheel Assembly, Camso (Air 12-16.5 - 12 Ply) (See Separate Breakdown in this Section)	

SECTION 5 - DRIVE TRAIN

FIGURE 5-22. RIGHT TIRE/WHEEL ASSEMBLY, CAMSO (AIR 12-16.5 - 12 PLY)



ART_1001236666-A

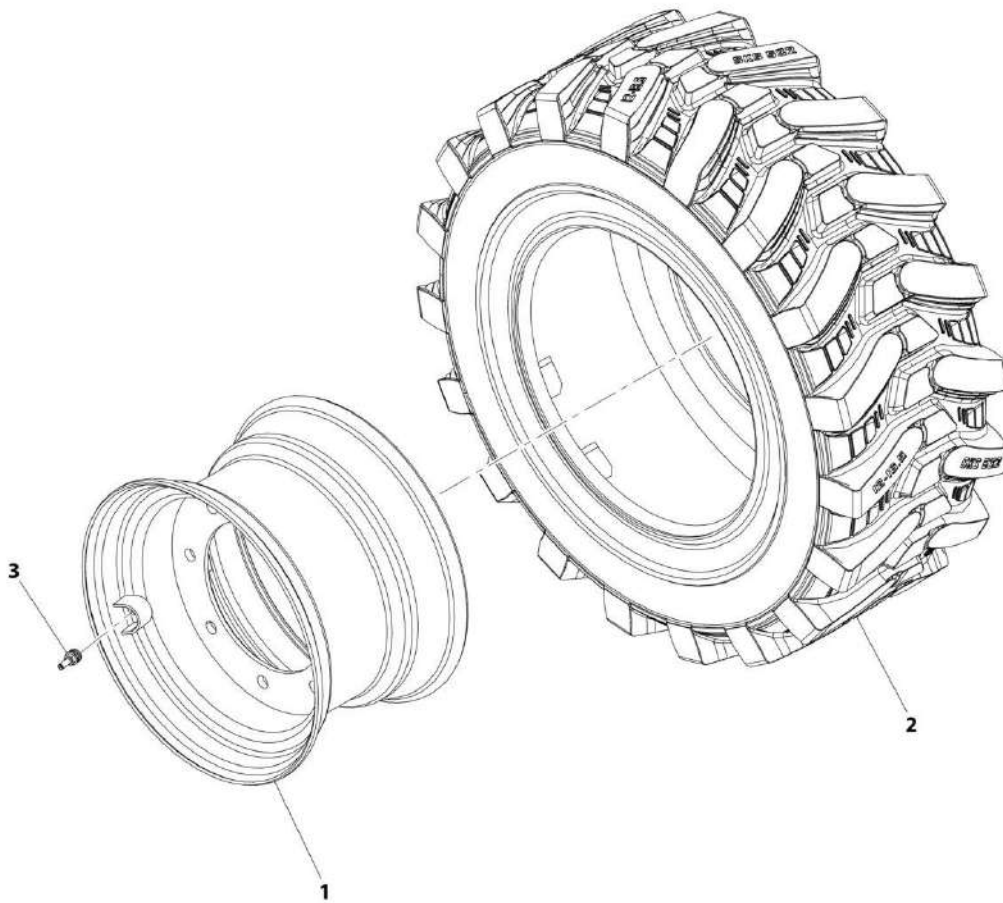
SECTION 5 - DRIVE TRAIN

FIGURE 5-22. RIGHT TIRE/WHEEL ASSEMBLY, CAMSO (AIR 12-16.5 - 12 PLY)

ITEM	PART NUMBER	QTY	DESCRIPTION	REV
	1001236666	Ref	Right Tire/Wheel Assembly, Camso (Air 12-16.5 - 12 PLY)	A
1	1001139975	1	Wheel, 16.5X9.75	
2	1001232351	1	Tire, 12-16.5 - 12 Ply	
3	4640163	1	Tire Valve	

SECTION 5 - DRIVE TRAIN

FIGURE 5-23. LEFT TIRE/WHEEL ASSEMBLY, CAMSO (AIR 12-16.5 - 12 PLY)



ART_1001236667-A

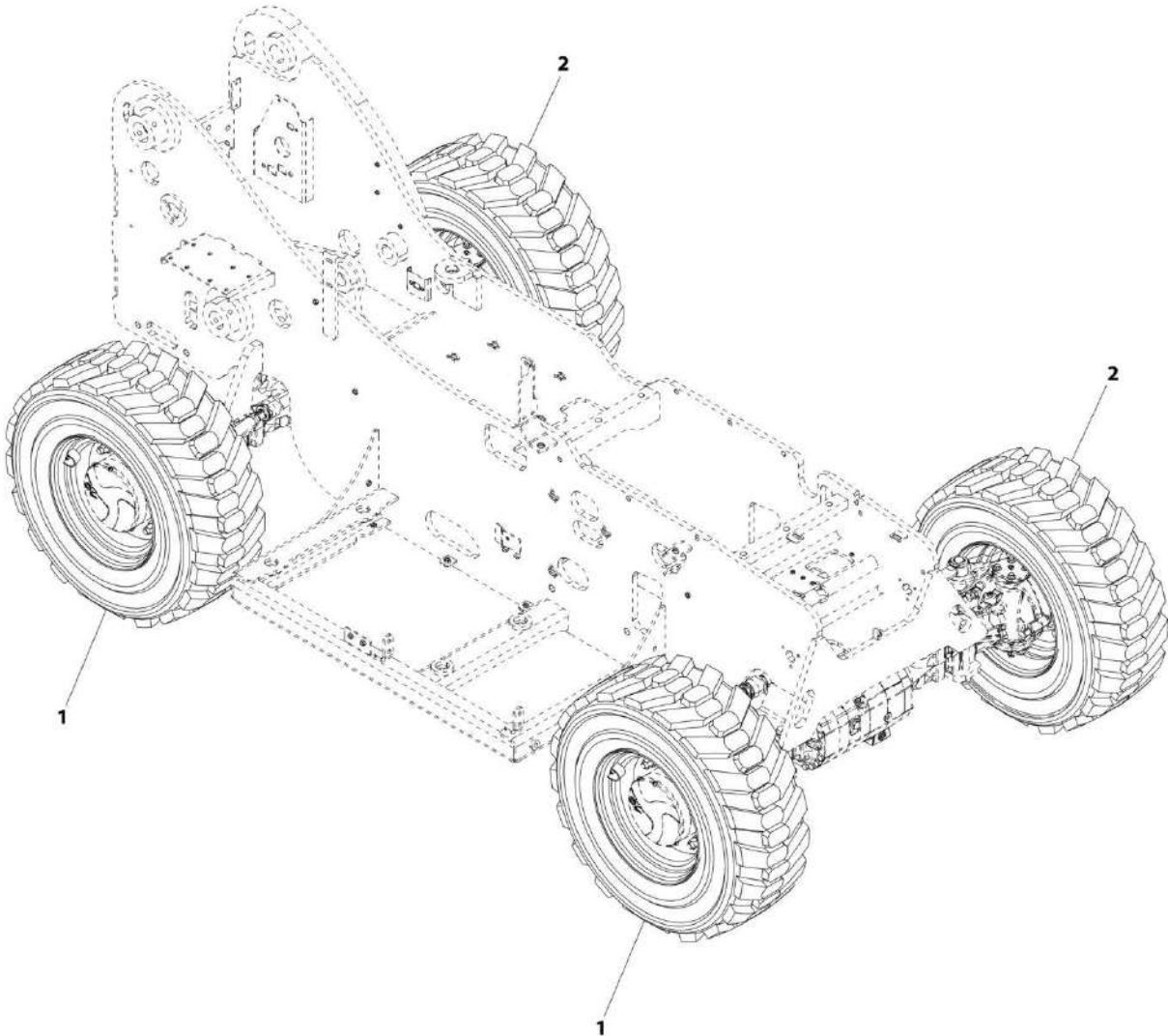
SECTION 5 - DRIVE TRAIN

FIGURE 5-23. LEFT TIRE/WHEEL ASSEMBLY, CAMSO (AIR 12-16.5 - 12 PLY)

ITEM	PART NUMBER	QTY	DESCRIPTION	REV
	1001236667	Ref	Left Tire/Wheel Assembly, Camso (Air 12-16.5 - 12 PLY)	A
1	1001139975	1	Wheel, 16.5X9.75	
2	1001232351	1	Tire, 12-16.5 - 12 Ply	
3	4640163	1	Tire Valve	

SECTION 5 - DRIVE TRAIN

FIGURE 5-24. TIRE/WHEEL SET, FIRESTONE (AIR 12-16.5 - 12 PLY)



ART_1001236320-A

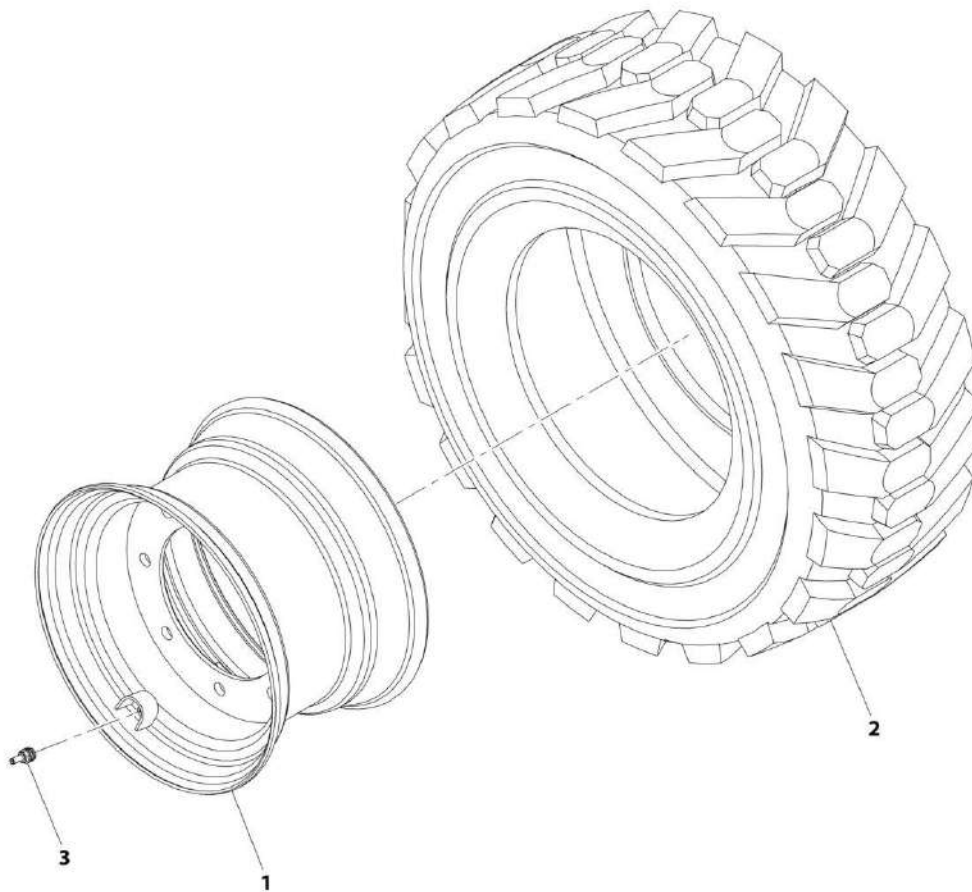
SECTION 5 - DRIVE TRAIN

FIGURE 5-24. TIRE/WHEEL SET, FIRESTONE (AIR 12-16.5 - 12 PLY)

ITEM	PART NUMBER	QTY	DESCRIPTION	REV
1	1001236320	Ref	Tire/Wheel Set, Firestone (Air 12-16.5 - 12 PLY)	A
	1001140684	2	Right Tire/Wheel Assembly, Firestone (Air 12-16.5 - 12 Ply) (See Separate Breakdown in this Section)	
2	1001140698	2	Left Tire/Wheel Assembly, Firestone (Air 12-16.5 - 12 Ply) (See Separate Breakdown in this Section)	

SECTION 5 - DRIVE TRAIN

FIGURE 5-25. RIGHT TIRE/WHEEL ASSEMBLY, FIRESTONE (AIR 12-16.5 - 12 PLY)



ART_1001140684-E

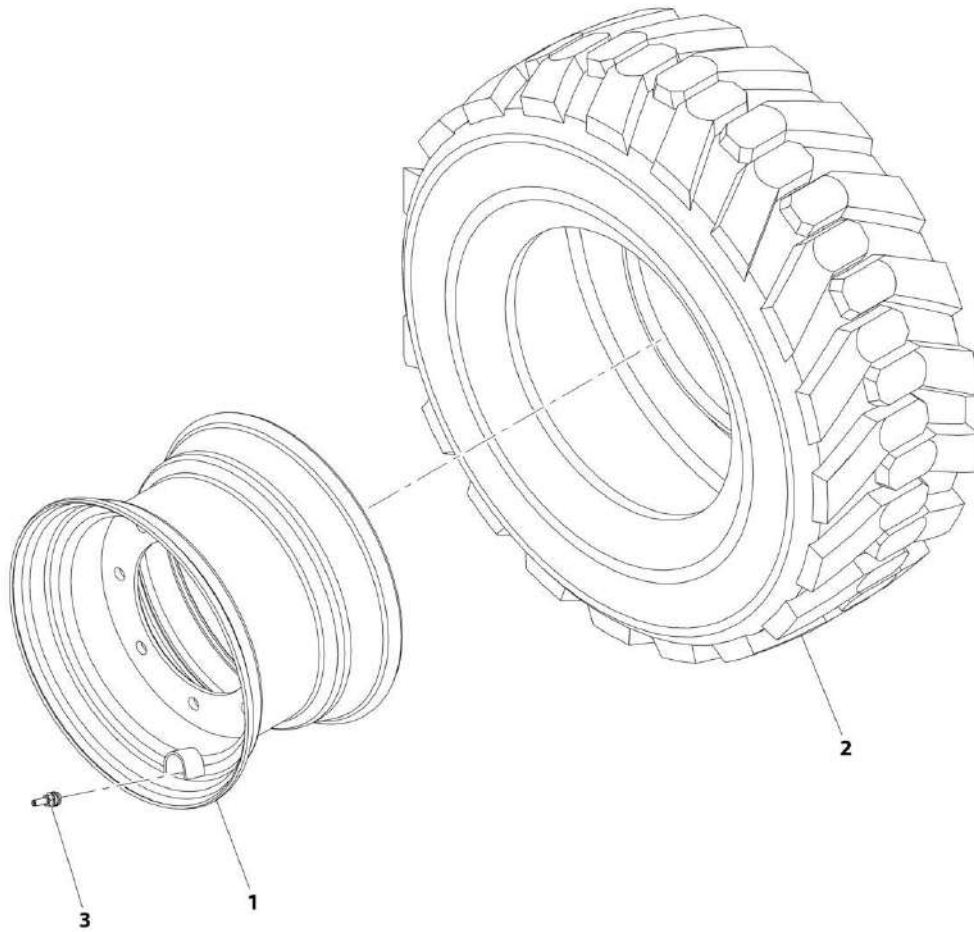
SECTION 5 - DRIVE TRAIN

FIGURE 5-25. RIGHT TIRE/WHEEL ASSEMBLY, FIRESTONE (AIR 12-16.5 - 12 PLY)

ITEM	PART NUMBER	QTY	DESCRIPTION	REV
	1001140684	Ref	Right Tire/Wheel Assembly, Firestone (Air 12-16.5 - 12 PLY)	E
1	1001139975	1	Wheel, 16.5X9.75	
2	1001081222	1	Tire, 12-16.5 NHS	
3	4640163	1	Tire Valve	

SECTION 5 - DRIVE TRAIN

FIGURE 5-26. LEFT TIRE/WHEEL ASSEMBLY, FIRESTONE (AIR 12-16.5 - 12 PLY)



ART_1001140698-F

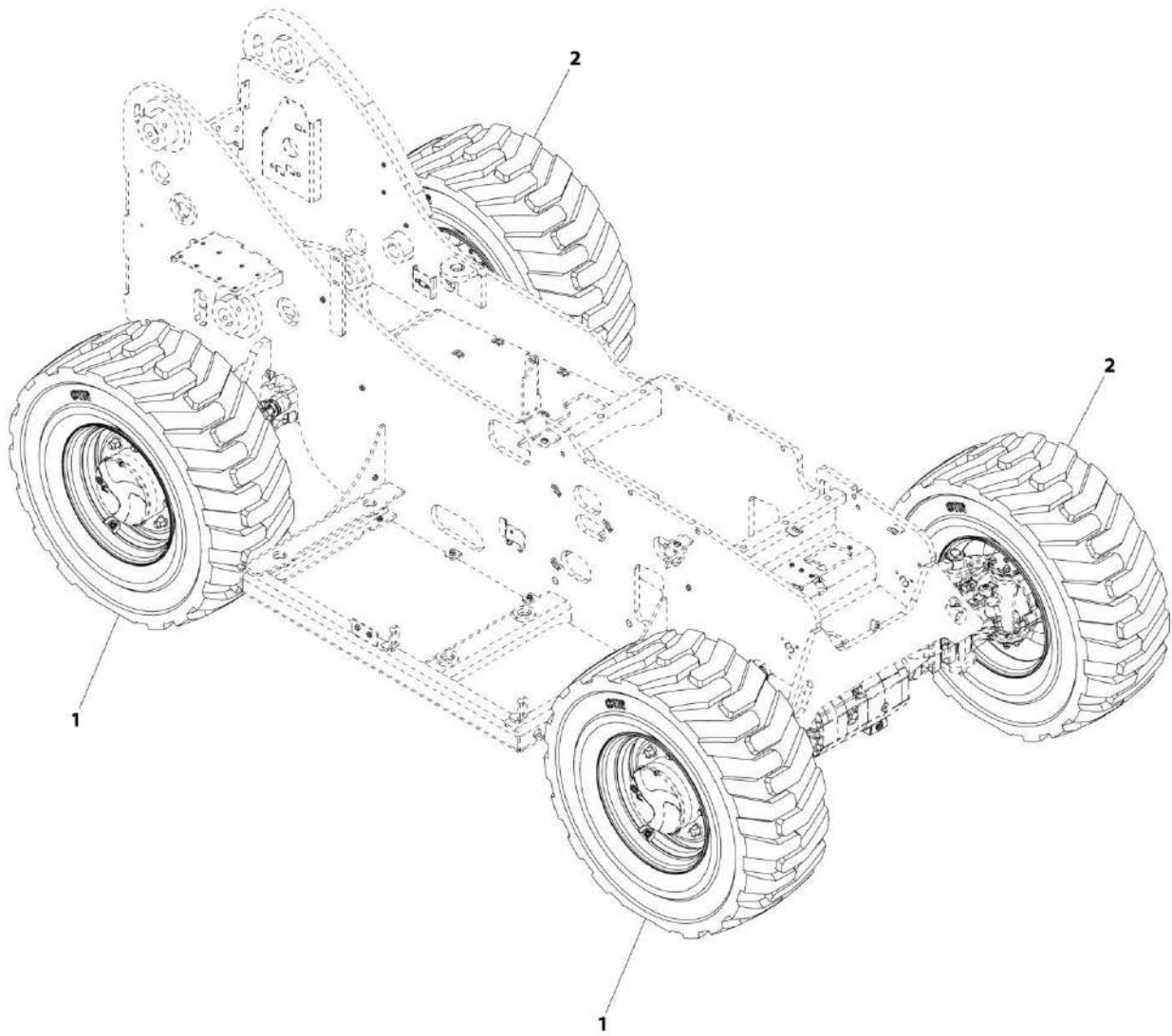
SECTION 5 - DRIVE TRAIN

FIGURE 5-26. LEFT TIRE/WHEEL ASSEMBLY, FIRESTONE (AIR 12-16.5 - 12 PLY)

ITEM	PART NUMBER	QTY	DESCRIPTION	REV
	1001140698	Ref	Left Tire/Wheel Assembly, Firestone (Air 12-16.5 - 12 PLY)	F
1	1001139975	1	Wheel, 16.5X9.75	
2	1001081222	1	Tire, 12-16.5 NHS	
3	4640163	1	Tire Valve	

SECTION 5 - DRIVE TRAIN

FIGURE 5-27. TIRE/WHEEL SET (AIR 14-17.5 - 12 PLY)



ART_1001236317-A

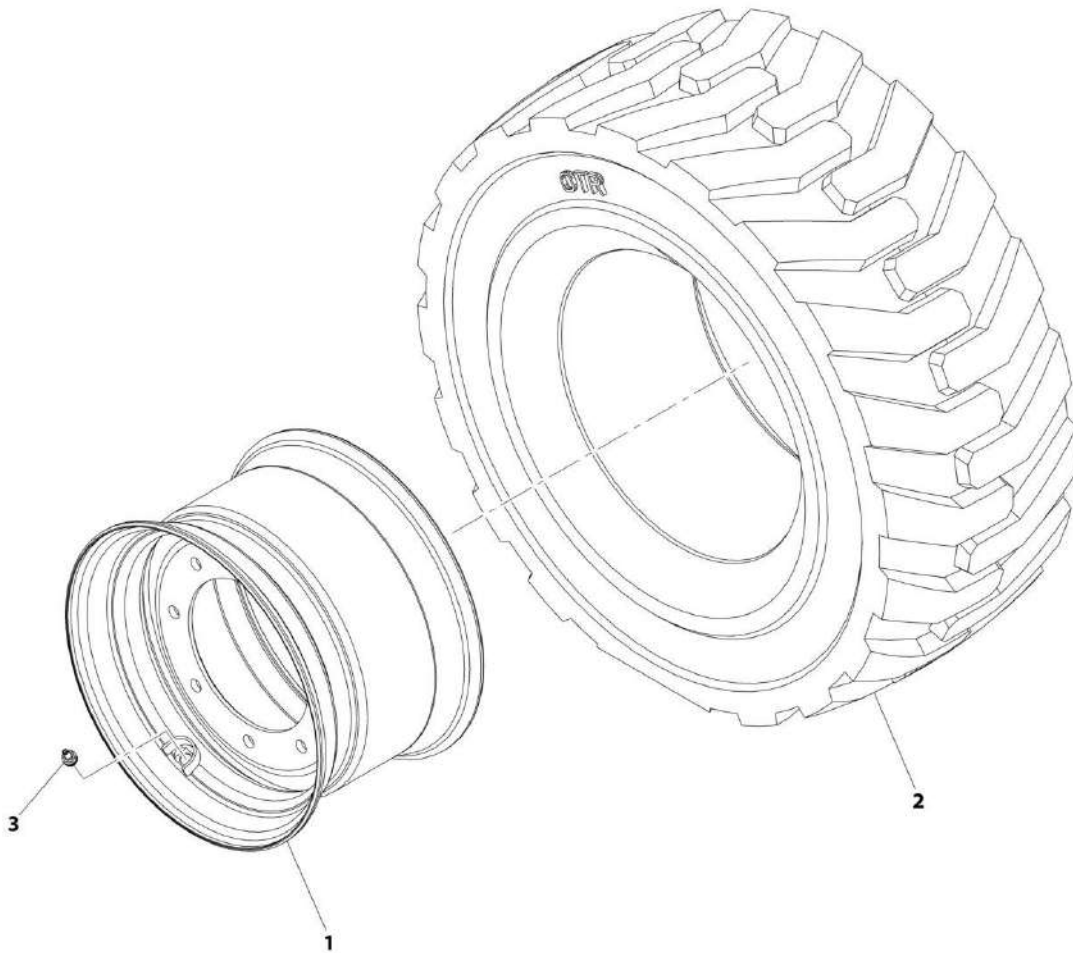
SECTION 5 - DRIVE TRAIN

FIGURE 5-27. TIRE/WHEEL SET (AIR 14-17.5 - 12 PLY)

ITEM	PART NUMBER	QTY	DESCRIPTION	REV
1	1001236317	Ref	Tire/Wheel Set (Air 14-17.5 - 12 PLY)	A
	1001140686	2	Right Tire/Wheel Assembly (Air 12-16.5 - 12 Ply) (See Separate Breakdown in this Section)	
2	1001140700	2	Left Tire/Wheel Assembly (Air 12-16.5 - 12 Ply) (See Separate Breakdown in this Section)	

SECTION 5 - DRIVE TRAIN

FIGURE 5-28. RIGHT TIRE/WHEEL ASSEMBLY (AIR 12-16.5 - 12 PLY)



ART_1001140686-F

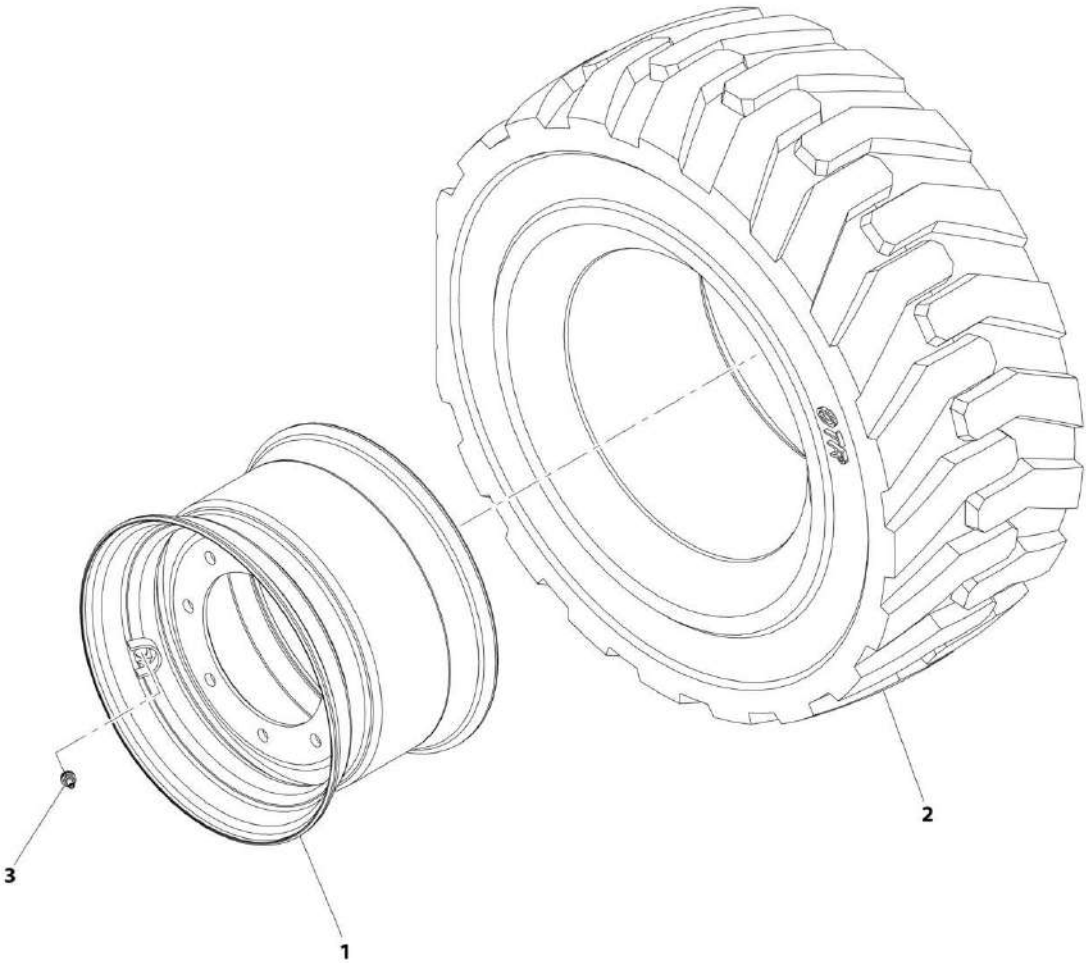
SECTION 5 - DRIVE TRAIN

FIGURE 5-28. RIGHT TIRE/WHEEL ASSEMBLY (AIR 12-16.5 - 12 PLY)

ITEM	PART NUMBER	QTY	DESCRIPTION	REV
	1001140686	Ref	Right Tire/Wheel Assembly (Air 12-16.5 - 12 PLY)	F
1	1001139974	1	Wheel, 17.5X10.5	
2	4520259	1	Tire, 14X17.5	
3	4640163	1	Tire Valve	

SECTION 5 - DRIVE TRAIN

FIGURE 5-29. LEFT TIRE/WHEEL ASSEMBLY (AIR 12-16.5 - 12 PLY)



ART_1001140700-F

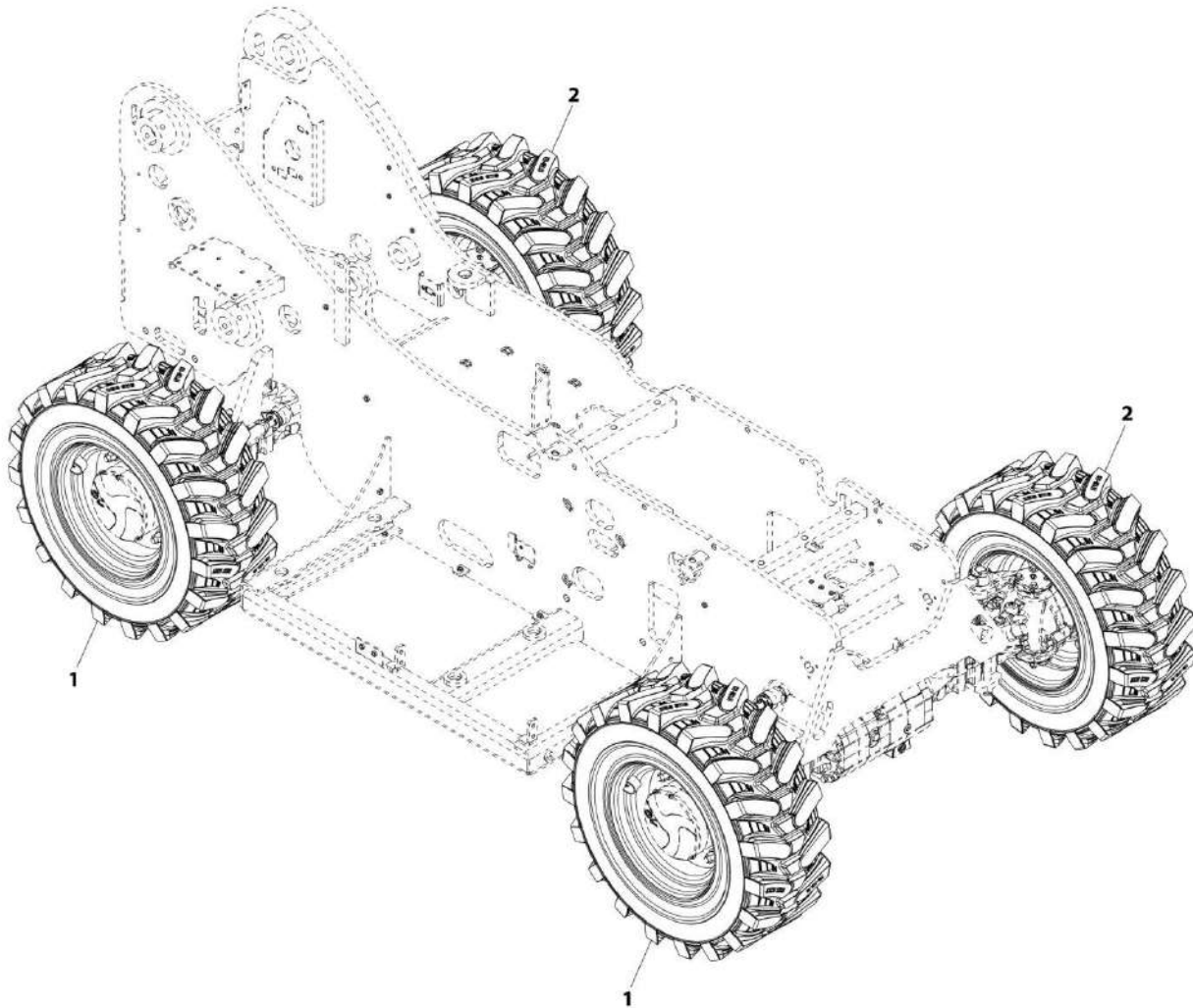
SECTION 5 - DRIVE TRAIN

FIGURE 5-29. LEFT TIRE/WHEEL ASSEMBLY (AIR 12-16.5 - 12 PLY)

ITEM	PART NUMBER	QTY	DESCRIPTION	REV
	1001140700	Ref	Left Tire/Wheel Assembly (Air 12-16.5 - 12 PLY)	F
1	1001139974	1	Wheel, 16.5X9.75	
2	4520259	1	Tire, 14X17.5	
3	4640163	1	Tire Valve	

SECTION 5 - DRIVE TRAIN

FIGURE 5-30. TIRE/WHEEL SET, CAMSO (FOAM 12-16.5 - 12 PLY)



ART_1001236319-A

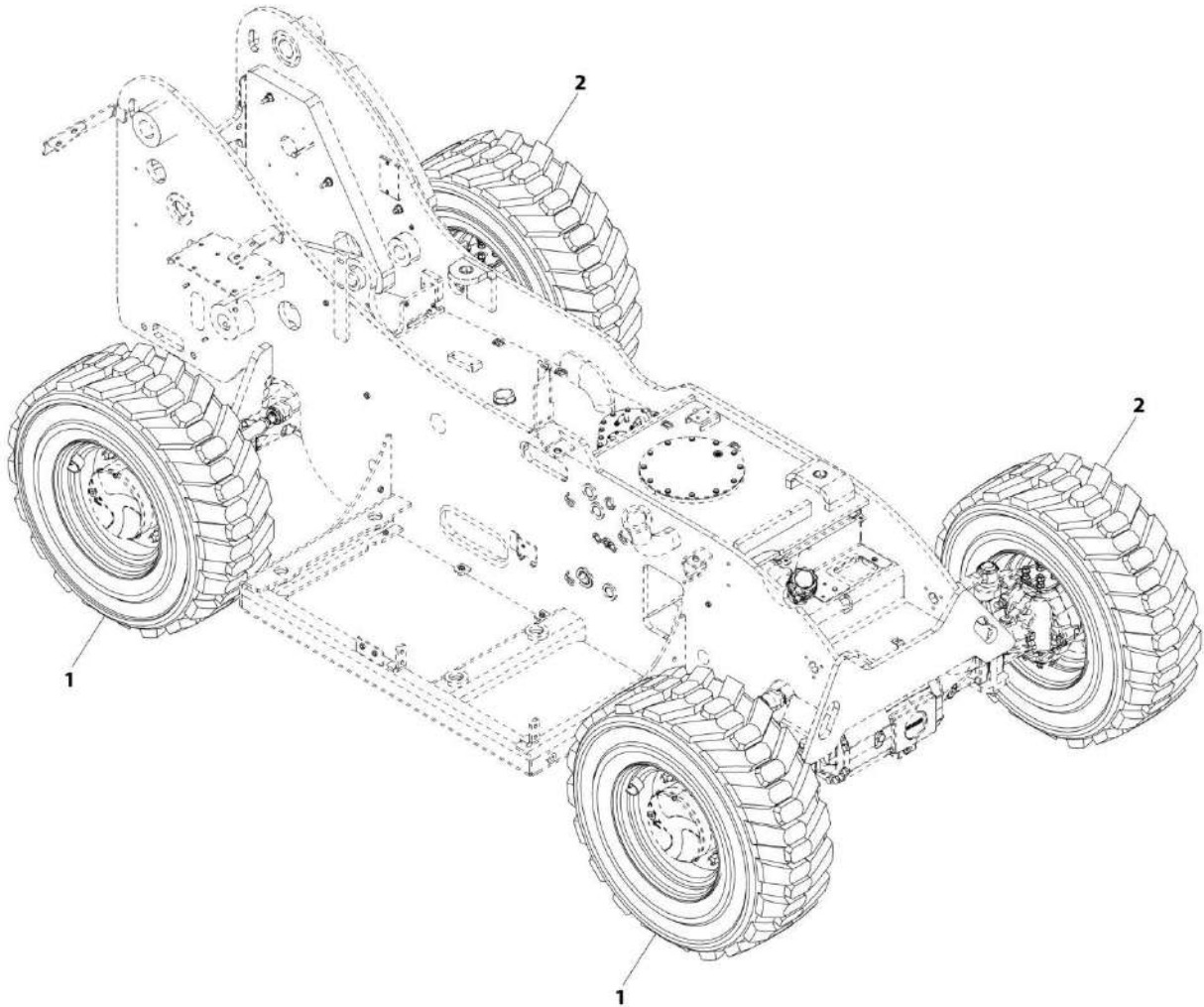
SECTION 5 - DRIVE TRAIN

FIGURE 5-30. TIRE/WHEEL SET, CAMSO (FOAM 12-16.5 - 12 PLY)

ITEM	PART NUMBER	QTY	DESCRIPTION	REV
	1001236319	Ref	Tire/Wheel Set, Camso (Foam 12-16.5 - 12 PLY)	A
1	1001236668	2	Wheel and Tire Assembly, Right, 12-16.5, Foam	
2	1001236669	2	Wheel and Tire Assembly, Left, 12-16.5, Foam	

SECTION 5 - DRIVE TRAIN

FIGURE 5-31. TIRE/WHEEL SET, FIRESTONE (FOAM 12-16.5 - 12 PLY)



ART_1001141323-A

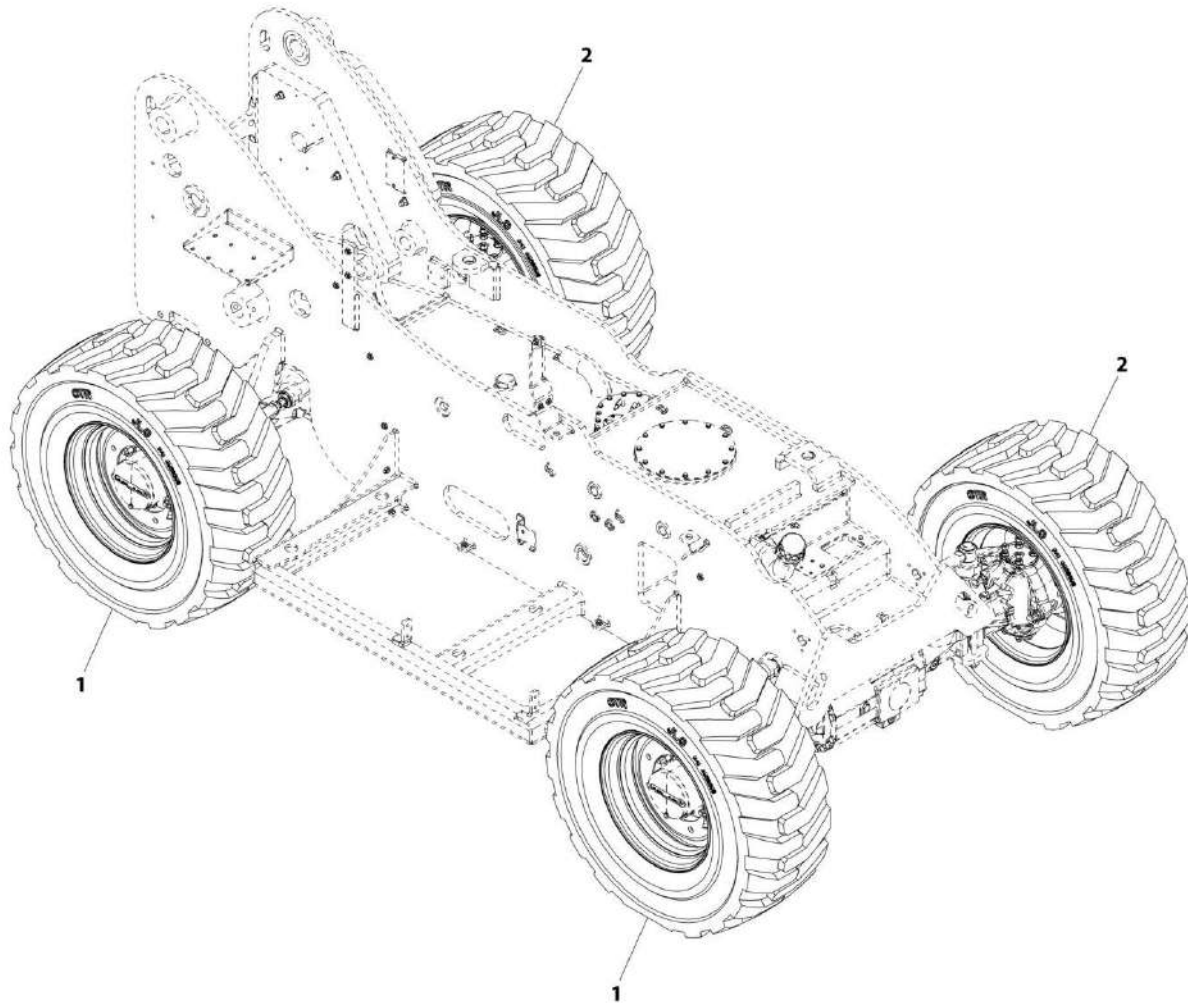
SECTION 5 - DRIVE TRAIN

FIGURE 5-31. TIRE/WHEEL SET, FIRESTONE (FOAM 12-16.5 - 12 PLY)

ITEM	PART NUMBER	QTY	DESCRIPTION	REV
	1001141323	Ref	Tire/Wheel Set, Firestone (Foam 12-16.5 - 12 PLY)	A
1	1001140701	2	Wheel and Tire Assembly, Right, 12-16.5, Foam	
2	1001140702	2	Wheel and Tire Assembly, Left, 12-16.5, Foam	

SECTION 5 - DRIVE TRAIN

FIGURE 5-32. TIRE/WHEEL SET (FOAM 12-16.5 - 14 PLY)



ART_1001141324-A

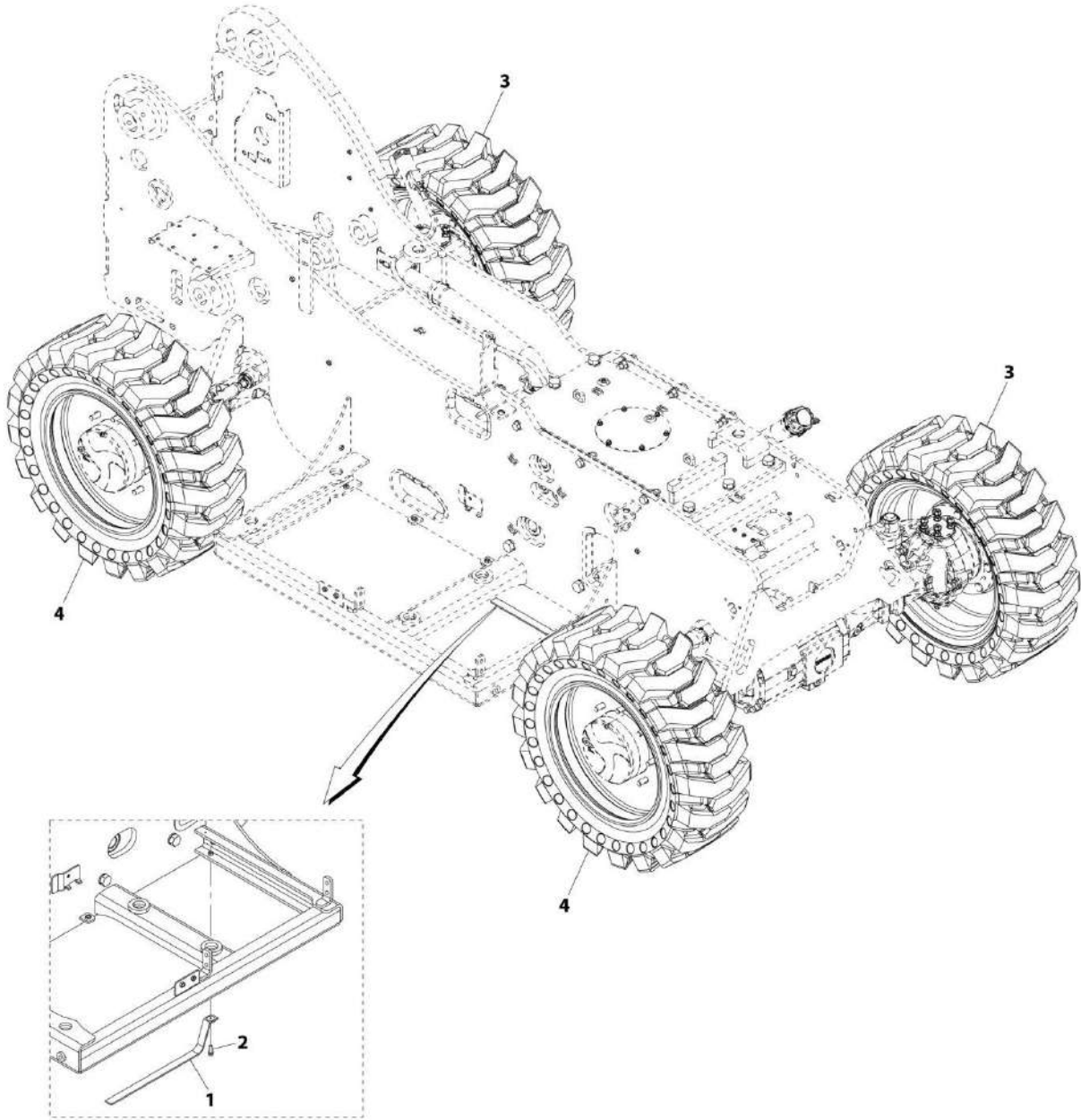
SECTION 5 - DRIVE TRAIN

FIGURE 5-32. TIRE/WHEEL SET (FOAM 12-16.5 - 14 PLY)

ITEM	PART NUMBER	QTY	DESCRIPTION	REV
	1001141324	Ref	Tire/Wheel Set (Foam 12-16.5 - 14 PLY)	A
1	1001140703	2	Wheel and Tire Assembly, Right, 14-17.5, Foam	
2	1001140704	2	Wheel and Tire Assembly, Left, 14-17.5, Foam	

SECTION 5 - DRIVE TRAIN

FIGURE 5-33. TIRE/WHEEL SET (SOLID 33X12-20 - NM)



ART_1001200945-A

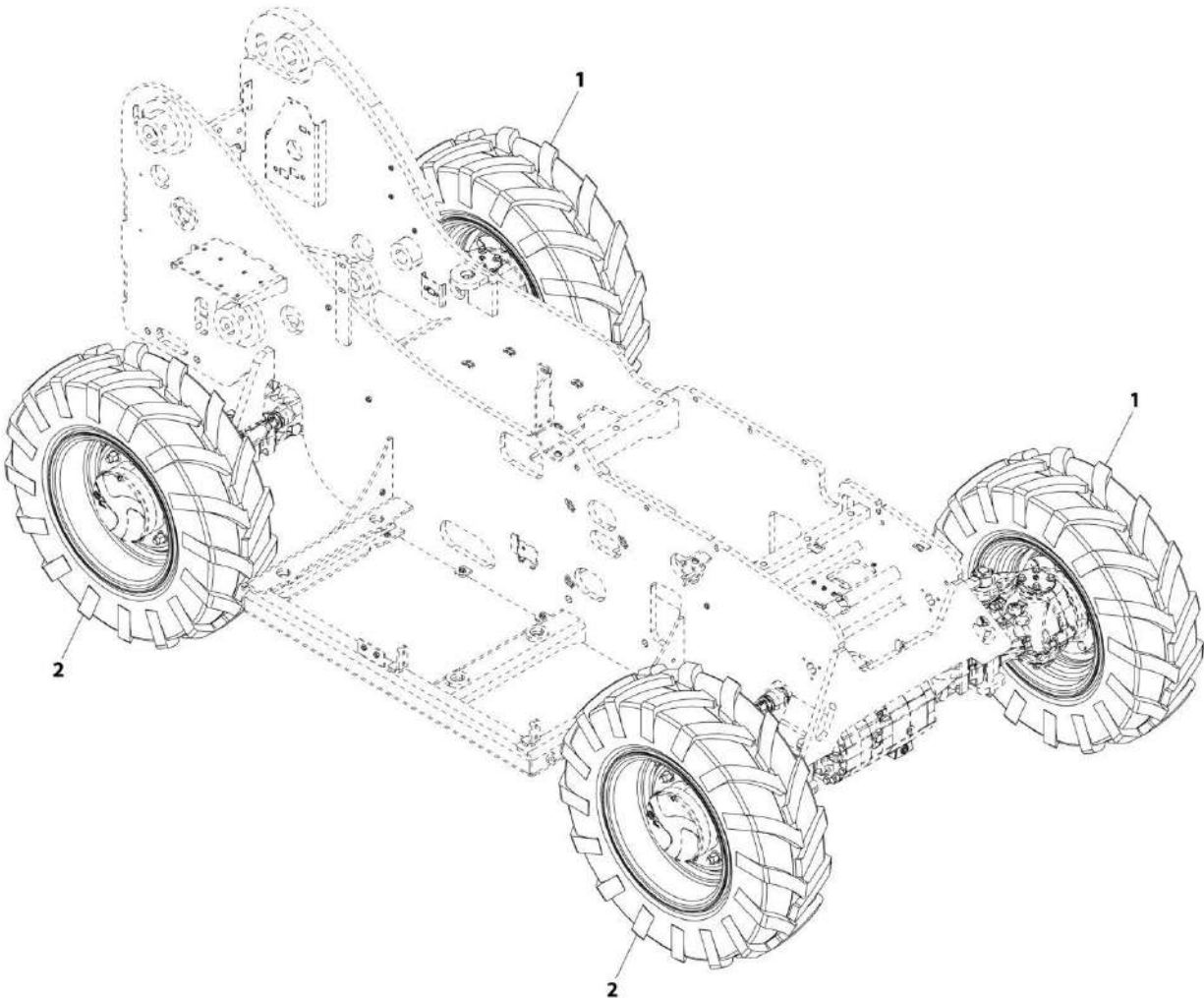
SECTION 5 - DRIVE TRAIN

FIGURE 5-33. TIRE/WHEEL SET (SOLID 33X12-20 - NM)

ITEM	PART NUMBER	QTY	DESCRIPTION	REV
	1001200945	Ref	Tire/Wheel Set (Solid 33X12-20 - NM)	A
1	4240084	1	Anti-Static Strap	
2	1001115871	1	Bolt, 1X0.375-16	
3	1001200796	2	Wheel and Tire Assembly, Left, Non-Marking	
4	1001200797	2	Wheel and Tire Assembly, Right, Non-Marking	

SECTION 5 - DRIVE TRAIN

FIGURE 5-34. TIRE/WHEEL SET, AG (AIR 10.5-18 - 16 PR)



ART_1001236321-A

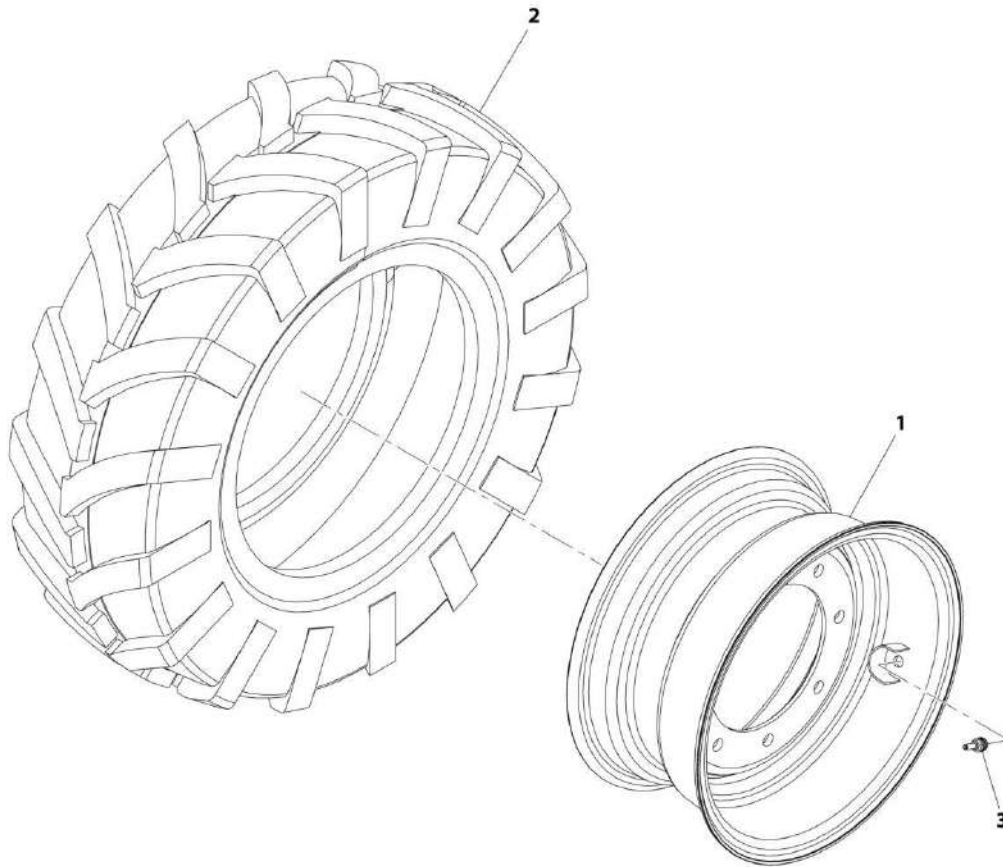
SECTION 5 - DRIVE TRAIN

FIGURE 5-34. TIRE/WHEEL SET, AG (AIR 10.5-18 - 16 PR)

ITEM	PART NUMBER	QTY	DESCRIPTION	REV
1	1001236321	Ref	Tire/Wheel Set, AG (Air 10.5-18 - 16 PR)	A
	1001143671	2	Right Tire/Wheel Assembly, AG (Air 10.5-18 - 16 PR) (See Separate Breakdown in this Section)	
2	1001143689	2	Left Tire/Wheel Assembly, AG (Air 10.5-18 - 16 PR) (See Separate Breakdown in this Section)	

SECTION 5 - DRIVE TRAIN

FIGURE 5-35. RIGHT TIRE/WHEEL ASSEMBLY, AG (AIR 10.5-18 - 16 PR)



ART_1001143671-E

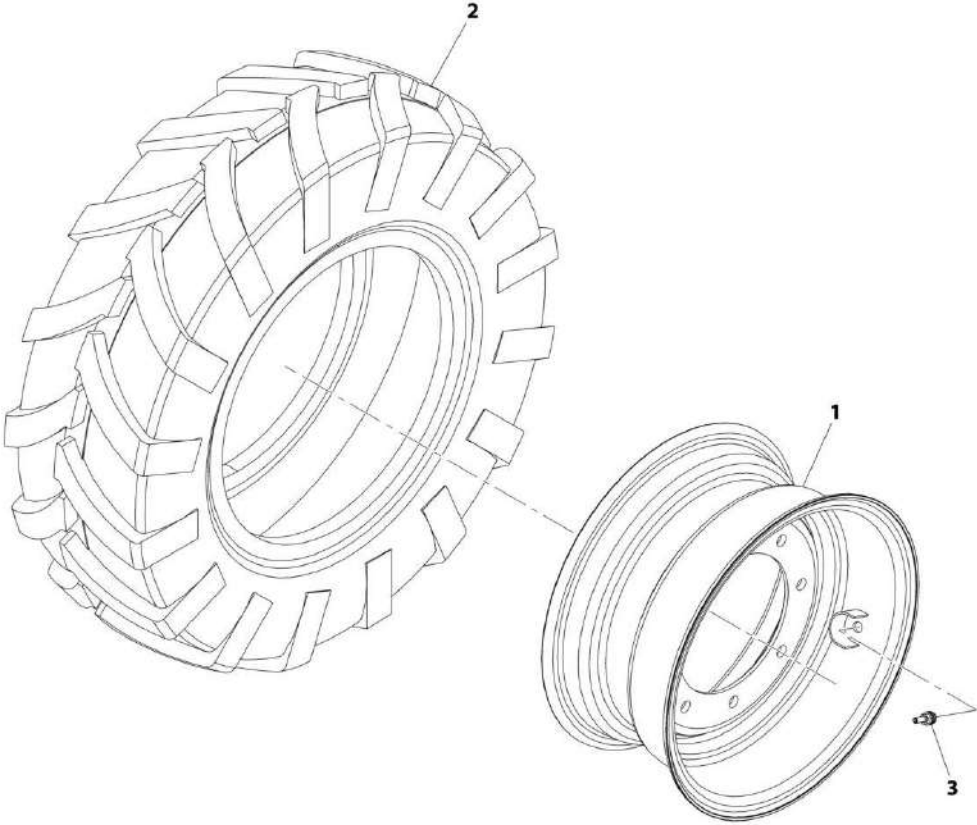
SECTION 5 - DRIVE TRAIN

FIGURE 5-35. RIGHT TIRE/WHEEL ASSEMBLY, AG (AIR 10.5-18 - 16 PR)

ITEM	PART NUMBER	QTY	DESCRIPTION	REV
	1001143671	Ref	Right Tire/Wheel Assembly, AG (Air 10.5-18 - 16 PR)	E
1	1001142101	1	Wheel, 18X9	
2	1001154229	1	Tire, 10.5X18	
3	4640163	1	Tire Valve	

SECTION 5 - DRIVE TRAIN

FIGURE 5-36. LEFT TIRE/WHEEL ASSEMBLY, AG (AIR 10.5-18 - 16 PR)



ART_1001143689-E

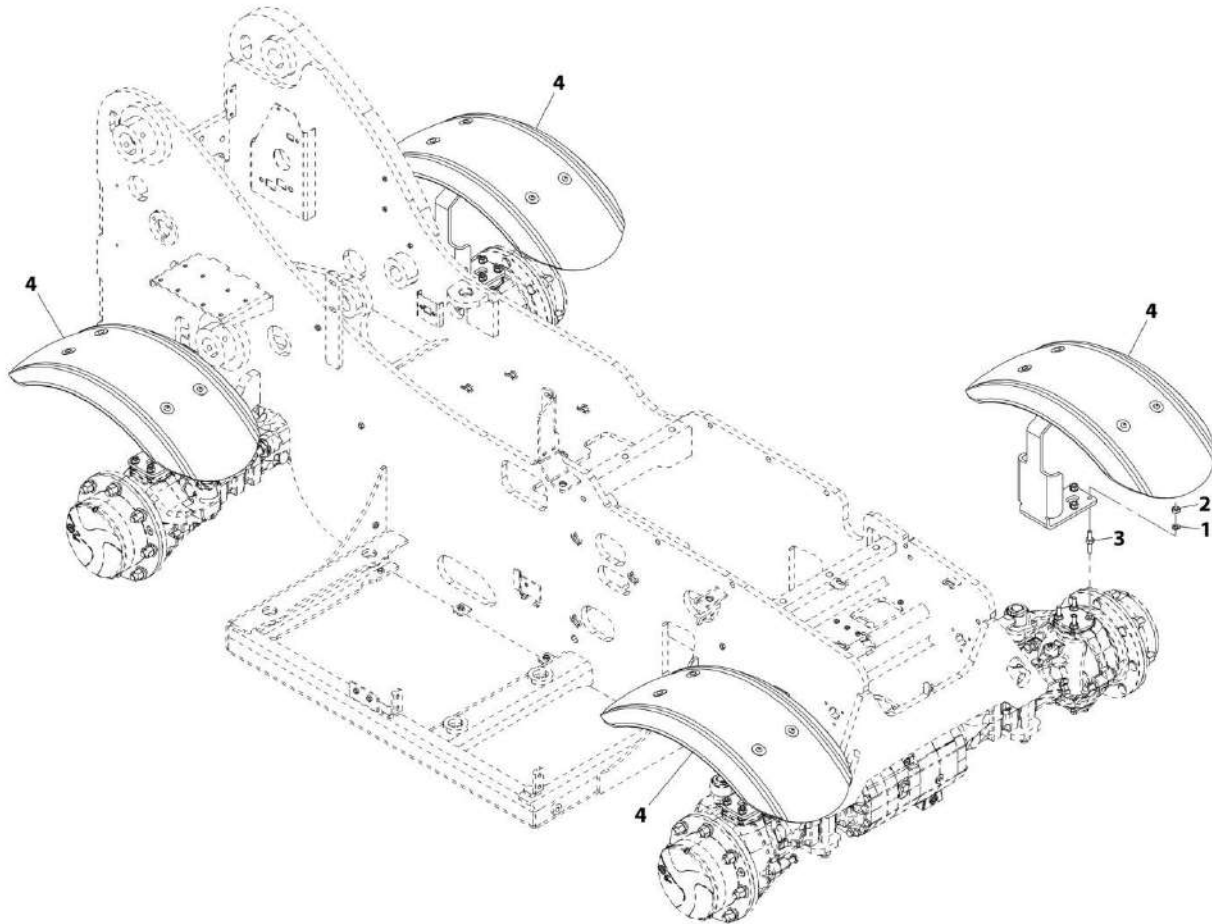
SECTION 5 - DRIVE TRAIN

FIGURE 5-36. LEFT TIRE/WHEEL ASSEMBLY, AG (AIR 10.5-18 - 16 PR)

ITEM	PART NUMBER	QTY	DESCRIPTION	REV
	1001143689	Ref	Left Tire/Wheel Assembly, AG (Air 10.5-18 - 16 PR)	E
1	1001142101	1	Wheel, 18X9	
2	1001154229	1	Tire, 10.5X18	
3	4640163	1	Tire Valve	

SECTION 5 - DRIVE TRAIN

FIGURE 5-37. FENDER INSTALLATION



ART_1001235015-A

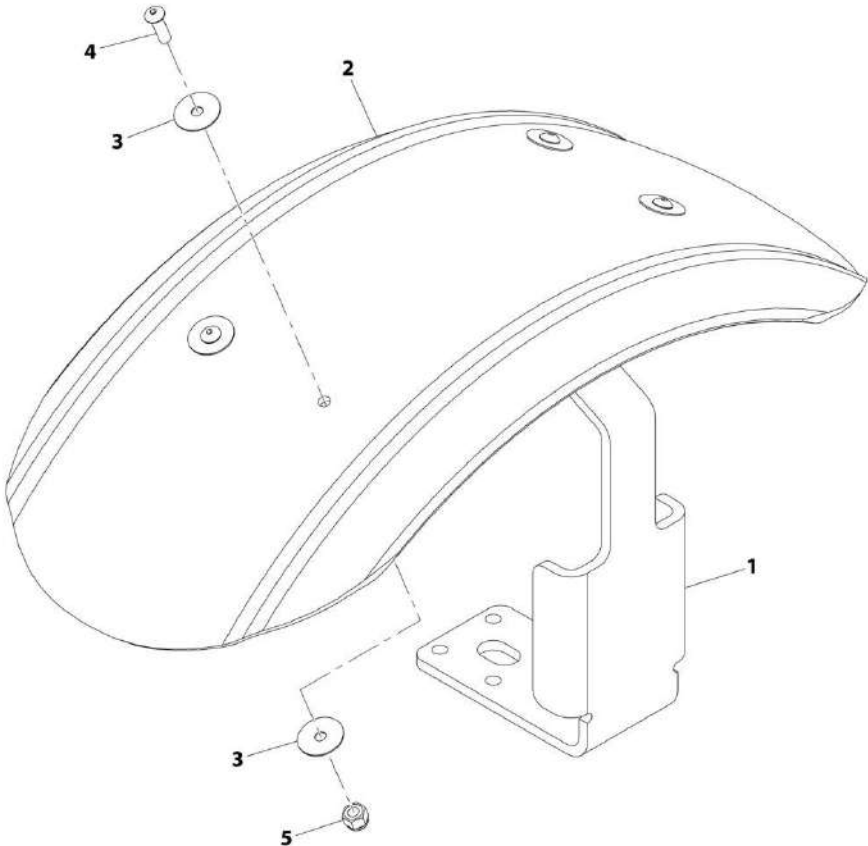
SECTION 5 - DRIVE TRAIN

FIGURE 5-37. FENDER INSTALLATION

ITEM	PART NUMBER	QTY	DESCRIPTION	REV
	1001235015	Ref	Fender Installation	A
1	83191010	16	Lockwasher, M12	
2	91513266	16	Nut, M12X1-1/4	
3	91514118	16	Stud	
4	1001235014	4	Fender Assembly (See Separate Breakdown in this Section)	

SECTION 5 - DRIVE TRAIN

FIGURE 5-38. FENDER ASSEMBLY



ART_1001235014-A

SECTION 5 - DRIVE TRAIN

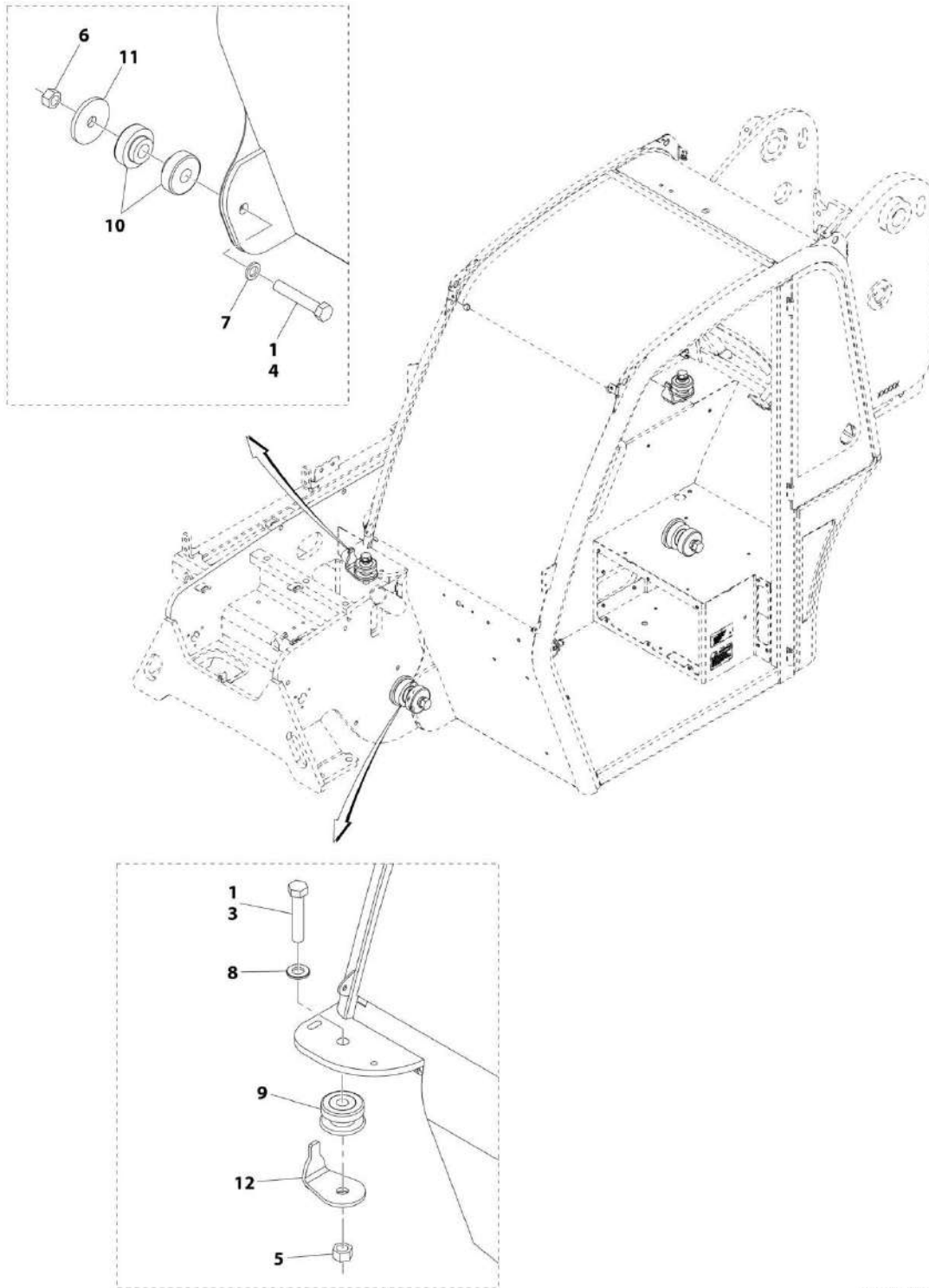
FIGURE 5-38. FENDER ASSEMBLY

ITEM	PART NUMBER	QTY	DESCRIPTION	REV
	1001235014	Ref	Fender Assembly	A
1	1001234973	1	Fender Mount	
2	1001080212	1	Wheel Fender	
3	8310246	8	Fender Washer, 3/8X0.048X1-1/2	
4	88261030	4	Socket HD Capscrew, 3/8-16X1-1/4	
5	88521206	4	Locknut, 3/8-16	

SECTION 6 - CAB

SECTION 6 - CAB

FIGURE 6-1. CAB INSTALLATION



ART_1001210402-B

FIGURE 6-1. CAB INSTALLATION

ITEM	PART NUMBER	QTY	DESCRIPTION	REV
	1001210402	Ref	Cab Installation	B
1	0100019	AR	Compound, Locking	
3	0682230	2	Hex HD Capscrew, 3/4-10X3-3/4, GR8	
4	0682440	2	Hex HD Capscrew, 7/8-9X5, GR8	
5	3272201	2	Hex Nut, 3/4-10, GR8	
6	3272401	2	Hex Nut, 7/8-9, GR8	
7	4892400	2	Washer, 7/8	
8	90027473	2	Washer, 3/4	
9	91403097	2	Center Bonded Mount	
10	91403153	4	Shock Mount	
11	91403217	2	Rebound Washer	
12	1001080992	2	Washer	

SECTION 6 - CAB

FIGURE 6-2. OPEN CAB INSTALLATION (ANSI - FIXED STEERING)

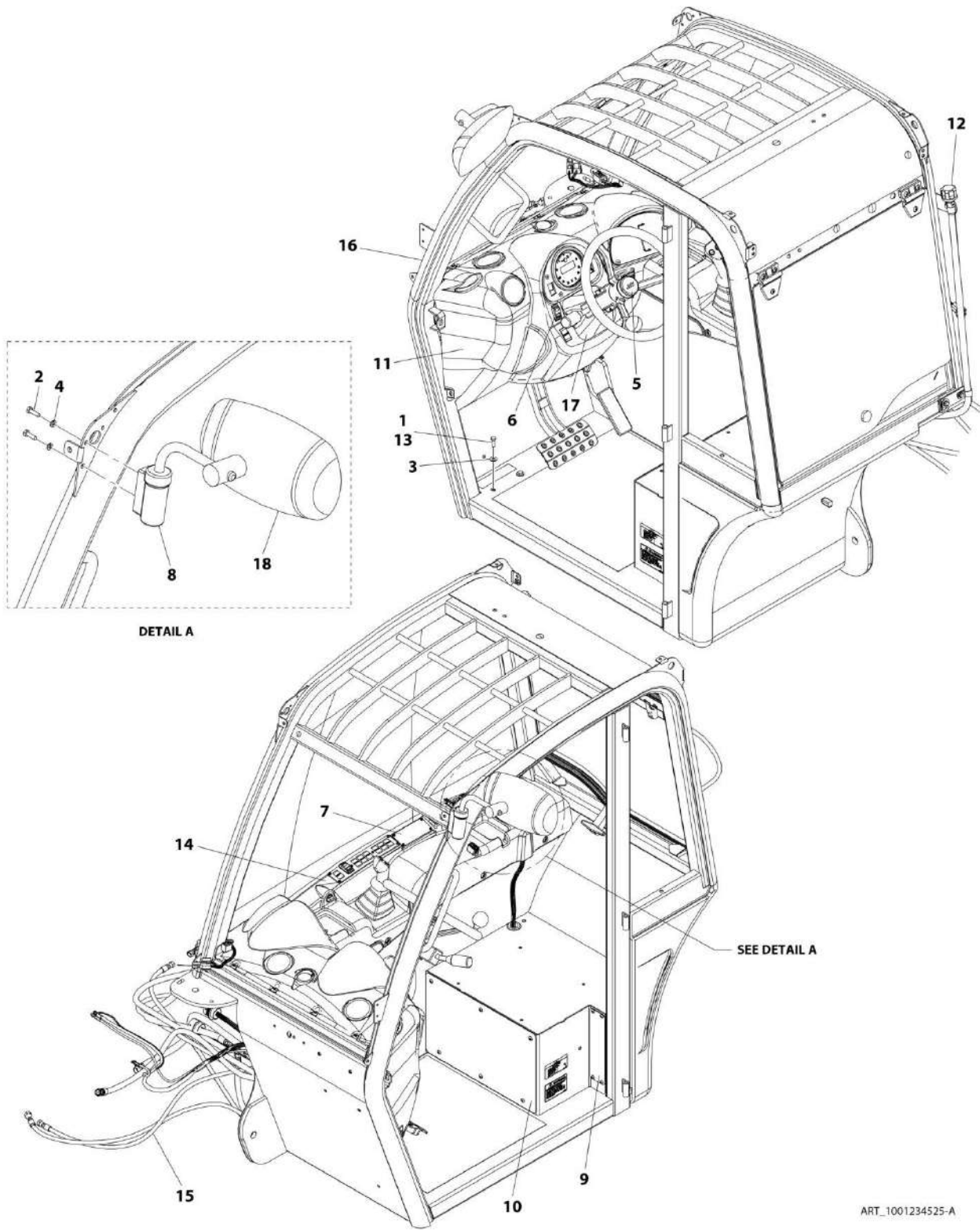
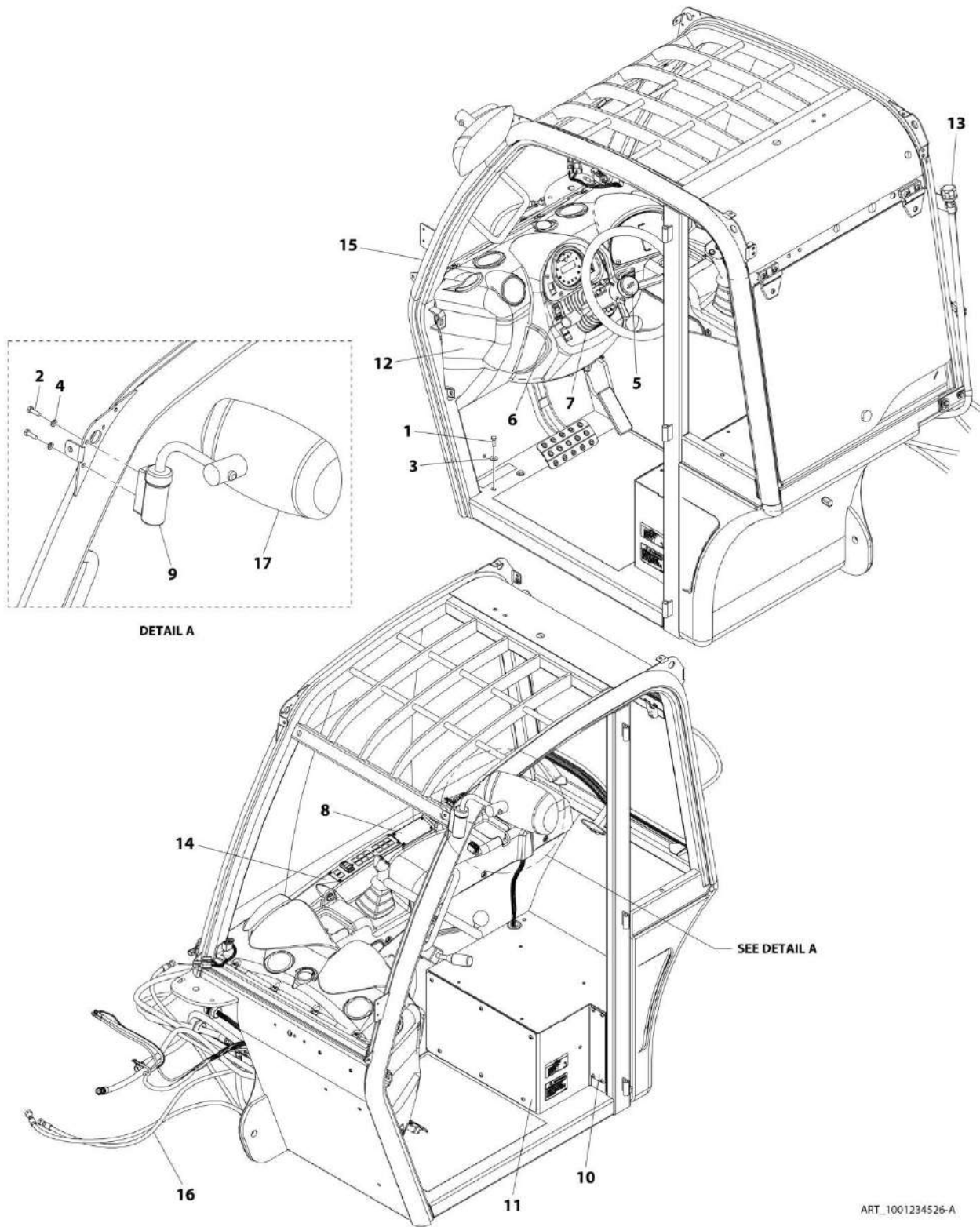


FIGURE 6-2. OPEN CAB INSTALLATION (ANSI - FIXED STEERING)

ITEM	PART NUMBER	QTY	DESCRIPTION	REV
	1001234525	Ref	Open Cab Installation (ANSI - Fixed Steering)	A
1	0641508	4	Hex HD Capscrew, 5/16-18X1, GR5	
2	0700610	2	Hex HD Capscrew, M6X20, GR8.8	
3	4751500	4	Washer, 5/16	
4	8307024	2	Washer, M6	
5	1001080742	Ref	Installation, JLG Common (See Separate Breakdown in this Section)	
6	1001080744	Ref	Installation, NA Common (See Separate Breakdown in this Section)	
7	1001080876	Ref	Installation, Control Cover (See Separate Breakdown in this Section)	
8	1001114675	1	Mirror Arm	
9	1001137600	Ref	Installation, Park Brake Valve (See Separate Breakdown in Control Section)	
10	1001137623	Ref	Installation, Seat Riser Cover (See Separate Breakdown in this Section)	
11	1001138582	Ref	Installation, Open Cab Common Components (See Separate Breakdown in this Section)	
12	1001182755	Ref	Installation, Hydraulic Tank Breather (See Separate Breakdown in Hydraulic Circuits Section)	
13	0100011	AR	Compound, Locking	
14	1001202007	Ref	Installation, Cab Common (See Separate Breakdown in this Section)	
15	1001235716	Ref	Installation, Cab Hydraulics (ANSI) (See Separate Breakdown in Hydraulic Circuits Section)	
16	1001208616	Ref	Installation, Open Cab Glass (See Separate Breakdown in this Section)	
17	1001221303	Ref	Installation, Fixed Steering Column (See Separate Breakdown in Control Section)	
18	8866514	1	Convex Mirror	

SECTION 6 - CAB

FIGURE 6-3. OPEN CAB INSTALLATION (ANSI - TILT STEERING)



ART_1001234526-A

FIGURE 6-3. OPEN CAB INSTALLATION (ANSI - TILT STEERING)

ITEM	PART NUMBER	QTY	DESCRIPTION	REV
	1001234526	Ref	Open Cab Installation (ANSI - Tilt Steering)	A
1	0641508	4	Hex HD Capscrew, 5/16-18X1, GR5	
2	0700610	2	Hex HD Capscrew, M6X20, GR8.8	
3	4751500	4	Washer, 5/16	
4	8307024	2	Washer, M6	
5	1001080742	Ref	Installation, JLG Common (See Separate Breakdown in this Section)	
6	1001080744	Ref	Installation, NA Common (See Separate Breakdown in this Section)	
7	1001080809	Ref	Installation, Tilt Steering Column (See Separate Breakdown in Control Section)	
8	1001080876	Ref	Installation, Control Cover (See Separate Breakdown in this Section)	
9	1001114675	1	Mirror Arm	
10	1001137600	Ref	Installation, Park Brake Valve (See Separate Breakdown in Control Section)	
11	1001137623	Ref	Installation, Seat Riser Cover (See Separate Breakdown in this Section)	
12	1001138582	Ref	Installation, Open Cab Common Components (See Separate Breakdown in this Section)	
13	1001182755	Ref	Installation, Hydraulic Tank Breather (See Separate Breakdown in Hydraulic Circuits Section)	
14	1001202007	Ref	Installation, Cab Common (See Separate Breakdown in this Section)	
15	1001208616	Ref	Installation, Open Cab Glass (See Separate Breakdown in this Section)	
16	1001235716	Ref	Installation, Cab Hydraulics (ANSI) (See Separate Breakdown in Hydraulic Circuits Section)	
17	8866514	1	Convex Mirror	

SECTION 6 - CAB

FIGURE 6-4. ENCLOSED CAB INSTALLATION (ANSI - TILT STEERING) (HEAT)

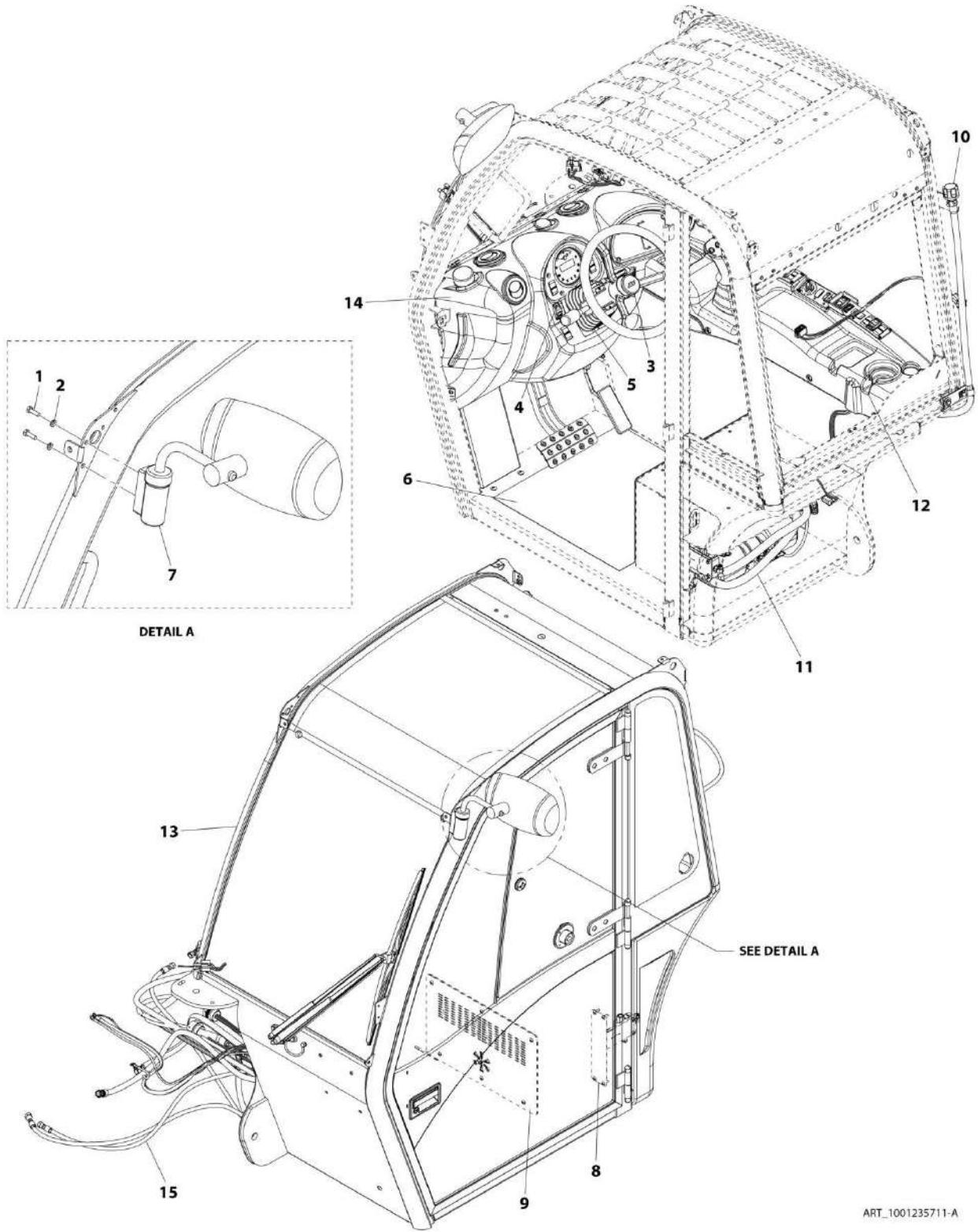
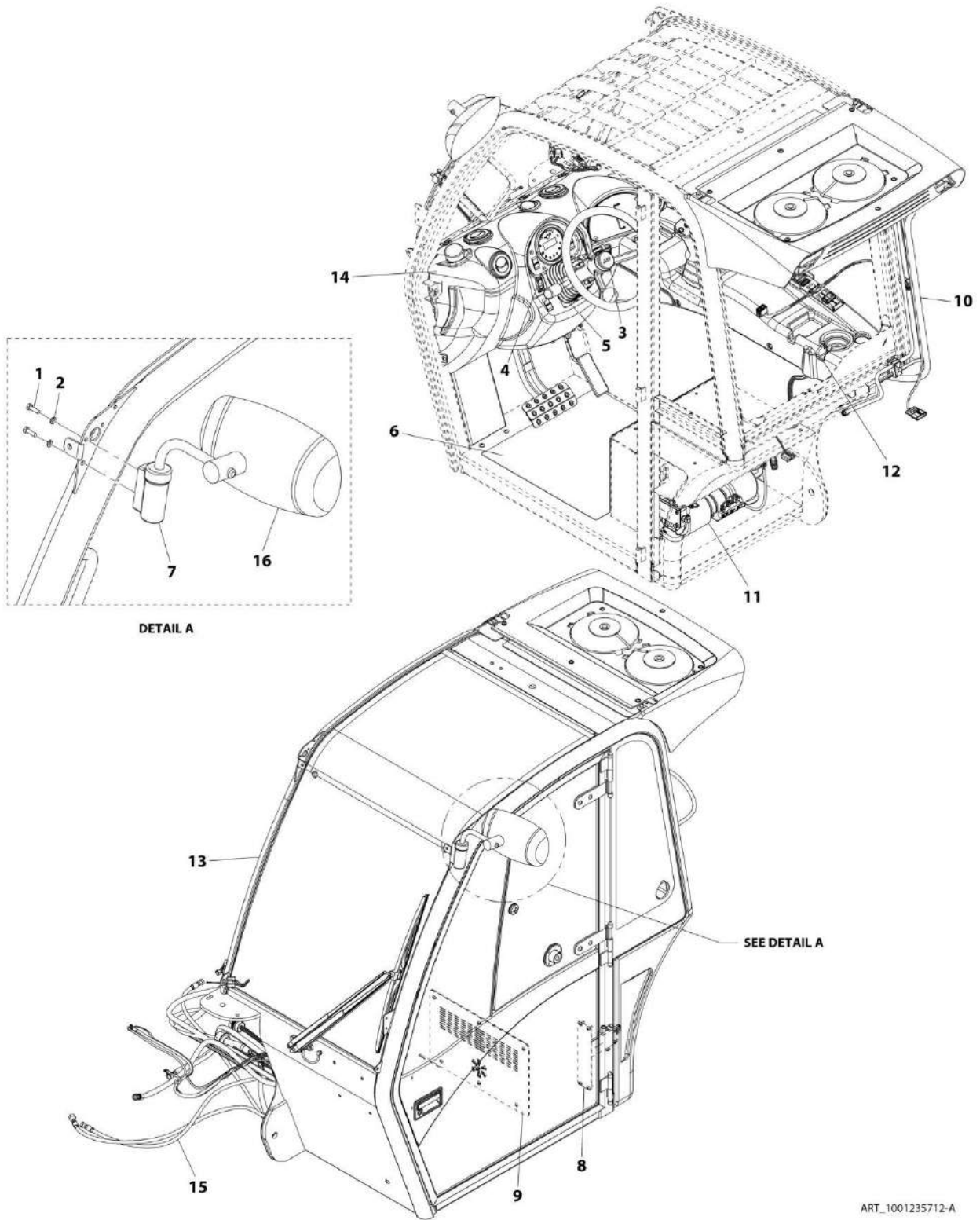


FIGURE 6-4. ENCLOSED CAB INSTALLATION (ANSI - TILT STEERING) (HEAT)

ITEM	PART NUMBER	QTY	DESCRIPTION	REV
	1001235711	Ref	Enclosed Cab Installation (ANSI - Tilt Steering) (Heat)	A
1	0700610	2	Hex HD Capscrew, M6X20, GR8.8	
2	8307024	2	Washer, M6	
3	1001080742	Ref	Installation, JLG Common (See Separate Breakdown in this Section)	
4	1001080744	Ref	Installation, NA Common (See Separate Breakdown in this Section)	
5	1001080809	Ref	Installation, Tilt Steering Column (See Separate Breakdown in Control Section)	
6	1001080847	1	Floor Skid Strip	
7	1001114675	1	Mirror Arm	
8	1001137600	Ref	Installation, Park Brake Valve (See Separate Breakdown in Control Section)	
9	1001137621	Ref	Installation, Seat Riser Cover HVAC (See Separate Breakdown in this Section)	
10	1001182755	Ref	Installation, Hydraulic Tank Breather (See Separate Breakdown in Hydraulic Circuits Section)	
11	1001193943	Ref	Installation, Heater (cab parts) (See Separate Breakdown in this Section)	
12	1001202007	Ref	Installation, Cab Common (See Separate Breakdown in this Section)	
13	1001208617	Ref	Installation, Enclosed Cab Glass (See Separate Breakdown in this Section)	
14	1001213757	Ref	Installation, Enclosed Cab Common Components (See Separate Breakdown in this Section)	
15	1001235716	Ref	Installation, Cab Hydraulics (ANSI) (See Separate Breakdown in Hydraulic Circuits Section)	

SECTION 6 - CAB

FIGURE 6-5. ENCLOSED CAB INSTALLATION (ANSI - TILT STEERING) (HEAT & A/C)



SECTION 6 - CAB

FIGURE 6-5. ENCLOSED CAB INSTALLATION (ANSI - TILT STEERING) (HEAT & A/C)

ITEM	PART NUMBER	QTY	DESCRIPTION	REV
	1001235712	Ref	Enclosed Cab Installation (ANSI - Tilt Steering) (Heat & A/C)	A
1	0700610	2	Hex HD Capscrew, M6X20, GR8.8	
2	8307024	2	Washer, M6	
3	1001080742	Ref	Installation, JLG Common (See Separate Breakdown in this Section)	
4	1001080744	Ref	Installation, NA Common (See Separate Breakdown in this Section)	
5	1001080809	Ref	Installation, Tilt Steering Column (See Separate Breakdown in Control Section)	
6	1001080847	1	Floor Skid Strip	
7	1001114675	1	Mirror Arm	
8	1001137600	Ref	Installation, Park Brake Valve (See Separate Breakdown in Control Section)	
9	1001137621	Ref	Installation, Seat Riser Cover HVAC (See Separate Breakdown in this Section)	
10	1001186376	Ref	Installation, Hydraulic Tank Breather (See Separate Breakdown in Hydraulic Circuits Section)	
11	1001193443	Ref	Installation, Heater and A/C (Cab Parts) (See Separate Breakdown in this Section)	
12	1001202007	Ref	Installation, Cab Common (See Separate Breakdown in this Section)	
13	1001208617	Ref	Installation, Enclosed Cab Glass (See Separate Breakdown in this Section)	
14	1001213757	Ref	Installation, Enclosed Cab Common Components (See Separate Breakdown in this Section)	
15	1001235716	Ref	Installation, Cab Hydraulics (ANSI) (See Separate Breakdown in Hydraulic Circuits Section)	
16	8866514	1	Convex Mirror	

SECTION 6 - CAB

FIGURE 6-6. ENCLOSED CAB INSTALLATION (LSI - TILT STEERING) (HEAT)

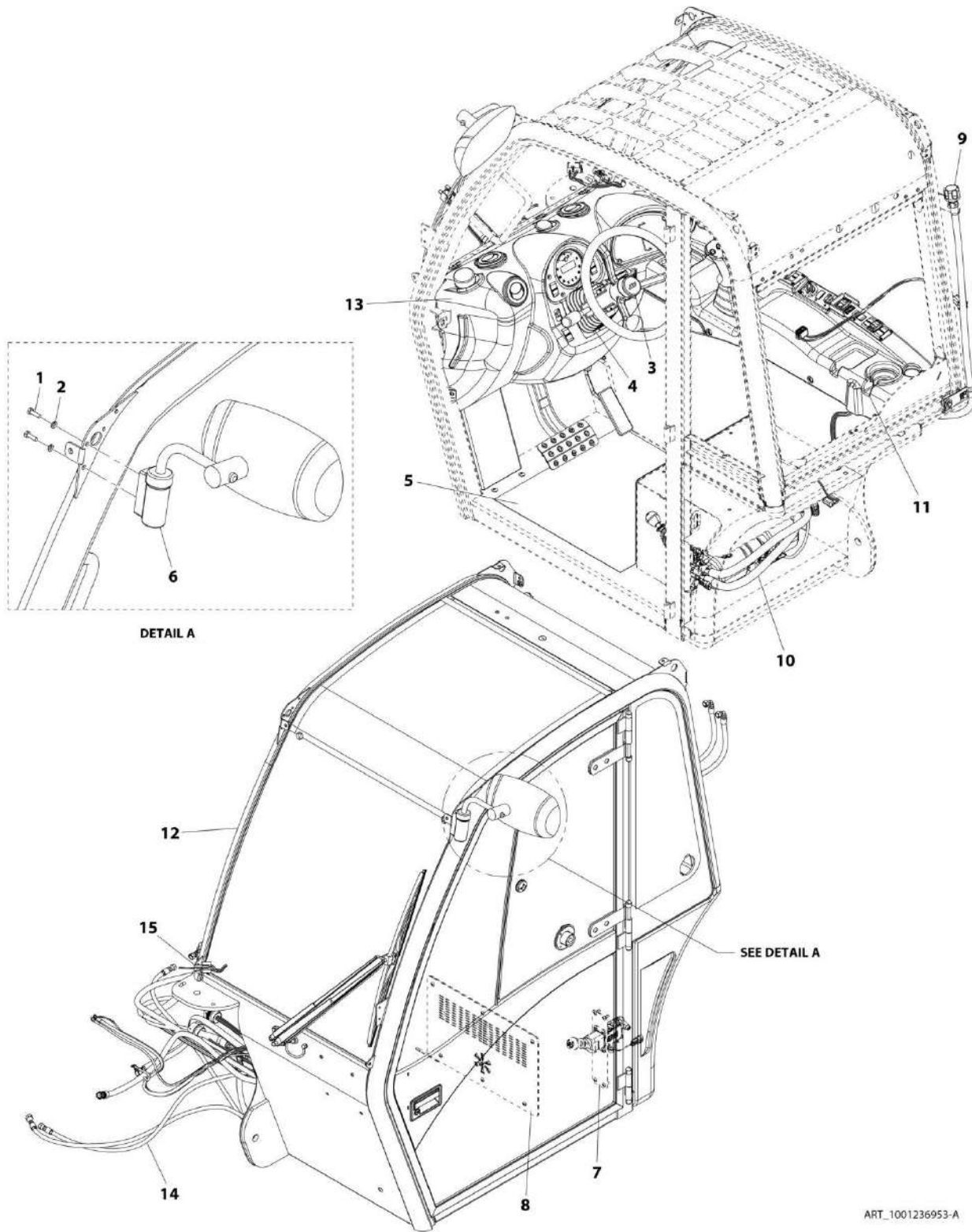
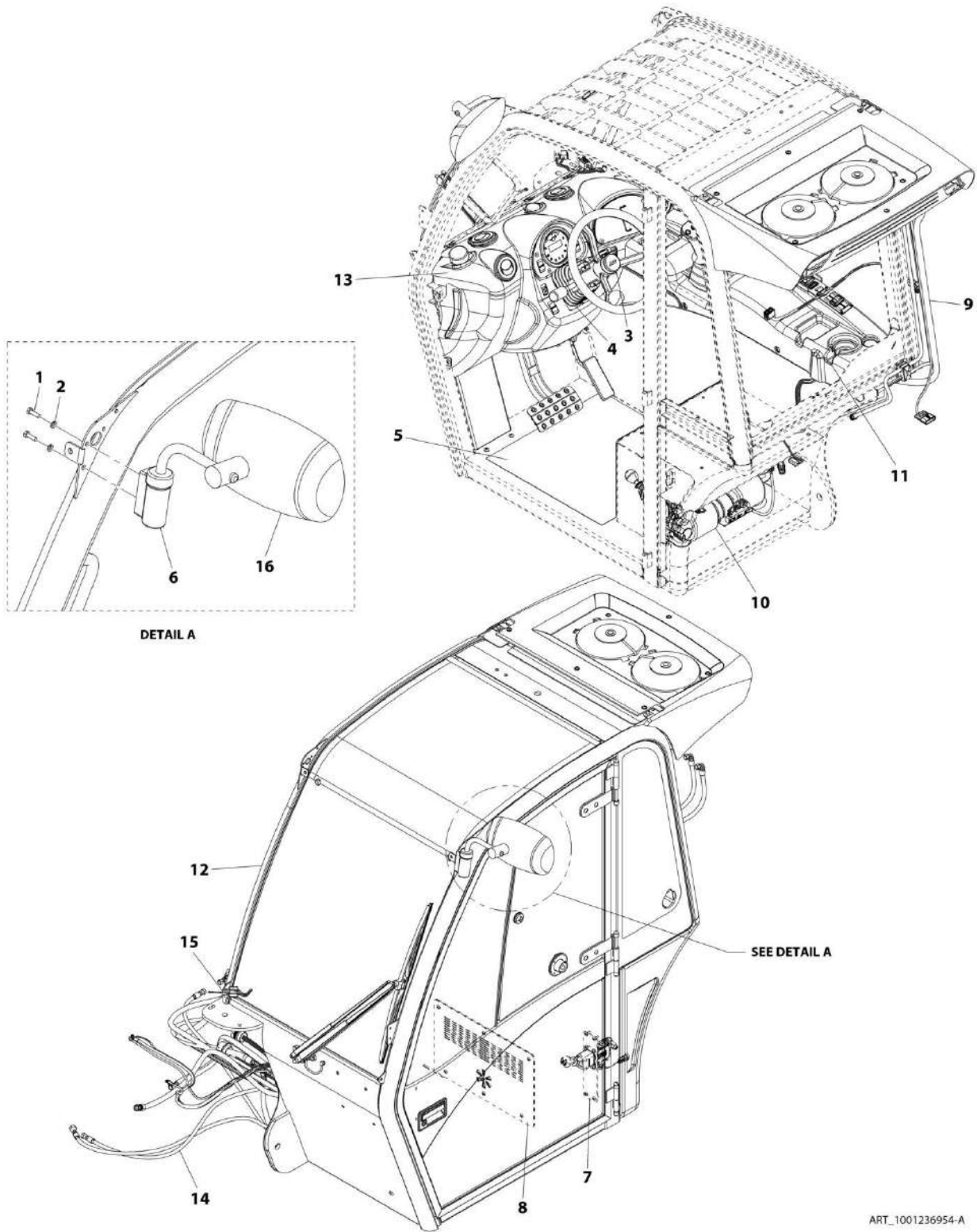


FIGURE 6-6. ENCLOSED CAB INSTALLATION (LSI - TILT STEERING) (HEAT)

ITEM	PART NUMBER	QTY	DESCRIPTION	REV
	1001236953	Ref	Enclosed Cab Installation (LSI - Tilt Steering) (Heat)	A
1	0700610	2	Hex HD Capscrew, M6X20, GR8.8	
2	8307024	2	Washer, M6	
3	1001080742	Ref	Installation, JLG Common (See Separate Breakdown in this Section)	
4	1001080809	Ref	Installation, Tilt Steering Column (See Separate Breakdown in Control Section)	
5	1001080847	1	Floor Skid Strip	
6	1001114675	1	Mirror Arm	
7	1001137602	Ref	Installation, Park Brake Valve (Euro) (See Separate Breakdown in Control Section)	
8	1001137621	Ref	Installation, Seat Riser Cover HVAC (See Separate Breakdown in this Section)	
9	1001182755	Ref	Installation, Hydraulic Tank Breather (See Separate Breakdown in Hydraulic Circuits Section)	
10	1001193943	Ref	Installation, Heater (cab parts) (See Separate Breakdown in this Section)	
11	1001202007	Ref	Installation, Cab Common (See Separate Breakdown in this Section)	
12	1001208617	Ref	Installation, Enclosed Cab Glass (See Separate Breakdown in this Section)	
13	1001213757	Ref	Installation, Enclosed Cab Common Components (See Separate Breakdown in this Section)	
14	1001236957	Ref	Installation, Cab Hydraulics (LSI) (See Separate Breakdown in Hydraulic Circuits Section)	
15	1001236959	Ref	Installation, NA Common Components (LSI) (See Separate Breakdown in this Section)	

SECTION 6 - CAB

FIGURE 6-7. ENCLOSED CAB INSTALLATION (LSI - TILT STEERING) (HEAT & A/C)



ART_1001236954-A

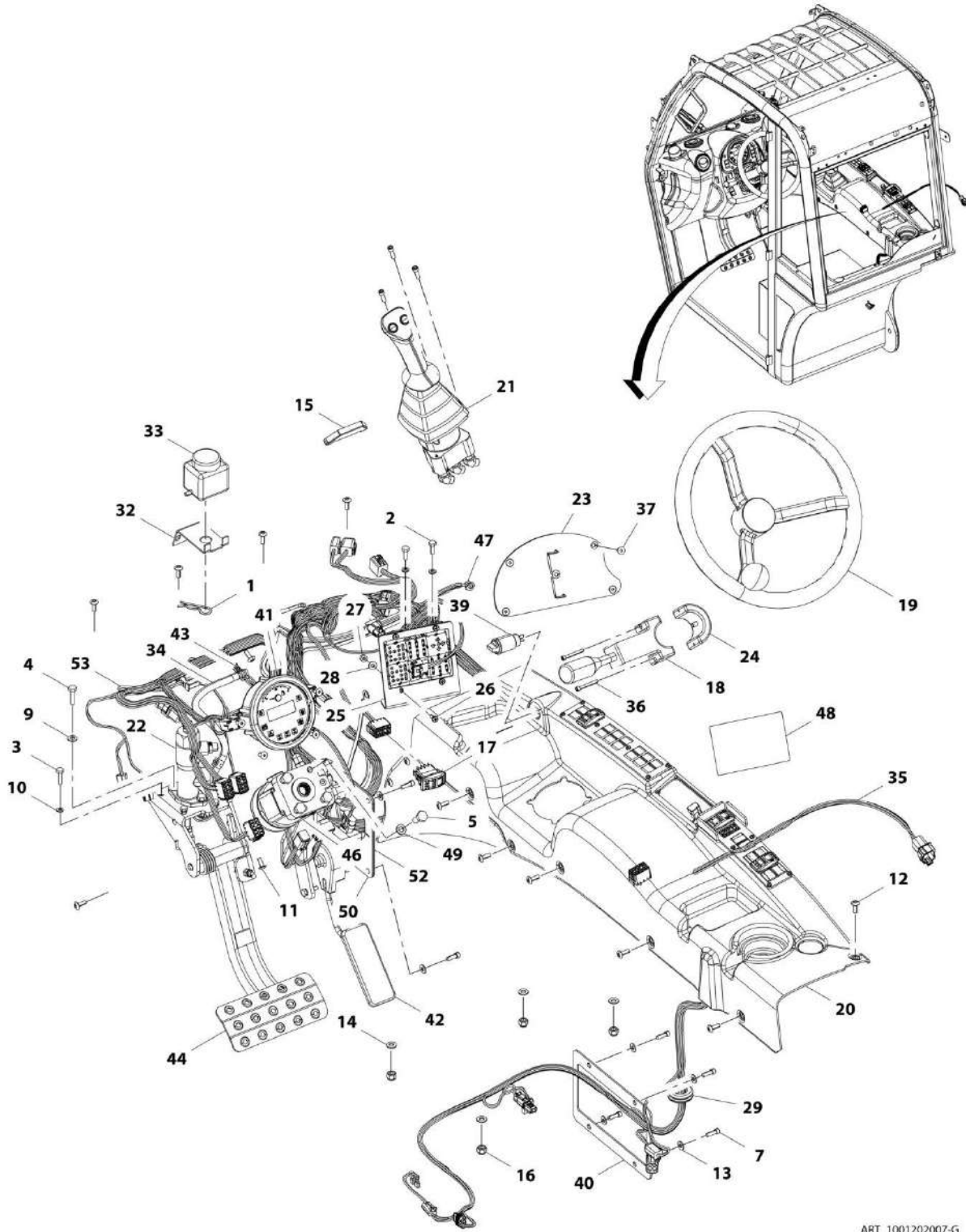
SECTION 6 - CAB

FIGURE 6-7. ENCLOSED CAB INSTALLATION (LSI - TILT STEERING) (HEAT & A/C)

ITEM	PART NUMBER	QTY	DESCRIPTION	REV
	1001236954	Ref	Enclosed Cab Installation (LSI - Tilt Steering) (Heat & A/C)	A
1	0700610	2	Hex HD Capscrew, M6X20, GR8.8	
2	8307024	2	Washer, M6	
3	1001080742	Ref	Installation, JLG Common (See Separate Breakdown in this Section)	
4	1001080809	Ref	Installation, Tilt Steering Column (See Separate Breakdown in Control Section)	
5	1001080847	1	Floor Skid Strip	
6	1001114675	1	Mirror Arm	
7	1001137602	Ref	Installation, Park Brake Valve (Euro) (See Separate Breakdown in Control Section)	
8	1001137621	Ref	Installation, Seat Riser Cover HVAC (See Separate Breakdown in this Section)	
9	1001186376	Ref	Installation, Hydraulic Tank Breather (See Separate Breakdown in Hydraulic Circuits Section)	
10	1001193443	Ref	Installation, Heater and A/C (Cab Parts) (See Separate Breakdown in this Section)	
11	1001202007	Ref	Installation, Cab Common (See Separate Breakdown in this Section)	
12	1001208617	Ref	Installation, Enclosed Cab Glass (See Separate Breakdown in this Section)	
13	1001213757	Ref	Installation, Enclosed Cab Common Components (See Separate Breakdown in this Section)	
14	1001236957	Ref	Installation, Cab Hydraulics (LSI) (See Separate Breakdown in Hydraulic Circuits Section)	
15	1001236959	Ref	Installation, NA Common Components (LSI) (See Separate Breakdown in this Section)	
16	8866514	1	Convex Mirror	

SECTION 6 - CAB

FIGURE 6-8. CAB COMMON INSTALLATION



ART_1001202007-G

FIGURE 6-8. CAB COMMON INSTALLATION

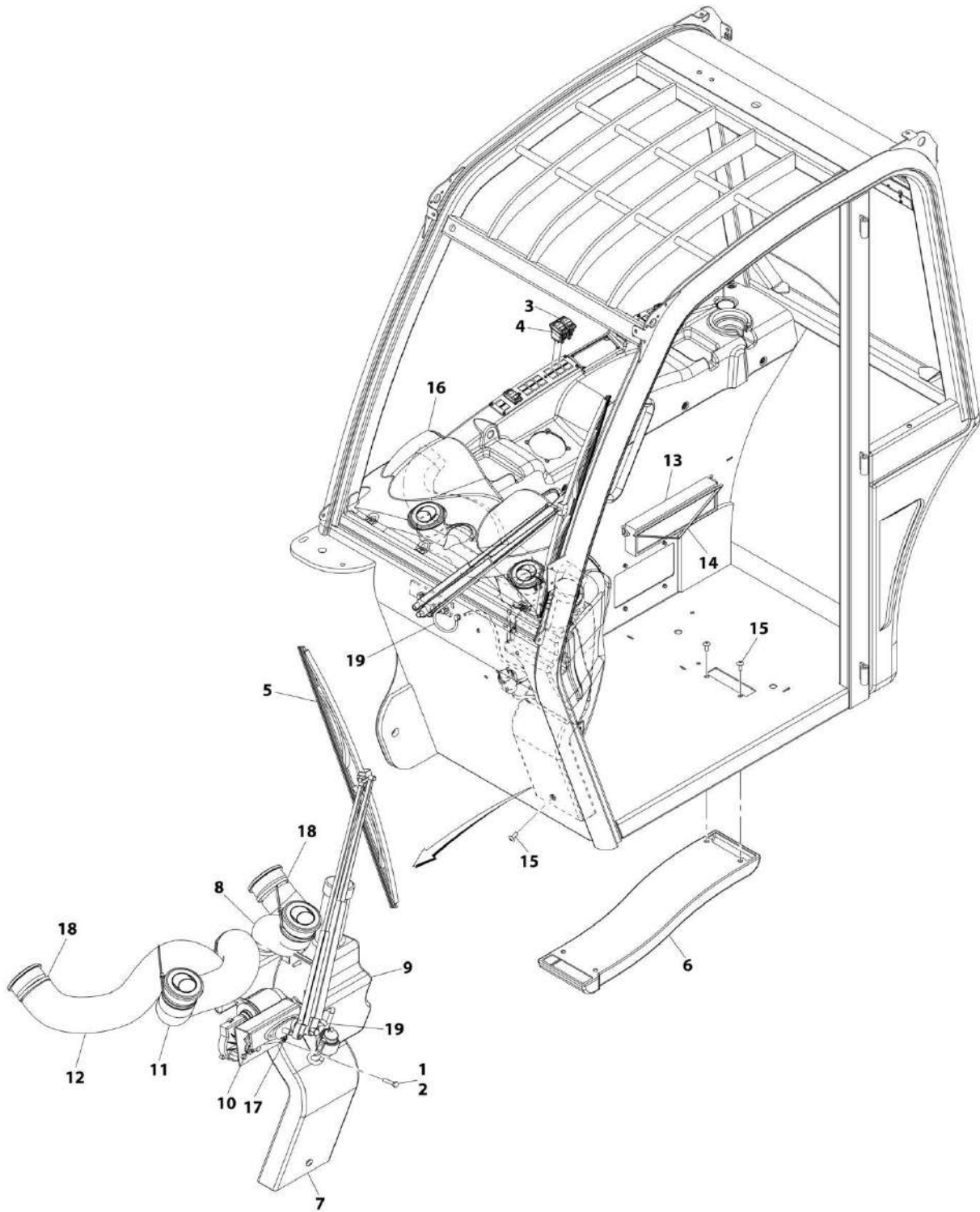
ITEM	PART NUMBER	QTY	DESCRIPTION	REV
	1001202007	Ref	Cab Common Installation	G
1	80325	1	Pin	
2	0641406	2	Bolt, 1/4-20X3/4	
3	0641408	7	Bolt, 1/4-20X1	
4	0641508	2	Bolt, 5/16-18X1	
5	0761012	4	Bolt, M10X25	
7	3931412	12	Screw	
9	4711500	2	Washer, 5/16	
10	4761400	9	Washer, Lock 1/4	
11	8035487	1	Screw	
12	8303034	15	Screw	
13	8307109	8	Washer	
14	8310053	4	Washer	
15	8466306	1	Gage, Tilt Angle	
16	88521205	4	Nut, Lock	
17	1001080371	1	Switch	
18	1001080380	1	Switch	
19	1001080462	1	Wheel, Steering	
20	1001080493	1	Console	
21	1001080500	1	Assembly, Hydraulic Controller (See Separate Breakdown in Controls Section)	
22	1001080559	1	Assembly, Master Cylinder Valve (See Separate Breakdown in Controls Section)	
23	1001239184	1	Chart, Load	
24	1001080900	1	Clamp	
25	1001080983	1	Bracket	
26	1001080986	4	Screw	
27	1001080987	4	Nut	
28	1001080988	4	Washer	
29	1001081049	1	Grommet	
32	1001081151	1	Bracket	
33	1001081152	1	Reservoir, Brake	
34	1001081153	1	Hose	
35	1001098235	1	Harness, Mode Select (See Separate Breakdown in Electrical Section)	
36	1001108079	2	Screw	
37	1001108194	8	Screw	
39	1001114867	1	Screw	
40	1001117158	1	Plate	
41	1001137657	1	Guage	
42	1001138639	1	Assembly, Accelerator Pedal (See Separate Breakdown in Controls Section)	
43	1001156087	2	Clamp	
44	1001189734	1	Installation, Brake Pedal (See Separate Breakdown in Controls Section)	
46	1001202006	1	Assembly, Steering Valve (See Separate Breakdown in Hydraulic Components Section)	
47	1001080418	1	Harness	
48	1001156577	1	Decal, Fuse	
49	4832000	1	Washer, Lock M10	
50	1001207837	1	Panel	

SECTION 6 - CAB

ITEM	PART NUMBER	QTY	DESCRIPTION	REV
52	1001208119	1	Plate	
53	1001208593	1	Harness, Cab (See Separate Breakdown in Electrical Section)	

SECTION 6 - CAB

FIGURE 6-9. CAB COMMON COMPONENTS, ENCLOSED



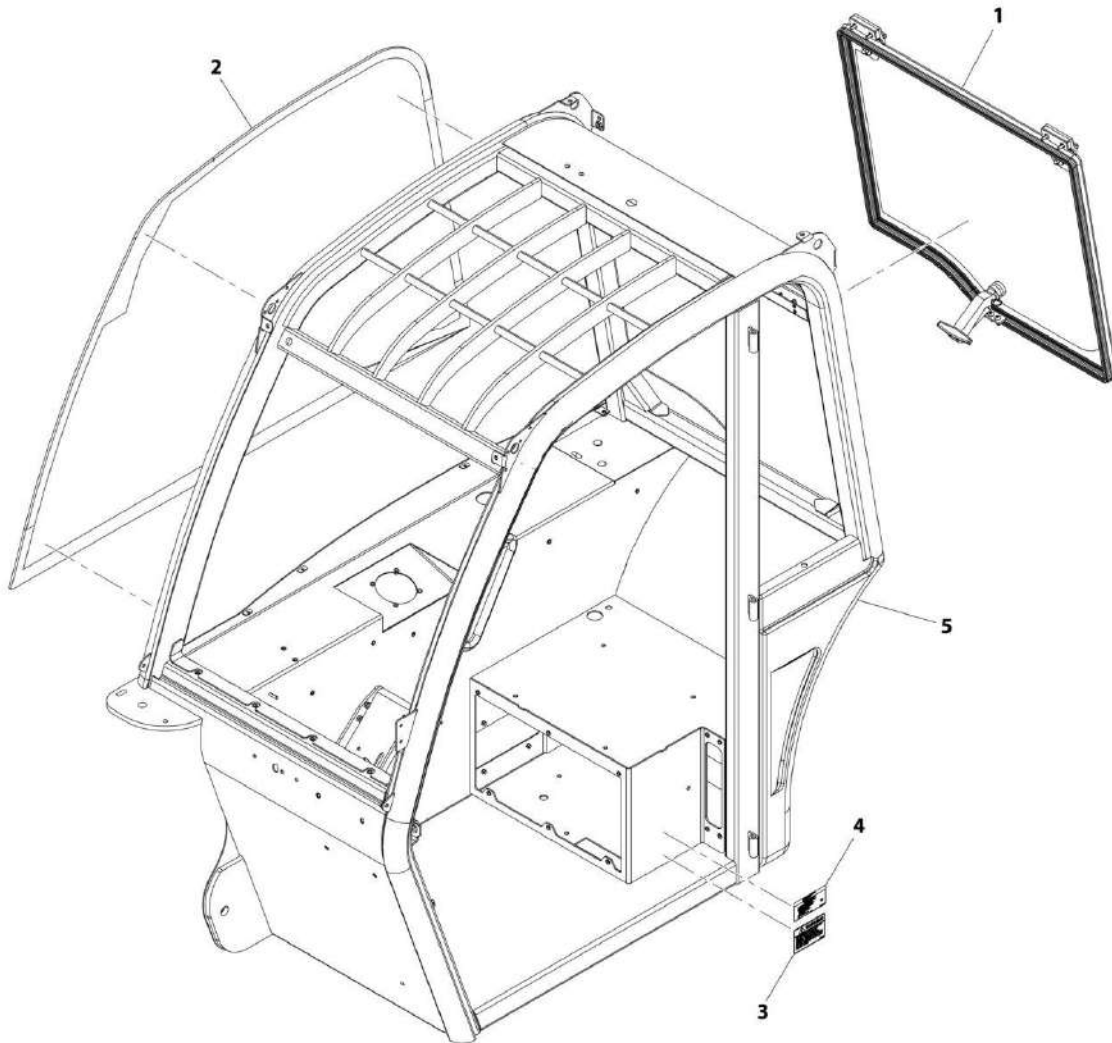
ART_1001213757-B

FIGURE 6-9. CAB COMMON COMPONENTS, ENCLOSED

ITEM	PART NUMBER	QTY	DESCRIPTION	REV
	1001213757	Ref	Cab Common Components, Enclosed	B
1	0100011	AR	Compound, Locking	
2	0651410	2	Hex HD Capscrew, 1/4-28X1-1/4	
3	1001080367	1	Front Windshield Washer Switch	
4	1001080368	1	Front Wiper Switch	
5	1001080499	1	Assembly, Front Wiper (See Separate Breakdown in this Section)	
6	1001080862	1	Lower Duct	
7	1001080863	1	Front Duct	
8	1001080931	2	Duct Hose	
9	1001080933	1	Installation, Washer Tank W/Pump (See Separate Breakdown in this Section)	
10	1001081306	1	Front Wiper Spacer	
11	1001081331	1	Duct Hose	
12	1001081332	1	Duct Hose	
13	1001081375	1	Cab Air Filter	
14	1001081376	1	Cab Air Filter Seal Ring	
15	1001108196	6	Screw	
16	1001137943	1	Installation, Dash Enclosed Cab (See Separate Breakdown in this Section)	
17	1001189653	1	Spacer	
18	01043892	8	Tie wrap	
19	82033997	408 mm	Window Washer Hose	

SECTION 6 - CAB

FIGURE 6-10. CAB GLASS INSTALLATION, OPEN



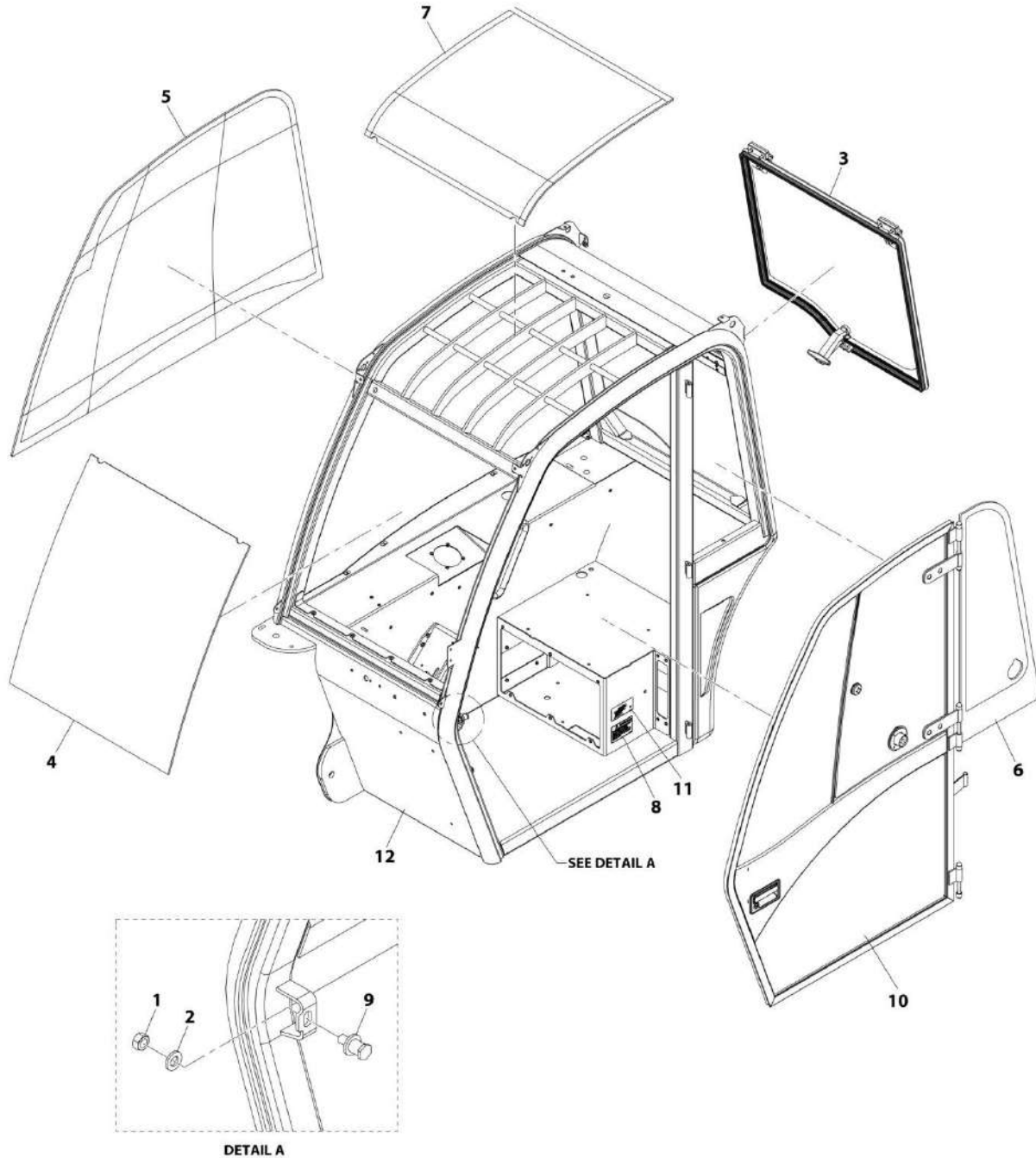
ART_1001208616-E

FIGURE 6-10. CAB GLASS INSTALLATION, OPEN

ITEM	PART NUMBER	QTY	DESCRIPTION	REV
	1001208616	Ref	Cab Glass Installation, Open	E
1	1001080796	1	Assembly, Rear Window (See Separate Breakdown in this Section)	
2	1001080798	1	Window, Right Side	
3	1001109365	1	Decal, ROPS Warning	
4	N.S.S.	1	SN Plate	
5	N.S.S.	1	Cab Weldment	

SECTION 6 - CAB

FIGURE 6-11. CAB GLASS INSTALLATION, ENCLOSED



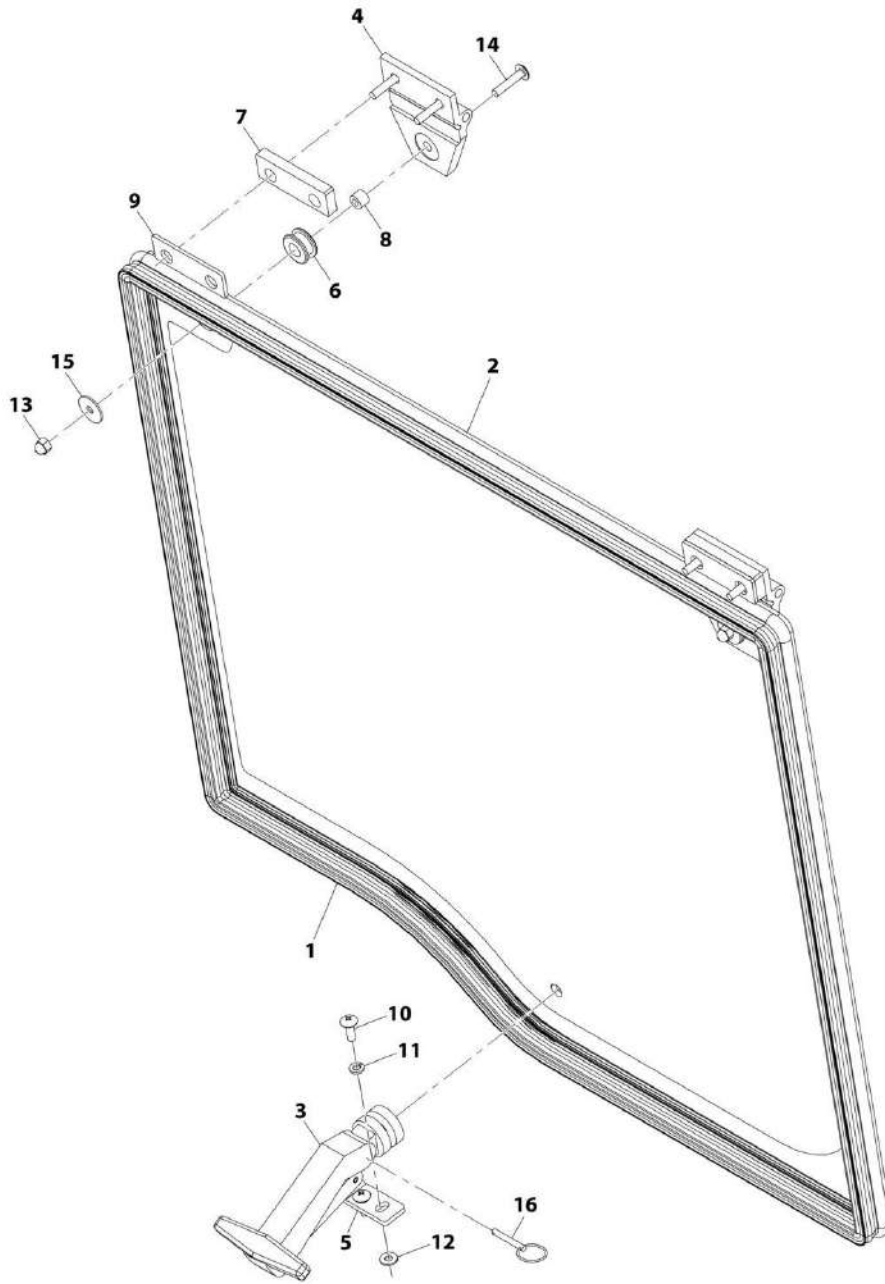
ART_1001208617-E

FIGURE 6-11. CAB GLASS INSTALLATION, ENCLOSED

ITEM	PART NUMBER	QTY	DESCRIPTION	REV
	1001208617	Ref	Cab Glass Installation, Enclosed	E
1	3291201	1	Nut, M12X1.75	
2	1001009126	1	Washer	
3	1001080796	1	Rear Window Assembly (See Separate Breakdown in this Section)	
4	1001080797	1	Front Glass	
5	1001080798	1	Right Side Glass	
6	1001080801	1	Left Rear Glass	
7	1001080821	1	Skylight Glass	
8	1001109365	1	ROPS Warning Decal	
9	1001109478	1	Striker Latch	
10	1001150596	1	Installation, Door Assembly (See Separate Breakdown in this Section)	
11	N.S.S.	1	SN Plate	
12	N.S.S.	1	Cab Weldment	

SECTION 6 - CAB

FIGURE 6-12. REAR WINDOW ASSEMBLY



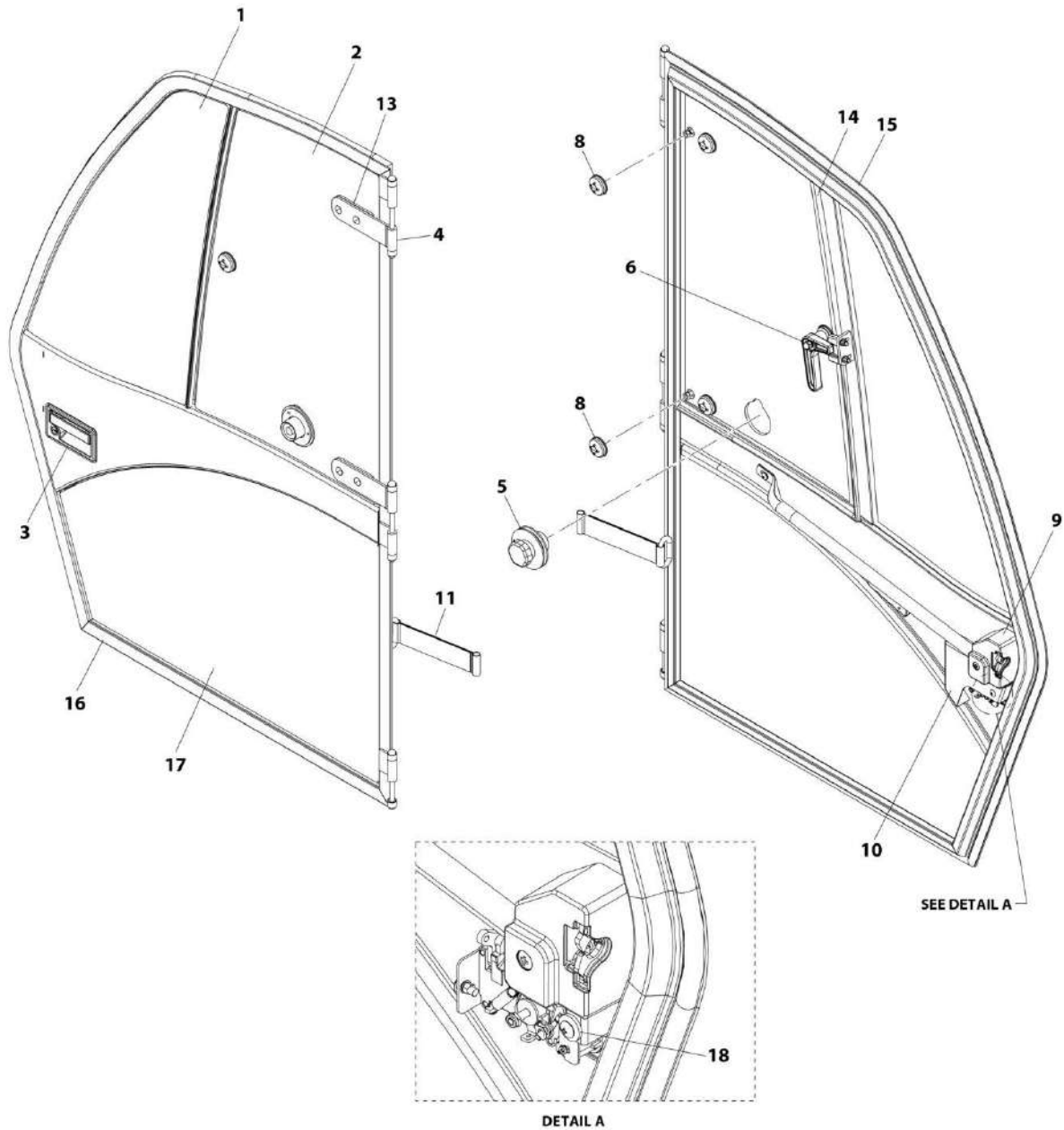
ART_1001080796-G

FIGURE 6-12. REAR WINDOW ASSEMBLY

ITEM	PART NUMBER	QTY	DESCRIPTION	REV
	1001080796	Ref	Rear Window Assembly	G
1	1001107997	1	Window Rear Seal	
2	1001080926	1	Rear Hinged Glass	
3	1001081280	1	T-Style Hold Open	
4	1001081281	2	Plastic Hinge	
5	1001081282	1	Rear Window Latch Bracket	
6	1001081283	2	Grommet	
7	1001081284	2	Hinge Seal	
8	1001081285	2	Bushing	
9	1001081289	2	Hinge Mounting Pad	
10	1001108161	2	Truss HD Screw, 1/4-20X3/4	
11	1001108547	2	Lockwasher, 1/4	
12	1001108548	2	Washer, 1/4	
13	1001108549	2	Nut, 1/4-20	
14	1001110067	6	Torx Screw, 1/4-20X1-1/4	
15	1001108552	2	Flat Washer, 1/4	
16	1001109417	1	Detent Ring Pin	

SECTION 6 - CAB

FIGURE 6-13. DOOR ASSEMBLY INSTALLATION



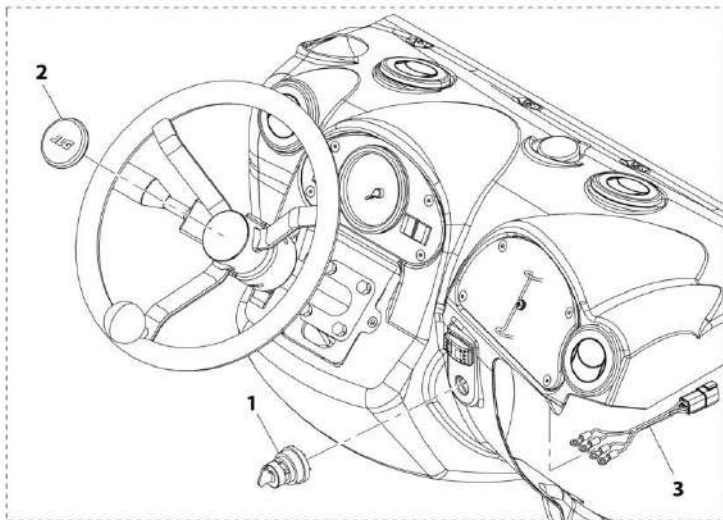
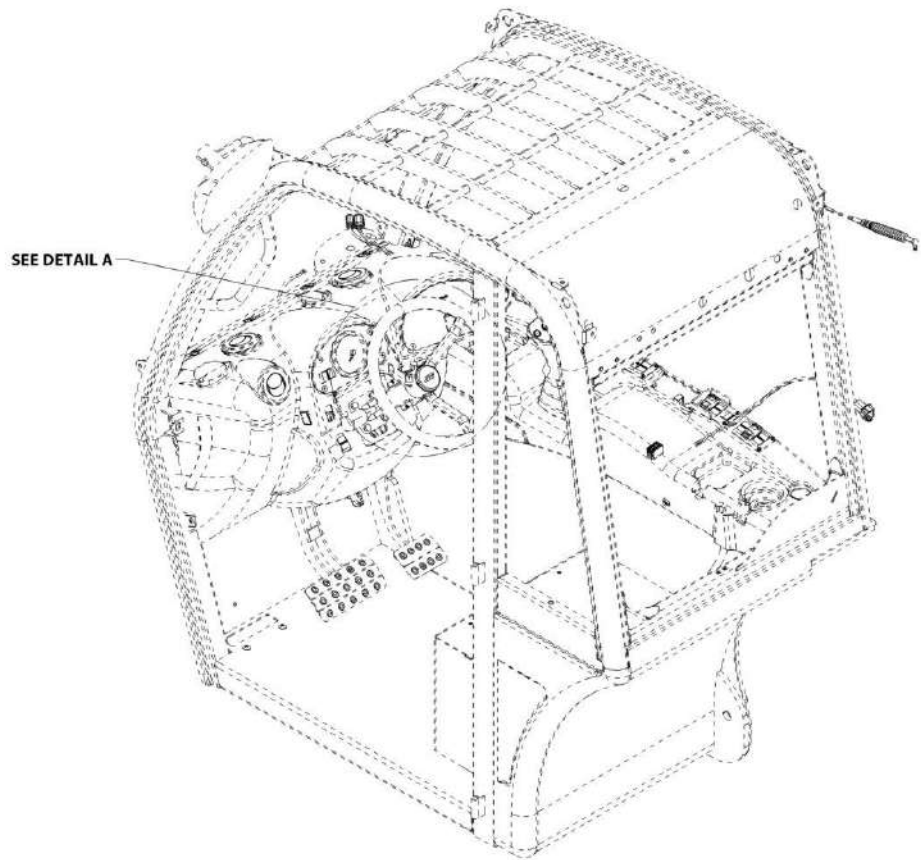
ART_1001150596-E

FIGURE 6-13. DOOR ASSEMBLY INSTALLATION

ITEM	PART NUMBER	QTY	DESCRIPTION	REV
	1001150596	Ref	Door Assembly Installation	E
1	1001081235	1	Fixed Door Glass	
2	1001081236	1	Hinged Door Glass	
3	1001081241	1	Latch, Paddle W/Key	
3	8342813	1	Key, (Set of Two)	
4	1001081242	2	Hinge	
5	1001081243	1	Window Lock Latch	
6	1001081244	1	Window Latch	
8	1001081246	5	Window Cap	
9	1001081247	1	Door Handle	
10	1001081248	1	Door Latch Cover	
11	1001081249	1	Door Restraint Strap	
13	1001081266	2	Spacer	
14	1001081268	1	Hinged Glass Seal	
15	1001081314	1	Door Seal	
16	1001080867JO	1	Door Frame	
17	1001081239	1	Cab Door Panel	
18	1001165585	1	Flat Washer	

SECTION 6 - CAB

FIGURE 6-14. JLG COMMON INSTALLATION



DETAIL A

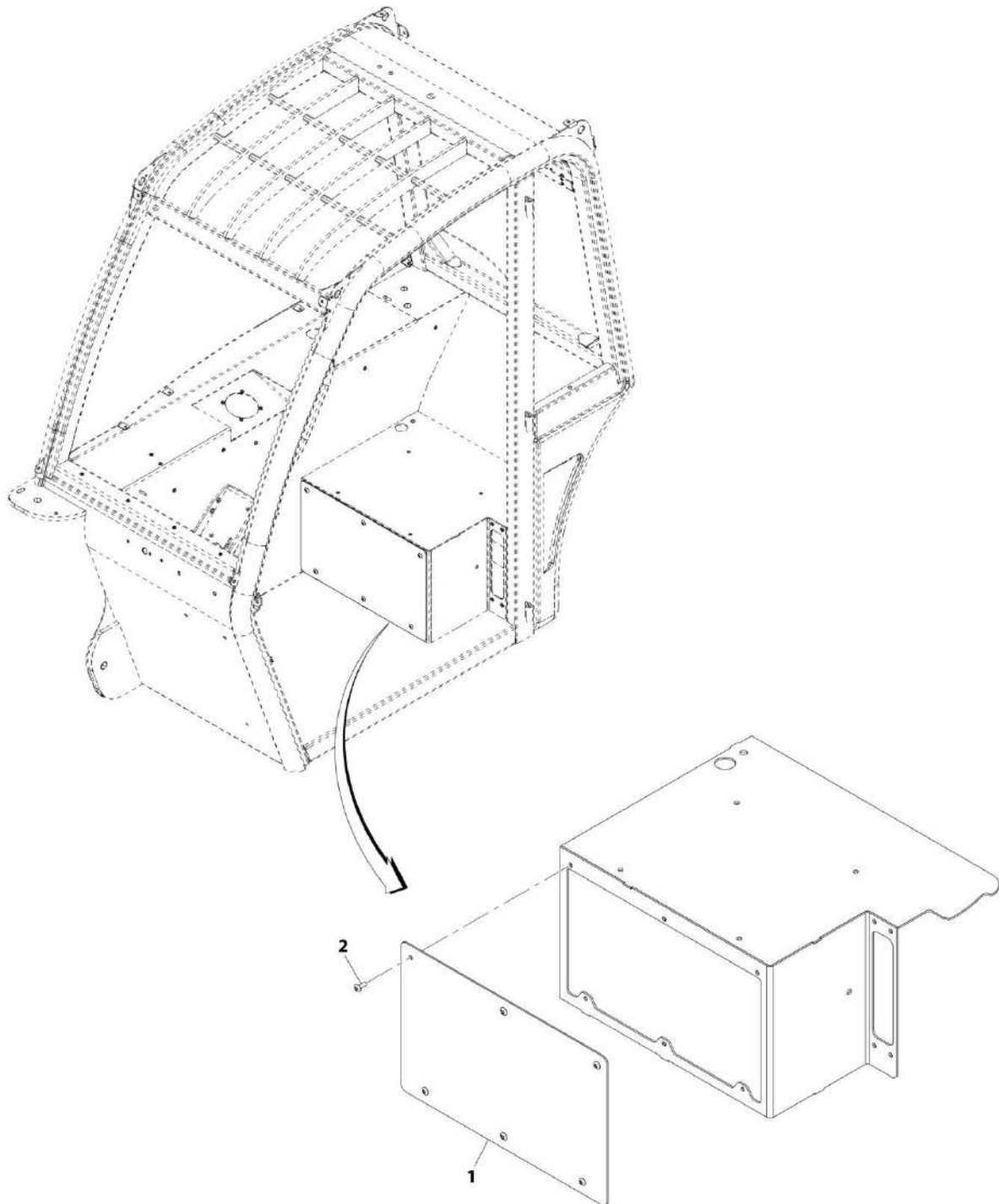
ART_1001080742-B

FIGURE 6-14. JLG COMMON INSTALLATION

ITEM	PART NUMBER	QTY	DESCRIPTION	REV
	1001080742	Ref	JLG Common Installation	B
1	1001080379	1	Ignition Switch	
2	1001080463	1	Center Cap	
3	1001100053	1	Start Switch Jumper Harness	

SECTION 6 - CAB

FIGURE 6-15. SEAT RISER COVER INSTALLATION



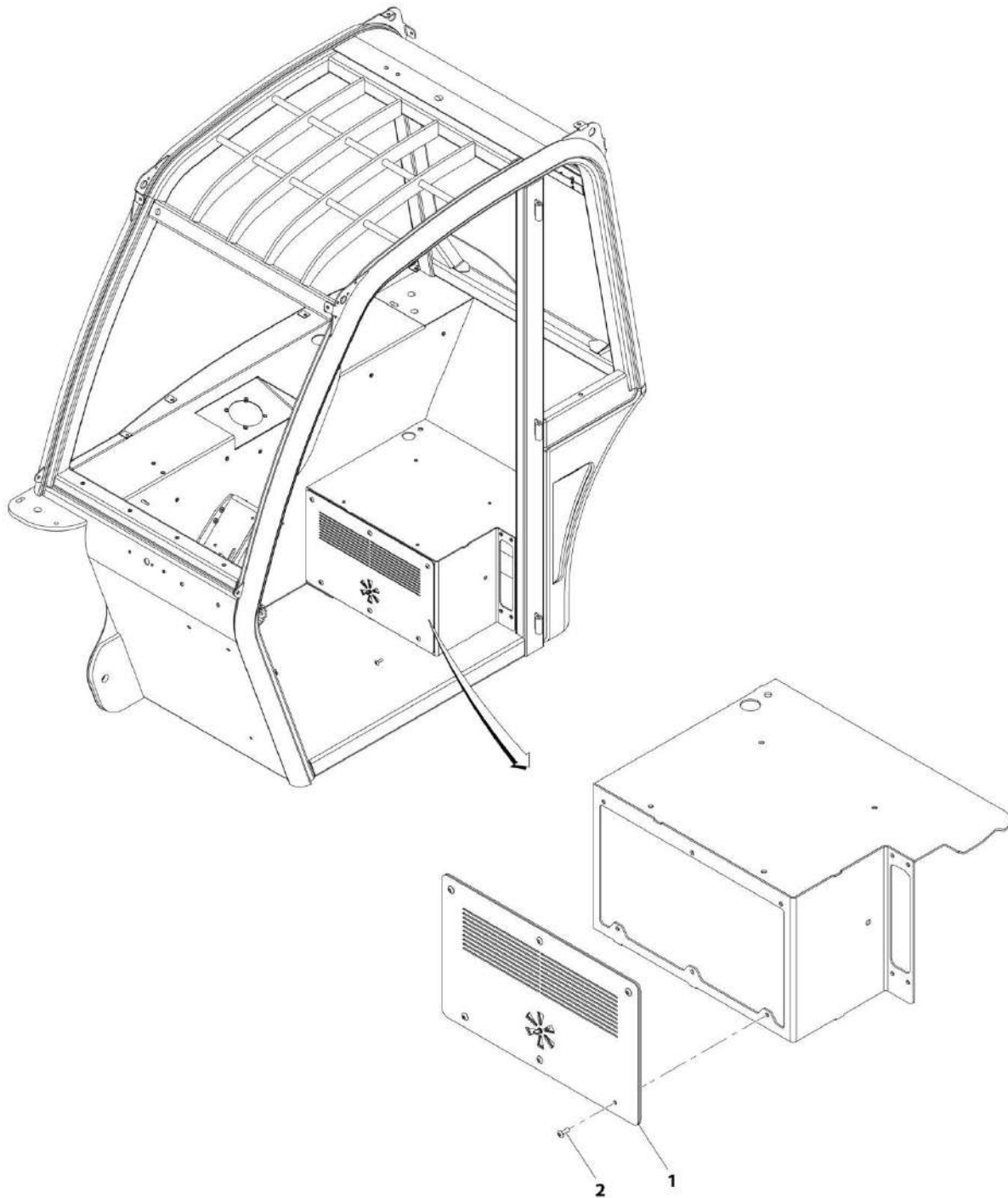
ART_1001137623-B

FIGURE 6-15. SEAT RISER COVER INSTALLATION

ITEM	PART NUMBER	QTY	DESCRIPTION	REV
	1001137623	Ref	Seat Riser Cover Installation	B
1	1001137574	1	Panel	
2	8303034	6	Screw	

SECTION 6 - CAB

FIGURE 6-16. SEAT RISER COVER INSTALLATION, HVAC



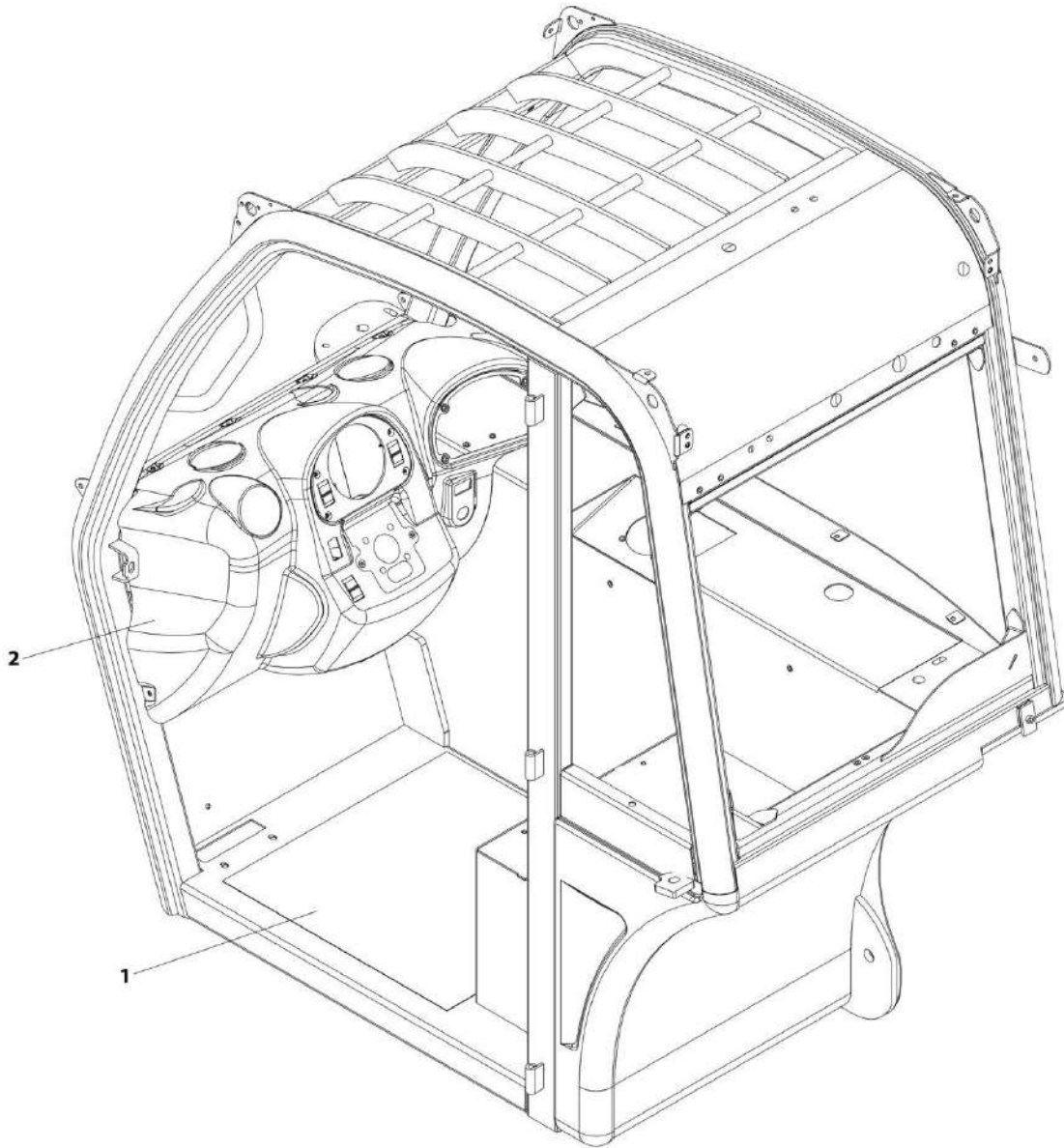
ART_1001137621-C

FIGURE 6-16. SEAT RISER COVER INSTALLATION, HVAC

ITEM	PART NUMBER	QTY	DESCRIPTION	REV
	1001137621	Ref	Seat Riser Cover Installation, HVAC	C
1	1001189948	1	HAVC Cover Panel	
2	8303034	6	Screw, 1/4-20X3/4	

SECTION 6 - CAB

FIGURE 6-17. OPEN CAB COMMON COMPONENTS INSTALLATION



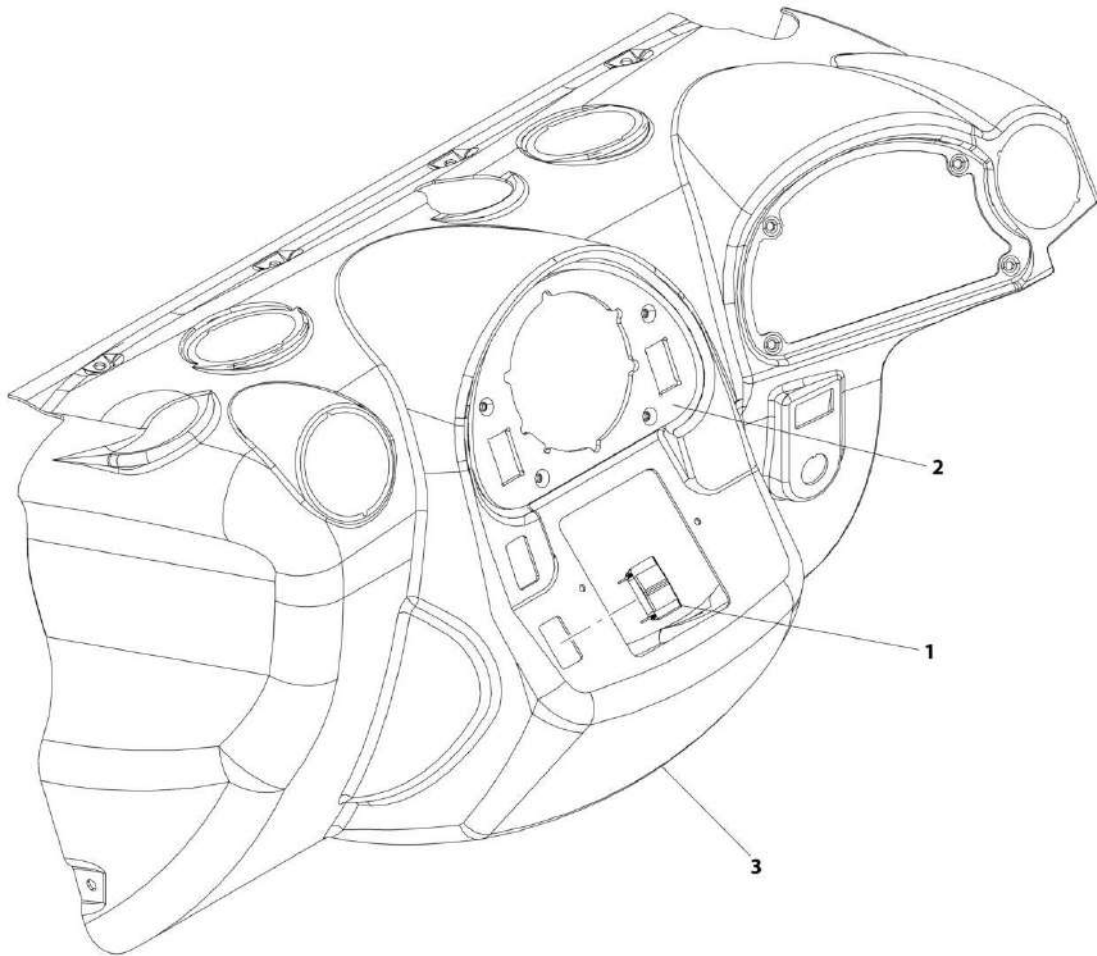
ART_1001138582-A

FIGURE 6-17. OPEN CAB COMMON COMPONENTS INSTALLATION

ITEM	PART NUMBER	QTY	DESCRIPTION	REV
	1001138582	Ref	Open Cab Common Components Installation	A
1	1001080847	1	Skid, Floor	
2	1001139481	1	Installation, Open Cab Dash (See Separate Breakdown in this Section)	

SECTION 6 - CAB

FIGURE 6-18. DASH INSTALLATION, OPEN CAB



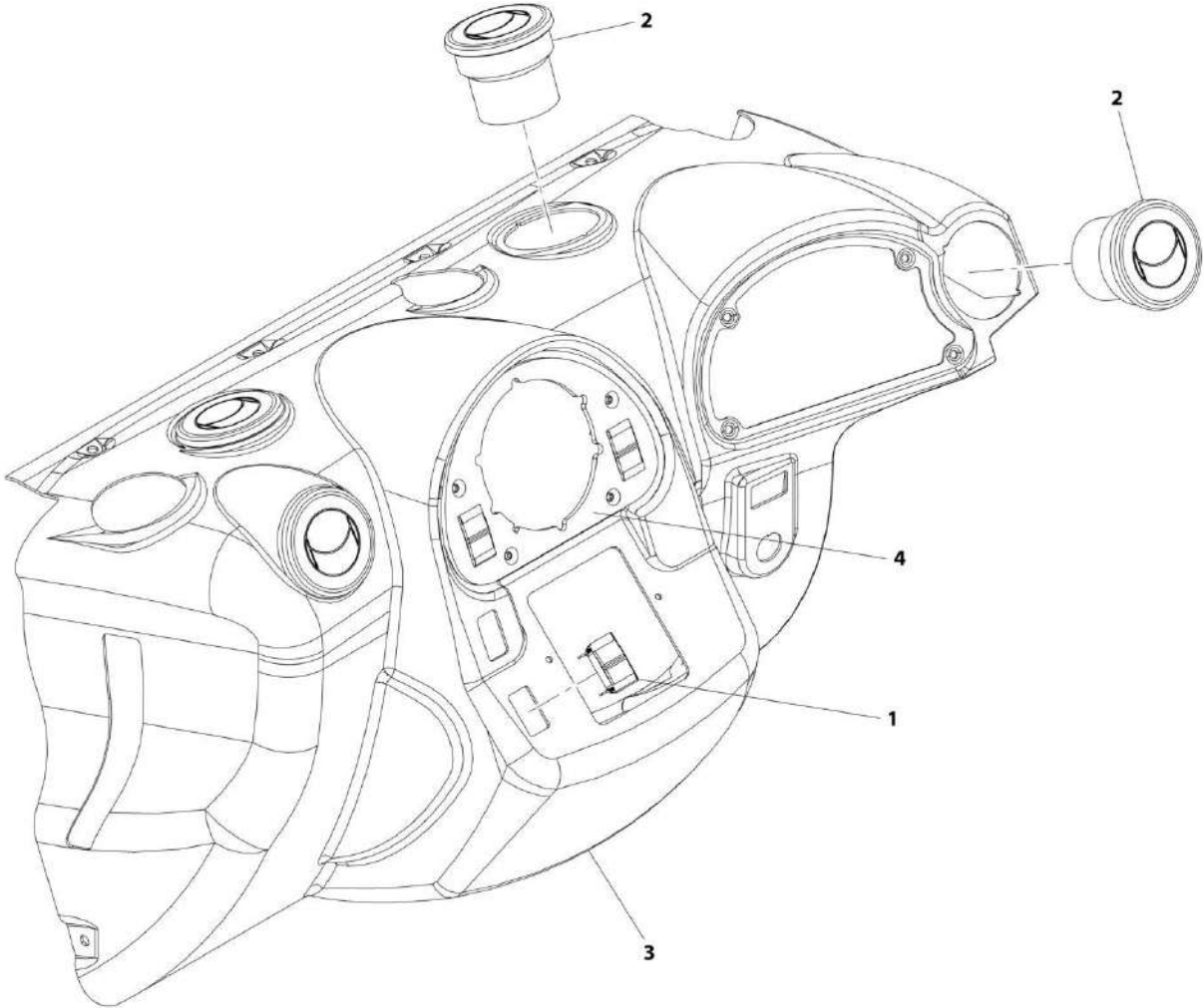
ART_1001139481-C

FIGURE 6-18. DASH INSTALLATION, OPEN CAB

ITEM	PART NUMBER	QTY	DESCRIPTION	REV
	1001139481	Ref	Dash Installation, Open Cab	C
1	1001080494	1	Switch Cover	
2	1001137985	1	Dash Mount	
3	1001153624	1	Cab Dash Cover	

SECTION 6 - CAB

FIGURE 6-19. DASH INSTALLATION, ENCLOSED CAB



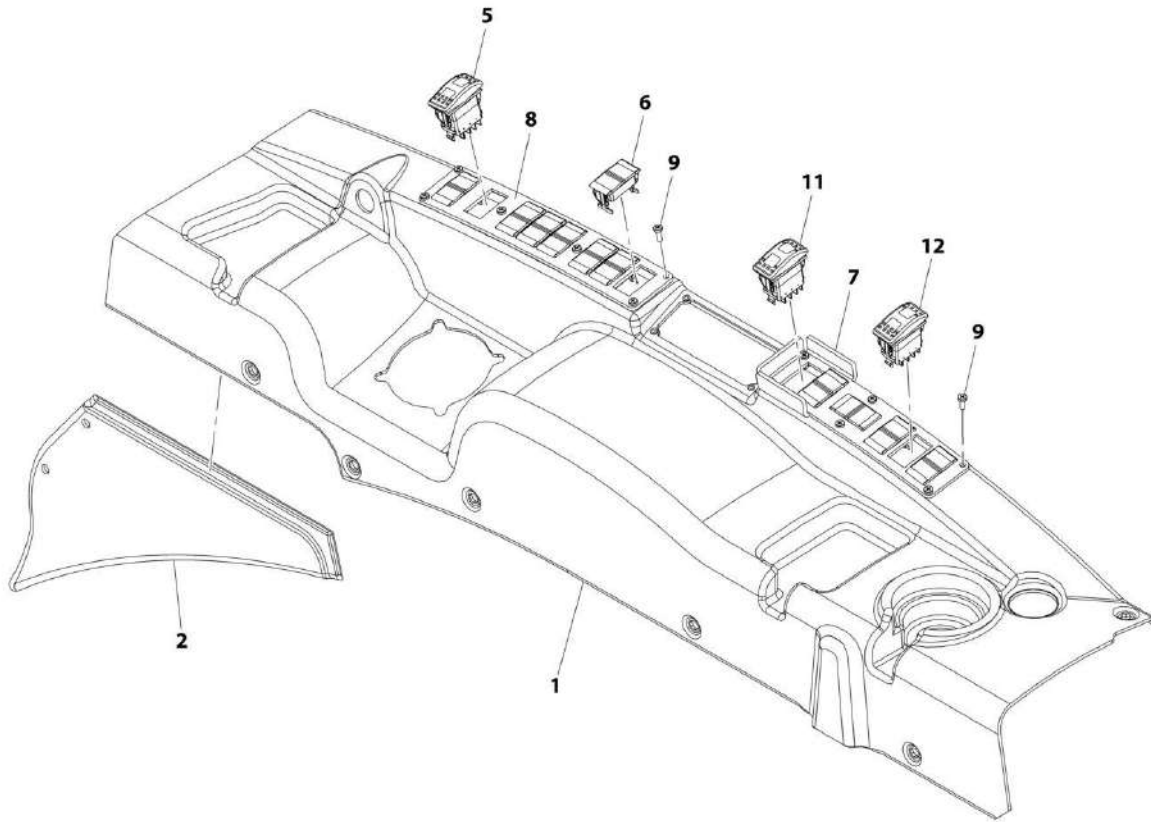
ART_1001137943-C

FIGURE 6-19. DASH INSTALLATION, ENCLOSED CAB

ITEM	PART NUMBER	QTY	DESCRIPTION	REV
	1001137943	Ref	Dash Installation, Enclosed Cab	C
1	1001080494	3	Cover Switch	
2	1001080848	4	Directional Vent	
3	1001153625	1	Cab Dash	
4	1001137985	1	Dash Mount	

SECTION 6 - CAB

FIGURE 6-20. RIGHT SIDE CONSOLE



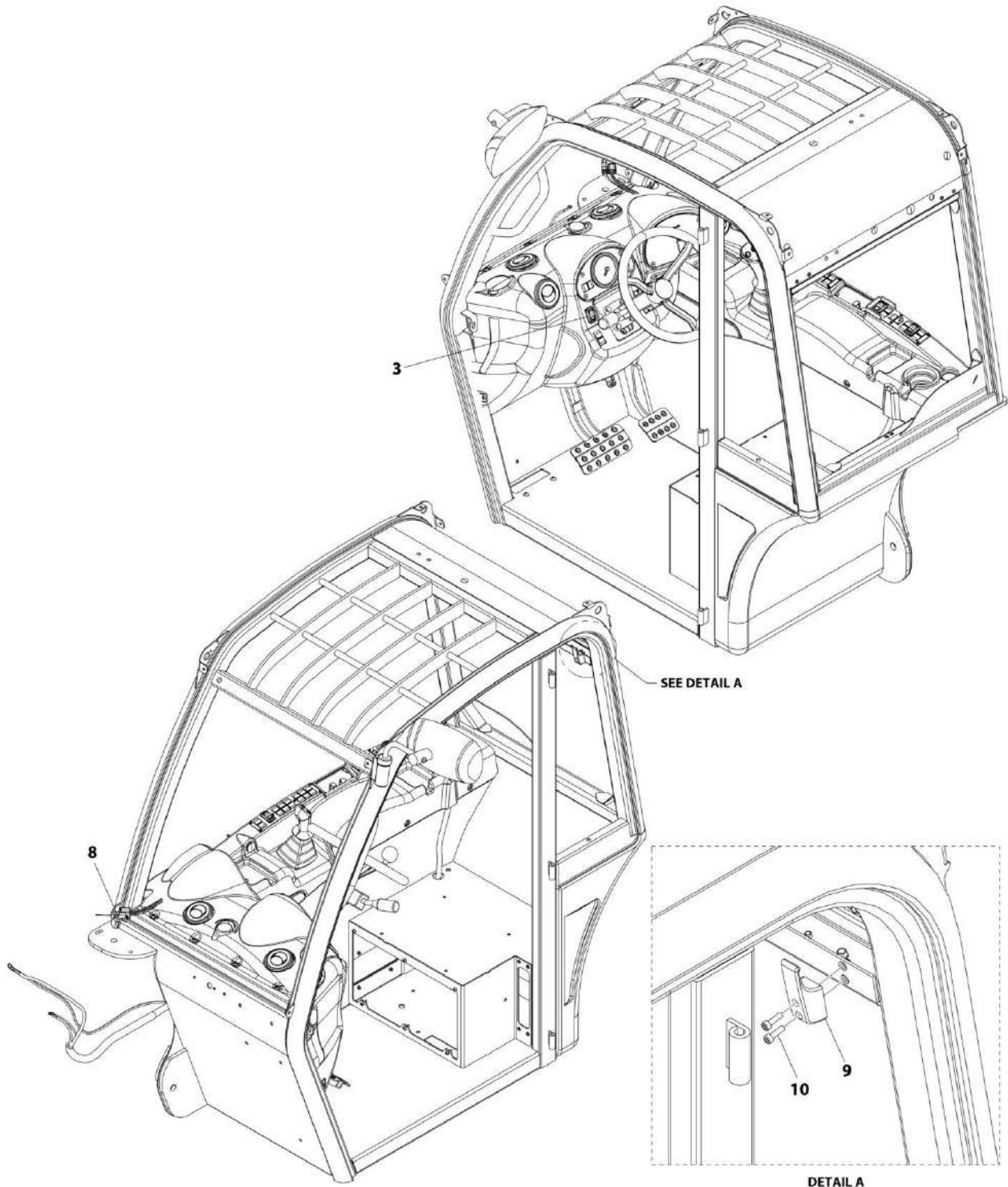
ART_1001080493-J

FIGURE 6-20. RIGHT SIDE CONSOLE

ITEM	PART NUMBER	QTY	DESCRIPTION	REV
	1001080493	Ref	Right Side Console	J
1	1001153627	1	Console	
2	1001153626	1	Lower Plastic Console	
5	1001080378	1	Steer Select Switch	
6	1001080494	11	Switch Cover	
7	1001080969	1	Switch Mount Panel, Six Gang	
8	1001080970	1	Switch Mount Panel, Eight Gang	
9	1001139011	12	Pan HD Screw, #8-32	
11	1001080978	1	Lift/Loader Joystick Pattern Switch	
12	1001104654	1	Auxiliary Hydraulics Pressure Relief Switch	

SECTION 6 - CAB

FIGURE 6-21. NA COMMON INSTALLATION



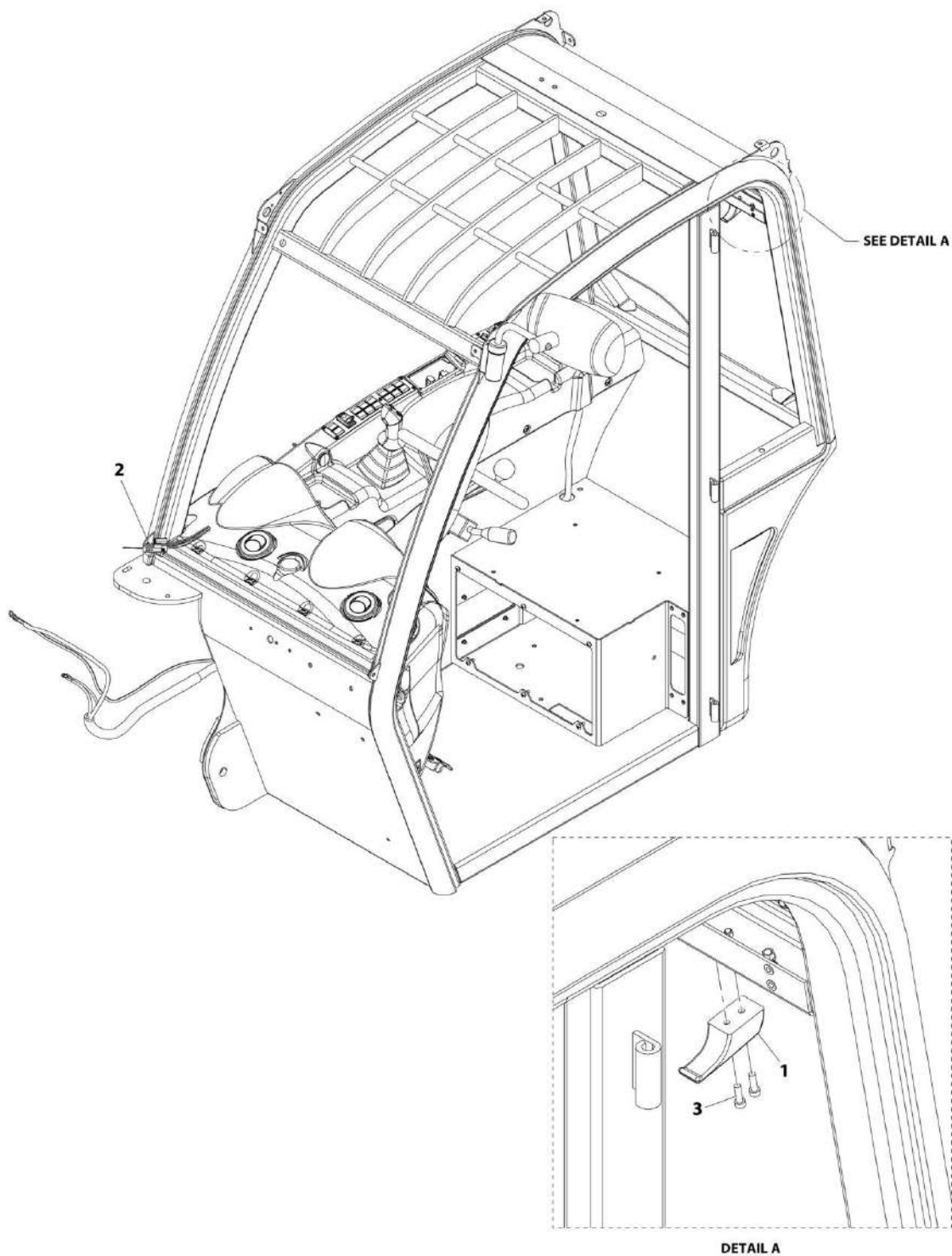
ART_1001080744-G

FIGURE 6-21. NA COMMON INSTALLATION

ITEM	PART NUMBER	QTY	DESCRIPTION	REV
	1001080744	Ref	NA Common Installation	G
3	1001080374	1	Switch	
8	1001100966	1	Jumper Harness	
9	1001080953	1	Hook	
10	3931010	2	Screw	

SECTION 6 - CAB

FIGURE 6-22. NA COMMON COMPONENTS INSTALLATION (LSI)



ART_1001236959-A

FIGURE 6-22. NA COMMON COMPONENTS INSTALLATION (LSI)

ITEM	PART NUMBER	QTY	DESCRIPTION	REV
	1001236959	Ref	NA Common Components Installation (LSI)	A
1	1001080953	1	Hook	
2	1001100966	1	Jumper Harness	
3	1001108155	2	Socket HD Capscrew, 10-24X5/8	

SECTION 6 - CAB

FIGURE 6-23. FRONT WIPER ASSEMBLY

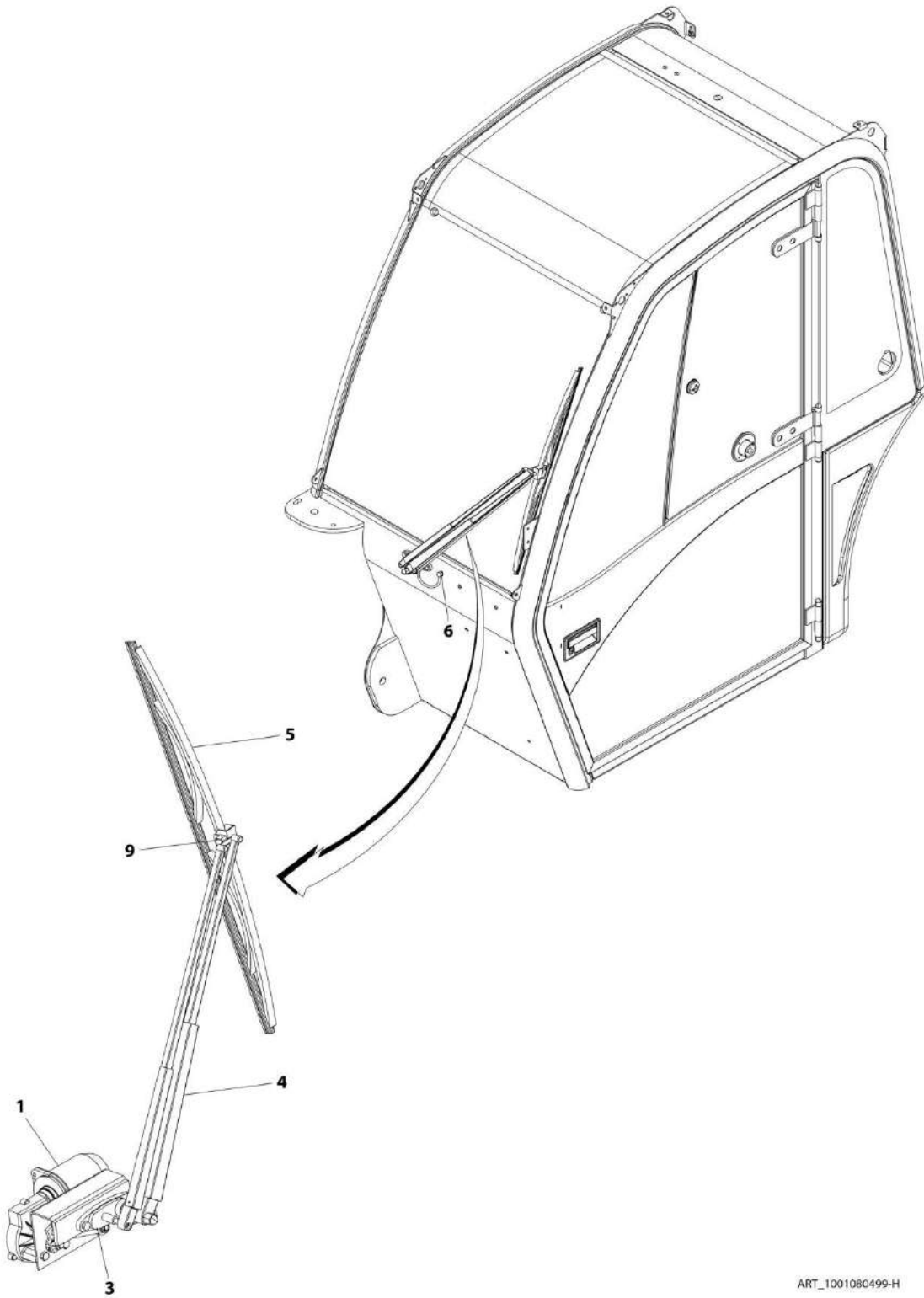
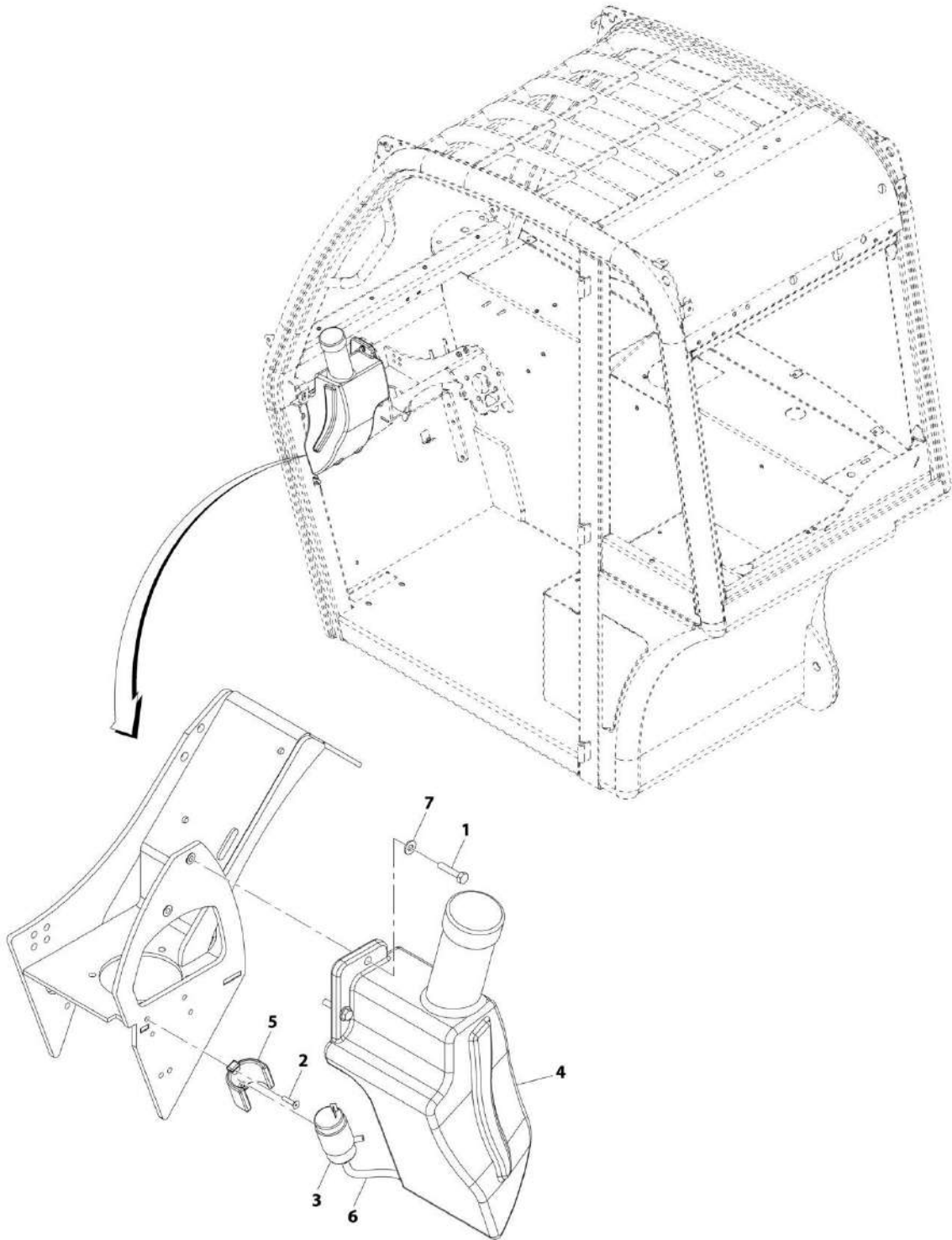


FIGURE 6-23. FRONT WIPER ASSEMBLY

ITEM	PART NUMBER	QTY	DESCRIPTION	REV
	1001080499	Ref	Front Wiper Asssembly	H
1	1001080383	1	Front Wiper Motor	
3	1001081307	1	Adapter Kit	
4	1001081308	1	Wiper Arm	
5	1001081309	1	Wiper Blade	
6	1001081310	1	Wet Arm Adaptor	
9	1001081311	1	Wet Arm Kit	

SECTION 6 - CAB

FIGURE 6-24. WASHER TANK W/PUMP INSTALLATION



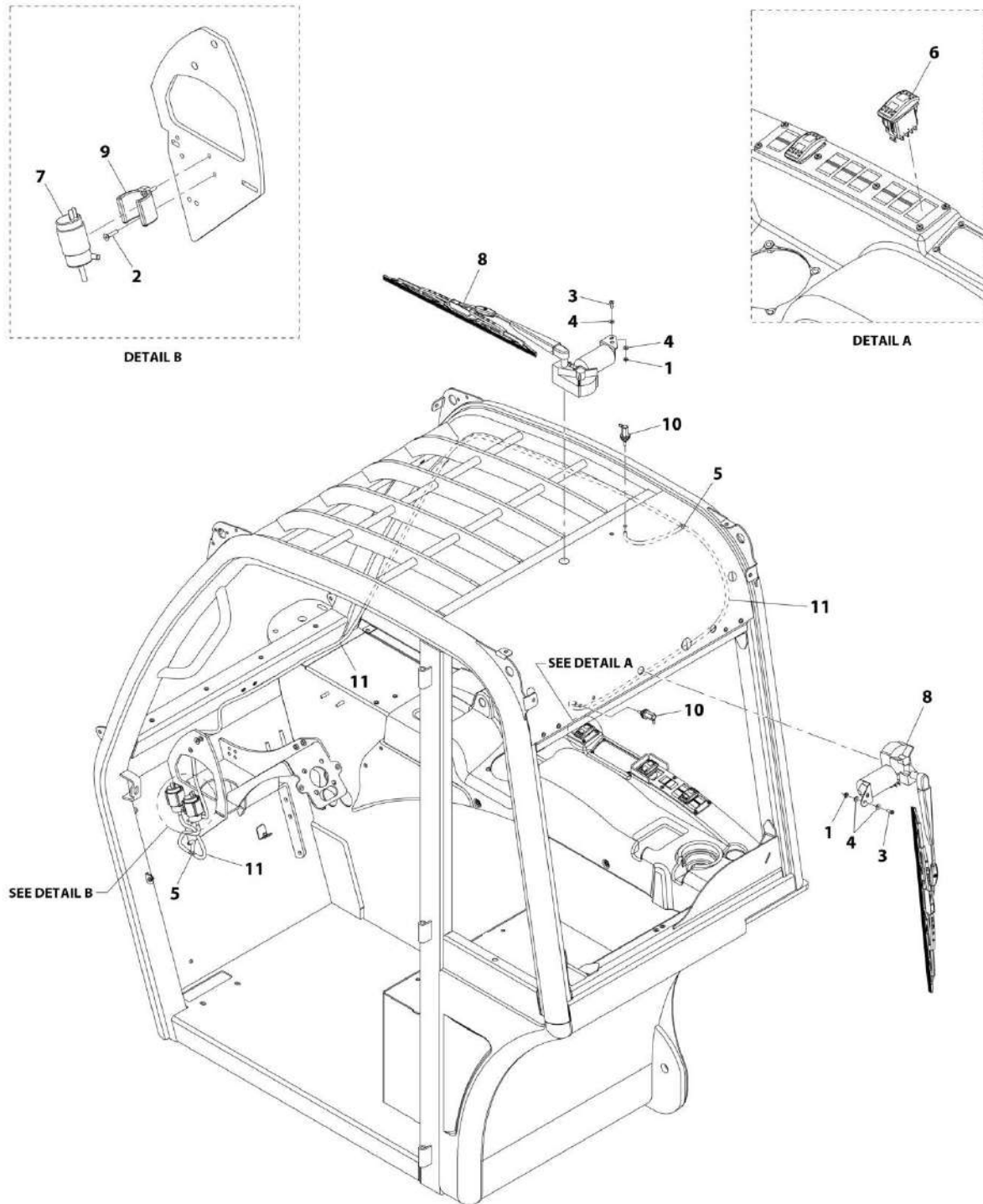
ART_1001080933-E

FIGURE 6-24. WASHER TANK W/PUMP INSTALLATION

ITEM	PART NUMBER	QTY	DESCRIPTION	REV
	1001080933	Ref	Washer Tank W/Pump Installation	E
1	0641410	2	Hex HD Capscrew, 1/4-20X1-1/4	
2	3900302	2	Stainless Steel Screw, #8	
3	1001080382	1	Washer Pump	
4	1001080824	1	Washer Fluid Tank Assembly (See Separate Breakdown in this Section)	
5	1001080932	1	Washer Pump Clamp	
6	82033997	5 in	Window Washer Hose	
7	4711400	2	Washer, 1/4	

SECTION 6 - CAB

FIGURE 6-25. ROOF/REAR WIPER INSTALLATION



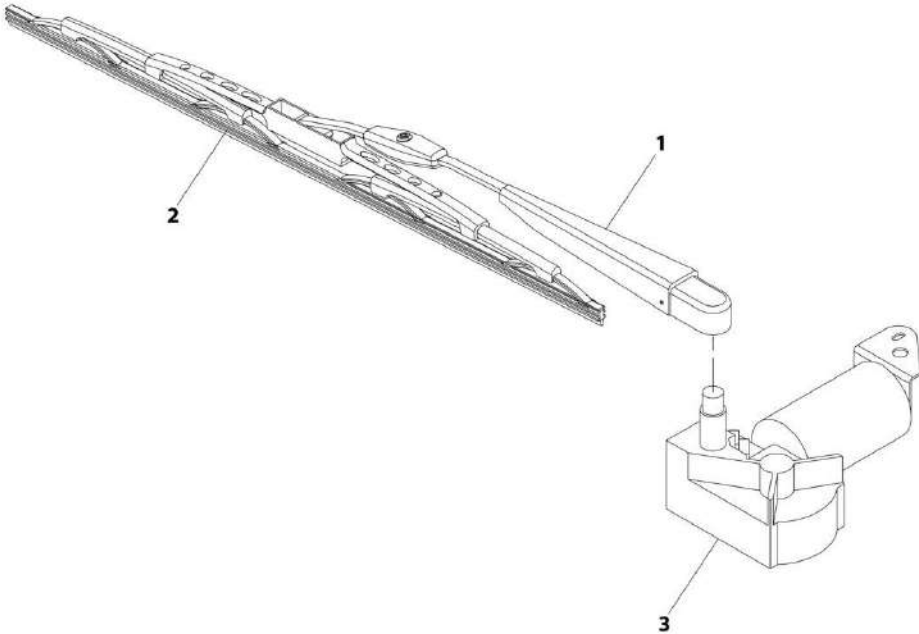
ART_1001080877-H

FIGURE 6-25. ROOF/REAR WIPER INSTALLATION

ITEM	PART NUMBER	QTY	DESCRIPTION	REV
	1001080877	Ref	Roof/Rear Wiper Installation	H
1	8305002	2	Nut, M10	
2	3900302	2	Socket HD Capscrew, GR8	
3	1001197099	2	Screw	
4	4740120	4	Nylon Washer	
5	1001008742	2	Tee Coupling	
6	1001080377	1	Rear/Roof Wiper Switch	
7	1001080382	1	Windshield Washer Pump	
8	1001179547	2	AUX Wiper Assembly (See Separate Breakdown in this Section)	
9	1001080932	1	Washer Pump Clamp	
10	1001080985	2	Spray Nozzle	
11	82033997	157 in	Hose	

SECTION 6 - CAB

FIGURE 6-26. AUX WIPER ASSEMBLY



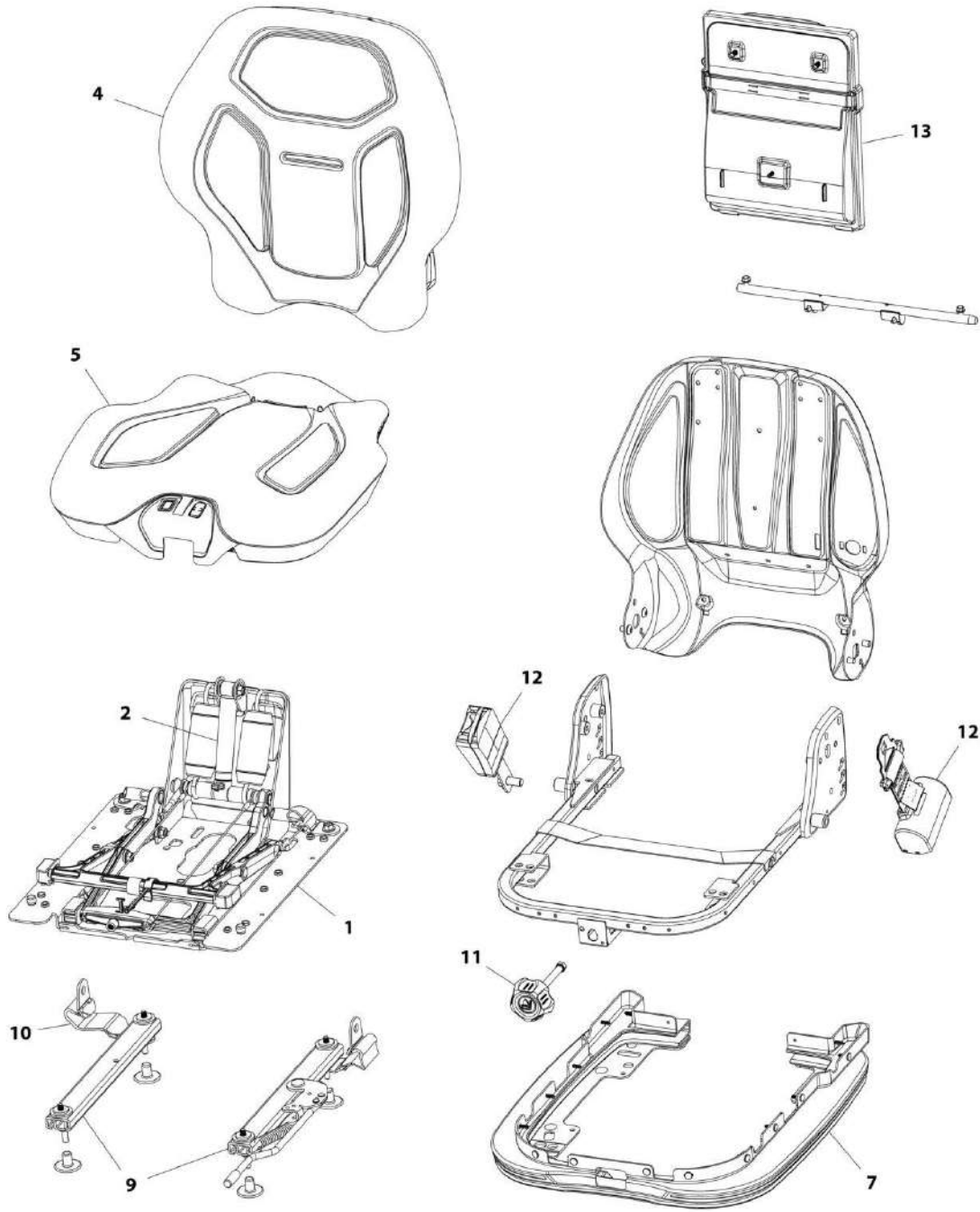
ART_1001179547-A

FIGURE 6-26. AUX WIPER ASSEMBLY

ITEM	PART NUMBER	QTY	DESCRIPTION	REV
	1001179547	Ref	AUX Wiper Assembly	A
1	1001179495	1	Wiper Link Assembly	
2	1001179496	1	Wiper	
3	1001179832	1	Motor	

SECTION 6 - CAB

FIGURE 6-27. SEAT



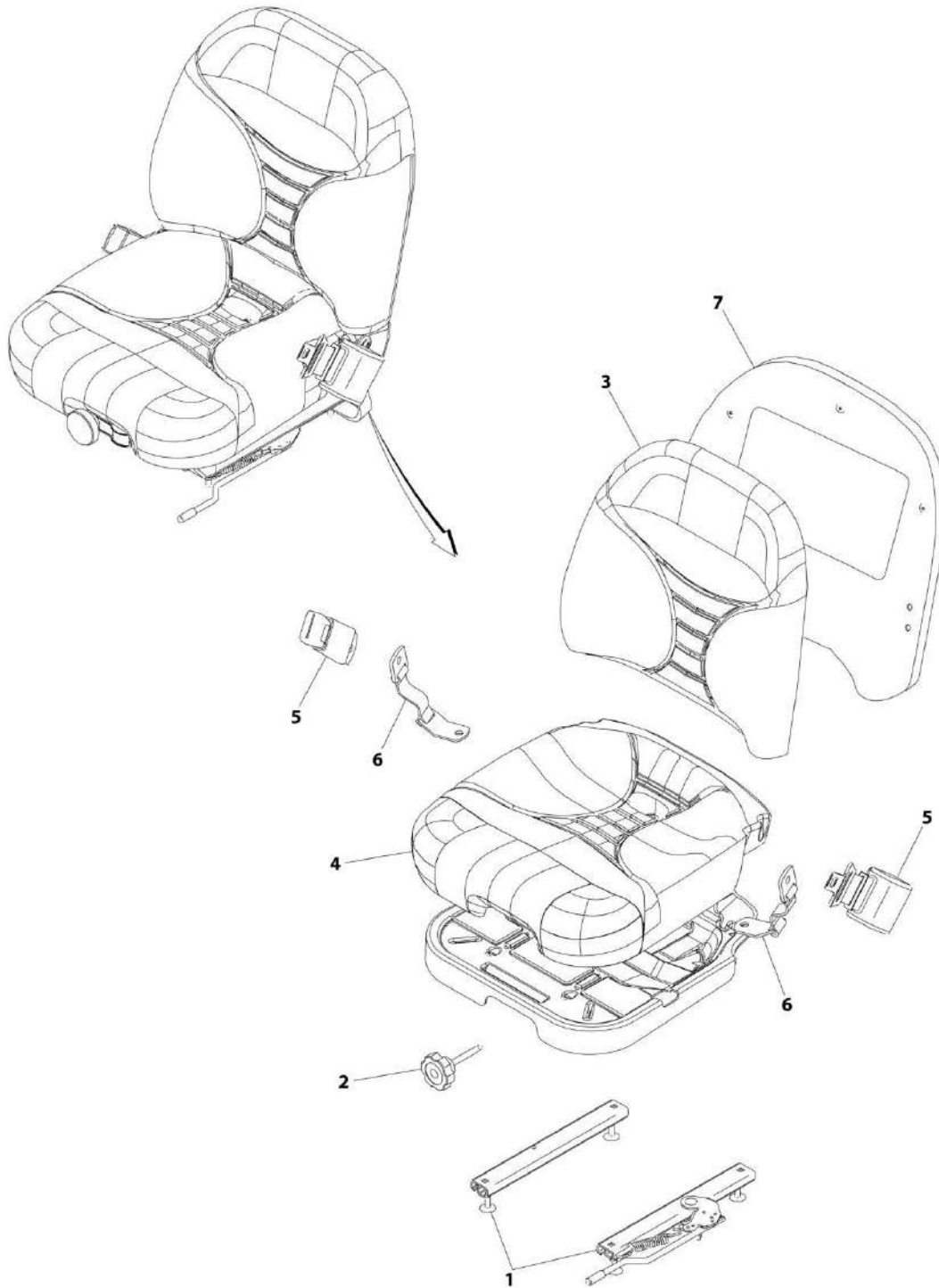
ART_1001197027-D

FIGURE 6-27. SEAT

ITEM	PART NUMBER	QTY	DESCRIPTION	REV
	1001197027	Ref	Seat	D
1	70027024	1	Suspension Assembly Kit	
2	70027025	1	Spring Saddle Assembly Kit	
4	70027026	1	Back Cushion Kit	
5	70027028	1	Seat Cushion Assembly Kit	
7	70027030	1	Boot Kit	
9	7026798	1	Adjuster Kit	
10	70027032	1	Tether Strap	
11	70027033	1	Weight Adjust Knob Kit	
12	70027034	2	Seat Belt Kit	
13	70027035	1	Document Box Kit	

SECTION 6 - CAB

FIGURE 6-28. SEAT, LSI



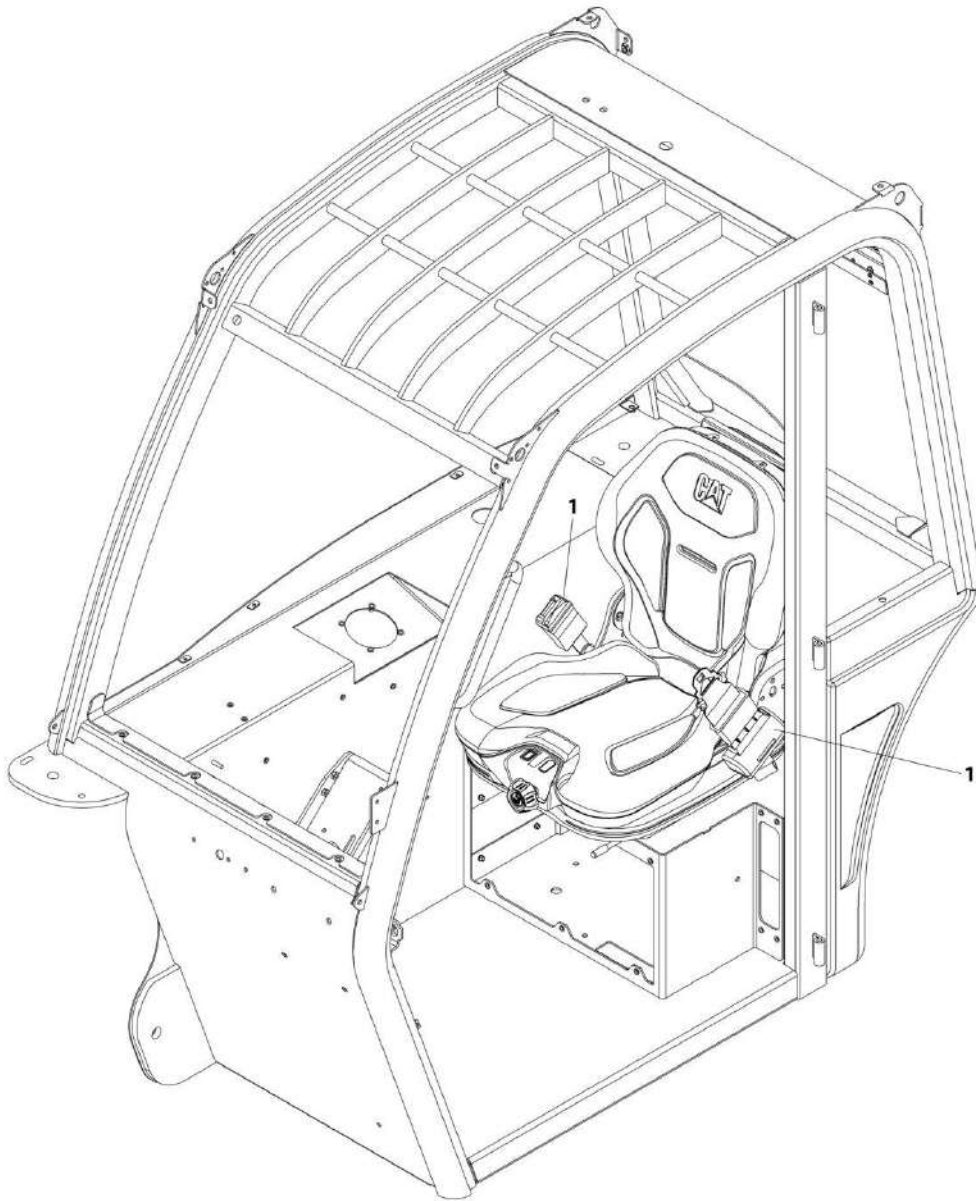
ART_1001142055-D

FIGURE 6-28. SEAT, LSI

ITEM	PART NUMBER	QTY	DESCRIPTION	REV
	1001142055	Ref	Seat, LSI	D
1	7026798	1	Slide Kit	
2	7026799	1	Knob Kit	
3	7026900	1	Back Cushion Kit	
4	7026901	1	Seat Cushion Kit	
5	7026905	1	Seat Belt Kit	
6	7026906	1	Tether Kit	
7	7026902	1	Back Panel Kit	
8	70023040	1	Shock Absorber Kit, (Not Shown), (Includes One Shock Absorber, Two Shock Pins And Two Hex Nuts)	
9	70023041	1	Spring and Saddle Kit, (Not Shown)	

SECTION 6 - CAB

FIGURE 6-29. SEAT BELT INSTALLATION (3 INCH)



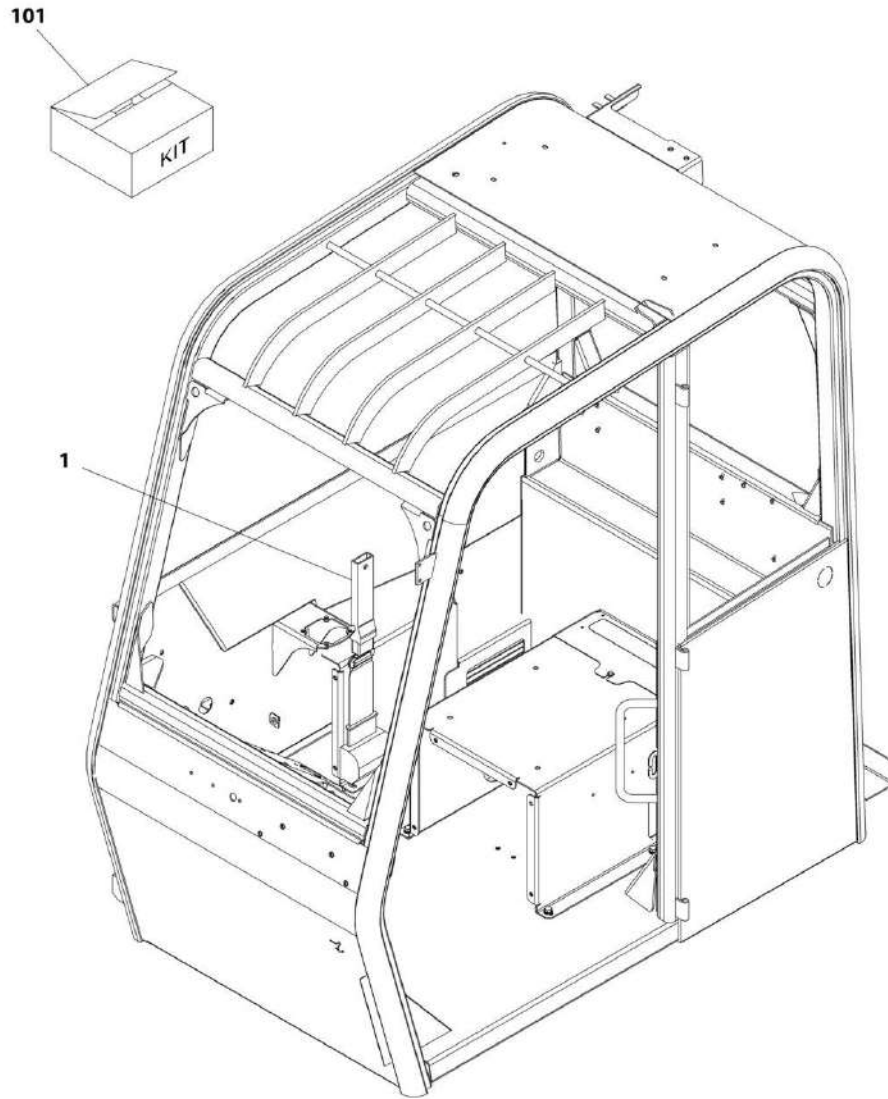
ART_1001233666-A

FIGURE 6-29. SEAT BELT INSTALLATION (3 INCH)

ITEM	PART NUMBER	QTY	DESCRIPTION	REV
1	1001233666 1001215778	Ref 1	Seat Belt Installation (3 Inch) Seat Belt	A

SECTION 6 - CAB

FIGURE 6-30. SEAT BELT INSTALLATION, LSI (3 INCH)



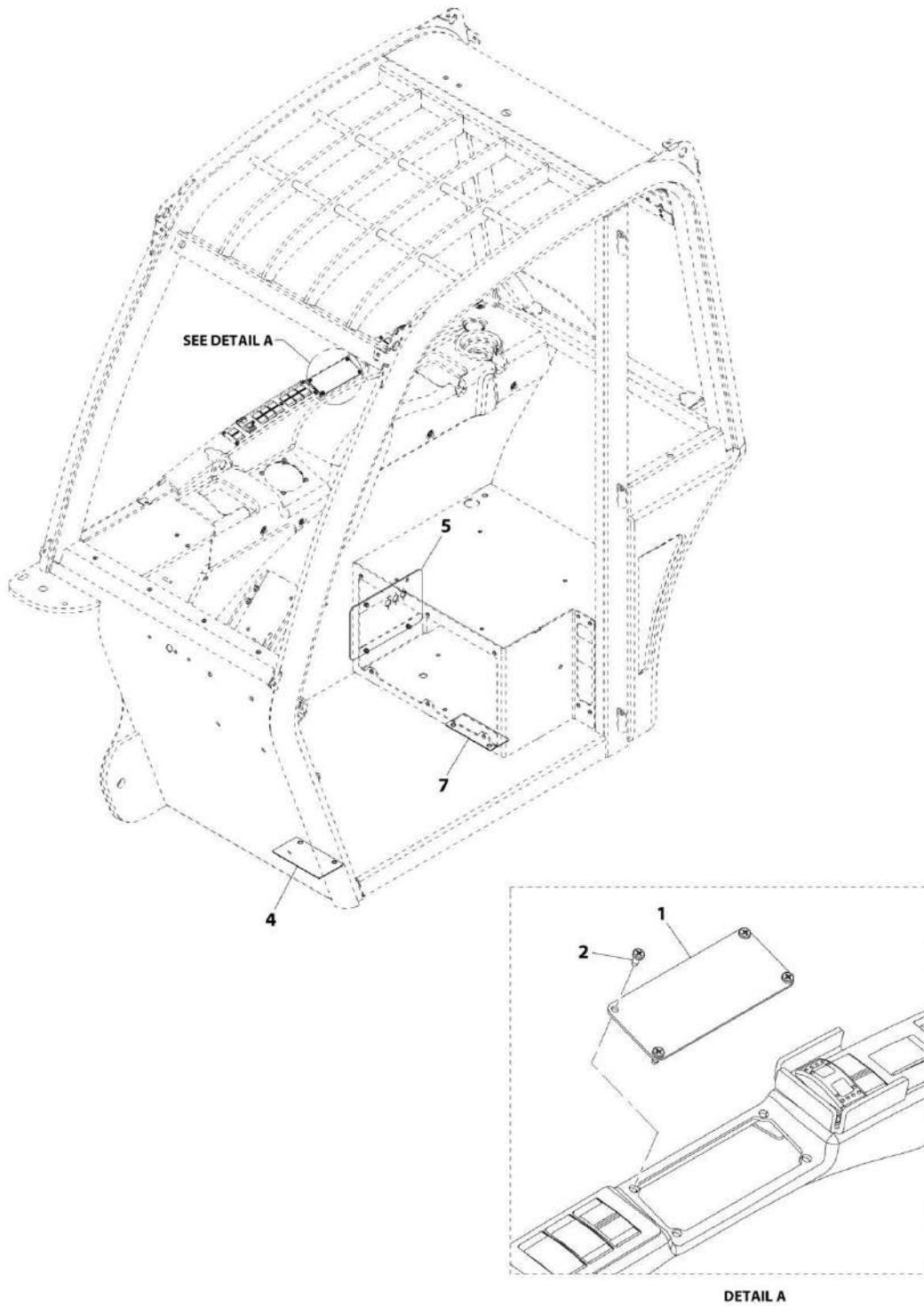
ART_91565064-A

FIGURE 6-30. SEAT BELT INSTALLATION, LSI (3 INCH)

ITEM	PART NUMBER	QTY	DESCRIPTION	REV
	91565064	Ref	Seat Belt Installation, LSI (3 Inch)	A
1	91563164	1	Seat Belt	
101	70023139	1	Kit, 3 Inch Seat Belt (includes female and retractor ends)	

SECTION 6 - CAB

FIGURE 6-31. CONTROL COVER INSTALLATION



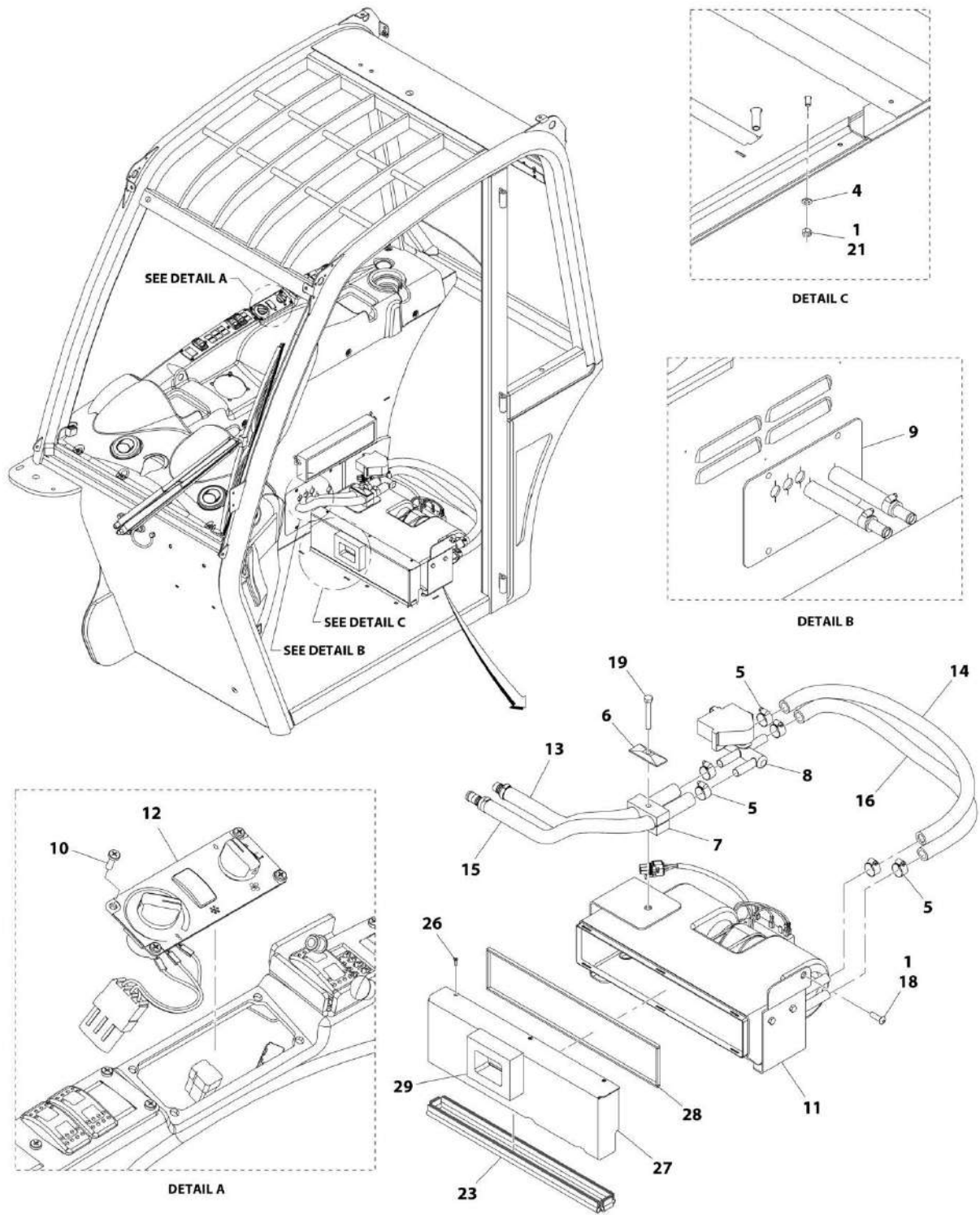
ART_1001080876-H

FIGURE 6-31. CONTROL COVER INSTALLATION

ITEM	PART NUMBER	QTY	DESCRIPTION	REV
	1001080876	Ref	Control Cover Installation	H
1	1001080852	1	Heater Control Cover	
2	1001137454	4	Pan HD Screw	
4	1001080974	1	Ductwork Panel	
5	1001080975	1	Parking Brake Release Valve Only Panel	
7	1001081023	1	Ductwork Panel	

SECTION 6 - CAB

FIGURE 6-32. HEATER INSTALLATION (CAB PARTS)



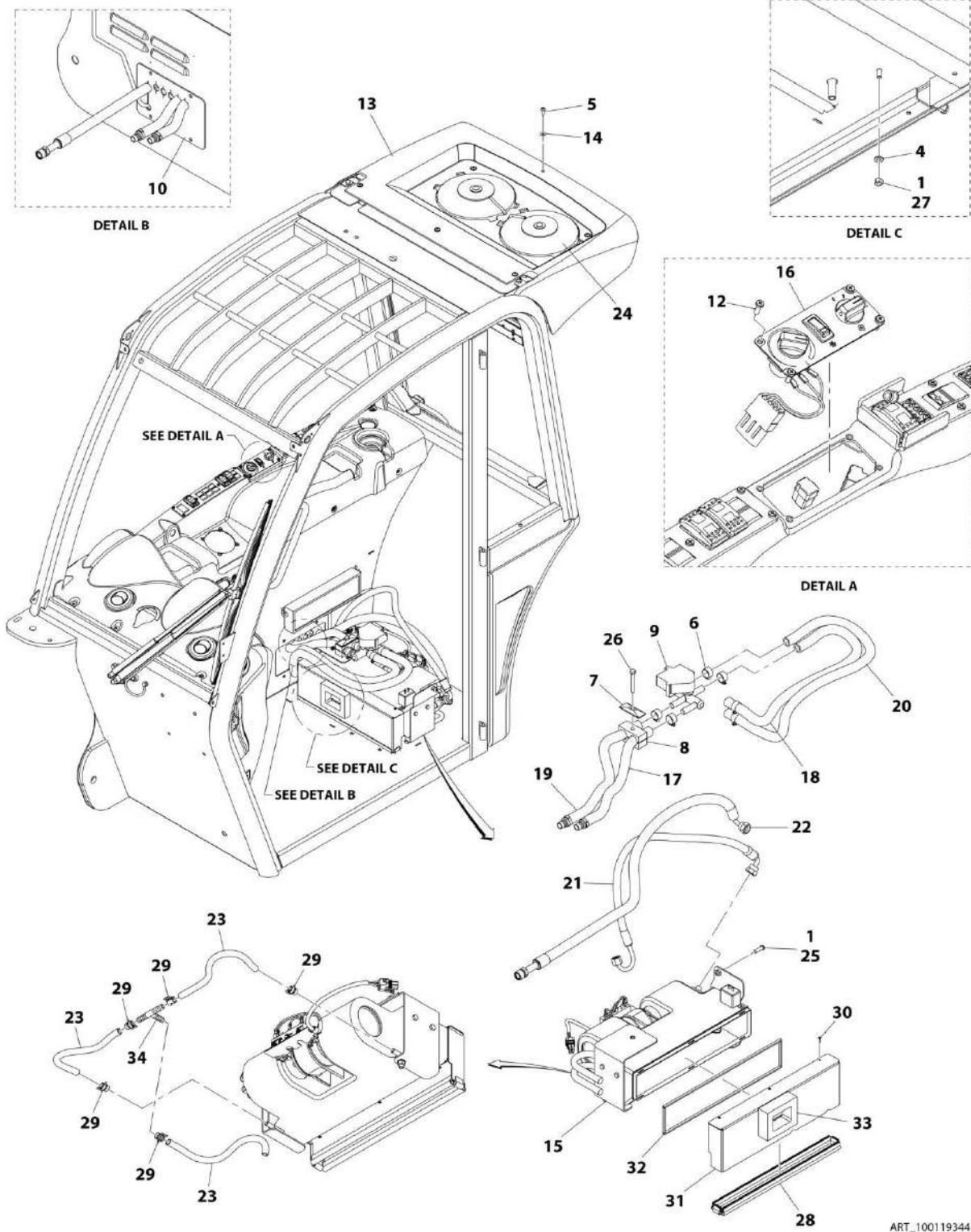
ART_1001193943-E

FIGURE 6-32. HEATER INSTALLATION (CAB PARTS)

ITEM	PART NUMBER	QTY	DESCRIPTION	REV
	1001193943	Ref	Heater Installation (cab parts)	E
1	0100011	AR	Loctite 242	
4	4811900	1	Washer, M8	
5	8410009	6	Gear Clamp	
6	77133137	1	Cover Plate	
7	77133279	1	Clamp	
8	80383231	1	Water Heater Valve	
9	1001080976	1	Parking Brake Release Valve And Heater Panel	
10	1001137454	4	Pan HD Screw	
11	1001193805	1	Assembly, Heater 3 Speed (See Separate Breakdown in this Section)	
12	1001193945	1	Heater Control Switch (See Separate Breakdown in Control Section)	
13	1001193973	1	Hose	
14	1001193974	1	Hose	
15	1001193975	1	Hose	
16	1001193976	1	Hose	
18	0630468	1	Hex HD Capscrew, 5/16-18X2, GR5	
19	0641518	1	Hex HD Capscrew, 5/16-18X2-1/4, GR5	
21	3311501	1	Hex Nut, 5/16-18, GR2	
23	1001110433	856 mm	Seal	
26	91413036	1	Screw, M6X12	
27	1001202939	1	Duct	
28	1001113047	970 mm	Adhesive Seal	
29	1001209966	1	Seal, Duct	

SECTION 6 - CAB

FIGURE 6-33. HEATER AND A/C INSTALLATION (CAB PARTS)



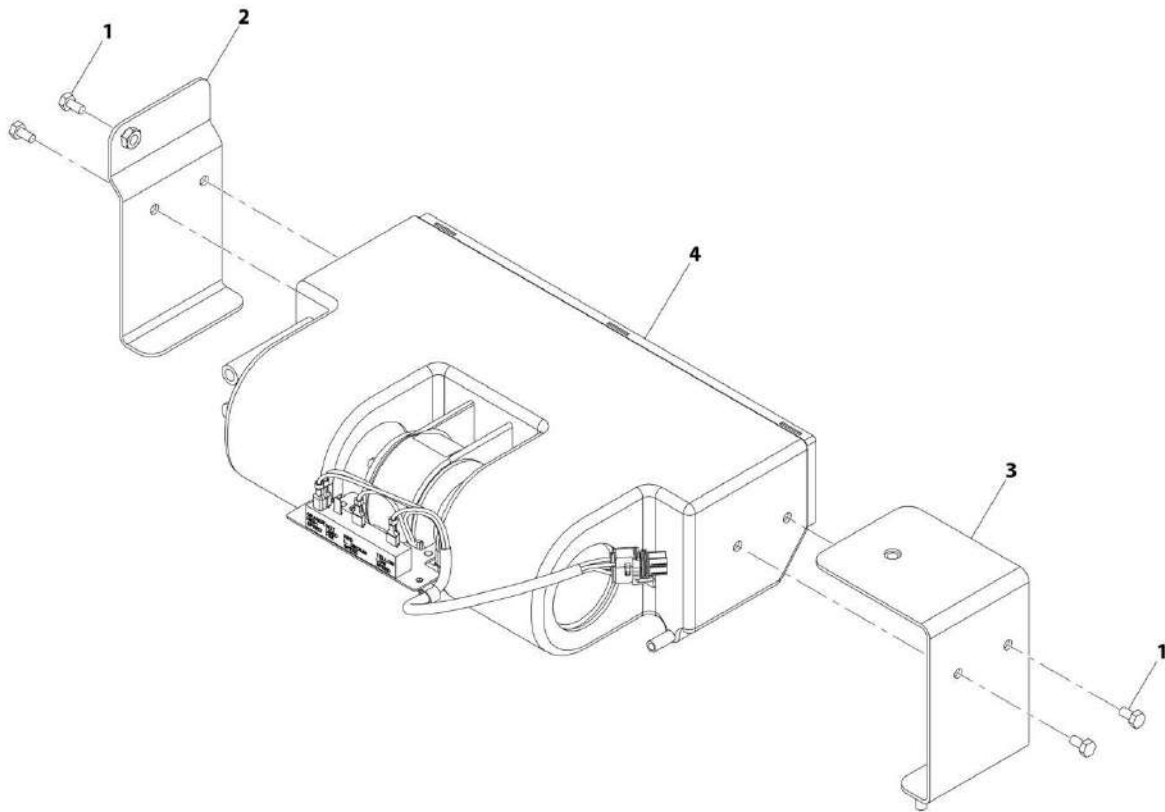
ART_1001193443-E

FIGURE 6-33. HEATER AND A/C INSTALLATION (CAB PARTS)

ITEM	PART NUMBER	QTY	DESCRIPTION	REV
	1001193443	Ref	Heater and A/C Installation (cab parts)	E
1	0100011	AR	Loctite 242	
4	4811900	1	Washer, M8	
5	8303034	6	Truss HD Screw, 1/4-20X0.75	
6	8410009	6	Gear Clamp	
7	77133137	1	Cover Plate	
8	77133279	1	Clamp	
9	80383231	1	Water Heater Valve	
10	1001220705	1	Parking Brake Release Valve, Heater and AC Panel	
12	1001139011	4	Pan HD Screw	
13	1001139801	1	Cover	
14	1001150509	6	Washer	
15	1001193432	1	Assembly, Heater and A/C, 3 Speed (See Separate Breakdown in This Section)	
16	1001193501	1	HVAC Control Switch (See Separate Breakdown in Control Section)	
17	1001193720	1	Hose	
18	1001193721	1	Hose	
19	1001193723	1	Hose	
20	1001193725	1	Hose	
21	1001193761	1	Hose	
22	1001193762	1	Hose	
23	1001195447	809 mm	Hose	
24	1001202352	1	AC Condenser Installation (See Separate Breakdown in this Section)	
25	0630468	1	Button HD Capscrew, 5/16-18X1	
26	0641518	1	Hex HD Capscrew, 5/16-18X2-1/4, GR5	
27	3311501	1	Hex Nut, 5/16-18, GR2	
28	1001110433	856 mm	Seal	
29	1001156087	5	Gear Clamp	
30	91413036	6	Screw, M6X12	
31	1001202939	1	Duct	
32	1001113047	970 mm	Adhesive Seal	
33	1001209966	1	Seal, Duct	
34	1001172953	1	Union Tee	

SECTION 6 - CAB

FIGURE 6-34. HEATER ASSEMBLY, 3 SPEED



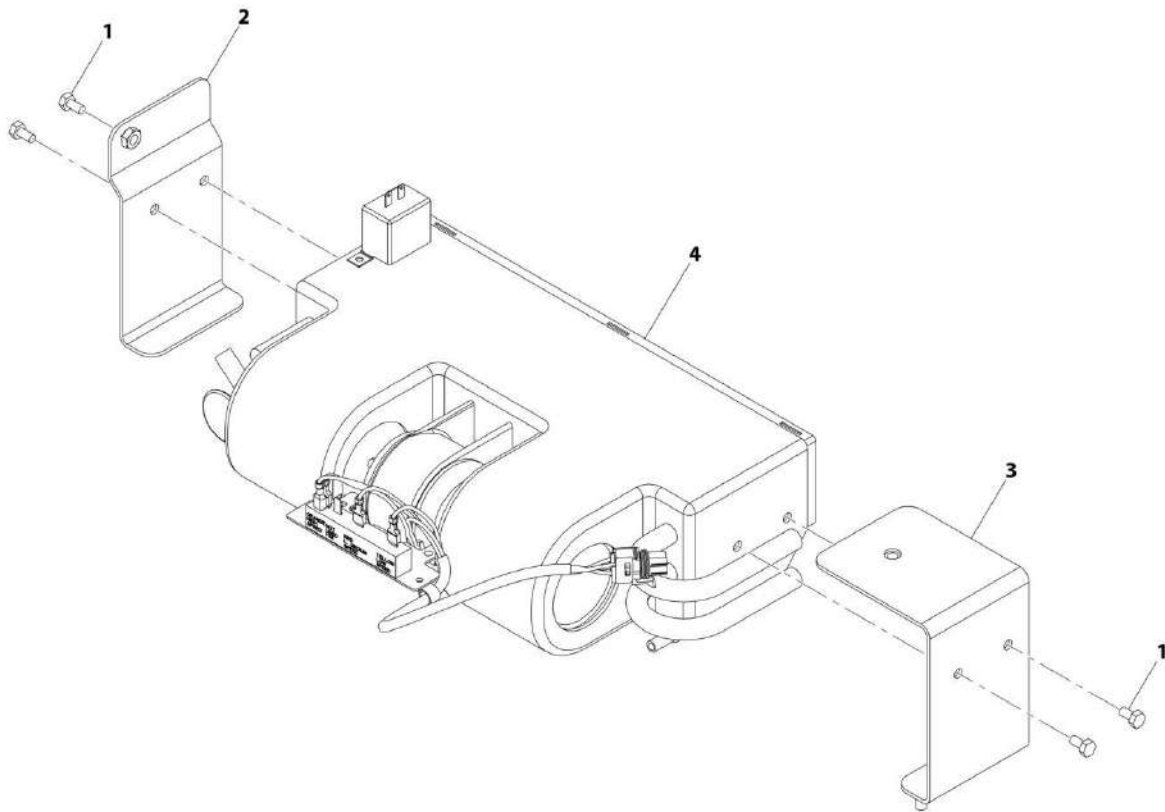
ART_1001193805-C

FIGURE 6-34. HEATER ASSEMBLY, 3 SPEED

ITEM	PART NUMBER	QTY	DESCRIPTION	REV
	1001193805	Ref	Heater Assembly, 3 Speed	C
1	0641404	4	Hex HD Capscrew, 1/4-20X1/2, GR5	
2	1001193528	1	Bracket	
3	1001193529	1	Bracket	
4	1001195348	1	Heater Assembly (See Separate breakdown in this Section)	

SECTION 6 - CAB

FIGURE 6-35. HEATER AND A/C ASSEMBLY, 3 SPEED



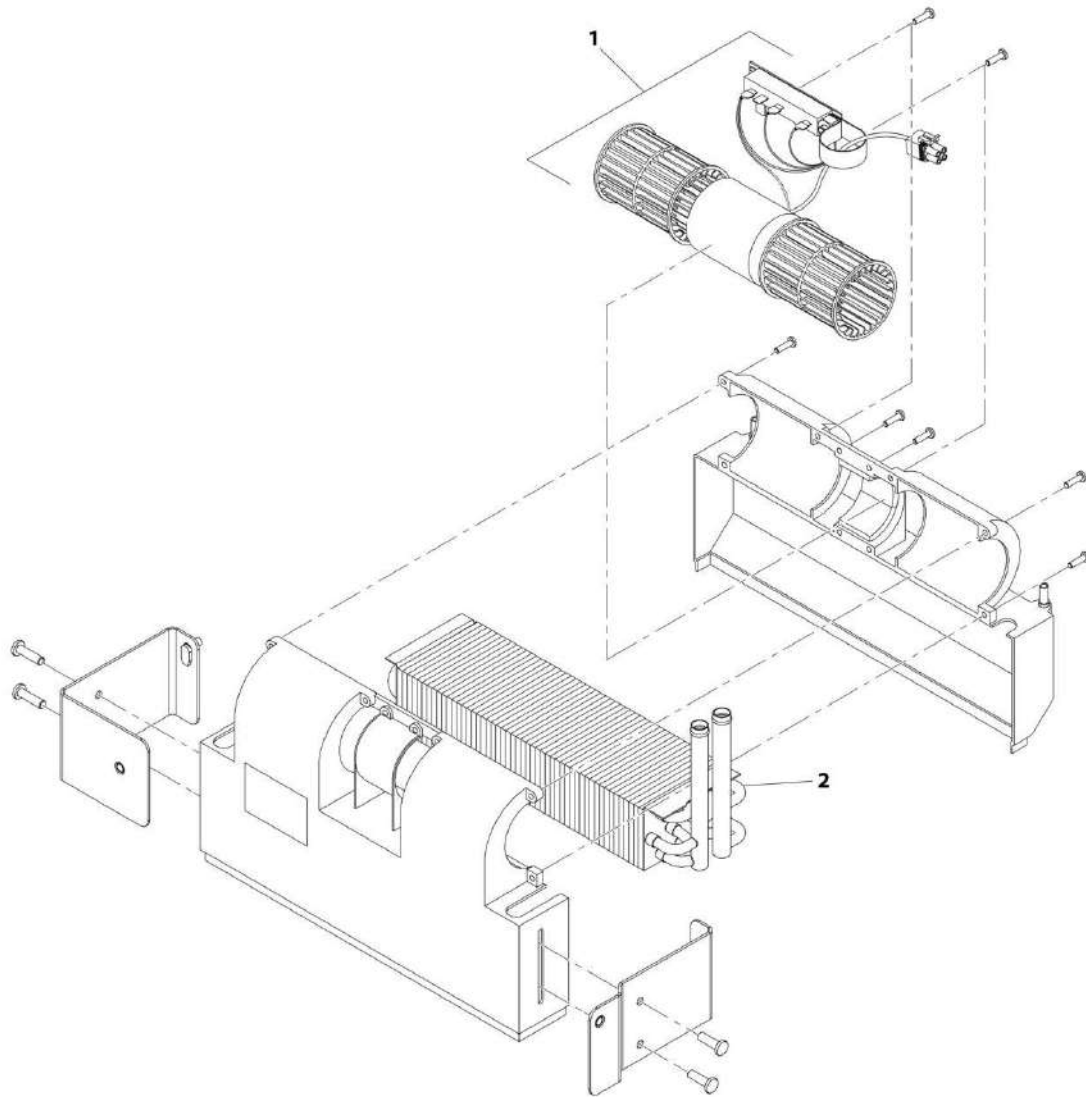
ART_1001193432-C

FIGURE 6-35. HEATER AND A/C ASSEMBLY, 3 SPEED

ITEM	PART NUMBER	QTY	DESCRIPTION	REV
	1001193432	Ref	Heater and A/C Assembly, 3 Speed	C
1	0641404	4	Hex HD Capscrew, 1/4-20X1/2, GR5	
2	1001193528	1	Bracket	
3	1001193529	1	Bracket	
4	1001195347	1	Assembly, Heater and A/C (See Separate breakdown in this Section)	

SECTION 6 - CAB

FIGURE 6-36. HEATER



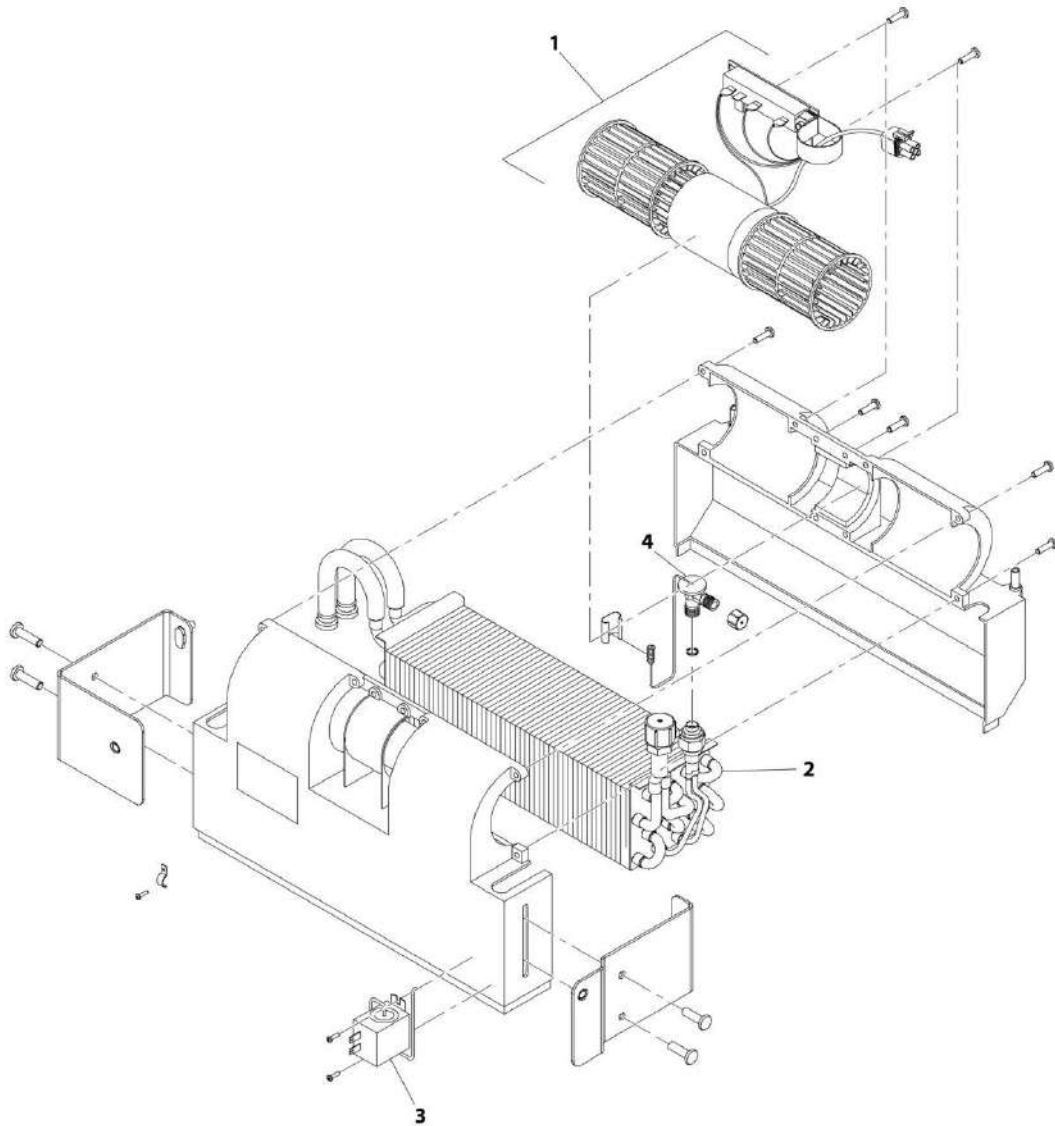
ART_1001195348-C

FIGURE 6-36. HEATER

ITEM	PART NUMBER	QTY	DESCRIPTION	REV
	1001195348	Ref	Heater	C
1	70022805	1	Blower Motor	
2	70025925	1	Heater Coil	

SECTION 6 - CAB

FIGURE 6-37. HEATER AND A/C



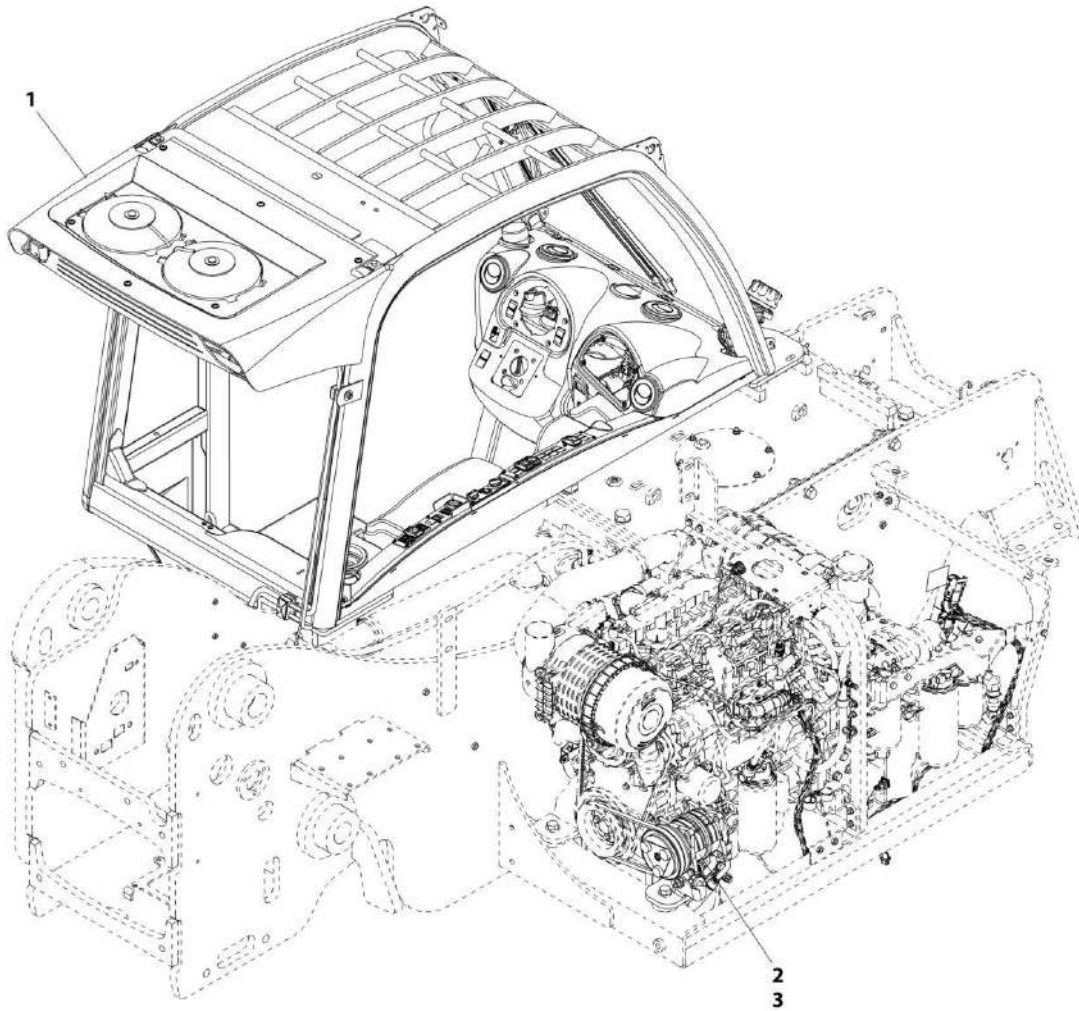
ART_1001195347-C

FIGURE 6-37. HEATER AND A/C

ITEM	PART NUMBER	QTY	DESCRIPTION	REV
	1001195347	Ref	Heater and A/C	C
1	70022805	1	Blower Motor	
2	70027632	1	Coil	
3	70024386	1	Thermostat	
4	91514272	1	Expansion Valve	

SECTION 6 - CAB

FIGURE 6-38. A/C KIT



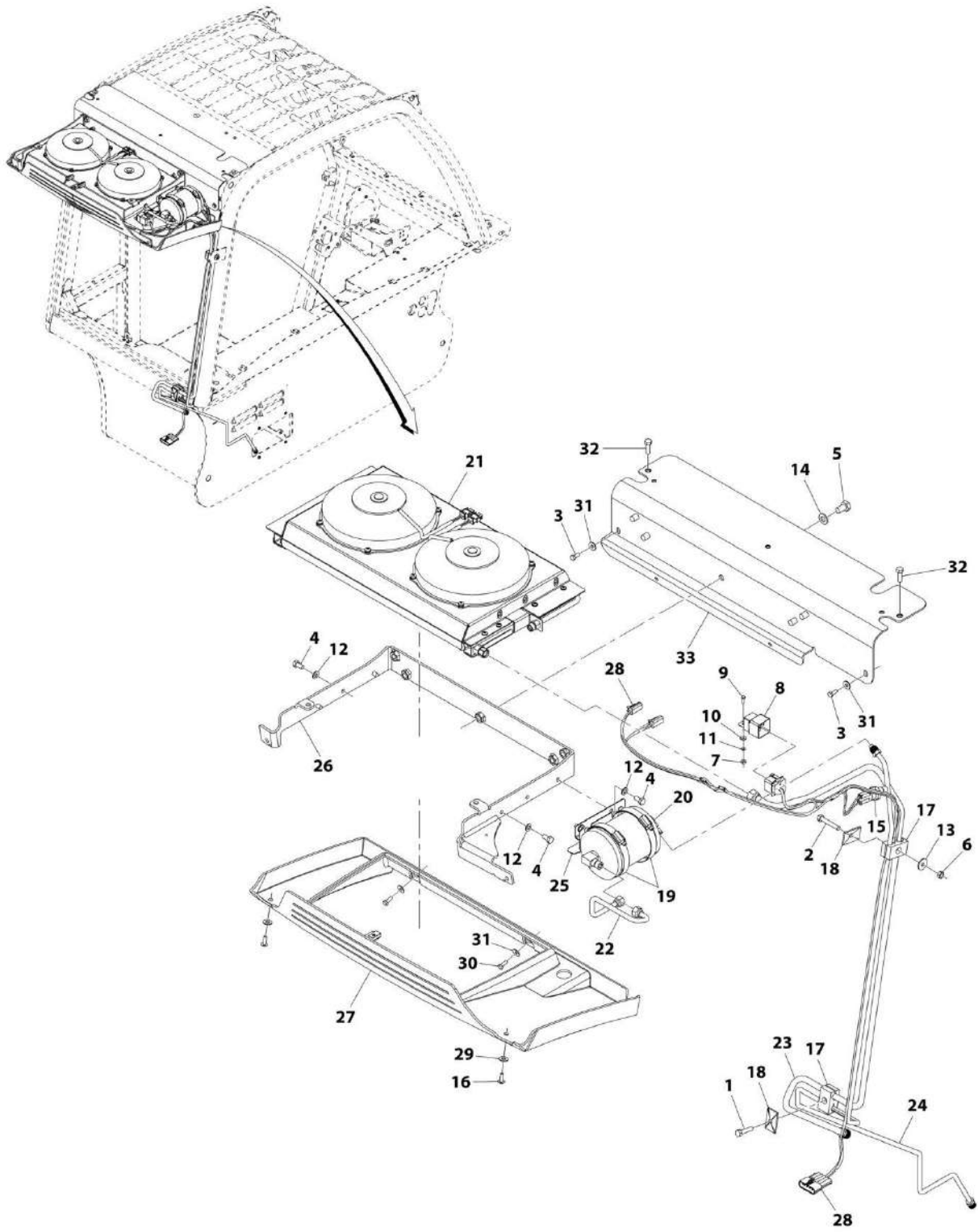
ART_1001202502-B

FIGURE 6-38. A/C KIT

ITEM	PART NUMBER	QTY	DESCRIPTION	REV
1	1001202502	Ref	A/C Kit	B
	1001193443	1	Installation, Heater and A/C (cab parts) (See Separate Breakdown in this Section)	
2	1001139688	1	Installation, A/C System (See Separate Breakdown in Frame and Attaching Parts Section)	
3	2300037	AR	Fluid, Refrigerant R-134a	

SECTION 6 - CAB

FIGURE 6-39. A/C CONDENSER INSTALLATION



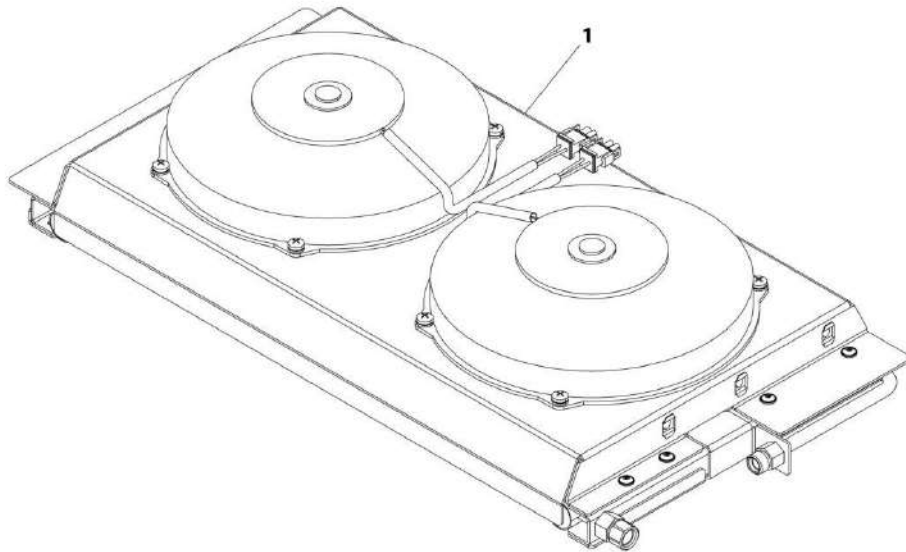
ART_1001202352-A

FIGURE 6-39. A/C CONDENSER INSTALLATION

ITEM	PART NUMBER	QTY	DESCRIPTION	REV
	1001202352	Ref	A/C Condenser Installation	A
1	0700815	1	Hex HD Capscrew, M8X35, GR8.8	
2	0700818	1	Hex HD Capscrew, M8X50, GR8.8	
3	0760608	2	Hex HD Capscrew, M6X16, GR8.8	
4	0760808	6	Hex HD Capscrew, M8X16, GR8.8	
5	0761210	5	Hex HD Capscrew, M12x20, GR8.8	
6	3290801	1	Hex Nut, M8X1.25	
7	3311001	1	Hex Nut	
8	3740080	1	Weather Proof Relay	
9	3900306	1	Hex HD Screw	
10	4711000	1	Washer	
11	4771000	1	Star Washer	
12	4811900	6	Washer, M8	
13	4811902	1	Washer, M8	
14	4812100	5	Washer, M12	
15	8223531	1	A/C Pressure Switch	
16	8303034	2	Truss HD Screw, 1/4-20X0.75	
17	8750042	2	Clamp Set	
18	8769123	2	Cover Plate	
19	10719267	2	Clamp	
20	1001126841	1	A/C Receiver Drier	
21	1001138262	1	A/C Condenser (See Separate Breakdown in this Section)	
22	1001138264	1	Condenser Outlet Tube	
23	1001138265	1	Condenser Supply Tube	
24	1001138266	1	Drier Outlet Tube	
25	1001138269	1	Drier Mount Bracket	
26	1001138345	1	Condenser Mount Bracket	
27	1001139803	1	Condenser Bottom Cover	
28	1001142236	1	Harness, Condenser Fan (See Separate Breakdown in Electrical Section)	
29	1001150479	2	Washer	
30	1001150508	2	Bolt, M6x18, GR8.8	
31	1001150509	4	Washer	
32	1001151088	2	Bolt, 5/16-18X1, GR5	
33	1001138263K	1	A/C Mount Bracket	

SECTION 6 - CAB

FIGURE 6-40. CONDENSER



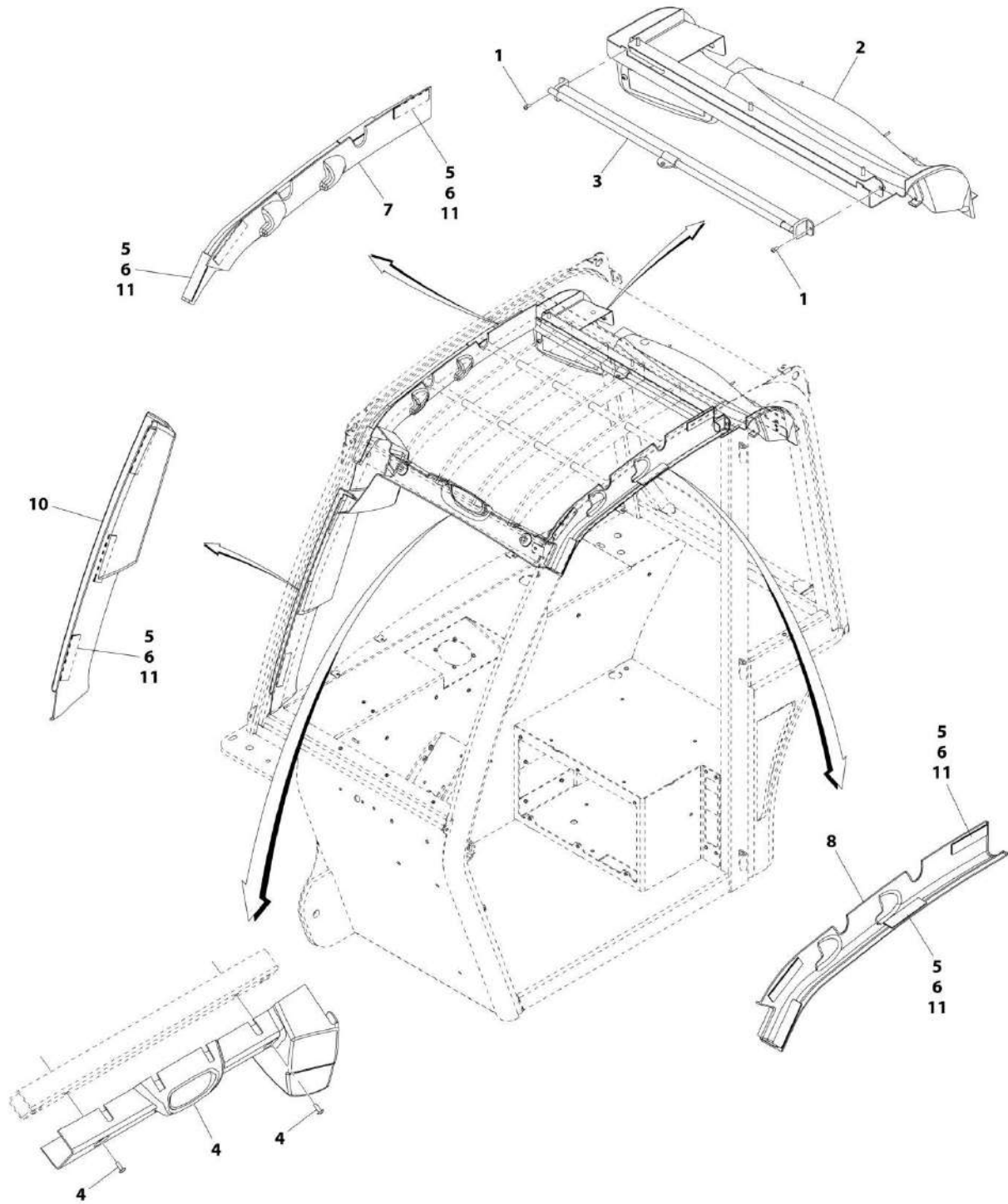
ART_1001138262-B

FIGURE 6-40. CONDENSER

ITEM	PART NUMBER	QTY	DESCRIPTION	REV
	1001138262	Ref	Condenser	B

SECTION 6 - CAB

FIGURE 6-41. OVERHEAD CONSOLE INSTALLATION



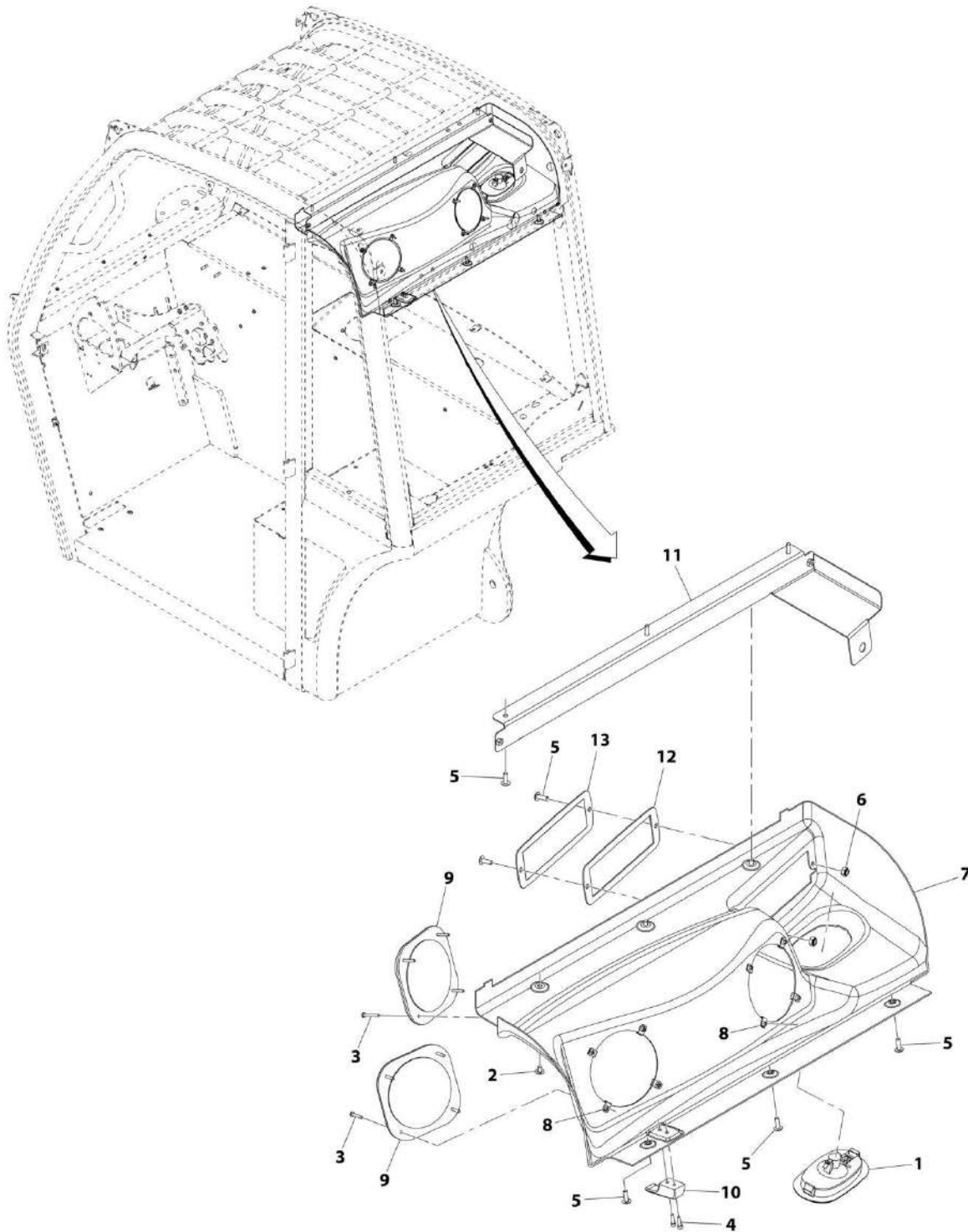
ART_1001081187-G

FIGURE 6-41. OVERHEAD CONSOLE INSTALLATION

ITEM	PART NUMBER	QTY	DESCRIPTION	REV
	1001081187	Ref	Overhead Console Installation	G
1	0630464	2	Button HD Screw, #10-24X1/2	
2	1001080945	1	Installation, Overhead Console (Open) (See Separate Breakdown in this Section)	
3	1001080952	1	Visor	
4	1001080957	1	Installation, Front FOPS (See Separate Breakdown in this Section)	
5	1001081161	11	Hook 1in Wide Tape	
6	1001081163	11	Loop 1in Wide Tape	
7	1001153634	1	In-Board ROPS Bar Cover	
8	1001153635	1	Out-Board ROPS Bar Cover	
10	1001153631	1	A-Pillar Cover	
11	1001112058	AR	Adhesive Strip	

SECTION 6 - CAB

FIGURE 6-42. OVERHEAD CONSOLE INSTALLATION (OPEN)



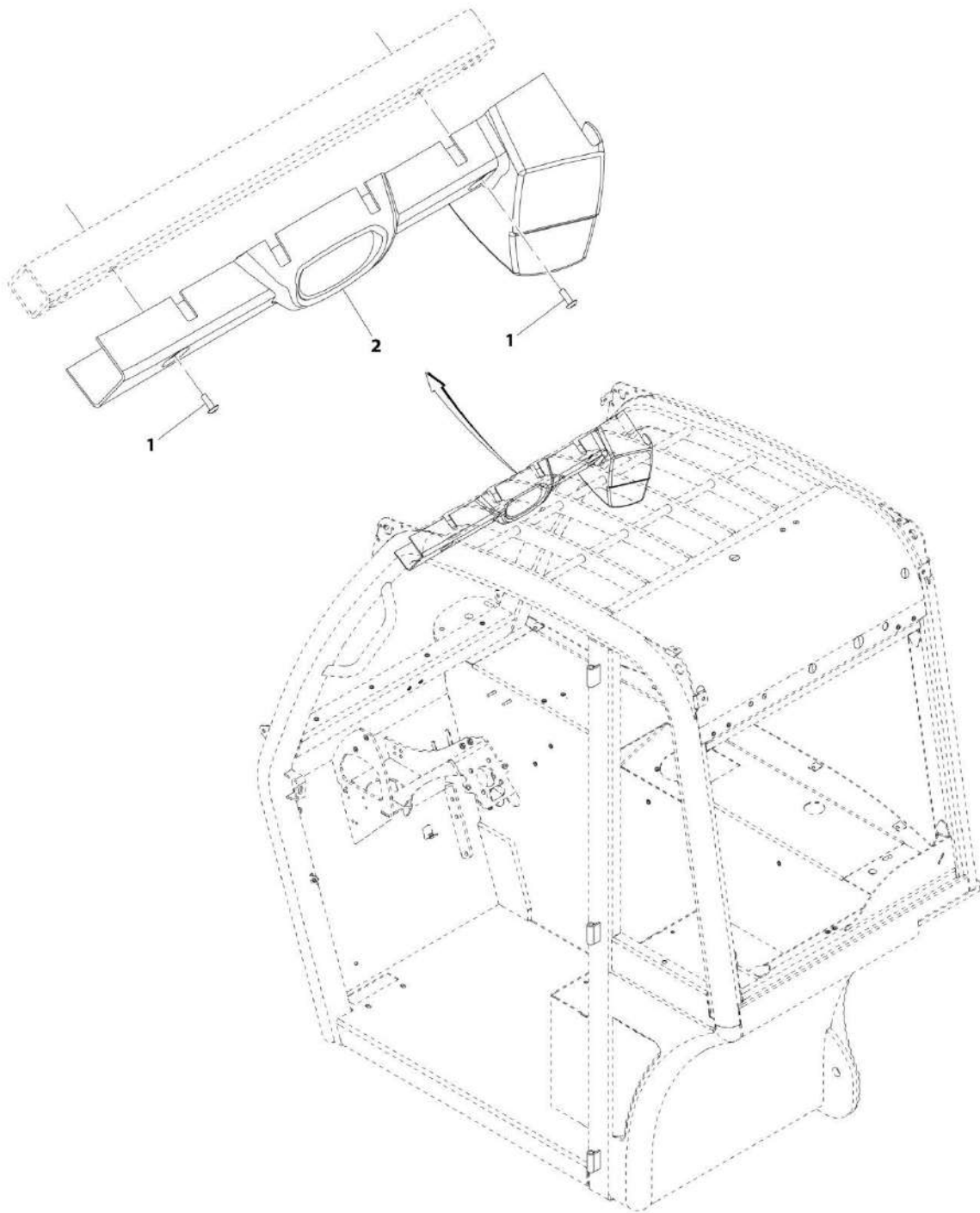
ART_1001080945-H

FIGURE 6-42. OVERHEAD CONSOLE INSTALLATION (OPEN)

ITEM	PART NUMBER	QTY	DESCRIPTION	REV
	1001080945	Ref	Overhead Console Installation (Open)	H
1	2920209	1	Dome Light Lamp	
1	70020795	1	Light Bulb	
2	1001108078	3	Truss HD Screw, 1/4-20X3/8	
3	1001108152	8	Screw, M4X30	
4	1001108155	2	Socket HD Capscrew, 10-24X5/8	
5	8303034	8	Truss HD Screw, 1/4-20X3/4	
6	88521304	2	Hex Locknut, 1/4-20	
7	1001080866	1	Overhead Console Cover	
8	1001080947	8	Nut, M4	
9	1001080951	2	Speaker Cover	
10	1001080953	1	Hook	
11	1001080954	1	Visor Mount Bracket	
12	1001080955	1	Radio Mount Plate	
13	1001080960	1	Radio Mount Outer Plate	

SECTION 6 - CAB

FIGURE 6-43. FRONT FOPS INSTALLATION



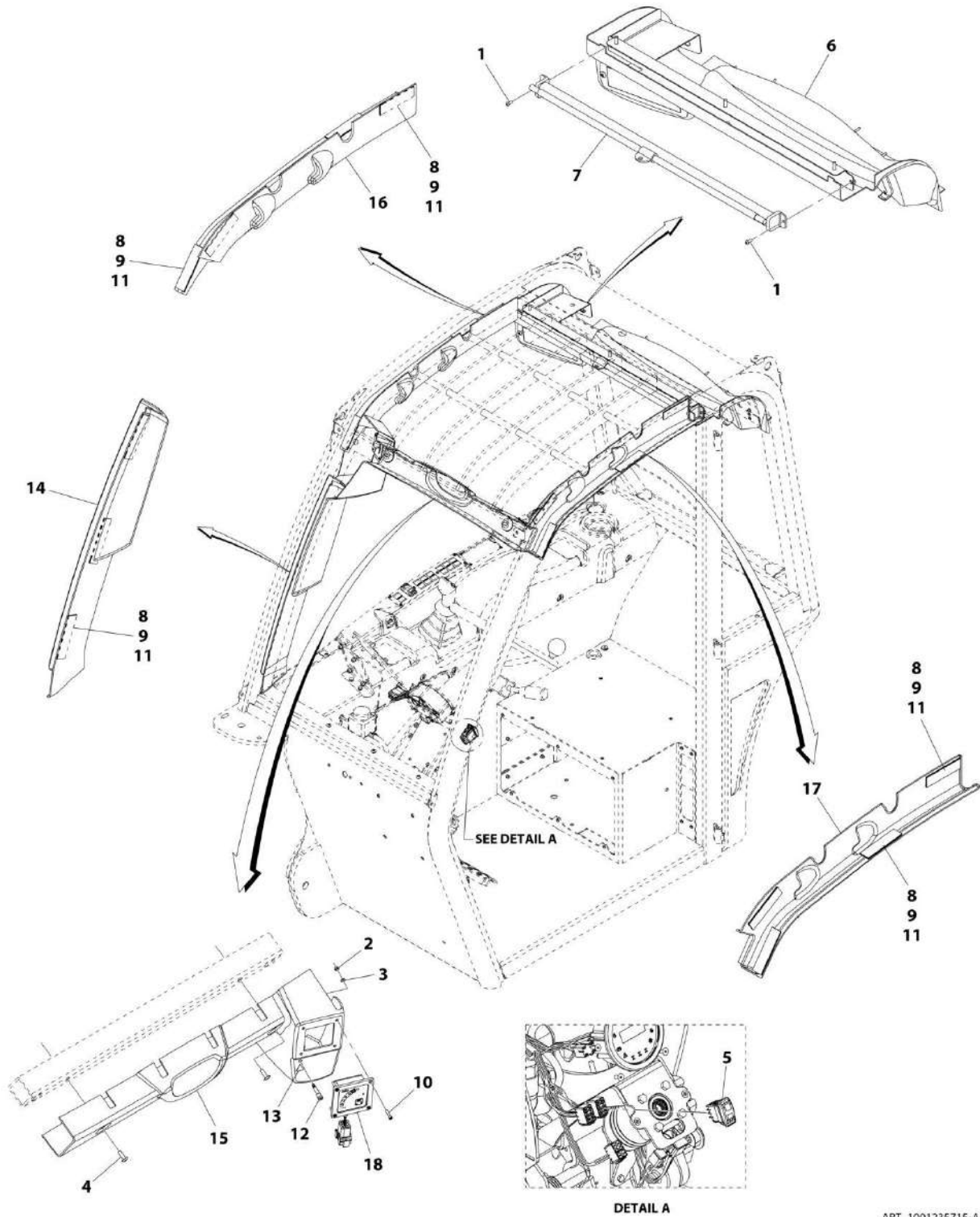
ART_1001080957-F

FIGURE 6-43. FRONT FOPS INSTALLATION

ITEM	PART NUMBER	QTY	DESCRIPTION	REV
	1001080957	Ref	Front FOPS Installation	F
1	8303034	2	Truss HD Screw, 1/4-20X3/4	
2	1001153630	1	Front FOPS Bar Cover	

SECTION 6 - CAB

FIGURE 6-44. OVERHEAD CONSOLE INSTALLATION (LSI)



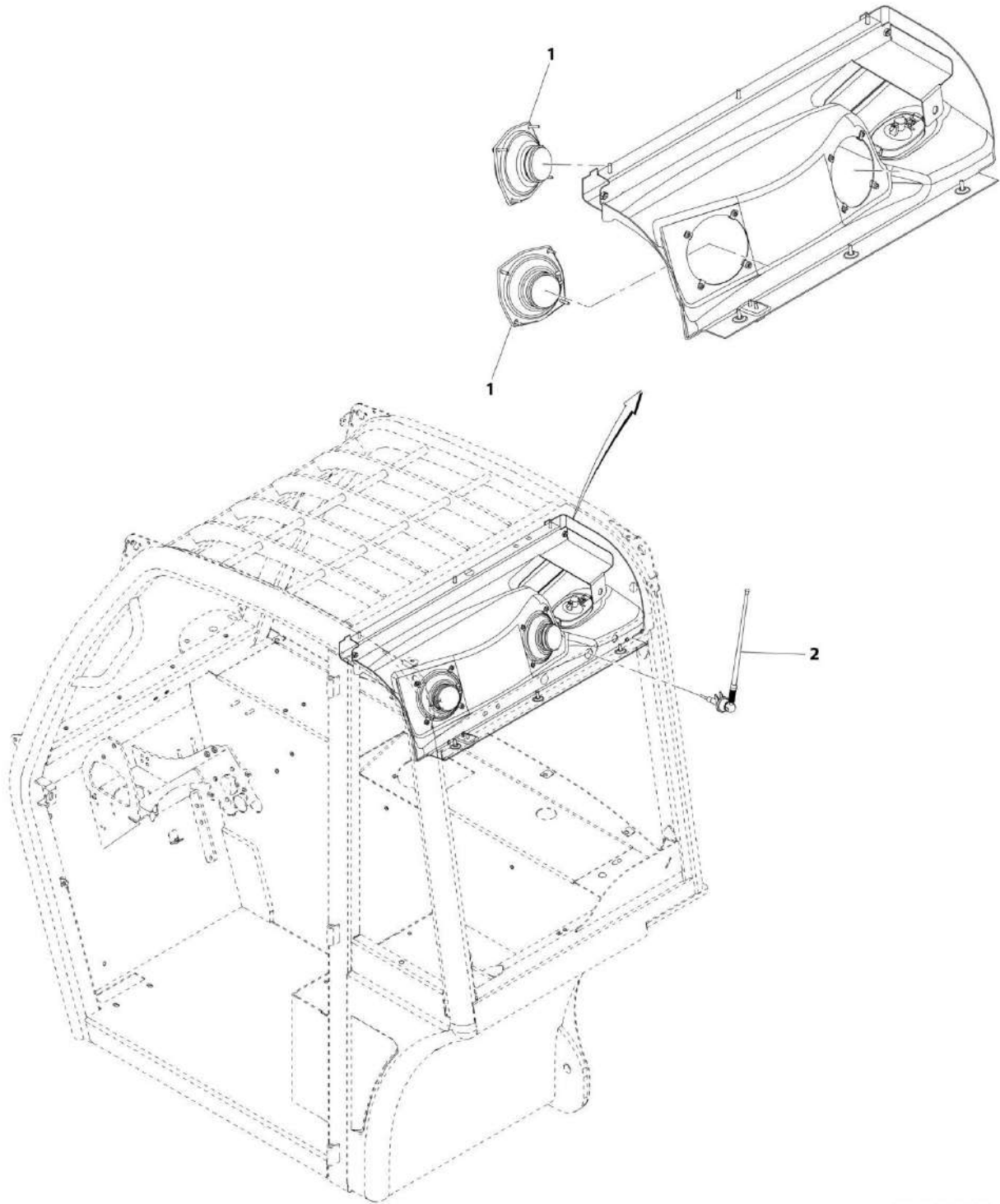
ART_1001235715-A

FIGURE 6-44. OVERHEAD CONSOLE INSTALLATION (LSI)

ITEM	PART NUMBER	QTY	DESCRIPTION	REV
	1001235715	Ref	Overhead Console Installation (LSI)	A
1	0630464	2	Button HD Screw, 10-24X1/2	
2	3290405	4	Hex Locknut, M4X0.7	
3	4811400	4	Washer, M4	
4	8303034	2	Screw, 1/4-20X0.75	
5	1001080373	1	LMI Override Switch	
6	1001080945	1	Installation, Overhead Console (See Separate Breakdown in this Section)	
7	1001080952	1	Visor	
8	1001081161	11	Hook 1in Wide Tape	
9	1001081163	11	Loop 1in Wide Tape	
10	1001110269	4	Screw, M4X20	
11	1001112058	AR	Adhesive Strip	
12	1001127397	1	LSI Light	
13	1001127546	1	LSI Decal	
14	1001153631	1	A-Pillar Cover	
15	1001153633	1	Front ROPS Bar Cover	
16	1001153634	1	In-Board ROPS Bar Cover	
17	1001153635	1	Out-Board ROPS Bar Cover	
18	1001192979	1	LSI Display	

SECTION 6 - CAB

FIGURE 6-45. RADIO READY PACKAGE INSTALLATION



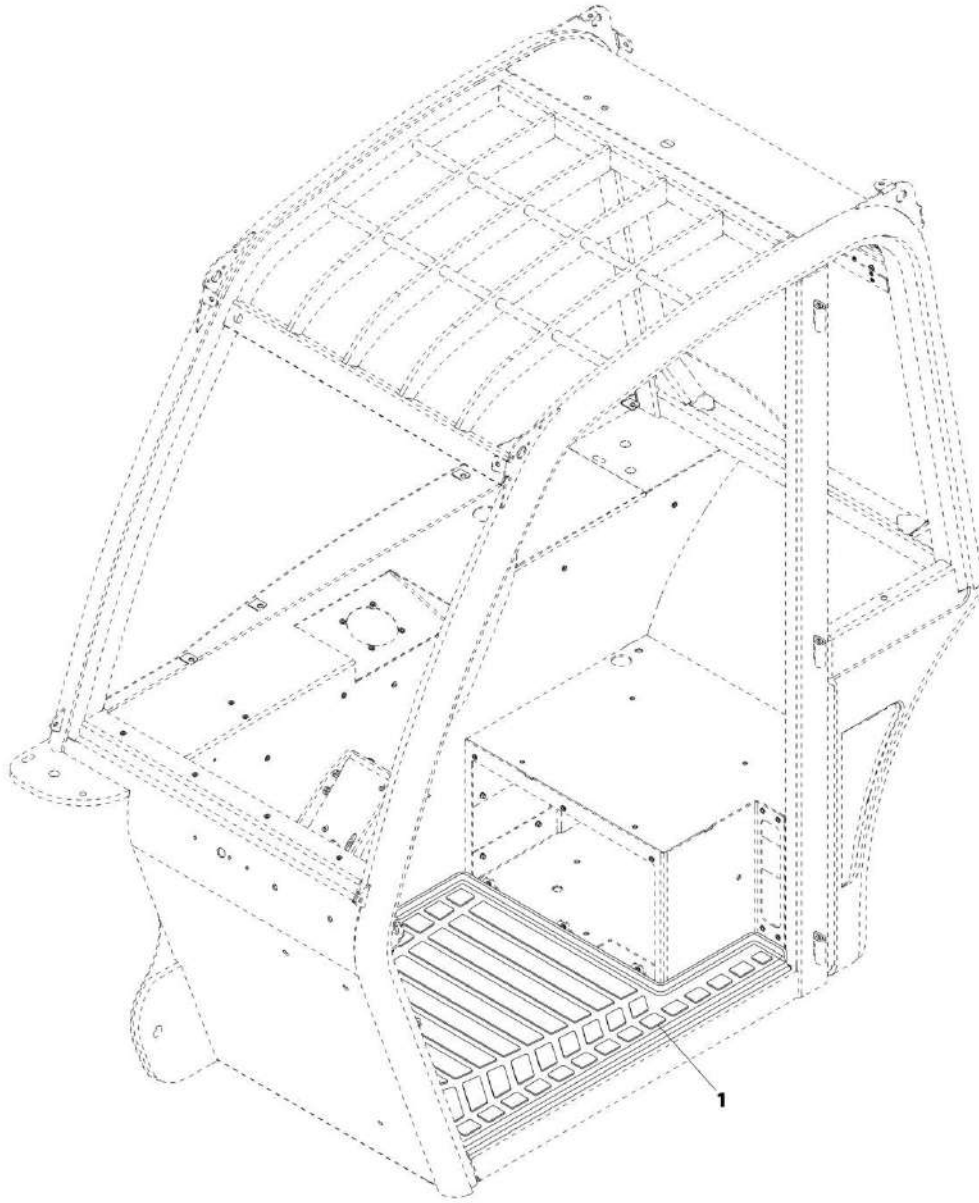
ART_1001080844-B

FIGURE 6-45. RADIO READY PACKAGE INSTALLATION

ITEM	PART NUMBER	QTY	DESCRIPTION	REV
	1001080844	Ref	Radio Ready Package Installation	B
1	1001080956	2	Speaker	
2	1001080959	1	Antenna	

SECTION 6 - CAB

FIGURE 6-46. FLOOR MAT INSTALLATION



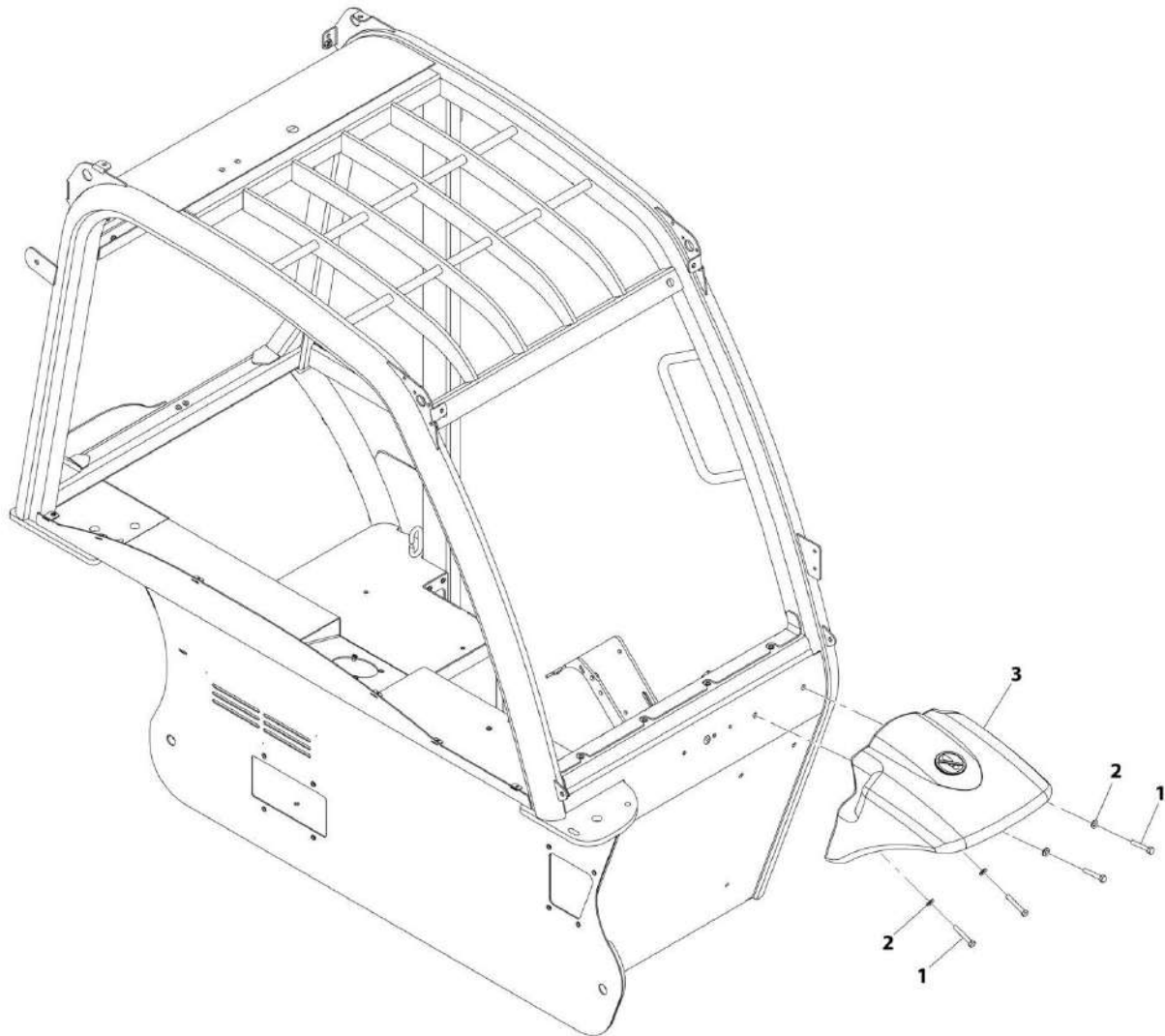
ART_1001080893-B

FIGURE 6-46. FLOOR MAT INSTALLATION

ITEM	PART NUMBER	QTY	DESCRIPTION	REV
1	1001080893 1001080822	Ref 1	Floor Mat Installation Floor, Cover	B

SECTION 6 - CAB

FIGURE 6-47. CAB FENDER INSTALLATION



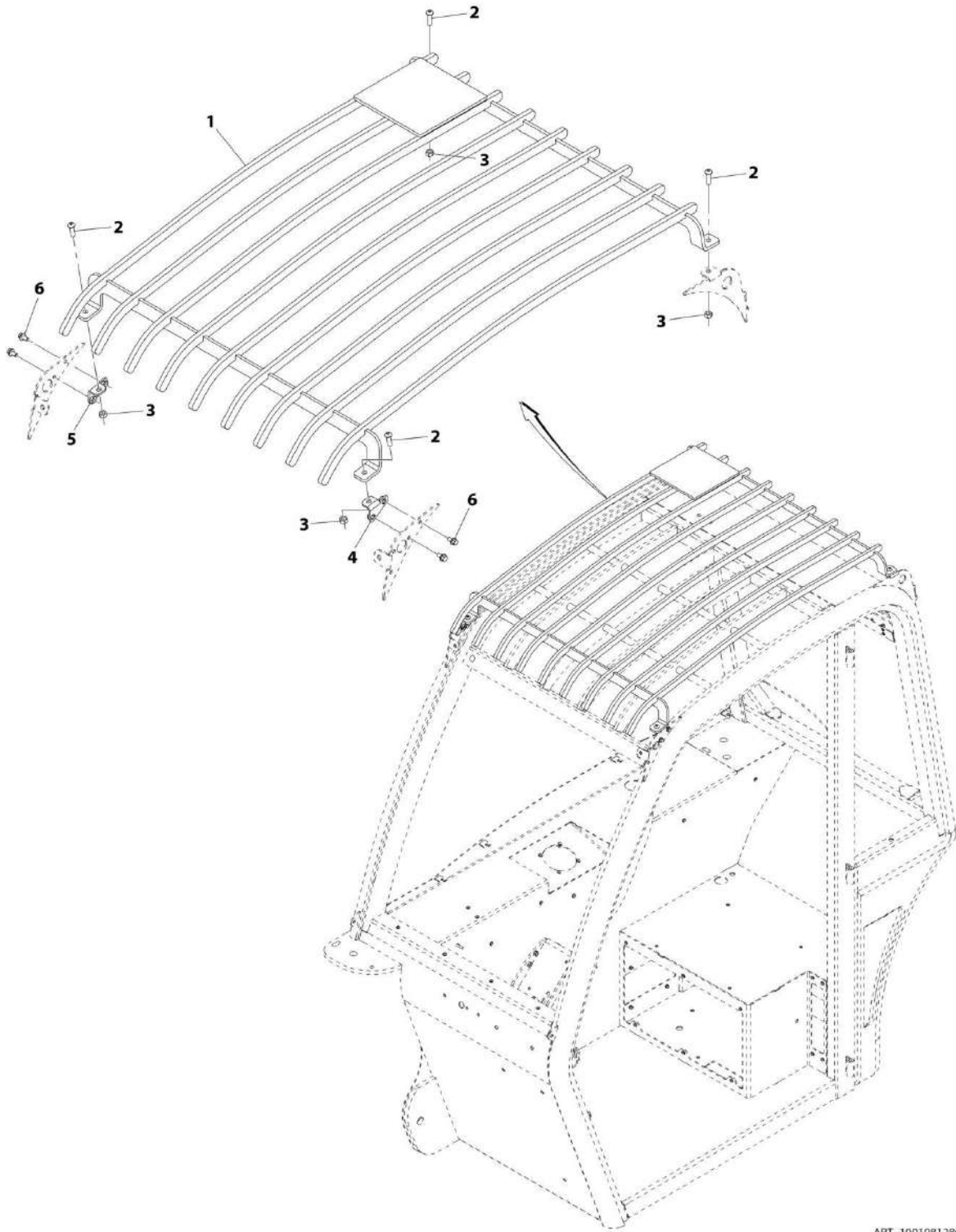
ART_1001097640-C

FIGURE 6-47. CAB FENDER INSTALLATION

ITEM	PART NUMBER	QTY	DESCRIPTION	REV
	1001097640	Ref	Cab Fender Installation	C
1	0641516	4	Hex HD Capscrew, 5/16-18X2	
2	4711500	4	Washer, 5/16	
3	1001080891	1	Front Fender	

SECTION 6 - CAB

FIGURE 6-48. CAB GUARD INSTALLATION (TOP)



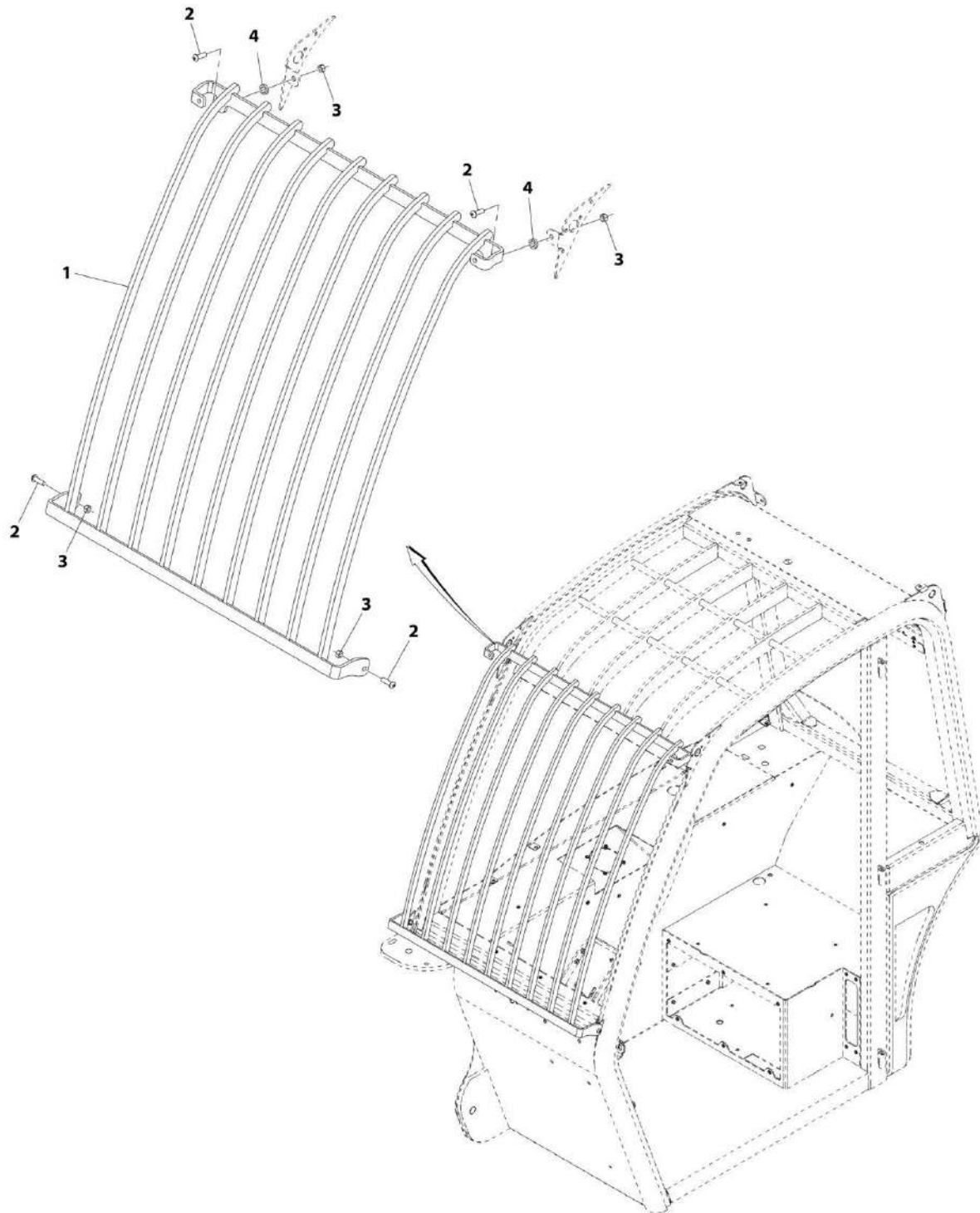
ART_1001081286-F

FIGURE 6-48. CAB GUARD INSTALLATION (TOP)

ITEM	PART NUMBER	QTY	DESCRIPTION	REV
	1001081286	Ref	Cab Guard Installation (Top)	F
1	1001189739	1	Upper Brick Guard	
2	0630468	4	Button HD Capscrew, 5/16-18X1	
3	1001108115	4	Hex Locknut, 5/16, GR8	
4	1001081296	1	Left Brick Guard Weldment	
5	1001081298	1	Right Brick Guard Weldment	
6	1001108242	4	Screw, 1/4-20X1/2, GR5	

SECTION 6 - CAB

FIGURE 6-49. CAB GUARD INSTALLATION (FRONT)



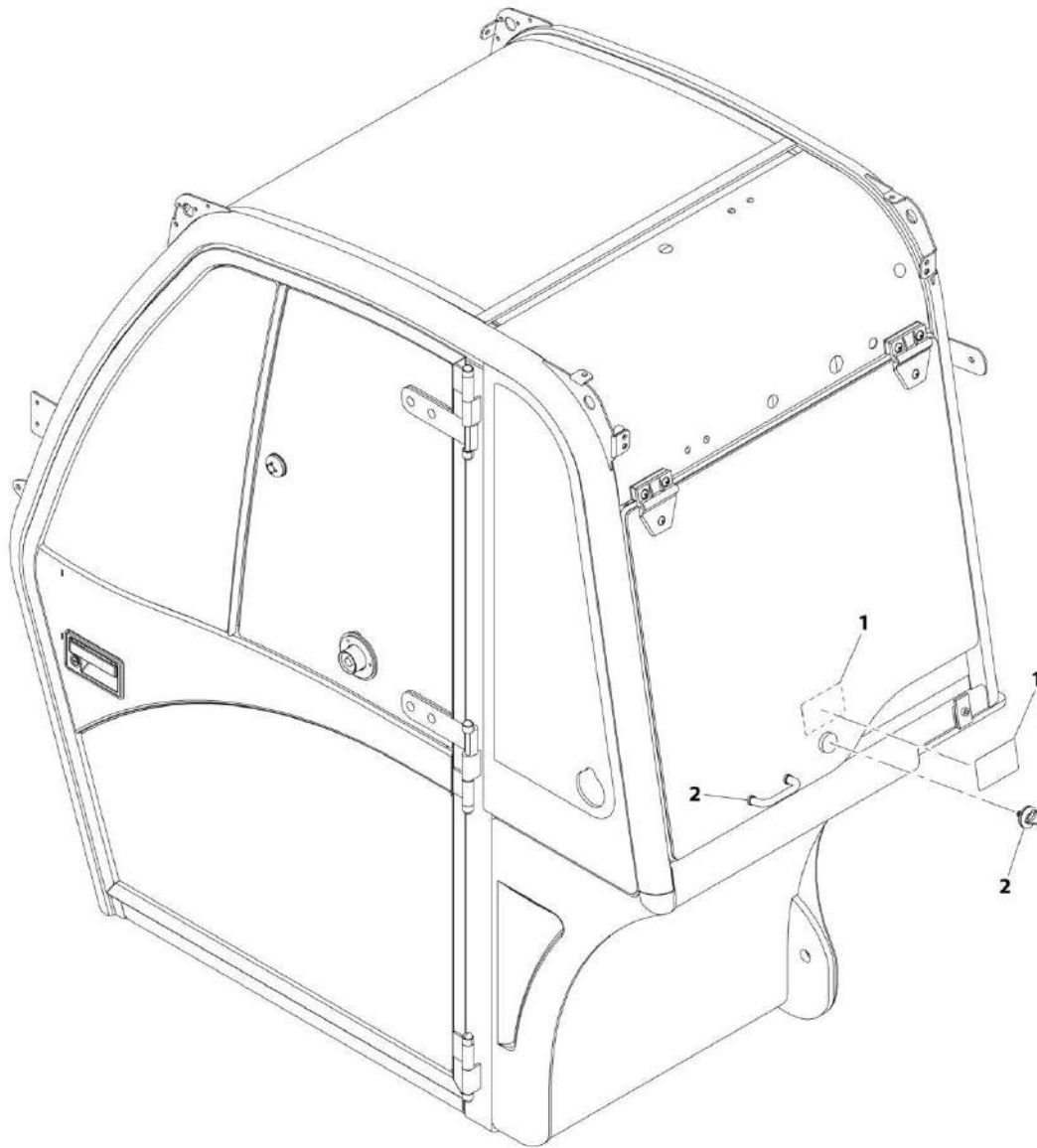
ART_1001081287-E

FIGURE 6-49. CAB GUARD INSTALLATION (FRONT)

ITEM	PART NUMBER	QTY	DESCRIPTION	REV
	1001081287	Ref	Cab Guard Installation (Front)	E
1	1001189753	1	Lower Brick Guard Shield	
2	0630468	4	Button HD Capscrew, 5/16-18X1	
3	1001108115	4	Hex Locknut, 5/16, GR8	
4	1001138703	2	Brick Guard Spacer	

SECTION 6 - CAB

FIGURE 6-50. REAR WINDOW ENTRY KIT INSTALLATION (ANSI)



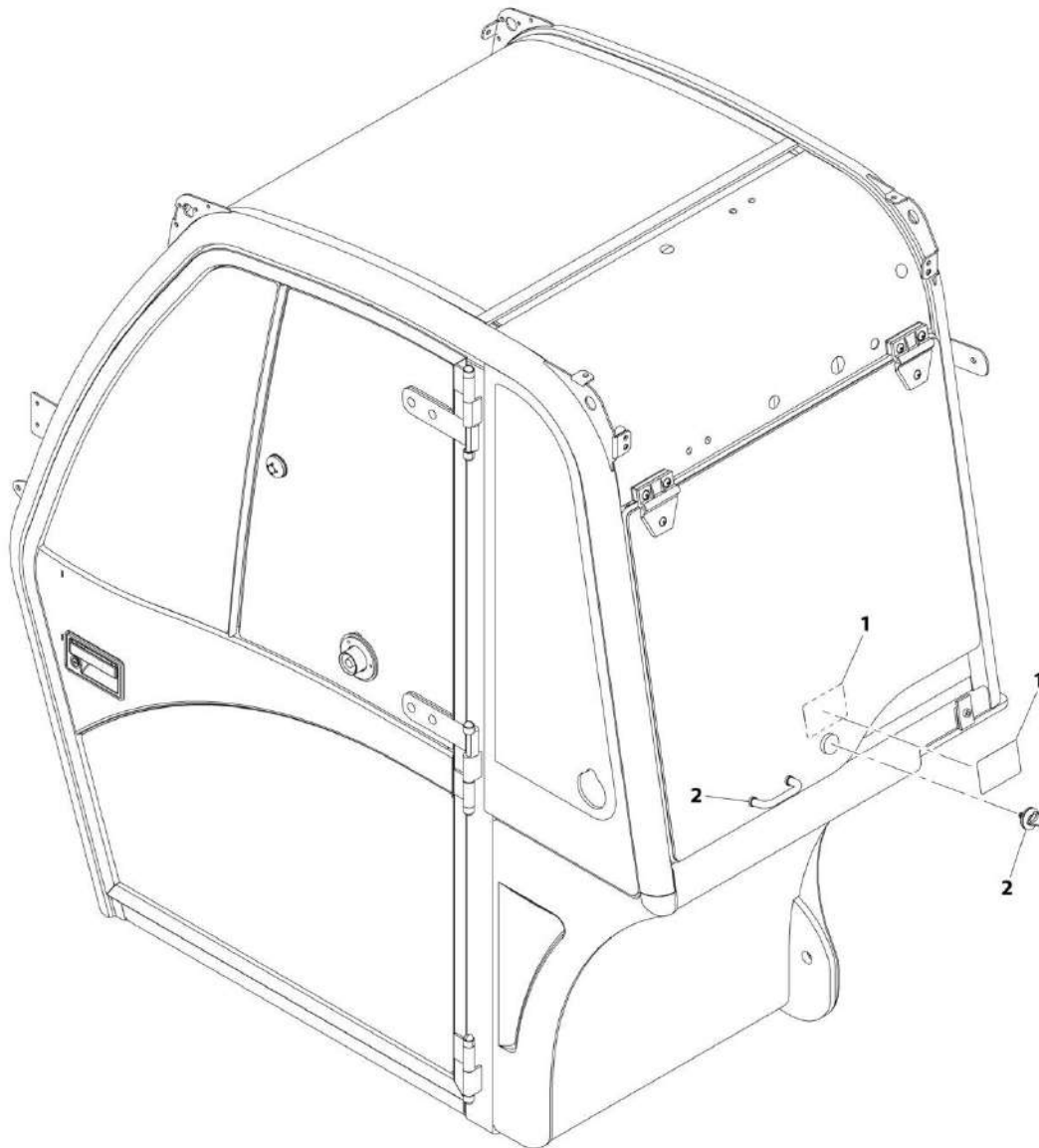
ART_1001162813-A

FIGURE 6-50. REAR WINDOW ENTRY KIT INSTALLATION (ANSI)

ITEM	PART NUMBER	QTY	DESCRIPTION	REV
	1001162813	Ref	Rear Window Entry Kit Installation (ANSI)	A
1	1001162814	2	Rear Window Exit Decal	
2	1001177469	1	Emergency Entry/Exit Window (See Separate Breakdown in this Section)	

SECTION 6 - CAB

FIGURE 6-51. REAR WINDOW ENTRY KIT INSTALLATION (ENGLISH/FRENCH)



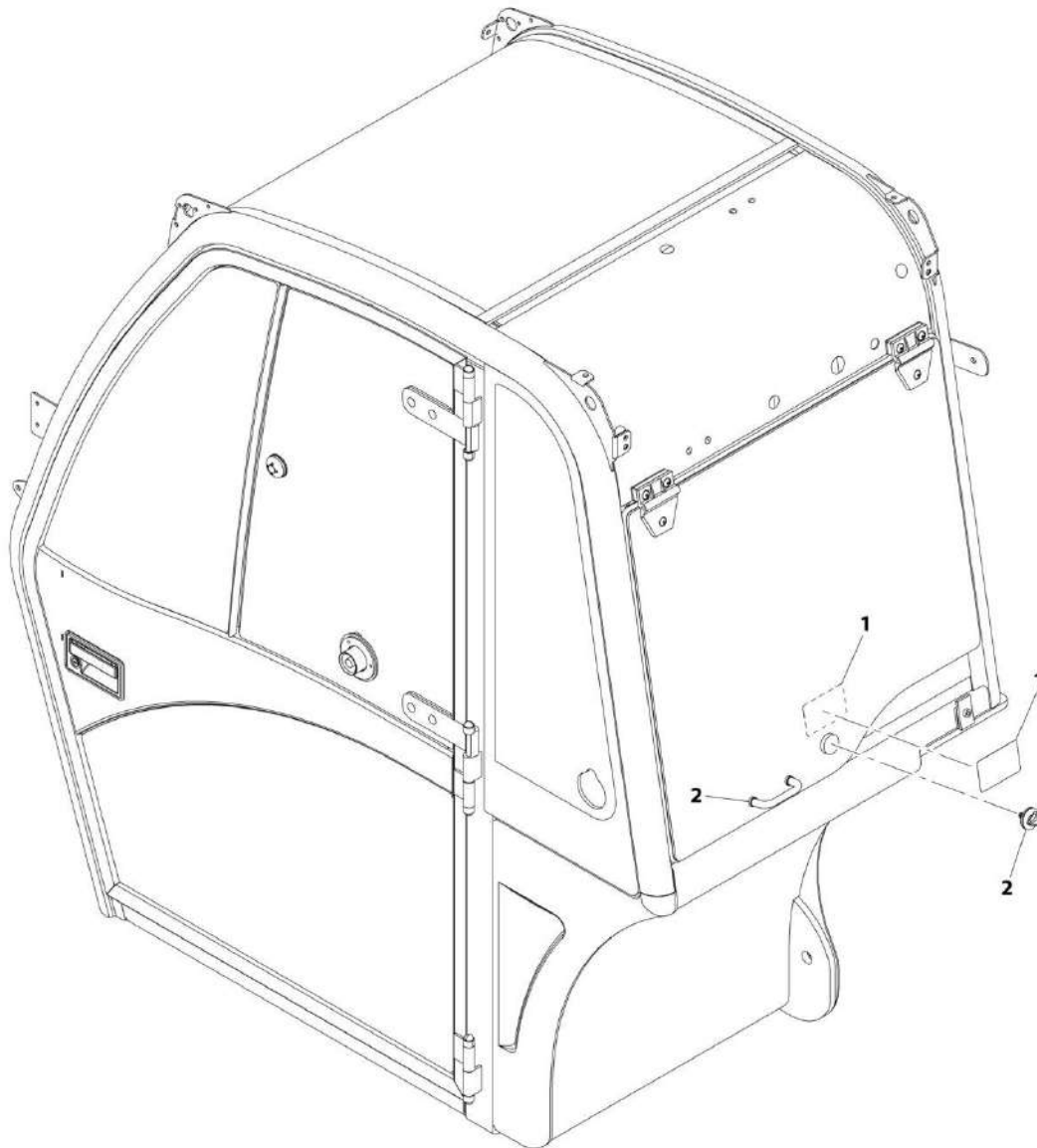
ART_1001177470-A

FIGURE 6-51. REAR WINDOW ENTRY KIT INSTALLATION (ENGLISH/FRENCH)

ITEM	PART NUMBER	QTY	DESCRIPTION	REV
	1001177470	Ref	Rear Window Entry Kit Installation (English/French)	A
1	1001162815	2	Rear Window Exit Decal	
2	1001177469	1	Emergency Entry/Exit Window (See Separate Breakdown in This Section)	

SECTION 6 - CAB

FIGURE 6-52. REAR WINDOW ENTRY KIT INSTALLATION (ISO)



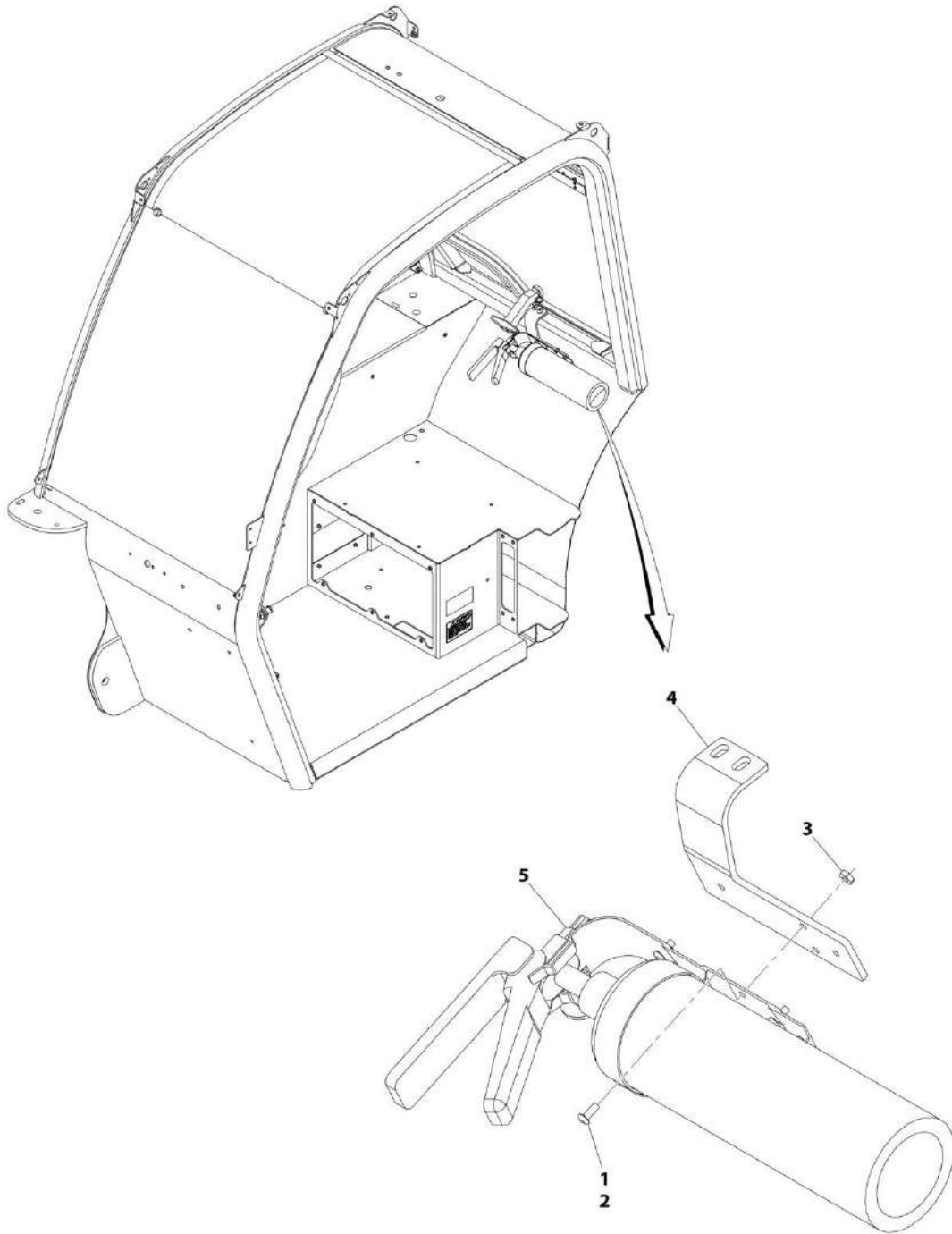
ART_1001177421-A

FIGURE 6-52. REAR WINDOW ENTRY KIT INSTALLATION (ISO)

ITEM	PART NUMBER	QTY	DESCRIPTION	REV
	1001177471	Ref	Rear Window Entry Kit Installation (ISO)	A
1	1001162816	2	Rear Window Exit Decal	
2	1001177469	1	Emergency Entry/Exit Window (See Separate Breakdown in This Section)	

SECTION 6 - CAB

FIGURE 6-53. FIRE EXTINGUISHER INSTALLATION



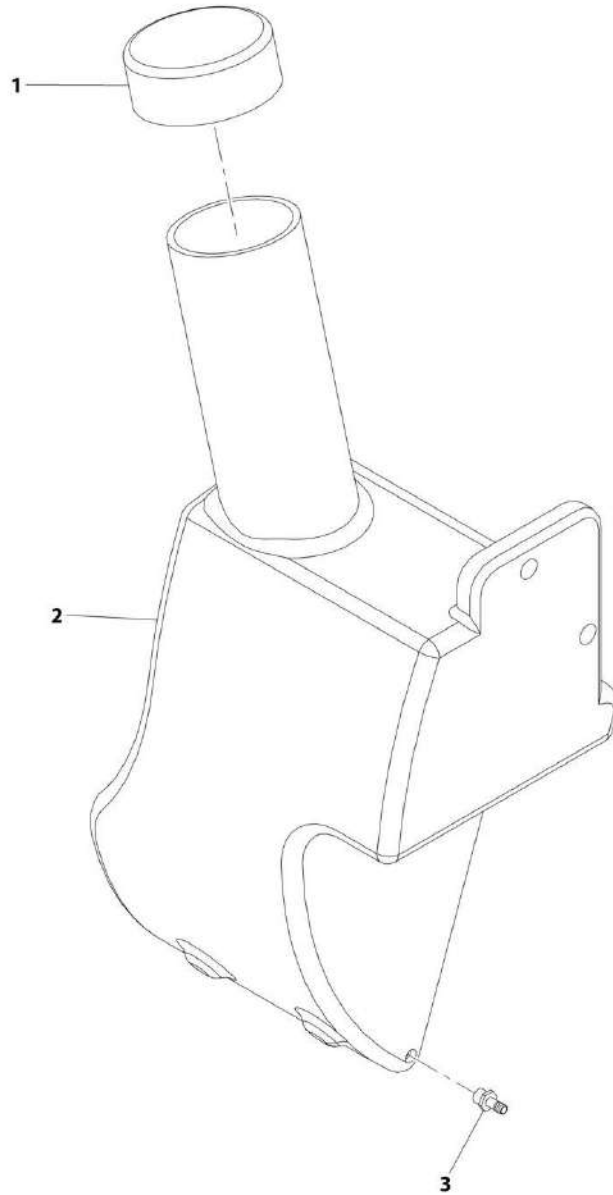
ART_1001162487-A

FIGURE 6-53. FIRE EXTINGUISHER INSTALLATION

ITEM	PART NUMBER	QTY	DESCRIPTION	REV
	1001162487	Ref	Fire Extinguisher Installation	A
1	0100011	AR	Loctite	
2	0630464	4	Button HD Screw, 10-24X1/2	
3	3311005	4	Hex Locknut, 10-24, GR2	
4	1001162486	1	Bracket	
5	1001099699	1	Fire Extinguisher	

SECTION 6 - CAB

FIGURE 6-54. WASHER FLUID TANK ASSEMBLY



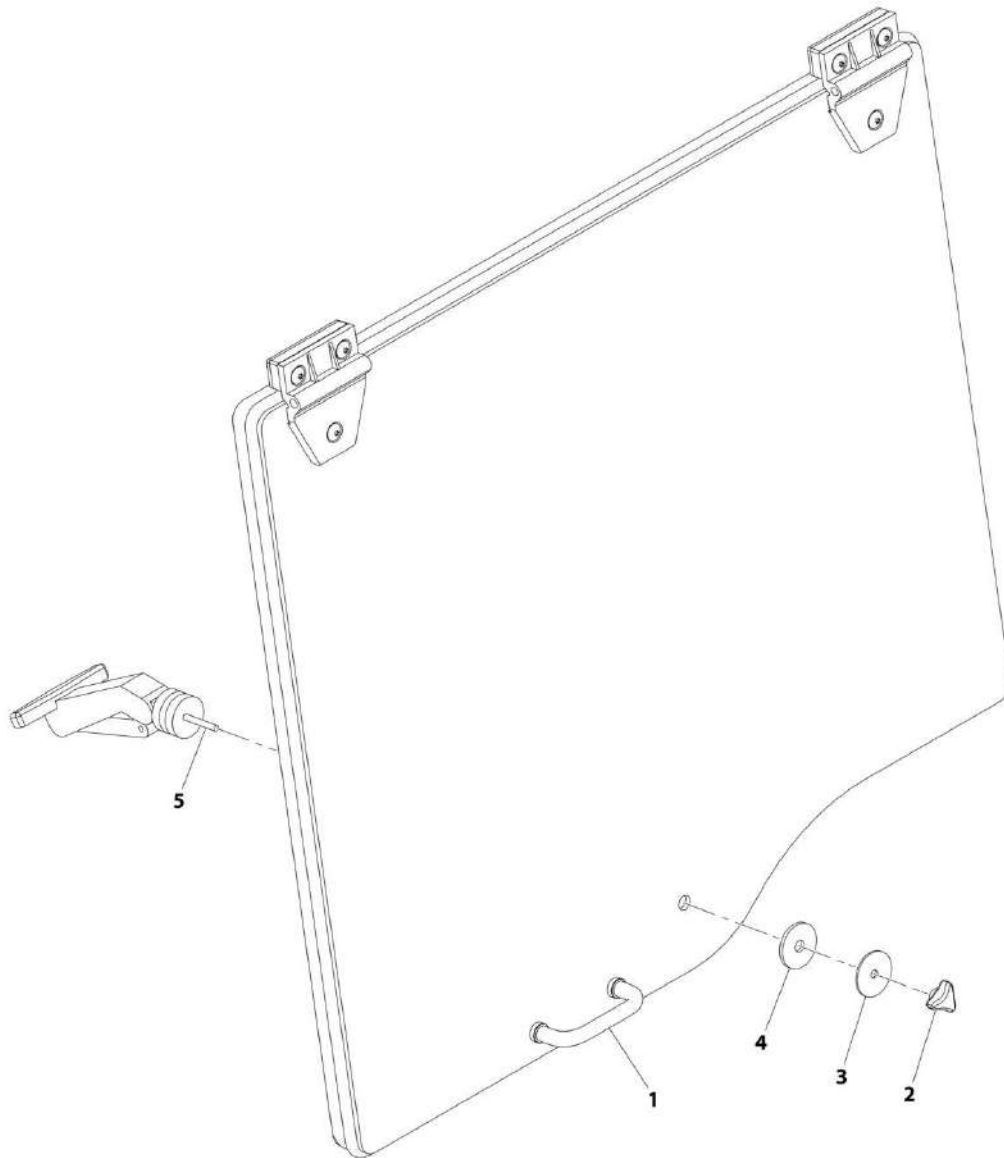
ART_1001080824-C

FIGURE 6-54. WASHER FLUID TANK ASSEMBLY

ITEM	PART NUMBER	QTY	DESCRIPTION	REV
	1001080824	Ref	Washer Fluid Tank Assembly	C
1	1001080872	1	Cap	
2	1001097319	1	Washer Fluid Tank	
3	1001081234	1	Fitting	

SECTION 6 - CAB

FIGURE 6-55. EMERGENCY ENTRY/EXIT WINDOW



ART_1001177469-A

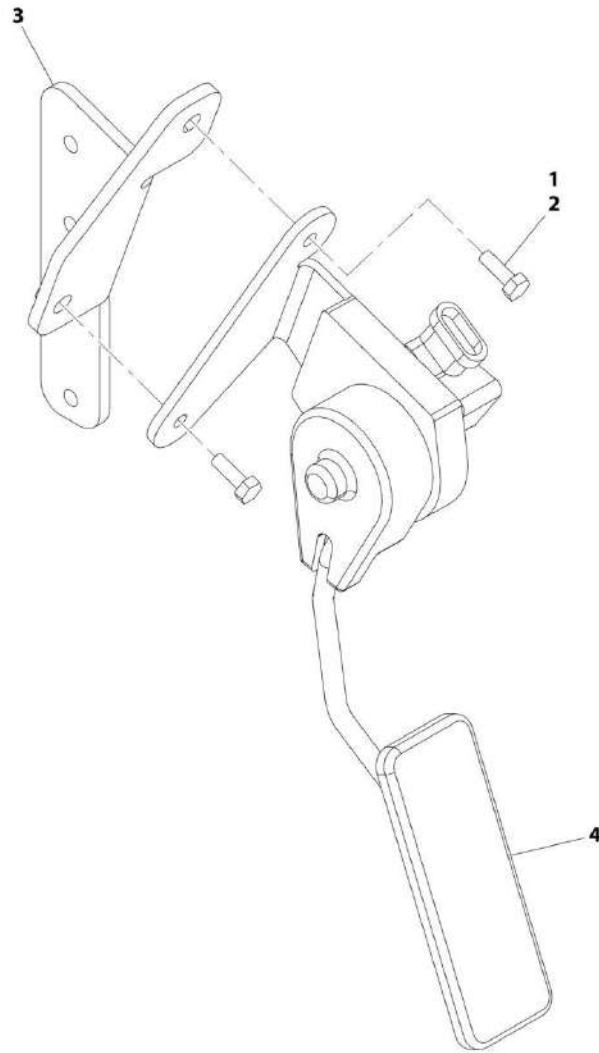
FIGURE 6-55. EMERGENCY ENTRY/EXIT WINDOW

ITEM	PART NUMBER	QTY	DESCRIPTION	REV
	1001177469	Ref	Emergency Entry/Exit Window	A
1	1001162829	1	Rear Window Entry Handle	
2	1001162830	1	Rear Window Entry Knob	
3	1001177636	1	Flat Washer	
4	1001177640	1	Washer, M10	
5	1001178811	1	Bolt	

SECTION 7 - CONTROLS

SECTION 7 - CONTROLS

FIGURE 7-1. ACCELERATOR PEDAL ASSEMBLY



ART_1001138639-C

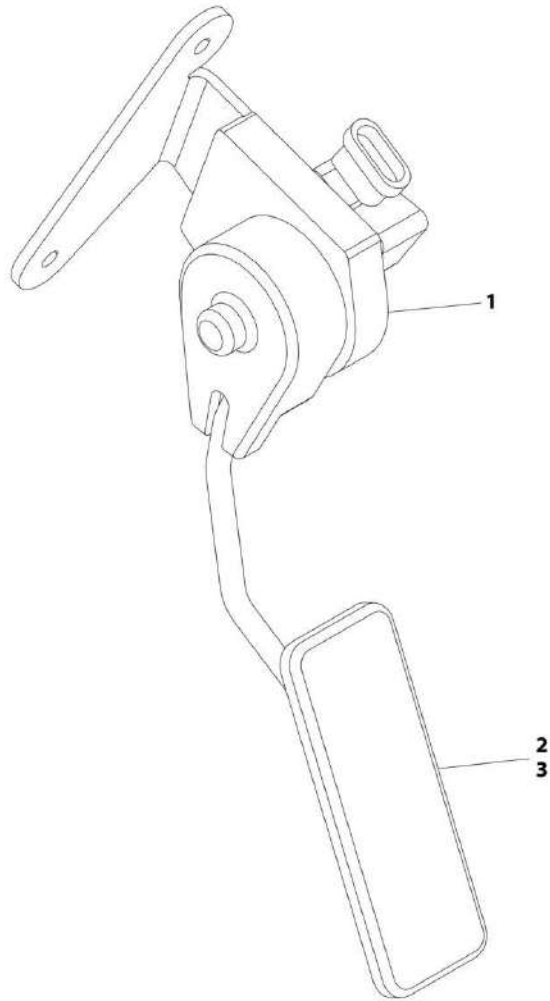
SECTION 7 - CONTROLS

FIGURE 7-1. ACCELERATOR PEDAL ASSEMBLY

ITEM	PART NUMBER	QTY	DESCRIPTION	REV
	1001138639	Ref	Accelerator Pedal Assembly	C
1	0100011	AR	Compound, Locking	
2	0641406	2	Bolt, 1/4-20X3/4	
3	1001138003	1	Bracket	
4	80383410	1	Accelerator Pedal (See Separate Breakdown this Section)	

SECTION 7 - CONTROLS

FIGURE 7-2. ACCELERATOR PEDAL



ART_80383410-A

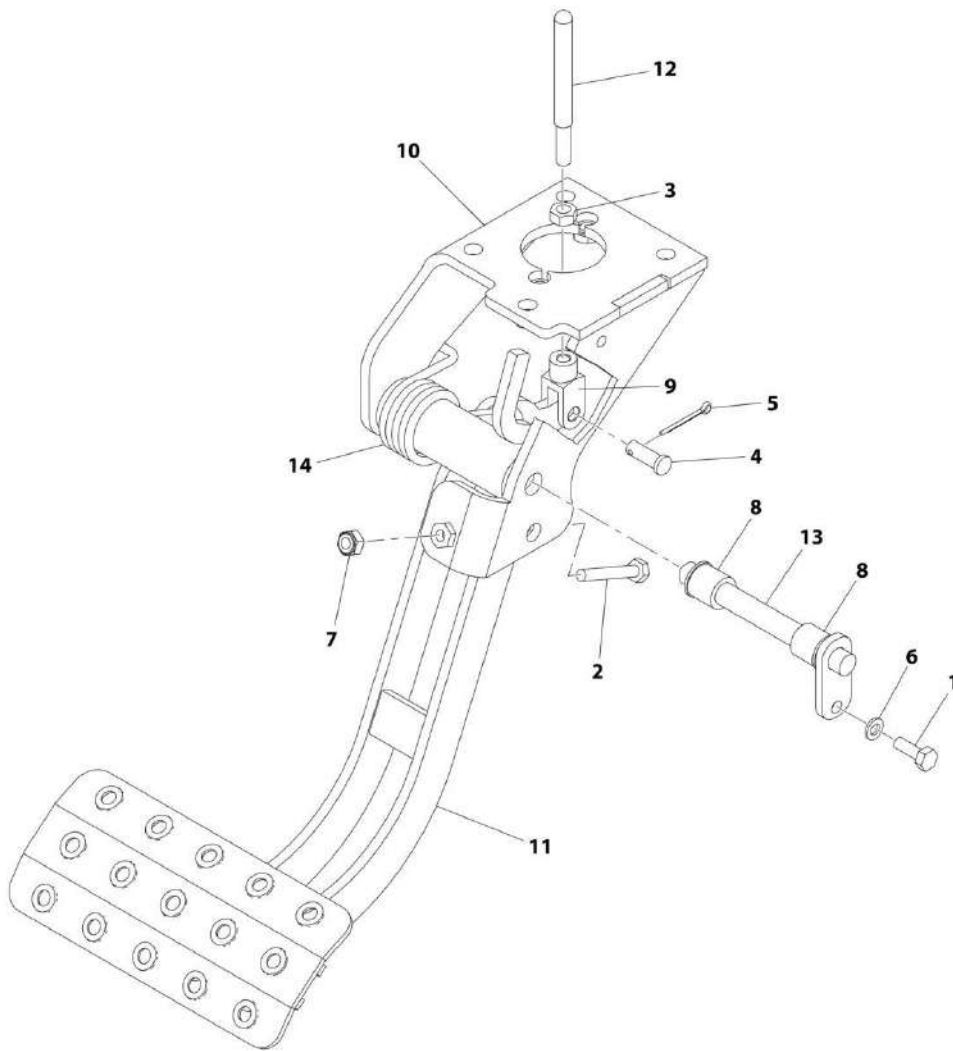
SECTION 7 - CONTROLS

FIGURE 7-2. ACCELERATOR PEDAL

ITEM	PART NUMBER	QTY	DESCRIPTION	REV
	80383410	Ref	Accelerator Pedal	A
1	70020551	1	Sensor Kit	
2	70023325	1	Pedal Kit	
3	7026481	1	Arm, Pedal	

SECTION 7 - CONTROLS

FIGURE 7-3. BRAKE PEDAL INSTALLATION



ART_1001189734-C

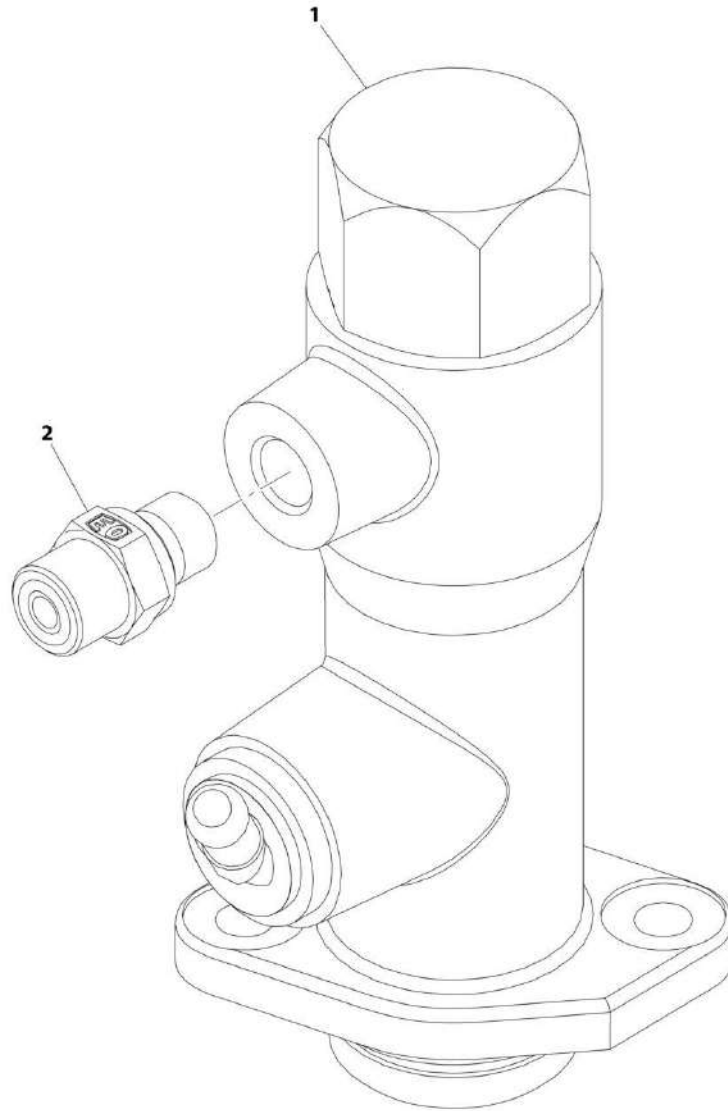
SECTION 7 - CONTROLS

FIGURE 7-3. BRAKE PEDAL INSTALLATION

ITEM	PART NUMBER	QTY	DESCRIPTION	REV
	1001189734	Ref	Brake Pedal Installation	C
1	0641406	1	Hex HD Capscrew, 1/4-20X3/4, GR5	
2	0681414	1	Hex HD Cap Screw, 1/4-20X1 3/4, GR8	
3	3290801	1	Nut, M8X1.25	
4	3430507	1	Clevis Pin	
5	3450304	1	Cotter Pin	
6	4761400	1	Lockwasher, 1/4	
7	88521304	1	Hex Locknut, 1/4-20	
8	1001189738	2	Bearing	
9	1001189743	1	Universal Clevis Yoke	
10	1001189745	1	Brake Support Mount	
11	1001189803	1	Brake Weldment Lever	
12	1001189839	1	Brake Push Rod	
13	1001189850	1	Brake Shaft Pin	
14	1001189733	1	Brake Spring	

SECTION 7 - CONTROLS

FIGURE 7-4. MASTER CYLINDER VALVE ASSEMBLY



ART_1001080559-C

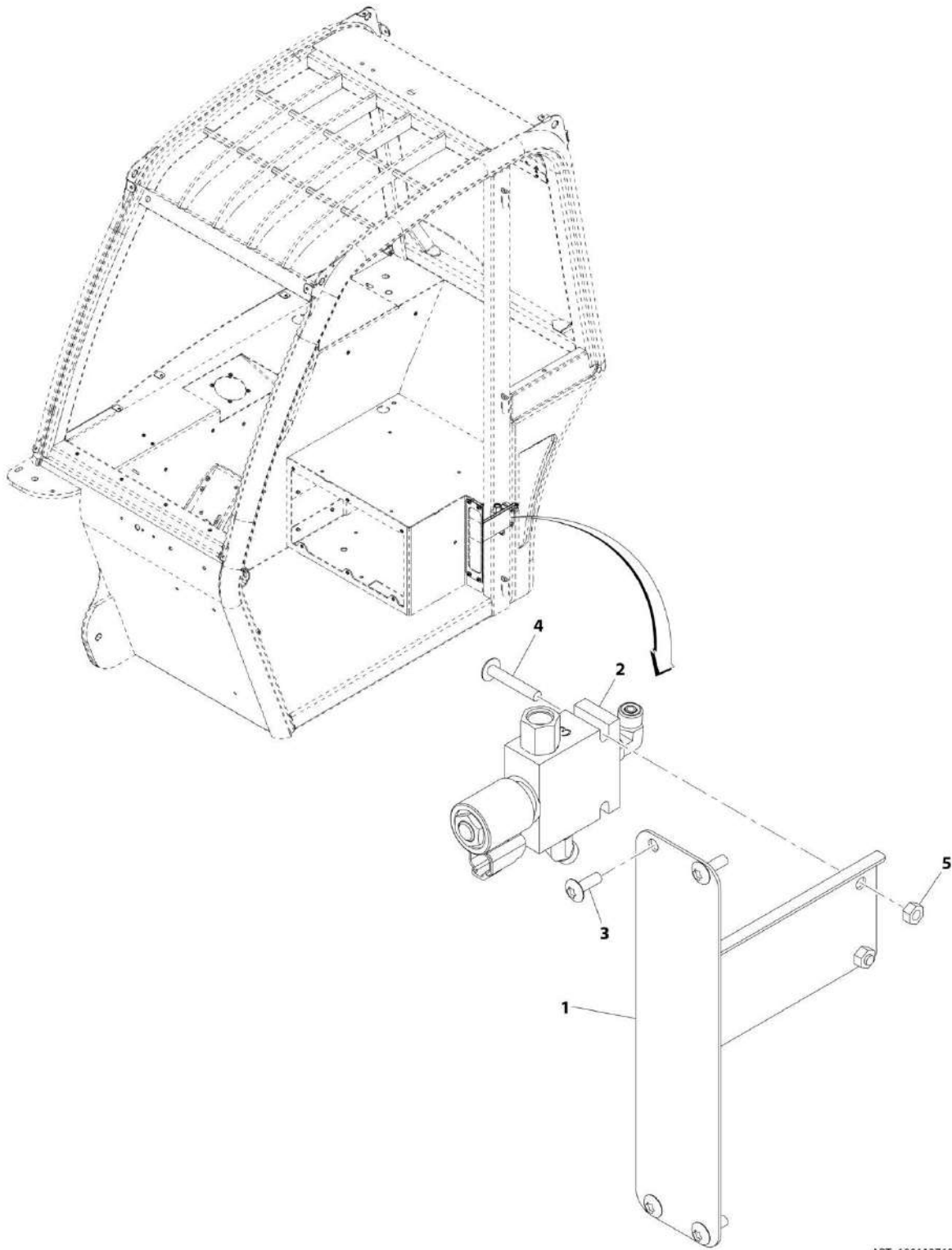
SECTION 7 - CONTROLS

FIGURE 7-4. MASTER CYLINDER VALVE ASSEMBLY

ITEM	PART NUMBER	QTY	DESCRIPTION	REV
1	1001080559	Ref	Master Cylinder Valve Assembly	C
	1001080262	1	Brake Master Cylinder Valve, (See Separate Breakdown in Hydraulic Components Section)	
2	2145004	1	Straight Fitting	

SECTION 7 - CONTROLS

FIGURE 7-5. PARK BRAKE VALVE INSTALLATION



ART_1001137600-C

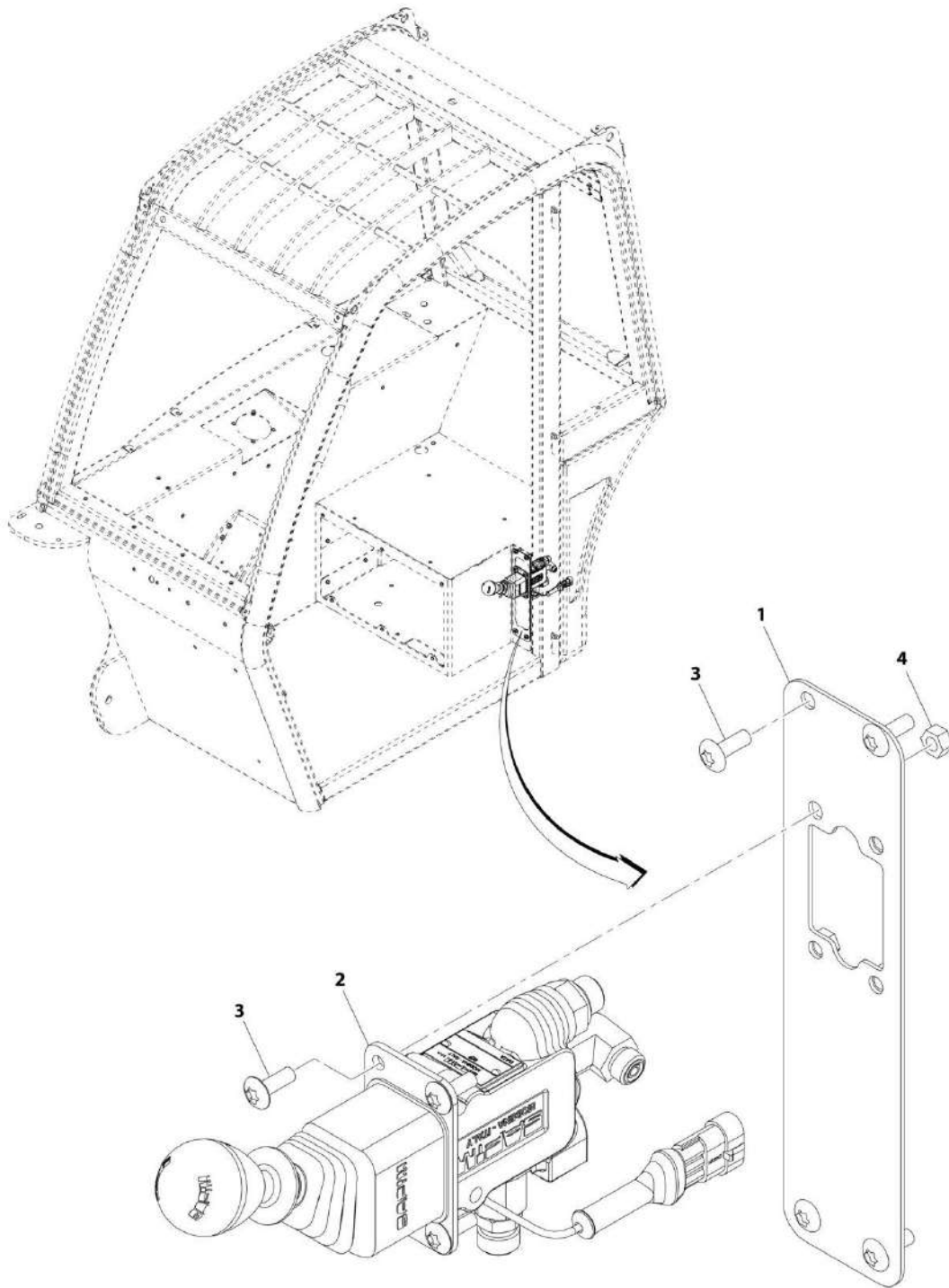
SECTION 7 - CONTROLS

FIGURE 7-5. PARK BRAKE VALVE INSTALLATION

ITEM	PART NUMBER	QTY	DESCRIPTION	REV
	1001137600	Ref	Park Brake Valve Installation	C
1	1001188496	1	Bracket	
2	1001080567	1	Assembly, Park Brake Valve (See Separate Breakdown in Hydraulic Circuits Section)	
3	8303034	4	Screw	
4	101977201	2	Screw	
5	3311405	2	Nut, Lock 1/4-20	

SECTION 7 - CONTROLS

FIGURE 7-6. PARK BRAKE VALVE INSTALLATION (EURO)



ART_1001137602-B

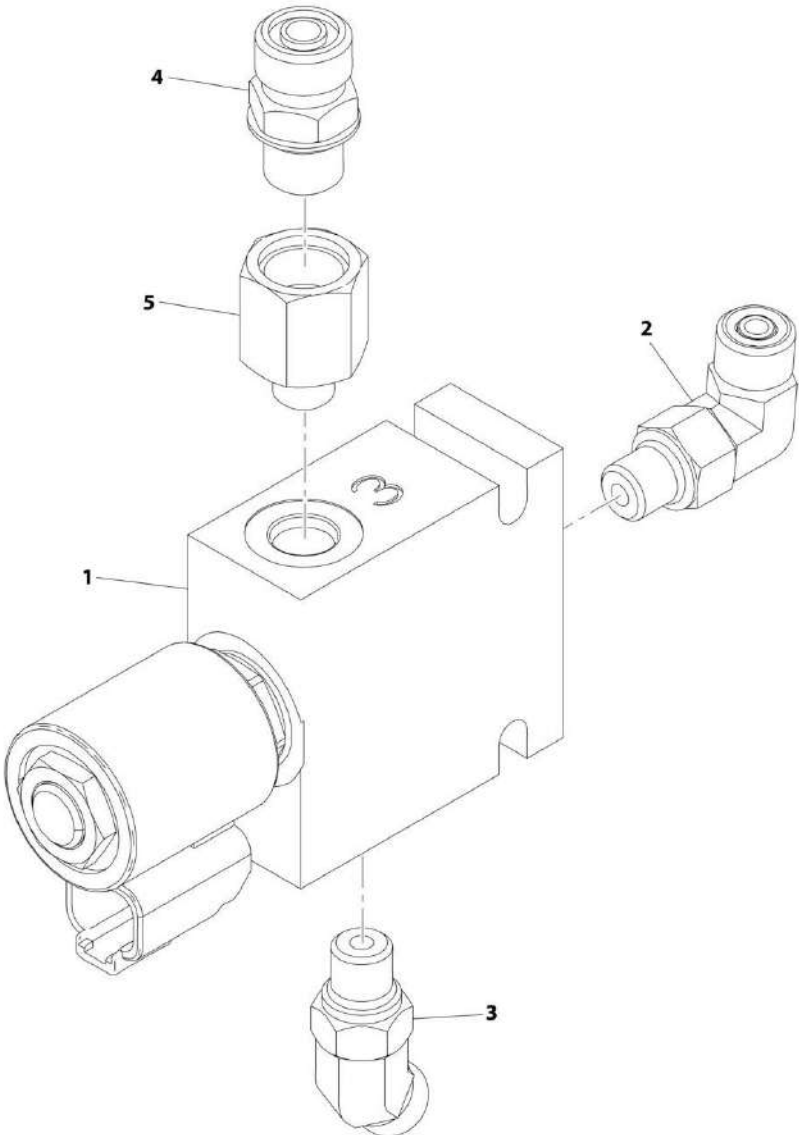
SECTION 7 - CONTROLS

FIGURE 7-6. PARK BRAKE VALVE INSTALLATION (EURO)

ITEM	PART NUMBER	QTY	DESCRIPTION	REV
	1001137602	Ref	Park Brake Valve Installation (Euro)	B
1	1001137998	1	Park Brake Valve Bracket	
2	1001080968	1	Park Brake Valve Assembly (Euro) (See Separate Breakdown this Section)	
3	8303034	8	Screw, 1/4-20X0.75	
4	3271405	4	Hex Locknut, 1/4-20, GR8	

SECTION 7 - CONTROLS

FIGURE 7-7. PARK BRAKE VALVE ASSEMBLY



ART_1001080567-A

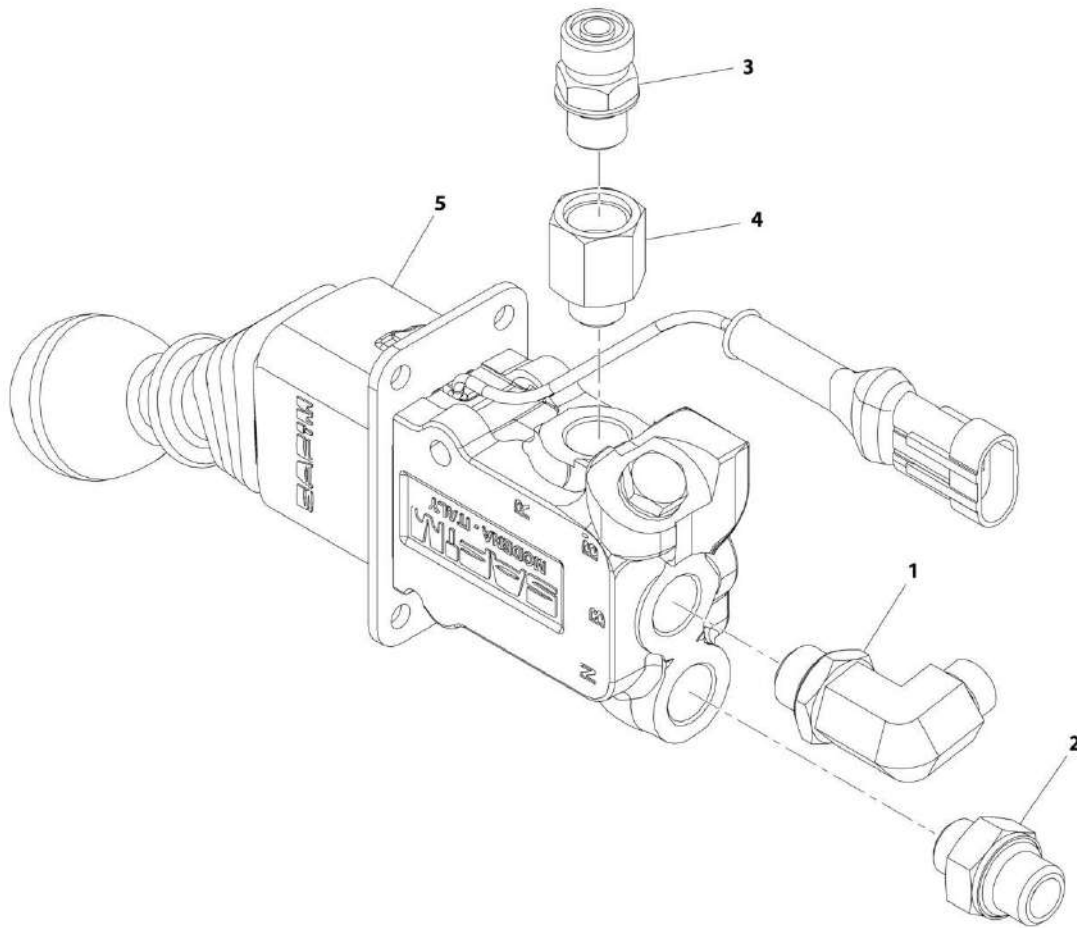
SECTION 7 - CONTROLS

FIGURE 7-7. PARK BRAKE VALVE ASSEMBLY

ITEM	PART NUMBER	QTY	DESCRIPTION	REV
1	1001080567	Ref	Park Brake Valve Assembly	A
	1001080359	1	Valve, Park Brake Release (See Separate Breakdown in Hydraulic Components Section)	
2	2130404	1	Fitting, 90 ORFS	
3	2150404	1	Fitting, 90 ORFS	
4	80333184	1	Fitting, Straight	
5	86561311	1	Fitting, Straight	

SECTION 7 - CONTROLS

FIGURE 7-8. PARK BRAKE VALVE ASSEMBLY (EURO)



ART_1001080968-B

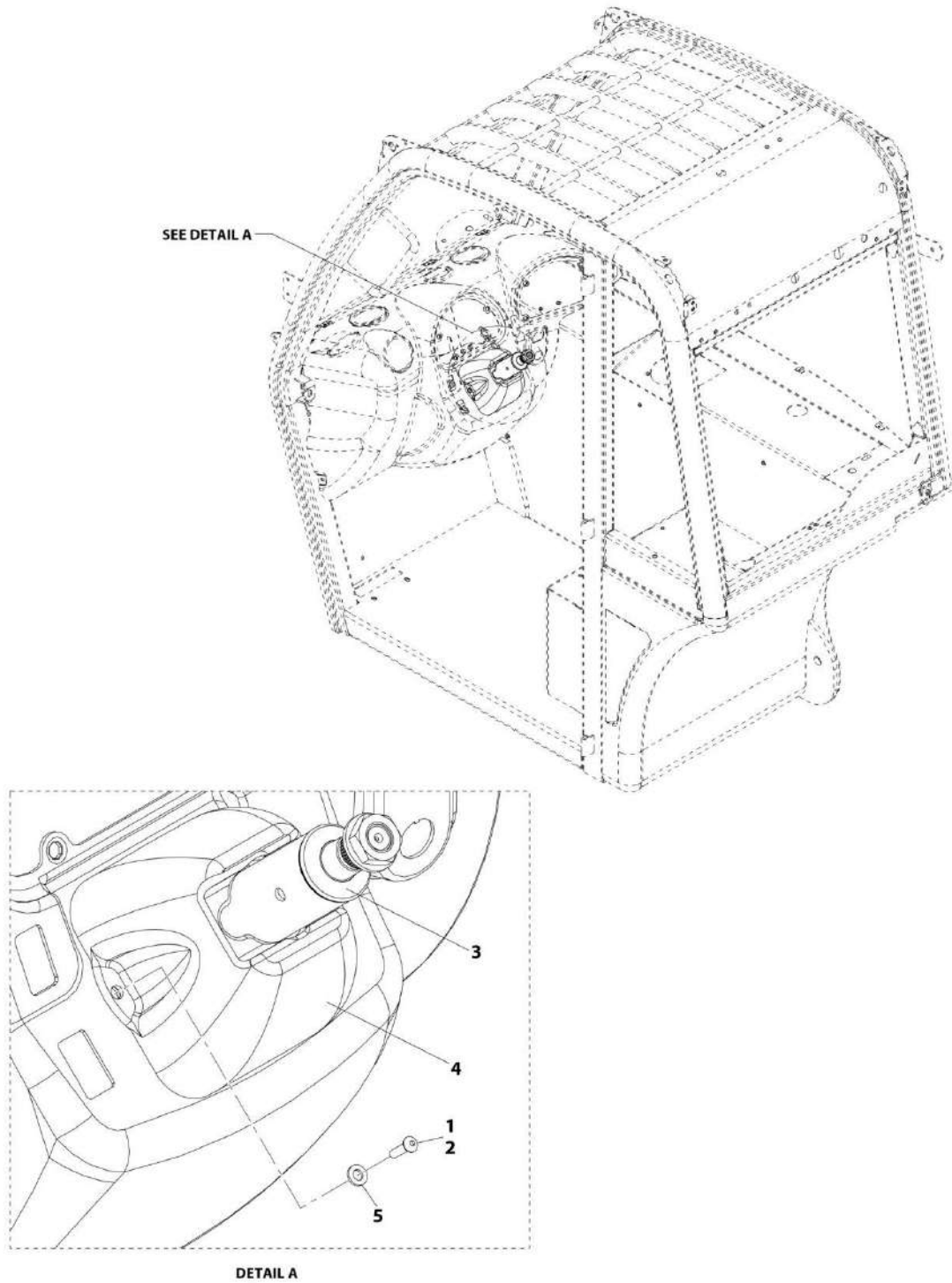
SECTION 7 - CONTROLS

FIGURE 7-8. PARK BRAKE VALVE ASSEMBLY (EURO)

ITEM	PART NUMBER	QTY	DESCRIPTION	REV
	1001080968	Ref	Park Brake Valve Assembly (Euro)	B
1	80233256	1	Elbow, 90	
2	80233257	1	Adapter, Connector	
3	80333184	1	Check Fitting	
4	1001098069	1	Fitting	
5	1001098153	1	Valve, Park Brake Release (Euro) (See Separate Breakdown in Hydraulic Components Section)	

SECTION 7 - CONTROLS

FIGURE 7-9. FIXED STEERING COLUMN INSTALLATION



ART_1001221303-A

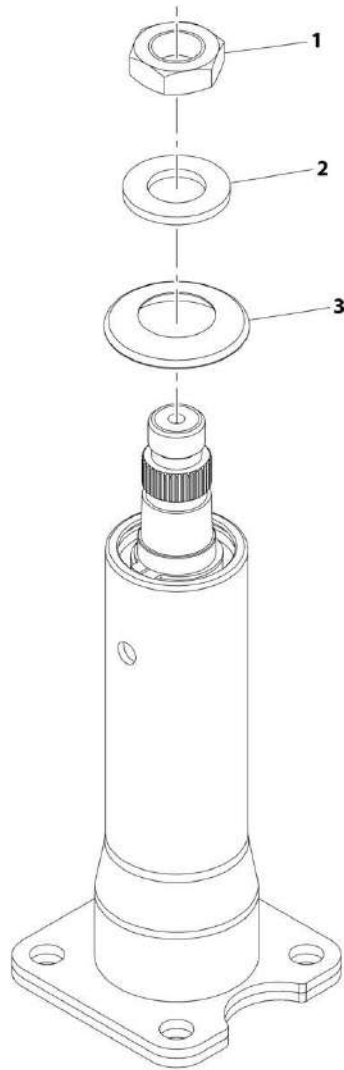
SECTION 7 - CONTROLS

FIGURE 7-9. FIXED STEERING COLUMN INSTALLATION

ITEM	PART NUMBER	QTY	DESCRIPTION	REV
	1001221303	Ref	Fixed Steering Column Installation	A
1	0100035	AR	Loctite 222	
2	0630518	2	Screw	
3	1001081223	1	Fixed Steering Column (See Separate Breakdown in this Section)	
4	1001153629	1	Steering Column Boot	
5	4811700001	2	Washer, M6	

SECTION 7 - CONTROLS

FIGURE 7-10. FIXED STEERING COLUMN



ART_1001081223-D

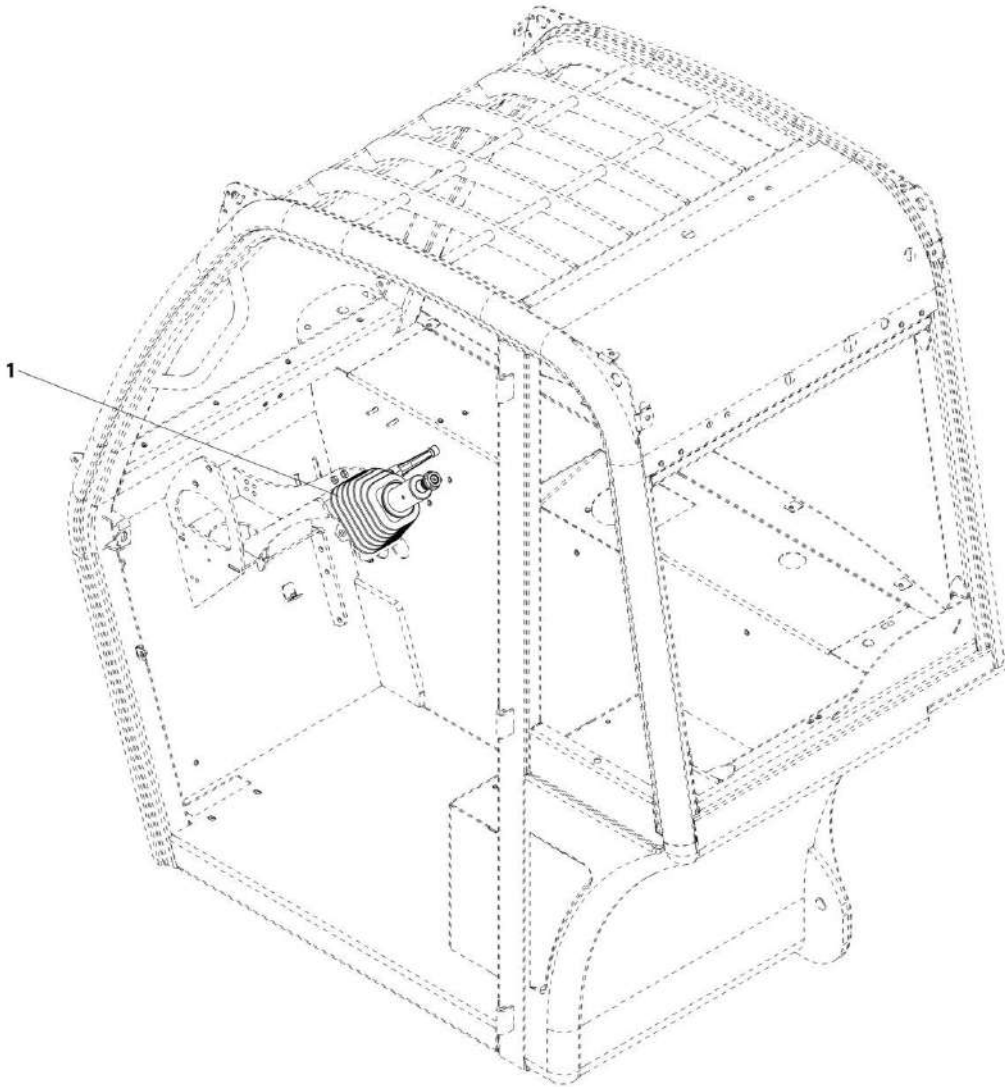
SECTION 7 - CONTROLS

FIGURE 7-10. FIXED STEERING COLUMN

ITEM	PART NUMBER	QTY	DESCRIPTION	REV
	1001081223	Ref	Fixed Steering Column	D
1	70020923	1	Nut, M18X.5	
2	70020924	1	Washer	
3	70020925	1	Rubber Cap	

SECTION 7 - CONTROLS

FIGURE 7-11. TILT STEERING COLUMN INSTALLATION



ART_1001080809-A

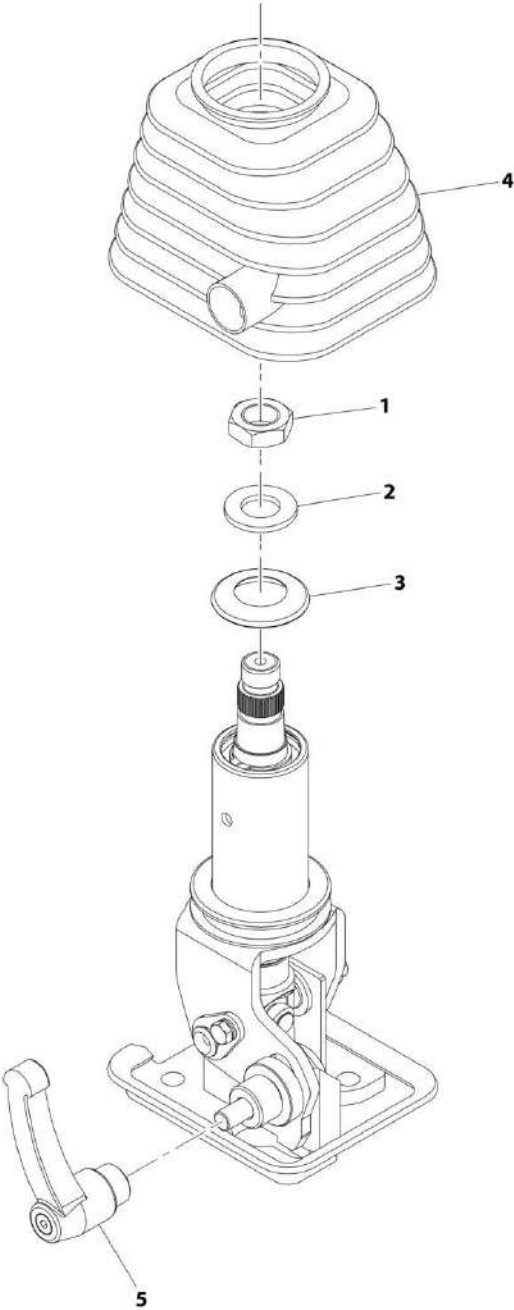
SECTION 7 - CONTROLS

FIGURE 7-11. TILT STEERING COLUMN INSTALLATION

ITEM	PART NUMBER	QTY	DESCRIPTION	REV
1	1001080809	Ref	Tilt Steering Column Installation	A
	1001080826	1	Tilt Steering Column (See Separate Breakdown in this Section)	

SECTION 7 - CONTROLS

FIGURE 7-12. TILT STEERING COLUMN



ART_1001080826-F

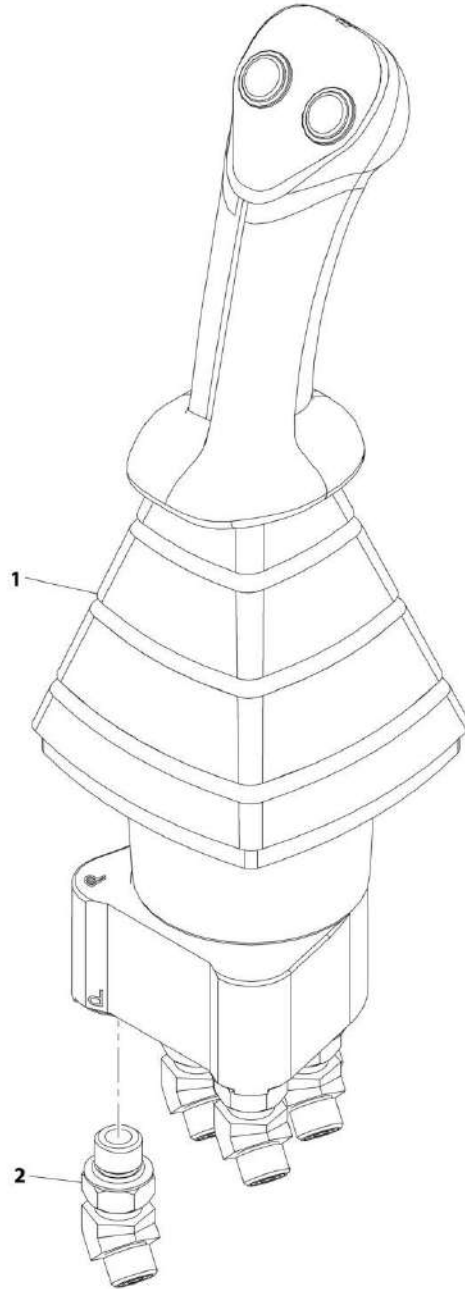
SECTION 7 - CONTROLS

FIGURE 7-12. TILT STEERING COLUMN

ITEM	PART NUMBER	QTY	DESCRIPTION	REV
	1001080826	Ref	Tilt Steering Column	F
1	70020923	1	Nut, M18-1-1/2	
2	70020924	1	Washer	
3	70020925	1	Rubber Cap	
4	70020926	1	Bellows	
5	70020927	1	Locking Handle	

SECTION 7 - CONTROLS

FIGURE 7-13. HYDRAULIC CONTROLLER ASSEMBLY



ART_1001080500-D

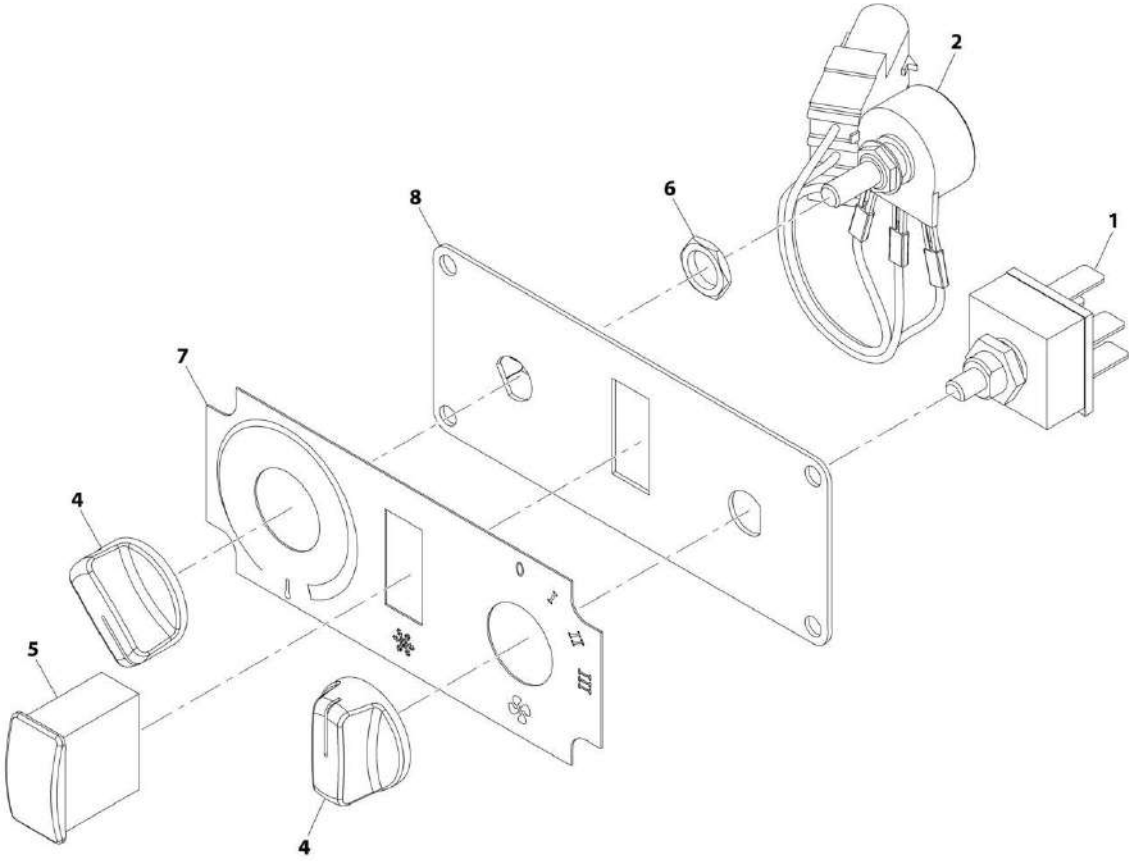
SECTION 7 - CONTROLS

FIGURE 7-13. HYDRAULIC CONTROLLER ASSEMBLY

ITEM	PART NUMBER	QTY	DESCRIPTION	REV
	1001080500	1	Hydraulic Controller Assembly	D
1	1001080256	1	Joystick (See Separate Breakdown in this Section)	
2	2150406	1	Fitting, 45 ORFS	

SECTION 7 - CONTROLS

FIGURE 7-14. HEATER CONTROL SWITCH



ART_1001193945-D

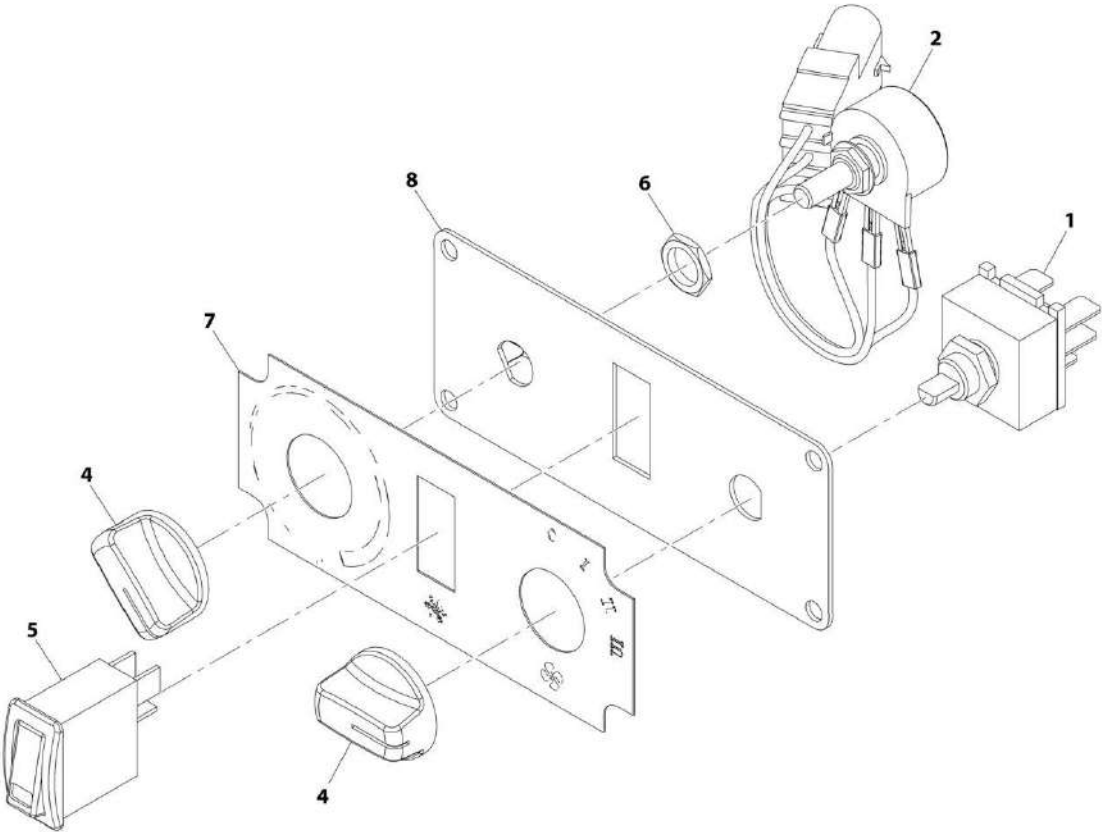
SECTION 7 - CONTROLS

FIGURE 7-14. HEATER CONTROL SWITCH

ITEM	PART NUMBER	QTY	DESCRIPTION	REV
	1001193945	Ref	Heater Control Switch	D
1	1001204362	1	Switch, Blower	
2	1001151643	1	Potentiometer	
4	1001204360	2	Positioning Knob	
5	1001204363	1	Rocker Switch	
6	1001204464	1	Jam Nut	
7	1001204469	1	Decal, Switch Panel	
8	1001204470	1	Plate, Switch Panel	

SECTION 7 - CONTROLS

FIGURE 7-15. HVAC CONTROL SWITCH



ART_1001193501-D

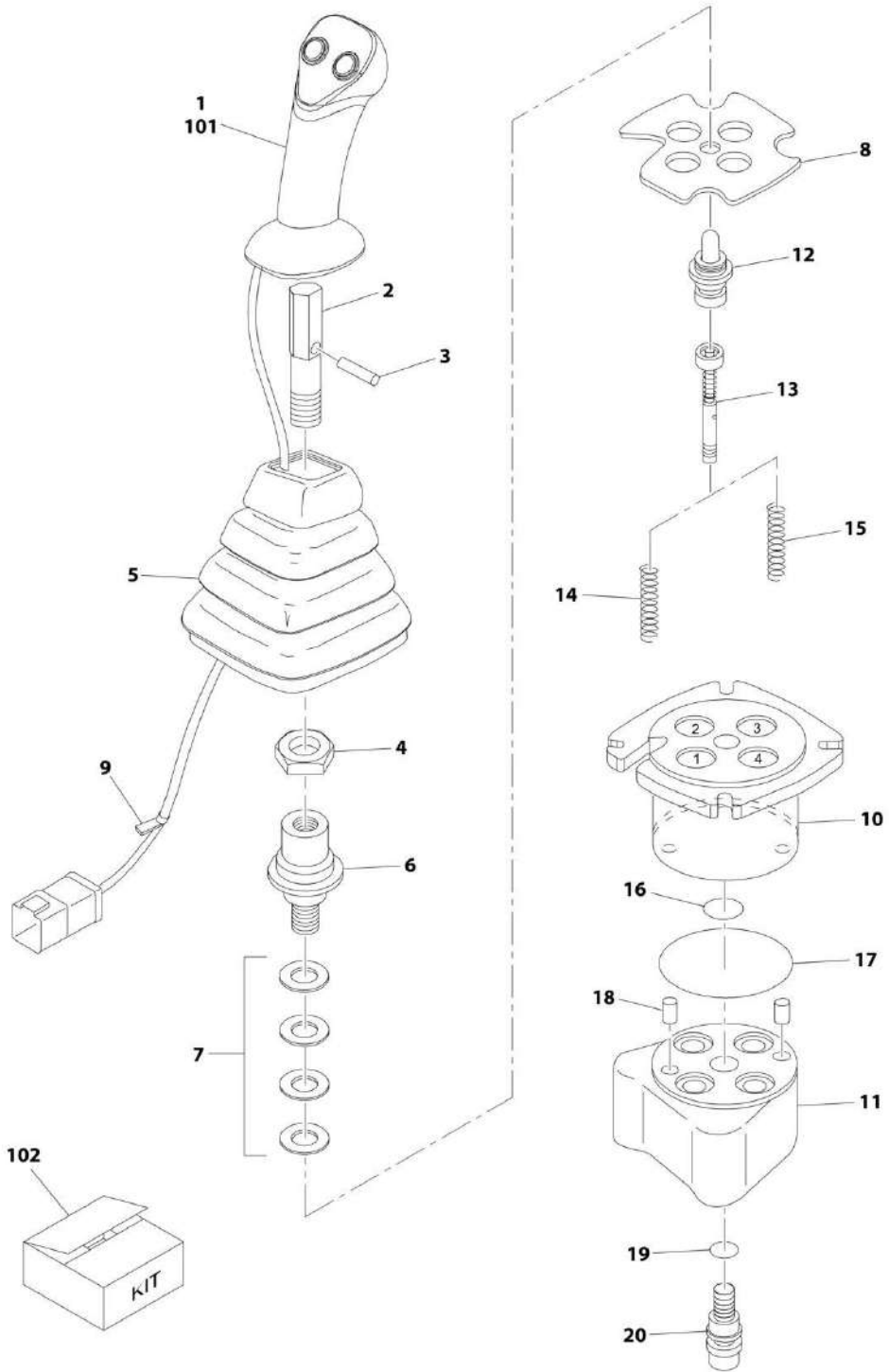
SECTION 7 - CONTROLS

FIGURE 7-15. HVAC CONTROL SWITCH

ITEM	PART NUMBER	QTY	DESCRIPTION	REV
	1001193501	Ref	HVAC Control Switch	D
1	1001204362	1	Switch, Blower	
2	1001151643	1	Potentiometer	
4	1001204360	2	Positioning Knob	
5	1001204385	1	Rocker Switch	
6	1001204464	1	Jam Nut	
7	1001204469	1	Decal, Switch Panel	
8	1001204470	1	Plate, Switch Panel	

SECTION 7 - CONTROLS

FIGURE 7-16. BOOM JOYSTICK



ART_1001080256-D

SECTION 7 - CONTROLS

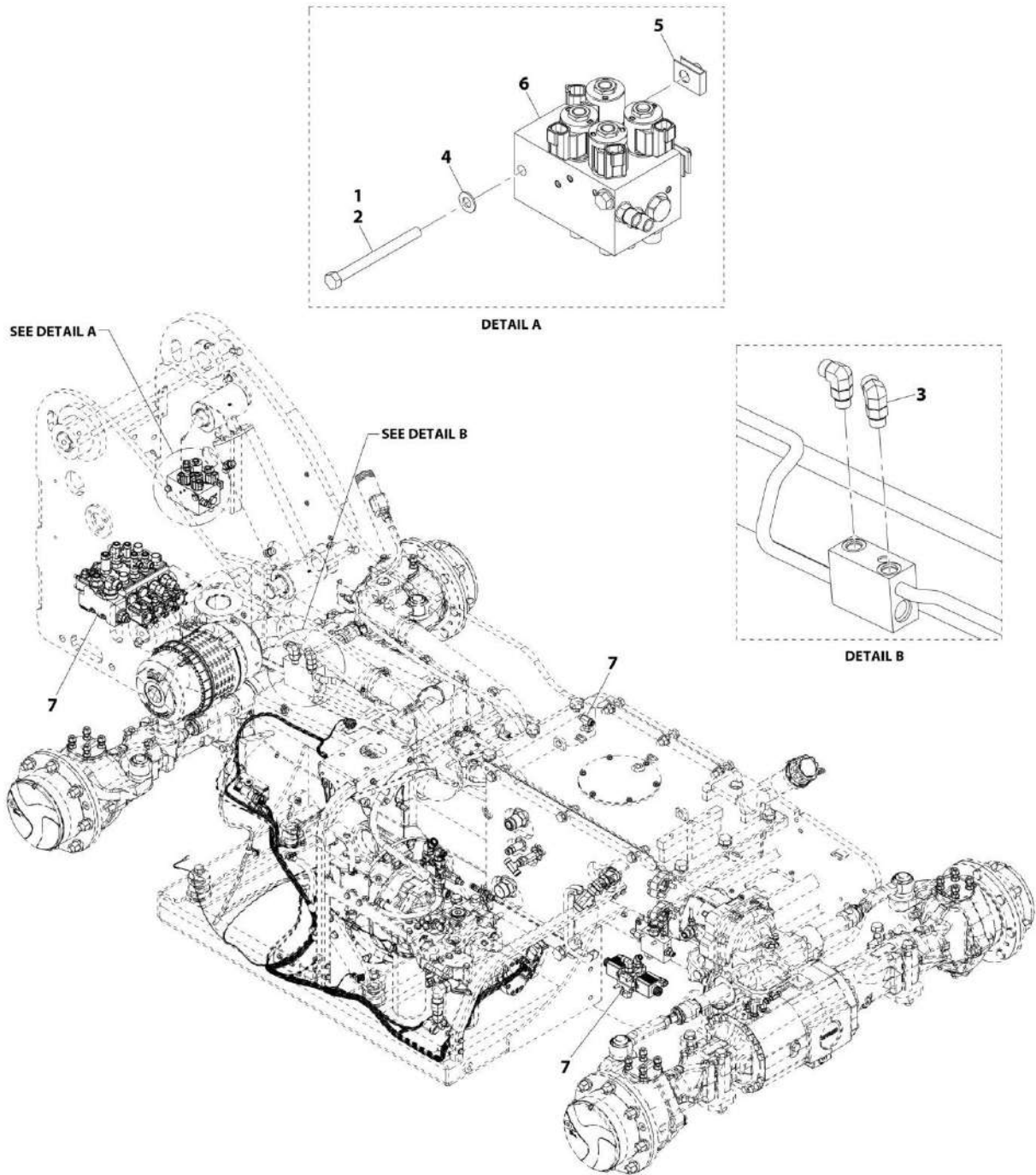
FIGURE 7-16. BOOM JOYSTICK

ITEM	PART NUMBER	QTY	DESCRIPTION	REV
	1001080256	Ref	Boom Joystick	D
1	70020769	1	Handle Assembly	
2	70020770	1	Straight Lever Kit	
3	N.S.S.	1	Straight Lever	
4	N.S.S.	1	Hex Nut	
5	70020771	1	Rubber Boot	
6	80264138	1	Cardan Kit	
7	N.S.S.	AR	Shim	
8	91404013	1	Retaining Plate	
9	80264139	1	Grommet Kit	
10	91404016	1	Upper Body	
11	N.S.S.	1	Lower Body	
12	91304025	2	Plunger And Guide Kit	
13	91514224	4	Regulating Unit	
14	91504028	1	Return Spring	
15	91504029	1	Return Spring	
16	Kit	1	O-Ring	
17	Kit	1	O-Ring	
18	Kit	2	Dowel Pin	
19	Kit	1	O-Ring	
20	Kit	1	Screw Assembly	
101	3931412	4	Socket HD Screw, 1/4-20X3/4	
102	91404326	1	Seal Kit, (Includes Items 16 Thru 20)	

SECTION 8 - HYDRAULIC CIRCUITS

SECTION 8 - HYDRAULIC CIRCUITS

FIGURE 8-1. VALVE INSTALLATION (ANSI)



ART_1001190784-D

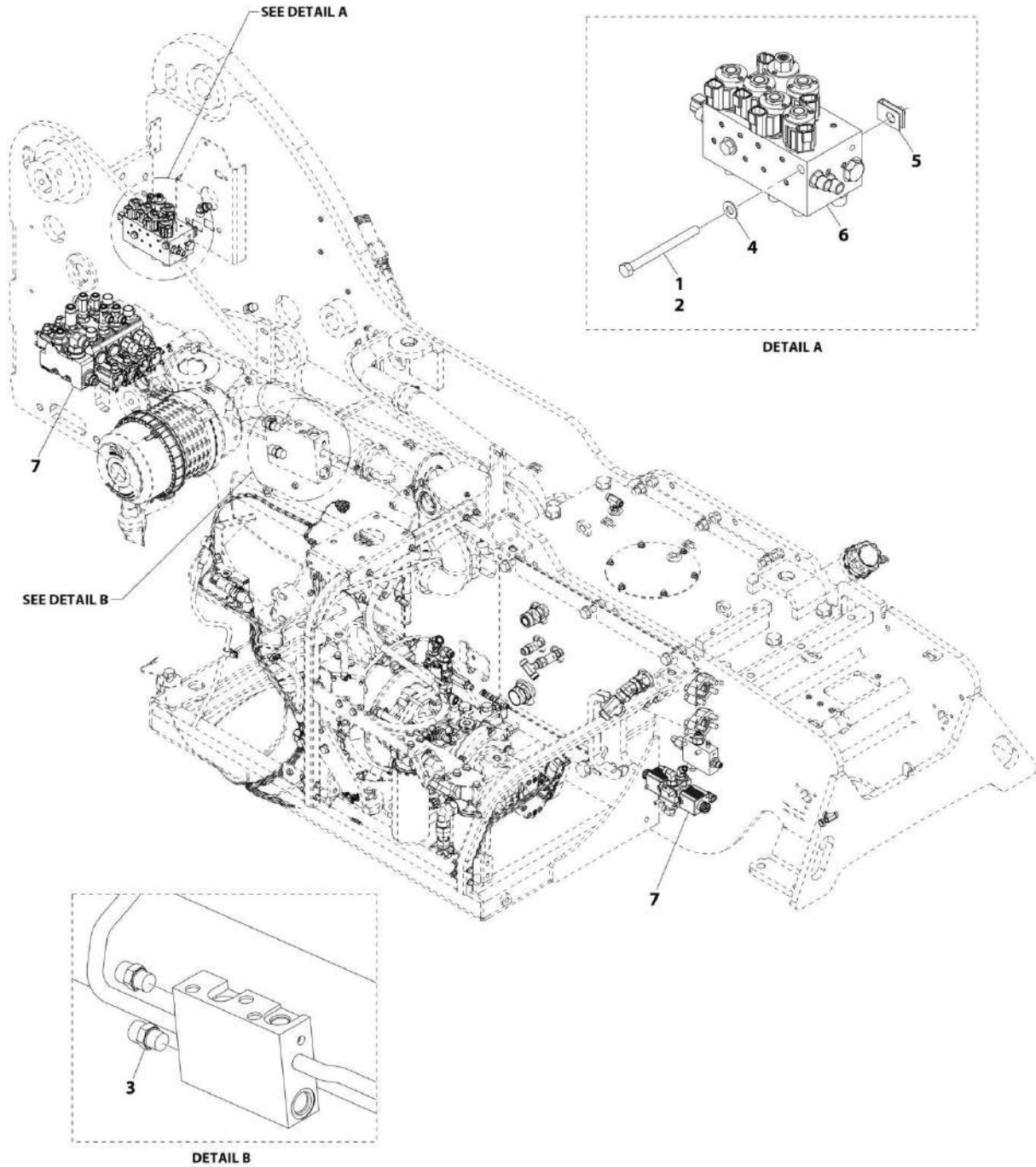
SECTION 8 - HYDRAULIC CIRCUITS

FIGURE 8-1. VALVE INSTALLATION (ANSI)

ITEM	PART NUMBER	QTY	DESCRIPTION	REV
	1001190784	Ref	Valve Installation (ANSI)	D
1	0100011	AR	Loctite 242	
2	0641634	2	Hex HD Capscrew, 3/8-16X4-1/4, GR5	
3	2131010	2	Elbow, 90	
4	4711600	2	Washer, 3/8	
5	88662523	2	Tinnerman Nut	
6	1001131099	1	Assembly, Pilot Select Valve (ANSI) (See Separate Breakdown in this Section)	
7	1001190692	1	Installation, Hydraulic Valve (See Separate Breakdown in this Section)	

SECTION 8 - HYDRAULIC CIRCUITS

FIGURE 8-2. VALVE INSTALLATION (CE)



ART_1001190694-D

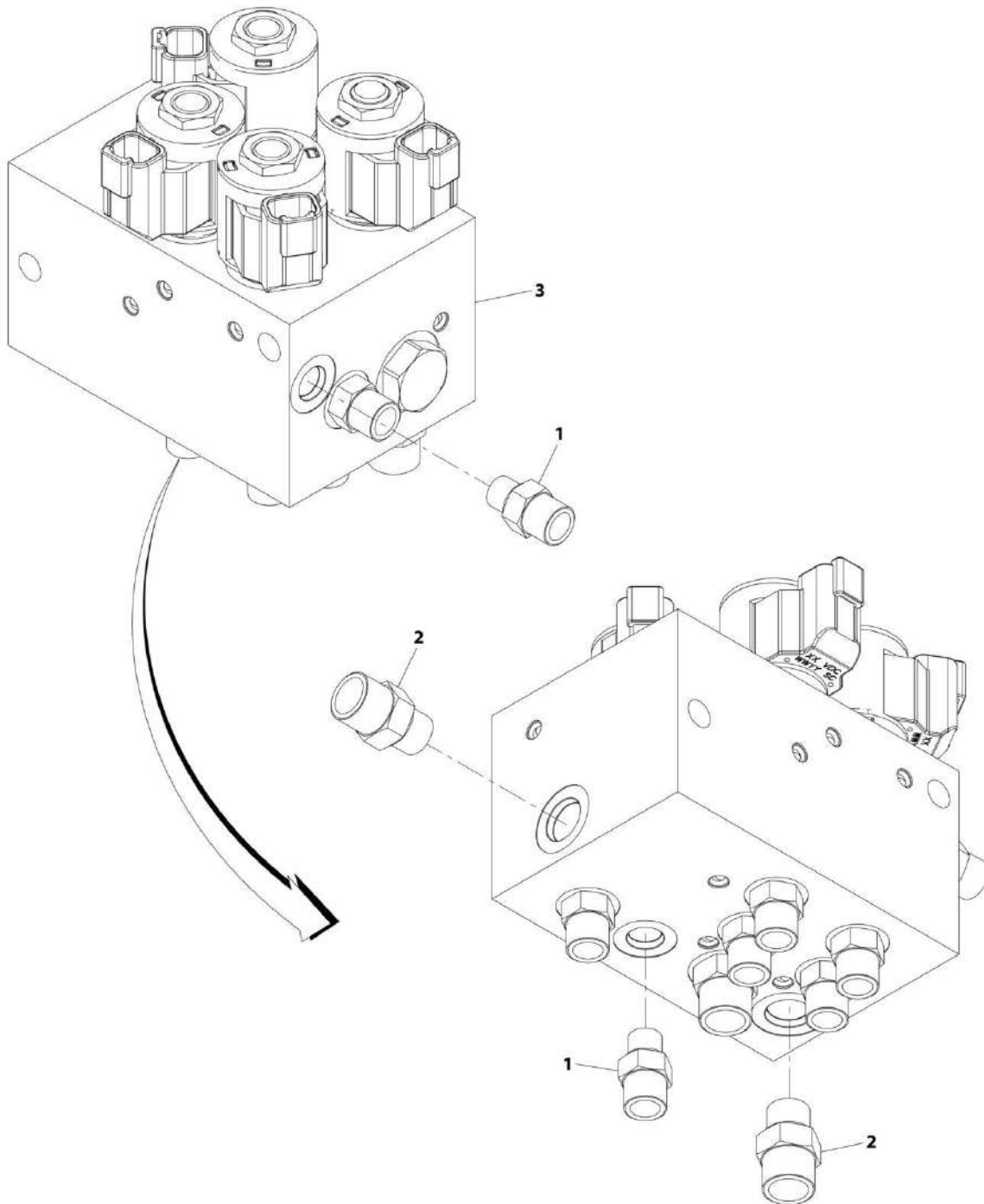
SECTION 8 - HYDRAULIC CIRCUITS

FIGURE 8-2. VALVE INSTALLATION (CE)

ITEM	PART NUMBER	QTY	DESCRIPTION	REV
	1001190694	Ref	Valve Installation (CE)	D
1	0100011	AR	Loctite 242	
2	0641634	2	Hex HD Capscrew, 3/8-16X4-1/4, GR5	
3	2111010	2	Adapter	
4	4711600	2	Washer, 3/8	
5	88662523	2	Tinnerman Nut	
6	1001131098	1	Assembly, Pilot Select Valve (CE) (See Separate Breakdown in this Section)	
7	1001190692	1	Installation, Hydraulic Valve (See Separate Breakdown in this Section)	

SECTION 8 - HYDRAULIC CIRCUITS

FIGURE 8-3. PILOT SELECT VALVE ASSEMBLY (ANSI)



ART_1001131099-A

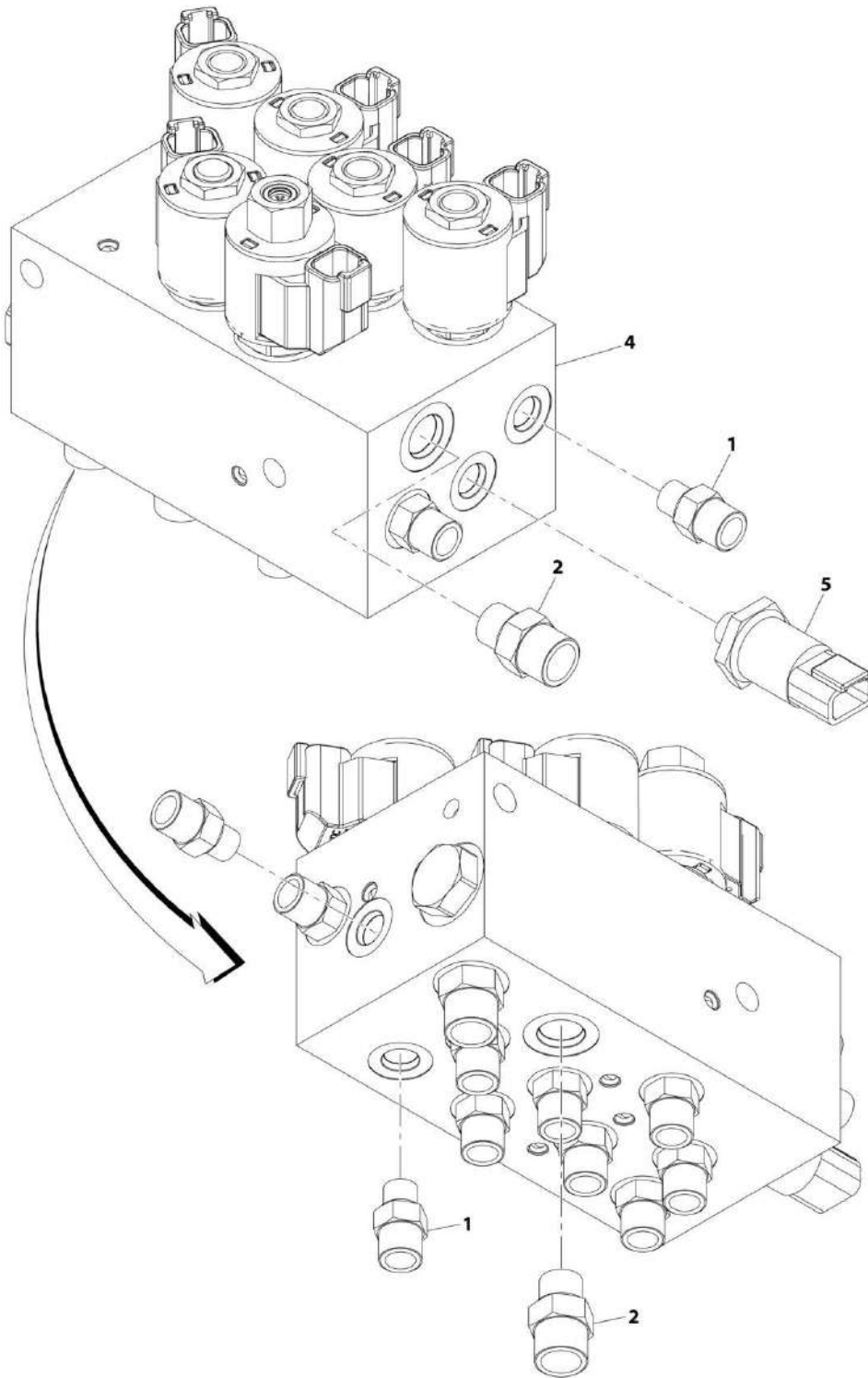
SECTION 8 - HYDRAULIC CIRCUITS

FIGURE 8-3. PILOT SELECT VALVE ASSEMBLY (ANSI)

ITEM	PART NUMBER	QTY	DESCRIPTION	REV
	1001131099	Ref	Pilot Select Valve Assembly (ANSI)	A
1	2110404	8	Adapter, Connector	
2	2110606	3	Adapter, Connector	
3	1001130178	1	Pilot Select Valve (ANSI) (See Separate Breakdown in this Section)	

SECTION 8 - HYDRAULIC CIRCUITS

FIGURE 8-4. PILOT SELECT VALVE ASSEMBLY (CE)



ART_1001131098-B

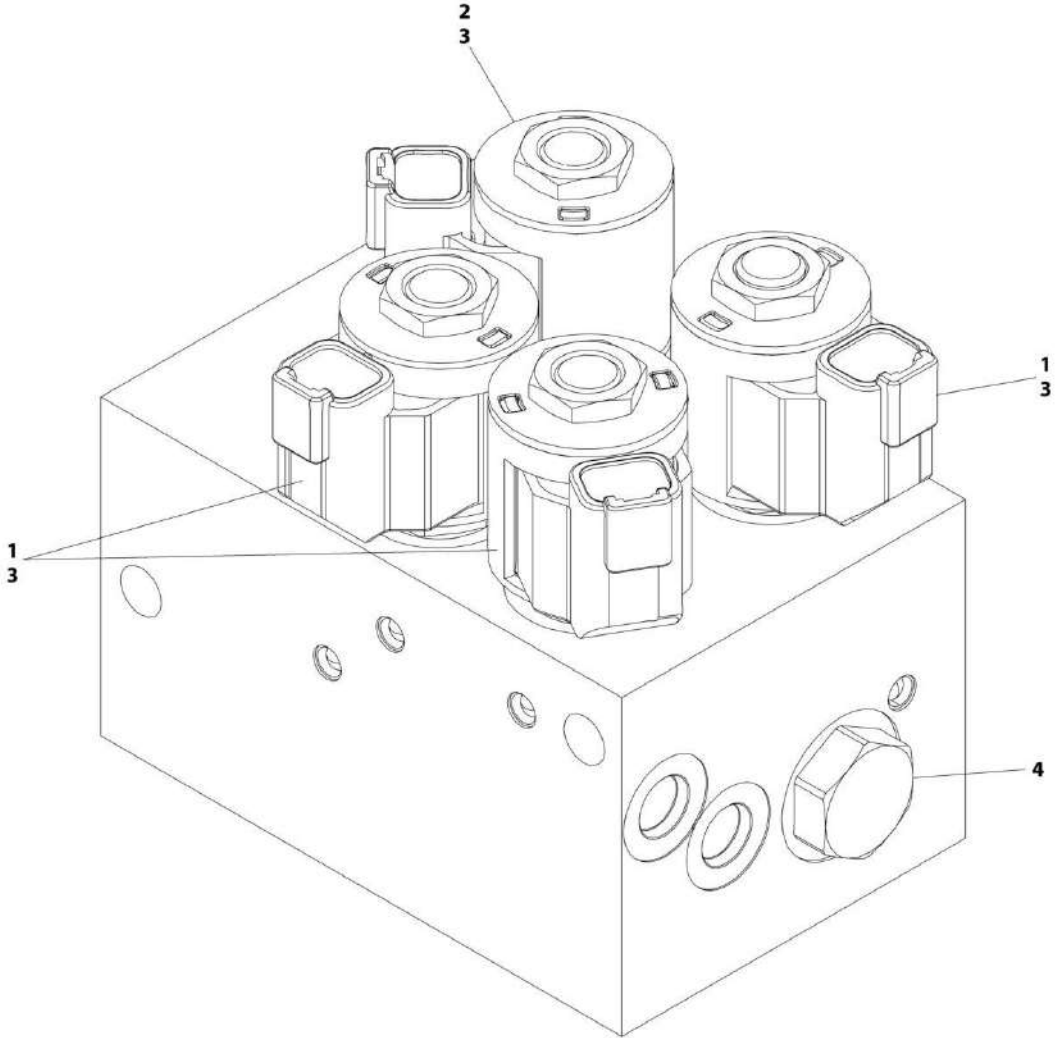
SECTION 8 - HYDRAULIC CIRCUITS

FIGURE 8-4. PILOT SELECT VALVE ASSEMBLY (CE)

ITEM	PART NUMBER	QTY	DESCRIPTION	REV
	1001131098	Ref	Pilot Select Valve Assembly (CE)	B
1	2110404	12	Straight Fitting	
2	2110606	3	Straight Fitting	
4	1001132342	1	Valve, Pilot Select (CE) (See Separate Breakdown in this Section)	
5	1001132795	1	Pressure Sensor	

SECTION 8 - HYDRAULIC CIRCUITS

FIGURE 8-5. PILOT SELECT VALVE (ANSI)



ART_1001130178-A

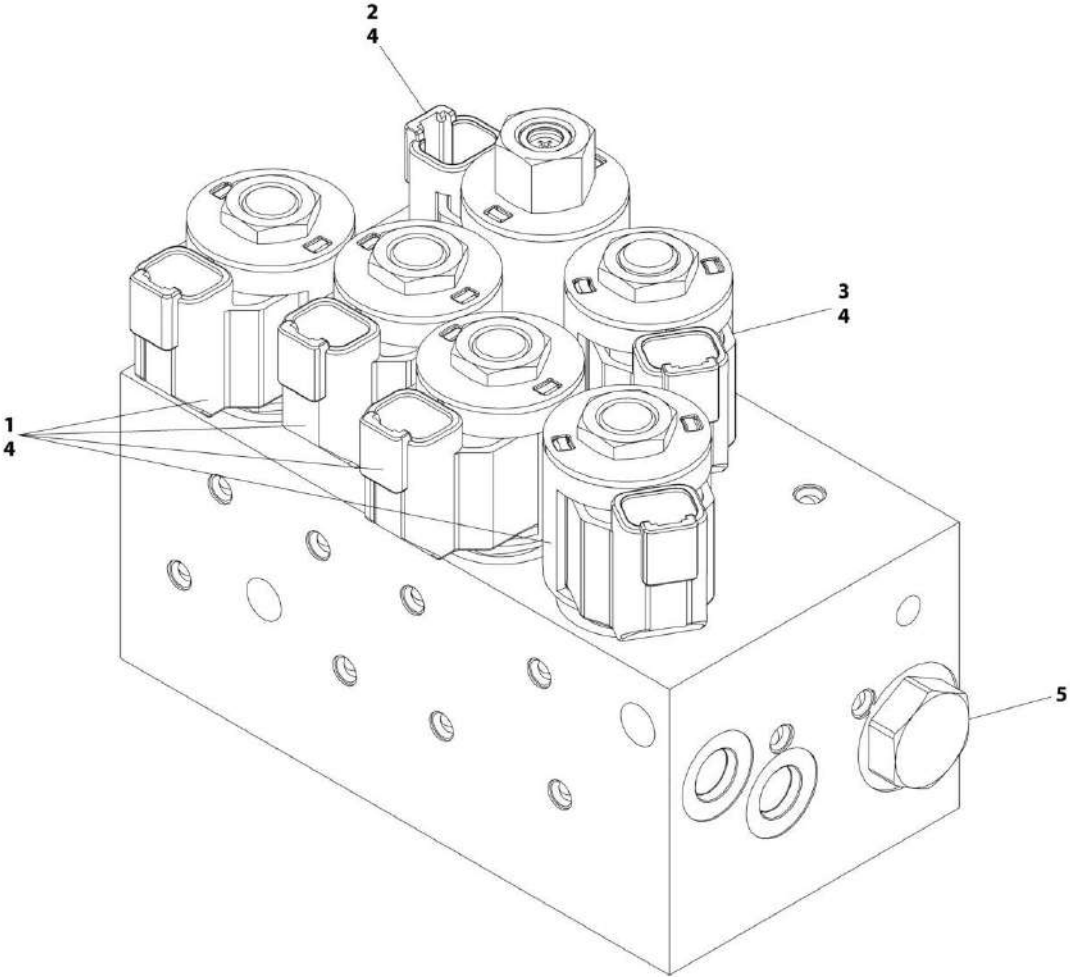
SECTION 8 - HYDRAULIC CIRCUITS

FIGURE 8-5. PILOT SELECT VALVE (ANSI)

ITEM	PART NUMBER	QTY	DESCRIPTION	REV
	1001130178	Ref	Pilot Select Valve (ANSI)	A
1	1101244	3	Directional Valve	
1	8033761	3	Seal Kit	
2	70023946	1	Directional Valve	
3	70002386	4	Coil	
4	10837580	1	Load Sense Check Valve	
4	7010543	1	Seal Kit	

SECTION 8 - HYDRAULIC CIRCUITS

FIGURE 8-6. PILOT SELECT VALVE (CE)



ART_1001132342-A

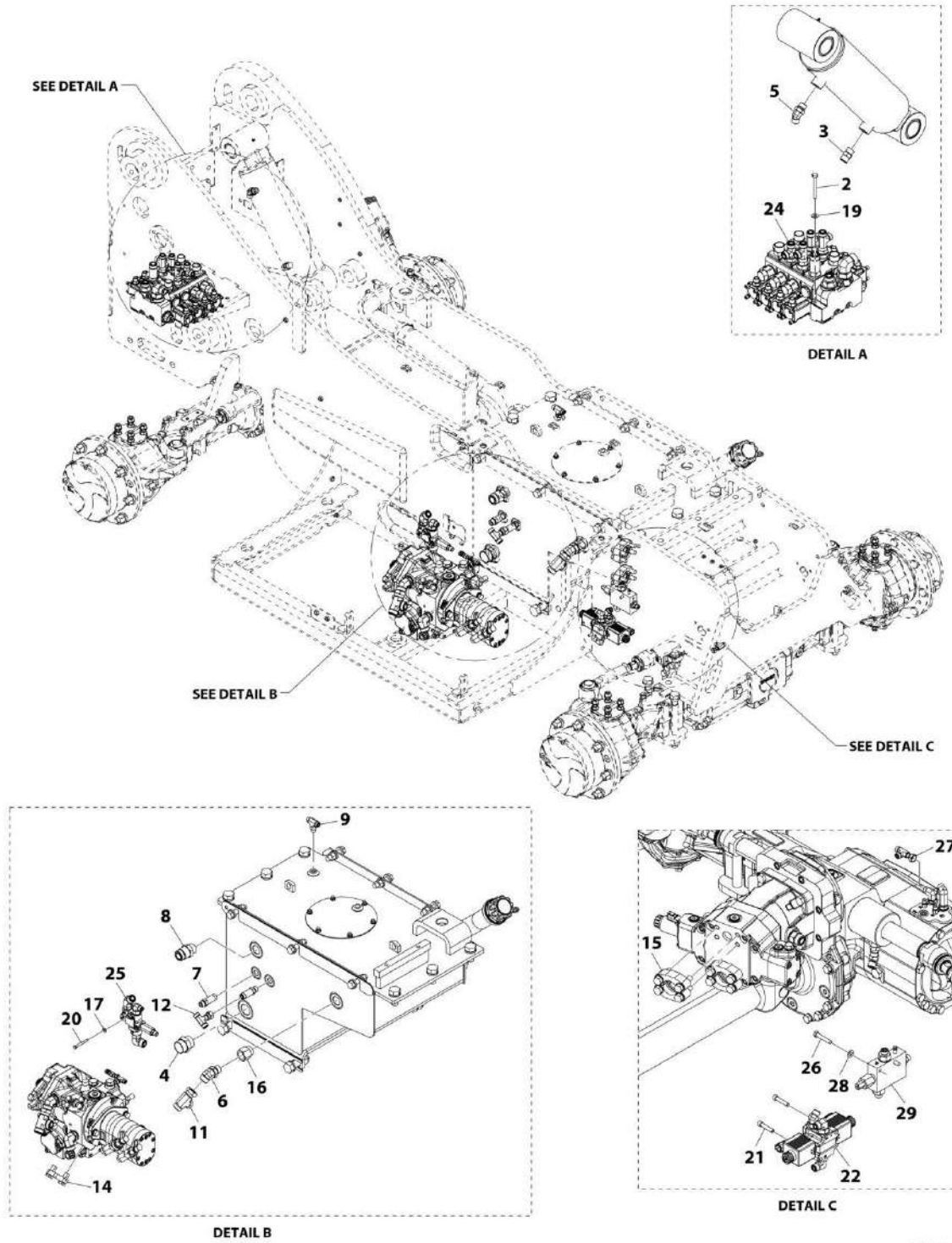
SECTION 8 - HYDRAULIC CIRCUITS

FIGURE 8-6. PILOT SELECT VALVE (CE)

ITEM	PART NUMBER	QTY	DESCRIPTION	REV
	1001132342	Ref	Pilot Select Valve (CE)	A
1	1101244	4	Directional Valve	
1	8033761	4	Seal Kit	
2	70023945	1	Proportional Valve	
3	70023946	1	Directional Valve	
4	70002386	6	Coil	
5	10837580	1	Load Sense Check Valve	
5	7010543	1	Seal Kit	
6	70002064	1	Orifice, 0.047 In	

SECTION 8 - HYDRAULIC CIRCUITS

FIGURE 8-7. HYDRAULIC VALVE INSTALLATION



ART_1001190692-D

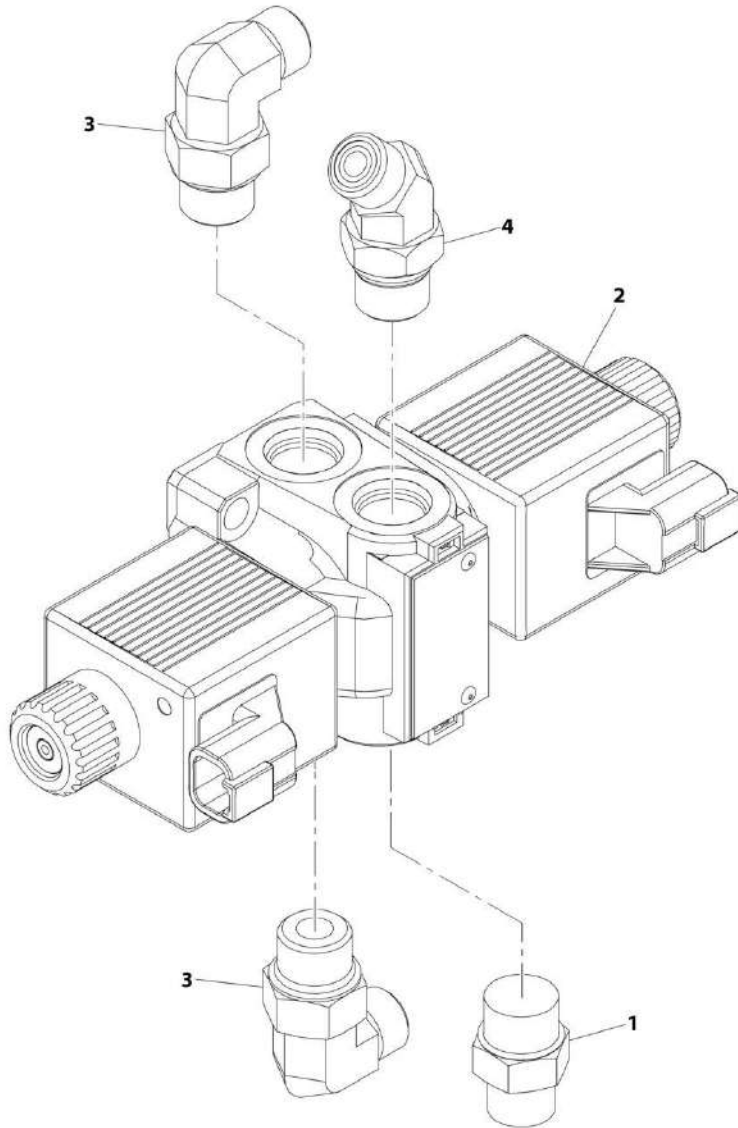
SECTION 8 - HYDRAULIC CIRCUITS

FIGURE 8-7. HYDRAULIC VALVE INSTALLATION

ITEM	PART NUMBER	QTY	DESCRIPTION	REV
	1001190692	Ref	Hydraulic Valve Installation	D
2	0641522	3	Hex HD Capscrew, 5/16-18X2-3/4, GR5	
3	2110808	1	Adapter	
4	2112020	1	Adapter	
5	2150808	1	Adapter	
6	2151212	1	Adapter, 45	
7	2170108	2	Adapter, Connector	
8	1001208854	1	Adapter, Connector	
9	2170406	1	Adapter, Run Tee	
11	2170712	1	Adapter, Run Tee	
12	2170808	1	Adapter, Branch Tee	
14	2171712	2	Flange Kit	
15	2171716	2	Flange Kit	
16	2220550	1	Adapter, Connector	
17	4711400	1	Washer, 1/4	
19	4891500	3	Washer, 5/16	
20	8303114	1	Hex HD Capscrew, 0.250-20X2.250, GR5	
21	88212229	2	Socket Hd Capscrew, 5/16-18X1-1/2	
22	1001080243	1	Assembly, Steering Select Valve (See Separate Breakdown in this Section)	
24	1001132338	1	Assembly, Main Control Valve (See Separate Breakdown in this Section)	
25	1001142155	1	Assembly, Priority Valve (See Separate Breakdown in this Section)	
26	0641514	2	Hex HD Capscrew, 5/16-18X1-3/4, GR5	
27	2170704	1	Swivel Tee	
28	4711500	2	Washer, 5/16	
29	1001080399	1	Assembly, Brake Valve (See Separate Breakdown in this Section)	

SECTION 8 - HYDRAULIC CIRCUITS

FIGURE 8-8. STEERING SELECT VALVE ASSEMBLY



ART_1001080243-F

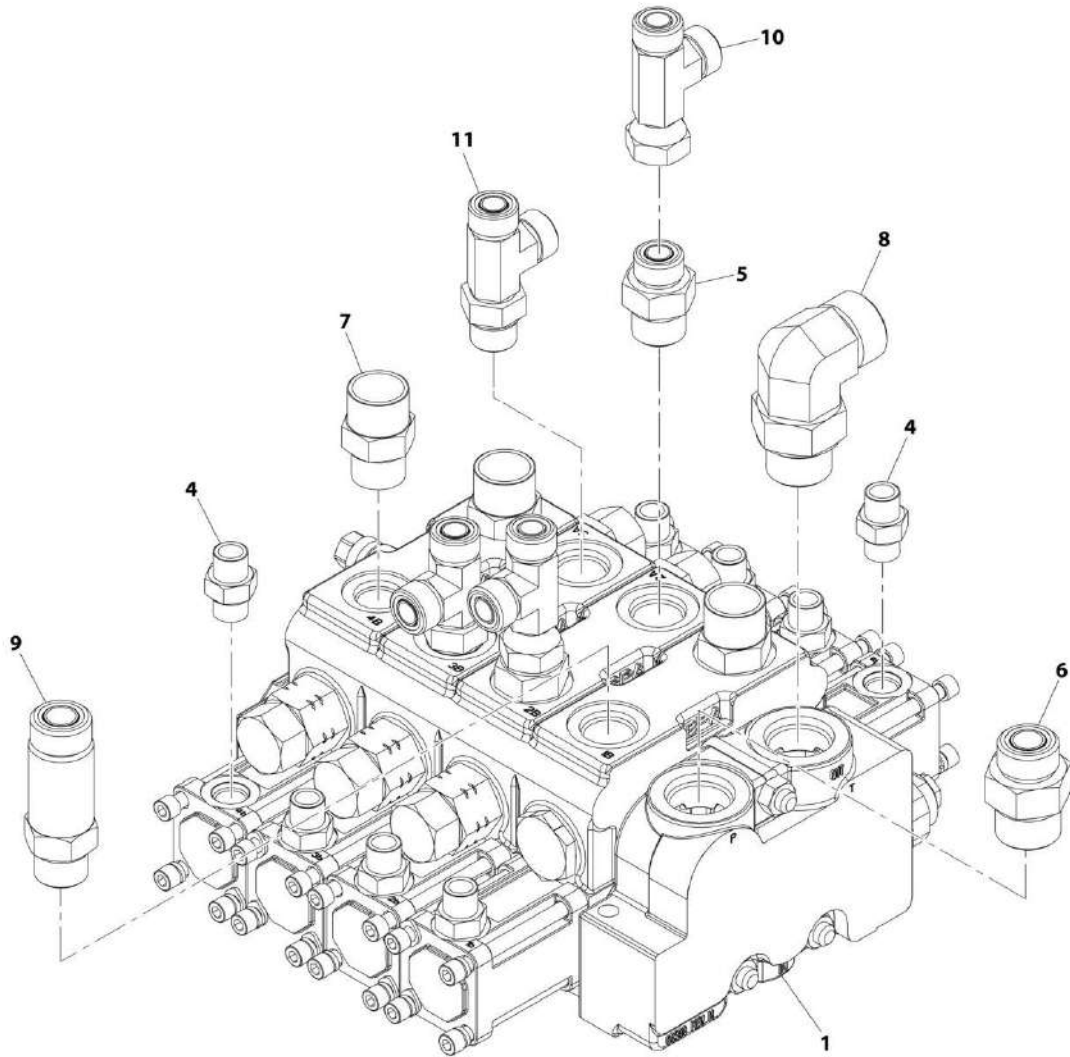
SECTION 8 - HYDRAULIC CIRCUITS

FIGURE 8-8. STEERING SELECT VALVE ASSEMBLY

ITEM	PART NUMBER	QTY	DESCRIPTION	REV
	1001080243	Ref	Steering Select Valve Assembly	F
1	2110608	1	Adapter	
2	1001153748	1	Steering Select Valve (See Separate Breakdown in Hydraulic Component Section)	
3	2130608	2	Adapter, 90	
4	2150608	1	Adapter, 45	

SECTION 8 - HYDRAULIC CIRCUITS

FIGURE 8-9. MAIN CONTROL VALVE ASSEMBLY



ART_1001132338-D

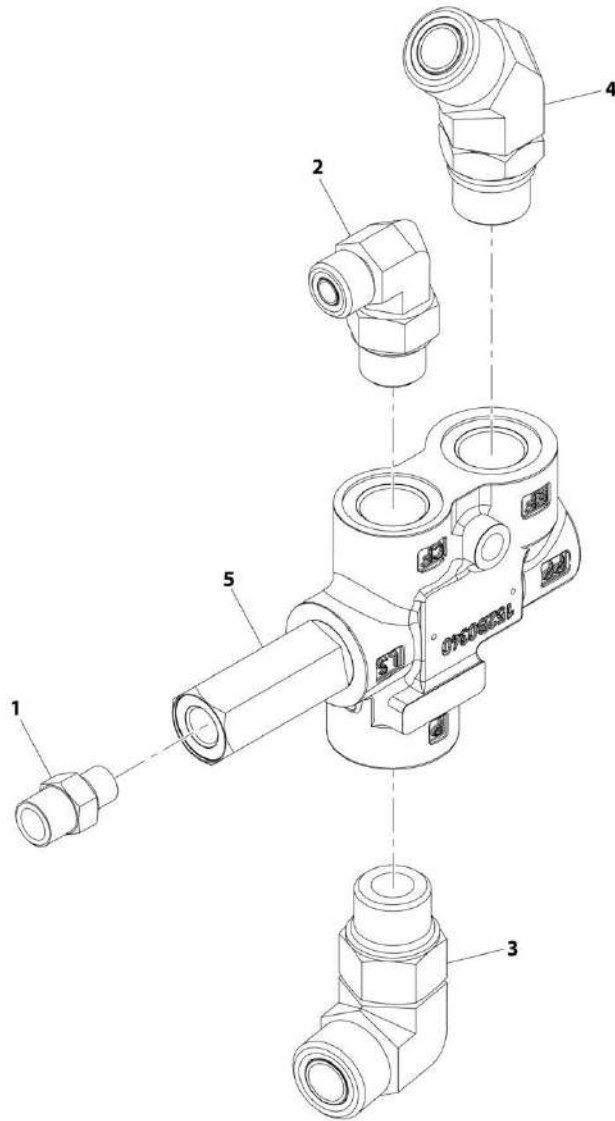
SECTION 8 - HYDRAULIC CIRCUITS

FIGURE 8-9. MAIN CONTROL VALVE ASSEMBLY

ITEM	PART NUMBER	QTY	DESCRIPTION	REV
	1001132338	Ref	Main Control Valve Assembly	D
1	1001080176	1	Valve, Main Control (W/Aux) (See Separate Breakdown in Hydraulic Component Section)	
4	2110406	8	Straight Fitting	
5	2110810	2	Adapter	
6	2111012	1	Adapter, Connector	
7	2111010	3	Adapter	
8	2131212	1	Adapter, 90	
9	2170110	1	Straight Fitting	
10	2170708	2	Swivel Tee	
11	2170308	2	Tee Fitting	

SECTION 8 - HYDRAULIC CIRCUITS

FIGURE 8-10. PRIORITY VALVE ASSEMBLY



ART_1001142155-A

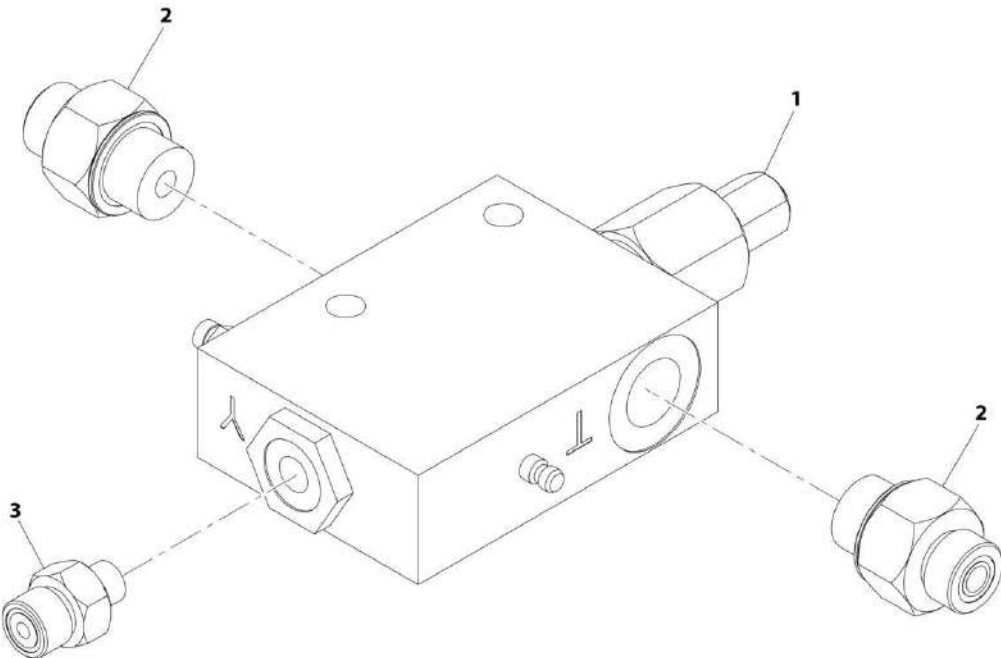
SECTION 8 - HYDRAULIC CIRCUITS

FIGURE 8-10. PRIORITY VALVE ASSEMBLY

ITEM	PART NUMBER	QTY	DESCRIPTION	REV
	1001142155	Ref	Priority Valve Assembly	A
1	2110404	1	Adapter, Connector	
2	2130608	1	Adapter, 90	
3	2131010	1	Adapter, 90	
4	2151010	1	Adapter, 45	
5	1001080143	1	Priority Valve	

SECTION 8 - HYDRAULIC CIRCUITS

FIGURE 8-11. BRAKE VALVE ASSEMBLY



ART_1001080399-D

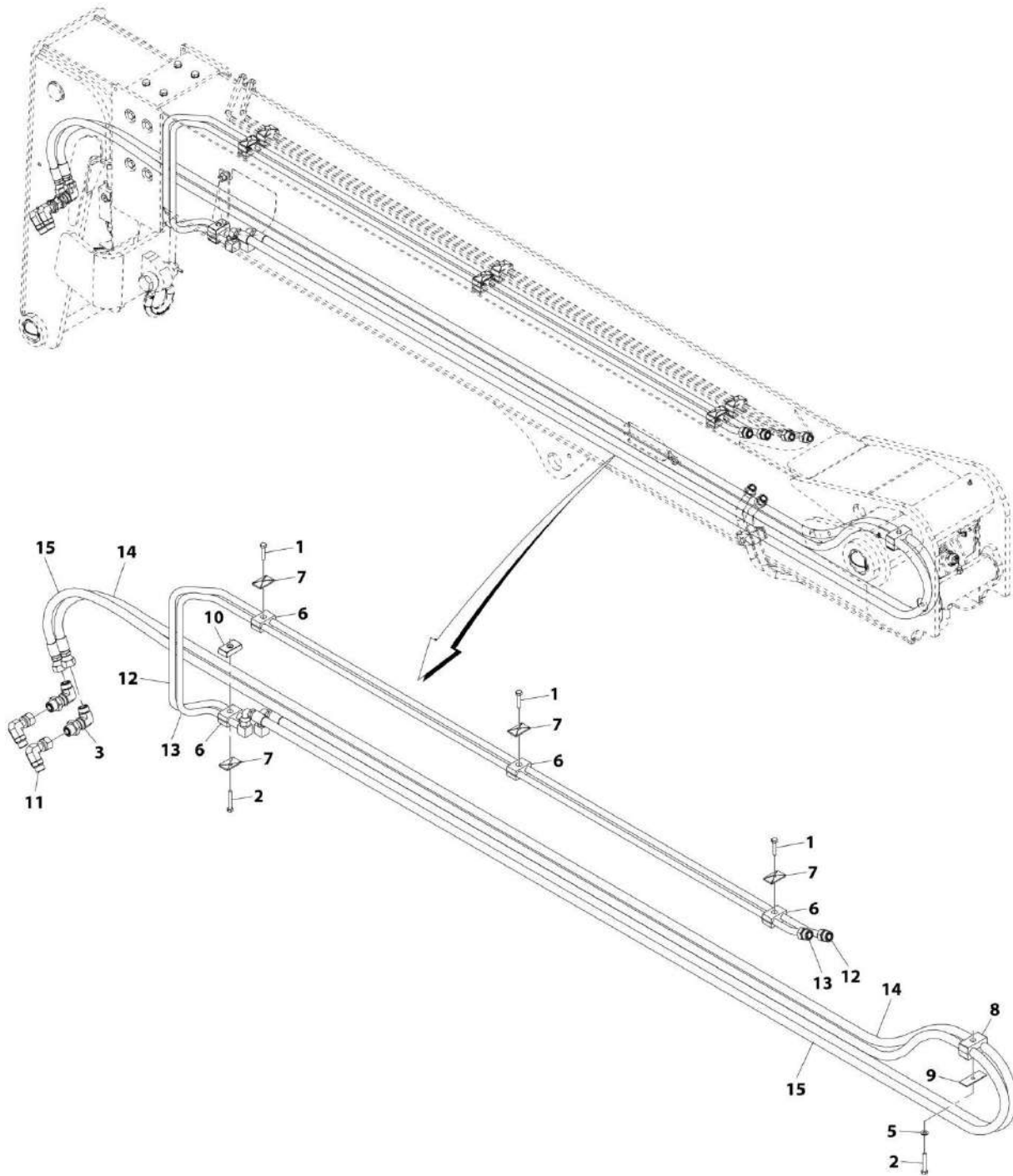
SECTION 8 - HYDRAULIC CIRCUITS

FIGURE 8-11. BRAKE VALVE ASSEMBLY

ITEM	PART NUMBER	QTY	DESCRIPTION	REV
	1001080399	Ref	Brake Valve Assembly	D
1	4641474	1	Brake Valve	
2	1001081333	2	Fitting	
3	1001081334	1	Fitting	

SECTION 8 - HYDRAULIC CIRCUITS

FIGURE 8-12. BOOM HYDRAULIC INSTALLATION



ART_1001237192-B

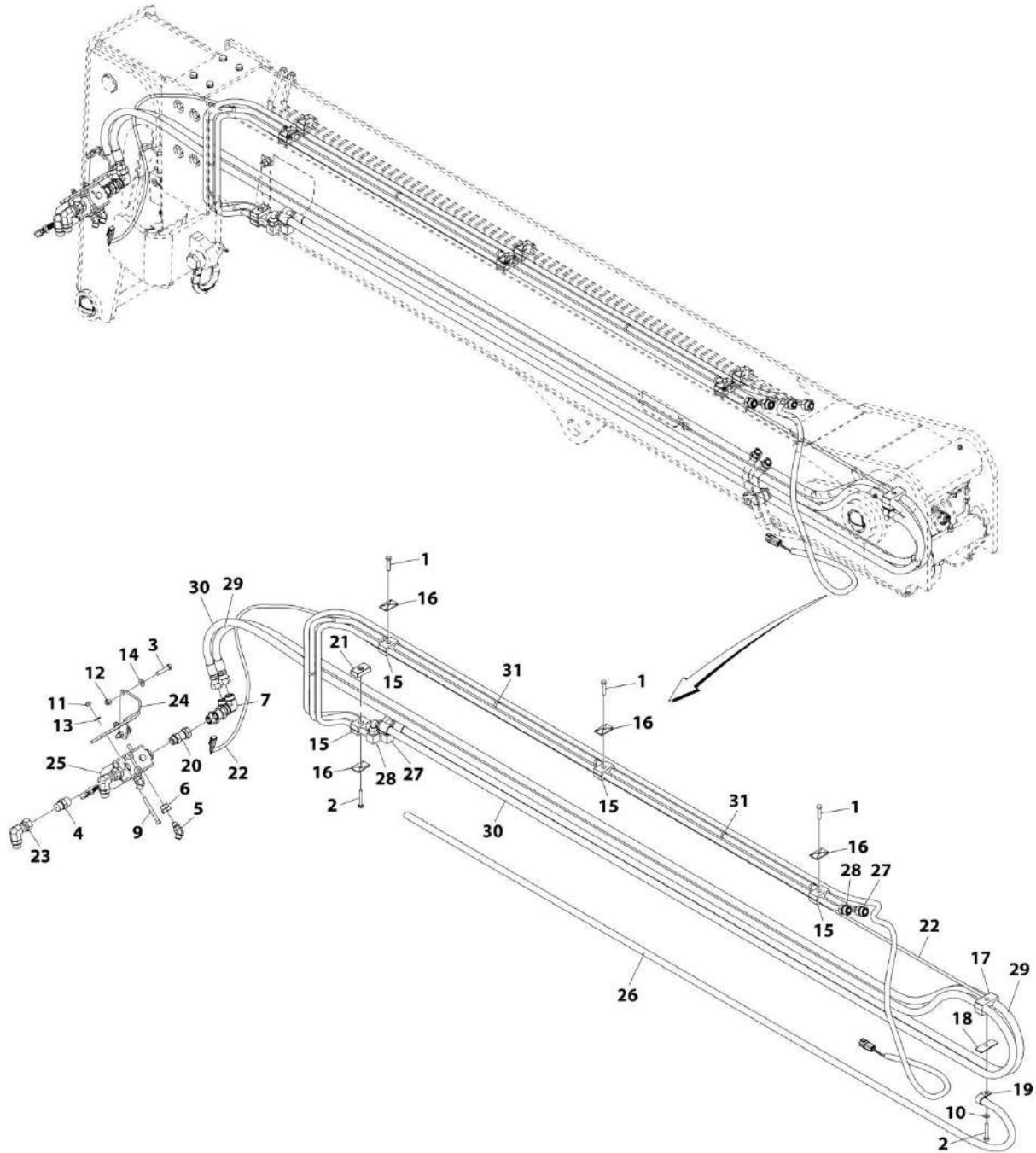
SECTION 8 - HYDRAULIC CIRCUITS

FIGURE 8-12. BOOM HYDRAULIC INSTALLATION

ITEM	PART NUMBER	QTY	DESCRIPTION	REV
	1001237192	Ref	Boom Hydraulic Installation	B
1	0641512	3	Hex HD Capscrew, 5/16-18X1-1/2, GR5	
2	0641516	2	Hex HD Capscrew, 5/16-18X2, GR5	
3	2221290	2	Elbow, 90	
5	4711500	1	Washer, 5/16	
6	8769122	4	Twin Clamp Set	
7	8769123	4	Twin Cover Plate	
8	77133136	1	Clamp	
9	77133137	1	Cover Plate	
10	1001080394	1	Twin Spacer	
11	1001090103	2	Fitting	
12	1001080207	1	Tube Assembly	
13	1001080208	1	Tube Assembly	
14	1001236782	1	Hose	
15	1001236783	1	Hose	

SECTION 8 - HYDRAULIC CIRCUITS

FIGURE 8-13. BOOM HYDRAULIC INSTALLATION, W/QS



ART_1001237214-B

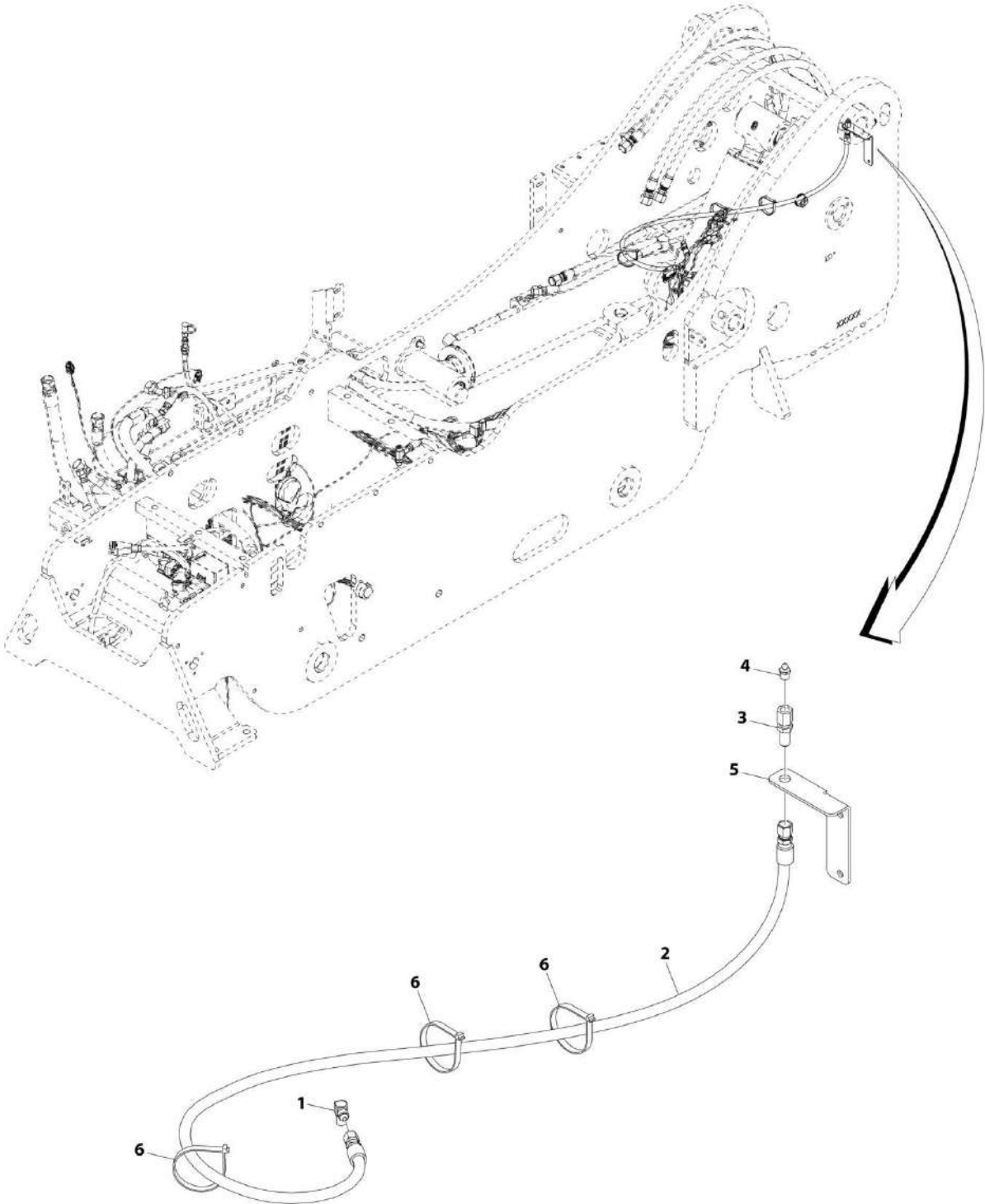
SECTION 8 - HYDRAULIC CIRCUITS

FIGURE 8-13. BOOM HYDRAULIC INSTALLATION, W/QS

ITEM	PART NUMBER	QTY	DESCRIPTION	REV
	1001237214	Ref	Boom Hydraulic Installation, W/QS	B
1	0641512	3	Hex HD Capscrew, 5/16-18X1-1/2, GR5	
2	0641516	2	Hex HD Capscrew, 5/16-18X2, GR5	
3	0641614	2	Hex HD Capscrew, 3/8-16X1-3/4, GR5	
4	2111010	2	Adapter	
5	2150606	2	Elbow, 45	
6	2220218	2	Adapter	
7	2221290	2	Elbow, 90	
9	3931548	2	Socket HD Capscrew, 5/16-18X3	
10	4711500	1	Washer, 5/16	
11	8305626	2	Hex Locknut, 5/16	
12	8305645	2	Hex Locknut, 3/8-16	
13	8307106	2	Plain Washer, 5/16	
14	8307110	2	Washer, 3/8	
15	8769122	4	Clamp Set	
16	8769123	4	Cover Plate	
17	77133136	1	Clamp Set	
18	77133137	1	Cover Plate	
19	91043147	1	Clamp	
20	1001001556	2	Adapter	
21	1001080394	1	Twin Line Clamp Spacer	
22	1001080397	1	Boom Aux Harness (See Separate Breakdown in Electrical Section)	
23	1001090103	2	Fitting	
24	1001100916	1	Bracket	
25	1001104477	1	Valve Divertor (See Separate Breakdown in this Section)	
26	1001232722	1	Hose	
27	1001080207	1	Tube Assembly	
28	1001080208	1	Tube Assembly	
29	1001236782	1	Hose	
30	1001236783	1	Hose	
31	90027187	AR	Cable Tie Strap	

SECTION 8 - HYDRAULIC CIRCUITS

FIGURE 8-14. REMOTE GREASE INSTALLATION



ART_1001236788-B

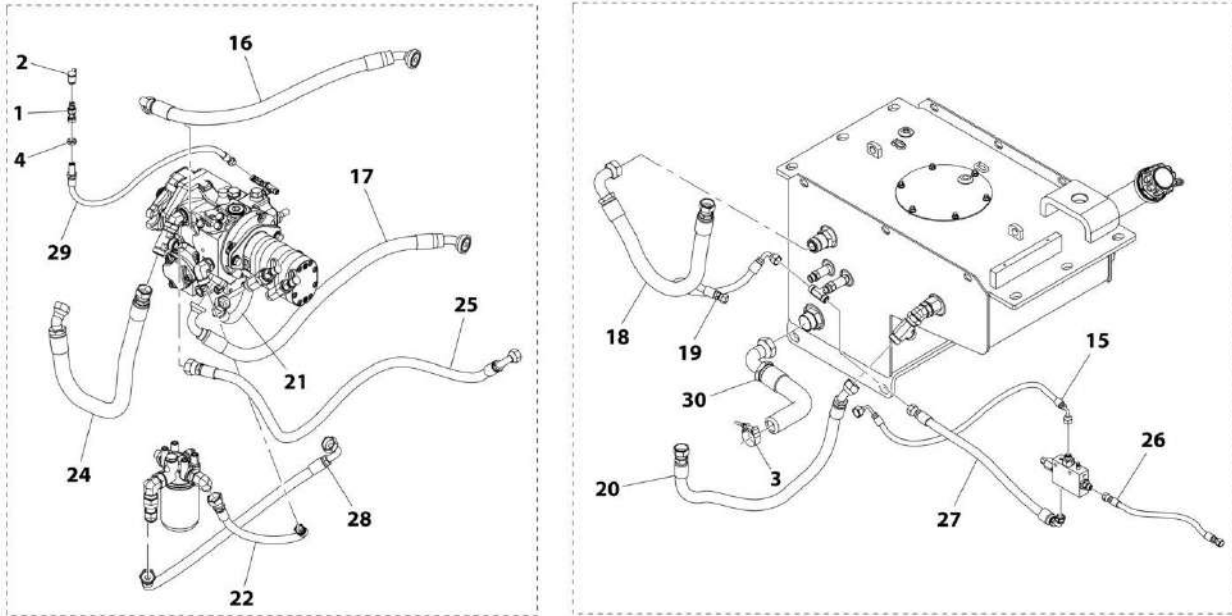
SECTION 8 - HYDRAULIC CIRCUITS

FIGURE 8-14. REMOTE GREASE INSTALLATION

ITEM	PART NUMBER	QTY	DESCRIPTION	REV
	1001236788	Ref	Remote Grease Installation	B
1	2220612	1	Elbow, 90	
2	1001081413	1	Hose Assembly	
3	80623016	1	Adapter	
4	8520001	1	Fitting	
5	1001236787	1	Bracket	
6	8584003	3	Cable Tie	

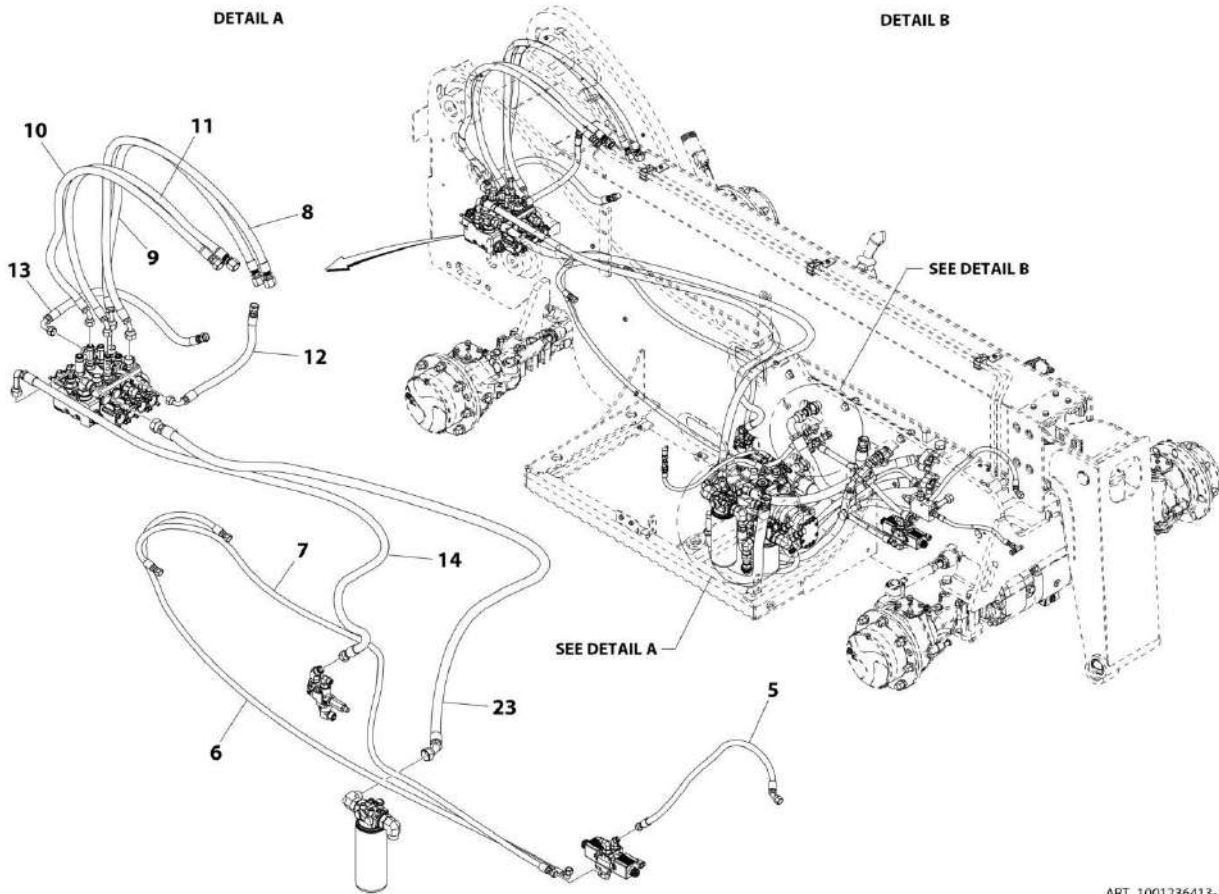
SECTION 8 - HYDRAULIC CIRCUITS

FIGURE 8-15. FRAME HYDRAULIC HOSE INSTALLATION



DETAIL A

DETAIL B



ART_1001236413-A

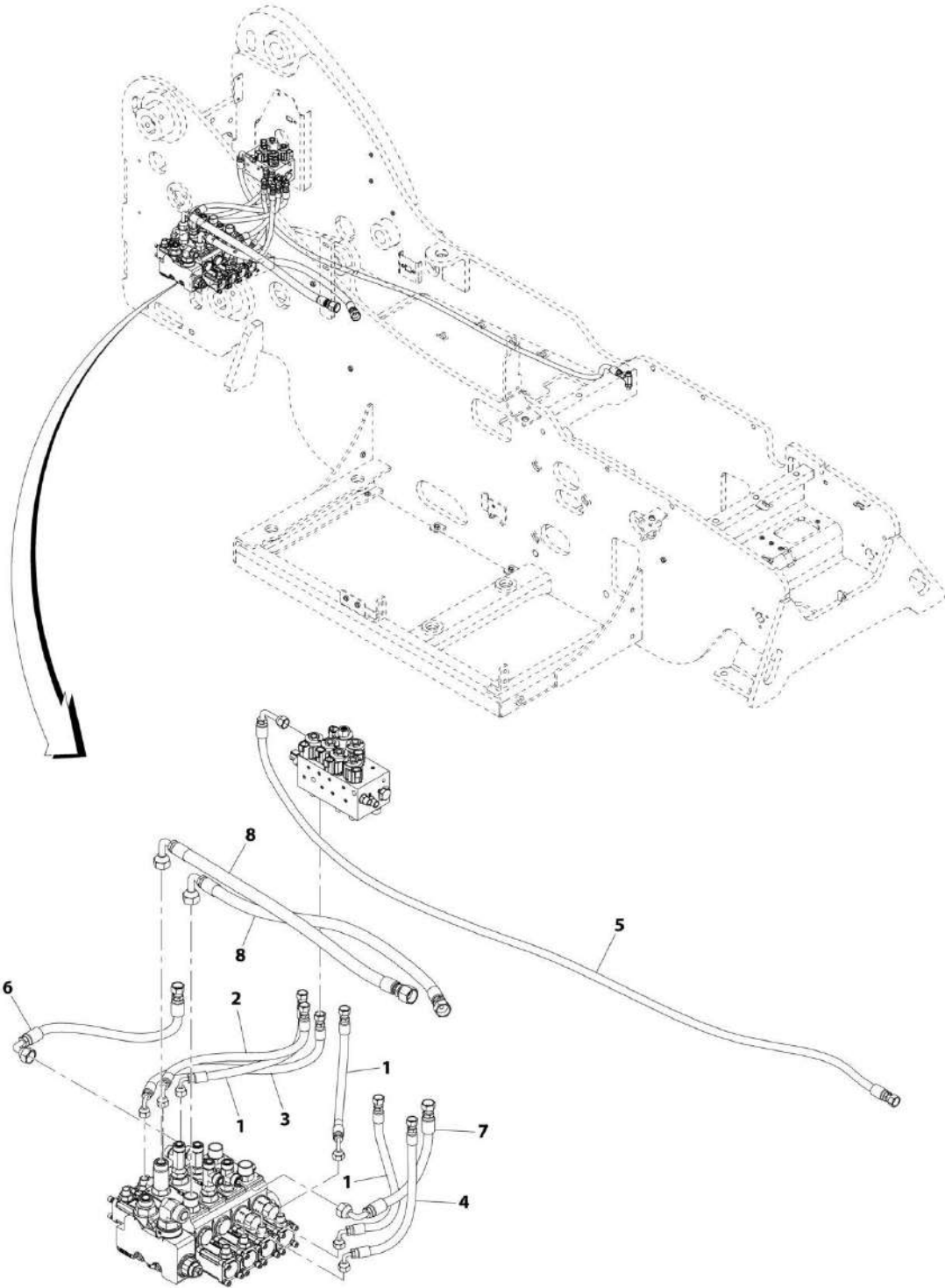
SECTION 8 - HYDRAULIC CIRCUITS

FIGURE 8-15. FRAME HYDRAULIC HOSE INSTALLATION

ITEM	PART NUMBER	QTY	DESCRIPTION	REV
	1001236413	Ref	Frame Hydraulic Hose Installation	A
1	2221229	1	Adapter, Diagnostic Nipple	
2	8430032	1	Dust Cap	
3	80633030	1	Clamp	
4	88662482	1	Locknut	
5	1001236418	1	Hose Assembly	
6	1001236419	1	Hose Assembly	
7	1001236420	1	Hose Assembly	
8	1001080293	1	Hose Assembly	
9	1001080309	1	Hose Assembly	
10	1001080437	1 in	Hose Assembly	
11	1001080438	1 in	Hose Assembly	
12	1001081347	1	Hose Assembly	
13	1001081348	1	Hose Assembly	
14	1001144697	1	Hose Assembly	
15	1001144763	1	Hose Assembly	
16	1001144749	1	Hose Assembly	
17	1001144750	1	Hose Assembly	
18	1001144751	1	Hose Assembly	
19	1001144753	1	Hose Assembly	
20	1001144754	1	Hose Assembly	
21	1001144755	1	Hose Assembly	
22	1001144757	1	Hose Assembly	
23	1001144759	1	Hose Assembly	
24	1001144760	1	Hose Assembly	
25	1001144761	1	Hose Assembly	
26	1001144764	1	Hose Assembly	
27	1001144737	1	Hose Assembly	
28	1001151288	1	Hose Assembly	
29	1001152967	1	Hose Assembly	
30	1001202141	1	Hose Assembly	

SECTION 8 - HYDRAULIC CIRCUITS

FIGURE 8-16. HYDRAULIC HOSE INSTALLATION (ANSI)



ART_1001200567-B

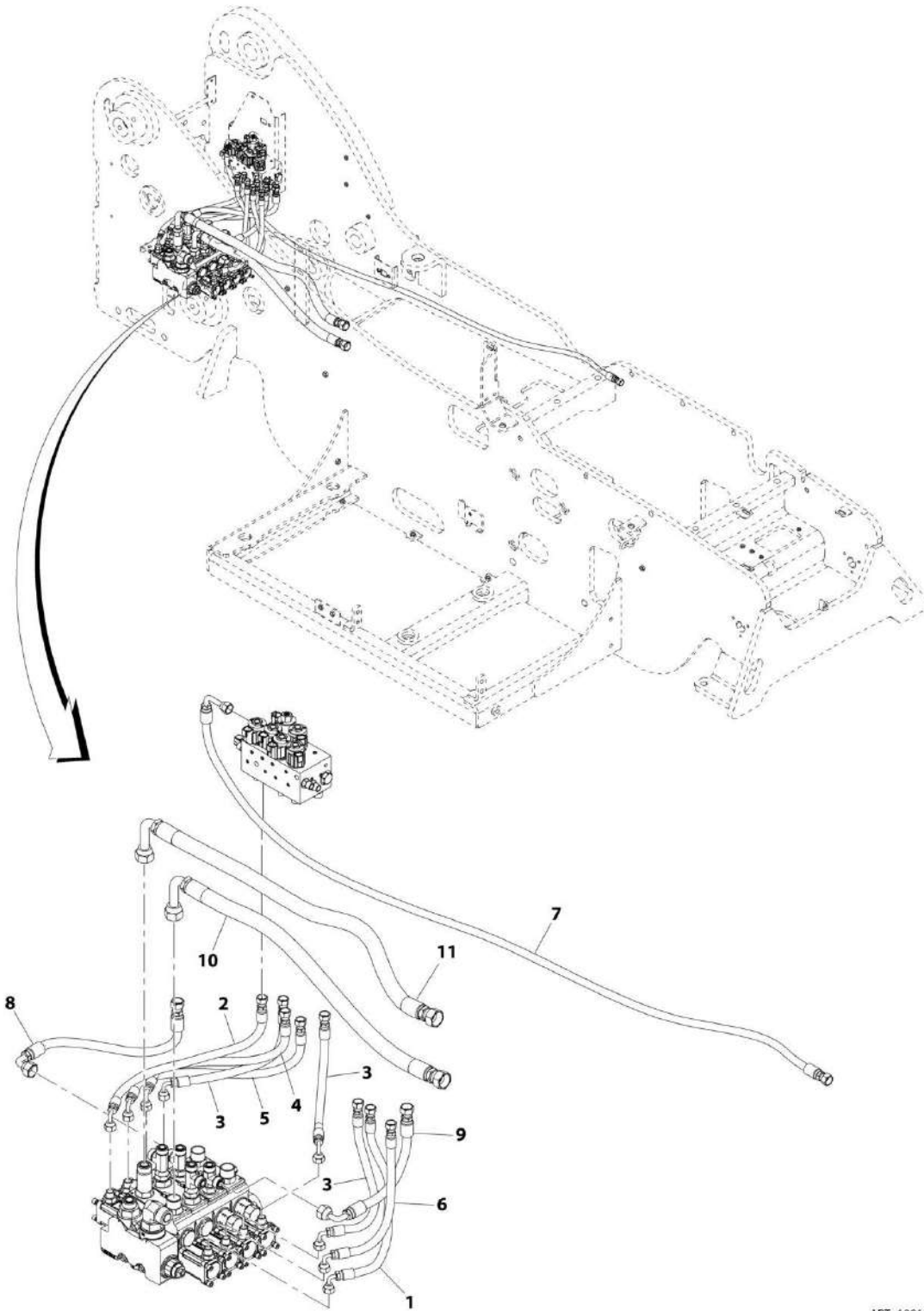
SECTION 8 - HYDRAULIC CIRCUITS

FIGURE 8-16. HYDRAULIC HOSE INSTALLATION (ANSI)

ITEM	PART NUMBER	QTY	DESCRIPTION	REV
	1001200567	Ref	Hydraulic Hose Installation (ANSI)	B
1	1001129889	3	Hose Assembly	
2	1001129891	1	Hose Assembly	
3	1001129893	1	Hose Assembly	
4	1001129894	1	Hose Assembly	
5	1001209089	1	Hose Assembly	
6	1001129925	1	Hose Assembly	
7	1001129926	1	Hose Assembly	
8	1001080279	2	Hose Assembly	

SECTION 8 - HYDRAULIC CIRCUITS

FIGURE 8-17. HYDRAULIC HOSE INSTALLATION (CE)



ART_1001201117-B

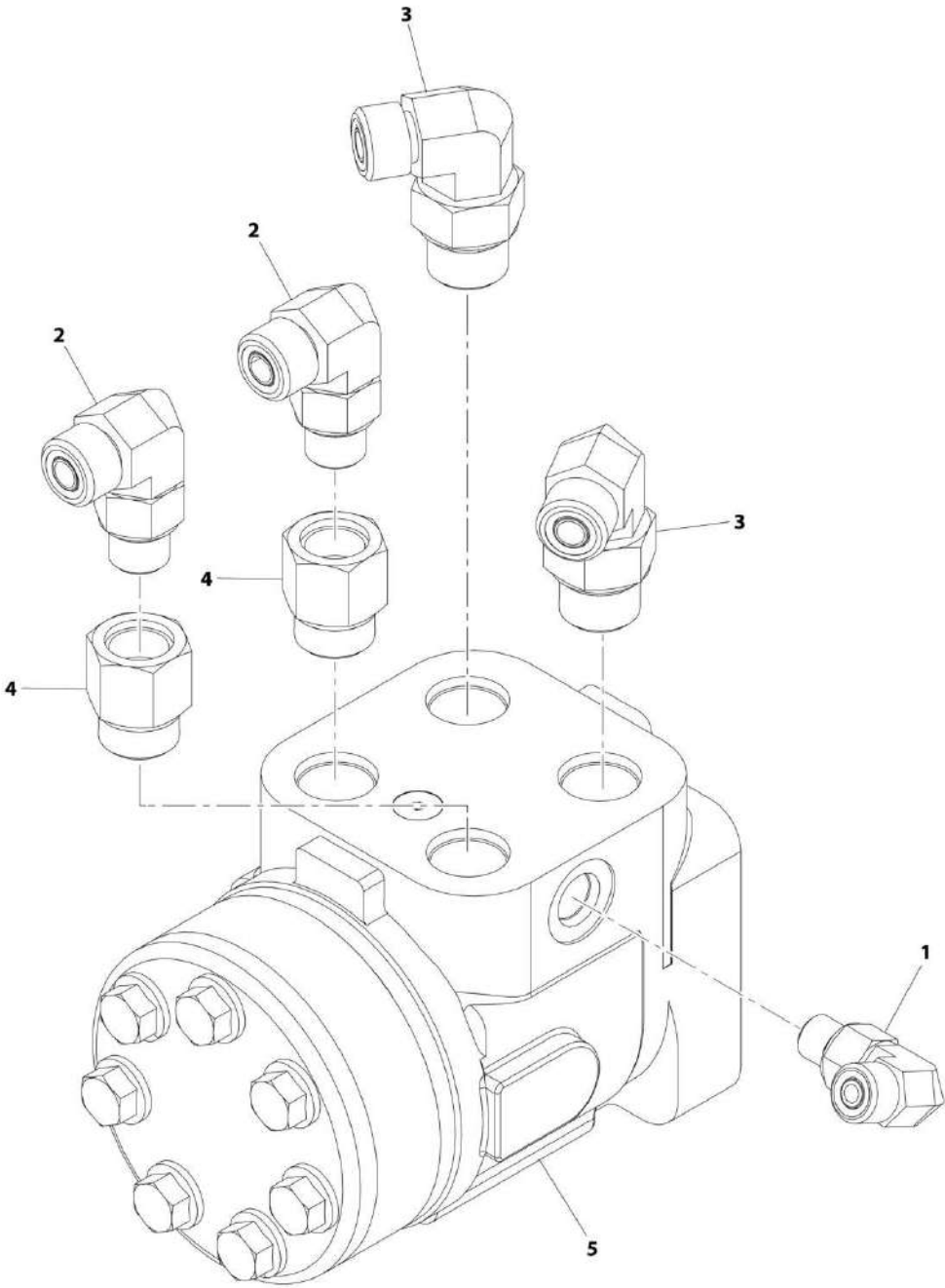
SECTION 8 - HYDRAULIC CIRCUITS

FIGURE 8-17. HYDRAULIC HOSE INSTALLATION (CE)

ITEM	PART NUMBER	QTY	DESCRIPTION	REV
	1001201117	Ref	Hydraulic Hose Installation (CE)	B
1	1001129887	1	Hose Assembly	
2	1001129888	1	Hose Assembly	
3	1001129889	3	Hose Assembly	
4	1001129891	1	Hose Assembly	
5	1001129893	1	Hose Assembly	
6	1001129894	1	Hose Assembly	
7	1001209089	1	Hose Assembly	
8	1001129925	1	Hose Assembly	
9	1001129926	1	Hose Assembly	
10	1001132411	1	Hose Assembly	
11	1001132412	1	Hose Assembly	

SECTION 8 - HYDRAULIC CIRCUITS

FIGURE 8-18. STEERING VALVE ASSEMBLY



ART_1001202006-A

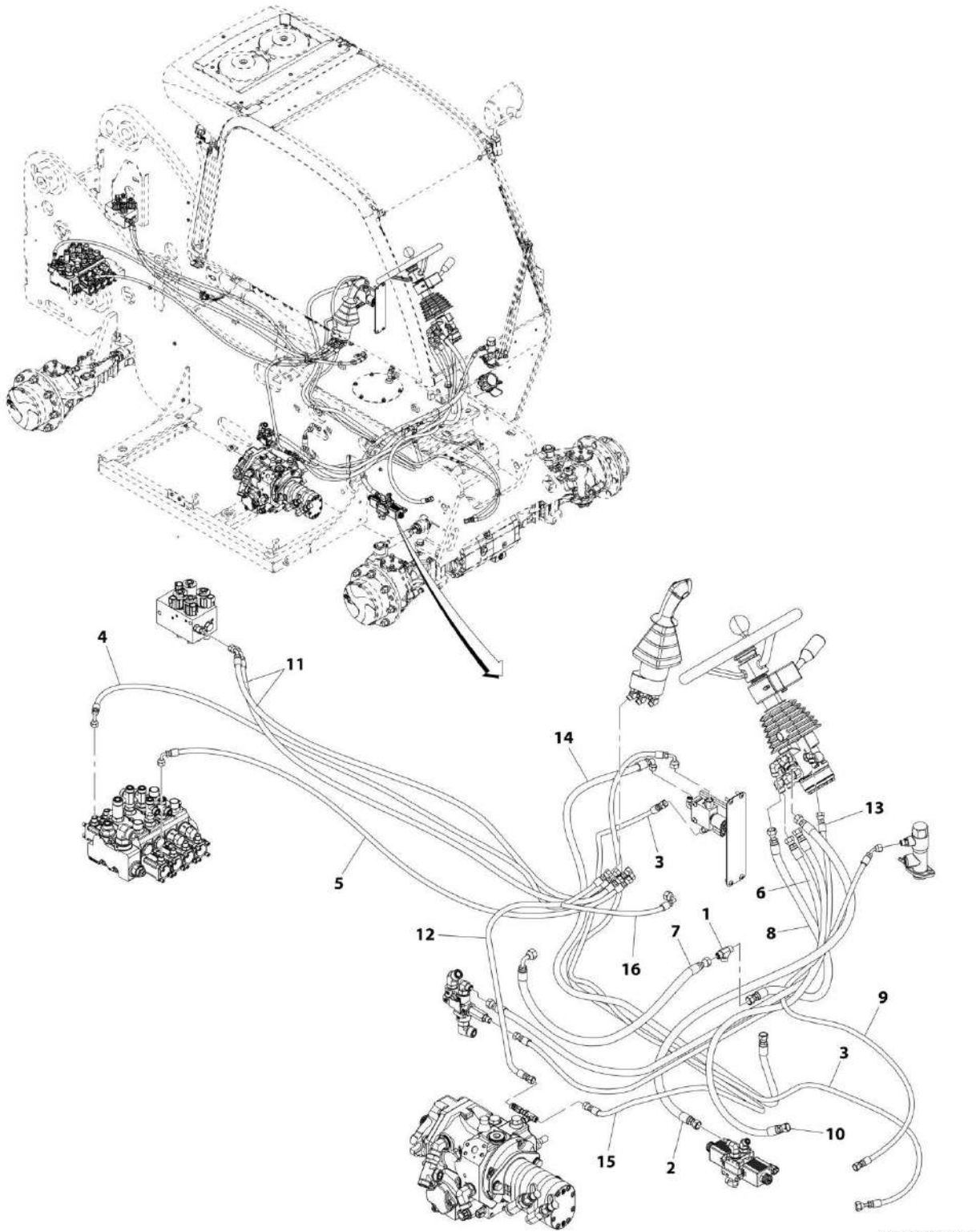
SECTION 8 - HYDRAULIC CIRCUITS

FIGURE 8-18. STEERING VALVE ASSEMBLY

ITEM	PART NUMBER	QTY	DESCRIPTION	REV
	1001202006	Ref	Steering Valve Assembly	A
1	2130404	1	Adapter, 90	
2	2130606	2	Adapter, 90	
3	2130608	2	Adapter, 90	
4	2220591	2	Adapter, Connector	
5	1001194017	1	Orbital Steering Valve	

SECTION 8 - HYDRAULIC CIRCUITS

FIGURE 8-19. CAB HYDRAULICS INSTALLATION, (ANSI)



ART_1001235716-A

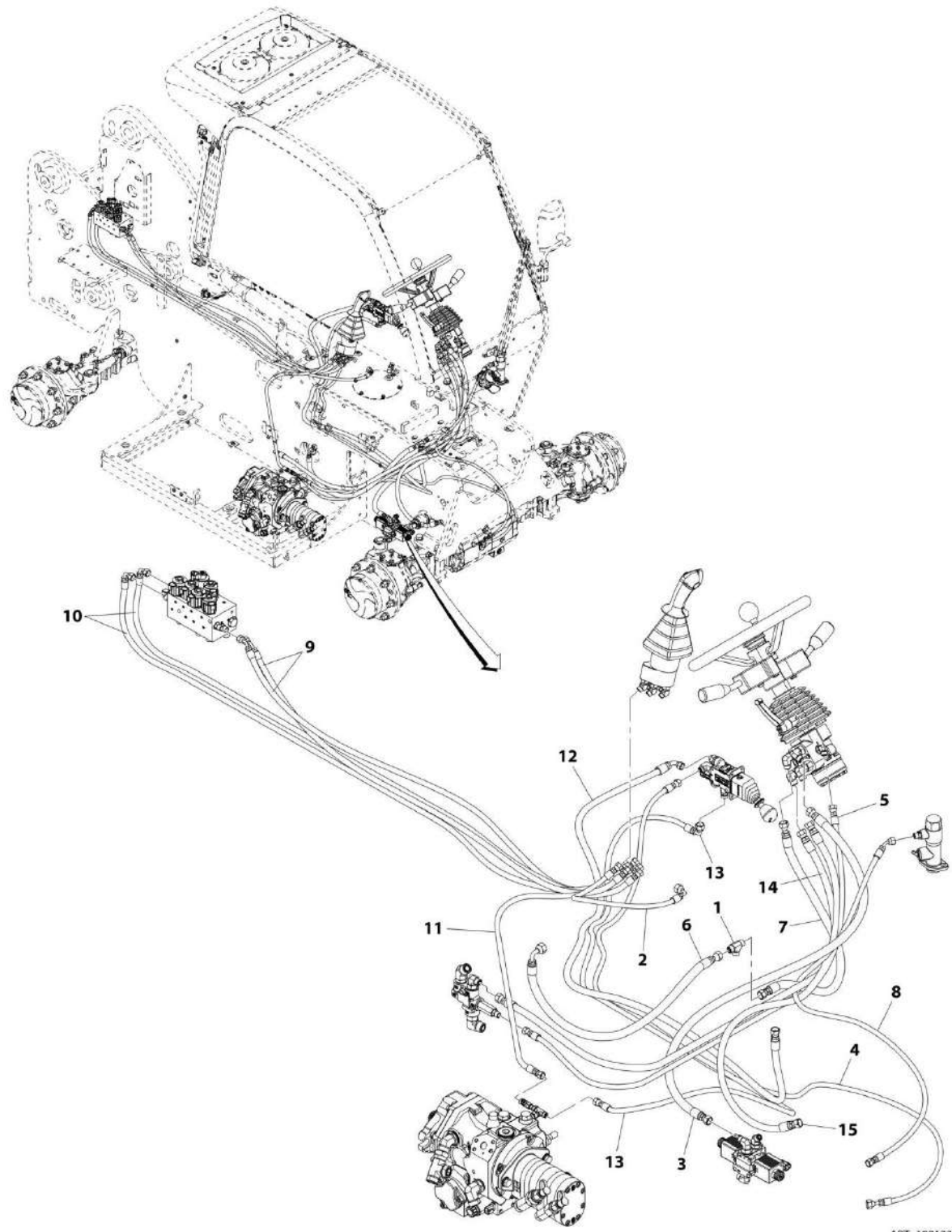
SECTION 8 - HYDRAULIC CIRCUITS

FIGURE 8-19. CAB HYDRAULICS INSTALLATION, (ANSI)

ITEM	PART NUMBER	QTY	DESCRIPTION	REV
	1001235716	Ref	Cab Hydraulics Installation, (ANSI)	A
1	2170506	1	Adapter, Run Tee	
2	1001080250	1	Hose Assembly	
3	1001080251	1	Hose Assembly	
4	1001080265	1	Hose Assembly	
5	1001080266	1	Hose Assembly	
6	1001209063	1	Hose Assembly	
7	1001080585	1	Hose Assembly	
8	1001080586	1	Hose Assembly	
9	1001106622	1	Hose Assembly	
10	1001236417	1	Hose Assembly	
11	1001129895	2	Hose Assembly	
12	1001144756	1	Hose Assembly	
13	1001080356	1	Hose Assembly	
14	1001145224	1	Hose Assembly	
15	1001145225	1	Hose Assembly	
16	1001202297	1	Hose Assembly	

SECTION 8 - HYDRAULIC CIRCUITS

FIGURE 8-20. CAB HYDRAULICS INSTALLATION (LSI)



ART_1001236957-B

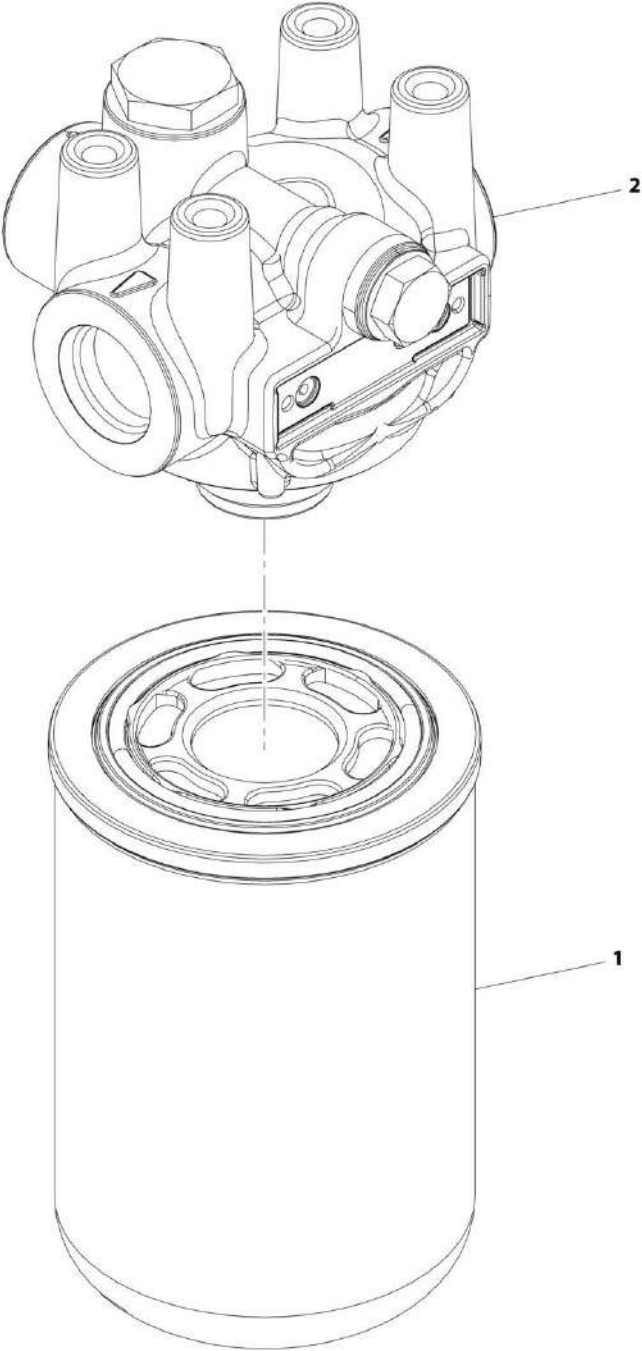
SECTION 8 - HYDRAULIC CIRCUITS

FIGURE 8-20. CAB HYDRAULICS INSTALLATION (LSI)

ITEM	PART NUMBER	QTY	DESCRIPTION	REV
	1001236957	Ref	Cab Hydraulics Installation (LSI)	B
1	2170506	1	Adapter, Run Tee	
2	1001202297	1	Hose Assembly	
3	1001080250	1	Hose Assembly	
4	1001080251	1	Hose Assembly	
5	1001080356	1	Hose Assembly	
6	1001080585	1	Hose Assembly	
7	1001080586	1	Hose Assembly	
8	1001106622	1	Hose Assembly	
9	1001129895	2	Hose Assembly	
10	1001129898	2	Hose Assembly	
11	1001144756	1	Hose Assembly	
12	1001145224	1	Hose Assembly	
13	1001145225	1	Hose Assembly	
14	1001209063	1	Hose Assembly	
15	1001236417	1	Hose Assembly	

SECTION 8 - HYDRAULIC CIRCUITS

FIGURE 8-21. IMPLEMENT PUMP FILTER ASSEMBLY



ART_1001141976-A

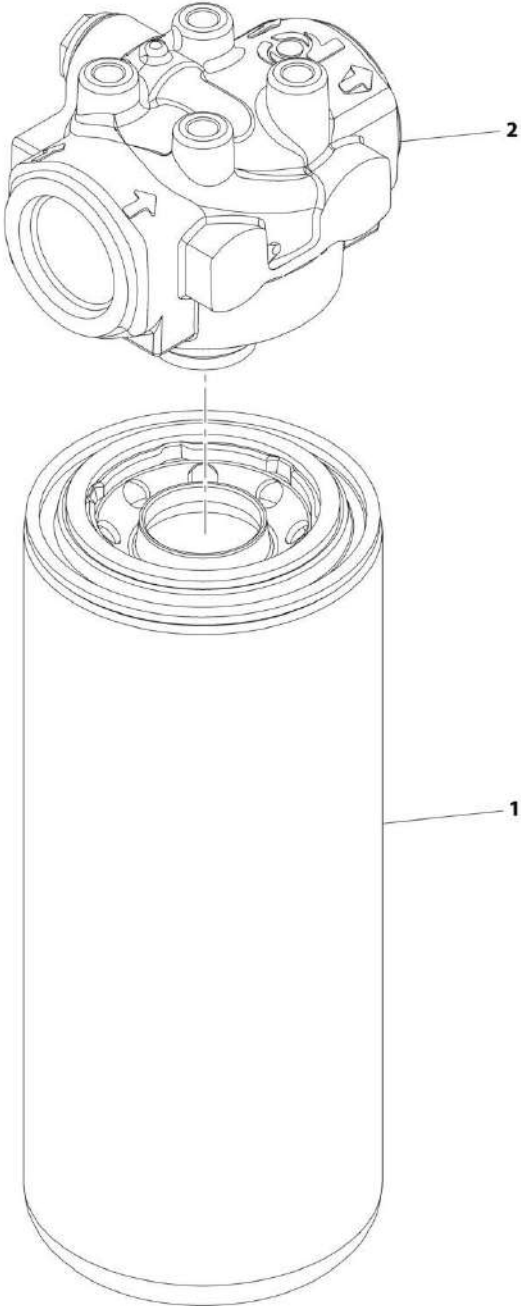
SECTION 8 - HYDRAULIC CIRCUITS

FIGURE 8-21. IMPLEMENT PUMP FILTER ASSEMBLY

ITEM	PART NUMBER	QTY	DESCRIPTION	REV
	1001141976	Ref	Implement Pump Filter Assembly	A
1	1001141461	1	Filter	
2	1001141462	1	Pump, Filter	

SECTION 8 - HYDRAULIC CIRCUITS

FIGURE 8-22. HYDRAULIC FILTER ASSEMBLY



ART_1001141975-A

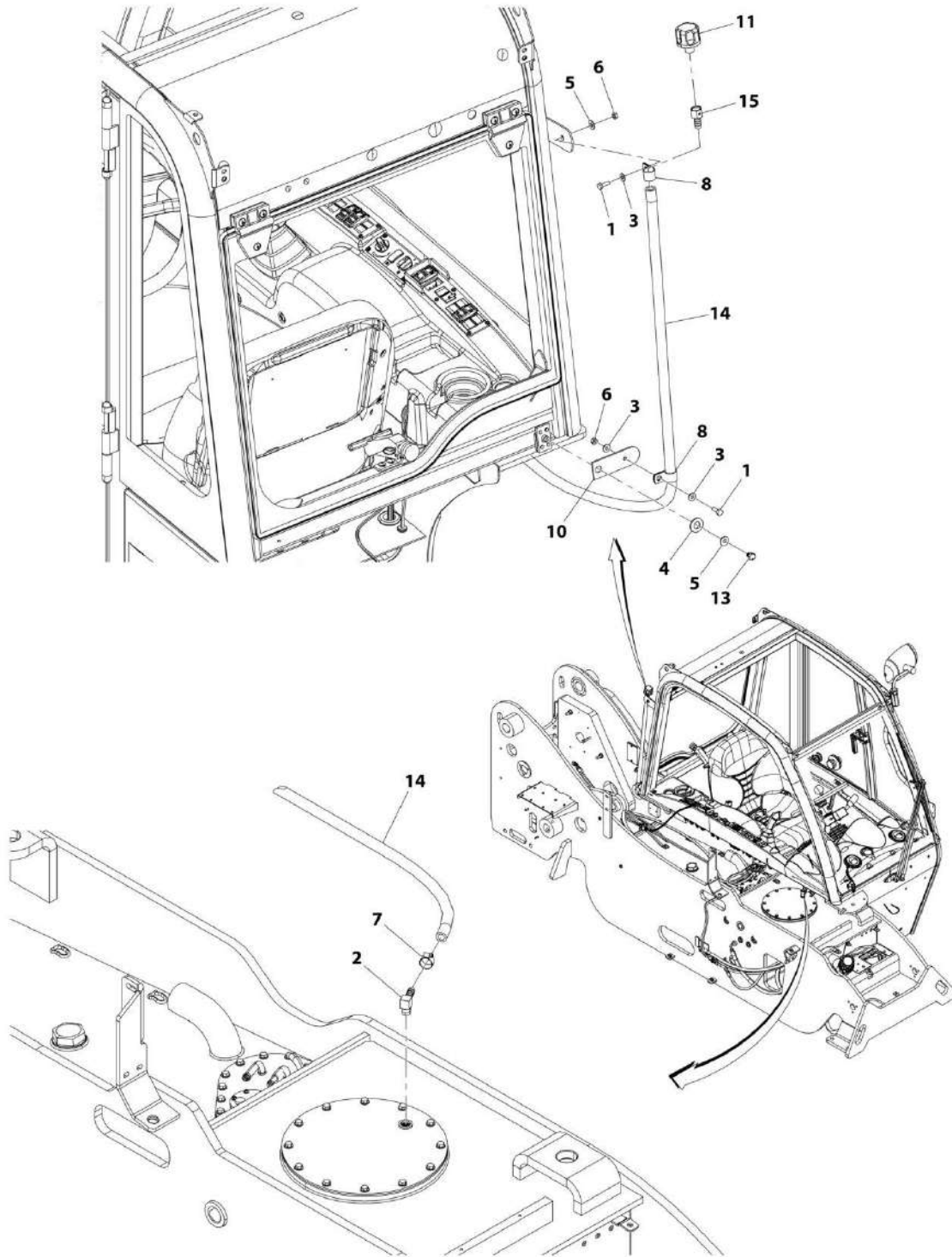
SECTION 8 - HYDRAULIC CIRCUITS

FIGURE 8-22. HYDRAULIC FILTER ASSEMBLY

ITEM	PART NUMBER	QTY	DESCRIPTION	REV
	1001141975	Ref	Hydraulic Filter Assembly	A
1	1001141459	1	Hydraulic Oil Filter Element	
2	1001141460	1	Head Filter	

SECTION 8 - HYDRAULIC CIRCUITS

FIGURE 8-23. HYDRAULIC TANK BREATHER INSTALLATION



ART_1001182755-C

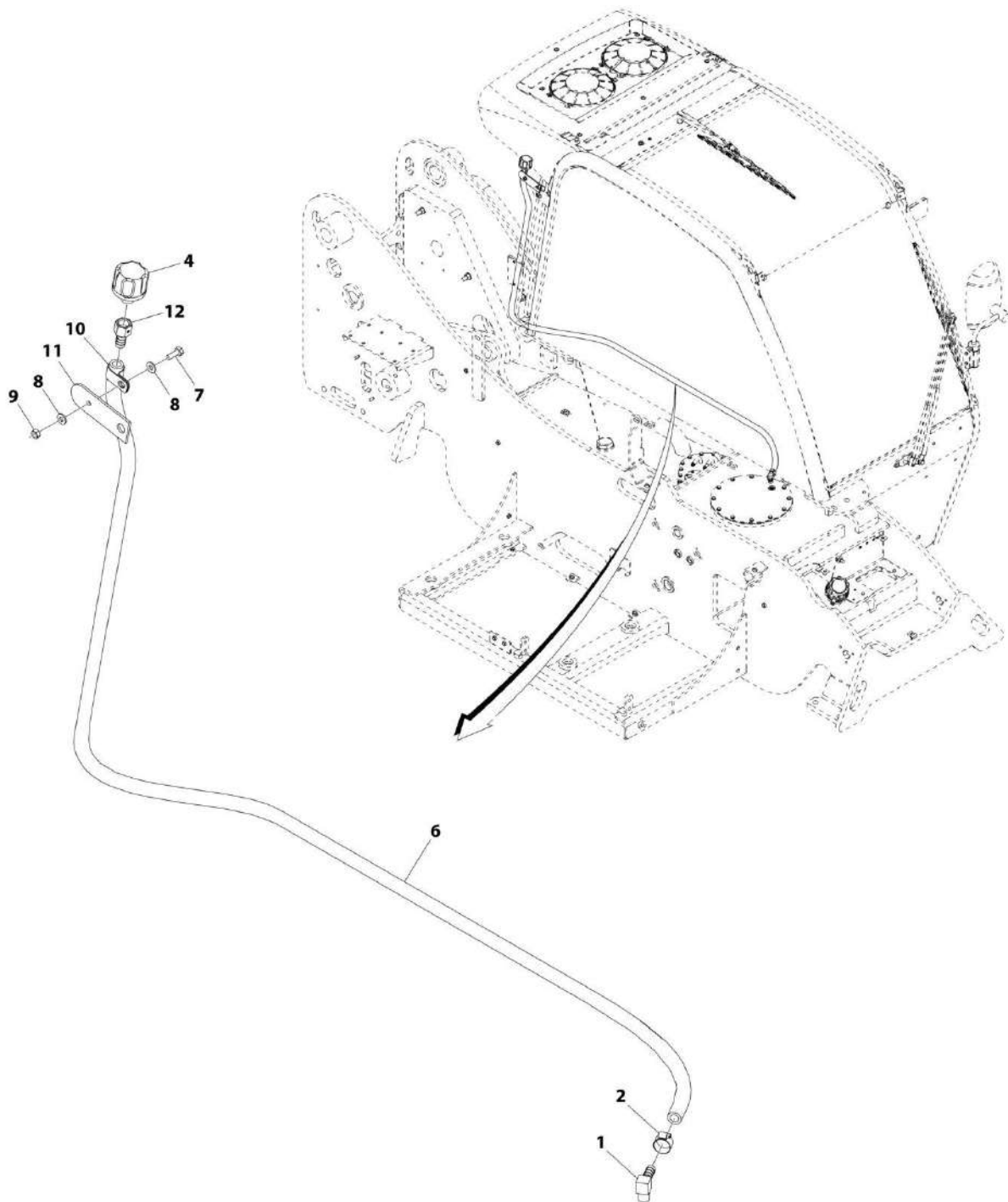
SECTION 8 - HYDRAULIC CIRCUITS

FIGURE 8-23. HYDRAULIC TANK BREATHER INSTALLATION

ITEM	PART NUMBER	QTY	DESCRIPTION	REV
	1001182755	Ref	Hydraulic Tank Breather Installation	C
1	0641406	2	Bolt, 1/4-20X3/4	
2	2221198	1	Fitting, 90	
3	4711400	3	Washer, 1/4	
4	4711900	1	Washer, 9/16	
5	4751400	2	Washer, 1/4	
6	8305004	2	Nut	
7	8405006	1	Clamp, Gear	
8	8406102	2	Clip	
10	1001182224	1	Bracket	
11	1001185024	1	Filter, Hydraulic Breather	
13	1001196601	1	Bolt	
14	1001154405	7	Hose	
15	1001232888	1	Fitting, Straight	

SECTION 8 - HYDRAULIC CIRCUITS

FIGURE 8-24. HYDRAULIC TANK BREATHER INSTALLTION (A/C)



ART_1001186376-B

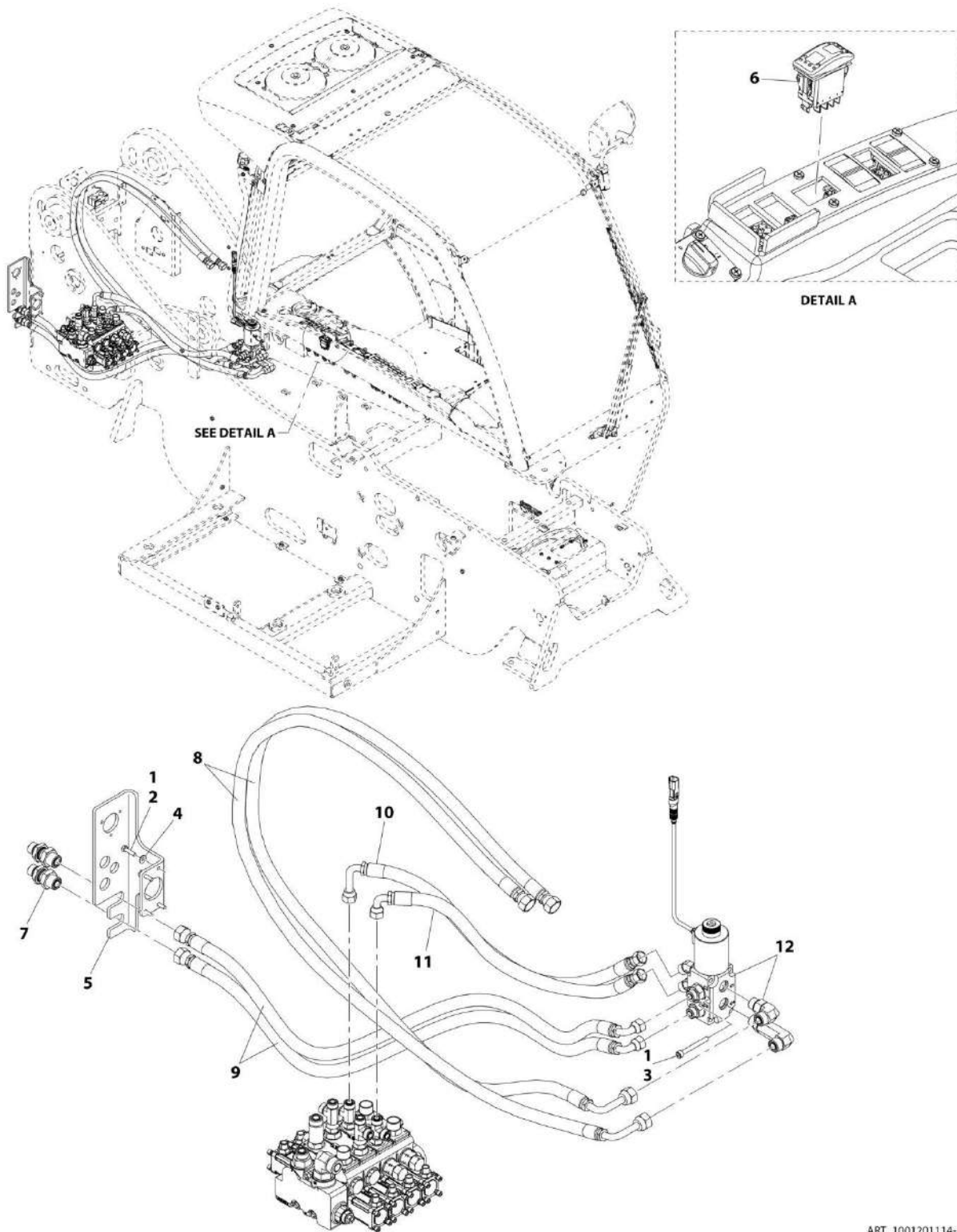
SECTION 8 - HYDRAULIC CIRCUITS

FIGURE 8-24. HYDRAULIC TANK BREATHER INSTALLTION (A/C)

ITEM	PART NUMBER	QTY	DESCRIPTION	REV
	1001186376	Ref	Hydraulic Tank Breather installtion (A/C)	B
1	2221198	1	Barbed Fitting, 90	
2	8405006	1	Gear Clamp	
4	1001185024	1	Air Breather	
6	1001154405	7	Fuel Line Hose, 1/2 In	
7	0641406	1	Hex HD Cap Screw, 1/4-20X3/4	
8	4711400	2	Narrow Washer, 1/4	
9	8305004	1	Hex Nut	
10	8406102	1	Wire Clip	
11	1001182224	1	Tank Breather Hose Bracket	
12	1001232888	1	Fitting	

SECTION 8 - HYDRAULIC CIRCUITS

FIGURE 8-25. REAR HYDRAULIC OUTLET INSTALLATION



ART_1001201114-A

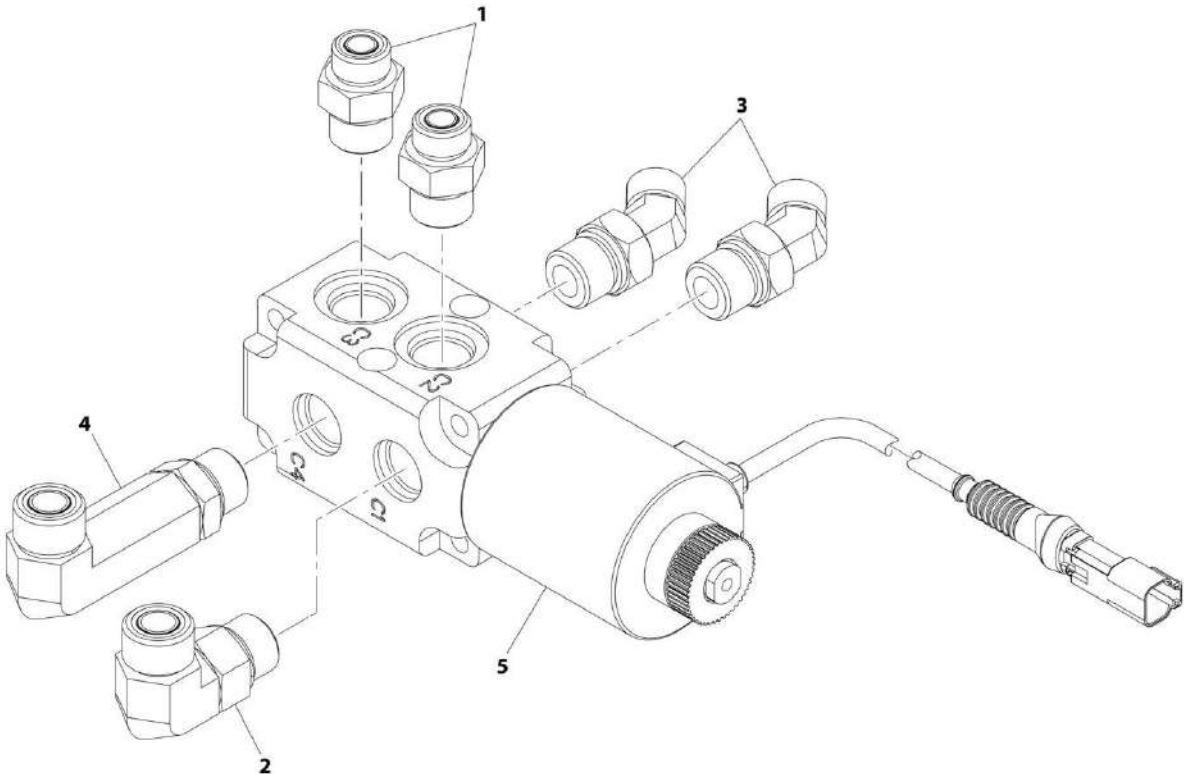
SECTION 8 - HYDRAULIC CIRCUITS

FIGURE 8-25. REAR HYDRAULIC OUTLET INSTALLATION

ITEM	PART NUMBER	QTY	DESCRIPTION	REV
	1001201114	Ref	Rear Hydraulic Outlet Installation	A
1	0100011	AR	Loctite 242	
2	0641408	4	Hex HD Capscrew, 1/4-20X1, GR5	
3	4031918	2	Hex Socket HD Capscrew, M8X70	
4	4711400	4	Washer, 1/4	
5	1001080240	1	Trailer Hitch Bracket	
6	1001080364	1	Front/Rear Auxiliary Hydraulic Switch	
7	1001101235	2	Adapter	
8	1001135799	2	Hose Assembly	
9	1001135801	2	Hose Assembly	
10	1001135803	1	Hose Assembly	
11	1001135805	1	Hose Assembly	
12	1001135807	1	Assembly, Rear Diverter Valve (See Separate Breakdown in this Section)	

SECTION 8 - HYDRAULIC CIRCUITS

FIGURE 8-26. REAR DIVERTER VALVE ASSEMBLY



ART_1001135807-A

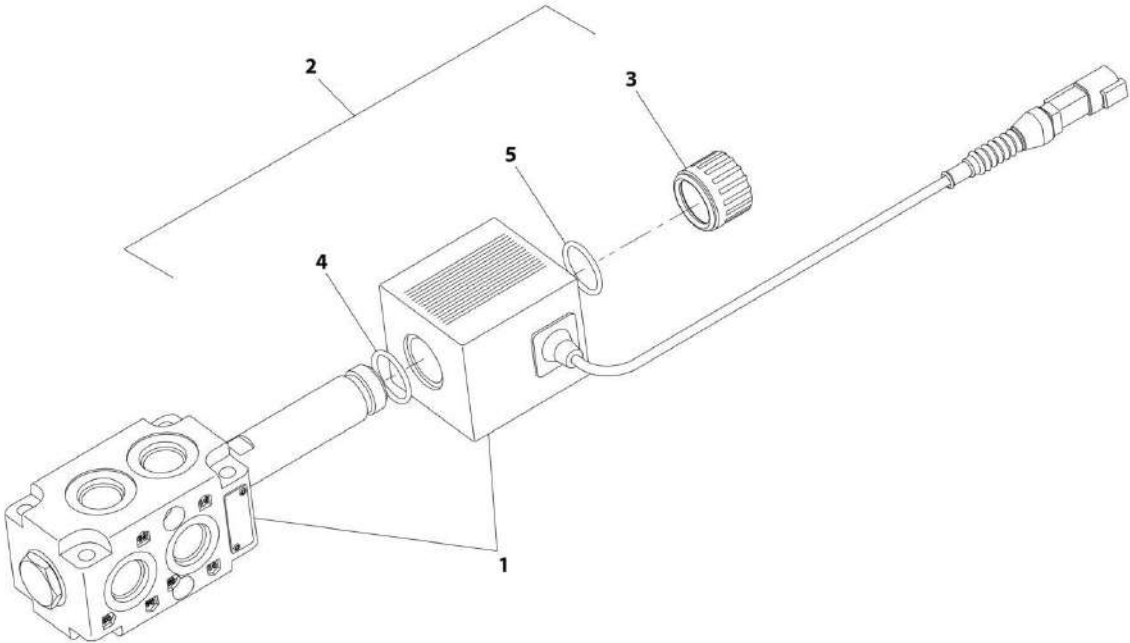
SECTION 8 - HYDRAULIC CIRCUITS

FIGURE 8-26. REAR DIVERTER VALVE ASSEMBLY

ITEM	PART NUMBER	QTY	DESCRIPTION	REV
	1001135807	Ref	Rear Diverter Valve Assembly	A
1	2110810	2	Adapter	
2	2131010	1	Adapter, 90	
3	2150810	2	Adapter, 45	
4	2170210	1	Adapter, 90	
5	1001104477	1	Diverter Valve (See Separate Breakdown in this Section)	

SECTION 8 - HYDRAULIC CIRCUITS

FIGURE 8-27. DIVERTOR VALVE



ART_1001104477-D

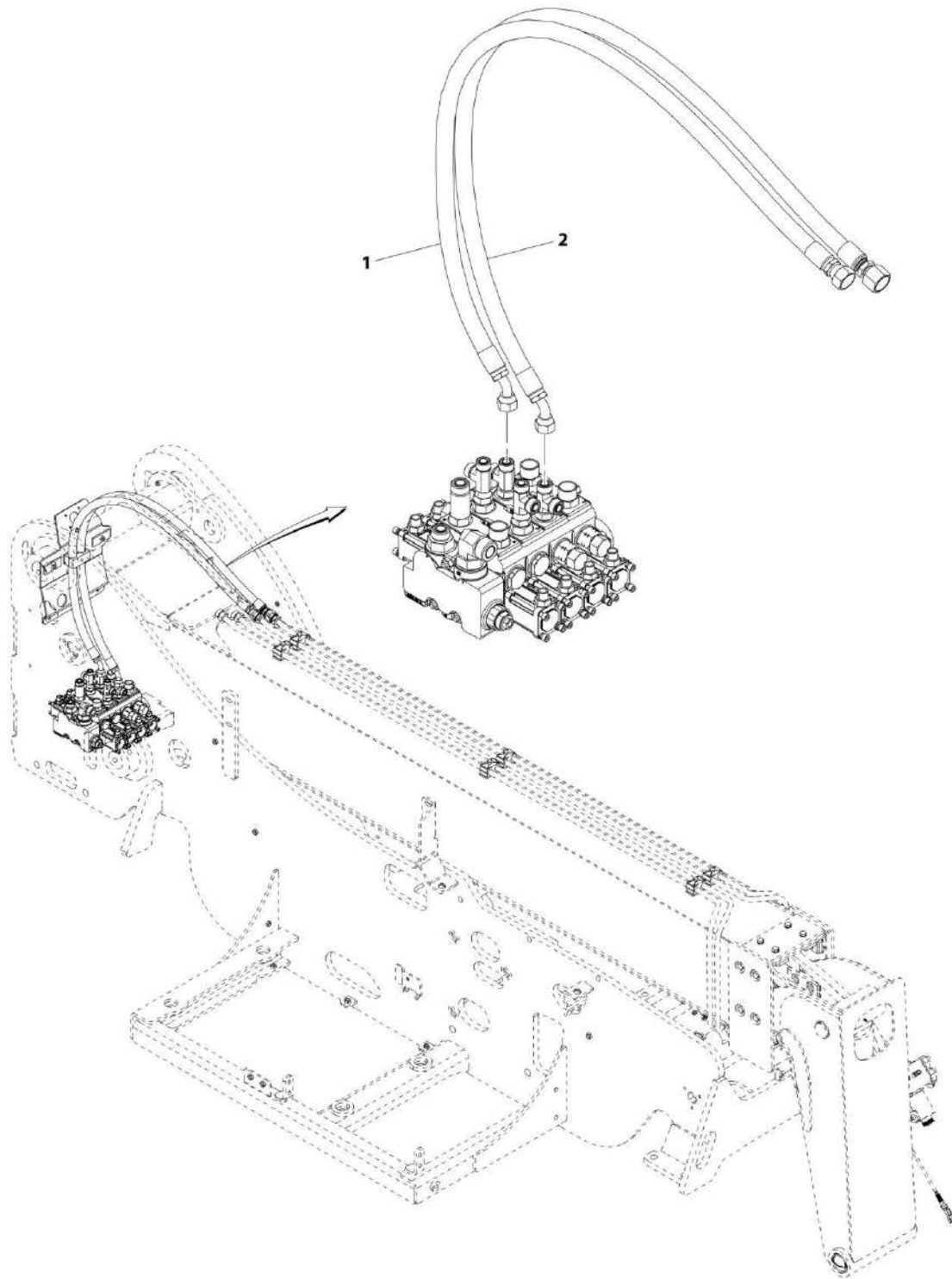
SECTION 8 - HYDRAULIC CIRCUITS

FIGURE 8-27. DIVERTOR VALVE

ITEM	PART NUMBER	QTY	DESCRIPTION	REV
	1001104477	Ref	Divertor Valve	D
1	70020764	1	Coil	
2	70021531	1	Kit, Retainer	
3	Kit	1	Nut	
4	Kit	1	O-Ring	
5	Kit	1	O-Ring	

SECTION 8 - HYDRAULIC CIRCUITS

FIGURE 8-28. BOOM AUX HOSE INSTALLATION



ART_1001201115-A

SECTION 8 - HYDRAULIC CIRCUITS

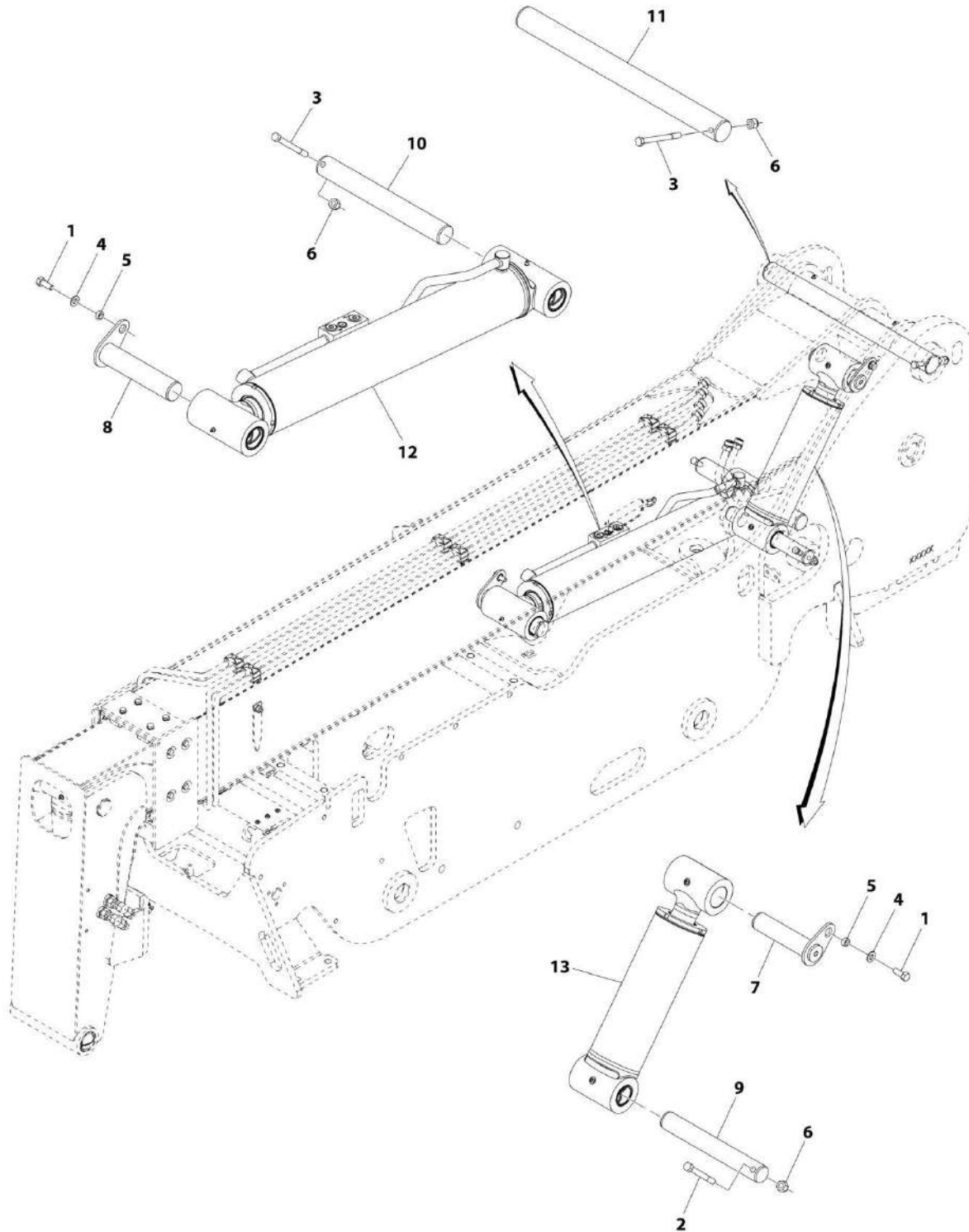
FIGURE 8-28. BOOM AUX HOSE INSTALLATION

ITEM	PART NUMBER	QTY	DESCRIPTION	REV
	1001201115	Ref	Boom Aux Hose Installation	A
1	1001080294	1	Hose Assembly	
2	1001080308	1	Hose Assembly	

SECTION 9 - HYDRAULIC COMPONENTS

SECTION 9 - HYDRAULIC COMPONENTS

FIGURE 9-1. BOOM CYLINDER INSTALLATION, ANSI



ART_1001204854-B

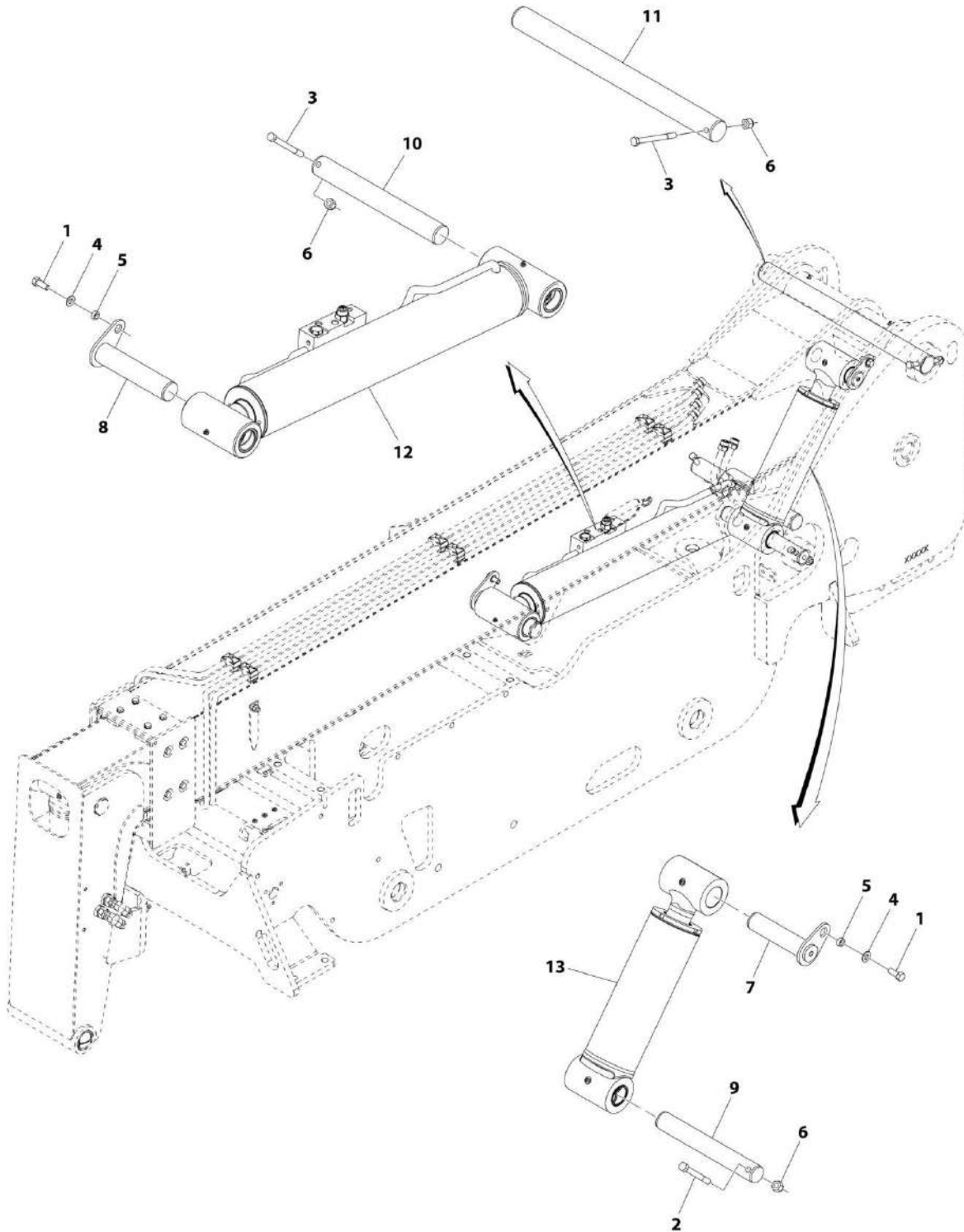
SECTION 9 - HYDRAULIC COMPONENTS

FIGURE 9-1. BOOM CYLINDER INSTALLATION, ANSI

ITEM	PART NUMBER	QTY	DESCRIPTION	REV
	1001204854	Ref	Boom Cylinder Installation (ANSI)	B
1	0641810	2	Hex HD Capscrew, 1/2-13X5/4	
2	0681836	1	Hex HD Capscrew, 1/2-13X9/2	
3	0681844	2	Hex HD Capscrew, 1/2-13X11/2	
4	4711800	2	Plain Washer, 1/2	
5	7139886	2	Pin Retention Spacer	
6	88521208	3	Locknut, 1/2-13	
7	1001080154	1	Cylinder Rod Pin	
8	1001080155	1	Cylinder Rod Pin	
9	1001080312	1	Cylinder Base Pin	
10	1001080313	1	Cylinder Base Pin	
11	1001080314	1	Boom Pivot Pin	
12	1001225578	1	Lift Cylinder (See Separate Breakdown in this Section)	
13	1001200580	1	Compensation Cylinder (See Separate Breakdown in this Section)	

SECTION 9 - HYDRAULIC COMPONENTS

FIGURE 9-2. BOOM CYLINDER INSTALLATION, CE



ART_1001204856-A

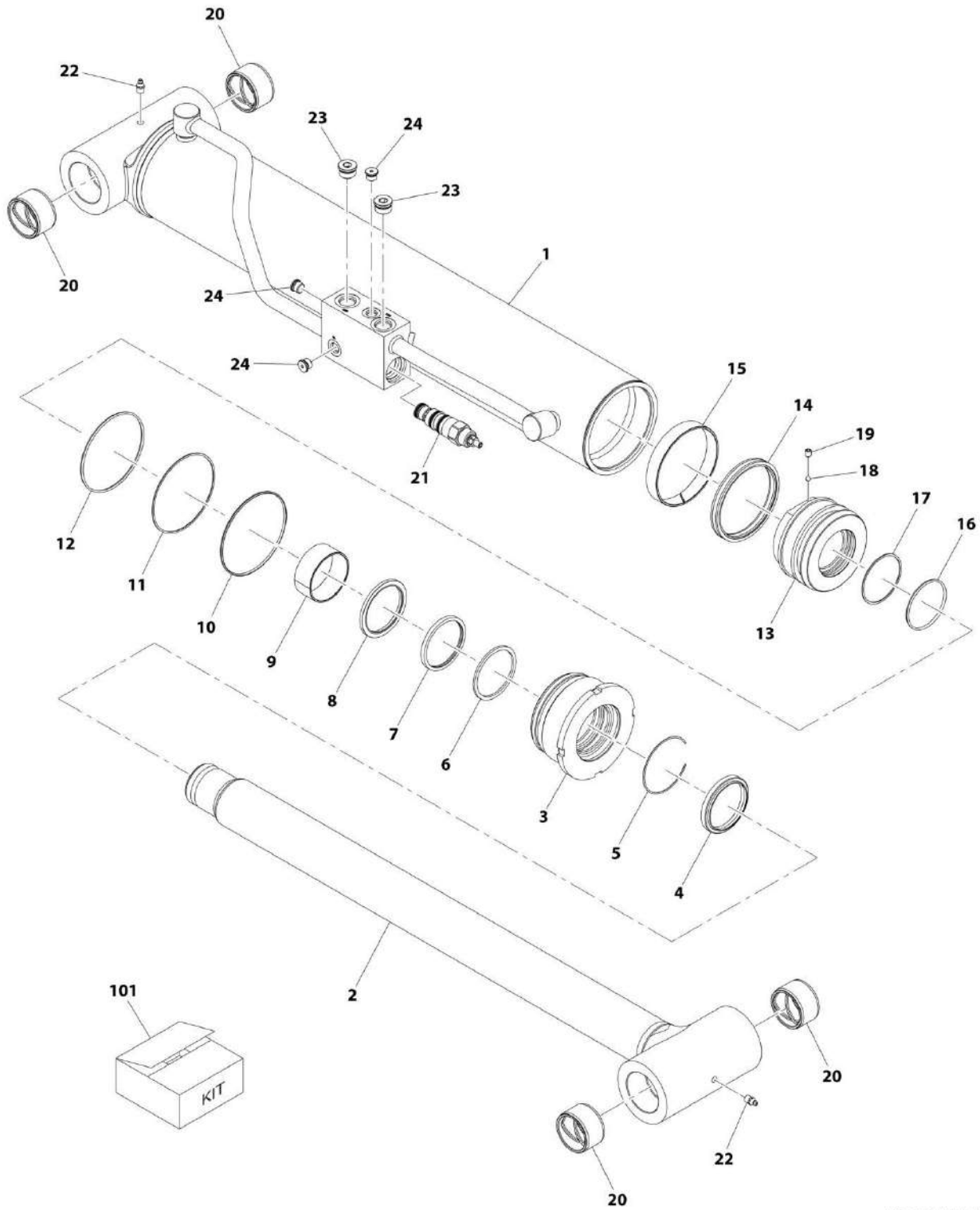
SECTION 9 - HYDRAULIC COMPONENTS

FIGURE 9-2. BOOM CYLINDER INSTALLATION, CE

ITEM	PART NUMBER	QTY	DESCRIPTION	REV
	1001204856	Ref	Boom Cylinder Installation (CE)	A
1	0641810	2	Hex HD Capscrew, 1/2-13X5/4	
2	0681836	1	Hex HD Capscrew, 1/2-13X9/2	
3	0681844	2	Hex HD Capscrew, 1/2-13X11/2	
4	4711800	2	Plain Washer, 1/2	
5	7139886	2	Pin Retention Spacer	
6	88521208	3	Locknut, 1/2-13	
7	1001080154	1	Cylinder Rod Pin	
8	1001080155	1	Cylinder Rod Pin	
9	1001080312	1	Cylinder Base Pin	
10	1001080313	1	Cylinder Base Pin	
11	1001080314	1	Boom Pivot Pin	
12	1001132210	1	Lift Cylinder Assembly (See Separate Breakdown in this Section)	
13	1001200580	1	Compensation Cylinder (See Separate Breakdown in this Section)	

SECTION 9 - HYDRAULIC COMPONENTS

FIGURE 9-3. LIFT CYLINDER, ANSI



ART_1001225578-A

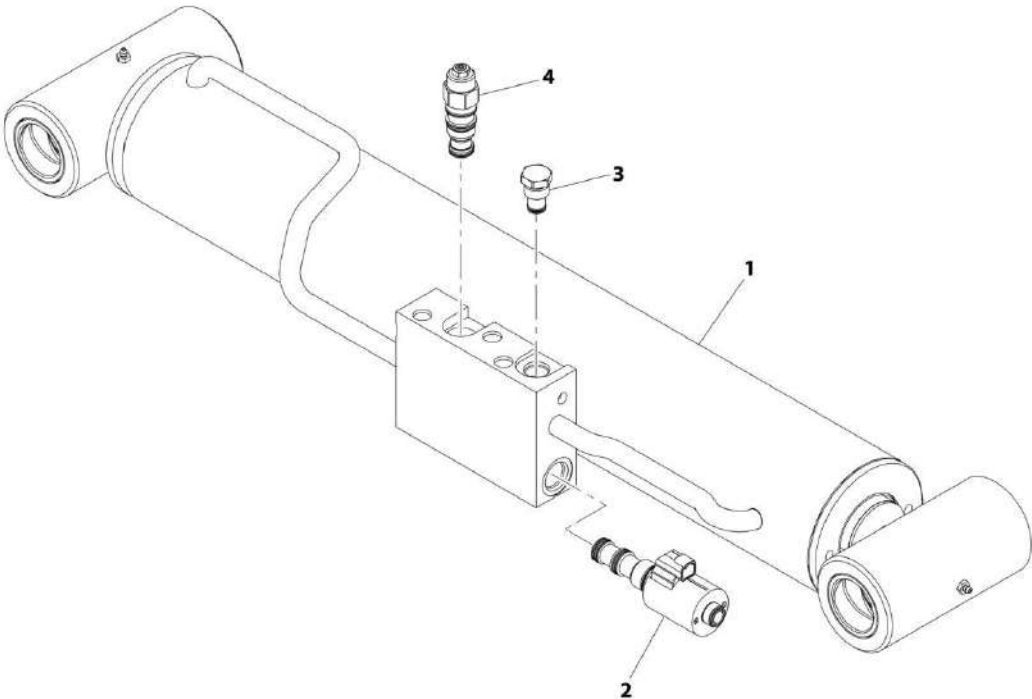
SECTION 9 - HYDRAULIC COMPONENTS

FIGURE 9-3. LIFT CYLINDER, ANSI

ITEM	PART NUMBER	QTY	DESCRIPTION	REV
	1001225578	Ref	Lift Cylinder, ANSI	A
1	70027260	1	Tube Assembly	
2	70027261	1	Rod Assembly	
3	70027256	1	Gland	
4	Kit	1	Dust Wiper	
5	70027259	1	Retain Ring	
6	Kit	1	Rod Seal	
7	Kit	1	Back-Up Ring	
8	Kit	1	Buffer Ring	
9	Kit	1	Dry Bearing	
10	Kit	1	O-Ring	
11	Kit	1	Back-Up Ring	
12	Kit	1	O-Ring	
13	70027257	1	Piston	
14	Kit	1	Piston Seal	
15	Kit	1	Wear Ring	
16	Kit	1	O-Ring	
17	Kit	1	Back-Up Ring	
18	70022564	1	Steel Ball	
19	70023369	1	Set Screw	
20	70027251	4	Bushing	
21	70028856	1	Counterbalance Valve	
22	70026308	2	Grease Nipple	
23	70005433	2	Hex Plug	
24	2220885	3	Hex Plug	
101	70027262	1	Seal Kit (includes items 4, 6 thru 12, 14 thru 17)	

SECTION 9 - HYDRAULIC COMPONENTS

FIGURE 9-4. LIFT CYLINDER ASSEMBLY, CE



ART_1001132210-A

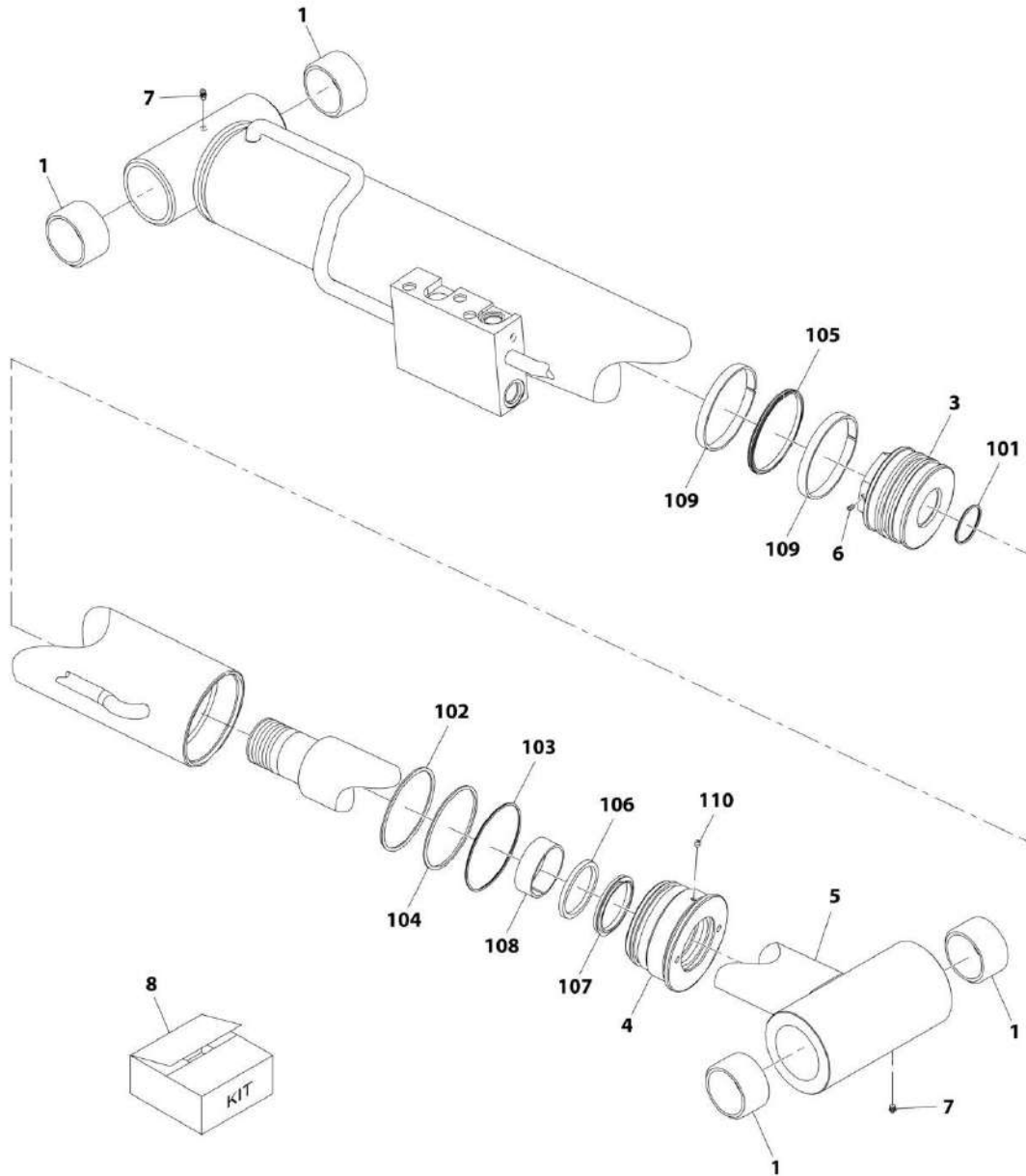
SECTION 9 - HYDRAULIC COMPONENTS

FIGURE 9-4. LIFT CYLINDER ASSEMBLY, CE

ITEM	PART NUMBER	QTY	DESCRIPTION	REV
	1001132210	Ref	Lift Cylinder Assembly, CE	A
1	1001132161	1	Lift Cylinder, CE (See Separate Breakdown in this Section)	
2	1001132207	1	Flow Control Valve	
3	1001132208	1	Check Valve	
4	1001132209	1	Counterbalance Valve	

SECTION 9 - HYDRAULIC COMPONENTS

FIGURE 9-5. LIFT CYLINDER, CE



ART_1001132161-A

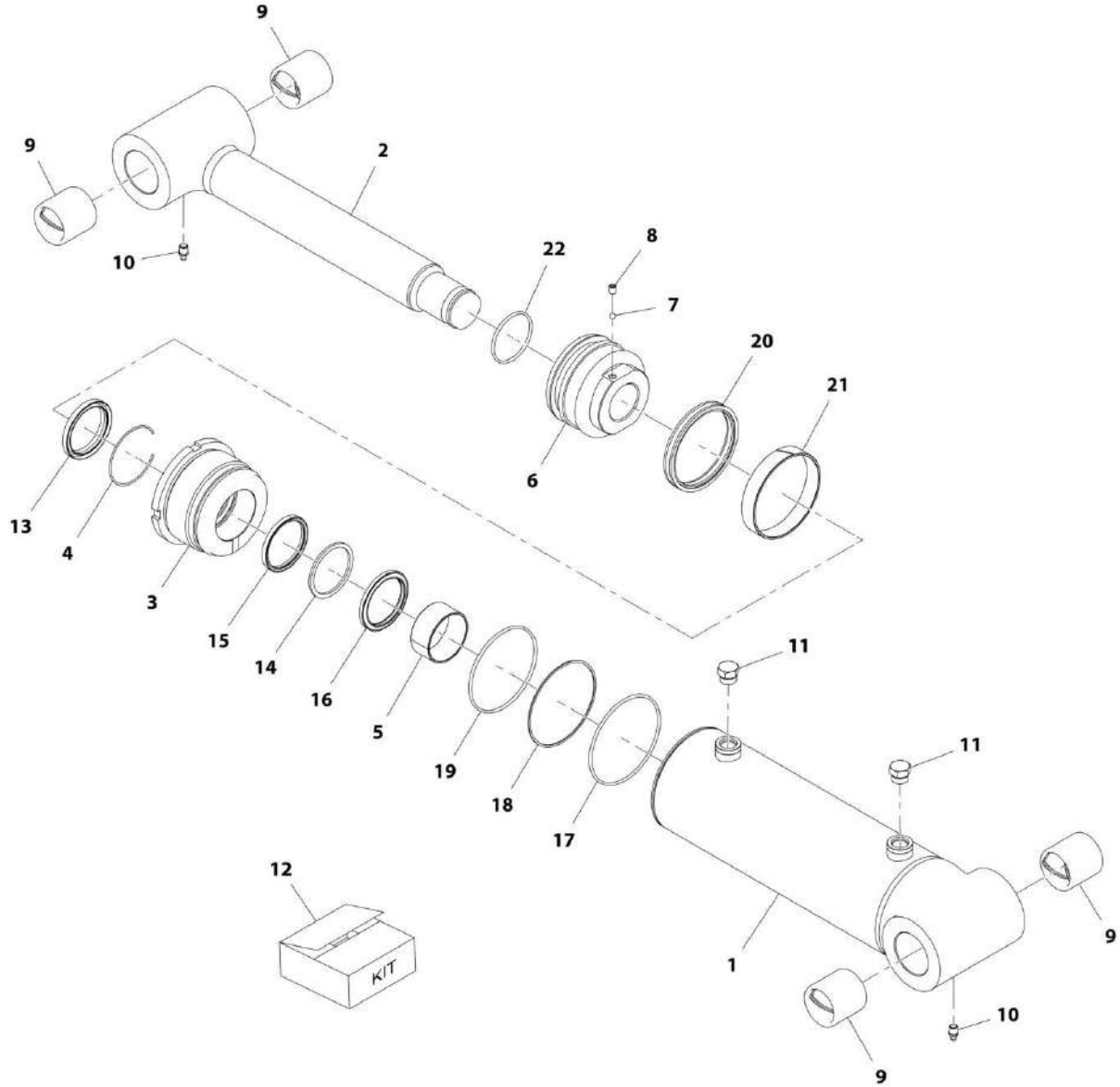
SECTION 9 - HYDRAULIC COMPONENTS

FIGURE 9-5. LIFT CYLINDER, CE

ITEM	PART NUMBER	QTY	DESCRIPTION	REV
	1001132161	Ref	Lift Cylinder, CE	A
1	70020370	4	Bushing	
3	70020372	1	Piston	
4	70020373	1	Head Gland	
5	70023974	1	Cylinder Rod	
6	8036629	3	Set Screw	
7	70020375	2	Grease Fitting	
8	70020377	1	Seal Kit	
101	Kit	1	O-Ring	
102	Kit	1	O-Ring	
103	Kit	1	O-Ring	
104	Kit	1	Backup Ring	
105	Kit	1	Piston Seal	
106	Kit	1	Rod Seal	
107	Kit	1	Rod Wiper	
108	Kit	1	Wearband	
109	Kit	2	Wearband	
110	Kit	2	Locking Insert	

SECTION 9 - HYDRAULIC COMPONENTS

FIGURE 9-6. COMPENSATION CYLINDER



ART_1001200580-B

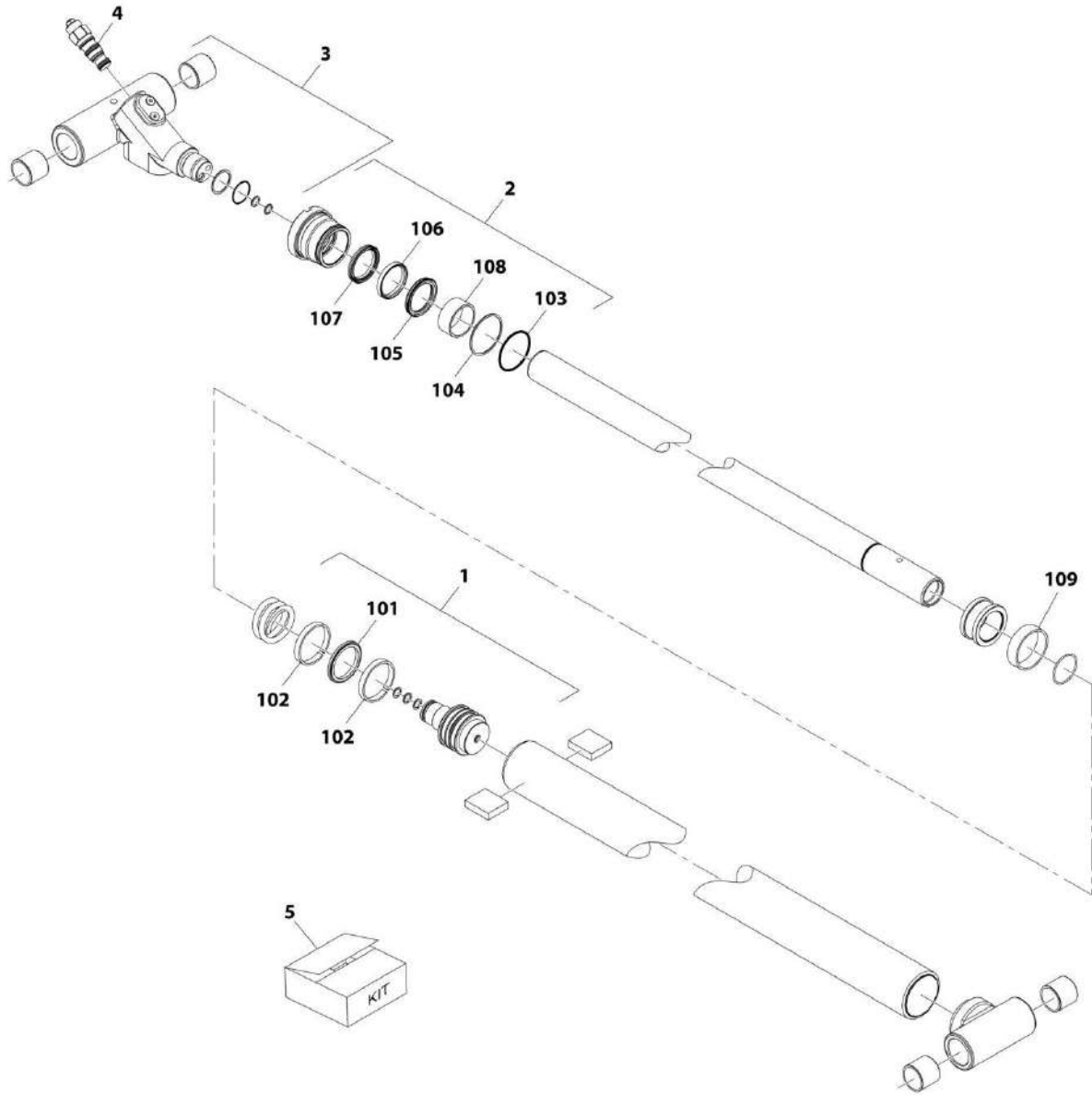
SECTION 9 - HYDRAULIC COMPONENTS

FIGURE 9-6. COMPENSATION CYLINDER

ITEM	PART NUMBER	QTY	DESCRIPTION	REV
	1001200580	Ref	Compensation Cylinder	B
1	70027246	1	Barrel Assembly	
2	70027247	1	Rod Assembly	
3	70027242	1	Gland	
4	70027244	1	Retain Ring	
5	70004637	1	Dry Bearing	
6	70027243	1	Piston	
7	70022564	1	Steel Ball	
8	70023369	1	Set Screw	
9	70027245	4	Bush	
10	70026308	2	Grease Nipple	
11	70023372	2	Hex Plug	
12	70027248	1	Seal Kit, (includes items 13 thru 22)	
13	Kit	1	Dust Wiper	
14	Kit	1	Rod Seal	
15	Kit	1	Back Up Ring	
16	Kit	1	Buffer Ring	
17	Kit	1	O-Ring	
18	Kit	1	Back Up Ring	
19	Kit	1	O-Ring	
20	Kit	1	Piston Seal	
21	Kit	1	Wear Ring	
22	Kit	1	O-Ring	

SECTION 9 - HYDRAULIC COMPONENTS

FIGURE 9-7. EXTEND/RETRACT CYLINDER



ART_1001201668-B

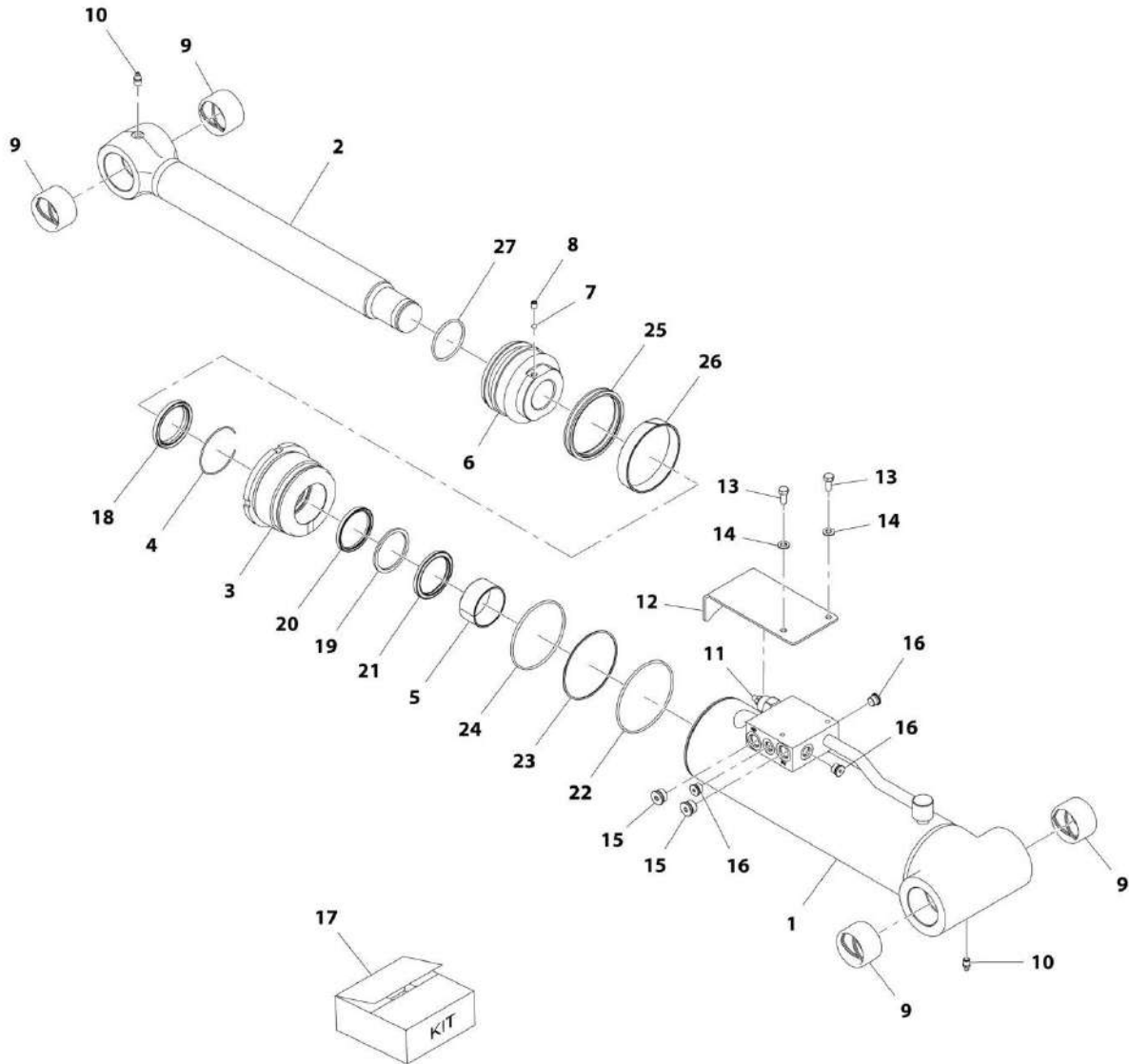
SECTION 9 - HYDRAULIC COMPONENTS

FIGURE 9-7. EXTEND/RETRACT CYLINDER

ITEM	PART NUMBER	QTY	DESCRIPTION	REV
	1001201668	Ref	Extend/Retract Cylinder	B
1	70027610	1	Piston Assembly, (Includes Items 101 & 102)	
2	70027611	1	Retainer Assembly, (Includes Items 103 Thru 108)	
3	70027612	1	Rod Assembly	
4	70020376	1	Counter Balance Valve	
5	70027638	1	Seal Kit, (Includes Items 101 Thru 109)	
101	Kit	1	Piston Seal	
102	Kit	2	Wear Ring	
103	Kit	1	O-Ring	
104	Kit	1	Back Up Ring	
105	Kit	1	Buffer Ring	
106	Kit	1	Rod Seal	
107	Kit	1	Wiper	
108	Kit	1	Bushing	
109	Kit	1	Wear Ring	

SECTION 9 - HYDRAULIC COMPONENTS

FIGURE 9-8. TILT CYLINDER



ART_1001200581-B

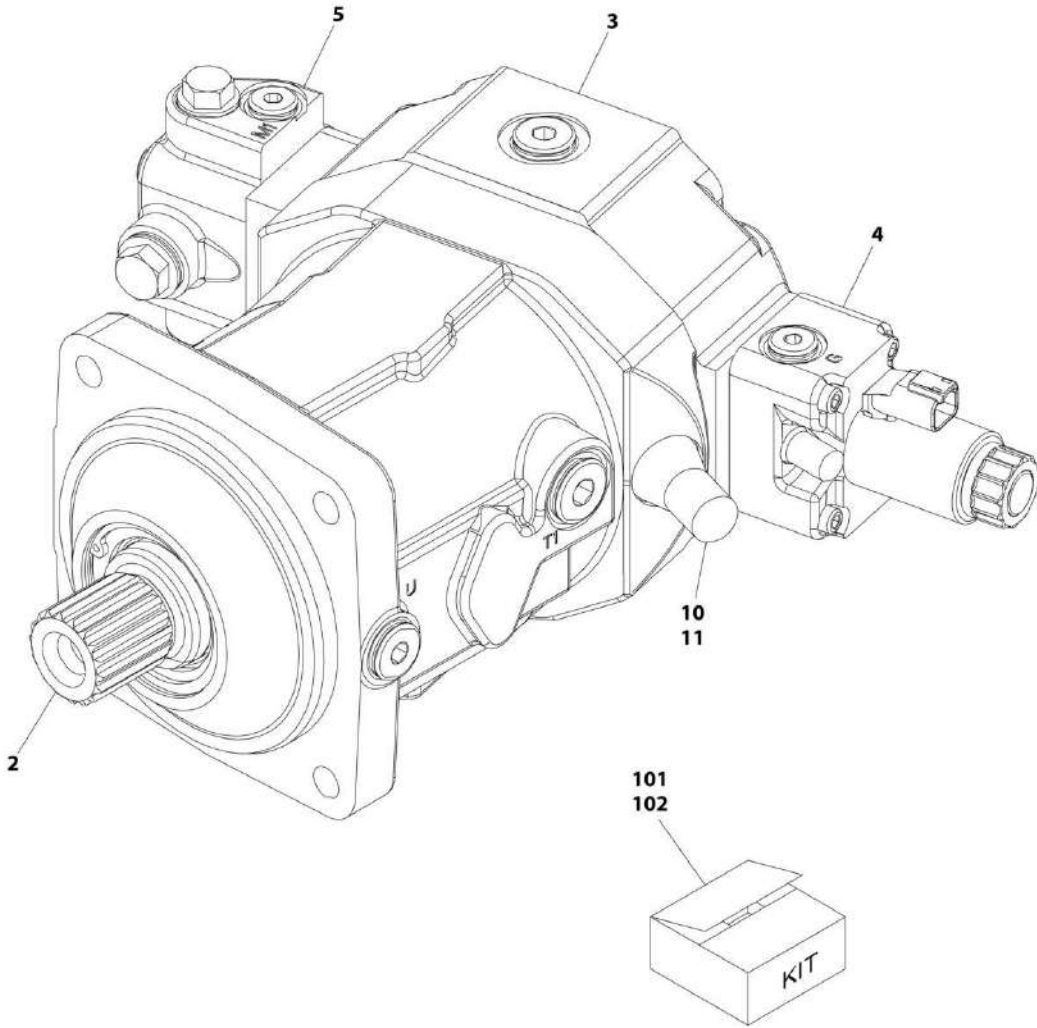
SECTION 9 - HYDRAULIC COMPONENTS

FIGURE 9-8. TILT CYLINDER

ITEM	PART NUMBER	QTY	DESCRIPTION	REV
	1001200581	Ref	Tilt Cylinder	B
1	70027252	1	Barrel Assembly	
2	70027253	1	Rod Assembly	
3	70027242	1	Gland	
4	70027244	1	Retain Ring	
5	70004637	1	Dry Bearing	
6	70027243	1	Piston	
7	70022564	1	Steel Ball	
8	70023369	1	Set Screw	
9	70027251	4	Bush	
10	70026308	2	Grease Nipple	
11	1001189888	1	Counter Balance Valve	
12	70027254	1	Cover	
13	70027249	2	Hex Bolt	
14	70027250	2	Washer	
15	70023373	2	Hex Socket Plug	
16	70023371	3	Hex Socket Plug	
17	70027255	1	Seal Kit	
18	Kit	1	Dust Wiper	
19	Kit	1	Rod Seal	
20	Kit	1	Back Up Ring	
21	Kit	1	Buffer Ring	
22	Kit	1	O-Ring	
23	Kit	1	Back Up Ring	
24	Kit	1	O-Ring	
25	Kit	1	Piston Seal	
26	Kit	1	Wear Ring	
27	Kit	1	O-Ring	

SECTION 9 - HYDRAULIC COMPONENTS

FIGURE 9-9. HYDROSTATIC MOTOR



ART_1001138823-B

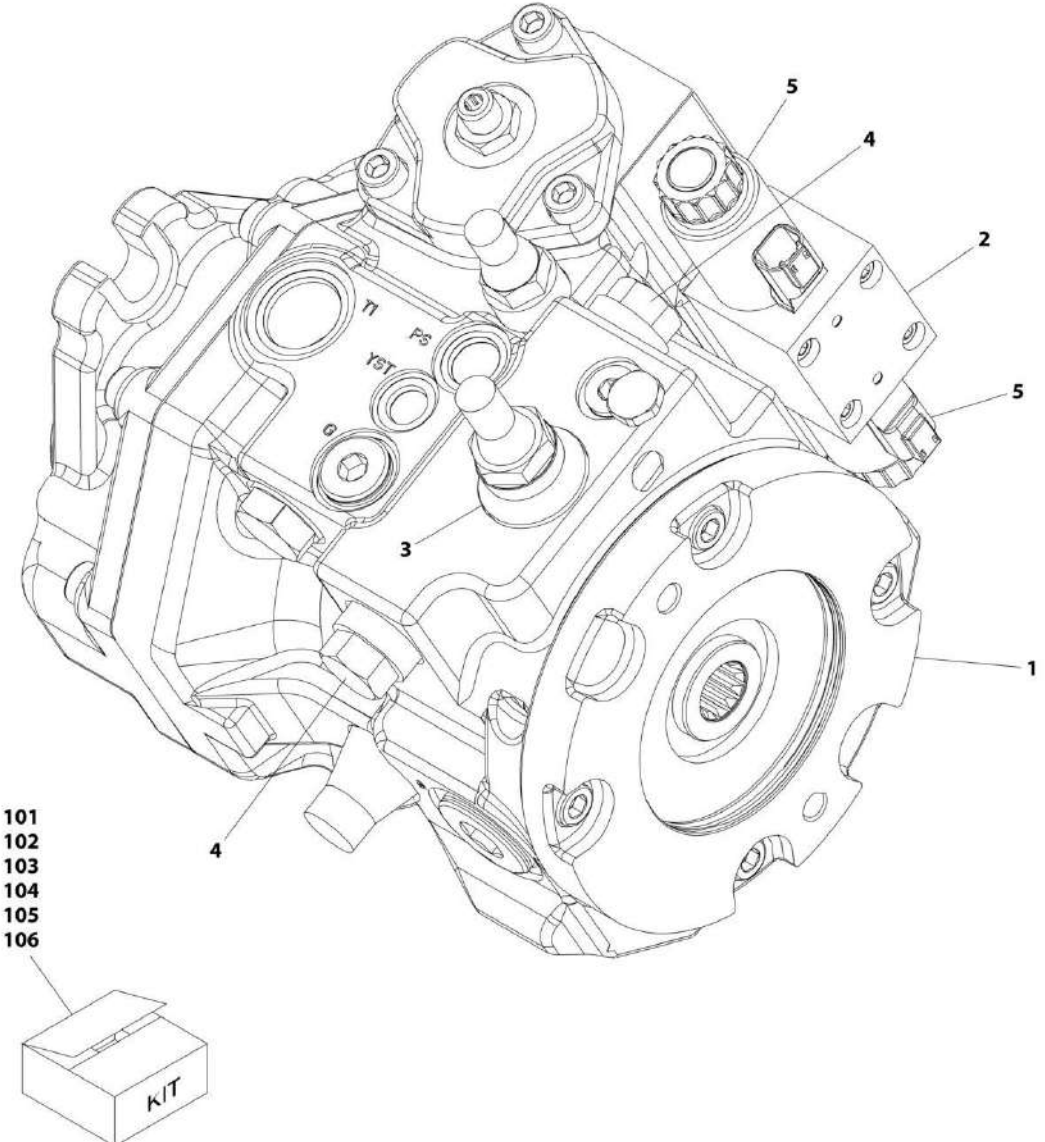
SECTION 9 - HYDRAULIC COMPONENTS

FIGURE 9-9. HYDROSTATIC MOTOR

ITEM	PART NUMBER	QTY	DESCRIPTION	REV
	1001138823	Ref	Hydrostatic Motor	B
2	70024933	1	Rotary Group	
3	70024934	1	Port Plate W/Accessories	
4	70024935	1	Control Part	
5	70024936	1	Flushing Valve W/Orifice	
10	70024938	1	Threaded Pin	
11	80334492	1	Sealing Nut	
101	70024939	1	Seal Kit	
102	70024937	1	Seal Kit, Rotary Group	

SECTION 9 - HYDRAULIC COMPONENTS

FIGURE 9-10. HYDROSTATIC PUMP



ART_100113887-C

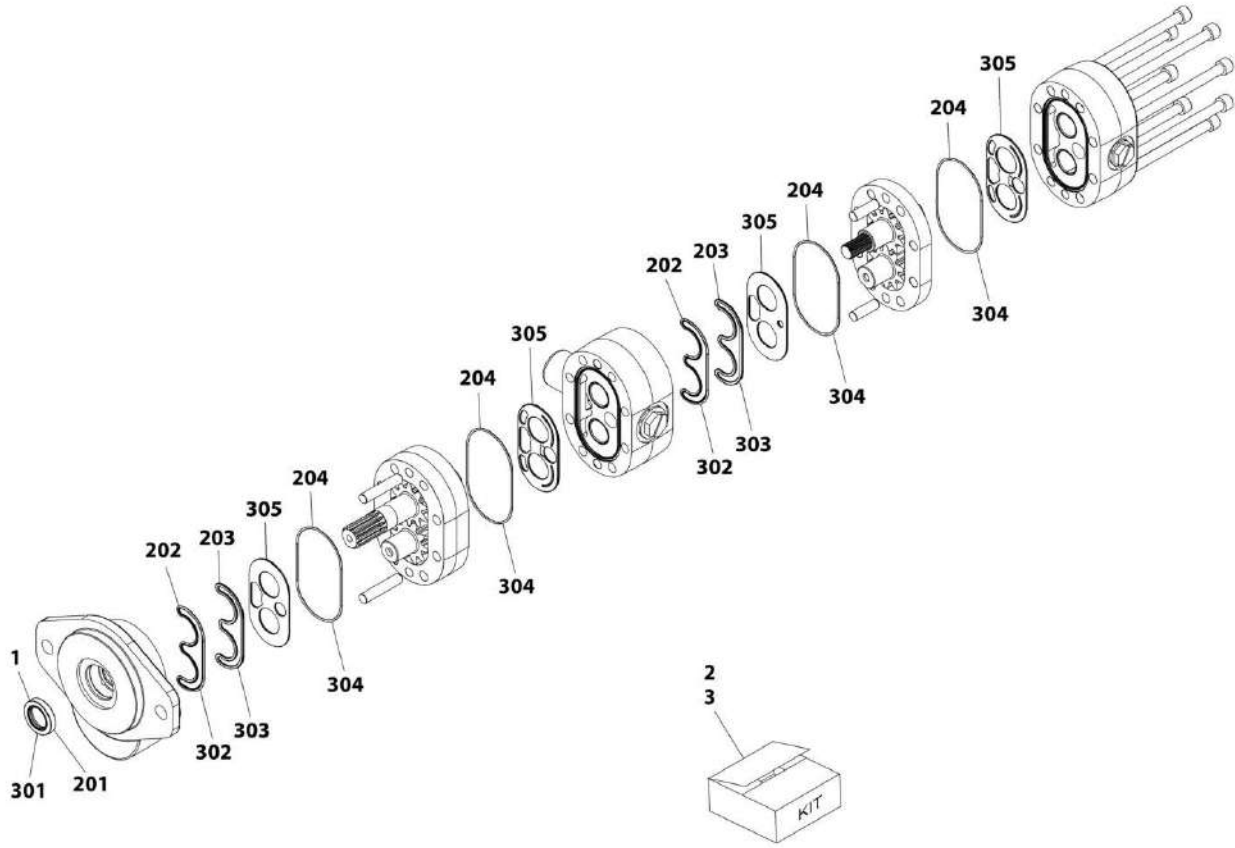
SECTION 9 - HYDRAULIC COMPONENTS

FIGURE 9-10. HYDROSTATIC PUMP

ITEM	PART NUMBER	QTY	DESCRIPTION	REV
	1001138887	Ref	Hydrostatic Pump	C
1	70024940	1	Charge Pump	
2	70024941	1	Control Module	
3	70024942	1	Control Cartridge W/Orifice	
4	70024945	2	Pressure Relief Valve	
5	70022726	2	Control Solenoid	
101	70024943	1	Seal Kit, (Includes Items 103 Thru 106)	
102	70024944	1	Seal Kit, Rotary Group, (Shaft Seal And Retaining Ring)	
103	70024947	1	Shaft Seal Kit	
104	70024948	1	Pump Seal Kit	
105	70024949	1	Charge Pump Seal Kit	
106	70024950	1	Control Seal Kit	

SECTION 9 - HYDRAULIC COMPONENTS

FIGURE 9-11. GEAR PUMP



ART_1001139997-B

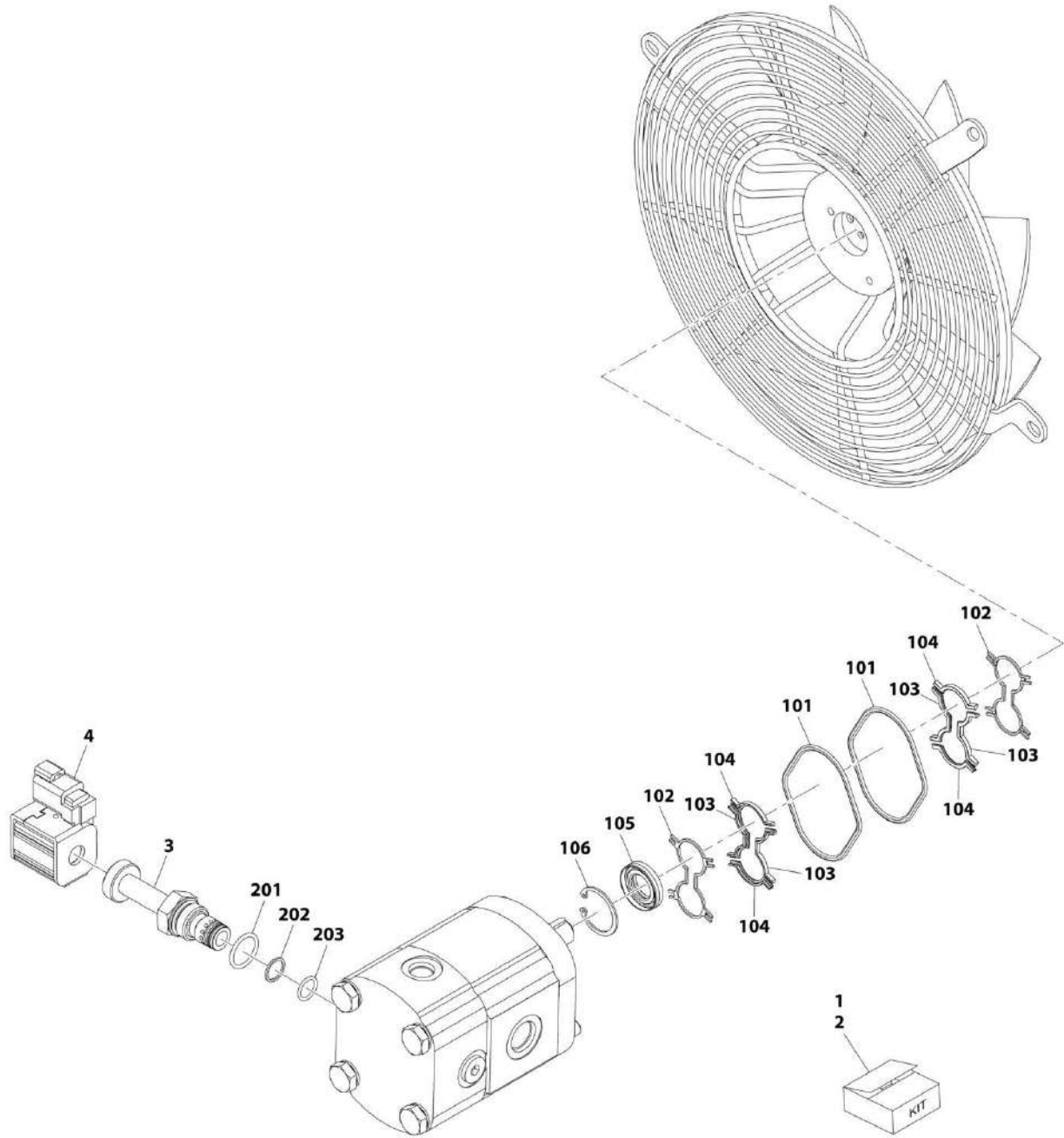
SECTION 9 - HYDRAULIC COMPONENTS

FIGURE 9-11. GEAR PUMP

ITEM	PART NUMBER	QTY	DESCRIPTION	REV
	1001139997	Ref	Gear Pump	B
1	70024951	1	Shaft Seal Kit	
2	70024952	1	Unit Seal Kit, (includes items 201 thru 204)	
201	Kit	1	Shaft Seal	
202	Kit	2	Pre-Load Seal	
203	Kit	2	Load Seal	
204	Kit	4	Sealing Ring	
3	70024953	1	Minor Repair Kit, (includes items 301 thru 305)	
301	Kit	1	Shaft Seal	
302	Kit	2	Pre-Load Seal	
303	Kit	2	Load Seal	
304	Kit	4	Sealing Ring	
305	Kit	4	Wear Plates	

SECTION 9 - HYDRAULIC COMPONENTS

FIGURE 9-12. FAN MOTOR



ART_1001141779-C

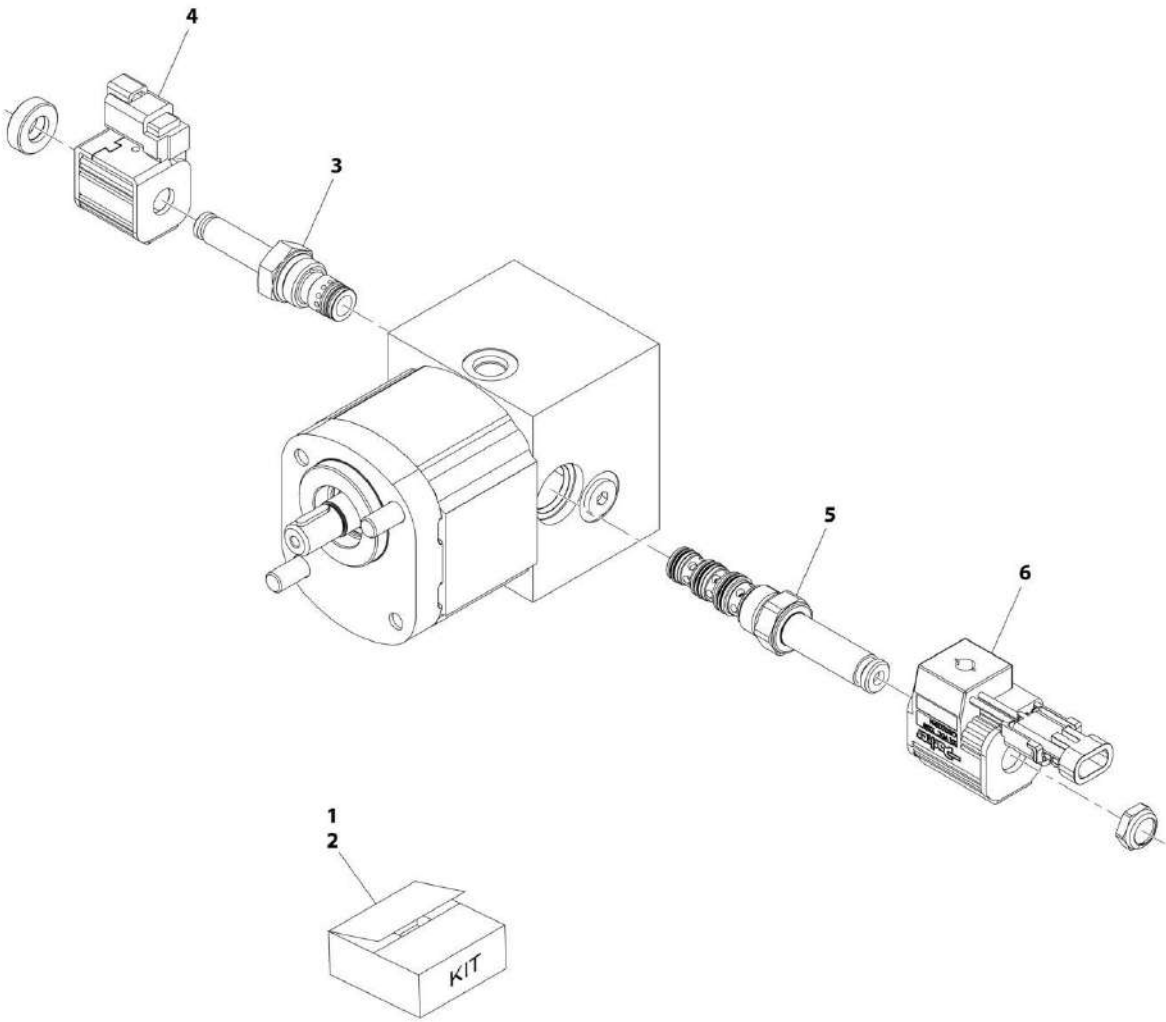
SECTION 9 - HYDRAULIC COMPONENTS

FIGURE 9-12. FAN MOTOR

ITEM	PART NUMBER	QTY	DESCRIPTION	REV
	1001141779	Ref	Fan Motor	C
1	70027400	1	Motor Seal Kit	
101	Kit	2	Seal	
102	Kit	2	Seal	
103	Kit	4	Seal	
104	Kit	4	Seal	
105	Kit	1	Seal	
106	Kit	1	Snap Ring	
2	70027401	1	Valve Seal Kit	
201	Kit	1	Seal	
202	Kit	1	Back-Up Ring	
203	Kit	1	Seal	
3	70027556	1	Proportional Valve	
4	70027557	1	Valve Coil	

SECTION 9 - HYDRAULIC COMPONENTS

FIGURE 9-13. FAN MOTOR, REVERSING



ART_1001141780-C

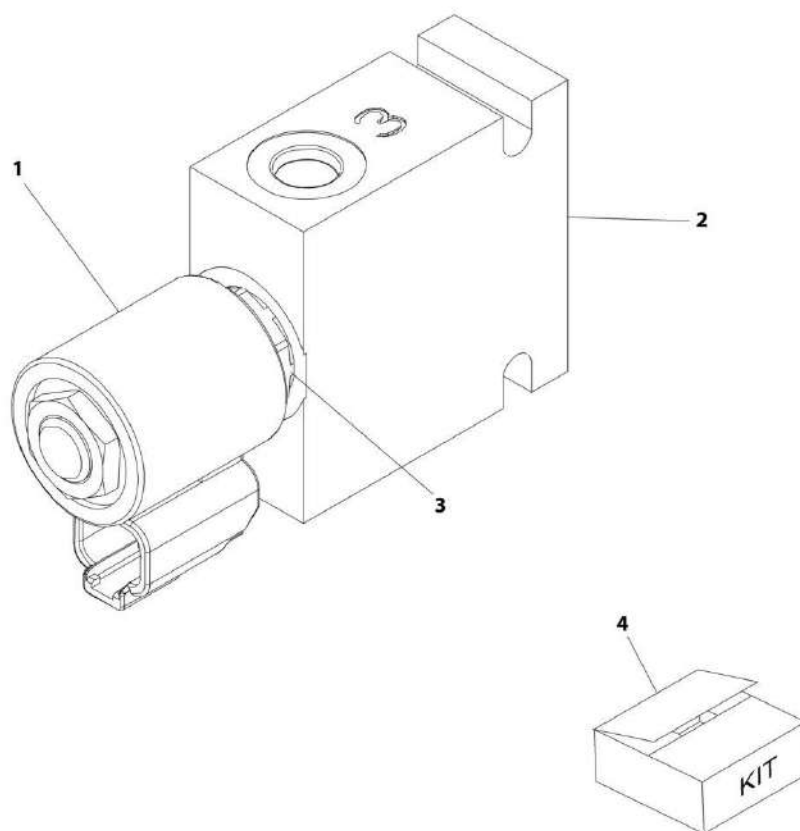
SECTION 9 - HYDRAULIC COMPONENTS

FIGURE 9-13. FAN MOTOR, REVERSING

ITEM	PART NUMBER	QTY	DESCRIPTION	REV
1	1001141780	Ref	Fan Motor	C
	70027400	1	Seal Kit, Motor	
	Kit	2	Seal	
	Kit	2	Seal	
	Kit	4	Seal	
	Kit	4	Seal	
	Kit	1	Seal	
	Kit	1	Snap Ring	
	2	70028239	1	
Kit		1	Seal, O-R	
Kit		1	Seal, O-R	
Kit		1	Seal, O-R	
Kit		1	Seal, O-R	
Kit		2	Seal, Bk-Up	
Kit		2	Seal, Bk-Up	
Kit		2	Seal, Bk-Up	
3	70027556	1	Proportional Valve	
4	70027557	1	Valve Coil	
5	70028240	1	Reversing Valve	
6	70028241	1	Valve Coil	

SECTION 9 - HYDRAULIC COMPONENTS

FIGURE 9-14. PARK BRAKE RELEASE VALVE



ART_1001080359-B

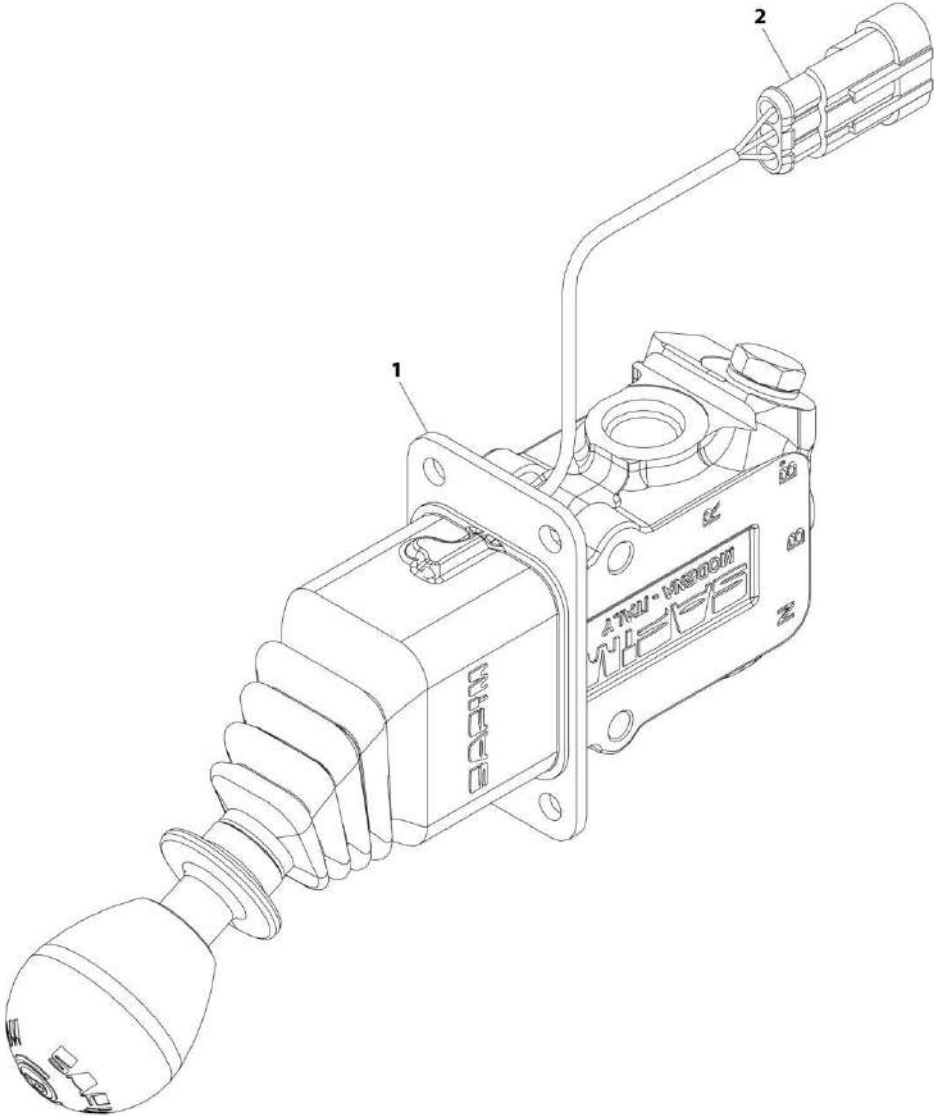
SECTION 9 - HYDRAULIC COMPONENTS

FIGURE 9-14. PARK BRAKE RELEASE VALVE

ITEM	PART NUMBER	QTY	DESCRIPTION	REV
	1001080359	Ref	Park Brake Release Valve	B
1	7012941	1	Cartridge	
2	70020871	1	Body	
3	7024872	1	Coil	
4	7010543	1	Seal Kit	

SECTION 9 - HYDRAULIC COMPONENTS

FIGURE 9-15. HYDRAULIC PARK BRAKE RELEASE VALVE



ART_1001098153-D

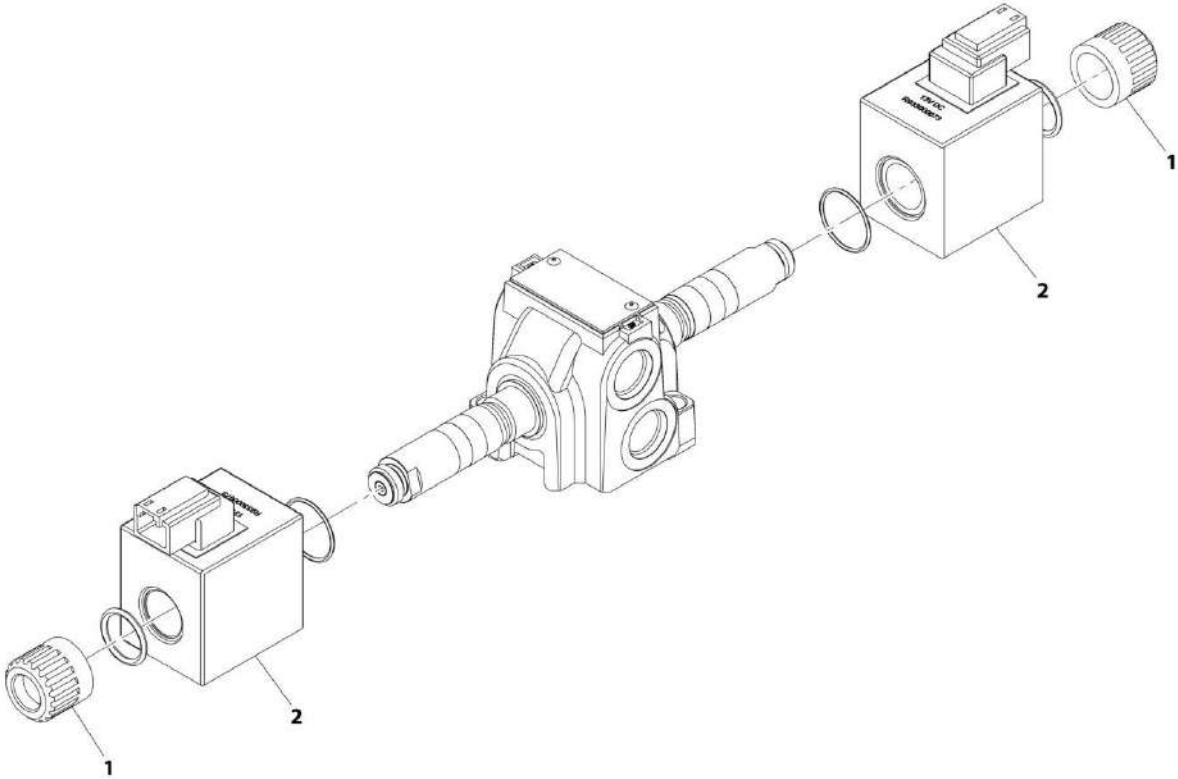
SECTION 9 - HYDRAULIC COMPONENTS

FIGURE 9-15. HYDRAULIC PARK BRAKE RELEASE VALVE

ITEM	PART NUMBER	QTY	DESCRIPTION	REV
	1001098153	Ref	Hydraulic Park Brake Release Valve	D
1	70020922	1	Kit, Seal	
2	70022847	1	Kit, Microswitch	

SECTION 9 - HYDRAULIC COMPONENTS

FIGURE 9-16. STEERING SELECT VALVE



ART_1001153748-C

SECTION 9 - HYDRAULIC COMPONENTS

FIGURE 9-16. STEERING SELECT VALVE

ITEM	PART NUMBER	QTY	DESCRIPTION	REV
	1001153748	Ref	Steering Select Valve	C
1	70020867	2	Nut, Coil	
2	70026582	2	Coil	

SECTION 9 - HYDRAULIC COMPONENTS

FIGURE 9-17. MAIN CONTROL VALVE (W/AUX)

INFORMATION IS NOT AVAILABLE AT THE TIME OF PUBLICATION

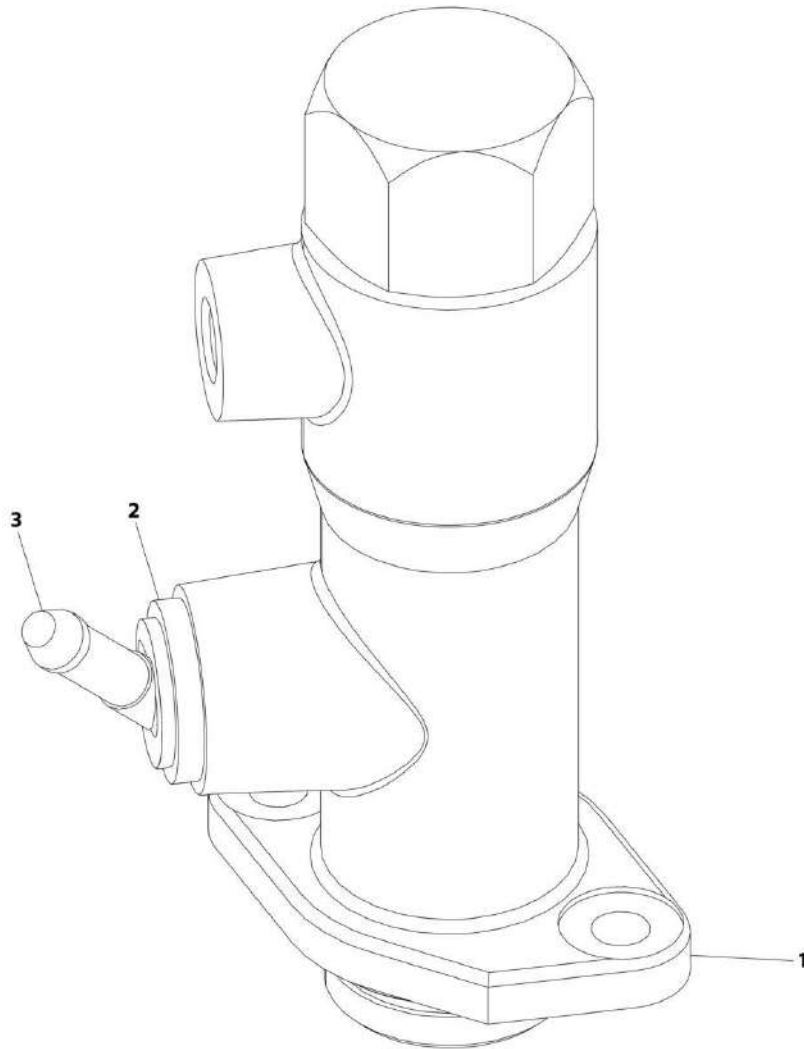
SECTION 9 - HYDRAULIC COMPONENTS

FIGURE 9-17. MAIN CONTROL VALVE (W/AUX)

ITEM	PART NUMBER	QTY	DESCRIPTION	REV
	1001080176	Ref	Main Control Valve (W/Aux)	D

SECTION 9 - HYDRAULIC COMPONENTS

FIGURE 9-18. BRAKE MASTER CYLINDER VALVE



ART_1001080262-C

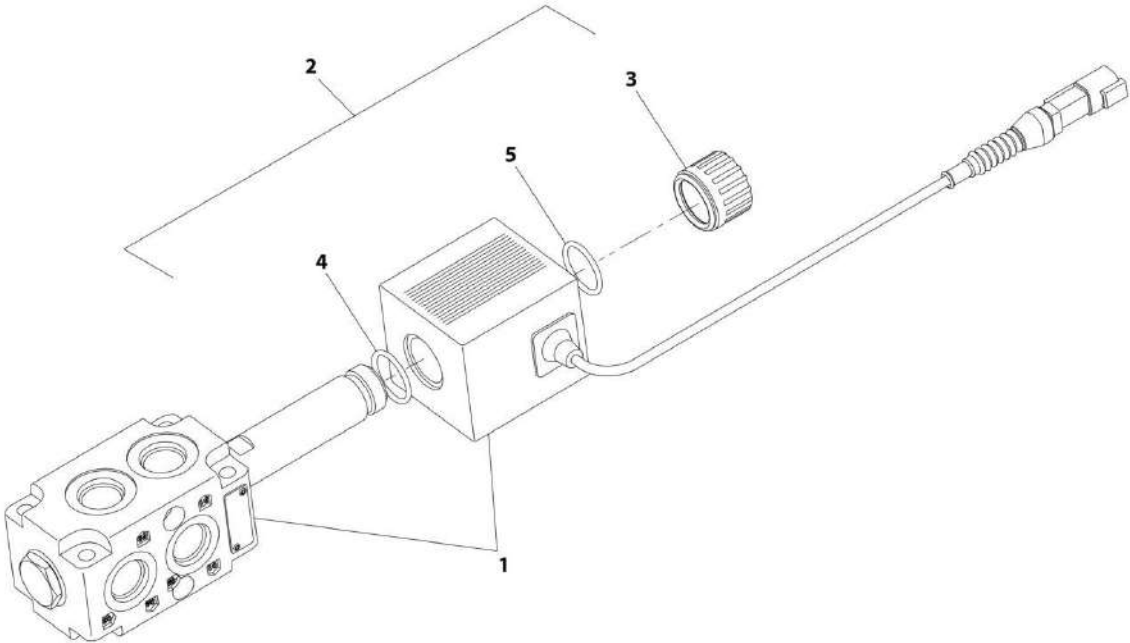
SECTION 9 - HYDRAULIC COMPONENTS

FIGURE 9-18. BRAKE MASTER CYLINDER VALVE

ITEM	PART NUMBER	QTY	DESCRIPTION	REV
	1001080262	Ref	Brake Master Cylinder Valve	C
1	70020919	1	Seal Kit	
2	70020920	1	Rubber Boot	
3	70021475	1	Fitting	

SECTION 9 - HYDRAULIC COMPONENTS

FIGURE 9-19. DIVERTOR VALVE



ART_1001104477-D

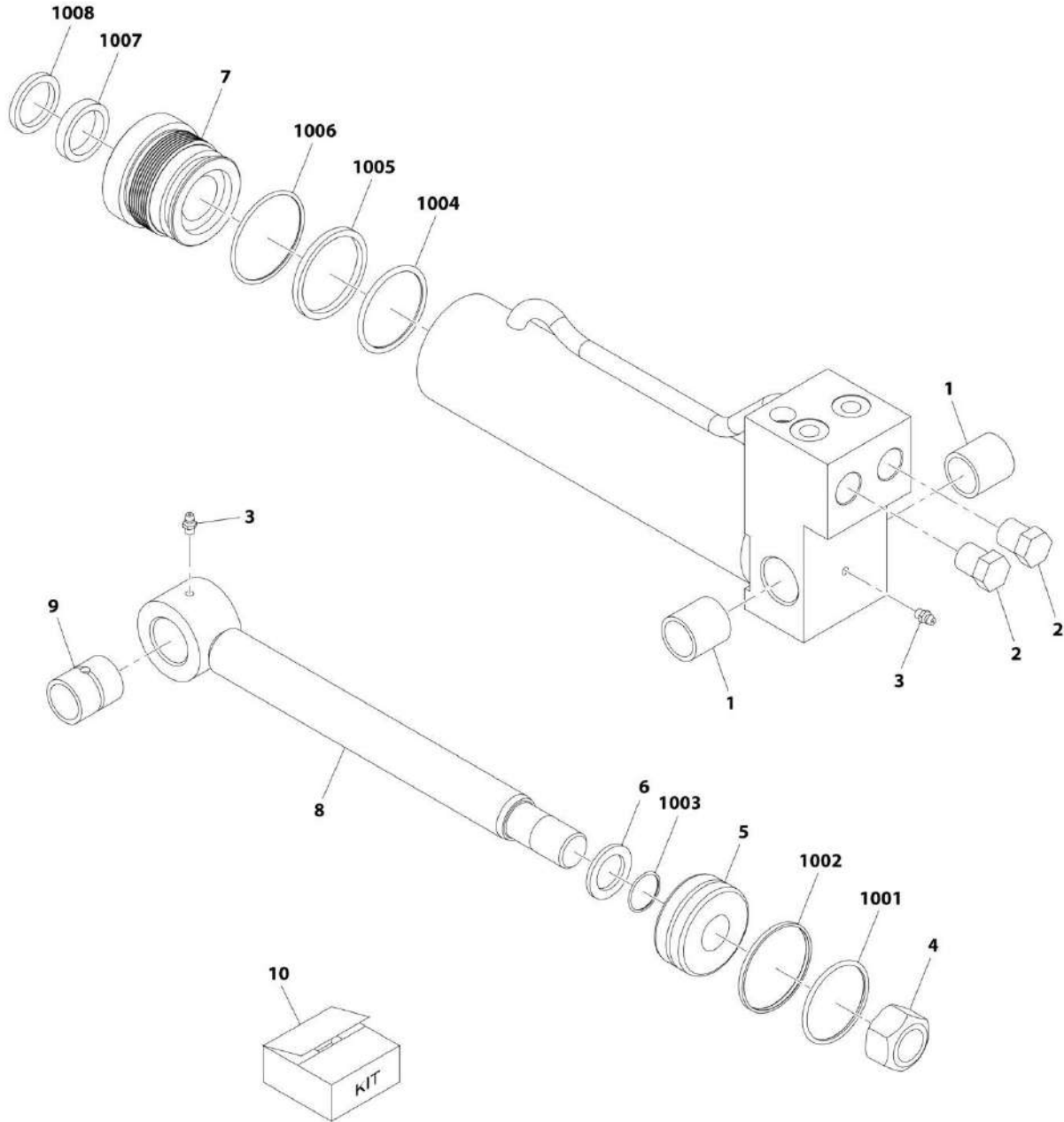
SECTION 9 - HYDRAULIC COMPONENTS

FIGURE 9-19. DIVERTOR VALVE

ITEM	PART NUMBER	QTY	DESCRIPTION	REV
	1001104477	Ref	Divertor Valve	D
1	70020764	1	Coil	
2	70021531	1	Kit, Retainer	
3	Kit	1	Nut	
4	Kit	1	O-Ring	
5	Kit	1	O-Ring	

SECTION 9 - HYDRAULIC COMPONENTS

FIGURE 9-20. SIDE TILT CARRIAGE CYLINDER



ART_70021363-A

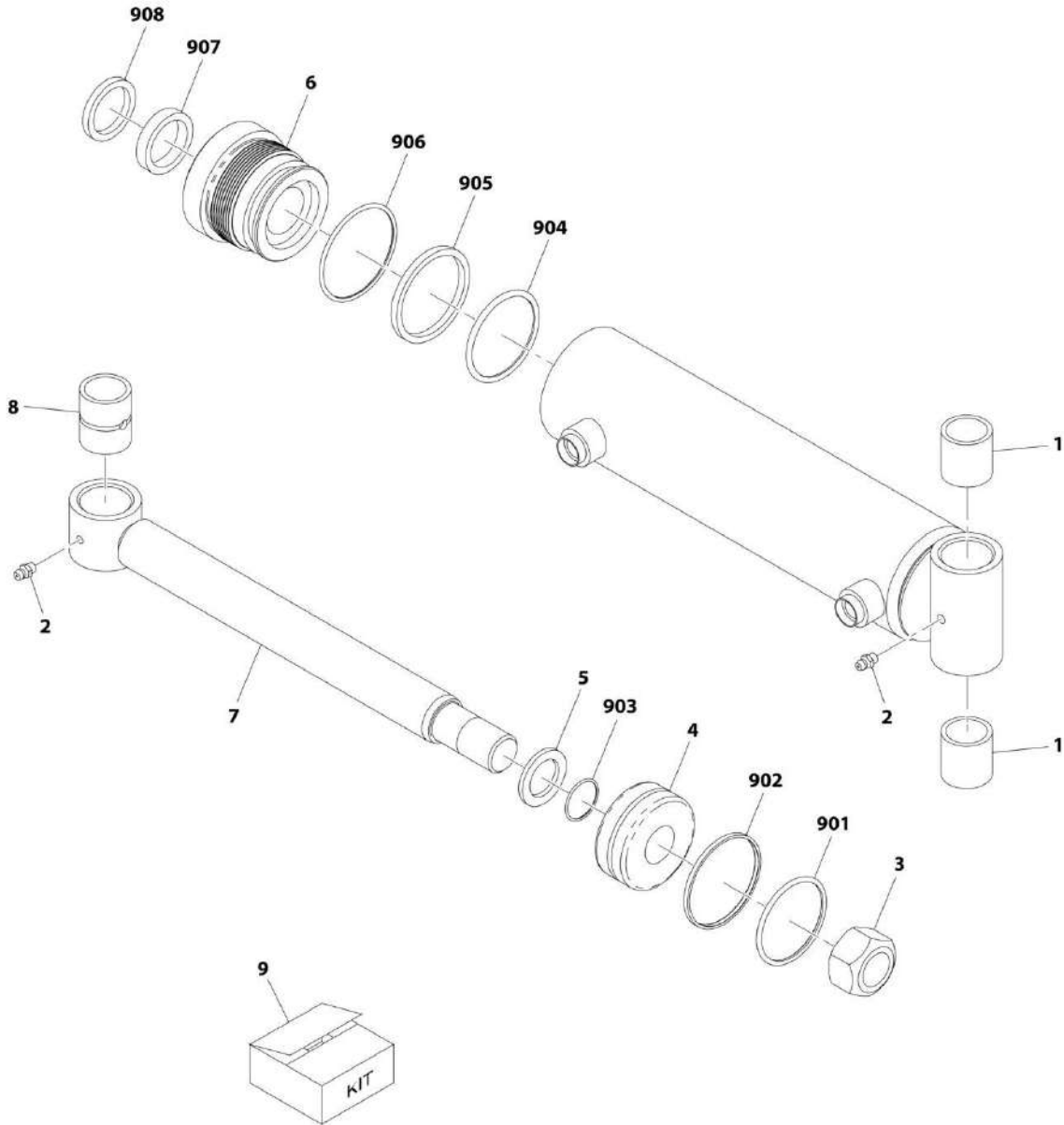
SECTION 9 - HYDRAULIC COMPONENTS

FIGURE 9-20. SIDE TILT CARRIAGE CYLINDER

ITEM	PART NUMBER	QTY	DESCRIPTION	REV
	70021363	Ref	Side Tilt Carriage Cylinder	A
1	70021448	2	Bushing	
2	70021464	2	Valve Cartridge	
3	90554045	2	Grease Fitting	
4	70021440	1	Nut	
5	70021451	1	Piston	
6	70021444	1	Washer	
7	70021446	1	Gland	
8	70029441	1	Rod	
9	70021447	1	Bushing	
10	70021452	1	Seal Kit, (includes items 1001 thru 1008)	
1001	Kit	1	Piston Ring	
1002	Kit	1	O-Ring	
1003	Kit	1	O-Ring	
1004	Kit	1	O-Ring	
1005	Kit	1	Back-Up Ring	
1006	Kit	1	O-Ring	
1007	Kit	1	Polypak, Type B	
1008	Kit	1	Rod Wiper	

SECTION 9 - HYDRAULIC COMPONENTS

FIGURE 9-21. UNIVERSAL SIDE SHIFT CYLINDER



ART_70022108-A

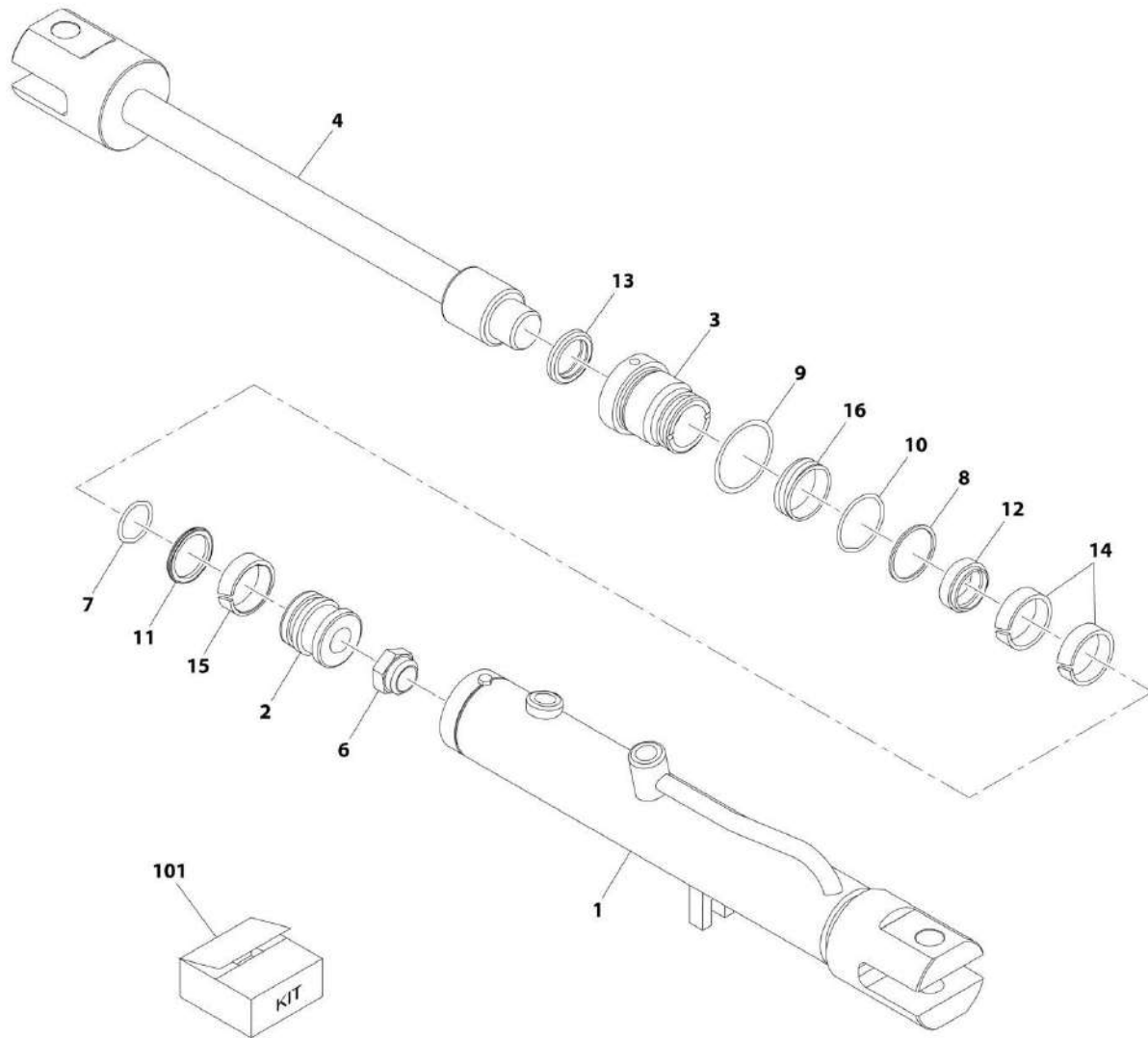
SECTION 9 - HYDRAULIC COMPONENTS

FIGURE 9-21. UNIVERSAL SIDE SHIFT CYLINDER

ITEM	PART NUMBER	QTY	DESCRIPTION	REV
	70022108	Ref	Universal Side Shift Cylinder	A
1	70021448	2	Bushing	
2	90554045	2	Grease Fitting	
3	70021440	1	Nut	
4	70021451	1	Piston	
5	70021444	1	Washer	
6	70021446	1	Gland	
7	70021462	1	Rod	
8	70021447	1	Bushing	
9	70021452	1	Seal Kit, (includes items 901 thru 908)	
901	Kit	1	O-Ring	
902	Kit	1	Back-up O-Ring	
903	Kit	1	O-Ring	
904	Kit	1	O-Ring	
905	Kit	1	O-Ring	
906	Kit	1	Seal	
907	Kit	1	O-Ring	
908	Kit	1	Seal	

SECTION 9 - HYDRAULIC COMPONENTS

FIGURE 9-22. FORK LOCKING CYLINDER



ART_1001080334-D

SECTION 9 - HYDRAULIC COMPONENTS

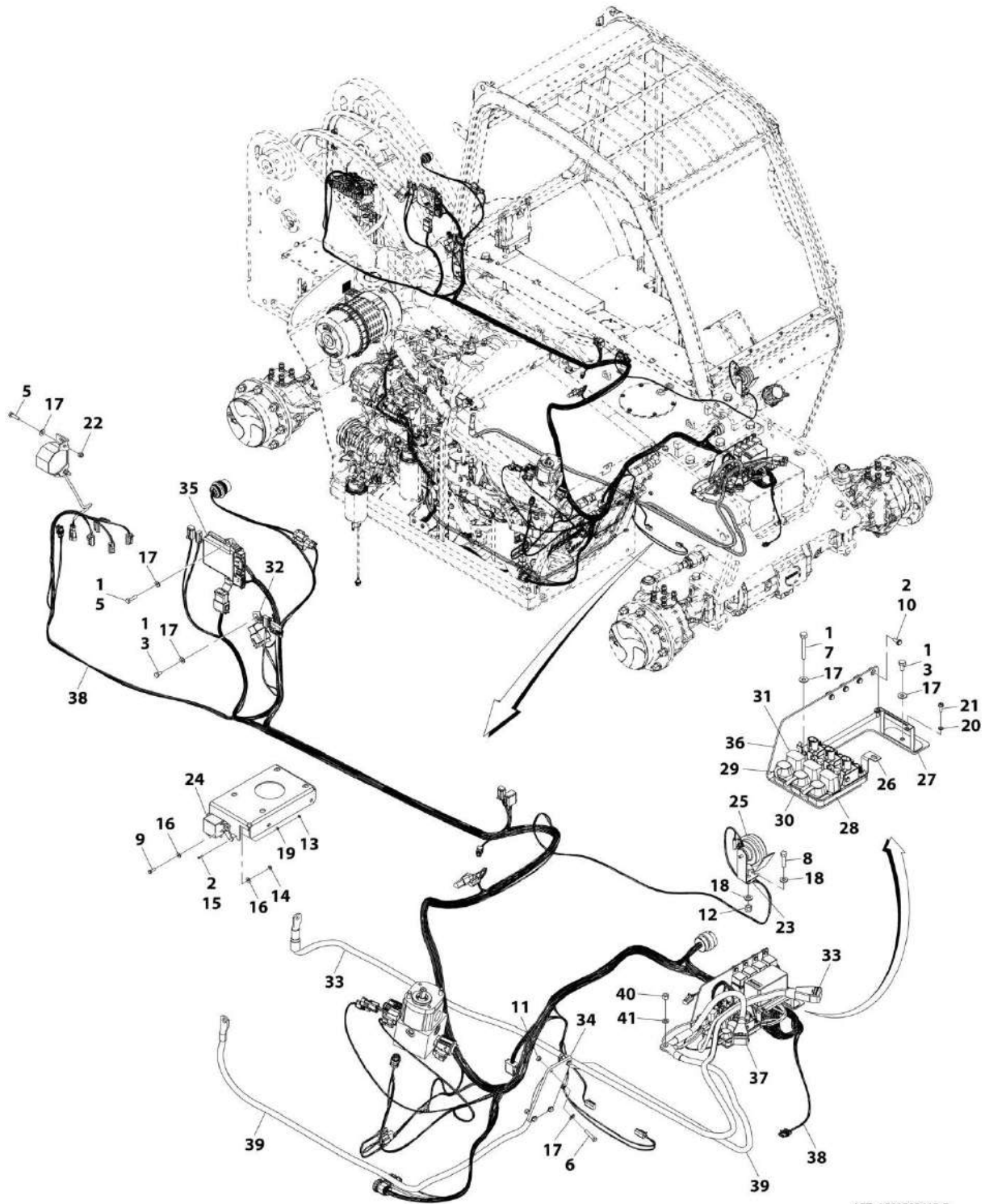
FIGURE 9-22. FORK LOCKING CYLINDER

ITEM	PART NUMBER	QTY	DESCRIPTION	REV
	1001080334	Ref	Fork Locking Cylinder	D
1	70021270	1	Case Assembly	
2	70021271	1	Piston	
3	70021272	1	Head Gland	
4	70021273	1	Rod	
6	70021275	1	Locknut	
7	Kit	1	O-Ring	
8	Kit	1	O-Ring	
9	Kit	1	O-Ring	
10	Kit	1	Back-Up Ring	
11	Kit	1	Diso-Pac	
12	Kit	1	Deep Z-Seal	
13	Kit	1	Rod Wiper	
14	Kit	2	Precision Wearband	
15	Kit	1	Precision Wearband	
16	Kit	1	Locking Insert	
101	70021276	1	Seal Kit, (includes items 7 thru 16)	

SECTION 10 - ELECTRICAL

SECTION 10 - ELECTRICAL

FIGURE 10-1. MAIN ELECTRICAL INSTALLATION



ART_1001200612-E

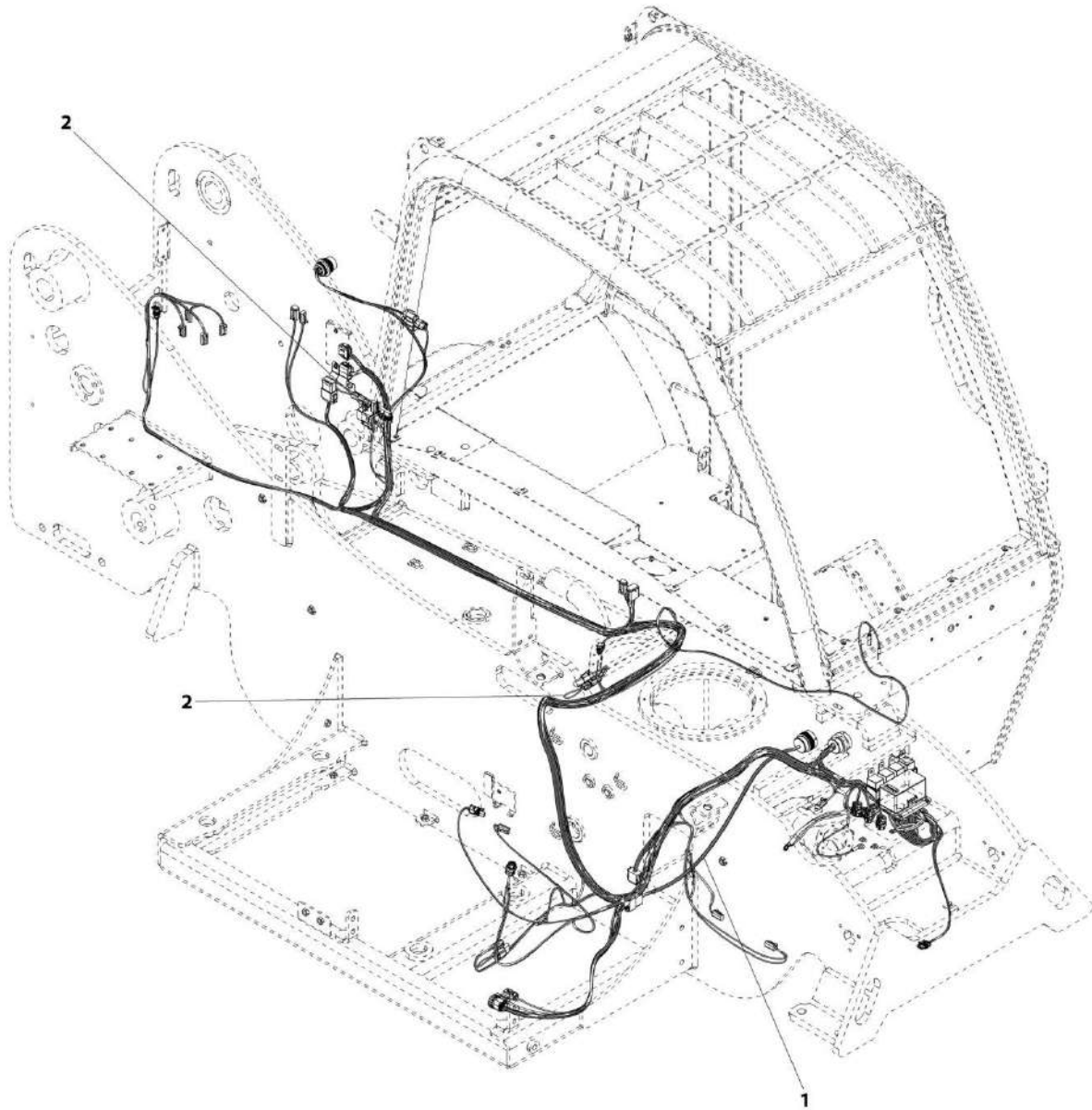
SECTION 10 - ELECTRICAL

FIGURE 10-1. MAIN ELECTRICAL INSTALLATION

ITEM	PART NUMBER	QTY	DESCRIPTION	REV
	1001200612	Ref	Main Electrical Installation	E
1	0100011	AR	Loctite 242	
2	0100035	AR	Loctite 222	
3	0641404	2	Hex HD Capscrew, 1/4-20X1/2, GR5	
5	0641408	4	Hex HD Capscrew, 1/4-20X1, GR5	
6	0641410	4	Hex HD Capscrew, 1/4-20X1-1/4	
7	0641415	3	Hex HD Capscrew, 1/4-20X1-7/8, GR5	
8	0641611	1	Hex HD Capscrew, 3/8-16X1-3/8, GR5	
9	0721005	2	Screw	
10	0791004	4	Screw	
11	3271405	4	Hex Locknut, 1/4-20, GR8	
12	3300143	1	Hex Locknut, 3/8-16	
13	3310401	3	Hex Nut, 4-40, GR2	
14	3311001	2	Hex Nut, 10-24, GR2	
15	3910408	3	Screw, 4-40X1/2	
16	4711000	4	Washer	
17	4711400	13	Washer, 1/4	
18	4711600	2	Washer, 3/8	
19	4750400	3	Washer, #4	
20	4761000	2	Lockwasher	
21	8303839	2	Screw, #10-32X1/2	
22	8305624	2	Nut	
23	8406003	1	Clip	
24	77383377	1	Starter Relay	
25	91143357	1	Horn	
26	1001080409	1	Bus Bar	
27	1001080410	1	Bracket	
28	1001080424	1	Yellow Power Module Relay	
29	1001092585	1	Bus Bar Insulator	
30	1001127589	1	Red Power Module Relay	
31	1001141066	1	Green Power Module Relay	
32	1001141581	1	Connector Mount	
33	1001149466	1	Positive Battery Cable	
34	1001156314	1	Plate	
35	1001196254	1	Control Module	
36	1001201252	1	Mount, Electrical Components	
37	1001080619	1	Negative Battery Cable	
38	1001140634	1	Frame Harness, (See Separate Breakdown in this Section)	
39	1001209102	1	Ground Cable	
40	3271601	1	Hex Nut, 3/8-16	
41	4761600	1	Lockwasher, 3/8	

SECTION 10 - ELECTRICAL

FIGURE 10-2. FRAME OPTIONS HARNESS INSTALLATION



ART_1001143556-C

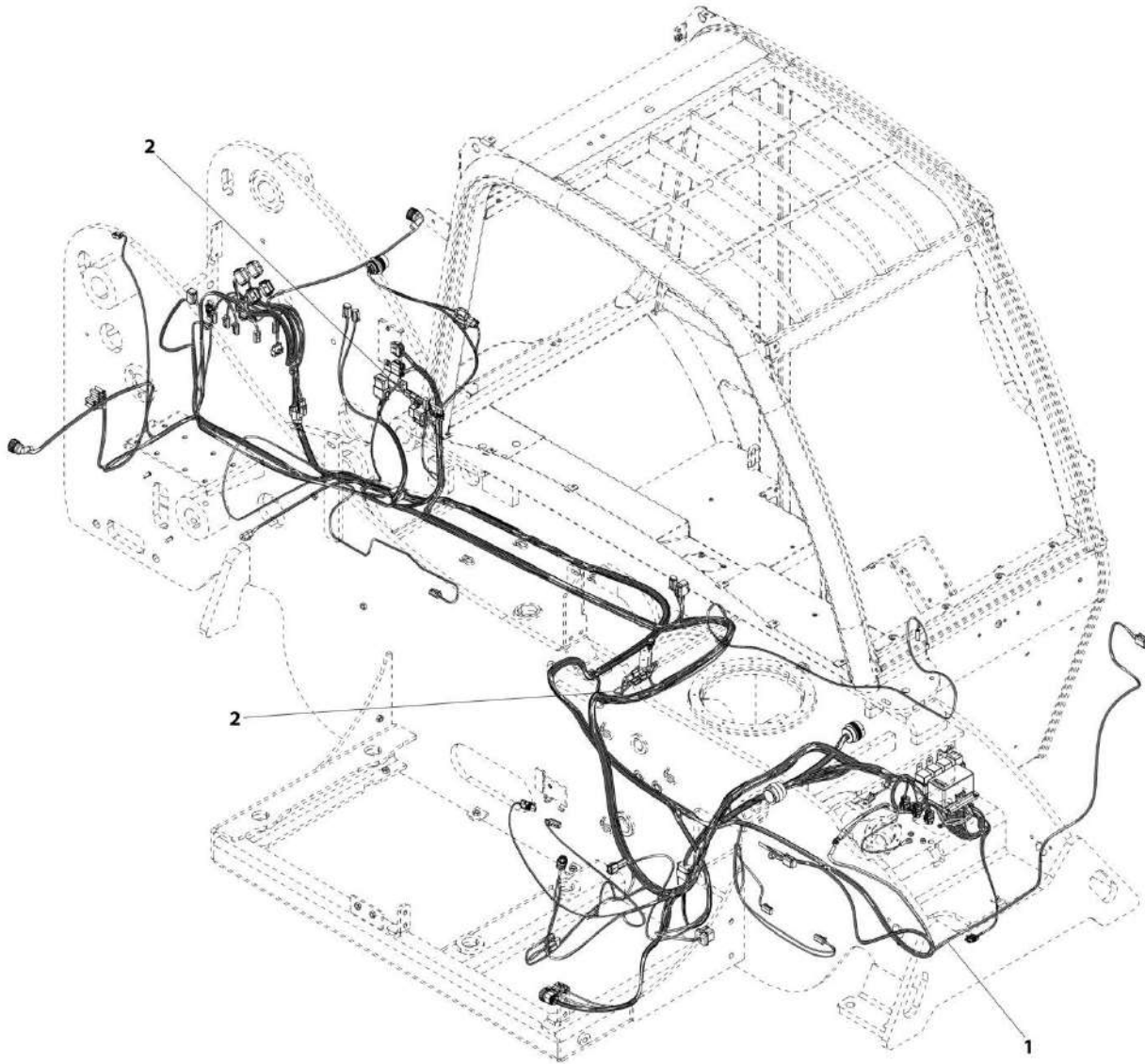
SECTION 10 - ELECTRICAL

FIGURE 10-2. FRAME OPTIONS HARNESS INSTALLATION

ITEM	PART NUMBER	QTY	DESCRIPTION	REV
1	1001143556	Ref	Frame Options Harness Installation	C
	1001142011	1	Frame Base Jumper Harness (See Separate Breakdown in this Section)	
2	1001122280	2	Function Jumper Harness (See Separate Breakdown in this Section)	

SECTION 10 - ELECTRICAL

FIGURE 10-3. FRAME OPTIONS HARNESS INSTALLATION (ANSI)



ART_1001143552-C

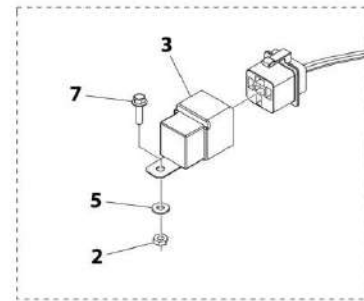
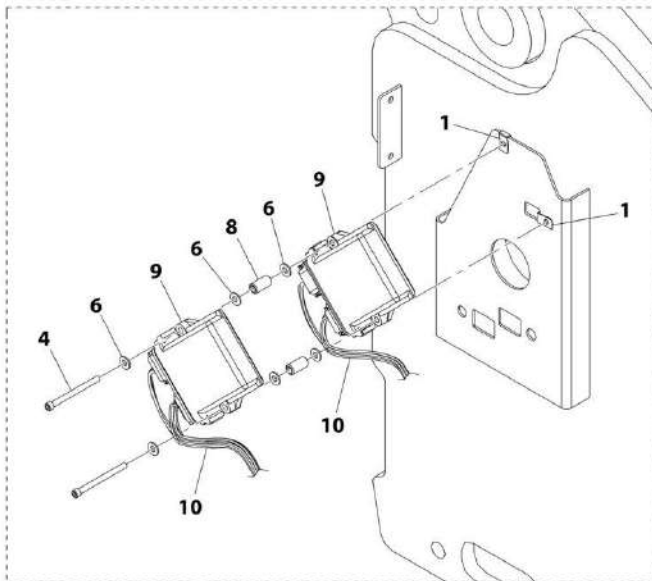
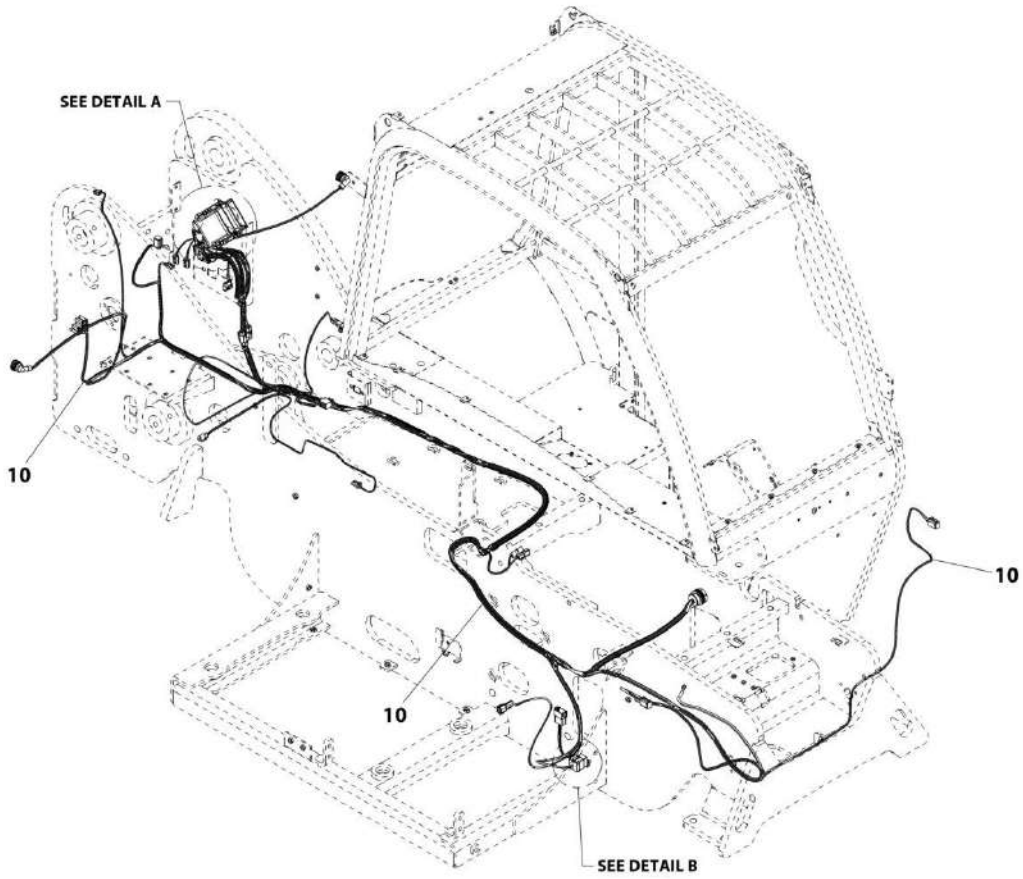
SECTION 10 - ELECTRICAL

FIGURE 10-3. FRAME OPTIONS HARNESS INSTALLATION (ANSI)

ITEM	PART NUMBER	QTY	DESCRIPTION	REV
	1001143552	Ref	Frame Options Harness Installation (ANSI)	C
1	1001140635	1	Frame Option Harness (See Separate Breakdown in this Section)	
2	1001122280	2	Function Jumper Harness (See Separate Breakdown in this Section)	

SECTION 10 - ELECTRICAL

FIGURE 10-4. FRAME OPTIONS HARNESS INSTALLATION (CE)



ART_1001209103-B

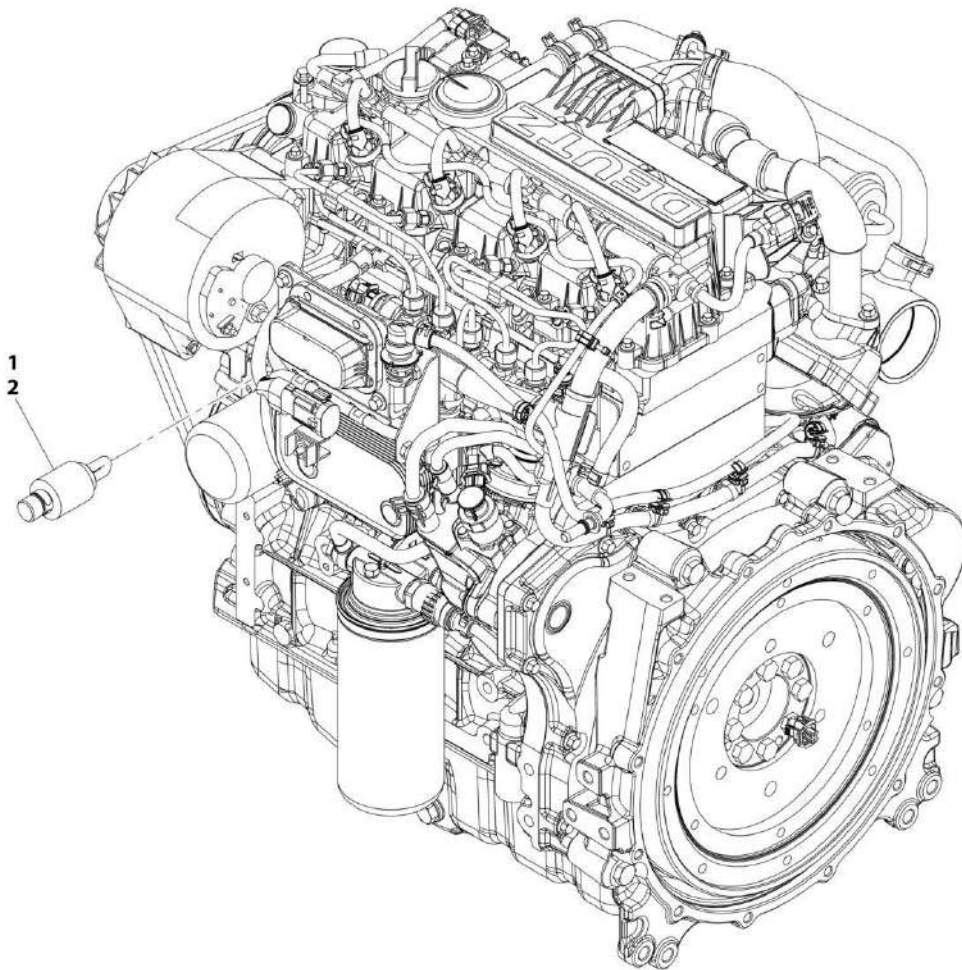
SECTION 10 - ELECTRICAL

FIGURE 10-4. FRAME OPTIONS HARNESS INSTALLATION (CE)

ITEM	PART NUMBER	QTY	DESCRIPTION	REV
	1001209103	Ref	Frame Options Harness Installation (CE)	B
1	3300454	2	Special Nut	
2	3311001	1	Hex Nut, 10-24, GR2	
3	3740080	1	Weather Proof Relay	
4	3931448	2	Socket HD Capscrew, 1/4-20X3	
5	4711000	1	Washer, #10	
6	4711400	6	Washer, 1/4	
7	77143016	1	Screw, #10-24X3/4	
8	88631566	2	Roll Pin	
9	1001226247	2	LSI Module	
10	1001140635	1	Frame Option Harness (See Separate Breakdown in this Section)	

SECTION 10 - ELECTRICAL

FIGURE 10-5. BLOCK HEATER INSTALLATION (ANSI)



ART_1001139683-B

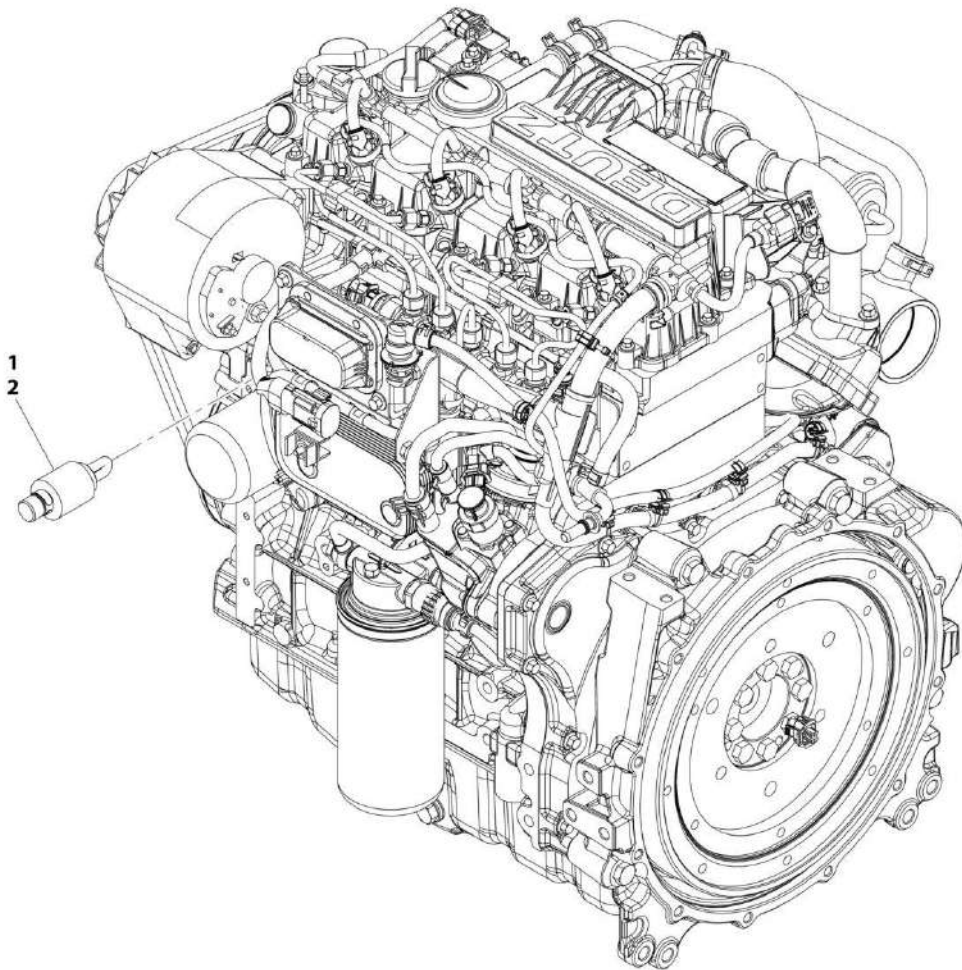
SECTION 10 - ELECTRICAL

FIGURE 10-5. BLOCK HEATER INSTALLATION (ANSI)

ITEM	PART NUMBER	QTY	DESCRIPTION	REV
1	1001139683	Ref	Block Heater Installation (ANSI)	B
	1001095650	AR	Loctite 243	
2	1001140312	1	Block Heater	

SECTION 10 - ELECTRICAL

FIGURE 10-6. BLOCK HEATER INSTALLATION (CE)



ART_1001159207-A

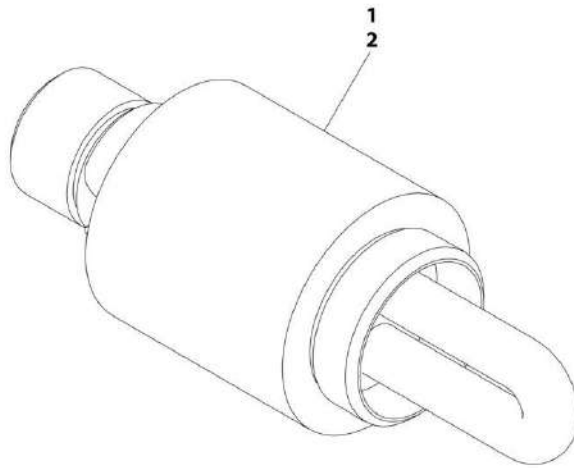
SECTION 10 - ELECTRICAL

FIGURE 10-6. BLOCK HEATER INSTALLATION (CE)

ITEM	PART NUMBER	QTY	DESCRIPTION	REV
1	1001159207	Ref	Block Heater Installation (CE)	A
	1001095650	AR	Locking Compound	
2	1001159206	1	Block Heater	

SECTION 10 - ELECTRICAL

FIGURE 10-7. BLOCK HEATER INSTALLATION (115V) (LS)



ART_1001159206-A

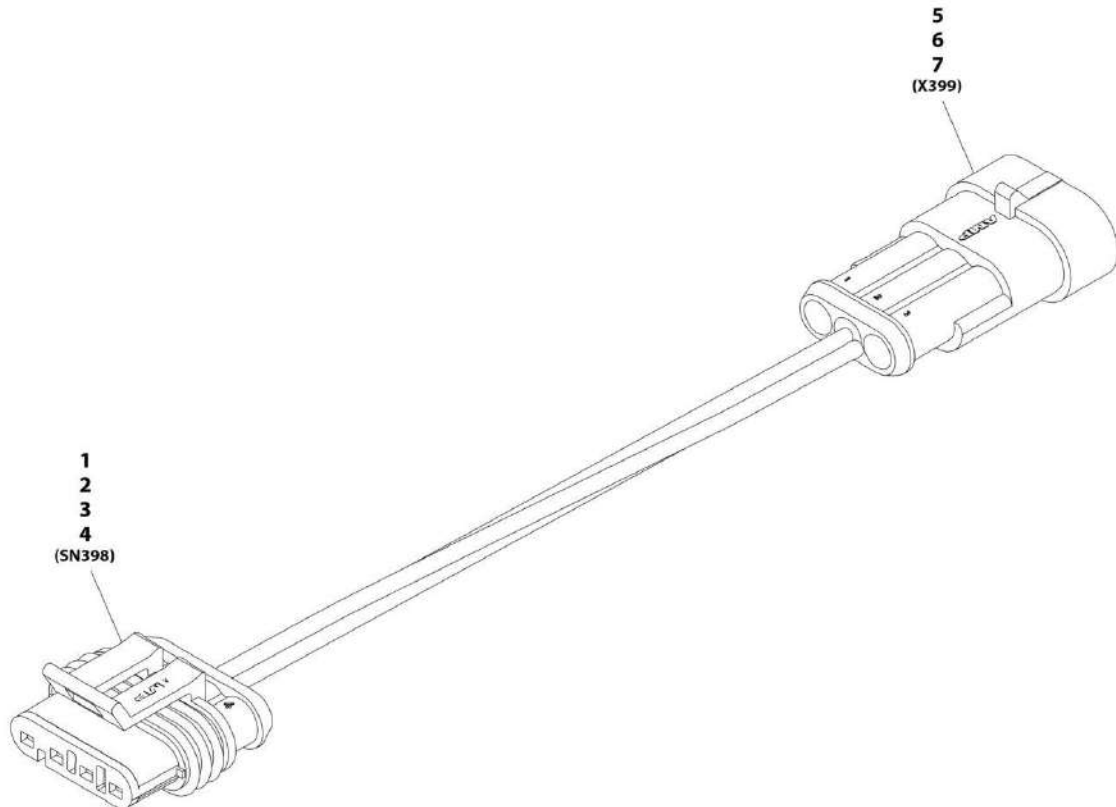
SECTION 10 - ELECTRICAL

FIGURE 10-7. BLOCK HEATER INSTALLATION (115V) (LS)

ITEM	PART NUMBER	QTY	DESCRIPTION	REV
	1001159206	Ref	Block Heater Installation (115V) (LS)	A
1	1001159204	1	Block Heater	
2	1001159205	1	Cable	

SECTION 10 - ELECTRICAL

FIGURE 10-8. SPEED SENSOR JUMPER HARNESS



ART_1001234992-A

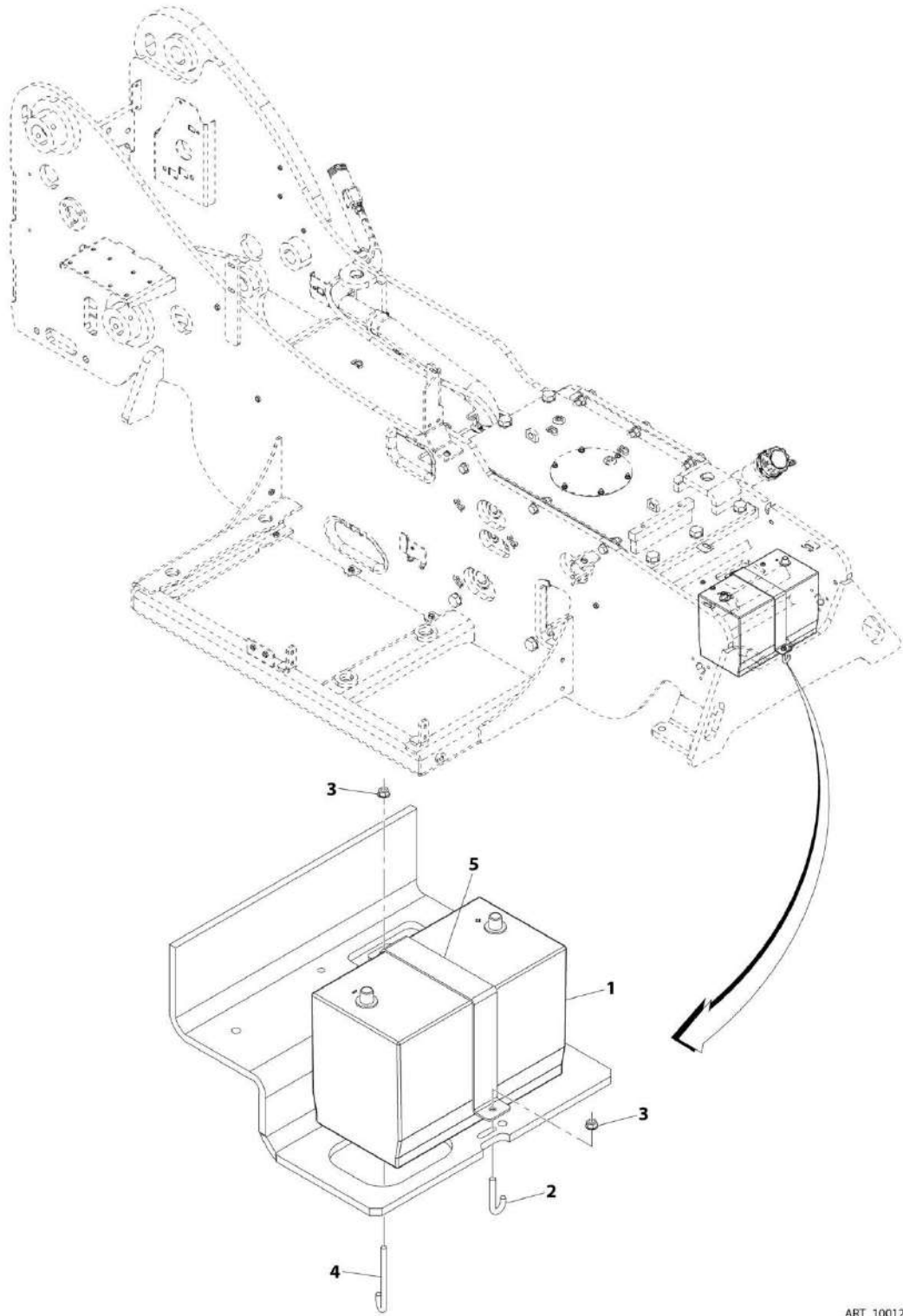
SECTION 10 - ELECTRICAL

FIGURE 10-8. SPEED SENSOR JUMPER HARNESS

ITEM	PART NUMBER	QTY	DESCRIPTION	REV
	1001234992	Ref	Speed Sensor Jumper Harness	A
1	1001103012	1	Connector	
2	1001107854	3	Terminal	
3	1001116698	1	Plug	
4	1001104498	3	Seal	
5	4461119	1	Connector	
6	1001104497	3	Terminal	
7	1001104498	3	Seal	

SECTION 10 - ELECTRICAL

FIGURE 10-9. BATTERY INSTALLATION



ART_1001200613-A

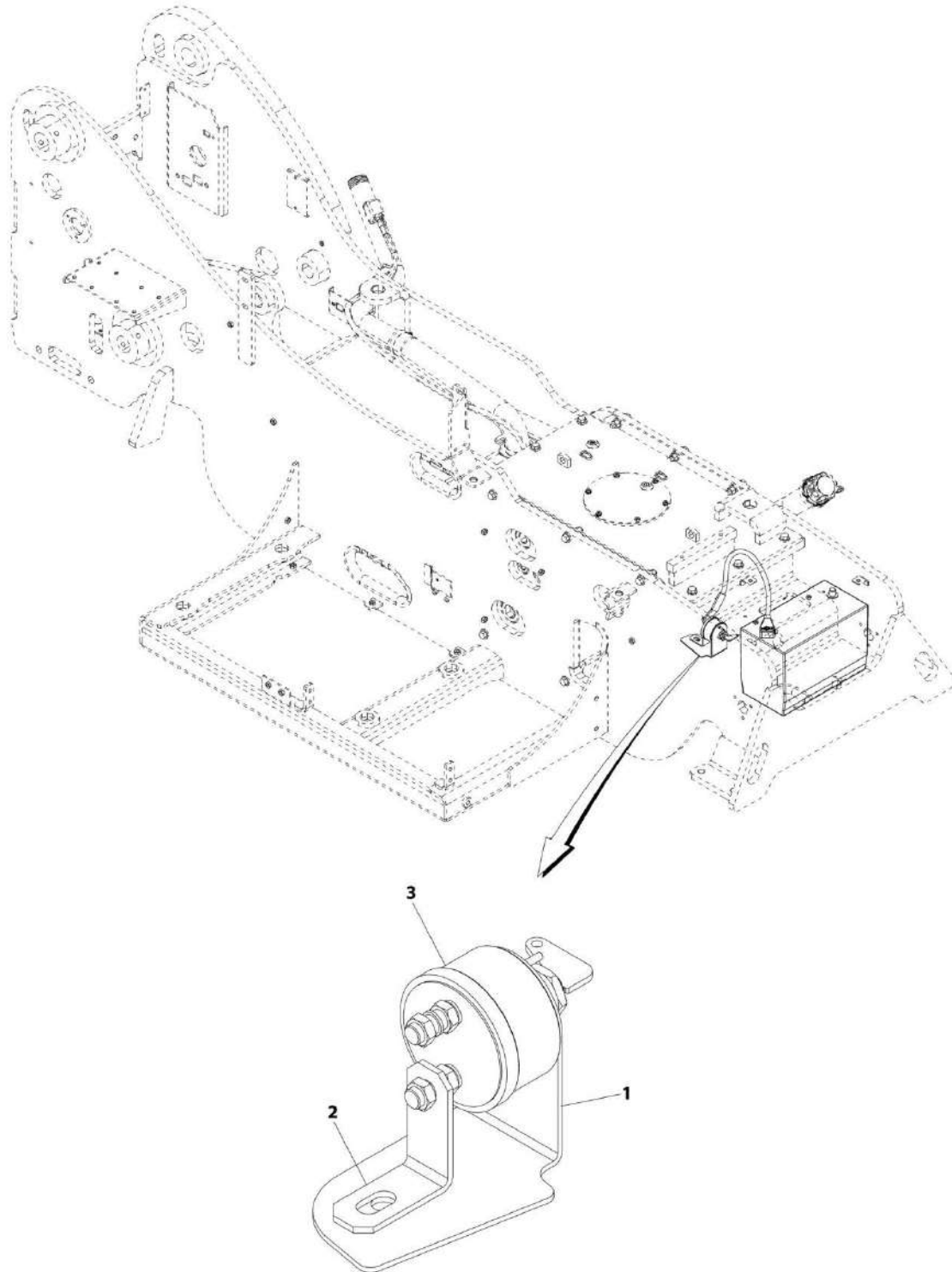
SECTION 10 - ELECTRICAL

FIGURE 10-9. BATTERY INSTALLATION

ITEM	PART NUMBER	QTY	DESCRIPTION	REV
	1001200613	Ref	Battery Installation	A
1	0400075	1	12V Battery	
2	0630455	1	J-Bolt	
3	3311508	2	Hex Nut, 5/16-18	
4	1001081123	1	J-Bolt	
5	1001112697	1	Plate	

SECTION 10 - ELECTRICAL

FIGURE 10-10. BATTERY DISCONNECT SWITCH INSTALLATION



ART_1001201826-A

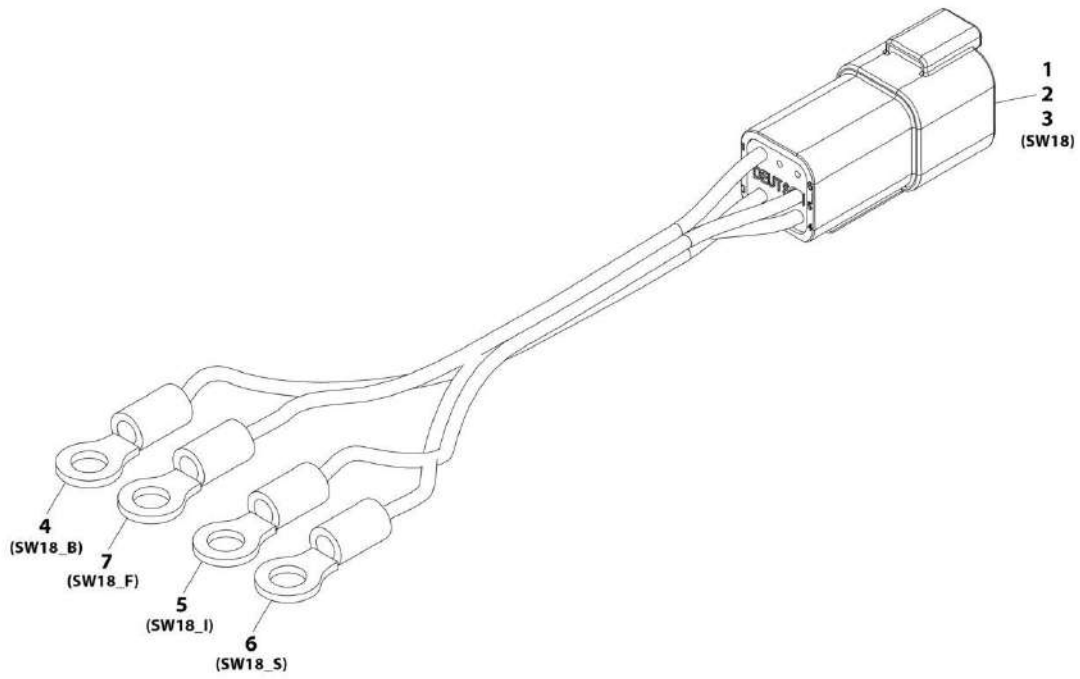
SECTION 10 - ELECTRICAL

FIGURE 10-10. BATTERY DISCONNECT SWITCH INSTALLATION

ITEM	PART NUMBER	QTY	DESCRIPTION	REV
	1001201826	Ref	Battery Disconnect Switch Installation	A
1	1001135845	1	Bracket	
2	1001135846	1	Bar	
3	1001192142	1	Switch	

SECTION 10 - ELECTRICAL

FIGURE 10-11. START SWITCH JUMPER HARNESS



ART_1001100053-B

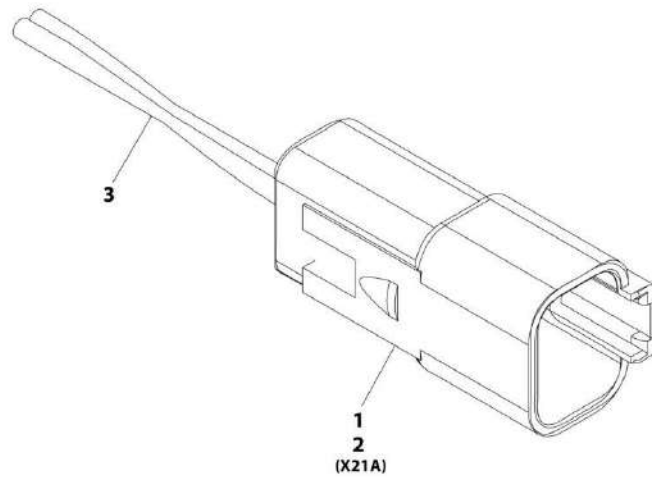
SECTION 10 - ELECTRICAL

FIGURE 10-11. START SWITCH JUMPER HARNESS

ITEM	PART NUMBER	QTY	DESCRIPTION	REV
	1001100053	Ref	Start Switch Jumper Harness	B
1	4460899	1	Connector	
2	4460464	4	Terminal	
3	4460466	2	Terminal	
4	4460042	1	Terminal Ring	
5	4460042	1	Terminal Ring	
6	4460042	1	Terminal Ring	
7	4460042	1	Terminal Ring	

SECTION 10 - ELECTRICAL

FIGURE 10-12. JUMPER HARNESS



ART_1001100966-B

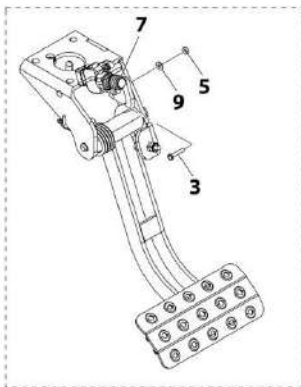
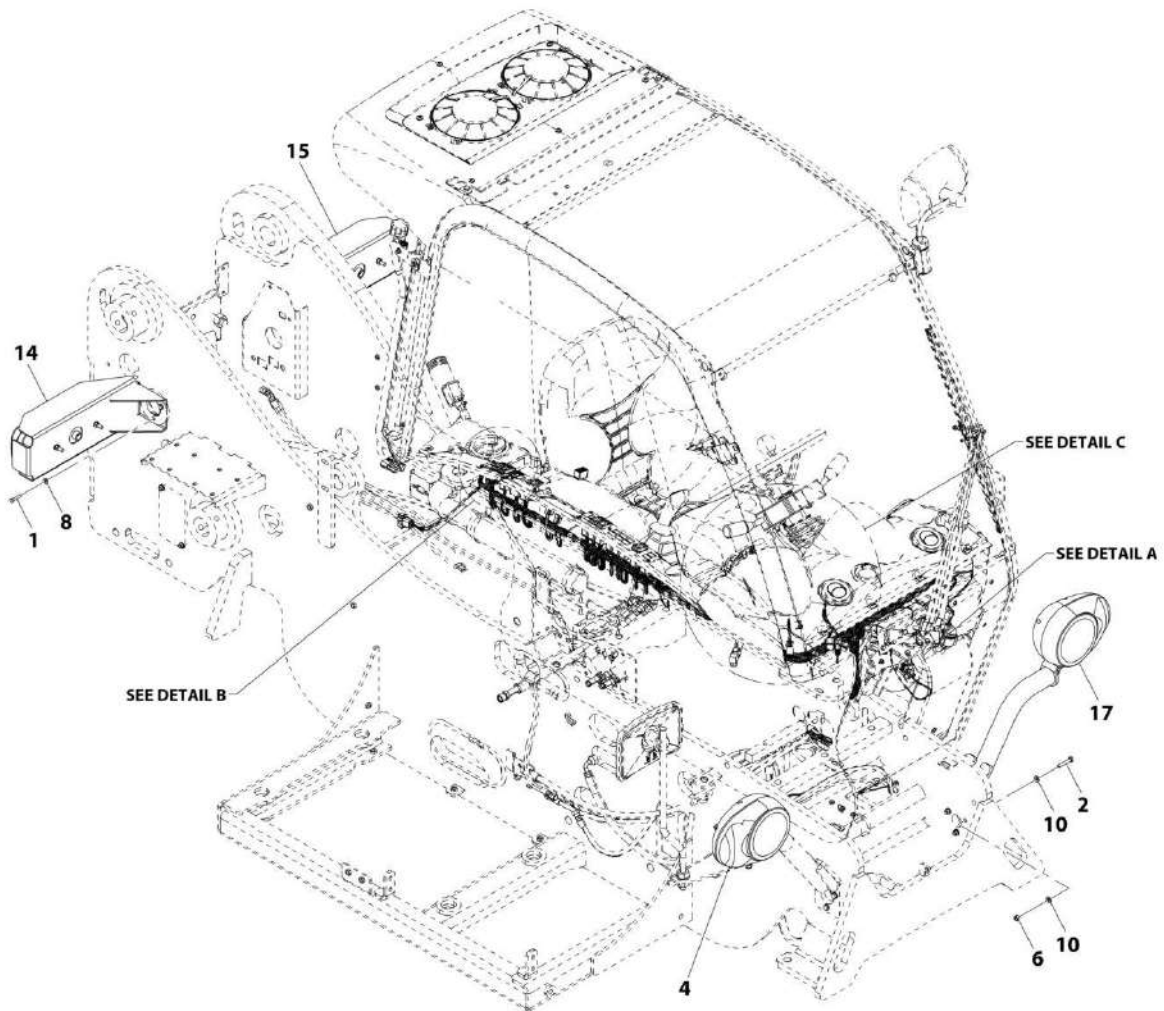
SECTION 10 - ELECTRICAL

FIGURE 10-12. JUMPER HARNESS

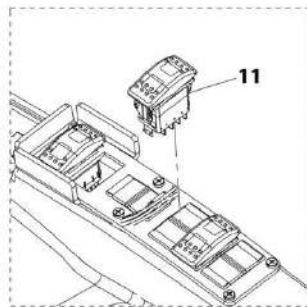
ITEM	PART NUMBER	QTY	DESCRIPTION	REV
	1001100966	Ref	Jumper Harness	B
1	4460464	4	Terminal	
2	4460932	1	Connector	
3	4920017	0.5 ft	Wire	

SECTION 10 - ELECTRICAL

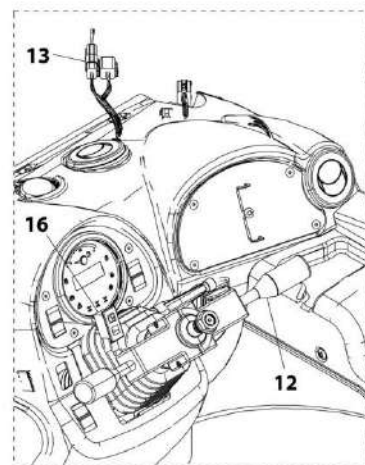
FIGURE 10-13. ROAD LIGHT INSTALLATION (ANSI)



DETAIL A



DETAIL B



DETAIL C

ART_1001233633-B

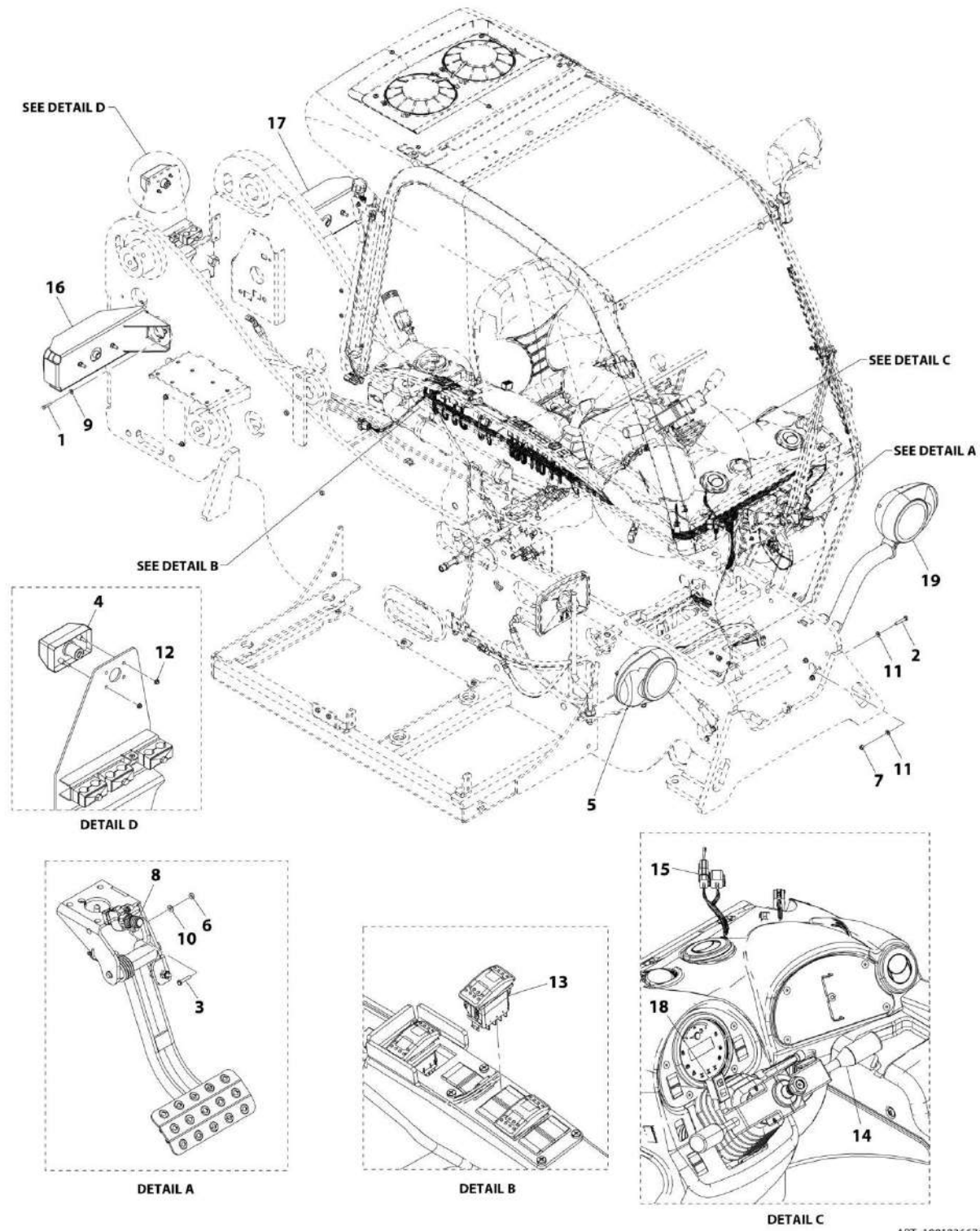
SECTION 10 - ELECTRICAL

FIGURE 10-13. ROAD LIGHT INSTALLATION (ANSI)

ITEM	PART NUMBER	QTY	DESCRIPTION	REV
	1001233633	Ref	Road Light Installation (ANSI)	B
1	0641410	6	Hex HD Capscrew, 1/4-20X1-1/4, GR5	
2	0641514	3	Hex HD Capscrew, 5/16-18X1-3/4, GR5	
3	0721008	2	Screw, 10-24X1	
4	2920208	1	RH Drive Light	
5	3311005	2	Hex Locknut	
6	3311505	3	Hex Locknut, 5/16-18, GR2	
7	4360658	1	Brake Light Switch	
8	4711400	6	Washer, 1/4	
9	4751000	2	Washer, M10	
10	4891500	6	Washer, 5/16	
11	1001080370	1	Hazard Light Switch	
12	1001080381	1	Turn Signal-Headlight Switch	
13	1001100965	1	Jumper Harness	
14	1001101533	1	RH Tail Light Installation (See Separate Breakdown in this Section)	
15	1001101534	1	LH Tail Light Installation (See Separate Breakdown in this Section)	
16	1001139937	1	Turn/High Beam Indicator	
17	1001190709	1	LH Drive Light Installation (See Separate Breakdown in this Section)	

SECTION 10 - ELECTRICAL

FIGURE 10-14. ROAD LIGHT INSTALLATION (LSI)



ART_1001236676-A

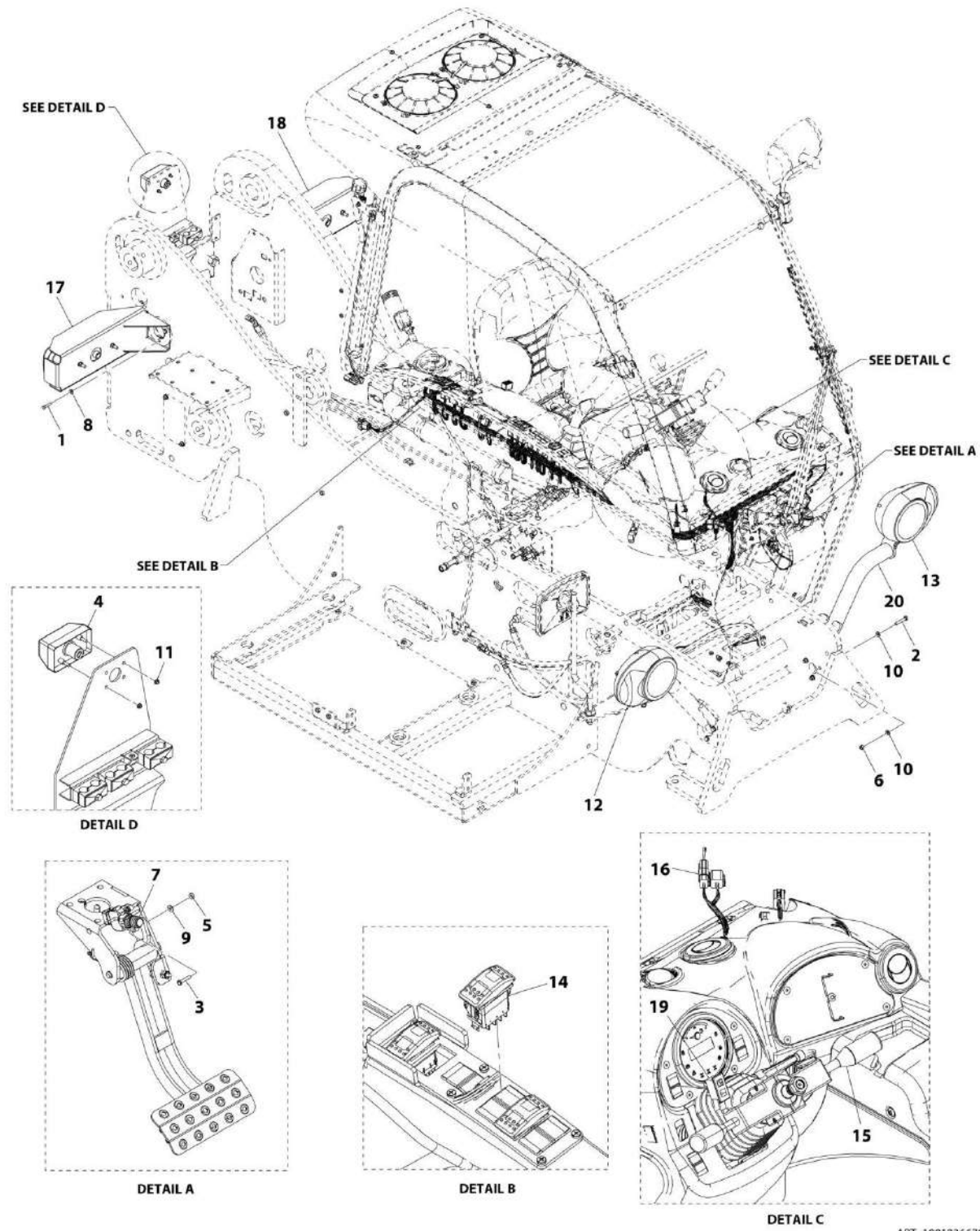
SECTION 10 - ELECTRICAL

FIGURE 10-14. ROAD LIGHT INSTALLATION (LSI)

ITEM	PART NUMBER	QTY	DESCRIPTION	REV
	1001236676	Ref	Road Light Installation (LSI)	A
1	0641410	6	Hex HD Capscrew, 1/4-20X1-1/4, GR5	
2	0641514	3	Hex HD Capscrew, 5/16-18X1-3/4, GR5	
3	0721008	2	Screw, #10-24X1	
4	2920204	1	License Plate Light	
5	2920208	1	RH Drive Light	
6	3311005	2	Hex Locknut	
7	3311505	3	Hex Locknut, 5/16-18, GR2	
8	4360658	1	Brake Light Switch	
9	4711400	6	Washer, 1/4	
10	4751000	2	Washer, M10	
11	4891500	6	Washer, 5/16	
12	5220500	2	Ripp Nut, M5	
13	1001080370	1	Hazard Light Switch	
14	1001080381	1	Turn Signal-Headlight Switch	
15	1001100965	1	Jumper Harness	
16	1001101533	1	RH Tail Light Installation (See Separate Breakdown in this Section)	
17	1001101534	1	LH Tail Light Installation (See Separate Breakdown in this Section)	
18	1001139937	1	Turn/High Beam Indicator	
19	1001190709	1	LH Drive Light Installation (See Separate Breakdown in this Section)	

SECTION 10 - ELECTRICAL

FIGURE 10-15. ROAD LIGHT INSTALLATION (LH DIP)



ART_1001236678-A

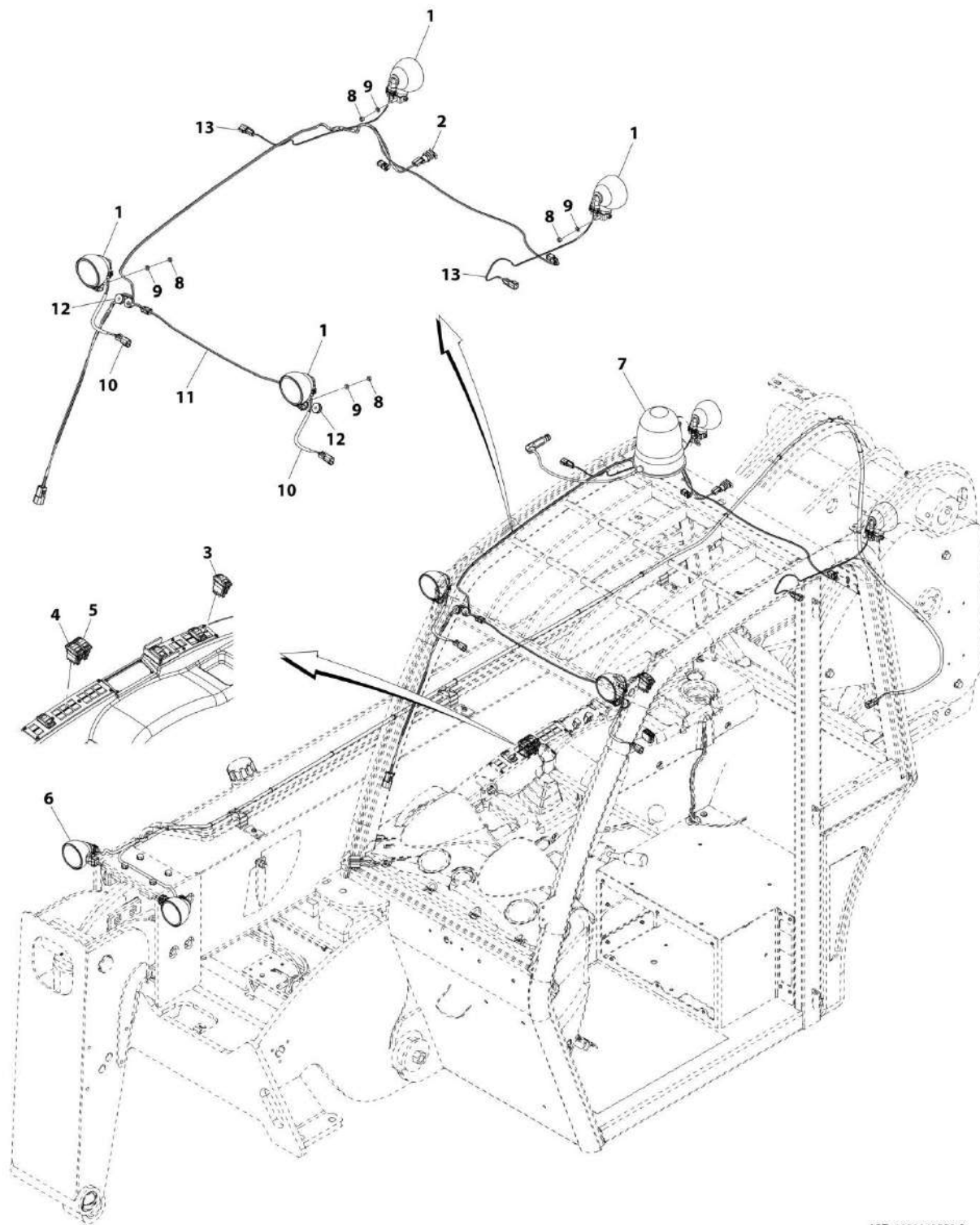
SECTION 10 - ELECTRICAL

FIGURE 10-15. ROAD LIGHT INSTALLATION (LH DIP)

ITEM	PART NUMBER	QTY	DESCRIPTION	REV
	1001236678	Ref	Road Light Installation (LH Dip)	A
1	0641410	6	Hex HD Capscrew, 1/4-20X1-1/4, GR5	
2	0641514	3	Hex HD Capscrew, 5/16-18X1-3/4, GR5,	
3	0721008	2	Screw, #10-24X1	
4	2920204	1	License Plate Light	
5	3311005	2	Hex Locknut	
6	3311505	3	Hex Locknut, 5/16-18, GR2	
7	4360658	1	Brake Light Switch	
8	4711400	6	Brake Light Switch	
9	4751000	2	Washer, M10	
10	4891500	6	Washer, 5/16	
11	5220500	2	Ripp Nut, M5	
12	1001002778	1	RH Drive Light	
13	1001002779	1	LH Drive Light	
14	1001080370	1	Hazard Light Switch	
15	1001080381	1	Turn Signal-Headlight Switch	
16	1001100965	1	Jumper Harness (See Separate Breakdown in this Section)	
17	1001101533	1	RH Tail Light Installation (See Separate Breakdown in this Section)	
18	1001101534	1	LH Tail Light Installation (See Separate Breakdown in this Section)	
19	1001139937	1	Turn/High Beam Indicator	
20	1001190640	1	Bracket	

SECTION 10 - ELECTRICAL

FIGURE 10-16. WORK LIGHT INSTALLATION



ART_1001143558-B

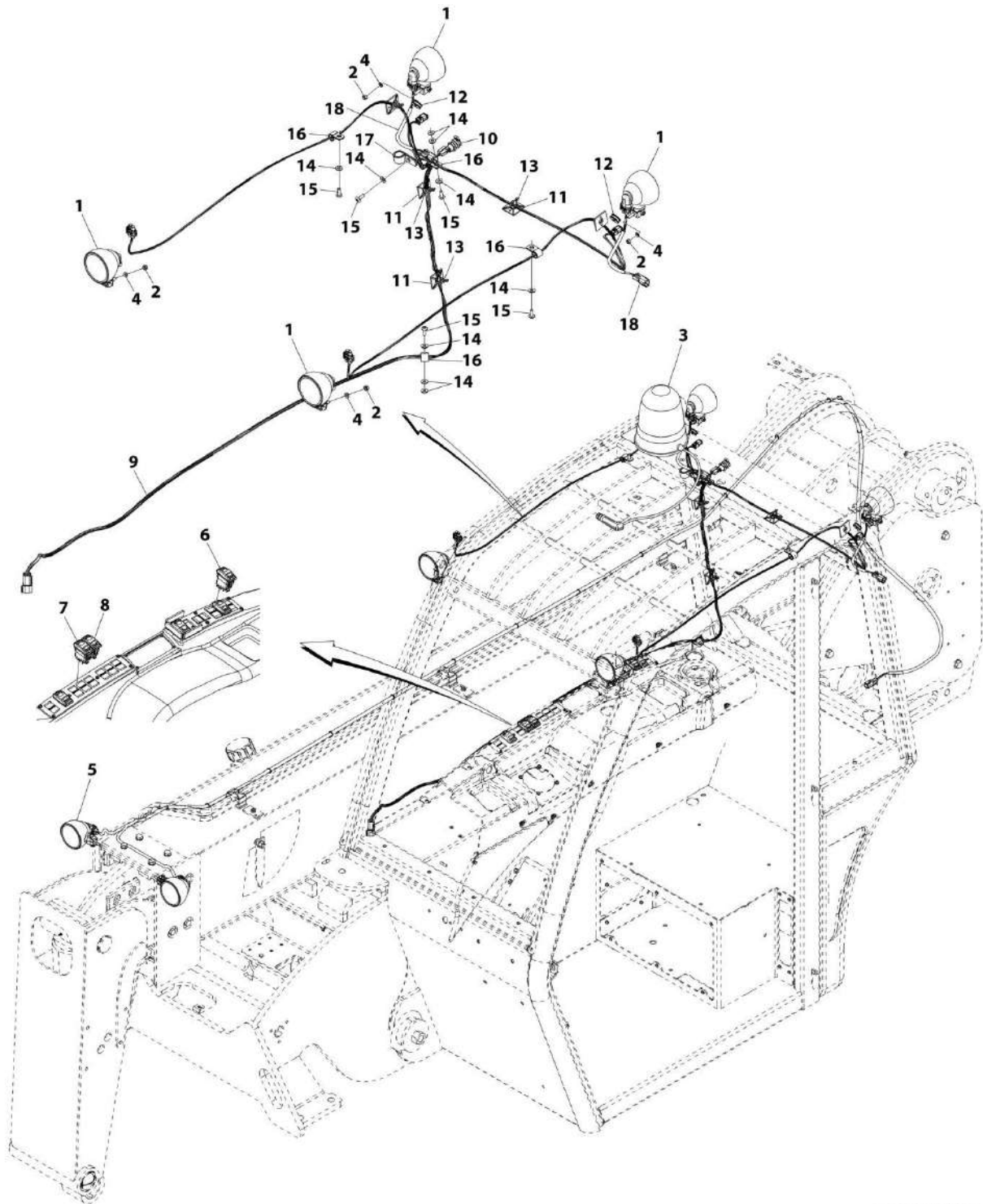
SECTION 10 - ELECTRICAL

FIGURE 10-16. WORK LIGHT INSTALLATION

ITEM	PART NUMBER	QTY	DESCRIPTION	REV
	1001143558	Ref	Work Light Installation	B
1	2920206	4	Light	
2	4461174	1	12V Terminal	
3	1001080365	1	Beacon Light Switch	
4	1001080369	1	Front Work Light Switch	
5	1001080376	1	Rear Work Light Switch	
6	1001080669	1	Boom Work Light, (See Separate Breakdown in this Section)	
7	1001217623	1	Beacon Light	
8	1001108127	4	Hex Locknut, M6X1	
9	1001108129	4	Washer, M6	
10	1001109565	2	Boom Worklight Jumper Harness (Short) (See Separate Breakdown in Electrical Section)	
11	1001109566	1	Proximity Sensor Harness (See Separate Breakdown in Electrical Section)	
12	1001111341	4	Grommet	
13	1001142981	2	Boom Worklight Jumper Harness (Long) (See Separate Breakdown in Electrical Section)	

SECTION 10 - ELECTRICAL

FIGURE 10-17. WORK LIGHT INSTALLATION (OPEN CAB)



ART_1001113154-C

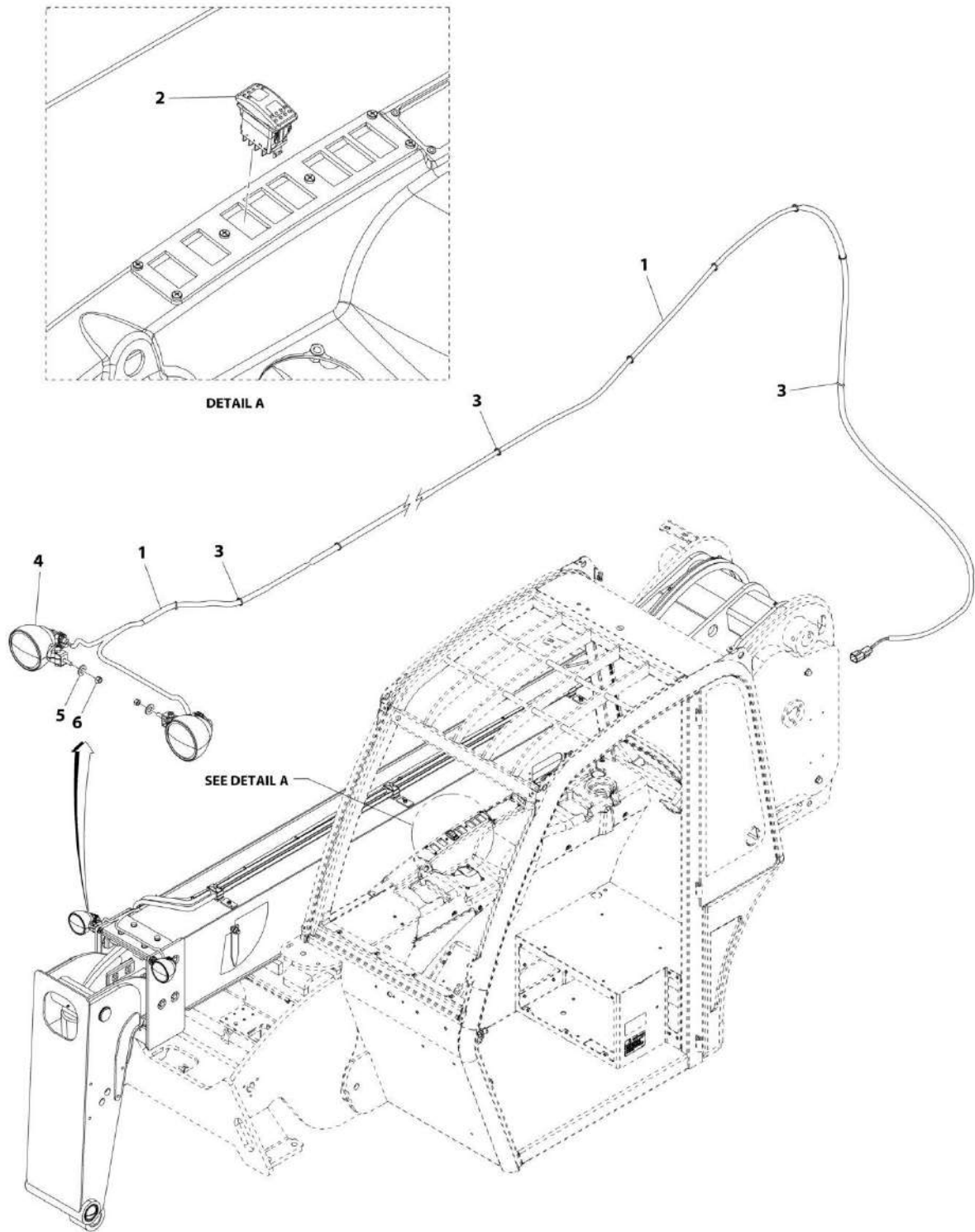
SECTION 10 - ELECTRICAL

FIGURE 10-17. WORK LIGHT INSTALLATION (OPEN CAB)

ITEM	PART NUMBER	QTY	DESCRIPTION	REV
	1001113154	Ref	Work Light Installation (Open Cab)	C
1	2920206	4	Light	
2	3290605	4	Hex Locknut, M6X1	
3	1001217623	1	Beacon Light	
4	4811700	4	Washer, M6	
5	1001080669	1	Boom Work Light (See Separate Breakdown in this Section)	
6	1001080365	1	Beacon Light Switch	
7	1001080369	1	Front Work Light Switch	
8	1001080376	1	Rear Work Light Switch	
9	1001111156	1	Cab Worklight Harness (See Separate Breakdown in Electrical Section)	
10	4461174	1	12V Terminal	
11	4460488	5	Mounting Base	
12	1001111341	2	Grommet	
13	8881802	9	Tie Strap	
14	4711400	9	Washer, 1/4	
15	8303034	5	Screw, 1/4-20X3/4	
16	85941016	4	1/2In Clamp	
17	85941017	1	P-Clamp	
18	1001109565	2	Boom Worklight Jumper Harness (Short) (See Separate Breakdown in Electrical Section)	

SECTION 10 - ELECTRICAL

FIGURE 10-18. BOOM WORK LIGHT



ART_1001080669-D

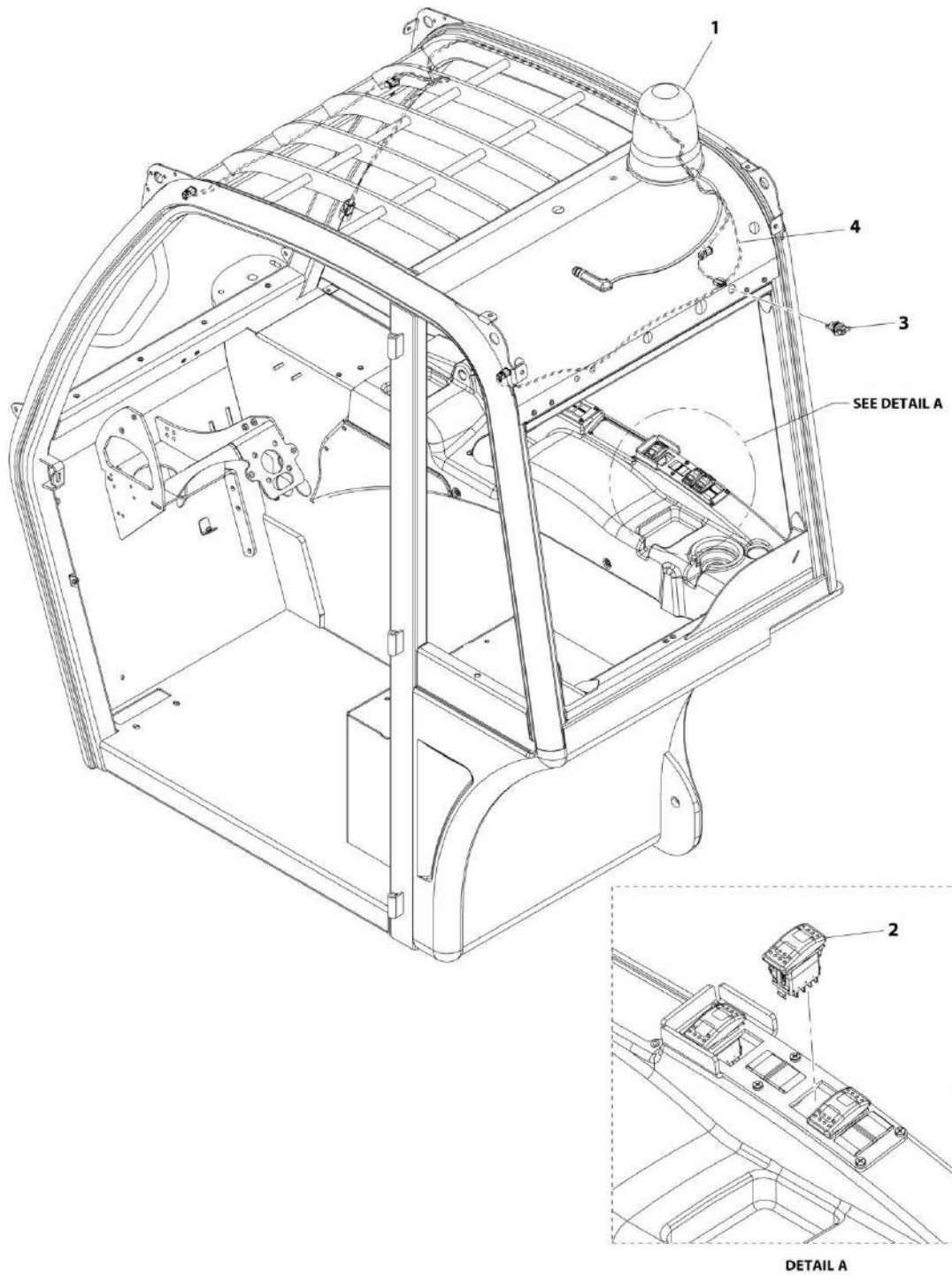
SECTION 10 - ELECTRICAL

FIGURE 10-18. BOOM WORK LIGHT

ITEM	PART NUMBER	QTY	DESCRIPTION	REV
	1001080669	Ref	Boom Work Light	D
1	1001080656	1	Boom Worklights Harness (See Separate Breakdown in this Section)	
2	1001080366	1	Boom Work Light Switch	
3	4240032	14	Tie Strap	
4	2920206	2	Light	
5	4831700	2	Lockwasher, M6	
6	3290601	2	Hex Nut, M6X1	

SECTION 10 - ELECTRICAL

FIGURE 10-19. BEACON INSTALLATION



ART_1001103139-D

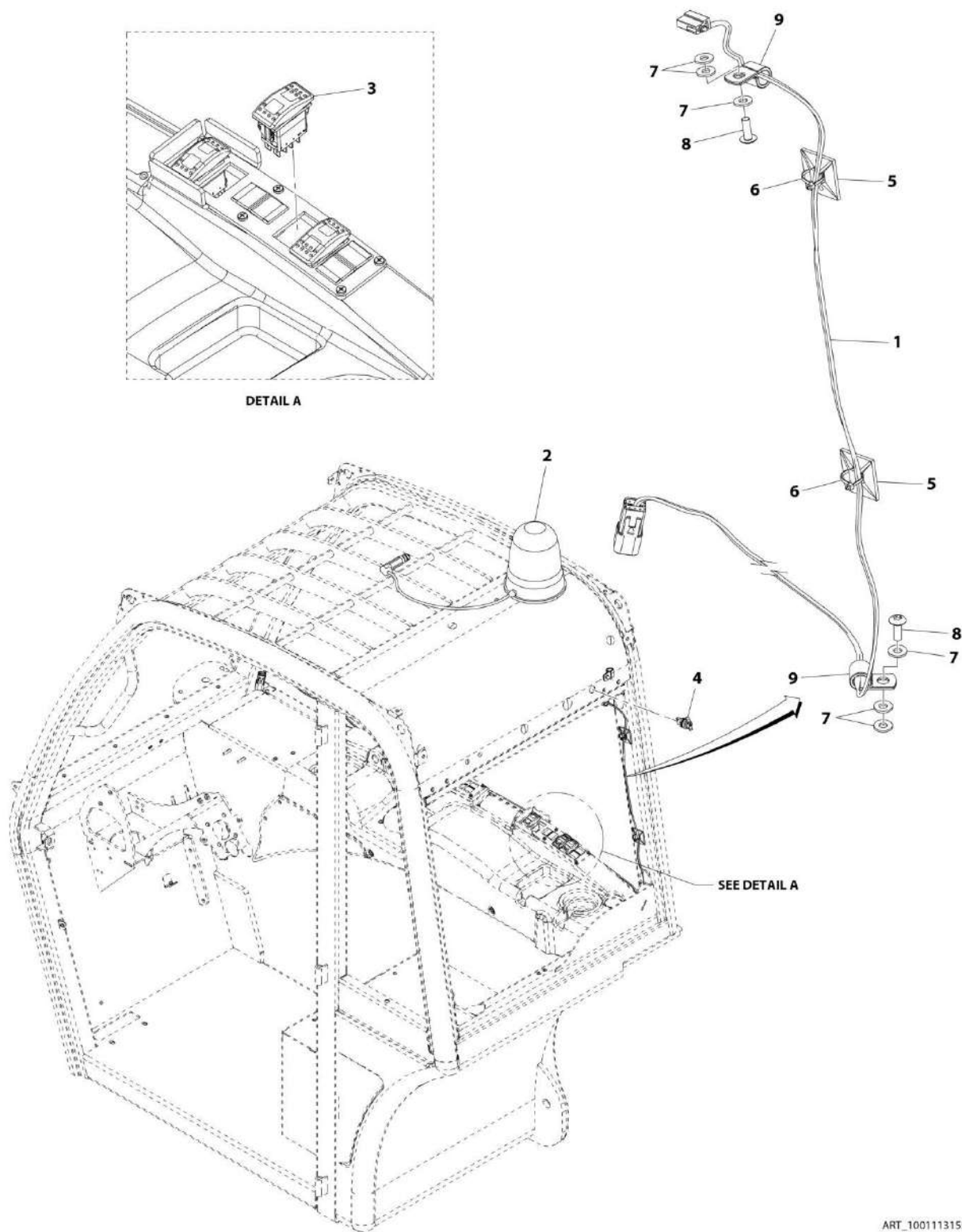
SECTION 10 - ELECTRICAL

FIGURE 10-19. BEACON INSTALLATION

ITEM	PART NUMBER	QTY	DESCRIPTION	REV
	1001103139	Ref	Beacon Installation	D
1	1001217623	1	Beacon Light	
2	1001080365	1	Beacon Light Switch	
3	4461174	1	12V Terminal	
4	1001109566	1	Proximity Sensor Harness (See Separate Breakdown in Electrical Section)	

SECTION 10 - ELECTRICAL

FIGURE 10-20. BEACON INSTALLATION (OPEN CAB)



ART_1001113155-B

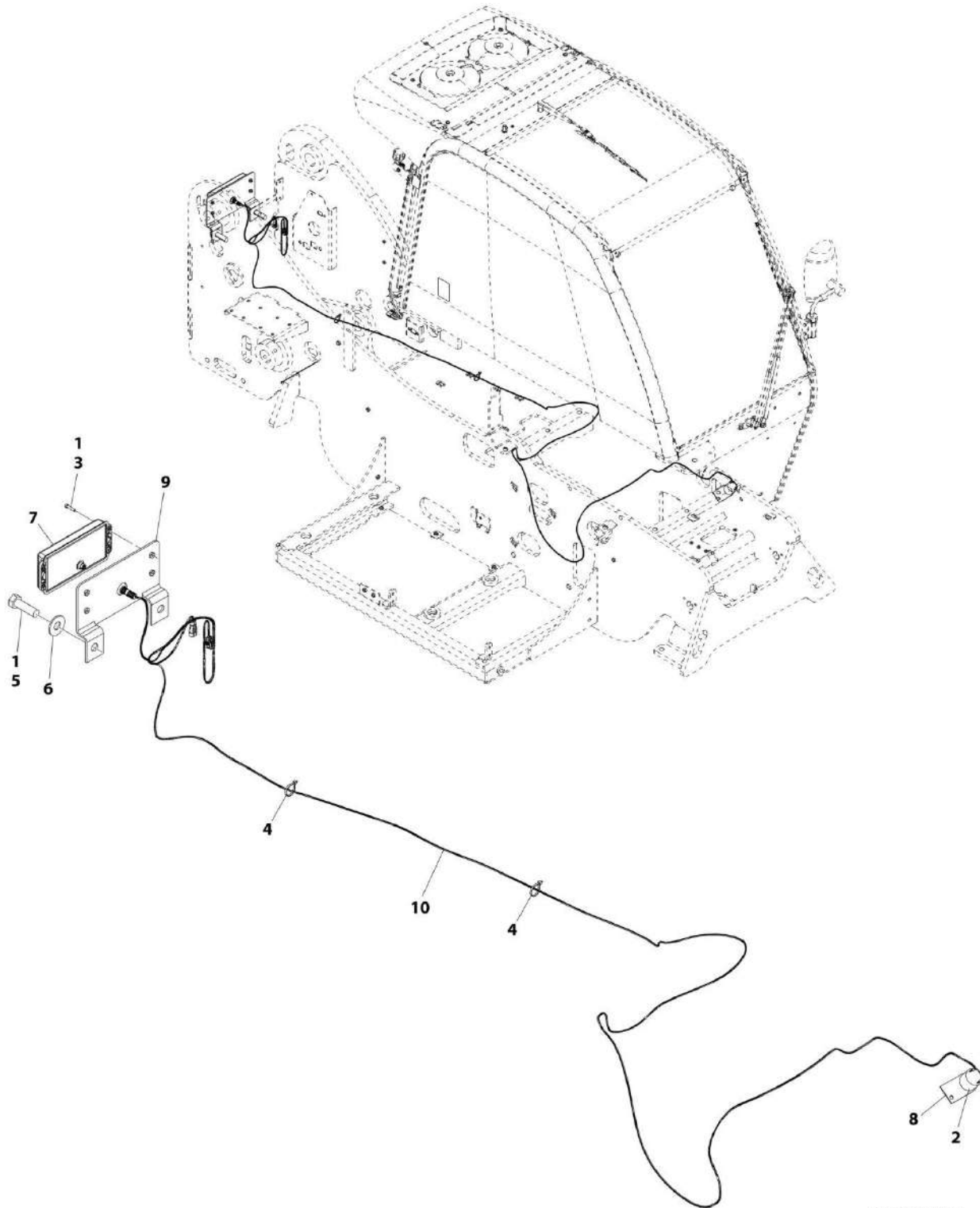
SECTION 10 - ELECTRICAL

FIGURE 10-20. BEACON INSTALLATION (OPEN CAB)

ITEM	PART NUMBER	QTY	DESCRIPTION	REV
	1001113155	Ref	Beacon Installation (Open Cab)	B
1	1001110723	1	Open Cab Worklight Harness (See Separate Breakdown in Electrical Section)	
2	1001217623	1	Beacon Light	
3	1001080365	1	Beacon Light Switch	
4	4461174	1	12V Terminal	
5	4460488	2	Mounting Base	
6	8881802	AR	Tie Strap	
7	4711400	7	Washer, 1/4	
8	8303034	3	Screw, 1/4-20X3/4	
9	85941016	3	Clamp	

SECTION 10 - ELECTRICAL

FIGURE 10-21. REVERSE SENSING SYSTEM INSTALLATION



ART_1001201151-D

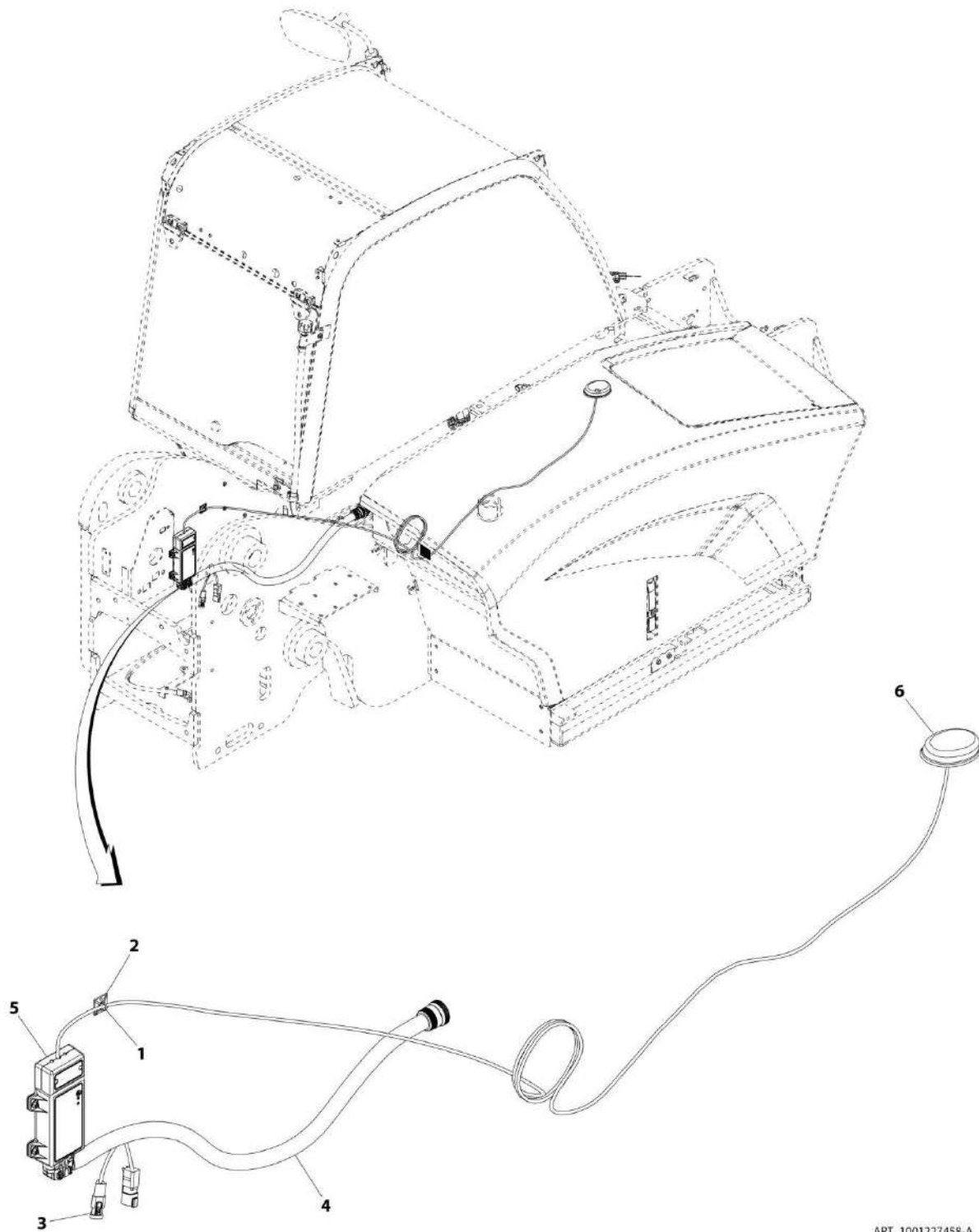
SECTION 10 - ELECTRICAL

FIGURE 10-21. REVERSE SENSING SYSTEM INSTALLATION

ITEM	PART NUMBER	QTY	DESCRIPTION	REV
	1001201151	Ref	Reverse Sensing System Installation	D
1	0100011	AR	Loctite 242	
2	0140011	1	Audible Signal Device	
3	5271609	4	SOC HD Capscrew	
4	4240033	AR	Cable Tie Strap	
5	0682220	2	Hex HD Capscrew, 3/4-10X2-1/2, GR8	
6	4752200	2	Washer,3/4	
7	1001189997	1	Reverse Sensor Object	
8	1001182662	1	Audible Alarm Bracket	
9	1001184685	1	Backup Sensor Mounting Bracket	
10	1001190914	1	Reverse Sensor Harness (See Separate Breakdown in this Section)	

SECTION 10 - ELECTRICAL

FIGURE 10-22. CLEARSKY INSTALLATION



ART_1001227458-A

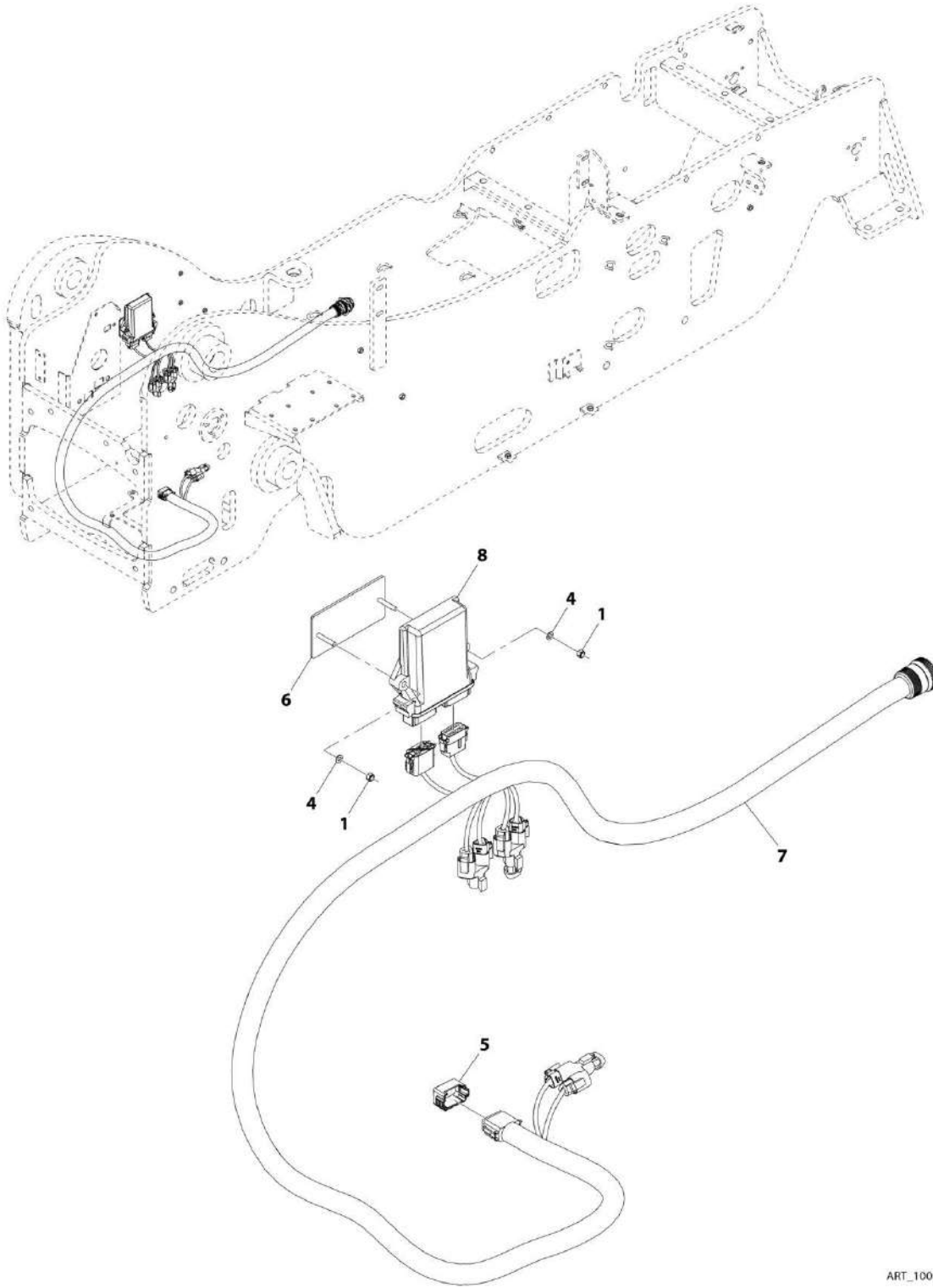
SECTION 10 - ELECTRICAL

FIGURE 10-22. CLEARSKY INSTALLATION

ITEM	PART NUMBER	QTY	DESCRIPTION	REV
	1001227458	Ref	Clearsky Installation	A
1	4240032	AR	Tie Strap	
2	4460234	AR	Terminal, Mount Cable Tie	
3	1001116815	1	Connector, Plug 3-Pin	
4	1001226739	1	Clearsky Harness (See Separate Breakdown in this Section)	
5	1001226796	1	Module	
6	1001226799	1	Antenna	

SECTION 10 - ELECTRICAL

FIGURE 10-23. TELEMATICS, CUSTOMER-SUPPLIED



ART_1001228593-A

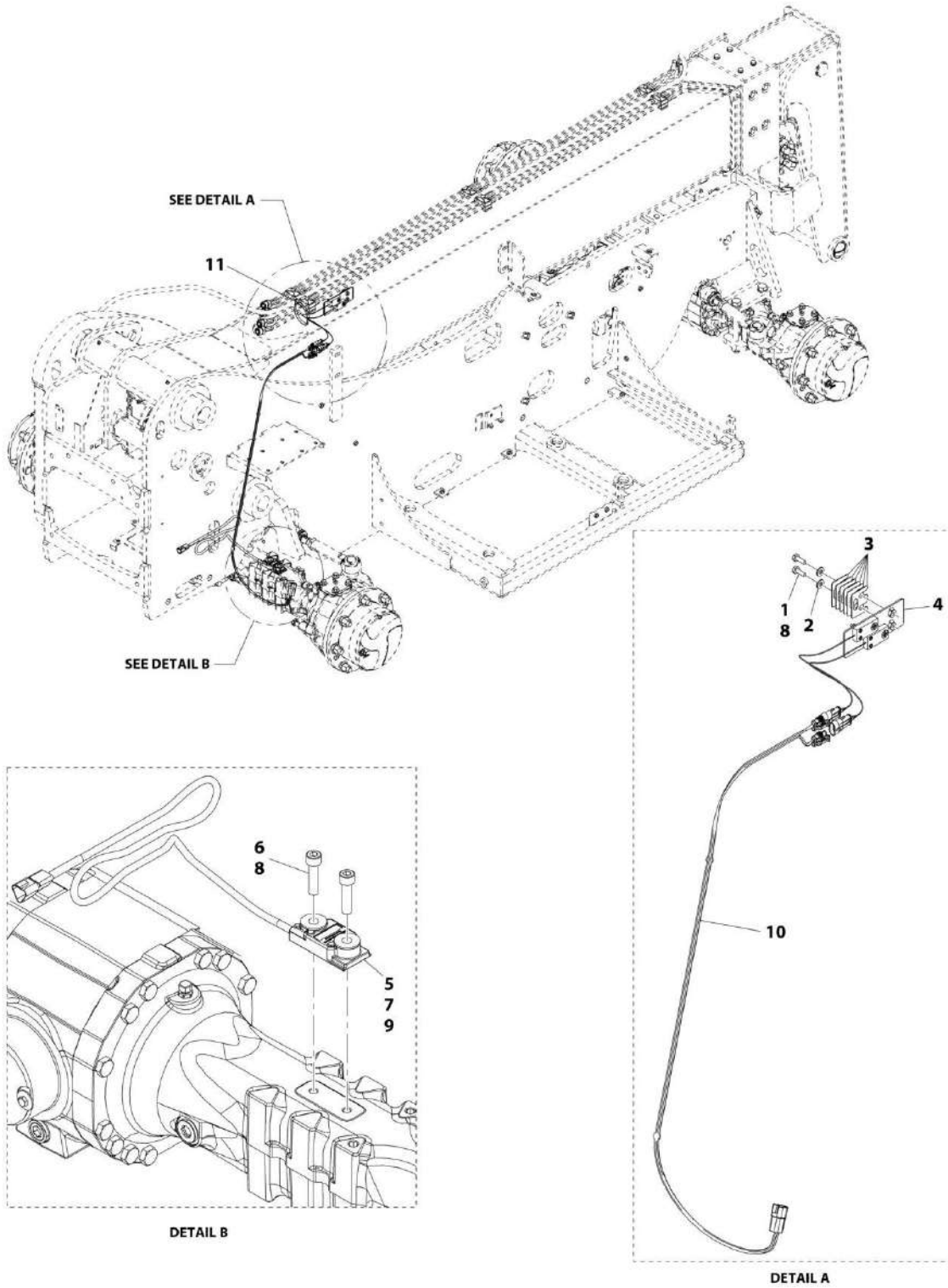
SECTION 10 - ELECTRICAL

FIGURE 10-23. TELEMATICS, CUSTOMER-SUPPLIED

ITEM	PART NUMBER	QTY	DESCRIPTION	REV
	1001228593	1	Telematics Installation	A
1	3290505	2	Hex Locknut, M5X8	
2	4240032	AR	Tie Strap	
3	4460234	AR	Terminal, Mount Cable Tie	
4	4811600	2	Washer, 5mm	
5	1001215898	1	Dust Cap Connector	
6	1001219082	1	Control Mount Bracket	
7	1001226831	1	Telematics Gateway Harness (See Separate Breakdown in this Section)	
8	1001229458	1	Gateway Controller	

SECTION 10 - ELECTRICAL

FIGURE 10-24. BOOM SENSOR INSTALLATION



ART_1001236302-A

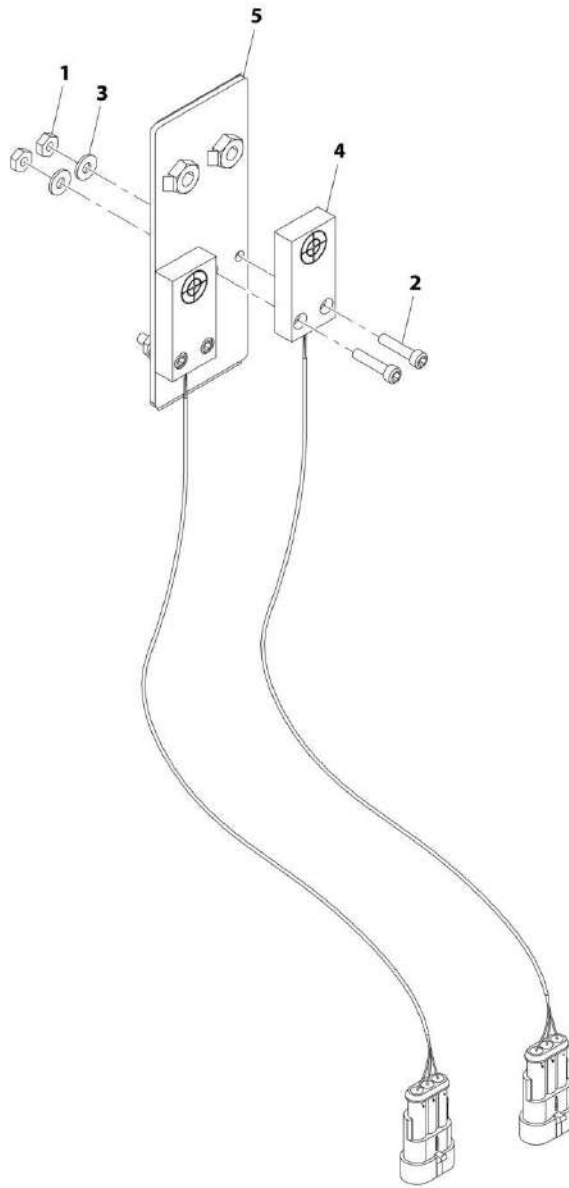
SECTION 10 - ELECTRICAL

FIGURE 10-24. BOOM SENSOR INSTALLATION

ITEM	PART NUMBER	QTY	DESCRIPTION	REV
	1001236302	Ref	Boom Sensor Installation	A
1	0641406	2	Bolt, 1/4-20X3/4	
2	4711400	2	Washer, 1/4	
3	1001121953	6	Shim	
4	1001236272	1	Installation, Boom Sensor Assembly (See Separate Breakdown in this Section)	
5	1001160730	1	Rear Axle LSI Sensor	
6	5272012	2	Bolt M10X40	
7	1001125465	AR	Loctite 7063	
8	1001129425	AR	Loctite 2460	
9	1001116128	AR	Seal	
10	1001129801	1	Boom Sensor Harness (See Separate Breakdown in this Section)	
11	8584003	AR	Tie Wrap	

SECTION 10 - ELECTRICAL

FIGURE 10-25. BOOM SENSOR ASSEMBLY INSTALLATION



ART_1001236272-A

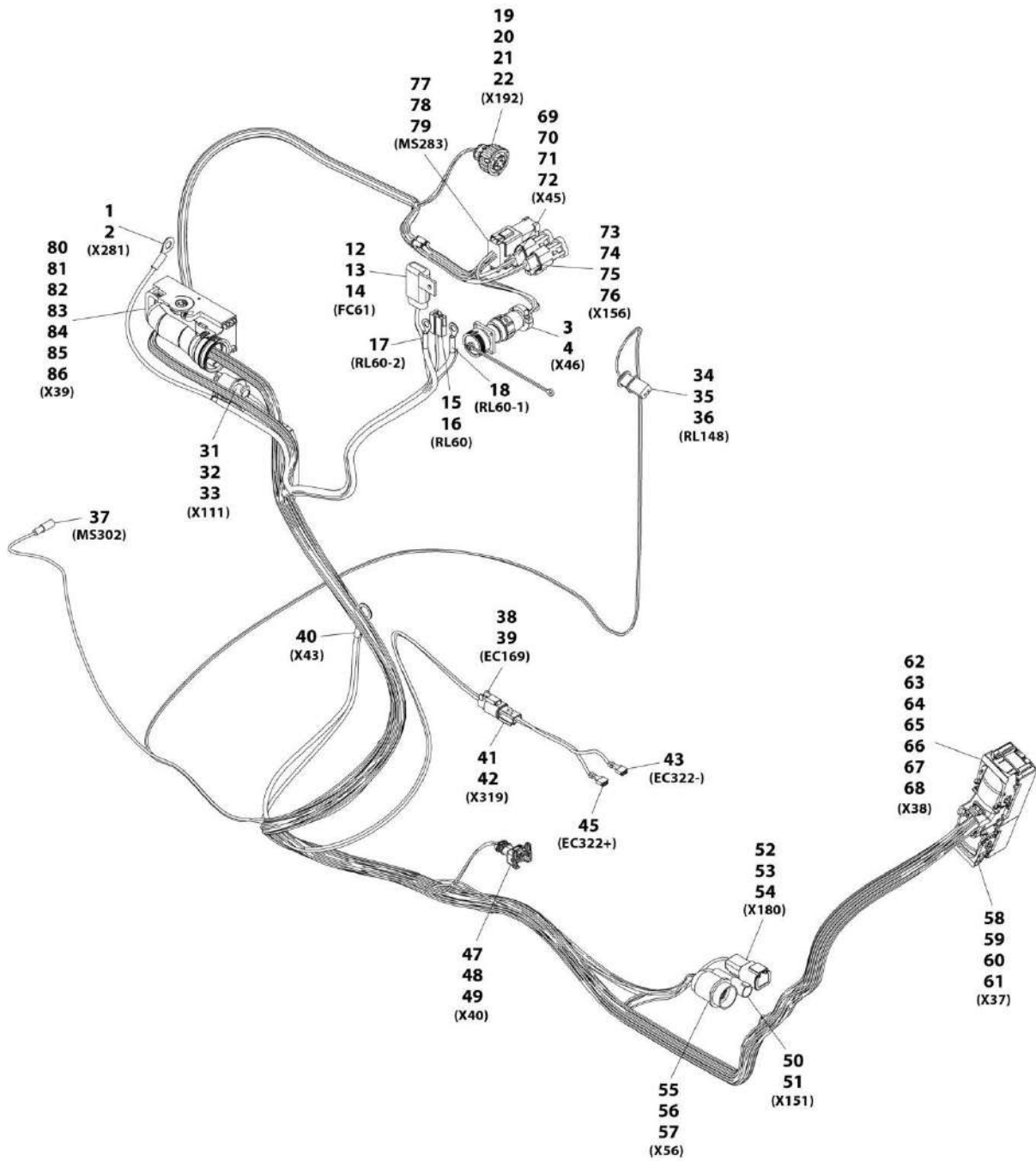
SECTION 10 - ELECTRICAL

FIGURE 10-25. BOOM SENSOR ASSEMBLY INSTALLATION

ITEM	PART NUMBER	QTY	DESCRIPTION	REV
	1001236272	Ref	Boom Sensor Assembly Installation	A
1	3310805	4	Hex Locknut, 8-32, GR2	
2	3930812	4	Socket HD Capscrew, 8-32X3/4	
3	4750800	4	Washer, M8	
4	1001121021	2	Proximity Sensor	
5	1001236337	1	Bracket	

SECTION 10 - ELECTRICAL

FIGURE 10-26. ENGINE HARNESS



ART_1001156229-E

SECTION 10 - ELECTRICAL

FIGURE 10-26. ENGINE HARNESS

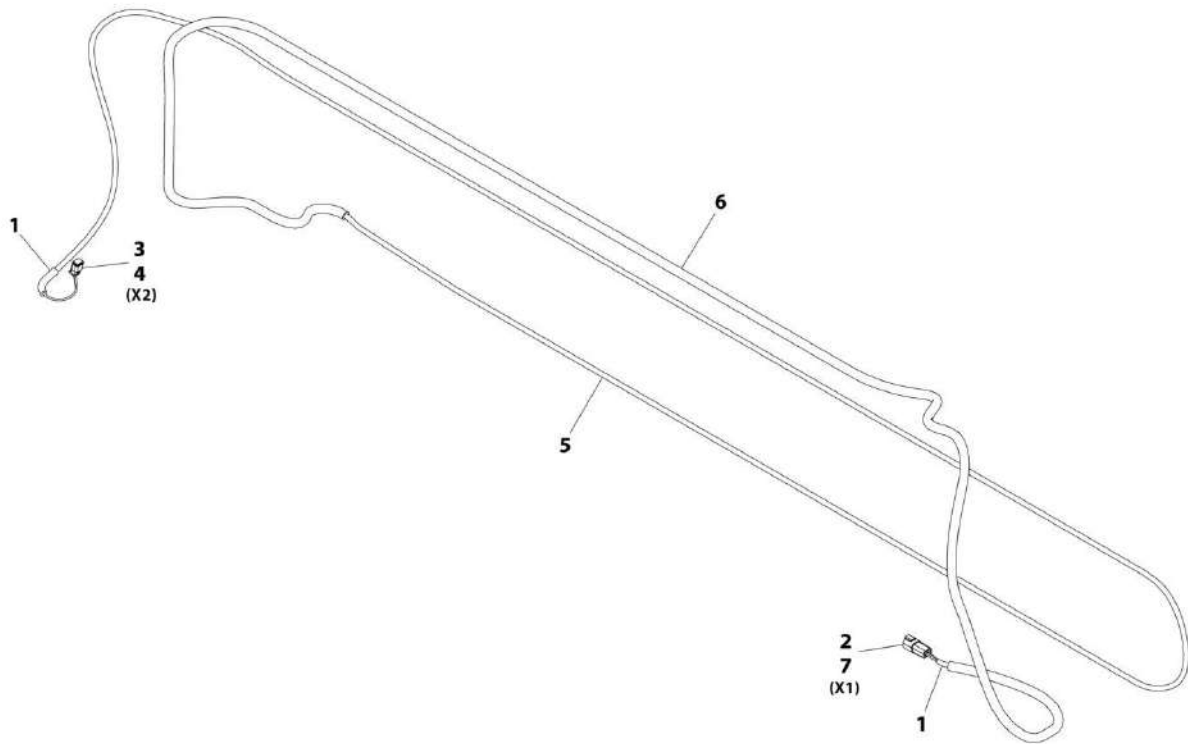
ITEM	PART NUMBER	QTY	DESCRIPTION	REV
	1001156229	1	Engine Harness	E
1	8220045	1	Terminal Ring	
2	4923287	1	Fuse	
3	2902443	1	Connector	
4	4461071	6	Terminal	
12	1001117022	1	Connector	
13	1001116734	1	Terminal	
14	1001116733	1	Terminal	
15	4460994	1	Connector	
16	1001104519	2	Terminal	
17	1001117106	1	Terminal Ring	
18	1001117106	1	Terminal Ring	
19	1001133714	1	Connector	
20	1001133715	3	Terminal	
21	1001135650	3	Seal	
22	1001135651	1	Plug	
31	1001142938	1	Connector	
32	1001142940	2	Terminal	
33	1001142941	2	Seal	
34	1001138110	1	Connector	
35	1001138111	2	Terminal	
36	1001138113	2	Seal	
37	1001117125	1	Connector	
38	4460891	1	Connector	
39	4460942	2	Terminal	
40	1001130900	1	Terminal Ring	
41	4460897	1	Connector	
42	4460941	2	Terminal	
43	8220051	1	Connector	
45	8220051	1	Connector	
47	1001116983	1	Connector	
48	1001116706	2	Terminal	
49	1001137578	2	Seal	
50	1001116967	1	Connector	
51	91143339	1	Terminal	
52	4461017	1	Connector	
53	4460508	1	Terminal	
54	4460466	1	Plug	
55	1001116990	1	Connector	
56	1001118380	14	Terminal	
57	1001118391	2	Plug	
58	1001133957	1	Connector	
59	1001126351	13	Terminal	
60	1001230934	15	Terminal	
61	1001230935	2	Plug	
62	1001133956	1	Connector	
63	1001182361	6	Terminal	
64	1001230934	22	Terminal	
65	1001126351	2	Terminal	
66	1001230935	6	Plug	

SECTION 10 - ELECTRICAL

ITEM	PART NUMBER	QTY	DESCRIPTION	REV
68	1001182365	6	Seal	
69	4461095	1	Connector	
70	4460465	2	Terminal	
71	4460466	1	Plug	
72	4461070	1	Cap	
73	4461095	1	Connector	
74	4460465	2	Terminal	
75	4460466	1	Plug	
76	4461070	1	Cap	
77	4460933	1	Connector	
78	4460465	12	Terminal	
79	1001119020	1	Buss Bar	
80	1001126362	1	Connector	
81	1001126363	28	Terminal	
82	1001126365	2	Terminal	
83	4461008	4	Plug	
84	1001126364	28	Seal	
85	4461054	2	Seal	
86	1001126391	1	Plug	

SECTION 10 - ELECTRICAL

FIGURE 10-27. BOOM AUX HARNESS



ART_1001080397-B

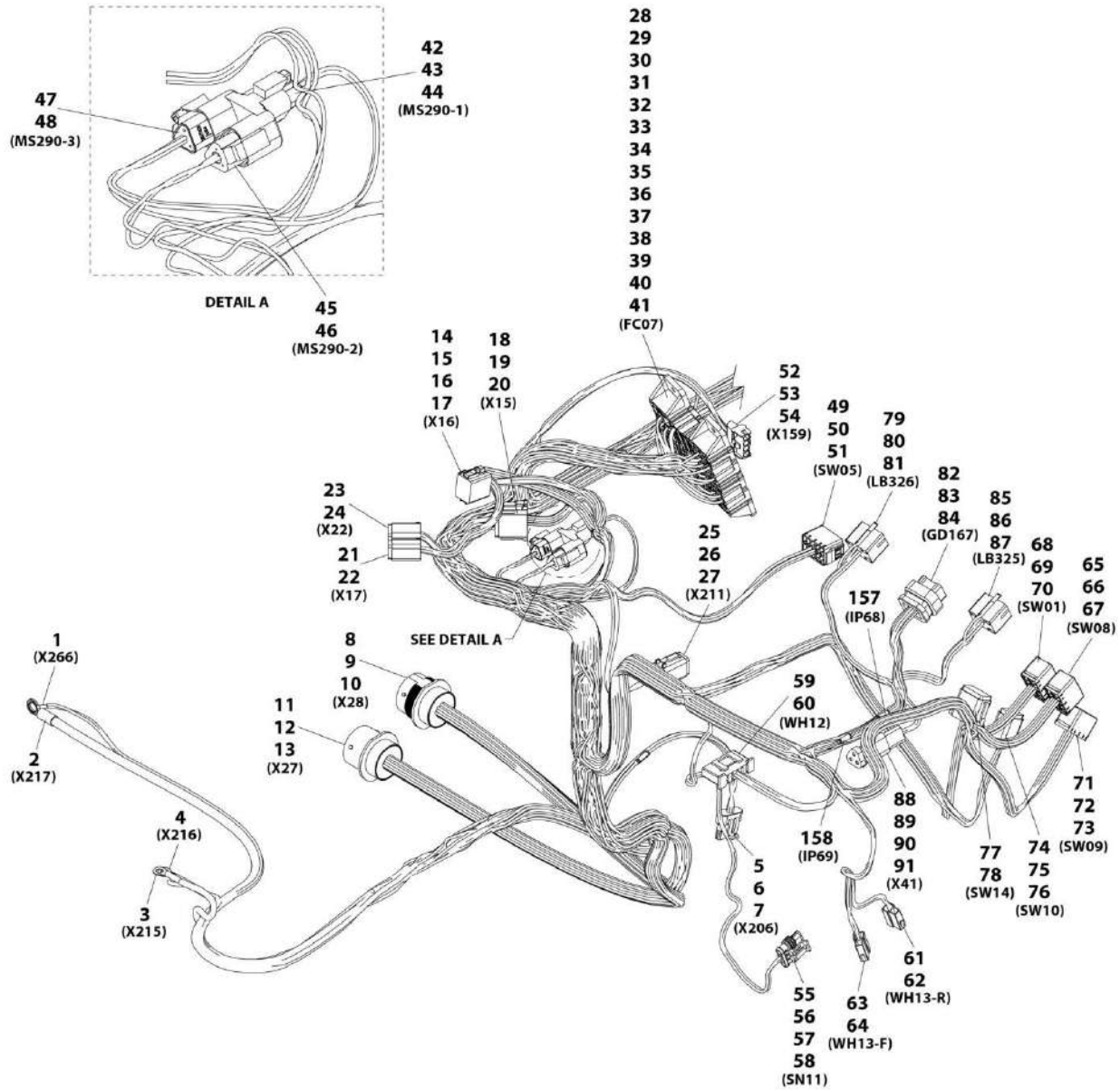
SECTION 10 - ELECTRICAL

FIGURE 10-27. BOOM AUX HARNESS

ITEM	PART NUMBER	QTY	DESCRIPTION	REV
	1001080397	Ref	Boom Aux Harness	B
1	2820171	0.25 ft	Heat Shrink, Insulate	
2	4460464	4	Terminal	
3	4460465	2	Terminal	
4	4460891	1	Connector	
5	4923141	34.83 ft	Wire, 4 Conductor 16 Ga Cable	
6	1001220853	14 ft	Loom, 3/8	
7	4460932	1	Connector	

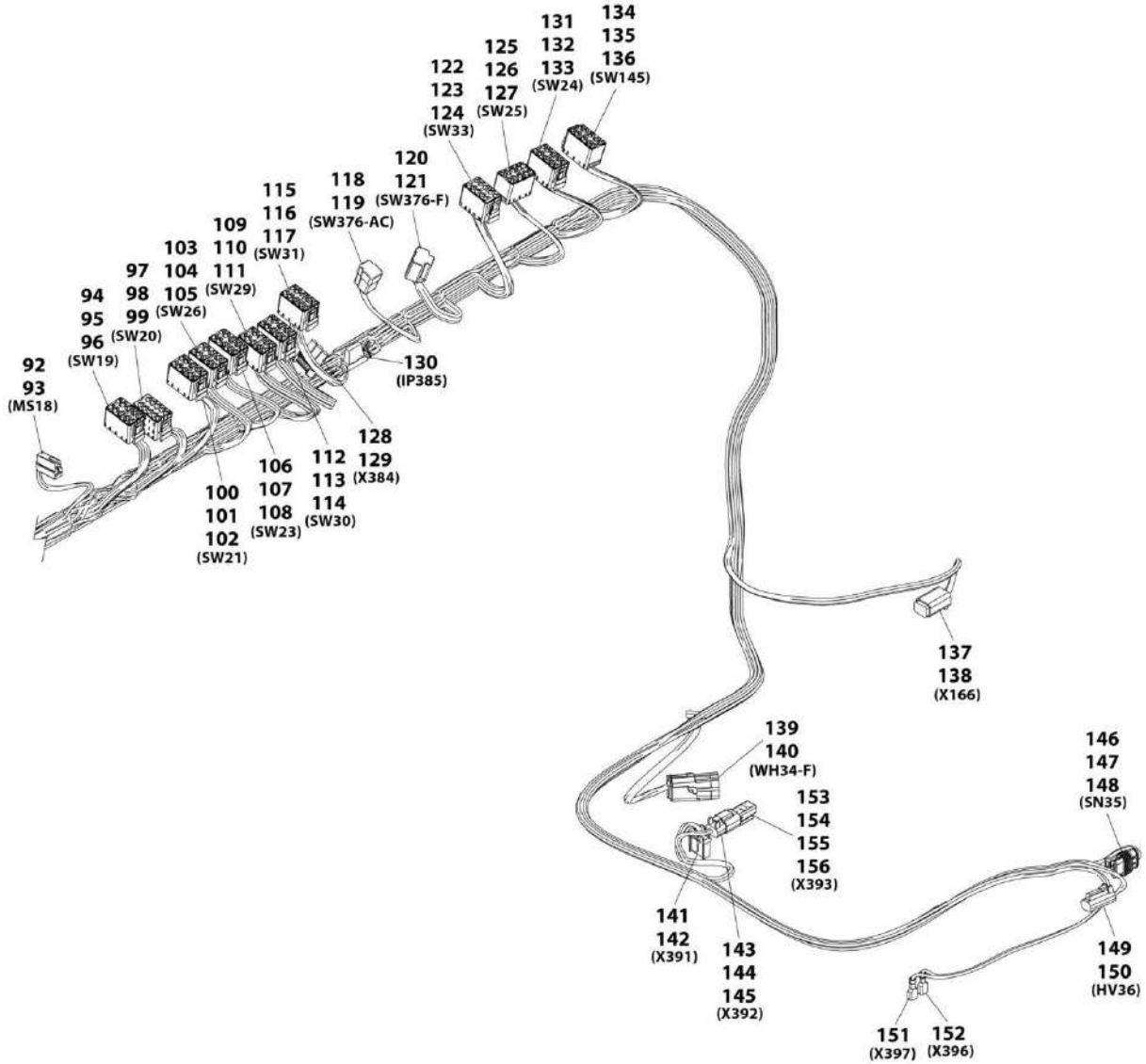
SECTION 10 - ELECTRICAL

FIGURE 10-28. CAB HARNESS



ART_1001208593_1-D

SECTION 10 - ELECTRICAL



ART_1001208593_2-D

SECTION 10 - ELECTRICAL

FIGURE 10-28. CAB HARNESS

ITEM	PART NUMBER	QTY	DESCRIPTION	REV
	1001208593	Ref	Cab Harness	D
1	4460019	1	Terminal Ring	
2	8220115	1	Terminal Ring	
3	1001117106	1	Terminal Ring	
4	4460312	1	Terminal Ring	
5	1001117064	1	Connector	
6	91554014	5	Terminal	
7	1001128128	1	Plug	
8	1001111961	1	Connector	
9	4460465	28	Terminal	
10	4460466	3	Plug	
11	1001116920	1	Connector	
12	4460464	29	Terminal	
13	4460466	2	Plug	
14	4460851	1	Connector	
15	4460465	4	Terminal	
16	4460942	2	Terminal	
17	4460466	2	Plug	
18	4460933	1	Connector	
19	4460465	11	Terminal	
20	4460466	1	Plug	
21	4460884	1	Connector	
22	4460465	4	Terminal	
23	4460894	1	Connector	
24	4460465	6	Terminal	
25	4460894	1	Connector	
26	4460465	3	Terminal	
27	4460466	3	Plug	
28	1001080763	1	Connector	
29	1001116710	30	Terminal	
30	1001116712	16	Terminal	
31	1001116711	4	Terminal	
32	1001116735	5	Terminal	
33	4460419	1	Terminal	
34	80983191	3	Fuse, 10 AMP	
35	8229242	2	Fuse, 5 AMP	
36	8229244	4	Fuse, 15 AMP	
37	8229246	2	Fuse, 20 AMP	
38	8229245	1	Fuse, 30 AMP	
39	8229243	6	Fuse, 7.5 AMP	
40	1001095704	2	Realy, 35 AMP	
41	1001100781	1	Realy, 10 AMP	
42	1001116812	1	Connector	
43	4460945	1	Terminal, 3 Way "T" Receptacle	
44	4460465	3	Terminal	
45	4460539	1	Connector	
46	4460465	3	Terminal	
47	1001116812	1	Connector	
48	4460465	3	Terminal	
49	1001117081	1	Connector	

SECTION 10 - ELECTRICAL

ITEM	PART NUMBER	QTY	DESCRIPTION	REV
50	1001118385	2	Terminal	
51	1001116723	4	Terminal	
52	4460761	1	Connector	
53	4460267	3	Terminal	
54	4460705	2	Terminal	
55	1001103012	1	Connector	
56	1001107854	2	Terminal	
57	1001116698	2	Plug	
58	1001104498	2	Seal	
59	1001127066	1	Connector	
60	1001118385	4	Terminal	
61	4460994	1	Connector	
62	1001118385	2	Terminal	
63	4460994	1	Connector	
64	1001118385	3	Terminal	
65	1001117081	1	Connector	
66	1001118385	3	Terminal	
67	1001116723	8	Terminal	
68	1001117081	1	Connector	
69	1001116723	6	Terminal	
70	1001118385	1	Terminal	
71	1001117081	1	Connector	
72	1001118385	4	Terminal	
73	1001116723	4	Terminal	
74	4460894	1	Connector	
75	4460465	5	Terminal	
76	4460466	1	Plug	
77	4460930	1	Connector	
78	4460465	8	Terminal	
79	1001117119	1	Connector	
80	1001118385	2	Terminal	
81	1001116723	4	Terminal	
82	4460872	1	Connector	
83	4460871	13	Terminal	
84	4460905	2	Plug	
85	1001117119	1	Connector	
86	1001116723	6	Terminal	
87	1001118385	1	Terminal	
88	4460536	1	Connector	
89	1001116815	1	Terminal	
90	4460464	2	Terminal	
91	4460466	1	Terminal	
92	4460994	1	Connector	
93	1001118385	2	Terminal	
94	1001117081	1	Connector	
95	1001118385	4	Terminal	
96	1001116723	6	Terminal	
97	1001117082	1	Connector	
98	1001118385	3	Terminal	
99	1001116723	8	Terminal	
100	1001117081	1	Connector	

SECTION 10 - ELECTRICAL

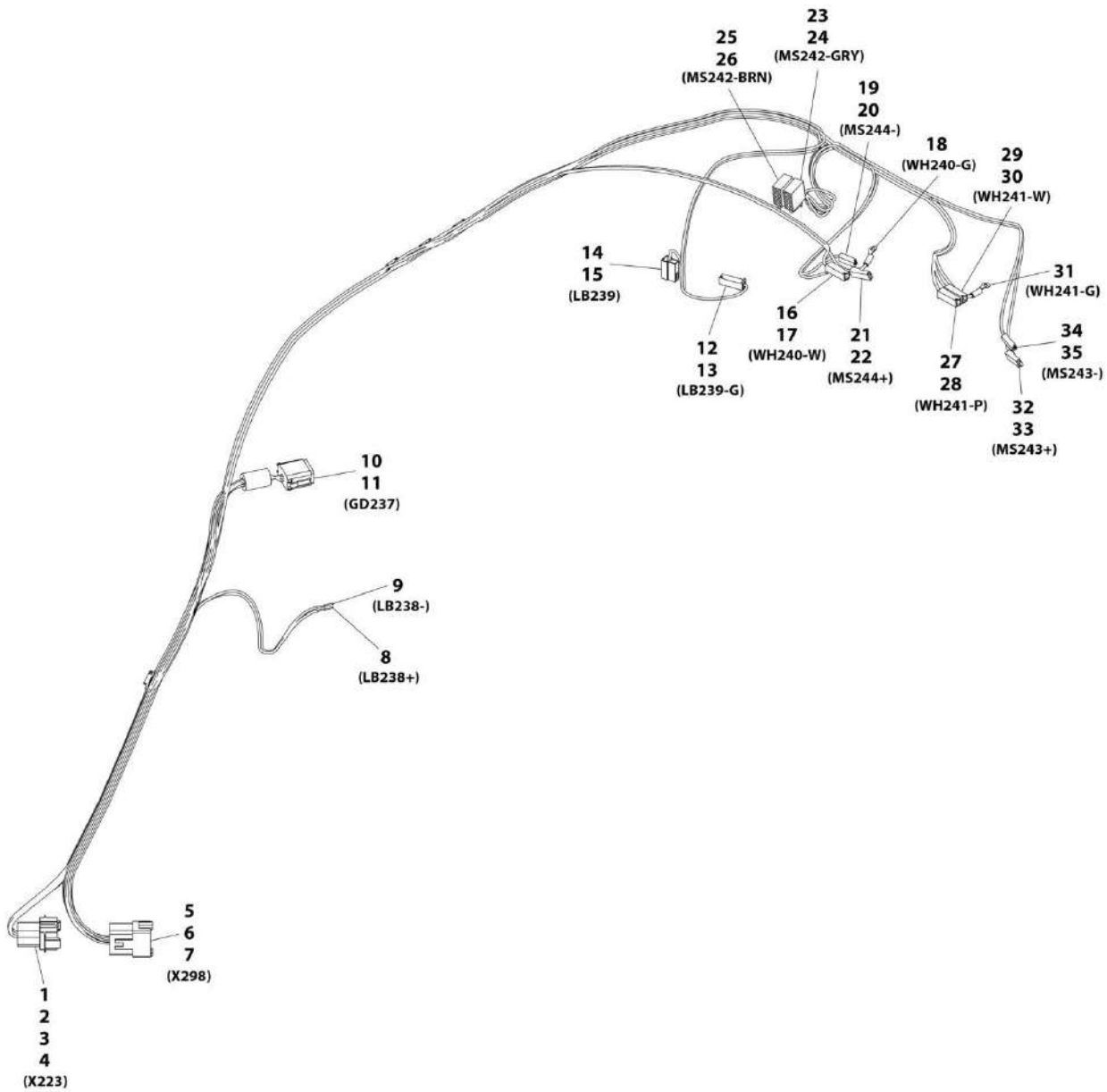
ITEM	PART NUMBER	QTY	DESCRIPTION	REV
101	1001118385	2	Terminal	
102	1001116723	4	Terminal	
103	1001117081	1	Connector	
104	1001118385	2	Terminal	
105	1001116723	4	Terminal	
106	1001117081	1	Connector	
107	1001118385	2	Terminal	
108	1001116723	4	Terminal	
109	1001117081	1	Connector	
110	1001118385	5	Terminal	
111	1001116723	6	Terminal	
112	1001117081	1	Connector	
113	1001118385	4	Terminal	
114	1001116723	6	Terminal	
115	1001117081	1	Connector	
116	1001118385	6	Terminal	
117	1001116723	2	Terminal	
118	1001117059	1	Connector	
119	1001116736	3	Terminal	
120	1001117080	1	Connector	
121	1001116723	5	Terminal	
122	1001117079	1	Connector	
123	1001118385	4	Terminal	
124	1001116723	8	Terminal	
125	1001117081	1	Connector	
126	1001116723	4	Terminal	
127	1001118385	1	Terminal	
128	4460459	1	Connector	
129	4460457	3	Terminal	
130	2400060	1	Fuse Holder	
131	1001117081	1	Connector	
132	1001118385	3	Terminal	
133	1001116723	2	Terminal	
134	1001117081	1	Connector	
135	1001118385	3	Terminal	
136	1001116723	6	Terminal	
137	4460884	1	Connector	
138	4460465	4	Terminal	
139	80963062	1	Connector	
140	4460475	4	Terminal	
141	1001197624	1	Connector	
142	1001197714	3	Terminal	
143	4460891	1	Connector	
144	4460897	1	Terminal	
145	4460465	2	Terminal	
146	4461262	1	Connector	
147	1001107854	3	Terminal	
148	1001104498	3	Seal	
149	4460891	1	Connector	
150	4460465	2	Terminal	
151	8220051	1	Connector	

SECTION 10 - ELECTRICAL

ITEM	PART NUMBER	QTY	DESCRIPTION	REV
152	8220051	1	Connector	
153	4460897	1	Connector	
154	1001218381	1	Resistor	
155	1001135350	1	Cap	
156	4460464	2	Plug	
157	3990013	1	Diode, 4 AMP	
158	3990013	1	Diode, 4 AMP	

SECTION 10 - ELECTRICAL

FIGURE 10-29. CAB ROOF HARNESS



ART_1001142010-C

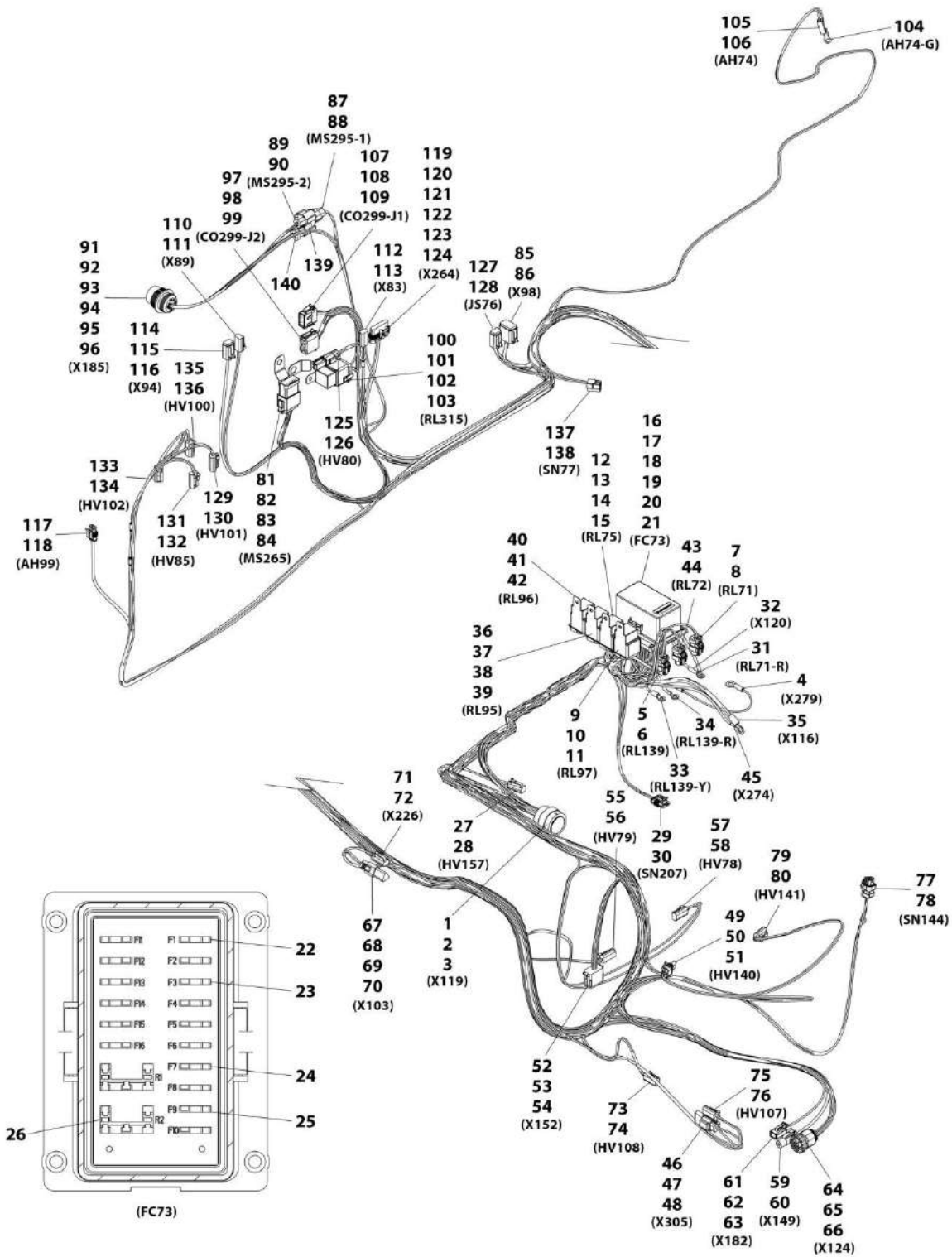
SECTION 10 - ELECTRICAL

FIGURE 10-29. CAB ROOF HARNESS

ITEM	PART NUMBER	QTY	DESCRIPTION	REV
	1001142010	Ref	Cab Roof Harness	C
1	1001116813	1	Connector	
2	4460464	3	Terminal	
3	4460941	3	Terminal	
4	4460466	2	Plug	
5	4460970	1	Connector	
6	4460464	11	Terminal	
7	4460466	1	Plug	
8	1001118387	1	Terminal, Ring	
9	1001118387	1	Terminal, Ring	
10	4460930	1	Connector	
11	4460465	9	Terminal	
12	4460260	1	Connector	
13	4460259	1	Terminal	
14	4460994	1	Connector	
15	1001118385	1	Terminal	
16	4460260	1	Connector	
17	4460259	1	Terminal	
18	8220007	1	Terminal, Ring	
19	1001117002	1	Connector	
20	1001116705	1	Terminal	
21	1001116982	1	Connector	
22	1001118379	1	Terminal	
23	1001116985	1	Connector	
24	1001116710	3	Terminal	
25	1001116984	1	Connector	
26	1001116710	4	Terminal	
27	4460260	1	Connector	
28	4460259	1	Terminal	
29	4460260	1	Connector	
30	4460259	1	Terminal	
31	8220007	1	Terminal, Ring	
32	1001116982	1	Connector	
33	1001118379	1	Terminal	
34	1001117002	1	Connector	
35	1001116705	1	Terminal	

SECTION 10 - ELECTRICAL

FIGURE 10-30. FRAME HARNESS



ART_1001140634-F

SECTION 10 - ELECTRICAL

FIGURE 10-30. FRAME HARNESS

ITEM	PART NUMBER	QTY	DESCRIPTION	REV
	1001140634	Ref	Frame Harness	F
1	1001116921	1	Connector	
2	4460465	29	Terminal	
3	4460466	2	Plug	
4	8220045	1	Terminal, Ring	
5	1001116953	1	Connector	
6	4460465	2	Terminal	
7	1001116952	1	Connector	
8	4460465	2	Terminal	
9	4460374	1	Connector	
10	1001116733	5	Terminal	
11	3740080	1	Relay	
12	4460374	1	Connector	
13	1001116733	4	Terminal	
14	1001128128	1	Plug	
15	3740080	1	Relay	
16	1001080361	1	Connector	
17	1001116726	22	Terminal	
18	1001116725	8	Terminal	
19	1001116727	2	Plug	
20	8220081	22	Seal	
21	8220089	8	Seal	
22	8229244	5	Fuse, 15 AMP	
23	8229242	4	Fuse, 5 AMP	
24	80983191	1	Fuse, 15 AMP	
25	80983191	6	Fuse, 10 AMP	
26	1001095704	2	Relay, 35 AMP	
27	4460891	1	Connector	
28	4460465	2	Terminal	
29	4461262	1	Connector	
30	1001107854	3	Terminal	
31	1001117106	1	Terminal, Ring	
32	1001117106	1	Terminal, Ring	
33	4460043	1	Terminal, Ring	
34	4460312	1	Terminal, Ring	
35	8220115	1	Terminal, Ring	
36	4460374	1	Connector	
37	1001116733	4	Terminal	
38	1001128128	1	Plug	
39	3740080	1	Relay	
40	4460374	1	Connector	
41	1001116733	5	Terminal	
42	3740080	1	Relay	
43	1001116950	1	Connector	
44	4460465	2	Terminal	
45	4460019	1	Terminal, Ring	
46	4460891	1	Connector	
47	1001116816	1	Connector, DT 2 Pin Receptacle With Diode	
48	4460465	2	Terminal	
49	4460742	1	Connector	

SECTION 10 - ELECTRICAL

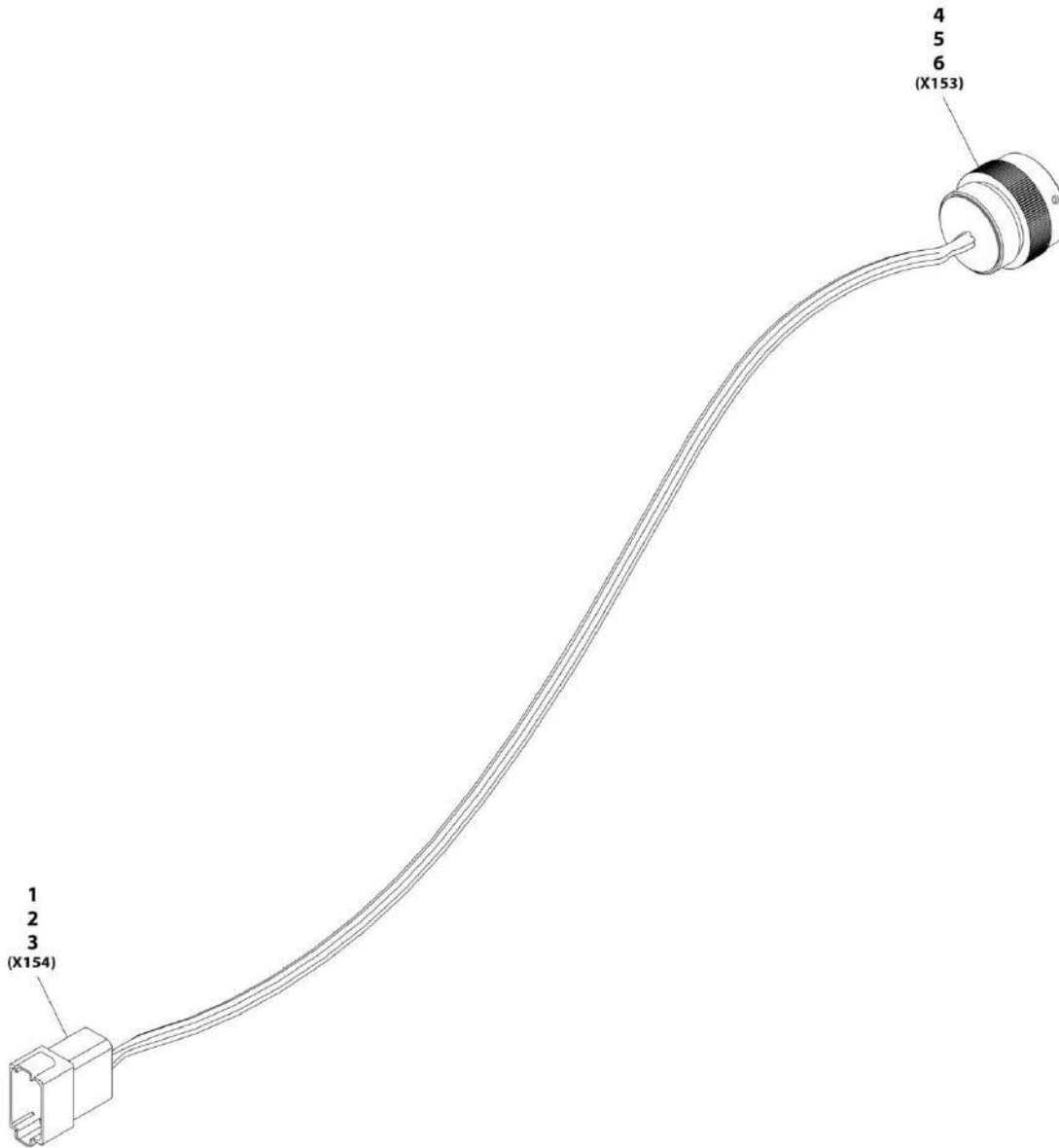
ITEM	PART NUMBER	QTY	DESCRIPTION	REV
50	4460457	2	Terminal	
51	8220081	2	Seal	
52	4460933	1	Connector	
53	4460465	9	Terminal	
54	4460466	3	Plug	
55	4460891	1	Connector	
56	4460465	2	Terminal	
57	4460891	1	Connector	
58	4460465	2	Terminal	
59	1001116966	1	Connector	
60	91143340	1	Terminal	
61	4461018	1	Connector	
62	4460509	1	Terminal	
63	4460466	1	Plug	
64	1001116977	1	Connector	
65	1001118381	14	Terminal	
66	1001118391	2	Plug	
67	4460539	1	Connector	
68	4460536	1	Terminal	
69	4460466	4	Plug	
70	4460465	2	Terminal	
71	4460891	1	Connector	
72	4460465	2	Terminal	
73	4460891	1	Connector	
74	4460465	2	Terminal	
75	4460891	1	Connector	
76	4460465	2	Terminal	
77	1001116950	1	Connector	
78	4460465	2	Terminal	
79	4460891	1	Connector	
80	4460465	2	Terminal	
81	4460933	1	Connector	
82	1001119020	1	Connector, 3X4 Bussbar	
83	1001120328	1	Mount	
84	4460465	12	Terminal	
85	4460930	1	Connector	
86	4460465	8	Terminal	
87	1001116812	1	Connector	
88	4460465	3	Terminal	
89	4460539	1	Connector	
90	4460465	3	Terminal	
91	1001112612	1	Connector	
92	1001106736	1	Dust, Cap	
93	4460497	1	Nut	
94	4460496	1	Lock Washer	
95	4460464	6	Terminal	
96	4460466	3	Plug	
97	1001116774	1	Connector	
98	1001126008	10	Terminal	
99	4460518	3	Plug	
100	4460374	1	Connector	

SECTION 10 - ELECTRICAL

ITEM	PART NUMBER	QTY	DESCRIPTION	REV
101	3740080	1	Relay	
102	1001116733	4	Terminal	
103	1001128128	1	Plug	
104	4460043	1	Terminal, Ring	
105	4460260	1	Connector	
106	4460259	1	Terminal	
107	1001116808	1	Connector	
108	1001126008	9	Terminal	
109	4460518	3	Plug	
110	4460891	1	Connector	
111	4460465	2	Terminal	
112	4460891	1	Connector	
113	4460465	2	Terminal	
114	4460884	1	Connector	
115	4460465	2	Terminal	
116	4460466	2	Plug	
117	4461118	1	Connector	
118	1001107854	2	Terminal	
119	1001121726	1	Connector	
120	8220125	2	Terminal	
121	1001116747	2	Terminal	
122	4460748	1	Plug	
123	8220089	2	Seal	
124	4460458	2	Seal	
125	4460891	1	Connector	
126	4460465	2	Terminal	
127	4460884	1	Connector	
128	4460465	4	Terminal	
129	4460891	1	Connector	
130	4460465	2	Terminal	
131	4460891	1	Connector	
132	4460465	2	Terminal	
133	4460891	1	Connector	
134	4460465	2	Terminal	
135	4460891	1	Connector	
136	4460465	2	Terminal	
137	1001116948	1	Connector	
138	1001118385	2	Terminal	
139	4460945	1	Terminal, 3 Way "T" Receptacle	
140	1001116815	1	Connector, 3 Pin	

SECTION 10 - ELECTRICAL

FIGURE 10-31. FRAME BASE JUMPER HARNESS



ART_1001142011-A

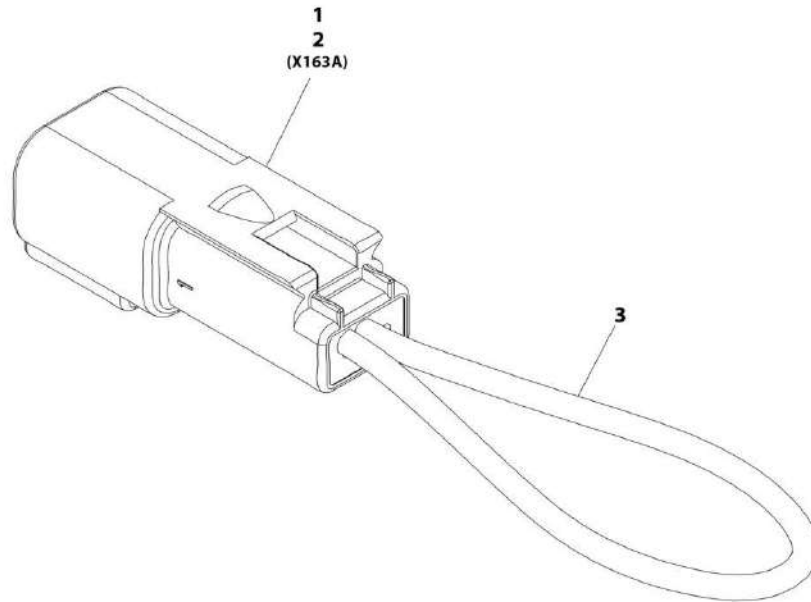
SECTION 10 - ELECTRICAL

FIGURE 10-31. FRAME BASE JUMPER HARNESS

ITEM	PART NUMBER	QTY	DESCRIPTION	REV
	1001142011	Ref	Frame Base Jumper Harness	A
1	4460970	1	Connector	
2	4460464	6	Terminal	
3	4460466	6	Plug	
4	1001121960	1	Connector	
5	4460464	6	Terminal	
6	4460466	25	Plug	

SECTION 10 - ELECTRICAL

FIGURE 10-32. FUNCTION JUMPER HARNESS



ART_1001122280-B

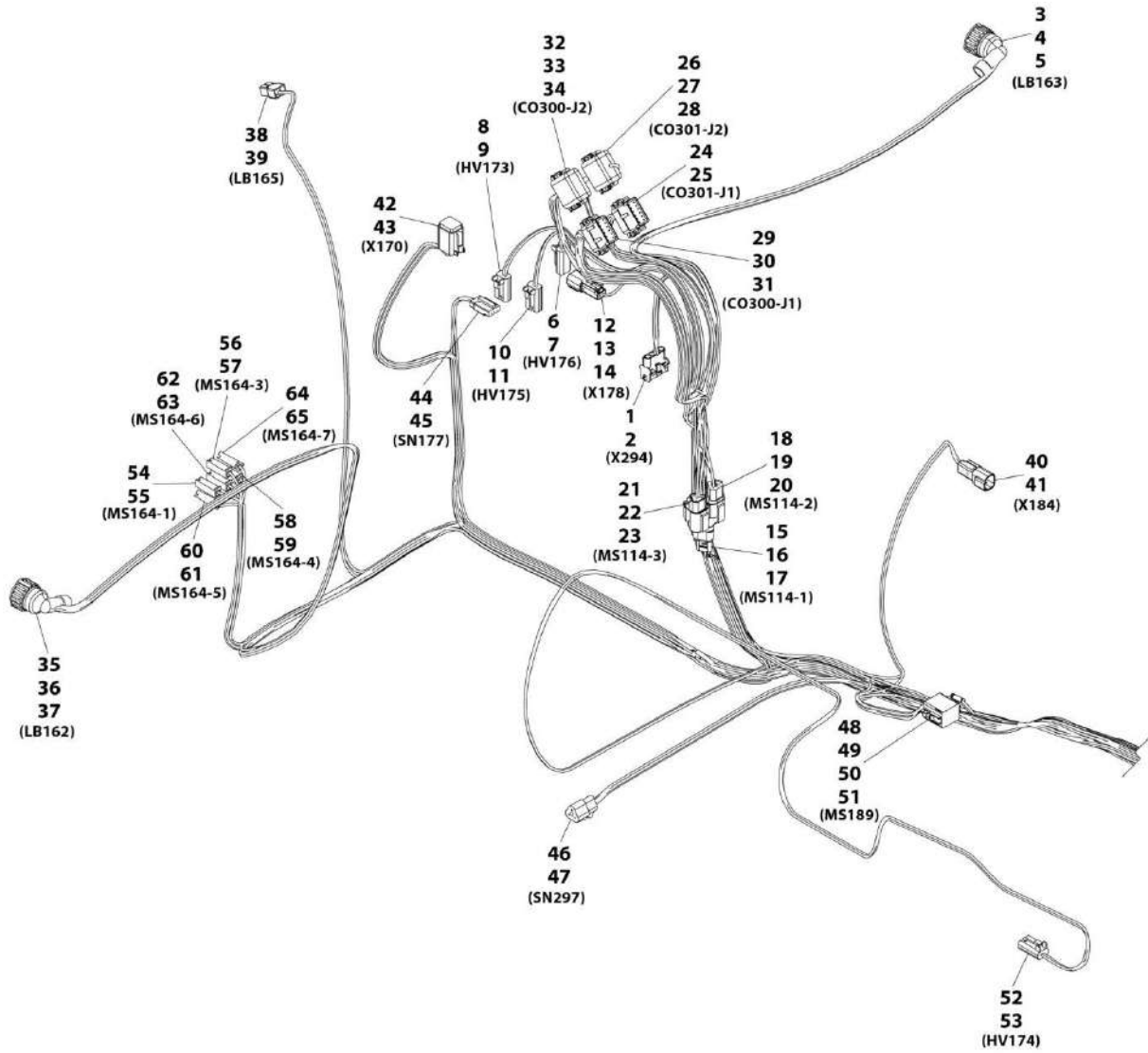
SECTION 10 - ELECTRICAL

FIGURE 10-32. FUNCTION JUMPER HARNESS

ITEM	PART NUMBER	QTY	DESCRIPTION	REV
	1001122280	Ref	Function Jumper Harness	B
1	4460464	2	Terminal	
2	4460897	1	Connector	
3	4920017	118 mm	Wire, 16 GA	

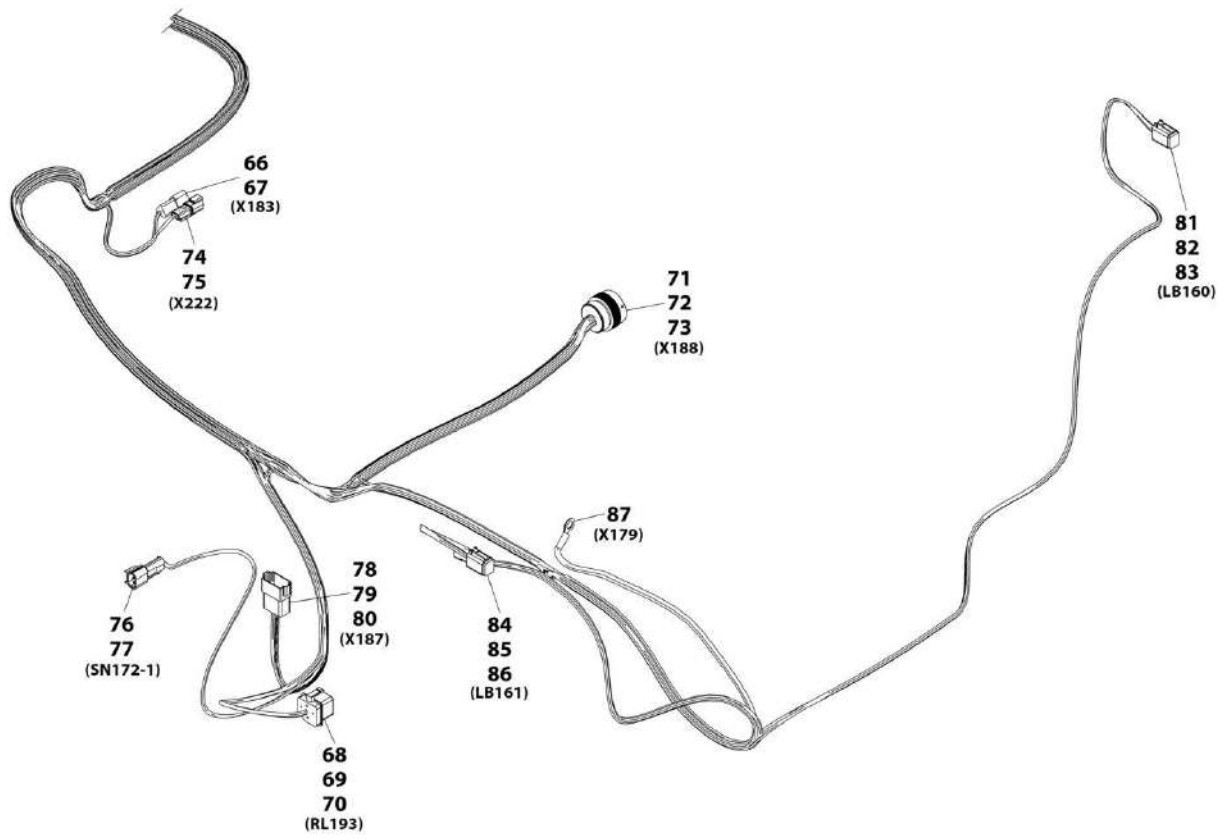
SECTION 10 - ELECTRICAL

FIGURE 10-33. FRAME OPTION HARNESS



ART_1001140635_1-D

SECTION 10 - ELECTRICAL



ART_1001140635_2-D

SECTION 10 - ELECTRICAL

FIGURE 10-33. FRAME OPTION HARNESS

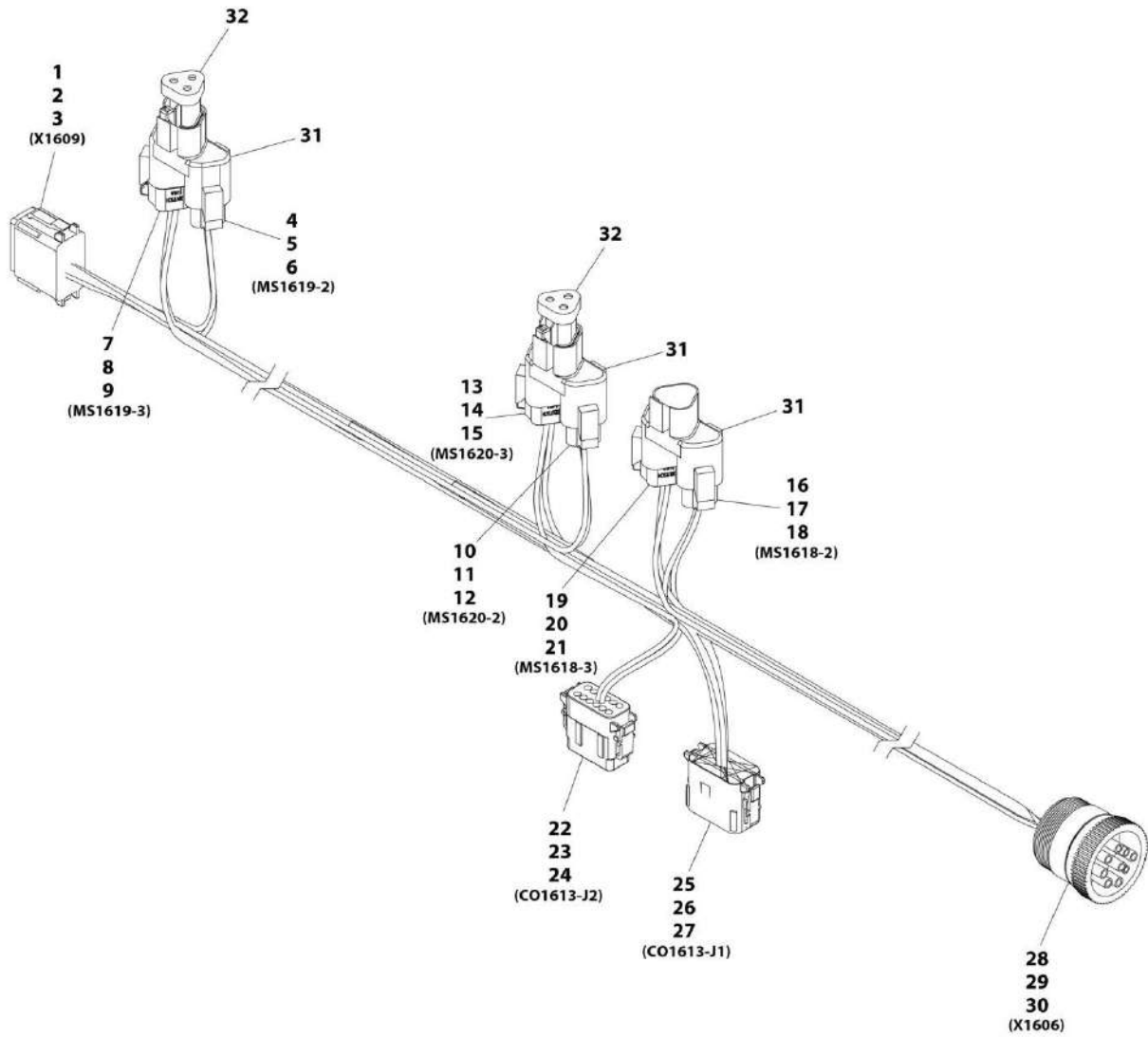
ITEM	PART NUMBER	QTY	DESCRIPTION	REV
	1001140635	Ref	Frame Option Harness	D
1	4460761	1	Connector	
2	4460227	4	Terminal	
3	1001116996	1	Connector	
4	1001118392	5	Terminal	
5	4461008	2	Plug	
6	4460891	1	Connector	
7	4460465	2	Terminal	
8	4460891	1	Connector	
9	4460465	2	Terminal	
10	4460891	1	Connector	
11	4460465	2	Terminal	
12	4460897	1	Connector	
13	4460464	1	Terminal	
14	4460466	1	Plug	
15	1001116812	1	Connector	
16	4460945	1	Terminal, 3 Way "T" Receptacle	
17	4460465	3	Terminal	
18	4460539	1	Connector	
19	4460465	2	Terminal	
20	4460466	1	Plug	
21	1001116812	1	Connector	
22	4460465	2	Terminal	
23	4460466	1	Plug	
24	1001116808	1	Connector	
25	1001126008	12	Terminal	
26	1001116774	1	Connector	
27	1001126008	8	Terminal	
28	4460518	4	Plug	
29	1001116808	1	Connector	
30	1001126008	7	Terminal	
31	4460518	5	Plug	
32	1001116774	1	Connector	
33	1001126008	5	Terminal	
34	4460518	7	Plug	
35	1001116996	1	Connector	
36	1001118392	5	Terminal	
37	4461008	2	Plug	
38	1001117133	1	Connector	
39	1001118385	2	Terminal	
40	4460897	1	Connector	
41	4460464	2	Terminal	
42	4460894	1	Connector	
43	4460465	6	Terminal	
44	4460911	1	Connector	
45	1001126008	3	Terminal	
46	4460539	1	Connector	
47	4460465	4	Terminal	
48	4460851	1	Connector	
49	4460852	1	Connector, 8 Pin	

SECTION 10 - ELECTRICAL

ITEM	PART NUMBER	QTY	DESCRIPTION	REV
50	4460465	7	Terminal	
51	4460466	1	Plug	
52	4460891	1	Connector	
53	4460465	2	Terminal	
54	4460260	1	Connector	
55	4460259	1	Terminal	
56	4460260	1	Connector	
57	4460259	1	Terminal	
58	4460260	1	Connector	
59	4460259	1	Terminal	
60	4460260	1	Connector	
61	4460259	1	Terminal	
62	4460260	1	Connector	
63	4460259	1	Terminal	
64	4460260	1	Connector	
65	4460259	1	Terminal	
66	4460536	1	Connector	
67	4460464	3	Terminal	
68	4460374	1	Connector	
69	1001116733	4	Terminal	
70	1001128128	1	Plug	
71	1001121960	1	Connector	
72	4460464	28	Terminal	
73	4460466	3	Plug	
74	4460897	1	Connector	
75	4460464	2	Terminal	
76	1001117026	1	Connector	
77	1001116729	2	Terminal	
78	4460970	1	Connector	
79	4460464	9	Terminal	
80	4460466	3	Plug	
81	4460894	1	Connector	
82	4460465	5	Terminal	
83	4460466	1	Plug	
84	4460894	1	Connector	
85	4460465	5	Terminal	
86	4460466	1	Plug	
87	8220164	1	Terminal, Ring	

SECTION 10 - ELECTRICAL

FIGURE 10-34. TELEMATICS GATEWAY HARNESS



ART_1001226831-A

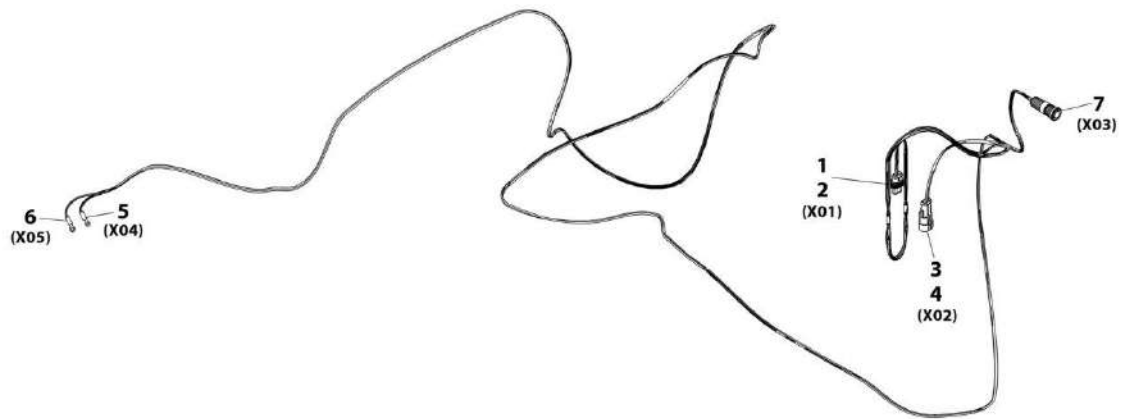
SECTION 10 - ELECTRICAL

FIGURE 10-34. TELEMATICS GATEWAY HARNESS

ITEM	PART NUMBER	QTY	DESCRIPTION	REV
	1001226831	Ref	Telematics Gateway Harness	A
1	4460933	1	Connector	
2	1001116692	5	Terminal	
3	4460466	7	Plug	
4	4460539	1	Connector	
5	4460465	2	Terminal	
6	4460466	1	Plug	
7	1001116812	1	Connector	
8	4460465	2	Terminal	
9	4460466	1	Plug	
10	4460539	1	Connector	
11	4460465	2	Terminal	
12	4460466	1	Plug	
13	1001116812	1	Connector	
14	4460465	2	Terminal	
15	4460466	1	Plug	
16	4460539	1	Connector	
17	4460465	2	Terminal	
18	4460466	1	Plug	
19	1001116812	1	Connector	
20	4460465	2	Terminal	
21	4460466	1	Plug	
22	1001116808	1	Connector	
23	1001116694	2	Terminal	
24	4460518	10	Plug	
25	1001116774	1	Connector	
26	1001116694	4	Terminal	
27	4460518	8	Plug	
28	1001112796	1	Connector	
29	1001116692	5	Terminal	
30	4460466	3	Plug	
31	4460945	3	Terminal, 3 Way "T" Receptacle	
32	1001116815	2	Connector, Plug 3-Pin	

SECTION 10 - ELECTRICAL

FIGURE 10-35. REVERSE SENSOR HARNESS



ART_1001190914-B

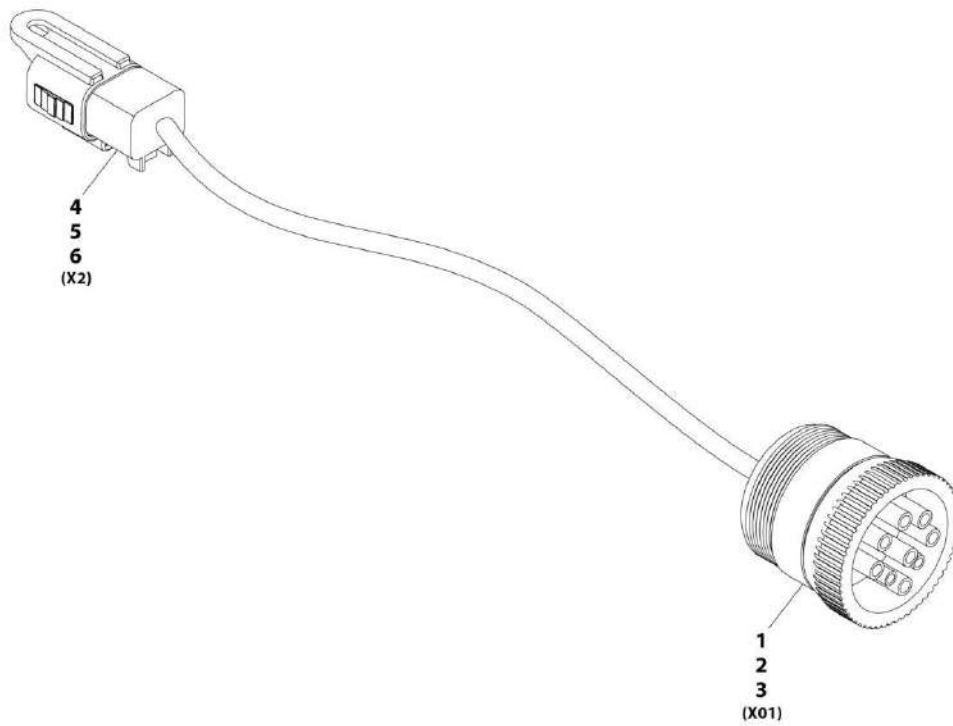
SECTION 10 - ELECTRICAL

FIGURE 10-35. REVERSE SENSOR HARNESS

ITEM	PART NUMBER	QTY	DESCRIPTION	REV
	1001190914	Ref	Reverse Sensor Harness	B
1	4461118	1	Connector	
2	1001107854	2	Terminal	
3	4461227	1	Connector	
4	1001104497	2	Terminal	
5	1001098122	1	Terminal, Ring	
6	1001098122	1	Terminal, Ring	
7	1001175733	1	Connector	

SECTION 10 - ELECTRICAL

FIGURE 10-36. TELEMATICS READY HARNESS



ART_1001196461-A

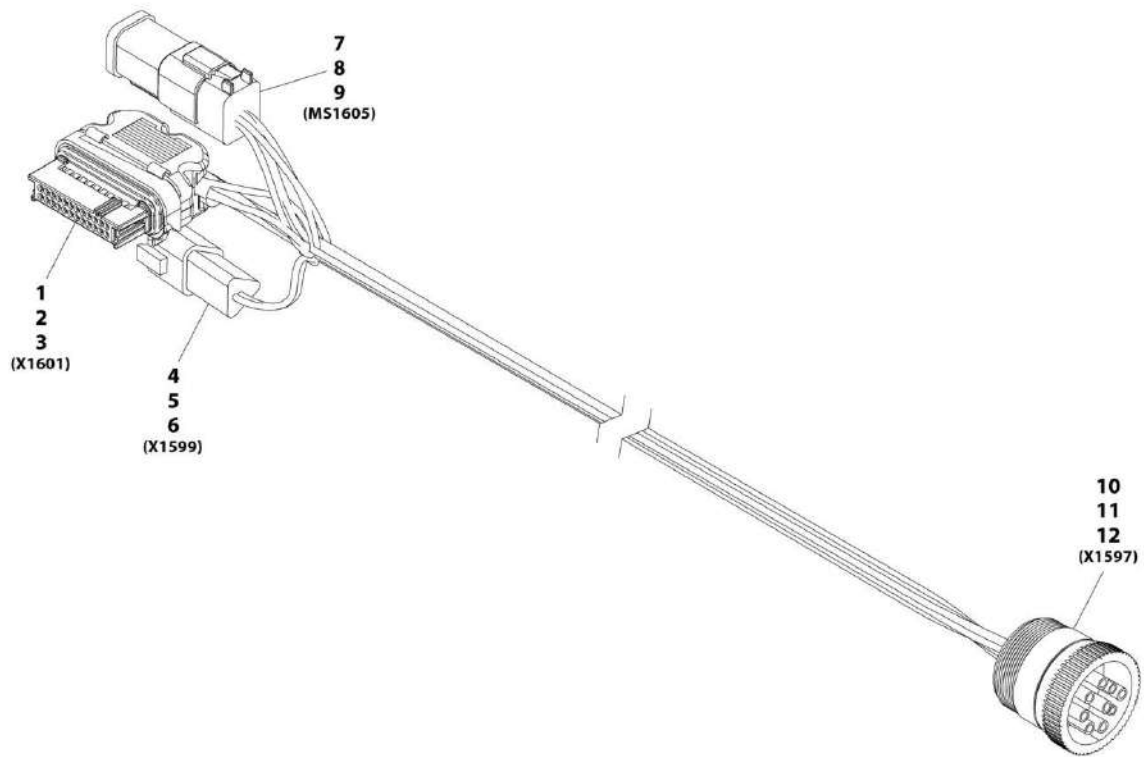
SECTION 10 - ELECTRICAL

FIGURE 10-36. TELEMATICS READY HARNESS

ITEM	PART NUMBER	QTY	DESCRIPTION	REV
	1001196461	Ref	Telematics Ready Harness	A
1	1001112796	1	Connector	
2	4460465	3	Terminal	
3	4460466	6	Plug	
4	4460884	1	Connector	
5	4460465	3	Terminal	
6	4460466	1	Plug	

SECTION 10 - ELECTRICAL

FIGURE 10-37. CLEARSKY HARNESS



ART_1001226739-A

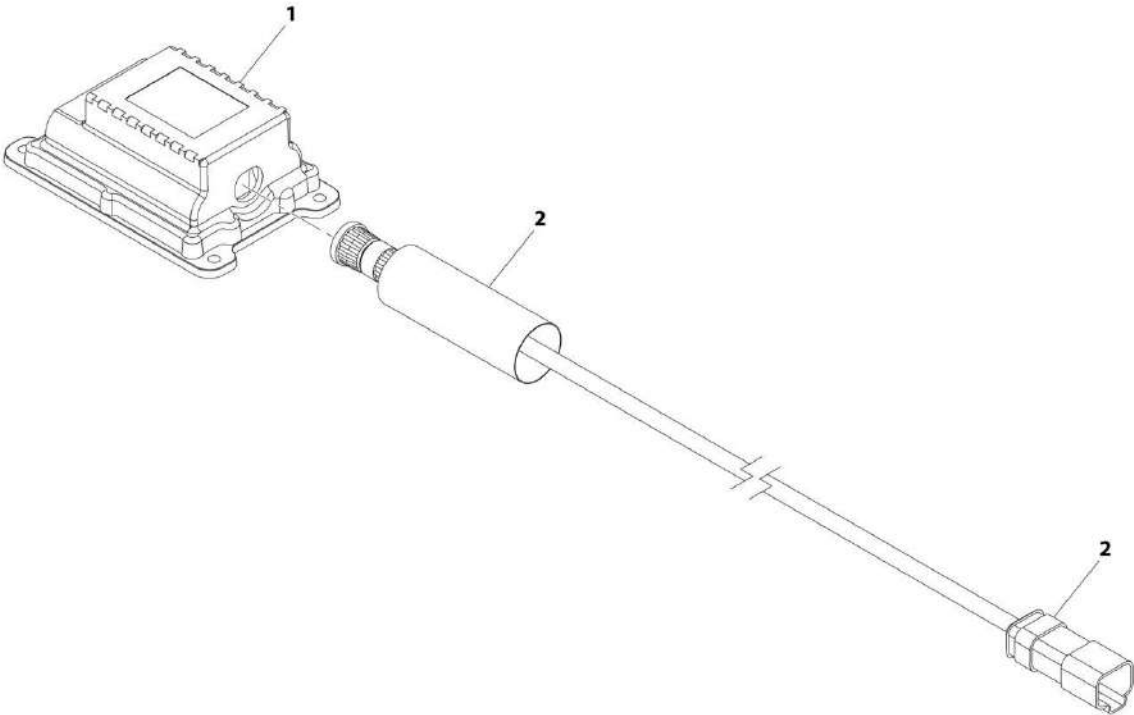
SECTION 10 - ELECTRICAL

FIGURE 10-37. CLEARSKY HARNESS

ITEM	PART NUMBER	QTY	DESCRIPTION	REV
	1001226739	Ref	Clearsky Harness	A
1	1001226636	1	Connector	
2	1001116731	16	Plug	
3	1001226637	8	Terminal	
4	1001144147	1	Connector	
5	4460464	2	Terminal	
6	4460466	1	Plug	
7	4460894	1	Connector	
8	4460465	6	Terminal	
9	1001226541	1	Connector, DT 6 Pin 2X3 Bussbar	
10	1001112796	1	Connector	
11	4460465	8	Terminal	
12	4460466	1	Plug	

SECTION 10 - ELECTRICAL

FIGURE 10-38. CLEARSKY INSTALLATION 3-WIRE



ART_1001229107-C

SECTION 10 - ELECTRICAL

FIGURE 10-38. CLEARSKY INSTALLATION 3-WIRE

ITEM	PART NUMBER	QTY	DESCRIPTION	REV
1	1001229107	Ref	Clearsky Installation 3-Wire	C
	1001226328	1	Module, 3W TCU	
	1001227066	Ref	Telematics Harness (See Separate Breakdown in this Section)	

SECTION 10 - ELECTRICAL

FIGURE 10-39. BOOM SENSOR HARNESS



ART_1001129801-A

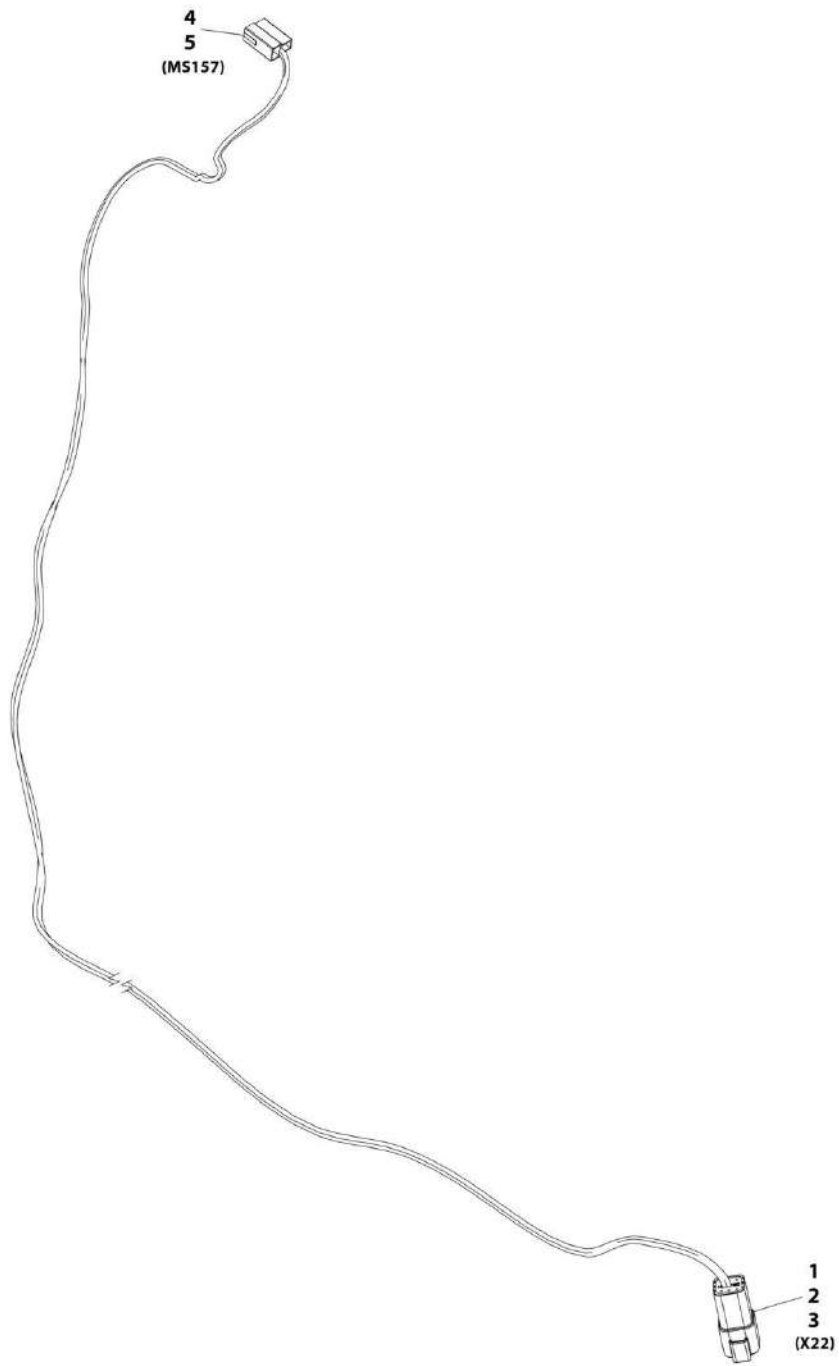
SECTION 10 - ELECTRICAL

FIGURE 10-39. BOOM SENSOR HARNESS

ITEM	PART NUMBER	QTY	DESCRIPTION	REV
	1001129801	Ref	Boom Sensor Harness	A
1	4460899	1	Connector	
2	4460464	6	Terminal	
3	4461262	1	Connector	
4	1001107854	3	Terminal	
5	4461262	1	Connector	
6	1001107854	3	Terminal	

SECTION 10 - ELECTRICAL

FIGURE 10-40. OPEN CAB WORKLIGHT HARNESS



ART_1001110723-B

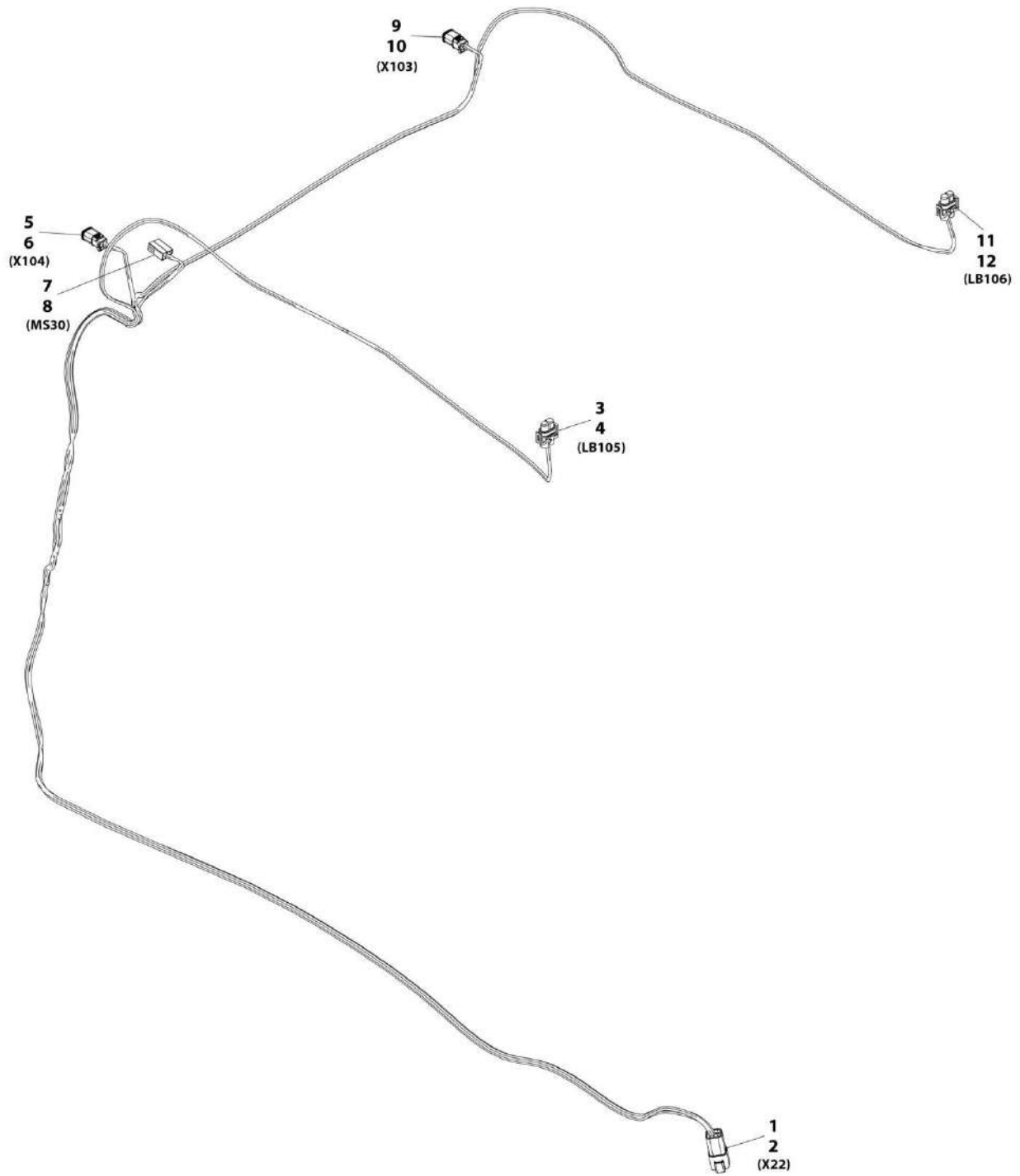
SECTION 10 - ELECTRICAL

FIGURE 10-40. OPEN CAB WORKLIGHT HARNESS

ITEM	PART NUMBER	QTY	DESCRIPTION	REV
	1001110723	Ref	Open Cab Worklight Harness	B
1	4460899	1	Connector	
2	4460466	4	Plug	
3	4460464	2	Terminal	
4	4460994	1	Connector	
5	1001104519	2	Terminal	

SECTION 10 - ELECTRICAL

FIGURE 10-41. CAB WORKLIGHT HARNESS



ART_1001111156-C

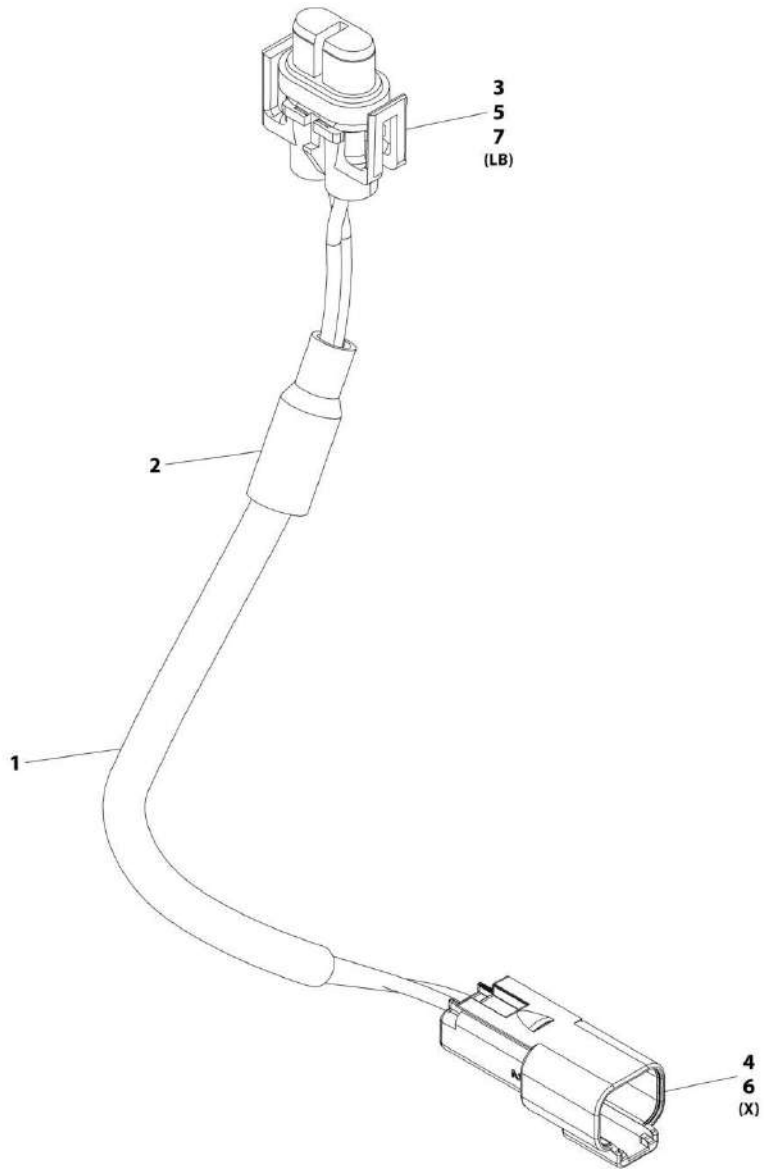
SECTION 10 - ELECTRICAL

FIGURE 10-41. CAB WORKLIGHT HARNESS

ITEM	PART NUMBER	QTY	DESCRIPTION	REV
	1001111156	Ref	Cab Worklight Harness	C
1	4460899	1	Connector	
2	4460464	6	Terminal	
3	4461115	1	Connector	
4	4460746	2	Terminal	
5	4460891	1	Connector	
6	4460465	2	Terminal	
7	4460994	1	Connector	
8	1001104519	2	Terminal	
9	4460891	1	Connector	
10	4460465	2	Terminal	
11	4461115	1	Connector	
12	4460746	2	Terminal	

SECTION 10 - ELECTRICAL

FIGURE 10-42. BOOM WORKLIGHT JUMPER HARNESS (LONG)



ART_1001142981-B

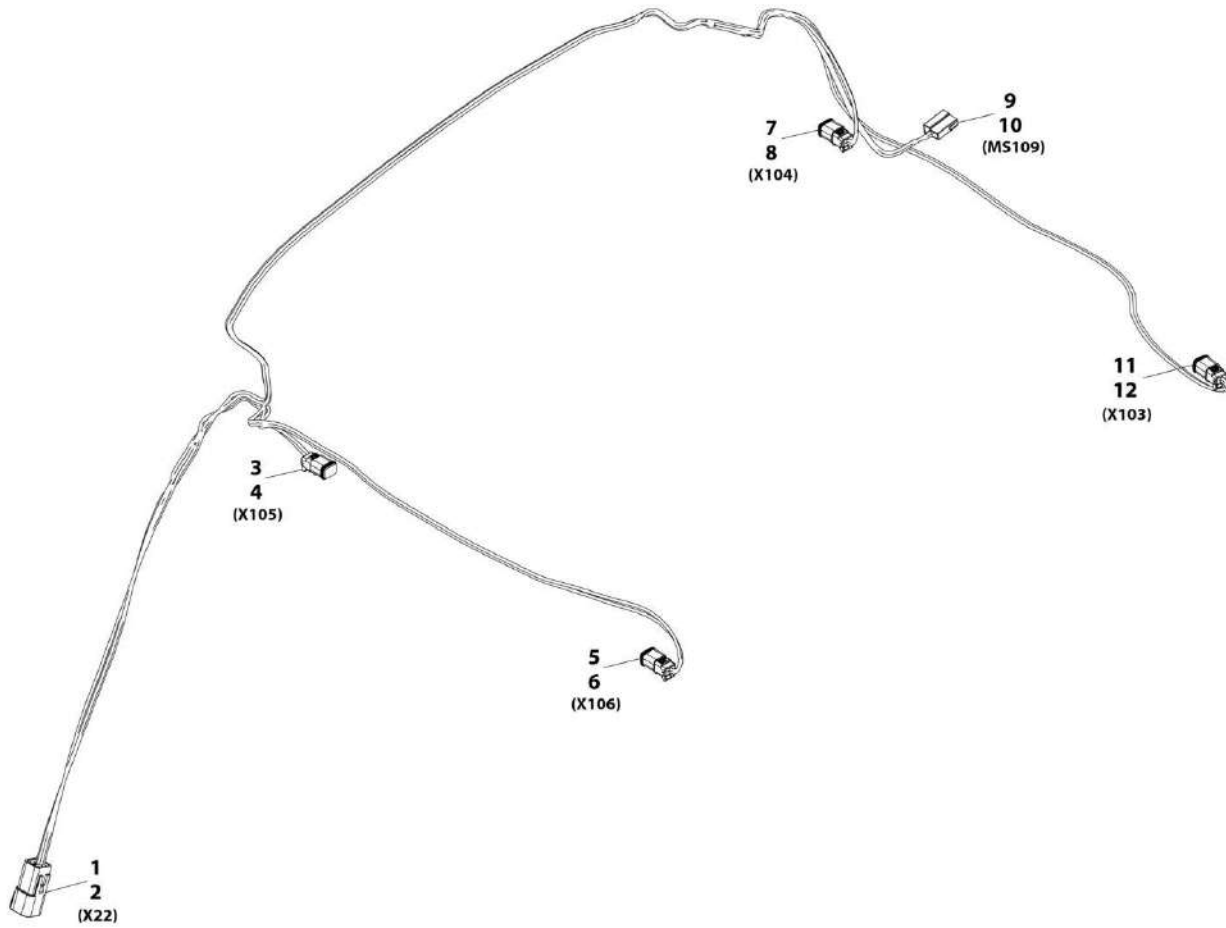
SECTION 10 - ELECTRICAL

FIGURE 10-42. BOOM WORKLIGHT JUMPER HARNESS (LONG)

ITEM	PART NUMBER	QTY	DESCRIPTION	REV
	1001142981	Ref	Boom Worklight Jumper Harness (Long)	B
1	1060680	2 ft	Cable	
2	2820019	0.12 ft	Insulate, Tubing Shrink	
3	4460458	2	Seal	
4	4460464	2	Terminal	
5	4460746	2	Terminal	
6	4460897	1	Connector	
7	4461115	1	Connector	

SECTION 10 - ELECTRICAL

FIGURE 10-43. PROXIMITY SENSOR HARNESS



ART_1001109566-B

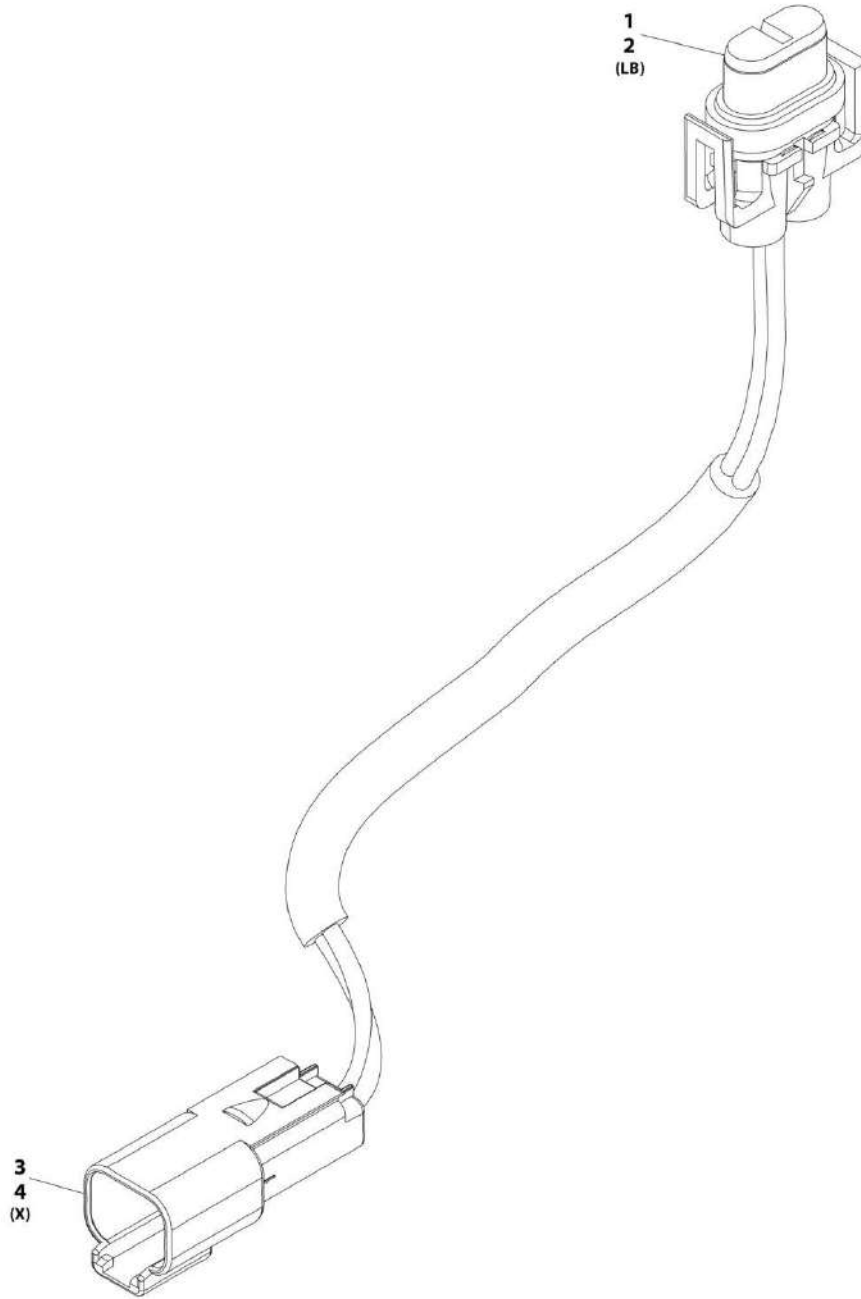
SECTION 10 - ELECTRICAL

FIGURE 10-43. PROXIMITY SENSOR HARNESS

ITEM	PART NUMBER	QTY	DESCRIPTION	REV
	1001109566	Ref	Proximity Sensor Harness	B
1	4460899	1	Connector	
2	4460464	6	Terminal	
3	4460891	1	Connector	
4	4460465	2	Terminal	
5	4460891	1	Connector	
6	4460465	2	Terminal	
7	4460891	1	Connector	
8	4460465	2	Terminal	
9	4460994	1	Connector	
10	1001104519	2	Terminal	
11	4460891	1	Connector	
12	4460465	2	Terminal	

SECTION 10 - ELECTRICAL

FIGURE 10-44. BOOM WORKLIGHT JUMPER HARNESS (SHORT)



ART_1001109565-E

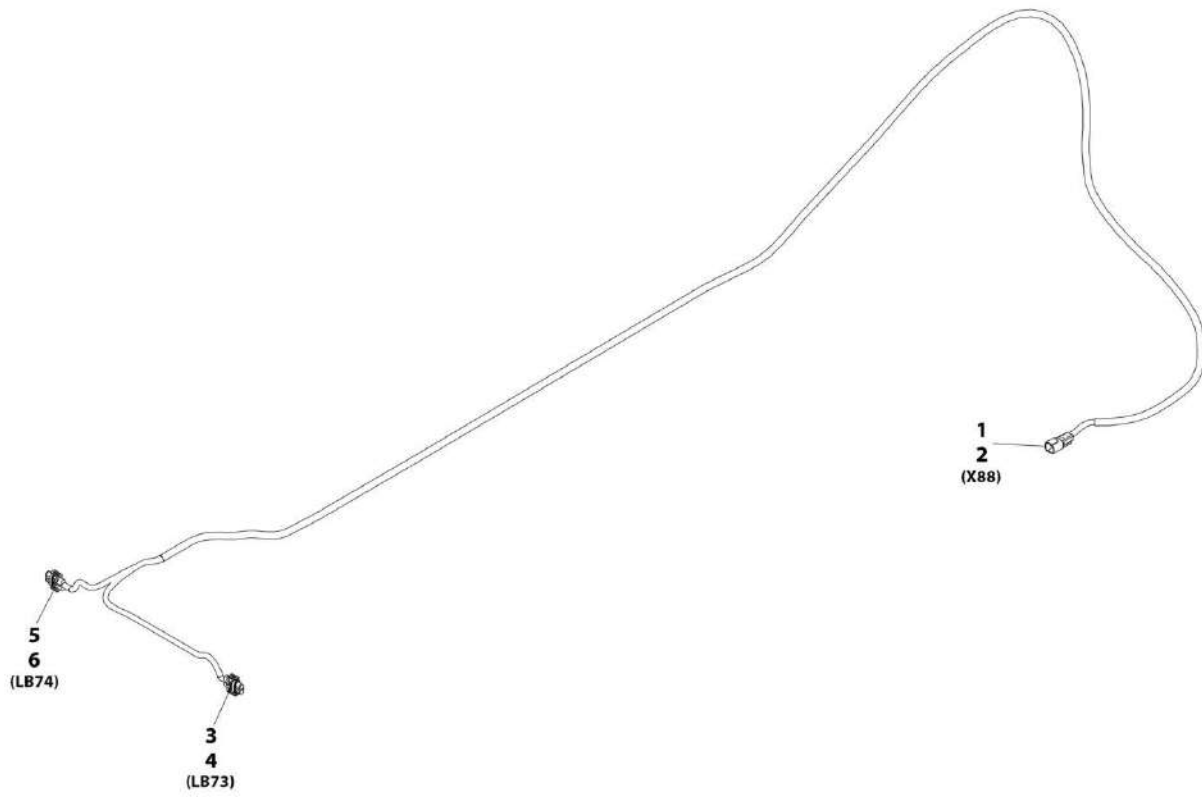
SECTION 10 - ELECTRICAL

FIGURE 10-44. BOOM WORKLIGHT JUMPER HARNESS (SHORT)

ITEM	PART NUMBER	QTY	DESCRIPTION	REV
	1001109565	Ref	Boom Worklight Jumper Harness (Short)	E
1	4461115	1	Connector	
2	4460746	2	Terminal	
3	4460897	1	Connector	
4	4460464	2	Terminal	

SECTION 10 - ELECTRICAL

FIGURE 10-45. BOOM WORKLIGHTS HARNESS



ART_1001080656-C

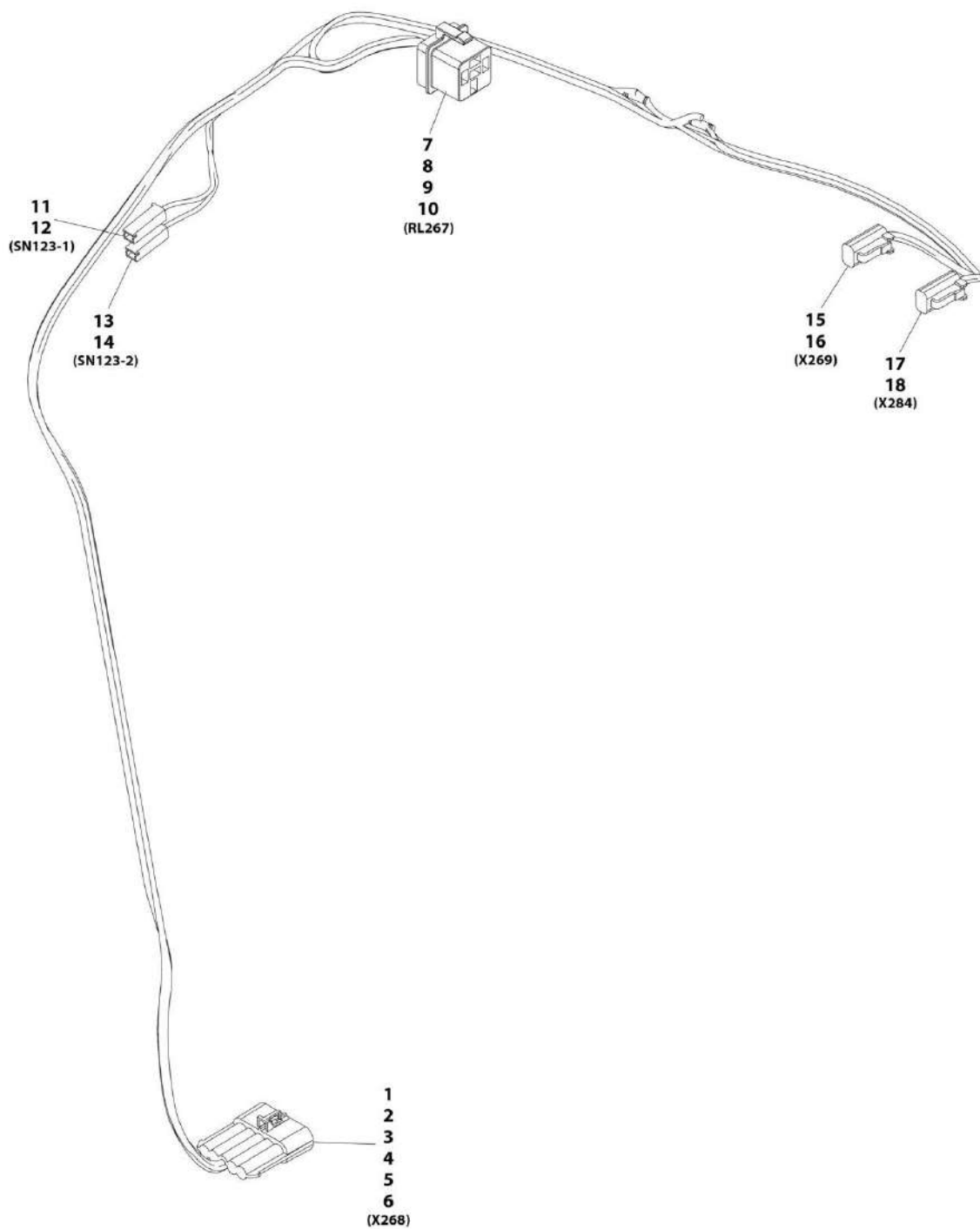
SECTION 10 - ELECTRICAL

FIGURE 10-45. BOOM WORKLIGHTS HARNESS

ITEM	PART NUMBER	QTY	DESCRIPTION	REV
	1001080656	Ref	Boom Worklights Harness	C
1	4460897	1	Connector	
2	4460464	2	Terminal	
3	4461115	1	Connector	
4	4460746	2	Terminal	
5	4461115	1	Connector	
6	4460746	2	Terminal	

SECTION 10 - ELECTRICAL

FIGURE 10-46. CONDENSOR FAN HARNESS



ART_1001142236-B

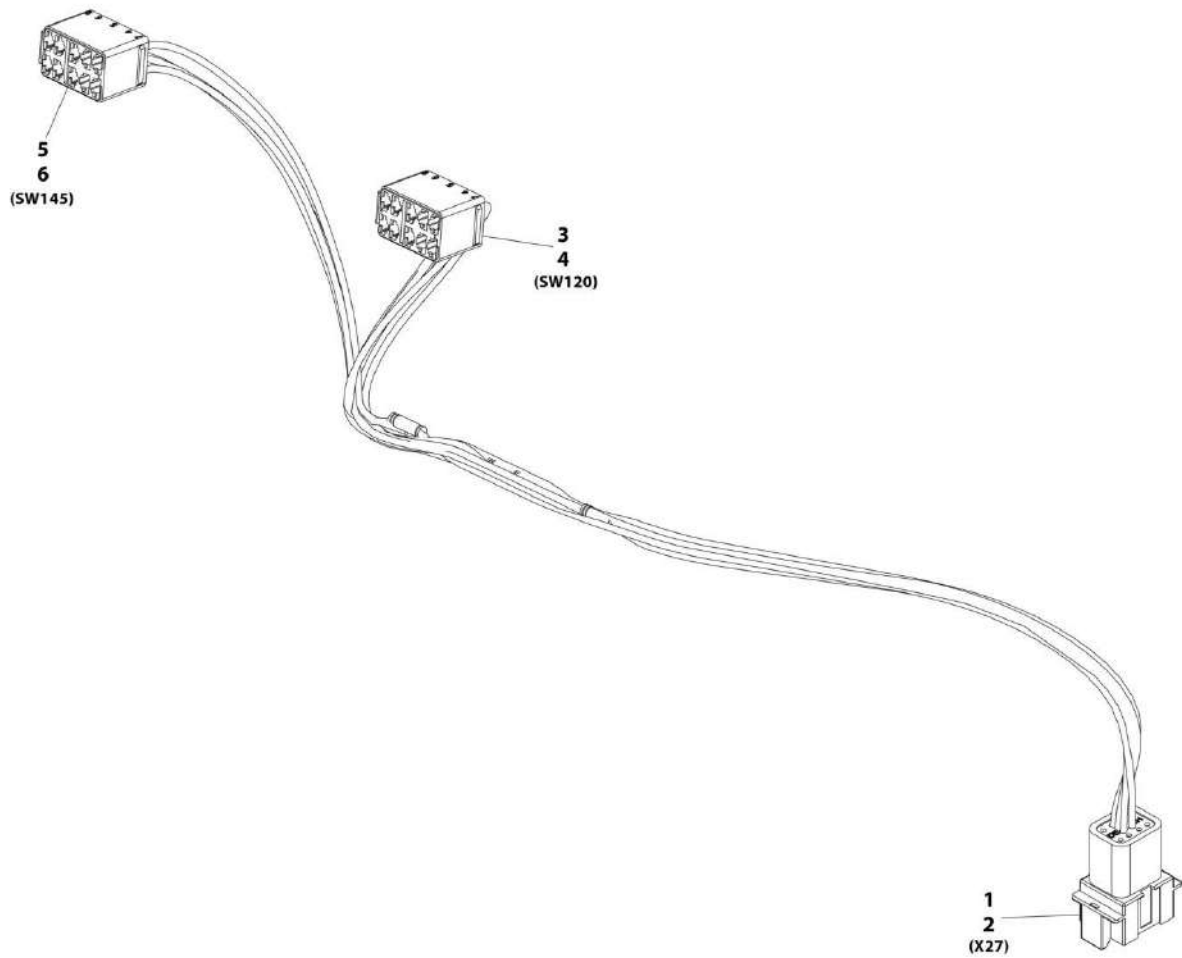
SECTION 10 - ELECTRICAL

FIGURE 10-46. CONDENSOR FAN HARNESS

ITEM	PART NUMBER	QTY	DESCRIPTION	REV
	1001142236	Ref	Condensor Fan Harness	B
1	1001121727	1	Connector	
2	8220162	2	Terminal	
3	1001116729	2	Terminal	
4	1001116727	1	Plug	
5	8220089	2	Seal	
6	4460458	2	Seal	
7	4460374	1	Connector	
8	1001116734	2	Terminal	
9	1001116733	2	Terminal	
10	1001128128	1	Plug	
11	4460260	1	Connector	
12	4460259	1	Terminal	
13	4460260	1	Connector	
14	4460259	1	Terminal	
15	4460891	1	Connector	
16	4460942	2	Terminal	
17	4460891	1	Connector	
18	4460942	2	Terminal	

SECTION 10 - ELECTRICAL

FIGURE 10-47. MODE SELECT HARNESS



ART_1001098235-D

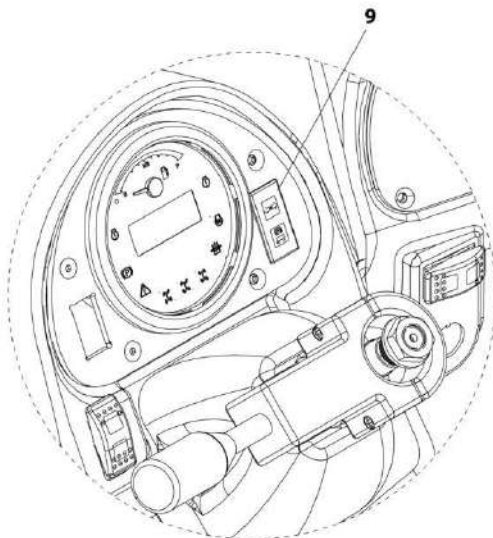
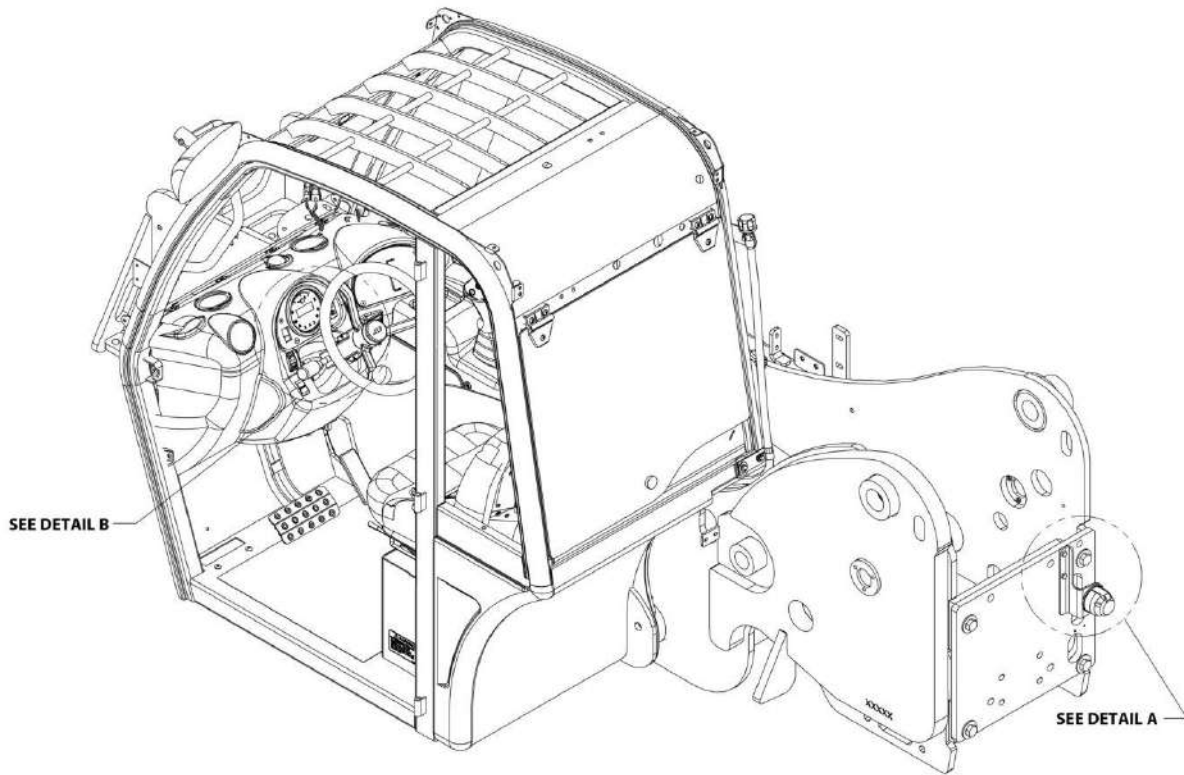
SECTION 10 - ELECTRICAL

FIGURE 10-47. MODE SELECT HARNESS

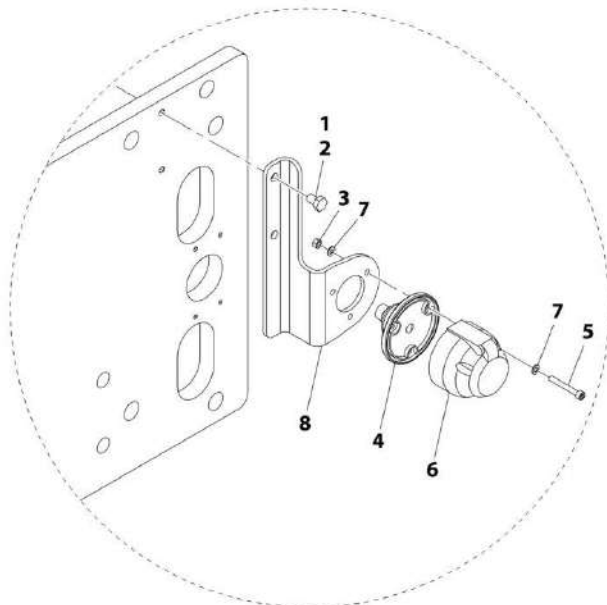
ITEM	PART NUMBER	QTY	DESCRIPTION	REV
	1001098235	Ref	Mode Select Harness	D
1	4460931	1	Connector	
2	4460464	8	Terminal	
3	1001117081	1	Connector	
4	1001104519	7	Terminal	
5	1001117081	1	Connector	
6	1001104519	4	Terminal	

SECTION 10 - ELECTRICAL

FIGURE 10-48. TRAILER PLUG INSTALLATION (7 PIN)



DETAIL B



DETAIL A

ART_1001200850-A

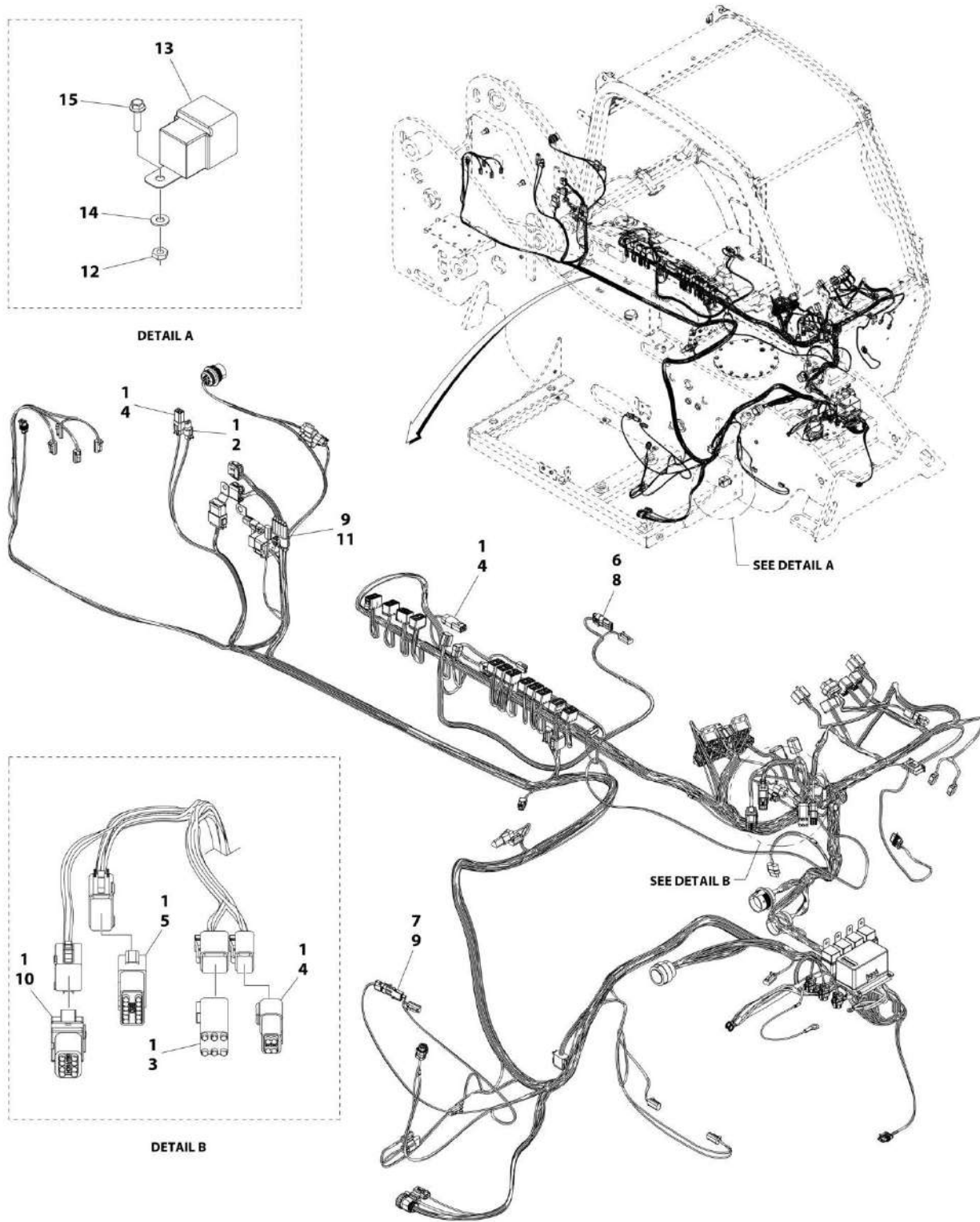
SECTION 10 - ELECTRICAL

FIGURE 10-48. TRAILER PLUG INSTALLATION (7 PIN)

ITEM	PART NUMBER	QTY	DESCRIPTION	REV
	1001200850	Ref	Trailer Plug Installation (7 Pin)	A
1	0100011	AR	Loctite 242	
2	0760806	2	Hex HD Capscrew, M8X12, GR8.8	
3	3290507	3	Hex Locknut, M5X0.8	
4	3960600	1	Trailer Plug Gasket	
5	4031612	3	Hex HD Capscrew, M5X40	
6	4461021	1	Trailer Plug	
7	4811600	6	Washer, M5	
8	1001080686	1	Trailer Plug Bracket	
9	1001139938	1	Trailer Indicator	

SECTION 10 - ELECTRICAL

FIGURE 10-49. ELECTRICAL HARNESS CAPS INSTALLATION



ART_1001150705-C

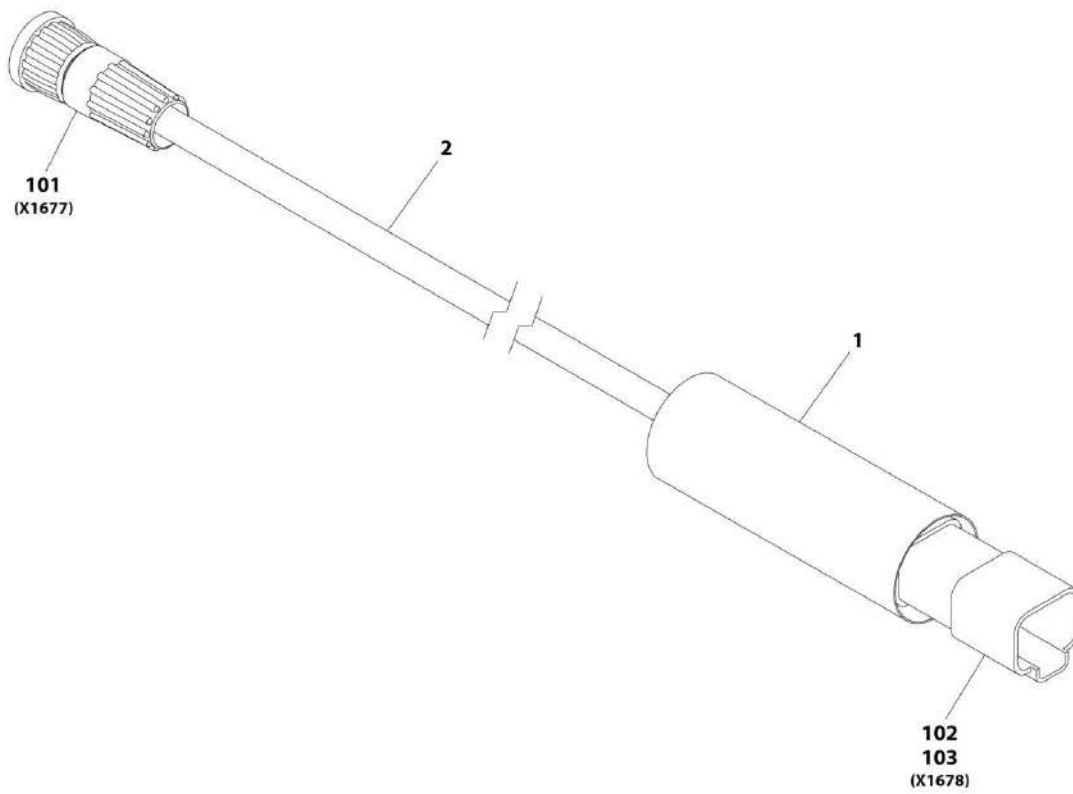
SECTION 10 - ELECTRICAL

FIGURE 10-49. ELECTRICAL HARNESS CAPS INSTALLATION

ITEM	PART NUMBER	QTY	DESCRIPTION	REV
	1001150705	Ref	Electrical Harness Caps Installation	C
1	4460466	40	Terminal Plug	
2	4460897	1	Terminal, 2 Position Receptacle	
3	4460899	1	Connector	
4	4460932	3	Connector	
5	4460970	1	Connector	
6	4461119	1	Connector	
7	80963058	1	Connector	
8	1001116698	3	Plug	
9	1001116727	7	Plug	
10	1001116813	1	Connector	
11	1001121727	1	Connector	
12	3311001	1	Hex Nut, 10-24, Gr2	
13	3740080	1	Relay	
14	4711000	1	Washer, M10	
15	77143016	1	Screw, 10-24X3/4	

SECTION 10 - ELECTRICAL

FIGURE 10-50. TELEMATICS HARNESS



ART_1001227066-A

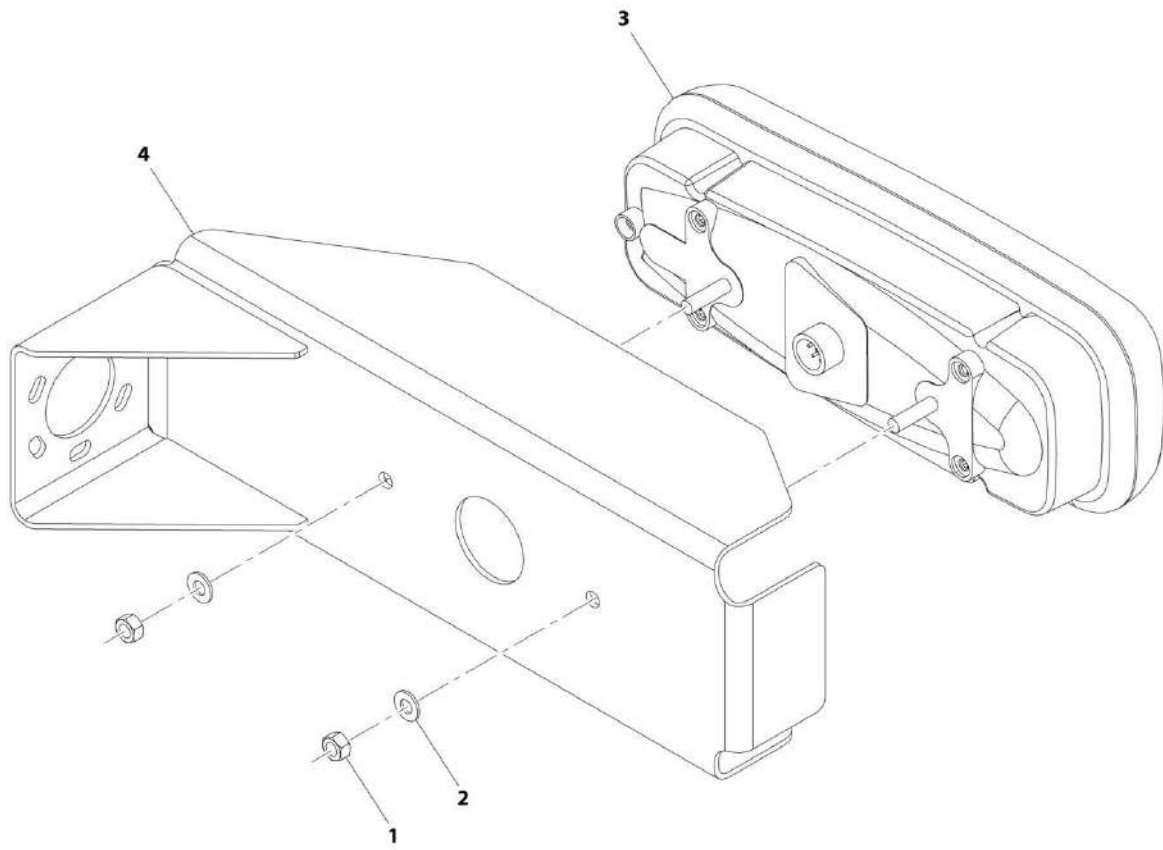
SECTION 10 - ELECTRICAL

FIGURE 10-50. TELEMATICS HARNESS

ITEM	PART NUMBER	QTY	DESCRIPTION	REV
	1001227066	Ref	Telematics Harness	A
1	1001226400	0.33 ft	Insulate, Heat Shrink	
2	1001227068	3.3 ft	Cable	
101	1001227266	1	Connector	
102	1001129407	1	Connector	
103	4460464	4	Terminal	

SECTION 10 - ELECTRICAL

FIGURE 10-51. RH TAIL LIGHT INSTALLATION



ART_1001101533-D

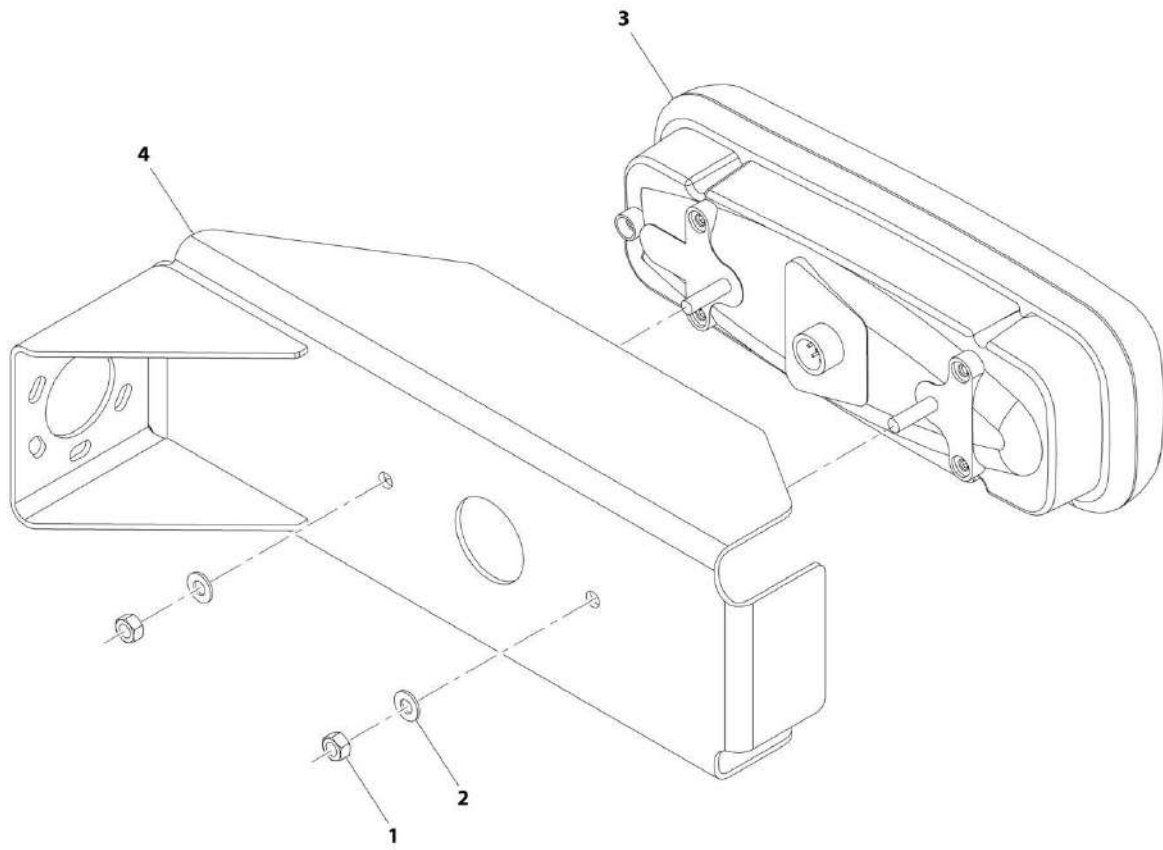
SECTION 10 - ELECTRICAL

FIGURE 10-51. RH TAIL LIGHT INSTALLATION

ITEM	PART NUMBER	QTY	DESCRIPTION	REV
	1001101533	Ref	RH Tail Light Installation	D
1	3290807	2	Hex Locknut, M8X1.25	
2	4811900	2	Washer, M8	
3	8001989	1	RH Tail Light	
4	1001081322	1	Bracket	

SECTION 10 - ELECTRICAL

FIGURE 10-52. LH TAIL LIGHT INSTALLATION



ART_1001101534-C

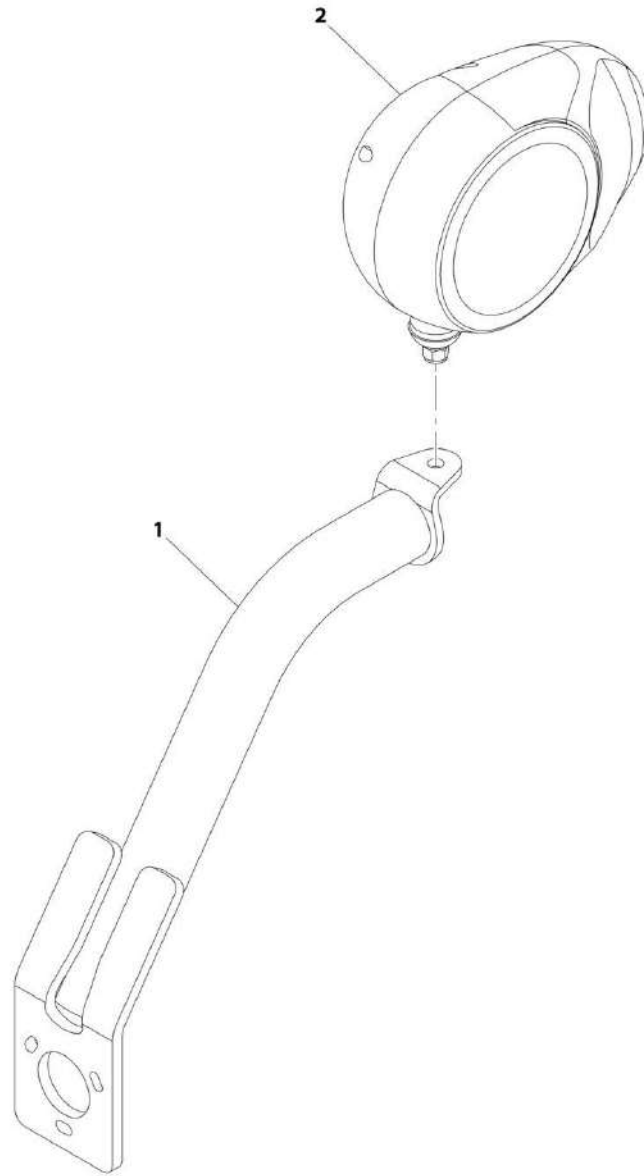
SECTION 10 - ELECTRICAL

FIGURE 10-52. LH TAIL LIGHT INSTALLATION

ITEM	PART NUMBER	QTY	DESCRIPTION	REV
	1001101534	Ref	LH Tail Light Installation	C
1	3290807	2	Hex Locknut, M8X1.25	
2	4811900	2	Washer, M8	
3	8001991	1	LH Tail Light	
4	1001081322	1	Bracket	

SECTION 10 - ELECTRICAL

FIGURE 10-53. LH DRIVE LIGHT INSTALLATION



ART_1001190709-A

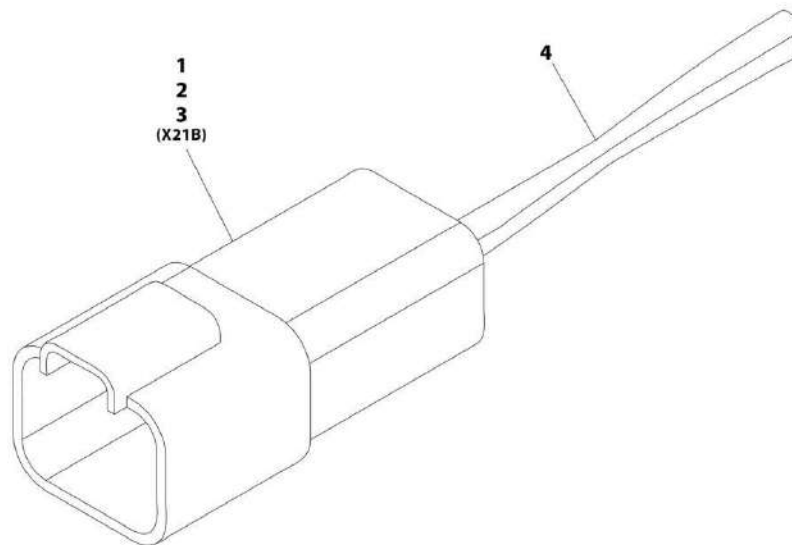
SECTION 10 - ELECTRICAL

FIGURE 10-53. LH DRIVE LIGHT INSTALLATION

ITEM	PART NUMBER	QTY	DESCRIPTION	REV
	1001190709	Ref	LH Drive Light Installation	A
1	1001190640	1	Bracket	
2	2920207	1	LH Drive Light	

SECTION 10 - ELECTRICAL

FIGURE 10-54. JUMPER HARNESS



ART_1001100965-B

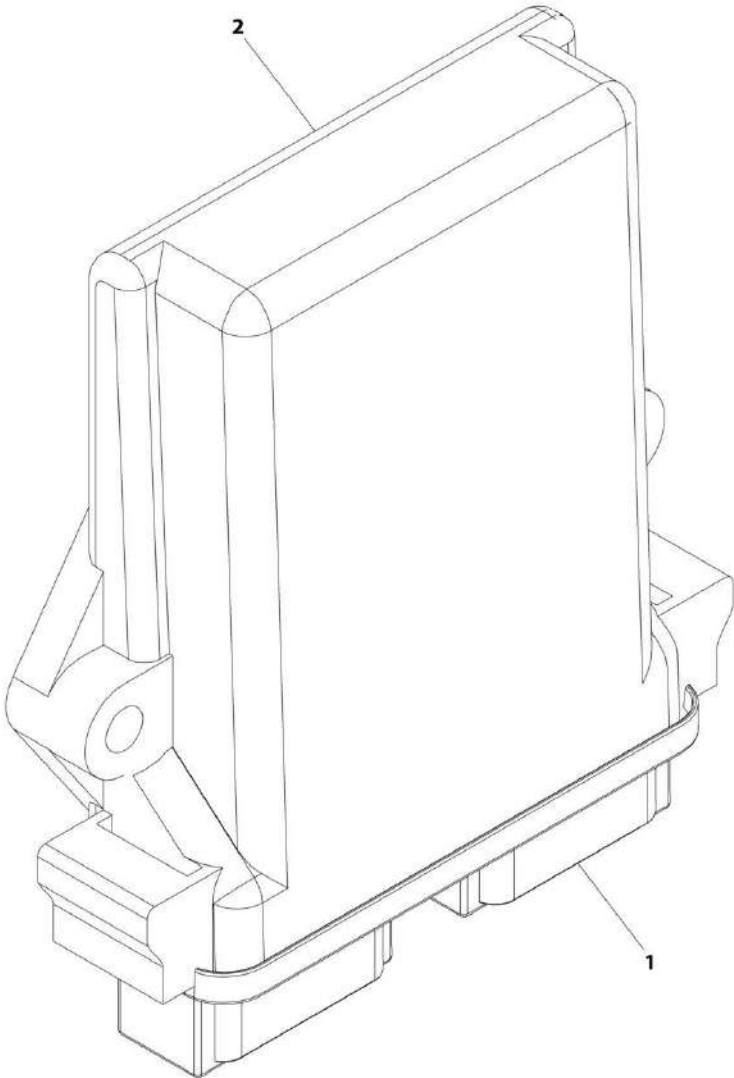
SECTION 10 - ELECTRICAL

FIGURE 10-54. JUMPER HARNESS

ITEM	PART NUMBER	QTY	DESCRIPTION	REV
	1001100965	Ref	Jumper Harness	B
1	4460464	2	Terminal	
2	4460466	2	Terminal	
3	4460932	1	Connector	
4	4920017	0.25 ft	Wire, 16 GA	

SECTION 10 - ELECTRICAL

FIGURE 10-55. GATEWAY CONTROLLER



ART_1001229458-B

SECTION 10 - ELECTRICAL

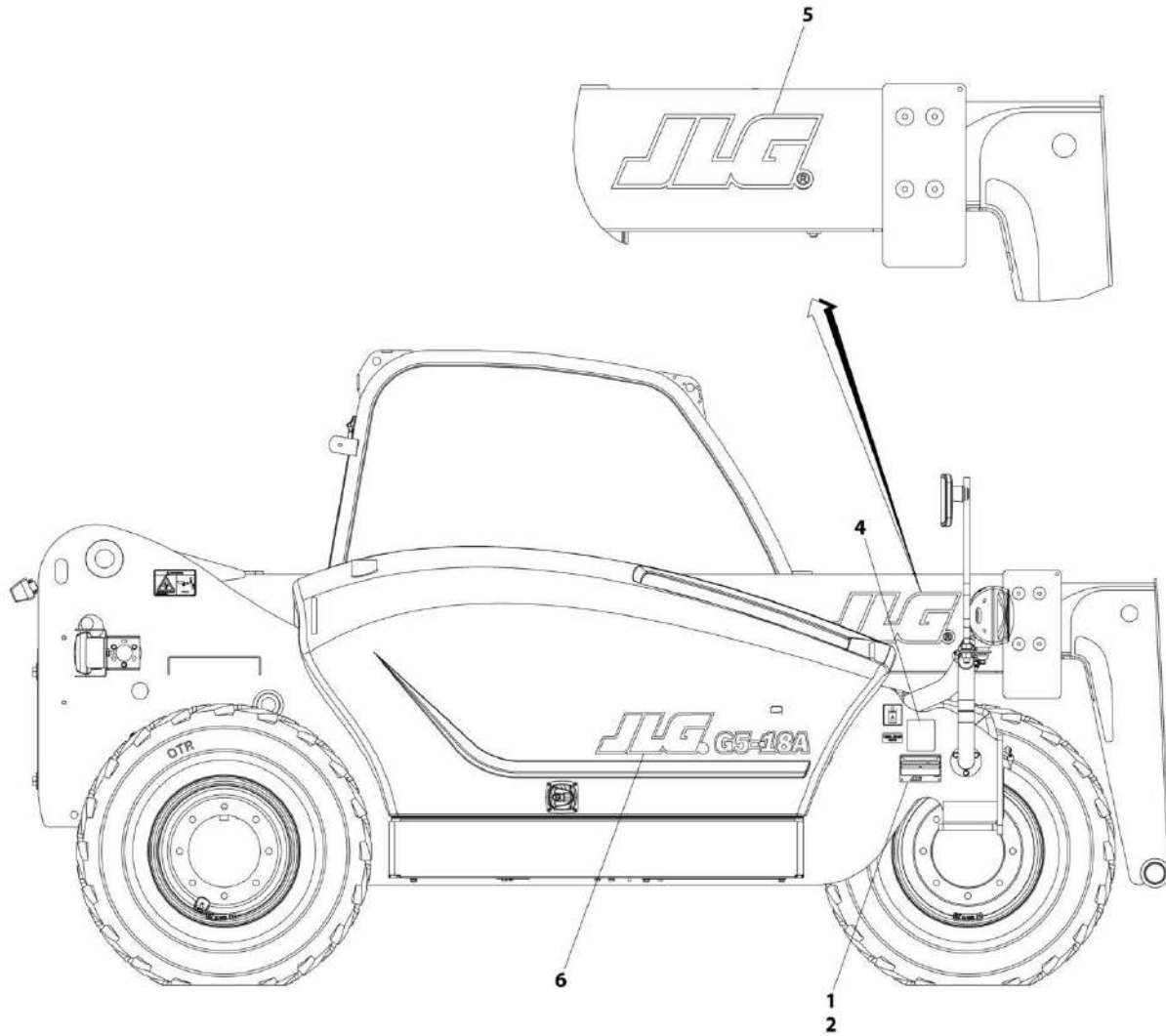
FIGURE 10-55. GATEWAY CONTROLLER

ITEM	PART NUMBER	QTY	DESCRIPTION	REV
	1001229458	Ref	Gateway Controller	B
1	1001100828	1	PC Board	
2	1001100829	1	Box, Circuit Card	
3	1001229457	1	Software, Gateway (not shown)	

SECTION 11 - DECALS

SECTION 11 - DECALS

FIGURE 11-1. DECAL INSTALLATION



ART_1001148091-F

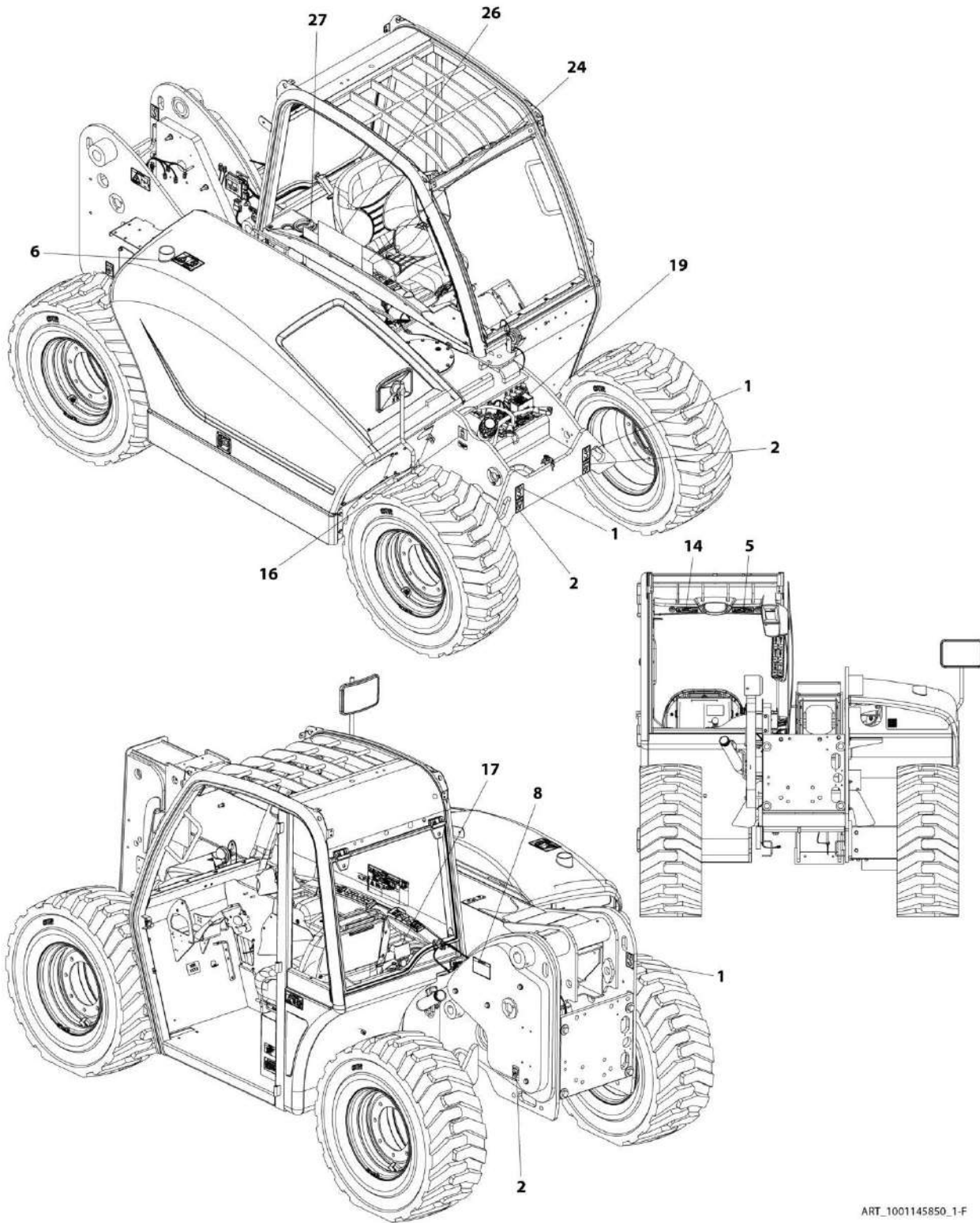
SECTION 11 - DECALS

FIGURE 11-1. DECAL INSTALLATION

ITEM	PART NUMBER	QTY	DESCRIPTION	REV
	1001148091	Ref	Decal Installation	F
1	2080057	4	Fastener	
2	N.S.S.	1	SN Plate	
4	1001131271	1	Decal, Patent Telehandlers	
5	1001151781	2	Decal, JLG	
6	1001151782	1	Decal, JLG	

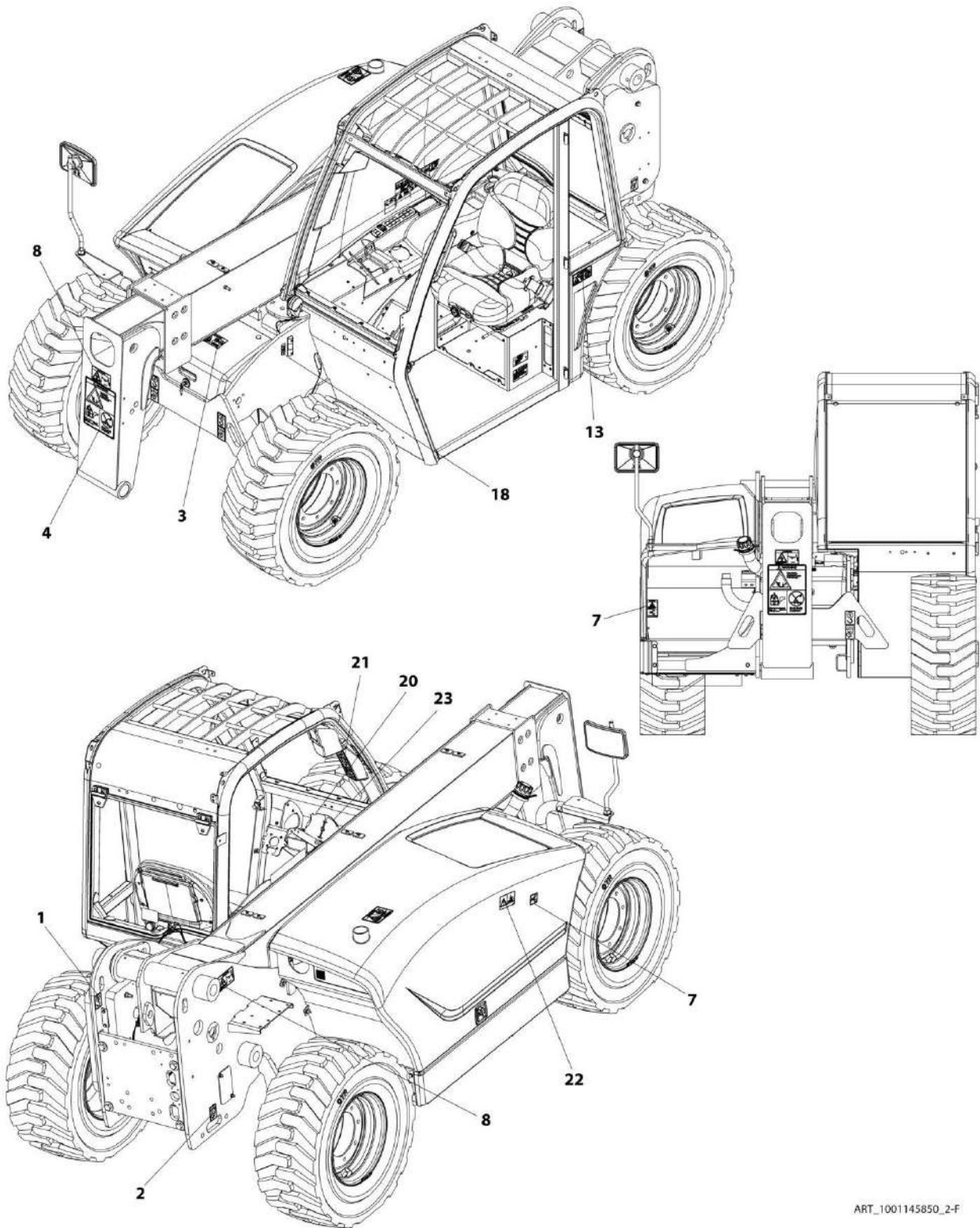
SECTION 11 - DECALS

FIGURE 11-2. DECAL INSTALLATION, (ANSI)



ART_1001145850_1-F

SECTION 11 - DECALS



ART_1001145850_2-F

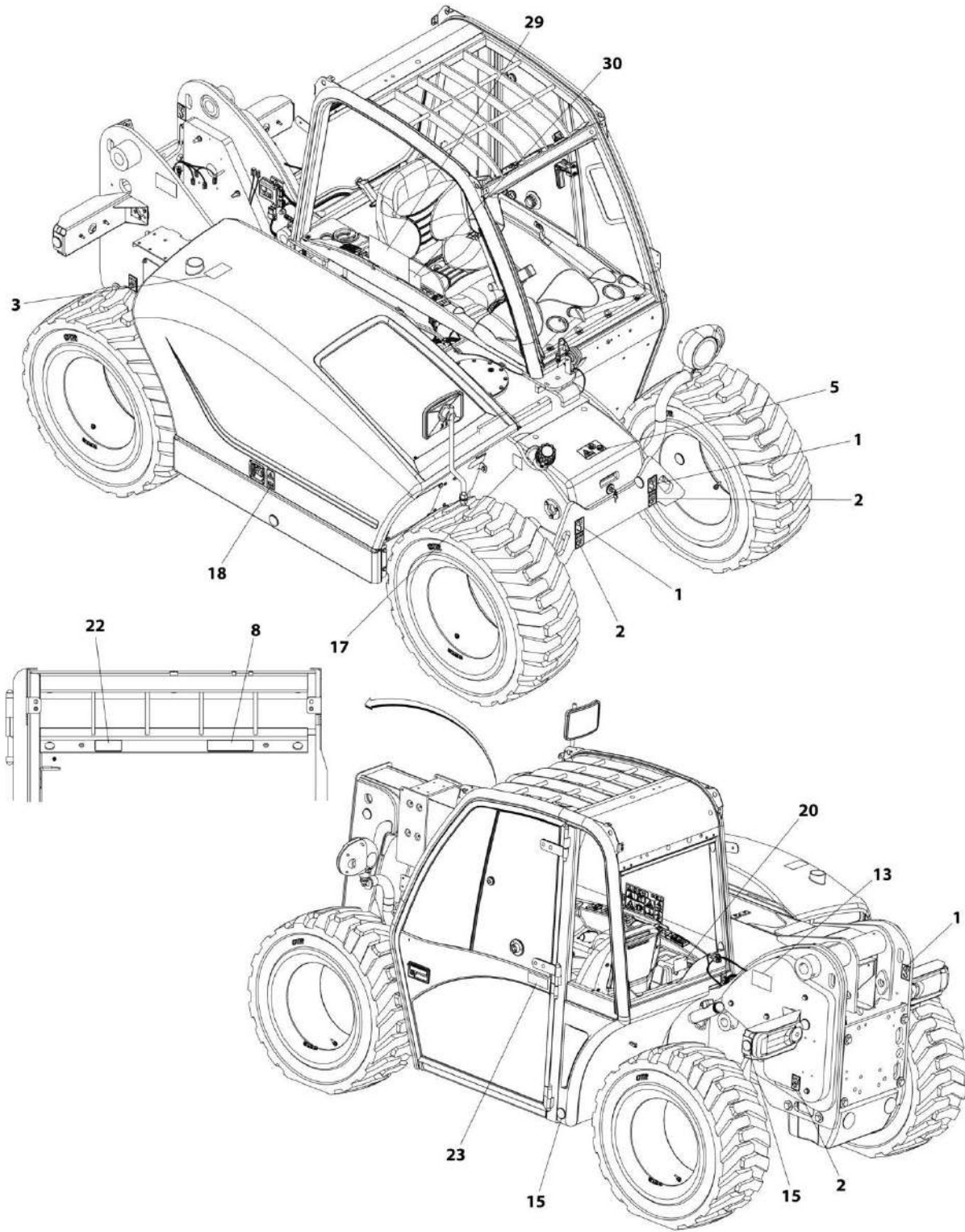
SECTION 11 - DECALS

FIGURE 11-2. DECAL INSTALLATION, (ANSI)

ITEM	PART NUMBER	QTY	DESCRIPTION	REV
	1001145850	Ref	Decal Installation	F
1	1701500	4	Decal, Lift	
2	1702300	4	Decal, Tie Down	
3	1706296	1	Decal, Battery Warning	
4	1706298	1	Decal, Attachment Falling Off Warning	
5	1706299	1	Decal, Contacting Power Lines Warning	
6	1706300	1	Decal, Ether Warning	
7	1706301	2	Decal, Keep Clear of Rotating Parts Warning	
8	1706302	3	Decal, Pinch Point Boom Holes	
13	1706768	1	Decal, Vehicle Roll Away	
14	1706850	1	Decal, Crush Hazard Warning	
16	4100181	1	Decal, Hydraulic Oil Fill	
17	8005870	1	Decal, Emergency Exit	
18	91563220	1	Decal, Oil Level	
19	1001156576	1	Decal, Fuse Cover	
20	1001100107	1	Decal, Lube Chart	
21	1001101071	1	Decal, Instructional Joystick	
22	1001139578	1	Decal, Hot Fluid Warning	
23	1001146038	1	Decal, Maintenance Chart	
24	1001200101	1	Decal, Manual	
25	1001223453	1	Decal, ICES	
26	1707078	1	Decal, Warning	
27	1001231801	1	Decal, Warning Prop 65 Diesel	

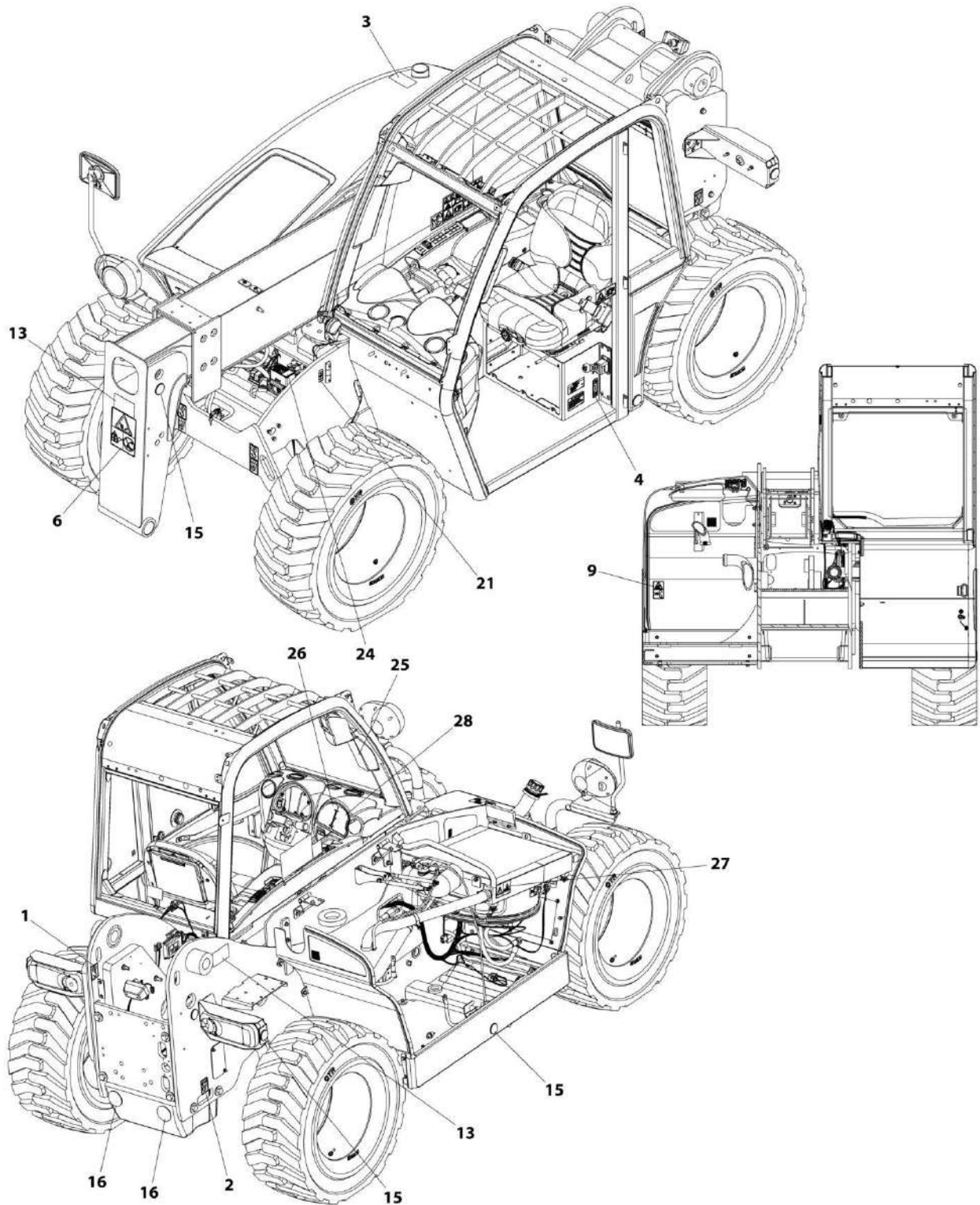
SECTION 11 - DECALS

FIGURE 11-3. DECAL INSTALLATION, (ISO)



ART_1001147650_1-D

SECTION 11 - DECALS



ART_1001147650_2-D

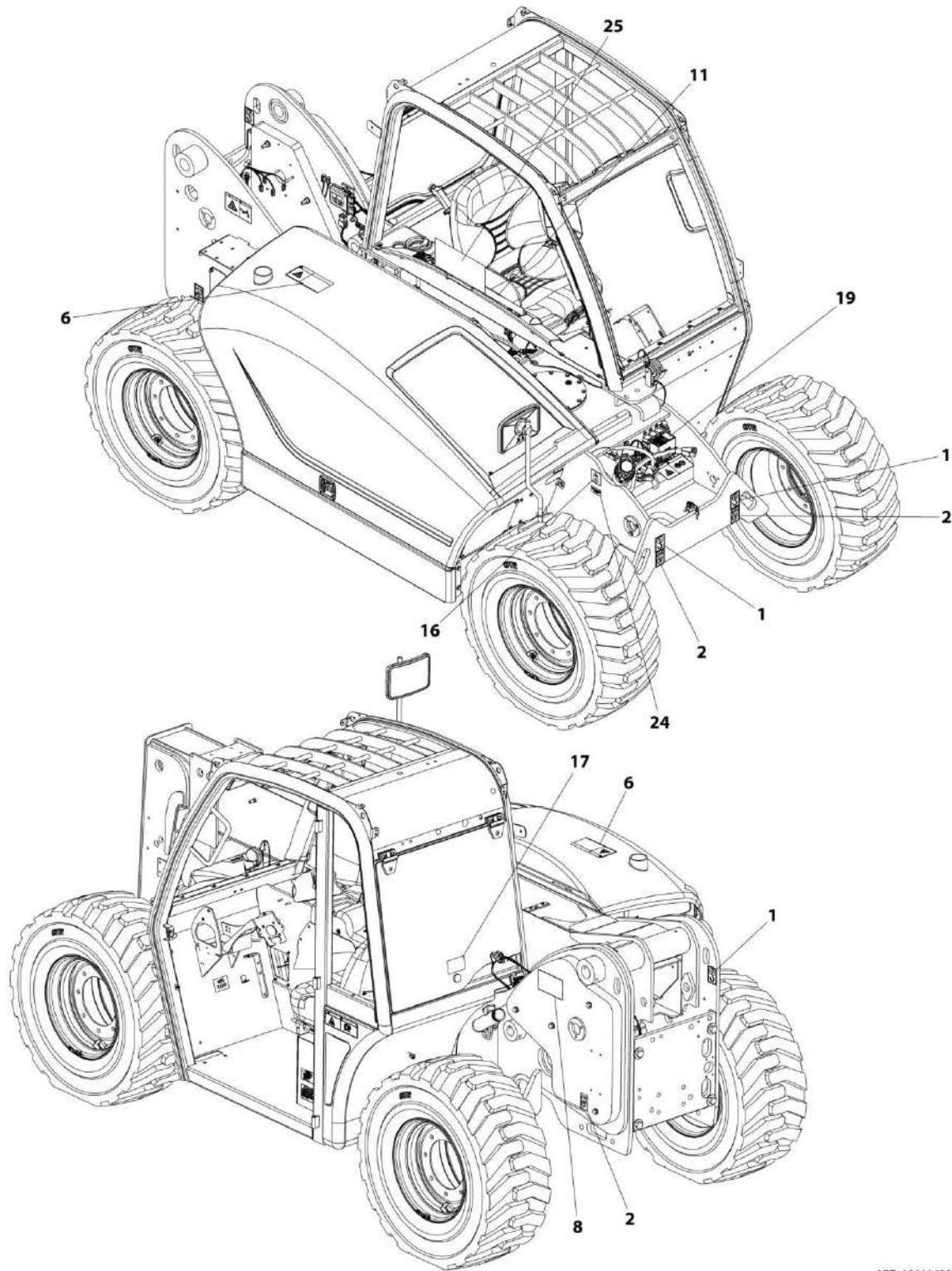
SECTION 11 - DECALS

FIGURE 11-3. DECAL INSTALLATION, (ISO)

ITEM	PART NUMBER	QTY	DESCRIPTION	REV
	1001147650	Ref	Decal Installation, (ISO)	D
1	1701500	4	Decal, Lift	
2	1702300	4	Decal, Tie Down	
3	1706098	1	Decal, Ether Start Warning	
4	1706209	1	Decal, Park Brake	
5	1706281	1	Decal, Battery Warning	
6	1706282	1	Decal, Carry Personnel	
8	1706284	1	Decal, Electrocution Hazard	
9	1706285	2	Decal, Moving Parts	
13	1706292	3	Decal, Pinch Point	
15	3700016	6	Reflector	
16	3931579	2	Reflector	
17	4100181	1	Decal, Hydraulic Oil Fill	
18	8005670	1	Decal, Read Operators Manual	
20	8005870	1	Decal, Emergency Exit	
21	91563220	1	Decal, Oil Level	
22	1001092877	1	Decal, Crush Hazard Warning	
23	1001092878	1	Decal, No Riders	
24	1001156576	1	Decal, Fuse Cover	
25	1001100107	1	Lube Chart	
26	1001101071	1	Decal, Joystick	
27	1001139942	1	Decal, Hot Fluid Warning	
28	1001150347	1	Decal, Maintenance Chart	
29	1001101895	1	Decal, Warning	
30	1001200101	1	Decal, Manual Location	

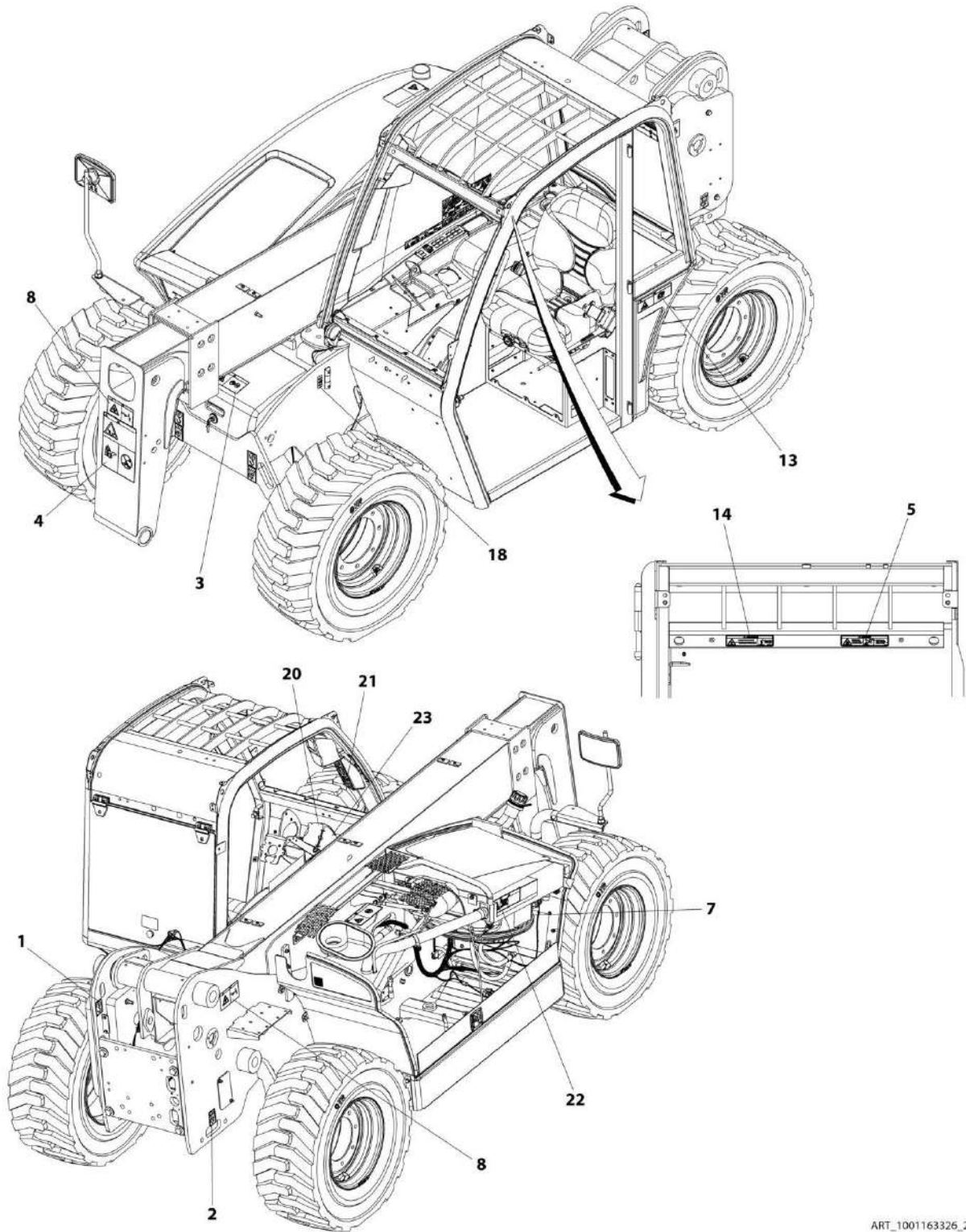
SECTION 11 - DECALS

FIGURE 11-4. DECAL INSTALLATION (ENGLISH/FRENCH)



ART_1001163326_1-C

SECTION 11 - DECALS



ART_1001163326_2-C

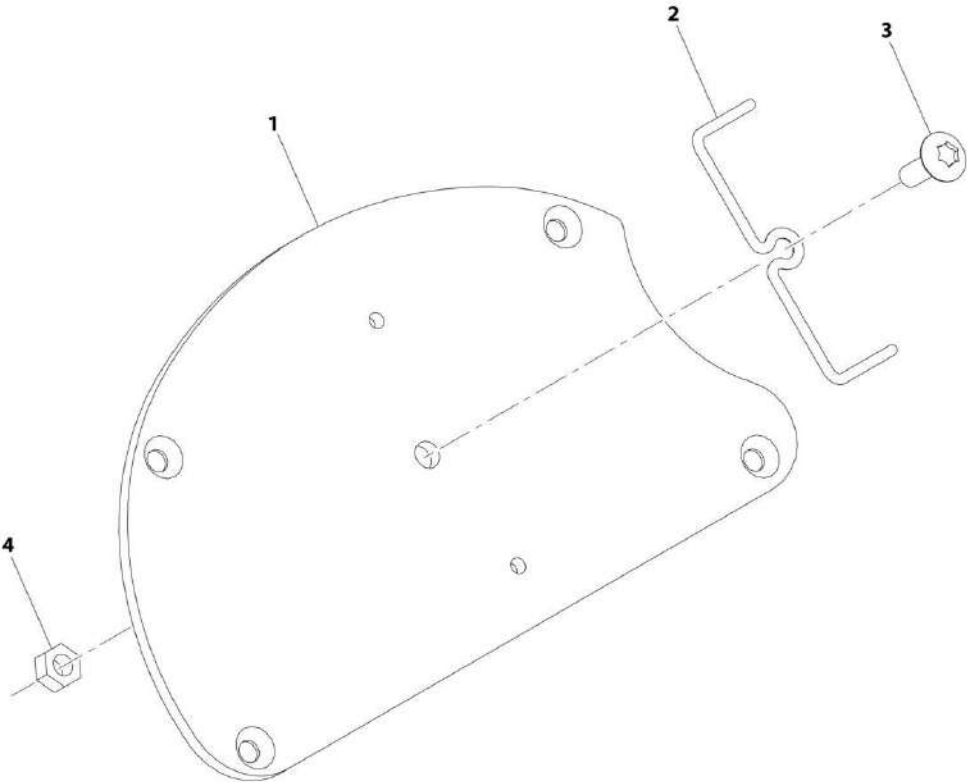
SECTION 11 - DECALS

FIGURE 11-4. DECAL INSTALLATION (ENGLISH/FRENCH)

ITEM	PART NUMBER	QTY	DESCRIPTION	REV
	1001163326	Ref	Decal Installation (ENGLISH/FRENCH)	C
1	1701500	4	Decal, Lift	
2	1702300	4	Decal, Tie Down	
3	1001163174	1	Decal, Battery Warning	
4	1001163206	1	Decal, Carry Personnel	
5	1001163210	1	Decal, Electrocutation Hazard	
6	1001163212	1	Decal, Warning No Either	
7	1001163222	2	Decal, Moving Parts	
8	1001163223	3	Decal, Pinch Point	
11	1001163285	1	Decal, Warning Tip Over	
13	1001163300	1	Decal, No Riders	
14	1001163304	1	Decal, Warning Crushing Hazard	
16	4100181	1	Decal, Hydraulic Oil Fill	
17	8005870	1	Decal, Emergency Exit	
18	91563220	1	Decal, Oil Level	
19	1001156576	1	Decal, Fuse Cover	
20	1001100107	1	Decal, Lube Chart	
21	1001101071	1	Decal, Instructional Joystick	
22	1001163323	1	Decal, Warning Hot Fluid	
23	1001146038	1	Decal, Maintenance Chart	
24	1001223453	1	Decal, ICES	
25	1001233558	1	Decal, Warning/Danger	

SECTION 11 - DECALS

FIGURE 11-5. LOAD CHART MOUNT



ART_1001239184-A

FIGURE 11-5. LOAD CHART MOUNT

ITEM	PART NUMBER	QTY	DESCRIPTION	REV
	1001239184	Ref	Load Chart Mount	A
1	1001081301	1	Panel, Load Chart	
2	1001081302	1	Holder, Wire	
3	8303034	1	Truss HD Screw, 1/4-20X0.75	
4	3311405	1	Nut, 1/4-20	

SECTION 11 - DECALS

FIGURE 11-6. CAPACITY CHART



ART_1001102000-G

FIGURE 11-6. CAPACITY CHART

ITEM	PART NUMBER	QTY	DESCRIPTION	REV
1	1001102000	Ref	Capacity Chart	G

SECTION 11 - DECALS

FIGURE 11-7. CAPACITY CHART (UNIVERSAL QUICK SWITCH)



ART_1001126677-E

SECTION 11 - DECALS

FIGURE 11-7. CAPACITY CHART (UNIVERSAL QUICK SWITCH)

ITEM	PART NUMBER	QTY	DESCRIPTION	REV
1	1001126677	Ref	Capacity Chart (Universal Quick Switch)	E

SECTION 11 - DECALS

FIGURE 11-8. CAPACITY CHART - METRIC



ART_1001117326-F

SECTION 11 - DECALS

FIGURE 11-8. CAPACITY CHART - METRIC

ITEM	PART NUMBER	QTY	DESCRIPTION	REV
1	1001117326	Ref	Capacity Chart - Metric	F

SECTION 11 - DECALS

FIGURE 11-9. CAPACITY CHART (UNIVERSAL QUICK SWITCH - METRIC)



ART_1001126685-D

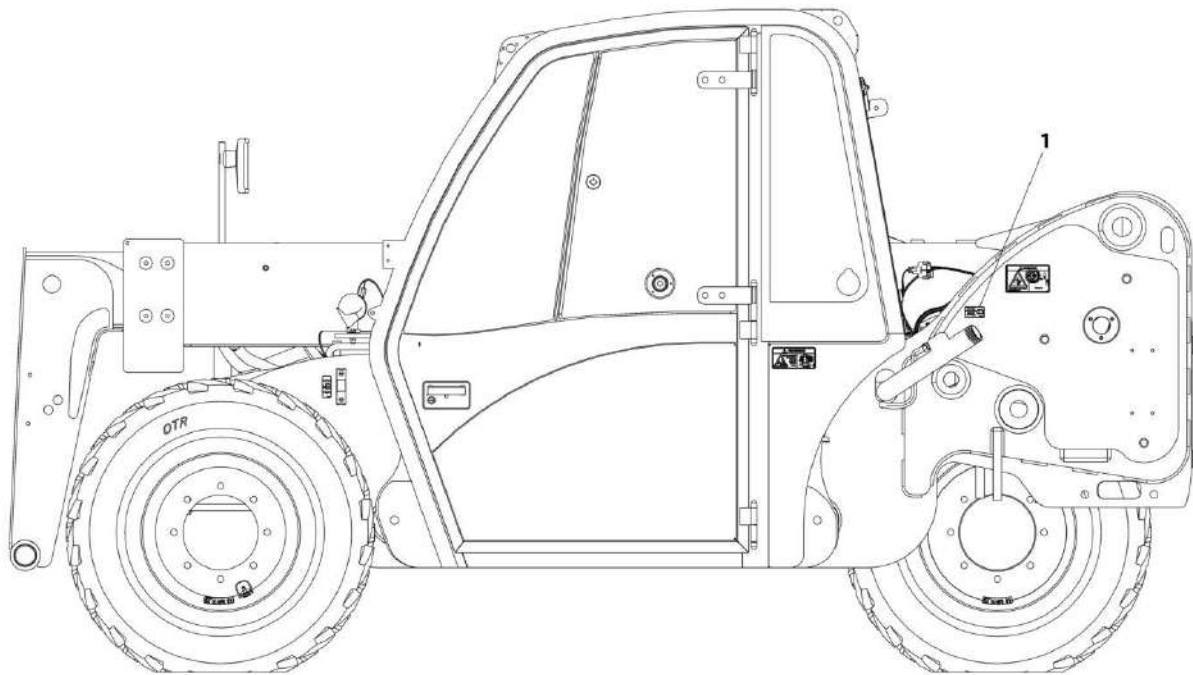
SECTION 11 - DECALS

FIGURE 11-9. CAPACITY CHART (UNIVERSAL QUICK SWITCH - METRIC)

ITEM	PART NUMBER	QTY	DESCRIPTION	REV
1	1001126685	Ref	Capacity Chart (Universal Quick Switch - Metric)	D

SECTION 11 - DECALS

FIGURE 11-10. MACHINE DECAL (ULS - ANSI)



ART_1001150461-A

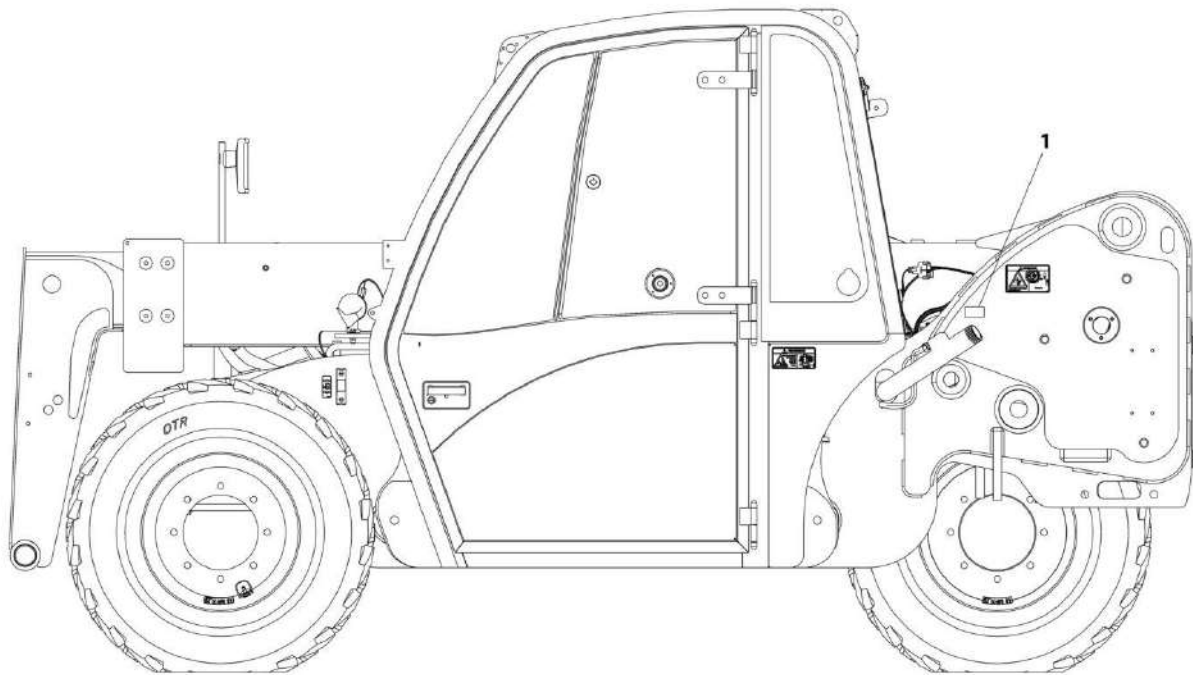
SECTION 11 - DECALS

FIGURE 11-10. MACHINE DECAL (ULS - ANSI)

ITEM	PART NUMBER	QTY	DESCRIPTION	REV
1	1001150461 1001125387	Ref 1	Machine Decal (ULS - ANSI) Decal, Ultra Low Sulfur Fuel	A

SECTION 11 - DECALS

FIGURE 11-11. MACHINE DECAL (ULS - ISO)



ART_1001150462-A

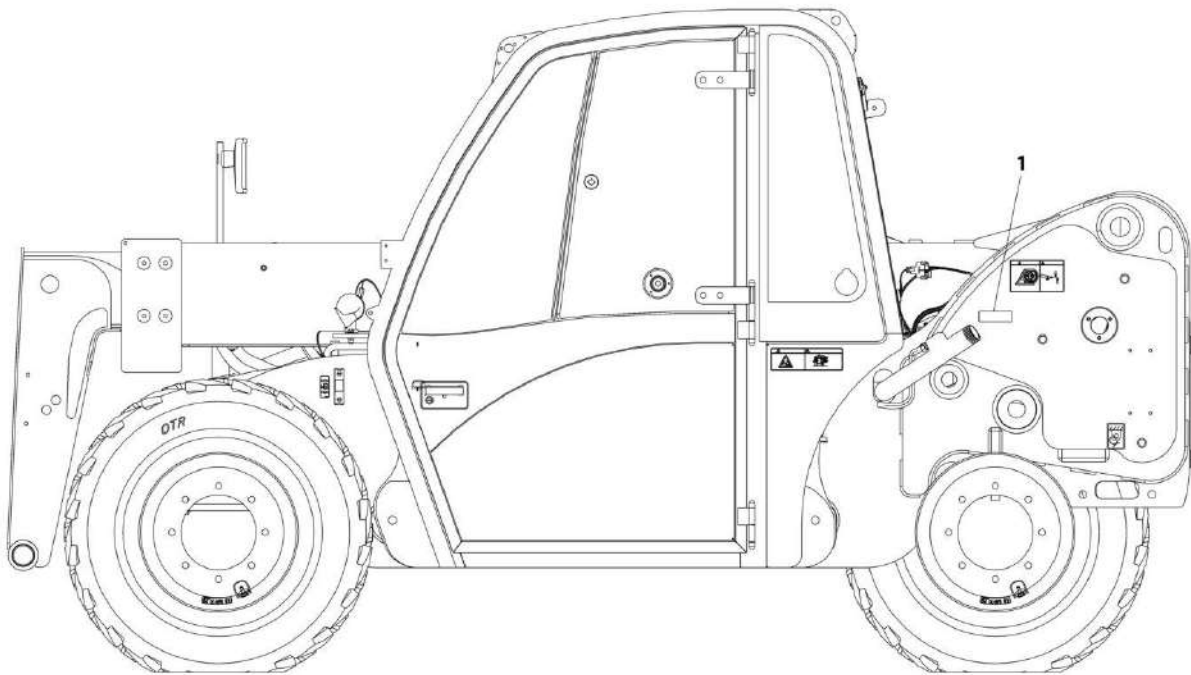
SECTION 11 - DECALS

FIGURE 11-11. MACHINE DECAL (ULS - ISO)

ITEM	PART NUMBER	QTY	DESCRIPTION	REV
1	1001150462 1001139654	Ref 1	Machine Decal (ULS - ISO) Decal, Ultra Low Sulfur Fuel	A

SECTION 11 - DECALS

FIGURE 11-12. MACHINE DECAL (ULS - ENGLISH/FRENCH)



ART_1001163751-A

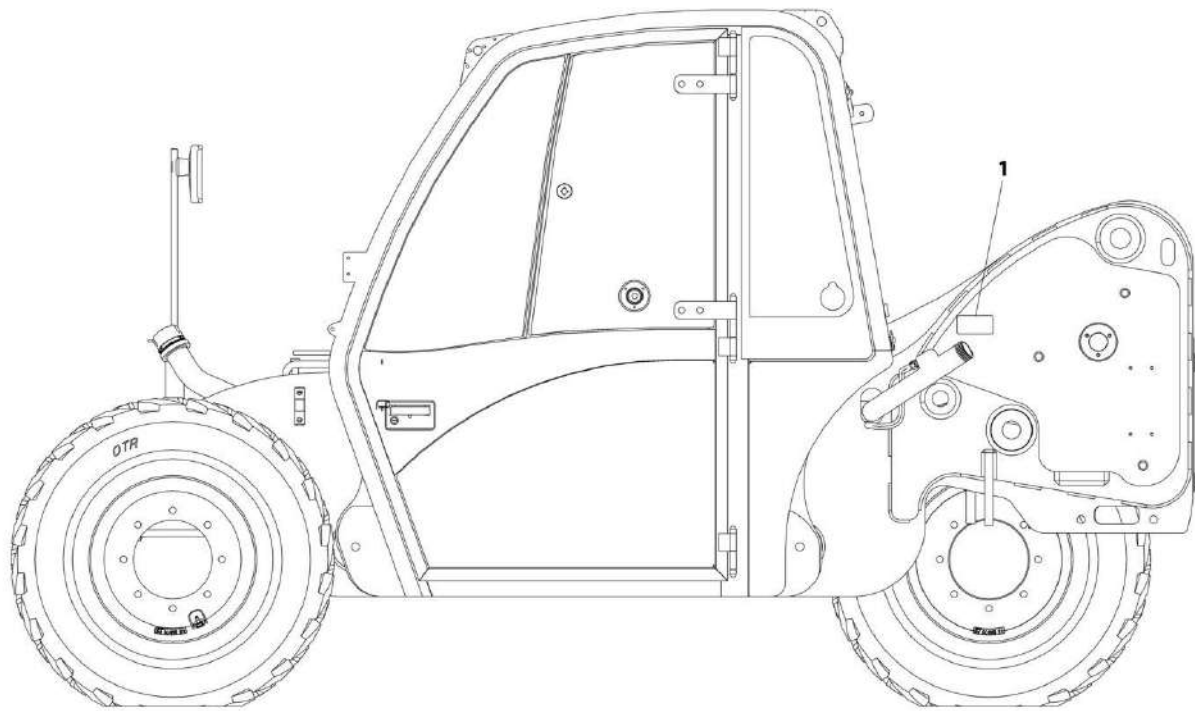
SECTION 11 - DECALS

FIGURE 11-12. MACHINE DECAL (ULS - ENGLISH/FRENCH)

ITEM	PART NUMBER	QTY	DESCRIPTION	REV
1	1001163751 1001163355	Ref 1	Machine Decal (ULS - English/French) Decal, Ultra Low Sulfur Fuel	A

SECTION 11 - DECALS

FIGURE 11-13. MACHINE DECAL (LS)



ART_1001150642-A

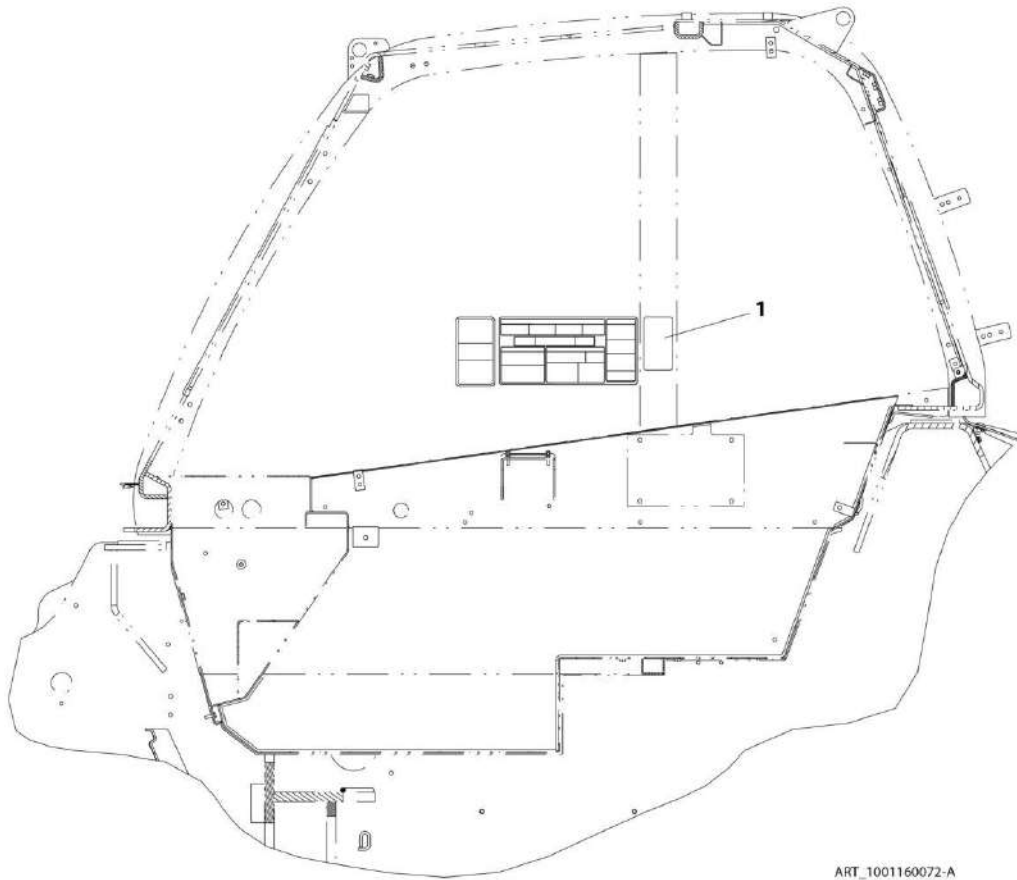
SECTION 11 - DECALS

FIGURE 11-13. MACHINE DECAL (LS)

ITEM	PART NUMBER	QTY	DESCRIPTION	REV
1	1001150642 1001143852	Ref 1	Machine Decal (LS) Decal, Export	A

SECTION 11 - DECALS

FIGURE 11-14. REVERSE SENSOR SYSTEM DECAL (ENGLISH)



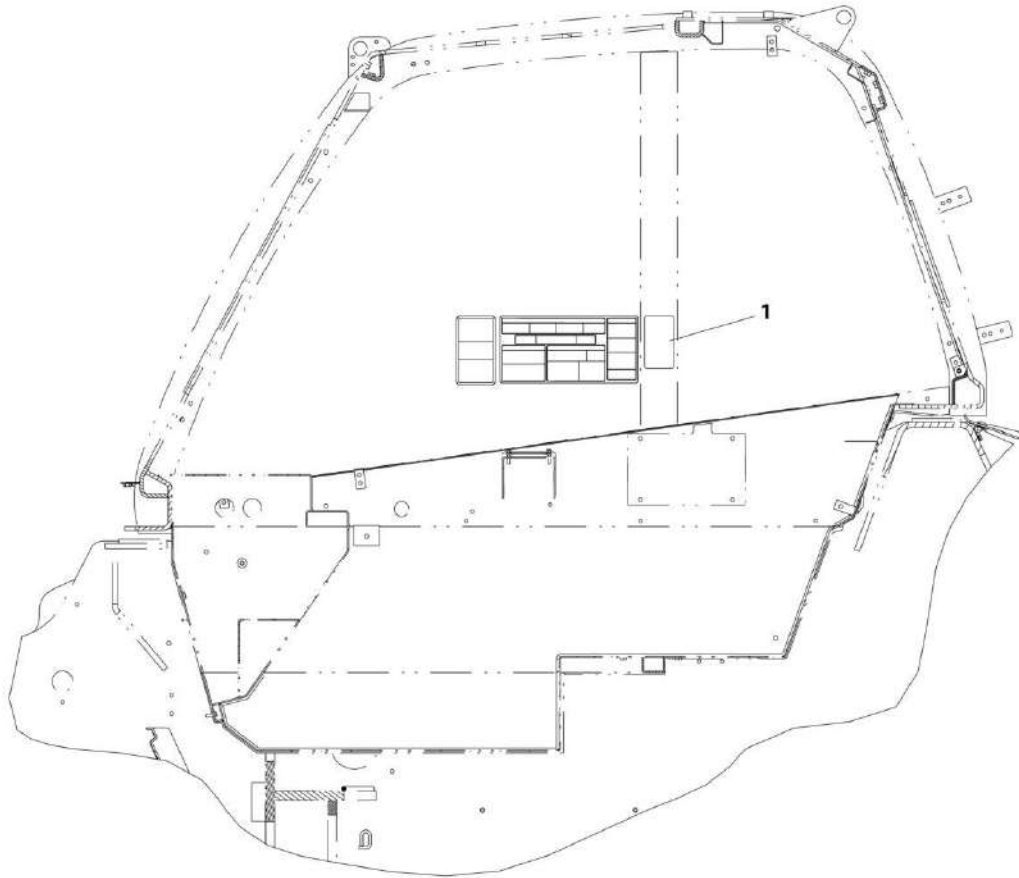
SECTION 11 - DECALS

FIGURE 11-14. REVERSE SENSOR SYSTEM DECAL (ENGLISH)

ITEM	PART NUMBER	QTY	DESCRIPTION	REV
1	1001160072	1	Reverse Sensor System Decal (English)	A

SECTION 11 - DECALS

FIGURE 11-15. REVERSE SENSING SYSTEM DECAL, (ENGLISH/FRENCH)



ART_1001160945-A

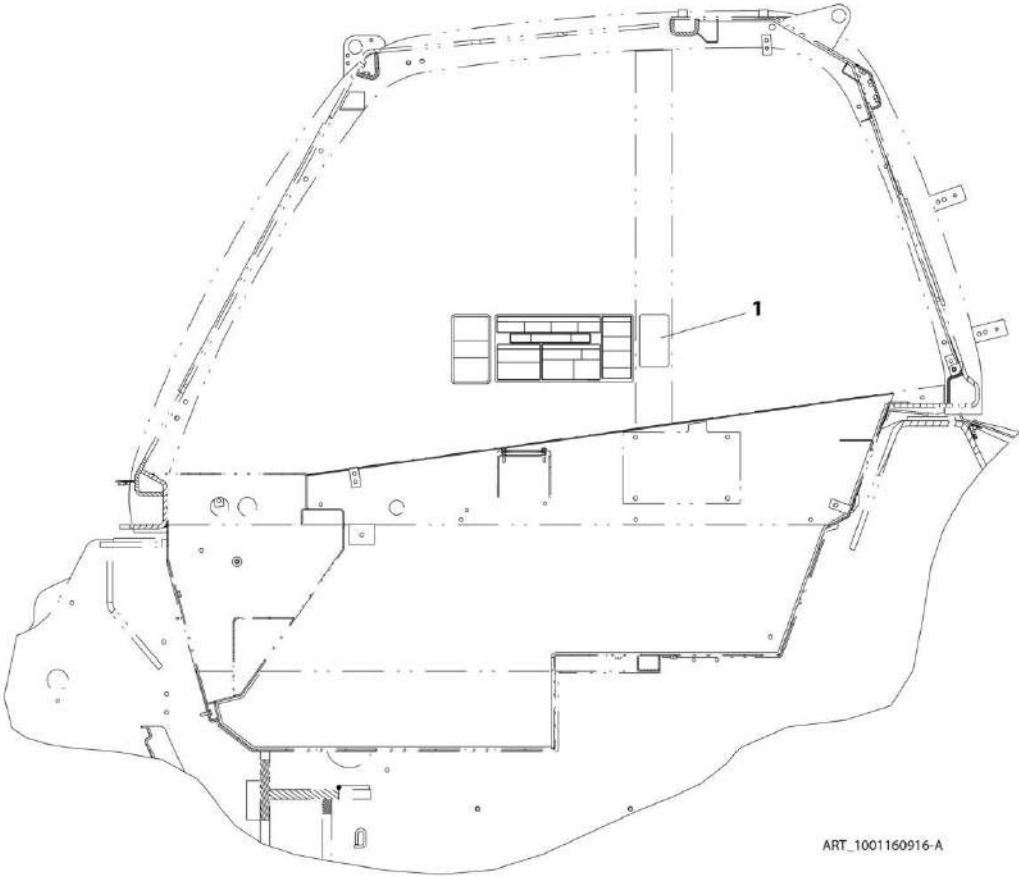
SECTION 11 - DECALS

FIGURE 11-15. REVERSE SENSING SYSTEM DECAL, (ENGLISH/FRENCH)

ITEM	PART NUMBER	QTY	DESCRIPTION	REV
1	1001160945	1	Reverse Sensing System Decal (ENGLISH/FRENCH)	A

SECTION 11 - DECALS

FIGURE 11-16. REVERSE SENSING SYSTEM DECAL (ISO)



ART_1001160916-A

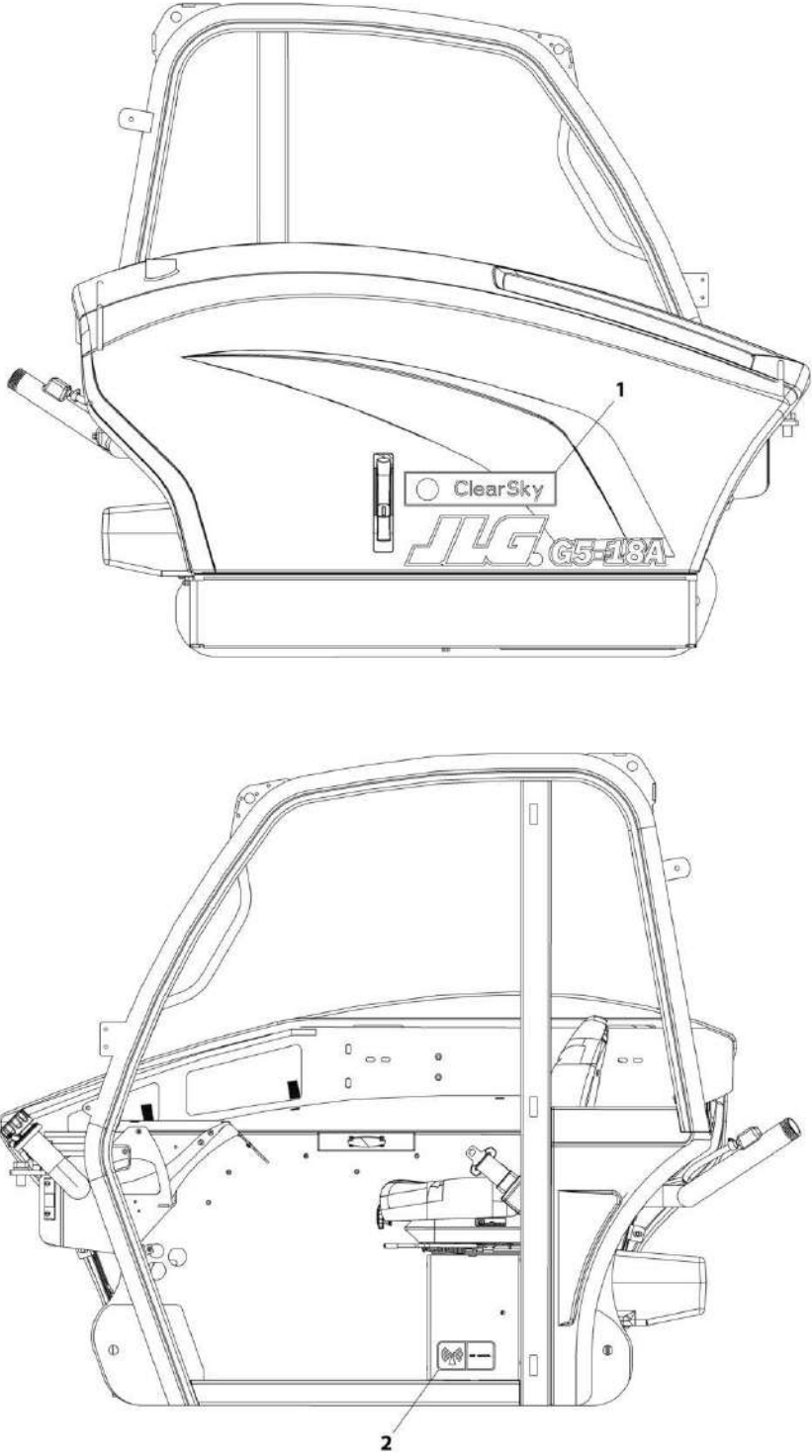
SECTION 11 - DECALS

FIGURE 11-16. REVERSE SENSING SYSTEM DECAL (ISO)

ITEM	PART NUMBER	QTY	DESCRIPTION	REV
1	1001160916	1	Reverse Sensing System Decal (ISO)	A

SECTION 11 - DECALS

FIGURE 11-17. CLEARSKY DECAL INSTALLATION



ART_1001229461-A

SECTION 11 - DECALS

FIGURE 11-17. CLEARSKY DECAL INSTALLATION

ITEM	PART NUMBER	QTY	DESCRIPTION	REV
	1001229461	Ref	Clearsky Decal Installation	A
1	1001116208	1	Decal, Clearsky	
2	1001120989	1	Decal, Radio Frequency	

SECTION 12 - RECOMMENDED SPARE PARTS

SECTION 12 - RECOMMENDED SPARE PARTS

FIGURE 12-1. RECOMENDED SPARE PARTS

ITEM	PART NUMBER	QTY	DESCRIPTION	REV
	Note	Ref	Note: The following list will service fleets of machines (built to current production per date on the front cover) with repair parts which can be installed in the field. Parts from the list should be replaced when inventory is depleted to keep service parts stock supplied. For further information, contact your JLG dealer or the JLG Industries Parts Department.	
		Ref	Boom	
	1001236782	1	Boom Hose, (Tilt), (Aux), (Aux w/Hydraulic Quick Coupler)	
	1001236783	1	Boom Hose, (Tilt), (Aux), (Aux w/Hydraulic Quick Coupler)	
	7082362	2	Spacer, 0.134	
	7126182	2	Spacer, 0.0747	
	7300518	6	Spacer, 0.0747	
	1001096584	1	Shim, 0.0359	
	1001096585	1	Shim, 0.0359	
	7300032	8	Wear Pad, 15.88	
	7300034	4	Wear Pad, 15.9	
	1001080391	2	Wear Pad Spacer, 1.00	
		Ref	Engine	
	1001080707	1	Fuel Cap Assy	
	1001141459	1	Hydraulic Oil Filter Element	
	1001148423	1	Fan	
	1001136834	1	Deaeration Tank Cap	
	70024190	1	Air Filter Primary Element	
	70024191	1	Air Filter Secondary Element	
	1001144359	1	Belt, Air Conditioning	
		Ref	Drive Train	
	91474512	1	Breather	
	70028389	1	Plug, Front/Rear Hub	
	70028388	1	Plug, Front/Rear Hub Magnetic	
	80204117	4	Plug, Rear Hub	
		Ref	Hydraulic	
	1001193473	1	Hydraulic Tank Cover Gasket	
	1001187150	1	Hydraulic Cap Assy	
	1001080256	1	Boom Joystick	
	70020769	1	Boom Joystick Handle Assy	
	70027248	1	Seal Kit, Comp. Cylinder	
	70027638	1	Seal Kit, Extend/Retract Cylinder	
	70027255	1	Seal Kit, Tilt Cylinder	
	70027262	1	Seal Kit, Lift Cylinder	
	70020377	1	Seal Kit, Lift Cylinder (CE)	
	70021276	1	Seal Kit, Fork Locking Cylinder	
	70021452	1	Seal Kit, Side Tilt Carriage Cylinder and Universal Side Shift Cylinder	
	70020922	1	Seal Kit, Park Brake Release Valve	
	70020919	1	Seal Kit, Brake Valve Master Cylinder	
	70020370	4	Bushings, Lift Cylinder (CE)	
	70027251	4	Bushings, Tilt/Lift Cylinder	
	70020390	4	Bushings, Comp Cylinder	
		Ref	Electrical	
	0400075	1	12V Battery	

SECTION 12 - RECOMMENDED SPARE PARTS

ITEM	PART NUMBER	QTY	DESCRIPTION	REV
	91143357	1	Horn	
	1001099810	1	Back Up Alarm	
		Ref	Misc.	
	8342813	1	Exterior Door Key	
	1001102157	4	Padlock	
	31211321	1	Operation and Safety Manual	
	31211325	1	Service Manual	

PART NUMBER INDEX

PART NUMBER INDEX

0100011.....21, 23, 35, 39, 41, 43, 45, 47, 51, 83, 137, 241, 257, 303, 305, 345, 353, 387, 389, 435, 491, 531, 595	0682220... 19, 31, 41, 43, 45, 47, 51, 531	1001061892 81	1001080397.....411, 545
0100019..... 19, 21, 239	0682230 239	1001061893 81	1001080399.....399, 407
0100020.....25	0682264 159	1001062117 81	1001080409.....491
0100035.....25, 369, 491	0682414 21	1001062773 143	1001080410.....491
0100081 13, 129, 131	0682424 21	1001080050 70	1001080418.....253
0100090..... 15	0682440 239	1001080116 70	1001080424.....491
0100093.....27	0692020 21	1001080117 70	1001080437.....415
01043892.....257	0700610 ... 241, 243, 245, 247, 249, 251	1001080124 70	1001080438.....415
0140011.....531	0700615 85	1001080143 405	1001080462.....253
0400075.....507, 654	0700815 317	1001080152 70	1001080463.....267
0630383.....35	0700818 317	1001080154 445, 447	1001080493.....253, 279
0630399.....21	0701014 70	1001080155 445, 447	1001080494.....275, 277, 279
0630455.....507	0701015 85	1001080176 403, 477	1001080499.....257, 285
0630464.....321, 327, 345	0701018 70	1001080203 70	1001080500.....253, 377
0630468.....303, 305, 335, 337	0701027 81	1001080204 70	1001080559.....253, 359
0630518.....369	0720606 25	1001080205 70	1001080565.....75
0641404.....307, 309, 491	0721005 491	1001080206 70	1001080567.....361, 365
0641406.....253, 353, 357, 431, 433, 537	0721008 ... 515, 517, 519	1001080207 409, 411	1001080567.....361, 365
0641408.....253, 435, 491	0760508 117	1001080208 409, 411	1001080571.....27
0641410.....287, 491, 515, 517, 519	0760607 85	1001080212 235	1001080573.....21
0641415.....491	0760608 85, 317	1001080240 435	1001080585.....423, 425
0641505.....13	0760806 595	1001080243 399, 401	1001080586.....423, 425
0641506.....21	0760808 ... 117, 137, 317	1001080250 423, 425	1001080619.....491
0641508.....241, 243, 253	0760810 71, 129, 131	1001080251 423, 425	1001080656.....525, 589
0641509.....13	0760828 151	1001080256 377, 383, 654	1001080669.....521, 523, 525
0641512.....70, 409, 411	0761010 70, 117, 133	1001080262 359, 479	1001080686.....595
0641514 29, 70, 399, 515, 517, 519	0761012 73, 133, 253	1001080265 423	1001080707.....27, 654
0641516..13, 57, 70, 153, 155, 333, 409, 411	0761014 133	1001080266 423	1001080742.....241, 243, 245, 247, 249, 251, 267
0641518.....303, 305	0761016 85	1001080279 417	1001080744.....241, 243, 245, 247, 281
0641522.....399	0761210 117, 317	1001080293 415	1001080763.....548
0641532.....155	0761214 149	1001080294 441	1001080789.....123
0641605.....13	0761216 161	1001080308 441	1001080796.....259, 261, 263
0641607.....55, 57	0771619 45	1001080309 415	1001080797.....261
0641608.....13, 75	0791004 491	1001080312 445, 447	1001080798.....259, 261
0641610.....21	0791004 13	1001080313 445, 447	1001080801.....261
0641611.....491	0791607 13	1001080314 445, 447	1001080809.....243, 245, 247, 249, 251, 373
0641612.....13	0811408 133	1001080333 75, 77	1001080821.....261
0641614.....411	0811510 137	1001080334 77, 487	1001080822.....331
0641628.....70	0903083 41, 43	1001080356 423, 425	1001080824.....287, 347
0641634.....387, 389	1001001422 27	1001080359 365, 471	1001080826.....373, 375
0641810.....445, 447	1001001556 70, 411	1001080361 555	1001080844.....329
0642014.....117	1001002778 519	1001080364 435	1001080847.....245, 247, 249, 251, 273
0642032.....89, 91	1001002779 519	1001080365 521, 523, 527, 529	1001080848.....277
0642212.....39	1001003299 81	1001080366 525	1001080852.....301
0651410.....257	1001003474 93	1001080367 257	1001080861.....19
0681414.....357	1001003475 93	1001080368 257	1001080862.....257
0681506.....129, 131	1001003680 133	1001080369 521, 523	1001080863.....257
0681510.....145	1001003803 73	1001080370 515, 517, 519	1001080866.....323
0681608...129, 131, 147, 153, 155	1001008436 31, 33	1001080371 253	1001080867JO265
0681610.....147	1001008475 33	1001080373 327	1001080872.....347
0681614.....123	1001008479 81	1001080374 281	1001080876.....241, 243, 301
0681832.....75, 79	1001008742 289	1001080375 75	1001080877.....289
0681836.....445, 447	1001008979 81	1001080376 521, 523	1001080891.....333
0681844.....445, 447	1001009062 33	1001080377 289	1001080893.....331
0682018.....43, 51	1001009094 81	1001080378 279	1001080900.....253
	1001009126 261	1001080379 267	1001080926.....263
	1001009163 133	1001080380 253	1001080931.....257
	1001010838 33	1001080381 515, 517, 519	1001080932.....287, 289
	1001055652 81	1001080382 287, 289	1001080933.....257, 287
	1001061633 81	1001080383 285	
	1001061659 81	1001080391 70, 654	
	1001061660 81	1001080394 70, 409, 411	
	1001061662 81		
	1001061891 81		

PART NUMBER INDEX

1001080945 321, 323, 327	1001081307.....285	1001101534.....515, 517, 519, 603	1001113155 529
1001080947 323	1001081308.....285	1001101895.....620	1001114675 241, 243, 245, 247, 249, 251
1001080951 323	1001081309.....285	1001102000.....629	1001114867 253
1001080952 321, 327	1001081310.....285	1001102157 17, 655	1001115871 225
1001080953 281, 283, 323	1001081311.....285	1001102323.....101	1001116128 537
1001080954 323	1001081314.....265	1001102324.....99	1001116208 651
1001080955 323	1001081322..... 601, 603	1001102327.....103	1001116692 567
1001080956 329	1001081331.....257	1001102331.....93	1001116694 567
1001080957 321, 325	1001081332.....257	1001102332.....105	1001116698 505, 549, 597
1001080959 329	1001081333..... 161, 177, 407	1001103012.....505, 549	1001116705 553
1001080960 323	1001081334.....407	1001103139.....527	1001116706 541
1001080968 363, 367	1001081347.....415	1001104009.....95	1001116710 548, 553
1001080969 279	1001081348.....415	1001104025.....97	1001116711 548
1001080970 279	1001081364.....21	1001104435.....89	1001116712 548
1001080974 301	1001081375.....257	1001104477 411, 437, 439, 481	1001116723 549, 550
1001080975 301	1001081376.....257	1001104497 505, 569	1001116725 555
1001080976 303	1001081413.....413	1001104498 505, 549, 550	1001116726 555
1001080978 279	1001090103..... 409, 411	1001104519.....541, 579, 581, 585, 593	1001116727 555, 591, 597
1001080983 253	1001090344.....13	1001104654.....279	1001116729 565, 591
1001080985 289	1001092585.....491	1001105990.....161	1001116731 573
1001080986 253	1001092877.....620	1001106622.....423, 425	1001116733 541, 555, 557, 565, 591
1001080987 253	1001092878.....620	1001106736.....556	1001116734 541, 591
1001080988 253	1001093171.....113	1001107854.....505, 549, 550, 555, 557, 569, 577	1001116735 548
1001080992 239	1001095650.85, 499, 501	1001107997.....263	1001116736 550
1001081023 301	1001095704..... 548, 555	1001108078.....323	1001116747 557
1001081049 253	1001096584..... 70, 654	1001108079.....253	1001116774 556, 564, 567
1001081071 159	1001096585..... 70, 654	1001108115.....335, 337	1001116808 557, 564, 567
1001081123 507	1001096730.....75	1001108127.....521	1001116812 548, 556, 564, 567
1001081151 253	1001097159.....15	1001108129.....521	1001116813 553, 597
1001081152 253	1001097160.13, 153, 155	1001108152.....323	1001116815 533, 549, 557, 567
1001081153 253	1001097205.....113	1001108155.....283, 323	1001116816 555
1001081161 321, 327	1001097252.....75	1001108161.....263	1001116920 548
1001081163 321, 327	1001097255.....75	1001108194.....253	1001116921 555
1001081187 321	1001097319.....347	1001108196.....257	1001116922 555
1001081222 209, 211	1001097628.....75	1001108242.....335	1001116948 557
1001081223 369, 371	1001097640.....333	1001108547.....263	1001116950 555, 556
1001081234 347	1001097728.....75, 79	1001108548.....263	1001116952 555
1001081235 265	1001097729.....75, 79	1001108549.....263	1001116953 555
1001081236 265	1001098069.....367	1001108552.....263	1001116954 556
1001081239 265	1001098122.....569	1001109365.....259, 261	1001116967 541
1001081241 265	1001098153..... 367, 473	1001109417.....263	1001116977 556
1001081242 265	1001098235..... 253, 593	1001109478.....261	1001116982 553
1001081243 265	1001099457.....111	1001109565.....521, 523, 587	1001116983 541
1001081244 265	1001099458.....109	1001109566.....521, 527, 585	1001116984 553
1001081246 265	1001099699.....345	1001110067.....263	1001116985 553
1001081247 265	1001099783.....70	1001110269.....327	1001116990 541
1001081248 265	1001099810.....655	1001110433.....303, 305	1001116996 564
1001081249 265	1001099887.....59	1001110723.....529, 579	1001117002 553
1001081266 265	1001100053..... 267, 511	1001110849.....47, 49	1001117022 541
1001081268 265	1001100107..... 616, 620, 624	1001111156.....523, 581	1001117026 565
1001081280 263	1001100781.....548	1001111341.....521, 523	1001117059 550
1001081281 263	1001100828.....609	1001111961.....548	1001117064 548
1001081282 263	1001100829.....609	1001112058.....321, 327	1001117079 550
1001081283 263	1001100916.....411	1001112612.....556	1001117080 550
1001081284 263	1001100965..... 515, 517, 519, 607	1001112697.....507	1001117081 548, 549, 550, 593
1001081285 263	1001100966..... 281, 283, 513	1001112796.....567, 571, 573	1001117082 549
1001081286 335	1001101071..... 616, 620, 624	1001113038.....91	1001117106 541, 548, 555
1001081287 337	1001101185.....79	1001113047.....303, 305	1001117119 549
1001081289 263	1001101235.....435	1001113154.....523	
1001081296 335	1001101451.....137		
1001081298 335	1001101533..... 515, 517, 519, 601		
1001081299K.....13			
1001081301 627			
1001081302 627			
1001081306 257			

PART NUMBER INDEX

1001117125.....541	1001131271.....613	1001138888.....133	1001141976.....427
1001117133.....564	1001131818.....123	1001139011.....279, 305	1001142010.....553
1001117158.....253	1001132161.....451, 453	1001139042.....83	1001142011.....493, 559
1001117326.....633	1001132168.....15	1001139043.....83	1001142055.....295
1001117498.....79, 81	1001132207.....451	1001139155.....137	1001142101.....229, 231
1001118379.....553	1001132208.....451	1001139177.....83	1001142155.....399, 405
1001118380.....541	1001132209.....451	1001139481.....273, 275	1001142236.....317, 591
1001118381.....556	1001132210.....447, 451	1001139578.....616	1001142242.....117
1001118385.....549, 550, 553, 557, 564	1001132338.....399, 403	1001139654.....639	1001142259.....137, 139
1001118387.....553	1001132342.....393, 397	1001139668.....127	1001142265.....13
1001118391.....541, 556	1001132411.....419	1001139681.....145	1001142267.....13
1001118392.....564	1001132412.....419	1001139682.....147	1001142680.....21
1001119020.....542, 556	1001132795.....393	1001139683.....499	1001142938.....541
1001119721.....149	1001133714.....541	1001139684.....121, 123, 151	1001142940.....541
1001119727.....147	1001133715.....541	1001139688.....123, 315	1001142941.....541
1001120328.....556	1001133822.....153, 155	1001139801.....305	1001142981.....521, 583
1001120989.....651	1001133956.....541	1001139803.....317	1001143041.....129, 131
1001121021.....539	1001133957.....541	1001139803.....317	1001143142.....13
1001121514.....135	1001135350.....551	1001139937.....515, 517, 519	1001143201.....137
1001121726.....557	1001135650.....541	1001139938.....595	1001143216.....145
1001121727.....591, 597	1001135651.....541	1001139942.....620	1001143254.....151
1001121953.....537	1001135799.....435	1001139974.....215, 217	1001143255.....151
1001121960.....559, 565	1001135801.....435	1001139975.....203, 205, 209, 211	1001143304.....145, 147
1001122280.....493, 495, 561	1001135803.....435	1001139997.....149, 465	1001143467.....151
1001125387.....637	1001135805.....435	1001140312.....499	1001143468.....151
1001125465.....537	1001135807.....435, 437	1001140634.....491, 555	1001143552.....495
1001126008.....556, 557, 564	1001135845.....509	1001140634.....491, 555	1001143556.....493
1001126351.....541	1001135846.....509	1001140635.....495, 497, 564	1001143558.....521
1001126362.....542	1001136095.....125	1001140671.....147	1001143640.....119, 121
1001126363.....542	1001136834.....133, 654	1001140671.....147	1001143641.....117
1001126364.....542	1001136975.....117, 153, 155	1001140684.....207, 209	1001143642.....117
1001126365.....542	1001137454.....301, 303	1001140686.....213, 215	1001143643.....117
1001126391.....542	1001137574.....269	1001140698.....207, 211	1001143671.....227, 229
1001126677.....631	1001137578.....541	1001140700.....213, 217	1001143677.....121
1001126685.....635	1001137600.....241, 243, 245, 247, 361	1001140701.....221	1001143678.....119
1001126841.....317	1001137602.....249, 251, 363	1001140702.....221	1001143689.....227, 231
1001127066.....549	1001137621.....245, 247, 249, 251, 271	1001140703.....223	1001143801.....117
1001127397.....327	1001137623.....241, 243, 269	1001140704.....223	1001143815.....123
1001127546.....327	1001137657.....253	1001141019.....147	1001143816.....123
1001127589.....491	1001137943.....257, 277	1001141066.....491	1001143839.....117
1001127967.....133	1001137985.....275, 277	1001141287.....153, 155	1001143852.....643
1001128128.....548, 555, 557, 565, 591	1001137998.....363	1001141310.....137	1001144015.....141
1001128144.....133	1001138003.....353	1001141323.....221	1001144147.....573
1001128478.....133	1001138110.....541	1001141324.....223	1001144255.....161
1001129407.....599	1001138111.....541	1001141459.....429, 654	1001144359.....123, 654
1001129425.....537	1001138113.....541	1001141460.....429	1001144367.....133
1001129801.....537, 577	1001138262.....317, 319	1001141461.....427	1001144368.....133
1001129887.....419	1001138263K.....317	1001141462.....427	1001144369.....13
1001129888.....419	1001138264.....317	1001141551.....145	1001144373.....123
1001129889.....417, 419	1001138265.....317	1001141581.....491	1001144378.....123
1001129891.....417, 419	1001138266.....317	1001141591.....153, 155	1001144474.....29
1001129893.....417, 419	1001138269.....317	1001141717.....117	1001144692.....129
1001129894.....417, 419	1001138345.....317	1001141779.....129, 467	1001144693.....129
1001129895.....423, 425	1001138582.....241, 243, 273	1001141780.....131, 469	1001144694.....131
1001129898.....425	1001138639.....253, 353	1001141786.....133	1001144695.....131
1001129925.....417, 419	1001138703.....337	1001141787.....133, 135	1001144697.....415
1001129926.....417, 419	1001138823.....161, 461	1001141788.....135	1001144737.....415
1001130178.....391, 395	1001138827.....133	1001141789.....135	1001144749.....415
1001130220.....37	1001138877.....129, 131, 133	1001141791.....135	1001144750.....415
1001130338.....67	1001138887.....149, 463	1001141796.....133	1001144751.....415
1001130900.....541		1001141801.....133	1001144753.....415
1001131098.....389, 393		1001141834.....133	1001144754.....415
1001131099.....387, 391		1001141881.....133	1001144755.....415
		1001141896.....133	1001144756.....423, 425
		1001141944.....133	1001144757.....415
		1001141975.....429	1001144759.....415
			1001144760.....415

PART NUMBER INDEX

1001144761 415	1001156577.....253	1001187820.....73	1001193943..... 245, 249, 303
1001144763 415	1001156849..... 123	1001187821.....73	1001193945 303, 379
1001144764 415	1001157075..... 133	1001187847.....73	1001193973 303
1001145204 131	1001157088..... 151	1001187848.....73	1001193974 303
1001145224 423, 425	1001158318..... 13	1001188496.....361	1001193975 303
1001145225 423, 425	1001158428..... 13	1001189653.....257	1001193976 303
1001145710 129, 131	1001159204..... 503	1001189733.....357	1001194017 421
1001145850 616	1001159205..... 503	1001189734.....253, 357	1001194099 25
1001145871 133	1001159206..... 501, 503	1001189738.....357	1001194100 21, 25
1001146038 616, 624	1001159207..... 501	1001189739.....335	1001195347 309, 313
1001146575 153, 155	1001160072..... 645	1001189743.....357	1001195348 307, 311
1001146830 85	1001160078..... 13	1001189745.....357	1001195447 305
1001146831 85	1001160113..... 57	1001189753.....337	1001195884 23
1001146832 85	1001160730..... 537	1001189803.....357	1001196254 491
1001146887 85	1001160823..... 57	1001189839.....357	1001196461 571
1001146888 85	1001160916..... 649	1001189850.....357	1001196601 431
1001147071 123	1001160945..... 647	1001189888.....459	1001197027 293
1001147650 620	1001162486..... 345	1001189948.....271	1001197099 289
1001148091 613	1001162487..... 345	1001189997.....531	1001197401 13
1001148423 133, 654	1001162813..... 339	1001190250.....73	1001197490 39
1001148483 21	1001162814..... 339	1001190264.....73	1001197624 550
1001149466 491	1001162815..... 341	1001190639.....29	1001197714 550
1001149810 13	1001162816..... 343	1001190640.....519, 605	1001197965 25
1001149811 13	1001162829..... 349	1001190692.....387, 389, 399	1001198349 37
1001149828 117	1001162830..... 349	1001190694.....389	1001198730 21
1001150347 620	1001163174..... 624	1001190709.....515, 517, 605	1001200101 616, 620
1001150461 637	1001163206..... 624	1001190728.....15	1001200247 37
1001150462 639	1001163210..... 624	1001190743.....13, 15	1001200378 ... 41, 43, 45, 47, 51
1001150479 317	1001163212..... 624	1001190754.....15	1001200393 73
1001150508 317	1001163222..... 624	1001190762.....13	1001200567 417
1001150509 305, 317	1001163223..... 624	1001190784.....387	1001200580 445, 447, 455
1001150596 261, 265	1001163285..... 624	1001190788.....13	1001200581 70, 459
1001150642 643	1001163300..... 624	1001190821 117, 149	1001200598 39
1001150705 597	1001163304..... 624	1001190914.....531, 569	1001200599 41
1001151088 317	1001163323..... 624	1001191635.....29	1001200600 43
1001151183 37	1001163326..... 624	1001191640.....13	1001200601 45
1001151264 149	1001163355..... 641	1001191643.....15	1001200602 47
1001151288 415	1001163751..... 641	1001191820.....13	1001200603 51
1001151643 379, 381	1001165200..... 117	1001191830..... 129, 131	1001200612 491
1001151781 613	1001165202..... 153, 155	1001192022.....15	1001200613 507
1001151782 613	1001165203..... 153, 155	1001192128.....129	1001200682 21
1001152967 415	1001165585..... 265	1001192129.....131	1001200683 21
1001153277 85	1001172953..... 305	1001192142.....509	1001200684 21
1001153410 147	1001174104..... 73	1001192255.....13	1001200685 21
1001153411 147	1001175733..... 569	1001192256.....129, 131	1001200796 225
1001153412 147	1001177469.....339, 341, 343, 349	1001192979.....327	1001200797 225
1001153413 147	1001177470..... 341	1001193316.....21	1001200850 595
1001153624 275	1001177471..... 343	1001193351.....21, 23	1001200851 31
1001153625 277	1001177636..... 349	1001193423.....15	1001200925 21
1001153626 279	1001177640..... 349	1001193432.....305, 309	1001200928 29
1001153627 279	1001178811..... 349	1001193443.....247, 251, 305, 315	1001200945 225
1001153629 369	1001179495..... 291	1001193470.....23	1001201083 19
1001153630 325	1001179496..... 291	1001193473.....23, 654	1001201114 435
1001153631 321, 327	1001179547..... 289, 291	1001193501.....305, 381	1001201115 441
1001153633 327	1001179832..... 291	1001193528.....307, 309	1001201117 419
1001153634 321, 327	1001182224..... 431, 433	1001193529.....307, 309	1001201151 531
1001153635 321, 327	1001182361..... 541	1001193720.....305	1001201252 491
1001153748 401, 475	1001182365..... 542	1001193721.....305	1001201526 35
1001154229 229, 231	1001182662..... 531	1001193722.....305	1001201527 35
1001154405 431, 433	1001182755.....241, 243, 245, 249, 431	1001193723.....305	1001201538 153
1001156087 133, 253, 305	1001184685..... 531	1001193725.....305	1001201659 59
1001156229 117, 541	1001185024..... 431, 433	1001193752.....137	1001201668 71, 457
1001156314 491	1001186376.....247, 251, 433	1001193761.....305	1001201826 509
1001156315 13	1001187150.....23, 654	1001193762.....305	1001202006 253, 421
1001156576 616, 620, 624		1001193805.....303, 307	

PART NUMBER INDEX

1001202007.....241, 243, 245, 247, 249, 251, 253	1001229458..... 535, 609	1001237214 65, 411	2170406.....399
1001202141415	1001229461 651	1001238317 71	2170410.....149
1001202297423, 425	1001230934 541	1001239184 253, 627	2170412.....149
1001202352305, 317	1001230935 541	1007367100 161, 163	2170506.....423, 425
1001202502315	1001231801 616	1007367300 177, 179	2170704.....149, 399
1001202939303, 305	1001232351 203, 205	101977201 361	2170708.....403
1001204360379, 381	1001232716J 11	1060628 35	2170712.....149, 399
1001204362379, 381	1001232719 55	1060680 583	2170804.....149
1001204363379	1001232722 411	10719267 317	2170808.....399
1001204385381	1001232888 431, 433	10837580 395, 397	2171712.....399
1001204464379, 381	1001233451 117	1101244 395, 397	2171716.....399
1001204469379, 381	1001233503 117	1271599 59	2220218.....411
1001204470379, 381	1001233504 117	1321716 151	2220239.....23
1001204854445	1001233558 624	14404793 70	2220251.....153, 155
1001204856447	1001233572 55	1701500 616, 620, 624	2220313.....153, 155
1001207837253	1001233633 515	1702300 ... 616, 620, 624	2220550.....399
1001208119254	1001233660 63, 65, 67	1706098 620	2220591.....421
1001208593254, 548	1001233661 63	1706209 620	2220612.....413
1001208616241, 243, 259	1001233662 65	1706281 620	2220885.....449
1001208617245, 247, 249, 251, 261	1001233666 297	1706282 620	2221198.....431, 433
100120875931	1001233720 67, 70	1706284 620	2221229.....415
1001208854399	1001233723 159, 161	1706285 620	2221257.....149
1001209063423, 425	1001233724 159, 177	1706292 620	2221285.....161
1001209089417, 419	1001233725 159	1706296 616	2221290.....409, 411
1001209102491	1001234525 241	1706298 616	2300037.....315
1001209103497	1001234526 243	1706299 616	2340037.....107
1001209966303, 305	1001234973 235	1706300 616	2400060.....550
100121032673	1001234992 161, 505	1706301 616	2620052.....51, 53
1001210402239	1001235014 233, 235	1706302 616	2820019.....583
1001213757245, 247, 249, 251, 257	1001235015 233	1706768 616	2820171.....545
1001213955155	1001235711 245	1706850 616	2902443.....541
1001213994155	1001235712 247	1707078 616	2920204.....517, 519
1001215778297	1001235715 327	1784861 59	2920206.....521, 523, 525
1001215898535	1001235716 241, 243, 245, 247, 423	2080057 613	2920207.....605
1001217623521, 523, 527, 529	1001236272 537, 539	2110404 ... 391, 393, 405	2920208.....515, 517
1001218381551	1001236302 537	2110406 403	2920209.....323
1001219082535	1001236316 201	2110606 391, 393	31211321.....655
1001220705305	1001236317 213	2110608 401	31211325.....655
1001220853545	1001236319 219	2110808 131, 399	3271405.....363, 491
1001221303241, 369	1001236320 207	2110810 403, 437	3271501.....13, 129, 131, 145
1001223453616, 624	1001236321 227	2111010 ... 389, 403, 411	3271601.....13, 123, 129, 131, 133, 147, 491
1001225578445, 449	1001236337 539	2111012 403	3272201.....29, 159, 239
1001226247497	1001236413 415	2111212 133	3272401.....21, 239
1001226328575	1001236417 423, 425	2112020 399	3282001.....21
1001226400599	1001236418 415	2130404 77, 365, 421	3290405.....327
1001226541573	1001236419 415	2130606 ... 129, 131, 421	3290505.....535
1001226636573	1001236420 415	2130608 ... 401, 405, 421	3290507.....595
1001226637573	1001236420 415	2130808 129, 131	3290601.....85, 525
1001226739533, 573	1001236666 201, 203	2131008 70	3290605.....15, 523
1001226796533	1001236667 201, 205	2131010 ... 387, 405, 437	3290801.... 129, 131, 317, 357
1001226799533	1001236668 219	2131212 133, 403	3290807.....601, 603
1001226831535, 567	1001236669 219	2145004 359	3291007.....81
1001227066575, 599	1001236676 517	2150404 365	3291201.....261
1001227068599	1001236678 519	2150406 377	3300143.....491
1001227091123	1001236782 67, 409, 411, 654	2150606 411	3300240.....89, 91
1001227266599	1001236787 413	2150608 401	3300430.....83
1001227458533	1001236788 413	2150808 399	3300454.....497
100122844767	1001236953 249	2150810 437	3310401.....491
1001228593535	1001236954 251	2151010 405	3310805.....539
1001228975117	1001236957 249, 251, 425	2151212 399	3311001.... 317, 491, 497, 597
1001229107575	1001236959 249, 251, 283	2160002 75	3311005.... 345, 515, 517, 519
1001229457609	1001237192 63, 409	2160016 73	3311405.....361, 627
		2170108 399	
		2170110 403	
		2170112 133	
		2170210 437	
		2170308 403	

PART NUMBER INDEX

3311501 35, 303, 305	556, 557, 564, 565,	4461119.....505, 597	4892400 21, 239
3311502 23	567, 571, 573, 581, 585	4461174....521, 523, 527,	4920017 513, 561, 607
3311505 29, 153, 155,	4460466 ... 511, 541, 542,	529	4923141 545
515, 517, 519	548, 549, 553, 555,	4461227.....569	4923287 541
3311508 507	556, 557, 559, 564,	4461262....550, 555, 577	5220500 517, 519
3311608 21	565, 567, 571, 573,	4520259.....215, 217	5241000 81
3311705 70	579, 597, 607	4640163....203, 205, 209,	5271609 531
3340943 13	4460475 550	211, 215, 217, 229, 231	5272012 537
3391410 77	4460488 523, 529	4641474 407	70002064 397
3423275 89, 91	4460496 556	4711000....317, 491, 497,	70002386 395, 397
3430507 357	4460497 556	597	70004637 455, 459
3450304 357	4460508 541	4711400.....83, 287, 399,	70005433 449
3576766 159	4460509 556	431, 433, 435, 491,	70020230 167
3700016 620	4460518 ... 556, 557, 564,	497, 515, 517, 519,	70020231 167
3740080 ... 317, 497, 555,	567	523, 529, 537	70020232 167
557, 597	4460536 ... 549, 556, 565	4711500....13, 21, 23, 35,	70020233 183
3900302 287, 289	4460539 ... 548, 556, 564,	71, 129, 131, 145, 253,	70020234 167, 183
3900306 317	567	333, 399, 409, 411	70020235 167
3900393 70	4460705 549	4711600..13, 21, 75, 129,	70020240 167, 183
3910408 491	4460742 555	131, 147, 153, 155,	70020243 167
3930812 539	4460746 ... 581, 583, 587,	387, 389, 491	70020244 167, 191
3931010 281	589	4711700.....70	70020245 167, 191
3931412 253, 383	4460748 557	4711800.....445, 447	70020247 .. 167, 173, 191
3931416 21	4460761 549, 564	4711900.....431	70020249 167, 191
3931448 497	4460851 548, 564	4712000.....43, 47, 51	70020250 167
3931548 411	4460852 564	4712200.....29, 31	70020251 167, 183
3931579 620	4460871 549	4740120.....289	70020252 167
3944574 41, 45	4460872 549	4740281 133	70020253 167
3960600 595	4460884 ... 548, 550, 557,	4750400.....491	70020255 167
3983720 197	571	4750600.....25	70020256 167
3983731 169, 185	4460891 ... 541, 545, 550,	4750800.....539	70020257 167
3984301 167, 169, 185	555, 556, 557, 564,	4751000....515, 517, 519	70020258 167
3990013 551	565, 581, 585, 591	4751400.....431	70020259 167
4031612 595	4460894 ... 548, 549, 564,	4751500.....241, 243	70020260 167
4031918 435	565, 573	4751600.....55, 57	70020261 167
4040291 159	4460897 ... 541, 550, 551,	4752200....19, 39, 41, 43,	70020262 167
4100181 616, 620, 624	561, 564, 565, 583,	45, 47, 51, 531	70020263 167
4105262 70	587, 589, 597	4761000.....491	70020265 167
4240032 525, 533, 535	4460899 ... 511, 577, 579,	4761400.....253, 357	70020266 167
4240033 531	581, 585, 597	4761600.....75, 491	70020267 167
4240084 225	4460905 549	4762200.....29	70020269 .. 167, 175, 187
4360658 515, 517, 519	4460911 564	4771000.....317	70020271 167
4460019 548, 555	4460930 549, 553, 556	4804533.....45	70020273 173
4460042 511	4460931 593	4805921.....45	70020276 173
4460043 555, 557	4460932 ... 513, 545, 597,	4811400.....327	70020280 173
4460227 564	607	4811600....117, 535, 595	70020282 173
4460234 533, 535	4460933 ... 542, 548, 556,	4811700.....15, 85, 523	70020284 173
4460259 ... 553, 557, 565,	567	4811700001.....369	70020285 173
591	4460941 541, 553	4811900.....71, 117, 129,	70020288 183
4460260 ... 553, 557, 565,	4460942 541, 548, 591	131, 137, 303, 305,	70020290 173
591	4460945 ... 548, 557, 564,	317, 601, 603	70020291 173
4460267 549	567	4811902.....317	70020292 173
4460312 548, 555	4460970 ... 553, 559, 565,	4812000..70, 73, 85, 117,	70020293 173
4460374 ... 555, 556, 565,	597	123, 133	70020295 173
591	4460994 ... 541, 549, 553,	4812002.....73	70020296 173
4460419 548	579, 581, 585	4812100....117, 119, 121,	70020297 173
4460457 550, 556	4461008 542, 564	123, 149, 317	70020298 173
4460458 557, 583, 591	4461017 541	4812300.....45	70020301 175
4460459 550	4461018 556	4831700.....525	70020302 175, 187
4460464 ... 511, 513, 545,	4461021 595	4832000.....253	70020303 183
548, 549, 551, 553,	4461054 542	4891400.....133	70020346 191
556, 559, 561, 564,	4461070 542	4891500....29, 153, 155,	70020370 453, 654
565, 573, 577, 579,	4461071 541	399, 515, 517, 519	70020372 453
581, 583, 585, 587,	4461095 542	4891600.....21	70020373 453
589, 593, 599, 607	4461115 ... 581, 583, 587,	4891700.....123	70020375 453
4460465 ... 542, 545, 548,	589	4892000.....21, 117	70020376 457
549, 550, 553, 555,	4461118 557, 569	4892200.....159	70020377 453, 654

PART NUMBER INDEX

70020390.....654	70021447 93, 95, 97, 483, 485	70024938 461	70027862.....173
70020551.....355	70021448 93, 95, 97, 483, 485	70024939 461	70027865.....175, 187
70020555.....113	70021451 483, 485	70024940 463	70027866.....175, 187
70020560.....103	70021452 .. 483, 485, 654	70024941 463	70027989.....97
70020562.....103	70021462 485	70024942 463	70028239.....469
70020764.....439, 481	70021464 93, 95, 483	70024943 463	70028240.....469
70020769.....383, 654	70021475 479	70024944 463	70028241.....469
70020770.....383	70021531 439, 481	70024945 463	70028388.....167, 654
70020771.....383	70021928 167, 191	70024947 463	70028389... 167, 185, 654
70020795.....323	70021929 167, 191	70024948 463	70028473.....199
70020867.....475	70021939 167	70024949 463	70028474.....199
70020871.....471	70021940 173	70024950 463	70028535.....189
70020919.....479, 654	70021941 173	70024951 465	70028856.....449
70020920.....479	70021942 173	70024952 465	70028884.....173
70020922.....473, 654	70022097 95, 97	70024953 465	70029265.....165, 181
70020923.....371, 375	70022102 95, 97	70025562 169, 185	70029266.....167
70020924.....371, 375	70022103 95, 97	70025925 311	70029267.....167, 191
70020925.....371, 375	70022104 95, 97	70026263 173	70029268.....167
70020926.....375	70022105 93, 95, 97	70026308 .. 449, 455, 459	70029269.....169
70020927.....375	70022106 93, 95	70026582 475	70029270.....169, 185
70021076.....183	70022107 97	70026875 169, 185	70029271.....169, 185
70021147... 165, 169, 185	70022108 97, 485	70027024 293	70029272.....169, 185
70021150... 169, 193, 195	70022110 97	70027025 293	70029273.....169, 185
70021151.....169, 185	70022111 97	70027026 293	70029274.....169, 185
70021155.....169, 185	70022112 97	70027028 293	70029275.....169, 185
70021196.....183	700222564 .. 449, 455, 459	70027030 293	70029276.....169, 185
70021200.....189	700222726 463	70027032 293	70029277.....169, 185
70021221.....191	70022805 311, 313	70027033 293	70029278.....169, 185
70021270.....487	70022818 53	70027034 293	70029279.....169, 185
70021271.....487	70022847 473	70027035 293	70029280.....169, 185
70021272.....487	70023035 175, 187	70027114 169, 185	70029281.....169, 185
70021273.....487	70023036 175, 187	70027176 49, 53	70029282.....169, 185
70021275.....487	70023040 295	70027177 49	70029283.....169, 185
70021276.....487, 654	70023041 295	70027178 49	70029284.....169, 185
70021338.....93, 95, 97	70023139 299	70027242 455, 459	70029285... 169, 185, 199
70021342.....93, 103	70023325 355	70027243 455, 459	70029286... 169, 185, 193
70021343.....93, 95	70023369 .. 449, 455, 459	70027244 455, 459	70029287... 169, 185, 195
70021345.....93, 95	70023371 459	70027245 455	70029288.....169
70021346.....93, 95	70023372 455	70027246 455	70029289.....169, 185
70021347.....93, 95	70023373 459	70027247 455	70029290.....169, 185
70021348.....93, 95	70023945 397	70027248 455, 654	70029291.....170, 185
70021349.....93, 95, 97	70023946 395, 397	70027249 459	70029292.....170, 185
70021350.....93, 95, 97	70023974 453	70027250 459	70029293.....173
70021351.....93, 95, 97	70024190 654	70027251 .. 449, 459, 654	70029294.....173
70021356.....103	70024191 654	70027252 459	70029295.....173
70021357.....103	70024386 313	70027253 459	70029296.....173
70021358.....103	70024528 173	70027254 459	70029297.....173
70021359.....103	70024863 167	70027255 459, 654	70029298.....173
70021360.....103	70024864 167	70027256 449	70029299.....173
70021361.....103	70024866 167, 183	70027257 449	70029300.....175, 187
70021362.....103	70024873 167	70027259 449	70029301.....175, 187
70021363.....93, 95, 103, 483	70024874 167	70027260 449	70029302.....183
70021364.....103	70024875 167	70027261 449	70029303.....183, 191
70021365.....103	70024878 169, 185	70027262 449, 654	70029304.....185
70021366.....103	70024881 169, 185	70027315 169, 185	70029441.....483
70021367.....103	70024883 169, 185	70027400 467, 469	70050641.....97
70021368.....103	70024888 199	70027401 467	7010543.... 395, 397, 471
70021369.....103	70024897 173	70027556 467, 469	7012941.....471
70021370.....103	70024927 167, 183	70027557 467, 469	7024872.....471
70021387.....103	70024929 167, 183	70027591 143	7026481.....355
70021397.....97	70024933 461	70027592 143	7026798.....293, 295
70021399.....103	70024934 461	70027610 457	7026799.....295
70021415.....97	70024935 461	70027611 457	7026900.....295
70021440.....483, 485	70024936 461	70027612 457	7026901.....295
70021444.....483, 485	70024937 461	70027632 313	7026902.....295
70021446.....483, 485		70027638 457, 654	7026905.....295
		70027859 167	7026906.....295

PART NUMBER INDEX

7028706 ... 165, 169, 173, 181, 185	8033761 395, 397	83191010.....233	88671001 70
7028733 169, 185	8035487 253	83201102.....47	8880219-OM 159
7029432 169, 185, 197	8036629 453	8342813..... 17, 265, 655	8880220 159
7029520 113	80383231 303, 305	8360005..... 151	8880221 159
7029521 113	80383410 353, 355	8405006.....21, 431, 433	8881802 523, 529
7029690 93, 95, 97	80623016 413	8405102..... 133, 135	8904001 133
7029691 93, 95	806253 35	8405104..... 133	90027187 411
7029692 93, 103	806264 35	8405201..... 133	90027473 239
7029700 93, 95	80633030 415	8405204..... 147	90028488 13
7029705 93, 95	80673023 117	8406003.....491	90200003 89, 91
7029711 .. 93, 95, 97, 103	80963058 597	8406102..... 431, 433	90554016 93, 95
7029713 93, 95	80963062 550	8406112..... 117	90554017 ..93, 95, 97, 103
7029714 97, 103	80983191 548, 555	8410001..... 129, 131	90554020 93, 95, 97
7075611 70	82033997 .. 257, 287, 289	8410009..... 151, 303, 305	90554042 93, 95, 97
7082362 70, 654	8220007 553	8410011..... 137, 145	90554045 483, 485
7126182 70, 654	8220045 541, 555	8420227 133	90554062 103
7126662 70	8220051 ... 541, 550, 551	8420236..... 133	90554065 93, 95, 103
7139886 445, 447	8220081 555, 556	8430032..... 149, 415	90554076 103
7300032 70, 654	8220089 ... 555, 557, 591	8430068..... 153, 155	90554080 113
7300034 70, 654	8220115 548, 555	8430082..... 149	909304 59
7300518 70, 654	8220125 557	8466306..... 253	91043147 411
77133136 71, 409, 411	8220162 591	84712749..... 151	91143339 541
77133137 57, 71, 303, 305, 409, 411	8220164 565	8520001..... 413	91143340 556
77133279 303, 305	8223531 317	8522012..... 70	91143357 491, 655
77143016 497, 597	8229242 548, 555	8522031..... 70	91304025 383
77323029 57	8229243 548	8584003..... 413, 537	91403097 239
77383377 491	8229244 548, 555	85941016..... 523, 529	91403153 239
8001888 77	8229245 548	85941017..... 523	91403217 239
8001989 601	8229246 548	8642207..... 70	91403412 159
8001991 603	8275212 147	8642224..... 70	91404013 383
8002110 77	8303034 ... 253, 269, 271, 305, 317, 323, 325, 327, 361, 363, 523, 529, 627	86561311..... 365	91404016 383
8002789 43	8303114 399	86883327..... 21	91404326 383
8005670 620	8303739 75	8750042..... 317	91413036 303, 305
8005671 59	8303839 491	8769122.70, 75, 409, 411	91474507 169, 185
8005870 616, 620, 624	8305002 289	876912370, 75, 317, 409, 411	91474512. 167, 169, 185, 654
8010200 41	8305004 431, 433	8769128..... 70	91474532 183
8010204 41, 43	8305038 123	8769139..... 70	91474579 197
8010234 43	8305624 491	8770241..... 161	91474580 197
80204012 169, 185	8305626 411	8770248..... 149	91474584 169, 185
80204065 169	8305645 70, 411	8770296..... 149	91474585 199
80204111 173	8307024 ... 241, 243, 245, 247, 249, 251	88212229..... 399	91504028 383
80204117 . 169, 173, 185, 654	8307106 411	88261026..... 133	91504029 383
80204147 167	8307109 253	88261030..... 235	91513266 233
80204172 169, 185	8307110 411	88501010.....43, 47, 51	91514117 169
80204178 167	8307222 151	88501012.....31, 41, 43	91514118 233
80204213 183	8307904 70	88521205..... 253	91514188.. 165, 169, 181
80204281 173	8310053 253	88521206..... 235	91514189 169, 185
80233256 367	8310160 70	88521208.....75, 79, 445, 447	91514224 383
80233257 367	8310246 235	88521304..... 323, 357	91514272 313
80264138 383	8310297 ... 117, 119, 121, 123	88631566..... 497	91554014 548
80264139 383	8310420 137	88662480..... 149	91563136 23
80325 253	8310748 123	88662482..... 415	91563164 299
80333184 365, 367		88662523..... 387, 389	91563220.. 616, 620, 624
80334492 461		8866514....241, 243, 247, 251	91565064 299



31211319



An Oshkosh Corporation Company

Corporate Office
JLG Industries, Inc.
1 JLG Drive
McConnellsburg, PA 17233-9533 USA
☎ **(717) 485-5161 (Corporate)**
☎ **(877) 554-5438 (Customer Support)**
☎ **(717) 485-6417**

Visit our website for JLG Worldwide Locations.
www.jlg.com