



# Illustrated Parts Manual

***Models***

**800A**

**800AJ**

SN 0300069000  
through 0300140000

P/N  
3121176

August 31, 2018 - Rev AJ

**ANSI**

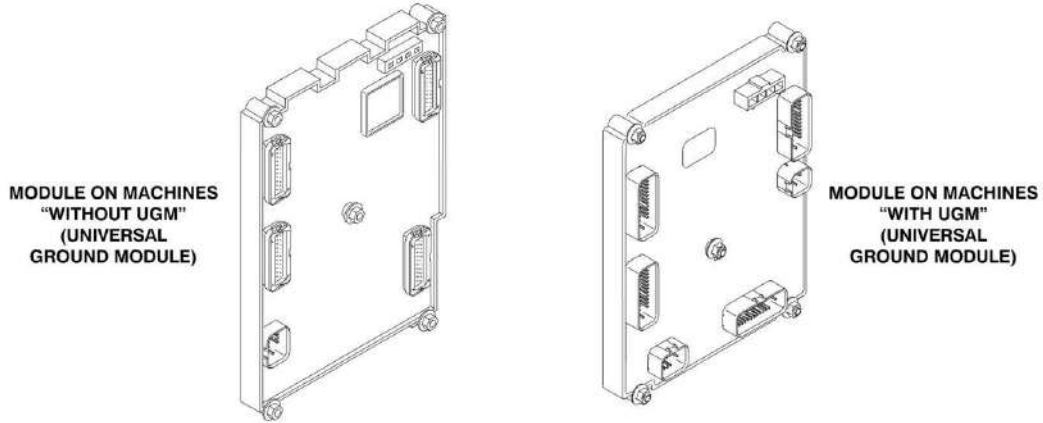


An Oshkosh Corporation Company



## REVISION LOG

### GROUND MODULE MODULE IDENTIFICATION

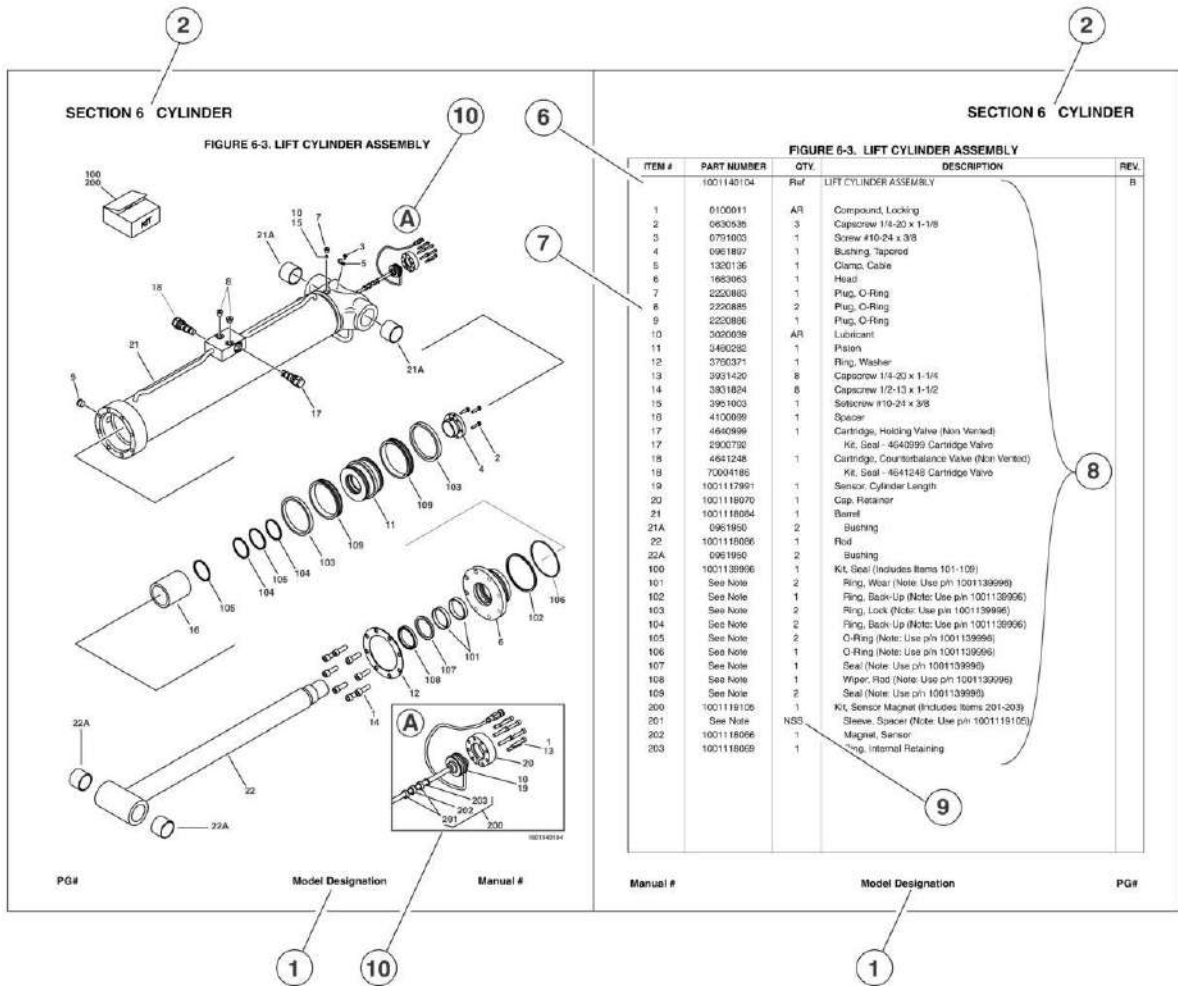


September 30, 2002 - A - Original Issue Of Manual (Manual edited to 0010580 Revision 21)  
February 7, 2003 - B - Revised (Manual edited to 0010580 Revision 30)  
June 30, 2003 - C - Revised (Manual edited to 0010580 Revision 45)  
October 14, 2003 - D - Revised (Manual edited to 0010580 Revision 49)  
February 10, 2004 - E - Revised (Manual edited to 0010580 Revision 49)  
June 8, 2004 - F - Revised (Manual edited to 0010580 Revision 58)  
October 19, 2004 - G - Revised (Manual edited to 0010580 Revision 64)  
March 14, 2005 - H - Revised (Manual edited to 0010580 Revision 71)  
July 15, 2005 - I - Revised (Manual edited to 0010580 Revision 74)  
January 31, 2006 - J - Revised (Manual edited to 0010580 Revision 81)  
May 31, 2006 - K - Revised (Manual edited to 0010580 Revision 88)  
September 25, 2006 - L - Revised (Manual edited to 0010580 Revision 92)  
April 17, 2007 - M - Revised (Manual edited to 0010580 Revision 101)  
July 30, 2007 - N - Revised (Manual edited to 0010580 Revision 103)  
December 7, 2007 - O - Revised (Manual edited to 0010580 Revision 105)  
March 15, 2008 - P - Revised (Manual edited to 0010580 Revision 106)  
November 28, 2008 - Q - Revised (Manual edited to 0010580 Revision 115)  
May 15, 2009 - R - Revised (Manual edited to 0010580 Revision 117)  
October 15, 2009 - S - Revised Manual (Manual edited to 0010580 Revision 135)  
April 15, 2010 - T - Revised Manual (Manual edited to 0010580 Revision 143)  
December 30, 2010 - U - Revised Manual (Manual edited to 0010580 Revision 153)  
April 27, 2011 - V - Revised Manual  
July 29, 2011 - W - Revised Manual  
October 21, 2011 - X - Revised Manual  
January 10, 2012 - Y - Revised Manual

## REVISION LOG

May 31, 2012 - Z - Revised Manual  
July 31, 2012 - AA - Revised Manual  
December 14, 2012 - AB - Revised Manual  
March 26, 2013 - AC - Revised Manual  
June 20, 2013 - AD - Revised Manual  
September 16, 2013 - AE - Revised Manual  
December 30, 2013 - AF - Revised Manual  
April 30, 2014 - AG - Revised Manual  
July 15, 2015 - AH - Revised Manual  
December 14, 2015 - AI - Revised Manual (Revision 2)  
August 31, 2018 - AJ - Revised Manual (Revision 1)

# GENERAL INFORMATION



## 1) MACHINE IDENTIFICATION

Machines are identified by model and in some cases a combination of models, serial number (SN) or regional standard (i.e ANS, CE, CSA). Components may also be identified by SN or manufacturer. common components that may be identified by these characteristics are engines and hydraulic components.

## 2) PARTS MANUAL ORGANIZATION

Product information in this manual is organized under section titles. Frame, Cylinder, Hydraulic and Electrical are a few examples. Each section is organized by figure and page number. The information within the Figure is then organized by item number, part number, description and corresponding illustration (s).

## 3) TABLE OF CONTENTS

A table of contents is found toward the beginning of the manual. Figure number, description and page number are provided for quick reference to the page containing the related information.

## 4) RECOMMENDED SPARE PARTS

The Recommended Spare Parts, located near the end of the manual, reference most frequently used maintenance parts.

## 5) PART NUMBER INDEX

A numerical index listing all part numbers and the corresponding page number(s) appears at the back of the manual.

## GENERAL INFORMATION

### 6) NON-SERVICED PARTS

In some instances, it is necessary to display non-serviced parts, assemblies or installations. In the case of assemblies and installations there will be a Ref in the Qty column. In case of parts that are not available for service within assemblies or components, there will be a NSS (Not Sold Separately) or NLA (No Longer Available) listed in the Qty. column of the manual.

### 7) PARTS LIST ITEM NUMBERS

Numbers shown in the item# column correspond to numbers used in the associated illustration (s). Item numbers which are missing from the sequence in the parts list are not used on that page

### 8) INDENTED PARTS DESCRIPTION

An indented part description is included in the item under which it is indented.

### 9) ABB REVIATION AND SYMBOLS

|              |   |               |                                     |
|--------------|---|---------------|-------------------------------------|
| AC.....      | .. Alternating Current                        | LCD .....     | Liquid Crystal Display              |
| ADE.....     | ..Advanced Design Electronics                 | LED .....     | Light Emitting Diodes               |
| ANSI .....   | ..American National Standards Institute       | LH.....       | .. Left Hand                        |
| AR.....      | ..As Required                                 | LSS .....     | ..Load Sensing System               |
| ASSY .....   | .. Assembly                                   | M(m).....     | ..Metric/Meter                      |
| AUX.....     | ..A uxiliary                                  | MM (mm) ..... | ..Milimeter                         |
| AWG.....     | ..American Wire Gauge                         | mA.....       | .. Miliamps                         |
| B/M.....     | .. Bill of Material                           | NLA.....      | ..No Longer Available               |
| CE.....      | ..European Conformity                         | NPT .....     | .. National Pipe Threads            |
| CCW .....    | ..Counter Clockwise                           | NSS .....     | ..Not Sold Separately               |
| cm.....      | ..Centimeter                                  | OD.....       | ..Outside Diameter                  |
| CW.....      | ..Clockwise                                   | ORB.....      | ..O-Ring Bos                        |
| CSA.....     | ..Canadian Standards Association              | ORFS.....     | ..O-Ring Face Seal                  |
| CYL.....     | ..Cylinder                                    | OZ (oz) ..... | ..Ounces                            |
| DIA.....     | ..Diameter                                    | PG .....      | ..Page                              |
| DC.....      | ..Direct Current                              | P/N.....      | ..Part Number                       |
| EMS .....    | ..Emergency Stop                              | qt.....       | ..Quarts                            |
| ENG .....    | ..Engine                                      | QTY.....      | ..Quantity                          |
| FT (ft)..... | ..Feet  | REF .....     | ..Reference                         |
| GA(Ga).....  | ..G auge                                      | REV .....     | ..Revision Level                    |
| HYD .....    | ..Hydraulic                                   | RH.....       | .. Right Hand                       |
| Hz.....      | ..Her tz                                      | SAE.....      | .. Society of Automotive E ngineers |
| ID.....      | ..Inside Diameter                             | SN.....       | ..Serial Number                     |
| in.....      | ..inches                                      | SPEC(S).....  | ..Specifications                    |
| ISO.....     | ..I nternational Organ ization for Stand ards | T/T.....      | ..T urntable                        |
| JIC.....     | ..Joint Industry Council                      | UGM .....     | ..Univ ersal G round Module         |
| KG .....     | ..Kilogram                                    | V.....        | ..Volts                             |
| L.....       | ..Liter                                       | W.....        | ..Watts                             |
| LB.....      | ..P ounds                                     | #.....        | ..Number                            |

### 10) ILLUSTRATION REFERENCE LETTERS

When necessary, illustrations may contain reference letters that are intended to track information (i. e. hoses, harnesses) from one point to another or to track visual enlargement of components to show details that may be located in another area on the illustration.

*Note: Due to continuous product improvements, JLG Industries, Inc. reserves the right to make specification changes without prior notification. Contact JLG Industries, Inc. for updated information.*

# TABLE OF CONTENTS

|  |     |
|--|-----|
| SECTION 1 - FRAME.....   | 11  |
| FIGURE 1-1. AXLE AND STEERING INSTALLATION.....  | 12  |
| FIGURE 1-2. TIRE AND WHEEL INSTALLATIONS.....  | 18  |
| FIGURE 1-3. DRIVE HUB ASSEMBLIES (SN 0300069000 through 0300083331).....   | 22  |
| FIGURE 1-4. DRIVE HUB ASSEMBLY (SN 0300083332 through 0300140000).....   | 26  |
| FIGURE 1-5. DRIVE MOTOR ASSEMBLY (SN 0300069000 through 0300083331).....   | 30  |
| FIGURE 1-6. DRIVE MOTOR ASSEMBLY (ORIGINAL EQUIPMENT) (4 BOLT ASSEMBLY) (SN 0300083332 through 0300140000).....  | 32  |
| FIGURE 1-7. DRIVE MOTOR ASSEMBLY (SERVICE REPLACEMENT) (5 BOLT ASSEMBLY) (SN 0300083332 through 0300140000)..... | 36  |
| FIGURE 1-8. DRIVE VALVES AND SHIELDS INSTALLATIONS (SN 0300069000 through 0300083331).....                       | 40  |
| FIGURE 1-9. DRIVE VALVES AND SHIELDS INSTALLATIONS (SN 0300083332 through 0300140000).....                       | 42  |
| FIGURE 1-10. TOW PACKAGE INSTALLATION (2WS ONLY).....  | 44  |
| SECTION 2 - TURNTABLE.....   | 47  |
| FIGURE 2-1. CONTROL VALVES AND HORN INSTALLATIONS.....   | 48  |
| FIGURE 2-2. MAIN CONTROL VALVE ASSEMBLY.....   | 52  |
| FIGURE 2-3. ACCESSORY VALVE ASSEMBLY.....  | 56  |
| FIGURE 2-4. AUXILIARY PUMP ASSEMBLY.....   | 58  |
| FIGURE 2-5. TURNTABLE BEARING AND SWING DRIVE INSTALLATION.....  | 62  |
| FIGURE 2-6. SWING MOTOR/HUB ASSEMBLY (SN 0300069000 through 0300134352).....                                     | 64  |
| FIGURE 2-7. SWING MOTOR/HUB ASSEMBLY (SN 0300134353 through 0300140000).....                                     | 70  |
| FIGURE 2-8. CATERPILLAR ENGINE INSTALLATION (SN 0300069000 through 0300139399).....                              | 74  |
| FIGURE 2-9. CATERPILLAR ENGINE INSTALLATION (SN 0300139400 through 0300140000).....                              | 84  |
| FIGURE 2-10. DEUTZ ENGINE INSTALLATION (SN 0300069000 through 0300077499).....                                   | 92  |
| FIGURE 2-11. DEUTZ ENGINE INSTALLATION (SN 0300077500 through 0300140000).....                                   | 98  |
| FIGURE 2-12. FORD ENGINE INSTALLATION - NON-UL SPEC MACHINES (SN 0300069000 through 0300077499).....             | 110 |
| FIGURE 2-13. FORD ENGINE INSTALLATION - UL MACHINES (SN 0300069000 through 0300077499).....                      | 116 |
| FIGURE 2-14. FORD ENGINE INSTALLATION (SN 0300077500 through 0300140000).....                                    | 122 |
| FIGURE 2-15. DUAL FUEL INSTALLATION (GAS MACHINES OPTIONS).....  | 128 |
| FIGURE 2-16. GM ENGINE INSTALLATION (SN 0300069000 through 0300140000).....                                      | 132 |
| FIGURE 2-17. PISTON PUMP ASSEMBLY.....   | 140 |
| FIGURE 2-18. TANK INSTALLATIONS.....   | 144 |
| FIGURE 2-19. ROTARY COUPLING INSTALLATION (SN 0300069000 through 0300083331).....                                | 148 |
| FIGURE 2-20. ROTARY COUPLING INSTALLATION (SN 0300083332 through 0300137974).....                                | 150 |
| FIGURE 2-21. ROTARY COUPLING INSTALLATION (SN 0300137975 through 0300140000).....                                | 154 |
| FIGURE 2-22. GROUND CONTROL BOX ASSEMBLY (WITHOUT UGM).....  | 158 |
| FIGURE 2-23. GROUND CONTROL BOX ASSEMBLY (WITH UGM).....   | 164 |
| FIGURE 2-24. ELECTRICAL OPTIONS INSTALLATION (TURNTABLE MOUNTED).....  | 168 |
| FIGURE 2-25. HOODS INSTALLATION (SN 0300069000 through 0300089981).....  | 172 |
| FIGURE 2-26. HOODS INSTALLATION (SN 0300089982 through 0300140000).....  | 176 |
| FIGURE 2-27. ENGINE TRAY JACK INSTALLATION (OPTIONAL).....   | 182 |
| FIGURE 2-28. 2500W GENERATOR INSTALLATION - CATERPILLAR MACHINES (OPTIONAL).....                                 | 184 |
| FIGURE 2-29. 2500W GENERATOR INSTALLATION - DEUTZ MACHINES (OPTIONAL).....                                       | 188 |
| FIGURE 2-30. 2500W GENERATOR INSTALLATION - FORD MACHINES (OPTIONAL) (SN 0300069000 through 0300077499).....     | 192 |
| FIGURE 2-31. 2500W GENERATOR INSTALLATION - FORD MACHINES (OPTIONAL) (SN 0300077500 through 0300140000).....     | 196 |
| FIGURE 2-32. 2500W GENERATOR INSTALLATION - GM MACHINES (OPTIONAL).....  | 200 |
| FIGURE 2-33. 7500W SKYPOWER GENERATOR INSTALLATION - CATERPILLAR AND DEUTZ MACHINES (ANSI AND CSA SPECS).....    | 204 |
| FIGURE 2-34. 7500W SKYPOWER GENERATOR INSTALLATION - FORD MACHINES (ANSI AND CSA SPECS).....                     | 210 |
| FIGURE 2-35. 7500W SKYPOWER GENERATOR INSTALLATION - GM MACHINES (ANSI AND CSA SPECS).....                       | 214 |
| SECTION 3 - BOOM.....  | 219 |
| FIGURE 3-1. BOOM AND CYLINDER INSTALLATION - 800A.....   | 220 |
| FIGURE 3-2. BOOM AND CYLINDER INSTALLATION - 800AJ.....  | 224 |
| FIGURE 3-3. TOWER BOOM ASSEMBLY.....   | 228 |
| FIGURE 3-4. MAIN BOOM ASSEMBLIES.....  | 232 |
| FIGURE 3-5. ROTATOR ASSEMBLY (FRONT ENTRY PLATFORM).....   | 236 |
| FIGURE 3-6. ROTATOR ASSEMBLY (SIDE ENTRY PLATFORM).....  | 240 |
| FIGURE 3-7. VALVE AND LIMIT SWITCH INSTALLATIONS (BOOM MOUNTED).....   | 242 |

# TABLE OF CONTENTS

|   |     |
|---|-----|
| SECTION 4 - PLATFORM.....   | 245 |
| FIGURE 4-1. PLATFORM COMPONENTS INSTALLATION (FRONT ENTRY PLATFORM).....                          | 246 |
| FIGURE 4-2. PLATFORM COMPONENTS INSTALLATION (SIDE ENTRY PLATFORM).....                           | 250 |
| FIGURE 4-3. PLATFORM COMPONENTS INSTALLATION (FALL ARREST PLATFORM).....                          | 254 |
| FIGURE 4-4. PLATFORM CONSOLE ASSEMBLY (SN 0300069000 through 0300137974).....                     | 256 |
| FIGURE 4-5. PLATFORM CONSOLE ASSEMBLY (SN 0300137975 through 0300140000).....                     | 262 |
| FIGURE 4-6. CONTROLLER ASSEMBLY (LIFT AND SWING).....   | 266 |
| FIGURE 4-7. CONTROLLER ASSEMBLY (LIFT AND SWING).....   | 268 |
| FIGURE 4-8. CONTROLLER ASSEMBLY (LIFT AND SWING).....   | 270 |
| FIGURE 4-9. CONTROLLER ASSEMBLY (DRIVE AND STEER).....  | 274 |
| FIGURE 4-10. CONTROLLER ASSEMBLY (DRIVE AND STEER).....   | 276 |
| FIGURE 4-11. CONTROLLER ASSEMBLY (DRIVE AND STEER).....   | 278 |
| FIGURE 4-12. SOFT TOUCH SYSTEM INSTALLATION (OPTIONAL).....                                       | 280 |
| SECTION 5 - CYLINDER.....   | 283 |
| FIGURE 5-1. AXLE LOCKOUT CYLINDER ASSEMBLY.....   | 284 |
| FIGURE 5-2. LEVEL CYLINDER ASSEMBLY - PLATFORM SLAVE.....   | 286 |
| FIGURE 5-3. LEVEL CYLINDER ASSEMBLY - PLATFORM SLAVE (800A ONLY) (SERVICE REPLACEMENT).....       | 290 |
| FIGURE 5-4. LEVEL CYLINDER ASSEMBLY - PLATFORM SLAVE (800AJ ONLY) (SERVICE REPLACEMENT).....      | 292 |
| FIGURE 5-5. LEVEL CYLINDER ASSEMBLY - UPRIGHT.....  | 294 |
| FIGURE 5-6. LEVEL CYLINDER ASSEMBLY - UPRIGHT (SERVICE REPLACEMENT).....                          | 296 |
| FIGURE 5-7. LIFT CYLINDER ASSEMBLY - JIB (800AJ ONLY) (ORIGINAL EQUIPMENT).....                   | 298 |
| FIGURE 5-8. LIFT CYLINDER ASSEMBLY - JIB (800AJ ONLY) (USAGE MAY VARY) (SERVICE REPLACEMENT)..... | 300 |
| FIGURE 5-9. LIFT CYLINDER ASSEMBLY - JIB (800AJ ONLY) (USAGE MAY VARY) (SERVICE REPLACEMENT)..... | 302 |
| FIGURE 5-10. LIFT CYLINDER ASSEMBLY - MAIN BOOM (ORIGINAL EQUIPMENT).....                         | 304 |
| FIGURE 5-11. LIFT CYLINDER ASSEMBLY - MAIN BOOM (SERVICE REPLACEMENT).....                        | 306 |
| FIGURE 5-12. LIFT CYLINDER ASSEMBLY - TOWER BOOM (ORIGINAL EQUIPMENT).....                        | 308 |
| FIGURE 5-13. LIFT CYLINDER ASSEMBLY - TOWER BOOM (SERVICE REPLACEMENT).....                       | 310 |
| FIGURE 5-14. MASTER CYLINDER ASSEMBLY - 800A (ORIGINAL EQUIPMENT).....                            | 312 |
| FIGURE 5-15. MASTER CYLINDER ASSEMBLY - 800A (SERVICE REPLACEMENT).....                           | 314 |
| FIGURE 5-16. MASTER CYLINDER ASSEMBLY - 800AJ (ORIGINAL EQUIPMENT).....                           | 316 |
| FIGURE 5-17. MASTER CYLINDER ASSEMBLY - 800AJ (SERVICE REPLACEMENT).....                          | 318 |
| FIGURE 5-18. STEER CYLINDER ASSEMBLY.....   | 320 |
| FIGURE 5-19. TELESCOPE CYLINDER ASSEMBLY - MAIN BOOM.....   | 322 |
| FIGURE 5-20. TELESCOPE CYLINDER ASSEMBLY - MAIN BOOM (800A) (SERVICE REPLACEMENT).....            | 324 |
| FIGURE 5-21. TELESCOPE CYLINDER ASSEMBLY - MAIN BOOM (800AJ) (SERVICE REPLACEMENT).....           | 326 |
| FIGURE 5-22. TELESCOPE CYLINDER ASSEMBLY - TOWER BOOM.....  | 328 |
| FIGURE 5-23. TELESCOPE CYLINDER ASSEMBLY - TOWER BOOM (SERVICE REPLACEMENT).....                  | 330 |
| SECTION 6 - HYDRAULIC.....  | 333 |
| FIGURE 6-1. AXLE LOCKOUT HYDRAULIC DIAGRAM.....   | 334 |
| FIGURE 6-2. DRIVE HYDRAULIC DIAGRAM - 2WD (SN 0300069000 through 0300083331).....                 | 336 |
| FIGURE 6-3. DRIVE HYDRAULIC DIAGRAM - 2WD (SN 0300083332 through 0300140000).....                 | 340 |
| FIGURE 6-4. DRIVE HYDRAULIC DIAGRAM - 4WD/2WS (SN 0300069000 through 0300083331).....             | 346 |
| FIGURE 6-5. DRIVE HYDRAULIC DIAGRAM - 4WD/2WS (SN 0300083332 through 0300140000).....             | 350 |
| FIGURE 6-6. STANDARD HYDRAULIC DIAGRAM (WITH FENNER AND HALDEX BRAND AUXILIARY PUMP).....         | 356 |
| FIGURE 6-7. STANDARD HYDRAULIC DIAGRAM (WITH BUCHER BRAND AUXILIARY PUMP).....                    | 360 |
| FIGURE 6-8. HYDRAULIC DIAGRAM LIST.....   | 364 |
| SECTION 7 - ELECTRICAL.....   | 367 |
| FIGURE 7-1. ELECTRICAL DIAGRAM LIST.....  | 368 |
| FIGURE 7-2. HARNESS COMPONENTS INSTALLATION WITHOUT UGM.....                                      | 370 |
| FIGURE 7-3. HARNESS COMPONENTS INSTALLATION WITH UGM.....   | 390 |
| SECTION 8 - DECALS.....   | 405 |
| FIGURE 8-1. DECAL INSTALLATION (ANSI SPEC) (SN 0300069000 through 0300089981).....                | 406 |
| FIGURE 8-2. DECAL INSTALLATION (ANSI SPEC) (SN 0300089982 through 0300140000).....                | 410 |
| FIGURE 8-3. DECAL INSTALLATION (COUNTRY SPEC) (SN 0300069000 through 0300089981).....             | 414 |
| FIGURE 8-4. DECAL INSTALLATION (COUNTRY SPEC) (SN 0300089982 through 0300140000).....             | 420 |
| SECTION 9 - RECOMMENDED SERVICE PARTS STOCK.....  | 427 |



# TABLE OF CONTENTS

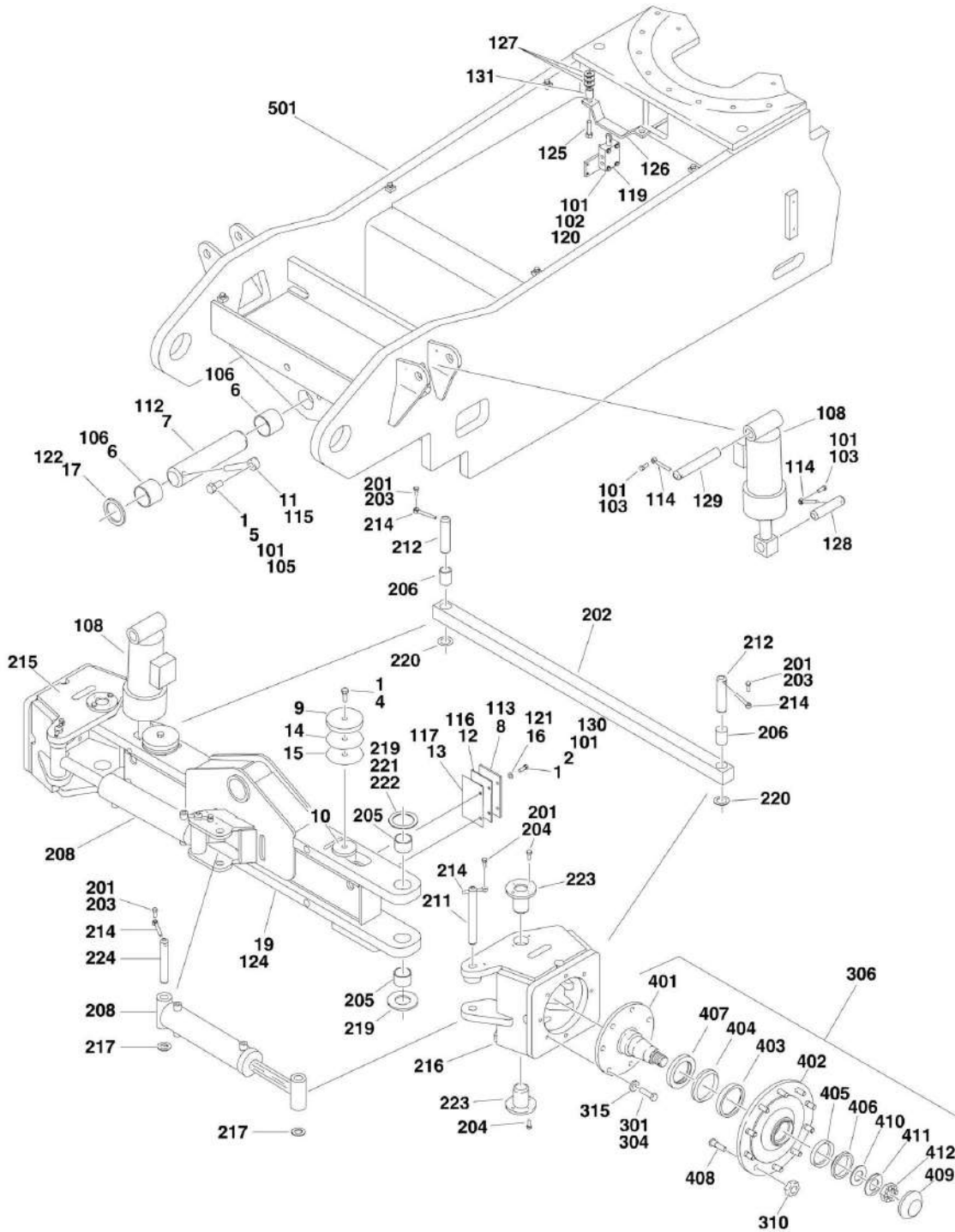
|   |     |
|---|-----|
| FIGURE 9-1. MODEL 800A/800AJ STANDARD PARTS ..... | 428 |
| FIGURE 9-2. MODEL 800A/800AJ VARIABLE PARTS ..... | 430 |
| SECTION 10 - SPECIAL OPTIONS .....                | 431 |
| FIGURE 10-1. SPECIAL OPTIONS.....                 | 432 |
| PART NUMBER INDEX .....                           | 439 |



**SECTION 1 - FRAME**

# SECTION 1 - FRAME

## FIGURE 1-1. AXLE AND STEERING INSTALLATION



# SECTION 1 - FRAME

## FIGURE 1-1. AXLE AND STEERING INSTALLATION

| ITEM | PART NUMBER | QTY | DESCRIPTION  | REV |
|------|-------------|-----|--|-----|
|      | 0258286     | Ref | <b>FIXED AXLE INSTALLATION</b>   | C   |
| 1    | 0100011     | AR  | Compound, Locking  |     |
| 2    | 0681608     | 4   | Bolt 3/8in-16NC x 1in (Grade 8)  |     |
| 4    | 0641820     | 2   | Bolt 1/2in-13NC x 2-1/2in  |     |
| 5    | 0642212     | 1   | Bolt 3/4in-10NC x 1-1/2in  |     |
| 6    | 0962102     | 2   | Bushing  |     |
| 7    | 3422703     | 1   | Pin, Axle Pivot  |     |
| 8    | 3538047     | 2   | Shim, Wear   |     |
| 9    | 3539877     | 2   | Plate, Stop  |     |
| 10   | 3539878     | 2   | Plate, Stop  |     |
| 11   | 3841287     | 1   | Keeper, Pin  |     |
| 12   | 4070878     | AR  | Shim 1/16in  |     |
| 13   | 4070879     | AR  | Shim 1/8in   |     |
| 14   | 4070944     | AR  | Shim 1/16in  |     |
| 15   | 4070945     | AR  | Shim 1/4in   |     |
| 16   | 4711600     | 4   | Flatwasher 3/8in Narrow  |     |
| 17   | 4740472     | 1   | Washer, Special  |     |
| 19   | 4845658     | 1   | Axle Weldment  |     |
|      |             | Ref | <b>OSCILLATING AXLE INSTALLATIONS</b>  |     |
|      | 0272269     | Ref | <b>Oscillating Axle without Tow Package (SN 0300069000 through 0300083331)</b> | A   |
|      | 0274264     | Ref | <b>Oscillating Axle without Tow Package (SN 0300083332 through 0300140000)</b> | B   |
|      | 0272655     | Ref | <b>Oscillating Axle with Tow Package (SN 0300069000 through 0300083331)</b>    | A   |
|      | 0274265     | Ref | <b>Oscillating Axle with Tow Package (SN 0300083332 through 0300140000)</b>    | B   |
| 101  | 0100011     | AR  | Compound, Locking  |     |
| 102  | 0641414     | 4   | Bolt 1/4in-20NC x 1-3/4in Only (SN 0300069000 through 0300083331)              |     |
| 103  | 0641608     | 4   | Bolt 3/8in-16NC x1in   |     |
| 105  | 0642212     | 1   | Bolt 3/4in-10NC x 1-1/2in  |     |
| 106  | 0962102     | 2   | Bushing  |     |
| 108  | 1683078     | 2   | Lockout Cylinder Assembly (See CYLINDER SECTION for Breakdown)                 |     |
| 112  | 3422703     | 1   | Pin, Main Pivot  |     |
| 113  | 3538047     | 2   | Shim, Axle Wear  |     |
| 114  | 3841143     | 4   | Shaft, Keeper 3/8in Dia x 3in  |     |
| 115  | 3841287     | 1   | Shaft, Keeper 3/8in Dia x 6in  |     |
| 116  | 4070878     | 2   | Shim, Axle Wear  |     |
| 117  | 4070879     | 2   | Shim, Axle Wear  |     |
| 119  | 4640871     | 1   | Valve, Lockout Only (SN 0300069000 through 0300083331)                         |     |
| 119  | 7012693     | 1   | Seal Kit - 4640871 Valve   |     |
| 119  | 7002840     | 1   | Pin Removal Tool   |     |
| 120  | 4711400     | 4   | Flatwasher 1/4in Narrow Only (SN 0300069000 through 0300083331)                |     |
| 121  | 4711600     | 4   | Flatwasher 3/8in Narrow  |     |
| 122  | 4740472     | 1   | Washer, Special  |     |
| 124  |             | Ref | Axle Weldment Options:   |     |
| 124  | 4845658     | 1   | Axle without Tow Package   |     |
| 124  | 4846413     | 1   | Axle with Tow Package  |     |

# SECTION 1 - FRAME

| ITEM | PART NUMBER | QTY | DESCRIPTION   | REV |
|------|-------------|-----|---|-----|
| 125  | 0641816     | 2   | Bolt 1/2in-13NC x 2in Only (SN 0300069000 through 0300083331)   |     |
| 126  | 1100086     | 1   | Plate, Cam Lockout Only (SN 0300069000 through 0300083331)  |     |
| 127  | 4751800     | 4   | Flatwasher 1/2in Only (SN 0300069000 through 0300083331)  |     |
| 128  | 3422702     | 2   | Pin   |     |
| 129  | 3422755     | 2   | Pin   |     |
| 130  | 0681608     | 4   | Bolt 3/8in-16NC x 1in (Grade 8)   |     |
| 131  | 4568514     | 2   | Spacer, Tube (SN 0300069000 through 0300083331)   |     |
|      |             | Ref | <b>STEERING INSTALLATIONS</b>   |     |
|      |             | Ref | <b>2WS</b>  |     |
|      | 0258287     | Ref | Steering Installations (SN 0300069000 through 0300069774)   | F   |
|      | 0272003     | Ref | Steering Installations (SN 0300069775 through 0300140000)   | B   |
|      |             | Ref | <b>4WS (Rear Steering Typical / Double Qty Listed for 4WS)</b>  |     |
|      | 0258909     | Ref | Steering Installations (SN 0300069000 through 03000132175)  | C   |
|      | 1001100156  | Ref | Steering Installations (SN 0300132176 through 0300140000)   | B   |
|      | 1001137261  | Ref | <b>King Pin Kit</b>   | A   |
|      |             | Ref | <b>Note: Before ordering king pin kit, verify that machines is equipped with the original components (king pin with 4 bolt holes) or service kit components (king pin with 8 bolt holes).</b> |     |
|      |             | Ref | <b>- If the king pin hole in the axle measurement exceeds 2.252in OD or is elongated, use King Pin Kit p/n 1001137261.</b>  |     |
|      |             | Ref | <b>Note: See Tow Package Installation for Steering Components on Machines with Tow Option.</b>  |     |
| 201  | 0100011     | AR  | Compound, Locking   |     |
| 202  | 0362726     | 1   | Tie-Rod   |     |
| 203  | 0641608     | 6   | Bolt 3/8in-16NC x 1in   |     |
| 204  |             | Ref | Bolt Options:   |     |
| 204  |             | Ref | Bolt 2WS  |     |
| 204  | 0641608     | 8   | Bolt (3/8in-16NC x 1in) (SN 0300069000 through 0300069774)  |     |
| 204  | 0641810     | 16  | Bolt (1/2in-13NC x 1-1/4in) (SN 0300069775 through 0300140000)  |     |
| 204  |             | Ref | Bolt 4WS  |     |
| 204  | 0641608     | 8   | Bolt (3/8in-16NC x 1in) (SN 0300069000 through 0300132175)  |     |
| 204  | 0641810     | 16  | Bolt (1/2in-13NC x 1-1/4in) (SN 0300132176 through 0300140000)  |     |
| 205  |             | Ref | Bearing Options:  |     |
| 205  |             | Ref | Bearing 2WS   |     |
| 205  | 0962224     | 4   | Bearing (SN 0300069000 through 0300069774)  |     |
| 205  | 0962448     | 4   | Bearing (SN 0300069775 through 0300140000)  |     |
| 205  |             | Ref | Bearing 4WS   |     |
| 205  | 0962224     | 4   | Bearing (SN 0300069000 through 0300132175)  |     |
| 205  | 0962448     | 4   | Bearing (SN 0300132176 through 0300140000)  |     |
| 206  | 0962152     | 2   | Bearing   |     |
| 208  | 1683740     | 2   | Steer Cylinder Assembly (See CYLINDER SECTION for Breakdown)  |     |
| 211  | 3422701     | 2   | Pin, Steer, Spindle Attach  |     |
| 212  | 3422702     | 2   | Pin, Tie-Rod  |     |
| 214  | 3841143     | 6   | Shaft, Keeper 3/8in x 3in   |     |
| 215  |             | Ref | Spindle Weldment (Right Side) Options:  |     |
| 215  |             | Ref | Spindle Weldment (Right Side) 2WS   |     |
| 215  | 4130357     | 1   | Spindle Weldment (Right Side) (SN 0300069000 through  |     |

## SECTION 1 - FRAME

| ITEM | PART NUMBER | QTY | DESCRIPTION  | REV |
|------|-------------|-----|--|-----|
| 215  | 4130389     | 1   | <b>0300069774)</b><br>Spindle Weldment (Right Side) (SN 0300069775 through 0300140000) |     |
| 215  |             | Ref | Spindle Weldment (Right Side) 4WS  |     |
| 215  | 4130357     | 1   | Spindle Weldment (Right Side) (SN 0300069000 through 0300132175)                       |     |
| 215  | 4130389     | 1   | Spindle Weldment (Right Side) (SN 0300132176 through 0300140000)                       |     |
| 216  |             | Ref | Spindle Weldment (Left Side) Options:  |     |
| 216  |             | Ref | Spindle Weldment (Left Side) 2WS   |     |
| 216  | 4130358     | 1   | Spindle Weldment (Left Side) (SN 0300069000 through 0300069774)                        |     |
| 216  | 4130390     | 1   | Spindle Weldment (Left Side) (SN 0300069775 through 0300140000)                        |     |
| 216  |             | Ref | Spindle Weldment (Left Side) 4WS   |     |
| 216  | 4130358     | 1   | Spindle Weldment (Left Side) (SN 0300069000 through 0300132175)                        |     |
| 216  | 4130390     | 1   | Spindle Weldment (Left Side) (SN 0300132176 through 0300140000)                        |     |
| 217  | 4740111     | 4   | Washer, Special  |     |
| 219  | 4740463     | AR  | Washer, Thrust (.250in)  |     |
| 220  | 4740473     | 2   | Washer, Special  |     |
| 221  | 1001103810  | AR  | Washer, Thrust (.187in)  |     |
| 222  | 4740256     | AR  | Washer, Thrust (.125in)  |     |
| 223  |             | Ref | Kingpin Options:   |     |
| 223  |             | Ref | Kingpin 2WS  |     |
| 223  | 3422753     | 4   | Kingpin (SN 0300069000 through 0300069774)   |     |
| 223  | 3422972     | 4   | Kingpin (SN 0300069775 through 0300140000)   |     |
| 223  |             | Ref | Kingpin 4WS  |     |
| 223  | 3422753     | 4   | Kingpin (SN 0300069000 through 0300132175)   |     |
| 223  | 3422972     | 4   | Kingpin (SN 0300132176 through 0300140000)   |     |
| 224  | 3422754     | 2   | Pin, Attach  |     |
|      |             | Ref | <b>HUB INSTALLATION (2WD ONLY)</b>   |     |
|      | 0270209     | Ref | Hub Installation (2WD Only) (SN 0300069000 through 0300083331)                         | B   |
|      | 0273378     | Ref | Hub Installation (2WD Only) (SN 0300083332 through 0300140000)                         | D   |
| 301  | 0100011     | AR  | Compound, Locking  |     |
| 304  | 0682016     | 16  | Bolt 5/8in-16NC x 2in (Grade 8)  |     |
| 306  | 2780229     | 2   | Hub Assembly (See Items 401-412 for Breakdown)   |     |
| 310  | 3300007     | 20  | Lugnut   |     |
| 315  | 4892000     | 16  | Flatwasher 5/8in Hardened  |     |
|      | 2780229     | Ref | <b>HUB ASSEMBLY (2WD ONLY)</b>   | A   |
| 401  | 7017052     | 2   | Spindle (1 per Assembly)   |     |
| 402  | 7017053     | 2   | Housing (1 per Assembly)   |     |
| 403  | 7010404     | 2   | Cup, Bearing - Inner (1 per Assembly)  |     |
| 404  | 7010405     | 2   | Cone, Bearing - Inner (1 per Assembly)   |     |
| 405  | 7017056     | 2   | Cup, Bearing - Outer (1 per Assembly)  |     |
| 406  | 7017055     | 2   | Cone, Bearing - Outer (1 per Assembly)   |     |
| 407  | 7010406     | 2   | Seal, Lip (1 per Assembly)   |     |
| 408  | 7000265     | 20  | Stud (10 per Assembly)   |     |
| 409  | 7017054     | 2   | Dust Cap (1 per Assembly)  |     |
| 410  | 7017051     | 2   | Washer, Special (1 per Assembly)   |     |

## SECTION 1 - FRAME

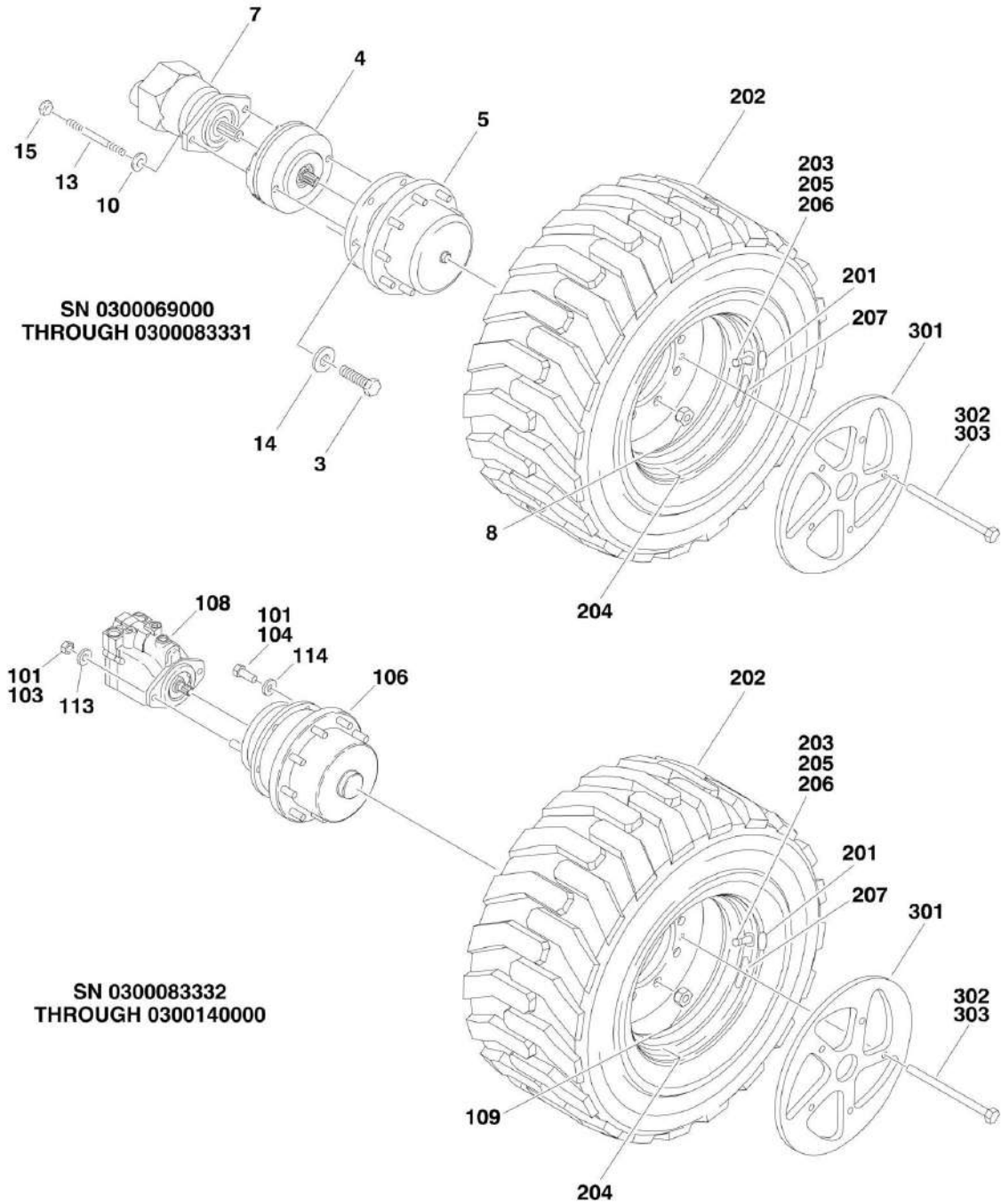
| ITEM | PART NUMBER | QTY | DESCRIPTION   | REV |
|------|-------------|-----|---|-----|
| 411  | 7017057     | 2   | Washer, Tanged (1 per Assembly)                                     |     |
| 412  | 7017058     | 2   | Nut, Bearing (1 per Assembly)                                       |     |
| 501  |             | Ref | <b>FRAME WELDMENT OPTIONS:</b>                                      |     |
| 501  |             | Ref | <b>All Specs except CSA Spec</b>                                    |     |
| 501  |             | Ref | <b>Frame Weldment (SN 0300069000 through 0300083331)</b>            |     |
| 501  | 2360600     | Ref | 2WD/2WS with Pneumatic Tires  |     |
| 501  | 2360601     | Ref | 2WD/2WS with Foam-Filled Tires                                      |     |
| 501  | 2360602     | Ref | 4WD/2WS with Pneumatic Tires  |     |
| 501  | 2360603     | Ref | 4WD/2WS with Foam-Filled Tires                                      |     |
| 501  | 2360592     | Ref | 4WD/4WS with Pneumatic Tires  |     |
| 501  | 2360591     | Ref | 4WD/4WS with Foam-Filled Tires                                      |     |
| 501  |             | Ref | <b>Frame Weldment (SN 0300083332 through 0300140000)</b>            |     |
| 501  | 2360638     | NLA | 2WD/2WS with Pneumatic Tires (Use p/n 2360644)                      |     |
| 501  | 2360639     | NLA | 2WD/2WS with Foam-Filled Tires (Use p/n 2360645)                    |     |
| 501  | 2360640     | NLA | 4WD/2WS with Pneumatic Tires (Use p/n 2360646)                      |     |
| 501  | 2360641     | NLA | 4WD/2WS with Foam-Filled Tires (Use p/n 2360647)                    |     |
| 501  | 2360642     | NLA | 4WD/4WS with Pneumatic Tires (Use p/n 2360686)                      |     |
| 501  | 2360643     | NLA | 4WD/4WS with Foam-Filled Tires (Use p/n 2360709)                    |     |
| 501  |             | Ref | <b>CSA Spec - Frame Weldment</b>                                    |     |
| 501  |             | Ref | <b>CSA Spec - Frame Weldment (SN 0300069000 through 0300083331)</b> |     |
| 501  | 2360609     | Ref | 2WD/2WS with Pneumatic Tires  |     |
| 501  | 2360610     | Ref | 2WD/2WS with Foam-Filled Tires                                      |     |
| 501  | 2360611     | Ref | 4WD/2WS with Pneumatic Tires  |     |
| 501  | 2360612     | Ref | 4WD/2WS with Foam-Filled Tires                                      |     |
| 501  | 2360570     | Ref | 4WD/4WS with Pneumatic Tires  |     |
| 501  | 2360708     | Ref | 4WD/4WS with Foam-Filled Tires                                      |     |
| 501  |             | Ref | <b>CSA Spec - Frame Weldment (SN 0300083332 through 0300140000)</b> |     |
| 501  | 2360644     | Ref | 2WD/2WS with Pneumatic Tires  |     |
| 501  | 2360645     | Ref | 2WD/2WS with Foam-Filled Tires                                      |     |
| 501  | 2360646     | Ref | 4WD/2WS with Pneumatic Tires  |     |
| 501  | 2360647     | Ref | 4WD/2WS with Foam-Filled Tires                                      |     |
| 501  | 2360686     | Ref | 4WD/4WS with Pneumatic Tires  |     |
| 501  | 2360709     | Ref | 4WD/4WS with Foam-Filled Tires                                      |     |





# SECTION 1 - FRAME

## FIGURE 1-2. TIRE AND WHEEL INSTALLATIONS



# SECTION 1 - FRAME

## FIGURE 1-2. TIRE AND WHEEL INSTALLATIONS

| ITEM | PART NUMBER | QTY | DESCRIPTION  | REV |
|------|-------------|-----|--|-----|
|      |             | Ref | <b>WHEEL DRIVE INSTALLATIONS (SN 0300069000 through 0300083331)</b>  |     |
|      | 0270209     | Ref | <b>Wheel Drive Installations 2WD/2WS</b>   | B   |
|      | 0270210     | Ref | <b>Wheel Drive Installations 4WD/2WS</b>   | B   |
|      | 0270211     | Ref | <b>Wheel Drive Installations 4WD/4WS</b>   | B   |
|      |             | Ref | <b>Note: 2WD Qty Shown. For 4WD, Double Qty Shown.</b>   |     |
| 3    | 0682016     | 16  | Bolt 5/8in-11NC x 2in (Grade 8)  |     |
| 4    | 0920117     | NLA | Drive Brake Assembly (Use p/n 0920119)   |     |
| 4    | 7018612     | 1   | Repair Kit (Includes Case Seal, Piston Inner and Outer O-Rings and Back-up Rings, Stator Disc, Rotor Disc, Return Plate, Springs, Oil Seal, Bearing, 2 Retaining Rings and 2 Mounting Face Gaskets) (1 Per Assembly)                           |     |
| 4    | 7000731     | 2   | Gasket, Mounting Face (2 Per Assembly)   |     |
| 4    | 7007990     | 1   | O-Ring, Mounting (1 Per Assembly) (0920119 Brake)  |     |
|      |             | Ref | <b>Note: No Other Parts Available.</b>   |     |
| 5    |             | Ref | Drive Hub Assembly Options: (See DRIVE HUB ASSEMBLIES for Breakdown)   |     |
| 5    | 2780227     | 2   | Drive Hub Assembly 2WD   |     |
| 5    | 2780228     | 2   | Drive Hub Assembly 4WD   |     |
| 7    | 3160204     | 2   | Drive Motor Assembly (See DRIVE MOTOR ASSEMBLY for Breakdown)  |     |
| 8    | 3300007     | 20  | Nut, Wheel   |     |
| 10   | 4300097     | 4   | Stud   |     |
| 13   | 4891800     | 4   | Flatwasher 1/2in   |     |
| 15   | 3311801     | 4   | Nut 1/2in-13 NC  |     |
|      |             | Ref | <b>WHEEL DRIVE INSTALLATION (SN 0300083332 through 0300140000)</b>   |     |
|      | 0273378     | Ref | <b>Wheel Drive Installation 2WD/2WS</b>  | E   |
|      | 0273704     | Ref | <b>Wheel Drive Installation 4WD/2WS</b>  | D   |
|      | 0274232     | Ref | <b>Wheel Drive Installation 4WD/4WS</b>  | D   |
|      |             | Ref | <b>Note: 2WD Qty Shown. For 4WD, Double Qty Shown.</b>   |     |
| 101  | 0100011     | AR  | Compound, Locking  |     |
| 103  | 3311801     | 4   | Nut 1/2in-13 NC  |     |
| 104  | 0682016     | 16  | Bolt 5/8in-11NC x 2in (Grade 8)  |     |
| 105  | 2300016     | AR  | Fluid, Hydraulic (Not Shown)   |     |
| 106  | 2780272     | 2   | Drive Hub Assembly (See DRIVE HUB ASSEMBLY for Breakdown)  |     |
| 107  | 3020008     | AR  | Lubricant (Not Shown)  |     |
| 108  |             | Ref | Drive Motor Assembly Options:  |     |
| 108  | 3160308     | NLA | 2WD Rear (SN 0300083332 to SN 0300098924) Use p/n 3160347 - See DRIVE MOTOR ASSEMBLY (ORIGINAL EQUIPMENT) for Breakdown (SN 0300098925 to SN 0300140000) p/n 3160347 - See DRIVE MOTOR ASSEMBLY (SERVICE REPLACEMENT) for Breakdown)           |     |
| 108  | 3160266     | NLA | 4WD Front and Rear (SN 0300083332 to SN 0300098643) Use p/n 3160348 - See DRIVE MOTOR ASSEMBLY (ORIGINAL EQUIPMENT) for Breakdown (SN 0300098644 to SN 0300140000) p/n 3160348 - See DRIVE MOTOR ASSEMBLY (SERVICE REPLACEMENT) for Breakdown) |     |
| 109  | 3300007     | 20  | Nut, Wheel   |     |
| 113  | 4891800     | 4   | Flatwasher, 1/2in Hardened   |     |
| 114  | 4892000     | 16  | Flatwasher, 5/8in Hardened   |     |
|      |             | Ref | <b>TIRE AND WHEEL INSTALLATIONS</b>  |     |

# SECTION 1 - FRAME

| ITEM | PART NUMBER | QTY | DESCRIPTION   | REV |
|------|-------------|-----|---|-----|
|      | 0270885     | Ref | <b>15-625 Pneumatic</b>   | A   |
|      | 0272322     | Ref | <b>15-625 Pneumatic W/Sealant</b>   | 1   |
|      | 0270886     | Ref | <b>15-625 Foam-Filled</b>   | A   |
|      | 0258398     | Ref | <b>IN445/55D19.5 (18 x 19.5) Pneumatic</b>  | A   |
|      | 0274270     | Ref | <b>IN445/55D19.5 (18 x 19.5) Pneumatic W/Sealant</b>  | 1   |
|      | 0270888     | Ref | <b>18-625 Foam-Filled</b>   | A   |
|      | 0258399     | Ref | <b>IN445/55D19.5 Foam-Filled</b>  | B   |
|      | 0274177     | Ref | <b>IN385/65D19.5 Foam-Filled</b>  | A   |
|      | 0271083     | 2   | 15-625 Pneumatic Left Side  |     |
|      | 0272334     | 2   | 15-625 Pneumatic/TS Left Side   |     |
|      | 0271084     | 2   | 15-625 Pneumatic Right Side   |     |
|      | 0272333     | 2   | 15-625 Pneumatic/TS Right Side  |     |
|      | 0271085     | 2   | 15-625 Foam-Filled Left Side  |     |
|      | 0271086     | 2   | 15-625 Foam-Filled Right Side   |     |
|      | 0258330     | 2   | IN445/55D19.5 (18 x 19.5) Pneumatic Left Side   |     |
|      | 0258331     | 2   | IN445/55D19.5 (18 x 19.5) Pneumatic Right Side  |     |
|      | 4520354     | 2   | IN445/55D19.5 (18 x 19.5) Pneumatic/TS Left Side  |     |
|      | 4520353     | 2   | IN445/55D19.5 (18 x 19.5) Pneumatic/TS Right Side   |     |
|      | 0258333     | 2   | IN445/55D19.5 Foam-Filled Left Side   |     |
|      | 0258334     | 2   | IN445/55D19.5 Foam-Filled Right Side  |     |
|      | 4520348     | 2   | IN385/65D19.5 Non-Marking Foam-Filled Left Side   |     |
|      | 4520347     | 2   | IN385/65D19.5 Non-Marking Foam-Filled Right Side  |     |
|      | 0271090     | 2   | 18-625 Foam-Filled Left Side  |     |
|      | 0271091     | 2   | 18-625 Foam-Filled Right Side   |     |
|      |             | Ref | <b>Note: Assemblies may require ballast/foam filling to manufacturer's specifications prior to installing on a machine. Refer to Operation and Safety or Service and Maintenance Manuals. Purchase individual tire and/or rim only if able to foam fill tire and wheel assembly, otherwise, purchase complete assembly.</b> |     |
| 201  |             | Ref | Decal Options:  |     |
| 201  | 1702701     | 1   | 95 PSI IN385/65D19.5 (15 x 19.5 Tires)  |     |
| 201  | 1702739     | 1   | 85 PSI IN445/55D19.5 (18 x 19.5 Tires)  |     |
| 202  |             | Ref | Tire Options:   |     |
| 202  | 4520204     | 1   | IN385/65D19.5 (15 x 19.5)   |     |
| 202  | 4520242     | 1   | IN385/65D19.5 Non-Marking (15 x 19.5)   |     |
| 202  | 4520252     | 1   | 15-625  |     |
| 202  | 4520205     | 1   | IN445/55D19.5 (18 x 19.5)   |     |
| 202  | 4520253     | 1   | 18.625  |     |
| 203  | 4640113     | 1   | Valve, Air  |     |
| 204  |             | Ref | Rim, Wheel Options:   |     |
| 204  | 4860148     | 1   | 11.75 x 19.5  |     |
| 204  | 4860224     | 1   | 13 x 24.5   |     |
| 204  | 4860188     | 1   | 14 x 19.5   |     |
| 204  | 4860225     | 1   | 15 x 24.5   |     |
| 205  | 1120552     | 1   | Cap Valve Stem (Green) (With Sealant Only)  |     |
| 206  | 1300019     | AR  | Chemical, Tire Sealant (Green) (With Sealant Only)  |     |
| 207  | 1705364     | 1   | Decal - Tire Sealant (With Sealant Only)  |     |
|      | 0256196     | Ref | <b>WHEEL COVER INSTALLATION (OPTIONAL)</b>  | 2-A |
| 301  | 1670776     | 4   | Cover, Wheel  |     |
| 302  | 0641550     | 20  | Bolt 5/16in - 18NC x 6-1/4in  |     |
| 303  | 0100011     | AR  | Compound, Locking   |     |





# SECTION 1 - FRAME

**FIGURE 1-3. DRIVE HUB ASSEMBLIES (SN 0300069000 through 0300083331)**

| ITEM | PART NUMBER | QTY | DESCRIPTION   | REV |
|------|-------------|-----|---|-----|
|      | 2780227     | Ref | <b>DRIVE HUB ASSEMBLY (2WD)</b>   | A   |
|      | 2780228     | Ref | <b>DRIVE HUB ASSEMBLY (4WD)</b>   | D   |
| 1    | See Note    | NSS | Spindle/Housing Assembly (Note: Not Available - Purchase Individual Components) |     |
| 1A   | 7010464     | 1   | Spindle   |     |
| 1B   | 7000236     | 1   | Seal  |     |
| 1C   | 7000273     | 1   | Cone, Bearing   |     |
| 1D   | 7000272     | 1   | Cup, Bearing  |     |
| 1E   | 7000275     | 1   | Cone, Bearing   |     |
| 1F   | 7000274     | 1   | Cup, Bearing  |     |
| 1G   | 7017033     | 1   | Housing   |     |
| 1H   | 7000239     | 1   | Washer, Thrust  |     |
| 1I   | 7000240     | 1   | Ring, Retaining   |     |
| 1J   | 7001928     | 1   | Plug, Pipe  |     |
| 1N   | 7000265     | 10  | Stud, Wheel   |     |
| 2    | 7017034     | 1   | Gear, Ring  |     |
| 3    | See Note    | NLA | Carrier Assembly (Note: Not Available - Use p/n 7024145)                        |     |
| 3A   | 7017036     | NLA | Carrier (use p/n 7024145)   |     |
| 3B   | 7001901     | 6   | Thrustwasher, Tanged  |     |
| 3C   | 7001902     | 96  | Bearing, Needle   |     |
| 3D   | 7001903     | 3   | Spacer, Thrust  |     |
| 3E   | 7017040     | 3   | Shaft, Planet   |     |
| 3F   | 7017037     | 3   | Gear, Cluster   |     |
| 3G   | 7001906     | 3   | Roll Pin  |     |
| 4    | 7017035     | 1   | Gear, Internal  |     |
| 5    | 7000224     | 2   | O-Ring  |     |
| 6    | See Note    | NSS | Cover Assembly (Note: Not Available - Purchase Individual Components)           |     |
| 6A   | 7024155     | 1   | Cover   |     |
| 6B   | 7017042     | 1   | Cap   |     |
| 6C   | 7000220     | 4   | Bolt 1/4in-20NC x 3/4in   |     |
| 6D   | 7000231     | 1   | Cap, Disengage  |     |
| 6E   | 7000235     | 1   | Rod, Disengage  |     |
| 6F   | 7000213     | 1   | O-Ring  |     |
| 6G   | 7000238     | 1   | O-Ring  |     |
| 6H   | 7017048     | 1   | Plug, Pipe  |     |
| 7    | 7000282     | 2   | Thrustwasher  |     |
| 8    | 7000283     | 1   | O-Ring  |     |
| 9    | 7000284     | 1   | Ring, Retaining   |     |
| 10   | 7017027     | 1   | Ring, Retaining   |     |
| 11   |             | Ref | Shaft, Input Options:   |     |
| 11   | 7017039     | 1   | Shaft, Input 2WD  |     |
| 11   | 7017044     | 1   | Shaft, Input 4WD  |     |
| 12   |             | Ref | Spacer, Input Options:  |     |
| 12   | 7017041     | 1   | Spacer, Input 2WD   |     |
| 12   | 7017045     | 1   | Spacer, Input 4WD   |     |
| 13   |             | Ref | Gear, Sun Options:  |     |
| 13   | 7017038     | 1   | Gear, Sun 2WD   |     |
| 13   | 7017043     | 1   | Gear, Sun 4WD   |     |
| 14   |             | Ref | Spacer, Input Options:  |     |

## SECTION 1 - FRAME

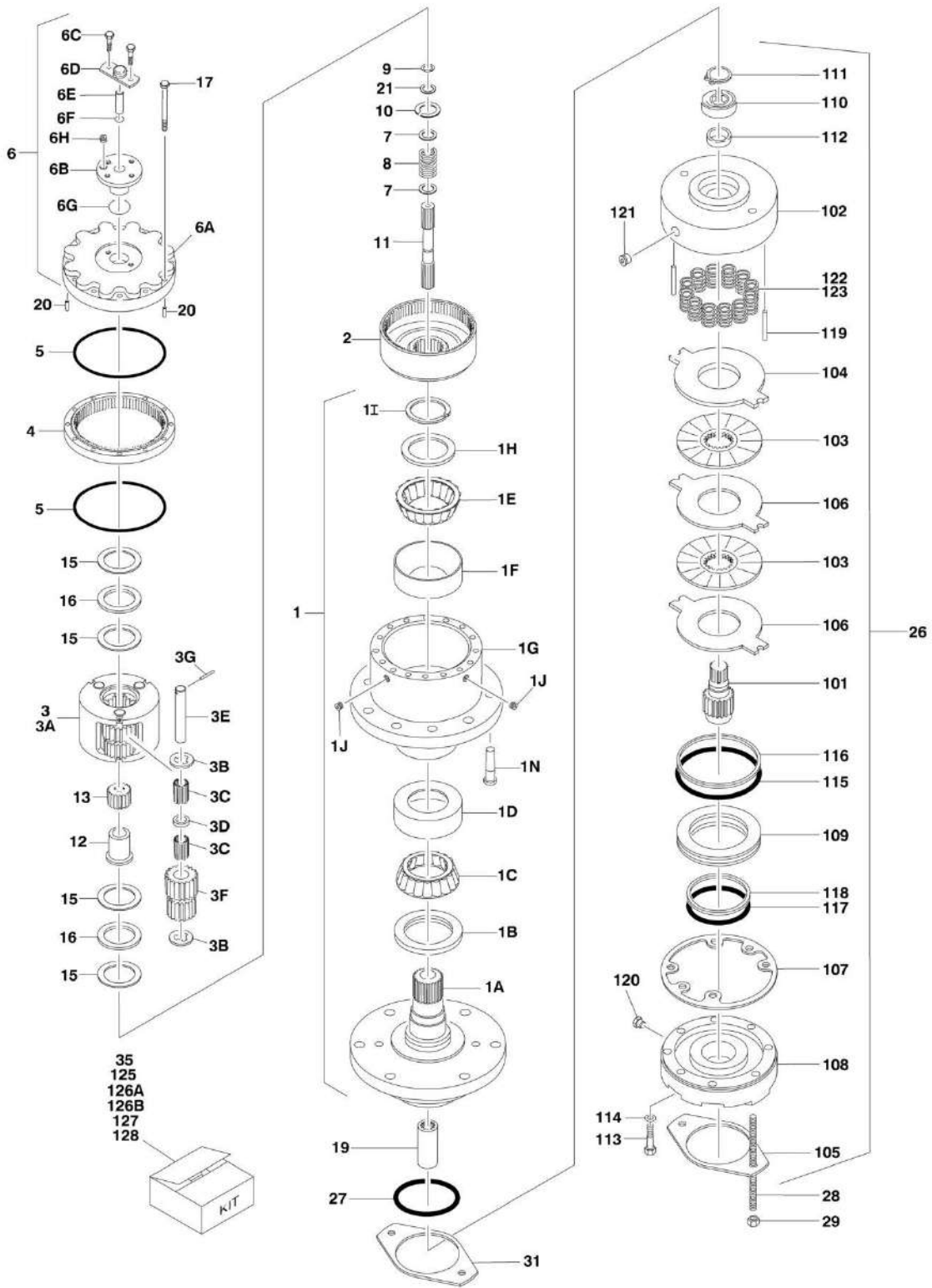
| ITEM | PART NUMBER  | QTY | DESCRIPTION  | REV |
|------|--------------|-----|--|-----|
| 14   | Not Required | 0   | Spacer, Input 2WD                                    |     |
| 14   | 7017046      | 1   | Spacer, Input 4WD                                    |     |
| 15   | 7000287      | 4   | Thrustwasher   |     |
| 16   | 7000288      | 2   | Thrustwasher   |     |
| 17   | 7000289      | 12  | Bolt 3/8in-16NC x 2-1/2in (Grade 8)                  |     |
| 19   | 7000290      | 1   | Coupling   |     |
| 20   | 7017047      | 2   | Pin, Dowel   |     |
| 21   |              | Ref | Thrustwasher Options:                                |     |
| 21   | 7017050      | 1   | Thrustwasher 2WD                                     |     |
| 21   | Not Required | 0   | Thrustwasher 4WD                                     |     |
| 25   | 7017068      | 1   | Seal Kit (Includes Items 1B, 1I, 5, 6F, 6G, 15 & 16) |     |





# SECTION 1 - FRAME

FIGURE 1-4. DRIVE HUB ASSEMBLY (SN 0300083332 through 0300140000)



## SECTION 1 - FRAME

**FIGURE 1-4. DRIVE HUB ASSEMBLY (SN 0300083332 through 0300140000)**

| ITEM | PART NUMBER | QTY | DESCRIPTION   | REV |
|------|-------------|-----|---|-----|
|      | 2780272     | Ref | <b>DRIVE HUB/BRAKE ASSEMBLY</b>   | B   |
|      | 2780227     | Ref | Hub Assembly  | A   |
| 1    | See Note    | NSS | Spindle/Housing Assembly (Note: Not Available - Purchase Individual Components) |     |
| 1A   | 7010464     | 1   | Spindle   |     |
| 1B   | 7000236     | 1   | Seal  |     |
| 1C   | 7000273     | 1   | Cone, Bearing   |     |
| 1D   | 7000272     | 1   | Cup, Bearing  |     |
| 1E   | 7000275     | 1   | Cone, Bearing   |     |
| 1F   | 7000274     | 1   | Cup, Bearing  |     |
| 1G   | 7017033     | 1   | Housing   |     |
| 1H   | 7000239     | 1   | Washer, Thrust  |     |
| 1I   | 7000240     | 1   | Ring, Retaining   |     |
| 1J   | 7001928     | 1   | Plug, Pipe  |     |
| 1N   | 7000265     | 10  | Stud, Wheel   |     |
| 2    | 7024782     | 1   | Gear, Ring  |     |
| 3    | 7024145     | 1   | Carrier Assembly  |     |
| 3A   | 7024147     | NLA | Carrier (Use p/n 7024145)   |     |
| 3B   | 7001901     | 6   | Thrustwasher, Tanged  |     |
| 3C   | 7001902     | 96  | Bearing, Needle   |     |
| 3D   | 7001903     | 3   | Spacer, Thrust  |     |
| 3E   | 7024146     | 3   | Shaft, Planet   |     |
| 3F   | 7024148     | 3   | Gear, Cluster   |     |
| 3G   | 7001906     | 3   | Roll Pin  |     |
| 4    | 7024151     | 1   | Gear, Internal  |     |
| 5    | 7000224     | 1   | O-Ring  |     |
| 6    | See Note    | NSS | Cover Assembly (Note: Not Available - Purchase Individual Components)           |     |
| 6A   | 7024155     | 1   | Cover   |     |
| 6B   | 7024783     | 1   | Cap   |     |
| 6C   | 7000220     | 4   | Bolt 1/4in-20NC x 3/4in   |     |
| 6D   | 7000231     | 1   | Cap, Disengage  |     |
| 6E   | 7000235     | 1   | Rod, Disengage  |     |
| 6F   | 7000213     | 1   | O-Ring  |     |
| 6G   | 7000238     | 1   | O-Ring  |     |
| 6H   | 7017048     | 1   | Plug, Pipe  |     |
| 7    | 7000282     | 2   | Thrustwasher  |     |
| 8    | 7000283     | 1   | Spring  |     |
| 9    | 7000284     | 1   | Ring, Retaining   |     |
| 10   | 7017027     | 1   | Ring, Retaining   |     |
| 11   | 7024781     | 1   | Shaft, Input  |     |
| 12   | 7024154     | 1   | Spacer, Input   |     |
| 13   | 7024149     | 1   | Gear, Sun   |     |
| 15   | 7000287     | 4   | Thrustwasher  |     |
| 16   | 7000288     | 2   | Thrustwasher  |     |
| 17   | 7000289     | 12  | Bolt 3/8in-16NC x 2-1/2in (Grade 8)   |     |
| 19   | 7000290     | 1   | Coupling  |     |
| 20   | 7017047     | 2   | Pin, Dowel  |     |
| 21   | 7017050     | 1   | Thrustwasher  |     |
| 26   | 7024182     | 1   | Brake Assembly (Includes Items 101-123)   |     |

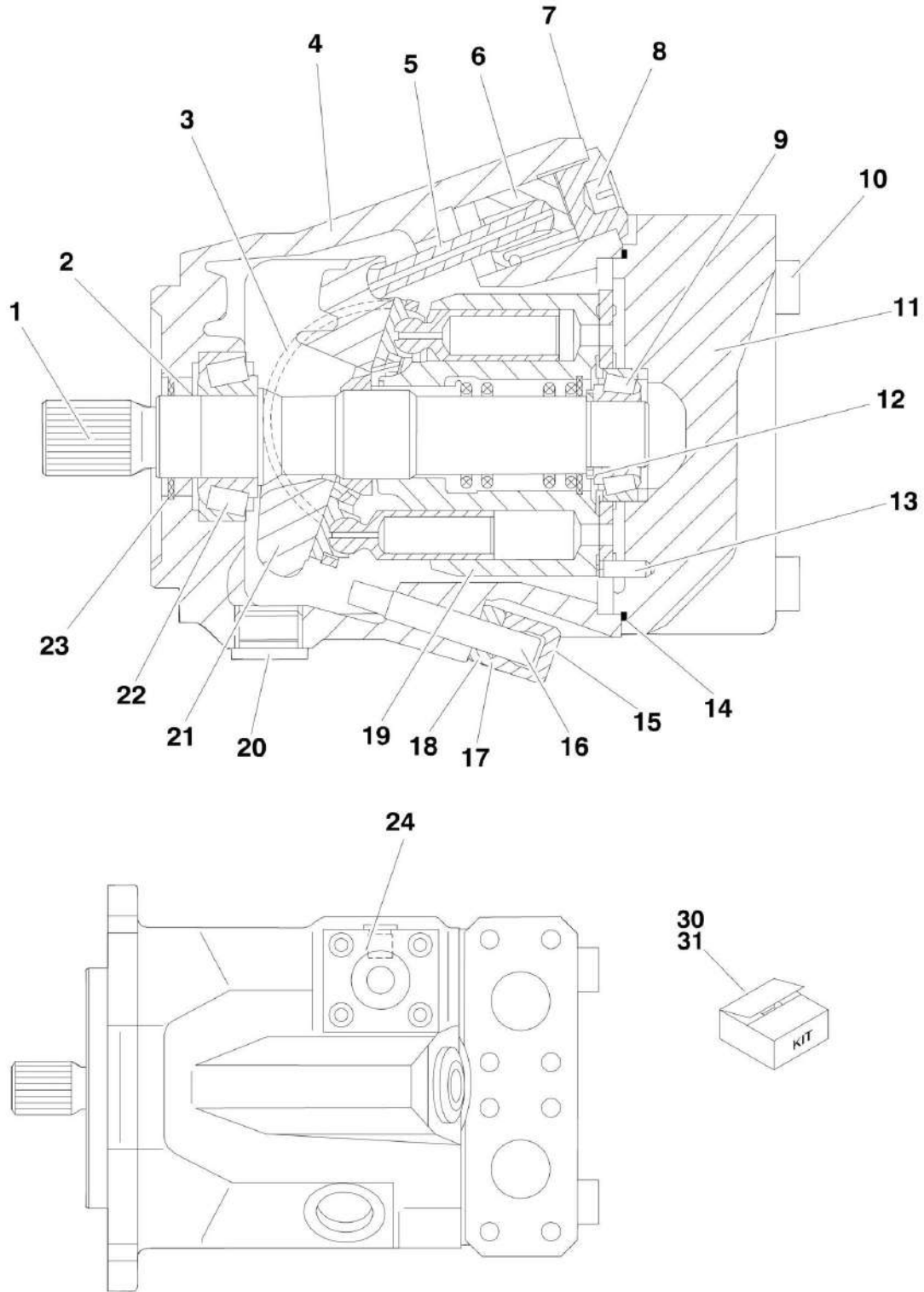
## SECTION 1 - FRAME

| ITEM | PART NUMBER | QTY | DESCRIPTION  | REV |
|------|-------------|-----|--|-----|
| 27   | 7024763     | 2   | O-Ring   |     |
| 28   | 7024717     | 2   | Stud 1/2in-13NC x 4-5/8in  |     |
| 29   | 7024718     | 2   | Nut 1/2in-13NC   |     |
| 31   | 70005483    | 1   | Gasket   |     |
| 35   | 7017068     | 1   | Seal Kit - Hub (Includes Items 1B, 5, 6F, 6G & 8)                        |     |
|      | 7024182     | Ref | <b>BRAKE ASSEMBLY</b>  |     |
| 101  | 7024189     | 1   | Shaft  |     |
| 102  | 7024182     | 1   | Housing (Note: Not Available - Purchase Complete Assembly)               |     |
| 103  | See Note    | NSS | Plate, Friction (Note: Use Item 127)                                     |     |
| 104  | See Note    | NSS | Plate, Pressure (Note: Use Item 127)                                     |     |
| 105  | 7000731     | 1   | Gasket   |     |
| 106  | See Note    | NSS | Plate, Outer (Note: Use Item 127)  |     |
| 107  | See Note    | NSS | Gasket (Note: Use Item 125, 127 or 128)                                  |     |
| 108  | 7024191     | 1   | Cylinder   |     |
| 109  | 7024192     | 1   | Piston   |     |
| 110  | See Note    | NSS | Bearing, Ball (Note: Use Item 128)                                       |     |
| 111  | See Note    | NSS | Ring, Retaining (Note: Use Item 128)                                     |     |
| 112  | See Note    | NSS | Seal, Shaft (Note: Use Item 128)   |     |
| 113  | See Note    | 6   | Capscrew (Note: Not Available for Purchase)                              |     |
| 114  | See Note    | 6   | Lockwasher (Note: Not Available for Purchase)                            |     |
| 115  | See Note    | NSS | O-Ring (Note: Use Item 125)  |     |
| 116  | See Note    | NSS | Ring, Back-up (Note: Use Item 125)                                       |     |
| 117  | See Note    | NSS | O-Ring (Note: Use Item 125)  |     |
| 118  | See Note    | NSS | Ring, Back-up (Note: Use Item 125)                                       |     |
| 119  | 7024190     | 2   | Pin, Dowel   |     |
| 120  | See Note    | 1   | Plug (Note: Not Available - Purchase Locally)                            |     |
| 121  | See Note    | 2   | Plug (Note: Not Available - Purchase Locally)                            |     |
| 122  | See Note    | NSS | Spring (Natural) (Note: Use Item 126B)                                   |     |
| 123  | See Note    | NSS | Spring (Blue) (Note: Use Item 126B)                                      |     |
| 125  | 7024194     | 1   | Seal Kit - Brake (Includes Items 105, 107 & 115-118)                     |     |
| 126  |             | Ref | Spring Kit - Brake Options:  |     |
| 126A | 7024195     | NLA | Kit - Includes 12 Natural Colored Springs Item 122 (Use Kit p/n 7024196) |     |
| 126B | 7024196     | 1   | Kit - Includes 12 Natural and 2 Blue Colored Springs Items 122 & 123     |     |
| 127  | 7024193     | 1   | Friction Disc Kit - Brake (Includes Items 103, 104, 106 & 107)           |     |
| 128  | 7024197     | 1   | Bearing Kit - Brake (Includes Items 107 & 110-112)                       |     |



# SECTION 1 - FRAME

FIGURE 1-5. DRIVE MOTOR ASSEMBLY (SN 0300069000 through 0300083331)



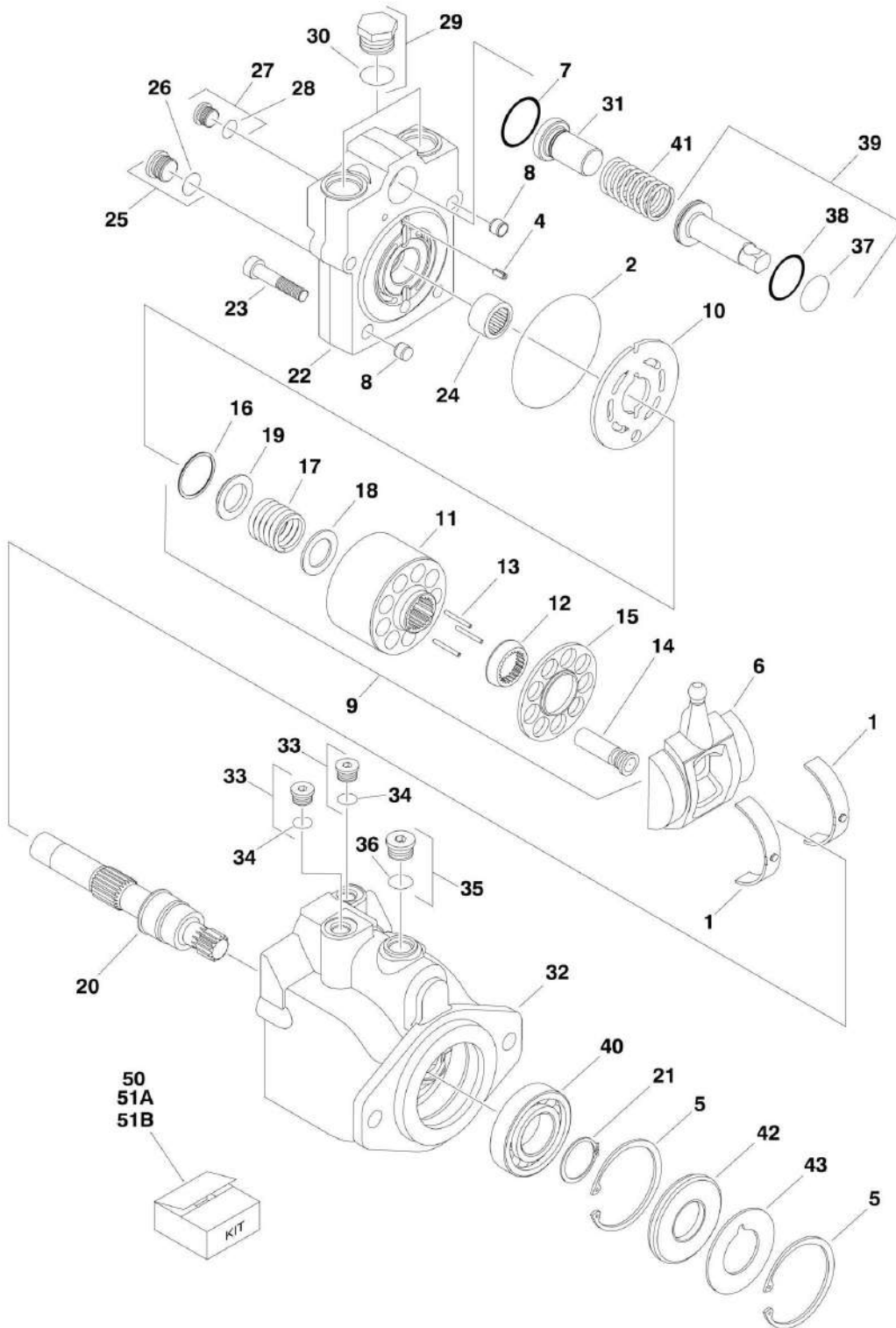
## SECTION 1 - FRAME

**FIGURE 1-5. DRIVE MOTOR ASSEMBLY (SN 0300069000 through 0300083331)**

| ITEM | PART NUMBER | QTY | DESCRIPTION  | REV |
|------|-------------|-----|--|-----|
|      | 3160204     | Ref | <b>DRIVE MOTOR ASSEMBLY</b>                                    | A   |
| 1    | 7012701     | 1   | Shaft - 13 Teeth   |     |
| 2    | See Note    | NSS | Seal, Shaft (Note: Use Item 30)                                |     |
| 3    | 7012702     | 2   | Bearing, Cradle  |     |
| 4    | See Note    | 1   | Housing (Note: Not Available - Purchase Complete Assembly)     |     |
| 5    | 7012703     | 1   | Rod, Piston  |     |
| 6    | 7012704     | 1   | Piston, Stroking   |     |
| 7    | See Note    | NSS | O-Ring (Note: Use Item 30)                                     |     |
| 8    | 7012705     | 1   | Nut, Adapter   |     |
| 9    | 7012706     | 1   | Bearing, Roller  |     |
| 10   | 7012707     | 4   | Bolt, Metric Socket Head M12 x 65                              |     |
| 11   | 7012708     | 1   | Block, Port  |     |
| 12   | 7012709     | 1   | Shim   |     |
| 13   | 7012710     | 1   | Pin, Dowel M6 x 18   |     |
| 14   | See Note    | NSS | O-Ring (Note: Use Item 30)                                     |     |
| 15   | 7012711     | 1   | Nut, Cap M10 x 1   |     |
| 16   | 7012712     | 1   | Screw, Adjusting   |     |
| 17   | See Note    | NSS | O-Ring (Note: Use Item 30)                                     |     |
| 18   | 7012713     | 1   | Nut, Jam M10 x 1   |     |
| 19   | See Note    | NSS | Rotary Group Assembly (Note: Use Item 31)                      |     |
| 20   | See Note    | 1   | Plug (Note: Not Available - Purchase Locally)                  |     |
| 21   | See Note    | NSS | Plate, Swash (Note: Use Item 31)                               |     |
| 22   | 7012714     | 1   | Bearing, Roller  |     |
| 23   | 7012715     | 1   | V-Ring   |     |
| 24   | 7012700     | 1   | Control Plate Assembly   |     |
| 30   | 2900788     | 1   | Seal Kit (Includes Items 2, 7, 14, 17 & O-Rings under Item 24) |     |
| 31   | 7012716     | 1   | Rotary Group Kit (Includes Items 19 & 21)                      |     |

# SECTION 1 - FRAME

FIGURE 1-6. DRIVE MOTOR ASSEMBLY (ORIGINAL EQUIPMENT) (4 BOLT ASSEMBLY) (SN 0300083332 through 0300140000)





## SECTION 1 - FRAME

**FIGURE 1-6. DRIVE MOTOR ASSEMBLY (ORIGINAL EQUIPMENT) (4 BOLT ASSEMBLY) (SN 0300083332 through 0300140000)**

| ITEM | PART NUMBER  | QTY | DESCRIPTION  | REV |
|------|--------------|-----|--|-----|
|      |              | Ref | <b>DRIVE MOTOR ASSEMBLY</b>  |     |
|      | 3160308      | Ref | <b>Drive Motor Assembly 2WD</b>  | C   |
|      | 3160266      | Ref | <b>Drive Motor Assembly 4WD</b>  | C   |
|      |              | Ref | <b>Note: Original Equipment Motor p/n 3160308 &amp; p/n 3160266 uses 4 bolts to assemble the motor. Service Replacement Motor p/n 3160347 &amp; p/n 3160348 motors use 5 bolts to assemble the motor. Visually identify component before ordering parts. If equipped with p/n 3160347 or p/n 3160348 refer to DRIVE MOTOR ASSEMBLY (SERVICE REPLACEMENT)</b> |     |
| 1    | 7022302      | 2   | Bearing, Journal   |     |
| 2    | See Note     | NSS | O-Ring (Note: Use Item 50)   |     |
| 3    | See Note     | NSS | O-Ring (Note: Use Item 50)   |     |
| 4    | 7007446      | 1   | Pin  |     |
| 5    | 7007438      | 2   | Ring, Retaining  |     |
| 6    |              | Ref | Swash Plate Options:   |     |
| 6    | 7024861      | 1   | Swash Plate 2WD  |     |
| 6    | 7022305      | 1   | Swash Plate 4WD  |     |
| 7    | See Note     | NSS | O-Ring (Note: Use Item 50)   |     |
| 8    |              | Ref | Pin Options:   |     |
| 8    | 7027435      | 2   | Pin 2WD  |     |
| 8    | Not Required | 0   | Pin 4WD  |     |
| 9    |              | Ref | Cylinder Block Kit (Includes Items 11-19) Options:   |     |
| 9    | See Note     | NSS | Cylinder Block Kit 2WD (Note: Use Item 51A)  |     |
| 9    | See Note     | NSS | Cylinder Block Kit 4WD (Note: Use Item 51B)  |     |
| 10   |              | Ref | Plate, Valve Options:  |     |
| 10   | 7024862      | 1   | Plate, Valve 2WD   |     |
| 10   | 7023908      | 1   | Plate, Valve 4WD   |     |
| 11   | See Note     | NSS | Block, Cylinder (Note: Use Item 51A or 51B)  |     |
| 12   |              | Ref | Guide, Slipper Retainer Options:   |     |
| 12   | See Note     | NSS | Guide, Slipper Retainer 2WD (Note: Use Item 51A)   |     |
| 12   | 7021277      | 1   | Guide, Slipper Retainer 4WD  |     |
| 13   | 7021275      | 3   | Pin, Slipper Hold Down   |     |
| 14   |              | Ref | Piston Assembly Options:   |     |
| 14   | 7024865      | 9   | Piston Assembly 2WD  |     |
| 14   | See Note     | NSS | Piston Assembly 4WD (Note: Use Item 51B)   |     |
| 15   |              | Ref | Retainer, Slipper Options:   |     |
| 15   | See Note     | NSS | Retainer, Slipper 2WD (Note: Use Item 51A)   |     |
| 15   | 7022310      | 1   | Retainer, Slipper 4WD  |     |
| 16   | 7022311      | 1   | Ring, Retaining  |     |
| 17   |              | Ref | Spring Options:  |     |
| 17   | 7024867      | 1   | Spring 2WD   |     |
| 17   | 7022312      | 1   | Spring 4WD   |     |
| 18   |              | Ref | Washer   |     |
| 18   | 7022313      | 1   | Washer 2WD   |     |
| 18   | See Note     | NSS | Washer 4WD (Note: Use Item 51B)  |     |
| 19   | 7022314      | 1   | Retainer, Spring   |     |
| 20   | 7023910      | 1   | Shaft  |     |
| 21   | 7007439      | 1   | Ring, Retaining  |     |
| 22   |              | Ref | Cap, End - Axial Options:  |     |

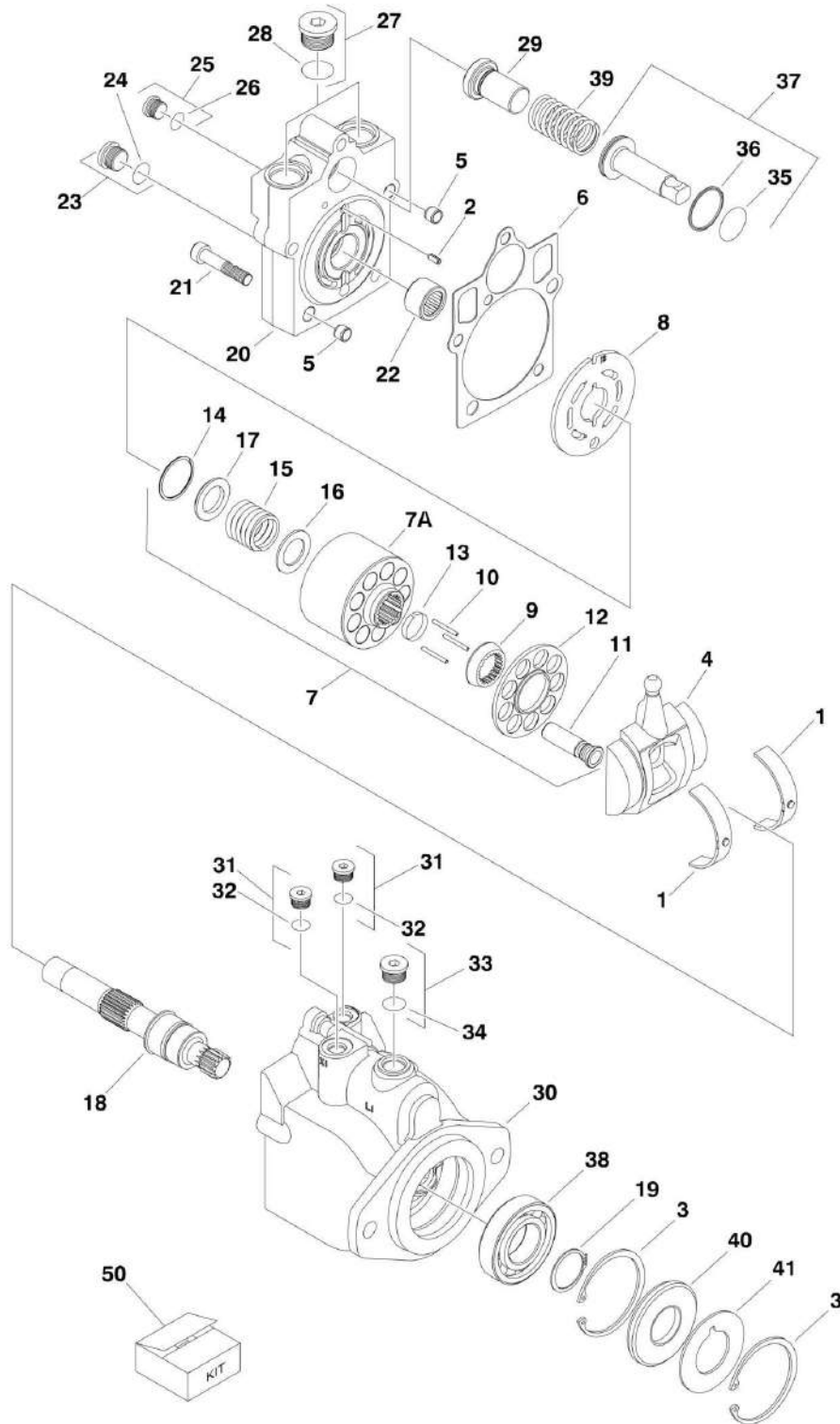
## SECTION 1 - FRAME

| ITEM | PART NUMBER | QTY | DESCRIPTION   | REV |
|------|-------------|-----|---|-----|
| 22   | See Note    | 1   | Cap, End - Axial 2WD (Note: Not Available - Purchase Complete Assembly) |     |
| 22   | 7022367     | 1   | Cap, End - Axial 4WD  |     |
| 23   | 7022368     | 4   | Screw   |     |
| 24   | 7021249     | 1   | Bearing, Needle   |     |
| 25   | 7022321     | 1   | Plug (Includes Item 26)   |     |
| 26   | See Note    | NSS | O-Ring (Note: Use Item 25 or 50)  |     |
| 27   | 7007420     | 1   | Plug (Includes Item 28)   |     |
| 28   | See Note    | NSS | O-Ring (Note: Use Item 27 or 50)  |     |
| 29   | 7007419     | 2   | Plug (Includes Item 30)   |     |
| 30   | See Note    | NSS | O-Ring (Note: Use Item 29 or 50)  |     |
| 31   |             | Ref | Seat, Spring Options:   |     |
| 31   | 7027741     | 1   | Seat, Spring 2WD  |     |
| 31   | 7022372     | 1   | Seat, Spring 4WD  |     |
| 32   |             | Ref | Housing Options:  |     |
| 32   | 7024870     | 1   | Housing 2WD   |     |
| 32   | 7022370     | 1   | Housing 4WD   |     |
| 33   | 7007419     | 2   | Plug (Includes Item 34)   |     |
| 34   | See Note    | NSS | O-Ring (Note: Use Item 33 or 50)  |     |
| 35   | 7022321     | 1   | Plug (Includes Item 36)   |     |
| 36   | See Note    | NSS | O-Ring (Note: Use Item 35 or 50)  |     |
| 37   | See Note    | NSS | O-Ring (Note: Use Item 50)  |     |
| 38   | See Note    | NSS | Ring, Seal (Note: Use Item 50)  |     |
| 39   |             | Ref | Piston, Servo Options:  |     |
| 39   | 7024871     | 1   | 2WD (Includes Items 37 & 38)  |     |
| 39   | 7022323     | 1   | 4WD (Piston Only - Does not Include Items 37 & 38)                      |     |
| 40   | 7007437     | 1   | Bearing   |     |
| 41   | 7022326     | 1   | Spring  |     |
| 42   | See Note    | NSS | Seal, Lip (Note: Use Item 50)   |     |
| 43   | 7022371     | 1   | Washer, Support   |     |
| 50   | 7022328     | 1   | Seal Kit (Includes Items 2, 3, 7, 26, 28, 30, 34, 36, 37, 38 & 42)      |     |
| 51   |             | Ref | Cylinder Block Kit (Includes Items 11-19) Options:                      |     |
| 51A  | 7027740     | 1   | 2WD   |     |
| 51B  | 7023907     | 1   | 4WD   |     |



# SECTION 1 - FRAME

FIGURE 1-7. DRIVE MOTOR ASSEMBLY (SERVICE REPLACEMENT) (5 BOLT ASSEMBLY) (SN 0300083332 through 0300140000)



## SECTION 1 - FRAME

**FIGURE 1-7. DRIVE MOTOR ASSEMBLY (SERVICE REPLACEMENT) (5 BOLT ASSEMBLY) (SN 0300083332 through 0300140000)**

| ITEM | PART NUMBER  | QTY | DESCRIPTION                                      | REV |
|------|--------------|-----|--|-----|
|      |              | Ref | <b>DRIVE MOTOR ASSEMBLIES:</b>                   |     |
|      | 3160347      | Ref | <b>Service Replacement Motor for p/n 3120308</b> | B   |
|      | 3160348      | Ref | <b>Service Replacement Motor for p/n 3120266</b> | B   |
| 1    | 7022302      | 2   | Bearing, Journal                                 |     |
| 2    | 7007446      | 1   | Pin  |     |
| 3    | 7007438      | 2   | Ring, Retaining                                  |     |
| 4    |              | Ref | Swash Plate Options:                             |     |
| 4    | 70000794     | 1   | Swash Plate 2WD                                  |     |
| 4    | 7022305      | 1   | Swash Plate 4WD                                  |     |
| 5    | See Note     | 2   | Pin (Note: Not Available for Purchase)           |     |
| 6    | See Note     | NSS | Gasket (Note: Use Item 50)                       |     |
| 7    |              | Ref | Cylinder Block Kit (Includes Items 7A & 9-17)    |     |
| 7    | 7027740      | 1   | Cylinder Block Kit 2WD                           |     |
| 7    | 7023907      | 1   | Cylinder Block Kit 4WD                           |     |
| 7A   | See Note     | NSS | Block, Cylinder (Note: Use Item 7)               |     |
| 8    |              | Ref | Plate, Valve Options:                            |     |
| 8    | 7024862      | 1   | Plate, Valve 2WD                                 |     |
| 8    | 7023908      | 1   | Plate, Valve 4WD                                 |     |
| 9    |              | Ref | Guide, Slipper Retainer Options:                 |     |
| 9    | See Note     | NSS | Guide, Slipper Retainer 2WD (Note: Use Item 7)   |     |
| 9    | 7021277      | 1   | Guide, Slipper Retainer 4WD                      |     |
| 10   | 7021275      | 3   | Pin, Slipper Hold Down                           |     |
| 11   | See Note     | NSS | Piston Assembly (Note: Use Item 7)               |     |
| 12   |              | Ref | Retainer, Slipper Options:                       |     |
| 12   | See Note     | NSS | Retainer, Slipper 2WD (Note: Use Item 7)         |     |
| 12   | 7022310      | 1   | Retainer, Slipper 4WD                            |     |
| 13   |              | Ref | Retainer, Hold Down Pin Options:                 |     |
| 13   | Not Required | 0   | Retainer, Hold Down Pin 2WD                      |     |
| 13   | 7021276      | 1   | Retainer, Hold Down Pin 4WD                      |     |
| 14   | 7022311      | 1   | Ring, Retaining                                  |     |
| 15   |              | Ref | Spring Options:                                  |     |
| 15   | 7024867      | 1   | Spring 2WD                                       |     |
| 15   | 7022312      | 1   | Spring 4WD                                       |     |
| 16   |              | Ref | Washer Options:                                  |     |
| 16   | 7022313      | 1   | Washer 2WD                                       |     |
| 16   | 7024868      | 1   | Washer 4WD                                       |     |
| 17   | 7022314      | 1   | Retainer, Spring                                 |     |
| 18   | 7023910      | 1   | Shaft  |     |
| 19   | 7007439      | 1   | Ring, Retaining                                  |     |
| 20   |              | Ref | Cap, End - Axial Options:                        |     |
| 20   | 70000795     | 1   | Cap, End - Axial 2WD                             |     |
| 20   | 70000797     | 1   | Cap, End - Axial 4WD                             |     |
| 21   | 7022368      | 5   | Screw  |     |
| 22   | 7021249      | 1   | Bearing, Needle                                  |     |
| 23   | 2220886      | 1   | Plug (Includes Item 24)                          |     |
| 24   | See Note     | NSS | O-Ring (Note: Use Item 23 or 50)                 |     |
| 25   | 2220883      | 1   | Plug (Includes Item 26)                          |     |
| 26   | See Note     | NSS | O-Ring (Note: Use Item 25 or 50)                 |     |
| 27   | 2220888      | 2   | Plug (Includes Item 28)                          |     |

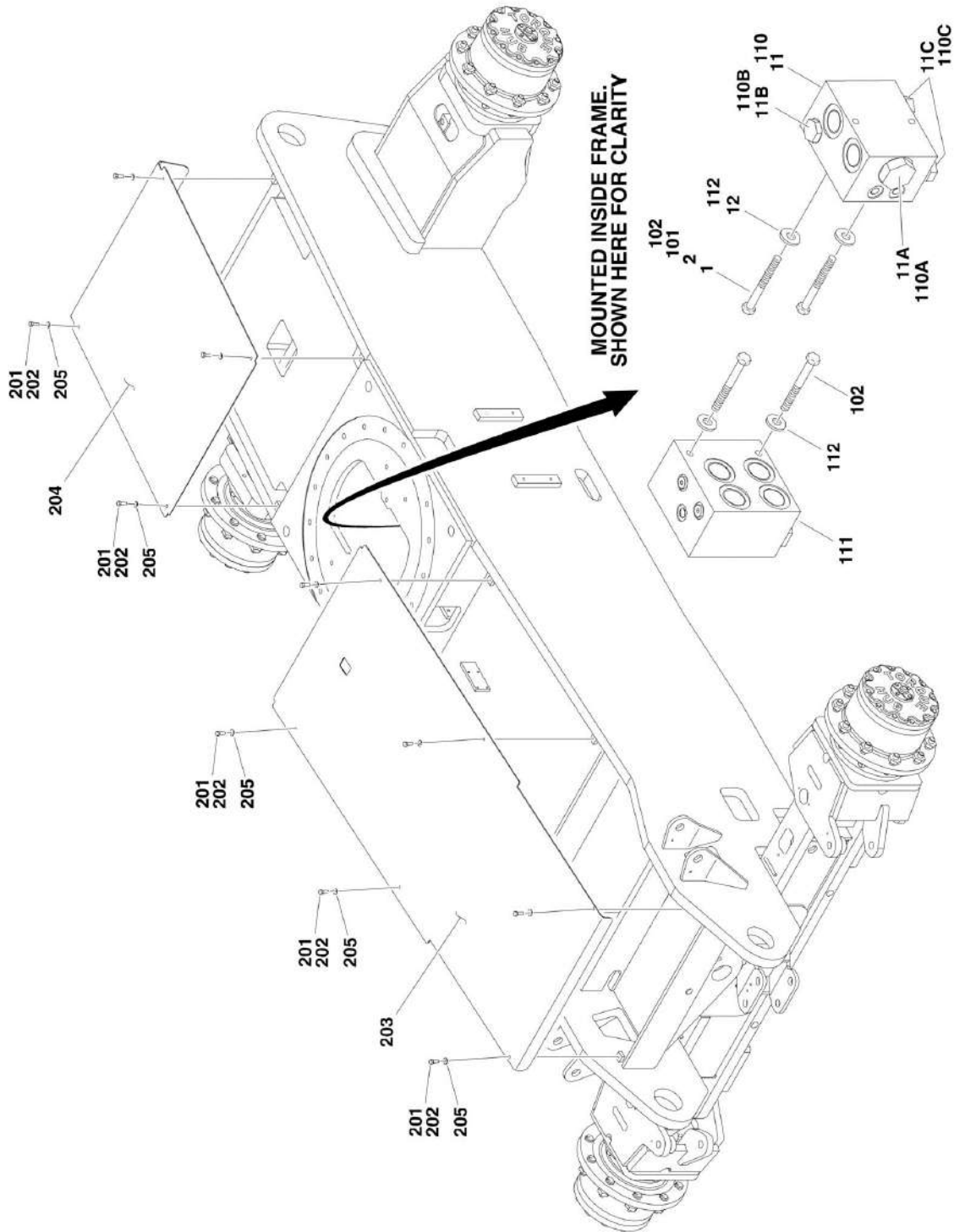
## SECTION 1 - FRAME

| ITEM | PART NUMBER | QTY | DESCRIPTION  | REV |
|------|-------------|-----|--|-----|
| 28   | See Note    | NSS | O-Ring (Note: Use Item 27 or 50)                             |     |
| 29   |             | Ref | Seat, Spring Options:  |     |
| 29   | 7027741     | 1   | Seat, Spring 2WD   |     |
| 29   | 7022372     | 1   | Seat, Spring 4WD   |     |
| 30   | See Note    | NSS | Housing (Note: Not Available - Purchase Complete Assembly)   |     |
| 31   | 2220883     | 2   | Plug (Includes Item 32)                                      |     |
| 32   | See Note    | NSS | O-Ring (Note: Use Item 31 or 50)                             |     |
| 33   | 2220886     | 1   | Plug (Includes Item 34)                                      |     |
| 34   | See Note    | NSS | O-Ring (Note: Use Item 33 or 50)                             |     |
| 35   | See Note    | NSS | O-Ring (Note: Use Item 50)                                   |     |
| 36   | See Note    | NSS | Ring, Seal (Note: Use Item 50)                               |     |
| 37   |             | Ref | Piston, Servo Options (Includes Items 35 & 36):              |     |
| 37   | 7024871     | 1   | Piston, Servo 2WD  |     |
| 37   | 7024854     | 1   | Piston, Servo 4WD  |     |
| 38   | 7007437     | 1   | Bearing  |     |
| 39   | 7022326     | 1   | Spring   |     |
| 40   | See Note    | NSS | Seal, Lip (Note: Use Item 50)                                |     |
| 41   | 7022371     | 1   | Washer, Support  |     |
| 50   | 7022328     | 1   | Seal Kit (Includes Items 6, 24, 26, 28, 32, 34, 35, 36 & 40) |     |



# SECTION 1 - FRAME

FIGURE 1-8. DRIVE VALVES AND SHIELDS INSTALLATIONS (SN 0300069000 through 0300083331)





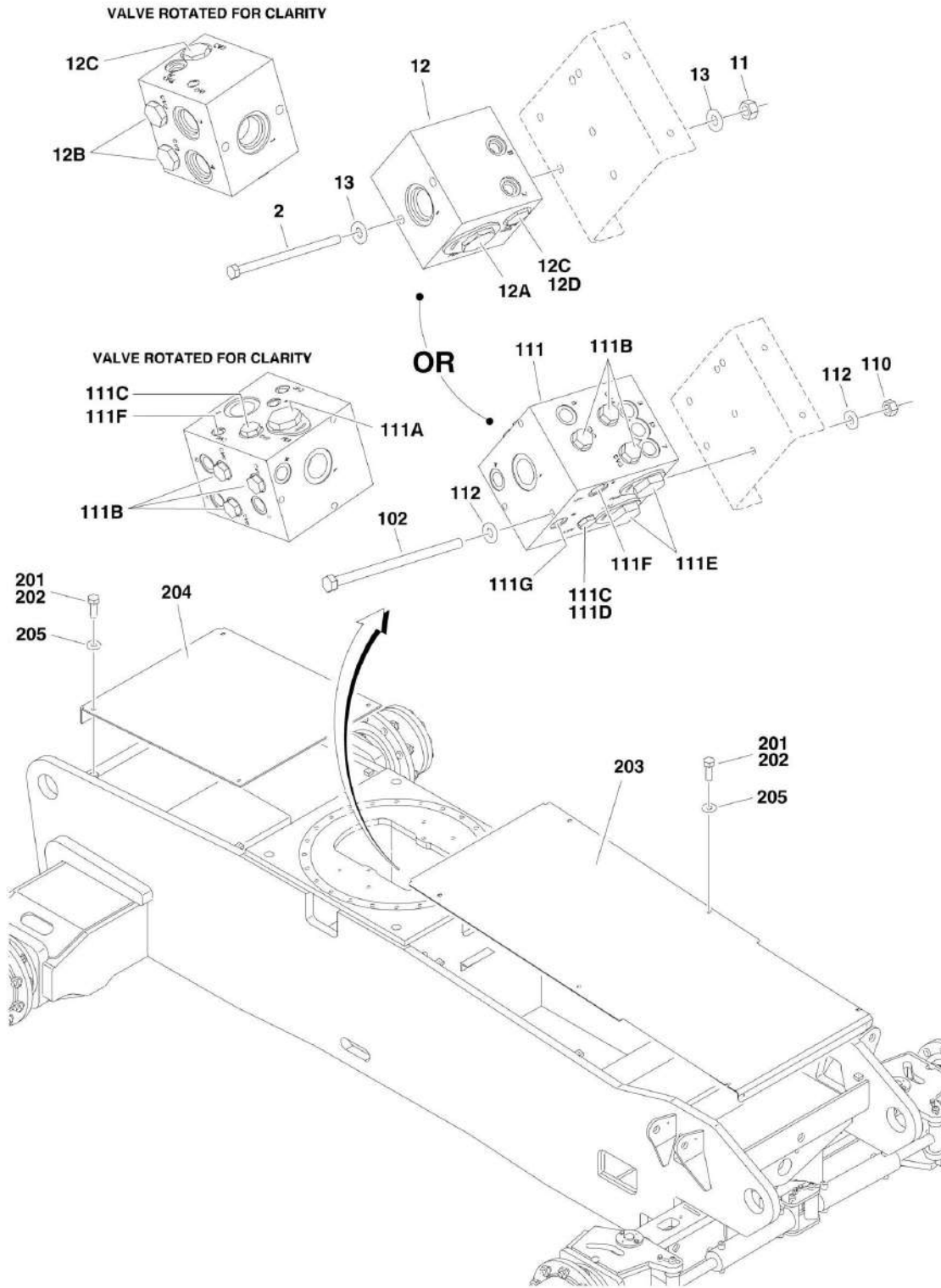
## SECTION 1 - FRAME

**FIGURE 1-8. DRIVE VALVES AND SHIELDS INSTALLATIONS (SN 0300069000 through 0300083331)**

| ITEM | PART NUMBER  | QTY | DESCRIPTION                                | REV |
|------|--------------|-----|--|-----|
|      | 0270209      | Ref | <b>DRIVE VALVES INSTALLATION - 2WD/2WS</b> | B   |
| 1    | 0100011      | AR  | Compound, Locking                          |     |
| 2    | 0641628      | 2   | Bolt 3/8in-16NC x 3-1/2in                  |     |
| 11   | 4641041      | 1   | Flow Divider Valve Assembly                |     |
| 11A  | 7022396      | 1   | Cartridge, Flow Divider                    |     |
| 11A  | 7021625      | 1   | Seal Kit - 7022396 Cartridge               |     |
| 11B  | 7022398      | 1   | Cartridge, Load Shuttle                    |     |
| 11B  | 7023900      | 1   | Seal Kit - 7022398 Cartridge               |     |
| 11C  | 7022397      | 2   | Cartridge, Check Valves                    |     |
| 11C  | 7022399      | 2   | Seal Kit - 7022397 Cartridge               |     |
| 12   | 4751600      | 2   | Flatwasher, 3/8in                          |     |
|      |              | Ref | <b>DRIVE VALVES INSTALLATION</b>           |     |
|      | 0270210      | Ref | <b>Drive Valves Installation 4WD/2WS</b>   | B   |
|      | 0270211      | Ref | <b>Drive Valves Installation 4WD/4WS</b>   | B   |
| 101  | 0100011      | AR  | Compound, Locking                          |     |
| 102  | 0641628      | 4   | Bolt 5/8in-11NC x 3-1/2in                  |     |
| 110  | 4641041      | 1   | Flow Divider Valve Assembly                |     |
| 110A | 7022396      | 1   | Cartridge, Flow Divider                    |     |
| 110A | 7021625      | 1   | Seal Kit - 7022396 Cartridge               |     |
| 110B | 7022398      | 1   | Cartridge, Load Shuttle                    |     |
| 110B | 7023900      | 1   | Seal Kit - 7022398 Cartridge               |     |
| 110C | 7022397      | 2   | Cartridge, Check Valves                    |     |
| 110C | 7022399      | 2   | Seal Kit - 7022397 Cartridge               |     |
| 111  | 4641042      | 1   | Flow Divider Valve Assembly                |     |
| 111  | 7021656      | 2   | Cartridge, Flow Divider                    |     |
| 111  | 7021625      | 2   | Seal Kit - 7021656 Cartridge               |     |
| 112  | 4751600      | 4   | Flatwasher 3/8in                           |     |
|      |              | Ref | <b>FRAME SHIELDS INSTALLATIONS</b>         |     |
|      | 0271316      | Ref | <b>Frame Shield Installations 2WD</b>      | A   |
|      | 0258343      | Ref | <b>Frame Shield Installations 4WD</b>      | C   |
| 201  | 0100011      | AR  | Compound, Locking                          |     |
| 202  | 0641608      | AR  | Bolt, 3/8in - 16NC x 1in                   |     |
| 203  | 3570686      | 1   | Plate, Cover Front                         |     |
| 204  |              | Ref | Plate, Cover Rear Options:                 |     |
| 204  | Not Required | 0   | 2WD  |     |
| 204  | 3570690      | 1   | 4WD  |     |
| 205  | 4751600      | AR  | Flatwasher, 3/8in                          |     |

# SECTION 1 - FRAME

FIGURE 1-9. DRIVE VALVES AND SHIELDS INSTALLATIONS (SN 0300083332 through 0300140000)



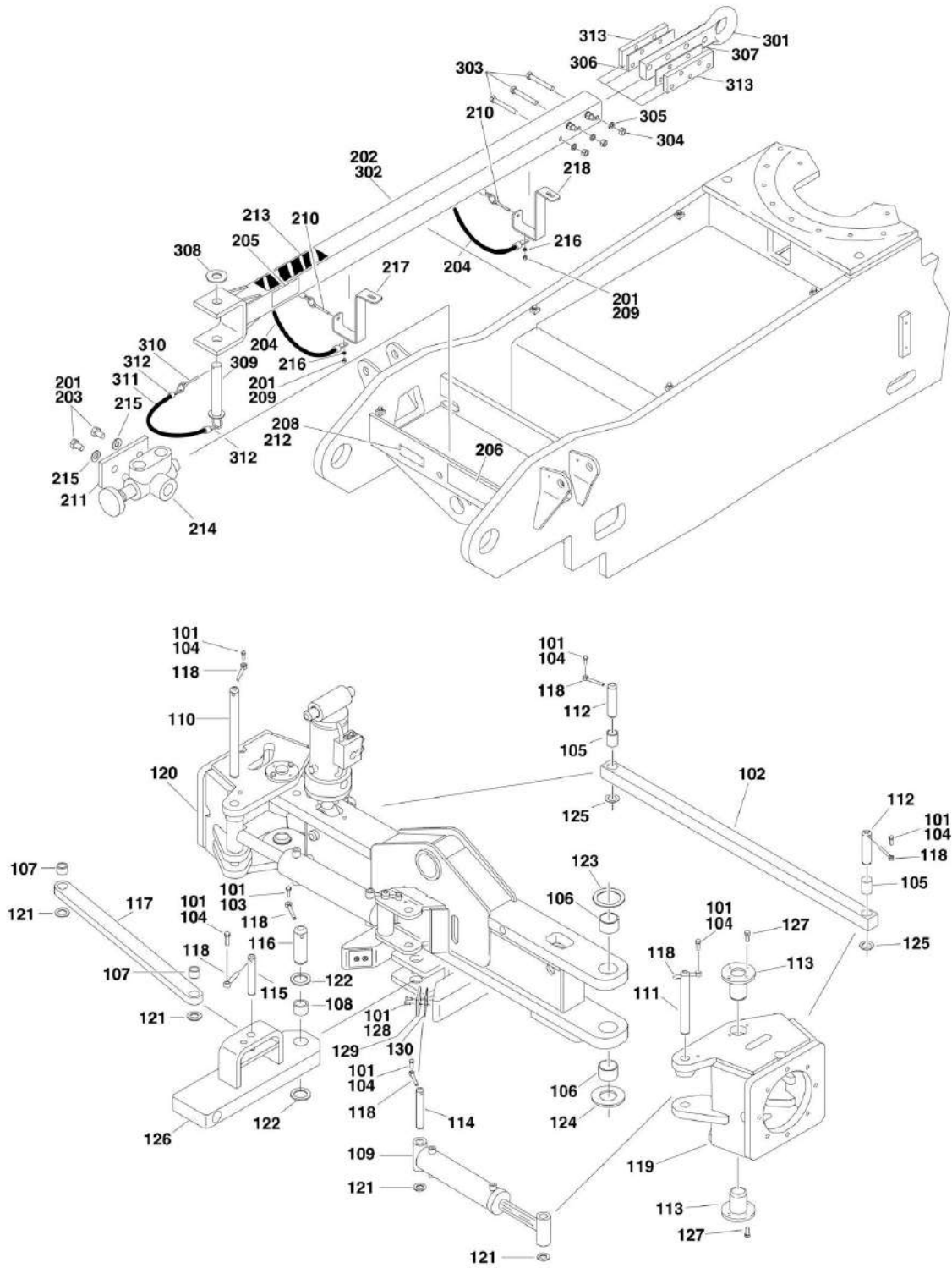
## SECTION 1 - FRAME

**FIGURE 1-9. DRIVE VALVES AND SHIELDS INSTALLATIONS (SN 0300083332 through 0300140000)**

| ITEM | PART NUMBER  | QTY | DESCRIPTION  | REV |
|------|--------------|-----|--|-----|
|      | 0273378      | Ref | <b>DRIVE VALVES INSTALLATION - 2WD</b>                               | E   |
| 2    | 0641542      | 2   | Bolt 5/16in-18NC x 5-1/4in   |     |
| 11   | 3311505      | 2   | Locknut 5/16in-18NC  |     |
| 12   |              | Ref | Flow Divider Valve Assembly Options:                                 | A   |
| 12   | 4641300      | NLA | Valve (Use p/n 1001099870) <b>(SN 0300069000 through 0300139497)</b> |     |
| 12   | 1001099870   | 1   | Valve <b>(SN 0300139498 through 0300140000)</b>                      |     |
| 12A  | 7023933      | 1   | Cartridge, Flow Divider  |     |
| 12A  | 7021625      | 1   | Seal Kit - 7023933 Cartridge   |     |
| 12A  | 70000781     | 1   | Lockdown Kit   |     |
| 12B  | 7022397      | 2   | Cartridge, Check   |     |
| 12B  | 7022399      | 2   | Seal Kit - 7022397 Cartridge   |     |
| 12C  |              | Ref | Cartridge, Check Options:  |     |
| 12C  | 7021639      | 2   | Cartridge in 4641300 Valve   |     |
| 12C  | 2900756      | 2   | Seal Kit - 7022398 Cartridge   |     |
| 12C  | 70002390     | 2   | Cartridge in 1001099870 Valve  |     |
| 12C  | 7022399      | 2   | Seal Kit - 70002390 Cartridge  |     |
| 12D  | 7024881      | 1   | Piston, Pilot  |     |
| 13   | 4711500      | 4   | Flatwasher 5/16in Narrow   |     |
|      |              | Ref | <b>DRIVE VALVES INSTALLATION</b>                                     |     |
|      | 0273704      | Ref | <b>Drive Valves Installation 4WD/2WS</b>                             | D   |
|      | 0274232      | Ref | <b>Drive Valves Installation 4WD/4WS</b>                             | D   |
| 102  | 0641560      | 3   | Bolt 5/16in-18NC x 7-1/2in   |     |
| 110  | 3311505      | 3   | Locknut 5/16in-18NC  |     |
| 111  | 4641303      | 1   | Flow Divider Valve Assembly  | B   |
| 111A | 7023933      | 1   | Cartridge, Flow Divider  |     |
| 111A | 7021625      | 1   | Seal Kit - 7023933 Cartridge   |     |
| 111B | 7022397      | 6   | Cartridge, Check   |     |
| 111B | 7022399      | 6   | Seal Kit - 7022397 Cartridge   |     |
| 111C | 7021639      | 2   | Cartridge, Check Valves  |     |
| 111C | 2900756      | 2   | Seal Kit - 7022398 Cartridge   |     |
| 111D | 7024881      | 1   | Piston, Pilot  |     |
| 111E | 7023917      | 2   | Cartridge, Flow Divider  |     |
| 111E | 7021625      | 2   | Seal Kit - 7023917 Cartridge   |     |
| 111F | 70003935     | 2   | Orifice  |     |
| 111G | 70003936     | 1   | Orifice  |     |
| 112  | 4711500      | 6   | Flatwasher 5/16in Narrow   |     |
|      |              | Ref | <b>FRAME SHIELDS INSTALLATIONS</b>                                   |     |
|      | 0274267      | Ref | <b>Frame Shields Installations 2WS</b>                               | A   |
|      | 0274266      | Ref | <b>Frame Shields Installations 4WS</b>                               | A   |
| 201  | 0100011      | AR  | Compound, Locking  |     |
| 202  | 0641608      | AR  | Bolt, 3/8in - 16NC x 1in   |     |
| 203  | 3575718      | 1   | Plate, Cover Front   |     |
| 204  |              | Ref | Plate, Cover Rear Options:   |     |
| 204  | Not Required | 0   | Plate, Cover Rear 2WS  |     |
| 204  | 3570690      | 1   | Plate, Cover Rear 4WS  |     |
| 205  | 4751600      | AR  | Flatwasher, 3/8in  |     |

# SECTION 1 - FRAME

## FIGURE 1-10. TOW PACKAGE INSTALLATION (2WS ONLY)



# SECTION 1 - FRAME

## FIGURE 1-10. TOW PACKAGE INSTALLATION (2WS ONLY)

| ITEM | PART NUMBER | QTY       | DESCRIPTION  | REV |
|------|-------------|-----------|--|-----|
|      | 0271352     | Ref       | <b>STEERING INSTALLATION</b>                                   | E   |
| 101  | 0100011     | AR        | Compound, Locking  |     |
| 102  | 0362726     | 1         | Tie-Rod  |     |
| 103  | 0641508     | 1         | Bolt 5/16in-18NC x 1in   |     |
| 104  | 0641608     | 7         | Bolt 3/8in-16NC x 1in  |     |
| 105  | 0962152     | 2         | Bearing  |     |
| 106  | 0962448     | 4         | Bearing  |     |
| 107  | 0962292     | 2         | Bearing  |     |
| 108  | 0962348     | 1         | Bearing  |     |
| 109  | 1683740     | 2         | Steer Cylinder Assembly (See CYLINDER SECTION for Breakdown)   |     |
| 110  | 3422567     | 1         | Pin  |     |
| 111  | 3422701     | 1         | Pin, Steer, Spindle Attach                                     |     |
| 112  | 3422702     | 2         | Pin, Tie-Rod   |     |
| 113  | 3422972     | 4         | Kingpin  |     |
| 114  | 3422754     | 2         | Pin, Attach  |     |
| 115  | 3422813     | 1         | Pin  |     |
| 116  | 3422848     | 1         | Pin, Hitch   |     |
| 117  | 3573001     | 1         | Plate, Connecting Link   |     |
| 118  | 3841143     | 8         | Shaft, Keeper 3/8in x 3in                                      |     |
| 119  | 4130390     | 1         | Spindle Weldment (Left Side)                                   |     |
| 120  | 4130388     | 1         | Spindle Weldment (Right Side)                                  |     |
| 121  | 4740111     | 6         | Washer, Special  |     |
| 122  | 4740155     | 2         | Washer, Thrust   |     |
| 123  | 4740256     | 4         | Washer, Thrust   |     |
| 124  | 4740463     | 2         | Washer, Thrust   |     |
| 125  | 4740473     | 2         | Washer, Special  |     |
| 126  |             | Ref       | Bar, Pivot Options:  |     |
| 126  | 4846414     | 1         | Bar, Pivot (SN 0300069000 through 0300074135)                  |     |
| 126  | 4846935     | 1         | Bar, Pivot (SN 0300074136 through 0300140000)                  |     |
| 127  | 0641810     | 16        | Bolt 1/2in-13NC x 1-1/4in                                      |     |
| 128  |             | Ref       | Bolt Options:  |     |
| 128  | 0741607     | 4         | Bolt 3/8in-16NC x 7/8in (SN 0300069000 through 0300074135)     |     |
| 128  | 0741609     | 4         | Bolt 3/8in-16NC x 1-1/8in (SN 0300074136 through 0300140000)   |     |
| 129  | 3340966     | 2         | Pad, Stop  |     |
| 130  | 4071059     | AR        | Shim   |     |
|      |             | Ref       | <b>TOW BAR INSTALLATION</b>                                    |     |
|      | 0272654     | Ref       | <b>Tow Bar Installation (SN 0300069000 through 0300083331)</b> | D   |
|      | 0274252     | Ref       | <b>Tow Bar Installation (SN 0300083332 through 0300140000)</b> | A   |
| 201  | 0100011     | AR        | Compound, Locking  |     |
| 202  | 0232121     | 1         | Tow Bar Assembly (See Items 301 to 313 For Breakdown)          |     |
| 203  | 0641504     | 2         | Bolt 5/16in-18NC x 1/2in                                       |     |
| 204  | 1260017     | 2 ft/0.3m | Chain  |     |
| 205  | 1704578     | 2         | Decal - Crushing   |     |
| 206  | 1705090     | 1         | Decal - Towing Instructions                                    |     |
| 208  | 3250872     | 1         | Nameplate - Steer/Tow Valve                                    |     |
| 209  | 3311401     | 2         | Nut 1/4in-20NC   |     |
| 210  | 3420292     | 2         | Pin  |     |
| 211  | 3539662     | 1         | Plate, Valve Mounting  |     |

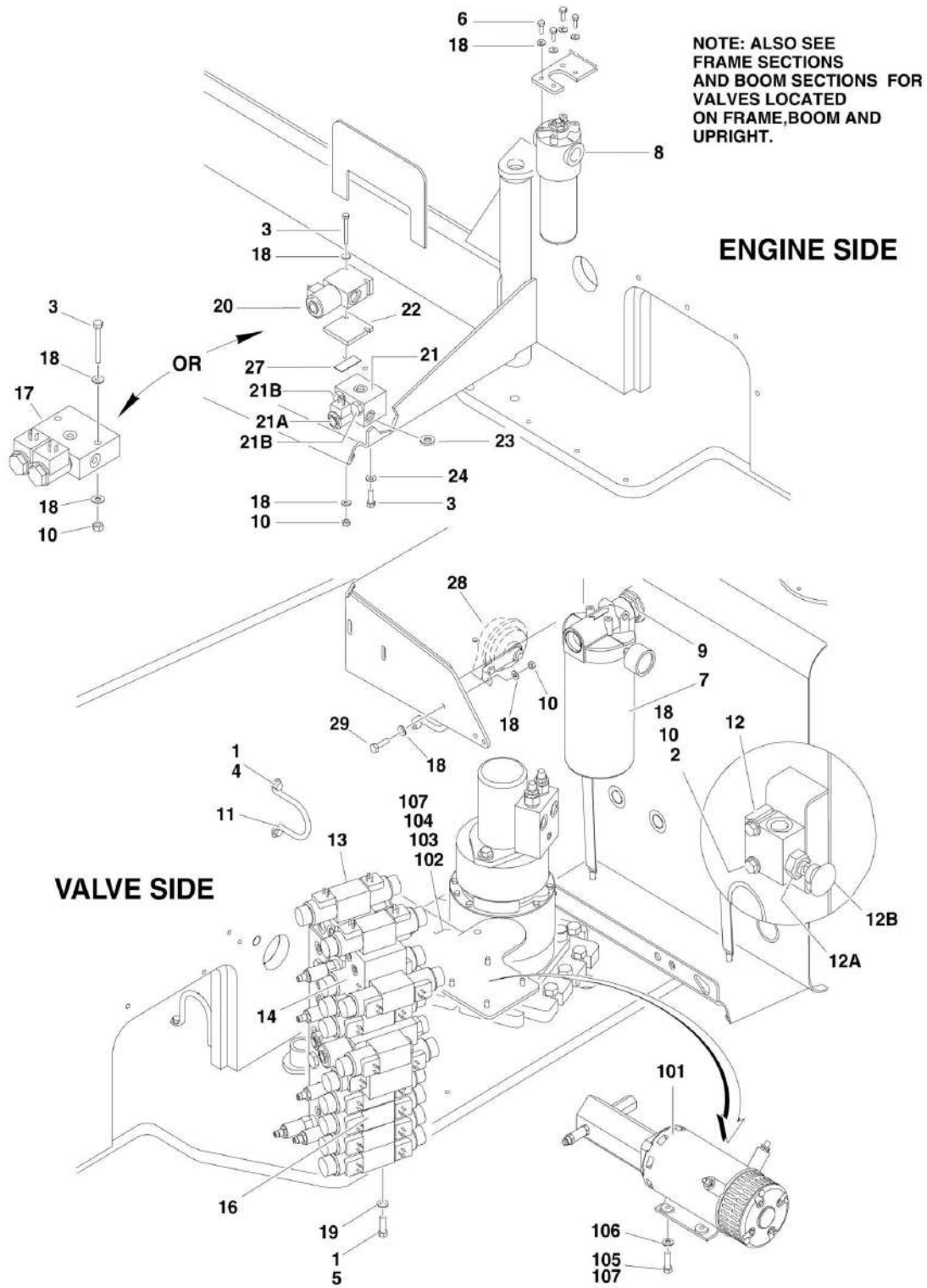
## SECTION 1 - FRAME

| ITEM | PART NUMBER | QTY       | DESCRIPTION                | REV |
|------|-------------|-----------|----------------------------|-----|
| 212  | 3820001     | 4         | Rivet, Pop                 |     |
| 213  | 4420051     | 2 ft/0.3m | Tape                       |     |
| 214  | 4640261     | 1         | Valve, Float Position      |     |
| 215  | 4711500     | 2         | Flatwasher 5/16in (Narrow) |     |
| 216  | 4751400     | 2         | Flatwasher 1/4in (Wide)    |     |
| 217  | 4846507     | 1         | Bracket                    |     |
| 218  | 4846508     | 1         | Bracket                    |     |
| 219  | 3570686     | 1         | Plate, Cover (Not Shown)   |     |
|      | 0232121     | Ref       | <b>TOW BAR ASSEMBLY</b>    | 7-G |
| 301  | 0360406     | 1         | Bar, Draw                  |     |
| 302  | 4843777     | 1         | Bar, Tow                   |     |
| 303  | 0642038     | 5         | Bolt 5/8in-11NC x 4-3/4in  |     |
| 304  | 3312001     | 5         | Nut 5/8in-11NC             |     |
| 305  | 4762000     | 5         | Lockwasher 5/8in           |     |
| 306  | 4070450     | AR        | Shim, Spacer               |     |
| 307  | 4070561     | AR        | Shim, Spacer               |     |
| 308  | 4740036     | 1         | Flatwasher 1-1/2in         |     |
| 309  | 3420447     | 1         | Pin                        |     |
| 310  | 3420372     | 1         | Pin                        |     |
| 311  | 1260135     | 1         | Chain                      |     |
| 312  | 3760170     | 2         | Ring                       |     |
| 313  | 4070560     | 2         | Shim                       |     |

**SECTION 2 - TURNTABLE**

# SECTION 2 - TURNTABLE

## FIGURE 2-1. CONTROL VALVES AND HORN INSTALLATIONS





**SECTION 2 - TURNTABLE**

**FIGURE 2-1. CONTROL VALVES AND HORN INSTALLATIONS**

| ITEM | PART NUMBER | QTY | DESCRIPTION   | REV |
|------|-------------|-----|---|-----|
|      |             | Ref | <b>VALVES INSTALLATIONS</b>   |     |
|      |             | Ref | <b>Valves Installations (SN 0300069000 through 0300083331)</b>        |     |
|      | 0258454     | Ref | <b>Valves Installations 800A (2WS)</b>                                | C   |
|      | 0258455     | Ref | <b>Valves Installations 800A (4WS)</b>                                | B   |
|      | 0258456     | Ref | <b>Valves Installations 800AJ (2WS)</b>                               | C   |
|      | 0258457     | Ref | <b>Valves Installations 800AJ (4WS)</b>                               | C   |
|      |             | Ref | <b>Valves Installations (SN 0300083332 through 0300087265)</b>        |     |
|      | 0273789     | Ref | <b>Valves Installations 800A (2WS)</b>                                | B   |
|      | 0273790     | Ref | <b>Valves Installations 800A (4WS)</b>                                | B   |
|      | 0273791     | Ref | <b>Valves Installations 800AJ (2WS)</b>                               | C   |
|      | 0273792     | Ref | <b>Valves Installations 800AJ (4WS)</b>                               | C   |
|      |             | Ref | <b>Valves Installations (SN 0300087266 through 0300140000)</b>        |     |
|      | 0274640     | Ref | <b>Valves Installations 800A (2WS)</b>                                | D   |
|      | 0274641     | Ref | <b>Valves Installations 800A (4WS)</b>                                | E   |
|      | 0274642     | Ref | <b>Valves Installations 800AJ (2WS)</b>                               | E   |
|      | 0274643     | Ref | <b>Valves Installations 800AJ (4WS)</b>                               | E   |
| 1    | 0100011     | AR  | Compound, Locking   |     |
| 2    |             | Ref | Bolt Options:   |     |
| 2    | 0641414     | 2   | Bolt 1/4in-20NC x 1-3/4in ( <b>SN 0300069000 through 0300083331</b> ) |     |
| 2    | 0641416     | 2   | Bolt 1/4in-20NC x 2in ( <b>SN 0300083332 through 0300140000</b> )     |     |
| 3    |             | Ref | Bolt Options:   |     |
| 3    | 0641508     | AR  | Bolt 5/16in-18NC x 1in ( <b>SN 0300069000 through 0300083331</b> )    |     |
| 3    | 0641418     | AR  | Bolt 1/4in-20NC x 2-1/4in ( <b>SN 0300069000 through 0300083331</b> ) |     |
| 3    | 0641418     | AR  | Bolt 1/4in-20NC x 2-1/4in ( <b>SN 0300083332 through 0300140000</b> ) |     |
| 4    | 0641606     | 8   | Bolt 3/8in-16NC x 3/4in   |     |
| 5    | 0641614     | 3   | Bolt 3/8in-16NC x 1-3/4in   |     |
| 6    | 0651406     | 4   | Bolt 1/4in-28NF x 3/4in   |     |
| 7    | 2120167     | 1   | Return Filter Assembly  |     |
| 7    | 2120168     | 1   | Element, Filter   |     |
| 7    | 7020021     | 1   | Indicator, Clogged  |     |
| 8    |             | Ref | Pressure Filter Assembly Options:                                     |     |
| 8    | 2120163     | 1   | Pressure Filter Assembly ( <b>SN 0300069000 through 0300087265</b> )  |     |
| 8    | 2120150     | 1   | Element, Filter   |     |
| 8    | 7023206     | 1   | O-Ring, Filter Bowl   |     |
| 8    | 7023207     | 1   | Ring, Filter Bowl Backup  |     |
| 8    | 7020020     | 1   | Indicator, Clog   |     |
| 8    | 2120209     | 1   | Pressure Filter Assembly ( <b>SN 0300087266 through 0300140000</b> )  |     |
| 8    | 2120210     | 1   | Element, Filter   |     |
| 8    | 70000934    | 1   | O-Ring, Filter Bowl   |     |
| 8    | 7020020     | 1   | Indicator, Clog   |     |
| 9    | 2220893     | 1   | Fitting, Adapter  |     |
| 10   | 3311405     | AR  | Locknut 1/4in-20NC  |     |
| 11   | 3841340     | 4   | Loop, Hose  |     |
| 12   | 4640866     | 1   | Valve Assembly (Level)  |     |
| 12A  | 7017466     | 1   | Cartridge   |     |

## SECTION 2 - TURNTABLE

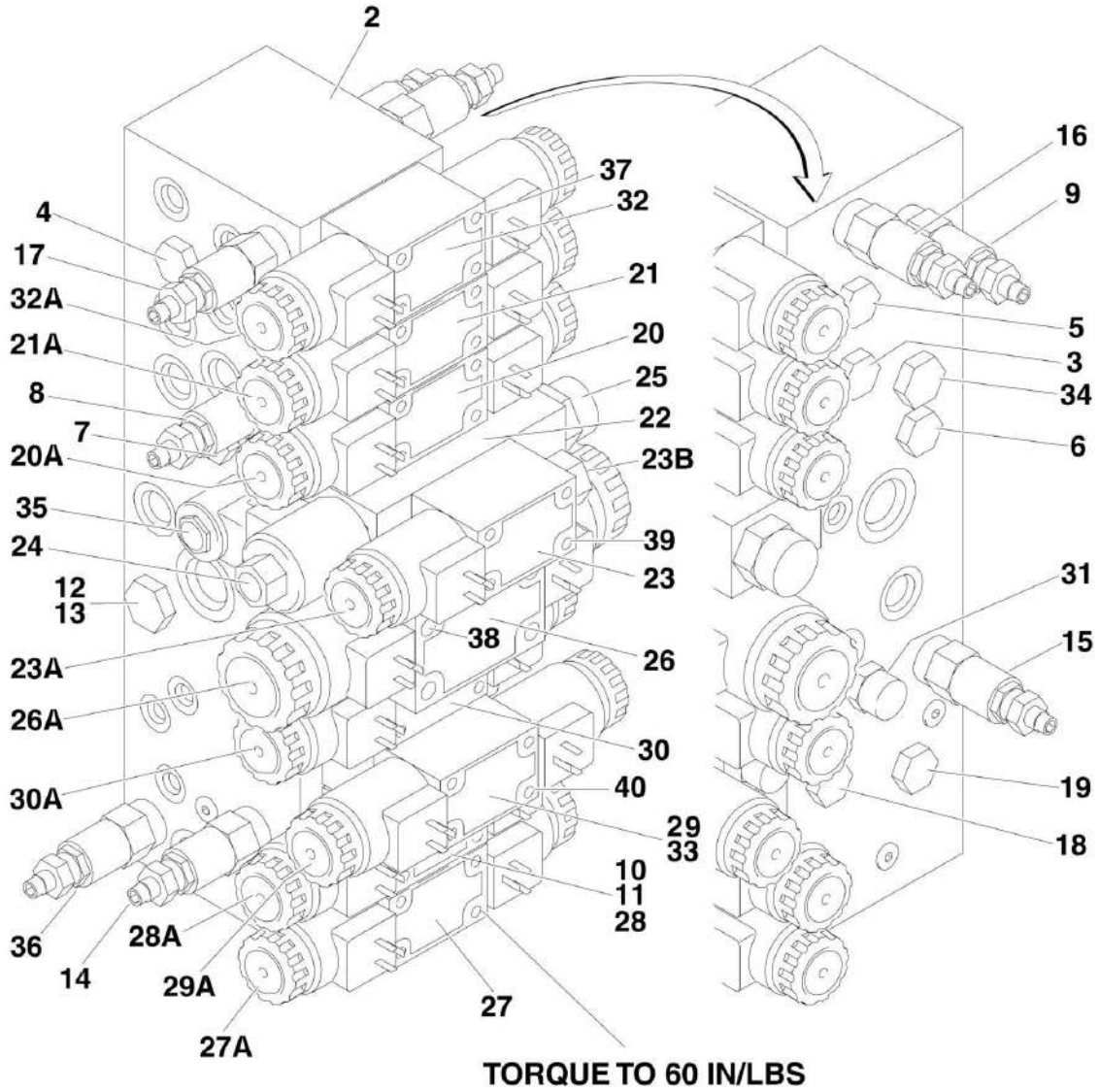
| ITEM | PART NUMBER  | QTY      | DESCRIPTION   | REV |
|------|--------------|----------|---|-----|
| 12A  | 2900708      | 1        | Seal Kit - Cartridge  |     |
| 12B  | 7012959      | 1        | Knob  |     |
| 13   |              | Ref      | Valve Assembly (Jib Control) Options: (See ACCESSORY VALVE ASSEMBLY for Breakdown)              |     |
| 13   | Not Required | 0        | Valve Assembly (Jib Control) 800A   |     |
| 13   | 4640921      | 1        | Valve Assembly (Jib Control) 800AJ  |     |
| 14   |              | Ref      | Valve Assembly (4WS Control) Options:   |     |
| 14   | Not Required | 0        | 2WS   |     |
| 14   | 4640922      | 1        | 4WS (See ACCESSORY VALVE ASSEMBLY for Breakdown)  |     |
| 16   |              | Ref      | Main Control Valve Assembly Options (See MAIN CONTROL VALVE ASSEMBLY for Breakdown):            |     |
| 16   | 4641099      | NLA      | <b>Main Control Valve Assembly (Use p/n 4641453) (SN 0300069000 through 0300092872)</b>         |     |
| 16   | 4641453      | 1        | Main Control Valve Assembly (SN 0300092873 through 0300140000)                                  |     |
| 17   |              | Ref      | Combination Valve Assembly (Brake and 2 Speed) Options Only: (SN 0300083332 through 0300140000) |     |
| 17   | 4640906      | 1        | Valve Assembly Used (SN 0300083332 through 0300087265)  |     |
| 17   | 4641317      | 1        | Valve Assembly Used (SN 0300087266 through 0300140000)  |     |
| 17   | 7012944      | 2        | Coil  |     |
| 17   | 7012941      | 2        | Cartridge without Coil  |     |
| 17   | 7010543      | 2        | Seal Kit - 7012941 Cartridge (1 Per Cartridge)  |     |
| 18   | 4711400      | AR       | Flatwasher 1/4in Narrow   |     |
| 19   | 4711600      | AR       | Flatwasher 3/8in Narrow   |     |
| 20   | 4641061      | 1        | Solenoid Valve Assembly (Brake Only) (SN 0300069000 through 0300083331)                         |     |
| 20   | 7012943      | 1        | Coil  |     |
| 20   | 7017479      | 1        | Cartridge without Coil  |     |
| 20   | 7012518      | 1        | Seal Kit - 7017479 Cartridge  |     |
| 21   | 4640906      | 1        | Solenoid Valve Assembly (2 Speed Only) (SN 0300069000 through 0300083331)                       |     |
| 21A  | 7012944      | 1        | Coil  |     |
| 21A  | 7023981      | 1        | Cartridge without Coil  |     |
| 21A  | 7012905      | 1        | Seal Kit - 7023981 Cartridge  |     |
| 21B  | 7017481      | 2        | Cartridge, Check  |     |
| 21B  | 7012972      | 2        | Seal Kit - 7017481 Cartridge  |     |
| 22   | 3570979      | 1        | Plate, Spacer Only (SN 0300069000 through 0300083331)   |     |
| 23   | 4891500      | 2        | Flatwasher 5/16in Hardened Only (SN 0300069000 through 0300083331)                              |     |
| 24   | 4711500      | 2        | Flatwasher 5/16in Narrow Only (SN 0300069000 through 0300083331)                                |     |
| 25   |              | Ref      | Harness Assembly (Jib Control) Options (Not Shown - See ELECTRICAL SECTION for Breakdown):      |     |
| 25   | Not Required | 0        | Harness Assembly (Jib Control) 800A   |     |
| 25   | 4921927      | 1        | Harness Assembly (Jib Control) 800AJ  |     |
| 26   |              | Ref      | Harness Assembly (4WS Control) Options (Not Shown - See ELECTRICAL SECTION for Breakdown):      |     |
| 26   | Not Required | 0        | 2WS   |     |
| 26   | 4921928      | 1        | 4WS   |     |
| 27   | 4420060      | 2 in/5cm | Tape, Double Sided Only (SN 0300069000 through 0300083331)                                      |     |
| 28   | 0140001      | 1        | Horn (SN 0300103765 through 0300140000)   |     |

## SECTION 2 - TURNTABLE

| ITEM | PART NUMBER        | QTY             | DESCRIPTION  | REV |
|------|--------------------|-----------------|--|-----|
| 29   | 0641408<br>0258670 | 1<br>Ref<br>Ref | Bolt 1/4in-20NC x 1in (SN 0300103765 through 0300140000)<br><b>AUXILIARY PUMP INSTALLATION</b><br><b>Note: Original Equipment pump may have been replaced with Service Replacement pump. Identify component before ordering parts.</b> | C   |
| 101  |                    | Ref             | Auxiliary Pump Assembly Options (See AUXILIARY PUMP ASSEMBLY for Breakdown):   |     |
| 101  | 3600287            | NLA             | Fenner Pump (Original Equipment) (Use p/n 1001143191) (SN 0300069000 through 0300109066)   |     |
| 101  | 1001091424         | NLA             | Kit with Haldex Pump (Service Replacement) (Use p/n 1001143191) (SN 0300069000 through 0300109066)   |     |
| 101  | 3600458            | NLA             | Haldex Pump (Original Equipment) (Use p/n 1001143191) (SN 0300109067 through 0300140000)   |     |
| 101  | 1001143191         | 1               | Kit with Bucher Pump (Service Replacement)   |     |
| 101  | 1001137460         | 1               | Bucher Pump (Service Replacement)  |     |
| 102  | 0902415            | 1               | Bracket, Pump Mounting   |     |
| 103  | 0641610            | 3               | Bolt 3/8in-16NC x 1-1/4in  |     |
| 104  | 4751600            | 3               | Flatwasher 3/8in   |     |
| 105  | 0641506            | 4               | Bolt 5/16in-18NC x 3/4in   |     |
| 106  | 4711500            | 4               | Flatwasher 5/16in Narrow   |     |
| 107  | 0100011            | AR              | Compound, Locking  |     |
| 200  | 2901207            | 1               | Band Kit, Auxiliary Power Motor (UL Machines Only) (Not Shown)   |     |

# SECTION 2 - TURNTABLE

## FIGURE 2-2. MAIN CONTROL VALVE ASSEMBLY



## SECTION 2 - TURNTABLE

### FIGURE 2-2. MAIN CONTROL VALVE ASSEMBLY

| ITEM | PART NUMBER | QTY | DESCRIPTION  | REV |
|------|-------------|-----|--|-----|
|      |             | Ref | <b>MAIN CONTROL VALVE ASSEMBLY</b>   |     |
|      | 4641099     | Ref | <b>Original Equipment</b>  | B   |
|      | 4641453     | Ref | <b>Service Replacement</b>   | B   |
|      |             | Ref | <b>Note: Original Equipment valve may have been replaced with Service Replacement valve. Visually identify the p/n stamped on valve before ordering parts.</b> |     |
| 2    | See Note    | 1   | Block (Note: Not Available - Purchase Complete Assembly)   |     |
| 3    | 7010542     | 1   | Cartridge, Load Sensing (Main Lift)  |     |
| 3    | 7010543     | 1   | Seal Kit - 7010542 Cartridge   |     |
| 4    | 7010542     | 1   | Cartridge, Load Sensing  |     |
| 4    | 7010543     | 1   | Seal Kit - 7010542 Cartridge   |     |
| 5    | 7010542     | 1   | Cartridge, Load Sensing (Swing)  |     |
| 5    | 7010543     | 1   | Seal Kit - 7010542 Cartridge   |     |
| 6    | 7010542     | 1   | Cartridge, Load Sensing  |     |
| 6    | 7010543     | 1   | Seal Kit - 7010542 Cartridge   |     |
| 7    | 7010542     | 1   | Cartridge, Load Sensing (Main)   |     |
| 7    | 7010543     | 1   | Seal Kit - 7010542 Cartridge   |     |
| 8    | 7017420     | 1   | Cartridge, Relief Valve (Main Lift)  |     |
| 8    | 7012998     | 1   | Seal Kit - 7017420 Cartridge   |     |
| 9    | 7017423     | 1   | Cartridge, Relief Valve (Swing)  |     |
| 9    | 7012998     | 1   | Seal Kit - 7017420 Cartridge   |     |
| 10   | 7018941     | 1   | Orifice  |     |
| 11   | 7018941     | 1   | Orifice  |     |
| 12   | 4641192     | 1   | Cartridge, Check Valve (Tower Lift) (was p/n 7017474)  |     |
| 12   | 2900708     | 1   | Seal Kit - 4641192 Cartridge   |     |
| 13   | 7021602     | 1   | Piston, Pilot  |     |
| 14   | 7017428     | 1   | Cartridge, Relief Valve (Platform Level Down)  |     |
| 14   | 7012998     | 1   | Seal Kit - 7017428 Cartridge   |     |
| 15   | 7017427     | 1   | Cartridge, Relief Valve (Platform Level Up)  |     |
| 15   | 7012998     | 1   | Seal Kit - 7017427 Cartridge   |     |
| 16   | 7017428     | 1   | Cartridge, Relief Valve (Front Steer)  |     |
| 16   | 7012998     | 1   | Seal Kit - 7017428 Cartridge   |     |
| 17   | 7017428     | 1   | Cartridge, Relief Valve (Front Steer)  |     |
| 17   | 7012998     | 1   | Seal Kit - 7017428 Cartridge   |     |
| 18   | 7012914     | 1   | Cartridge, Pilot Check (Platform Level)  |     |
| 18   | 7012918     | 1   | Seal Kit - 7012914 Cartridge   |     |
| 19   | 7012914     | 1   | Cartridge, Pilot Check (Platform Level)  |     |
| 19   | 7012918     | 1   | Seal Kit - 7012914 Cartridge   |     |
| 20   | 7018992     | 1   | Control Valve Assembly (Main Lift)   |     |
| 20   | 7012773     | 1   | Seal Kit - 7018992 Valve   |     |
| 20A  | 7018991     | 2   | Coil   |     |
| 20A  | 7018912     | 2   | Nut  |     |
| 21   | 7012775     | 1   | Control Valve Assembly (Swing)   |     |
| 21   | 7012773     | 1   | Seal Kit - 7012775 Valve   |     |
| 21A  | 7012772     | 2   | Coil   |     |
| 21A  | 7018912     | 2   | Nut  |     |
| 22   | 70002946    | 1   | Flow Control Manifold Assembly (Main) (Includes Items 24 & 25)   |     |
| 23   | 7018994     | 1   | Control Valve Assembly (Main)  |     |
| 23   | 7012773     | 1   | Seal Kit - 7018994 Valve   |     |

## SECTION 2 - TURNTABLE

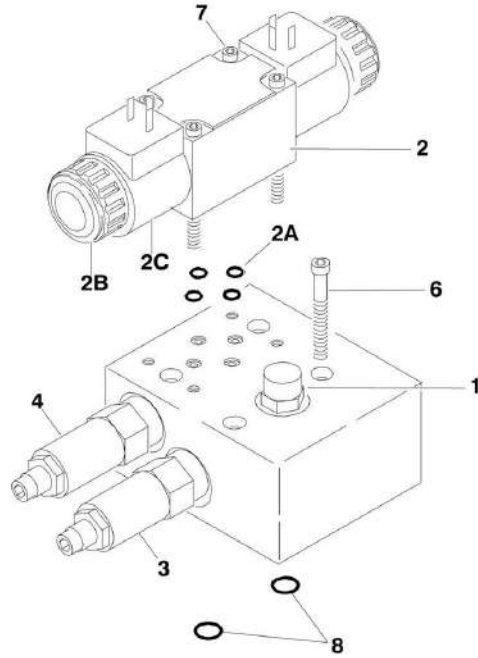
| ITEM | PART NUMBER | QTY | DESCRIPTION   | REV |
|------|-------------|-----|---|-----|
| 23A  | 7012772     | 1   | Coil  |     |
| 23A  | 7018912     | 1   | Nut   |     |
| 23B  | 7018993     | 1   | Plug  |     |
| 24   | 7017475     | 1   | Cartridge without Coil  |     |
| 24   | 7010545     | 1   | Seal Kit - 7017475 Cartridge  |     |
| 24   | 7000645     | 1   | Coil  |     |
| 25   | 7021601     | 1   | Cartridge, Flow Regulator (Main)  |     |
| 25   | 7017477     | 1   | Seal Kit - 7021601 Cartridge  |     |
| 26   |             | Ref | Control Valve Assembly Options (Main Tele):   |     |
| 26   | 70000579    | 1   | Original Equipment (was p/n 7012766)  |     |
| 26   | 70000579    | 1   | Service Replacement   |     |
|      |             | Ref | <b>Note: Refer to Vendor p/n on Valve Nameplate before ordering Parts. P/N 7012766 is RR00567495 or R900567495. P/N 70000579 is R900930080.</b> |     |
| 26   |             | Ref | Seal Kit Options:   |     |
| 26   | 7012769     | 1   | 7012766 Valve   |     |
| 26   | 70000583    | 1   | 70000579 Valve  |     |
| 26A  |             | Ref | Coil Options:   |     |
| 26A  | 7012772     | 1   | 7012766 Valve (was p/n 7012768)   |     |
| 26A  | 70000582    | 1   | 70000579 Valve  |     |
| 26A  |             | Ref | Nut, Coil Options:  |     |
| 26A  | 7018912     | 1   | 7012766 Valve   |     |
| 26A  | 70000580    | 1   | 70000579 Valve  |     |
| 27   | 70001976    | 1   | Control Valve Assembly (Tower Tele) (was p/n 7012770)   |     |
| 27   | 7012773     | 1   | Seal Kit - 7012770 Valve  |     |
| 27A  | 7012772     | 2   | Coil  |     |
| 27A  | 7018912     | 2   | Nut   |     |
| 28   | 70001976    | 1   | Control Valve Assembly (Platform Level) (was p/n 7012770)   |     |
| 28   | 7012773     | 1   | Seal Kit - 7012770 Valve  |     |
| 28A  | 7012772     | 2   | Coil  |     |
| 28A  | 7018912     | 2   | Nut   |     |
| 29   | 70001976    | 1   | Control Valve Assembly (Platform Rotate) (was p/n 7012770)  |     |
| 29   | 7012773     | 1   | Seal Kit - 7012770 Valve  |     |
| 29A  | 7012772     | 2   | Coil  |     |
| 29A  | 7018912     | 2   | Nut   |     |
| 30   | 70001976    | 1   | Control Valve Assembly (Tower Lift)   |     |
| 30   | 7012773     | 1   | Seal Kit - 7012770 Valve (was p/n 7012770)  |     |
| 30A  | 7012772     | 2   | Coil  |     |
| 30A  | 7018912     | 2   | Nut   |     |
| 31   | 7012989     | 1   | Cartridge, Flow Regulator (Platform Rotate)   |     |
| 31   | 7012953     | 1   | Seal Kit - 7012989 Cartridge  |     |
| 32   | 7012774     | 1   | Control Valve Assembly (Front Steer)  |     |
| 32   | 7012773     | 1   | Seal Kit - 7012774 Valve  |     |
| 32A  | 7012772     | 2   | Coil  |     |
| 32A  | 7018912     | 2   | Nut   |     |
| 33   | 7021310     | AR  | Valve, Sandwich (Platform Rotate)   |     |
| 33   | 7018945     | 2   | O-Rings, Replacement - 7021310 Valve  |     |
| 34   | 7017478     | 1   | Cartridge, Check Valve (Main Pressure)  |     |
| 34   | 7017477     | 1   | Seal Kit - 7017478 Cartridge  |     |
| 35   | 7012941     | 1   | Cartridge without Coil (Main Dump)  |     |
| 35   | 7010543     | 1   | Seal Kit - 7017452 Cartridge  |     |
| 35   | 7012944     | 1   | Coil  |     |

**SECTION 2 - TURNTABLE**

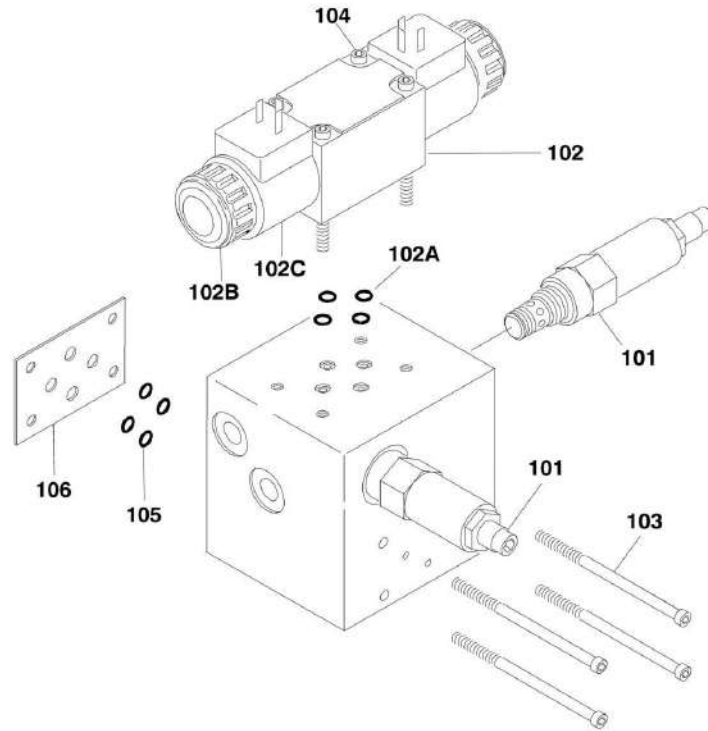
| <b>ITEM</b> | <b>PART NUMBER</b> | <b>QTY</b> | <b>DESCRIPTION</b>                   | <b>REV</b> |
|-------------|--------------------|------------|--------------------------------------|------------|
| 36          | 7017428            | 1          | Cartridge, Relief Valve (Tower Tele) |            |
| 36          | 7012998            | 1          | Seal Kit - 7017428 Cartridge         |            |
| 37          | 7018942            | 28         | Capscrew #10-24NC x 2in              |            |
| 38          | 7018951            | 4          | Capscrew 1/4in-20NC x 1-1/2in        |            |
| 39          | 7021311            | 4          | Capscrew #10-24NC x 4-1/2in          |            |
| 40          | 3931048            | 4          | Capscrew #10-24NC x 3in              |            |

## SECTION 2 - TURNTABLE

FIGURE 2-3. ACCESSORY VALVE ASSEMBLY



**NOTE: TORQUE ITEMS 6, 7, 103 & 104  
TO 60 IN/LBS.**





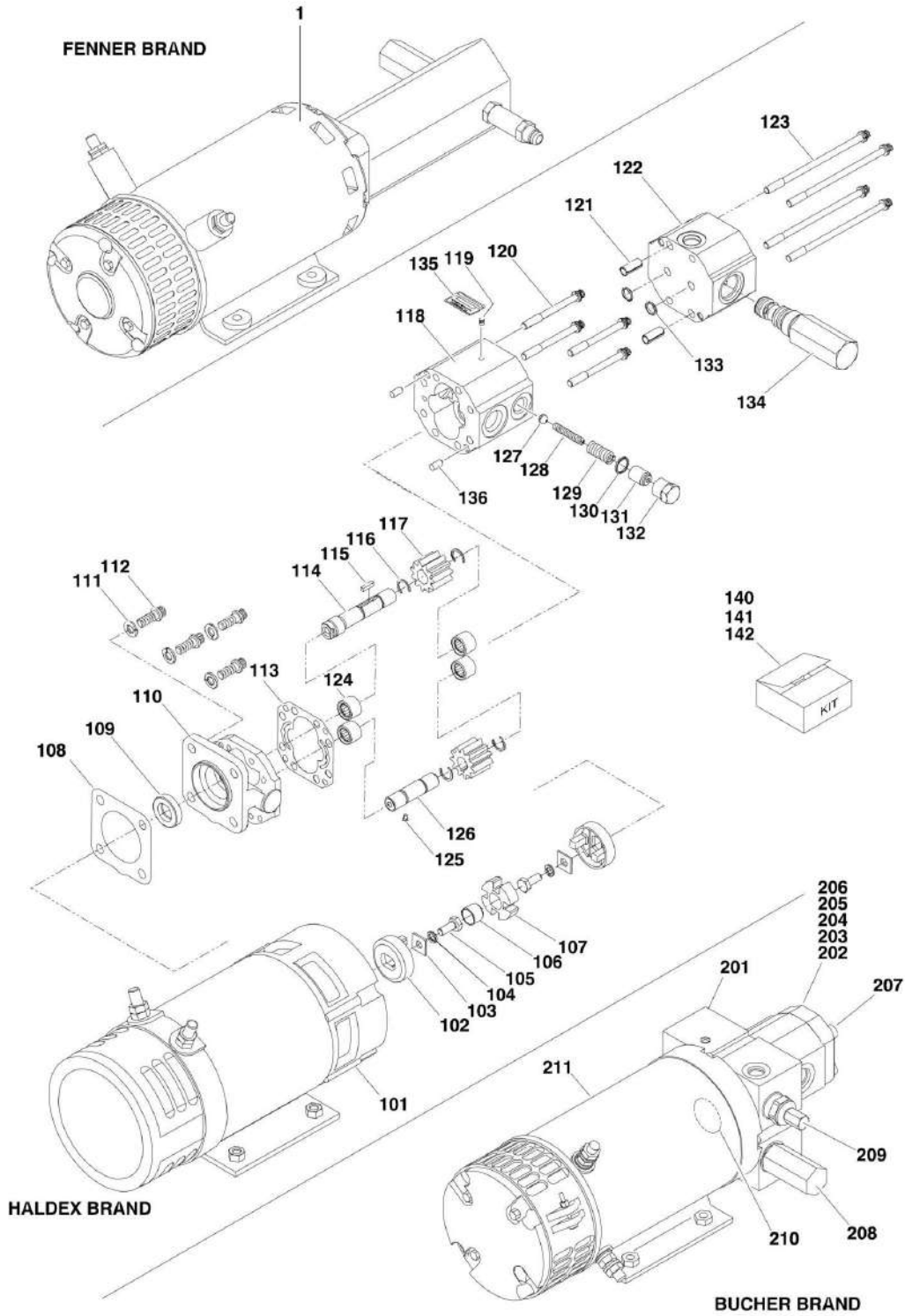
**SECTION 2 - TURNTABLE**

**FIGURE 2-3. ACCESSORY VALVE ASSEMBLY**

| ITEM | PART NUMBER | QTY | DESCRIPTION  | REV |
|------|-------------|-----|--|-----|
|      |             | Ref | <b>ACCESSORY VALVE ASSEMBLIES</b>  |     |
|      | 4640921     | Ref | <b>ARTICULATING JIB VALVE ASSEMBLY</b>                                     | D   |
| 1    | 7012965     | 1   | Cartridge, Flow Control  |     |
| 1    | 7012953     | 1   | Seal Kit - 7012965 Cartridge   |     |
| 2    | 70001976    | 1   | Directional Control Valve Assembly (was p/n 7012770)                       |     |
| 2    | 7012773     | 1   | Seal Kit   |     |
| 2A   | 7018945     | 4   | O-Ring   |     |
| 2B   | 7018912     | 2   | Nut  |     |
| 2C   | 7012772     | 2   | Coil   |     |
| 3    | 7017421     | 1   | Cartridge, Relief  |     |
| 3    | 7012998     | 1   | Seal Kit - 7017421 Cartridge   |     |
| 4    | 7017422     | 1   | Cartridge, Relief  |     |
| 4    | 7012998     | 1   | Seal Kit - 7017422 Cartridge   |     |
| 5    | 4460499     | 2   | Connector, DIN with Diode (Not Shown - Part of Valve Harness)              |     |
| 6    | 7012777     | 4   | Capscrew, Socket Head 5/16in-18NC x 2-1/4in (Used to Mount Valve Assembly) |     |
| 7    | 7018942     | 4   | Capscrew, Socket Head #10-24NC x 2in                                       |     |
| 8    | 7012776     | 2   | O-Ring (Used to Mount Main Valve)  |     |
|      | 4640922     | Ref | <b>4WS VALVE ASSEMBLY</b>  | B   |
| 101  | 7017420     | 1   | Cartridge, Relief  |     |
| 101  | 7012998     | 1   | Seal Kit - 7017420 Cartridge   |     |
| 102  | 7012774     | 1   | Directional Control Valve Assembly   |     |
| 102  | 7012773     | 1   | Seal Kit   |     |
| 102A | 7018945     | 4   | R-Ring   |     |
| 102B | 7018912     | 2   | Nut  |     |
| 102C | 7012772     | 2   | Coil   |     |
| 103  | 7018946     | 4   | Capscrew, Socket Head #10-24NC x 5in (Used to Mount Main Valve)            |     |
| 104  | 7018942     | 4   | Capscrew, Socket Head #10-24NC x 2in                                       |     |
| 105  | 7018948     | 4   | O-Ring (Used to Mount Main Valve)  |     |
| 106  | 7018947     | 1   | Plate, O-Ring  |     |

# SECTION 2 - TURNTABLE

## FIGURE 2-4. AUXILIARY PUMP ASSEMBLY



## SECTION 2 - TURNTABLE

**FIGURE 2-4. AUXILIARY PUMP ASSEMBLY**

| ITEM | PART NUMBER | QTY | DESCRIPTION   | REV |
|------|-------------|-----|---|-----|
|      | 3600287     | Ref | <b>AUXILIARY PUMP ASSEMBLY (FENNER BRAND) (ORIGINAL EQUIPMENT)</b>      | E   |
| 1    | 7016779     | 1   | Motor Assembly  |     |
| 1    | 7016781     | 1   | Brush Kit - 7016779 Motor   |     |
| 2    | 7016780     | 1   | Pump Assembly   |     |
| 2    | 7016785     | 1   | Seal Kit - 7016780 Pump   |     |
| 2    | 7016782     | 1   | Coupling, Pump/Motor  |     |
| 2    | 7016783     | 1   | Pump Mounting Kit   |     |
| 2    | 7016784     | 1   | Relief Valve Assembly   |     |
|      | 3600458     | Ref | <b>AUXILIARY PUMP ASSEMBLY (HALDEX BRAND) (ORIGINAL EQUIPMENT)</b>      | B   |
| 101  | 70001059    | 1   | Motor, DC   |     |
| 102  | See Note    | NSS | Coupling, Half (Note: Use Item 141 or 142)                              |     |
| 103  | See Note    | NSS | Washer (Note: Use Item 141 or 142)                                      |     |
| 104  | See Note    | NSS | Lockwasher (Note: Use Item 141 or 142)                                  |     |
| 105  | See Note    | NSS | Screw (Note: Use Item 141 or 142)                                       |     |
| 106  | See Note    | NSS | Bushing (Note: Use Item 141 or 142)                                     |     |
| 107  | See Note    | NSS | Spider (Note: Use Item 141 or 142)                                      |     |
| 108  | 7011044     | 1   | Gasket, Mounting  |     |
| 109  | 7010903     | 1   | Seal, Shaft   |     |
| 110  | See Note    | NSS | Stator (Note: Purchase Complete Assembly)                               |     |
| 111  | 7011048     | 4   | Washer  |     |
| 112  | 70001060    | 4   | Screw   |     |
| 113  | 70001061    | 1   | Kit Gasket  |     |
| 114  | 70001062    | 1   | Shaft, Drive  |     |
| 115  | 70001063    | 1   | Key   |     |
| 116  | 70000970    | 4   | Ring, Retaining   |     |
| 117  | 70001064    | 2   | Gear  |     |
| 118  | See Note    | NSS | Housing, Gear (Note: Purchase Complete Assembly)                        |     |
| 119  | See Note    | NSS | Plug (Note: Purchase Locally)   |     |
| 120  | See Note    | NSS | Screw (Note: Purchase Locally)  |     |
| 121  | See Note    | NSS | Bushing, Dowel (Note: Not Available for Purchase)                       |     |
| 122  | See Note    | NSS | Block, Valve (Note: Purchase Complete Assembly)                         |     |
| 123  | 7011043     | 4   | Screw   |     |
| 124  | 70000976    | 4   | Bearing, Needle   |     |
| 125  | 70001065    | 1   | Pin   |     |
| 126  | 70001066    | 1   | Shaft, Idler  |     |
| 127  | See Note    | NSS | Ball (Note: Not Available for Purchase)                                 |     |
| 128  | See Note    | NSS | Spring (Note: Not Available for Purchase)                               |     |
| 129  | 7011008     | 1   | Spring  |     |
| 130  | See Note    | NSS | Gasket (Note: Use Item 140)   |     |
| 131  | See Note    | NSS | Screw Adjustment (Note: Not Available for Purchase)                     |     |
| 132  | See Note    | NSS | Bolt (Note: Not Available for Purchase)                                 |     |
| 133  | 7011022     | 2   | O-Ring  |     |
| 134  | 70001067    | 1   | Valve, Logic  |     |
| 135  | See Note    | 1   | Label (Note: Not Available for Purchase)                                |     |
| 136  | See Note    | 2   | Pin, Shear (Note: Not Available for Purchase)                           |     |
| 140  | 70001069    | 1   | Seal Kit, Pump (Includes Items 108, 109, 130 & 133)                     |     |
| 141  | 70001068    | 1   | Motor and Coupling Kit, Replacement (Includes Items 101-108, 111 & 112) |     |

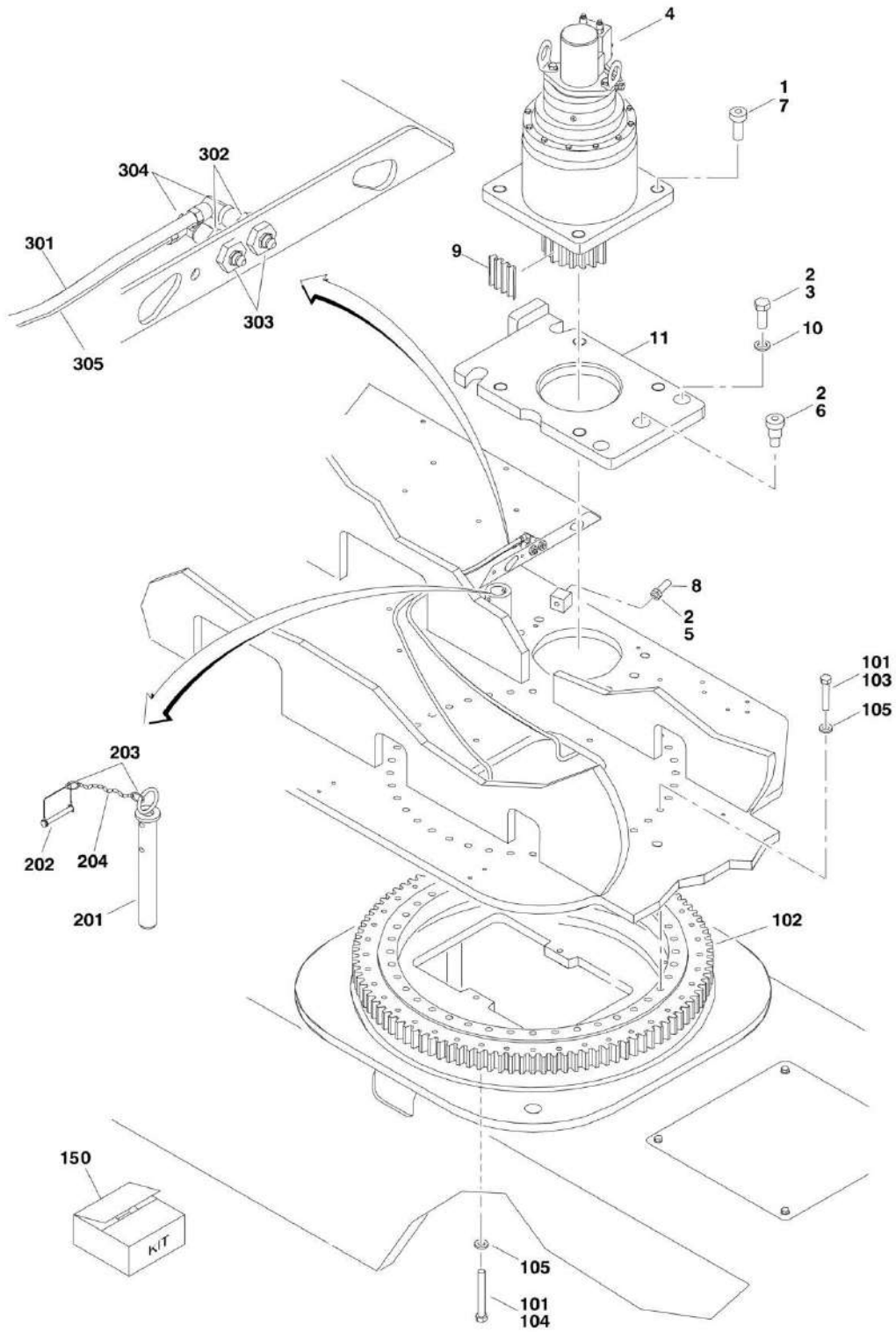
## SECTION 2 - TURNTABLE

| ITEM | PART NUMBER | QTY | DESCRIPTION   | REV |
|------|-------------|-----|---|-----|
| 142  | 7010944     | 1   | Coupling Kit (Includes Items 102-107)                               |     |
|      | 1001137460  | Ref | <b>AUXILIARY PUMP ASSEMBLY (BUCHER BRAND) (SERVICE REPLACEMENT)</b> | A   |
| 201  | 70003983    | 1   | Base Assembly   |     |
| 201  | 70003993    | 1   | Seal, Shaft   |     |
| 202  | 70003984    | 4   | Pin, Dowel  |     |
| 203  | 70003985    | 1   | O-Ring  |     |
| 204  | See Note    | 1   | Pump (Note: Not Available for Purchase)                             |     |
| 205  | 70003986    | 1   | O-Ring  |     |
| 206  | 70003994    | 1   | Cover, Rear   |     |
| 207  | 70003988    | 4   | Screw   |     |
| 208  | 70003989    | 1   | Valve, Logic  |     |
| 209  | 70003990    | 1   | Valve, Relief   |     |
| 210  | 70003991    | 1   | Shaft, Intermediate   |     |
| 211  | 70003992    | 1   | Motor   |     |



# SECTION 2 - TURNTABLE

## FIGURE 2-5. TURNTABLE BEARING AND SWING DRIVE INSTALLATION



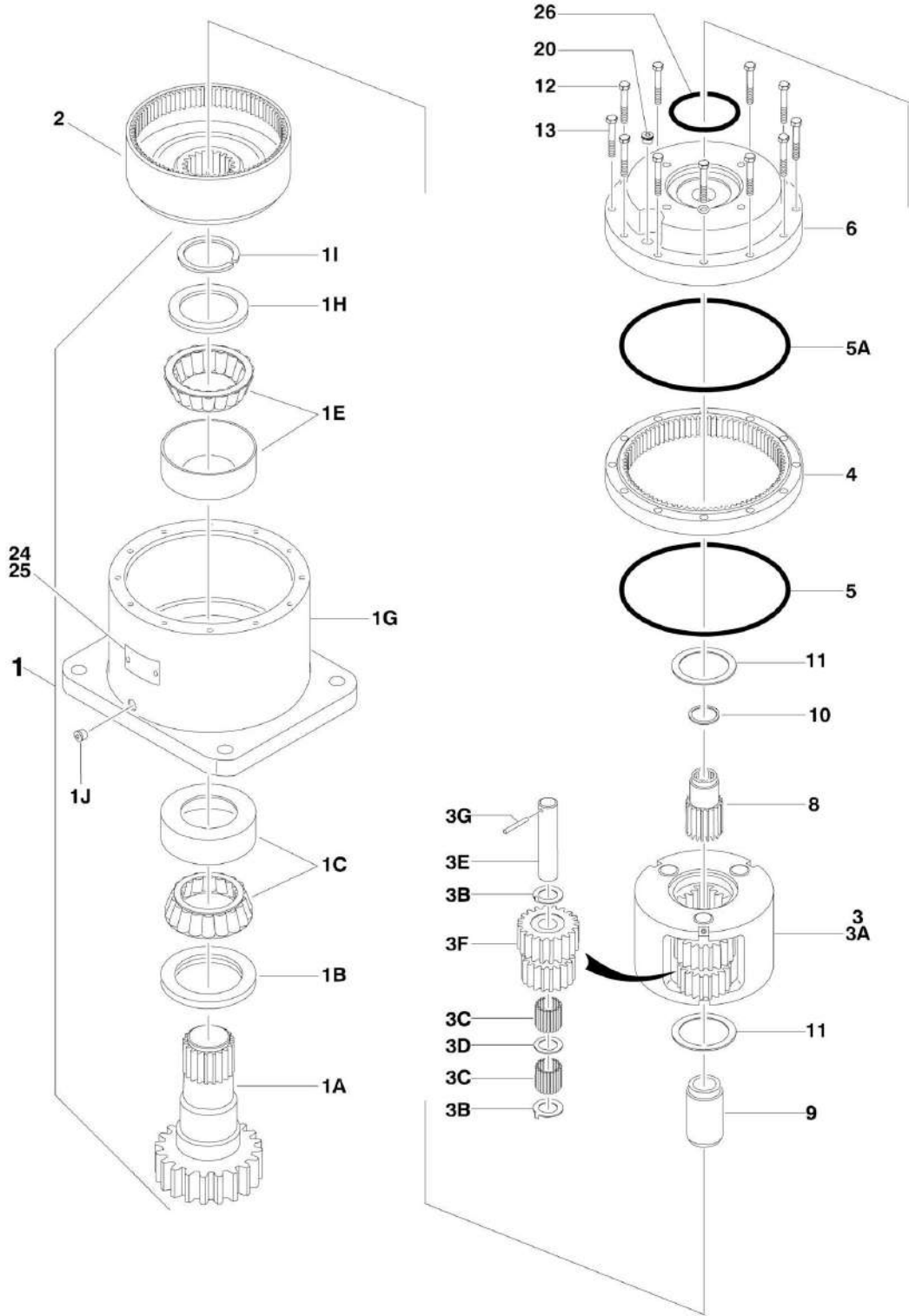
## SECTION 2 - TURNTABLE

**FIGURE 2-5. TURNTABLE BEARING AND SWING DRIVE INSTALLATION**

| ITEM | PART NUMBER | QTY       | DESCRIPTION  | REV |
|------|-------------|-----------|--|-----|
|      |             | Ref       | <b>TURNTABLE WELDMENT</b>  |     |
|      | 4620135     | Ref       | Standard Machines  |     |
|      |             | Ref       | <b>SWING DRIVE INSTALLATION</b>  |     |
|      | 0272189     | Ref       | <b>Swing Drive Installation (SN 0300069000 through 0300134352)</b>   | D   |
|      | 1001094889  | Ref       | <b>Swing Drive Installation (SN 0300134353 through 0300140000)</b>   | B   |
| 1    | 0100011     | AR        | Compound, Locking (SN 0300069000 through 0300074382)   |     |
| 2    | 0100019     | AR        | Compound, Locking  |     |
| 3    | 0682216     | 4         | Bolt 3/4in - 10NC x 2in (Grade 8)  |     |
| 4    |             | Ref       | Motor, Swing Assembly Options:   |     |
| 4    | 3160286     | 1         | Motor, Swing Assembly (See SWING MOTOR/HUB ASSEMBLY for Breakdown) (SN 0300069000 through 0300074382)                      |     |
| 4    | 3160294     | NLA       | Motor, Swing Assembly (Use p/n 1001101060) (See SWING MOTOR/HUB ASSEMBLY for Breakdown) (SN 0300074383 through 0300134352) |     |
| 4    | 1001101060  | 1         | Motor, Swing Assembly (See SWING MOTOR/HUB ASSEMBLY for Breakdown) (SN 0300134353 through 0300140000)                      |     |
| 5    | 3312002     | 1         | Nut Jam 5/8in - 11NC   |     |
| 6    | 3900293     | 1         | Screw, Shoulder  |     |
| 7    | 3932224     | 4         | Screw 3/4in - 10NC x 1-1/2in (SN 0300069000 through 0300074382)  |     |
| 8    | 3952020     | 1         | Setscrew 5/8in x 2in   |     |
| 9    | 4071009     | 1         | Shim   |     |
| 10   | 4740057     | 4         | Hardened, Washer   |     |
| 11   | 4846430     | 1         | Plate, Swing Drive (SN 0300069000 through 0300074382)  |     |
|      | 0271002     | Ref       | <b>TURNTABLE BEARING INSTALLATION</b>  | E   |
| 101  | 0100019     | AR        | Compound, Locking  |     |
| 102  | 0440244     | 1         | Bearing, Turntable   |     |
| 103  | 0682023     | 24        | Bolt 5/8in - 11NC X 2-7/8in (Grade 8)  |     |
| 104  | 0682032     | 24        | Bolt 5/8in - 11NC x 4in (Grade 8)  |     |
| 105  | 4892000     | 48        | Flatwasher, Hardened   |     |
| 150  | 2915094     | 1         | <b>TURNTABLE BEARING KIT</b>   |     |
|      | 0259147     | Ref       | <b>TURNTABLE LOCK INSTALLATION</b>   | B   |
| 201  | 4844958     | 1         | Weldment, Pin  |     |
| 202  | 3421565     | 1         | Pin, Snap  |     |
| 203  | 3760170     | 2         | Ring, Quick Release  |     |
| 204  | 1260017     | 9 in/23cm | Chain  |     |
|      | 0255316     | Ref       | <b>REMOTE BEARING LUBE INSTALLATION</b>  | 3   |
| 301  | 2751095     | 1         | Hose, Grease (SN 0300069000 through 0300070975)  |     |
| 302  | 2180344     | 2         | Fitting, Bulkhead  |     |
| 303  | 2160003     | 2         | Fitting, Grease Elbow  |     |
| 304  | 2220063     | 2         | Fitting, Elbow   |     |
| 305  | 2751032     | 1         | Hose, Grease   |     |

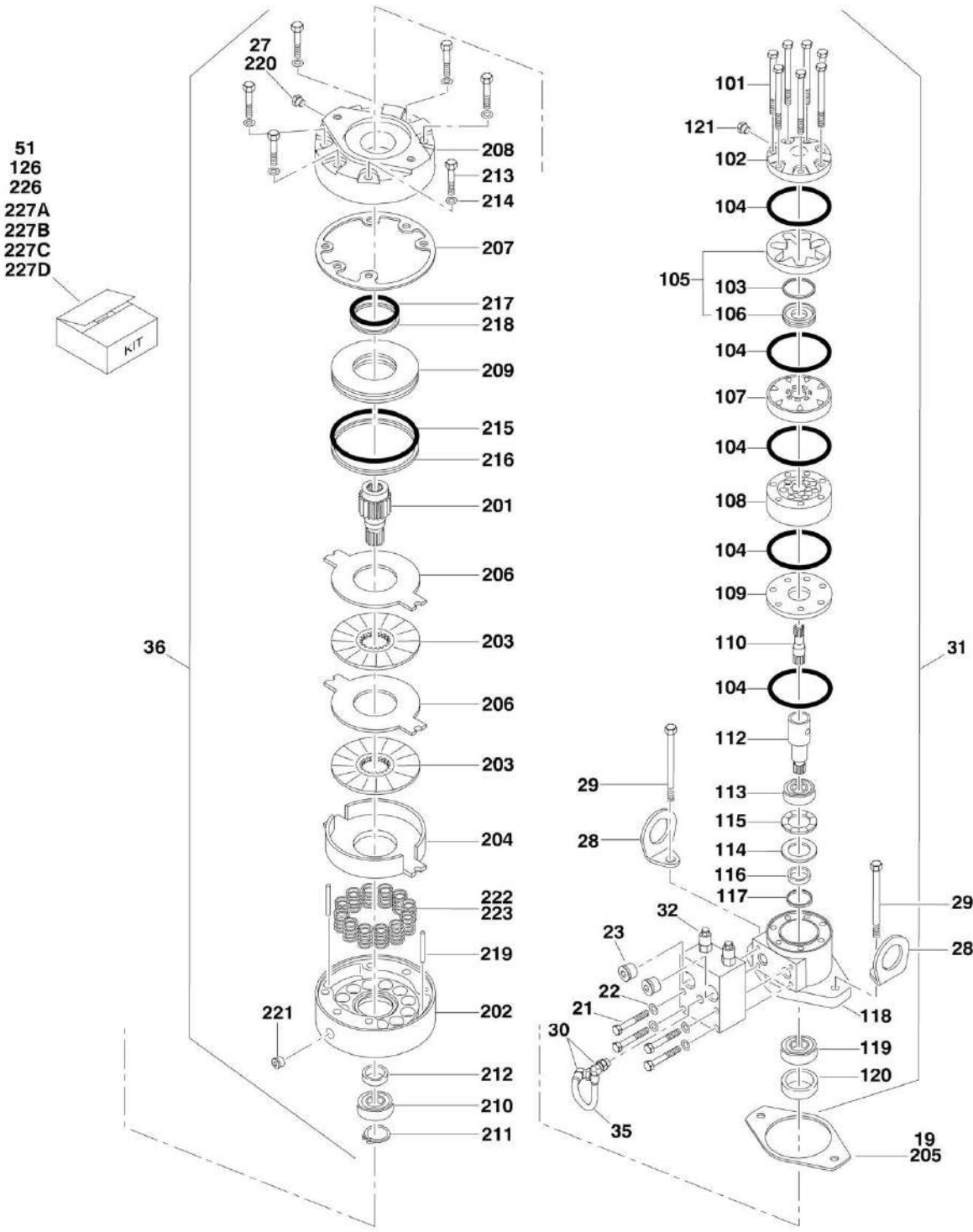
# SECTION 2 - TURNTABLE

FIGURE 2-6. SWING MOTOR/HUB ASSEMBLY (SN 0300069000 through 0300134352)





# SECTION 2 - TURNTABLE



## SECTION 2 - TURNTABLE

FIGURE 2-6. SWING MOTOR/HUB ASSEMBLY (SN 0300069000 through 0300134352)

| ITEM | PART NUMBER | QTY | DESCRIPTION   | REV |
|------|-------------|-----|---|-----|
|      |             | Ref | <b>SWING MOTOR/HUB ASSEMBLIES</b>   |     |
|      | 3160286     | Ref | <b>Swing Motor/Hub Assemblies (SN 0300069000 through 0300074382)</b>  | B   |
|      | 3160294     | Ref | <b>Swing Motor/Hub Assemblies (SN 0300074383 through 0300134352)</b>  | C   |
|      |             | Ref | <b>Note: Original Equipment Motor p/n 3600294 may have been replaced with p/n 1001101060 as a Service Replacement. Identify component before ordering parts. If equipped with p/n 1001101060 refer to SWING MOTOR/HUB ASSEMBLY.</b> |     |
| 1    | See Note    | 1   | Housing/Shaft Assembly (Note: Not Available - Purchase Individual Components)   |     |
| 1A   | 7010492     | 1   | Shaft, Output   |     |
| 1B   | 7000228     | 1   | Seal, Lip   |     |
| 1C   | 7000255     | 1   | Bearing Kit (Includes Cup and Cone)   |     |
| 1E   | 7000257     | 1   | Bearing Kit (Includes Cup and Cone)   |     |
| 1G   |             | Ref | Housing Options:  |     |
| 1G   | 7017089     | 1   | Housing (SN 0300069000 through 0300074382)  |     |
| 1G   | 7024762     | 1   | Housing (SN 0300074383 through 0300134352)  |     |
| 1H   | 7007633     | 1   | Washer, Thrust  |     |
| 1I   | 7000229     | 1   | Ring, Retaining   |     |
| 1J   | 7001928     | 1   | Plug, Pipe  |     |
| 2    | 7000246     | 1   | Gear, Internal  |     |
| 3    | See Note    | 1   | Carrier Assembly (Note: Not Available - Purchase Individual Components)   |     |
| 3A   | 7001931     | 1   | Carrier   |     |
| 3B   | 7001985     | 6   | Washer, Tanged  |     |
| 3C   | 7001909     | 96  | Bearing, Needle   |     |
| 3D   | 7000263     | 3   | Washer, Thrust  |     |
| 3E   | 7001911     | 3   | Shaft, Planet   |     |
| 3F   | 7001912     | 3   | Gear, Cluster   |     |
| 3G   | 7010474     | 3   | Roll Pin  |     |
| 4    | 7000248     | 1   | Gear, Ring  |     |
| 5    | 7000230     | 1   | O-Ring  |     |
| 5A   | 7017070     | 1   | O-Ring  |     |
| 6    | 7000209     | 1   | Cover, Input  |     |
| 8    | 7010461     | 1   | Gear, Sun   |     |
| 9    | 7000269     | 1   | Spacer, Input   |     |
| 10   | 7000270     | 1   | Washer, Thrust  |     |
| 11   | 7000253     | 2   | Washer, Thrust  |     |
| 12   | 7000217     | 8   | Bolt 5/16in-18NC x 2-1/4in (Grade 8)  |     |
| 13   | 7000214     | 4   | Bolt, Shoulder 5/16in-18NC x 1-7/8in (Grade 8)  |     |
| 19   | 7024703     | 1   | Gasket  |     |
| 20   | 2200222     | 1   | Plug, Pipe  |     |
| 21   | 7024704     | 4   | Bolt 5/16in-18NC x 2in (Grade 8)  |     |
| 22   | See Note    | 4   | Lockwasher (Note: Not Available for Purchase)   |     |
| 23   | 7017023     | 2   | Plug, Pipe  |     |
| 24   | See Note    | 1   | Plate, ID Lockwasher (Note: Not Available for Purchase)   |     |
| 25   | 7000281     | 2   | Screw, Drive  |     |
| 26   | 7024705     | 1   | O-Ring  |     |
| 27   | 7017082     | 1   | Plug, Pipe  |     |
| 28   | See Note    | 2   | Lug, Lifting Lockwasher (Note: Not Available for Purchase)  |     |

## SECTION 2 - TURNTABLE

| ITEM | PART NUMBER | QTY | DESCRIPTION   | REV |
|------|-------------|-----|---|-----|
| 29   | 7024185     | 2   | Bolt 1/2in-13NC x 5in (Grade 8)                           |     |
| 30   | 7017085     | 2   | Elbow   |     |
| 31   | 7024707     | 1   | Motor Assembly (See Items 101-121 for Breakdown)          |     |
| 32   | 7024784     | 1   | Valve (No Serviceable Parts)                              |     |
| 35   | 7024706     | 1   | Tube  |     |
| 36   | 7024702     | 1   | Brake Assembly (See Items 201-223 for Breakdown)          |     |
| 51   | 7024100     | 1   | Seal Kit - Swing Hub (Includes Items 1B, 1I, 5, 5A & 11)  |     |
|      | 7024707     | Ref | <b>MOTOR ASSEMBLY</b>                                     |     |
| 101  | 7024454     | 6   | Bolt  |     |
| 102  | 7024459     | 1   | Cover, End  |     |
| 103  | See Note    | NSS | Seal, Commutator (Note: Use Item 126)                     |     |
| 104  | See Note    | NSS | Seal, Ring (Note: Use Item 126)                           |     |
| 105  | 7024453     | 1   | Commutator and Ring Assembly                              |     |
| 106  | 7024453     | 1   | Ring  |     |
| 107  | 7024379     | 1   | Manifold  |     |
| 108  | 7024455     | 1   | Rotor Set   |     |
| 109  | 7024380     | 1   | Plate, Wear   |     |
| 110  | 7024456     | 1   | Link, Drive   |     |
| 112  | 7024458     | 1   | Shaft, Coupling   |     |
| 113  | 7004042     | 1   | Bushing, Bronze   |     |
| 114  | 7004043     | 1   | Washer, Thrust  |     |
| 115  | 7004044     | 1   | Bearing, Thrust   |     |
| 116  | See Note    | NSS | Seal, Inner (Note: Use Item 126)                          |     |
| 117  | See Note    | NSS | Washer, Back-up (Note: Use Item 126)                      |     |
| 118  | 7024457     | 1   | Housing   |     |
| 119  | 7004046     | 1   | Bearing   |     |
| 120  | See Note    | NSS | Seal (Note: Use Item 126)                                 |     |
| 121  | 7010795     | 1   | Plug, O-Ring  |     |
| 126  | 7024396     | 1   | Seal Kit, Motor (Includes Items 103, 104, 116, 117 & 120) |     |
|      | 7024702     | Ref | <b>BRAKE ASSEMBLY</b>                                     |     |
| 201  | 7024189     | 1   | Shaft   |     |
| 202  | See Note    | NSS | Housing (Note: Use Item 36)                               |     |
| 203  | See Note    | NSS | Plate, Friction (Note: Use Item 227C)                     |     |
| 204  | See Note    | NSS | Plate, Pressure (Note: Use Item 227C)                     |     |
| 205  | 7000731     | 1   | Gasket  |     |
| 206  | See Note    | NSS | Plate, Outer (Note: Use Item 227C)                        |     |
| 207  | See Note    | NSS | Gasket (Note: Use Item 226, 227C or 227D)                 |     |
| 208  | 7024191     | 1   | Cylinder  |     |
| 209  | 7024192     | 1   | Piston  |     |
| 210  | See Note    | NSS | Bearing, Ball (Note: Use Item 227D)                       |     |
| 211  | See Note    | NSS | Ring, Retaining (Note: Use Item 227D)                     |     |
| 212  | See Note    | NSS | Seal, Shaft (Note: Use Item 227D)                         |     |
| 213  | See Note    | 6   | Capscrew (Note: Not Available for Purchase)               |     |
| 214  | See Note    | 6   | Lockwasher (Note: Not Available for Purchase)             |     |
| 215  | See Note    | NSS | O-Ring (Note: Use Item 226)                               |     |
| 216  | See Note    | NSS | Ring, Back-up (Note: Use Item 226)                        |     |
| 217  | See Note    | NSS | O-Ring (Note: Use Item 226)                               |     |
| 218  | See Note    | NSS | Ring, Back-up (Note: Use Item 226)                        |     |
| 219  | 7024190     | 2   | Pin, Dowel  |     |
| 220  | See Note    | 1   | Plug (Note: Not Available - Purchase Locally)             |     |
| 221  | See Note    | 1   | Plug (Note: Not Available - Purchase Locally)             |     |

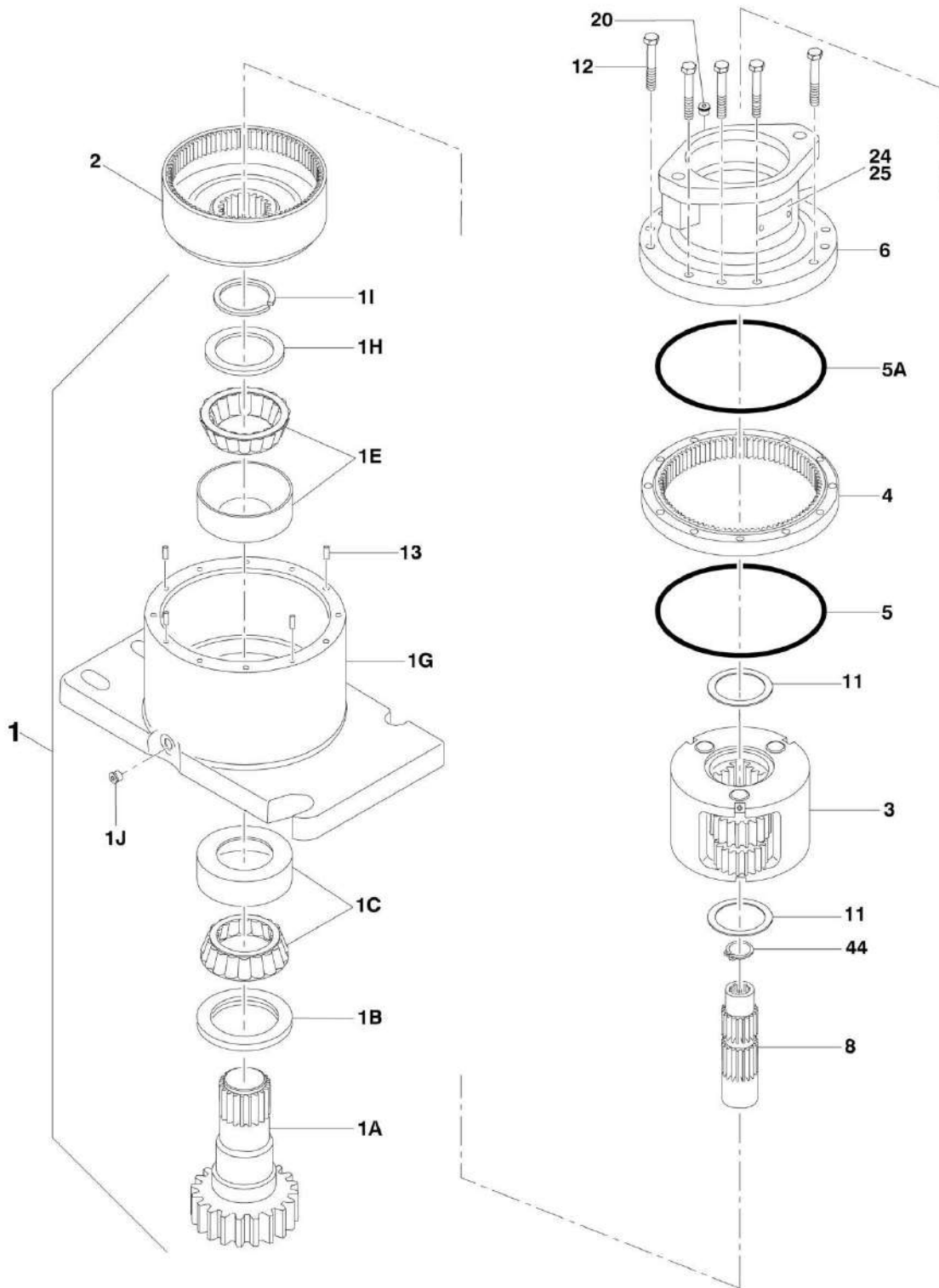
## SECTION 2 - TURNTABLE

| ITEM | PART NUMBER | QTY | DESCRIPTION  | REV |
|------|-------------|-----|--|-----|
| 222  | See Note    | NSS | Spring (Natural) (Note: Use Item 227B)                       |     |
| 223  | See Note    | NSS | Spring (Blue) (Note: Use Item 227B)                          |     |
| 226  | 7024194     | 1   | Seal Kit, Brake (Includes Items 205, 207 & 215-218)          |     |
| 227  |             | Ref | Repair Kit, Brake Options:                                   |     |
| 227A | 7024195     | NLA | Spring Kit (Includes 12 Natural Colored Springs)             |     |
| 227B | 7024196     | 1   | Spring Kit (Includes 12 Blue and 12 Natural Colored Springs) |     |
| 227C | 7024193     | 1   | Friction Disc Kit (Includes Items 203, 204, 206 & 207)       |     |
| 227D | 7024197     | 1   | Bearing Kit (Includes Items 207 & 210-212)                   |     |



# SECTION 2 - TURNTABLE

FIGURE 2-7. SWING MOTOR/HUB ASSEMBLY (SN 0300134353 through 0300140000)





## SECTION 2 - TURNTABLE

FIGURE 2-7. SWING MOTOR/HUB ASSEMBLY (SN 0300134353 through 0300140000)

| ITEM | PART NUMBER | QTY | DESCRIPTION   | REV |
|------|-------------|-----|---|-----|
|      | 1001101060  | Ref | <b>SWING MOTOR/HUB ASSEMBLY (SERVICE REPLACEMENT FOR SWING MOTOR P/N 3160294)</b> | A   |
| 1    | See Note    | 1   | Housing/Shaft Assembly (Note: Not Available - Purchase Individual Components)     |     |
| 1A   | 7010492     | 1   | Shaft, Output   |     |
| 1B   | 7000228     | 1   | Seal, Lip   |     |
| 1C   | 7000255     | 1   | Bearing Kit (Includes Cup and Cone)   |     |
| 1E   | 7000257     | 1   | Bearing Kit (Includes Cup and Cone)   |     |
| 1G   | 7024762     | 1   | Housing   |     |
| 1H   | 7007633     | 1   | Washer, Thrust  |     |
| 1I   | 7000229     | 1   | Ring, Retaining   |     |
| 1J   | 7017072     | 1   | Plug, Pipe  |     |
| 2    | 7000246     | 1   | Gear, Internal  |     |
| 3    | 80424002    | 1   | Carrier Assembly  |     |
| 4    | 7000248     | 1   | Gear, Ring  |     |
| 5    | 7000230     | 1   | O-Ring  |     |
| 5A   | 7017070     | 1   | O-Ring  |     |
| 6    | 1001101060  | NSS | Housing, Brake (Note: Purchase Complete Assembly)                                 |     |
| 8    | 70002065    | 1   | Gear, Sun   |     |
| 8A   | 70000782    | 1   | Piston  |     |
| 8D   | 70002070    | 1   | O-Ring  |     |
| 8E   | 70002071    | 1   | Ring, Back-up   |     |
| 8F   | 70002073    | 1   | O-Ring  |     |
| 8H   | 70002072    | 1   | Ring, Back-up   |     |
| 8J   | 70002067    | 4   | Disc, Rotor   |     |
| 8K   | 70002068    | 5   | Disc, Stator  |     |
| 8L   | 70002066    | 14  | Spring  |     |
| 11   | 7000253     | 2   | Washer, Thrust  |     |
| 12   | 7000217     | 12  | Bolt 3/8in-16NC x 2-1/4in (Grade 8)   |     |
| 13   | 7017080     | 4   | Pin, Dowel  |     |
| 20   | 7017072     | 1   | Plug, Pipe  |     |
| 21   | 7024704     | 4   | Bolt 5/16in-18NC x 2in (Grade 8)  |     |
| 22   | See Note    | 4   | Lockwasher (Note: Not Available for Purchase)                                     |     |
| 23   | 7017023     | 2   | Plug, Pipe  |     |
| 24   | See Note    | 1   | Plate, ID (Note: Not Available for Purchase)                                      |     |
| 25   | 7000281     | 2   | Screw, Drive  |     |
| 26   | 7024763     | 1   | O-Ring  |     |
| 28   | See Note    | 2   | Lug, Lifting (Note: Not Available for Purchase)                                   |     |
| 29   | 70002069    | 2   | Bolt 1/2in-13NC x 2in (Grade 8)   |     |
| 30   | 7017085     | 2   | Elbow   |     |
| 31   | 70002075    | 1   | Motor Assembly (See Items 101-125 for Breakdown)                                  |     |
| 32   | 7024784     | 1   | Valve Assembly - Complete (No Serviceable Parts)                                  |     |
| 35   | 70002074    | 1   | Tube  |     |
| 44   | 7017028     | 1   | Ring, Internal Retaining  |     |
|      | 70002075    | Ref | <b>MOTOR ASSEMBLY</b>   |     |
| 101  | 7024454     | 5   | Bolt  |     |
| 102  | 7004035     | 1   | Cover, End  |     |
| 103  | 7023318     | 1   | Seal, Commutator  |     |
| 104  | 7004036     | 5   | Seal, Ring  |     |
| 105  | 7024453     | 1   | Commutator and Ring Assembly  |     |

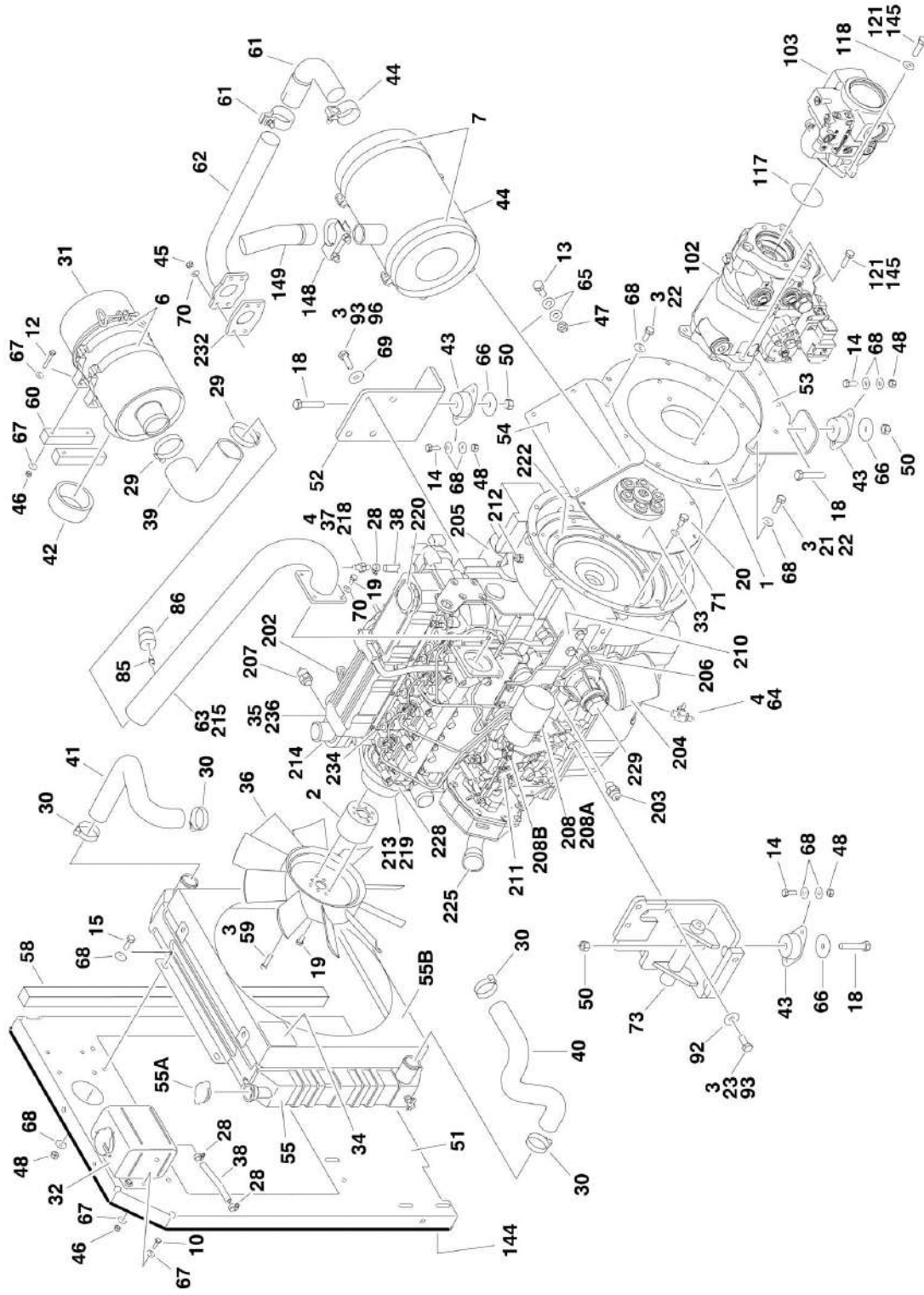


**SECTION 2 - TURNTABLE**

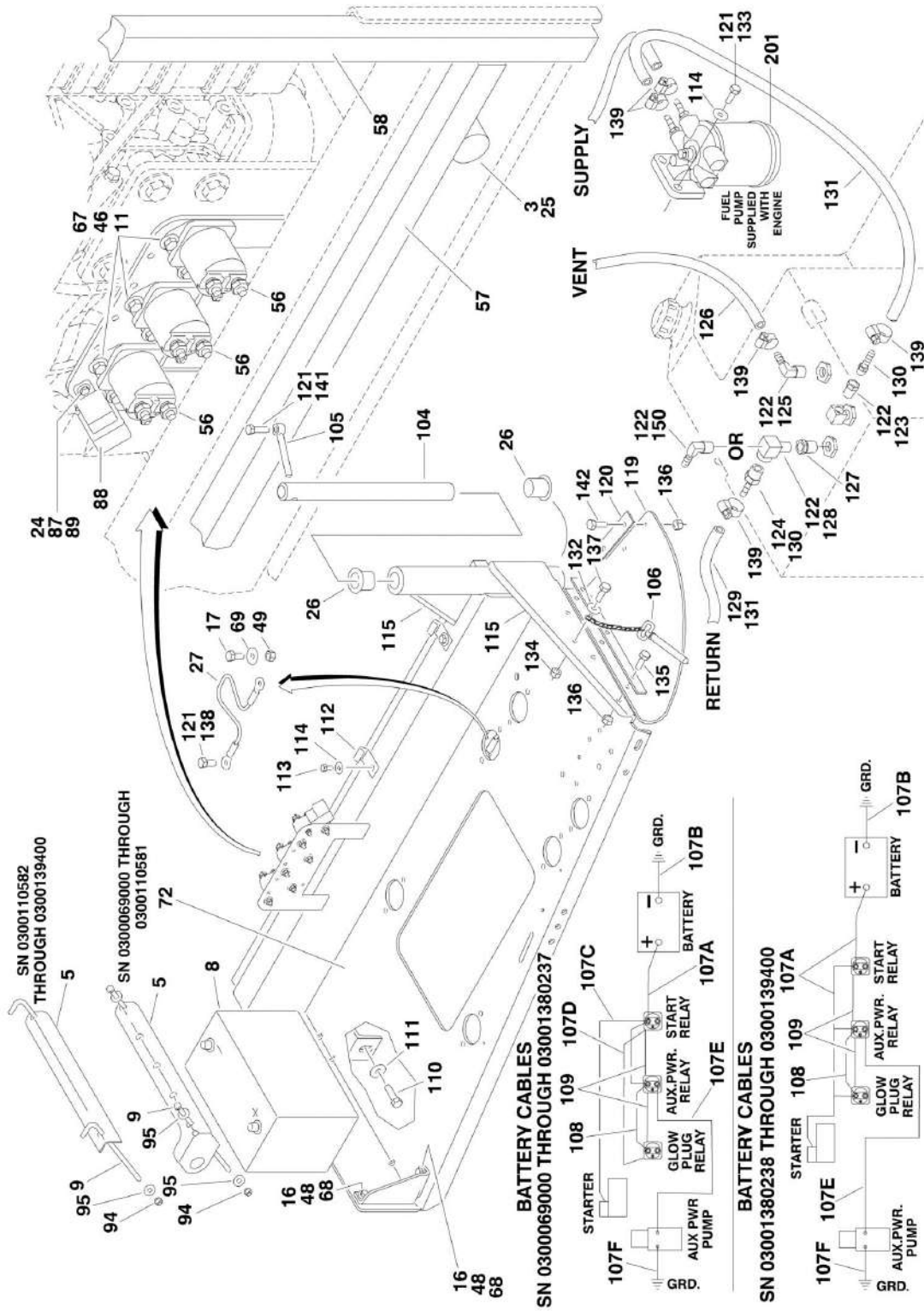
| ITEM | PART NUMBER | QTY | DESCRIPTION  | REV |
|------|-------------|-----|--|-----|
| 106  | 7024453     | 1   | Ring   |     |
| 107  | 7024379     | 1   | Manifold   |     |
| 108  | 7024455     | 1   | Rotor Set  |     |
| 109  | 7024380     | 1   | Plate, Wear  |     |
| 110  | 7024456     | 1   | Link, Drive  |     |
| 112  | 7024458     | 1   | Shaft, Coupling  |     |
| 113  | 7024381     | 1   | Bearing, Inner   |     |
| 114  | 7004043     | 1   | Washer, Thrust   |     |
| 115  | 7004044     | 1   | Bearing, Thrust  |     |
| 116  | 7004049     | 1   | Seal, Inner  |     |
| 117  | 7004045     | 1   | Washer, Back-up  |     |
| 118  | 7024457     | 1   | Housing  |     |
| 119  | 7024390     | 1   | Bearing, Outer   |     |
| 120  | 7004047     | 1   | Seal   |     |
| 125  | 80424043    | 1   | Washer, Back-up  |     |
|      |             | Ref | <b>KIT OPTIONS:</b>  |     |
| 200  |             | Ref | Seal Kit Options:  |     |
| 200A | 7024100     | 1   | Swing Hub (Includes Items 1B, 1I, 5, 5A & 11)              |     |
| 200B | 70002086    | 1   | Swing Brake (Includes Items 8D, 8E, 8F, 8H & 26)           |     |
| 200C | 7024396     | 1   | Swing Motor (Includes Items 103, 104, 116, 117, 120 & 125) |     |
| 201  | 70002085    | 1   | Disc Kit - Swing Brake (Includes Items 8J & 8K)            |     |

# SECTION 2 - TURNTABLE

FIGURE 2-8. CATERPILLAR ENGINE INSTALLATION (SN 0300069000 through 0300139399)



# SECTION 2 - TURNTABLE



## SECTION 2 - TURNTABLE

FIGURE 2-8. CATERPILLAR ENGINE INSTALLATION (SN 0300069000 through 0300139399)

| ITEM | PART NUMBER | QTY | DESCRIPTION  | REV |
|------|-------------|-----|--|-----|
|      |             | Ref | <b>CATERPILLAR ENGINE ASSEMBLY</b>                               |     |
|      | 0272796     | Ref | <b>Without Arctic Package (SN 0300069000 through 0300087265)</b> | F   |
|      | 0274491     | Ref | <b>Without Arctic Package (SN 0300087266 through 0300134758)</b> | L   |
|      | 1001105993  | Ref | <b>Without Arctic Package (SN 0300134759 through 0300139400)</b> | D   |
|      | 0275256     | Ref | <b>With Arctic Package (SN 0300069000 through 0300134758)</b>    | I   |
|      | 1001106338  | Ref | <b>With Arctic Package (SN 0300134759 through 0300139400)</b>    | D   |
| 1    | 0080181     | 1   | Adapter, Pump Mounting Plate                                     |     |
| 2    | 0080243     | 1   | Adapter, Fan Spacer  |     |
| 3    | 0100011     | AR  | Compound, Locking  |     |
| 4    | 0100020     | AR  | Sealant, Thread  |     |
| 5    |             | Ref | Hold-Down, Battery Options:                                      |     |
| 5    | 0181727     | 1   | Hold-Down, Battery (SN 0300069000 through 0300110581)            |     |
| 5    | 91401281    | 1   | Hold-Down, Battery (SN 0300110582 through 0300139400)            |     |
| 6    | 0340041     | 2   | Band, Mounting   |     |
| 7    | 0340046     | 2   | Band, Muffler  |     |
| 8    | 0400075     | 1   | Battery  |     |
| 9    |             | Ref | Bolt, Battery Hold-down Options:                                 |     |
| 9    | 0630498     | 2   | Bolt, Battery Hold-down (SN 0300069000 through 0300110581)       |     |
| 9    | 1001093382  | 2   | Bolt, Battery Hold-down (SN 0300110582 through 0300139400)       |     |
| 10   | 0641406     | 4   | Bolt 1/4in-20NC x 3/4in  |     |
| 11   | 0641407     | 6   | Bolt 1/4in-20NC x 7/8in  |     |
| 12   | 0701414     | 4   | Bolt 1/4in-20NC x 3/4in  |     |
| 13   | 0641507     | 4   | Bolt 5/16in-18NC x 7/8in   |     |
| 14   | 0641608     | AR  | Bolt 3/8in-16NC x 1in  |     |
| 15   | 0641609     | 4   | Bolt 3/8in-16NC x 1-1/8in  |     |
| 16   | 0641610     | 4   | Bolt 3/8in-16NC x 1-1/4in  |     |
| 17   | 0641808     | 1   | Bolt 1/2in-13NC x 1in  |     |
| 18   | 0641828     | 4   | Bolt 1/2in-13NC x 2-1/2in  |     |
| 19   | 0700808     | AR  | Bolt M8 x 16mm   |     |
| 20   | 0701010     | 8   | Bolt M10 x 20mm  |     |
| 21   | 0701012     | 4   | Bolt M10 x 25mm  |     |
| 22   | 0701015     | 8   | Bolt M10 x 35mm  |     |
| 23   |             | Ref | Bolt M12 x 30mm Options:   |     |
| 23   | 0701214     | 8   | Bolt M12 x 30mm (SN 0300069000 through 0300098894)               |     |
| 23   | 0711214     | 4   | Bolt M12 x 30mm (SN 0300098895 through 0300139400)               |     |
| 24   | 0721006     | AR  | Bolt #10-24NC x 3/4in  |     |
| 25   | 0940070     | 1   | Bumper, Rubber   |     |
| 26   | 0961986     | 2   | Bearing, Flange  |     |
| 27   | 1060637     | 1   | Lanyard  |     |
| 28   |             | Ref | Clamp, Hose Options:   |     |
| 28   | 1320022     | 3   | Clamp, Hose (SN 0300069000 through 0300087265)                   |     |
| 28   | 8405009     | 2   | Clamp, Hose (SN 0300087266 through 0300139400)                   |     |
| 29   | 1320016     | 2   | Clamp, Hose  |     |
| 30   |             | Ref | Clamp, Hose Options:   |     |
| 30   | 1320012     | 4   | Clamp, Hose (SN 0300069000 through 0300087265)                   |     |
| 30   | 8405104     | 4   | Clamp, Hose (SN 0300087266 through 0300139400)                   |     |
| 31   | 1340060     | 1   | Air Cleaner Assembly   |     |
| 31   | 7012664     | 1   | Element, Air Cleaner   |     |

## SECTION 2 - TURNTABLE

| ITEM | PART NUMBER | QTY       | DESCRIPTION   | REV |
|------|-------------|-----------|---|-----|
| 32   | 1580011     | 1         | Container, Coolant Overflow   |     |
| 33   | 1660239     | 1         | Coupling, Pump  |     |
| 34   | 1703162     | 2         | Decal - Fan Blade   |     |
| 35   |             | Ref       | Caterpillar engine assembly options:  |     |
| 35   | 2000194     | NLA       | Caterpillar engine assembly (Use p/n 1001109762) (SN <b>0300069000 through 0300104773</b> ) |     |
| 35   | 2000386     | NLA       | Caterpillar engine assembly (Use p/n 1001109762) (SN <b>0300104774 through 0300134758</b> ) |     |
| 35   | 1001100313  | 1         | Caterpillar engine assembly (SN <b>0300134759 through 0300139400</b> )                      |     |
| 36   | 2060025     | 1         | Fan   |     |
| 37   | 2220767     | 1         | Fitting (SN <b>0300075602 through 0300104774</b> )  |     |
| 38   | 2720058     | 4 in/10cm | Hose  |     |
| 39   | 2720434     | 1         | Elbow, Rubber   |     |
| 40   | 2720509     | 1         | Hose, Radiator (Bottom)   |     |
| 41   |             | Ref       | Hose, Radiator (Top) Options:   |     |
| 41   | 2720510     | 1         | Hose, Radiator (Top) (SN <b>0300069000 through 0300134758</b> )                             |     |
| 41   | 1001107705  | 1         | Hose, Radiator (Top) (SN <b>0300134759 through 0300139400</b> )                             |     |
| 42   | 2720515     | 1         | Seal, Air Cleaner   |     |
| 43   | 3200406     | 4         | Mount, Engine   |     |
| 44   |             | Ref       | Muffler Options:  |     |
| 44   | 3220113     | 1         | Spark Arresting Muffler   |     |
| 44   | 70001017    | 1         | Clamp   |     |
| 44   | 1001107116  | 1         | Catalytic Muffler   |     |
| 44   | 70002705    | 1         | Clamp   |     |
| 44   | 70002706    | 1         | Plug, Brass   |     |
| 45   | 3290801     | 4         | Nut m8 x 1.25   |     |
| 46   | 3311405     | 14        | Locknut 1/4in-20NC  |     |
| 47   | 3311505     | 4         | Locknut 5/16in-18NC   |     |
| 48   | 3311605     | AR        | Locknut 3/8in-16NC  |     |
| 49   | 3311801     | 1         | Nut 1/2in-13NC  |     |
| 50   | 3311805     | 4         | Locknut 1/2in-13NC  |     |
| 51   | 3539872     | 1         | Plate, Radiator Mounting  |     |
| 52   | 3574206     | 1         | Plate, Motor Mount  |     |
| 53   | 3574207     | 1         | Plate, Engine Mount (Rear)  |     |
| 54   | 3574208     | 1         | Bracket, Muffler  |     |
| 55   | 3620047     | 1         | Radiator  |     |
| 55A  | 7027412     | 1         | Cap, Radiator   |     |
| 55B  | 70004182    | 1         | Shroud, Fan   |     |
| 56   | 3740067     | 3         | Relay, Solenoid Assembly  |     |
| 57   | 3960468     | 1         | Seal, Foam Gasket   |     |
| 58   | 3960469     | 1         | Seal, Foam Gasket   |     |
| 59   | 4031911     | 4         | Bolt M8 x 35mm  |     |
| 60   | 4220191     | 2         | Block, Spacer   |     |
| 61   | 4567073     | 1         | Tube, Exhaust   |     |
| 61   | 70001017    | 1         | Clamp   |     |
| 62   | 4568721     | 1         | Exhaust Tube Weldment   |     |
| 63   |             | Ref       | Tube, Air Intake Weldment Options:  |     |
| 63   | 4568788     | 1         | Tube, Air Intake Weldment (SN <b>0300069000 through 0300087265</b> )                        |     |
| 63   | 4569177     | 1         | Tube, Air Intake Weldment (SN <b>0300087266 through 0300104774</b> )                        |     |

## SECTION 2 - TURNTABLE

| ITEM | PART NUMBER | QTY               | DESCRIPTION   | REV |
|------|-------------|-------------------|---|-----|
| 64   | 1001105833  | NLA               | Valve, Oil Drain (Use p/n 4640750)  |     |
| 65   | 4711500     | 8                 | Flatwasher 5/16in (Narrow)  |     |
| 66   | 4740274     | 4                 | Washer, Snubbing  |     |
| 67   | 4751400     | 28                | Flatwasher 1/4in  |     |
| 68   | 4751600     | AR                | Flatwasher 3/8in  |     |
| 69   | 4751800     | 1                 | Flatwasher 1/2in  |     |
| 70   | 4811900     | AR                | Flatwasher M8   |     |
| 71   | 4832000     | 8                 | Lockwasher M10  |     |
| 72   | 4846790     | 1                 | Tray Engine   |     |
| 73   | 4846805     | 1                 | Mount, Engine/Generator - Left  |     |
| 74   | 4922737     | 1                 | Harness, Relay Ground (Not Shown Only) <b>(SN 0300069000 through 0300134758)</b>    |     |
| 85   | 2180798     | 1                 | Fitting Only <b>(SN 0300069000 through 0300087265)</b>                              |     |
| 86   | 4360392     | 1                 | Switch, Restrictor Indicator Only <b>(SN 0300069000 through 0300087265)</b>         |     |
| 87   | 3311005     | AR                | Locknut #10-24NC  |     |
| 88   | 3740080     | 1                 | Relay (Machines with Generator Option)  |     |
| 89   | 4751000     | AR                | Flatwasher #10  |     |
| 90   |             | Ref               | Oil, Motor Options (Not Shown):   |     |
| 90   | 3020016     | 2.5 gl<br>/9.5L   | Oil, Motor 15W-40 (Without Arctic Package)  |     |
| 90   | 3020044     | 2.5 gl<br>/9.5L   | Oil, Motor 0W-40 (With Arctic Package)  |     |
| 91   |             | Ref               | Fluid, Anti-Freeze Options (Not Shown):   |     |
| 91   | 2300004     | 2.63 gl<br>/9.96L | Fluid, Anti-Freeze (Without Arctic Package)   |     |
| 91   | 2300041     | 2.63 gl<br>/9.96L | Fluid 60/40 Arctic Antifreeze (With Arctic Package)                                 |     |
| 92   |             | Ref               | Flatwasher Options:   |     |
| 92   | 4751800     | 8                 | Flatwasher 1/2in <b>(SN 0300069000 through 0300098894)</b>                          |     |
| 92   | 4812100     | 8                 | Flatwasher M12 <b>(SN 0300098895 through 0300139400)</b>                            |     |
| 93   | 0100019     | AR                | Compound, Locking (Not Shown) <b>(SN 0300098895 through 0300111030)</b>             |     |
| 94   |             | Ref               | Locknut Options:  |     |
| 94   | 3311605     | 2                 | Locknut 3/8in-16NC <b>(SN 0300069000 through 0300110581)</b>                        |     |
| 94   | 3311505     | 2                 | Locknut 5/16in-18NC <b>(SN 0300110582 through 0300121642)</b>                       |     |
| 94   | 88521205    | 2                 | Locknut 5/16in-18NC <b>(SN 0300121643 through 0300139400)</b>                       |     |
| 95   |             | Ref               | Flatwasher Options:   |     |
| 95   | 4751600     | 4                 | Flatwasher 3/8in Wide <b>(SN 0300069000 through 0300110581)</b>                     |     |
| 95   | 4751500     | 2                 | Flatwasher 5/16in Wide <b>(SN 0300110582 through 0300139400)</b>                    |     |
| 96   |             | Ref               | Bolt Options:   |     |
| 96   | 0711214     | 4                 | Bolt M12 x 30mm <b>(SN 0300069000 through 0300111029)</b>                           |     |
| 96   | 0771212     | 4                 | Bolt M12 x 25mm <b>(SN 0300111030 through 0300139400)</b>                           |     |
|      |             | Ref               | <b>Note: Arctic Package Items 97 - 101 Not Shown - Used on Arctic Machines Only</b> |     |
| 97   | 1060626     | 1                 | Cord, 3-Way Extension (Located on Left Front of Engine)                             |     |
| 98   | 1320223     | 2                 | Clamp   |     |
| 99   | 2580024     | 1                 | Heater, Battery (Located on Battery)  |     |
| 100  | 2580055     | 1                 | Heater, Block (Located on Left Side of Engine)                                      |     |
| 101  | 3980007     | 1                 | Seat, Battery (Located Under Battery)   |     |
|      |             | Ref               | <b>CATERPILLAR ENGINE INSTALLATION</b>  |     |
|      | 0273526     | Ref               | <b>Without Arctic Package (SN 0300069000 through 0300087265)</b>                    | 5-D |

## SECTION 2 - TURNTABLE

| ITEM | PART NUMBER  | QTY | DESCRIPTION  | REV |
|------|--------------|-----|--|-----|
|      | 0274625      | Ref | <b>Without Arctic Package (SN 0300087266 through 0300121642)</b>   | 4-D |
|      | 1001095508   | Ref | <b>Without Arctic Package (SN 0300121643 through 0300134758)</b>   | 2-B |
|      | 1001106701   | Ref | <b>Without Arctic Package (SN 0300134759 through 0300139400)</b>   | 3-B |
|      | 0275425      | Ref | <b>With Arctic Package (SN 0300069000 through 0300121642)</b>  | 2-B |
|      | 1001095509   | Ref | <b>With Arctic Package (SN 0300121643 through 0300134758)</b>  | 2-B |
|      | 1001106702   | Ref | <b>With Arctic Package (SN 0300134759 through 0300139400)</b>  | 3-B |
| 102  |              | Ref | Piston Pump Assembly Options (See PISTON PUMP ASSEMBLY for Breakdown):   |     |
| 102  | 3600295      | 1   | Piston Pump Assembly ( <b>SN 0300069000 through 0300135831</b> )   |     |
| 102  | 3600400      | 1   | Piston Pump Assembly ( <b>SN 0300135832 through 0300139400</b> )   |     |
| 103  |              | Ref | Variable Displacement Pump Assembly Options:   |     |
| 103  | 3600278      | 1   | Variable Displacement Pump (Rexroth) ( <b>SN 0300069000 through 0300121642</b> )   | C   |
| 103  | 7018995      | 1   | Seal Kit - 3600278 Pump  |     |
| 103  | 7024918      | 1   | Seal, Shaft  |     |
| 103  | 7024930      | 1   | Valve Assembly Kit - 3600278 Pump  |     |
| 103  | 1001095354   | 1   | Variable Displacement Pump Assembly with Fittings (Sauer Danfoss) ( <b>SN 0300121643 through 0300139400</b> )  | A   |
| 103  | 2220415      | 1   | Fitting  |     |
| 103  | 1001094595   | 1   | Pump, Variable Displacement  |     |
| 103  | 7023967      | 1   | Seal Kit - 1001094595 Pump   |     |
| 103  | 7023956      | 1   | Valve Assembly Kit - 1001094595 Pump   |     |
| 104  | 3422446      | 1   | Pin, Pivot   |     |
| 105  | 3841143      | 1   | Keeper, Pin  |     |
| 106  | 3422532      | 1   | Pin, Hitch   |     |
| 107  | 2901609      | 1   | Battery Cable Kit Options:   |     |
| 107  | 2901609      | 1   | Battery Cable Kit ( <b>SN 0300069000 through 0300078363</b> )  |     |
| 107  | 2902401      | NLA | Battery Cable Kit (Note: 2902401 Rev A version is no longer available. Verify whether machine is equipped with 2 or 3 relays on the engine tray. If there are 3 relays, purchase latest revision of 2902401 kit. If there are 2 relays, purchase individual items as replacement.) ( <b>SN 0300078364 through 0300138237</b> ) | A   |
| 107  | 2902401      | 1   | Battery Cable Kit ( <b>SN 0300138238 through 0300139400</b> )  | B   |
| 107A |              | Ref | Cable, Battery (Red) Options:  |     |
| 107A | 7016800      | 1   | Cable, Battery (Red) ( <b>SN 0300069000 through 0300078363</b> )   |     |
| 107A | 7016813      | 1   | Cable, Battery (Red) ( <b>SN 0300078364 through 0300138237</b> )   |     |
| 107A | 1001116288   | 1   | Machines SN 0300138238 through SN 0300139400 with 2 Relays on Engine Tray (was p/n 7027027)  |     |
| 107A | 1001116287   | 1   | Machines SN 0300138238 through SN 0300139400 with 3 Relays on Engine Tray (was p/n 7027027)  |     |
| 107B |              | Ref | Cable, Battery (Black) Options:  |     |
| 107B | 7016809      | 1   | Cable, Battery (Black) ( <b>SN 0300069000 through 0300078363</b> )   |     |
| 107B | 7027012      | 1   | Cable, Battery (Black) ( <b>SN 0300078364 through 0300138237</b> )   |     |
| 107B | 7027004      | 1   | Cable, Battery (Black) ( <b>SN 0300138238 through 0300139400</b> )   |     |
| 107C |              | Ref | Cable (Red) Options:   |     |
| 107C | 7016802      | 1   | Cable (Red) ( <b>SN 0300069000 through 0300078363</b> )  |     |
| 107C | Not Required | 0   | Cable (Red) (Part of Item 107A) ( <b>SN 0300078364 through 0300139400</b> )  |     |

## SECTION 2 - TURNTABLE

| ITEM | PART NUMBER  | QTY            | DESCRIPTION  | REV |
|------|--------------|----------------|--|-----|
| 107D |              | Ref            | Cable (Red) Options:   |     |
| 107D | 7016803      | 1              | Cable (Red) <b>(SN 0300069000 through 0300138237)</b>            |     |
| 107D | Not Required | 0              | Cable (Red) <b>(SN 0300138238 through 0300139400)</b>            |     |
| 107E | 7016824      | 1              | Cable (Red)  |     |
| 107F | 7016825      | 1              | Cable (Black)  |     |
| 108  | 1060904      | 1              | Cable, Battery (Glow Plugs)                                      |     |
| 109  | 4922737      | 1              | Harness, Relay Ground  |     |
| 110  | 0642010      | 1              | Bolt 5/8in-11NC x 1-1/4in  |     |
| 111  | 4752000      | 1              | Flatwasher 5/8in   |     |
| 112  | 1320223      | AR             | J-Clip 1/2in   |     |
| 113  | 0641606      | 2              | Bolt 3/8in-16NC x 3/4in  |     |
| 114  | 4711600      | 4              | Flatwasher 3/8in Narrow  |     |
| 115  | 4060805      | 2 ft<br>/0.7mm | Flex-Trim 1/4in  |     |
| 117  | 3790044      | 1              | O-Ring   |     |
| 118  | 4891800      | 2              | Washer, Hardened 1/2in   |     |
| 119  | 3380429      | 1              | Panel, Rubber  |     |
| 120  | 3539957      | 2              | Plate, Support   |     |
| 121  | 0100011      | AR             | Compound, Locking  |     |
| 122  | 0100020      | AR             | Sealant, Thread  |     |
| 123  | 2220273      | Ref            | Fitting, Reducer Options:  |     |
| 123  | 2220273      | 2              | Without Arctic Package <b>(SN 0300069000 through 0300107594)</b> |     |
| 123  | 2220273      | 0              | Without Arctic Package <b>(SN 0300107595 through 0300139400)</b> |     |
| 123  | 2220273      | 2              | With Arctic Package  |     |
| 124  | 2180536      | 2              | Fitting, Straight <b>(SN 0300069000 through 0300075345)</b>      |     |
| 125  | 2220313      | 1              | Fitting, Elbow   |     |
| 126  | 2750532      | 6 ft/1.8m      | Hose 3/8in   |     |
| 127  | 2220250      | Ref            | Fitting, Reducer Options:  |     |
| 127  | 2220250      |                | Without Arctic Package   |     |
| 127  | 2220250      | 1              | Without Arctic Package <b>(SN 0300069000 through 0300107594)</b> |     |
| 127  | 2220250      | 0              | Without Arctic Package <b>(SN 0300107595 through 0300139400)</b> |     |
| 127  | 2220250      | 1              | With Arctic Package  |     |
| 128  | 2220459      | Ref            | Fitting, Elbow Options:  |     |
| 128  | 2220459      |                | Without Arctic Package   |     |
| 128  | 2220459      | 1              | Without Arctic Package <b>(SN 0300069000 through 0300107594)</b> |     |
| 128  | 2220459      | 0              | Without Arctic Package <b>(SN 0300107595 through 0300139400)</b> |     |
| 128  | 2220459      | 1              | With Arctic Package  |     |
| 129  | 2720271      | 15 ft/4.6m     | Hose 3/16in <b>(SN 0300069000 through 0300075345)</b>            |     |
| 130  |              | Ref            | Fitting, Barbed Options:   |     |
| 130  |              | Ref            | Without Arctic Package   |     |
| 130  | 2220794      | 2              | Without Arctic Package <b>(SN 0300069000 through 0300107594)</b> |     |
| 130  | 2180348      | 1              | Without Arctic Package <b>(SN 0300107595 through 0300139400)</b> |     |
| 130  | 2220794      | 2              | With Arctic Package  |     |
| 131  | 2720058      | 30 ft/9.1m     | Hose   |     |
| 132  | 4751400      | AR             | Flatwasher 1/4in   |     |



## SECTION 2 - TURNTABLE

| ITEM | PART NUMBER | QTY       | DESCRIPTION  | REV |
|------|-------------|-----------|--|-----|
| 133  | 0641608     | 8         | Bolt 3/8in-16NC x 1in  |     |
| 134  | 3311405     | 1         | Locknut 1/4in-20NC   |     |
| 135  | 0641507     | AR        | Bolt 5/16in-18NC x 1-1/4in   |     |
| 136  | 3311505     | AR        | Locknut 5/16in-18NC  |     |
| 137  | 0641407     | 1         | Bolt 1/4in-20NC x 7/8in  |     |
| 138  | 0641808     | 1         | Bolt 1/2in-13NC x 1in  |     |
| 139  | 1320022     | 7         | Clamp, Hose  |     |
| 140  | 1701505     | 1         | Decal - Diesel (Not Shown - Located on Hood)   |     |
| 141  | 0641610     | 1         | Bolt 3/8in-16NC x 1-1/4in  |     |
| 142  | 0641514     | 3         | Bolt 5/16in-18NC x 1-3/4in   |     |
| 143  | 4751500     | 3         | Flatwasher 5/16in <b>(SN 0300069000 through 0300075345)</b>  |     |
| 144  | 3960389     | 5 ft/1.5m | Seal, Hood   |     |
| 145  | 0641812     | 4         | Bolt 1/2in-13NC x 1-1/2in  |     |
| 146  | 3841340     | 3         | Loop, Hose (Not Shown - Located Inside Turntable)  |     |
| 147  | 0641608     | 3         | Bolt 3/8in-16NC x 1in <b>(SN 0300069000 through 0300075345)</b>  |     |
| 148  | 1320176     | 1         | Clamp <b>(SN 0300093810 through 0300139400)</b>  |     |
| 149  | 3460544     | 1         | Pipe, Exhaust <b>(SN 0300093810 through 0300139400)</b>  |     |
| 150  | 2221176     | 1         | Fitting (Without Arctic Package) <b>(SN 0300107595 through 0300139400)</b>   |     |
|      |             | Ref       | <b>Note: Arctic Package Items 151-156 Not Shown - Used on Arctic Machines Only</b>   |     |
| 151  | 2580050     | 1         | Heater, Hydraulic Tank   |     |
| 152  | 1060625     | 1         | Cable, Immersion Heater  |     |
| 153  | 1702943     | 1         | Decal - Hydraulic Tank Heater  |     |
| 154  | 1702941     | 1         | Decal - Battery Heater   |     |
| 155  | 1702942     | 1         | Decal - Engine Block Heater  |     |
| 156  | 1702944     | 1         | Decal - Heater Cord  |     |
|      |             | Ref       | <b>ENGINE COMPONENTS</b>   |     |
|      | 2000194     | Ref       | <b>Engine Components (SN 0300069000 through 0300104773)</b>  | E   |
|      | 2000386     | Ref       | <b>Engine Components (SN 0300104774 through 0300134758)</b>  | A   |
|      | 1001100313  | Ref       | <b>Engine Components (SN 0300134759 through 0300139400)</b>  | C   |
| 201  | 7026839     | 1         | Pump, Fuel Supply  |     |
| 201  | 7026830     | 1         | Filter, Fuel   |     |
| 201  | 70002833    | 1         | Ring, Retaining  |     |
| 201  | 70002834    | 1         | Bowl, Water Collection   |     |
| 201  | 70002835    | 1         | Kit, Seal  |     |
| 202  | 7026831     | 1         | Alternator   |     |
| 203  | 7026814     | 1         | Relief Valve, Oil Pressure   |     |
| 203  | 7026815     | 1         | Gasket, Relief Valve   |     |
| 203  | 1001097554  | 1         | Sensor, Oil Pressure (Not Shown)   |     |
| 203  | 1001097555  | 1         | Fitting, Straight (Caterpillar Engine p/n 2000386) (Not Shown)   |     |
| 203  | 70004148    | 1         | Fitting, Elbow (Caterpillar Engine p/n 2000386) (Not Shown)  |     |
| 204  | 7026811     | 1         | Filter, Oil  |     |
|      |             | Ref       | <b>Note: Machines with SkyPower use Remote Mounted Oil Filter - See SPECIAL OPTIONS SECTION. The same oil filter is used for all applications.</b> |     |
| 205  | 7026833     | 1         | Starter  |     |
| 206  |             | Ref       | Dipstick Oil Level Options:  |     |
| 206  | 7026834     | 1         | Dipstick Oil Level <b>(SN 0300087000 through 0300105047)</b>   |     |
| 206  | 7026888     | 1         | Dipstick Oil Level <b>(SN 0300105048 through 0300134758)</b>   |     |
| 206  | 70002844    | 1         | Dipstick Oil Level <b>(SN 0300134759 through 0300139400)</b>   |     |
| 206  | 70002843    | 1         | Seal, Guide Tube <b>(SN 0300134759 through 0300139400)</b>   |     |

## SECTION 2 - TURNTABLE

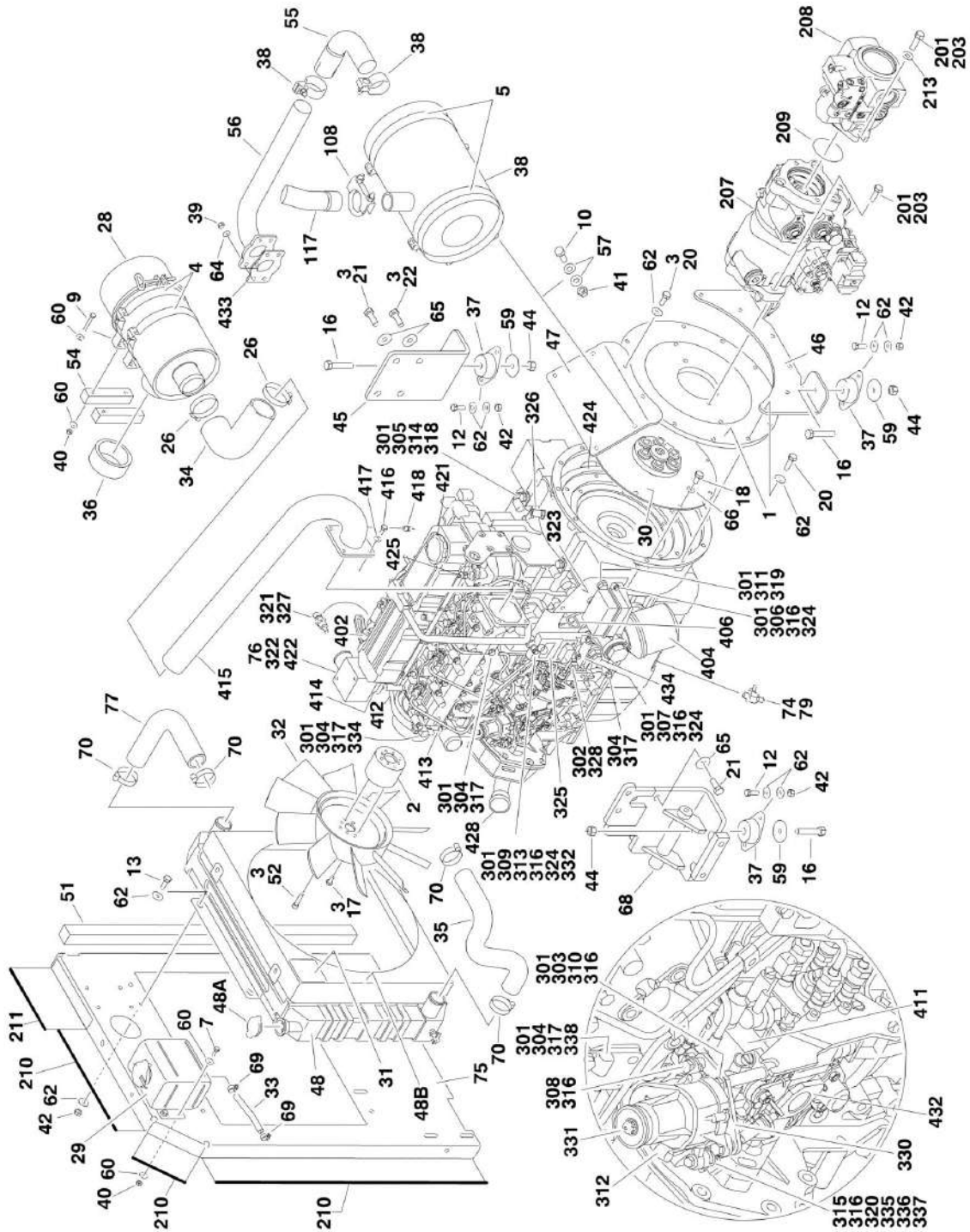
| ITEM | PART NUMBER | QTY | DESCRIPTION  | REV |
|------|-------------|-----|--|-----|
| 207  | 7026840     | 1   | Sensor, Water Temperature  |     |
| 207  | 7026882     | 1   | Seal, Sensor   |     |
| 208  | 1600361     | 1   | Actuator/Linkage Assembly - Throttle                                   |     |
| 208A | 1600361     | 1   | Actuator and Electrical Connector Kit (was p/n 7026842)                |     |
| 208A | 7026835     | 1   | Connector, Actuator  |     |
| 208B | 7026843     | 1   | Linkage Kit  |     |
| 210  | 0902910     | NLA | Mounting Bracket, Actuator (Use p/n 7026887)                           |     |
| 210  | 0903220     | NLA | Mounting Bracket, Actuator (Use p/n 7026887)                           |     |
| 211  | 70002849    | 1   | Pump, Fuel Supply <b>(SN 0300134759 through 0300139400)</b>            |     |
| 211  | 70002850    | 1   | Solenoid, Fuel Shutoff <b>(SN 0300134759 through 0300139400)</b>       |     |
| 211  | 70002848    | 1   | Gasket, Fuel Pump (Between Flange and Pump)                            |     |
| 212  | 7026841     | 1   | Speed Sensor Kit   |     |
| 212  | 7026836     | 1   | Connector, Speed Sensor  |     |
| 213  |             | Ref | Pump, Water Options:   |     |
| 213  |             | Ref | Caterpillar Engine p/n 2000194   |     |
| 213  | 7026823     | 1   | Caterpillar Engines Prior to SN 3440833 (Not Machine SN)               |     |
| 213  | 70001120    | 1   | Caterpillar Engines SN 3440833 to Present (Not Machine SN)             |     |
| 213  | 7026824     | 1   | Gasket, Water Pump Cover   |     |
| 213  | 7026825     | 1   | Gasket, Water Pump   |     |
| 214  | 7026822     | 1   | Thermostat   |     |
| 214  | 7026820     | 1   | Gasket, Thermostat Housing   |     |
| 214  | 7026821     | 1   | Gasket, Coolant  |     |
| 214  | 70002765    | 1   | Hose, Bypass   |     |
| 215  |             | Ref | Tube, Air Intake Options:  |     |
| 215  | 4569177     | 1   | Tube, Air Intake <b>(SN 0300087000 through 0300105047)</b>             |     |
| 215  | 4569371     | 1   | Tube, Air Intake <b>(SN 0300105048 through 0300139342)</b>             |     |
| 218  | 2220767     | 1   | Fitting <b>(SN 0300069000 through 0300134758)</b>                      |     |
| 218  | 70001051    | 1   | Valve, Shutoff <b>(SN 0300134759 through 0300139400)</b>               |     |
| 219  | 70001742    | 1   | Pulley, Water Pump   |     |
| 220  | 7026800     | 1   | Cap, Filler  |     |
| 221  | 7026801     | 1   | Gasket, Valve Cover (Not Shown)  |     |
| 222  | 7026802     | 1   | Flywheel Assembly (With Ring Gear)                                     |     |
| 222  | 7026803     | 1   | Gear, Flywheel   |     |
| 223  | 7026804     | 1   | Gasket (Not Shown - Located Between Engine Block and Bell-housing)     |     |
| 224  | 7026805     | 1   | Seal, Rear Main (Not Shown - Located on Rear of Engine)                |     |
| 225  | 7026806     | 1   | Cap, Filler  |     |
| 225  | 70002845    | 1   | Pump, Oil <b>(SN 0300134759 through 0300139400)</b>                    |     |
| 225  | 70002846    | 1   | Seal, Oil Pump <b>(SN 0300134759 through 0300139400)</b>               |     |
| 225  | 70002847    | 1   | Seal, Gear Cover <b>(SN 0300134759 through 0300139400)</b>             |     |
| 226  | 7026807     | 1   | Seal, Front Main (Not Shown - Located on Front of Engine Block)        |     |
| 228  | 7026810     | 1   | Belt   |     |
| 229  | 7026813     | 1   | Seal, Oil Filter Head (Between Oil Filter Head and Engine Block)       |     |
| 229  | 7026812     | 1   | Seal, Oil Filter Head Bolt   |     |
| 230  | 7026819     | 1   | Cooler, Oil (Not Shown)  |     |
| 230  | 7026816     | 2   | O-Ring (Not Shown - Located Between Oil Cooler and Cover)              |     |
| 230  | 7026817     | 4   | O-Ring (Not Shown - Located Between Oil Cooler and Cover)              |     |
| 230  | 7026818     | 1   | Gasket (Not Shown - Located Between Oil Cooler Cover and Engine Block) |     |
| 231  | 7026826     | 1   | Gasket, Exhaust Manifold to Engine Block (Not Shown)                   |     |
| 232  | 7026827     | 1   | Gasket, Exhaust Manifold to Exhaust Pipe                               |     |
| 232  | 70002852    | 4   | Stud, Exhaust (Not Shown)  |     |

## SECTION 2 - TURNTABLE

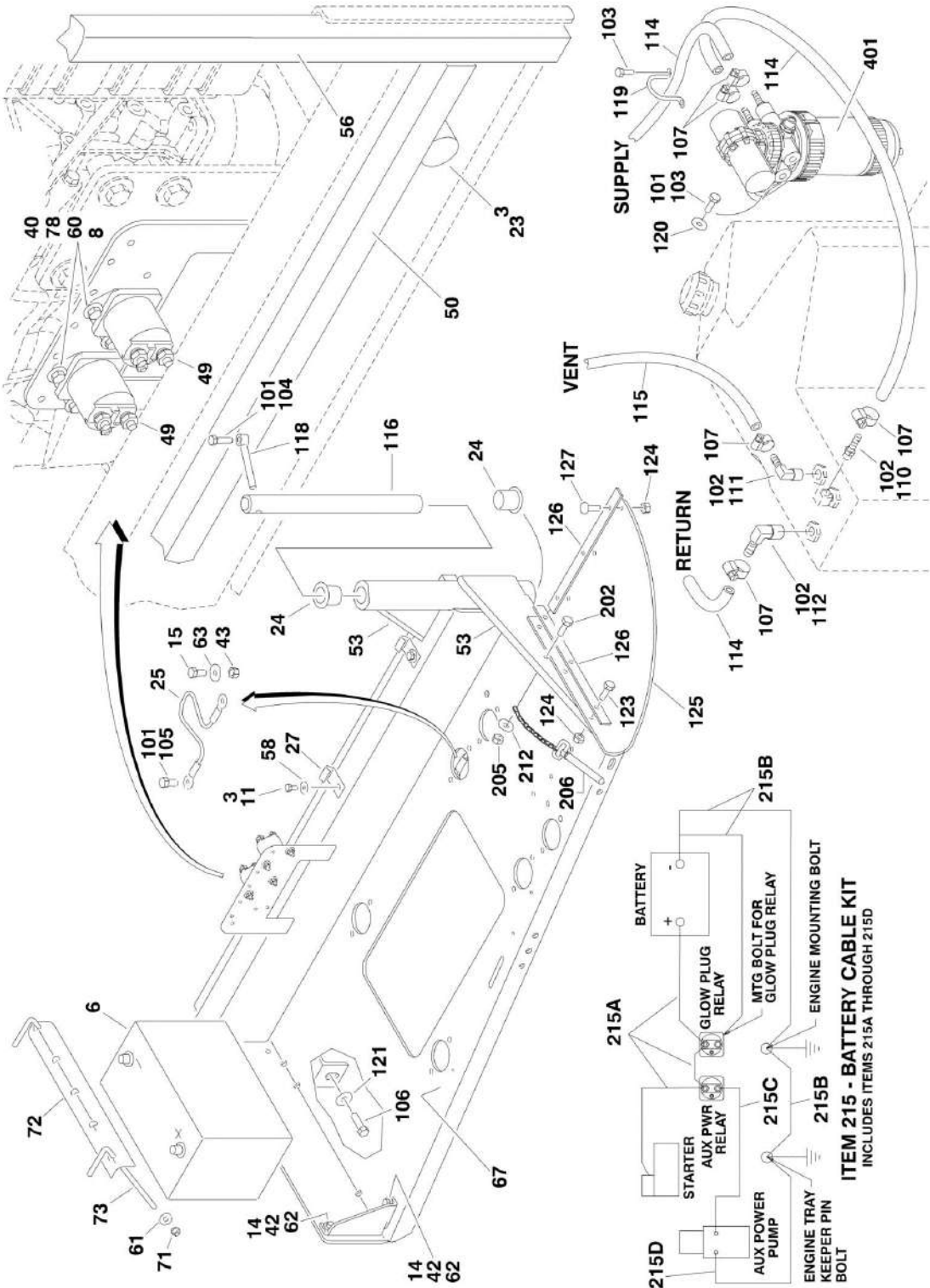
| ITEM | PART NUMBER | QTY | DESCRIPTION  | REV |
|------|-------------|-----|--|-----|
| 233  | 7026829     | 1   | Gasket, Intake Manifold to Engine Block (Not Shown)                              |     |
| 233  | 7026828     | 1   | Gasket, Intake Manifold to Air Intake Tube                                       |     |
| 234  | 7026832     | 4   | Plug, Glow   |     |
| 235  | 2580055     | 1   | Block Heater Kit (Includes Cord and Gasket) (Not Shown) (was p/n 7026845)        |     |
| 235  | 70002841    | 1   | Cord (Not Shown)   |     |
| 235  | 7026838     | 1   | Gasket, Block Heater (Not Shown)   |     |
| 236  | 7026801     | 1   | Gasket, (Valve Cover) <b>(SN 0300134759 through 0300139400)</b>                  |     |
| 236  | 70002761    | 17  | Bolt, (Cylinder Head) <b>(SN 0300134759 through 0300139400)</b>                  |     |
| 236  | 70002762    | 7   | Seal, (Valve Stem) <b>(SN 0300134759 through 0300139400)</b>                     |     |
| 236  | 7022721     | 1   | Washer, Hard 2.5mm <b>(SN 0300134759 through 0300139400)</b>                     |     |
| 236  | 70002479    | 2   | Bolt M10 x 1.5 x 20mm  |     |
| 236  | 70002764    | 1   | Gasket (Between Lifting Eye and Engine Head)                                     |     |
| 236  | 70002766    | 1   | Head, Cylinder <b>(SN 0300104774 through 0300134759)</b>                         |     |
| 236  | 70002767    | 1   | Gasket, Head <b>(SN 0300104774 through 0300134758)</b>                           |     |
| 237  | 70002763    | 4   | Gasket, Fuel Line (Not Shown) <b>(SN 0300134759 through 0300139400)</b>          |     |
| 238  | 7026808     | 1   | Plug, Drain Oil Pan (Not Shown) <b>(SN 0300134759 through 0300139400)</b>        |     |
| 238  | 7026809     | 1   | Gasket, Drain Plug Oil Pan (Not Shown) <b>(SN 0300134759 through 0300139400)</b> |     |
| 239  | 70002851    |     | Kit - Gasket (Not Shown) <b>(SN 0300134759 through 0300139400)</b>               |     |

# SECTION 2 - TURNTABLE

FIGURE 2-9. CATERPILLAR ENGINE INSTALLATION (SN 0300139400 through 0300140000)



# SECTION 2 - TURNTABLE



## SECTION 2 - TURNTABLE

FIGURE 2-9. CATERPILLAR ENGINE INSTALLATION (SN 0300139400 through 0300140000)

| ITEM | PART NUMBER | QTY              | DESCRIPTION                                 | REV |
|------|-------------|------------------|---|-----|
|      | 1001109065  | Ref              | <b>CATERPILLAR TIER IVi ENGINE ASSEMBLY</b> | D   |
| 1    | 0080181     | 1                | Adapter, Pump Mounting Plate                |     |
| 2    | 0080243     | 1                | Adapter, Fan Spacer                         |     |
| 3    | 0100011     | AR               | Compound, Locking                           |     |
| 4    | 0340041     | 2                | Band, Mounting                              |     |
| 5    | 0340046     | 2                | Band, Muffler                               |     |
| 6    | 0400075     | 1                | Battery                                     |     |
| 7    | 0641406     | 4                | Bolt 1/4in-20NC x 3/4in                     |     |
| 8    | 0641407     | 4                | Bolt 1/4in-20NC x 7/8in                     |     |
| 9    | 0701414     | 4                | Bolt 1/4in-20NC x 3/4in                     |     |
| 10   | 0641507     | 4                | Bolt 5/16in-18NC x 7/8in                    |     |
| 11   | 0641606     | 2                | Bolt 3/8in-16NC x 3/4in                     |     |
| 12   | 0641608     | 8                | Bolt 3/8in-16NC x 1in                       |     |
| 13   | 0641609     | 4                | Bolt 3/8in-16NC x 1-1/8in                   |     |
| 14   | 0641610     | 4                | Bolt 3/8in-16NC x 1-1/4in                   |     |
| 15   | 0641808     | 1                | Bolt 1/2in-13NC x 1in                       |     |
| 16   | 0641820     | 4                | Bolt 1/2in-13NC x 2-1/2in                   |     |
| 17   | 0700808     | 4                | Bolt M8 x 16mm                              |     |
| 18   | 0701010     | 8                | Bolt M10 x 20mm                             |     |
| 19   | 0701012     | 4                | Bolt M10 x 25mm                             |     |
| 20   | 0701015     | 8                | Bolt M10 x 35mm                             |     |
| 21   | 0711214     | 5                | Bolt M12 x 30mm                             |     |
| 22   | 0771212     | 3                | Bolt M12 x 25mm                             |     |
| 23   | 0940070     | 1                | Bumper, Rubber                              |     |
| 24   | 0961986     | 2                | Bearing, Flange                             |     |
| 25   | 1060637     | 1                | Lanyard                                     |     |
| 26   | 1320016     | 2                | Clamp, Hose                                 |     |
| 27   | 1320223     | 4                | Clamp                                       |     |
| 28   | 1340060     | 1                | Air Cleaner Assembly                        |     |
| 28   | 7012664     | 1                | Element, Air Cleaner                        |     |
| 29   | 1580011     | 1                | Container, Coolant Overflow                 |     |
| 30   | 1660239     | 1                | Coupling, Pump                              |     |
| 31   | 1703162     | 2                | Decal - Fan Blade                           |     |
| 32   | 2060025     | 1                | Fan   |     |
| 33   | 2720058     | 0.33 ft<br>/0.1m | Hose  |     |
| 34   | 2720434     | 1                | Elbow, Rubber                               |     |
| 35   | 2720509     | 1                | Hose, Radiator (Bottom)                     |     |
| 36   | 2720515     | 1                | Seal, Air Cleaner                           |     |
| 37   | 3200406     | 4                | Mount, Engine                               |     |
| 38   |             | Ref              | Muffler Options:                            |     |
| 38   | 3220113     | 1                | Muffler, Spark Arresting (Standard)         |     |
| 38   | 70001017    | 1                | Clamp (Used on p/n 3220113)                 |     |
| 38   | 1001107116  | 1                | Muffler, Catalytic (Optional)               |     |
| 38   | 70002705    | 1                | Clamp                                       |     |
| 38   | 70002706    | 1                | Plug  |     |
| 39   | 3290801     | 4                | Nut M8                                      |     |
| 40   | 3311405     | 12               | Locknut 1/4in-20NC                          |     |
| 41   | 3311505     | 4                | Locknut 5/16in-18NC                         |     |
| 42   | 3311605     | 16               | Locknut 3/8in-16NC                          |     |

**SECTION 2 - TURNTABLE**

| ITEM | PART NUMBER | QTY            | DESCRIPTION                                      | REV |
|------|-------------|----------------|--|-----|
| 43   | 3311801     | 1              | Nut 1/2in-13NC                                   |     |
| 44   | 3311805     | 4              | Locknut 1/2in-13NC                               |     |
| 45   | 3574206     | 1              | Plate, Motor Mount                               |     |
| 46   | 3574207     | 1              | Plate, Engine Mount (Rear)                       |     |
| 47   | 3574208     | 1              | Bracket, Muffler                                 |     |
| 48   | 3620047     | 1              | Radiator   |     |
| 48A  | 7027412     | 1              | Cap, Radiator                                    |     |
| 48B  | 70004182    | 1              | Shroud, Fan                                      |     |
| 49   | 3740067     | 2              | Relay, Solenoid Assembly                         |     |
| 50   | 3960468     | 1              | Seal, Foam Gasket                                |     |
| 51   | 3960469     | 1              | Seal, Foam Gasket                                |     |
| 52   | 4031911     | 4              | Bolt M8 x 35mm                                   |     |
| 53   | 4060805     | 2 ft<br>/0.7mm | Flex-Trim 1/4in                                  |     |
| 54   | 4220191     | 2              | Block, Spacer                                    |     |
| 55   | 4567073     | 1              | Tube, Exhaust                                    |     |
| 56   | 4568721     | 1              | Exhaust Tube Weldment                            |     |
| 57   | 4711500     | 8              | Flatwasher 5/16in (Narrow)                       |     |
| 58   | 4711600     | 2              | Flatwasher 3/8in Narrow                          |     |
| 59   | 4740274     | 4              | Washer, Snubbing                                 |     |
| 60   | 4751400     | 24             | Flatwasher 1/4in                                 |     |
| 61   | 4751500     | 2              | Flatwasher 5/16in                                |     |
| 62   | 4751600     | 44             | Flatwasher 3/8in                                 |     |
| 63   | 4751800     | 1              | Flatwasher 1/2in                                 |     |
| 64   | 4811900     | 4              | Flatwasher 8mm                                   |     |
| 65   | 4812100     | 8              | Flatwasher 12mm                                  |     |
| 66   | 4832000     | 8              | Lockwasher 10mm                                  |     |
| 67   | 4846790     | 1              | Tray Engine                                      |     |
| 68   | 4846805     | 1              | Mount, Engine/Generator - Left                   |     |
| 69   | 8405009     | 2              | Clamp, Hose                                      |     |
| 70   | 8405104     | 4              | Clamp, Hose                                      |     |
| 71   | 88521205    | 2              | Locknut 5/16in-18NC                              |     |
| 72   | 91401281    | 1              | Hold-down, Battery                               |     |
| 73   | 1001093382  | 2              | Rod, Hold-Down                                   |     |
| 74   | 1001105833  | NLA            | Valve, Oil Drain (Use p/n 4640750)               |     |
| 75   | 1001109595  | 1              | Plate, Radiator Mounting                         |     |
| 76   | 1001112077  | 1              | Caterpillar Tier IVi Engine Assembly             |     |
| 77   | 1001107705  | 1              | Hose, Radiator (Top)                             |     |
| 78   | 4791400     | 4              | Starwasher 1/4in                                 |     |
| 79   | 0100020     | AR             | Sealant, Thread                                  |     |
|      |             | Ref            | <b>CATERPILLAR TIER IVi ENGINE INSTALLATIONS</b> |     |
|      | 1001110215  | Ref            | <b>Without Arctic Package</b>                    | D   |
|      | 1001110214  | Ref            | <b>With Arctic Package</b>                       | C   |
| 101  | 0100011     | AR             | Compound, Locking                                |     |
| 102  | 0100020     | AR             | Sealant, Thread                                  |     |
| 103  | 0641608     | 8              | Bolt 3/8in-16NC x 1in                            |     |
| 104  | 0641610     | 1              | Bolt 3/8in-16NC x 1-1/4in                        |     |
| 105  | 0641808     | 1              | Bolt 1/2in-13NC x 1in                            |     |
| 106  | 0642010     | 1              | Bolt 5/8in-11NC x 1-1/4in                        |     |
| 107  | 1320022     | 7              | Clamp, Hose                                      |     |
| 108  | 1320176     | 1              | Clamp, Saddle                                    |     |
| 109  | 1701505     | 1              | Decal - Diesel (Not Shown - Located on Hood)     |     |

## SECTION 2 - TURNTABLE

| ITEM | PART NUMBER | QTY             | DESCRIPTION  | REV |
|------|-------------|-----------------|--|-----|
| 110  | 2180348     | 1               | Fitting  |     |
| 111  | 2220313     | 1               | Fitting, Elbow   |     |
| 112  | 2221176     | 1               | Fitting  |     |
| 113  |             | Ref             | Fluid, Anti-Freeze Options (Not Shown):  |     |
| 113  | 2300004     | 2.6 gl<br>/9.8L | Machines without Arctic Package  |     |
| 113  | 2300041     | 2.6 gl<br>/9.8L | Machines with Arctic Package   |     |
| 114  | 2720058     | 30 ft/9.1m      | Hose   |     |
| 115  | 2750532     | 6 ft/1.8m       | Hose 3/8in   |     |
| 116  | 3422446     | 1               | Pin, Pivot   |     |
| 117  | 3460544     | 1               | Pipe, Exhaust  |     |
| 118  | 3841143     | 1               | Keeper, Pin  |     |
| 119  | 3841340     | 1               | Loop, Hose   |     |
| 120  | 4711600     | 2               | Flatwasher 3/8in Narrow  |     |
| 121  | 4752000     | 1               | Flatwasher 5/8in   |     |
| 123  | 0641508     | 3               | Bolt 5/16in-18NC x 1in   |     |
| 124  | 3311505     | 6               | Locknut 5/16in-18NC  |     |
| 125  | 3380429     | 1               | Panel, Rubber  |     |
| 126  | 3539957     | 2               | Plate, Holddown  |     |
| 127  | 3900272     | 3               | Screw 5/16in-18NC x 1-3/4in  |     |
|      |             | Ref             | <b>Note: Arctic Package Items 150-153 Not Shown - Used on Arctic Machines Only</b> |     |
| 150  | 1060625     | 1               | Cable, Immersion Heater  |     |
| 151  | 1320223     | 1               | J-Clip 1/2in   |     |
| 152  | 1702943     | 1               | Decal - Hydraulic Tank Heater (Located on bottom of Hydraulic Oil Tank)            |     |
| 153  | 2580050     | 1               | Heater, Hydraulic Tank   |     |
|      |             | Ref             | <b>CATERPILLAR TIER IVi ENGINE W/PUMPS ASSEMBLIES</b>                              |     |
|      | 1001110207  | Ref             | <b>Without Arctic Package</b>  | B   |
|      | 1001110204  | Ref             | <b>With Arctic Package</b>   | B   |
| 201  | 0100011     | AR              | Compound, Locking  |     |
| 202  | 0641407     | 1               | Bolt 1/4in-20NC x 7/8in  |     |
| 203  | 0641812     | 4               | Bolt 1/2in-18NC x 1-3/4in  |     |
| 204  |             | Ref             | Oil, Motor Options (Not Shown):  |     |
| 204  | 3020016     | 2.5 gl<br>/9.5L | Oil, Motor 15W-40 (Without Arctic Package)   |     |
| 204  | 3020044     | 2.5 gl<br>/9.5L | Oil, Motor 0W-40 (With Arctic Package)   |     |
| 205  | 3311405     | 12              | Locknut 1/4in-20NC   |     |
| 206  | 3422532     | 1               | Pin, Hitch   |     |
| 207  | 3600400     | 1               | Piston Pump Assembly (See PISTON PUMP ASSEMBLY for Breakdown)                      |     |
| 208  | 1001095354  | 1               | Load Sensing Pump Assembly with Fittings   |     |
| 208  | 2220415     | 1               | Fitting  |     |
| 208  | 1001094595  | 1               | Pump, Displacement Less Fittings   |     |
| 208  | 7023967     | 1               | Seal Kit - 1001094595 Pump   |     |
| 208  | 7023956     | 1               | Valve Assembly Kit - 1001094595 Pump   |     |
| 209  | 3790044     | 1               | O-Ring   |     |
| 210  | 3960548     | 44 in/1.2m      | Seal, Hood   |     |
| 211  | 3960549     | 11 in<br>/28cm  | Seal, Hood   |     |
| 212  | 4751400     | 1               | Flatwasher 1/4in   |     |



## SECTION 2 - TURNTABLE

| ITEM | PART NUMBER | QTY | DESCRIPTION   | REV |
|------|-------------|-----|---|-----|
| 213  | 4891600     | 2   | Flatwasher 3/8in Hardened   |     |
| 215  | 1001112762  | 1   | Battery Cable Kit   | B   |
| 215A | 7027028     | 1   | Cable, Battery (Red)  |     |
| 215B | 7027029     | 1   | Cable, Battery (Black)  |     |
| 215C | 7027030     | 1   | Cable (Red)   |     |
| 215D | 7027031     | 1   | Cable (Black)   |     |
|      |             | Ref | <b>Note: Arctic Package Items 216 - 226 Not Shown - Used on Arctic Machines Only.</b> |     |
| 216  | 0641608     | 2   | Bolt 3/8in-16NC x 1in   |     |
| 217  | 1060626     | 1   | Cord, 3-Way Extension (Located on Left Front of Engine)                               |     |
| 218  | 1320223     | 2   | Clamp   |     |
| 219  | 1702941     | 1   | Decal - Battery Heater (Located on Battery Heater)                                    |     |
| 220  | 1702942     | 1   | Decal - Engine Block Heater (Located on Right Side of Engine)                         |     |
| 221  | 1702944     | 1   | Decal - Heater Cord (Located on Left Front of Engine)                                 |     |
| 222  | 2580024     | 1   | Heater, Battery (Located on Battery)  |     |
| 223  | 2580055     | 1   | Heater, Block (Located on Left Side of Engine)  |     |
| 224  | 3311605     | 2   | Locknut 3/8in-16NC  |     |
| 225  | 3980007     | 1   | Seat, Battery (Located Under Battery)   |     |
| 226  | 4751600     | 2   | Flatwasher 3/8in Wide   |     |
|      | 1001112077  | Ref | <b>CATERPILLAR TIER IVi ENGINE W/ECM ASSEMBLY</b>                                     | D   |
| 301  | 0100011     | AR  | Compound, Locking   |     |
| 302  | 0100020     | AR  | Sealant, Thread   |     |
| 303  | 0700620     | 1   | Bolt M6 x 60mm  |     |
| 304  | 0700808     | 5   | Bolt M8 x 16mm  |     |
| 305  | 0701010     | 2   | Bolt M10 x 20mm   |     |
| 306  | 0760606     | 2   | Bolt M6 x 12mm  |     |
| 307  | 0760610     | 2   | Bolt M6 x 20mm  |     |
| 308  | 0760612     | 3   | Bolt M6 x 25mm  |     |
| 309  | 8303541     | 1   | Screw M6 x 35mm   |     |
| 310  | 0700616     | 2   | Bolt M6 x 40mm  |     |
| 311  | 0761210     | 2   | Bolt M12 x 20mm   |     |
| 312  | 8406009     | 1   | Clamp, Cable  |     |
| 313  | 1320224     | 1   | Clamp, Cable  |     |
| 314  | 8406105     | 2   | Clip, Tube  |     |
| 315  | 3290507     | 1   | Locknut M5  |     |
| 316  | 4811700     | 12  | Flatwasher 6mm  |     |
| 317  | 4811900     | 5   | Flatwasher 8mm  |     |
| 318  | 4812000     | 2   | Flatwasher 10mm   |     |
| 319  | 4812100     | 2   | Flatwasher 12mm   |     |
| 320  | 4811600     | 1   | Flatwasher 5mm  |     |
| 321  | 1001097553  | 1   | Washer, Coolant Sensor  |     |
| 322  | 1001109064  | 1   | Caterpillar Tier IVi Engine Assembly  |     |
| 323  | 1001112057  | 1   | Bracket   |     |
| 324  | 1001112059  | 5   | Bumper  |     |
| 325  | 1001112067  | 1   | Module, ECM   |     |
| 326  | 1001112068  | 1   | Sensor, Speed   |     |
| 327  | 1001112069  | 1   | Sensor, Temperature   |     |
| 328  | 1001112070  | 1   | Switch, Oil Pressure  |     |
| 329  | 1001112071  | 1   | Harness, Engine (Not Shown - See ELECTRICAL SECTION for Breakdown)                    |     |
| 330  | 1001112072  | 1   | Bracket   |     |
| 331  | 1001112073  | 1   | Actuator  |     |

## SECTION 2 - TURNTABLE

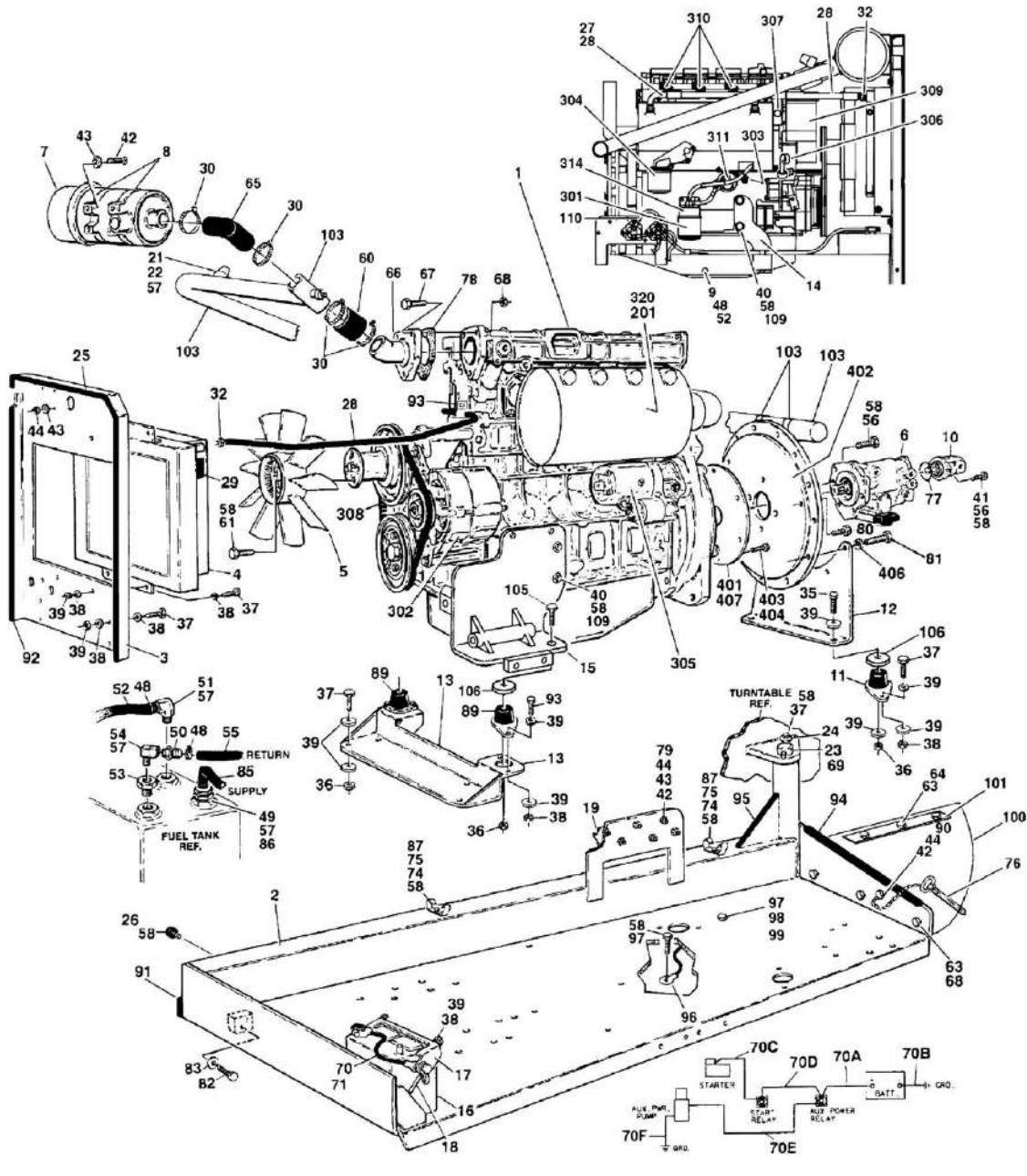
| ITEM | PART NUMBER | QTY | DESCRIPTION  | REV |
|------|-------------|-----|--|-----|
| 331  | 1001112849  | 1   | Linkage Assembly   |     |
| 332  | 1001112570  | 1   | Spacer   |     |
| 334  | 1320263     | 1   | Clamp, Cable   |     |
| 335  | 1001112075  | 1   | Bolt   |     |
| 336  | 1001112592  | 1   | Bearing  |     |
| 337  | 1001116595  | 1   | Spacer   |     |
| 338  | 8406109     | 1   | Clip, Tube   |     |
|      | 1001109064  | Ref | <b>ENGINE COMPONENTS</b>   | B   |
| 401  | 7026839     | 1   | Pump, Fuel Supply  |     |
| 401  | 7026830     | 1   | Filter, Fuel   |     |
| 401  | 70002833    | 1   | Ring, Retaining  |     |
| 401  | 70002834    | 1   | Bowl, Water Collection   |     |
| 401  | 70002835    | 1   | Kit, Seal  |     |
| 402  | 7026831     | 1   | Alternator   |     |
| 404  | 7026811     | 1   | Filter, Oil  |     |
| 404  | 7026812     | 1   | Seal, Oil Filter Head Bolt   |     |
| 404  | 7026813     | 1   | Seal, Oil Filter Head (Between Oil Filter Head and Engine Block)       |     |
| 405  | 7026833     | 1   | Starter (Not Shown - Located On Other Side Of Engine)                  |     |
| 406  | 70002844    | 1   | Dipstick Oil Level   |     |
| 406  | 70002843    | 1   | Seal, Guide Tube   |     |
| 411  | See Note    | 1   | Pump, Fuel Supply (Note: Not Available for Purchase)                   |     |
| 412  | 7026810     | 1   | Belt   |     |
| 413  | 70001120    | 1   | Pump, Water  |     |
| 413  | 70001742    | 1   | Pulley, Water Pump   |     |
| 414  | 7026822     | 1   | Thermostat   |     |
| 414  | 7026820     | 1   | Gasket, Thermostat Housing (Between Housing and Head)                  |     |
| 414  | 7026821     | 1   | Gasket, Coolant (Between Housing and Cover)                            |     |
| 414  | 70002765    | 1   | Hose, Bypass   |     |
| 415  | 4569371     | 1   | Tube, Air Intake Weldment  |     |
| 416  | See Note    | 4   | Bolt M8 x 16mm (Note: Not Available for Purchase)                      |     |
| 417  | See Note    | 4   | Flatwasher M8 (Note: Not Available for Purchase)                       |     |
| 418  | 70001051    | 1   | Valve, Shutoff   |     |
| 419  | 7026826     | 1   | Gasket, Exhaust Manifold to Engine Block (Not Shown)                   |     |
| 419  | 70002852    | 4   | Stud, Exhaust (Not Shown)  |     |
| 420  | 7026819     | 1   | Cooler, Oil (Not Shown)  |     |
| 420  | 7026816     | 2   | O-Ring (Not Shown - Located Between Oil Cooler and Cover)              |     |
| 420  | 7026817     | 4   | O-Ring (Not Shown - Located Between Oil Cooler and Cover)              |     |
| 420  | 7026818     | 1   | Gasket (Not Shown - Located Between Oil Cooler Cover and Engine Block) |     |
| 421  | 7026800     | 1   | Cap, (Oil Filler)  |     |
| 422  | 7026801     | 1   | Gasket, (Valve Cover)  |     |
| 422  | 70002761    | 17  | Bolt, (Cylinder Head)  |     |
| 422  | 70002762    | 7   | Seal, (Valve Stem)   |     |
| 422  | 7022721     | 1   | Washer, Hard 2.5mm   |     |
| 422  | 70002479    | 1   | Bolt M10 x 1.5 x 20mm  |     |
| 422  | 70002764    | 1   | Gasket (Between Lifting Eye and Engine Head)                           |     |
| 423  | 7026829     | 1   | Gasket, Intake Manifold to Engine Block (Not Shown)                    |     |
| 423  | 7026828     | 1   | Gasket, Intake Manifold to Air Intake Tube                             |     |
| 424  | 7026802     | 1   | Flywheel Assembly (With Ring Gear)                                     |     |
| 424  | 7026803     | 1   | Gear, Flywheel   |     |
| 425  | 7026832     | 4   | Plug, Glow   |     |
| 426  | 7026804     | 1   | Gasket (Not Shown - Located Between Engine Block and                   |     |

## SECTION 2 - TURNTABLE

| ITEM | PART NUMBER | QTY | DESCRIPTION   | REV |
|------|-------------|-----|---|-----|
|      |             |     | Bellhousing)  |     |
| 427  | 7026805     | 1   | Seal, Rear Main (Not Shown - Located on Rear of Engine Block)   |     |
| 428  | 7026806     | 1   | Cap, Filler   |     |
| 428  | 70002847    | 1   | Seal, Gear Cover  |     |
| 428  | 70002845    | 1   | Pump, Oil   |     |
| 428  | 70002846    | 1   | Seal, Oil Pump  |     |
| 429  | 7026807     | 1   | Seal, Front Main (Not Shown - Located on Front of Engine Block) |     |
| 430  | 70002763    | 4   | Gasket, Fuel Line (Not Shown)                                   |     |
| 431  | 7026808     | 1   | Plug, Drain Oil Pan (Not Shown)                                 |     |
| 431  | 7026809     | 1   | Gasket, Drain Plug Oil Pan (Not Shown)                          |     |
| 432  | 70002849    | 1   | Pump, Fuel Supply   |     |
| 432  | 70002850    | 1   | Solenoid, Fuel Shutoff  |     |
| 432  | 70002848    | 1   | Gasket, Fuel Pump (Between Flange and Pump)                     |     |
| 433  | 7026827     | 1   | Gasket, Exhaust Manifold to Exhaust Pipe                        |     |
| 434  | 7026814     | 1   | Relief Valve, Oil Pressure                                      |     |
| 434  | 7026815     | 1   | Gasket, Relief Valve  |     |
| 435  | 70002851    | 1   | Kit - Gasket (Not Shown)  |     |

# SECTION 2 - TURNTABLE

FIGURE 2-10. DEUTZ ENGINE INSTALLATION (SN 0300069000 through 0300077499)



## SECTION 2 - TURNTABLE

**FIGURE 2-10. DEUTZ ENGINE INSTALLATION (SN 0300069000 through 0300077499)**

| ITEM | PART NUMBER | QTY       | DESCRIPTION   | REV |
|------|-------------|-----------|---|-----|
|      | 0271371     | Ref       | <b>DEUTZ ENGINE INSTALLATION</b>                              | 9-F |
| 1    | 2000189     | 1         | Engine - Deutz F4M1011F Diesel                                |     |
| 2    | 4845404     | 1         | Tray Engine   |     |
| 3    | 3539872     | 1         | Plate, Radiator Mounting                                      |     |
| 4    | 3620033     | 1         | Cooler, Oil   |     |
| 5    | 2060025     | 1         | Fan   |     |
| 6    | 3600295     | 1         | Piston Pump Assembly (See PISTON PUMP ASSEMBLY for Breakdown) |     |
| 7    | 1340060     | 1         | Air Cleaner Assembly  |     |
| 7A   | 7012664     | 1         | Element, Air Cleaner (Not Shown)                              |     |
| 8    | 0340041     | 2         | Band, Mounting  |     |
| 9    | 4640751     | 1         | Valve, Oil Drain  |     |
| 10   | 3600278     | 1         | Variable Displacement Pump Assembly                           |     |
| 10   | 7018995     | 1         | Seal Kit - 3600278 Pump                                       |     |
| 10   | 7024918     | 1         | Seal, Shaft   |     |
| 10   | 7024930     | 1         | Valve Assembly - 3600278 Pump                                 |     |
| 11   | 3200406     | 2         | Mount, Rubber Engine (Rear)                                   |     |
| 12   | 3537420     | 1         | Bracket, Engine Mounting - Rear                               |     |
| 13   | 3539971     | 1         | Bracket, Engine Mounting - Front                              |     |
| 14   | 3537416     | 1         | Support, Engine - Right                                       |     |
| 15   | 4846566     | 1         | Support, Engine - Left  |     |
| 16   | 0400075     | 1         | Battery   |     |
| 17   | 0181727     | 1         | Hold-Down, Battery  |     |
| 18   | 0630498     | 2         | Rod, Hold-Down  |     |
| 19   | 3740067     | 2         | Relay   |     |
| 21   | 4360392     | 1         | Switch, Restrictor Indicator                                  |     |
| 22   | 2180798     | 1         | Fitting   |     |
| 23   | 3422446     | 1         | Pin, Pivot  |     |
| 24   | 3841143     | 1         | Keeper, Pin   |     |
| 25   | 3960389     | 5 ft/1.5m | Seal  |     |
| 26   | 0940070     | 1         | Bumper, Rubber  |     |
| 27   | 3841340     | AR        | Loop, Hose  |     |
| 28   | 2720398     | 2         | Hose, Oil Cooler  |     |
| 29   | 1703162     | 2         | Nameplate - Fan Caution                                       |     |
| 30   | 1320016     | 4         | Clamp, Hose   |     |
| 32   | 2220451     | 2         | Fitting, Straight   |     |
| 35   | 0641818     | AR        | Bolt 1/2in-13NC x 2-1/4in                                     |     |
| 36   | 3311805     | 4         | Locknut 1/2in-13NC  |     |
| 37   | 0641610     | AR        | Bolt 3/8in-16NC x 1-1/4in                                     |     |
| 38   | 3311605     | 22        | Locknut 3/8in-16NC x 1-1/4in                                  |     |
| 39   | 4751600     | 44        | Flatwasher 3/8in  |     |
| 40   | 0701414     | 6         | Bolt 1/4in-20NC x 3/4in                                       |     |
| 41   | 4891800     | 2         | Washer, Hardened 1/2in  |     |
| 42   | 0641407     | AR        | Bolt 1/4in-20NC x 7/8in                                       |     |
| 43   | 4751400     | AR        | Flatwasher 1/4in  |     |
| 44   | 3311405     | AR        | Locknut 1/4in-20NC  |     |
| 48   | 1320022     | 6         | Clamp, Hose   |     |
| 49   | 2220273     | 2         | Fitting, Reducer  |     |
| 50   | 2180536     | 1         | Fitting, Straight   |     |
| 51   | 2220313     | 1         | Fitting, Elbow  |     |

## SECTION 2 - TURNTABLE

| ITEM | PART NUMBER | QTY            | DESCRIPTION                                  | REV |
|------|-------------|----------------|--|-----|
| 52   | 2750532     | 6 ft/1.83m     | Hose 3/8in                                   |     |
| 53   | 2220250     | 1              | Fitting, Reducer                             |     |
| 54   | 2220459     | 1              | Fitting, Elbow                               |     |
| 55   | 2720271     | 15 ft/4.6m     | Hose 3/16in                                  |     |
| 56   | 0641812     | 4              | Bolt 1/2in-13NC x 1-1/2in                    |     |
| 57   | 0100020     | AR             | Sealant, Thread                              |     |
| 58   | 0100011     | AR             | Compound, Locking                            |     |
| 60   | 2720449     | 1              | Coupling, Rubber Intake                      |     |
| 61   | 0700808     | 4              | Bolt, Metric M8 x 16mm                       |     |
| 63   | 0641508     | 3              | Bolt 5/16in-18NC x 1-1/4in                   |     |
| 64   | 3900272     | 3              | Capscrew, Button Head 5/16in-18NC x 1-3/4in  |     |
| 65   | 2720434     | 1              | Elbow, Rubber                                |     |
| 66   | 4845395     | 1              | Air Intake Adapter Weldment                  |     |
| 67   | 0641510     | 3              | Bolt 5/16in-18NC x 1-1/4in                   |     |
| 68   | 3311505     | AR             | Locknut 5/16in-18NC                          |     |
| 69   | 0961986     | 2              | Bushing, Flanged                             |     |
| 70   | 2901609     | 1              | Battery Cable Kit                            |     |
| 70A  | 7016800     | 1              | Cable, Battery (Red)                         |     |
| 70B  | 7016809     | 1              | Cable, Battery (Black)                       |     |
| 70C  | 7016802     | 1              | Cable (Red)                                  |     |
| 70D  | 7016803     | 1              | Cable (Red)                                  |     |
| 70E  | 7016824     | 1              | Cable (Red)                                  |     |
| 70F  | 7016825     | 1              | Cable (Black)                                |     |
| 71   | 4460611     | 1              | Terminal, Battery Jumper Post                |     |
| 73   | 1320222     | 1              | J-Clip 3/8in (Not Shown)                     |     |
| 74   | 1320223     | 3              | J-Clip 1/2in                                 |     |
| 75   | 0641606     | 3              | Bolt 3/8in-16NC x 3/4in                      |     |
| 76   | 3422532     | 1              | Pin, Hitch                                   |     |
| 77   | 3790044     | 1              | O-Ring                                       |     |
| 78   | 3960407     | 1              | Gasket                                       |     |
| 79   | 4791400     | 4              | Starwasher 1/4in                             |     |
| 80   | 0701012     | 4              | Bolt, Metric M10 x 25mm                      |     |
| 81   | 0701015     | 4              | Bolt, Metric M10 x 35mm                      |     |
| 82   | 0642010     | 1              | Bolt 5/8in-11NC x 1-1/4in                    |     |
| 83   | 4752000     | 1              | Flatwasher 5/8in                             |     |
| 84   | 1701505     | 1              | Decal - Diesel (Not Shown - Located on Hood) |     |
| 85   | 2720058     | 16 ft/4.9m     | Hose   |     |
| 86   | 2220794     | 1              | Fitting, Barbed                              |     |
| 87   | 4711600     | 3              | Flatwasher 3/8in Narrow                      |     |
| 89   | 3200362     | 2              | Mount, Rubber Engine (Front)                 |     |
| 90   | 4711400     | 1              | Flatwasher 1/4in Narrow                      |     |
| 91   | 3960468     | 1              | Seal, Foam Gasket                            |     |
| 92   | 3960469     | 1              | Seal, Foam Gasket                            |     |
| 93   | 0641608     | 14             | Bolt 3/8in-16NC x 1in                        |     |
| 94   | 4060805     | 7 in/18cm      | Flex-Trim 1/4in                              |     |
| 95   | 4060804     | 16 in<br>/40cm | Flex-Trim 3/16in                             |     |
| 96   | 1060637     | 1              | Lanyard                                      |     |
| 97   | 0641808     | 2              | Bolt 1/2in-13NC x 1in                        |     |
| 98   | 3311801     | 1              | Nut 1/2in-13NC                               |     |
| 99   | 4751800     | 1              | Flatwasher 1/2in                             |     |
| 100  | 3380429     | 1              | Panel, Rubber                                |     |

**SECTION 2 - TURNTABLE**

| ITEM | PART NUMBER | QTY | DESCRIPTION  | REV |
|------|-------------|-----|--|-----|
| 101  | 3539957     | 2   | Plate, Hold Down   |     |
| 103  | 4567815     | 1   | Tuning Tube Weldment   |     |
| 105  | 0641826     | 2   | Bolt 1/2in-13NC x 3-1/4in  |     |
| 106  | 4740274     | 4   | Washer, Snubbing   |     |
| 109  | 4711900     | 6   | Flatwasher 9/16in  |     |
| 110  | 4922737     | 1   | Harness, Engine Grounding  |     |
|      |             | Ref | <b>MUFFLER INSTALLATIONS</b>   |     |
|      | 0256689     | Ref | <b>Standard Equipment (Spark Arresting)</b>                              | -   |
|      | 0256690     | Ref | <b>Optional Equipment (Catalytic)</b>                                    | -   |
| 201  |             | Ref | Muffler Options:   |     |
| 201  | 3220103     | 1   | Spark Arresting  |     |
| 201  | 3220104     | 1   | Catalytic  |     |
| 201  |             | Ref | Muffler Components:  |     |
| 201  |             | Ref | Clamp Options:   |     |
| 201  | 1320176     | 1   | Saddle Clamp Used on Spark Arresting                                     |     |
| 201  | 70001017    | 1   | Band Clamp Used on Catalytic   |     |
| 201  | 7024398     | 1   | Tube, Exhaust  |     |
| 201  | 7024560     | 1   | Plug, Brass  |     |
| 201  | 70003476    | 8   | Nut, Muffler Attaching   |     |
|      | 2000189     | Ref | <b>ENGINE COMPONENTS</b>   | B   |
| 301  | 7016328     | 1   | Filter, Fuel   |     |
| 302  | 7000663     | 1   | Alternator (was p/n 7020410)   |     |
| 302  | 7020464     | 1   | Regulator  |     |
| 302  | 70002234    | 1   | Bracket, Adjustable  |     |
| 302  | 70003556    | 1   | Pulley   |     |
| 303  | 7020461     | 1   | Switch, Oil Pressure (Not Shown)   |     |
| 304  | 7016331     | 1   | Filter, Oil  |     |
| 305  | 7020479     | 1   | Starter  |     |
| 305  | See Note    | 1   | Relay (Note: Not Available for Purchase.)                                |     |
| 305  | 7026608     | 2   | Bolt, Starter Mounting   |     |
| 305  | 70001498    | 1   | Shield, Starter Heat (Not Shown)   |     |
| 306  | 7026631     | 1   | Dipstick, Oil Level  |     |
| 306  | 70001002    | 1   | Tube, Dipstick   |     |
| 307  | 7020168     | 1   | Switch, Engine Temperature   |     |
| 307  | 7020480     | 1   | Seal, Temperature Switch   |     |
| 308  | 7020408     | 1   | V-Belt   |     |
| 309  | 7020458     | 1   | Actuator   |     |
| 309  | 7026607     | 1   | Spring, Actuator (was p/n 7027276)                                       |     |
| 310  | 7020462     | 4   | Pump, Fuel Injection (was p/n 7024318)                                   |     |
| 310  | 7026522     | 4   | Injector, Fuel (Includes Nozzle Element) (Not Shown):                    |     |
| 311  | 7024413     | 1   | Pump, Fuel Supply Options:   |     |
| 311  | 7020411     | 1   | Seal, Pump (Not Shown)   |     |
| 312  | See Note    | 1   | Flywheel Options (Not Shown): (Note: Not Available for Purchase.)        |     |
| 312  | 7024579     | 1   | Ring Gear  |     |
| 313  | 7024565     | 1   | Sensor, Tach (Not Shown - Located on Flywheel Housing) (was p/n 7020481) |     |
| 314  | 70001423    | 1   | Fuel Filter Head   |     |
| 315  | 7020431     | 1   | Gasket, Valve Cover (Not Shown)  |     |
| 315  |             | Ref | Gasket, Cylinder Head Options: (Not Shown)                               |     |
| 315  | 70001681    | 1   | 1 Notch  |     |
| 315  | 70002411    | 1   | 2 Notches  |     |

## SECTION 2 - TURNTABLE

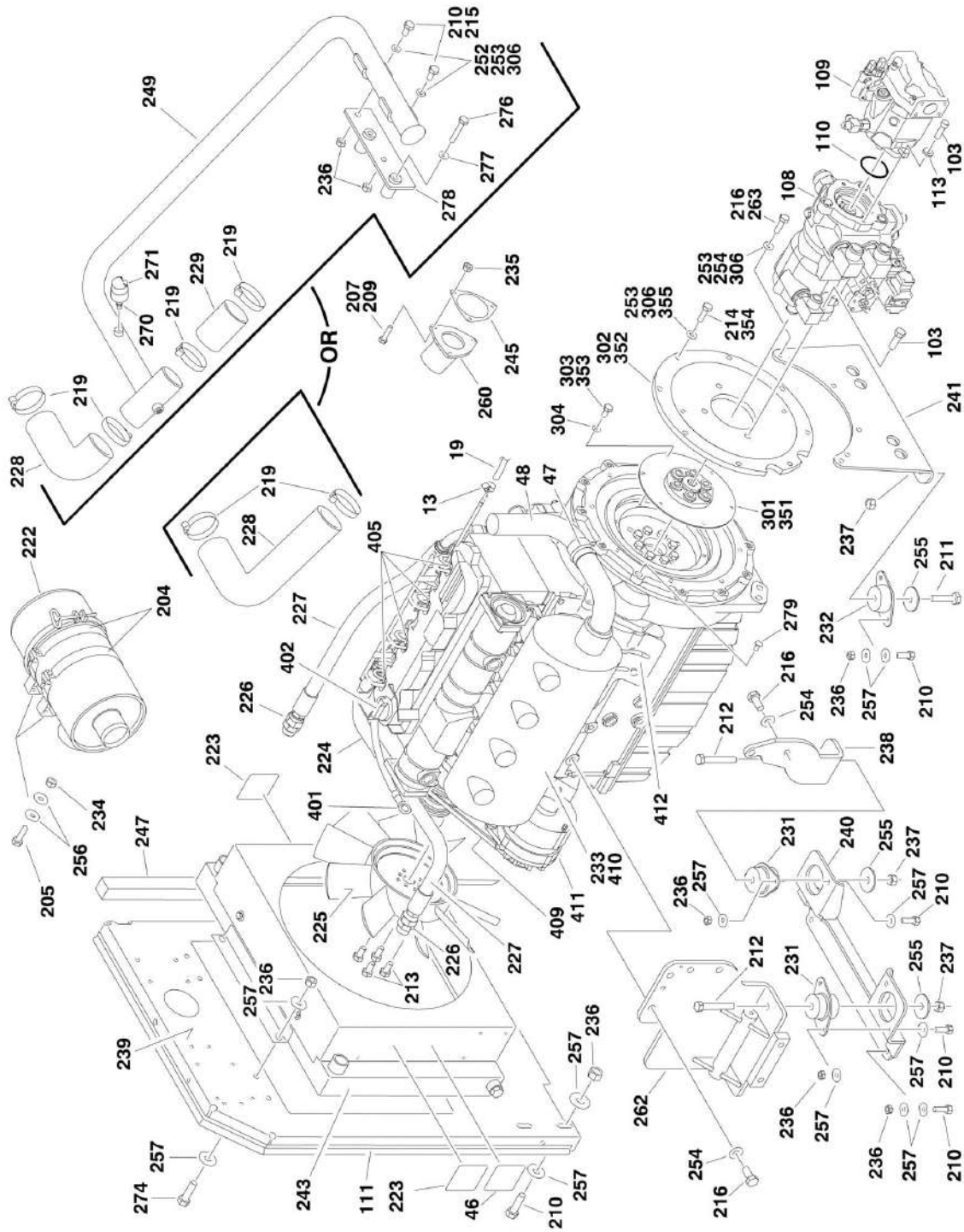
| ITEM | PART NUMBER | QTY | DESCRIPTION                                 | REV |
|------|-------------|-----|---|-----|
| 315  | 70002530    | 1   | 3 Notches                                   |     |
| 316  | 7020459     | 1   | Thermostat (Includes Spring) (Not Shown)    |     |
| 316  | 7020460     | 1   | Spring, Thermostat (Not Shown)              |     |
| 317  | 7020465     | 1   | Cap, Oil Fill (Not Shown)                   |     |
| 318  | 7020474     | 1   | Pump Oil Lubrication (Not Shown)            |     |
| 318  | 7020468     | 1   | Ring, Pump Sealing (Not Shown)              |     |
| 319  | 7020449     | 4   | Gasket, Intake Manifold to Head (Not Shown) |     |
| 320  | 7020471     | 4   | Gasket, Exhaust Manifold to Head            |     |
| 320  | 70002200    | 8   | Stud, Muffler Attaching                     |     |
| 320  | 70003476    | 8   | Nut, Muffler Attaching                      |     |
|      | 0256847     | Ref | <b>PUMP COUPLING INSTALLATION</b>           | -   |
| 401  | 1660234     | 1   | Coupling, Hayes                             |     |
| 402  | 0080163     | 1   | Plate, Pump Adapter                         |     |
| 403  | 0700810     | 63  | Bolt Metric 8mm x 20mm                      |     |
| 404  | 4831900     | 6   | Lockwasher 8mm                              |     |
| 406  | 4832000     | 8   | Lockwasher 10mm                             |     |
| 407  | 3020021     | AR  | Grease, Coupling                            |     |



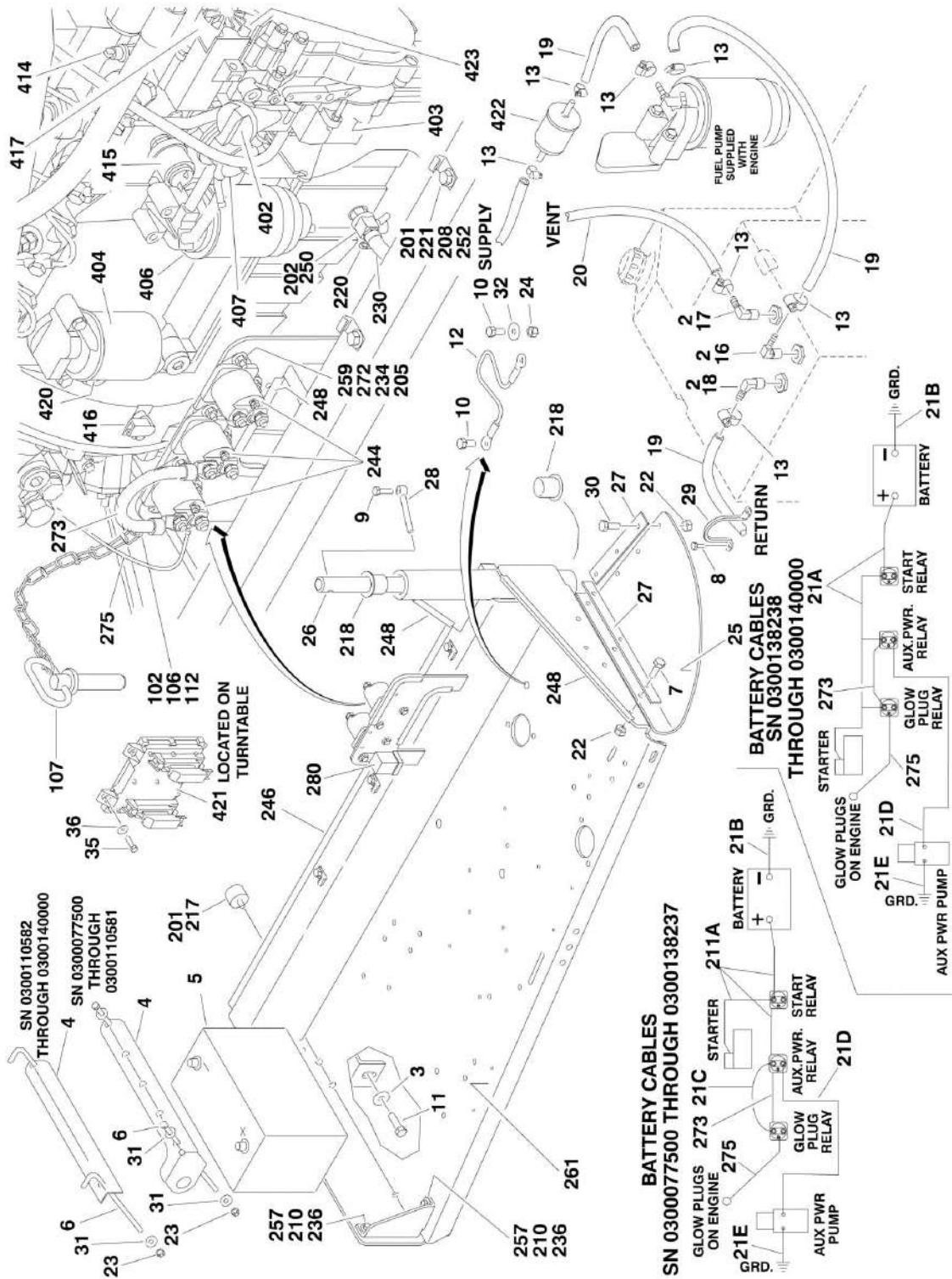


# SECTION 2 - TURNTABLE

FIGURE 2-11. DEUTZ ENGINE INSTALLATION (SN 0300077500 through 0300140000)



# SECTION 2 - TURNTABLE



## SECTION 2 - TURNTABLE

FIGURE 2-11. DEUTZ ENGINE INSTALLATION (SN 0300077500 through 0300140000)

| ITEM | PART NUMBER | QTY        | DESCRIPTION   | REV |
|------|-------------|------------|---|-----|
|      |             | Ref        | <b>DEUTZ ENGINE INSTALLATIONS</b>   |     |
|      |             | Ref        | <b>Without Arctic Package</b>   |     |
|      | 0273709     | Ref        | <b>Without Arctic Package (SN 0300077500 through 0300085330)</b>  | 4-B |
|      | 0274301     | Ref        | <b>Without Arctic Package (SN 0300085331 through 0300121642)</b>  | F   |
|      | 1001095348  | Ref        | <b>Without Arctic Package (SN 0300121643 through 0300129455)</b>  | C   |
|      | 1001098506  | Ref        | <b>Without Arctic Package (SN 0300129456 through 0300140000)</b>  | A   |
|      |             | Ref        | <b>With Arctic Package</b>  |     |
|      | 0275184     | Ref        | <b>With Arctic Package (SN 0300069000 through 0300121642)</b>   | D   |
|      | 1001095412  | Ref        | <b>With Arctic Package (SN 0300121643 through 0300129455)</b>   | C   |
|      | 1001099637  | Ref        | <b>With Arctic Package (SN 0300129456 through 0300140000)</b>   | A   |
| 1    | 0100011     | AR         | Compound, Locking   |     |
| 2    | 0100020     | AR         | Sealant, Pipe   |     |
| 4    |             | Ref        | Hold-Down, Battery Options:   |     |
| 4    | 0181727     | 1          | Hold-Down, Battery ( <b>SN 0300077500 through 0300110581</b> )  |     |
| 4    | 91401281    | 1          | Hold-Down, Battery ( <b>SN 0300110582 through 0300140000</b> )  |     |
| 5    | 0400075     | 1          | Battery   |     |
| 6    |             | Ref        | Bolt, Battery Hold-down Options:  |     |
| 6    | 0630498     | 2          | Bolt, Battery Hold-down ( <b>SN 0300077500 through 0300110581</b> )   |     |
| 6    | 1001093382  | 2          | Bolt, Battery Hold-down ( <b>SN 0300110582 through 0300140000</b> )   |     |
| 7    | 0641508     | 3          | Bolt 5/16in-18NC x 1in  |     |
| 8    | 0641608     | AR         | Bolt 3/8in-16NC x 1in   |     |
| 9    | 0641610     | 1          | Bolt 3/8in-16NC x 1-1/4in   |     |
| 10   | 0641808     | 2          | Bolt 1/2in-13NC x 1in   |     |
| 11   | 0642010     | 1          | Bolt 5/8in-11NC x 1-1/4in   |     |
| 12   | 1060637     | 1          | Cable, Lanyard  |     |
| 13   | 1320022     | 5          | Clamp, Hose   |     |
| 14   | 1701505     | 1          | Decal - Diesel (Not Shown - Located on Hood)  |     |
| 16   | 2180348     | 1          | Fitting, Straight Barbed  |     |
| 17   | 2220313     | 1          | Fitting, Elbow  |     |
| 18   | 2221176     | 1          | Fitting, Elbow Barbed   |     |
| 19   | 2720058     | 30 ft/9.2m | Hose  |     |
| 20   | 2750532     | 6 ft/1.8m  | Hose  |     |
| 21   |             | Ref        | Battery Cable Kit Options:  |     |
| 21   | 2902401     | NLA        | Battery Cable Kit (Note: 2902401 Rev A version is no longer available. Verify whether machine is equipped with 2 or 3 relays on the engine tray. If there are 3 relays, purchase latest revision of 2902401 kit. If there are 2 relays, purchase individual items as replacement) ( <b>SN 0300077500 through 0300138237</b> ) | A   |
| 21   | 2902401     | 1          | Battery Cable Kit ( <b>SN 0300138238 through 0300140000</b> )   | B   |
| 21A  |             | Ref        | Cable, Battery (Red) Options:   |     |
| 21A  | 7016813     | 1          | Cable, Battery (Red) ( <b>SN 0300077500 through 0300138237</b> )  |     |
| 21A  | 1001116288  | 1          | Machines with 2 Relays on Engine Tray (was p/n 7027027) ( <b>SN 0300138238 through 0300140000</b> )   |     |
| 21A  | 1001116287  | 1          | Machines with 3 Relays on Engine Tray (was p/n 7027027) ( <b>SN 0300138238 through 0300140000</b> )   |     |

## SECTION 2 - TURNTABLE

| ITEM | PART NUMBER  | QTY | DESCRIPTION   | REV |
|------|--------------|-----|---|-----|
| 21B  |              | Ref | Cable, Battery (Black) Options:   |     |
| 21B  | 7027012      | 1   | Cable, Battery (Black) <b>(SN 0300077500 through 0300138237)</b>  |     |
| 21B  | 7027004      | 1   | Cable, Battery (Black) <b>(SN 0300138238 through 0300140000)</b>  |     |
| 21C  |              | Ref | Cable, Battery (Red) Options:   |     |
| 21C  | 7016803      | 1   | Cable, Battery (Red) <b>(SN 0300077500 through 0300138237)</b>  |     |
| 21C  | Not Required | 0   | Cable, Battery (Red) (Now of Item 21A) <b>(SN 0300138238 through 0300140000)</b>                                    |     |
| 21D  | 7016824      | 1   | Cable (Red)   |     |
| 21E  | 7016825      | 1   | Cable (Black)   |     |
| 22   | 3311505      | 6   | Locknut 5/16in-18NC   |     |
| 23   |              | Ref | Locknut Options:  |     |
| 23   | 3311605      | 2   | Locknut 3/8in-16NC <b>(SN 0300077500 through 0300110581)</b>  |     |
| 23   | 3311505      | 2   | Locknut 5/16in-18NC <b>(SN 0300110582 through 0300121642)</b>   |     |
| 23   | 88521205     | 2   | Locknut 5/16in-18NC <b>(SN 0300121643 through 0300140000)</b>   |     |
| 24   | 3311801      | 1   | Nut 1/2in-13NC  |     |
| 25   | 3380429      | 1   | Panel, Rubber   |     |
| 26   | 3422446      | 1   | Pin, Pivot  |     |
| 27   | 3539957      | 2   | Plate, Hold-Down  |     |
| 28   | 3841143      | 1   | Pin, Keeper   |     |
| 29   | 3841340      | 3   | Loop, Hose  |     |
| 30   | 3900272      | 3   | Bolt 5/16in-18NC x 1-3/4in  |     |
| 31   |              | Ref | Flatwasher Options:   |     |
| 31   | 4751600      | 4   | Flatwasher 3/8in Wide <b>(SN 0300077500 through 0300110581)</b>   |     |
| 31   | 4751500      | 2   | Flatwasher 5/16in Wide <b>(SN 0300110582 through 0300140000)</b>  |     |
| 32   | 4751800      | 1   | Flatwasher 1/2in Wide   |     |
| 33   | 4752000      | 1   | Flatwasher 5/8in Wide   |     |
| 34   | 4922737      | 1   | Harness, Engine Grounding (Not Shown)   |     |
| 35   | 0641410      | 4   | Bolt 1/4in-20NC x 1-1/8in   |     |
| 36   | 4711400      | 4   | Flatwasher 1/4in Narrow   |     |
| 45   | 4922978      | 1   | Harness, Start Assist Solenoid <b>(SN 0300077500 through 0300085330)</b>  |     |
| 46   |              | Ref | Decal - Warning Explosion/Fire Options: <b>(SN 0300077500 through 0300129456)</b>                                   |     |
| 46   | 1704972      | 1   | ANSI Spec Decals  |     |
| 46   | 1706064      | 1   | CSA Spec Decals   |     |
| 46   | 1706060      | 1   | Dual Language English/Chinese Decals  |     |
| 46   | 1706062      | 1   | Dual Language English/Japanese Decals   |     |
| 46   | 1706061      | 1   | Dual Language English/Korean Decals   |     |
| 46   | 1706059      | 1   | Dual Language English/Portuguese Decals   |     |
| 46   | 1706063      | 1   | Dual Language English/Spanish Decals  |     |
| 47   | 1320176      | 1   | Clamp, Exhaust  |     |
| 48   |              | Ref | Tube, Exhaust Options:  |     |
| 48   | See Note     | 1   | Tube, Exhaust (Note: Not Available Separately. Purchase Muffler Assembly) <b>(SN 0300077500 through 0300129455)</b> |     |
| 48   | 1001101600   | 1   | Tube, Exhaust <b>(SN 0300129456 through 0300140000)</b>   |     |
|      |              | Ref | <b>Note: Arctic Package Items 51-62 Not Shown - Used on Arctic Machines Only</b>                                    |     |
| 51   | 1060625      | 1   | Cable, Immersion Heater (Located on bottom of Hydraulic Oil Tank)   |     |

## SECTION 2 - TURNTABLE

| ITEM | PART NUMBER | QTY       | DESCRIPTION   | REV |
|------|-------------|-----------|---|-----|
| 52   | 1060626     | 1         | Cord, 3 Way Extension (Located on Left Front of Engine)                       |     |
| 53   | 1320223     | AR        | Clamp   |     |
| 54   | 1702941     | 1         | Decal - Battery Heater (Located on Battery Heater)                            |     |
| 55   | 1702942     | 1         | Decal - Engine Block Heater (Located on Right Side of Engine)                 |     |
| 56   | 1702943     | 1         | Decal - Hydraulic Tank Heater (Located on bottom of Hydraulic Oil Tank)       |     |
| 57   | 1702944     | 1         | Decal - Heater Cord (Located on Left Front of Engine)                         |     |
| 58   | 2580024     | 1         | Heater, Battery (Located on Battery)  |     |
| 59   | 2580050     | 1         | Heater, Hydraulic Tank (Located on bottom of Hydraulic Oil Tank)              |     |
| 60   | 3980007     | 1         | Seat, Battery (Located on Battery)  |     |
| 61   | 3311605     | 1         | Nut 3/8in-16 NC (SN 0300129456 through 0300140000)                            |     |
| 62   | 4711600     | AR        | Flatwasher 3/8in Narrow   |     |
|      |             | Ref       | <b>ENGINE AND PUMP ASSEMBLIES</b>   |     |
|      |             | Ref       | <b>Without Arctic Package</b>   |     |
|      | 2000225     | Ref       | <b>Without Arctic Package (SN 0300077500 through 0300085330)</b>              | B   |
|      | 2000284     | Ref       | <b>Without Arctic Package (SN 0300085331 through 0300121642)</b>              | C   |
|      | 1001095347  | Ref       | <b>Without Arctic Package (SN 0300121643 through 0300129455)</b>              | B   |
|      | 1001098507  | Ref       | <b>Without Arctic Package (SN 0300129456 through 0300140000)</b>              | A   |
|      |             | Ref       | <b>With Arctic Package</b>  |     |
|      | 2000367     | Ref       | <b>With Arctic Package (SN 0300069000 through 0300121642)</b>                 | B   |
|      | 1001095411  | Ref       | <b>With Arctic Package (SN 0300121643 through 0300129455)</b>                 | B   |
|      | 1001099639  | Ref       | <b>With Arctic Package (SN 0300129456 through 0300140000)</b>                 | A   |
|      | 1001162546  | Ref       | <b>PUMP COUPLING REPLACEMENT KIT</b>  | C   |
| 101  | 0100011     | AR        | Compound, Locking   |     |
| 102  | 0641407     | 1         | Bolt 1/4in-20NC x 7/8in   |     |
| 103  | 0641812     | 4         | Bolt 1/2in-13NC x 1-1/2in   |     |
| 103  | 0711025     | 2         | Bolt M10 x 85 Grade 10.9  |     |
| 106  | 3311405     | 1         | Locknut 1/4in-20NC  |     |
| 107  | 3422532     | 1         | Pin, Hitch  |     |
| 108  | 3600400     | 1         | Piston Pump Assembly with Fittings (See PISTON PUMP ASSEMBLY for Breakdown):  |     |
| 109  |             | Ref       | Variable Displacement Pump Assembly with Fittings Options:                    |     |
| 109  | 3600401     | 1         | Variable Displacement Pump (Rexroth) (SN 0300069000 through 0300121642)       | C   |
| 109  | 2220415     | 1         | Fitting   |     |
| 109  | 2220374     | 1         | Fitting   |     |
| 109  | 3600278     | 1         | Pump, Variable Displacement   |     |
| 109  | 7018995     | 1         | Seal Kit - 3600278 Pump   |     |
| 109  | 7024918     | 1         | Seal, Shaft   |     |
| 109  | 7024930     | 1         | Valve Assembly Kit - 3600278 Pump   |     |
| 109  | 1001095354  | 1         | Variable Displacement Pump (Sauer Danfoss) (SN 0300121643 through 0300140000) | A   |
| 109  | 2220415     | 1         | Fitting   |     |
| 109  | 1001094595  | 1         | Pump, Variable Displacement   |     |
| 109  | 7023967     | 1         | Seal Kit - 1001094595 Pump  |     |
| 109  | 7023956     | 1         | Valve Assembly Kit - 1001094595 Pump  |     |
| 110  | 3790044     | 1         | O-Ring  |     |
| 111  | 3960389     | 5 ft/1.5m | Seal  |     |

## SECTION 2 - TURNTABLE

| ITEM | PART NUMBER | QTY | DESCRIPTION   | REV |
|------|-------------|-----|---|-----|
| 112  | 4751400     | 1   | Flatwasher 1/4in Wide   |     |
| 113  | 4891800     | 2   | Flatwasher, 1/2 Hardened  |     |
| 113  | 4891600     | 2   | Flatwasher, 3/8 Hardened  |     |
|      |             | Ref | <b>ENGINE AND PUMP ASSEMBLIES</b>   |     |
|      |             | Ref | <b>Without Arctic Package</b>   |     |
|      | 2000219     | Ref | <b>Without Arctic Package (SN 0300077500 through 0300085330)</b>                      | D   |
|      | 2000279     | Ref | <b>Without Arctic Package (SN 0300085331 through 0300092717)</b>                      | E   |
|      | 2000342     | Ref | <b>Without Arctic Package (SN 0300092718 through 0300129455)</b>                      | B   |
|      | 1001098508  | Ref | <b>Without Arctic Package (SN 0300129456 through 0300140000)</b>                      | C   |
|      |             | Ref | <b>With Arctic Package</b>  |     |
|      | 2000365     | Ref | <b>With Arctic Package (SN 0300077500 through 0300129455)</b>                         | B   |
|      | 1001099640  | Ref | <b>With Arctic Package (SN 0300129456 through 0300140000)</b>                         | C   |
|      | 0256689     | Ref | <b>MUFFLER INSTALLATION - SPARK ARRESTING (STANDARD)</b>                              | -   |
|      | 0256690     | Ref | <b>MUFFLER INSTALLATION - CATALYTIC - OPTIONAL (SN 0300077500 through 0300129456)</b> | -   |
| 201  | 0100011     | AR  | Compound, Locking   |     |
| 202  | 0100020     | AR  | Sealant, Pipe   |     |
| 204  | 0340041     | 2   | Band, Air Cleaner   |     |
| 205  | 0641407     | AR  | Bolt 1/4in-20NC x 7/8in   |     |
| 207  | 0641510     | AR  | Bolt 5/16in-18NC x 1-1/4in  |     |
| 208  | 0641606     | 3   | Bolt 3/8in-16NC x 3/4in   |     |
| 209  | 0641512     | 1   | Bolt 5/16in-18NC x 1-1/2in  |     |
| 210  | 0641610     | AR  | Bolt 3/8in-16NC x 1-1/4in   |     |
| 211  | 0641818     | 2   | Bolt 1/2in-13NC x 2-1/4in   |     |
| 212  | 0641826     | 2   | Bolt 1/2in-13NC x 3-1/4in   |     |
| 213  | 0700808     | 4   | Bolt 8mm x 16mm   |     |
| 214  | 0701012     | 2   | Bolt 10mm x 25mm  |     |
| 215  | 0701015     | AR  | Bolt 10mm x 35mm  |     |
| 216  | 0701414     | AR  | Bolt 14mm x 130mm   |     |
| 217  | 0940070     | 1   | Bumper  |     |
| 218  | 0961986     | 2   | Bushing, Flanged  |     |
| 219  | 1320016     | AR  | Clamp   |     |
| 220  | 8410013     | 1   | Clamp, Hose (SN 0300077500 through 0300136496)  |     |
| 221  | 1320223     | 4   | J-Clip  |     |
| 222  | 1340060     | 1   | Air Cleaner Assembly Filter Element   |     |
| 222  | 7012664     | 1   | Element, Filter (Not Shown)   |     |
| 223  | 1703162     | 2   | Decal - Caution Fan Blade   |     |
| 224  |             | Ref | Engine, Deutz Options:  |     |
| 224  | 2000216     | 1   | Engine, Deutz (SN 0300077500 through 0300085330)                                      |     |
| 224  | 2000274     | 1   | Engine, Deutz (SN 0300085331 through 0300092717)                                      |     |
| 224  | 2000339     | 1   | Engine, Deutz (SN 0300092718 through 0300129455)                                      |     |
| 224  | 1001094101  | 1   | Engine, Deutz (SN 0300129456 through 0300140000)                                      |     |
| 225  | 2060025     | 1   | Fan   |     |
| 226  | 2220451     | 2   | Fitting, Straight   |     |
| 227  | 2720398     | 2   | Hose, Oil Cooler  |     |
| 228  |             | Ref | Elbow, Rubber Options:  |     |
| 228  | 2720434     | 1   | Elbow, Rubber (SN 0300077500 through 0300136496)                                      |     |
| 228  | 1001091179  | 1   | Elbow, Rubber (SN 0300136497 through 0300140000)                                      |     |

## SECTION 2 - TURNTABLE

| ITEM | PART NUMBER  | QTY       | DESCRIPTION  | REV |
|------|--------------|-----------|--|-----|
| 229  | 2720449      | 1         | Hose, Air Cleaner (SN 0300077500 through 0300136496)             |     |
| 230  |              | Ref       | Hose, Oil Drain Options:   |     |
| 230  | 2750532      | 1 ft/30cm | Hose, Oil Drain (SN 0300077500 through 0300136496)               |     |
| 230  | 1001091892   | 1 ft/30cm | Hose, Oil Drain (SN 0300136497 through 0300140000)               |     |
| 231  | 3200362      | 2         | Mount, Motor   |     |
| 232  | 3200406      | 2         | Mount, Motor   |     |
| 233  |              | Ref       | Muffler Options:   |     |
| 233  |              | Ref       | Spark Arresting (Standard)                                       |     |
| 233  | 3220103      | 1         | Spark Arresting (Standard) (SN 0300077500 through 0300129455)    |     |
| 233  | 1001099051   | 1         | Spark Arresting (Standard) (SN 0300129456 through 0300140000)    |     |
| 233  |              | Ref       | Catalytic (Optional)   |     |
| 233  | 3220104      | 1         | Catalytic (Optional) (SN 0300077500 through 0300129455)          |     |
| 233  | 1001101241   | 1         | Catalytic (Optional) (SN 0300129456 through 0300140000)          |     |
| 233  |              | Ref       | Muffler Components:  |     |
| 233  |              | Ref       | Clamp Options (SN 0300077500 through 0300129456)                 |     |
| 233  | 1320176      | 1         | Saddle Clamp Used on Spark Arresting                             |     |
| 233  | 70001017     | 1         | Band Clamp Used on Catalytic                                     |     |
| 233  | 7024398      | 1         | Tube, Exhaust (SN 0300077500 through 0300129456)                 |     |
| 233  | 7024560      | 1         | Plug, Brass  |     |
| 234  | 3311405      | AR        | Locknut 1/4in-20NC   |     |
| 235  | 3311505      | 3         | Locknut 5/16in-18NC  |     |
| 236  | 3311605      | AR        | Locknut 3/8in-16NC   |     |
| 237  | 3311805      | 4         | Locknut 1/2in-13NC   |     |
| 238  | 3537416      | 1         | Plate, Engine Mounting (Front Right Side)                        |     |
| 239  | 3539872      | 1         | Plate, Radiator Mounting   |     |
| 240  | 3539971      | 1         | Plate, Engine Mounting (Front Bottom)                            |     |
| 241  |              | Ref       | Plate, Engine Mounting (Rear) Options:                           |     |
| 241  | 3574978      | 1         | Plate, Engine Mounting (Rear) (SN 0300077500 through 0300129455) |     |
| 241  | 1001093943   | 1         | Plate, Engine Mounting (Rear) (SN 0300129456 through 0300140000) |     |
| 243  | 3620033      | 1         | Radiator   |     |
| 244  | 3740067      | AR        | Relay  |     |
| 245  | 3960407      | 1         | Gasket, Air Intake   |     |
| 246  | 3960468      | 1         | Seal   |     |
| 247  | 3960469      | 1         | Seal   |     |
| 248  | 4060805      | 37 in/1m  | Flex-Trim  |     |
| 249  |              | Ref       | Tube, Tuning Options:  |     |
| 249  | 4567815      | 1         | Tube, Tuning (SN 0300077500 through 0300085330)                  |     |
| 249  | 4569171      | 1         | Tube, Tuning (SN 0300085331 through 0300129455)                  |     |
| 249  | 1001099686   | 1         | Tube, Tuning (SN 0300129456 through 0300136496)                  |     |
| 249  | Not Required | 0         | Tube, Tuning (SN 0300136497 through 0300140000)                  |     |
| 250  |              | Ref       | Valve, Oil Drain Options:  |     |
| 250  | 4640751      | 1         | Valve, Oil Drain (SN 0300077500 through 0300136496)              |     |
| 250  | 1001104308   | 1         | Valve, Oil Drain (SN 0300136497 through 0300140000)              |     |
| 252  | 4711600      | AR        | Flatwasher 3/8in Narrow  |     |
| 253  | 4711700      | 6         | Flatwasher 7/16in Narrow   |     |
| 254  |              | Ref       | Flatwasher Options:  |     |
| 254  | 4711900      | 6         | Flatwasher 9/16in Narrow (SN 0300077500 through 0300092717)      |     |



## SECTION 2 - TURNTABLE

| ITEM | PART NUMBER | QTY                | DESCRIPTION   | REV |
|------|-------------|--------------------|---|-----|
| 254  | 4812200     | AR                 | Flatwasher 14mm (SN 0300092718 through 0300140000)  |     |
| 255  | 4740274     | 4                  | Washer, Snubbing  |     |
| 256  | 4751400     | AR                 | Flatwasher 1/4in Wide   |     |
| 257  | 4751600     | AR                 | Flatwasher 3/8in Wide   |     |
| 258  | 4751700     | 2                  | Flatwasher 7/16in Wide  |     |
| 259  | 4791400     | AR                 | Starwasher 1/4in  |     |
| 260  | 4845395     | 1                  | Adapter, Air Intake   |     |
| 261  |             | Ref                | Tray, Engine Options:   |     |
| 261  | 4845404     | 1                  | Tray, Engine (SN 0300077500 through 0300129455)   |     |
| 261  | 1001094321  | 1                  | Tray, Engine (SN 0300129456 through 0300140000)   |     |
| 262  | 4846566     | 1                  | Plate, Engine Mounting (Front Left Side)  |     |
| 263  | 0701014     | 4                  | Bolt 10mm x 30mm  |     |
| 270  | 2180798     | 1                  | Fitting (SN 0300077500 through 0300085330)  |     |
| 271  | 4360392     | 1                  | Indicator, Restriction (SN 0300077500 through 0300085330)   |     |
| 272  |             | Ref                | Flatwasher Options:   |     |
| 272  | 4751400     | 6                  | Flatwasher 1/4in Wide (SN 0300077500 through 0300092717)  |     |
| 272  | 4711400     | 6                  | Flatwasher 1/4in Narrow (SN 0300092718 through 0300140000)  |     |
| 273  | 1060904     | 1                  | Cable, Jumper (SN 0300092718 through 0300140000)  |     |
| 274  |             | Ref                | Bolt Options:   |     |
| 274  | 0641610     | 6                  | Bolt 3/8in-16NC x 1-1/4in (SN 0300077500 through 0300092717)  |     |
| 274  | 0641609     | 6                  | Bolt 3/8in-16NC x 1-1/8in (SN 0300092718 through 0300140000)  |     |
| 275  | 4923379     | 1                  | Harness, Glow Plugs (SN 0300092718 through 0300140000)  |     |
| 276  | 0711025     | 2                  | Bolt M10 x 85mm (SN 0300129456 through 0300136497)  |     |
| 277  | 4891600     | 2                  | Flatwasher, Hardened 3/8in (SN 0300129456 through 0300136497)   |     |
| 278  | 1001098916  | 1                  | Support, Tuning Tube (SN 0300129456 through 0300136497)   |     |
| 279  | 3520054     | 1                  | Plug, Hole (SN 0300129456 through 0300140000)   |     |
| 280  | 3740080     | 1                  | Relay, EGR (SN 0300129456 through 0300140000)   |     |
|      |             | Ref                | <b>Note: Arctic Package Item 286 &amp; 287 Not Shown - Used on Arctic Machines Only.</b>  |     |
| 286  | 2580062     | 1                  | Heater, Engine Block  |     |
| 287  | 3020044     | 3.75 gl<br>/14.19L | Oil, Motor 0W-40 (With Arctic Package)  |     |
|      | 0256847     | Ref                | <b>PUMP COUPLING INSTALLATION (SN 0300077500 through 0300129455)</b>  | B   |
| 301  | 1660234     | 1                  | Coupling, Hayes   |     |
| 302  | 0080163     | 1                  | Plate, Pump Adapter   |     |
| 303  | 0700810     | 6                  | Bolt M8 x 20mm  |     |
| 304  | 4831900     | 6                  | Lockwasher M8   |     |
| 306  | 4832000     | 8                  | Lockwasher 10mm (SN 0300077500 through 0300085330)  |     |
| 307  | 3020021     | AR                 | Grease, Coupling (Not Shown)  |     |
|      | 2902065     | NLA                | <b>PUMP COUPLING INSTALLATION (NOTE: PURCHASE P/N 1001162546 KIT) (SN 0300129456 through 0300140000)</b>                                | H   |
|      | 1001153282  | NLA                | <b>SERVICE REPLACEMENT KIT FOR PUMP COUPLING AND MOUNTING PLATE (USE P/N 1001162546) (NOT SHOWN) (SN 0300174937 through 0300185827)</b> | C   |
| 351  | 70000793    | 1                  | <b>Coupling, Hayes (For Coupling Kit 2902065)</b>   |     |
| 351  | 70004183    | 1                  | Coupling, Guardian (For Coupling Kits p/ns 1001162546 & 1001153282)   |     |
| 352  | See Note    | NSS                | Plate, Pump Adapter (Note: Use p/n 1001162546)  |     |

## SECTION 2 - TURNTABLE

| ITEM | PART NUMBER | QTY | DESCRIPTION  | REV |
|------|-------------|-----|--|-----|
| 353  | See Note    | 18  | Capscrew M10 (Note: Not Available - Purchase Locally)  |     |
| 354  | See Note    | 12  | Bolt M10 x 25mm Grade 10.9 (Note: Not Available - Purchase Locally)                              |     |
| 355  | See Note    | 12  | Flatwasher M10 (Note: Not Available - Purchase Locally)  |     |
|      |             | Ref | <b>ENGINE COMPONENTS</b>   |     |
|      | 2000216     | Ref | <b>Engine Components (SN 0300077500 through 0300085330)</b>                                      | C   |
|      | 2000274     | Ref | <b>Engine Components (SN 0300085331 through 0300092717)</b>                                      | B   |
|      | 2000339     | Ref | <b>Engine Components (SN 0300092718 through 0300129455)</b>                                      | B   |
|      | 1001094101  | Ref | <b>Engine Components (SN 0300129456 through 0300140000)</b>                                      | B   |
| 401  | 7026631     | 1   | Dipstick (2000216, 2000274 & 2000339 Engines)  |     |
| 401  | 7020487     | 1   | O-Ring, Dipstick   |     |
| 401  | 70001002    | 1   | Dipstick (1001094101 Engine)   |     |
| 402  | 7020465     | 1   | Cap, Filler  |     |
| 403  | 70001850    | 1   | Pump, Oil Lube (was p/ns 7020484 & 70000045)   |     |
| 403  | 7020468     | 1   | Seal Between Oil Pump and Engine Block (Not Shown)   |     |
| 404  | 7016331     | 1   | Filter, Oil (was p/n 7016641)  |     |
| 404  | 70001423    | 1   | Bracket, Oil Filter  |     |
| 404  | 70001848    | 1   | Sensor at Oil Filter (1001094101 Engine Only)  |     |
| 404  | 70001132    | 1   | Seal, Sensor at Oil Filter (1001094101 Engine Only)  |     |
| 405  |             | Ref | Pump, Injector Options:  |     |
| 405  |             | Ref | Pump, Injector <b>(SN 0300077500 through 0300129455)</b>   |     |
| 405  | 7027246     | 4   | Series A Injector (was p/n 7027242)  |     |
| 405  | 7027608     | 4   | Series B Injector (was p/n 7027611)  |     |
| 405  | 7027609     | 4   | Series C Injector (was p/n 7027612)  |     |
| 405  | 7027610     | 4   | Series D Injector (was p/n 7027613)  |     |
| 405  |             | Ref | Pump, Injector <b>(SN 0300129456 through 0300140000)</b>   |     |
| 405  | 70000912    | 4   | Series A Injector  |     |
| 405  | 70000913    | 4   | Series B Injector  |     |
| 405  | 70000914    | 4   | Series C Injector  |     |
| 405  | 70000915    | 4   | Series D Injector  |     |
| 405  |             | Ref | Gasket Options (1 Per Injector):   |     |
| 405  | 7020447     | 4   | Gasket <b>(SN 0300077500 through 0300129455)</b>   |     |
| 405  | See Note    | 4   | Gasket (Note: Not Available for Purchase.) <b>(SN 0300129456 through 0300140000)</b>             |     |
| 406  | 7016328     | 1   | Filter, Fuel   |     |
| 407  | 70000916    | 1   | Pump, Fuel Supply (was p/n 7027238)  |     |
| 407  | 70001435    | 1   | Repair Kit for 70000916 Pump   |     |
| 407  | 70000919    | 1   | Hand Pump for 70000916 Pump  |     |
| 407  | 70000918    | 1   | Seal, Hand Pump for 70000916 Pump  |     |
| 407  |             | Ref | O-Seal Between Fuel Pump and Engine Block Options (Not Shown):                                   |     |
| 407  | 7020411     | 1   | 7027238 Pump <b>(SN 0300077500 through 0300129455)</b>   |     |
| 407  | 70000917    | 1   | 70000916 Pump <b>(SN 0300129456 through 0300140000)</b>  |     |
| 408  | 7020449     | 4   | Gasket, Intake Manifold (Not Shown)  |     |
| 409  | 7020408     | 1   | V-Belt   |     |
| 410  | 7020471     | 4   | Gasket, Exhaust (Manifold to Engine Block) (Not Shown) <b>(SN 0300077500 through 0300129455)</b> |     |
| 410  | 70002200    | 8   | Stud, Muffler Attaching (Not Shown) <b>(SN 0300077500 through 0300129455)</b>                    |     |
| 410  | 70003476    | 8   | Nut, Muffler Attaching (Not Shown) <b>(SN 0300077500 through 0300129455)</b>                     |     |
| 410  | 70001836    | 1   | Gasket, Exhaust (Engine Head to Header) (Not Shown) <b>(SN 0300129456 through 0300140000)</b>    |     |

## SECTION 2 - TURNTABLE

| ITEM | PART NUMBER | QTY | DESCRIPTION  | REV |
|------|-------------|-----|--|-----|
| 410  | 70001835    | 1   | Gasket, Exhaust (Header to EGR Valve Block) (Not Shown) <b>(SN 0300129456 through 0300140000)</b>                    |     |
| 410  | 70001841    | 1   | Valve, EGR (Not Shown) <b>(SN 0300129456 through 0300140000)</b>   |     |
| 410  | 70001838    | 2   | Gasket, Exhaust (EGR Valve Block to Exhaust Tube) (Not Shown) <b>(SN 0300129456 through 0300140000)</b>              |     |
| 410  | 70001874    | 1   | Plate Choke (Between 70001838 Gaskets) (Not Shown) <b>(SN 0300129456 through 0300140000)</b>                         |     |
| 410  | 70001837    | 1   | Gasket, Exhaust (Exhaust Tube to Muffler) (Not Shown) <b>(SN 0300129456 through 0300140000)</b>                      |     |
| 410  | 70001839    | 1   | Flange, Sealing (Near Front of Header) (includes Seal and Pin) (Not Shown) <b>(SN 0300129456 through 0300140000)</b> |     |
| 411  | 7000663     | 1   | Alternator (was p/n 7020410 & 7016329)   |     |
| 411  |             | Ref | Regulator, Voltage Options (Not Shown):  |     |
| 411  | 7020464     | 1   | Regulator, Voltage <b>(SN 0300077500 through 0300129455)</b>   |     |
| 411  | 70001868    | 1   | Regulator, Voltage <b>(SN 0300129456 through 0300140000)</b>   |     |
| 411  | 70001866    | 1   | Gasket, Regulator (Not Shown) <b>(SN 0300129456 through 0300140000)</b>  |     |
| 411  | 70002234    | 1   | Bracket, Adjusting (Not Shown)   |     |
| 412  | 7020479     | 1   | Starter  |     |
| 412  | 7026608     | 1   | Solenoid   |     |
| 412  | 70001498    | 1   | Shield, Starter Heat   |     |
| 413  | 70000345    | 4   | Plug, Glow <b>(SN 0300092718 through 0300140000)</b>   |     |
| 414  |             | Ref | Sender, Temperature Options:   |     |
| 414  | 7027241     | 1   | Sender, Temperature <b>(SN 0300077500 through 0300085330)</b>  |     |
| 414  | 7027791     | 1   | Sender, Temperature <b>(SN 0300085331 through 0300140000)</b>  |     |
| 414  | See Note    | 1   | Ring, Sealing (Note: Not Available for Purchase)   |     |
| 415  |             | Ref | Sensor, Oil Pressure Options:  |     |
| 415  | 7020461     | 1   | Sensor, Oil Pressure <b>(SN 0300077500 through 0300085330)</b>   |     |
| 415  | 7027790     | 1   | Sensor, Oil Pressure <b>(SN 0300085331 through 0300140000)</b>   |     |
| 416  | 7024565     | 1   | Sensor, Speed  |     |
| 417  |             | Ref | Actuator, Throttle   |     |
| 417  | 7020458     | 1   | Actuator, Throttle <b>(SN 0300077500 through 0300085330)</b>   |     |
| 417  | 7027792     | 1   | Actuator, Throttle <b>(SN 0300085331 through 0300140000)</b>   |     |
| 417  | 7026607     | 2   | Spring, Actuator (was p/n 7027276)   |     |
| 418  | 7020459     | 1   | Thermostat (Located at rear of engine block - Not Shown)   |     |
| 418  | 7020460     | 1   | Spring, Compression  |     |
| 419  |             | Ref | Flywheel Options (Not Shown):  |     |
| 419  | 70000264    | 1   | Flywheel <b>(SN 0300077500 through 0300129455)</b>   |     |
| 419  | 70001870    | 1   | Flywheel <b>(SN 0300129456 through 0300140000)</b>   |     |
| 419  | 7024579     | 1   | Ring Gear (Located on Flywheel - Not Shown)  |     |
| 420  |             | Ref | Sender, Temperature Options:   |     |
| 420  | 7027236     | 1   | Sender, Temperature <b>(SN 0300077500 through 0300129455)</b>  |     |
| 420  | See Note    | 1   | Sender, Temperature (Note: Not Available for Purchase) <b>(SN 0300129456 through 0300140000)</b>                     |     |
| 421  | 7027795     | 1   | Module, EMR2 Controller <b>(SN 0300085331 through 0300140000)</b>  |     |
| 421  | 7027796     | 1   | Harness, EMR2 Module <b>(SN 0300085331 through 0300140000)</b>   |     |
| 422  | 7027245     | 1   | Filter, Fuel In-line (2000216 Engine Only)   |     |
| 423  |             | Ref | Solenoid, Throttle Options:  |     |
| 423  | 7027239     | 1   | Solenoid, Throttle <b>(SN 0300077500 through 0300129455)</b>   |     |
| 423  | See Note    | 1   | Solenoid, Throttle (Note: Not Available for Purchase) <b>(SN 0300129456 through 0300140000)</b>                      |     |
| 424  | See Note    | 1   | Gasket, Valve Cover (Not Shown) (Note: Not Available for   |     |

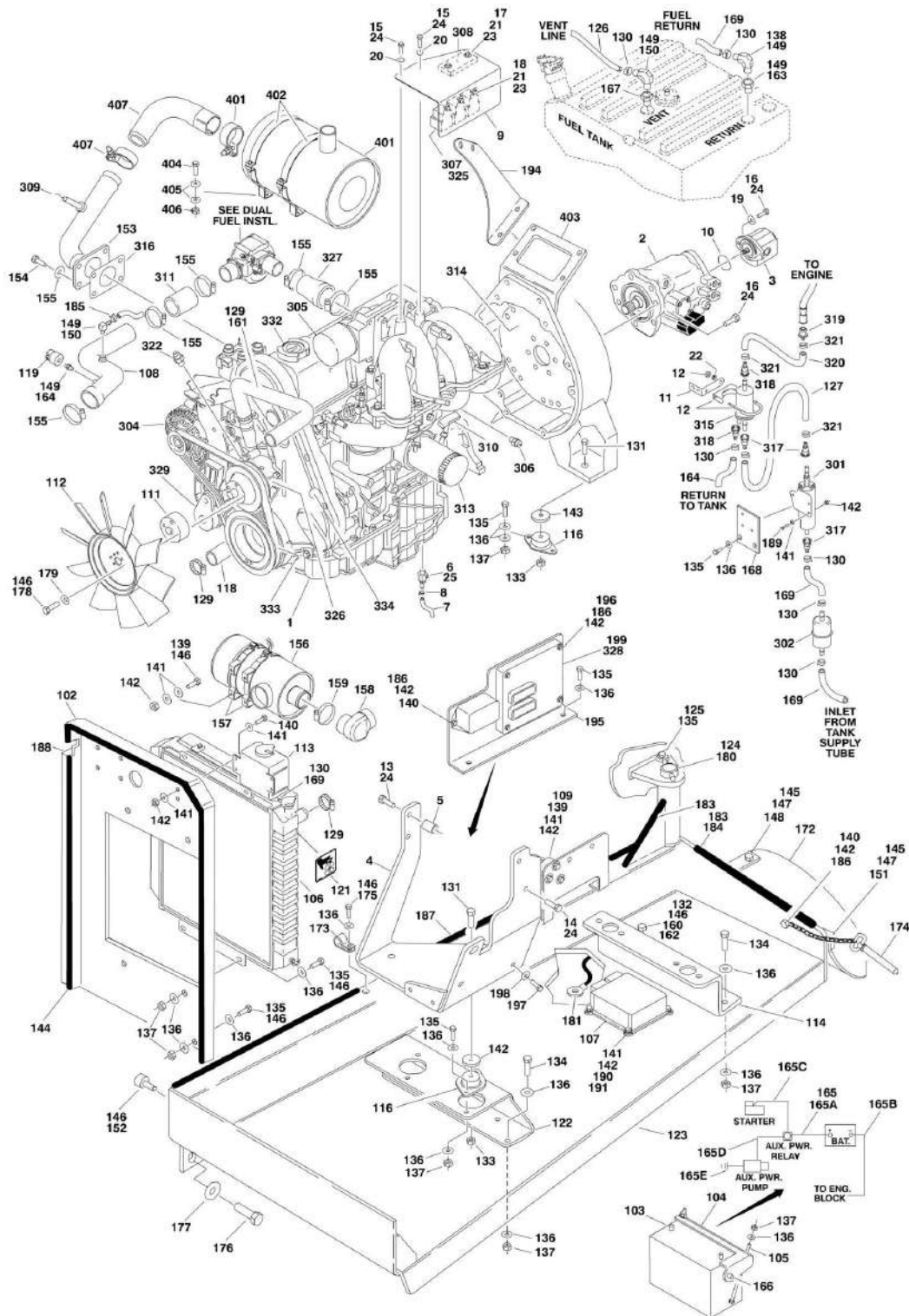
## SECTION 2 - TURNTABLE

| ITEM | PART NUMBER | QTY | DESCRIPTION  | REV |
|------|-------------|-----|--|-----|
| 425  |             | Ref | Purchase)  |     |
| 425  | See Note    | 1   | Gasket, Cylinder Head Options (Not Shown):   |     |
| 425  |             | Ref | Gasket (Note: Not Available for Purchase.) <b>(SN 0300077500 through 0300085330)</b>               |     |
| 425  |             | Ref | Gasket <b>(SN 0300085331 through 0300129455)</b>   |     |
| 425  | 70003001    | 1   | 1 Notch  |     |
| 425  | 70003002    | 1   | 2 Notches  |     |
| 425  | 70003003    | 1   | 3 Notches  |     |
| 425  |             | Ref | Gasket: <b>(SN 0300129456 through 0300140000)</b>  |     |
| 425  | 70002415    | 1   | 1 Notch  |     |
| 425  | 70002416    | 1   | 2 Notches  |     |
| 425  | 70002417    | 1   | 3 Notches  |     |
| 426  |             | Ref | Timing Belt/Idler Kit Options (Not Shown):   |     |
| 426  | 70000800    | 1   | Timing Belt/Idler Kit <b>(SN 0300077500 through 0300085330)</b>                                    |     |
| 426  | See Note    | 1   | Timing Belt/Idler Kit (Note: Not Available for Purchase) <b>(SN 0300085331 through 0300140000)</b> |     |
| 427  |             | Ref | Harness. Engine Options (Not Shown):   |     |
| 427  | See Note    | 1   | Harness. Engine (Note: Not Available for Purchase) <b>(SN 0300077500 through 0300085330)</b>       |     |
| 427  | 7027794     | 1   | Harness. Engine <b>(SN 0300085331 through 0300129455)</b>  |     |
| 427  | 70001872    | 1   | Harness. Engine <b>(SN 0300129456 through 0300140000)</b>  |     |
| 427  | 7027793     | 1   | Plug, Connector  |     |
| 428  | 70001847    | 1   | Breather, Valve (Not Shown - Located On Front Cover) <b>(SN 0300129456 through 0300140000)</b>     |     |
| 428  | 70001126    | 1   | Seal, Breather <b>(SN 0300129456 through 0300140000)</b>   |     |



# SECTION 2 - TURNTABLE

## FIGURE 2-12. FORD ENGINE INSTALLATION - NON-UL SPEC MACHINES (SN 0300069000 through 0300077499)



## SECTION 2 - TURNTABLE

**FIGURE 2-12. FORD ENGINE INSTALLATION - NON-UL SPEC MACHINES (SN 0300069000 through 0300077499)**

| ITEM | PART NUMBER | QTY       | DESCRIPTION   | REV |
|------|-------------|-----------|---|-----|
|      |             | Ref       | <b>ENGINE ASSEMBLIES</b>  |     |
|      | 0271368     | Ref       | <b>Standard (SN 0300069000 through 0300073347)</b>                | 2-A |
|      | 0271364     | Ref       | <b>Dual Fuel (SN 0300069000 through 0300073347)</b>               | 2-A |
|      | 0272745     | Ref       | <b>Dual Fuel (SN 0300073348 through 0300077499)</b>               | 2-B |
| 1    |             | Ref       | Engine - Ford LRG-425 EFI Options:                                |     |
| 1    | 2000172     | 1         | Standard (SN 0300069000 through 0300073347)                       |     |
| 1    | 2000174     | 1         | Dual Fuel (SN 0300069000 through 0300073347)                      |     |
| 1    | 2000193     | 1         | Dual Fuel (SN 0300073348 through 0300077499)                      |     |
| 2    | 3600295     | 1         | Piston Pump Assembly (See PISTON PUMP ASSEMBLY for Breakdown)     |     |
| 3    | 3600278     | 1         | Variable Displacement Pump Assembly                               |     |
| 3    | 7018995     | 1         | Seal Kit - 3600278 Motor  |     |
| 3    | 7024918     | 1         | Seal, Shaft   |     |
| 3    | 7024930     | 1         | Valve Assembly - 3600278 Motor                                    |     |
| 4    |             | Ref       | Plate, Engine Mounting - Front Options:                           |     |
| 4    | 3539972     | 1         | Plate, Engine Mounting - Front (SN 0300069000 through 0300073347) |     |
| 4    | 4846806     | 1         | Plate, Engine Mounting - Front (SN 0300073348 through 0300077499) |     |
| 5    | 4566605     | 1         | Tube, Spacer  |     |
| 6    | 4640989     | 1         | Valve, Oil Drain  |     |
| 7    | 2750532     | 6 in/21cm | Hose  |     |
| 8    | 1320022     | 1         | Clamp   |     |
| 9    | 3571498     | 1         | Plate, Module Mounting  |     |
| 10   | 3790044     | 1         | O-Ring  |     |
| 11   | 0902539     | 1         | Bracket   |     |
| 12   | 1320019     | 1         | Clamp   |     |
| 13   | 0701022     | 2         | Bolt M10 x 70mm   |     |
| 14   | 0701014     | 2         | Bolt M10 x 30mm   |     |
| 15   | 0700810     | 3         | Bolt M8 x 20mm  |     |
| 16   | 0641812     | 4         | Bolt 1/2in-13NC x 1-1/2in   |     |
| 17   | 0721014     | 2         | Screw #10-24NC x 1-3/4in  |     |
| 18   | 0721006     | 3         | Screw #10-24NC x 3/4in (SN 0300069000 through 0300073347)         |     |
| 19   | 4891800     | 2         | Washer, Hardened 1/2in  |     |
| 20   | 4751500     | 2         | Flatwasher 5/16in   |     |
| 21   | 4751000     | AR        | Flatwasher #10  |     |
| 22   | 4761500     | 2         | Lockwasher 5/16in   |     |
| 23   | 3311005     | AR        | Locknut #10-24NC  |     |
| 24   | 0100011     | AR        | Compound, Locking   |     |
| 25   | 0100020     | AR        | Sealant, Pipe   |     |
|      |             | Ref       | <b>ENGINE INSTALLATIONS</b>                                       |     |
|      | 0271367     | Ref       | <b>Standard (SN 0300069000 through 0300073347)</b>                | 3-C |
|      | 0271366     | Ref       | <b>Dual Fuel (SN 0300069000 through 0300073347)</b>               | 2-B |
|      | 0272831     | Ref       | <b>Dual Fuel (SN 0300073348 through 0300077499)</b>               | 4-C |
| 102  | 3539872     | 1         | Mount, Radiator   |     |
| 103  | 0400075     | 1         | Battery   |     |
| 104  | 0181727     | 1         | Tie-Down  |     |
| 105  | 0630498     | 2         | Bolt, Tie-Down  |     |
| 106  | 3620040     | 1         | Radiator  |     |

## SECTION 2 - TURNTABLE

| ITEM | PART NUMBER | QTY       | DESCRIPTION   | REV |
|------|-------------|-----------|---|-----|
| 106  | 8180311     | 1         | Cap, Radiator (was p/n 7019656)                                       |     |
| 107  | 1600314     | 1         | Module, Controller (ECM) <b>(SN 0300069000 through 0300073347)</b>    |     |
| 108  |             | Ref       | Weldment, Air Intake Tube Options:                                    |     |
| 108  | 4846011     | 1         | Weldment, Air Intake Tube <b>(SN 0300069000 through 0300073347)</b>   |     |
| 108  | 4846046     | 1         | Weldment, Air Intake Tube <b>(SN 0300073348 through 0300077499)</b>   |     |
| 109  | 3740067     | 1         | Relay, Auxiliary Power Relay  |     |
| 111  | 0080214     | 1         | Adapter, Fan Spacer   |     |
| 112  | 2060025     | 1         | Fan, Suction  |     |
| 113  | 1580011     | 1         | Container, Coolant Overflow Container                                 |     |
| 114  | 3570133     | 1         | Plate, Engine Mount-Ford (Rear)                                       |     |
| 116  | 3200362     | 4         | Mount, Rubber   |     |
| 118  | 2720435     | 1         | Hose, Lower Radiator (Lower)  |     |
| 119  | 4360392     | 1         | Switch, Restriction Indicator Switch                                  |     |
| 120  | 3841340     | 2         | Hose Loop (Not Shown - Located Inside Turntable)                      |     |
| 121  | 1703162     | 2         | Decal - Fan Blade   |     |
| 122  |             | Ref       | Plate, Engine Mount (Front) Options:                                  |     |
| 122  | 3570103     | 1         | Plate, Engine Mount (Front) <b>(SN 0300069000 through 0300073347)</b> |     |
| 122  | 3574122     | 1         | Plate, Engine Mount (Front) <b>(SN 0300073348 through 0300077499)</b> |     |
| 123  | 4845404     | 1         | Tray, Engine  |     |
| 124  | 3422446     | 1         | Pin, Pivot  |     |
| 125  | 3841143     | 1         | Pin, Keeper   |     |
| 126  | 2750532     | 5 ft/1.5m | Hose  |     |
| 127  | 2720472     | 1         | Hose  |     |
| 128  | 1320060     | 1         | Clamp, Hose - 0.625 <b>(SN 0300069000 through 0300073347)</b>         |     |
| 129  | 1320012     | 4         | Clamp, Hose, Radiator   |     |
| 130  | 1320022     | 9         | Clamp, Hose   |     |
| 131  | 0641828     | 4         | Bolt 1/2in-13NC x 3-1/2in   |     |
| 132  | 4751800     | 1         | Flatwasher 1/2in  |     |
| 133  | 3311805     | 4         | Hex Nut 1/2in - 13UNC   |     |
| 134  | 0641610     | 8         | Bolt 3/8in-16NC x 1-1/4in   |     |
| 135  | 0641608     | 22        | Bolt 3/8in-16NC x 1in   |     |
| 136  | 4751600     | 55        | Flatwasher 3/8in  |     |
| 137  | 3311605     | 31        | Locknut 3/8in-16UNC   |     |
| 138  | 2220805     | 1         | Fitting   |     |
| 139  | 0641408     | 3         | Bolt 1/4in-20NC x 1in   |     |
| 140  | 0641406     | AR        | Bolt 1/4in-20NC x 3/4in   |     |
| 141  | 4751400     | AR        | Flatwasher 1/4in  |     |
| 142  | 3311405     | AR        | Locknut 1/4in x 20UNC   |     |
| 143  | 4740274     | 4         | Washer, Snubbing  |     |
| 144  | 3960389     | 7 ft/2.1m | Seal  |     |
| 145  | 3539957     | 2         | Plate, Hold Down  |     |
| 146  | 0100011     | AR        | Compound, Locking   |     |
| 147  | 3311505     | 6         | Hex Nut 5/16in-18NC   |     |
| 148  | 3900272     | 3         | Bolt 5/16in-18NC x 1-3/4in  |     |
| 149  | 0100020     | AR        | Sealant, Pipe   |     |
| 150  | 2180467     | 1         | Fitting, Elbow Barbed   |     |
| 151  | 0641508     | 3         | Bolt 5/16in-18NC x 1in  |     |



## SECTION 2 - TURNTABLE

| ITEM | PART NUMBER | QTY              | DESCRIPTION  | REV |
|------|-------------|------------------|--|-----|
| 152  | 0940070     | 1                | Bumper, Rubber   |     |
| 153  | 4567879     | 1                | Tube, Exhaust  |     |
| 154  | 0701012     | 4                | Bolt M10 x 1.5 x 25 mm                                       |     |
| 155  | 4832000     | 4                | Lockwasher   |     |
| 156  | 1340060     | 1                | Air Cleaner Assembly   |     |
| 156  | 7012664     | 1                | Filter, Air Cleaner  |     |
| 157  | 0340041     | 2                | Band, Muffler/Air Cleaner                                    |     |
| 158  | 0080201     | 1                | Fitting, Elbow Reducing                                      |     |
| 159  | 1320016     | 2                | Clamp, Worm Gear   |     |
| 160  | 3311801     | 1                | Hex Nut 1/2in-13 UNC   |     |
| 161  | 2720436     | 1                | Hose, Radiator (Upper)                                       |     |
| 162  | 1641808     | 2                | Bolt 1/2in-13NC x 1in  |     |
| 163  | 2220430     | 1                | Fitting, Reducer   |     |
| 164  | 2180798     | 1                | Fitting, Restriction Indicator                               |     |
| 165  | 2901608     | 1                | Battery Cable Kit  |     |
| 165A | 7016800     | 1                | Cable, Battery (Red)   |     |
| 165B | 7016807     | 1                | Cable, Battery (Black)                                       |     |
| 165C | 7016808     | 1                | Cable (Red)  |     |
| 165D | 7016824     | 1                | Cable (Red)  |     |
| 165E | 7016825     | 1                | Cable (Black)  |     |
| 166  | 4460611     | 1                | Terminal, Battery Jumper Post                                |     |
| 167  | 2220250     | 1                | Fitting, Reducer   |     |
| 168  |             | Ref              | Plate, Pump Mounting Options:                                |     |
| 168  | 3572414     | 1                | Plate, Pump Mounting (SN 0300069000 through 0300073347)      |     |
| 168  | 3574222     | 1                | Plate, Pump Mounting (SN 0300073348 through 0300075194)      |     |
| 168  | 3572414     | 1                | Plate, Pump Mounting (SN 0300075195 through 0300077500)      |     |
| 169  | 2720058     | 12 ft/3.7m       | Hose 5/16in  |     |
| 172  | 3380429     | 1                | Panel, Rubber  |     |
| 173  | 1320223     | AR               | Clamp, "J" Clip 1/2in  |     |
| 174  | 3422532     | 1                | Pin, Hitch   |     |
| 175  | 0641606     | 3                | Bolt 3/8in-16NC x 3/4in                                      |     |
| 176  | 0642010     | 1                | Bolt 5/8in-11NC x 1-1/4in                                    |     |
| 177  | 4752000     | 1                | Flatwasher 5/8in   |     |
| 178  | 0700819     | 4                | Bolt M8 x 1.25 x 55mm  |     |
| 179  | 4831900     | 4                | Lockwasher M8  |     |
| 180  | 0961986     | 2                | Bearing, Flange  |     |
| 181  | 1060637     | 1                | Cable, Lanyard   |     |
| 182  | 1701542     | 1                | Decal - Gasoline (Not Shown - Located Near Tank)             |     |
| 183  | 4060804     | 2.9 ft<br>/0.88m | Flex-Trim  |     |
| 185  | 1320032     | 2                | Clamp, Hose  |     |
| 186  | 4711400     | AR               | Flatwasher, 1/4in  |     |
| 187  | 3960468     | 1                | Seal, Foam   |     |
| 188  | 3960469     | 1                | Seal, Foam   |     |
| 189  | 0641410     | 3                | Bolt 1/4in-20NC x 1-1/4in                                    |     |
| 190  | 4568158     | 4                | Standoff 1/4in x 2in   |     |
| 191  | 0641424     | 4                | Bolt 1/4in-20NC x 3in  |     |
| 194  | 0902572     | 1                | Bracket, LP Mounting (Dual Fuel Machines Only)               |     |
| 195  | 3574162     | 1                | Plate, ECM/Relay Mounting (SN 0300073348 through 0300077499) |     |
| 196  | 0641414     | 4                | Bolt 1/4in-20NC x 1-3/4in (SN 0300073348 through 0300077499) |     |

## SECTION 2 - TURNTABLE

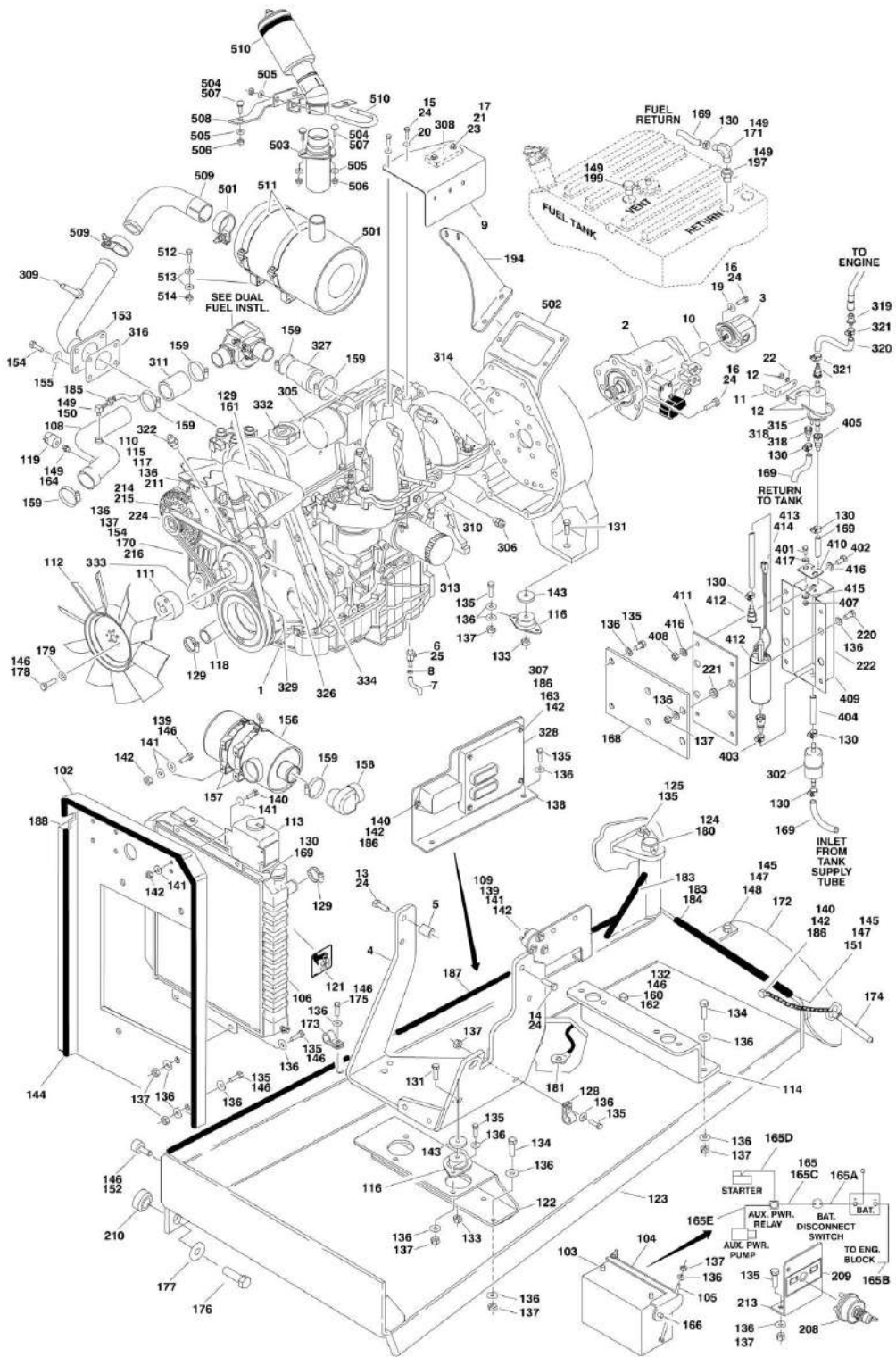
| ITEM | PART NUMBER | QTY | DESCRIPTION  | REV |
|------|-------------|-----|--|-----|
| 197  | 0641808     | 1   | Bolt 1/2in-13NC x 1in (SN 0300073348 through 0300077499)   |     |
| 198  | 4771800     | 2   | Washer, Star 1/2in (SN 0300073348 through 0300077499)      |     |
| 199  | 0100048     | AR  | Grease, Dielectric   |     |
|      |             | Ref | <b>ENGINE COMPONENTS</b>                                   |     |
|      | 2000172     | Ref | <b>Standard (SN 0300069000 through 0300073347)</b>         |     |
|      | 2000174     | Ref | <b>Dual Fuel (SN 0300069000 through 0300073347)</b>        |     |
|      | 2000193     | Ref | <b>Dual Fuel (SN 0300073348 through 0300077499)</b>        |     |
| 301  | 3600377     | 1   | Fuel Pump and Isolator Assembly (was p/n 7022133)          |     |
| 301  | 7022134     | 1   | Harness, Fuel Pump Wiring                                  |     |
| 302  | 91083218    | 1   | Filter, Fuel (was p/n 7022135)                             |     |
| 303  | 7019986     | 1   | Starter (Not Shown)  |     |
| 304  | 7019977     | 1   | Alternator with Pulley and Regulator                       |     |
| 304  | 7000897     | 1   | Alternator without Pulley and Regulator                    |     |
| 305  |             | Ref | Actuator, Throttle Options:                                |     |
| 305  | 7023655     | 1   | Actuator, Throttle (SN 0300069000 through 0300073347)      |     |
| 305  | 7023683     | 1   | Actuator, Throttle (SN 0300073348 through 0300077499)      |     |
| 305  | 7023652     | 1   | Plate, Actuator Adapter                                    |     |
| 305  | 7023654     | 1   | Gasket, Actuator to Adapter Plate                          |     |
| 305  | 7023653     | 2   | Bolt (Adapter Plate to Intake Manifold)                    |     |
| 305  | 7023656     | 4   | Bolt (Actuator to Adapter Plate)                           |     |
| 306  | 7019996     | 1   | Sensor, Air Temperature (was p/n 7023661)                  |     |
| 306  | 7023662     | 1   | Bracket, Air Temperature Sensor                            |     |
| 307  | 7023663     | 1   | Harness, ECM (SN 0300069000 through 0300073347)            |     |
| 307  | 7023681     | 1   | Harness, Engine (SN 0300073348 through 0300077499)         |     |
| 308  | 7022139     | 1   | Sensor, MAP  |     |
| 309  |             | Ref | Sensor, EGR Options:                                       |     |
| 309  | 7019994     | 1   | Sensor, EGR (SN 0300069000 through 0300073347)             |     |
| 309  | 7023682     | 1   | Sensor, EGR (SN 0300073348 through 0300077499)             |     |
| 310  | 2420187     | 1   | Dipstick   |     |
| 310  | 4564281     | 1   | Tube, Dipstick   |     |
| 311  | 7023658     | 1   | Horn, Rubber Air   |     |
| 312  | 7023637     | 1   | Switch, Oil Pressure                                       |     |
| 313  | 7021868     | 1   | Filter, Oil (was p/ns 7022147, 7021869 & 7014501)          |     |
| 314  | 1660250     | 1   | Coupling, Pump (was p/n 7016662)                           |     |
| 314  | 7019976     | 1   | Flywheel   |     |
| 314  | 7022180     | 1   | Ring Gear  |     |
| 315  | 7019993     | 1   | Pressure Regulator and Filter Assembly                     |     |
| 316  | 70002307    | 1   | Gasket, Exhaust (Manifold to Pipe)                         |     |
| 316  | 7022143     | 1   | Gasket, Exhaust (Manifold to Cylinder Head) (Not Shown)    |     |
| 317  | 7022158     | 3   | Connector  |     |
| 318  | 7022159     | 2   | Connector  |     |
| 319  | 7022160     | 1   | Connector  |     |
| 320  | 7022161     | 2   | Tube, Supply   |     |
| 321  | 7022162     | 2   | Clamp  |     |
| 322  | 7022178     | 1   | Sensor, Crank  |     |
| 323  | 7022149     | 1   | Gasket Kit, Lower Manifold (Not Shown)                     |     |
| 323  | 7025124     | 1   | Gasket Kit, Upper Manifold (was p/n 7022148) (Not Shown)   |     |
| 323  | 7022144     | 1   | Gasket, Upper Manifold Throttle (Not Shown)                |     |
| 324  | 7023657     | 1   | Harness, TPS Harness (Not Shown)                           |     |
| 325  |             | Ref | Relay Options:   |     |
| 325  | 7023613     | 3   | Relay (2000174 Engines) (SN 0300069000 through 0300073347) |     |

**SECTION 2 - TURNTABLE**

| ITEM | PART NUMBER | QTY | DESCRIPTION   | REV |
|------|-------------|-----|---|-----|
| 325  | 7023695     | 3   | Relay (2000193 Engines) (SN 0300073348 through 0300077499)                |     |
| 326  | 7022153     | 1   | Pump, Water   |     |
| 326  | 7022154     | 1   | Gasket, Water Pump  |     |
| 326  | 7022155     | 1   | Sensor, Water Temperature (Not Shown)                                     |     |
| 326  | 7027411     | 1   | Sender, Water (2000174 Engine Only) (Not Shown)                           |     |
| 326  | 7022156     | 1   | Thermostat (Not Shown)  |     |
| 326  | 7023644     | 1   | Hose, Water Pump (By-Pass) (Not Shown)                                    |     |
| 327  | 2720341     | 1   | Horn, Rubber Air  |     |
| 328  | 1600363     | 1   | Module, EPM (was p/n 7023684) (SN 0300073348 through 0300077499)          |     |
| 328  |             | Ref | EPM Update Kit Options:   |     |
|      |             | Ref | <b>Note: Contact JLG Service Dept to determine which kit is required.</b> |     |
| 328  | 2915195     | 1   | EPM Update Kit (was p/n 7023685)  |     |
| 328  | 2915196     | 1   | EPM Update Kit (was p/n 7023686)  |     |
| 329  | 70002567    | 1   | Tensioner, Belt   |     |
| 330  | 7019925     | 1   | PCV Valve (Not Shown)   |     |
| 331  | 7019930     | 1   | Coil, Ignition (Not Shown)  |     |
| 331  | 7022157     | 1   | Wire Set, Spark Plug (Not Shown)  |     |
| 331  | 7019932     | 4   | Spark Plug (Not Shown)  |     |
| 332  | 7022151     | 1   | Cap, Oil Fill   |     |
| 333  | 7027402     | 1   | Belt, Drive (was p/n 7019979)   |     |
| 334  | 7022150     | 1   | Belt, Timing  |     |
|      | 3124114     | 1   | Service Manual, Ford EFI System Diagnostic                                |     |
|      |             | Ref | <b>MUFFLER INSTALLATIONS</b>  |     |
|      | 0258390     | Ref | <b>Standard Spark Arresting</b>   | 1   |
|      | 0258391     | Ref | <b>Optional Catalytic</b>   | 1   |
| 401  |             | Ref | Muffler Options:  |     |
| 401  | 3220113     | 1   | Standard Spark Arresting  |     |
| 401  | 3220114     | 1   | Optional Catalytic  |     |
| 401  | 70001017    | 1   | Clamp   |     |
| 402  | 0340046     | 2   | Band  |     |
| 403  | 0902309     | 1   | Bracket, Muffler  |     |
| 404  | 0641507     | 4   | Bolt 5/16in-18NC x 7/8in  |     |
| 405  | 4711500     | 8   | Flatwasher 5/16in Narrow  |     |
| 406  | 3311505     | 4   | Locknut 5/16in-18NC   |     |
| 407  | 4567073     | 1   | Tube, Exhaust   |     |
| 407  | 70001017    | 1   | Clamp   |     |

# SECTION 2 - TURNTABLE

## FIGURE 2-13. FORD ENGINE INSTALLATION - UL MACHINES (SN 0300069000 through 0300077499)



## SECTION 2 - TURNTABLE

**FIGURE 2-13. FORD ENGINE INSTALLATION - UL MACHINES (SN 0300069000 through 0300077499)**

| ITEM | PART NUMBER | QTY       | DESCRIPTION   | REV |
|------|-------------|-----------|---|-----|
|      | 0272745     | Ref       | <b>ENGINE DUAL FUEL ASSEMBLIES</b>                            | 2-B |
| 1    | 2000193     | 1         | Engine - Ford LRG-425 EFI                                     |     |
| 2    | 3600295     | 1         | Piston Pump Assembly (See PISTON PUMP ASSEMBLY for Breakdown) |     |
| 3    | 3600278     | 1         | Variable Displacement Pump Assembly                           |     |
| 3    | 7018995     | 1         | Seal Kit - 3600278 Motor                                      |     |
| 3    | 7024918     | 1         | Seal, Shaft   |     |
| 3    | 7024930     | 1         | Valve Assembly - 3600278 Motor                                |     |
| 4    | 4846806     | 1         | Plate, Engine Mounting - Front                                |     |
| 5    | 4566605     | 1         | Tube, Spacer  |     |
| 6    | 4640989     | 1         | Valve, Oil Drain  |     |
| 7    | 2750532     | 6 in/21cm | Hose  |     |
| 8    | 1320022     | 1         | Clamp   |     |
| 9    | 3571498     | 1         | Plate, Module Mounting  |     |
| 10   | 3790044     | 1         | O-Ring  |     |
| 11   | 0902539     | 1         | Bracket   |     |
| 12   | 1320019     | 1         | Clamp   |     |
| 13   | 0701022     | 2         | Bolt M10 x 70mm   |     |
| 14   | 0701014     | 2         | Bolt M10 x 30mm   |     |
| 15   | 0700810     | 3         | Bolt M8 x 20mm  |     |
| 16   | 0641812     | 4         | Bolt 1/2in-13NC x 1-1/2in                                     |     |
| 17   | 0721014     | 2         | Screw #10-24NC x 1-3/4in                                      |     |
| 19   | 4891800     | 2         | Washer, Hardened 1/2in  |     |
| 20   | 4751500     | 2         | Flatwasher 5/16in   |     |
| 21   | 4751000     | AR        | Flatwasher #10  |     |
| 22   | 4761500     | 2         | Lockwasher 5/16in   |     |
| 23   | 3311005     | AR        | Locknut #10-24NC  |     |
| 24   | 0100011     | AR        | Compound, Locking   |     |
| 25   | 0100020     | AR        | Sealant, Pipe   |     |
|      |             | Ref       | <b>ENGINE INSTALLATIONS</b>                                   |     |
|      | 0272708     | Ref       | <b>DUAL FUEL INSTALLATIONS</b>                                | 4-D |
|      | 0274195     | Ref       | <b>LPS INSTALLATIONS (SN 0300079153 through 0300077500)</b>   | 2-B |
| 102  | 3539872     | 1         | Mount, Radiator   |     |
| 103  | 0400075     | 1         | Battery   |     |
| 104  | 0181727     | 1         | Tie-Down  |     |
| 105  | 0630498     | 2         | Bolt, Tie-Down  |     |
| 106  | 3620040     | 1         | Radiator  |     |
| 106  | 8180311     | 1         | Cap, Radiator (was p/n 7019656)                               |     |
| 107  | 0840026     | AR        | Boot, Electrical Cable (Not Shown - Located on Alternator)    |     |
| 108  | 4846046     | 1         | Weldment, Air Intake Tube                                     |     |
| 109  | 3740067     | 1         | Relay, Auxiliary Power Relay                                  |     |
| 110  | 0701010     | 1         | Bolt M10 x 20mm   |     |
| 111  | 0080214     | 1         | Adapter, Fan Spacer   |     |
| 112  | 2060025     | 1         | Fan, Suction  |     |
| 113  | 1580011     | 1         | Container, Coolant Overflow Container                         |     |
| 114  | 3570133     | 1         | Plate, Engine Mount-Ford (Rear)                               |     |
| 115  | 0641507     | 1         | Bolt 5/16in-18NC x 7/8in                                      |     |
| 116  | 3200362     | 4         | Mount, Rubber   |     |
| 117  | 4751500     | 1         | Flatwasher 5/16in   |     |
| 118  | 2720435     | 1         | Hose, Lower Radiator (Lower)                                  |     |

## SECTION 2 - TURNTABLE

| ITEM | PART NUMBER | QTY       | DESCRIPTION   | REV |
|------|-------------|-----------|---|-----|
| 119  | 4360392     | 1         | Switch, Restriction Indicator Switch                                  |     |
| 120  | 3841340     | 3         | Hose Loop (Not Shown Located inside turntable) (Dual Fuel             |     |
| 121  | 1703162     | 2         | Decal - Fan Blade   |     |
| 122  |             | Ref       | Plate, Engine Mount (Front) Options:                                  |     |
| 122  | 3570103     | 1         | Plate, Engine Mount (Front) <b>(SN 0300069000 through 0300073347)</b> |     |
| 122  | 3574122     | 1         | Plate, Engine Mount (Front) <b>(SN 0300073348 through 0300077499)</b> |     |
| 123  | 4845404     | 1         | Tray, Engine  |     |
| 124  | 3422446     | 1         | Pin, Pivot  |     |
| 125  | 3841143     | 1         | Pin, Keeper   |     |
| 128  | 1320060     | 1         | Clamp, Hose - 0.625 <b>(SN 0300069000 through 0300073347)</b>         |     |
| 129  | 1320012     | 2         | Clamp, Hose   |     |
| 130  | 1320022     | 6         | Clamp, Hose   |     |
| 131  | 0641828     | 4         | Bolt 1/2in-13NC x 3-1/2in   |     |
| 132  | 4751800     | 1         | Flatwasher 1/2in  |     |
| 133  | 3311805     | 4         | Hex Nut 1/2in - 13UNC   |     |
| 134  | 0641610     | 8         | Bolt 3/8in-16NC x 1-1/4in   |     |
| 135  | 0641608     | AR        | Bolt 3/8in-16NC x 1in   |     |
| 136  | 4751600     | AR        | Flatwasher 3/8in  |     |
| 137  | 3311605     | AR        | Locknut 3/8in-16UNC   |     |
| 138  | 3574162     | 1         | Plate, ECM/Relay Mounting   |     |
| 139  | 0641408     | 6         | Bolt 1/4in-20NC x 1in   |     |
| 140  | 0641406     | 7         | Bolt 1/4in-20NC x 3/4in   |     |
| 141  | 4751400     | 14        | Flatwasher 1/4in  |     |
| 142  | 3311405     | AR        | Locknut 1/4in x 20UNC   |     |
| 143  | 4740274     | 4         | Washer, Snubbing  |     |
| 144  | 3960389     | 7 ft/2.1m | Seal  |     |
| 145  | 3539957     | 2         | Plate, Hold Down  |     |
| 146  | 0100011     | AR        | Compound, Locking   |     |
| 147  | 3311505     | 6         | Hex Nut 5/16in-18NC   |     |
| 148  | 3900272     | 3         | Bolt 5/16in-18NC x 1-3/4in  |     |
| 149  | 0100020     | AR        | Sealant, Pipe   |     |
| 151  | 0641508     | 3         | Bolt 5/16in-18NC x 1in  |     |
| 152  | 0940070     | 1         | Bumper, Rubber  |     |
| 153  | 4567879     | 1         | Tube, Exhaust   |     |
| 154  | 0701012     | AR        | Bolt M10 x 25mm   |     |
| 155  | 4832000     | 4         | Lockwasher  |     |
| 156  | 1340050     | 1         | Air Cleaner Assembly  |     |
| 156  | 7010638     | 1         | Filter, Air Cleaner   |     |
| 157  | 0340041     | 2         | Band, Muffler/Air Cleaner   |     |
| 158  | 0080201     | 1         | Fitting, Elbow Reducing   |     |
| 159  | 1320016     | AR        | Clamp, Worm Gear  |     |
| 160  | 3311801     | 1         | Hex Nut 1/2in-13 UNC  |     |
| 161  | 2720436     | 1         | Hose, Radiator (Upper)  |     |
| 162  | 1641808     | AR        | Bolt 1/2in-13NC x 1in   |     |
| 163  | 0641414     | 4         | Bolt 1/4in-20NC x 1-3/4in   |     |
| 164  | 2180798     | AR        | Fitting, Restriction Indicator  |     |
| 165  | 2902238     | 1         | Battery Cable Kit   |     |
| 165A | 7016826     | 1         | Cable, Battery (Red)  |     |
| 165B | 7016807     | 1         | Cable, Battery (Black)  |     |
| 165C | 7016827     | 1         | Cable (Red)   |     |

## SECTION 2 - TURNTABLE

| ITEM | PART NUMBER | QTY              | DESCRIPTION  | REV |
|------|-------------|------------------|--|-----|
| 165D | 7016808     | 1                | Cable (Red)  |     |
| 165E | 7016844     | 1                | Cable (Black)  |     |
| 166  | 4460611     | 1                | Terminal, Battery Jumper Post  |     |
| 168  | 3574222     | 1                | Plate, Pump Mounting (Dual Fuel Engine Only)                                     |     |
| 169  | 2720058     | Ref              | Hose 5/16in Options:   |     |
| 169  | 2720058     | 12 ft<br>/3.7cm  | Dual Fuel Engine   |     |
| 169  | 2720058     | 6 in/15cm        | LPS Engine   |     |
| 170  | 0641624     | 1                | Bolt 3/8in-16NC x 3in  |     |
| 171  | 2220459     | 1                | Fitting  |     |
| 172  | 3380429     | 1                | Panel, Rubber  |     |
| 173  | 1320223     | 3                | Clamp, "J" Clip 1/2in  |     |
| 174  | 3422532     | 1                | Pin, Hitch   |     |
| 175  | 0641606     | 3                | Bolt 3/8in-16NC x 3/4in  |     |
| 176  | 0642018     | 1                | Bolt 5/8in-11NC x 2in  |     |
| 177  | 4752000     | 2                | Flatwasher 5/8in   |     |
| 178  | 0700819     | 4                | Bolt M8 x 1.25 x 55mm  |     |
| 179  | 4831900     | 4                | Lockwasher M8  |     |
| 180  | 0961986     | 2                | Bearing, Flange  |     |
| 181  | 1060637     | 1                | Cable, Lanyard   |     |
| 182  | 1701542     | 1                | Decal - Gasoline (Not Shown - Located Near Tank)                                 |     |
| 183  | 4060804     | 2.9 ft<br>/0.88m | Flex-Trim  |     |
| 184  | 4060806     | 2 ft/0.6m        | Flex-Trim  |     |
| 186  | 4711400     | 13               | Flatwasher, 1/4in  |     |
| 187  | 3960468     | 1                | Seal, Foam   |     |
| 188  | 3960469     | 1                | Seal, Foam   |     |
| 194  | 0902572     | 1                | Bracket, LP Mounting   |     |
| 197  | 2220794     | 1                | Fitting  |     |
| 199  | 2200222     | 1                | Fitting, Plug  |     |
| 200  | 2820035     | AR               | Loom (Not Shown)   |     |
| 208  | 4360256     | 1                | Switch, Battery Disconnect   |     |
| 209  | 1703476     | 1                | Decal - Battery Disconnect   |     |
| 210  | 0962450     | 2                | Bushing, Spacer  |     |
| 211  | 0181942     | 1                | Angle, Alternator Mount  |     |
| 212  | 4240099     | 2                | Strap, Tie (Not Shown)   |     |
| 213  | 3570238     | 1                | Plate, Switch Mounting   |     |
| 214  | 0160020     | 1                | Alternator   |     |
| 215  | 3580260     | 1                | Pulley, Ford Alternator  |     |
| 216  | 4845612     | 1                | Mount, Alternator  |     |
| 219  | 2901207     | 1                | Band Kit, Auxiliary Power Motor (Not Shown)                                      |     |
| 220  | 0641616     | 4                | Bolt 3/8in-16NC x 2in (Dual Fuel Engine Only)                                    |     |
| 221  | 3200404     | 4                | Mount, Rubber  |     |
| 222  | 0272816     | 1                | Assembly, Fuel Pump (Dual Fuel Engine Only) (See Items 401 to 417 For Breakdown) |     |
| 223  | 4771800     | 2                | Washer, Star 1/2in <b>(SN 0300082186 through 0300077500)</b>                     |     |
| 224  | 0480141     | 1                | Belt, Alternator (LPS Engine Only)   |     |
|      | 2000193     | Ref              | <b>ENGINE COMPONENTS</b>   |     |
| 301  | 3600377     | 1                | Fuel Pump and Isolator Assembly (was p/n 7022133)                                |     |
| 301  | 7022134     | 1                | Harness, Fuel Pump Wiring  |     |
| 302  | 91083218    | 1                | Filter, Fuel (was p/n 7022135)   |     |
| 303  | 7019986     | 1                | Starter (Not Shown)  |     |

## SECTION 2 - TURNTABLE

| ITEM | PART NUMBER | QTY | DESCRIPTION   | REV |
|------|-------------|-----|---|-----|
| 304  | 7019977     | 1   | Alternator with Pulley and Regulator                                    |     |
| 304  | 7000897     | 1   | Alternator without Pulley and Regulator                                 |     |
| 305  |             | Ref | Actuator, Throttle Options:   |     |
| 305  | 7023655     | 1   | Actuator, Throttle <b>(SN 0300069000 through 0300073347)</b>            |     |
| 305  | 7023683     | 1   | Actuator, Throttle <b>(SN 0300073348 through 0300077499)</b>            |     |
| 305  | 7023652     | 1   | Plate, Actuator Adapter   |     |
| 305  | 7023654     | 1   | Gasket, Actuator to Adapter Plate                                       |     |
| 305  | 7023653     | 2   | Bolt (Adapter Plate to Intake Manifold)                                 |     |
| 305  | 7023656     | 4   | Bolt (Actuator to Adapter Plate)  |     |
| 306  | 7019996     | 1   | Sensor, Air Temperature (was p/n 7023661)                               |     |
| 306  | 7023662     | 1   | Bracket, Air Temperature Sensor   |     |
| 307  | 7023663     | 1   | Harness, ECM <b>(SN 0300069000 through 0300073347)</b>                  |     |
| 307  | 7023681     | 1   | Harness, Engine <b>(SN 0300073348 through 0300077499)</b>               |     |
| 308  | 7022139     | 1   | Sensor, MAP   |     |
| 309  |             | Ref | Sensor, EGR Options:  |     |
| 309  | 7019994     | 1   | Sensor, EGR <b>(SN 0300069000 through 0300073347)</b>                   |     |
| 309  | 7023682     | 1   | Sensor, EGR <b>(SN 0300073348 through 0300077499)</b>                   |     |
| 310  | 2420187     | 1   | Dipstick  |     |
| 310  | 4564281     | 1   | Tube, Dipstick  |     |
| 311  | 7023658     | 1   | Horn, Rubber Air  |     |
| 312  | 7023637     | 1   | Switch, Oil Pressure  |     |
| 313  | 7021868     | 1   | Filter, Oil (was p/ns 7022147, 7021869 & 7014501)                       |     |
| 314  | 1660250     | 1   | Coupling, Pump (was p/n 7016662)  |     |
| 314  | 7019976     | 1   | Flywheel  |     |
| 314  | 7022180     | 1   | Ring Gear   |     |
| 315  | 7019993     | 1   | Pressure Regulator and Filter Assembly                                  |     |
| 316  | 70002307    | 1   | Gasket, Exhaust (Manifold to Pipe) (was p/n 7040050)                    |     |
| 316  | 7022143     | 1   | Gasket, Exhaust (Manifold to Cylinder Head) (Not Shown)                 |     |
| 317  | 7022158     | 3   | Connector   |     |
| 318  | 7022159     | 2   | Connector   |     |
| 319  | 7022160     | 1   | Connector   |     |
| 320  | 7022161     | 2   | Tube, Supply  |     |
| 321  | 7022162     | 2   | Clamp   |     |
| 322  | 7022178     | 1   | Sensor, Crank   |     |
| 323  | 7022149     | 1   | Gasket Kit, Lower Manifold (Not Shown)                                  |     |
| 323  | 7025124     | 1   | Gasket Kit, Upper Manifold (was p/n 7022148) (Not Shown)                |     |
| 323  | 7022144     | 1   | Gasket, Upper Manifold Throttle (Not Shown)                             |     |
| 324  | 7023657     | 1   | Harness, TPS Harness (Not Shown)  |     |
| 325  |             | Ref | Relay Options:  |     |
| 325  | 7023613     | 3   | Relay (2000174 Engines) <b>(SN 0300069000 through 0300073347)</b>       |     |
| 325  | 7023695     | 3   | Relay (2000193 Engines) <b>(SN 0300073348 through 0300077499)</b>       |     |
| 326  | 7022153     | 1   | Pump, Water   |     |
| 326  | 7022154     | 1   | Gasket, Water Pump  |     |
| 326  | 7022155     | 1   | Sensor, Water Temperature (Not Shown)                                   |     |
| 326  | 7022156     | 1   | Thermostat (Not Shown)  |     |
| 326  | 7023644     | 1   | Hose, Water Pump (By-Pass) (Not Shown)                                  |     |
| 327  | 2720341     | 1   | Horn, Rubber Air  |     |
| 328  | 1600363     | 1   | Module, EPM (was p/n 7023684) <b>(SN 0300073348 through 0300077499)</b> |     |
| 328  |             | Ref | EPM Update Kit Options:   |     |

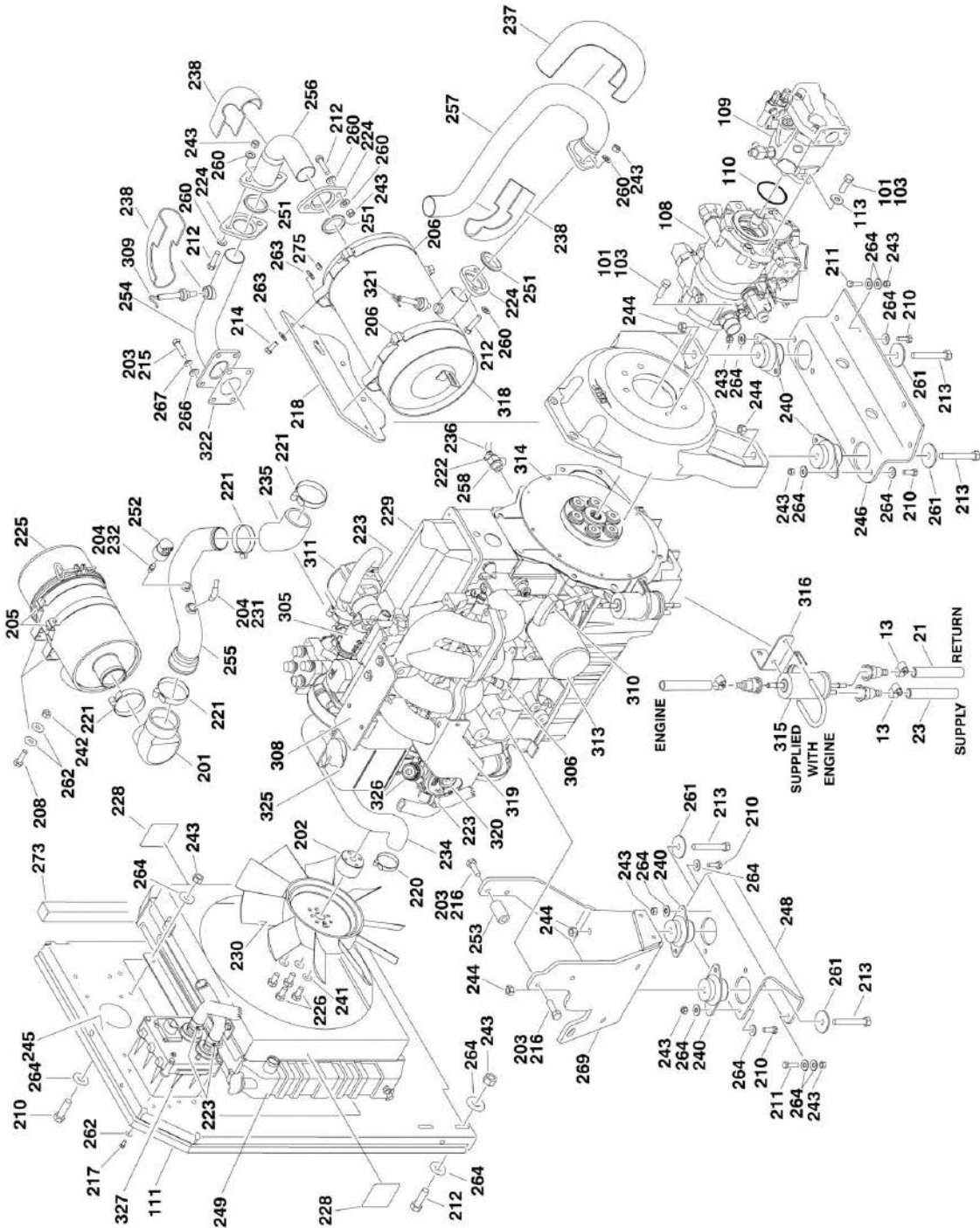


## SECTION 2 - TURNTABLE

| ITEM | PART NUMBER | QTY       | DESCRIPTION   | REV |
|------|-------------|-----------|---|-----|
|      |             | Ref       | <b>Note: Contact JLG Service Dept to determine which kit is required.</b> |     |
| 328  | 2915195     | 1         | EPM Update Kit (was p/n 7023685)  |     |
| 328  | 2915196     | 1         | EPM Update Kit (was p/n 7023686)  |     |
| 329  | 7027402     | 1         | Belt, Drive (Was p/n 7019979)   |     |
| 330  | 7019925     | 1         | PCV Valve (Not Shown)   |     |
| 331  | 7019930     | 1         | Coil, Ignition (Not Shown)  |     |
| 331  | 7022157     | 1         | Wire Set, Spark Plug (Not Shown)  |     |
| 331  | 7019932     | 4         | Spark Plug (Not Shown)  |     |
| 332  | 7022151     | 1         | Cap, Oil Fill   |     |
| 333  | 70002567    | 1         | Tensioner, Belt   |     |
| 334  | 7022150     | 1         | Belt, Timing  |     |
|      | 3124114     | 1         | Service Manual, Ford EFI System Diagnostic                                |     |
|      | 0272816     | Ref       | <b>ENGINE FUEL PUMP ASSEMBLY</b>  | A   |
| 401  | 0641405     | 2         | Bolt 1/4in-20NC x 5/8in   |     |
| 402  | 0641606     | 4         | Bolt 3/8in-16NC x 3/4in   |     |
| 403  | 1320022     | 1         | Clamp, Hose   |     |
| 404  | 2720058     | 4 in/10cm | Hose 5/16in   |     |
| 405  | 2720472     | 1         | Hose, High Pressure   |     |
| 406  | 2820018     | AR        | Tubing, Heat Shrink   |     |
| 407  | 3311401     | 2         | Nut 1/4in-20NC  |     |
| 408  | 3311605     | 4         | Locknut 3/8in-16NC  |     |
| 409  | 3574219     | 1         | Housing, Fuel Pump Potting  |     |
| 410  | 3574220     | 1         | Plate, Pump Slide   |     |
| 411  | 3574221     | 1         | Plate, Pump Bottom  |     |
| 412  | 3600377     | 1         | Pump, Fuel Bosch  |     |
| 413  | 4460227     | 2         | Pin, Contact  |     |
| 414  | 4460424     | 1         | Connector, Male- 2 Position   |     |
| 415  | 4711400     | 2         | Flatwasher 1/4in  |     |
| 416  | 4711600     | 6         | Flatwasher 3/8in  |     |
| 417  | 4891400     | 2         | Flatwasher 1/4in (Hardened)   |     |
|      | 0258570     | Ref       | <b>MUFFLER INSTALLATION - SPARK ARRESTING</b>                             | 2   |
| 501  | 3220113     | 1         | Muffler   |     |
| 501  | 70001017    | 1         | Clamp   |     |
| 502  | 0902309     | 1         | Bracket, Muffler  |     |
| 503  | 4845667     | 1         | Tube, Exhaust   |     |
| 504  | 3900232     | 5         | Bolt, Button Head 3/8in-16NC x 1-1/4in                                    |     |
| 505  | 4751600     | 7         | Flatwasher 3/8in  |     |
| 506  | 3311601     | 5         | Nut 3/8in-16NC  |     |
| 507  | 0100011     | AR        | Compound, Locking   |     |
| 508  | 0902472     | 1         | Bracket, Exhaust Support  |     |
| 509  | 4567073     | 1         | Tube, Exhaust   |     |
| 509  | 70001017    | 1         | Clamp   |     |
| 510  | 4846817     | 1         | Spark Arrestor  |     |
| 511  | 0340046     | 2         | Band  |     |
| 512  | 0641507     | 4         | Bolt 5/16in-18NC x 7/8in  |     |
| 513  | 4711500     | 8         | Flatwasher 5/16in Narrow  |     |
| 514  | 3311505     | 4         | Locknut 5/16in-18NC   |     |

# SECTION 2 - TURNTABLE

FIGURE 2-14. FORD ENGINE INSTALLATION (SN 0300077500 through 0300140000)





## SECTION 2 - TURNTABLE

FIGURE 2-14. FORD ENGINE INSTALLATION (SN 0300077500 through 0300140000)

| ITEM | PART NUMBER | QTY        | DESCRIPTION   | REV |
|------|-------------|------------|---|-----|
|      |             | Ref        | <b>ENGINE INSTALLATION</b>                                    |     |
|      | 0274024     | Ref        | <b>Engine Installation (SN 0300077500 through 0300087265)</b> | D   |
|      | 0274624     | Ref        | <b>Engine Installation (SN 0300087266 through 0300140000)</b> | D   |
| 1    | 0100011     | AR         | Compound, Locking   |     |
| 2    | 0100020     | AR         | Sealant   |     |
| 3    | 0100048     | AR         | Grease, Dielectric  |     |
| 4    | 0181727     | 1          | Angle, Battery Hold-Down                                      |     |
| 5    | 0400075     | 1          | Battery   |     |
| 6    | 0630498     | 2          | Bolt, Battery Hold-Down                                       |     |
| 7    | 0641408     | 2          | Bolt 1/4in-20NC x 1in   |     |
| 8    | 0641508     | 3          | Bolt 5/16in-18NC x 1in  |     |
| 9    | 0641608     | 9          | Bolt 3/8in-16NC x 1in   |     |
| 10   | 0641808     | 2          | Bolt 1/2in-13NC x 1in   |     |
| 11   | 0642010     | 1          | Bolt 5/8in-11NC x 1-1/4in                                     |     |
| 12   | 1060637     | 1          | Cable, Lanyard  |     |
| 13   | 1320022     | 7          | Clamp   |     |
| 14   | 1701542     | 1          | Decal - Gas (Not Shown - Located on Hood)                     |     |
| 19   | 2220313     | 1          | Fitting, Elbow  |     |
| 20   | 2221176     | 1          | Fitting, Elbow  |     |
| 21   | 2720058     | 12 ft/3.7m | Hose, Fuel Line   |     |
| 23   | 2720472     | 1          | Hose, Fuel Line   |     |
| 24   | 2720532     | 5 ft/1.5m  | Hose, Fuel Line   |     |
| 25   |             | Ref        | Battery Cable Kit Options:                                    |     |
| 25   | 2901608     | 1          | Battery Cable Kit (SN 0300077500 through 0300087265)          | C   |
| 25   | 2902445     | 1          | Battery Cable Kit (SN 0300087266 through 0300140000)          | A   |
| 25A  |             | Ref        | Cable, Battery (Red) Options:                                 |     |
| 25A  | 7016800     | 1          | Cable, Battery (Red) (SN 0300077500 through 0300087265)       |     |
| 25A  | 7016821     | 1          | Cable, Battery (Red) (SN 0300087266 through 0300140000)       |     |
| 25B  |             | Ref        | Cable, Battery (Black) Options:                               |     |
| 25B  | 7016807     | 1          | Cable, Battery (Black) (SN 0300077500 through 0300087265)     |     |
| 25B  | 7016822     | 1          | Cable, Battery (Black) (SN 0300087266 through 0300140000)     |     |
| 25C  | 7016808     | 1          | Cable (Red)   |     |
| 25D  | 7016824     | 1          | Cable (Red)   |     |
| 25E  | 7016825     | 1          | Cable (Black)   |     |
| 26   | 3311405     | 2          | Locknut 1/4in-20NC  |     |
| 27   | 3311505     | 7          | Locknut 5/16in-18NC   |     |
| 28   | 3311605     | 2          | Locknut 3/8in-16NC  |     |
| 29   | 3311801     | 1          | Nut 1/2in-13NC  |     |
| 30   | 3380429     | 1          | Panel, Rubber   |     |
| 31   | 3422446     | 1          | Pin   |     |
| 32   | 3539957     | 2          | Plate   |     |
| 33   | 3572414     | 1          | Plate, Fuel Pump Mount  |     |
| 35   | 3841143     | 1          | Pin, Keeper   |     |
| 36   | 3841340     | 3          | Rod, Hose Loop (Not Shown - Located on Turntable)             |     |
| 38   | 4751400     | 2          | Flatwasher 1/4in Wide   |     |
| 39   | 4751600     | 6          | Flatwasher 3/8in Wide   |     |

## SECTION 2 - TURNTABLE

| ITEM | PART NUMBER | QTY               | DESCRIPTION   | REV |
|------|-------------|-------------------|---|-----|
| 40   | 4751800     | 1                 | Flatwasher 1/2in Wide   |     |
| 41   | 4752000     | 1                 | Flatwasher 5/8in Wide   |     |
| 42   | 3900272     | 3                 | Screw 5/16in-18NC x 1-3/4in   |     |
| 43   | 1320222     | 1                 | J-Clip <b>(SN 0300087266 through 0300140000)</b>                            |     |
| 44   | 0641506     | 1                 | Bolt 5/16in-18NC x 3/4in <b>(SN 0300087266 through 0300140000)</b>          |     |
| 45   | 4711500     | 1                 | Flatwasher 5/16in Narrow <b>(SN 0300087266 through 0300140000)</b>          |     |
|      |             | Ref               | <b>ENGINE AND PUMP ASSEMBLY</b>   |     |
|      | 2000261     | Ref               | <b>Engine and Pump Assembly (SN 0300077500 through 0300087265)</b>          | B   |
|      | 2000322     | Ref               | <b>Engine and Pump Assembly (SN 0300087266 through 0300140000)</b>          | B   |
| 101  | 0100011     | AR                | Compound, Locking   |     |
| 102  | 0641407     | 1                 | Bolt 1/4in-20NC x 7/8in   |     |
| 103  | 0641812     | 4                 | Bolt 1/2in-13NC x 1-1/2in   |     |
| 105  | 2300004     | 2.63 gl<br>/9.95L | Anti-Freeze (Not Shown)   |     |
| 106  | 3311405     | 1                 | Locknut 1/4in-20NC  |     |
| 107  | 3422532     | 1                 | Pin, Hitch  |     |
| 108  | 3600400     | 1                 | Piston Pump Assembly with Fittings (See PISTON PUMP ASSEMBLY for Breakdown) |     |
| 109  | 3600401     | 1                 | Variable Displacement Pump Assembly with Fittings                           | B   |
| 109  | 2220415     | 1                 | Fitting   |     |
| 109  | 2220374     | 1                 | Fitting   |     |
| 109  | 3600278     | 1                 | Variable Displacement Pump Assembly Less Fittings                           |     |
| 109  | 7018995     | 1                 | Seal Kit - 3600278 Pump   |     |
| 109  | 7024918     | 1                 | Seal, Shaft   |     |
| 109  | 7024930     | 1                 | Valve Assembly Kit - 3600278 Pump   |     |
| 110  | 3790044     | 1                 | O-Ring  |     |
| 111  | 3960389     | 5 ft/1.5m         | Seal  |     |
| 112  | 4751400     | 1                 | Flatwasher 1/4in (Wide)   |     |
| 113  | 4891600     | 2                 | Flatwasher, Hardened  |     |
|      |             | Ref               | <b>ENGINE ASSEMBLY</b>  |     |
|      | 2000211     | Ref               | <b>Engine Assembly (SN 0300077500 through 0300087265)</b>                   | D   |
|      | 2000296     | Ref               | <b>Engine Assembly (SN 0300087266 through 0300140000)</b>                   | B   |
| 201  | 0080201     | 1                 | Adapter, Elbow  |     |
| 202  | 0080214     | 1                 | Adapter, Fan Spacer   |     |
| 203  | 0100011     | AR                | Compound, Locking   |     |
| 204  | 0100020     | AR                | Sealant, Pipe   |     |
| 205  | 0340041     | 2                 | Band, Air Cleaner   |     |
| 206  | 0340046     | 2                 | Band, Muffler   |     |
| 207  | 0641406     | 2                 | Bolt 1/4in-20NC x 3/4in   |     |
| 208  | 0641408     | 6                 | Bolt 1/4in-20NC x 1in   |     |
| 209  | 0641414     | 4                 | Bolt 1/4in-20NC x 1-3/4in   |     |
| 210  | 0641608     | 14                | Bolt 3/8in-16NC x 1in   |     |
| 211  | 0641610     | 10                | Bolt 3/8in-16NC x 1-1/4in   |     |
| 212  | 0641612     | 8                 | Bolt 3/8in-16NC x 1-1/2in   |     |
| 213  | 0641828     | 4                 | Bolt 1/2in-13NC x 3-1/2in   |     |
| 214  | 0641507     | 4                 | Bolt 5/16in-18NC x 7/8in  |     |
| 215  | 0701012     | 4                 | Bolt M10 x 25mm   |     |
| 216  | 0701014     | 4                 | Bolt M10 x 30mm   |     |
| 217  | 0760606     | 4                 | Bolt M6 x 12mm  |     |

## SECTION 2 - TURNTABLE

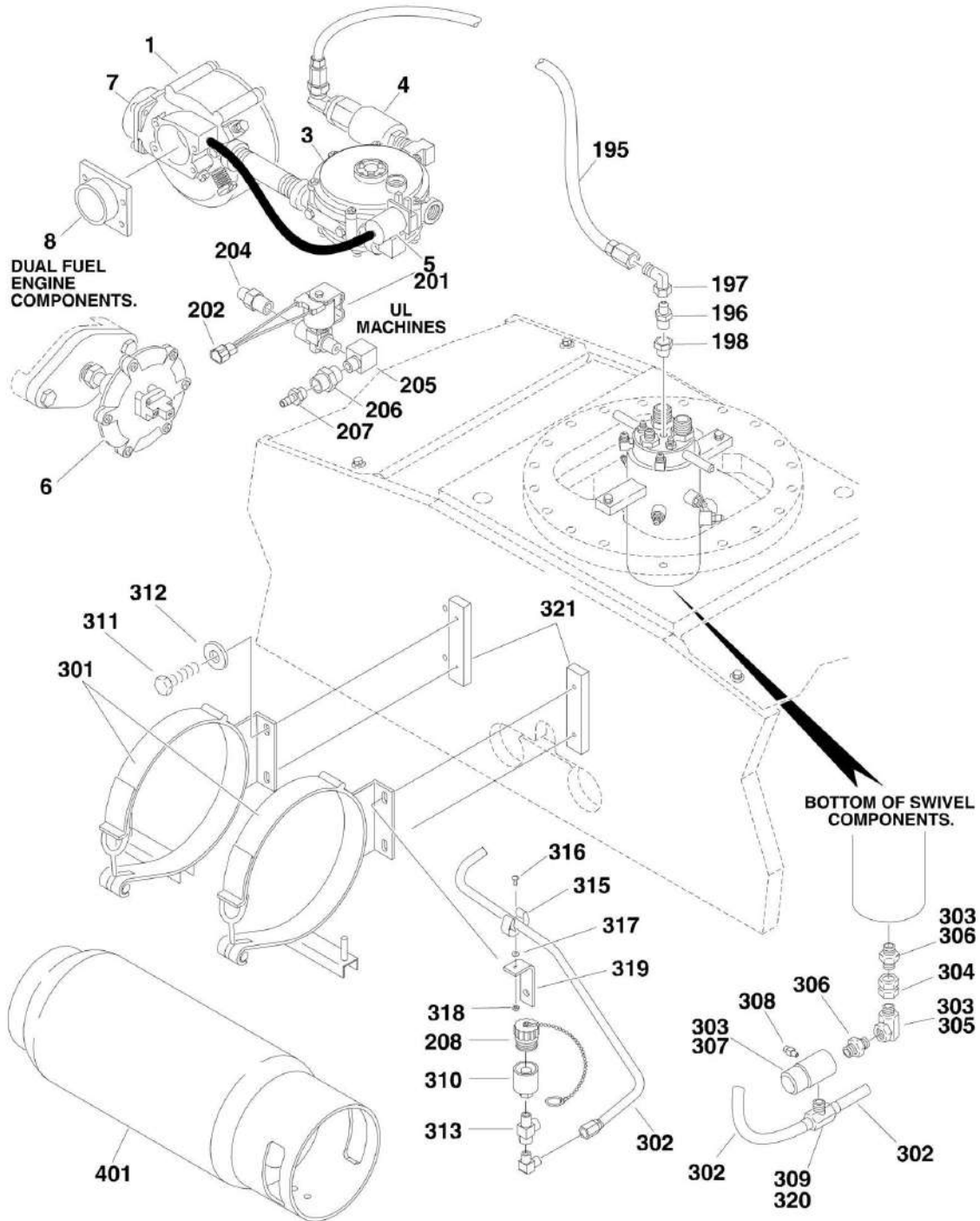
| ITEM | PART NUMBER | QTY       | DESCRIPTION  | REV |
|------|-------------|-----------|--|-----|
| 218  | 0903079     | 1         | Bracket, Muffler   |     |
| 219  | 0961986     | 2         | Bushing, Flanged   |     |
| 220  | 1320012     | 4         | Clamp  |     |
| 221  | 1320016     | 3         | Clamp  |     |
| 222  | 1320022     | 1         | Clamp, Hose  |     |
| 223  | 1320033     | 8         | Clamp, Hose  |     |
| 224  | 1321138     | 3         | Plate, Exhaust Flange  |     |
| 225  | 1340060     | 1         | Air Cleaner Assembly Filter Element                                      |     |
| 225  | 7012664     | 1         | Element, Filter (Not Shown)  |     |
| 226  | 0700819     | 4         | Bolt M8 x 55mm   |     |
| 227  | 4920385     | 7 ft/2.1m | Wire, Safety (Not Shown)   |     |
| 228  | 1703162     | 2         | Decal - Caution Fan Blade  |     |
| 229  | 2000272     | 1         | Engine (See Items 301-326 for Engine Components)                         |     |
| 230  | 2060025     | 1         | Fan  |     |
| 231  | 2180467     | 1         | Fitting  |     |
| 232  | 2180798     | 1         | Fitting, Restriction Indicator <b>(SN 0300069000 through 0300087265)</b> |     |
| 233  | 2720435     | 1         | Hose, Radiator (Bottom)  |     |
| 234  | 2720436     | 1         | Hose, Radiator (Upper)   |     |
| 235  | 2720514     | 1         | Hose, Elbow  |     |
| 236  | 2750532     | 6 in/15cm | Hose, Oil Drain  |     |
| 237  | 2820172     | 1         | Insulation, Exhaust (Shield)   |     |
| 238  | 2820173     | 3         | Insulation, Exhaust (Elbow)  |     |
| 240  | 3200362     | 4         | Mount, Motor   |     |
| 241  | 4831900     | 4         | Lockwasher M8  |     |
| 242  | 3311405     | 12        | Locknut 1/4in-20NC   |     |
| 243  | 3311605     | 30        | Locknut 3/8in-16NC   |     |
| 244  | 3311805     | 4         | Locknut 1/2in-13NC   |     |
| 245  | 3539872     | 1         | Plate, Radiator Mounting   |     |
| 246  | 3572280     | 1         | Plate, Engine Mount  |     |
| 247  | 3574162     | 1         | Plate, ECM/Relay Mount   |     |
| 248  | 3574504     | 1         | Plate, Engine Mount  |     |
| 249  | 3620040     | 1         | Radiator   |     |
| 249  | 8180311     | 1         | Cap, Radiator (was p/n 7019656)  |     |
| 250  | 3740067     | 1         | Relay  |     |
| 251  | 3960591     | 3         | Gasket, Exhaust  |     |
| 252  | 4360392     | 1         | Indicator, Restriction <b>(SN 0300069000 through 0300087265)</b>         |     |
| 253  | 4566605     | 1         | Tube, Spacer   |     |
| 254  | 4567879     | 1         | Tube, Exhaust  |     |
| 255  |             | Ref       | Tube, Intake Options:  |     |
| 255  | 4568951     | 1         | Tube, Intake <b>(SN 0300077500 through 0300087265)</b>                   |     |
| 255  | 4569173     | 1         | Tube, Intake <b>(SN 0300087266 through 0300140000)</b>                   |     |
| 256  | 4569083     | 1         | Tube, Exhaust  |     |
| 257  | 3460398     | 1         | Pipe, Exhaust  |     |
| 258  | 4640989     | 1         | Valve, Oil Drain   |     |
| 259  | 4711400     | 12        | Flatwasher 1/4in (Narrow)  |     |
| 260  | 4711600     | 12        | Flatwasher 3/8in (Narrow)  |     |
| 261  | 4740274     | 4         | Washer, Snubbing   |     |
| 262  | 4751400     | 14        | Flatwasher 1/4in (Wide)  |     |
| 263  | 4751500     | 8         | Flatwasher 5/16in (Wide)   |     |
| 264  | 4751600     | 51        | Flatwasher 3/8in (Wide)  |     |
| 266  | 4812000     | 4         | Flatwasher M10   |     |

## SECTION 2 - TURNTABLE

| ITEM | PART NUMBER | QTY      | DESCRIPTION   | REV |
|------|-------------|----------|---|-----|
| 267  | 4832000     | 4        | Lockwasher M10  |     |
| 268  | 4845404     | 1        | Tray, Engine  |     |
| 269  | 4846806     | 1        | Plate, Engine Mounting  |     |
| 270  | 0641606     | 1        | Bolt 3/8in-16NC x 3/4in   |     |
| 271  | 0940070     | 1        | Bumper  |     |
| 272  | 1320223     | 3        | J-Clip  |     |
| 273  | 3960469     | 1        | Seal  |     |
| 274  | 4060805     | 37 in/1m | Flex-Trim   |     |
| 275  | 3311505     | 4        | Locknut 5/16in-18NC   |     |
| 276  | 3960468     | 1        | Seal  |     |
|      | 2000272     | Ref      | <b>ENGINE COMPONENTS</b>  | B   |
| 301  | 3600377     | 1        | Fuel Pump and Isolator Assembly (was p/ns 7022133 & 7027407)              |     |
| 301  | 7022134     | 1        | Harness, Fuel Pump (Not Shown)  |     |
| 302  | 91083218    | 1        | Filter, Fuel (was p/n 7022135)  |     |
| 303  | 7012679     | 1        | Starter (was p/n 7027408)   |     |
| 304  | 7019977     | 1        | Alternator with Regulator and Pulley                                      |     |
| 304  | 7000897     | 1        | Alternator without Regulator and Pulley                                   |     |
| 305  | 7023683     | 1        | Actuator, Throttle  |     |
| 305  | 7027404     | 1        | Gasket, Actuator (Not Shown)  |     |
| 306  | 7019996     | 1        | Sensor, Air Temperature (was p/n 7023661)                                 |     |
| 307  | 7023681     | 1        | Harness, Engine Control (was p/n 7027403) (Not Shown)                     |     |
| 308  | 7022139     | 1        | Sensor, MAP   |     |
| 309  | 7023682     | 1        | Sensor, EGR   |     |
| 310  | 2420187     | 1        | Dipstick (was p/n 7022140)  |     |
| 310  | 4564281     | 1        | Tube, Dipstick  |     |
| 311  | 7027400     | 1        | Mixer Assembly  |     |
| 313  | 7021868     | 1        | Filter, Oil (was p/n 7022147, 7021869 & 7014501)                          |     |
| 314  | 1660250     | 1        | Coupling, Pump  |     |
| 314  | 7019976     | 1        | Flywheel (Not Shown)  |     |
| 314  | 7022180     | 1        | Ring Gear (Not Shown)   |     |
| 315  | 7019993     | 1        | Pressure Regulator and Filter Assembly                                    |     |
| 316  | 0902539     | 1        | Bracket   |     |
| 317  | 1600374     | 1        | Module, EPM   |     |
| 317  | 7027413     | 1        | Harness, EPM Jumper   |     |
| 318  | 3220134     | 1        | Muffler   |     |
| 319  | 0903010     | 1        | Bracket, LP Regulator   |     |
| 320  | 7023698     | 1        | Regulator, LP   |     |
| 321  | 7019994     | 1        | Sensor, EGR (was p/n 7027406)   |     |
| 322  | 70002307    | 1        | Gasket, Exhaust (Manifold to Pipe)  |     |
| 322  | 7022143     | 1        | Gasket, Exhaust (Manifold to Cylinder Head) (was p/n 7027401) (Not Shown) |     |
| 323  | 7027402     | 1        | Belt, Drive   |     |
| 324  | 7027405     | 4        | Spark Plug (Not Shown)  |     |
| 325  | 1580011     | 1        | Bottle, Overflow  |     |
| 326  | 7027409     | 1        | LP Filter Shutoff W/Leads   |     |
| 327  | 7023699     | 1        | Megajector  |     |
| 327  | 7027410     | 1        | Harness, Megajector   |     |
| 327  | 70001690    | 1        | Hose Kit - Megajector   |     |
| 328  | 7019925     | 1        | PCV Valve (Not Shown)   |     |
| 329  | 7022155     | 1        | Sensor, Water Temperature (Not Shown)                                     |     |
| 332  | 70002567    | 1        | Tensioner, Belt   |     |

# SECTION 2 - TURNTABLE

## FIGURE 2-15. DUAL FUEL INSTALLATION (GAS MACHINES OPTIONS)





## SECTION 2 - TURNTABLE

**FIGURE 2-15. DUAL FUEL INSTALLATION (GAS MACHINES OPTIONS)**

| ITEM | PART NUMBER | QTY | DESCRIPTION   | REV |
|------|-------------|-----|---|-----|
|      |             | Ref | <b>DUAL FUEL ENGINE COMPONENTS (FORD ENGINE MACHINES)</b>   |     |
|      |             | Ref | <b>NOTE: For GM Engine Machines Refer to GM Engine Installation.</b>  |     |
|      | 2000174     | Ref | <b>Dual Fuel Engine Components (Ford Engine Machines) (SN 0300069000 through 0300073347)</b>  | B   |
|      | 2000193     | Ref | <b>Dual Fuel Engine Components (Ford Engine Machines) (SN 0300073348 through 0300077499)</b>  | B   |
|      | See Note    | Ref | <b>Dual Fuel Engine Components (Ford Engine Machines) (Note: See Ford Engine Installation (SN 0300077500 to SN 0300140000) for Components)</b>      |     |
|      | 7023665     | 1   | Dual Fuel Conversion Kit (Note: Includes hose, fittings, clamps and items indented below. For replacement hose, fittings and clamps supply locally) |     |
| 1    | 7022165     | 1   | Mixer   |     |
| 1    | 7022171     | 1   | Repair Kit - 7022165 Mixer  |     |
| 1    | 7023645     | 1   | Gasket, Mixer   |     |
| 3    | 7022167     | 1   | Convertor   |     |
| 3    | 7022170     | 1   | Repair Kit - 7022167 Convertor  |     |
| 4    | 7023680     | 1   | Filter, LP Shut-Off with Harness (was p/n 7022169)  |     |
| 4    | 7023680     | NLA | Electrical Connector Kit (No Longer Available - was p/n 7023679)  |     |
| 5    | 7022168     | 1   | Valve, Solenoid   |     |
| 6    | 4360188     | 1   | Switch, Vacuum  |     |
| 7    | 7023603     | 1   | Adapter   |     |
| 7    | 7023659     | 1   | Gasket  |     |
| 7    | 7023660     | 4   | Screw M6 x 14mm   |     |
| 8    | 7022166     | 1   | Adapter   |     |
|      |             | Ref | <b>DUAL FUEL COMPONENTS (FORD ENGINE MACHINES)</b>  |     |
|      |             | Ref | <b>NOTE: For GM Engine Machines Refer to GM Engine Installation.</b>  |     |
|      | 0271366     | Ref | <b>Dual Fuel - Non-U/L (SN 0300069000 through 0300073347)</b>   | 2-B |
|      | 0272831     | Ref | <b>Dual Fuel - Non-U/L (SN 0300073348 through 0300077499)</b>   | 4-C |
|      | 0274024     | Ref | <b>Dual Fuel - Non-U/L (SN 0300077500 through 0300087265)</b>   | D   |
|      | 0274624     | Ref | <b>Dual Fuel - Non-U/L (SN 0300087266 through 0300140000)</b>   | C   |
|      | 0272708     | Ref | <b>Dual Fuel - UL (SN 0300069915 through 0300077500)</b>  | 4-D |
|      | 0274195     | Ref | <b>LPS - UL (SN 0300079153 through 0300077500)</b>  | 2-B |
| 190  | 4360336     | 1   | Toggle, Switch (Not Shown - Located on Console Box)   |     |
| 191  | 3790012     | 1   | O-Ring (Not Shown - Located on Console Box)   |     |
| 192  | 1701543     | 2   | Decal-LPG (Not Shown - See Decal Installation)  |     |
| 193  | 1700818     | 2   | Decal- Liquid Withdrawal System (Not Shown - See Decal Installation)  |     |
| 194  | 1701543     | 1   | Decal - LP (Not Shown - Located on Frame)   |     |
| 195  | 2720392     | 1   | Hose  |     |
| 196  | 2180418     | 1   | Fitting, Straight   |     |
| 197  | 2220064     | 1   | Fitting, Elbow (SN 0300069000 through 0300069325)   |     |
| 198  | 2220005     | 1   | Fitting, Reducer  |     |
| 201  | 4641261     | 1   | Valve, Solenoid - UL Machines   |     |
| 202  | 4460897     | 1   | Connector, Male- 2 Position - UL Machines   |     |
| 204  | 2221151     | 1   | Fitting - UL Machines   |     |
| 205  | 2221152     | 1   | Fitting, Elbow - UL Machines  |     |
| 206  | 2221153     | 1   | Fitting - UL Machines   |     |

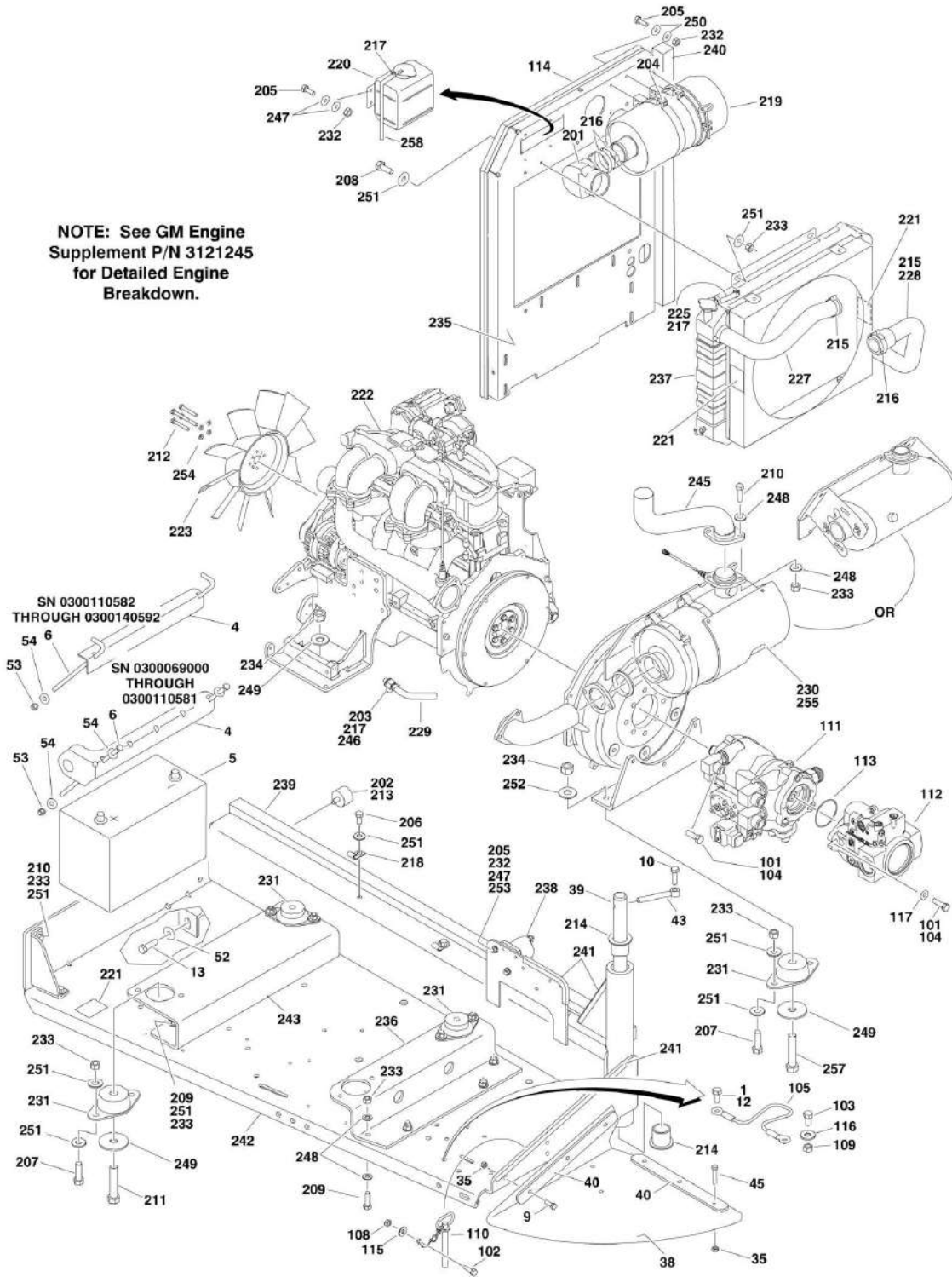
## SECTION 2 - TURNTABLE

| ITEM | PART NUMBER | QTY | DESCRIPTION                                 | REV |
|------|-------------|-----|---|-----|
| 207  | 2180536     | 1   | Fitting - UL Machines                       | 9-F |
| 208  | 2180825     | 2   | Plug, Lp Hose (Not Shown) (LPS Engine Only) |     |
|      | 0255524     | Ref | <b>LP TANK AND BRACKETS INSTALLATION</b>    |     |
| 301  | 1320220     | 2   | Clamp Kit - LP                              |     |
| 301  | 1320127     | 2   | Clamp, Toggle (1 Per Clamp)                 |     |
| 302  | 2720144     | 2   | Hose  |     |
| 303  | 0100020     | AR  | Sealant, Pipe                               |     |
| 304  | 2221197     | 1   | Fitting, Reducer                            |     |
| 305  | 2180125     | 1   | Fitting - Elbow                             |     |
| 306  | 2220261     | 2   | Fitting, Nipple                             |     |
| 307  | 2180388     | 1   | Filter, Bulkhead                            |     |
| 308  | 2180389     | 1   | Valve, Relief                               |     |
| 309  | 2220418     | 1   | Fitting, Tee                                |     |
| 310  | 2180387     | 2   | Fitting, LP Tank                            |     |
| 311  | 0641606     | 8   | Bolt 3/8in-16NC x 3/4in                     |     |
| 312  | 4751600     | 8   | Flatwasher 3/8in                            |     |
| 313  | 2180418     | 2   | Fitting, Straight                           |     |
| 315  | 1320218     | 2   | Clamp, Spring                               |     |
| 316  | 3910808     | 2   | Screw, Machine #8-32NC x 1/2in              |     |
| 317  | 4750800     | 4   | Flatwasher #8                               |     |
| 318  | 3310805     | 2   | Locknut #8-32NC                             |     |
| 319  | 0181949     | 2   | Support, Angle                              |     |
| 320  | 2221024     | 2   | Fitting, Ball Check                         |     |
| 321  | 0362519     | 4   | Bar, Clamp                                  |     |
| 401  |             | Ref | <b>TANK, LP OPTIONS:</b>                    |     |
| 401  | 4400275     | 1   | Aluminum                                    |     |
| 401  | 4400420     | 1   | Steel                                       |     |

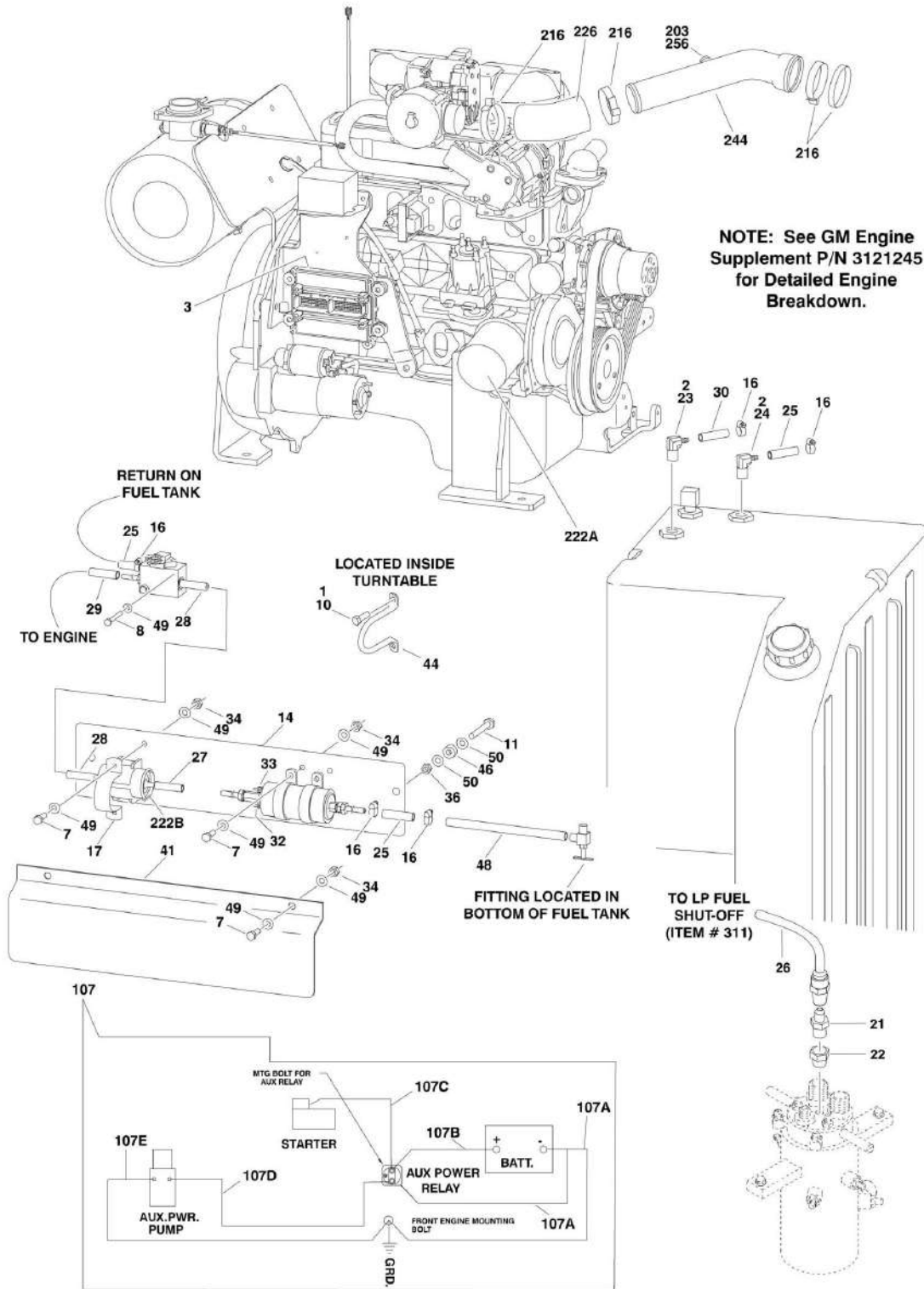


# SECTION 2 - TURNTABLE

FIGURE 2-16. GM ENGINE INSTALLATION (SN 0300069000 through 0300140000)



# SECTION 2 - TURNTABLE



## SECTION 2 - TURNTABLE

FIGURE 2-16. GM ENGINE INSTALLATION (SN 0300069000 through 0300140000)

| ITEM | PART NUMBER | QTY           | DESCRIPTION   | REV |
|------|-------------|---------------|---|-----|
|      |             | Ref           | <b>GM ENGINE INSTALLATIONS</b>                                  |     |
|      |             | Ref           | <b>Without Arctic Package</b>                                   |     |
|      | 0275386     | Ref           | <b>Engine, GM 3.0L (SN 0300069000 through 0300109493)</b>       | D   |
|      | 1001091638  | Ref           | <b>Engine, GM 3.0L Tier2 (SN 0300109494 through 0300121642)</b> | D   |
|      | 1001095363  | Ref           | <b>Engine, GM 3.0L Tier2 (SN 0300121643 through 0300140000)</b> | E   |
|      |             | Ref           | <b>With Arctic Package</b>                                      |     |
|      | 10011111357 | Ref           | <b>Engine, GM 3.0L Tier2</b>                                    | B   |
| 1    | 0100011     | AR            | Compound, Locking   |     |
| 2    | 0100020     | AR            | Sealant, Pipe   |     |
| 3    | 0100048     | AR            | Grease, Dielectric  |     |
| 4    |             | Ref           | Hold-Down, Battery Options:                                     |     |
| 4    | 0181727     | 1             | Hold-Down, Battery (SN 0300069000 through 0300110581)           |     |
| 4    | 91401281    | 1             | Hold-Down, Battery (SN 0300110582 through 0300140000)           |     |
| 5    | 0400075     | 1             | Battery (Wet)   |     |
| 6    |             | Ref           | Bolt, Battery Hold-down Options:                                |     |
| 6    | 0630498     | 2             | Bolt, Battery Hold-down (SN 0300069000 through 0300110581)      |     |
| 6    | 1001093382  | 2             | Bolt, Battery Hold-down (SN 0300110582 through 0300140000)      |     |
| 7    | 0641406     | AR            | Bolt 1/4in-20NC x 3/4in   |     |
| 8    | 0641416     | 2             | Bolt 1/4in-20NC x 2in   |     |
| 9    | 0641508     | 3             | Bolt 5/16in-18NC x 1in (SN 0300069000 through 0300098458)       |     |
| 10   | 0641608     | 7             | Bolt 3/8in-16NC x 1in   |     |
| 11   | 0641612     | 2             | Bolt 3/8in-16NC x 1-1/2in                                       |     |
| 12   | 0641808     | 1             | Bolt 1/2in-13NC x 1in   |     |
| 13   | 0642010     | 1             | Bolt 5/8in-11NC x 1-1/4in                                       |     |
| 14   | 0903510     | 1             | Bracket, Fuel Pump Filter                                       |     |
| 16   | 1320022     | AR            | Clamp, Fuel Line  |     |
| 17   | 1320323     | 1             | Clamp   |     |
| 18   | 1701542     | 1             | Decal, Gas (Not Shown)  |     |
| 19   | 1701543     | 2             | Decal, LPG (Not Shown)  |     |
| 21   | 2180418     | 1             | Fitting, Straight   |     |
| 22   | 2220005     | 1             | Fitting, Straight   |     |
| 23   | 2220313     | 1             | Fitting, Elbow Barbed (SN 0300069000 through 0300109493)        |     |
| 24   | 2221176     | 1             | Fitting, Elbow  |     |
| 25   |             | Ref           | Hose, Fuel Line Options:  |     |
| 25   | 2720058     | 5.25 ft /1.6m | Hose, Fuel Line (SN 0300069000 through 0300109493)              |     |
| 25   | 1001091587  | 5.25 ft /1.6m | Hose, Fuel Line (SN 0300109494 through 0300140000)              |     |
| 26   | 2720392     | 1             | Hose, LP  |     |
| 27   | 2720566     | 1             | Hose, Hi Pressure Fuel Line (6in/15cm Length)                   |     |
| 28   | 2720567     | 1             | Hose, Hi Pressure Fuel Line (4ft/1.2m Length)                   |     |
| 29   | 2720580     | 2             | Hose  |     |
| 30   | 2750532     | 5 ft /1.5m    | Hose (SN 0300069000 through 0300109493)                         |     |
| 32   | 3290405     | 1             | Locknut M4 x 0.7  |     |
| 33   | 3290505     | 1             | Locknut M5 x 0.8  |     |
| 34   | 3311405     | AR            | Locknut 1/4in x 20NC  |     |
| 35   | 3311505     | 6             | Locknut 5/16in-18NC (SN 0300069000 through 0300098458)          |     |
| 36   | 3311605     | AR            | Locknut 3/8in-16NC  |     |

## SECTION 2 - TURNTABLE

| ITEM | PART NUMBER | QTY            | DESCRIPTION  | REV |
|------|-------------|----------------|--|-----|
| 38   | 3380429     | 1              | Panel, Rubber (SN 0300069000 through 0300098458)                                 |     |
| 39   | 3422446     | 1              | Pin  |     |
| 40   | 3539957     | 2              | Plate, Hold Down (SN 0300069000 through 0300098458)                              |     |
| 41   | 3576755     | 1              | Cover, Fuel Pump (SN 0300069000 through 0300097306)                              |     |
| 42   | 3790012     | 1              | O-Ring (Not Shown - Located in Console Box)                                      |     |
| 43   | 3841143     | 1              | Keeper   |     |
| 44   | 3841340     | 3              | Rod, Hose Loop   |     |
| 45   | 3900272     | 3              | Screw 5/16in-18NC x 1-3/4in (SN 0300069000 through 0300098458)                   |     |
| 46   | 4071122     | 2              | Shim   |     |
| 47   | 4360336     | 1              | Switch, Toggle (Not Shown - Located in Console Box)                              |     |
| 48   | 4569385     | 1              | Tube, Fuel Line  |     |
| 49   | 4711400     | AR             | Flatwasher 1/4in Narrow  |     |
| 50   | 4751600     | AR             | Flatwasher 3/8in Wide  |     |
| 51   | 4751800     | 1              | Flatwasher 1/2in Wide  |     |
| 52   | 4752000     | 1              | Flatwasher 5/8in Wide  |     |
| 53   |             | Ref            | Locknut Options:   |     |
| 53   | 3311605     | 2              | Locknut 3/8in-16NC (SN 0300069000 through 0300110581)                            |     |
| 53   | 3311505     | 2              | Locknut 5/16in-18NC (SN 0300110582 through 0300121642)                           |     |
| 53   | 88521205    | 2              | Locknut 5/16in-18NC (SN 0300121643 through 0300140000)                           |     |
| 54   |             | Ref            | Flatwasher Options:  |     |
| 54   | 4751600     | 4              | Flatwasher 3/8in Wide (SN 0300069000 through 0300110581)                         |     |
| 54   | 4751500     | 2              | Flatwasher 5/16in Wide (SN 0300110582 through 0300140000)                        |     |
| 56   |             | Ref            | Anti-Freeze Options (Not Shown):   |     |
| 56   | 2300004     | 2.63 gl /9.95L | Without Arctic Package   |     |
| 56   | 2300041     | 2.63 gl /9.95L | With Arctic Package  |     |
|      |             | Ref            | <b>Note: Arctic Package Items 61-71 Not Shown - Used on Arctic Machines Only</b> |     |
| 61   | 1060625     | 1              | Cable, Immersion Heater (Located on bottom of Hydraulic Oil Tank)                |     |
| 62   | 1060626     | 1              | Cord, 3 Way Extension (Located on Left Front of Engine)                          |     |
| 63   | 1320223     | AR             | Clamp  |     |
| 64   | 1702941     | 1              | Decal - Battery Heater (Located on Battery Heater)                               |     |
| 65   | 1702942     | 1              | Decal - Engine Block Heater (Located on Right Side of Engine)                    |     |
| 66   | 1702943     | 1              | Decal - Hydraulic Tank Heater (Located on bottom of Hydraulic Oil Tank)          |     |
| 67   | 1702944     | 1              | Decal - Heater Cord (Located on Left Front of Engine)                            |     |
| 68   | 2580024     | 1              | Heater, Battery (Located on Battery)   |     |
| 69   | 2580050     | 1              | Heater, Hydraulic Tank (Located on bottom of Hydraulic Oil Tank)                 |     |
| 70   | 2580063     | 1              | Heater, Engine Block   |     |
| 71   | 3980007     | 1              | Seat, Battery (Located on Battery)   |     |
|      |             | Ref            | <b>GM ENGINE AND PUMP SUB-ASSEMBLIES:</b>  |     |
|      |             | Ref            | <b>Without Arctic Package</b>  |     |
|      | 2000378     | Ref            | <b>Engine, GM 3.0L (SN 0300069000 through 0300109493)</b>                        | B   |
|      | 1001091637  | Ref            | <b>Engine, GM 3.0L Tier2 (SN 0300109494 through 0300121642)</b>                  | B   |
|      | 1001095364  | Ref            | <b>Engine, GM 3.0L Tier2 (SN 0300121643 through 0300140000)</b>                  | E   |
|      |             | Ref            | <b>With Arctic Package</b>   |     |
|      | 1001111356  | Ref            | <b>Engine, GM 3.0L Tier2</b>   | B   |

## SECTION 2 - TURNTABLE

| ITEM | PART NUMBER | QTY | DESCRIPTION  | REV |
|------|-------------|-----|--|-----|
| 101  | 0100011     | AR  | Compound, Locking  |     |
| 102  | 0641407     | 1   | Bolt 1/4in-20NC x 7/8in  |     |
| 103  | 0641808     | 1   | Bolt 1/2in-13NC x 1in  |     |
| 104  | 0641812     | 4   | Bolt 1/2in-13NC x 1-1/2in  |     |
| 105  | 1060637     | 1   | Cable, Lanyard   |     |
| 107  | 2902533     | 1   | Battery Cable Kit  | B   |
| 107A | 7027018     | 1   | Cable (Battery - to Ground)  |     |
| 107B | 7027015     | 1   | Cable (Battery + to Auxiliary Relay)   |     |
| 107C | 7016825     | 1   | Cable (Auxiliary Relay to Starter)   |     |
| 107D | 7016824     | 1   | Cable (Auxiliary Relay to Auxiliary Pump)  |     |
| 107E | 7027017     | 1   | Cable (Ground to Auxiliary Pump)   |     |
| 108  | 3311405     | 1   | Locknut 1/4in-20NC   |     |
| 109  | 3311805     | 1   | Locknut 1/2in-13NC   |     |
| 110  | 3422532     | 1   | Pin, Hitch   |     |
| 111  | 3600400     | 1   | Piston Pump Assembly with Fittings (See PISTON PUMP ASSEMBLY for Breakdown)          |     |
| 112  |             | Ref | Variable Displacement Pump Assembly with Fittings Options:                           |     |
| 112  | 3600401     | 1   | Variable Displacement Pump (Rexroth) <b>(SN 0300069000 through 0300121642)</b>       | C   |
| 112  | 2220415     | 1   | Fitting  |     |
| 112  | 2220374     | 1   | Fitting  |     |
| 112  | 3600278     | 1   | Pump, Variable Displacement  |     |
| 112  | 7018995     | 1   | Seal Kit - 3600278 Pump  |     |
| 112  | 7024918     | 1   | Seal, Shaft  |     |
| 112  | 7024930     | 1   | Valve Assembly Kit - 3600278 Pump  |     |
| 112  | 1001095354  | 1   | Variable Displacement Pump (Sauer Danfoss) <b>(SN 0300121643 through 0300140000)</b> | A   |
| 112  | 2220415     | 1   | Fitting  |     |
| 112  | 1001094595  | 1   | Pump, Variable Displacement  |     |
| 112  | 7023967     | 1   | Seal Kit - 1001094595 Pump   |     |
| 112  | 7023956     | 1   | Valve Assembly Kit - 1001094595 Pump   |     |
| 113  | 3790044     | 1   | O-Ring   |     |
| 114  | 3960389     | 1   | Seal   |     |
| 115  | 4751400     | 1   | Flatwasher 1/4in (Wide)  |     |
| 116  | 4751800     | 1   | Flatwasher 1/2in Wide  |     |
| 117  | 4891800     | 2   | Flatwasher, Hardened   |     |
|      |             | Ref | <b>GM ENGINE ASSEMBLIES:</b>   |     |
|      |             | Ref | <b>Without Arctic Package</b>  |     |
|      | 2000375     | Ref | <b>Engine, GM 3.0L (SN 0300069000 through 0300109493)</b>                            | E   |
|      | 1001091632  | Ref | <b>Engine, GM 3.0L Tier2 (SN 0300109494 through 0300140000)</b>                      | E   |
|      |             | Ref | <b>With Arctic Package</b>   |     |
|      | 1001111355  | Ref | <b>Engine, GM 3.0L Tier2</b>   | B   |
| 201  | 0080201     | 1   | Fitting, Elbow   |     |
| 202  | 0100011     | AR  | Compound, Locking  |     |
| 203  | 0100020     | AR  | Sealant, Pipe  |     |
| 204  | 0340041     | 2   | Band, Mounting   |     |
| 205  | 0641406     | 10  | Bolt 1/4in-20NC x 3/4in  |     |
| 206  | 0641606     | 3   | Bolt 3/8in-16NC x 3/4in  |     |
| 207  | 0641608     | 8   | Bolt 3/8in-16NC x 1in  |     |
| 208  | 0641609     | 4   | Bolt 3/8in-16NC x 1-1/8in  |     |
| 209  | 0641610     | 10  | Bolt 3/8in-16NC x 1-1/4in  |     |
| 210  | 0641612     | 4   | Bolt 3/8in-16NC x 1-1/2in  |     |



## SECTION 2 - TURNTABLE

| ITEM | PART NUMBER | QTY          | DESCRIPTION   | REV |
|------|-------------|--------------|---|-----|
| 211  | 0641828     | 2            | Bolt 1/2in-13NC x 3-1/2in   |     |
| 212  | 0700810     | 4            | Bolt M8 x 20mm  |     |
| 213  | 0940070     | 1            | Bumper  |     |
| 214  | 0961986     | 2            | Bearing, Flanged  |     |
| 215  | 1320012     | 3            | Clamp   |     |
| 216  | 1320016     | 5            | Clamp   |     |
| 217  | 1320022     | AR           | Clamp   |     |
| 218  | 1320223     | 3            | Clamp   |     |
| 219  | 1340060     | 1            | Air Cleaner Assembly  |     |
| 219  | 7012664     | 1            | Element, Air Cleaner  |     |
| 220  | 1580011     | 1            | Container, Coolant Overflow   |     |
| 221  | 1703162     | 2            | Decal - Caution Fan   |     |
| 222  |             | Ref          | Engine, GM 3.0L Options (See GM Engine Supplement p/n 3121245 for Detailed Engine Breakdown): |     |
| 222  | 2000354     | 1            | Without Arctic Package <b>(SN 0300069000 through 0300109493)</b>                              |     |
| 222  | 1001091583  | 1            | Without Arctic Package <b>(SN 0300109494 through 0300140000)</b>                              |     |
| 222  | 1001111353  | 1            | With Arctic Package   |     |
| 222  | 70000164    | 4            | Plug, Spark (Not Shown)   |     |
| 222A | 7027965     | 1            | Filter, Oil   |     |
| 222B | 7027972     | 1            | Filter, Fuel  |     |
| 223  | 2060025     | 1            | Fan   |     |
| 225  | 2720058     | 4 in/10cm    | Hose  |     |
| 226  | 2720514     | 1            | Hose  |     |
| 227  | 2720563     | 1            | Hose, Radiator (Top)  |     |
| 228  | 2720564     | 1            | Hose, Radiator (Bottom)   |     |
| 229  |             | Ref          | Hose Options:   |     |
| 229  | 2750532     | 6 in /15.2cm | Hose <b>(SN 0300069000 through 0300136496)</b>  |     |
| 229  | 1001091892  | NLA          | Hose (Use p/n 2750532) <b>(SN 0300136497 through 0300140000)</b>                              |     |
| 230  |             | Ref          | Muffler, Insulation Options:  |     |
| 230  | 2820180     | 1            | Engine, GM 3.0L <b>(SN 0300069000 through 0300109493)</b>                                     |     |
| 230  | 1001091794  | 1            | Engine, GM 3.0L Tier2 <b>(SN 0300109494 through 0300140000)</b>                               |     |
| 231  | 3200362     | 4            | Mount, Engine   |     |
| 232  | 3311405     | 10           | Locknut 1/4in-20NC  |     |
| 233  | 3311605     | 26           | Locknut 3/8in-16NC  |     |
| 234  | 3311805     | 4            | Locknut 1/2in-13NC  |     |
| 235  | 3539872     | 1            | Plate, Radiator Mounting  |     |
| 236  | 3572280     | 1            | Plate, Engine Mount   |     |
| 237  | 3620040     | 1            | Radiator  |     |
| 237  | 8180311     | 1            | Cap, Radiator (was p/n 7019656)   |     |
| 238  | 3740067     | 2            | Relay   |     |
| 239  | 3960468     | 1            | Seal  |     |
| 240  | 3960469     | 1            | Seal  |     |
| 241  | 4060805     | 3 ft/0.9m    | Seal  |     |
| 242  | 4341239     | 1            | Tray, Engine  |     |
| 243  | 4341241     | 1            | Mount, Engine (Front)   |     |
| 244  | 4569342     | 1            | Tube, Intake  |     |
| 245  | 4569394     | 1            | Tube, Intake  |     |
| 246  |             | Ref          | Valve, Oil Drain Options:   |     |

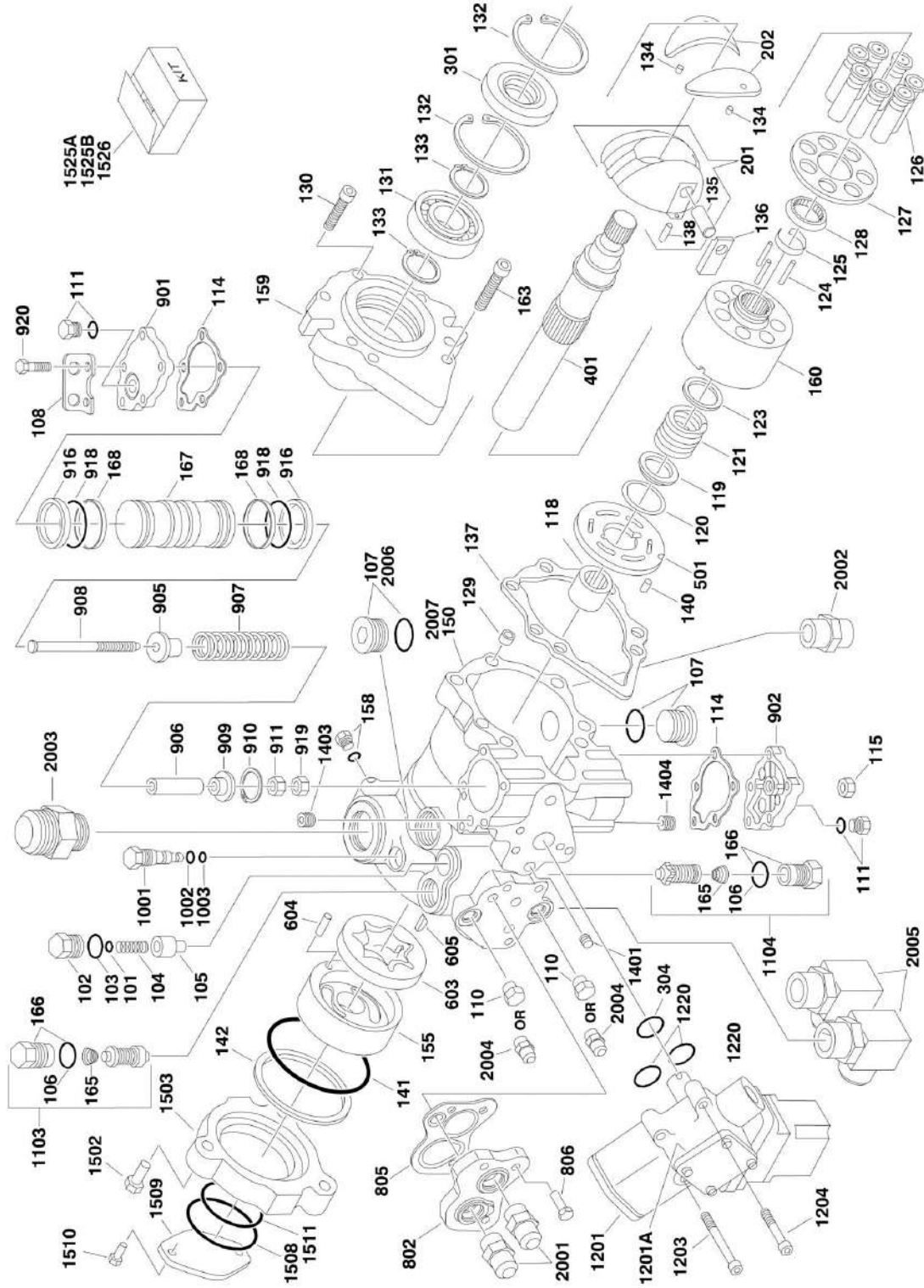
## SECTION 2 - TURNTABLE

| ITEM | PART NUMBER | QTY             | DESCRIPTION   | REV |
|------|-------------|-----------------|---|-----|
| 246  | 4640952     | 1               | Valve, Oil Drain (SN 0300069000 through 0300136496)                   |     |
| 246  | 1001105872  | NLA             | Valve, Oil Drain (Use p/n 4640952) (SN 0300136497 through 0300140000) |     |
| 247  | 4711400     | 12              | Flatwasher 1/4in Narrow   |     |
| 248  | 4711600     | 12              | Flatwasher 3/8in Narrow   |     |
| 249  | 4740274     | 4               | Flatwasher, Snubbing  |     |
| 250  | 4751400     | 8               | Flatwasher 1/4in Wide   |     |
| 251  | 4751600     | 43              | Flatwasher 3/8in Wide   |     |
| 252  | 4751800     | 2               | Flatwasher 1/2in Wide   |     |
| 253  | 4791400     | 2               | Starwasher 1/4in  |     |
| 254  | 4831900     | 4               | Lockwasher 8mm  |     |
| 255  | 4920385     | 10 ft/3m        | Wire, Safety  |     |
| 256  | 2180877     | 1               | Fitting   |     |
| 257  | 0641826     | 2               | Bolt 1/2in-13NC x 3-1/4in   |     |
| 258  | 2720271     | 1.5 ft<br>/0.5m | Hose  |     |



# SECTION 2 - TURNTABLE

## FIGURE 2-17. PISTON PUMP ASSEMBLY



## SECTION 2 - TURNTABLE

### FIGURE 2-17. PISTON PUMP ASSEMBLY

| ITEM | PART NUMBER | QTY | DESCRIPTION                                     | REV |
|------|-------------|-----|---|-----|
|      | 3600295     | Ref | <b>PISTON PUMP ASSEMBLY</b>                     | A   |
| 101  | 7007413     | 1   | Shim Kit  |     |
| 102  | 7007414     | 1   | Plug  |     |
| 103  | See Note    | NSS | O-Ring (Note: Use Item 1525A)                   |     |
| 104  | 7021200     | 1   | Spring, Relief Valve                            |     |
| 105  | 7007417     | 1   | Valve, Relief                                   |     |
| 106  | See Note    | NSS | O-Ring (Note: Use Item 1525A)                   |     |
| 107  | 7007419     | 2   | Plug  |     |
| 108  | 7021201     | 1   | Bracket, Lifting                                |     |
| 110  | 7007470     | 2   | Plug  |     |
| 111  | 7007470     | 2   | Plug  |     |
| 114  | See Note    | NSS | Gasket, Servo Cover (Note: Use Item 1525A)      |     |
| 115  | 7007423     | 1   | Nut, Special                                    |     |
| 118  | 7007425     | 1   | Bearing, Needle                                 |     |
| 119  | See Note    | NSS | Ring, Retaining (Note: Use Item 1526)           |     |
| 120  | See Note    | NSS | Washer (Note: Use Item 1526)                    |     |
| 121  | See Note    | NSS | Spring (Note: Use Item 1526)                    |     |
| 123  | See Note    | NSS | Washer (Note: Use Item 1526)                    |     |
| 124  | See Note    | NSS | Retainer (Note: Use Item 1526)                  |     |
| 125  | See Note    | NSS | Pin, Slipper Holddown (Note: Use Item 1526)     |     |
| 126  | See Note    | NSS | Piston Assembly (Note: Use Item 1526)           |     |
| 127  | See Note    | NSS | Retainer, Slipper (Note: Use Item 1526)         |     |
| 128  | See Note    | NSS | Guide, Retainer (Note: Use Item 1526)           |     |
| 129  | 7007435     | 1   | Pin, Spring                                     |     |
| 130  | 7021202     | 1   | Screw, 12 Point Head                            |     |
| 131  | 7007437     | 1   | Bearing, Ball                                   |     |
| 132  | 7007438     | 2   | Ring, Retainer                                  |     |
| 133  | 7007439     | 2   | Ring  |     |
| 134  | 7021203     | 2   | Pin, Spring                                     |     |
| 135  | 7007441     | 1   | Handle, Pin                                     |     |
| 136  | 7007442     | 1   | Sleeve, Bearing                                 |     |
| 137  | See Note    | NSS | Gasket, Front Cover (Note: Use Item 1525A)      |     |
| 138  | 7021205     | 1   | Pin   |     |
| 140  | 7007446     | 1   | Pin   |     |
| 141  | See Note    | NSS | O-Ring (Note: Use Item 1525A)                   |     |
| 142  | See Note    | NSS | Ring, Load Temper (Note: Use Item 1525A)        |     |
| 150  | 7023977     | 1   | Housing, Pump                                   |     |
| 155  | 7007452     | 1   | Cover, Gerotor                                  |     |
| 158  | 7007208     | 1   | Plug  |     |
| 159  | 7007454     | 1   | Cover, Front                                    |     |
| 160  | See Note    | NSS | Block, Cylinder (Note: Use Item 1526)           |     |
| 163  | 7021207     | 6   | Screw   |     |
| 165  | 7021208     | 2   | Spring  |     |
| 166  | 7021209     | 2   | Plug, SCR                                       |     |
| 167  | 7007494     | 1   | Piston, Servo                                   |     |
| 168  | See Note    | NSS | Bearing (Note: Use Item 1525A)                  |     |
| 201  | 7007457     | 1   | Swash Plate Assembly (Includes Items 135 & 138) |     |
| 202  | 7021212     | 2   | Journal, Bearing                                |     |
| 301  | See Note    | NSS | Seal, Lip (Note: Use Item 1525A)                |     |
| 304  | See Note    | NSS | O-Ring (Note: Use Item 1525A)                   |     |

## SECTION 2 - TURNTABLE

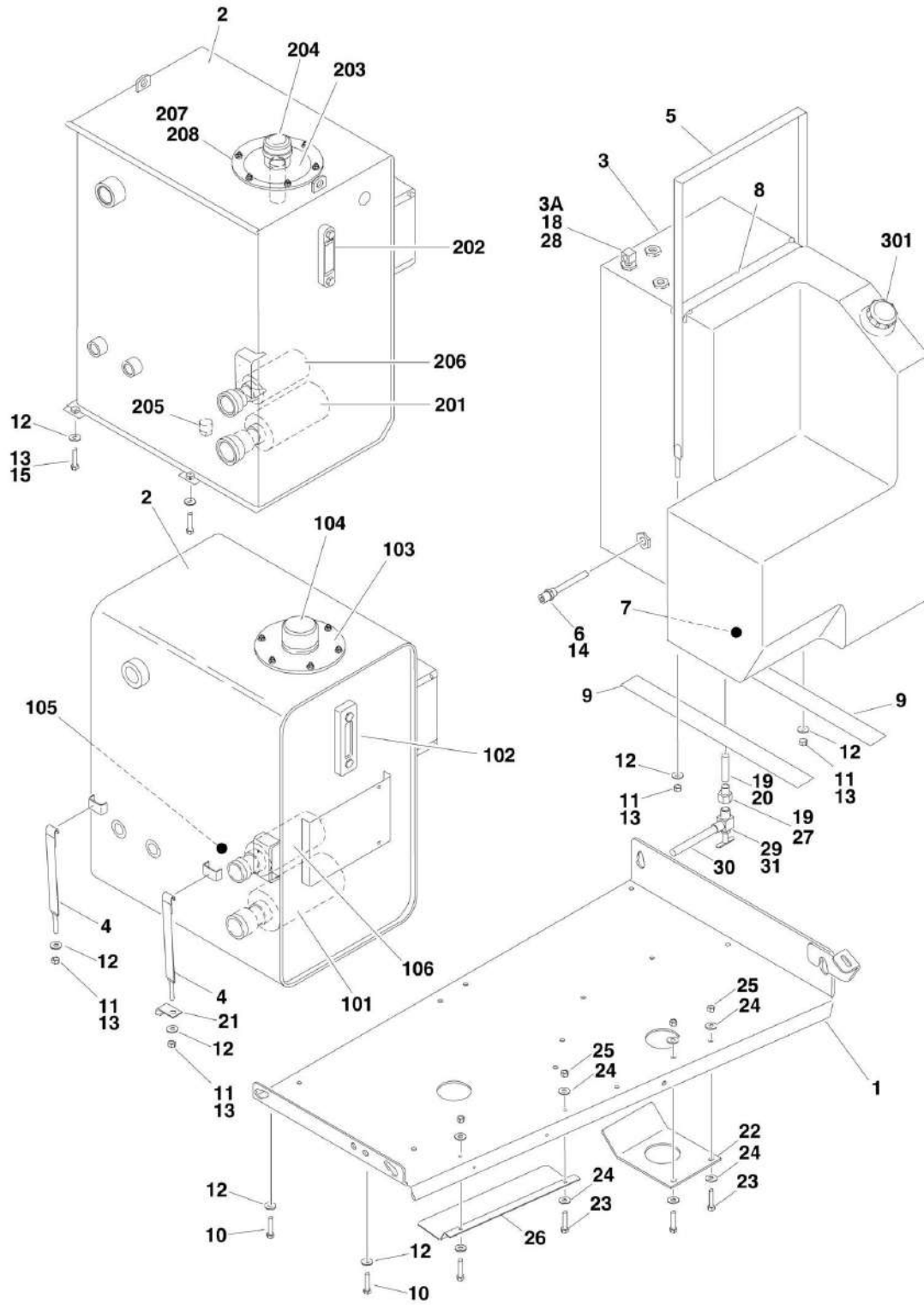
| ITEM  | PART NUMBER | QTY | DESCRIPTION   | REV |
|-------|-------------|-----|---|-----|
| 401   | 7021213     | 1   | Shaft, Main Pump  |     |
| 501   | 7021214     | 1   | Plate, Valve  |     |
| 603   | 7007463     | 1   | Gerotor Assembly  |     |
| 604   | 7007464     | 1   | Pin   |     |
| 605   | 7007465     | 1   | Key, Woodruff   |     |
| 802   | 7007466     | 1   | Adaptor, Remote Filtration  |     |
| 805   | See Note    | NSS | Seal, Filter Adapter (Note: Use Item 1525A)   |     |
| 806   | 7021218     | 3   | Screw   |     |
| 901   | 7021219     | 1   | Cover, Servo  |     |
| 902   | 7021220     | 1   | Cover, Servo  |     |
| 905   | 7007483     | 1   | Guide, Spring   |     |
| 906   | 7007484     | 1   | Stop, Servo   |     |
| 907   | 7007485     | 1   | Spring  |     |
| 908   | 7021221     | 1   | Screw   |     |
| 909   | 7007487     | 1   | Guide, Spring   |     |
| 910   | 7007488     | 1   | Ring, Retaining   |     |
| 911   | 7021222     | 1   | Nut   |     |
| 916   | See Note    | NSS | Ring, Piston (Note: Use Item 1525A or 1525B)  |     |
| 918   | See Note    | NSS | O-Ring (Note: Use Item 1525A or 1525B)  |     |
| 919   | 7021206     | 1   | Nut   |     |
| 920   | 7021223     | 10  | Screw   |     |
| 1001  | 7007472     | 1   | Valve, Bypass   |     |
| 1002  | See Note    | NSS | Ring, Back-up (Note: Use Item 1525A)  |     |
| 1003  | See Note    | NSS | O-Ring (Note: Use Item 1525A)   |     |
| 1103  | 7010122     | 1   | SCR Kit (Includes Items 166, 106 & 165)   |     |
| 1104  | 7010122     | 1   | SCR Kit (Includes Items 166, 106 & 165)   |     |
| 1201  | 7007474     | 1   | Control, Dual Oil-Filled  |     |
| 1201  | 7007496     | 1   | Coil Assembly (Pilot)   |     |
| 1201  | 7007497     | 1   | Plug (Pump)   |     |
| 1201  | 7007498     | 1   | Plug (Valve Harness)  |     |
| 1201A | 7024828     | 1   | Gasket, Cover   |     |
| 1203  | 7007478     | 2   | Screw   |     |
| 1204  | 7001498     | 2   | Screw   |     |
| 1220  | See Note    | NSS | O-Ring (Note: Use Item 1525A)   |     |
| 1401  | 7007475     | 1   | Plug, Orifice/Screen (.156)   |     |
| 1403  | 7021226     | 1   | Plug, Orifice   |     |
| 1404  | 7021226     | 1   | Plug, Orifice   |     |
| 1502  | 7007453     | 3   | Screw   |     |
| 1503  | 7021227     | 1   | Adapter, Flange   |     |
| 1508  | 7021228     | 1   | O-Ring  |     |
| 1509  | 7021229     | 1   | Plate, Cover  |     |
| 1510  | 7021230     | 2   | Screw   |     |
| 1511  | 7021231     | 1   | O-Ring  |     |
| 1525  |             | Ref | Seal Kit Options:   |     |
| 1525A | 7021232     | 1   | Seal Kit, Complete (Includes Items 103, 106, 114, 137, 141, 142, 168, 301, 304, 805, 916, 918, 1002, 1003 & 1220) |     |
| 1525B | 7007412     | 1   | Seal Kit, Servo Piston (Includes Items 916 & 918)   |     |
| 1526  | 7010116     | 1   | Cylinder Block Kit (Includes Items 119-128 & 160)   |     |
|       | 3600400     | Ref | <b>PISTON PUMP AND FITTING ASSEMBLY</b>   | C   |
| 2001  | 2220374     | 2   | Fitting, Straight   |     |
| 2002  | 2220451     | 1   | Fitting, Straight   |     |
| 2003  | 2220479     | 1   | Fitting, Straight   |     |

## SECTION 2 - TURNTABLE

| ITEM | PART NUMBER | QTY | DESCRIPTION  | REV |
|------|-------------|-----|--|-----|
| 2004 | 2220582     | 1   | Fitting, Straight Only (SN 0300069000 through 0300084618)                    |     |
| 2005 | 2220646     | 1   | Fitting, Elbow   |     |
| 2006 |             | Ref | Fitting, Reducer Options:  |     |
| 2006 | 2220811     | 1   | Fitting, Reducer (Uses 1 Fitting) (SN 0300069000 through 0300138513)         |     |
| 2006 | 2220221     | 1   | Fitting, Reducer (Requires Both Fittings) (SN 0300138514 through 0300140000) |     |
| 2006 | 2220582     | 1   | Fitting, Reducer (Requires Both Fittings) (SN 0300138514 through 0300140000) |     |
| 2007 | 3600295     | 1   | Pump Assembly (Includes Items 1-1511)  |     |

# SECTION 2 - TURNTABLE

## FIGURE 2-18. TANK INSTALLATIONS





**SECTION 2 - TURNTABLE**

**FIGURE 2-18. TANK INSTALLATIONS**

| ITEM | PART NUMBER  | QTY          | DESCRIPTION   | REV |
|------|--------------|--------------|---|-----|
|      |              | Ref          | <b>TANKS INSTALLATION OPTIONS:</b>                                      |     |
|      | 0258382      | Ref          | <b>Diesel Non-UL Spec</b>   | E   |
|      | 0270396      | Ref          | <b>Gas Non-UL Spec Machines (SN 0300069000 through 0300140000)</b>      | I   |
|      | 0272738      | Ref          | <b>Gas UL Spec Machines (SN 0300069915 through 0300077500)</b>          | A   |
|      | 0274197      | Ref          | <b>LPS -UL Spec Machines (SN 0300079153 through 0300077500)</b>         | A   |
|      |              | Ref          | <b>Note: LPS - UL Spec Machines Use Only Items 1, 2, 4 &amp; 9-13</b>   |     |
| 1    |              | Ref          | Tray Weldment Options:  |     |
| 1    | 4845928      | 1            | Tray Weldment (SN 0300069000 through 0300118452)                        |     |
| 1    | 1001091928   | 1            | Tray Weldment (SN 0300118453 through 0300140000)                        |     |
| 2    |              | Ref          | Hydraulic Tank Assembly Options:  |     |
| 2    |              | Ref          | See Items 101-106 for Breakdown   |     |
| 2    | 4400410      | 1            | Non-UL Spec Machines (SN 0300069000 through 0300071310)                 |     |
| 2    | 4400410      | 1            | UL Spec Machines  |     |
| 2    |              | Ref          | See Items 201-208 for Breakdown   |     |
| 2    | 4400452      | 1            | Non-UL Spec Machines (SN 0300071311 through 0300140000)                 |     |
| 3    |              | Ref          | Tank, Fuel (Includes Non-Locking Cap)                                   |     |
| 3    | 4400400      | 1            | Diesel  |     |
| 3    | 4400400      | 1            | Gas Non-UL Spec (SN 0300069000 through 0300109493)                      |     |
| 3    | 1001091562   | NLA          | Gas Non-UL Spec (Use p/n 1001117052) (SN 0300109494 through 0300140074) |     |
| 3    | 1001111514   | 1            | Gas Non-UL Spec (SN 0300140075 through 0300140000)                      |     |
| 3    | 4400407      | 1            | Gas UL Spec Only  |     |
| 3A   |              | Ref          | Fitting and Pick-up Tube Options:                                       |     |
| 3A   | 7019658      | 1            | 4400400 Tank  |     |
| 3A   | 70004184     | 1            | 1001091562 Tank   |     |
| 3A   | 70004149     | 1            | 1001111514 Tank   |     |
| 3A   | Not Required | 0            | 4400407 Tank  |     |
| 4    | 4240112      | 4            | Strap, Tank (ANSI Spec Machines) (SN 0300069000 through 0300071310)     |     |
| 4    | 4240112      | 4            | Strap, Tank (UL Machines)   |     |
| 5    | 4240113      | AR           | Strap, Tank   |     |
| 6    | 4360436      | 1            | Switch, Fuel Level  |     |
| 7    | 2200222      | 1            | Fitting   |     |
| 8    | 4280295      | 25 in /44cm  | Strip, Protective   |     |
| 9    | 4420038      | 70 in /1.78m | Tape, Rubber  |     |
| 10   | 0641614      | 6            | Bolt 3/8in-16NC x 1-3/4in   |     |
| 11   | 3311601      | AR           | Nut 3/8in-16NC  |     |
| 12   | 4751600      | AR           | Flatwasher 3/8in  |     |
| 13   | 0100011      | AR           | Compound, Locking   |     |
| 14   | 0100079      | AR           | Sealant   |     |
| 15   | 0641607      | 4            | Bolt 3/8in-16NC x 7/8in (SN 0300071311 through 0300140000)              |     |
| 16   | 4751800      | AR           | Flatwasher 1/2in  |     |
| 17   | 0641818      | AR           | Bolt 1/2in-13NC x 2-1/4in   |     |
|      |              | Ref          | <b>Note: Items 19-31 Used on Gas Machines Only</b>                      |     |
| 19   | 0100062      | AR           | Retaining Compound (SN 0300069000 through 0300073747)                   |     |
| 20   | 4568119      | 1            | Tube, Fuel  |     |

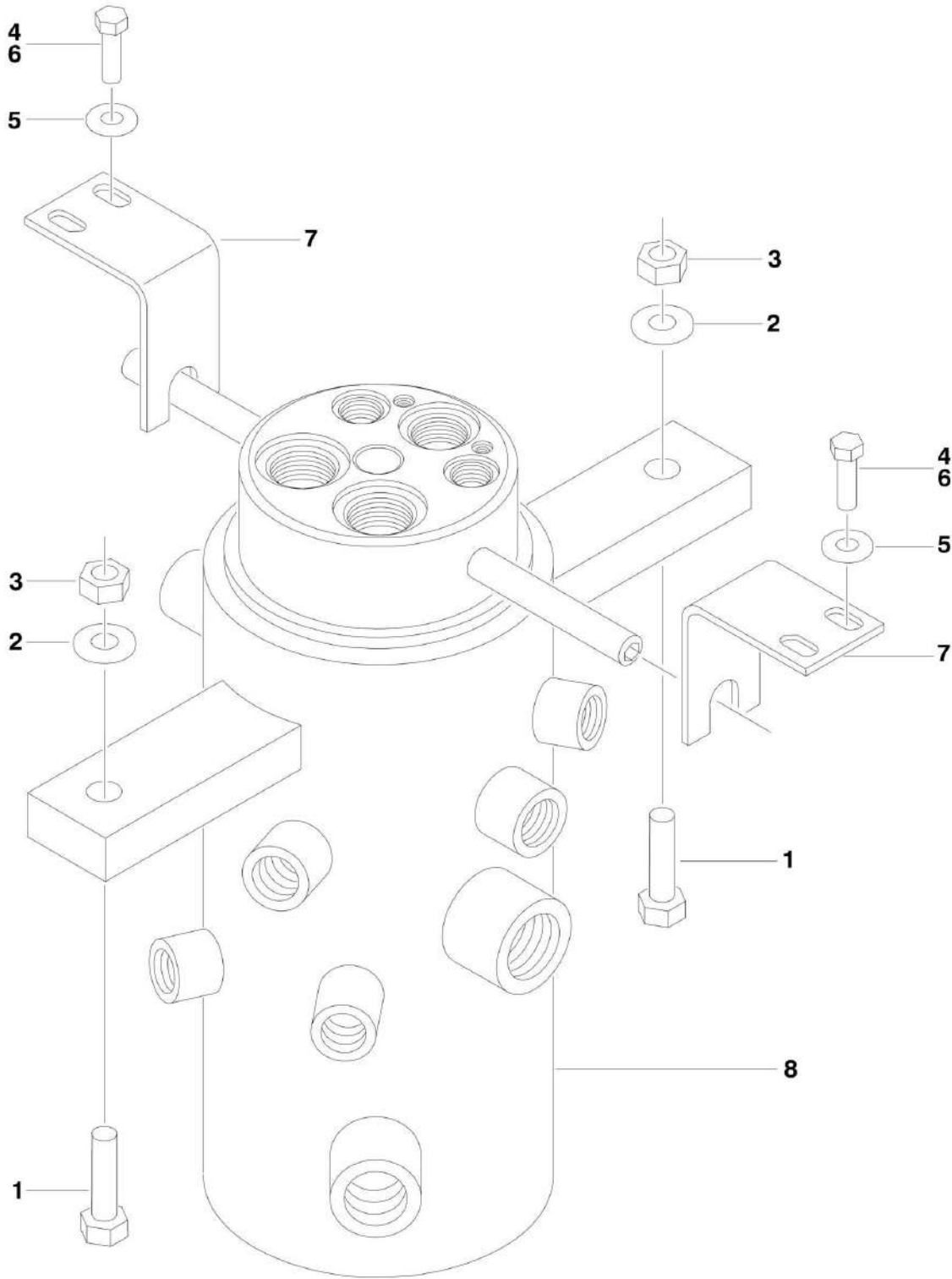
## SECTION 2 - TURNTABLE

| ITEM | PART NUMBER | QTY | DESCRIPTION  | REV |
|------|-------------|-----|--|-----|
| 21   | 1320223     | 1   | Clamp  |     |
| 22   | 3572423     | 1   | Plate, Valve, Needle   |     |
| 23   | 0641508     | AR  | Bolt 5/16in-18NC x 1in   |     |
| 24   | 4711500     | AR  | Flatwasher 5/16in  |     |
| 25   | 3311505     | AR  | Locknut 5/16in-18NC  |     |
| 26   | 3576755     | 1   | Cover, Fuel Pump   |     |
| 27   | 2221270     | 1   | Fitting, Brass   |     |
| 28   | 2200233     | 1   | Plug   |     |
| 29   | 4641022     | 1   | Valve, Needle  |     |
| 30   | 4568118     | 1   | Tube, Fuel   |     |
| 31   | 0100020     | AR  | Sealant, Pipe  |     |
|      | 4400410     | Ref | <b>HYDRAULIC TANK ASSEMBLY</b>   | G   |
| 101  | 7014818     | 1   | Strainer 1-1/2inNPT  |     |
| 102  | 7014802     | 1   | Gauge, Sight   |     |
| 103  | 7014810     | 1   | Neck, Fill   |     |
| 103  | 7014816     | 1   | Screen   |     |
| 104  | 7014817     | 1   | Breather/Fill Cap  |     |
| 105  | 7014813     | 1   | Plug, Magnetic   |     |
| 106  | 7014801     | 1   | Strainer 1-1/4inNPT  |     |
|      | 4400452     | Ref | <b>HYDRAULIC TANK ASSEMBLY</b>   | E   |
| 201  | 7024481     | 1   | Strainer 1-1/2inNPT  |     |
| 202  | 7024441     | 1   | Gauge, Sight   |     |
| 203  | 7024443     | 1   | Neck, Fill   |     |
| 203  | 7024445     | 1   | Screen   |     |
| 204  | 7024444     | 1   | Breather/Fill Cap  |     |
| 205  | 7024446     | 1   | Plug, Magnetic   |     |
| 206  | 7024442     | 1   | Strainer 1-1/4in NPT   |     |
| 207  | 7024439     | 1   | Cover  |     |
| 208  | 7024440     | 1   | Gasket   |     |
|      |             | Ref | <b>FUEL TANK CAP INSTALLATION</b>  |     |
| 301  |             | Ref | Cap Options:   |     |
| 301  |             | Ref | Standard Non-Locking Options (Part of Item 3):   |     |
| 301  | 7016314     | 1   | Diesel Machines  |     |
| 301  | 7016314     | 1   | Gas Machines <b>(SN 0300069000 through 0300109493)</b>   |     |
| 301  | 70001103    | 1   | Gas Machines with OEM Tank (Mounts with Item 5 Strap) <b>(SN 0300109494 through 0300140000)</b>                    |     |
| 301  | 70002716    | 1   | Gas Machines with Service Replacement Tank (Mounts with Item 18 Bracket) <b>(SN 0300109494 through 0300140000)</b> |     |
| 301  | 1120484     | 1   | Optional Lockable (Gas Machines)   |     |
| 301  | 1120487     | 1   | Optional Lockable (Diesel Machines)  |     |
| 301  | 1120367     | 1   | Protectoseal (UL Spec Machines - Gas Machines)   |     |



## SECTION 2 - TURNTABLE

FIGURE 2-19. ROTARY COUPLING INSTALLATION (SN 0300069000 through 0300083331)



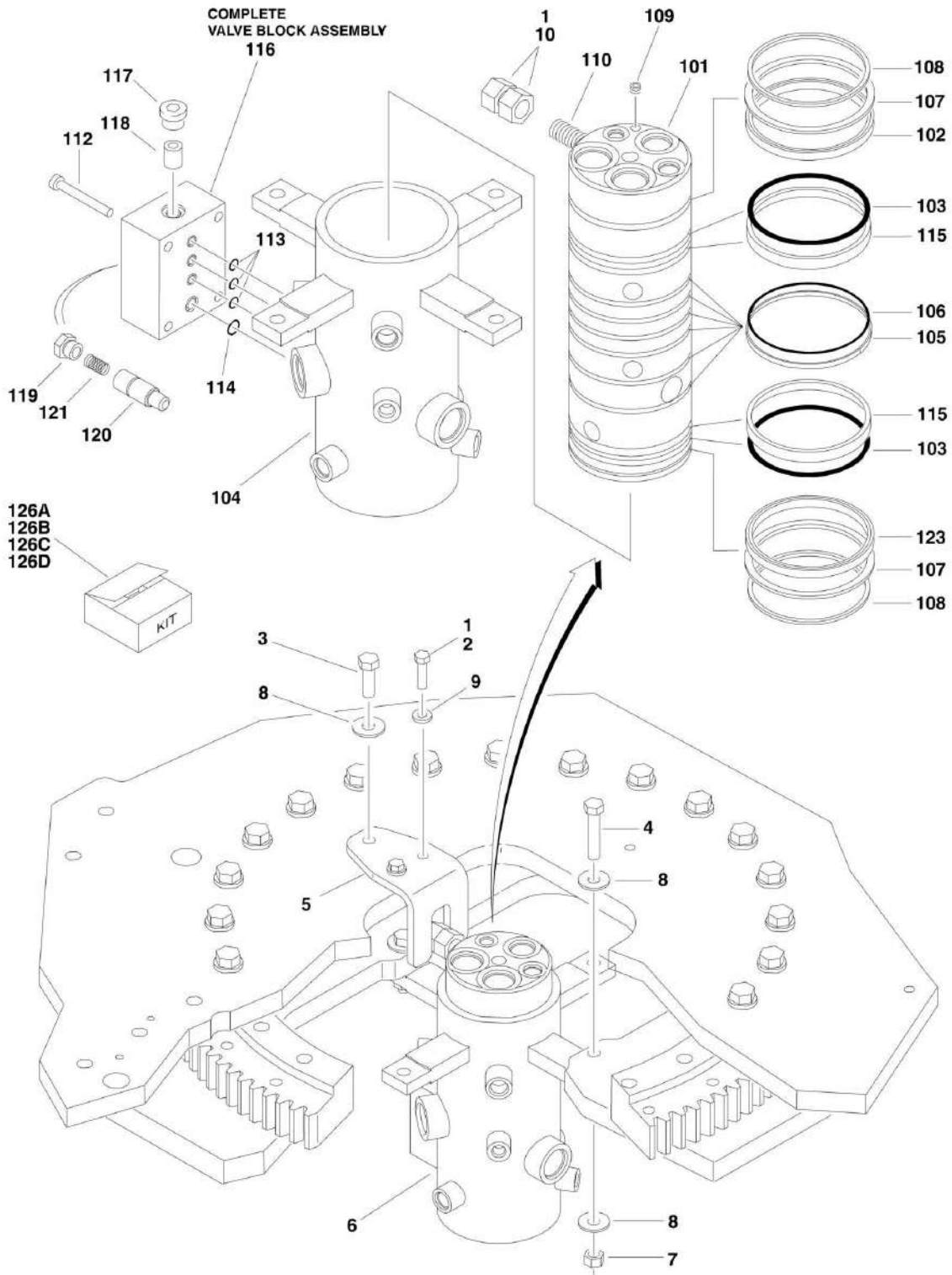
**SECTION 2 - TURNTABLE**

**FIGURE 2-19. ROTARY COUPLING INSTALLATION (SN 0300069000 through 0300083331)**

| ITEM | PART NUMBER | QTY | DESCRIPTION  | REV |
|------|-------------|-----|--|-----|
|      |             | Ref | <b>ROTARY COUPLING INSTALLATION (SN 0300069000 through 0300083331)</b> |     |
|      | 0272354     | Ref | <b>Rotary Coupling Installation 2WS</b>                                | A   |
|      | 0272355     | Ref | <b>Rotary Coupling Installation 4WS</b>                                | A   |
| 1    | 0641820     | 2   | Bolt 1/2in-13NC x 2-1/2in  |     |
| 2    | 4751800     | 4   | Flatwasher 1/2in   |     |
| 3    | 3311805     | 2   | Locknut 1/2in-13NC   |     |
| 4    | 0641611     | 4   | Bolt 3/8in-16NC x 1-3/8in  |     |
| 5    | 4751600     | 4   | Flatwasher 3/8in   |     |
| 6    | 0100011     | AR  | Compound, Locking  |     |
| 7    | 0902846     | 2   | Bracket  |     |
| 8    |             | Ref | Coupling, Rotary Options:  |     |
| 8    |             | Ref | 2WS Coupling Options:  |     |
| 8    | 1660219     | 1   | New OEM Replacement (2WS)  |     |
| 8    | 7013187     | 1   | Seal Kit - 1660219 Coupling (2WS)                                      |     |
| 8    | 1660219RR   | 1   | Rebuilt Replacement (2WS)  |     |
| 8    |             | Ref | <b>(Note: Contact JLG Parts Dept for information)</b>                  |     |
| 8    |             | Ref | 4WS Coupling Options:  |     |
| 8    | 1660223     | 1   | New OEM Replacement (4WS)  |     |
| 8    | 7016342     | 1   | Seal Kit - 1660223 Coupling (4WS)                                      |     |
| 8    | 1660223RR   | 1   | Rebuilt Replacement (4WS)  |     |
|      |             | Ref | <b>(Note: Contact JLG Parts Dept for information)</b>                  |     |

# SECTION 2 - TURNTABLE

## FIGURE 2-20. ROTARY COUPLING INSTALLATION (SN 0300083332 through 0300137974)



## SECTION 2 - TURNTABLE

**FIGURE 2-20. ROTARY COUPLING INSTALLATION (SN 0300083332 through 0300137974)**

| ITEM | PART NUMBER | QTY | DESCRIPTION   | REV |
|------|-------------|-----|---|-----|
|      |             | Ref | <b>ROTARY COUPLING INSTALLATION</b>   |     |
|      | 0273393     | Ref | <b>Rotary Coupling Installation 2WS</b>   | C   |
|      | 0273402     | Ref | <b>Rotary Coupling Installation 4WS</b>   | C   |
| 1    | 0100011     | AR  | Compound, Locking   |     |
| 2    | 0641611     | 2   | Bolt 3/8in-16NC x 1-3/8in   |     |
| 3    | 0641812     | 1   | Bolt 1/2in-13NC x 1-1/2in   |     |
| 4    | 0641820     | 2   | Bolt 1/2in-13NC x 2-1/2in   |     |
| 5    | 0903056     | 1   | Bracket   |     |
| 6    |             | Ref | Coupling, Rotary Options:   |     |
| 6    |             | Ref | 2WS Coupling Options:   |     |
| 6    | 1660257     | NLA | New OEM Replacement (2WS) (Use p/n 1660303) (See Items 101-121 for Breakdown) <b>(SN 0300083332 through 0300114016)</b>         |     |
| 6    | 1660257RR   | 1   | Rebuilt Replacement (2WS) (Note: Contact JLG Parts Dept for information to Purchase.) <b>(SN 0300083332 through 0300114016)</b> |     |
| 6    | 1660303     | 1   | New OEM Replacement (2WS) (See Items 101-121 for Breakdown) <b>(SN 0300114017 through 0300137975)</b>                           |     |
| 6    | 1660303RR   | 1   | Rebuilt Replacement (2WS) (Note: Contact JLG Parts Dept for information to Purchase.) <b>(SN 0300114017 through 0300137975)</b> |     |
| 6    |             | Ref | 4WS Coupling Options:   |     |
| 6    | 1660258     | NLA | New OEM Replacement (4WS) (Use p/n 1660304) (See Items 101-121 for Breakdown) <b>(SN 0300083332 through 0300114016)</b>         |     |
| 6    | 1660258RR   | 1   | Rebuilt Replacement (4WS) (Note: Contact JLG Parts Dept for information to Purchase.) <b>(SN 0300083332 through 0300114016)</b> |     |
| 6    | 1660304     | 1   | New OEM Replacement (4WS) (See Items 101-121 for Breakdown) <b>(SN 0300114017 through 0300137975)</b>                           |     |
| 6    | 1660304RR   | 1   | Rebuilt Replacement (4WS) (Note: Contact JLG Parts Dept for information to Purchase.) <b>(SN 0300114017 through 0300137975)</b> |     |
| 7    | 3271805     | 2   | Locknut 1/2in-13NC  |     |
| 8    | 4751800     | 5   | Flatwasher 1/2in  |     |
| 9    | 4891600     | 4   | Flatwasher 3/8in Hardened   |     |
| 10   | 3322201     | 2   | Locknut 3/4in x 16NF  |     |
|      |             | Ref | <b>ROTARY COUPLING ASSEMBLY</b>   |     |
|      | 1660257     | Ref | <b>Rotary Coupling Assembly 2WS (SN 0300083332 through 0300114016)</b>  | D   |
|      | 1660303     | Ref | <b>Rotary Coupling Assembly 2WS (SN 03000300114017 through 0300137975)</b>  | B   |
|      | 1660258     | Ref | <b>Rotary Coupling Assembly 4WS (SN 0300083332 through 0300114016)</b>  | D   |
|      | 1660304     | Ref | <b>Rotary Coupling Assembly 4WS (SN 0300114017 through 0300137975)</b>  | B   |
| 101  | See Note    | 1   | Body (Note: Not Available - Purchase Complete Assembly)   |     |
| 102  |             | Ref | Seal Options:   |     |
| 102  | 7026189     | 1   | Seal 2WS <b>(SN 0300083332 through 0300114016)</b>  |     |
| 102  | 70001248    | 1   | Seal 2WS <b>(SN 0300114017 through 0300137975)</b>  |     |
| 102  | See Note    | NSS | Seal 4WS (Note: Use Item 126B or 126D) <b>(SN 0300083332 through 0300137975)</b>  |     |
| 103  | See Note    | NSS | O-Ring/Seal (Note: Use Item 126A, 126B, 126C or 126D)   |     |
| 104  | See Note    | NSS | Housing (Note: Not Available - Purchase Complete Assembly)  |     |

## SECTION 2 - TURNTABLE

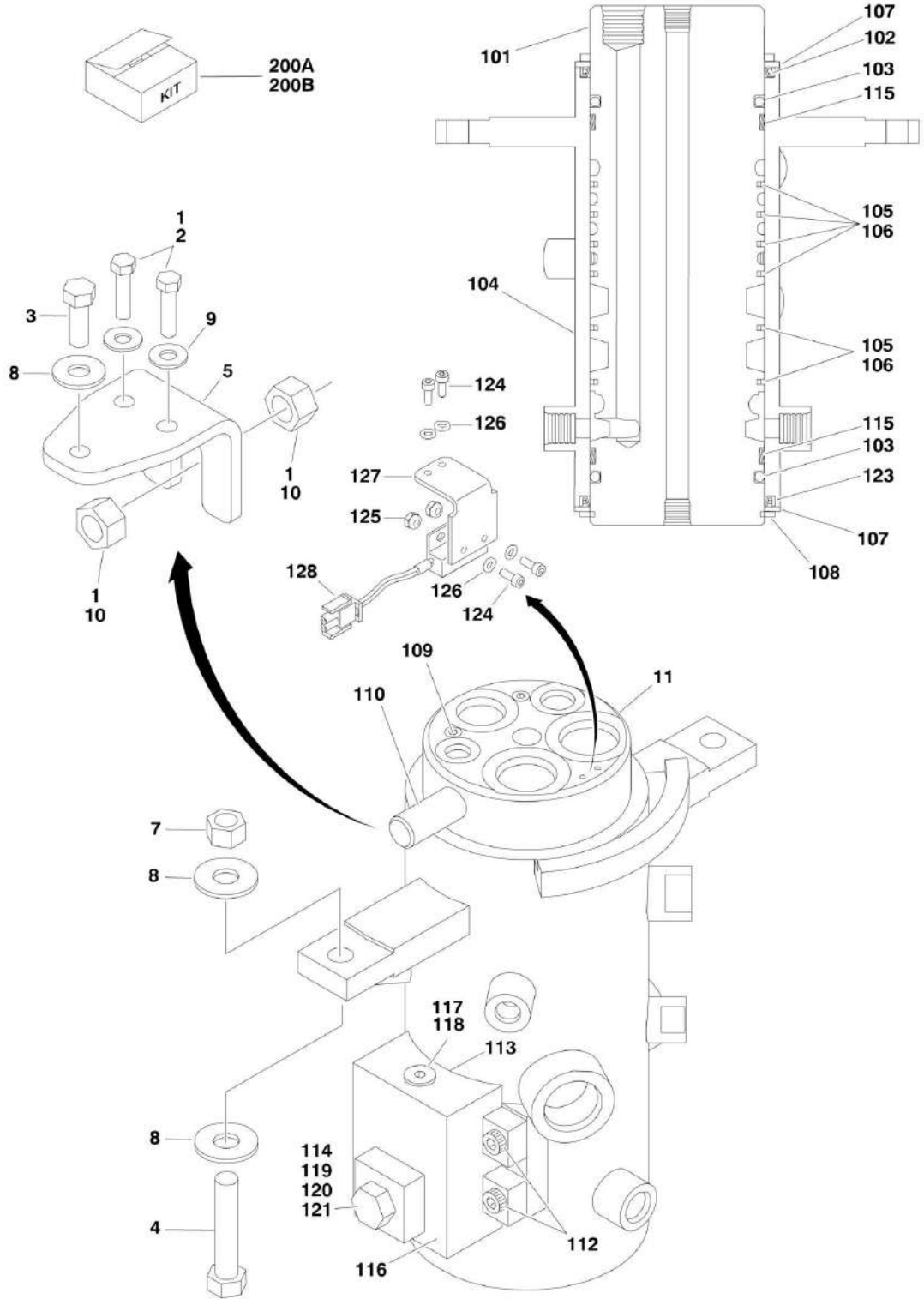
| ITEM | PART NUMBER | QTY | DESCRIPTION   | REV |
|------|-------------|-----|---|-----|
| 105  | See Note    | NSS | Seal, Cap (Note: Use Item 126A, 126B, 126C or 126D)   |     |
| 106  | See Note    | NSS | O-Ring (Note: Use Item 126A, 126B, 126C or 126D)  |     |
| 107  |             | Ref | Ring Options:   |     |
| 107  | 7026503     | 2   | Ring 2WS  |     |
| 107  | 7026511     | 2   | Ring 4WS  |     |
| 108  |             | Ref | Ring, Retaining   |     |
| 108  | 7026504     | 2   | Ring, Retaining 2WS   |     |
| 108  | 7013189     | 2   | Ring, Retaining 4WS   |     |
| 109  |             | Ref | Plug Options:   |     |
| 109  | See Note    | NSS | Plug 2WS (Note: Not Available - Purchase Locally) <b>(SN 0300083332 through 0300114016)</b>                   |     |
| 109  | See Note    | NSS | Plug 4WS (Note: Not Available - Purchase Locally) <b>(SN 0300083332 through 0300114016)</b>                   |     |
| 109  | 80934561    | 2   | Plug 2WS <b>(SN 0300114017 through 0300137975)</b>  |     |
| 109  | 80934561    | 4   | Plug 4WS <b>(SN 0300114017 through 0300137975)</b>  |     |
| 110  | See Note    | 1   | Lug, Torque (Note: Not Available for Purchase)  |     |
| 112  | 7026197     | 4   | Capscrew  |     |
| 113  | See Note    | NSS | O-Ring (Note: Use Item 126A, 126B, 126C or 126D)  |     |
| 114  | See Note    | NSS | O-Ring (Note: Use Item 126A, 126B, 126C or 126D)  |     |
| 115  | See Note    | NSS | Bearing (Note: Use Item 126A, 126B, 126C or 126D)   |     |
| 116  | 7024404     | 1   | Block Valve Assembly  |     |
| 117  | 7026505     | 1   | Plug  |     |
| 118  | 7026506     | 1   | Valve, Check  |     |
| 119  | 7026507     | 1   | Plug  |     |
| 120  |             | Ref | Plunger, Valve  |     |
| 120  | 7026508     | 1   | Plunger, Valve <b>(SN 0300083332 through 0300114016)</b>  |     |
| 120  | See Note    | NSS | Plunger, Valve (Note: Use Item 116) <b>(SN 0300114017 through 0300137975)</b>                                 |     |
| 121  | 7026509     | 1   | Spring  |     |
| 122  | See Note    | AR  | Protective Netting (Not Shown) (Rotary Coupling p/n 1660303 & p/n 1660304) (Note: Not available for purchase) |     |
| 123  |             | Ref | Seal Options:   |     |
| 123  | 7026189     | 1   | Seal 2WS <b>(SN 0300083332 through 0300114016)</b>  |     |
| 123  | 7026512     | 1   | Seal 4WS <b>(SN 0300083332 through 0300114016)</b>  |     |
| 123  | See Note    | NSS | Seal 2WS/4WS (Note: Use Item 126C or 126D) <b>(SN 0300114017 through 0300137975)</b>                          |     |
| 126  |             | Ref | Seal Kit Options:   |     |
| 126  |             | Ref | Seal Kit <b>(SN 0300083332 through 0300114016)</b>  |     |
| 126A | 7026510     | 1   | Seal Kit 2WS (Includes Items 103, 105, 106, 113, 114 & 115)   |     |
| 126B | 7026512     | 1   | Seal Kit 4WS (Includes Items 102, 103, 105, 106, 113, 114, 115 & 123)   |     |
| 126B |             | Ref | Seal Kit (Includes Items 102, 103, 105, 106, 113, 114, 115 & 123) <b>(SN 0300114017 through 0300137975)</b>   |     |
| 126C | 70001248    | 1   | Seal Kit 2WS  |     |
| 126D | 70001249    | 1   | Seal Kit 4WS  |     |





# SECTION 2 - TURNTABLE

FIGURE 2-21. ROTARY COUPLING INSTALLATION (SN 0300137975 through 0300140000)



**SECTION 2 - TURNTABLE**

**FIGURE 2-21. ROTARY COUPLING INSTALLATION (SN 0300137975 through 0300140000)**

| ITEM | PART NUMBER | QTY | DESCRIPTION   | REV |
|------|-------------|-----|---|-----|
|      |             | Ref | <b>ROTARY COUPLING INSTALLATION</b>                         |     |
|      | 1001107529  | Ref | <b>Rotary Coupling Installation 2WS</b>                     | A   |
|      | 1001107530  | Ref | <b>Rotary Coupling Installation 4WS</b>                     | A   |
| 1    | 0100011     | AR  | Compound, Locking   |     |
| 2    | 0641611     | 2   | Bolt 3/8in-16NC x 1-3/8in                                   |     |
| 3    | 0641812     | 1   | Bolt 1/2in-13NC x 1-1/2in                                   |     |
| 4    | 0641820     | 2   | Bolt 1/2in-13NC x 2-1/2in                                   |     |
| 5    | 0903056     | 1   | Bracket   |     |
| 7    | 3271805     | 2   | Locknut 1/2in-13NC  |     |
| 8    | 4751800     | 5   | Flatwasher 1/2in  |     |
| 9    | 4891600     | 2   | Flatwasher 3/8in Hardened                                   |     |
| 10   | 3322201     | 2   | Locknut 3/4in x 16NF  |     |
| 11   |             | Ref | Coupling, Rotary Options (See Items 101-128 for Breakdown): |     |
| 11   | 1001106974  | 1   | Coupling, Rotary 2WS  |     |
| 11   | 1001106975  | 1   | Coupling, Rotary 4WS  |     |
|      |             | Ref | <b>ROTARY COUPLING ASSEMBLY</b>                             |     |
|      | 1001106974  | Ref | <b>Rotary Coupling Assembly 2WS</b>                         | B   |
|      | 1001106975  | Ref | <b>Rotary Coupling Assembly 4WS</b>                         | B   |
| 101  | See Note    | 1   | Body (Note: Not Available - Purchase Complete Assembly)     |     |
| 102  |             | Ref | Seal Options:   |     |
| 102  | 70001248    | 1   | Seal 2WS  |     |
| 102  | 70002212    | 1   | Seal 4WS  |     |
| 103  | See Note    | NSS | O-Ring (Note: Use Item 200A or 200B)                        |     |
| 104  | See Note    | NSS | Housing (Note: Purchase Complete Assembly)                  |     |
| 105  |             | Ref | Seal, Cap   |     |
| 105  | 70001248    | 6   | Seal, Cap 2WS   |     |
| 105  | 70002212    | 9   | Seal, Cap 4WS   |     |
| 106  |             | Ref | O-RING  |     |
| 106  | 70001248    | 6   | O-Ring 2WS  |     |
| 106  | 70002212    | 9   | O-Ring 4WS  |     |
| 107  |             | Ref | Ring Options:   |     |
| 107  | 7026503     | 2   | Ring 2WS  |     |
| 107  | 7026511     | 2   | Ring 4WS  |     |
| 108  |             | Ref | Ring, Retaining Options:                                    |     |
| 108  | 7026504     | 1   | Ring, Retaining 2WS   |     |
| 108  | 7013189     | 1   | Ring, Retaining 4WS   |     |
| 109  |             | Ref | Plug Options:   |     |
| 109  | 80934561    | 2   | Plug 2WS  |     |
| 109  | 80934561    | 4   | Plug 4WS  |     |
| 110  | See Note    | 1   | Lug, Torque (Note: Not Available for Purchase)              |     |
| 112  | 7026197     | 4   | Bolt 5/16in-18NC x 1-1/4in                                  |     |
| 113  | See Note    | NSS | O-Ring (Note: Use Item 200A or 200B)                        |     |
| 114  | See Note    | NSS | O-Ring (Note: Use Item 200A or 200B)                        |     |
| 115  | See Note    | NSS | Bearing (Note: Use Item 200A or 200B)                       |     |
| 116  | 7024404     | 1   | Block Valve Assembly  |     |
| 117  | 7026505     | 1   | Plug  |     |
| 118  | 7026506     | 1   | Valve, Check  |     |
| 119  | 7026507     | 1   | Plug  |     |
| 120  | See Note    | NSS | Plunger, Valve (Note: Use Item 7024404)                     |     |
| 121  | 7026509     | 1   | Spring, Compression   |     |

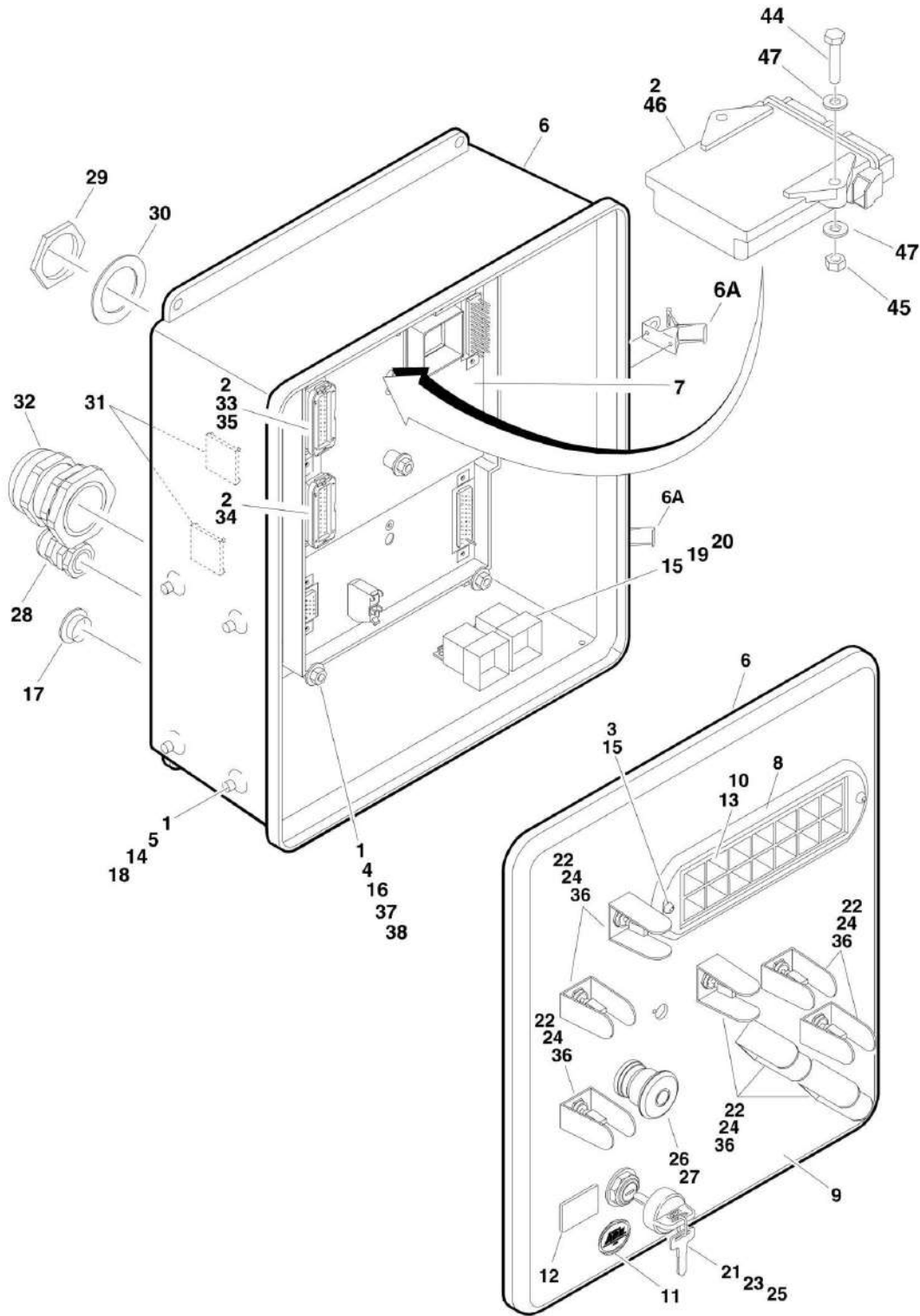
## SECTION 2 - TURNTABLE

| ITEM | PART NUMBER | QTY | DESCRIPTION  | REV |
|------|-------------|-----|--|-----|
| 122  | See Note    | AR  | Protective Netting (Not Shown) (Note: Not Available for Purchase)      |     |
| 123  |             | Ref | Seal Options:  |     |
| 123  | 70001248    | 1   | Seal 2WS   |     |
| 123  | 70002212    | 1   | Seal 4WS   |     |
| 124  | See Note    | 4   | Screw, Socket Head #10-24NC x 1/2in (Note: Not Available for Purchase) |     |
| 125  | See Note    | 2   | Locknut #10-24NC (Note: Not Available for Purchase)                    |     |
| 126  | See Note    | 4   | Flatwasher #10 (Note: Not Available for Purchase)                      |     |
| 127  | 70003454    | 1   | Bracket, Switch Mounting   |     |
| 128  | 4360517     | 1   | Switch, Proximity  |     |
| 200  |             | Ref | Seal Kit Options:  |     |
| 200A | 70001248    | 1   | Seal Kit 2WS (Includes Items 102, 103, 105, 106, 113, 114, 115 & 123)  |     |
| 200B | 70002212    | 1   | Seal Kit 4WS (Includes Items 102, 103, 105, 106, 113, 114, 115 & 123)  |     |



# SECTION 2 - TURNTABLE

FIGURE 2-22. GROUND CONTROL BOX ASSEMBLY (WITHOUT UGM)



**SECTION 2 - TURNTABLE**

**FIGURE 2-22. GROUND CONTROL BOX ASSEMBLY (WITHOUT UGM)**

| ITEM | PART NUMBER | QTY | DESCRIPTION  | REV |
|------|-------------|-----|--|-----|
|      |             | Ref | <b>GROUND CONTROL BOX ASSEMBLIES</b>   |     |
|      |             | Ref | <b>Caterpillar Engine Options:</b>   |     |
|      | 0861621     | Ref | <b>Caterpillar Engine 800A (SN 0300069000 through 0300087265)</b>                  | C   |
|      | 0861760     | Ref | <b>Caterpillar Engine 800A (SN 0300087266 through 0300099883)</b>                  | B   |
|      | 0861622     | Ref | <b>Caterpillar Engine 800AJ (SN 0300069000 through 0300087265)</b>                 | C   |
|      | 0861759     | Ref | <b>Caterpillar Engine 800AJ (SN 0300087266 through 0300099883)</b>                 | B   |
|      | 1810091     | Ref | <b>Caterpillar Engine 800A (SN 0300099884 through 0300140000)</b>                  | D   |
|      | 1810096     | Ref | <b>Caterpillar Engine 800AJ (SN 0300099884 through 0300140000)</b>                 | D   |
|      |             | Ref | <b>Deutz Engine Options:</b>   |     |
|      | 0861502     | Ref | <b>Deutz Engine 800A (SN 0300069000 through 0300085330)</b>                        | I   |
|      | 0861712     | Ref | <b>Deutz Engine 800A (SN 0300085331 through 0300099883)</b>                        | B   |
|      | 0861503     | Ref | <b>Deutz Engine 800AJ (SN 0300069000 through 0300085330)</b>                       | I   |
|      | 0861713     | Ref | <b>Deutz Engine 800AJ (SN 0300085331 through 0300099883)</b>                       | B   |
|      | 1810089     | Ref | <b>Deutz Engine 800A (SN 0300099884 through 0300129455)</b>                        | C   |
|      | 1001102236  | Ref | <b>Deutz Engine 800A (SN 0300129456 through 0300140000)</b>                        | C   |
|      | 1810094     | Ref | <b>Deutz Engine 800AJ (SN 0300099884 through 0300129455)</b>                       | C   |
|      | 1001102237  | Ref | <b>Deutz Engine 800AJ (SN 0300129456 through 0300140000)</b>                       | C   |
|      |             | Ref | <b>Ford Engine Options:</b>  |     |
|      | 0861500     | Ref | <b>Ford Engine 800A (SN 0300069000 through 0300087265)</b>                         | I   |
|      | 0861762     | Ref | <b>Ford Engine 800A (SN 0300087266 through 0300099883)</b>                         | B   |
|      | 0861501     | Ref | <b>Ford Engine 800AJ (SN 0300069000 through 0300087265)</b>                        | I   |
|      | 0861761     | Ref | <b>Ford Engine 800AJ (SN 0300087266 through 0300099883)</b>                        | B   |
|      |             | Ref | <b>Ford Engine - UL Machines Options:</b>  |     |
|      | 0861585     | Ref | <b>Ford Engine - UL Machines 800A (SN 0300069000 through 0300087265)</b>           | B   |
|      | 0861584     | Ref | <b>Ford Engine - UL Machines 800AJ (SN 0300069000 through 0300087265)</b>          | B   |
|      |             | Ref | <b>GM Engine Options:</b>  |     |
|      | 0861790     | Ref | <b>GM Engine 800A (SN 0300069000 through 0300099883)</b>                           | B   |
|      | 0861791     | Ref | <b>GM Engine 800AJ (SN 0300069000 through 0300099883)</b>                          | B   |
|      | 1810088     | Ref | <b>GM Engine 800A (SN 0300099884 through 0300140000)</b>                           | C   |
|      | 1810093     | Ref | <b>GM Engine 800AJ (SN 0300099884 through 0300140000)</b>                          | C   |
| 1    | 0100011     | AR  | Compound, Locking  |     |
| 2    | 0100048     | AR  | Grease, Dielectric   |     |
| 3    | 0630518     | 2   | Capscrew, Button Head  |     |
| 4    | 0630548     | 5   | Bolt, 2-1/2in Tap  |     |
| 5    | 0641506     | 4   | Bolt 5/16in-18NC x 3/4in   |     |
| 6    |             | Ref | <b>Box, Fiberglass Options:</b>  |     |
| 6    | 0861407     | 1   | <b>Box, Fiberglass (SN 0300069000 through 0300112884)</b>                          |     |
| 6    | 1001097164  | 1   | <b>Box, Fiberglass (SN 0300112885 through 0300140000)</b>                          |     |
| 6A   | 7020246     | 2   | Latch  |     |
| 7    |             | Ref | <b>Module, Ground Control Options:</b>   |     |
|      |             | Ref | Note: Recalibration Required When Replaced.  |     |
| 7    | 1600327     | NLA | <b>Module, Ground Control (Use p/n 2915014) (SN 0300069000 through 0300077250)</b> |     |
| 7    | 1600364     | 1   | <b>Module, Ground Control (SN 0300077251 through</b>                               |     |

## SECTION 2 - TURNTABLE

| ITEM | PART NUMBER | QTY | DESCRIPTION   | REV |
|------|-------------|-----|---|-----|
| 7    | 1600364     | 1   | <b>0300085330</b><br>Module, Ground Control (Caterpillar and Ford Engines) (SN <b>0300085331 through 0300099883</b> ) |     |
| 7    | 1600411     | 1   | Module, Ground Control (Caterpillar Engines) (SN <b>0300099884 through 0300140000</b> )                               |     |
| 7    | 1600411     | 1   | Module, Ground Control (Deutz and GM Engines) (SN <b>0300085331 through 0300140000</b> )                              |     |
| 8    | 1670829     | 1   | Bezel   |     |
| 9    |             | Ref | Decal - Faceplate Options:  |     |
| 9    | 1703467     | 1   | Decal - Faceplate 800A (SN <b>0300069000 through 0300099883</b> )   |     |
| 9    | 1706912     | 1   | Decal - Faceplate 800A (SN <b>0300099884 through 0300135086</b> )   |     |
| 9    | 1001102599  | 1   | Decal - Faceplate 800A (SN <b>0300135087 through 0300140000</b> )   |     |
| 9    | 1703468     | 1   | Decal - Faceplate 800AJ (SN <b>0300069000 through 0300099883</b> )  |     |
| 9    | 1706913     | 1   | Decal - Faceplate 800AJ (SN <b>0300099884 through 0300135086</b> )  |     |
| 9    | 1001102600  | 1   | Decal - Faceplate 800AJ (SN <b>0300135087 through 0300140000</b> )  |     |
| 10   |             | Ref | Decal - Ground Control Display Options:   |     |
| 10   | 1704833     | 1   | Caterpillar and Ford Engine Machines (SN <b>0300069000 through 0300087265</b> )                                       |     |
| 10   | 1705753     | 1   | Caterpillar and Ford Engine Machines (SN <b>0300087266 through 0300099883</b> )                                       |     |
| 10   | 1704833     | 1   | Deutz Engine Machines (SN <b>0300069000 through 0300085330</b> )  |     |
| 10   | 1705753     | 1   | Deutz and GM Engine Machines (SN <b>0300085331 through 0300099883</b> )   |     |
| 10   | 1706712     | 1   | Caterpillar, Deutz and GM Engine Machines (SN <b>0300099884 through 0300140000</b> )                                  |     |
| 11   | 1705132     | 1   | Decal - Control ADE (SN <b>0300069000 through 0300099883</b> )  |     |
| 12   | 2420172     | 1   | Gauge, Hourmeter  |     |
| 13   | 2760105     | 1   | Housing, Display Light  |     |
| 14   | 3300205     | 4   | Nut, Retainer   |     |
| 15   | 3300408     | AR  | Locknut, Plastic Insert   |     |
| 16   | 3311401     | 10  | Nut 1/4in-20NC  |     |
| 17   | 3520035     | 1   | Plug, Cap   |     |
| 18   | 3539219     | 1   | Plate, Reinforcement  |     |
| 19   | 3740049     | Ref | Relay Options:  |     |
| 19   | 3740049     | 3   | Caterpillar Engine Machines   |     |
| 19   | 3740049     | 2   | Deutz, Ford and GM Engine Machines  |     |
| 20   | 3900268     | 2   | Screw, Flange #10 x 1/2in   |     |
| 21   | 3910804     | 6   | Screw #8-32NC x 1/4in   |     |
| 22   | 4060906     | Ref | Shield, Toggle Switch   |     |
| 22   |             | Ref | Shield, Toggle Switch 800A  |     |
| 22   | 4060906     | 8   | Shield, Toggle Switch (SN <b>0300069000 through 0300135086</b> )  |     |
| 22   | 4060906     | 1   | Shield, Toggle Switch (SN <b>0300135087 through 0300140000</b> )  |     |
| 22   |             | Ref | Shield, Toggle Switch 800AJ   |     |
| 22   | 4060906     | 9   | Shield, Toggle Switch (SN <b>0300069000 through 0300135087</b> )  |     |
| 22   | 4060906     | 1   | Shield, Toggle Switch (SN <b>0300135088 through</b>   |     |



## SECTION 2 - TURNTABLE

| ITEM | PART NUMBER | QTY | DESCRIPTION   | REV |
|------|-------------|-----|---|-----|
|      |             |     | <b>0300140000)</b>  |     |
| 23   | 4070987     | 1   | Shim (.015in)   |     |
| 24   | 4360328     | Ref | Switch, Toggle  |     |
| 24   | 4360328     | 8   | Switch, Toggle 800A   |     |
| 24   | 4360328     | 9   | Switch, Toggle 800AJ  |     |
| 25   | 4360469     | 1   | Switch, Key   |     |
| 25   | 2860030     | 1   | Key Replacement   |     |
| 26   | 4360475     | 1   | Switch, Emergency Stop  |     |
| 26   | 7020175     | 1   | Cap, Mushroom   |     |
| 26   | 7020176     | 1   | Block, Contact  |     |
| 27   | 4360476     | 1   | Switch, Contact Block   |     |
| 28   | 4460426     | 1   | Connector, Strain Relief  |     |
| 29   | 4460470     | 1   | Nut, Terminal   |     |
| 30   | 4460471     | 1   | Lockwasher, Terminal  |     |
| 31   | 4460488     | AR  | Mounting Base, Terminal   |     |
| 32   | 4460526     | 1   | Connector, Strain Relief  |     |
| 33   | 4460874     | 1   | Connector, Natural  |     |
| 34   | 4460875     | 1   | Connector, Gray   |     |
| 35   | 4460905     | AR  | Connector, Amp Seal   |     |
| 36   | 4740444     | AR  | Washer, Special   |     |
| 37   | 4751400     | 20  | Flatwasher 1/4in  |     |
| 38   | 4761400     | 15  | Lockwasher 1/4in  |     |
| 39   | 4922557     | 1   | Harness, Valve (Not Shown - See ELECTRICAL SECTION for Breakdown)   |     |
| 40   | 4922666     | 1   | Harness, Analyzer Cable (Not Shown - See ELECTRICAL SECTION for Breakdown Only) <b>(SN 0300069000 through 0300085331)</b> |     |
| 41   |             | Ref | Harness, Ground Control Box Options (Not Shown - See ELECTRICAL SECTION for Breakdown):                                   |     |
| 41   | 4922675     | 1   | Caterpillar and Ford Engine Machines <b>(SN 0300069000 through 0300087265)</b>  |     |
| 41   | 4923282     | 1   | Caterpillar and Ford Engine Machines <b>(SN 0300087266 through 0300099883)</b>  |     |
| 41   | 4922675     | 1   | Deutz Engine Machines <b>(SN 0300069000 through 0300085330)</b>   |     |
| 41   | 4923223     | 1   | Deutz and GM Engine Machines <b>(SN 0300085331 through 0300099883)</b>  |     |
| 41   | 4923575     | 1   | Caterpillar, Deutz and GM Engine Machines <b>(SN 0300099884 through 0300112884)</b>                                       |     |
| 41   | 1001096458  | 1   | Caterpillar, Deutz and GM Engine Machines <b>(SN 0300112885 through 0300140000)</b>                                       |     |
| 42   |             | Ref | Harness, Engine Options (Not Shown - See ELECTRICAL SECTION for Breakdown):   |     |
| 42   |             | Ref | Caterpillar Engine Machines   |     |
| 42   | 4922933     | 1   | Caterpillar Engine Machines <b>(SN 0300069000 through 0300087265)</b>   |     |
| 42   | 4923280     | 1   | Caterpillar Engine Machines <b>(SN 0300087266 through 0300099883)</b>   |     |
| 42   | 4923585     | 1   | Caterpillar Engine Machines <b>(SN 0300099884 through 0300140000)</b>   |     |
| 42   |             | Ref | Deutz Engine Machines   |     |
| 42   | 4922549     | 1   | Deutz Engine Machines <b>(SN 0300069000 through 0300085330)</b>   |     |
| 42   | 4923238     | 1   | Deutz Engine Machines <b>(SN 0300085331 through 0300129455)</b>   |     |

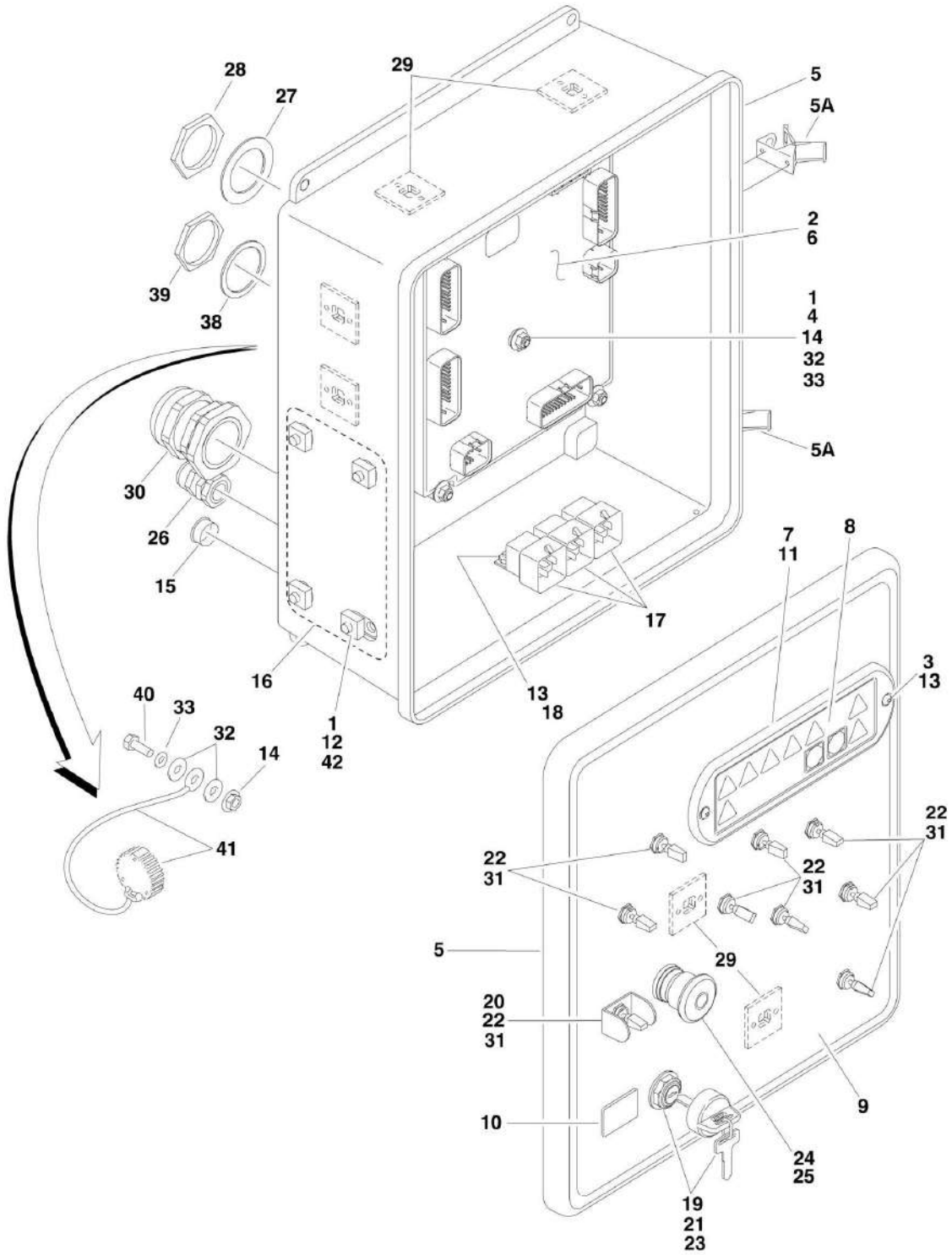
## SECTION 2 - TURNTABLE

| ITEM | PART NUMBER | QTY | DESCRIPTION  | REV |
|------|-------------|-----|--|-----|
| 42   | 1001102150  | 1   | Deutz Engine Machines (SN 0300129456 through 0300140000)                             |     |
| 42   |             | Ref | Ford Engine Machines   |     |
| 42   | 4922550     | 1   | Non-U/L (SN 0300069000 through 0300087265)   |     |
| 42   | 4922846     | 1   | U/L Machines (SN 0300069000 through 0300087265)                                      |     |
| 42   | 4923281     | 1   | Ford Engine Machines (SN 0300087266 through 0300140000)                              |     |
| 42   | 4923499     | 1   | GM Engine Machines   |     |
| 43   |             | Ref | Ground Control Box Wiring Diagram (Not Shown - See ELECTRICAL SECTION for Breakdown) |     |
| 43   |             | Ref | Caterpillar Engine Machines  |     |
| 43   | 4933296     | 1   | Caterpillar Engine Machines (SN 0300069000 through 0300087265)                       |     |
| 43   | 4933338     | 1   | Caterpillar Engine Machines (SN 0300087266 through 0300099883)                       |     |
| 43   | 4933373     | 1   | Caterpillar Engine Machines (SN 0300099884 through 0300140000)                       |     |
| 43   |             | Ref | Deutz Engine Machines  |     |
| 43   | 4933232     | 1   | Deutz Engine Machines (SN 0300069000 through 0300085330)                             |     |
| 43   | 4933321     | 1   | Deutz Engine Machines (SN 0300085331 through 0300099883)                             |     |
| 43   | 4933372     | 1   | Deutz Engine Machines (SN 0300099884 through 0300140000)                             |     |
| 43   |             | Ref | Ford Engine Machines   |     |
| 43   | 4933233     | 1   | Ford Engine Machines (SN 030006900 through 0300087265)                               |     |
| 43   | 4933339     | 1   | Ford Engine Machines (SN 0300087266 through 0300140000)                              |     |
| 43   |             | Ref | GM Engine Machines   |     |
| 43   | 4933356     | 1   | GM Engine Machines (SN 0300069000 through 0300099883)                                |     |
| 43   | 4933371     | 1   | GM Engine Machines (SN 0300099884 through 0300140000)                                |     |
| 44   | 0641410     | 2   | Bolt 1/4in-20NC x 1-1/4in  |     |
| 45   | 3311405     | 2   | Locknut 1/4in-20NC   |     |
| 46   | 1001094484  | 1   | Controller, UMS Module   |     |
| 47   | 4711400     | 4   | Flatwasher 1/4in   |     |



# SECTION 2 - TURNTABLE

## FIGURE 2-23. GROUND CONTROL BOX ASSEMBLY (WITH UGM)



## SECTION 2 - TURNTABLE

**FIGURE 2-23. GROUND CONTROL BOX ASSEMBLY (WITH UGM)**

| ITEM | PART NUMBER | QTY | DESCRIPTION  | REV |
|------|-------------|-----|--|-----|
|      |             | Ref | <b>GROUND CONTROL BOX ASSEMBLIES</b>                                 |     |
|      | 1001110317  | Ref | <b>Ground Control Box Assemblies 800A with Caterpillar Engine</b>    | B   |
|      | 1001110318  | Ref | <b>Ground Control Box Assemblies 800AJ with Caterpillar Engine</b>   | C   |
|      | 1001110313  | Ref | <b>Ground Control Box Assemblies 800A with Deutz Engine</b>          | B   |
|      | 1001110314  | Ref | <b>Ground Control Box Assemblies 800AJ with Deutz Engine</b>         | B   |
|      | 1001110311  | Ref | <b>Ground Control Box Assemblies 800A with GM Engine</b>             | A   |
|      | 1001110312  | Ref | <b>Ground Control Box Assemblies 800AJ with GM Engine</b>            | A   |
| 1    | 0100011     | AR  | Compound, Locking  |     |
| 2    | 0100048     | AR  | Grease, Dielectric   |     |
| 3    | 0630518     | 2   | Capscrew, Button Head  |     |
| 4    | 0630548     | 5   | Bolt, 2-1/2in Tap  |     |
| 5    | 1001110199  | 1   | Box, Fiberglass  |     |
| 5A   | 7020246     | 2   | Latch  |     |
| 6    | 1001103667  | 1   | Module, Ground Control (Note: Recalibration Required When Replaced.) |     |
| 7    | 1670829     | 1   | Bezel  |     |
| 8    | 1706712     | 1   | Decal - Ground Control Display                                       |     |
| 9    |             | Ref | Decal - Faceplate Options:   |     |
| 9    | 1001102599  | 1   | Decal - Faceplate 800A   |     |
| 9    | 1001102600  | 1   | Decal - Faceplate 800AJ  |     |
| 10   | 2420172     | 1   | Gauge, Hourmeter   |     |
| 11   | 2760105     | 1   | Housing, Display Light   |     |
| 12   | 3300205     | 4   | Nut, Retainer  |     |
| 13   | 3300408     | AR  | Locknut, Plastic Insert  |     |
| 14   | 77143013    | 11  | Nut 1/4in-20NC   |     |
| 15   | 3520035     | 1   | Plug, Cap  |     |
| 16   | 3539219     | 1   | Plate, Reinforcement   |     |
| 17   | 3740049     | Ref | Relay Options:   |     |
| 17   | 3740049     | 3   | Caterpillar Engine Machines  |     |
| 17   | 3740049     | 2   | Deutz and GM Engine Machines   |     |
| 18   | 3900268     | AR  | Screw, Flange #10 x 1/2in  |     |
| 19   | 3910804     | 6   | Screw #8-32NC x 1/4in  |     |
| 20   | 4060906     | 1   | Shield, Toggle Switch  |     |
| 21   | 4070987     | 1   | Shim (.015in)  |     |
| 22   | 4360328     | Ref | Switch, Toggle   |     |
| 22   | 4360328     | 8   | Switch, Toggle 800A  |     |
| 22   | 4360328     | 9   | Switch, Toggle 800AJ   |     |
| 23   | 4360469     | 1   | Switch, Key  |     |
| 23   | 2860030     | 1   | Key Replacement  |     |
| 24   | 4360475     | 1   | Switch, Emergency Stop   |     |
| 24   | 7020175     | 1   | Cap, Mushroom  |     |
| 24   | 7020176     | 1   | Block, Contact   |     |
| 25   | 4360476     | 1   | Switch, Contact Block  |     |
| 26   | 4460426     | 1   | Connector, Strain Relief   |     |
| 27   | 4460470     | 1   | Nut, Terminal  |     |
| 28   | 4460471     | 1   | Lockwasher, Terminal   |     |
| 29   | 4460488     | 6   | Mounting Base, Terminal  |     |
| 30   | 4460526     | 1   | Connector, Strain Relief   |     |
| 31   | 4740444     | AR  | Washer, Special  |     |

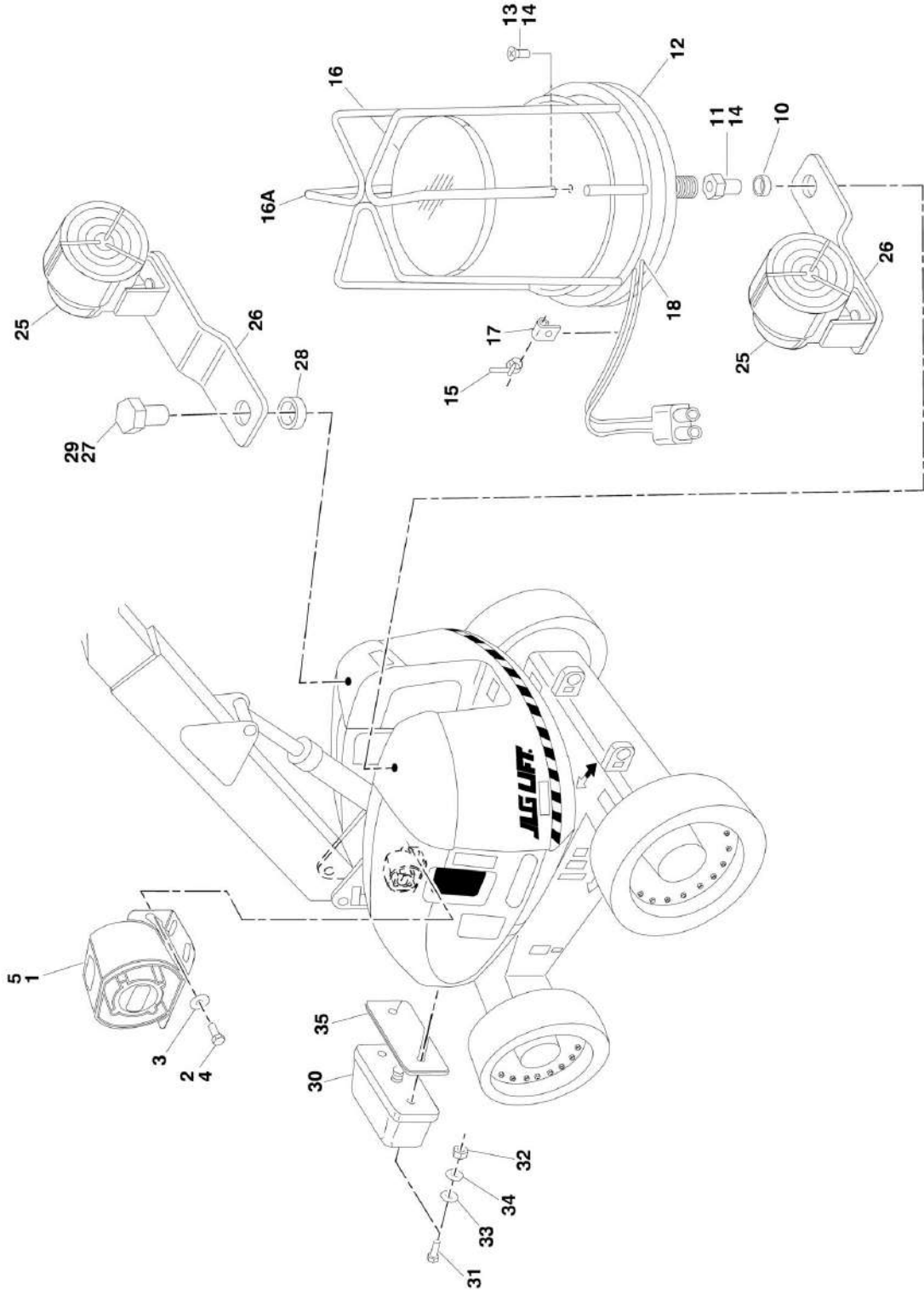
## SECTION 2 - TURNTABLE

| ITEM | PART NUMBER | QTY | DESCRIPTION  | REV |
|------|-------------|-----|--|-----|
| 32   | 4751400     | 12  | Flatwasher 1/4in   |     |
| 33   | 4761400     | 6   | Lockwasher 1/4in   |     |
| 34   | 4922557     | 1   | Harness, Valve (Not Shown - See ELECTRICAL SECTION for Breakdown)                      |     |
| 35   |             | Ref | Harness, Engine Options (Not Shown - See ELECTRICAL SECTION for Breakdown):            |     |
| 35   | 1001110324  | 1   | Caterpillar Engine Machines  |     |
| 35   | 1001110222  | 1   | Deutz Engine Machines  |     |
| 35   | 1001110221  | 1   | GM Engine Machines   |     |
| 36   | 1001110225  | 1   | Harness, Ground Control Box Options (Not Shown - See ELECTRICAL SECTION for Breakdown) |     |
| 37   |             | Ref | Ground Control Box Wiring Diagram (Not Shown - See ELECTRICAL SECTION for Breakdown)   |     |
| 37   | 1001110323  | 1   | Caterpillar Engine Machines  |     |
| 37   | 1001110322  | 1   | Deutz Engine Machines  |     |
| 37   | 1001110321  |     | GM Engine Machines   |     |
| 38   | 4460496     | 1   | Lockwasher, Terminal   |     |
| 39   | 4460497     | 1   | Nut, Terminal  |     |
| 40   | 0641407     | 1   | Bolt 1/4in-20NC x 7/8in  |     |
| 41   | 1001106736  | 1   | Cap, Dust  |     |
| 42   | 0641506     | 4   | Bolt 5/16in-18NC x 3/4in   |     |



# SECTION 2 - TURNTABLE

FIGURE 2-24. ELECTRICAL OPTIONS INSTALLATION (TURNTABLE MOUNTED)





**SECTION 2 - TURNTABLE**

**FIGURE 2-24. ELECTRICAL OPTIONS INSTALLATION (TURNTABLE MOUNTED)**

| ITEM | PART NUMBER | QTY       | DESCRIPTION   | REV |
|------|-------------|-----------|---|-----|
|      |             | Ref       | <b>ELECTRICAL OPTIONS INSTALLATIONS (TURNTABLE MOUNTED)</b>   |     |
|      | 0258674     | Ref       | <b>ALARMS INSTALLATIONS</b>   | C   |
| 1    | 0257887     | 1         | Alarm/Harness Assembly  |     |
| 1    | 0140032     | 1         | Alarm   |     |
| 1    | 2820035     | 6 in/15cm | Loom  |     |
| 1    | 4460424     | 1         | Plug  |     |
| 1    | 4460268     | 2         | Socket  |     |
| 2    | 0641508     | 2         | Bolt 5/16in-18NC x 1in  |     |
| 3    | 4711500     | 2         | Flatwasher 5/16in Narrow  |     |
| 4    | 0100011     | AR        | Compound, Locking   |     |
| 5    | 0100048     | AR        | Sealant, Silicone   |     |
|      | 0271422     | Ref       | <b>STROBE LIGHT INSTALLATIONS (AMBER) (OPTIONAL)</b>  | C   |
|      |             | Ref       | <b>Note: If machine is equipped with BLUE Strobe Light, See SPECIAL OPTIONS SECTION SkyGuard Kit.</b> |     |
| 10   | 4220162     | 1         | Spacer, Stop (Used with ECCO Model 6640 Only)   |     |
| 11   |             | Ref       | Adapter Options:  |     |
| 11   | 0630491     | 1         | Adapter - Used with ECCO Model 6640 Only  |     |
| 11   | 0080241     | 1         | Adapter - Used with ECCO Model 6650 Only  |     |
| 12   | 3539281     | 1         | Plate, Mounting (Used with ECCO Model 6640 Only)  |     |
| 13   | 0741606     | 1         | Screw, Flathead Countersunk 3/8in-16NC x 3/4in (Used with ECCO Model 6640 Only)                       |     |
| 14   | 0100011     | AR        | Compound, Locking   |     |
| 15   | 4240032     | 1         | Wire-Tile   |     |
| 16   | 0255917     | NLA       | Strobe Light/Guard/Harness Assembly (Use p/n 0272507)   |     |
| 16   |             | Ref       | Bulb, Replacement Options:  |     |
| 16   | 7016380     | 1         | Bulb - for ECCO Model 6640  |     |
| 16   | 70001941    | 1         | Bulb - for ECCO Model 6650  |     |
| 16A  |             | Ref       | Guard Options:  |     |
| 16A  | 4060907     | 1         | Guard - Used with ECCO Model 6640   |     |
| 16A  | 2920215     | 1         | Guard - Used with ECCO Model 6650   |     |
| 17   | 4460234     | 1         | Clamp   |     |
| 18   | 0100048     | AR        | Sealant, Silicone   |     |
|      |             | Ref       | <b>LIGHTS INSTALLATIONS (OPTIONAL)</b>  |     |
|      | 0271768     | Ref       | <b>Non-UL Spec Machines</b>   | C   |
|      | 0272754     | Ref       | <b>UL Spec Machines</b>   | 1   |
| 25   | 2920110     | 2         | Headlight   |     |
| 26   | 0902206     | 2         | Bracket, Mounting   |     |
| 27   | 0642612     | 1         | Bolt 1in-8NC x 1-1/2in  |     |
| 28   | 4220162     | 2         | Spacer  |     |
| 29   | 0100011     | AR        | Compound, Locking   |     |
| 30   | 2920113     | 2         | Taillight   |     |
| 31   | 3911040     | 4         | Screw, Machine #10-24NC x 2-1/2in   |     |
| 32   | 3311005     | 4         | Nut #10-24NC  |     |
| 33   | 4751000     | 4         | Flatwasher #10  |     |
| 34   | 4740362     | 4         | Washer, Fender  |     |
| 35   | 3960461     | 2         | Gasket  |     |
| 37   | 4240032     | 12        | Tie-Strap (Not Shown)   |     |
| 38   | 4460234     | 12        | Mount, Tie-Strap (Not Shown)  |     |
| 39   |             | Ref       | Switch, Toggle Options (Not Shown - Located on Console):  |     |

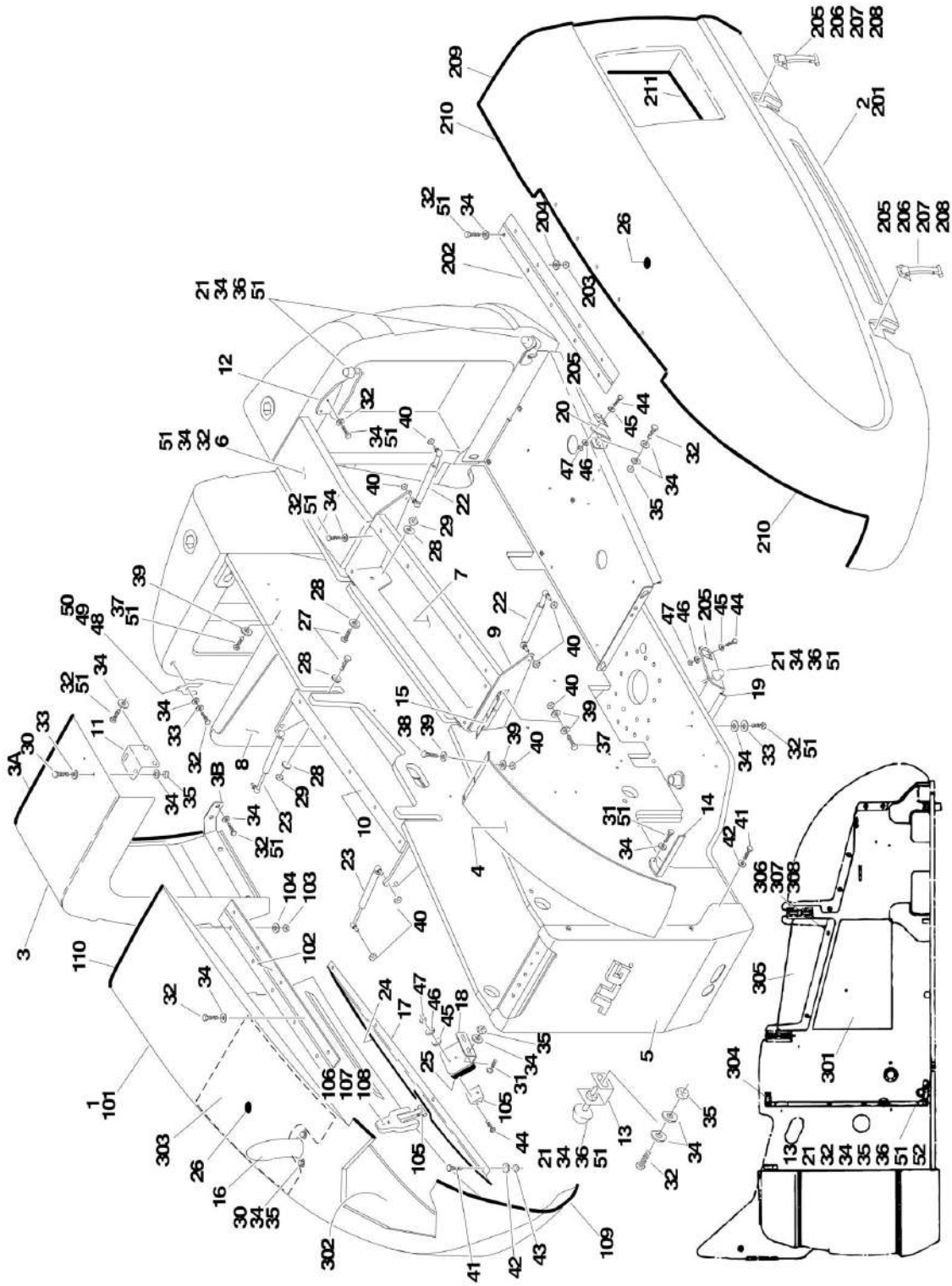
## SECTION 2 - TURNTABLE

| ITEM | PART NUMBER | QTY | DESCRIPTION  | REV |
|------|-------------|-----|--|-----|
| 39   | 4360336     | 1   | Switch, Toggle (Not Shown - Located on Console): <b>(SN 0300069000 through 0300136487)</b> |     |
| 39   | 4360522     | 1   | Switch, Toggle (Not Shown - Located on Console): <b>(SN 0300136488 through 0300140000)</b> |     |
| 40   | 3790012     | 1   | O-Ring (Not Shown - Located on Console) <b>(SN 0300069000 through 0300136487)</b>          |     |
| 41   | 1705170     | 1   | Decal, Lights (Not Shown) <b>(SN 0300136488 through 0300140000)</b>                        |     |



# SECTION 2 - TURNTABLE

FIGURE 2-25. HOODS INSTALLATION (SN 0300069000 through 0300089981)



## SECTION 2 - TURNTABLE

**FIGURE 2-25. HOODS INSTALLATION (SN 0300069000 through 0300089981)**

| ITEM | PART NUMBER  | QTY             | DESCRIPTION   | REV |
|------|--------------|-----------------|---|-----|
|      |              | Ref             | <b>HOODS INSTALLATION</b>   |     |
|      |              | Ref             | <b>Hoods Installation (SN 0300069000 through 0300077499)</b>  |     |
|      | 0258609      | Ref             | <b>Caterpillar and Deutz Engine Machines</b>  | 6-F |
|      | 0258609      | Ref             | <b>Non-U/L Ford Engine Machines</b>   | 6-F |
|      | 0272689      | Ref             | <b>UL Ford Engine Machines</b>  | 2-B |
|      |              | Ref             | <b>Hoods Installation (SN 0300077500 through 0300089982)</b>  |     |
|      | 0258609      | Ref             | <b>Caterpillar and Deutz Engine Machines</b>  | 6-F |
|      | 0274022      | Ref             | <b>Ford Engine Machines</b>   | 3-C |
| 1    |              | Ref             | Hood Assembly - Engine Side Options (See Items 101-110 for Breakdown):  |     |
| 1    | 2680451      | 1               | Non-U/L Machines  |     |
| 1    | 2680513      | 1               | UL Machines   |     |
| 2    | 2680448      | 1               | Hood Assembly - Tank Side (See Items 201-211 for Breakdown)   |     |
| 3    | 2680450      | 1               | Spacer Assembly   |     |
| 3A   | 3960453      | 68 in<br>/1.73m | Seal  |     |
| 3B   | 7023366      | 1               | Bracket   |     |
| 4    | 3380444      | 1               | Panel, Adapter  |     |
| 5    | 1670842      | 1               | Cover, Turntable End  |     |
| 6    | 3380442      | 1               | Cover, Top (Tank Side)  |     |
| 7    | 3380443      | 1               | Cover, Bracket (Tank Side Only) (Note: Item 7 covered hole in Item 9 hood bracket prior to the revision that eliminated the hole) <b>(SN 0300069000 through 0300087265)</b> |     |
| 8    |              | Ref             | Plate, Baffle Options:  |     |
| 8    |              | Ref             | Non-U/L Machines  |     |
| 8    | 3539979      | 1               | Non-U/L Machines <b>(SN 0300069000 through 0300076282)</b>  |     |
| 8    | Not Required | 0               | Non-U/L Machines <b>(SN 0300076283 through 0300089982)</b>  |     |
| 8    | 3539979      | 1               | UL Machines   |     |
| 9    | 0902412      | 1               | Bracket, Hood Mounting (Tank Side) (See Note under Item 7)  |     |
| 10   | 0902351      | 1               | Bracket, Hood Mounting (Engine Side)  |     |
| 11   | 0902161      | 1               | Bracket, Hood Spacer Mounting (Engine Side)   |     |
| 12   | 0902426      | 1               | Bracket, Bumper - Counterweight Mounted   |     |
| 13   | 0902219      | 2               | Bracket, Bumper   |     |
| 14   | 0362770      | 1               | Bar, Panel Mounting   |     |
| 15   | 2600244      | 1               | Adapter, Panel Hinge  |     |
| 16   |              | Ref             | Exhaust Tube Weldment Options:  |     |
| 16   | 4845411      | 1               | Caterpillar and Deutz Engine Machines   |     |
| 16   | 4845411      | 1               | Non-U/L Ford Engine Machines <b>(SN 0300069000 through 0300077499)</b>  |     |
| 16   | 3460399      | 1               | Non-U/L Ford Engine Machines <b>(SN 0300077500 through 0300089982)</b>  |     |
| 16   | Not Required | 0               | UL Machines   |     |
| 17   | 3539934      | 1               | Plate, Seal   |     |
| 18   | 0902491      | 1               | Bracket, Latch (Engine Side)  |     |
| 19   | 0902223      | 1               | Bracket, Latch (Tank Side)  |     |
| 20   | 0902143      | 1               | Bracket, Latch (Tank Side)  |     |
| 21   | 0940071      | AR              | Bumper  |     |
| 22   | 4160139      | 2               | Spring, Gas (Tank Side)   |     |
| 23   | 4160143      | 1               | Spring, Gas (Engine Side)   |     |
| 24   | 3960389      | 3.5 ft/1m       | Seal  |     |

## SECTION 2 - TURNTABLE

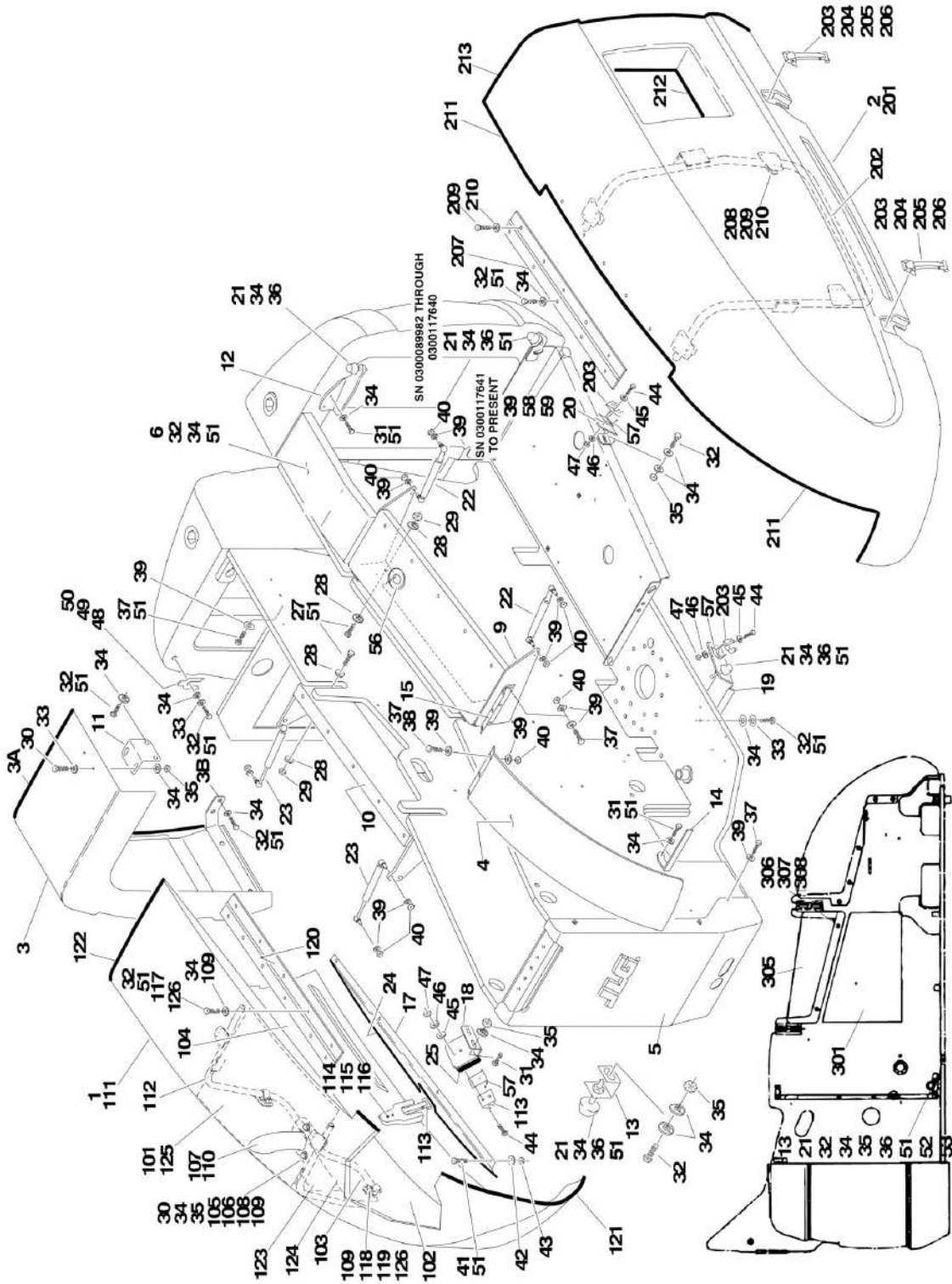
| ITEM | PART NUMBER | QTY             | DESCRIPTION                             | REV |
|------|-------------|-----------------|---|-----|
| 25   | 3960470     | 1               | Seal, Latch                             |     |
| 26   | 3520033     | 2               | Plug, Hole                              |     |
| 27   | 0630507     | AR              | Bolt, Carriage 1/2in-13NC x 1-1/4in     |     |
| 28   | 4740171     | AR              | Washer, Hardened                        |     |
| 29   | 3311805     | AR              | Locknut 1/2in-13NC                      |     |
| 30   | 3900232     | AR              | Screw, Button Head 3/8in-16NC x 1-1/4in |     |
| 31   | 0641609     | 5               | Bolt 3/8in-16NC x 1-1/8in               |     |
| 32   | 0641608     | 22              | Bolt 3/8in-16NC x 1in                   |     |
| 33   | 4740076     | 5               | Washer, Fender                          |     |
| 34   | 4751600     | AR              | Flatwasher 3/8in                        |     |
| 35   | 3311605     | AR              | Locknut 3/8in-16NC                      |     |
| 36   | 3311601     | AR              | Nut 3/8in-16NC                          |     |
| 37   | 0641508     | AR              | Bolt 5/16in-18NC x 1in                  |     |
| 38   | 3900210     | 3               | Screw, Button Head 5/16in-18NC x 3/4in  |     |
| 39   | 4751500     | AR              | Flatwasher 5/16in                       |     |
| 40   | 3311505     | AR              | Locknut 5/16in-18NC                     |     |
| 41   | 0641406     | AR              | Bolt 1/4in-20NC x 3/4in                 |     |
| 42   | 4751400     | AR              | Flatwasher 1/4in                        |     |
| 43   | 3311405     | AR              | Locknut 1/4in-20NC                      |     |
| 44   | 0721006     | 6               | Screw #10-24NC x 3/4in                  |     |
| 45   | 4751000     | 6               | Flatwasher #10                          |     |
| 46   | 4761000     | 6               | Lockwasher #10                          |     |
| 47   | 3311001     | 6               | Nut #10-24NC                            |     |
| 48   | 4070410     | AR              | Shim 1/16in                             |     |
| 49   | 4070411     | AR              | Shim 1/8in                              |     |
| 50   | 4070412     | AR              | Shim 3/16in                             |     |
| 51   | 0100011     | AR              | Compound, Locking                       |     |
| 52   | 0940094     | 1               | Bumper (UL Machines Only)               |     |
|      |             | Ref             | <b>HOOD ASSEMBLY (ENGINE SIDE)</b>      |     |
|      | 2680451     | Ref             | <b>Non-U/L Machines</b>                 | B   |
|      | 2680513     | Ref             | <b>UL Machines</b>                      | 1   |
| 101  |             | Ref             | Hood Options:                           |     |
| 101  | 2680436     | NLA             | Non-U/L Machines (Use p/n 2680451)      |     |
| 101  | 2680514     | 1               | UL Machines                             |     |
| 102  | 2600209     | 1               | Hinge                                   |     |
| 103  | 3311600     | 4               | Nut 3/8in-16NC                          |     |
| 104  | 4711600     | 4               | Flatwasher 3/8in                        |     |
| 105  | 2940088     | 1               | Latch                                   |     |
| 106  | 0721008     | 2               | Screw, Machine #10-24NC x 1in           |     |
| 107  | 4751000     | 2               | Flatwasher #10                          |     |
| 108  | 3311005     | 2               | Locknut #10-24NC                        |     |
| 109  | 3960464     | 65 in<br>/1.67m | Seal                                    |     |
| 110  | 3960462     | 61 in<br>/1.55m | Seal                                    |     |
|      | 2680448     | Ref             | <b>HOOD ASSEMBLY (TANK SIDE)</b>        | B   |
| 201  | 2680437     | 1               | Hood                                    |     |
| 202  | 2600233     | 1               | Hinge                                   |     |
| 203  | 3311605     | 5               | Locknut 3/8in-16NC                      |     |
| 204  | 4711600     | 5               | Flatwasher 3/8in Narrow                 |     |
| 205  | 2940088     | 2               | Latch                                   |     |
| 206  | 0721008     | 4               | Screw, Machine #10-24NC x 1in           |     |

## SECTION 2 - TURNTABLE

| ITEM | PART NUMBER | QTY             | DESCRIPTION  | REV |
|------|-------------|-----------------|--|-----|
| 207  | 4751000     | 4               | Flatwasher #10   | 3-C |
| 208  | 3311005     | 4               | Locknut #10-24NC   |     |
| 209  | 3960462     | 53 in<br>/1.35m | Seal   |     |
| 210  | 3960464     | 83 in<br>/2.11m | Seal   |     |
| 211  | 3960438     | 55 in/1.4m      | Seal   |     |
|      | 0256823     | Ref             | <b>NOISE REDUCTION INSTALLATION (CATERPILLAR/DEUTZ<br/>ENGINE MACHINES)</b>    |     |
| 301  | 2820078     | 1               | Foam, Acoustical (Turntable Side)  |     |
| 302  | 2820079     | 1               | Foam, Acoustical (Hood Side)   |     |
| 303  | 2820080     | 1               | Foam, Acoustical (Hood Top)  |     |
| 304  | 2820081     | 1               | Foam, Acoustical (Located on #8) <b>(SN 0300069000 through<br/>0300076785)</b> |     |
| 305  | 3539955     | 1               | Plate, Baffle  |     |
| 306  | 0641506     | 2               | Bolt 5/16in-18NC x 3/4in   |     |
| 307  | 4751500     | 2               | Flatwasher 5/16in  |     |
| 308  | 0100011     | AR              | Compound, Locking  |     |

# SECTION 2 - TURNTABLE

FIGURE 2-26. HOODS INSTALLATION (SN 0300089982 through 0300140000)





# SECTION 2 - TURNTABLE

**FIGURE 2-26. HOODS INSTALLATION (SN 0300089982 through 0300140000)**

| ITEM | PART NUMBER | QTY          | DESCRIPTION   | REV |
|------|-------------|--------------|---|-----|
|      |             | Ref          | <b>HOODS INSTALLATION</b>   |     |
|      |             | Ref          | <b>Hoods Installation (SN 0300089982 through 0300129455)</b>                    |     |
|      | 0274759     | Ref          | <b>Caterpillar and Deutz Engine Machines</b>                                    | E   |
|      | 0275546     | Ref          | <b>GM Engine Machines</b>   | D   |
|      |             | Ref          | <b>Hoods Installation (SN 0300129456 through 0300140000)</b>                    |     |
|      | 0274759     | Ref          | <b>Caterpillar Engine Machines</b>  | F   |
|      | 1001099137  | Ref          | <b>Deutz Engine Machines</b>  | B   |
|      | 0275546     | Ref          | <b>GM Engine Machines</b>   | G   |
| 1    |             | Ref          | Hood Assembly - Engine Side Options (see Items 101-124 for Breakdown):          |     |
|      |             | Ref          | <b>Note: Replacement Decals Must be Ordered Separately - See DECAL SECTION.</b> |     |
| 1    | 1671249     | 1            | Caterpillar Engine Machines (SN 0300089982 through 0300140000)                  |     |
| 1    | 1671249     | 1            | Deutz Engine Machines (SN 0300089982 through 0300129455)                        |     |
| 1    | 1001099138  | 1            | Deutz Engine Machines (SN 0300129456 through 0300140000)                        |     |
| 1    | 1671332     | 1            | GM Engine Machines (SN 0300089982 through 0300140000)                           |     |
| 2    | 1671228     | 1            | Hood Assembly - Tank Side (see Items 201-213 for Breakdown)                     |     |
|      |             | Ref          | <b>Note: Replacement Decals Must be Ordered Separately - See DECAL SECTION.</b> |     |
| 3    | 1671233     | 1            | Spacer Assembly   |     |
| 3A   | 3960453     | 68 in /1.73m | Seal  |     |
| 3B   | 0903308     | 1            | Bracket   |     |
| 4    | 3380444     | 1            | Panel, Adapter  |     |
| 5    | 1670842     | 1            | Cover, Turntable End  |     |
| 6    | 3380442     | 1            | Cover, Top (Tank Side)  |     |
| 9    | 0902412     | 1            | Bracket, Hood Mounting (Tank Side)  |     |
| 10   | 0902351     | 1            | Bracket, Hood Mounting (Engine Side)  |     |
| 11   | 0902161     | 1            | Bracket, Hood Spacer Mounting (Engine Side)                                     |     |
| 12   | 0902426     | 1            | Bracket, Bumper - Counterweight Mounted   |     |
| 13   | 0902219     | 2            | Bracket, Bumper   |     |
| 14   | 0362770     | 1            | Bar, Panel Mounting   |     |
| 15   | 2600244     | 1            | Adapter, Panel Hinge  |     |
| 17   | 3571712     | 1            | Plate, Seal   |     |
| 18   | 0902491     | 1            | Bracket, Latch (Engine Side)  |     |
| 19   | 0902223     | 1            | Bracket, Latch (Tank Side)  |     |
| 20   | 0902143     | 1            | Bracket, Latch (Tank Side)  |     |
| 21   | 0940071     | AR           | Bumper  |     |
| 22   | 4160139     | 2            | Spring, Gas (Tank Side)   |     |
| 23   | 4160143     | 1            | Spring, Gas (Engine Side)   |     |
| 24   | 3960389     | 3.5 ft/1m    | Seal  |     |
| 25   | 3960470     | 1            | Seal, Latch   |     |
| 27   | 0630507     | AR           | Bolt, Carriage 1/2in-13NC x 1-1/4in   |     |
| 28   | 4740171     | AR           | Washer, Hardened  |     |
| 29   | 3311805     | AR           | Locknut 1/2in-13NC  |     |
| 30   | 3900232     | AR           | Screw, Button Head 3/8in-16NC x 1-1/4in   |     |
| 31   | 0641609     | 5            | Bolt 3/8in-16NC x 1-1/8in   |     |

## SECTION 2 - TURNTABLE

| ITEM | PART NUMBER | QTY | DESCRIPTION  | REV |
|------|-------------|-----|--|-----|
| 32   | 0641608     | 22  | Bolt 3/8in-16NC x 1in  |     |
| 33   | 4740076     | 5   | Washer, Fender   |     |
| 34   | 4751600     | AR  | Flatwasher 3/8in   |     |
| 35   | 3311605     | AR  | Locknut 3/8in-16NC   |     |
| 36   | 3311601     | AR  | Nut 3/8in-16NC   |     |
| 37   | 0641508     | AR  | Bolt 5/16in-18NC x 1in   |     |
| 38   | 3900210     | 3   | Screw, Button Head 5/16in-18NC x 3/4in <b>(SN 0300089982 through 0300118452)</b>         |     |
| 39   | 4751500     | AR  | Flatwasher 5/16in  |     |
| 40   | 3311505     | AR  | Locknut 5/16in-18NC  |     |
| 41   | 0641406     | 4   | Bolt 1/4in-20NC x 3/4in  |     |
| 42   | 4751400     | AR  | Flatwasher 1/4in   |     |
| 43   | 3311405     | AR  | Locknut 1/4in-20NC   |     |
| 44   | 0721006     | 6   | Screw #10-24NC x 3/4in   |     |
| 45   | 4751000     | 6   | Flatwasher #10   |     |
| 46   | 4761000     | 6   | Lockwasher #10   |     |
| 47   | 3311001     | 6   | Nut #10-24NC   |     |
| 48   | 4070410     | AR  | Shim 1/16in  |     |
| 49   | 4070411     | AR  | Shim 1/8in   |     |
| 50   | 4070412     | AR  | Shim 3/16in  |     |
| 51   | 0100011     | AR  | Compound, Locking  |     |
| 52   |             | Ref | Bumper Options:  |     |
| 52   | 0940088     | 1   | Bumper (Caterpillar and Deutz Engine Machines) <b>(SN 0300089982 through 0300118452)</b> |     |
| 52   | 0940071     | 1   | Bumper <b>(SN 0300118453 through 0300140000)</b>   |     |
| 53   | 3321501     | 2   | Nut 5/16in-24NF  |     |
| 56   | 1120601     | 1   | Cap, Plug <b>(SN 0300098644 through 0300140000)</b>                                      |     |
| 57   | 2940188     | 3   | Latch, Spring Clip <b>(SN 0300098644 through 0300140000)</b>                             |     |
| 58   |             | Ref | Hardware Options:  |     |
| 58   | 0940071     | 1   | Bumper <b>(SN 0300089982 through 0300118452)</b>   |     |
| 58   | 0940049     | 1   | Stopper, Hood <b>(SN 0300118453 through 0300140000)</b>                                  |     |
| 59   | 3311501     | 2   | Nut 5/16in-18NC <b>(SN 0300118453 through 0300140000)</b>                                |     |
|      |             | Ref | <b>HOOD ASSEMBLIES (ENGINE SIDE)</b>   |     |
|      | 1671249     | Ref | <b>Caterpillar Engine Machines (SN 0300089982 through 0300140000)</b>                    | D   |
|      | 1671249     | Ref | <b>Deutz Engine Machines (SN 0300089982 through 0300129455)</b>                          | D   |
|      | 1001099138  | Ref | <b>Deutz Engine Machines (SN 0300129456 through 0300140000)</b>                          | B   |
|      | 1671332     | Ref | <b>GM Engine Machines (SN 0300089982 through 0300140000)</b>                             | E   |
| 101  |             | Ref | Insulation/Foam Options:   |     |
| 101  | 2820080     | 1   | Caterpillar Engine <b>(SN 0300089982 through 0300124624)</b>                             |     |
| 101  | 1001101391  | 1   | Caterpillar Engine <b>(SN 0300124625 through 0300140000)</b>                             |     |
| 101  | 2820080     | 1   | Deutz Engine <b>(SN 0300089982 through 0300124624)</b>                                   |     |
| 101  | 1001101391  | 1   | Deutz Engine <b>(SN 0300124625 through 0300129455)</b>                                   |     |
| 101  | 1001101673  | 1   | Deutz Engine <b>(SN 0300129456 through 0300140000)</b>                                   |     |
| 101  | See Note    | 1   | GM Engine <b>(SN 0300089982 through 0300140000)</b>                                      |     |
|      |             | Ref | Note: Refer to note at items 123 & 124.  |     |
| 102  | 2820233     | 1   | Insulation, Rear Sound (Caterpillar/Deutz Engine Only)                                   |     |
| 103  | 2820234     | 1   | Insulation, Center Sound (Caterpillar/Deutz Engine Only)                                 |     |
| 104  | 2820235     | 1   | Insulation, Rear Sound (Caterpillar/Deutz Engine Only)                                   |     |
| 105  | 3311605     | AR  | Locknut 3/8in x 16NC   |     |
| 106  | 3900232     | AR  | Screw, Button Head 3/8in-16NC x 1-1/4in  |     |
| 107  |             | Ref | Shield, Heat Gasket Options:   |     |

## SECTION 2 - TURNTABLE

| ITEM | PART NUMBER  | QTY             | DESCRIPTION  | REV |
|------|--------------|-----------------|--|-----|
| 107  | 4061010      | 1               | Shield, Heat Gasket (SN 0300089982 through 0300124624)   |     |
| 107  |              | Ref             | Shield, Heat Gasket (SN 0300124625 through 0300129455)   |     |
| 107  | 1001101392   | 1               | Caterpillar/Deutz Engine Machines  |     |
| 107  | Not Required | 0               | GM Engine Machines   |     |
| 107  |              | Ref             | Shield, Heat Gasket (SN 0300129456 through 0300140000)   |     |
| 107  | 1001101392   | 1               | Caterpillar Engine Machines  |     |
| 107  | 1001101623   | 1               | Deutz Engine Machines  |     |
| 107  | Not Required | 0               | GM Engine Machines   |     |
| 108  | 4740500      | AR              | Washer (Special)   |     |
| 109  | 4751600      | AR              | Flatwasher 3/8in   |     |
| 110  |              | Ref             | Exhaust Tube Weldment Options:   |     |
| 110  | 4845411      | 1               | Caterpillar Engine Machines  |     |
| 110  | 4845411      | 1               | Deutz Engine Machines (SN 0300089982 through 0300129455)   |     |
| 110  | 1001099121   | 1               | Deutz Engine Machines (SN 0300129456 through 0300140000)   |     |
| 110  | 3460552      | 1               | GM Engine (SN 0300089982 through 0300140000)   |     |
| 111  |              | Ref             | Hood Kit Options:  |     |
|      |              | Ref             | <b>Note: Replacement Decals Must be Ordered Separately - See DECAL SECTION.</b>  |     |
| 111  | 1001097965   | 1               | Caterpillar Engine Machines (Includes Items 101, 102, 103, 104, 107 & 108)   |     |
| 111  |              | Ref             | Deutz Engine Machines  |     |
| 111  | 1001097965   | 1               | Deutz Engine Machines (Includes Items 101, 102, 103, 104, 107 & 108) (SN 0300089982 through 0300129455)  |     |
| 111  | 1001099139   | 1               | Deutz Engine Machines (Must also purchase Items 101, 102, 103, 104, 107 & 108) (SN 0300129456 through 0300140000)  |     |
| 111  | 1001097964   | 1               | GM Engine Machines (Includes Items 101, 108 & 125)   |     |
| 112  | 1671230      | 1               | Frame, Tubular   |     |
| 113  | 2940088      | 1               | Latch  |     |
| 114  | 0721008      | 2               | Screw, Machine #10-24NC x 1in  |     |
| 115  | 4751000      | 2               | Flatwasher #10   |     |
| 116  | 3311005      | 2               | Locknut #10-24NC   |     |
| 117  | 0641608      | AR              | Bolt 3/8in-16NC x 1in  |     |
| 117  | 0641606      | AR              | Bolt 3/8in-16NC x 3/4in  |     |
| 118  | 1321384      | 4               | Hold Down  |     |
| 119  | 0641606      | 4               | Bolt 3/8in-16NC x 3/4in  |     |
| 120  | 2600209      | 1               | Hinge  |     |
| 121  | 3960464      | 65 in<br>/1.67m | Seal   |     |
| 122  | 3960462      | 61 in<br>/1.55m | Seal   |     |
| 123  | See Note     | 1               | Insulation, Heat (GM Engine Only) (was p/ns 2820176 & 1001101323) (Note: Use Item 101) (Note: Cover complete inside of hood with insulation. Fasten with Item 125 Tape)  |     |
| 124  | See Note     | 1               | Insulation, Heat (GM Engine Only) (was p/ns 2820153 & 1001101324) (Note: Use Item 101) (was p/ns 2820176 & 1001101323) (Note: Use Item 101) (Note: Cover complete inside of hood with insulation. Fasten with Item 125 Tape) |     |
| 125  | 1001117140   | AR              | Tape (GM Engine Only)  |     |
| 126  | 0100011      | AR              | Compound, Locking  |     |
|      | 1671228      | Ref             | <b>HOOD ASSEMBLY (TANK SIDE)</b>   | A   |
| 201  | 1671231      | 1               | Hood   |     |

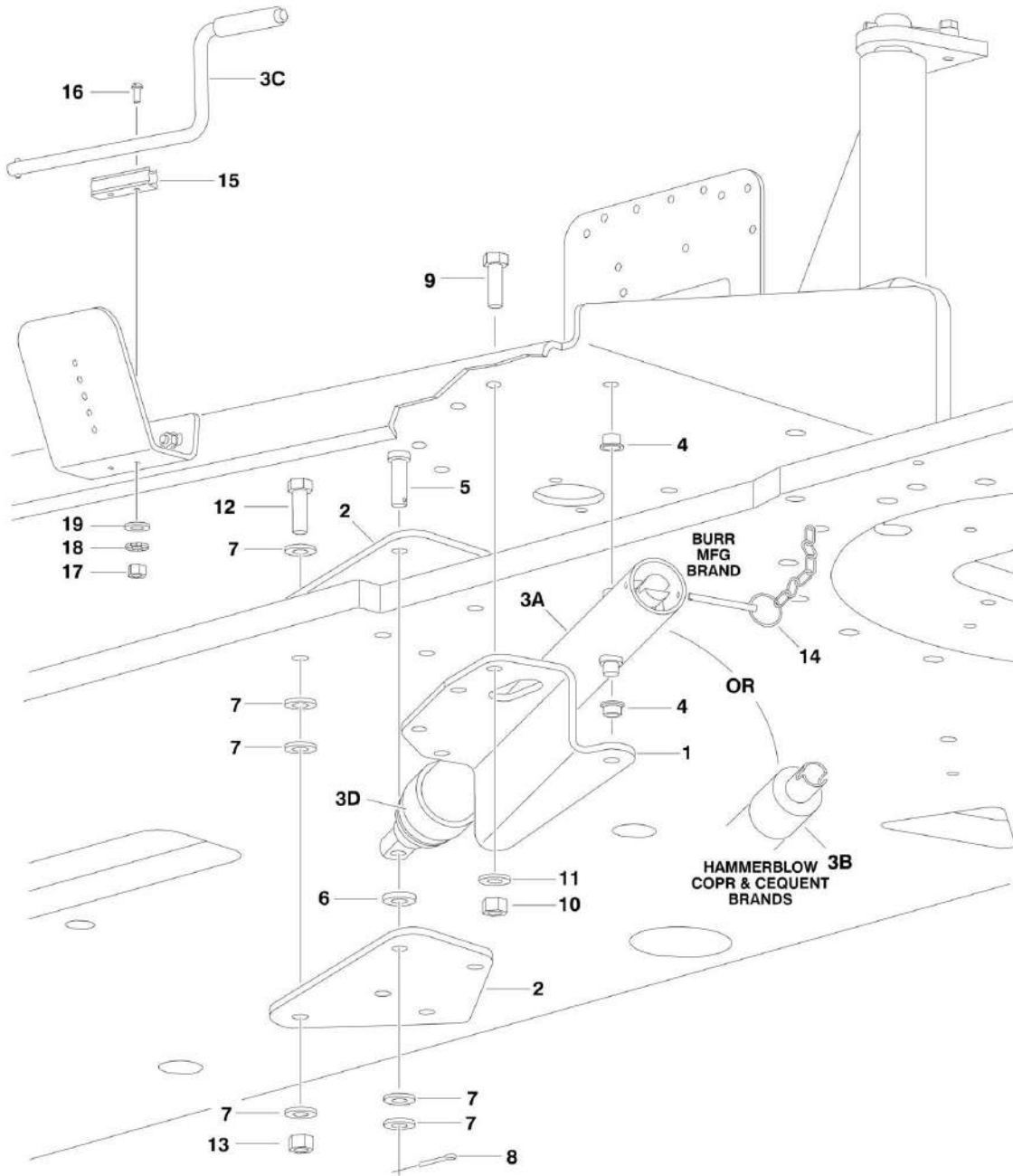
## SECTION 2 - TURNTABLE

| ITEM | PART NUMBER | QTY             | DESCRIPTION   | REV |
|------|-------------|-----------------|---|-----|
| 202  | 1671232     | 1               | Frame, Tubular  |     |
| 203  | 2940088     | 2               | Latch   |     |
| 204  | 0721008     | 4               | Screw, Machine #10-24NC x 1in   |     |
| 205  | 4751000     | 4               | Flatwasher #10  |     |
| 206  | 3311005     | 4               | Locknut #10-24NC  |     |
| 207  | 2600233     | 1               | Hinge   |     |
| 208  | 1321384     | 4               | Hold Down   |     |
| 209  | 0641606     | 9               | Bolt 3/8in-16NC x 3/4in   |     |
| 210  | 4711600     | 9               | Flatwasher 3/8in Narrow   |     |
| 211  | 3960464     | 83 in<br>/2.11m | Seal  |     |
| 212  | 3960438     | 55 in/1.4m      | Seal  |     |
| 213  | 3960462     | 53 in<br>/1.35m | Seal  |     |
|      | 0256823     | Ref             | <b>NOISE REDUCTION INSTALLATION (DEUTZ/CATERPILLAR<br/>ENGINE MACHINES)</b> | 3-C |
| 301  | 2820078     | 1               | Foam, Acoustical (Turntable Side)   |     |
| 305  | 3539955     | 1               | Plate, Baffle   |     |
| 306  | 0641506     | 2               | Bolt 5/16in-18NC x 3/4in  |     |
| 307  | 4751500     | 2               | Flatwasher 5/16in   |     |
| 308  | 0100011     | AR              | Compound, Locking   |     |



# SECTION 2 - TURNTABLE

## FIGURE 2-27. ENGINE TRAY JACK INSTALLATION (OPTIONAL)



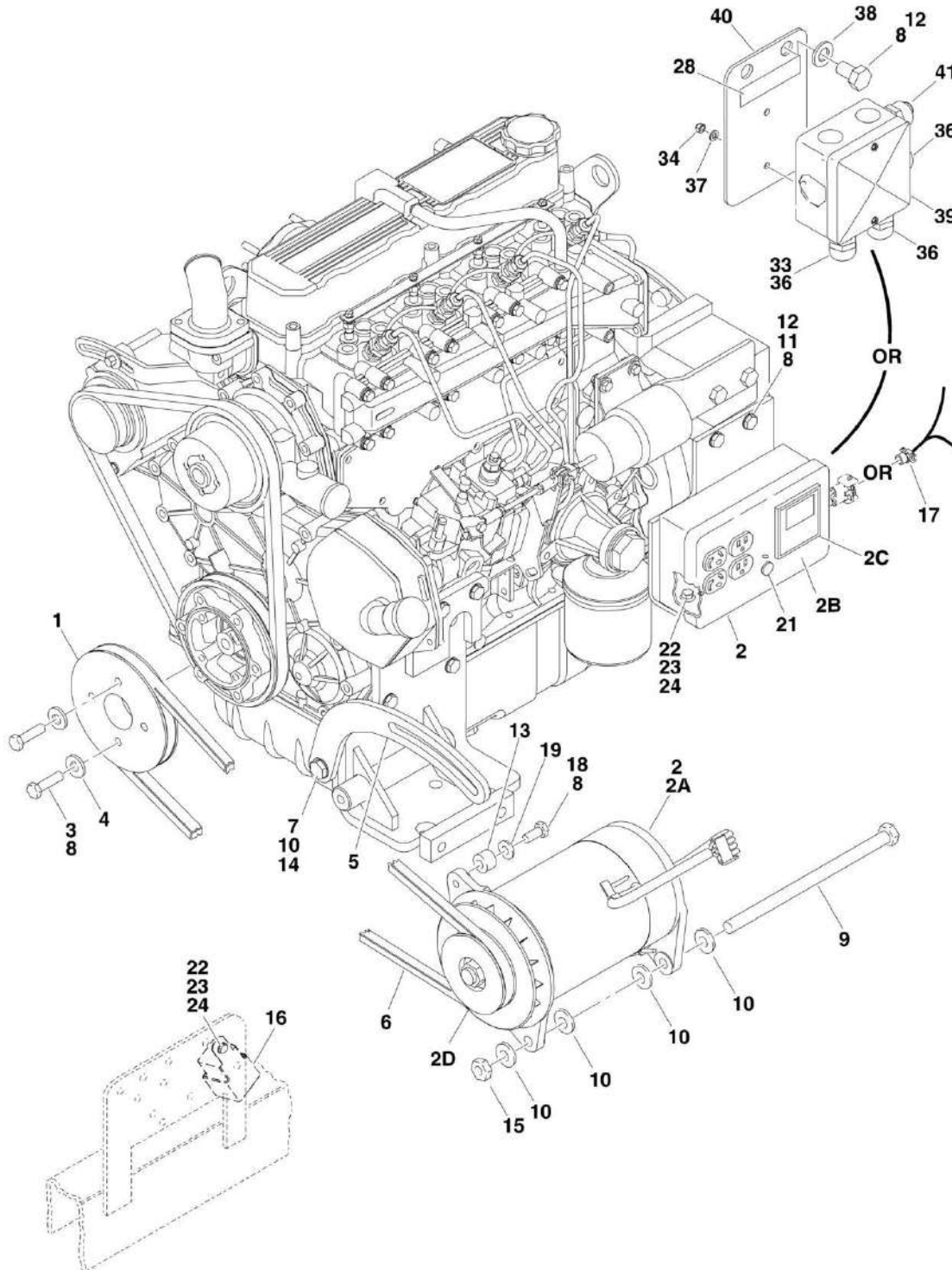
## SECTION 2 - TURNTABLE

### FIGURE 2-27. ENGINE TRAY JACK INSTALLATION (OPTIONAL)

| ITEM | PART NUMBER | QTY | DESCRIPTION  | REV |
|------|-------------|-----|--|-----|
|      | 0258728     | Ref | <b>ENGINE TRAY JACK INSTALLATION</b>                 | 2-C |
| 1    | 3537445     | 1   | Bracket  |     |
| 2    | 3537446     | 2   | Bracket  |     |
| 3    | 2840016     | 1   | Jack and Handle Assembly Options:                    | F   |
| 3A   |             | Ref | Burr Manufacturing Brand                             |     |
| 3B   |             | Ref | Hammerblow/Cequent Corp Brand                        |     |
| 3C   |             | Ref | Handle Options:                                      |     |
| 3C   | 7016374     | 1   | Burr Manufacturing Brand                             |     |
| 3C   | 7024598     | 1   | Hammerblow/Cequent Corp Brand                        |     |
| 3D   | 7016322     | 1   | Wiper (Burr Manufacturing Brand Only)                |     |
| 4    | 0962051     | 2   | Bearing, Flange                                      |     |
| 5    | 3430816     | 1   | Pin, Clevis  |     |
| 6    | 4891800     | 1   | Washer, Hardened                                     |     |
| 7    | 4711800     | 6   | Flatwasher 1/2in Narrow                              |     |
| 8    | 3450404     | 1   | Pin, Cotter 1/8in x 1in                              |     |
| 9    | 0641609     | 4   | Bolt 3/8in-16NC x 1-1/8in                            |     |
| 10   | 3311605     | 4   | Locknut 3/8in-16NC                                   |     |
| 11   | 4891600     | 4   | Washer, Hardened                                     |     |
| 12   | 0641818     | 4   | Bolt 1/2in-13NC x 2-1/4in                            |     |
| 13   | 3311805     | 4   | Locknut 1/2in-13NC                                   |     |
| 14   | 3422530     | 1   | Pin, Hitch <b>(SN 0300069000 through 0300070638)</b> |     |
| 15   | 1380147     | 1   | Clip, Spring   |     |
| 16   | 3910608     | 2   | Screw, Round Head #6-32NC x 1in                      |     |
| 17   | 3310601     | 2   | Nut #6-32NC  |     |
| 18   | 4770600     | 2   | Starwasher #6  |     |
| 19   | 4740119     | 2   | Washer, Aluminum                                     |     |

# SECTION 2 - TURNTABLE

## FIGURE 2-28. 2500W GENERATOR INSTALLATION - CATERPILLAR MACHINES (OPTIONAL)





**SECTION 2 - TURNTABLE**

**FIGURE 2-28. 2500W GENERATOR INSTALLATION - CATERPILLAR MACHINES (OPTIONAL)**

| ITEM | PART NUMBER      | QTY | DESCRIPTION  | REV |
|------|------------------|-----|--|-----|
|      |                  | Ref | <b>GENERATOR INSTALLATION OPTIONS:</b>   |     |
|      | 0273518          | Ref | <b>110V/60Hz (SN 0300069000 through 0300082503)</b>  | 3-C |
|      | 0274081          | Ref | <b>110V/60Hz (SN 0300082504 through 0300139399)</b>  | 1-A |
|      | 1001115404       | Ref | <b>110V/60Hz (SN 0300139400 through 0300140000)</b>  | A   |
|      | 0273538          | Ref | <b>110V/50Hz (ANSI Export Spec Only) (SN 0300069000 through 0300082503)</b>  | 3-C |
|      | 0274091          | Ref | <b>110V/50Hz (ANSI Export Spec Only) (SN 0300082504 through 0300132890)</b>  | 1-A |
|      | No Longer Avail. | Ref | <b>110V/50Hz (SN 0300132891 through 0300140000)</b>  |     |
|      | 0273539          | Ref | <b>220V/50Hz (ANSI Export Spec Only) (SN 0300069000 through 0300082503)</b>  | 3-C |
|      | 0274087          | Ref | <b>220V/50Hz (ANSI Export Spec Only) (SN 0300082504 through 0300132890)</b>  | 1-A |
|      | 1001102548       | Re  | <b>220V/50Hz (ANSI Export Spec Only) (SN 0300132891 through 0300139399)</b>  | B   |
|      | 1001115414       | Ref | <b>220V/50Hz (ANSI Export Spec Only) (SN 0300139400 through 0300140000)</b>  | A   |
| 1    | 3580322          | 1   | Pulley   |     |
| 2    |                  | Ref | Generator and Control Box Assembly Options:  |     |
| 2    | 2460032          | 1   | <b>110V/60Hz (SN 0300069000 through 0300082503)</b>  |     |
| 2    | 2460055          | 1   | <b>110V/60Hz (SN 0300082504 through 0300140000)</b>  |     |
| 2    | 2460039          | 1   | <b>110V/50Hz (SN 0300069000 through 0300082503)</b>  |     |
| 2    | 2460057          | 1   | <b>110V/50Hz (SN 0300082504 through 0300132891)</b>  |     |
| 2    | 2460013          | 1   | <b>220V/50Hz (SN 0300069000 through 0300082503)</b>  |     |
| 2    | 2460056          | 1   | <b>220V/50Hz (SN 0300082504 through 0300132890)</b>  |     |
| 2    | 1001100321       | 1   | <b>220V/50Hz (SN 0300132891 through 0300140000)</b>  |     |
| 2A   |                  | Ref | Generator Options:   |     |
| 2A   | 7012558          | 1   | 110V/60Hz Replacement Generator  |     |
| 2A   | 2460049          | 1   | 110V/50Hz Replacement Generator  |     |
| 2A   | 1001100321       | 1   | 220V/50Hz Replacement Generator  |     |
|      |                  | Ref | <b>Note: Replacement Generators come standard with p/n 3580134 pulley. This pulley may not be correct for all applications. Refer to pulley options below.</b> |     |
| 2A   | 7026199          | 1   | 110V/60Hz Armature with Slip Rings   |     |
| 2A   | 70000122         | 1   | 110V/50Hz Armature with Slip Rings   |     |
| 2A   | 70000123         | 1   | 220V/50Hz Armature with Slip Rings   |     |
| 2A   | 7012513          | 4   | Cap, Brush Holder  |     |
| 2A   | 7020108          | 4   | Brush  |     |
| 2A   | 7020109          | 4   | Holder, Brush  |     |
| 2A   | 7012514          | 1   | Fan  |     |
| 2A   | 7020190          | 2   | Bearing  |     |
| 2A   | 7020110          | 1   | End Bell, Front  |     |
| 2A   | 7020111          | 1   | End Bell, Rear   |     |
| 2B   |                  | Ref | Box, Control Options:  |     |
| 2B   |                  | Ref | 110V/60Hz Replacement Box  |     |
| 2B   | 7003657          | 1   | <b>110V/60Hz Replacement Box (SN 0300069000 through 0300082503)</b>  |     |
| 2B   | 7019680          | 1   | <b>110V/60Hz Replacement Box (SN 0300082504 through 0300140000)</b>  |     |
| 2B   |                  | Ref | 110V/50Hz Replacement Box  |     |
| 2B   | 70002240         | 1   | <b>110V/50Hz Replacement Box (SN 0300069000 through 0300082503)</b>  |     |

## SECTION 2 - TURNTABLE

| ITEM | PART NUMBER | QTY | DESCRIPTION   | REV |
|------|-------------|-----|---|-----|
| 2B   | 7019680     | 1   | 110V/50Hz Replacement Box (SN 0300082504 through 0300132891)  |     |
| 2B   |             | Ref | 220V/50Hz Replacement Box                                     |     |
| 2B   | 70002235    | 1   | 220V/50Hz Replacement Box (SN 0300069000 through 0300082503)  |     |
| 2B   | 70000127    | 1   | 220V/50Hz Replacement Box (SN 0300082504 through 0300132891)  |     |
| 2B   |             | Ref | Breaker, Circuit Options:                                     |     |
| 2B   | 4360542     | 1   | 110V/60Hz Breaker, Circuit                                    |     |
| 2B   |             | Ref | 110V/50Hz Breaker, Circuit Options:                           |     |
| 2B   | 70002240    | 1   | 110V/50Hz Breaker, Circuit (SN 0300069000 through 0300082503) |     |
| 2B   | 4360542     | 1   | 110V/50Hz Breaker, Circuit (SN 0300082504 through 0300132891) |     |
| 2B   | 70000126    | 1   | 220V Breaker, Circuit   |     |
| 2B   | 4460190     | AR  | Receptacle, Double (110V Box)                                 |     |
| 2B   | 4460027     | AR  | Receptacle, Double Twist Lock (110V Box)                      |     |
| 2B   | 70000124    | 1   | Receptacle, Double (220V Box)                                 |     |
| 2B   | 70000125    | 1   | Receptacle, Single Twist Lock (220V Box)                      |     |
| 2B   | 2920162     | 1   | Lamp Assembly (SN 0300069000 through 0300082503)              |     |
| 2B   | 7020191     | 1   | Switch, Toggle (SN 0300069000 through 0300082503)             |     |
| 2C   |             | Ref | Voltmeter Options:  |     |
| 2C   | 2420203     | 1   | 110V  |     |
| 2C   | 7020192     | 1   | 220V  |     |
| 2D   |             | Ref | Pulley Options:   |     |
| 2D   | 3580276     | 1   | 110V/60Hz   |     |
| 2D   | 3580134     | 1   | 110V/50Hz   |     |
| 2D   | 3580134     | 1   | 220V/50Hz   |     |
| 2D   | 7027887     | 1   | Key, Woodruff   |     |
| 3    | 0700816     | 4   | Bolt M8 x 40mm  |     |
| 4    |             | Ref | Flatwasher Options:   |     |
| 4    | 4751900     | 4   | 9/16in Flatwasher   |     |
| 4    | 4811900     | 4   | M8 Flatwasher   |     |
| 5    | 0200742     | NLA | Arm, Adjusting (Use p/n 0200819)                              |     |
| 6    |             | Ref | V-Belt Options:   |     |
| 6    | 0480121     | 1   | 110V/60Hz   |     |
| 6    | 0480120     | 1   | 110V/50Hz   |     |
| 6    | 0480120     | 1   | 220V/50Hz   |     |
| 7    | 0641610     | 1   | Bolt 3/8in-16NC x 1-1/4in                                     |     |
| 8    | 0100011     | AR  | Compound, Locking   |     |
| 9    | 0641772     | 1   | Bolt 7/16in-14NC x 9in  |     |
| 10   | 4751600     | 6   | Flatwasher 3/8in  |     |
| 11   | 3574684     | 1   | Plate, Box Mounting   |     |
| 12   | 0761210     | 2   | Bolt M12 x 20mm   |     |
| 13   | 0962653     | NLA | Bushing, Spacer (Use p/n 0962563)                             |     |
| 14   | 3311605     | 1   | Locknut 3/8in-16NC  |     |
| 15   | 3311705     | 1   | Locknut 7/16in-14NC   |     |
| 16   | 3740080     | 1   | Relay   |     |
| 17   | 4460023     | 1   | Connector, Strain Relief (SN 0300069000 through 0300082503)   |     |
| 18   | 0641508     | 1   | Bolt 5/16in-18NC x 1in  |     |
| 19   | 4751500     | 1   | Flatwasher 5/16in   |     |
| 21   | 3520028     | 1   | Plug, Hole  |     |

## SECTION 2 - TURNTABLE

| ITEM | PART NUMBER | QTY             | DESCRIPTION  | REV |
|------|-------------|-----------------|--|-----|
| 22   | 0721006     | AR              | Bolt #10-24NC x 3/4in  |     |
| 23   | 3311005     | AR              | Locknut #10-24NC   |     |
| 24   | 4751000     | AR              | Flatwasher #10   |     |
| 25   | 4360336     | 1               | Switch, Toggle (Not Shown - Located at Platform)                                       |     |
| 27   | 4060802     | 1               | Guard, Switch (Not Shown - Located at Platform)  |     |
| 28   |             | Ref             | Decal - Voltage Options (Not Shown - Located at Platform and On Junction Box Bracket): |     |
| 28   | 3251243     | AR              | 110V/60Hz  |     |
| 28   | 1705325     | AR              | 110V/50Hz  |     |
| 28   | 3252507     | AR              | 220V/50-60HZ   |     |
| 29   | 2820031     | 0.4 in<br>/10cm | Heat Shrink (Not Shown - Located at Platform)  |     |
| 30   | 3251102     | 1               | Decal (Not Shown - Located at Platform)  |     |
| 31   | 4740397     | 1               | Shim (Not Shown - Used on Toggle Switch at Platform)                                   |     |
| 32   | 4240018     | AR              | Tie Strap (Not Shown)  |     |
| 33   | 0962449     | 1               | Bushing, Silicone  |     |
| 34   | 3290505     | 2               | Locknut M5   |     |
| 35   | 4031608     | 2               | Screw M5 x 20mm  |     |
| 36   | 4460968     | 3               | Relief, Strain   |     |
| 37   | 4811600     | 2               | Flatwasher M5  |     |
| 38   | 4812100     | 2               | Flatwasher M12   |     |
| 39   | 1001099869  | 1               | Box, Junction  |     |
| 40   | 1001102644  | 1               | Plate, Box Mounting  |     |
| 41   |             | Ref             | Lamp, Red Options:   |     |
| 41   | 1001100233  | 1               | 110V/50Hz  |     |
| 41   | 1001100234  | 1               | 220V/50Hz  |     |



**SECTION 2 - TURNTABLE**

**FIGURE 2-29. 2500W GENERATOR INSTALLATION - DEUTZ MACHINES (OPTIONAL)**

| ITEM | PART NUMBER | QTY | DESCRIPTION  | REV |
|------|-------------|-----|--|-----|
|      |             | Ref | <b>GENERATOR INSTALLATIONS</b>   |     |
|      | 0272480     | Ref | <b>110V/60Hz (SN 0300069000 through 0300082503)</b>  | 3-B |
|      | 0274082     | Ref | <b>110V/60Hz (SN 0300082504 through 0300139399)</b>  | 3-C |
|      | 1001115405  | Ref | <b>110V/60Hz (SN 0300139400 through 0300140000)</b>  | A   |
|      | 0272481     | Ref | <b>220V/50Hz (ANSI Export Specs Only) (SN 0300069000 through 0300082503)</b>   | 3-B |
|      | 0274086     | Ref | <b>220V/50Hz (ANSI Export Specs Only) (SN 0300082504 through 0300139399)</b>   | 1-A |
|      | 1001115409  | Ref | <b>220V/50Hz (ANSI Export Specs Only) (SN 0300139400 through 0300140000)</b>   | A   |
| 1    | 3580158     | 1   | Pulley   |     |
| 2    |             | Ref | Generator and Control Box Assembly Options:  |     |
| 2    | 2460032     | 1   | 110V/60Hz Assembly ( <b>SN 0300069000 through 0300082503</b> )   | C   |
| 2    | 2460055     | 1   | 110V/60Hz Assembly ( <b>SN 0300082504 through 0300140000</b> )   | A   |
| 2    | 2460013     | 1   | 220V/50Hz Assembly ( <b>SN 0300069000 through 0300082503</b> )   | B   |
| 2    | 2460056     | 1   | 220V/50Hz Assembly ( <b>SN 0300082504 through 0300140000</b> )   | A   |
| 2A   |             | Ref | Generator Options:   |     |
| 2A   | 7012558     | 1   | 110V/60Hz Replacement Generator  |     |
| 2A   | 1001100321  | 1   | 220V/50Hz Replacement Generator  |     |
|      |             | Ref | <b>Note: Replacement Generators come standard with p/n 3580134 pulley. This pulley may not be correct for all applications. Refer to pulley options below.</b> |     |
| 2A   | 7026199     | 1   | 110V/60Hz Armature with Slip Rings   |     |
| 2A   | 70000123    | 1   | 220V/50Hz Armature with Slip Rings   |     |
| 2A   | 7012513     | 4   | Cap, Brush Holder  |     |
| 2A   | 7020108     | 4   | Brush  |     |
| 2A   | 7020109     | 4   | Holder, Brush  |     |
| 2A   | 7012514     | 1   | Fan  |     |
| 2A   | 7020190     | 2   | Bearing  |     |
| 2A   | 7020110     | 1   | End Bell, Front  |     |
| 2A   | 7020111     | 1   | End Bell, Rear   |     |
| 2B   |             | Ref | Box, Control Options:  |     |
| 2B   | 7003657     | 1   | 110V/60Hz Replacement Box ( <b>SN 0300069000 through 0300082503</b> )  |     |
| 2B   | 7019680     | 1   | 110V/60Hz Replacement Box ( <b>SN 0300082504 through 0300140000</b> )  |     |
| 2B   | 70002235    | 1   | 220V/50Hz Replacement Box ( <b>SN 0300069000 through 0300082503</b> )  |     |
| 2B   | 70000127    | 1   | 220V/50Hz Replacement Box ( <b>SN 0300082504 through 0300140000</b> )  |     |
| 2B   |             | Ref | Breaker, Circuit Options:  |     |
| 2B   | 4360542     | 1   | 110V   |     |
| 2B   | 70000126    | 1   | 220V   |     |
| 2B   | 4460190     | AR  | Receptacle, Double (110V Box)  |     |
| 2B   | 4460027     | AR  | Receptacle, Double Twist Lock (110V Box)   |     |
| 2B   | 70000124    | 1   | Receptacle, Double (220V Box)  |     |
| 2B   | 70000125    | 1   | Receptacle, Single Twist Lock (220V Box)   |     |
| 2B   | 2920162     | 1   | Lamp Assembly ( <b>SN 0300069000 through 0300082503</b> )  |     |
| 2B   | 7020191     | 1   | Switch, Toggle ( <b>SN 0300069000 through 0300082503</b> )   |     |
| 2C   |             | Ref | Voltmeter Options:   |     |
| 2C   | 2420203     | 1   | 110V   |     |
| 2C   | 7020192     | 1   | 220V   |     |

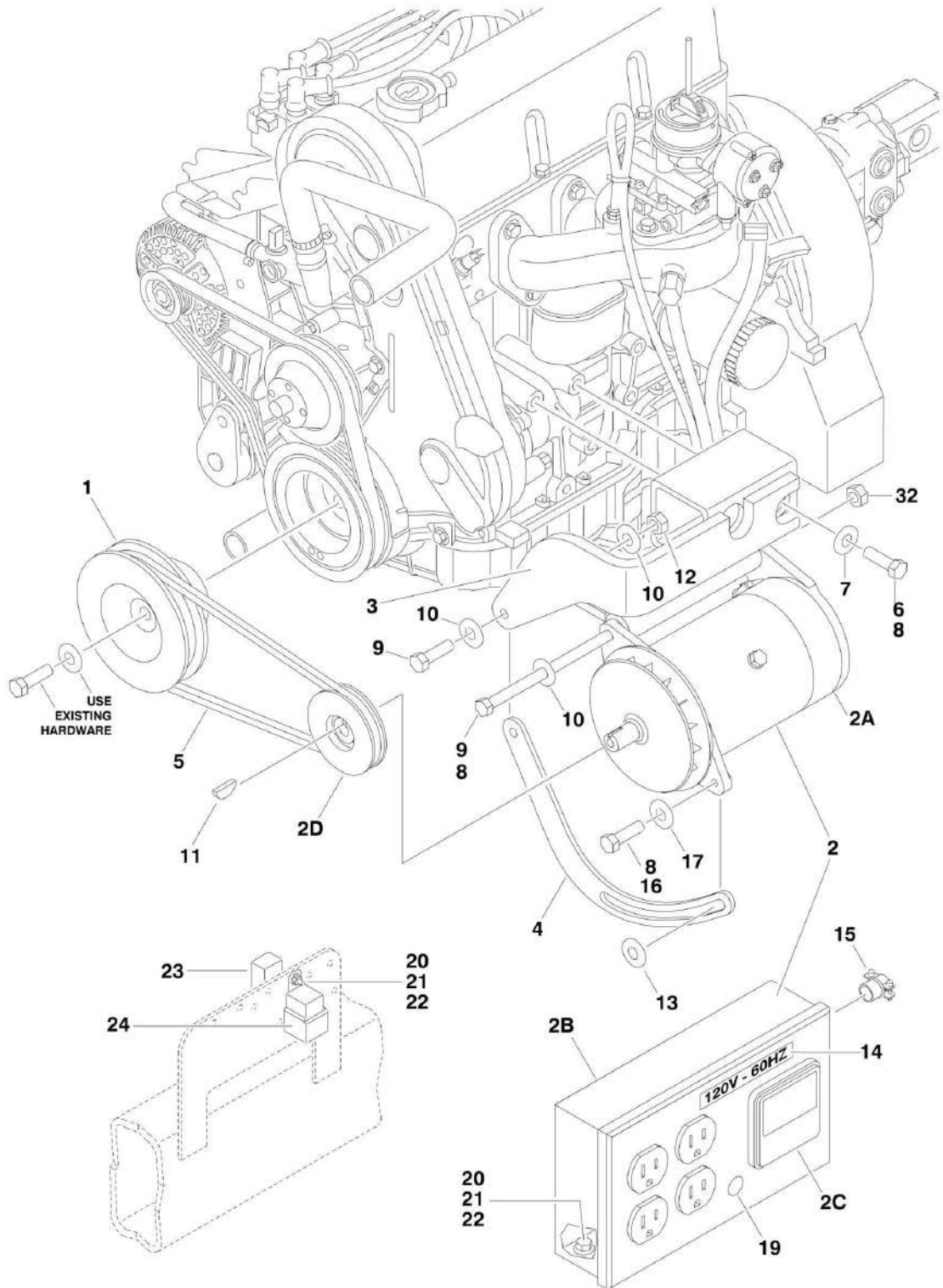
## SECTION 2 - TURNTABLE

| ITEM | PART NUMBER | QTY       | DESCRIPTION   | REV |
|------|-------------|-----------|---|-----|
| 2D   |             | Ref       | Pulley Options:   |     |
| 2D   | 3580276     | 1         | 110V  |     |
| 2D   | 3580134     | 1         | 220V  |     |
| 2D   | 7027887     | 1         | Key, Woodruff   |     |
| 3    |             | Ref       | Decal - Voltage Options:  |     |
| 3    | 3251243     | 1         | 110V/60Hz   |     |
| 3    | 3252507     | 1         | 220V/50-60Hz (Not Shown - Located at Turntable)                     |     |
| 4    | 0200742     | 1         | Arm, Adjusting  |     |
| 5    | 0480121     | 1         | V-Belt  |     |
| 7    | 0641610     | 1         | Bolt 3/8in-16NC x 1-1/4in   |     |
| 8    | 0100011     | AR        | Compound, Locking   |     |
| 9    | 0641772     | 1         | Bolt 7/16in-14NC x 9in  |     |
| 10   | 4751600     | 6         | Flatwasher 3/8in  |     |
| 10   | 4070585     | 1         | Spacer 5/8inID x .010 Thick   |     |
| 11   | 2860012     | 1         | Key, Woodruff   |     |
| 12   | 3311605     | 1         | Locknut 3/8in-16NC  |     |
| 13   | 3311705     |           | Locknut 7/16in-14NC   |     |
| 14   | 3740080     | 1         | Relay   |     |
| 15   | 4460023     | 1         | Connector, Strain Relief <b>(SN 0300069000 through 0300082503)</b>  |     |
| 16   | 0641508     | 1         | Bolt 5/16in-18NC x 1in  |     |
| 17   | 4751500     | 1         | Flatwasher 5/16in   |     |
| 19   | 3520028     | 1         | Plug, Hole  |     |
| 20   | 0721006     | 1         | Bolt #10-24NC x 3/4in   |     |
| 21   | 3311005     | 3         | Locknut #10-24NC  |     |
| 22   | 4751000     | 6         | Flatwasher #10  |     |
| 23   | 4360294     | 1         | Breaker, Circuit - 30 Amp <b>(SN 0300069000 through 0300082503)</b> |     |
| 25   | 4360336     | 1         | Switch, Toggle (Not Shown - Located at Platform)                    |     |
| 26   | 4740397     | 1         | Bushing (Not Shown - Located at Platform)                           |     |
| 27   | 4060802     | 1         | Guard, Switch (Not Shown - Located at Platform)                     |     |
| 29   | 2820031     | 4 in/10cm | Heat Shrink (Not Shown - Located at Platform)                       |     |
| 30   |             | Ref       | Decal Options (Not Shown - Located at Platform):                    |     |
| 30   | 3251102     | 1         | 110V - 60Hz   |     |
| 30   | 3252507     | 1         | 220V - 50Hz   |     |
| 31   | 0641404     | 1         | Bolt 1/4in-20NC x 1/2in   |     |
| 32   | 3252507     | 1         | Decal - 220V - 50Hz   |     |
| 33   | 3290505     | 1         | Locknut M5 x 0.8mm  |     |
| 34   | 4031608     | 1         | Bolt M5 x 20mm  |     |
| 35   | 4240018     | 1         | Tie Strap (Not Shown)   |     |
| 36   | 4420060     | 1         | Tape, Double Coated Acrylic Foam                                    |     |
| 37   | 4460968     | 3         | Connector, Strain Relief  |     |
| 38   | 4811600     | 1         | Flatwasher 5mm  |     |
| 39   | 1001099869  | 1         | Box, Junction   |     |
| 41   | 1001100234  | 1         | Light Red   |     |
| 42   | 0962449     | 1         | Bushing   |     |



## SECTION 2 - TURNTABLE

FIGURE 2-30. 2500W GENERATOR INSTALLATION - FORD MACHINES (OPTIONAL) (SN 0300069000 through 0300077499)





**SECTION 2 - TURNTABLE**

**FIGURE 2-30. 2500W GENERATOR INSTALLATION - FORD MACHINES (OPTIONAL) (SN 0300069000 through 0300077499)**

| ITEM | PART NUMBER | QTY | DESCRIPTION  | REV |
|------|-------------|-----|--|-----|
|      |             | Ref | <b>GENERATOR INSTALLATION OPTIONS:</b>   |     |
|      | 0271545     | Ref | <b>110V Generator</b>  | 5   |
|      | 0271546     | Ref | <b>220V Generator</b>  | 4   |
| 1    | 3580250     |     | Pulley   |     |
| 2    |             | Ref | Generator and Control Box Assemblies   |     |
| 2    | 2460032     | 1   | 110V/60Hz Assembly <b>(SN 0300069000 through 0300069569)</b>   | C   |
| 2    | 2460044     | 1   | 110V/60Hz Assembly <b>(SN 0300069570 through 0300077500)</b>   | A   |
| 2    | 2460013     | 1   | 220V/50Hz Assembly   | B   |
| 2A   |             | Ref | Generator Options:   |     |
| 2A   | 7012558     | 1   | 110Volt Replacement Generator  |     |
| 2A   | 1001100321  | 1   | 220Volt Replacement Generator  |     |
|      |             | Ref | <b>Note: Replacement Generators come standard with p/n 3580134 pulley. This pulley may not be correct for all applications. Refer to pulley options below.</b> |     |
| 2A   | 7026199     | 1   | 110V/60Hz Armature with Slip Rings   |     |
| 2A   | 70000123    | 1   | 220V/50Hz Armature with Slip Rings   |     |
| 2A   | 7012513     | 4   | Cap, Brush Holder  |     |
| 2A   | 7020108     | 4   | Brush  |     |
| 2A   | 7020109     | 4   | Holder, Brush  |     |
| 2A   | 7012514     | 1   | Fan  |     |
| 2A   | 7020190     | 2   | Bearing  |     |
| 2A   | 7020110     | 1   | End Bell, Front  |     |
| 2A   | 7020111     | 1   | End Bell, Rear   |     |
| 2B   |             | Ref | Box, Control Options:  |     |
| 2B   | 7003657     | 1   | 110V/60Hz Replacement Box  |     |
| 2B   | 70002235    | 1   | 220V/50Hz Replacement Box  |     |
| 2B   |             | Ref | Circuit Breaker Options:   |     |
| 2B   | 4360542     | 1   | 110V   |     |
| 2B   | 70000126    | 1   | 220V   |     |
| 2B   | 4460190     | 2   | Receptacle, Double (110V Box)  |     |
| 2B   | 70000124    | 1   | Receptacle, Double (220V Box)  |     |
| 2B   | 70000125    | 1   | Receptacle, Single Twist Lock (220V Box)   |     |
| 2B   | 2920162     | 1   | Lamp Assembly  |     |
| 2B   | 7020191     | 1   | Switch, Toggle   |     |
| 2C   |             | Ref | Voltmeter Options:   |     |
| 2C   | 2420203     | 1   | 110V   |     |
| 2C   | 7020192     | 1   | 220V   |     |
| 2D   |             | Ref | Pulley Options:  |     |
| 2D   | 3580276     | 1   | 110V/60Hz Pulley <b>(SN 0300069000 through 0300069569)</b>   |     |
| 2D   | 3580307     | 1   | 110V/60Hz Pulley <b>(SN 0300069570 through 0300077500)</b>   |     |
| 2D   | 3580134     | 1   | 220V/50Hz Pulley   |     |
| 2D   | 7027887     | 1   | Key, Woodruff  |     |
| 3    | 0902756     | 1   | Bracket, Generator Mounting  |     |
| 4    | 0200547     | 1   | Arm, Adjusting   |     |
| 5    |             | Ref | V-Belt Options:  |     |
| 5    | 0480111     | 1   | 110V <b>(SN 0300069000 through 0300073380)</b>   |     |
| 5    | 0480134     | 1   | 110V <b>(SN 0300073381 through 0300077500)</b>   |     |
| 5    | 0480050     | 1   | 220V   |     |
| 6    | 0701015     | 2   | Bolt M10 x 35mm  |     |

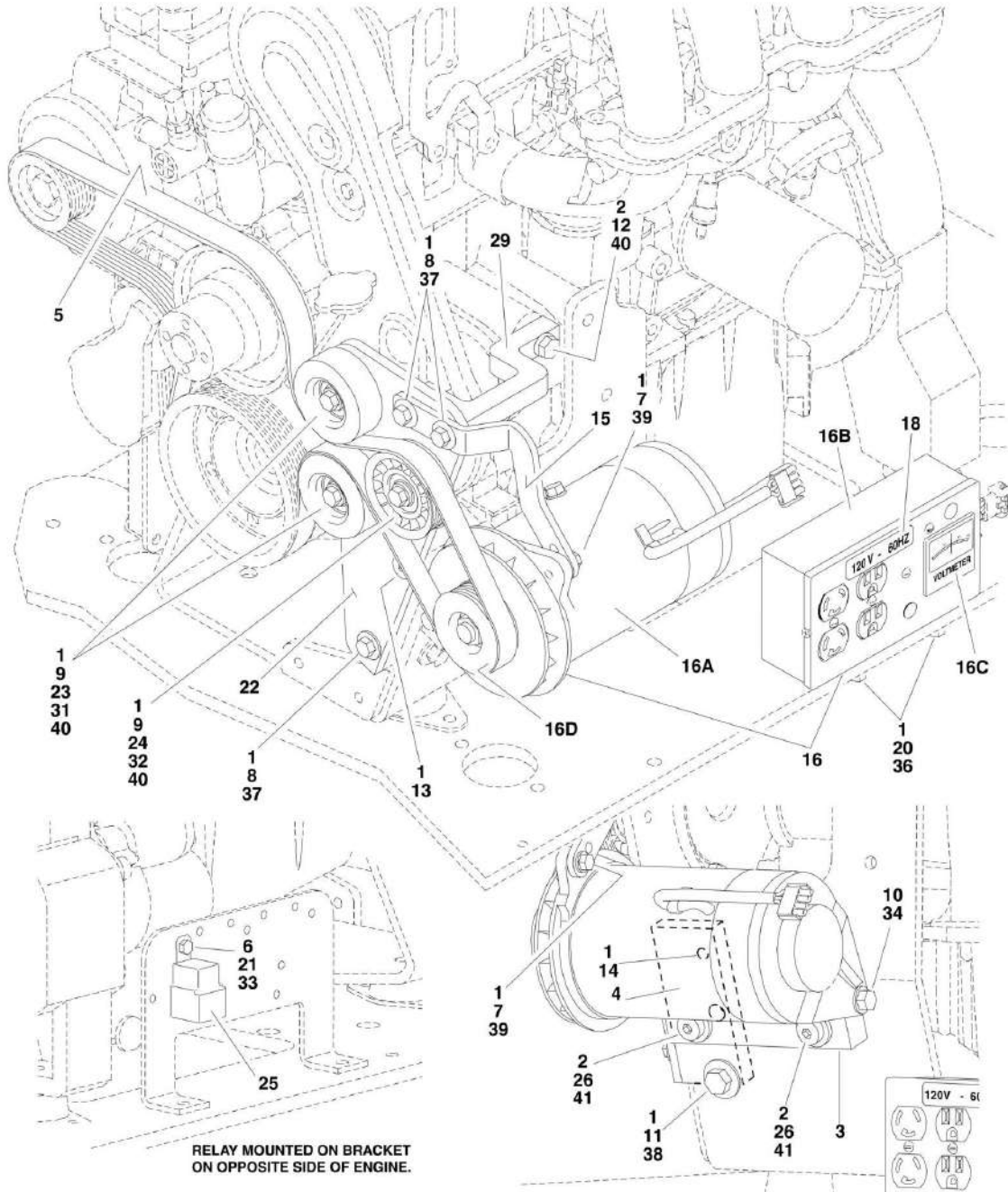
## SECTION 2 - TURNTABLE

| ITEM | PART NUMBER  | QTY       | DESCRIPTION   | REV |
|------|--------------|-----------|---|-----|
| 7    | 4812000      | 2         | Flatwasher M10  |     |
| 8    | 0100011      | AR        | Compound, Locking   |     |
| 9    | 0641772      | AR        | Bolt 7/16in-14NC x 9in                                    |     |
| 10   | 4751600      | 6         | Flatwasher 3/8in  |     |
| 11   | 2860012      | 1         | Key, Woodruff   |     |
| 12   | 3311605      | 1         | Locknut 3/8in-16NC  |     |
| 13   | 4564417      | 1         | Spacer, Tube  |     |
| 14   |              | Ref       | Nameplate, 120V - 60Hz (SN 0300069570 through 0300077500) |     |
| 14   | 3251243      | 1         | 110V Assembly   |     |
| 14   | Not Required | 0         | 220V Assembly   |     |
| 15   | 4460023      | 1         | Connector, Strain Relief                                  |     |
| 16   | 0641508      | 1         | Bolt 5/16in-18NC x 1in                                    |     |
| 17   | 4751500      | 2         | Flatwasher 5/16in   |     |
| 19   | 3520028      | 1         | Plug, Hole  |     |
| 20   | 0721006      | 4         | Bolt #10-24NC x 3/4in                                     |     |
| 21   | 3311005      | 4         | Locknut #10-24NC  |     |
| 22   | 4751000      | 9         | Flatwasher #10  |     |
| 23   | 4360294      | 1         | Breaker, Circuit - 30 Amp                                 |     |
| 24   | 3740080      | 1         | Relay, Bosch  |     |
| 25   | 4360336      | 1         | Switch, Toggle (Not Shown - Located at Platform)          |     |
| 26   | 4740397      | 1         | Bushing (Not Shown - Located at Platform)                 |     |
| 27   | 4060802      | 1         | Guard, Switch (Not Shown - Located at Platform)           |     |
| 29   | 2820031      | 4 in/10cm | Heat Shrink (Not Shown - Located at Platform)             |     |
| 30   | 3251102      | 1         | Decal (Not Shown - Located at Platform)                   |     |
| 32   | 3311705      | 1         | Locknut 7/16in-14NC                                       |     |



## SECTION 2 - TURNTABLE

FIGURE 2-31. 2500W GENERATOR INSTALLATION - FORD MACHINES (OPTIONAL) (SN 0300077500 through 0300140000)



## SECTION 2 - TURNTABLE

**FIGURE 2-31. 2500W GENERATOR INSTALLATION - FORD MACHINES (OPTIONAL) (SN 0300077500 through 0300140000)**

| ITEM | PART NUMBER | QTY | DESCRIPTION  | REV |
|------|-------------|-----|--|-----|
|      |             | Ref | <b>GENERATOR INSTALLATION OPTIONS:</b>   |     |
|      | 0273507     | Ref | <b>110V Generator with ADE System</b>  | C   |
|      | 0273511     | Ref | <b>220V Generator with ADE System</b>  | C   |
| 1    | 0100011     | AR  | Compound, Locking  |     |
| 2    | 0100019     | AR  | Compound, Locking  |     |
| 3    | 0363082     | 1   | Bar, Generator Adjuster  |     |
| 4    | 0363097     | 1   | Bar, Pulley Mounting   |     |
| 5    | 0480135     | 1   | V-Belt   |     |
| 6    | 0641405     | 1   | Bolt 1/4in-20NC x 5/8in  |     |
| 7    | 0641508     | 1   | Bolt 5/16in-18NC x 1in   |     |
| 8    | 0641611     | 3   | Bolt 3/8in-16NC x 1-3/8in  |     |
| 9    | 0641612     | 3   | Bolt 3/8in-16NC x 1-1/2in  |     |
| 10   | 0641718     | 2   | Bolt 7/16in-14NC x 2-1/4in   |     |
| 11   | 0641810     | 1   | Bolt 1/2in-13NC x 1-1/4in  |     |
| 12   | 0701015     | 1   | Bolt M10 x 35mm  |     |
| 13   | 0741606     | 1   | Screw, Countersunk 3/8in-16NC x 3/4in  |     |
| 14   | 0741808     | 1   | Screw, Countersunk 1/2in-13NC x 1in  |     |
| 15   | 0902952     | 1   | Bracket, Generator Mounting  |     |
| 16   |             | Ref | Generator and Control Box Assembly Options:  |     |
| 16   | 2460051     | 1   | 110V Assembly  |     |
| 16   | 2460052     | 1   | 220V Assembly  |     |
| 16A  |             | Ref | Generator Options:   |     |
| 16A  | 7012558     | 1   | 110V/60Hz  |     |
| 16A  | 1001100321  | 1   | 220V/50Hz  |     |
|      |             | Ref | <b>Note: Replacement Generators come standard with p/n 3580134 pulley. This pulley may not be correct for all applications. Refer to pulley options below.</b> |     |
| 16A  | 7026199     | 1   | 110V/60Hz Armature with Slip Rings   |     |
| 16A  | 70000123    | 1   | 220V/50Hz Armature with Slip Rings   |     |
| 16A  | 7020109     | 4   | Holder, Brush  |     |
| 16A  | 7020108     | 4   | Brush  |     |
| 16A  | 7012513     | 4   | Cap, Brush Holder  |     |
| 16A  | 7012514     | 1   | Fan  |     |
| 16A  | 7020190     | 2   | Bearing  |     |
| 16A  | 7020110     | 1   | End Bell, Front  |     |
| 16A  | 7020111     | 1   | End Bell, Rear   |     |
| 16B  |             | Ref | Box, Control Options:  |     |
| 16B  | 7019680     | 1   | 110V Assembly  |     |
| 16B  | 70000127    | 1   | 220V Assembly  |     |
| 16B  |             | Ref | Breaker, Circuit Options:  |     |
| 16B  | 4360542     | 1   | 110V   |     |
| 16B  | 70000126    | 1   | 220V   |     |
| 16B  | 4460190     | 1   | Receptacle, Double (110V Box)  |     |
| 16B  | 4460027     | 1   | Receptacle, Double Twist Lock (110V Box)   |     |
| 16B  | 70000124    | 1   | Receptacle, Double (220V Box)  |     |
| 16B  | 70000125    | 1   | Receptacle, Single Twist Lock (220V Box)   |     |
| 16C  |             | Ref | Voltmeter Options:   |     |
| 16C  | 2420203     | 1   | 110V   |     |
| 16C  | 7020192     | 1   | 220V   |     |

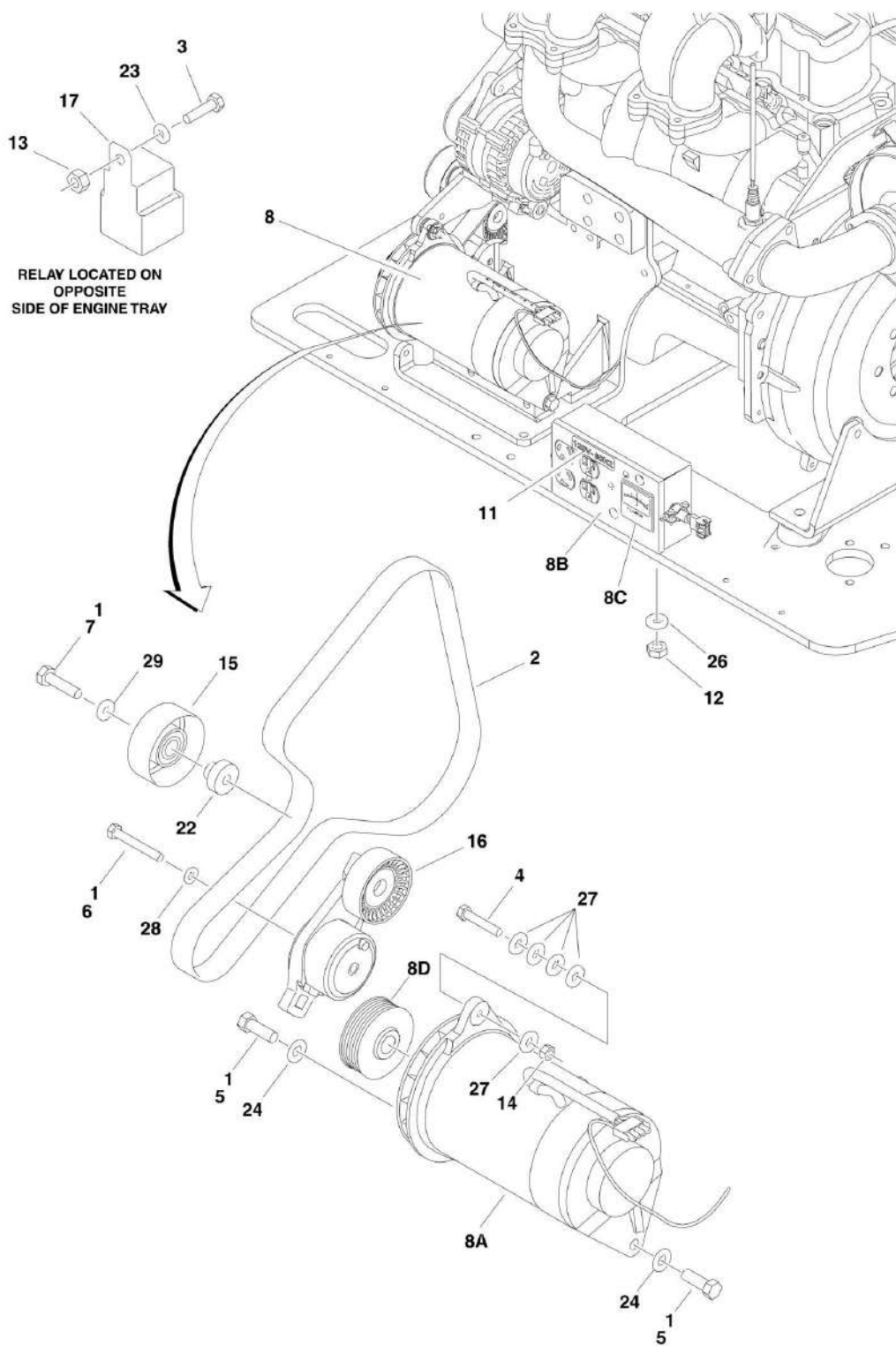
## SECTION 2 - TURNTABLE

| ITEM | PART NUMBER | QTY | DESCRIPTION   | REV |
|------|-------------|-----|---|-----|
| 16D  |             | Ref | Pulley Options:   |     |
| 16D  | 3580324     | 1   | 110V  |     |
| 16D  | 3580325     | 1   | 220V  |     |
| 16D  | 7027887     | 1   | Key, Woodruff   |     |
| 17   | 2820031     | AR  | Heat Shrink (Not Shown - Located at Platform)                 |     |
| 18   |             | Ref | Decal   |     |
| 18   | 3251243     | 1   | 110V Generator  |     |
| 18   | 1702590     | NLA | 220V Generator (Use p/n 3252507)                              |     |
| 19   | 3252764     | NLA | Nameplate (Not Shown - Located at Platform) (Use p/n 3251102) |     |
| 20   | 3311005     | 2   | Locknut #10-24NC  |     |
| 21   | 3311405     | 1   | Locknut 1/4in-20NC  |     |
| 22   | 3574225     | 1   | Plate, Pulley Mounting  |     |
| 23   | 3580312     | 1   | Pulley, Idler   |     |
| 24   | 3580313     | 1   | Pulley, Grooved Idler   |     |
| 25   | 3740080     | 1   | Relay, Bosch  |     |
| 26   | 3900322     | 2   | Screw, Shoulder   |     |
| 27   | 4060802     | 1   | Guard, Switch (Not Shown - Located at Platform)               |     |
| 28   | 4240018     | AR  | Tie-Strap   |     |
| 29   | 4340738     | 1   | Support, Idler Pulley   |     |
| 30   | 4360336     | 1   | Switch, Toggle (Not Shown - Located at Platform)              |     |
| 31   | 4568734     | 1   | Spacer, Tube (Idler Pulley Non-Grooved)                       |     |
| 32   | 4568735     | 1   | Spacer, Tube (Idler Pulley Grooved)                           |     |
| 33   | 4711400     | 1   | Flatwasher 1/4in Narrow                                       |     |
| 34   | 4711700     | 2   | Flatwasher 7/16in Narrow                                      |     |
| 35   | 4740397     | 1   | Spacer  |     |
| 36   | 4751000     | 2   | Flatwasher #10 Wide   |     |
| 37   | 4751600     | 3   | Flatwasher 3/8in Wide   |     |
| 38   | 4751800     | 1   | Flatwasher 1/2in Wide   |     |
| 39   | 4891500     | 1   | Flatwasher 5/16in Hardened                                    |     |
| 40   | 4891600     | 4   | Flatwasher 3/8in Hardened                                     |     |
| 41   | 4892000     | 2   | Flatwasher 5/8in Hardened                                     |     |



## SECTION 2 - TURNTABLE

FIGURE 2-32. 2500W GENERATOR INSTALLATION - GM MACHINES (OPTIONAL)





# SECTION 2 - TURNTABLE

**FIGURE 2-32. 2500W GENERATOR INSTALLATION - GM MACHINES (OPTIONAL)**

| ITEM | PART NUMBER | QTY | DESCRIPTION  | REV |
|------|-------------|-----|--|-----|
|      |             | Ref | <b>GENERATOR INSTALLATION OPTIONS:</b>                                 |     |
|      | 0275039     | Ref | <b>110V Generator</b>  | E   |
|      | See Note    | Ref | <b>220V Generator (Note: Not Available for Purchase)</b>               |     |
| 1    | 0100011     | AR  | Compound, Locking  |     |
| 2    | 0480142     | 1   | V-Belt   |     |
| 3    | 0641405     | 1   | Bolt 1/4in-20NC x 5/8in  |     |
| 4    |             | Ref | Bolt Options:  |     |
| 4    | 0641514     | 1   | Bolt 5/16in-18NC x 1-3/4in ( <b>SN 0300069000 through 0300094698</b> ) |     |
| 4    | 0641510     | 1   | Bolt 5/16in-18NC x 1-1/4in ( <b>SN 0300094699 through 0300140000</b> ) |     |
| 5    | 0641710     | 2   | Bolt 7/16in-14NC x 1-1/4in   |     |
| 6    | 0700820     | 1   | Bolt M8 x 60mm   |     |
| 7    | 0701016     | 1   | Bolt M10 x 340mm   |     |
| 8    | 2460051     | 1   | 110V Generator and Control Box Assembly                                |     |
| 8A   | 7012558     | 1   | 110V Generator Assembly  |     |
| 8A   | 7026199     | 1   | 110V Armature with Slip Rings  |     |
| 8A   | 7020109     | 4   | Holder, Brush  |     |
| 8A   | 7020108     | 4   | Brush  |     |
| 8A   | 7012513     | 4   | Cap, Brush Holder  |     |
| 8A   | 7012514     | 1   | Fan  |     |
| 8A   | 7020190     | 2   | Bearing  |     |
| 8A   | 7020110     | 1   | End Bell, Front  |     |
| 8A   | 7020111     | 1   | End Bell, Rear   |     |
| 8B   | 7019680     | 1   | 110V Control Box Assembly  |     |
| 8B   | 4360542     | 1   | Breaker, 110V Circuit  |     |
| 8B   | 4460190     | 1   | Receptacle, Double (110V Box)  |     |
| 8B   | 4460027     | 1   | Receptacle, Double Twist Lock (110V Box)                               |     |
| 8C   | 2420203     | 1   | 110V Voltmeter   |     |
| 8D   | 3580324     | 1   | 110V Pulley  |     |
| 8D   | 7027887     | 1   | Key, Woodruff  |     |
| 9    | 2820031     | AR  | Heat Shrink (Not Shown - Located at Platform)                          |     |
| 10   | 33251102    | 1   | Nameplate - Generator (Not Shown - Located at Platform)                |     |
| 11   |             | Ref | Decal - Voltage Options (Not Shown - Located at Platform):             |     |
| 11   | 3251243     | 1   | 110V/60Hz  |     |
| 11   | 1705325     | 1   | 110V/50Hz  |     |
| 11   | 3252507     | 1   | 220V/50-60HZ   |     |
| 12   | 3311005     | 2   | Locknut # 10-24NC  |     |
| 13   | 3311405     | 1   | Locknut 1/4in-20NC   |     |
| 14   | 3311505     | 1   | Locknut 5/16in-18NC ( <b>SN 0300069000 through 0300094698</b> )        |     |
| 15   | 3580312     | 1   | Pulley, Idler  |     |
| 16   | 3580348     | 1   | Tensioner, Belt  |     |
| 17   | 3740080     | 1   | Relay, Bosch   |     |
| 18   | 4060802     | 1   | Guard, Switch (Not Shown - Located at Platform)                        |     |
| 19   | 4240018     | AR  | Tie-Strap (Not Shown)  |     |
| 20   | 4360336     | 1   | Switch, Toggle (Not Shown - Located at Platform)                       |     |
| 21   | 4460906     | 3   | Terminal (Not Shown)   |     |
| 22   | 4568735     | 1   | Spacer, Tube (Idler Pulley Grooved)                                    |     |
| 23   | 4711400     | 1   | Flatwasher 1/4in Narrow  |     |
| 24   | 4711700     | 2   | Flatwasher 7/16in Narrow   |     |

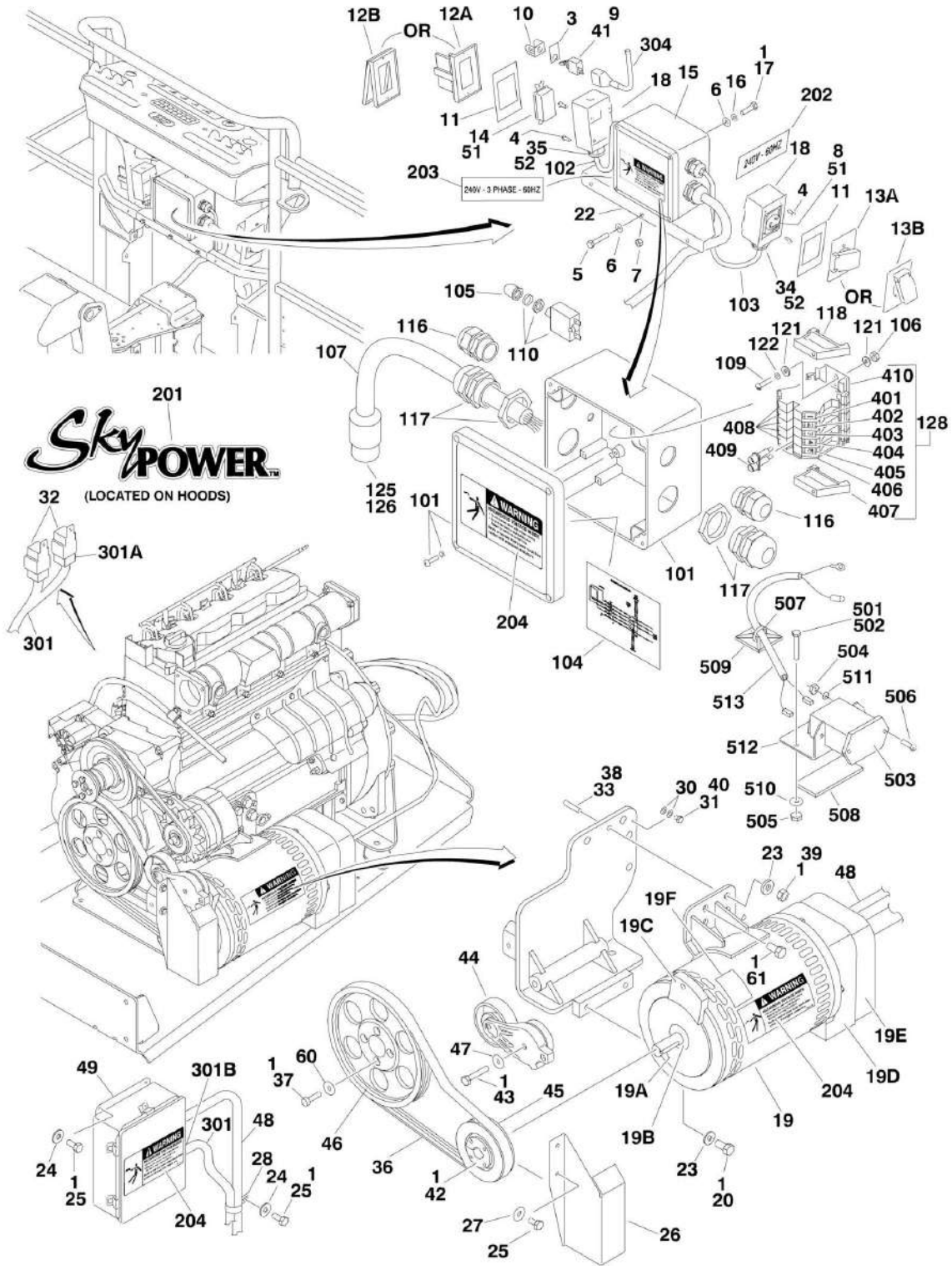
## SECTION 2 - TURNTABLE

| ITEM | PART NUMBER | QTY | DESCRIPTION                              | REV |
|------|-------------|-----|--|-----|
| 25   | 4740397     | 1   | Spacer (Not Shown - Located at Platform) |     |
| 26   | 4751000     | 2   | Flatwasher #10 Wide                      |     |
| 27   | 4751500     | AR  | Flatwasher 5/16in Wide                   |     |
| 28   | 4811900     | 1   | Flatwasher M8                            |     |
| 29   | 4891600     | 1   | Flatwasher 3/8in Hardened                |     |



# SECTION 2 - TURNTABLE

FIGURE 2-33. 7500W SKYPOWER GENERATOR INSTALLATION - CATERPILLAR AND DEUTZ MACHINES (ANSI AND CSA SPECS)



## SECTION 2 - TURNTABLE

**FIGURE 2-33. 7500W SKYPOWER GENERATOR INSTALLATION - CATERPILLAR AND DEUTZ MACHINES (ANSI AND CSA SPECS)**

| ITEM | PART NUMBER | QTY | DESCRIPTION  | REV |
|------|-------------|-----|--|-----|
|      |             | Ref | <b>7500W SKYPOWER GENERATOR INSTALLATION</b>   |     |
|      | 0273540     | Ref | <b>60Hz and Caterpillar Engine (SN 0300069000 through 0300139399)</b>                  | J   |
|      | 1001115398  | Ref | <b>60Hz and Caterpillar Engine (SN 0300139400 through 0300140000)</b>                  | A   |
|      | 0272255     | Ref | <b>60Hz and Deutz Engine (SN 0300069000 through 0300139399)</b>                        | L   |
|      | 1001115387  | Ref | <b>60Hz and Deutz Engine (SN 0300139400 through 0300140000)</b>                        | A   |
|      |             | Ref | <b>Note: Refer to SkyPower Accessories Manual p/n 3124242 for 50Hz Generator.</b>      |     |
|      |             | Ref | <b>Note: See ELECTRICAL SECTION for Boom Cable Components.</b>                         |     |
| 1    | 0100011     | AR  | Compound, Locking  |     |
| 3    | 3252764     | 1   | Nameplate  |     |
| 4    | 3910606     | 8   | Screw #6-32NC x 3/8in  |     |
| 5    | 0641516     | 3   | Bolt 5/16in-18NC x 2in   |     |
| 6    |             | Ref | Flatwasher Options:  |     |
| 6    | 4711500     | 10  | Flatwasher 5/16in Narrow - Caterpillar Engine Only                                     |     |
| 6    | 4711500     | 10  | Flatwasher 5/16in Narrow - Deutz Engine Only <b>(SN 0300069000 through 0300108684)</b> |     |
| 6    | 4751500     | 7   | Flatwasher 5/16in Wide - Deutz Engine Only <b>(SN 0300108685 through 0300140000)</b>   |     |
| 7    |             | Ref | Nut Options:   |     |
| 7    | 3311505     | 3   | Locknut 5/16in-18NC - Caterpillar Engine Only  |     |
| 7    | 3311505     | 3   | Locknut 5/16in-18NC - Deutz Engine Only <b>(SN 0300069000 through 0300108684)</b>      |     |
| 7    | 3311508     | 3   | Nut 5/16in-18NC - Deutz Engine Only <b>(SN 0300108685 through 0300140000)</b>          |     |
| 8    | 4460958     | 1   | Receptacle, Female Twist-Lock  |     |
| 9    | 4360336     | 1   | Switch, Toggle   |     |
| 10   | 4060802     | 1   | Guard, Switch  |     |
| 11   | 3960422     | 2   | Gasket   |     |
| 12   |             | Ref | Cover, Receptacle Options:   |     |
| 12A  | 4060700     | 1   | Cover, Side Hinged   |     |
| 12B  | 1001110873  | 1   | Cover, Top Hinged  |     |
| 13   |             | Ref | Cover, Receptacle Options:   |     |
| 13A  | 4061043     | 1   | Cover, Side Hinged   |     |
| 13B  | 1001110872  | 1   | Cover, Top Hinged  |     |
| 14   | 4460346     | 1   | Receptacle   |     |
| 15   | 0861542     | 1   | Junction Box Assembly (See Items 101-127 for Breakdown)                                |     |
| 16   | 4761500     | 4   | Flatwasher 5/16in <b>(SN 0300069000 through 0300108684)</b>                            |     |
| 17   |             | Ref | Bolt Options:  |     |
| 17   | 0641505     | 4   | Bolt 5/16in-18NC x 5/8in - Caterpillar Engine Only                                     |     |
| 17   | 0641505     | 4   | Bolt 5/16in-18NC x 5/8in - Deutz Engine Only <b>(SN 0300069000 through 0300108684)</b> |     |
| 17   | 0641508     | 4   | Bolt 5/16in-18NC x 1in - Deutz Engine Only <b>(SN 0300108685 through 0300140000)</b>   |     |
| 18   | 0860038     | 2   | Box, Switch  |     |
| 19   |             | Ref | Generator Assembly Options:  |     |
| 19   | 2460050     | 1   | Caterpillar Engine   |     |
| 19   | 2460048     | 1   | Deutz Engine   |     |
| 19   | 70001100    | 1   | Rotor (Includes p/n 70001384 & 70000863) (Not Shown)                                   |     |

## SECTION 2 - TURNTABLE

| ITEM | PART NUMBER  | QTY | DESCRIPTION   | REV |
|------|--------------|-----|---|-----|
| 19   | 70001384     | 1   | Bearing, Ball Radial (Not Shown)                                    |     |
| 19   | 70000863     | 1   | Fan (Not Shown)   |     |
| 19   |              | Ref | Stator Options (Not Shown):   |     |
| 19   | 70001969     | 1   | 2460050 Generator   |     |
| 19   | 70002088     | 1   | 2460048 Generator   |     |
| 19   | 70002297     | 1   | Stud  |     |
| 19   | 70003631     | 1   | Brushholder Assembly with Brushes (Not Shown) (was p/n 7024484)     |     |
| 19A  | 70004171     | 1   | Key (was p/n 7024561)   |     |
| 19B  | 70001966     | 1   | Bearing, Ball Radial (Located in Belt Tensioner Endbell)            |     |
| 19B  | 70003708     | 1   | Ring, Internal Retaining (Located in Belt Tensioner Endbell)        |     |
| 19B  | 70003709     | 1   | Ring, External Retaining (Located in Belt Tensioner Endbell)        |     |
| 19C  | 70001953     | 1   | Endbell, Belt Tensioner   |     |
| 19D  |              | Ref | Endbell, Brush Block Options (was p/n 70001385):                    |     |
| 19D  | 70004170     | 1   | Caterpillar Engine Machines   |     |
| 19D  | 70004169     | 1   | Deutz Engine Machines   |     |
| 19E  |              | Ref | Shroud Options:   |     |
| 19E  | 70004170     | 1   | Caterpillar Engine (was p/ns 70001970 & 70001971)                   |     |
| 19E  | 70004169     | 1   | Deutz Engine (was p/n 70002290)                                     |     |
| 19E  | 7027799      | 1   | Block, Connector 6 Position (Not Shown)                             |     |
| 19E  | 70002460     | 6   | Nut, Brass (Attaches p/n 7027799 to Cover) (Not Shown)              |     |
| 19E  | 7024485      | 1   | Breaker, Circuit 30Amp (Not Shown)                                  |     |
| 19E  | 70001696     | 1   | Boot, Breaker (was p/n 7024486) (Not Shown)                         |     |
| 19E  | 7026597      | 1   | Connector, W/Leads (Not Shown)                                      |     |
| 19E  | 7026188      | 1   | Clamp, Cable (Not Shown)  |     |
| 19E  |              | Ref | Plate, End Panel Options:   |     |
| 19E  | 70004170     | 1   | Caterpillar Engine (was p/n 70001972)                               |     |
| 19E  | 70004169     | 1   | Deutz Engine (was p/n 70002255)                                     |     |
| 19E  | 70001974     | 1   | Decal - Terminal Connections  |     |
| 19F  | 70001973     | 1   | Decal - Warning Moving Parts  |     |
| 20   | 0641808      | AR  | Bolt 1/2in-13NC x 1in   |     |
| 22   | 0902888      | 1   | Bracket, Box Mounting   |     |
| 23   | 4711800      | AR  | Flatwasher 1/2in Narrow   |     |
| 24   | 4711400      | AR  | Flatwasher 1/4in Narrow   |     |
| 25   | 0641404      | AR  | Bolt 1/4in-20NC x 1/2in   |     |
| 26   |              | Ref | Shield Options:   |     |
| 26   | Not Required | 0   | Caterpillar Engine  |     |
| 26   | 4061049      | 1   | Deutz Engine  |     |
| 27   | 4751400      | 2   | Flatwasher 1/4in Wide   |     |
| 28   | 1320318      | AR  | Clamp   |     |
| 29   | 4240018      | AR  | Tie-Strap (Not Shown)   |     |
| 30   | 4791400      | 2   | Starwasher 1/4in  |     |
| 31   |              | Ref | Bolt 1/4in-20NC Options:  |     |
| 31   | 0641406      | 1   | Bolt 3/8in Length - Caterpillar Engine                              |     |
| 31   | 0641406      | 1   | Bolt 3/8in Length - Deutz Engine (SN 0300069000 through 0300108684) |     |
| 31   | 0641404      | 1   | Bolt 1/2in Length - Deutz Engine (SN 0300108685 through 0300140000) |     |
| 32   | 3740080      | 2   | Relay   |     |
| 33   | 0100019      | AR  | Compound, Locking   |     |
| 34   | 4460051      | 1   | Connector, Strain Relief  |     |
| 35   | 4460071      | 1   | Connector, Strain Relief  |     |

**SECTION 2 - TURNTABLE**

| ITEM | PART NUMBER | QTY             | DESCRIPTION   | REV |
|------|-------------|-----------------|---|-----|
| 36   | 0480129     | 1               | Belt, Drive   |     |
| 37   |             | Ref             | Bolt, Metric Options:   |     |
| 37   | 0700816     | 4               | Caterpillar Engine (M8 x 40mm) <b>(SN 0300069000 through 0300076282)</b>            |     |
| 37   | 0700815     | 4               | Caterpillar Engine (M8 x 35mm) <b>(SN 0300076283 through 0300140000)</b>            |     |
| 37   | 4032015     | 4               | Deutz Engine (M10 x 55mm)   |     |
| 38   | 4300157     | 1               | Stud  |     |
| 39   | 3311801     | 1               | Nut 1/2in-13NC  |     |
| 40   | 0100062     | 1               | Loctite #RC680  |     |
| 41   | 2820031     | 1               | Insulator   |     |
| 42   | 0962520     | 1               | Bushing, Split Taper  |     |
| 43   |             | Ref             | Bolt 3/8in-16NC x 2-1/4in Options:  |     |
| 43   | 3931632     | 1               | Caterpillar Engine (Socket Head Capscrew) <b>(SN 0300069000 through 0300096484)</b> |     |
| 43   | 0641618     | 1               | Caterpillar Engine (Hex Head Bolt) <b>(SN 0300096485 through 0300140000)</b>        |     |
| 43   | 0641618     | 1               | Deutz Engine (Hex Head Bolt)  |     |
| 44   | 3580317     | 1               | Tensioner, Belt (was p/n 70001975)  |     |
| 45   | 3580318     | 1               | Pulley  |     |
| 46   |             | Ref             | Pulley Options:   |     |
| 46   | 3580321     | 1               | Caterpillar Engine  |     |
| 46   | 3580320     | 1               | Deutz Engine  |     |
| 47   | 4711600     | 1               | Flatwasher 3/8in Narrow   |     |
| 48   | 4922925     | 1               | Harness, Generator  |     |
| 49   | 0861538     | 1               | Control Box Assembly (was p/n 7024487)  |     |
| 49   | 7024488     | 1               | Card, Circuit - Generator Power   |     |
| 49   | See Note    | 1               | Fuse (Note: Not Available - Purchase Locally)                                       |     |
| 49   | 7024489     | 1               | Card, Circuit - Control   |     |
| 49   | 70000619    | 1               | Harness, Circuit Card   |     |
| 51   | 4460315     | 4               | Terminal - Deutz Engine Only <b>(SN 0300108685 through 0300140000)</b>              |     |
| 52   | 0100020     | AR              | Pipe Sealant - Deutz Engine Only <b>(SN 0300108685 through 0300140000)</b>          |     |
| 60   | 4811900     | 4               | Flatwasher M8 (Caterpillar Engine Only)   |     |
| 61   | 0771415     | 1               | Bolt M14 x 35mm - Deutz Engine Only <b>(SN 0300095348 through 0300140000)</b>       |     |
|      | 0861542     | Ref             | <b>JUNCTION BOX ASSEMBLY</b>  | C   |
| 101  | 0861541     | 1               | Box, Junction   |     |
| 102  | 1060494     | 2 ft/.6m        | Cable, ELECTRICAL 12/3  |     |
| 103  | 1060708     | 2.5 ft<br>/.76m | Cable, Electrical 10/3  |     |
| 104  | 1705376     | 1               | Decal - Wiring Schematic  |     |
| 105  | 3300396     | 1               | Cover, Fuse   |     |
| 106  | 3310601     | 2               | Nut #6-32NC   |     |
| 107  | 1060343     | 1.5 ft<br>/.46m | Cable, Electrical 10/4  |     |
| 109  | 3910610     | 2               | Bolt #6-32NC x 5/8in  |     |
| 110  | 4360070     | 1               | Circuit Breaker - 15 Amp  |     |
| 116  | 4460425     | 2               | Strain Relief, Terminal   |     |
| 117  | 4460426     | 2               | Connector, Strain Relief  |     |
| 118  | 4460607     | 1               | Terminal, End Stop  |     |
| 121  | 4750600     | 4               | Flatwasher, #6 Wide   |     |

## SECTION 2 - TURNTABLE

| ITEM | PART NUMBER | QTY | DESCRIPTION  | REV |
|------|-------------|-----|--|-----|
| 122  | 4760600     | 2   | Lockwasher #6  |     |
| 125  | 1671092     | 1   | Cover  |     |
| 126  | 4460963     | 1   | Connector  |     |
| 128  |             | Ref | Terminal Block Assembly Options (See Items 401-410 For Breakdown):                                     |     |
| 128  | NPN         | 1   | Gray Terminal Block Assembly   |     |
| 128  | 1001121340  | 1   | Tan Terminal Block Assembly  |     |
|      | 0272435     | Ref | <b>DECAL INSTALLATION</b>  | A   |
| 201  | 1705460     | 2   | Decal - SkyPower   |     |
| 202  | 1705374     | 1   | Decal - 240V - 60Hz  |     |
| 203  | 1705375     | 1   | Decal - 240V - 3 Phase   |     |
| 204  | 1705387     | 3   | Decal, Hazardous Voltage   |     |
|      | 4933264     | Ref | <b>ELECTRICAL DIAGRAM COMPONENTS</b>   | C   |
| 301  | 4922757     | 1   | Generator Harness  | 3-C |
| 301A | 4460374     | 2   | Plug, Sealed Relay   |     |
| 301A | 4460375     | 7   | Terminal   |     |
| 301B | 4460967     | 1   | Plug, Male - 3 Position  |     |
| 301B | 4460465     | 3   | Socket, Female   |     |
| 301C | 2400060     | 1   | Fuseholder (Not Shown)   |     |
| 301C | 2400064     | 1   | Fuse - 5 Amp (Not Shown)   |     |
| 304  | 4922641     | 1   | Switch Harness   |     |
|      |             | Ref | <b>TERMINAL BLOCK ASSEMBLY</b>   |     |
|      | NPN         | Ref | <b>Gray Terminal Block Assembly (Complete Assembly Not Available - Purchase Individual Components)</b> |     |
|      | 1001121340  | Ref | <b>Tan Terminal Block Assembly</b>   | A   |
| 401  |             | Ref | Marker Strip #1 Options:   |     |
| 401  | 4460411     | 2   | Gray Terminal Block Assembly   |     |
| 401  | 70002818    | 2   | Tan Terminal Block Assembly  |     |
| 402  |             | Ref | Marker Strip #2 Options:   |     |
| 402  | 4460412     | 4   | Gray Terminal Block Assembly   |     |
| 402  | 70002819    | 4   | Tan Terminal Block Assembly  |     |
| 403  |             | Ref | Marker Strip #3 Options:   |     |
| 403  | 4460413     | 2   | Gray Terminal Block Assembly   |     |
| 403  | 70002820    | 2   | Tan Terminal Block Assembly  |     |
| 404  |             | Ref | Marker Strip #4 Options:   |     |
| 404  | 4460414     | 2   | Gray Terminal Block Assembly   |     |
| 404  | 70002821    | 2   | Tan Terminal Block Assembly  |     |
| 405  |             | Ref | Marker Strip #5 Options:   |     |
| 405  | 4460415     | 4   | Gray Terminal Block Assembly   |     |
| 405  | 70002822    | 4   | Tan Terminal Block Assembly  |     |
| 406  |             | Ref | Terminal, End Barrier Options:   |     |
| 406  | 4460956     | 1   | Gray Terminal Block Assembly   |     |
| 406  | 70002823    | 1   | Tan Terminal Block Assembly  |     |
| 407  |             | Ref | Terminal, End Stop Options:  |     |
| 407  | 4460607     | 2   | Gray Terminal Block Assembly   |     |
| 407  | 70002824    | 2   | Tan Terminal Block Assembly  |     |
| 408  |             | Ref | Terminal, Block Options:   |     |
| 408  | 4460957     | 7   | Gray Terminal Block Assembly   |     |
| 408  | 70002825    | 7   | Tan Terminal Block Assembly  |     |
| 409  |             | Ref | Terminal, Cross Connector Jumper Options:  |     |
| 409  | 4461001     | 2   | Gray Terminal Block Assembly ( <b>SN 0300072914 through 0300140000</b> )                               |     |

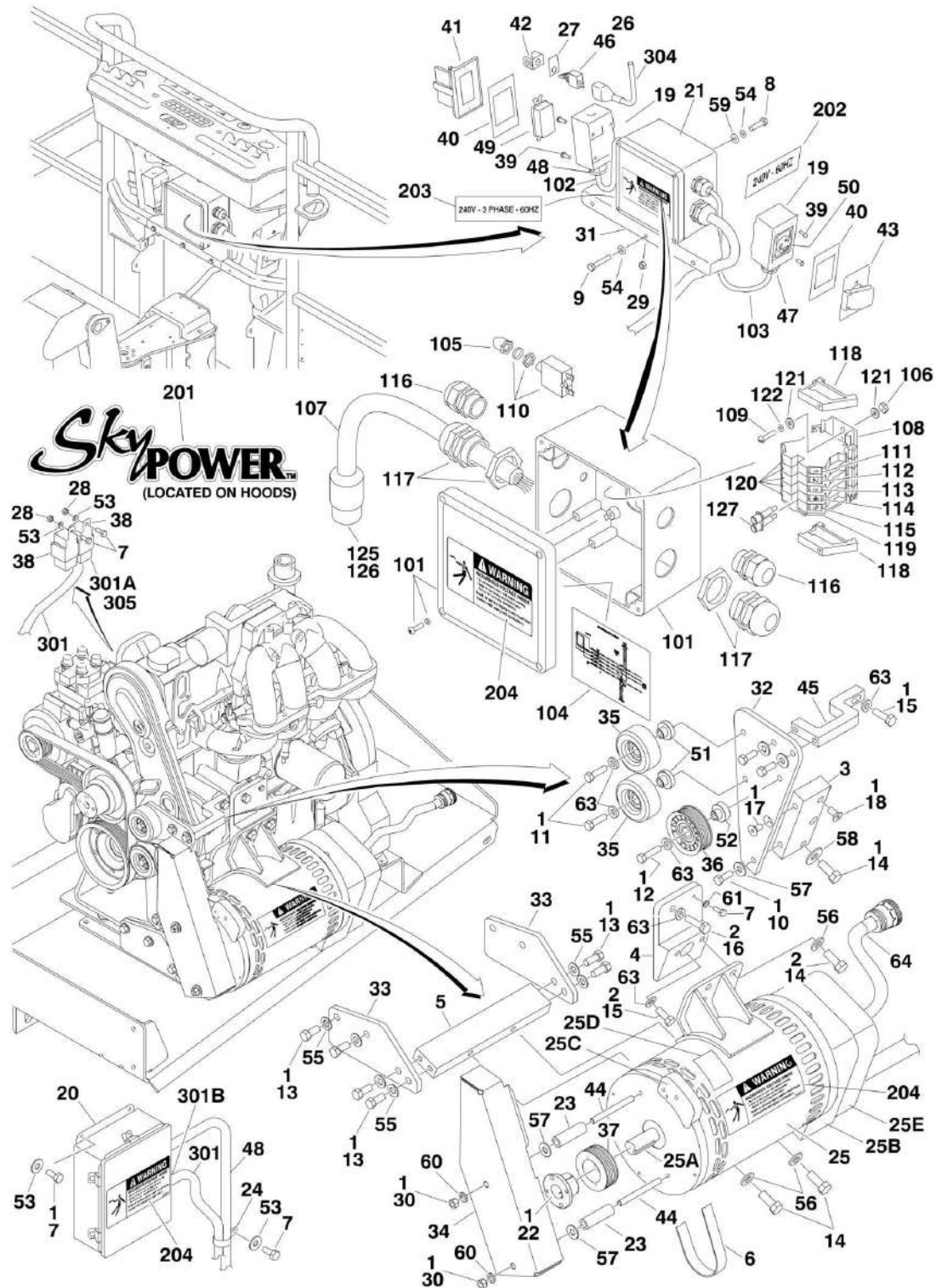


**SECTION 2 - TURNTABLE**

| ITEM | PART NUMBER | QTY      | DESCRIPTION                                    | REV |
|------|-------------|----------|--|-----|
| 409  | 70002826    | 2        | Tan Terminal Block Assembly                    | B   |
| 410  |             | Ref      | Rail, Relay Options:                           |     |
| 410  | 3640986     | 1        | Rail, Relay (SN 0300069000 through 0300072913) |     |
| 410  | 3641533     | 1        | Rail, Relay (SN 0300072914 through 0300140000) |     |
|      | 1001094475  | Ref      | <b>HOURLMETER INSTALLATION</b>                 |     |
| 501  | 0100011     | AR       | Compound, Locking                              |     |
| 502  | 0720808     | 1        | Screw #8-32 x 1in                              |     |
| 503  | 2420165     | 1        | Hourmeter                                      |     |
| 504  | 3310604     | 2        | Nut #6-32                                      |     |
| 505  | 3310805     | 1        | Locknut #8-32                                  |     |
| 506  | 3910608     | 2        | Screw #6-32 x 1/2in                            |     |
| 507  | 4240032     | 4        | Strap, Tie                                     |     |
| 508  | 4420060     | 3 in/7cm | Tape, Double-Sided                             |     |
| 509  | 4460234     | 3        | Mount, Tie Strap                               |     |
| 510  | 4750800     | 1        | Washer #8                                      |     |
| 511  | 4760600     | 2        | Lockwasher #6                                  |     |
| 512  | 1001094375  | 1        | Bracket, Hourmeter                             |     |
| 513  | 1001094509  | 1        | Harness, Hourmeter                             |     |

# SECTION 2 - TURNTABLE

FIGURE 2-34. 7500W SKYPOWER GENERATOR INSTALLATION - FORD MACHINES (ANSI AND CSA SPECS)



## SECTION 2 - TURNTABLE

**FIGURE 2-34. 7500W SKYPOWER GENERATOR INSTALLATION - FORD MACHINES (ANSI AND CSA SPECS)**

| ITEM | PART NUMBER | QTY | DESCRIPTION  | REV |
|------|-------------|-----|--|-----|
|      | 0272817     | Ref | <b>7500W SKYPOWER GENERATOR INSTALLATION</b>                         | H   |
|      |             | Ref | <b>Note: See ELECTRICAL SECTION for Boom Cable Components.</b>       |     |
| 1    | 0100011     | AR  | Compound, Locking  |     |
| 2    | 0100019     | AR  | Compound, Locking  |     |
| 3    | 0363097     | 1   | Bar, Pulley Mount  |     |
| 4    | 0363201     | 1   | Bar, Generator Mount (Top)   |     |
| 5    | 0363202     | 1   | Bar, Generator Mount (Bottom)  |     |
| 6    | 0480130     | 1   | Belt, Generator  |     |
| 7    | 0641405     | 8   | Bolt 1/4in-20NC x 5/8in  |     |
| 8    | 0641505     | 4   | Bolt 5/16in-18NC x 5/8in   |     |
| 9    | 0641516     | 3   | Bolt 5/16in-18NC x 2in   |     |
| 10   | 0641608     | 3   | Bolt 3/8in-16NC x 1in  |     |
| 11   | 0641611     | 2   | Bolt 3/8in-16NC x 1-3/8in  |     |
| 12   | 0641612     | 1   | Bolt 3/8in-16NC x 1-1/2in  |     |
| 13   | 0641708     | 8   | Bolt 7/16in-14NC x 1in   |     |
| 14   | 0641810     | 5   | Bolt 1/2in-13NC x 1-1/4in  |     |
| 15   | 0701015     | 2   | Bolt M10 x 35mm  |     |
| 16   | 0701016     | 1   | Bolt M10 x 40mm  |     |
| 17   | 0741606     | 1   | Screw, Flathead Countersunk 3/8in-16NC x 3/4in                       |     |
| 18   | 0741808     | 1   | Screw, Flathead Countersunk 1/2in-13NC x 1in                         |     |
| 19   | 0860038     | 2   | Box, Switch  |     |
| 20   | 0861538     | 1   | Control Box Assembly (was p/n 7024487)                               |     |
| 20   | 7024488     | 1   | Card, Circuit - Generator Power                                      |     |
| 20   | See Note    | 1   | Fuse (Note: Not Available - Purchase Locally)                        |     |
| 20   | 7024489     | 1   | Card, Circuit - Control  |     |
| 20   | 70000619    | 1   | Harness, Circuit Card  |     |
| 21   | 0861542     | 1   | Junction Box Assembly (See Items 101-127 for Breakdown)              |     |
| 22   | 0962520     | 1   | Bushing, Split Taper   |     |
| 23   | 0962521     | 2   | Spacer, Tube   |     |
| 24   |             | Ref | Clamp Options:   |     |
| 24   | 1320041     | 1   | Clamp (SN 0300069000 through 0300080687)                             |     |
| 24   | 1320224     | 1   | Clamp (SN 0300080688 through 0300140000)                             |     |
| 25   | 2460048     | 1   | Generator Assembly   |     |
| 25   | 70003631    | 1   | Brushholder Assembly with Brushes (Not Shown) (was p/n 7024484)      |     |
| 25   | 7024485     | 1   | Breaker, Circuit 30Amp (Not Shown)                                   |     |
| 25   | 70001974    | 1   | Decal - Terminal Connections   |     |
| 25   | 70001696    | 1   | Boot, Breaker (was p/n 7024486 - Not Shown)                          |     |
| 25   | 70001100    | 1   | Rotor (Not Shown)  |     |
| 25   | 70000863    | 1   | Fan (Not Shown)  |     |
| 25   | 70001384    | 1   | Bearing, Ball Radial (Not Shown)                                     |     |
| 25   | 70001966    | 1   | Bearing, Ball Radial (Located In Belt Tensioner Endbell - Not Shown) |     |
| 25   | 7027799     | 1   | Block, Connector 6 Position (Not Shown)                              |     |
| 25   | 70002460    | 6   | Nut, Brass (Attaches p/n 7027799 to Cover) (Not Shown)               |     |
| 25   | 7026188     | 1   | Clamp, Cable (Not Shown)   |     |
| 25   | 7026597     | 1   | Connector, W/Leads (Not Shown)                                       |     |
| 25   | 70002088    | 1   | Stator (Not Shown):  |     |

## SECTION 2 - TURNTABLE

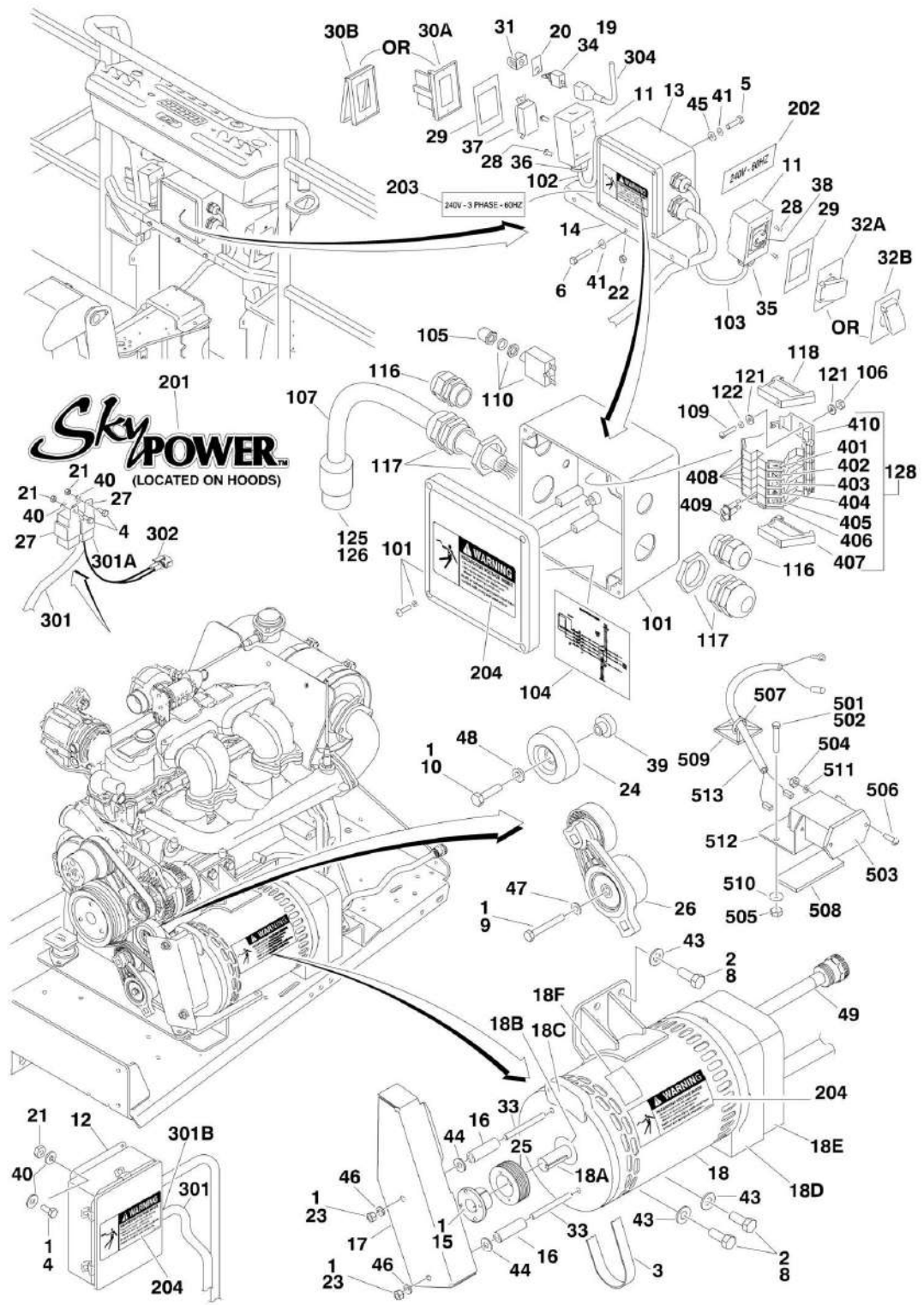
| ITEM | PART NUMBER | QTY             | DESCRIPTION                                   | REV |
|------|-------------|-----------------|---|-----|
| 25A  | 70004171    | 1               | Key (was p/n 7024561)                         |     |
| 25B  | 70004169    | 1               | Endbell, Brush Block (was p/n 70001385)       |     |
| 25C  | 70001953    | 1               | Endbell, Belt Tensioner                       |     |
| 25D  | 70001973    | 1               | Decal - Warning Moving Parts                  |     |
| 25E  | 70004169    | 1               | Shroud Assy Endbell (Rear) (was p/n 70002290) |     |
| 25E  | 70004169    | 1               | Plate, End Panel (was p/n 70002255)           |     |
| 26   | 2820031     | 1               | Insulator                                     |     |
| 27   | 3252764     | 1               | Nameplate                                     |     |
| 28   | 3311405     | 6               | Locknut 1/4in-20NC                            |     |
| 29   | 3311505     | 3               | Locknut 5/16in-18NC                           |     |
| 30   | 3311601     | 2               | Nut 3/8in-16NC                                |     |
| 31   | 0902888     | 1               | Bracket, Box Mounting                         |     |
| 32   | 3574225     | 1               | Plate, Pulley Mounting                        |     |
| 33   | 3574229     | 2               | Plate, Gusset Generator Mounting              |     |
| 34   | 3574262     | 1               | Plate, Shield                                 |     |
| 35   | 3580312     | 2               | Pulley, Idler                                 |     |
| 36   | 3580313     | 1               | Pulley, Idler Grooved                         |     |
| 37   | 3580314     | 1               | Pulley, Drive Grooved                         |     |
| 38   | 3740080     | 2               | Relay   |     |
| 39   | 3910606     | 8               | Screw #6-32NC x 3/8in                         |     |
| 40   | 3960422     | 2               | Gasket  |     |
| 41   | 4060700     | 1               | Cover, Receptacle                             |     |
| 42   | 4060802     | 1               | Guard, Switch                                 |     |
| 43   | 4061043     | 1               | Cover, Receptacle                             |     |
| 44   | 4300111     | 2               | Stud, Chain Assembly                          |     |
| 45   | 4340738     | 1               | Support, Idler Pulley Mount                   |     |
| 46   | 4360336     | 1               | Switch, Toggle                                |     |
| 47   | 4460051     | 1               | Connector, Strain Relief                      |     |
| 48   | 4460071     | 1               | Connector, Strain Relief                      |     |
| 49   | 4460346     | 1               | Receptacle                                    |     |
| 50   | 4460958     | 1               | Receptacle, Female Twist-Lock                 |     |
| 51   | 4568734     | 2               | Tube, Spacer Pulley                           |     |
| 52   | 4568735     | 1               | Tube, Spacer Pulley Grooved                   |     |
| 53   | 4711400     | 11              | Flatwasher 1/4in Narrow                       |     |
| 54   | 4711500     | 10              | Flatwasher 5/16in Narrow                      |     |
| 55   | 4711700     | 8               | Flatwasher 7/16in Narrow                      |     |
| 56   | 4711800     | 4               | Flatwasher 1/2in Narrow                       |     |
| 57   | 4751600     | 5               | Flatwasher 3/8in                              |     |
| 58   | 4751800     | 1               | Flatwasher 1/2in                              |     |
| 59   | 4761500     | 4               | Flatwasher 5/16in                             |     |
| 60   | 4761600     | 2               | Flatwasher 3/8in                              |     |
| 61   | 4791400     | 1               | Starwasher 1/4in                              |     |
| 63   | 4891600     | 6               | Washer, Hardened 3/8in                        |     |
| 64   | 4922925     | 1               | Harness, Generator                            |     |
|      | 0861542     | Ref             | <b>JUNCTION BOX ASSEMBLY</b>                  | C   |
| 101  | 0861541     | 1               | Box, Junction                                 |     |
| 102  | 1060494     | 2 ft/.6m        | Cable, Electrical 12/3                        |     |
| 103  | 1060708     | 2.5 ft<br>/.76m | Cable, Electrical 10/3                        |     |
| 104  | 1705376     | 1               | Decal - Wiring Schematic                      |     |
| 105  | 3300396     | 1               | Cover, Fuse                                   |     |
| 106  | 3310601     | 2               | Nut #6-32NC                                   |     |

## SECTION 2 - TURNTABLE

| ITEM | PART NUMBER | QTY             | DESCRIPTION   | REV |
|------|-------------|-----------------|---|-----|
| 107  | 1060343     | 1.5 ft<br>/.46m | Cable, Electrical 10/4  |     |
| 108  |             | Ref             | Rail, Relay Options:  |     |
| 108  | 3640986     | 1               | Rail, Relay (SN 0300069000 through 0300072913)                  |     |
| 108  | 3641533     | 1               | Rail, Relay (SN 0300072914 through 0300140000)                  |     |
| 109  | 3910610     | 2               | Bolt #6-32NC x 5/8in  |     |
| 110  | 4360070     | 1               | Circuit Breaker - 15 Amp  |     |
| 111  | 4460411     | 2               | Marker Strip #1   |     |
| 112  | 4460412     | 4               | Marker Strip #2   |     |
| 113  | 4460413     | 2               | Marker Strip #3   |     |
| 114  | 4460414     | 2               | Marker Strip #4   |     |
| 115  | 4460415     | 4               | Marker Strip #5   |     |
| 116  | 4460425     | 2               | Strain Relief, Terminal   |     |
| 117  | 4460426     | 2               | Connector, Strain Relief  |     |
| 118  | 4460607     | 2               | Terminal, End Stop  |     |
| 119  | 4460956     | 1               | Terminal, Block End   |     |
| 120  | 4460957     | 7               | Terminal, Block   |     |
| 121  | 4750600     | 4               | Flatwasher, #6 Wide   |     |
| 122  | 4760600     | 2               | Lockwasher #6   |     |
| 125  | 1671092     | 1               | Cover   |     |
| 126  | 4460963     | 1               | Connector   |     |
| 127  | 4461001     | 2               | Cross Connector - 2 Position (SN 0300072914 through 0300140000) |     |
|      | 0272435     | Ref             | <b>DECAL INSTALLATION</b>                                       | A   |
| 201  | 1705460     | 2               | Decal - SkyPower  |     |
| 202  | 1705374     | 1               | Decal - 240V - 60Hz   |     |
| 203  | 1705375     | 1               | Decal - 240V - 3 Phase  |     |
| 204  | 1705387     | 3               | Decal, Hazardous Voltage  |     |
|      | 4933283     | Ref             | <b>ELECTRICAL DIAGRAM COMPONENTS</b>                            | 2-B |
| 301  | 4922905     | 1               | Generator Harness   | 2-B |
| 301A | 4460374     | 2               | Plug, Sealed Relay  |     |
| 301A | 4460375     | 7               | Terminal  |     |
| 301B | 4460967     | 1               | Plug, Male - 3 Position   |     |
| 301B | 4460465     | 3               | Socket, Female  |     |
| 301C | 2400060     | 2               | Fuseholder (Not Shown)  |     |
| 301C | 2400064     | 2               | Fuse - 5 Amp (Not Shown)  |     |
| 304  | 4922641     | 1               | Switch Harness  |     |
| 305  | 4460375     | 1               | Terminal  |     |

# SECTION 2 - TURNTABLE

FIGURE 2-35. 7500W SKYPOWER GENERATOR INSTALLATION - GM MACHINES (ANSI AND CSA SPECS)



## SECTION 2 - TURNTABLE

**FIGURE 2-35. 7500W SKYPOWER GENERATOR INSTALLATION - GM MACHINES (ANSI AND CSA SPECS)**

| ITEM | PART NUMBER | QTY | DESCRIPTION  | REV |
|------|-------------|-----|--|-----|
|      | 0275257     | Ref | <b>7500W SKYPOWER GENERATOR INSTALLATION</b>                   | E   |
|      |             | Ref | <b>Note: See ELECTRICAL SECTION for Boom Cable Components.</b> |     |
| 1    | 0100011     | AR  | Compound, Locking  |     |
| 2    | 0100019     | AR  | Compound, Locking  |     |
| 3    | 0480142     | 1   | Belt, Generator  |     |
| 4    | 0641405     | 6   | Bolt 1/4in-20NC x 5/8in  |     |
| 5    | 0641505     | 4   | Bolt 5/16in-18NC x 5/8in                                       |     |
| 6    | 0641516     | 3   | Bolt 5/16in-18NC x 2in   |     |
| 8    | 0641808     | 4   | Bolt 1/2in-13NC x 1-1/4in                                      |     |
| 9    | 0700820     | 1   | Bolt, Metric M8 x 60mm   |     |
| 10   | 0701016     | 1   | Bolt, Metric M10 x 40mm  |     |
| 11   | 0860038     | 2   | Box, Switch  |     |
| 12   | 0861538     | 1   | Control Box Assembly (was p/n 7024487)                         |     |
| 12   | 7024488     | 1   | Card, Circuit - Generator Power                                |     |
| 12   | See Note    | 1   | Fuse (Note: Not Available - Purchase Locally)                  |     |
| 12   | 7024489     | 1   | Card, Circuit - Control  |     |
| 12   | 70000619    | 1   | Harness, Circuit Card  |     |
| 13   | 0861542     | 1   | Junction Box Assembly (See Items 101-127 for Breakdown)        |     |
| 14   | 0902888     | 1   | Bracket, Box Mounting  |     |
| 15   | 0962520     | 1   | Bushing, Split Taper   |     |
| 16   | 0962521     | 2   | Spacer, Tube   |     |
| 17   | 1671311     | 1   | Cover, Generator Belt  |     |
| 18   | 2460048     | 1   | Generator Assembly   |     |
| 18   | 70001100    | 1   | Rotor (Includes p/n 70001384 & 70000863) (Not Shown)           |     |
| 18   | 70001384    | 1   | Bearing, Ball Radial (Not Shown)                               |     |
| 18   | 70000863    | 1   | Fan (Not Shown)  |     |
| 18   | 70002088    | 1   | Stator (Not Shown)   |     |
| 18   | 70002297    | 1   | Stud (Not Shown)   |     |
| 18   | 70003631    | 1   | Brushholder Assembly (Not Shown) (was p/n 7024484)             |     |
| 18A  | 70004171    | 1   | Key (was p/n 7024561)  |     |
| 18B  | 70001966    | 1   | Bearing, Shaft (Front)   |     |
| 18C  | 70001953    | 1   | Endbell (Front)  |     |
| 18D  | 70004169    | 1   | Endbell, Brush Block (was p/n 70001385)                        |     |
| 18E  | 70004169    | 1   | Shroud Assembly Endbell (Rear) (was p/n 70002290)              |     |
| 18E  | 7027799     | 1   | Block, Connection - 6 Position (Not Shown)                     |     |
| 18E  | 70002460    | 6   | Nut, Brass (Attaches p/n 7027799 to Cover) (Not Shown)         |     |
| 18E  | 7024485     | 1   | Breaker, Circuit 30Amp (Not Shown)                             |     |
| 18E  | 70001696    | 1   | Boot, Breaker (was p/n 7024486 - Not Shown)                    |     |
| 18E  | 7026597     | 1   | Connector, W/Lead (Not Shown)                                  |     |
| 18E  | 7026188     | 1   | Connector, Clamp (Not Shown)                                   |     |
| 18E  | 70004169    | 1   | Plate, End Panel (Not Shown) (was p/n 70002255)                |     |
| 18E  | 70001974    | 1   | Decal - Terminal Connections (Not Shown)                       |     |
| 18F  | 70001973    | 1   | Decal - Warning Moving Parts                                   |     |
| 19   | 2820031     | 1   | Insulator  |     |
| 20   | 3252764     | 1   | Nameplate  |     |
| 21   | 3311405     | 6   | Locknut 1/4in-20NC   |     |
| 22   | 3311505     | 3   | Locknut 5/16in-18NC  |     |
| 23   | 3311601     | 2   | Nut 3/8in-16NC   |     |

## SECTION 2 - TURNTABLE

| ITEM | PART NUMBER | QTY             | DESCRIPTION   | REV |
|------|-------------|-----------------|---|-----|
| 24   | 3580312     | 2               | Pulley, Idler   |     |
| 25   | 3580314     | 1               | Pulley, Drive Grooved   |     |
| 26   | 3580348     | 1               | Tensioner, Belt with Pulley                                       |     |
| 27   | 3740080     | 2               | Relay   |     |
| 28   | 3910606     | 8               | Screw #6-32NC x 3/8in   |     |
| 29   | 3960422     | 2               | Gasket  |     |
| 30   |             | Ref             | Cover, Receptacle Options:  |     |
| 30A  | 4060700     | 1               | Cover, Side Hinged  |     |
| 30B  | 1001110873  | 1               | Cover, Top Hinged   |     |
| 31   | 4060802     | 1               | Guard, Switch   |     |
| 32   |             | Ref             | Cover, Receptacle Options:  |     |
| 32A  | 401043      | 1               | Cover, Side Hinged  |     |
| 32B  | 1001110872  | 1               | Cover, Top Hinged   |     |
| 33   | 4300111     | 2               | Stud, Chain Assembly  |     |
| 34   | 4360336     | 1               | Switch, Toggle  |     |
| 35   | 4460051     | 1               | Connector, Strain Relief  |     |
| 36   | 4460071     | 1               | Connector, Strain Relief  |     |
| 37   | 4460346     | 1               | Receptacle  |     |
| 38   | 4460958     | 1               | Receptacle, Female Twist-Lock                                     |     |
| 39   | 4568735     | 1               | Tube, Spacer Pulley Grooved                                       |     |
| 40   | 4711400     | 10              | Flatwasher 1/4in Narrow   |     |
| 41   | 4711500     | 10              | Flatwasher 5/16in Narrow  |     |
| 43   | 4711800     | 4               | Flatwasher 1/2in Narrow   |     |
| 44   | 4751600     | 2               | Flatwasher 3/8in Wide   |     |
| 45   | 4761500     | 4               | Lockwasher 5/16in   |     |
| 46   | 4761600     | 2               | Lockwasher 3/8in  |     |
| 47   | 4811900     | 1               | Flatwasher M8   |     |
| 48   | 4891600     | 1               | Washer, Hardened 3/8in  |     |
| 49   | 4922925     | 1               | Harness, Generator  |     |
|      | 0861542     | Ref             | <b>JUNCTION BOX ASSEMBLY</b>                                      | C   |
| 101  | 0861541     | 1               | Box, Junction   |     |
| 102  | 1060494     | 2 ft/.6m        | Cable, Electrical 12/3  |     |
| 103  | 1060708     | 2.5 ft<br>/.76m | Cable, Electrical 10/3  |     |
| 104  | 1705376     | 1               | Decal - Wiring Schematic  |     |
| 105  | 3300396     | 1               | Cover, Fuse   |     |
| 106  | 3310601     | 2               | Nut 6-32NC  |     |
| 107  | 1060343     | 1.5 ft<br>/.46m | Cable, Electrical 10/4  |     |
| 109  | 3910610     | 2               | Bolt #6-32NC x 5/8in  |     |
| 110  | 4360070     | 1               | Circuit Breaker - 15 Amp  |     |
| 116  | 4460425     | 2               | Strain Relief, Terminal   |     |
| 117  | 4460426     | 2               | Connector, Strain Relief  |     |
| 118  | 4460607     | 1               | Terminal, End Block   |     |
| 121  | 4750600     | 4               | Flatwasher, #6 Wide   |     |
| 122  | 4760600     | 2               | Lockwasher #6   |     |
| 125  | 1671092     | 1               | Cover   |     |
| 126  | 4460963     | 1               | Connector   |     |
| 128  |             | Ref             | Terminal Block Assembly Options (See Items 401-410 for Breakdown) |     |
| 128  | NPN         | 1               | Gray Terminal Block Assembly                                      |     |
| 128  | 1001121340  | 1               | Tan Terminal Block Assembly                                       |     |



**SECTION 2 - TURNTABLE**

| ITEM | PART NUMBER | QTY | DESCRIPTION  | REV |
|------|-------------|-----|--|-----|
|      | 0272435     | Ref | <b>DECAL INSTALLATION</b>  | A   |
| 201  | 1705460     | 2   | Decal - SkyPower   |     |
| 202  | 1705374     | 1   | Decal - 240V - 60Hz  |     |
| 203  | 1705375     | 1   | Decal - 240V - 3 Phase   |     |
| 204  | 1705387     | 3   | Decal, Hazardous Voltage   |     |
|      | 4933349     | Ref | <b>ELECTRICAL DIAGRAM COMPONENTS</b>   | A   |
| 301  | 4923420     | 1   | Generator Harness  | A   |
| 301A | 4460374     | 2   | Plug, Sealed Relay   |     |
| 301A | 4460375     | 8   | Terminal   |     |
| 301B | 4460967     | 1   | Plug, Male - 3 Position  |     |
| 301B | 4460465     | 3   | Socket, Female   |     |
| 301C | 2400060     | 2   | Fuseholder (Not Shown)   |     |
| 301C | 2400064     | 2   | Fuse - 5 Amp (Not Shown)   |     |
| 302  | 4460742     | 1   | Connector - 2 Position   |     |
| 302  | 4460743     | 2   | Socket, Female   |     |
| 302  | 4460458     | 2   | Seal   |     |
| 304  | 4922641     | 1   | Switch Harness   |     |
|      |             | Ref | <b>TERMINAL BLOCK ASSEMBLY</b>   |     |
|      | NPN         | Ref | <b>Gray Terminal Block Assembly (Complete Assembly Not Available - Purchase Individual Components)</b> |     |
|      | 1001121340  | Ref | <b>Tan Terminal Block Assembly</b>   | A   |
| 401  |             | Ref | Marker Strip #1 Options:   |     |
| 401  | 4460411     | 2   | Gray Terminal Block Assembly   |     |
| 401  | 70002818    | 2   | Tan Terminal Block Assembly  |     |
| 402  |             | Ref | Marker Strip #2 Options:   |     |
| 402  | 4460412     | 4   | Gray Terminal Block Assembly   |     |
| 402  | 70002819    | 4   | Tan Terminal Block Assembly  |     |
| 403  |             | Ref | Marker Strip #3 Options:   |     |
| 403  | 4460413     | 2   | Gray Terminal Block Assembly   |     |
| 403  | 70002820    | 2   | Tan Terminal Block Assembly  |     |
| 404  |             | Ref | Marker Strip #4 Options:   |     |
| 404  | 4460414     | 2   | Gray Terminal Block Assembly   |     |
| 404  | 70002821    | 2   | Tan Terminal Block Assembly  |     |
| 405  |             | Ref | Marker Strip #5 Options:   |     |
| 405  | 4460415     | 4   | Gray Terminal Block Assembly   |     |
| 405  | 70002822    | 4   | Tan Terminal Block Assembly  |     |
| 406  |             | Ref | Terminal, End Barrier Options:   |     |
| 406  | 4460956     | 1   | Gray Terminal Block Assembly   |     |
| 406  | 70002823    | 1   | Tan Terminal Block Assembly  |     |
| 407  |             | Ref | Terminal, End Block Options:   |     |
| 407  | 4460607     | 2   | Gray Terminal Block Assembly   |     |
| 407  | 70002824    | 2   | Tan Terminal Block Assembly  |     |
| 408  |             | Ref | Terminal, Block Options:   |     |
| 408  | 4460957     | 7   | Gray Terminal Block Assembly   |     |
| 408  | 70002825    | 7   | Tan Terminal Block Assembly  |     |
| 409  |             | Ref | Terminal, Cross Connector Jumper Options:  |     |
| 409  | 4461001     | 2   | Gray Terminal Block Assembly   |     |
| 409  | 70002826    | 2   | Tan Terminal Block Assembly  |     |
| 410  | 3641533     | 1   | Rail, Relay  |     |
|      | 1001094475  | Ref | <b>HOURMETER INSTALLATION</b>  | A   |
| 501  | 0100011     | AR  | Compound, Locking  |     |
| 502  | 0720808     | 1   | Screw #8-32 x 1in  |     |

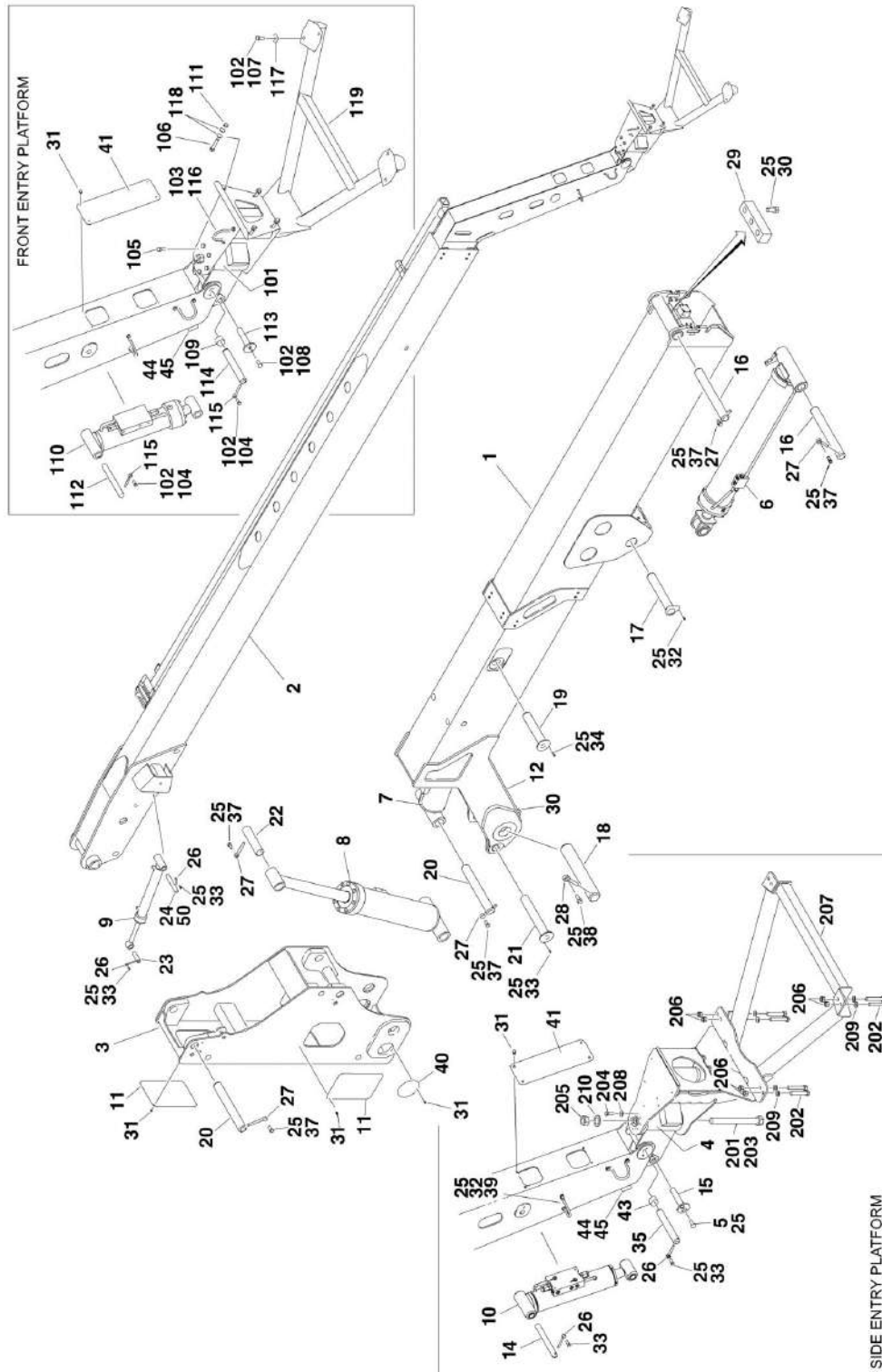
## SECTION 2 - TURNTABLE

| ITEM | PART NUMBER | QTY      | DESCRIPTION         | REV |
|------|-------------|----------|---------------------|-----|
| 503  | 2420165     | 1        | Hourmeter           |     |
| 504  | 3310604     | 2        | Nut #6-32           |     |
| 505  | 3310805     | 1        | Locknut #8-32       |     |
| 506  | 3910608     | 2        | Screw #6-32 x 1/2in |     |
| 507  | 4240032     | 4        | Strap, Tie          |     |
| 508  | 4420060     | 3 in/7cm | Tape, Double-Sided  |     |
| 509  | 4460234     | 3        | Mount, Tie Strap    |     |
| 510  | 4750800     | 1        | Washer #8           |     |
| 511  | 4760600     | 2        | Lockwasher #6       |     |
| 512  | 1001094375  | 1        | Bracket, Hourmeter  |     |
| 513  | 1001094509  | 1        | Harness, Hourmeter  |     |

**SECTION 3 - BOOM**

# SECTION 3 - BOOM

## FIGURE 3-1. BOOM AND CYLINDER INSTALLATION - 800A



## SECTION 3 - BOOM

**FIGURE 3-1. BOOM AND CYLINDER INSTALLATION - 800A**

| ITEM | PART NUMBER | QTY | DESCRIPTION  | REV |
|------|-------------|-----|--|-----|
|      |             | Ref | <b>BOOMS AND CYLINDERS INSTALLATIONS - 800A</b>  |     |
|      | 0257760     | Ref | <b>FRONT ENTRY PLATFORM</b>  | E   |
|      | 0272381     | Ref | <b>SIDE ENTRY PLATFORM</b>   | E   |
| 1    | 0801132     | 1   | Boom Assembly - Tower (See TOWER BOOM ASSEMBLY for Breakdown)  |     |
| 2    | 0801135     | 1   | Boom Assembly - Main (See MAIN BOOM ASSEMBLIES for Breakdown)  |     |
| 3    | 4845593     | 1   | Upright Weldment   |     |
| 4    |             | Ref | Rotator Actuator Assembly Options:   |     |
| 4    | See Note    | 1   | Front Entry Platform (Note: See Item 101)  |     |
| 4    | 0060069     | 1   | Side Entry Platform (See ROTATOR ASSEMBLY for Breakdown)   |     |
| 5    | 0741607     | 1   | Screw, Countersunk 3/8in-16NC x 7/8in  |     |
| 6    | 1683537     | NLA | Lift Cylinder Assembly - Tower Boom (Use p/n 1001228009) (See CYLINDER SECTION for Breakdown) (Original Equipment) |     |
| 6    | 1001228009  | 1   | Lift Cylinder Assembly - Tower Boom (See CYLINDER SECTION for Breakdown) (Service Replacement)                     |     |
| 7    | 1683546     | NLA | Level Cylinder Assembly - Upright (Use p/n 1001228041) (See CYLINDER SECTION for Breakdown) (Original Equipment)   |     |
| 7    | 1684497     | NLA | Level Cylinder Assembly - Upright (Use p/n 1001228041) (See CYLINDER SECTION for Breakdown) (Service Replacement)  |     |
| 7    | 1001228041  | 1   | Level Cylinder Assembly - Upright (See CYLINDER SECTION for Breakdown) (Service Replacement)                       |     |
| 8    | 1683547     | NLA | Lift Cylinder Assembly - Main Boom (Use p/n 1001228010) (See CYLINDER SECTION for Breakdown) (Original Equipment)  |     |
| 8    | 1001228010  | 1   | Lift Cylinder Assembly - Main Boom (See CYLINDER SECTION for Breakdown) (Service Replacement)                      |     |
| 9    | 1683608     | NLA | Master Cylinder Assembly (Use p/n 1001228011) (See CYLINDER SECTION for Breakdown) (Original Equipment)            |     |
| 9    | 1001228011  | 1   | Master Cylinder Assembly (See CYLINDER SECTION for Breakdown) (Service Replacement)                                |     |
| 10   | 1683610     | NLA | Slave Cylinder Assembly (Use p/n 1001228033) (See CYLINDER SECTION for Breakdown) (Original Equipment)             |     |
| 10   | 1684408     | NLA | Slave Cylinder Assembly (Use p/n 1001228033) (See CYLINDER SECTION for Breakdown) (Service Replacement)            |     |
| 10   | 1001228033  | 1   | Slave Cylinder Assembly (See CYLINDER SECTION for Breakdown) (Service Replacement)                                 |     |
| 11   | 1670844     | 4   | Cover, Upright   |     |
| 12   | 1670850     | 1   | Cover, Tower Fly   |     |
| 14   | 3422578     | 1   | Pin  |     |
| 15   | 3422580     | 1   | Pin  |     |
| 16   | 3422681     | 2   | Pin  |     |
| 17   | 3422729     | 1   | Pin  |     |
| 18   | 3422683     | 1   | Pin  |     |
| 19   | 3422684     | 1   | Pin  |     |
| 20   | 3422685     | 2   | Pin  |     |
| 21   | 3422686     | 1   | Pin  |     |
| 22   | 3422687     | 1   | Pin  |     |
| 23   | 3422688     | 1   | Pin  |     |
| 24   | 3422689     | 1   | Pin  |     |
| 25   | 0100011     | AR  | Compound, Locking  |     |
| 26   | 3841143     | 2   | Keeper, Pin  |     |
| 27   | 3841287     | 5   | Keeper, Pin  |     |

## SECTION 3 - BOOM

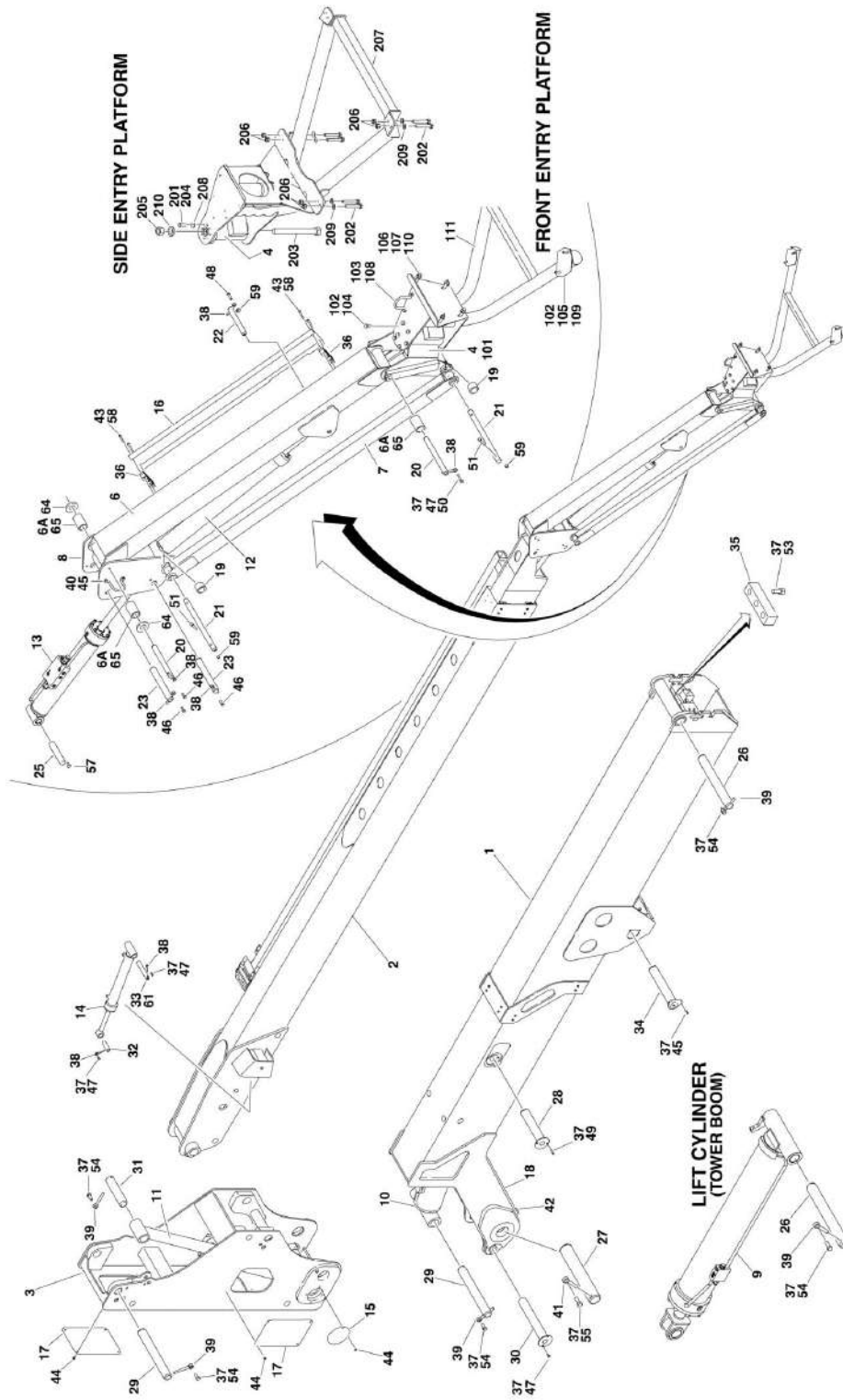
| ITEM | PART NUMBER | QTY | DESCRIPTION   | REV |
|------|-------------|-----|---|-----|
| 28   | 3841356     | 1   | Keeper, Pin   |     |
| 29   | 3340835     | 1   | Pad, Rest   |     |
| 30   | 0641404     | 4   | Bolt 1/4in-20NC x 1/2in   |     |
| 31   | 0641604     | 28  | Bolt 3/8in-16NC x 1/2in   |     |
| 32   | 0641606     | 6   | Bolt 3/8in-16NC x 3/4in   |     |
| 33   | 0641608     | 6   | Bolt 3/8in-16NC x 1in   |     |
| 34   | 0641611     | 2   | Bolt 3/8in-16NC x 1-3/8in   |     |
| 35   | 3422582     | 1   | Pin   |     |
| 36   | 0641820     | 3   | Bolt 1/2in-13NC x 2-1/2in   |     |
| 37   | 0642214     | 5   | Bolt 3/4in-10NC x 1-3/4in   |     |
| 38   | 0642620     | 1   | Bolt 1in-8NC x 2-1/2in  |     |
| 39   | 3841340     | 1   | Rod, Hose Loop  |     |
| 40   | 1120510     | 1   | Cover, Upright  |     |
| 41   | 1670864     | 1   | Cover, Fly Hose   |     |
| 43   | 0961951     | 2   | Bearing   |     |
| 44   |             | Ref | Bolt Options:   |     |
| 44   | 0641514     | 1   | Bolt 5/16in-18NC x 1-3/4in (SN 0300069000 through 0300110180)   |     |
| 44   | 0641516     | 1   | Bolt 5/16in-18NC x 2in (SN 0300110181 through 0300140000)   |     |
| 45   | 1320159     | 1   | Clamp   |     |
| 46   | 4711500     | 1   | Flatwasher 5/16in Narrow (SN 0300110181 through 0300140000)   |     |
| 47   | 3311505     | 1   | Locknut 5/16in x 18NC (SN 0300110181 through 0300140000)  |     |
| 50   | 3900239     | 1   | Setscrew 3/8in-16NC x 1/2in   |     |
|      | 0258765     | Ref | <b>ROTATOR AND SUPPORT INSTALLATION (FRONT ENTRY PLATFORM)</b>  | D   |
| 101  | 0060041     | NLA | Rotator Actuator Assembly (Use p/n 0060077) (See ROTATOR ASSEMBLY for Breakdown) (Note: Use p/n 0060069 for machines equipped with Fall Arrest Platforms) |     |
| 102  | 0100011     | AR  | Compound, Locking   |     |
| 103  | 0641606     | 2   | Bolt 3/8in-16NC x 3/4in   |     |
| 104  | 0641608     | 2   | Bolt 3/8in-16NC x 1in   |     |
| 105  | 0641810     | 6   | Bolt 1/2in-13NC x 1-1/4in   |     |
| 106  | 0641820     | 4   | Bolt 1/2in-13NC x 2-1/2in   |     |
| 107  | 0681610     | 4   | Bolt 3/8in-16NC x 1-1/4in (Grade 8)   |     |
| 108  | 0741607     | 1   | Screw, Countersunk 3/8in-16NC x 7/8in   |     |
| 109  | 0961951     | 2   | Bearing   |     |
| 110  | 1683610     | NLA | Slave Cylinder Assembly (See CYLINDER SECTION for Breakdown) (Use p/n 1684408)  |     |
| 111  | 3311805     | 4   | Locknut 1/2in-13NC  |     |
| 112  | 3422578     | 1   | Pin   |     |
| 113  | 3422580     | 1   | Pin   |     |
| 114  | 3422582     | 1   | Pin   |     |
| 115  | 3841143     | 2   | Keeper, Pin   |     |
| 116  | 3841340     | 1   | Rod, Hose Loop  |     |
| 117  | 4711600     | 4   | Flatwasher 3/8in Narrow   |     |
| 118  | 4711800     | 8   | Flatwasher 1/2in Narrow   |     |
| 119  |             | Ref | Support Weldment Options:   |     |
| 119  | 4845703     | 1   | Standard Machines   |     |
| 119  | See Note    | 1   | Machines with SkyGlazier (Note: Refer to JLG Supplement p/n 3124242 for Replacement Parts)  |     |
|      |             | Ref | <b>PLATFORM SUPPORT INSTALLATION (SIDE ENTRY PLATFORM)</b>  |     |

## SECTION 3 - BOOM

| ITEM | PART NUMBER | QTY | DESCRIPTION   | REV |
|------|-------------|-----|---|-----|
|      | 0272070     | Ref | <b>Machines without Load Sensing and without SkyGlazier</b>   | D   |
|      | See Note    | Ref | <b>Machines without Load Sensing and with SkyGlazier (Note: For Replacement Parts, Contact JLG Customer Service and Request Manual p/n 3124242)</b> |     |
|      | See Note    | Ref | <b>Machines with Load Sensing and without SkyGlazier (Note: For Replacement Parts, Contact JLG Customer Service and Request Manual p/n 3124287)</b> |     |
|      | See Note    | Ref | <b>Machines with Load Sensing and with SkyGlazier (Note: For Replacement Parts, Contact JLG Customer Service and Request Manual p/n 3124287)</b>    |     |
| 201  | 0100011     | AR  | Compound, Locking   |     |
| 202  | 0641812     | 8   | Bolt 1/2in-13NC x 1-1/2in   |     |
| 203  | 0642684     | 1   | Bolt 1in-8NC x 10-1/2in   |     |
| 204  | 0681608     | 8   | Bolt 3/8in-16NC x 1in   |     |
| 205  | 3272605     | 1   | Locknut 1in-8NC   |     |
| 206  | 3311805     | 8   | Locknut 1/2in-13NC  |     |
| 207  | 4846573     | 1   | Support Weldment  |     |
| 208  | 4891600     | 8   | Flatwasher 3/8in (Hardened)   |     |
| 209  | 4891800     | 8   | Flatwasher 1/2in (Hardened)   |     |
| 210  | 4892600     | 1   | Flatwasher 1in (Hardened)   |     |

# SECTION 3 - BOOM

## FIGURE 3-2. BOOM AND CYLINDER INSTALLATION - 800AJ





## SECTION 3 - BOOM

### FIGURE 3-2. BOOM AND CYLINDER INSTALLATION - 800AJ

| ITEM | PART NUMBER | QTY | DESCRIPTION   | REV |
|------|-------------|-----|---|-----|
|      |             | Ref | <b>BOOMS AND CYLINDERS INSTALLATION - 800AJ</b>   |     |
|      | 0257761     | Ref | <b>FRONT ENTRY PLATFORM</b>   | C   |
|      | 0272131     | Ref | <b>SIDE ENTRY PLATFORM</b>  | H   |
| 1    | 0801132     | 1   | Boom Assembly - Tower (See TOWER BOOM ASSEMBLY for Breakdown)   |     |
| 2    | 0801136     | 1   | Boom Assembly - Main (See MAIN BOOM ASSEMBLIES for Breakdown)   |     |
| 3    | 4845593     | 1   | Upright Weldment  |     |
| 4    |             | Ref | Rotator Actuator Assembly Options:  |     |
| 4    | 0060031     | NLA | Front Entry Platform (Use p/n 1001103095) (See ROTATOR ASSEMBLY for Breakdown) (Note: Use p/n 0060066 for machines equipped with Fall Arrest Platforms) |     |
| 4    | 0060066     | 1   | Side Entry (See ROTATOR ASSEMBLY for Breakdown)   |     |
| 6    | 4844816     | 1   | Tube Weldment - Jib Top   |     |
| 6A   | 0962335     | 4   | Bearing   |     |
| 7    | 4844817     | 2   | Tube Weldment - Jib Bottom  |     |
| 8    | 4845716     | 1   | Pivot Weldment  |     |
| 9    | 1683537     | NLA | Lift Cylinder Assembly - Tower Boom (Use p/n 1001228009) (See CYLINDER SECTION for Breakdown) (Original Equipment)                                      |     |
| 9    | 1001228009  | 1   | Lift Cylinder Assembly - Tower Boom (See CYLINDER SECTION for Breakdown) (Service Replacement)  |     |
| 10   | 1683546     | NLA | Level Cylinder Assembly - Upright (Use p/n 1001228041) (See CYLINDER SECTION for Breakdown) (Original Equipment)  |     |
| 10   | 1684497     | NLA | Level Cylinder Assembly - Upright (Use p/n 1001228041) (See CYLINDER SECTION for Breakdown) (Service Replacement)                                       |     |
| 10   | 1001228041  | 1   | Level Cylinder Assembly - Upright (See CYLINDER SECTION for Breakdown) (Original Equipment)   |     |
| 11   | 1683547     | NLA | Lift Cylinder Assembly - Main Boom (Use p/n 1001228010) (See CYLINDER SECTION for Breakdown) (Original Equipment)                                       |     |
| 11   | 1001228010  | 1   | Lift Cylinder Assembly - Main Boom (See CYLINDER SECTION for Breakdown) (Service Replacement)   |     |
| 12   | 1683609     | NLA | Lift Cylinder Assembly - Jib (Use p/n 1001248012) (See CYLINDER SECTION for Breakdown) (Original Equipment)   |     |
| 12   | 1001228012  | NLA | Lift Cylinder Assembly - Jib (Use p/n 1001248012) (See CYLINDER SECTION for Breakdown) (Service Replacement)  |     |
| 12   | 1001248012  | 1   | Lift Cylinder Assembly - Jib (See CYLINDER SECTION for Breakdown) (Service Replacement)   |     |
| 13   | 1683677     | NLA | Slave Cylinder Assembly (Use p/n 1001228030) (See CYLINDER SECTION for Breakdown) (Original Equipment)  |     |
| 13   | 1684228     | NLA | Slave Cylinder Assembly (Use p/n 1001228030) (See CYLINDER SECTION for Breakdown) (Service Replacement)   |     |
| 13   | 1001228030  | 1   | Slave Cylinder Assembly (See CYLINDER SECTION for Breakdown) (Service Replacement)  |     |
| 14   | 1683682     | NLA | Master Cylinder Assembly (Use p/n 1001228050) (See CYLINDER SECTION for Breakdown) (Original Equipment)   |     |
| 14   | 1001228050  | 1   | Master Cylinder Assembly (See CYLINDER SECTION for Breakdown) (Service Replacement)   |     |
| 15   | 1120510     | 4   | Cover, Upright  |     |
| 16   | 1670769     | 1   | Cover, Cable  |     |
| 17   | 1670844     | 4   | Cover, Upright  |     |
| 18   | 1670850     | 1   | Cover, Tower Fly  |     |
| 19   | 0961947     | AR  | Bearing   |     |
| 20   | 3422860     | AR  | Pin (SN 0300069000 through 0300140000)  |     |
| 21   | 3422861     | 2   | Pin (SN 0300069000 through 0300140000)  |     |

## SECTION 3 - BOOM

| ITEM | PART NUMBER | QTY | DESCRIPTION  | REV |
|------|-------------|-----|--|-----|
| 22   | 3422867     | 1   | Pin (SN 0300069000 through 0300140000)                         |     |
| 23   | 3422561     | 2   | Pin  |     |
| 25   | 3422583     | 1   | Pin  |     |
| 26   | 3422681     | 2   | Pin  |     |
| 27   | 3422683     | 1   | Pin  |     |
| 28   | 3422684     | 1   | Pin  |     |
| 29   | 3422685     | 2   | Pin  |     |
| 30   | 3422686     | 1   | Pin  |     |
| 31   | 3422687     | 1   | Pin  |     |
| 32   | 3422688     | 1   | Pin  |     |
| 33   | 3422689     | 1   | Pin  |     |
| 34   | 3422729     | 1   | Pin  |     |
| 35   | 3340835     | 1   | Pad, Rest  |     |
| 36   | 0561237     | 2   | Clamp, Block   |     |
| 37   | 0100011     | AR  | Compound, Locking  |     |
| 38   | 3841143     | 7   | Keeper, Pin  |     |
| 39   | 3841287     | 5   | Keeper, Pin  |     |
| 40   | 3841340     | 1   | Rod, Hose Loop   |     |
| 41   | 3841356     | 1   | Keeper, Pin  |     |
| 42   | 0641404     | 4   | Bolt 1/4in-20NC x 1/2in  |     |
| 43   | 0641416     | 4   | Bolt 1/4in-20NC x 2in  |     |
| 44   | 0641604     | 24  | Bolt 3/8in-16NC x 1/2in  |     |
| 45   | 0641606     | 4   | Bolt 3/8in-16NC x 3/4in  |     |
| 46   | 0641607     | 3   | Bolt 3/8in-16NC x 7/8in  |     |
| 47   | 0641608     | AR  | Bolt 3/8in-16NC x 1in  |     |
| 48   | 0641611     | 1   | Bolt 3/8in-16NC x 1-3/8in                                      |     |
| 49   |             | Ref | Bolt Options:  |     |
| 49   | 0641612     | 2   | Bolt 3/8in-16NC x 1-1/2in (SN 0300069000 through 030009628)    |     |
| 49   | 0641611     | 2   | Bolt 3/8in-16NC x 1-3/8in (SN 030009629 through 0300140000)    |     |
| 50   | 0641614     | 1   | Bolt 3/8in-16NC x 1-3/4in (Front Entry Platform Only)          |     |
| 51   | 0641618     | 4   | Bolt 3/8in-16NC x 2-1/4in                                      |     |
| 53   | 0641820     | 3   | Bolt 1/2in-13NC x 2-1/2in                                      |     |
| 54   | 0642214     | 5   | Bolt 3/4in-10NC x 1-3/4in                                      |     |
| 55   | 0642620     | 1   | Bolt 1in-8NC x 2-1/2in   |     |
| 57   | 0741607     | 1   | Screw, Countersunk 3/8in-16NC x 7/8in                          |     |
| 58   | 2080044     | 4   | Rivnut 1/4in-20NC  |     |
| 59   | 3311605     | 5   | Locknut 3/8in-16NC   |     |
| 61   | 3900239     | 1   | Setscrew 3/8in-16NC x 1/2in                                    |     |
| 64   | 4740439     | 2   | Washer, Thrust   |     |
| 65   | 0962335     | 4   | Bearing (SN 0300069000 through 0300096488)                     |     |
|      | 0258766     | Ref | <b>ROTATOR AND SUPPORT INSTALLATION (FRONT ENTRY PLATFORM)</b> | E   |
| 101  | See Item 4  | 1   | Rotator Actuator Assembly (See ROTATOR ASSEMBLY for Breakdown) |     |
| 102  | 0100011     | AR  | Compound, Locking  |     |
| 103  | 0641606     | 2   | Bolt 3/8in-16NC x 3/4in  |     |
| 104  | 0641810     | 6   | Bolt 1/2in-13NC x 1-1/4in                                      |     |
| 105  | 0681610     | 4   | Bolt 3/8in-16NC x 1-1/4in (Grade 8)                            |     |
| 106  | 0641820     | 4   | Bolt 1/2in-13NC x 2-1/2in                                      |     |
| 107  | 3311805     | 4   | Locknut 1/2in-13NC   |     |

## SECTION 3 - BOOM

| ITEM | PART NUMBER | QTY | DESCRIPTION   | REV |
|------|-------------|-----|---|-----|
| 108  | 3841340     | 1   | Rod, Hose Loop  |     |
| 109  | 4711600     | 4   | Flatwasher 3/8in Narrow   |     |
| 110  | 4711800     | 8   | Flatwasher 1/2in Narrow   |     |
| 111  |             | Ref | Support Weldment Options:   |     |
| 111  | 4844790     | 1   | Standard Machines   |     |
| 111  | See Note    | 1   | Machines with SkyGlazier (Note: Refer to JLG Supplement p/n 3124242 for Replacement Parts)                          |     |
|      |             | Ref | <b>PLATFORM SUPPORT INSTALLATION (SIDE ENTRY PLATFORM)</b>  |     |
|      | 0272070     | Ref | <b>Machines without Load Sensing and without SkyGlazier</b>   | D   |
|      | See Note    | Ref | <b>Machines without Load Sensing and with SkyGlazier (Note: Refer to JLG Supplement p/n 3124242 for Components)</b> |     |
|      | See Note    | Ref | <b>Machines with Load Sensing and without SkyGlazier (Note: Refer to JLG Supplement p/n 3124287 for Components)</b> |     |
|      | See Note    | Ref | <b>Machines with Load Sensing and with SkyGlazier (Note: Refer to JLG Supplement p/n 3124287 for Components)</b>    |     |
| 201  | 0100011     | AR  | Compound, Locking   |     |
| 202  | 0641812     | 8   | Bolt 1/2in-13NC x 1-1/2in   |     |
| 203  | 0642684     | 1   | Bolt 1in-8NC x 10-1/2in   |     |
| 204  | 0681608     | 8   | Bolt 3/8in-16NC x 1in   |     |
| 205  | 3272605     | 1   | Locknut 1in-8NC   |     |
| 206  | 3311805     | 8   | Locknut 1/2in-13NC  |     |
| 207  | 4846573     | 1   | Support Weldment  |     |
| 208  | 4891600     | 8   | Flatwasher 3/8in (Hardened)   |     |
| 209  | 4891800     | 8   | Flatwasher 1/2in (Hardened)   |     |
| 210  | 4892600     | 1   | Flatwasher 1in (Hardened)   |     |

# SECTION 3 - BOOM

## FIGURE 3-3. TOWER BOOM ASSEMBLY

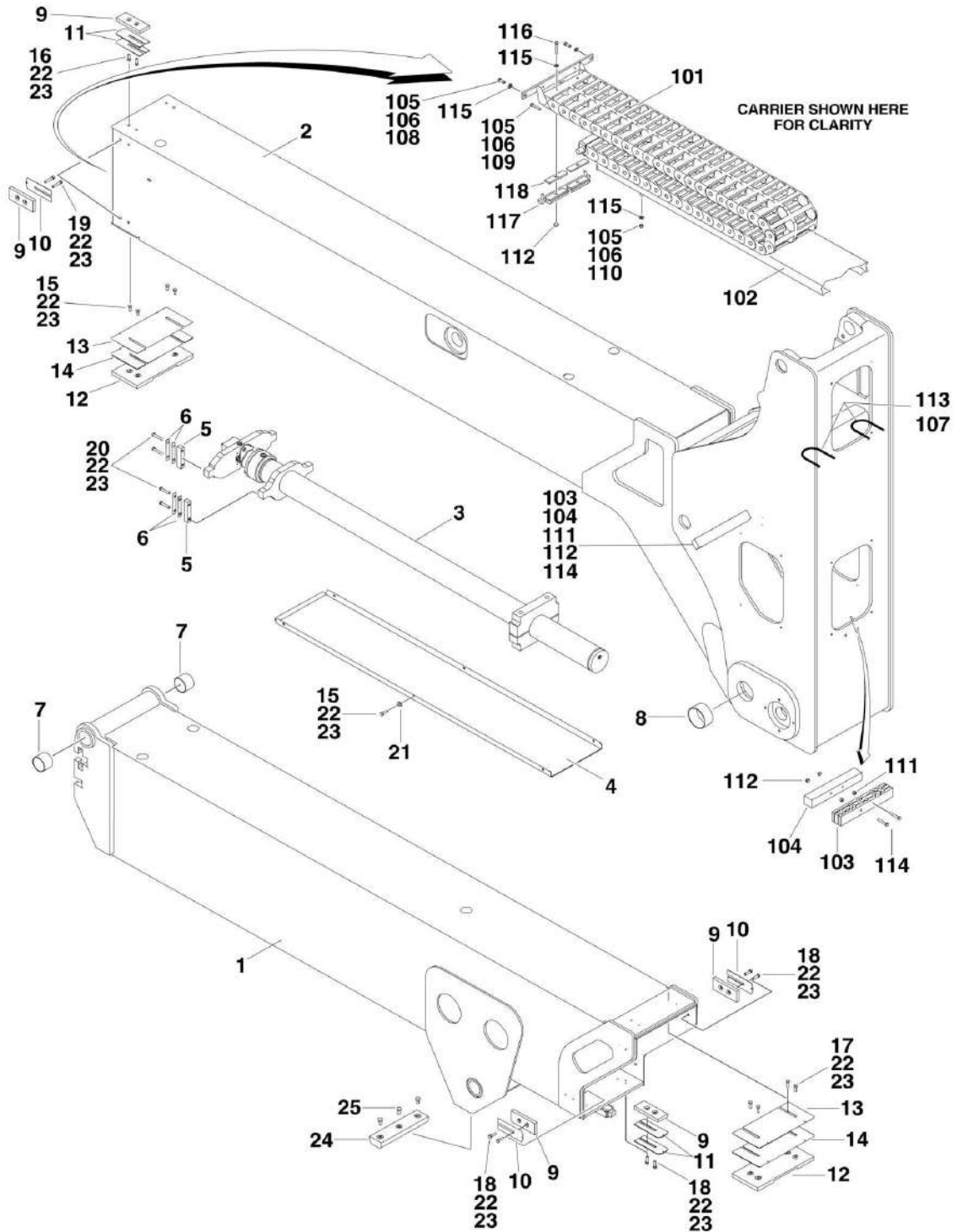


FIGURE 3-3. TOWER BOOM ASSEMBLY

| ITEM | PART NUMBER | QTY | DESCRIPTION   | REV |
|------|-------------|-----|---|-----|
|      | 0801132     | Ref | <b>TOWER BOOM ASSEMBLY</b>  | E   |
| 1    |             | Ref | Base Weldment Options:  |     |
| 1    | 0801133     | NLA | Base Weldment (Use p/n 0801594) <b>(SN 0300069000 through 0300103804)</b>   |     |
| 2    |             | Ref | Fly Weldment Options:   |     |
| 2    | 0801134     | NLA | Fly Weldment (Use p/n 0801496) <b>(SN 0300069000 through 0300106000)</b>  |     |
| 2    | 0801496     | 1   | Fly Weldment <b>(SN 0300106001 through 0300140000)</b>  |     |
| 3    | 1683606     | NLA | Cylinder Assembly - Tower Telescope (Use p/n 1001228086) (See CYLINDER SECTION for Breakdown) (Original Equipment)  |     |
| 3    | 1001188840  | NLA | Cylinder Assembly - Tower Telescope (Use p/n 1001228086) (See CYLINDER SECTION for Breakdown) (Service Replacement) |     |
| 3    | 1001228086  | 1   | Cylinder Assembly - Tower Telescope (See CYLINDER SECTION for Breakdown) (Service Replacement)                      |     |
| 4    | 4340706     | 1   | Support   |     |
| 5    | 0561185     | 4   | Block, Attach   |     |
| 6    | 4070929     | 8   | Shim 1/16in   |     |
| 7    | 0962102     | 2   | Bushing   |     |
| 8    | 0962122     | 2   | Bushing   |     |
| 9    | 3340881     | 12  | Pad, Wear   |     |
| 10   | 4070897     | 8   | Shim .05  |     |
| 11   | 4070898     | 8   | Shim .12  |     |
| 12   | 3340828     | 2   | Pad, Wear   |     |
| 13   | 4070967     | 2   | Shim .05  |     |
| 14   | 4070968     | 2   | Shim .12  |     |
| 15   | 0641607     | 10  | Bolt 3/8in-16NC x 7/8in   |     |
| 16   | 0641608     | 4   | Bolt 3/8in-16NC x 1in   |     |
| 17   | 0641609     | 4   | Bolt 3/8in-16NC x 1-1/8in   |     |
| 18   | 0641610     | 12  | Bolt 3/8in-16NC x 1-1/4in   |     |
| 19   | 0641615     | 8   | Bolt 3/8in-16NC x 1-7/8in   |     |
| 20   | 0641616     | 8   | Bolt 3/8in-16NC x 2in   |     |
| 21   | 4711600     | 6   | Flatwasher 3/8in Narrow   |     |
| 22   | 0100011     | AR  | Compound, Locking   |     |
| 23   | 0100038     | AR  | Primer, Locking   |     |
| 24   | 3340835     | 1   | Pad, Boom Rest  |     |
| 25   | 0641806     | 3   | Bolt 1/2in-13NC x 3/4in   |     |
|      |             | Ref | <b>POWER TRACK INSTALLATIONS</b>  |     |
|      | 0257764     | Ref | <b>Without Arctic Package</b>   | H   |
|      | 1001094661  | Ref | <b>With Arctic Package</b>  | B   |
| 101  | 1180346     | 1   | Carrier   |     |
| 101  | 7020064     | 1   | Bracket, End (Moving)   |     |
| 101  | 7020065     | 1   | Bracket, End (Fixed)  |     |
| 101  | 7020066     | 1   | Section, Repair   |     |
| 101  | 7020067     | 1   | Link, Repair  |     |
| 102  | 4845680     | 1   | Hose Tube Weldment  |     |
| 103  |             | Ref | Clamp, Block Options:   |     |
| 103  | 1320251     | 2   | Without Arctic Package  |     |
| 103  | 1001094662  | 2   | With Arctic Package <b>(SN 0300110181 through 0300140000)</b>   |     |
| 104  | 1320250     | 2   | Bar, Clamp  |     |
| 105  | 0100011     | AR  | Compound, Locking   |     |
| 106  | 0100038     | AR  | Primer, Locking   |     |

## SECTION 3 - BOOM

| ITEM | PART NUMBER | QTY | DESCRIPTION               | REV |
|------|-------------|-----|---------------------------|-----|
| 107  | 0641605     | 4   | Bolt 3/8in-16NC x 5/8in   |     |
| 108  | 0641606     | 2   | Bolt 3/8in-16NC x 3/4in   |     |
| 109  | 0641622     | 2   | Bolt 3/8in-16NC x 2-3/4in |     |
| 110  | 3311601     | 4   | Nut 3/8in-16NC            |     |
| 111  | 3311602     | 4   | Nut, Jam 3/8in-16NC       |     |
| 112  | 3311605     | 6   | Locknut 3/8in-16NC        |     |
| 113  | 3841340     | 2   | Rod, Hose Loop            |     |
| 114  | 3900262     | 4   | Bolt 3/8in16NC x 4-3/4in  |     |
| 115  | 4711600     | AR  | Flatwasher 3/8in Narrow   |     |
| 116  | 0641624     | 2   | Bolt 3/8in-16NC x 3in     |     |
| 117  | 0259420     | 1   | Clamp Assembly            |     |
| 117  | 3340859     | 2   | Pad, Rubber               |     |
| 118  | 3340859     | 2   | Pad, Rubber               |     |



# SECTION 3 - BOOM

## FIGURE 3-4. MAIN BOOM ASSEMBLIES

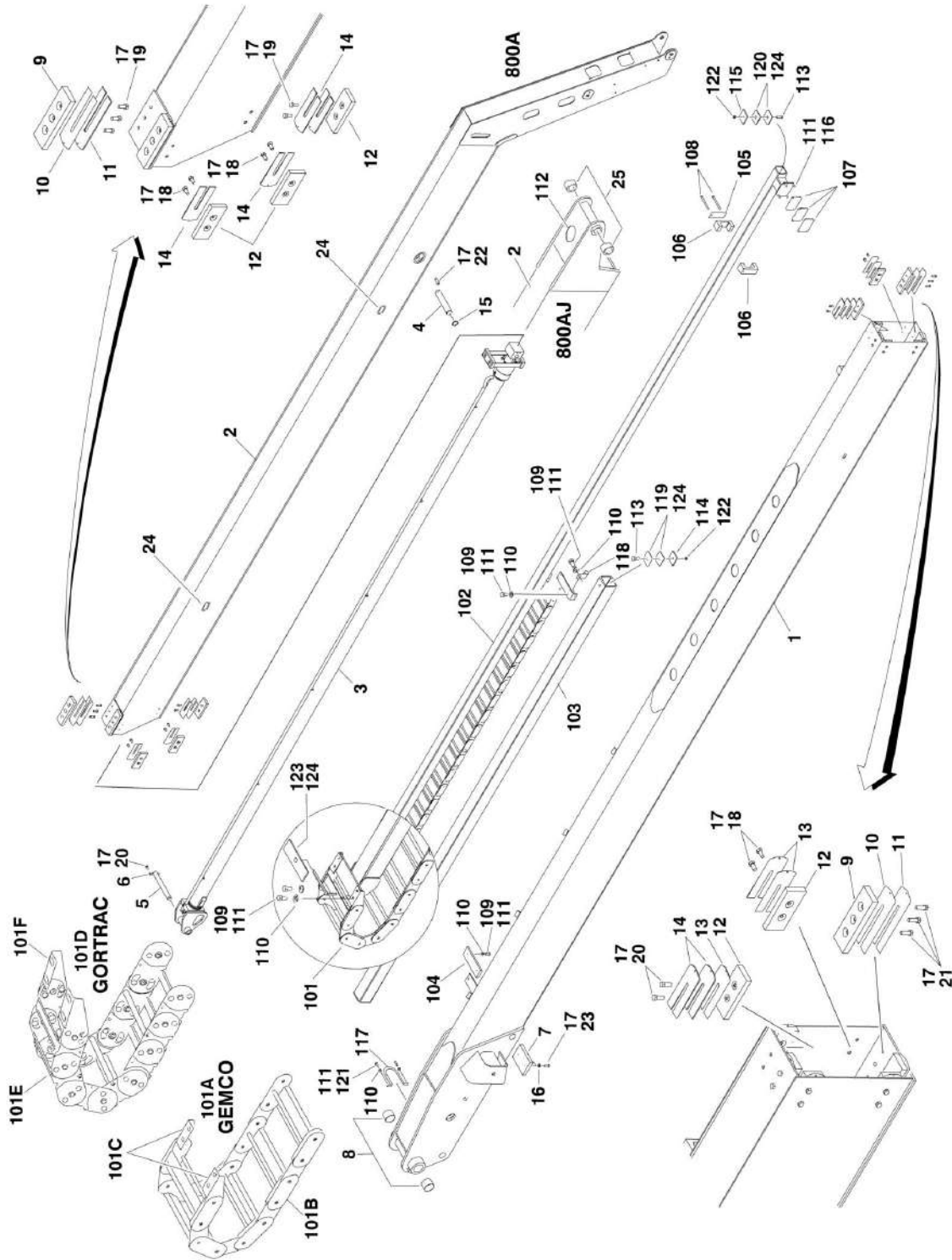




FIGURE 3-4. MAIN BOOM ASSEMBLIES

| ITEM | PART NUMBER  | QTY | DESCRIPTION   | REV |
|------|--------------|-----|---|-----|
|      |              | Ref | <b>MAIN BOOM ASSEMBLY OPTIONS:</b>  |     |
|      | 0801135      | Ref | <b>Main Boom Assembly 800A</b>  | G   |
|      | 0801136      | Ref | <b>Main Boom Assembly 800AJ</b>   | I   |
| 1    |              | Ref | Base Weldment Options:  |     |
| 1    | 0801185      | NLA | Base Weldment 800A (Use p/n 0801585) <b>(SN 0300069000 through 0300103804)</b>  |     |
| 1    | 0801585      | 1   | Base Weldment 800A <b>(SN 0300103805 through 0300140000)</b>                    |     |
| 1    | 0801191      | NLA | Base Weldment 800AJ (Use p/n 0801591) <b>(SN 0300069000 through 0300103804)</b> |     |
| 1    | 0801591      | 1   | Base Weldment 800AJ <b>(SN 0300103805 through 0300140000)</b>                   |     |
| 2    |              | Ref | Fly Weldment Options:   |     |
| 2    | 0801138      | 1   | Fly Weldment 800A   |     |
| 2    | 0801140      | NLA | Fly Weldment 800AJ (Use p/n 0801573) <b>(SN 0300069000 through 0300098643)</b>  |     |
| 2    | 0801573      | 1   | Fly Weldment 800AJ <b>(SN 0300098644 through 0300140000)</b>                    |     |
| 3    |              | Ref | Telescope Cylinder Assembly Options:  |     |
| 3    | 1683607      | NLA | Telescope Cylinder Assembly (Use p/n 1001228088) (800A) (Original Equipment)    |     |
| 3    | 1001188968   | NLA | Telescope Cylinder Assembly (Use p/n 1001228088) (800A) (Service Replacement)   |     |
| 3    | 1001228088   | 1   | Telescope Cylinder Assembly (800A) (Service Replacement)                        |     |
| 3    | 1683672      | NLA | Telescope Cylinder Assembly (Use p/n 1001228087) (800AJ) (Original Equipment)   |     |
| 3    | 1001188841   | NLA | Telescope Cylinder Assembly (Use p/n 1001228087) (800AJ) (Service Replacement)  |     |
| 3    | 1001228087   | 1   | Telescope Cylinder Assembly (800AJ) (Service Replacement)                       |     |
| 4    | 3422457      | 1   | Pin   |     |
| 5    | 3422690      | 1   | Pin   |     |
| 6    | 3841143      | 1   | Keeper, Pin   |     |
| 7    | 0561295      | 1   | Block, Boom Rest  |     |
| 8    | 0962102      | 2   | Bushing   |     |
| 9    | 3340871      | 4   | Pad, Wear   |     |
| 10   | 4070863      | 4   | Shim 1/8in  |     |
| 11   | 4070864      | 4   | Shim .05  |     |
| 12   | 3340881      | 12  | Pad, Wear   |     |
| 13   | 4070897      | 10  | Shim .05  |     |
| 14   | 4070898      | 12  | Shim 1/8in  |     |
| 15   | 3760133      | 2   | Ring, Retaining   |     |
| 16   | 4711600      | 2   | Flatwasher 3/8in Narrow   |     |
| 17   | 0100011      | AR  | Compound, Locking   |     |
| 18   | 0641606      | 16  | Bolt 3/8in-16NC x 3/4in   |     |
| 19   | 0641607      | 10  | Bolt 3/8in-16NC x 7/8in   |     |
| 20   | 0641608      | 5   | Bolt 3/8in-16NC x 1in   |     |
| 21   | 0641609      | 6   | Bolt 3/8in-16NC x 1-1/8in   |     |
| 22   | 3900259      | 4   | Bolt, Shoulder  |     |
| 23   | 0641612      | 2   | Bolt 3/8in-16NC x 1-1/2in   |     |
| 24   | 1670836      | 6   | Cover, Boom <b>(SN 0300069000 through 0300120845)</b>                           |     |
| 25   |              | Ref | Bushing   |     |
| 25   | Not Required | 0   | Bushing, 800A   |     |
| 25   | 0961951      | 2   | Bushing, 800AJ  |     |
|      |              | Ref | <b>POWER TRACK INSTALLATION OPTIONS:</b>  |     |

## SECTION 3 - BOOM

| ITEM | PART NUMBER  | QTY       | DESCRIPTION   | REV |
|------|--------------|-----------|---|-----|
|      | 0258076      | Ref       | <b>Power Track Installation 800A</b>  | J   |
|      | 0258077      | Ref       | <b>Power Track Installation 800AJ</b>   | H   |
| 101  |              | Ref       | Carrier Options:  |     |
| 101A |              | Ref       | Gemco Brand Power Track (Original Equipment)  |     |
| 101A | 1180347      | NLA       | Gemco Brand Power Track 800A (Use p/n 1001099840)                                   |     |
| 101A | 1180349      | NLA       | Gemco Brand Power Track 800AJ (Use p/n 1001099837)                                  |     |
| 101B | 7016522      | AR        | Carrier Repair Section (Includes 1 Pin for each end)                                |     |
| 101B | 7016523      | AR        | Rod Assembly (Includes 1 rod and hardware)  |     |
| 101B | 7016529      | AR        | Roller, Plastic Rod   |     |
| 101B | 7006137      | AR        | Link Pin Assembly   |     |
| 101C | 7016524      | 2         | Foot, Mounting (1 Pair)   |     |
| 101D |              | Ref       | Gortrac Brand Power Track (Service Replacement)                                     |     |
| 101D | 1180347      | NLA       | Gemco Brand Power Track 800A (Use p/n 1001099840)                                   |     |
| 101D | 1180349      | NLA       | Gemco Brand Power Track 800AJ (Use p/n 1001099837)                                  |     |
| 101E | 70002013     | AR        | Carrier Repair Section (Includes 1 Pin Assembly for each end)                       |     |
| 101F | 70002014     | AR        | Mounting Foot Kit (Includes Both Pair of Feet)                                      |     |
| 102  |              | Ref       | Push Tube Weldment  |     |
| 102  | 4845701      | 1         | Push Tube Weldment 800A   |     |
| 102  | 4845729      | 1         | Push Tube Weldment 800AJ  |     |
| 103  |              | Ref       | Support   |     |
| 103  | 4845702      | 1         | Support 800A  |     |
| 103  | 4845730      | 1         | Support 800AJ   |     |
| 104  | 3340840      | 1         | Pad   |     |
| 105  | 3538758      | 1         | Plate, Backing  |     |
| 106  | 3340764      | 2         | Pad   |     |
| 107  | 4070969      | 3         | Shim  |     |
| 108  | 0641640      | 2         | Bolt 3/8in-16NC x 5in   |     |
| 109  | 0641606      | 18        | Bolt 3/8in-16NC x 3/4in   |     |
| 110  | 4711600      | 22        | Flatwasher 3/8in Narrow   |     |
| 111  | 0100011      | AR        | Compound, Locking   |     |
| 112  |              | Ref       | Flex-Trim   |     |
| 112  | Not Required | 0         | Flex-Trim 800A  |     |
| 112  | 4060805      | 8 in/20cm | Flex-Trim 800AJ   |     |
| 113  | 0641622      | 2         | Bolt 3/8in-16NC x 2-3/4in   |     |
| 114  | 1320248      | 1         | Clamp, Hose   |     |
| 115  | 1320249      | 1         | Clamp, Hose   |     |
| 116  |              | Ref       | Bolt Options:   |     |
| 116  | 0641607      | 4         | Bolt 800A (Bolt 3/8in-16NC x 7/8in)   |     |
| 116  | 0641612      | 4         | Bolt 800AJ (Bolt 3/8in-16NC x 1-1/2in)  |     |
| 117  | 3841406      | 1         | Loop, Hose  |     |
| 118  | 1320263      | 1         | Clamp, Loop   |     |
| 119  | 3340860      | 2         | Pad, Rubber   |     |
| 120  | 3340861      | 2         | Pad, Rubber   |     |
| 121  |              | Ref       | Screw, Button Head Options:   |     |
| 121  | 3900232      | 2         | Screw, Button Head 3/8in-16NC x 1-1/4in ( <b>SN 0300069000 through 0300080131</b> ) |     |
| 121  | 3900283      | 2         | Screw, Button Head 3/8in-16NC x 3/4in ( <b>SN 0300080132 through 0300140000</b> )   |     |
| 122  | 3311605      | 2         | Locknut 3/8in-16NC  |     |
| 123  | 4071052      | 2         | Shim  |     |
| 124  | 0100081      | AR        | Adhesive  |     |



# SECTION 3 - BOOM

## FIGURE 3-5. ROTATOR ASSEMBLY (FRONT ENTRY PLATFORM)

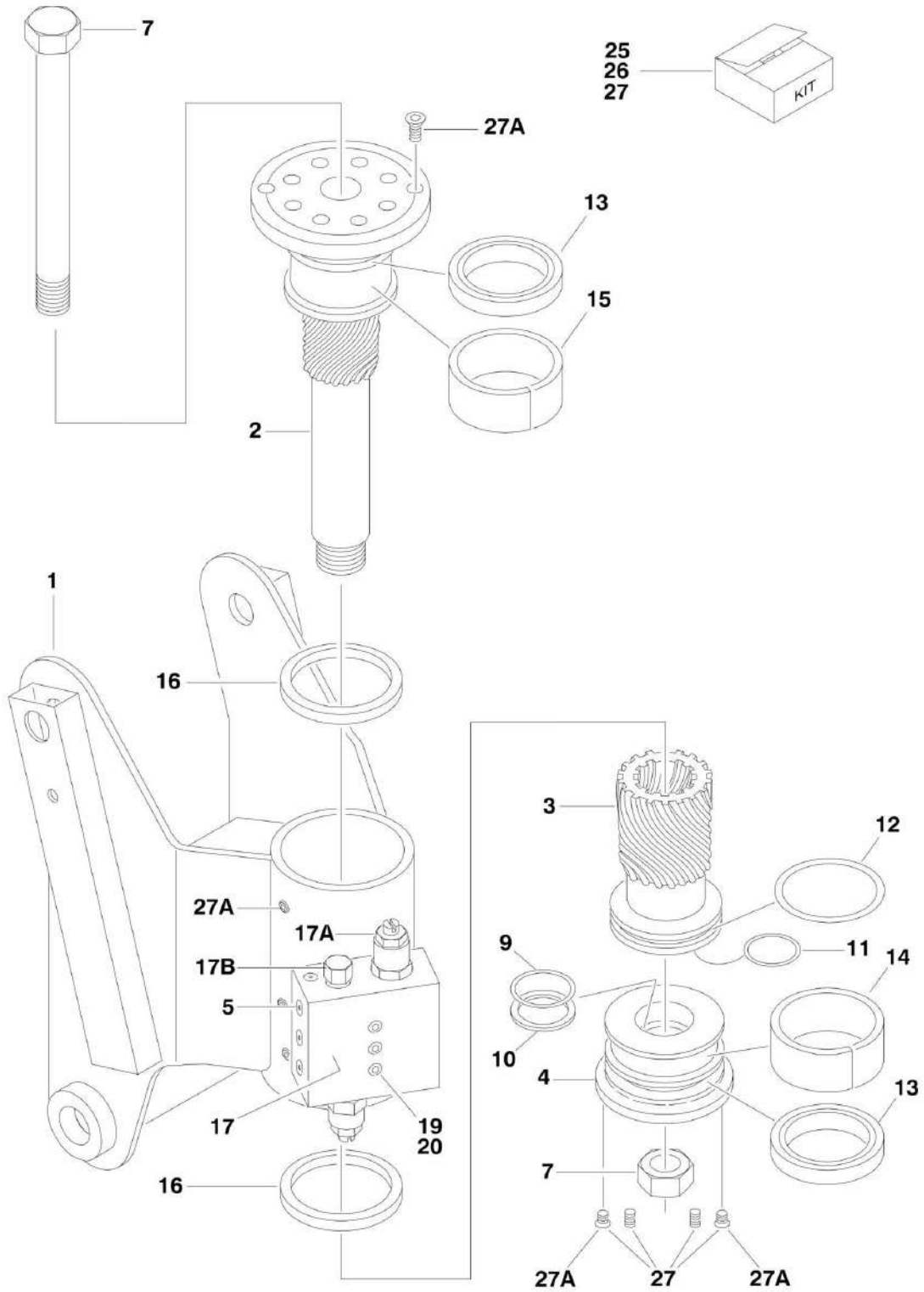


FIGURE 3-5. ROTATOR ASSEMBLY (FRONT ENTRY PLATFORM)

| ITEM | PART NUMBER | QTY | DESCRIPTION   | REV |
|------|-------------|-----|---|-----|
|      |             | Ref | <b>ROTATOR ASSEMBLIES</b>   |     |
|      |             | Ref | <b>Note: See ROTATOR ASSEMBLY for Machines equipped with Fall Arrest Platforms.</b>   |     |
|      |             | Ref | <b>Rotator Assemblies 800A</b>  |     |
|      | 0060041     | Ref | <b>Original Equipment</b>   | G   |
|      | 0060077     | Ref | <b>Service Replacement</b>  | B   |
|      |             | Ref | <b>Rotator Assemblies 800AJ</b>   |     |
|      | 0060031     | Ref | <b>Original Equipment</b>   | H   |
|      | 1001103095  | Ref | <b>Service Replacement Kit (contains 0060074 rotator, upper pin, keeper shaft, keeper shaft bolt and instruction sheet)</b>   | 1   |
|      |             | Ref | <b>Note: Before ordering parts, identify whether original equipment rotator has been replaced with service replacement. Service replacement rotator uses spacer plate bolted on the top with 8 capscrews (Not shown - located at item 2). Original equipment rotator does not use spacer plate.</b> |     |
| 1    | See Note    | NSS | Housing/Ring Gear Assembly (Note: Purchase Complete Assembly)   |     |
| 2    |             | Ref | Shaft Weldment Options:   |     |
| 2    | 7017177     | 1   | 0060041 & 0060031 Rotators (was p/n 7017117)  |     |
| 2    | 7017162     | 1   | 0060077 & 0060074 Rotators  |     |
| 2    | See Note    | 1   | Plate, Spacer (Not Shown) (0060077 & 0060074 Rotators Only) (Note: Not Available for Purchase)  |     |
| 3    |             | Ref | Piston/Sleeve Options:  |     |
| 3    | 7017115     | 1   | 0060041 & 0060031 Rotators  |     |
| 3    | 7017163     | 1   | 0060077 & 0060074 Rotators  |     |
| 4    |             | Ref | Cap, End Options:   |     |
| 4    | 7017174     | 1   | 0060041 & 0060031 Rotators (was p/n 7017116)  |     |
| 4    | 7017164     | 1   | 0060077 & 0060074 Rotators  |     |
| 5    | See Note    | NSS | Plug, Port (Note: Not Available for Purchase)   |     |
| 6    | 7017142     | 2   | Plug  |     |
| 7    | 7017119     | 1   | Tie-Rod/Locknut Assembly (was p/n 7017102)  |     |
| 7    | 7017119     | 1   | Bolt 1in-8NC x 11in   |     |
| 7    | 3272605     | AR  | Locknut 1in-8NC   |     |
| 9    | See Note    | NSS | Seal, Cap (Note: Use Item 25)   |     |
| 10   | See Note    | NSS | Ring, Back-up (Cap) (Note: Use Item 25)   |     |
| 11   | See Note    | NSS | Seal, Rod (Note: Use Item 25)   |     |
| 12   | See Note    | NSS | Seal, Piston (Note: Use Item 25)  |     |
| 13   | See Note    | NSS | Packing, Bearing (Note: Use Item 25)  |     |
| 14   | See Note    | NSS | Bearing, Cap (Note: Use Item 26)  |     |
| 15   | See Note    | NSS | Bearing, Shaft (Note: Use Item 26)  |     |
| 16   | See Note    | NSS | Washer, Thrust (Note: Use Item 26)  |     |
| 17   |             | Ref | Valve Assembly Options:   |     |
| 17   | 7017101     | 1   | 0060041 & 0060031 Rotators (Use p/n 7017183)  |     |
| 17   | 7017183     | 1   | 0060077 & 0060074 Rotators  |     |
| 17A  |             | Ref | Cartridge, Valve Options:   |     |
| 17A  | 7011331     | 2   | 0060041 & 0060031 Rotators  |     |
| 17A  | 7017193     | 2   | 0060077 & 0060074 Rotators  |     |
| 17A  | 2900770     | 2   | Seal Kit - 7011331 Valve  |     |
| 17A  | See Note    | NSS | Seal Kit - 7017193 Valve (Note: Use Item 17)  |     |
| 17B  |             | Ref | Cartridge, Valve Options:   |     |
| 17B  | 7011332     | 2   | 0060041 & 0060031 Rotators  |     |

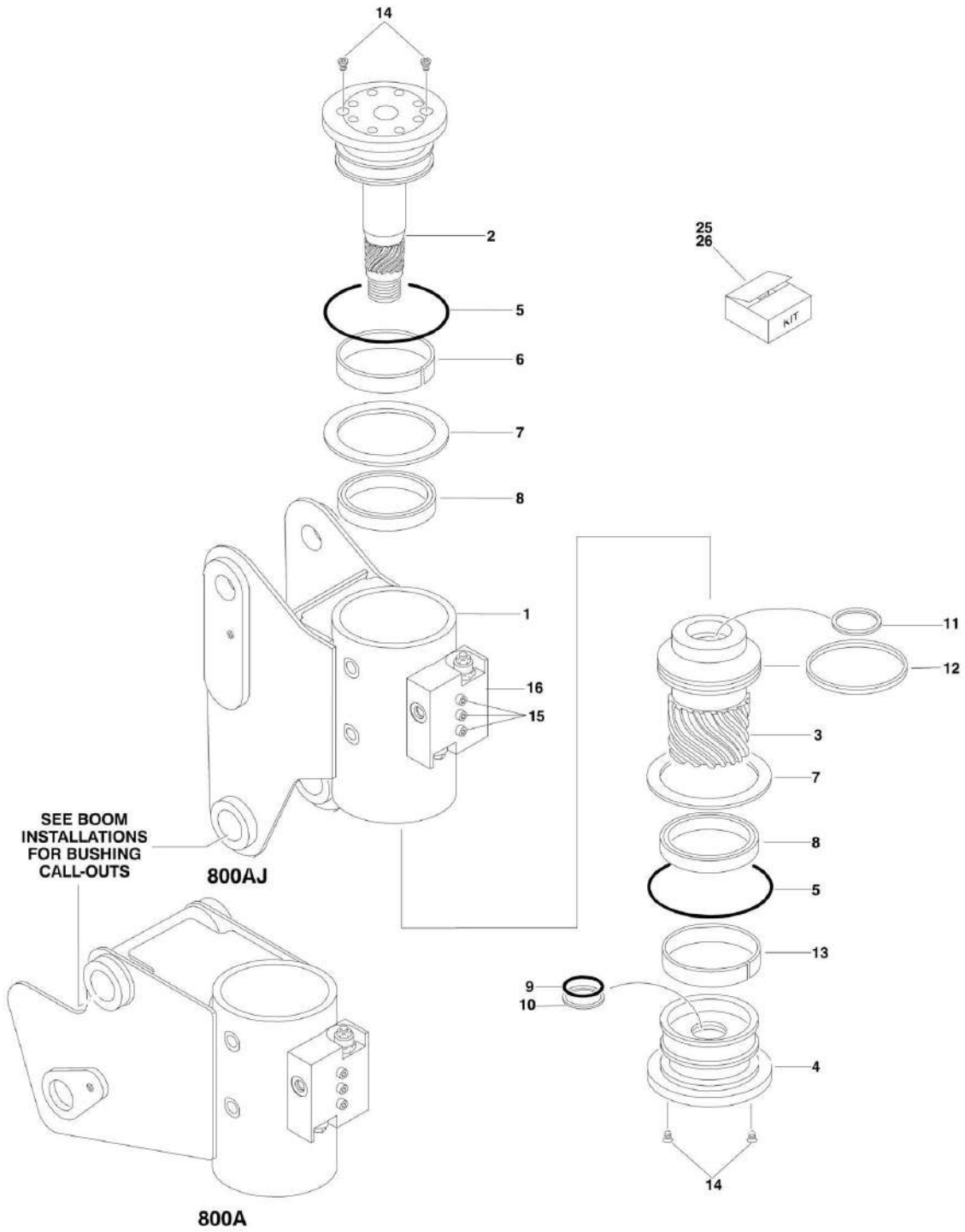
## SECTION 3 - BOOM

| ITEM | PART NUMBER | QTY | DESCRIPTION   | REV |
|------|-------------|-----|---|-----|
| 17B  | See Note    | NSS | 0060077 & 0060074 Rotators (Not Shown - Located on Side of Valve Block) (Note: Use Item 17) |     |
| 17B  | 7011311     | 2   | Seal Kit - 7011332 Valve  |     |
| 17B  | See Note    | NSS | Seal Kit - Valve Located on Side of Block (Note: Use Item 17)                               |     |
| 18   | 7017118     | 2   | Setscrew (0060041 & 0060031 Rotators Only)  |     |
| 19   | See Note    | 3   | Bolt 1/4 x 1-1/2 (Grade 8) (Note: Not Available - Purchase Locally)                         |     |
| 20   | 3790110     | 3   | O-Ring (Not Shown - Located between Valve and Actuator Housing)                             |     |
| 25   |             | Ref | Seal Kit Options:   |     |
| 25   | 7017157     | 1   | 0060041 & 0060031 Rotators (Includes Items 9-13)  |     |
| 25   |             | Ref | 0060077 & 0060074 Rotators Options (Include Item 9-13 & 27)                                 |     |
| 25   | 7017158     | 1   | Standard  |     |
| 25   | 70000342    | 1   | Low Temperature   |     |
| 26   |             | Ref | Bearing Kit Options (Includes Items 14-16):   |     |
| 26   | 7017156     | 1   | 0060041 & 0060031 Rotators  |     |
| 26   | 7017159     | 1   | 0060077 & 0060074 Rotators  |     |
| 27   | 7017142     | 1   | Hardware Kit (Includes End Cap Dowel Pins and Items 6 & 27A - 0060041 & 0060031 Rotators)   |     |
| 27   | See Note    | NSS | Hardware Kit (Note: Use Item 25) (0060077 & 0060074 Rotators)                               |     |
| 27A  | 70001697    | 6   | Screw, Countersunk 1/4in-20NC x 3/8in Grade 8   |     |



# SECTION 3 - BOOM

## FIGURE 3-6. ROTATOR ASSEMBLY (SIDE ENTRY PLATFORM)





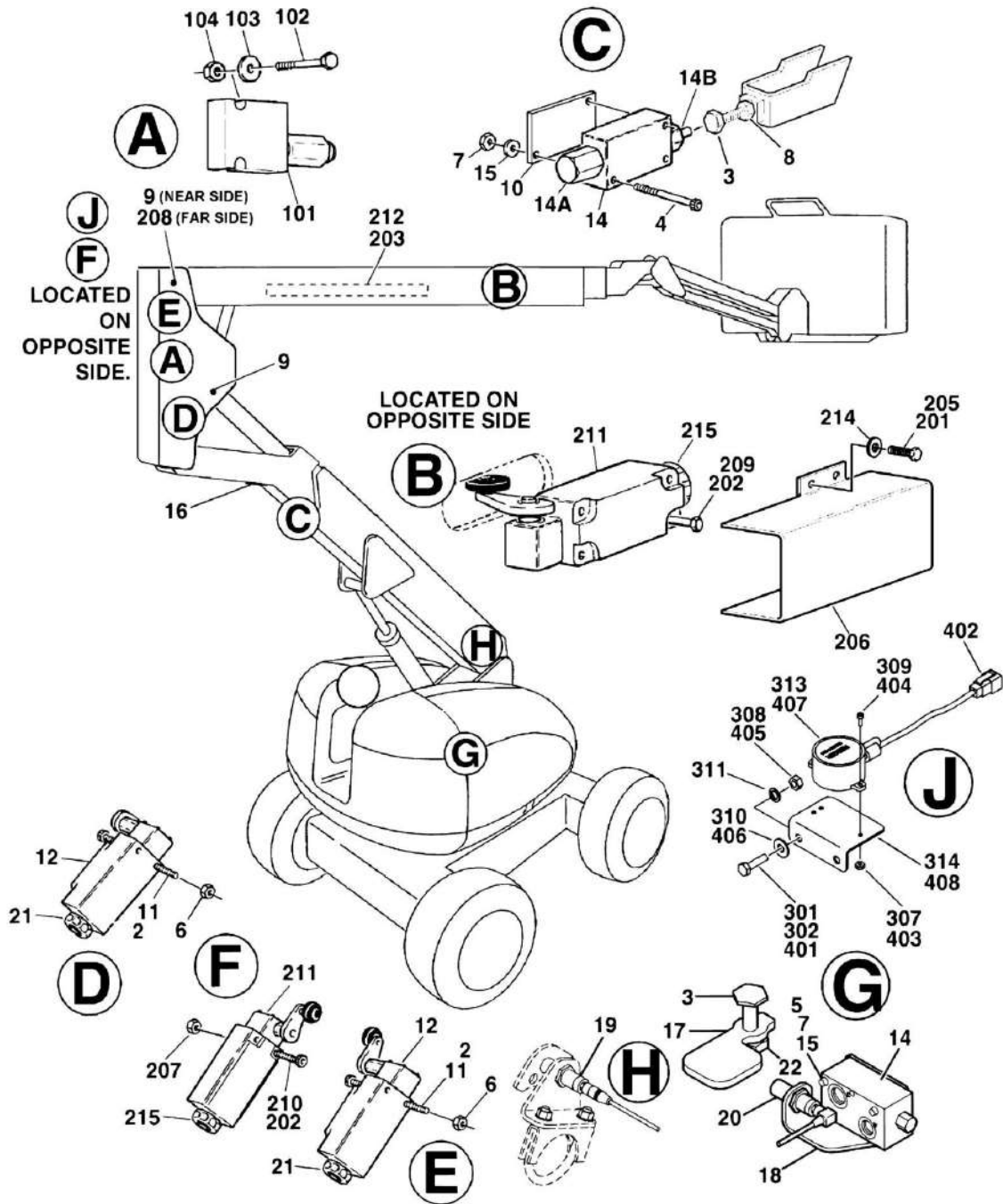
## SECTION 3 - BOOM

### FIGURE 3-6. ROTATOR ASSEMBLY (SIDE ENTRY PLATFORM)

| ITEM | PART NUMBER | QTY | DESCRIPTION   | REV |
|------|-------------|-----|---|-----|
|      |             | Ref | <b>ROTATOR ASSEMBLIES</b>   |     |
|      | 0060069     | Ref | <b>Rotator Assemblies 800A</b>  | A   |
|      | 0060066     | Ref | <b>Rotator Assemblies 800AJ</b>   | C   |
| 1    | See Note    | NSS | Housing/Ring Gear Assembly (Note: Purchase Complete Assembly)                   |     |
| 2    | 7017162     | 1   | Weldment, Shaft   |     |
| 3    | 7017163     | 1   | Piston/Sleeve Assembly  |     |
| 4    | 7017164     | 1   | Cap, End  |     |
| 5    | See Note    | NSS | O-Ring (Note: Use Item 25)  |     |
| 6    | See Note    | NSS | Bearing, Shaft (Note: Use Item 26)  |     |
| 7    | See Note    | NSS | Washer, Thrust (Note: Use Item 26)  |     |
| 8    | See Note    | NSS | Packing, Bearing (Note: Use Item 25)  |     |
| 9    | See Note    | NSS | Seal, Cap (Note: Use Item 25)   |     |
| 10   | See Note    | NSS | Ring, Back-up Cap (Note: Use Item 25)   |     |
| 11   | See Note    | NSS | Seal, Rod (Note: Use Item 25)   |     |
| 12   | See Note    | NSS | Seal, Piston (Note: Use Item 25)  |     |
| 13   | See Note    | NSS | Bearing, Cap (Note: Use Item 26)  |     |
| 14   | 70001697    | 6   | Capscrew 1/4in-20NC x 3/8in (Grade 8)   |     |
| 15   | See Note    | 3   | Bolt 1/4in-20NC (Grade 8) (Note: Not Available for Purchase)                    |     |
| 16   | 7017183     | 1   | Valve Assembly  |     |
| 16   | 7017193     | 2   | Cartridge, Valve  |     |
| 16   | See Note    | NSS | Seal Kit - 7017193 Valve (Note: Not Available - Use p/n 7017193)                |     |
| 16   | See Note    | NSS | Cartridge, Valve (Not Shown - Located on Side of Block) (Note: Use p/n 7017183) |     |
| 16   | See Note    | NSS | Seal Kit - Valve Located on Side of Block (Note: Use p/n 7017183)               |     |
| 25   |             | Ref | Seal Kit Options (Includes Items 5, 8- 12):                                     |     |
| 25   | 7017158     | 1   | Standard  |     |
| 25   | 70000342    | 1   | Low Temperature   |     |
| 26   | 7017159     | 1   | Bearing Kit (Includes Items 6, 7 & 13)  |     |

# SECTION 3 - BOOM

FIGURE 3-7. VALVE AND LIMIT SWITCH INSTALLATIONS (BOOM MOUNTED)



## SECTION 3 - BOOM

### FIGURE 3-7. VALVE AND LIMIT SWITCH INSTALLATIONS (BOOM MOUNTED)

| ITEM | PART NUMBER | QTY       | DESCRIPTION   | REV |
|------|-------------|-----------|---|-----|
|      | 0258217     | Ref       | <b>BOOM VALVES AND LIMIT SWITCHES INSTALLATION</b>  | O   |
| 1    | 0100011     | AR        | Compound, Locking   |     |
| 2    | 0100035     | AR        | Compound, Locking   |     |
| 3    | 0630427     | 2         | Bolt, Special   |     |
| 4    | 3931436     | 3         | Bolt 1/4in-20NC x 2-1/4in   |     |
| 5    | 3931464     | 3         | Bolt 1/4in-20NC x 4in   |     |
| 6    | 3310805     | 4         | Locknut #8-32NC   |     |
| 7    | 3311405     | 6         | Locknut 1/4in-20NC  |     |
| 8    | 3311801     | 1         | Nut 1/2in-13NC  |     |
| 9    | 3520035     | 2         | Plug, Cap   |     |
| 10   | 3570928     | 2         | Plate, Spacer   |     |
| 11   | 3930824     | 4         | Capscrew, Socket Head #8-32NC x 1-1/2in   |     |
| 12   |             | Ref       | Switch, Limit Options: (Note: p/n 4360549 & p/n 4360578 does not include #21 Connector - Purchase Separately) |     |
| 12   | 4360322     | NLA       | Switch, Limit (Use p/n 4360578) <b>(SN 0300069000 through 0300074426)</b>                                     |     |
| 12   | 4360549     | NLA       | Switch, Limit (Use p/n 4360578) <b>(SN 0300074427 through 0300080871)</b>                                     |     |
| 12   | 4360578     | 2         | Switch, Limit <b>(SN 0300080872 through 0300140000)</b>   |     |
| 14   |             | Ref       | Valve, Switch Options:  |     |
| 14   | 4641136     | 2         | Valve, Switch <b>(SN 0300069000 through 0300092014)</b>   |     |
| 14   | 4641435     | 2         | Valve, Switch <b>(SN 0300092015 through 0300140000)</b>   |     |
| 14A  | 7011342     | 2         | Valve, Check (1 per Assembly)   |     |
| 14A  | 7011333     | 2         | Seal Kit - Check Valve (1 per Assembly)   |     |
| 14B  | 7020172     | 2         | Valve, Plunger (1 per Assembly) <b>(SN 0300069000 through 0300092015)</b>                                     |     |
| 14B  | 7020173     | 2         | Seal Kit - 7020172 Valve (1 per Assembly)   |     |
| 14B  | See Note    | 2         | Valve, Plunger (1 per Assembly) (Note: Not Available for Purchase) <b>(SN 0300092015 through 0300140000)</b>  |     |
| 14B  | See Note    | 2         | Seal Kit (1 Per Assembly) (Note: Not Available for Purchase)  |     |
| 15   | 4751400     | 6         | Flatwasher 1/4in  |     |
| 16   | 4060805     | 7 in/25cm | Trim, Edge  |     |
| 17   | 3572606     | 1         | Plate, Lower Boom Proximity Switch Target   |     |
| 18   | 3572607     | 1         | Plate, Lower Boom Proximity Switch Mount  |     |
| 19   | 4360498     | 1         | Switch Proximity  |     |
| 20   | 4360499     | 1         | Switch Proximity  |     |
| 21   |             | Ref       | Connector, Strain Relief Options:   |     |
| 21   | 4460428     | 2         | Use with p/n 4360322 Switch   |     |
| 21   | 4460968     | 2         | Use with p/n 4360549 & 4360578 Switches   |     |
| 22   | 88521008    | 2         | Locknut 1/2in-13NC  |     |
|      | 0274640     | Ref       | <b>VALVES INSTALLATION</b>  | D   |
| 101  | 4640929     | 1         | Valve Assembly (Relief)   |     |
| 101  | 7012970     | 1         | Cartridge   |     |
| 101  | 7012953     | 1         | Seal Kit - 7012970 Cartridge  |     |
| 102  | 0641416     | 2         | Bolt 1/4in-20NC x 2in   |     |
| 103  | 4711400     | 4         | Flatwasher 1/4in Narrow   |     |
| 104  | 3311405     | 2         | Locknut 1/4in-20NC  |     |
|      | 0258338     | Ref       | <b>LIMIT SWITCHES INSTALLATION - 800A DUAL CAPACITY</b>   | H   |
| 201  | 0100011     | AR        | Compound, Locking   |     |
| 202  | 0100035     | AR        | Compound, Locking   |     |
| 203  |             | Ref       | Bar, Fiberglass Options:  |     |

## SECTION 3 - BOOM

| ITEM | PART NUMBER | QTY | DESCRIPTION  | REV |
|------|-------------|-----|--|-----|
| 203  | 0362610     | NLA | Bar, Fiberglass (Use p/n 1001106482) <b>(SN 0300069000 through 0300138517)</b>                                 |     |
| 203  | 1001106482  | 1   | Bar, Fiberglass <b>(SN 0300138518 through 0300140000)</b>  |     |
| 205  | 0641403     | 4   | Bolt 1/4in-20NC x 3/8in  |     |
| 206  |             | Ref | Cover Options:   |     |
| 206  | 1670824     | 1   | Cover <b>(SN 0300069000 through 0300078804)</b>  |     |
| 206  | 3380535     | 1   | Cover <b>(SN 0300078805 through 0300140000)</b>  |     |
| 207  | 3310801     | 2   | Locknut #8-32NC  |     |
| 208  | 3520035     | 1   | Plug, Cap  |     |
| 209  | 3930816     | 2   | Capscrew, Socket Head #8-32NC x 1in  |     |
| 210  | 3930824     | 2   | Capscrew, Socket Head #8-32NC x 1-1/2in  |     |
| 211  |             | Ref | Switch, Limit Options: (Note: p/n 4360549 & p/n 4360578 does not include #215 Connector - Purchase Separately) |     |
| 211  | 4360322     | NLA | Switch, Limit (Use p/n 4360578) <b>(SN 0300069000 through 0300074426)</b>                                      |     |
| 211  | 4360549     | NLA | Switch, Limit (Use p/n 4360578) <b>(SN 0300074427 through 0300080871)</b>                                      |     |
| 211  | 4360578     | 2   | Switch, Limit <b>(SN 0300080872 through 0300140000)</b>  |     |
| 212  | 4420060     | 2   | Tape, Double Sided   |     |
| 214  | 4751400     | 4   | Flatwasher 1/4in   |     |
| 215  |             | Ref | Connector, Strain Relief Options:  |     |
| 215  | 4460428     | 2   | Use with p/n 4360322 Switch  |     |
| 215  | 4460968     | 2   | Use with p/n 4360549 & 4360578 Switches  |     |
|      | 1001093187  | Ref | <b>TILT SENSOR INSTALLATION (SN 0300069000 through 0300112884)</b>   | C   |
| 301  | 0100011     | AR  | Compound, Locking  |     |
| 302  | 0641610     | 2   | Bolt 3/8in-16NC x 1-1/4in  |     |
| 307  | 3310605     | 3   | Locknut #6-32 NC   |     |
| 308  | 3311601     | 2   | Locknut 3/8in-16NC   |     |
| 309  | 3930606     | 3   | Screw #6-32 NC   |     |
| 310  | 4751600     | 2   | Flatwasher 3/8in   |     |
| 311  | 4761600     | 2   | Lockwasher 3/8in   |     |
| 313  | 1001094400  | 1   | Sensor, Dual Axis  |     |
| 314  | 1001094401  | 1   | Bracket, Tilt Sensor   |     |
|      | 0275733     | Ref | <b>TILT SENSOR INSTALLATION (SN 0300112885 through 0300140000)</b>   | A   |
| 401  | 0641408     | 2   | Bolt 1/4in-20NC x 1in  |     |
| 402  | 0100048     | AR  | Grease, Die  |     |
| 403  | 3310605     | 3   | Locknut #6-32 NC   |     |
| 404  | 3930606     | 3   | Screw #6-32 NC   |     |
| 405  | 3311405     | 2   | Locknut 1/4in-20NC   |     |
| 406  | 4751400     | 2   | Flatwasher 1/4in   |     |
| 407  | 1001094400  | 1   | Sensor, Dual Axis  |     |
| 408  | 1001096736  | 1   | Bracket, Tilt Sensor   |     |

**SECTION 4 - PLATFORM**



## SECTION 4 - PLATFORM

**FIGURE 4-1. PLATFORM COMPONENTS INSTALLATION (FRONT ENTRY PLATFORM)**

| ITEM | PART NUMBER | QTY | DESCRIPTION   | REV |
|------|-------------|-----|---|-----|
|      |             | Ref | <b>PLATFORM ASSEMBLIES:</b>   |     |
|      | 3510760     | Ref | <b>4ft (1.22m) with Self-Closing Gate</b>   | 3   |
|      | 3510728     | Ref | <b>5ft (1.52m) with Self-Closing Gate</b>   | 3   |
|      | 3510497     | Ref | <b>6ft (1.83m) with Standard Gate</b>   | 8   |
|      | 3510542     | Ref | <b>6ft (1.83m) with Self-Closing Gate</b>   | 3   |
|      | 3510545     | Ref | <b>6ft (1.83m) with Mesh to Top Rail and Standard Gate</b>  | B   |
|      | 3510565     | Ref | <b>6ft (1.83m) with Mesh to Top Rail and Self-Closing Gate</b>  | 3   |
|      | 3510488     | Ref | <b>8ft (2.44m) with Standard Gate</b>   | 8   |
|      | 3510543     | Ref | <b>8ft (2.44m) with Self-Closing Gate</b>   | 3   |
|      | 3510546     | Ref | <b>8ft (2.44m) with Mesh to Top Rail and Standard Gate</b>  | B   |
|      | 3510566     | Ref | <b>8ft (2.44m) with Mesh to Top Rail and Self-Closing Gate</b>  | 4   |
|      |             | Ref | <b>Note: Replacement Decals Must be purchased separately - See DECAL SECTION.</b>   |     |
| 1    |             | Ref | Floor Weldment Options:   |     |
| 1    | 4846253     | 1   | 4ft Platform  |     |
| 1    | 4846101     | 1   | 5ft Platform  |     |
| 1    | 4844954     | 1   | 6ft Platform  |     |
| 1    | 4844928     | 1   | 8ft Platform  |     |
| 2    |             | Ref | Rail Weldment - Right Side Options:   |     |
| 2    | 4846254     | 1   | 4ft Platform without Mesh   |     |
| 2    | 4846102     | 1   | 5ft Platform without Mesh   |     |
| 2    | 4844955     | 1   | 6ft Platform without Mesh   |     |
| 2    | 4845408     | 1   | 6ft Platform with Mesh Top Rail   |     |
| 2    | 4844924     | 1   | 8ft Platform without Mesh   |     |
| 2    | 4845412     | 1   | 8ft Platform with Mesh Top Rail   |     |
| 3    |             | Ref | Rail Weldment - Left Side Options:  |     |
| 3    | 4846255     | 1   | 4ft Platform without Mesh   |     |
| 3    | 4846103     | 1   | 5ft Platform without Mesh   |     |
| 3    | 4844956     | 1   | 6ft Platform without Mesh   |     |
| 3    | 4845409     | 1   | 6ft Platform with Mesh Top Rail   |     |
| 3    | 4844925     | 1   | 8ft Platform without Mesh   |     |
| 3    | 4845413     | 1   | 8ft Platform with Mesh Top Rail   |     |
| 4    | 4845328     | 1   | Rail Weldment - Back Options:   |     |
| 5    |             | Ref | Gate Weldment Options:  |     |
| 5    | 4845327     | 1   | Standard Gate   |     |
| 5    | 4845410     | 1   | Standard Gate with Mesh Top Rail  |     |
| 5    | 4845426     | 1   | Self-Closing Gate   |     |
| 5    | 4845469     | 1   | Self-Closing Gate with Mesh Top Rail  |     |
| 6    | 3900207     | AR  | Fastener  |     |
|      |             | Ref | <b>Note: p/n 3900207 Fastener may be replaced with p/n 0641416 Bolt, p/n 4751400 Flatwasher, p/n 3311405 Locknut and p/n 3300151 Acorn Type Nut. Acorn type nut is required to meet industry safety requirements.</b> |     |
| 7    | 3300393     | AR  | Collar  |     |
| 8    | 3520072     | AR  | Plug, Cap   |     |
| 9    |             | Ref | Hinge Options:  |     |
| 9    | 2600216     | 2   | Standard Gate   |     |
| 9    | 2600287     | 2   | Self-Closing Gate   |     |
| 10   | 2940074     | 1   | Latch   |     |
| 11   | 3911008     | 4   | Screw #10-24NC x 1in  |     |

## SECTION 4 - PLATFORM

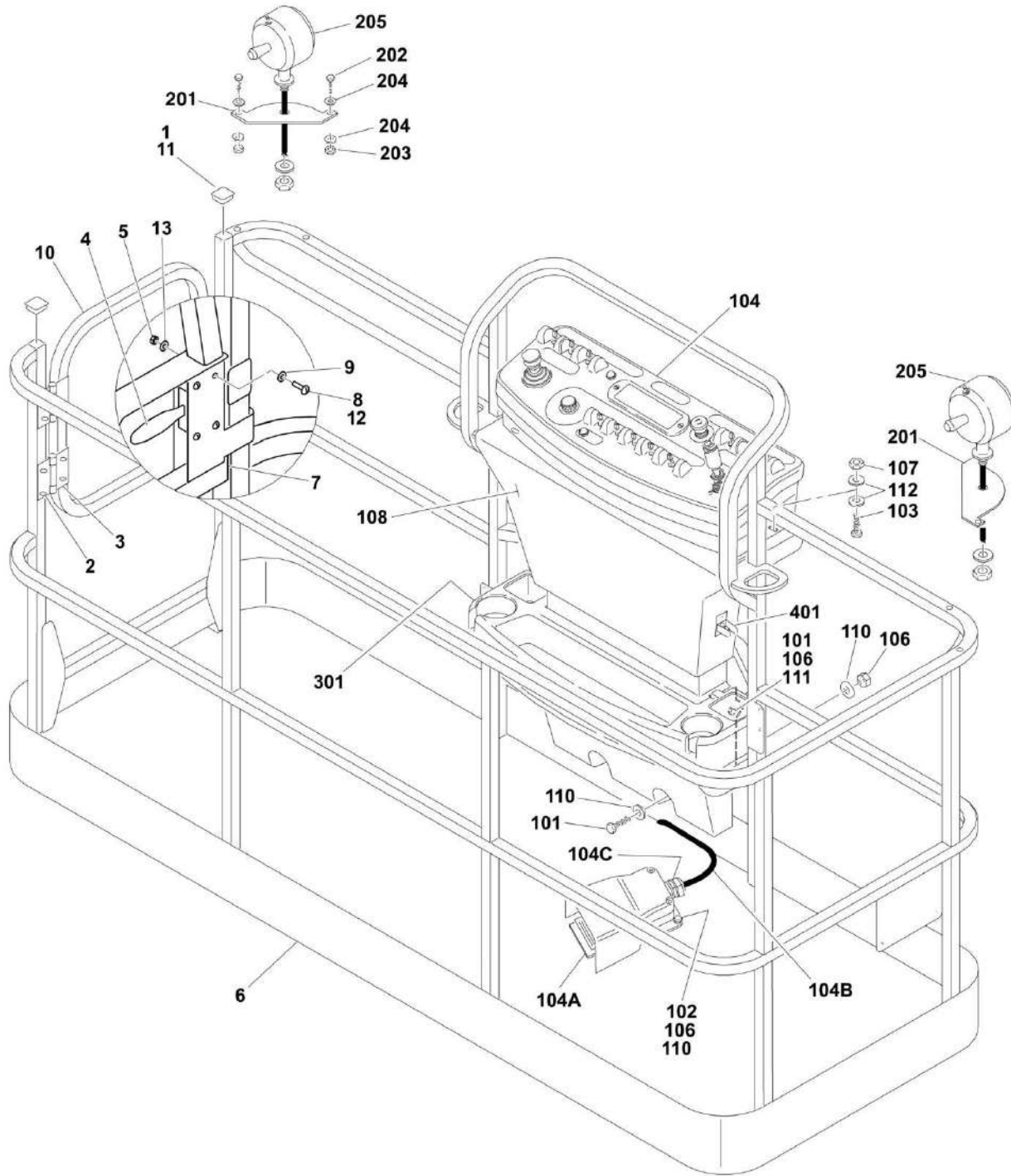
| ITEM | PART NUMBER | QTY       | DESCRIPTION   | REV |
|------|-------------|-----------|---|-----|
| 12   | 4751000     | 4         | Flatwasher #10  |     |
| 13   | 3311005     | 4         | Locknut #10-24NC  |     |
| 14   | 0641524     | 4         | Bolt 5/16in-18NC x 3in  |     |
| 15   | 3311505     | 4         | Locknut 5/16in-18NC   |     |
| 16   | 4751500     | 4         | Flatwasher 5/16in   |     |
| 17   | 2080040     | 13        | Fastener  |     |
| 18   | 4761000     | 4         | Lockwasher 3/8in  |     |
| 20   | 3539685     | 1         | Plate, Latch  |     |
| 21   | 4220165     | 1         | Stop, Gate  |     |
| 22   | 4060803     | 6 ft/1.8m | Trim  |     |
|      | 0270814     | Ref       | <b>WORKLIGHTS INSTALLATION (OPTIONAL)</b>                                 | 3-E |
| 101  | 3536089     | 2         | Plate, Mounting   |     |
| 102  | 0641414     | 4         | Bolt 1/4in-20NC x 1-3/4in   |     |
| 103  | 3311405     | 4         | Locknut 1/4in-20NC  |     |
| 104  | 4711400     | 8         | Flatwasher 1/4in Narrow   |     |
| 105  | 2920140     | 2         | Worklight   |     |
| 105  | 7016399     | 2         | Bulb, Replacement (1 Per Worklight)                                       |     |
| 106  | 4240099     | 10        | Tie-Strap (Not Shown)   |     |
| 107  | 2820035     | 9         | Loom, Vinyl (Not Shown)   |     |
| 109  | 4460598     | 1         | Connector, Strain Relief (Not Shown - Located at Console Box)             |     |
| 110  | 4920044     | AR        | Wire, Black 12 Ga (Not Shown)   |     |
|      | 0861474     | Ref       | <b>FOOTSWITCH AND COVERS INSTALLATION OPTIONS:</b>                        | B   |
| 225  | 0641610     | 4         | Bolt 3/8 x 1-1/4  |     |
| 226  | 4751600     | 8         | Washer 3/8  |     |
| 229  | 0641408     | 3         | Bolt 1/4in-20NC x 1in   |     |
| 230  | 3311405     | 3         | Locknut 1/4in-20NC  |     |
| 231  | 4740362     | 3         | Washer, Fender  |     |
| 232  | 4460071     | 1         | Terminal, Strain Relief   |     |
| 248  | See Note    | 1         | Footswitch (Note: See PLATFORM COMPONENTS INSTALLATION for Service Parts) |     |
| 258  | 4751400     | 4         | Flatwasher 1/4in  |     |
| 273  | 3380434     | 1         | Panel, Poly   |     |
| 274  | 0641414     | 2         | Bolt 1/4in-20NC x 1-3/4in   |     |
| 275  | 3311405     | 2         | Locknut 1/4in-20NC  |     |
| 276  | 3311605     | 4         | Nut 3/8   |     |
|      |             | Ref       | <b>TRAY INSTALLATIONS (OPTIONAL)</b>                                      |     |
| 301  | 1580012     | 1         | Tray, Storage (Center)  |     |
| 302  | 1580013     | 1         | Tray, Storage (Rail Mounted - Not Shown)                                  |     |





# SECTION 4 - PLATFORM

## FIGURE 4-2. PLATFORM COMPONENTS INSTALLATION (SIDE ENTRY PLATFORM)



## SECTION 4 - PLATFORM

**FIGURE 4-2. PLATFORM COMPONENTS INSTALLATION (SIDE ENTRY PLATFORM)**

| ITEM | PART NUMBER | QTY | DESCRIPTION   | REV |
|------|-------------|-----|---|-----|
|      |             | Ref | <b>PLATFORM ASSEMBLIES:</b>   |     |
|      | 3510822     | Ref | <b>8ft (2.44m) with No Mesh</b>   | B-H |
|      | 3510833     | Ref | <b>6ft (1.83m) with No Mesh</b>   | B-G |
|      | 3510830     | Ref | <b>4ft (1.22m) with No Mesh</b>   | B-K |
|      |             | Ref | <b>Note: Original Equipment platform may have been replaced with Service Replacement platform. Identify platform before ordering parts.</b>                     |     |
|      |             | Ref | <b>Note: Replacement Decals Must be purchased separately - See DECAL SECTION.</b>   |     |
|      |             | Ref | <b>Note: When replacing 8ft/2.44m platform with Soft Touch option, new Soft Touch Rail p/n 4846673 must be purchased to accommodate limit switch locations.</b> |     |
|      |             | Ref | <b>Note: When replacing platform on machines with SkyCutter option, new bracket p/n 1001145405 must be purchased to accommodate SkyCutter components.</b>       |     |
| 1    | 0100040     | AR  | Sealant, Adhesive (SN 0300069000 through 0300073454)  |     |
| 2    | 2080040     | 16  | Fastener, Huck  |     |
| 3    | 2600281     | 2   | Hinge, Self-Closing   |     |
| 4    | 2940074     | 1   | Latch   |     |
| 5    | 3311001     | 4   | Nut #10-24NC (SN 0300069000 through 0300077328)   |     |
| 6    | See Note    | 1   | Platform Weldment (Note: Not Available - Purchase Complete Platform Assembly)   |     |
| 7    | 3520072     | 1   | Cap-Plug  |     |
| 8    |             | Ref | Screw Options:  |     |
| 8    | 3911008     | 4   | Screw #10-24NC x 1in (SN 0300069000 through 0300076403)   |     |
| 8    | 3900205     | 4   | Screw #10-24NC x 5/8in (SN 0300076404 through 0300077360)   |     |
| 8    | 3820020     | 4   | Rivet, Pop (SN 0300077361 through 0300140000)   |     |
| 9    | 4751000     | 8   | Flatwasher #10 (SN 0300069000 through 0300077328)   |     |
| 10   |             | Ref | Gate Weldment Options:  |     |
| 10   | 4846452     | 1   | Gate for Platform p/ns 3510822, 3120830 & 3510833   |     |
| 10   | 1001144629  | 1   | Gate for Platform p/ns 1001144023, 1001144024 & 1001144027  |     |
| 11   | 3520198     | 2   | Cap-Plug  |     |
| 12   | 0100011     | AR  | Compound, Locking (SN 0300073454 through 0300077328)  |     |
| 13   | 4761000     | 4   | Lockwasher #10 (SN 0300073454 through 0300077328)   |     |
|      |             | Ref | <b>CONSOLE BOX INSTALLATION</b>   |     |
|      | 0271941     | Ref | <b>Console Box Installation (SN 0300069000 through 0300137974)</b>  | B   |
|      | 1001108736  | Ref | <b>Console Box Installation (SN 0300137975 through 0300139069)</b>  | B   |
|      | 1001114446  | Ref | <b>Console Box Installation (SN 0300139070 through 0300140000)</b>  | C   |
| 101  | 0641406     | 4   | Bolt 1/4in-20NC x 3/4in   |     |
| 102  | 0641408     | 3   | Bolt 1/4in-20NC x 1in   |     |
| 103  | 0641610     | 4   | Bolt 3/8in-16NC x 1-1/4in   |     |
| 104  |             | Ref | Platform Console Box Assembly Options:  |     |
| 104  | 0861517     | 1   | Platform Console Box Assembly (See PLATFORM CONSOLE ASSEMBLY for Breakdown) (SN 0300069000 through 0300137974)  |     |
| 104  | 1001108735  | 1   | Platform Console Box Assembly (See PLATFORM CONSOLE ASSEMBLY for Breakdown) (SN 0300137975 through  |     |

## SECTION 4 - PLATFORM

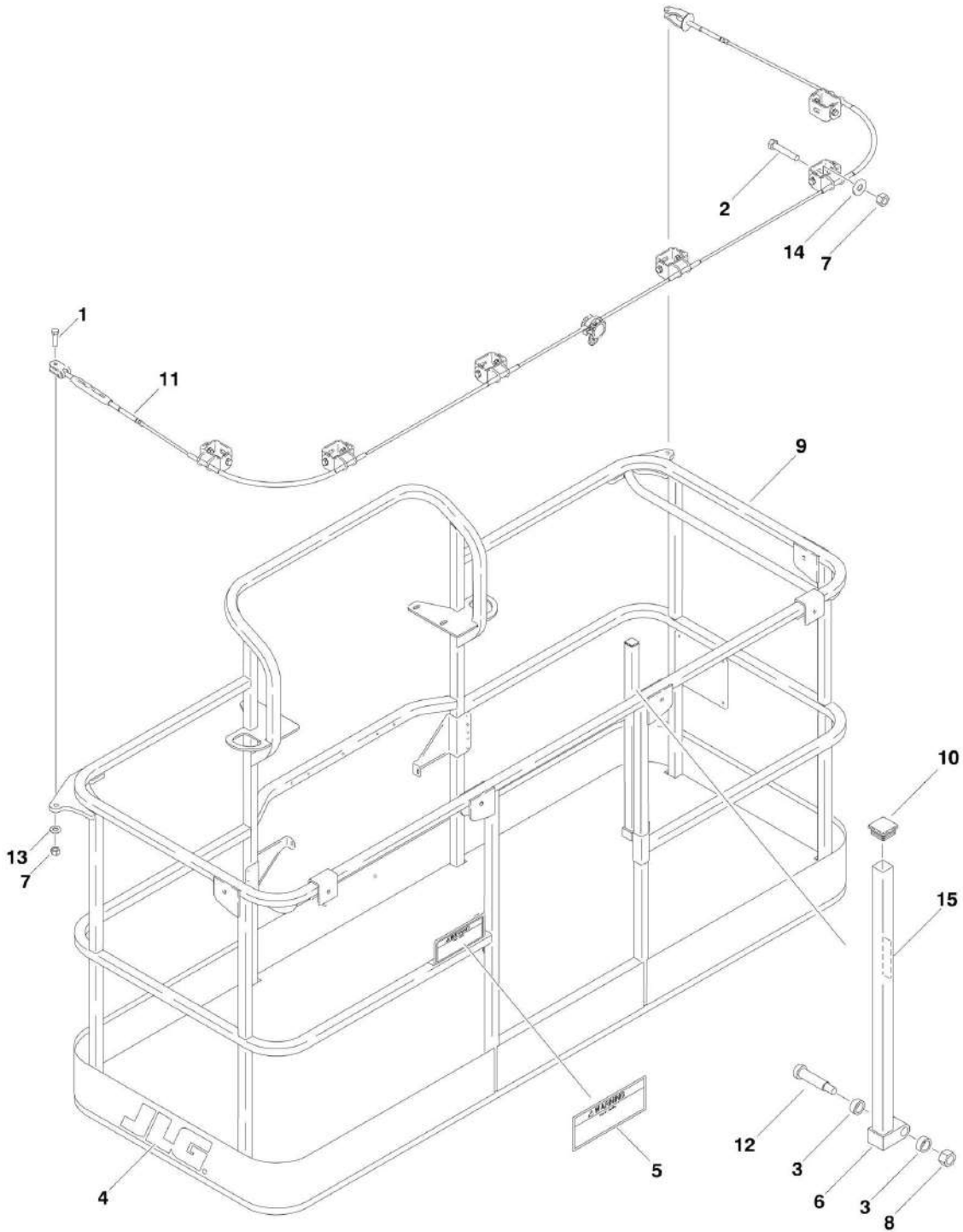
| ITEM | PART NUMBER | QTY        | DESCRIPTION  | REV |
|------|-------------|------------|--|-----|
| 104  | 1001114448  | 1          | <b>0300139069)</b><br>Platform Console Box Assembly (See PLATFORM CONSOLE ASSEMBLY for Breakdown) (SN 0300139070 through 0300140000)   |     |
| 104A | 4360031     | NLA        | Footswitch Assembly (Includes Footswitch and Items 104B & 104C) (Use p/n 0272970)  |     |
|      |             | Ref        | <b>Note: Assembly p/n 0272970 may use either p/n 4360031 or p/n 1001117320. If Original Equipment was replaced as an "assembly," p/n 1001117320 may have been used as part of the Service Replacement. Identify component before ordering parts.</b> |     |
| 104A |             | Ref        | Footswitch Less Cable Options:   |     |
| 104A | 4360031     | 1          | Original Equipment   |     |
| 104A | 1001117320  | 1          | Service Replacement  |     |
| 104A |             | Ref        | Block, Contact Options (See Note Above):   |     |
| 104A | 7000625     | 2          | Contact Block for 4360031 Footswitch   |     |
| 104A | 70003483    | 1          | Contact Block for 1001117320 Footswitch  |     |
| 104B | 1060918     | 7 ft/2.14m | Cable, Electrical - 18/3   |     |
| 104C | 4460071     | 1          | Connector, Strain Relief   |     |
| 106  | 3311405     | 7          | Locknut 1/4in-20NC   |     |
| 107  | 3311605     | 4          | Locknut 3/8in-16NC   |     |
| 108  | 3380434     | 1          | Panel, Decal Mount   |     |
| 110  | 4740362     | 7          | Washer, Fender 1/4in   |     |
| 111  | 4751400     | 4          | Flatwasher 1/4in (Wide)  |     |
| 112  | 4751600     | 8          | Flatwasher 3/8in (Wide)  |     |
|      |             | Ref        | <b>WORKLIGHTS INSTALLATIONS (OPTIONAL)</b>   |     |
|      |             | Ref        | <b>ANSI Spec Machines</b>  |     |
|      | 0270814     | Ref        | <b>ANSI Spec Machines 800A/800AJ (SN 0300069000 through 0300074426)</b>  | 3-E |
|      | 0273484     | Ref        | <b>ANSI Spec Machines 800A (SN 0300074427 through 0300140000)</b>  | D   |
|      | 0273485     | Ref        | <b>ANSI Spec Machines 800AJ (SN 0300074427 through 0300140000)</b>   | D   |
|      | 0272742     | Ref        | <b>UL Machines</b>   | 1-A |
| 201  | 3536089     | 2          | Plate, Mounting  |     |
| 202  |             | Ref        | Hardware Options:  |     |
| 202  | 0641414     | 4          | Bolt 1/4in-20NC x 1-3/4in (SN 0300069000 through 0300112474)   |     |
| 202  | 2080040     | 4          | Blind Fastener, Huck (SN 0300112475 through 0300140000)  |     |
| 203  | 3311405     | 4          | Locknut 1/4in-20NC (SN 0300069000 through 0300112475)  |     |
| 204  | 4711400     | 8          | Flatwasher 1/4in Narrow (SN 0300069000 through 0300112475)   |     |
| 205  | 2920140     | 2          | Worklight (ANSI Spec Machines)   |     |
| 205  | 7016399     | 2          | Bulb, Replacement (1 Per Worklight)  |     |
| 205  | 2920095     | 2          | Worklight (UL Machines)  |     |
| 205  | 7016356     | 2          | Bulb, Replacement (1 Per Worklight)  |     |
| 206  | 4240099     | 10         | Tie-Strap (Not Shown)  |     |
| 207  | 2820035     | 9          | Loom, Vinyl (Not Shown)  |     |
| 209  |             | Ref        | Connector, Strain Relief Options (Not Shown - Located at Console Box):   |     |
| 209  | 4460598     | 1          | Non-UL Spec Machines (SN 0300069000 through 0300074426)  |     |
| 209  | 4460426     | 1          | Non-UL Spec Machines (SN 0300074427 through 0300140000)  |     |
| 209  | 4460598     | 1          | UL Spec Machines   |     |

## SECTION 4 - PLATFORM

| ITEM | PART NUMBER | QTY | DESCRIPTION                              | REV |
|------|-------------|-----|--|-----|
|      |             | Ref | <b>TRAY INSTALLATIONS (OPTIONAL)</b>     |     |
| 301  | 1580012     | 1   | Tray, Storage (Center)                   |     |
| 302  | 1580013     | 1   | Tray, Storage (Rail Mounted - Not Shown) |     |
|      |             | Ref | <b>GENERATOR INSTALLATION (OPTIONAL)</b> |     |
|      |             | Ref | <b>Caterpillar Engine</b>                |     |
|      | 0273518     | Ref | 110V (SN 0300069000 through 0300082503)  | 3   |
|      | 0274081     | Ref | 110V (SN 0300082504 through 0300140000)  | 1   |
|      | 0273539     | Ref | 220V (SN 0300069000 through 0300082503)  | 3   |
|      | 0274087     | Ref | 220V (SN 0300082504 through 0300140000)  | 1   |
|      |             | Ref | <b>Deutz Engine</b>                      |     |
|      | 0272480     | Ref | 110V (SN 0300069000 through 0300082503)  | 3   |
|      | 0274082     | Ref | 110V (SN 0300082504 through 0300140000)  | 3   |
|      | 0272481     | Ref | 220V (SN 0300069000 through 0300082503)  | 3   |
|      | 0274086     | Ref | 220V (SN 0300082504 through 0300140000)  | 1   |
|      |             | Ref | <b>Ford Engine</b>                       |     |
|      | 0271545     | Ref | 110V                                     | 4   |
|      | 0271546     | Ref | 220V                                     | 4   |
| 401  | 4360336     | 1   | Switch, Toggle                           |     |
| 401  | 4740397     | 1   | Bushing                                  |     |
| 401  | 4060802     | 1   | Guard, Switch                            |     |
| 401  | 3251102     | 1   | Decal - Generator ON/OFF                 |     |

# SECTION 4 - PLATFORM

## FIGURE 4-3. PLATFORM COMPONENTS INSTALLATION (FALL ARREST PLATFORM)



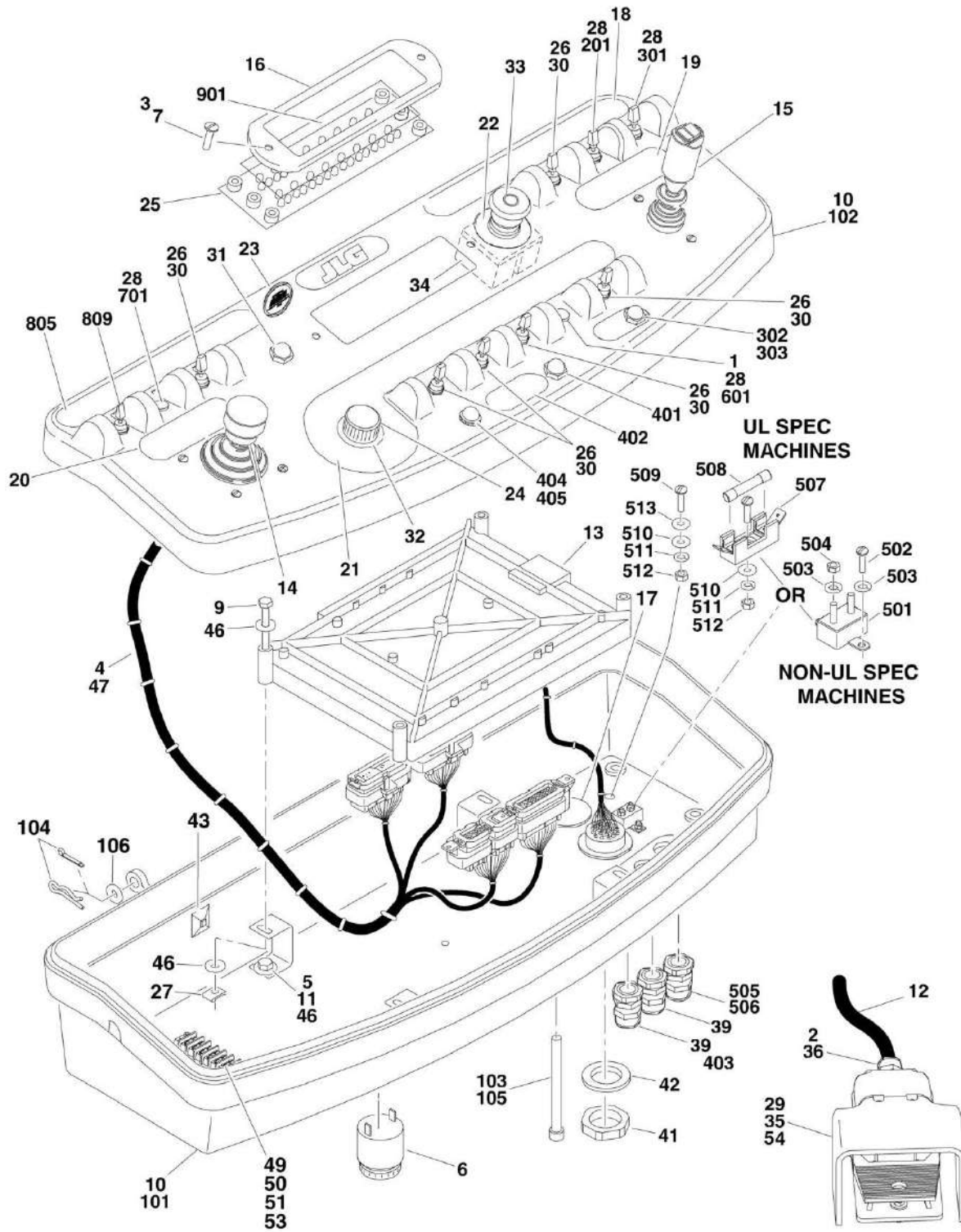
## SECTION 4 - PLATFORM

**FIGURE 4-3. PLATFORM COMPONENTS INSTALLATION (FALL ARREST PLATFORM)**

| ITEM | PART NUMBER | QTY | DESCRIPTION   | REV |
|------|-------------|-----|---|-----|
|      |             | Ref | <b>PLATFORM ASSEMBLY (FALL ARREST)</b>  |     |
|      | 3510884     | Ref | <b>6ft Platform</b>   | D   |
|      | 3510868     | Ref | <b>8ft Platform</b>   | C   |
|      |             | Ref | <b>Note: Replacement Decals Must be purchased separately - See DECAL SECTION.</b> |     |
| 1    | 0681814     | 2   | Bolt 1/2in-13NC x 1-3/4in (Grade 8)   |     |
| 2    | 0681822     | AR  | Bolt 1/2in-13NC x 2-3/4in (Grade 8)   |     |
| 3    | 0962270     | 2   | Bearing, Oilite   |     |
| 4    | 1702773     | 1   | Decal - JLG   |     |
| 5    | 1705014     | 1   | Decal - Safety  |     |
| 6    | 2410014     | 1   | Gate Weldment   |     |
| 7    | 3271805     | AR  | Locknut 1/2in-13NC (Grade 8)  |     |
| 8    | 3311605     | 1   | Locknut 3/8in-16NC  |     |
| 9    | See Note    | 1   | Platform Weldment (Note: Purchase Complete Platform Assembly)                     |     |
| 10   | 3520072     | 1   | Cap-Plug  |     |
| 11   |             | Ref | Cable, Fall Arrest Options:   |     |
| 11   | 1060919     | 1   | 6ft Platform  |     |
| 11   | 3890040     | 1   | 8ft Platform  |     |
| 12   | 3900054     | 1   | Bolt 1/2in-13NC x 1-3/4in   |     |
| 13   | 4711800     | 2   | Flatwasher 1/2in (Narrow)   |     |
| 14   | 4751800     | AR  | Flatwasher 1/2in (Wide)   |     |
| 15   | 1706385     | 1   | Decal - Drop Bar ( <b>SN 0300085912 through 0300140000</b> )                      |     |

# SECTION 4 - PLATFORM

FIGURE 4-4. PLATFORM CONSOLE ASSEMBLY (SN 0300069000 through 0300137974)





## SECTION 4 - PLATFORM

**FIGURE 4-4. PLATFORM CONSOLE ASSEMBLY (SN 0300069000 through 0300137974)**

| ITEM | PART NUMBER | QTY       | DESCRIPTION  | REV |
|------|-------------|-----------|--|-----|
|      | 0861517     | Ref       | <b>CONSOLE BOX AND FOOTSWITCH ASSEMBLY</b>   | K   |
| 1    | 0100009     | AR        | Sealant  |     |
| 2    | 0100020     | AR        | Sealant  |     |
| 3    | 0100035     | AR        | Compound, Locking  |     |
| 4    | 0100048     | AR        | Grease, Dielectric   |     |
| 5    | 0100081     | AR        | Adhesive   |     |
| 6    | 0140011     | 1         | Alarm  |     |
| 7    | 0630464     | 2         | Screw, Button Head #10-24NC x 1/2in  |     |
| 8    | 0641406     | 4         | Bolt 1/4in-20NC x 3/4in  |     |
| 9    |             | Ref       | Bolt Options:  |     |
| 9    | 0641416     | 4         | Bolt 1/4in-20NC x 2in <b>(SN 0300069000 through 0300077499)</b>  |     |
| 9    | 0641414     | 4         | Bolt 1/4in-20NC x 1-3/4in <b>(SN 0300077500 through 0300140000)</b>  |     |
| 10   | 0861537     | 1         | Box, Console (See Items 110-106 for Breakdown)   |     |
| 11   | 0902751     | 4         | Bracket, Card Support  |     |
| 12   | 1060918     | 7 ft/2.1m | Cable, 18/3 (See PLATFORM COMPONENTS INSTALLATION for Location)  |     |
| 13   |             | Ref       | Controller, Module Options:  |     |
| 13   | 1600313     | 1         | Controller, Module <b>(SN 0300069000 through 0300077499)</b>   |     |
| 13   | 1600375     | 1         | Controller, Module <b>(SN 0300077500 through 0300140000)</b>   |     |
| 14   | 1600317     | NLA       | Controller Assembly (Swing and Lift) (See CONTROLLER ASSEMBLY (SWING AND LIFT) for Breakdown) (Use p/n 1001129555)   |     |
| 15   | 1600318     | NLA       | Controller Assembly (Drive and Steer) (See CONTROLLER ASSEMBLY (DRIVE AND STEER) for Breakdown) (Use p/n 1001212415) |     |
| 16   | 1670829     | 1         | Bezel  |     |
| 17   | 1671037     | 1         | Cover  |     |
| 18   |             | Ref       | Decal (Stop) Options:  |     |
| 18   | 1702564     | 1         | Decal (Stop) <b>(SN 0300069000 through 0300073036)</b>   |     |
| 18   | 1704997     | 1         | Decal (Stop) <b>(SN 0300073037 through 0300136487)</b>   |     |
| 18   | 1001107527  | 1         | Decal (Stop) <b>(SN 0300136488 through 0300140000)</b>   |     |
| 19   | 1702565     | 1         | Decal (Drive and Steer)  |     |
| 20   | 1702566     | 1         | Decal (Lift and Swing)   |     |
| 21   | 1702567     | 1         | Decal (Function Speed)   |     |
| 22   | 1704260     | 1         | Decal - EMS  |     |
| 23   | 1705132     | 1         | Decal - ADE  |     |
| 24   | 2560136     | 1         | Handle, Knob   |     |
| 25   | 2760105     | 1         | Housing, Display Light   |     |
| 26   | 3790012     | 6         | O-Ring   |     |
| 27   | 3300353     | 4         | Nut, Tinnerman   |     |
| 28   | 3520054     | 4         | Plug, Hole   |     |
| 29   | See Note    | 1         | Footswitch (Note: See PLATFORM COMPONENTS INSTALLATION for Service Parts)  |     |
| 30   | 4360328     | 6         | Switch, Toggle   |     |
| 31   | 4360387     | 1         | Switch, Pushbutton   |     |
| 32   | 4360407     | 1         | Controller, Speed  |     |
| 32   | See Note    | 1         | Gasket "Top Hat" (Included with Switch) (Note: Not Available - Purchase Complete Controller)                         |     |
| 32   | 70003784    | 1         | Seal   |     |
| 33   | 4360475     | 1         | Switch, Emergency Stop   |     |

## SECTION 4 - PLATFORM

| ITEM | PART NUMBER | QTY | DESCRIPTION   | REV |
|------|-------------|-----|---|-----|
| 33   | 7020175     | 1   | Cap, Red  |     |
| 33   | 7020176     | 1   | Contact Block   |     |
| 34   | 4360476     | 1   | Block, Contact  |     |
| 35   | 4460042     | 3   | Ring, Terminal  |     |
| 36   | 4460071     | 1   | Connector, Strain Relief  |     |
| 37   | 4460226     | 2   | Contact, Socket (See ELECTRICAL SECTION for Location)               |     |
| 38   | 4460234     | 2   | Tie-Strap (Not Shown)   |     |
| 39   | 4460428     | 2   | Connector, Strain Relief  |     |
| 40   | 4460464     | 1   | Terminal, Deutsch (See ELECTRICAL SECTION for Location)             |     |
| 41   | 4460470     | 1   | Nut, Terminal   |     |
| 42   | 4460471     | 1   | Lockwasher, Terminal  |     |
| 43   | 4460488     | 1   | Base, Mounting (SN 0300069000 through 0300134720)                   |     |
| 44   | 4460708     | 2   | Terminal, 15 Pin (See ELECTRICAL SECTION for Location)              |     |
| 45   | 4460905     | 5   | Plug, Seal (See ELECTRICAL SECTION for Location)                    |     |
| 46   | 4751400     | 8   | Flatwasher 1/4in  |     |
| 47   |             | Ref | Harness, Platform Box Options:                                      |     |
| 47   | 4922639     | 1   | Harness, Platform Box (SN 0300069000 through 0300136487)            |     |
| 47   | 1001107753  | 1   | Harness, Platform Box (SN 0300136488 through 0300140000)            |     |
| 48   | 4922666     | 1   | Harness, Analyzer Cable (See ELECTRICAL SECTION for Location)       |     |
| 49   |             | Ref | Bolt Options:   |     |
| 49   | 0721008     | 1   | Bolt #10-24NC x 1in (SN 0300071157 through 0300113581)              |     |
| 49   | 0721006     | 2   | Bolt #10-24NC x 3/4in (SN 0300113582 through 0300140000)            |     |
| 50   |             | Ref | Nut Options:  |     |
| 50   | 3311001     | 1   | Nut #10-24NC (SN 0300071157 through 0300113581)                     |     |
| 50   | 3311005     | 2   | Locknut #10-24NC (SN 0300113582 through 0300140000)                 |     |
| 51   | 4460007     | 1   | Bar, Buss (SN 0300071157 through 0300140000)                        |     |
| 53   | 4751000     | 2   | Flatwasher #10 (SN 0300113582 through 0300140000)                   |     |
| 54   | 0272970     | 1   | Preassembled Footswitch Kit (Includes Items 2, 12, 29, 35, 36 & 40) |     |
|      | 0861537     | Ref | <b>CONSOLE BOX ASSEMBLY</b>   | E   |
| 101  | 0861537     | 1   | Console Bottom (Note: Not Available for Purchase)                   |     |
| 102  | 0861537     | 1   | Console Top (Note: Not Available for Purchase)                      |     |
| 103  | 3311601     | 1   | Nut 3/8in-16NC  |     |
| 104  |             | Ref | Pin Options:  |     |
| 104  | 3420156     | 2   | Pin, Cotter (SN 0300069000 through 0300088135)                      |     |
| 104  | 3470003     | 2   | Pin, Hair (SN 0300088136 through 0300140000)                        |     |
| 105  | 0630568     | 1   | Screw 3/8in-16NC x 4-1/2in  |     |
| 106  | 4711500     | 2   | Flatwasher 5/16in   |     |
|      |             | Ref | <b>DUAL FUEL SWITCH INSTALLATIONS</b>                               |     |
| 201  | 4360336     | 1   | Switch, Toggle  |     |
| 201  | 3790012     | 1   | O-Ring  |     |
|      |             | Ref | <b>HEAD AND TAIL LIGHTS INSTALLATION (OPTIONAL)</b>                 |     |
|      | 0271768     | Ref | <b>Non-UL Spec Machines (SN 0300069000 through 0300136487)</b>      | 2   |
|      | 0272754     | Ref | <b>UL Machines</b>  | 1   |
| 301  | 4360336     | 1   | Switch, Toggle  |     |
| 301  | 3790012     | 1   | O-Ring  |     |
|      | 0271768     | Ref | <b>Non-UL Spec Machines (SN 0300136488 through 0300137975)</b>      | C   |
| 302  | 4360522     | 1   | Switch, Pushbutton  |     |
| 303  | 1705170     | 1   | Decal - Lights  |     |

## SECTION 4 - PLATFORM

| ITEM | PART NUMBER | QTY | DESCRIPTION   | REV |
|------|-------------|-----|---|-----|
|      |             | Ref | <b>SOFT TOUCH SYSTEM INSTALLATION (OPTIONAL)</b>                              |     |
|      | 0273824     | Ref | <b>6ft/1.8m Platforms</b>   | B   |
|      | 0272427     | Ref | <b>8ft/2.4m Platforms</b>   | D   |
|      |             | Ref | <b>6ft/1.8m Platforms with Fall Arrest</b>                                    |     |
|      | 0274927     | Ref | <b>6ft/1.8m Platforms with Fall Arrest (SN 0300069000 through 0300136487)</b> | A   |
|      | 1001108256  | Ref | <b>6ft/1.8m Platforms with Fall Arrest (SN 0300136488 through 0300140000)</b> | A   |
|      | 0273706     | Ref | <b>8ft/2.4m Platforms with Fall Arrest</b>                                    | B   |
| 401  | 4360387     | 1   | Switch, Pushbutton  |     |
| 402  | 1702938     | 1   | Decal - Soft Touch Override   |     |
| 403  | 4460425     | 1   | Connector, Strain Relief  |     |
| 404  | 2920028     | 1   | Lamp, Indicator ( <b>SN 0300136488 through 0300140000</b> )                   |     |
| 405  | 2920029     | 1   | Bulb ( <b>SN 0300136488 through 0300140000</b> )                              |     |
|      |             | Ref | <b>PLATFORM WORKLIGHT INSTALLATION (OPTIONAL)</b>                             |     |
|      | 0270814     | Ref | <b>Non-UL Spec 800A &amp; 800AJ (SN 0300069000 through 0300074426)</b>        | 3-E |
|      | 0273484     | Ref | <b>Non-UL Spec 800A (SN 0300074427 through 0300140000)</b>                    | D   |
|      | 0273485     | Ref | <b>Non-UL Spec 800AJ (SN 0300074427 through 0300140000)</b>                   | D   |
|      | 0272742     | Ref | <b>UL Machines</b>  | 1-A |
|      |             | Ref | Non-UL Spec Machines - Use Items 501-505                                      |     |
| 501  | 4360232     | 1   | Breaker, Circuit - 15Amp ( <b>SN 0300069000 through 0300074426</b> )          |     |
| 502  | 0721003     | 2   | Bolt #10-24NC x 3/8in ( <b>SN 0300069000 through 0300074426</b> )             |     |
| 503  | 4761000     | 4   | Lockwasher #10 ( <b>SN 0300069000 through 0300074426</b> )                    |     |
| 504  | 3311001     | 2   | Nut #10-24NC ( <b>SN 0300069000 through 0300074426</b> )                      |     |
| 505  |             | Ref | Connector, Strain Relief Options:   |     |
| 505  | 4460598     | 1   | ANSI Spec Machines ( <b>SN 0300069000 through 0300074426</b> )                |     |
| 505  | 4460426     | 1   | ANSI Spec Machines ( <b>SN 0300074427 through 0300140000</b> )                |     |
|      |             | Ref | UL Spec Machines - Use Items 506-513  |     |
| 506  | 4460598     | 1   | Connector, Strain Relief  |     |
| 507  | 2400067     | 1   | Holder, Fuse  |     |
| 508  | 2400068     | 1   | Fuse, 10 Amp  |     |
| 509  | 3910608     | 2   | Screw   |     |
| 510  | 4750600     | 3   | Flatwasher  |     |
| 511  | 4760600     | 2   | Lockwasher  |     |
| 512  | 3310601     | 2   | Nut   |     |
| 513  | 4740455     | 2   | Flatwasher, Nylon Shoulder  |     |
|      | 0271340     | Ref | <b>JIB SWITCH INSTALLATION (OPTIONAL)</b>                                     | 1   |
| 601  | 4360328     | 1   | Switch, Toggle  |     |
| 601  | 3790012     | 1   | O-Ring  |     |
|      | 0258945     | Ref | <b>STEER SWITCH (4WS) INSTALLATION (OPTIONAL)</b>                             | 1   |
| 701  | 4360331     | 1   | Switch, Toggle  |     |
| 701  | 3790012     | 1   | O-Ring  |     |
|      | 0271941     | Ref | <b>CONSOLE BOX INSTALLATION</b>   | B   |
| 805  | 1702676     | 1   | Decal - Horn  |     |
| 809  | 4360331     | 1   | Switch, Toggle (4WD)  |     |
| 809  | 3790012     | 1   | O-Ring  |     |
|      | 0275804     | Ref | <b>LIGHT PANEL DECAL INSTALLATION</b>   | B   |
| 901  | 1707111     | 1   | Decal - Light Panel Display   |     |

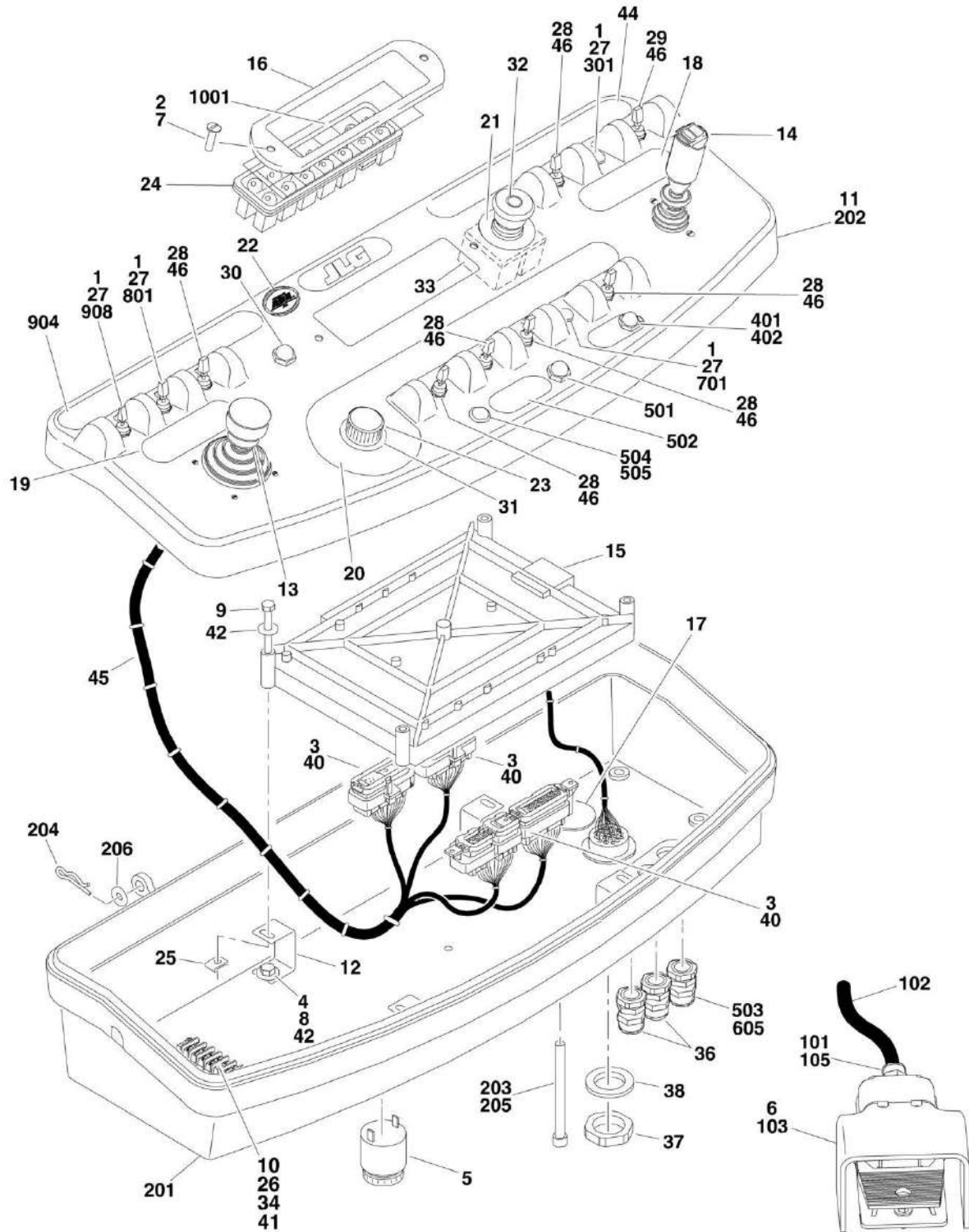
## SECTION 4 - PLATFORM

| ITEM | PART NUMBER | QTY | DESCRIPTION  | REV |
|------|-------------|-----|--|-----|
|      |             | Ref | <b>Note: Machines should have been updated to this light panel installation.</b> |     |



# SECTION 4 - PLATFORM

FIGURE 4-5. PLATFORM CONSOLE ASSEMBLY (SN 0300137975 through 0300140000)



## SECTION 4 - PLATFORM

**FIGURE 4-5. PLATFORM CONSOLE ASSEMBLY (SN 0300137975 through 0300140000)**

| ITEM | PART NUMBER | QTY | DESCRIPTION  | REV |
|------|-------------|-----|--|-----|
|      |             | Ref | <b>CONSOLE BOX AND FOOTSWITCH ASSEMBLY</b>   |     |
|      | 1001108735  | Ref | <b>Console (SN 0300138447 through 0300139069)</b>  | B   |
|      | 1001114448  | Ref | <b>Console (SN 0300139070 through 0300140000)</b>  | C   |
| 1    | 0100009     | AR  | Sealant  |     |
| 2    | 0100035     | AR  | Compound, Locking  |     |
| 3    | 0100048     | AR  | Grease, Dielectric   |     |
| 4    | 0100081     | AR  | Adhesive   |     |
| 5    | 0140011     | 1   | Alarm  |     |
| 6    | 0272970     | 1   | Footswitch Assembly (See Items 101-107 for Breakdown)  |     |
| 7    | 0630464     | 2   | Screw, Button Head #10-24NC x 1/2in  |     |
| 8    | 0641404     | 4   | Bolt 1/4in-20NC x 1/2in  |     |
| 9    | 0641414     | 4   | Bolt 1/4in-20NC x 1-3/4in  |     |
| 10   | 0721006     | 2   | Bolt #10-24NC x 3/4in  |     |
| 11   | 0861537     | 1   | Box, Console (See Items 201-206 for Breakdown)   |     |
| 12   | 0902751     | 4   | Bracket, Card Support  |     |
| 13   | 1600317     | NLA | Controller Assembly (Swing and Lift) (See CONTROLLER ASSEMBLY (SWING AND LIFT) for Breakdown) (Use p/n 1001129555)   |     |
| 14   | 1600318     | NLA | Controller Assembly (Drive and Steer) (See CONTROLLER ASSEMBLY (DRIVE AND STEER) for Breakdown) (Use p/n 1001212415) |     |
| 15   |             | Ref | Controller, Module Options (Re-calibration Required when Replaced):  |     |
| 15   | 1600375     | 1   | Controller, Module (SN 0300138447 through 0300139069)  |     |
| 15   | 1001106355  | 1   | Controller, Module (SN 0300139070 through 0300140000)  |     |
| 16   | 1670829     | 1   | Bezel  |     |
| 17   | 1671037     | NLA | Plug (Use p/n 1001110434)  |     |
| 18   | 1702565     | 1   | Decal (Drive and Steer)  |     |
| 19   | 1702566     | 1   | Decal (Lift and Swing)   |     |
| 20   | 1702567     | 1   | Decal (Function Speed)   |     |
| 21   | 1704260     | 1   | Decal - EMS  |     |
| 22   | 1705132     | 1   | Decal - ADE  |     |
| 23   | 2560136     | 1   | Handle, Knob   |     |
| 24   | 2760105     | 1   | Housing, Display Light   |     |
| 25   | 3300353     | 4   | Nut, Tinnerman   |     |
| 26   | 3311005     | 2   | Locknut #10-24NC   |     |
| 27   | 3520054     | AR  | Plug, Hole   |     |
| 28   | 4360328     | 6   | Switch, Toggle   |     |
| 29   | 4360330     | 1   | Switch, Toggle   |     |
| 30   | 4360387     | 1   | Switch, Pushbutton   |     |
| 31   | 4360407     | 1   | Controller, Speed  |     |
| 31   | See Note    | 1   | Gasket "Top Hat" (Included with Switch) (Note: Not Available for Purchase)   |     |
| 31   | 70003784    | 1   | Seal   |     |
| 32   | 4360475     | 1   | Switch, Emergency Stop   |     |
| 32   | 7020175     | 1   | Cap, Red   |     |
| 32   | 7020176     | 1   | Contact Block  |     |
| 33   | 4360476     | 1   | Block, Contact   |     |
| 34   | 4460007     | 1   | Bar, Buss  |     |
| 35   | 4460234     | 3   | Mount, Tie-Strap (Not Shown)   |     |
| 36   | 4460428     | 2   | Connector, Strain Relief   |     |

## SECTION 4 - PLATFORM

| ITEM | PART NUMBER | QTY       | DESCRIPTION  | REV |
|------|-------------|-----------|--|-----|
| 37   | 4460470     | 1         | Nut, Terminal  |     |
| 38   | 4460471     | 1         | Lockwasher, Terminal   |     |
| 39   | 4460708     | 2         | Terminal, 15 Pin (See ELECTRICAL SECTION for Location)                                     |     |
| 40   | 4460905     | 5         | Plug, Seal (See ELECTRICAL SECTION for Location)   |     |
| 41   | 4751000     | 2         | Flatwasher #10   |     |
| 42   | 4751400     | 8         | Flatwasher 1/4in   |     |
| 43   | 4922666     | 1         | Harness, Analyzer Cable (See ELECTRICAL SECTION for Location)                              |     |
| 44   | 1001107677  | 1         | Decal (Stop)   |     |
| 45   | 1001107753  | 1         | Harness, Platform Box  |     |
| 46   | 3790012     | 7         | O-Ring   |     |
|      | 0272970     | Ref       | <b>FOOT SWITCH ASSEMBLY</b>  | A   |
| 101  | 0100020     | AR        | Pipe Sealant   |     |
| 102  | 1060918     | 7 ft/2.1m | Cable, 18/3  |     |
| 103  | See Note    | 1         | Footswitch (Note: See PLATFORM COMPONENTS INSTALLATION for Service Parts)                  |     |
| 105  | 4460071     | 1         | Connector, Strain Relief   |     |
| 106  | 4460226     | 2         | Socket, Female (Not Shown - Used with Footswitch) (See ELECTRICAL SECTION for Location)    |     |
| 107  | 4460464     | 1         | Terminal, Deutsch (Not Shown - Used with Footswitch) (See ELECTRICAL SECTION for Location) |     |
|      | 0861537     | Ref       | <b>CONSOLE BOX ASSEMBLY</b>  | E   |
| 201  | 0861537     | 1         | Console Bottom (Note: Not Available for Purchase.)   |     |
| 202  | 0861537     | 1         | Console Top (Note: Not Available for Purchase.)  |     |
| 203  | 3311601     | 1         | Nut 3/8in-16NC   |     |
| 204  | 3470003     | 2         | Pin, Hair  |     |
| 205  | 0630568     | 1         | Screw 3/8in-16NC x 4-1/2in   |     |
| 206  | 4711500     | 2         | Flatwasher 5/16in  |     |
|      |             | Ref       | <b>DUAL FUEL SWITCH INSTALLATION</b>   |     |
| 301  | 4360336     | 1         | Switch, Toggle   |     |
| 301  | 3790012     | 1         | O-Ring   |     |
|      | 0271768     | Ref       | <b>HEAD AND TAIL LIGHTS INSTALLATION (OPTIONAL)</b>  | C   |
| 401  | 4360522     | 1         | Switch, Pushbutton   |     |
| 402  | 1705170     | 1         | Decal - Lights   |     |
|      |             | Ref       | <b>SOFT TOUCH SYSTEM INSTALLATION (OPTIONAL)</b>   |     |
|      | 0273824     | Ref       | <b>6ft/1.8m Platforms</b>  | B   |
|      | 0272427     | Ref       | <b>8ft/2.4m Platforms</b>  | D   |
|      | 1001108256  | Ref       | <b>6ft/1.8m Platforms with Fall Arrest</b>   | A   |
|      | 0273706     | Ref       | <b>8ft/2.4m Platforms with Fall Arrest</b>   | B   |
| 501  | 4360387     | 1         | Switch, Pushbutton   |     |
| 502  | 1702938     | 1         | Decal - Soft Touch Override  |     |
| 503  | 4460425     | 1         | Connector, Strain Relief   |     |
| 504  | 2920028     | 1         | Lamp, Indicator  |     |
| 505  | 2920029     | 1         | Bulb   |     |
|      |             | Ref       | <b>PLATFORM WORKLIGHT INSTALLATION (OPTIONAL)</b>  |     |
|      | 0273484     | Ref       | <b>Platform Worklight Installation (Optional) 800A</b>                                     | D   |
|      | 0273485     | Ref       | <b>Platform Worklight Installation (Optional) 800AJ</b>                                    | D   |
| 605  | 4460426     | 1         | Connector, Strain Relief   |     |
|      | 0271340     | Ref       | <b>JIB SWITCH INSTALLATION (OPTIONAL)</b>  | 1   |
| 701  | 4360328     | 1         | Switch, Toggle   |     |
| 701  | 3790012     | 1         | O-Ring   |     |
|      | 0258945     | Ref       | <b>STEER SWITCH (4WS) INSTALLATION (OPTIONAL)</b>  | A   |



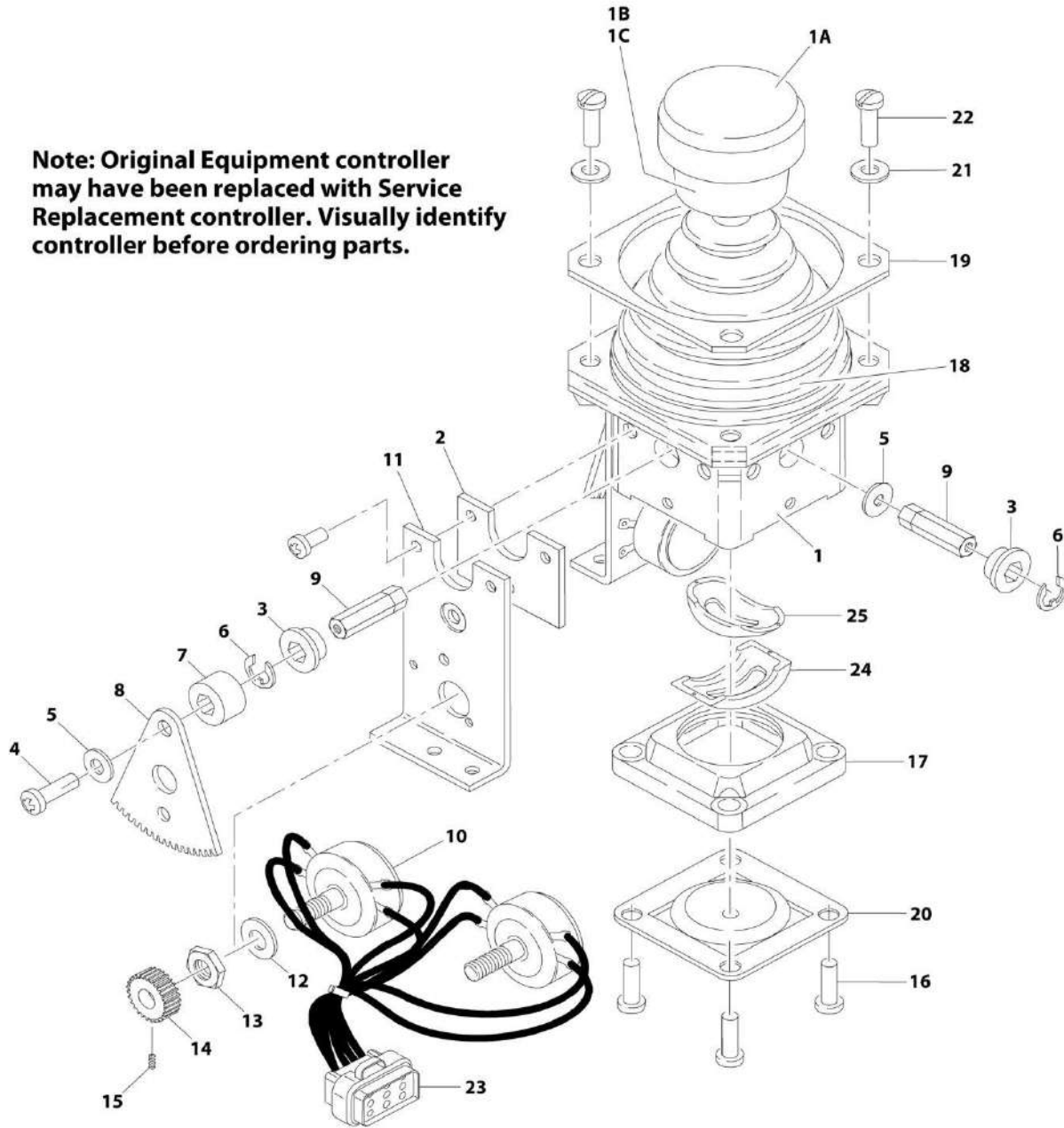
## SECTION 4 - PLATFORM

| ITEM | PART NUMBER | QTY | DESCRIPTION                           | REV |
|------|-------------|-----|---------------------------------------|-----|
| 801  | 4360331     | 1   | Switch, Toggle                        |     |
| 801  | 3790012     | 1   | O-Ring                                |     |
|      | 1001108736  | Ref | <b>CONSOLE BOX INSTALLATION</b>       | A   |
| 904  | 1702676     | 1   | Decal - Horn                          |     |
| 908  | 4360331     | 1   | Switch, Toggle (4WD)                  |     |
| 908  | 3790012     | 1   | O-Ring                                |     |
|      | 1001108763  | Ref | <b>LIGHT PANEL DECAL INSTALLATION</b> | A   |
| 1001 | 1001107927  | 1   | Decal - Light Panel Display           |     |

# SECTION 4 - PLATFORM

## FIGURE 4-6. CONTROLLER ASSEMBLY (LIFT AND SWING)

**Note: Original Equipment controller may have been replaced with Service Replacement controller. Visually identify controller before ordering parts.**



ART\_1600317

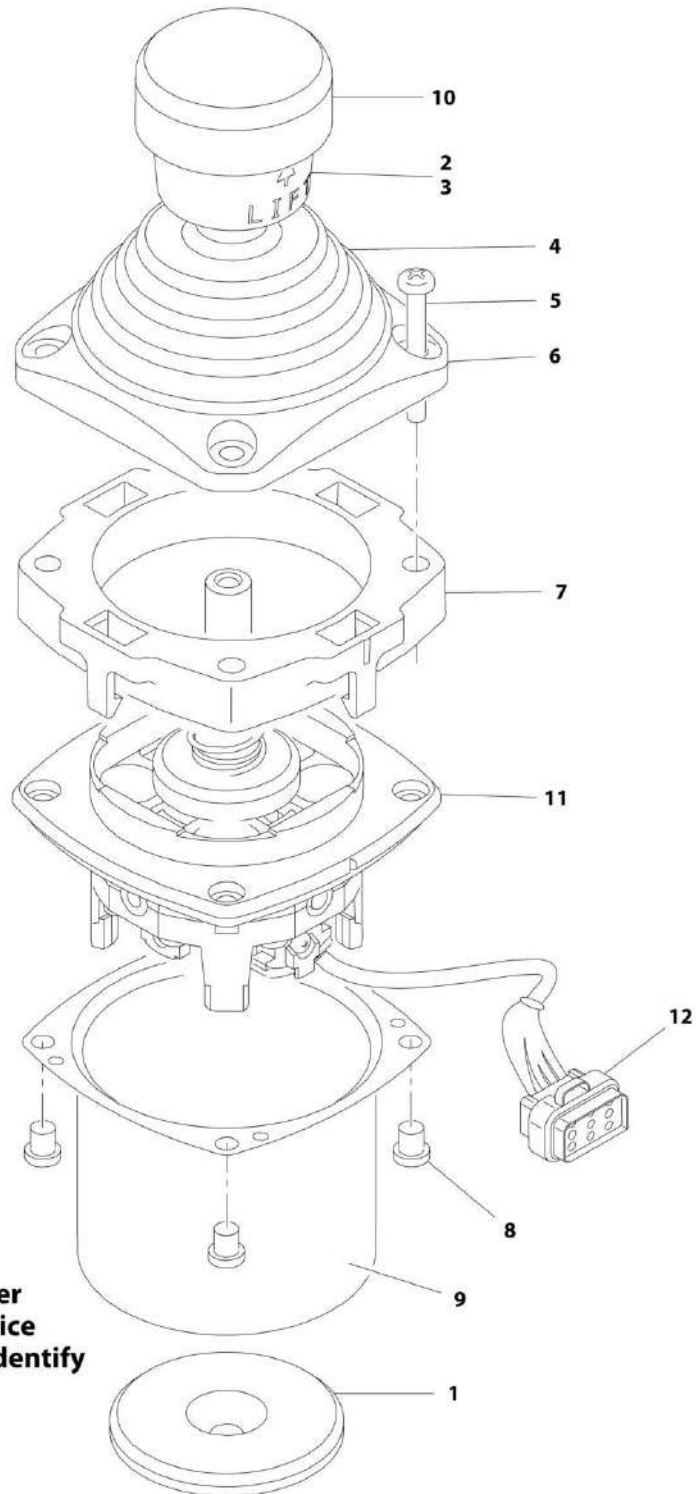
## SECTION 4 - PLATFORM

### FIGURE 4-6. CONTROLLER ASSEMBLY (LIFT AND SWING)

| ITEM | PART NUMBER | QTY | DESCRIPTION  | REV |
|------|-------------|-----|--|-----|
|      |             | Ref | <b>Note: Original Equipment controller may have been replaced with Service Replacement controller. Visually identify controller before ordering parts.</b> |     |
|      | 1600317     | Ref | <b>CONTROLLER ASSEMBLY</b>   | C   |
|      |             | Ref | <b>Note: Use p/n 1001129555 Kit as Replacement.</b>  |     |
| 1    | 7019141     | 1   | Mechanical Assembly (Includes Base, Handle Stem and Items 1A, 1B, 1C & 18)   |     |
| 1A   | 7019197     | 1   | Handle Cap and Rod   |     |
| 1B   | 7003928     | 1   | Spring   |     |
| 1C   | 7022808     | 1   | Cap, Lift  |     |
| 2    | 7019171     | 2   | Plate  |     |
| 3    | 7019111     | 4   | Bearing, Gear  |     |
| 4    | 7019143     | 2   | Screw  |     |
| 5    | 7019144     | 2   | Spacer, Cam  |     |
| 6    | 7019145     | 4   | E-Clip   |     |
| 7    | 7019174     | 2   | Spacer   |     |
| 8    | 7003977     | 2   | Gear, Drive  |     |
| 9    |             | Ref | Shaft Options:   |     |
| 9    | 7019147     | 2   | Shaft, Short   |     |
| 9    | 7019177     | 2   | Shaft, Long  |     |
| 10   | 7022818     | 2   | Potentiometer  |     |
| 11   | 7019142     | 2   | Plate  |     |
| 12   | 7003992     | 2   | Washer   |     |
| 13   | 7003993     | 2   | Nut  |     |
| 14   | 7003976     | 2   | Gear, Slave  |     |
| 15   | 7019149     | 2   | Setscrew   |     |
| 16   | 7022816     | 4   | Screw  |     |
| 17   | 7019150     | 1   | Gate   |     |
| 18   | 7022814     | 1   | Boot   |     |
| 19   | 7022815     | 1   | Bezel  |     |
| 20   | See Note    | NSS | Center, Detent (Note: Use p/n 1001129555)  |     |
| 21   | 7003953     | 4   | Washer   |     |
| 22   | 7022817     | 4   | Screw  |     |
| 23   | 7022819     | 1   | Plug, Male - 8 Position (Natural)  |     |
| 23   | 4460871     | 8   | Socket, Female   |     |
| 24   | 7019122     | 1   | Gimble, Outer  |     |
| 25   | 7019123     | 1   | Gimble, Inner  |     |

## SECTION 4 - PLATFORM

FIGURE 4-7. CONTROLLER ASSEMBLY (LIFT AND SWING)



**Note: Original Equipment controller may have been replaced with Service Replacement controller. Visually identify controller before ordering parts.**

ART\_100118417

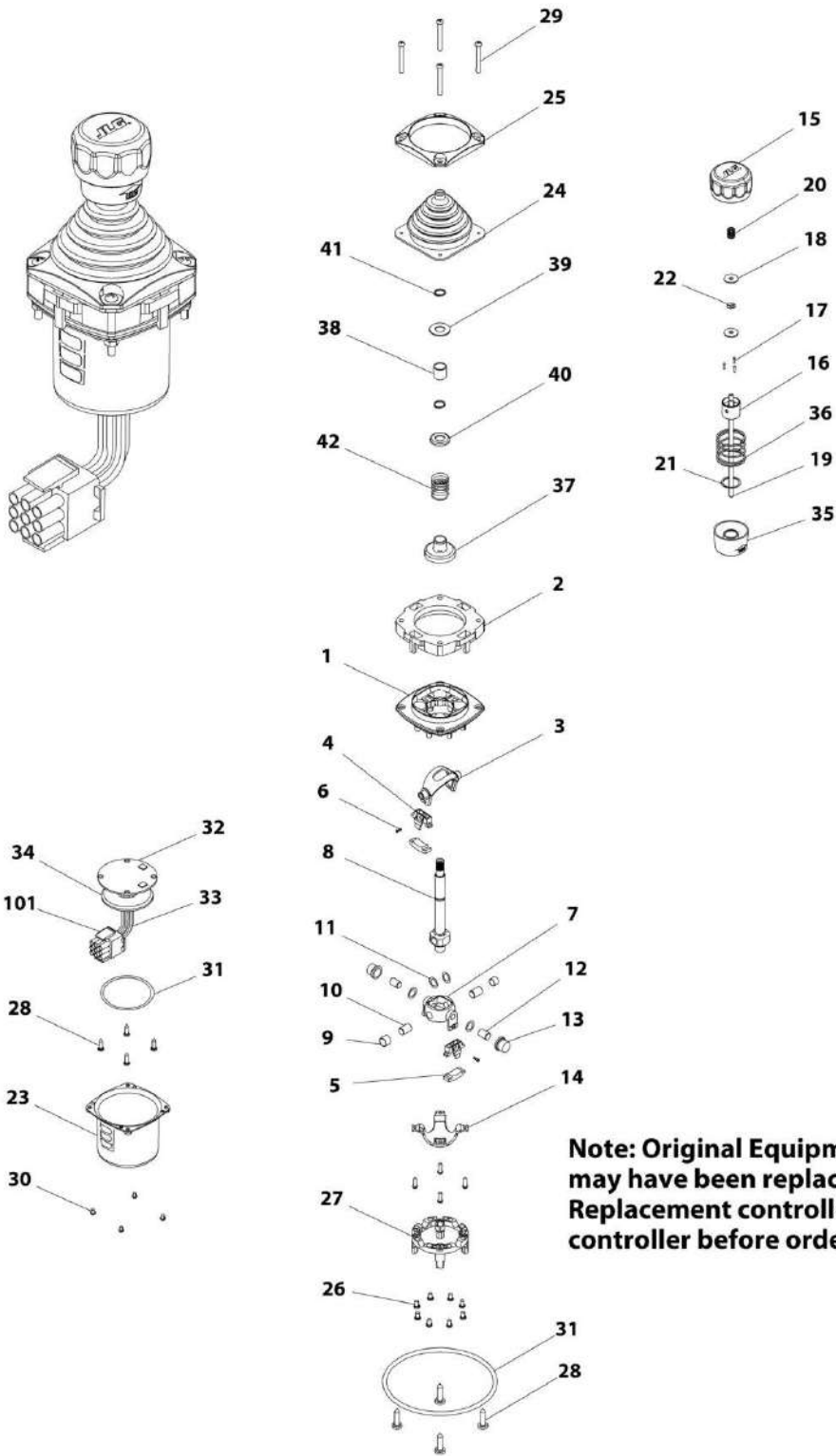
## SECTION 4 - PLATFORM

**FIGURE 4-7. CONTROLLER ASSEMBLY (LIFT AND SWING)**

| ITEM | PART NUMBER | QTY | DESCRIPTION  | REV |
|------|-------------|-----|--|-----|
|      |             | Ref | <b>Note: Original Equipment controller may have been replaced with Service Replacement controller. Visually identify controller before ordering parts.</b> |     |
|      | 1001118417  | Ref | <b>CONTROLLER ASSEMBLY</b>   | E   |
|      |             | Ref | <b>Note: Use p/n 1001129555 as Replacement.</b>  |     |
| 1    | 70002730    | 1   | Gasket   |     |
| 2    | 7003928     | 1   | Spring   |     |
| 3    | 7022808     | 1   | Cap, Lift  |     |
| 4    | 70002731    | 1   | Boot   |     |
| 5    | 70002732    | 4   | Screw  |     |
| 6    | 7022815     | 1   | Bezel  |     |
| 7    | 70002733    | 1   | Adapter  |     |
| 8    | 70002734    | 4   | Screw  |     |
| 9    | 70002735    | 1   | Can, Enclosure   |     |
| 10   | 70002906    | 1   | Cap  |     |
| 11   | See Note    | NSS | Mechanical Assembly (Note: Use p/n 1001129555)   |     |
| 12   | 7022819     | 1   | Connector - 8 Position   |     |
| 12   | 4460871     | 6   | Socket, Female   |     |

# SECTION 4 - PLATFORM

## FIGURE 4-8. CONTROLLER ASSEMBLY (LIFT AND SWING)



**Note: Original Equipment controller may have been replaced with Service Replacement controller. Visually identify controller before ordering parts.**

ART\_1001166539

## SECTION 4 - PLATFORM

### FIGURE 4-8. CONTROLLER ASSEMBLY (LIFT AND SWING)

| ITEM | PART NUMBER | QTY | DESCRIPTION  | REV |
|------|-------------|-----|--|-----|
|      |             | Ref | <b>Note: Original Equipment controller may have been replaced with Service Replacement controller. Visually identify controller before ordering parts.</b> |     |
|      | 1001166539  | Ref | <b>CONTROLLER ASSEMBLY</b>   | D   |
|      |             | Ref | <b>Note: Use p/n 1001129555 as Replacement.</b>  |     |
| 1    | See Note    | NSS | Main Cast Body (Note: Not Available - Purchase Complete Assembly)  |     |
| 2    | 70004752    | 1   | Adapter  |     |
| 3    | See Note    | NSS | Pivot Arm, Plastic (Note: Not Available - Purchase Complete Assembly)  |     |
| 4    | See Note    | NSS | Holder, Magnet (Note: Not Available - Purchase Complete Assembly)  |     |
| 5    | See Note    | NSS | Arc, Magnet (Note: Not Available - Purchase Complete Assembly)   |     |
| 6    | See Note    | NSS | Screw (Note: Not Available for Purchase)   |     |
| 7    | See Note    | NSS | Pivot Arm, Cast (Note: Not Available - Purchase Complete Assembly)   |     |
| 8    | See Note    | NSS | Shaft, Main (Note: Not Available - Purchase Complete Assembly)   |     |
| 9    | See Note    | NSS | Bearing (Note: Not Available - Purchase Complete Assembly)   |     |
| 10   | See Note    | NSS | Pin (Note: Not Available - Purchase Complete Assembly)   |     |
| 11   | See Note    | NSS | Shim (Note: Not Available - Purchase Complete Assembly)  |     |
| 12   | See Note    | NSS | Pin (Note: Not Available - Purchase Complete Assembly)   |     |
| 13   | See Note    | NSS | Bearing (Note: Not Available - Purchase Complete Assembly)   |     |
| 14   | See Note    | NSS | Dome, Centering (Note: Not Available - Purchase Complete Assembly)   |     |
| 15   | 70004753    | 1   | Cap  |     |
| 16   | 70004754    | 1   | Insert, Cap  |     |
| 17   | 70004755    | 3   | Pin  |     |
| 18   | 70004756    | 2   | Washer   |     |
| 19   | 70004757    | 1   | Pin, Centering   |     |
| 20   | 70004758    | 1   | Spring   |     |
| 21   | 70004759    | 1   | Ring, Retaining  |     |
| 22   | 70004760    | 1   | E-Ring   |     |
| 23   | 70004761    | 1   | Can, Enclosure   |     |
| 24   | 70004762    | 1   | Boot   |     |
| 25   | 70004763    | 1   | Bezel  |     |
| 26   | See Note    | NSS | Screw (Note: Not Available for Purchase)   |     |
| 27   | See Note    | NSS | Base, Mounting (Note: Not Available - Purchase Complete Assembly)  |     |
| 28   | See Note    | NSS | Screw (Note: Not Available for Purchase)   |     |
| 29   | 70004764    | 4   | Screw  |     |
| 30   | 70004765    | 4   | Screw  |     |
| 31   | 70004766    | 1   | O-Ring   |     |
| 32   | See Note    | NSS | Plate (Note: Not Available - Purchase Complete Assembly)   |     |
| 33   | See Note    | NSS | Harness (Note: Not Available - Purchase Complete Assembly)   |     |
| 34   | 70004767    | 1   | Grommet, Rubber  |     |
| 35   | 70004768    | 1   | Housing  |     |
| 36   | 70004769    | 1   | Spring   |     |
| 37   | 70004770    | 1   | Stopper  |     |
| 38   | 70004771    | 1   | Spacer   |     |
| 39   | 70004772    | 1   | Washer   |     |
| 40   | 70004773    | 1   | Disc   |     |

## SECTION 4 - PLATFORM

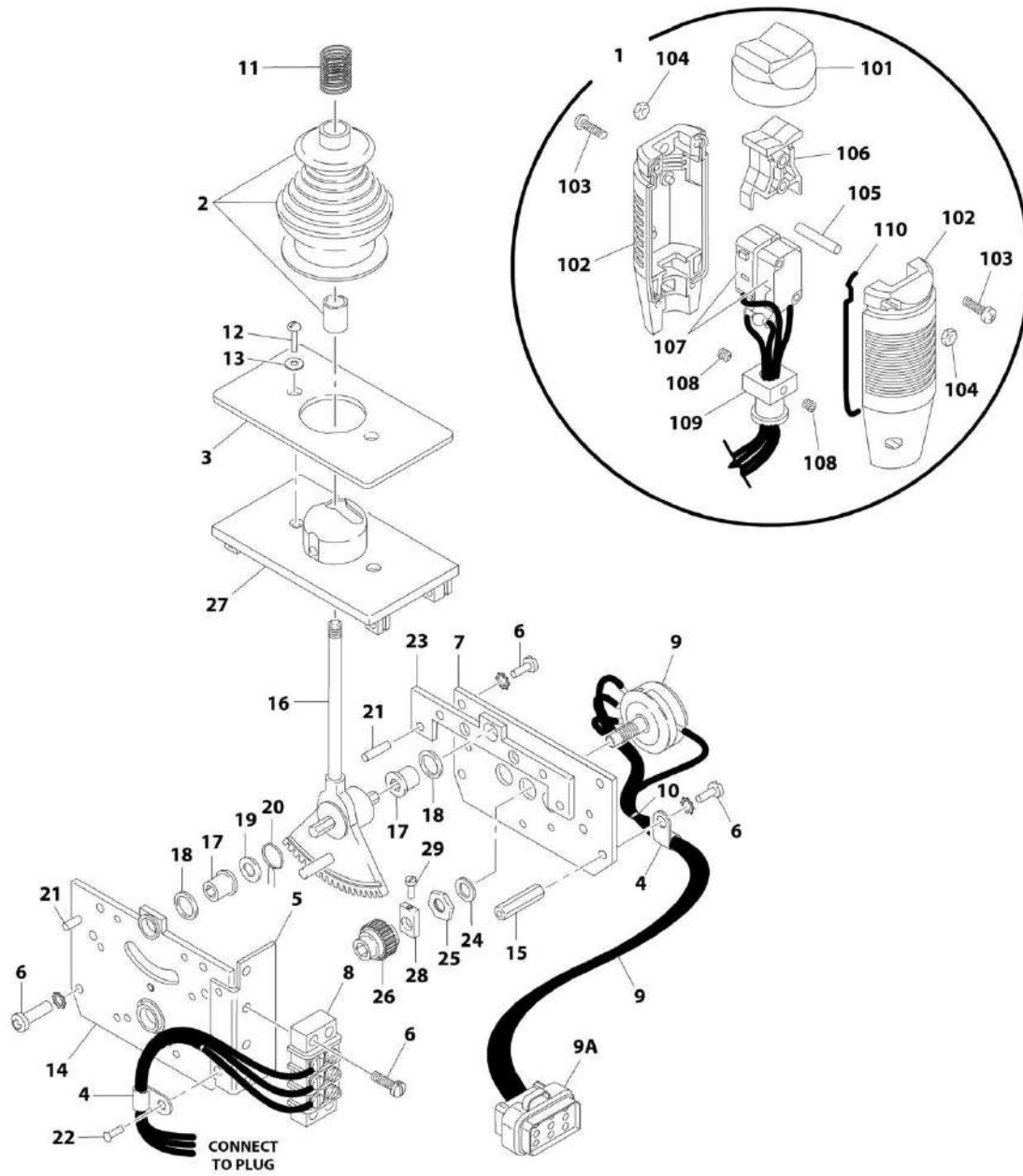
| ITEM | PART NUMBER | QTY | DESCRIPTION            | REV |
|------|-------------|-----|------------------------|-----|
| 41   | 70004774    | 2   | Ring, Retaining        |     |
| 42   | 70004775    | 1   | Spring                 |     |
| 101  | 4460265     | 1   | Connector - 9 Position |     |
| 101  | 4460226     | 6   | Socket, Female         |     |





# SECTION 4 - PLATFORM

## FIGURE 4-9. CONTROLLER ASSEMBLY (DRIVE AND STEER)



**Note: Original Equipment controller may have been replaced with Service Replacement controller. Visually identify controller before ordering parts.**

ART\_1600318

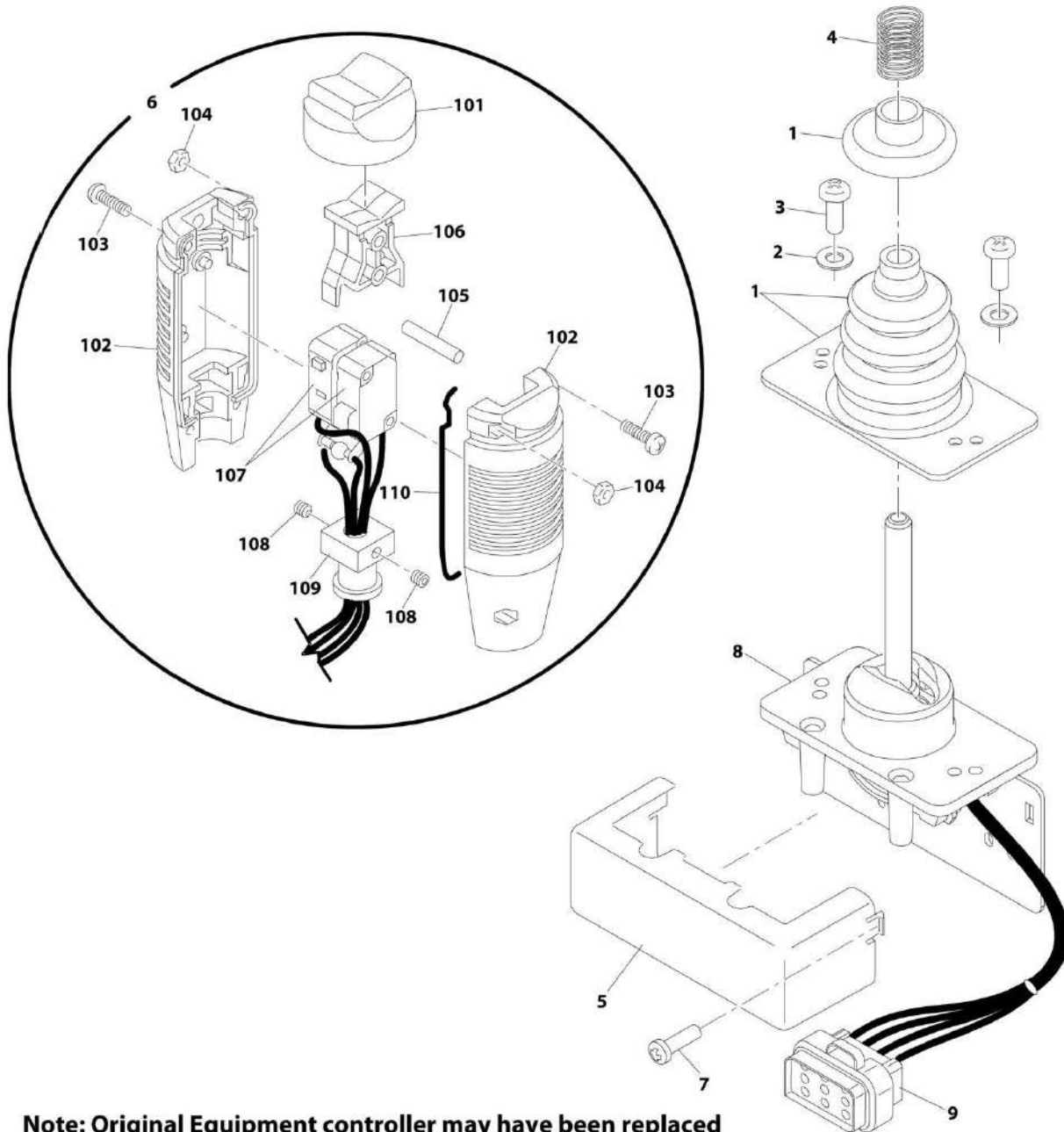
## SECTION 4 - PLATFORM

**FIGURE 4-9. CONTROLLER ASSEMBLY (DRIVE AND STEER)**

| ITEM | PART NUMBER | QTY | DESCRIPTION  | REV |
|------|-------------|-----|--|-----|
|      |             | Ref | <b>Note: Original Equipment controller may have been replaced with Service Replacement controller. Visually identify controller before ordering parts.</b> |     |
|      | 1600318     | Ref | <b>CONTROLLER ASSEMBLY</b>   | C   |
|      |             | Ref | <b>Note: Use p/n 1001212415 as Replacement.</b>  |     |
| 1    | 7022812     | 1   | Handle Assembly (See Items 101-110 for Breakdown)  |     |
| 2    | 7019161     | 1   | Boot and Sleeve  |     |
| 3    | 7003933     | 1   | Gasket   |     |
| 4    | 7019154     | 2   | Clamp, Wire  |     |
| 5    | 7022823     | 1   | Bracket, Mounting  |     |
| 6    | 7003994     | 1   | Screw  |     |
| 7    | 7022822     | 1   | Plate, Pot Mounting  |     |
| 8    | 7003986     | 1   | Strip, Terminal - 3 Position   |     |
| 9    | 7022824     | 1   | Electric Assembly  |     |
| 9A   | 1001113961  | 1   | Plug, Male - 8 Position (Black) (was p/n 7022825)  |     |
| 9A   | 4460871     | 7   | Socket, Female   |     |
| 10   | 7019151     | AR  | Tie-Strap  |     |
| 11   | 7019162     | 1   | Spring   |     |
| 12   | 7003969     | 2   | Screw  |     |
| 13   | 7003941     | 2   | Washer   |     |
| 14   | See Note    | NSS | Plate, Mounting (Left Side) (Note: Not Available for Purchase)   |     |
| 15   | 7019115     | 2   | Stand-Off  |     |
| 16   | 7019155     | 1   | Shaft 8mm  |     |
| 17   | 7019111     | 2   | Bearing  |     |
| 18   | 7019110     | 2   | Spacer, Head Gear  |     |
| 19   | 7019112     | 1   | Washer   |     |
| 20   | 7003946     | 1   | Spring, Return   |     |
| 21   | 7019103     | 4   | Pin  |     |
| 22   | See Note    | NSS | Rivet (Note: Not Available - Purchase Locally)   |     |
| 23   | 7019168     | 1   | Plate, Mounting (Right Side)   |     |
| 24   | 7003992     | 1   | Washer   |     |
| 25   | 7003993     | 1   | Nut  |     |
| 26   | 7003935     | 1   | Gear, Slave  |     |
| 27   | 7019160     | 1   | Plate, Base  |     |
| 28   | 7019114     | 1   | Coupling, Potentiometer  |     |
| 29   | See Note    | NSS | Cup Point Screw (Note: Not Available for Purchase)   |     |
|      | 7022812     | Ref | <b>HANDLE ASSEMBLY</b>   |     |
| 101  | 7003972     | 1   | Boot, Switch   |     |
| 102  | 7003973     | 2   | Half, Handle   |     |
| 103  | 7003980     | 4   | Screw  |     |
| 104  | 7019167     | 4   | Nut  |     |
| 105  | 7019164     | 1   | Axle   |     |
| 106  | 7019165     | 1   | Rocker   |     |
| 107  | See Note    | NSS | Wiring for Controller Assembly p/n 1600318 (Note: Use p/n 1001166538)  |     |
| 107  | 7019166     | 2   | Switch, Micro  |     |
| 108  | 7003983     | 2   | Setscrew   |     |
| 109  | 7019194     | 1   | Coupling   |     |
| 110  | 7003989     | 2   | Gasket   |     |

# SECTION 4 - PLATFORM

## FIGURE 4-10. CONTROLLER ASSEMBLY (DRIVE AND STEER)



**Note: Original Equipment controller may have been replaced with Service Replacement controller. Visually identify controller before ordering parts.**

ART\_1001118416

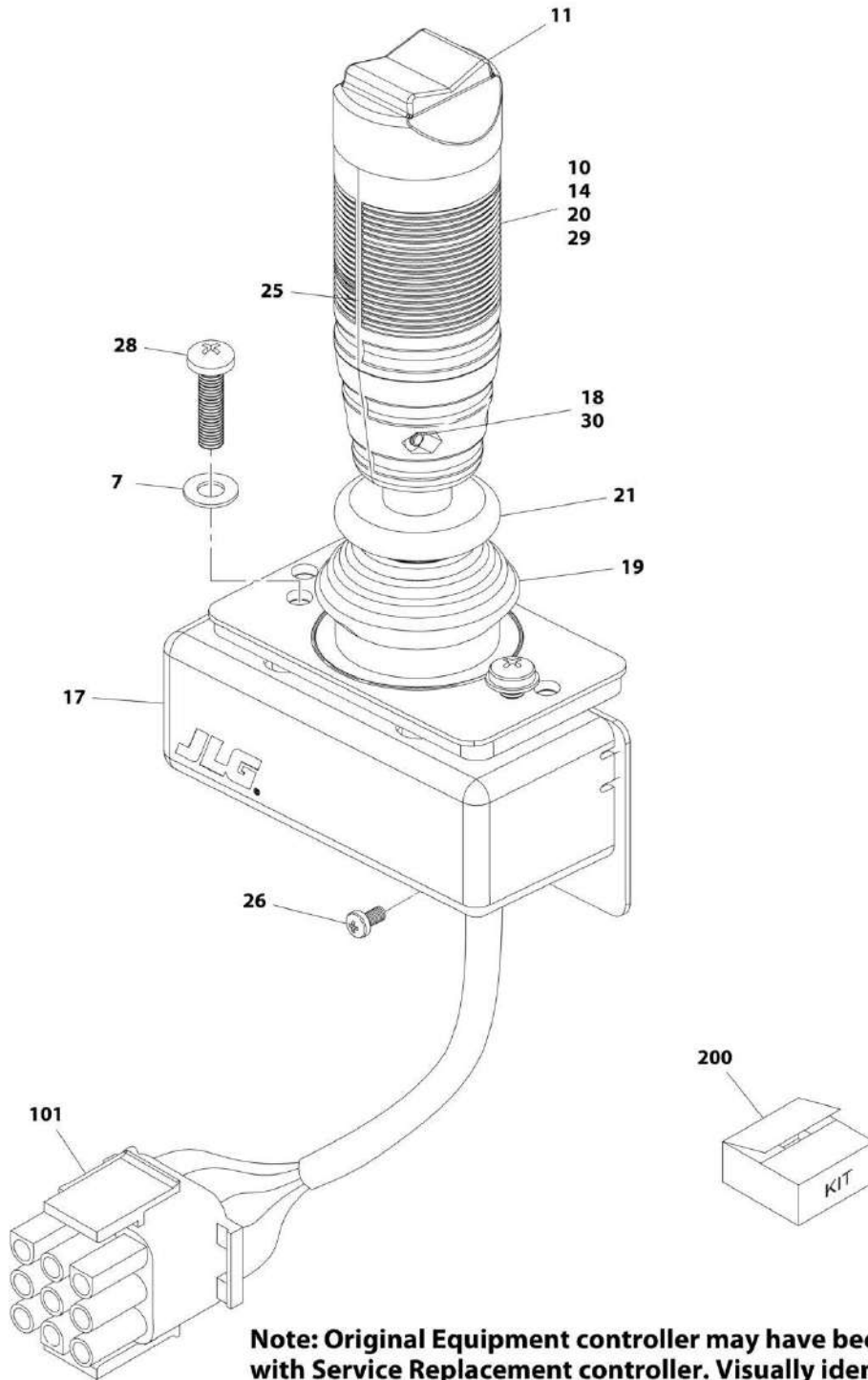
## SECTION 4 - PLATFORM

**FIGURE 4-10. CONTROLLER ASSEMBLY (DRIVE AND STEER)**

| ITEM | PART NUMBER | QTY | DESCRIPTION  | REV |
|------|-------------|-----|--|-----|
|      |             | Ref | <b>Note: Original Equipment controller may have been replaced with Service Replacement controller. Visually identify controller before ordering parts.</b> |     |
|      | 1001118416  | Ref | <b>CONTROLLER ASSEMBLY</b>   | D   |
|      |             | Ref | <b>Note: Use p/n 1001212415 as Replacement.</b>  |     |
| 1    | 70002724    | 1   | Boot and Control Lock Assembly   |     |
| 2    | 7003941     | 2   | Washer   |     |
| 3    | 70002725    | 2   | Screw  |     |
| 4    | 7019162     | 1   | Spring   |     |
| 5    | 70002726    | 1   | Enclosure  |     |
| 6    | 70002727    | 1   | Handle Assembly (See Items 101-110 for Breakdown)  |     |
| 7    | 70002728    | 1   | Screw  |     |
| 8    | See Note    | NSS | Mechanical Assembly (Note: Use p/n 1001166538)   |     |
| 9    | 1001113961  | 1   | Plug, Male - 8 Position (Black) (was p/n 7022825)  |     |
| 9    | 4460871     | 7   | Socket, Female   |     |
|      | 70002727    | Ref | <b>HANDLE ASSEMBLY</b>   |     |
| 101  | 7003972     | 1   | Boot, Switch   |     |
| 102  | 7003973     | 2   | Half, Handle   |     |
| 103  | 7003980     | 4   | Screw  |     |
| 104  | 7019167     | 4   | Nut  |     |
| 105  | 7019164     | 1   | Axle   |     |
| 106  | 7019165     | 1   | Rocker   |     |
| 107  | 70002729    | 1   | Wiring Assembly  |     |
| 107  | 7003982     | 2   | Switch, Micro  |     |
| 108  | 7003983     | 2   | Set Screw  |     |
| 109  | 7019194     | 1   | Coupling   |     |
| 110  | 7003989     | 2   | Gasket   |     |

# SECTION 4 - PLATFORM

## FIGURE 4-11. CONTROLLER ASSEMBLY (DRIVE AND STEER)



ART\_1001166538

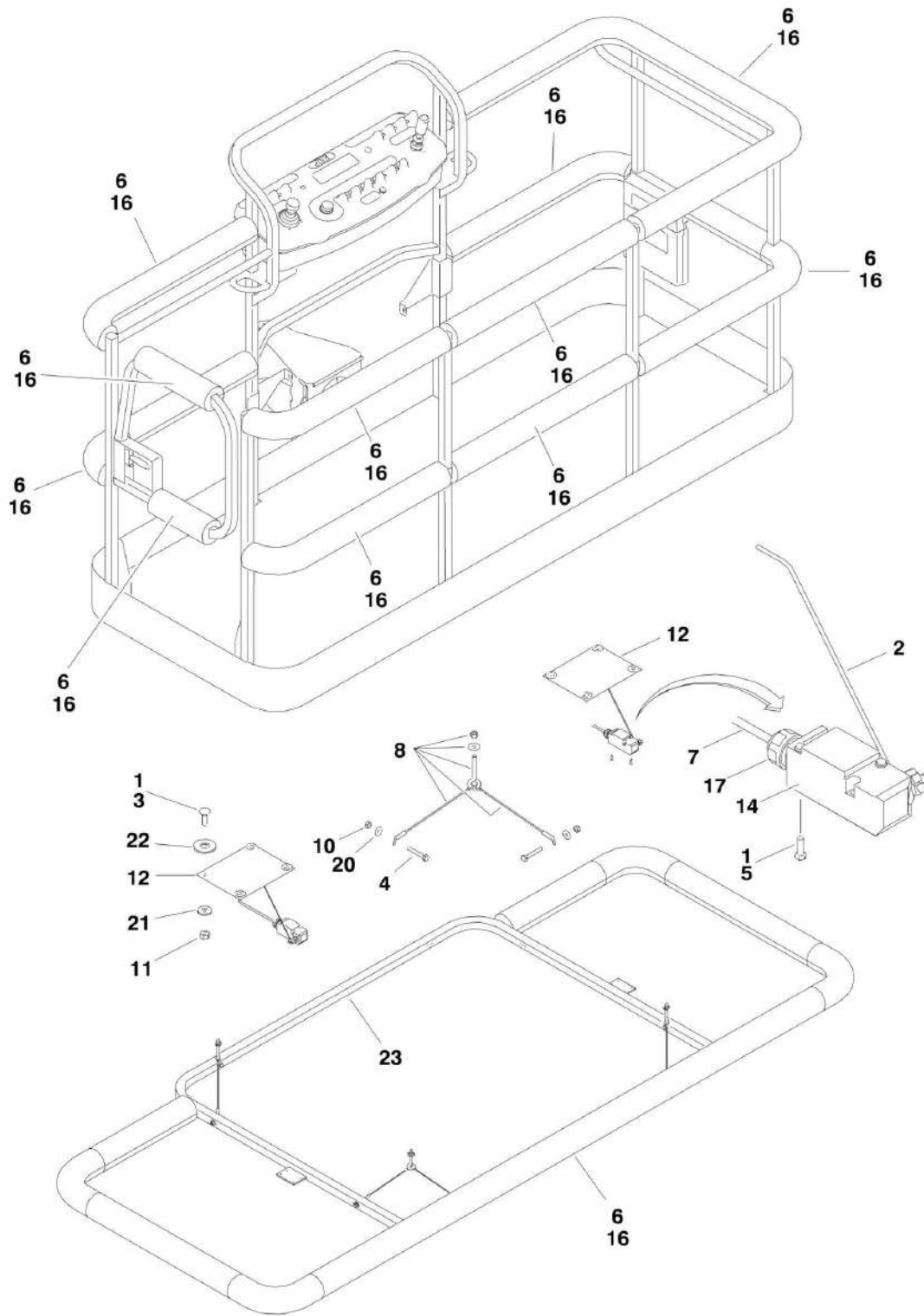
## SECTION 4 - PLATFORM

**FIGURE 4-11. CONTROLLER ASSEMBLY (DRIVE AND STEER)**

| ITEM | PART NUMBER | QTY | DESCRIPTION  | REV |
|------|-------------|-----|--|-----|
|      |             | Ref | <b>Note: Original Equipment controller may have been replaced with Service Replacement controller. Visually identify controller before ordering parts.</b> |     |
|      | 1001166538  | Ref | <b>CONTROLLER ASSEMBLY</b>   | E   |
|      |             | Ref | <b>Note: Use p/n 1001212415 as Replacement.</b>  |     |
| 7    | 70004738    | 2   | Washer   |     |
| 10   | 70004739    | 1   | Roller   |     |
| 11   | 70004740    | 1   | Boot, Switch   |     |
| 14   | 70004741    | 2   | Half, Handle   |     |
| 17   | 70004742    | 1   | Enclosure  |     |
| 18   | 70004743    | 4   | Nut  |     |
| 19   | 70004744    | NLA | Boot, Controller (Note: Use Item 200)  |     |
| 20   | 70004745    | NLA | Tube, Locking (Note: Use Item 200)   |     |
| 21   | 70004746    | NLA | Disc, Locking (Note: Use Item 200)   |     |
| 25   | 70004747    | 2   | Seal, Rope   |     |
| 26   | 70004748    | 1   | Screw, M3 x 6  |     |
| 28   | 70004749    | 2   | Screw, M5 x 20   |     |
| 29   | 70004750    | 1   | Pin, Dowel   |     |
| 30   | 70004751    | 4   | Screw, M3 x 16   |     |
| 101  | 4460265     | 1   | Connector - 9 Position   |     |
| 101  | 4460226     | 7   | Socket, Female   |     |
| 200  | 70005230    | 1   | Boot Kit (Includes Items 19-21)  |     |

# SECTION 4 - PLATFORM

## FIGURE 4-12. SOFT TOUCH SYSTEM INSTALLATION (OPTIONAL)





## SECTION 4 - PLATFORM

**FIGURE 4-12. SOFT TOUCH SYSTEM INSTALLATION (OPTIONAL)**

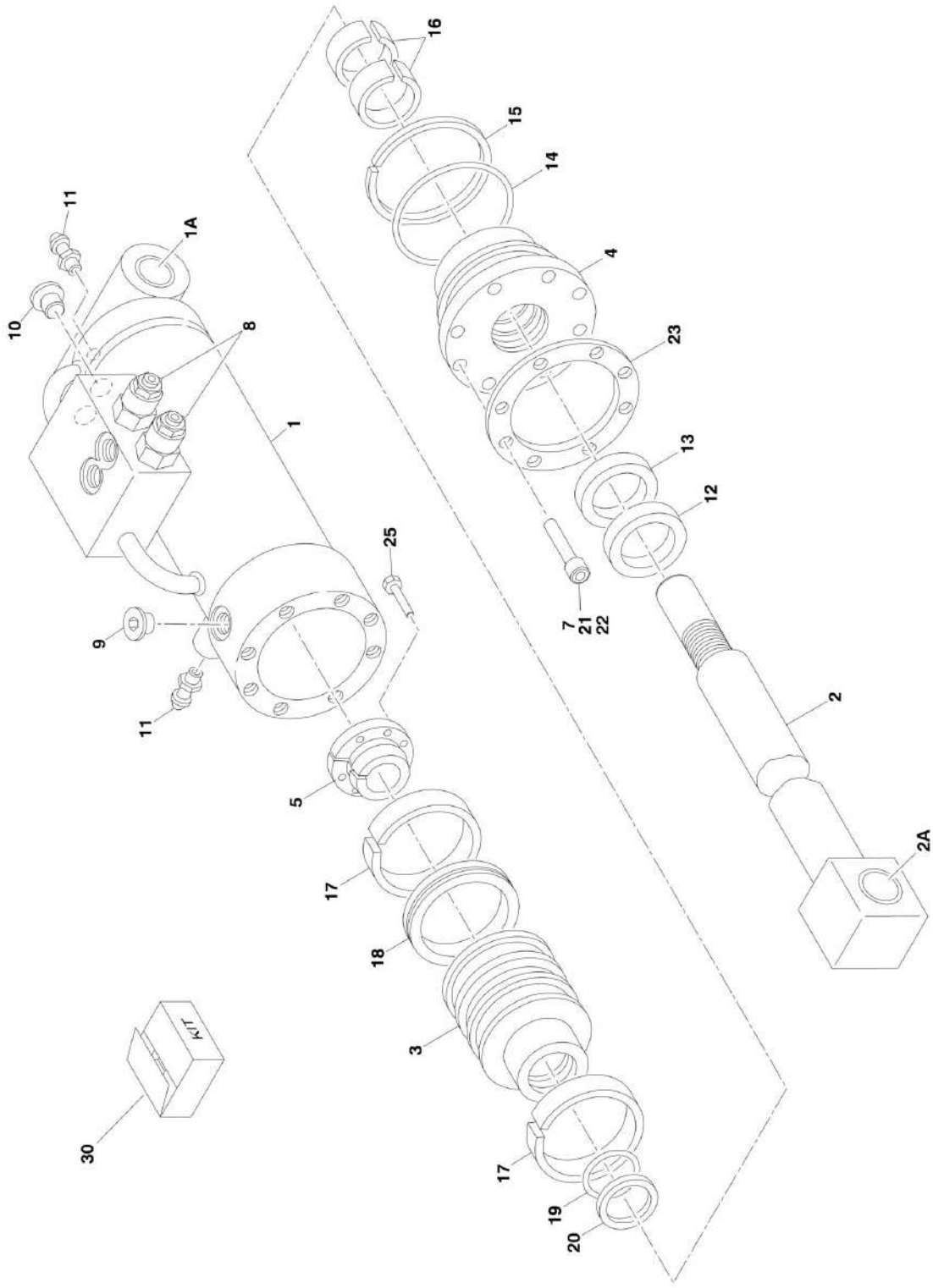
| ITEM | PART NUMBER | QTY | DESCRIPTION   | REV |
|------|-------------|-----|---|-----|
|      |             | Ref | <b>SOFT TOUCH SYSTEM INSTALLATIONS OPTIONS:</b>   |     |
|      | 0273824     | Ref | <b>6ft/1.8m Platforms</b>   | B   |
|      | 0272427     | Ref | <b>8ft/2.4m Platforms</b>   | D   |
|      |             | Ref | <b>6ft/1.8m Platforms with Fall Arrest</b>  |     |
|      | 0274927     | Ref | <b>6ft/1.8m Platforms with Fall Arrest (SN 0300069000 through 0300136487)</b>               | A   |
|      | 1001108256  | Ref | <b>6ft/1.8m Platforms with Fall Arrest (SN 0300136488 through 0300140000)</b>               | A   |
|      | 0273706     | Ref | <b>8ft/2.4m Platforms with Fall Arrest</b>  | B   |
| 1    | 0100011     | AR  | Compound, Locking   |     |
| 2    | 0200048     | 2   | Arm, Switch Activator   |     |
| 3    | 0630462     | 8   | Bolt, Carriage  |     |
| 4    | 0641414     | 8   | Bolt 1/4in-20NC x 1-3/4in   |     |
| 5    | 0731005     | 4   | Screw, Machine #10-32 x 5/8in   |     |
| 6    |             | Ref | Bumper Kit Options:   |     |
| 6    | 0940134     | 1   | 6ft/1.8m Platforms  |     |
| 6    | 0940103     | 1   | 8ft/2.4m Platforms  |     |
| 6    | 0940177     | 1   | 6ft/1.8m Platforms with Fall Arrest   |     |
| 6    | 0940133     | 1   | 8ft/2.4m Platforms with Fall Arrest   |     |
| 7    | 1060341     | AR  | Cable, Electrical - 16/2  |     |
| 8    | 1060903     | 4   | Wire Rope and Eyebolt Assembly  |     |
| 10   | 3311401     | 8   | Nut 1/4in-20NC  |     |
| 11   | 3311501     | 8   | Nut 5/16in-18NC   |     |
| 12   |             | Ref | Plate, Striker Options:   |     |
| 12   | 3575359     | 2   | 6ft/1.8m Platforms  |     |
| 12   | 3574091     | 2   | 8ft/2.4m Platforms  |     |
| 13   | 4240099     | 7   | Tie-Strap (Not Shown)   |     |
| 14   | 4360057     | 2   | Switch, Limit   |     |
| 16   | 4420068     | 1   | Tape, Yellow Adhesive   |     |
| 17   |             | Ref | Connector, Strain Relief Options:   |     |
| 17   | 4460425     | 2   | 6ft/1.8m Platforms  |     |
| 17   | 4460049     | 2   | 8ft/2.4m Platforms  |     |
| 17   | 4460049     | 2   | All Platforms with Fall Arrest  |     |
| 18   | 4460234     | AR  | Base, Tie-Strap Mounting (Not Shown)  |     |
| 20   | 4751400     | 8   | Flatwasher 1/4in Wide   |     |
| 21   | 4751500     | AR  | Flatwasher 5/16in Wide  |     |
| 22   | 4751800     | 8   | Flatwasher 1/2in Wide   |     |
| 23   |             | Ref | Rail, Soft-Touch Options:   |     |
| 23   | 3641569     | 1   | 6ft/1.8m Platforms  |     |
| 23   | 4846673     | 1   | 8ft/2.4m Platforms  |     |
|      | 0272444     | Ref | <b>SOFT TOUCH COUNTERWEIGHT INSTALLATION (NOT SHOWN) (SN 0300068374 through 0300140000)</b> | C   |
|      | 4821397     | 1   | Counterweight (Located in Frame)  |     |



**SECTION 5 - CYLINDER**

# SECTION 5 - CYLINDER

## FIGURE 5-1. AXLE LOCKOUT CYLINDER ASSEMBLY



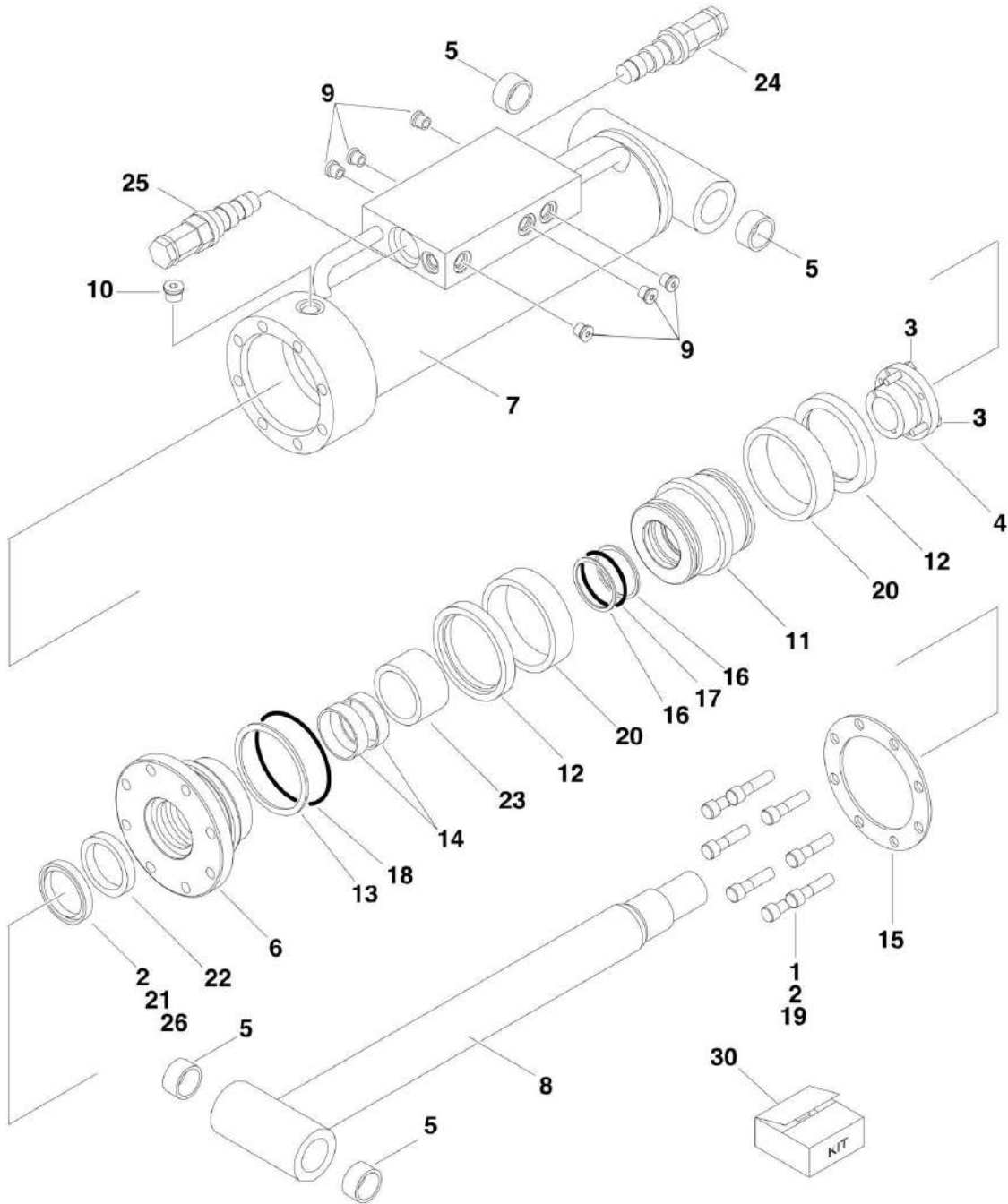
## SECTION 5 - CYLINDER

### FIGURE 5-1. AXLE LOCKOUT CYLINDER ASSEMBLY

| ITEM | PART NUMBER | QTY | DESCRIPTION                                       | REV |
|------|-------------|-----|---|-----|
|      | 1683078     | Ref | <b>AXLE LOCKOUT CYLINDER ASSEMBLY</b>             | L   |
| 1    | 1684191     | 1   | Barrel Weldment (Note: Includes Item 1A)          |     |
| 1A   |             | Ref | Bushing Options:                                  |     |
| 1A   | 0961816     | 2   | Bushing <b>(SN 0300069000 through 0300070074)</b> |     |
| 1A   | 0962496     | 2   | Bushing <b>(SN 0300070075 through 0300140000)</b> |     |
| 2    | 1683986     | 1   | Rod Weldment (Note: Includes Item 2A)             |     |
| 2A   |             | Ref | Bushing Options:                                  |     |
| 2A   | 0961816     | 2   | Bushing <b>(SN 0300069000 through 0300070074)</b> |     |
| 2A   | 0962496     | 2   | Bushing <b>(SN 0300070075 through 0300140000)</b> |     |
| 3    | 3480176     | 1   | Piston  |     |
| 4    | 1683059     | 1   | Head  |     |
| 5    | 0961895     | 1   | Bushing   |     |
| 7    | 3931720     | 8   | Bolt, Socket Head 7/16in-14NC x 1-1/4in           |     |
| 8    | 4641162     | 2   | Cartridge, Valve (Counterbalance)                 |     |
| 8    | 2900770     | 2   | Seal Kit - 4641162 Valve (1 Per Assembly)         |     |
| 9    | 2220886     | 1   | Plug, O-Ring                                      |     |
| 10   | 2220885     | 2   | Plug, O-Ring                                      |     |
| 11   | 4640858     | 3   | Valve, Bleeder                                    |     |
| 12   | See Note    | NSS | Wiper (Note: Use Item 30)                         |     |
| 13   | See Note    | NSS | Seal, Rod (Note: Use Item 30)                     |     |
| 14   | See Note    | NSS | O-Ring (Note: Use Item 30)                        |     |
| 15   | See Note    | NSS | Ring, Back-up (Note: Use Item 30)                 |     |
| 16   | See Note    | NSS | Ring, Wear (Note: Use Item 30)                    |     |
| 17   | See Note    | NSS | Ring, Wear (Note: Use Item 30)                    |     |
| 18   | See Note    | NSS | T-Seal (Note: Use Item 30)                        |     |
| 19   | See Note    | NSS | O-Ring (Note: Use Item 30)                        |     |
| 20   | See Note    | NSS | Ring, Back-up (Note: Use Item 30)                 |     |
| 21   | 0100011     | AR  | Compound, Locking                                 |     |
| 22   | 0100038     | AR  | Primer, Locking                                   |     |
| 23   | 3760370     | 1   | Ring, Washer                                      |     |
| 25   | 0630535     | 3   | Bolt 1/4in-20NC x 1-1/8in                         |     |
| 30   | 2901271     | 1   | Seal Kit (Includes Items 12-20)                   |     |

# SECTION 5 - CYLINDER

## FIGURE 5-2. LEVEL CYLINDER ASSEMBLY - PLATFORM SLAVE



## SECTION 5 - CYLINDER

### FIGURE 5-2. LEVEL CYLINDER ASSEMBLY - PLATFORM SLAVE

| ITEM | PART NUMBER | QTY | DESCRIPTION  | REV |
|------|-------------|-----|--|-----|
|      |             | Ref | <b>Note: Original Equipment Cylinder may have been replaced with Service Replacement Cylinder. Identify p/n stamped on cylinder before ordering parts.</b> |     |
|      |             | Ref | <b>LEVEL CYLINDER ASSEMBLY - PLATFORM SLAVE</b>  |     |
|      |             | Ref | <b>Slave Cylinder Assemblies 800A</b>  |     |
|      | 1683610     | Ref | <b>Original Equipment</b>  | E   |
|      | 1684408     | Ref | <b>Service Replacement</b>   | C   |
|      |             | Ref | <b>Slave Cylinder Assemblies 800AJ</b>   |     |
|      | 1683677     | Ref | <b>Original Equipment</b>  | B   |
|      | 1684228     | Ref | <b>Service Replacement</b>   | C   |
| 1    | 0100011     | AR  | Compound, Locking  |     |
| 2    | 0100038     | AR  | Primer, Locking  |     |
| 3    | 0630535     | 3   | Capscrew, Socket Head 1/4in-20NC x 1in   |     |
| 4    |             | Ref | Bushing, Tapered Options:  |     |
| 4    | 0961902     | 1   | Bushing, Tapered 800A  |     |
| 4    | 0961894     | 1   | Bushing, Tapered 800AJ   |     |
| 5    |             | Ref | Bushing, Options:  |     |
| 5    | 0961947     | 4   | Bushing, 800A  |     |
| 5    | 0961951     | 4   | Bushing, 800AJ   |     |
| 6    |             | Ref | Head Options:  |     |
| 6    | 1683074     | 1   | Head 800A  |     |
| 6    | 1683055     | 1   | Head 800AJ   |     |
| 7    |             | Ref | Barrel Options: (Note: Item 5 not Included - Purchase Separately)  |     |
| 7    | 1683642     | 1   | Used with p/n 1683610  |     |
| 7    | 0370022     | 1   | Used with p/n 1684408  |     |
| 7    | 1683678     | 1   | Used with p/n 1683677  |     |
| 7    | 1684230     | 1   | Used with p/n 1684228  |     |
| 8    |             | Ref | Rod Options: (Note: Item 5 not Included - Purchase Separately)   |     |
| 8    | 1683643     | 1   | Used with p/n 1683610  |     |
| 8    | 3850018     | 1   | Used with p/n 1684408  |     |
| 8    | 1683680     | 1   | Used with p/n 1683677  |     |
| 8    | 1684232     | 1   | Used with p/n 1684228  |     |
| 8    |             | Ref | Rod 800A   |     |
| 8    |             | Ref | Rod 800AJ  |     |
| 9    | 2220883     | 6   | Plug   |     |
| 10   | 2220885     | 1   | Plug   |     |
| 11   |             | Ref | Piston Options:  |     |
| 11   | 3480233     | 1   | Piston 800A  |     |
| 11   | 3480188     | 1   | Piston 800AJ   |     |
| 12   | See Note    | NSS | Ring, Lock (Note: Use Item 30)   |     |
| 13   | See Note    | NSS | Ring, Back-up (Note: Use Item 30)  |     |
| 14   | See Note    | NSS | Ring, Wear (Note: Use Item 30)   |     |
| 15   | 3760369     | 1   | Ring, Washer   |     |
| 16   | See Note    | NSS | Ring, Back-up (Note: Use Item 30)  |     |
| 17   | See Note    | NSS | O-Ring (Note: Use Item 30)   |     |
| 18   | See Note    | NSS | O-Ring (Note: Use Item 30)   |     |
| 19   | 3931620     | 8   | Capscrew 3/8in-16NC x 1-1/4in  |     |
| 20   | See Note    | NSS | Seal (Note: Use Item 30)   |     |
| 21   | See Note    | NSS | Wiper (Note: Use Item 30)  |     |

## SECTION 5 - CYLINDER

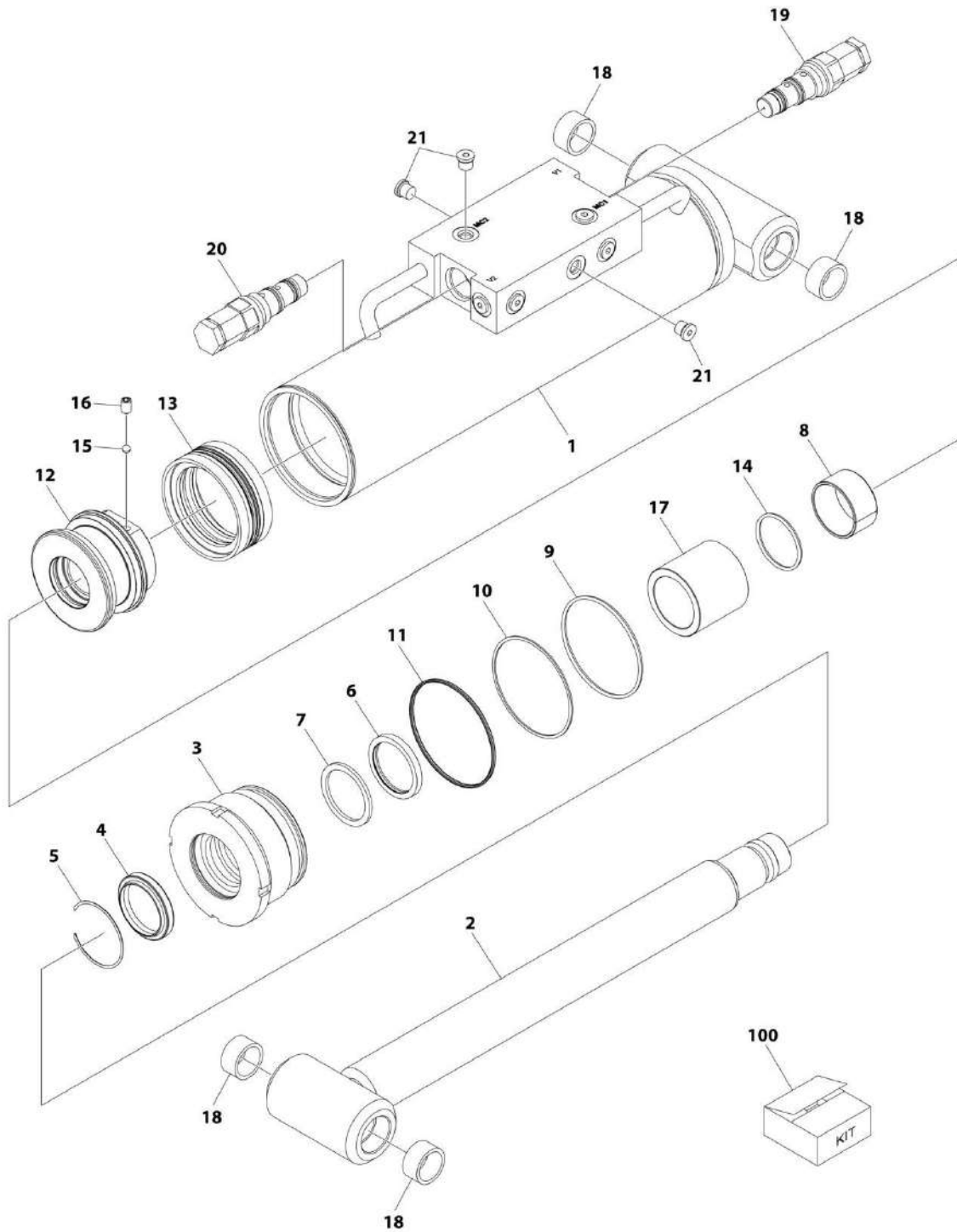
| ITEM | PART NUMBER | QTY | DESCRIPTION  | REV |
|------|-------------|-----|--|-----|
| 22   | See Note    | NSS | Seal (Note: Use Item 30)                               |     |
| 23   |             | Ref | Spacer, Tube Options:                                  |     |
| 23   | 4567434     | 1   | Spacer, Tube 800A                                      |     |
| 23   | 4566468     | 1   | Spacer, Tube 800AJ                                     |     |
| 24   | 4640605     | 1   | Valve, Cartridge                                       |     |
| 24   | 2900792     | 1   | Seal Kit - 4640605 Valve                               |     |
| 25   | 4640932     | 1   | Valve, Cartridge                                       |     |
| 25   | 7011112     | 1   | Seal Kit - 4640932 Valve                               |     |
| 26   | 0100063     | AR  | Loctite #RC609   |     |
| 30   |             | Ref | Seal Kit Options (Includes Items 12-14, 16-18 & 20-22) |     |
| 30   | 2901556     | 1   | Seal Kit 800A  |     |
| 30   | 2901301     | 1   | Seal Kit 800AJ   |     |





# SECTION 5 - CYLINDER

## FIGURE 5-3. LEVEL CYLINDER ASSEMBLY - PLATFORM SLAVE (800A ONLY) (SERVICE REPLACEMENT)



ART\_1001228033

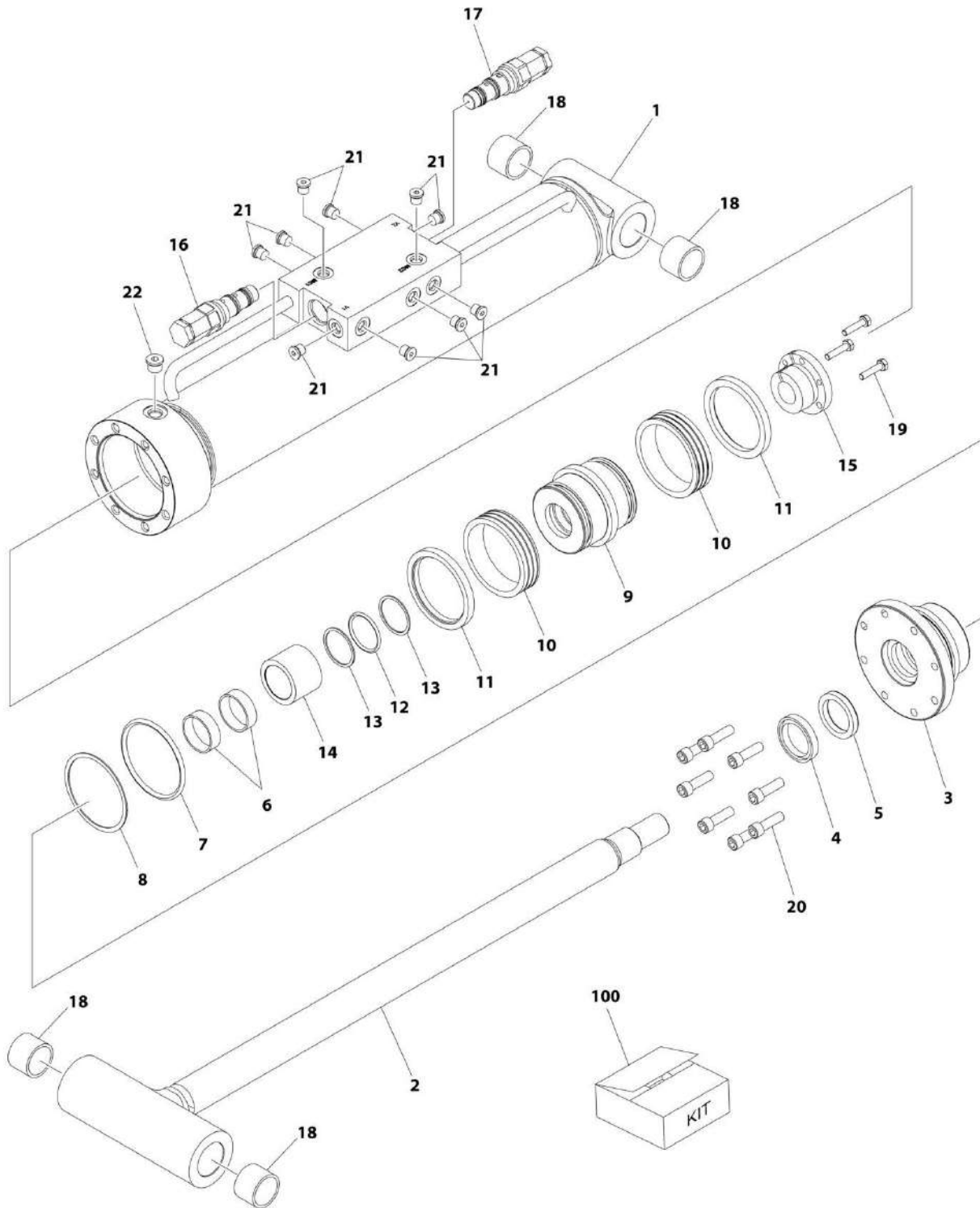
## SECTION 5 - CYLINDER

**FIGURE 5-3. LEVEL CYLINDER ASSEMBLY - PLATFORM SLAVE (800A ONLY) (SERVICE REPLACEMENT)**

| ITEM | PART NUMBER | QTY | DESCRIPTION   | REV |
|------|-------------|-----|---|-----|
|      | 1001228033  | Ref | LEVEL (SLAVE) CYLINDER ASSEMBLY - PLATFORM  | A   |
|      |             | Ref | Note: Original Cylinder may have been replaced with Service Replacement. Identify PN Stamped on Cylinder Before Ordering Parts. |     |
| 1    | See Note    | NSS | Barrel (Note: Not Available for Purchase)   |     |
| 2    | 70006782    | 1   | Rod   |     |
| 3    | 70006783    | 1   | Head  |     |
| 4    | See Note    | NSS | Wiper (Note: Use Item 100)  |     |
| 5    | 70002410    | 1   | Ring, Retaining   |     |
| 6    | See Note    | NSS | Seal, Rod (Note: Use Item 100)  |     |
| 7    | See Note    | NSS | Ring, Back-up (Note: Use Item 100)  |     |
| 8    | 70005793    | 1   | Spacer  |     |
| 9    | See Note    | NSS | O-Ring (Note: Use Item 100)   |     |
| 10   | See Note    | NSS | Ring, Back-up (Note: Use Item 100)  |     |
| 11   | See Note    | NSS | O-Ring (Note: Use Item 100)   |     |
| 12   | 70006590    | 1   | Piston  |     |
| 13   | See Note    | NSS | Seal (Note: Use Item 100)   |     |
| 14   | See Note    | NSS | O-Ring (Note: Use Item 100)   |     |
| 15   | 70022564    | 1   | Ball (Steel)  |     |
| 16   | 70006601    | 1   | Setscrew  |     |
| 17   | 70006784    | 1   | Spacer, Tube  |     |
| 18   | 0961947     | 4   | Bushing   |     |
| 19   | 4640605     | 1   | Valve, Cartridge  |     |
| 19   | 2900792     | 1   | Seal Kit - 4640605 Valve  |     |
| 20   | 4640932     | 1   | Valve, Cartridge  |     |
| 20   | 7011112     | 1   | Seal Kit - 4640932 Valve  |     |
| 21   | 2220883     | 10  | Plug  |     |
| 100  | 2901526     | 1   | Seal Kit (Includes Items 4, 6, 7, 9-11, 13 & 14)  |     |

# SECTION 5 - CYLINDER

## FIGURE 5-4. LEVEL CYLINDER ASSEMBLY - PLATFORM SLAVE (800AJ ONLY) (SERVICE REPLACEMENT)



ART\_1001228030

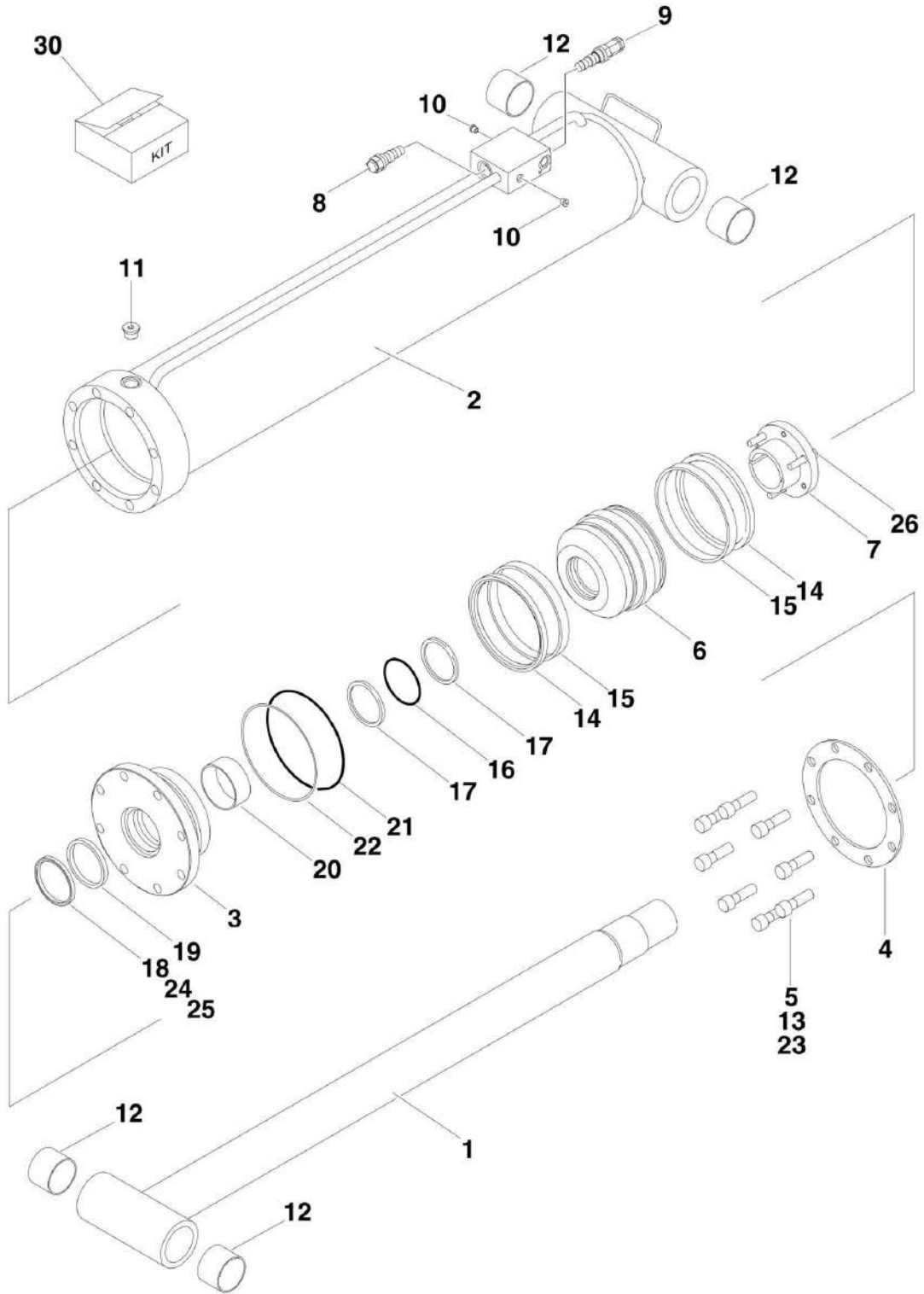
## SECTION 5 - CYLINDER

**FIGURE 5-4. LEVEL CYLINDER ASSEMBLY - PLATFORM SLAVE (800AJ ONLY) (SERVICE REPLACEMENT)**

| ITEM | PART NUMBER | QTY | DESCRIPTION   | REV |
|------|-------------|-----|---|-----|
|      | 1001228030  | Ref | LEVEL (SLAVE) CYLINDER ASSEMBLY   | B   |
|      |             | Ref | Note: Original Cylinder may have been replaced with Service Replacement. Identify PN Stamped on Cylinder Before Ordering Parts. |     |
| 1    | See Note    | NSS | Barrel (Note: Not Available for Purchase)   |     |
| 2    | 70006642    | 1   | Rod   |     |
| 3    | 70006643    | 1   | Head  |     |
| 4    | See Note    | NSS | Wiper (Note: Use Item 100)  |     |
| 5    | See Note    | NSS | Seal (Note: Use Item 100)   |     |
| 6    | See Note    | NSS | Ring, Wear (Note: Use Item 100)   |     |
| 7    | See Note    | NSS | O-Ring (Note: Use Item 100)   |     |
| 8    | See Note    | NSS | Ring, Back-up (Note: Use Item 100)  |     |
| 9    | 70006644    | 1   | Piston  |     |
| 10   | See Note    | NSS | Seal (Note: Use Item 100)   |     |
| 11   | See Note    | NSS | Ring, Lock (Note: Use Item 100)   |     |
| 12   | See Note    | NSS | O-Ring (Note: Use Item 100)   |     |
| 13   | See Note    | NSS | Ring, Back-up (Note: Use Item 100)  |     |
| 14   | 70006645    | 1   | Spacer, Tube  |     |
| 15   | 0961894     | 1   | Bushing, Tapered  |     |
| 16   | 4640932     | 1   | Valve, Cartridge  |     |
| 16   | 7011112     | 1   | Seal Kit - 4640932 Valve  |     |
| 17   | 4640605     | 1   | Valve, Cartridge  |     |
| 17   | 2900792     | 1   | Seal Kit - 4640605 Valve  |     |
| 18   | 0961951     | 4   | Bushing   |     |
| 19   | 0630535     | 3   | Bolt  |     |
| 20   | 3931620     | 8   | Capscrew 3/8-16 x 1-1/4   |     |
| 21   | 2220883     | 10  | Plug, O-Ring  |     |
| 22   | 2220885     | 1   | Plug, O-Ring  |     |
| 100  | 1001138796  | 1   | Seal Kit (Includes Items 4-8 & 10-13)   |     |

# SECTION 5 - CYLINDER

## FIGURE 5-5. LEVEL CYLINDER ASSEMBLY - UPRIGHT



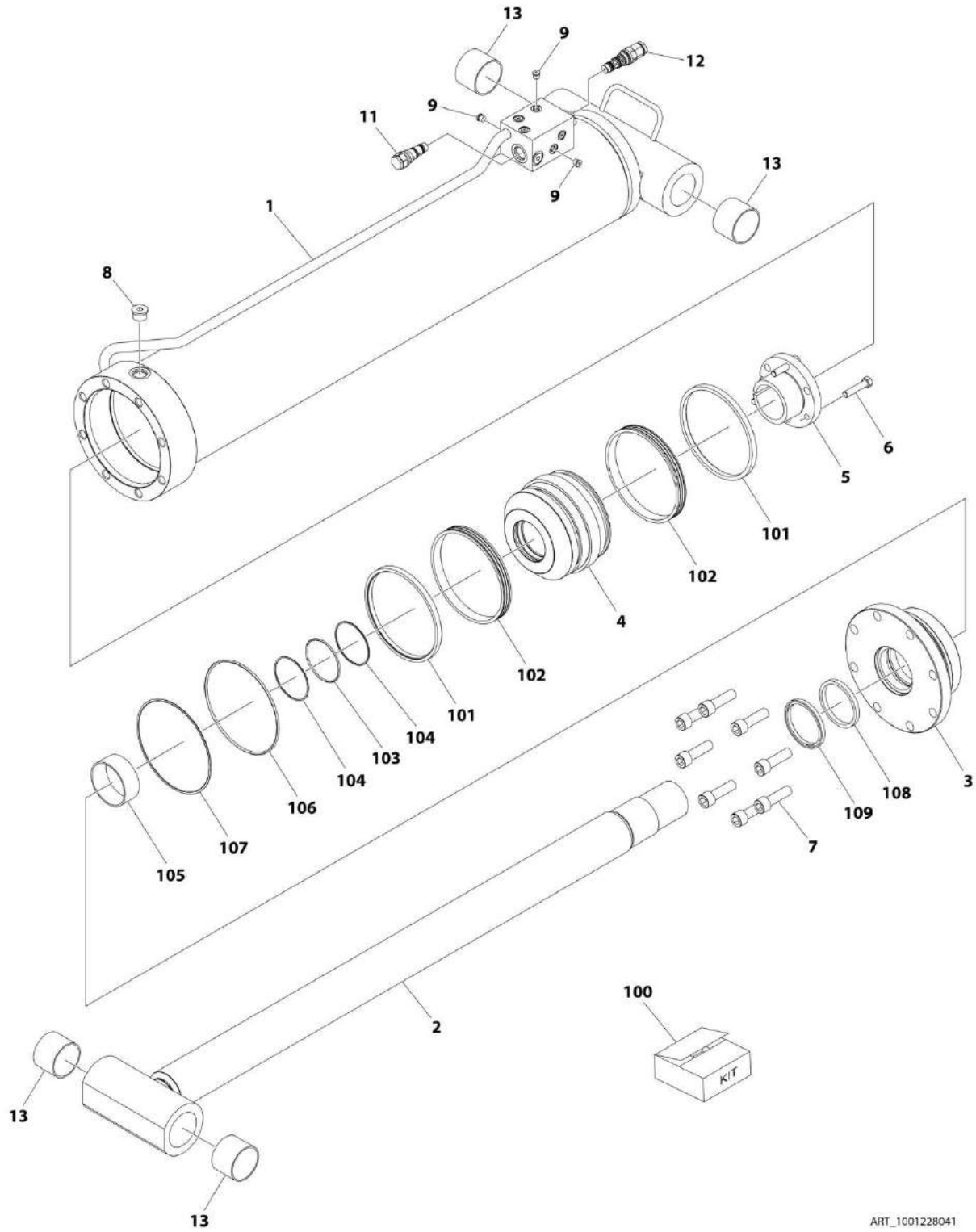
## SECTION 5 - CYLINDER

**FIGURE 5-5. LEVEL CYLINDER ASSEMBLY - UPRIGHT**

| ITEM | PART NUMBER | QTY | DESCRIPTION  | REV |
|------|-------------|-----|--|-----|
|      |             | Ref | <b>Note: Original Equipment Cylinder may have been replaced with Service Replacement Cylinder. Identify p/n stamped on cylinder before ordering parts.</b> |     |
|      |             | Ref | <b>LEVEL CYLINDER ASSEMBLY - UPRIGHT</b>   |     |
|      | 1683546     | Ref | <b>Original Equipment</b>  | H   |
|      | 1684497     | Ref | <b>Service Replacement</b>   | C   |
| 1    | 1683544     | 1   | Rod Weldment   |     |
| 2    | 1683819     | NLA | Barrel Weldment (Use p/n 0370034)  |     |
| 3    | 1683071     | 1   | Head   |     |
| 4    | 3760374     | 1   | Ring, Washer   |     |
| 5    | 3932240     | 8   | Bolt, Socket Head 3/4in x 2-1/2in  |     |
| 6    | 3480237     | 1   | Piston   |     |
| 7    | 0961901     | 1   | Bushing, Tapered   |     |
| 8    | 4640509     | 1   | Cartridge, Valve   |     |
| 8    | 2900792     | 1   | Seal Kit - 4640509 Valve   |     |
| 9    | 4640605     | 1   | Cartridge, Valve   |     |
| 9    | 2900792     | 1   | Seal Kit - 4640605 Valve   |     |
| 10   | 2220883     | 2   | Plug, O-Ring   |     |
| 11   | 2220888     | 1   | Plug, O-Ring   |     |
| 12   | 0962102     | 4   | Bushing  |     |
| 14   | See Note    | NSS | Ring, Lock (Note: Use Item 30)   |     |
| 15   | See Note    | NSS | Seal (Note: Use Item 30)   |     |
| 16   | See Note    | NSS | Ring, Washer (Note: Use Item 30)   |     |
| 17   | See Note    | NSS | Ring, Back-up (Note: Use Item 30)  |     |
| 18   | See Note    | NSS | Wiper (Note: Use Item 30)  |     |
| 19   | See Note    | NSS | Seal, Rod (Note: Use Item 30)  |     |
| 20   | See Note    | NSS | Ring, Wear (Note: Use Item 30)   |     |
| 21   | See Note    | NSS | O-Ring (Note: Use Item 30)   |     |
| 22   | See Note    | NSS | Ring, Back-up (Note: Use Item 30)  |     |
| 23   | 0100011     | AR  | Compound, Locking  |     |
| 24   | 0100038     | AR  | Primer, Locking  |     |
| 25   | 0100063     | AR  | Loctite #RC609 ( <b>SN 0300069000 through 0300133544</b> )   |     |
| 26   | 0630537     | 3   | Bolt   |     |
| 30   | 2901526     | 1   | Seal Kit (Includes Items 14-22)  |     |

# SECTION 5 - CYLINDER

## FIGURE 5-6. LEVEL CYLINDER ASSEMBLY - UPRIGHT (SERVICE REPLACEMENT)



ART\_1001228041



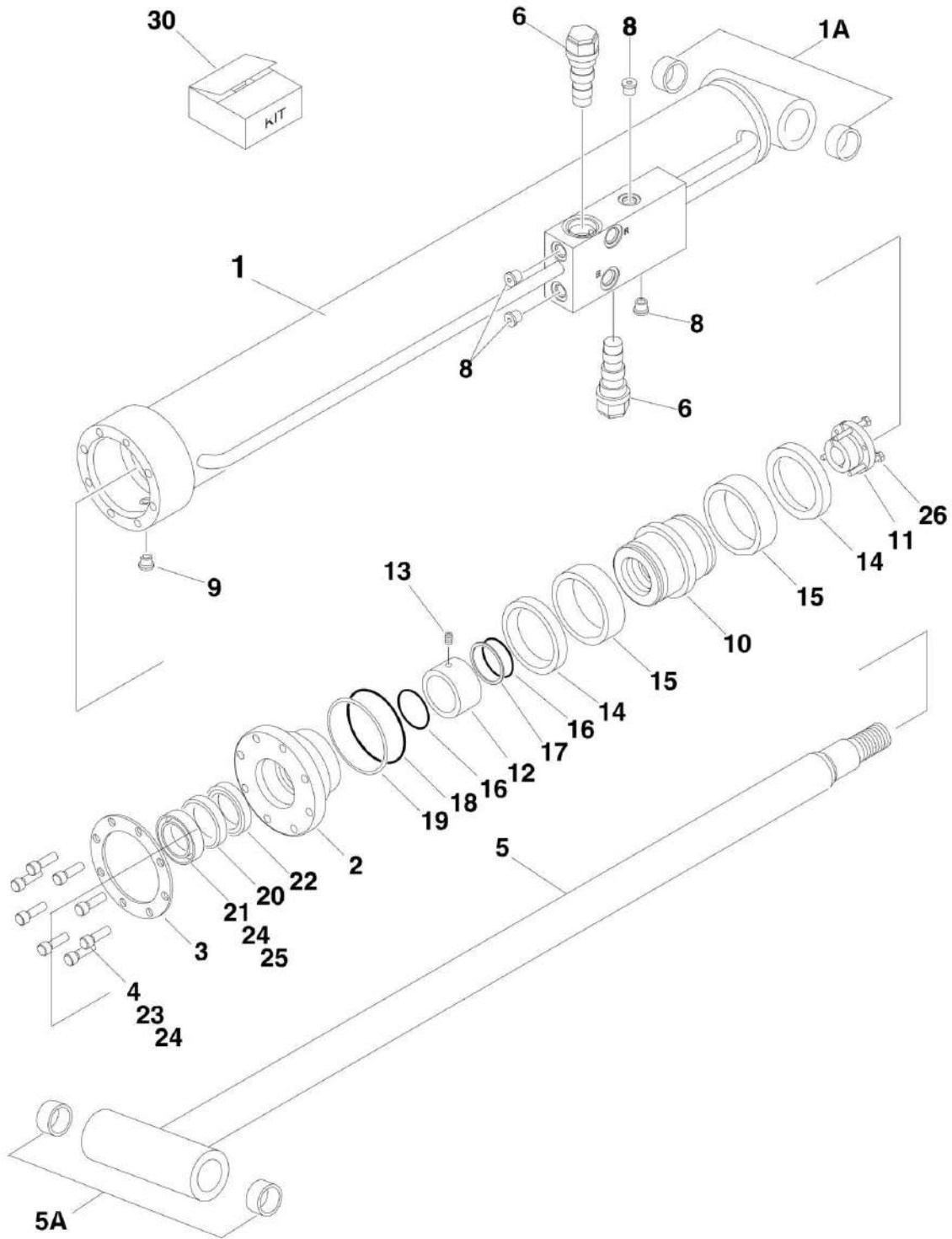
## SECTION 5 - CYLINDER

**FIGURE 5-6. LEVEL CYLINDER ASSEMBLY - UPRIGHT (SERVICE REPLACEMENT)**

| ITEM | PART NUMBER | QTY | DESCRIPTION   | REV |
|------|-------------|-----|---|-----|
|      | 1001228041  | Ref | LEVEL CYLINDER ASSEMBLY   | B   |
|      |             | Ref | Note: Original Cylinder may have been replaced with Service Replacement. Identify PN Stamped on Cylinder Before Ordering Parts. |     |
| 1    | See Note    | NSS | Barrel (Note: Not Available for Purchase)   |     |
| 2    | 70006391    | 1   | Rod   |     |
| 3    | 70006390    | 1   | Head  |     |
| 4    | 70006389    | 1   | Piston  |     |
| 5    | 70006385    | 1   | Bushing, Tapered  |     |
| 6    | 0630537     | 3   | Bolt  |     |
| 7    | 3932240     | 8   | Capscrew 3/4 x 2-1/2  |     |
| 8    | 2220888     | 1   | Plug, O-Ring  |     |
| 9    | 2220883     | 6   | Plug, O-Ring  |     |
| 11   | 4640509     | 1   | Cartridge, Valve  |     |
| 11   | 2900792     | 1   | Seal Kit - 4640509 Valve  |     |
| 12   | 4640605     | 1   | Cartridge, Valve  |     |
| 12   | 2900792     | 1   | Seal Kit - 4640605 Valve  |     |
| 13   | 0962102     | 4   | Bushing   |     |
| 100  | 2901526     | 1   | Seal Kit (Includes Items 101-109)   |     |
| 101  | See Note    | NSS | Ring, Lock (Note: Use Item 100)   |     |
| 102  | See Note    | NSS | Seal (Note: Use Item 100)   |     |
| 103  | See Note    | NSS | Ring, Washer (Note: Use Item 100)   |     |
| 104  | See Note    | NSS | Ring, Back-up (Note: Use Item 100)  |     |
| 105  | See Note    | NSS | Ring, Wear (Note: Use Item 100)   |     |
| 106  | See Note    | NSS | O-Ring (Note: Use Item 100)   |     |
| 107  | See Note    | NSS | Ring, Back-up (Note: Use Item 100)  |     |
| 108  | See Note    | NSS | Seal, Rod (Note: Use Item 100)  |     |
| 109  | See Note    | NSS | Wiper (Note: Use Item 100)  |     |

# SECTION 5 - CYLINDER

FIGURE 5-7. LIFT CYLINDER ASSEMBLY - JIB (800AJ ONLY) (ORIGINAL EQUIPMENT)



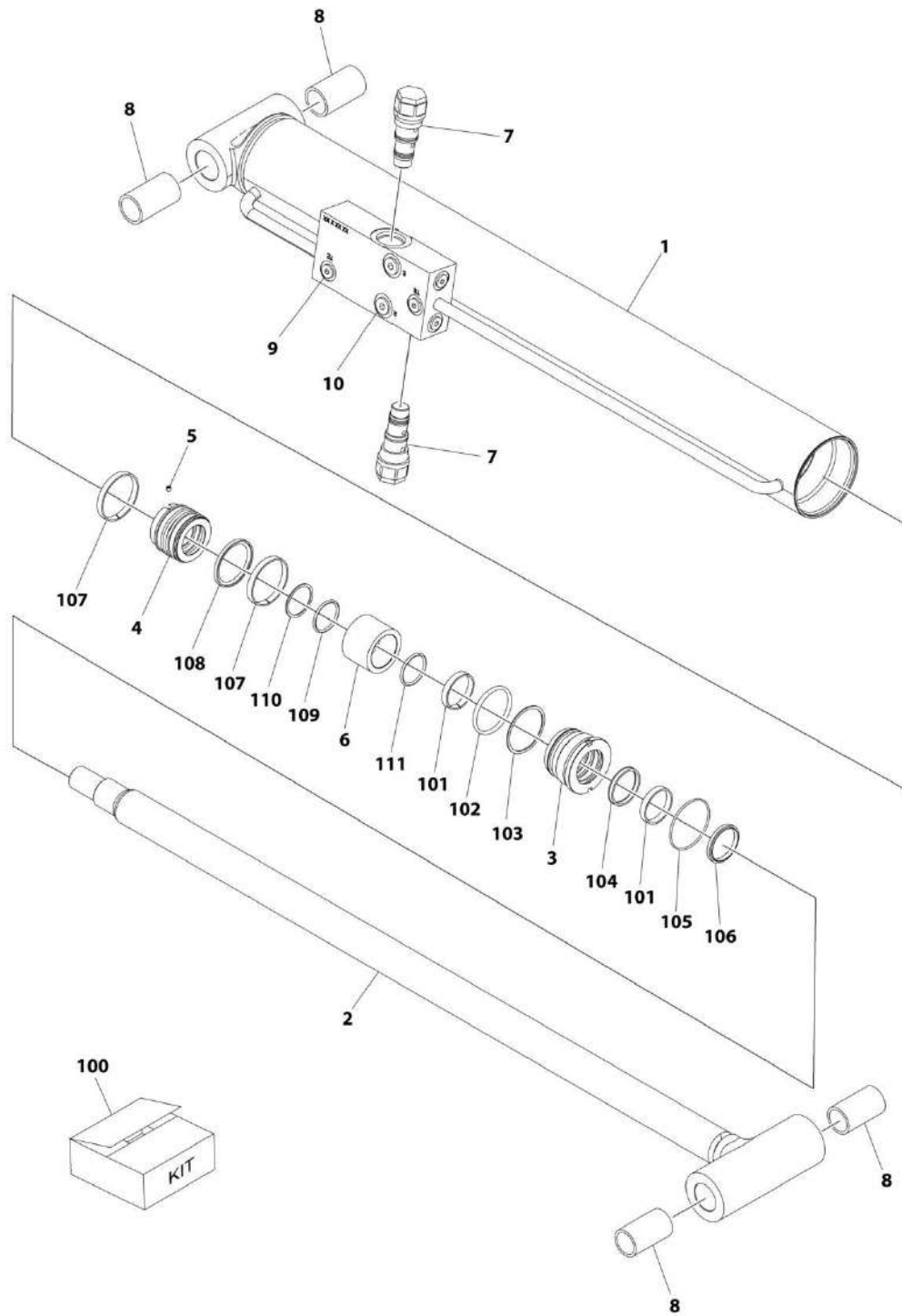
## SECTION 5 - CYLINDER

**FIGURE 5-7. LIFT CYLINDER ASSEMBLY - JIB (800AJ ONLY) (ORIGINAL EQUIPMENT)**

| ITEM | PART NUMBER | QTY | DESCRIPTION   | REV |
|------|-------------|-----|---|-----|
|      | 1683609     | Ref | <b>LIFT CYLINDER ASSEMBLY - JIB (800AJ ONLY)</b><br>Note: Original Cylinder may have been replaced with Service Replacement. Identify PN Stamped on Cylinder Before Ordering Parts. | 1   |
|      |             | Ref |   |     |
| 1    | 1684089     | 1   | Barrel Weldment (Note: Includes Item 1A)  |     |
| 1A   | 0962336     | 2   | Bushing   |     |
| 2    | 1683053     | 1   | Head  |     |
| 3    | 3760368     | 1   | Washer, Ring  |     |
| 4    | 3931516     | 8   | Bolt, Socket Head 5/16in-18NC x 2in   |     |
| 5    | 1684090     | 1   | Rod Weldment (Note: Includes Item 5A)   |     |
| 5A   | 0962336     | 2   | Bushing   |     |
| 6    | 4640509     | 2   | Cartridge, Valve (Counterbalance Non-Vented)  |     |
| 6    | 2900792     | 2   | Seal Kit - 4640509 Valve  |     |
| 8    | 2220883     | 4   | Plug, O-Ring  |     |
| 9    | 2220885     | 1   | Plug, O-Ring  |     |
| 10   | 3480210     | 1   | Piston  |     |
| 11   | 0961893     | 1   | Bushing, Tapered  |     |
| 12   |             | Ref | Spacer, Tube Options:   |     |
| 12   | 4566471     | 1   | Spacer, Tube <b>(SN 0300069000 through 0300079612)</b>  |     |
| 12   | 4100100     | 1   | Spacer, Tube <b>(SN 0300079613 through 0300140000)</b>  |     |
| 13   | 3900141     | 1   | Setscrew 1/4in-20NC x 1/4in <b>(SN 0300069000 through 0300079612)</b>   |     |
| 14   | See Note    | NSS | Ring, Lock (Note: Use Item 30)  |     |
| 15   | See Note    | NSS | Seal, Piston (Note: Use Item 30)  |     |
| 16   | See Note    | NSS | O-Ring (Note: Use Item 30)  |     |
| 17   | See Note    | NSS | Ring, Back-up (Note: Use Item 30)   |     |
| 18   | See Note    | NSS | O-Ring (Note: Use Item 30)  |     |
| 19   | See Note    | NSS | Ring, Back-up (Note: Use Item 30)   |     |
| 20   | See Note    | NSS | Seal (Note: Use Item 30)  |     |
| 21   | See Note    | NSS | Wiper (Note: Use Item 30)   |     |
| 22   | See Note    | NSS | Ring, Wear (Note: Use Item 30)  |     |
| 23   | 0100011     | AR  | Compound, Locking   |     |
| 24   | 0100038     | AR  | Primer, Locking   |     |
| 25   | 0100063     | AR  | Loctite #RC609  |     |
| 26   | 0630534     | 3   | Capscrew, Socket Head #10-24NC x 1in  |     |
| 30   | 2901303     | 1   | Seal Kit (Includes Items 14-22)   |     |

# SECTION 5 - CYLINDER

FIGURE 5-8. LIFT CYLINDER ASSEMBLY - JIB (800AJ ONLY) (USAGE MAY VARY) (SERVICE REPLACEMENT)



ART\_1001228012

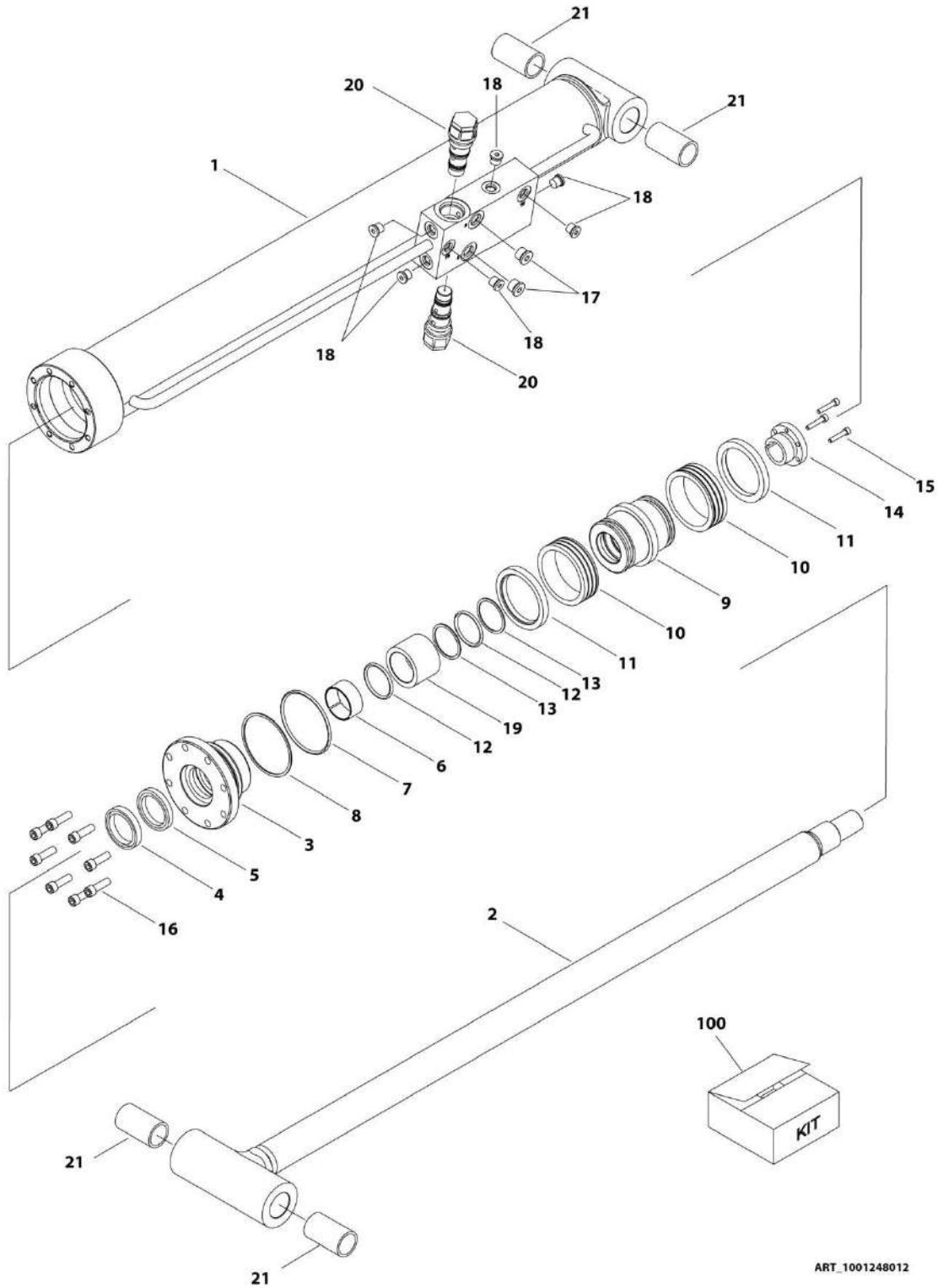
## SECTION 5 - CYLINDER

**FIGURE 5-8. LIFT CYLINDER ASSEMBLY - JIB (800AJ ONLY) (USAGE MAY VARY) (SERVICE REPLACEMENT)**

| ITEM | PART NUMBER | QTY | DESCRIPTION   | REV |
|------|-------------|-----|---|-----|
|      | 1001228012  | Ref | LIFT CYLINDER ASSEMBLY - JIB  | C   |
|      |             | Ref | Note: Original Cylinder May Have Been Replaced with Service Replacement. Identify PN Stamped on Cylinder Before Ordering Parts. |     |
| 1    | See Note    | NSS | Barrel (Note: Not Available for Purchase)   |     |
| 2    | 70006572    | 1   | Rod   |     |
| 3    | 70006571    | 1   | Head  |     |
| 4    | 70006570    | 1   | Piston  |     |
| 5    | 70023915    | 1   | Screw   |     |
| 6    | 70006569    | 1   | Spacer  |     |
| 7    | 4640509     | 2   | Cartridge, Valve  |     |
| 7    | 2900792     | 2   | Seal Kit - 4640509 Valve  |     |
| 8    | 0962336     | 4   | Bushing   |     |
| 9    | 2220883     | 6   | Plug, O-Ring  |     |
| 10   | 2220885     | 2   | Plug, O-Ring  |     |
| 100  | 70006568    | 1   | Seal Kit (Includes Items 101-111)   |     |
| 101  | See Note    | NSS | Ring, Wear (Note: Use Item 100)   |     |
| 102  | See Note    | NSS | O-Ring (Note: Use Item 100)   |     |
| 103  | See Note    | NSS | Ring, Back-up (Note: Use Item 100)  |     |
| 104  | See Note    | NSS | Seal, Rod (Note: Use Item 100)  |     |
| 105  | See Note    | NSS | O-Ring (Note: Use Item 100)   |     |
| 106  | See Note    | NSS | Wiper (Note: Use Item 100)  |     |
| 107  | See Note    | NSS | Ring, Wear (Note: Use Item 100)   |     |
| 108  | See Note    | NSS | Seal (Note: Use Item 100)   |     |
| 109  | See Note    | NSS | O-Ring (Note: Use Item 100)   |     |
| 110  | See Note    | NSS | Ring, Back-up (Note: Use Item 100)  |     |
| 111  | See Note    | NSS | O-Ring (Note: Use Item 100)   |     |

# SECTION 5 - CYLINDER

FIGURE 5-9. LIFT CYLINDER ASSEMBLY - JIB (800AJ ONLY) (USAGE MAY VARY) (SERVICE REPLACEMENT)



ART\_1001248012

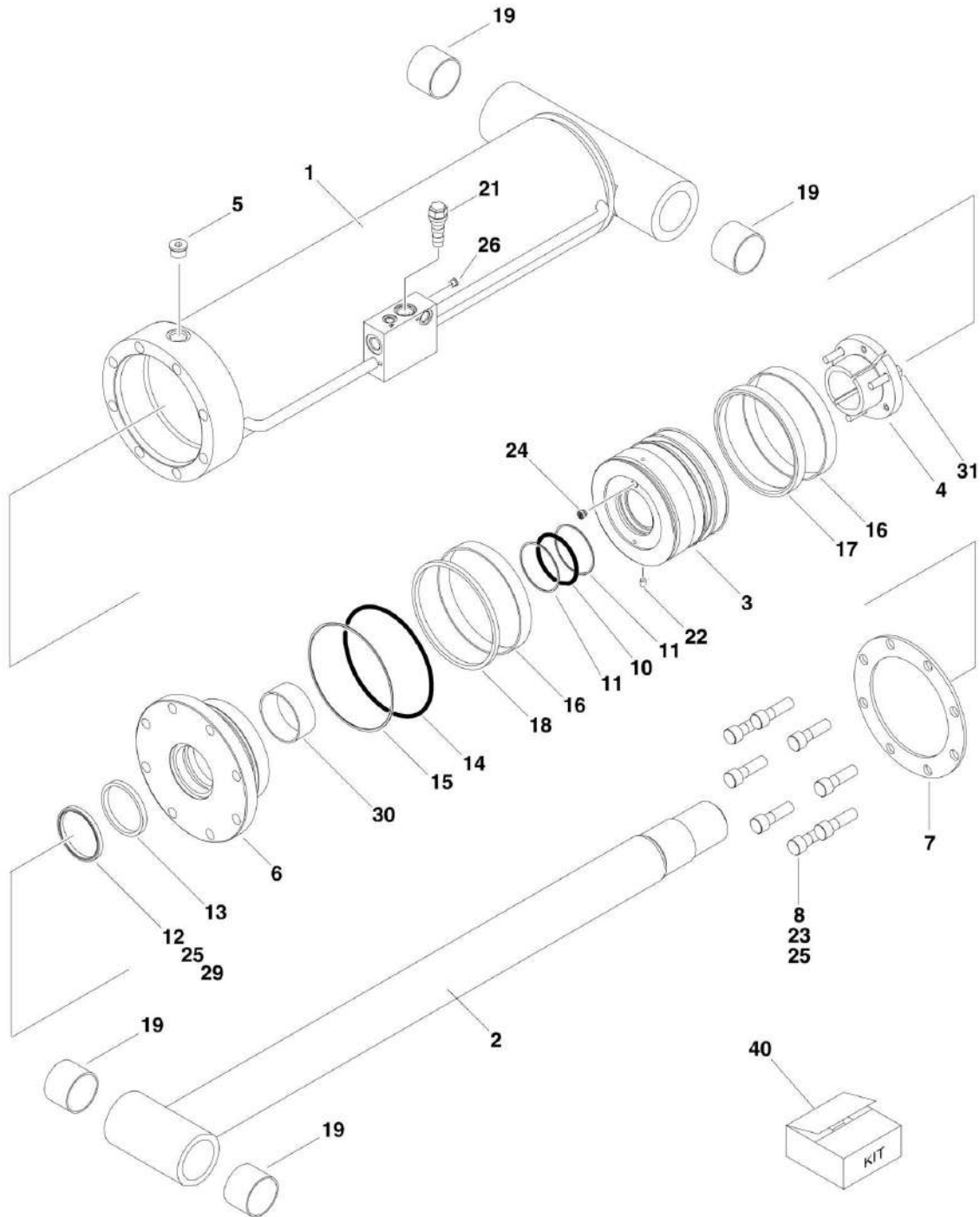
## SECTION 5 - CYLINDER

**FIGURE 5-9. LIFT CYLINDER ASSEMBLY - JIB (800AJ ONLY) (USAGE MAY VARY) (SERVICE REPLACEMENT)**

| ITEM | PART NUMBER | QTY | DESCRIPTION   | REV |
|------|-------------|-----|---|-----|
|      | 1001248012  | Ref | LIFT CYLINDER ASSEMBLY - JIB  | A   |
|      |             | Ref | Note: Original Cylinder May Have Been Replaced with Service Replacement. Identify PN Stamped on Cylinder Before Ordering Parts. |     |
| 1    | See Note    | NSS | Barrel (Note: Not Available for Purchase)   |     |
| 2    | 70006734    | 1   | Rod   |     |
| 3    | 70006649    | 1   | Head  |     |
| 4    | See Note    | NSS | Wiper (Note: Use Item 100)  |     |
| 5    | See Note    | NSS | Seal, Rod (Note: Use Item 100)  |     |
| 6    | See Note    | NSS | Ring, Wear (Note: Use Item 100)   |     |
| 7    | See Note    | NSS | O-Ring (Note: Use Item 100)   |     |
| 8    | See Note    | NSS | Ring, Back-up (Note: Use Item 100)  |     |
| 9    | 70006650    | 1   | Piston  |     |
| 10   | See Note    | NSS | Seal (Note: Use Item 100)   |     |
| 11   | See Note    | NSS | Ring, Lock (Note: Use Item 100)   |     |
| 12   | See Note    | NSS | O-Ring (Note: Use Item 100)   |     |
| 13   | See Note    | NSS | Ring, Back-up (Note: Use Item 100)  |     |
| 14   | 0961893     | 1   | Bushing, Tapered  |     |
| 15   | 0630534     | 3   | Capscrew, Socket Head #10 x 1   |     |
| 16   | 70006735    | 8   | Capscrew 5/16   |     |
| 17   | 2220885     | 2   | Plug, O-Ring  |     |
| 18   | 2220883     | 6   | Plug, O-Ring  |     |
| 19   | 70006736    | 1   | Spacer  |     |
| 20   | 4640509     | 2   | Cartridge, Valve  |     |
| 20   | 2900792     | 2   | Seal Kit - 4640509 Valve  |     |
| 21   | 0962336     | 4   | Bushing   |     |
| 100  | 1001138795  | 1   | Seal Kit (Includes Items 4-8 & 10-13)   |     |

# SECTION 5 - CYLINDER

FIGURE 5-10. LIFT CYLINDER ASSEMBLY - MAIN BOOM (ORIGINAL EQUIPMENT)





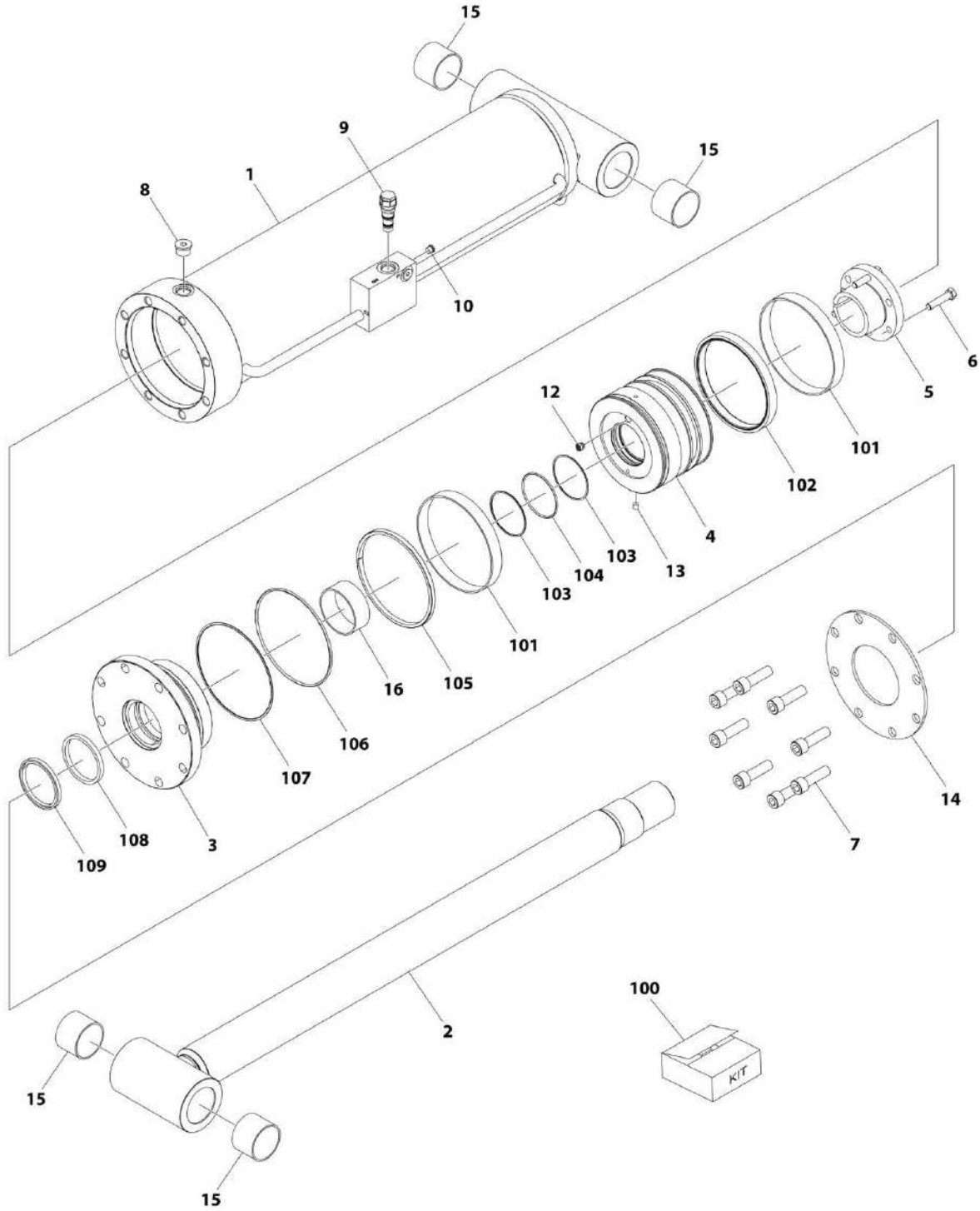
## SECTION 5 - CYLINDER

**FIGURE 5-10. LIFT CYLINDER ASSEMBLY - MAIN BOOM (ORIGINAL EQUIPMENT)**

| ITEM | PART NUMBER | QTY | DESCRIPTION  | REV |
|------|-------------|-----|--|-----|
|      | 1683547     | Ref | <b>LIFT CYLINDER ASSEMBLY - MAIN BOOM</b><br>Note: Original Cylinder may have been replaced with Service Replacement. Identify PN Stamped on Cylinder Before Ordering Parts. | L   |
|      |             | Ref |  |     |
| 1    | 1683821     | 1   | Barrel Weldment  |     |
| 2    | 1683549     | 1   | Rod Weldment   |     |
| 3    | 3480238     | 1   | Piston   |     |
| 4    | 0961901     | 1   | Bushing, Tapered   |     |
| 5    | 2220888     | 1   | Plug, O-Ring   |     |
| 6    | 1683071     | 1   | Head   |     |
| 7    | 3760374     | 1   | Washer, Ring   |     |
| 8    | 3932240     | 8   | Bolt, Socket Head 3/4in x 2-1/2in  |     |
| 10   | See Note    | NSS | O-Ring (Note: Use Item 40)   |     |
| 11   | See Note    | NSS | Ring, Back-up (Note: Use Item 40)  |     |
| 12   | See Note    | NSS | Wiper (Note: Use Item 40)  |     |
| 13   | See Note    | NSS | Seal, Rod (Note: Use Item 40)  |     |
| 14   | See Note    | NSS | O-Ring (Note: Use Item 40)   |     |
| 15   | See Note    | NSS | Ring, Back-up (Note: Use Item 40)  |     |
| 16   | See Note    | NSS | Ring, Wear (Note: Use Item 40)   |     |
| 17   | See Note    | NSS | T-Seal (Note: Use Item 40)   |     |
| 18   | See Note    | NSS | Seal (Note: Use Item 40)   |     |
| 19   | 0962102     | 4   | Bushing  |     |
| 21   | 4640509     | 1   | Cartridge, Valve   |     |
| 21   | 2900792     | 1   | Seal Kit - 4640509 Valve   |     |
| 22   | 2180615     | 1   | Orifice  |     |
| 23   | 0100011     | AR  | Compound, Locking  |     |
| 24   | 4641027     | 1   | Plug, Check Valve  |     |
| 25   | 0100038     | AR  | Primer, Locking  |     |
| 26   | 2220883     | 1   | Plug   |     |
| 29   | 0100063     | AR  | Loctite RC609 ( <b>SN 0300069000 through 0300134352</b> )  |     |
| 30   | See Note    | NSS | Ring, Wear (Note: Use Item 40)   |     |
| 31   | 0630537     | 3   | Bolt   |     |
| 40   | 2901514     | 1   | Seal Kit (Includes Items 10-18 & 30)   |     |

# SECTION 5 - CYLINDER

## FIGURE 5-11. LIFT CYLINDER ASSEMBLY - MAIN BOOM (SERVICE REPLACEMENT)



ART\_1001228010

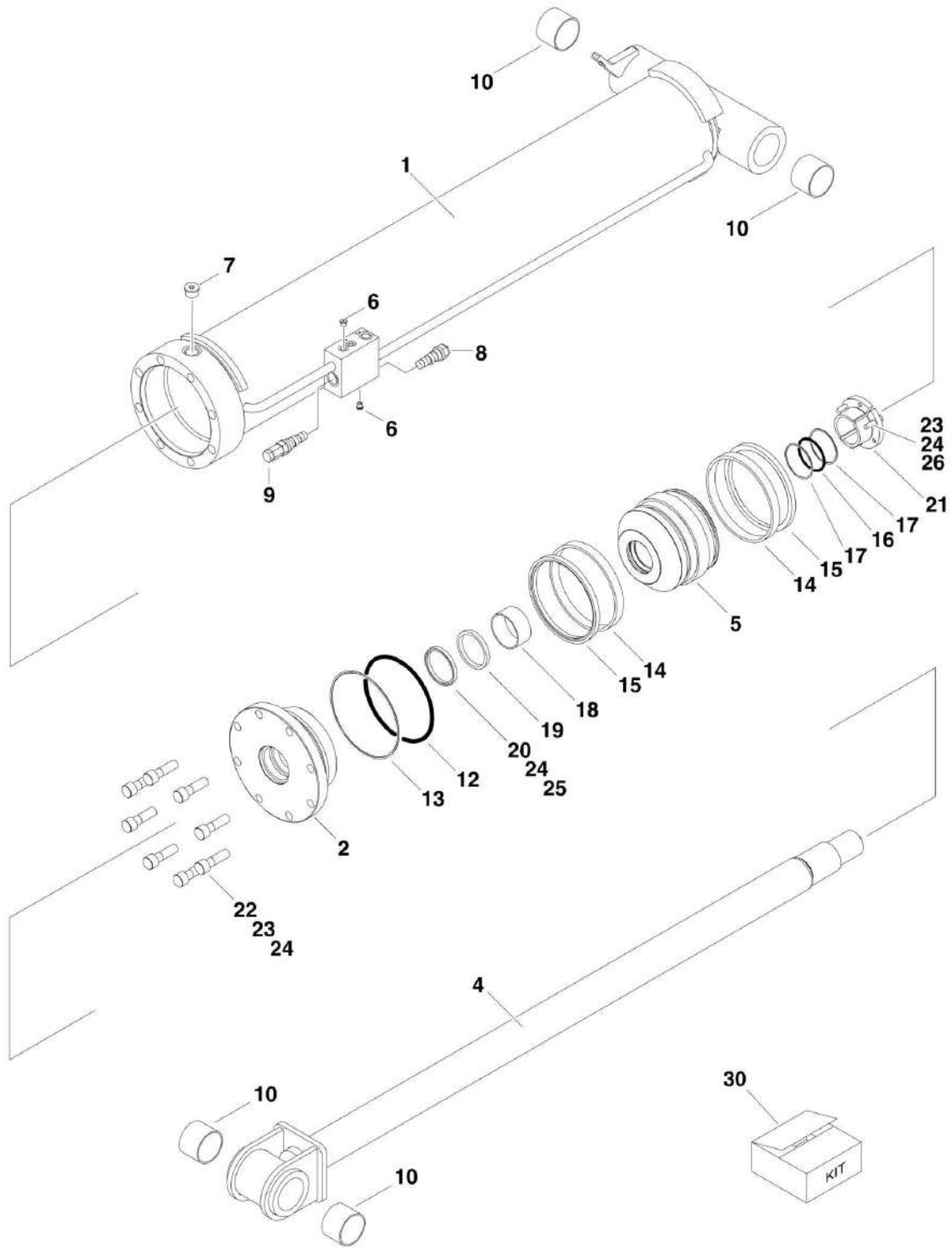
## SECTION 5 - CYLINDER

**FIGURE 5-11. LIFT CYLINDER ASSEMBLY - MAIN BOOM (SERVICE REPLACEMENT)**

| ITEM | PART NUMBER | QTY | DESCRIPTION   | REV |
|------|-------------|-----|---|-----|
|      | 1001228010  | Ref | LIFT CYLINDER ASSEMBLY  | B   |
|      |             | Ref | Note: Original Cylinder may have been replaced with Service Replacement. Identify PN Stamped on Cylinder Before Ordering Parts. |     |
| 1    | See Note    | NSS | Barrel (Note: Not Available for Purchase)   |     |
| 2    | 70006388    | 1   | Rod   |     |
| 3    | 70006387    | 1   | Head  |     |
| 4    | 70006386    | 1   | Piston  |     |
| 5    | 70006385    | 1   | Bushing, Tapered  |     |
| 6    | 0630537     | 3   | Bolt  |     |
| 7    | 3932240     | 8   | Capscrew 3/4 x 2-1/2  |     |
| 7    | See Note    | AR  | Compound, Locking (Note: Use Loctite 263)   |     |
| 8    | 2220888     | 1   | Plug  |     |
| 9    | 4640509     | 1   | Cartridge, Valve  |     |
| 9    | 2900792     | 1   | Seal Kit - 4640509 Valve  |     |
| 10   | 2220883     | 1   | Plug  |     |
| 12   | 4641027     | 1   | Plug, Check Valve   |     |
| 13   | 2180615     | 1   | Orifice   |     |
| 14   | 70006384    | 1   | Washer, Ring  |     |
| 15   | 0962102     | 4   | Bushing   |     |
| 16   | See Note    | NSS | Ring, Wear (Note: Use Item 100)   |     |
| 100  | 2901514     | 1   | Seal Kit (Includes Items 16 and 101-109)  |     |
| 101  | See Note    | NSS | Ring, Wear (Note: Use Item 100)   |     |
| 102  | See Note    | NSS | T-Seal (Note: Use Item 100)   |     |
| 103  | See Note    | NSS | Ring, Back-up (Note: Use Item 100)  |     |
| 104  | See Note    | NSS | O-Ring (Note: Use Item 100)   |     |
| 105  | See Note    | NSS | Seal (Note: Use Item 100)   |     |
| 106  | See Note    | NSS | O-Ring (Note: Use Item 100)   |     |
| 107  | See Note    | NSS | Ring Back-up (Note: Use Item 100)   |     |
| 108  | See Note    | NSS | Seal, Rod (Note: Use Item 100)  |     |
| 109  | See Note    | NSS | Wiper (Note: Use Item 100)  |     |

# SECTION 5 - CYLINDER

FIGURE 5-12. LIFT CYLINDER ASSEMBLY - TOWER BOOM (ORIGINAL EQUIPMENT)



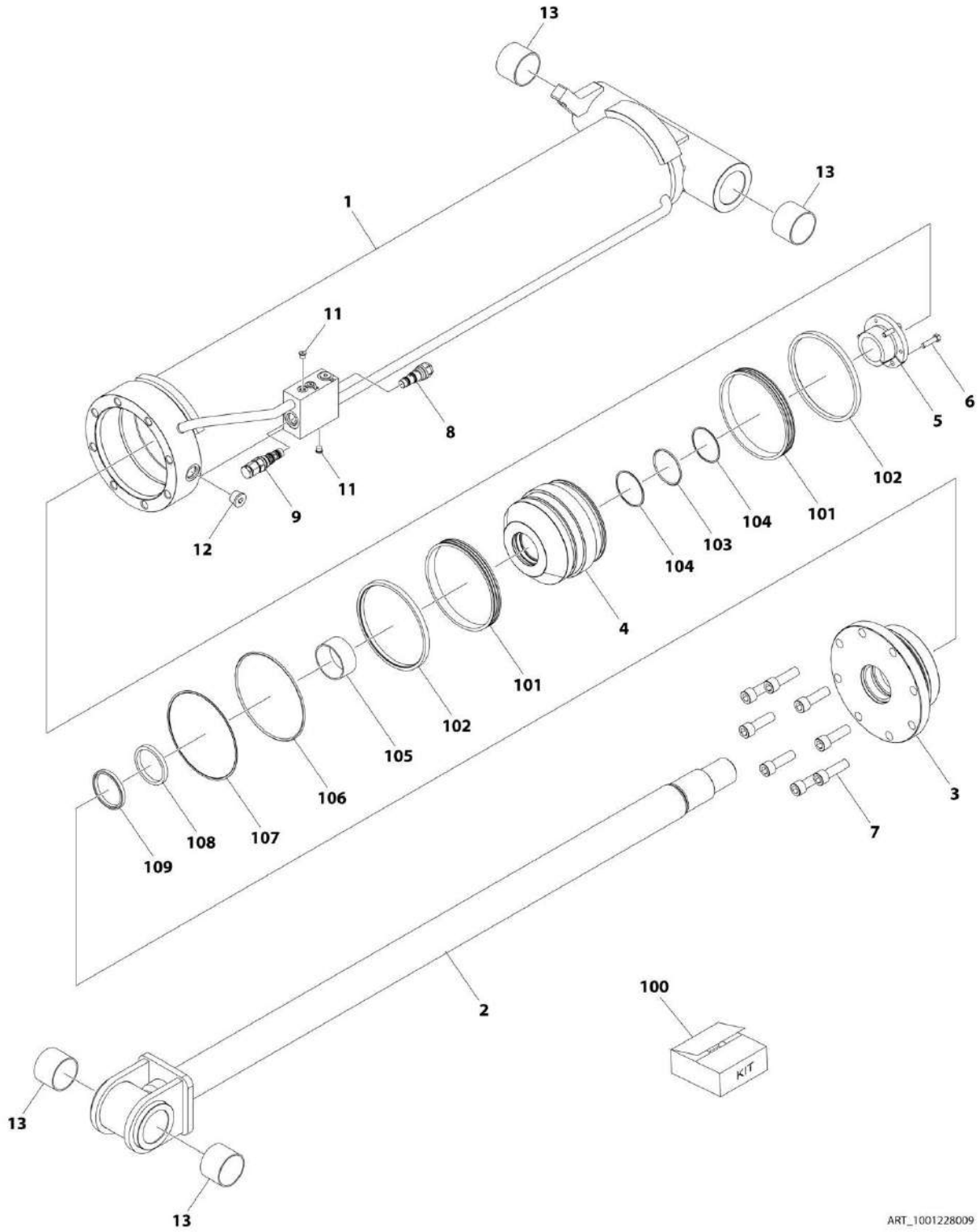
## SECTION 5 - CYLINDER

**FIGURE 5-12. LIFT CYLINDER ASSEMBLY - TOWER BOOM (ORIGINAL EQUIPMENT)**

| ITEM | PART NUMBER | QTY | DESCRIPTION   | REV |
|------|-------------|-----|---|-----|
|      | 1683537     | Ref | <b>LIFT CYLINDER ASSEMBLY - TOWER BOOM</b><br>Note: Original Cylinder may have been replaced with Service Replacement. Identify PN Stamped on Cylinder Before Ordering Parts. | 1   |
|      |             | Ref |   |     |
| 1    | 1683823     | 1   | Barrel Weldment   |     |
| 2    | 1683818     | 1   | Head  |     |
| 4    | 1683539     | 1   | Rod Weldment  |     |
| 5    | 3480236     | 1   | Piston  |     |
| 6    | 2220883     | 2   | Plug, O-Ring  |     |
| 7    | 2220888     | 1   | Plug, O-Ring  |     |
| 8    | 4640509     | 1   | Cartridge, Valve  |     |
| 8    | 2900792     | 1   | Seal Kit - 4640999 Valve  |     |
| 9    | 4640605     | 1   | Cartridge, Valve  |     |
| 9    | 2900792     | 1   | Seal Kit - 4640605 Valve  |     |
| 10   | 0962102     | 4   | Bushing   |     |
| 12   | See Note    | NSS | O-Ring (Note: Use Item 30)  |     |
| 13   | See Note    | NSS | Ring, Lock (Note: Use Item 30)  |     |
| 14   | See Note    | NSS | Seal (Note: Use Item 30)  |     |
| 15   | See Note    | NSS | Ring, Lock (Note: Use Item 30)  |     |
| 16   | See Note    | NSS | O-Ring (Note: Use Item 30)  |     |
| 17   | See Note    | NSS | Ring, Back-up (Note: Use Item 30)   |     |
| 18   | See Note    | NSS | Ring, Wear (Note: Use Item 30)  |     |
| 19   | See Note    | NSS | Seal (Note: Use Item 30)  |     |
| 20   | See Note    | NSS | Wiper (Note: Use Item 30)   |     |
| 21   | 0961903     | 1   | Bushing, Tapered  |     |
| 22   | 3932240     | 8   | Capscrew, Socket Head 3/4in x 2-1/2in   |     |
| 23   | 0100011     | AR  | Compound, Locking   |     |
| 24   | 0100038     | AR  | Primer, Locking   |     |
| 25   | 0100063     | AR  | Loctite #RC609 <b>(SN 0300069000 through 0300133544)</b>  |     |
| 26   | 0630536     | 3   | Bolt  |     |
| 30   | 2901537     | 1   | Seal Kit (Includes Items 12-20)   |     |

# SECTION 5 - CYLINDER

## FIGURE 5-13. LIFT CYLINDER ASSEMBLY - TOWER BOOM (SERVICE REPLACEMENT)



ART\_1001228009

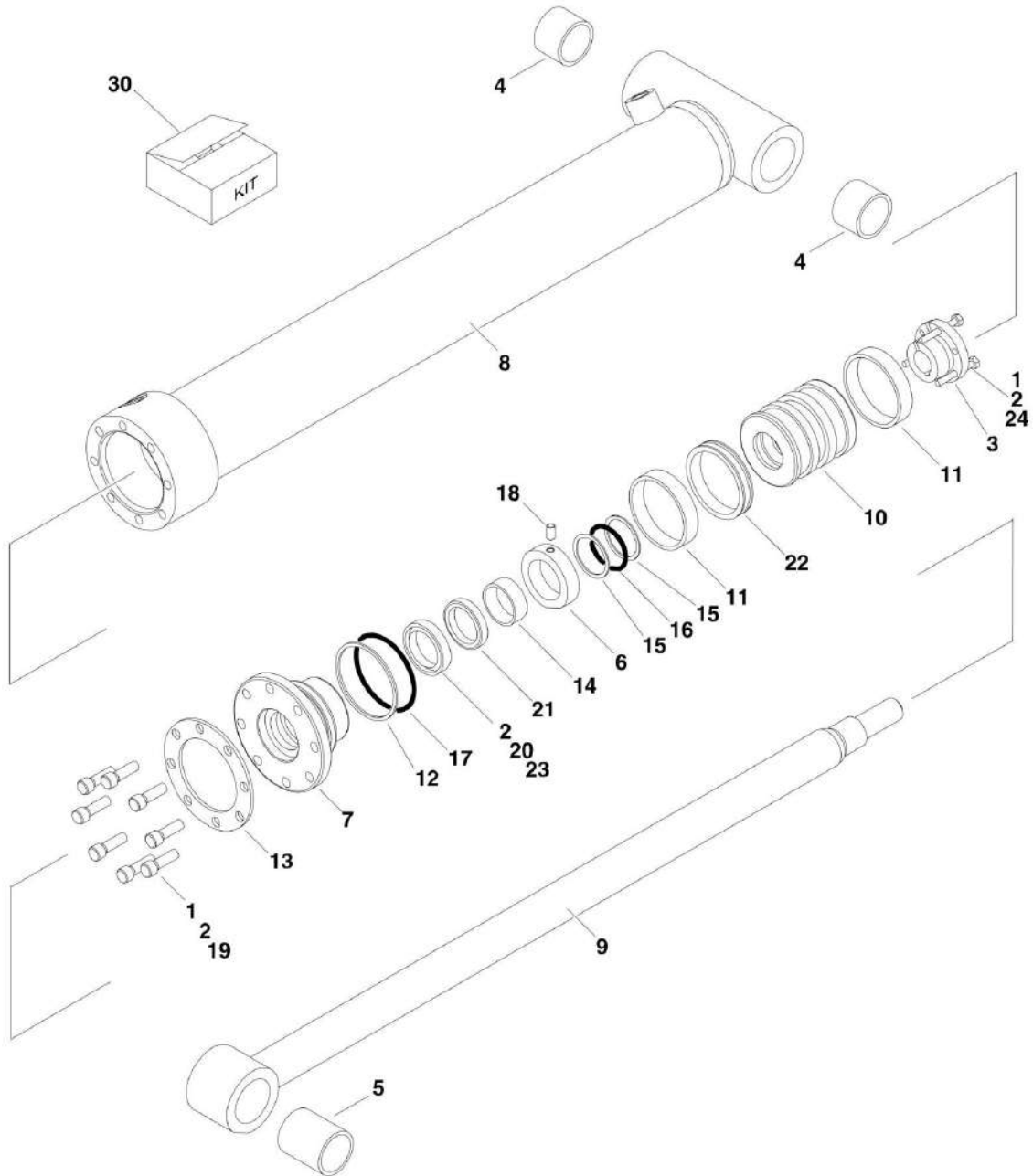
## SECTION 5 - CYLINDER

**FIGURE 5-13. LIFT CYLINDER ASSEMBLY - TOWER BOOM (SERVICE REPLACEMENT)**

| ITEM | PART NUMBER | QTY | DESCRIPTION   | REV |
|------|-------------|-----|---|-----|
|      | 1001228009  | Ref | LIFT CYLINDER ASSEMBLY  | B   |
|      |             | Ref | Note: Original Cylinder may have been replaced with Service Replacement. Identify PN Stamped on Cylinder Before Ordering Parts. |     |
| 1    | See Note    | NSS | Barrel (Note: Not Available for Purchase)   |     |
| 2    | 70006378    | 1   | Rod   |     |
| 3    | 70006377    | 1   | Head  |     |
| 4    | 70006376    | 1   | Piston  |     |
| 5    | 70006375    | 1   | Bushing, Tapered  |     |
| 6    | 0630536     | 3   | Bolt  |     |
| 7    | 3932240     | 8   | Capscrew 3/4 x 2-1/2  |     |
| 8    | 4640509     | 1   | Cartridge, Valve  |     |
| 8    | 2900792     | 1   | Seal Kit - 4640999 Valve  |     |
| 9    | 4640605     | 1   | Cartridge, Valve  |     |
| 9    | 2900792     | 1   | Seal Kit - 4640605 Valve  |     |
| 11   | 2220883     | 4   | Plug, O-Ring  |     |
| 12   | 2220888     | 1   | Plug, O-Ring  |     |
| 13   | 0962102     | 4   | Bushing   |     |
| 100  | 2901537     | 1   | Seal Kit (Includes Items 101-109)   |     |
| 101  | See Note    | NSS | Seal (Note: Use Item 100)   |     |
| 102  | See Note    | NSS | Ring, Lock (Note: Use Item 100)   |     |
| 103  | See Note    | NSS | O-Ring (Note: Use Item 100)   |     |
| 104  | See Note    | NSS | Ring, Back-up (Note: Use Item 100)  |     |
| 105  | See Note    | NSS | Ring, Wear (Note: Use Item 100)   |     |
| 106  | See Note    | NSS | O-Ring (Note: Use Item 100)   |     |
| 107  | See Note    | NSS | Ring, Back-up (Note: Use Item 100)  |     |
| 108  | See Note    | NSS | Seal (Note: Use Item 100)   |     |
| 109  | See Note    | NSS | Wiper (Note: Use Item 100)  |     |

# SECTION 5 - CYLINDER

FIGURE 5-14. MASTER CYLINDER ASSEMBLY - 800A (ORIGINAL EQUIPMENT)





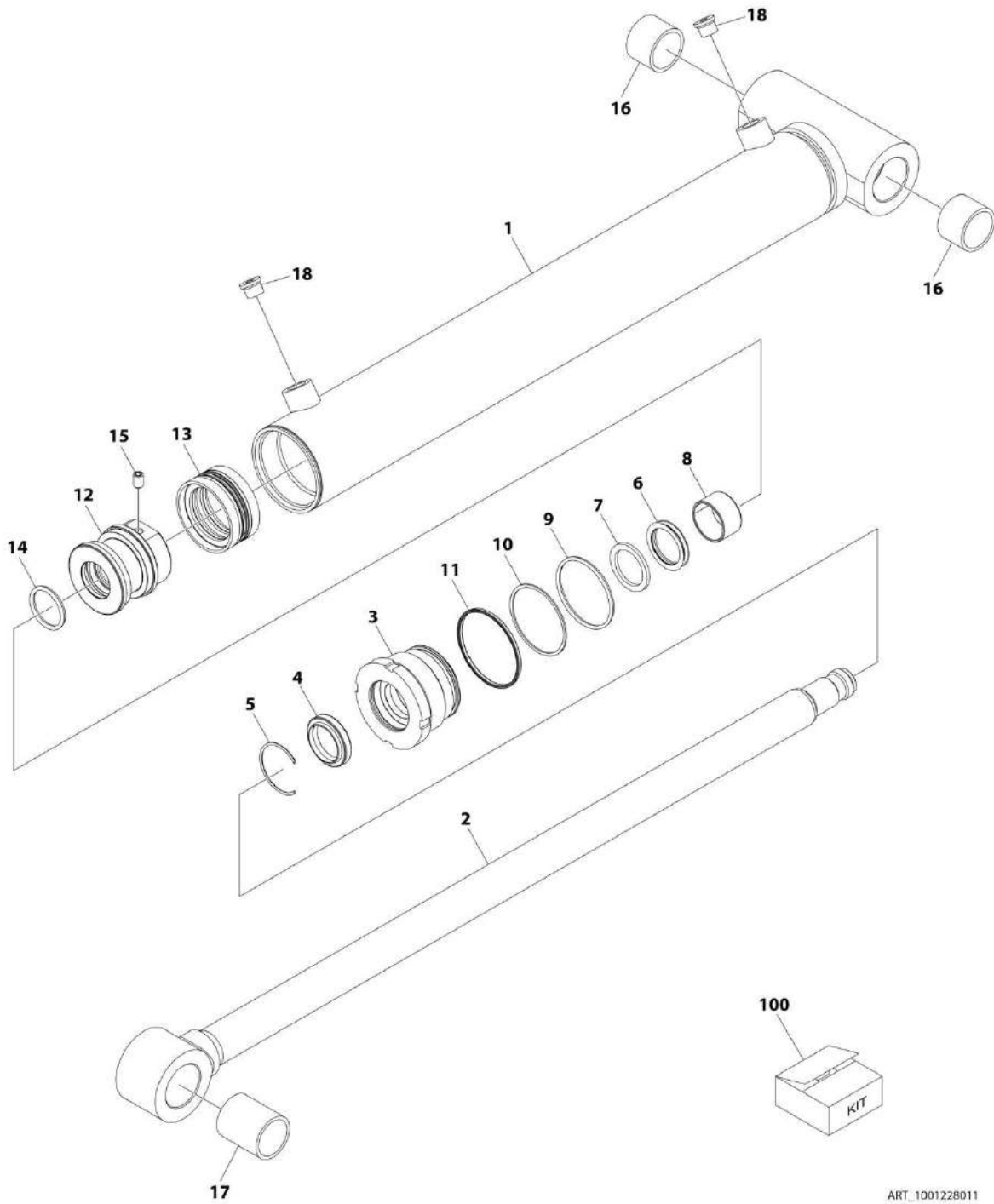
## SECTION 5 - CYLINDER

**FIGURE 5-14. MASTER CYLINDER ASSEMBLY - 800A (ORIGINAL EQUIPMENT)**

| ITEM | PART NUMBER | QTY | DESCRIPTION   | REV |
|------|-------------|-----|---|-----|
|      | 1683608     | Ref | <b>MASTER CYLINDER ASSEMBLY - 800A</b><br>Note: Original Cylinder may have been replaced with Service Replacement. Identify PN Stamped on Cylinder Before Ordering Parts. | G   |
|      |             | Ref |   |     |
| 1    | 0100011     | AR  | Compound, Locking   |     |
| 2    | 0100038     | AR  | Primer, Locking   |     |
| 3    | 0962185     | 1   | Bushing, Tapered  |     |
| 4    | 0961951     | 2   | Bushing   |     |
| 5    | 0962155     | 1   | Bushing   |     |
| 6    | 0962156     | 1   | Spacer, Tube  |     |
| 7    | 1683050     | 1   | Head  |     |
| 8    | 1684114     | 1   | Barrel  |     |
| 9    | 1684115     | 1   | Rod   |     |
| 10   | 3480232     | 1   | Piston  |     |
| 11   | See Note    | NSS | Ring, Wear (Note: Use Item 30)  |     |
| 12   | See Note    | NSS | Ring, Back-up (Note: Use Item 30)   |     |
| 13   | 3760367     | 1   | Ring, Washer  |     |
| 14   | See Note    | NSS | Ring, Wear (Note: Use Item 30)  |     |
| 15   | See Note    | NSS | Ring, Back-up (Note: Use Item 30)   |     |
| 16   | See Note    | NSS | O-Ring (Note: Use Item 30)  |     |
| 17   | See Note    | NSS | O-Ring (Note: Use Item 30)  |     |
| 18   | 3900139     | 1   | Setscrew 1/4in-20NC x 1/2in   |     |
| 19   | 3931516     | 8   | Capscrew 5/16in-18NC x 1in  |     |
| 20   | See Note    | NSS | Wiper (Note: Use Item 30)   |     |
| 21   | See Note    | NSS | Seal (Note: Use Item 30)  |     |
| 22   | See Note    | NSS | T-Seal (Note: Use Item 30)  |     |
| 23   | 0100063     | AR  | Loctite #RC 609   |     |
| 24   | 0630534     | 3   | Capscrew, Socket Head #10-24NC x 1in  |     |
| 30   | 2901549     | 1   | Seal Kit - 1683608 Cylinder (Includes Items 11,12, 14-17 & 20-22)   |     |

# SECTION 5 - CYLINDER

## FIGURE 5-15. MASTER CYLINDER ASSEMBLY - 800A (SERVICE REPLACEMENT)



ART\_1001228011

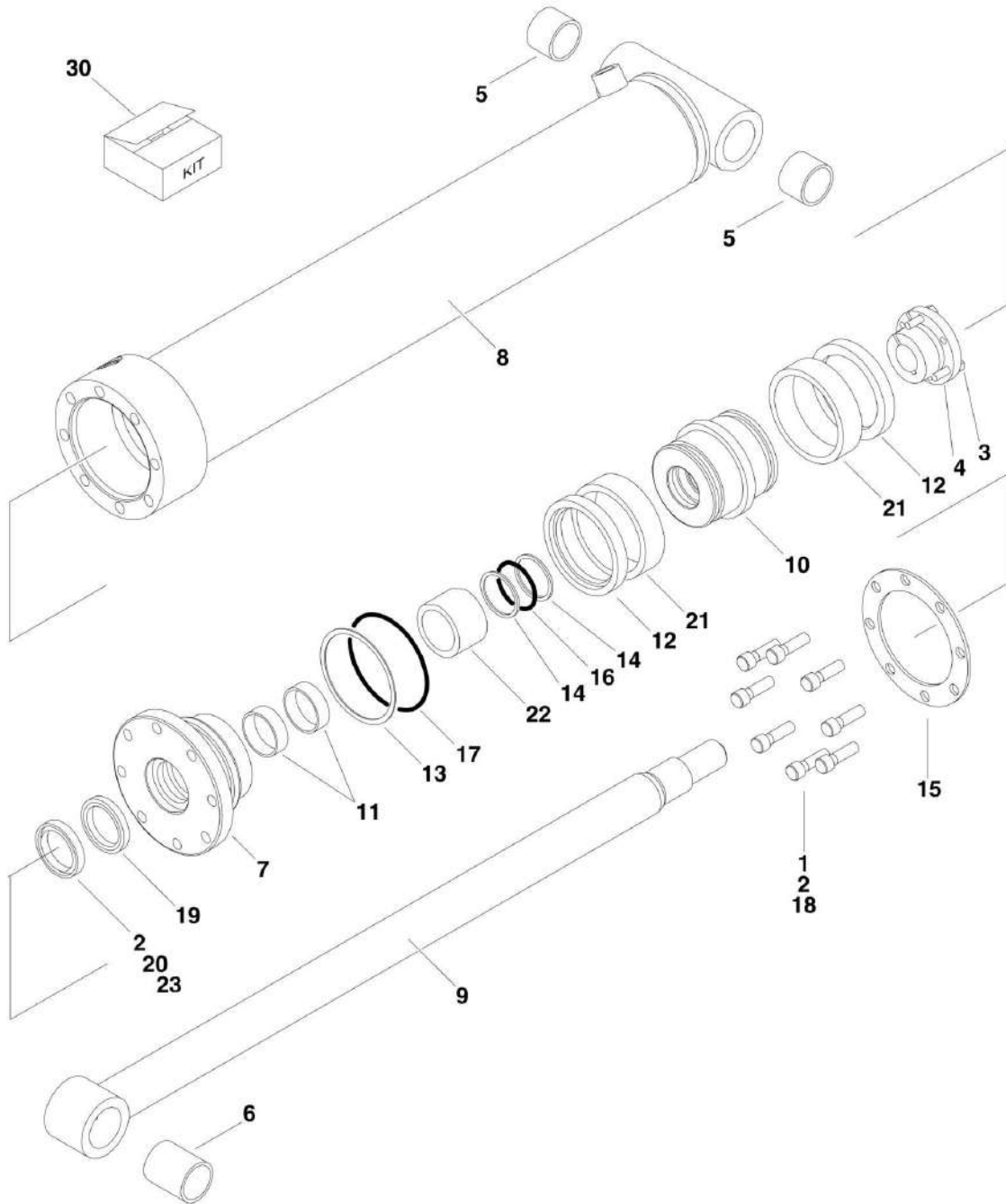
## SECTION 5 - CYLINDER

**FIGURE 5-15. MASTER CYLINDER ASSEMBLY - 800A (SERVICE REPLACEMENT)**

| ITEM | PART NUMBER | QTY | DESCRIPTION   | REV |
|------|-------------|-----|---|-----|
|      | 1001228011  | Ref | MASTER CYLINDER ASSEMBLY (800A)   | B   |
|      |             | Ref | Note: Original Cylinder may have been replaced with Service Replacement. Identify PN Stamped on Cylinder Before Ordering Parts. |     |
| 1    | See Note    | NSS | Barrel (Note: Not Available for Purchase)   |     |
| 2    | 70006777    | 1   | Rod   |     |
| 3    | 70006778    | 1   | Head  |     |
| 4    | See Note    | NSS | Wiper (Note: Use Item 100)  |     |
| 5    | 70002366    | 1   | Ring, Retaining   |     |
| 6    | See Note    | NSS | Seal, Rod (Note: Use Item 100)  |     |
| 7    | See Note    | NSS | Ring, Back-up (Note: Use Item 100)  |     |
| 8    | 70006779    | 1   | Ring, Wear  |     |
| 9    | See Note    | NSS | O-Ring (Note: Use Item 100)   |     |
| 10   | See Note    | NSS | Ring, Back-up (Note: Use Item 100)  |     |
| 11   | 70050801    | NSS | O-Ring (Note: Use Item 100)   |     |
| 12   | 70006780    | 1   | Piston  |     |
| 13   | See Note    | NSS | Seal (Note: Use Item 100)   |     |
| 14   | See Note    | NSS | O-Ring (Note: Use Item 100)   |     |
| 15   | 70006596    | 1   | Setscrew  |     |
| 16   | 0961951     | 2   | Bushing   |     |
| 17   | 0962155     | 1   | Bushing   |     |
| 18   | 2220885     | 2   | Plug  |     |
| 100  | 70006781    | 1   | Seal Kit (Includes Items 4, 6, 7, 9-11, 13 & 14)  |     |

# SECTION 5 - CYLINDER

FIGURE 5-16. MASTER CYLINDER ASSEMBLY - 800AJ (ORIGINAL EQUIPMENT)



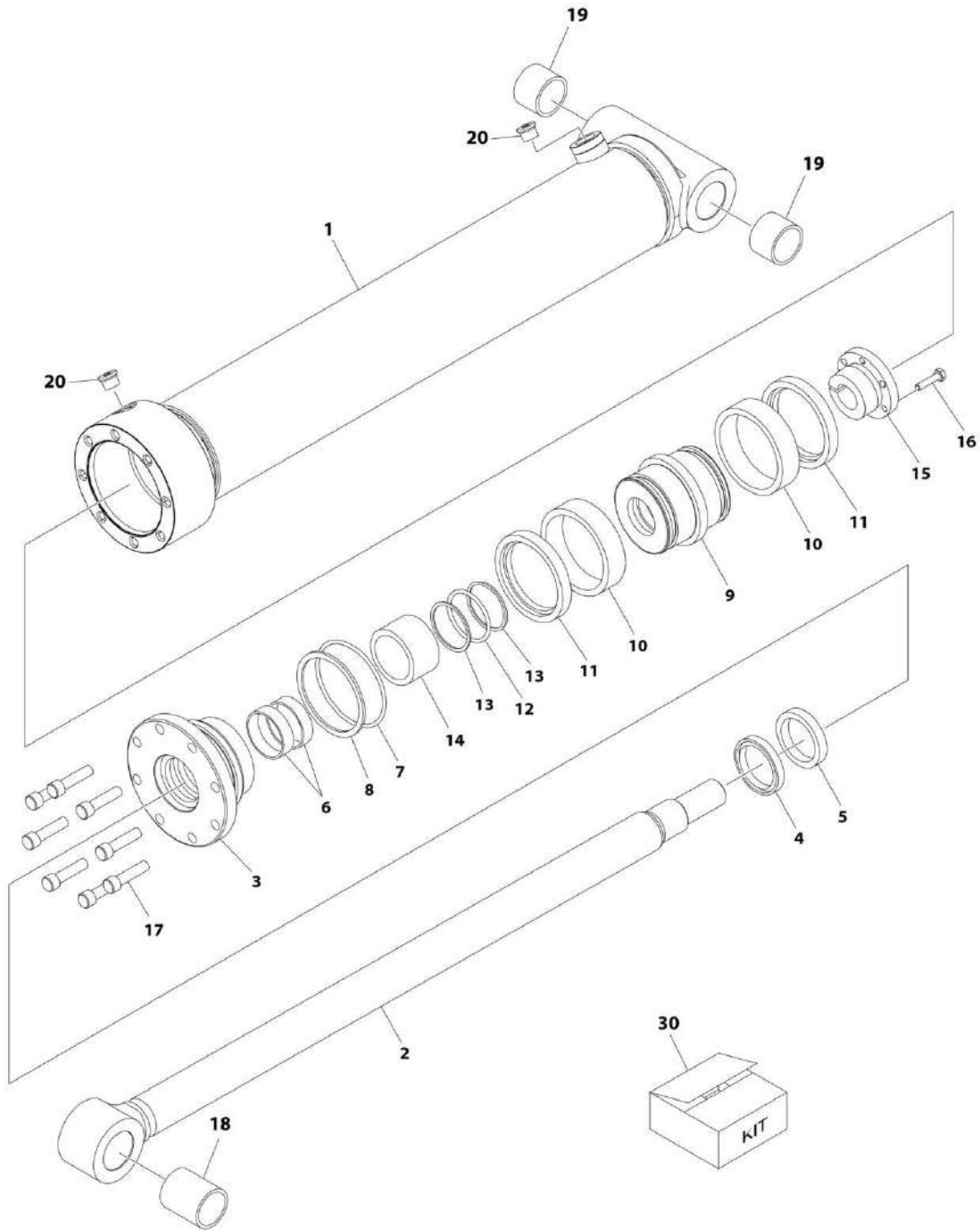
## SECTION 5 - CYLINDER

**FIGURE 5-16. MASTER CYLINDER ASSEMBLY - 800AJ (ORIGINAL EQUIPMENT)**

| ITEM | PART NUMBER | QTY | DESCRIPTION  | REV |
|------|-------------|-----|--|-----|
|      | 1683682     | Ref | <b>MASTER CYLINDER ASSEMBLY - 800AJ</b>                            | E   |
|      |             | Ref |  |     |
| 1    | 0100011     | AR  | Compound, Locking  |     |
| 2    | 0100038     | AR  | Primer, Locking  |     |
| 3    | 0630535     | 3   | Capscrew, Socket Head 1/4in-20NC x 1in                             |     |
| 4    | 0961894     | 1   | Bushing, Tapered   |     |
| 5    | 0961951     | 2   | Bushing  |     |
| 6    | 0962155     | 1   | Bushing  |     |
| 7    | 1683055     | 1   | Head   |     |
| 8    | 1684125     | 1   | Barrel   |     |
| 9    | 1684126     | 1   | Rod  |     |
| 10   | 3480188     | 1   | Piston   |     |
| 11   | See Note    | NSS | Ring, Wear (Note: Use Item 30)                                     |     |
| 12   | See Note    | NSS | Ring, Lock (Note: Use Item 30)                                     |     |
| 13   | See Note    | NSS | Ring, Back-up (Note: Use Item 30)                                  |     |
| 14   | See Note    | NSS | Ring, Back-up (Note: Use Item 30)                                  |     |
| 15   | 3760369     | 1   | Ring, Washer   |     |
| 16   | See Note    | NSS | O-Ring (Note: Use Item 30)   |     |
| 17   | See Note    | NSS | O-Ring (Note: Use Item 30)   |     |
| 18   | 3931620     | 8   | Capscrew 3/8in-16NC x 1-1/4in                                      |     |
| 19   | See Note    | NSS | Seal, Rod (Note: Use Item 30)                                      |     |
| 20   | See Note    | NSS | Wiper (Note: Use Item 30)  |     |
| 21   | See Note    | NSS | Seal (Note: Use Item 30)   |     |
| 22   | 4566468     | 1   | Spacer, Tube   |     |
| 23   | 0100063     | AR  | Loctite #RC 609 <b>(SN 0300069000 through 0300133482)</b>          |     |
| 30   | 2901301     | 1   | Seal Kit - 1683682 Cylinder (Includes Items 11-14, 16, 17 & 19-21) |     |

# SECTION 5 - CYLINDER

## FIGURE 5-17. MASTER CYLINDER ASSEMBLY - 800AJ (SERVICE REPLACEMENT)



ART\_1001228050

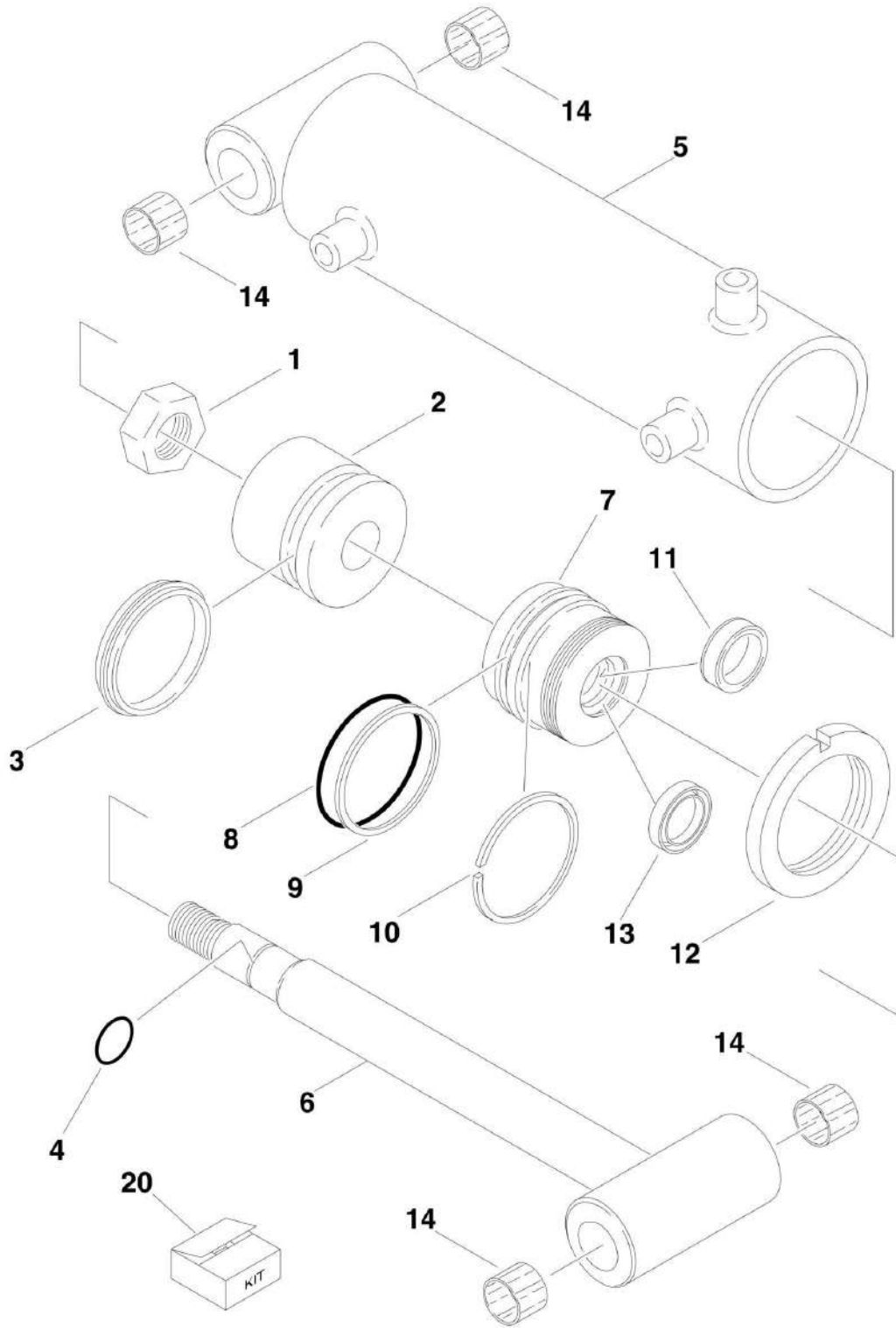
## SECTION 5 - CYLINDER

**FIGURE 5-17. MASTER CYLINDER ASSEMBLY - 800AJ (SERVICE REPLACEMENT)**

| ITEM | PART NUMBER | QTY | DESCRIPTION   | REV |
|------|-------------|-----|---|-----|
|      | 1001228050  | Ref | MASTER CYLINDER ASSEMBLY  | A   |
|      |             | Ref | Note: Original Cylinder may have been replaced with Service Replacement. Identify PN Stamped on Cylinder Before Ordering Parts. |     |
| 1    | See Note    | NSS | Barrel (Note: Not Available for Purchase)   |     |
| 2    | 70006668    | 1   | Rod   |     |
| 3    | 70006643    | 1   | Head  |     |
| 4    | See Note    | NSS | Wiper (Note: Use Item 30)   |     |
| 5    | See Note    | NSS | Seal, Rod (Note: Use Item 30)   |     |
| 6    | See Note    | NSS | Ring, Wear (Note: Use Item 30)  |     |
| 7    | See Note    | NSS | O-Ring (Note: Use Item 30)  |     |
| 8    | See Note    | NSS | Ring, Back-up (Note: Use Item 30)   |     |
| 9    | 70006644    | 1   | Piston  |     |
| 10   | See Note    | NSS | Ring, Wear (Note: Use Item 30)  |     |
| 11   | See Note    | NSS | Ring, Lock (Note: Use Item 30)  |     |
| 12   | See Note    | NSS | O-Ring (Note: Use Item 30)  |     |
| 13   | See Note    | NSS | Ring, Back-up (Note: Use Item 30)   |     |
| 14   | 70006651    | 1   | Spacer, Tube  |     |
| 15   | 0961894     | 1   | Bushing, Tapered  |     |
| 16   | 0630535     | 3   | Capscrew 1/4 x 1-1/8  |     |
| 17   | 3931620     | 8   | Capscrew 3/8 x 1-1/4  |     |
| 18   | 0962155     | 1   | Bushing   |     |
| 19   | 0961951     | 2   | Bushing   |     |
| 20   | 2220885     | 2   | Plug, O-Ring  |     |
| 30   | 1001138796  | 1   | Seal Kit (Machines with Arctic Package) (Includes Items 4-8 & 10-13)  |     |

# SECTION 5 - CYLINDER

## FIGURE 5-18. STEER CYLINDER ASSEMBLY





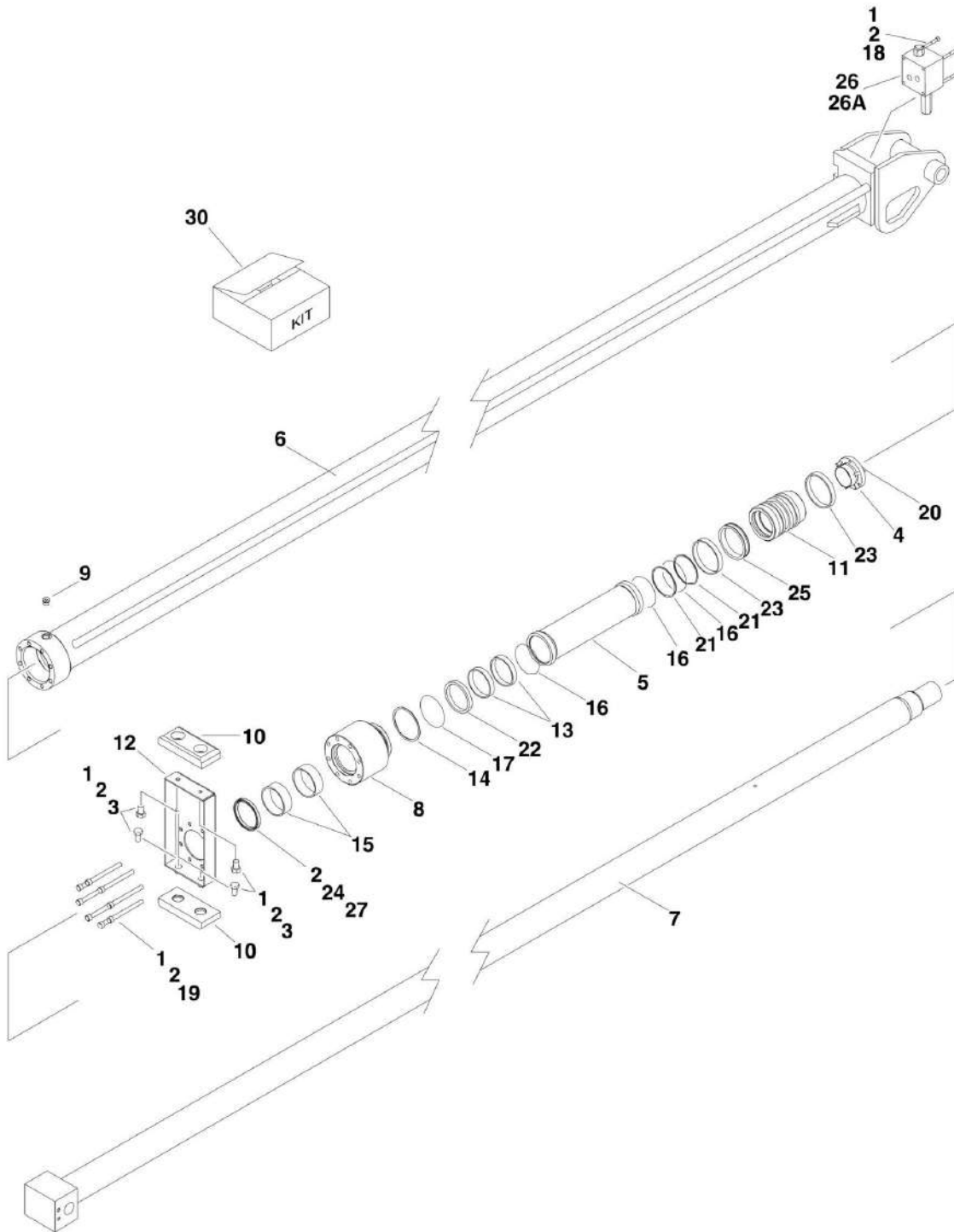
## SECTION 5 - CYLINDER

**FIGURE 5-18. STEER CYLINDER ASSEMBLY**

| ITEM | PART NUMBER | QTY | DESCRIPTION                               | REV |
|------|-------------|-----|---|-----|
|      | 1683740     | Ref | <b>STEER CYLINDER ASSEMBLY</b>            | B   |
| 1    | 7017210     | 1   | Locknut                                   |     |
| 2    | 7017211     | 1   | Piston                                    |     |
| 3    | See Note    | NSS | Seal (Note: Use Item 20)                  |     |
| 4    | See Note    | NSS | O-Ring (Note: Use Item 20)                |     |
| 5    | 7023023     | 1   | Barrel Weldment                           |     |
| 6    | 7017236     | 1   | Rod Weldment                              |     |
| 7    | 7017213     | 1   | Head                                      |     |
| 8    | See Note    | NSS | O-Ring (Note: Use Item 20)                |     |
| 9    | See Note    | NSS | Ring, Back-up (Note: Use Item 20)         |     |
| 10   | See Note    | NSS | Ring, Retainer (Note: Use Item 20)        |     |
| 11   | See Note    | NSS | Seal (Note: Use Item 20)                  |     |
| 12   | 7017214     | 1   | Nut, Spanner                              |     |
| 13   | See Note    | NSS | Wiper (Note: Use Item 20)                 |     |
| 14   | 0961977     | 4   | Bushings                                  |     |
| 20   | 7017215     | 1   | Seal Kit (Includes Items 3, 4, 8-11 & 13) |     |

# SECTION 5 - CYLINDER

## FIGURE 5-19. TELESCOPE CYLINDER ASSEMBLY - MAIN BOOM



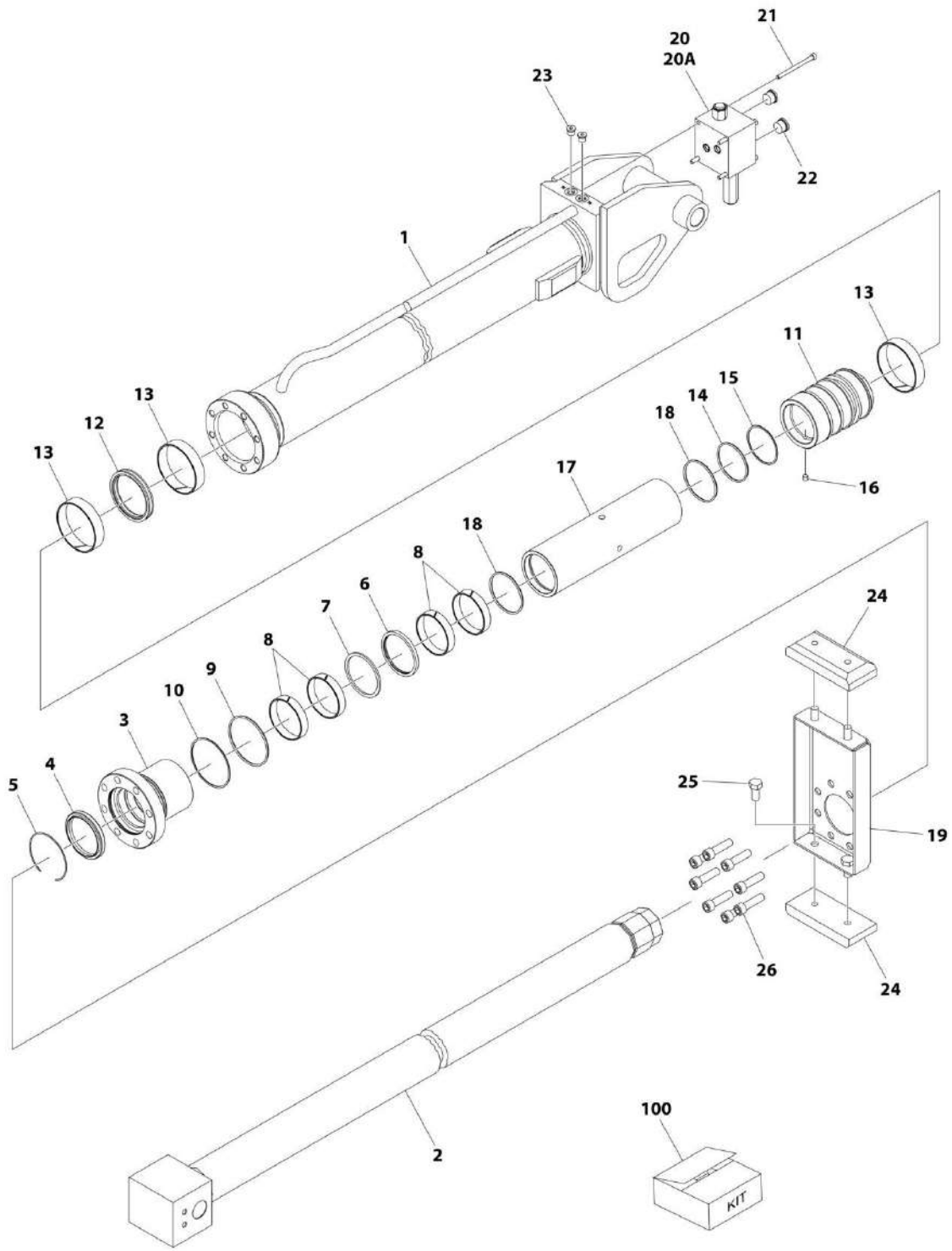
## SECTION 5 - CYLINDER

**FIGURE 5-19. TELESCOPE CYLINDER ASSEMBLY - MAIN BOOM**

| ITEM | PART NUMBER | QTY | DESCRIPTION   | REV |
|------|-------------|-----|---|-----|
|      |             | Ref | <b>TELESCOPE CYLINDER ASSEMBLY - MAIN BOOM</b>  |     |
|      | 1683607     | Ref | <b>Telescope Cylinder Assembly 800A (Original Equipment)</b>  | H   |
|      | 1001188968  | Ref | <b>Telescope Cylinder Assembly 800A (Service Replacement)</b>   | B   |
|      | 1683672     | Ref | <b>Telescope Cylinder Assembly 800AJ (Original Equipment)</b>   | H   |
|      | 1001188841  | Ref | <b>Telescope Cylinder Assembly 800AJ (Service Replacement)</b>  | B   |
|      |             | Ref | Note: Original Cylinder may have been replaced with Service Replacement. Identify PN Stamped on Cylinder Before Ordering Parts. |     |
| 1    | 0100011     | AR  | Compound, Locking   |     |
| 2    | 0100038     | AR  | Primer, Locking   |     |
| 3    | 0641806     | 4   | Bolt 1/2in-13NC x 3/4in   |     |
| 4    | 0961897     | 1   | Bushing, Tapered  |     |
| 5    |             | Ref | Spacer, Tube Options:   |     |
| 5    | 0962219     | 1   | Spacer, Tube <b>(SN 0300069000 through 0300071951)</b>  |     |
| 5    | 0962524     | 1   | Spacer, Tube <b>(SN 0300071952 through 0300140000)</b>  |     |
| 6    |             | Ref | Barrel Options:   |     |
| 6    | 1683647     | 1   | Barrel 800A   |     |
| 6    | 1683673     | 1   | Barrel 800AJ  |     |
| 7    |             | Ref | Rod Options:  |     |
| 7    | 1683648     | 1   | Rod 800A  |     |
| 7    | 1683675     | 1   | Rod 800AJ   |     |
| 8    | 1683663     | 1   | Head  |     |
| 9    | 2220885     | 1   | Plug, O-Ring  |     |
| 10   | 3340838     | 2   | Pad, Wear   |     |
| 11   | 3480234     | 1   | Piston  |     |
| 12   | 3570775     | 1   | Plate   |     |
| 13   | See Note    | NSS | Ring, Wear (Note: Use Item 30)  |     |
| 14   | See Note    | NSS | Ring, Back-up (Note: Use Item 30)   |     |
| 15   | See Note    | NSS | Ring, Wear (Note: Use Item 30)  |     |
| 16   | See Note    | NSS | O-Ring (Note: Use Item 30)  |     |
| 17   | See Note    | NSS | O-Ring (Note: Use Item 30)  |     |
| 18   | 3931448     | 4   | Capscrew 1/4in-20NC x 3in   |     |
| 19   | 3931664     | 8   | Capscrew 3/8in-16NC x 4in   |     |
| 20   | 0630535     | 3   | Bolt 1/4in-20NC x 1-1/8in   |     |
| 21   | See Note    | NSS | Ring, Back-up (Note: Use Item 30)   |     |
| 22   | See Note    | NSS | Seal, Rod (Note: Use Item 30)   |     |
| 23   | See Note    | NSS | Ring, Wear (Note: Use Item 30)  |     |
| 24   | See Note    | NSS | Wiper (Note: Use Item 30)   |     |
| 25   | See Note    | NSS | T-Seal (Note: Use Item 30)  |     |
| 26   | 4641033     | 1   | Valve Assembly (No serviceable parts - sold as assembly only)   |     |
| 26A  | 7024508     | 2   | O-Ring (Between Valve and Cylinder Barrel)  |     |
| 27   | 0100063     | AR  | Loctite #RC 609   |     |
| 30   | 2901712     | NLA | Seal Kit (Includes Items 13-17 & 21-25) (Use p/n 1001188843) (Use on p/n 1683607 & 1683672)                                     |     |
| 30   | 1001188843  | 1   | Seal Kit (Includes Items 13-17 & 21-25) (Use on p/n 1001188968 & 1001188841)  |     |

# SECTION 5 - CYLINDER

FIGURE 5-20. TELESCOPE CYLINDER ASSEMBLY - MAIN BOOM (800A) (SERVICE REPLACEMENT)



ART\_1001228088

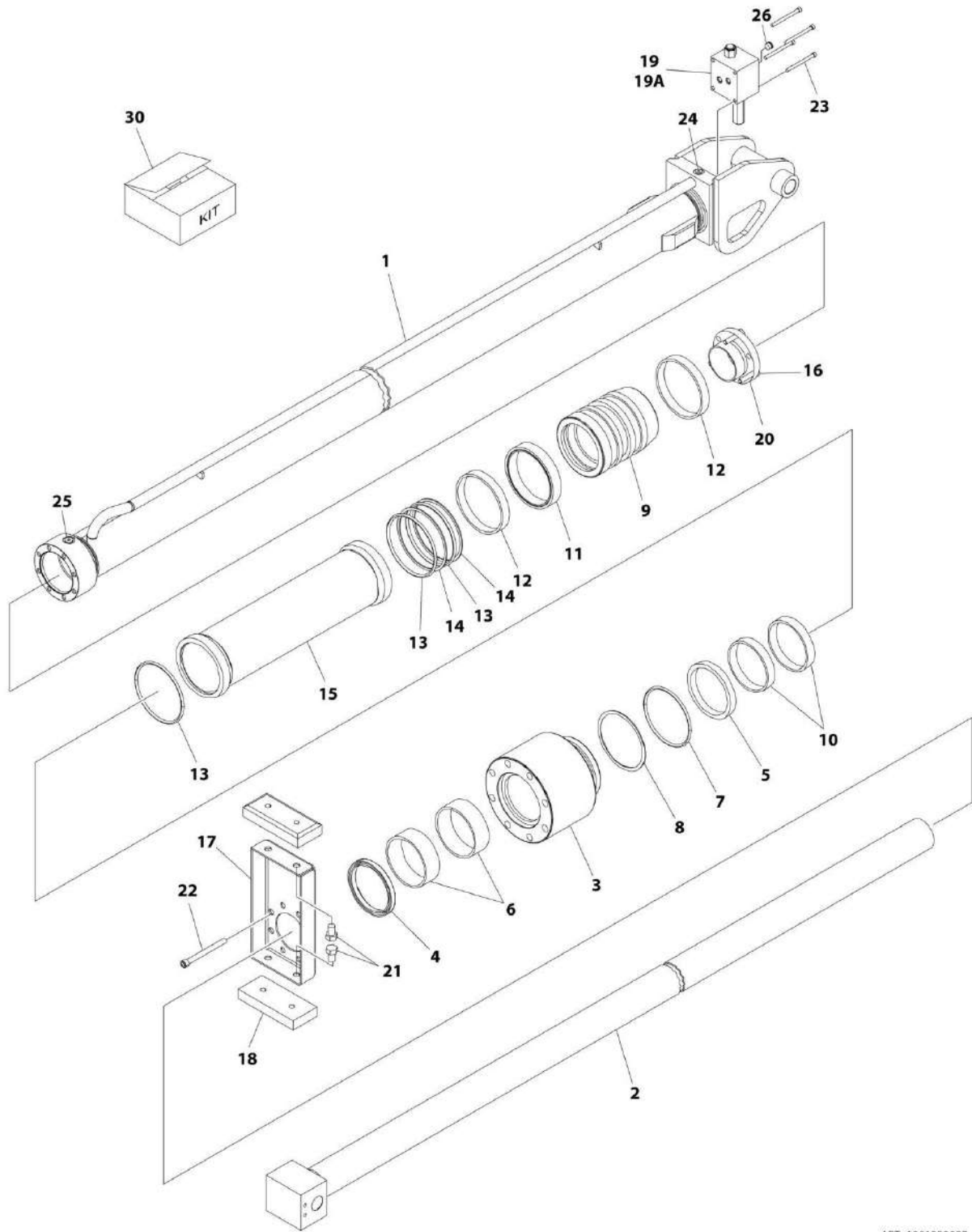
## SECTION 5 - CYLINDER

**FIGURE 5-20. TELESCOPE CYLINDER ASSEMBLY - MAIN BOOM (800A) (SERVICE REPLACEMENT)**

| ITEM | PART NUMBER | QTY | DESCRIPTION   | REV |
|------|-------------|-----|---|-----|
|      | 1001228088  | Ref | TELESCOPE CYLINDER ASSEMBLY - MAIN BOOM   | B   |
|      |             | Ref | Note: Original Cylinder may have been replaced with Service Replacement. Identify PN Stamped on Cylinder Before Ordering Parts. |     |
| 1    | See Note    | NSS | Barrel (Note: Not Available for Purchase)   |     |
| 2    | 70006796    | 1   | Rod   |     |
| 3    | 70006797    | 1   | Head  |     |
| 4    | See Note    | NSS | Wiper (Note: Use Item 100)  |     |
| 5    | 70027259    | 1   | Ring, Retaining   |     |
| 6    | See Note    | NSS | Seal, Rod (Note: Use Item 100)  |     |
| 7    | See Note    | NSS | Ring, Back-up (Note: Use Item 100)  |     |
| 8    | See Note    | NSS | Ring, Wear (Note: Use Item 100)   |     |
| 9    | See Note    | NSS | O-Ring (Note: Use Item 100)   |     |
| 10   | See Note    | NSS | Ring, Back-up (Note: Use Item 100)  |     |
| 11   | 70006798    | 1   | Piston  |     |
| 12   | See Note    | NSS | Seal (Note: Use Item 100)   |     |
| 13   | See Note    | NSS | Ring, Wear (Note: Use Item 100)   |     |
| 14   | See Note    | NSS | O-Ring (Note: Use Item 100)   |     |
| 15   | See Note    | NSS | Ring, Back-up (Note: Use Item 100)  |     |
| 16   | 70006799    | 1   | Setscrew  |     |
| 17   | 70006800    | 1   | Spacer, Tube  |     |
| 18   | See Note    | NSS | O-Ring (Note: Use Item 100)   |     |
| 19   | 70006801    | 1   | Plate   |     |
| 20   | 4641033     | 1   | Valve Assembly (No serviceable parts - sold as assembly only)   |     |
| 20A  | 7024508     | 2   | O-Ring (Between Valve and Cylinder Barrel)  |     |
| 21   | 70006802    | 4   | Capscrew M6   |     |
| 22   | 2220886     | 2   | Plug, O-Ring  |     |
| 23   | 2220883     | 2   | Plug, O-Ring  |     |
| 24   | 3340838     | 2   | Pad, Wear   |     |
| 25   | 0641806     | 4   | Bolt 1/2 x 3/4  |     |
| 26   | 70006803    | 8   | Capscrew M12  |     |
| 100  | 70006804    | 1   | Seal Kit - 1001228088 Cylinder (Includes Items 4, 6-10, 12-15 & 18)   |     |

# SECTION 5 - CYLINDER

## FIGURE 5-21. TELESCOPE CYLINDER ASSEMBLY - MAIN BOOM (800AJ) (SERVICE REPLACEMENT)



ART\_1001228087

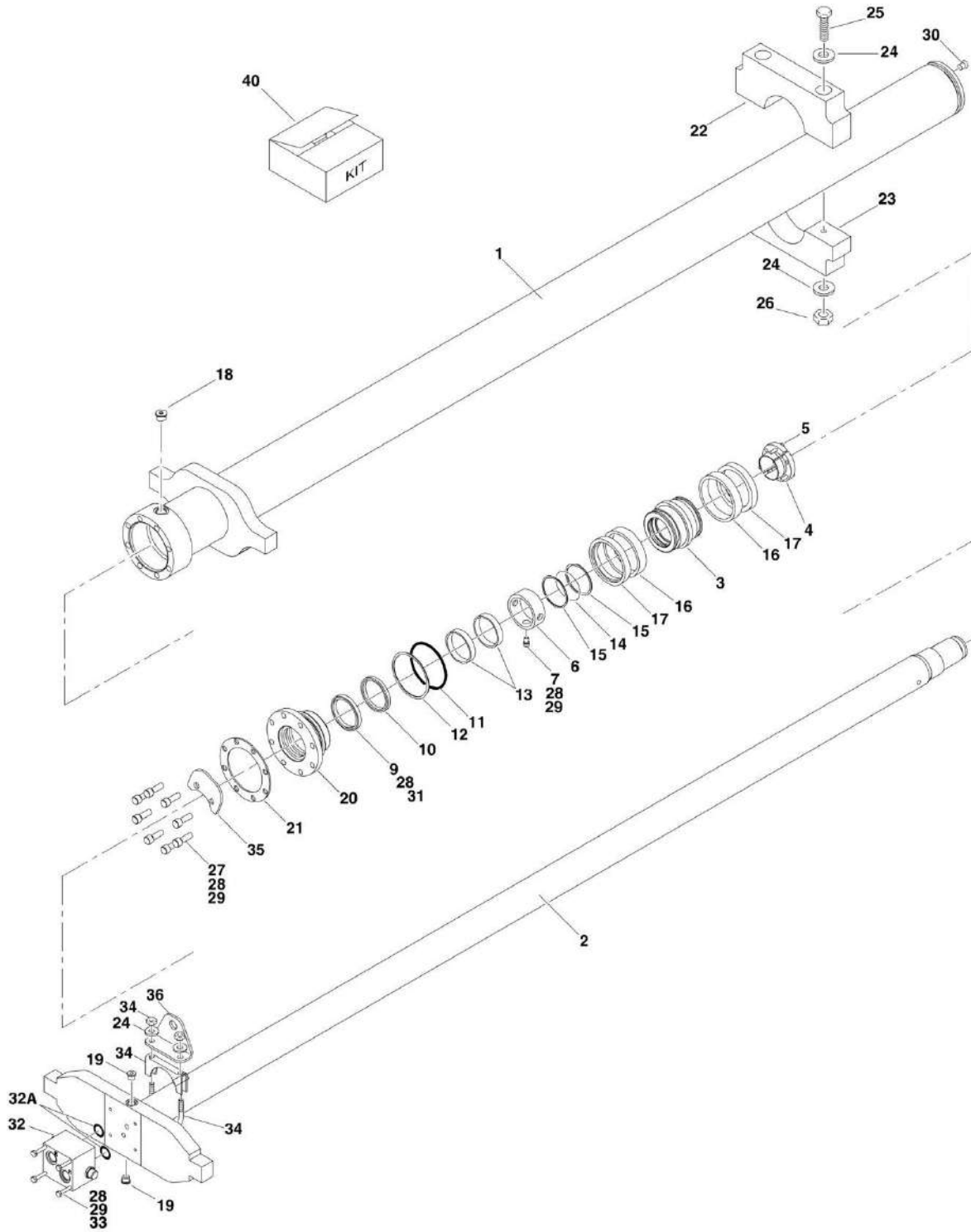
## SECTION 5 - CYLINDER

**FIGURE 5-21. TELESCOPE CYLINDER ASSEMBLY - MAIN BOOM (800AJ) (SERVICE REPLACEMENT)**

| ITEM | PART NUMBER | QTY | DESCRIPTION   | REV |
|------|-------------|-----|---|-----|
|      | 1001228087  | Ref | TELESCOPE CYLINDER ASSEMBLY   | A   |
|      |             | Ref | Note: Original Cylinder may have been replaced with Service Replacement. Identify PN Stamped on Cylinder Before Ordering Parts. |     |
| 1    | See Note    | NSS | Barrel (Note: Not Available for Purchase)   |     |
| 2    | 70006669    | 1   | Rod   |     |
| 3    | 70006670    | 1   | Head  |     |
| 4    | See Note    | NSS | Wiper (Note: Use Item 30)   |     |
| 5    | See Note    | NSS | Seal, Rod (Note: Use Item 30)   |     |
| 6    | See Note    | NSS | Ring, Wear (Note: Use Item 30)  |     |
| 7    | See Note    | NSS | O-Ring (Note: Use Item 30)  |     |
| 8    | See Note    | NSS | Ring, Back-up (Note: Use Item 30)   |     |
| 9    | 70006671    | 1   | Piston  |     |
| 10   | See Note    | NSS | Ring, Wear (Note: Use Item 30)  |     |
| 11   | See Note    | NSS | Seal, Piston (Note: Use Item 30)  |     |
| 12   | See Note    | NSS | Ring, Wear (Note: Use Item 30)  |     |
| 13   | See Note    | NSS | O-Ring (Note: Use Item 30)  |     |
| 14   | See Note    | NSS | Ring, Back-up (Note: Use Item 30)   |     |
| 15   | 70006672    | 1   | Spacer  |     |
| 16   | 0961897     | 1   | Bushing, Tapered  |     |
| 17   | 3570775     | 1   | Plate   |     |
| 18   | 3340838     | 2   | Pad, Wear   |     |
| 19   | 4641033     | 1   | Valve Assembly (No serviceable parts - sold as assembly only)   |     |
| 19A  | 7024508     | 2   | O-Ring (Between Valve and Cylinder Barrel)  |     |
| 20   | 0630535     | 3   | Bolt 1/4 x 1-1/8  |     |
| 21   | 0641806     | 4   | Bolt 1/2 x 3/4  |     |
| 22   | 3931664     | 8   | Capscrew 3/8 x 4  |     |
| 23   | 3931448     | 4   | Capscrew 1/4 x 3  |     |
| 24   | 2220883     | 1   | Plug, O-Ring  |     |
| 25   | 2220885     | 1   | Plug, O-Ring  |     |
| 26   | 2220886     | 1   | Plug, O-Ring  |     |
| 30   | 1001149391  | 1   | Seal Kit (Includes Items 4-8 & 10-14)   |     |

# SECTION 5 - CYLINDER

## FIGURE 5-22. TELESCOPE CYLINDER ASSEMBLY - TOWER BOOM





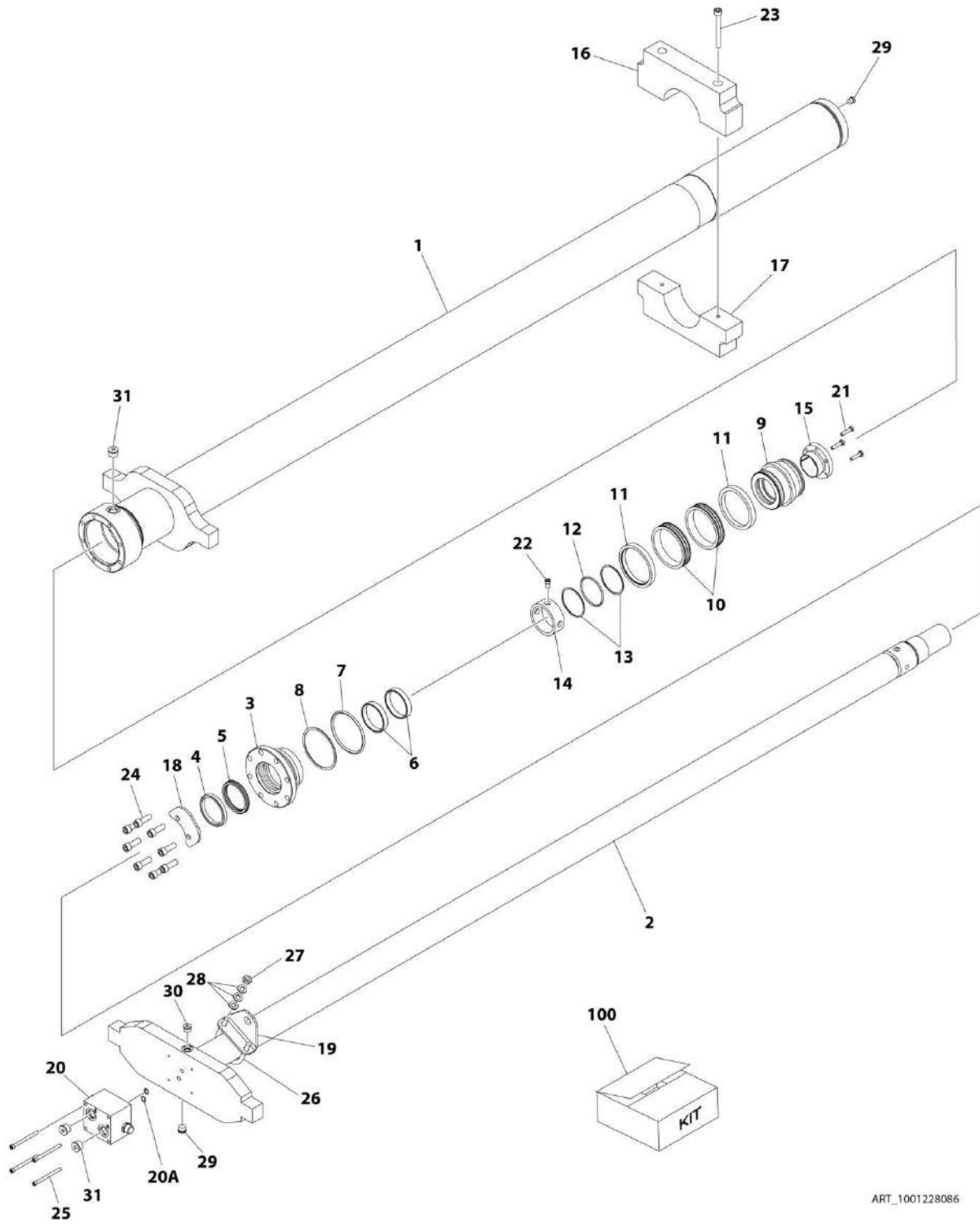
## SECTION 5 - CYLINDER

**FIGURE 5-22. TELESCOPE CYLINDER ASSEMBLY - TOWER BOOM**

| ITEM | PART NUMBER | QTY | DESCRIPTION   | REV |
|------|-------------|-----|---|-----|
|      |             | Ref | <b>TELESCOPE CYLINDER ASSEMBLY - TOWER BOOM</b>   |     |
|      | 1683606     | Ref | <b>Telescope Cylinder Assembly - Tower Boom (Original Equipment)</b>  | K   |
|      | 1001188840  | Ref | <b>Telescope Cylinder Assembly - Tower Boom (Service Replacement)</b>   | C   |
|      |             | Ref | Note: Original Cylinder may have been replaced with Service Replacement. Identify PN Stamped on Cylinder Before Ordering Parts. |     |
| 1    | 1683632     | 1   | Barrel Weldment   |     |
| 2    | 1683629     | 1   | Rod Weldment  |     |
| 3    | 3480211     | 1   | Piston  |     |
| 4    | 0961897     | 1   | Bushing, Tapered  |     |
| 5    | 0630535     | 3   | Bolt 1/4in-20NC x 1-1/8in   |     |
| 6    | 4567413     | 1   | Spacer, Tube  |     |
| 7    | 3931508     | 1   | Bolt, Socket Head 5/16in-18NC x 1/2in   |     |
| 9    | See Note    | NSS | Wiper (Note: Use Item 40)   |     |
| 10   | See Note    | NSS | Seal (Note: Use Item 40)  |     |
| 11   | See Note    | NSS | O-Ring (Note: Use Item 40)  |     |
| 12   | See Note    | NSS | Ring, Back-up (Note: Use Item 40)   |     |
| 13   | See Note    | NSS | Ring, Wear (Note: Use Item 40)  |     |
| 14   | See Note    | NSS | O-Ring (Note: Use Item 40)  |     |
| 15   | See Note    | NSS | Ring, Back-up (Note: Use Item 40)   |     |
| 16   | See Note    | NSS | Seal (Note: Use Item 40)  |     |
| 17   | See Note    | NSS | Ring, Lock (Note: Use Item 40)  |     |
| 18   | 2220886     | 1   | Plug, O-Ring  |     |
| 19   | 2220885     | 2   | Plug, O-Ring  |     |
| 20   | 1683061     | 1   | Head  |     |
| 21   | 3760370     | 1   | Ring, Washer  |     |
| 22   | 3340834     | 1   | Pad, Support  |     |
| 23   | 3340833     | 1   | Pad, Support  |     |
| 24   | 4711600     | 10  | Flatwasher 3/8in Narrow   |     |
| 25   | 0641652     | 2   | Bolt 3/8in-16NC x 6-1/2in   |     |
| 26   | 3271605     | 2   | Locknut 3/8in-16NC  |     |
| 27   | 3931720     | 2   | Capscrew 7/16in-14NC x 1-1/4in  |     |
| 28   | 0100038     | AR  | Primer, Locking   |     |
| 29   | 0100011     | AR  | Compound, Locking   |     |
| 30   | 2220883     | 1   | Plug, O-Ring  |     |
| 31   | 0100063     | AR  | Loctite #RC609  |     |
| 32   | 4641032     | 1   | Valve Assembly (No serviceable parts - sold as assembly only)   |     |
| 32A  | 7024397     | 2   | O-Ring  |     |
| 33   | 3931448     | 4   | Capscrew 1/4in-20NC   |     |
| 34   | 1320011     | 1   | Clamp   |     |
| 34   | 1001228506  | 1   | Bolt, U-Bolt (Use on p/n 1001188840)  |     |
| 35   | 3572604     | 1   | Plate, Proximity Switch Target  |     |
| 36   | 3572605     | 1   | Plate, Proximity Switch Mount   |     |
| 40   | 2901273     | 1   | Seal Kit (Includes Items 9-17)  |     |

# SECTION 5 - CYLINDER

FIGURE 5-23. TELESCOPE CYLINDER ASSEMBLY - TOWER BOOM (SERVICE REPLACEMENT)



ART\_1001228086

## SECTION 5 - CYLINDER

**FIGURE 5-23. TELESCOPE CYLINDER ASSEMBLY - TOWER BOOM (SERVICE REPLACEMENT)**

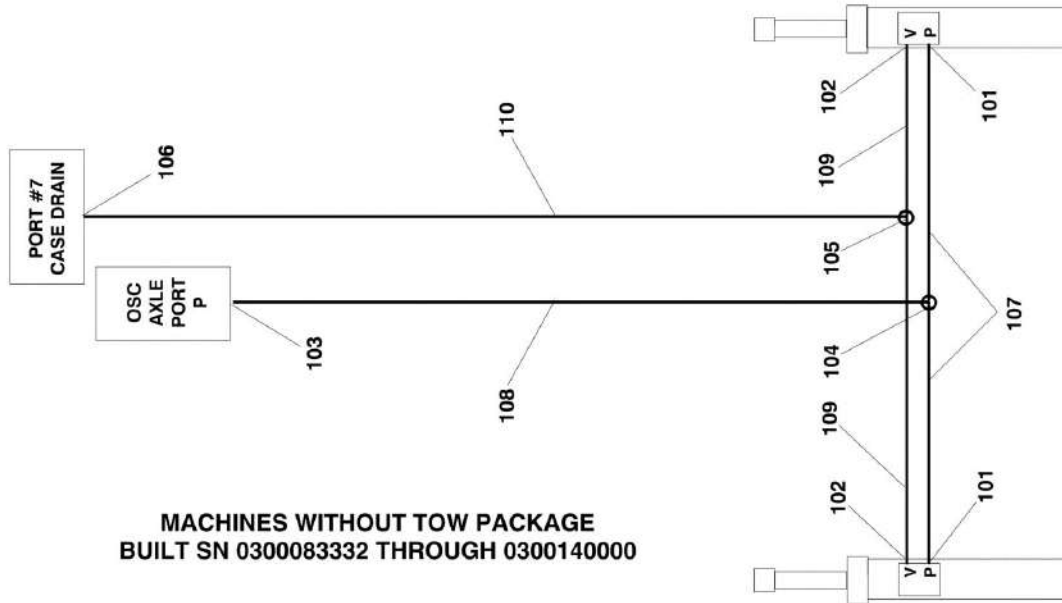
| ITEM | PART NUMBER | QTY | DESCRIPTION   | REV |
|------|-------------|-----|---|-----|
|      | 1001228086  | Ref | TELESCOPE CYLINDER ASSEMBLY   | B   |
|      |             | Ref | Note: Original Cylinder may have been replaced with Service Replacement. Identify PN Stamped on Cylinder Before Ordering Parts. |     |
| 1    | See Note    | NSS | Barrel (Note: Not Available for Purchase)   |     |
| 2    | 70006921    | 1   | Rod   |     |
| 3    | 70006480    | 1   | Head  |     |
| 4    | See Note    | NSS | Wiper (Note: Use Item 100)  |     |
| 5    | See Note    | NSS | Seal, Rod (Note: Use Item 100)  |     |
| 6    | See Note    | NSS | Ring, Wear (Note: Use Item 100)   |     |
| 7    | See Note    | NSS | O-Ring (Note: Use Item 100)   |     |
| 8    | See Note    | NSS | Ring, Back-up (Note: Use Item 100)  |     |
| 9    | 70006479    | 1   | Piston  |     |
| 10   | See Note    | NSS | Seal, Piston (Note: Use Item 100)   |     |
| 11   | See Note    | NSS | Ring, Lock (Note: use Item 100)   |     |
| 12   | See Note    | NSS | O-Ring (Note: Use Item 100)   |     |
| 13   | See Note    | NSS | Ring, Back-up (Note: Use Item 100)  |     |
| 14   | 70006922    | 1   | Spacer  |     |
| 15   | 0961897     | 1   | Bushing, Tapered  |     |
| 16   | 70006923    | 1   | Pad, Wear   |     |
| 17   | 70006924    | 1   | Pad, Wear   |     |
| 18   | 70006925    | 1   | Plate   |     |
| 19   | 70006926    | 1   | Plate   |     |
| 20   | 4641032     | 1   | Valve Assembly (No serviceable parts - sold as assembly only)   |     |
| 20A  | 7024397     | 2   | O-Ring (Between Valve and Cylinder Barrel)  |     |
| 21   | 0630535     | 3   | Bolt 1/4 x 1-1/8  |     |
| 22   | 70006731    | 1   | Bolt  |     |
| 23   | 70006927    | 2   | Bolt M10  |     |
| 24   | 70006728    | 8   | Bolt 7/16   |     |
| 25   | 70006733    | 4   | Bolt M8   |     |
| 26   | 70006928    | 1   | U-Bolt M10  |     |
| 27   | 70005594    | 2   | Nut M10   |     |
| 28   | 70006344    | 6   | Washer M10  |     |
| 29   | 2220883     | 2   | Plug, O-Ring  |     |
| 30   | 2220885     | 1   | Plug, O-Ring  |     |
| 31   | 2220886     | 3   | Plug, O-Ring  |     |
| 100  | 1001188842  | 1   | Seal Kit - 1001228086 Cylinder (Includes Items 4-8 & 10-13)   |     |



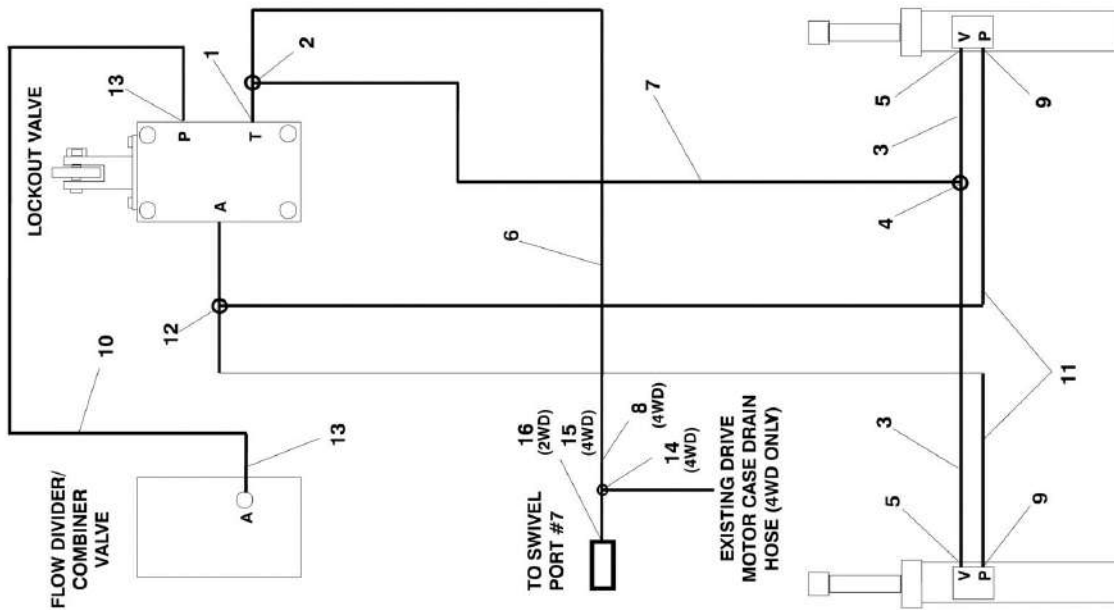
**SECTION 6 - HYDRAULIC**

# SECTION 6 - HYDRAULIC

## FIGURE 6-1. AXLE LOCKOUT HYDRAULIC DIAGRAM



**ALL MACHINES BUILT SN 0300069000 THROUGH 0300083331 AND  
MACHINES WITH TOW PACKAGE BUILT SN 0300083332 THROUGH 0300140000**



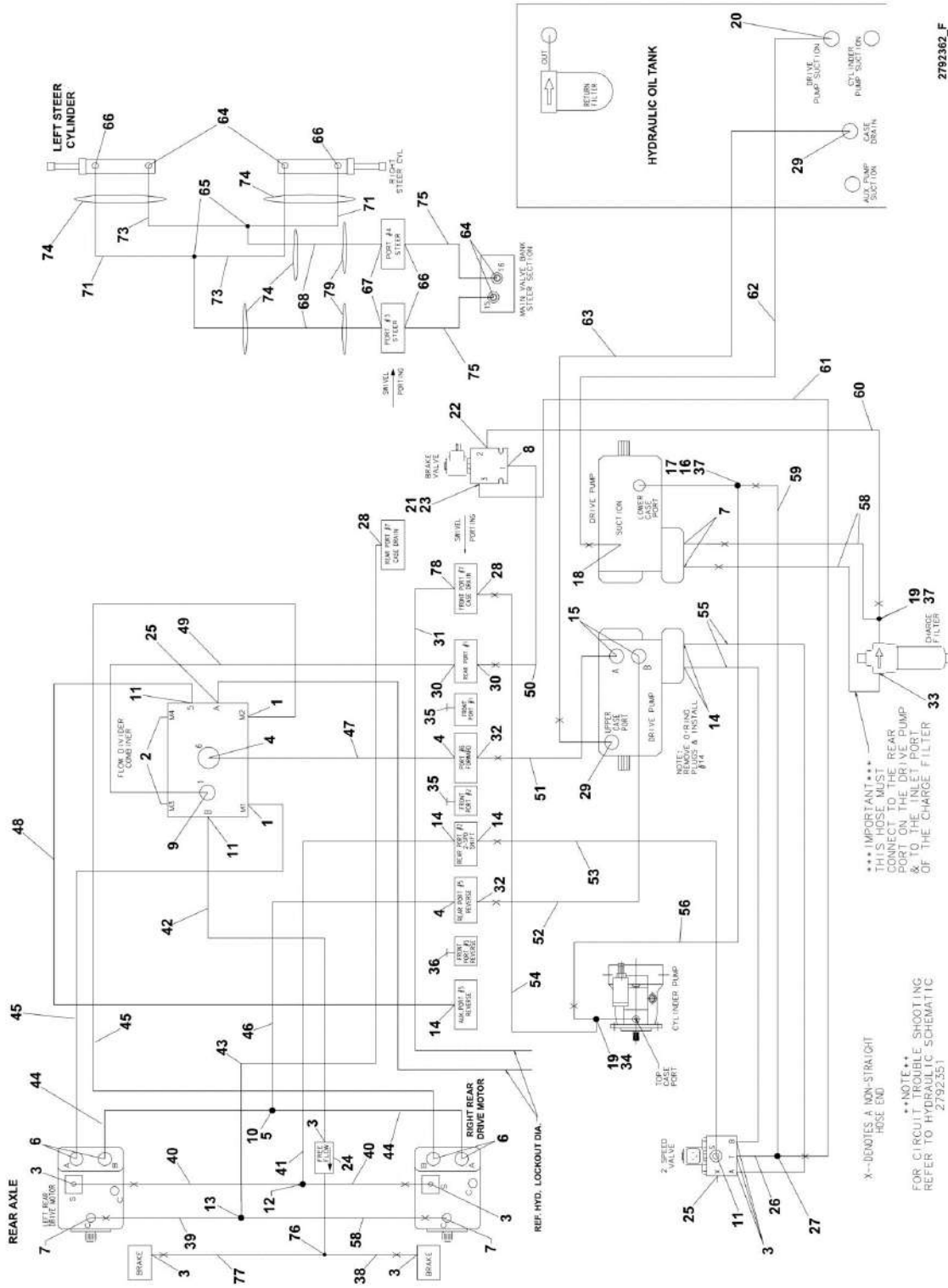
## SECTION 6 - HYDRAULIC

### FIGURE 6-1. AXLE LOCKOUT HYDRAULIC DIAGRAM

| ITEM | PART NUMBER | QTY | DESCRIPTION   | REV |
|------|-------------|-----|---|-----|
|      | 2792367     | Ref | <b>AXLE LOCKOUT HYDRAULIC DIAGRAM</b>   | 2-B |
|      |             | Ref | <b>Note: Use for All Machines Built SN 0300069000 through SN 0300083331 and Machines with Tow Package Built SN 0300083332 through SN 0300140000</b> |     |
| 1    | 2220603     | 1   | Fitting, Straight   |     |
| 2    | 2220635     | 1   | Fitting, Tee  |     |
| 3    | 2750920     | 2   | Hose  |     |
| 4    | 2220490     | 1   | Fitting, Tee  |     |
| 5    | 2220371     | 2   | Fitting, Straight   |     |
| 6    | 2752648     | 1   | Hose  |     |
| 7    | 2752611     | 1   | Hose  |     |
| 8    | 2220619     | 1   | Fitting, Reducer  |     |
| 9    | 2220582     | 2   | Fitting, Straight   |     |
| 10   | 2750760     | 1   | Hose  |     |
| 11   | 2751906     | 2   | Hose  |     |
| 12   | 2220711     | 1   | Fitting, Tee  |     |
| 13   | 2220415     | 2   | Fitting, Straight   |     |
| 14   | 2220602     | 1   | Fitting, Tee  |     |
| 15   | 2220811     | 1   | Fitting, Reducer  |     |
| 16   | 2220577     | 1   | Fitting, Straight   |     |
|      | 2792648     | Ref | <b>AXLE LOCKOUT HYDRAULIC DIAGRAM</b>   | 3   |
|      |             | Ref | <b>Note: Machines without Tow Package Built SN 0300083332 through SN 0300140000</b>   |     |
| 101  | 2110406     | 2   | Fitting, Straight   |     |
| 102  | 2110606     | 2   | Fitting, Straight   |     |
| 103  | 2110408     | 1   | Fitting, Straight   |     |
| 104  | 2170504     | 1   | Fitting, Tee  |     |
| 105  | 2170506     | 1   | Fitting, Tee  |     |
| 106  | 2170406     | 1   | Fitting, Tee (SN 0300069000 through 0300097962)   |     |
| 107  | 2753629     | 2   | Hose  |     |
| 108  | 2753630     | 1   | Hose  |     |
| 109  | 2753624     | 2   | Hose  |     |
| 110  | 2753627     | 1   | Hose  |     |

# SECTION 6 - HYDRAULIC

## FIGURE 6-2. DRIVE HYDRAULIC DIAGRAM - 2WD (SN 0300069000 through 0300083331)



2792362\_F



## SECTION 6 - HYDRAULIC

**FIGURE 6-2. DRIVE HYDRAULIC DIAGRAM - 2WD (SN 0300069000 through 0300083331)**

| ITEM | PART NUMBER | QTY | DESCRIPTION                          | REV |
|------|-------------|-----|--------------------------------------|-----|
|      | 2792362     | Ref | <b>DRIVE HYDRAULIC DIAGRAM - 2WD</b> | 8-F |
| 1    | 2220498     | 2   | Fitting, Elbow                       |     |
| 2    | 2220240     | 2   | Fitting, Plug                        |     |
| 3    | 2220415     | 8   | Fitting, Straight                    |     |
| 4    | 2220365     | 3   | Fitting, Elbow                       |     |
| 5    | 2220710     | 1   | Fitting, Reducer                     |     |
| 6    | 2220465     | 4   | Fitting, Elbow                       |     |
| 7    | 2220374     | 4   | Fitting, Straight                    |     |
| 8    | 2220373     | 1   | Fitting, Straight                    |     |
| 9    | 2220500     | 1   | Fitting, Elbow                       |     |
| 10   | 2220363     | 1   | Fitting, Tee                         |     |
| 11   | 2220466     | 3   | Fitting, Elbow                       |     |
| 12   | 2220504     | 1   | Fitting, Tee                         |     |
| 13   | 2220362     | 1   | Fitting, Tee                         |     |
| 14   | 2220582     | 5   | Fitting, Straight                    |     |
| 15   | 2220646     | 2   | Fitting, Elbow                       |     |
| 16   | 2220999     | 1   | Fitting, Tee                         |     |
| 17   | 2220618     | 1   | Fitting, Reducer                     |     |
| 18   | 2220479     | 1   | Fitting, Straight                    |     |
| 19   | 2220602     | 2   | Fitting, Tee                         |     |
| 20   | 2220380     | 1   | Fitting, Straight                    |     |
| 21   | 2220609     | 1   | Fitting, Reducer                     |     |
| 22   | 2220596     | 1   | Fitting, Elbow                       |     |
| 23   | 2220628     | 1   | Fitting, Elbow                       |     |
| 24   | 4641076     | 1   | Valve, Restrictor (.021)             |     |
| 25   | 2220235     | 2   | Fitting, Plug                        |     |
| 26   | 2221029     | 1   | Fitting, Orifice (.031)              |     |
| 27   | 2220605     | 1   | Fitting, Tee                         |     |
| 28   | 2220375     | 2   | Fitting, Straight                    |     |
| 29   | 2220451     | 2   | Fitting, Straight                    |     |
| 30   | 2220600     | 2   | Fitting, Straight                    |     |
| 31   | 2220516     | 1   | Fitting, Cap                         |     |
| 32   | 2220377     | 2   | Fitting, Straight                    |     |
| 33   | 2220366     | 1   | Fitting, Elbow                       |     |
| 34   | 2220810     | 1   | Fitting, Straight                    |     |
| 35   | 2220237     | 2   | Fitting, Plug                        |     |
| 36   | 2220242     | 1   | Fitting, Plug                        |     |
| 37   | 2220811     | 2   | Fitting, Straight                    |     |
| 38   | 2752575     | 1   | Hose                                 |     |
| 39   | 2752514     | 1   | Hose                                 |     |
| 40   | 2753036     | 2   | Hose                                 |     |
| 41   | 2751011     | 1   | Hose                                 |     |
| 42   | 2752977     | 1   | Hose                                 |     |
| 43   | 2752518     | 1   | Hose                                 |     |
| 44   | 2752265     | 2   | Hose                                 |     |
| 45   | 2752266     | 2   | Hose                                 |     |
| 46   | 2752345     | 1   | Hose                                 |     |
| 47   | 2752363     | 1   | Hose                                 |     |
| 48   | 2751017     | 1   | Hose                                 |     |
| 49   | 2752498     | 1   | Hose                                 |     |

## SECTION 6 - HYDRAULIC

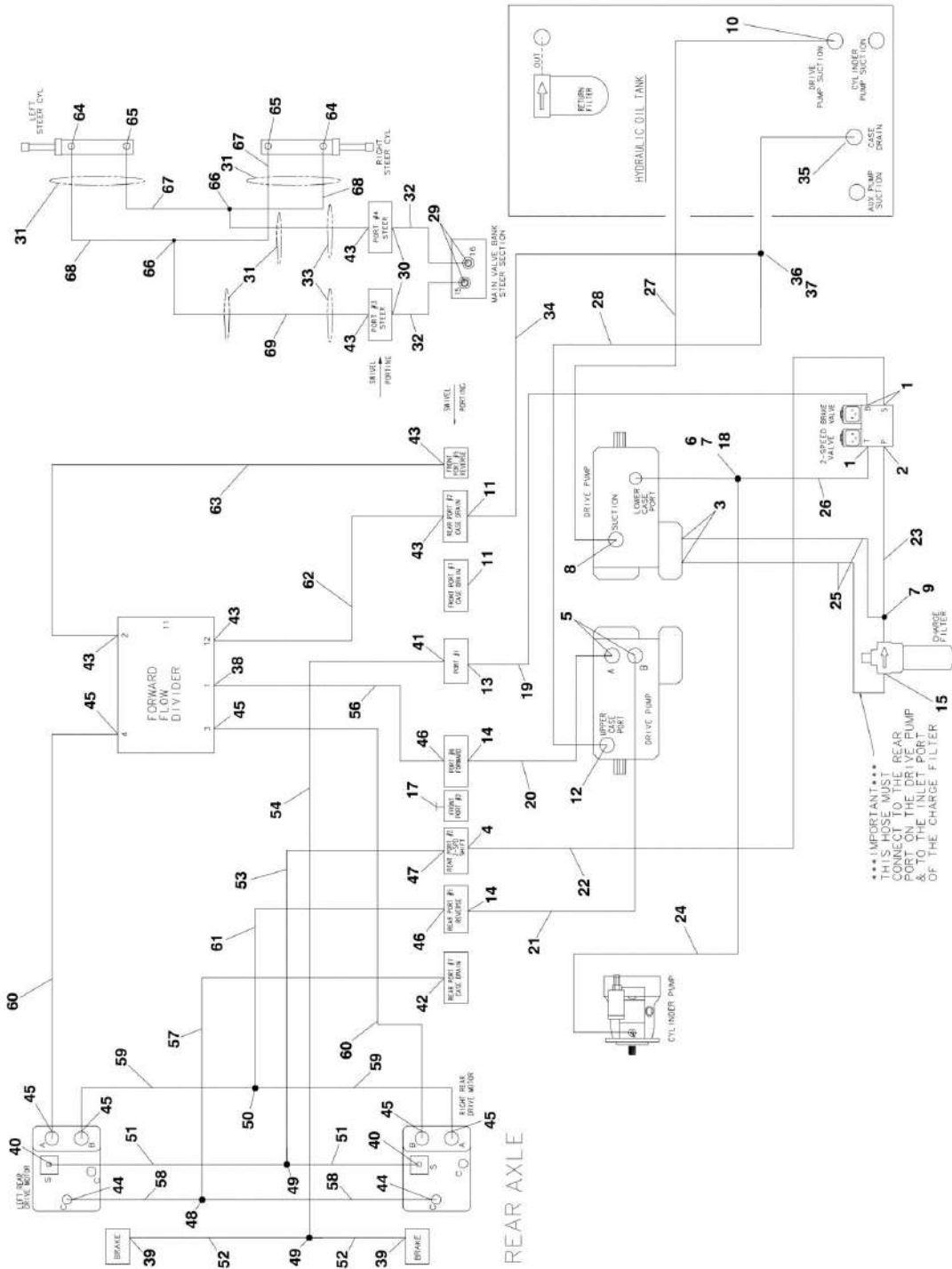
| ITEM | PART NUMBER | QTY | DESCRIPTION                        | REV |
|------|-------------|-----|------------------------------------|-----|
| 50   | 2751500     | 1   | Hose                               |     |
| 51   | 2752365     | 1   | Hose                               |     |
| 52   | 2752366     | 1   | Hose                               |     |
| 53   | 2751399     | 1   | Hose                               |     |
| 54   | 2753417     | 1   | Hose                               |     |
| 55   | 2751397     | 2   | Hose                               |     |
| 56   | 2752942     | 1   | Hose                               |     |
| 58   | 2752494     | 3   | Hose                               |     |
| 59   | 2752453     | 1   | Hose                               |     |
| 60   | 2752514     | 1   | Hose                               |     |
| 61   | 2752573     | 1   | Hose                               |     |
| 62   | 2752754     | 1   | Hose                               |     |
| 63   | 2752673     | 1   | Hose                               |     |
| 64   | 2220501     | 4   | Fitting, Elbow                     |     |
| 65   | 2220490     | 2   | Fitting, Tee                       |     |
| 66   | 2220473     | 2   | Fitting, Elbow                     |     |
| 67   | 2220371     | 2   | Fitting, Straight                  |     |
| 68   | 2753117     | 2   | Hose                               |     |
| 71   | 2753087     | 2   | Hose                               |     |
| 73   | 2752648     | 2   | Hose                               |     |
| 74   | 4100058     | 4   | Sleeve, Nylon (12in/30.5cm Pieces) |     |
| 75   | 2752489     | 2   | Hose                               |     |
| 76   | 2220711     | 1   | Fitting, Tee                       |     |
| 77   | 2752581     | 1   | Hose                               |     |
| 78   | 2220577     | 1   | Fitting, Straight                  |     |
| 79   | 4100059     | 2   | Sleeve, Nylon (8in/20cm Pieces)    |     |



# SECTION 6 - HYDRAULIC

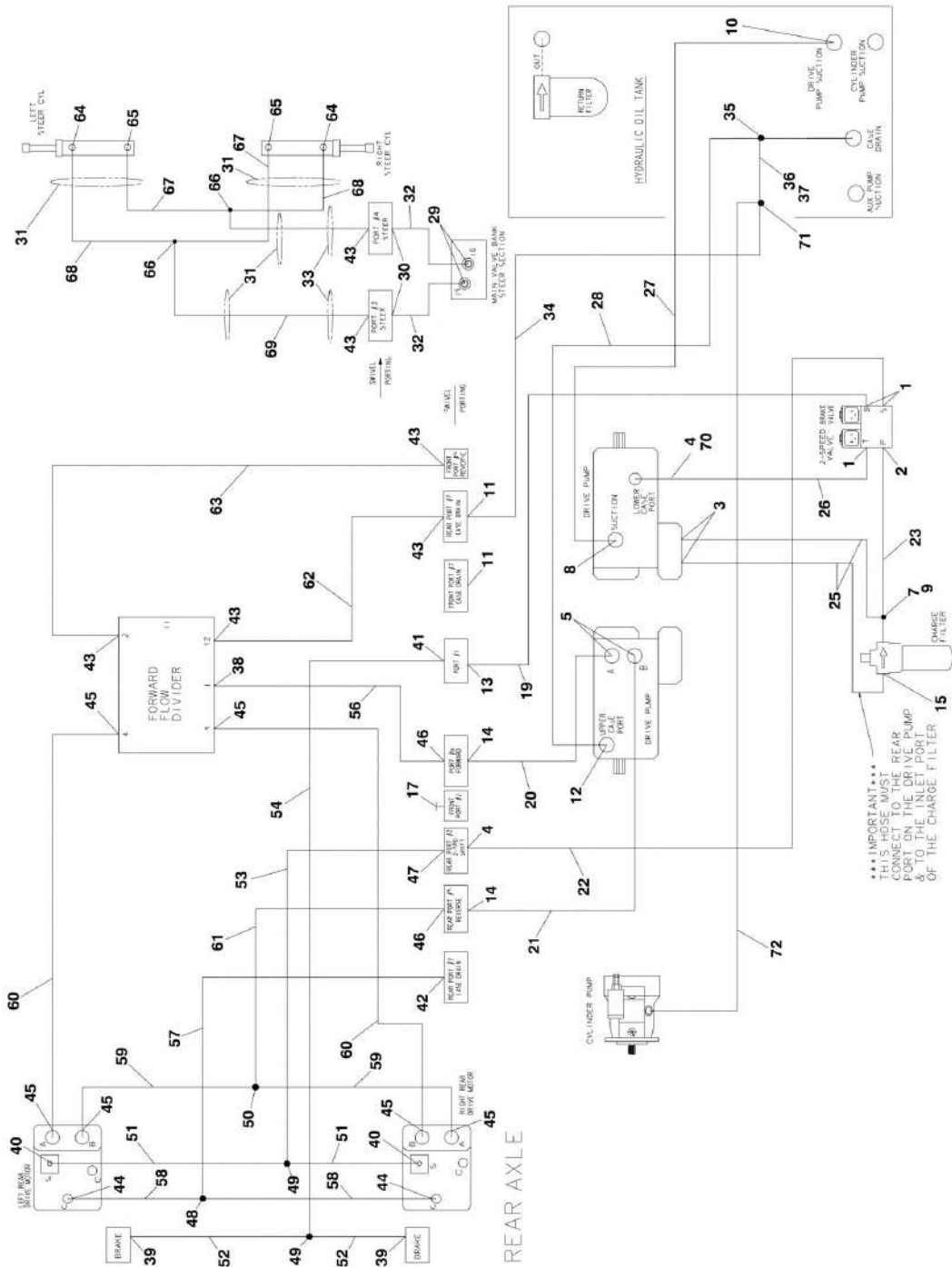
## FIGURE 6-3. DRIVE HYDRAULIC DIAGRAM - 2WD (SN 0300083332 through 0300140000)

(SN 0300083332 THROUGH SN 0300121642 W/REXROTH LOAD SENSING PUMP)



# SECTION 6 - HYDRAULIC

(SN 0300121643 THROUGH SN 0300140000 W/SAUER DANFOSS LOAD SENSING PUMP)



# SECTION 6 - HYDRAULIC

FIGURE 6-3. DRIVE HYDRAULIC DIAGRAM - 2WD (SN 0300083332 through 0300140000)

| ITEM | PART NUMBER | QTY | DESCRIPTION   | REV |
|------|-------------|-----|---|-----|
|      |             | Ref | <b>DRIVE HYDRAULIC DIAGRAM - 2WD</b>  |     |
|      | 2792693     | Ref | <b>Drive Hydraulic Diagram - 2WD (SN 0300083332 through 0300087265)</b>                                   | 4-D |
|      | 2792712     | Ref | <b>Drive Hydraulic Diagram - 2WD (SN 0300087266 through 0300140000)</b>                                   | 8-G |
| 1    | 2220466     | 3   | Fitting, Elbow  |     |
| 2    | 2220940     | 1   | Fitting, Elbow  |     |
| 3    |             | Ref | Fitting, Straight Options:  |     |
| 3    | 2220374     | 2   | Fitting, Straight ( <b>SN 0300083332 through 0300103804</b> )   |     |
| 3    | See Note    | 2   | Fitting, Straight (Note: See TURNTABLE SECTION for Breakdown) ( <b>SN 0300103805 through 0300140000</b> ) |     |
| 4    | 2220582     | AR  | Fitting, Straight   |     |
| 5    |             | Ref | Fitting, Elbow Options:   |     |
| 5    | 2220646     | 2   | Fitting, Elbow ( <b>SN 0300083332 through 0300103804</b> )  |     |
| 5    | See Note    | 2   | Fitting, Elbow (Note: See TURNTABLE SECTION for Breakdown) ( <b>SN 0300103805 through 0300140000</b> )    |     |
| 6    | 2220999     | 1   | Fitting, Tee ( <b>SN 0300083332 through 0300121643</b> )  |     |
| 7    | 2220618     | Ref | Fitting, Straight Options:  |     |
| 7    | 2220618     | 1   | Fitting, Straight ( <b>SN 0300083332 through 0300085468</b> )   |     |
| 7    | 2220618     | 2   | Fitting, Straight ( <b>SN 0300085469 through 0300121642</b> )   |     |
| 7    | 2220618     | 1   | Fitting, Straight ( <b>SN 0300121643 through 0300140000</b> )   |     |
| 8    |             | Ref | Fitting, Straight Options:  |     |
| 8    | 2220479     | 1   | Fitting, Straight ( <b>SN 0300083332 through 0300103804</b> )   |     |
| 8    | See Note    | 1   | Fitting, Straight (Note: See TURNTABLE SECTION for Breakdown) ( <b>SN 0300103805 through 0300140000</b> ) |     |
| 9    | 2220602     | Ref | Fitting, Tee Options:   |     |
| 9    | 2220602     | 2   | Fitting, Tee ( <b>SN 0300083332 through 0300085468</b> )  |     |
| 9    | 2220602     | 1   | Fitting, Tee ( <b>SN 0300085469 through 0300140000</b> )  |     |
| 10   | 2220380     | 1   | Fitting, Straight   |     |
| 11   | 2220375     | Ref | Fitting, Straight Options:  |     |
| 11   | 2220375     | 2   | Fitting, Straight ( <b>SN 0300083332 through 0300085468</b> )   |     |
| 11   | 2220375     | 1   | Fitting, Straight ( <b>SN 0300085469 through 0300140000</b> )   |     |
| 12   |             | Ref | Fitting, Straight Options:  |     |
| 12   | 2220451     | 1   | Fitting, Straight ( <b>SN 0300083332 through 0300103804</b> )   |     |
| 12   | See Note    | 1   | Fitting, Straight (Note: See TURNTABLE SECTION for Breakdown) ( <b>SN 0300103805 through 0300140000</b> ) |     |
| 13   | 2220468     | 1   | Fitting, Straight   |     |
| 14   | 2220377     | 2   | Fitting, Straight   |     |
| 15   |             | Ref | Fitting, Elbow Options:   |     |
| 15   | 2220366     | 1   | Fitting, Elbow ( <b>SN 0300083332 through 0300085468</b> )  |     |
| 15   | 2220596     | 1   | Fitting, Elbow ( <b>SN 0300085469 through 0300140000</b> )  |     |
| 16   | 2220810     | 1   | Fitting, Straight Only ( <b>SN 0300083332 through 0300085469</b> )  |     |
| 17   | 2220237     | 2   | Fitting, Plug   |     |
| 18   | 2220811     | Ref | Fitting, Straight Options:  |     |
| 18   | 2220811     | 2   | Fitting, Straight ( <b>SN 0300083332 through 0300085468</b> )   |     |
| 18   | 2220811     | 1   | Fitting, Straight ( <b>SN 0300085469 through 0300103805</b> )   |     |
| 19   | 2752997     | 1   | Hose  |     |
| 20   |             | Ref | Hose Options:   |     |
| 20   | 2752365     | 1   | Hose ( <b>SN 0300083332 through 0300137325</b> )  |     |
| 20   | 1001110032  | 1   | Hose ( <b>SN 0300137326 through 0300140000</b> )  |     |
| 21   |             | Ref | Hose Options:   |     |

## SECTION 6 - HYDRAULIC

| ITEM | PART NUMBER | QTY | DESCRIPTION  | REV |
|------|-------------|-----|--|-----|
| 21   | 2752366     | 1   | Hose (SN 0300083332 through 0300137325)                  |     |
| 21   | 1001110033  | 1   | Hose (SN 0300137326 through 0300140000)                  |     |
| 22   | 2751399     | 1   | Hose   |     |
| 23   |             | Ref | Hose Options:  |     |
| 23   | 2753417     | 1   | Hose Only (SN 0300083332 through 0300085469)             |     |
| 23   | 2752434     | 1   | Hose (SN 0300088934 through 0300140000)                  |     |
| 24   | 2752942     | 1   | Hose (SN 0300069000 through 0300121643)                  |     |
| 25   | 2752494     | 2   | Hose   |     |
| 26   | 2752453     | 1   | Hose   |     |
| 27   | 2752754     | 1   | Hose   |     |
| 28   | 2752673     | 1   | Hose   |     |
| 29   | 2220501     | 2   | Fitting, Elbow   |     |
| 30   | 2220473     | 2   | Fitting, Elbow   |     |
| 31   | 4100058     | 4   | Sleeve, Nylon (12 in) (SN 0300083332 through 0300099884) |     |
| 32   | 2752489     | 2   | Hose   |     |
| 33   | 4100059     | 2   | Sleeve, Nylon (8 in) (SN 0300083332 through 0300099884)  |     |
| 34   | 2751500     | 1   | Hose   |     |
| 35   | 2220738     | 1   | Fitting, Straight  |     |
| 36   | 2220386     | 1   | Fitting, Elbow   |     |
| 37   | 2220622     | 1   | Fitting, Reducer   |     |
| 38   |             | Ref | Fitting Options:   |     |
| 38   | 2111616     | 1   | Straight Fitting (SN 0300083332 through 0300085468)      |     |
| 38   | 2151616     | 1   | Elbow Fitting (SN 0300085469 through 0300140000)         |     |
| 39   | 2110404     | 2   | Fitting, Straight  |     |
| 40   | 2110406     | 2   | Fitting, Straight  |     |
| 41   | 2110408     | 1   | Fitting, Straight  |     |
| 42   | 2130808     | 1   | Fitting, Elbow   |     |
| 43   | 2110606     | 6   | Fitting, Straight  |     |
| 44   | 2110808     | 2   | Fitting, Straight  |     |
| 45   | 2111212     | 6   | Fitting, Straight  |     |
| 46   | 2111616     | 2   | Fitting, Straight  |     |
| 47   | 2150406     | 1   | Fitting, Elbow   |     |
| 48   | 2170508     | 1   | Fitting, Tee   |     |
| 49   | 2170504     | 2   | Fitting, Tee   |     |
| 50   | 2170516     | 1   | Fitting, Tee   |     |
| 51   | 2754401     | 2   | Hose   |     |
| 52   | 2753725     | 2   | Hose   |     |
| 53   | 2753550     | 1   | Hose   |     |
| 54   | 2753622     | 1   | Hose   |     |
| 56   | 2753635     | 1   | Hose   |     |
| 57   | 2753685     | 1   | Hose   |     |
| 58   | 2754240     | 2   | Hose   |     |
| 59   | 2754238     | 2   | Hose   |     |
| 60   | 2753688     | 2   | Hose   |     |
| 61   | 2754402     | 1   | Hose   |     |
| 62   | 2754242     | 1   | Hose   |     |
| 63   | 2754243     | 1   | Hose   |     |
| 64   | 2130606     | 5   | Fitting, Elbow   |     |
| 65   | 2150606     | 2   | Fitting, Elbow   |     |
| 66   | 2170506     | 2   | Fitting, Tee   |     |
| 67   | 2753625     | 2   | Hose   |     |

## SECTION 6 - HYDRAULIC

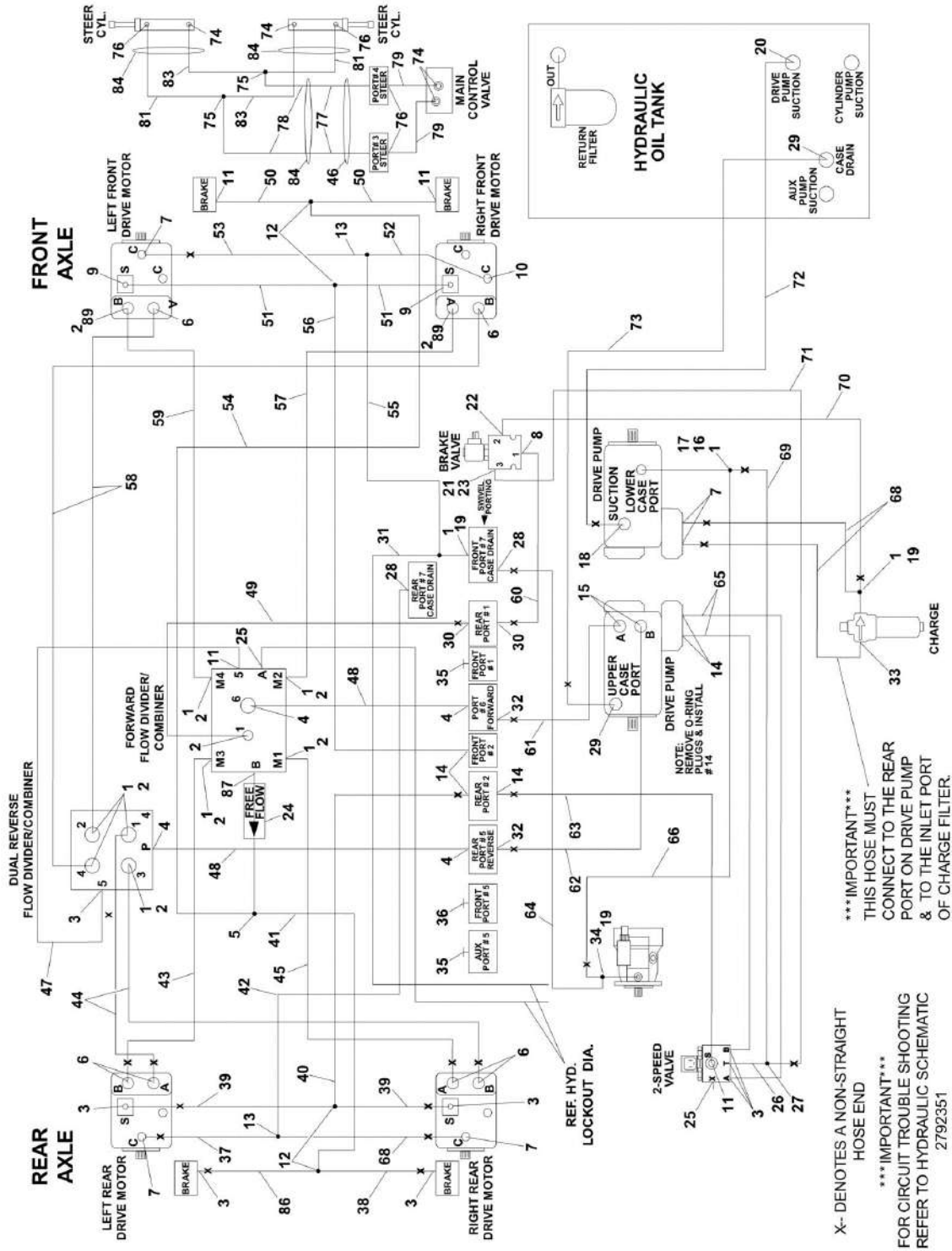
| ITEM | PART NUMBER | QTY | DESCRIPTION   | REV |
|------|-------------|-----|---|-----|
| 68   | 2753626     | 2   | Hose  |     |
| 69   | 2753627     | 2   | Hose  |     |
| 70   | 2220221     | 1   | Fitting, Reducer (SN 0300121643 through 0300138514) |     |
| 71   | 2220385     | 1   | Fitting, Tee (SN 0300121643 through 0300140000)     |     |
| 72   | 2752934     | 1   | Hose (SN 0300121643 through 0300140000)             |     |





# SECTION 6 - HYDRAULIC

FIGURE 6-4. DRIVE HYDRAULIC DIAGRAM - 4WD/2WS (SN 0300069000 through 0300083331)



## SECTION 6 - HYDRAULIC

**FIGURE 6-4. DRIVE HYDRAULIC DIAGRAM - 4WD/2WS (SN 0300069000 through 0300083331)**

| ITEM | PART NUMBER | QTY | DESCRIPTION                          | REV  |
|------|-------------|-----|--------------------------------------|------|
|      | 2792363     | Ref | <b>DRIVE HYDRAULIC DIAGRAM - 4WD</b> | 12-J |
| 1    | 2220811     | 11  | Fitting, Reducer                     |      |
| 2    | 2220500     | 11  | Fitting, Elbow                       |      |
| 3    | 2220415     | 8   | Fitting, Straight                    |      |
| 4    | 2220365     | 4   | Fitting, Elbow                       |      |
| 5    | 2220711     | 1   | Fitting, Tee                         |      |
| 6    | 2220800     | 6   | Fitting, Straight                    |      |
| 7    | 2220374     | 5   | Fitting, Straight                    |      |
| 8    | 2220373     | 1   | Fitting, Straight                    |      |
| 9    | 2220502     | 2   | Fitting, Elbow                       |      |
| 10   | 2220499     | 1   | Fitting, Elbow                       |      |
| 11   | 2220466     | 4   | Fitting, Elbow                       |      |
| 12   | 2220504     | 4   | Fitting, Tee                         |      |
| 13   | 2220362     | 2   | Fitting, Tee                         |      |
| 14   | 2220582     | 5   | Fitting, Straight                    |      |
| 15   | 2220646     | 2   | Fitting, Elbow                       |      |
| 16   | 2220999     | 1   | Fitting, Tee                         |      |
| 17   | 2220618     | 1   | Fitting, Reducer                     |      |
| 18   | 2220479     | 1   | Fitting, Straight                    |      |
| 19   | 2220602     | 3   | Fitting, Tee                         |      |
| 20   | 2220380     | 1   | Fitting, Straight                    |      |
| 21   | 2220609     | 1   | Fitting, Reducer                     |      |
| 22   | 2220596     | 1   | Fitting, Elbow                       |      |
| 23   | 2220628     | 1   | Fitting, Elbow                       |      |
| 24   | 4640778     | 1   | Valve, Restrictor (.030)             |      |
| 25   | 2220235     | 2   | Fitting, Plug                        |      |
| 26   | 2221029     | 1   | Fitting, Orifice (.031)              |      |
| 27   | 2220605     | 1   | Fitting, Tee                         |      |
| 28   | 2220375     | 2   | Fitting, Straight                    |      |
| 29   | 2220451     | 2   | Fitting, Straight                    |      |
| 30   | 2220600     | 2   | Fitting, Straight                    |      |
| 31   | 2220517     | 1   | Fitting, Cap                         |      |
| 32   | 2220377     | 2   | Fitting, Straight                    |      |
| 33   | 2220366     | 1   | Fitting, Elbow                       |      |
| 34   | 2220810     | 1   | Fitting, Reducer                     |      |
| 35   | 2220237     | 2   | Fitting, Plug                        |      |
| 36   | 2220242     | 1   | Fitting, Plug                        |      |
| 37   | 2752514     | 1   | Hose                                 |      |
| 38   | 2752575     | 1   | Hose                                 |      |
| 39   | 2753036     | 2   | Hose                                 |      |
| 40   | 2751011     | 1   | Hose                                 |      |
| 41   | 2752977     | 1   | Hose                                 |      |
| 42   | 2752518     | 1   | Hose                                 |      |
| 43   | 2753155     | 1   | Hose                                 |      |
| 44   | 2753161     | 2   | Hose                                 |      |
| 45   | 2753162     | 1   | Hose                                 |      |
| 46   | 4100059     | 2   | Sleeve, Nylon (8in/20cm Pieces)      |      |
| 47   | 2751017     | 1   | Hose                                 |      |
| 48   | 2752363     | 2   | Hose                                 |      |
| 49   | 2752498     | 1   | Hose                                 |      |

## SECTION 6 - HYDRAULIC

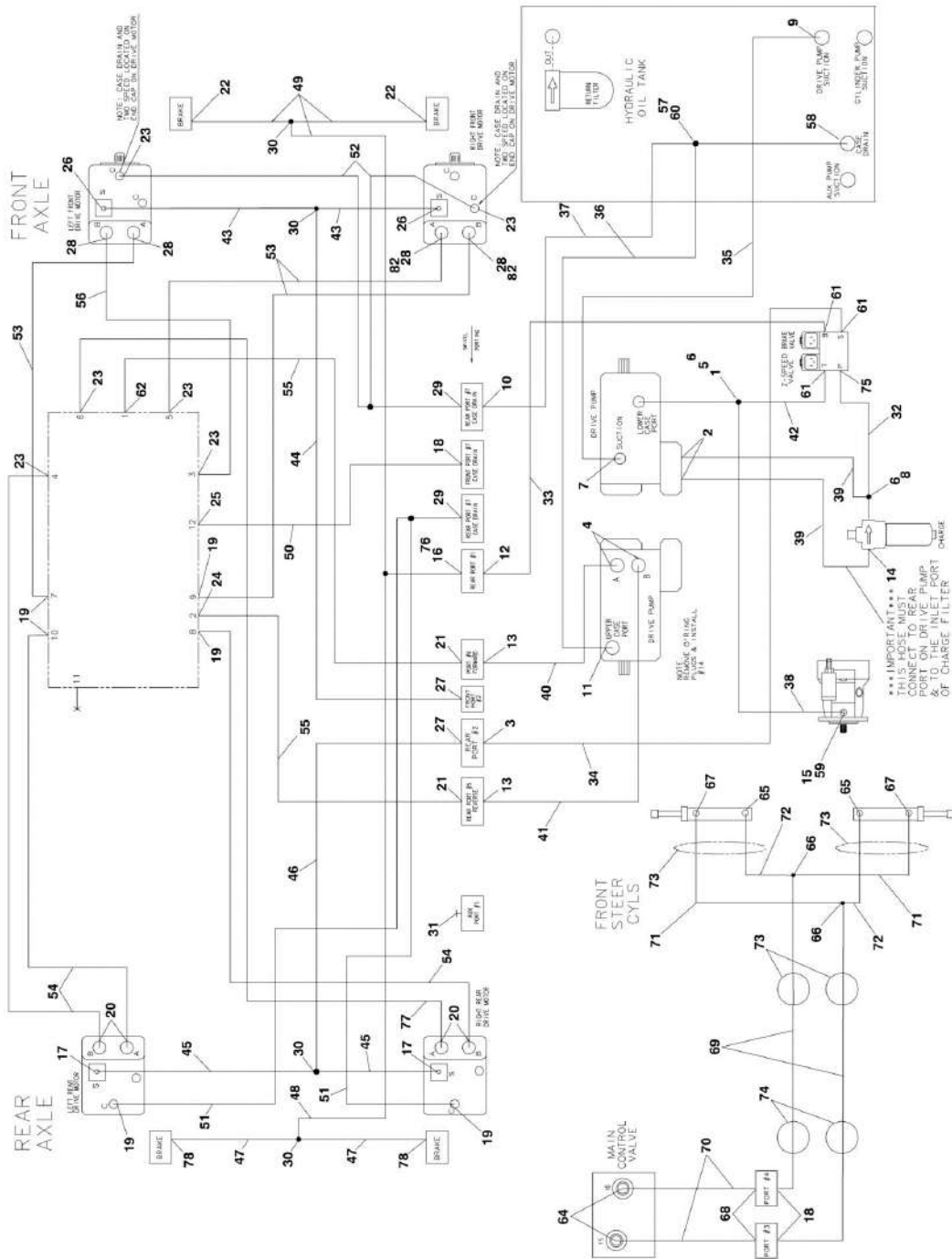
| ITEM | PART NUMBER | QTY | DESCRIPTION                                      | REV |
|------|-------------|-----|--|-----|
| 50   | 2752592     | 2   | Hose   |     |
| 51   | 2753035     | 2   | Hose   |     |
| 52   | 2752516     | 1   | Hose   |     |
| 53   | 2752514     | 1   | Hose   |     |
| 54   | 2752591     | 1   | Hose   |     |
| 55   | 2752949     | 1   | Hose   |     |
| 56   | 2751906     | 1   | Hose   |     |
| 57   | 2753157     | 1   | Hose   |     |
| 58   | 2753158     | 2   | Hose   |     |
| 59   | 2753159     | 1   | Hose   |     |
| 60   | 2751500     | 1   | Hose   |     |
| 61   | 2752365     | 1   | Hose   |     |
| 62   | 2752366     | 1   | Hose   |     |
| 63   | 2751399     | 1   | Hose   |     |
| 64   | 2753417     | 1   | Hose   |     |
| 65   | 2751397     | 2   | Hose   |     |
| 66   | 2752942     | 1   | Hose   |     |
| 68   | 2752494     | 3   | Hose   |     |
| 69   | 2752453     | 1   | Hose   |     |
| 70   | 2752514     | 1   | Hose   |     |
| 71   | 2752573     | 1   | Hose   |     |
| 72   | 2752754     | 1   | Hose   |     |
| 73   | 2752673     | 1   | Hose   |     |
| 74   | 2220501     | 4   | Fitting, Elbow                                   |     |
| 75   | 2220490     | 2   | Fitting, Tee                                     |     |
| 76   | 2220473     | 4   | Fitting, Elbow                                   |     |
| 77   | 2220371     | 2   | Fitting, Straight                                |     |
| 78   | 2753117     | 2   | Hose   |     |
| 79   | 2752489     | 2   | Hose   |     |
| 81   | 2753087     | 2   | Hose   |     |
| 83   | 2752648     | 2   | Hose   |     |
| 84   | 4100058     | 4   | Sleeve, Nylon (12in/30.5cm Pieces)               |     |
| 86   | 2752581     | 1   | Hose   |     |
| 87   | 2221030     | 1   | Fitting, Nipple                                  |     |
| 89   | 2220833     | 2   | Fitting, Reducer                                 |     |
| 90   | 4100051     | 1   | Sleeve, Nylon (SN 0300069000 through 0300071678) |     |



# SECTION 6 - HYDRAULIC

## FIGURE 6-5. DRIVE HYDRAULIC DIAGRAM - 4WD/2WS (SN 0300083332 through 0300140000)

(SN 0300083332 THROUGH SN 0300121642 W/REXROTH LOAD SENSING PUMP)





## SECTION 6 - HYDRAULIC

FIGURE 6-5. DRIVE HYDRAULIC DIAGRAM - 4WD/2WS (SN 0300083332 through 0300140000)

| ITEM | PART NUMBER | QTY | DESCRIPTION   | REV |
|------|-------------|-----|---|-----|
|      |             | Ref | <b>DRIVE HYDRAULIC DIAGRAM - 4WD</b>  |     |
|      | 2792637     | Ref | <b>Without Arctic Package (SN 0300083332 through 0300087265)</b>  | 4-D |
|      | 2792711     | Ref | <b>Without Arctic Package (SN 0300087266 through 0300140000)</b>  | 8-F |
|      | 2792745     | Ref | <b>With Arctic Package</b>  | 7-F |
| 1    | 2220811     | 1   | Fitting, Straight <b>(SN 0300083332 through 0300103804)</b>   |     |
| 2    |             | Ref | Fitting, Straight Options:  |     |
| 2    | 2220374     | 2   | Fitting, Straight <b>(SN 0300083332 through 0300103804)</b>   |     |
| 2    | See Note    | 2   | Fitting, Straight (Note: See TURNTABLE SECTION for Breakdown) <b>(SN 0300103805 through 0300140000)</b> |     |
| 3    | 2220582     | Ref | Fitting, Straight Options:  |     |
| 3    | 2220582     | 1   | Fitting, Straight <b>(SN 0300083332 through 0300121642)</b>   |     |
| 3    | 2220582     | 2   | Fitting, Straight <b>(SN 0300121643 through 0300138513)</b>   |     |
| 3    | 2220582     | 1   | Fitting, Straight <b>(SN 0300138514 through 0300140000)</b>   |     |
| 4    |             | Ref | Fitting, Elbow Options:   |     |
| 4    | 2220646     | 2   | Fitting, Elbow <b>(SN 0300083332 through 0300103804)</b>  |     |
| 4    | See Note    | 2   | Fitting, Elbow (Note: See TURNTABLE SECTION for Breakdown) <b>(SN 0300103805 through 0300140000)</b>    |     |
| 5    | 2220999     | 1   | Fitting, Tee <b>(SN 0300083332 through 0300121642)</b>  |     |
| 6    | 2220618     | Ref | Fitting, Straight Options:  |     |
| 6    | 2220618     | 2   | Fitting, Straight <b>(SN 0300083332 through 0300121642)</b>   |     |
| 6    | 2220618     | 1   | Fitting, Straight <b>(SN 0300121643 through 0300140000)</b>   |     |
| 7    |             | Ref | Fitting, Straight Options:  |     |
| 7    | 2220479     | 1   | Fitting, Straight <b>(SN 0300083332 through 0300103804)</b>   |     |
| 7    | See Note    | 1   | Fitting, Straight (Note: See TURNTABLE SECTION for Breakdown) <b>(SN 0300103805 through 0300140000)</b> |     |
| 8    | 2220602     | 1   | Fitting, Tee  |     |
| 9    | 2220380     | 1   | Fitting, Straight   |     |
| 10   | 2220375     | 1   | Fitting, Straight   |     |
| 11   |             | Ref | Fitting, Straight Options:  |     |
| 11   | 2220451     | 1   | Fitting, Straight <b>(SN 0300083332 through 0300103804)</b>   |     |
| 11   | See Note    | 1   | Fitting, Straight (Note: See TURNTABLE SECTION for Breakdown) <b>(SN 0300103805 through 0300140000)</b> |     |
| 12   | 2220468     | 1   | Fitting, Straight   |     |
| 13   | 2220377     | 2   | Fitting, Straight   |     |
| 14   |             | Ref | Fitting, Elbow Options:   |     |
| 14   | 2220366     | 1   | Fitting, Elbow <b>(SN 0300083332 through 0300085468)</b>  |     |
| 14   | 2220596     | 1   | Fitting, Elbow <b>(SN 0300085469 through 0300140000)</b>  |     |
| 15   |             | Ref | Fitting, Straight Options:  |     |
| 15   | 2220810     | 1   | Fitting, Straight <b>(SN 0300083332 through 0300103804)</b>   |     |
| 15   | See Note    | 1   | Fitting, Straight (Note: See TURNTABLE SECTION for Breakdown) <b>(SN 0300103805 through 0300140000)</b> |     |
| 16   | 2170350     | 1   | Fitting, Tee  |     |
| 17   | 2110406     | 2   | Fitting, Straight   |     |
| 18   | 2110606     | 3   | Fitting, Straight   |     |
| 19   | 2110808     | 6   | Fitting, Straight   |     |
| 20   | 2110812     | 4   | Fitting, Straight   |     |
| 21   | 2111616     | 2   | Fitting, Straight   |     |
| 22   | 2130404     | 4   | Fitting, Elbow  |     |
| 23   | 2130808     | 6   | Fitting, Elbow  |     |
| 24   | 2131616     | 1   | Fitting, Elbow  |     |
| 25   | 2130604     | 1   | Fitting, Elbow  |     |



## SECTION 6 - HYDRAULIC

| ITEM | PART NUMBER | QTY | DESCRIPTION   | REV |
|------|-------------|-----|---|-----|
| 26   | 2130406     | 2   | Fitting, Elbow  |     |
| 27   | 2150406     | 2   | Fitting, Elbow  |     |
| 28   |             | Ref | Fitting, Elbow Options:                                   |     |
| 28   | 2150812     | 4   | Fitting, Elbow (SN 0300083332 through 0300138513)         |     |
| 28   | 2150808     | 4   | Fitting, Elbow (SN 0300138514 through 0300140000)         |     |
| 29   | 2170408     | 2   | Fitting, Tee  |     |
| 30   | 2170504     | 4   | Fitting, Tee  |     |
| 31   | 2220237     | 1   | Fitting, Plug   |     |
| 32   | 2752434     | 1   | Hose  |     |
| 33   | 2752997     | 1   | Hose  |     |
| 34   | 2751399     | 1   | Hose  |     |
| 35   | 2752754     | 1   | Hose  |     |
| 36   | 2752673     | 1   | Hose  |     |
| 37   | 2751500     | 1   | Hose  |     |
| 38   | 2752942     | 1   | Hose (SN 0300083332 through 0300121643)                   |     |
| 39   | 2752494     | 2   | Hose  |     |
| 40   |             | Ref | Hose Options:   |     |
| 40   | 2752365     | 1   | Hose (SN 0300083332 through 0300137325)                   |     |
| 40   | 1001110032  | 1   | Hose (SN 0300137326 through 0300140000)                   |     |
| 41   |             | Ref | Hose Options:   |     |
| 41   | 2752366     | 1   | Hose (SN 0300083332 through 0300137325)                   |     |
| 41   | 1001110033  | 1   | Hose (SN 0300137326 through 0300140000)                   |     |
| 42   | 2752453     | 1   | Hose  |     |
| 43   |             | Ref | Hose Options:   |     |
| 43   | 2753549     | 2   | Without Arctic Package                                    |     |
| 43   | 2754718     | 2   | With Arctic Package                                       |     |
| 44   | 2753540     | 1   | Hose  |     |
| 45   |             | Ref | Hose Options:   |     |
| 45   | 2753537     | 2   | Hose (SN 0300083332 through 0300099883)                   |     |
| 45   | 2754401     | 2   | Hose (SN 0300099884 through 0300140000)                   |     |
| 46   | 2753550     | 1   | Hose  |     |
| 47   | 2754337     | 2   | Hose  |     |
| 48   | 2754044     | 1   | Hose  |     |
| 49   |             | Ref | Hose Options:   |     |
| 49   | 2753622     | 3   | Without Arctic Package                                    |     |
| 49   | 2754719     | 3   | With Arctic Package                                       |     |
| 50   | 2753626     | 1   | Hose  |     |
| 51   | 2753686     | 2   | Hose  |     |
| 52   |             | Ref | Hose Options:   |     |
| 52   | 2753628     | 2   | Without Arctic Package                                    |     |
| 52   | 2754720     | 2   | With Arctic Package                                       |     |
| 53   |             | Ref | Hose Options:   |     |
| 53   | 2753970     | 3   | Without Arctic Package                                    |     |
| 53   | 2754743     | 3   | With Arctic Package                                       |     |
| 54   | 2753971     | 3   | Hose  |     |
| 55   | 2753634     | 2   | Hose  |     |
| 56   |             | Ref | Hose Options:   |     |
| 56   | 2753633     | 1   | Without Arctic Package (SN 0300083332 through 0300121642) |     |
| 56   | 2754040     | 1   | Without Arctic Package (SN 0300121643 through 0300140000) |     |
| 56   | 2754744     | 1   | With Arctic Package                                       |     |

## SECTION 6 - HYDRAULIC

| ITEM | PART NUMBER | QTY | DESCRIPTION  | REV |
|------|-------------|-----|--|-----|
| 57   | 2220386     | 1   | Fitting, Elbow   |     |
| 58   | 2220738     | 1   | Fitting, Straight  |     |
| 59   | 2220373     | 1   | Fitting, Straight (Ref to Section 2 Engine and Pump Assembly for Fitting Call Out) <b>(SN 0300083332 through 0300103805)</b> |     |
| 60   | 2220622     | 1   | Fitting, Reducer   |     |
| 61   | 2220466     | 3   | Fitting, Elbow   |     |
| 62   | 2151616     | 1   | Fitting, Elbow   |     |
| 64   | 2220501     | 2   | Fitting, Elbow   |     |
| 65   | 2150606     | 2   | Fitting, Elbow   |     |
| 66   | 2170506     | 2   | Fitting, Tee   |     |
| 67   | 2130606     | 4   | Fitting, Elbow   |     |
| 68   | 2220473     | 2   | Fitting, Elbow   |     |
| 69   | 2753627     | 2   | Hose   |     |
| 70   | 2752489     | 2   | Hose   |     |
| 71   | 2753626     | 2   | Hose   |     |
| 72   | 2753625     | 2   | Hose   |     |
| 73   | 4100058     | 4   | Sleeve, Nylon (12 in) <b>(SN 0300083332 through 0300099884)</b>  |     |
| 74   | 4100059     | 2   | Sleeve, Nylon (8 in) <b>(SN 0300083332 through 0300099884)</b>   |     |
| 75   | 2220940     | 1   | Fitting, Elbow   |     |
| 76   | 2220591     | 1   | Fitting, Reducer   |     |
| 77   | 2754338     | 1   | Hose   |     |
| 78   | 2110404     | 1   | Fitting, Straight  |     |
| 79   | 2220385     | 1   | Fitting, Tee <b>(SN 0300121643 through 0300140000)</b>   |     |
| 80   | 2752934     | 1   | Hose <b>(SN 0300121643 through 0300140000)</b>   |     |
| 81   | 2220221     | 1   | Fitting, Reducer <b>(SN 0300121643 through 0300138513)</b>   |     |
| 82   | 2220811     | 1   | Fitting, Reducer <b>(SN 0300138514 through 0300140000)</b>   |     |





## SECTION 6 - HYDRAULIC

**FIGURE 6-6. STANDARD HYDRAULIC DIAGRAM (WITH FENNER AND HALDEX BRAND AUXILIARY PUMP)**

| ITEM | PART NUMBER | QTY | DESCRIPTION                             | REV  |
|------|-------------|-----|---|------|
|      |             | Ref | <b>STANDARD HYDRAULIC DIAGRAM</b>       |      |
|      | 2792365     | Ref | <b>Standard Hydraulic Diagram 800A</b>  | 13-K |
|      | 2792366     | Ref | <b>Standard Hydraulic Diagram 800AJ</b> | 16-O |
| 1    | 2220381     | 2   | Fitting, Straight                       |      |
| 2    | 2220415     | AR  | Fitting, Straight                       |      |
| 3    | 2753199     | 1   | Hose                                    |      |
| 4    | 2220373     | 6   | Fitting, Straight                       |      |
| 5    | 2220500     | 3   | Fitting, Elbow                          |      |
| 6    | 2220947     | 1   | Fitting, Straight                       |      |
| 7    | 2220376     | 1   | Fitting, Straight                       |      |
| 8    | 2220593     | 2   | Fitting, Straight                       |      |
| 9    | 2220371     | AR  | Fitting, Straight                       |      |
| 10   | 2220873     | 4   | Fitting, Straight                       |      |
| 11   | 2220428     | AR  | Fitting, Quick Disconnect               |      |
| 12   | 2220429     | AR  | Fitting, Dust Cap                       |      |
| 13   | 2220502     | 1   | Fitting, Elbow                          |      |
| 14   | 2220737     | 1   | Split Flange Kit #24                    |      |
| 15   | 2220478     | 1   | Split Flange Kit #16                    |      |
| 16   | 2220451     | 1   | Fitting, Straight                       |      |
| 17   | 2752453     | 1   | Hose                                    |      |
| 18   | 2753200     | 1   | Hose                                    |      |
| 19   | 2220466     | AR  | Fitting, Elbow                          |      |
| 20   | 2220582     | AR  | Fitting, Straight                       |      |
| 21   | 2220473     | AR  | Fitting, Elbow                          |      |
| 22   | 2220602     | 1   | Fitting, Tee                            |      |
| 23   | 2220999     | 2   | Fitting, Tee                            |      |
| 24   | 2220619     | 1   | Fitting, Reducer                        |      |
| 25   | 2220605     | 2   | Fitting, Tee                            |      |
| 27   | 2220765     | 1   | Fitting, Straight                       |      |
| 28   | 2220379     | 1   | Fitting, Straight                       |      |
| 29   | 2220574     | 1   | Fitting, Straight                       |      |
| 30   | 2220596     | AR  | Fitting, Elbow                          |      |
| 31   | 2220385     | 1   | Fitting, Tee                            |      |
| 32   | 2220618     | 1   | Fitting, Reducer                        |      |
| 34   | 2220852     | 2   | Fitting, Straight                       |      |
| 35   | 2753197     | 1   | Hose                                    |      |
| 36   | 2753196     | 1   | Hose                                    |      |
| 37   | 2220490     | 2   | Fitting, Tee                            |      |
| 38   | 4567139     | 1   | Tube                                    |      |
| 39   | 0100020     | AR  | Sealant, Pipe                           |      |
| 40   | 2753216     | 1   | Hose                                    |      |
| 41   | 2753195     | 1   | Hose                                    |      |
| 42   | 2753231     | 1   | Hose                                    |      |
| 43   | 2753010     | 2   | Hose                                    |      |
| 44   | 2752468     | 1   | Hose                                    |      |
| 45   | 2752721     | 1   | Hose                                    |      |
| 46   | 2752438     | 1   | Hose                                    |      |
| 47   | 2753192     | 1   | Hose                                    |      |
| 48   | 2752494     | 1   | Hose                                    |      |

## SECTION 6 - HYDRAULIC

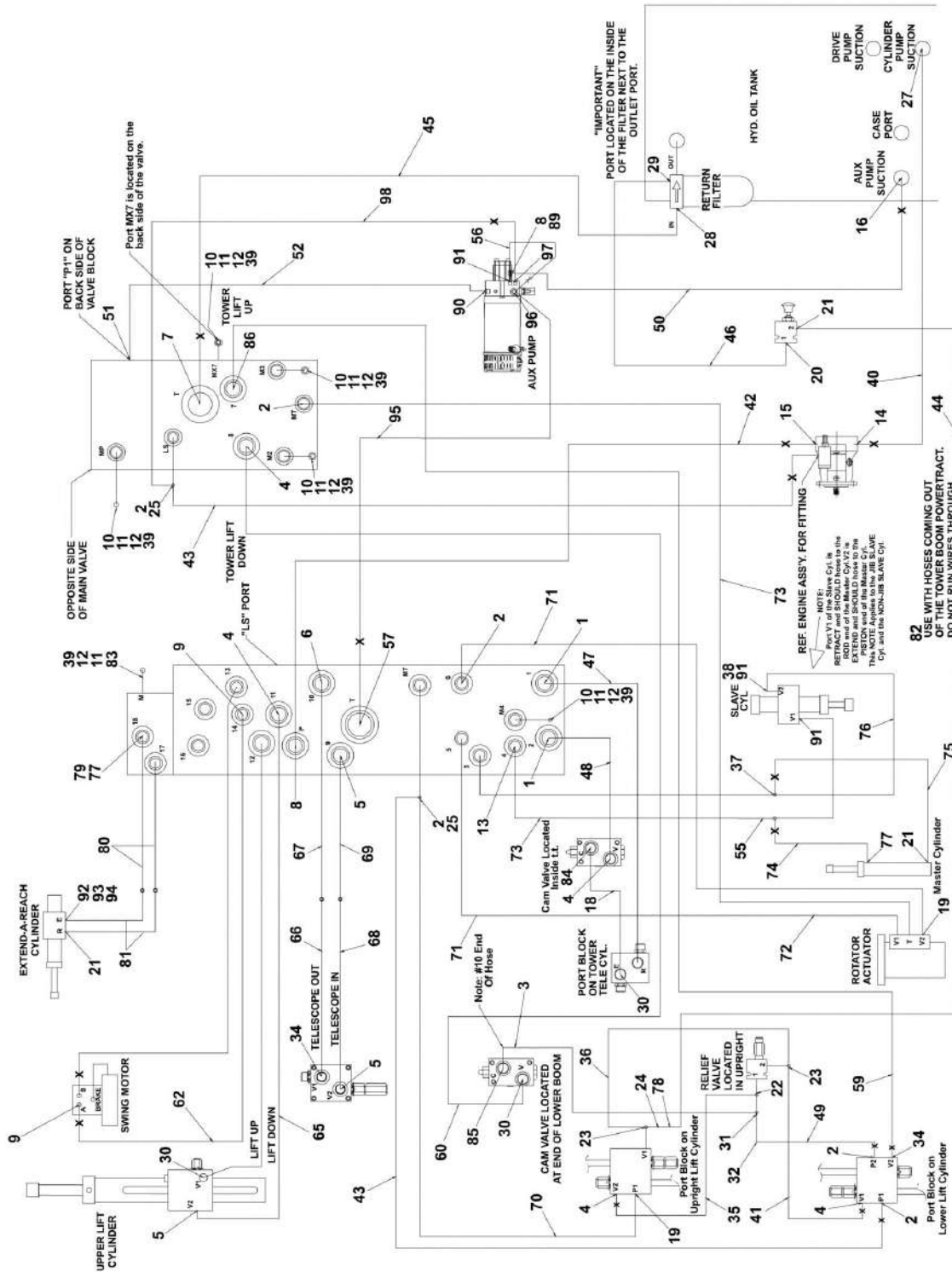
| ITEM | PART NUMBER  | QTY | DESCRIPTION  | REV |
|------|--------------|-----|--|-----|
| 49   | 2753008      | 1   | Hose   |     |
| 50   |              | Ref | Hose Options:  |     |
| 50   | 2752674      | 1   | Hose (SN 0300069000 through 0300109066)              |     |
| 50   | 2752671      | 1   | Hose (SN 0300109067 through 0300140000)              |     |
| 51   | 4640780      | 1   | Fitting, Check Valve                                 |     |
| 52   | 2753118      | 1   | Hose   |     |
| 53   | 2220775      | 1   | Fitting, Elbow                                       |     |
| 54   | 2220635      | 1   | Fitting, Tee   |     |
| 55   | 2220609      | 2   | Fitting, Reducer                                     |     |
| 56   | 2752463      | 1   | Hose   |     |
| 57   | 2220577      | 1   | Fitting, Straight                                    |     |
| 58   |              | Ref | Hose Options:  |     |
| 58   | 2753122      | 1   | Hose (SN 0300069000 through 0300109066)              |     |
| 58   | 2753118      | 1   | Hose (SN 0300109067 through 0300140000)              |     |
| 59   | 2752768      | 1   | Hose   |     |
| 60   | 2752930      | 1   | Hose   |     |
| 62   | 2752462      | 2   | Hose   |     |
| 65   | 2753189      | 2   | Hose   |     |
| 66   | 2752767      | 1   | Hose   |     |
| 67   | 2752766      | 1   | Hose   |     |
| 68   | 2753190      | 1   | Hose   |     |
| 69   | 2753191      | 1   | Hose   |     |
| 70   | 2752978      | 1   | Hose   |     |
| 71   | 2752585      | 2   | Hose   |     |
| 72   |              | Ref | Hose Options:  |     |
| 72   | 2753009      | 3   | Hose 800A  |     |
| 72   | 2753006      | 3   | Hose 800AJ   |     |
| 73   | 2753007      | 3   | Hose   |     |
| 74   | 2753124      | 1   | Hose   |     |
| 75   | 2753125      | 1   | Hose   |     |
| 76   |              | Ref | Hose Options:  |     |
| 76   | 2753129      | 2   | Hose 800A  |     |
| 76   | 2753126      | 2   | Hose 800AJ   |     |
| 77   | 2220501      | AR  | Fitting, Elbow                                       |     |
| 78   | 4567757      | 1   | Tube   |     |
| 79   |              | Ref | Fitting, Reducer Options:                            |     |
| 79   | Not Required | 0   | Fitting, Reducer 800A                                |     |
| 79   | 2220591      | 2   | Fitting, Reducer 800AJ                               |     |
| 80   |              | Ref | Hose Options:  |     |
| 80   | Not Required | 0   | Hose 800A  |     |
| 80   | 2753123      | 2   | Hose 800AJ   |     |
| 81   |              | Ref | Hose Options:  |     |
| 81   | Not Required | 0   | Hose 800A  |     |
| 81   | 2753128      | 2   | Hose 800AJ   |     |
| 82   | 4100062      | 4   | Protection, Nylon Hose (24in/61cm per piece)         |     |
| 83   | 2220873      | 1   | Fitting (800AJ Only)                                 |     |
| 84   | 2220947      | 1   | Fitting, Straight                                    |     |
| 85   | 2221036      | 1   | Fitting, Elbow                                       |     |
| 86   | 2220950      | 1   | Fitting, Elbow                                       |     |
| 87   |              | Ref | Fitting, Straight Options:                           |     |
| 87   | 2220371      | 2   | Fitting, Straight (SN 0300069000 through 0300109066) |     |

## SECTION 6 - HYDRAULIC

| ITEM | PART NUMBER | QTY | DESCRIPTION   | REV |
|------|-------------|-----|---|-----|
| 87   | 2220603     | 2   | Fitting, Straight (SN 0300109067 through 0300140000)  |     |
| 88   |             | Ref | Fitting Options:  |     |
| 88   | 2220371     | 1   | Fitting, Straight (SN 0300069000 through 0300109066)  |     |
| 88   | 2220501     | 1   | Fitting, Elbow (SN 0300109067 through 0300140000)   |     |
| 89   | 2220655     | 1   | Fitting, Elbow (SN 0300109067 through 0300140000)   |     |
| 92   | 2180724     | 1   | Fitting, Modified   |     |
| 93   | 2180380     | 1   | Fitting, Orifice  |     |
| 94   | 0100019     | AR  | Compound, Locking   |     |
|      |             | Ref | Hose Kit Options:   |     |
|      |             | Ref | Hose Kit 800A   |     |
|      | 2902456     | 1   | Hose Kit (Includes Items 72 & 76) (SN 0300088387 through 0300140000)  |     |
|      | 2902457     | 1   | Hose Kit (Includes Items 3, 35, 36, 41, 44, 49, 60, 65, 67, 69, 70, 71 & 73) (SN 0300088387 through 0300140000) |     |
|      |             | Ref | Hose Kit 800AJ  |     |
|      | 2902459     | 1   | Hose Kit (Includes Items 72, 76 & 81) (SN 0300088387 through 0300140000)  |     |
|      | 2902457     | 1   | Hose Kit (Includes Items 3, 35, 36, 41, 44, 49, 60, 65, 67, 69, 70, 71 & 73) (SN 0300088387 through 0300140000) |     |

# SECTION 6 - HYDRAULIC

## FIGURE 6-7. STANDARD HYDRAULIC DIAGRAM (WITH BUCHER BRAND AUXILIARY PUMP)





## SECTION 6 - HYDRAULIC

**FIGURE 6-7. STANDARD HYDRAULIC DIAGRAM (WITH BUCHER BRAND AUXILIARY PUMP)**

| ITEM | PART NUMBER | QTY | DESCRIPTION                             | REV |
|------|-------------|-----|---|-----|
|      |             | Ref | <b>STANDARD HYDRAULIC DIAGRAM</b>       |     |
|      | 1001143187  | Ref | <b>Standard Hydraulic Diagram 800A</b>  | A   |
|      | 1001143188  | Ref | <b>Standard Hydraulic Diagram 800AJ</b> | A   |
| 1    | 2220381     | 2   | Fitting, Straight                       |     |
| 2    | 2220415     | 8   | Fitting, Straight                       |     |
| 3    | 2753199     | 1   | Hose                                    |     |
| 4    | 2220373     | 6   | Fitting, Straight                       |     |
| 5    | 2220500     | 3   | Fitting, Elbow                          |     |
| 6    | 2220947     | 1   | Fitting, Straight                       |     |
| 7    | 2220376     | 1   | Fitting, Straight                       |     |
| 8    | 2220593     | 2   | Fitting, Straight                       |     |
| 9    | 2220371     | 4   | Fitting, Straight                       |     |
| 10   | 2220873     | 5   | Fitting, Straight                       |     |
| 11   | 2220428     | AR  | Fitting, Quick Disconnect               |     |
| 12   | 2220429     | AR  | Fitting, Dust Cap                       |     |
| 13   | 2220502     | 1   | Fitting, Elbow                          |     |
| 14   | 2220737     | 1   | Split Flange Kit #24                    |     |
| 15   | 2220478     | 1   | Split Flange Kit #16                    |     |
| 16   | 2220451     | 1   | Fitting, Straight                       |     |
| 18   | 2753200     | 1   | Hose                                    |     |
| 19   | 2220466     | 4   | Fitting, Elbow                          |     |
| 20   | 2220582     | 1   | Fitting, Straight                       |     |
| 21   | 2220473     | AR  | Fitting, Elbow                          |     |
| 22   | 2220602     | 1   | Fitting, Tee                            |     |
| 23   | 2220999     | 2   | Fitting, Tee                            |     |
| 24   | 2220619     | 1   | Fitting, Reducer                        |     |
| 25   | 2220605     | 2   | Fitting, Tee                            |     |
| 27   | 2220765     | 1   | Fitting, Straight                       |     |
| 28   | 2220379     | 1   | Fitting, Straight                       |     |
| 29   | 2220574     | 1   | Fitting, Straight                       |     |
| 30   | 2220596     | 4   | Fitting, Elbow                          |     |
| 31   | 2220385     | 1   | Fitting, Tee                            |     |
| 32   | 2220618     | 1   | Fitting, Reducer                        |     |
| 34   | 2220852     | 2   | Fitting, Straight                       |     |
| 35   | 2753197     | 1   | Hose                                    |     |
| 36   | 2753196     | 1   | Hose                                    |     |
| 37   | 2220490     | 2   | Fitting, Tee                            |     |
| 38   | 4567139     | 1   | Tube                                    |     |
| 39   | 0100020     | AR  | Sealant, Pipe                           |     |
| 40   | 2753216     | 1   | Hose                                    |     |
| 41   | 2753195     | 1   | Hose                                    |     |
| 42   | 2753231     | 1   | Hose                                    |     |
| 43   | 2753010     | 2   | Hose                                    |     |
| 44   | 2752468     | 1   | Hose                                    |     |
| 45   | 2752721     | 1   | Hose                                    |     |
| 46   | 2752438     | 1   | Hose                                    |     |
| 47   | 2753192     | 1   | Hose                                    |     |
| 48   | 2752494     | 1   | Hose                                    |     |
| 49   | 2753008     | 1   | Hose                                    |     |
| 50   | 2752671     | 1   | Hose                                    |     |

## SECTION 6 - HYDRAULIC

| ITEM | PART NUMBER  | QTY | DESCRIPTION                                  | REV |
|------|--------------|-----|--|-----|
| 51   | 4640780      | 1   | Fitting, Check Valve                         |     |
| 52   | 2753118      | 1   | Hose   |     |
| 55   | 2220609      | 2   | Fitting, Reducer                             |     |
| 56   | 2752463      | 1   | Hose   |     |
| 57   | 2220577      | 1   | Fitting, Straight                            |     |
| 59   | 2752768      | 1   | Hose   |     |
| 60   | 2752930      | 1   | Hose   |     |
| 62   | 2752462      | 2   | Hose   |     |
| 65   | 2753189      | 2   | Hose   |     |
| 66   | 2752767      | 1   | Hose   |     |
| 67   | 2752766      | 1   | Hose   |     |
| 68   | 2753190      | 1   | Hose   |     |
| 69   | 2753191      | 1   | Hose   |     |
| 70   | 2752978      | 1   | Hose   |     |
| 71   | 2752585      | 2   | Hose   |     |
| 72   |              | Ref | Hose Options:                                |     |
| 72   | 2753009      | 3   | Hose 800A                                    |     |
| 72   | 2753006      | 3   | Hose 800AJ                                   |     |
| 73   | 2753007      | 3   | Hose   |     |
| 74   | 2753124      | 1   | Hose   |     |
| 75   | 2753125      | 1   | Hose   |     |
| 76   |              | Ref | Hose Options:                                |     |
| 76   | 2753129      | 2   | Hose 800A                                    |     |
| 76   | 2753126      | 2   | Hose 800AJ                                   |     |
| 77   | 2220501      | 1   | Fitting, Elbow                               |     |
| 78   | 4567757      | 1   | Tube   |     |
| 79   |              | Ref | Fitting, Reducer Options:                    |     |
| 79   | Not Required | 0   | Fitting, Reducer 800A                        |     |
| 79   | 2220591      | 2   | Fitting, Reducer 800AJ                       |     |
| 80   |              | Ref | Hose Options:                                |     |
| 80   | Not Required | 0   | Hose 800A                                    |     |
| 80   | 2753123      | 2   | Hose 800AJ                                   |     |
| 81   |              | Ref | Hose Options:                                |     |
| 81   | Not Required | 0   | Hose 800A                                    |     |
| 81   | 2753128      | 2   | Hose 800AJ                                   |     |
| 82   | 4100062      | 4   | Protection, Nylon Hose (24in/61cm per piece) |     |
| 83   | 2220873      | 1   | Fitting (800AJ Only)                         |     |
| 84   | 2220947      | 1   | Fitting, Straight                            |     |
| 85   | 2221036      | 1   | Fitting, Elbow                               |     |
| 86   | 2220950      | 1   | Fitting, Elbow                               |     |
| 89   | 2220655      | 1   | Fitting, Elbow                               |     |
| 90   | 2220501      | 1   | Fitting                                      |     |
| 91   | 2220603      | 3   | Fitting, Straight                            |     |
| 92   |              | Ref | Fitting, Modified Options:                   |     |
| 92   | Not Required | 0   | Fitting, Modified 800A                       |     |
| 92   | 2180724      | 1   | Fitting, Modified 800AJ                      |     |
| 93   |              | Ref | Fitting, Orifice Options:                    |     |
| 93   | Not Required | 0   | Fitting, Orifice 800A                        |     |
| 93   | 2180380      | 1   | Fitting, Orifice 800AJ                       |     |
| 94   | 0100019      | AR  | Compound, Locking                            |     |
| 95   | 1001109690   | 1   | Hose   |     |

## SECTION 6 - HYDRAULIC

| ITEM | PART NUMBER | QTY | DESCRIPTION  | REV |
|------|-------------|-----|--|-----|
| 96   | 2220606     | 1   | Fitting, Tee   |     |
| 97   | 2220923     | 1   | Fitting, Straight  |     |
| 98   | 1001143192  | 1   | Hose   |     |
|      |             | Ref | Hose Kit Options:  |     |
|      |             | Ref | Hose Kit 800A  |     |
|      | 2902456     | 1   | Hose Kit (Includes Items 72 & 76)  |     |
|      | 2902457     | 1   | Hose Kit (Includes Items 3, 35, 36, 41, 44, 49, 60, 65, 67, 69, 70, 71 & 73) |     |
|      |             | Ref | Hose Kit 800AJ   |     |
|      | 2902459     | 1   | Hose Kit (Includes Items 72, 76 & 81)  |     |
|      | 2902457     | 1   | Hose Kit (Includes Items 3, 35, 36, 41, 44, 49, 60, 65, 67, 69, 70, 71 & 73) |     |

# SECTION 6 - HYDRAULIC

## FIGURE 6-8. HYDRAULIC DIAGRAM LIST

| ITEM | PART NUMBER  | QTY | DESCRIPTION   | REV |
|------|--------------|-----|---|-----|
|      |              | Ref | <b>Note: Diagrams not shown in manual are available from JLG Service/Parts Departments.</b> |     |
|      |              | Ref | <b>Axle Lockout Hydraulic Diagram (Machines with Oscillating Axle)</b>                      |     |
|      | 2792367      | Ref | All Machines Built (SN 0300069000 through 0300083331)                                       |     |
|      | 2792648      | Ref | Machine without Tow Package (SN 0300083332 through 0300140000)                              |     |
|      | 1283387      | Ref | Machine without Tow Package (SN 0300083332 through 0300140000)                              |     |
|      | 2792367      | Ref | Machine with Tow Package (SN 0300083332 through 0300140000)                                 |     |
|      |              | Ref | <b>Drive Hydraulic Diagrams:</b>  |     |
|      |              | Ref | <b>2WD/2WS Machines</b>   |     |
|      | 2792362      | Ref | 2WD/2WS Machines (SN 0300069000 through 0300083331)   |     |
|      | 2792693      | Ref | 2WD/2WS Machines (SN 0300083332 through 0300087265)   |     |
|      | 2792712      | Ref | 2WD/2WS Machines (SN 0300087266 through 0300140000)   |     |
|      |              | Ref | <b>4WD/2WS Machines</b>   |     |
|      | 2792363      | Ref | 4WD/2WS Machines (SN 0300069000 through 0300083331)   |     |
|      | 2792637      | Ref | 4WD/2WS Machines (SN 0300083332 through 0300087265)   |     |
|      | 2792711      | Ref | 4WD/2WS Machines (SN 0300087266 through 0300140000)   |     |
|      | 2792745      | Ref | 4WD/2WS Machines (With Arctic Package) (SN 0300087266 through 0300140000)                   |     |
|      |              | Ref | <b>4WD/4WS Machines</b>   |     |
|      | 2792364      | Ref | 4WD/4WS Machines (SN 0300069000 through 0300083331)   |     |
|      | 2792699      | Ref | 4WD/4WS Machines (SN 0300083332 through 0300087265)   |     |
|      | 2792710      | Ref | 4WD/4WS Machines (SN 0300087266 through 0300140000)   |     |
|      | 1001106992   | Ref | 4WD/4WS Machines (With Arctic Package) (SN 0300133887 through 0300140000)                   |     |
|      |              | Ref | <b>Oil Cooler Hydraulic Schematic</b>   |     |
|      |              | Ref | <b>Deutz Engine</b>   |     |
|      | 1282665      | Ref | Deutz Engine (SN 0300069000 through 0300137667)   |     |
|      | Not Required | 0   | Deutz Engine (SN 0300137668 through 0300140000)   |     |
|      | 1283309      | Ref | <b>Ford EFI Engine</b>  |     |
|      |              | Ref | <b>Standard Hydraulic Diagrams:</b>   |     |
|      | 2792365      | Ref | Standard Hydraulic Diagrams 800A (Fenner and Haldex Brand Auxiliary Pump)                   |     |
|      | 1001143187   | Ref | Standard Hydraulic Diagrams 800A (Bucher Brand Auxiliary Pump)                              |     |
|      | 2792366      | Ref | Standard Hydraulic Diagrams 800AJ (Fenner and Haldex Brand Auxiliary Pump)                  |     |
|      | 1001143188   | Ref | Standard Hydraulic Diagrams 800AJ (Bucher Brand Auxiliary Pump)                             |     |
|      |              | Ref | <b>Standard Hydraulic Schematic</b>   |     |
|      | 2792351      | Ref | Standard Hydraulic Schematic (SN 0300069000 through 0300083331)                             |     |
|      | 2792629      | Ref | Standard Hydraulic Schematic (SN 0300083332 through 0300140000)                             |     |
|      |              | Ref | <b>Tow Bar Hydraulic Diagram</b>  |     |
|      | 2792591      | Ref | Tow Bar Hydraulic Diagram (SN 0300069000 through 0300083331)                                |     |
|      | 2792700      | Ref | Tow Bar Hydraulic Diagram (SN 0300083332 through 0300140000)                                |     |

## SECTION 6 - HYDRAULIC

| ITEM | PART NUMBER | QTY | DESCRIPTION  | REV |
|------|-------------|-----|--|-----|
|      | 1283387     | Ref | Tow Bar Hydraulic Diagram (SN 0300083332 through 0300140000)       | C   |
|      |             | Ref | <b>Tilt Sensor Installation Options:</b>                           |     |
|      | 1001093187  | Ref | <b>Tilt Sensor Installation (SN 0300069000 through 0300112884)</b> |     |
|      | 1001094557  | Ref | Adapter, Pressure Tap  |     |



**SECTION 7 - ELECTRICAL**

# SECTION 7 - ELECTRICAL

## FIGURE 7-1. ELECTRICAL DIAGRAM LIST

| ITEM | PART NUMBER  | QTY | DESCRIPTION  | REV |
|------|--------------|-----|--|-----|
|      |              | Ref | <b>Note: Diagrams not shown are available from the JLG Service Department. Schematics shown in the Service and Maintenance Manual.</b> |     |
|      | 1282571      | Ref | <b>COLD WEATHER START ELECTRICAL DIAGRAM</b>   |     |
|      | 4933307      | Ref | <b>DRIVE/STEER CUT-OUT ELECTRICAL DIAGRAMS</b>   |     |
|      | 0257157      | Ref | <b>ETHER START ELECTRICAL DIAGRAM</b>  |     |
|      | 1282571      | Ref | <b>ETHER START ELECTRICAL DIAGRAM</b>  |     |
|      | 4932986      | Ref | <b>ENGINE SHUTDOWN ELECTRICAL DIAGRAM (DEUTZ ENGINE MACHINES OPTION)</b>   |     |
|      |              | Ref | <b>GENERATOR ELECTRICAL DIAGRAMS</b>   |     |
|      |              | Ref | <b>2500W</b>   |     |
|      |              | Ref | <b>Caterpillar, Deutz and Ford Engines</b>   |     |
|      | 4933215      | Ref | <b>110Volt (SN 0300069000 through 0300077499)</b>  |     |
|      | 4933216      | Ref | <b>220 Volt (SN 0300069000 through 0300077499)</b>   |     |
|      | 4933300      | Ref | <b>110/220 Volt (SN 0300077500 through 0300139399)</b>   |     |
|      | 1001112588   | Ref | <b>60Hz (SN 0300139400 through 0300140000)</b>   |     |
|      | 1001112743   | Ref | <b>50Hz (SN 0300139400 through 0300140000)</b>   |     |
|      | Not Required | 0   | <b>Ford Engines 110/220 Volt (SN 0300139400 through 0300140000)</b>  |     |
|      | 4933350      | Ref | <b>GM Engines - ANSI and ANSI Export Specs</b>   |     |
|      |              | Ref | <b>7500W Options:</b>  |     |
|      |              | Ref | <b>Caterpillar and Deutz Engines</b>   |     |
|      | 4933264      | Ref | <b>Caterpillar and Deutz Engines (SN 0300069000 through 0300139399)</b>  |     |
|      | 1001112586   | Ref | <b>Caterpillar and Deutz Engines (SN 0300139400 through 0300140000)</b>  |     |
|      | 4933283      | Ref | <b>Ford Engines</b>  |     |
|      | 4933349      | Ref | <b>GM Engines</b>  |     |
|      |              | Ref | <b>GLOW PLUG DIAGRAM OPTIONS:</b>  |     |
|      | 4933189      | Ref | <b>GLOW PLUG DIAGRAM (SN 0300069000 through 0300073048)</b>  |     |
|      | 4922565      | 1   | Harness  |     |
|      | 4933217      | Ref | <b>GLOW PLUG DIAGRAM (SN 0300073049 through 0300140000)</b>  |     |
|      | 4933231      | Ref | <b>LIGHTS ELECTRICAL DIAGRAMS (NON-UL SPEC MACHINES)</b>   |     |
|      | 4922643      | 1   | Harness (Located in Ground Console Box)  |     |
|      | 3740049      | 1   | Relay  |     |
|      | 4933273      | Ref | <b>LIGHTS ELECTRICAL DIAGRAMS (UL MACHINES)</b>  |     |
|      | 4922855      | 1   | Harness (Located in Ground Console Box)  |     |
|      | 3740049      | 1   | Relay  |     |
|      | 4933218      | Ref | <b>PLATFORM SOFT TOUCH SYSTEM ELECTRICAL DIAGRAM</b>   |     |
|      |              | Ref | <b>PLATFORM WORKLIGHTS ELECTRICAL DIAGRAMS</b>   |     |
|      | 0270814      | Ref | <b>Non-UL Spec 800A/800AJ (SN 0300069000 through 0300074426)</b>   |     |
|      | 0273484      | Ref | <b>Non-UL Spec 800A (SN 0300074427 through 0300140000)</b>   |     |
|      | 0273485      | Ref | <b>Non-UL Spec 800AJ (SN 0300074427 through 0300140000)</b>  |     |
|      | 0272742      | Ref | <b>UL Spec MACHINES</b>  |     |
|      | 0274207      | Ref | <b>SLOPE SENSOR ELECTRICAL DIAGRAM</b>   |     |
|      |              | Ref | <b>STANDARD ELECTRICAL DIAGRAMS:</b>   |     |
|      |              | Ref | <b>Caterpillar Engine without UGM</b>  |     |
|      | 4933296      | Ref | <b>Caterpillar Engine without UGM (SN 0300069000 through 0300087265)</b>   |     |

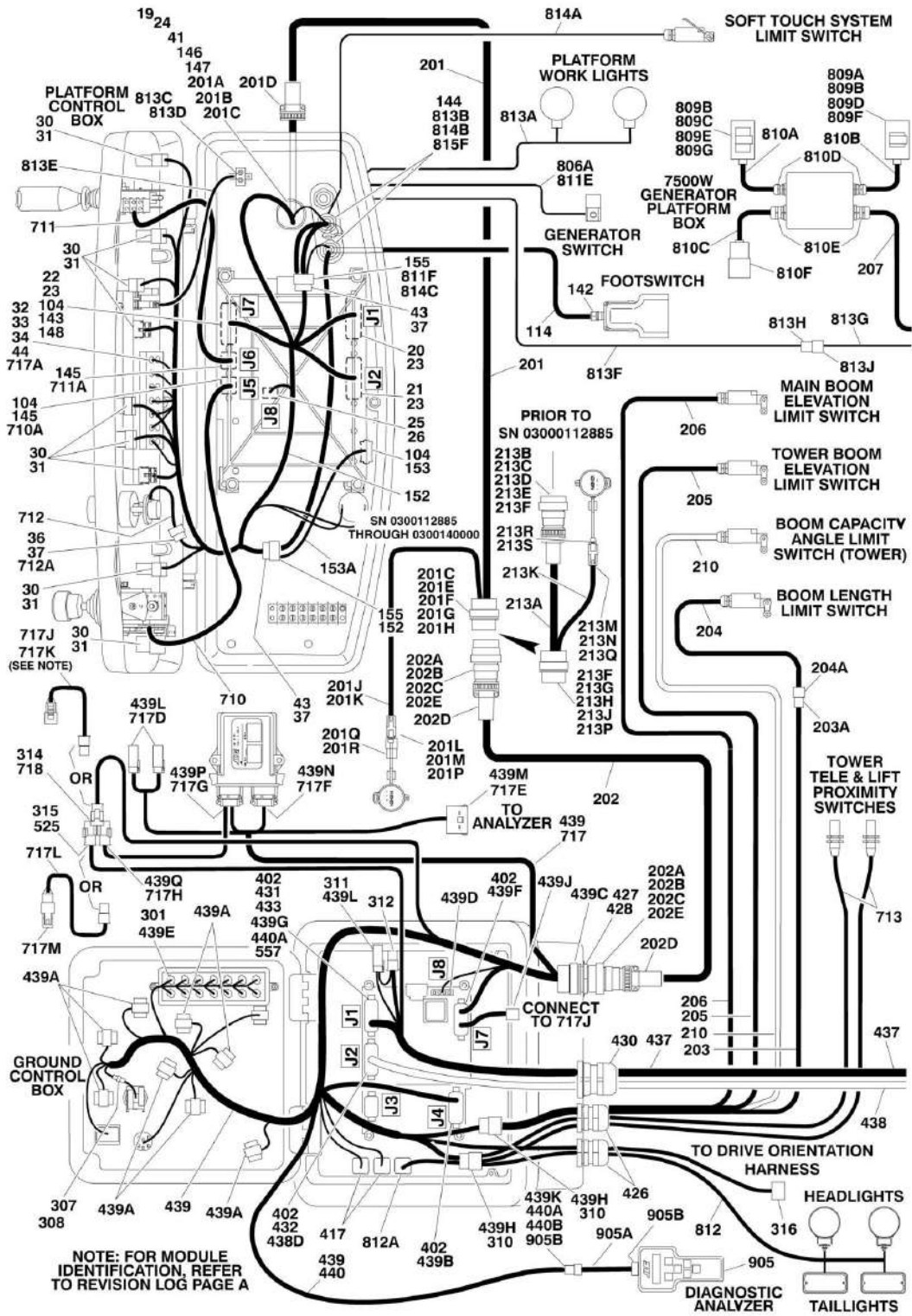


## SECTION 7 - ELECTRICAL

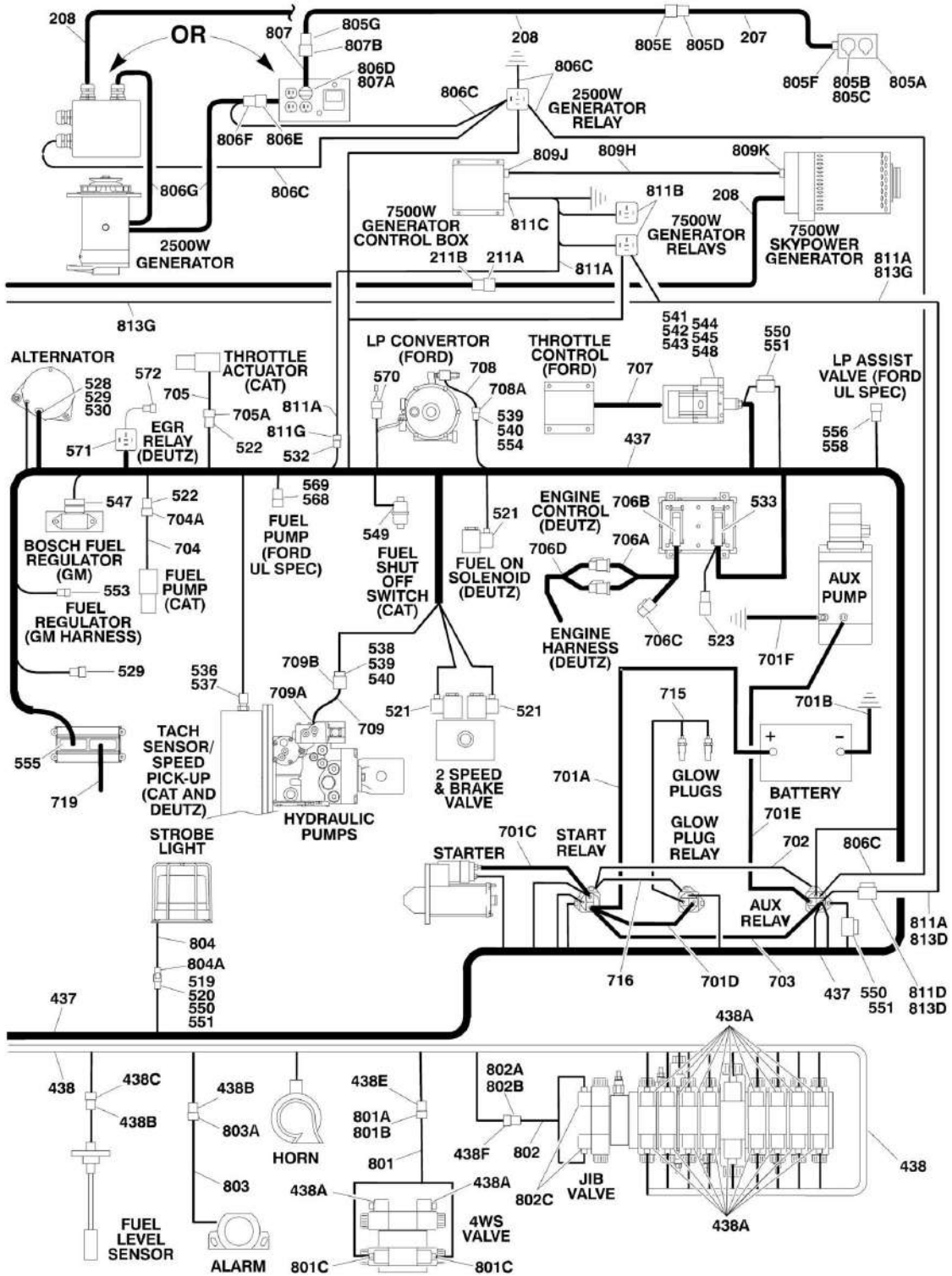
| ITEM | PART NUMBER | QTY | DESCRIPTION   | REV |
|------|-------------|-----|---|-----|
|      | 4933338     | Ref | Caterpillar Engine without UGM (SN 0300087266 through 0300099883)   |     |
|      | 4933373     | Ref | Caterpillar Engine without UGM (SN 0300099884 through 0300140000)   |     |
|      | 1001110323  | Ref | Caterpillar Engine with UGM   |     |
|      |             | Ref | Deutz Engine without UGM  |     |
|      | 4933232     | Ref | Deutz Engine without UGM (SN 0300069000 through 0300085330)   |     |
|      | 4933321     | Ref | Deutz Engine without UGM (SN 0300085331 through 0300099883)   |     |
|      | 4933372     | Ref | Deutz Engine without UGM (SN 0300099884 through 0300140000)   |     |
|      | 1001110322  | Ref | Deutz Engine with UGM   |     |
|      |             | Ref | Ford EFI Engine   |     |
|      | 4933233     | Ref | Ford EFI Engine (SN 0300069000 through 0300087265)  |     |
|      | 4933339     | Ref | Ford EFI Engine (SN 0300087266 through 0300140000)  |     |
|      |             | Ref | GM Engine without UGM   |     |
|      | 4933356     | Ref | GM Engine without UGM (SN 0300069000 through 0300099883)  |     |
|      | 4933371     | Ref | GM Engine without UGM (SN 0300099884 through 0300140000)  |     |
|      | 1001110321  | Ref | GM Engine with UGM  |     |
|      |             | Ref | NOTE: FOR MODULE IDENTIFICATION, REFER TO REVISION LOG PAGE A.  |     |
|      |             | Ref | STANDARD ELECTRICAL SCHEMATICS  |     |
|      |             | Ref | Non-UL Spec Machines with Internal Tilt and without UGM   |     |
|      | 1870132     | Ref | Deutz Engines and All Caterpillar and Ford Engines (SN 0300069000 through 0300085330, SN 0300069000 through 0300099883)               |     |
|      | 1870191     | Ref | Deutz and GM Engines (SN 0300085331 through 0300099883)   |     |
|      | 1001096461  | Ref | Caterpillar, Deutz and GM Engines (SN 0300099884 through 0300140000)  |     |
|      | 1001110310  | Ref | Non-UL Spec Machines with Internal Tilt and with UGM  |     |
|      | 1001131992  | Ref | GM Engine Schematic (Engine Schematic Only. P/N 1001110310 is schematic for complete machine)   |     |
|      | 1870160     | Ref | UL Spec Machines  |     |
|      |             | Ref | NOTE: FOR MODULE IDENTIFICATION, REFER TO REVISION LOG PAGE A.  |     |
|      |             | Ref | Note: For Schematic p/n's 1870132/1870191 & 1870160 see schematic 1001096491 and field bulletin FSB107C2 for platform and MTB wiring. |     |

# SECTION 7 - ELECTRICAL

## FIGURE 7-2. HARNESS COMPONENTS INSTALLATION WITHOUT UGM



# SECTION 7 - ELECTRICAL



# SECTION 7 - ELECTRICAL

## FIGURE 7-2. HARNESS COMPONENTS INSTALLATION WITHOUT UGM

| ITEM | PART NUMBER | QTY       | DESCRIPTION   | REV |
|------|-------------|-----------|---|-----|
|      |             | Ref       | <b>NOTE: FOR MODULE IDENTIFICATION, REFER TO REVISION LOG PAGE A.</b>                     |     |
|      |             | Ref       | <b>PLATFORM BOX HARNESS ASSEMBLY</b>  |     |
|      | 4922639     | Ref       | <b>Platform Box Harness Assembly (SN 0300069000 through 0300136487)</b>                   | 8-I |
|      | 1001107753  | Ref       | <b>Platform Box Harness Assembly (SN 0300136488 through 0300140000)</b>                   | B   |
| 19   | 4460866     | 1         | Connector - 19 Position   |     |
| 20   | 4460874     | 1         | Plug, Male 35 Position (Natural)  |     |
| 21   | 4460875     | 1         | Plug, Male 35 Position (Gray)   |     |
| 22   | 4460873     | 1         | Plug, Male 35 Position (Black)  |     |
| 23   | 4460871     | AR        | Socket, Female  |     |
| 24   | 4460464     | 7         | Pin, Male (16 Gauge)  |     |
| 25   | 4460879     | 1         | Plug, Male 2 Position   |     |
| 26   | 4460887     | 2         | Terminal (12 Gauge)   |     |
| 30   | 4460418     | 9         | Connector - 6 Position  |     |
| 31   | 4460419     | 27        | Terminal, Female  |     |
| 32   | 4120035     | AR        | Base, Light   |     |
| 33   | 4460634     | AR        | Terminal, (16 Gauge)  |     |
| 34   | 4460635     | AR        | Terminal, (12 Gauge)  |     |
| 36   | 4460225     | 1         | Plug, Male 6 Position   |     |
| 37   | 4460227     | AR        | Pin   |     |
| 41   | 4460508     | 3         | Pin, Male (12 Gauge)  |     |
| 43   | 4460434     | 2         | Plug, Male 15 Position  |     |
| 44   | 2920129     | AR        | Lamp, Indicator   |     |
|      |             | Ref       | <b>PLATFORM BOX ASSEMBLY COMPONENTS</b>   |     |
| 104  | 0100048     | AR        | Grease, Dielectric  |     |
| 114  | 1060918     | 8 ft/2.4m | Cable, Electrical - 18/3  |     |
| 142  | 4460071     | 1         | Connector, Strain Relief  |     |
| 143  | 4460226     | 2         | Socket, Female  |     |
| 144  | 4460428     | 2         | Connector, Strain Relief  |     |
| 145  | 4460464     | 1         | Pin, Male (16 Gauge)  |     |
| 146  | 4460470     | 1         | Nut, Terminal   |     |
| 147  | 4460471     | 1         | Lockwasher, Terminal  |     |
| 148  | 4460905     | 5         | Seal, Plug  |     |
| 152  |             | Ref       | Harness, Console Box Options (See Items 1-44 for Breakdown):                              |     |
| 152  | 4922639     | 1         | Harness, Console Box <b>(SN 0300069000 through 0300136487)</b>                            |     |
| 152  | 1001107753  | 1         | Harness, Console Box <b>(SN 0300136488 through 0300140000)</b>                            |     |
| 153  | 4922666     | 1         | Harness, Analyzer Cable   | 2-B |
| 153  | 4460226     | 4         | Socket, Female (Not Shown - Located at J2)  |     |
| 153A | 4460761     | 1         | Connector, Female - 4 Position  |     |
| 153A | 4460227     | 4         | Pin, Male   |     |
| 155  | 4460708     | 2         | Connector, Female 15 Position   |     |
|      |             | Ref       | <b>BOOM CABLES INSTALLATION</b>   |     |
|      | 0271374     | Ref       | <b>Boom Cables Installation 800A</b>  | F   |
|      | 0272429     | Ref       | <b>Boom Cables Installation 800A (With 7500W Generator) (SkyPower)</b>                    | D   |
|      | 1001093748  | Ref       | <b>Boom Cables Installation 800A (With Arctic Package)</b>                                | A   |
|      | 1001091330  | Ref       | <b>Boom Cables Installation 800A (With Arctic Package and 7500W Generator) (SkyPower)</b> | B   |
|      | 0271376     | Ref       | <b>Boom Cables Installation 800AJ</b>   | 4   |

## SECTION 7 - ELECTRICAL

| ITEM | PART NUMBER | QTY          | DESCRIPTION  | REV |
|------|-------------|--------------|--|-----|
|      | 0272431     | Ref          | <b>Boom Cables Installation 800AJ (With 7500W Generator) (SkyPower)</b>  | 3   |
|      | 0275204     | Ref          | <b>Boom Cables Installation 800AJ (With Arctic Package)</b>  | 1   |
|      | 1001092093  | Ref          | <b>Boom Cables Installation 800AJ (With Arctic Package and 7500W Generator) (SkyPower)</b>   | 2   |
|      | 1001116474  | Ref          | <b>Boom Cables Installation 800AJ (With David Clark Communication System and 7500W Generator) (SkyPower) (Note: Not Shown - Contact your JLG Parts Representative)</b> | 1   |
| 201  |             | Ref          | Harness Assembly - Main Boom (12/4 -18/8) Options:   |     |
| 201  | 4922575     | 1            | Harness Assembly - Main Boom (12/4 -18/8), 800A  | 5-E |
| 201  | 1001091315  | 1            | Harness Assembly - Main Boom (12/4 -18/8), 800A (With Arctic Package)  | C   |
| 201  | 4922582     | 1            | Harness Assembly - Main Boom (12/4 -18/8), 800AJ   | F   |
| 201  | 4923490     | 1            | Harness Assembly - Main Boom (12/4 -18/8), 800AJ (With Arctic Package)   | 2-C |
| 201  | 1060896     | AR           | Cable, Electrical - 4 #12 AWG, 8 #18 AWG and 1 STP #18 AWG (Without Arctic Package)  |     |
| 201  | 4923462     | Ref          | Cable, Electrical - 4 #12 AWG, 8 #18 AWG and 1 STP #18 AWG Options (With Arctic Package):  |     |
| 201  | 4923462     | 1 ft/20.4m   | Cable, Electrical - 4 #12 AWG, 8 #18 AWG and 1 STP #18 AWG 800A (With Arctic Package)  |     |
| 201  | 4923462     | 64 ft /19.5m | Cable, Electrical - 4 #12 AWG, 8 #18 AWG and 1 STP #18 AWG 800AJ (With Arctic Package)   |     |
| 201  | 0100009     | AR           | Sealant  |     |
| 201A | 4460465     | 11           | Socket, Female   |     |
| 201B | 4460865     | 1            | Connector - 19 Position  |     |
| 201C | 4460509     | 4            | Socket, Female   |     |
| 201D | 4460473     | 1            | Clamp, Cable   |     |
| 201E | 4460466     | 8            | Seal, Plug   |     |
| 201F | 4460464     | 11           | Pin, Male (16 Gauge)   |     |
| 201G | 4460866     | 1            | Connector - 19 Position  |     |
| 201H | 4460508     | 4            | Pin, Male (12 Gauge)   |     |
| 201J | 4923613     | 1            | Harness, Tilt Switch (SN 0300112885 through 0300140000)  | C   |
| 201K | 1060978     | 2 ft/0.6m    | Cable, Electrical - 18/3   |     |
| 201L | 1001097051  | 1            | Connector - 4 Position   |     |
| 201M | 1001097082  | 3            | Pin, Male (Gold)   |     |
| 201N | 4460464     | 3            | Pin, Male (16 Gauge)   |     |
| 201P | 4460466     | 1            | Seal, Plug   |     |
| 201Q | 4461077     | 1            | Terminal, Plug - 4 Position  |     |
| 201R | See Note    | 3            | Socket, Female (Note: Not Available for Purchase)  |     |
| 202  |             | Ref          | Harness Assembly - Tower Boom (12/4 - 18/8) Options:   |     |
| 202  | 4922576     | 1            | Without Arctic Package   |     |
| 202  | 4923489     | 1            | With Arctic Package  |     |
| 202  | 1060896     | 44 ft /13.4m | Cable, Electrical - 4 #12 AWG, 8 #18 AWG and 1 STP #18 AWG (Without Arctic Package)  |     |
| 202  | 4923462     | 44 ft /13.4m | Cable, Electrical - 4 #12 AWG, 8 #18 AWG and 1 STP #18 AWG (With Arctic Package)   |     |
| 202A | 4460465     | 22           | Socket, Female   |     |
| 202B | 4460865     | 2            | Connector - 19 Position  |     |
| 202C | 4460509     | 8            | Socket, Female   |     |
| 202D | 4460473     | 2            | Clamp, Cable   |     |
| 202E | 4460466     | 8            | Seal, Plug   |     |
| 203  |             | Ref          | Harness Assembly - Tower Boom (18/2) Options (800A Only):  |     |
| 203  | 4922579     | 1            | Without Arctic Package   |     |

## SECTION 7 - ELECTRICAL

| ITEM | PART NUMBER | QTY             | DESCRIPTION   | REV |
|------|-------------|-----------------|---|-----|
| 203  | 1001091323  | 1               | With Arctic Package   |     |
| 203  | 1060902     | 47 ft<br>/14.3m | Cable, Electrical - 18/2 (Without Arctic Package)   |     |
| 203  | 4923466     | 47 ft<br>/14.3m | Cable, Electrical - 18/2 (With Arctic Package)  |     |
| 203A | 4460465     | 2               | Socket, Female  |     |
| 203A | 4460891     | 1               | Connector, Terminal - 2 Position  |     |
| 204  |             | Ref             | Harness Assembly - Main Boom (18/2) Options (800A Only):  |     |
| 204  | 4922580     | 1               | Harness Assembly - Main Boom (18/2) (Without Arctic Package) <b>(SN 0300069000 through 0300071062)</b>                          |     |
| 204  | 4922868     | 1               | Harness Assembly - Main Boom (18/2) (Without Arctic Package) <b>(SN 0300071063 through 0300140000)</b>                          |     |
| 204  | 1001091319  | 1               | With Arctic Package   |     |
| 204  | 1060902     | 1               | Cable, Electrical - 18/2 (Without Arctic Package)   |     |
| 204  | 1060902     | 27 ft/8.2m      | Cable, Electrical - 18/2 (Without Arctic Package) <b>(SN 0300069000 through 0300071062)</b>                                     |     |
| 204  | 1060902     | 30 ft/9.1m      | Cable, Electrical - 18/2 (Without Arctic Package) <b>(SN 0300071063 through 03000140000)</b>                                    |     |
| 204  | 4923466     | 30 ft/9.1m      | Cable, Electrical - 18/2 (With Arctic Package)  |     |
| 204A | 4460464     | 2               | Pin, Male   |     |
| 204A | 4460897     | 1               | Plug, Terminal - 2 Position   |     |
| 205  |             | Ref             | Harness Assembly - Tower Boom (18/2) Options:   |     |
| 205  | 4922577     | NLA             | Harness Assembly - Tower Boom (18/2), 800A (Without Arctic Package) (Use p/n 4922578) <b>(SN 0300069000 through 0300098643)</b> |     |
| 205  | 4922578     | 1               | Harness Assembly - Tower Boom (18/2), 800A (Without Arctic Package) <b>(SN 0300098644 through 0300140000)</b>                   |     |
| 205  | 4923487     | 1               | Harness Assembly - Tower Boom (18/2), 800A (With Arctic Package) (Without 7500W Generator)                                      |     |
| 205  | 4923488     | 1               | Harness Assembly - Tower Boom (18/2), 800AJ (With Arctic Package) (Without 7500W Generator)                                     |     |
| 205  | 4923487     | 1               | Harness Assembly - Tower Boom (18/2), 800AJ (With Arctic Package) (With 7500W Generator)  |     |
| 206  |             | Ref             | Harness Assembly - Main Boom (18/2) Options:  |     |
| 206  | 4922578     | 1               | Without Arctic Package  |     |
| 206  | 4923487     | 1               | With Arctic Package   |     |
| 207  |             | Ref             | Harness Assembly - Main Boom Options:   |     |
| 207  |             | Ref             | Harness Assembly - Main Boom 800A:  |     |
| 207  | 4922215     | 1               | (10/3) (Without Arctic Package)   |     |
| 207  | 4922773     | 1               | (8/5) (Without Arctic Package and With 7500W Generator) (SkyPower)  |     |
| 207  | 1001091324  | 1               | (10/3) (With Arctic Package)  |     |
| 207  | 1001093745  | NLA             | (8/5) (With Arctic Package and 7500W Generator) (SkyPower) (Use p/n 4922773)  |     |
| 207  |             | Ref             | Harness Assembly - Main Boom 800AJ:   |     |
| 207  | 4922216     | 1               | (10/3) (Without Arctic Package)   |     |
| 207  | 4922775     | 1               | (8/5) (Without Arctic Package and With 7500W Generator) (SkyPower)  |     |
| 207  | 4923485     | 1               | (10/3) (With Arctic Package)  |     |
| 207  | 1001092084  | NLA             | (8/5) (With Arctic Package and 7500W Generator) (SkyPower) (Use p/n 4922775)  |     |
| 208  |             | Ref             | Harness Assembly - Tower Boom Options:  |     |
| 208  | 4922217     | 1               | (10/3)  |     |
| 208  | 4922774     | 1               | (8/5) (With 7500W Generator) (SkyPower)   |     |
| 208  | 4923486     | 1               | (10/3) (With Arctic Package)  |     |

## SECTION 7 - ELECTRICAL

| ITEM | PART NUMBER | QTY       | DESCRIPTION   | REV |
|------|-------------|-----------|---|-----|
| 208  | 1001092085  | NLA       | (8/5) (With Arctic Package and 7500W Generator) (SkyPower)<br>(Use p/n 4922774)                 |     |
| 209  |             | Ref       | Clamp, Block Options (Not Shown-Located on back of T/T):  |     |
| 209  | 1320256     | 1         | Clamp, Block (All except Machines With Arctic Package)  |     |
| 209  | 1001092384  | 1         | With Arctic Package   |     |
| 210  |             | Ref       | Harness Assembly (18/2) (800A Only) Options:  |     |
| 210  | 4922581     | NLA       | Harness Assembly (18/2) (800A Only) (Use p/n 4922578) <b>(SN 0300069000 through 0300098643)</b> |     |
| 210  | 4922578     | 1         | Harness Assembly (18/2) (800A Only) <b>(SN 0300098644 through 0300140000)</b>                   |     |
| 210  | 4923487     | 1         | With Arctic Package   |     |
| 211  | 0272433     | 1         | Cable Connector Installation (With 7500W Generator)<br>(SkyPower)                               | B   |
| 211A | 4460959     | 1         | Connector, Male (With 7500W Generator) (SkyPower)   |     |
| 211A | 1671093     | 1         | Cover, Male Connector (Optional)  |     |
| 211B | 4460960     | 1         | Connector, Female (With 7500W Generator) (SkyPower)   |     |
| 211B | 1671092     | 1         | Cover, Female Connector (Optional)  |     |
| 213  | 1001094470  | 1         | Harness, Boom Cable Jumper <b>(SN 0300069000 through 0300112884)</b>                            | C   |
| 213A | 1060896     | 1 ft/0.3m | Cable, Electrical - 4 #12 AWG, 8 #18 AWG and 1 STP #18 AWG                                      |     |
| 213B | 4460465     | 11        | Socket, Female  |     |
| 213C | 4460865     | 1         | Connector - 19 Position   |     |
| 213D | 4460509     | 4         | Socket, Female  |     |
| 213E | 4460473     | 1         | Clamp, Cable  |     |
| 213F | 4460466     | 8         | Seal, Plug  |     |
| 213G | 4460464     | 8         | Pin, Male (16 Gauge)  |     |
| 213H | 4460866     | 1         | Connector - 19 Position   |     |
| 213J | 4460508     | 4         | Pin, Male (12 Gauge)  |     |
| 213K | 4923613     | 1         | Harness, Tilt Switch  | C   |
| 213L | 1060978     | 2 ft/0.6m | Cable, Electrical - 18/3  |     |
| 213M | 1001097051  | 1         | Connector - 4 Position  |     |
| 213N | 1001097082  | 3         | Pin, Male (Gold)  |     |
| 213P | 4460464     | 3         | Pin, Male (16 Gauge)  |     |
| 213Q | 4460466     | 1         | Seal, Plug  |     |
| 213R | 1001094400  | 1         | Tilt Sensor Harness (Boom) (Includes Sensor)  | C   |
| 213S | 4461077     | 1         | Terminal, Plug - 4 Position   |     |
| 213S | 4460918     | 3         | Socket, Female  |     |
|      |             | Ref       | <b>GROUND CONTROL BOX WIRING DIAGRAMS</b>   |     |
|      |             | Ref       | <b>Caterpillar Engine Machines</b>  |     |
|      | 4933296     | Ref       | <b>Caterpillar Engine Machines (SN 0300069000 through 0300087265)</b>                           | 2-C |
|      | 4933338     | Ref       | <b>Caterpillar Engine Machines (SN 0300087266 through 0300099883)</b>                           | 3-C |
|      | 4933373     | Ref       | <b>Caterpillar Engine Machines (SN 0300099884 through 0300140000)</b>                           | F   |
|      |             | Ref       | <b>Deutz Engine Machines</b>  |     |
|      | 4933232     | Ref       | <b>Deutz Engine Machines (SN 0300069000 through 0300085330)</b>                                 | 5-G |
|      | 4933321     | Ref       | <b>Deutz Engine Machines (SN 0300085331 through 0300099883)</b>                                 | F   |
|      | 4933372     | Ref       | <b>Deutz Engine Machines (SN 0300099884 through 0300140000)</b>                                 | F   |
|      |             | Ref       | <b>Ford Engine Machines</b>   |     |

## SECTION 7 - ELECTRICAL

| ITEM | PART NUMBER | QTY | DESCRIPTION   | REV |
|------|-------------|-----|---|-----|
|      | 4933233     | Ref | <b>Ford Engine Machines (SN 0300069000 through 0300087265)</b>  | 4-F |
|      | 4933339     | Ref | <b>Ford Engine Machines (SN 0300087266 through 0300140000)</b>  | 2-B |
|      |             | Ref | <b>GM Engine Machines</b>   |     |
|      | 4933356     | Ref | <b>GM Engine Machines (SN 0300069000 through 0300099883)</b>  | B   |
|      | 4933371     | Ref | <b>GM Engine Machines (SN 0300099884 through 0300140000)</b>  | F   |
| 301  | 2920129     | AR  | Bulb, Light   |     |
| 307  | 2400065     | 1   | Fuse, 30Amp   |     |
| 308  | 2400066     | 1   | Fuse, Holder  |     |
| 310  | 4460708     | 2   | Receptacle, Female - 15 Position  |     |
| 310  | 4460226     | AR  | Socket, Female  |     |
| 310  | 4922637     | 1   | Harness, Jumper (Not Shown)   |     |
| 311  | 4460894     | 1   | Plug, Male - 6 Position (Deutz and GM Engines Only - Caterpillar Engines) <b>(SN 0300085331 through 0300140000, SN 0300099884 through 0300112885)</b>         |     |
| 311  | 4460892     | 1   | Receptacle, Female - 6 Position (Deutz and GM Engines Only - Caterpillar Engines) <b>(SN 0300085331 through 0300140000, SN 0300099884 through 0300112885)</b> |     |
| 312  | 2902443     | 1   | Receptacle Kit (Deutz Only) <b>(SN 0300085331 through 0300140000)</b>   |     |
| 312  | 4461071     | 8   | Socket, Female  |     |
| 312  | 4461072     | 1   | Receptacle  |     |
| 312  | 4461073     | 1   | Cap, Dust   |     |
| 312  | 4461074     | 1   | Shell, Black  |     |
| 313  | 4923591     | 1   | Harness, Jumper (Not Shown - Located on Module J7-6 to J7-17 Caterpillar Only)  |     |
| 314  | 4460945     | 1   | Connector (3 Way Tee)   |     |
| 315  | 4460539     | 1   | Plug, Male - 3 Position (Caterpillar Only) <b>(SN 0300099884 through 0300140000)</b>  |     |
| 316  | 4460424     | 1   | Receptacle, Female - 2 Position   |     |
| 316  | 4460226     | 2   | Socket, Female  |     |
|      |             | Ref | <b>GROUND CONTROL BOX COMPONENTS</b>  |     |
| 402  | 0100048     | AR  | Grease, Dielectric  |     |
| 417  | 3740049     | Ref | Relay Options:  |     |
| 417  | 3740049     | 3   | Caterpillar Engine  |     |
| 417  | 3740049     | 2   | Deutz, Ford and GM Engines  |     |
| 426  | 4460426     | 2   | Connector, Strain Relief  |     |
| 427  | 4460470     | 1   | Nut, Terminal   |     |
| 428  | 4460471     | 1   | Lockwasher, Terminal  |     |
| 430  | 4460526     | 1   | Connector, Strain Relief  |     |
| 431  | 4460874     | 1   | Connector - 35 Position (Natural)   |     |
| 432  | 4460875     | 1   | Connector - 35 Position (Gray)  |     |
| 433  | 4460905     | 4   | Connector, Amp Seal Plug  |     |
| 437  |             | Ref | Engine Harness Assembly (See 501 to 570 for Breakdown)  |     |
| 437  |             | Ref | Caterpillar Engine Machines   |     |
| 437  | 4922933     | 1   | Caterpillar Engine Machines <b>(SN 0300069000 through 0300087265)</b>   |     |
| 437  | 4923280     | 1   | Caterpillar Engine Machines <b>(SN 0300087266 through 0300099883)</b>   |     |
| 437  | 4923585     | 1   | Caterpillar Engine Machines <b>(SN 0300099884 through 0300140000)</b>   |     |
| 437  | 3990001     | 1   | Diode <b>(SN 0300090372 through 0300140000)</b>   |     |
| 437  |             | Ref | Caterpillar Engine Machines   |     |



## SECTION 7 - ELECTRICAL

| ITEM | PART NUMBER | QTY | DESCRIPTION  | REV |
|------|-------------|-----|--|-----|
| 437  | 4922549     | 1   | Caterpillar Engine Machines (SN 0300069000 through 0300085330)               |     |
| 437  | 4923238     | 1   | Caterpillar Engine Machines (SN 0300085331 through 0300140000)               |     |
| 437  |             | Ref | Ford Engine Machines   |     |
| 437  | 4922550     | 1   | Non-UL Spec Machines (SN 0300069000 through 0300087265)                      |     |
| 437  | 4922846     | 1   | UL Machines (SN 0300069000 through 0300087265)                               |     |
| 437  | 4923281     | 1   | All Machines (SN 0300087266 through 0300140000)                              |     |
| 437  | 4923499     | 1   | GM Engine All Machines   |     |
| 438  | 4922557     | 1   | VALVE HARNESS ASSEMBLY   | 1-A |
| 438A | 4460880     | 19  | Connector, DIN   |     |
| 438B | 4460320     | 2   | Connector, Female - 2 Position   |     |
| 438B | 4460267     | 7   | Pin, Male  |     |
| 438C | 4460424     | 1   | Connector, Male - 2 Position   |     |
| 438C | 4460268     | 5   | Pin, Female  |     |
| 438D | 4460871     | AR  | Socket, Female   |     |
| 438E | 4460326     | 1   | Connector, Male - 3 Position   |     |
| 438E | 4460267     | 7   | Pin, Male  |     |
| 438F | 4460445     | 1   | Connector, Female - 3 Position   |     |
| 438F | 4460268     | 5   | Pin, Female  |     |
| 439  |             | Ref | Ground Control Box Harness Assemblies  |     |
| 439  |             | Ref | Caterpillar and Ford Engine Machines   |     |
| 439  | 4922675     | 1   | Caterpillar and Ford Engine Machines (SN 0300069000 through 0300087265)      | 5-F |
| 439  | 4923282     | 1   | Caterpillar and Ford Engine Machines (SN 0300087266 through 0300099883)      | 2-B |
| 439  | 4922675     | 1   | Deutz Engine Machines (SN 0300069000 through 0300085330)                     | 5-F |
| 439  | 4923223     | 1   | Deutz and GM Engine Machines (SN 0300085331 through 0300099884)              | G   |
| 439  |             | Ref | Caterpillar, Deutz and GM Engine Machines                                    |     |
| 439  | 4923575     | 1   | Caterpillar, Deutz and GM Engine Machines (SN 0300099884 through 0300112884) | C   |
| 439  | 1001096458  | 1   | Caterpillar, Deutz and GM Engine Machines (SN 0300112885 through 0300140000) | E   |
| 439A | 4460418     | 9   | Connector, Female - 6 Position   |     |
| 439A | 4460419     | 27  | Socket, Female   |     |
| 439B | 4460876     | 1   | Connector, 35- Position (Blue)   |     |
| 439B | 4460871     | AR  | Socket, Female   |     |
| 439B | 4460905     | 1   | Seal, Plug   |     |
| 439C | 4460866     | 1   | Connector - 19 Position  |     |
| 439C | 4460464     | AR  | Pin, Male Deutsch (16 Gauge)   |     |
| 439C | 4460508     | 3   | Pin, Male Deutsch (12 Gauge)   |     |
| 439D | 4460878     | 1   | Housing, Terminal- 4 Position  |     |
| 439D | 4460887     | 3   | Terminal (12 Gauge)  |     |
| 439E | 4120035     | AR  | Base, Light  |     |
| 439E | 4460634     | AR  | Terminal (16 Gauge)  |     |
| 439F | 4460873     | 1   | Connector, 35- Position (Black)  |     |
| 439F | 4460871     | AR  | Socket, Female   |     |
| 439F | 4460905     | 1   | Seal, Plug   |     |
| 439G | 4460871     | AR  | Socket, Female   |     |
| 439H | 4460434     | 2   | Plug, Male 15- Position  |     |

## SECTION 7 - ELECTRICAL

| ITEM | PART NUMBER | QTY | DESCRIPTION   | REV |
|------|-------------|-----|---|-----|
| 439H | 4460227     | AR  | Pin   |     |
| 439I | 3990010     | 2   | Diode - 6 Amp (Not Shown)   |     |
| 439J |             | Ref | Receptacle, Female Options:   |     |
| 439J | 4460536     | 1   | Receptacle, Female - 3 Position (Deutz Engine - Caterpillar Engine) <b>(SN 0300085331 through 0300112884, SN 0300099884 through 0300112884)</b>                               |     |
| 439J | 4460943     | 3   | Pin   |     |
| 439J | 4460965     | 1   | Receptacle, Female - 3 Position <b>(SN 0300112885 through 0300140000)</b>   |     |
| 439J | 4460944     | 3   | Pin   |     |
| 439K | 4460761     | 1   | Connector, Female 4- Position   |     |
| 439K | 4460227     | 4   | Pin, Male   |     |
|      |             | Ref | <b>Note: Items 439L-439Q From. (SN 0300112885 through 0300140000)</b>   |     |
| 439L | 4460894     | 3   | Plug, Male - 6 Position   |     |
| 439L | 4460465     | AR  | Socket, Female  |     |
| 439L | 4460892     | 3   | Terminal, Buss Connector - 6 Position   |     |
| 439M | 4460761     | 1   | Connector, Female 4- Position   |     |
| 439M | 4460227     | 4   | Pin, Male   |     |
| 439N | 4460909     | 1   | Connector - 12 Position (Black)   |     |
| 439N | 4460915     | 1   | Wedge Lock - 12 Position  |     |
| 439N | 4460928     | 6   | Socket, Female  |     |
| 439P | 4460908     | 1   | Connector - 12 Position (Gray)  |     |
| 439P | 4460915     | 1   | Wedge Lock - 12 Position  |     |
| 439P | 4460928     | 5   | Socket, Female  |     |
| 439Q | 4460965     | 1   | Connector, Male - 3 Position  |     |
| 439Q | 4460944     | 3   | Socket, Female (Gold)   |     |
| 440  | 4922666     | 1   | Cable, Analyzer (Previously came out of J1. On Caterpillar and Ford Machines to Present SN 0300087266 and on Deutz and GM Machines to Present SN 0300085331 part of Item 439) | 2-B |
| 440A | 4460226     | 4   | Socket, Female  |     |
| 440B | 4460761     | 1   | Connector, Female 4- Position   |     |
| 440B | 4460227     | 4   | Pin, Male   |     |
| 441  |             | Ref | Ground Control Box Wiring Diagram (Not Shown - See Items 301-316 for Breakdown)   |     |
| 441  |             | Ref | Caterpillar Engine Machines   |     |
| 441  | 4923296     | 1   | Caterpillar Engine Machines <b>(SN 0300069000 through 0300087265)</b>   |     |
| 441  | 4933338     | 1   | Caterpillar Engine Machines <b>(SN 0300087266 through 0300099883)</b>   |     |
| 441  | 4933373     | 1   | Caterpillar Engine Machines <b>(SN 0300099884 through 0300140000)</b>   |     |
| 441  |             | Ref | Deutz Engine Machines   |     |
| 441  | 4933232     | 1   | Deutz Engine Machines <b>(SN 0300069000 through 0300085330)</b>   |     |
| 441  | 4933321     | 1   | Deutz Engine Machines <b>(SN 0300085331 through 0300099883)</b>   |     |
| 441  | 4933372     | 1   | Deutz Engine Machines <b>(SN 0300099884 through 0300140000)</b>   |     |
| 441  |             | Ref | Ford Engine Machines  |     |
| 441  | 4933233     | 1   | Ford Engine Machines <b>(SN 0300069000 through 0300087265)</b>  |     |
| 441  | 4933339     | 1   | Ford Engine Machines <b>(SN 0300087266 through 0300140000)</b>  |     |
| 441  |             | Ref | GM Engine Machines  |     |

## SECTION 7 - ELECTRICAL

| ITEM | PART NUMBER | QTY | DESCRIPTION  | REV |
|------|-------------|-----|--|-----|
| 441  | 4933356     | 1   | GM Engine Machines (SN 0300069000 through 0300099883)  |     |
| 441  | 4933371     | 1   | GM Engine Machines (SN 0300099884 through 0300140000)  |     |
|      |             | Ref | <b>ENGINE HARNESS ASSEMBLY</b>   |     |
|      |             | Ref | <b>Caterpillar Engine Machines</b>   |     |
|      | 4922933     | Ref | <b>Caterpillar Engine Machines (SN 0300069000 through 0300087265)</b>                                | 2-B |
|      | 4923280     | Ref | <b>Caterpillar Engine Machines (SN 0300087266 through 0300099883)</b>                                | 3-C |
|      | 4923585     | Ref | <b>Caterpillar Engine Machines (SN 0300099884 through 0300140000)</b>                                | D   |
|      |             | Ref | <b>Deutz Engine Machines</b>   |     |
|      | 4922549     | Ref | <b>Deutz Engine Machines (SN 0300069000 through 0300085330)</b>                                      | 5-F |
|      | 4923238     | Ref | <b>Deutz Engine Machines (SN 0300085331 through 0300129455)</b>                                      | E   |
|      | 1001102150  | Ref | <b>Deutz Engine Machines (SN 0300129456 through 0300140000)</b>                                      | B   |
|      |             | Ref | <b>Ford Engine Machines</b>  |     |
|      | 4922550     | Ref | <b>Non-UL Spec Machines (SN 0300069000 through 0300087265)</b>                                       | 2-C |
|      | 4922846     | Ref | <b>UL Machines (SN 0300069000 through 0300087265)</b>  | 2-B |
|      | 4923281     | Ref | <b>All Machines (SN 0300087266 through 0300140000)</b>   | 3-C |
|      | 4923499     | Ref | <b>GM Engine All Machines</b>  | D   |
| 519  | 4460424     | 1   | Receptacle, Female - 2 Position  |     |
| 520  | 4460268     | AR  | Socket, Female (Caterpillar, Deutz and GM Engines)   |     |
| 520  | 4460226     | AR  | Socket, Female (Ford Engine Machines)  |     |
| 521  | 4460880     | AR  | DIN Connector without Diode  |     |
| 522  | 4460891     | 2   | Connector, Male - 2 Position (Caterpillar Engine Only)   |     |
| 522  | 4460465     | 4   | Socket, Female   |     |
| 523  | 4461070     | 1   | Receptacle, Female with Resistor (3 Position) (Deutz Engine Only) (SN 0300085331 through 0300140000) |     |
| 523  | 4461095     | 1   | Plug, Male - 3 Position (Deutz Engine Only) (SN 0300085331 through 0300140000)                       |     |
| 523  | 4460944     | 3   | Socket, Female (Deutz Engine Only) (SN 0300085331 through 0300140000)                                |     |
| 525  | 4460539     | 1   | Connector, Male - 3 Position (Deutz and GM Engine Only) (SN 0300085331 through 0300140000)           |     |
| 525  | 4460944     | 3   | Socket, Female (Deutz and GM Engine Only) (SN 0300085331 through 0300140000)                         |     |
| 527  | 4461070     | 3   | Receptacle with Resistor (GM Engine Only) (SN 0300069000 through 0300112884)                         |     |
| 527  | 4460944     | 1   | Terminal, Gold (GM Engine Only) (SN 0300069000 through 0300112884)                                   |     |
| 527  | 4461095     | 1   | Plug, Male - 3 Position (GM Engine Only) (SN 0300069000 through 0300112884)                          |     |
| 528  | 4460582     | 3   | Terminal (Ford Engine - ANSI Spec Machines Only)   |     |
| 529  | 4460580     | 1   | Lock, Terminal (Ford Engine - ANSI Spec Machines Only)   |     |
| 530  | 4460579     | 1   | Housing - 3 Position (Ford Engine - ANSI Spec Machines Only)   |     |
| 532  | 4461157     | 1   | Receptacle, Female - 2 Position (GM Engine Only)   |     |
| 532  | 4460979     | 2   | Pin, Male (GM Engine Only)   |     |
| 532  | 4460458     | 2   | Seal, Terminal (GM Engine Only)  |     |
| 533  | 4461052     | 1   | Connector, Receptacle - 25 Position (Deutz Engine Only) (SN 0300085331 through 0300140000)           |     |
| 533  | 4461005     | 5   | Terminal (Gold) (Deutz Engine Only) (SN 0300085331 through 0300140000)                               |     |

## SECTION 7 - ELECTRICAL

| ITEM | PART NUMBER  | QTY | DESCRIPTION   | REV |
|------|--------------|-----|---|-----|
| 533  | 4461006      | 5   | Seal, Terminal (Deutz Engine Only) (SN 0300085331 through 0300140000) |     |
| 533  | 4461060      | 2   | Terminal (Tin) (Deutz Engine Only) (SN 0300085331 through 0300140000) |     |
| 533  | 4461054      | 2   | Seal, Terminal (Deutz Engine Only) (SN 0300085331 through 0300140000) |     |
| 533  | 4461053      | 1   | Cover, Plug (Deutz Engine Only) (SN 0300085331 through 0300140000)    |     |
| 533  | 4461008      | 18  | Plug, Hole (Deutz Engine Only) (SN 0300085331 through 0300140000)     |     |
| 536  |              | Ref | Housing - 2 Position Options:   |     |
| 536  | 4460539      | 1   | Caterpillar Engine  |     |
| 536  | 4460890      | 1   | Deutz Engine (SN 0300069000 through 0300085330)                       |     |
| 536  | Not Required | 0   | Deutz Engine (SN 0300085331 through 0300140000)                       |     |
| 536  | Not Required | 0   | Ford Engine   |     |
| 536  | Not Required | 0   | GM Engine   |     |
| 537  |              | Ref | Terminal Options:   |     |
| 537  | 4460465      | 3   | Caterpillar Engine  |     |
| 537  | 4460889      | 2   | Deutz Engine (SN 0300069000 through 0300085330)                       |     |
| 537  | Not Required | 0   | Deutz Engine (SN 0300085331 through 0300140000)                       |     |
| 537  | Not Required | 0   | Ford Engine   |     |
| 537  | Not Required | 0   | GM Engine   |     |
| 538  | 4460460      | 1   | Connector, Male - 4 Position  |     |
| 539  | 4460457      | AR  | Terminal, Female  |     |
| 540  | 4460458      | AR  | Seal, Terminal  |     |
| 541  | 4460713      | 1   | Connector, Housing 42 Position (Ford Engine Only)                     |     |
| 542  | 4460725      | 1   | Connector Wedge Lock, Center (Ford Engine Only)                       |     |
| 543  | 4460726      | 2   | Connector Wedge Lock, Side (Ford Engine Only)                         |     |
| 544  | 4460800      | 32  | Connector, Plug (Ford Engine Only)                                    |     |
| 545  | 4460799      | 7   | Pin, Male (Ford Engine Only)  |     |
| 547  | 4461121      | 1   | Plug, Male - 4 Position (GM Engine Only)                              |     |
| 547  | 4461122      | 4   | Socket, Female (GM Engine Only)                                       |     |
| 547  | 4461123      | 4   | Seal, Terminal (GM Engine Only)                                       |     |
| 548  | 4460728      | 3   | Pin, Male (Ford Engine Only)  |     |
| 549  | 4460792      | 1   | Housing, Terminal (Caterpillar Engines Only)                          |     |
| 549  | 4460339      | AR  | Terminal, Spade (Caterpillar Engines Only)                            |     |
| 550  | 2400061      | AR  | Fuse (Ford Engine Only)   |     |
| 551  | 2400060      | AR  | Holder, Fuse (Ford Engine Only)                                       |     |
| 553  | 4461124      | 1   | Receptacle, Female - 4 Position (GM Engine Only)                      |     |
| 553  | 4460693      | 4   | Pin, Male (GM Engine Only)  |     |
| 553  | 4460608      | 4   | Seal, Terminal (GM Engine Only)                                       |     |
| 553  | 4461161      | 1   | Lock, Terminal (GM Engine Only)                                       |     |
| 554  | 4460742      | AR  | Connector, Male - 2 Position (Ford Engine Only)                       |     |
| 555  | 4461109      | 1   | Plug, Male - 16 Position (GM Engine Only)                             |     |
| 555  | 4461111      | 7   | Pin, Male (GM Engine Only)  |     |
| 555  | 4461113      | 16  | Seal, Terminal (GM Engine Only)                                       |     |
| 555  | 4461222      | 9   | Plug, Terminal (GM Engine Only)                                       |     |
| 556  | 4460891      | 1   | Connector, Male - 2 Position (Ford Engine - UL Machines Only)         |     |
| 557  | 4460871      | AR  | Socket, Female  |     |
| 558  | 4460465      | 2   | Socket, Female (Ford Engine - UL Machines Only)                       |     |
| 563  | 4460465      | 1   | Socket, Female (UL Machines Only)                                     |     |
| 568  | 4460320      | 1   | Connector, Female - 2 Position (UL Machines Only)                     |     |

## SECTION 7 - ELECTRICAL

| ITEM | PART NUMBER  | QTY | DESCRIPTION   | REV |
|------|--------------|-----|---|-----|
| 569  | 4460226      | 2   | Socket, Female (UL Machines Only)   |     |
| 570  | 3730120      | 1   | Resistor Assembly (Ford Engine Only) <b>(SN 0300073347 through 0300140000)</b>                |     |
| 570  | 4460978      | 1   | Receptacle, Male - 2 Position   |     |
| 570  | 4460979      | 2   | Pin, Male   |     |
| 570  | 4460458      | 2   | Seal, Terminal  |     |
| 570  | 3730121      | 1   | Resistor  |     |
| 571  | 4460374      | 1   | Connector, Relay (Deutz Engine Only) <b>(SN 0300129456 through 0300140000)</b>                |     |
| 571  | 4460375      | 4   | Terminal, Female (Deutz Engine Only) <b>(SN 0300129456 through 0300140000)</b>                |     |
| 572  | 1001102290   | 1   | Receptacle, Female - 2 Position (Deutz Engine Only) <b>(SN 0300129456 through 0300140000)</b> |     |
| 572  | 1001102291   | 2   | Pin, Female (Deutz Engine Only) <b>(SN 0300129456 through 0300140000)</b>                     |     |
| 572  | 1001102304   | 2   | Seal, Terminal (Deutz Engine Only) <b>(SN 0300129456 through 0300140000)</b>                  |     |
|      |              | Ref | <b>STANDARD HARNESS COMPONENTS</b>  |     |
| 701  |              | Ref | Battery Cable Kit Options:  |     |
| 701  | 2901609      | 1   | Caterpillar and Deutz Engines <b>(SN 0300069000 through 0300078363)</b>                       |     |
| 701  | 2902401      | 1   | Caterpillar and Deutz Engines <b>(SN 0300078364 through 0300140000)</b>                       |     |
| 701  | 2901608      | 1   | Ford Engines <b>(SN 0300069000 through 0300087265)</b>  |     |
| 701  | 2902445      | 1   | Ford Engines <b>(SN 0300087266 through 0300140000)</b>  |     |
| 701  | 2902533      | 1   | GM Engines  |     |
| 701A | 7016800      | 1   | Cable, Battery (Red) (Kit p/n 2901609)  |     |
| 701A | 7016813      | 1   | Cable, Battery (Red) (Kit p/n 2902401)  |     |
| 701A | 7016800      | 1   | Cable, Battery (Red) (Kit p/n 2901608)  |     |
| 701A | 7016821      | 1   | Cable, Battery (Red) (Kit p/n 2902445)  |     |
| 701A | 7027015      | 1   | Cable, Battery (Red) (Kit p/n 2902533)  |     |
| 701B | 7016809      | 1   | Cable, Battery (Black) (Kit p/n 2901609)  |     |
| 701B | 7027012      | 1   | Cable, Battery (Black) (Kit p/n 2902401)  |     |
| 701B | 7016807      | 1   | Cable, Battery (Black) (Kit p/n 2901608)  |     |
| 701B | 7016822      | 1   | Cable, Battery (Black) (Kit p/n 2902445)  |     |
| 701B | 7027018      | 1   | Cable, Battery (Black) (Kit p/n 2902533)  |     |
| 701C | 7016802      | 1   | Cable To Starter (Red) (Kit p/n 2901609)  |     |
| 701C | Not Required | 0   | Cable To Starter (Part of 701A) (Red) (Kit p/n 2902401)                                       |     |
| 701C | 7016808      | 1   | Cable (Red) (Kit p/n 2901608)   |     |
| 701C | 7016808      | 1   | Cable (Red) (Kit p/n 2902445)   |     |
| 701C | 7016825      | 1   | Cable To Starter (Red) (Kit p/n 2902533)  |     |
| 701D | 7016803      | 1   | Cable To Glow Plug Relay (Red) (Kit p/n 2901609)  |     |
| 701D | 7016803      | 1   | Cable To Glow Plug Relay (Red) (Kit p/n 2902401)  |     |
| 701D | Not Required | 0   | Cable (Red) (Kit p/n 2901608)   |     |
| 701D | Not Required | 0   | Cable (Red) (Kit p/n 2902445)   |     |
| 701D | Not Required | 0   | Cable (Red) (Kit p/n 2902533)   |     |
| 701E | 7016824      | 1   | Cable (Red)   |     |
| 701F | 7016825      | 1   | Cable (Black)   |     |
| 702  | 1060904      | 1   | Cable, Battery (Caterpillar and Deutz Engines Only)   |     |
| 703  | 4922737      | 1   | Harness, Relay Ground (Caterpillar and Deutz Engines Only)                                    |     |
| 704  | See Note     | 1   | Fuel Pump Harness (Caterpillar Engines Only) (Note: Not Available for Purchase)               |     |
| 704A | 4460897      | 1   | Receptacle, Female - 2 Position (Caterpillar Engines Only)                                    |     |

## SECTION 7 - ELECTRICAL

| ITEM | PART NUMBER | QTY | DESCRIPTION  | REV |
|------|-------------|-----|--|-----|
| 704A | 4460464     | 2   | Pin, Male (Caterpillar Engines Only)   |     |
| 705  | See Note    | 1   | Throttle Actuator Harness (Caterpillar Engines Only) (Note: Not Available for Purchase)  |     |
| 705A | 4460897     | 1   | Receptacle, Female - 2 Position (Caterpillar Engines Only)   |     |
| 705A | 4460464     | 2   | Pin, Male (Caterpillar Engines Only)   |     |
| 706  | See Note    | AR  | Deutz Engine Harness Components (Deutz Engine Machines Only) (Note: Not Available for Purchase)                                |     |
| 706A |             | Ref | Deutz Engine Harness Options:  |     |
| 706A | See Note    | 1   | Deutz Engine Harness (Note: Not Available for Purchase) <b>(SN 0300069000 through 0300085330)</b>                              |     |
| 706A | 7027796     | 1   | Deutz Engine Harness <b>(SN 0300085331 through 0300140000)</b>   |     |
| 706B | See Note    | 1   | Receptacle, Female - 25 Position Only (Note: Not Available for Purchase) <b>(SN 0300085331 through 0300140000)</b>             |     |
| 706C | 7027793     | 1   | Plug-In, Connector Only <b>(SN 0300085331 through 0300140000)</b>  |     |
| 706D | 7027794     | 1   | Deutz Engine Harness (For other replacement parts refer to Deutz Engine dealer Only) <b>(SN 0300085331 through 0300140000)</b> |     |
| 707  |             | Ref | Ford Engine Harness Options (For other replacement parts refer to Ford Engine dealer):   |     |
| 707  | 7023663     | 1   | Ford Engine Harness (ECM) <b>(SN 0300069000 through 0300073347)</b>  |     |
| 707  | 7023681     | 1   | Ford Engine Harness (EPM) <b>(SN 0300073348 through 0300140000)</b>  |     |
| 707  | 7023657     | 1   | Ford Engine TPS Harness (Not Shown)  |     |
| 707  | 7022134     | 1   | Ford Engine Fuel Pump Harness (Not Shown)  |     |
| 708  | See Note    | 1   | Dual Fuel Shut-Off Filter Harness (Note: Not Available for Purchase)   |     |
| 708A | 7023679     | 1   | Electrical Connector Kit (Includes [1] 2 Position Connector, 2 Pins and 2 Seals)   |     |
| 709  | See Note    | 1   | Pump Harness (Note: Not Available for Purchase)  |     |
| 709A | 7007497     | 1   | Plug (Pump End)  |     |
| 709B | 7007498     | 1   | Plug (Engine Harness End)  |     |
| 710  | See Note    | 1   | Controller Harness Assembly (Lift and Swing) (Note: Not Available for Purchase)  |     |
| 710A | 7022819     | 1   | Plug, Male - 8 Position (Natural)  |     |
| 710A | 4460871     | 8   | Socket, Female   |     |
| 711  | See Note    | 1   | Controller Harness/Circuit Board Assembly (Drive and Steer) (Note: Not Available for Purchase)                                 |     |
| 711A | 7022825     | 1   | Plug, Male - 8 Position (Black)  |     |
| 711A | 4460871     | 7   | Socket, Female   |     |
| 712  | See Note    | 1   | Controller Harness (Speed Control) (Note: Not Available for Purchase)  |     |
| 712A | 4460224     | 1   | Receptacle, Female - 6 Position  |     |
| 712A | 4460226     | 6   | Socket, Female   |     |
| 713  | 4360499     | 2   | Proximity Switch Harness (Includes Switch)   |     |
| 714  | See Note    | AR  | GM Engine Harness Components (GM Engine Machines Only) (Note: Not Available for Purchase)                                      |     |
| 715  | 4923379     | 1   | Harness, Glow Plugs (Deutz Engine Machines Only) <b>(SN 0300092718 through 0300140000)</b>                                     |     |
| 716  | 1060904     | 1   | Cable, Jumper (Deutz Engine Machines Only) <b>(SN 0300092718 through 0300140000)</b>   |     |
| 717  | 1001093256  | Ref | Harness, Tilt <b>(SN 0300069000 through 0300112884)</b>  | F   |
| 717A | 2920129     | 1   | Bulb   |     |
| 717A | 4120035     | 1   | Socket, Light  |     |
| 717B | 4460464     | 4   | Pin, Male Deutsch (16 Gauge)   |     |

## SECTION 7 - ELECTRICAL

| ITEM | PART NUMBER | QTY | DESCRIPTION  | REV |
|------|-------------|-----|--|-----|
| 717C | 4460871     | 4   | Socket, Female   |     |
| 717D | 4460894     | 2   | Plug, Male - 6 Position  |     |
| 717D | 4460465     | 8   | Socket, Female   |     |
| 717D | 4460892     | 2   | Terminal, Buss Connector - 6 Position  |     |
| 717E | 4460761     | 1   | Connector, Female - 4 Position   |     |
| 717E | 4460227     | 4   | Pin, Male  |     |
| 717F | 4460909     | 1   | Connector - 12 Position (Black)  |     |
| 717F | 4460915     | 1   | Wedge Lock - 12 Position   |     |
| 717F | 4460928     | 6   | Socket, Female   |     |
| 717G | 4460908     | 1   | Connector - 12 Position (Gray)   |     |
| 717G | 4460915     | 1   | Wedge Lock - 12 Position   |     |
| 717G | 4460928     | 5   | Socket, Female   |     |
| 717H | 4460965     | 1   | Connector, Male - 3 Position   |     |
| 717H | 4460944     | 3   | Socket, Female (Gold)  |     |
| 717J | 4922099     | AR  | Cable, Can-Buss (Machines with Can Buss Engine Controllers and Caterpillar Engine without Can Buss Engine Controllers) |     |
| 717J | 4460965     | 1   | Connector, Male - 3 Position   |     |
| 717J | 4460944     | 6   | Socket, Female (Gold)  |     |
| 717J | 4460539     | 1   | Terminal, Plug - 3 Position  |     |
|      |             | Ref | <b>Note: Machines with Can Buss Item #717J Connect to MTB Harness Can Buss.</b>  |     |
| 717K | 4922099     | AR  | Cable, Can-Buss (Machines without Can Buss Engine Controllers)   |     |
| 717K | 4460965     | 1   | Connector, Male - 3 Position   |     |
| 717K | 4460944     | 6   | Socket, Female (Gold)  |     |
| 717K | 4460464     | 3   | Pin, Male Deutsch (16 Gauge)   |     |
|      |             | Ref | <b>Note: Machines without Can Buss Item #717K Connect to Deutsch Boom Cable Connector.</b>                             |     |
| 717L | 4922099     | AR  | Cable, Can-Buss (Machines without Can Buss Engine Controllers)   |     |
| 717L | 4460539     | 2   | Terminal, Plug - 3 Position  |     |
| 717L | 4460944     | 6   | Socket, Female (Gold)  |     |
| 717M | 4460536     | 1   | Terminal, Receptacle - 3 Position (Machines without Can Buss Engine Controllers)                                       |     |
| 718  | 1001093187  | Ref | Tilt Sensor Installation   | C   |
| 718  | 4460945     | 1   | Receptacle - 3 Position (3 way Tee)  |     |
| 719  |             | Ref | GM Engine Harness Options:   |     |
| 719  | 7027991     | 1   | Tier 1 Engines   |     |
| 719  | 70000718    | 1   | Tier 2 Engines   |     |
| 719  | 70002898    | 1   | Tier 3 & 4 interim   |     |
| 719  | 7027989     | 1   | Connector, Male - 10 Position (Not Shown)  |     |
| 719  | See Note    | 1   | Box, Fuse (Note: Parts of Harness - Not Available for Purchase)  |     |
| 719  | 70002627    | 1   | Cover, Fuse Box  |     |
| 719  | 70001950    | 2   | Relay (Power and Fuel Pump)  |     |
| 719  | 70001951    | 1   | Relay (Starter)  |     |
| 719  | 70001931    | 1   | Fuse - 60 Amp (Alternator)   |     |
| 719  | See Note    | 1   | Fuse - 20 Amp (Note: Not Available - Purchase Locally)   |     |
| 719  | See Note    | 3   | Fuse - 15 Amp (Note: Not Available - Purchase Locally)   |     |
| 719  | See Note    | 1   | Fuse - 10 Amp (Note: Not Available - Purchase Locally)   |     |
| 719  | See Note    | 1   | Fuse - 5 Amp (Note: Not Available - Purchase Locally)  |     |
|      |             | Ref | <b>OPTIONAL HARNESS COMPONENTS</b>   |     |
| 801  | 4921928     | 1   | 4WS Valve Harness  | E   |

## SECTION 7 - ELECTRICAL

| ITEM | PART NUMBER | QTY | DESCRIPTION  | REV |
|------|-------------|-----|--|-----|
| 801A | 4460268     | 3   | Socket, Female   |     |
| 801B | 4460445     | 1   | Connector, Female - 3 Position   |     |
| 801C | 4460499     | 2   | Connector, DIN with Diode  |     |
| 802  | 4921927     | 1   | Jib Valve Harness (800AJ Only)   | F   |
| 802A | 4460326     | 1   | Plug, Male - 3 Position  |     |
| 802B | 4460267     | 3   | Pin, Male  |     |
| 802C | 4460499     | 2   | Connector, DIN with Diode  |     |
| 803  | 0257887     | 1   | Alarm Harness (Includes Alarm)   |     |
| 803A | 4460424     | 1   | Plug, Male - 2 Position  |     |
| 803A | 4460268     | 2   | Socket, Female   |     |
| 804  |             | Ref | Strobe Light Harness (Includes Strobe Light) Options:  |     |
| 804  | 0255917     | 1   | Strobe Light Harness (Includes Strobe Light) <b>(SN 0300069000 through 0300069324)</b>                     |     |
| 804  | 0272507     | 1   | Strobe Light Harness (Includes Strobe Light) <b>(SN 0300069325 through 0300140000)</b>                     |     |
| 804A | 4460320     | 1   | Connector, Female - 2 Position   |     |
| 804A | 4460267     | 2   | Pin, Male  |     |
| 805  |             | Ref | 2500W AC to Platform Receptacle Components Options:  |     |
| 805  | 0272259     | Ref | 110V GFI Receptacle (JLG Supplied Box and Receptacle)  | 3   |
| 805  | 0272260     | Ref | 220V GFI Receptacle (JLG Supplied Box and Receptacle)  | 2   |
| 805  | 0256202     | Ref | 110/220V Receptacle (Locally Supplied Box and Receptacle)  | 5   |
| 805  | 0274619     | Ref | Dual 110V GFI Receptacles (JLG Supplied Box and Receptacle) (Note: Double qty listed for Dual Receptacles) | 2-B |
| 805A | 0860038     | 1   | Box, Switch  |     |
| 805B |             | Ref | Receptacle Options:  |     |
| 805B | 4460346     | 1   | 110V GFI Receptacle (JLG Supplied Box and Receptacle)  |     |
| 805B | 4460125     | 1   | 220V GFI Receptacle (JLG Supplied Box and Receptacle)  |     |
| 805B | See Note    | 1   | 110/220V Receptacle (Locally Supplied Box and Receptacle) (Note: Not Available - Purchase Locally)         |     |
| 805C |             | Ref | Shield, Cover Options:   |     |
| 805C | 4060700     | 1   | 110V GFI Receptacle (Side Hinged) (JLG Supplied Box and Receptacle)  |     |
| 805C | 1001110873  | 1   | 110V GFI Receptacle (Top Hinged) (JLG Supplied Box and Receptacle)   |     |
| 805C | 4060092     | 1   | 220V GFI Receptacle (JLG Supplied Box and Receptacle)  |     |
| 805C | See Note    | 1   | 110/220V Receptacle (Locally Supplied Box and Receptacle) (Note: Not Available - Purchase Locally)         |     |
| 805D |             | Ref | Plug, Male Options:  |     |
| 805D | 4460205     | 1   | 110V GFI Receptacle (JLG Supplied Box and Receptacle)  |     |
| 805D | 4460233     | 1   | 220V GFI Receptacle (JLG Supplied Box and Receptacle)  |     |
| 805D | See Note    | 1   | 110/220V Receptacle (Locally Supplied Box and Receptacle) (Note: Not Available - Purchase Locally)         |     |
| 805E |             | Ref | Connector, Female Options:   |     |
| 805E | 4460134     | 1   | 110V GFI Receptacle (JLG Supplied Box and Receptacle)  |     |
| 805E | 4460701     | 1   | 220V GFI Receptacle (JLG Supplied Box and Receptacle)  |     |
| 805E | See Note    | 1   | 110/220V Receptacle (Locally Supplied Box and Receptacle) (Note: Not Available - Purchase Locally)         |     |
| 805F | 4460051     | 1   | Connector, Strain Relief   |     |
| 805G |             | Ref | Plug, Male Options:  |     |
| 805G | 4460205     | 1   | 110V GFI Receptacle (JLG Supplied Box and Receptacle)  |     |
| 805G | 4460233     | 1   | 220V GFI Receptacle (JLG Supplied Box and Receptacle)  |     |
| 805G | See Note    | 1   | 110/220V Receptacle (Locally Supplied Box and Receptacle) (Note: Not Available - Purchase Locally)         |     |
| 806  |             | Ref | Generator Electrical Components  |     |



## SECTION 7 - ELECTRICAL

| ITEM | PART NUMBER | QTY       | DESCRIPTION   | REV |
|------|-------------|-----------|---|-----|
| 806  | 4933215     | AR        | 110V (SN 0300069000 through 0300082503)   | 2-C |
| 806  | 4933216     | AR        | 220V (SN 0300069000 through 0300082503)   | 2-C |
| 806  | 4933300     | AR        | 110V/220V (SN 0300082504 through 0300140000)  | 2-A |
| 806  | 4933350     | AR        | 110V (GM Engine Only)   | A   |
| 806  | 3990010     | 1         | Diode - 6 Amp (Not Shown)   |     |
| 806A | 4922641     | 1         | Harness - On/Off Switch   |     |
| 806B | 4460226     | 2         | Socket, Female  |     |
| 806C |             | Ref       | Powermite Control Box to Relay Options:   |     |
| 806C | 4922482     | 1         | Powermite Control Box to Relay (SN 0300069000 through 0300077499)   |     |
| 806C | 4922970     | 1         | Powermite Control Box to Relay (SN 0300077500 through 0300140000)   |     |
| 806D | 4460027     | 1         | Receptacle, Twist Lock (110V Only)  |     |
| 806E | 4460961     | 1         | Connector, Female - 4 Position (SN 0300082504 through 0300140000)   |     |
| 806E | 4460705     | 4         | Pin, Male   |     |
| 806F | 4460321     | 1         | Connector, Male - 4 Position (SN 0300082504 through 0300140000)   |     |
| 806F | 4460906     | 4         | Socket, Female  |     |
| 806G | 7020193     | 1         | Harness, Generator Power  |     |
| 807  | 4921829     | 1         | Generator to Rear of Boom Harness (110V)  |     |
| 807  | 4921955     | 1         | Generator to Rear of Boom Harness (220V)  |     |
|      |             | Ref       | <b>Note: Harness used to connect AC at platform harness to generator receptacle to power platform receptacle.</b> |     |
| 807  | 1060494     | 6 ft/1.8m | Cable, Electrical - 12/3  |     |
| 807A | 4460205     | 1         | Plug, Male (110V)   |     |
| 807A | 4460233     | 1         | Plug, Male (220V)   |     |
| 807B | 4460134     | 1         | Receptacle, Female (110V)   |     |
| 807B | 4460701     | 1         | Receptacle, Female (220V)   |     |
| 809  |             | Ref       | 7500W SKYPOWER GENERATOR INSTALLATION   |     |
| 809  | 0273540     | Ref       | 60Hz and Caterpillar Engine   | J   |
| 809  | 0273541     | Ref       | 50Hz Spec and Caterpillar Engine  | H   |
| 809  | 0272255     | Ref       | 60Hz and Deutz Engine   | L   |
| 809  | 0272492     | Ref       | 50Hz Spec and Deutz Engine  | I   |
| 809  | 0272817     | Ref       | 60Hz Spec and Ford Engine   | H   |
| 809  | 0275257     | Ref       | 60Hz Spec and GM Engine   | C   |
|      |             | Ref       | <b>Note: SkyPower Generator is Standard On ANSI and CSA Specs. Optional on All Other Specs.</b>                   |     |
| 809A |             | Ref       | Receptacle, Female Twist-Lock Options:  |     |
| 809A | 4460958     | 1         | 60Hz Spec   |     |
| 809A | See Note    | 1         | 50Hz Spec (Note: Not Available - Purchase Locally)  |     |
| 809B |             | Ref       | Gasket Options:   |     |
| 809B | 3960422     | 2         | 60Hz Spec   |     |
| 809B | See Note    | 2         | 50Hz Spec (Note: Not Available - Purchase Locally)  |     |
| 809C |             | Ref       | Cover, Receptacle Options:  |     |
| 809C | 4060700     | 1         | 60Hz Spec (Side Hinged)   |     |
| 809C | 1001110873  | 1         | 60Hz Spec (Top Hinged)  |     |
| 809C | See Note    | 1         | 50Hz Spec (Note: Not Available - Purchase Locally)  |     |
| 809D |             | Ref       | Cover, Receptacle Options:  |     |
| 809D | 4061043     | NLA       | 60Hz Spec (Use p/n 1001110872)  |     |
| 809D | See Note    | 1         | 50Hz Spec (Note: Not Available - Purchase Locally)  |     |
| 809E |             | Ref       | Receptacle Options:   |     |
| 809E | 4460346     | 1         | 60Hz Spec   |     |

## SECTION 7 - ELECTRICAL

| ITEM | PART NUMBER | QTY             | DESCRIPTION  | REV |
|------|-------------|-----------------|--|-----|
| 809E | See Note    | 1               | 50Hz Spec (Note: Not Available - Purchase Locally)         |     |
| 809F | 4460051     | 1               | Connector, Strain Relief                                   |     |
| 809G | 4460071     | 1               | Connector, Strain Relief                                   |     |
| 809H | 4922925     | 1               | Harness, Generator   |     |
| 809J | 4460225     | 1               | Plug, Male - 6 Position                                    |     |
| 809J | 4460226     | 6               | Socket, Female   |     |
| 809K | See Note    | 1               | Plug, Male - 6 Position (Note: Not Available for Purchase) |     |
| 809K | See Note    | 6               | Socket, Female (Note: Not Available for Purchase)          |     |
| 810  |             | Ref             | 7500W SkyPower Generator Junction Box Components           |     |
| 810  | 0861542     | Ref             | 60Hz Spec  | C   |
| 810  | 0861567     | Ref             | 50Hz Specs   | B   |
| 810A |             | Ref             | Cable, Electrical 12/3                                     |     |
| 810A | 1060494     | 2 ft/.6m        | 60Hz Spec  |     |
| 810A | See Note    | 2 ft/.6m        | 50Hz Spec (Note: Not Available - Purchase Locally)         |     |
| 810B |             | Ref             | Cable, Electrical 10/3                                     |     |
| 810B | 1060708     | 2.5 ft<br>/.76m | 60Hz Spec  |     |
| 810B | See Note    | 2.5 ft<br>/.76m | 50Hz Spec (Note: Not Available - Purchase Locally)         |     |
| 810C | 1060343     | 1.5 ft<br>/.46m | Cable, Electrical 10/4 (60Hz Spec Only)                    |     |
| 810D | 4460425     | 2               | Connector, Strain Relief                                   |     |
| 810E |             | Ref             | Component Options:   |     |
| 810E | 4460426     | 2               | Connector, Strain Relief (60Hz Spec Only)                  |     |
| 810E | 4460426     | 1               | Connector, Strain Relief (50Hz Spec Only)                  |     |
| 810E | 3520189     | 1               | Plug (50Hz Spec Only)                                      |     |
| 810F | 1671092     | 1               | Cover (60Hz Spec Only)                                     |     |
| 810F | 4460963     | 1               | Connector (60Hz Spec Only)                                 |     |
| 811  |             | Ref             | 7500W Generator Electrical Diagram Components              |     |
| 811  | 4933264     | Ref             | Caterpillar and Deutz Engine Machines                      | C   |
| 811  | 4933283     | Ref             | Ford Engine Machines                                       | 2-B |
| 811  | 4933349     | Ref             | GM Engine Machines   | 1-A |
| 811A |             | Ref             | Generator Harness Options:                                 |     |
| 811A | 4922757     | 1               | Caterpillar and Deutz Engine Machines                      | 3-C |
| 811A | 4922905     | 1               | Ford Engine Machines                                       | 1-A |
| 811A | 4923420     | 1               | GM Engine Machines   | 1-A |
| 811B | 4460374     | 2               | Plug, Sealed Relay   |     |
| 811B | 4460375     | 7               | Terminal   |     |
| 811C | 4460967     | 1               | Plug, Male - 3 Position                                    |     |
| 811C | 4460465     | 3               | Socket, Female   |     |
| 811D | 2400060     | Ref             | Fuseholder Options:  |     |
| 811D | 2400060     | 1               | Caterpillar Deutz and GM Engine Machines                   |     |
| 811D | 2400060     | 2               | Ford Engine Machines                                       |     |
| 811D | 2400064     | Ref             | Fuse - 5 Amp Options:                                      |     |
| 811D | 2400064     | 1               | Caterpillar Deutz and GM Engine Machines                   |     |
| 811D | 2400064     | 2               | Ford Engine Machines                                       |     |
| 811E | 4922641     | 1               | Switch Harness   |     |
| 811F | 4460226     | 2               | Socket, Female   |     |
| 811G | 4460742     | 1               | Plug, Male - 2 Position (GM Engine Only)                   |     |
| 811G | 4460743     | 2               | Socket, Female (GM Engine Only)                            |     |
| 812  | See Note    | 1               | Lights Harness (Note: Not Available for Purchase)          |     |
| 812  | 1060341     | 48 ft           | Cable, Electrical - 16/2                                   |     |

## SECTION 7 - ELECTRICAL

| ITEM | PART NUMBER | QTY             | DESCRIPTION  | REV |
|------|-------------|-----------------|--|-----|
|      |             | /14.6m          |  |     |
| 812A | 3740049     | 1               | Relay  |     |
| 812B |             | Ref             | Harness, Bagged Options (Located at Ground Control Box) (Not Shown):   |     |
| 812B | 4922643     | 1               | Non UL Spec Machines   |     |
| 812B | 4922855     | 1               | UL Spec Machines   |     |
| 813  |             | Ref             | Platform Worklights Components   |     |
| 813A |             | Ref             | Platform Worklights Harness (External) Options (Includes Light and Wire Only):   |     |
| 813A | 2920140     | 2               | Non-UL Spec Machines   |     |
| 813A | 2920095     | 2               | UL Machines  |     |
| 813B |             | Ref             | Connector, Strain Relief Options:  |     |
| 813B | 4460598     | 1               | Non-UL Spec Machines <b>(SN 0300069000 through 0300074426)</b>   |     |
| 813B | 4460426     | 1               | Non-UL Spec Machines <b>(SN 0300074427 through 0300140000)</b>   |     |
| 813B | 4460598     | 1               | UL Machines  |     |
| 813C | 4360232     | 1               | Circuit Breaker, 15Amp (Non-UL Spec Machines Built Only) <b>(SN 0300069000 through 0300074426)</b>   |     |
| 813D | 2400068     | AR              | Fuseholder (Non-UL Spec Machines Built Located at Aux Power Relay and All UL Spec Machines Located at Platform Console) <b>(SN 0300074427 through 0300140000)</b>    |     |
| 813D | 2400070     | AR              | Fuse - 10 Amp (Non-UL Spec Machines Built Located at Aux Power Relay and All UL Spec Machines Located at Platform Console) <b>(SN 0300074427 through 0300140000)</b> |     |
| 813E | 4922498     | 1               | Platform Worklights Harness (Internal) (Non-UL Spec Machines Only) <b>(SN 0300069000 through 0300074426)</b>   |     |
| 813E | 4922849     | 1               | Platform Worklights Harness (Internal) (UL Spec Machines)  |     |
| 813E | 4460871     | 3               | Socket, Female   |     |
|      |             | Ref             | <b>Note: Items 813F - 813J. (SN 0300074427 through 0300140000)</b>   |     |
| 813F |             | Ref             | Platform Worklights Main Boom Harness Options:   |     |
| 813F | 4922215     | 1               | Platform Worklights Main Boom Harness 800A   |     |
| 813F | 4922216     | 1               | Platform Worklights Main Boom Harness 800AJ  |     |
| 813F | 1060708     | Ref             | Cable, Electrical - 10/3 Options:  |     |
| 813F | 1060708     | 67 ft<br>/20.4m | Cable, Electrical - 10/3, 800A   |     |
| 813F | 1060708     | 64 ft<br>/19.5m | Cable, Electrical - 10/3, 800AJ  |     |
| 813G | 4922217     | 1               | Platform Worklights Tower Boom Harness   |     |
| 813G | 1060708     | 39 ft<br>/11.9m | Cable, Electrical - 10/3   |     |
| 813H |             | Ref             | Connector, Female - 3 Position Options (Platform Worklights Only):   |     |
| 813H | 4460459     | 1               | Connector, Female - 3 Position <b>(SN 0300069000 through 0300117586)</b>   |     |
| 813H | 4460789     | 3               | Terminal, Seal   |     |
| 813H | 4460790     | 3               | Socket, Female   |     |
| 813H | 1001098234  | 1               | Connector, Female - 3 Position <b>(SN 0300117587 through 0300140000)</b>   |     |
| 813J |             | Ref             | Connector, Male - 3 Position Options (Platform Worklights Only):   |     |
| 813J | 4460476     | 1               | Connector, Female - 3 Position <b>(SN 0300069000 through 0300117586)</b>   |     |
| 813J | 4460789     | 3               | Terminal, Seal   |     |
| 813J | 4460790     | 3               | Socket, Female   |     |

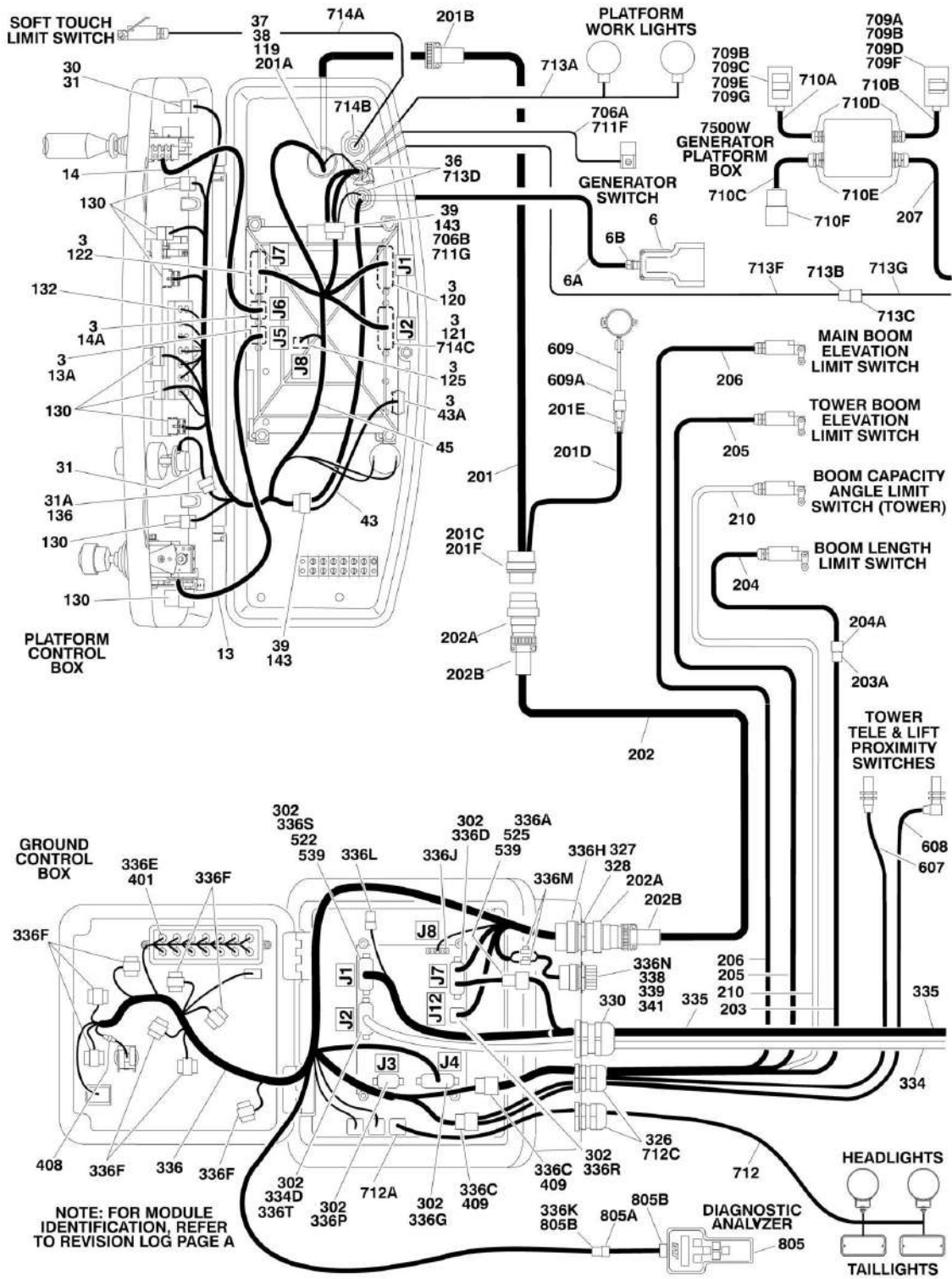
## SECTION 7 - ELECTRICAL

| ITEM | PART NUMBER | QTY        | DESCRIPTION   | REV |
|------|-------------|------------|---|-----|
| 813J | 1001098349  | 1          | Connector, Female - 3 Position (SN 0300117587 through 0300140000)                           |     |
| 814  | See Note    | 1          | Soft-Touch System Harness (Note: Not Available for Purchase)                                |     |
| 814A | 1060341     | 23 ft/7.1m | Cable, Electrical - 16/2  |     |
| 814B |             | Ref        | Connector, Strain Relief Options:   |     |
| 814B | 4460425     | 1          | 6ft Platforms   |     |
| 814B | 4460049     | 1          | 8ft Platforms   |     |
| 814C | 4460226     | 2          | Socket, Female  |     |
|      |             | Ref        | <b>TOOLS</b>  |     |
| 901  | 7002821     | 1          | Crimper (For Wire to Pin/Socket Connections) (Not Shown)                                    |     |
| 902  | 7002823     | 1          | Extractor (For Removal of Pin/Socket from Connectors) (Not Shown)                           |     |
| 903  | 4460467     | 1          | Extractor, Pin (Blue 16-18 Gauge) (For Removal of Pin/Socket from Connectors) (Not Shown)   |     |
| 903  | 4460510     | 1          | Extractor, Pin (Yellow 12-14 Gauge) (For Removal of Pin/Socket from Connectors) (Not Shown) |     |
| 904  | 7002828     | 1          | Stripper, Wire (Not Shown)  |     |
| 905  | 1600244     | 1          | Analyzer  |     |
| 905A | 1060633     | 1          | Cable, Analyzer   | 1-A |
| 905B | 4460321     | 2          | Plug, Male  |     |
| 905B | 4460226     | 8          | Socket, Female  |     |

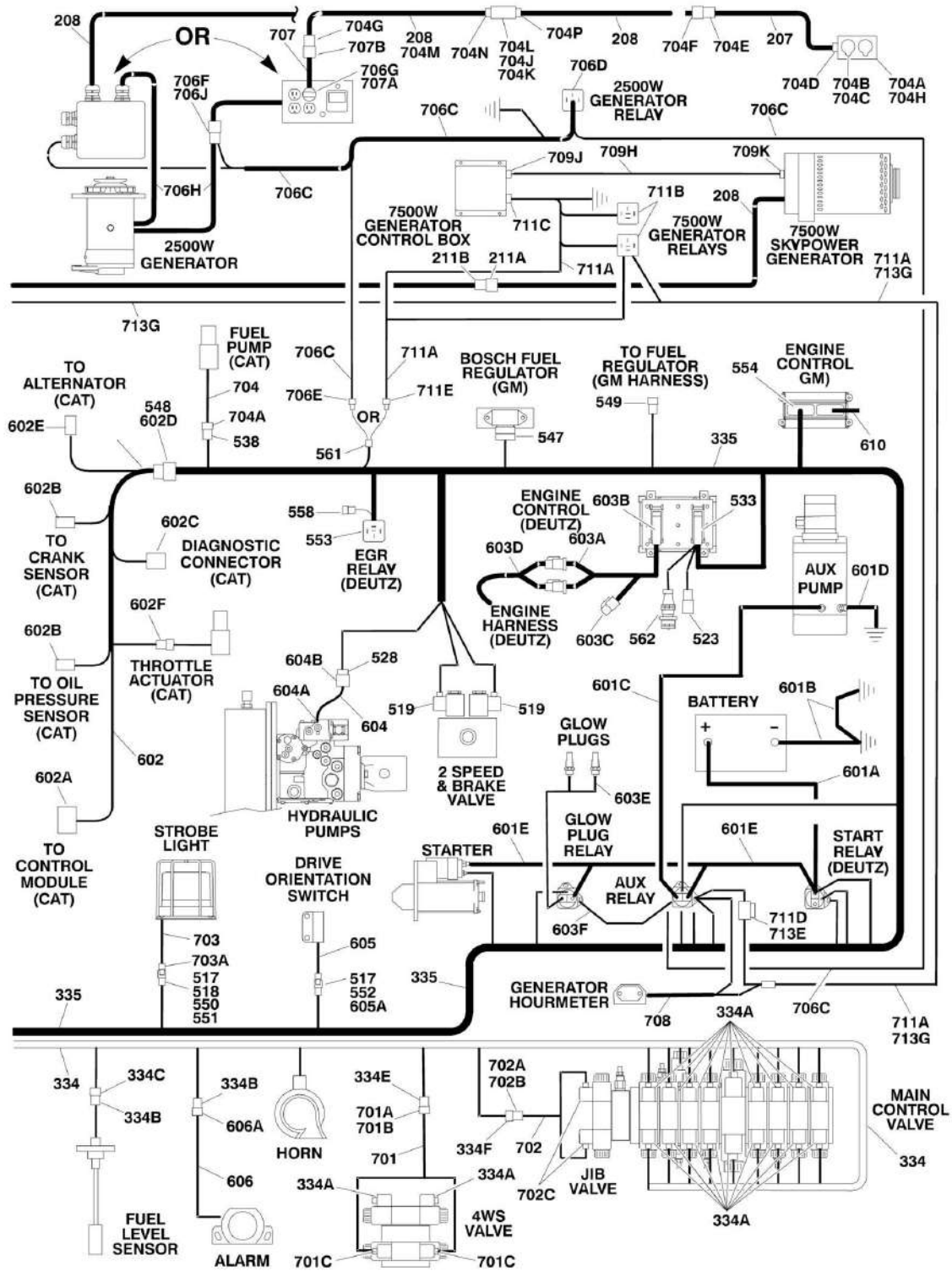


# SECTION 7 - ELECTRICAL

## FIGURE 7-3. HARNESS COMPONENTS INSTALLATION WITH UGM



# SECTION 7 - ELECTRICAL



## SECTION 7 - ELECTRICAL

FIGURE 7-3. HARNESS COMPONENTS INSTALLATION WITH UGM

| ITEM | PART NUMBER | QTY        | DESCRIPTION  | REV |
|------|-------------|------------|--|-----|
|      |             | Ref        | <b>NOTE: FOR MODULE IDENTIFICATION, REFER TO REVISION LOG PAGE A.</b>                          |     |
|      | 1001114448  | Ref        | <b>PLATFORM BOX ASSEMBLY COMPONENTS</b>  | C   |
| 3    | 0100048     | AR         | Grease, Dielectric   |     |
| 6    |             | Ref        | Footswitch Components:   |     |
| 6A   | 1060918     | 7 ft/2.13m | Cable, Electrical - 18/3   |     |
| 6A   | 4460042     | 3          | Terminal, Ring   |     |
| 6A   | 4460226     | 2          | Socket, Female   |     |
| 6A   | 4460464     | 1          | Pin, Male (16 Gauge)   |     |
| 6B   | 4460071     | 2          | Connector, Strain Relief   |     |
| 13   | See Note    | 1          | Controller Harness Assembly (Lift and Swing) (Note: Not Available for Purchase)                |     |
| 13A  | 7022819     | 1          | Plug, Male - 8 Position (Natural)  |     |
| 13A  | 4460871     | 8          | Socket, Female   |     |
| 14   | See Note    | 1          | Controller Harness/Circuit Board Assembly (Drive and Steer) (Note: Not Available for Purchase) |     |
| 14A  | 7022825     | 1          | Plug, Male - 8 Position (Black)  |     |
| 14A  | 4460871     | 7          | Socket, Female   |     |
| 31   | See Note    | 1          | Controller Harness (Speed Control) (Note: Not Available for Purchase)                          |     |
| 31A  | 4460224     | 1          | Receptacle, Female - 6 Position  |     |
| 31A  | 4460226     | 6          | Socket, Female   |     |
| 36   | 4460428     | 2          | Connector, Strain Relief   |     |
| 37   | 4460470     | 1          | Nut, Terminal  |     |
| 38   | 4460471     | 1          | Lockwasher, Terminal   |     |
| 39   | 4460708     | 2          | Connector, Female 15 Position  |     |
| 40   | 4460905     | 5          | Seal, Plug   |     |
| 43   | 4922666     | 1          | Harness, Analyzer Cable  | 2-B |
| 43   | 4460226     | 4          | Socket, Female (Not Shown - Located at J2)   |     |
| 43A  | 4460761     | 1          | Connector, Female - 4 Position   |     |
| 43A  | 4460227     | 4          | Pin, Male  |     |
| 45   | 1001107753  | 1          | Harness, Console Box (See Items 101-144 for Breakdown)   |     |
|      | 1001107753  | Ref        | <b>PLATFORM BOX HARNESS ASSEMBLY</b>   | C   |
| 119  | 4460866     | 1          | Connector 19 Position  |     |
| 119  | 4460464     | 7          | Pin, Male (16 Gauge)   |     |
| 119  | 4460508     | 3          | Pin, Male (12 Gauge)   |     |
| 120  | 4460874     | 1          | Plug, Male 35 Position (Natural)   |     |
| 120  | 4460871     | 29         | Socket, Female   |     |
| 121  | 4460875     | 1          | Plug, Male 35 Position (Gray)  |     |
| 121  | 4460871     | 24         | Socket, Female   |     |
| 122  | 4460873     | 1          | Plug, Male 35 Position (Black)   |     |
| 122  | 4460871     | 26         | Socket, Female   |     |
| 125  | 4460879     | 1          | Plug, Male 2 Position  |     |
| 125  | 4460887     | 2          | Terminal (12 Gauge)  |     |
| 130  | 4460418     | 9          | Connector 6 Position   |     |
| 130  | 4460419     | 27         | Terminal, Female   |     |
| 132  | 4120035     | 13         | Base, Light  |     |
| 132  | 4460634     | 13         | Terminal, (16 Gauge)   |     |
| 132  | 4460635     | 13         | Terminal, (12 Gauge)   |     |
| 132  | 2920129     | 13         | Lamp, Indicator  |     |



## SECTION 7 - ELECTRICAL

| ITEM | PART NUMBER | QTY          | DESCRIPTION  | REV |
|------|-------------|--------------|--|-----|
| 136  | 4460225     | 1            | Plug, Male 6 Position  |     |
| 136  | 4460227     | 5            | Pin, Male  |     |
| 143  | 4460434     | 2            | Plug, Male 15 Position   |     |
| 143  | 4460227     | 25           | Pin, Male  |     |
|      |             | Ref          | <b>BOOM CABLES INSTALLATION</b>  |     |
|      | 0271374     | Ref          | <b>Boom Cables Installation 800A</b>   | F   |
|      | 0272429     | Ref          | <b>Boom Cables Installation 800A (With 7500W Generator) (SkyPower)</b>   | D   |
|      | 1001093748  | Ref          | <b>Boom Cables Installation 800A (With Arctic Package)</b>   | A   |
|      | 1001091330  | Ref          | <b>Boom Cables Installation 800A (With Arctic Package and 7500W Generator) (SkyPower)</b>  | B   |
|      | 0271376     | Ref          | <b>Boom Cables Installation 800AJ</b>  | 4B  |
|      | 0272431     | Ref          | <b>Boom Cables Installation 800AJ (With 7500W Generator) (SkyPower)</b>  | 3   |
|      | 0275204     | Ref          | <b>Boom Cables Installation 800AJ (With Arctic Package)</b>  | 1   |
|      | 1001092093  | Ref          | <b>Boom Cables Installation 800AJ (With Arctic Package and 7500W Generator) (SkyPower)</b>   | 2   |
|      | 1001116474  | Ref          | <b>Boom Cables Installation 800AJ (With David Clark Communication System and 7500W Generator) (SkyPower) (Note: Not Shown - Contact your JLG Parts Representative)</b> | 1   |
| 201  |             | Ref          | Harness Assembly - Main Boom (12/4 -18/8) Options:   |     |
| 201  | 4922575     | 1            | Harness Assembly - Main Boom (12/4 -18/8) 800A   | 5-E |
| 201  | 1001091315  | 1            | Harness Assembly - Main Boom (12/4 -18/8) 800A (With Arctic Package)   | C   |
| 201  | 4922582     | 1            | Harness Assembly - Main Boom (12/4 -18/8) 800AJ  | F   |
| 201  | 4923490     | 1            | Harness Assembly - Main Boom (12/4 -18/8) 800AJ (With Arctic Package)  | 2/C |
| 201  | 1060896     | AR           | Cable, Electrical - 4 #12 AWG, 8 #18 AWG and 1 STP #18 AWG (Without Arctic Package)  |     |
| 201  | 4923462     | Ref          | Cable, Electrical - 4 #12 AWG, 8 #18 AWG and 1 STP #18 AWG Options (With Arctic Package):  |     |
| 201  | 4923462     | 67 ft /20.4m | Cable, Electrical - 4 #12 AWG, 8 #18 AWG and 1 STP #18 AWG 800A (With Arctic Package)  |     |
| 201  | 4923462     | 64 ft /19.5m | Cable, Electrical - 4 #12 AWG, 8 #18 AWG and 1 STP #18 AWG 800AJ (With Arctic Package)   |     |
| 201  | 0100009     | AR           | Sealant  |     |
| 201A | 4460865     | 1            | Connector - 19 Position  |     |
| 201A | 4460465     | 11           | Socket, Female   |     |
| 201A | 4460509     | 4            | Socket, Female   |     |
| 201A | 4460466     | 4            | Seal, Plug   |     |
| 201B | 4460473     | 1            | Clamp, Cable   |     |
| 201C | 4460866     | 1            | Connector - 19 Position  |     |
| 201C | 4460464     | 11           | Pin, Male (16 Gauge)   |     |
| 201C | 4460508     | 4            | Pin, Male (12 Gauge)   |     |
| 201C | 4460466     | 4            | Seal, Plug   |     |
| 201D | 4923613     | 1            | Harness, Tilt Switch   | C   |
| 201D | 1060978     | 2 ft/0.6m    | Cable, Electrical - 18/3   |     |
| 201E | 1001097051  | 1            | Connector - 4 Position   |     |
| 201E | 1001097082  | 3            | Pin, Male (Gold)   |     |
| 201E | 4460466     | 1            | Seal, Plug   |     |
| 201F | 4460464     | 3            | Pin, Male (16 Gauge)   |     |
| 202  |             | Ref          | Harness Assembly - Tower Boom (12/4 - 18/8) Options:   |     |
| 202  | 4922576     | 1            | Without Arctic Package   | 4-D |
| 202  | 4923489     | 1            | With Arctic Package  | 1-A |

## SECTION 7 - ELECTRICAL

| ITEM | PART NUMBER | QTY             | DESCRIPTION  | REV |
|------|-------------|-----------------|--|-----|
| 202  | 1060896     | 44 ft<br>/13.4m | Cable, Electrical - 4 #12 AWG, 8 #18 AWG and 1 STP #18 AWG (Without Arctic Package)        |     |
| 202  | 4923462     | 44 ft<br>/13.4m | Cable, Electrical - 4 #12 AWG, 8 #18 AWG and 1 STP #18 AWG (With Arctic Package)           |     |
| 202A | 4460865     | 2               | Connector - 19 Position  |     |
| 202A | 4460465     | 22              | Socket, Female   |     |
| 202A | 4460509     | 8               | Socket, Female   |     |
| 202A | 4460466     | 8               | Seal, Plug   |     |
| 202B | 4460473     | 2               | Clamp, Cable   |     |
| 203  |             | Ref             | Harness Assembly - Tower Boom (18/2) Options (800A Only):                                  |     |
| 203  | 4922579     | 1               | Without Arctic Package   |     |
| 203  | 1001091323  | 1               | With Arctic Package  |     |
| 203  | 1060902     | 47 ft<br>/14.3m | Cable, Electrical - 18/2 (Without Arctic Package)  |     |
| 203  | 4923466     | 47 ft<br>/14.3m | Cable, Electrical - 18/2 (With Arctic Package)   |     |
| 203A | 4460465     | 2               | Socket, Female   |     |
| 203A | 4460891     | 1               | Connector, Terminal - 2 Position   |     |
| 204  |             | Ref             | Harness Assembly - Main Boom (18/2) Options (800A Only):                                   |     |
| 204  | 4922868     | 1               | Without Arctic Package   |     |
| 204  | 1001091319  | 1               | With Arctic Package  |     |
| 204  | 1060902     | 30 ft/9.1m      | Cable, Electrical - 18/2 (Without Arctic Package)  |     |
| 204  | 4923466     | 30 ft/9.1m      | Cable, Electrical - 18/2 (With Arctic Package)   |     |
| 204A | 4460464     | 2               | Pin, Male  |     |
| 204A | 4460897     | 1               | Plug, Terminal - 2 Position  |     |
| 205  |             | Ref             | Harness Assembly - Tower Boom (18/2) Options:  |     |
| 205  | 4922578     | 1               | Harness Assembly - Tower Boom (18/2) 800A (Without Arctic Package)                         |     |
| 205  | 4923487     | 1               | Harness Assembly - Tower Boom (18/2) 800A (With Arctic Package) (Without 7500W Generator)  |     |
| 205  | 4922578     | 1               | Harness Assembly - Tower Boom (18/2) 800AJ (Without Arctic Package)                        |     |
| 205  | 4923488     | 1               | Harness Assembly - Tower Boom (18/2) 800AJ (With Arctic Package) (Without 7500W Generator) |     |
| 205  | 4923487     | 1               | Harness Assembly - Tower Boom (18/2) 800AJ (With Arctic Package) (With 7500W Generator)    |     |
| 206  |             | Ref             | Harness Assembly - Main Boom (18/2) Options:   |     |
| 206  | 4922578     | 1               | Without Arctic Package   |     |
| 206  | 4923487     | 1               | With Arctic Package  |     |
| 207  |             | Ref             | Harness Assembly - Main Boom Options:  |     |
| 207  |             | Ref             | Harness Assembly - Main Boom 800A:   |     |
| 207  | 4922215     | 1               | (10/3) (Without Arctic Package)  |     |
| 207  | 4922773     | 1               | (8/5) (Without Arctic Package and With 7500W Generator) (SkyPower)                         |     |
| 207  | 1001091324  | 1               | (10/3) (With Arctic Package)   |     |
| 207  | 4922773     | 1               | (8/5) (With Arctic Package and 7500W Generator) (SkyPower)                                 |     |
| 207  |             | Ref             | Harness Assembly - Main Boom 800AJ:  |     |
| 207  | 4922216     | 1               | (10/3) (Without Arctic Package)  |     |
| 207  | 4922775     | 1               | (8/5) (Without Arctic Package and With 7500W Generator) (SkyPower)                         |     |
| 207  | 4923485     | 1               | (10/3) (With Arctic Package)   |     |
| 207  | 4922775     | 1               | (8/5) (With Arctic Package and 7500W Generator) (SkyPower)                                 |     |
| 208  |             | Ref             | Harness Assembly - Tower Boom Options:   |     |
| 208  | 4922217     | 1               | (10/3)   |     |

## SECTION 7 - ELECTRICAL

| ITEM | PART NUMBER | QTY | DESCRIPTION   | REV |
|------|-------------|-----|---|-----|
| 208  | 4922774     | 1   | (8/5) (With 7500W Generator) (SkyPower)   |     |
| 208  | 4923486     | 1   | (10/3) (With Arctic Package)  |     |
| 208  | 1001092085  | NLA | (8/5) (With Arctic Package and 7500W Generator) (SkyPower)<br>(Use p/n 4922774) |     |
| 209  |             | Ref | Clamp, Block Options (Not Shown-Located on back of T/T):                        |     |
| 209  | 1320256     | 1   | Clamp, Block (All except Machines with Arctic Package)                          |     |
| 209  | 1001092384  | 1   | With Arctic Package   |     |
| 210  |             | Ref | Harness Assembly (18/2) (800A Only) Options:                                    |     |
| 210  | 4922578     | 1   | Without Arctic Package  |     |
| 210  | 4923487     | 1   | With Arctic Package   |     |
| 211  | 0272433     | 1   | Cable Connector Installation (With 7500W Generator) (SkyPower)                  | B   |
| 211A | 4460959     | 1   | Connector, Male (With 7500W Generator) (SkyPower)                               |     |
| 211A | 1671093     | 1   | Cover, Male Connector (Optional)  |     |
| 211B | 4460960     | 1   | Connector, Female (With 7500W Generator) (SkyPower)                             |     |
| 211B | 1671092     | 1   | Cover, Female Connector (Optional)  |     |
|      |             | Ref | <b>GROUND CONTROL BOX COMPONENTS</b>  |     |
| 302  | 0100048     | AR  | Grease, Dielectric  |     |
| 326  | 4460426     | 1   | Connector, Strain Relief  |     |
| 327  | 4460470     | 1   | Nut, Terminal   |     |
| 328  | 4460471     | 1   | Lockwasher, Terminal  |     |
| 330  | 4460526     | 1   | Connector, Strain Relief  |     |
| 334  | 4922557     | 1   | Valve Harness Assembly  | 1-A |
| 334A | 4460880     | 19  | Connector, DIN  |     |
| 334B | 4460320     | 2   | Connector, Female - 2 Position  |     |
| 334B | 4460267     | 7   | Pin, Male   |     |
| 334C | 4460424     | 1   | Connector, Male - 2 Position  |     |
| 334C | 4460268     | 5   | Pin, Female   |     |
| 334D | 4460871     | 11  | Socket, Female  |     |
| 334E | 4460326     | 1   | Connector, Male - 3 Position  |     |
| 334E | 4460267     | 7   | Pin, Male   |     |
| 334F | 4460445     | 1   | Connector, Female - 3 Position  |     |
| 334F | 4460268     | 5   | Pin, Female   |     |
| 335  |             | Ref | Engine Harness Assembly (See 501 to 562 for Breakdown)                          |     |
| 335  | 1001110324  | 1   | Caterpillar Engine Machines   |     |
| 335  | 1001110222  | 1   | Deutz Engine Machines   |     |
| 335  | 1001110221  | 1   | GM Engine Machines  |     |
| 336  | 1001110225  | 1   | Ground Control Box Harness Assembly   | C   |
| 336A | 4460536     | 1   | Connector, Female 3 Position  |     |
| 336A | 4460943     | 3   | Pin, Male   |     |
| 336B | 3990010     | 2   | Diode - 6 Amp (Not Shown)   |     |
| 336C | 4460434     | 2   | Plug, Male 15- Position   |     |
| 336C | 4460227     | 22  | Pin   |     |
| 336D | 4460873     | 1   | Connector, 35 Position (Black)  |     |
| 336D | 4460871     | 21  | Socket, Female  |     |
| 336D | 4460905     | AR  | Seal, Plug  |     |
| 336E | 4120035     | 7   | Base, Light   |     |
| 336E | 4460634     | 7   | Terminal (16 Gauge)   |     |
| 336E | 4460635     | 6   | Terminal (12 Gauge)   |     |
| 336F | 4460418     | 9   | Connector, Female - 6 Position  |     |
| 336F | 4460419     | 27  | Socket, Female  |     |
| 336G | 4460876     | 1   | Connector, 35 Position (Blue)   |     |

## SECTION 7 - ELECTRICAL

| ITEM | PART NUMBER | QTY | DESCRIPTION   | REV |
|------|-------------|-----|---|-----|
| 336G | 4460871     | 29  | Socket, Female  |     |
| 336G | 4460905     | AR  | Seal, Plug  |     |
| 336H | 4460866     | 1   | Connector - 19 Pin  |     |
| 336H | 4460464     | 7   | Pin, Male (16 Gauge)  |     |
| 336H | 4460508     | 3   | Pin, Male (12 Gauge)  |     |
| 336J | 4460878     | 1   | Housing, Terminal - 4 Position  |     |
| 336J | 4460887     | 3   | Terminal (12 Gauge)   |     |
| 336K | 4460761     | 1   | Connector, Female 4- Position   |     |
| 336K | 4460227     | 4   | Pin, Male   |     |
| 336L | 4460894     | 3   | Plug, Male - 6 Position   |     |
| 336L | 4460465     | AR  | Socket, Female  |     |
| 336L | 4460892     | 3   | Terminal, Buss Connector - 6 Position   |     |
| 336M | 8229242     | 2   | Fuse 5A   |     |
| 336M | 2400060     | 2   | Holder, Fuse  |     |
| 336N | 1001112612  | 1   | Connector - 9 Position  |     |
| 336N | 4460943     | 4   | Pin, Male   |     |
| 336P | 1001106339  | 1   | Connector, Male - 14 Position   |     |
| 336P | 4460871     | 2   | Socket, Female  |     |
| 336P | 4460905     | AR  | Plug, Seal  |     |
| 336R | 1001106340  | 1   | Connector, Male - 14 Position   |     |
| 336R | 4460871     | 5   | Socket, Female  |     |
| 336S | 4460874     | 1   | Connector, Natural  |     |
| 336S | 4460871     | 10  | Socket, Female  |     |
| 336S | 4460905     | AR  | Plug, Seal  |     |
| 336T | 4460875     | 1   | Connector, Gray   |     |
| 336T | 4460871     | 2   | Socket, Female  |     |
| 336T | 4460905     | AR  | Plug, Seal  |     |
| 337  |             | Ref | Ground Control Box Wiring Diagram (Not Shown - See Items 401-409 for Breakdown) |     |
| 337  | 1001110323  | Ref | Caterpillar Engine  |     |
| 337  | 1001110322  | Ref | Deutz Engine  |     |
| 337  | 1001110321  | Ref | GM Engine   |     |
| 338  | 4460471     | 1   | Lockwasher, Terminal  |     |
| 339  | 4460470     | 1   | Nut, Terminal   |     |
| 341  | 1001106736  | 1   | Cap, Dust   |     |
|      |             | Ref | <b>GROUND CONTROL BOX WIRING DIAGRAMS</b>                                       |     |
|      | 1001110323  | Ref | <b>Caterpillar Engine</b>   | A   |
|      | 1001110322  | Ref | <b>Deutz Engine</b>   | A   |
|      | 1001110321  | Ref | <b>GM Engine</b>  | A   |
| 401  | 2920129     | AR  | Bulb, Light   |     |
| 408  | 2400065     | 1   | Fuse, 30Amp   |     |
| 408  | 2400066     | 1   | Fuse, Holder  |     |
| 409  | 4460708     | 2   | Receptacle, Female - 15 Position  |     |
| 409  | 4460226     | AR  | Socket, Female  |     |
| 409  | 4460905     | AR  | Plug, Seal  |     |
| 409  | 4922637     | 1   | Harness, Jumper (Not Shown)   |     |
|      |             | Ref | <b>ENGINE HARNESS ASSEMBLY</b>  |     |
|      | 1001110324  | Ref | <b>Caterpillar Engine Machines</b>  | B   |
|      | 1001110222  | Ref | <b>Deutz Engine Machines</b>  | B   |
|      | 1001110221  | Ref | <b>GM Engine All Machines</b>   | A   |
| 517  | 4460424     | 2   | Receptacle, Female - 2 Position   |     |
| 518  | 4460268     | AR  | Socket, Female  |     |

## SECTION 7 - ELECTRICAL

| ITEM | PART NUMBER | QTY | DESCRIPTION   | REV |
|------|-------------|-----|---|-----|
| 519  | 4460880     | AR  | DIN Connector without Diode                                       |     |
| 522  | 3990001     | 1   | Diode (Caterpillar Engines Only)                                  |     |
| 523  | 4461070     | 1   | Receptacle, Female with Resistor (3 Position) (Deutz Engine Only) |     |
| 523  | 4461095     | 1   | Plug, Male - 3 Position (Deutz Engine Only)                       |     |
| 523  | 4460944     | 3   | Socket, Female (Deutz Engine Only)                                |     |
| 525  | 4460539     | 1   | Connector, Male - 3 Position                                      |     |
| 525  | 4460944     | 3   | Socket, Female  |     |
| 528  | 4460460     | 1   | Plug, Male - 4 Position   |     |
| 528  | 4460457     | 4   | Terminal, Female  |     |
| 528  | 4460458     | 4   | Seal, Terminal  |     |
| 533  | 4461052     | 1   | Connector, Receptacle - 25 Position (Deutz Engine Only)           |     |
| 533  | 4461005     | 5   | Terminal (Gold) (Deutz Engine Only)                               |     |
| 533  | 4461006     | 5   | Seal, Terminal (Deutz Engine Only)                                |     |
| 533  | 4461060     | 2   | Terminal (Tin) (Deutz Engine Only)                                |     |
| 533  | 4461054     | 2   | Seal, Terminal (Deutz Engine Only)                                |     |
| 533  | 4461053     | 1   | Cover, Plug (Deutz Engine Only)                                   |     |
| 533  | 4461008     | 18  | Plug, Hole (Deutz Engine Only)                                    |     |
| 538  | 4460891     | 2   | Connector, Male - 2 Position (Caterpillar Engine Only)            |     |
| 538  | 4460465     | 4   | Socket, Female  |     |
| 539  | 4460871     | AR  | Socket, Female  |     |
| 539  | 4460226     | AR  | Socket, Female  |     |
| 547  | 4461121     | 1   | Plug, Male - 4 Position (GM Engine Only)                          |     |
| 547  | 4461122     | 4   | Socket, Female (GM Engine Only)                                   |     |
| 547  | 4461123     | 4   | Seal, Terminal (GM Engine Only)                                   |     |
| 548  | 4460899     | 1   | Receptacle, Female - 6 Position (Caterpillar Engine Only)         |     |
| 548  | 4460464     | 6   | Pin, Male (Caterpillar Engine Only)                               |     |
| 548  | 4460466     | 1   | Seal, Plug (Caterpillar Engine Only)                              |     |
| 549  | 4461124     | 1   | Receptacle, Female - 4 Position (GM Engine Only)                  |     |
| 549  | 4460693     | 4   | Pin, Male (GM Engine Only)  |     |
| 549  | 4460608     | 4   | Seal, Terminal (GM Engine Only)                                   |     |
| 549  | 4461161     | 1   | Lock, Terminal (GM Engine Only)                                   |     |
| 552  | 4460268     | 2   | Socket, Female  |     |
| 553  | 4460374     | 1   | Connector, Relay (Deutz Engine Only)                              |     |
| 553  | 4460375     | 4   | Terminal, Female (Deutz Engine Only)                              |     |
| 554  | 4461109     | 1   | Plug, Male - 16 Position (GM Engine Only)                         |     |
| 554  | 4461111     | 7   | Pin, Male (GM Engine Only)  |     |
| 554  | 4461113     | 7   | Seal, Terminal (GM Engine Only)                                   |     |
| 554  | 4461222     | 9   | Plug, Terminal (GM Engine Only)                                   |     |
| 558  | 1001102290  | 1   | Receptacle, Female - 2 Position (Deutz Engine Only)               |     |
| 558  | 1001102291  | 2   | Socket, Female (Deutz Engine Only)                                |     |
| 558  | 1001102304  | 2   | Seal, Terminal (Deutz Engine Only)                                |     |
| 561  | 4461157     | 1   | Receptacle, Female - 2 Position                                   |     |
| 561  | 4460979     | 2   | Pin, Male   |     |
| 561  | 4460458     | 2   | Seal, Terminal  |     |
| 562  | 2902443     | 1   | Receptacle Kit (Deutz Engine Only)                                |     |
| 562  | 4461071     | 8   | Socket, Female (Gold)   |     |
| 562  | 4461072     | 1   | Receptacle 8 Position with Mounting Flange                        |     |
| 562  | 4461073     | 1   | Cap, Dust   |     |
| 562  | 4461074     | 1   | Shell   |     |
|      |             | Ref | <b>STANDARD HARNESS COMPONENTS</b>                                |     |
| 601  |             | Ref | Battery Cable Kit Options:  |     |

## SECTION 7 - ELECTRICAL

| ITEM | PART NUMBER | QTY | DESCRIPTION   | REV |
|------|-------------|-----|---|-----|
| 601  | 1001112762  | 1   | Caterpillar Engines   | A   |
| 601  | 2902401     | 1   | Deutz Engines   |     |
| 601  | 2902533     | 1   | GM Engines  |     |
| 601A |             | Ref | Cable, Battery (Red) Options:   |     |
| 601A | 7027028     | 1   | Caterpillar Engines (Kit p/n 1001112762) (Includes Item 601E)                                   |     |
| 601A | 1001116288  | 1   | Deutz Engines (2 Relays) (Kit p/n 2902401) (was p/n 7027027) (Includes Item 601E)               |     |
| 601A | 1001116287  | 1   | Deutz Engines (3 Relays) (Kit p/n 2902401) (was p/n 7027027) (Includes Item 601E)               |     |
| 601A | 7027015     | 1   | GM Engines (Kit p/n 2902533)  |     |
| 601B |             | Ref | Cable, Battery (Black) Options:   |     |
| 601B | 7027029     | 1   | Caterpillar Engines (Kit p/n 1001112762)  |     |
| 601B | 7027004     | 1   | Deutz Engines (Kit p/n 2902401)   |     |
| 601B | 7027018     | 1   | GM Engines (Kit p/n 2902533)  |     |
| 601C |             | Ref | Cable, Battery (Red) Options:   |     |
| 601C | 7027030     | 1   | Caterpillar Engines (Kit p/n 1001112762)  |     |
| 601C | 7016824     | 1   | Deutz Engines (Kit p/n 2902401)   |     |
| 601C | 7016824     | 1   | GM Engines (Kit p/n 2902533)  |     |
| 601D |             | Ref | Cable, Battery (Black) Options:   |     |
| 601D | 7027031     | 1   | Caterpillar Engines (Kit p/n 1001112762)  |     |
| 601D | 7016825     | 1   | Deutz Engines (Kit p/n 2902401)   |     |
| 601D | 7016825     | 1   | GM Engines (Kit p/n 2902533)  |     |
| 601E |             | Ref | Cable, Battery (Red) Options:   |     |
| 601E | See Note    | 1   | Caterpillar Engines (Kit p/n 1001112762) (Note: Use Item 601A)                                  |     |
| 601E | See Note    | 1   | Deutz Engines (Kit p/n 2902401) (Note: Use Item 601A)   |     |
| 601E | 7027017     | 1   | GM Engines (Kit p/n 2902533)  |     |
| 602  | 1001112071  | 1   | Harness, Caterpillar Engine   | B   |
| 602  | 70004318    | 1   | Fuse 5 Amp (at Fuse Box F1)   |     |
| 602  | 70004319    | 3   | Fuse 10Amp (at Fuse Box F2, F3 and F4)  |     |
| 602  | 70004316    | 1   | Relay, Starter (at Fuse Box)  |     |
| 602  | 70004317    | 2   | Relay, Shut-Off and Glow Plug Control 25Amp (at Fuse Box)                                       |     |
| 602A | 70020808    | 1   | Plug, Male 23 Position  |     |
| 602A | 4460871     | 16  | Socket, Female  |     |
| 602B | 4460891     | 2   | Plug, Male 2 Position   |     |
| 602B | 4460465     | 4   | Socket, Female  |     |
| 602C | See Note    | 1   | Connector 8 Position (Note: Not Available for Purchase)   |     |
| 602C | See Note    | 2   | Terminal (Note: Not Available for Purchase)   |     |
| 602C | See Note    | 1   | Lock (Note: Not Available for Purchase)   |     |
| 602C | See Note    | 1   | Cap (Note: Not Available for Purchase)  |     |
| 602C | 4460916     | 6   | Seal, Plug  |     |
| 602D | 4460894     | 1   | Plug, Male 6 Position   |     |
| 602D | 4460465     | 5   | Socket, Female  |     |
| 602D | 4460466     | 1   | Plug, Seal  |     |
| 602E | See Note    | 1   | Connector 3 Position (Note: Not Available for Purchase)   |     |
| 602E | See Note    | 3   | Terminal (Note: Not Available for Purchase)   |     |
| 602F | See Note    | 1   | Connector 5 Position (Note: Not Available for Purchase)   |     |
| 602F | See Note    | 5   | Terminal (Note: Not Available for Purchase)   |     |
| 602F | See Note    | AR  | Seal (Note: Not Available for Purchase)   |     |
| 603  | See Note    | AR  | Deutz Engine Harness Components (Deutz Engine Machines Only) (Note: Not Available for Purchase) |     |
| 603A | 7027796     | 1   | Deutz Engine Harness  |     |

## SECTION 7 - ELECTRICAL

| ITEM | PART NUMBER | QTY | DESCRIPTION   | REV |
|------|-------------|-----|---|-----|
| 603B | See Note    | 1   | Receptacle, Female - 25 Position (Note: Not Available for Purchase)             |     |
| 603C | 7027793     | 1   | Plug-In, Connector  |     |
| 603D | 70001872    | 1   | Deutz Engine Harness (For other replacement parts refer to Deutz engine dealer) |     |
| 603E | 4923379     | 1   | Deutz Glow Plugs Harness  |     |
| 603F | 1060904     | 1   | Deutz Jumper Harness  |     |
| 604  | See Note    | 1   | Pump Harness (Note: Not Available for Purchase)                                 |     |
| 604A | 7007497     | 1   | Plug (Pump End)   |     |
| 604B | 7007498     | 1   | Plug (Engine Harness End)   |     |
| 605  | 4360517     | 1   | Proximity Switch Harness (Includes Switch)                                      |     |
| 605A | 4460320     | 1   | Plug, Male 2 Position   |     |
| 605A | 4460227     | 2   | Pin, Male   |     |
| 606  | 0257887     | 1   | Alarm Harness (Includes Alarm)  |     |
| 606A | 4460424     | 1   | Plug, Male - 2 Position   |     |
| 606A | 4460268     | 2   | Socket, Female  |     |
| 607  | 4360498     | 2   | Proximity Switch Harness (Includes Switch)                                      |     |
| 608  | 4360499     | 2   | Proximity Switch Harness (Includes Switch)                                      |     |
| 609  | 1001094400  | Ref | Tilt Sensor Harness (Includes Sensor)   | C   |
| 609A | 4461077     | 1   | Plug, Male 4 Position   |     |
| 609A | 4460918     | 6   | Socket, Female (Gold)   |     |
| 610  |             | Ref | GM Engine Harness Options:  |     |
| 610  | 7027991     | 1   | Tier 1 Engines  |     |
| 610  | 70000718    | 1   | Tier 2 Engines  |     |
| 610  | 70002898    | 1   | Tier 3 & 4 interim  |     |
| 610  | 7027989     | 1   | Connector, Male - 10 Position (Not Shown)                                       |     |
| 610  | See Note    | 1   | Box, Fuse (Note: Parts of Harness - Not Available for Purchase)                 |     |
| 610  | 70002627    | 1   | Cover, Fuse Box   |     |
| 610  | 70001950    | 2   | Relay (Power and Fuel Pump)   |     |
| 610  | 70001951    | 1   | Relay (Starter)   |     |
| 610  | 70001931    | 1   | Fuse - 60 Amp (Alternator)  |     |
| 610  | See Note    | 1   | Fuse - 20 Amp (Note: Not Available - Purchase Locally)                          |     |
| 610  | See Note    | 3   | Fuse - 15 Amp (Note: Not Available - Purchase Locally)                          |     |
| 610  | See Note    | 1   | Fuse - 10 Amp (Note: Not Available - Purchase Locally)                          |     |
| 610  | See Note    | 1   | Fuse - 5 Amp (Note: Not Available - Purchase Locally)                           |     |
|      |             | Ref | <b>OPTIONAL HARNESS COMPONENTS</b>  |     |
| 701  | 4921928     | 1   | 4WS Valve Harness   | E   |
| 701A | 4460268     | 3   | Socket, Female  |     |
| 701B | 4460445     | 1   | Connector, Female - 3 Position  |     |
| 701C | 4460499     | 2   | Connector, DIN with Diode   |     |
| 702  | 4921927     | 1   | Jib Valve Harness (800AJ Only)  | F   |
| 702A | 4460326     | 1   | Plug, Male - 3 Position   |     |
| 702B | 4460267     | 3   | Pin, Male   |     |
| 702C | 4460499     | 2   | Connector, DIN with Diode   |     |
| 703  | 0272507     | 1   | Strobe Light Harness (Includes Strobe Light)                                    |     |
| 703A | 4460320     | 1   | Connector, Female - 2 Position  |     |
| 703A | 4460267     | 2   | Pin, Male   |     |
| 704  |             | Ref | 2500W AC to Platform Receptacle Components Options:                             |     |
| 704  | 0272259     | Ref | 110V GFI Receptacle (JLG Supplied Box and Receptacle)                           | 3   |
| 704  | 0272260     | Ref | 220V GFI Receptacle (JLG Supplied Box and Receptacle)                           | 2   |
| 704  | 0256202     | Ref | 110/220V Receptacle (Locally Supplied Box and Receptacle)                       | 5   |
| 704  | 0274619     | Ref | Dual 110V GFI Receptacles (JLG Supplied Box and Receptacle)                     | 2-B |

## SECTION 7 - ELECTRICAL

| ITEM    | PART NUMBER  | QTY | DESCRIPTION   | REV |
|---------|--------------|-----|---|-----|
| 704     | 0272433      | Ref | (Note: Double qty listed for Dual Receptacles)<br>Mid Boom Connection Only/No Receptacle (Includes Items 211A & 211B) | B   |
| 704A    | 0860038      | 1   | Box, Switch   |     |
| 704B    |              | Ref | Receptacle Options:   |     |
| 704B    | 4460346      | 1   | 110V GFI Receptacle (JLG Supplied Box and Receptacle)   |     |
| 704B    | 4460125      | 1   | 220V GFI Receptacle (JLG Supplied Box and Receptacle)   |     |
| 704B    | See Note     | 1   | 110/220V Receptacle (Locally Supplied Box and Receptacle)<br>(Note: Not Available - Purchase Locally)                 |     |
| 704C    |              | Ref | Shield, Cover Options:  |     |
| 704C    | 4060700      | 1   | 110V GFI Receptacle (Side Hinged) (JLG Supplied Box and Receptacle)   |     |
| 704C    | 1001110873   | 1   | 110V GFI Receptacle (Top Hinged) (JLG Supplied Box and Receptacle)  |     |
| 704C    | 4060092      | 1   | 220V GFI Receptacle (JLG Supplied Box and Receptacle)   |     |
| 704C    | See Note     | 1   | 110/220V Receptacle (Locally Supplied Box and Receptacle)<br>(Note: Not Available - Purchase Locally)                 |     |
| 704D    | 4460051      | 1   | Connector, Strain Relief  |     |
| 704E    |              | Ref | Plug, Male Options:   |     |
| 704E    | 4460205      | 1   | 110V GFI Receptacle (JLG Supplied Box and Receptacle)   |     |
| 704E    | 4460233      | 1   | 220V GFI Receptacle (JLG Supplied Box and Receptacle)   |     |
| 704E    | See Note     | 1   | 110/220V Receptacle (Locally Supplied Box and Receptacle)<br>(Note: Not Available - Purchase Locally)                 |     |
| 704F    |              | Ref | Connector, Female Options:  |     |
| 704F    | 4460134      | 1   | 110V GFI Receptacle (JLG Supplied Box and Receptacle)   |     |
| 704F    | 4460701      | 1   | 220V GFI Receptacle (JLG Supplied Box and Receptacle)   |     |
| 704F    | See Note     | 1   | 110/220V Receptacle (Locally Supplied Box and Receptacle)<br>(Note: Not Available - Purchase Locally)                 |     |
| 704G    |              | Ref | Plug, Male Options:   |     |
| 704G    | 4460205      | 1   | 110V GFI Receptacle (JLG Supplied Box and Receptacle)   |     |
| 704G    | 4460233      | 1   | 220V GFI Receptacle (JLG Supplied Box and Receptacle)   |     |
| 704G    | See Note     | 1   | 110/220V Receptacle (Locally Supplied Box and Receptacle)<br>(Note: Not Available - Purchase Locally)                 |     |
| 704HtoP | Not Required | 0   | Not Required  |     |
| 706     |              | Ref | 2500W Generator Electrical Components   |     |
| 706     | 1001112743   | AR  | 50Hz (Caterpillar and Deutz Engines)  | A   |
| 706     | 1001112588   | AR  | 60Hz (Caterpillar and Deutz Engines)  | A   |
| 706     | 4933350      | AR  | 60Hz (GM Engine)  | B   |
| 706A    | 4922641      | 1   | Harness - On/Off Switch   | A   |
| 706B    | 4460226      | 2   | Socket, Female  |     |
| 706C    |              | Ref | Harness, Powermite Control Box to Relay Options:  |     |
| 706C    | 1001112589   | 1   | Caterpillar and Deutz Engines   | A   |
| 706C    | 4923445      | 1   | GM Engine   | A   |
| 706D    | 4460374      | 1   | Connector, Seal Relay   |     |
| 706D    | 4460705      | 4   | Terminal  |     |
| 706E    | 4460742      | 1   | Connector, Male - 2 Position  |     |
| 706E    | 4460743      | 2   | Socket, Female  |     |
| 706E    | 4460458      | 2   | Seal  |     |
| 706F    | 4460321      | 1   | Connector, Male - 4 Position (60Hz Only)  |     |
| 706F    | 4460906      | 4   | Socket, Female (60Hz Only)  |     |
| 706G    | 4460027      | 1   | Receptacle, Twist Lock (110V Only)  |     |
| 706H    | 7020193      | 1   | Harness, Generator Power  |     |
| 706J    | 4460961      | 1   | Connector, Female - 4 Position  |     |



## SECTION 7 - ELECTRICAL

| ITEM | PART NUMBER | QTY             | DESCRIPTION   | REV |
|------|-------------|-----------------|---|-----|
| 706J | 4460705     | 4               | Pin, Male   |     |
| 707  | 4921829     | 1               | Generator to Rear of Boom Harness (110V)  |     |
| 707  | 4921955     | 1               | Generator to Rear of Boom Harness (220V)  |     |
|      |             | Ref             | <b>Note: Harness used to connect AC at platform harness to generator receptacle to power platform receptacle.</b> |     |
| 707  | 1060494     | 6 ft/1.8m       | Cable, Electrical - 12/3  |     |
| 707A | 4460205     | 1               | Plug, Male (110V)   |     |
| 707A | 4460233     | 1               | Plug, Male (220V)   |     |
| 707B | 4460134     | 1               | Receptacle, Female (110V)   |     |
| 707B | 4460701     | 1               | Receptacle, Female (220V)   |     |
| 708  | 1001094509  | 1               | Generator Hourmeter Harness   | A   |
| 709  |             | Ref             | 7500W Skypower Generator Installation   |     |
| 709  | 1001115398  | Ref             | 60Hz Spec and Caterpillar Engine  | A   |
| 709  | 1001115400  | Ref             | 50Hz Spec and Caterpillar Engine  | A   |
| 709  | 1001115387  | Ref             | 60Hz Spec and Deutz Engine  | A   |
| 709  | 1001115389  | Ref             | 50Hz Spec and Deutz Engine  | A   |
| 709  | 0275257     | Ref             | 60Hz Spec and GM Engine   | C   |
|      |             | Ref             | <b>Note: SkyPower Generator is Standard On ANSI and CSA Specs. Optional on All Other Specs.</b>                   |     |
| 709A |             | Ref             | Receptacle, Female Twist-Lock Options:  |     |
| 709A | 4460958     | 1               | 60Hz Spec   |     |
| 709A | See Note    | 1               | 50Hz Spec (Note: Not Available - Purchase Locally)  |     |
| 709B |             | Ref             | Gasket Options:   |     |
| 709B | 3960422     | 2               | 60Hz Spec   |     |
| 709B | See Note    | 2               | 50Hz Spec (Note: Not Available - Purchase Locally)  |     |
| 709C |             | Ref             | Cover, Receptacle Options:  |     |
| 709C | 4060700     | 1               | 60Hz Spec (Side Hinged)   |     |
| 709C | 1001110873  | 1               | 60Hz Spec (Top Hinged)  |     |
| 709C | See Note    | 1               | 50Hz Spec (Note: Not Available - Purchase Locally)  |     |
| 709D |             | Ref             | Cover, Receptacle Options:  |     |
| 709D | 4061043     | NLA             | 60Hz Spec (Use p/n 1001110872)  |     |
| 709D | See Note    | 1               | 50Hz Spec (Note: Not Available - Purchase Locally)  |     |
| 709E |             | Ref             | Receptacle Options:   |     |
| 709E | 4460346     | 1               | 60Hz Spec   |     |
| 709E | See Note    | 1               | 50Hz Spec (Note: Not Available - Purchase Locally)  |     |
| 709F | 4460051     | 1               | Connector, Strain Relief  |     |
| 709G | 4460071     | 1               | Connector, Strain Relief  |     |
| 709H | 4922925     | 1               | Harness, Generator  | A   |
| 709J | 4460225     | 1               | Plug, Male - 6 Position   |     |
| 709J | 4460226     | 6               | Socket, Female  |     |
| 709K | See Note    | 1               | Plug, Male - 6 Position (Note: Not Available for Purchase)  |     |
| 709K | See Note    | 6               | Socket, Female (Note: Not Available for Purchase.)  |     |
| 710  |             | Ref             | 7500W SkyPower Generator Junction Box Components  |     |
| 710  | 0861542     | Ref             | 60Hz Spec   | C   |
| 710  | 0861567     | Ref             | 50Hz Specs  | B   |
| 710A |             | Ref             | Cable, Electrical 12/3  |     |
| 710A | 1060494     | 2 ft/.6m        | 60Hz Spec   |     |
| 710A | See Note    | 2 ft/.6m        | 50Hz Spec (Note: Not Available - Purchase Locally)  |     |
| 710B |             | Ref             | Cable, Electrical 10/3  |     |
| 710B | 1060708     | 2.5 ft<br>/.76m | 60Hz Spec   |     |
| 710B | See Note    | 2.5 ft          | 50Hz Spec (Note: Not Available - Purchase Locally)  |     |

## SECTION 7 - ELECTRICAL

| ITEM | PART NUMBER | QTY                    | DESCRIPTION  | REV |
|------|-------------|------------------------|--|-----|
| 710C | 1060343     | .76m<br>1.5 ft<br>.46m | Cable, Electrical 10/4 (60Hz Spec Only)  |     |
| 710D | 4460425     | 2                      | Connector, Strain Relief   |     |
| 710E |             | Ref                    | Component Options:   |     |
| 710E | 4460426     | 2                      | Connector, Strain Relief (60Hz Spec Only)  |     |
| 710E | 4460426     | 1                      | Connector, Strain Relief (50Hz Spec Only)  |     |
| 710E | 3520189     | 1                      | Plug (50Hz Spec Only)  |     |
| 710F | 1671092     | 1                      | Cover (60Hz Spec Only)   |     |
| 710F | 4460963     | 1                      | Connector (60Hz Spec Only)   |     |
| 711  |             | Ref                    | 7500W Generator Electrical Diagram Components  |     |
| 711  | 1001112586  | Ref                    | Caterpillar and Deutz Engine Machines  | C   |
| 711  | 4933349     | Ref                    | GM Engine Machines   | 1-A |
| 711A |             | Ref                    | Generator Harness Options:   |     |
| 711A | 1001112587  | 1                      | Caterpillar and Deutz Engine Machines  | A   |
| 711A | 4923420     | 1                      | GM Engine Machines   | 1-A |
| 711B | 4460374     | 2                      | Plug, Sealed Relay   |     |
| 711B | 4460375     | AR                     | Terminal   |     |
| 711C | 4460967     | 1                      | Plug, Male - 3 Position  |     |
| 711C | 4460465     | 3                      | Socket, Female   |     |
| 711D | 2400060     | 1                      | Fuseholder   |     |
| 711D | 2400064     | 1                      | Fuse - 5 Amp   |     |
| 711E | 4460742     | 1                      | Connector, Male - 2 Position   |     |
| 711E | 4460743     | 2                      | Socket, Female   |     |
| 711E | 4460458     | 2                      | Seal   |     |
| 711F | 4922641     | 1                      | Switch Harness   | A   |
| 711G | 4460226     | 2                      | Socket, Female   |     |
| 712  | See Note    | 1                      | Lights Harness (Note: Not Available for Purchase)  |     |
| 712  | 1060341     | 48 ft<br>/14.6m        | Cable, Electrical - 16/2   |     |
| 712A | 3740049     | 1                      | Relay  |     |
| 712B | 4922643     | 1                      | Harness, Bagged (Located at Ground Control Box) (Not Shown)  |     |
| 713  |             | Ref                    | Platform Worklights Components   |     |
| 713A |             | Ref                    | Platform Worklights Harness (External) Options (Includes Light and Wire Only):                                   |     |
| 713A | 2920140     | 2                      | Non-UL Spec Machines   |     |
| 713A | 2920095     | 2                      | UL Machines  |     |
| 713B | 1001098234  | AR                     | Connector, Female - 3 Position   |     |
| 713C | 1001098349  | 1                      | Connector, Male - 3 Position (Platform Worklights Only)  |     |
| 713D |             | Ref                    | Connector, Strain Relief Options:  |     |
| 713D | 4460426     | 1                      | Non-UL Spec Machines   |     |
| 713D | 4460598     | 1                      | UL Machines  |     |
| 713E | 2400068     | AR                     | Fuseholder (Non-UL Spec Machines Located at Aux Power Relay and UL Spec Machines Located at Platform Console)    |     |
| 713E | 2400070     | AR                     | Fuse - 10 Amp (Non-UL Spec Machines Located at Aux Power Relay and UL Spec Machines Located at Platform Console) |     |
| 713F |             | Ref                    | Platform Worklights Main Boom Harness Options:   |     |
| 713F | 4922215     | 1                      | Platform Worklights Main Boom Harness 800A   |     |
| 713F | 4922216     | 1                      | Platform Worklights Main Boom Harness 800AJ  |     |
| 713F | 1060708     | Ref                    | Cable, Electrical - 10/3 Options:  |     |
| 713F | 1060708     | 67 ft<br>/20.4m        | Cable, Electrical - 10/3 800A  |     |
| 713F | 1060708     | 64 ft                  | Cable, Electrical - 10/3 800AJ   |     |

## SECTION 7 - ELECTRICAL

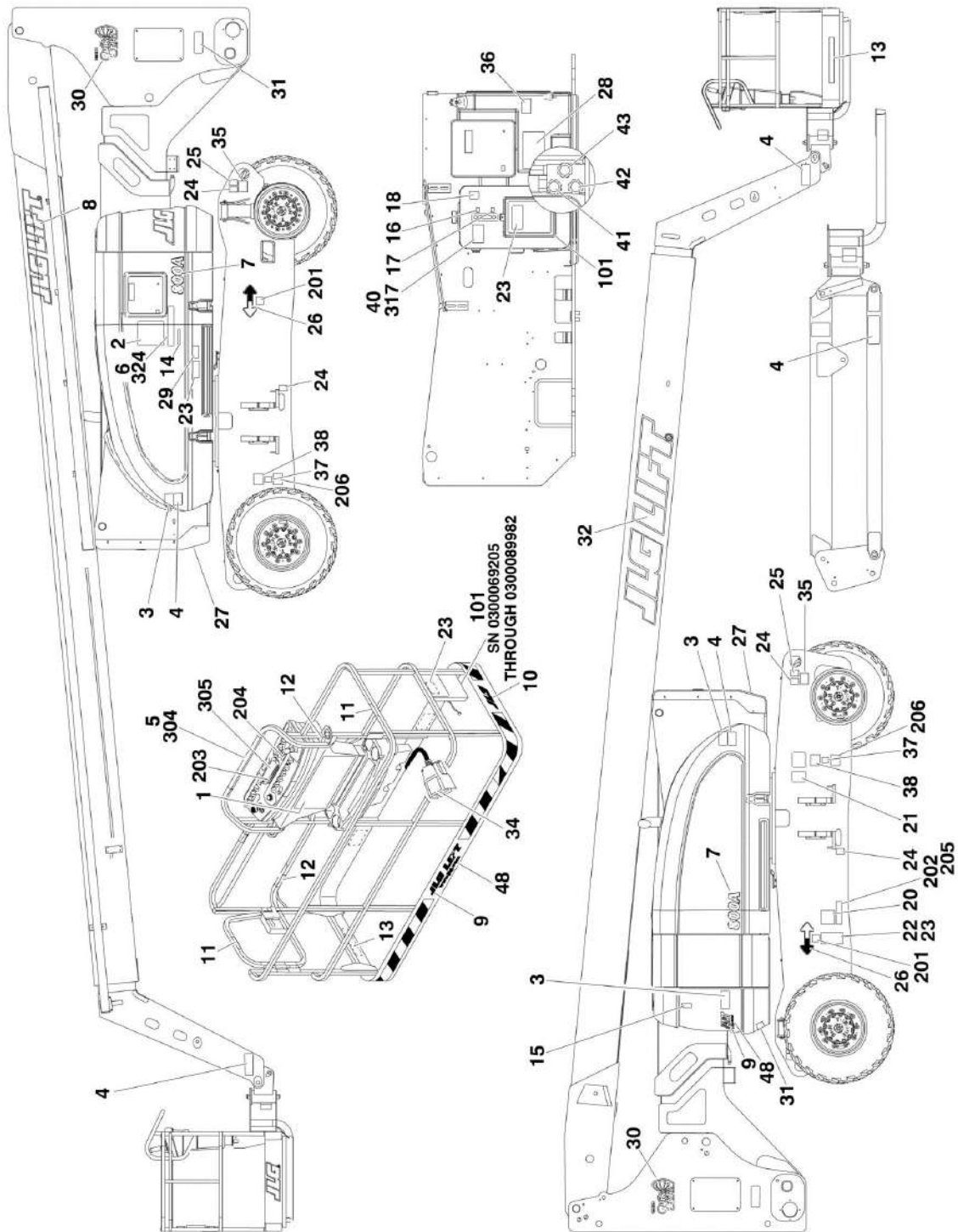
| ITEM | PART NUMBER | QTY        | DESCRIPTION   | REV |
|------|-------------|------------|---|-----|
|      |             | /19.5m     |   |     |
| 713G | 4922217     | 1          | Platform Worklights Tower Boom Harness  |     |
| 713G | 1060708     | 39 ft      | Cable, Electrical - 10/3  |     |
|      |             | /11.9m     |   |     |
| 714  | See Note    | 1          | Soft-Touch System Harness (Note: Not Available for Purchase)                                |     |
| 714A | 1060341     | 23 ft/7.1m | Cable, Electrical - 16/2  |     |
| 714B |             | Ref        | Connector, Strain Relief Options:   |     |
| 714B | 4460425     | 1          | 6ft Platforms   |     |
| 714B | 4460049     | 1          | 8ft Platforms   |     |
| 714C | 4460226     | 2          | Socket, Female  |     |
|      |             | Ref        | <b>TOOLS</b>  |     |
| 801  | 7002821     | 1          | Crimper (For Wire to Pin/Socket Connections) (Not Shown)                                    |     |
| 802  | 7002823     | 1          | Extractor (For Removal of Pin/Socket from Connectors) (Not Shown)                           |     |
| 803  | 4460467     | 1          | Extractor, Pin (Blue 16-18 Gauge) (For Removal of Pin/Socket from Connectors) (Not Shown)   |     |
| 803  | 4460510     | 1          | Extractor, Pin (Yellow 12-14 Gauge) (For Removal of Pin/Socket from Connectors) (Not Shown) |     |
| 804  | 7002828     | 1          | Stripper, Wire (Not Shown)  |     |
| 805  | 1600244     | 1          | Analyzer  |     |
| 805A | 1060633     | 1          | Cable, Analyzer   | 1-A |
| 805B | 4460321     | 2          | Plug, Male  |     |
| 805B | 4460226     | 8          | Socket, Female  |     |



**SECTION 8 - DECALS**

# SECTION 8 - DECALS

FIGURE 8-1. DECAL INSTALLATION (ANSI SPEC) (SN 0300069000 through 0300089981)



## SECTION 8 - DECALS

**FIGURE 8-1. DECAL INSTALLATION (ANSI SPEC) (SN 0300069000 through 0300089981)**

| ITEM | PART NUMBER | QTY | DESCRIPTION  | REV |
|------|-------------|-----|--|-----|
|      |             | Ref | <b>STANDARD DECAL INSTALLATIONS</b>                              |     |
|      | 0271038     | Ref | <b>JLG Logo</b>  | 3   |
|      | 0258513     | Ref | <b>Standard Decal Installations 800A</b>                         | 10  |
|      | 0258514     | Ref | <b>Standard Decal Installations 800AJ</b>                        | 10  |
|      | 0258706     | Ref | <b>MANUAL DESCENT DECALS INSTALLATION</b>                        | 1   |
| 1    | 1703797     | 1   | Decal - Danger/Warning   |     |
| 2    | 1703798     | 1   | Decal - Danger/Warning   |     |
| 3    | 1703805     | 2   | Decal - Danger/Electrocution                                     |     |
| 4    | 1703804     | 4   | Decal - Warning/Crushing   |     |
| 5    | 1702784     | NLA | Decal - Legend (Use p/n 1707110)                                 |     |
| 6    | 1703808     | NLA | Decal - Legend (Use p/n 1001095809)                              |     |
| 7    |             | Ref | Decal - Model Options:   |     |
| 7    | 1703772     | 2   | Decal - Model 800A   |     |
| 7    | 1703773     | 2   | Decal - Model 800AJ  |     |
| 8    |             | Ref | Decal - JLG Lift Options:  |     |
| 8    | 1702860     | 1   | Decal - JLG Lift (5in) <b>(SN 0300069000 through 0300070118)</b> |     |
| 8    | 1702861     | 1   | Decal - JLG Lift (8in) <b>(SN 0300070119 through 0300089982)</b> |     |
| 9    | 1702774     | 2   | Decal - JLG Lift (3-1/2in)                                       |     |
| 10   | 1702773     | 2   | Decal - JLG (5in)  |     |
| 11   | 1702868     | 2   | Decal - - No Hands   |     |
| 12   | 1704277     | AR  | Decal - Attach Lanyard Here                                      |     |
| 13   |             | Ref | Decal - 500LBS Max Capacity Options:                             |     |
| 13   | 1704096     | 2   | Decal - 500LBS Max Capacity 800A                                 |     |
| 13   | 1701645     | 2   | Decal - 500LBS Max Capacity 800AJ                                |     |
| 14   |             | Ref | Decal - 500LBS Max Capacity Options:                             |     |
| 14   | 1704104     | 1   | Decal - 500LBS Max Capacity 800A                                 |     |
| 14   | 1702688     | 1   | Decal - 500LBS Max Capacity 800AJ                                |     |
| 15   | 3251813     | 1   | Decal - USA  |     |
| 16   | 1701502     | 1   | Decal - High Oil Level   |     |
| 17   | 1701503     | 1   | Decal - Low Oil Level  |     |
| 18   | 1701504     | 1   | Decal - Hydraulic Oil  |     |
| 19   | 1702153     | 1   | Decal - Inspection   |     |
| 20   | See Note    | 1   | Decal - Bar Code (Note: Not Available for Purchase)              |     |
| 21   | 1700584     | 1   | Decal - Patent   |     |
| 22   | See Note    | 1   | Nameplate - Serial Number (Note: Not Available for Purchase)     |     |
| 23   | 1701509     | 1   | Decal - Manual   |     |
| 24   | 1702300     | 4   | Decal - Tie Down /Lift   |     |
| 25   | 1701500     | 4   | Decal - Tie Down /Lift   |     |
| 26   | 1701501     | 4   | Decal - Arrow  |     |
| 27   |             | Ref | Nameplate - 120V-60Hz  |     |
| 27   | 3251243     | 1   | 110V   |     |
| 27   | 3252507     | 1   | 220V   |     |
| 28   | 1703954     | 1   | Decal - Manual Descent   |     |
| 29   | 1702901     | 1   | Decal - Manual Descent Instructions Inside                       |     |
| 30   | 1703959     | 2   | Decal - Quick Stick  |     |
| 31   | 1703953     | 3   | Decal - Warning/Crushing   |     |
| 32   | 1702862     | 1   | Decal - JLG Lift   |     |
| 33   | 3820001     | 4   | Rivet  |     |
| 34   | 3252347     | 1   | Decal - Footswitch (Part of 4360031 Footswitch)                  |     |
| 35   | 1703960     | 4   | Decal - Max Tire Load  |     |

## SECTION 8 - DECALS

| ITEM | PART NUMBER  | QTY | DESCRIPTION  | REV |
|------|--------------|-----|--|-----|
| 36   |              | Ref | Decal - Fuel   |     |
| 36   | 1701542      | 1   | Ford Engine Machines   |     |
| 36   | 1701505      | 1   | Deutz Engine Machines  |     |
| 37   |              | Ref | Decal - LPG Gas  |     |
| 37   | Not Required | 0   | Non-Dual Fuel Machines   |     |
| 37   | 1701543      | 1   | Dual Fuel Machines   |     |
| 38   |              | Ref | Decal - LP Gas Liquid Withdrawal System  |     |
| 38   | Not Required | 0   | Non-Dual Fuel Machines   |     |
| 38   | 1700818      | 1   | Dual Fuel Machines   |     |
| 40   | 1702265      | NLA | Decal - Upright Level Override (Use p/n 1001096141)  |     |
| 41   | 1702903      | 1   | Decal - Knob #1  |     |
| 42   | 1702927      | 1   | Decal - Knob #2  |     |
| 43   | 1702924      | 1   | Decal - Knob #3  |     |
| 48   | 1704885      | 2   | Decal - Website  |     |
|      | 0258671      | Ref | <b>MANUAL STORAGE BOX INSTALLATION</b>   | B   |
|      |              | Ref | <b>Note: Located on Hydraulic Tank SN 0300069000 to 0300069205. Located on Platform SN 0300069000 to 0300069205.</b> |     |
| 101  | 0860520      | 1   | Box, Manual Storage  |     |
| 101  | 1060279      | 1   | Cable, Lanyard   |     |
| 101  | 0641408      | 1   | Bolt 1/4in-20NC x 1in  |     |
| 101  | 0641406      | 1   | Bolt 1/4in-20NC x 3/4in  |     |
| 101  | 4751400      | 6   | Flatwasher 1/4in   |     |
| 101  | 3311405      | 5   | Locknut 1/4in-20NC   |     |
|      | 0272708      | Ref | <b>UL DECAL INSTALLATION (DUAL FUEL MACHINES)</b>  | 4   |
|      | 0274195      | Ref | <b>UL DECAL INSTALLATION (LPS MACHINES)</b>  | 2   |
| 201  | 1703910      | 2   | Decal - GS/LPS   |     |
| 202  | See Note     | 1   | Nameplate - Serial Number (Note: Not Available for Purchase)   |     |
| 203  | 1703912      | 1   | Decal - Fuel Level   |     |
| 204  | 1705533      | 1   | Decal - Fuel Shutoff   |     |
| 205  | 3820001      | 4   | Rivet, Pop   |     |
| 206  | 1705590      | 2   | Decal - LP Tank Identification   |     |
|      | 1001093187   | Ref | <b>Tilt Sensor Installation</b>  | C   |
| 304  | 1707110      | 1   | Decal - Legend (Platform)  |     |
| 305  | 1707111      | 1   | Decal - Platform Display   |     |
| 317  | 1001096141   | 1   | Decal - Upright Level Over Ride  |     |
| 324  | 1001095809   | 1   | Decal - Legend (MTB Control)   |     |







## SECTION 8 - DECALS

**FIGURE 8-2. DECAL INSTALLATION (ANSI SPEC) (SN 0300089982 through 0300140000)**

| ITEM | PART NUMBER | QTY | DESCRIPTION   | REV |
|------|-------------|-----|---|-----|
|      |             | Ref | <b>Decals Installations</b>   |     |
|      | 0274519     | Ref | <b>Decals Installation - JLG Logo</b>   | 2   |
|      | 0274460     | Ref | <b>Decals Installation - 800A</b>   | 8   |
|      | 0274461     | Ref | <b>Decals Installation - 800AJ</b>  | 8   |
|      |             | Ref | <b>Note: All Machines should have been updated to new Tilt Sensor Upright Installation p/n 0275733.</b> |     |
| 2    | 1701499     | 2   | Decal - No Tie Down/Lift  |     |
| 3    | 1701502     | 1   | Decal - High Oil Level <b>(SN 0300089982 through 0300134564)</b>  |     |
| 4    | 1701503     | 1   | Decal - Low Oil Level <b>(SN 0300089982 through 0300134564)</b>   |     |
| 5    | 1701509     | 1   | Decal - Manual  |     |
| 7    | 1703811     | 4   | Decal - Tie Down/Lift   |     |
| 8    | 1703814     | 6   | Decal - Tie Down  |     |
| 9    | 1704277     | 3   | Decal - Attach Lanyard Here   |     |
| 10   | 1704412     | 1   | Decal - Hydraulic Oil Chart   |     |
| 13   | 3251243     | 1   | Nameplate - 120V-60Hz   |     |
| 17   | 1702153     | 1   | Decal - Inspection <b>(SN 0300089982 through 0300134564)</b>  |     |
| 18   | 1703953     | 5   | Decal - Warning Crushing  |     |
| 20   | 1702868     | 2   | Decal - No Hands  |     |
| 21   | 1703797     | 1   | Decal - Warning/Danger  |     |
| 22   | 1705336     | 1   | Decal - Warning Inspection (MTB)  |     |
| 23   | 1703804     | 4   | Decal - Warning Crushing  |     |
| 24   | 1703805     | 5   | Decal - Danger Electrocution  |     |
| 26   | 3251813     | 1   | Decal - USA   |     |
| 29   | 1703960     | 4   | Decal - Max Tire Load   |     |
| 30   | See Note    | 1   | Decal - Bar Code (Note: Not Available for Purchase)   |     |
| 31   |             | Ref | Decal Options:  |     |
| 31   | 1703772     | 2   | Decal - 800A  |     |
| 31   | 1703773     | 2   | Decal - 800AJ   |     |
| 32   | 1701501     | 4   | Decal - Arrow   |     |
| 33   |             | Ref | Decal Capacity Options:   |     |
| 33   | 1704096     | 2   | Decal Capacity 800A - Decal - 500LBS Unrestricted Capacity  |     |
| 33   | 1701645     | 2   | Decal Capacity 800AJ - Decal - 500LBS Maximum Capacity  |     |
| 34   |             | Ref | Decal Capacity Options:   |     |
| 34   | 1704104     | 1   | Decal Capacity 800A - Decal - 500LBS Unrestricted Capacity <b>(SN 0300089982 through 0300100379)</b>    |     |
| 34   | 1707014     | 1   | Decal Capacity 800A - Decal - 500LBS Unrestricted Capacity <b>(SN 0300100380 through 0300140000)</b>    |     |
| 34   | 1702688     | 1   | Decal Capacity 800AJ - Decal - 500LBS Maximum Capacity <b>(SN 0300089982 through 0300100379)</b>        |     |
| 34   | 1707013     | 1   | Decal Capacity 800AJ - Decal - 500LBS Maximum Capacity <b>(SN 0300100380 through 0300140000)</b>        |     |
| 35   | 1704885     | 2   | Decal - Website   |     |
| 36   | See Note    | 1   | Nameplate, Manufactures (Note: Not Available for Purchase)  |     |
| 37   | 1001096141  | 1   | Decal - Upright Level Override  |     |
| 38   | 1703959     | 2   | Decal - Quick Stick   |     |
| 39   | 1700584     | 1   | Decal - Patent  |     |
| 40   |             | Ref | Decal - Legend Options:   |     |
| 40   | 1707110     | 1   | Decal - Legend <b>(SN 0300069000 through 0300137974)</b>  |     |
| 40   | 1001108495  | 1   | Decal - Legend <b>(SN 0300137975 through 0300140000)</b>  |     |
| 41   | 1001095809  | 1   | Decal - Legend (MTB)  |     |
| 43   | 3820001     | 4   | Rivet   |     |

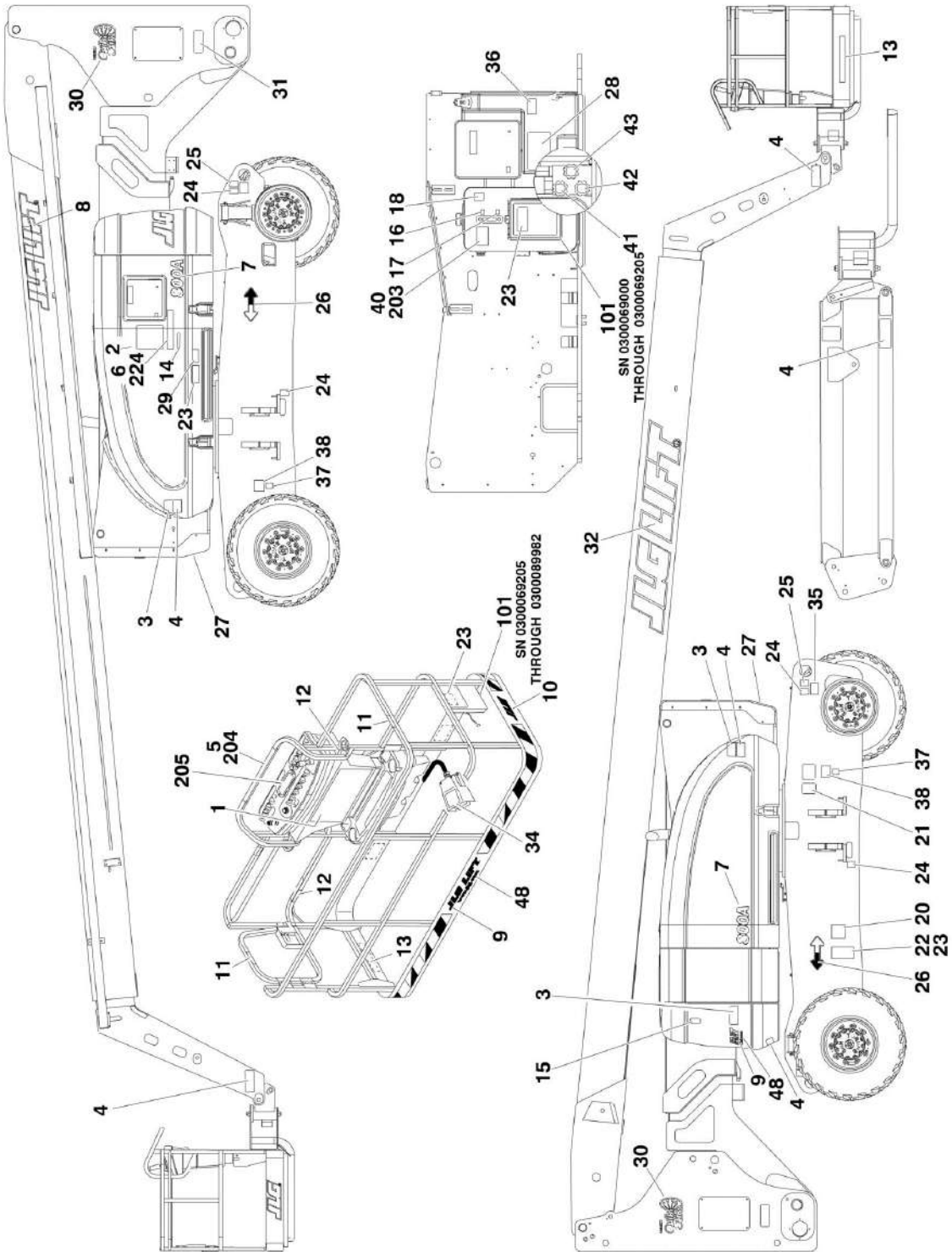
## SECTION 8 - DECALS

| ITEM | PART NUMBER | QTY | DESCRIPTION  | REV |
|------|-------------|-----|--|-----|
| 44   | 1702861     | 2   | Decal - JLG Lift (8in Height)                                      |     |
| 45   | 1702774     | 1   | Decal - JLG Lift (3-1/2in Height)                                  |     |
| 46   | 1702773     | 1   | Decal - JLG (5in Height)   |     |
| 47   | 3250872     | 1   | Nameplate - Steer/Tow Selector                                     |     |
| 48   | 1705090     | 1   | Decal - Towing Instructions  |     |
| 49   |             | Ref | Decal - Fuel   |     |
| 49   | 1701505     | 1   | Diesel   |     |
| 49   | 1701542     | 1   | Gas  |     |
| 50   | 1701543     | 2   | Decal - LP Gas (GM Engine Machines Only)                           |     |
| 51   | 1700818     | 2   | Decal - LP Gas (Liquid) (GM Engine Machines Only)                  |     |
| 53   | 1703175     | 1   | Decal - Lanyard Attach (GM Spec Only)                              |     |
| 54   |             | Ref | Decal - Warning (Proposition 65) (California Spec Only)            |     |
| 54   | 1702962     | 1   | Diesel   |     |
| 54   | 1702961     | 1   | Gas  |     |
| 55   | 1702788     | 1   | Decal - Bio Hydraulic Fluid  |     |
| 56   | 1705351     | 1   | Decal - Drive Orientation  |     |
| 71   | 1001108923  | 1   | Decal - Low Sulfur Fuel (Caterpillar and Deutz Engine Machines)    |     |
|      | 0258671     | Ref | <b>MANUAL STORAGE BOX INSTALLATION</b>                             | B   |
| 101  | 0860520     | 1   | Box, Manual Storage  |     |
| 101  | 1060279     | 1   | Cable, Lanyard   |     |
| 101  | 0641408     | 1   | Bolt 1/4in-20NC x 1in  |     |
| 101  | 0641406     | 1   | Bolt 1/4in-20NC x 3/4in  |     |
| 101  | 4751400     | 6   | Flatwasher 1/4in   |     |
| 101  | 3311405     | 5   | Locknut 1/4in-20NC   |     |
|      | 1001093187  | Ref | <b>TILT SENSOR INSTALLATION (SN 0300089982 through 0300112885)</b> | C   |
| 204  | 1707110     | 1   | Decal - Legend (Platform)  |     |
| 205  | 1707111     | 1   | Decal - Platform Display   |     |
| 217  | 1001096141  | 1   | Decal - Upright Level Over Ride                                    |     |
| 224  | 1001095809  | 1   | Decal - Legend (MTB Control)                                       |     |



# SECTION 8 - DECALS

FIGURE 8-3. DECAL INSTALLATION (COUNTRY SPEC) (SN 0300069000 through 0300089981)



## SECTION 8 - DECALS

**FIGURE 8-3. DECAL INSTALLATION (COUNTRY SPEC) (SN 0300069000 through 0300089981)**

| ITEM | PART NUMBER | QTY | DESCRIPTION  | REV |
|------|-------------|-----|--|-----|
|      |             | Ref | <b>DECAL INSTALLATIONS</b>   |     |
|      | 0271038     | Ref | <b>JLG Logo</b>  | 3   |
|      | 0258537     | Ref | <b>Decal Installations 800A Dual Language English/Chinese Decals</b>     | 6   |
|      | 0258535     | Ref | <b>Decal Installations 800A Dual Language English/French Decals</b>      | 9   |
|      | 0258533     | Ref | <b>Decal Installations 800A Dual Language English/Spanish Decals</b>     | 7   |
|      | 0258539     | Ref | <b>Decal Installations 800A Dual Language Portuguese/Spanish Decals</b>  | 8   |
|      | 0258529     | Ref | <b>Decal Installations 800A Japanese Decals</b>                          | 7   |
|      | 0258531     | Ref | <b>Decal Installations 800A Korean Decals</b>                            | 7   |
|      | 0258538     | Ref | <b>Decal Installations 800AJ Dual Language Chinese/English Decals</b>    | 6   |
|      | 0258536     | Ref | <b>Decal Installations 800AJ Dual Language English/French Decals</b>     | 10  |
|      | 0258534     | Ref | <b>Decal Installations 800AJ Dual Language English/Spanish Decals</b>    | 7   |
|      | 0258540     | Ref | <b>Decal Installations 800AJ Dual Language Portuguese/Spanish Decals</b> | 8   |
|      | 0258530     | Ref | <b>Decal Installations 800AJ Japanese Decals</b>                         | 7   |
|      | 0258532     | Ref | <b>Decal Installations 800AJ Korean Decals</b>                           | 7   |
| 1    |             | Ref | Decal - Danger/Warning Options:  |     |
| 1    | 1703925     | 1   | Dual Language English/Chinese Decals                                     |     |
| 1    | 1703924     | 1   | Dual Language English/French Decals                                      |     |
| 1    | 1703923     | 1   | Dual Language English/Spanish Decals                                     |     |
| 1    | 1703928     | 1   | Dual Language Portuguese/Spanish Decals                                  |     |
| 1    | 1703926     | 1   | Japanese Decals  |     |
| 1    | 1703927     | 1   | Korean Decals  |     |
| 2    |             | Ref | Decal - Danger/Warning Options:  |     |
| 2    | 1703931     | 1   | Dual Language English/Chinese Decals                                     |     |
| 2    | 1703930     | 1   | Dual Language English/French Decals                                      |     |
| 2    | 1703929     | 1   | Dual Language English/Spanish Decals                                     |     |
| 2    | 1703934     | 1   | Dual Language Portuguese/Spanish Decals                                  |     |
| 2    | 1703932     | 1   | Japanese Decals  |     |
| 2    | 1703933     | 1   | Korean Decals  |     |
| 3    |             | Ref | Decal - Danger/Electrocution Options:                                    |     |
| 3    | 1703937     | 3   | Dual Language English/Chinese Decals                                     |     |
| 3    | 1703936     | 3   | Dual Language English/French Decals                                      |     |
| 3    | 1703935     | 3   | Dual Language English/Spanish Decals                                     |     |
| 3    | 1703940     | 3   | Dual Language Portuguese/Spanish Decals                                  |     |
| 3    | 1703938     | 3   | Japanese Decals  |     |
| 3    | 1703939     | 3   | Korean Decals  |     |
| 4    |             | Ref | Decal - Warning/Crushing Options:  |     |
| 4    | 1703949     | 5   | Dual Language English/Chinese Decals                                     |     |
| 4    | 1703948     | 5   | Dual Language English/French Decals                                      |     |
| 4    | 1703947     | 5   | Dual Language English/Spanish Decals                                     |     |
| 4    | 1703952     | 5   | Dual Language Portuguese/Spanish Decals                                  |     |
| 4    | 1703950     | 5   | Japanese Decals  |     |
| 4    | 1703951     | 5   | Korean Decals  |     |
| 5    |             | Ref | Decal - Legend Options:  |     |

## SECTION 8 - DECALS

| ITEM | PART NUMBER  | QTY | DESCRIPTION   | REV |
|------|--------------|-----|---|-----|
| 5    | Not Required | 0   | Dual Language English/Chinese Decals                                      |     |
| 5    | 1702784      | NLA | Dual Language English/French Decals (Use p/n 1707110)                     |     |
| 5    | 1702784      | NLA | Dual Language English/Spanish Decals (Use p/n 1707110)                    |     |
| 5    | Not Required | 0   | Dual Language Portuguese/Spanish Decals                                   |     |
| 5    | Not Required | 0   | Japanese Decals   |     |
| 5    | Not Required | 0   | Korean Decals   |     |
| 6    |              | Ref | Decal - Legend Options:   |     |
| 6    | Not Required | 0   | Dual Language English/Chinese Decals                                      |     |
| 6    | 1703808      | NLA | Dual Language English/French Decals (Use p/n 1001095809)                  |     |
| 6    | 1703808      | NLA | Dual Language English/Spanish Decals (Use p/n 1001095809)                 |     |
| 6    | Not Required | 0   | Dual Language Portuguese/Spanish Decals                                   |     |
| 6    | Not Required | 0   | Japanese Decals   |     |
| 6    | Not Required | 0   | Korean Decals   |     |
| 7    |              | Ref | Decal - Model Options:  |     |
| 7    | 1703772      | 2   | Decal - Model 800A  |     |
| 7    | 1703773      | 2   | Decal - Model 800AJ   |     |
| 8    |              | Ref | Decal - JLG Lift Options:   |     |
| 8    | 1702860      | 1   | Decal - JLG Lift (5in) (SN 0300069000 through 0300070118)                 |     |
| 8    | 1702861      | 1   | Decal - JLG Lift (8in) (SN 0300070119 through 0300089982)                 |     |
| 9    | 1702774      | 2   | Decal - JLG Lift (3-1/2in)  |     |
| 10   | 1702773      | 2   | Decal - JLG (5in)   |     |
| 11   |              | Ref | Decal - No Hands Options:   |     |
| 11   | Not Required | 0   | Dual Language English/Chinese Decals                                      |     |
| 11   | 1704000      | 2   | Dual Language English/French Decals                                       |     |
| 11   | 1704001      | 2   | Dual Language English/Spanish Decals                                      |     |
| 11   | 1704002      | 2   | Dual Language Portuguese/Spanish Decals                                   |     |
| 11   | Not Required | 0   | Japanese Decals   |     |
| 11   | Not Required | 0   | Korean Decals   |     |
| 12   | 1704277      | AR  | Decal - Attach Lanyard Here   |     |
| 13   |              | Ref | Decal - 500LBS Max Capacity Options:                                      |     |
| 13   | 1704101      | 2   | Decal - 500LBS Max Capacity 800A Dual Language English/Chinese Decals     |     |
| 13   | 1703996      | 2   | Decal - 500LBS Max Capacity 800AJ Dual Language English/Chinese Decals    |     |
| 13   | 1704099      | 2   | Decal - 500LBS Max Capacity 800A Dual Language English/French Decals      |     |
| 13   | 1703996      | 2   | Decal - 500LBS Max Capacity 800AJ Dual Language English/French Decals     |     |
| 13   | 1704098      | 2   | Decal - 500LBS Max Capacity 800A Dual Language English/Spanish Decals     |     |
| 13   | 1703996      | 2   | Decal - 500LBS Max Capacity 800AJ Dual Language English/Spanish Decals    |     |
| 13   | 1704100      | 2   | Decal - 500LBS Max Capacity 800A Dual Language Portuguese/Spanish Decals  |     |
| 13   | 1703996      | 2   | Decal - 500LBS Max Capacity 800AJ Dual Language Portuguese/Spanish Decals |     |
| 13   | 1704102      | 2   | Decal - 500LBS Max Capacity 800A Japanese Decals                          |     |
| 13   | 1703996      | 2   | Decal - 500LBS Max Capacity 800AJ Japanese Decals                         |     |
| 13   | 1704103      | 2   | Decal - 500LBS Max Capacity 800A Korean Decals                            |     |
| 13   | 1703996      | 2   | Decal - 500LBS Max Capacity 800AJ Korean Decals                           |     |
| 14   |              | Ref | Decal - 500LBS Max Capacity Options:                                      |     |
| 14   | 1704109      | 1   | Decal - 500LBS Max Capacity 800A Dual Language English/Chinese Decals     |     |



## SECTION 8 - DECALS

| ITEM | PART NUMBER  | QTY | DESCRIPTION   | REV |
|------|--------------|-----|---|-----|
| 14   | 1704112      | 1   | Decal - 500LBS Max Capacity 800AJ Dual Language English/Chinese Decals    |     |
| 14   | 1704107      | 1   | Decal - 500LBS Max Capacity 800A Dual Language English/French Decals      |     |
| 14   | 1704112      | 1   | Decal - 500LBS Max Capacity 800AJ Dual Language English/French Decals     |     |
| 14   | 1704106      | 1   | Decal - 500LBS Max Capacity 800A Dual Language English/Spanish Decals     |     |
| 14   | 1704112      | 1   | Decal - 500LBS Max Capacity 800AJ Dual Language English/Spanish Decals    |     |
| 14   | 1704108      | 1   | Decal - 500LBS Max Capacity 800A Dual Language Portuguese/Spanish Decals  |     |
| 14   | 1704112      | 1   | Decal - 500LBS Max Capacity 800AJ Dual Language Portuguese/Spanish Decals |     |
| 14   | 1704110      | 1   | Decal - 500LBS Max Capacity 800A Japanese Decals                          |     |
| 14   | 1704112      | 1   | Decal - 500LBS Max Capacity 800AJ Japanese Decals                         |     |
| 14   | 1704111      |     | Decal - 500LBS Max Capacity 800A Korean Decals                            |     |
| 14   | 1704112      |     | Decal - 500LBS Max Capacity 800AJ Korean Decals                           |     |
| 15   |              | Ref | Decal - USA Options:  |     |
| 15   | Not Required | 0   | Dual Language English/Chinese Decals                                      |     |
| 15   | 3251813      | 1   | Dual Language English/French Decals                                       |     |
| 15   | 3251813      | 1   | Dual Language English/Spanish Decals                                      |     |
| 15   | 3251813      | 1   | Dual Language Portuguese/Spanish Decals                                   |     |
| 15   | Not Required | 0   | Japanese Decals   |     |
| 15   | Not Required | 0   | Korean Decals   |     |
| 16   | 1701502      | 1   | Decal - High Oil Level  |     |
| 17   | 1701503      | 1   | Decal - Low Oil Level   |     |
| 18   | 1701504      | 1   | Decal - Hydraulic Oil   |     |
| 19   |              | Ref | Decal - Inspection Options:   |     |
| 19   | Not Required | 0   | Dual Language English/Chinese Decals                                      |     |
| 19   | 1704006      | 1   | Dual Language English/French Decals                                       |     |
| 19   | 1704007      | 1   | Dual Language English/Spanish Decals                                      |     |
| 19   | 1704008      | 1   | Dual Language Portuguese/Spanish Decals                                   |     |
| 19   | Not Required | 0   | Japanese Decals   |     |
| 19   | Not Required | 0   | Korean Decals   |     |
| 20   | See Note     | 1   | Decal - Bar Code (Note: Not Available for Purchase)                       |     |
| 21   | 1700584      | 1   | Decal - Patent  |     |
| 22   | See Note     | 1   | Nameplate - Serial Number (Note: Not Available for Purchase)              |     |
| 23   | 1701509      | 1   | Decal - Manual  |     |
| 24   | 1702300      | 6   | Decal - Tie Down /Lift  |     |
| 25   | 1701500      | 4   | Decal - Tie Down /Lift  |     |
| 26   | 1701501      | 4   | Decal- Arrow  |     |
| 27   |              | Ref | Nameplate - 110V/220V Options:  |     |
| 27   | Not Required | 0   | 110V - Dual Language English/Chinese Decals                               |     |
| 27   | 3251243      | 1   | 110V - Dual Language English/French Decals                                |     |
| 27   | 3251243      | 1   | 110V - Dual Language English/Spanish Decals                               |     |
| 27   | 3251243      | 1   | 110V - Dual Language Portuguese/Spanish Decals                            |     |
| 27   | Not Required | 0   | 110V - Japanese Decals  |     |
| 27   | Not Required | 0   | 110V - Korean Decals  |     |
| 27   | 3252507      | 1   | 220V - All Specs  |     |
| 28   |              | Ref | Decal - Manual Descent Options:   |     |
| 28   | 1703965      | 1   | Dual Language English/Chinese Decals                                      |     |
| 28   | 1703964      | 1   | Dual Language English/French Decals                                       |     |

## SECTION 8 - DECALS

| ITEM | PART NUMBER  | QTY | DESCRIPTION  | REV |
|------|--------------|-----|--|-----|
| 28   | 1703963      | 1   | Dual Language English/Spanish Decals                   |     |
| 28   | 1703968      | 1   | Dual Language Portuguese/Spanish Decals                |     |
| 28   | 1703966      | 1   | Japanese Decals  |     |
| 28   | 1703967      | 1   | Korean Decals  |     |
| 29   |              | Ref | Decal - Manual Descent Instructions Inside Options:    |     |
| 29   | 1704121      | 1   | Dual Language English/Chinese Decals                   |     |
| 29   | 1704116      | 1   | Dual Language English/French Decals                    |     |
| 29   | 1704117      | 1   | Dual Language English/Spanish Decals                   |     |
| 29   | 1704118      | 1   | Dual Language Portuguese/Spanish Decals                |     |
| 29   | 1704119      | 1   | Japanese Decals  |     |
| 29   | 1704120      | 1   | Korean Decals  |     |
| 30   | 1703959      | 2   | Decal - Quick Stick                                    |     |
| 31   |              | Ref | Decal - Warning/Crushing Options:                      |     |
| 31   | 1703943      | 3   | Dual Language English/Chinese Decals                   |     |
| 31   | 1703942      | 3   | Dual Language English/French Decals                    |     |
| 31   | 1703941      | 3   | Dual Language English/Spanish Decals                   |     |
| 31   | 1703946      | 3   | Dual Language Portuguese/Spanish Decals                |     |
| 31   | 1703944      | 3   | Japanese Decals  |     |
| 31   | 1703945      | 3   | Korean Decals  |     |
| 32   | 1702862      | 1   | Decal - JLG Lift                                       |     |
| 33   | 3820001      | 8   | Rivet  |     |
| 34   |              | Ref | Decal - Footswitch Options:                            |     |
| 34   | 1703982      | 1   | Dual Language English/Chinese Decals                   |     |
| 34   | 1703984      | 1   | Dual Language English/French Decals                    |     |
| 34   | 1703983      | 1   | Dual Language English/Spanish Decals                   |     |
| 34   | 1703985      | 1   | Dual Language Portuguese/Spanish Decals                |     |
| 34   | 1703980      | 1   | Japanese Decals  |     |
| 34   | 1703981      | 1   | Korean Decals  |     |
| 35   |              | Ref | Decal - Maximum Tire Load Options:                     |     |
| 35   | Not Required | 0   | Dual Language English/Chinese Decals                   |     |
| 35   | 1703960      | 1   | Dual Language English/French Decals                    |     |
| 35   | Not Required | 0   | Dual Language English/Spanish Decals                   |     |
| 35   | Not Required | 0   | Dual Language Portuguese/Spanish Decals                |     |
| 35   | 1703960      | 1   | Japanese Decals  |     |
| 35   | 1703960      | 1   | Korean Decals  |     |
| 36   |              | Ref | Decal - Fuel   |     |
| 36   | 1701542      | 1   | Ford Engine Machines                                   |     |
| 36   | 1701505      | 1   | Deutz Engine Machines                                  |     |
| 37   |              | Ref | Decal - LPG Gas  |     |
| 37   | Not Required | 0   | Non-Dual Fuel Machines                                 |     |
| 37   | 1701543      | 1   | Dual Fuel Machines                                     |     |
| 38   |              | Ref | Decal - LP Gas Liquid Withdrawal System                |     |
| 38   | Not Required | 0   | Non-Dual Fuel Machines                                 |     |
| 38   | 1704271      | 1   | Dual Language English/French Decals                    |     |
| 38   | 1700818      | 1   | Dual Fuel Machines except Portuguese/Spanish Decals    |     |
| 38   | 1702720      | 1   | Dual Fuel Machines with Portuguese/Spanish Decals      |     |
| 39   | 1705514      | 1   | Decal - CSA (CSA Machines Only)                        |     |
| 40   |              | Ref | Decal - Upright Level Override Options:                |     |
| 40   | 1703988      | NLA | Dual Language English/Chinese Decals (Use p/n 1705977) |     |
| 40   | 1703990      | NLA | Dual Language English/French Decals (Use p/n 1705977)  |     |
| 40   | 1703989      | NLA | Dual Language English/Spanish Decals (Use p/n 1705977) |     |

## SECTION 8 - DECALS

| ITEM | PART NUMBER | QTY | DESCRIPTION  | REV |
|------|-------------|-----|--|-----|
| 40   | 1703991     | NLA | Dual Language Portuguese/Spanish Decals (Use p/n 1705977)  | B   |
| 40   | 1703986     | NLA | Japanese Decals (Use p/n 1705977)  |     |
| 40   | 1703987     | NLA | Korean Decals (Use p/n 1705977)  |     |
| 41   | 1702903     | 1   | Decal - Knob #1  |     |
| 42   | 1702927     | 1   | Decal - Knob #2  |     |
| 43   | 1702924     | 1   | Decal - Knob #3  |     |
| 48   | 1704885     | 2   | Decal - Website  |     |
|      | 0258671     | Ref | <b>MANUAL STORAGE BOX INSTALLATION</b>   |     |
|      |             | Ref | <b>Note: Located on Hydraulic Tank SN 0300069000 through SN 0300069205. Located on Platform SN 0300069205 through SN 0300089982.</b> |     |
| 101  | 0860520     | 1   | Box, Manual Storage  |     |
| 101  | 1060279     | 1   | Cable, Lanyard   |     |
| 101  | 0641408     | 1   | Bolt 1/4in-20NC x 1in  |     |
| 101  | 0641406     | 1   | Bolt 1/4in-20NC x 3/4in  |     |
| 101  | 4751400     | 6   | Flatwasher 1/4in   |     |
| 101  | 3311405     | 5   | Locknut 1/4in-20NC   |     |
|      | 1001093187  | Ref | <b>Tilt Sensor Installation</b>  |     |
| 203  | 1705977     | 1   | Decal - Upright Level Over Ride  |     |
| 204  | 1707110     | 1   | Decal - Legend (Platform)  |     |
| 205  | 1707111     | 1   | Decal - Platform Display   |     |
| 224  | 1001095809  | 1   | Decal - Legend (MTB Control)   |     |



## SECTION 8 - DECALS

**FIGURE 8-4. DECAL INSTALLATION (COUNTRY SPEC) (SN 0300089982 through 0300140000)**

| ITEM | PART NUMBER  | QTY | DESCRIPTION   | REV |
|------|--------------|-----|---|-----|
|      |              | Ref | <b>DECAL INSTALLATIONS</b>  |     |
|      | 0274519      | Ref | <b>JLG Logo</b>   | 2   |
|      | 0274470      | Ref | <b>Decal Installations 800A Dual Language English/Chinese Decals</b>                                    | 7   |
|      | 0274472      | Ref | <b>Decal Installations 800A Dual Language English/French Decals</b>                                     | 7   |
|      | 0274466      | Ref | <b>Decal Installations 800A Dual Language English/Spanish Decals</b>                                    | 7   |
|      | 0274468      | Ref | <b>Decal Installations 800A Dual Language English/Portuguese Decals</b>                                 | 8   |
|      | 0274462      | Ref | <b>Decal Installations 800A Dual Language English/Japanese Decals</b>                                   | 7   |
|      | 0274464      | Ref | <b>Decal Installations 800A Dual Language English/Korean Decals</b>                                     | 7   |
|      | 0274471      | Ref | <b>Decal Installations 800AJ Dual Language Chinese/English Decals</b>                                   | 7   |
|      | 0274473      | Ref | <b>Decal Installations 800AJ Dual Language English/French Decals</b>                                    | 7   |
|      | 0274467      | Ref | <b>Decal Installations 800AJ Dual Language English/Spanish Decals</b>                                   | 7   |
|      | 0274469      | Ref | <b>Decal Installations 800AJ Dual Language English/Portuguese Decals</b>                                | 9   |
|      | 0274463      | Ref | <b>Decal Installations 800AJ Dual Language English/Japanese Decals</b>                                  | 7   |
|      | 0274465      | Ref | <b>Decal Installations 800AJ Dual Language English/Korean Decals</b>                                    | 7   |
|      |              | Ref | <b>Note: All Machines should have been updated to new Tilt Sensor Upright Installation p/n 0275733.</b> |     |
| 2    | 1701499      | 2   | Decal - No Tie Down/Lift  |     |
| 3    | 1701502      | 1   | Decal - High Oil Level (SN 0300089982 through 0300134564)   |     |
| 4    | 1701503      | 1   | Decal - Low Oil Level (SN 0300089982 through 0300134564)  |     |
| 5    | 1701509      | 1   | Decal - Manual  |     |
| 7    | 1703811      | 4   | Decal - Tie Down/Lift   |     |
| 8    | 1703814      | 6   | Decal - Tie Down  |     |
| 9    | 1704277      | 3   | Decal - Attach Lanyard Here   |     |
| 10   | 1704412      | 1   | Decal - Hydraulic Oil Chart   |     |
| 12   | 1705514      | 1   | Decal - CSA (CSA Machines Only)   |     |
| 13   |              | Ref | Nameplate - 110V/220V Options:  |     |
| 13   | Not Required | 0   | 110V - Dual Language English/Chinese Decals   |     |
| 13   | 3251243      | 1   | 110V - Dual Language English/French Decals  |     |
| 13   | 3251243      | 1   | 110V - Dual Language English/Spanish Decals   |     |
| 13   | 3251243      | 1   | 110V - Dual Language English/Portuguese Decals  |     |
| 13   | Not Required | 0   | 110V - Dual Language English/Japanese Decals  |     |
| 13   | Not Required | 0   | 110V - Dual Language English/Korean Decals  |     |
| 13   | 3252507      | 1   | 220V - All Specs  |     |
| 17   |              | Ref | Decal - Inspection Options:   |     |
| 17   | Not Required | 0   | Dual Language English/Chinese Decals  |     |
| 17   | 1704006      | 1   | Dual Language English/French Decals   |     |
| 17   | 1704007      | 1   | Dual Language English/Spanish Decals  |     |
| 17   | 1705901      | 1   | Dual Language English/Portuguese Decals   |     |
| 17   | Not Required | 0   | Dual Language English/Japanese Decals   |     |
| 17   | Not Required | 0   | Dual Language English/Korean Decals   |     |

## SECTION 8 - DECALS

| ITEM | PART NUMBER  | QTY | DESCRIPTION                             | REV |
|------|--------------|-----|---|-----|
| 18   |              | Ref | Decal - Warning/Crushing Options:       |     |
| 18   | 1703943      | 3   | Dual Language English/Chinese Decals    |     |
| 18   | 1703942      | 3   | Dual Language English/French Decals     |     |
| 18   | 1703941      | 3   | Dual Language English/Spanish Decals    |     |
| 18   | 1705903      | 3   | Dual Language English/Portuguese Decals |     |
| 18   | 1703944      | 3   | Dual Language English/Japanese Decals   |     |
| 18   | 1703945      | 3   | Dual Language English/Korean Decals     |     |
| 20   |              | Ref | Decal - No Hands Options:               |     |
| 20   | 1705968      | 2   | Dual Language English/Chinese Decals    |     |
| 20   | 1704000      | 2   | Dual Language English/French Decals     |     |
| 20   | 1704001      | 2   | Dual Language English/Spanish Decals    |     |
| 20   | 1705967      | 2   | Dual Language English/Portuguese Decals |     |
| 20   | Not Required | 0   | Dual Language English/Japanese Decals   |     |
| 20   | 1705969      | 2   | Dual Language English/Korean Decals     |     |
| 21   |              | Ref | Decal - Danger/Warning Options:         |     |
| 21   | 1703925      | 1   | Dual Language English/Chinese Decals    |     |
| 21   | 1703924      | 1   | Dual Language English/French Decals     |     |
| 21   | 1703923      | 1   | Dual Language English/Spanish Decals    |     |
| 21   | 1705895      | 1   | Dual Language English/Portuguese Decals |     |
| 21   | 1703926      | 1   | Dual Language English/Japanese Decals   |     |
| 21   | 1703927      | 1   | Dual Language English/Korean Decals     |     |
| 22   |              | Ref | Decal - Warning Inspection Options:     |     |
| 22   | 1705348      | 1   | Dual Language English/Chinese Decals    |     |
| 22   | 1705347      | 1   | Dual Language English/French Decals     |     |
| 22   | 1705917      | 1   | Dual Language English/Spanish Decals    |     |
| 22   | 1705896      | 1   | Dual Language English/Portuguese Decals |     |
| 22   | 1705344      | 1   | Dual Language English/Japanese Decals   |     |
| 22   | 1705345      | 1   | Dual Language English/Korean Decals     |     |
| 23   |              | Ref | Decal - Crushing Options:               |     |
| 23   | 1703949      | 6   | Dual Language English/Chinese Decals    |     |
| 23   | 1703948      | 6   | Dual Language English/French Decals     |     |
| 23   | 1703947      | 6   | Dual Language English/Spanish Decals    |     |
| 23   | 1705898      | 6   | Dual Language English/Portuguese Decals |     |
| 23   | 1703950      | 6   | Dual Language English/Japanese Decals   |     |
| 23   | 1703951      | 6   | Dual Language English/Korean Decals     |     |
| 24   |              | Ref | Decal - Danger/Electrocution Options:   |     |
| 24   | 1703937      | 4   | Dual Language English/Chinese Decals    |     |
| 24   | 1703936      | 4   | Dual Language English/French Decals     |     |
| 24   | 1703935      | 4   | Dual Language English/Spanish Decals    |     |
| 24   | 1705897      | 4   | Dual Language English/Portuguese Decals |     |
| 24   | 1703938      | 4   | Dual Language English/Japanese Decals   |     |
| 24   | 1703939      | 4   | Dual Language English/Korean Decals     |     |
| 25   |              | Ref | Decal - Footswitch Options:             |     |
| 25   | 1703982      | 1   | Dual Language English/Chinese Decals    |     |
| 25   | 1703984      | 1   | Dual Language English/French Decals     |     |
| 25   | 1703983      | 1   | Dual Language English/Spanish Decals    |     |
| 25   | 1705902      | 1   | Dual Language English/Portuguese Decals |     |
| 25   | 1703980      | 1   | Dual Language English/Japanese Decals   |     |
| 25   | 1703981      | 1   | Dual Language English/Korean Decals     |     |
| 26   |              | Ref | Decal - USA Options:                    |     |
| 26   | 3251813      | 1   | Dual Language English/Chinese Decals    |     |

## SECTION 8 - DECALS

| ITEM | PART NUMBER   | QTY | DESCRIPTION   | REV |
|------|---------------|-----|---|-----|
| 26   | 3251813       | 1   | Dual Language English/French Decals                                       |     |
| 26   | 3251813       | 1   | Dual Language English/Spanish Decals                                      |     |
| 26   | 3251813       | 1   | Dual Language English/Portuguese Decals                                   |     |
| 26   | 3251813       | 1   | Dual Language English/Japanese Decals                                     |     |
| 26   | Not Required  | 0   | Dual Language English/Korean Decals                                       |     |
| 29   | 1703960       | 4   | Decal - Max Tire Load   |     |
| 30   | Not Available | 1   | Decal - Bar Code  |     |
| 31   |               | Ref | Decal Options:  |     |
| 31   | 1703772       | 2   | Decal - 800A  |     |
| 31   | 1703773       | 2   | Decal - 800AJ   |     |
| 32   | 1701501       | 4   | Decal- Arrow  |     |
| 33   |               | Ref | Decal - 500LBS Max Capacity Options:                                      |     |
| 33   |               | Ref | Decal - 500LBS Max Capacity <b>(SN 0300089982 through 0300100379)</b>     |     |
| 33   | 1704101       | 2   | Decal - 500LBS Max Capacity 800A Dual Language English/Chinese Decals     |     |
| 33   | 1703996       | 2   | Decal - 500LBS Max Capacity 800AJ Dual Language English/Chinese Decals    |     |
| 33   | 1704099       | 2   | Decal - 500LBS Max Capacity 800A Dual Language English/French Decals      |     |
| 33   | 1703996       | 2   | Decal - 500LBS Max Capacity 800AJ Dual Language English/French Decals     |     |
| 33   | 1704098       | 2   | Decal - 500LBS Max Capacity 800A Dual Language English/Spanish Decals     |     |
| 33   | 1703996       | 2   | Decal - 500LBS Max Capacity 800AJ Dual Language English/Spanish Decals    |     |
| 33   | 1706380       | 2   | Decal - 500LBS Max Capacity 800A Dual Language English/Portuguese Decals  |     |
| 33   | 1703996       | 2   | Decal - 500LBS Max Capacity 800AJ Dual Language English/Portuguese Decals |     |
| 33   | 1704102       | 2   | Decal - 500LBS Max Capacity 800A Dual Language English/Japanese Decals    |     |
| 33   | 1703996       | 2   | Decal - 500LBS Max Capacity 800AJ Dual Language English/Japanese Decals   |     |
| 33   | 1704103       | 2   | Decal - 500LBS Max Capacity 800A Dual Language English/Korean Decals      |     |
| 33   | 1703996       | 2   | Decal - 500LBS Max Capacity 800AJ Dual Language English/Korean Decals     |     |
| 33   |               | Ref | Decal - 500LBS Max Capacity <b>(SN 0300100380 through 0300140000)</b>     |     |
| 33   | 1704101       | 2   | Decal - 500LBS Max Capacity 800A Dual Language English/Chinese Decals     |     |
| 33   | 1707060       | 2   | Decal - 500LBS Max Capacity 800AJ Dual Language English/Chinese Decals    |     |
| 33   | 1704099       | 2   | Decal - 500LBS Max Capacity 800A Dual Language English/French Decals      |     |
| 33   | 1707055       | 2   | Decal - 500LBS Max Capacity 800AJ Dual Language English/French Decals     |     |
| 33   | 1704098       | 2   | Decal - 500LBS Max Capacity 800A Dual Language English/Spanish Decals     |     |
| 33   | 1707056       | 2   | Decal - 500LBS Max Capacity 800AJ Dual Language English/Spanish Decals    |     |
| 33   | 1706380       | 2   | Decal - 500LBS Max Capacity 800A Dual Language English/Portuguese Decals  |     |
| 33   | 1707057       | 2   | Decal - 500LBS Max Capacity 800AJ Dual Language English/Portuguese Decals |     |

## SECTION 8 - DECALS

| ITEM | PART NUMBER | QTY | DESCRIPTION   | REV |
|------|-------------|-----|---|-----|
| 33   | 1707059     | 2   | Decal - 500LBS Max Capacity 800AJ Dual Language English/Japanese Decals   |     |
| 33   | 1704103     | 2   | Decal - 500LBS Max Capacity 800A Dual Language English/Korean Decals      |     |
| 33   | 1703996     | 2   | Decal - 500LBS Max Capacity 800AJ Dual Language English/Korean Decals     |     |
| 34   |             | Ref | Decal - 500LBS Max Capacity Options:                                      |     |
| 34   |             | Ref | Decal - 500LBS Max Capacity: <b>(SN 0300089982 through 0300100379)</b>    |     |
| 34   | 1704109     | 1   | Decal - 500LBS Max Capacity 800A Dual Language English/Chinese Decals     |     |
| 34   | 1704112     | 1   | Decal - 500LBS Max Capacity 800AJ Dual Language English/Chinese Decals    |     |
| 34   | 1704107     | 1   | Decal - 500LBS Max Capacity 800A Dual Language English/French Decals      |     |
| 34   | 1704112     | 1   | Decal - 500LBS Max Capacity 800AJ Dual Language English/French Decals     |     |
| 34   | 1704106     | 1   | Decal - 500LBS Max Capacity 800A Dual Language English/Spanish Decals     |     |
| 34   | 1704112     | 1   | Decal - 500LBS Max Capacity 800AJ Dual Language English/Spanish Decals    |     |
| 34   | 1706381     | 1   | Decal - 500LBS Max Capacity 800A Dual Language English/Portuguese Decals  |     |
| 34   | 1704112     | 1   | Decal - 500LBS Max Capacity 800AJ Dual Language English/Portuguese Decals |     |
| 34   | 1704110     | 1   | Decal - 500LBS Max Capacity 800A Dual Language English/Japanese Decals    |     |
| 34   | 1704112     | 1   | Decal - 500LBS Max Capacity 800AJ Dual Language English/Japanese Decals   |     |
| 34   | 1704111     | 1   | Decal - 500LBS Max Capacity 800A Dual Language English/Korean Decals      |     |
| 34   | 1704112     | 1   | Decal - 500LBS Max Capacity 800AJ Dual Language English/Korean Decals     |     |
| 34   |             | Ref | Decal - 500LBS Max Capacity: <b>(SN 0300100380 through 0300140000)</b>    |     |
| 34   | 1707045     | 1   | Decal - 500LBS Max Capacity 800A Dual Language English/Chinese Decals     |     |
| 34   | 1707044     | 1   | Decal - 500LBS Max Capacity 800AJ Dual Language English/Chinese Decals    |     |
| 34   | 1707046     | 1   | Decal - 500LBS Max Capacity 800A Dual Language English/French Decals      |     |
| 34   | 1707047     | 1   | Decal - 500LBS Max Capacity 800AJ Dual Language English/French Decals     |     |
| 34   | 1707048     | 1   | Decal - 500LBS Max Capacity 800A Dual Language English/Spanish Decals     |     |
| 34   | 1707049     | 1   | Decal - 500LBS Max Capacity 800AJ Dual Language English/Spanish Decals    |     |
| 34   | 1707051     | 1   | Decal - 500LBS Max Capacity 800A Dual Language English/Portuguese Decals  |     |
| 34   | 1707052     | 1   | Decal - 500LBS Max Capacity 800AJ Dual Language English/Portuguese Decals |     |
| 34   | 1707053     | 1   | Decal - 500LBS Max Capacity 800A Dual Language English/Japanese Decals    |     |
| 34   | 1707054     | 1   | Decal - 500LBS Max Capacity 800AJ Dual Language English/Japanese Decals   |     |
| 34   | 1707043     | 1   | Decal - 500LBS Max Capacity 800A Dual Language English/Korean Decals      |     |



## SECTION 8 - DECALS

| ITEM | PART NUMBER   | QTY | DESCRIPTION   | REV |
|------|---------------|-----|---|-----|
| 34   | 1707048       | 1   | Decal - 500LBS Max Capacity 800AJ Dual Language English/Korean Decals |     |
| 35   | 1704885       | 2   | Decal - Website   |     |
| 36   | Not Available | 1   | Nameplate, Manufactures   |     |
| 37   | 1705977       | 1   | Decal - Upright Level Override  |     |
| 38   | 1703959       | 2   | Decal - Quick Stick   |     |
| 39   | 1700584       | 1   | Decal - Patent  |     |
| 40   |               | Ref | Decal - Legend Options:   |     |
| 40   | 1707110       | 1   | Decal - Legend ( <b>SN 0300069000 through 0300137974</b> )            |     |
| 40   | 1001108495    | 1   | Decal - Legend ( <b>SN 0300137975 through 0300140000</b> )            |     |
| 41   | 1001095809    | 1   | Decal - Legend (MTB)  |     |
| 43   | 3820001       | 4   | Rivet   |     |
| 44   | 1702861       | 2   | Decal - JLG Lift (8in Height)   |     |
| 45   | 1702774       | 1   | Decal - JLG Lift (3 1/2in Height)                                     |     |
| 46   | 1702773       | 1   | Decal - JLG (5in Height)  |     |
| 47   | 3250872       | 1   | Nameplate - Steer/Tow Selector  |     |
| 48   | 1705090       | 1   | Decal - Towing Instructions   |     |
| 49   |               | Ref | Decal - Fuel  |     |
| 49   | 1701505       | 1   | Diesel  |     |
| 49   | 1701542       | 1   | Gas   |     |
| 50   | 1701543       | 2   | Decal - LP Gas (GM Engine Machines Only)                              |     |
| 51   |               | Ref | Decal - LP Gas (Liquid) (GM Engine Machines Only) Options:            |     |
| 51   | 1700818       | 2   | ANSI Spec   |     |
| 51   | 1702720       | 2   | ANSI Export   |     |
| 51   | 1704271       | 2   | CSA Spec  |     |
| 55   | 1702788       | 1   | Decal - Bio Hydraulic Fluid   |     |
| 56   |               | Ref | Decal - Drive Orientation Options:                                    |     |
| 56   | 1705430       | 1   | Dual Language English/Chinese Decals                                  |     |
| 56   | 1705429       | 1   | Dual Language English/French Decals                                   |     |
| 56   | 1705910       | 1   | Dual Language English/Spanish Decals                                  |     |
| 56   | 1705905       | 1   | Dual Language English/Portuguese Decals                               |     |
| 56   | 1705426       | 1   | Dual Language English/Japanese Decals                                 |     |
| 56   | 1705427       | 1   | Dual Language English/Korean Decals                                   |     |
|      | 0258671       | Ref | <b>MANUAL STORAGE BOX INSTALLATION</b>                                | B   |
| 101  | 0860520       | 1   | Box, Manual Storage   |     |
| 101  | 1060279       | 1   | Cable, Lanyard  |     |
| 101  | 0641408       | 1   | Bolt 1/4in-20NC x 1in   |     |
| 101  | 0641406       | 1   | Bolt 1/4in-20NC x 3/4in   |     |
| 101  | 4751400       | 6   | Flatwasher 1/4in  |     |
| 101  | 3311405       | 5   | Locknut 1/4in-20NC  |     |
|      | 1001093187    | Ref | <b>TILT SENSOR INSTALLATION (SN 0300089982 through 0300112885)</b>    | C   |
| 203  | 1705977       | 1   | Decal - Upright Level Over Ride                                       |     |
| 204  | 1707110       | 1   | Decal - Legend (Platform)   |     |
| 205  | 1707111       | 1   | Decal - Platform Display  |     |
| 224  | 1001095809    | 1   | Decal - Legend (MTB Control)  |     |



## **SECTION 9 - RECOMMENDED SERVICE PARTS STOCK**

## **SECTION 9 - RECOMMENDED SERVICE PARTS STOCK**

## SECTION 9 - RECOMMENDED SERVICE PARTS STOCK

FIGURE 9-1. MODEL 800A/800AJ STANDARD PARTS

| ITEM | PART NUMBER | QTY     | DESCRIPTION  | REV |
|------|-------------|---------|--|-----|
|      | Note        | Ref     | <b>Note: The following list will service one machine (built to current production per date on the front cover) with emergency repair parts which can be installed in the field. Parts from the list should be replaced when inventory is depleted to keep service parts stock supplied. For further information, contact your JLG dealer or the JLG industries Parts Department.</b> |     |
|      |             | Ref     | <b>STANDARD PARTS</b>  |     |
|      | 2120168     | 4       | Element, Filter  |     |
|      | 2120210     | 4       | Element, Filter  |     |
|      | 7012944     | 1       | Coil   |     |
|      | 7018991     | 1       | Coil   |     |
|      | 7012772     | 1       | Coil   |     |
|      | 7000645     | 1       | Coil   |     |
|      | 70000582    | 1       | Coil   |     |
|      | 7012664     | 1 Dozen | Element, Air Cleaner   |     |
|      | 3740067     | 1       | Relay  |     |
|      | 7024444     | 1       | Breather, Hydraulic Tank   |     |
|      | 4360475     | 1       | Switch, Mushroom   |     |
|      | 4360469     | 1       | Switch, Key  |     |
|      | 2860030     | 1       | Key, Replacement   |     |
|      | 4360476     | 1       | Contact, Switch Block  |     |
|      | 4360328     | 1       | Switch, Toggle   |     |
|      | 3740049     | 1       | Relay  |     |
|      | 2940074     | 1       | Latch  |     |
|      | 4360387     | 1       | Switch, Push Button  |     |
|      | 1001129555  | 1       | Controller (Lift and Swing)  |     |
|      | 1001212415  | 1       | Controller (Drive and Steer)   |     |
|      | 4360330     | 1       | Switch, Toggle   |     |
|      | 4360407     | 1       | Controller, Speed  |     |
|      | 2400065     | 2       | Fuse - 30 Amp  |     |
|      | 3990010     | 2       | Diode  |     |



## SECTION 9 - RECOMMENDED SERVICE PARTS STOCK

FIGURE 9-2. MODEL 800A/800AJ VARIABLE PARTS

| ITEM | PART NUMBER | QTY     | DESCRIPTION  | REV |
|------|-------------|---------|--|-----|
|      | Note        | Ref     | <b>Note: The following list will service one machine (built to current production per date on the front cover) with emergency repair parts which can be installed in the field. Parts from the list should be replaced when inventory is depleted to keep service parts stock supplied. For further information, contact your JLG dealer or the JLG industries Parts Department.</b> |     |
|      |             | Ref     | <b>VARIABLE PARTS</b>  |     |
|      | 7026811     | 1 Dozen | Filter, Oil (Caterpillar Engine Machines)  |     |
|      | 7026830     | 1 Dozen | Filter, Fuel (Caterpillar Engine Machines)   |     |
|      | 1001112067  | 1       | Module, Engine Control (Caterpillar Engine Machines)   |     |
|      | 7016331     | 1 Dozen | Filter, Oil (Deutz Engine Machines)  |     |
|      | 7016328     | 1 Dozen | Filter, Fuel (Deutz Engine Machines)   |     |
|      | 7027795     | 1       | Module, Engine Control (Deutz Engine Machines)   |     |
|      | 7021868     | 1 Dozen | Filter, Oil (Ford Engine Machines)   |     |
|      | 91083218    | 1 Dozen | Filter, Fuel (Ford Engine Machines)  |     |
|      | 1600374     | 1       | Module, EPM (Ford Engine Machines)   |     |
|      | 4360336     | 1       | Switch, Toggle (Machines with Dual Fuel Option)  |     |
|      | 7027965     | 1 Dozen | Filter, Oil (GM Engine Machines)   |     |
|      | 7027972     | 1 Dozen | Filter, Fuel (GM Engine Machines)  |     |
|      | 70002895    | 1       | Module, Engine Control (GM Engine Machines)  |     |
|      | 4360517     | 1       | Switch, Proximity  |     |
|      | 1001103667  | 1       | Module, Ground Control (Caterpillar, Deutz and GM Engines)   |     |
|      | 4360522     | 1       | Switch, Toggle (Machines with Lights Option)   |     |
|      | 3740080     | 1       | Relay (Machines with Generator Option)   |     |
|      | 4360336     | 1       | Switch, Toggle (Machines with Generator Option)  |     |
|      | 4360070     | 1       | Breaker, Circuit (Machines with SkyPower)  |     |
|      | 2400064     | 2       | Fuse - 5 Amp (Machines with SkyPower)  |     |
|      | 70002013    | 1       | Powertrack Repair Section (Gortrac Brand)  |     |
|      | 7016522     | 2       | Powertrack Repair Section (Gemco Brand)  |     |
|      | 7006137     | 24      | Powertrack Pin Kit (Gemco Brand)   |     |
|      | 4360578     | 1       | Switch, Limit  |     |
|      | 4360498     | 1       | Switch, Proximity  |     |
|      | 4360499     | 1       | Switch, Proximity  |     |
|      | 1001094400  | 1       | Sensor, Dual Axle  |     |
|      | 1001106355  | 1       | Controller, Module Platform  |     |
|      | 4360232     | 1       | Breaker, Circuit (Machines with Platform Worklights)   |     |
|      | 4360331     | 1       | Switch, Toggle (Machines with 4WD or 4WS Options)  |     |
|      | 4360057     | 1       | Switch, Limit (Machines with Soft Touch Option)  |     |
|      | 2400070     | 2       | Fuse (Machines with Platform Worklights)   |     |

**SECTION 10 - SPECIAL OPTIONS**

# SECTION 10 - SPECIAL OPTIONS

FIGURE 10-1. SPECIAL OPTIONS

| ITEM | PART NUMBER | QTY | DESCRIPTION   | REV |
|------|-------------|-----|---|-----|
|      | Note        | Ref | <b>Note: This list is to accomodate machines ordered with special equipment. Options may not be applicable to all models. For more specific parts information contact JLG Parts Department.</b> |     |
|      |             | Ref | <b>MISCELLANEOUS SPECIAL OPTIONS</b>  |     |
|      | 1340061     | Ref | <b>Air Cleaner Pre-Cleaner</b>  |     |
|      |             | Ref | <b>Airline to Platform Installation Options:</b>  |     |
|      | 0258802     | Ref | 1/2in 800A  |     |
|      | 0258805     | Ref | 1/2in 800AJ   |     |
|      | 1001093746  | Ref | 1/2in 800A (With Arctic Package)  |     |
|      | 1001092092  | Ref | 1/2in 800AJ (With Arctic Package)   |     |
|      |             | Ref | <b>Bellows Installation Options:</b>  |     |
|      | 0258734     | Ref | Boom 800A   |     |
|      | 0258737     | Ref | Boom 800AJ  |     |
|      | 0258757     | Ref | Chassis (Fixed Axle 2WS)  |     |
|      | 0258759     | Ref | Chassis (Fixed Axle 4WS)  |     |
|      | 0258387     | Ref | Chassis (Oscillating Axle 2WS)  |     |
|      | 0258758     | Ref | Chassis (Oscillating Axle 4WS)  |     |
|      | 1001116474  | Ref | <b>Boom Cable Installation with Communication System (800AJ Only)</b>   |     |
|      | 2910887     | Ref | <b>Boom Wear Pad Kit</b>  |     |
|      | 0258654     | Ref | <b>Boom Wipers Installation</b>   |     |
|      | 0256789     | Ref | <b>Camera Mount Assembly</b>  |     |
|      |             | Ref | <b>ClearSky (Telematic) Installation (Factory Installed)</b>  |     |
|      |             | Ref | <b>Note: Refer to Manual Supplement p/n 3128499 for available replacement parts.</b>  |     |
|      |             | Ref | <b>ADE Machines</b>   |     |
|      | 1001102841  | Ref | <b>ANSI Spec</b>  |     |
|      | 1001102842  | Ref | <b>ANSI Export and Japanese Specs</b>   |     |
|      | 1001104985  | Ref | <b>CSA Spec</b>   |     |
|      |             | Ref | <b>ADE/UGM Machines</b>   |     |
|      | 1001112990  | Ref | <b>ANSI Spec</b>  |     |
|      | 1001112991  | Ref | <b>ANSI Export and Japanese Specs</b>   |     |
|      | 1001112992  | Ref | <b>CSA Spec</b>   |     |
|      |             | Ref | <b>ClearSky (Telematic) Kit (Dealer Installed)</b>  |     |
|      |             | Ref | <b>ANSI Spec</b>  |     |
|      | 1001117251  | Ref | <b>Pre-UGM</b>  |     |
|      | 1001119939  | Ref | <b>UGM</b>  |     |
|      |             | Ref | <b>Australian Spec</b>  |     |
|      | 1001139132  | Ref | <b>Pre-UGM</b>  |     |
|      | 1001139151  | Ref | <b>UGM</b>  |     |
|      |             | Ref | <b>CSA Spec</b>   |     |
|      | 1001117258  | Ref | <b>Pre-UGM</b>  |     |
|      | 1001119947  | Ref | <b>UGM</b>  |     |
|      |             | Ref | <b>Cold Weather Package Installation Options:</b>   |     |
|      | 0273575     | Ref | Caterpillar Engine  |     |
|      | 0256060     | Ref | Deutz without Glow Plugs (Deutz Engine Machines SN 0300069000 through SN 0300085331 Only)   |     |
|      | 0258927     | Ref | Deutz with Glow Plugs ( <b>SN 0300069000 through 0300073048</b> )   |     |
|      | 0271912     | Ref | Deutz with Glow Plugs ( <b>SN 0300073049 through 0300140000</b> )   |     |



## SECTION 10 - SPECIAL OPTIONS

| ITEM | PART NUMBER | QTY | DESCRIPTION   | REV |
|------|-------------|-----|---|-----|
|      | 0255386     | Ref | Ford  |     |
|      | 0275262     | Ref | GM  |     |
|      | 0274883     | Ref | <b>Cold Weather Transformer Installation (ANSI Export Only)</b>                                       |     |
|      |             | Ref | <b>Note: Cold Weather Transformer Installation used on Deutz Engines with Cold Weather</b>            |     |
|      | 1001109263  | Ref | <b>Communication System (David Clark) Installation (800AJ Only)</b>                                   |     |
|      | 1001093389  | Ref | <b>Cover, Fan</b>   |     |
|      |             | Ref | <b>Decal Installations Options:</b>   |     |
|      | 1702788     | Ref | Decal - Biodegradable Hydraulic Fluid (All except German Spec)  |     |
|      | 1703479     | Ref | Decal - Biodegradable Hydraulic Fluid (German Spec Only)  |     |
|      | 1001116565  | Ref | Decal - ClearSky (ANSI Spec)  |     |
|      | 1001116566  | Ref | Decal - ClearSky (CSA Spec)   |     |
|      | 3252221     | Ref | Decal - CSA (CSA Spec)  |     |
|      | 1703175     | Ref | Decal - Lanyard Attach (GM K-1 Spec)  |     |
|      | 1702962     | Ref | Decal - Prop 65 Warning (Diesel Machines) (California Spec)   |     |
|      | 1702961     | Ref | Decal - Prop 65 Warning (Gasoline Machines) (California Spec)   |     |
|      | 0257195     | Ref | Decals - Government Warranty  |     |
|      | 0274528     | Ref | Decals - Head and Engquist Equipment L.L.C. (H and E)   |     |
|      | 0273249     | Ref | Decals - Hertz  |     |
|      | 0274248     | Ref | Decals - National Equipment Services  |     |
|      | 1001095391  | Ref | Decals - RSC Equipment Rental   |     |
|      | 0271112     | Ref | Decals - Sunbelt  |     |
|      | 0273687     | Ref | Decal - SkyAir  |     |
|      | 0272599     | Ref | Decal - SkyCutter (ANSI/ANSI Export/CSA Specs)  |     |
|      | 0272607     | Ref | Decal - SkyCutter (Japanese Specs)  |     |
|      | 0272418     | Ref | Decal - SkyGlazier (ANSI/ANSI Export/CSA/UL Specs)  |     |
|      | 0272435     | Ref | Decal - SkyPower (ANSI/ANSI Export/CSA Specs)   |     |
|      | 0272589     | Ref | Decal - SkyPower (ANSI Export/Japanese Specs)   |     |
|      | 0272448     | Ref | Decal - SkyWelder (ANSI/ANSI Export/CSA Specs)  |     |
|      | 0272588     | Ref | Decal - SkyWelder (ANSI Export/Japanese Specs)  |     |
|      |             | Ref | Decals - United Rentals Options:  |     |
|      | 0270959     | Ref | Decals - United Rentals <b>(SN 0300069000 through 0300069246)</b>                                     |     |
|      | 0271895     | Ref | Decals - United Rentals <b>(SN 0300069247 through 0300073048)</b>                                     |     |
|      | 0273122     | Ref | Decals - United Rentals <b>(SN 0300073049 through 0300140000)</b>                                     |     |
|      | 0258541     | Ref | Decals - Warning Stripes I  |     |
|      | 1282946     | Ref | Decals - Warning Stripes I  |     |
|      | See Note    | Ref | <b>Decal Kits</b>   |     |
|      | 2902307     | Ref | Decal Kit - Country Spec (ANSI Spec) <b>(SN 0300089982 through 0300140000)</b>                        |     |
|      | 2902309     | Ref | Decal Kit - Country Spec (Chinese/English Dual Language) <b>(SN 0300089982 through 0300140000)</b>    |     |
|      | 2902322     | Ref | Decal Kit - Country Spec (French/English Dual Language) <b>(SN 0300089982 through 0300140000)</b>     |     |
|      | 2902308     | Ref | Decal Kit - Country Spec (Japanese/English Dual Language) <b>(SN 0300089982 through 0300140000)</b>   |     |
|      | 2902310     | Ref | Decal Kit - Country Spec (Korean/English Dual Language) <b>(SN 0300089982 through 0300140000)</b>     |     |
|      | 2902312     | Ref | Decal Kit - Country Spec (Portuguese/English Dual Language) <b>(SN 0300089982 through 0300140000)</b> |     |
|      | 2902311     | Ref | Decal Kit - Country Spec (Spanish/English Dual Language) <b>(SN</b>                                   |     |

## SECTION 10 - SPECIAL OPTIONS

| ITEM | PART NUMBER | QTY | DESCRIPTION  | REV |
|------|-------------|-----|--|-----|
|      |             |     | <b>0300089982 through 0300140000)</b>  |     |
|      | 2902303     | Ref | Decal Kit - Master ( <b>SN 0300089982 through 0300140000)</b>                                    |     |
|      | 1001108720  | Ref | Decal Kit - Platform (800A)  |     |
|      | 1001108721  | Ref | Decal Kit - Platform (800AJ)   |     |
|      | 2910872     | Ref | Decal Kit - Platform Console ( <b>SN 0300069000 through 0300137974)</b>                          |     |
|      | 1001119563  | Ref | Decal Kit - Platform Console ( <b>SN 0300137975 through 0300140000)</b>                          |     |
|      | 2902353     | Ref | Decal Kit - Tire Load  |     |
|      | 2300040     | Ref | <b>Diesel Fuel - Anti-Gel</b>  |     |
|      | 2902396     | Ref | <b>Drive/Steer Cutout Kit</b>  |     |
|      | 0274619     | Ref | <b>Dual AC 110V GFI Installation</b>   |     |
|      |             | Ref | <b>Electrical Connector Kits</b>   |     |
|      | 1001148902  | Ref | Amp/Tyco Electrical Connector Kit  |     |
|      | 1001148903  | Ref | Deutsch DT Electrical Connector Kit  |     |
|      | 1001148904  | Ref | Deutsch HD Electrical Connector Kit  |     |
|      | 1001148905  | Ref | Packard Electrical Connector Kit   |     |
|      | 1001148906  | Ref | Various Electrical Connectors Kit  |     |
|      |             | Ref | <b>Engine Block Heater Installations:</b>  |     |
|      | 0258696     | Ref | <b>Ford Engine Machines</b>  |     |
|      | 0275261     | Ref | <b>GM Engine Machines</b>  |     |
|      | 0257157     | Ref | <b>Ether Start Installation (Deutz Engine Machines SN 0300069000 through SN 0300085331 Only)</b> |     |
|      |             | Ref | <b>Exhaust Rain Cap Installation</b>   |     |
|      | 0274598     |     | Exhaust Rain Cap Installation ( <b>SN 0300069000 through 0300136458)</b>                         |     |
|      | 1001108962  |     | Exhaust Rain Cap Installation ( <b>SN 0300136459 through 0300140000)</b>                         |     |
|      |             | Ref | <b>Filter Kits:</b>  |     |
|      |             | Ref | <b>Combined Filter Kit Options (Hydraulic/Air and Fuel/Engine Oil):</b>                          |     |
|      |             | Ref | <b>Deutz Engine Machines</b>   |     |
|      | 2910467     | 1   | Deutz Engine Machines ( <b>SN 0300069000 through 0300077499)</b>                                 |     |
|      | 1001110996  | 1   | Deutz Engine Machines ( <b>SN 0300077500 through 0300087265)</b>                                 |     |
|      | 1001111014  | 1   | Deutz Engine Machines ( <b>SN 0300087266 through 0300140000)</b>                                 |     |
|      |             | Ref | <b>Caterpillar Engine Machines</b>   |     |
|      | 2915139     | 1   | Caterpillar Engine Machines ( <b>SN 0300069000 through 0300087265)</b>                           |     |
|      | 1001111015  | 1   | Caterpillar Engine Machines ( <b>SN 0300087266 through 0300140000)</b>                           |     |
|      |             | Ref | <b>Ford LRG-425 Non-UL Engine Machines</b>   |     |
|      | 1001114116  | 1   | Ford LRG-425 Non-UL Engine Machines ( <b>SN 0300069000 through 0300087265)</b>                   |     |
|      | 1001114115  | 1   | Ford LRG-425 Non-UL Engine Machines ( <b>SN 0300087266 through 0300140000)</b>                   |     |
|      |             | Ref | <b>GM Engine Machines</b>  |     |
|      | 1001114056  | 1   | GM Engine Machines ( <b>SN 0300069000 through 0300140000)</b>                                    |     |
|      |             | Ref | <b>Hydraulic/Air Filter Options:</b>   |     |
|      |             | Ref | <b>Deutz Engine Machines</b>   |     |
|      | 1001109693  | 1   | Deutz Engine Machines ( <b>SN 0300069000 through 0300087265)</b>                                 |     |

## SECTION 10 - SPECIAL OPTIONS

| ITEM | PART NUMBER | QTY | DESCRIPTION   | REV |
|------|-------------|-----|---|-----|
|      | 1001109717  | 1   | Deutz Engine Machines (SN 0300087266 through 0300140000)                            |     |
|      |             | Ref | <b>Caterpillar Engine Machines</b>  |     |
|      | 2910948     | NLA | Caterpillar Engine Machines (Use p/n 1001109717) (SN 0300087266 through 0300140000) |     |
|      |             | Ref | <b>Ford Engine Machines</b>   |     |
|      | 1001109693  | 1   | Ford Engine Machines (SN 0300069000 through 0300087265)                             |     |
|      | 1001109717  | 1   | Ford Engine Machines (SN 0300087266 through 0300140000)                             |     |
|      |             | Ref | <b>Engine - Fuel/Engine Oil Filter Options:</b>                                     |     |
|      |             | Ref | <b>Deutz Engine Machines</b>  |     |
|      | 1001110133  | 1   | Deutz Engine Machines (SN 0300069000 through 0300140000)                            |     |
|      |             | Ref | <b>Caterpillar Engine Machines</b>  |     |
|      | 1001110137  | 1   | Caterpillar Engine Machines (SN 0300087266 through 0300140000)                      |     |
|      |             | Ref | <b>Footswitch Shield Options (Note: Move Decal to Shield):</b>                      |     |
|      | 4060959     | Ref | Footswitch Shield (SN 0300069000 through 0300092145)                                |     |
|      | 3380652     | Ref | Footswitch Shield (SN 0300092146 through 0300140000)                                |     |
|      |             | Ref | <b>Glow Plugs Installations (Deutz Engine Machines):</b>                            |     |
|      | 0271326     | Ref | Glow Plugs Installations (Deutz Engine Machines) (SN 0300069000 through 0300073048) |     |
|      | 0271548     | Ref | Glow Plugs Installations (Deutz Engine Machines) (SN 0300073049 through 0300140000) |     |
|      | 1001121736  | Ref | <b>Hood Conversion Kit - Caterpillar (ABS to Steel)</b>                             |     |
|      | 1001121735  | Ref | <b>Hood Conversion Kit - Deutz (ABS to Steel)</b>                                   |     |
|      | 1001121737  | Ref | <b>Hood Conversion Kit - GM (ABS to Steel)</b>                                      |     |
|      |             | Ref | <b>Hose Kits:</b>   |     |
|      | 2902457     | Ref | Hose Kit - Powertrack (Lower) (800A)  |     |
|      | 2902456     | Ref | Hose Kit - Powertrack (Upper) (800A)  |     |
|      | 1001204901  | Ref | Hose Kit - Powertrack (Lower) (800AJ)   |     |
|      | 2902459     | Ref | Hose Kit - Powertrack (Upper) (800AJ)   |     |
|      | 1001210685  | Ref | Hose Kit - Boom (Upper) (800A)  |     |
|      | 1001210687  | Ref | Hose Kit - Boom (Upper) (800AJ)   |     |
|      | 1001241410  | Ref | <b>Hostile Environment Add-on Kit (2WS with Fixed Axle) (800A)</b>                  |     |
|      | 1001241411  | Ref | <b>Hostile Environment Add-on Kit (2WS with Oscillating Axle) (800A)</b>            |     |
|      | 1001241412  | Ref | <b>Hostile Environment Add-on Kit (4WS with Fixed Axle) (800A)</b>                  |     |
|      | 1001204927  | Ref | <b>Hostile Environment Add-on Kit (4WS with Oscillating Axle) (800A)</b>            |     |
|      | 1001241413  | Ref | <b>Hostile Environment Add-on Kit (2WS with Fixed Axle) (800AJ)</b>                 |     |
|      | 1001241414  | Ref | <b>Hostile Environment Add-on Kit (2WS with Oscillating Axle) (800AJ)</b>           |     |
|      | 1001241415  | Ref | <b>Hostile Environment Add-on Kit (4WS with Fixed Axle) (800AJ)</b>                 |     |
|      | 1001204928  | Ref | <b>Hostile Environment Add-on Kit (4WS with Oscillating Axle) (800AJ)</b>           |     |
|      |             | Ref | <b>Hydraulic Fluids</b>   |     |
|      | 2300014     | Ref | Mobil 424   |     |
|      | 2300027     | Ref | Mobil 224H Bio  |     |
|      | 2300016     | Ref | Mobil DTE 13M   |     |
|      | 2300029     | Ref | Mobil EAL ISO 46 Bio  |     |

## SECTION 10 - SPECIAL OPTIONS

| ITEM | PART NUMBER | QTY | DESCRIPTION   | REV |
|------|-------------|-----|---|-----|
|      | 2300021     | Ref | Union Carbide Ucon HP5046 Fire Resistant  |     |
|      | 2300039     | Ref | Exxon Univis Hvl (Arctic Package Only)  |     |
|      | 1001148971  | Ref | <b>Lanyard (Bolt-On) Kit Installation</b>   |     |
|      |             | Ref | <b>Oil Cooler Installations</b>   |     |
|      |             | Ref | <b>Deutz Engine Machines</b>  |     |
|      | 0256762     | Ref | <b>Deutz Engine Machines (SN 0300069000 through 0300137667)</b>   |     |
|      | 1282665     | Ref | <b>Deutz Engine Machines (SN 0300069000 through 0300137667)</b>   |     |
|      | 1001108701  | Ref | <b>Deutz Engine Machines (SN 0300137668 through 0300140000)</b>   |     |
|      | 0272040     | Ref | <b>Ford and GM Engine Machines</b>  |     |
|      | 1283309     | Ref | <b>Ford and GM Engine Machines</b>  |     |
|      |             | Ref | <b>Pipe Racks Installations</b>   |     |
|      | 0257728     | Ref | <b>ANSI Spec</b>  |     |
|      | 1001107497  | Ref | <b>ANSI Export Spec (English/Spanish Language)</b>  |     |
|      | 0258703     | Ref | <b>Platform Console Cover Installation</b>  |     |
|      | 2915228     | Ref | <b>Platform Conversion Kit (Front to Side Entry)</b>  |     |
|      | 2902232     | Ref | <b>Platform Conversion Kit (Front to Side Entry) (For SkyGlazier)</b>   |     |
|      |             | Ref | <b>Platform Entry Kits</b>  |     |
|      | 1001142504  | Ref | <b>Drop Bar (Replacing Swing Gate with Drop Bar)</b>  |     |
|      | 1001142505  | Ref | <b>Swing Gate (Replacing Drop Bar with Swing Gate)</b>  |     |
|      |             | Ref | <b>Platform Mesh to Top Rail Add-on Kits (Side Entry):</b>  |     |
|      | 1001214552  | Ref | <b>30in x 4ft (76cm x 1.22m) with Gate</b>  |     |
|      | 1001214561  | Ref | <b>36in x 6ft (91.5cm x 1.52m) with Gate</b>  |     |
|      | 1001214562  | Ref | <b>36in x 8ft (91.5cm x 2.44m) with Gate</b>  |     |
|      |             | Ref | <b>Platform Mesh to Top Rail Installation (Side Entry Platform)</b>   |     |
|      | 0273147     | Ref | <b>2.5ft x 4ft Platforms</b>  |     |
|      | 0273149     | Ref | <b>3ft x 6ft Platforms</b>  |     |
|      | 0273145     | Ref | <b>3ft x 8ft Platforms</b>  |     |
|      | 1702868     | Ref | Decal - No Hands (ANSI Spec)  |     |
|      | 1704000     | Ref | Decal - No Hands (CSA Spec)   |     |
|      | 1704001     | Ref | Decal - No Hands (English/Spanish)  |     |
|      | 1705969     | Ref | Decal - No Hands (Korean/English)   |     |
|      |             | Ref | <b>Platform Top Rail Extension Installation (Side Entry Platform)</b>   |     |
|      | 0272733     | Ref | <b>3ft x 6ft Platforms (Standard Design)</b>  |     |
|      | 1001110058  | Ref | <b>3ft x 6ft Platforms (Raised Height Design)</b>   |     |
|      | 0272725     | Ref | <b>3ft x 8ft Platforms (Standard Design)</b>  |     |
|      |             | Ref | <b>Platform Top Rail Extension (CSA Spec)</b>   |     |
|      | 0270511     | Ref | <b>3ft x 6ft Platforms</b>  |     |
|      | 0271771     | Ref | <b>3ft x 8ft Platforms</b>  |     |
|      | 0861682     | Ref | <b>Platform, Remote Control Box</b>   |     |
|      | 1001139944  | NLA | <b>Pump Mounting Bracket Kit (Sauer Danfoss) (Use p/n 1001162546)</b>   |     |
|      | 2902300     | Ref | <b>Remote Oil Filter Kit - Required on Caterpillar Engine to Allow SkyPower 7500 Watt Generator to Fit (SN 0300069000 through 0300078179)</b> |     |
|      | 3574696     | 1   | Bracket, Mounting Remote Filter   |     |
|      | 0274207     | Ref | <b>Slope Sensor Installation</b>  |     |
|      |             | Ref | <b>Sky Accessory:</b>   |     |
|      |             | Ref | <b>Note: For Breakdown of Sky Accessories Refer to Accessory Manual p/n 3124242</b>   |     |
|      | 0273450     | Ref | SkyAir (SN 0300069000 through 0300077343)   |     |

## SECTION 10 - SPECIAL OPTIONS

| ITEM | PART NUMBER | QTY | DESCRIPTION   | REV |
|------|-------------|-----|---|-----|
|      | 0274031     | Ref | SkyAir <b>(SN 0300077344 through 0300140000)</b>  |     |
|      |             | Ref | SkyGlazier Options:   |     |
|      | 0272395     | NLA | ANSI and CSA Specs w/o LSS (Use p/n 1001101422)   |     |
|      | 1001099376  | NLA | ANSI and CSA Specs w/o LSS (Use p/n 1001101422)   |     |
|      | 0272387     | NLA | ANSI Export - Spanish Language (Use p/n 1001099421)   |     |
|      | 0272955     | NLA | ANSI Export - Portuguese Language (Use p/n 1001099422)  |     |
|      |             | Ref | SkyPower - 7500W 60Hz (Caterpillar Engine)  |     |
|      | 0273540     | Ref | SkyPower - 7500W 60Hz (Caterpillar Engine) <b>(SN 0300069000 through 0300139399)</b>                            |     |
|      | 1001115398  | Ref | SkyPower - 7500W 60Hz (Caterpillar Engine) <b>(SN 0300139400 through 0300140000)</b>                            |     |
|      |             | Ref | SkyPower - 7500W 50Hz (Caterpillar Engine)  |     |
|      | 0273541     | Ref | SkyPower - 7500W 50Hz (Caterpillar Engine) <b>(SN 0300069000 through 0300139399)</b>                            |     |
|      | 1001115400  | Ref | SkyPower - 7500W 50Hz (Caterpillar Engine) <b>(SN 0300139400 through 0300140000)</b>                            |     |
|      |             | Ref | SkyPower - 7500W 60Hz (Deutz Engine)  |     |
|      | 0272255     | Ref | SkyPower - 7500W 60Hz (Deutz Engine) <b>(SN 0300069000 through 0300139399)</b>                                  |     |
|      | 1001115387  | Ref | SkyPower - 7500W 60Hz (Deutz Engine) <b>(SN 0300139400 through 0300140000)</b>                                  |     |
|      |             | Ref | SkyPower - 7500W 50Hz (Deutz Engine)  |     |
|      | 0272492     | Ref | SkyPower - 7500W 50Hz (Deutz Engine) <b>(SN 0300069000 through 0300139399)</b>                                  |     |
|      | 1001115389  | Ref | SkyPower - 7500W 50Hz (Deutz Engine) <b>(SN 0300139400 through 0300140000)</b>                                  |     |
|      | 0272817     | Ref | SkyPower - 7500W 60Hz (Ford Engine)   |     |
|      | 0275257     | Ref | SkyPower - 7500W 60Hz (GM Engine)   |     |
|      | See Note    | Ref | SkyCutter Plasma Cutter (was p/n 0272590) (Note: No Longer Available) <b>(SN 0300069000 through 0300119293)</b> |     |
|      | 1001098149  | Ref | SkyCutter Plasma Cutter <b>(SN 0300119294 through 0300140000)</b>   |     |
|      | 0272254     | Ref | SkyWelder (ANSI, ANSI Export and CSA Specs)   |     |
|      | 0272521     | Ref | SkyWelder (ANSI Export and Japanese Specs)  |     |
|      | 0273353     | Ref | SkyCutter/SkyWelder Combo   |     |
|      |             | Ref | <b>SkyGuard Component Options:</b>  |     |
|      | 1001149560  | NLA | SkyGuard Complete Add-on Kit (Non-UGM Machines) (Use p/n 1001206478)  |     |
|      | 1001206478  | Ref | SkyGuard Complete Add-on Kit (Non-UGM Machines)   |     |
|      | 1001143669  | NLA | SkyGuard Complete Add-on Kit (UGM Machines) (Use p/n 1001206477)  |     |
|      | 1001206477  | Ref | SkyGuard Complete Add-on Kit (Blue Beacon) (UGM Machines) (Note: Requires 7500W SkyPower Generator)             |     |
|      | 1001210026  | Ref | SkyGuard Complete Add-on Kit (Red Beacon) (UGM Machines) (Note: Requires 7500W SkyPower Generator)              |     |
|      | 1001137672  | Ref | SkyGuard Platform Sensor Kit (UGM Machines)   |     |
|      | 1001186431  | 2   | Relay   |     |
|      | 1001143256  | NLA | SkyGuard Blue Beacon Kit (Use p/n 1001206311)   |     |
|      | 1001206311  | Ref | SkyGuard Strobe Light Kit - Hood Mounted (Blue Beacon)  |     |
|      | 1001210025  | Ref | SkyGuard Strobe Light Kit - Hood Mounted (Red Beacon)   |     |
|      |             | Ref | <b>Tire Sealant Installation</b>  |     |
|      | 0272324     | AR  | Sealant, Tire (15in IN385/65D 19.5)   |     |
|      | 1300019     | AR  | Sealant   |     |
|      | 0272312     | 1   | Decal - Tire Sealant  |     |

## SECTION 10 - SPECIAL OPTIONS

| ITEM | PART NUMBER | QTY | DESCRIPTION  | REV |
|------|-------------|-----|--|-----|
|      | 0273364     | AR  | Sealant, Tire (IN445/55D 19.5)   |     |
|      | 1300019     | AR  | Sealant  |     |
|      | 0272313     | 1   | Decal - Tire Sealant   |     |
|      |             | Ref | <b>Tools for Service</b>   |     |
|      | 1600244     | 1   | Analyzer, Machine System   |     |
|      | 7002840     | 1   | Antirotaion Pin Removal Tool   |     |
|      | 8896941     | 1   | Wire Stripper  |     |
|      | 7002821     | 1   | Wire Crimper (To install wire ends to wires)                                 |     |
|      | 7002823     | 1   | Pin/Socket Extractor - Universal (To Remove Pins/Sockets from Connectors)    |     |
|      | 4460467     | 1   | Extractor - 16-18 Gauge (For Removal of Pin/Sockets from Deutsch Connectors) |     |
|      | 4460510     | 1   | Extractor - 12-14 Gauge (For Removal of Pin/Sockets from Deutsch Connectors) |     |
|      | 7002822     | 1   | Screwdriver, Potentiometer (To Adjust Drive Controllers)                     |     |
|      | 7016654     | 1   | Screwdriver, Magnetic  |     |
|      | 7004275     | 1   | Seal Installation Tool - 1in   |     |
|      | 7004276     | 1   | Seal Installation Tool - 1-1/2in   |     |
|      | 7002826     | 1   | Seal Installation Tool - 2in   |     |
|      | 7016655     | 1   | Wire Rope Sheave Gauge   |     |
|      | 7016652     | 1   | Huck Bolt Fastener (For Small Huck Bolts Only)                               |     |
|      | 70000017    | 1   | ADE Software CD  |     |
|      | 1001137005  | 1   | Software Cable Kit   |     |
|      | 0258918     | Ref | <b>Utility Rack Installation</b>   |     |
|      | 1001149676  | Ref | <b>UGM Conversion Kit</b>  |     |
|      |             | Ref | <b>Weld Leads to Platform Installation Options:</b>                          |     |
|      | 0258826     | Ref | Weld Leads to Platform Installation 800A                                     |     |
|      | 0258827     | Ref | Weld Leads to Platform Installation 800AJ                                    |     |

**PART NUMBER INDEX**

# PART NUMBER INDEX

|  |                                   |                                   |                                   |
|--|-----------------------------------|-----------------------------------|-----------------------------------|
| 0060031.....225, 237   | 0255386.....433                   | 0258734.....432                   | 0272269.....13                    |
| 0060041.....222, 237   | 0255524.....130                   | 0258737.....432                   | 0272312.....437                   |
| 0060066.....225, 241   | 0255917.....169, 384              | 0258757.....432                   | 0272313.....438                   |
| 0060069.....221, 241   | 0256060.....432                   | 0258758.....432                   | 0272322.....20                    |
| 0060077.....237  | 0256196.....20                    | 0258759.....432                   | 0272324.....437                   |
| 0080163.....96, 105  | 0256202.....384, 399              | 0258765.....222                   | 0272333.....20                    |
| 0080181.....76, 86   | 0256689.....95, 103               | 0258766.....226                   | 0272334.....20                    |
| 0080201.....113, 118, 125,<br>136  | 0256690.....95, 103               | 0258802.....432                   | 0272354.....149                   |
| 0080214.....112, 117, 125  | 0256762.....436                   | 0258805.....432                   | 0272355.....149                   |
| 0080241.....169  | 0256789.....432                   | 0258826.....438                   | 0272381.....221                   |
| 0080243.....76, 86   | 0256823.....175, 180              | 0258827.....438                   | 0272387.....437                   |
| 0100009.....257, 263, 373,<br>393  | 0256847.....96, 105               | 0258909.....14                    | 0272395.....437                   |
| 0100011.....13, 14, 15, 19,<br>20, 41, 43, 45, 49, 51,<br>63, 76, 80, 86, 87, 88,<br>89, 94, 100, 102, 103,<br>111, 112, 117, 118,<br>121, 124, 125, 134,<br>136, 145, 149, 151,<br>155, 159, 165, 169,<br>174, 175, 178, 179,<br>180, 186, 190, 194,<br>197, 201, 205, 209,<br>211, 215, 217, 221,<br>222, 223, 226, 227,<br>229, 233, 234, 243,<br>244, 251, 281, 285,<br>287, 295, 299, 305,<br>309, 313, 317, 323, 329 | 0257157.....368, 434              | 0258918.....438                   | 0272418.....433                   |
| 010001963, 78, 197, 206,<br>211, 215, 359, 362   | 0257195.....433                   | 0258927.....432                   | 0272427.....259, 264, 281         |
| 0100020.....76, 80, 87, 89,<br>94, 100, 103, 111, 112,<br>117, 118, 124, 125,<br>130, 134, 136, 146,<br>207, 257, 264, 357, 361  | 0257728.....436                   | 0258945.....259, 264              | 0272429.....372, 393              |
| 0100035.....243, 257, 263  | 0257760.....221                   | 0259147.....63                    | 0272431.....373, 393              |
| 0100038.....229, 285, 287,<br>295, 299, 305, 309,<br>313, 317, 323, 329  | 0257761.....225                   | 0259420.....230                   | 0272433.....375, 395, 400         |
| 0100040.....251  | 0257764.....229                   | 0270209.....15, 19, 41            | 0272435.....208, 213, 217,<br>433 |
| 0100048.....114, 124, 134,<br>159, 165, 169, 244,<br>257, 263, 372, 376,<br>392, 395   | 0257887.....169, 384, 399         | 0270210.....19, 41                | 0272444.....281                   |
| 0100062.....145, 207   | 0258076.....234                   | 0270211.....19, 41                | 0272448.....433                   |
| 0100063.....288, 295, 299,<br>305, 309, 313, 317,<br>323, 329  | 0258077.....234                   | 0270396.....145                   | 0272480.....189, 253              |
| 0100079.....145  | 0258217.....243                   | 0270511.....436                   | 0272481.....189, 253              |
| 0100081.....234, 257, 263  | 0258286.....13                    | 0270814.....248, 252, 259,<br>368 | 0272492.....385, 437              |
| 0140001.....50   | 0258287.....14                    | 0270885.....20                    | 0272507.....384, 399              |
| 0140011.....257, 263   | 0258330.....20                    | 0270886.....20                    | 0272521.....437                   |
| 0140032.....169  | 0258331.....20                    | 0270888.....20                    | 0272588.....433                   |
| 0160020.....119  | 0258333.....20                    | 0270959.....433                   | 0272589.....433                   |
| 018172776, 93, 100, 111,<br>117, 124, 134  | 0258334.....20                    | 0271002.....63                    | 0272599.....433                   |
| 0181942.....119  | 0258338.....243                   | 0271038.....407, 415              | 0272607.....433                   |
| 0181949.....130  | 0258343.....41                    | 0271083.....20                    | 0272654.....45                    |
| 0200048.....281  | 0258382.....145                   | 0271084.....20                    | 0272655.....13                    |
| 0200547.....193  | 0258387.....432                   | 0271085.....20                    | 0272689.....173                   |
| 0200742.....186, 190   | 0258390.....115                   | 0271086.....20                    | 0272708.....117, 129, 408         |
| 0232121.....45, 46   | 0258391.....115                   | 0271088.....20                    | 0272725.....436                   |
| 0255316.....63   | 0258398.....20                    | 0271090.....20                    | 0272733.....436                   |
|  | 0258399.....20                    | 0271091.....20                    | 0272738.....145                   |
|  | 0258454.....49                    | 0271099.....20                    | 0272742.....252, 259, 368         |
|  | 0258455.....49                    | 0271112.....433                   | 0272745.....111, 117              |
|  | 0258456.....49                    | 0271316.....41                    | 0272754.....169, 258              |
|  | 0258457.....49                    | 0271326.....435                   | 0272796.....76                    |
|  | 0258459.....49                    | 0271340.....259, 264              | 0272816.....119, 121              |
|  | 0258513.....407                   | 0271352.....45                    | 0272817.....211, 385, 437         |
|  | 0258514.....407                   | 0271364.....111                   | 0272831.....111, 129              |
|  | 0258519.....415                   | 0271366.....111, 129              | 0272955.....437                   |
|  | 0258529.....415                   | 0271367.....111                   | 0272970.....258, 263, 264         |
|  | 0258530.....415                   | 0271368.....111                   | 0273122.....433                   |
|  | 0258531.....415                   | 0271371.....93                    | 0273145.....436                   |
|  | 0258532.....415                   | 0271374.....372, 393              | 0273147.....436                   |
|  | 0258533.....415                   | 0271376.....372, 393              | 0273149.....436                   |
|  | 0258534.....415                   | 0271422.....169                   | 0273249.....433                   |
|  | 0258535.....415                   | 0271545.....193, 253              | 0273353.....437                   |
|  | 0258536.....415                   | 0271546.....193, 253              | 0273364.....438                   |
|  | 0258537.....415                   | 0271548.....435                   | 0273378.....15, 19, 43            |
|  | 0258538.....415                   | 0271768.....169, 258, 264         | 0273393.....151                   |
|  | 0258539.....415                   | 0271771.....436                   | 0273402.....151                   |
|  | 0258540.....415                   | 0271895.....433                   | 0273450.....436                   |
|  | 0258541.....433                   | 0271912.....432                   | 0273484.....252, 259, 264,<br>368 |
|  | 0258570.....121                   | 0271941.....251, 259              | 0273485.....252, 259, 264,<br>368 |
|  | 0258609.....173                   | 0272003.....14                    | 0273507.....197                   |
|  | 0258654.....432                   | 0272040.....436                   | 0273511.....197                   |
|  | 0258670.....51                    | 0272070.....223, 227              | 0273518.....185, 253              |
|  | 0258671.....408, 412, 419,<br>425 | 0272131.....225                   | 0273526.....78                    |
|  | 0258674.....169                   | 0272189.....63                    | 0273538.....185                   |
|  | 0258696.....434                   | 0272254.....437                   |                                   |
|  | 0258703.....436                   | 0272255.....205, 385, 437         |                                   |
|  | 0258706.....407                   | 0272259.....384, 399              |                                   |
|  | 0258728.....183                   | 0272260.....384, 399              |                                   |



## PART NUMBER INDEX

|               |               |   |   |  |  |  |   |
|---------------|---------------|---|---|--|--|--|---|
| 0273539 ..... | 185, 253      | 0275257 ...   | 215, 385, 401,<br>437                             | 0641407.....   | 76, 81, 86, 88,<br>93, 102, 103, 125, 136,<br>166  | 0641640 .....                              | 234   |
| 0273540 ....  | 205, 385, 437 | 0275261 .....   | 434   | 0641408.....   | 51, 112, 118,<br>124, 125, 244, 248,<br>251, 408, 412, 419, 425  | 0641652 .....                              | 329   |
| 0273541 ..... | 385, 437      | 0275262 .....   | 433   | 0641410.....   | 101, 113, 162  | 0641708 .....                              | 211   |
| 0273575 ..... | 432           | 0275386 .....   | 134   | 0641414 13, 49, 113, 118,<br>125, 248, 252, 257,<br>263, 281 |  | 0641710 .....                              | 201   |
| 0273687 ..... | 433           | 0275425 .....   | 79  | 0641416.....   | 49, 134, 226,<br>243, 257  | 0641718 .....                              | 197   |
| 0273704 ..... | 19, 43        | 0275546 .....   | 177   | 0641418.....   | 49   | 0641772 ....                               | 186, 190, 194   |
| 0273706 ....  | 259, 264, 281 | 0275733 .....   | 244   | 0641504.....   | 45   | 0641806... ..                              | 229, 323, 325,<br>327   |
| 0273709 ..... | 100           | 0275804 .....   | 259   | 0641505.....   | 205, 211, 215  | 0641808... ..                              | 76, 81, 86, 87,<br>94, 100, 114, 124, 134,<br>136, 206, 215   |
| 0273789 ..... | 49            | 0340041 .   | 76, 86, 93, 103,<br>113, 118, 125, 136            | 0641506.....   | 51, 125, 159,<br>166, 175, 180   | 0641810 14, 45, 197, 211,<br>222, 226      |   |
| 0273790 ..... | 49            | 0340046 76, 86, 115, 121,<br>125  |   | 0641507..  | 76, 81, 86, 115,<br>117, 121, 125  | 0641812 .                                  | 81, 88, 94, 102,<br>111, 117, 125, 136,<br>151, 155, 223, 227 |
| 0273791 ..... | 49            | 0360406 .....   | 46  | 0641508....  | 45, 49, 88, 94,<br>100, 112, 118, 124,<br>134, 146, 169, 174,<br>178, 186, 190, 194,<br>197, 205                                     | 0641816 .....                              | 14  |
| 0273792 ..... | 49            | 0362519 .....   | 130   | 0641510.....   | 94, 103, 201   | 0641818.....                               | 93, 103, 145,<br>183  |
| 0273824 ....  | 259, 264, 281 | 0362610 .....   | 244   | 0641512.....   | 103  | 0641820 13, 86, 149, 151,<br>155, 222, 226 |   |
| 0274022 ..... | 173           | 0362726 .....   | 14, 45  | 0641514.....   | 81, 201, 222   | 0641826 .....                              | 95, 103, 138  |
| 0274024 ..... | 124, 129      | 0362770 .....   | 173, 177  | 0641516....  | 205, 211, 215,<br>222  | 0641828 ....                               | 76, 112, 118,<br>125, 137                                     |
| 0274031 ..... | 437           | 0363082 .....   | 197   | 0641524.....   | 248  | 0642010 .                                  | 80, 87, 94, 100,<br>113, 124, 134                             |
| 0274081 ..... | 185, 253      | 0363097 .....   | 197, 211  | 0641542.....   | 43   | 0642018 .....                              | 119   |
| 0274082 ..... | 189, 253      | 0363201 .....   | 211   | 0641550.....   | 20   | 0642038 .....                              | 46  |
| 0274086 ..... | 189, 253      | 0363202 .....   | 211   | 0641560.....   | 43   | 0642212 .....                              | 13  |
| 0274087 ..... | 185, 253      | 0370022 .....   | 287   | 0641604.....   | 222, 226   | 0642214 .....                              | 222, 226  |
| 0274091 ..... | 185           | 0400075 .   | 76, 86, 93, 100,<br>111, 117, 124, 134            | 0641605.....   | 230  | 0642612 .....                              | 169   |
| 0274177 ..... | 20            | 0440244 .....   | 63  | 0641606....  | 49, 80, 86, 94,<br>103, 113, 119, 121,<br>127, 130, 136, 179,<br>180, 222, 226, 230,<br>233, 234                                     | 0642620 .....                              | 222, 226  |
| 0274195 ....  | 117, 129, 408 | 0480050 .....   | 193   | 0641607....  | 145, 226, 229,<br>233, 234   | 0642684 .....                              | 223, 227  |
| 0274197 ..... | 145           | 0480111 .....   | 193   | 0641608....  | 13, 14, 41, 43,<br>45, 76, 81, 86, 87, 89,<br>94, 100, 112, 118, 124,<br>125, 134, 136, 174,<br>178, 179, 211, 222,<br>226, 229, 233 | 0651406 .....                              | 49  |
| 0274207 ..... | 368, 436      | 0480120 .....   | 186   | 0641609 76, 86, 105, 136,<br>174, 177, 183, 229, 233         |  | 0681608 .                                  | 13, 14, 223, 227  |
| 0274232 ..... | 19, 43        | 0480121 .....   | 186, 190  | 0641610....  | 51, 76, 81, 86,<br>87, 93, 100, 103, 105,<br>112, 118, 125, 136,<br>186, 190, 229, 244,<br>248, 251                                  | 0681610 .....                              | 222, 226  |
| 0274248 ..... | 433           | 0480129 .....   | 207   | 0641611....  | 149, 151, 155,<br>197, 211, 222, 226   | 0681814 .....                              | 255   |
| 0274252 ..... | 45            | 0480130 .....   | 211   | 0641612....  | 125, 134, 136,<br>197, 211, 226, 233, 234  | 0681822 .....                              | 255   |
| 0274264 ..... | 13            | 0480134 .....   | 193   | 0641614.....   | 49, 145, 226   | 0682016 .....                              | 15, 19  |
| 0274265 ..... | 13            | 0480135 .....   | 197   | 0641615.....   | 229  | 0682023 .....                              | 63  |
| 0274266 ..... | 43            | 0480136 .....   | 197   | 0641616.....   | 119, 229   | 0682032 .....                              | 63  |
| 0274267 ..... | 43            | 0480141 .....   | 119   | 0641618.....   | 207, 226   | 0682216 .....                              | 63  |
| 0274270 ..... | 20            | 0480142 .....   | 201, 215  | 0641622.....   | 230, 234   | 0700616 .....                              | 89  |
| 0274301 ..... | 100           | 0561185 .....   | 229   | 0641624.....   | 119, 230   | 0700620 .....                              | 89  |
| 0274460 ..... | 411           | 0561237 .....   | 226   | 0641628.....   | 41   | 0700808 ...                                | 76, 86, 89, 94,<br>103  |
| 0274461 ..... | 411           | 0561295 .....   | 233   |  |  | 0700810 .....                              | 96, 105, 111,<br>117, 137                                     |
| 0274462 ..... | 421           | 0630427 .....   | 243   |  |  | 0700815 .....                              | 207   |
| 0274463 ..... | 421           | 0630462 .....   | 281   |  |  | 0700816 .....                              | 186, 207  |
| 0274464 ..... | 421           | 0630464 .....   | 257, 263  |  |  | 0700819 ....                               | 113, 119, 126   |
| 0274465 ..... | 421           | 0630491 .....   | 169   |  |  | 0700820 .....                              | 201, 215  |
| 0274466 ..... | 421           | 0630498 76, 93, 100, 111,<br>117, 124, 134  |   |  |  | 0701010 ...                                | 76, 86, 89, 117   |
| 0274467 ..... | 421           | 0630507 .....   | 174, 177  |  |  | 0701012 .                                  | 76, 86, 94, 103,<br>113, 118, 125                             |
| 0274468 ..... | 421           | 0630518 .....   | 159, 165  |  |  | 0701014 ...                                | 105, 111, 117,<br>125   |
| 0274469 ..... | 421           | 0630534 ....  | 299, 303, 313                                     |  |  | 0701015 .                                  | 76, 86, 94, 103,<br>193, 197, 211                             |
| 0274470 ..... | 421           | 0630535 ...   | 285, 287, 293,<br>317, 319, 323, 327,<br>329, 331 |  |  | 0701016 ....                               | 201, 211, 215   |
| 0274471 ..... | 421           | 0630536 .....   | 309, 311  |  |  | 0701022 .....                              | 111, 117  |
| 0274472 ..... | 421           | 0630537 ...   | 295, 297, 305,<br>307                             |  |  | 0701214 .....                              | 76  |
| 0274473 ..... | 421           | 0630548 .....   | 159, 165  |  |  | 0701414 ...                                | 76, 86, 93, 103   |
| 0274491 ..... | 76            | 0630568 .....   | 258, 264  |  |  | 0711025 .....                              | 102, 105  |
| 0274519 ..... | 411, 421      | 0641403 .....   | 244   |  |  | 0711214 .....                              | 76, 78, 86  |
| 0274528 ..... | 433           | 0641404 ...   | 190, 206, 222,<br>226, 263                        |  |  | 0720808 .....                              | 209, 217  |
| 0274598 ..... | 434           | 0641405 ...   | 121, 197, 201,<br>211, 215                        |  |  | 0721003 .....                              | 259   |
| 0274619 ....  | 384, 399, 434 | 0641406 76, 86, 112, 118,<br>125, 134, 136, 174,<br>178, 206, 251, 257,<br>408, 412, 419, 425 |   |  |  |  |   |
| 0274624 ..... | 124, 129      |   |   |  |  |  |   |
| 0274625 ..... | 79            |   |   |  |  |  |   |
| 0274640 ..... | 49, 243       |   |   |  |  |  |   |
| 0274641 ..... | 49            |   |   |  |  |  |   |
| 0274642 ..... | 49            |   |   |  |  |  |   |
| 0274643 ..... | 49            |   |   |  |  |  |   |
| 0274759 ..... | 177           |   |   |  |  |  |   |
| 0274883 ..... | 433           |   |   |  |  |  |   |
| 0274927 ..... | 259, 281      |   |   |  |  |  |   |
| 0275039 ..... | 201           |   |   |  |  |  |   |
| 0275184 ..... | 100           |   |   |  |  |  |   |
| 0275204 ..... | 373, 393      |   |   |  |  |  |   |
| 0275256 ..... | 76            |   |   |  |  |  |   |

# PART NUMBER INDEX

|  |   |  |   |
|--|---|--|---|
| 0721006.....76, 111, 174,<br>178, 187, 190, 194,<br>258, 263 | 0902223 ..... 173, 177  | 0962449 ..... 187, 190                               | 1001095809.....408, 411,<br>412, 419, 425 |
| 0721008.... 174, 179, 180,<br>258                            | 0902309 ..... 115, 121  | 0962450 ..... 119                                    | 1001096141.....408, 411,<br>412           |
| 0721014..... 111, 117  | 0902351 ..... 173, 177  | 0962496 ..... 285                                    | 1001096458..... 161, 377                  |
| 0731005.....281  | 0902412 ..... 173, 177  | 0962520 .... 207, 211, 215                           | 1001096461.....369                        |
| 0741606..... 169, 197, 211                                   | 0902415 ..... 51  | 0962521 ..... 211, 215                               | 1001096736.....244                        |
| 0741607.....45, 221, 222,<br>226                             | 0902426 ..... 173, 177  | 0962524 ..... 323                                    | 1001097051.....373, 375,<br>393           |
| 0741609.....45   | 0902472 ..... 121   | 0962653 ..... 186                                    | 1001097082.....373, 375,<br>393           |
| 0741808..... 197, 211  | 0902491 ..... 173, 177  | 1001091179 ..... 103                                 | 1001097164..... 159                       |
| 0760606.....89, 125  | 0902539 .... 111, 117, 127                                    | 1001091315 ..... 373, 393                            | 1001097553..... 89                        |
| 0760610.....89   | 0902572 ..... 113, 119  | 1001091319 ..... 374, 394                            | 1001097554..... 81                        |
| 0760612.....89   | 0902751 ..... 257, 263  | 1001091323 ..... 374, 394                            | 1001097555..... 81                        |
| 0761210.....89, 186  | 0902756 ..... 193   | 1001091324 ..... 374, 394                            | 1001097964..... 179                       |
| 0771212.....78, 86   | 0902846 ..... 149   | 1001091330 ..... 372, 393                            | 1001097965..... 179                       |
| 0771415.....207  | 0902888 .... 206, 212, 215                                    | 1001091424 ..... 51                                  | 1001098149.....437                        |
| 0801132.... 221, 225, 229                                    | 0902910 ..... 82  | 1001091562 ..... 145                                 | 1001098234..... 387, 402                  |
| 0801133.....229  | 0902952 ..... 197   | 1001091583 ..... 137                                 | 1001098349..... 388, 402                  |
| 0801134.....229  | 0903010 ..... 127   | 1001091587 ..... 134                                 | 1001098506..... 100                       |
| 0801135.....221, 233   | 0903056 ..... 151, 155  | 1001091632 ..... 136                                 | 1001098507..... 102                       |
| 0801136.....225, 233   | 0903079 ..... 126   | 1001091637 ..... 135                                 | 1001098508..... 103                       |
| 0801138.....233  | 0903220 ..... 82  | 1001091638 ..... 134                                 | 1001098916..... 105                       |
| 0801140.....233  | 0903308 ..... 177   | 1001091794 ..... 137                                 | 1001099051..... 104                       |
| 0801185.....233  | 0903510 ..... 134   | 1001091892 ..... 104, 137                            | 1001099121..... 179                       |
| 0801191.....233  | 0920117 ..... 19  | 1001091928 ..... 145                                 | 1001099137..... 177                       |
| 0801496.....229  | 0940049 ..... 178   | 1001092084 ..... 374                                 | 1001099138..... 177, 178                  |
| 0801573.....233  | 0940070 . 76, 86, 93, 103,<br>113, 118, 127, 137              | 1001092085 ..... 375, 395                            | 1001099139..... 179                       |
| 0801585.....233  | 0940071 ... 173, 177, 178                                     | 1001092092 ..... 432                                 | 1001099376.....437                        |
| 0801591.....233  | 0940088 ..... 178   | 1001092093 ..... 373, 393                            | 1001099637..... 100                       |
| 0840026..... 117   | 0940094 ..... 174   | 1001092384 ..... 375, 395                            | 1001099639..... 102                       |
| 0860038.... 205, 211, 215,<br>384, 400                       | 0940103 ..... 281   | 1001093187 .... 244, 365,<br>383, 408, 412, 419, 425 | 1001099640..... 103                       |
| 0860520....408, 412, 419,<br>425                             | 0940133 ..... 281   | 1001093256 ..... 382                                 | 1001099686..... 104                       |
| 0861407..... 159   | 0940134 ..... 281   | 1001093382 . 76, 87, 100,<br>134                     | 1001099869..... 187, 190                  |
| 0861474.....248  | 0940177 ..... 281   | 1001093389 ..... 433                                 | 1001099870..... 43                        |
| 0861500..... 159   | 0961816 ..... 285   | 1001093745 ..... 374                                 | 1001100156..... 14                        |
| 0861501..... 159   | 0961893 ..... 299, 303  | 1001093746 ..... 432                                 | 1001100233..... 187                       |
| 0861502..... 159   | 0961894 ... 287, 293, 317,<br>319                             | 1001093748 ..... 372, 393                            | 1001100234..... 187, 190                  |
| 0861503..... 159   | 0961895 ..... 285   | 1001093943 ..... 104                                 | 1001100313..... 77, 81                    |
| 0861517..... 251, 257  | 0961897 ... 323, 327, 329,<br>331                             | 1001094101 ..... 103, 106                            | 1001100321..... 185, 189,<br>193, 197     |
| 0861537.... 257, 258, 263,<br>264                            | 0961901 ..... 295, 305  | 1001094321 ..... 105                                 | 1001101060.....63, 72                     |
| 0861538.... 207, 211, 215                                    | 0961902 ..... 287   | 1001094375 ..... 209, 218                            | 1001101241..... 104                       |
| 0861541 .... 207, 212, 216                                   | 0961903 ..... 309   | 1001094400 .... 244, 375,<br>399, 430                | 1001101391..... 178                       |
| 0861542.... 205, 207, 211,<br>212, 215, 216, 386, 401        | 0961947 ... 225, 287, 291                                     | 1001094401 ..... 244                                 | 1001101392..... 179                       |
| 0861567.....386, 401   | 0961951 ... 222, 233, 287,<br>293, 313, 315, 317, 319         | 1001094470 ..... 375                                 | 1001101600..... 101                       |
| 0861584..... 159   | 0961977 ..... 321   | 1001094475 ..... 209, 217                            | 1001101623..... 179                       |
| 0861585..... 159   | 0961986 . 76, 86, 94, 103,<br>113, 119, 126, 137              | 1001094484 ..... 162                                 | 1001101673..... 178                       |
| 0861621..... 159   | 0962051 ..... 183   | 1001094509 ..... 209, 218,<br>401                    | 1001102150..... 162, 379                  |
| 0861622..... 159   | 0962102 .... 13, 229, 233,<br>295, 297, 305, 307,<br>309, 311 | 1001094557 ..... 365                                 | 1001102236..... 159                       |
| 0861682.....436  | 0962122 ..... 229   | 1001094595 . 79, 88, 102,<br>136                     | 1001102237..... 159                       |
| 0861712..... 159   | 0962152 ..... 14, 45  | 1001094661 ..... 229                                 | 1001102290..... 381, 397                  |
| 0861713..... 159   | 0962155 ... 313, 315, 317,<br>319                             | 1001094662 ..... 229                                 | 1001102291..... 381, 397                  |
| 0861759..... 159   | 0962156 ..... 313   | 1001094889 ..... 63                                  | 1001102304..... 381, 397                  |
| 0861760..... 159   | 0962185 ..... 313   | 1001095347 ..... 102                                 | 1001102548..... 185                       |
| 0861761..... 159   | 0962219 ..... 323   | 1001095348 ..... 100                                 | 1001102599..... 160, 165                  |
| 0861762..... 159   | 0962224 ..... 14  | 1001095354 . 79, 88, 102,<br>136                     | 1001102600..... 160, 165                  |
| 0861790..... 159   | 0962270 ..... 255   | 1001095363 ..... 134                                 | 1001102644..... 187                       |
| 0861791..... 159   | 0962292 ..... 45  | 1001095364 ..... 135                                 | 1001102841.....432                        |
| 0902143..... 173, 177  | 0962335 ..... 225, 226  | 1001095391 ..... 433                                 | 1001102842.....432                        |
| 0902161..... 173, 177  | 0962336 .... 299, 301, 303                                    | 1001095411 ..... 102                                 | 1001103095.....237                        |
| 0902206..... 169   | 0962348 ..... 45  | 1001095412 ..... 100                                 | 1001103667..... 165, 430                  |
| 0902219..... 173, 177  | 0962448 ..... 14, 45  | 1001095508 ..... 79                                  | 1001103810..... 15                        |
|  |   | 1001095509 ..... 79                                  | 1001104308..... 104                       |
|  |   |  | 1001104985.....432                        |
|  |   |  | 1001105833..... 78, 87                    |

## PART NUMBER INDEX

|  |   |                                 |  |
|--|---|---------------------------------|--|
| 1001105872 ..... 138                   | 1001110323..... 166, 369,<br>396                | 1001118416.....277              | 1001228011 ..... 221, 315                            |
| 1001105993 ..... 76                    | 1001110324..... 166, 395,<br>396                | 1001118417 .....269             | 1001228012 ..... 225, 301                            |
| 1001106338 ..... 76                    | 1001110872..... 205, 216                        | 1001119563.....434              | 1001228030 ..... 225, 293                            |
| 1001106339 ..... 396                   | 1001110873..... 205, 216,<br>384, 385, 400, 401 | 1001119939.....432              | 1001228033 ..... 221, 291                            |
| 1001106340 ..... 396                   | 1001110996.....434                              | 1001119947.....432              | 1001228041 ..... 221, 225,<br>297                    |
| 1001106355 ..... 263, 430              | 1001111014..... 434                             | 1001121340.....208, 216,<br>217 | 1001228050 ..... 225, 319                            |
| 1001106482 ..... 244                   | 1001111015.....434                              | 1001121735.....435              | 1001228086 ..... 229, 331                            |
| 1001106701 ..... 79                    | 10011111357..... 134                            | 1001121736.....435              | 1001228087 ..... 233, 327                            |
| 1001106702 ..... 79                    | 1001111353..... 137                             | 1001121737.....435              | 1001228088 ..... 233, 325                            |
| 1001106736 ..... 166, 396              | 1001111355..... 136                             | 1001129555.....428              | 1001228506 ..... 329                                 |
| 1001106974 ..... 155                   | 1001111356..... 135                             | 1001131992.....369              | 1001241410 ..... 435                                 |
| 1001106975 ..... 155                   | 1001111514..... 145                             | 1001137005.....438              | 1001241411 ..... 435                                 |
| 1001106992 ..... 364                   | 1001112057..... 89                              | 1001137261..... 14              | 1001241412 ..... 435                                 |
| 1001107116 ..... 77, 86                | 1001112059..... 89                              | 1001137460.....51, 60           | 1001241413 ..... 435                                 |
| 1001107497 ..... 436                   | 1001112067..... 89, 430                         | 1001137672.....437              | 1001241414 ..... 435                                 |
| 1001107527 ..... 257                   | 1001112068..... 89                              | 1001138795.....303              | 1001241415 ..... 435                                 |
| 1001107529 ..... 155                   | 1001112069..... 89                              | 1001138796.....293, 319         | 1001248012 ..... 225, 303                            |
| 1001107530 ..... 155                   | 1001112070..... 89                              | 1001139132.....432              | 1060279... 408, 412, 419,<br>425                     |
| 1001107677 ..... 264                   | 1001112071..... 89, 398                         | 1001139151.....432              | 1060341... 281, 386, 388,<br>402, 403                |
| 1001107705 ..... 77, 87                | 1001112072..... 89                              | 1001139944.....436              | 1060343... 207, 213, 216,<br>386, 402                |
| 1001107753 ..... 258, 264,<br>372, 392 | 1001112073..... 89                              | 1001142504.....436              | 1060494... 207, 212, 216,<br>385, 386, 401           |
| 1001107927 ..... 265                   | 1001112075..... 90                              | 1001142505.....436              | 1060625.81, 88, 101, 135                             |
| 1001108256 ..... 259, 264,<br>281      | 1001112077..... 87, 89                          | 1001143187.....361, 364         | 1060626.78, 89, 102, 135                             |
| 1001108495 ..... 411, 425              | 1001112570..... 90                              | 1001143188.....361, 364         | 1060633..... 388, 403                                |
| 1001108701 ..... 436                   | 1001112586..... 368, 402                        | 1001143191.....51               | 1060637. 76, 86, 94, 100,<br>113, 119, 124, 136      |
| 1001108720 ..... 434                   | 1001112587..... 402                             | 1001143192.....363              | 1060708... 207, 212, 216,<br>386, 387, 401, 402, 403 |
| 1001108721 ..... 434                   | 1001112588..... 368, 400                        | 1001143256.....437              | 1060896... 373, 375, 393,<br>394                     |
| 1001108735 ..... 251, 263              | 1001112589..... 400                             | 1001143669.....437              | 1060902 ..... 374, 394                               |
| 1001108736 ..... 251, 265              | 1001112592..... 90                              | 1001144629.....251              | 1060903 ..... 281                                    |
| 1001108763 ..... 265                   | 1001112612..... 396                             | 1001148902.....434              | 1060904..... 80, 105, 381,<br>382, 399               |
| 1001108923 ..... 412                   | 1001112743..... 368, 400                        | 1001148903.....434              | 1060918... 252, 257, 264,<br>372, 392                |
| 1001108962 ..... 434                   | 1001112762..... 89, 398                         | 1001148904.....434              | 1060919 ..... 255                                    |
| 1001109064 ..... 89, 90                | 1001112849..... 90                              | 1001148905.....434              | 1060978 .... 373, 375, 393                           |
| 1001109065 ..... 86                    | 1001112890..... 432                             | 1001148906.....434              | 1100086 ..... 14                                     |
| 1001109263 ..... 433                   | 1001112991..... 432                             | 1001148971.....436              | 1120367 ..... 146                                    |
| 1001109595 ..... 87                    | 1001112992..... 432                             | 1001149391.....327              | 1120484 ..... 146                                    |
| 1001109690 ..... 362                   | 1001113961..... 275, 277                        | 1001149560.....437              | 1120487 ..... 146                                    |
| 1001109693 ..... 434, 435              | 1001114056..... 434                             | 1001149676.....438              | 1120510 ..... 222, 225                               |
| 1001109717 ..... 435                   | 1001114115..... 434                             | 1001153282.....105              | 1120552 ..... 20                                     |
| 1001110032 ..... 342, 353              | 1001114116..... 434                             | 1001162546.....102              | 1120601 ..... 178                                    |
| 1001110033 ..... 343, 353              | 1001114446..... 251                             | 1001166538.....279              | 1180346 ..... 229                                    |
| 1001110058 ..... 436                   | 1001114448..... 252, 263,<br>392                | 1001166539.....271              | 1180347 ..... 234                                    |
| 1001110133 ..... 435                   | 1001115387..... 205, 401,<br>437                | 1001186431.....437              | 1180349 ..... 234                                    |
| 1001110137 ..... 435                   | 1001115389..... 401, 437                        | 1001188840.....229, 329         | 1260017 ..... 45, 63                                 |
| 1001110199 ..... 165                   | 1001115398..... 205, 401,<br>437                | 1001188841.....233, 323         | 1260135 ..... 46                                     |
| 1001110204 ..... 88                    | 1001115400..... 401, 437                        | 1001188842.....331              | 1282571 ..... 368                                    |
| 1001110207 ..... 88                    | 1001115404..... 185                             | 1001188843.....323              | 1282665 ..... 364, 436                               |
| 1001110214 ..... 87                    | 1001115405..... 189                             | 1001188968.....233, 323         | 1282946 ..... 433                                    |
| 1001110215 ..... 87                    | 1001115409..... 189                             | 1001204901.....435              | 1283309 ..... 364, 436                               |
| 1001110221 ..... 166, 395,<br>396      | 1001115414..... 185                             | 1001204927.....435              | 1283387 ..... 364, 365                               |
| 1001110222 ..... 166, 395,<br>396      | 1001116287.79, 100, 398                         | 1001204928.....435              | 1300019..... 20, 437, 438                            |
| 1001110225 ..... 166, 395              | 1001116288.79, 100, 398                         | 1001206477.....437              | 1320011 ..... 329                                    |
| 1001110310 ..... 369                   | 1001116474..... 373, 393,<br>432                | 1001206478.....437              | 1320012 ..... 76, 112, 118,<br>126, 137              |
| 1001110311 ..... 165                   | 1001116565.....433                              | 1001210025.....437              | 1320016. 76, 86, 93, 103,<br>113, 118, 126, 137      |
| 1001110312 ..... 165                   | 1001116566.....433                              | 1001210026.....437              | 1320019 ..... 111, 117                               |
| 1001110313 ..... 165                   | 1001116595..... 90                              | 1001210685.....435              |  |
| 1001110314 ..... 165                   | 1001117140..... 179                             | 1001210687.....435              |  |
| 1001110317 ..... 165                   | 1001117251.....432                              | 1001212415.....428              |  |
| 1001110318 ..... 165                   | 1001117258.....432                              | 1001214552.....436              |  |
| 1001110321 ..... 166, 369,<br>396      | 1001117320.....252                              | 1001214561.....436              |  |
| 1001110322 ..... 166, 369,<br>396      |   | 1001214562.....436              |  |
|  |   | 1001228009.....221, 225,<br>311 |  |
|  |   | 1001228010.....221, 225,<br>307 |  |

# PART NUMBER INDEX

|  |  |   |                                  |
|--|--|---|----------------------------------|
| 1320022....76, 81, 87, 93,<br>100, 111, 112, 117,<br>118, 121, 124, 126,<br>134, 137 | 1670776 ..... 20                                 | 1684228 ..... 225, 287                                | 1703476.....119                  |
| 1320032.....113  | 1670824 ..... 244                                | 1684230 ..... 287                                     | 1703479.....433                  |
| 1320033.....126  | 1670829 ... 160, 165, 257,<br>263                | 1684232 ..... 287                                     | 1703772....407, 411, 416,<br>423 |
| 1320041.....211  | 1670836 ..... 233                                | 1684408 ..... 221, 287                                | 1703773....407, 411, 416,<br>423 |
| 1320060.....112, 118   | 1670842 ..... 173, 177                           | 1684497 ... 221, 225, 295                             | 1703797.....407, 411             |
| 1320127.....130  | 1670844 ..... 221, 225                           | 1700584 ... 407, 411, 417,<br>425                     | 1703798.....407                  |
| 1320159.....222  | 1670850 ..... 221, 225                           | 1700818 ... 129, 408, 412,<br>418, 425                | 1703804.....407, 411             |
| 1320176..81, 87, 95, 101,<br>104   | 1670864 ..... 222                                | 1701499 ..... 411, 421                                | 1703805.....407, 411             |
| 1320218.....130  | 1671037 ..... 257, 263                           | 1701500 ..... 407, 417                                | 1703808.....407, 416             |
| 1320220.....130  | 1671092 ... 208, 213, 216,<br>375, 386, 395, 402 | 1701501 ... 407, 411, 417,<br>423                     | 1703811.....411, 421             |
| 1320222.....94, 125  | 1671093 ..... 375, 395                           | 1701502 ... 407, 411, 417,<br>421                     | 1703814.....411, 421             |
| 1320223....78, 80, 86, 88,<br>89, 94, 102, 103, 113,<br>119, 127, 135, 137, 146      | 1671228 ..... 177, 179                           | 1701503 ... 407, 411, 417,<br>421                     | 1703910.....408                  |
| 1320224.....89, 211  | 1671230 ..... 179                                | 1701504 ..... 407, 417                                | 1703912.....415, 422             |
| 1320248.....234  | 1671231 ..... 179                                | 1701505 .81, 87, 94, 100,<br>408, 412, 418, 425       | 1703924.....415, 422             |
| 1320249.....234  | 1671232 ..... 180                                | 1701509 ... 407, 411, 417,<br>421                     | 1703925.....415, 422             |
| 1320250.....229  | 1671233 ..... 177                                | 1701542 ... 113, 119, 124,<br>134, 408, 412, 418, 425 | 1703926.....415, 422             |
| 1320251.....229  | 1671249 ..... 177, 178                           | 1701543 ... 129, 134, 408,<br>412, 418, 425           | 1703927.....415, 422             |
| 1320256.....375, 395   | 1671311 ..... 215                                | 1701645 ..... 407, 411                                | 1703928.....415                  |
| 1320263.....90, 234  | 1671332 ..... 177, 178                           | 1702153 ..... 407, 411                                | 1703929.....415                  |
| 1320318.....206  | 1683050 ..... 313                                | 1702265 ..... 408                                     | 1703930.....415                  |
| 1320323.....134  | 1683053 ..... 299                                | 1702300 ..... 407, 417                                | 1703931.....415                  |
| 1321138.....126  | 1683055 ..... 287, 317                           | 1702564 ..... 257                                     | 1703932.....415                  |
| 1321384.....179, 180   | 1683059 ..... 285                                | 1702565 ..... 257, 263                                | 1703933.....415                  |
| 1340050.....118  | 1683061 ..... 329                                | 1702566 ..... 257, 263                                | 1703934.....415                  |
| 1340060..76, 86, 93, 103,<br>113, 126, 137   | 1683071 ..... 295, 305                           | 1702567 ..... 257, 263                                | 1703935.....415, 422             |
| 1340061.....432  | 1683074 ..... 287                                | 1702590 ..... 198                                     | 1703936.....415, 422             |
| 1380147.....183  | 1683078 ..... 13, 285                            | 1702676 ..... 259, 265                                | 1703937.....415, 422             |
| 158001177, 86, 112, 117,<br>127, 137   | 1683537 ... 221, 225, 309                        | 1702688 ..... 407, 411                                | 1703940.....415                  |
| 1580012.....248, 253   | 1683539 ..... 309                                | 1702701 ..... 20                                      | 1703941.....418, 422             |
| 1580013.....248, 253   | 1683544 ..... 295                                | 1702720 ..... 418, 425                                | 1703942.....418, 422             |
| 1600244....388, 403, 438   | 1683546 ... 221, 225, 295                        | 1702739 ..... 20                                      | 1703943.....418, 422             |
| 1600313.....257  | 1683547 ... 221, 225, 305                        | 1702773 ... 255, 407, 412,<br>416, 425                | 1703944.....418, 422             |
| 1600314.....112  | 1683549 ..... 305                                | 1702774 ... 407, 412, 416,<br>425                     | 1703945.....418, 422             |
| 1600317....257, 263, 267   | 1683606 ..... 229, 329                           | 1702784 ..... 407, 416                                | 1703946.....418                  |
| 1600318....257, 263, 275   | 1683607 ..... 233, 323                           | 1702788 ... 412, 425, 433                             | 1703947.....415, 422             |
| 1600327.....159  | 1683608 ..... 221, 313                           | 1702860 ..... 407, 416                                | 1703948.....415, 422             |
| 1600361.....82   | 1683609 ..... 225, 299                           | 1702861 ... 407, 412, 416,<br>425                     | 1703949.....415, 422             |
| 1600363.....115, 120   | 1683610 ... 221, 222, 287                        | 1702862 ..... 407, 418                                | 1703950.....415, 422             |
| 1600364.....159, 160   | 1683629 ..... 329                                | 1702868 .... 407, 411, 436                            | 1703951.....415, 422             |
| 1600374.....127, 430   | 1683632 ..... 329                                | 1702901 ..... 407                                     | 1703952.....415                  |
| 1600375.....257, 263   | 1683642 ..... 287                                | 1702903 ..... 408, 419                                | 1703953.....407, 411             |
| 1600411.....160  | 1683643 ..... 287                                | 1702924 ..... 408, 419                                | 1703954.....407                  |
| 1641808.....113, 118   | 1683647 ..... 323                                | 1702927 ..... 408, 419                                | 1703959....407, 411, 418,<br>425 |
| 1660219.....149  | 1683648 ..... 323                                | 1702938 ..... 259, 264                                | 1703960....407, 411, 418,<br>423 |
| 1660219RR.....149  | 1683663 ..... 323                                | 1702941 81, 89, 102, 135                              | 1703963.....418                  |
| 1660223.....149  | 1683672 ..... 233, 323                           | 1702942 81, 89, 102, 135                              | 1703964.....417                  |
| 1660223RR.....149  | 1683673 ..... 323                                | 1702943 81, 88, 102, 135                              | 1703965.....417                  |
| 1660234.....96, 105  | 1683675 ..... 323                                | 1702944 81, 89, 102, 135                              | 1703966.....418                  |
| 1660239.....77, 86   | 1683677 ..... 225, 287                           | 1702961 ..... 412, 433                                | 1703967.....418                  |
| 1660250....114, 120, 127   | 1683678 ..... 287                                | 1702962 ..... 412, 433                                | 1703968.....418                  |
| 1660257.....151  | 1683680 ..... 287                                | 1703162 .77, 86, 93, 103,<br>112, 118, 126, 137       | 1703980.....418, 422             |
| 1660257RR.....151  | 1683682 ..... 225, 317                           | 1703467 ..... 160                                     | 1703981.....418, 422             |
| 1660258.....151  | 1683740 ..... 14, 45, 321                        | 1703468 ..... 160                                     | 1703982.....418, 422             |
| 1660258RR.....151  | 1683818 ..... 309                                |   | 1703983.....418, 422             |
| 1660303.....151  | 1683819 ..... 295                                |   | 1703984.....418, 422             |
| 1660303RR.....151  | 1683821 ..... 305                                |   | 1703985.....418                  |
| 1660304.....151  | 1683823 ..... 309                                |   | 1703986.....419                  |
| 1660304RR.....151  | 1683986 ..... 285                                |   | 1703987.....419                  |
| 1670769.....225  | 1684089 ..... 299                                |   | 1703988.....418                  |
|  | 1684090 ..... 299                                |   | 1703989.....418                  |
|  | 1684114 ..... 313                                |   |                                  |
|  | 1684115 ..... 313                                |   |                                  |
|  | 1684125 ..... 317                                |   |                                  |
|  | 1684126 ..... 317                                |   |                                  |
|  | 1684191 ..... 285                                |   |                                  |

## PART NUMBER INDEX

|                                   |  |   |   |
|-----------------------------------|--|---|---|
| 1703990 ..... 418                 | 1705896 ..... 422                      | 2000272..... 126, 127                             | 2200222 ..... 66, 119, 145                                    |
| 1703991 ..... 419                 | 1705897 ..... 422                      | 2000274 ..... 103, 106                            | 2200233 ..... 146   |
| 1703996 .... 416, 423, 424        | 1705898 ..... 422                      | 2000279 ..... 103                                 | 2220005 ..... 129, 134  |
| 1704000 .... 416, 422, 436        | 1705901 ..... 421                      | 2000284 ..... 102                                 | 2220063 ..... 63  |
| 1704001 .... 416, 422, 436        | 1705902 ..... 422                      | 2000296 ..... 125                                 | 2220064 ..... 129   |
| 1704002 ..... 416                 | 1705903 ..... 422                      | 2000322 ..... 125                                 | 2220221 .... 143, 344, 354                                    |
| 1704006 ..... 417, 421            | 1705905 ..... 425                      | 2000339 ..... 103, 106                            | 2220235 ..... 337, 347  |
| 1704007 ..... 417, 421            | 1705910 ..... 425                      | 2000342 ..... 103                                 | 2220237 ... 337, 342, 347,<br>353                             |
| 1704008 ..... 417                 | 1705917 ..... 422                      | 2000354 ..... 137                                 | 2220240 ..... 337   |
| 1704096 ..... 407, 411            | 1705967 ..... 422                      | 2000365 ..... 103                                 | 2220242 ..... 337, 347  |
| 1704098 ..... 416, 423            | 1705968 ..... 422                      | 2000367 ..... 102                                 | 2220250 ..... 80, 94, 113                                     |
| 1704099 ..... 416, 423            | 1705969 ..... 422, 436                 | 2000375 ..... 136                                 | 2220261 ..... 130   |
| 1704100 ..... 416                 | 1705977 ..... 419, 425                 | 2000378 ..... 135                                 | 2220273 ..... 80, 93  |
| 1704101 ..... 416, 423            | 1706059 ..... 101                      | 2000386 ..... 77, 81                              | 2220313 . 80, 88, 93, 100,<br>124, 134                        |
| 1704102 ..... 416, 423            | 1706060 ..... 101                      | 2060025 .. 77, 86, 93, 103,<br>112, 117, 126, 137 | 2220362 ..... 337, 347  |
| 1704103 .... 416, 423, 424        | 1706061 ..... 101                      | 2080040 ..... 248, 251, 252                       | 2220363 ..... 337   |
| 1704104 ..... 407, 411            | 1706062 ..... 101                      | 2080044 ..... 226                                 | 2220365 ..... 337, 347  |
| 1704106 ..... 417, 424            | 1706063 ..... 101                      | 2110404 ..... 343, 354                            | 2220366 ... 337, 342, 347,<br>352                             |
| 1704107 ..... 417, 424            | 1706064 ..... 101                      | 2110406 ..... 335, 343, 352                       | 2220371 ... 335, 338, 348,<br>357, 358, 359, 361              |
| 1704108 ..... 417                 | 1706380 ..... 423                      | 2110408 ..... 335, 343                            | 2220373 ... 337, 347, 354,<br>357, 361                        |
| 1704109 ..... 416, 424            | 1706381 ..... 424                      | 2110606 ..... 335, 343, 352                       | 2220374 ... 102, 125, 136,<br>142, 337, 342, 347, 352         |
| 1704110 ..... 417, 424            | 1706385 ..... 255                      | 2110808 ..... 343, 352                            | 2220375 ... 337, 342, 347,<br>352                             |
| 1704111 ..... 417, 424            | 1706712 ..... 160, 165                 | 2110812 ..... 352                                 | 2220376 ..... 357, 361  |
| 1704112 ..... 417, 424            | 1706912 ..... 160                      | 2111212 ..... 343                                 | 2220377 ... 337, 342, 347,<br>352                             |
| 1704116 ..... 418                 | 1706913 ..... 160                      | 2111616 ..... 343, 352                            | 2220379 ..... 357, 361  |
| 1704117 ..... 418                 | 1707013 ..... 411                      | 2120150 ..... 49                                  | 2220380 ... 337, 342, 347,<br>352                             |
| 1704118 ..... 418                 | 1707014 ..... 411                      | 2120163 ..... 49                                  | 2220381 ..... 357, 361  |
| 1704119 ..... 418                 | 1707043 ..... 424                      | 2120167 ..... 49                                  | 2220385 ... 344, 354, 357,<br>361                             |
| 1704120 ..... 418                 | 1707044 ..... 424                      | 2120168 ..... 49, 428                             | 2220386 ..... 343, 354  |
| 1704121 ..... 418                 | 1707045 ..... 424                      | 2120209 ..... 49                                  | 222041579, 88, 102, 125,<br>136, 335, 337, 347,<br>357, 361   |
| 1704260 ..... 257, 263            | 1707046 ..... 424                      | 2120210 ..... 49, 428                             | 2220418 ..... 130   |
| 1704271 ..... 418, 425            | 1707047 ..... 424                      | 2130404 ..... 352                                 | 2220428 ..... 357, 361  |
| 1704277 ... 407, 411, 416,<br>421 | 1707048 ..... 424, 425                 | 2130406 ..... 353                                 | 2220430 ..... 113   |
| 1704412 ..... 411, 421            | 1707049 ..... 424                      | 2130604 ..... 352                                 | 2220451 .... 93, 103, 142,<br>337, 342, 347, 352,<br>357, 361 |
| 1704578 ..... 45                  | 1707051 ..... 424                      | 2130606 ..... 343, 354                            | 2220459 ..... 80, 94, 119                                     |
| 1704833 ..... 160                 | 1707052 ..... 424                      | 2130808 ..... 343, 352                            | 2220465 ..... 337   |
| 1704885 ... 408, 411, 419,<br>425 | 1707053 ..... 424                      | 2131616 ..... 352                                 | 2220466 ... 337, 342, 347,<br>354, 357, 361                   |
| 1704972 ..... 101                 | 1707054 ..... 424                      | 2150406 ..... 343, 353                            | 2220468 ..... 342, 352  |
| 1704997 ..... 257                 | 1707055 ..... 423                      | 2150606 ..... 343, 354                            | 2220473 ... 338, 343, 348,<br>354, 357, 361                   |
| 1705014 ..... 255                 | 1707056 ..... 423                      | 2150808 ..... 353                                 | 2220478 ..... 357, 361  |
| 1705090 ..... 45, 412, 425        | 1707057 ..... 423                      | 2150812 ..... 353                                 | 2220479 ... 142, 337, 342,<br>347, 352                        |
| 1705132 .... 160, 257, 263        | 1707059 ..... 424                      | 2151616 ..... 343, 354                            | 2220490 ... 335, 338, 348,<br>357, 361                        |
| 1705170 .... 170, 258, 264        | 1707060 ..... 423                      | 2160003 ..... 63                                  | 2220498 ..... 337   |
| 1705325 ..... 187, 201            | 1707110 ... 408, 411, 412,<br>419, 425 | 2170350 ..... 352                                 | 2220499 ..... 347   |
| 1705336 ..... 411                 | 1707111 ... 259, 408, 412,<br>419, 425 | 2170406 ..... 335                                 | 2220500 ... 337, 347, 357,<br>361                             |
| 1705344 ..... 422                 | 1810088 ..... 159                      | 2170408 ..... 353                                 | 2220501 ... 338, 343, 348,<br>354, 358, 359, 362              |
| 1705345 ..... 422                 | 1810089 ..... 159                      | 2170504 ..... 335, 343, 353                       |   |
| 1705347 ..... 422                 | 1810091 ..... 159                      | 2170506 ..... 335, 343, 354                       |   |
| 1705348 ..... 422                 | 1810093 ..... 159                      | 2170508 ..... 343                                 |   |
| 1705351 ..... 412                 | 1810094 ..... 159                      | 2170516 ..... 343                                 |   |
| 1705364 ..... 20                  | 1810096 ..... 159                      | 2180125 ..... 130                                 |   |
| 1705374 .... 208, 213, 217        | 1870132 ..... 369                      | 2180344 ..... 63                                  |   |
| 1705375 .... 208, 213, 217        | 1870160 ..... 369                      | 2180348 ..... 80, 88, 100                         |   |
| 1705376 .... 207, 212, 216        | 1870191 ..... 369                      | 2180380 ..... 359, 362                            |   |
| 1705387 .... 208, 213, 217        | 2000172 ..... 111, 114                 | 2180387 ..... 130                                 |   |
| 1705426 ..... 425                 | 2000174 .... 111, 114, 129             | 2180388 ..... 130                                 |   |
| 1705427 ..... 425                 | 2000189 ..... 93, 95                   | 2180389 ..... 130                                 |   |
| 1705429 ..... 425                 | 2000193 ... 111, 114, 117,<br>119, 129 | 2180418 ..... 129, 130, 134                       |   |
| 1705430 ..... 425                 | 2000194 ..... 77, 81                   | 2180467 ..... 112, 126                            |   |
| 1705460 .... 208, 213, 217        | 2000211 ..... 125                      | 2180536 ..... 80, 93, 130                         |   |
| 1705514 ..... 418, 421            | 2000216 ..... 103, 106                 | 2180615 ..... 305, 307                            |   |
| 1705533 ..... 408                 | 2000219 ..... 103                      | 2180724 ..... 359, 362                            |   |
| 1705590 ..... 408                 | 2000225 ..... 102                      | 2180798 78, 93, 105, 113,<br>118, 126             |   |
| 1705753 ..... 160                 | 2000261 ..... 125                      | 2180825 ..... 130                                 |   |
| 1705895 ..... 422                 |  | 2180877 ..... 138                                 |   |

# PART NUMBER INDEX

|  |  |   |   |
|--|--|---|---|
| 2220502.....347, 357, 361  | 2220999 ... 337, 342, 347,<br>352, 357, 361      | 2460049 ..... 185   | 2752363.....337, 347                        |
| 2220504.....337, 347   | 2221024 ..... 130                                | 2460050 ..... 205   | 2752365.... 338, 342, 348,<br>353           |
| 2220516.....337  | 2221029 ..... 337, 347                           | 2460051 ..... 197, 201  | 2752366.... 338, 343, 348,<br>353           |
| 2220517.....347  | 2221030 ..... 348                                | 2460052 ..... 197   | 2752434.....343, 353                        |
| 2220574.....357, 361   | 2221036 ..... 358, 362                           | 2460055 ..... 185, 189  | 2752438.....357, 361                        |
| 2220577.... 335, 338, 358,<br>362  | 2221151 ..... 129                                | 2460056 ..... 185, 189  | 2752453.... 338, 343, 348,<br>353, 357      |
| 2220582.... 143, 335, 337,<br>342, 347, 352, 357, 361  | 2221152 ..... 129                                | 2460057 ..... 185   | 2752462..... 358, 362                       |
| 2220591 .... 354, 358, 362   | 2221153 ..... 129                                | 2560136 ..... 257, 263  | 2752463..... 358, 362                       |
| 2220593.....357, 361   | 222117681, 88, 100, 124,<br>134                  | 2580024 78, 89, 102, 135  | 2752468.....357, 361                        |
| 2220596.... 337, 342, 347,<br>352, 357, 361  | 2221197 ..... 130                                | 2580050 81, 88, 102, 135  | 2752489.... 338, 343, 348,<br>354           |
| 2220600.....337, 347   | 2221270 ..... 146                                | 2580055 ..... 78, 83, 89  | 2752494.... 338, 343, 348,<br>353, 357, 361 |
| 2220602.... 335, 337, 342,<br>347, 352, 357, 361   | 2300004 .78, 88, 125, 135                        | 2580062 ..... 105   | 2752498.....337, 347                        |
| 2220603.... 335, 359, 362  | 2300014 ..... 435                                | 2580063 ..... 135   | 2752514.... 337, 338, 347,<br>348           |
| 2220605.... 337, 347, 357,<br>361  | 2300016 ..... 19, 435                            | 2600209 ..... 174, 179  | 2752516..... 348                            |
| 2220606.....363  | 2300021 ..... 436                                | 2600216 ..... 247   | 2752518..... 337, 347                       |
| 2220609.... 337, 347, 358,<br>362  | 2300027 ..... 435                                | 2600233 ..... 174, 180  | 2752573..... 338, 348                       |
| 2220618.... 337, 342, 347,<br>352, 357, 361  | 2300029 ..... 435                                | 2600244 ..... 173, 177  | 2752575..... 337, 347                       |
| 2220619.... 335, 357, 361  | 2300039 ..... 436                                | 2600281 ..... 251   | 2752581..... 338, 348                       |
| 2220622.....343, 354   | 2300040 ..... 434                                | 2600287 ..... 247   | 2752585..... 358, 362                       |
| 2220628.....337, 347   | 2300041 ..... 78, 88, 135                        | 2680436 ..... 174   | 2752591..... 348                            |
| 2220635.....335, 358   | 2360570 ..... 16                                 | 2680437 ..... 174   | 2752592..... 348                            |
| 2220646.... 143, 337, 342,<br>347, 352   | 2360591 ..... 16                                 | 2680448 ..... 173, 174  | 2752611..... 335                            |
| 2220655..... 359, 362  | 2360592 ..... 16                                 | 2680450 ..... 173   | 2752648.... 335, 338, 348                   |
| 2220710.....337  | 2360600 ..... 16                                 | 2680451 ..... 173, 174  | 2752671..... 358, 361                       |
| 2220711.... 335, 338, 347  | 2360601 ..... 16                                 | 2680513 ..... 173, 174  | 2752673.... 338, 343, 348,<br>353           |
| 2220737 ..... 357, 361   | 2360602 ..... 16                                 | 2680514 ..... 174   | 2752674..... 358                            |
| 2220738.....343, 354   | 2360603 ..... 16                                 | 2720058 ... 77, 80, 86, 88,<br>94, 100, 113, 119, 121,<br>124, 134, 137 | 2752721..... 357, 361                       |
| 2220765.....357, 361   | 2360609 ..... 16                                 | 2720144 ..... 130   | 2752754.... 338, 343, 348,<br>353           |
| 2220767 ..... 77, 82   | 2360610 ..... 16                                 | 2720271 ..... 80, 94, 138   | 2752766..... 358, 362                       |
| 2220775..... 358   | 2360611 ..... 16                                 | 2720341 ..... 115, 120  | 2752767..... 358, 362                       |
| 2220794..... 80, 94, 119   | 2360612 ..... 16                                 | 2720392 ..... 129, 134  | 2752768..... 358, 362                       |
| 2220800.....347  | 2360638 ..... 16                                 | 2720398 ..... 93, 103   | 2752930..... 358, 362                       |
| 2220805..... 112   | 2360639 ..... 16                                 | 2720434 .. 77, 86, 94, 103  | 2752934..... 344, 354                       |
| 2220810.... 337, 342, 347,<br>352  | 2360640 ..... 16                                 | 2720435 .... 112, 117, 126  | 2752942.... 338, 343, 348,<br>353           |
| 2220811.... 143, 335, 337,<br>342, 347, 352, 354   | 2360641 ..... 16                                 | 2720436 .... 113, 118, 126  | 2752949..... 348                            |
| 2220833.....348  | 2360642 ..... 16                                 | 2720449 ..... 94, 104   | 2752977..... 337, 347                       |
| 2220852..... 357, 361  | 2360643 ..... 16                                 | 2720472 .... 112, 121, 124  | 2752978..... 358, 362                       |
| 2220873.... 357, 358, 361,<br>362  | 2360644 ..... 16                                 | 2720509 ..... 77, 86  | 2752997..... 342, 353                       |
| 2220883 37, 38, 287, 291,<br>293, 295, 297, 299,<br>301, 303, 305, 307,<br>309, 311, 325, 327,<br>329, 331 | 2360645 ..... 16                                 | 2720510 ..... 77  | 2753006..... 358, 362                       |
| 2220885.... 285, 287, 293,<br>299, 301, 303, 315,<br>319, 323, 327, 329, 331                               | 2360646 ..... 16                                 | 2720514 ..... 126, 137  | 2753007..... 358, 362                       |
| 2220886 37, 38, 285, 325,<br>327, 329, 331   | 2360647 ..... 16                                 | 2720515 ..... 77, 86  | 2753008..... 358, 361                       |
| 2220888..... 37, 295, 297,<br>305, 307, 309, 311   | 2360686 ..... 16                                 | 2720532 ..... 124   | 2753009..... 358, 362                       |
| 2220893..... 49  | 2360708 ..... 16                                 | 2720563 ..... 137   | 2753010..... 357, 361                       |
| 2220923..... 363   | 2360709 ..... 16                                 | 2720564 ..... 137   | 2753035..... 348                            |
| 2220940..... 342, 354  | 2400060 ... 208, 213, 217,<br>380, 386, 396, 402 | 2720566 ..... 134   | 2753036..... 337, 347                       |
| 2220947.... 357, 358, 361,<br>362  | 2400061 ..... 380                                | 2720567 ..... 134   | 2753087..... 338, 348                       |
| 2220950..... 358, 362  | 2400064 ... 208, 213, 217,<br>386, 402, 430      | 2720580 ..... 134   | 2753117..... 338, 348                       |
|  | 2400065 .... 376, 396, 428                       | 2750532 . 80, 88, 94, 100,<br>104, 111, 112, 117,<br>126, 134, 137      | 2753118..... 358, 362                       |
|  | 2400066 ..... 376, 396                           | 2750760 ..... 335   | 2753123..... 358, 362                       |
|  | 2400067 ..... 259                                | 2750920 ..... 335   | 2753124..... 358, 362                       |
|  | 2400068 .... 259, 387, 402                       | 2751011 ..... 337, 347  | 2753125..... 358, 362                       |
|  | 2400070 .... 387, 402, 430                       | 2751017 ..... 337, 347  | 2753126..... 358, 362                       |
|  | 2410014 ..... 255                                | 2751032 ..... 63  | 2753128..... 358, 362                       |
|  | 2420165 ..... 209, 218                           | 2751095 ..... 63  | 2753129..... 358, 362                       |
|  | 2420172 ..... 160, 165                           | 2751397 ..... 338, 348  | 2753155..... 347                            |
|  | 2420187 .... 114, 120, 127                       | 2751399 ... 338, 343, 348,<br>353                                       | 2753157..... 348                            |
|  | 2420203 ... 186, 189, 193,<br>197, 201           | 2751500 ... 338, 343, 348,<br>353                                       | 2753158..... 348                            |
|  | 2460013 .... 185, 189, 193                       | 2751906 ..... 335, 348  |   |
|  | 2460032 .... 185, 189, 193                       | 2752265 ..... 337   |   |
|  | 2460039 ..... 185                                | 2752266 ..... 337   |   |
|  | 2460044 ..... 193                                | 2752345 ..... 337   |   |
|  | 2460048 .... 205, 211, 215                       |   |   |

## PART NUMBER INDEX

|              |                       |              |  |                          |   |               |  |
|--------------|-----------------------|--------------|--|--------------------------|---|---------------|--|
| 2753159..... | 348                   | 2792648..... | 335, 364   | 2902533.....             | 136, 381, 398                                     | 3300205.....  | 160, 165   |
| 2753161..... | 347                   | 2792693..... | 342, 364   | 2910467.....             | 434   | 3300353.....  | 257, 263   |
| 2753162..... | 347                   | 2792699..... | 364  | 2910872.....             | 434   | 3300393.....  | 247  |
| 2753189..... | 358, 362              | 2792700..... | 364  | 2910887.....             | 432   | 3300396....   | 207, 212, 216  |
| 2753190..... | 358, 362              | 2792710..... | 364  | 2910948.....             | 435   | 3300408.....  | 160, 165   |
| 2753191..... | 358, 362              | 2792711..... | 352, 364   | 2915094.....             | 63  | 3310601... .. | 183, 207, 212,<br>216, 259   |
| 2753192..... | 357, 361              | 2792712..... | 342, 364   | 2915139.....             | 434   | 3310604.....  | 209, 218   |
| 2753195..... | 357, 361              | 2792745..... | 352, 364   | 2915195.....             | 115, 121  | 3310605.....  | 244  |
| 2753196..... | 357, 361              | 2820018..... | 121  | 2915196.....             | 115, 121  | 3310801.....  | 244  |
| 2753197..... | 357, 361              | 2820031 ...  | 187, 190, 194,<br>198, 201, 207, 212, 215                        | 2915228.....             | 436   | 3310805... .. | 130, 209, 218,<br>243  |
| 2753199..... | 357, 361              | 2820035 ...  | 119, 169, 248,<br>252  | 2920028.....             | 259, 264  | 3311001... .. | 174, 178, 251,<br>258, 259   |
| 2753200..... | 357, 361              | 2820078..... | 175, 180   | 2920029.....             | 259, 264  | 3311005....   | 78, 111, 117,<br>169, 174, 175, 179,<br>180, 187, 190, 194,<br>198, 201, 248, 258, 263   |
| 2753216..... | 357, 361              | 2820079..... | 175  | 2920095.....             | 252, 387, 402                                     | 3311401.....  | 45, 121, 160,<br>281   |
| 2753231..... | 357, 361              | 2820080..... | 175, 178   | 2920110.....             | 169   | 3311405... .. | 49, 77, 81, 86,<br>88, 93, 102, 104, 112,<br>118, 124, 125, 126,<br>134, 136, 137, 162,<br>174, 178, 198, 201,<br>212, 215, 243, 244,<br>248, 252, 408, 412,<br>419, 425 |
| 2753417 ...  | 338, 343, 348         | 2820081..... | 175  | 2920113.....             | 169   | 3311501.....  | 178, 281   |
| 2753537..... | 353                   | 2820081..... | 175  | 2920129.....             | 372, 376, 382,<br>392, 396                        | 3311505... .. | 43, 77, 78, 81,<br>86, 88, 94, 101, 104,<br>112, 115, 118, 121,<br>124, 127, 134, 135,<br>146, 174, 178, 201,<br>205, 212, 215, 222, 248                                 |
| 2753540..... | 353                   | 2820172..... | 126  | 2920140....              | 248, 252, 387,<br>402                             | 3311508.....  | 205  |
| 2753549..... | 353                   | 2820173..... | 126  | 2920162....              | 186, 189, 193                                     | 3311600.....  | 174  |
| 2753550..... | 343, 353              | 2820180..... | 137  | 2920215.....             | 169   | 3311601... .. | 121, 145, 174,<br>178, 212, 215, 230,<br>244, 258, 264   |
| 2753622..... | 343, 353              | 2820233..... | 178  | 2940074....              | 247, 251, 428                                     | 3311602.....  | 230  |
| 2753624..... | 335                   | 2820234..... | 178  | 2940088....              | 174, 179, 180                                     | 3311605... .. | 77, 78, 86, 89,<br>93, 101, 102, 104, 112,<br>118, 121, 124, 126,<br>134, 135, 137, 174,<br>178, 183, 186, 190,<br>194, 226, 230, 234,<br>248, 252, 255                  |
| 2753625..... | 343, 354              | 2820235..... | 178  | 2940188.....             | 178   | 3311705....   | 186, 190, 194  |
| 2753626 ...  | 344, 353, 354         | 2840016..... | 183  | 3020008.....             | 19  | 3311801... .. | 19, 77, 87, 94,<br>101, 113, 118, 124,<br>207, 243   |
| 2753627 ...  | 335, 344, 354         | 2860012..... | 190, 194   | 3020016.....             | 78, 88  | 3311805 .     | 77, 87, 93, 104,<br>112, 118, 126, 136,<br>137, 149, 174, 177,<br>183, 222, 223, 226, 227  |
| 2753628..... | 353                   | 2860030 ...  | 161, 165, 428  | 3020021.....             | 96, 105   | 3312001.....  | 46   |
| 2753629..... | 335                   | 2900708..... | 50, 53   | 3020044.....             | 78, 88, 105                                       | 3312002.....  | 63   |
| 2753630..... | 335                   | 2900756..... | 43   | 3124114.....             | 115, 121  | 3321501.....  | 178  |
| 2753633..... | 353                   | 2900770..... | 237, 285   | 3160204.....             | 19, 31  | 3322201.....  | 151, 155   |
| 2753634..... | 353                   | 2900788..... | 31   | 3160266.....             | 19, 33  | 33251102..... | 201  |
| 2753635..... | 343                   | 2900792 ...  | 288, 291, 293,<br>295, 297, 299, 301,<br>303, 305, 307, 309, 311 | 3160286.....             | 63, 66  | 3340764.....  | 234  |
| 2753685..... | 343                   | 2901207..... | 51, 119  | 3160294.....             | 63, 66  | 3340828.....  | 229  |
| 2753686..... | 353                   | 2901271..... | 285  | 3160308.....             | 19, 33  | 3340833.....  | 329  |
| 2753688..... | 343                   | 2901273..... | 329  | 3160347.....             | 37  | 3340834.....  | 329  |
| 2753725..... | 343                   | 2901273..... | 329  | 3160348.....             | 37  | 3340835....   | 222, 226, 229  |
| 2753970..... | 353                   | 2901301..... | 288, 317   | 3200362....              | 94, 104, 112,<br>117, 126, 137                    | 3340838....   | 323, 325, 327  |
| 2753971..... | 353                   | 2901303..... | 299  | 3200404.....             | 119   |               |  |
| 2754040..... | 353                   | 2901514..... | 305, 307   | 3200406... ..            | 77, 86, 93, 104                                   |               |  |
| 2754238..... | 343                   | 2901526 ...  | 291, 295, 297  | 3220103.....             | 95, 104   |               |  |
| 2754240..... | 343                   | 2901537..... | 309, 311   | 3220104.....             | 95, 104   |               |  |
| 2754242..... | 343                   | 2901549..... | 313  | 3220113.77, 86, 115, 121 |   |               |  |
| 2754243..... | 343                   | 2901556..... | 288  | 3220114.....             | 115   |               |  |
| 2754337..... | 353                   | 2901608 ...  | 113, 124, 381  | 3220134.....             | 127   |               |  |
| 2754338..... | 354                   | 2901609..... | 79, 94, 381  | 3250872.....             | 45, 412, 425                                      |               |  |
| 2754401..... | 343, 353              | 2901712..... | 323  | 3251102....              | 187, 190, 194,<br>253                             |               |  |
| 2754402..... | 343                   | 2902232..... | 436  | 3251243....              | 187, 190, 194,<br>198, 201, 407, 411,<br>417, 421 |               |  |
| 2754718..... | 353                   | 2902238..... | 118  | 3251813....              | 407, 411, 417,<br>422, 423                        |               |  |
| 2754719..... | 353                   | 2902300..... | 436  | 3252221.....             | 433   |               |  |
| 2754720..... | 353                   | 2902303..... | 434  | 3252347.....             | 407   |               |  |
| 2754743..... | 353                   | 2902307..... | 433  | 3252507....              | 187, 190, 201,<br>407, 417, 421                   |               |  |
| 2754744..... | 353                   | 2902308..... | 433  | 3252764....              | 198, 205, 212,<br>215                             |               |  |
| 2760105 ...  | 160, 165, 257,<br>263 | 2902309..... | 433  | 3271605.....             | 329   |               |  |
| 2780227..... | 19, 23, 27            | 2902310..... | 433  | 3271805....              | 151, 155, 255                                     |               |  |
| 2780228..... | 19, 23                | 2902311..... | 433  | 3272605....              | 223, 227, 237                                     |               |  |
| 2780229..... | 15                    | 2902312..... | 433  | 3290405.....             | 134   |               |  |
| 2780272..... | 19, 27                | 2902322..... | 433  | 3290505....              | 134, 187, 190                                     |               |  |
| 2792351..... | 364                   | 2902353..... | 434  | 3290507.....             | 89  |               |  |
| 2792362..... | 337, 364              | 2902396..... | 434  | 3290801.....             | 77, 86  |               |  |
| 2792363..... | 347, 364              | 2902401 .... | 79, 100, 381,<br>398   | 3300007.....             | 15, 19  |               |  |
| 2792364..... | 364                   | 2902443..... | 376, 397   |                          |   |               |  |
| 2792365..... | 357, 364              | 2902445..... | 124, 381   |                          |   |               |  |
| 2792366..... | 357, 364              | 2902456 ...  | 359, 363, 435  |                          |   |               |  |
| 2792367..... | 335, 364              | 2902457 ...  | 359, 363, 435  |                          |   |               |  |
| 2792591..... | 364                   | 2902459 ...  | 359, 363, 435  |                          |   |               |  |
| 2792629..... | 364                   |              |  |                          |   |               |  |
| 2792637..... | 352, 364              |              |  |                          |   |               |  |

# PART NUMBER INDEX

|                           |          |                           |                |                           |                |                           |                 |
|---------------------------|----------|---------------------------|----------------|---------------------------|----------------|---------------------------|-----------------|
| 3340840.....              | 234      | 3480234.....              | 323            | 3574091.....              | 281            | 3760367.....              | 313             |
| 3340859.....              | 230      | 3480236.....              | 309            | 3574122.....              | 112, 118       | 3760368.....              | 299             |
| 3340860.....              | 234      | 3480237.....              | 295            | 3574162....               | 113, 118, 126  | 3760369.....              | 287, 317        |
| 3340861.....              | 234      | 3480238.....              | 305            | 3574206.....              | 77, 87         | 3760370.....              | 285, 329        |
| 3340871.....              | 233      | 3510488.....              | 247            | 3574207.....              | 77, 87         | 3760374.....              | 295, 305        |
| 3340881.....              | 229, 233 | 3510497.....              | 247            | 3574208.....              | 77, 87         | 3790012....               | 129, 135, 170,  |
| 3340966.....              | 45       | 3510542.....              | 247            | 3574219.....              | 121            | 257, 258, 259, 264, 265   |                 |
| 3380429..80, 88, 94, 101, |          | 3510543.....              | 247            | 3574220.....              | 121            | 3790044..80, 88, 94, 102, |                 |
| 113, 119, 124, 135        |          | 3510545.....              | 247            | 3574221.....              | 121            | 111, 117, 125, 136        |                 |
| 3380434.....              | 248, 252 | 3510546.....              | 247            | 3574222.....              | 113, 119       | 3790110.....              | 238             |
| 3380442.....              | 173, 177 | 3510565.....              | 247            | 3574225.....              | 198, 212       | 3820001.....              | 46, 407, 408,   |
| 3380443.....              | 173      | 3510566.....              | 247            | 3574229.....              | 212            | 411, 418, 425             |                 |
| 3380444.....              | 173, 177 | 3510728.....              | 247            | 3574262.....              | 212            | 3820020.....              | 251             |
| 3380535.....              | 244      | 3510760.....              | 247            | 3574504.....              | 126            | 3841143....               | 13, 14, 45, 79, |
| 3380652.....              | 435      | 3510822.....              | 251            | 3574684.....              | 186            | 88, 93, 101, 112, 118,    |                 |
| 3420156.....              | 258      | 3510830.....              | 251            | 3574696.....              | 436            | 124, 135, 221, 222,       |                 |
| 3420292.....              | 45       | 3510833.....              | 251            | 3574978.....              | 104            | 226, 233                  |                 |
| 3420372.....              | 46       | 3510868.....              | 255            | 3575359.....              | 281            | 3841287.....              | 13, 221, 226    |
| 3420447.....              | 46       | 3510884.....              | 255            | 3575718.....              | 43             | 3841340....               | 49, 81, 88, 93, |
| 3421565.....              | 63       | 3520028 ...               | 186, 190, 194  | 3576755.....              | 135, 146       | 101, 112, 118, 124,       |                 |
| 3422446..79, 88, 93, 101, |          | 3520033.....              | 174            | 3580134....               | 186, 190, 193  | 135, 222, 226, 227, 230   |                 |
| 112, 118, 124, 135        |          | 3520035 ...               | 160, 165, 243, | 3580158.....              | 189            | 3841356.....              | 222, 226        |
| 3422457.....              | 233      | 244                       |                | 3580250.....              | 193            | 3841406.....              | 234             |
| 3422530.....              | 183      | 3520054 ...               | 105, 257, 263  | 3580260.....              | 119            | 3850018.....              | 287             |
| 3422532..79, 88, 94, 102, |          | 3520072....               | 247, 251, 255  | 3580276....               | 186, 190, 193  | 3890040.....              | 255             |
| 113, 119, 125, 136        |          | 3520189.....              | 386, 402       | 3580307.....              | 193            | 3900054.....              | 255             |
| 3422561.....              | 226      | 3520198.....              | 251            | 3580312 ...               | 198, 201, 212, | 3900139.....              | 313             |
| 3422567.....              | 45       | 3536089.....              | 248, 252       | 216                       |                | 3900141.....              | 299             |
| 3422578.....              | 221, 222 | 3537416.....              | 93, 104        | 3580313.....              | 198, 212       | 3900205.....              | 251             |
| 3422580.....              | 221, 222 | 3537420.....              | 93             | 3580314.....              | 212, 216       | 3900207.....              | 247             |
| 3422582.....              | 222      | 3537445.....              | 183            | 3580317.....              | 207            | 3900210.....              | 174, 178        |
| 3422583.....              | 226      | 3537446.....              | 183            | 3580318.....              | 207            | 3900232....               | 121, 174, 177,  |
| 3422681.....              | 221, 226 | 3538047.....              | 13             | 3580320.....              | 207            | 178, 234                  |                 |
| 3422683.....              | 221, 226 | 3538758.....              | 234            | 3580321.....              | 207            | 3900239.....              | 222, 226        |
| 3422684.....              | 221, 226 | 3539219.....              | 160, 165       | 3580322.....              | 185            | 3900259.....              | 233             |
| 3422685.....              | 221, 226 | 3539281.....              | 169            | 3580324.....              | 198, 201       | 3900262.....              | 230             |
| 3422686.....              | 221, 226 | 3539662.....              | 45             | 3580325.....              | 198            | 3900268.....              | 160, 165        |
| 3422687.....              | 221, 226 | 3539685.....              | 248            | 3580348.....              | 201, 216       | 3900272 88, 94, 101, 112, |                 |
| 3422688.....              | 221, 226 | 3539872 77, 93, 104, 111, |                | 3600278 79, 93, 102, 111, |                | 118, 125, 135             |                 |
| 3422689.....              | 221, 226 | 117, 126, 137             |                | 117, 125, 136             |                | 3900283.....              | 234             |
| 3422690.....              | 233      | 3539877.....              | 13             | 3600287.....              | 51, 59         | 3900293.....              | 63              |
| 3422701.....              | 14, 45   | 3539878.....              | 13             | 3600295 79, 93, 111, 117, |                | 3900322.....              | 198             |
| 3422702.....              | 14, 45   | 3539934.....              | 173            | 141, 143                  |                | 3910606....               | 205, 212, 216   |
| 3422703.....              | 13       | 3539955.....              | 175, 180       | 3600377 ...               | 114, 119, 121, | 3910608....               | 183, 209, 218,  |
| 3422729.....              | 221, 226 | 3539957. 80, 88, 95, 101, |                | 127                       |                | 259                       |                 |
| 3422753.....              | 15       | 112, 118, 124, 135        |                | 3600400 79, 88, 102, 125, |                | 3910610....               | 207, 213, 216   |
| 3422754.....              | 15, 45   | 3539971.....              | 93, 104        | 136, 142                  |                | 3910804.....              | 160, 165        |
| 3422755.....              | 14       | 3539972.....              | 111            | 3600401 ...               | 102, 125, 136  | 3910808.....              | 130             |
| 3422813.....              | 45       | 3539979.....              | 173            | 3600458.....              | 51, 59         | 3911008.....              | 247, 251        |
| 3422848.....              | 45       | 3570103.....              | 112, 118       | 3620033.....              | 93, 104        | 3911040.....              | 169             |
| 3422860.....              | 225      | 3570133.....              | 112, 117       | 3620040 ...               | 111, 117, 126, | 3930606.....              | 244             |
| 3422861.....              | 225      | 3570238.....              | 119            | 137                       |                | 3930816.....              | 244             |
| 3422867.....              | 226      | 3570686.....              | 41, 46         | 3620047.....              | 77, 87         | 3930824.....              | 243, 244        |
| 3422972.....              | 15, 45   | 3570690.....              | 41, 43         | 3640986.....              | 209, 213       | 3931048.....              | 55              |
| 3430816.....              | 183      | 3570775.....              | 323, 327       | 3641533....               | 209, 213, 217  | 3931436.....              | 243             |
| 3450404.....              | 183      | 3570928.....              | 243            | 3641569.....              | 281            | 3931448....               | 323, 327, 329   |
| 3460398.....              | 126      | 3570979.....              | 50             | 3730120.....              | 381            | 3931464.....              | 243             |
| 3460399.....              | 173      | 3571498.....              | 111, 117       | 3730121.....              | 381            | 3931508.....              | 329             |
| 3460544.....              | 81, 88   | 3571712.....              | 177            | 3740049 ...               | 160, 165, 368, | 3931516.....              | 299, 313        |
| 3460552.....              | 179      | 3572280.....              | 126, 137       | 376, 387, 402, 428        |                | 3931620....               | 287, 293, 317,  |
| 3470003.....              | 258, 264 | 3572414.....              | 113, 124       | 3740067 .77, 87, 93, 104, |                | 319                       |                 |
| 3480176.....              | 285      | 3572423.....              | 146            | 112, 117, 126, 137, 428   |                | 3931632.....              | 207             |
| 3480188.....              | 287, 317 | 3572604.....              | 329            | 3740080....               | 78, 105, 186,  | 3931664.....              | 323, 327        |
| 3480210.....              | 299      | 3572605.....              | 329            | 190, 194, 198, 201,       |                | 3931720.....              | 285, 329        |
| 3480211.....              | 329      | 3572606.....              | 243            | 206, 212, 216, 430        |                | 3932224.....              | 63              |
| 3480232.....              | 313      | 3572607.....              | 243            | 3760133.....              | 233            | 3932240....               | 295, 297, 305,  |
| 3480233.....              | 287      | 3573001.....              | 45             | 3760170.....              | 46, 63         | 307, 309, 311             |                 |



## PART NUMBER INDEX

|   |   |               |  |               |  |               |   |
|---|---|---------------|--|---------------|--|---------------|---|
| 3952020 .....                                       | 63  | 4071009 ..... | 63   | 4360499.....  | 243, 382, 399,<br>430  | 4460346 ...   | 205, 212, 216,<br>384, 385, 400, 401  |
| 396038981, 93, 102, 112,<br>118, 125, 136, 173, 177 |   | 4071052 ..... | 234  | 4360517 ..... | 156, 399, 430  | 4460374 ...   | 208, 213, 217,<br>381, 386, 397, 400, 402   |
| 3960407 .....                                       | 94, 104   | 4071122 ..... | 135  | 4360522.....  | 170, 258, 264,<br>430  | 4460375 ...   | 208, 213, 217,<br>381, 386, 397, 402  |
| 3960422 ...   | 205, 212, 216,<br>385, 401                        | 4100051 ..... | 348  | 4360542.....  | 186, 189, 193,<br>197, 201   | 4460411 ....  | 208, 213, 217   |
| 3960438 .....                                       | 175, 180  | 4100058 ...   | 338, 343, 348,<br>354  | 4360549.....  | 243, 244   | 4460412 ....  | 208, 213, 217   |
| 3960453 .....                                       | 173, 177  | 4100059 ...   | 338, 343, 347,<br>354  | 4360578.....  | 243, 244, 430  | 4460413 ....  | 208, 213, 217   |
| 3960461 .....                                       | 169   | 4100062 ..... | 358, 362   | 4400275.....  | 130  | 4460414 ....  | 208, 213, 217   |
| 3960462 ...   | 174, 175, 179,<br>180                             | 4100100 ..... | 299  | 4400400.....  | 145  | 4460415 ....  | 208, 213, 217   |
| 3960464 ...   | 174, 175, 179,<br>180                             | 4120035 ...   | 372, 377, 382,<br>392, 395   | 4400407.....  | 145  | 4460418 ...   | 372, 377, 392,<br>395   |
| 3960468 .   | 77, 87, 94, 104,<br>113, 119, 127, 137            | 4130357 ..... | 14, 15   | 4400410.....  | 145, 146   | 4460419 ...   | 372, 377, 392,<br>395   |
| 3960469 .   | 77, 87, 94, 104,<br>113, 119, 127, 137            | 4130358 ..... | 15   | 4400420.....  | 130  | 4460424 ...   | 121, 169, 376,<br>377, 379, 384, 395,<br>396, 399   |
| 3960470 .....                                       | 174, 177  | 4130388 ..... | 45   | 4400452.....  | 145, 146   | 4460425 ...   | 207, 213, 216,<br>259, 264, 281, 386,<br>388, 402, 403  |
| 3960548 .....                                       | 88  | 4130389 ..... | 15   | 4420038.....  | 145  | 4460426 ...   | 161, 165, 207,<br>213, 216, 252, 259,<br>264, 376, 386, 387,<br>395, 402                        |
| 3960549 .....                                       | 88  | 4130390 ..... | 15, 45   | 4420051.....  | 46   | 4460428 ...   | 243, 244, 258,<br>263, 372, 392   |
| 3960591 .....                                       | 126   | 4160139 ..... | 173, 177   | 4420060.....  | 50, 190, 209,<br>218, 244  | 4460434 ...   | 372, 377, 393,<br>395   |
| 3980007   | 78, 89, 102, 135                                  | 4160143 ..... | 173, 177   | 4420068.....  | 281  | 4460445 ...   | 377, 384, 395,<br>399   |
| 3990001 .....                                       | 376, 397  | 4220162 ..... | 169  | 4460007 ..... | 258, 263   | 4460457 ..... | 380, 397  |
| 3990010 ...   | 378, 385, 395,<br>428                             | 4220165 ..... | 248  | 4460023.....  | 186, 190, 194  | 4460458 ...   | 217, 379, 380,<br>381, 397, 400, 402  |
| 401043 .....  | 216   | 4220191 ..... | 77, 87   | 4460027.....  | 186, 189, 197,<br>201, 385, 400  | 4460459 ..... | 387   |
| 4031608 .....                                       | 187, 190  | 4240018 ...   | 187, 190, 198,<br>201, 206   | 4460042.....  | 258, 392   | 4460460 ..... | 380, 397  |
| 4031911 .....                                       | 77, 87  | 4240032 ...   | 169, 209, 218  | 4460049.....  | 281, 388, 403  | 4460464 ...   | 258, 264, 372,<br>373, 374, 375, 377,<br>382, 383, 392, 393,<br>394, 396, 397                   |
| 4032015 .....                                       | 207   | 4240099 ...   | 119, 248, 252,<br>281  | 4460051.....  | 206, 212, 216,<br>384, 386, 400, 401   | 4460465 ...   | 208, 213, 217,<br>373, 374, 375, 378,<br>379, 380, 383, 386,<br>393, 394, 396, 397,<br>398, 402 |
| 4060092 .....                                       | 384, 400  | 4240112 ..... | 145  | 4460071.....  | 206, 212, 216,<br>248, 252, 258, 264,<br>372, 386, 392, 401  | 4460466 ...   | 373, 375, 393,<br>394, 397, 398   |
| 4060700 ...   | 205, 212, 216,<br>384, 385, 400, 401              | 4240113 ..... | 145  | 4460125.....  | 384, 400   | 4460467 ....  | 388, 403, 438   |
| 4060802 ...   | 187, 190, 194,<br>198, 201, 205, 212,<br>216, 253 | 4280295 ..... | 145  | 4460134.....  | 384, 385, 400,<br>401  | 4460470 ...   | 161, 165, 258,<br>264, 372, 376, 392,<br>395, 396   |
| 4060803 .....                                       | 248   | 4300097 ..... | 19   | 4460190.....  | 186, 189, 193,<br>197, 201   | 4460471 ...   | 161, 165, 258,<br>264, 372, 376, 392,<br>395, 396   |
| 4060804 .....                                       | 94, 113, 119                                      | 4300111 ..... | 212, 216   | 4460205.....  | 384, 385, 400,<br>401  | 4460473 ...   | 373, 375, 393,<br>394   |
| 4060805 .   | 80, 87, 94, 104,<br>127, 137, 234, 243            | 4300157 ..... | 207  | 4460224.....  | 382, 392   | 4460476 ..... | 387   |
| 4060806 .....                                       | 119   | 4340706 ..... | 229  | 4460225.....  | 372, 386, 393,<br>401  | 4460488 ....  | 161, 165, 258   |
| 4060906 .....                                       | 160, 165  | 4340738 ..... | 198, 212   | 4460226.....  | 258, 264, 272,<br>279, 372, 376, 378,<br>379, 381, 382, 385,<br>386, 388, 392, 396,<br>397, 400, 401, 402, 403 | 4460496 ..... | 166   |
| 4060907 .....                                       | 169   | 4341239 ..... | 137  | 4460227.....  | 121, 372, 378,<br>383, 392, 393, 395,<br>396, 399  | 4460497 ..... | 166   |
| 4060959 .....                                       | 435   | 4341241 ..... | 137  | 4460233.....  | 384, 385, 400,<br>401  | 4460499 ..... | 57, 384, 399  |
| 4061010 .....                                       | 179   | 4360031 ..... | 252  | 4460234.....  | 169, 209, 218,<br>258, 263, 281  | 4460508 ...   | 372, 373, 375,<br>377, 392, 393, 396  |
| 4061043 ...   | 205, 212, 385,<br>401                             | 4360057 ..... | 281, 430   | 4460265.....  | 272, 279   | 4460509 ...   | 373, 375, 393,<br>394   |
| 4061049 .....                                       | 206   | 4360070 ...   | 207, 213, 216,<br>430  | 4460267.....  | 377, 384, 395,<br>399  | 4460510 ....  | 388, 403, 438   |
| 4070410 .....                                       | 174, 178  | 4360188 ..... | 129  | 4460268.....  | 169, 377, 379,<br>384, 395, 396, 397, 399  |               |   |
| 4070411 .....                                       | 174, 178  | 4360232 ...   | 259, 387, 430  | 4460315.....  | 207  |               |   |
| 4070412 .....                                       | 174, 178  | 4360256 ..... | 119  | 4460320.....  | 377, 380, 384,<br>395, 399   |               |   |
| 4070450 .....                                       | 46  | 4360294 ..... | 190, 194   | 4460321.....  | 385, 388, 400,<br>403  |               |   |
| 4070560 .....                                       | 46  | 4360322 ..... | 243, 244   | 4460326.....  | 377, 384, 395,<br>399  |               |   |
| 4070561 .....                                       | 46  | 4360328 ...   | 161, 165, 257,<br>259, 263, 264, 428   | 4460339.....  | 380  |               |   |
| 4070585 .....                                       | 190   | 4360330 ..... | 263, 428   |               |  |               |   |
| 4070863 .....                                       | 233   | 4360331 ...   | 259, 265, 430  |               |  |               |   |
| 4070864 .....                                       | 233   | 4360336 ...   | 129, 135, 170,<br>187, 190, 194, 198,<br>201, 205, 212, 216,<br>253, 258, 264, 430 |               |  |               |   |
| 4070878 .....                                       | 13  | 4360387 ...   | 257, 259, 263,<br>264, 428   |               |  |               |   |
| 4070879 .....                                       | 13  | 4360392       | 78, 93, 105, 112,<br>118, 126  |               |  |               |   |
| 4070897 .....                                       | 229, 233  | 4360407 ...   | 257, 263, 428  |               |  |               |   |
| 4070898 .....                                       | 229, 233  | 4360436 ..... | 145  |               |  |               |   |
| 4070929 .....                                       | 229   | 4360469 ...   | 161, 165, 428  |               |  |               |   |
| 4070944 .....                                       | 13  | 4360475 ...   | 161, 165, 257,<br>263, 428   |               |  |               |   |
| 4070945 .....                                       | 13  | 4360476 ...   | 161, 165, 258,<br>263, 428   |               |  |               |   |
| 4070967 .....                                       | 229   | 4360498 ...   | 243, 399, 430  |               |  |               |   |
| 4070968 .....                                       | 229   |               |  |               |  |               |   |
| 4070969 .....                                       | 234   |               |  |               |  |               |   |
| 4070987 .....                                       | 161, 165  |               |  |               |  |               |   |

# PART NUMBER INDEX

|   |   |   |  |
|---|---|---|--|
| 4460526.... 161, 165, 376,<br>395   | 4460897 ... 129, 374, 381,<br>382, 394                        | 4564281 .... 114, 120, 127                                    | 4641435.....243  |
| 4460536.....378, 383, 395   | 4460899 ..... 397   | 4564417 ..... 194   | 4641453.....50, 53   |
| 4460539.... 376, 379, 380,<br>383, 397  | 4460905 ... 161, 258, 264,<br>372, 376, 377, 392,<br>395, 396 | 4566468 ..... 288, 317  | 4711400..13, 50, 94, 101,<br>105, 113, 119, 121,<br>126, 135, 138, 162,<br>198, 201, 206, 212,<br>216, 243, 248, 252   |
| 4460579.....379   | 4460906 ... 201, 385, 400                                     | 4566471 ..... 299   | 4711500.... 43, 46, 50, 51,<br>78, 87, 115, 121, 125,<br>146, 169, 205, 212,<br>216, 222, 258, 264   |
| 4460580.....379   | 4460908 ..... 378, 383  | 4566605 .... 111, 117, 126                                    | 4711600.... 13, 50, 80, 87,<br>88, 94, 102, 104, 121,<br>126, 138, 174, 180,<br>207, 222, 227, 229,<br>230, 233, 234, 329  |
| 4460582.....379   | 4460909 ..... 378, 383  | 4567073 77, 87, 115, 121                                      | 4711700.... 104, 198, 201,<br>212  |
| 4460598.... 248, 252, 259,<br>387, 402  | 4460915 ..... 378, 383  | 4567139 ..... 357, 361  | 4711800.... 183, 206, 212,<br>216, 222, 227, 255   |
| 4460607.... 207, 208, 213,<br>216, 217  | 4460916 ..... 398   | 4567413 ..... 329   | 4711900.....95, 104  |
| 4460608.....380, 397  | 4460918 ..... 375, 399  | 4567434 ..... 288   | 4740036.....46   |
| 4460611.....94, 113, 119  | 4460928 ..... 378, 383  | 4567757 ..... 358, 362  | 4740057.....63   |
| 4460634.... 372, 377, 392,<br>395   | 4460943 .... 378, 395, 396                                    | 4567815 ..... 95, 104   | 4740076.....174, 178   |
| 4460635.... 372, 392, 395   | 4460944 ... 378, 379, 383,<br>397                             | 4567879 .... 113, 118, 126                                    | 4740111.....15, 45   |
| 4460693.....380, 397  | 4460945 ..... 376, 383  | 4568118 ..... 146   | 4740119.....183  |
| 4460701 .... 384, 385, 400,<br>401  | 4460956 .... 208, 213, 217                                    | 4568119 ..... 145   | 4740155.....45   |
| 4460705.... 385, 400, 401   | 4460957 ... 208, 213, 217                                     | 4568158 ..... 113   | 4740171.....174, 177   |
| 4460708.... 258, 264, 372,<br>376, 392, 396   | 4460958 ... 205, 212, 216,<br>385, 401                        | 4568514 ..... 14  | 4740256.....15, 45   |
| 4460713.....380   | 4460959 ..... 375, 395  | 4568721 ..... 77, 87  | 4740274..78, 87, 95, 105,<br>112, 118, 126, 138  |
| 4460725.....380   | 4460960 ..... 375, 395  | 4568734 ..... 198, 212  | 4740362.... 169, 248, 252  |
| 4460726.....380   | 4460961 ..... 385, 400  | 4568735 ... 198, 201, 212,<br>216                             | 4740397.... 187, 190, 194,<br>198, 202, 253  |
| 4460728.....380   | 4460963 ... 208, 213, 216,<br>386, 402                        | 4568788 ..... 77  | 4740439.....226  |
| 4460742.... 217, 380, 386,<br>400, 402  | 4460965 ..... 378, 383  | 4568951 ..... 126   | 4740444.....161, 165   |
| 4460743.... 217, 386, 400,<br>402   | 4460967 ... 208, 213, 217,<br>386, 402                        | 4569083 ..... 126   | 4740455.....259  |
| 4460761 .... 372, 378, 383,<br>392, 396   | 4460968 ... 187, 190, 243,<br>244                             | 4569171 ..... 104   | 4740463.....15, 45   |
| 4460789.....387   | 4460978 ..... 381   | 4569173 ..... 126   | 4740472.....13   |
| 4460790.....387   | 4460979 .... 379, 381, 397                                    | 4569177 ..... 77, 82  | 4740473.....15, 45   |
| 4460792.....380   | 4461001 ... 208, 213, 217                                     | 4569342 ..... 137   | 4740500.....179  |
| 4460799.....380   | 4461005 ..... 379, 397  | 4569371 ..... 82, 90  | 4750600.... 207, 213, 216,<br>259  |
| 4460800.....380   | 4461006 ..... 380, 397  | 4569385 ..... 135   | 4750800.... 130, 209, 218  |
| 4460865.... 373, 375, 393,<br>394   | 4461008 ..... 380, 397  | 4569394 ..... 137   | 4751000.... 78, 111, 117,<br>169, 174, 175, 178,<br>179, 180, 187, 190,<br>194, 198, 202, 248,<br>251, 258, 264  |
| 4460866.... 372, 373, 375,<br>377, 392, 393, 396  | 4461052 ..... 379, 397  | 4620135 ..... 63  | 4751400.... 46, 78, 80, 87,<br>88, 93, 103, 105, 112,<br>118, 124, 125, 126,<br>136, 138, 161, 166,<br>174, 178, 206, 243,<br>244, 248, 252, 258,<br>264, 281, 408, 412,<br>419, 425 |
| 4460871 .... 267, 269, 275,<br>277, 372, 377, 380,<br>382, 383, 387, 392,<br>395, 396, 397, 398 | 4461053 ..... 380, 397  | 4640113 ..... 20  | 4751500..78, 81, 87, 101,<br>111, 117, 126, 135,<br>174, 175, 178, 180,<br>186, 190, 194, 202,<br>205, 248, 281  |
| 4460873.... 372, 377, 392,<br>395   | 4461054 ..... 380, 397  | 4640261 ..... 46  | 4751600.... 41, 43, 51, 78,<br>87, 89, 93, 101, 105,<br>112, 118, 121, 124,<br>126, 130, 135, 138,<br>145, 149, 174, 178,  |
| 4460874.... 161, 372, 376,<br>392, 396  | 4461060 ..... 380, 397  | 4640509 ... 295, 297, 299,<br>301, 303, 305, 307,<br>309, 311 |  |
| 4460875.... 161, 372, 376,<br>392, 396  | 4461070 ..... 379, 397  | 4640605 ... 288, 291, 293,<br>295, 297, 309, 311              |  |
| 4460876.....377, 395  | 4461071 ..... 376, 397  | 4640751 ..... 93, 104   |  |
| 4460878.....377, 396  | 4461072 ..... 376, 397  | 4640778 ..... 347   |  |
| 4460879.....372, 392  | 4461073 ..... 376, 397  | 4640780 ..... 358, 362  |  |
| 4460880.... 377, 379, 395,<br>397   | 4461074 ..... 376, 397  | 4640858 ..... 285   |  |
| 4460887 .... 372, 377, 392,<br>396  | 4461077 ... 373, 375, 399                                     | 4640866 ..... 49  |  |
| 4460889.....380   | 4461095 ..... 379, 397  | 4640871 ..... 13  |  |
| 4460890.....380   | 4461109 ..... 380, 397  | 4640906 ..... 50  |  |
| 4460891 .... 374, 379, 380,<br>394, 397, 398  | 4461111 ..... 380, 397  | 4640921 ..... 50, 57  |  |
| 4460892.... 376, 378, 383,<br>396   | 4461113 ..... 380, 397  | 4640922 ..... 50, 57  |  |
| 4460894.... 376, 378, 383,<br>396, 398  | 4461121 ..... 380, 397  | 4640929 ..... 243   |  |
|   | 4461122 ..... 380, 397  | 4640932 ... 288, 291, 293                                     |  |
|   | 4461123 ..... 380, 397  | 4640952 ..... 138   |  |
|   | 4461124 ..... 380, 397  | 4640989 .... 111, 117, 126                                    |  |
|   | 4461157 ..... 379, 397  | 4641022 ..... 146   |  |
|   | 4461161 ..... 380, 397  | 4641027 ..... 305, 307  |  |
|   | 4461222 ..... 380, 397  | 4641032 ..... 329, 331  |  |
|   | 4520204 ..... 20  | 4641033 ... 323, 325, 327                                     |  |
|   | 4520205 ..... 20  | 4641041 ..... 41  |  |
|   | 4520242 ..... 20  | 4641042 ..... 41  |  |
|   | 4520252 ..... 20  | 4641061 ..... 50  |  |
|   | 4520253 ..... 20  | 4641076 ..... 337   |  |
|   | 4520347 ..... 20  | 4641099 ..... 50, 53  |  |
|   | 4520348 ..... 20  | 4641136 ..... 243   |  |
|   | 4520353 ..... 20  | 4641162 ..... 285   |  |
|   | 4520354 ..... 20  | 4641192 ..... 53  |  |
|   |   | 4641261 ..... 129   |  |
|   |   | 4641300 ..... 43  |  |
|   |   | 4641303 ..... 43  |  |
|   |   | 4641317 ..... 50  |  |

## PART NUMBER INDEX

|   |   |  |                                      |
|---|---|--|--------------------------------------|
| 179, 186, 190, 194,<br>198, 212, 216, 244,<br>248, 252  | 4845702 .....234  | 4922578....374, 375, 394,<br>395                 | 4933296 .... 162, 368, 375           |
| 4751700 ..... 105   | 4845703 .....222  | 4922579.....373, 394                             | 4933300 ..... 368, 385               |
| 4751800 ... 14, 78, 87, 94,<br>101, 112, 118, 125,<br>135, 136, 138, 145,<br>149, 151, 155, 198,<br>212, 255, 281 | 4845716 .....225  | 4922580.....374                                  | 4933307 ..... 368                    |
| 4751900 ..... 186   | 4845729 .....234  | 4922581.....375                                  | 4933321 ... 162, 369, 375,<br>378    |
| 4752000 . 80, 88, 94, 101,<br>113, 119, 125, 135  | 4845928 ..... 145   | 4922582.....373, 393                             | 4933338 ... 162, 369, 375,<br>378    |
| 4760600 ... 208, 209, 213,<br>216, 218, 259   | 4846011 ..... 112   | 4922637.....376, 396                             | 4933339 ... 162, 369, 376,<br>378    |
| 4761000 ... 174, 178, 248,<br>251, 259  | 4846046 ..... 112, 117  | 4922639.....258, 372                             | 4933349 ... 217, 368, 386,<br>402    |
| 4761400 ..... 161, 166  | 4846101 .....247  | 4922641 ....208, 213, 217,<br>385, 386, 400, 402 | 4933350 .... 368, 385, 400           |
| 4761500 ... 111, 117, 205,<br>212, 216  | 4846102 .....247  | 4922643....368, 387, 402                         | 4933356 ... 162, 369, 376,<br>379    |
| 4761600 .... 212, 216, 244  | 4846103 .....247  | 4922666....161, 258, 264,<br>372, 378, 392       | 4933371 ... 162, 369, 376,<br>379    |
| 4762000 ..... 46  | 4846253 .....247  | 4922675.....161, 377                             | 4933372 ... 162, 369, 375,<br>378    |
| 4770600 ..... 183   | 4846254 .....247  | 4922737 ..78, 80, 95, 101,<br>381                | 4933373 ... 162, 369, 375,<br>378    |
| 4771800 ..... 114, 119  | 4846255 .....247  | 4922757.....208, 386                             | 70000017 ..... 438                   |
| 479140087, 94, 105, 138,<br>206, 212  | 4846413 ..... 13  | 4922773.....374, 394                             | 70000122 ..... 185                   |
| 4811600 ..... 89, 187, 190  | 4846414 ..... 45  | 4922774.....374, 395                             | 70000123. 185, 189, 193,<br>197      |
| 4811700 ..... 89  | 4846430 ..... 63  | 4922775.....374, 394                             | 70000124. 186, 189, 193,<br>197      |
| 4811900 . 78, 87, 89, 186,<br>202, 207, 216   | 4846452 .....251  | 4922846....162, 377, 379                         | 70000125. 186, 189, 193,<br>197      |
| 4812000 ..... 89, 126, 194  | 4846507 ..... 46  | 4922849.....387                                  | 70000126. 186, 189, 193,<br>197      |
| 4812100 .. 78, 87, 89, 187  | 4846508 ..... 46  | 4922855.....368, 387                             | 70000127 .. 186, 189, 197            |
| 4812200 ..... 105   | 4846566 ..... 93, 105   | 4922868.....374, 394                             | 70000164 ..... 137                   |
| 4821397 ..... 281   | 4846573 ..... 223, 227  | 4922905.....213, 386                             | 70000264 ..... 107                   |
| 4831900 ..... 96, 105, 113,<br>119, 126, 138  | 4846673 .....281  | 4922925....207, 212, 216,<br>386, 401            | 70000342 ..... 238, 241              |
| 4832000 . 78, 87, 96, 105,<br>113, 118, 127   | 4846790 ..... 78, 87  | 4922933....161, 376, 379                         | 70000345 ..... 107                   |
| 4843777 ..... 46  | 4846805 ..... 78, 87  | 4922970.....385                                  | 70000579 ..... 54                    |
| 4844790 ..... 227   | 4846806 ... 111, 117, 127   | 4922978.....101                                  | 70000580 ..... 54                    |
| 4844816 ..... 225   | 4846817 ..... 121   | 4923223.....161, 377                             | 70000582 ..... 54, 428               |
| 4844817 ..... 225   | 4846935 ..... 45  | 4923238....161, 377, 379                         | 70000583 ..... 54                    |
| 4844924 ..... 247   | 4860148 ..... 20  | 4923280....161, 376, 379                         | 70000619.. 207, 211, 215             |
| 4844925 ..... 247   | 4860188 ..... 20  | 4923281....162, 377, 379                         | 70000718 ..... 383, 399              |
| 4844928 ..... 247   | 4860224 ..... 20  | 4923282.....161, 377                             | 70000781 ..... 43                    |
| 4844954 ..... 247   | 4860225 ..... 20  | 4923296.....378                                  | 70000782 ..... 72                    |
| 4844955 ..... 247   | 4891400 ..... 121   | 4923379....105, 382, 399                         | 70000793 ..... 105                   |
| 4844956 ..... 247   | 4891500 ..... 50, 198   | 4923420....217, 386, 402                         | 70000794 ..... 37                    |
| 4844958 ..... 63  | 4891600 ..... 89, 103, 105,<br>125, 151, 155, 183,<br>198, 202, 212, 216,<br>223, 227 | 4923445.....400                                  | 70000795 ..... 37                    |
| 4845327 ..... 247   | 4891800 . 19, 80, 93, 103,<br>111, 117, 136, 183,<br>223, 227                         | 4923462....373, 393, 394                         | 70000797 ..... 37                    |
| 4845328 ..... 247   | 4892000 .. 15, 19, 63, 198  | 4923466.....374, 394                             | 70000800 ..... 108                   |
| 4845395 ..... 94, 105   | 4892600 ..... 223, 227  | 4923485.....374, 394                             | 70000863 .. 206, 211, 215            |
| 4845404 .... 93, 105, 112,<br>118, 127  | 4920044 .....248  | 4923486.....374, 395                             | 70000912 ..... 106                   |
| 4845408 ..... 247   | 4920385 ..... 126, 138  | 4923487 ....374, 375, 394,<br>395                | 70000913 ..... 106                   |
| 4845409 ..... 247   | 4921829 ..... 385, 401  | 4923488.....374, 394                             | 70000914 ..... 106                   |
| 4845410 ..... 247   | 4921927 ..... 50, 384, 399  | 4923489.....373, 393                             | 70000915 ..... 106                   |
| 4845411 ..... 173, 179  | 4921928 ..... 50, 383, 399  | 4923490.....373, 393                             | 70000916 ..... 106                   |
| 4845412 ..... 247   | 4921955 ..... 385, 401  | 4923499....162, 377, 379                         | 70000917 ..... 106                   |
| 4845413 ..... 247   | 4922099 ..... 383   | 4923575.....161, 377                             | 70000918 ..... 106                   |
| 4845426 ..... 247   | 4922215 ... 374, 387, 394,<br>402   | 4923585....161, 376, 379                         | 70000919 ..... 106                   |
| 4845469 ..... 247   | 4922216 ... 374, 387, 394,<br>402   | 4923591.....376                                  | 70000934 ..... 49                    |
| 4845593 ..... 221, 225  | 4922217 ... 374, 387, 394,<br>403   | 4923613....373, 375, 393                         | 70000970 ..... 59                    |
| 4845612 ..... 119   | 4922482 ..... 385   | 4932986.....368                                  | 70000976 ..... 59                    |
| 4845658 ..... 13  | 4922498 ..... 387   | 4933189.....368                                  | 70001002 ..... 95, 106               |
| 4845667 ..... 121   | 4922549 .... 161, 377, 379  | 4933215.....368, 385                             | 7000101777, 86, 95, 104,<br>115, 121 |
| 4845680 ..... 229   | 4922550 .... 162, 377, 379  | 4933216.....368, 385                             | 70001051 ..... 82, 90                |
| 4845701 ..... 234   | 4922557 ... 161, 166, 377,<br>395   | 4933217 ..... 368                                | 70001059 ..... 59                    |
|   | 4922565 ..... 368   | 4933231 ..... 368                                | 70001060 ..... 59                    |
|   | 4922575 ..... 373, 393  | 4933232....162, 369, 375,<br>378                 | 70001061 ..... 59                    |
|   | 4922576 ..... 373, 393  | 4933233....162, 369, 376,<br>378                 |                                      |
|   | 4922577 ..... 374   | 4933264....208, 368, 386                         |                                      |
|   |   | 4933273 ..... 368                                |                                      |
|   |   | 4933283....213, 368, 386                         |                                      |

# PART NUMBER INDEX

|                                 |                         |                          |                       |
|---------------------------------|-------------------------|--------------------------|-----------------------|
| 70001062.....59                 | 7000214.....66          | 7000281.....66, 72       | 70004316.....398      |
| 70001063.....59                 | 7000217.....66, 72      | 70002818.....208, 217    | 70004317.....398      |
| 70001064.....59                 | 7000220.....23, 27      | 70002819.....208, 217    | 70004318.....398      |
| 70001065.....59                 | 70002200.....96, 106    | 7000282.....23, 27       | 70004319.....398      |
| 70001066.....59                 | 70002212.....155, 156   | 70002820.....208, 217    | 70004738.....279      |
| 70001067.....59                 | 70002234.....95, 107    | 70002821.....208, 217    | 70004739.....279      |
| 70001068.....59                 | 70002235..186, 189, 193 | 70002822.....208, 217    | 70004740.....279      |
| 70001069.....59                 | 7000224.....23, 27      | 70002823.....208, 217    | 70004741.....279      |
| 70001100...205, 211, 215        | 70002240.....185, 186   | 70002824.....208, 217    | 70004742.....279      |
| 70001103.....146                | 7000228.....66, 72      | 70002825.....208, 217    | 70004743.....279      |
| 70001120.....82, 90             | 7000229.....66, 72      | 70002826.....209, 217    | 70004744.....279      |
| 70001126.....108                | 70002297.....206, 215   | 7000283.....23, 27       | 70004745.....279      |
| 70001132.....106                | 7000230.....66, 72      | 70002833.....81, 90      | 70004746.....279      |
| 70001248..151, 152, 155,<br>156 | 70002307..114, 120, 127 | 70002834.....81, 90      | 70004747.....279      |
| 70001249.....152                | 7000231.....23, 27      | 70002835.....81, 90      | 70004748.....279      |
| 70001384...206, 211, 215        | 7000235.....23, 27      | 7000284.....23, 27       | 70004749.....279      |
| 70001423.....95, 106            | 7000236.....23, 27      | 70002841.....83          | 70004750.....279      |
| 70001435.....106                | 70002366.....315        | 70002843.....81, 90      | 70004751.....279      |
| 70001498.....95, 107            | 7000238.....23, 27      | 70002844.....81, 90      | 70004752.....271      |
| 70001681.....95                 | 7000239.....23, 27      | 70002845.....82, 91      | 70004753.....271      |
| 70001690.....127                | 70002390.....43         | 70002846.....82, 91      | 70004754.....271      |
| 70001696...206, 211, 215        | 7000240.....23, 27      | 70002847.....82, 91      | 70004755.....271      |
| 70001697.....238, 241           | 70002410.....291        | 70002848.....82, 91      | 70004756.....271      |
| 70001742.....82, 90             | 70002411.....95         | 70002849.....82, 91      | 70004757.....271      |
| 70001835.....107                | 70002415.....108        | 70002850.....82, 91      | 70004758.....271      |
| 70001836.....106                | 70002416.....108        | 70002851.....83, 91      | 70004759.....271      |
| 70001837.....107                | 70002417.....108        | 70002852.....82, 90      | 70004760.....271      |
| 70001838.....107                | 7000246.....66, 72      | 7000287.....24, 27       | 70004761.....271      |
| 70001839.....107                | 70002460..206, 211, 215 | 7000288.....24, 27       | 70004762.....271      |
| 70001841.....107                | 70002479.....83, 90     | 7000289.....24, 27       | 70004763.....271      |
| 70001847.....108                | 7000248.....66, 72      | 70002895.....430         | 70004764.....271      |
| 70001848.....106                | 7000253.....66, 72      | 70002898.....383, 399    | 70004765.....271      |
| 70001850.....106                | 70002530.....96         | 7000290.....24, 27       | 70004766.....271      |
| 70001866.....107                | 7000255.....66, 72      | 70002906.....269         | 70004767.....271      |
| 70001868.....107                | 70002567..115, 121, 127 | 70002946.....53          | 70004768.....271      |
| 70001870.....107                | 7000257.....66, 72      | 70003001.....108         | 70004769.....271      |
| 70001872.....108, 399           | 70002627.....383, 399   | 70003002.....108         | 70004770.....271      |
| 70001874.....107                | 7000263.....66          | 70003003.....108         | 70004771.....271      |
| 70001931.....383, 399           | 7000265.....15, 23, 27  | 70003454.....156         | 70004772.....271      |
| 70001941.....169                | 7000269.....66          | 70003476.....95, 96, 106 | 70004773.....271      |
| 70001950.....383, 399           | 7000270.....66          | 70003483.....252         | 70004774.....272      |
| 70001951.....383, 399           | 70002705.....77, 86     | 70003556.....95          | 70004775.....272      |
| 70001953...206, 212, 215        | 70002706.....77, 86     | 70003631..206, 211, 215  | 70005230.....279      |
| 70001966...206, 211, 215        | 70002716.....146        | 70003708.....206         | 70005483.....28       |
| 70001969.....206                | 7000272.....23, 27      | 70003709.....206         | 70005594.....331      |
| 70001973...206, 212, 215        | 70002724.....277        | 70003784.....257, 263    | 70005793.....291      |
| 70001974...206, 211, 215        | 70002725.....277        | 70003935.....43          | 7000625.....252       |
| 70001976.....54, 57             | 70002726.....277        | 70003936.....43          | 70006344.....331      |
| 70002013.....234, 430           | 70002727.....277        | 70003983.....60          | 70006375.....311      |
| 70002014.....234                | 70002728.....277        | 70003984.....60          | 70006376.....311      |
| 70002065.....72                 | 70002729.....277        | 70003985.....60          | 70006377.....311      |
| 70002066.....72                 | 7000273.....23, 27      | 70003986.....60          | 70006378.....311      |
| 70002067.....72                 | 70002730.....269        | 70003988.....60          | 70006384.....307      |
| 70002068.....72                 | 70002731.....269        | 70003989.....60          | 70006385.....297, 307 |
| 70002069.....72                 | 70002732.....269        | 70003990.....60          | 70006386.....307      |
| 70002070.....72                 | 70002733.....269        | 70003991.....60          | 70006387.....307      |
| 70002071.....72                 | 70002734.....269        | 70003992.....60          | 70006388.....307      |
| 70002072.....72                 | 70002735.....269        | 70003993.....60          | 70006389.....297      |
| 70002073.....72                 | 7000274.....23, 27      | 70003994.....60          | 70006390.....297      |
| 70002074.....72                 | 7000275.....23, 27      | 70004148.....81          | 70006391.....297      |
| 70002075.....72                 | 70002761.....83, 90     | 70004149.....145         | 7000645.....54, 428   |
| 70002085.....73                 | 70002762.....83, 90     | 70004169..206, 212, 215  | 70006479.....331      |
| 70002086.....73                 | 70002763.....83, 91     | 70004170.....206         | 70006480.....331      |
| 70002088...206, 211, 215        | 70002764.....83, 90     | 70004171..206, 212, 215  | 70006568.....301      |
| 7000209.....66                  | 70002765.....82, 90     | 70004182.....77, 87      | 70006569.....301      |
| 7000213.....23, 27              | 70002766.....83         | 70004183.....105         | 70006570.....301      |
|                                 | 70002767.....83         | 70004184.....145         | 70006571.....301      |

## PART NUMBER INDEX

|                            |                            |   |  |
|----------------------------|----------------------------|---|--|
| 70006572 ..... 301         | 7002823 .... 388, 403, 438 | 7007484 ..... 142                                 | 7012773 ..... 53, 54, 57                       |
| 70006590 ..... 291         | 7002826 ..... 438          | 7007485 ..... 142                                 | 7012774 ..... 54, 57                           |
| 70006596 ..... 315         | 7002828 ..... 388, 403     | 7007487 ..... 142                                 | 7012775 ..... 53                               |
| 70006601 ..... 291         | 7002840 ..... 13, 438      | 7007488 ..... 142                                 | 7012776 ..... 57                               |
| 7000663 ..... 95, 107      | 7003657 .... 185, 189, 193 | 7007494 ..... 141                                 | 7012777 ..... 57                               |
| 70006642 ..... 293         | 7003928 ..... 267, 269     | 7007496 ..... 142                                 | 7012905 ..... 50                               |
| 70006643 ..... 293, 319    | 7003933 ..... 275          | 7007497 .... 142, 382, 399                        | 7012914 ..... 53                               |
| 70006644 ..... 293, 319    | 7003935 ..... 275          | 7007498 .... 142, 382, 399                        | 7012918 ..... 53                               |
| 70006645 ..... 293         | 7003941 ..... 275, 277     | 7007633 ..... 66, 72                              | 7012941 ..... 50, 54                           |
| 70006649 ..... 303         | 7003946 ..... 275          | 7007990 ..... 19                                  | 7012943 ..... 50                               |
| 70006650 ..... 303         | 7003953 ..... 267          | 7010116 ..... 142                                 | 7012944 ..... 50, 54, 428                      |
| 70006651 ..... 319         | 7003969 ..... 275          | 7010122 ..... 142                                 | 7012953 ..... 54, 57, 243                      |
| 70006668 ..... 319         | 7003972 ..... 275, 277     | 7010404 ..... 15                                  | 7012959 ..... 50                               |
| 70006669 ..... 327         | 7003973 ..... 275, 277     | 7010405 ..... 15                                  | 7012965 ..... 57                               |
| 70006670 ..... 327         | 7003976 ..... 267          | 7010406 ..... 15                                  | 7012970 ..... 243                              |
| 70006671 ..... 327         | 7003977 ..... 267          | 7010461 ..... 66                                  | 7012972 ..... 50                               |
| 70006672 ..... 327         | 7003980 ..... 275, 277     | 7010464 ..... 23, 27                              | 7012989 ..... 54                               |
| 70006728 ..... 331         | 7003982 ..... 277          | 7010474 ..... 66                                  | 7012998 ..... 53, 55, 57                       |
| 70006731 ..... 331         | 7003983 ..... 275, 277     | 7010492 ..... 66, 72                              | 7013187 ..... 149                              |
| 70006733 ..... 331         | 7003986 ..... 275          | 7010542 ..... 53                                  | 7013189 ..... 152, 155                         |
| 70006734 ..... 303         | 7003989 ..... 275, 277     | 7010543 ..... 50, 53, 54                          | 7014801 ..... 146                              |
| 70006735 ..... 303         | 7003992 ..... 267, 275     | 7010545 ..... 54                                  | 7014802 ..... 146                              |
| 70006736 ..... 303         | 7003993 ..... 267, 275     | 7010638 ..... 118                                 | 7014810 ..... 146                              |
| 70006777 ..... 315         | 7003994 ..... 275          | 7010795 ..... 67                                  | 7014813 ..... 146                              |
| 70006778 ..... 315         | 7004035 ..... 72           | 7010903 ..... 59                                  | 7014816 ..... 146                              |
| 70006779 ..... 315         | 7004036 ..... 72           | 7010944 ..... 60                                  | 7014817 ..... 146                              |
| 70006780 ..... 315         | 7004042 ..... 67           | 7011008 ..... 59                                  | 7014818 ..... 146                              |
| 70006781 ..... 315         | 7004043 ..... 67, 73       | 7011022 ..... 59                                  | 7016314 ..... 146                              |
| 70006782 ..... 291         | 7004044 ..... 67, 73       | 7011043 ..... 59                                  | 7016322 ..... 183                              |
| 70006783 ..... 291         | 7004045 ..... 73           | 7011044 ..... 59                                  | 7016328 ..... 95, 106, 430                     |
| 70006784 ..... 291         | 7004046 ..... 67           | 7011048 ..... 59                                  | 7016331 ..... 95, 106, 430                     |
| 70006796 ..... 325         | 7004047 ..... 73           | 7011112 ..... 288, 291, 293                       | 7016342 ..... 149                              |
| 70006797 ..... 325         | 7004049 ..... 73           | 7011311 ..... 238                                 | 7016356 ..... 252                              |
| 70006798 ..... 325         | 7004275 ..... 438          | 7011331 ..... 237                                 | 7016374 ..... 183                              |
| 70006799 ..... 325         | 7004276 ..... 438          | 7011332 ..... 237                                 | 7016380 ..... 169                              |
| 70006800 ..... 325         | 70050801 ..... 315         | 7011333 ..... 243                                 | 7016399 ..... 248, 252                         |
| 70006801 ..... 325         | 7006137 ..... 234, 430     | 7011342 ..... 243                                 | 7016522 ..... 234, 430                         |
| 70006802 ..... 325         | 7007208 ..... 141          | 7012513 .... 185, 189, 193,<br>197, 201           | 7016523 ..... 234                              |
| 70006803 ..... 325         | 7007412 ..... 142          | 7012514 .... 185, 189, 193,<br>197, 201           | 7016524 ..... 234                              |
| 70006804 ..... 325         | 7007413 ..... 141          | 7012518 ..... 50                                  | 7016529 ..... 234                              |
| 70006921 ..... 331         | 7007414 ..... 141          | 7012558 .... 185, 189, 193,<br>197, 201           | 7016652 ..... 438                              |
| 70006922 ..... 331         | 7007417 ..... 141          | 7012664 .. 76, 86, 93, 103,<br>113, 126, 137, 428 | 7016654 ..... 438                              |
| 70006923 ..... 331         | 7007419 ..... 34, 141      | 7012679 ..... 127                                 | 7016655 ..... 438                              |
| 70006924 ..... 331         | 7007420 ..... 34           | 7012693 ..... 13                                  | 7016779 ..... 59                               |
| 70006925 ..... 331         | 7007423 ..... 141          | 7012700 ..... 31                                  | 7016780 ..... 59                               |
| 70006926 ..... 331         | 7007425 ..... 141          | 7012701 ..... 31                                  | 7016781 ..... 59                               |
| 70006927 ..... 331         | 7007435 ..... 141          | 7012702 ..... 31                                  | 7016782 ..... 59                               |
| 70006928 ..... 331         | 7007437 ..... 34, 38, 141  | 7012703 ..... 31                                  | 7016783 ..... 59                               |
| 7000731 ..... 19, 28, 67   | 7007438 ..... 33, 37, 141  | 7012704 ..... 31                                  | 7016784 ..... 59                               |
| 7000897 .... 114, 120, 127 | 7007439 ..... 33, 37, 141  | 7012705 ..... 31                                  | 7016785 ..... 59                               |
| 7001498 ..... 142          | 7007441 ..... 141          | 7012706 ..... 31                                  | 701680079, 94, 113, 124,<br>381                |
| 7001901 ..... 23, 27       | 7007442 ..... 141          | 7012707 ..... 31                                  | 7016802 ..... 79, 94, 381                      |
| 7001902 ..... 23, 27       | 7007446 ..... 33, 37, 141  | 7012708 ..... 31                                  | 7016803.80, 94, 101, 381                       |
| 7001903 ..... 23, 27       | 7007452 ..... 141          | 7012709 ..... 31                                  | 7016807 ... 113, 118, 124,<br>381              |
| 7001906 ..... 23, 27       | 7007453 ..... 142          | 7012710 ..... 31                                  | 7016808 ... 113, 119, 124,<br>381              |
| 7001909 ..... 66           | 7007454 ..... 141          | 7012711 ..... 31                                  | 7016809 ..... 79, 94, 381                      |
| 7001911 ..... 66           | 7007457 ..... 141          | 7012712 ..... 31                                  | 7016813 ..... 79, 100, 381                     |
| 7001912 ..... 66           | 7007463 ..... 142          | 7012713 ..... 31                                  | 7016821 ..... 124, 381                         |
| 7001928 ..... 23, 27, 66   | 7007464 ..... 142          | 7012714 ..... 31                                  | 7016822 ..... 124, 381                         |
| 7001931 ..... 66           | 7007465 ..... 142          | 7012715 ..... 31                                  | 701682480, 94, 101, 113,<br>124, 136, 381, 398 |
| 7001985 ..... 66           | 7007466 ..... 142          | 7012716 ..... 31                                  | 701682580, 94, 101, 113,<br>124, 136, 381, 398 |
| 70020808 ..... 398         | 7007470 ..... 141          | 7012769 ..... 54                                  | 7016826 ..... 118                              |
| 70022564 ..... 291         | 7007472 ..... 142          | 7012772 ... 53, 54, 57, 428                       |  |
| 70023915 ..... 301         | 7007474 ..... 142          |   |  |
| 70027259 ..... 325         | 7007475 ..... 142          |   |  |
| 7002821 .... 388, 403, 438 | 7007478 ..... 142          |   |  |
| 7002822 ..... 438          | 7007483 ..... 142          |   |  |

## PART NUMBER INDEX

|              |          |  |                            |              |                            |              |                       |
|--------------|----------|--|----------------------------|--------------|----------------------------|--------------|-----------------------|
| 7016827..... | 118      | 7017477.....                               | 54                         | 7020066..... | 229                        | 7021249..... | 34, 37                |
| 7016844..... | 119      | 7017478.....                               | 54                         | 7020067..... | 229                        | 7021275..... | 33, 37                |
| 7017023..... | 66, 72   | 7017479.....                               | 50                         | 7020108 ...  | 185, 189, 193,<br>197, 201 | 7021276..... | 37                    |
| 7017027..... | 23, 27   | 7017481.....                               | 50                         | 7020109 ...  | 185, 189, 193,<br>197, 201 | 7021277..... | 33, 37                |
| 7017028..... | 72       | 7018612.....                               | 19                         | 7020110 ...  | 185, 189, 193,<br>197, 201 | 7021310..... | 54                    |
| 7017033..... | 23, 27   | 7018912.....                               | 53, 54, 57                 | 7020111 ...  | 185, 189, 193,<br>197, 201 | 7021311..... | 55                    |
| 7017034..... | 23       | 7018941.....                               | 53                         | 7020168..... | 95                         | 7021601..... | 54                    |
| 7017035..... | 23       | 7018942.....                               | 55, 57                     | 7020172..... | 243                        | 7021602..... | 53                    |
| 7017036..... | 23       | 7018945.....                               | 54, 57                     | 7020173..... | 243                        | 7021625..... | 41, 43                |
| 7017037..... | 23       | 7018946.....                               | 57                         | 7020175 ...  | 161, 165, 258,<br>263      | 7021639..... | 43                    |
| 7017038..... | 23       | 7018947.....                               | 57                         | 7020176 ...  | 161, 165, 258,<br>263      | 7021656..... | 41                    |
| 7017039..... | 23       | 7018948.....                               | 57                         | 7020190 ...  | 185, 189, 193,<br>197, 201 | 7021868....  | 114, 120, 127,<br>430 |
| 7017040..... | 23       | 7018951.....                               | 55                         | 7020191 .... | 186, 189, 193              | 7022134....  | 114, 119, 127,<br>382 |
| 7017041..... | 23       | 7018991.....                               | 53, 428                    | 7020192 ...  | 186, 189, 193,<br>197      | 7022139....  | 114, 120, 127         |
| 7017042..... | 23       | 7018992.....                               | 53                         | 7020193..... | 385, 400                   | 7022143....  | 114, 120, 127         |
| 7017043..... | 23       | 7018993.....                               | 54                         | 7020246..... | 159, 165                   | 7022144..... | 114, 120              |
| 7017044..... | 23       | 7018994.....                               | 53                         | 7020408..... | 95, 106                    | 7022149..... | 114, 120              |
| 7017045..... | 23       | 7018995 79, 93, 102, 111,<br>117, 125, 136 |                            | 7020411..... | 95, 106                    | 7022150..... | 115, 121              |
| 7017046..... | 24       | 7019103.....                               | 275                        | 7020431..... | 95                         | 7022151..... | 115, 121              |
| 7017047..... | 24, 27   | 7019110.....                               | 275                        | 7020447..... | 106                        | 7022153..... | 115, 120              |
| 7017048..... | 23, 27   | 7019111.....                               | 267, 275                   | 7020449..... | 96, 106                    | 7022154..... | 115, 120              |
| 7017050..... | 24, 27   | 7019112.....                               | 275                        | 7020458..... | 95, 107                    | 7022155....  | 115, 120, 127         |
| 7017051..... | 15       | 7019114.....                               | 275                        | 7020459..... | 96, 107                    | 7022156..... | 115, 120              |
| 7017052..... | 15       | 7019115.....                               | 275                        | 7020460..... | 96, 107                    | 7022157..... | 115, 121              |
| 7017053..... | 15       | 7019122.....                               | 267                        | 7020461..... | 95, 107                    | 7022158..... | 114, 120              |
| 7017054..... | 15       | 7019123.....                               | 267                        | 7020462..... | 95                         | 7022159..... | 114, 120              |
| 7017055..... | 15       | 7019141.....                               | 267                        | 7020464..... | 95, 107                    | 7022160..... | 114, 120              |
| 7017056..... | 15       | 7019142.....                               | 267                        | 7020465..... | 96, 106                    | 7022161..... | 114, 120              |
| 7017057..... | 16       | 7019143.....                               | 267                        | 7020468..... | 96, 106                    | 7022162..... | 114, 120              |
| 7017058..... | 16       | 7019144.....                               | 267                        | 7020471..... | 96, 106                    | 7022165..... | 129                   |
| 7017068..... | 24, 28   | 7019145.....                               | 267                        | 7020474..... | 96                         | 7022166..... | 129                   |
| 7017070..... | 66, 72   | 7019147.....                               | 267                        | 7020479..... | 95, 107                    | 7022167..... | 129                   |
| 7017072..... | 72       | 7019149.....                               | 267                        | 7020480..... | 95                         | 7022168..... | 129                   |
| 7017080..... | 72       | 7019149.....                               | 267                        | 7020487..... | 106                        | 7022170..... | 129                   |
| 7017082..... | 66       | 7019150.....                               | 267                        | 7021200..... | 141                        | 7022171..... | 129                   |
| 7017085..... | 67, 72   | 7019151.....                               | 275                        | 7021201..... | 141                        | 7022178..... | 114, 120              |
| 7017089..... | 66       | 7019154.....                               | 275                        | 7021202..... | 141                        | 7022180....  | 114, 120, 127         |
| 7017101..... | 237      | 7019155.....                               | 275                        | 7021203..... | 141                        | 7022302..... | 33, 37                |
| 7017115..... | 237      | 7019160.....                               | 275                        | 7021205..... | 141                        | 7022305..... | 33, 37                |
| 7017118..... | 238      | 7019161.....                               | 275                        | 7021206..... | 142                        | 7022310..... | 33, 37                |
| 7017119..... | 237      | 7019162.....                               | 275, 277                   | 7021207..... | 141                        | 7022311..... | 33, 37                |
| 7017142..... | 237, 238 | 7019164.....                               | 275, 277                   | 7021208..... | 141                        | 7022312..... | 33, 37                |
| 7017156..... | 238      | 7019165.....                               | 275, 277                   | 7021209..... | 141                        | 7022313..... | 33, 37                |
| 7017157..... | 238      | 7019166.....                               | 275                        | 7021212..... | 141                        | 7022314..... | 33, 37                |
| 7017158..... | 238, 241 | 7019167.....                               | 275, 277                   | 7021213..... | 142                        | 7022321..... | 34                    |
| 7017159..... | 238, 241 | 7019168.....                               | 275                        | 7021214..... | 142                        | 7022323..... | 34                    |
| 7017162..... | 237, 241 | 7019171.....                               | 267                        | 7021218..... | 142                        | 7022326..... | 34, 38                |
| 7017163..... | 237, 241 | 7019174.....                               | 267                        | 7021219..... | 142                        | 7022328..... | 34, 38                |
| 7017164..... | 237, 241 | 7019177.....                               | 267                        | 7021220..... | 142                        | 7022367..... | 34                    |
| 7017174..... | 237      | 7019194.....                               | 275, 277                   | 7021221..... | 142                        | 7022370..... | 34                    |
| 7017177..... | 237      | 7019197.....                               | 267                        | 7021222..... | 142                        | 7022371..... | 34, 38                |
| 7017183..... | 237, 241 | 7019658.....                               | 145                        | 7021223..... | 142                        | 7022372..... | 34, 38                |
| 7017193..... | 237, 241 | 7019680 ...                                | 185, 186, 189,<br>197, 201 | 7021226..... | 142                        | 7022396..... | 41                    |
| 7017210..... | 321      | 7019925 ...                                | 115, 121, 127              | 7021227..... | 142                        | 7022397..... | 41, 43                |
| 7017211..... | 321      | 7019930.....                               | 115, 121                   | 7021228..... | 142                        | 7022398..... | 41                    |
| 7017213..... | 321      | 7019932.....                               | 115, 121                   | 7021229..... | 142                        | 7022399..... | 41, 43                |
| 7017214..... | 321      | 7019976 ...                                | 114, 120, 127              | 7021230..... | 142                        | 7022721..... | 83, 90                |
| 7017215..... | 321      | 7019977 ...                                | 114, 120, 127              | 7021231..... | 142                        | 7022808..... | 267, 269              |
| 7017236..... | 321      | 7019986.....                               | 114, 119                   | 7021232..... | 142                        | 7022812..... | 275                   |
| 7017420..... | 53, 57   | 7019993 ...                                | 114, 120, 127              |              |                            | 7022814..... | 267                   |
| 7017421..... | 57       | 7019994 ...                                | 114, 120, 127              |              |                            | 7022815..... | 267, 269              |
| 7017422..... | 57       | 7019996 ...                                | 114, 120, 127              |              |                            | 7022816..... | 267                   |
| 7017423..... | 53       | 7020020.....                               | 49                         |              |                            | 7022817..... | 267                   |
| 7017427..... | 53       | 7020021.....                               | 49                         |              |                            | 7022818..... | 267                   |
| 7017428..... | 53, 55   | 7020064.....                               | 229                        |              |                            |              |                       |
| 7017466..... | 49       | 7020065.....                               | 229                        |              |                            |              |                       |
| 7017475..... | 54       |  |                            |              |                            |              |                       |

## PART NUMBER INDEX

|                                   |  |  |  |
|-----------------------------------|--|--|--|
| 7022819 ... 267, 269, 382,<br>392 | 7024196 ..... 28, 68                       | 7026189..... 151, 152                  | 7027015 .... 136, 381, 398             |
| 7022822 ..... 275                 | 7024197 ..... 28, 68                       | 7026197..... 152, 155                  | 7027017 ..... 136, 398                 |
| 7022823 ..... 275                 | 7024379 ..... 67, 73                       | 7026199.... 185, 189, 193,<br>197, 201 | 7027018 .... 136, 381, 398             |
| 7022824 ..... 275                 | 7024380 ..... 67, 73                       | 7026503..... 152, 155                  | 7027028 ..... 89, 398                  |
| 7022825 ..... 382, 392            | 7024381 ..... 73                           | 7026504..... 152, 155                  | 7027029 ..... 89, 398                  |
| 7023023 ..... 321                 | 7024390 ..... 73                           | 7026505..... 152, 155                  | 7027030 ..... 89, 398                  |
| 7023206 ..... 49                  | 7024396 ..... 67, 73                       | 7026506..... 152, 155                  | 7027031 ..... 89, 398                  |
| 7023207 ..... 49                  | 7024397 ..... 329, 331                     | 7026507..... 152, 155                  | 7027236 ..... 107                      |
| 7023318 ..... 72                  | 7024398 ..... 95, 104                      | 7026508..... 152                       | 7027239 ..... 107                      |
| 7023366 ..... 173                 | 7024404 ..... 152, 155                     | 7026509..... 152, 155                  | 7027241 ..... 107                      |
| 7023603 ..... 129                 | 7024413 ..... 95                           | 7026510..... 152                       | 7027245 ..... 107                      |
| 7023613 ..... 114, 120            | 7024439 ..... 146                          | 7026511..... 152, 155                  | 7027246 ..... 106                      |
| 7023637 ..... 114, 120            | 7024440 ..... 146                          | 7026512..... 152                       | 7027400 ..... 127                      |
| 7023644 ..... 115, 120            | 7024441 ..... 146                          | 7026522..... 95                        | 7027402 .... 115, 121, 127             |
| 7023645 ..... 129                 | 7024442 ..... 146                          | 7026597 .... 206, 211, 215             | 7027404 ..... 127                      |
| 7023652 ..... 114, 120            | 7024443 ..... 146                          | 7026607..... 95, 107                   | 7027405 ..... 127                      |
| 7023653 ..... 114, 120            | 7024444 ..... 146, 428                     | 7026608..... 95, 107                   | 7027409 ..... 127                      |
| 7023654 ..... 114, 120            | 7024445 ..... 146                          | 7026631..... 95, 106                   | 7027410 ..... 127                      |
| 7023655 ..... 114, 120            | 7024446 ..... 146                          | 7026800..... 82, 90                    | 7027411 ..... 115                      |
| 7023656 ..... 114, 120            | 7024453 ..... 67, 72, 73                   | 7026801..... 82, 83, 90                | 7027412 ..... 77, 87                   |
| 7023657 ... 114, 120, 382         | 7024454 ..... 67, 72                       | 7026802..... 82, 90                    | 7027413 ..... 127                      |
| 7023658 ..... 114, 120            | 7024455 ..... 67, 73                       | 7026803..... 82, 90                    | 7027435 ..... 33                       |
| 7023659 ..... 129                 | 7024456 ..... 67, 73                       | 7026804..... 82, 90                    | 7027608 ..... 106                      |
| 7023660 ..... 129                 | 7024457 ..... 67, 73                       | 7026805..... 82, 91                    | 7027609 ..... 106                      |
| 7023662 ..... 114, 120            | 7024458 ..... 67, 73                       | 7026806..... 82, 91                    | 7027610 ..... 106                      |
| 7023663 ... 114, 120, 382         | 7024459 ..... 67                           | 7026807..... 82, 91                    | 7027740 ..... 34, 37                   |
| 7023665 ..... 129                 | 7024481 ..... 146                          | 7026808..... 83, 91                    | 7027741 ..... 34, 38                   |
| 7023679 ..... 382                 | 7024485 ... 206, 211, 215                  | 7026809..... 83, 91                    | 7027790 ..... 107                      |
| 7023680 ..... 129                 | 7024488 ... 207, 211, 215                  | 7026810..... 82, 90                    | 7027791 ..... 107                      |
| 7023681 ... 114, 120, 127,<br>382 | 7024489 ... 207, 211, 215                  | 7026811..... 81, 90, 430               | 7027792 ..... 107                      |
| 7023682 ... 114, 120, 127         | 7024508 ... 323, 325, 327                  | 7026812..... 82, 90                    | 7027793 ... 108, 382, 399              |
| 7023683 ... 114, 120, 127         | 7024560 ..... 95, 104                      | 7026813..... 82, 90                    | 7027794 ..... 108, 382                 |
| 7023695 ..... 115, 120            | 7024565 ..... 95, 107                      | 7026814..... 81, 91                    | 7027795 ..... 107, 430                 |
| 7023698 ..... 127                 | 7024579 ..... 95, 107                      | 7026815..... 81, 91                    | 7027796 ... 107, 382, 398              |
| 7023699 ..... 127                 | 7024598 ..... 183                          | 7026816..... 82, 90                    | 7027799 ... 206, 211, 215              |
| 7023900 ..... 41                  | 7024702 ..... 67                           | 7026817..... 82, 90                    | 7027887 ... 186, 190, 193,<br>198, 201 |
| 7023907 ..... 34, 37              | 7024703 ..... 66                           | 7026818..... 82, 90                    | 7027965 ..... 137, 430                 |
| 7023908 ..... 33, 37              | 7024704 ..... 66, 72                       | 7026819..... 82, 90                    | 7027972 ..... 137, 430                 |
| 7023910 ..... 33, 37              | 7024705 ..... 66                           | 7026820..... 82, 90                    | 7027989 ..... 383, 399                 |
| 7023917 ..... 43                  | 7024706 ..... 67                           | 7026821..... 82, 90                    | 7027991 ..... 383, 399                 |
| 7023933 ..... 43                  | 7024707 ..... 67                           | 7026822..... 82, 90                    | 77143013 ..... 165                     |
| 7023956 79, 88, 102, 136          | 7024717 ..... 28                           | 7026823..... 82                        | 80424002 ..... 72                      |
| 7023967 79, 88, 102, 136          | 7024718 ..... 28                           | 7026824..... 82                        | 80424043 ..... 73                      |
| 7023977 ..... 141                 | 7024762 ..... 66, 72                       | 7026825..... 82                        | 80934561 ..... 152, 155                |
| 7023981 ..... 50                  | 7024763 ..... 28, 72                       | 7026826..... 82, 90                    | 8180311 ... 112, 117, 126,<br>137      |
| 7024100 ..... 67, 73              | 7024781 ..... 27                           | 7026827..... 82, 91                    | 8229242 ..... 396                      |
| 7024145 ..... 27                  | 7024782 ..... 27                           | 7026828..... 83, 90                    | 8303541 ..... 89                       |
| 7024146 ..... 27                  | 7024783 ..... 27                           | 7026829..... 83, 90                    | 8405009 ..... 76, 87                   |
| 7024147 ..... 27                  | 7024784 ..... 67, 72                       | 7026830..... 81, 90, 430               | 8405104 ..... 76, 87                   |
| 7024148 ..... 27                  | 7024828 ..... 142                          | 7026831..... 81, 90                    | 8406009 ..... 89                       |
| 7024149 ..... 27                  | 7024854 ..... 38                           | 7026832..... 83, 90                    | 8406105 ..... 89                       |
| 7024151 ..... 27                  | 7024861 ..... 33                           | 7026833..... 81, 90                    | 8406109 ..... 90                       |
| 7024154 ..... 27                  | 7024862 ..... 33, 37                       | 7026834..... 81                        | 8410013 ..... 103                      |
| 7024155 ..... 23, 27              | 7024865 ..... 33                           | 7026835..... 82                        | 88521008 ..... 243                     |
| 7024182 ..... 27, 28              | 7024867 ..... 33, 37                       | 7026836..... 82                        | 88521205 .... 78, 87, 101,<br>135      |
| 7024185 ..... 67                  | 7024868 ..... 37                           | 7026838..... 83                        | 8896941 ..... 438                      |
| 7024189 ..... 28, 67              | 7024870 ..... 34                           | 7026839..... 81, 90                    | 91083218. 114, 119, 127,<br>430        |
| 7024190 ..... 28, 67              | 7024871 ..... 34, 38                       | 7026840..... 82                        | 91401281 .... 76, 87, 100,<br>134      |
| 7024191 ..... 28, 67              | 7024881 ..... 43                           | 7026843..... 82                        |  |
| 7024192 ..... 28, 67              | 7024918 79, 93, 102, 111,<br>117, 125, 136 | 7026882..... 82                        |  |
| 7024193 ..... 28, 68              | 7024930 79, 93, 102, 111,<br>117, 125, 136 | 7026888..... 81                        |  |
| 7024194 ..... 28, 68              | 7025124 ..... 114, 120                     | 7027004..... 79, 101, 398              |  |
| 7024195 ..... 28, 68              | 7026188 .... 206, 211, 215                 | 7027012..... 79, 101, 381              |  |



3121176



An Oshkosh Corporation Company

**Corporate Office**  
**JLG Industries, Inc.**  
**1 JLG Drive**  
**McConnellsburg, PA 17233-9533 USA**  
**☎ (717) 485-5161 (Corporate)**  
**☎ (877) 554-5438 (Customer Support)**  
**☎ (717) 485-6417**

**Visit our website for JLG Worldwide Locations.**  
**[www.jlg.com](http://www.jlg.com)**