



Illustrated Parts Manual

Models 600A 600AJ

SN 0300087000 to
SN 0300177361 &
SN B300000100 to Present

**P/N
3121206**

September 1, 2018 - Rev AN

ANSI

CE



AS/NZS



An Oshkosh Corporation Company

REVISION LOG

NOTES:

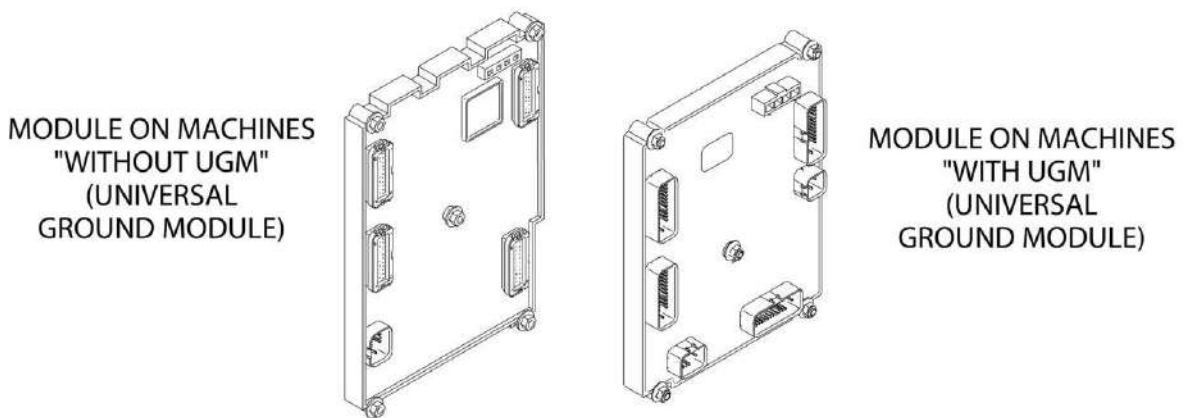
NOTE: The 600A & 600AJ Boom Lifts are manufactured by JLG Industries in the following countries: USA and China. Refer to the Serial Number Tag to identify the country of manufacture. The country of manufacture may be determined by the Serial Number. Machines manufactured in the USA will have a serial number prefix of 03 (i.e. 03XXXXXXXX). Machines manufactured in the China will have a serial number prefix of B3 (i.e. B3XXXXXXXX).

NOTE: SN 0300173686 is a pilot build model built to 1001160010 specs. Contact JLG Customer Service to identify machine component built list.

NOTE: SN 0300176207 is a pilot build model. Use Illustrated Parts Manual p/n 3121617 or contact JLG Customer Service to identify machine component built list.

NOTE: GROUND MODULE IDENTIFICATION

GROUND MODULE IDENTIFICATION



PARTS MANUAL REVISION LOG:

June 1, 2005 - A - Original Issue Of Manual (Manual edited to 0010629 Revision 14)

August 26, 2005 - B - Revised Manual (Manual edited to 0010629 Revision 17)

November 21, 2005 - C - Revised Manual (Manual edited to 0010629 Revision 21)

April 18, 2006 - D - Revised Manual (Manual edited to 0010629 Revision 27)

July 31, 2006 - E - Revised Manual (Manual edited to 0010629 Revision 31)

December 12, 2006 - F - Revised Manual (Manual edited to 0010629 Revision 32)

May 1, 2007 - G - Revised Manual (Manual edited to 0010629 Revision 40)

REVISION LOG

August 16, 2007 - H - Revised Manual (Manual edited to 0010629 Revision 42)
December 4, 2007 - I - Revised Manual (Manual edited to 0010629 Revision 44)
March 31, 2008 - J - Revised Manual (Manual edited to 0010629 Revision 45)
September 2, 2008 - K - Revised Manual (Manual edited to 0010629 Revision 45)
February 15, 2009 - L - Revised Manual (Manual edited to 0010629 Revision 65)
August 1, 2009 - M - Revised Manual (Manual edited to 0010629 Revision 65)
March 25, 2010 - N - Revised Manual (Manual edited to 0010629 Revision 76)
August 15, 2010 - O - Revised Manual (Manual edited to 0010629 Revision 80 & 0010722
Revision 3)
February 24, 2011 - P - Revised Manual (Manual edited to 0010629 Revision 85 & 0010722
Revision 5)
May 27, 2011 - Q - Revised Manual (Manual edited to 0010629 Revision 86 & 0010722
Revision 5)
August 29, 2011 - R - Revised Manual (Manual edited to 0010629 Revision 86 & 0010722
Revision 5)
December 23, 2011 - S - Revised Manual (Manual edited to 0010629 Revision B & 0010722
Revision B)
April 27, 2012 - T - Revised Manual (Manual edited to 0010629 Revision E & 010722 Revision C)
July 24, 2012 - U - Revised Manual (Manual edited to 0010629 Revision E & 0010722 Revision D)
November 2, 2012 - V - Revised Manual (Manual edited to 0010629 Revision E & 0010722
Revision D)
March 6, 2013 - W - Revised Manual (Manual edited to 0010629 Revision E & 0010722 Revision D)
June 6, 2013 - X - Revised Manual (Manual edited to 0010629 Revision E & 0010722 Revision D)
September 1, 2013 - Y - Revised Manual (Manual edited to 0010629 Revision L & 0010722
Revision D)
April 3, 2015 - Z - Revised Manual (Manual edited to 0010629 Revision L & 0010722
Revision D)
June 1, 2015 - AA - Revised Manual (Manual edited to 0010629 Revision AE & 0010722
Revision Z)
September 1, 2015 - AB - Revised Manual (Manual edited to 0010629 Revision AE &
0010722 Revision AC) (Revision 4)
December 14, 2015 - AC - Revised Manual (Manual edited to 0010629 Revision AE &
0010722 Revision AC) (Revision 3)
March 14, 2016 - AD - Revised Manual (Manual edited to 0010629 Revision AE & 0010722
Revision AC) (Revision 3)
June 7, 2016 - AE - Revised Manual (Manual edited to 0010629 Revision AE & 0010722
Revision AC) (Revision 2)
September 14, 2016 - AF - Revised Manual (Manual edited to 0010629 Revision AE & 0010722
Revision AC) (Revision 2)
December 22, 2016 - AG - Revised Manual (Manual edited to 0010629 Revision AE & 0010722
Revision AI) (Revision 2)
March 31, 2017 - AH - Revised Manual (Manual edited to 0010629 Revision AE & 0010722
Revision AI) (Revision 2)
June 15, 2017 - AI - Revised Manual (Manual edited to 0010629 Revision AE & 0010722
Revision AK) (Revision 1)
September 11, 2017 - AJ - Revised Manual (Manual edited to 0010629 Revision AE & 0010722
Revision AK) (Revision 3)
December 15, 2017 - AK - Revised Manual (Manual edited to 0010629 Revision AE & 0010722
Revision AM) (Revision 1)

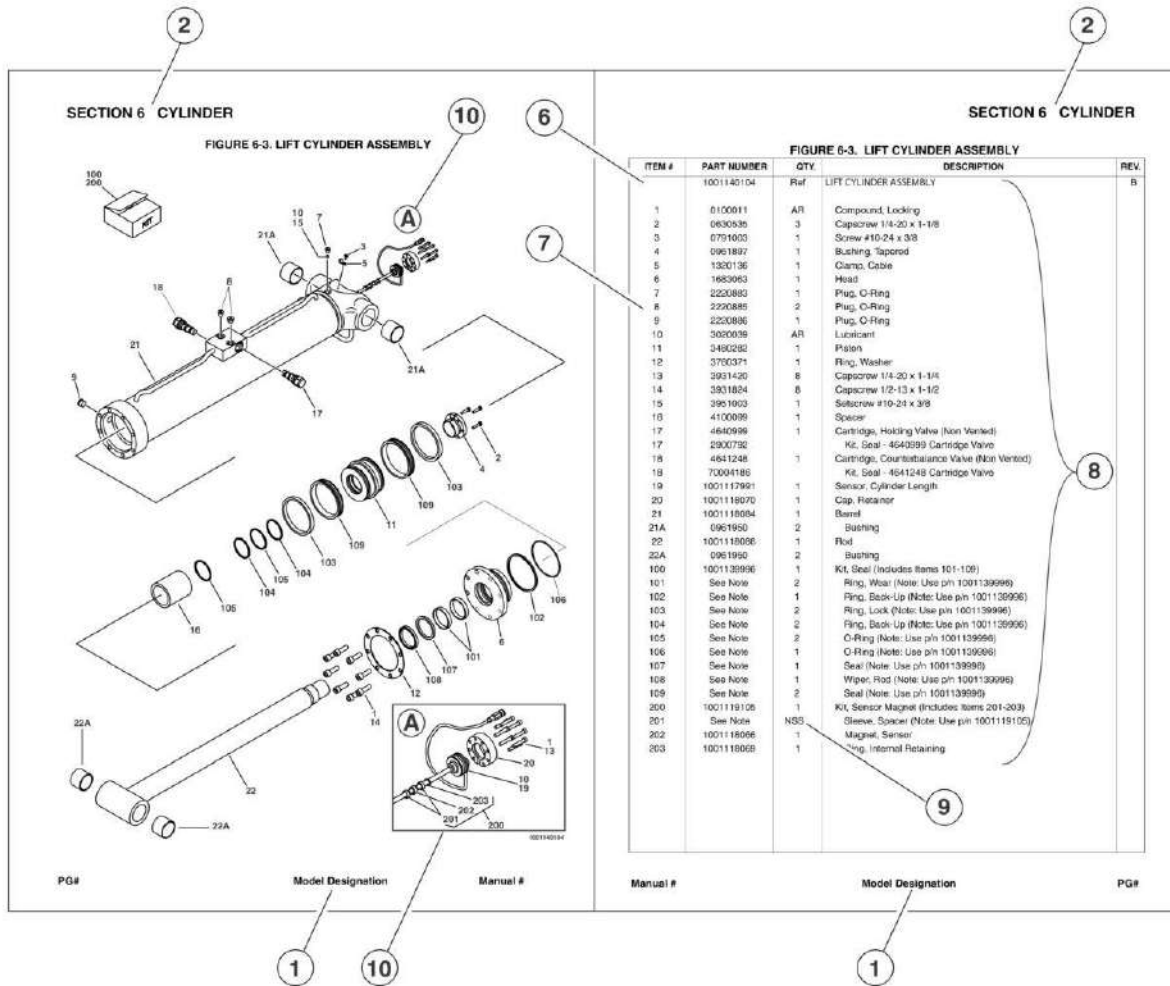
REVISION LOG

March 9, 2018 - AL - Revised Manual (Manual edited to 0010629 Revision AE & 0010722 Revision AO) (Revision 2)

June 22, 2018 - AM - Revised Manual (Manual edited to 0010629 Revision AE & 0010722 Revision AO) (Revision 2)

September 1, 2018 - AN - Revised Manual (Manual edited to 0010629 Revision AE & 0010722 Revision AS) (Revision 1)

GENERAL INFORMATION



1) MACHINE IDENTIFICATION

Machines are identified by model and in some cases a combination of models, serial number (SN) or regional standard (i.e. ANSI, CE, CSA). Components may also be identified by SN or manufacturer. Common components that may be identified by these characteristics are engines and hydraulic components.

2) PARTS MANUAL ORGANIZATION

Product information in this manual is organized under section titles. Frame, Cylinder, Hydraulic and Electrical are a few examples. Each section is organized by figure and page number. The information within the Figure is then organized by item number, part number, description and corresponding illustration (s).

3) TABLE OF CONTENTS

A table of contents is found toward the beginning of the manual. Figure number, description and page number are provided for quick reference to the page containing the related information.

4) RECOMMENDED SPARE PARTS

The Recommended Spare Parts, located near the end of the manual, reference most frequently used maintenance parts.

5) PART NUMBER INDEX

A numerical index listing all part numbers and the corresponding page number(s) appears at the back of the manual.

GENERAL INFORMATION

6) NON-SERVICED PARTS

In some instances, it is necessary to display non-serviced parts, assemblies or installations. In the case of assemblies and installations there will be a Ref in the Qty column. In case of parts that are not available for service within assemblies or components, there will be a NSS (Not Sold Separately) or NLA (No Longer Available) listed in the Qty. column of the manual.

7) PARTS LIST ITEM NUMBERS

Numbers shown in the item# column correspond to numbers used in the associated illustration (s). Item numbers which are missing from the sequence in the parts list are not used on that page

8) INDENTED PARTS DESCRIPTION

An indented part description is included in the item under which it is indented.

9) ABB REVIATION AND SYMBOLS

AC.....	..Alternating Current	LCD.....	..Liquid Crystal Display
ADE.....	..Advanced Design Electronics	LED.....	..Light Emitting Diodes
ANSI.....	..American National Standards Institute	LH.....	..Left Hand
AR.....	..As Required	LSS.....	..Load Sensing System
ASSY.....	..Assembly	M(m).....	..Metric/Meter
AUX.....	..Auxiliary	MM (mm).....	..Milimeter
AWG.....	..American WireGauge	mA.....	..Miliamps
B/M.....	..Bill of Material	NLA.....	..No Longer Available
CE.....	..European Conformity	NPT.....	..National Pipe Threads
CCW.....	..Counter Clockwise	NSS.....	..Not So Id Separately
cm.....	..Centimeter	OD.....	..Outside Diameter
CW.....	..Clockwise	ORB.....	..O-Ring Boss
CSA.....	..Canadian Standards Association	ORFS.....	..O-Ring Face Seal
CYL.....	..Cylinder	OZ (oz).....	..Ounces
DIA.....	..Diameter	PG.....	..Page
DC.....	..Direct Current	P/N.....	..Part Number
EMS.....	..Emergency Stop	qt.....	..Quarts
ENG.....	..Engine	QTY.....	..Quantity
FT(ft).....	..Feet	REF.....	..Reference
GA(Ga).....	..Gauge	REV.....	..Revision Level
HYD.....	..Hydraulic	RH.....	..Right Hand
Hz.....	..Hertz	SAE.....	..Society of A utomotive Engineers
ID.....	..Inside Diameter	SN.....	..Serial Number
in.....	..inches	SPEC(S).....	..Specifications
ISO.....	..International Organization for Standards	T/T.....	..Turntable
JIC.....	..Joint Industry Council	UGM.....	..Universal Ground Module
KG.....	..Kilogram	V.....	..Volts
L.....	..Liter	W.....	..Watts
LB.....	..Pounds	#.....	..Number

10) ILLUSTRATION REFERENCE LETTERS

When necessary, illustrations may contain reference letters that are intended to track information (i. e. hoses, harnesses) from one point to another or to track visual enlargement of components to show details that may be located in another area on the illustration.

Note: Due to continuous product improvements, JLG Industries, Inc. reserves the right to make specification changes without prior notification. Contact JLG Industries, Inc. for updated information.

TABLE OF CONTENTS

SECTION 1 - FRAME.....	13
FIGURE 1-1. 2WD FRONT AXLE AND STEERING INSTALLATIONS.....	14
FIGURE 1-2. 4WD FRONT AXLE AND STEERING INSTALLATIONS.....	18
FIGURE 1-3. 4WS REAR STEERING INSTALLATIONS.....	22
FIGURE 1-4. TIRE AND WHEEL DRIVE INSTALLATIONS.....	24
FIGURE 1-5. DRIVE HUB ASSEMBLY.....	28
FIGURE 1-6. DRIVE MOTOR ASSEMBLY (USA BUILT MACHINES) (ORIGINAL EQUIPMENT) (SN 0300087000 through 0300098765).....	32
FIGURE 1-7. DRIVE MOTOR ASSEMBLY (USA BUILT MACHINES AND CHINA BUILT MACHINES) (SERVICE REPLACEMENT) (SN 0300098766 to Present, SN B300000100 to Present).....	36
FIGURE 1-8. DRIVE VALVES AND SHIELDS INSTALLATION (FRAME MOUNTED).....	38
FIGURE 1-9. TOW PACKAGE INSTALLATION (OPTIONAL).....	42
SECTION 2 - TURNTABLE.....	45
FIGURE 2-1. CONTROL VALVES INSTALLATIONS.....	46
FIGURE 2-2. MAIN VALVE ASSEMBLY (SN 0300087000 through 0300177361, SN B300000100 through B300001392).....	50
FIGURE 2-3. MAIN VALVE ASSEMBLY (SN B300001393 to Present).....	54
FIGURE 2-4. ACCESSORY VALVE ASSEMBLIES (SN 0300087000 through 0300177361, SN B300000100 through B300001392).....	58
FIGURE 2-5. SWING DRIVE, TURNTABLE BEARING AND LOCK INSTALLATIONS.....	60
FIGURE 2-6. SWING HUB ASSEMBLY (USA BUILT MACHINES) (SN 0300087000 through 0300137452).....	64
FIGURE 2-7. SWING MOTOR ASSEMBLY (WHITE ROLLER STATOR) (USA BUILT MACHINES) (SN 0300087000 through 0300137452).....	66
FIGURE 2-8. SWING MOTOR ASSEMBLY (PARKER) (USA BUILT MACHINES) (SN 0300087000 through 0300137452).....	68
FIGURE 2-9. SWING MOTOR/BRAKE/HUB ASSEMBLY (PARKER/FAIRFIELD) (USA BUILT MACHINES AND CHINA BUILT MACHINES) (SN 0300137453 through 0300177361, SN B300000100 to Present).....	70
FIGURE 2-10. CATERPILLAR ENGINE INSTALLATION (USA BUILT MACHINES) (SN 0300087000 through 0300140368).....	74
FIGURE 2-11. CATERPILLAR ENGINE INSTALLATION (USA BUILT MACHINES AND CHINA BUILT MACHINES) (SN 0300140369 through 0300177361, SN B300000100 to Present).....	82
FIGURE 2-12. DEUTZ ENGINE INSTALLATION.....	90
FIGURE 2-13. FORD ENGINE INSTALLATION.....	102
FIGURE 2-14. GM ENGINE INSTALLATION (USA BUILT MACHINES) (SN 0300087000 through 0300139353).....	108
FIGURE 2-15. GM ENGINE INSTALLATION (USA BUILT MACHINES) (SN 0300139354 through 0300177361).....	116
FIGURE 2-16. PISTON PUMP ASSEMBLY.....	122
FIGURE 2-17. GEAR PUMP ASSEMBLY.....	128
FIGURE 2-18. TANK INSTALLATIONS.....	130
FIGURE 2-19. ROTARY COUPLING INSTALLATIONS (USA BUILT MACHINES) (SN 0300087000 through 0300138648).....	134
FIGURE 2-20. ROTARY COUPLING INSTALLATIONS (USA BUILT MACHINES AND CHINA BUILT MACHINES) (SN 0300138649 to Present, SN B300000100 to Present).....	138
FIGURE 2-21. GROUND CONTROL BOX ASSEMBLY (WITHOUT UGM).....	142
FIGURE 2-22. GROUND CONTROL BOX ASSEMBLY (WITH UGM) (SN 0300087000 through 0300177361, SN B300000100 through B300001392).....	146
FIGURE 2-23. GROUND CONTROL BOX ASSEMBLY (WITH UGM) (SN B300001393 through B300001985).....	150
FIGURE 2-24. GROUND CONTROL BOX ASSEMBLY (WITH UGM) (SN B300001986 to Present).....	154
FIGURE 2-25. ELECTRICAL OPTIONS INSTALLATIONS (TURNTABLE MOUNTED).....	158
FIGURE 2-26. ENGINE TRAY JACK INSTALLATIONS (OPTIONAL).....	162
FIGURE 2-27. HOODS INSTALLATIONS (USA BUILT MACHINES) (SN 0300087000 through 0300089988).....	164
FIGURE 2-28. HOODS INSTALLATIONS (USA BUILT MACHINES AND CHINA BUILT MACHINES) (SN 0300089989 through 0300177361, SN B300000100 to Present).....	168
FIGURE 2-29. 2500W GENERATOR INSTALLATION - CATERPILLAR MACHINES (OPTIONAL).....	174
FIGURE 2-30. 2500W GENERATOR INSTALLATION - DEUTZ MACHINES (OPTIONAL).....	178
FIGURE 2-31. 2500W GENERATOR INSTALLATION - FORD MACHINES (OPTIONAL).....	182
FIGURE 2-32. 2500W GENERATOR INSTALLATION - GM MACHINES (OPTIONAL).....	186
FIGURE 2-33. 4000W GENERATOR INSTALLATION - DEUTZ D2011 ENGINES.....	190
FIGURE 2-34. 7500W SKYPOWER GENERATOR INSTALLATION - CATERPILLAR AND DEUTZ ENGINES.....	194
FIGURE 2-35. 7500W SKYPOWER GENERATOR INSTALLATION - FORD ENGINES.....	202
FIGURE 2-36. 7500W SKYPOWER GENERATOR INSTALLATION - GM ENGINES.....	206
SECTION 3 - BOOM.....	211
FIGURE 3-1. USA BUILT MACHINES/BOOMS AND CYLINDERS INSTALLATION - 600A.....	212
FIGURE 3-2. USA BUILT MACHINES/BOOMS AND CYLINDERS INSTALLATION - 600AJ.....	216
FIGURE 3-3. CHINA BUILT MACHINES/BOOMS AND CYLINDERS INSTALLATION - 600A.....	222
FIGURE 3-4. CHINA BUILT MACHINES/BOOMS AND CYLINDERS INSTALLATION - 600AJ.....	226

TABLE OF CONTENTS

FIGURE 3-5. TOWER BOOM ASSEMBLY	232
FIGURE 3-6. MAIN BOOM ASSEMBLY	236
FIGURE 3-7. ROTATOR ASSEMBLIES	242
FIGURE 3-8. PLATFORM SUPPORT INSTALLATION - WITH LSS	244
FIGURE 3-9. VALVES AND SWITCHES INSTALLATION (BOOM MOUNTED)	248
SECTION 4 - PLATFORM	253
FIGURE 4-1. PLATFORM ASSEMBLIES	254
FIGURE 4-2. PLATFORM COMPONENTS INSTALLATION (FALL ARREST PLATFORM)	260
FIGURE 4-3. PLATFORM CONSOLE ASSEMBLY (SN 0300087000 through 0300177361, SN B300000100 through B300001392).....	262
FIGURE 4-4. PLATFORM CONSOLE ASSEMBLY (WITHOUT SKYGUARD) (SN B300001393 to Present)	268
FIGURE 4-5. PLATFORM CONSOLE ASSEMBLY (WITH SKYGUARD) (SN B300001393 to Present)	272
FIGURE 4-6. CONTROLLER ASSEMBLY (LIFT AND SWING)	276
FIGURE 4-7. CONTROLLER ASSEMBLY (LIFT AND SWING)	278
FIGURE 4-8. CONTROLLER ASSEMBLY (LIFT AND SWING)	280
FIGURE 4-9. CONTROLLER ASSEMBLY (DRIVE AND STEER)	284
FIGURE 4-10. CONTROLLER ASSEMBLY (DRIVE AND STEER)	288
FIGURE 4-11. CONTROLLER ASSEMBLY (DRIVE AND STEER)	290
FIGURE 4-12. SKYGUARD SYSTEM INSTALLATION	292
FIGURE 4-13. CROSS RAIL INSTALLATION	294
FIGURE 4-14. PLATFORM PADDING INSTALLATION (30IN/76CM DEPTH PLATFORMS) (OPTIONAL).....	296
FIGURE 4-15. SOFT TOUCH SYSTEM INSTALLATION (36IN/91.5CM DEPTH PLATFORMS) (OPTIONAL)	298
FIGURE 4-16. SKYGLAZIER INSTALLATION (USA MACHINES BUILT YEARS 2005-2007).....	302
FIGURE 4-17. SKYGLAZIER INSTALLATION (USA MACHINES BUILT YEARS 2008-2013 AND CHINA BUILT MACHINES BUILT 2008-PRESENT).....	304
FIGURE 4-18. SKYWELDER/SKYCUTTER COMBO INSTALLATION (60HZ)	308
FIGURE 4-19. SKYWELDER INSTALLATION (50HZ).....	312
FIGURE 4-20. SKYWELDER INSTALLATION (60HZ).....	314
FIGURE 4-21. SKYWELDER PREP PACKAGE	316
FIGURE 4-22. WELDER ASSEMBLY	318
FIGURE 4-23. SKYWELDER LOCKING BRACKET INSTALLATION.....	320
FIGURE 4-24. SKYCUTTER INSTALLATION	322
FIGURE 4-25. PLASMA CUTTER ASSEMBLY	324
FIGURE 4-26. PIPE RACKS INSTALLATION.....	326
SECTION 5 - CYLINDER.....	329
FIGURE 5-1. AXLE LOCKOUT CYLINDER ASSEMBLY.....	330
FIGURE 5-2. LEVEL CYLINDER ASSEMBLY - PLATFORM SLAVE	332
FIGURE 5-3. LEVEL CYLINDER ASSEMBLY - PLATFORM SLAVE (600A) (SN B300002697 to Present)	336
FIGURE 5-4. LEVEL CYLINDER ASSEMBLY - PLATFORM SLAVE (600A) (SERVICE REPLACEMENT)	338
FIGURE 5-5. LEVEL CYLINDER ASSEMBLY - PLATFORM SLAVE (600AJ) (SN B300002697 through B300002948)	340
FIGURE 5-6. LEVEL CYLINDER ASSEMBLY - PLATFORM SLAVE (600AJ) (SN B300002949 to Present).....	342
FIGURE 5-7. LEVEL CYLINDER ASSEMBLY - PLATFORM SLAVE (600AJ WITH ARCTIC PACKAGE) (SERVICE REPLACEMENT)	344
FIGURE 5-8. LEVEL CYLINDER ASSEMBLY - UPRIGHT (SN 0300087000 through 0300177361, SN B300000100 through B300002477).....	346
FIGURE 5-9. LEVEL CYLINDER ASSEMBLY- UPRIGHT (SN B300002478 to Present).....	348
FIGURE 5-10. LIFT CYLINDER ASSEMBLY - ARTICULATING JIB - 600AJ (ORIGINAL EQUIPMENT) (SN 0300087000 through 0300177361, SN B300000100 through B300002658)	350
FIGURE 5-11. LIFT CYLINDER ASSEMBLY - ARTICULATING JIB - 600AJ (ORIGINAL EQUIPMENT) (SN B300002659 to Present).....	352
FIGURE 5-12. LIFT CYLINDER ASSEMBLY - ARTICULATING JIB - 600AJ (SERVICE REPLACEMENT) (SN 0300087000 through 0300177361).....	354
FIGURE 5-13. LIFT CYLINDER ASSEMBLY - ARTICULATING JIB - 600AJ (SERVICE REPLACEMENT) (SN 0300087000 through 0300177361)	356
FIGURE 5-14. LIFT CYLINDER ASSEMBLY - MAIN BOOM (SN B300000100 through B300002477).....	358
FIGURE 5-15. LIFT CYLINDER ASSEMBLY - MAIN BOOM (SN B300002478 to Present)	360
FIGURE 5-16. LIFT CYLINDER ASSEMBLY - TOWER BOOM (SN 0300087000 through 0300177361, SN B300000100 through B300002804).....	362
FIGURE 5-17. LIFT CYLINDER ASSEMBLY - TOWER BOOM (SN B300002805 to Present).....	364
FIGURE 5-18. MASTER CYLINDER ASSEMBLY	366
FIGURE 5-19. MASTER CYLINDER ASSEMBLY - 600A.....	370
FIGURE 5-20. MASTER CYLINDER ASSEMBLY - 600AJ	372
FIGURE 5-21. STEER CYLINDER ASSEMBLY	374

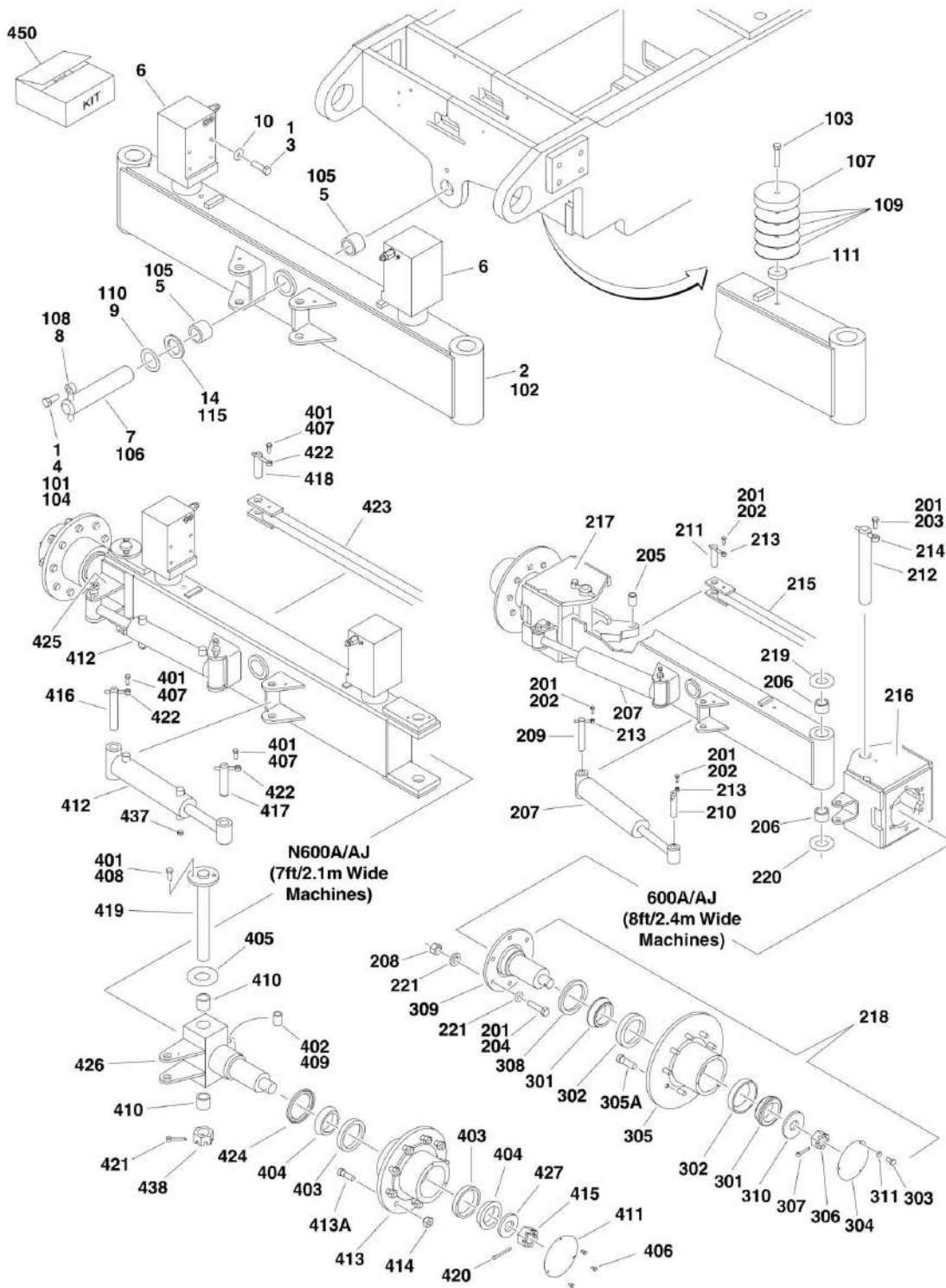
TABLE OF CONTENTS

FIGURE 5-22. STEER CYLINDER ASSEMBLY	376
FIGURE 5-23. TELESCOPE CYLINDER ASSEMBLY - MAIN BOOM (600A & 600AJ) (SN 0300087000 through 0300177361, SN B300000100 through B300002835)	378
FIGURE 5-24. TELESCOPE CYLINDER ASSEMBLY - MAIN BOOM (600A & 600AJ) (SN B300002836 to Present)	380
FIGURE 5-25. TELESCOPE CYLINDER ASSEMBLY - MAIN BOOM (600AJ) (SN B300002836 to Present)	382
FIGURE 5-26. TELESCOPE CYLINDER ASSEMBLY - TOWER BOOM (SN 0300087000 through 0300177361, SN B300000100 through B300002477)	384
FIGURE 5-27. TELESCOPE CYLINDER ASSEMBLY - TOWER BOOM (SN B300002478 to Present)	386
SECTION 6 - HYDRAULIC	389
FIGURE 6-1. DRIVE HYDRAULIC DIAGRAM - 2WD/2WS	390
FIGURE 6-2. DRIVE HYDRAULIC DIAGRAM - 4WD/2WS	392
FIGURE 6-3. HYDRAULIC DIAGRAM - OSCILLATING AXLE	396
FIGURE 6-4. HYDRAULIC DIAGRAM - STANDARD (SN 0300087000 through 0300137452)	398
FIGURE 6-5. HYDRAULIC DIAGRAM - STANDARD (SN 0300137453 through 0300177361, SN B300000100 to Present)	402
FIGURE 6-6. HYDRAULIC DIAGRAM LIST	410
SECTION 7 - ELECTRICAL	413
FIGURE 7-1. ELECTRICAL DIAGRAM LIST	414
FIGURE 7-2. HARNESS COMPONENTS INSTALLATION (WITHOUT UGM)	416
FIGURE 7-3. HARNESS COMPONENTS INSTALLATION (WITH UGM) (SN 0300087000 through 0300177361, SN B300000100 through B300001392)	436
FIGURE 7-4. HARNESS COMPONENTS INSTALLATION (WITH UGM) (SN B300001393 to Present)	456
SECTION 8 - DECALS	471
FIGURE 8-1. DECAL INSTALLATION (ANSI SPEC)	472
FIGURE 8-2. DECAL INSTALLATION (ANSI EXPORT SPEC)	476
FIGURE 8-3. DECAL INSTALLATION (AUSTRALIAN AND CE SPECS)	486
SECTION 9 - RECOMMENDED SERVICE PARTS STOCK	489
FIGURE 9-1. MODEL 600A/600AJ STANDARD PARTS	490
FIGURE 9-2. MODEL 600A/600AJ VARIABLE PARTS	492
SECTION 10 - SPECIAL OPTIONS	493
FIGURE 10-1. SPECIAL OPTIONS	494
PART NUMBER INDEX	501

SECTION 1 - FRAME

SECTION 1 - FRAME

FIGURE 1-1. 2WD FRONT AXLE AND STEERING INSTALLATIONS



SECTION 1 - FRAME

FIGURE 1-1. 2WD FRONT AXLE AND STEERING INSTALLATIONS

ITEM	PART NUMBER	QTY	DESCRIPTION	REV
		Ref	AXLE INSTALLATIONS - OSCILLATING	
	0273954	Ref	8ft/2.4m Wide Machines without Tow Package	E
	0274234	Ref	8ft/2.4m Wide Machines with Tow Package	B
	0274922	Ref	8ft/2.4m Wide Machines without Tow Package (With Turf Tire)	B
	0274047	Ref	7ft/2.1m Wide Machines without Tow Package	B
	0274256	Ref	7ft/2.1m Wide Machines with Tow Package	B
1	0100011	AR	Compound, Locking	
2		Ref	Axle Weldment Options:	
2	0280167	1	8 ft/2.4m Wide Machine without Tow Package	
2	0280183	1	8 ft/2.4m Wide Machine with Tow Package	
2	0280209	1	8 ft/2.4m Wide Machine with Tow Package (With Turf Tire)	
2	0280171	1	7 ft/2.1m Wide Machine without Tow Package	
2	0280185	1	7 ft/2.1m Wide Machine with Tow Package	
3	0641814	8	Bolt 1/2in-13NC x 1-3/4in	
4	0642012	1	Bolt 5/8in-11NC x 1-1/2in	
5	0961950	2	Bushing	
6		Ref	Lockout Cylinder Assembly Options (See CYLINDER SECTION for Breakdown):	
6	1684280	NLA	Lockout Cylinder Assembly (Use p/n 1001167359) (SN 0300087000 through 0300089731)	
6	1684465	2	Lockout Cylinder Assembly (SN 0300089732 through 0300177361)	
7	3422592	1	Pin, Pivot	
8	3841258	1	Keeper, Pin	
9	4740158	1	Thrustwasher	
10	4891800	8	Flatwasher 1/2in Hardened	
14	4071101	AR	Shim	
		Ref	AXLE INSTALLATIONS - FIXED	
	0273959	Ref	8ft/2.4m Wide Machines (USA Built Machines)	D
	0273959	Ref	8ft/2.4m Wide Machines (China Built Machines)	D
	0274054	Ref	7ft/2.1m Wide Machines	B
101	0100011	AR	Compound, Locking	
102		Ref	Axle Weldment Options:	
102	0280167	1	8ft/2.4m Wide Machines	
102	0280171	1	7ft/2.1 Wide Machines	
103		Ref	Bolt 1/2in-13NC Options:	
103	0641818	2	8ft/2.4m Wide Machines (2-1/4in Length)	
103	0641816	2	7ft/2.1 Wide Machines (2in Length)	
104	0642012	1	Bolt 5/8in-11NC x 1-1/2in	
105	0961950	2	Bushing	
106	3422592	1	Pin, Pivot	
107	3539877	2	Plate, Stop	
108	3841258	1	Keeper, Pin	
109		Ref	Shim Options:	
109	4070944	12	Shim (.06) for 8ft/2.4m Wide Machines (USA Built Machines)	
109	3539878	2	Shim (.38) for 8ft/2.4m Wide Machines (China Built Machines)	
109	4070945	2	Shim (.25) for 7ft/2.1 Wide Machines	
110	4740158	1	Thrustwasher	
111		Ref	Spacer Options:	
111	4071101	2	8ft/2.4m Wide Machines	

SECTION 1 - FRAME

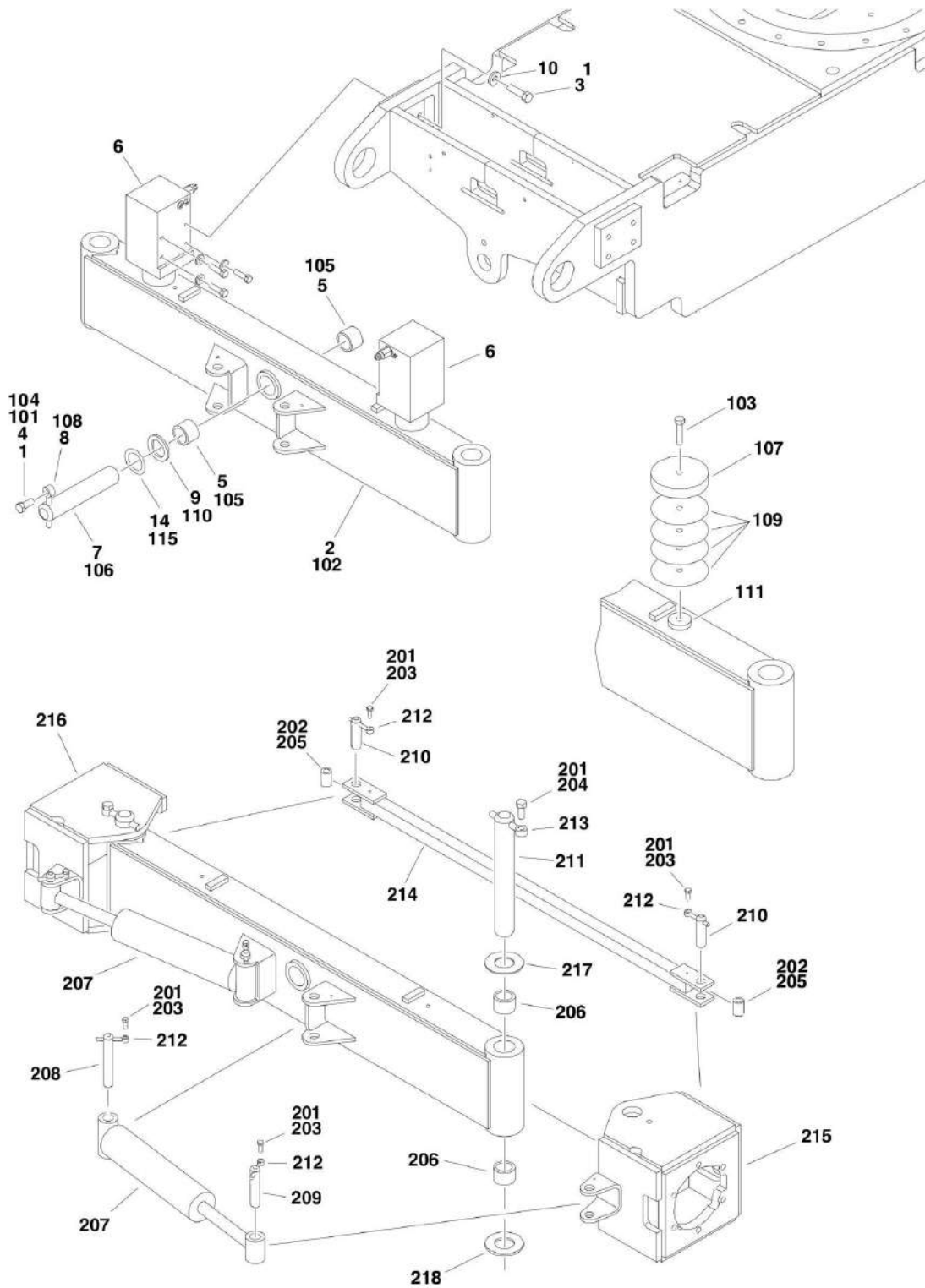
ITEM	PART NUMBER	QTY	DESCRIPTION	REV
111	4740543	2	7ft/2.1 Wide Machines	
115	4071101	AR	Shim	
		Ref	STEERING INSTALLATION (8FT/2.4M WIDTH MACHINES)	
	0274132	Ref	2WD/2WS without Tow Bar	D
	0274801	Ref	2WD/2WS with Tow Bar	B
201	0100011	AR	Compound, Locking	
202	0641608	6	Bolt 3/8in-16NC x 1in	
203	0642012	2	Bolt 5/8in-11NC x 1-1/2in	
204	0682020	12	Bolt 5/8in-11NC x 2-1/2in (Grade 8)	
205	0962005	2	Bushing	
206	0962131	4	Bushing	
207		Ref	Steer Cylinder Assembly Options (See CYLINDER SECTION for Breakdown):	
207	1683208	2	Steer Cylinder Assembly (SN 0300087000 through 0300142624)	
207	1001097242	2	Steer Cylinder Assembly (SN 0300142625 through 0300177361)	
208	3272001	12	Nut 5/8in-11NC (Grade 8)	
209		Ref	Pin Options:	
209	3422426	2	Without Tow Bar	
209	3422326	2	With Tow Bar	
210	3422429	2	Pin	
211	3422430	2	Pin	
212	3422900	2	Kingpin	
213	3841143	6	Keeper	
214	3841258	2	Keeper	
215	3841285	1	Tie-Rod	
216	4130401	1	Spindle (Left Side)	
217		Ref	Spindle (Right Side) Options:	
217	4130402	1	Without Tow Bar	
217	4130412	1	With Tow Bar	
218	4130410	2	Hub Assembly (See Items 301-311 for Breakdown)	
219	4740256	2	Thrustwasher	
220	4740463	2	Thrustwasher	
221	4892000	24	Flatwasher 5/8in Hardened	
	4130410	Ref	HUB ASSEMBLY (8FT/2.4M WIDTH MACHINES)	C
		Ref	Note: Qty is Per Assembly	
301	0440170	2	Cone, Bearing	
302	0440171	2	Cup, Bearing	
303	0721003	3	Screw #10-24NC x 3/8in	
304	1120304	2	Cap, Hub	
305	2780271	1	Hub	
305A	0630490	9	Stud, Wheel	
306	3323403	1	Nut, Slotted 1-1/2in-12NF	
307	3451010	1	Pin, Cotter 5/16in x 2-1/2in	
308	3960343	1	Seal	
309	4130409	1	Adapter, Spindle	
310	4740283	1	Flatwasher, Hardened	
311	4761000	3	Lockwasher #10	
312	3020017	AR	Lubricant (Not Shown)	
		Ref	STEERING INSTALLATION (7FT/2.1M WIDTH MACHINES)	
	0274257	Ref	2WS with 7ft/2.1m Wide Frame with Tow Package	C

SECTION 1 - FRAME

ITEM	PART NUMBER	QTY	DESCRIPTION	REV
	0274062	Ref	4WS with 7ft/2.1m Width Frame without Tow Package	I
401	0100011	AR	Compound, Locking	
402	0100063	AR	Loctite # RC609	
403	0440018	4	Cup, Bearing	
404	0440019	4	Cone, Bearing	
405	0440161	2	Thrustwasher	
406	0641404	6	Bolt 1/4in-20NC x 1/2in	
407	0641608	4	Bolt 3/8in-16NC x 1in	
408	0681608	4	Bolt 3/8in-16NC x 1in (Grade 8)	
409	0962005	4	Bushing	
410	0962272	4	Bushing	
411	1120460	2	Cap, Hub	
412	1684418	2	Steer Cylinder Assembly (See CYLINDER SECTION for Breakdown)	
413		Ref	Hub Options:	
413	2780276	2	Without Tow Package	
413	4130413	1	With Tow Package (Left Side)	
413	4130415	1	With Tow Package (Right Side)	
413A	0630490	18	Stud, Wheel (9 Per Hub)	
414	3300106	18	Nut, Wheel	
415	3323403	2	Nut, Slotted 1-1/2in-12NF	
416	3422426	2	Pin	
417		Ref	Pin Options:	
417	3422429	2	Without Tow Package	
417	3422429	1	With Tow Package	
417	3422427	1	With Tow Package	
418	3422430	2	Pin	
419	3423175	2	Kingpin	
420	3450810	2	Pin, Cotter 1/4in x 2-1/2in	
421	3451010	2	Pin, Cotter 5/16in x 2-1/2in	
422	3841143	6	Keeper	
423	3841263	1	Tie-Rod	
424	3960098	2	Seal	
425	4130413	1	Spindle (Right Side)	
426	4130414	1	Spindle (Left Side)	
427	4740016	2	Flatwasher, Hardened	
437	2220237	2	Plug	
438	3313403	2	Nut, Slotted 1-1/2in-6NC	
439	4360331	1	Switch, Toggle (Crab Steer) (Not Shown - Located on Platform Console Box)	
440	3790012	1	O-Ring, Toggle (Crab Steer) (Not Shown - Located on Platform Console Box)	
450	2890245	1	Wheel Bearing Retention Washer Replacement Kit (Includes Items 420 & 427)	

SECTION 1 - FRAME

FIGURE 1-2. 4WD FRONT AXLE AND STEERING INSTALLATIONS



SECTION 1 - FRAME

FIGURE 1-2. 4WD FRONT AXLE AND STEERING INSTALLATIONS

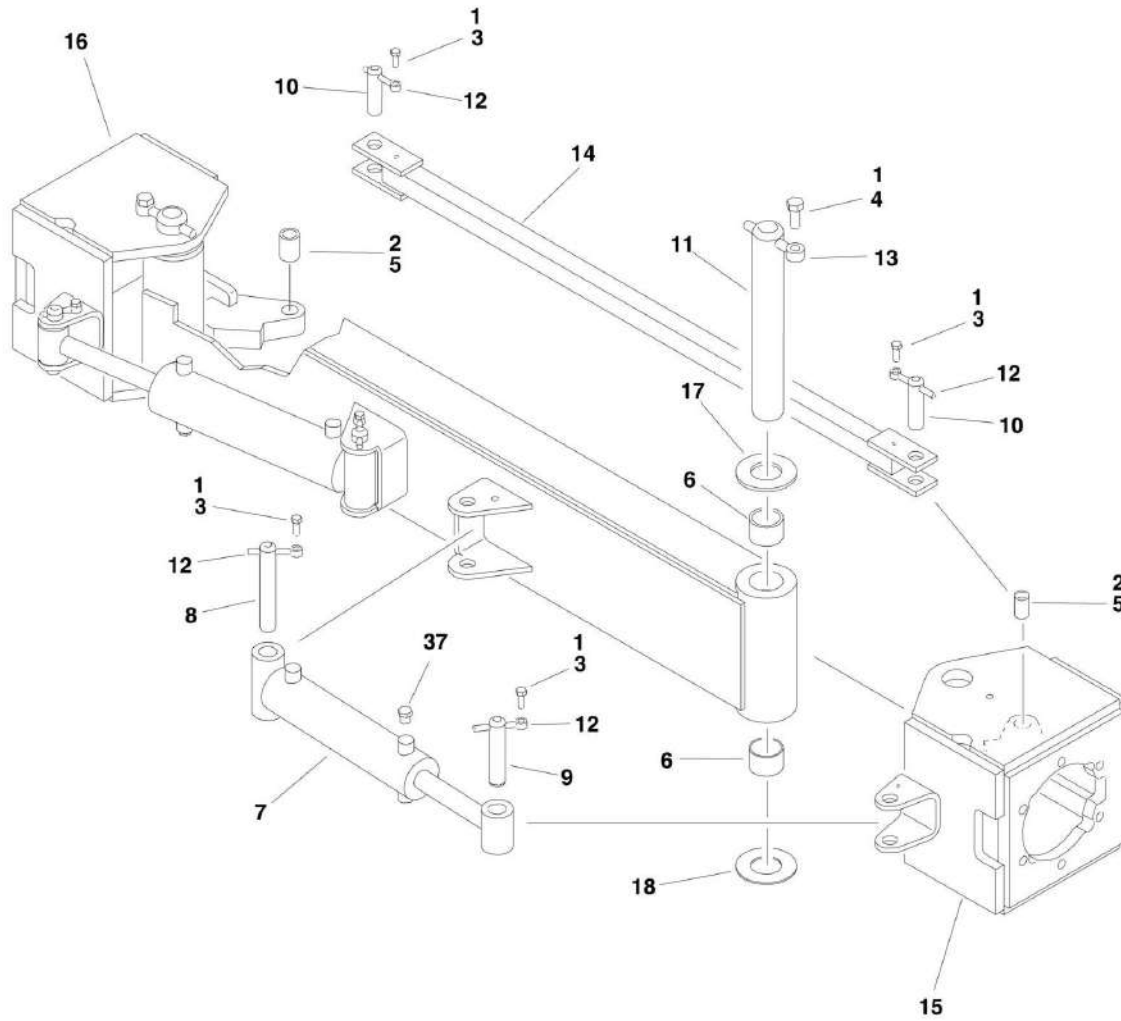
ITEM	PART NUMBER	QTY	DESCRIPTION	REV
		Ref	AXLE INSTALLATIONS - OSCILLATING	
		Ref	USA Built Machines (SN 0300087000 through 0300177361)	
	0273954	Ref	8ft/2.4m Wide Machines without Tow Package	E
	0274234	Ref	8ft/2.4m Wide Machines with Tow Package	B
	1001113537	Ref	China Built Machines (SN B300000100 to Present)	C
1	0100011	AR	Compound, Locking	
1	0100038	AR	Primer, Locking	
2		Ref	Axle Weldment Options:	
2		Ref	USA Built Machines:	
2	0280167	1	8 ft/2.4m Wide Machine without Tow Package	
2	0280183	1	8 ft/2.4m Wide Machine with Tow Package	
2	1001113539	1	China Built Machines	
3	0641814	8	Bolt 1/2in-13NC x 1-3/4in	
4	0642012	1	Bolt 5/8in-11NC x 1-1/2in	
5	0961950	2	Bushing	
6		Ref	Lockout Cylinder Assembly Options (See CYLINDER SECTION for Breakdown):	
6	1684280	NLA	USA Built Machines (Use p/n 1001167359) (SN 0300087000 through 0300089731)	
6	1684465	2	USA Built Machines (SN 0300089732 through 0300177361)	
6	1684465	2	China Built Machines (SN B300000100 to Present)	
7	3422592	1	Pin, Pivot	
8	3841258	1	Keeper, Pin	
9	4740158	1	Thrustwasher	
10	4891800	8	Flatwasher 1/2in Hardened	
14	4071101	AR	Shim	
	0273959	Ref	AXLE INSTALLATIONS - FIXED	D
		Ref	Note: Available Only on USA Built Machines.	
101	0100011	AR	Compound, Locking	
102	0280167	1	Axle Weldment	
103	0641818	2	Bolt 1/2in-13NC x 2-1/4in	
104	0642012	1	Bolt 5/8in-11NC x 1-1/2in	
105	0961950	2	Bushing	
106	3422592	1	Pin, Pivot	
107	3539877	2	Plate, Stop	
108	3841258	1	Keeper, Pin	
109	4070944	12	Shim (.06)	
110	4740158	1	Thrustwasher	
111	3539878	2	Spacer	
115	4071101	AR	Shim	
		Ref	STEERING INSTALLATION	
		Ref	USA Built Machines (SN 0300087000 through 0300177361)	
	0273940	Ref	2WS without Tow Package	C
	0274220	Ref	2WS with Tow Package	C
	0274121	Ref	4WS without Tow Package	C
	0274220	Ref	4WS with Tow Package	C
		Ref	China Built Machines (SN B300000100 to Present)	
	1001113654	Ref	China Built Machines 2WS	B
	1001121244	Ref	China Built Machines 4WS	A
201	0100011	AR	Compound, Locking	

SECTION 1 - FRAME

ITEM	PART NUMBER	QTY	DESCRIPTION	REV
202	0100063	AR	Loctite # RC609	
203	0641608	6	Bolt 3/8in-16NC x 1in	
204	0642012	2	Bolt 5/8in-11NC x 1-1/2in	
205	0962005	2	Bushing	
206	0962131	4	Bushing	
207		Ref	Steer Cylinder Assembly Options (See CYLINDER SECTION for Breakdown):	
207	1683208	2	USA Built Machines (SN 0300087000 through 030014624)	
207	1001097242	2	USA Built Machines (SN 030014625 through 0300177361)	
207	1001097242	2	China Built Machines (SN B300000100 to Present)	
208	3422426	2	Pin	
209		Ref	Pin Options:	
209	3422429	2	Without Tow Package	
209	3422429	1	With Tow Package	
209	3422427	1	With Tow Package	
210	3422430	2	Pin	
211	3422900	2	Kingpin	
212	3841143	6	Keeper	
213	3841258	2	Keeper	
214		Ref	Tie-Rod Options:	
214	3841285	1	USA Built Machines	
214	1001113715	1	China Built Machines	
215		Ref	Spindle (Left Side) Options:	
215	4130401	1	USA Built Machines	
215	1001113655	1	China Built Machines	
216		Ref	Spindle (Right Side) Options:	
216	4130402	1	USA Built Machines without Tow Package	
216	4130412	1	USA Built Machines with Tow Package	
216	1001113656	1	China Built Machines	
217	4740256	2	Thrustwasher	
218	4740463	2	Thrustwasher	

SECTION 1 - FRAME

FIGURE 1-3. 4WS REAR STEERING INSTALLATIONS



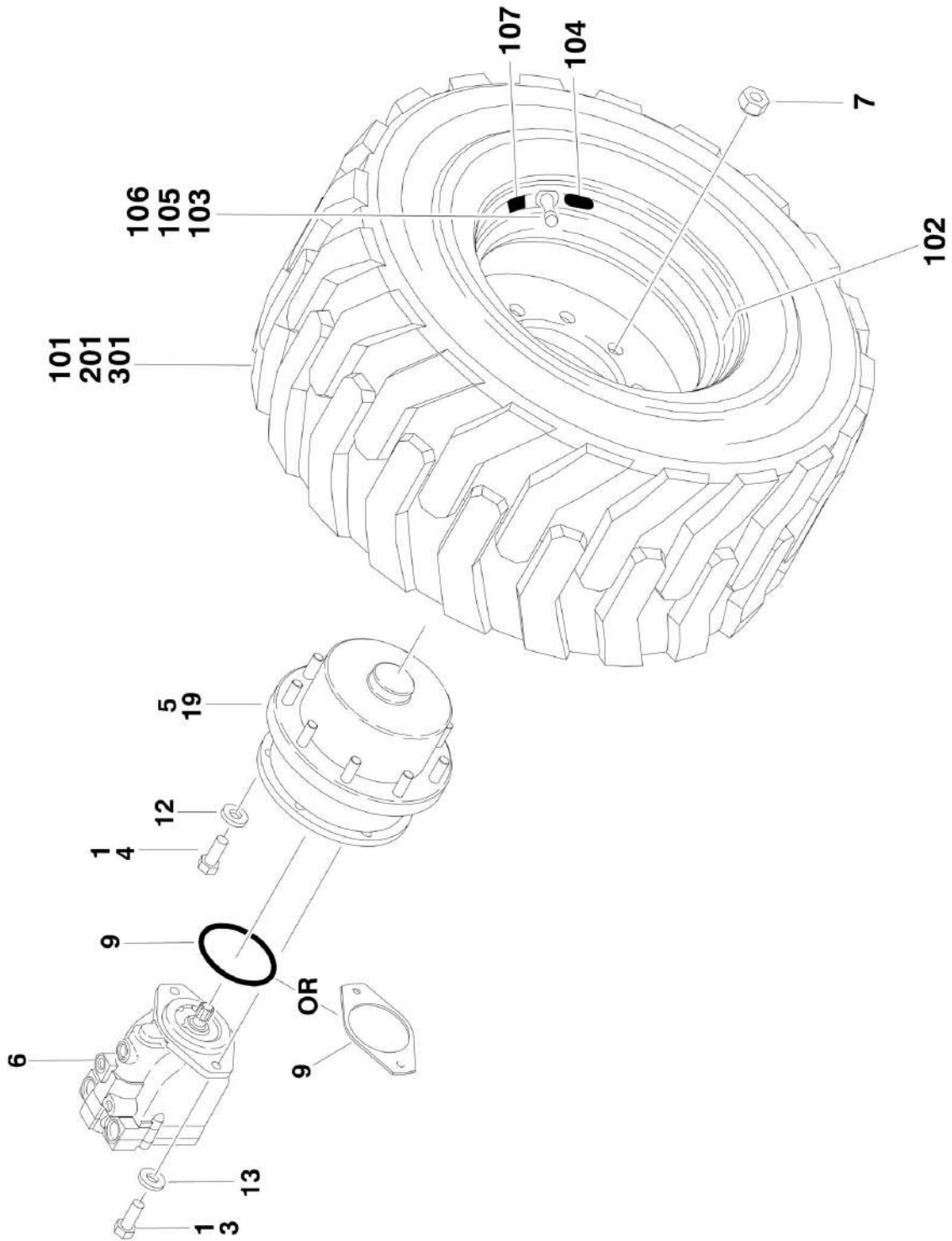
SECTION 1 - FRAME

FIGURE 1-3. 4WS REAR STEERING INSTALLATIONS

ITEM	PART NUMBER	QTY	DESCRIPTION	REV
		Ref	4WS REAR STEERING INSTALLATIONS OPTIONS:	
	See Note	NLA	2WD/4WS 8ft/2.4m Wide Machines (Note: No Longer Available)	
	0274062	Ref	2WD/4WS 7ft/2.1m Wide Machines	I
	0274121	Ref	4WD/4WS Machines	C
1	0100011	AR	Compound, Locking	
2	0100063	AR	Loctite # RC609	
3	0641608	6	Bolt 3/8in-16NC x 1in	
4	0642012	2	Bolt 5/8in-11NC x 1-1/2in	
5	0962005	2	Bushing	
6	0962131	4	Bushing	
7		Ref	Steer Cylinder Assembly Option (See CYLINDER SECTION for Breakdown):	
7	1684418	2	7ft/2.1m Wide Machines	
7	1683208	2	8ft/2.4m Wide Machines	
8	3422426	2	Pin	
9	3422429	2	Pin	
10	3422430	2	Pin	
11	3422900	2	Kingpin	
12	3841143	6	Keeper	
13	3841258	2	Keeper	
14		Ref	Tie-Rod Options:	
14	3841677	1	7ft/2.1m Wide Machines	
14	3841285	1	8ft/2.4m Wide Machines	
15	4130401	1	Spindle (Left Side)	
16	4130402	1	Spindle (Right Side)	
17	4740256	2	Thrustwasher	
18	4740463	2	Thrustwasher	

SECTION 1 - FRAME

FIGURE 1-4. TIRE AND WHEEL DRIVE INSTALLATIONS



SECTION 1 - FRAME

FIGURE 1-4. TIRE AND WHEEL DRIVE INSTALLATIONS

ITEM	PART NUMBER	QTY	DESCRIPTION	REV
		Ref	WHEEL DRIVE INSTALLATIONS	
	0273049	Ref	Wheel Drive Installations 2WD/2WS	J
	0274441	Ref	Wheel Drive Installations 2WD/4WS	G
	0273048	Ref	Wheel Drive Installations 4WD/2WS	L
	0273366	Ref	Wheel Drive Installations 4WD/4WS	J
		Ref	Note: 2WD Qty Shown. For 4WD, Double Qty Shown.	
1	0100011	AR	Compound, Locking	
3	0681810	4	Bolt 1/2in-13NC x 1-1/4in (Grade 8)	
4	0682016	12	Bolt 5/8in-11NC x 2in (Grade 8)	
5	2780269	2	Drive Hub Assembly (See DRIVE HUB ASSEMBLY for Breakdown)	
6		Ref	Drive Motor Assembly Options:	
6		Ref	USA Built Machines (See DRIVE MOTOR ASSEMBLY for Breakdown): (SN 0300087000 through 0300098765)	
6	3160299	NLA	2WD (Use p/n 3160349)	
6	3160300	NLA	4WD (Use p/n 3160350)	
6		Ref	USA Built Machines (See DRIVE MOTOR ASSEMBLY for Breakdown): (SN 0300098766 through 0300177361)	
6	3160349	2	USA Built Machines 2WD	
6	3160350	2	USA Built Machines 4WD	
6	3160350	2	China Built Machines (See DRIVE MOTOR ASSEMBLY for Breakdown) (SN B300000100 to Present)	
7	3300106	18	Nut, Wheel	
9		Ref	Hardware Options:	
9	3790045	1	O-Ring (USA Built Machines) (SN 0300087000 through 0300102232)	
9	3960526	1	Gasket (USA Built Machines) (SN 0300102233 through 0300177361)	
9	3960526	1	Gasket (China Built Machines) (SN B300000100 to Present)	
12	4891800	4	Flatwasher 1/2in Hardened	
13	4740393	12	Flatwasher 5/8in Hardened	
19	3020008	AR	Lube, Gear 80W - 90	
		Ref	PNEUMATIC AND FOAM-FILLED TIRE AND WHEEL INSTALLATIONS (8 FT/2.4M WIDTH MACHINES)	
	4520328	Ref	Tire and Wheel Installation - Pneumatic (ANSI and ANSI Export Spec Only)	B
	4520346	Ref	Tire and Wheel Installation - Foam Filled (Available on All Specs)	C
	1001231678	Ref	Tire and Wheel Installation - Foam Filled/Non-Marking (Available on All Specs)	A
	0274533	Ref	Tire and Wheel Installation - Pneumatic with Sealant (ANSI and ANSI Export Spec Only) (Only Available on USA Built Machines)	C
	0274322	Ref	Tire and Wheel Installation - Pneumatic Turf Tire (ANSI and ANSI Export Spec Only) (Note: Not an Add-on Option - Special Axle Required. Only Available on USA Built Machines)	1
		Ref	Note: Assemblies may require ballast/foam filling to manufacturer's specifications prior to installing on a machine. Refer to Operation and Safety or Service and Maintenance Manuals.	
		Ref	Purchase individual tire and/or rim only if able to foam fill tire and wheel assembly, otherwise, purchase complete assembly.	
	4520289	2	Tire and Wheel Assembly - Pneumatic (Left Side)	F

SECTION 1 - FRAME

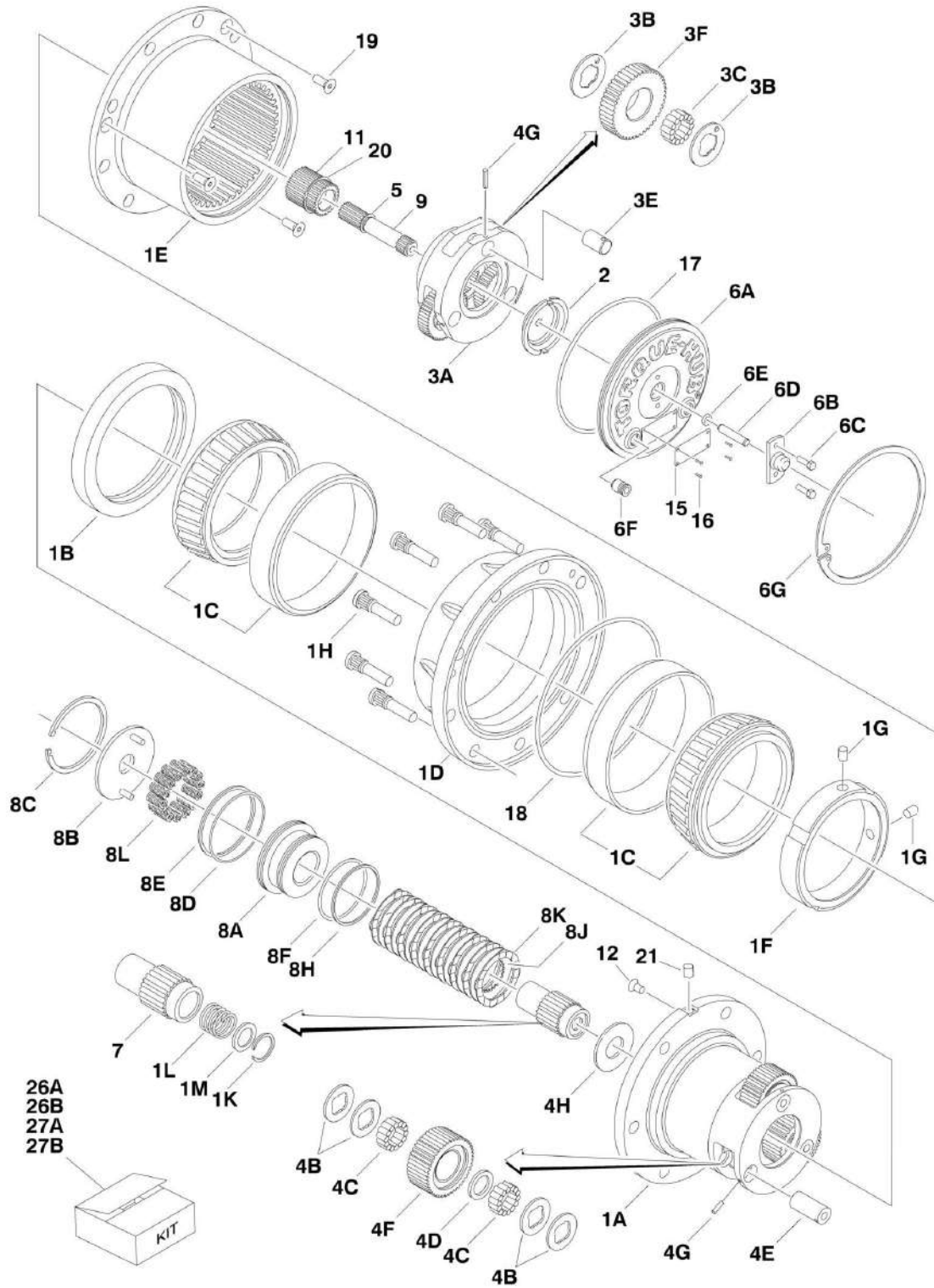
ITEM	PART NUMBER	QTY	DESCRIPTION	REV
	4520344	2	Tire and Wheel Assembly - Foam-Filled (Left Side)	G
	1001231677	2	Tire and Wheel Assembly - Foam-Filled/Non-Marking (Left Side)	A
	4520427	2	Tire and Wheel Assembly - Pneumatic with Sealant (Left Side)	D
	4520290	2	Tire and Wheel Assembly - Pneumatic (Right Side)	F
	4520345	2	Tire and Wheel Assembly - Foam-Filled (Right Side)	G
	1001231676	2	Tire and Wheel Assembly - Foam-Filled/Non-Marking (Right Side)	A
	4520428	2	Tire and Wheel Assembly - Pneumatic with Sealant (Right Side)	D
	4520357	4	Tire and Wheel Assembly - Pneumatic Turf Tire (Note: Not an Add-on Option - Special Axle Required)	B
101		Ref	Tire Options (1 Per Assembly)	
101	4520288	AR	Tire - IN355/55D625	
101	1001184881	1	Tire - IN355/55D625 Non-Marking	
101	4520356	AR	Tire - 18 x 625 Turf Tire	
102		Ref	Rim, Wheel (1 Per Assembly)	
102	4520287	AR	Rim - IN355/55D625 (24.5 x 11.75)	
102	4520355	AR	Rim - 18 x 625 Turf Tire (24.5 x 15)	
103	4640113	AR	Valve, Air (1 Per Assembly) (All except p/n 1001231676 & 1001231677 Assemblies)	
103	4641122	AR	Valve, Air (1 Per Assembly) (P/N 1001231676 & 1001231677 Assemblies)	
104		Ref	Decal - Tire Pressure Options (1 Per Assembly)	
104	1702740	AR	Tire - IN355/55D625	
104	1702137	AR	Tire - 18 x 625 Turf Tire (USA Built Machines) (SN 0300087000 through 0300092171)	
104	1706846	AR	Tire - 18 x 625 Turf Tire (SN 0300092172 through 0300177361)	
		Ref	Note: Items 105-107 used with tires with sealant only.	
105	1120552	AR	Cap, Valve Stem (1 Per Assembly)	
106	1300019	AR	Sealant, Tire (1 Per Assembly)	
107	1705364	AR	Decal - Tire Sealant (1 Per Assembly)	
201		Ref	AIRBOSS TIRE AND WHEEL INSTALLATIONS (7FT/2.1M WIDTH 600A/600AJ MACHINES)	
201	4520341	Ref	Tire and Wheel Installation - Air-Boss (Available on All Specs)	A
201	4520284	2	Tire and Wheel Assembly - Right Side	
201	4520283	2	Tire and Wheel Assembly - Left Side	
201	7016206	80	Tire Repair Section (20 Per Assembly)	
301	4520604	Ref	Tire and Wheel Installation - Air-Boss Non Marking (Available on All Specs)	1
301	4520602	2	Tire and Wheel Assembly - Right Side	
301	4520601	2	Tire and Wheel Assembly - Left Side	
301	7020135	80	Tire Repair Section (20 Per Assembly)	
301		Ref	SOLIDBOSS TIRE AND WHEEL INSTALLATIONS (7FT/2.1M WIDTH 600AJ MACHINES)	
301	1001147067	Ref	Tire and Wheel Installation - SolidBoss (Available on ANSI and CSA Specs Only)	B
301	1001146828	NLA	Tire and Wheel Assembly - Right Side (Use p/n 1001207346) (SN 0300087000 through 0300177361, SN B300000100 through B300001622)	
301	1001207346	2	Tire and Wheel Assembly - Right Side (SN B300001623 to Present)	
301	1001146827	NLA	Tire and Wheel Assembly - Left Side (Use p/n 1001207345) (SN 0300087000 through 0300177361, SN B300000100 through B300001622)	

SECTION 1 - FRAME

ITEM	PART NUMBER	QTY	DESCRIPTION	REV
301	1001207345	2	Tire and Wheel Assembly - Left Side (SN B300001623 to Present)	B
301	1001147068	Ref	Tire Wheel Installation - SolidBoss Non Marking (Available on ANSI and CSA Specs Only)	
301	1001147020	NLA	Tire and Wheel Assembly - Right Side (Use p/n 1001214748) (SN 0300087000 through 0300177361, SN B300000100 through B300001622)	
301	1001214748	2	Tire and Wheel Assembly - Right Side (SN B300001623 to Present)	
301	1001147019	NLA	Tire and Wheel Assembly - Left Side (Use p/n 1001214747) (SN 0300087000 through 0300177361, SN B300000100 through B300001622)	
301	1001214747	2	Tire and Wheel Assembly - Left Side (SN B300001623 to Present)	

SECTION 1 - FRAME

FIGURE 1-5. DRIVE HUB ASSEMBLY



SECTION 1 - FRAME

FIGURE 1-5. DRIVE HUB ASSEMBLY

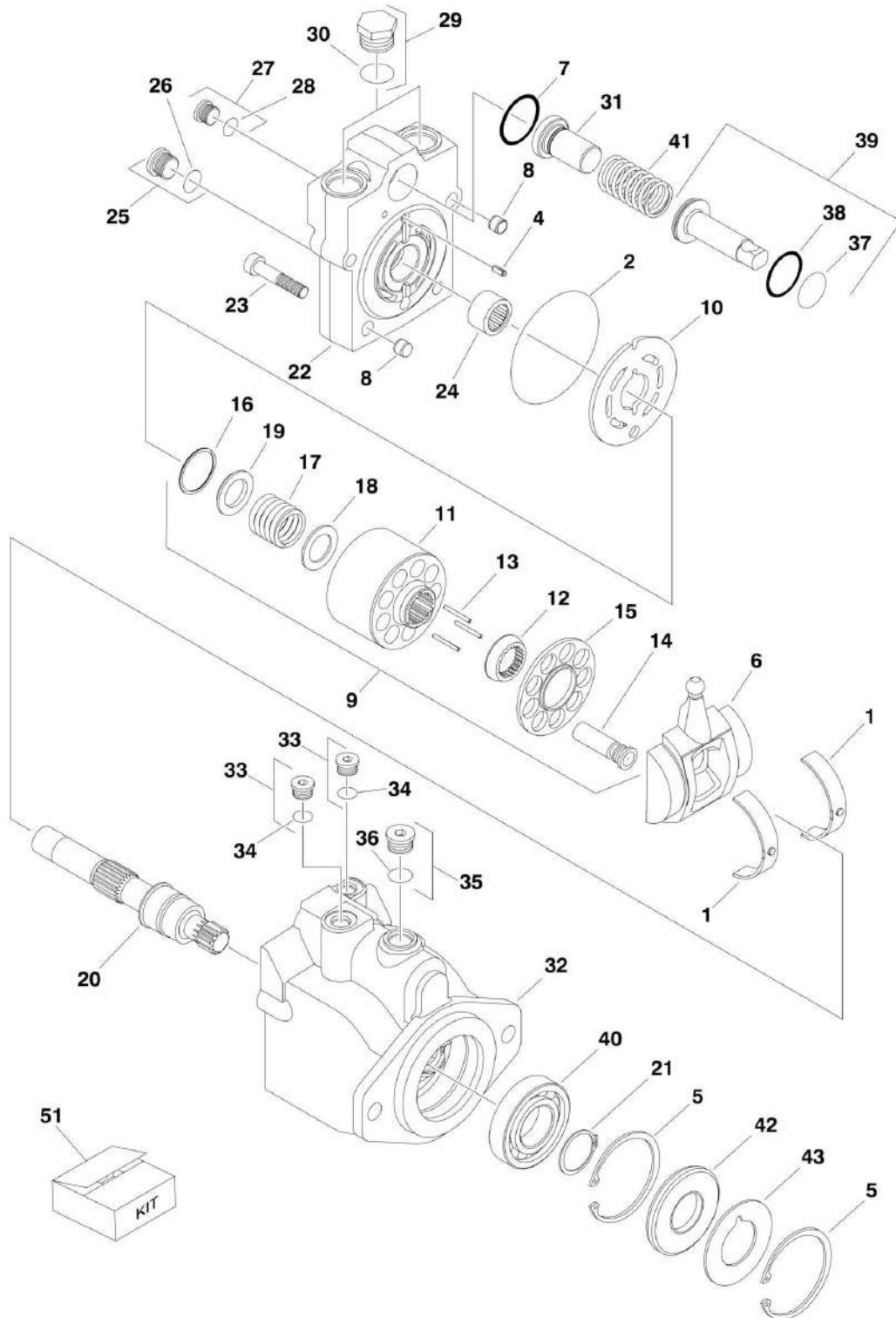
ITEM	PART NUMBER	QTY	DESCRIPTION	REV
	2780269	Ref	DRIVE HUB/BRAKE ASSEMBLY	E
1	See Note	NSS	Spindle/Housing Assembly (Note: Not Available - Purchase Individual Components)	
1A	7024729	1	Spindle	
1B	70001119	1	Seal, Lip	
1C	7024735	2	Bearing (Includes Cup and Cone)	
1D	2780269	1	Housing (Note: Not Available for Purchase)	
1E	7024730	1	Ring, Gear	
1F	7024744	1	Nut, Bearing	
1G	See Note	NSS	Setscrew 1/4in-28NF x 1/2in (Note: Use Item 26A, 26B, 27A or 27B)	
1H	7024732	9	Stud, Wheel	
1K	7024125	1	Ring, Retaining	
1L	7024124	1	Spring	
1M	7024129	1	Thrustwasher	
2	7024741	1	Thrustwasher	
3	See Note	NSS	Carrier Assembly (Note: Not Available - Purchase Individual Components)	
3A	7024725	1	Carrier	
3B	7024127	6	Thrustwasher	
3C	7024733	42	Bearing, Needle	
3E	7024724	3	Shaft, Planet	
3F	7024727	3	Gear, Planet	
4	See Note	NSS	Planet Gear Sub-Assembly (Note: Not Available - Purchase Individual Components)	
4B	7024740	12	Thrustwasher	
4C	7024734	84	Bearing, Needle	
4D	7024736	3	Spacer, Thrust	
4E	7024726	3	Shaft, Planet	
4F	7024728	3	Gear, Planet	
4G	7001913	6	Roll Pin	
4H	7024742	1	Thrustwasher	
5	7017027	1	Ring, Retaining	
6	See Note	NSS	Cover Assembly (Note: Not Available - Purchase Individual Components)	
6A	7024731	1	Plate, Cover	
6B	7017093	1	Cap, Disengage	
6C	7000216	2	Bolt 1/2in-20NC x 1/2in	
6D	7024739	1	Pin, Dowel	
6E	7017095	1	O-Ring	
6F	7017072	2	Plug, Pipe with O-Ring	
6G	7024738	1	Ring, Retaining	
7	7024722	1	Coupling	
8	See Note	NSS	Brake, Input (Note: Not Available - Purchase Individual Components)	
8A	70000782	1	Piston, Brake	
8B	7024743	1	Plate, Pressure	
8C	See Note	NSS	Ring, Retaining (Note: Use Item 26B, 27A or 27B)	
8D	See Note	NSS	O-Ring (Note: Use Item 26B or 27A)	
8E	See Note	NSS	Ring, Back-up (Note: Use Item 26B or 27A)	
8F	See Note	NSS	O-Ring (Note: Use Item 26B or 27A)	

SECTION 1 - FRAME

ITEM	PART NUMBER	QTY	DESCRIPTION	REV
8H	See Note	NSS	Ring, Back-up (Note: Use Item 26B or 27A)	
8J	See Note	NSS	Rotor, Brake (Note: Use Item 27A)	
8K	See Note	NSS	Stator, Brake (Note: Use Item 27A)	
8L	See Note	NSS	Spring, Brake (Note: Use Item 27B)	
9	7024721	1	Shaft, Input	
11	7024723	1	Gear, Sun	
12	See Note	NSS	Plug (Note: Not Available for Purchase)	
15	See Note	NSS	Plate, ID (Not Shown) (Note: Not Available for Purchase)	
16	7000281	4	Screw, Drive	
17	7024134	1	O-Ring	
18	See Note	NSS	O-Ring (Note: Use Item 26A)	
19	7017022	3	Screw, Countersunk 3/8in-16NC	
20	7024737	1	Ring, Retaining	
21	See Note	NSS	Plug (Note: Not Available for Purchase)	
26		Ref	Seal Kit Options:	
26A	7024744	1	Hub Seal Kit (Includes Items 1B, 1F, 1G, 17, 18 & 19)	
26B	7024765	1	Brake Seal Kit (Includes Items 1G, 8C, 8D, 8E, 8F & 8H)	
27		Ref	Repair Kit Options:	
27A	7024764	1	Brake Lining Kit (Includes Items 1G, 8C, 8D, 8E, 8F, 8H, 8J & 8K)	
27B	7024766	1	Brake Spring Kit (Includes Items 1G, 8C & 8L)	

SECTION 1 - FRAME

FIGURE 1-6. DRIVE MOTOR ASSEMBLY (USA BUILT MACHINES) (ORIGINAL EQUIPMENT) (SN 0300087000 through 0300098765)



SECTION 1 - FRAME

FIGURE 1-6. DRIVE MOTOR ASSEMBLY (USA BUILT MACHINES) (ORIGINAL EQUIPMENT) (SN 0300087000 through 0300098765)

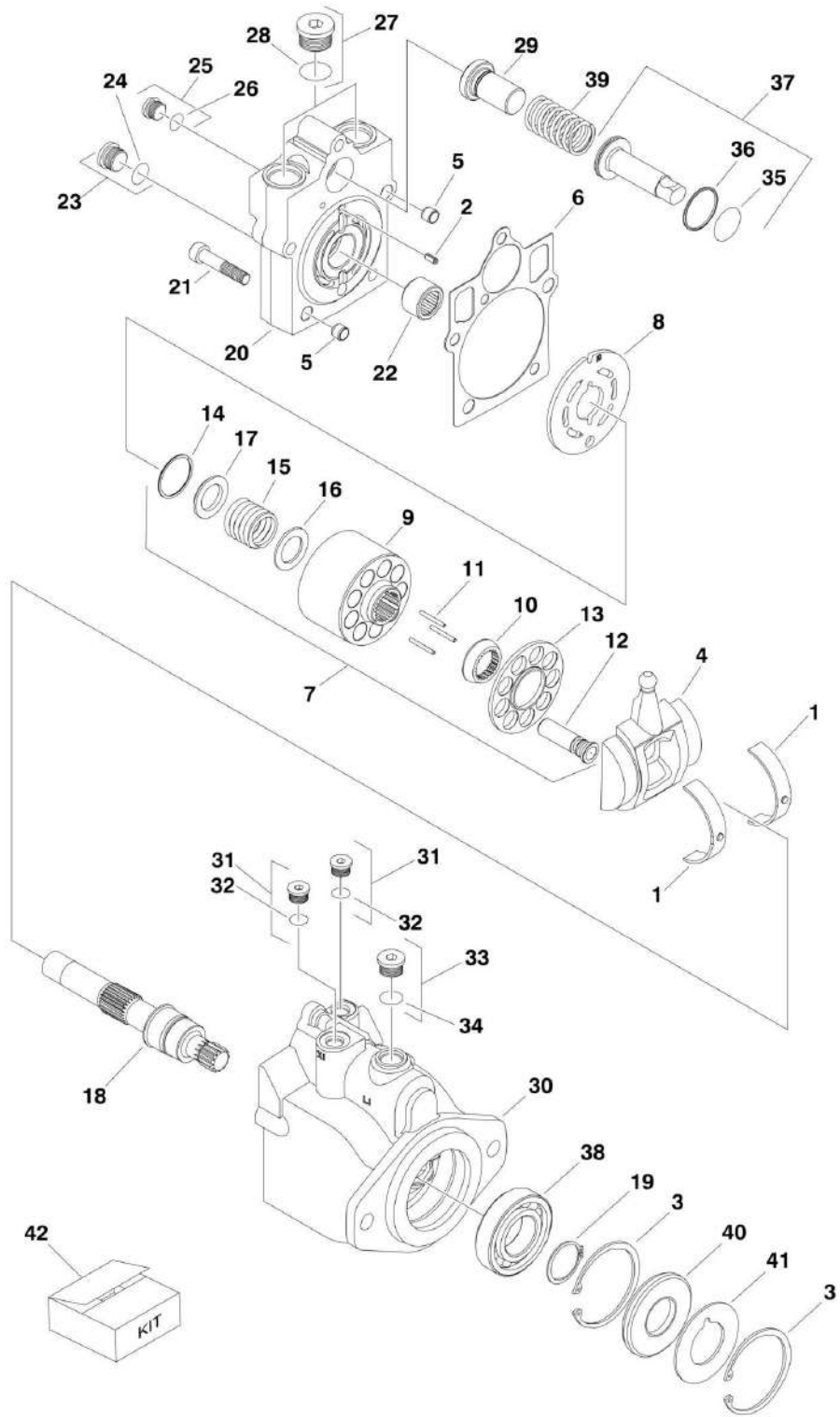
ITEM	PART NUMBER	QTY	DESCRIPTION	REV
		Ref	DRIVE MOTOR ASSEMBLY (ORIGINAL EQUIPMENT)	
	3160299	Ref	Drive Motor Assembly 2WD	E
	3160300	Ref	Drive Motor Assembly 4WD	E
		Ref	Note: Original Equipment Motor p/n 3160299 & p/n 3160300 uses 4 bolts to assemble the motor. Service Replacement Motor p/n 3160349 & p/n 3160350 motors use 5 bolts to assemble the motor.	
		Ref	Visually identify component before ordering parts. If equipped with 3160349 or 3160350 refer to next illustration.	
1	7022302	2	Bearing, Journal	
2	See Note	NSS	O-Ring (Note: Use Item 51)	
3	See Note	NSS	O-Ring (Note: Use Item 51)	
4	7007446	1	Pin	
5	7007438	2	Ring, Retaining	
6	7024861	1	Swash Plate	
7	See Note	NSS	O-Ring (Note: Use Item 51)	
8	7007435	2	Pin	
9	7022320	1	Cylinder Block Kit (Includes Items 11-19)	
10	7024862	1	Plate, Valve	
11	7024863	1	Block, Cylinder	
12	7024864	1	Guide, Slipper Retainer	
13	7021275	3	Pin, Slipper Hold Down	
14	7024865	9	Piston Assembly	
15	7024866	1	Retainer, Slipper	
16	7022311	1	Ring, Retaining	
17	7024867	1	Spring	
18	7024868	1	Washer	
19	7022314	1	Retainer, Spring	
20	7023910	1	Shaft	
21	7007439	1	Ring, Retaining	
22	7024869	1	Cap, End - Axial	
23	7022368	4	Screw	
24	7021249	1	Bearing, Needle	
25	7022321	1	Plug (Includes Item 26)	
26	See Note	NSS	O-Ring (Note: Use Item 26 or 51)	
27	7022318	1	Plug (Includes Item 28)	
28	See Note	NSS	O-Ring (Note: Use Item 28 or 51)	
29	7027419	2	Plug (Includes Item 30)	
30	See Note	NSS	O-Ring (Note: Use Item 30 or 51)	
31		Ref	Seat, Spring Options:	
31	7024853	1	Seat, Spring 2WD/2WS	
31	7022372	1	Seat, Spring 2WD/4WS, 4WD/2WS & 4WD/4WS	
32	7022370	1	Housing	
33	7022318	2	Plug (Includes Item 34)	
34	See Note	NSS	O-Ring (Note: Use Item 34 or 51)	
35	7022321	1	Plug (Includes Item 36)	
36	See Note	NSS	O-Ring (Note: Use Item 36 or 51)	
37	See Note	NSS	O-Ring (Note: Use Item 51)	
38	See Note	NSS	Ring, Seal (Note: Use Item 51)	
39	7024871	1	Piston, Servo	

SECTION 1 - FRAME

ITEM	PART NUMBER	QTY	DESCRIPTION	REV
40	7007437	1	Bearing	
41	7022326	1	Spring	
42	See Note	NSS	Seal, Lip (Note: Use Item 51)	
43	7022371	1	Washer, Support	
51	7022328	1	Seal Kit (Includes Items 2, 3, 7, 26, 28, 30, 34, 36, 37, 38 & 42)	

SECTION 1 - FRAME

FIGURE 1-7. DRIVE MOTOR ASSEMBLY (USA BUILT MACHINES AND CHINA BUILT MACHINES)
(SERVICE REPLACEMENT) (SN 0300098766 to Present, SN B300000100 to Present)



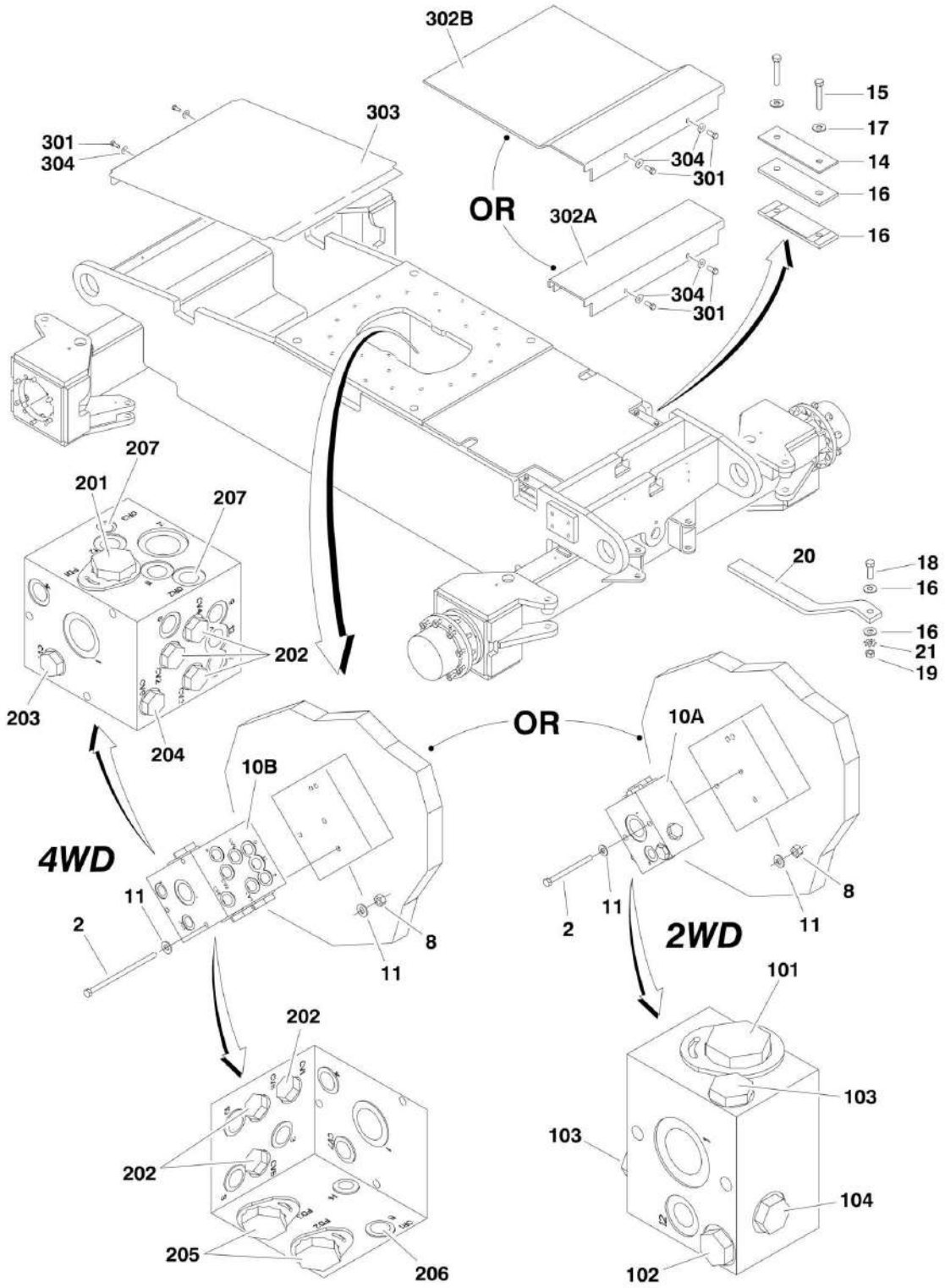
SECTION 1 - FRAME

**FIGURE 1-7. DRIVE MOTOR ASSEMBLY (USA BUILT MACHINES AND CHINA BUILT MACHINES)
(SERVICE REPLACEMENT) (SN 0300098766 to Present, SN B300000100 to Present)**

ITEM	PART NUMBER	QTY	DESCRIPTION	REV
		Ref	DRIVE MOTOR ASSEMBLY (SERVICE REPLACEMENT)	
	3160349	Ref	2WD (Service Replacement Motor for p/n 3160299)	B
	3160350	Ref	4WD (Service Replacement Motor for p/n 3160300)	C
1	7022302	2	Bearing, Journal	
2	7007446	1	Pin	
3	7007438	2	Ring, Retaining	
4	70000794	1	Swash Plate	
5	See Note	NSS	Pin (Note: Not Available for Purchase)	
6	See Note	NSS	Gasket (Note: Use Item 42)	
7	7027740	1	Cylinder Block Kit (Includes Items 9-17)	
8	7024862	1	Plate, Valve	
9	7027740	1	Block, Cylinder	
10	7027740	1	Guide, Slipper Retainer	
11	7021275	3	Pin, Slipper Hold Down	
12	7024865	9	Piston Assembly	
13	7027740	1	Retainer, Slipper	
14	7022311	1	Ring, Retaining	
15	7024867	1	Spring	
16	7022313	1	Washer	
17	7022314	1	Retainer, Spring	
18	7023910	1	Shaft	
19	7007439	1	Ring, Retaining	
20	70000795	1	Cap, End - Axial	
21	7022368	5	Screw	
22	7021249	1	Bearing, Needle	
23	2220886	1	Plug (Includes Item 24)	
24	See Note	NSS	O-Ring (Note: Use Item 23 or 42)	
25	2220883	1	Plug (Includes Item 26)	
26	See Note	NSS	O-Ring (Note: Use Item 25 or 42)	
27	7027419	2	Plug (Includes Item 28)	
28	See Note	NSS	O-Ring (Note: Use Item 27 or 42)	
29		Ref	Seat, Spring Options:	
29	7024853	1	Seat, Spring 2WD/2WS	
29	7022372	1	Seat, Spring 2WD/4WS, 4WD/2WS & 4WD/4WS	
30	See Note	NSS	Housing (Note: Not Available - Purchase Complete Assembly)	
31	2220883	2	Plug (Includes Item 32)	
32	See Note	NSS	O-Ring (Note: Use Item 31 or 42)	
33	2220886	1	Plug (Includes Item 34)	
34	See Note	NSS	O-Ring (Note: Use Item 33 or 42)	
35	See Note	NSS	O-Ring (Note: Use Item 42)	
36	See Note	NSS	Ring, Seal (Note: Use Item 42)	
37	7024871	1	Piston, Servo	
38	7007437	1	Bearing	
39	7022326	1	Spring	
40	See Note	NSS	Seal, Lip (Note: Use Item 42)	
41	7022371	1	Washer, Support	
42	7022328	1	Seal Kit (Includes Items 6, 24, 26, 28, 32, 34, 35, 36 & 40)	

SECTION 1 - FRAME

FIGURE 1-8. DRIVE VALVES AND SHIELDS INSTALLATION (FRAME MOUNTED)



SECTION 1 - FRAME

FIGURE 1-8. DRIVE VALVES AND SHIELDS INSTALLATION (FRAME MOUNTED)

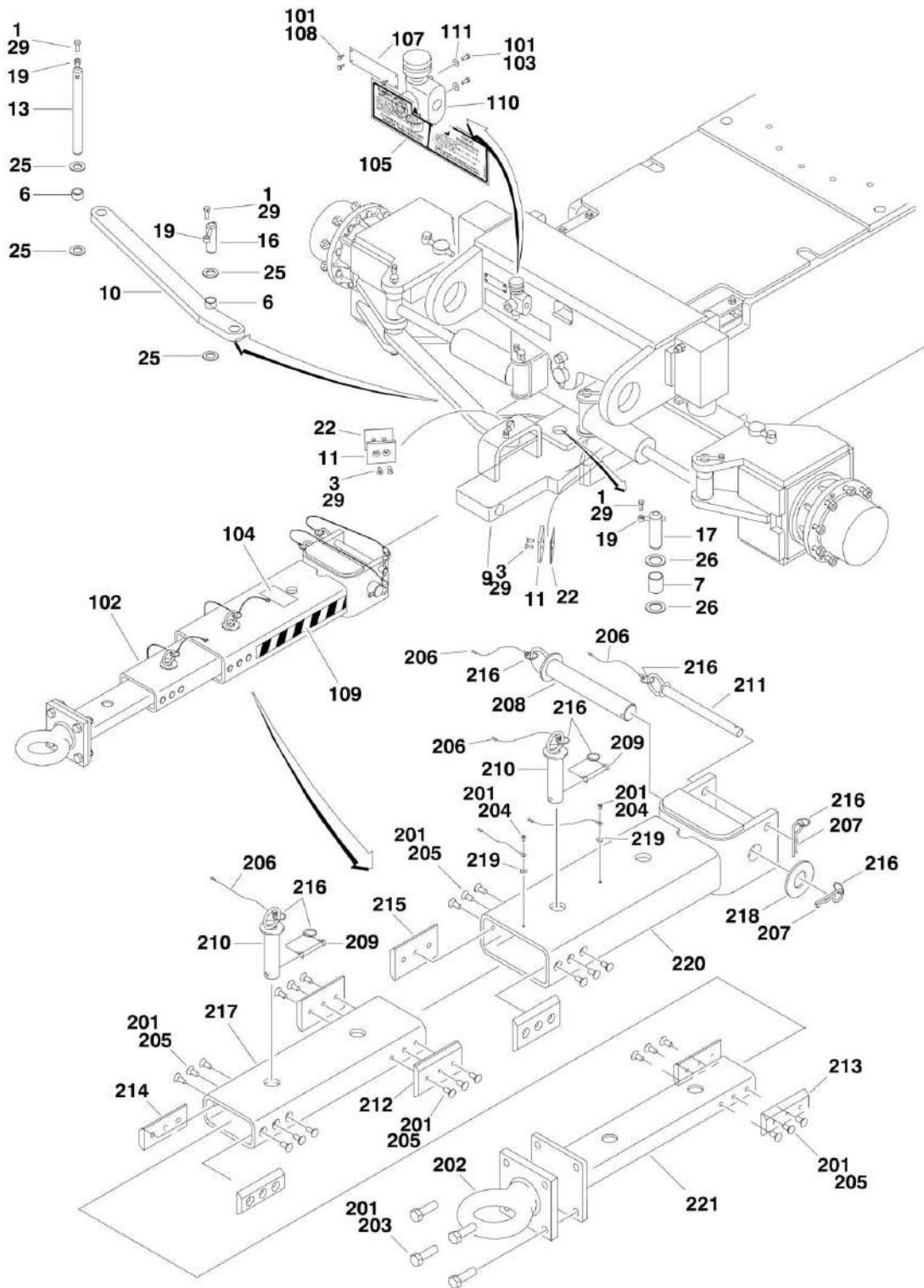
ITEM	PART NUMBER	QTY	DESCRIPTION	REV
		Ref	DRIVE VALVES INSTALLATION	
	0273049	Ref	Drive Valve Installation 2WD/2WS	J
	0274441	Ref	Drive Valve Installation 2WD/4WS	G
	0273048	Ref	Drive Valve Installation 4WD/2WS	L
	0273366	Ref	Drive Valve Installation 4WD/4WS	J
2		Ref	Bolt 5/16in-18NC Options:	
2	0641532	2	4in Length (2WD)	
2	0641552	3	6-1/2in Length (4WD)	
8	3311505	AR	Locknut 5/16in-18NC	
10		Ref	Flow Divider Valve Assembly Options:	
10A	4641409	NLA	2WD (See Items 101-104 for Breakdown) (Use p/n 1001100120)	
10B	4641410	NLA	4WD (See Items 201-205 for Breakdown) (Use p/n 1001098503)	
		Ref	Note: Original Equipment Valve may have been replaced with Service Replacement Valve. Identify p/n stamped on valve before ordering parts.	
11	4711500	AR	Flatwasher 5/16in Thin	
14		Ref	Bar, Clamping	
14	Not Required	0	Bar, Clamping 2WD/2WS	
14	0363012	2	Bar, Clamping 2WD/2WS, 4WD/2WS & 4WD/4WS	
15	0641618	4	Bolt 3/8in-16NC x 2-1/4in	
16	3340911	4	Rubber, Clamp	
17	4751600	AR	Flatwasher 3/8in Regular	
18	0641611	1	Bolt 3/8in-16NC x 2-3/8in	
19	3271601	1	Nut 3/8in-16NC (Grade 8)	
20	4240084	1	Strap, Anti-Static (2WD/4WS USA Built Machines Only) (SN 0300137895 through 0300177361)	
21	4791600	1	Starwasher 3/8in	
		Ref	FLOW DIVIDER ASSEMBLY (2WD)	
	4641409	Ref	USA Built Machines (SN 0300087000 through 0300140863)	B
	1001100120	Ref	USA Built Machines (SN 0300140864 through 0300177361)	A
101	7023933	1	Valve, Cartridge (Flow Divider)	
101	7021625	1	Seal Kit - Flow Divider Cartridge	
101	70000781	1	Locking Kit	
102	7024892	1	Valve, Cartridge (Check)	
102	7023936	1	Seal Kit - Check Cartridge	
103	7022397	2	Valve, Cartridge (Check)	
103	7022399	2	Seal Kit - Check Cartridge	
104	7023935	1	Valve, Cartridge (Check)	
104	7023936	1	Seal Kit - Check Cartridge	
		Ref	FLOW DIVIDER ASSEMBLIES (4WD)	
	4641410	Ref	USA Built Machines (SN 0300087000 through 0300142848)	B
	1001098503	Ref	USA Built Machines (SN 0300142849 through 0300177361)	B
	1001098503	Ref	China Built Machines (SN B300000100 to Present)	B
201	7023933	1	Valve, Cartridge (Flow Divider)	
201	7021625	1	Seal Kit - Flow Divider Cartridge	
202		Ref	Valve, Cartridge (Check) Options:	
202	7022397	6	Valve p/n 4641410	
202	7022399	6	Seal Kit - Check Cartridge	
202	70003408	6	Valve p/n 1001098503	

SECTION 1 - FRAME

ITEM	PART NUMBER	QTY	DESCRIPTION	REV
202	7022399	6	Seal Kit - Check Cartridge	
203	7023935	1	Valve, Cartridge (Check)	
203	7023936	1	Seal Kit - Check Cartridge	
204	7024892	1	Valve, Cartridge (Check)	
204	7023936	1	Seal Kit - Check Cartridge	
205	7023917	2	Valve, Cartridge (Flow Divider)	
205	7021625	2	Seal Kit - Flow Divider Cartridge	
206	70002063	1	Plug, Orifice	
207	70002064	2	Plug, Orifice	
		Ref	FRAME SHIELDS INSTALLATION	
		Ref	USA Built Machines	
	0274349	Ref	USA Built Machines 2WD/2WS	A
	0274229	Ref	USA Built Machines 2WD/4WS (600A/AJ Only)	C
	0274349	Ref	USA Built Machines 4WD/2WS	A
	0274348	Ref	USA Built Machines 4WD/4WS	E
		Ref	China Built Machines	
	0274349	Ref	China Built Machines 2WD/2WS	A
	0274348	Ref	China Built Machines 4WD/4WS	E
301	0641608	AR	Bolt, 3/8in-16NC x 7/8in	
302		Ref	Shield, Frame - Front Options:	
302A		Ref	Machines with 8ft/2.4m Wide Frames	
302A	3380557	1	USA Built Machines (SN 0300087000 through 0300175048)	
302A	3380557	1	China Built Machines (SN E300000100 through E300001138)	
302A	Not Required	0	China Built Machines (SN E300001139 through E300001160)	
302A	3380557	1	China Built Machines (SN E300001161 to Present)	
302B		Ref	Machines with 7ft/2.1m Wide Frames	
302B	3380560	1	USA Built Machines	
302B	Not Required	0	China Built Machines	
303		Ref	Shield, Frame - Rear Options:	
303		Ref	USA Built Machines	
303	Not Required	0	2WS Machines with 8ft/2.4m Wide Frames	
303	3380573	1	4WS Machines with 8ft/2.4m Wide Frames (SN 0300087000 through 0300101764)	
303	3380558	1	4WS Machines with 8ft/2.4m Wide Frames (SN 0300101765 through 0300177361)	
303	3380558	1	Machines with 7ft/2.1m Wide Frames	
303		Ref	China Built Machines	
303	3380558	1	4WS Machines with 8ft/2.4m Wide Frames (SN B300000100 to Present)	
304	4751600	AR	Flatwasher 3/8in Regular	

SECTION 1 - FRAME

FIGURE 1-9. TOW PACKAGE INSTALLATION (OPTIONAL)



SECTION 1 - FRAME

FIGURE 1-9. TOW PACKAGE INSTALLATION (OPTIONAL)

ITEM	PART NUMBER	QTY	DESCRIPTION	REV
		Ref	NOTE: ONLY AVAILABLE ON USA BUILT MACHINES.	
		Ref	TOW INSTALLATIONS	
	0274257	Ref	7ft/2.1m Width Machines	B
	0274220	Ref	8ft/2.4m Width Machines	B
	0274801	Ref	8ft/2.4m Width Machines (2WD) (USA Built Machines) (SN 0300087035 through 0300177361)	A
1	0641608	3	Bolt 3/8in-16NC x 1in	
3	0741607	AR	Bolt 3/8in-16NC x 1in	
6	0962292	2	Bushing	
7	0962348	1	Bushing	
9	2980125	1	Pivot	
10		Ref	Link, Tow Options:	
10	2575716	1	7ft/2.1m Width Machines	
10	3010141	1	8ft/2.4m Width Machines	
11	3340966	4	Pad, Stop	
13	3422327	1	Pin	
16	3422813	1	Pin	
17	3422848	1	Pin	
19	3841143	3	Keeper, Pin	
22	4071059	2	Shim	
25		Ref	Thrustwasher Options:	
25	4740184	1	7ft/2.1m Width Machines	
25	4740111	2	8ft/2.4m Width Machines	
26	4740155	2	Thrustwasher	
29	0100011	AR	Compound, Locking	
		Ref	TOW BAR INSTALLATIONS	
	0274235	Ref	All Specs except CSA	B
	0274687	Ref	CSA Spec	A
101	0100011	AR	Compound, Locking	
102	0270528	1	Bar Assembly (See Items 201-221 for Breakdown)	
103	0641516	2	Bolt 5/16in-18NC x 2in	
104		Ref	Decal - Crushing Options:	
104	1704578	2	All Specs except CSA	
104	1706593	2	CSA Spec	
105		Ref	Decal - Towing Instructions Options:	
105	1705090	1	All Specs except CSA	
105	1705820	1	CSA Spec	
107		Ref	Nameplate, Steer/Tow Select Valve Options:	
107	3250872	1	All Specs except CSA	
107	1704272	1	CSA Spec	
108	3940604	4	Screw, Self-Tapping #6-32NF x 1/2in	
109	4420051	AR	Tape, Safety	
110	4640261	1	Valve, Float Position	
111	4751500	2	Flatwasher 5/16in Regular	
	0270528	Ref	TOW BAR ASSEMBLY	A
201	0100011	AR	Compound, Locking	
202	0362910	1	Pintle, Draw Eye	
203	0642010	4	Bolt 5/8in-11NC x 1-1/4in	
204	0721004	2	Screw, Hex Machine	
205	0741607	24	Screw, Countersunk 3/8in-16NC x 7/8in	

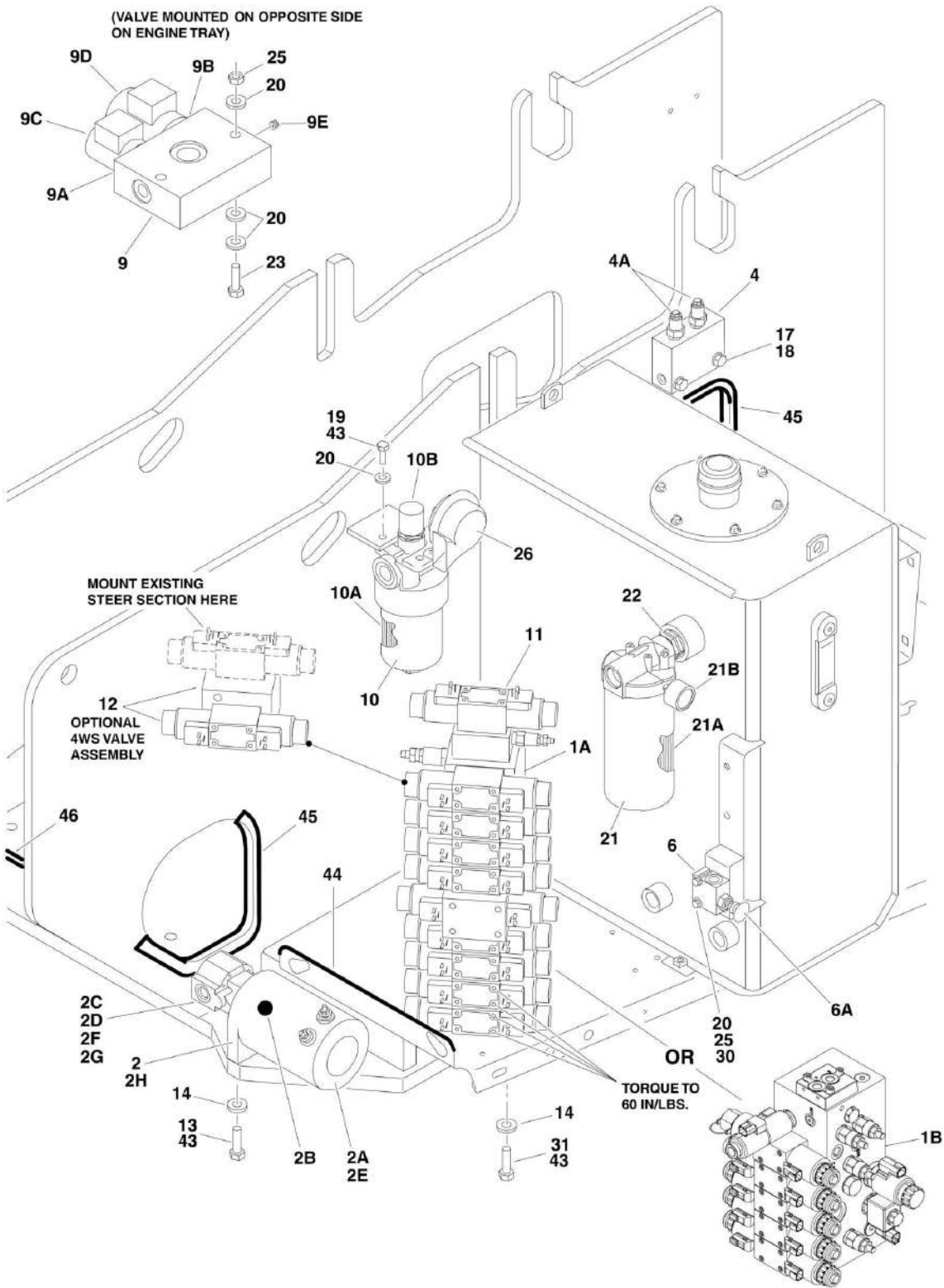
SECTION 1 - FRAME

ITEM	PART NUMBER	QTY	DESCRIPTION	REV
206	1060584	6	Cable, Lanyard	
207	3420372	2	Pin, Cotter	
208	3420447	1	Pin, Towing	
209	3421565	2	Pin, Snap	
210	3422841	2	Pin	
211	3422847	1	Pin	
212	3572009	2	Plate, Slide Stop	
213	3572010	2	Plate, Slide Stop	
214	3572011	2	Plate, Slide Stop	
215	3572012	2	Plate, Slide Stop	
216	3760170	8	Ring, Split	
217	4568133	1	Tube, Tow Bar	
218	4740036	1	Flatwasher	
219	4751000	2	Flatwasher #10 Regular	
220	4846295	1	Tow Bar Attach Weldment	
221	4846296	1	Pintle Attach Weldment	

SECTION 2 - TURNTABLE

SECTION 2 - TURNTABLE

FIGURE 2-1. CONTROL VALVES INSTALLATIONS



SECTION 2 - TURNTABLE

FIGURE 2-1. CONTROL VALVES INSTALLATIONS

ITEM	PART NUMBER	QTY	DESCRIPTION	REV
		Ref	CONTROL VALVES INSTALLATIONS	
	0274309	Ref	Control Valves 600A 2WS (SN 0300087000 through 0300177361)	4
	0274309	Ref	Control Valves 600A 2WS (SN B300000100 through B300001392)	4
	1001160038	Ref	Control Valves 600A 2WS (SN B300001393 through B300001985)	B
	0274309	Ref	Control Valves 600A 2WS (SN B300001986 to Present)	4
	0274311	Ref	Control Valves 600A 4WS (SN 0300087000 through 0300177361)	4
	0274311	Ref	Control Valves 600A 4WS (SN B300000100 through B300001392)	4
	1001160039	Ref	Control Valves 600A 4WS (SN B300001393 through B300001985)	B
	0274311	Ref	Control Valves 600A 4WS (SN B300001986 to Present)	4
	0274310	Ref	Control Valves 600AJ 2WS (SN 0300087000 through 0300177361)	4
	0274310	Ref	Control Valves 600AJ 2WS (SN B300000100 through B300001392)	4
	1001160068	Ref	Control Valves 600AJ 2WS (SN B300001393 through B300001985)	B
	0274310	Ref	Control Valves 600AJ 2WS (SN B300001986 to Present)	4
	0274312	Ref	Control Valves 600AJ 4WS (SN 0300087000 through 0300177361)	4
	0274312	Ref	Control Valves 600AJ 4WS (SN B300000100 through B300001392)	4
	1001160069	Ref	Control Valves 600AJ 4WS (SN B300001393 through B300001985)	B
	0274312	Ref	Control Valves 600AJ 4WS (SN B300001986 to Present)	4
1		Ref	Main Valve Assembly Options (See MAIN VALVE ASSEMBLY for Breakdown):	
1A	4641097	NLA	USA Built Machines (Use p/n 4641452) (SN 0300087000 through 0300092879)	
1A	4641452	1	USA Built Machines (SN 0300092880 through 0300177361)	
1A	4641452	1	China Built Machines (SN B300000100 through B300001392)	
1B	1001152887	1	China Built Machines (600A) (SN B300001393 to Present)	
1B	1001152561	1	China Built Machines (600AJ) (SN B300001393 to Present)	
2	3600365	1	Auxiliary Pump Assembly	B
2A	7004290	1	Replacement Motor with Endhead Item 2H (was p/n 7011067)	
2A	7004248	1	Replacement Motor without Endhead Item 2H	
2A	7011065	1	Brush Kit - 7011067 Motor	
2B	7011063	1	Coupling	
2C	7011064	1	Replacement Pump	
2C	7011066	1	Seal Kit - 7011064 Pump	
2C	7004290	1	Relief Valve (Note: Not Available - Replace Complete Pump)	
2D	7011043	4	Bolt (Mounts Pump to Mounting Bracket)	
2E	See Note	2	Bolt (Motor to Bracket) (Note: Not Available for Purchase)	
2F	7011044	1	Gasket	
2G	7011048	4	Lockwasher	
2H	7011062	4	Endhead, Motor	
4	4640908	1	Counterbalance Valve Assembly (USA Built Machines Only) (SN 0300087000 through 0300137453)	B
4A	7011328	2	Cartridge, Counterbalance	

SECTION 2 - TURNTABLE

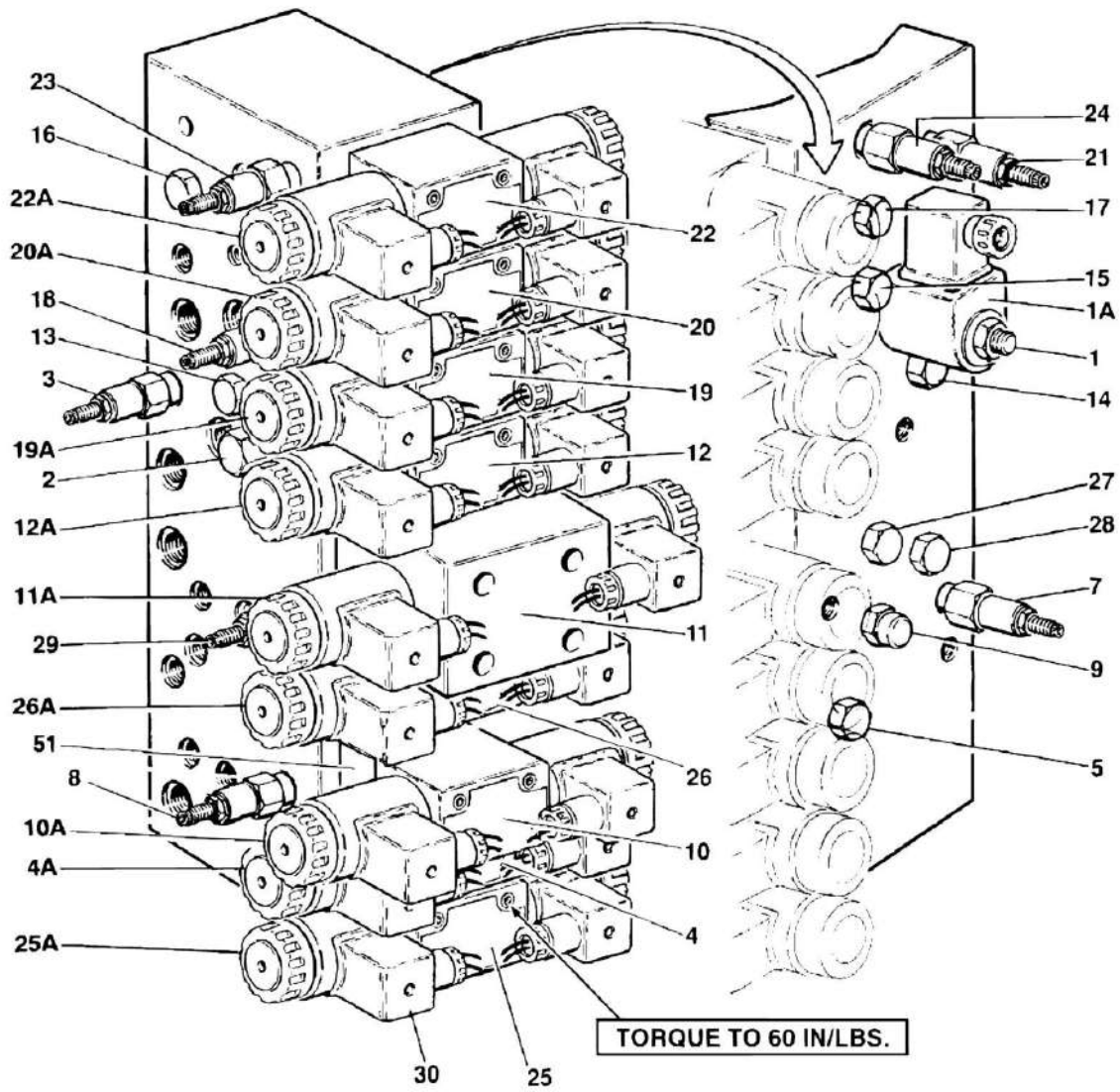
ITEM	PART NUMBER	QTY	DESCRIPTION	REV
4A	2900770	2	Seal Kit - 7011328 Cartridge	
6	4640866	1	Manual Pull Valve Assembly	
6	2900708	1	Seal Kit - 4640866 Valve	
6A	7012959	1	Knob	
9		Ref	Brake Valve Assembly Options:	
9	4641108	NLA	USA Built Machines (Use p/n 1001099391) (SN 0300087000 through 0300139755)	
9	1001099391	1	USA Built Machines (SN 0300139756 through 0300177361)	
9	1001099391	1	China Built Machines (SN B300000100 to Present)	
9A	7012941	1	Cartridge without Coil	
9A	7010543	1	Seal Kit - 7012941 Cartridge	
9B	7012995	1	Cartridge without Coil	
9B	7012518	1	Seal Kit - 7012995 Cartridge	
9C	7012944	1	Coil	
9D	7012943	1	Coil	
9E	70002209	1	Orifice (1001099391 Valve Only)	
10	2120209	1	Hydraulic Pressure Filter Assembly	
10A	2120210	1	Element, Filter	
10B	7020020	1	Manual Indicator	
10C	70000934	1	O-Ring, Filter Bowl (Not Shown)	
11		Ref	Articulating Jib Valve Kit (See ACCESSORY VALVE ASSEMBLIES for Breakdown) Options:	
11	Not Required	0	Articulating Jib Valve Kit 600A	
11	4640921	1	Articulating Jib Valve Kit 600AJ (SN 0300087000 through 0300177361)	
11	4640921	1	Articulating Jib Valve Kit 600AJ (SN B300000100 through B300001392)	
11	4921927	1	Harness, Articulating Jib (Not Shown - See ELECTRICAL SECTION for Breakdown) (SN 0300087000 through 0300177361)	
11	4921927	1	Harness, Articulating Jib (Not Shown - See ELECTRICAL SECTION for Breakdown) (SN B300000100 through B300001392)	
12		Ref	4WS Valve Assembly (See ACCESSORY VALVE ASSEMBLIES for Breakdown) Options:	
12	Not Required	0	Valve Assembly 2WS	
12	4640922	1	Valve Assembly 4WS (SN 0300087000 through 0300177361)	
12	4640922	1	Valve Assembly 4WS (SN B300000100 through B300001392)	
12	Not Required	0	Valve Assembly 4WS (Part of Item 1 Valve) (SN B300001393 to Present)	
12	4921928	1	Harness, 4WS (Not Shown - See ELECTRICAL SECTION for Breakdown) (SN 0300087000 through 0300177361)	
12	4921928	1	Harness, 4WS (Not Shown - See ELECTRICAL SECTION for Breakdown) (SN B300000100 through B300001392)	
13	0641613	2	Bolt 3/8in-16NC x 1-5/8in	
14	4711600	5	Flatwasher 3/8in Thin	
17	4711500	AR	Flatwasher 5/16in Thin	
18	0641514	AR	Bolt 5/16in-18NC x 1-3/4in	
19	0651406	3	Bolt 1/4in-28NF x 3/4in	
20	4711400	19	Flatwasher 1/4in Thin	
21	2120164	1	Return Filter Assembly	B
21A	2120149	1	Element, Filter	
21B	7020021	1	Manual Indicator	
22	2220893	1	Fitting, Adaptor	

SECTION 2 - TURNTABLE

ITEM	PART NUMBER	QTY	DESCRIPTION	REV
23	0641416	2	Bolt 1/4in-20NC x 2in	
25	3311405	6	Locknut 1/4in x 20NC	
26	0140001	1	Horn (SN 0300087000 through 0300177361)	
26	0140001	1	Horn (SN B300000100 through B300001392)	
30	0641414	2	Bolt 1/4in-20NC x 1-3/4in	
31	0641608	3	Bolt 3/8in-16NC x 1in	
43	0100011	AR	Compound, Locking	
44	4060804	16 in/ 40cm	Flex-Trim 3/16in	
45	4060918	79 in/ 1.9m	Flex-Trim 5/8in	
46	4060807	18 in/ 46cm	Flex-Trim 3/8in	

SECTION 2 - TURNTABLE

FIGURE 2-2. MAIN VALVE ASSEMBLY (SN 0300087000 through 0300177361, SN B300000100 through B300001392)



SECTION 2 - TURNTABLE

FIGURE 2-2. MAIN VALVE ASSEMBLY (SN 0300087000 through 0300177361, SN B300000100 through B300001392)

ITEM	PART NUMBER	QTY	DESCRIPTION	REV
		Ref	MAIN VALVE ASSEMBLY (SN 0300087000 through 0300177361, SN B300000100 through B300001392)	
	4641097	Ref	USA Built Machines (SN 0300087000 through 0300092879)	B
	4641452	Ref	USA Built Machines (SN 0300092880 through 0300177361)	C
	4641452	Ref	China Built Machines (SN B300000100 through B300001392)	C
1	7017410	1	Cartridge, Without Coil	
1	7012967	1	Seal Kit - 7017410 Cartridge	
1A	7012944	1	Coil	
2		Ref	Cartridge, Pressure Sensing Options:	
2	7017411	1	Valve p/n 4641097	
2	7012518	1	Seal Kit -7017411 Cartridge	
2	7017464	1	Valve p/n 4641452	
2	7012518	1	Seal Kit -7017464 Cartridge	
3	7017418	1	Cartridge (Main Relief)	
3	7012998	1	Seal Kit	
4	7018941	2	Orifice, 1.2mm (Located under Control Valve Assembly)	
4	70001976	1	Control Valve Assembly (Platform Level) (was p/n 7012770)	
4	7012773	1	Seal Kit	
4A	7012772	2	Coil	
4A	7021375	2	Nut	
5	7012914	1	Cartridge, Check Valve	
5	7012918	1	Seal Kit - 7012914 Cartridge	
6	7012914	1	Cartridge, Check Valve	
6	7012918	1	Seal Kit - 7012914 Cartridge	
7	7017427	1	Cartridge, Relief Valve (Platform Level Backward Relief)	
7	7012998	1	Seal Kit - 7017427 Cartridge	
8	7017428	1	Cartridge, Relief Valve (Platform Level Forward Relief)	
8	7012998	1	Seal Kit - 7017428 Cartridge	
9	7012989	1	Cartridge, Flow Control	
9	7012953	1	Seal Kit - 7012989 Cartridge	
10	70001976	1	Control Valve Assembly (Platform Rotate) (was p/n 7012770)	
10	7012773	1	Seal Kit	
10A	7012772	2	Coil	
10A	7018912	2	Nut	
11		Ref	Control Valve Assembly Options (Upper Tele):	
11	70000579	1	USA Built Machines (was p/n 7012766) (SN 0300087000 through 0300092879)	
11	70000579	1	USA Built Machines (SN 0300092880 through 0300177361)	
11	70000579	1	China Built Machines (SN B300000100 through B300001392)	
		Ref	Note: Refer to Vendor P/N on Valve Nameplate before ordering Parts. 7012766 is RR00567495 or R900567495. 70000579 is R900930080.	
11		Ref	Seal Kit Options:	
11	7012769	1	7012766 Valve	
11	70000583	1	70000579 Valve	
11A		Ref	Coil Options:	
11A	7012772	1	7012766 Valve (was p/n 7012768)	
11A	70000582	1	70000579 Valve	
11A		Ref	Nut, Coil Options:	
11A	7018912	1	7012766 Valve	

SECTION 2 - TURNTABLE

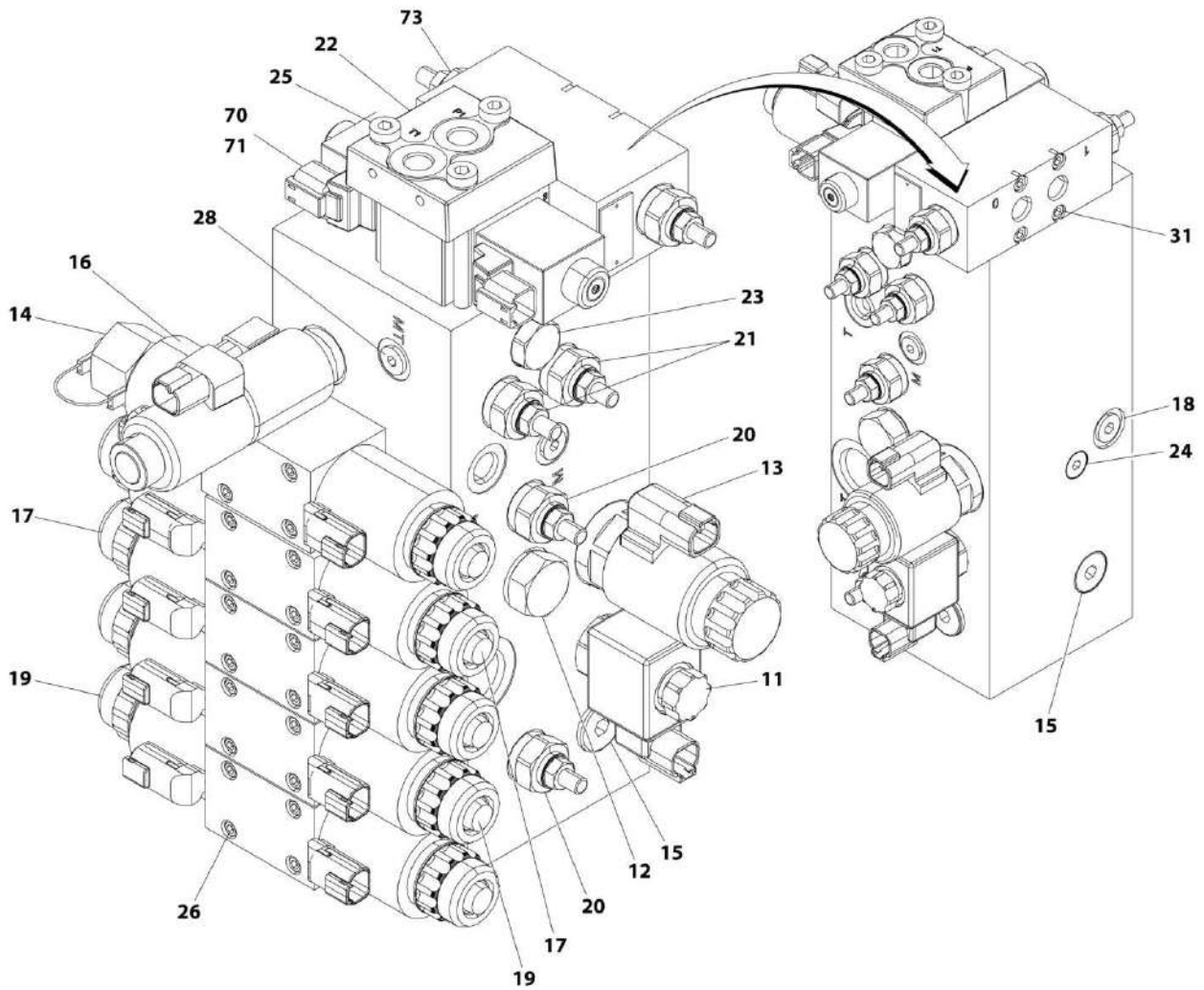
ITEM	PART NUMBER	QTY	DESCRIPTION	REV
11A	70000580	1	70000579 Valve	
12	7012775	1	Control Valve Assembly (Flow Control)	
12	7012773	1	Seal Kit	
12A	7012772	2	Coil	
12A	7018912	2	Nut	
13	7010542	1	Cartridge, Shuttle	
13	7010543	1	Seal Kit - 7010542 Cartridge	
14	7010542	1	Cartridge, Shuttle	
14	7010543	1	Seal Kit - 7010542 Cartridge	
15	7010542	1	Cartridge, Shuttle	
15	7010543	1	Seal Kit - 7010542 Cartridge	
16	7010542	1	Cartridge, Shuttle	
16	7010543	1	Seal Kit - 7010542 Cartridge	
17	7010542	1	Cartridge, Shuttle	
17	7010543	1	Seal Kit - 7010542 Cartridge	
18		Ref	Cartridge, Relief Valve	
18	7017420	1	Valve p/n 4641097	
18	7012998	1	Seal Kit - 7017420 Cartridge	
18	7012912	1	Valve p/n 4641452	
18	7012998	1	Seal Kit - 7012912 Cartridge	
19	7012775	1	Control Valve Assembly (Upper Lift)	
19	7012773	1	Seal Kit	
19	7012799	1	Lanyard Assembly (Not Shown)	
19A	7012772	2	Coil	
19A	7018912	2	Nut	
20	7012775	1	Control Valve Assembly (Swing)	
20	7012773	1	Seal Kit	
20A	7012772	2	Coil	
20A	7018912	2	Nut	
21		Ref	Cartridge, Relief Valve (Swing Right/Left Relief)	
21	7017423	1	Valve p/n 4641097	
21	7012998	1	Seal Kit - 7017423 Cartridge	
21	7012912	1	Valve p/n 4641452	
21	7012998	1	Seal Kit - 7012912 Cartridge	
22	7012774	1	Control Valve Assembly (Steer)	
22	7012773	1	Seal Kit	
22A	7012772	2	Coil	
22A	7018912	2	Nut	
23	7017428	1	Cartridge, Relief Valve (Steer Left Relief)	
23	7012998	1	Seal Kit - 7017428 Cartridge	
24	7017428	1	Cartridge, Relief Valve (Steer Right Relief)	
24	7012998	1	Seal Kit - 7017428 Cartridge	
25	70001976	1	Control Valve Assembly (Lower Tele) (was p/n 7012770)	
25	7012773	1	Seal Kit	
25A	7012772	2	Coil	
25A	7021375	2	Nut	
26	7018952	1	Control Valve Assembly (Lower Lift)	
26	7012769	1	Seal Kit - 7018952 Cartridge	
26A	7012772	2	Coil	
26A	7018912	2	Nut	
26A	7012799	1	Lanyard Cable Assembly	

SECTION 2 - TURNTABLE

ITEM	PART NUMBER	QTY	DESCRIPTION	REV
27	7012969	1	Cartridge, Check	
27	7012967	1	Seal Kit - 7012969 Cartridge	
28	7012914	1	Cartridge, Check	
28	7012918	1	Seal Kit - 7012914 Cartridge	
30	4460499	19	Connector, Din with Diode (Part of Valve Harness)	
	2901763	1	Rotate Sandwich Valve Kit	A
51	7021310	1	Block, Valve	

SECTION 2 - TURNTABLE

FIGURE 2-3. MAIN VALVE ASSEMBLY (SN B300001393 to Present)



ART_1001152561

SECTION 2 - TURNTABLE

FIGURE 2-3. MAIN VALVE ASSEMBLY (SN B300001393 to Present)

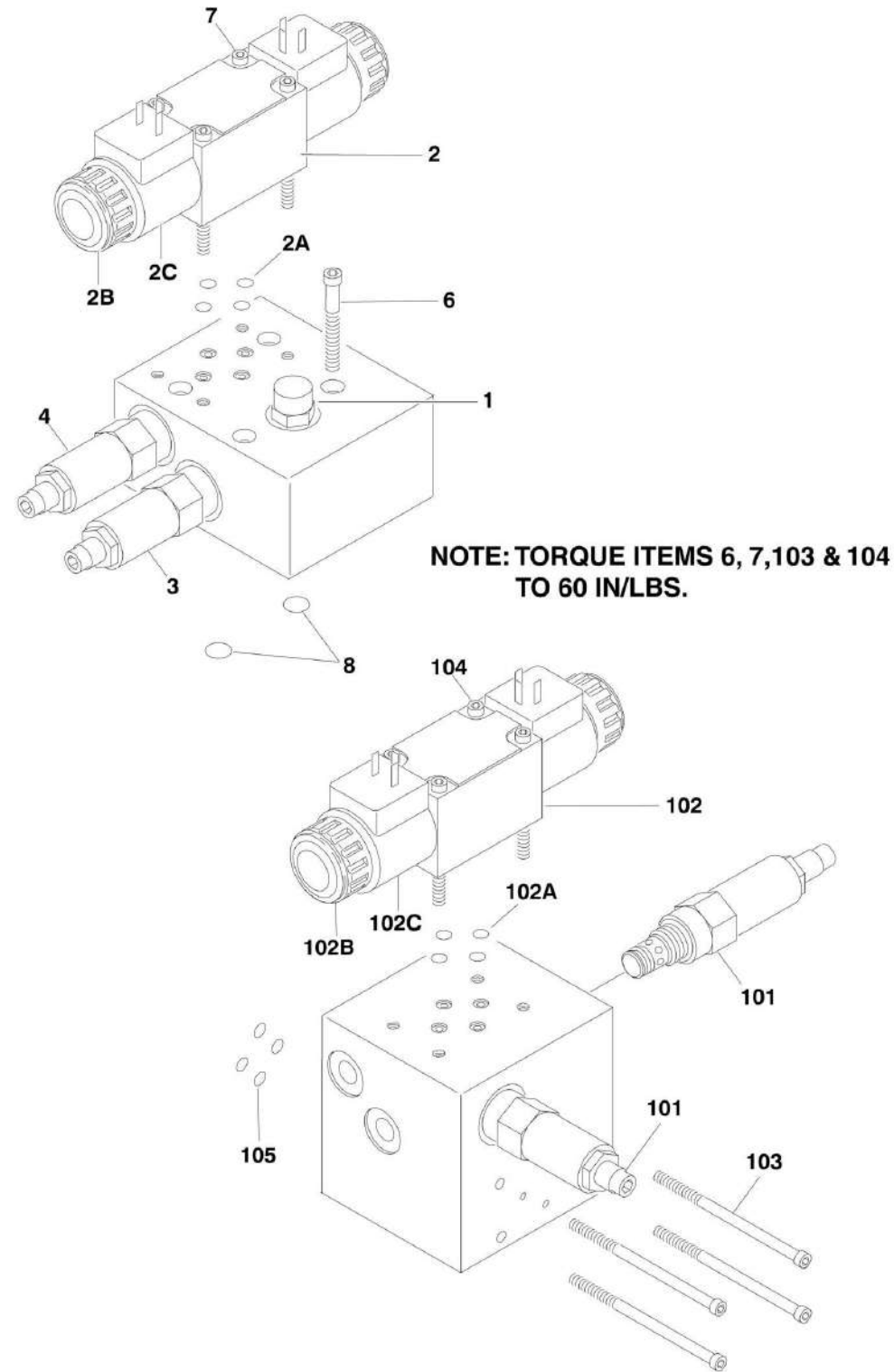
ITEM	PART NUMBER	QTY	DESCRIPTION	REV
	1001152887	Ref	MAIN VALVE ASSEMBLY - 2WS (SN B300001393 to Present)	C
	1001152561	Ref	MAIN VALVE ASSEMBLY - 4WS (SN B300001393 to Present)	E
11	70004652	1	Valve, Cartridge Less Coil (Dump)	
11	70023867	1	Seal Kit - 70004652 Valve	
11	70004653	1	Coil	
11	70004654	1	Nut, Coil	
12	70004655	1	Valve, Cartridge	
12	70004656	1	Seal Kit - 70004655 Valve	
13	70004657	1	Valve, Cartridge Less Coil	
13	70004594	1	Seal Kit - 70004657 Valve	
13	70004595	1	Coil	
13	70004597	1	Nut, Coil	
13	70004596	1	O-Ring, Pole Tube	
14	70004659	1	Valve, Cartridge Less Coil (Steer)	
14	70004660	1	Seal Kit - 70004659 Valve	
14	80434249	2	Coil	
14	70004661	1	Nut, Coil	
14	70024457	1	O-Ring, Pole Tube (Upper)	
14	70004662	1	O-Ring, Pole Tube (Lower)	
15	70023859	5	Valve, Cartridge	
16	70004663	1	Valve Assembly (Lower Lift)	
16	7012773	1	Seal Kit - 70004663 Valve	
16	70004660	2	Coil	
16	7021375	1	Nut, Coil (Plastic)	
16	70004661	2	O-Ring, Pole Tube	
16	70003525	1	Nut, Coil (Aluminum)	
16	70004664	1	Lanyard	
17	70004459	2	Valve Assembly (Upper Tele and Lower Tele)	
17	7012773	1	Seal Kit - 70004459 Valve	
17	70004460	2	Coil	
17	7021375	2	Nut, Coil	
17	70004661	2	O-Ring, Pole Tube	
18	70004665	1	Valve, Cartridge	
18	70023862	1	Seal Kit - 70004665 Valve	
19	70004666	2	Valve Assembly (Swing and Upper Lift)	
19	7012773	1	Seal Kit - 70004666 Valve	
19	70004463	2	Coil	
19	7021375	2	Nut, Coil	
19	70004461	2	O-Ring, Pole Tube	
20	70003019	3	Valve, Cartridge	
20	70004052	3	Seal Kit - 70003019 Valve	
21	70003019	2	Valve, Cartridge	
21	70004052	2	Seal Kit - 70003019 Valve	
22	70004667	1	Cover	
23	2220886	1	Plug (2WS)	
23	70004670	1	Plug (4WS)	
24	70004668	1	Plug (2WS)	
24	70004665	1	Plug (4WS)	
25	70005201	3	Capscrew (Valve p/n 1001152887 Only)	
25	70021202	1	Bolt Kit (Valve p/n 1001152561 Only)	

SECTION 2 - TURNTABLE

ITEM	PART NUMBER	QTY	DESCRIPTION	REV
26	7018942	20	Capscrew	
27	70005202	2	O-Ring (Not Shown - Located under Item 22)	
28	70002758	6	Plug 7/16	
29	70004617	4	Plug 9/16 (Not Shown)	
30	70002759	1	Plug 3/4 (Not Shown - Located under Item 73)	
31	70005232	1	Bolt Kit (Valve p/n 1001152561 Only)	
32	91474405	2	O-Rings (Not Shown - Located under Item 73) (Valve p/n 1001152561 Only)	
70	70004671	1	Valve Assembly (4WS Rear Steer) (1001152561 Valve Only)	
70	70004672	1	Seal Kit - 70004671 Valve	
71	70004673	2	Coil (4WS Rear Steer) (1001152561 Valve Only)	
73	70004674	2	Valve, Cartridge (4WS Rear Steer) (1001152561 Valve Only)	
73	70004052	2	Seal Kit - 70004674 Valve	

SECTION 2 - TURNTABLE

FIGURE 2-4. ACCESSORY VALVE ASSEMBLIES (SN 0300087000 through 0300177361, SN B300000100 through B300001392)



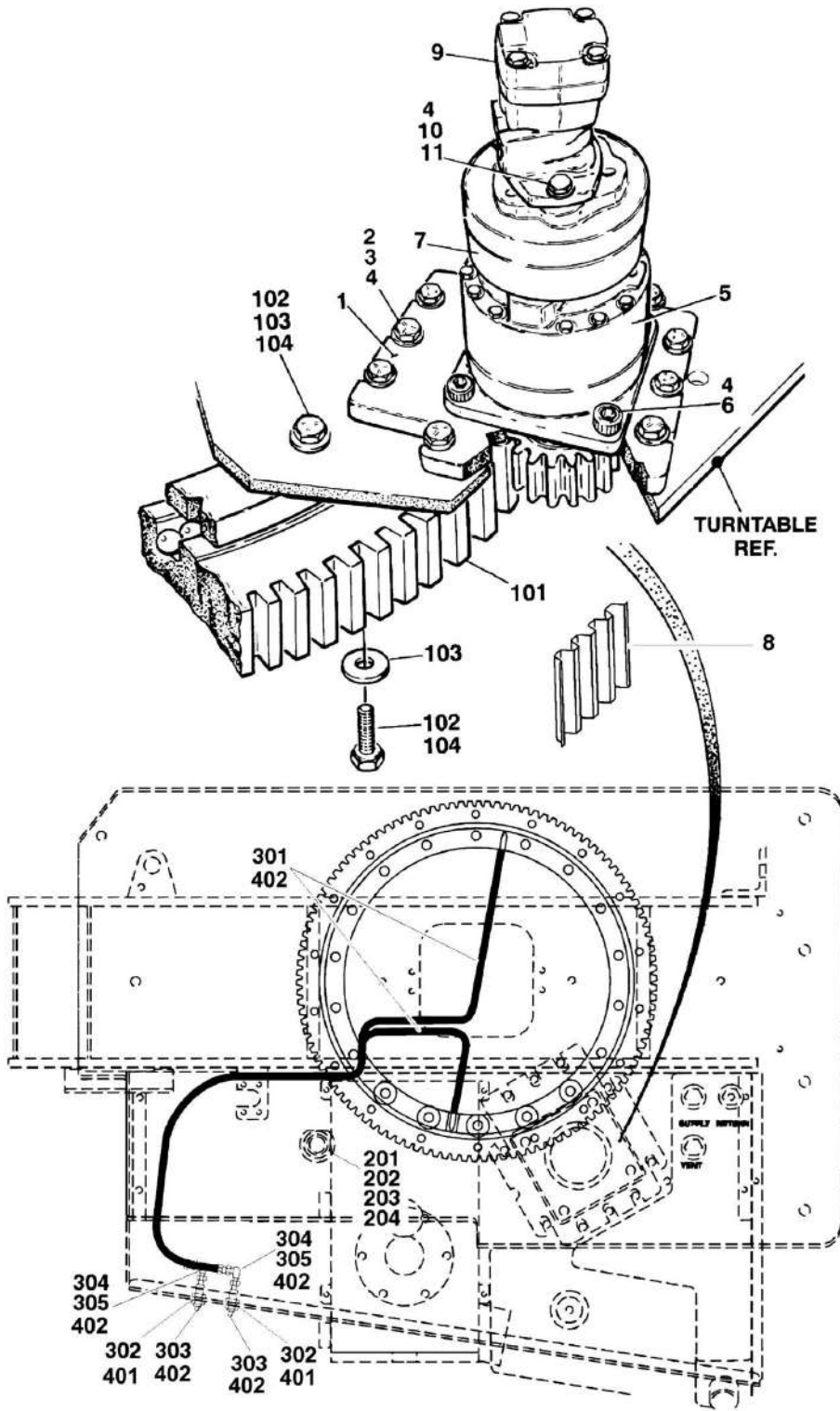
SECTION 2 - TURNTABLE

FIGURE 2-4. ACCESSORY VALVE ASSEMBLIES (SN 0300087000 through 0300177361, SN B300000100 through B300001392)

ITEM	PART NUMBER	QTY	DESCRIPTION	REV
	4640921	Ref	ARTICULATING JIB VALVE ASSEMBLY (SN 0300087000 through 0300177361, SN B300000100 through B300001392)	
1	7012965	1	Cartridge, Flow Control	
1	7012953	1	Seal Kit - 7012965 Cartridge	
2	70001976	1	Directional Control Valve Assembly (was p/n 7012770)	
2	7012773	1	Seal Kit	
2A	7018945	4	O-Ring	
2B	7018912	2	Nut	
2C	7012772	2	Coil	
3	7017421	1	Cartridge, Relief	
3	7012998	1	Seal Kit - 7017421 Cartridge	
4	7017422	1	Cartridge, Relief	
4	7012998	1	Seal Kit - 7017422 Cartridge	
5	4460499	2	Connector, DIN with Diode (Not Shown - Part of Valve Harness)	
6	7018946	4	Capscrew, Socket Head #10-24NC x 5in (Not Shown - Used to Mount Valve Assembly)	
7	7018942	4	Capscrew, Socket Head #10-24NC x 2in	
8	7012776	4	O-Ring (Not Shown - Used to Mount to Main Valve)	
	4640922	Ref	4WS VALVE ASSEMBLY (SN 0300087000 through 0300177361, SN B300000100 through B300001392)	B
101	7017420	2	Cartridge, Flow Control	
101	7012998	2	Seal Kit - 7017420 Cartridge	
102	7012774	1	Directional Control Valve Assembly	
102	7012773	1	Seal Kit	
102A	7018945	4	O-Ring	
102B	7018912	2	Nut	
102C	7012772	2	Coil	
103	7018946	4	Capscrew, Socket Head #10-24NC x 5in (Used to Mount Valve Assembly)	
104	7018942	4	Capscrew, Socket Head #10-24NC x 2in	
105	7018948	4	O-Ring (Used to Mount to Main Valve)	

SECTION 2 - TURNTABLE

FIGURE 2-5. SWING DRIVE, TURNTABLE BEARING AND LOCK INSTALLATIONS



SECTION 2 - TURNTABLE

FIGURE 2-5. SWING DRIVE, TURNTABLE BEARING AND LOCK INSTALLATIONS

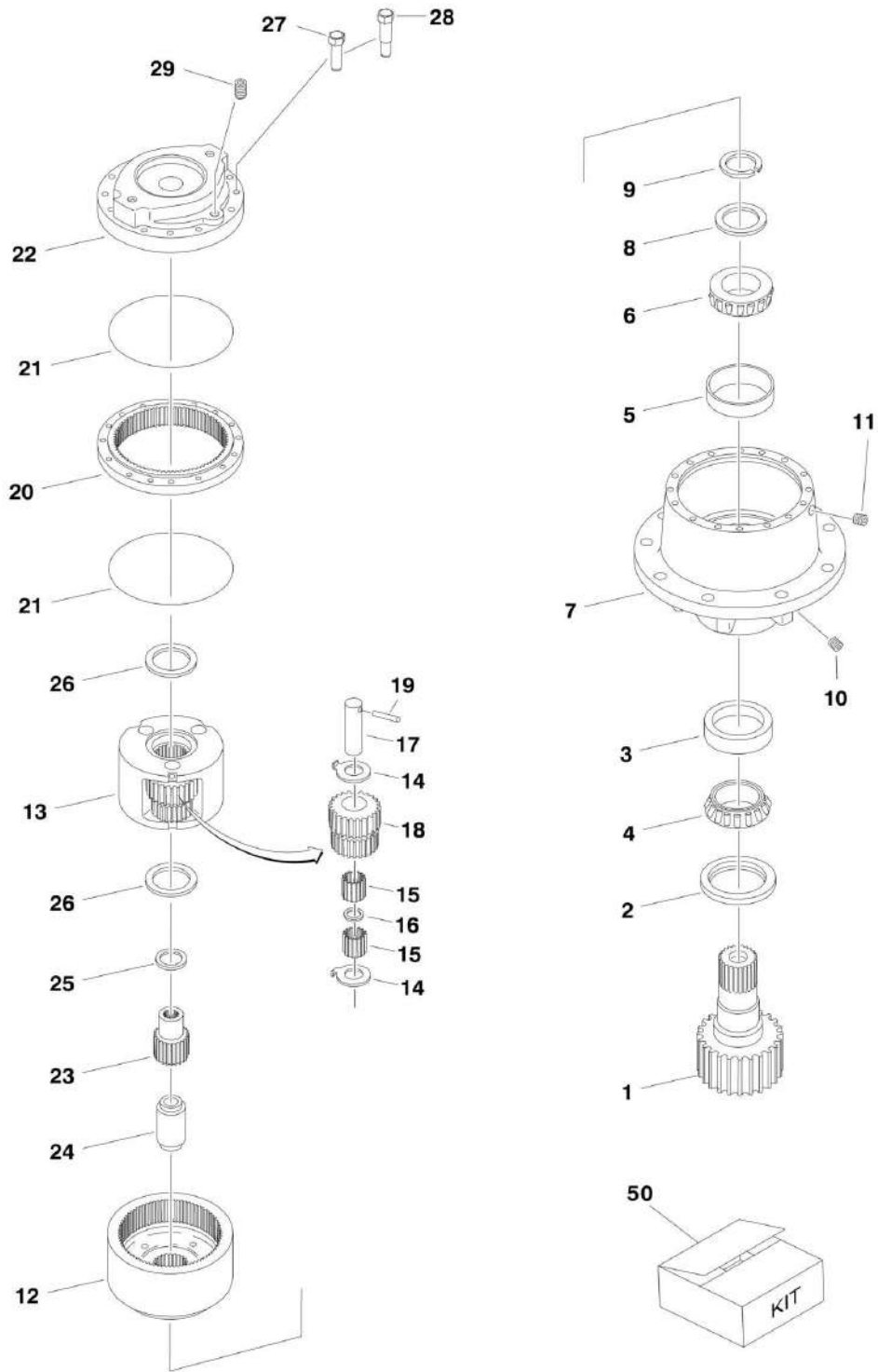
ITEM	PART NUMBER	QTY	DESCRIPTION	REV
		Ref	SWING DRIVE INSTALLATIONS	
	0270329	Ref	USA Built Machines (SN 0300087000 through 0300137452)	C
	1001094828	Ref	USA Built Machines (SN 0300137453 through 0300177361)	C
	1001094828	Ref	China Built Machines (SN B300000100 to Present)	C
1	3537318	1	Plate, Swing Drive Mounting	
2	0642018	10	Bolt 5/8in - 11NC x 2-1/4in	
3	4892000	10	Flatwasher 5/8in Hardened	
4	0100011	AR	Compound, Locking	
5		Ref	Swing Hub Assembly Options:	
5	2780205	1	Hub USA Built Machines (See SWING HUB ASSEMBLY for Breakdown) (SN 0300087000 through 0300137452)	
5	1001101061	1	Hub USA Built Machines (See SWING MOTOR/BRAKE/HUB ASSEMBLY for Breakdown) (SN 0300137453 through 0300177361)	
5	1001101061	1	Hub China Built Machines (See SWING MOTOR/BRAKE/HUB ASSEMBLY for Breakdown) (SN B300000100 to Present)	
6	3932224	4	Bolt 1/2in-13NC x 1-1/2in	
7		Ref	Swing Brake Assembly Options:	
7	0920119	1	Brake USA Built Machines (SN 0300087000 through 0300137452)	
7	7018612	1	Repair Kit - 0920119 Brake (Note: Kit is only repair part available)	
7	1001101061	1	Brake USA Built Machines (See SWING MOTOR/BRAKE/HUB ASSEMBLY for Breakdown) (SN 0300137453 through 0300177361)	
7	1001101061	1	Brake China Built Machines (See SWING MOTOR/BRAKE/HUB ASSEMBLY for Breakdown) (SN B300000100 to Present)	
8	4071009	1	Shim (SN 0300087000 through 0300177361)	
8	4071009	1	Shim (SN B300000100 through E300000917)	
8	1001125492	1	Shim (SN E300000918 to Present)	
9		Ref	Swing Motor Assembly Options:	
9		Ref	Motor USA Built Machines Options: (SN 0300087000 through 0300137452)	
9	3160273	NLA	White Roller Stator Motor (Use p/n 1001110169 See SWING MOTOR ASSEMBLY (WHITE ROLLER STATOR) for Breakdown)	
9	1001110169	1	Parker Motor (See SWING MOTOR ASSEMBLY (PARKER) For Breakdown)	
9	1001101061	1	Motor USA Built Machines (See SWING MOTOR/BRAKE/HUB ASSEMBLY (PARKER/FAIRFIELD) for Breakdown) (SN 0300137453 through 0300177361)	
9	1001101061	1	Motor China Built Machines (See SWING MOTOR/BRAKE/HUB ASSEMBLY (PARKER/FAIRFIELD) for Breakdown) (SN B300000100 to Present)	
10		Ref	Bolt Options:	
10	0681836	2	Bolt 1/2in-13NC x 4-1/2in USA Built Machines (SN 0300087000 through 0300137452)	
10		Ref	Bolt USA Built Machines (See SWING MOTOR/BRAKE/HUB ASSEMBLY for Breakdown) (SN 0300137453 through 0300177361)	
10		Ref	Bolt China Built Machines (See SWING MOTOR/BRAKE/HUB ASSEMBLY for Breakdown) (SN B300000100 to Present)	
11		Ref	Flatwasher 1/2in Hardened Options:	

SECTION 2 - TURNTABLE

ITEM	PART NUMBER	QTY	DESCRIPTION	REV
11	4891800	2	Flatwasher USA Built Machines (SN 0300087000 through 0300137452)	
11		Ref	Flatwasher USA Built Machines (See SWING MOTOR/BRAKE/HUB ASSEMBLY for Breakdown) (SN 0300137453 through 0300177361)	
11		Ref	Flatwasher China Built Machines (See SWING MOTOR/BRAKE/HUB ASSEMBLY for Breakdown) (SN B300000100 to Present)	
		Ref	TURNTABLE BEARING INSTALLATIONS	
	0254798	Ref	USA Built Machines (SN 0300087000 through 0300112399)	2-B
	1001095359	Ref	USA Built Machines (SN 0300112400 through 0300118364)	2-B
	0254798	Ref	USA Built Machines (SN 0300118365 through 0300177361)	2-B
	0254798	Ref	China Built Machines (SN B300000100 to Present)	2-B
101	0440207	NLA	Bearing, Turntable	
102	0682016	36	Bolt 5/8in - 11NC x 2in (Grade 8)	
103	4892000	36	Flatwasher 5/8in Hardened	
104	0100019	AR	Compound, Locking	
	0255410	Ref	TURNTABLE LOCK INSTALLATION	B
201	4844958	1	Pin	
202	3421565	1	Pin, Snap	
203	3760170	2	Ring, Quick Release	
204	1260017	9 in/23cm	Chain	
	0255444	Ref	REMOTE BEARING LUBE INSTALLATION (SN 0300087000 through 0300177361, SN E300000100 through E300002815)	2-E
301	2751032	2	Hose, Grease	
302	2180344	2	Fitting, Bulkhead	
303	2160002	2	Fitting, Grease	
304	2220001	2	Fitting, Straight	
305	2220063	2	Fitting, 90	
	1001236973	Ref	REMOTE BEARING LUBE INSTALLATION (SN E300002816 to Present)	A
401	4711600	4	Washer 3/8	
402	1001151646	2	Hose (Includes Fittings)	

SECTION 2 - TURNTABLE

FIGURE 2-6. SWING HUB ASSEMBLY (USA BUILT MACHINES) (SN 0300087000 through 0300137452)



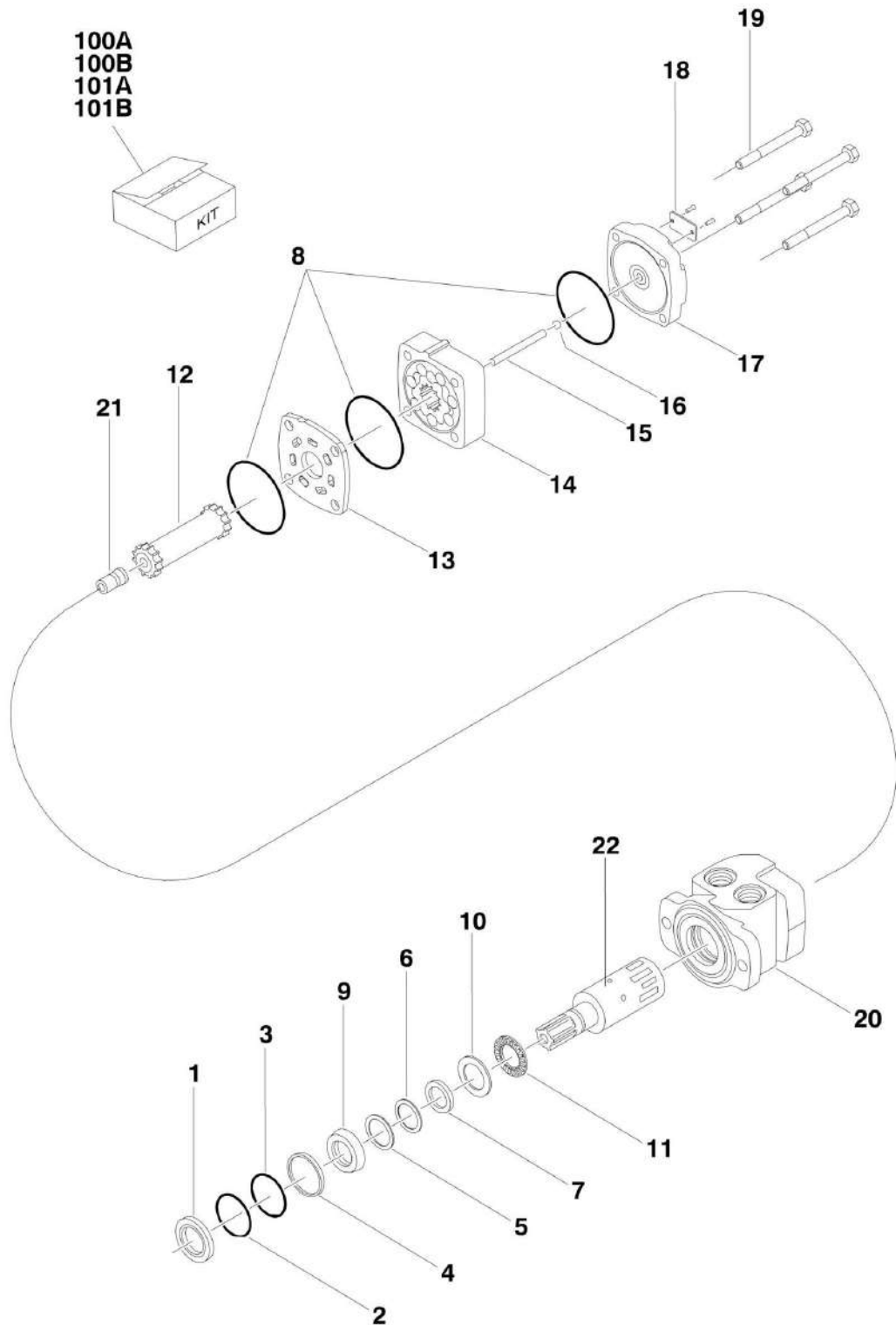
SECTION 2 - TURNTABLE

FIGURE 2-6. SWING HUB ASSEMBLY (USA BUILT MACHINES) (SN 0300087000 through 0300137452)

ITEM	PART NUMBER	QTY	DESCRIPTION	REV
	2780205	Ref	SWING HUB ASSEMBLY	B
		Ref	Housing Assembly	
1	7010492	1	Shaft, Output	
2	7000228	1	Seal, Lip	
3	7000255	1	Cup, Bearing	
4	7000256	1	Cone, Bearing	
5	7000257	1	Cup, Bearing	
6	7000258	1	Cone, Bearing	
7	7017089	1	Housing	
8	7007633	1	Thrustwasher	
9	7000229	1	Ring, Retaining	
10	7010494	2	Pipe, Plug	
11	7001928	2	Pipe, Plug	
12	7000246	2	Gear, Internal	
		Ref	Carrier Assembly	
13	7001931	1	Carrier	
14	7001985	6	Thrustwasher, Tanged	
15	7001909	96	Bearing, Needle	
16	7000263	3	Spacer, Thrust	
17	7001911	3	Shaft, Planet	
18	7001987	3	Gear, Cluster	
19	7010474	3	Roll Pin	
20	7001988	1	Ring Gear	
21	7000230	2	O-Ring	
22	7000209	1	Cover, Input	
23	7010488	1	Gear, Sun	
24	7000269	1	Spacer, Input	
25	7000270	1	Thrustwasher	
26	7000253	2	Thrustwasher	
27	7000217	8	Bolt	
28	7000214	4	Bolt, Shoulder	
29	7000242	1	Pipe, Plug	
50	7024100	1	Seal Kit (Includes Items 2, 9, 21 & 26)	

SECTION 2 - TURNTABLE

FIGURE 2-7. SWING MOTOR ASSEMBLY (WHITE ROLLER STATOR) (USA BUILT MACHINES) (SN 0300087000 through 0300137452)



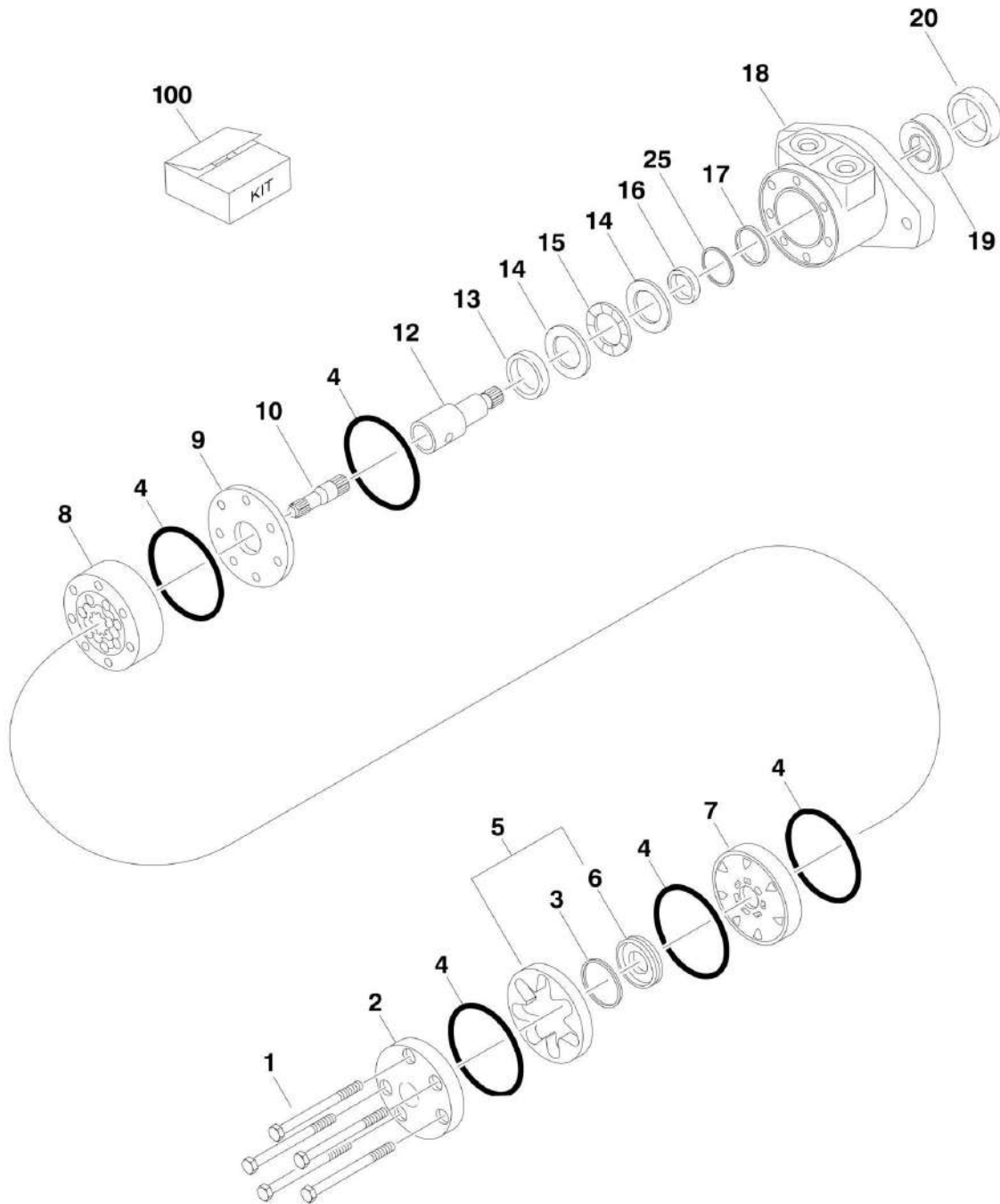
SECTION 2 - TURNTABLE

FIGURE 2-7. SWING MOTOR ASSEMBLY (WHITE ROLLER STATOR) (USA BUILT MACHINES) (SN 0300087000 through 0300137452)

ITEM	PART NUMBER	QTY	DESCRIPTION	REV
	3160273	Ref	SWING MOTOR ASSEMBLY (WHITE ROLLER STATOR)	D
1	7005881	1	Seal, Dust	
2	7005881	1	Ring, Split Wire	
3	7005881	1	Shim, Metal Back-up	
4	7005881	1	Seal, High Pressure	
5	7005881	1	Shim, Metal Back-up	
6	7005881	1	Seal, Teflon Back-up	
7	7005881	1	Seal, Shaft	
8	7005881	3	Seal, Body	
9	7005882	1	Carrier, Seal	
10	7005882	1	Thrustwasher	
11	7016422	1	Bearing, Thrust	
12	7005889	1	Link, Drive	
13	7016423	1	Plate, Wear	
14	7005890	1	Rotor Assembly	
15	7005891	1	Pin, Drive Link	
16	7016424	1	Ball	
17	7016424	1	Cover, End	
18	See Note	NSS	Tag, I.D. (Note: Not Available for Purchase)	
19	7005892	4	Bolt	
20	7016425	1	Housing	
21	7005893	1	Plug, Cooling	
22	7016426	1	Shaft	
100		Ref	Seal Kit Options:	
100A	7005881	1	Seal Kit (Includes Items 1-8)	
100B	7005882	1	Seal Carrier Kit (Includes Items 9 & 10)	
101		Ref	Repair Kit Options:	
101A	7016424	1	End Cover Kit (Includes Items 16 & 17)	
101B	7016427	1	Housing/Shaft Kit (Includes Items 20-22)	

SECTION 2 - TURNTABLE

FIGURE 2-8. SWING MOTOR ASSEMBLY (PARKER) (USA BUILT MACHINES) (SN 0300087000 through 0300137452)



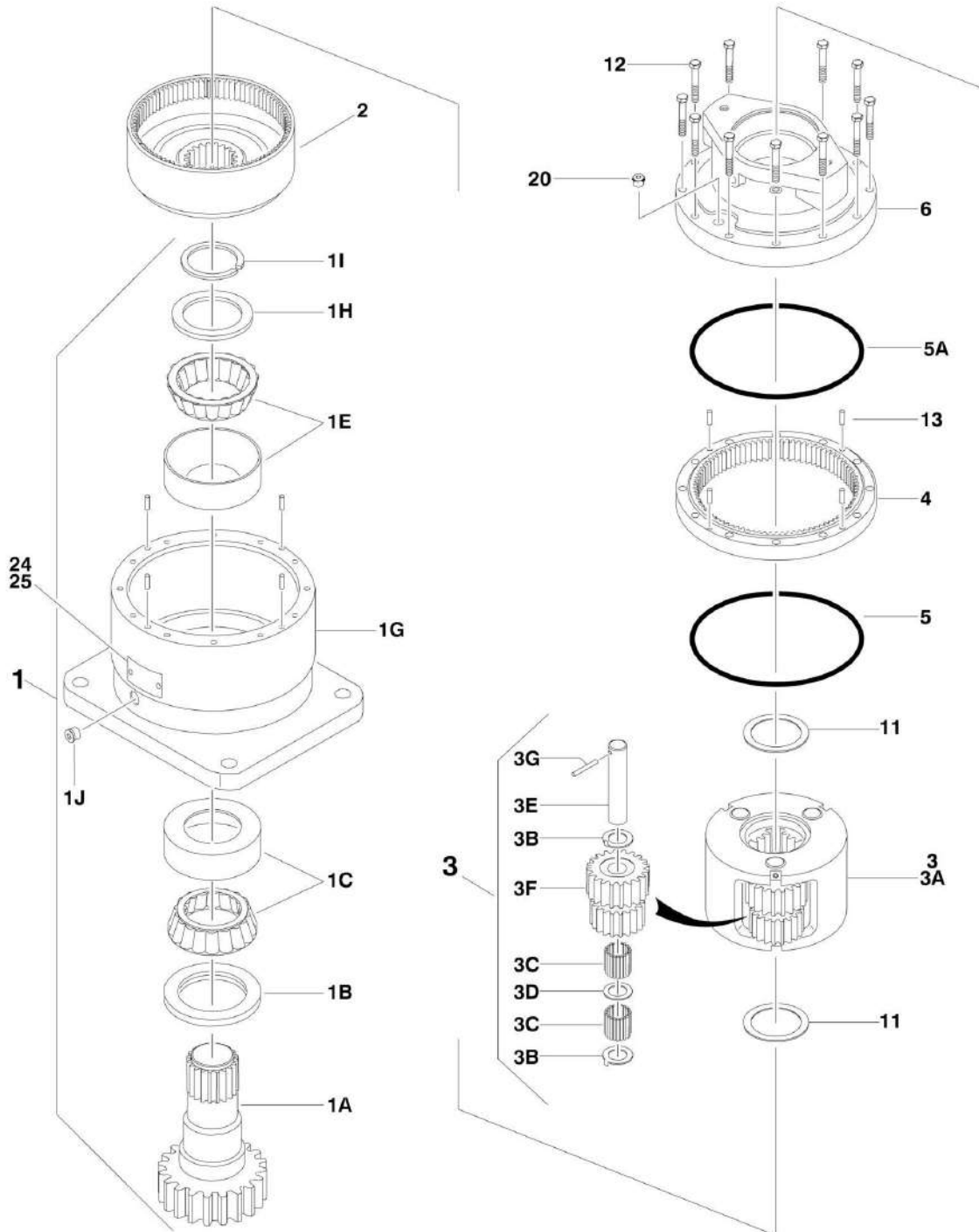
SECTION 2 - TURNTABLE

FIGURE 2-8. SWING MOTOR ASSEMBLY (PARKER) (USA BUILT MACHINES) (SN 0300087000 through 0300137452)

ITEM	PART NUMBER	QTY	DESCRIPTION	REV
	1001110169	Ref	SWING MOTOR ASSEMBLY (PARKER)	B
1	70002243	5	Bolt	
2	7004035	1	Cover, End	
3	See Note	NSS	Seal, Commutator (Note: Use Item 100)	
4	See Note	NSS	Seal, Ring (Note: Use Item 100)	
5	7024453	1	Commutator and Ring Assembly	
6	7024453	1	Ring	
7	7024379	1	Manifold	
8	70002208	1	Rotor Set	
9	7024380	1	Plate, Wear	
10	83304150	1	Link, Drive	
12	7024395	1	Shaft, Coupling	
13	7024381	1	Bushing, Bronze	
14	7004043	2	Thrustwasher	
15	7004044	1	Bearing, Thrust	
16	See Note	NSS	Seal, Inner (Note: Use Item 100)	
17	See Note	NSS	Washer, Back-up (Note: Use Item 100)	
18	1001110169	NSS	Housing (Note: Not Available for Purchase)	
19	7024390	1	Bearing	
20	See Note	NSS	Seal (Note: Use Item 100)	
25	See Note	NSS	Washer, Back-up (Note: Use Item 100)	
100	7024389	1	Seal Kit (Includes Items 3, 4, 16, 17, 20 & 25)	

SECTION 2 - TURNTABLE

FIGURE 2-9. SWING MOTOR/BRAKE/HUB ASSEMBLY (PARKER/FAIRFIELD) (USA BUILT MACHINES AND CHINA BUILT MACHINES) (SN 0300137453 through 0300177361, SN B300000100 to Present)



SECTION 2 - TURNTABLE

FIGURE 2-9. SWING MOTOR/BRAKE/HUB ASSEMBLY (PARKER/FAIRFIELD) (USA BUILT MACHINES AND CHINA BUILT MACHINES) (SN 0300137453 through 0300177361, SN B300000100 to Present)

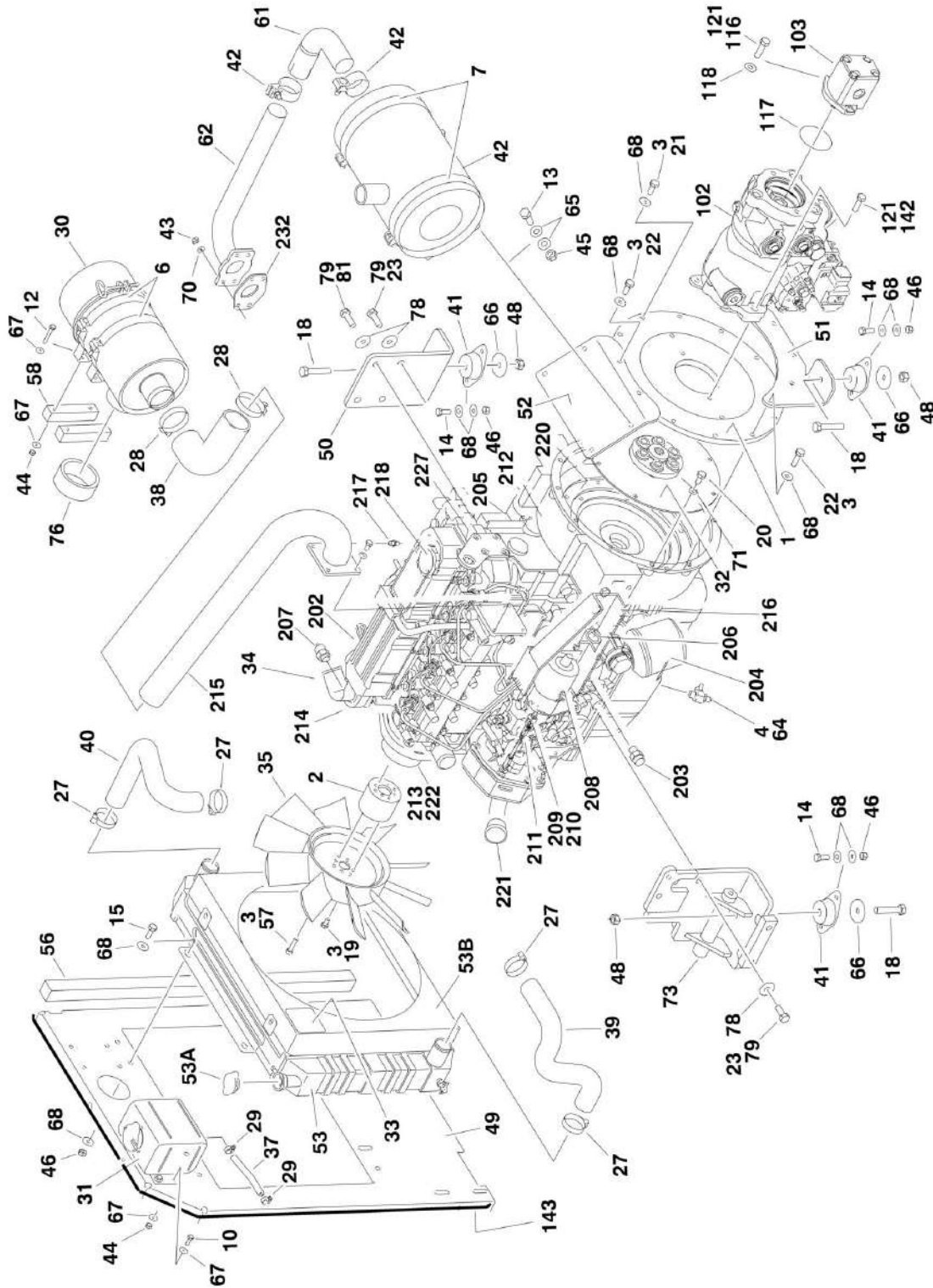
ITEM	PART NUMBER	QTY	DESCRIPTION	REV
	1001101061	Ref	SWING MOTOR/HUB ASSEMBLIES	A
1	1001101061	1	Housing/Shaft Assembly (Note: Not Available for Purchase)	
1A	7010492	1	Shaft, Output	
1B	7000228	1	Seal, Lip	
1C	7000255	1	Bearing Kit (Includes Cup and Cone)	
1E	7000257	1	Bearing Kit (Includes Cup and Cone)	
1G	1001101061	1	Housing (Note: Not Available for Purchase)	
1H	7007633	1	Thrustwasher	
1I	7000229	1	Ring, Retaining	
1J	7017072	1	Plug, Pipe	
2	7000246	1	Gear, Internal	
3	80424002	1	Carrier Assembly	
3A	7001931	1	Carrier	
3B	7001985	6	Washer, Tanged	
3C	7001909	96	Bearing, Needle	
3D	7000263	3	Thrustwasher	
3E	7001911	3	Shaft, Planet	
3F	7001912	3	Gear, Cluster	
3G	7010474	3	Roll Pin	
4	7000248	1	Gear, Ring	
5	7000230	1	O-Ring (Black)	
5A	7017070	1	O-Ring (White)	
6	1001101061	1	Housing, Brake (Note: Not Available for Purchase)	
7	70002065	1	Gear, Sun	
8		Ref	Brake Components	
8A	70000782	1	Piston, Brake	
8D	70002070	1	O-Ring	
8E	70002071	1	Ring, Back-up	
8F	70002073	1	O-Ring	
8H	70002072	1	Ring, Back-up	
8J	70002067	4	Rotor, Brake	
8K	70002068	5	Stator, Brake	
8L	70002066	14	Spring, Brake	
11	7000253	2	Thrustwasher	
12	7000217	12	Bolt 5/16in-18NC x 2-1/4in (Grade 8)	
13	7017080	4	Pin, Dowel	
20	7017072	1	Plug, Pipe	
21	7024704	4	Bolt 5/16in-18NC x 2in (Grade 8)	
22	See Note	4	Lockwasher (Note: Not Available for Purchase)	
23	7017023	2	Plug, Pipe	
24	See Note	NSS	Plate, ID (Note: Not Available for Purchase)	
25	7000281	2	Screw, Drive	
26	7024763	1	O-Ring	
28	See Note	NSS	Lug, Lifting (Note: Not Available for Purchase)	
29	70002069	2	Bolt 1/2in-13NC x 2in (Grade 8)	
30	7017085	2	Elbow	
31	70002075	1	Motor Assembly (See Items 101-121 for Breakdown)	
32	7024784	1	Valve (No Serviceable Parts)	
33	7017082	1	Plug, Pipe (Not Shown)	

SECTION 2 - TURNTABLE

ITEM	PART NUMBER	QTY	DESCRIPTION	REV
35	70002074	1	Tube	
44	7017028	1	Ring, Retaining	
45	7024100	1	Seal Kit - Swing Hub (Includes Items 1B, 1I, 5, 5A & 11)	
46	7000213	2	O-Ring	
	70002075	Ref	MOTOR ASSEMBLY	
101	7024454	6	Bolt	
102	7004035	1	Cover, End	
103	See Note	NSS	Seal, Commutator (Note: Use Item 126)	
104	See Note	NSS	Seal, Ring (Note: Use Item 126)	
105	7024453	1	Commutator and Ring Assembly	
106	See Note	NSS	Ring (Note: Use Item 105)	
107	7024379	1	Manifold	
108	7024455	1	Rotor Set	
109	7024380	1	Plate, Wear	
110	7024456	1	Link, Drive	
112	7024458	1	Shaft, Coupling	
113	7024381	1	Bushing, Bronze	
114	7004043	1	Thrustwasher	
115	7004044	1	Bearing, Thrust	
116	See Note	NSS	Seal, Inner (Note: Use Item 126)	
117	See Note	NSS	Washer, Back-up (Note: Use Item 126)	
118	70002075	1	Housing (Note: Not Available for Purchase)	
119	7024390	1	Bearing	
120	See Note	NSS	Seal (Note: Use Item 126)	
125	See Note	NSS	Washer, Back-up (Note: Use Item 126)	
126	7024396	1	Seal Kit, Motor (Includes Items 103, 104, 116, 117, 120 & 125)	

SECTION 2 - TURNTABLE

FIGURE 2-10. CATERPILLAR ENGINE INSTALLATION (USA BUILT MACHINES) (SN 0300087000 through 0300140368)



SECTION 2 - TURNTABLE

FIGURE 2-10. CATERPILLAR ENGINE INSTALLATION (USA BUILT MACHINES) (SN 0300087000 through 0300140368)

ITEM	PART NUMBER	QTY	DESCRIPTION	REV
		Ref	CATERPILLAR ENGINE ASSEMBLIES:	
		Ref	Without Arctic Package	
	0274491	Ref	Tier II (SN 0300087000 through 0300135240)	L
	1001105993	Ref	Tier III/Tier IVi (SN 0300135241 through 0300140368)	D
		Ref	With Arctic Package	
	0275256	Ref	Tier II (SN 0300087000 through 0300135240)	I
	1001106338	Ref	Tier III/Tier IVi (SN 0300135241 through 0300140368)	D
1	0080181	1	Adapter, Pump Mounting Plate	
2	0080243	1	Adapter, Fan Spacer	
3	0100011	AR	Compound, Locking	
4	0100020	AR	Sealant, Thread	
5		Ref	Hold-Down, Battery Options:	
5A	0181727	1	Hold-Down, Battery (SN 0300087000 through 0300110503)	
5B	91401281	1	Hold-Down, Battery (SN 0300110504 through 0300140368)	
6	0340041	2	Band, Mounting	
7	0340046	2	Band, Muffler	
8	0400075	1	Battery	
9		Ref	Rod, Hold-Down Options:	
9A	0630498	2	Rod, Hold-Down (SN 0300087000 through 0300110503)	
9B	1001093382	2	Rod, Hold-Down (SN 0300110504 through 0300140368)	
10	0641406	4	Bolt 1/4in-20NC x 3/4in	
11	0641407	6	Bolt 1/4in-20NC x 7/8in	
12	0701414	4	Bolt 1/4in-20NC x 3/4in	
13	0641507	4	Bolt 5/16in-18NC x 7/8in	
14	0641608	AR	Bolt 3/8-16NC x 1in	
15	0641609	4	Bolt 3/8-16NC x 1-1/8in	
16	0641610	4	Bolt 3/8-16NC x 1-1/4in	
17	0641808	1	Bolt 1/2in-13NC x 1in	
18	0641820	4	Bolt 1/2in-13NC x 2-1/2in	
19	0700808	4	Bolt M8 x 16mm	
20	0701010	8	Bolt M10 x 20mm	
21	0701012	4	Bolt M10 x 25mm	
22	0701015	8	Bolt M10 x 35mm	
23		Ref	Bolt Options:	
23	0701214	8	Bolt M12 x 30mm (SN 0300087000 through 0300098804)	
23	0711214	5	Bolt M12 x 30mm (SN 0300098805 through 0300140368)	
24	0940070	1	Bumper, Rubber	
25	0961986	2	Bearing, Flange	
26	1060637	1	Lanyard	
27	8405104	4	Clamp, Hose	
28	1320016	2	Clamp, Hose	
29	8405009	2	Clamp, Hose	
30	1340060	1	Air Cleaner Assembly	
30	7012664	1	Element, Air Cleaner	
31	1580011	1	Container, Coolant Overflow	
32	1660239	1	Coupling, Pump	
33	1703162	2	Decal - Fan Blade	
34		Ref	Caterpillar Engine Assembly Options:	
34	2000194	NLA	Tier II (Use p/n 1001109762) (SN 0300087000 through	

SECTION 2 - TURNTABLE

ITEM	PART NUMBER	QTY	DESCRIPTION	REV
			0300105047)	
34	2000386	NLA	Tier II (Use p/n 1001109762) (SN 0300087000 through 0300105047)	
34	2000386	NLA	Tier II (Use p/n 1001109762) (SN 0300105048 through 0300135240)	
34	1001100313	1	Tier III/Tier IVi (SN 0300135241 through 0300140368)	
35	2060025	1	Fan	
37	2720058	0.33 ft /0.1m	Hose	
38	2720434	1	Elbow, Rubber	
39	2720509	1	Hose, Radiator (Bottom)	
40		Ref	Hose, Radiator (Top) Options:	
40	2720510	1	Tier II (SN 0300087000 through 0300135240)	
40	1001107705	1	Tier III/Tier IVi (SN 0300135241 through 0300140368)	
41	3200406	4	Mount, Engine	
42		Ref	Muffler Options:	
42	3220113	1	Muffler, Spark Arresting (Standard)	
42	70001017	1	Clamp	
42	3220154	NLA	Muffler, Catalytic (Optional) (Use p/n 1001107116)	
42	70002705	1	Clamp	
42	70002706	1	Plug	
43	3290801	4	Nut M8	
44	3311405	14	Locknut 1/4in-20NC	
45	3311505	AR	Locknut 5/16in-18NC	
46	3311605	AR	Locknut 3/8in-16NC	
47	3311801	1	Nut 1/2in-13NC	
48	3311805	4	Locknut 1/2in-13NC	
49	3539872	1	Plate, Radiator Mounting	
50	3574206	1	Plate, Motor Mount	
51	3574207	1	Plate, Engine Mount (Rear)	
52	3574208	1	Bracket, Muffler	
53	3620047	1	Radiator	
53A	7027412	1	Cap	
53B	70004182	1	Shroud, Fan	
54	3740067	3	Relay, Solenoid Assembly	
55	3960468	1	Seal, Foam Gasket	
56	3960469	1	Seal, Foam Gasket	
57	4031911	4	Bolt M8 x 35mm	
58	4220191	2	Block, Spacer	
61	4567073	1	Tube, Exhaust	
62	4568721	1	Exhaust Tube Weldment	
64	1001105833	NLA	Valve, Oil Drain (Use p/n 4640750)	
65	4711500	8	Flatwasher 5/16in Thin	
66	4740274	4	Washer, Snubbing	
67	4751400	28	Flatwasher 1/4in Regular	
68	4751600	AR	Flatwasher 3/8in Regular	
69	4751800	1	Flatwasher 1/2in Regular	
70	4811900	4	Flatwasher M8	
71	4832000	8	Lockwasher M10	
72	4846790	1	Tray Engine	
73	4846805	1	Mount, Engine/Generator - Left	
74	4922737	1	Harness, Relay Ground	

SECTION 2 - TURNTABLE

ITEM	PART NUMBER	QTY	DESCRIPTION	REV
75	0721006	1	Bolt #10-24NC x 3/4in (SN 0300087000 through 0300098805)	
76	2720515	1	Seal, Air Cleaner	
78		Ref	Flatwasher Options:	
78	4751800	8	Flatwasher 1/2in (SN 0300087000 through 0300098804)	
78	4812100	8	Flatwasher M12 (SN 0300098805 through 0300140368)	
79	0100019	AR	Compound, Locking	
80	4751500	2	Flatwasher 5/16in Regular	
81		Ref	Bolt Options:	
81	0711214	3	Bolt M12 x 30mm (SN 0300098805 through 0300111413)	
81	0771212	3	Bolt M12 x 25mm (SN 0300111414 through 0300140368)	
82		Ref	Locknut 5/16in-18NC Options:	
82	3311505	2	Locknut 5/16in-18NC (SN 0300087000 through 0300121552)	
82	88521205	2	Locknut 5/16in-18NC (SN 0300121553 through 0300140368)	
		Ref	Note: Arctic Package Items 90-96 Not Shown - Used on Arctic Machines Only	
90	1060626	1	Cord, 3-Way Extension (Located on Left Front of Engine)	
91	1320223	2	Clamp	
92	2300041	AR	Coolant	
93	2580024	1	Heater, Battery (Located on Battery)	
94	2580055	1	Heater, Block (Located on Left Side of Engine)	
95	3020044	AR	Oil, Motor 0W-40 (Not Shown)	
96	3980007	1	Seat, Battery (Located Under Battery)	
		Ref	CATERPILLAR ENGINE INSTALLATIONS	
		Ref	Without Arctic Package	
	0274525	Ref	Tier II (SN 0300087000 through 0300135240)	6-E
	1001107238	Ref	Tier III/Tier IVi (SN 0300135241 through 0300140368)	3-B
		Ref	With Arctic Package	
	0275264	Ref	Tier II (SN 0300087000 through 0300135240)	5-D
	1001107239	Ref	Tier III/Tier IVi (SN 0300135241 through 0300140368)	3-B
102	3600396	1	Piston Pump Assembly (See PISTON PUMP ASSEMBLY for Breakdown)	
103	3600395	1	Gear Pump Assembly (See GEAR PUMP ASSEMBLY for Breakdown)	
104	3422448	1	Pin, Pivot	
105	3841143	1	Keeper, Pin	
106	3422533	1	Pin, Hitch	
107	2902296	1	Battery Cable Kit	D
		Ref	Note: 2902296 Rev A version is no longer available. Verify whether machine is equipped with 2 or 3 relays on the engine tray. If there are 3 relays, purchase latest revision of 2902296 kit. If there are 2 relays, purchase individual items as replacement.	
107A	1001116241	1	Cable, Battery (Red) (Machines with 2 Relays on Engine Tray) (was p/n 7027000)	
107A	1001116240	1	Cable, Battery (Red) (Machines with 3 Relays on Engine Tray) (was p/n 7027000)	
107B	7027004	1	Cable, Battery (Black)	
107C	7027002	1	Cable (Red)	
107D	7027003	1	Cable (Black)	
107E	7027001	1	Cable (Red) (No Longer Part of 2902296 Kit)	
108	1060904	1	Cable, Battery	
109	4922737	1	Harness, Relay Ground	
110	0642010	1	Bolt 5/8in-11NC x 1-1/4in	

SECTION 2 - TURNTABLE

ITEM	PART NUMBER	QTY	DESCRIPTION	REV
111	4752000	1	Flatwasher 5/8in Regular	
112	1320223	AR	J-Clip 1/2in	
113	0641606	2	Bolt 3/8in-16NC x 3/4in	
114	4711600	4	Flatwasher 3/8in Thin	
115	4060805	2 ft/0.7m	Flex-Trim 1/4in	
116	3931620	2	Bolt 3/8in-16NC x 1-1/4in	
117	3790152	1	O-Ring	
118	4891600	2	Flatwasher 3/8in Hardened	
119	3380428	1	Panel, Rubber	
120	3539956	1	Plate, Support	
121	0100011	AR	Compound, Locking	
122	0100020	AR	Sealant, Thread	
123		Ref	Fitting Options:	
123	2220273	1	Fitting (SN 0300087000 through 0300135240)	
123	2180348	1	Fitting (SN 0300135241 through 0300140368)	
125	2220313	1	Fitting, 90	
126	2750532	6 ft/1.8m	Hose 3/8in	
127	2220250	1	Fitting, Reducer (SN 0300087000 through 0300140368)	
128		Ref	Fitting Options:	
128	2220459	1	Fitting (Fitting, 90) (SN 0300087000 through 0300135240)	
128	2221176	1	Fitting (Fitting, 90 Barbed) (SN 0300135241 through 0300140368)	
130	2220794	2	Fitting, Barbed (SN 0300087000 through 0300140368)	
131	2720058	30 ft/9.1m	Hose	
132	4751400	AR	Flatwasher 1/4in Regular	
133	0641608	2	Bolt 3/8-16NC x 1in	
134	3311405	AR	Locknut 1/4in-20NC	
135	0641507	3	Bolt 5/16in-18NC x 1-1/4in	
136	3311505	3	Locknut 5/16in-18NC	
137	0641407	1	Bolt 1/4in-20NC x 7/8in	
138	0641808	1	Bolt 1/2in-13NC x 1in	
139	1320022	7	Clamp, Hose	
140	1701505	1	Decal - Diesel (Not Shown - Located on Hood)	
141	0641610	1	Bolt 3/8-16NC x 1-1/4in	
142	0641812	2	Bolt 1/2in-18NC x 1-3/4in	
143	3960389	5 ft/1.5m	Seal, Hood	
		Ref	Note: Arctic Package Items 150-151 Not Shown - Used on Arctic Machines Only	
150	2580050	1	Heater, Hydraulic Tank	
151	1060625	1	Cable, Immersion Heater	
		Ref	ENGINE COMPONENTS	
	2000194	Ref	Tier II (SN 0300087000 through 0300105047)	E
	2000386	Ref	Tier II (SN 0300105048 through 0300135240)	B
	1001100313	Ref	Tier III/Tier IVi (SN 0300135241 through 0300140368)	C
201	7026839	1	Fuel Filter Assembly	
201	7026830	1	Filter, Fuel	
201	70002833	1	Ring, Retaining	
201	70002834	1	Bowl, Water Separator	
201	70002835	1	Seal Kit, Water Separator	
202	7026831	1	Alternator	
203	1001097554	1	Switch, Oil Pressure (was p/n 7026844)	
204	7026811	1	Filter, Oil	

SECTION 2 - TURNTABLE

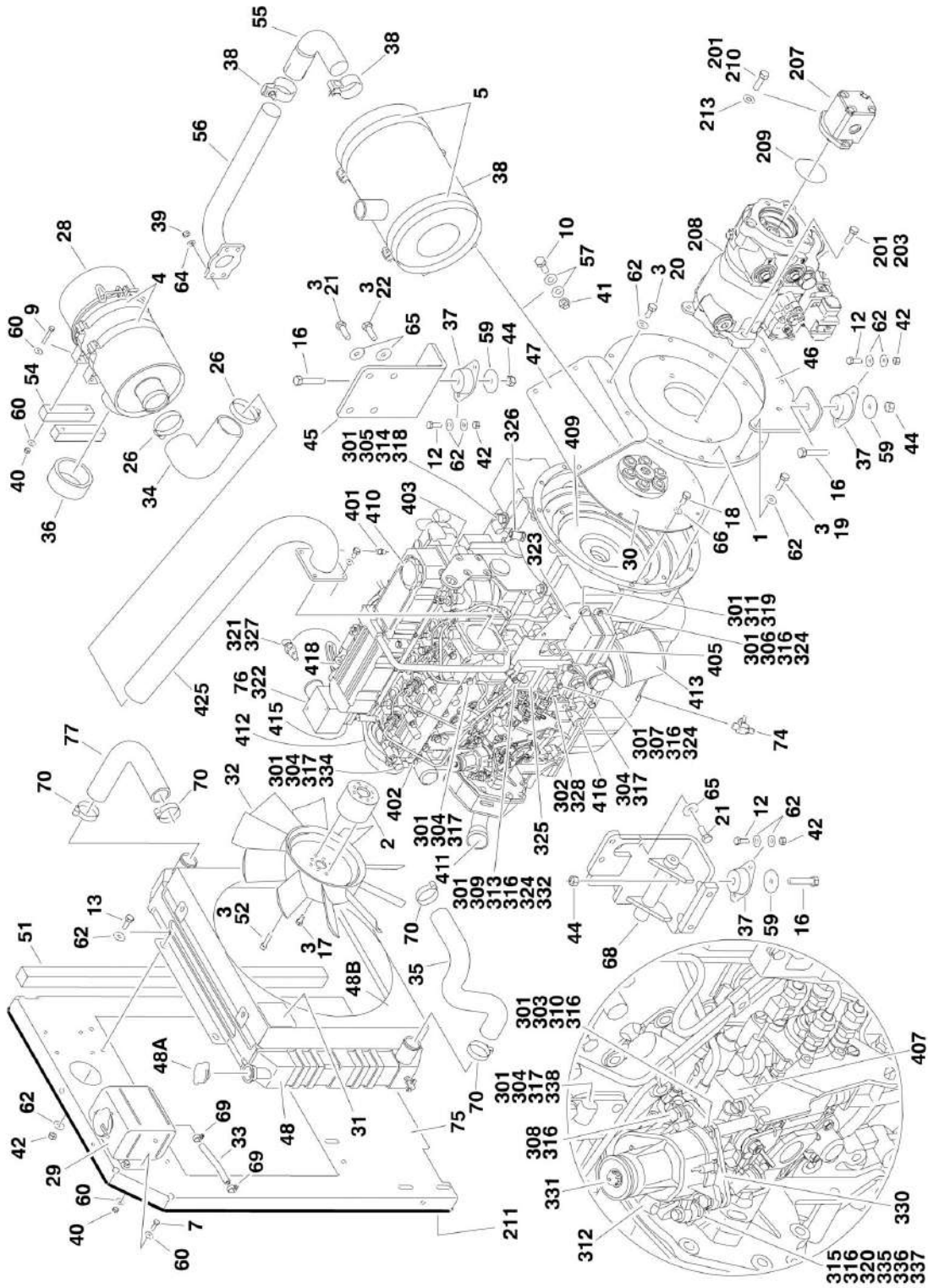
ITEM	PART NUMBER	QTY	DESCRIPTION	REV
204	7026812	1	Seal - O-Ring (Oil Filter Head)	
204	7026813	1	Seal - O-Ring (Oil Filter Head)	
205	7026833	1	Starter	
206		Ref	Dipstick Oil Level Options:	
206	7026834	1	2000194 Engines	
206	7026888	1	2000386 Engines	
206	70002844	1	1001100313 Engines	
206	70002843	1	Seal, Dipstick Tube (1001100313 Engines Only)	
207	7026840	1	Switch, Engine Temperature	
207	7026882	1	Washer, Seal for Engine Temperature Switch	
208	1600361	1	Actuator/Linkage Assembly - Throttle	
208	1600361	1	Actuator and Electrical Connector Kit (was p/n 7026842)	
208	7026835	1	Connector, Actuator	
208	7026837	AR	Contact, Crimp	
209	7026843	1	Actuator, Linkage Kit	
210	0902910	1	Mounting Bracket, Actuator	
211		Ref	Pump, Fuel Supply Options:	
211	7026839	1	2000194 & 2000386 Engines	
211	70002849	1	1001100313 Engines	
211	70002850	1	Coil (1001100313 Engines)	
211	70002848	1	Gasket	
211	70002847	1	Seal, O-Ring (Gear Cover to Fuel Supply Pump)	
212	7026841	1	Sensor, Tach	
212	7026836	1	Connector, Speed Sensor (Not Shown)	
212	7026837	AR	Contact, Crimp for Speed Sensor (Not Shown)	
213		Ref	Pump, Water Options:	
213		Ref	Caterpillar Engine p/n 2000194	
213	7026823	1	Caterpillar Engine SNs (Not Machine SN) (Prior to SN 3440833)	
213	70001120	1	Caterpillar Engine SNs (Not Machine SN) (SN 3440833 to Present)	
213	7026823	1	Caterpillar Engine p/ns 2000386 & 1001100313	
213	7026824	1	Gasket (Between Pump and Pump Cover)	
213	7026825	1	Gasket (Between Pump Cover and Engine Block)	
213	70001742	1	Pulley	
214	7026822	1	Thermostat	
214	7026820	1	Gasket, Thermostat Housing	
214	7026821	1	Gasket, Coolant (Not Shown)	
215		Ref	Tube, Air Intake Weldment Options:	
215	4569177	1	2000194 Engines	
215	4569371	1	2000386 & 1001100313 Engines	
216	0903220	NLA	Bracket, Throttle Actuator (Use p/n 7026887)	
217		Ref	Hardware Options:	
217	2220767	1	Fitting (2000194 Engines)	
217	70001051	1	Valve, Air Intake Check (2000386 & 1001100313 Engines)	
218	7026800	1	Cap, Oil Fill (Valve Cover)	
219		Ref	Gasket Kit Options (Not Shown):	
219	See Note	NSS	2000194 Engines (Note: Not Available for Purchase)	
219	70002851	1	2000386 & 1001100313 Engines	
219	7026801	1	Gasket, Valve Cover (Not Shown)	
219	7026804	1	Gasket, Rear (Not Shown)	
219	7026805	1	Seal, Rear Main (Not Shown)	

SECTION 2 - TURNTABLE

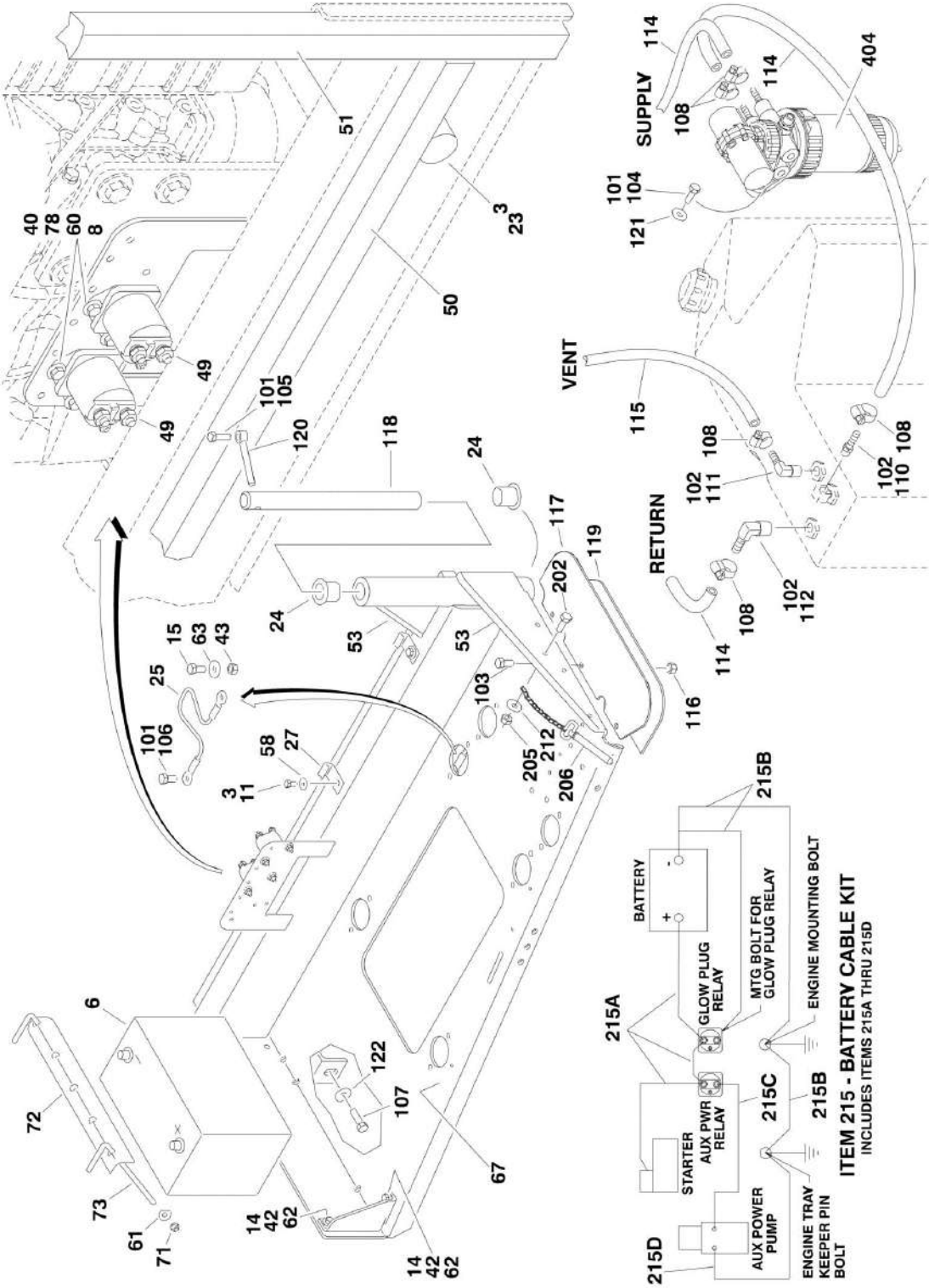
ITEM	PART NUMBER	QTY	DESCRIPTION	REV
219	7026807	1	Seal, Front Main (Not Shown)	
219	7026809	1	Gasket, Oil Pan (Not Shown)	
219	7026826	1	Gasket, Exhaust Manifold (Not Shown)	
219	7026827	1	Gasket, Exhaust (Not Shown)	
219	7026829	1	Gasket, Inlet Manifold (Not Shown)	
219	7026828	1	Gasket, Inlet (Not Shown)	
219		Ref	Gasket, Fuel Line Options (Not Shown):	
219	See Note	NSS	2000194 Engines (Note: Not Available for Purchase)	
219	70002763	1	2000386 & 1001100313 Engines	
219		Ref	Seal, Fuel Injector Bolt Options (Not Shown):	
219	See Note	NSS	2000194 & 2000386 Engines (Note: Not Available for Purchase)	
219	70002863	4	1001100313 Engines	
220	7026802	1	Flywheel with Ring Gear	
220	7026803	1	Gear, Ring	
221	7026806	1	Cap, Oil Fill (Lower Front)	
222	7026810	1	V-Belt	
223	7026814	1	Valve, Relief (Engine Oil Pressure) (Not Shown)	
223	7026815	1	Gasket, Relief Valve (Not Shown)	
224	7026819	1	Cooler, Oil (Not Shown)	
224	7026816	1	O-Ring, Oil Cooler (Not Shown)	
224	7026817	1	O-Ring, Oil Cooler (Not Shown)	
224	7026818	1	Gasket, Oil Cooler (Not Shown)	
225	7026832	4	Plug, Glow (Not Shown)	
226	2580055	1	Heater Kit, Engine Block (Optional) (Not Shown) (was p/n 7026845)	
226	7026838	1	Gasket, Engine Block Heater (Not Shown)	
226	70002841	1	Cord, Engine Block Heater (Not Shown)	
227	70002766	1	Head, Cylinder (2000386 & 1001100313 Engines Only)	
227	70002761	AR	Bolt, Head (Not Shown) (2000386 & 1001100313 Engines Only)	
227	70002762	8	Seal, Cylinder Head Valve (Not Shown) (2000386 & 1001100313 Engines Only)	
227	70002767	1	Gasket, Cylinder Head (Not Shown) (2000386 & 1001100313 Engines Only)	
227	70002764	1	Gasket, Rear Cylinder Head (Not Shown) (2000386 & 1001100313 Engines Only)	
228		Ref	Hose, Bypass Options (Not Shown):	
228	See Note	NSS	2000194 Engines (Note: Not Available for Purchase)	
228	70002765	1	2000386 & 1001100313 Engines	
229	70002852	AR	Stud, Exhaust Manifold (Not Shown) (1001100313 Engines Only)	
230	70002845	1	Pump, Oil (Not Shown) (1001100313 Engines Only)	
230	70002846	1	Gasket, Oil Pump (Not Shown) (1001100313 Engines Only)	
232	7026827	1	Gasket, Exhaust	

SECTION 2 - TURNTABLE

FIGURE 2-11. CATERPILLAR ENGINE INSTALLATION (USA BUILT MACHINES AND CHINA BUILT MACHINES) (SN 0300140369 through 0300177361, SN B300000100 to Present)



SECTION 2 - TURNTABLE



SECTION 2 - TURNTABLE

FIGURE 2-11. CATERPILLAR ENGINE INSTALLATION (USA BUILT MACHINES AND CHINA BUILT MACHINES) (SN 0300140369 through 0300177361, SN B300000100 to Present)

ITEM	PART NUMBER	QTY	DESCRIPTION	REV
	1001109065	Ref	CATERPILLAR TIER IVi ENGINE ASSEMBLIES	C
1	0080181	1	Adapter, Pump Mounting Plate	
2	0080243	1	Adapter, Fan Spacer	
3	0100011	AR	Compound, Locking	
4	0340041	2	Band, Mounting	
5	0340046	2	Band, Muffler	
6	0400075	1	Battery	
7	0641406	4	Bolt 1/4in-20NC x 3/4in	
8	0641407	4	Bolt 1/4in-20NC x 7/8in	
9	0701414	4	Bolt 1/4in-20NC x 3/4in	
10	0641507	4	Bolt 5/16in-18NC x 7/8in	
11	0641606	2	Bolt 3/8in-16NC x 3/4in	
12	0641608	8	Bolt 3/8-16NC x 1in	
13	0641609	4	Bolt 3/8-16NC x 1-1/8in	
14	0641610	4	Bolt 3/8-16NC x 1-1/4in	
15	0641808	1	Bolt 1/2in-13NC x 1in	
16	0641820	4	Bolt 1/2in-13NC x 2-1/2in	
17	0700808	4	Bolt M8 x 16mm	
18	0701010	8	Bolt M10 x 20mm	
19	0701012	4	Bolt M10 x 25mm	
20	0701015	8	Bolt M10 x 35mm	
21	0711214	5	Bolt M12 x 30mm	
22	0771212	3	Bolt M12 x 25mm	
23	0940070	1	Bumper, Rubber	
24	0961986	2	Bearing, Flange	
25	1060637	1	Lanyard	
26	1320016	2	Clamp, Hose	
27	1320223	4	Clamp	
28	1340060	1	Air Cleaner Assembly	
28	7012664	1	Element, Air Cleaner	
29	1580011	1	Container, Coolant Overflow	
30	1660239	1	Coupling, Pump	
31	1703162	2	Decal - Fan Blade	
32	2060025	1	Fan	
33	2720058	0.33 ft /0.1m	Hose	
34	2720434	1	Elbow, Rubber	
35	2720509	1	Hose, Radiator (Bottom)	
36	2720515	1	Seal, Air Cleaner	
37	3200406	4	Mount, Engine	
38		Ref	Muffler Options:	
38	3220113	1	Muffler, Spark Arresting (Standard)	
38	70001017	1	Clamp (Used on p/n 3220113)	
38	1001107116	1	Muffler, Catalytic (Optional)	
38	70002705	1	Clamp (Used on p/n 1001107116)	
38	70002706	1	Plug	
39	3290801	4	Nut M8	
40	3311405	12	Locknut 1/4in-20NC	
41	3311505	4	Locknut 5/16in-18NC	

SECTION 2 - TURNTABLE

ITEM	PART NUMBER	QTY	DESCRIPTION	REV
42	3311605	16	Locknut 3/8in-16NC	
43	3311801	1	Nut 1/2in-13NC	
44	3311805	4	Locknut 1/2in-13NC	
45	3574206	1	Plate, Motor Mount	
46	3574207	1	Plate, Engine Mount (Rear)	
47	3574208	1	Bracket, Muffler	
48	3620047	1	Radiator	
48A	7027412	1	Cap	
48B	70004182	1	Shroud, Fan	
49	3740067	2	Relay, Solenoid Assembly	
50	3960468	1	Seal, Foam Gasket	
51	3960469	1	Seal, Foam Gasket	
52	4031911	4	Bolt M8 x 35mm	
53	4060805	2 ft /0.7mm	Flex-Trim 1/4in	
54	4220191	2	Block, Spacer	
55	4567073	1	Tube, Exhaust	
56	4568721	1	Exhaust Tube Weldment	
57	4711500	8	Flatwasher 5/16in Thin	
58	4711600	2	Flatwasher 3/8in Thin	
59	4740274	4	Washer, Snubbing	
60	4751400	24	Flatwasher 1/4in Regular	
61	4751500	2	Flatwasher 5/16in Regular	
62	4751600	44	Flatwasher 3/8in Regular	
63	4751800	1	Flatwasher 1/2in Regular	
64	4811900	4	Flatwasher M8	
65	4812100	8	Flatwasher M12	
66	4832000	8	Lockwasher M10	
67	4846790	1	Tray Engine	
68	4846805	1	Mount, Engine/Generator - Left	
69	8405009	2	Clamp, Hose	
70	8405104	4	Clamp, Hose	
71	88521205	2	Locknut 5/16in-18NC	
72	91401281	1	Hold-down, Battery	
73	1001093382	2	Rod, Hold-Down	
74	1001105833	1	Valve, Oil Drain	
75	1001109595	1	Plate, Radiator Mounting	
76	1001112077	1	Caterpillar Tier IVi Engine Assembly	
77	1001107705	1	Hose, Radiator (Top)	
78	4791400	4	Starwasher 1/4in	
		Ref	CATERPILLAR TIER IVi ENGINE WITH PUMPS ASSEMBLIES	
	1001109067	Ref	Without Arctic Package	C
	1001110208	Ref	With Arctic Package	D
101	0100011	AR	Compound, Locking	
102	0100020	AR	Sealant, Thread	
103	0641507	3	Bolt 5/16in-18NC x 7/8in	
104	0641608	2	Bolt 3/8in-16NC x 1in	
105	0641610	1	Bolt 3/8in-16NC x 1-1/4in	
106	0641808	1	Bolt 1/2in-13NC x 1in	
107	0642010	1	Bolt 5/8in-11NC x 1-1/4in	
108	1320022	7	Clamp, Hose	
109	1701505	1	Decal - Diesel (Not Shown - Located on Hood)	

SECTION 2 - TURNTABLE

ITEM	PART NUMBER	QTY	DESCRIPTION	REV
110	2180348	1	Fitting	
111	2220313	1	Fitting, 90	
112	2221176	1	Fitting	
113		Ref	Coolant Options (Not Shown):	
113	2300004	AR	Machines without Arctic Package	
113	2300041	AR	Machines with Arctic Package	
114	2720058	30 ft/9.1m	Hose	
115	2750532	6 ft/1.8m	Hose 3/8in	
116	3311505	3	Locknut 5/16in-18NC	
117	3380428	1	Panel, Rubber	
118	3422448	1	Pin, Pivot	
119	3539956	1	Plate, Support	
120	3841143	1	Keeper, Pin	
121	4711600	2	Flatwasher 3/8in Thin	
122	4752000	1	Flatwasher 5/8in Regular	
		Ref	Note: Arctic Package Items 124-127 Not Shown - Used on Arctic Machines Only	
124	1060625	1	Cable, Immersion Heater (SN 0300140369 through 0300177361)	
124	1060625	1	Cable, Immersion Heater (SN B300000100 through B300001279)	
124	1001150918	1	Cable, Immersion Heater (SN B300001280 to Present)	
125	1320223	1	J-Clip 1/2in	
126	1702943	1	Decal - Hydraulic Tank Heater (Located on bottom of Hydraulic Oil Tank)	
127	2580050	1	Heater, Hydraulic Tank (SN 0300140369 through 0300177361)	
127	2580050	1	Heater, Hydraulic Tank (SN B300000100 through B300001279)	
127	1001188972	1	Heater, Hydraulic Tank (SN B300001280 to Present)	
		Ref	CATERPILLAR TIER IVi ENGINE WITH PUMPS ASSEMBLIES	
	1001109066	Ref	Without Arctic Package	D
	1001110200	Ref	With Arctic Package	C
201	0100011	AR	Compound, Locking	
202	0641407	1	Bolt 1/4in-20NC x 7/8in	
203	0641812	2	Bolt 1/2in-18NC x 1-3/4in	
204		Ref	Oil, Motor Options (Not Shown):	
204	3020016	AR	Oil, Motor 15W-40 (Without Arctic Package)	
204	3020044	AR	Oil, Motor 0W-40 (With Arctic Package)	
205	3311405	1	Locknut 1/4in-20NC	
206	3422533	1	Pin, Hitch	
207	3600395	1	Gear Pump Assembly (See GEAR PUMP ASSEMBLY for Breakdown)	
208	3600396	1	Piston Pump Assembly (See PISTON PUMP ASSEMBLY for Breakdown)	
209	3790152	1	O-Ring	
210	3931620	2	Bolt 3/8in-16NC x 1-1/4in	
211	3960389	5 ft/1.5m	Seal, Hood	
212	4751400	1	Flatwasher 1/4in Regular	
213	4891600	2	Flatwasher 3/8in Hardened	
215	1001112763	1	Battery Cable Kit	B
215A	7027028	1	Cable, Battery (Red)	
215B	7027029	1	Cable, Battery (Black)	
215C	7027002	1	Cable (Red)	
215D	7027033	1	Cable (Black)	

SECTION 2 - TURNTABLE

ITEM	PART NUMBER	QTY	DESCRIPTION	REV
		Ref	Note: Arctic Package Items 216-226 Not Shown - Used on Arctic Machines Only	
216	0641608	2	Bolt 3/8in-16NC x 1in	
217	1060626	1	Cord, 3-Way Extension (Located on Left Front of Engine)	
218	1320223	2	Clamp	
219	1702941	1	Decal - Battery Heater (Located on Battery Heater)	
220	1702942	1	Decal - Engine Block Heater (Located on Right Side of Engine)	
221	1702944	1	Decal - Heater Cord (Located on Left Front of Engine)	
222	2580024	1	Heater, Battery (Located on Battery)	
223	2580055	1	Heater, Block (Located on Left Side of Engine)	
224	3311605	2	Locknut 3/8in-16NC	
225	3980007	1	Seat, Battery (Located Under Battery)	
226	4751600	2	Flatwasher 3/8in Regular	
	1001112077	Ref	CATERPILLAR TIER IVi ENGINE WITH ECM ASSEMBLY	E
301	0100011	AR	Compound, Locking	
302	0100020	AR	Sealant, Thread	
303	0700620	1	Bolt M6 x 60mm	
304	0700808	5	Bolt M8 x 16mm	
305	0701010	2	Bolt M10 x 20mm	
306	0760606	2	Bolt M6 x 12mm	
307	0760610	2	Bolt M6 x 20mm	
308	4031709	3	Capscrew M6 x 25mm	
309	8303541	1	Screw M6 x 35mm	
310	0700616	2	Bolt M6 x 40mm	
311	0761210	2	Bolt M12 x 20mm	
312	8406009	1	Clamp, Cable	
313	1320224	1	Clamp, Cable	
314	8406105	2	Clip, Tube	
315	3290507	1	Locknut M5	
316	4811700	12	Flatwasher 6mm	
317	4811900	5	Flatwasher 8mm	
318	4812000	2	Flatwasher 10mm	
319	4812100	2	Flatwasher 12mm	
320	4811600	1	Flatwasher 5mm	
321	1001097553	1	Washer, Coolant Sensor	
322	1001109064	1	Caterpillar Tier IVi Engine Assembly	
323	1001112057	1	Bracket	
324	1001112059	5	Bumper	
325	1001112067	1	ECM	
326	1001112068	1	Sensor, Speed	
327	1001112069	1	Sensor, Temperature	
328	1001112070	1	Switch, Oil Pressure	
329	1001112071	1	Harness, Engine (Not Shown - See ELECTRICAL SECTION for Breakdown)	
330	1001112072	1	Bracket	
331	1001112073	1	Actuator	
331	1001112849	1	Linkage Assembly	
332	1001112570	1	Spacer	
334	1320263	1	Clamp, Cable	
335	1001112075	1	Bolt	
336	1001112592	1	Bearing	
337	1001116595	1	Spacer	

SECTION 2 - TURNTABLE

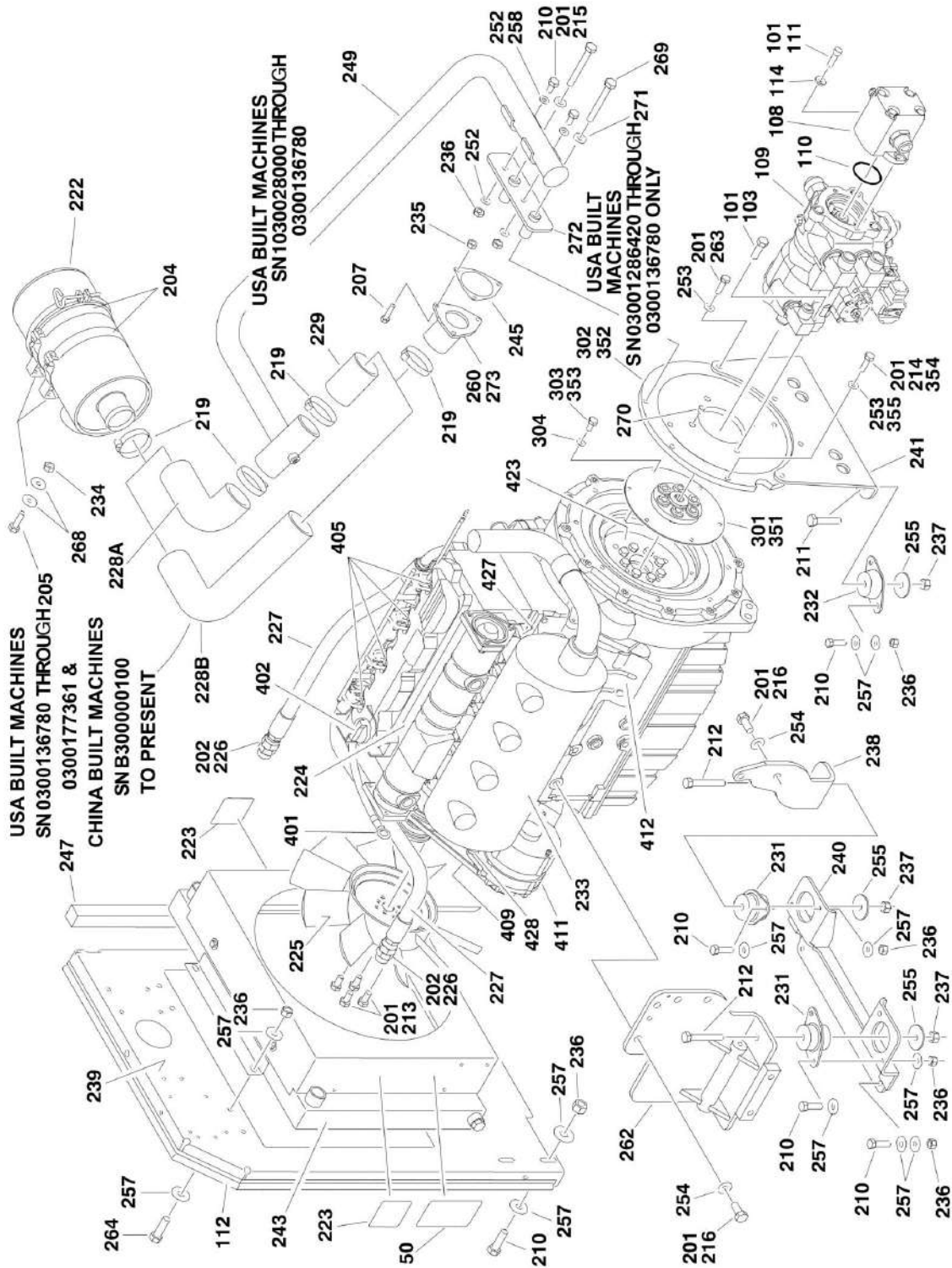
ITEM	PART NUMBER	QTY	DESCRIPTION	REV
338	8406109	1	Clip, Tube	B
	1001109064	Ref	ENGINE COMPONENTS	
401	70001051	1	Valve, Crankcase Actuator Shut-Off	
402	70001120	1	Pump, Water	
402	70001742	1	Pulley, Water Pump	
402	70002765	1	Hose, By-Pass (Not Shown)	
403	See Note	NSS	Head, Cylinder (Note: Not Available for Purchase)	
403	7026801	1	Gasket, Valve Cover	
403	70002764	1	Gasket, Rear Head	
403	70002762	15	Seat, Valve	
403	70002761	17	Bolt, Head	
404	7026839	1	Pump, Fuel Supply	
404	7026830	1	Element, Fuel Filter	
404	70002834	1	Bowl, Water Collection	
404	70002835	1	Seal Kit - Water Separator	
404	70002833	1	Ring, Fuel Pump Retaining	
405	70002844	1	Dipstick Oil Level	
405	70002843	1	Seal, Dipstick Tube	
406	70002845	1	Pump, Oil (Not Shown)	
406	70002846	1	O-Ring, Oil Pump (Not Shown)	
407	70002849	1	Pump, Fuel Injection	
407	70002847	1	O-Ring, Fuel Injection Pump Flange	
407	70002848	1	Gasket, Fuel Injection Pump	
407	70002850	1	Solenoid, Fuel Shut-Off	
409	7026802	1	Flywheel	
409	7026803	1	Gear, Flywheel	
409	7026804	1	Gasket (Not Shown - Between Flywheel Housing and Engine Block)	
409	7026805	1	Seal, Rear Main (Not Shown - Rear of Flywheel Housing)	
409	7026807	1	Seal, Front Main (Located in Front Housing)	
410	7026800	1	Cap Oil Filler (Top of Valve Cover)	
411	7026806	1	Cap, Filler (Front Side of Engine)	
412	7026810	1	V-Belt	
413	7026811	1	Filter, Oil	
		Ref	Note: Machines with SkyPower use Remote Mounted Oil Filter - See SPECIAL OPTIONS SECTION. The same oil filter is used for all applications.	
413	7026812	1	O-Ring (Between Bolt and Oil Filter Bracket)	
413	7026813	1	O-Ring (Between Oil Filter Bracket and Engine Block)	
414	7026819	1	Engine Cooler Assembly (Not Shown)	
414	7026816	2	O-Ring (Between Cover and Cooler)	
414	7026817	4	O-Ring (Between Cover and Cooler)	
415	7026822	1	Thermostat	
415	7026821	1	Gasket (Between Regulator and Thermostat Housing)	
415	7026820	1	Gasket (Between Regulator and Engine Head)	
416	7026814	1	Relief Valve, Oil Pressure	
416	7026815	1	Gasket, Relief Valve	
417	See Note	NSS	Injector, Fuel (Not Shown) (Note: Not Available for Purchase)	
417	70002763	4	Gasket, Fuel Line (Not Shown)	
418	7026831	1	Alternator	
419	7026832	1	Plug, Glow (Not Shown)	
420	7026833	1	Starter (Not Shown - Located on other side of engine)	

SECTION 2 - TURNTABLE

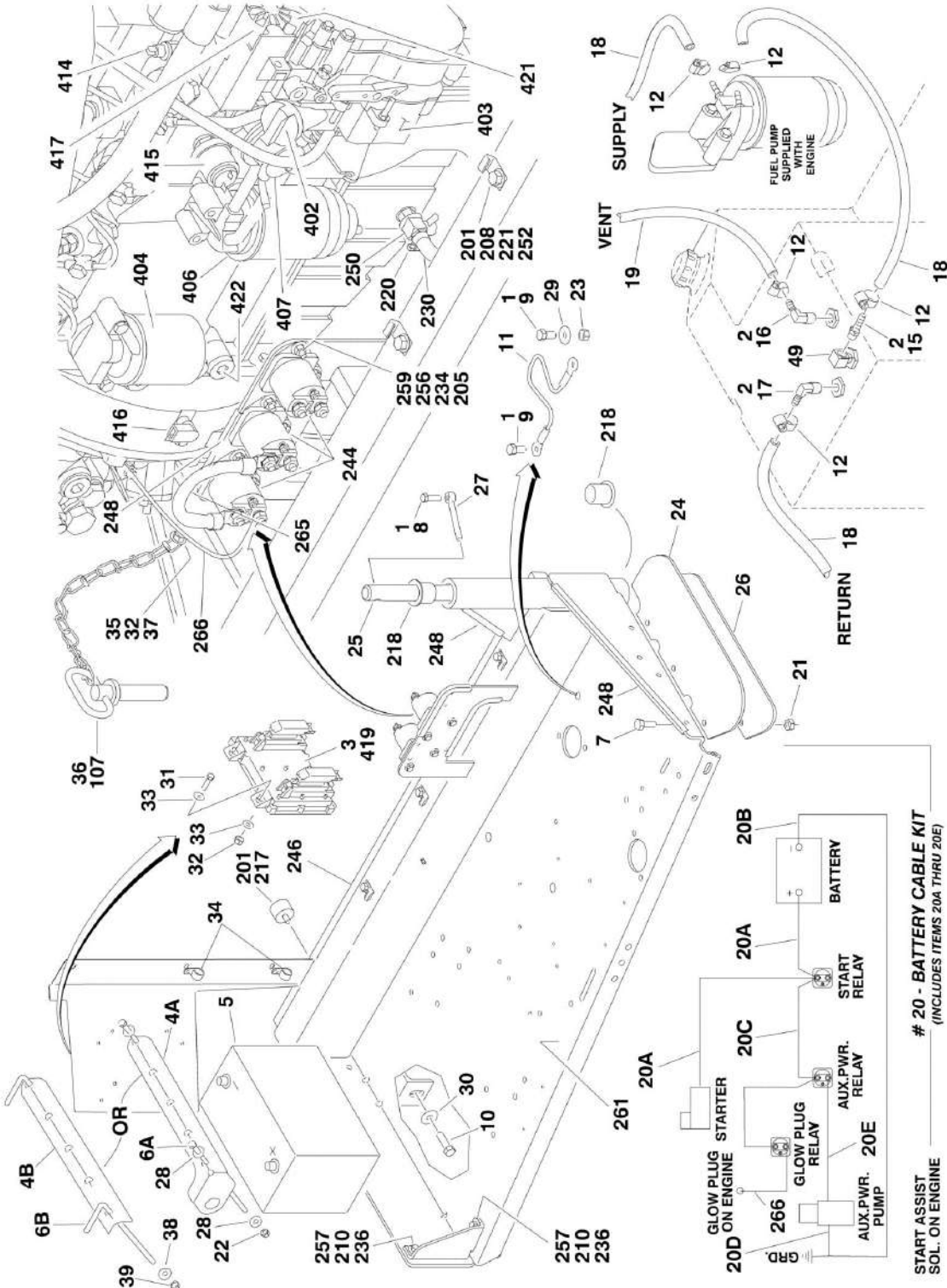
ITEM	PART NUMBER	QTY	DESCRIPTION	REV
421	7026826	1	Gasket, Exhaust Manifold to Cylinder Head (Not Shown)	
421	7026827	1	Gasket, Exhaust Manifold to Exhaust Pipe (Not Shown)	
421	70002852	4	Stud, Exhaust Manifold (Not Shown)	
422	7026829	1	Gasket, Intake Manifold to Cylinder Head (Not Shown)	
422	7026828	1	Gasket, Intake Manifold to Intake Tube (Not Shown)	
423	7026808	1	Plug, Oil Pan (Not Shown)	
423	7026809	1	Gasket, Oil Plug	
424	70002851	1	Gasket Kit (Not Shown)	
425	4569371	1	Tube, Intake	

SECTION 2 - TURNTABLE

FIGURE 2-12. DEUTZ ENGINE INSTALLATION



SECTION 2 - TURNTABLE



SECTION 2 - TURNTABLE

FIGURE 2-12. DEUTZ ENGINE INSTALLATION

ITEM	PART NUMBER	QTY	DESCRIPTION	REV
		Ref	DEUTZ ENGINE INSTALLATIONS	
		Ref	Without Arctic Package	
		Ref	USA Built Machines	
	0274299	Ref	Tier II Engines (SN 0300087000 through 0300126419)	I
	1001098266	Ref	Tier III/IVi Engines (SN 0300126420 through 0300169952)	E
	1001098266	Ref	Tier III/IVi Engines (All Specs except ANSI and CSA Specs) (SN 0300169953 through 0300177361)	E
	1001137751	Ref	Tier IVi-Flex Engines (ANSI and CSA Specs) (SN 0300169953 through 0300177361)	B
		Ref	China Built Machines	
	1001098266	Ref	Tier III/IVi Engines (SN B300000100 to Present)	E
		Ref	With Arctic Package	
		Ref	USA Built Machines	
	0275142	Ref	Tier II Engines (SN 0300087000 through 0300126419)	E
	1001098474	Ref	Tier III/IVi Engines (SN 0300126420 through 0300169952)	E
	1001098474	Ref	Tier III/IVi Engines (ANSI Export Specs) (SN 0300169953 through 0300177361)	E
	1001137754	Ref	Tier IVi-Flex Engines (ANSI and CSA Specs) (SN 0300169953 through 0300177361)	B
		Ref	China Built Machines	
	1001098474	Ref	Tier III/IVi Engines (SN B300000100 to Present)	E
1	0100011	AR	Compound, Locking	
2	0100020	AR	Sealant, Pipe	
3	0100048	AR	Grease, Dielectric	
4		Ref	Hold-Down, Battery Options:	
4A	0181727	1	USA Built Machines (SN 0300087000 through 0300110503)	
4B	91401281	1	USA Built Machines (SN 0300110504 through 0300177361)	
4B	91401281	1	China Built Machines (SN B300000100 to Present)	
5	0400075	1	Battery	
6		Ref	Bolt, Battery Hold-down Options:	
6A	0630498	2	USA Built Machines (SN 0300087000 through 0300110503)	
6B	1001093382	2	USA Built Machines (SN 0300110504 through 0300177361)	
6B	1001093382	2	China Built Machines (SN B300000100 to Present)	
7	0641507	AR	Bolt 5/16in-18NC x 7/8in	
8	0641610	1	Bolt 3/8in-16NC x 1-1/4in	
9	0641808	2	Bolt 1/2in-13NC x 1in	
10	0642010	1	Bolt 5/8in-11NC x 1-1/4in	
11	1060637	1	Cable, Lanyard	
12	1320022	5	Clamp, Hose	
13	1701505	1	Decal - Diesel (Not Shown - Located on Hood)	
15	2180348	1	Fitting, Straight Barbed	
16	2220313	1	Fitting, 90	
17	2221176	1	Fitting, Straight Barbed	
18	2720058	AR	Hose Options:	
18	2720058	30 ft/9.2m	USA Built Machines (SN 0300087000 through 0300126419)	
18	2720058	24 ft/7.3m	USA Built Machines (SN 0300126420 through 0300177361)	
18	2720058	24 ft/7.3m	China Built Machines (SN B300000100 to Present)	
19	2750532	6 ft/1.8m	Hose	
20	2902296	1	Battery Cable Kit	F
		Ref	Note: 2902296 Rev A version is no longer available. Verify whether machine is equipped with 2 or 3 relays on the	

SECTION 2 - TURNTABLE

ITEM	PART NUMBER	QTY	DESCRIPTION	REV
			engine tray. If there are 3 relays, purchase latest revision of 2902296 kit. If there are 2 relays, purchase individual items as replacement.	
20A		Ref	Cable, Battery (Red)	
20A	1001116241	1	Machines with 2 Relays on Engine Tray (was p/n 7027000)	
20A	1001116240	1	Machines with 3 Relays on Engine Tray (was p/n 7027000)	
20B	7027004	1	Cable, Battery (Black)	
20C	7027001	1	Cable (Red) (No Longer Part of 2902296 Kit)	
20D	7027003	1	Cable (Black)	
20E	7027002	1	Cable (Red)	
21	3311505	AR	Locknut 5/16in-18NC	
22	3311605	AR	Locknut 3/8in-16NC	
23	3311801	1	Nut 1/2in-13NC	
24	3380428	1	Panel, Rubber	
25	3422448	1	Pin, Pivot	
26	3539956	1	Plate, Support	
27	3841143	1	Pin, Keeper	
28	4751600	AR	Flatwasher 3/8in Regular	
29	4751800	1	Flatwasher 1/2in Regular	
30	4752000	1	Flatwasher 5/8in Regular	
31	0641409	4	Bolt 1/4in-20NC x 1-1/8in	
32	3311405	AR	Locknut 1/4in-20NC	
33	4711400	8	Flatwasher 1/4in Thin	
34	85941017	2	Clamp	
35	0641407	1	Bolt 1/4in-20NC x 7/8in	
36		Ref	Pin, Hitch Options:	
36	See Note	NLA	USA Built Machines (Note: Use p/n 3422533) (SN 0300087000 through 0300101240)	
36	3422533	1	USA Built Machines (SN 0300101241 through 0300177361)	
36	3422533	1	China Built Machines (SN B300000100 to Present)	
37	4751400	1	Flatwasher 1/4in Regular	
38	4751500	AR	Flatwasher 5/16in Regular	
39	3311505	NLA	Locknut 5/16in-18NC (Use p/n 88521205)	
49	7019658	1	Fitting, 90 with Pick-Up Tube (Part of Fuel Tank)	
50		Ref	Decal - Warning Explosion/Fire Options:	
50	1704972	1	ANSI Spec	
50	1706098	1	Australian and CE Spec	
50	1706059	1	Brazilian Spec	
50	1706060	1	Chinese Spec	
50	1706064	1	CSA Spec	
50	1706062	1	Japanese Spec	
50	1706061	1	Korean Spec	
50	1706063	1	Spanish Language	
		Ref	Note: Arctic Package Items 51-62 Not Shown - Used on Arctic Machines Only	
51	1060625	1	Cable, Immersion Heater (Located on bottom of Hydraulic Oil Tank)	
52	1060626	1	Cord, 3 Way Extension (Located on Left Front of Engine)	
53	1320223	2	Clamp	
54	0641608	1	Bolt 3/8in-16NC x 1in	
55	4711600	2	Flatwasher 3/8in Thin	
56	1702941	1	Decal - Battery Heater (Located on Battery Heater)	

SECTION 2 - TURNTABLE

ITEM	PART NUMBER	QTY	DESCRIPTION	REV
57	1702942	1	Decal - Engine Block Heater (Located on Right Side of Engine)	
58	1702943	1	Decal - Hydraulic Tank Heater (Located on bottom of Hydraulic Oil Tank)	
59	1702944	1	Decal - Heater Cord (Located on Left Front of Engine)	
60	2580024	1	Heater, Battery (Located on Battery)	
61	2580050	1	Heater, Hydraulic Tank (Located on bottom of Hydraulic Oil Tank)	
62	3980007	1	Seat, Battery (Located Under Battery)	
		Ref	ENGINE/PUMP SUB-ASSEMBLIES	
		Ref	Without Arctic Package	
		Ref	USA Built Machines	
	2000280	Ref	Tier II Engines (SN 0300087000 through 0300126419)	E
	1001094103	Ref	Tier III Engines (SN 0300126420 through 0300169952)	G
	1001139358	Ref	Tier III Engines (All Specs except ANSI and CSA Specs) (SN 0300169953 through 0300177361)	D
	1001137814	Ref	Tier IVi-Flex Engines (ANSI and CSA Specs) (SN 0300169953 through 0300177361)	B
		Ref	China Built Machines	
	1001094103	Ref	Tier III Engines (SN B300000100 to Present)	G
		Ref	With Arctic Package	
		Ref	USA Built Machines	
	2000366	Ref	Tier II Engines (SN 0300087000 through 0300126419)	C
	1001098475	Ref	Tier III Engines (SN 0300126420 through 0300169952)	F
	1001139359	Ref	Tier III Engines (ANSI Export Specs) (SN 0300169953 through 0300177361)	D
	1001137815	Ref	Tier IVi-Flex Engines (ANSI and CSA Specs) (SN 0300169953 through 0300177361)	B
		Ref	China Built Machines	
	1001098475	Ref	Tier III Engines (SN B300000100 to Present)	F
101	0100011	AR	Compound, Locking	
103	0641812	2	Bolt 1/2in-13NC x 1-1/2in	
105	3020016	AR	Oil, Motor (Not Shown)	
107		Ref	Pin, Hitch Options:	
107	3422532	1	USA Built Machines (SN 0300087000 through 0300101240)	
107	See Note	NSS	USA Built Machines (Note: Use Item 36) (SN 0300101241 through 0300177361)	
107	See Note	NSS	China Built Machines (Note: Use Item 36) (SN B300000100 to Present)	
108	3600395	1	Gear Pump Assembly with Fittings (See GEAR PUMP ASSEMBLY for Breakdown)	
109	1001117799	NLA	Piston Pump Assembly with Fittings Options (See PISTON PUMP ASSEMBLY for Breakdown) (Use p/n 3600396)	
110	3790152	1	O-Ring	
111	3931620	2	Capscrew 3/8in-16NC x 1-1/4in	
112	3960389	5 ft/1.5m	Seal	
114	4891600	2	Flatwasher 3/8in Hardened	
		Ref	ENGINE ASSEMBLIES	
		Ref	Without Arctic Package	
		Ref	USA Built Machines	
	2000279	Ref	Tier II Engines (SN 0300087000 through 0300092726)	E
	2000342	Ref	Tier II Engines (SN 0300092727 through 0300126419)	A
	1001094102	Ref	Tier III/IVi Engines (SN 0300126420 through 0300169952)	K
	1001094102	Ref	Tier III/IVi Engines (All Specs except ANSI and CSA Specs)	K

SECTION 2 - TURNTABLE

ITEM	PART NUMBER	QTY	DESCRIPTION	REV
	1001137749	Ref	(SN 0300169953 through 0300177361) Tier IVi-Flex Engines (ANSI and CSA Specs) (SN 0300169953 through 0300177361)	B
		Ref	China Built Machines	
	1001094102	Ref	Tier III/IVi Engines (SN B300000100 to Present)	M
		Ref	With Arctic Package	
		Ref	USA Built Machines	
	2000365	Ref	Tier II Engines (SN 0300087000 through 0300126419)	A
	1001098476	Ref	Tier III/IVi Engines (SN 0300126420 through 0300169952)	L
	1001098476	Ref	Tier III/IVi Engines (ANSI Export Specs) (SN 0300169953 through 0300177361)	L
	1001137752	Ref	Tier IVi-Flex Engines (ANSI and CSA Specs) (SN 0300169953 through 0300177361)	B
		Ref	China Built Machines	
	1001098476	Ref	Tier III/IVi Engines (SN B300000100 to Present)	M
	0256690	Ref	MUFFLER INSTALLATION - CATALYTIC	
	1001182906	Ref	MUFFLER INSTALLATION - SPARK ARRESTER	B
201	0100011	AR	Compound, Locking	
202	0100020	AR	Sealant, Pipe	
204	0340041	2	Band, Air Cleaner	
205	0641407	AR	Bolt 1/4in-20NC x 7/8in	
207	0641510	3	Bolt 5/16in-18NC x 1- 1/4in	
208	0641606	3	Bolt 3/8in-16NC x 3/4in	
210	0641610	AR	Bolt 3/8in-16NC x 1-1/4in	
211	0641818	2	Bolt 1/2in-13NC x 2-1/4in	
212	0641826	2	Bolt 1/2in-13NC x 3-1/4in	
213	0700808	4	Bolt M8 x 16mm	
214	0701012	AR	Bolt M10 x 25mm	
215	0701015	AR	Bolt M10 x 35mm	
216	0711414	6	Bolt M14 x 130mm	
217	0940070	1	Bumper	
218	0961986	2	Bushing, Flanged	
219	1320016	AR	Clamp	
220	1320022	AR	Clamp, Hose	
221	1320223	AR	J-Clip	
222	1340060	1	Air Cleaner Assembly Filter Element	
222	7012664	1	Element, Filter (Not Shown)	
223	1703162	2	Decal - Caution Fan Blade	
224		Ref	Engine, Deutz Options:	
224		Ref	USA Built Machines	
224	2000274	1	Tier II (SN 0300087000 through 0300092726)	
224	2000339	1	Tier II (SN 0300092727 through 0300126419)	
224	1001098211	1	Tier III/Tier IVi (SN 0300126420 through 0300169952)	
224	1001098211	1	Tier III/Tier IVi (All Specs except ANSI and CSA Specs) (SN 0300169953 through 0300177361)	
224	1001137748	1	Tier IVi-Flex (ANSI and CSA Specs) (SN 0300169953 through 0300177361)	
224		Ref	China Built Machines	
224	1001098211	1	Tier III/Tier IVi (SN B300000100 through B300001622))	
224	1001146368	1	Tier III/Tier IVi (SN B300001623 to Present)	
225	2060025	1	Fan	
226	2220451	2	Fitting, Straight	

SECTION 2 - TURNTABLE

ITEM	PART NUMBER	QTY	DESCRIPTION	REV
227	2720398	2	Hose, Oil Cooler	
228		Ref	Elbow, Rubber Options:	
228A	2720434	1	USA Built Machines (SN 0300087000 through 0300136779)	
228B	1001091179	1	USA Built Machines (SN 0300136780 through 0300177361)	
228B	1001091179	1	China Built Machines (SN B300000100 to Present)	
229	2720449	1	Hose, Air Cleaner (USA Built Machines Only) (SN 0300087000 through 0300136780)	
230	1001091892	NLA	Hose, Oil Drain (Use p/n 2750532)	
231	3200362	2	Mount, Motor	
232	3200406	2	Mount, Motor	
233		Ref	Muffler Options:	
233	3220104	1	Muffler, Catalytic	
233	3220103	1	Muffler, Spark Arresting	
233		Ref	Clamp Options:	
233	1320176	1	Muffler p/n 3220103	
233	70001017	1	Muffler p/n 3220104	
233	7024398	1	Tube, Exhaust	
233	7024560	1	Plug, Brass	
233	70003476	8	Nut, Muffler Attaching	
233	7000699	1	Seal (Doughnut)	
233	7020471	4	Gasket (Muffler to Head)	
233	1001169610	1	Spacer, Hood (Not Shown) (Use with 1001182906 Muffler Installation)	
234	3311405	AR	Locknut 1/4in-20NC	
235	3311505	3	Locknut 5/16in-18NC	
236	3311605	AR	Locknut 3/8in-16NC	
237	3311805	4	Locknut 1/2in-13NC	
238	3537416	1	Plate, Engine Mounting (Front Right Side)	
239	3539872	1	Plate, Radiator Mounting	
240	3539971	1	Plate, Engine Mounting (Front Bottom)	
241		Ref	Plate, Engine Mounting (Rear) Options:	
241	3574978	1	USA Built Machines (SN 0300087000 through 0300126419)	
241	1001093943	1	USA Built Machines (Not Shown) (SN 0300126420 through 0300177361)	
243		Ref	Radiator Options:	
243	3620033	1	USA Built Machines (SN 0300087000 through 0300171709)	
243	1001150998	1	USA Built Machines (SN 0300171710 through 0300177361)	
243	3620033	1	China Built Machines (SN B300000100 through B300000765)	
243	1001150998	1	China Built Machines (SN B300000766 to Present)	
244	3740067	Ref	Relay Options:	
244	3740067	2	Relay USA Built Machines (SN 0300087000 through 0300092726)	
244	3740067	3	Relay USA Built Machines (SN 0300092727 through 0300177361)	
244	3740067	3	Relay China Built Machines (SN B300000100 to Present)	
245	3960407	1	Gasket, Air Intake	
246	3960468	1	Seal	
247	3960469	1	Seal	
248	4060805	37 in/1m	Flex-Trim	
249		Ref	Tube, Tuning Options:	
249	4569171	1	USA Built Machines (SN 0300087000 through 0300126419)	
249	1001094521	1	USA Built Machines (SN 0300126420 through 0300136779)	

SECTION 2 - TURNTABLE

ITEM	PART NUMBER	QTY	DESCRIPTION	REV
249	Not Required	0	USA Built Machines (SN 0300136780 through 0300177361)	
249	Not Required	0	China Built Machines	
250	1001104308	NLA	Valve, Oil Drain (Use p/n 4640751)	
252	4711600	AR	Flatwasher 3/8in Thin	
253	4711700	AR	Flatwasher 7/16in Thin	
254		Ref	Flatwasher Options:	
254	4711900	6	Flatwasher 9/16in Thin	
254	4812200	6	Flatwasher M14	
255	4740274	4	Washer, Snubbing	
256	4751400	NLA	Flatwasher 1/4in Thin (Use p/n 4711400)	
257	4751600	AR	Flatwasher 3/8in Regular	
258	4751700	AR	Flatwasher 7/16in Regular	
259	4791400	AR	Starwasher 1/4in	
260	4845395	1	Adapter, Air Intake (SN B300000100 through B300002408)	
260	1001224965	1	Adapter, Air Intake (SN B300002409 to Present)	
261		Ref	Tray, Engine Options:	
261	4845404	1	USA Built Machines (SN 0300087000 through 0300126419)	
261	1001094321	1	USA Built Machines (Not Shown) (SN 0300126420 through 0300177361)	
261	1001094321	1	China Built Machines (Not Shown) (SN B300000100 to Present)	
262	4846566	1	Plate, Engine Mounting (Front Left Side)	
263		Ref	Bolt Options:	
263	0701014	4	Bolt M10 x 30mm	
263	0701015	4	Bolt M10 x 35mm	
264		Ref	Bolt Options:	
264	0641610	4	Bolt 3/8in-16NC x 1-1/4in	
264	0641609	6	Bolt 3/8in-16NC x 1-1/8in	
265	1060904	1	Cable, Jumper (USA Built Machines) (SN 0300092727 through 0300177361)	
265	1060904	1	Cable, Jumper (All China Built Machines) (SN B300000100 through B300001561)	
266	4923379	1	Harness, Glow Plugs (USA Built Machines) (SN 0300092727 through 0300177361)	
266	4923379	1	Harness, Glow Plugs (All China Built Machines)	
267		Ref	Oil, Motor Options (Not Shown):	
267	3020016	AR	Oil, Motor 15W-40 (Without Arctic Package)	
267	3020044	AR	Oil, Motor 0W-40 (With Arctic Package)	
268	4751400	8	Flatwasher 1/4in Regular	
269	0711025	AR	Bolt M10 x 85mm	
270	3520054	AR	Plug, Hole	
271	4891600	AR	Flatwasher 3/8in Hardened	
272	1001098916	1	Support, Resonator (USA Built Machines Only) (SN 0300126420 through 0300136780)	
273	1001149639	1	Indicator, Air Intake Restriction (SN B300002409 to Present)	
		Ref	Note: Arctic Package Item 274 Not Shown - Used on Arctic Machines Only	
274	2580062	1	Heater, Engine Block	
	0256847	Ref	PUMP COUPLING INSTALLATION (USA BUILT MACHINES) (SN 0300087000 through 0300126419)	2
301	1660234	1	Coupling, Hayes	
302	0080163	1	Plate, Pump Adapter	
303	0700810	63	Bolt Metric M8 x 20mm	
304	4831900	6	Lockwasher M8	

SECTION 2 - TURNTABLE

ITEM	PART NUMBER	QTY	DESCRIPTION	REV
307	3020021	AR	Grease, Coupling (Not Shown)	
	2902065	Ref	KIT PUMP COUPLING AND MOUNTING PLATE (USA BUILT MACHINES) (SN 0300126420 through 0300177361)	K
	2902065	Ref	KIT PUMP COUPLING AND MOUNTING PLATE (CHINA BUILT MACHINES) (SN B300000100 to Present)	K
351	70000793	1	Coupling, Hayes	
352	2902065	1	Plate, Pump Adapter	
353	See Note	8	Capscrew M10 x 20 Grade 10.9 (Note: Not Available - Purchase Locally)	
354	See Note	NSS	Bolt M10 x 25 Grade 10.9 (Note: Not Available - Purchase Locally)	
355	See Note	NSS	Flatwasher M10 (Note: Not Available - Purchase Locally)	
		Ref	ENGINE COMPONENTS	
		Ref	USA Built Machines	
	2000274	Ref	Tier II (SN 0300087000 through 0300092726)	B
	2000339	Ref	Tier II (SN 0300092727 through 0300126419)	B
	1001098211	Ref	Tier III/Tier IVi (SN 0300126420 through 0300169952)	E
	1001098211	Ref	Tier III/Tier IVi (All Specs except ANSI and CSA Specs) (SN 0300169953 through 0300177361)	E
	1001137748	Ref	Tier IVi-Flex (ANSI and CSA Specs) (SN 0300169953 through 0300177361)	B
		Ref	China Built Machines	
	1001098211	Ref	Tier III/Tier IVi (SN B300000100 through B300001622)	E
	1001146368	Ref	Tier III/Tier IVi (SN B300001623 to Present)	D
401	7026631	1	Dipstick	
401	7020487	1	O-Ring, Dipstick	
401	70001002	1	Tube, Dipstick	
401	7020403	1	Seal, Dipstick Tube	
402	7020465	2	Cap, Filler	
403		Ref	Pump, Oil Lube	
403	70000045	1	Tier II - 2000274 & 2000339 Engines	
403	70001850	1	Tier III/Tier IVi - 1001098211 & 1001146368 Engines and Tier IVi-Flex - 1001137748 Engines	
403	7020468	1	Seal Between Oil Pump and Engine Block (Not Shown)	
404	7016331	1	Filter, Oil	
405	70003478	4	Injector, Fuel	
405		Ref	Pump, Injector Options:	
405		Ref	Injector Pumps for Tier II - 2000274 & 2000339 Engines	
405	7027246	4	Series A Injector	
405	7027608	4	Series B Injector	
405	7027609	4	Series C Injector	
405	7027610	4	Series D Injector	
405		Ref	Injector Pumps for Tier III - 1001098211 & 1001146368 Engines and Tier IVi-Flex - 1001137748 Engines	
405	70000912	4	Series A Injector	
405	70000913	4	Series B Injector	
405	70000914	4	Series C Injector	
405	70000915	4	Series D Injector	
405		Ref	Gasket Options (1 Per Injector):	
405	7020447	4	Tier II - 2000274 & 2000339 Engines	
405	See Note	NSS	Tier III/Tier IVi - 1001098211 Engines and Tier IVi-Flex - 1001137748 Engines (Note: Not Available for Purchase)	
406	7016328	1	Filter, Fuel	
407	70000916	1	Pump Fuel Supply (Includes Seals, Hand Pump and Repair Kit)	

SECTION 2 - TURNTABLE

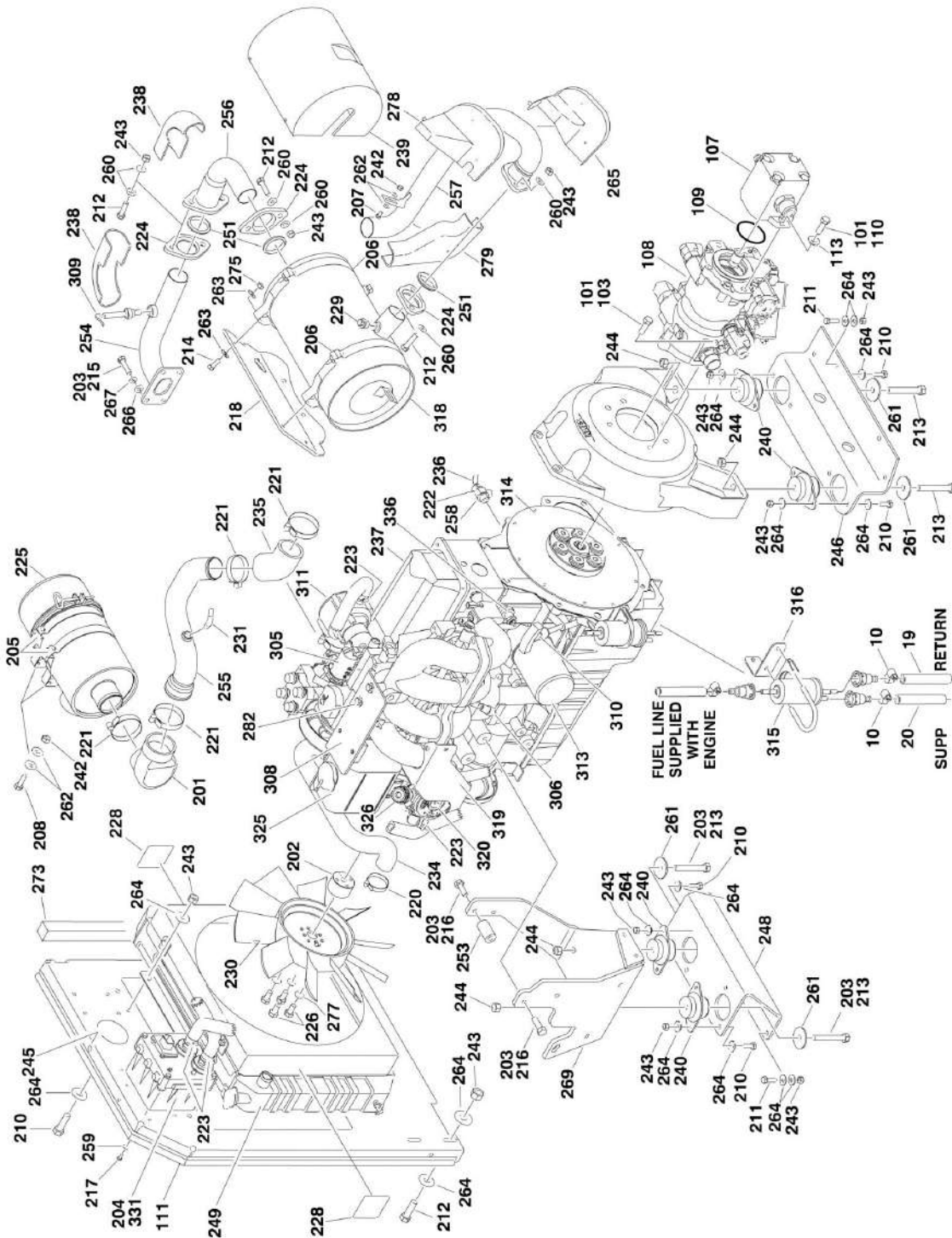
ITEM	PART NUMBER	QTY	DESCRIPTION	REV
407	70001435	1	Repair Kit - Fuel Pump	
407		Ref	O-Seal Options Between Fuel Pump and Engine Block (Not Shown)	
407	7020411	1	Tier II - 2000274 & 2000339 Engines	
407	70000917	1	Tier III/Tier IVi - 1001098211 & 1001146368 Engines and Tier IVi-Flex - 1001137748 Engines	
407	70000919	1	Hand Pump	
407	70000918	1	Ring, Sealing Between Fuel Pump and Hand Pump (Not Shown)	
408	7020449	4	Gasket, Intake Manifold (Not Shown)	
410	70001871	1	Gasket, Intake Manifold to Engine Block (1001146368 Engines) (Not Shown)	
409	7020408	1	V-Belt	
410	7020471	4	Gasket, Exhaust Manifold to Engine Block (Not Shown)	
410	See Note	NSS	Gasket, Exhaust Manifold to Exhaust Pipe (Not Shown) (Note: Not Available for Purchase)	
411	7000663	1	Alternator	
411	70004056	1	Alternator (1001146368 Engines)	
411		Ref	Regulator, Voltage Options (Not Shown):	
411	7020464	1	Tier II - 2000274 & 2000339 Engines	
411	70001868	1	Tier III/Tier IVi - 1001098211 & 1001146368 Engines and Tier IVi-Flex - 1001137748 Engines	
411	70001866	1	Seal, Voltage Regulator (Tier III - 1001098211 & 1001146368 Engines and Tier IVi-Flex - 1001137748)	
412	7020479	1	Starter	
412	7026608	1	Relay	
413	7027793	1	Plug-In Connector (Not Shown - See ELECTRICAL SECTION for Breakdown)	
414	7027791	1	Transmitter, Temperature	
414	See Note	NSS	Ring, Sealing (Note: Not Available for Purchase)	
415	7027790	1	Sensor, Oil Pressure	
416	7024565	1	Sensor, Speed	
416	70004272	1	Sensor, Speed (1001146368 Engines)	
417	7027792	1	Throttle Actuator	
417	7027276	2	Spring	
418		Ref	Sensor, Temperature (Not Shown)	
418	7027236	1	Tier II - 2000274 & 2000339 Engines	
418	See Note	NSS	Tier III/Tier IVi - 1001098211 Engines and Tier IVi-Flex - 1001137748 Engines (Note: Not Available for Purchase)	
419	7027795	1	Deutz EMR2 Controller, Module	
420	70000345	4	Plug, Glow (Not Shown - Use with p/n 2000339, 1001098211 & 1001137748 Engines Only)	
421		Ref	Start Solenoid Options:	
421	7027239	1	Tier II - 2000274 & 2000339 Engines	
421	See Note	NSS	Tier III/Tier IVi - 1001098211 & 1001146368 Engines and Tier IVi-Flex - 1001137748 Engines (Note: Not Available for Purchase)	
422	7020459	1	Thermostat and Spring	
422	70003475	1	Thermostat and Spring (1001146368 Engines)	
422	7020460	1	Spring	
423		Ref	Flywheel and Gear Rim Assembly Options:	
423	70000264	1	Tier II - 2000274 & 2000339 Engines	
423	70001870	1	Tier III/Tier IVi - 1001098211 & 1001146368 Engines and Tier IVi-Flex - 1001137748 Engines	

SECTION 2 - TURNTABLE

ITEM	PART NUMBER	QTY	DESCRIPTION	REV
423	7024579	1	Gear Rim Only	
424		Ref	Breather Valve Options (Not Shown - Located in Front Cover):	
424	See Note	NSS	Tier II - 2000274 & 2000339 Engines (Note: Not Available for Purchase)	
424	70001847	1	Tier III/Tier IVi - 1001098211 & 1001146368 Engines and Tier IVi-Flex - 1001137748 Engines	
424		Ref	O-Ring, Breather Valve Options (Not Shown):	
424	See Note	NSS	Tier II - 2000274 & 2000339 Engines (Note: Not Available for Purchase)	
424	70001126	1	Tier III/Tier IVi - 1001098211 & 1001146368 Engines and Tier IVi-Flex - 1001137748 Engines	
425		Ref	Harness, Engine Options (Not Shown - See ELECTRICAL SECTION for Breakdown):	
425	7027794	1	Tier II - 2000274 & 2000339 Engines	
425	70001872	1	Tier III/Tier IVi - 1001098211 & 1001146368 Engines and Tier IVi-Flex - 1001137748 Engines	
426	7027796	1	Harness, EMR2 (Not Shown - See ELECTRICAL SECTION for Breakdown)	
427	70002200	1	Stud	
428	70002234	1	Bracket, Support	
429		Ref	Gasket, Head Options (Not Shown):	
429	70003001	1	Gasket with 1 Notch	
429	70003002	1	Gasket with 2 Notches	
429	70003003	1	Gasket with 3 Notches	
430	70003623	1	Kit, Timing Belt/Idler (Not Shown)	

SECTION 2 - TURNTABLE

FIGURE 2-13. FORD ENGINE INSTALLATION



SECTION 2 - TURNTABLE

FIGURE 2-13. FORD ENGINE INSTALLATION

ITEM	PART NUMBER	QTY	DESCRIPTION	REV
		Ref	Note: Only Available on USA Built Machines.	
	0274521	Ref	ENGINE INSTALLATION	B
1	0100011	AR	Compound, Locking	
2	0100020	AR	Sealant	
3	0100048	AR	Grease, Dielectric	
4	0181727	1	Angle, Battery Hold-Down	
5	0400075	1	Battery	
6	0630498	2	Bolt, Battery Hold-Down	
7	0641608	1	Bolt 3/8in-16NC x 1in	
8	0641808	2	Bolt 1/2in-13NC x 1in	
9	0642010	1	Bolt 5/8in-11NC x 1-1/4in	
10	1320022	7	Clamp (Not Shown - Located on Turntable to clamp fuel line)	
11	1701542	1	Decal - Gas (Not Shown - Located on Hood)	
12	1701543	1	Decal - LP (Not Shown - Located on Frame)	
17	2220313	1	Fitting, 90	
18	2221176	1	Fitting, 90	
19	2720058	12 ft/3.7m	Hose, Fuel Line	
20	2720472	1	Hose, Fuel Line	
21	2720532	5 ft/1.5m	Hose, Fuel Line	
22	2902297	1	Battery Cable Kit	A
22A	7027006	1	Cable, Battery (Red)	
22B	7027005	1	Cable, Battery (Black)	
22C	7027007	1	Cable (Red)	
22D	7027002	1	Cable (Red)	
22E	7027003	1	Cable (Black)	
23	3311605	2	Locknut 3/8in-16NC	
24	3311801	1	Nut 1/2in-13NC	
25	3422448	1	Pin	
26	3790012	1	O-Ring (Not Shown - Located at Platform Console Box)	
27	3841143	1	Pin, Keeper	
28	4360336	1	Switch, Toggle (Not Shown - Located at Platform Console Box)	
29	4751600	4	Flatwasher 3/8in Regular	
30	4751800	1	Flatwasher 1/2in Regular	
31	4752000	1	Flatwasher 5/8in Regular	
32		Ref	Bolt Options:	
32	0641410	3	Bolt 1/4in-20NC x 1-1/4in (SN 0300087000 through 0300087271)	
32	0641408	2	Bolt 1/4in-20NC x 1in (SN 0300087272 through 0300177361)	
33	1060637	1	Cable, Lanyard	
34	3311405	AR	Locknut 1/4in-20NC	
35	4711400	AR	Flatwasher 1/4in Thin	
37	0641504	1	Bolt 5/16in-18NC x 1/2in (SN 0300087272 through 0300177361)	
38	1321339	1	Clamp, Loop (SN 0300087272 through 0300177361)	
39	4711500	1	Flatwasher 5/16in Thin (SN 0300087272 through 0300177361)	
	2000300	Ref	ENGINE AND PUMP ASSEMBLY	A
101	0100011	AR	Compound, Locking	
102	0641407	1	Bolt 1/4in-20NC x 7/8in	
103	0641812	2	Bolt 1/2in-13NC x 1-1/2in	
105	3311405	1	Locknut 1/4in-20NC	
106	3422532	1	Pin, Hitch	

SECTION 2 - TURNTABLE

ITEM	PART NUMBER	QTY	DESCRIPTION	REV
107	3600395	1	Gear Pump Assembly with Fittings (See GEAR PUMP ASSEMBLY for Breakdown)	B
108	3600396	1	Piston Pump Assembly with Fittings (See PISTON PUMP ASSEMBLY for Breakdown)	
109	3790012	1	O-Ring	
110	3931620	2	Bolt 3/8in-16NC x 1-1/4in	
111	3960389	5 ft/1.5m	Seal	
112	4751400	1	Flatwasher 1/4in Regular	
113	4891600	2	Flatwasher 3/8in Hardened	
	2000299	Ref	ENGINE ASSEMBLY	
201	0080201	1	Adapter 90 Elbow	
202	0080214	1	Adapter, Fan Spacer	
203	0100011	AR	Compound, Locking	
204	0100020	AR	Sealant, Pipe	
205	0340041	2	Band, Air Cleaner	
206	0340046	2	Band, Muffler	
207	0641406	3	Bolt 1/4in-20NC x 3/4in	
208	0641408	6	Bolt 1/4in-20NC x 1in	
209	0641414	4	Bolt 1/4in-20NC x 1-3/4in	
210	0641608	14	Bolt 3/8in-16NC x 1in	
211	0641610	10	Bolt 3/8in-16NC x 1-1/4in	
212	0641612	8	Bolt 3/8in-16NC x 1-1/2in	
213	0641828	4	Bolt 1/2in-13NC x 3-1/2in	
214	0641507	4	Bolt 5/16in-18NC x 7/8in	
215	0701012	4	Bolt M10 x 25mm	
216	0701014	4	Bolt M10 x 30mm	
217	0760606	4	Bolt M6 x 12mm	
218	0903079	1	Bracket, Muffler	
219	0961986	2	Bushing, Flanged	
220	1320012	4	Clamp	
221	1320016	3	Clamp	
222	1320022	1	Clamp, Hose	
223	1320033	8	Clamp, Hose	
224	1321138	3	Plate, Exhaust Flange	
225	1340060	1	Air Cleaner Assembly Filter Element	
225	7012664	1	Element, Air Cleaner (Not Shown)	
226	0700819	4	Bolt M8 x 55mm	
228	1703162	2	Decal - Caution Fan Blade	
229	1120588	1	Plug	
230	2060025	1	Fan	
231	2180467	1	Fitting	
233	2720435	1	Hose, Radiator (Bottom)	
234	2720436	1	Hose, Radiator (Upper)	
235	2720514	1	Hose, 45 Elbow	
236	2750532	6 in/15cm	Hose, Oil Drain	
237	2000272	1	Engine (See Items 301-331 for Engine Components)	
238	2820173	2	Insulation, Exhaust (Elbow)	
239	2820180	1	Insulation, Catalytic Muffler	
240	3200362	4	Mount, Motor	
242	3311405	13	Locknut 1/4in-20NC	
243	3311605	30	Locknut 3/8in-16NC	
244	3311805	4	Locknut 1/2in-13NC	

SECTION 2 - TURNTABLE

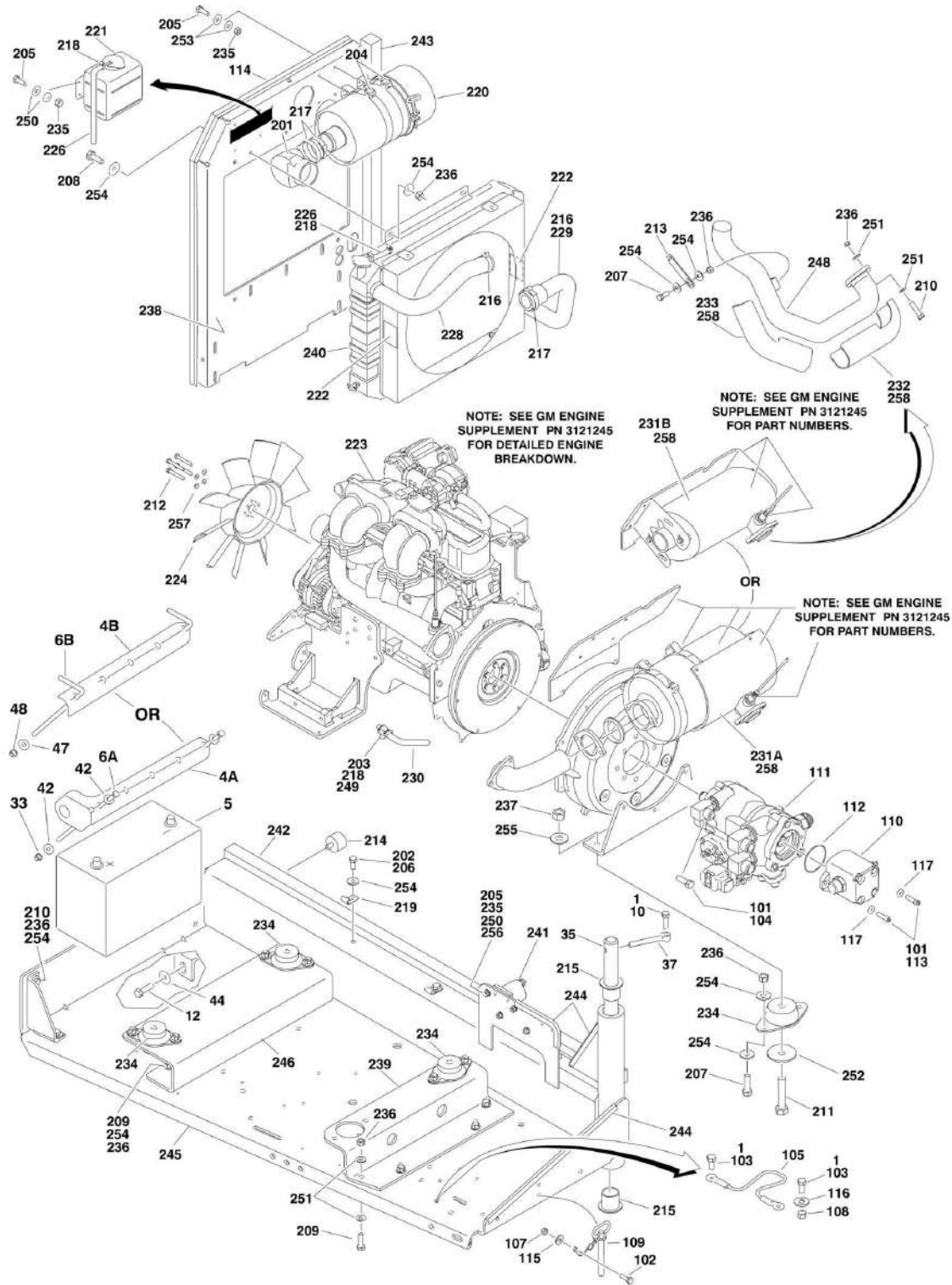
ITEM	PART NUMBER	QTY	DESCRIPTION	REV
245	3539872	1	Plate, Radiator Mounting	
246	3572280	1	Plate, Engine Mount	
247	3574162	1	Plate, ECM/Relay Mount	
248	3574504	1	Plate, Engine Mount	
249	3620040	1	Radiator	
250	3740067	1	Relay	
251	3960591	3	Gasket, Exhaust	
253	4566605	1	Tube, Spacer	
254	4569203	1	Tube, Exhaust	
255	4569173	1	Tube, Intake	
256	4569083	1	Tube, Exhaust	
257	4569092	1	Tube, Exhaust	
258	4640989	1	Valve, Oil Drain	
259	4711400	16	Flatwasher 1/4in Thin	
260	4711600	12	Flatwasher 3/8in Thin	
261	4740274	4	Washer, Snubbing	
262	4751400	12	Flatwasher 1/4in Regular	
263	4751500	8	Flatwasher 5/16in Regular	
264	4751600	51	Flatwasher 3/8in Regular	
265	2820186	1	Insulation, Exhaust (Shield)	
266	4812000	4	Flatwasher M10	
267	4832000	4	Lockwasher M10	
268	4845404	1	Tray, Engine	
269	4846806	1	Plate, Engine Mounting	
270	0641606	1	Bolt 3/8in-16NC x 3/4in	
271	0940070	1	Bumper	
272	1320223	3	J-Clip	
273	3960469	1	Seal	
274	4060805	37 in/1m	Flex-Trim	
275	3311505	4	Locknut 5/16in-18NC	
276	3960468	1	Seal	
277	4831900	4	Lockwasher M8	
278	2820187	1	Insulation, Exhaust	
279	2820188	1	Insulation, Shell	
280	4920385	10 ft/3m	Wire, Safety (Not Shown)	
281	2300004	AR	Fluid, Anti-Freeze (Not Shown)	
282	4711500	2	Flatwasher 5/16 Thin	
	2000272	Ref	ENGINE COMPONENTS	B
301	7022133	1	Fuel Pump and Isolator Assembly	
302	91083218	1	Filter, Fuel (was p/n 7022135)	
303	7012679	1	Starter	
304	7019977	1	Alternator with Regulator and Pulley	
305	7023683	1	Actuator, Throttle	
305	7027404	1	Gasket, Actuator (Not Shown)	
306	7019996	1	Sensor, Air Temperature	
307	7023681	1	Harness, Engine Control (Not Shown)	
308	7022139	1	Sensor, MAP	
309	7023682	1	Sensor, EGR	
310	2420187	1	Dipstick	
311	7027400	1	Mixer Assembly	
313	7021868	1	Filter, Oil (was p/n 7022147 & 7022173)	

SECTION 2 - TURNTABLE

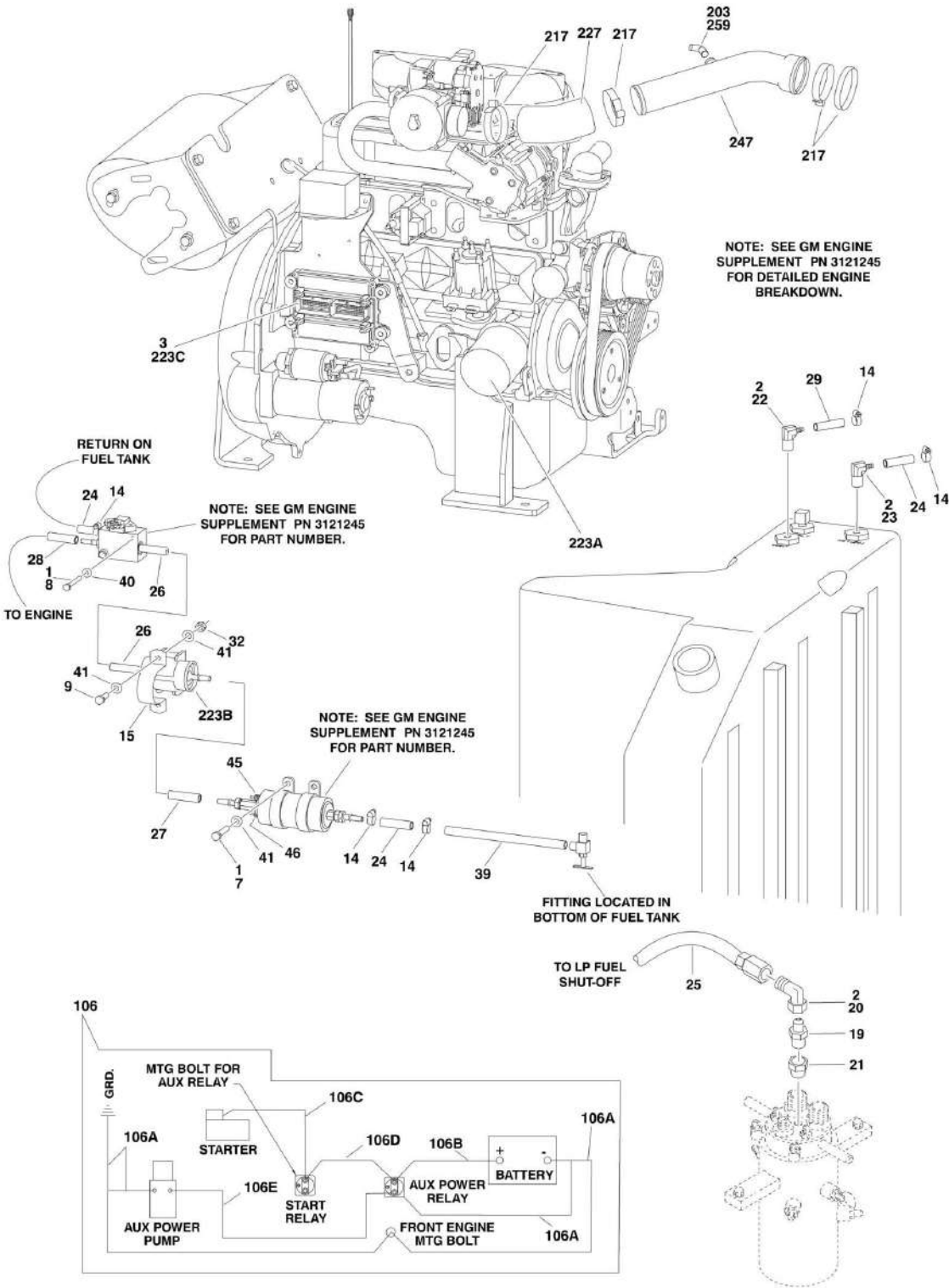
ITEM	PART NUMBER	QTY	DESCRIPTION	REV
314	1660250	1	Coupling, Pump	
315	7019993	1	Pressure Regulator and Filter Assembly	
316	0902539	1	Bracket	
317	1600374	1	Module, EPM	
318	3220134	1	Muffler	
319	0903010	1	Bracket, LP Regulator	
320	7023698	1	Regulator, LP	
321	70002567	1	Tensioner, Belt	
322	7022143	1	Gasket, Exhaust Manifold-Head (was p/n 7027401 - Not Shown)	
322	70002307	1	Gasket, Exhaust Manifold to Pipe (Not Shown)	
323	7027402	1	Belt, Drive Belt	
324	7027405	4	Spark Plug (Not Shown)	
325	1580011	1	Bottle, Overflow	
326	7027409	1	LP Filter Shutoff with Leads	
327	2720392	1	Hose (Connects to Item 326)	
328	2180418	1	Fitting, Straight	
329	2220064	1	Fitting, 90	
330	2220005	1	Fitting, Reducer	
331	7023699	1	Megajector	
331	70001690	1	Kit, Megajector Hose	
332	7019976	1	Flywheel (Not Shown)	
333	7022180	1	Gear, Ring (Not Shown - Located on Flywheel)	
334	7019925	1	PCV Valve (Not Shown - Located on Oil Vent)	
335	7022134	1	Harness, Fuel Pump (Not Shown)	
336	7022155	1	Sensor, Water Temperature	
337	7027410	1	Harness, Megajector (Not Shown)	
338	7027413	1	Harness, EPM Jumper (Not Shown)	
339	7019994	1	Sensor, Oxygen (Not Shown)	
340	7022150	1	Belt, Timing (Not Shown)	

SECTION 2 - TURNTABLE

FIGURE 2-14. GM ENGINE INSTALLATION (USA BUILT MACHINES) (SN 0300087000 through 0300139353)



SECTION 2 - TURNTABLE



SECTION 2 - TURNTABLE

FIGURE 2-14. GM ENGINE INSTALLATION (USA BUILT MACHINES) (SN 0300087000 through 0300139353)

ITEM	PART NUMBER	QTY	DESCRIPTION	REV
		Ref	Note: Only Available on USA Built Machines.	
		Ref	GM ENGINE INSTALLATION	
	0275229	Ref	Machines without Arctic Package (SN 0300087000 through 0300109297)	D
	1001091604	Ref	Machines without Arctic Package (SN 0300109298 through 0300139353)	F
	1001101820	Ref	Machines with Arctic Package (SN 0300087000 through 0300139353)	B
1	0100011	AR	Compound, Locking	
2	0100020	AR	Sealant, Pipe	
3	0100048	AR	Grease, Dielectric	
4		Ref	Angle, Battery Hold Down Options:	
4A	0181727	1	Angle, Battery Hold Down (SN 0300087000 through 0300110503)	
4B	91401281	1	Angle, Battery Hold Down (SN 0300110504 through 0300139353)	
5	0400075	1	Battery (Wet)	
6		Ref	Bolt, Battery Hold Down Options:	
6A	0630498	2	Bolt, Battery Hold Down (SN 0300087000 through 0300110503)	
6B	1001093382	2	Bolt, Battery Hold Down (SN 0300110504 through 0300139353)	
7	0641505	2	Bolt 5/16in-18NC x 5/8in	
8	0641416	2	Bolt 1/4in-20NC x 2in	
9	0641506	2	Bolt 5/16in-18NC x 3/4in	
10	0641608	1	Bolt 3/8in-16NC x 1in	
12	0642010	1	Bolt 5/8in-11NC x 1 1/4in	
14	1320022	5	Clamp, Fuel Line	
15	1320323	1	Clamp	
16	1701542	1	Decal, Gas (Not Shown)	
17	1701543	1	Decal, LPG (Not Shown)	
19	2180418	1	Fitting, Straight	
20	2220005	1	Fitting, Straight	
21	2220064	1	Fitting, Adapter	
22	2220313	1	Fitting, 90 Barbed Only (SN 0300087000 through 0300109298)	
23	2221176	1	Fitting, 90	
24		Ref	Hose, Fuel Line Options:	
24	2720058	5.25 ft /1.6m	Hose, Fuel Line (SN 0300087000 through 0300109297)	
24	1001091587	5.25 ft /1.6m	Hose, Fuel Line (SN 0300109298 through 0300139353)	
25	2720392	1	Hose, LP	
26	2720496	1	Hose, High Pressure Fuel Line	
27	2720566	1	Hose (6in/15cm Length)	
28	2720598	1	Hose (92in/234cm Length)	
29	2750532	5 ft/1.5m	Hose Only (SN 0300087000 through 0300109298)	
32	3311505	2	Locknut 5/16in-18NC	
33	3311605	AR	Locknut 3/8in-16NC (SN 0300087000 through 0300110504)	
35	3422448	1	Pin	
36	3790012	1	O-Ring (Not Shown - Located in Console Box)	
37	3841143	1	Keeper	

SECTION 2 - TURNTABLE

ITEM	PART NUMBER	QTY	DESCRIPTION	REV
38	4360336	1	Switch, Toggle (Not Shown - Located in Console Box)	
39	4569385	1	Tube, Fuel Line	
40	4711400	2	Flatwasher 1/4in Narrow	
41	4711500	4	Flatwasher 5/16in Narrow	
42	4751600	4	Flatwasher 3/8in Wide (SN 0300087000 through 0300109298)	
43		Ref	Coolant Options (Not Shown):	
43	2300004	AR	Machines without Arctic Package	
43	2300041	AR	Machines with Arctic Package	
44	4752000	1	Flatwasher 5/8in Wide	
45	3290405	1	Locknut M4 x 0.7	
46	3290505	1	Locknut M5 x 0.8	
47	4751500	4	Flatwasher 5/16in Wide	
48		Ref	Locknut 5/16in-18NC Options:	
48	3311505	2	Locknut 5/16in-18NC (SN 0300087000 through 0300121552)	
48	88521205	2	Locknut 5/16in-18NC (SN 0300121553 through 0300139353)	
		Ref	Note: Arctic Package Items 51 - 64 Not Shown - Used on Arctic Machines Only	
51	0641808	1	Bolt 1/2in-13NC x 1in	
52	1060625	1	Cable, Immersion Heater (Located on bottom of Hydraulic Oil Tank)	
53	1060626	1	Cord, 3 Way Extension (Located on Left Front of Engine)	
54	1320223	AR	Clamp	
55	1702941	1	Decal - Battery Heater (Located on Battery Heater)	
56	1702942	1	Decal - Engine Block Heater (Located on Right Side of Engine)	
57	1702943	1	Decal - Hydraulic Tank Heater (Located on bottom of Hydraulic Oil Tank)	
58	1702944	1	Decal - Heater Cord (Located on Left Front of Engine)	
59	2580024	1	Heater, Battery (Located on Battery)	
60	2580050	1	Heater, Hydraulic Tank (Located on bottom of Hydraulic Oil Tank)	
61	2580063	1	Heater, Engine Block (Located on Right Side of Engine)	
62	3980007	1	Seat, Battery (Located Under Battery)	
63	3311605	1	Locknut 3/8in-16NC	
64	4711600	2	Flatwasher 3/8in Narrow	
		Ref	GM ENGINE AND PUMP SUB-ASSEMBLY	
	2000370	Ref	Machines without Arctic Package (SN 0300087000 through 0300109297)	B
	1001091605	Ref	Machines without Arctic Package (SN 0300109298 through 0300139353)	E
	1001101821	Ref	Machines with Arctic Package (SN 0300087000 through 0300139353)	C
101	0100011	AR	Compound, Locking	
102	0641407	1	Bolt 1/4in-20NC x 7/8in	
103	0641808	2	Bolt 1/2in-13NC x 1in	
104	0641812	2	Bolt 1/2in-13NC x 1-1/2in	
105	1060637	1	Cable, Lanyard	
106	2902531	1	Battery Cable Kit	B
106A	7016822	1	Cable (Battery - to Ground)	
106B	7027015	1	Cable (Battery + to Auxiliary Relay)	
106C	7027016	1	Cable (Starter Relay to Starter)	
106D	7027017	1	Cable (Auxiliary Relay to Starter Relay)	
106E	7027003	1	Cable (Auxiliary Relay to Auxiliary Pump)	
107	3311405	1	Locknut 1/4in-20NC	

SECTION 2 - TURNTABLE

ITEM	PART NUMBER	QTY	DESCRIPTION	REV
108	3311805	1	Locknut 1/2in-13NC	
109	3422533	1	Pin, Hitch	
110	3600395	1	Gear Pump Assembly with Fittings (See GEAR PUMP ASSEMBLY for Breakdown)	
111		Ref	Piston Pump Assembly with Fittings Options (See PISTON PUMP ASSEMBLY for Breakdown):	
111	3600396	1	Piston Pump Assembly with Fittings (SN 0300087000 through 0300109297)	
111	1001093410	1	Piston Pump Assembly with Fittings (SN 0300109298 through 0300139353)	
112	3790012	1	O-Ring	
113	3931620	2	Bolt 3/8in-16NC x 1 1/4in	
114	3960389	5 ft/1.5m	Seal	
115	4751400	1	Flatwasher 1/4in Wide	
116	4751800	1	Flatwasher 1/2in Wide	
117	4891600	2	Flatwasher, Hardened	
		Ref	GM ENGINE ASSEMBLY	
	2000371	Ref	Machines without Arctic Package (SN 0300087000 through 0300109297)	E
	1001091603	Ref	Machines without Arctic Package (SN 0300109298 through 0300139353)	F
	1001101822	Ref	Machines with Arctic Package (SN 0300087000 through 0300139353)	C
201	0080201	1	Fitting, 90	
202	0100011	AR	Compound, Locking	
203	0100020	AR	Sealant (SN 0300087000 through 0300136641)	
204	0340041	2	Band, Mounting	
205	0641406	10	Bolt 1/4in-20NC x 3/4in	
206	0641606	3	Bolt 3/8in-16NC x 3/4in	
207	0641608	9	Bolt 3/8in-16NC x 1in	
208	0641609	4	Bolt 3/8in-16NC x 1-1/8in	
209	0641610	10	Bolt 3/8in-16NC x 1-1/4in	
210	0641612	4	Bolt 3/8in-16NC x 1-1/2in	
211		Ref	Bolt 1/2in-13NC x 3-1/2in Options:	
211	0641828	2	Bolt 1/2in-13NC x 3-1/2in (Front)	
211	0641826	2	Bolt 1/2in-13NC x 3-1/4in (Rear)	
212	0700810	4	Bolt M8 x 20mm	
213	0903490	1	Bracket, Exhaust Strap	
214	0940070	1	Bumper	
215	0961986	2	Bearing, Flanged	
216	1320012	3	Clamp	
217	1320016	5	Clamp	
218	1320022	3	Clamp	
219	1320223	3	Clamp	
220	1340060	1	Air Cleaner Assembly	
220	7012664	1	Element, Air Cleaner	
221	1580011	1	Container, Coolant Overflow	
222	1703162	2	Decal - Caution Fan	
223		Ref	Engine, GM 3.0L Options (See GM Engine Supplement P/N 3121245 for Breakdown of Additional Components):	
223	2000354	1	Machines without Arctic Package (SN 0300087000 through 0300109297)	
223	1001091768	1	Machines without Arctic Package (SN 0300109298 through 0300139353)	

SECTION 2 - TURNTABLE

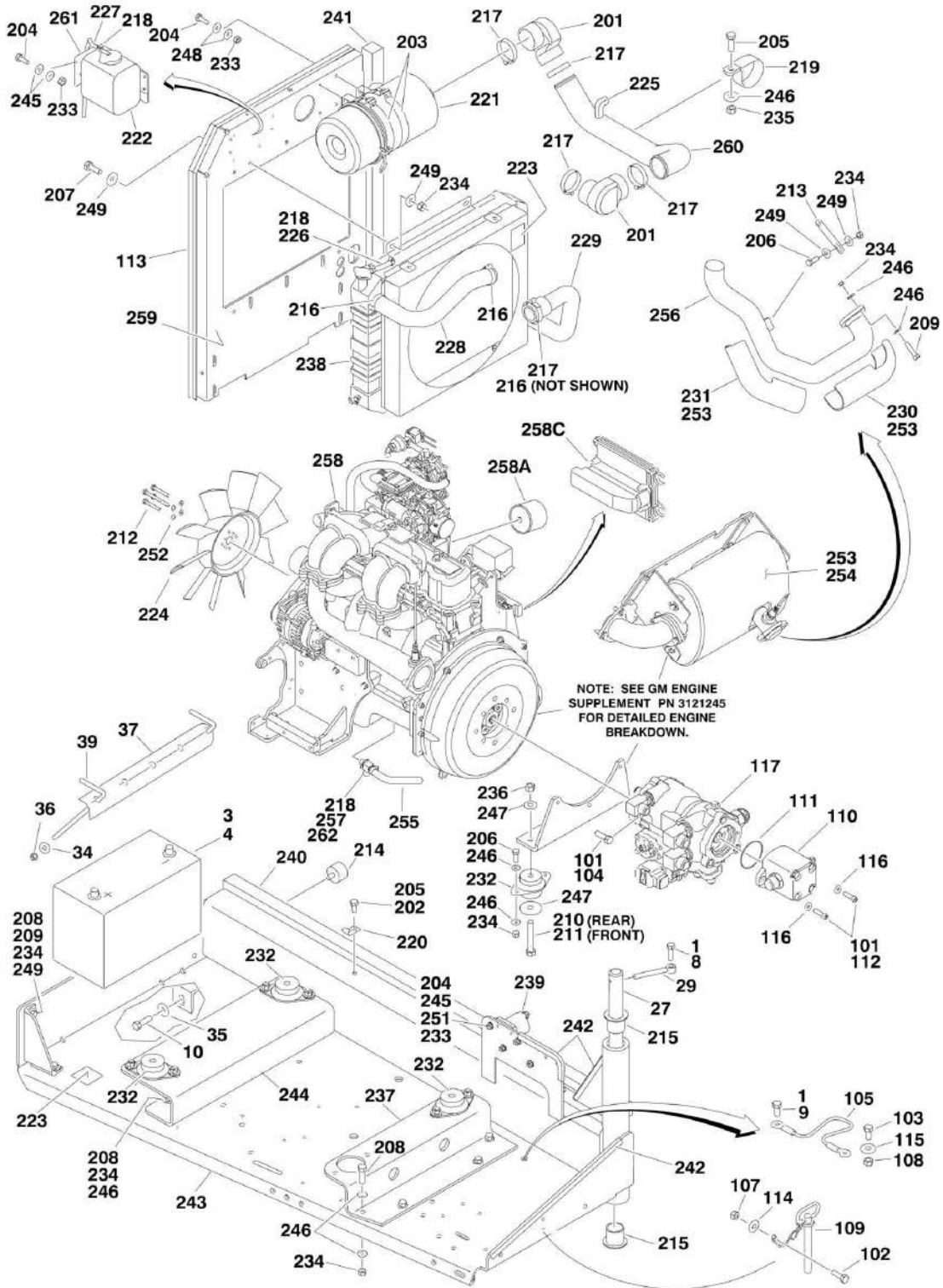
ITEM	PART NUMBER	QTY	DESCRIPTION	REV
223	1001101823	1	Machines with Arctic Package (SN 0300087000 through 0300139353)	
223	70000164	4	Plug, Spark (Not Shown)	
223A	7027965	1	Filter, Oil	
223B	7027972	1	Filter, Fuel	
223C	7027994	1	Module, Control (ECU)	
224	2060025	1	Fan	
226	2720058	4 in/10cm	Hose	
227	2720514	1	Hose	
228	2720563	1	Hose, Radiator (Top)	
229	2720564	1	Hose, Radiator (Bottom)	
230		Ref	Hose Options:	
230	2750532	6 in /15.2cm	Hose (SN 0300087000 through 0300136640)	
230	1001091892	6 in /15.2cm	Hose (SN 0300136641 through 0300139353)	
231		Ref	Insulation, Muffler Options:	
231A	2820180	1	Insulation, Muffler (SN 0300087000 through 0300109297)	
231B	1001091793	1	Insulation, Muffler (SN 0300109298 through 0300139353)	
232	2820243	1	Exhaust Elbow, Insulation	
233	2820244	1	Exhaust, Insulation	
234	3200362	4	Mount, Engine	
235	3311405	10	Locknut 1/4in-20NC	
236	3311605	27	Locknut 3/8in-16NC	
237	3311805	4	Locknut 1/2in-13NC	
238	3539872	1	Plate, Radiator Mounting	
239	3572280	1	Plate, Engine Mount	
240	3620040	1	Radiator	
240	7019656	1	Cap, Radiator	
241	3740067	1	Relay	
242	3960468	1	Seal	
243	3960469	1	Seal	
244	4060805	3 ft/0.9m	Seal	
245	4341239	1	Tray, Engine	
246	4341241	1	Mount, Engine (Front)	
247	4569342	1	Tube, Intake	
248		Ref	Pipe, Exhaust Options:	
248	4569384	1	Pipe, Exhaust (SN 0300087000 through 0300109297)	
248	1001093248	1	Pipe, Exhaust (SN 0300109298 through 0300139353)	
249		Ref	Valve, Oil Drain Options:	
249	4640989	NLA	Valve (Use p/n 4640952) (SN 0300087000 through 0300136640)	
249	1001105872	1	Valve (SN 0300136641 through 0300139353)	
250	4711400	AR	Flatwasher 1/4in Narrow	
251	4711600	AR	Flatwasher 3/8in Narrow	
252	4740274	4	Flatwasher, Snubbing	
253	4751400	8	Flatwasher 1/4in Wide	
254	4751600	AR	Flatwasher 3/8in Wide	
255	4751800	AR	Flatwasher 1/2in Wide	
256	4791400	2	Starwasher 1/4in	
257	4831900	4	Lockwasher 8mm	
258	4920385	10 ft/3m	Wire, Safety	

SECTION 2 - TURNTABLE

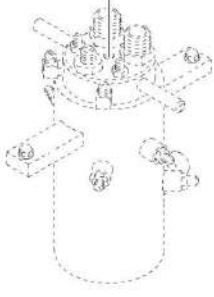
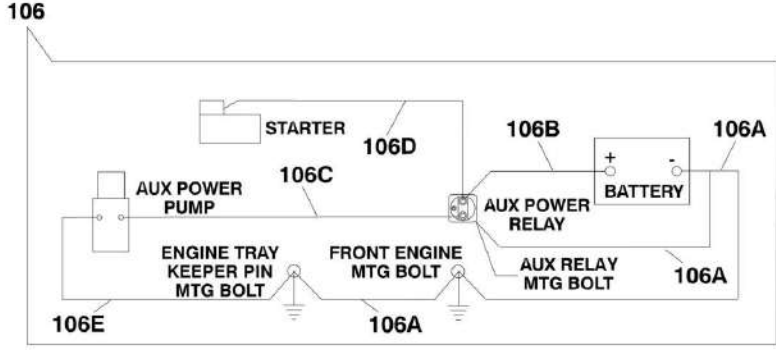
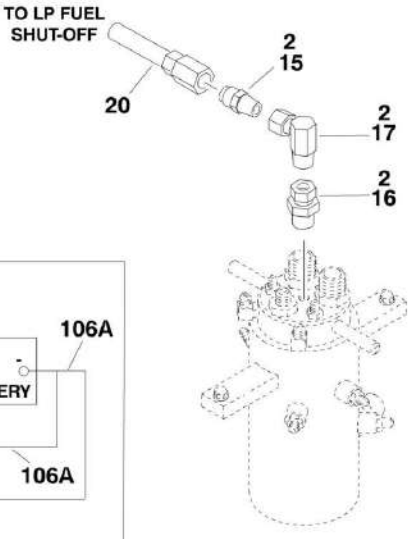
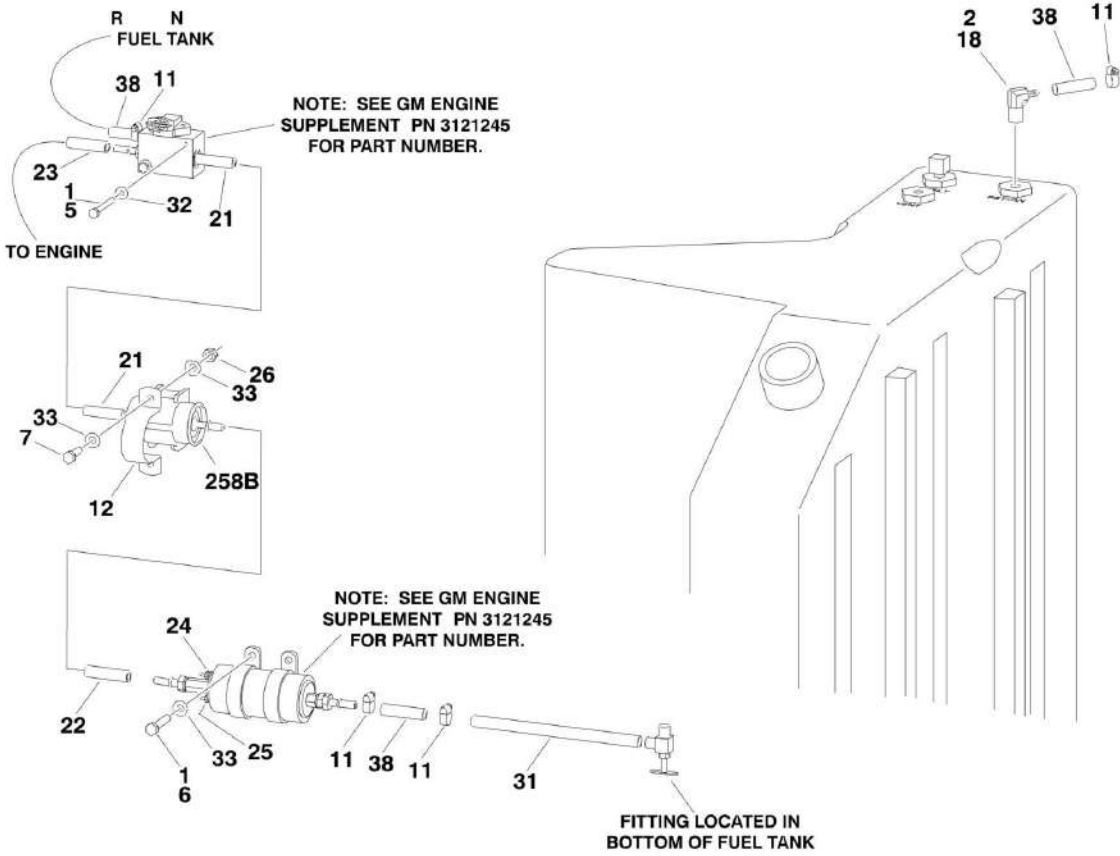
ITEM	PART NUMBER	QTY	DESCRIPTION	REV
259	2720271	18 in /46cm	Hose (SN 0300136641 through 0300139353)	
260	2180877	1	Fitting 90	

SECTION 2 - TURNTABLE

FIGURE 2-15. GM ENGINE INSTALLATION (USA BUILT MACHINES) (SN 0300139354 through 0300177361)



SECTION 2 - TURNTABLE



SECTION 2 - TURNTABLE

FIGURE 2-15. GM ENGINE INSTALLATION (USA BUILT MACHINES) (SN 0300139354 through 0300177361)

ITEM	PART NUMBER	QTY	DESCRIPTION	REV
		Ref	Note: Only Available on USA Built Machines.	
		Ref	GM ENGINE INSTALLATION	
	1001114640	Ref	Machines without Arctic Package	B
	1001114642	Ref	Machines with Arctic Package	A
1	0100011	AR	Compound, Locking	
2	0100020	AR	Sealant, Pipe	
3	0100048	AR	Grease, Dielectric	
4	0400075	1	Battery (Wet)	
5	0641416	2	Bolt 1/4in-20NC x 2in	
6	0641505	2	Bolt 5/16in-18NC x 5/8in	
7	0641506	2	Bolt 5/16in-18NC x 3/4in	
8	0641608	1	Bolt 3/8in-16NC x 1in	
9	0641808	1	Bolt 1/2in-13NC x 1in	
10	0642010	1	Bolt 5/8in-11NC x 1-1/4in	
11	1320022	AR	Clamp, Fuel Line	
12	1320323	1	Clamp	
13	1701542	1	Decal, Gas (Not Shown)	
14	1701543	1	Decal, LPG (Not Shown)	
15	2180418	1	Fitting, Straight	
16	2220005	1	Fitting, Straight	
17	2220064	1	Fitting, Adapter	
18	2221176	1	Fitting, 90	
19		Ref	Coolant Options (Not Shown):	
19	2300004	AR	Machines without Arctic Package	
19	2300041	AR	Machines with Arctic Package	
20	2720392	1	Hose, LP	
21	2720496	1	Hose, High Pressure Fuel Line	
22	2720566	1	Hose (6in/15cm Length)	
23	2720598	1	Hose (92in/234cm Length)	
24	3290405	1	Locknut M4 x 0.7	
25	3290505	1	Locknut M5 x 0.8	
26	3311505	2	Locknut 5/16in-18NC	
27	3422448	1	Pin	
28	3790012	1	O-Ring (Not Shown - Located in Console Box)	
29	3841143	1	Keeper	
30	4360336	1	Switch, Toggle (Not Shown - Located in Console Box)	
31	4569385	1	Tube, Fuel Line	
32	4711400	2	Flatwasher 1/4in Thin	
33	4711500	6	Flatwasher 5/16in Thin	
34	4751500	2	Flatwasher 5/16in Regular	
35	4752000	1	Flatwasher 5/8in Regular	
36	88521205	2	Locknut 5/16in-18NC	
37	91401281	1	Angle, Battery Hold Down	
38	1001091587	6.25 ft /1.9m	Hose, Fuel Line	
39	1001093382	2	Bolt, Battery Hold Down	
		Ref	Note: Arctic Package Items 41-53 Not Shown - Used on Arctic Machines Only	
41	1060625	1	Cable, Immersion Heater (Located on bottom of Hydraulic Oil	

SECTION 2 - TURNTABLE

ITEM	PART NUMBER	QTY	DESCRIPTION	REV
			Tank)	
42	1060626	1	Cord, 3 Way Extension (Located on Left Front of Engine)	
43	1320223	3	Clamp	
44	1702941	1	Decal - Battery Heater (Located on Battery Heater)	
45	1702942	1	Decal - Engine Block Heater (Located on Right Side of Engine)	
46	1702943	1	Decal - Hydraulic Tank Heater (Located on bottom of Hydraulic Oil Tank)	
47	1702944	1	Decal - Heater Cord (Located on Left Front of Engine)	
48	2580024	1	Heater, Battery (Located on Battery)	
49	2580050	1	Heater, Hydraulic Tank (Located on bottom of Hydraulic Oil Tank)	
50	2580063	1	Heater, Engine Block (Located on Right Side of Engine)	
51	3311605	2	Locknut 3/8in-16NC	
52	3980007	1	Seat, Battery (Located Under Battery)	
53	4711600	2	Flatwasher 3/8in Thin	
		Ref	GM ENGINE AND PUMP SUB-ASSEMBLY	
	1001114639	Ref	Machines without Arctic Package	C
	1001114641	Ref	Machines with Arctic Package	C
101	0100011	AR	Compound, Locking	
102	0641407	1	Bolt 1/4in-20NC x 7/8in	
103	0641808	1	Bolt 1/2in-13NC x 1in	
104	0641812	2	Bolt 1/2in-13NC x 1-1/2in	
105	1060637	1	Cable, Lanyard	
106	2902531	1	Battery Cable Kit	B
106A	7016822	1	Cable (Battery - to Ground)	
106B	7027015	1	Cable (Battery + to Auxiliary Relay)	
106C	7027016	1	Cable (Relay to Auxiliary Pump)	
106D	7027017	1	Cable (Relay to Starter)	
106E	7027003	1	Cable (Relay to Auxiliary Pump)	
107	3311405	1	Locknut 1/4in-20NC	
108	3311805	1	Locknut 1/2in-13NC	
109	3422533	1	Pin, Hitch	
110	3600395	1	Gear Pump Assembly with Fittings (See GEAR PUMP ASSEMBLY for Breakdown)	
111	3790012	1	O-Ring	
112	3931620	2	Bolt 3/8in-16NC x 1-1/4in	
113	3960389	5 ft/1.5m	Seal	
114	4751400	1	Flatwasher 1/4in Regular	
115	4751800	1	Flatwasher 1/2in Regular	
116	4891600	2	Flatwasher 3/8in Hardened	
117	1001093410	1	Piston Pump Assembly with Fittings (See PISTON PUMP ASSEMBLY for Breakdown)	
119		Ref	Oil, Engine (Not Shown)	
119	1001115930	AR	10W-30 - Without Arctic Package	
119	1001115931	AR	5W-30 Fully Synthetic - With Arctic Package	
	1001114601	Ref	GM ENGINE ASSEMBLY	B
201	0080201	2	Fitting, 90	
202	0100011	AR	Compound, Locking	
203	0340041	2	Band, Mounting	
204	0641406	12	Bolt 1/4in-20NC x 3/4in	
205	0641606	4	Bolt 3/8in-16NC x 3/4in	
206	0641608	9	Bolt 3/8in-16NC x 1in	

SECTION 2 - TURNTABLE

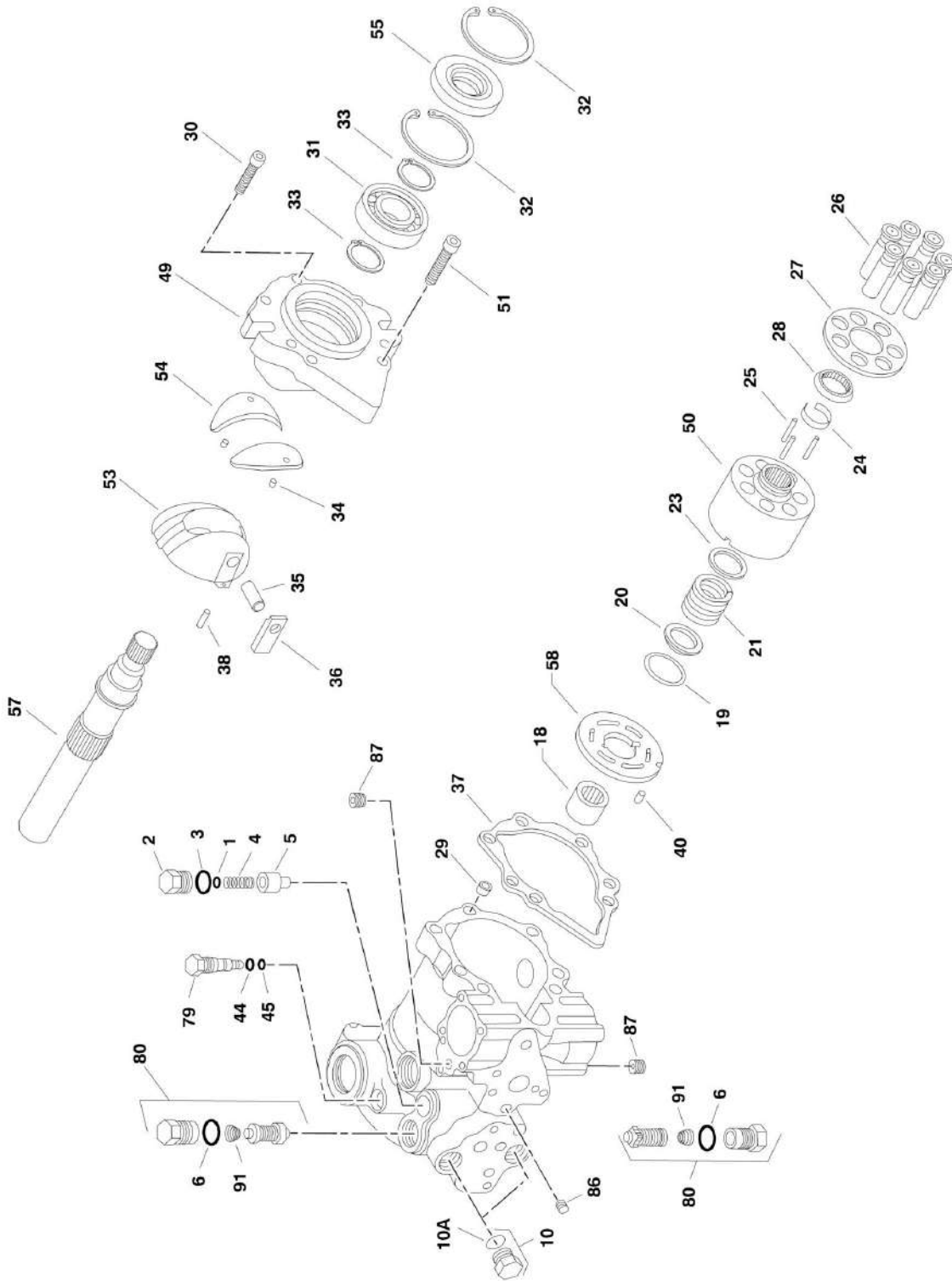
ITEM	PART NUMBER	QTY	DESCRIPTION	REV
207	0641609	4	Bolt 3/8in-16NC x 1-1/8in	
208	0641610	10	Bolt 3/8in-16NC x 1-1/4in	
209	0641612	4	Bolt 3/8in-16NC x 1- 1/2in	
210	0641826	2	Bolt 1/2in-13NC x 3-1/4in	
211	0641828	2	Bolt 1/2in-13NC x 3-1/2in	
212	0700810	4	Bolt M8 x 20mm	
213	0903490	1	Bracket, Exhaust Strap	
214	0940070	1	Bumper	
215	0961986	2	Bearing, Flanged	
216	1320012	3	Clamp	
217	1320016	5	Clamp	
218	1320022	4	Clamp	
219	1320219	1	Clamp	
220	1320223	3	Clamp	
221	1340060	1	Air Cleaner Assembly	
221	7012664	1	Element, Air Cleaner	
222	1580011	1	Container, Coolant Overflow	
223	1703162	2	Decal - Caution Fan	
224	2060025	1	Fan	
225	2180877	1	Fitting 90	
226	2720058	1 ft/0.3m	Hose	
227	2720271	18 in /46cm	Hose	
228	2720563	1	Hose, Radiator (Top)	
229	2720564	1	Hose, Radiator (Bottom)	
230	2820243	1	Exhaust Elbow, Insulation	
231	2820244	1	Exhaust, Insulation	
232	3200362	4	Mount, Engine	
233	3311405	12	Locknut 1/4in-20NC	
234	3311605	27	Locknut 3/8in-16NC	
235	3311608	1	Locknut 3/8in-16NC	
236	3311805	4	Locknut 1/2in-13NC	
237	3572280	1	Plate, Engine Mount	
238	3620040	1	Radiator	
238	7019656	1	Cap, Radiator	
239	3740067	1	Relay	
240	3960468	1	Seal	
241	3960469	1	Seal	
242	4060805	3 ft/0.9m	Seal	
243	4341239	1	Tray, Engine	
244	4341241	1	Mount, Engine (Front)	
245	4711400	16	Flatwasher 1/4in Thin	
246	4711600	37	Flatwasher 3/8in Thin	
247	4740274	4	Flatwasher, Snubbing	
248	4751400	8	Flatwasher 1/4in Regular	
249	4751600	18	Flatwasher 3/8in Regular	
250	4751800	4	Flatwasher 1/2in Regular	
251	4791400	2	Starwasher 1/4in	
252	4831900	4	Lockwasher M8	
253	4920385	10 ft/3m	Wire, Safety	
254	1001091793	1	Insulation, Muffler	
255	1001091892	NLA	Hose (Use p/n 2750532)	

SECTION 2 - TURNTABLE

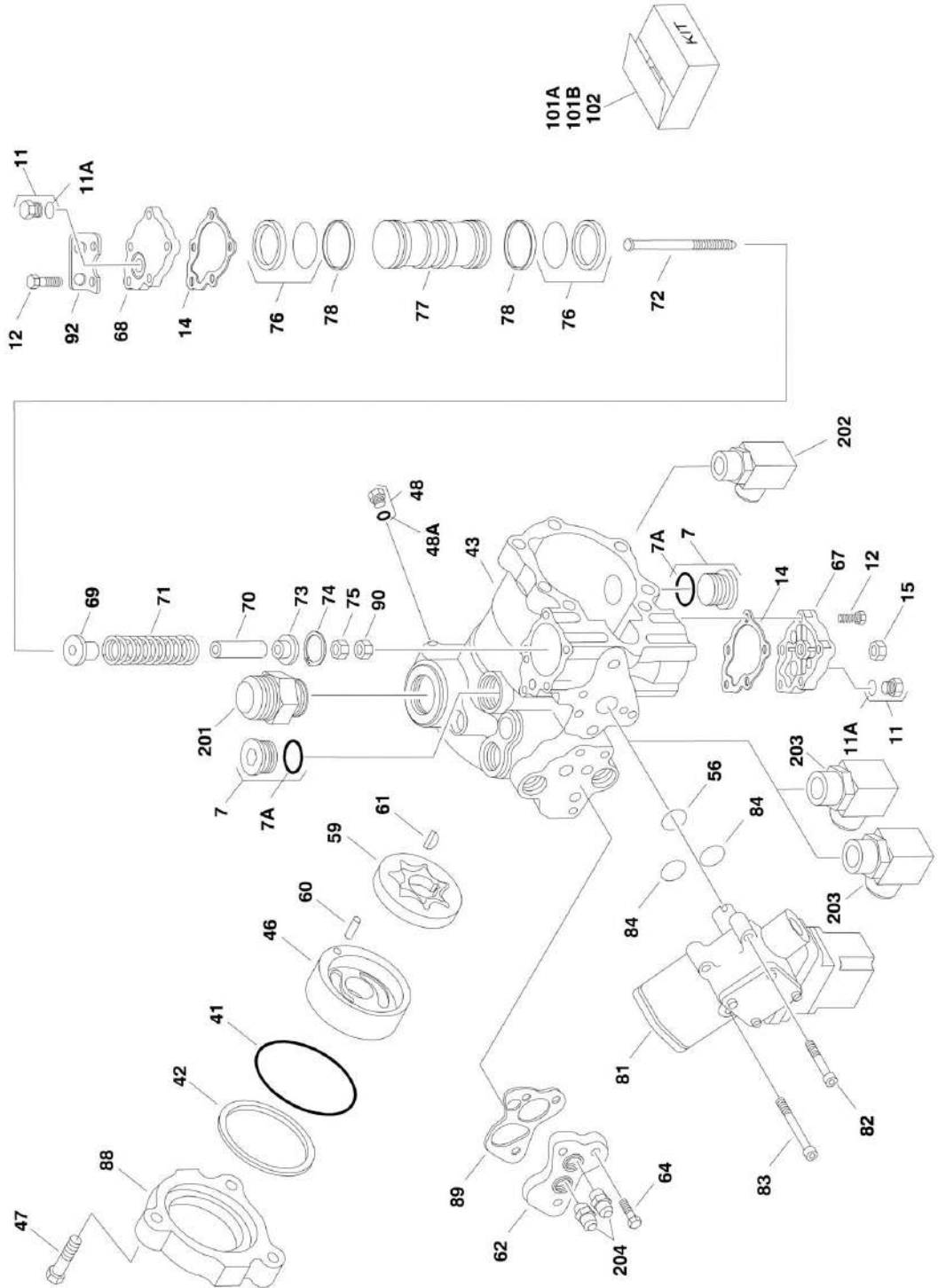
ITEM	PART NUMBER	QTY	DESCRIPTION	REV
256	1001093248	1	Pipe, Exhaust	
257	1001105872	NLA	Valve, Oil Drain (Use p/n 4640952)	
258	1001114600	1	Engine, GM 3.0L Options (See GM Engine Supplement P/N 3121245 for Breakdown of Additional Components):	
258	70000164	1	Plug, Spark (Not Shown)	
258A	7027965	1	Filter, Oil	
258B	7027972	1	Filter, Fuel	
258C	70002895	1	Module, Control (ECU)	
259	1001116131	1	Plate, Radiator Mounting	
260	1001116183	1	Tube, Intake	
261	1001116200	1	Bracket	
262	0100020	AR	Sealant	

SECTION 2 - TURNTABLE

FIGURE 2-16. PISTON PUMP ASSEMBLY



SECTION 2 - TURNTABLE



SECTION 2 - TURNTABLE

FIGURE 2-16. PISTON PUMP ASSEMBLY

ITEM	PART NUMBER	QTY	DESCRIPTION	REV
	3600381	Ref	PISTON PUMP ASSEMBLY	A
1	7007413	1	Shim Kit	
2	7007414	1	Plug	
3	See Note	NSS	O-Ring (Note: Use Item 101A)	
4	7021200	1	Spring, Relief Valve	
5	7007417	1	Valve, Relief	
6	See Note	NSS	O-Ring (Note: Use Item 101A)	
7	7007419	2	Plug	
7A	7007418	2	O-Ring	
10	7007470	2	Plug	
10A	7021256	2	O-Ring	
11	7007470	2	Plug	
11A	7021256	2	O-Ring	
12	7021223	10	Screw	
14	See Note	NSS	Gasket, Servo Cover (Note: Use Item 101A)	
15	7007423	1	Nut, Special	
18	7007425	1	Bearing, Needle	
19	See Note	NSS	Ring, Retaining (Note: Use Item 102)	
20	See Note	NSS	Washer (Note: Use Item 102)	
21	See Note	NSS	Spring (Note: Use Item 102)	
23	See Note	NSS	Washer (Note: Use Item 102)	
24	See Note	NSS	Retainer (Note: Use Item 102)	
25	See Note	NSS	Pin, Slipper Holddown (Note: Use Item 102)	
26	See Note	NSS	Piston Assembly (Note: Use Item 102)	
27	See Note	NSS	Retainer, Slipper (Note: Use Item 102)	
28	See Note	NSS	Guide, Retainer (Note: Use Item 102)	
29	7007435	1	Pin, Spring	
30	7021202	1	Screw	
31	7007437	1	Bearing, Ball	
32	7007438	2	Ring, Retainer	
33	7007439	2	Ring	
34	7021203	2	Pin, Spring	
35	7007441	1	Handle, Pin	
36	7007442	1	Sleeve, Bearing	
37	See Note	NSS	Gasket, Front Cover (Note: Use Item 101A)	
38	7007444	1	Pin	
40	7007446	1	Pin	
41	See Note	NSS	O-Ring (Note: Use Item 101A)	
42	See Note	NSS	Ring, Load Temper (Note: Use Item 101A)	
43	7023977	1	Housing, Pump	
44	See Note	NSS	Ring, Back-up (Note: Use Item 101A)	
45	See Note	NSS	O-Ring (Note: Use Item 101A)	
46	7007452	1	Cover, Gerotor	
47	7007453	3	Bolt, Hex	
48	7007208	1	Plug	
48A	7007207	1	O-Ring	
49	7007454	1	Cover, Front	
50	7010116	1	Block, Cylinder	
51	7021207	6	Screw	
53	7007457	1	Swash Plate	

SECTION 2 - TURNTABLE

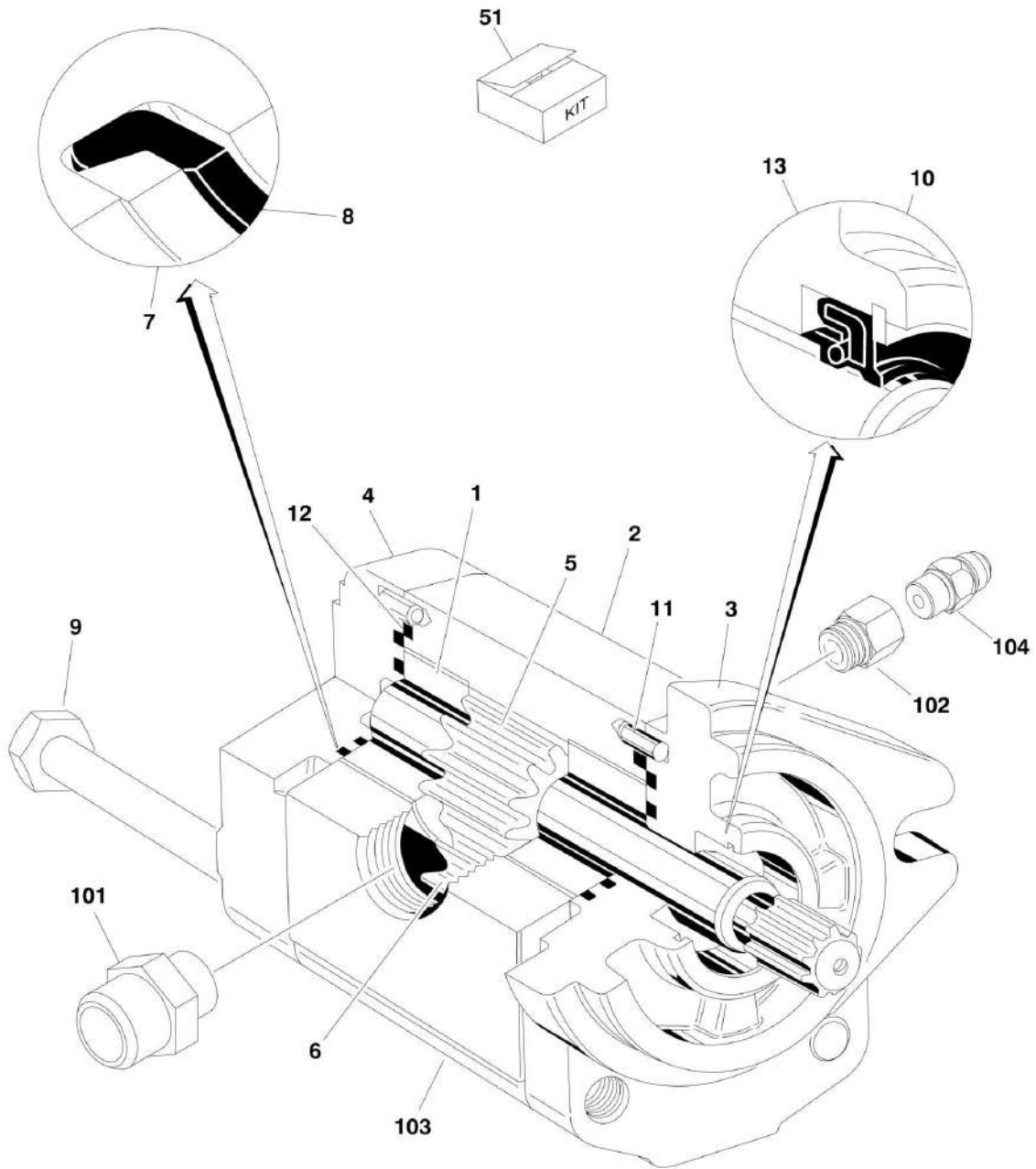
ITEM	PART NUMBER	QTY	DESCRIPTION	REV
54	7021212	1	Journal, Bearing	
55	7007459	1	Seal, Lip	
56	See Note	NSS	O-Ring (Note: Use Item 101A)	
57	7010121	1	Shaft, Main Pump	
58	7021214	1	Plate, Valve	
59	7007463	1	Gerotor Assembly	
60	7007464	1	Pin	
61	7007465	1	Key, Woodruff	
62	7007466	1	Adaptor, Remote Filtration (Without By-Pass)	
64	7021218	3	Screw	
67	7021220	1	Cover, Servo (Without Adjuster)	
68	7021219	1	Cover, Servo (Without Adjuster)	
69	7023979	1	Guide, Spring	
70	7007484	1	Stop, Servo	
71	7007485	1	Spring	
72	7021221	1	Screw	
73	7007487	1	Guide, Spring	
74	7007488	1	Ring, Retaining	
75	7021222	1	Locknut	
76	See Note	NSS	Ring, Piston (Note: Use Item 101A or 101B)	
77	7007494	1	Piston, Servo	
78	See Note	NSS	O-Ring (Note: Use Item 101A or 101B)	
79	7007472	1	Valve, Bypass	
80	7024851	2	Valve, Pressure Relief (Includes Item 6)	
81	7007474	1	Control, Dual Oil-Filled	
81	7007496	1	Coil Assembly (Pilot)	
81	7007497	1	Plug (Pump)	
81	7007498	1	Plug (Valve Harness)	
82	7001498	2	Screw	
83	7007478	2	Screw	
84	7001433	2	O-Ring	
86	7007475	1	Plug, Orifice/Screen (.156)	
87	7007477	2	Plug, Orifice (.37)	
88	7007476	1	Adapter, Auxiliary Pump	
89	7021217	1	Spacer/Gasket	
90	7021206	1	Nut	
91	7024800	2	Spring	
92	7021201	1	Bracket, Lifting	
101		Ref	Seal Kit Options:	
101A	7021232	1	Seal Kit - Complete (Includes Items 3, 6, 14, 37, 41, 42, 44, 45, 55, 56, 76, 78 & 89)	
101B	7007412	1	Seal Kit - Servo Piston (Includes Items 76 & 78)	
102	7010116	1	Cylinder Block Kit (Includes Items 19-28 & 50)	
		Ref	PISTON PUMP AND FITTING ASSEMBLY	
	3600396	Ref	Caterpillar Engine Machines	A
	3600396	Ref	Ford Engine Machines	C
	1001117799	Ref	Deutz Engine Machines	C
	3600396	Ref	GM Engine Machines (SN 0300087000 through 0300109297)	C
	1001093410	Ref	GM Engine Machines (SN 0300109298 through 0300177361)	B
201		Ref	Fitting, Straight Options:	
201	2220479	1	Caterpillar/Ford/GM Engine (USA Built Machines) (SN 0300087000 through 0300109297)	

SECTION 2 - TURNTABLE

ITEM	PART NUMBER	QTY	DESCRIPTION	REV
201	2220377	1	Caterpillar/Ford/GM Engine (USA Built Machines) (SN 0300109298 through 0300177361)	
201	2220377	1	Caterpillar Engine (China Built Machines) (SN B300000100 to Present)	
201	2220479	NLA	Deutz Engine (Use p/n 2220377)	
202		Ref	Fitting, 90 Options	
202	2220578	1	3600396 Pump	
202	8770157	1	1001093410 Pump	
203	2220646	2	Fitting, 90	
204	2220947	2	Fitting, Straight	

SECTION 2 - TURNTABLE

FIGURE 2-17. GEAR PUMP ASSEMBLY



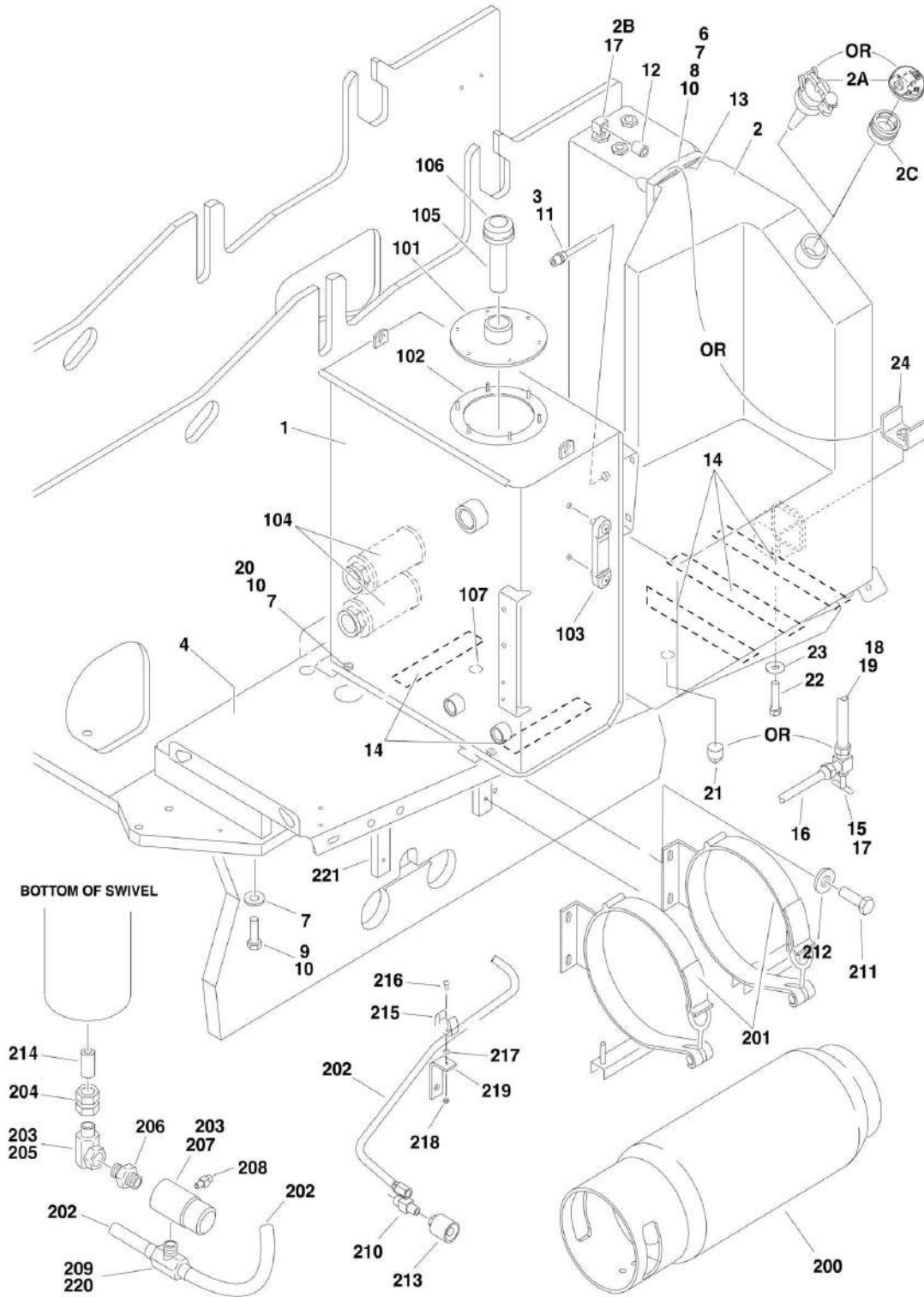
SECTION 2 - TURNTABLE

FIGURE 2-17. GEAR PUMP ASSEMBLY

ITEM	PART NUMBER	QTY	DESCRIPTION	REV
	3600242	Ref	GEAR PUMP ASSEMBLY	
1	7010105	2	Bearing/Bushing	
2	See Note	NSS	Housing (Note: Use p/n 3600242)	
3	See Note	NSS	Flange (Note: Use p/n 3600242)	
4	7010103	1	Cover	
5	7012987	1	Gear, Drive	
6	7012988	1	Gear, Idler	
7	See Note	NSS	Ring, Anti-Extrusion (Note: Use Item 51)	
8	See Note	NSS	Seal (Note: Use Item 51)	
9	See Note	4	Bolt (Note: Not Available for Purchase)	
10	7010104	1	Ring, Retaining	
11	See Note	4	Pin, Dowel (Note: Not Available for Purchase)	
12	See Note	NSS	Seal, O-Ring (Note: Use Item 51)	
13	See Note	NSS	Seal, Shaft (Note: Use Item 51)	
51	7007489	1	Seal Kit (Includes Items 7, 8, 12 & 13)	
	3600395	Ref	GEAR PUMP AND FITTING ASSEMBLY	B
101	2220376	1	Fitting, Straight	
102	2220810	1	Fitting, Reducer	
103	3600242	1	Pump (Includes Items 1-13)	
104	4640744	1	Fitting, Check Valve	

SECTION 2 - TURNTABLE

FIGURE 2-18. TANK INSTALLATIONS



SECTION 2 - TURNTABLE

FIGURE 2-18. TANK INSTALLATIONS

ITEM	PART NUMBER	QTY	DESCRIPTION	REV
		Ref	Note: Gas Machines Only Available as USA Built Machines.	
		Ref	TANK INSTALLATIONS	
	0255409	Ref	Diesel Machines	I
	0270395	Ref	Gas Machines (SN 0300087000 through 0300140988)	E
	1001116340	Ref	Gas Machines (SN 0300140989 through 0300177361)	B
1		Ref	Hydraulic Tank Assembly Options (See Items 101-107 for Breakdown):	
1	4400454	NLA	Tank (Use p/n 1001151268) (SN 0300087000 through 0300177361)	
1	4400454	NLA	Tank (Use p/n 1001151268) (SN B300000100 through B300001018)	
1	1001151268	1	Tank (SN B300001019 to Present)	
2		Ref	Tank, Fuel Options:	
2	4400399	1	Tank Diesel Machines (SN 0300087000 through 0300177361)	
2	4400399	1	Tank Diesel Machines (SN B30000100 through B300001062)	
2	1001173896	1	Tank Diesel Machines (SN B300001063 to Present)	
2	4400399	1	Tank Gas Machines (SN 0300087000 through 0300109297)	
2	1001091561	NLA	Tank Gas Machines (Use p/n 10011191514) (SN 0300109298 through 0300140988)	
2	1001111514	1	Gas Machines (SN 0300140989 through 0300177361)	
2A		Ref	Cap, Fuel Tank Options:	
2A	7016314	1	Cap - Standard - Non-Locking (Diesel Machines)	
2A	7016314	1	Cap - Standard - Non-Locking (Gas Machines) (SN 0300087000 through 0300109297)	
2A	70001103	1	Cap - Standard - Non-Locking (Gas Machines) (SN 0300109298 through 0300140988)	
2A	70002715	1	Cap - Standard - Lockable (Lock Not Included) (Gas Machines) (SN 0300140989 through 0300177361)	
2A	1120484	NLA	Cap - Red - Gas/Dual Fuel Machines (Lockable - Non-Vented) (Note: This Cap must be Purchased Separately. Lock Not Included) (Note: Emission Regulations do Not allow this cap to be installed on machines) (SN 0300109298 through 0300177361)	
2A	1001151391	NLA	Cap - Red - Gas/Dual Fuel Machines (Lockable - Vented) (Note: This Cap must be Purchased Separately. Lock Not Included) (Note: Available on Machines) (SN 0300176430 through 0300177361)	
2A	1120487	1	Cap - Blue - Diesel Machines (Note: This Cap must be Purchased Separately. Lock Not Included)	
2B		Ref	Fitting, 90 with Pick-Up Tube Options:	
2B	7019658	1	Diesel Machines	
2B	70004149	1	Gas Machines	
2C	70002716	1	Adapter - Use with p/n 1120484 Cap (Gas/Dual Fuel Machines)	
2C	1001151389	1	Adapter - Use with p/n 1001151391 Cap (Gas/Dual Fuel Machines)	
3	4360436	1	Switch, Fuel Level	
3	1001182997	AR	Sealant	
4	4844964	1	Hydraulic Tray Weldment	
6		Ref	Strap, Tank Options (Not Required on UL Machines):	
6	4240102	0	Diesel Machines	
6	4240102	0	Gas Machines (SN 0300087000 through 0300140988)	
6	Not Required	0	Gas Machines (SN 0300140989 through 0300177361)	

SECTION 2 - TURNTABLE

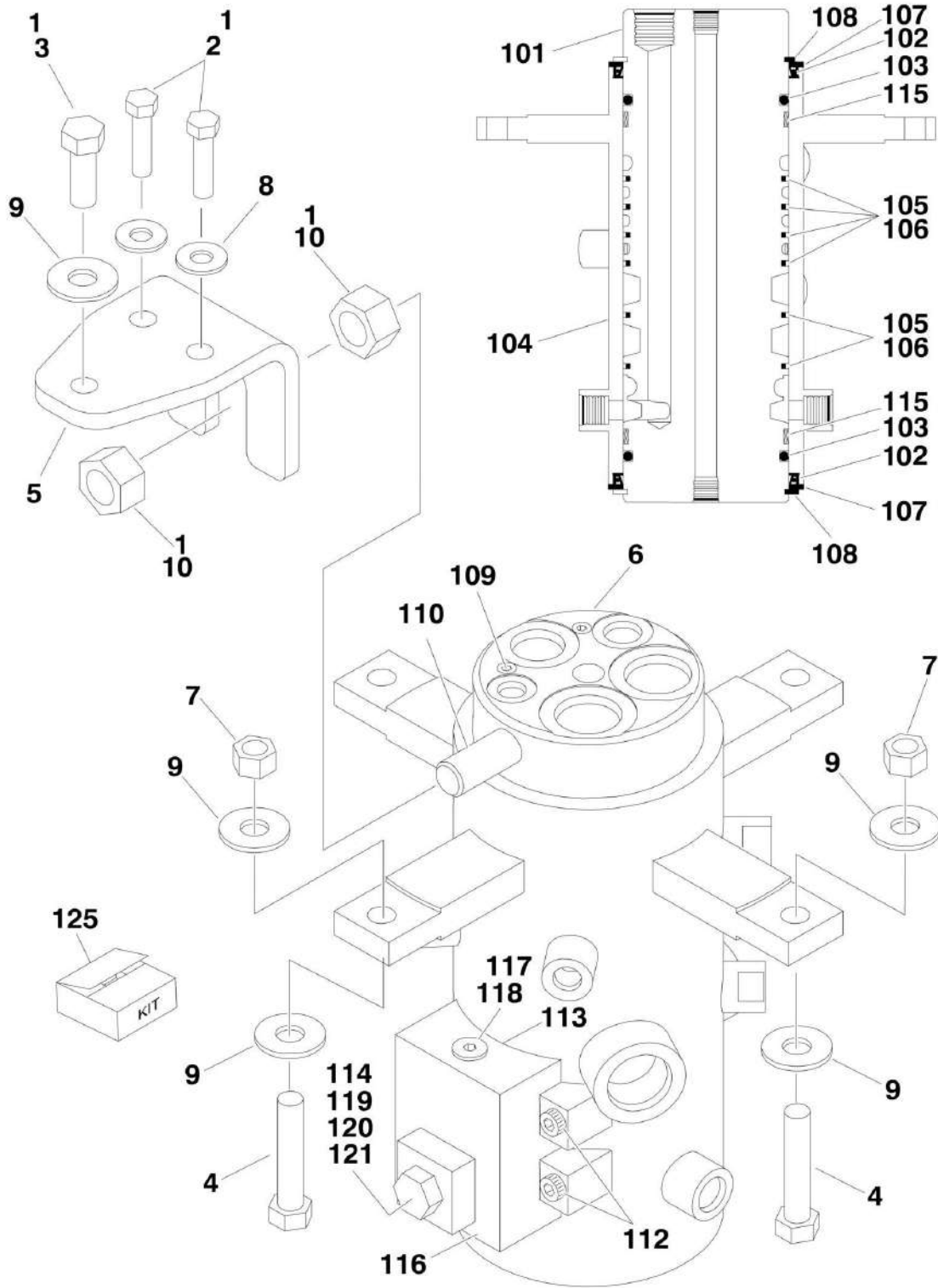
ITEM	PART NUMBER	QTY	DESCRIPTION	REV
7	4751600	AR	Flatwasher 3/8in Regular	
8	3311601	AR	Nut 3/8in-16NC	
9	0641614	AR	Bolt 3/8in-16NC x 1-3/4in	
10	0100011	AR	Compound, Locking	
11	0100079	AR	Sealant, Pipe	
12	2200233	1	Plug (Gas Machines Only)	
13	4280295	Ref	Strip, Protective Options:	
13	4280295	18 in /46cm	Diesel Machines	
13	4280295	18 in /46cm	Gas Machines (SN 0300087000 through 0300140988)	
13	Not Required	0	Gas Machines (SN 0300140989 through 0300177361)	
14	4420038	AR	Tape, Rubber	
15	4641022	1	Valve, Needle (Gas Machines Only)	
16		Ref	Tube, Fuel Options (Gas Machines Only):	
16	4568116	1	Ford Engine Machines	
16	4569385	1	GM Engine Machines	
17	0100020	AR	Sealant	
18	0100062	AR	Retaining Compound #680	
19	4568119	1	Tube, Fuel (Gas Machines Only)	
20	0641606	4	Bolt 3/8in-16NC x 3/4in	
21	2200222	1	Plug (Diesel Machines Only)	
22	0641818	2	Bolt 1/2in-13NC x 2-1/4in (Gas Machines Only) (SN 0300140989 through 0300177361)	
23	4751800	2	Flatwasher 1/2in Regular (Gas Machines Only) (SN 0300140989 through 0300177361)	
24	1001118133	2	Bracket (Gas Machines Only) (SN 0300140989 through 0300177361)	
	4400454	Ref	HYDRAULIC OIL TANK ASSEMBLY (SN 0300087000 through 0300177361)	G
	4400454	Ref	HYDRAULIC OIL TANK ASSEMBLY (SN B300000100 through B3000001018)	G
	1001151268	Ref	HYDRAULIC OIL TANK ASSEMBLY (SN B3000001019 to Present)	H
101	7024439	1	Cover	
102	7024440	1	Gasket	
103	7024441	1	Gauge, Sight	
104	7024442	2	Strainer 1-1/4in NPT (p/n 4400454 Tank Only)	
105	7024443	1	Neck, Fill (Helgensen Brand)	
105	See Note	NSS	Neck, Fill (Hydac Brand) (Note: Use p/n 70004862)	
105	7024445	1	Screen (Helgensen Brand)	
105	See Note	NSS	Screen (Hydac Brand) (Note: Use p/n 70004862)	
106	7024444	1	Breather/Fill Cap (Helgensen Brand)	
106	70004862	1	Breather/Fill Cap/Strainer Kit (Hydac Brand)	
107	7024446	1	Plug, Magnetic	
	0255524	Ref	LP TANK BRACKETS INSTALLATION (GAS MACHINES ONLY)	9-F
200		Ref	Tank, LP Options:	
200	4400275	1	Aluminum	
200	4400420	1	Steel	
201	1320220	2	Clamp	
201	1320127	2	Clamp, Toggle (1 Per Clamp)	
202	2720144	2	Hose	
203	0100020	AR	Sealant, Pipe	
204	2221197	1	Fitting, Reducer	

SECTION 2 - TURNTABLE

ITEM	PART NUMBER	QTY	DESCRIPTION	REV
205	2180125	1	Fitting, 90 Swivel	
206	2220261	1	Fitting, Nipple	
207	2180388	1	Fitting, Bulkhead	
208	2180389	1	Valve, Relief	
209	2220418	1	Fitting, Tee	
210	2180387	2	Fitting, Straight	
211	0641606	8	Bolt 3/8in-16NC x 3/4in	
212	4751600	8	Flatwasher 3/8in Regular	
213	2180418	2	Fitting, Connector	
214	2221018	1	Fitting, Nipple	
215	1320218	2	Clamp, Spring	
216	3910808	2	Screw #8-32NC x 1/2in	
217	4750800	4	Flatwasher #8 Regular	
218	3310805	2	Locknut #8-32NC	
219	0181949	2	Angle, Support	
220	2221024	2	Fitting, Union Ball Check	
221	0362519	4	Bar	

SECTION 2 - TURNTABLE

FIGURE 2-19. ROTARY COUPLING INSTALLATIONS (USA BUILT MACHINES) (SN 0300087000 through 0300138648)



SECTION 2 - TURNTABLE

FIGURE 2-19. ROTARY COUPLING INSTALLATIONS (USA BUILT MACHINES) (SN 0300087000 through 0300138648)

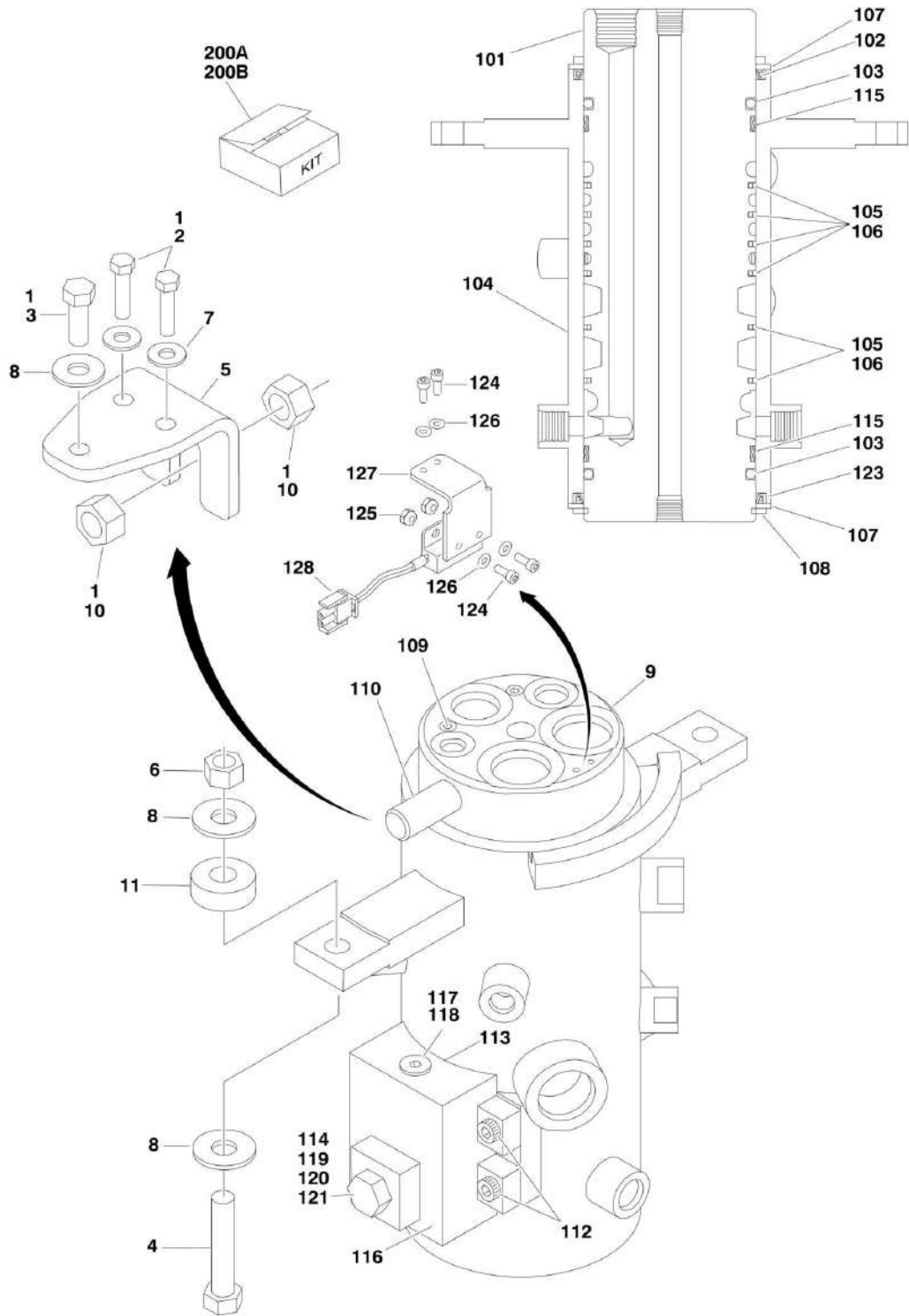
ITEM	PART NUMBER	QTY	DESCRIPTION	REV
		Ref	ROTARY COUPLING INSTALLATIONS	
	0273052	Ref	Rotary Coupling Installations 2WS	G
	0273161	Ref	Rotary Coupling Installations 4WS	G
1	0100011	AR	Compound, Locking	
2	0641612	2	Bolt 3/8in-16NC x 1-1/2in	
3	0641811	1	Bolt 1/2in-13NC x 1-3/8in	
4	0641820	2	Bolt 1/2in-13NC x 2-1/2in	
5	0903056	1	Bracket	
6		Ref	Coupling, Rotary Options (See Items 101-122 for Breakdown):	
6		Ref	Coupling, Rotary 2WS	
6	1660257	NLA	Coupling, Rotary (Use p/n 1660303) (Original Equipment) (SN 0300087000 through 0300113549)	
6	1660303	1	Coupling, Rotary (Service Replacement) (SN 0300113550 through 0300138648)	
		Ref	Note: Original Equipment Rotary may have been replaced with Service Replacement Rotary. Identify p/n stamped on rotary before ordering parts.	
6		Ref	Coupling, Rotary 4WS	
6	1660258	NLA	Coupling, Rotary (Use p/n 1660304) (Original Equipment) (SN 0300087000 through 0300113549)	
6	1660304	1	Coupling, Rotary (Service Replacement) (SN 0300113550 through 0300138648)	
		Ref	Note: Original Equipment Rotary may have been replaced with Service Replacement Rotary. Identify p/n stamped on rotary before ordering parts.	
7	3271805	2	Locknut 1/2in-13NC	
8	4751600	2	Flatwasher 3/8in Regular	
9	4751800	5	Flatwasher 1/2in Regular	
10	3322201	2	Nut 3/4in-16NC	
		Ref	ROTARY COUPLING ASSEMBLIES	
		Ref	Rotary Coupling Assemblies 2WS	
	1660257	Ref	Rotary Coupling Assemblies (Original Equipment) (SN 0300087000 through 0300113549)	D
	1660303	Ref	Rotary Coupling Assemblies (Service Replacement) (SN 0300113550 through 0300138648)	B
		Ref	Rotary Coupling Assemblies 4WS	
	1660258	Ref	Rotary Coupling Assemblies (Original Equipment) (SN 0300087000 through 0300113549)	D
	1660304	Ref	Rotary Coupling Assemblies (Service Replacement) (SN 0300113550 through 0300138648)	A
101	See Note	NSS	Body (Note: Not Available - Purchase Complete Assembly)	
102		Ref	Seal Options:	
102		Ref	Seal 2WS	
102	7026189	2	Seal (SN 0300087000 through 0300113549)	
102	See Note	NSS	Seal (Note: Use Item 125) (SN 0300113550 through 0300138648)	
102	See Note	NSS	Seal 4WS (Note: Use Item 125)	
103	See Note	NSS	O-Ring (Note: Use Item 125)	
104	See Note	NSS	Housing (Note: Not Available - Purchase Complete Assembly)	
105	See Note	NSS	Seal, Cap (Note: Use Item 125)	
105		Ref	Seal, Cap 2WS	

SECTION 2 - TURNTABLE

ITEM	PART NUMBER	QTY	DESCRIPTION	REV
105		Ref	Seal, Cap 4WS	
106	See Note	AR	O-Ring (Note: Use Item 125)	
106		Ref	O-Ring 2WS	
106		Ref	O-Ring 4WS	
107		Ref	Ring Options:	
107	7026503	2	Ring 2WS	
107	7026511	2	Ring 4WS	
108		Ref	Ring, Retaining Options:	
108	7026504	2	Ring, Retaining 2WS	
108	7013189	2	Ring, Retaining 4WS	
109		Ref	Plug Options:	
109		Ref	Plug 2WS	
109	See Note	NSS	Plug (Note: Not Available for Purchase) (SN 0300087000 through 0300113549)	
109	80934561	2	Plug (SN 0300113550 through 0300138648)	
109		Ref	Plug 4WS	
109	See Note	NSS	Plug (Note: Not Available for Purchase) (SN 0300087000 through 0300113549)	
109	80934561	4	Plug (SN 0300113550 through 0300138648)	
110	See Note	NSS	Lug, Torque (Note: Not Available for Purchase)	
112	7026197	4	Bolt 5/16in-18NC x 1-1/4in	
113	See Note	NSS	O-Ring (Note: Use Item 125)	
114	See Note	NSS	O-Ring (Note: Use Item 125)	
115	See Note	NSS	Bearing (Note: Use Item 125)	
116	7024404	1	Block Valve Assembly	
117	7026505	1	Plug	
118	7026506	1	Valve, Check	
119	7026507	1	Plug	
120		Ref	Plunger, Valve Options:	
120	7026508	1	Plunger, Valve (SN 0300087000 through 0300113549)	
120	7024404	1	Plunger, Valve (SN 0300113550 through 0300138648)	
121	7026509	1	Spring, Compression	
122	See Note	AR	Protective Netting (Not Shown) (Note: Not Available for Purchase) (SN 0300087000 through 0300113550)	
125		Ref	Seal Kit Options:	
125		Ref	Seal Kit (SN 0300087000 through 0300113549)	
125	7026510	1	2WS (Includes Items 103, 105, 106, 113, 114 & 115)	
125	7026512	1	4WS (Includes Items 102, 103, 105, 106, 113, 114 & 115)	
125		Ref	Seal Kit (SN 0300113550 through 0300138648)	
125	70001248	1	2WS (Includes Items 102, 103, 105, 106, 113, 114 & 115)	
125	70002212	1	4WS (Includes Items 102, 103, 105, 106, 113, 114 & 115) (was p/n 70001249)	

SECTION 2 - TURNTABLE

FIGURE 2-20. ROTARY COUPLING INSTALLATIONS (USA BUILT MACHINES AND CHINA BUILT MACHINES) (SN 0300138649 to Present, SN B300000100 to Present)



SECTION 2 - TURNTABLE

FIGURE 2-20. ROTARY COUPLING INSTALLATIONS (USA BUILT MACHINES AND CHINA BUILT MACHINES) (SN 0300138649 to Present, SN B300000100 to Present)

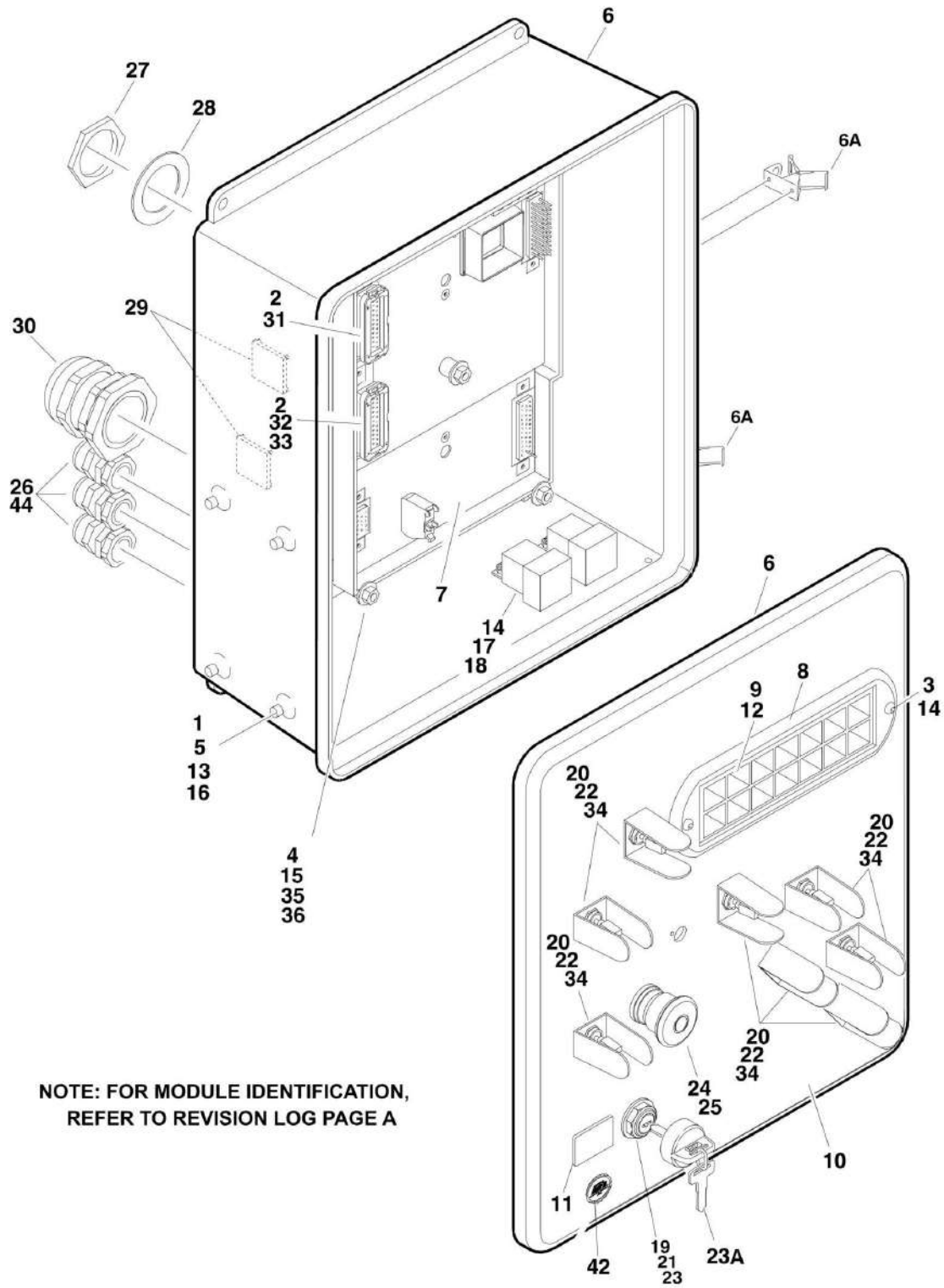
ITEM	PART NUMBER	QTY	DESCRIPTION	REV
		Ref	ROTARY COUPLING INSTALLATION	
	1001107498	Ref	Rotary Coupling Installation 2WS	B
	1001107499	Ref	Rotary Coupling Installation 4WS	B
1	0100011	AR	Compound, Locking	
2	0641612	2	Bolt 3/8in-16NC x 1-1/2in	
3	0641811	1	Bolt 1/2in-13NC x 1-3/8in	
4	0641820	2	Bolt 1/2in-13NC x 2-1/2in	
4	0641824	2	Bolt 1/2in-13NC x 3in	
5	0903056	1	Bracket	
6	3271805	2	Locknut 1/2in-13NC	
7	4751600	2	Flatwasher 3/8in Regular	
8	4751800	5	Flatwasher 1/2in Regular	
9		Ref	Coupling, Rotary Options (See Items 101-121 for Breakdown):	
9	1001106974	1	Coupling, Rotary 2WS	
9	1001106975	1	Coupling, Rotary 4WS	
10	3322201	2	Locknut 3/4in x 16NF	
11	1001178789	2	Shim (SN B300000969 to Present)	
		Ref	ROTARY COUPLING ASSEMBLY	
	1001106974	Ref	Rotary Coupling Assembly 2WS	B
	1001106975	Ref	Rotary Coupling Assembly 4WS	B
101	See Note	NSS	Body (Note: Not Available - Purchase Complete Assembly)	
102		Ref	Seal Options:	
102	70001248	1	Seal 2WS	
102	70002212	1	Seal 4WS	
103	See Note	NSS	O-Ring (Note: Use Item 200A or 200B)	
104	See Note	NSS	Housing (Note: Not Available - Purchase Complete Assembly)	
105		Ref	Seal, Cap	
105	70001248	6	Seal, Cap 2WS	
105	70002212	9	Seal, Cap 4WS	
106		Ref	O-Ring	
106	70001248	6	O-Ring 2WS	
106	70002212	9	O-Ring 4WS	
107		Ref	Ring Options:	
107	7026503	2	Ring 2WS	
107	7026511	2	Ring 4WS	
108		Ref	Ring, Retaining Options:	
108	7026504	1	Ring, Retaining 2WS	
108	7013189	1	Ring, Retaining 4WS	
109		Ref	Plug Options:	
109	80934561	2	Plug 2WS	
109	80934561	4	Plug 4WS	
110	See Note	NSS	Lug, Torque (Note: Not Available for Purchase)	
112	7026197	4	Bolt 5/16in-18NC x 1-1/4in	
113	See Note	NSS	O-Ring (Note: Use Item 200A or 200B)	
114	See Note	NSS	O-Ring (Note: Use Item 200A or 200B)	
115	See Note	NSS	Bearing (Note: Use Item 200A or 200B)	
116	7024404	1	Block Valve Assembly	
117	7026505	1	Plug	
118	7026506	1	Valve, Check	

SECTION 2 - TURNTABLE

ITEM	PART NUMBER	QTY	DESCRIPTION	REV
119	7026507	1	Plug	
120	7024404	1	Plunger, Valve (Note: Not Available for Purchase)	
121	7026509	1	Spring, Compression	
122	See Note	NSS	Protective Netting (Not Shown) (Note: Not Available for Purchase)	
123		Ref	Seal Options:	
123	70001248	1	Seal 2WS	
123	70002212	1	Seal 4WS	
124	See Note	NSS	Screw, Socket Head #10-24NC x 1/2in (Note: Not Available for Purchase)	
125	See Note	NSS	Locknut #10-24NC (Note: Not Available for Purchase)	
126	See Note	NSS	Flatwasher #10 (Note: Not Available for Purchase)	
127	70003454	1	Bracket, Switch Mounting	
128	4360517	1	Switch, Proximity	
200		Ref	Seal Kit Options:	
200A	70001248	1	2WS (Includes Items 102, 103, 105, 106, 113, 114, 115 & 123)	
200B	70002212	1	4WS (Includes Items 102, 103, 105, 106, 113, 114, 115 & 123)	

SECTION 2 - TURNTABLE

FIGURE 2-21. GROUND CONTROL BOX ASSEMBLY (WITHOUT UGM)



SECTION 2 - TURNTABLE

FIGURE 2-21. GROUND CONTROL BOX ASSEMBLY (WITHOUT UGM)

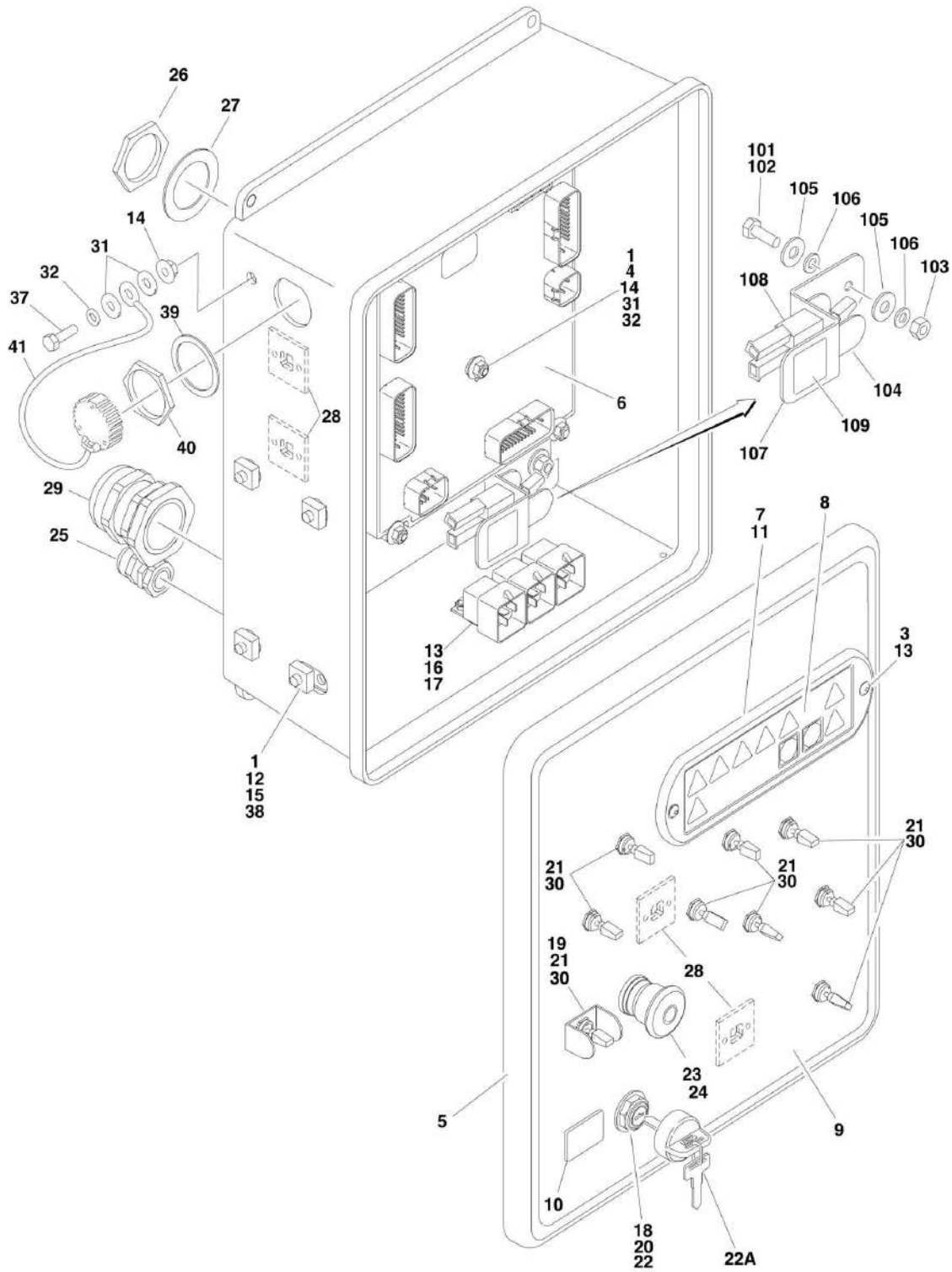
ITEM	PART NUMBER	QTY	DESCRIPTION	REV
		Ref	Note: Only Available on USA Built Machines.	
		Ref	GROUND CONTROL BOX ASSEMBLIES	
		Ref	Ground Control Box Assemblies 600A:	
		Ref	Ground Control Box Assemblies (SN 0300087000 through 0300099060)	
	0861700	Ref	Caterpillar Engine (ANSI and ANSI Export Specs)	B
	0861702	Ref	Caterpillar Engine (Australian and CE Specs)	B
	0861689	Ref	Deutz Engine (ANSI and ANSI Export Specs)	B
	0861691	Ref	Deutz Engine (Australian and CE Specs)	B
	0861704	Ref	Ford Engine (ANSI and ANSI Export Specs)	B
	0861786	Ref	GM Engine (ANSI and ANSI Export Specs)	B
		Ref	Ground Control Box Assemblies (SN 0300099061 through 0300177361)	
	1810061	Ref	Caterpillar Engine (ANSI and ANSI Export Specs)	D
	1810062	Ref	Caterpillar Engine (Australian and CE Specs)	E
	1810059	Ref	Deutz Engine (ANSI and ANSI Export Specs)	C
	1810060	Ref	Deutz Engine (Australian and CE Specs)	C
	1810058	Ref	GM Engine (ANSI and ANSI Export Specs)	C
		Ref	Ground Control Box Assemblies 600AJ:	
		Ref	Ground Control Box Assemblies (SN 0300087000 through 0300099060)	
	0861701	Ref	Caterpillar Engine (ANSI and ANSI Export Specs)	B
	0861703	Ref	Caterpillar Engine (Australian and CE Specs)	B
	0861690	Ref	Deutz Engine (ANSI and ANSI Export Specs)	B
	0861692	Ref	Deutz Engine (ANSI and ANSI Export Specs)	B
	0861705	Ref	Ford Engine (ANSI and ANSI Export Specs)	B
	0861787	Ref	GM Engine (ANSI and ANSI Export Specs)	B
		Ref	Ground Control Box Assemblies (SN 0300099061 through 0300177361)	
	1810066	Ref	Caterpillar Engine (ANSI and ANSI Export Specs)	D
	1810067	Ref	Caterpillar Engine (Australian and CE Specs)	E
	1810064	Ref	Deutz Engine (ANSI and ANSI Export Specs)	C
	1810065	Ref	Deutz Engine (ANSI and ANSI Export Specs)	C
	1810065	Ref	Deutz Engine (ANSI and ANSI Export Specs)	B
	1810063	Ref	GM Engine (ANSI and ANSI Export Specs)	C
1	0100011	AR	Compound, Locking	
2	0100048	AR	Grease, Dielectric	
3	0630518	2	Capscrew, Button Head	
4	0630548	5	Tap, Bolt 2-1/2in	
5	0641506	4	Bolt 5/16in-18NC x 3/4in	
6	0861407	1	Box, Fiberglass	
6A	7020246	2	Latch	
7		Ref	Module, Ground Control Options	
		Ref	Note: Re-calibration Required when Replaced.	
7	1600364	1	Ford Engine	
7	1600364	1	Caterpillar Engine (SN 0300087000 through 0300099060)	
7	1600411	1	Caterpillar Engine (SN 0300099061 through 0300177361)	
7	1600411	1	Deutz/GM Engine	
8	1670829	1	Bezel	
9		Ref	Decal - Ground Control Display Options:	

SECTION 2 - TURNTABLE

ITEM	PART NUMBER	QTY	DESCRIPTION	REV
9	1705753	1	Decal (SN 0300087000 through 0300099060)	
9	1706712	1	Decal (SN 0300099061 through 0300177361)	
10		Ref	Decal - Faceplate Options:	
10	1703467	1	Decal 600A (SN 0300087000 through 0300099060)	
10	1706912	1	Decal 600A (SN 0300099061 through 0300135300)	
10	1001102599	1	Decal 600A (SN 0300135301 through 0300177361)	
10	1703468	1	Decal 600AJ (SN 0300087000 through 0300099060)	
10	1706913	1	Decal 600AJ (SN 0300099061 through 0300135300)	
10	1001102600	1	Decal 600AJ (SN 0300135301 through 0300177361)	
11	2420172	1	Gauge, Hourmeter	
12	2760105	1	Housing, Display Light	
13	3300205	4	Nut, Retainer	
14	3300408	AR	Locknut, Plastic Insert	
15	3311401	AR	Nut 1/4in-20NC	
16	3539219	1	Plate, Reinforcement	
17	3740049	AR	Relay	
18	3900268	2	Screw, Flange #10 x 1/2in	
19	3910804	6	Screw #8-32NC x 1/4in	
20	4060906	AR	Shield, Toggle Switch	
20		Ref	Shield (SN 0300087000 through 0300135300)	
20		Ref	Shield (SN 0300135301 through 0300177361)	
21	4070987	1	Shim (.125in)	
22	4360328	AR	Switch, Toggle	
23		Ref	Switch, Key Options:	
23	4360469	1	ANSI and ANSI Export Specs	
23	4360470	1	Australian and CE Specs	
23A	2860030	1	Key, Replacement (Fits Both Switches)	
24	4360475	1	Switch, Emergency Stop	
25	4360476	1	Switch, Contact Block	
26	4460426	AR	Terminal, Strain Relief	
27	4460470	1	Nut, Terminal	
28	4460471	1	Lockwasher, Terminal	
29	4460488	AR	Mounting Base, Terminal	
30	4460526	1	Connector, Strain Relief	
31	4460874	1	Connector, Natural	
32	4460875	1	Connector, Gray	
33	4460905	4	Connector, Amp Seal Plug	
34	4740444	AR	Washer, Special	
35	4751400	20	Flatwasher 1/4in Regular	
36	4761400	AR	Lockwasher 1/4in	
42	1705132	1	Decal - Control ADE (SN 0300087000 through 0300099061)	
44	3520035	AR	Plug, Cap	

SECTION 2 - TURNTABLE

FIGURE 2-22. GROUND CONTROL BOX ASSEMBLY (WITH UGM) (SN 0300087000 through 0300177361, SN B300000100 through B300001392)



SECTION 2 - TURNTABLE

FIGURE 2-22. GROUND CONTROL BOX ASSEMBLY (WITH UGM) (SN 0300087000 through 0300177361, SN B300000100 through B300001392)

ITEM	PART NUMBER	QTY	DESCRIPTION	REV
		Ref	GROUND CONTROL BOX ASSEMBLIES	
		Ref	Ground Control Box Assemblies 600A:	
	1001110373	Ref	Caterpillar Engine (ANSI and ANSI Export Specs)	B
	1001110375	Ref	Caterpillar Engine (Australian and ANSI Export Spec USA Built Machines) (SN 0300087000 through 0300148899)	B
	1001110375	Ref	Caterpillar Engine (Australian and ANSI Export Spec China Built Machines) (SN B300000100 through B300000258)	B
	1001110373	Ref	Caterpillar Engine (Australian and ANSI Export Spec USA Built Machines) (SN 0300148900 through 0300177361)	B
	1001110373	Ref	Caterpillar Engine (Australian and ANSI Export Spec China Built Machines) (SN B300000259 through B300001392)	B
	1001110375	Ref	Caterpillar Engine (ANSI Export and CE Specs)	B
	1001110368	Ref	Deutz Engine (ANSI and ANSI Export Specs)	B
	1001110371	Ref	Deutz Engine (Australian and ANSI Export Spec USA Built Machines) (SN 0300087000 through 0300148899)	B
	1001110371	Ref	Deutz Engine (Australian and ANSI Export Spec China Built Machines) (SN B300000100 through B300000258)	B
	1001110368	Ref	Deutz Engine (Australian and ANSI Export Spec USA Built Machines) (SN 0300148900 through 0300177361)	B
	1001110368	Ref	Deutz Engine (Australian and ANSI Export Spec China Built Machines) (SN B300000259 through B300001392)	B
	1001110371	Ref	Deutz Engine (ANSI Export and CE Specs)	B
	1001110367	Ref	GM Engine (ANSI and ANSI Export Specs)	B
		Ref	Ground Control Box Assemblies 600AJ:	
	1001110374	Ref	Caterpillar Engine (ANSI and ANSI Export Specs)	B
	1001110376	Ref	Caterpillar Engine (Australian and ANSI Export Spec USA Built Machines) (SN 0300087000 through 0300148899)	B
	1001110376	Ref	Caterpillar Engine (Australian and ANSI Export Spec China Built Machines) (SN B300000100 through B300000258)	B
	1001110374	Ref	Caterpillar Engine (Australian and ANSI Export Spec USA Built Machines) (SN 0300148900 through 0300177361)	B
	1001110374	Ref	Caterpillar Engine (Australian and ANSI Export Spec China Built Machines) (SN B300000259 through B300001392)	B
	1001110376	Ref	Caterpillar Engine (ANSI Export and CE Specs)	B
	1001110370	Ref	Deutz Engine (ANSI and ANSI Export Specs)	B
	1001110372	Ref	Deutz Engine (Australian and ANSI Export Spec USA Built Machines) (SN 0300087000 through 0300148899)	B
	1001110372	Ref	Deutz Engine (Australian and ANSI Export Spec China Built Machines) (SN B300000100 through B300000258)	B
	1001110370	Ref	Deutz Engine (Australian and ANSI Export Spec USA Built Machines) (SN 0300148900 through 0300177361)	B
	1001110370	Ref	Deutz Engine (Australian and ANSI Export Spec China Built Machines) (SN B300000259 through B300001392)	B
	1001110372	Ref	Deutz Engine (ANSI Export and CE Specs)	B
	1001110369	Ref	GM Engine (ANSI and ANSI Export Specs)	B
1	0100011	AR	Compound, Locking	
2	0100048	AR	Grease, Dielectric	
3	0630518	2	Capscrew, Button Head	
4	0630548	5	Tap, Bolt 2-1/2in	
5	1001111021	1	Box, Fiberglass	
6	1001103667	1	Module, Ground Control Options	
		Ref	Note: Re-calibration Required when Replaced.	

SECTION 2 - TURNTABLE

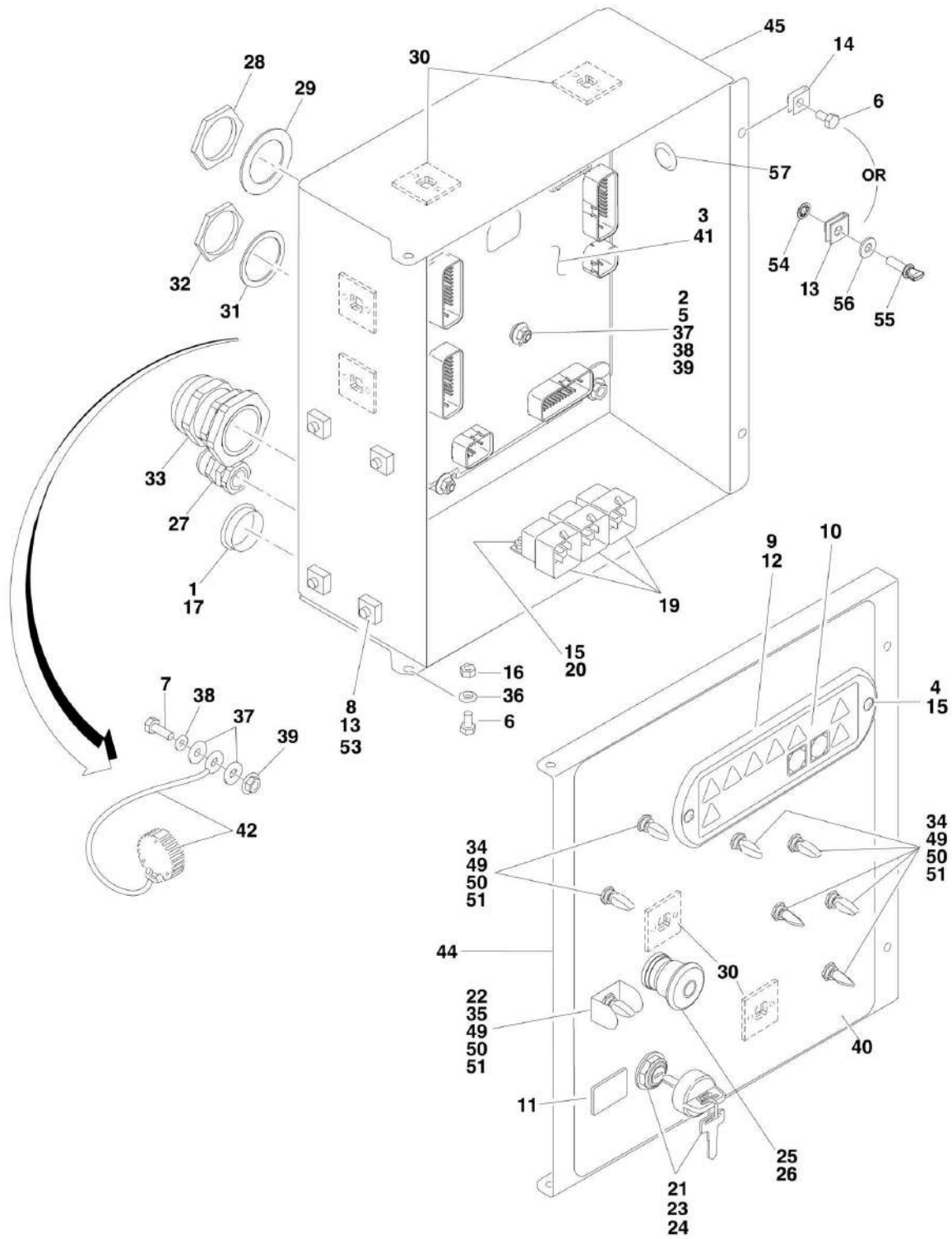
ITEM	PART NUMBER	QTY	DESCRIPTION	REV
7	1670829	1	Bezel	
8	1706712	1	Decal - Ground Control Display	
9		Ref	Decal - Faceplate Options:	
9	1001102599	1	Decal 600A	
9	1001102600	1	Decal 600AJ	
10	2420172	1	Gauge, Hourmeter	
11	2760105	1	Housing, Display Light	
12	3300205	4	Nut, Retainer	
13	3300408	5	Locknut, Plastic Insert	
14	77143013	11	Nut 1/4in-20NC, Whiz Lock	
15	3539219	1	Plate, Reinforcement	
16	3740049	Ref	Relay Options:	
16	3740049	3	Relay Caterpillar Engine	
16	3740049	2	Relay GM Engine	
17	3900268	AR	Screw, Flange #10 x 1/2in	
18	3910804	6	Screw #8-32NC x 1/4in	
19	4060906	1	Shield, Toggle Switch	
20		Ref	Shim (.125in Dia) Options:	
20	4070987	1	Shim (.015in Thick)	
20	1001151393	1	Shim (.063in Thick)	
21	4360328	Ref	Switch, Toggle Options:	
21	4360328	8	Switch, Toggle 600A	
21	4360328	9	Switch, Toggle 600AJ	
22		Ref	Switch, Key Options:	
22	4360469	1	ANSI and ANSI Export Specs	
22	4360470	1	Australian and ANSI Export Spec USA Built Machines (SN 0300087000 through 0300148899)	
22	4360469	1	Australian and ANSI Export Spec USA Built Machines (SN 0300148900 through 0300177361)	
22	4360470	1	Australian and ANSI Export Spec China Built Machines (SN B300000100 through B300000258)	
22	4360469	1	Australian and ANSI Export Spec China Built Machines (SN B300000259 through B300001392)	
22	4360470	1	ANSI Export and CE Specs	
22A	2860030	1	Key, Replacement (Fits Both Switches)	
23	4360475	1	Switch, Emergency Stop	
24	4360476	1	Switch, Contact Block	
25	4460426	1	Terminal, Strain Relief	
26	4460470	1	Nut, Terminal	
27	4460471	1	Lockwasher, Terminal	
28	4460488	6	Mounting Base, Terminal	
29	4460526	1	Connector, Strain Relief	
30	4740444	AR	Washer, Special	
31	4751400	12	Flatwasher 1/4in Regular	
32	4761400	6	Lockwasher 1/4in	
33	4923224	1	Harness, Valve (See ELECTRICAL SECTION for Breakdown) (Not Shown)	
34		Ref	Harness, Engine (See ELECTRICAL SECTION for Breakdown) (Not Shown)	
34	1001110362	1	Caterpillar Engine	
34	1001110361	1	Deutz Engine	
34	1001110359	1	GM Engine	
35	1001110379	1	Harness, Ground Control Box (See ELECTRICAL SECTION for	

SECTION 2 - TURNTABLE

ITEM	PART NUMBER	QTY	DESCRIPTION	REV
			Breakdown) (Not Shown)	
37	0641407	1	Bolt 1/4in-20NC x 7/8in	
38	0641506	4	Bolt 5/16in-18NC x 3/4in	
39	4460496	1	Lockwasher, Terminal	
40	4460497	1	Nut, Terminal	
41	1001106736	1	Cap, Dust	
	1001115918	Ref	CRIBBING ENABLE SWITCH INSTALLATION	A
101	0100011	AR	Compound, Locking	
102	0641406	1	Bolt 1/4in-20NC x 3/4in	
103	3311401	1	Nut 1/4in-20NC	
104	4060906	1	Guard, Switch	
105	4751400	2	Flatwasher 1/4in Regular	
106	4761400	2	Lockwasher 1/4in	
107	1001115889	1	Bracket	
108	1001115915	1	Cribbing Enable Harness	
108	4360336	1	Switch, Toggle	
108	4460226	2	Socket, Female	
109	1001115967	1	Decal - Cribbing	

SECTION 2 - TURNTABLE

FIGURE 2-23. GROUND CONTROL BOX ASSEMBLY (WITH UGM) (SN B300001393 through B300001985)



SECTION 2 - TURNTABLE

FIGURE 2-23. GROUND CONTROL BOX ASSEMBLY (WITH UGM) (SN B300001393 through B300001985)

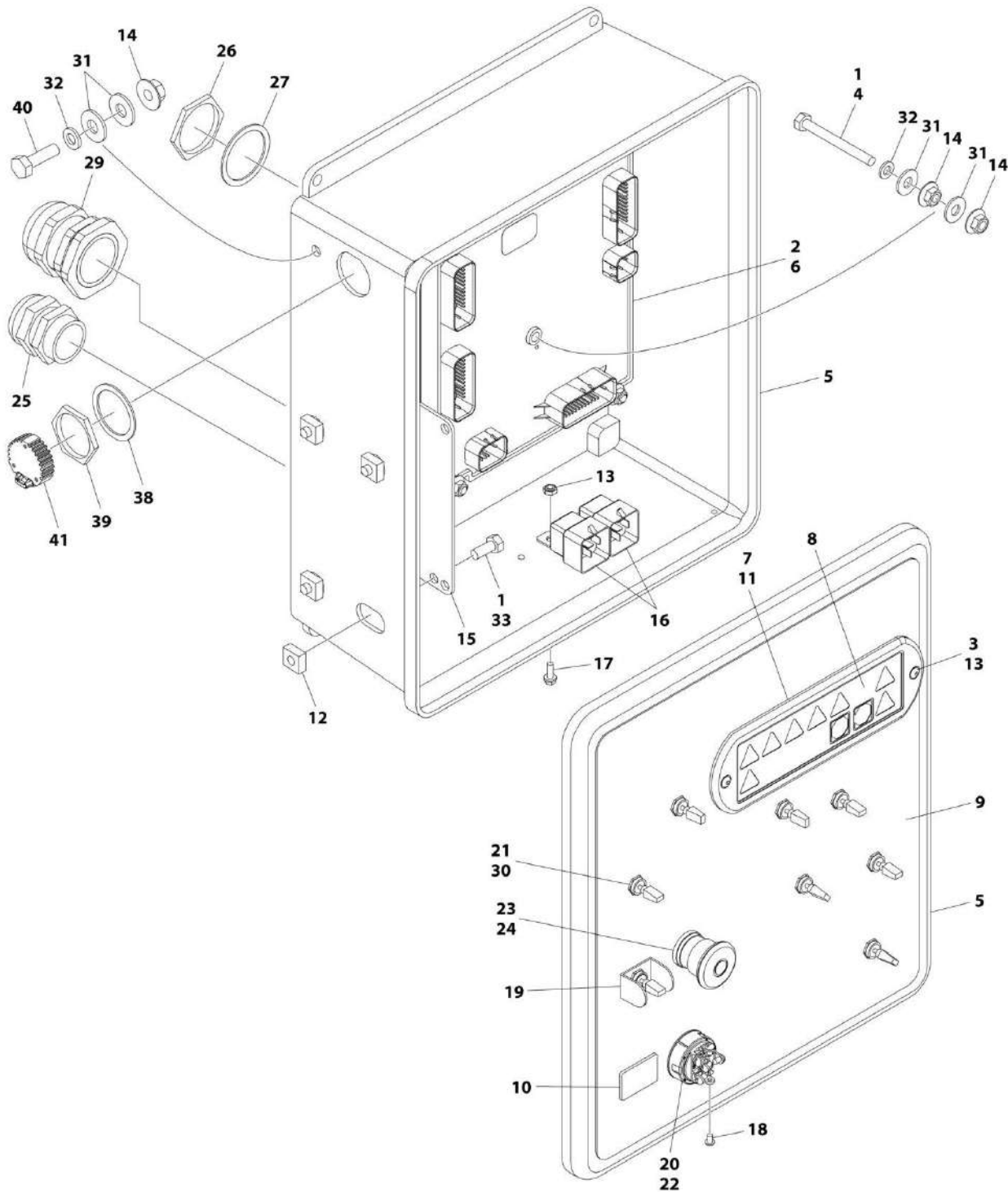
ITEM	PART NUMBER	QTY	DESCRIPTION	REV
	1001154671	Ref	GROUND CONTROL BOX ASSEMBLY - 600A DEUTZ D2011 ENGINE	D
	1001154673	Ref	GROUND CONTROL BOX ASSEMBLY - 600AJ DEUTZ D2011 ENGINE	D
1	0100009	AR	Sealant	
2	0100011	AR	Compound, Locking	
3	0100048	AR	Grease, Dielectric	
4	0630518	2	Capscrew, Button Head	
5	0630548	5	Bolt, 2-1/2in Tap	
6	0641404	4	Bolt 1/4-20 x 1/2	
7	0641407	1	Bolt 1/4-20 x 7/8	
8	0641507	4	Bolt 5/16-18 x 7/8	
9	1670829	1	Bezel	
10	1706712	1	Decal - Ground Control Display	
11	2420172	1	Gauge, Hourmeter	
12	2760105	1	Housing, Display Light	
13	3300205	4	Nut, Retainer	
14	3300353	2	Nut, Tinnerman	
15	3300408	4	Locknut, Plastic Insert	
16	3311405	2	Nut 1/4-20	
17	3520035	1	Plug, Cap	
19	3740049	AR	Relay	
20	3900268	AR	Screw #10 x 1/2	
21	3910804	4	Screw #8-32 x 1/4	
22	4060906	1	Shield, Toggle Switch	
23	4070991	1	Shim	
24	4360469	1	Switch, key - All Specs except CE Specs	
24	2860030	1	Key Replacement - All Specs	
25	4360475	1	Switch, Emergency Stop	
25	7020175	1	Cap, Mushroom	
25	7020176	1	Block, Contact	
26	4360476	1	Switch, Contact Block	
27	4460426	1	Connector, Strain Relief	
28	4460470	1	Nut, Terminal	
29	4460471	1	Lockwasher, Terminal	
30	4460488	6	Mounting Base, Terminal	
31	4460496	1	Washer, Terminal	
32	4460497	1	Nut, Terminal	
33	4460526	1	Connector, Strain Relief	
34	4740397	7	Spacer	
35	4740444	1	Washer	
36	4740518	2	Washer	
37	4751400	12	Washer 1/4	
38	4761400	6	Washer 1/4	
39	77143013	11	Nut 1/4-20	
40	1001102599	1	Decal - Face Plate 600A	
40	1001102600	1	Decal - Face Plate 600AJ	
41	1001103667	1	Module, Ground Control (Note: Re-calibration Required when Replaced)	

SECTION 2 - TURNTABLE

ITEM	PART NUMBER	QTY	DESCRIPTION	REV
42	1001106736	1	Cap, Dust	
43	1001110379	1	Harness, Ground Control Box (Not Shown - See ELECTRICAL SECTION for Breakdown)	
44	1001152173	1	Lid	
45	1001152175	1	Box	
46	1001154390	1	Engine Harness - Deutz D2011 (Not Shown - See ELECTRICAL SECTION for Breakdown)	
47	1001154392	1	Harness, Valve (Not Shown - See ELECTRICAL SECTION for Breakdown)	
49	1001155043	AR	Washer	
50	1001155044	AR	Nut 15/32-32	
51	1001155045	AR	Switch, Toggle	
53	4891500	4	Washer 5/16	
54	1001188874	2	Nut	
55	1001103308	2	Screw 1/4	
56	4711400	2	Washer 1/4	
57	3520031	2	Plug	

SECTION 2 - TURNTABLE

FIGURE 2-24. GROUND CONTROL BOX ASSEMBLY (WITH UGM) (SN B300001986 to Present)



ART_1001110368

SECTION 2 - TURNTABLE

FIGURE 2-24. GROUND CONTROL BOX ASSEMBLY (WITH UGM) (SN B300001986 to Present)

ITEM	PART NUMBER	QTY	DESCRIPTION	REV
	1001110368	Ref	GROUND CONTROL BOX ASSEMBLY - 600A DEUTZ D2011 ENGINE (SN B300001986 to Present)	B
	1001110373	Ref	GROUND CONTROL BOX ASSEMBLY - 600A CATERPILLAR ENGINE (SN B300001986 to Present)	B
	1001110370	Ref	GROUND CONTROL BOX ASSEMBLY - 600AJ DEUTZ D2011 ENGINE (SN B300001986 to Present)	B
	1001110374	Ref	GROUND CONTROL BOX ASSEMBLY - 600AJ CATERPILLAR ENGINE (SN B300001986 to Present)	B
1	0100011	AR	Compound, Locking	
2	0100048	AR	Grease, Dielectric	
3	0630518	2	Capscrew, Button Head	
4	0630548	5	Bolt, 2-1/2in Tap	
5	1001111021	1	Box, Fiberglass	
6	1001103667	1	Module, Ground Control (Note: Re-calibration Required when Replaced)	
7	1670829	1	Bezel	
8	1706712	1	Decal - Ground Control Display	
9	1001102599	1	Decal - Face Plate 600A	
9	1001102600	1	Decal - Face Plate 600AJ	
10	2420172	1	Gauge, Hourmeter	
11	2760105	1	Housing, Display Light	
12	3300205	4	Nut, Retainer	
13	3300408	4	Locknut, Plastic Insert	
14	77143013	11	Nut 1/4-20	
15	3539219	1	Plate, Reinforcement	
16	3740049	2	Relay	
17	3900268	2	Screw #10 x 1/2	
18	3910804	6	Screw #8-32 x 1/4	
19	4060906	1	Shield, Toggle Switch	
20	1001151393	1	Shim (.063in Thick)	
21	4360328	8	Switch, Toggle	
22	4360469	1	Switch, Key - All Specs except CE Specs	
22	2860030	1	Key Replacement - All Specs	
23	4360475	1	Switch, Emergency Stop	
23	7020175	1	Cap, Mushroom	
23	7020176	1	Block, Contact	
24	4360476	1	Switch, Contact Block	
25	4460426	1	Connector, Strain Relief	
26	4460470	1	Nut, Terminal	
27	4460471	1	Lockwasher, Terminal	
28	4460488	6	Mounting Base, Terminal (Not Shown)	
29	4460526	1	Connector, Strain Relief	
30	4740444	4	Washer	
31	4751400	12	Washer 1/4	
32	4761400	6	Washer 1/4	
33	0641506	4	Bolt 5/16in-18NC x 3/4in	
34	4923224	1	Harness, Valve (Not Shown - See ELECTRICAL SECTION for Breakdown)	
35	1001110361	1	Engine Harness - Deutz D2011 (Not Shown - See ELECTRICAL SECTION for Breakdown)	
35	1001110362	1	Engine Harness - Caterpillar (Not Shown - See ELECTRICAL	

SECTION 2 - TURNTABLE

ITEM	PART NUMBER	QTY	DESCRIPTION	REV
36	1001110379	1	SECTION for Breakdown) Harness, Ground Control Box (Not Shown - See ELECTRICAL SECTION for Breakdown)	
37	1001110381	1	Ground Control Box Wiring Diagram - Deutz Engine (Not Shown)	
38	4460496	1	Washer, Terminal	
39	4460497	1	Nut, Terminal	
40	0641407	1	Bolt 1/4-20 x 7/8	
41	1001106736	1	Cap, Dust	

SECTION 2 - TURNTABLE

FIGURE 2-25. ELECTRICAL OPTIONS INSTALLATIONS (TURNTABLE MOUNTED)

ITEM	PART NUMBER	QTY	DESCRIPTION	REV
	0270833	Ref	ALARM INSTALLATION (SN 0300087000 through 0300177361)	C
	0270833	Ref	ALARM INSTALLATION (SN B300000100 through B300001392)	C
	1001160074	Ref	ALARM INSTALLATION (SN B300001393 through B300001985)	A
	0270833	Ref	ALARM INSTALLATION (SN B300001986 to Present)	C
1	0257887	1	Alarm/Harness Assembly (SN 0300087000 through 0300177361)	
1	0257887	1	Alarm/Harness Assembly (SN B300000100 through B300001392)	
1	0140032	1	Alarm	
1	2820035	6 in/15cm	Loom	
1	4460424	1	Plug	
1	4460268	2	Socket	
1	0140044	1	Alarm (SN 0300001393 to Present)	
2	0641406	2	Bolt 1/4in-20NC x 3/4in	
3	4711400	2	Flatwasher 1/4in Thin	
4	0100011	AR	Compound, Locking	
5	0100048	AR	Sealant, Silicone	
	0270805	Ref	STROBE LIGHT INSTALLATION (AMBER) (USA BUILT MACHINES) (OPTIONAL) (SN 0300087000 through 0300171709)	D
	0270805	Ref	STROBE LIGHT INSTALLATION (AMBER) (CHINA BUILT MACHINES) (OPTIONAL) (SN B300000100 through B300001392)	D
14	0100011	AR	Compound, Locking	
15	4240032	1	Wire-Tie (Not Shown)	
16	0272507	1	Strobe Light/Guard/Harness Assembly (USA Built Machines)	C
16	0272507	1	Strobe Light/Guard/Harness Assembly (China Built Machines) (SN B300000100 through B300000924)	C
16	1001150406	1	Strobe Light/Guard/Harness Assembly (China Built Machines) (SN B300000925 to Present)	
16	2920130	NLA	Lamp, Amber (Use p/n 0272507)	
16	2920214	NLA	Lamp, Amber (Use p/n 0272507)	
16	2920161	NLA	Lamp, Amber (Use p/n 1001150406)	
16	7016380	1	Bulb, Replacement used with ECCO Model 6640	
16	70001941	1	Bulb, Replacement used with ECCO Model 6650	
16	7016319	1	Bulb, Replacement used with ECCO Model 6220	
16	7016372	1	Len, Replacement used with ECCO Model 6220	
16		Ref	Adapter Options:	
16A	0630491	1	Adapter used with ECCO Model 6640	
16B	0080241	1	Adapter used with ECCO Model 6650	
16B		Ref	Adapter used with ECCO Model 6220 (Note: Use Item 24)	
16C		Ref	Guard Options:	
16C	4060907	1	Guard used with ECCO Model 6640	
16C	2920215	1	Guard used with ECCO Model 6650	
17	4460234	1	Clamp (Not Shown)	
18	0100048	AR	Sealant, Silicone (Not Shown)	
	1001149955	Ref	STROBE LIGHT INSTALLATION (AMBER) (USA BUILT MACHINES) (OPTIONAL) (SN 0300171710 through 0300177361)	C
	1001160077	Ref	STROBE LIGHT INSTALLATION (AMBER) (CHINA BUILT MACHINES) (OPTIONAL) (SN B300001393 through B300002247)	B
	1001149955	Ref	STROBE LIGHT INSTALLATION (AMBER) (CHINA BUILT MACHINES) (OPTIONAL) (SN B300002248 to Present)	B
	1001150406	Ref	STROBE LIGHT ASSEMBLY (AMBER)	B
20	2920161	1	Strobe Light/Harness Assembly	
20	7016319	1	Bulb	

SECTION 2 - TURNTABLE

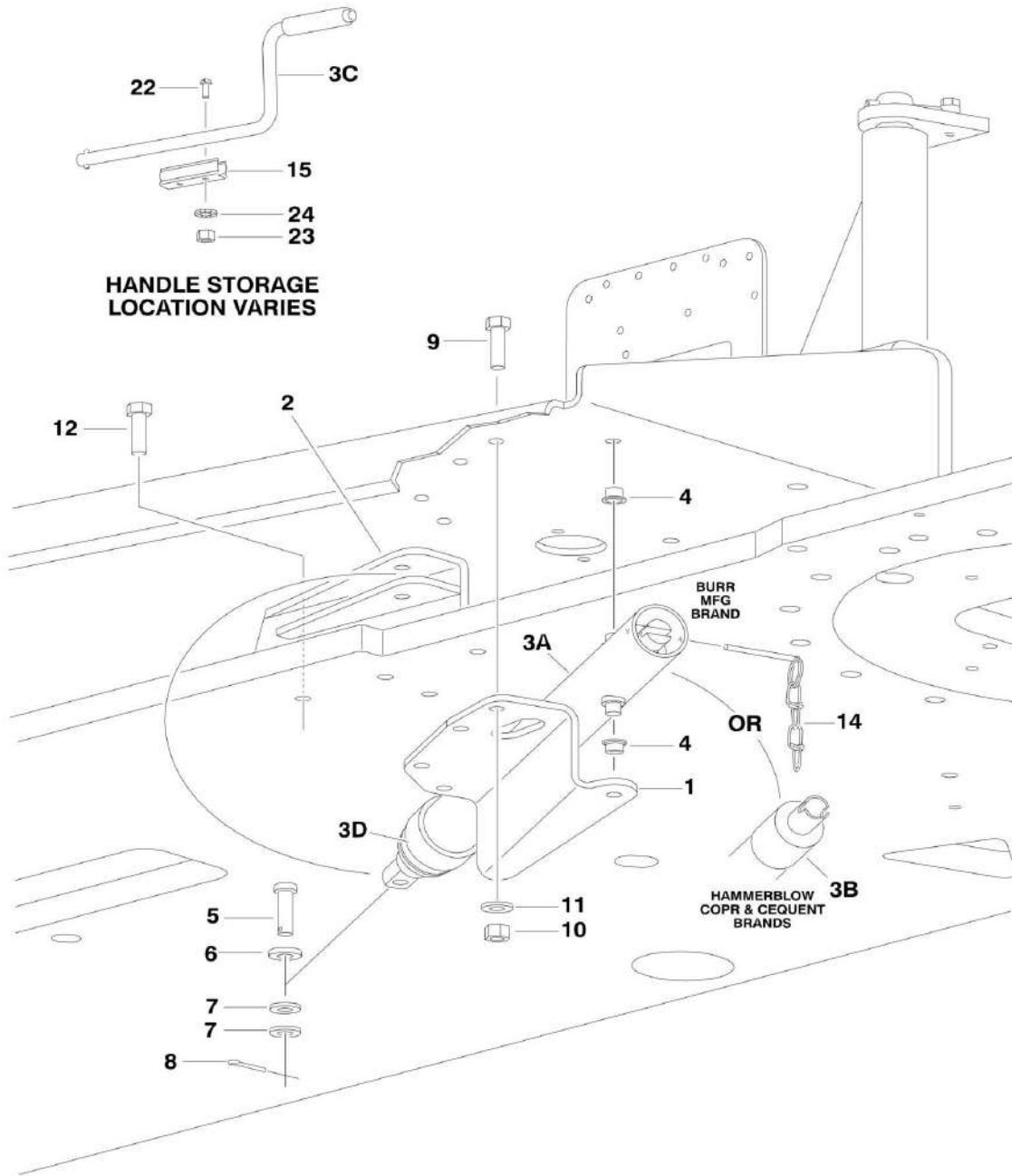
ITEM	PART NUMBER	QTY	DESCRIPTION	REV
20	7016372	1	Lens	
21	3312602	1	Nut, Jam 1in-8NC	
21	0100035	AR	Compound, Locking	
22	3900085	2	Screw #10-32 x 1/2in	
23	4751000	2	Flatwasher #10 Regular	
24	1001149994	1	Mount Strobe	
24A	1001149818	1	Harness, Strobe Light Extension (Not Shown - See ELECTRICAL SECTION for Breakdown) (SN B300002266 to Present)	
	0271552	Ref	LIGHTS INSTALLATIONS (OPTIONAL)	E
25	2920110	2	Headlight	
26	0902206	2	Bracket, Mounting	
27	0642612	1	Bolt 1in-8NC x 1-1/2in	
28	4220162	2	Spacer (USA Built Machines)	
28	4220162	2	Spacer (China Built Machines) (SN B300000100 through B300000868)	
28	4892600	1	Washer 1 (China Built Machines) (SN B300000869 to Present)	
29	0100011	AR	Compound, Locking	
30	2920113	2	Taillight	
31	3911040	4	Screw, Machine #10-24NC x 2-1/2	
32	3311005	4	Nut #10-24NC	
33	4751000	4	Flatwasher #10 Regular	
34	4740362	4	Washer, Fender	
35	3960461	2	Gasket	
37	4240032	18	Tie-Strap (Not Shown)	
38	4460234	18	Mount, Tie-Strap (Not Shown)	
39	4360336	1	Switch Options (Not Shown - Located on Console):	
39		Ref	Switch, Toggle (Not Shown - Located at Platform Console Box):	
39	4360336	1	Switch, Toggle (USA Built Machines) (SN 0300087000 through 0300136622)	
39	4360522	1	Switch, Push Button (USA Built Machines) (SN 0300136623 through 0300177361)	
39	4360522	1	Switch, Push Button (China Built Machines) (SN B300000100 to Present)	
40	3790012	AR	O-Ring (Not Shown - Located on Console) (USA Built Machines) (SN 0300087000 through 0300136623)	
41	3820001	11	Pop Rivet (Not Shown)	
42	1705170	1	Decal - Lights (Not Shown - Located on Console) (USA Built Machines) (SN 0300136623 through 0300177361)	
42	1705170	1	Decal - Lights (Not Shown - Located on Console) (China Built Machines) (SN B300000100 to Present)	
43	3311605	1	Nut 3/8 (Not Shown)	
	0274200	Ref	CHASSIS ILLUMINATION LIGHT INSTALLATION	B
101	2920157	4	Lamp, Worklight	
102	0903119	2	Bracket, Light Mounting	
103	0642612	AR	Bolt 1/4in-20NC x 7/8in	
104	0642612	2	Bolt 1in-8NC x 1-1/2in	
105	0902206	2	Bracket, Light Mounting	
106	4220162	2	Spacer	
108	3790012	AR	O-Ring (Not Shown - Located at Platform Console Box)	
109		Ref	Switch Options (Not Shown - Located at Platform Console Box):	
109	4360336	1	Switch, Toggle (USA Built Machines) (SN 0300087000 through 0300136622)	
109	4360522	1	Switch, Push Button (USA Built Machines) (SN 0300136623 through 0300177361)	

SECTION 2 - TURNTABLE

ITEM	PART NUMBER	QTY	DESCRIPTION	REV
109	4360522	1	Switch, Push Button (China Built Machines) (SN B300000100 to Present)	
110	4460234	10	Mount, Cable (Not Shown)	
111	4751400	2	Flatwasher 1/4in Regular	
112	0100011	AR	Compound, Locking	
113	4240032	21	Strap, Tie (Not Shown)	
114	1705170	1	Decal - Lights	
	1001188857	Ref	STROBE LIGHT AND HARNESS INSTALLATION (BLUE) (OPTIONAL) (SN B300000100 through B300001697)	C
	1001207305	Ref	STROBE LIGHT AND HARNESS INSTALLATION (RED) (OPTIONAL) (SN B300000100 through B300001697)	B
301	0641607	AR	Bolt 3/8 x 7/8	
302	0642612	1	Bolt 1 x 1-1/2	
303	0700615	2	Bolt M6 x 35	
303	0700617	2	Bolt M6 x 45	
304	3290607	2	Nut M6	
305	3311005	3	Nut #10	
306	3911012	3	Screw #10 x 3/4	
307	4711000	3	Washer #10	
308	4712600	1	Washer 1	
309	4751600	AR	Washer 3/8	
310	4811700	4	Washer M6	
311	1001142683	1	Module, Beacon Control	
312	1001142694	1	Bracket	
313	1001142722	1	Bracket (SN B300000100 through B300001365)	
314	1001142736	1	Harness, Beacon Control (Module to Light) (Not Shown - See ELECTRICAL SECTION for Breakdown)	
315	1001143431	1	Lamp, Beacon (Blue)	
315	1001197067	1	Lamp, Beacon (Red)	
316	1001150944	1	Harness, Beacon Control (Module to Ground Control Box) (Not Shown - See ELECTRICAL SECTION for Breakdown) (SN B300000100 through B300001365)	
	1001205499	Ref	STROBE LIGHT AND HARNESS INSTALLATION (BLUE) (OPTIONAL) (SN B300001698 to Present)	D
	1001209869	Ref	STROBE LIGHT AND HARNESS INSTALLATION (RED) (OPTIONAL) (SN B300001698 to Present)	D
401	0700617	2	Bolt M6 x45	
402	3290607	2	Nut M6	
403	3312602	1	Nut 1	
404	3900085	2	Screw #10 x 1/2	
405	4751000	2	Washer #10	
406	4711700	4	Washer 7/16	
407	1001142683	1	Module, Beacon Control	
408	1001142736	1	Beacon Control Harness (Module to Ground Control Box (Not Shown - See ELECTRICAL SECTION for Breakdown)	
409	1001149994	1	Mount	
411	1001200910	1	Light, Strobe (Blue)	
411	1001207004	1	Light, Strobe (Red)	
412	4240032	AR	Tie-Strap (Not Shown)	
413	4460488	AR	Mount, Tie-Strap (Not Shown)	

SECTION 2 - TURNTABLE

FIGURE 2-26. ENGINE TRAY JACK INSTALLATIONS (OPTIONAL)



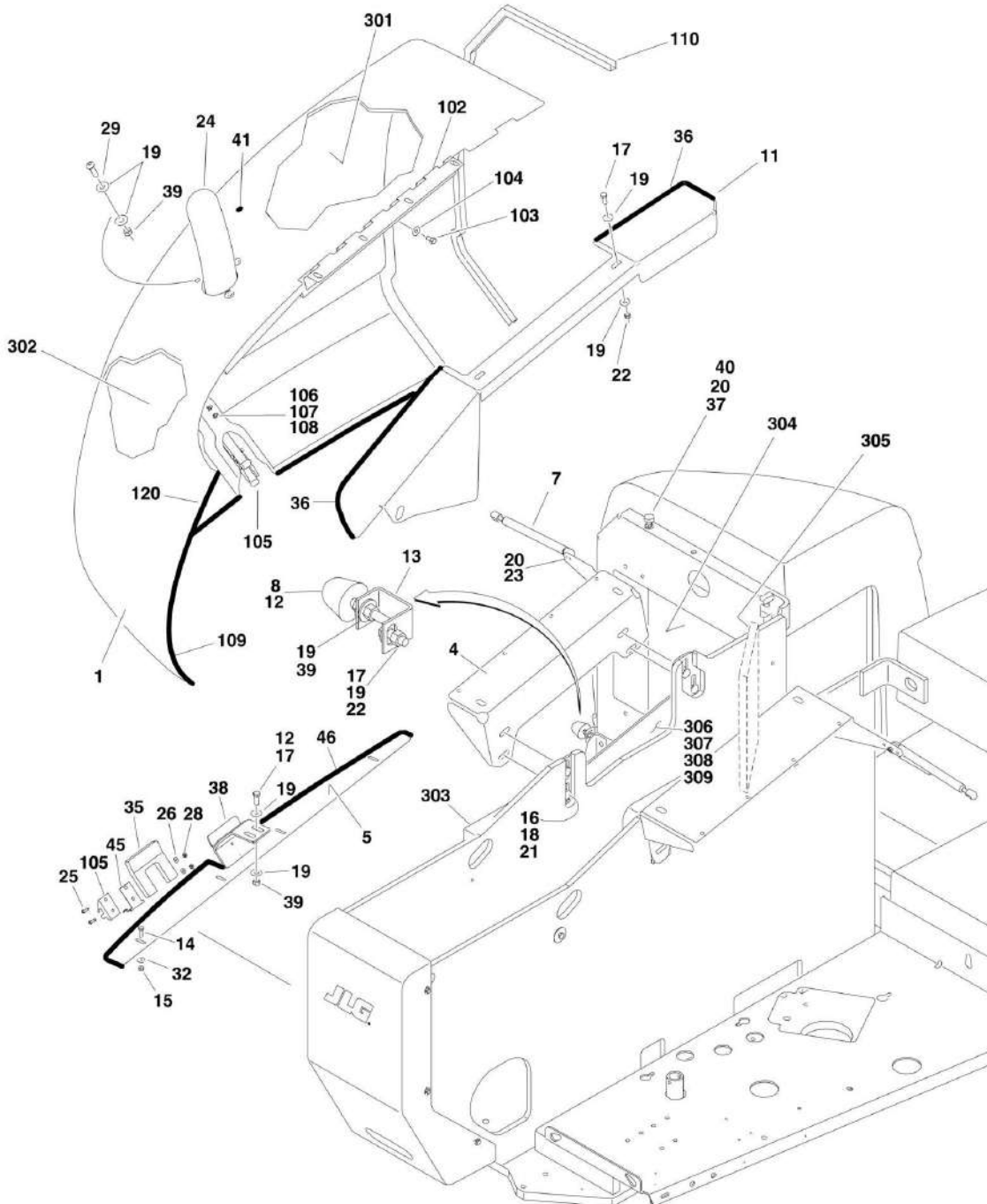
SECTION 2 - TURNTABLE

FIGURE 2-26. ENGINE TRAY JACK INSTALLATIONS (OPTIONAL)

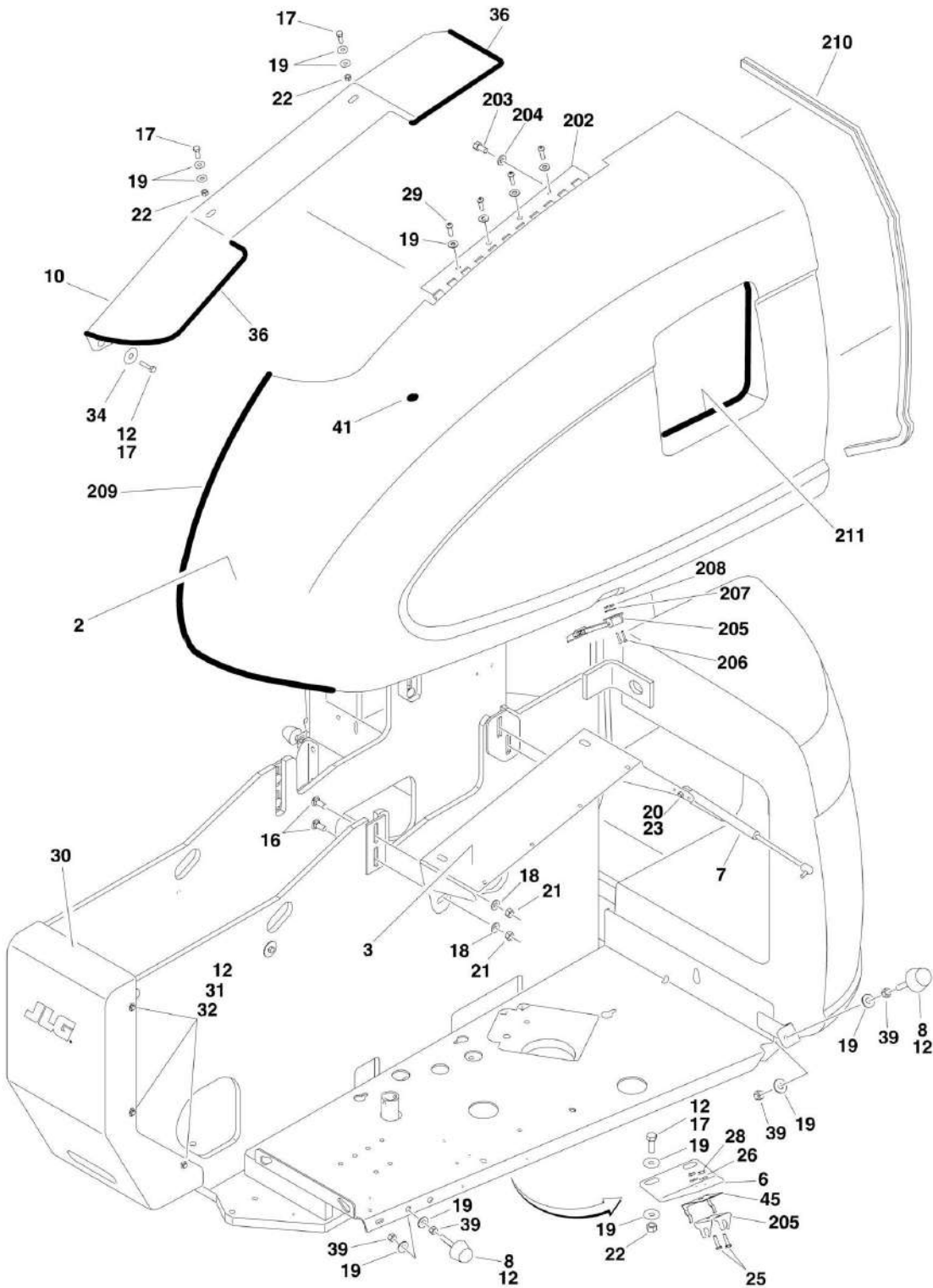
ITEM	PART NUMBER	QTY	DESCRIPTION	REV
	0255880	Ref	ENGINE TRAY JACK INSTALLATION	6-H
1	3537445	1	Bracket	
2	4845163	1	Bracket	
3	2840018	1	Hydraulic Jack Assembly	
3A		Ref	Burr Manufacturing Brand	
3B		Ref	Hammerblow Corp and Cequent Brands	
3C		Ref	Handle Options:	
3C	7016374	1	Burr Manufacturing Brand	
3C	7024598	1	Hammerblow Corp and Cequent Brands	
3D	7016322	1	Wiper (Burr Manufacturing Brand Only)	
4	0962051	2	Bushing, Flanged	
5	3430816	1	Pin, Clevis	
6	4891800	1	Flatwasher 1/2in Hardened	
7	4711800	AR	Flatwasher 1/2in Thin	
8	3450404	1	Pin, Cotter 1/8in x 1in	
9	0641609	4	Bolt 3/8in-16NC x 1-1/8in	
10	3311605	4	Locknut 3/8in-16NC	
11	4891600	4	Flatwasher 3/8in Hardened	
12	0641810	4	Bolt 1/2in-13NC x 1-1/4in	
14	Not Required	0	Not Required	
15	1380147	1	Clip, Spring	
22	3910608	2	Screw #6-32NC x 1in	
23	3310601	2	Nut #6-32NC	
24	4770600	2	Star washer #6	

SECTION 2 - TURNTABLE

FIGURE 2-27. HOODS INSTALLATIONS (USA BUILT MACHINES) (SN 0300087000 through 0300089988)



SECTION 2 - TURNTABLE



SECTION 2 - TURNTABLE

FIGURE 2-27. HOODS INSTALLATIONS (USA BUILT MACHINES) (SN 0300087000 through 0300089988)

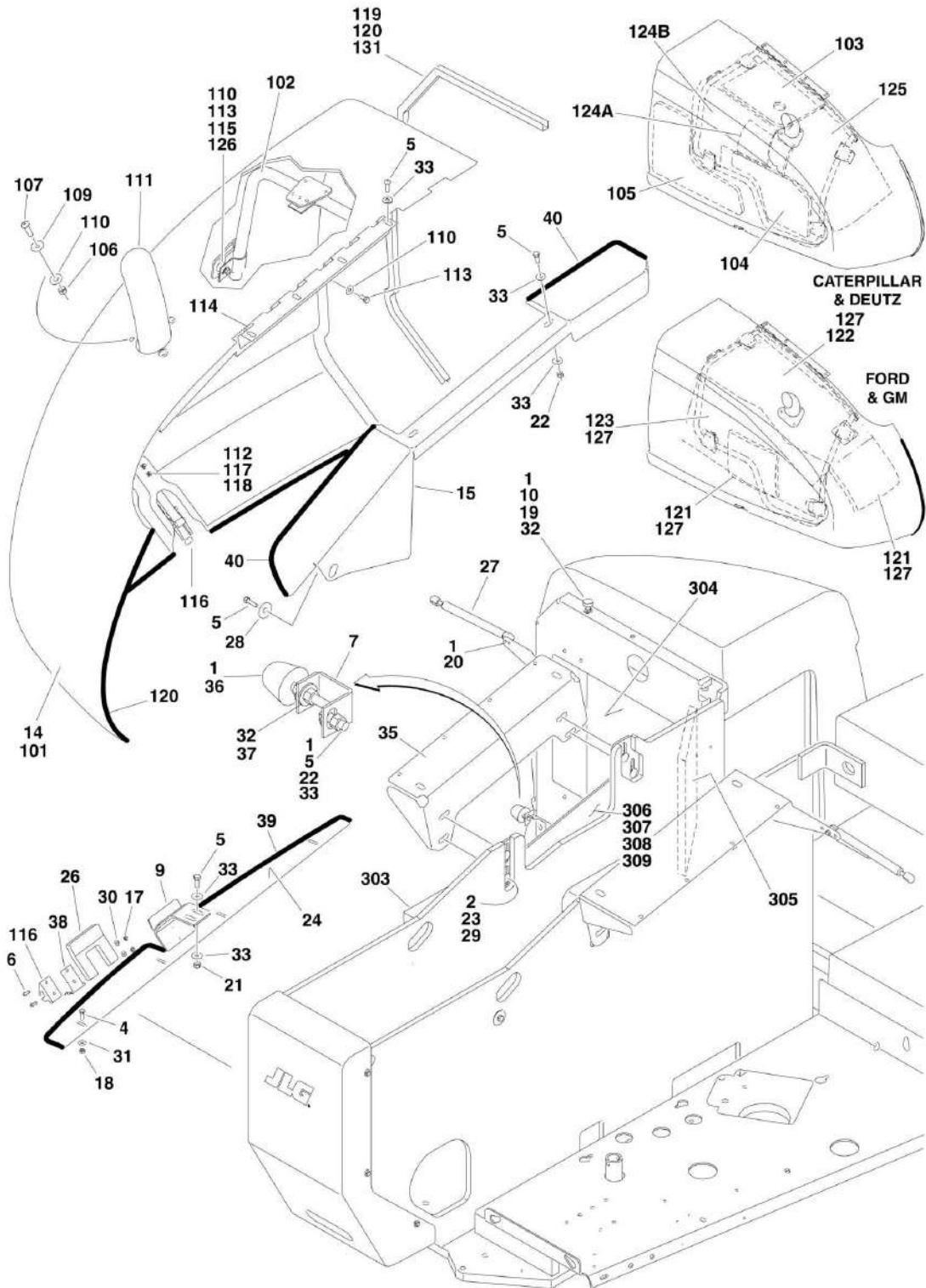
ITEM	PART NUMBER	QTY	DESCRIPTION	REV
		Ref	Note: Replacement Decals Must Be Ordered Separately - See DECALS SECTION.	
		Ref	HOODS INSTALLATIONS	
	0256821	Ref	Caterpillar and Deutz Engine Machines	5
	0274204	Ref	Ford Engine Machines	2
1		Ref	Hood - Engine Side Options (See Items 101-120 for Breakdown):	
1	2680440	NLA	Caterpillar and Deutz Engine Machines (Use p/n 1671218)	
1	1671179	NLA	Ford Engine Machines (Use p/n 1671217)	
2	2680441	NLA	Hood - Tank Side (Use p/n 1671216 - See Items 201-211 for Breakdown)	
3	4845203	1	Mount - Tank Side	
4	4845414	1	Mount - Engine Side	
5	3539923	1	Plate, Seal	
6	0902242	1	Bracket, Latch - Tank Side	
7	4160143	2	Spring, Gas	
8	0940071	3	Bumper	
10	2680434	1	Spacer, Hood (Tank Side)	
11	2680433	1	Spacer, Hood (Engine Side)	
12	0100011	AR	Compound, Locking	
13	0902219	1	Bracket, Bumper	
14	0641407	4	Bolt 1/4in-20NC x 7/8in	
15	3311405	4	Locknut 1/4in-20NC	
16	0630507	8	Bolt, Carriage 1/2in-13NC x 1-1/4in	
17	0641608	11	Bolt 3/8in-16NC x 1in	
18	4740171	8	Flatwasher 1/2in Hardened	
19	4751600	AR	Flatwasher 3/16in Regular	
20	4751500	AR	Flatwasher 5/16in Regular	
21	3311805	8	Locknut 1/2in-13NC	
22	3311605	AR	Locknut 3/8in-16NC	
23	3311505	AR	Locknut 5/16in-18NC	
24		Ref	Outlet, Exhaust Options:	
24	4845194	1	Caterpillar and Deutz Engine Machines	
24	3460420	1	Ford Engine Machines	
25	0721006	4	Bolt #10-24NC x 3/4in	
26	4751000	4	Flatwasher #10 Regular	
27	4761000	4	Lockwasher #10	
28	3311005	4	Locknut #10-24NC	
29	3900232	AR	Bolt, Button Head 3/8in-16NC x 1in	
30	1670767	1	Cover, Turntable	
31		Ref	Bolt Options:	
31	0641404	6	Bolt 1/4in-20NC x 1/2in - Caterpillar and Deutz Engine Machines	
31	0641405	6	Bolt 1/4in-20NC x 3/4in - Ford Engine Machines	
32	4751400	AR	Flatwasher 1/4in Regular	
33	0641606	AR	Bolt 3/8in-16NC x 3/4in (Not Shown)	
34	4740076	2	Washer, Fender	
35	3960467	1	Seal, Foam	
36	3960418	7 ft/2.1m	Seal	
37	0940049	1	Bumper	

SECTION 2 - TURNTABLE

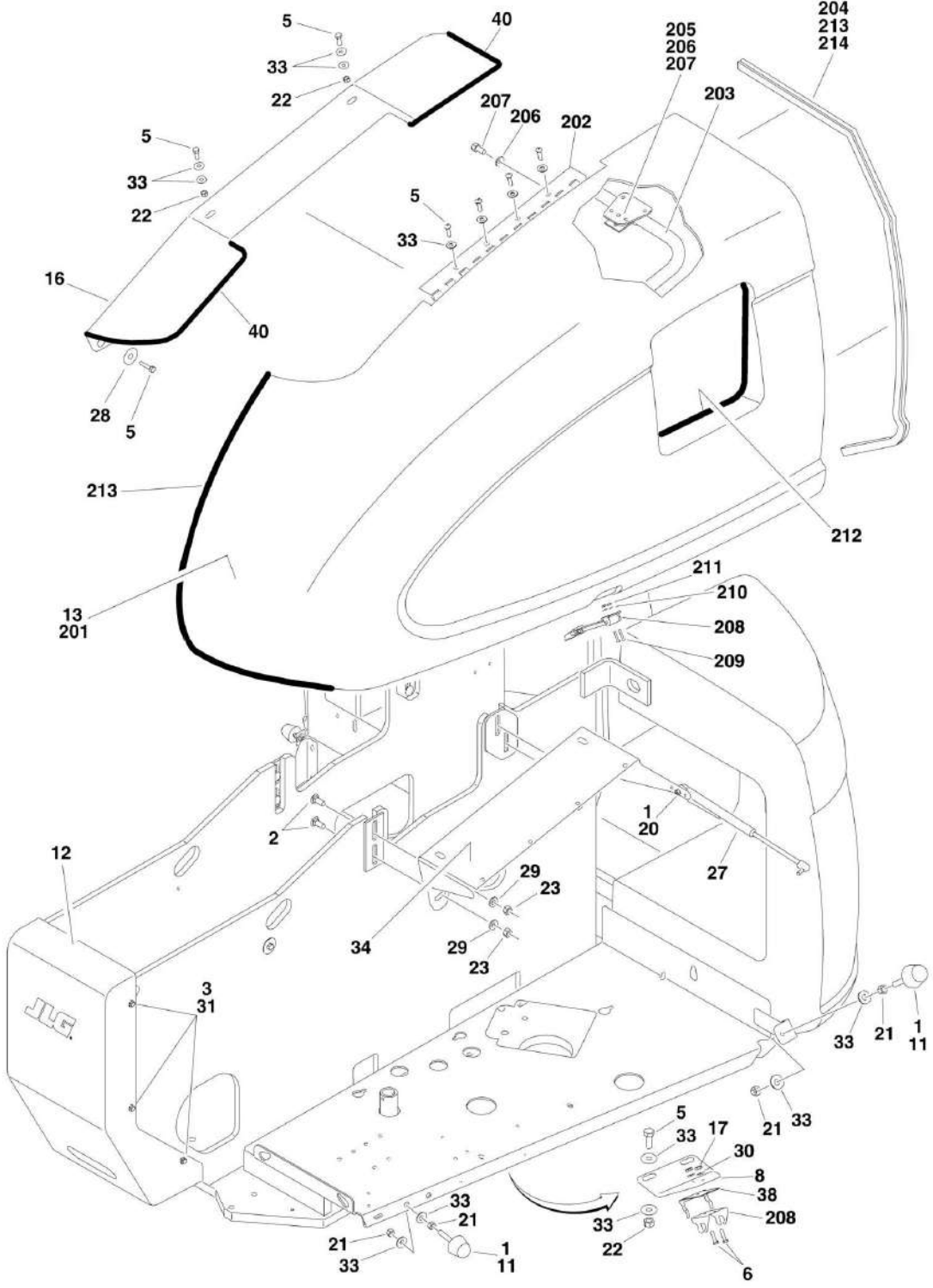
ITEM	PART NUMBER	QTY	DESCRIPTION	REV
38	0902335	1	Bracket, Latch - Engine Side	
39	3311601	11	Nut 3/8in-16NC	
40	3311501	2	Nut 5/16in-18NC	
41	3520033	2	Plug	
43	3311601	1	Nut 3/8in-16NC	
44	4751600	2	Flatwasher 3/16in Regular	
45	2940188	2	Latch, Spring Clip	
		Ref	HOOD - ENGINE SIDE	
	2680440	Ref	Caterpillar and Deutz Engine Machines	2
	1671179	Ref	Ford Engine Machines	2
102	2600210	1	Hinge	
103	0641612	4	Bolt 3/8in-16NC x 1-1/2in	
104	4711600	4	Flatwasher 3/8in Thin	
105	2940088	1	Latch, Hood	
106	0721008	2	Screw #10-24NC x 1in	
107	4751000	2	Flatwasher #10 Regular	
108	3311005	2	Locknut #10	
109	3960389	AR	Seal	
110	3960462	AR	Trim	
	2680441	1	HOOD - TANK SIDE	
		Ref	Note: Use p/n 1671216 for replacement. See next illustration for breakdown	
202	2600210	1	Hinge	
203	0641612	4	Bolt 3/8in-16NC x 1-1/2in	
204	4711600	4	Flatwasher 3/8in Thin	
205	2940088	1	Latch, Hood	
206	0721008	2	Screw #10-24NC x 1in	
207	4751000	2	Flatwasher #10 Regular	
208	3311005	2	Locknut #10	
209	3960389	AR	Seal	
210	3960462	AR	Trim	
211	3960438	AR	Trim	
	0256822	Ref	NOISE REDUCTION INSTALLATION (CATERPILLAR AND DEUTZ ENGINE MACHINES ONLY)	1
301	2820076	1	Foam, Acoustical	
302	2820077	1	Foam, Acoustical	
303	2820078	1	Foam, Acoustical	
304	2820082	1	Foam, Acoustical	
305	2820083	1	Foam, Acoustical	
306	3539988	1	Plate, Baffle	
307	0641606	5	Bolt 3/8in-16NC x 3/4in	
308	4751600	5	Flatwasher 3/8in Regular	
309	0100011	AR	Compound, Locking	

SECTION 2 - TURNTABLE

FIGURE 2-28. HOODS INSTALLATIONS (USA BUILT MACHINES AND CHINA BUILT MACHINES) (SN 0300089989 through 0300177361, SN B300000100 to Present)



SECTION 2 - TURNTABLE



SECTION 2 - TURNTABLE

FIGURE 2-28. HOODS INSTALLATIONS (USA BUILT MACHINES AND CHINA BUILT MACHINES) (SN B300000100 to Present, SN 0300089989 through 0300177361)

ITEM	PART NUMBER	QTY	DESCRIPTION	REV
		Ref	Note: Replacement decals must be ordered separately - See DECALS SECTION.	
		Ref	HOODS INSTALLATIONS	
	0274620	Ref	Caterpillar Engine Machines	F
	0274620	Ref	Deutz Engine Machines (SN 0300089989 through 0300177361)	F
	0274620	Ref	Deutz Engine Machines (SN B300000100 through B300001018)	F
	1001152435	Ref	Deutz Engine Machines (SN B300001019 to Present)	I
	0275023	Ref	Ford and GM Engine Machines	H
1	0100011	AR	Compound, Locking	
2	0630507	8	Bolt, Carriage 1/2in-13NC x 1-1/4in	
3	0641405	6	Bolt 1/4in-20NC x 3/4in	
4	0641407	4	Bolt 1/4in-20NC x 7/8in	
5	0641608	AR	Bolt 3/8in-16NC x 1in	
6	0721006	4	Bolt #10-24NC x 3/4in	
7	0902219	1	Bracket, Bumper	
8	0902242	1	Bracket, Latch - Tank Side (0274620 & 0275023 Installations)	
8	1001137876	1	Bracket, Latch - Tank Side (1001152435 Installation)	
9	0902335	1	Bracket, Latch - Engine Side	
10	0940049	1	Bumper	
11	0940071	2	Bumper	
12	1670767	1	Cover, Turntable	
13		Ref	Hood - Tank Side Options (See Items 201- 213 for Breakdown):	
13	1671216	1	Hood (0274620 & 0275023 Installations)	
13	1001160003	1	Hood (1001152435 Installation)	
14		Ref	Hood - Engine Side Options (See Items 101- 120 for Breakdown):	
14	1671217	1	Ford and GM Engine Machines (USA Built Machines) (SN 0300089989 through 0300139353)	
14	1001117044	1	GM Engine Machines (USA Built Machines) (SN 0300139354 through 0300177361)	
14	1671218	1	Caterpillar Engine Machines	
14	1671218	1	Deutz Engine Machines (0274620 Installation)	
14	1001160034	1	Deutz Engine Machine (1001152435 Installation)	
15	2680433	1	Spacer, Hood (Engine Side)	
16	2680434	1	Spacer, Hood (Tank Side)	
17	3311005	4	Locknut #10-24NC	
18	3311405	4	Locknut 1/4in-20NC	
19	3311501	2	Nut 5/16in-18NC	
20	3311505	AR	Locknut 5/16in-18NC	
21	3311601	6	Nut 3/8in-16NC	
22	3311605	7	Locknut 3/8in-16NC	
23	3311805	8	Locknut 1/2in-13NC	
24	3539923	1	Plate, Seal	
26	3960467	1	Seal, Foam	
27	4160143	2	Spring, Gas	
28	4740076	2	Washer, Fender	
29	4740171	8	Flatwasher 1/2in Hardened	
30	4751000	4	Flatwasher #10 Regular	
31	4751400	10	Flatwasher 1/4in Regular	
32	4751500	4	Flatwasher 5/16in Regular	

SECTION 2 - TURNTABLE

ITEM	PART NUMBER	QTY	DESCRIPTION	REV
33	4751600	AR	Flatwasher 3/8in Regular	
33	4891600	AR	Flatwasher 3/8in Hardened	
34	4845203	1	Mount - Tank Side (0274620 & 0275023 Installations)	
34	1001152557	1	Mount - Tank Side (1001152435 Installation)	
35	4845414	1	Mount - Engine Side (0274620 & 0275023 Installations)	
35	1001152556	NLA	Mount - Engine Side (1001152435 Installation) (Use p/n 1001235948) (SN B300000100 through B300001502)	
35	1001207792	NLA	Mount - Engine Side (1001152435 Installation) (Use p/n 1001235948) (SN B300001503 through B300003189)	
35	1001235948	1	Mount - Engine Side (1001152435 Installation) (SN B300003190 to Present)	
36	0940088	1	Bumper	
37	3321501	2	Nut 5/16in-24NC	
38	2940188	1	Latch, Spring Clip	
39	3960389	3.5 ft/1m	Seal, Bulb	
40	3960418	7 ft/2.1m	Seal	
		Ref	HOOD - ENGINE SIDE	
	1671218	Ref	Caterpillar Engine Machines	F
	1671218	Ref	Deutz Engine Machines (0274620 Installation)	F
	1001160034	Ref	Deutz Engine Machines (1001152435 Installation)	G
	1671217	Ref	Ford and GM Engine Machines (USA Built Machines) (SN 0300089989 through 0300139353)	G
	1001117044	Ref	GM Engine Machines (USA Built Machines) (SN 0300139354 through 0300177361)	A
101		Ref	Hood, Engine Side Options:	
101	1671245	NLA	Caterpillar Engine Machines	
101	1671245	NLA	Deutz Engine Machines (0274620 Installation) (Use p/n 1001097959)	
101	See Note	NSS	Deutz Engine Machines (1001152435 Installation) (Note: Use p/n 1001160034)	
101	1671258	NLA	Ford and GM Engine Machines (Use p/n 1001097958)	
102	1671246	1	Frame, Engine Cover (0274620 & 0275023 Installations Only)	
103	2820077	1	Insulation, Sound Reduction (Caterpillar and Deutz Engines Only) (0274620 Installation)	
103	See Note	NSS	Insulation (1001152435 Installation) (Note: Use Item 125)	
104	2820237	1	Insulation, Sound Reduction (Caterpillar and Deutz Engines Only) (0274620 Installation)	
104	1001161026	1	Insulation (1001152435 Installation)	
105	2820238	1	Insulation, Sound Reduction (Caterpillar and Deutz Engines Only) (0274620 Installation)	
105	1001161027	1	Insulation (1001152435 Installation)	
106	3311605	3	Locknut 3/8in-16NC	
107	3900232	3	Bolt, Button Head 3/8in-16NC x 1-1/4in	
108	4061010	1	Gasket, Heat Shield (USA Built Machines) (SN 0300089989 through 0300128836)	
109	4740500	3	Washer, Nylon Shoulder	
110	4751600	11	Flatwasher 3/8in Regular	
111		Ref	Outlet, Exhaust Options:	
111	4845194	1	Caterpillar Engine Machines	
111	4845194	1	Deutz Engine Machines (0274620 Installation)	
111	1001160598	1	Deutz Engine Machines (1001152435 Installation)	
111	3460420	1	Ford and GM Engine Machines (USA Built Machines) (SN 0300089989 through 0300139353)	
111	1001117039	1	GM Engine Machines Only (SN 0300139354 through	

SECTION 2 - TURNTABLE

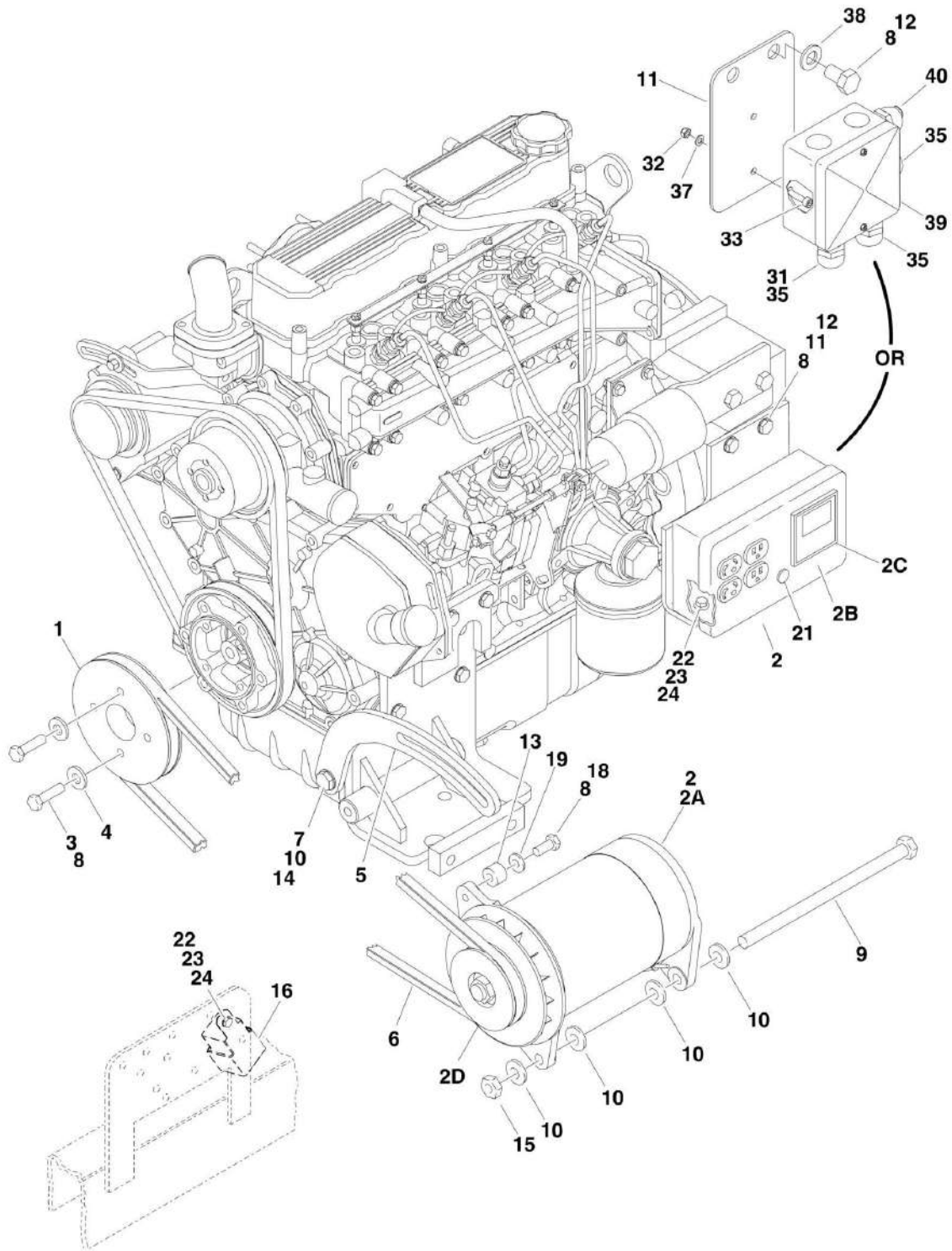
ITEM	PART NUMBER	QTY	DESCRIPTION	REV
			0300177361)	
112	4751000	2	Flatwasher #10 Regular	
113	0641606	8	Bolt 3/8in-16NC x 3/4in	
114	2600210	1	Hinge (0274620 & 0275023 Installations)	
114	1001151670	2	Hinge (1001152435 Installation)	
115	1321384	4	Hold Down	
116	2940088	1	Latch	
117	3311005	2	Locknut #10-24NC	
118	3911016	2	Screw #10-24NC x 1in	
119	3960462	5.5 ft /1.7m	Seal	
120	3960389	3 ft/.09m	Seal (USA Built Machines)	
120	3960389	3 ft/0.9m	Seal (China Built Machines) (SN B300000100 through B300000869)	
120	1001164281	8 ft/2.4m	Seal (China Built Machines) (SN B300000870 to Present)	
121		Ref	Insulation, Heat Shield (Ford and GM Engine Machines Only)	
121	2820176	1	USA Built Machines (Hood Side) (SN 0300092153 through 0300128835)	
121	Not Required	0	USA Built Machines (SN 0300128836 through 0300136640)	
121	2820176	NLA	USA Built Machines (Hood Front) (Use p/n 1001117139) (SN 0300136641 through 0300139353)	
121	1001117139	AR	Only (SN 0300139354 through 0300177361)	
122		Ref	Insulation, Heat Shield Options (Ford and GM Engine Machines Only)	
122	2820236	1	USA Built Machines (SN 0300089989 through 0300128835)	
122	1001102914	NLA	USA Built Machines (Use p/n 1001117139) (SN 0300128836 through 0300139353)	
122	1001117139	AR	USA Built Machines Only (SN 0300139354 through 0300177361)	
123		Ref	Insulation, Heat Shield Options (Ford and GM Engine Machines):	
123	1001102913	NLA	USA Built Machines Only (Use p/n 1001117139) (SN 0300128836 through 0300139353)	
123	1001117139	AR	USA Built Machines Only (SN 0300139354 through 0300177361)	
124		Ref	Insulation, Heat Shield (Caterpillar and Deutz Engine Machines - USA Built Machines) (SN 0300092153 through 0300177361)	
124		Ref	Insulation, Heat Shield (Caterpillar and Deutz Engine Machines - China Built Machines) (SN B300000099 to Present)	
124	Not Required	0	USA Built Machines (SN 0300092153 through 0300128835)	
124A	2820176	1	USA Built Machines (SN 0300092153 through 0300128835)	
124B	1001101947	1	USA Built Machines (SN 0300128836 through 0300177361)	
124B	1001101947	1	China Built Machines (SN B300000100 through B300001018)	
124B	1001160692	1	China Built Machines (SN B300001019 through B300000869)	
125	1001101945	1	Insulation, Heat Shield (Caterpillar and Deutz Engine Machines - USA Built Machines) (SN 0300128836 through 0300177361)	
125	1001101945	1	Insulation, Heat Shield (Caterpillar and Deutz Engine Machines - China Built Machines) (SN B300000100 through B300001018)	
125	1001161025	1	Insulation, Heat Shield (Caterpillar and Deutz Engine Machines - China Built Machines) (SN B300001019 to Present)	
126	0100011	AR	Compound, Locking (GM Engine Machines - USA Built Machines Only) (SN 0300139354 through 0300177361)	
127	1001117140	AR	Tape, Aluminized Polyester (GM Engine Machines - USA Built Machines Only) (SN 0300139354 through 0300177361)	
130		Ref	Hood Kit (Engine Side) Options:	
130A	1001097959	1	Caterpillar and Deutz Engine Machines (Includes Hood and	

SECTION 2 - TURNTABLE

ITEM	PART NUMBER	QTY	DESCRIPTION	REV
130B	1001097958	1	Insulation Ford and GM Engine Machines (Includes Hood, Insulation and Tape)	
131	4060805	62 in/1.6m	Flex-Trim (SN B300000870 to Present)	
	1671216	Ref	HOOD TANK SIDE (0274620 & 0275023 Installations)	B
	1001160003	Ref	HOOD TANK SIDE (1001132435 Installation)	G
132	1001169610	2	Spacer Hinge (Not Shown) (1001152435 Installation)	
201	1671243	1	Hood, Tank Side (0274620 & 0275023 Installations)	
201	See Note	NSS	Hood, Tank Side (1001152435 Installation) (Note: Use p/n 1001160003)	
202	2600210	1	Hinge (0274620 & 0275023 Installations)	
202	1001151670	2	Hinge (1001152435 Installation)	
203	1671244	1	Frame, Tank Side (1671216 Hood Only)	
204	3960462	5.5 ft /1.7m	Seal	
205	2080051	4	Hold Down	
206	4751600	8	Flatwasher 3/8in Regular	
207	0641606	8	Bolt 3/8in-16NC x 3/4in	
208	2940088	1	Latch	
209	3911016	2	Screw #10-24NC x 1in	
210	4751000	2	Flatwasher #10 Regular	
211	3311005	2	Locknut #10-24NC	
212	3960438	4.5 ft /1.4m	Seal (USA Built Machines)	
212	3960438	4.5 ft /1.4m	Seal (China Built Machines) (SN B300000100 through B300000869)	
212	1001166394	4.5 ft /1.4m	Seal (China Built Machines) (SN B300000870 to Present)	
213	3960389	3 ft/0.9m	Seal (USA Built Machines)	
213	3960389	3 ft/0.9m	Seal (China Built Machines) (SN B300000100 through B300000866)	
213	1001164281	8 ft/2.5m	Seal (China Built Machines) (SN B300000867 to Present)	
214	4060805	62 in /1.6m	Flex-Trim (SN B300000870 to Present)	
	0256822	Ref	NOISE REDUCTION INSTALLATION (CATERPILLAR AND DEUTZ ENGINE MACHINES ONLY)	1
303	2820078	1	Foam, Acoustical	
304	2820082	1	Foam, Acoustical	
305	2820083	1	Foam, Acoustical	
306	3539988	1	Plate, Baffle	
307	0641606	5	Bolt 3/8in-16NC x 3/4in	
308	4751600	5	Flatwasher 3/8in Regular	
309	0100011	AR	Compound, Locking	

SECTION 2 - TURNTABLE

FIGURE 2-29. 2500W GENERATOR INSTALLATION - CATERPILLAR MACHINES (OPTIONAL)



SECTION 2 - TURNTABLE

FIGURE 2-29. 2500W GENERATOR INSTALLATION - CATERPILLAR MACHINES (OPTIONAL)

ITEM	PART NUMBER	QTY	DESCRIPTION	REV
		Ref	GENERATOR INSTALLATION OPTIONS:	
		Ref	110V/60Hz (ANSI and ANSI Export Specs)	
	0274081	Ref	USA Built Machines (SN 0300087000 through 0300144387)	1-A
	1001115404	Ref	USA Built Machines (SN 0300144388 through 0300177361)	A
	1001115404	Ref	China Built Machines (SN B300000239 to Present)	A
		Ref	110V/50Hz (CE Spec) (Only Available on USA Built Machines)	
	0274091	Ref	USA Built Machines (SN 0300087000 through 0300132839)	3-B
	1001102547	Ref	USA Built Machines (SN 0300132840 through 0300144387)	B
	1001115413	Ref	USA Built Machines (SN 0300144388 through 0300177361)	A
		Ref	220V/50Hz (ANSI Export, Australian and CE Specs)	
	0274087	Ref	USA Built Machines (SN 0300087000 through 0300132839)	3-B
	1001102548	Ref	USA Built Machines (SN 0300132840 through 0300144387)	B
	1001115414	Ref	USA Built Machines (SN 0300144388 through 0300177361)	A
	1001115414	Ref	China Built Machines (SN B300000239 to Present)	A
1	3580322	1	Pulley	
2		Ref	Generator and Control Box Assembly Options:	
2	2460055	1	110V/60Hz (ANSI and ANSI Export Specs)	
2	2460057	1	110V/50Hz (CE Spec - USA Built Machines) (SN 0300087000 through 0300132839)	
2	2460049	1	110V/50Hz (CE Spec - USA Built Machines) (Generator Only) (SN 0300132840 through 0300177361)	
2	2460056	1	220V/50Hz (ANSI Export, Australian and CE Specs - USA Built Machines) (SN 0300087000 through 0300132839)	
2	1001100321	1	220V/50Hz (ANSI Export, Australian and CE Specs - USA Built Machines) (Generator Only) (SN 0300132840 through 0300177361)	
2	1001100321	1	220V/50Hz (ANSI Export, Australian and CE Specs - China Built Machines) (Generator Only) (SN B300000100 to Present)	
2A	7012558	1	Generator Only - 110V/60Hz	
2A	2460049	1	Generator Only - 110V/50Hz	
2A	1001100321	1	Generator Only - 220V/50Hz	
		Ref	Note: Replacement Generators come standard with p/n 3580134 pulley. This pulley may not be correct for all applications. Refer to pulley options below.	
2A		Ref	Armature with Slip Rings Options:	
2A	7026199	1	Armature with Slip Rings - 110V/60Hz	
2A	70000122	1	Armature with Slip Rings - 110V/50Hz	
2A	70000123	1	Armature with Slip Rings - 220V/50Hz	
2A	7012513	4	Cap, Brush Holder	
2A	7020108	4	Brush	
2A	7020109	4	Holder, Brush	
2A	7012514	1	Fan	
2A	7020110	1	Bell, Front	
2A	7020111	1	Bell, Rear	
2A	7020190	2	Bearing	
2B	7019680	1	Box, Control - 110V/60Hz	
2B	7019680	1	Box, Control - 110V/50Hz (USA Built Machines) (SN 0300087000 through 0300132839)	
2B	Not Required	0	Box, Control - 110V/50Hz (USA Built Machines) (SN 0300132840 through 0300177361)	
2B	70000127	1	Box, Control - 220V/50Hz (USA Built Machines) (SN 0300087000 through 0300132839)	

SECTION 2 - TURNTABLE

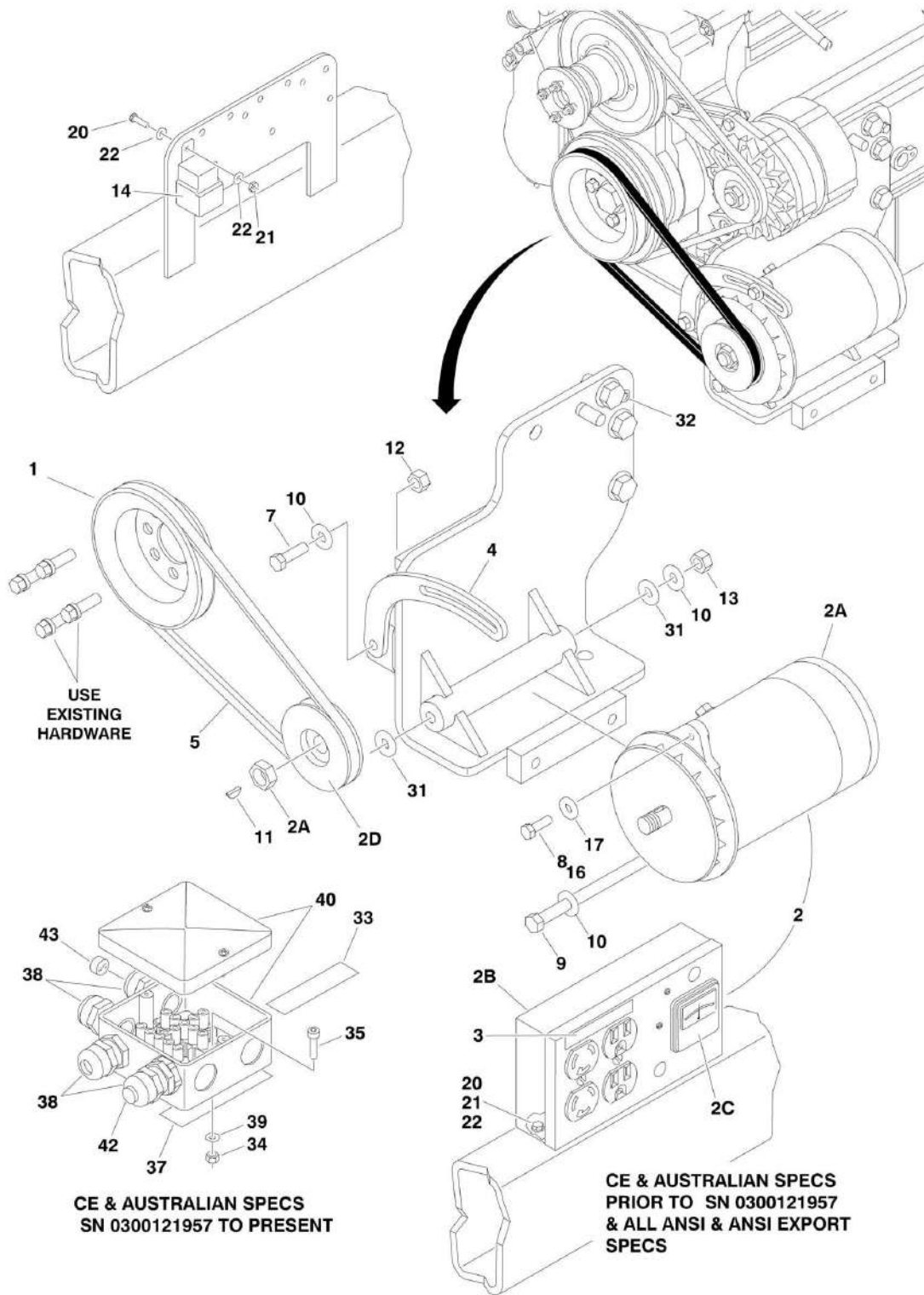
ITEM	PART NUMBER	QTY	DESCRIPTION	REV
2B	Not Required	0	Box, Control - 220V/50Hz (USA Built Machines) (SN 0300132840 through 0300177361)	
2B	Not Required	0	Box, Control - 220V/50Hz (China Built Machines) (SN B300000100 to Present)	
2B		Ref	Receptacle Options:	
2B	4460190	1	Receptacle, Standard (110V Only)	
2B	4460027	1	Receptacle, Twistlock (110V Only)	
2B	70000124	1	Receptacle, Double (220V/50Hz Only)	
2B	70000125	1	Receptacle, Single (220V/50Hz Only)	
2B		Ref	Breaker, Circuit Options:	
2B	4360542	1	Breaker 110V/60Hz	
2B	4360542	1	Breaker 110V/50Hz (USA Built Machines) (SN 0300087000 through 0300132839)	
2B	Not Required	0	Breaker - 110V/50Hz (USA Built Machines) (SN 0300132840 through 0300177361)	
2B	70000126	1	Breaker 220V/50Hz (USA Built Machines) (SN 0300087000 through 0300132839)	
2B	Not Required	0	Breaker - 220V/50Hz (USA Built Machines) (SN 0300132840 through 0300177361)	
2B	Not Required	0	Breaker - 220V/50Hz (China Built Machines) (SN B300000239 to Present)	
2B	3520028	1	Plug, Hole	
2C		Ref	Voltmeter Options:	
2C	2420203	1	Voltmeter - 110V	
2C	7020192	1	Voltmeter - 220V	
2D		Ref	Pulley Options:	
2D	3580276	1	Pulley - 60Hz	
2D	3580134	1	Pulley - 50Hz	
2D	7027887	1	Key, Woodruff	
2D	0480120	1	110V/50Hz	
2D	0480120	1	220V/50Hz	
3	0700816	4	Bolt M8 x 40mm	
4	4811900	4	Flatwasher M8	
5	0200819	1	Arm, Adjusting	
6		Ref	V-Belt Options:	
6	0480121	1	110V/60Hz (ANSI and ANSI Export Specs)	
6	0480120	1	110V/50Hz (CE Spec)	
6	0480120	1	220V/50Hz (ANSI Export, Australian and CE Specs)	
7	0641610	1	Bolt 3/8in-16NC x 1-1/4in	
8	0100011	AR	Compound, Locking	
9	0641772	1	Bolt 7/16in-14NC x 9in	
10	4751600	6	Flatwasher 3/8in Regular	
11		Ref	Plate, Box Mounting Options:	
11	3574684	1	ANSI and ANSI Export Specs	
11		Ref	ANSI Export, Australian and CE Specs	
11	3574684	1	USA Built Machines (SN 0300087000 through 0300132839)	
11	1001102644	1	USA Built Machines (SN 0300132840 through 0300177361)	
11	1001102644	1	China Built Machines (SN B300000239 to Present)	
12	0761210	2	Bolt M12 x 20mm	
13	0962563	1	Bushing, Spacer	
14	3311605	1	Locknut 3/8in-16NC	
15	3311705	1	Locknut 7/16in-14NC	
16	3740080	1	Relay	

SECTION 2 - TURNTABLE

ITEM	PART NUMBER	QTY	DESCRIPTION	REV
18	0641508	1	Bolt 5/16in-18NC x 1in	
19	4751500	1	Flatwasher 5/16in Regular	
21	3520028	1	Plug, Hole	
22	0721006	AR	Bolt #10-24NC x 3/4in	
23	3311005	AR	Locknut #10-24NC	
24	4751000	AR	Flatwasher #10 Regular	
25	4360336	1	Switch, Toggle (Not Shown - Located at Platform)	
27	4060802	1	Guard, Switch (Not Shown - Located at Platform)	
28		Ref	Decal - Voltage Options (Not Shown):	
28	See Note	NSS	110V/60Hz (ANSI and ANSI Export Specs) (Note: Not Available for Purchase)	
28	1705325	1	110V/50Hz (CE Spec)	
28	3252507	1	220V/50Hz (ANSI Export, Australian and CE Specs)	
29	2820031	AR	Heat Shrink (Not Shown - Located at Platform)	
30	3251102	1	Decal (Not Shown - Located at Platform)	
		Ref	Note: Items 31-40 Used on ANSI Export, Australian and CE Specs USA Built Machines (SN 0300132840 through 0300177361)	
		Ref	Note: Items 31-40 Used on ANSI Export, Australian and CE Specs China Built Machines (SN B300000239 to Present)	
31	0962449	1	Bushing, Silicone	
32	3290505	2	Locknut M5	
33	4031608	2	Screw M5 x 20mm	
34	4240018	AR	Strap, Tie (Not Shown)	
35	4460968	3	Connector, Strain Relief	
37	4811600	2	Flatwasher M5	
38	4812100	2	Flatwasher M12	
39	1001099869	1	Box, Junction	
40		Ref	Lamp, Red Options:	
40	1001100233	1	110V/50Hz	
40	1001100234	1	220V/50Hz	
41	4740397	1	Shim (Not Shown - Used on Toggle Switch Located at Platform)	

SECTION 2 - TURNTABLE

FIGURE 2-30. 2500W GENERATOR INSTALLATION - DEUTZ MACHINES (OPTIONAL)



SECTION 2 - TURNTABLE

FIGURE 2-30. 2500W GENERATOR INSTALLATION - DEUTZ MACHINES (OPTIONAL)

ITEM	PART NUMBER	QTY	DESCRIPTION	REV
		Ref	GENERATOR INSTALLATIONS	
		Ref	USA Built Machines: (SN 0300087000 through 0300139040)	
	0274082	Ref	110V/60Hz (ANSI and ANSI Export Specs)	3-C
	0274090	Ref	110V/50Hz (ANSI Export Spec)	1-A
	0274090	Ref	110V/50Hz (CE Spec) (SN 0300087000 through 0300121956)	1-A
	1001100308	Ref	110V/50Hz (CE Spec) (SN 0300121957 through 0300139041)	D
	0274086	Ref	220V/50Hz (ANSI Export Specs)	1-A
	0274086	Ref	220V/50Hz (Australian and CE Specs) (SN 0300087000 through 0300121956)	1-A
	1001099868	Ref	220V/50Hz (Australian and CE Specs) (SN 0300121957 through 0300139040)	D
		Ref	USA Built Machines: (SN 0300139041 through 0300177361)	
	1001115405	Ref	110V/60Hz (ANSI and ANSI Export Specs)	A
	1001115407	Ref	110V/50Hz (ANSI Export Spec)	A
	1001115410	Ref	110V/50Hz (CE Spec)	A
	1001115406	Ref	220V/50Hz (ANSI Export Specs)	A
	1001115409	Ref	220V/50Hz (Australian and CE Specs)	A
		Ref	China Built Machines: (SN B300000100 to Present)	
	1001115405	Ref	110V/60Hz (ANSI and ANSI Export Specs)	A
	1001115409	Ref	220V/50Hz (Australian and CE Specs)	A
1	3580158	1	Pulley	
2		Ref	Generator and Control Box Assembly Options:	
2	2460055	1	110V/60Hz (ANSI and ANSI Export Specs)	
2	2460057	1	110V/50Hz (ANSI Export Specs)	
2		Ref	110V/50Hz Options (CE Spec):	
2	2460057	1	USA Built Machines (SN 0300087000 through 0300121956)	
2	2460049	1	USA Built Machines (SN 0300121957 through 0300177361)	
2	2460056	1	220V/50Hz Options (ANSI Export Specs):	
2		Ref	220V/50Hz Options (Australian and CE Specs):	
2	2460056	1	USA Built Machines (SN 0300087000 through 0300121956)	
2	1001100321	1	USA Built Machines (SN 0300121957 through 0300177361)	
2A	7012558	1	Generator Only - 110V/60Hz	
2A	2460049	1	Generator Only - 110V/50Hz	
2A	1001100321	1	Generator Only - 220V/50Hz	
		Ref	Note: Replacement Generators come standard with p/n 3580134 pulley. This pulley may not be correct for all applications. Refer to pulley options below.	
2A		Ref	Armature with Slip Rings Options:	
2A	7026199	1	Armature with Slip Rings - 110V/60Hz	
2A	70000122	1	Armature with Slip Rings - 110V/50Hz	
2A	70000123	1	Armature with Slip Rings - 220V/50Hz	
2A	7012513	4	Cap, Brush Holder	
2A	7020108	4	Brush	
2A	7020109	4	Holder, Brush	
2A	7012514	1	Fan	
2A	7020110	1	Bell, Front	
2A	7020111	1	Bell, Rear	
2A	7020190	2	Bearing	
2B	7019680	1	Box, Control - 110V/60Hz	
2B	7019680	1	Box, Control - 110V/50Hz (ANSI Export Specs)	

SECTION 2 - TURNTABLE

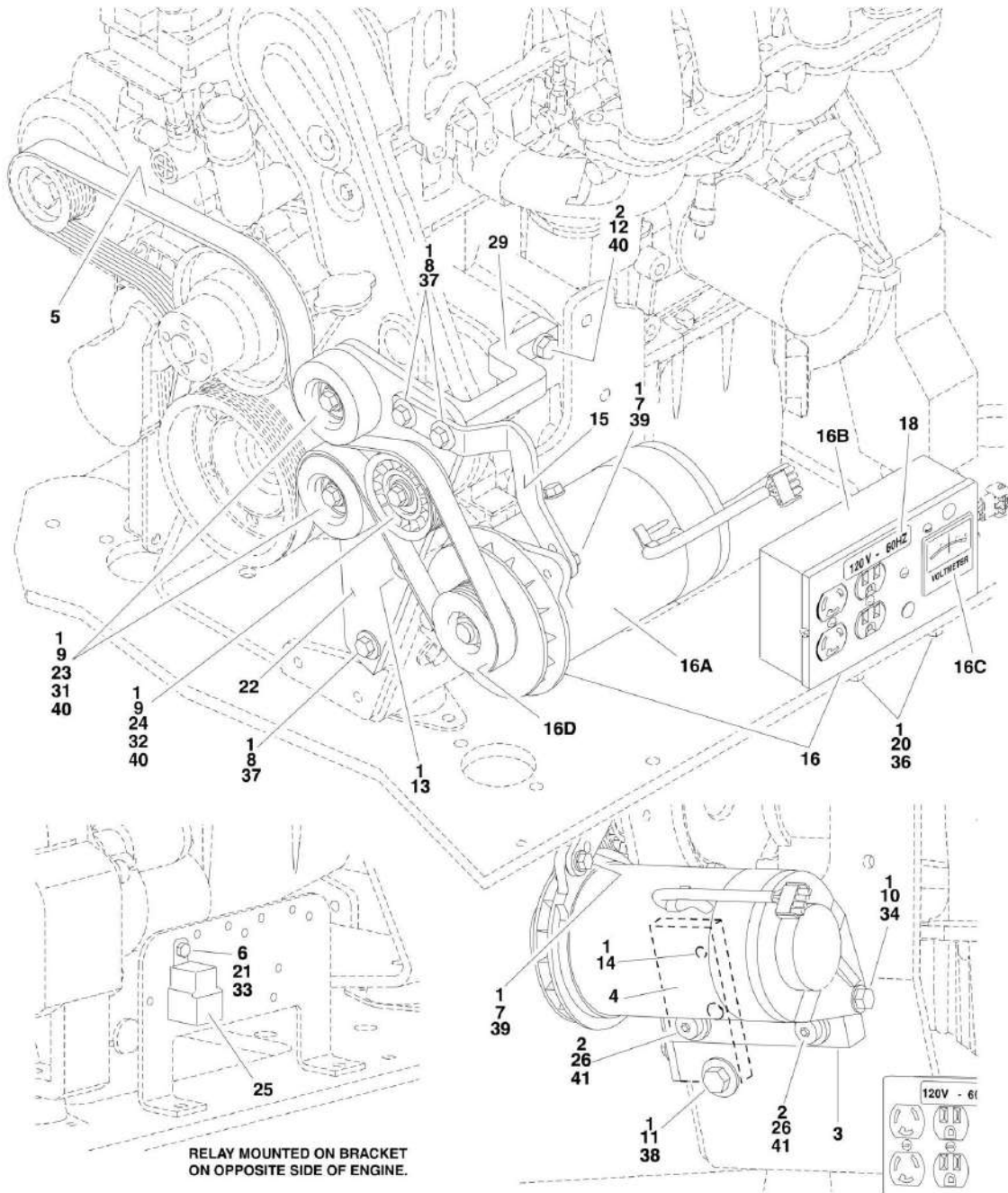
ITEM	PART NUMBER	QTY	DESCRIPTION	REV
2B	7019680	1	Box, Control - 110V/50Hz (Australian and CE Specs USA Built Machines) (SN 0300087000 through 0300121956)	
2B	Not Required	1	Box, Control - 110V/50Hz (Australian and CE Specs USA Built Machines) (SN 0300121957 through 0300177361)	
2B	70000127	1	Box, Control - 220V/50Hz (ANSI Export Specs)	
2B	70000127	1	Box, Control - 220V/50Hz (Australian and CE Specs USA Built Machines) (SN 0300087000 through 0300121956)	
2B	Not Required	0	Box, Control - 220V/50Hz (Australian and CE Specs USA Built Machines) (SN 0300121957 through 0300177361)	
	Not Required	0	Box, Control - 220V/50Hz (Australian and CE Specs China Built Machines) (SN B300000100 to Present)	
2B		Ref	Receptacle Options:	
2B	4460190	1	Receptacle, Standard (110V Only)	
2B	4460027	1	Receptacle, Twistlock (110V Only)	
2B	70000124	1	Receptacle, Double (220V/50Hz Only)	
2B	70000125	1	Receptacle, Single (220V/50Hz Only)	
2B		Ref	Breaker, Circuit Options:	
2B	4360542	1	Breaker 110V/60Hz	
2B	4360542	1	Breaker 110V/50Hz	
2B	70000126	1	Breaker 220V/50Hz	
2B	3520028	1	Plug, Hole	
2C		Ref	Voltmeter Options:	
2C	2420203	1	Voltmeter - 110V	
2C	7020192	1	Voltmeter - 220V	
2D		Ref	Pulley Options:	
2D	3580276	1	Pulley - 60Hz	
2D	3580134	1	Pulley - 50Hz	
2D	7027887	1	Key, Woodruff	
3		Ref	Decal Options:	
3	3251243	1	110V/60Hz (ANSI and ANSI Export Specs)	
3	3255325	1	110V/50Hz (CE Spec)	
3	Not Required	0	220V/50Hz (ANSI Export, Australian and CE Specs)	
4	0200742	1	Arm, Adjusting	
5	0480121	1	V-Belt	
7	0641610	1	Bolt 3/8in-16NC x 1-1/4in	
8	0100011	AR	Compound, Locking	
9	0641772	1	Bolt 7/16in-14NC x 9in	
10	4751600	6	Flatwasher 3/8in Regular	
11	2860012	1	Key, Woodruff	
12	3311605	1	Locknut 3/8in-16NC	
13	3311705	1	Locknut 7/16in-14NC	
14	3740080	1	Relay	
16	0641508	1	Bolt 5/16in-18NC x 1in	
17	4751500	AR	Flatwasher 5/16in Regular	
20	0721006	AR	Bolt #10-24NC x 3/4in	
21	3311005	AR	Locknut #10-24NC	
22	4751000	AR	Flatwasher #10 Regular	
25	4360336	1	Switch, Toggle (Not Shown - Located at Platform)	
26	4740397	1	Bushing (Not Shown - Located at Platform)	
27	4060802	1	Guard, Switch (Not Shown - Located at Platform)	
28	3252507	1	Decal - 220V - 50/60Hz (Not Shown - Located on Turntable)	
29	2820031	4 in/10cm	Heat Shrink (Not Shown - Located at Platform)	

SECTION 2 - TURNTABLE

ITEM	PART NUMBER	QTY	DESCRIPTION	REV
30	3251102	1	Decal (Not Shown - Located at Platform)	
31	4070585	AR	Shim (ANSI Export, Australian and CE Specs) (USA Built Machines) (SN 0300087000 through 0300126420)	
		Ref	Note: Items 32-43 Used on ANSI Export, Australian and CE Specs USA Built Machines (SN 0300121957 through 0300177361)	
		Ref	Note: Items 32-43 Used on ANSI Export, Australian and CE Specs China Built Machines (SN B300000100 to Present)	
32	0641404	1	Bolt 1/4in-20NC x 1/2	
33		Ref	Decal Options:	
33	1705325	2	Decal - 110V - 50Hz	
33	3252507	2	Decal - 220V - 50Hz	
		Ref	Note: One Decal Not Shown - Located on the Inside of Platform Rail.	
34	3290505	1	Locknut M5 x 0.8mm	
35	4031608	1	Bolt M5 x 20mm	
36	4240018	1	Tie Strap (Not Shown)	
37	4420060	1	Tape, Double Coated Acrylic Foam	
38	4460968	3	Connector, Strain Relief	
39	4811600	1	Flatwasher M5	
40	1001099869	1	Box, Junction	
42		Ref	Light Red Options:	
42	1001100233	1	125 Vac	
42	1001100234	1	250 Vac	
43	0962449	1	Bushing	
	2902085	1	Kit, Powermite Generator Mounting	

SECTION 2 - TURNTABLE

FIGURE 2-31. 2500W GENERATOR INSTALLATION - FORD MACHINES (OPTIONAL)



SECTION 2 - TURNTABLE

FIGURE 2-31. 2500W GENERATOR INSTALLATION - FORD MACHINES (OPTIONAL)

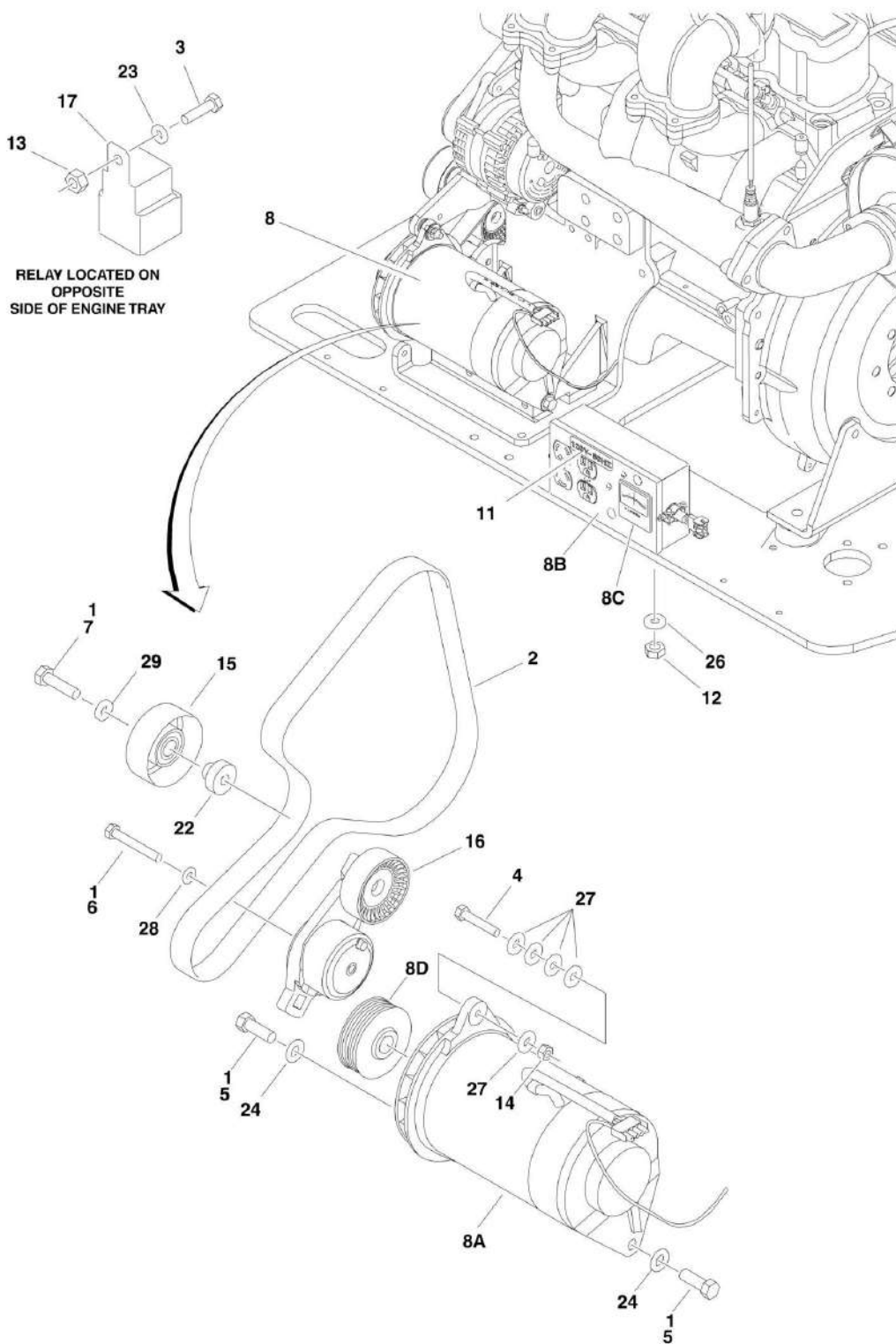
ITEM	PART NUMBER	QTY	DESCRIPTION	REV
		Ref	Note: Only Available on USA Built Machines.	
		Ref	GENERATOR INSTALLATION OPTIONS:	
	0273507	Ref	110V Generator	C
	0273511	Ref	220V Generator	C
1	0100011	AR	Compound, Locking	
2	0100019	AR	Compound, Locking	
3	0363082	1	Bar, Generator Adjuster	
4	0363097	1	Bar, Pulley Mounting	
5	0480135	1	V-Belt	
6	0641405	1	Bolt 1/4in-20NC x 5/8in	
7	0641508	1	Bolt 5/16in-18NC x 1in	
8	0641611	3	Bolt 3/8in-16NC x 1-3/8in	
9	0641612	3	Bolt 3/8in-16NC x 1-1/2in	
10	0641718	2	Bolt 7/16in-14NC x 2-1/4in	
11	0641810	1	Bolt 1/2in-13NC x 1-1/4in	
12	0701015	1	Bolt 10mm x 35mm	
13	0741606	1	Screw, Countersunk 3/8in-16NC x 3/4in	
14	0741808	1	Screw, Countersunk 1/2in-13NC x 1in	
15	0902952	1	Bracket, Generator Mounting	
16		Ref	Generator and Control Box Assembly Options:	
16	2460051	1	110Volt Assembly	
16	2460052	1	220Volt Assembly	
16A	7012558	1	Generator Only - 110V/60Hz	
16A	1001100321	1	Generator Only - 220V/50Hz	
		Ref	Note: Replacement Generators come standard with p/n 3580134 pulley. This pulley may not be correct for all applications. Refer to pulley options below.	
16A		Ref	Armature with Slip Rings Options:	
16A	7026199	1	Armature with Slip Rings - 110V/60Hz	
16A	70000123	1	Armature with Slip Rings - 220V/50Hz	
16A	7012513	4	Cap, Brush Holder	
16A	7020108	4	Brush	
16A	7020109	4	Holder, Brush	
16A	7012514	1	Fan	
16A	7020110	1	Bell, Front	
16A	7020111	1	Bell, Rear	
16A	7020190	2	Bearing	
16B	7019680	1	Box, Control - 110V/60Hz	
16B	70000127	1	Box, Control - 220V/50Hz	
16B		Ref	Receptacle Options:	
16B	4460190	1	Receptacle, Standard (110V Only)	
16B	4460027	1	Receptacle, Twistlock (110V Only)	
16B	70000124	1	Receptacle, Double (220V/50Hz Only)	
16B	70000125	1	Receptacle, Single (220V/50Hz Only)	
16B		Ref	Breaker, Circuit Options:	
16B	4360542	1	Breaker 110V/60Hz	
16B	70000126	1	Breaker 220V/50Hz	
16B	3520028	1	Plug, Hole	
16C		Ref	Voltmeter Options:	
16C	2420203	1	Voltmeter - 110V	

SECTION 2 - TURNTABLE

ITEM	PART NUMBER	QTY	DESCRIPTION	REV
16C	7020192	1	Voltmeter - 220V	
16D		Ref	Pulley Options:	
16D	3580324	1	Pulley - 60Hz	
16D	3580325	1	Pulley - 50Hz	
16D	7027887	1	Key, Woodruff	
17	2820031	AR	Heat Shrink (Not Shown - Located at Platform)	
18		Ref	Decal	
18	1702590	1	110V Generator	
18	3251243	1	220V Generator	
19	3251102	1	Nameplate Options (Not Shown - Located at Platform)	
20	3311005	2	Locknut #10-24NC	
21	3311405	1	Locknut 1/4in-20NC	
22	3574225	1	Plate, Pulley Mounting	
23	3580312	1	Pulley, Idler	
24	3580313	1	Pulley, Grooved Idler	
25	3740080	1	Relay, Bosch	
26	3900322	2	Screw, Shoulder	
27	4060802	1	Guard, Switch (Not Shown - Located at Platform)	
28	4240018	AR	Tie-Strap	
29	4340738	1	Support, Idler Pulley	
30	4360336	1	Switch, Toggle (Not Shown - Located at Platform)	
31	4568734	1	Spacer, Tube (Idler Pulley Non-Grooved)	
32	4568735	1	Spacer, Tube (Idler Pulley Grooved)	
33	4711400	1	Flatwasher 1/4in Narrow	
34	4711700	2	Flatwasher 7/16in Narrow	
35	4740397	1	Spacer	
36	4751000	2	Flatwasher #10 Wide	
37	4751600	3	Flatwasher 3/8in Wide	
38	4751800	1	Flatwasher 1/2in Wide	
39	4891500	1	Flatwasher 5/16in Hardened	
40	4891600	4	Flatwasher 3/8in Hardened	
41	4892000	2	Flatwasher 5/8in Hardened	

SECTION 2 - TURNTABLE

FIGURE 2-32. 2500W GENERATOR INSTALLATION - GM MACHINES (OPTIONAL)



SECTION 2 - TURNTABLE

FIGURE 2-32. 2500W GENERATOR INSTALLATION - GM MACHINES (OPTIONAL)

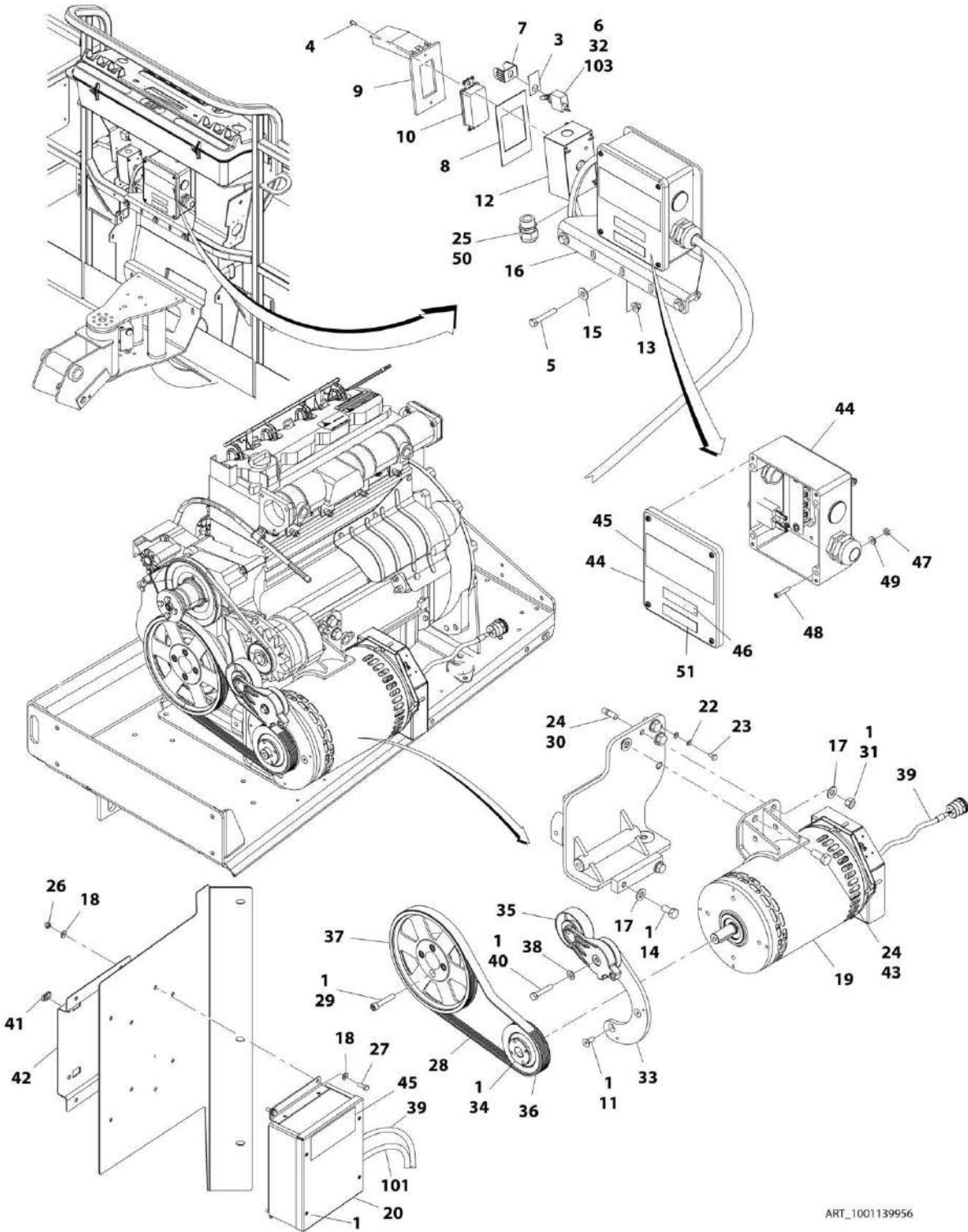
ITEM	PART NUMBER	QTY	DESCRIPTION	REV
		Ref	Note: Only Available on USA Built Machines.	
		Ref	GENERATOR INSTALLATION OPTIONS:	
	0275039	Ref	110V Generator	E
	See Note	Ref	220V Generator (Note: Not Available for Purchase)	
1	0100011	AR	Compound, Locking	
2	0480142	1	V-Belt	
3	0641405	1	Bolt 1/4in-20NC x 5/8in	
4		Ref	Bolt Options:	
4	0641514	1	Bolt 5/16in-18NC x 1-3/4in	
4	0641510	1	Bolt 5/16in-18NC x 1-1/4in	
5	0641710	2	Bolt 7/16in-14NC x 1-1/4in	
6	0700820	1	Bolt M8 x 60mm	
7	0701016	1	Bolt M10 x 340mm	
8		Ref	Generator and Control Box Assembly Options:	
8	2460051	1	110Volt Assembly	
8	2460052	1	220Volt Assembly	
8A	7012558	1	Generator Only - 110V/60Hz	
8A	1001100321	1	Generator Only - 220V/50Hz	
		Ref	Note: Replacement Generators come standard with p/n 3580134 pulley. This pulley may not be correct for all applications. Refer to pulley options below.	
8A		Ref	Armature with Slip Rings Options:	
8A	7026199	1	Armature with Slip Rings - 110V/60Hz	
8A	70000123	1	Armature with Slip Rings - 220V/50Hz	
8A	7012513	4	Cap, Brush Holder	
8A	7020108	4	Brush	
8A	7020109	4	Holder, Brush	
8A	7012514	1	Fan	
8A	7020110	1	Bell, Front	
8A	7020111	1	Bell, Rear	
8A	7020190	2	Bearing	
8B	7019680	1	Box, Control - 110V/60Hz	
8B	70000127	1	Box, Control - 220V/50Hz	
8B		Ref	Receptacle Options:	
8B	4460190	1	Receptacle, Standard (110V Only)	
8B	4460027	1	Receptacle, Twistlock (110V Only)	
8B	70000124	1	Receptacle, Double (220V/50Hz Only)	
8B	70000125	1	Receptacle, Single (220V/50Hz Only)	
8B		Ref	Breaker, Circuit Options:	
8B	4360542	1	Breaker 110V/60Hz	
8B	70000126	1	Breaker 220V/50Hz	
8B	3520028	1	Plug, Hole	
8C		Ref	Voltmeter Options:	
8C	2420203	1	Voltmeter - 110V	
8C	7020192	1	Voltmeter - 220V	
8D		Ref	Pulley Options:	
8D	3580324	1	Pulley - 60Hz	
8D	3580325	1	Pulley - 50Hz	
8D	7027887	1	Key, Woodruff	
9	2820031	AR	Heat Shrink (Not Shown - Located at Platform)	

SECTION 2 - TURNTABLE

ITEM	PART NUMBER	QTY	DESCRIPTION	REV
10	3251102	1	Nameplate - Generator (Not Shown - Located at Platform)	
11		Ref	Decal	
11	3251243	1	110 Volt Generator	
11	1702590	1	220 Volt Generator	
12	3311005	2	Locknut # 10-24NC	
13	3311405	1	Locknut 1/4in-20NC	
14	3311505	1	Locknut 5/16in-18NC	
15	3580312	1	Pulley, Idler	
16	3580348	1	Tensioner, Belt	
17	3740080	1	Relay, Bosch	
18	4060802	1	Guard, Switch (Not Shown - Located at Platform)	
19	4240018	AR	Tie-Strap (Not Shown)	
20	4360336	1	Switch, Toggle (Not Shown - Located at Platform)	
21	4460906	3	Terminal (Not Shown)	
22	4568735	1	Spacer, Tube (Idler Pulley Grooved)	
23	4711400	1	Flatwasher 1/4in Thin	
24	4711700	2	Flatwasher 7/16in Thin	
25	4740397	1	Spacer (Not Shown - Located at Platform)	
26	4751000	2	Flatwasher #10 Regular	
27	4751500	AR	Flatwasher 5/16in Regular	
28	4811900	1	Flatwasher M8	
29	4891600	1	Flatwasher 3/8in Hardened	

SECTION 2 - TURNTABLE

FIGURE 2-33. 4000W GENERATOR INSTALLATION - DEUTZ D2011 ENGINES



ART_1001139956

SECTION 2 - TURNTABLE

FIGURE 2-33. 4000W GENERATOR INSTALLATION - DEUTZ D2011 ENGINES

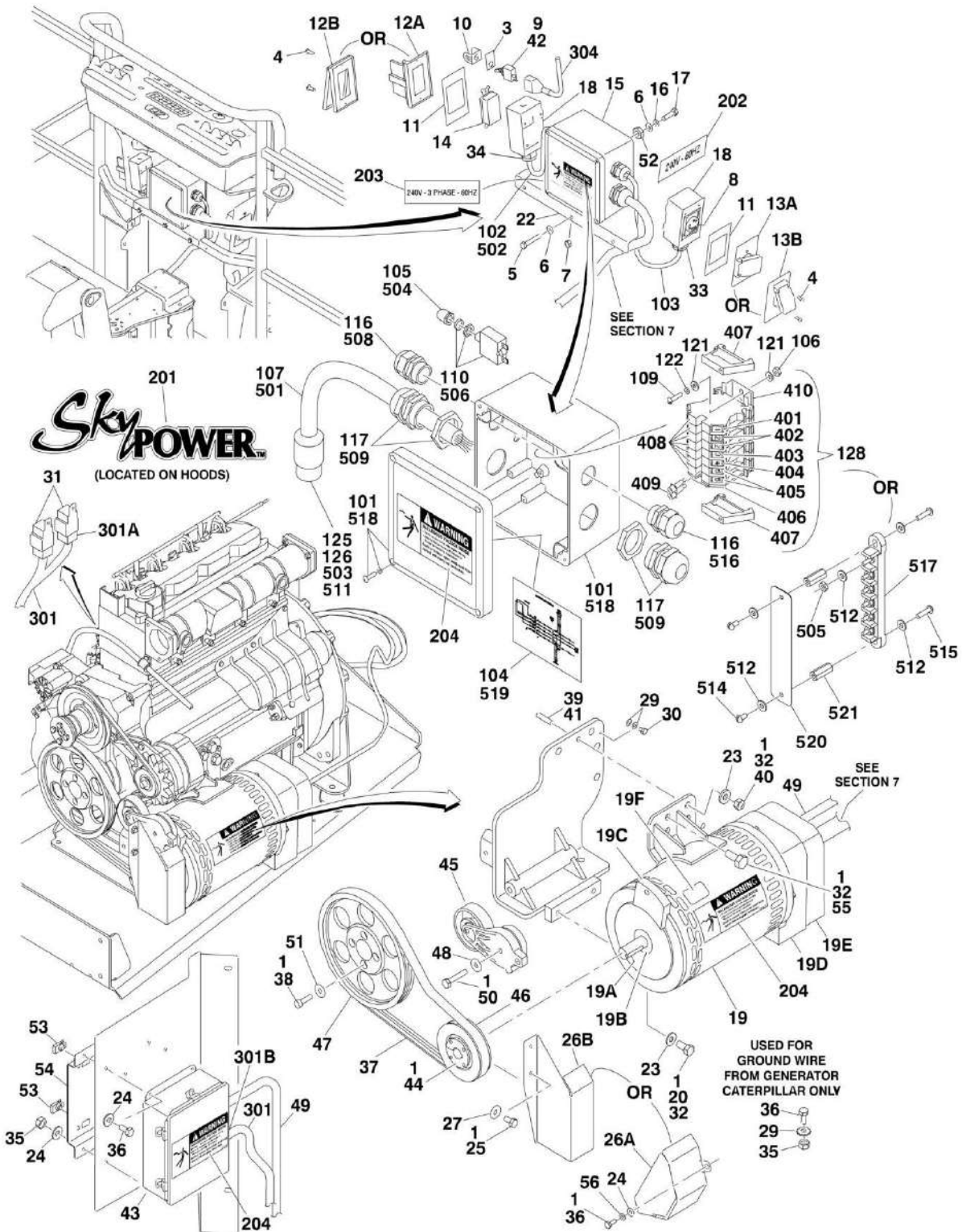
ITEM	PART NUMBER	QTY	DESCRIPTION	REV
		Ref	4000W GENERATOR INSTALLATION - DEUTZ D2011 ENGINES	
	1001139956	Ref	4000W/60Hz Generator Installation - Deutz D2011 Engines	B
	1001139957	Ref	4000W/50Hz Generator Installation - Deutz D2011 Engines	D
1	0100011	1	Compound, Locking	
3	3251102	1	Nameplate, Generator	
4	3910606	4	Screw #6 x 3/8	
5	0641516	3	Bolt 5/16 x 2	
6	4360336	1	Switch, Toggle	
7	4060802	1	Guard, Switch	
8	3960422	1	Gasket, AC Receptacle (60Hz)	
9	1001110873	1	Cover, Gang Vertical Receptacle GFCI (60Hz)	
10	4460346	1	Receptacle (60Hz)	
11	0741607	3	Screw 3/8 x 7/8	
12	0860038	1	Box, Switch-Weatherhead (60Hz)	
13	3311508	3	Nut 5/16	
14	0641808	2	Bolt 1/2 x 1	
15	4751500	3	Washer 5/16	
16	0902888	1	Bracket, Junction Box (60Hz)	
17	4711800	3	Washer 1/2	
18	4711400	8	Washer 1/4	
19	1001129858	1	Generator Assembly (60Hz)	
19	1001138565	1	Generator Assembly (50Hz)	
19	70003709	1	Ring, Retaining (External)	
19	70003708	1	Ring, Retaining (Internal)	
19	70001966	1	Bearing	
19	70004092	1	Endbell (Shaft End)	
19	70004171	1	Key	
19	70004676	1	Rotor	
19	70004684	1	Stator (60Hz)	
19	70004677	1	Stator (50Hz)	
19	70004678	1	Endbell (Rear)	
19	70004679	1	Cover, Endbell (Rear)	
19	70004680	1	Enclosure, Wiring	
19	70004685	1	Cover, Enclosure (60Hz)	
19	70004681	1	Cover, Enclosure (50Hz)	
19	70004682	1	Switch, Reset (Located on Enclosure Cover)	
19	70004098	1	Connector, Strain Relief (60Hz) (Located on Enclosure Cover)	
19	70004683	1	Connector, Strain Relief (50Hz) (Located on Enclosure Cover)	
20	1001138566	1	Box, Control	
20	70006552	1	Capacitor	
20	70006553	1	Relay	
21	4240018	AR	Tie-Strap (Not Shown)	
22	4791400	2	Washer 1/4	
23	0641404	1	Bolt 1/4 x 1/2	
24	0100019	AR	Compound, Locking	
25	4460071	1	Connector, Strain Relief (60Hz)	
26	3311405	4	Nut 1/4	
27	0641406	4	Bolt 1/4 x 3/4	
28	0480129	1	Belt, Generator (60Hz)	
28	0480126	1	Belt, Generator (50Hz)	

SECTION 2 - TURNTABLE

ITEM	PART NUMBER	QTY	DESCRIPTION	REV
29	4032015	4	Capscrew M10 x 55	
30	4300157	1	Stud	
31	3311801	1	Nut 1/2	
32	2820031	AR	Heat Shrink	
33	1001139357	1	Mount, Tensioner	
34	0962520	1	Bushing, Split	
35	3580317	1	Tensioner, Belt with Pulley	
36	3580318	1	Pulley, Generator (60Hz)	
36	3580319	1	Pulley, Generator (50Hz)	
37	3580320	1	Pulley, Engine Deutz	
38	4711600	1	Washer 3/8	
39	1001152532	1	Harness, Generator	
40	0641616	1	Bolt 3/8 x 2	
41	3300454	4	Nut, U-Style 1/4	
42	3575863	1	Plate	
43	0771415	1	Bolt M14 x 35 Grade 10.9	
44	1001152457	1	Junction Box Assembly (60Hz)	
44	3300396	1	Cover, Breaker	
44	4360070	1	Breaker, Circuit - 15Amp	
44	4460425	1	Connector, Strain Relief (LH Side)	
44	4460426	1	Connector, Strain Relief (RH Side)	
44	1001152530	1	Block, Terminal	
44	1001158363	1	Cover, Terminal Block	
44	1001153260	1	Decal - Wiring Diagram	
45	1705387	3	Decal - Hazardous Voltage (60Hz)	
45	1705489	2	Decal - Hazardous Voltage (50Hz)	
46	3251243	1	Decal, 120V-60Hz (60Hz)	
47	3311005	4	Nut #10	
48	3931016	4	Capscrew #10 x 1	
49	4751000	4	Washer #10	
50	0100020	AR	Sealant	
51	1705374	1	Decal, 240V-60Hz (60Hz)	
61	1001096070	1	Breaker Box Kit (Not Shown) (50Hz) (See ELECTRICAL SECTION for Breakdown)	
62	1001153636	1	Bracket (Attaches Item 61) (Not Shown) (50Hz)	
66	0641415	2	Capscrew 1/4 x 1-7/8 (Attaches Item 61) (Not Shown) (50Hz)	
		Ref	ELECTRICAL DIAGRAM COMPONENTS	
101	1001153197	1	Harness, Generator	
103	4922641	1	Harness, Switch	
105	1001164091	1	Harness, Ground (50Hz) (Not Shown) (ANSI Export Specs)	

SECTION 2 - TURNTABLE

FIGURE 2-34. 7500W SKYPOWER GENERATOR INSTALLATION - CATERPILLAR AND DEUTZ ENGINES



SECTION 2 - TURNTABLE

FIGURE 2-34. 7500W SKYPOWER GENERATOR INSTALLATION - CATERPILLAR AND DEUTZ ENGINES

ITEM	PART NUMBER	QTY	DESCRIPTION	REV
		Ref	7500W SKYPOWER GENERATOR INSTALLATION	
		Ref	USA Built Machines without UGM:	
	0273576	Ref	60Hz and Caterpillar Engine (ANSI and ANSI Export Specs)	I
	0273577	Ref	50Hz and Caterpillar Engine (ANSI Export, Australian and CE Specs)	G
	0272618	Ref	60Hz and Deutz Engine (ANSI and ANSI Export Specs)	K
	0272619	Ref	50Hz and Deutz Engine (ANSI Export, Australian and CE Specs)	G
		Ref	USA Built Machines with UGM:	
	1001115401	Ref	60Hz and Caterpillar Engine (ANSI and ANSI Export Specs)	C
	1001115402	Ref	50Hz and Caterpillar Engine (ANSI Export, Australian and CE Specs)	C
	1001115391	Ref	60Hz and Deutz Engine (ANSI and ANSI Export Specs)	C
	1001115392	Ref	50Hz and Deutz Engine (ANSI Export, Australian and CE Specs)	B
		Ref	China Built Machines:	
	1001115401	Ref	60Hz and Caterpillar Engine (ANSI and ANSI Export Specs)	C
	1001115402	Ref	50Hz and Caterpillar Engine (ANSI Export, Australian, CE and Japanese Specs)	C
	1001115391	Ref	60Hz and Deutz Engine (ANSI and ANSI Export Specs)	F
	1001115392	Ref	50Hz and Deutz Engine (ANSI Export, Australian, CE and Japanese Specs)	E
		Ref	Note: For 4000W Generator Installations , See SPECIAL OPTIONS SECTION.	
		Ref	Note: See ELECTRICAL SECTION for Boom Cable Components.	
1	0100011	AR	Compound, Locking	
3	3252764	1	Nameplate	
4	3910606	8	Screw #6-32NC x 3/8in	
5	0641516	3	Bolt 5/16in-18NC x 2in	
6	4711500	10	Flatwasher 5/16in Thin	
7	3311505	3	Locknut 5/16in-18NC	
8		Ref	Receptacle, Female Twist-Lock Options:	
8	4460958	1	60Hz (ANSI and ANSI Export Specs)	
8	See Note	NSS	50Hz (ANSI Export, Australian and CE Specs) (Note: Not Available - Purchase Locally)	
9	4360336	1	Switch, Toggle	
10	4060802	1	Guard, Switch	
11		Ref	Gasket Options:	
11	3960422	AR	60Hz (ANSI and ANSI Export Specs)	
11	See Note	NSS	50Hz (ANSI Export, Australian and CE Specs) (Note: Not Available - Purchase Locally)	
12		Ref	Cover, Receptacle Options:	
12	See Note	NSS	Cover for 50Hz (ANSI Export, Australian and CE Specs) (Note: Not Available - Purchase Locally)	
12A	4060700	1	Cover - Side Hinged for 60Hz (ANSI and ANSI Export Specs USA Built Machines) (SN 0300087000 through 0300138089)	
12B	1001110873	1	Cover - Top Hinged for 60Hz (ANSI and ANSI Export Specs USA Built Machines) (SN 0300138090 through 0300177361)	
12B	1001110873	1	Cover - Top Hinged for 60Hz (ANSI and ANSI Export Specs China Built Machines) (SN B300000100 to Present)	
13		Ref	Cover, Receptacle Options:	

SECTION 2 - TURNTABLE

ITEM	PART NUMBER	QTY	DESCRIPTION	REV
13	See Note	NSS	Cover for 50Hz (ANSI Export, Australian and CE Specs) (Note: Not Available - Purchase Locally)	
13A	4061043	1	Cover - Side Hinged for 60Hz (ANSI and ANSI Export Specs USA Built Machines) (SN 0300087000 through 0300138089)	
13B	1001110872	1	Cover - Top Hinged for 60Hz (ANSI and ANSI Export Specs USA Built Machines) (SN 0300138090 through 0300177361)	
13B	1001110872	1	Cover - Top Hinged for 60Hz (ANSI and ANSI Export Specs China Built Machines) (SN B300000100 to Present)	
14		Ref	Receptacle Options:	
14	4460346	1	60Hz (ANSI and ANSI Export Specs)	
14	See Note	NSS	50Hz (ANSI Export, Australian and CE Specs) (Note: Not Available - Purchase Locally)	
15		Ref	Junction Box Assembly Options:	
15	0861542	1	60Hz (ANSI and ANSI Export Specs) (See Items 101-128 for Breakdown) (SN 0300087000 through 0300177360)	
15	0861542	1	60Hz (ANSI and ANSI Export Specs) (See Items 101-128 for Breakdown) (SN B300000100 through B300000866)	
15	1001155792	1	60Hz (ANSI and ANSI Export Specs) (See Items 501-521 for Breakdown) (SN B300000867 to Present)	
15	0861567	1	50Hz (ANSI Export, Australian and CE Specs) (See Items 101-128 for Breakdown) (SN 0300087000 through 0300177360)	
15	0861567	1	50Hz (ANSI Export, Australian and CE Specs) (See Items 101-128 for Breakdown) (SN B300000100 through B300000866)	
15	1001157525	1	50Hz (ANSI Export, Australian and CE Specs) (See Items 501-521 for Breakdown) (SN B300000867 to Present)	
16	4751500	AR	Flatwasher 5/16in Regular	
16	4751000	AR	Flatwasher #10 Regular	
17	0641505	AR	Bolt 5/16in-18NC x 5/8in	
17	3931016	AR	Capscrew #10-24NC x 1in	
18		Ref	Box, Switch Options:	
18	0860038	AR	60Hz (ANSI and ANSI Export Specs)	
18	See Note	AR	50Hz (ANSI Export, Australian and CE Specs) (Note: Not Available - Purchase Locally)	
19		Ref	Generator Assembly Options:	
19	2460050	1	Caterpillar Engine	E
19	2460048	1	Deutz Engine	D
19	70001100	1	Rotor (Includes p/ns 70001384 & 70000863) (Not Shown)	
19	70001384	1	Bearing, Ball Radial (Not Shown)	
19	70000863	1	Fan (Not Shown)	
19		Ref	Stator Options (Not Shown):	
19	70001969	1	2460050 Generator	
19	70002088	1	2460048 Generator	
19	70002297	1	Stud	
19	70003631	1	Brushholder Assembly (Not Shown) (was p/n 7024484)	
19A	70004171	1	Key (was p/n 7024561)	
19B	70001966	1	Bearing, Ball Radial (Located in Belt Tensioner Endbell)	
19B	70003708	1	Ring, Internal Retaining (Located in Belt Tensioner Endbell)	
19B	70003709	1	Ring, External Retaining (Located in Belt Tensioner Endbell)	
19C	70001953	1	Endbell, Belt Tensioner	
19D		Ref	Endbell, Brush Block Options (was p/n 70001385)	
19D	70004170	1	Caterpillar Engine Machines	
19D	70004169	1	Deutz Engine Machines	

SECTION 2 - TURNTABLE

ITEM	PART NUMBER	QTY	DESCRIPTION	REV
19E		Ref	Shroud Options:	
19E	70004170	1	Caterpillar Engine (was p/ns 70001970 & 70001971)	
19E	70004169	1	Deutz Engine (was p/n 70002290)	
19E	7027799	1	Block, Connector 6 Position (Not Shown)	
19E	7026626	1	Connector - 6 Position with Seal (Not Shown)	
19E	70002460	1	Nut, Brass (Attaches p/n 7027799 to Cover) (Not Shown)	
19E	7024485	1	Breaker, Circuit 30Amp (Not Shown)	
19E	70001696	1	Boot, Breaker (was p/n 7024486 - Not Shown)	
19E	7026597	1	Connector, with Leads (Not Shown)	
19E	7026188	1	Clamp, Cable (Not Shown)	
19E		Ref	Plate, End Panel Options:	
19E	70004170	1	Caterpillar Engine (was p/n 70001972)	
19E	70004169	1	Deutz Engine (was p/n 70002255)	
19E	70001974	1	Decal - Terminal Connections	
19F	70001973	1	Decal - Warning Moving Parts	
20	0641808	2	Bolt 1/2in-13NC x 1in	
22	0902888	1	Bracket, Box Mounting	
23	4711800	AR	Flatwasher 1/2in Thin	
24	4711400	AR	Flatwasher 1/4in Thin	
25	0641404	AR	Bolt 1/4in-20NC x 1/2in	
26		Ref	Shield Options:	
26A	1001118599	1	Caterpillar Engine (USA Built Machines) (SN 0300143952 through 0300172670)	
26A	1001118599	1	Caterpillar Engine (China Built Machines) (SN B300000231 through B300000763)	
26B	4061049	1	Deutz Engine (USA Built Machines) (SN 0300087000 through 0300172670)	
26B	4061049	1	Deutz Engine (China Built Machines) (SN B300000100 through B300000763)	
27	4751400	2	Flatwasher 1/4in Regular (USA Built Machines) (SN 0300087000 through 0300172670)	
27	4751400	1	Flatwasher 1/4in Regular (China Built Machines) (SN B300000100 through B300000763)	
28	4240018	AR	Tie-Strap (Not Shown)	
29	4791400	2	Starwasher 1/4in	
30	0641403	1	Bolt 1/4in-20NC x 3/8in	
31	3740080	2	Relay (SN 0300087000 through 0300177361, SN B300000100 through B300000865)	
32	0100019	AR	Compound, Locking	
33		Ref	Connector, Strain Relief Options:	
33	4460051	1	60Hz (ANSI and ANSI Export Specs)	
33	See Note	NSS	50Hz (ANSI Export, Australian and CE Specs) (Note: Not Available - Purchase Locally)	
34		Ref	Connector, Strain Relief Options:	
34	4460071	1	60Hz (ANSI and ANSI Export Specs)	
34	See Note	NSS	50Hz (ANSI Export, Australian and CE Specs) (Note: Not Available - Purchase Locally)	
35	3311405	AR	Locknut 1/4in-20NC	
36	0641406	AR	Bolt 1/4in-20NC x 3/4in	
36	0641405	AR	Bolt 1/4in-20NC x 5/8in	
37		Ref	Belt, Drive Options:	
37	0480129	1	60Hz (ANSI and ANSI Export Specs)	
37	0480125	1	50Hz with Caterpillar Engine (ANSI Export, Australian and CE Specs)	

SECTION 2 - TURNTABLE

ITEM	PART NUMBER	QTY	DESCRIPTION	REV
37	0480126	1	50Hz with Deutz Engine (ANSI Export, Australian and CE Specs)	
38		Ref	Bolt, Metric Options:	
38	0700815	4	Caterpillar Engine (Bolt M8 x 35mm)	
38	4032015	4	Deutz Engine (Capscrew M10 x 55mm)	
39	4300157	1	Stud	
40	3311801	1	Nut 1/2in-13NC	
41	0100062	1	Loctite, #RC680	
42	2820031	1	Insulator	
43		Ref	Control Box Assembly Options:	
43	0861538	1	60Hz Control Box Assembly (ANSI and ANSI Export Specs)	
43	0861572	1	50Hz Control Box Assembly (ANSI Export, Australian and CE Specs)	
43	7024488	1	Card, Circuit - Generator Power	
43	See Note	NSS	Fuse (Note: Not Available - Purchase Locally)	
43	7024489	1	Card, Circuit - Control	
		Ref	Note: Same Circuit Card (P/N 7024489) is used for both 60Hz & 50Hz. When replacing card, rocker switch on card must be set for required application.	
43	70000619	1	Harness, Circuit Card	
44	0962520	1	Bushing, Split Taper	
45	3580317	1	Tensioner, Belt	
46		Ref	Pulley Options:	
46	3580318	1	60Hz (ANSI and ANSI Export Specs)	
46	3580319	1	50Hz (ANSI Export, Australian and CE Specs)	
47		Ref	Pulley Options:	
47	3580321	1	Caterpillar Engine	
47	3580320	1	Deutz Engine	
48	4711600	1	Flatwasher 3/8in Thin	
49	4922925	1	Harness, Generator	
50		Ref	Bolt 3/8in-16NC x 2-1/4in Options:	
50	3931632	1	Socket Head Capscrew	
50	0641618	1	Hex Head Bolt	
51	4811900	4	Flatwasher M8 (Caterpillar Engine Only)	
52	3311005	AR	Nut #10-24NC	
53	3300454	4	Nut Special 1/4in-20NC (Deutz Engine Only)	
54	3575863	1	Plate, EMR2 Mount (Deutz Engine Only)	
55		Ref	Bolt Options:	
55	0641808	2	Bolt 1/2in-13NC x 1in (Caterpillar Engine Only)	
55	0771415	1	Bolt Metric M14 x 35mm (Deutz Engine Only)	
56	4761400	2	Lockwasher 1/4in (Caterpillar Engine Only) (USA Built Machines) (SN 0300143952 through 0300168349)	
56	4761400	1	Lockwasher 1/4in (Caterpillar Engine Only) (China Built Machines) (SN B300000231 through B300000734)	
		Ref	JUNCTION BOX ASSEMBLY	
	0861542	Ref	60Hz (ANSI and ANSI Export Specs) (SN 0300087000 through 0300177360)	E
	0861542	Ref	60Hz (ANSI and ANSI Export Specs) (SN B300000100 through B300000866)	E
	0861567	Ref	50Hz (ANSI Export, Australian and CE Specs) (SN 0300087000 through 0300177360)	B
	0861567	Ref	50Hz (ANSI Export, Australian and CE Specs) (SN B300000100 through B300000866)	B
101	0861541	1	Box, Junction	

SECTION 2 - TURNTABLE

ITEM	PART NUMBER	QTY	DESCRIPTION	REV
102		Ref	Cable, Electrical 12/3 Options:	
102	1060494	2 ft/.6m	60Hz (ANSI and ANSI Export Specs) (SN 0300087000 through 0300177361, SN B300000100 through B300001242)	
102	1001179154	2 ft/.6m	60Hz (ANSI and ANSI Export Specs) (SN B300001243 to Present)	
102	See Note	2 ft/.6m	50Hz (ANSI Export, Australian and CE Specs) (Note: Not Available - Purchase Locally)	
103		Ref	Cable, Electrical 10/3 Options:	
103	1060708	2.5 ft /.76m	60Hz (ANSI and ANSI Export Specs)	
103	See Note	2.5 ft /.76m	50Hz (ANSI Export, Australian and CE Specs) (Note: Not Available - Purchase Locally)	
104	1705376	1	Decal - Wiring Schematic	
105	3300396	1	Cover, Fuse	
106	3310601	2	Nut 6-32NC	
107	1060343	1.5 ft /.46m	Cable, Electrical 10/4 (60Hz Spec Only)	
107	3520189	1	Plug (50Hz Spec Only)	
109	3910610	2	Bolt 6-32NC x 5/8	
110	4360070	1	Circuit Breaker - 15Amp	
116	4460425	2	Strain Relief, Terminal	
117	4460426	2	Connector, Strain Relief	
121	4750600	4	Flatwasher #6 Regular	
122	4760600	2	Lockwasher #6	
125	1671092	1	Cover (60Hz Spec Only)	
126	4460963	1	Connector (60Hz Spec Only)	
128		Ref	Terminal Block Assembly Options (See Items 401-410 for Breakdown):	
128	NPN	1	Gray Terminal Block Assembly	
128	1001121340	1	Tan Terminal Block Assembly	
		Ref	DECAL INSTALLATION	
	0272435	Ref	60Hz (ANSI and ANSI Export Specs)	B
	0272589	Ref	50Hz (ANSI Export, Australian and CE Specs)	A
201	1705460	2	Decal - SkyPower	
202	1705374	1	Decal - 240V - 60Hz (60Hz Spec Only)	
203		Ref	Decal - 240V - 3 Phase Options:	
203	1705375	1	60Hz (ANSI and ANSI Export Specs)	
203	1705461	1	50Hz (ANSI Export, Australian and CE Specs)	
204		Ref	Decal, Hazardous Voltage Options:	
204	1705387	3	60Hz (ANSI and ANSI Export Specs)	
204	1705489	3	50Hz (ANSI Export, Australian and CE Specs)	
		Ref	ELECTRICAL DIAGRAM COMPONENTS	
	4933264	Ref	USA Built Machines (SN 0300087000 through 0300139040)	C
	1001112586	Ref	USA Built Machines (SN 0300139041 through 0300177361)	A
	1001112586	Ref	China Built Machines (SN B300000100 through B300000866)	B
	1001157769	Ref	China Built Machines (SN B300000867 to Present)	B
301		Ref	Generator Harness Options (See ELECTRICAL SECTION for Breakdown):	
301	4922757	1	USA Built Machines without UGM	3-C
301	1001112587	1	USA Built Machines with UGM	B
301	1001112587	1	China Built Machines (SN B300000100 through B300000865)	B
301	1001152429	1	China Built Machines (SN B300000866 to Present)	C
301A	4460374	2	Plug, Sealed Relay (4922757 & 1001112587 Harness)	

SECTION 2 - TURNTABLE

ITEM	PART NUMBER	QTY	DESCRIPTION	REV
301A	4460375	7	Terminal (4822757 & 1001112587 Harness)	
301B	4460967	1	Plug, Male - 3 Position	
301B	4460465	3	Socket, Female	
301C	2400060	1	Fuseholder (Not Shown)	
301C	2400064	1	Fuse - 5Amp (Not Shown)	
301D	4460742	1	Connector - 2 Position (1001152429 Harness) (Not Shown)	
301D	4460743	2	Terminal (1001152429 Harness) (Not Shown)	
304	4922641	1	Switch Harness	
		Ref	TERMINAL BLOCK ASSEMBLY (SN 0300087000 through 0300177360)	
		Ref	TERMINAL BLOCK ASSEMBLY (SN B300000100 through B300000866)	
	NPN	Ref	Gray Terminal Block Assembly (Complete Assembly Not Available - Purchase Individual Components)	
	1001121340	Ref	Tan Terminal Block Assembly	A
401		Ref	Marker Strip #1 Options:	
401	4460411	2	Gray Terminal Block Assembly	
401	70002818	2	Tan Terminal Block Assembly	
402		Ref	Marker Strip #2 Options:	
402	4460412	4	Gray Terminal Block Assembly	
402	70002819	4	Tan Terminal Block Assembly	
403		Ref	Marker Strip #3 Options:	
403	4460413	2	Gray Terminal Block Assembly	
403	70002820	2	Tan Terminal Block Assembly	
404		Ref	Marker Strip #4 Options:	
404	4460414	2	Gray Terminal Block Assembly	
404	70002821	2	Tan Terminal Block Assembly	
405		Ref	Marker Strip #5 Options:	
405	4460415	4	Gray Terminal Block Assembly	
405	70002822	4	Tan Terminal Block Assembly	
406		Ref	Terminal, End Barrier Options:	
406	4460956	1	Gray Terminal Block Assembly	
406	70002823	1	Tan Terminal Block Assembly	
407		Ref	Terminal, End Block Options:	
407	4460607	2	Gray Terminal Block Assembly	
407	70002824	2	Tan Terminal Block Assembly	
408		Ref	Terminal, Block Options:	
408	4460957	7	Gray Terminal Block Assembly	
408	70002825	7	Tan Terminal Block Assembly	
409		Ref	Terminal, Cross Connector Jumper Options:	
409	4461001	2	Gray Terminal Block Assembly	
409	70002826	2	Tan Terminal Block Assembly	
410	3641533	1	Rail, Relay	
	1001157592	Ref	JUNCTION BOX ASSEMBLY (60Hz) (SN B300000867 to Present)	C
	1001157525	Ref	JUNCTION BOX ASSEMBLY (50Hz) (SN B300000867 to Present)	B
501	1060343	1.5 ft /0.46m	Cable, Electrical - 1014 (60Hz Only)	
502	1060494	2 ft/0.6m	Cable, Electrical - 12/3 (60Hz) (SN B300000100 through B300001242)	
502	1001179154	2 ft /0.76m	Cable, Electrical - 12/3 (60Hz) (SN B300001243 to Present)	
503	1671092	1	Cover, Connector (60Hz)	
504	3300396	1	Cover, Fuse	

SECTION 2 - TURNTABLE

ITEM	PART NUMBER	QTY	DESCRIPTION	REV
505	3311001	6	Nut #10	
506	4360070	1	Breaker, Circuit 15Amp	
508	4460425	1	Connector, Strain Relief	
508	3520192	1	Plug (50Hz)	
509	4460426	2	Connector, Strain Relief	
509	3520189	1	Plug (50Hz)	
511	4460963	1	Receptacle (60Hz)	
512	4711000	10	Washer #10	
514	10702077	2	Screw #10 x 3/8	
515	10702082	2	Screw #10 x 3/4	
516	1001152525	1	Plug, Hole	
517	1001157520	1	Block, Terminal Pole	
518	1001157521	1	Box, Junction	
519	1001157528	1	Decal - Box Junction	
520	1001158007	1	Cover	
521	1001158008	2	Standoff	

SECTION 2 - TURNTABLE

FIGURE 2-35. 7500W SKYPOWER GENERATOR INSTALLATION - FORD ENGINES

ITEM	PART NUMBER	QTY	DESCRIPTION	REV
		Ref	Note: Only Available on USA Built Machines.	
	0273109	Ref	7500W SKYPOWER GENERATOR INSTALLATION	F
		Ref	Note: See ELECTRICAL SECTION for Boom Cable Components.	
1	0100011	AR	Compound, Locking	
2	0100019	AR	Compound, Locking	
3	0363097	1	Bar, Pulley Mount	
4	0363201	1	Bar, Generator Mount (Top)	
5	0363202	1	Bar, Generator Mount (Bottom)	
6	0480130	1	Belt, Generator	
7	0641405	AR	Bolt 1/4in-20NC x 5/8in	
8	0641505	4	Bolt 5/16in-18NC x 5/8in	
9	0641516	3	Bolt 5/16in-18NC x 2in	
10	0641608	3	Bolt 3/8in-16NC x 1in	
11	0641611	2	Bolt 3/8in-16NC x 1-3/8in	
12	0641612	1	Bolt 3/8in-16NC x 1-1/2in	
13	0641708	8	Bolt 7/16in-14NC x 1in	
14	0641810	5	Bolt 1/2in-13NC x 1-1/4in	
15	0701015	2	Bolt, Metric M10 x 35mm	
16	0701016	1	Bolt, Metric M10 x 40mm	
17	0741606	1	Screw, Flathead Countersunk 3/8in-16NC x 3/4in	
18	0741808	1	Screw, Flathead Countersunk 1/2in-13NC x 1in	
19	0860038	2	Box, Switch	
20	0861538	1	Control Box Assembly (was p/n 7024487)	
20	7024488	1	Card, Circuit - Generator Power	
20	See Note	1	Fuse (Note: Not Available - Purchase Locally)	
20	7024489	1	Card, Circuit - Control	
20	70000619	1	Harness, Circuit Card	
21	0861542	1	Junction Box Assembly (See Items 101-127 for Breakdown)	
22	0962520	1	Bushing, Split Taper	
23	0962521	2	Spacer, Tube	
24	2460048	1	Generator Assembly	
24	70003631	1	Brushholder Assembly (Not Shown) (was p/n 7024484)	
24	7024485	1	Breaker, Circuit 30Amp (Not Shown)	
24	70001696	1	Boot, Breaker (was p/n 7024486 - Not Shown)	
24	70001966	1	Bearing, Ball Radial (Located In Belt Tensioner Endbell - Not Shown)	
24	7027799	1	Block, Connector 6 Position (Not Shown)	
24	70002460	6	Nut, Brass (Attaches p/n 7027799 to Cover) (Not Shown)	
24	7026188	1	Clamp, Cable (Not Shown)	
24	7026597	1	Connector, with Leads (Not Shown)	
24	7026626	1	Connector - 6 Position with Seal (Not Shown)	
24	70002088	1	Stator (Not Shown)	
24	70004169	1	Panel, End (Not Shown) (was p/n 70002255)	
24	70001974	1	Decal - Terminal Connections (Not Shown)	
24	70000863	1	Fan (Not Shown)	
24	70002297	4	Stud (Not Shown)	
24A	70004171	1	Key (was p/n 7024561)	
24A	70001100	1	Armature, Generator (Includes Radial Ball Bearing on End with Brushes and Fan)	

SECTION 2 - TURNTABLE

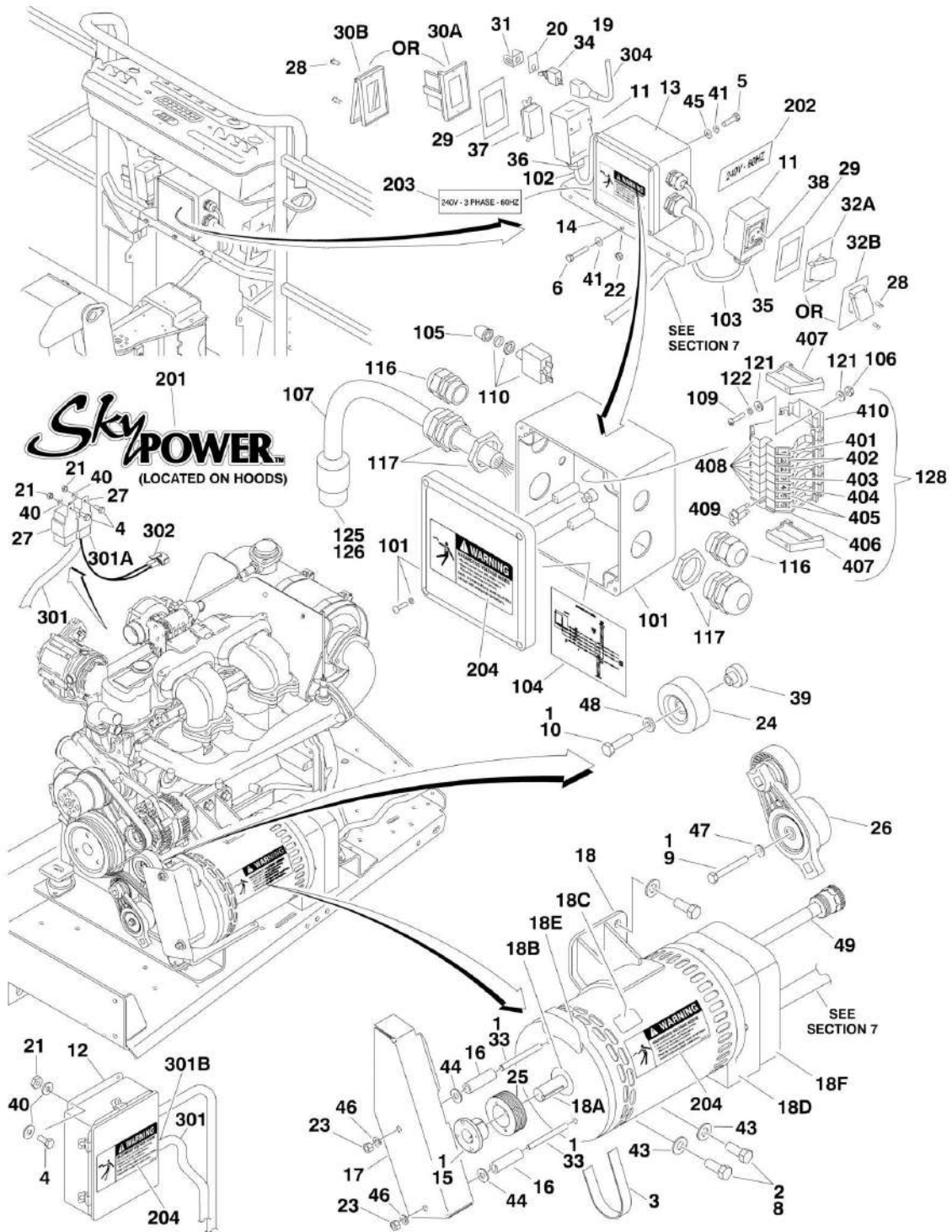
ITEM	PART NUMBER	QTY	DESCRIPTION	REV
24A	70001384	1	Bearing, Ball Radial	
24B	70001966	1	Bearing, Radial Ball (Located in Belt Tensioner Endbell)	
24B	70003708	1	Ring, Internal Retaining (Located in Belt Tensioner Endbell)	
24B	70003709	1	Ring, External Retaining (Located in Belt Tensioner Endbell)	
24C	70001973	1	Decal - Warning Moving Parts	
24D	70004169	1	Endbell, Brush Block (was p/n 70001385)	
24E	70001953	1	Endbell, Belt Tensioner	
24F	70004169	1	Endbell, Shroud Assembly (was p/n 70002290)	
25	2820031	1	Insulator	
26	3252764	1	Nameplate	
27	3311405	6	Locknut 1/4in-20NC	
28	3311505	3	Locknut 5/16in-18NC	
29	3311601	2	Nut 3/8in-16NC	
30	0902888	1	Bracket, Box Mounting	
31	3574225	1	Plate, Pulley Mounting	
32	3574229	2	Plate, Gusset Generator Mounting	
33	3574262	1	Plate, Shield	
34	3580312	2	Pulley, Idler	
35	3580313	1	Pulley, Idler Grooved	
36	3580314	1	Pulley, Drive Grooved	
37	3740080	2	Relay	
38	3910606	8	Screw #6-32NC x 3/8in	
39	3960422	2	Gasket	
40	4060700	1	Cover, Receptacle	
41	4060802	1	Guard, Switch	
42	4061043	1	Cover, Receptacle	
43	4300111	2	Stud, Chain Assembly	
44	4340738	1	Support, Idler Pulley Mount	
45	4360336	1	Switch, Toggle	
46	4460051	1	Connector, Strain Relief	
47	4460071	1	Connector, Strain Relief	
48	4460346	1	Receptacle	
49	4460958	1	Receptacle, Female Twist-Lock	
50	4568734	2	Tube, Spacer Pulley	
51	4568735	1	Tube, Spacer Pulley Grooved	
52	4711400	10	Flatwasher 1/4in Thin	
53	4711500	10	Flatwasher 5/16in Thin	
54	4711600	5	Flatwasher 3/8in Thin	
55	4711800	1	Flatwasher 1/2in Thin	
56	4761500	4	Lockwasher 5/16in	
57	4761600	2	Lockwasher 3/8in	
58	4791400	1	Starwasher 1/4in	
59	4891600	6	Flatwasher 3/8in Hardened	
60	4891700	8	Flatwasher 7/16in Hardened	
61	4891800	4	Flatwasher 1/2in Hardened	
63	4922905	1	Harness, Generator	
	0861542	Ref	JUNCTION BOX ASSEMBLY	C
101	0861541	1	Box, Junction	
102	1060494	2 ft/.6m	Cable, Electrical 12/3	
103	1060708	2.5 ft /.76m	Cable, Electrical 10/3	
104	1705376	1	Decal - Wiring Schematic	

SECTION 2 - TURNTABLE

ITEM	PART NUMBER	QTY	DESCRIPTION	REV
105	3300396	1	Cover, Fuse	
106	3310601	2	Nut 6-32NC	
107	1060343	1.5 ft /.46m	Cable, Electrical 10/4	
108	3641533	1	Rail, Relay	
109	3910610	2	Bolt 6-32NC x 5/8	
110	4360070	1	Circuit Breaker - 15Amp	
111	4460411	2	Marker Strip #1	
112	4460412	4	Marker Strip #2	
113	4460413	2	Marker Strip #3	
114	4460414	2	Marker Strip #4	
115	4460415	4	Marker Strip #5	
116	4460425	2	Strain Relief, Terminal	
117	4460426	2	Connector, Strain Relief	
118	4460607	2	Terminal, End Stop	
119	4460956	1	Terminal, Block End	
120	4460957	7	Terminal, Block	
121	4750600	4	Flatwasher, #6 Regular	
122	4760600	2	Lockwasher #6	
125	1671092	1	Cover	
126	4460963	1	Connector	
127	4461001	2	Terminal, Cross Connector	
	0272435	Ref	DECAL INSTALLATION	B
201	1705460	2	Decal - SkyPower	
202	1705374	1	Decal - 240V - 60Hz	
203	1705375	1	Decal - 240V - 3 Phase	
204	1705387	3	Decal, Hazardous Voltage	
	4933283	Ref	ELECTRICAL DIAGRAM COMPONENTS	2-B
301	4922905	1	Generator Harness	2-B
301A	4460374	2	Plug, Sealed Relay	
301A	4460375	7	Terminal	
301B	4460967	1	Plug, Male - 3 Position	
301B	4460465	3	Socket, Female	
301C	2400060	2	Fuseholder (Not Shown)	
301C	2400064	2	Fuse - 5Amp (Not Shown)	
304	4922641	1	Switch Harness	
305	4460375	1	Terminal	

SECTION 2 - TURNTABLE

FIGURE 2-36. 7500W SKYPOWER GENERATOR INSTALLATION - GM ENGINES



SECTION 2 - TURNTABLE

FIGURE 2-36. 7500W SKYPOWER GENERATOR INSTALLATION - GM ENGINES

ITEM	PART NUMBER	QTY	DESCRIPTION	REV
		Ref	Note: Only Available on USA Built Machines.	
	0275257	Ref	7500W SKYPOWER GENERATOR INSTALLATION	F
		Ref	Note: For 4000W Generator Installations , See SPECIAL OPTIONS SECTION	
		Ref	Note: See ELECTRICAL SECTION for Boom Cable Components.	
1	0100011	AR	Compound, Locking	
2	0100019	AR	Compound, Locking	
3	0480142	1	Belt, Generator	
4	0641405	6	Bolt 1/4in-20NC x 5/8in	
5	0641505	4	Bolt 5/16in-18NC x 5/8in	
6	0641516	3	Bolt 5/16in-18NC x 2in	
8	0641808	4	Bolt 1/2in-13NC x 1in	
9	0700820	1	Bolt, Metric M8 x 60mm	
10	0701016	1	Bolt, Metric M10 x 40mm	
11	0860038	2	Box, Switch	
12	0861538	1	Control Box Assembly	
12	7024488	1	Card, Circuit - Generator Power	
12	See Note	1	Fuse (Note: Not Available - Purchase Locally)	
12	7024489	1	Card, Circuit - Control	
12	70000619	1	Harness, Circuit Card	
13	0861542	1	Junction Box Assembly (See Items 101-128 for Breakdown)	
14	0902888	1	Bracket, Box Mounting	
15	0962520	1	Bushing, Split Taper	
16	0962521	2	Spacer, Tube (USA Built Machines) (SN 0300087000 through 0300172670)	
16	0962521	1	Spacer, Tube (China Built Machines) (SN B300000100 through B300000763)	
17	1671311	1	Cover, Generator Belt (USA Built Machines) (SN 0300087000 through 0300172670)	
17	1671311	1	Cover, Generator Belt (China Built Machines) (SN B300000100 through B300000763)	
18	2460048	1	Generator Assembly	
18	70003631	1	Brushholder Assembly (Not Shown) (was p/n 7024484)	
18	7024485	1	Breaker, Circuit 30Amp (Not Shown)	
18	70001696	1	Boot, Breaker (was p/n 7024486 - Not Shown)	
18	70001966	1	Bearing, Ball Radial (Located In Belt Tensioner Endbell - Not Shown)	
18	7027799	1	Block, Connector 6 Position (Not Shown)	
18	7026626	1	Connector - 6 Position with Seal (Not Shown)	
18	70002460	6	Nut, Brass (Attaches p/n 7027799 to Cover) (Not Shown)	
18	7026188	1	Clamp, Cable (Not Shown)	
18	7026597	1	Connector, with Leads (Not Shown)	
18	70002088	1	Stator (Not Shown)	
18	70004169	1	Panel, End (Not Shown) (was p/n 70002255)	
18	70001974	1	Decal - Terminal Connections (Not Shown)	
18	70000863	1	Fan (Not Shown)	
18	70002297	4	Stud (Not Shown)	
18A	70004171	1	Key (was p/n 7024561)	
18A	70001100	1	Armature, Generator (Includes Radial Ball Bearing on End with Brushes and Fan)	

SECTION 2 - TURNTABLE

ITEM	PART NUMBER	QTY	DESCRIPTION	REV
18A	70001384	1	Bearing, Ball Radial	
18B	70001966	1	Bearing, Radial Ball	
18B	70003708	1	Ring, Internal Retaining (Located in Belt Tensioner Endbell)	
18B	70003709	1	Ring, External Retaining (Located in Belt Tensioner Endbell)	
18C	70001973	1	Decal - Warning Moving Parts	
18D	70004169	1	Endbell, Brush Block (was p/n 70001385)	
18E	70001953	1	Endbell, Belt Tensioner	
18F	70004169	1	Endbell, Shroud Assembly (was p/n 70002290)	
19	2820031	1	Insulator	
20	3252764	1	Nameplate	
21	3311405	6	Locknut 1/4in-20NC	
22	3311505	3	Locknut 5/16in-18NC	
23	3311601	2	Nut 3/8in-16NC (USA Built Machines) (SN 0300087000 through 0300172670)	
23	3311601	1	Nut 3/8in-16NC (China Built Machines) (SN B300000100 through B300000763)	
24	3580312	2	Pulley, Idler	
25	3580314	1	Pulley, Drive Grooved	
26	3580348	1	Tensioner, Belt with Pulley	
27	3740080	2	Relay	
28	3910606	8	Screw #6-32NC x 3/8in	
29	3960422	2	Gasket	
30		Ref	Cover, Receptacle Options:	
30A	4060700	1	Cover - Side Hinged (SN 0300087000 through 0300137769)	
30B	1001114873	1	Cover - Top Hinged (SN 0300137770 through 0300177361)	
31	4060802	1	Guard, Switch	
32		Ref	Cover, Receptacle Options:	
32A	4061043	1	Cover - Side Hinged (SN 0300087000 through 0300137769)	
32B	1001114872	1	Cover - Top Hinged (SN 0300137770 through 0300177361)	
33	4300111	2	Stud, Chain Assembly (USA Built Machines) (SN 0300087000 through 0300172670)	
33	4300111	1	Stud, Chain Assembly (China Built Machines) (SN B300000100 through B300000763)	
34	4360336	1	Switch, Toggle	
35	4460051	1	Connector, Strain Relief	
36	4460071	1	Connector, Strain Relief	
37	4460346	1	Receptacle	
38	4460958	1	Receptacle, Female Twist-Lock	
39	4568735	1	Tube, Spacer Pulley Grooved	
40	4711400	10	Flatwasher 1/4in Thin	
41	4711500	10	Flatwasher 5/16in Thin	
43	4711800	4	Flatwasher 1/2in Thin	
44	4751600	2	Flatwasher 3/8in Regular (USA Built Machines) (SN 0300087000 through 0300172670)	
44	4751600	1	Flatwasher 3/8in Regular (China Built Machines) (SN B300000100 through B300000763)	
45	4761500	4	Lockwasher 5/16in	
46	4761600	2	Lockwasher 3/8in (USA Built Machines) (SN 0300087000 through 0300172670)	
46	4761600	1	Lockwasher 3/8in (China Built Machines) (SN B300000100 through B300000763)	
47	4811900	1	Flatwasher M8	
48	4891600	1	Flatwasher 3/8in Hardened	

SECTION 2 - TURNTABLE

ITEM	PART NUMBER	QTY	DESCRIPTION	REV
49	4922925	1	Harness, Generator	
	0861542	Ref	JUNCTION BOX ASSEMBLY	E
101	0861541	1	Box, Junction	
102	1060494	2 ft/.6m	Cable, Electrical 12/3 (SN 0300087000 through 0300177361, SN B300000100 through B300001242)	
	1001179154	2 ft/.6m	Cable, Electrical 12/3 (SN B300001243 to Present)	
103	1060708	2.5 ft /.76m	Cable, Electrical 10/3	
104	1705376	1	Decal - Wiring Schematic	
105	3300396	1	Cover, Fuse	
106	3310601	2	Nut 6-32NC	
107	1060343	1.5 ft /.46m	Cable, Electrical 10/4	
109	3910610	2	Bolt 6-32NC x 5/8	
110	4360070	1	Circuit Breaker - 15Amp	
116	4460425	2	Strain Relief, Terminal	
117	4460426	2	Connector, Strain Relief	
121	4750600	4	Flatwasher #6 Regular	
122	4760600	2	Lockwasher #6	
125	1671092	1	Cover	
126	4460963	1	Connector	
128		Ref	Terminal Block Assembly Options (See Items 401-410 for Breakdown):	
128	NPN	1	Gray Terminal Block Assembly	
128	1001121340	1	Tan Terminal Block Assembly	
	0272435	Ref	DECAL INSTALLATION	B
201	1705460	2	Decal - SkyPower	
202	1705374	1	Decal - 240V - 60Hz	
203	1705375	1	Decal - 240V - 3 Phase	
204	1705387	3	Decal, Hazardous Voltage	
	4933349	Ref	ELECTRICAL DIAGRAM COMPONENTS	A
301	4923420	1	Generator Harness	A
301A	4460374	2	Plug, Sealed Relay	
301A	4460375	8	Terminal	
301B	4460967	1	Plug, Male - 3 Position	
301B	4460465	3	Socket, Female	
301C	2400060	2	Fuseholder (Not Shown)	
301C	2400064	2	Fuse - 5Amp (Not Shown)	
302	4460742	1	Connector - 2 Position	
302	4460743	2	Socket, Female	
302	4460458	2	Seal	
304	4922641	1	Switch Harness	
		Ref	TERMINAL BLOCK ASSEMBLY	
	NPN	Ref	Gray Terminal Block Assembly (Complete Assembly Not Available - Purchase Individual Components)	
	1001121340	Ref	Tan Terminal Block Assembly	A
401		Ref	Marker Strip #1 Options	
401	4460411	2	Gray Terminal Block Assembly	
401	70002818	2	Tan Terminal Block Assembly	
402		Ref	Marker Strip #2 Options:	
402	4460412	4	Gray Terminal Block Assembly	
402	70002819	4	Tan Terminal Block Assembly	

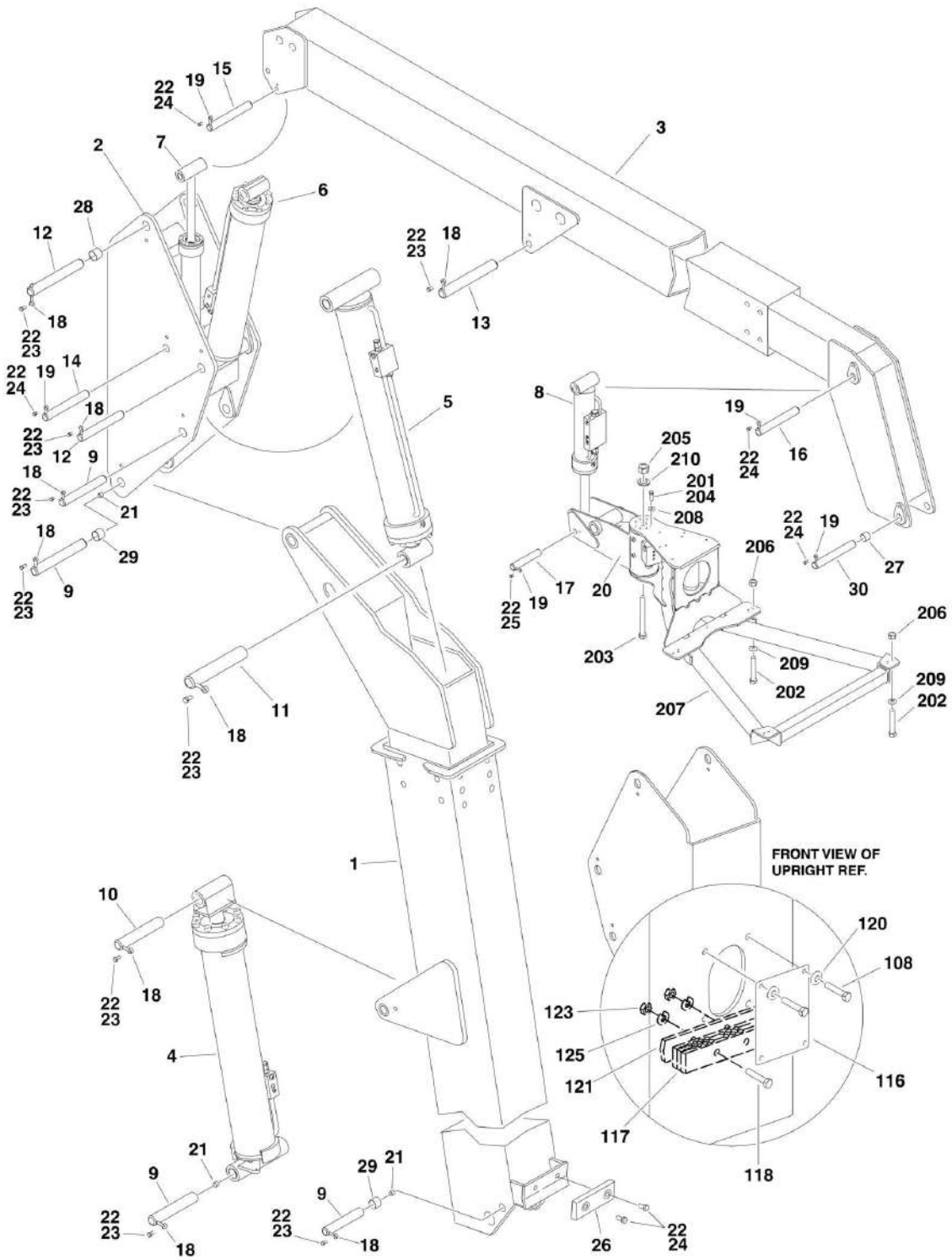
SECTION 2 - TURNTABLE

ITEM	PART NUMBER	QTY	DESCRIPTION	REV
403		Ref	Marker Strip #3 Options:	
403	4460413	2	Gray Terminal Block Assembly	
403	70002820	2	Tan Terminal Block Assembly	
404		Ref	Marker Strip #4 Options:	
404	4460414	2	Gray Terminal Block Assembly	
404	70002821	2	Tan Terminal Block Assembly	
405		Ref	Marker Strip #5 Options:	
405	4460415	4	Gray Terminal Block Assembly	
405	70002822	4	Tan Terminal Block Assembly	
406		Ref	Terminal, End Barrier Options:	
406	4460956	1	Gray Terminal Block Assembly	
406	70002823	1	Tan Terminal Block Assembly	
407		Ref	Terminal, End Block Options:	
407	4460607	2	Gray Terminal Block Assembly	
407	70002824	2	Tan Terminal Block Assembly	
408		Ref	Terminal, Block Options:	
408	4460957	7	Gray Terminal Block Assembly	
408	70002825	7	Tan Terminal Block Assembly	
409		Ref	Terminal, Cross Connector Jumper Options:	
409	4461001	2	Gray Terminal Block Assembly	
409	70002826	2	Tan Terminal Block Assembly	
410	3641533	1	Rail, Relay	

SECTION 3 - BOOM

SECTION 3 - BOOM

FIGURE 3-1. USA BUILT MACHINES/BOOMS AND CYLINDERS INSTALLATION - 600A



SECTION 3 - BOOM

FIGURE 3-1. USA BUILT MACHINES/BOOMS AND CYLINDERS INSTALLATION - 600A

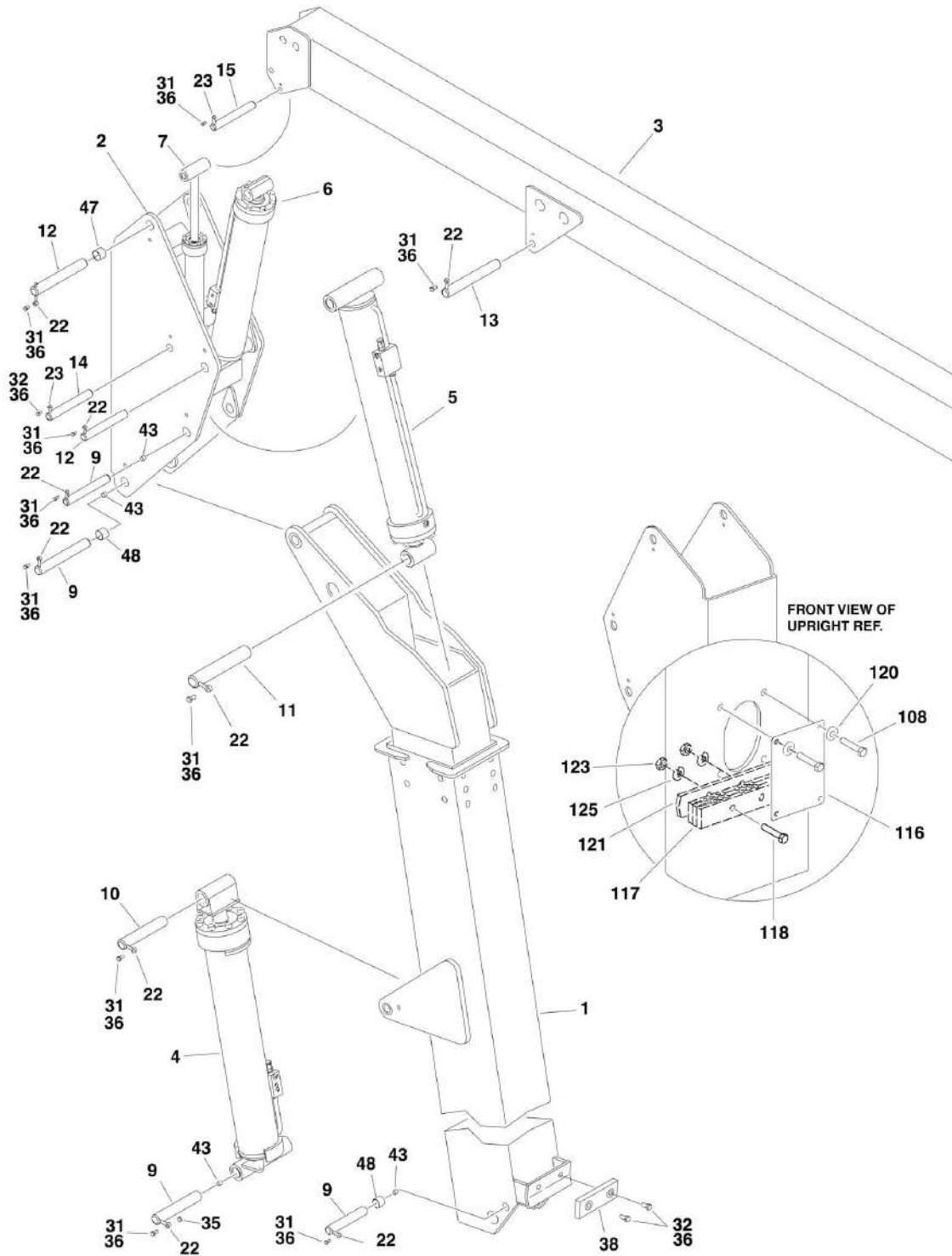
ITEM	PART NUMBER	QTY	DESCRIPTION	REV
		Ref	Note: USA Built Machines SNs start with "03" Prefix.	
		Ref	Note: China Built Machines SNs start with "B3" Prefix.	
	0272326	Ref	BOOMS AND CYLINDERS INSTALLATION - 600A	E
1	0801019	1	Tower Boom Assembly (See TOWER BOOM ASSEMBLY for Breakdown)	
2	4846005	1	Upright Weldment	
3	0801022	1	Main Boom Assembly (See MAIN BOOM ASSEMBLY for Breakdown)	
4	1683288	NLA	Tower Lift Cylinder Assembly (Use p/n 1001228003) (See CYLINDER SECTION for Breakdown)	
5		Ref	Upright Level Cylinder Assembly Options (See CYLINDER SECTION for Breakdown):	
5	1683299	NLA	USA Built Machines (Use p/n 1001228042) (SN 0300087000 through 0300097637)	
5	1684498	NLA	USA Built Machines (Use p/n 1001228042) (SN 0300097638 through 0300177361)	
6	1683294	NLA	Main Lift Cylinder Assembly (Use p/n 1001228004) (See CYLINDER SECTION for Breakdown)	
7	1683266	NLA	Master Cylinder Assembly (Use p/n 1001228002) (See CYLINDER SECTION for Breakdown)	
8	1683415	NLA	Level Cylinder Assembly Platform Slave (Use p/n 1001228008) (See CYLINDER SECTION for Breakdown)	
9	3422571	NLA	Pin (Use p/n 1001158810)	
10	3422573	1	Pin	
11	3422575	1	Pin	
12	3422572	2	Pin	
13		Ref	Pin Options:	
13	3422576	1	USA Built Machines (SN 0300087000 through 0300115419)	
13	1001097822	1	USA Built Machines (SN 0300115420 through 0300177361)	
14	3422565	1	Pin	
15	3422577	1	Pin	
16	3422578	1	Pin	
17	3422580	1	Pin	
18	3841203	9	Keeper, Pin - 1/2in	
19	3841143	5	Keeper, Pin - 3/8in	
20	0060068	1	Rotator Assembly (See ROTATOR ASSEMBLIES for Breakdown)	
21	3900239	4	Setscrew	
22	0100011	AR	Compound, Locking	
23	0641810	15	Bolt 1/2in-13NC x 1-1/4in	
24	0641607	AR	Bolt 3/8in-16NC x 7/8in	
25	3900166	1	Screw, Socket Head Countersunk - 3/8in-16NC x 7/8in	
26	0561076	1	Block, Boom Rest	
27	0961951	2	Bushing	
28	0961948	2	Bushing	
29	0961949	4	Bushing	
30	3422582	1	Pin	
	0255423	Ref	POWER TRACK INSTALLATION	N
108	0641403	4	Bolt 1/4in-20NC x 3/8in	
116	3539779	1	Plate, Cover	
117	1320243	1	Clamp, Block	
118	0641532	2	Bolt 5/16in-18NC x 4in	
120	4751400	4	Flatwasher 1/4in Regular	

SECTION 3 - BOOM

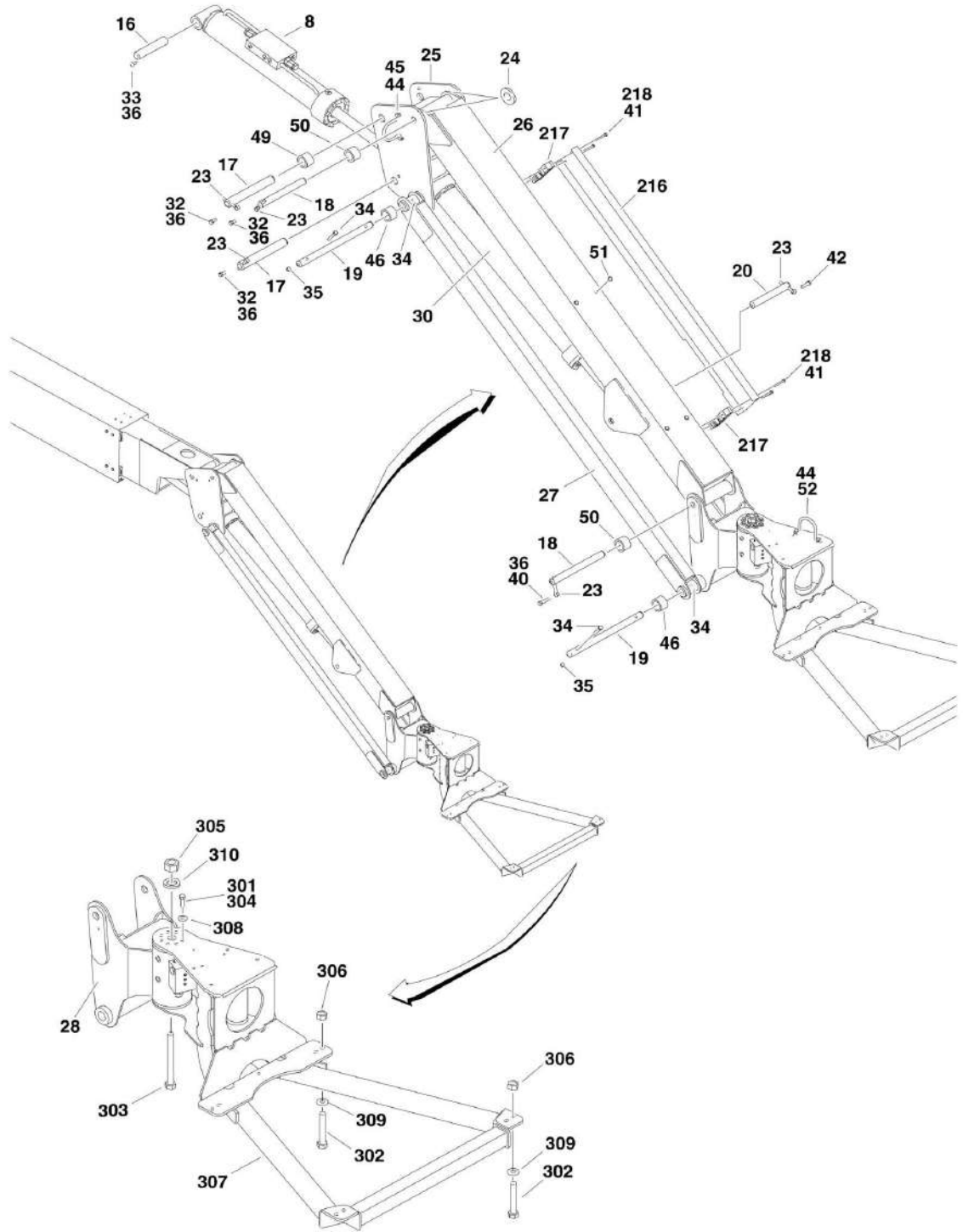
ITEM	PART NUMBER	QTY	DESCRIPTION	REV
121	3570374	1	Plate	
123	3311505	2	Nut 5/16in-18NC	
125	4751500	2	Flatwasher 5/16in Regular	
		Ref	PLATFORM SUPPORT INSTALLATION	
	0272070	Ref	Machines without LSS and without SkyGlazier	E
	0272390	Ref	Machines without LSS & with SkyGlazier (Machines Built Years 2005-2007) (Note: See SkyGlazier Installation in Platform Section for Additional Components)	H
	0272070	Ref	Machines without LSS & with SkyGlazier (Machines Built Years 2008-2013)	
	See Note	Ref	Machines with LSS with or without Glazier (Note: See Separate Breakdown in this Section)	
201	0100011	AR	Compound, Locking	
202	0641812	8	Bolt 1/2in-13NC x 1-1/2in	
202	0641822	8	Bolt 1/2 x 2-3/4	
203	0642684	1	Bolt 1in-8NC x 10-1/2in	
204	0681608	8	Bolt 3/8in-16NC x 1in	
205	3272605	NLA	Locknut 1in-8NC (Use p/n 3300243)	
206	3311805	8	Locknut 1/2in-13NC	
207	4846573	1	Support, Platform	
208	4891600	8	Flatwasher 3/8in Hardened	
209	4891800	8	Flatwasher 1/2in Hardened	
210	4892600	1	Flatwasher 1in Hardened	

SECTION 3 - BOOM

FIGURE 3-2. USA BUILT MACHINES/BOOMS AND CYLINDERS INSTALLATION - 600AJ



SECTION 3 - BOOM



SECTION 3 - BOOM

FIGURE 3-2. USA BUILT MACHINES/BOOMS AND CYLINDERS INSTALLATION - 600AJ

ITEM	PART NUMBER	QTY	DESCRIPTION	REV
		Ref	Note: USA Built Machines SNs start with "03" Prefix.	
		Ref	Note: China Built Machines SNs start with "B3" Prefix.	
		Ref	BOOMS AND CYLINDERS INSTALLATION - 600AJ	
	0272135	Ref	Machines without Arctic Package	E
	1001138797	Ref	Machines with Arctic Package	B
1	0801019	1	Tower Boom Assembly (See TOWER BOOM ASSEMBLY for Breakdown)	
2	4846006	1	Upright Weldment	
3	0801025	1	Main Boom Assembly (See MAIN BOOM ASSEMBLY for Breakdown)	
4	1683288	NLA	Tower Lift Cylinder Assembly (Use p/n 1001228003) (See CYLINDER SECTION for Breakdown)	
5		Ref	Upright Level Cylinder Assembly Options (See CYLINDER SECTION for Breakdown):	
5	1683299	NLA	USA Built Machines (Use p/n 1001228042) (SN 0300087000 through 0300097637)	
5	1684498	NLA	USA Built Machines (Use p/n 1001228042) (SN 0300097638 through 0300177361)	
6	1683294	NLA	Main Lift Cylinder Assembly (Use p/n 1001228004) (See CYLINDER SECTION for Breakdown)	
7		Ref	Master Cylinder Assembly Options (See CYLINDER SECTION for Breakdown):	
7	1683263	NLA	Machines without Arctic Package (Use p/n 1001228052)	
7	1001138799	NLA	Machines with Arctic Package (Use p/n 1001228052)	
8		Ref	Platform Level Cylinder Assembly Options (See CYLINDER SECTION for Breakdown):	
8	1683418	NLA	Cylinder - Machines without Arctic Package (Use p/n 1001223331)	
8	1001138798	NLA	Cylinder - Machines with Arctic Package (Use p/n 1001228051)	
9	3422571	NLA	Pin (Use p/n 1001158810)	
10	3422573	1	Pin	
11	3422575	1	Pin	
12	3422572	2	Pin	
13		Ref	Pin Options:	
13	3422576	1	USA Built Machines (SN 0300087000 through 0300115419)	
13	1001097822	1	USA Built Machines (SN 0300115420 through 0300177361)	
14	3422566	1	Pin	
15	3422579	1	Pin	
16	3422583	1	Pin	
17	3422561	2	Pin	
18	3422860	2	Pin	
19	3422861	2	Pin	
20	3422867	1	Pin	
22	3841203	9	Keeper, Pin - 1/2in	
23	3841143	7	Keeper, Pin - 3/8in	
24	4740439	2	Thrustwasher	
25	4844815	1	Pivot Weldment	
26	4844816	1	Tube Weldment - Top	
27	4844817	2	Tube Weldment - Bottom	
28	0060066	NLA	Rotator Assembly (See ROTATOR ASSEMBLIES for Breakdown) (Use p/n 1001178269) (SN B300000100 through B300001315)	

SECTION 3 - BOOM

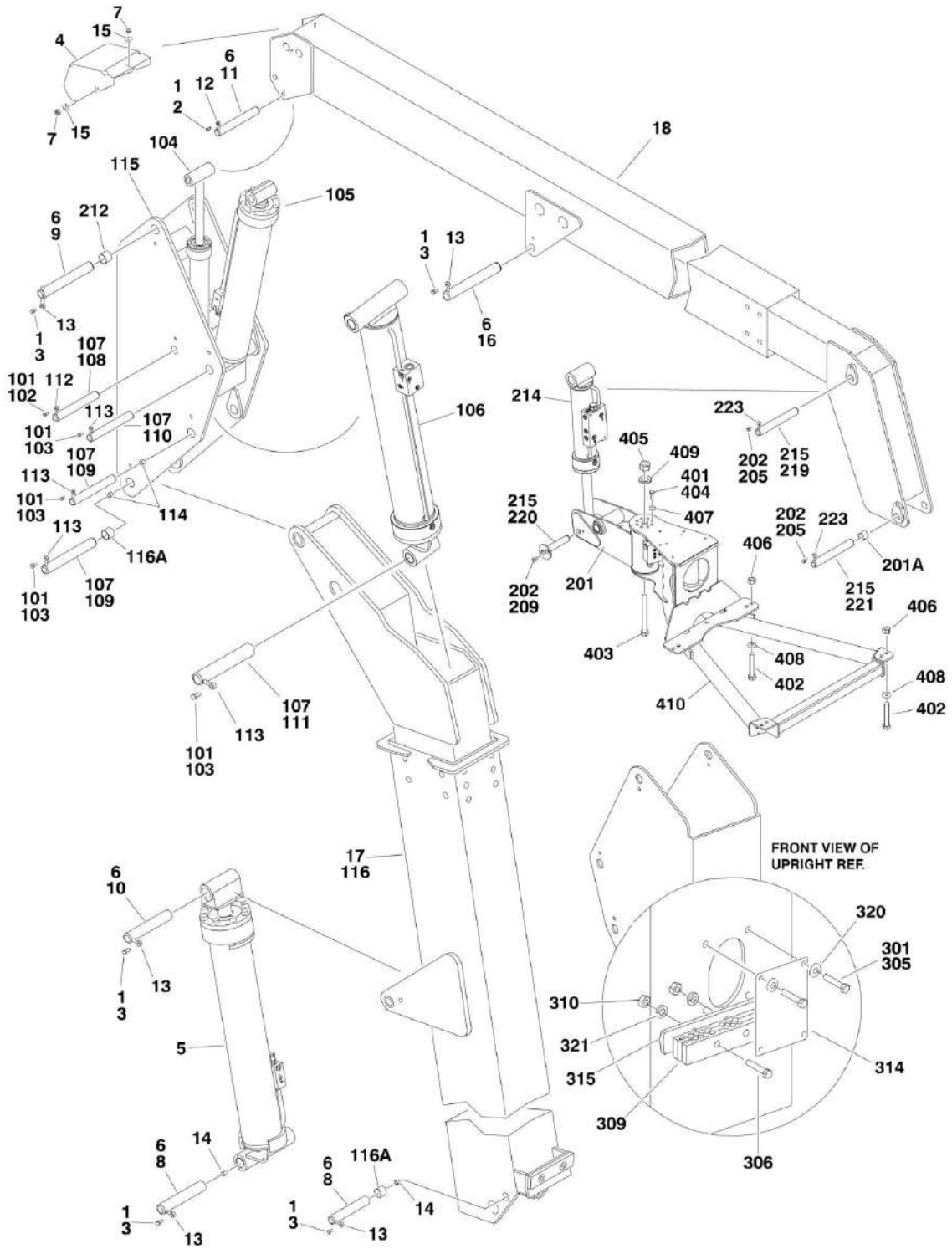
ITEM	PART NUMBER	QTY	DESCRIPTION	REV
28	1001178269	1	Rotator Assembly (See ROTATOR ASSEMBLIES for Breakdown) (SN B300001316 to Present)	
30		Ref	Jib Lift Cylinder Assembly Options (See CYLINDER SECTION for Breakdown)	
30	1683609	NLA	Machines without Arctic Package (Use p/n 1001248012)	
30	1001138792	NLA	Machines with Arctic Package (Use p/n 1001248012)	
31	0641810	10	Bolt 1/2in-13NC x 1-1/4in	
32	0641607	10	Bolt 3/8in-16NC x 7/8in	
33		Ref	Screw Options:	
33	0741607	1	Screw, Countersunk 3/8in-16NC x 7/8in	
33	0741605	1	Screw, Countersunk 3/8in-16NC x 5/8in	
34	0641618	4	Bolt 3/8in-16NC x 2-1/4in	
35	3311605	5	Locknut 3/8in-16NC	
36	0100011	AR	Compound, Locking	
38	0561076	1	Block, Boom Rest	
40	0641614	1	Bolt 3/8in-16NC x 1-3/4in	
41	2080044	4	Rivnut	
42	0641611	1	Bolt 3/8in-16NC x 1-3/8in	
43	3900239	4	Setscrew	
44	3841340	2	Loop, Hose	
45	0641606	2	Bolt 3/8in-16NC x 3/4in	
46	0961947	6	Bushing	
47	0961948	2	Bushing	
48	0961949	4	Bushing	
49	0961951	2	Bushing	
50	0962335	4	Bushing	
51	3520034	4	Plug (SN 0300111747 through 0300177361)	
52	0641604	2	Bolt 3/8in-16NC x 1/2in	
	0255423	Ref	POWER TRACK INSTALLATION	N
108	0641403	4	Bolt 1/4in-20NC x 3/8in	
116	3539779	1	Plate, Cover	
117	1320243	1	Clamp, Block	
118	0641532	2	Bolt 5/16in-18NC x 4in	
120	4751400	4	Flatwasher 1/4in Regular	
121	3570374	1	Plate	
123	3311505	2	Nut 5/16in-18NC	
125	4751500	2	Flatwasher 5/16in Regular	
		Ref	CABLE COVER INSTALLATION (600AJ ONLY)	
	0270820	Ref	ANSI, ANSI Export, Brazilian, Japanese Specs without 7500W Generator	6
	0272625	Ref	ANSI and ANSI Export Specs with 7500W Generator	2
	0275140	Ref	ANSI and ANSI Export Specs with Arctic Package without 7500W Generator	1
	1001093432	Ref	ANSI and ANSI Export Specs with Arctic Package with 7500W Generator	2
	0273428	Ref	Australian and Latin American Specs without 7500W Generator	2
	0273430	Ref	Australian and Latin American Specs with 7500W Generator	2
	0270821	Ref	CE Spec without 7500W Generator	7
	0272627	Ref	CE Spec with 7500W Generator	2
216	1670769	1	Cover	
217		Ref	Clamp, Block Options:	
217	0561237	2	All Installations except 1001093432	

SECTION 3 - BOOM

ITEM	PART NUMBER	QTY	DESCRIPTION	REV
217	1321700	2	1001093432 Installation Only	
218	0641416	4	Bolt 1/4in-20NC x 2in	
		Ref	PLATFORM SUPPORT INSTALLATION	
	0272070	Ref	Machines without LSS and without SkyGlazier	E
	0272390	Ref	Machines without LSS & with SkyGlazier (Machines Built Years 2005-2007) (Note: See SkyGlazier Installation in Platform Section for Additional Components)	H
	0272070	Ref	Machines without LSS & with SkyGlazier (Machines Built Years 2008-2013)	
	See Note	Ref	Machines with LSS & with or without SkyGlazier (Note: See Separate Breakdown in this Section)	
301	0100011	AR	Compound, Locking	
302	0641812	8	Bolt 1/2in-13NC x 1-1/2in	
302	0641822	8	Bolt 1/2 x 2-3/4	
303	0642684	1	Bolt 1in-8NC x 10-1/2in	
304	0681608	8	Bolt 3/8in-16NC x 1in	
305	3272605	NLA	Locknut 1in-8NC (Use p/n 3300243)	
306	3311805	8	Locknut 1/2in-13NC	
307	4846573	1	Support, Platform	
308	4891600	8	Flatwasher 3/8in Hardened	
309	4891800	8	Flatwasher 1/2in Hardened	
310	4892600	1	Flatwasher 1in Hardened	

SECTION 3 - BOOM

FIGURE 3-3. CHINA BUILT MACHINES/BOOMS AND CYLINDERS INSTALLATION - 600A



SECTION 3 - BOOM

FIGURE 3-3. CHINA BUILT MACHINES/BOOMS AND CYLINDERS INSTALLATION - 600A

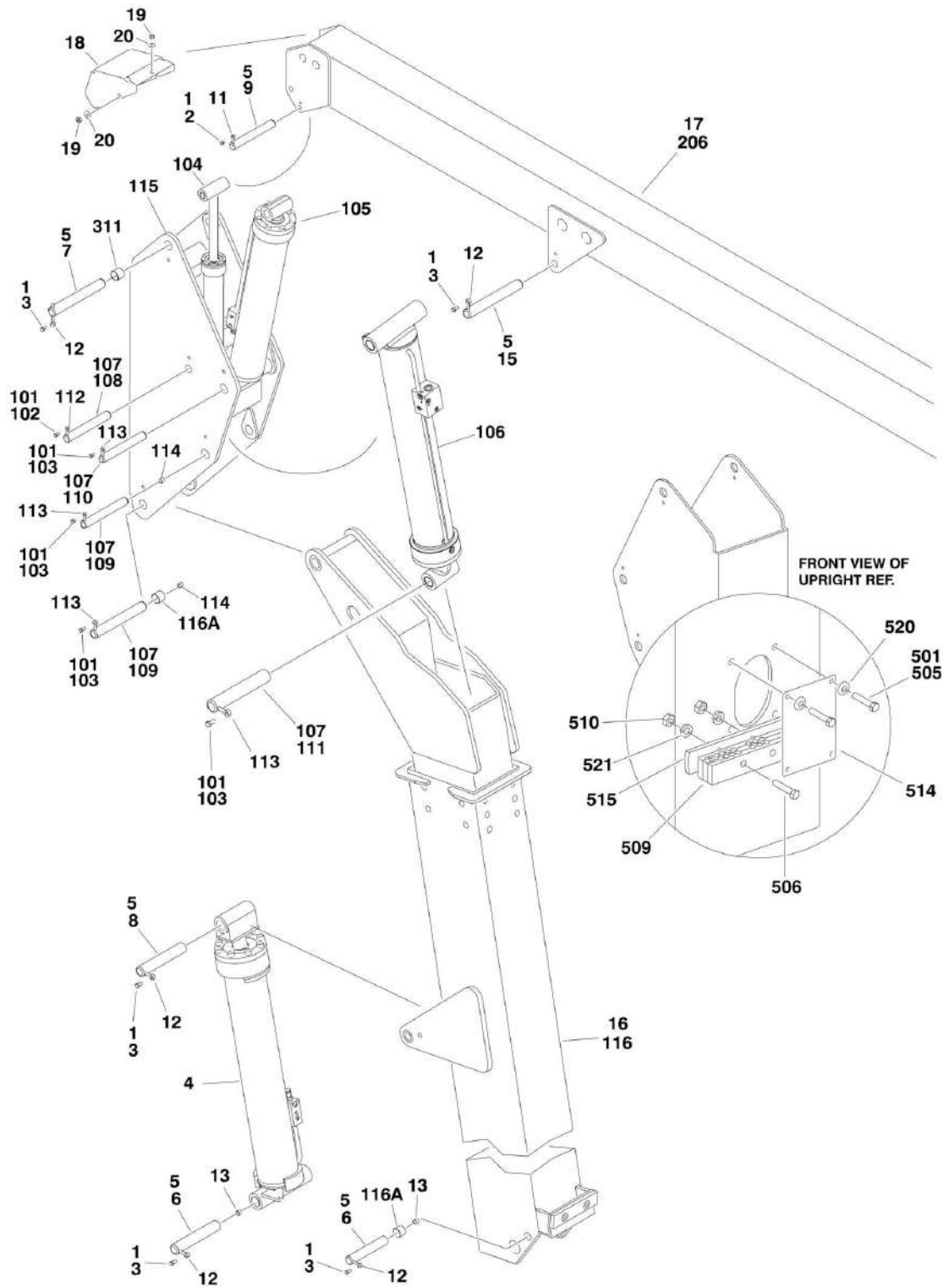
ITEM	PART NUMBER	QTY	DESCRIPTION	REV
		Ref	Note: USA Built Machines SNs start with "03" Prefix.	
		Ref	Note: China Built Machines SNs start with "B3" Prefix.	
	1001115555	Ref	BOOMS AND CYLINDERS INSTALLATION - 600A	C
1	0100011	AR	Compound, Locking	
2	0641607	1	Bolt 3/8in-16NC x 7/8in	
3	0641810	5	Bolt 1/2in-13NC x 1-1/4in	
4	1670768	1	Cover, Boom End	
5	1683288	NLA	Tower Lift Cylinder Assembly (Use PN 1001228003) (See CYLINDER SECTION for Breakdown) (SN B300000100 through B300002804)	
5	1001228003	1	Tower Lift Cylinder Assembly (See CYLINDER SECTION for Breakdown) (SN B300002805 to Present)	
6	3020039	AR	Lubricant	
7	3311401	3	Nut 1/4in-20NC	
8	3422571	2	Pin	
9	3422572	1	Pin	
10	3422573	1	Pin	
11	3422577	1	Pin	
12	3841143	5	Keeper, Pin 3/8in OD	
13	3841203	2	Keeper, Pin 1/2in OD	
14	3900239	4	Setscrew	
15	4751400	4	Flatwasher 1/4in Regular	
16	1001097822	1	PIN	
17	1001115552	1	Tower Boom Sub-Assembly (See Items 101-116 for Breakdown)	
18	1001115554	1	Main Boom Assembly (See Items 201-223 and MAIN BOOM ASSEMBLY for Breakdown)	
	1001115552	Ref	TOWER BOOM SUB-ASSEMBLY	E
101	0100011	AR	Compound, Locking	
102	0641607	1	Bolt 3/8in-16NC x 7/8in	
103	0641810	5	Bolt 1/2in-13NC x 1-1/4in	
104	1683266	NLA	Master Cylinder Assembly (Use p/n 1001228002) (See CYLINDER SECTION for Breakdown) (SN B300000100 through B300002776)	
104	1001228002	1	Master Cylinder Assembly (See CYLINDER SECTION for Breakdown) (SN B300002777 to Present)	
105	1683294	NLA	Main Lift Cylinder Assembly (Use p/n 1001228004) (See CYLINDER SECTION for Breakdown) (SN B300000100 through B300002477)	
105	1001228004	1	Main Lift Cylinder Assembly (See CYLINDER SECTION for Breakdown) (SN B300002478 to Present)	
106	1684498	NLA	Upright Level Cylinder Assembly (Use p/n 1001228042) (See CYLINDER SECTION for Breakdown) (SN B300000100 through B300002477)	
106	1001228042	1	Upright Level Cylinder Assembly (See CYLINDER SECTION for Breakdown) (SN B300002478 to Present)	
107	3020039	AR	Lubricant	
108		Ref	Pin Options:	
108	3422566	1	Pin (SN B300000100 through B300000816)	
108	3422565	1	Pin (SN B300000817 to Present)	
109	3422571	2	Pin	
110	3422572	1	Pin	
111	3422575	1	Pin	

SECTION 3 - BOOM

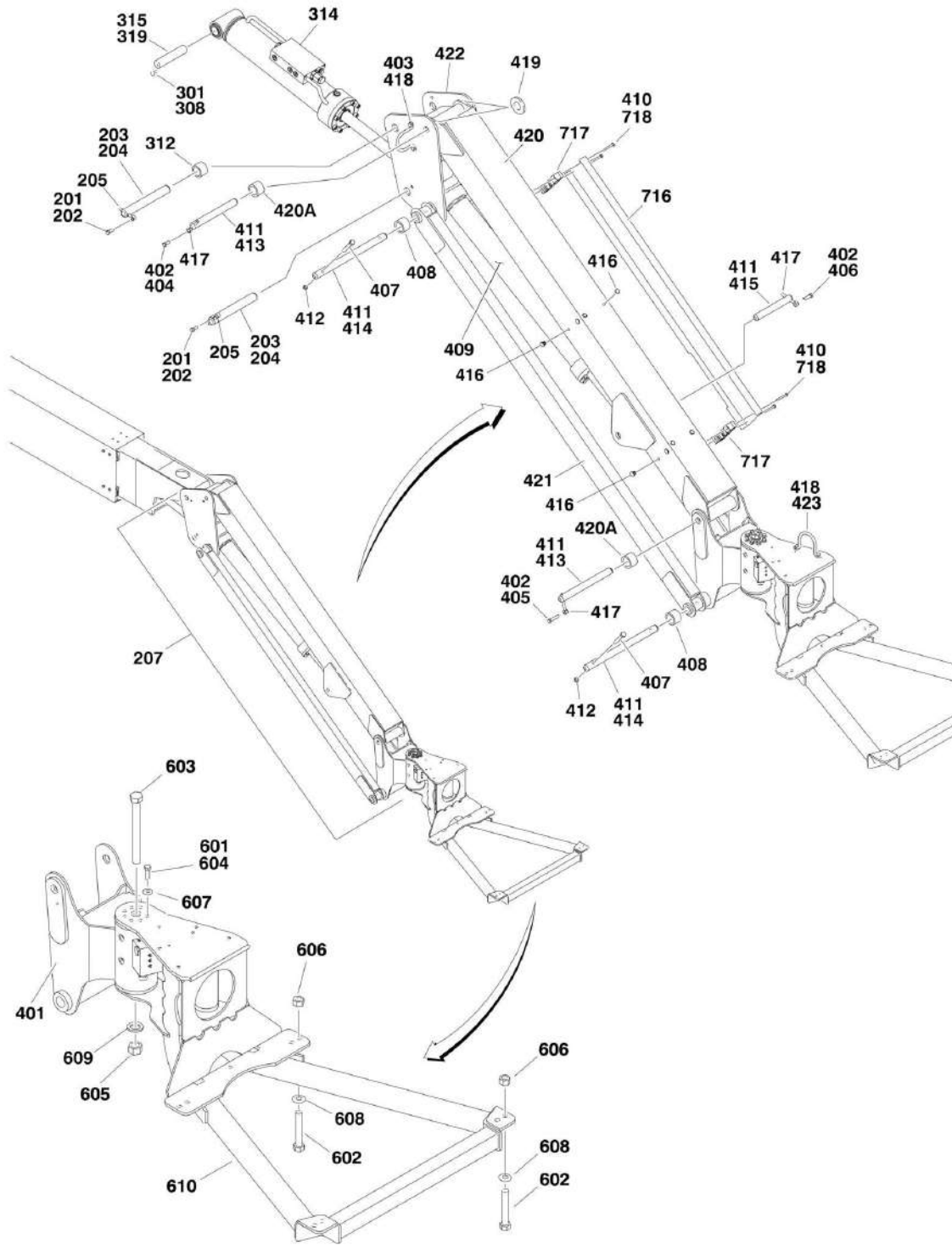
ITEM	PART NUMBER	QTY	DESCRIPTION	REV
112	3841143	1	Keeper, Pin 3/8in OD	
113	3841203	4	Keeper, Pin 1/2in OD	
114	3900239	2	Setscrew	
115	1001113778	1	Upright Weldment	
116	1001115553	1	Tower Boom Assembly (See TOWER BOOM ASSEMBLY for Breakdown)	
116A	0961949	4	Bushing	
	1001115554	Ref	MAIN BOOM COMPONENTS	H
201	0060068	1	Rotator Assembly (See ROTATOR ASSEMBLIES for Breakdown) (SN B300000100 through B300001315)	
201	1001181055	1	Rotator Assembly (See ROTATOR ASSEMBLIES for Breakdown) (SN B300001316 to Present)	
201A	0961951	2	Bushing	
202	0100011	AR	Compound, Locking	
205	0641607	2	Bolt 3/8in-16NC x 7/8in	
209	0741606	2	Screw, Countersunk 3/8in-16NC x 3/4in	
212	0961948	2	Bushing	
214	1683415	NLA	Level Cylinder Assembly Platform Slave (Use p/n 1001228008) (See CYLINDER SECTION for Breakdown) (SN B300000100 through B300002696)	
214	1001228008	1	Level Cylinder Assembly Platform Slave (See CYLINDER SECTION for Breakdown) (SN B300002697 to Present)	
215	3020039	AR	Lubricant	
219	3422578	1	Pin	
220	3422580	1	Pin	
221	3422582	1	Pin	
223	3841143	2	Keeper, Pin 3/8in	
	1001115217	Ref	POWER TRACK INSTALLATION	C
301	0100011	AR	Compound, Locking	
305	0641403	4	Bolt 1/4in-20NC x 3/8in	
306	0641532	2	Bolt 5/16in-18NC x 4in	
309	1320243	1	Clamp, Block	
310	3311505	2	Locknut 5/16in-18NC	
314	3539779	1	Plate, Cover	
315	3570374	1	Plate	
320	4751400	4	Flatwasher 1/4in Regular	
321	4751500	4	Flatwasher 5/16in Regular	
		Ref	PLATFORM SUPPORT INSTALLATION	
	1001115098	Ref	Machines without LSS	B
	See Note	Ref	Machines with LSS (Note: See Separate Breakdown in this Section)	
401	0100011	AR	Compound, Locking	
402	0641812	8	Bolt 1/2in-13NC x 1-1/2in	
403	0642684	1	Bolt 1in-8NC x 10-1/2in	
404	0681608	8	Bolt 3/8in-16NC x 1in	
405	3272605	NLA	Locknut 1in-8NC (Use p/n 3300243)	
406	3311805	8	Locknut 1/2in-13NC	
407	4891600	8	Flatwasher 3/8in Hardened	
408	4891800	8	Flatwasher 1/2in Hardened	
409	4892600	1	Flatwasher 1in Hardened	
410	1001113465	1	Support Weldment	

SECTION 3 - BOOM

FIGURE 3-4. CHINA BUILT MACHINES/BOOMS AND CYLINDERS INSTALLATION - 600AJ



SECTION 3 - BOOM



SECTION 3 - BOOM

FIGURE 3-4. CHINA BUILT MACHINES/BOOMS AND CYLINDERS INSTALLATION - 600AJ

ITEM	PART NUMBER	QTY	DESCRIPTION	REV
		Ref	Note: USA Built Machines SNs start with "03" Prefix.	
		Ref	Note: China Built Machines SNs start with "B3" Prefix.	
	1001115339	Ref	BOOMS AND CYLINDERS INSTALLATION (SN B300000100 through B300001066)	B
	1001158732	Ref	BOOMS AND CYLINDERS INSTALLATION (SN B300001067 to Present)	D
1	0100011	AR	Compound, Locking	
2	0641607	1	Bolt 3/8in-16NC x 7/8in	
3	0641810	5	Bolt 1/2in-13NC x 1-1/4in	
4	1683288	NLA	Tower Lift Cylinder Assembly (Use PN 1001228003) (See CYLINDER SECTION for Breakdown) (SN B300000100 through B300002804)	
4	1001228003	1	Tower Lift Cylinder Assembly (See CYLINDER SECTION for Breakdown) (SN B300002805 to Present)	
5	3020039	AR	Lubricant	
6	3422571	2	Pin	
7	3422572	1	Pin	
8	3422573	1	Pin	
9	3422579	1	Pin	
10	3790012	1	O-Ring (Not Shown - Located on Platform Console Box)	
11	3841143	5	Keeper, Pin 3/8in OD	
12	3841203	2	Keeper, Pin 1/2in OD	
13	3900239	4	Setscrew	
14	4360328	1	Switch, Toggle (Not Shown - Located on Platform Console Box)	
15	1001097822	1	Pin	
16	1001115335	1	Tower Boom Sub-Assembly (See Items 101-116 for Breakdown)	
17	1001115336	1	Main Boom Sub-Assembly (See Items 201-207 for Breakdown) (SN B300000100 through B300001066)	
17	1001158731	1	Main Boom Sub-Assembly (See Items 201-207 for Breakdown) (SN B300001067 to Present)	
18	1670768	1	Cover, Boom End	
19	3311401	3	Nut 1/4in-20NC	
20	4751400	4	Flatwasher 1/4in Regular	
	1001115335	Ref	TOWER BOOM SUB-ASSEMBLY	E
101	0100011	AR	Compound, Locking	
102	0641607	1	Bolt 3/8in-16NC x 7/8in	
103	0641810	4	Bolt 1/2in-13NC x 1-1/4in	
104	1683263	NLA	Master Cylinder Assembly (Use p/n 1001228052) (See CYLINDER SECTION for Breakdown) (Prior to SN B300002949)	
104	1001228052	1	Master Cylinder Assembly (See CYLINDER SECTION for Breakdown) (SN B300002949 to Present)	
105	1683294	NLA	Main Lift Cylinder Assembly (Use p/n 1001228004) (See CYLINDER SECTION for Breakdown) (SN B300000100 through B300002477)	
105	1001228004	1	Main Lift Cylinder Assembly (See CYLINDER SECTION for Breakdown) (SN B300002478 to Present)	
106	1684498	NLA	Upright Level Cylinder Assembly (Use p/n 1001228042) (See CYLINDER SECTION for Breakdown) (SN B300000100 through B300002477)	
106	1001228042	1	Upright Level Cylinder Assembly (See CYLINDER SECTION for Breakdown) (SN B300002478 to Present)	
107	3020039	AR	Lubricant	
108	3422566	1	Pin	

SECTION 3 - BOOM

ITEM	PART NUMBER	QTY	DESCRIPTION	REV
109	3422571	2	Pin	
110	3422572	1	Pin	
111	3422575	1	Pin	
112	3841143	1	Keeper, Pin 3/8in OD	
113	3841203	4	Keeper, Pin 1/2in OD	
114	3900239	2	Setscrew	
115	1001114557	1	Upright Weldment	
116	1001115334	1	Tower Boom Assembly (See TOWER BOOM ASSEMBLY for Breakdown)	
116A	0961949	4	Bushing	
	1001115336	Ref	MAIN BOOM SUB-ASSEMBLY (SN B300000100 through B300001066)	B
	1001158731	Ref	MAIN BOOM SUB-ASSEMBLY (SN B300001067 to Present)	B
201	0100011	AR	Compound, Locking	
202	0641607	2	Bolt 3/8in-16NC x 7/8in	
203	3020039	AR	Lubricant	
204	3422561	2	Pin	
205	3841143	2	Keeper, Pin 3/8in OD	
206	1001115337	1	Main Boom Assembly (See Items 301-319 and MAIN BOOM ASSEMBLY for Breakdown) (SN B300000100 through B300001066)	
206	1001158730	1	Main Boom Assembly (See Items 301-319 and MAIN BOOM ASSEMBLY for Breakdown) (SN B300001067 to Present)	
207	1001115338	1	Jib Assembly (See Items 401-423 for Breakdown)	
	1001115337	Ref	MAIN BOOM COMPONENTS (SN B300000100 through B300001066)	G
	1001158730	Ref	MAIN BOOM COMPONENTS (SN B300001067 to Present)	E
301	0100011	AR	Compound, Locking	
308	0741605	1	Screw, Countersunk 3/8in-16NC x 5/8in	
311	0961948	2	Bushing	
312	0961951	2	Bushing	
314	1683418	NLA	Platform Slave Level Cylinder Assembly (Use p/n 1001223331) (See CYLINDER SECTION for Breakdown) (SN B300000100 through B300002696)	
314	1001223331	NLA	Platform Slave Level Cylinder Assembly (Use p/n 1001228051) (See CYLINDER SECTION for Breakdown) (SN B300002697 through B300002948)	
314	1001228051	1	Platform Slave Level Cylinder Assembly (See CYLINDER SECTION for Breakdown) (SN B300002949 to Present)	
315	3020039	AR	Lubricant	
319	3422583	1	Pin	
	1001115338	Ref	JIB ASSEMBLY	H
401	0060066	NLA	Rotator Assembly (See ROTATOR ASSEMBLIES for Breakdown) (Use p/n 1001178269) (SN B300000100 through B300001315)	
401	1001178269	1	Rotator Assembly (See ROTATOR ASSEMBLIES for Breakdown) (SN B300001316 to Present)	
402	0100011	AR	Compound, Locking	
403	0641606	2	Bolt 3/8in-16NC x 3/4in	
404	0641607	1	Bolt 3/8in-16NC x 7/8in	
405	0641609	1	Bolt 3/8in-16NC x 1-1/8in	
406	0641611	1	Bolt 3/8in-16NC x 1-3/8in	
407	0641618	4	Bolt 3/8in-16NC x 2-1/4in	
408	0961947	6	Bushing	
409	1683609	NLA	Jib Lift Cylinder Assembly (Use p/n 1001248012) (See CYLINDER	

SECTION 3 - BOOM

ITEM	PART NUMBER	QTY	DESCRIPTION	REV
			SECTION for Breakdown) (SN B30000100 through B300002658)	
409	1001230371	1	Jib Lift Cylinder Assembly (See CYLINDER SECTION for Breakdown) (SN B300002659 to Present)	
410	2080044	4	Rivnut	
411	3020039	AR	Lubricant	
412	3311605	5	Locknut 3/8in-16NC	
413	3422860	2	Pin	
414	3422861	2	Pin	
415	3422867	1	Pin	
416	3520034	4	Plug (SN B30000100 through B300002246)	
416	1001223899	8	Fastener (SN B300002247 to Present)	
417	3841143	3	Keeper, Pin 3/8in	
418	3841340	2	Loop, Hose	
419	4740439	2	Thrustwasher	
420	1001113386	1	Tube Weldment - Top	
420A	0962335	4	Bushing	
421	1001113407	2	Tube Weldment - Bottom	
422	1001113423	1	Support, Jib	
423	0641604	2	Bolt 3/8in-16NC x 1/2in	
	1001115217	Ref	POWER TRACK INSTALLATION	C
501	0100011	AR	Compound, Locking	
505	0641403	4	Bolt 1/4in-20NC x 3/8in	
506	0641532	2	Bolt 5/16in-18NC x 4in	
509	1320243	1	Clamp, Block	
510	3311505	2	Locknut 5/16in-18NC	
514	3539779	1	Plate, Cover	
515	3570374	1	Plate	
520	4751400	4	Flatwasher 1/4in Regular	
521	4751500	4	Flatwasher 5/16in Regular	
		Ref	PLATFORM SUPPORT INSTALLATION	
	1001115098	Ref	Machines without LSS	B
	See Note	Ref	Machines with LSS (Note: See Separate Breakdown in this Section)	
601	0100011	AR	Compound, Locking	
602	0641812	8	Bolt 1/2in-13NC x 1 1/2in	
603	0642684	1	Bolt 1in-8NC x 10 1/2in	
604	0681608	8	Bolt 3/8in-16NC x 1in	
605	3272605	NLA	Locknut 1in-8NC (Use p/n 3300243)	
606	3311805	8	Locknut 1/2in-13NC	
607	4891600	8	Flatwasher 3/8in Hardened	
608	4891800	8	Flatwasher 1/2in Hardened	
609	4892600	1	Flatwasher 1in Hardened	
610	1001113465	1	Support Weldment	
		Ref	CABLE COVER INSTALLATION (600AJ ONLY)	
	0270820	Ref	ANSI, ANSI Export and Japanese Specs without 7500W	6
	0272625	Ref	ANSI, ANSI Export and Japanese Specs with 7500W Generator	2
	0275140	Ref	ANSI and ANSI Export Specs with Arctic Package without 7500W Generator	1
	1001093432	Ref	ANSI and ANSI Export Specs with Arctic Package with 7500W Generator	2
	0273428	Ref	Australian Specs without 7500W Generator	2

SECTION 3 - BOOM

ITEM	PART NUMBER	QTY	DESCRIPTION	REV
	0273430	Ref	Australian Specs with 7500W Generator	2
716	1670769	1	Cover	
717		Ref	Clamp, Block Options:	
717	0561237	2	All Installations except 1001093432	
717	1321700	2	1001093432 Installation Only	
718	0641416	4	Bolt 1/4in-20NC x 2in	

SECTION 3 - BOOM

FIGURE 3-5. TOWER BOOM ASSEMBLY

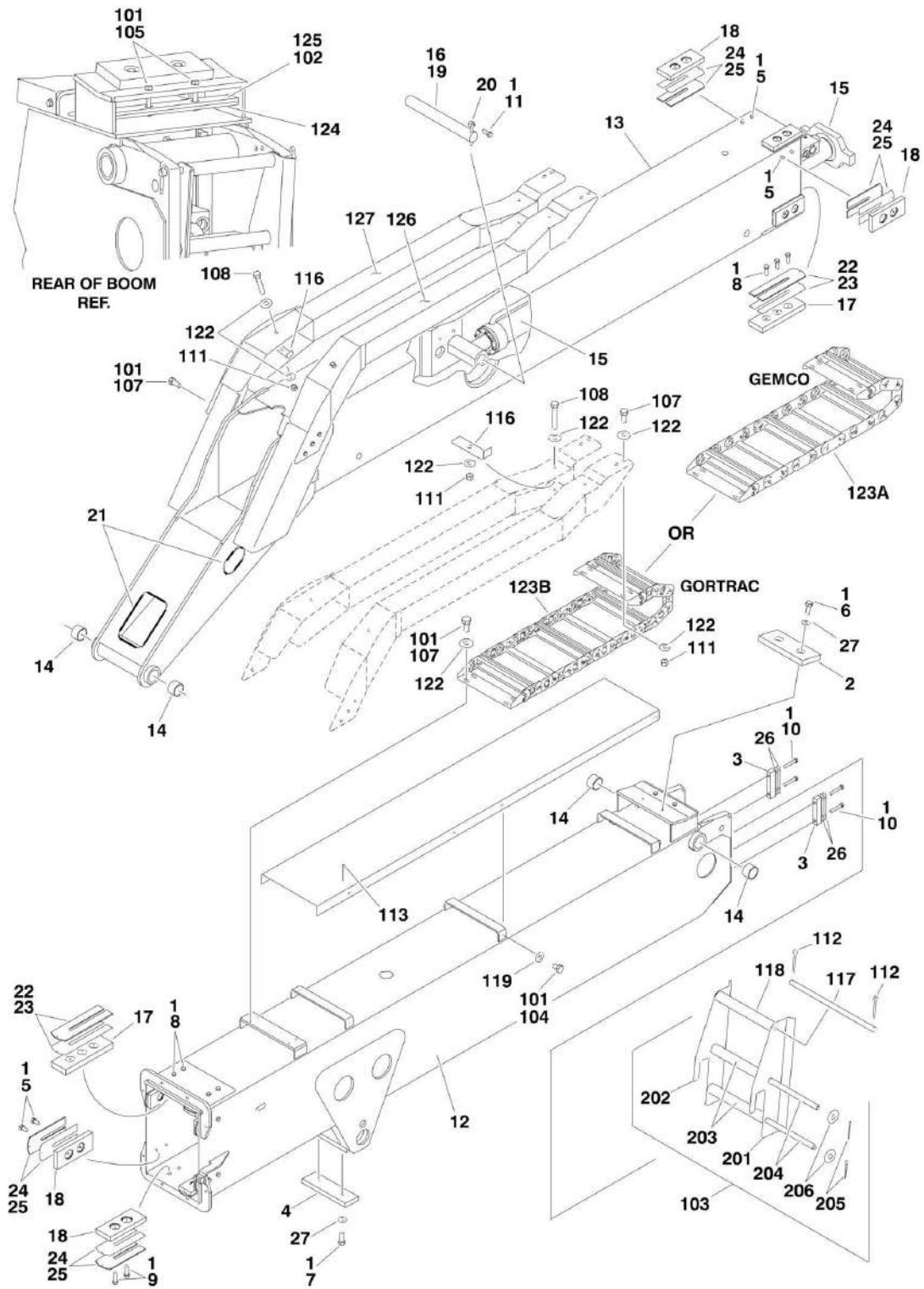


FIGURE 3-5. TOWER BOOM ASSEMBLY

ITEM	PART NUMBER	QTY	DESCRIPTION	REV
		Ref	TOWER BOOM ASSEMBLY	
	0801019	Ref	USA Built 600A	12-J
	0801019	Ref	USA Built 600AJ	12-J
	1001115553	Ref	China Built 600A	D
	1001115334	Ref	China Built 600AJ	D
1	0100011	AR	Compound, Locking	
2	0561076	1	Block, Boom Rest	
3	0561185	2	Block, Attach	
4	0561248	1	Block, Boom Rest	
5		Ref	Bolt 3/8in-16NC x 3/4in	
5	0641606	26	USA Built Machines (Standard Hex Head Grade 5)	
5	0811606	26	China Built Machines (Flange Head Grade 8)	
6	0641607	1	Bolt 3/8in-16NC x 7/8in	
7	0641608	6	Bolt 3/8in-16NC x 1in	
8	0641609	12	Bolt 3/8in-16NC x 1-1/8in	
9		Ref	Bolt 3/8in-16NC x 1-1/4in	
9	0641610	4	USA Built Machines (Standard Hex Head Grade 5)	
9	0811610	4	China Built Machines (Flange Head Grade 8)	
10	0641618	4	Bolt 3/8in-16NC x 2-1/4in	
11	0641810	1	Bolt 3/8in-16NC x 1-1/4in	
12		Ref	Base Options:	
12	0801085	NLA	USA Built Machines (Use p/n 0801622) (SN 0300087000 through 0300106295)	
12	0801622	1	USA Built Machines (SN 0300106296 through 0300177361)	
12	1001126100	NLA	China Built Machines (Use p/n 0801622) (SN B300000100 to Present)	
13		Ref	Fly Options:	
13	0801021	NLA	USA Built Machines (Use p/n 0801637) (SN 0300087000 through 0300105941)	
13	0801637	1	USA Built Machines (SN 0300105942 through 0300177361)	
13	1001126102	NLA	China Built Machines (Use p/n 0801637) (SN B300000100 to Present)	
14	0961949	4	Bushing (Note: No longer part of Base/Fly Weldments- Must be purchased separately)	
15	1683312	NLA	Cylinder Assembly - Tower Telescope (Use p/n 1001228006) (See CYLINDER SECTION for Breakdown) (SN 0300087000 through 0300177361, SN B300000100 through B300002477)	
15	1001228006	1	Cylinder Assembly - Tower Telescope (See CYLINDER SECTION for Breakdown) (SN B300002478 to Present)	
16	3020039	AR	Lubricant (China Built Machines Only)	
17	3340871	4	Pad, Wear	
18	3340881	12	Pad, Wear	
19	3422575	1	Pin	
20	3841203	1	Keeper, Pin	
21	4060808	AR	Flex-Trim	
22	4070863	AR	Shim .12	
23	4070864	AR	Shim .05	
24	4070897	AR	Shim .05	
25	4070898	AR	Shim .12	
26	4070929	AR	Shim	
27	4711600	2	Flatwasher 3/8in Thin	

SECTION 3 - BOOM

ITEM	PART NUMBER	QTY	DESCRIPTION	REV
		Ref	POWER TRACK INSTALLATION	
	0255423	Ref	USA Built Machines	N
	1001115217	Ref	China Built Machines	C
101	0100011	AR	Compound, Locking	
102	0100081	AR	Adhesive (Used with Item 125)	
103	0257573	1	Roller Hanger Assembly (Includes Items 201-206)	
104	0641403	10	Bolt 1/4in-20NC x 3/8in	
105	0641516	2	Bolt 5/16in-18NC x 2in	
105	0641522	2	Bolt 5/16in-18NC x 2-3/4in	
107		Ref	Bolt 3/8in-16NC Options:	
107	0641606	14	Bolt 3/8in-16NC x 3/4in	
107	0641607	14	Bolt 3/8in-16NC x 7/8in	
108	0641618	2	Bolt 3/8in-16NC x 2-1/4in	
111	3311605	8	Locknut 3/8in-16NC	
112	3450606	2	Pin, Cotter	
113	3539228	1	Plate, Cover	
116	3570375	AR	Plate	
117	3841295	1	Rod	
118	4567241	1	Tube	
119	4711400	6	Flatwasher 1/4in Thin	
122	4751600	14	Flatwasher 3/8in Regular	
123		Ref	Power Track Assembly Options:	
		Ref	Note: Various Power Tracks use on this model. Identify brand before ordering parts.	
123A	1180339	NLA	Gemco Brand Power Track (Use p/n 1001099835)	
123A	7016502	AR	Repair Section (Includes 10 Link Pin, 4 Radius Links, 4 Carrier Links, 1 Carrier Weldment, 10 Slugs & 20 Bearing Plates)	
123A	7016510	2 Pair	Feet, Mounting	
123A	7006152	AR	Pin Kit (Includes 1 pin, 1 Retaining Ring & 4 Washers)	
123B	1001099835	1	Gortrac Brand Power Track	
123B	70002001	AR	Repair Section	
123B	70002002	1	Mounting Bracket Kit	
124		Ref	Plate, Hose Clamp Options:	
124	3539236	1	USA Built Machines (SN 0300087000 through 0300136936)	
124	1001110500	1	USA Built Machines (SN 0300136937 through 0300177361)	
124	1001110500	1	China Built Machines (SN B300000100 through B300001594)	
124	1001217403	1	China Built Machines (SN B300001595 to Present)	
125		Ref	Clamp, Hose (Rubber) Options:	
125	Not Required	0	USA Built Machines (SN 0300087000 through 0300136936)	
125	1001110501	1	USA Built Machines (SN 0300136937 through 0300177361)	
125	1001110501	1	China Built Machines (SN B300000100 through B300001594)	
125	1001217402	1	China Built Machines (SN B300001595 to Present)	
126		Ref	Tube Weldment (Left Side) Options:	
126	4844983	NLA	USA Built Machines (Use p/n 1001151542)	
126	1001115080	1	China Built Machines	
127		Ref	Tube Weldment (Right Side) Options;	
127	4844984	NLA	USA Built Machines (Use p/n 1001151586)	
127	1001115081	1	China Built Machines	
	0257573	Ref	ROLLER HANGER ASSEMBLY	1-A
201	3570277	1	Plate (Left Side)	
202	3570270	1	Plate (Right Side)	

SECTION 3 - BOOM

ITEM	PART NUMBER	QTY	DESCRIPTION	REV
203	4567241	2	Roller, Tube	
204	3841347	2	Rod	
205	3450306	4	Pin, Cotter	
206	4751800	4	Flatwasher 1/2in Regular	

SECTION 3 - BOOM

FIGURE 3-6. MAIN BOOM ASSEMBLY

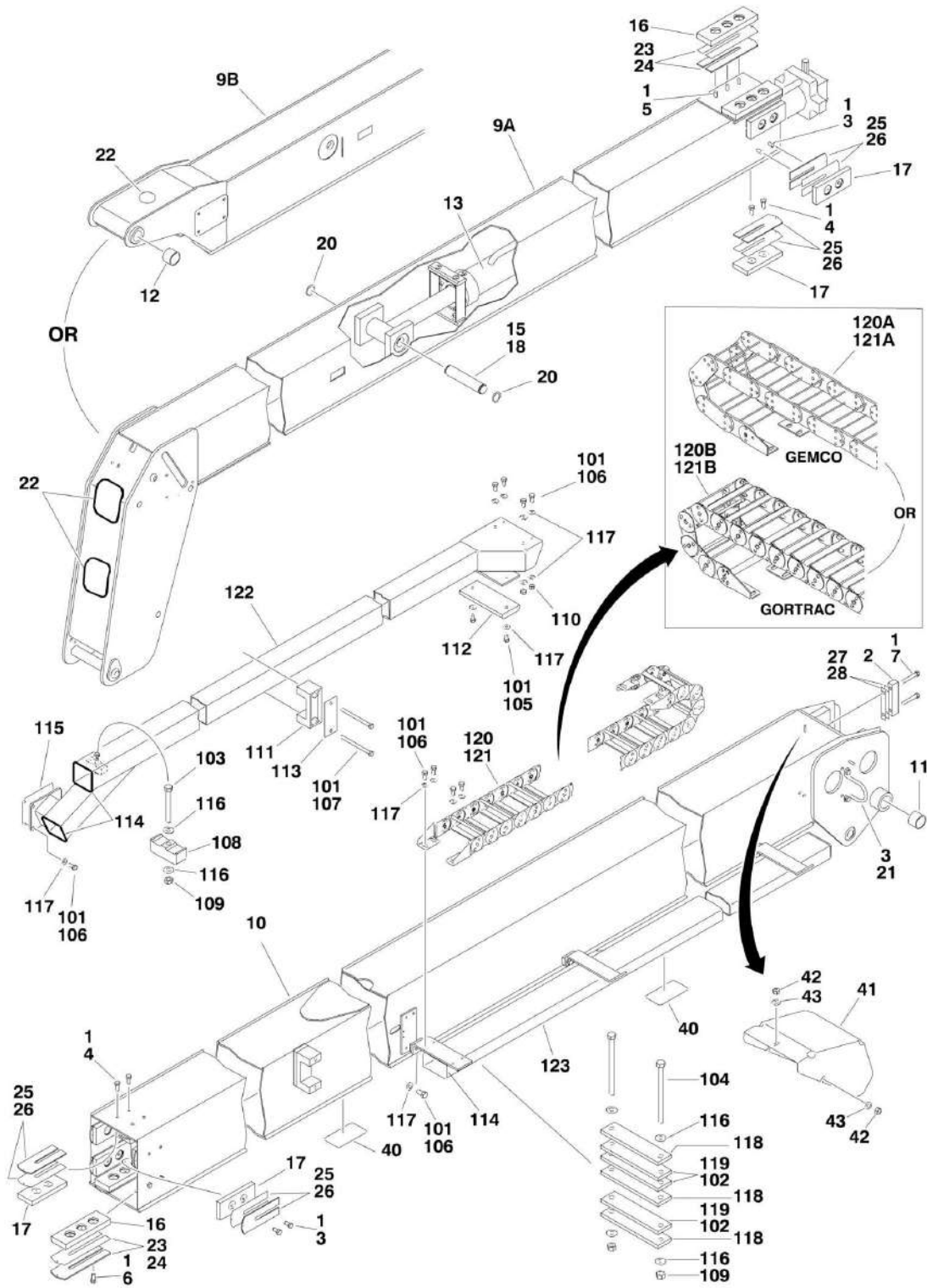


FIGURE 3-6. MAIN BOOM ASSEMBLY

ITEM	PART NUMBER	QTY	DESCRIPTION	REV
		Ref	BOOM ASSEMBLY	
	0801022	Ref	Boom Assembly 600A USA Built Machines	K
	1001115554	Ref	Boom Assembly 600A China Built Machines	I
	0801025	Ref	Boom Assembly 600AJ USA Built Machines	I
	1001115337	Ref	Boom Assembly 600AJ China Built Machines (SN B300000100 through B300001066)	G
	1001158730	Ref	Boom Assembly 600AJ China Built Machines (SN B300001067 to Present)	E
1	0100011	AR	Compound, Locking	
2	0561185	2	Block	
3		Ref	Bolt 3/8in-16NC x 3/4in Options:	
3	0641606	18	USA Built Machines (Standard Hex Head Grade 5)	
3	0641606	2	China Built Machines (Standard Hex Head Grade 5) (Note: Use with Item 21)	
3	0811606	16	China Built Machines (Flange Head Grade 8) (Note: Use with Boom Wear Pads)	
4		Ref	Bolt 3/8in-16NC x 7/8in Options:	
4	0641607	8	USA Built Machines (Standard Hex Head Grade 5)	
4	0811607	8	China Built Machines (Flange Head Grade 8)	
5		Ref	Bolt 3/8in-16NC x 1in Options:	
5	0641608	6	USA Built Machines (Standard Hex Head Grade 5)	
5	0811608	6	China Built Machines (Flange Head Grade 8)	
6		Ref	Bolt 3/8in-16NC x 1-1/4in Options:	
6	0641610	6	USA Built Machines (Standard Hex Head Grade 5)	
6	0811610	6	China Built Machines (Flange Head Grade 8)	
7	0641618	4	Bolt 3/8in-16NC x 2-1/4in	
9		Ref	Fly Weldment Options:	
9A	0801228	1	Fly Weldment 600A USA Built Machines	
9A	1001126169	NLA	Fly Weldment 600A China Built Machines (Use p/n 0801228)	
9B	0801027	NLA	Fly Weldment 600AJ USA Built Machines (Use p/n 0801613) (SN 0300087000 through 0300101240)	
9B	0801613	1	Fly Weldment 600AJ USA Built Machines (SN 0300101241 through 0300177361)	
9B	0801613	1	Fly Weldment 600AJ China Built Machines (SN B300000100 through B300001066)	
9B	1001157533	1	Fly Weldment 600AJ China Built Machines (SN B300001067 to Present)	
10		Ref	Base Weldment Options:	
10	0801023	NLA	Base Weldment 600A USA Built Machines (Use p/n 0801618) (SN 0300087000 through 0300105941)	
10	0801618	1	Base Weldment 600A USA Built Machines (SN 0300105942 through 0300177361)	
10	1001125683	NLA	Base Weldment 600A China Built Machines (Use p/n 0801618) (SN B300000100 to Present)	
10	0801026	NLA	Base Weldment 600AJ USA Built Machines (Use p/n 0801621) (SN 0300087000 through 0300105941)	
10	0801621	1	Base Weldment 600AJ USA Built Machines (SN 0300105942 through 0300177361)	
10	0801621	1	Base Weldment 600AJ China Built Machines	
11	0961948	2	Bushing	
12	0961951	2	Bushing (600AJ Only)	
13		Ref	Telescope Cylinder Assembly Options: (See CYLINDER SECTION for Breakdown)	

SECTION 3 - BOOM

ITEM	PART NUMBER	QTY	DESCRIPTION	REV
13	1683307	NLA	Telescope Cylinder Assembly 600A (Use p/n 1001228005) (SN 0300087000 through 0300177361, SN B300000100 through B300002835)	
13	1001228005	1	Telescope Cylinder Assembly 600A (SN B300002836 to Present)	
13	1683317	NLA	Telescope Cylinder Assembly 600AJ (Use p/n 1001228007) (SN 0300087000 through 0300177361, SN B300000100 through B300002835)	
13	1001228007	1	Telescope Cylinder Assembly 600AJ (SN B300002836 to Present)	
15	3020039	AR	Lubricant	
16	3340871	4	Pad, Wear	
17		Ref	Pad, Wear Options:	
17	3340881	12	USA Built Machines (SN 0300087000 through 0300168827)	
17	1001148652	12	USA Built Machines (SN 0300168828 through 0300177361)	
17	3340881	1	China Built Machines (SN B300000100 to Present)	
18	3422457	1	Pin	
20	3760133	2	Ring, Retaining	
21	3841340	1	Clamp, Hose	
22	4060805	AR	Flex-Trim	
23	4070863	AR	Shim .12	
24	4070864	AR	Shim .05	
25	4070897	AR	Shim .05	
26	4070898	AR	Shim .12	
27	4070929	AR	Shim	
28	4071007	AR	Shim	
40	1670836	6	Cover, Boom (USA Built Machines) (SN 0300087000 through 0300134296)	
41	1670768	1	Cover, Boom	
42	3311401	3	Nut 1/4in-20NC	
43	4751400	3	Flatwasher 1/4in Regular	
		Ref	POWER TRACK INSTALLATION	
	0255281	Ref	Power Track Installation 600A USA Built Machines	9-F
	1001115283	Ref	Power Track Installation 600A China Built Machines	B
	0255288	Ref	Power Track Installation 600AJ USA Built machines	8-E
	1001115218	Ref	Power Track Installation 600AJ China Built Machines	B
101	0100011	AR	Compound, Locking	
102	0100081	AR	Adhesive	
103	0641522	1	Bolt 5/16in-18NC x 2-3/4in	
104		Ref	Bolt 5/16in-18NC Options:	
104	0641536	2	Bolt 5/16in-18NC x 4-1/2in	
104	0641540	2	Bolt 5/16in-18NC x 5in	
105	0641605	2	Bolt 3/8in-16NC x 5/8in	
106	0641606	19	Bolt 3/8in-16NC x 3/4in	
107	0641640	2	Bolt 3/8in-16NC x 5in	
108	1320314	1	Clamp, Hose/Cable	
109	3311505	3	Locknut 5/16in-18NC	
110	3311605	4	Locknut 3/8in-16NC	
111	3340764	2	Pad, Wear	
112		Ref	Pad Options:	
112	3340787	1	Pad 600A	
112	3340765	1	Pad 600AJ	
113	3538758	1	Plate, Cover Support	

SECTION 3 - BOOM

ITEM	PART NUMBER	QTY	DESCRIPTION	REV
114	4060804	NLA	Flex-Trim (Use p/n 4060803)	
115	4070932	AR	Shim	
116	4711500	6	Flatwasher 5/16in Thin	
117	4711600	18	Flatwasher 3/8in Thin	
118		Ref	Plate Options:	
118		Ref	Plate 600A:	
118	3574171	3	USA Built Machines (Gemco Power Track) (SN 0300087000 through 0300135637)	
118	1001106758	3	USA Built Machines (Gortrac Power Track) (SN 0300135638 through 0300177361)	
118	1001106758	3	China Built 600A Machines (SN B300000100 to Present)	
118	3574185	3	Plate 600AJ	
119		Ref	Shim Options:	
119		Ref	Shim 600A:	
119	4071061	3	USA Built Machines (Gemco Power Track) (SN 0300087000 through 0300135637)	
119	1001106759	3	USA Built Machines (Gortrac Power Track) (SN 0300135638 through 0300177361)	
119	1001106759	3	China Built 600A Machines (SN B300000100 to Present)	
119	4071062	3	Plate 600AJ	
120	1180336	NLA	Power Track Assembly 600A (USA Built Machines) (Use p/n 1001224892) (SN 0300087000 through 0300135637)	
120	1001107153	NLA	Power Track Assembly 600A (USA Built Machines) (Use p/n 1001224892) (SN 0300135638 through 0300177361)	
120	1001107153	NLA	Power Track Assembly 600A (China Built Machines) (Use p/n 1001224892) (SN B300000100 through B300001866)	
120	1001224892	1	Power Track Assembly 600A (China Built Machines) (SN B300001867 to Present)	
120		Ref	Note: Use Detail on Illustration to identify power track brand, before ordering replacement parts.	
120A		Ref	Gemco Replacement Parts (600A):	
120A	7006140	AR	Repair Section (Includes 10 Link Pin, 4 Radius Links, 8 Carrier Links, 4 Rod Carrier, 8 Screws, 10 Slugs & 20 Bearing Plates)	
120A	7006151	2 Pair	Feet, Mounting	
120A	7006161	AR	Rod	
120A	7006152	AR	Pin Kit (Includes 1 pin, 1 Retaining Ring & 4 Washers)	
120B		Ref	Gortrac GT Replacement Parts (600A):	
120B	70002011	AR	Repair Section	
120B	70002012	1	Mounting Bracket Kit	
120B		Ref	Gortrac MA Replacement Parts (600A):	
120B	70006257	1	Repair Section	
120B	70006273	1	Mounting Bracket Kit	
121	1180338	NLA	Power Track Assembly 600AJ (USA Built Machines) (Use p/n 1001099836) (SN 0300087000 through 0300135637)	
121	1001099836	1	Power Track Assembly 600AJ (USA Built Machines) (SN 0300135638 through 0300177361)	
121	1001099836	1	Power Track Assembly 600AJ (China Built Machines) (SN B300000100 to Present)	
121		Ref	Note: Use Detail on Illustration to identify power track brand, before ordering replacement parts.	
121A		Ref	Gemco Replacement Parts (600AJ):	
121A	7016519	AR	Repair Section (Includes 10 Link Pin, 4 Radius Links, 8 Carrier Links, 4 Rod Carrier, 8 Screws, 10 Slugs & 20 Bearing Plates)	

SECTION 3 - BOOM

ITEM	PART NUMBER	QTY	DESCRIPTION	REV
121A	7006151	2 Pair	Feet, Mounting	
121A	7016521	AR	Rod	
121A	7006158	AR	Screw	
121A	7006152	AR	Pin Kit (Includes 1 pin, 1 Retaining Ring & 4 Washers)	
121B		Ref	Gortrac Replacement Parts (600AJ):	
121B	70001999	AR	Repair Section	
121B	70002000	1	Mounting Bracket Kit	
122		Ref	Tube Weldment Options:	
122		Ref	Tube Weldment 600A:	
122	4844969	1	USA Built Machines	
122	1001114875	1	China Built Machines	
122		Ref	Tube Weldment 600AJ:	
122	4844978	1	USA Built Machines	
122	1001115054	1	China Built Machines	
123		Ref	Support, Power Track Options:	
123		Ref	Support, Power Track 600A	
123	4844972	1	USA Built Machines	
123	1001115253	1	China Built Machines	
123		Ref	Support, Power Track 600AJ	
123	4844979	1	USA Built Machines	
123	1001115063	1	China Built Machines	

SECTION 3 - BOOM

FIGURE 3-7. ROTATOR ASSEMBLIES

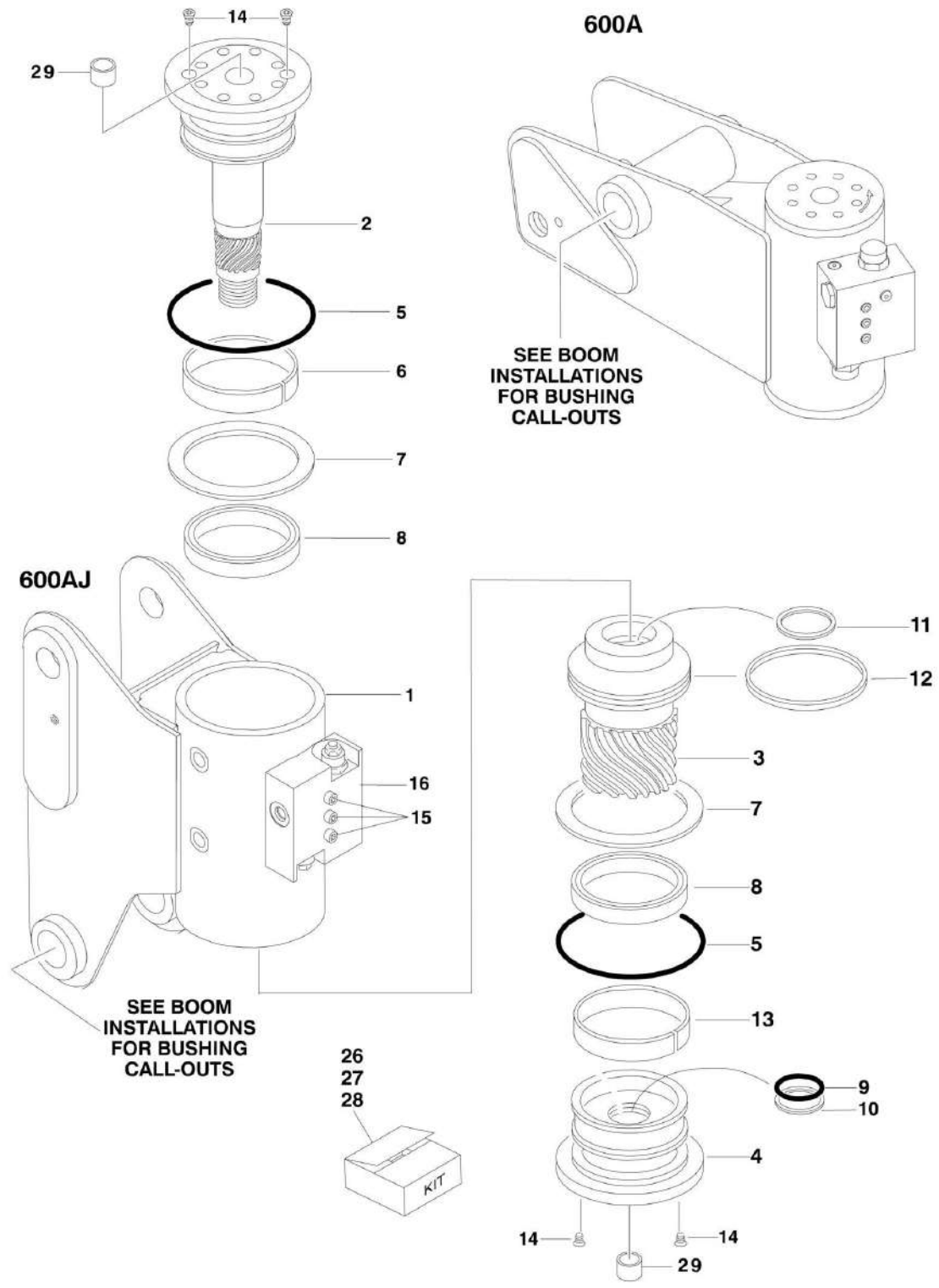
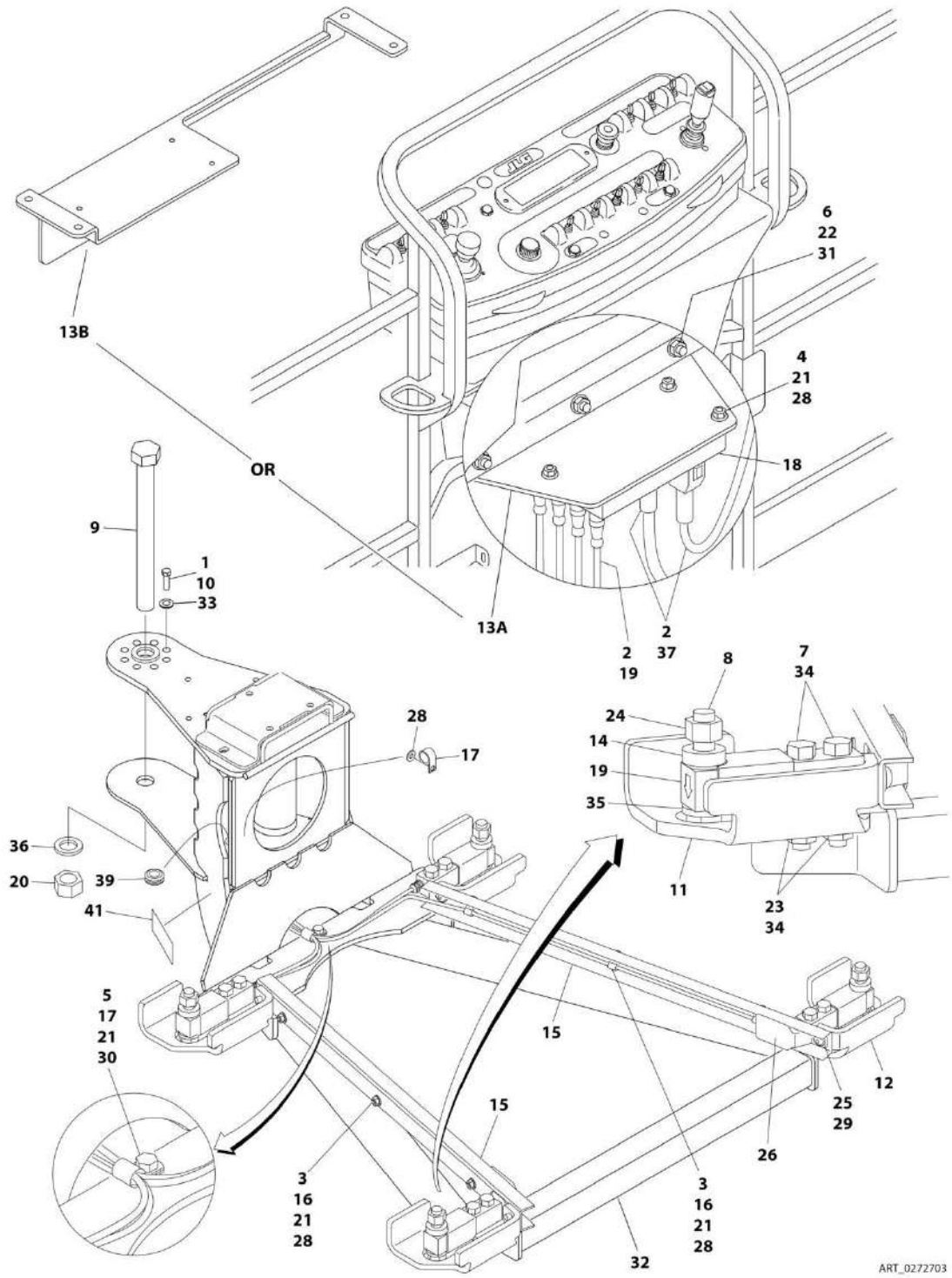


FIGURE 3-7. ROTATOR ASSEMBLIES

ITEM	PART NUMBER	QTY	DESCRIPTION	REV
		Ref	ROTATOR ASSEMBLIES	
	0060068	Ref	Rotor Assemblies 600A (SN 0300087000 through 0300177361, SN B300000100 through B300001315)	B
	1001181055	Ref	Rotor Assemblies 600A (SN B300001316 to Present)	A
	0060066	Ref	Rotor Assemblies 600AJ (SN 0300087000 through 0300177361, SN B300000100 through B300002246)	D
	1001178269	Ref	Rotor Assemblies 600AJ (SN B300002247 to Present)	A
1	See Note	NSS	Housing/Ring Gear Assembly (Note: Not Available - Purchase Complete Assembly)	
2	7017162	1	Weldment, Shaft	
3	7017163	1	Piston/Sleeve Assembly	
4	7017164	1	Cap, End	
5	See Note	NSS	O-Ring (Note: Use Item 26)	
6	See Note	NSS	Bearing, Shaft (Note: Use Item 27)	
7	See Note	NSS	Thrustwasher (Note: Use Item 27)	
8	See Note	NSS	Packing, Bearing (Note: Use Item 26)	
9	See Note	NSS	Seal, Cap (Note: Use Item 26)	
10	See Note	NSS	Ring, Back-up Cap (Note: Use Item 26)	
11	See Note	NSS	Seal, Rod (Note: Use Item 26)	
12	See Note	NSS	Seal, Piston (Note: Use Item 26)	
13	See Note	NSS	Bearing, Cap (Note: Use Item 27)	
14	70001697	6	Capscrew 1/4in-20NC x 3/8in (Grade 8)	
15	See Note	NSS	Bolt 1/4 x 1-1/2 (Grade 8) (Note: Not Available for Purchase)	
16	7017183	1	Valve Assembly	
16	7017193	2	Cartridge, Valve	
16	See Note	NSS	Seal Kit - 7017193 Valve (Note: Not Available - Purchase Complete Assembly)	
16	See Note	NSS	Cartridge, Valve (Not Shown - Located on Side of Block) (Note: Not Available - Purchase Complete Assembly)	
16	See Note	NSS	Seal Kit - Valve Located on Side of Block (Note: Not Available - Purchase Complete Assembly)	
26		Ref	Seal Kit Options (Includes Items 5, 8-12 & 28):	
26	7017158	1	Standard Seal Kit (Rotator p/n 0060066 & 0060068)	
26	70000342	1	Low Temperature Seal Kit (Rotator p/n 0060066, 0060068, 1001181055 & 1001178269)	
27	7017159	1	Bearing Kit (Includes Items 6, 7 & 13)	
28	7017142	1	Hardware Kit (Includes Qty 2 Plugs, Qty 2 Dowel Pins and Item 14)	
29	7017195	2	Bushing	

SECTION 3 - BOOM

FIGURE 3-8. PLATFORM SUPPORT INSTALLATION - WITH LSS



ART_0272703

SECTION 3 - BOOM

FIGURE 3-8. PLATFORM SUPPORT INSTALLATION - WITH LSS

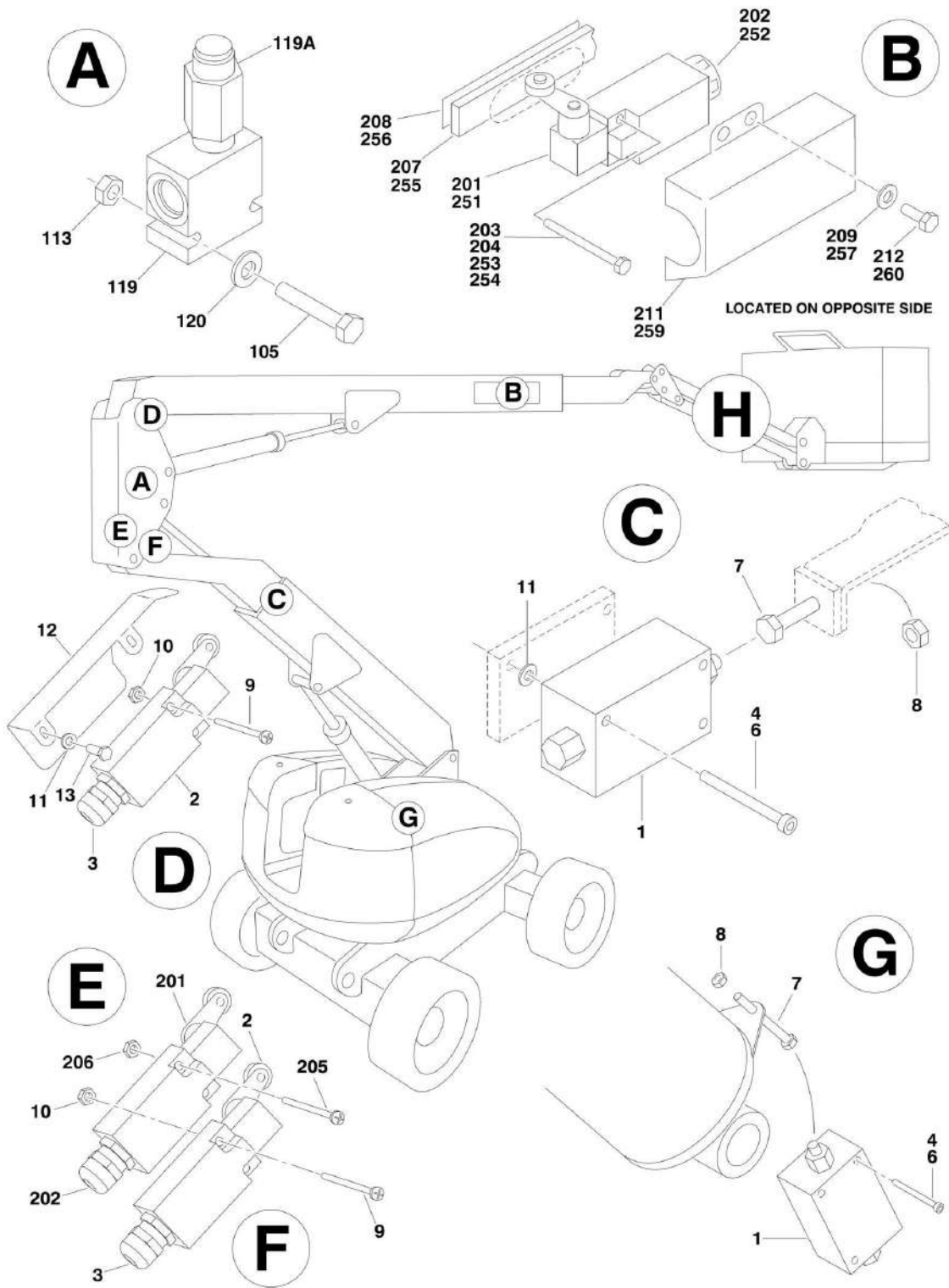
ITEM	PART NUMBER	QTY	DESCRIPTION	REV
	0272703	Ref	PLATFORM SUPPORT INSTALLATION - WITH LSS & WITHOUT SKYGLAZIER (USA BUILT MACHINES)	Q
	0272703	Ref	PLATFORM SUPPORT INSTALLATION - WITH LSS & WITH SKYGLAZIER (USA BUILT MACHINES) (NOTE: SEE SEPARATE BREAKDOWN IN PLATFORM SECTION FOR MACHINES BUILT BEFORE 2008) (SN 2008 to Present)	Q
	1001115099	Ref	PLATFORM SUPPORT INSTALLATION - WITH LSS (CHINA BUILT MACHINES)	C
1	0100011	AR	Compound, Locking	
2	0100048	AR	Grease, Dielectric	
3	0641405	6	Bolt 1/4 x 5/8	
4	0641416	3	Bolt 1/4 x 2	
5	0641407	1	Bolt 1/4 x 7/8	
6	0641516	3	Bolt 5/16 x 2	
7	0641822	8	Bolt 1/2 x 2-3/4	
8	0642024	4	Bolt 5/8 x 3	
9	0642684	1	Bolt 1 x 10-1/2	
10	0681608	8	Bolt 3/8 x 1 Grade 8	
11	0902919	2	Bracket, Cell Guard	
12	0902920	2	Bracket, Cell Guard	
13		Ref	Bracket, Module Mount Options:	
13A	0902894	1	Bracket (USA Built Machines) (SN 0300171769 through 0300138470)	
13B	1001113483	1	Bracket (USA Built Machines) (SN 0300138471 through 0300177360)	
13B	1001113483	1	Bracket (China Built Machines)	
14	0962450	4	Bushing, Spacer	
15	1271538	2	Channel	
16	1320136	6	Clamp	
17	1320224	2	Clamp	
18	1600387	1	Module, Control - LSS (Note: Recalibration Required When Replaced)	
19	2420202	4	Cell, Load (Includes Cable)	
20	3272605	1	Nut 1 Grade 8	
21	3311405	10	Nut 1/4	
22	3311508	3	Nut 5/16	
23	3311805	8	Nut 1/2	
24	3312005	4	Nut 5/8	
25	3900283	4	Screw 3/8 x 3/4	
26	4061054	2	Shield	
27	4240033	AR	Tie-Strap (Not Shown)	
28	4711400	10	Washer 1/4	
29	4711600	4	Washer 3/8	
30	4751400	1	Washer 1/4	
31	4751500	3	Washer 5/16	
32	4846573	1	Support, Platform	
33	4891600	8	Washer 3/8	
34	4891800	8	Washer 1/2	
35	4892000	4	Washer 5/8	
36	4892600	1	Washer 1	
37	4922869	1	LSS Harness	

SECTION 3 - BOOM

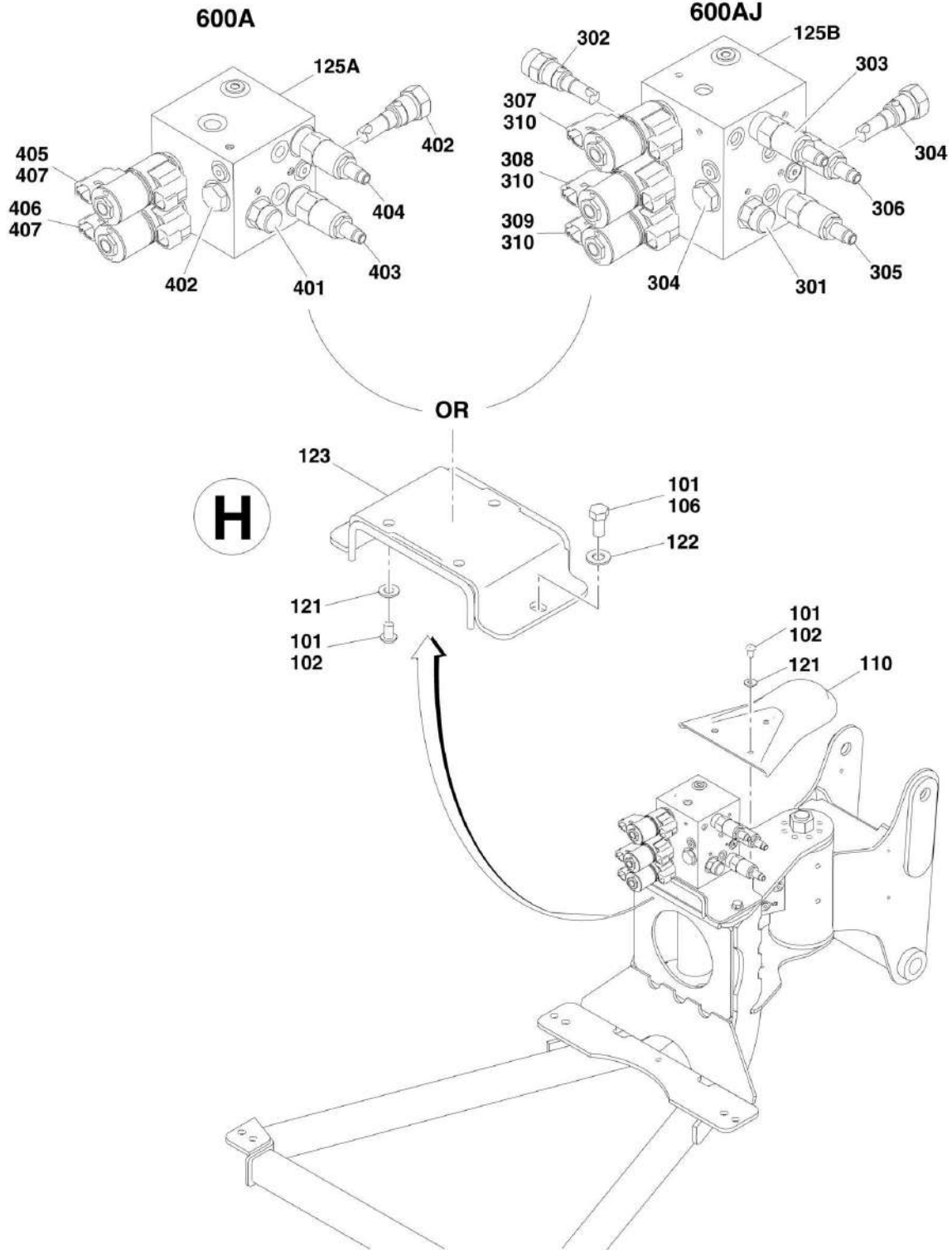
ITEM	PART NUMBER	QTY	DESCRIPTION	REV
37	4922705	1	Analyzer Harness (Not Shown)	
37	4460761	1	Receptacle, Female - 4 Position (Not Shown)	
37	4460226	2	Socket, Female	
37	4460836	1	Connector - 12 Position (Black) (J2)	
37	4460465	2	Socket, Female	
37	4460466	10	Plug, Terminal	
37	0840055	1	Boot	
37	4460933	1	Connector - 12 Position (Grey) (J1)	
37	4460465	3	Socket, Female	
37	4460466	9	Plug, Terminal	
37	0840055	1	Boot	
39	2540038	1	Grommet	
40	2920129	1	Bulb, Light (Not Shown - Located on Ground Control Box)	
41	1001216630	2	Decal - Tie Down/No Lift (USA Built Machines Only)	

SECTION 3 - BOOM

FIGURE 3-9. VALVES AND SWITCHES INSTALLATION (BOOM MOUNTED)



SECTION 3 - BOOM



SECTION 3 - BOOM

FIGURE 3-9. VALVES AND SWITCHES INSTALLATION (BOOM MOUNTED)

ITEM	PART NUMBER	QTY	DESCRIPTION	REV
	0255438	Ref	BOOM VALVES AND LIMIT SWITCHES INSTALLATION (ALL SPECS)	10-J
1		Ref	Valve, Manual 2-Way Options:	
1	4641139	2	USA Built Machines (SN 0300087000 through 0300091977)	
1	4641436	2	USA Built Machines (SN 0300091978 through 0300177361)	
1	4641436	2	China Built Machines (SN B300000100 to Present)	
2	4360578	2	Switch, Limit	
3	4460968	2	Connector, Strain Relief	
4	3931430	6	Bolt, Socket Head 1/4in-20NC x 1-7/8in	
6	0100011	AR	Compound, Locking	
7	0630427	2	Bolt, Special	
8	3311801	3	Nut 1/2in-13NC	
9	3930824	4	Bolt, Socket Head #8-32NC x 1-1/2in	
10	3310801	4	Nut #8-32NC	
11	4751400	8	Flatwasher 1/4in Regular	
12	1670819	1	Cover, Switch	
13	3931408	2	Bolt, Socket 1/4in-20NC x 1/2in	
		Ref	CONTROL VALVES INSTALLATIONS	
	0274309	Ref	Control Valves 600A 2WS (SN 0300087000 through 0300177361)	4
	0274309	Ref	Control Valves 600A 2WS (SN B300000100 through B300001392)	4
	1001160038	Ref	Control Valves 600A 2WS (SN B300001393 through B300001985)	B
	0274309	Ref	Control Valves 600A 2WS (SN B300001986 to Present)	4
	0274311	Ref	Control Valves 600A 4WS (SN 0300087000 through 0300177361)	4
	0274311	Ref	Control Valves 600A 4WS (SN B300000100 through B300001392)	4
	1001160039	Ref	Control Valves 600A 4WS (SN B300001393 through B300001985)	B
	0274311	Ref	Control Valves 600A 4WS (SN B300001986 to Present)	4
	0274310	Ref	Control Valves 600AJ 2WS (SN 0300087000 through 0300177361)	4
	0274310	Ref	Control Valves 600AJ 2WS (SN B300000100 through B300001392)	4
	1001160068	Ref	Control Valves 600AJ 2WS (SN B300001393 through B300001985)	B
	0274310	Ref	Control Valves 600AJ 2WS (SN B300001986 to Present)	4
	0274312	Ref	Control Valves 600AJ 4WS (SN 0300087000 through 0300177361)	4
	0274312	Ref	Control Valves 600AJ 4WS (SN B300000100 through B300001392)	4
	1001160069	Ref	Control Valves 600AJ 4WS (SN B300001393 through B300001985)	B
	0274312	Ref	Control Valves 600AJ 4WS (SN B300001986 to Present)	4
101	0100011	AR	Compound, Locking (SN B300001393 to Present)	
102	0630467	6	Screw 5/6-18 x 1/2 (SN B300001393 to Present)	
105	0641424	2	Bolt 1/4-20 x 3	
106	0641606	2	Bolt 3/8-16 x 3/4 (SN B300001393 to Present)	
110	1670964	1	Cover (SN 0300181175 to Present)	
113	3311405	2	Nut 1/4-20	

SECTION 3 - BOOM

ITEM	PART NUMBER	QTY	DESCRIPTION	REV
119	4640929	1	Valve Assembly - Relief	
119A	7012970	1	Cartridge Valve	
119A	7012953	1	Seal Kit - 7012970 Valve	
120	4711400	2	Washer 1/4	
121	4711500	6	Washer 5/16 (SN B300001393 to Present)	
122	4711600	2	Washer 3/8 (SN B300001393 to Present)	
123	4846218	1	Plate, Valve Mounting (SN B300001393 to Present)	
125A	1001152564	1	Control Valve Assembly - 600A (See Items 401-409 for Breakdown) (SN B300001393 to Present)	
125B	1001152565	1	Control Valve Assembly - 600AJ (See Items 301-312 for Breakdown) (SN B300001393 to Present)	
	0255699	Ref	LIMIT SWITCHES INSTALLATION - 600A DUAL CAPACITY (ALL SPEC EXCEPT CE AND LATIN AMERICA SPEC)	D
201	4360578	2	Switch, Limit	
202	4460968	2	Connector, Strain Relief	
203	0100035	AR	Compound, Locking	
204	3930816	2	Bolt, Socket Head #8-32NC x 1in	
205	3930824	2	Bolt, Socket Head #8-32NC x 1-1/2in	
206	3310805	2	Locknut #8-32NC	
207	0362529	NLA	Bar, Fiberglass (Use p/n 1001106480)	
208	4420060	9.8 ft/3m	Tape, Foam	
209	4751400	4	Flatwasher 1/4in Regular	
211	1670824	1	Cover, Switch	
212	0641403	4	Bolt 1/4in-20NC x 3/8in	
		Ref	TRANSPORT POSITION SWITCHES INSTALLATION (CE SPEC ONLY)	
	0256331	Ref	Transport Position Switches 600A	B
	0256336	Ref	Transport Position Switches 600AJ	C
251	4360578	1	Switch, Limit	
252	4460968	1	Connector, Strain Relief	
253	0100035	AR	Compound, Locking	
254	3930816	2	Bolt, Socket Head #8-32NC x 1in	
255		Ref	Bar, Fiberglass	
255	0362611	1	Bar, Fiberglass 600A	
255	0362529	NLA	Bar, Fiberglass 600AJ (Use p/n 1001106480)	
256	4420060	Ref	Tape, Foam	
256	4420060	161 in/4m	Tape, Foam 600A	
256	4420060	127 in /3.2m	Tape, Foam 600AJ	
257	4751400	4	Flatwasher 1/4in Regular	
259	1670824	1	Cover, Switch	
260	0641403	4	Bolt 3/8in-16NC x 3/8in	
	1001152565	Ref	CONTROL VALVE ASSEMBLY - 600AJ (SN B300001393 to Present)	C
301	7012989	1	Valve, Flow	
301	7012953	1	Seal Kit - 7012989 Valves	
302	7012965	1	Valve, Flow	
302	7012953	1	Seal Kit - 7012965 Valves	
303	70003790	1	Valve, Relief	
303	7021653	1	Seal Kit - 70003790 Valve	
304	7012914	2	Valve, Cartridge	
304	7012918	2	Seal Kit - 7012914 Valve	
305	7023911	1	Valve, Relief	

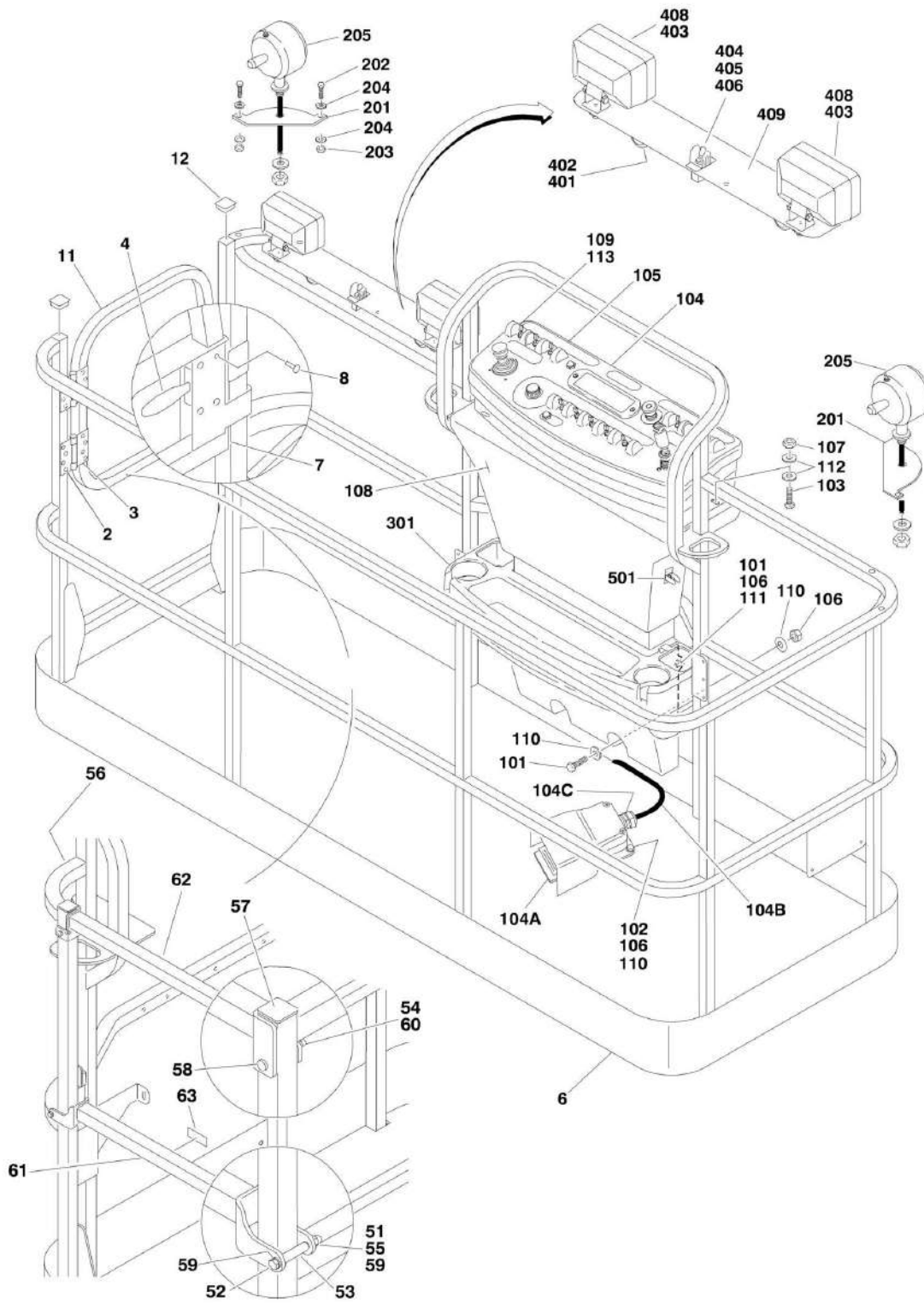
SECTION 3 - BOOM

ITEM	PART NUMBER	QTY	DESCRIPTION	REV
305	7012967	1	Seal Kit - 7023911 Valve	
306	7023912	1	Valve, Relief	
306	7012967	1	Seal Kit - 7023912 Valve	
307	7017452	1	Valve, Solenoid (Jib)	
307	7017402	2	Seal Kit - 7017452 Valve	
308	7017452	1	Valve, Solenoid (Platform Level)	
308	7017402	1	Seal Kit - 7017452 Valve	
309	7017452	1	Valve, Solenoid (Rotator)	
309	7017402	2	Seal Kit - 7017452 Valve	
310	70002386	6	Coil	
311	70002064	2	Plug, Orifice (Not Shown)	
312	7017406	2	Plug (Not Shown)	
	1001152564	Ref	CONTROL VALVE ASSEMBLY - 600A (SN B300001393 to Present)	D
401	7012965	1	Valve, Flow	
401	7012953	1	Seal Kit - 7012965 Valves	
402	7012914	2	Valve, Cartridge	
402	7012918	2	Seal Kit - 7012914 Valve	
403	7023911	1	Valve, Relief	
403	7012967	1	Seal Kit - 7023911 Valve	
404	7023912	1	Valve, Relief	
404	7012967	1	Seal Kit - 7023912 Valve	
405	7017452	1	Valve, Solenoid (Platform Level)	
405	7017402	1	Seal Kit - 7017452 Valve	
406	7017452	1	Valve, Solenoid (Rotator)	
406	7017402	2	Seal Kit - 7017452 Valve	
407	70002386	4	Coil	
408	70002064	2	Plug, Orifice (Not Shown)	
409	7017406	2	Plug (Not Shown)	

SECTION 4 - PLATFORM

SECTION 4 - PLATFORM

FIGURE 4-1. PLATFORM ASSEMBLIES



SECTION 4 - PLATFORM

FIGURE 4-1. PLATFORM ASSEMBLIES

ITEM	PART NUMBER	QTY	DESCRIPTION	REV
		Ref	PLATFORM ASSEMBLY WITH GATE	
		Ref	USA Built Machines:	
	3510830	Ref	2.6ft x 4ft (0.70m x 1.22m) with No Mesh (SN 0300087000 through 0300168248)	M
	1001144027	Ref	2.6ft x 4ft (0.70m x 1.22m) with No Mesh (SN 0300168249 through 0300177361)	B
	3510831	Ref	2.6ft x 5ft (0.70m x 1.52m) with No Mesh (SN 0300087000 through 0300168248)	L
	1001144026	Ref	2.6ft x 5ft (0.70m x 1.52m) with No Mesh (SN 0300168249 through 0300177361)	B
	3510833	Ref	3ft x 6ft (0.9m x 1.83m) with No Mesh (SN 0300087000 through 0300168248)	I
	1001144024	Ref	3ft x 6ft (0.9m x 1.83m) with No Mesh (SN 0300168249 to Present)	B
	3510822	Ref	3ft x 8ft (0.9m x 2.44m) with No Mesh (SN 0300087000 through 0300168248)	J
	1001144023	Ref	3ft x 8ft (0.9m x 2.44m) with No Mesh (SN 0300168249 to Present)	B
		Ref	China Built Machines:	
	1001114335	Ref	3ft x 6ft (0.9m x 1.83m) with No Mesh (SN B300000100 through B300000901)	D
	1001146180	Ref	3ft x 6ft (0.9m x 1.83m) with No Mesh (SN B300000902 through B300001168)	E
	1001188305	Ref	3ft x 6ft (0.9m x 1.83m) with No Mesh (SN B300001169 to Present)	C
	1001228376	Ref	3ft x 6ft (0.9m x 1.83m) with Tri-Entry (1 Gate/2 Drop Bars)	A
	1001114391	Ref	3ft x 8ft (0.9m x 2.44m) with No Mesh (SN B300000100 through B300000901)	D
	1001146179	Ref	3ft x 8ft (0.9m x 2.44m) with No Mesh (SN B300000902 through B300001168)	E
	1001188308	Ref	3ft x 8ft (0.9m x 2.44m) with No Mesh (SN B300001169 to Present)	C
		Ref	Note: Original Equipment platform may have been replaced with Service Replacement platform. Identify platform before ordering parts.	
		Ref	Note: Platform and Mesh must be ordered separately for Platforms with Mesh. See SPECIAL OPTIONS SECTION for Mesh Installations.	
		Ref	Note: Replacement Decals Must Be Purchased Separately - See DECALS SECTION.	
		Ref	Note: When replacing 8ft/2.44m platform with Soft Touch option, new Soft Touch Rail p/n 4846673 must be purchased to accommodate limit switch locations.	
		Ref	Note: When replacing platform on machines with SkyCutter option, new bracket p/n 1001145405 must be purchased to accommodate SkyCutter components.	
2	2080040	16	Fastener, Huck	
3	2600281	2	Hinge, Self-Closing	
4	2940074	1	Latch	
6	See Note	NSS	Platform (Note: Purchase Platform Assembly)	
7		Ref	Plug	
7	3520072	AR	USA Built Machines	
7		Ref	China Built Machines	
7	3520198	AR	Platform p/ns 1001114335 & 1001114391	
7	1001144630	AR	Platform p/ns 1001146179 & 1001146180	

SECTION 4 - PLATFORM

ITEM	PART NUMBER	QTY	DESCRIPTION	REV
8	3820020	4	Rivet	
9	4751000	4	Flatwasher #10 Regular	
11		Ref	Gate Options:	
11		Ref	USA Built Machines	
11	4846452	1	Platform p/ns 3510822, 3510830, 3510831, 3510833	
11	1001144629	1	Platform p/ns 1001144023, 1001144024, 1001144026, 1001144027, 1001228376	
11		Ref	China Built Machines	
11	1001114341	1	Platform p/ns 1001114335 & 1001114391	
11	1001144629	1	Platform p/ns 1001146179 & 1001146180	
12		Ref	Plug Options:	
12	3520198	2	USA Built Machines	
12		Ref	China Built Machines	
12	3520198	2	Platform p/ns 1001114335 & 1001114391	
12	1001145781	2	Platform p/ns 1001146179 & 1001146180	
		Ref	PLATFORM ASSEMBLY WITH DROP-BAR	
		Ref	USA Built Machines:	
	1001138431	Ref	4ft x 2.5ft (1.2m x .76m) (SN 0300087000 through 0300168248)	B
	1001144018	Ref	4ft x 2.5ft (1.2m x .76m) (SN 0300168249 to Present)	B
	1001138432	Ref	5ft x 2.5ft (1.5m x .76m) (SN 0300087000 through 0300168248)	B
	1001144019	Ref	5ft x 2.5ft (1.5m x .76m) (SN 0300168249 through 0300177361)	B
	1001138434	Ref	6ft x 3ft (1.83m x .91m) (SN 0300087000 through 0300168248)	B
	1001144021	Ref	6ft x 3ft (1.83m x .91m) (SN 0300168249 through 0300177361)	B
	1001138430	Ref	8ft x 3ft (2.44m x .91m) (SN 0300087000 through 0300168248)	B
	1001144022	Ref	8ft x 3ft (2.44m x .91m) (SN 0300168249 to Present)	B
		Ref	China Built Machines:	
	1001228215	Ref	3ft x 2.5ft (1m x .76m)	A
	1001139373	Ref	6ft x 3ft (1.83m x .91m) (SN B300000100 through B300000901)	B
	1001146182	Ref	6ft x 3ft (1.83m x .91m) (SN B300000902 through B3000001168)	E
	1001188306	Ref	6ft x 3ft (1.83m x .91m) (SN B300001169 to Present)	B
	1001228377	Ref	3ft x 6ft (0.9m x 1.83m) with Tri-Entry (3 Drop Bars)	A
	1001139374	Ref	8ft x 3ft (2.44m x .91m) (SN B300000100 through B300000901)	B
	1001146181	Ref	8ft x 3ft (2.44m x .91m) (SN B300000902 through B300001168)	E
	1001188309	Ref	8ft x 3ft (2.44m x .91m) (SN B300001169 to Present)	B
		Ref	Note: Replacement Decals Must Be Ordered Separately - See DECALS SECTION.	
51	0100011	AR	Compound, Locking	
52	0641418	2	Bolt 1/4in-20NC x 2-1/4in	
53	0961845	2	Bushing	
54	3290606	2	Nut M6	
55	3300151	2	Nut, Acorn	
56	See Note	NSS	Platform (Note: Purchase Platform Assembly)	
57		Ref	Cap-Plug Options:	
57	3520198	2	USA Built Machines	
57		Ref	China Built Machines	
57	3520198	2	Platform p/ns 1001139373 & 1001139374	

SECTION 4 - PLATFORM

ITEM	PART NUMBER	QTY	DESCRIPTION	REV
57	1001145781	2	Platform p/ns 1001146181 & 1001146182	
58	4010618	2	Screw M6 x 50mm	
59	4711400	4	Flatwasher 1/4in	
60	4811700	2	Flatwasher M6	
61	1001138494	1	Bar, Drop (All except 3ft x 2.5ft (1m x .76m) Platform)	
61	1001226872	1	Bar, Drop (3ft x 2.5ft (1m x .76m) Platform)	
62	1001138514	1	Rail (Top)	
63	1001140429	1	Decal - Drop-Bar	
		Ref	CONSOLE BOX INSTALLATION	
	0271941	Ref	USA Built Machines (SN 0300087000 through 0300138648)	B
	1001108736	Ref	USA Built Machines (SN 0300138649 through 0300139040)	B
	1001144446	Ref	USA Built Machines (SN 0300139041 through 0300167713)	D
	1001145835	Ref	USA Built Machines (SN 0300167714 through 0300177361)	A
	1001114446	Ref	China Built Machines (Without SkyGuard) (SN B300000100 through B300000864)	D
	1001145835	Ref	China Built Machines (Without SkyGuard) (SN B300000865 through B300001392)	A
	1001159096	Ref	China Built Machines (Without SkyGuard) (SN B300001393 to Present)	C
	1001190118	Ref	China Built Machines (With SkyGuard) (SN B300000100 through B300001392)	B
	1001190113	Ref	China Built Machines (With SkyGuard) (SN B300001393 to Present)	B
	0258945	Ref	China Built Machines 4WS Components	A
101	0641406	4	Bolt 1/4in-20NC x 3/4in	
102	0641408	3	Bolt 1/4in-20NC x 1in	
103	0641610	4	Bolt 3/8in-16NC x 1-1/4in	
104		Ref	Platform Console Box Assembly (See PLATFORM CONSOLE ASSEMBLY for Breakdown)	
104	0861517	1	USA Built Machines (SN 0300087000 through 0300138648)	
104	1001108735	1	USA Built Machines (SN 0300138649 through 0300139040)	
104	1001114448	1	USA Built Machines (SN 0300139041 through 0300167713)	
104	1001145834	1	USA Built Machines (SN 0300167714 through 0300177361)	
104	1001114448	1	China Built Machines (Without SkyGuard) (SN B300000100 through B300000864)	
104	1001145834	1	China Built Machines (Without SkyGuard) (SN B300000865 through B300001392)	
104	1001166672	1	China Built Machines (Without SkyGuard) (SN B300001393 through B300001595)	
104	1001202577	1	China Built Machines (Without SkyGuard) (SN B300001596 to Present)	
104	1001190094	1	China Built Machines (With SkyGuard) (SN B300000100 through B300001392)	
104	1001190089	1	China Built Machines (With SkyGuard) (SN B300001393 through B300001595)	
104	1001202573	1	China Built Machines (With SkyGuard) (SN B300001596 to Present)	
104A		Ref	Footswitch Assembly Options (Includes Footswitch and Items 104B & 104C):	
104A	0272970	1	USA Built Machines (SN 0300087000 through 0300167713)	B
104A	1001117174	1	USA Built Machines (SN 0300167714 through 0300177361)	B
104A	0272970	1	China Built Machines (SN B300000100 through B300000724)	B
104A	1001117174	1	China Built Machines (SN B300000725 to Present)	B
		Ref	Note: Assembly p/n 0272970 may use either p/n 4360031	

SECTION 4 - PLATFORM

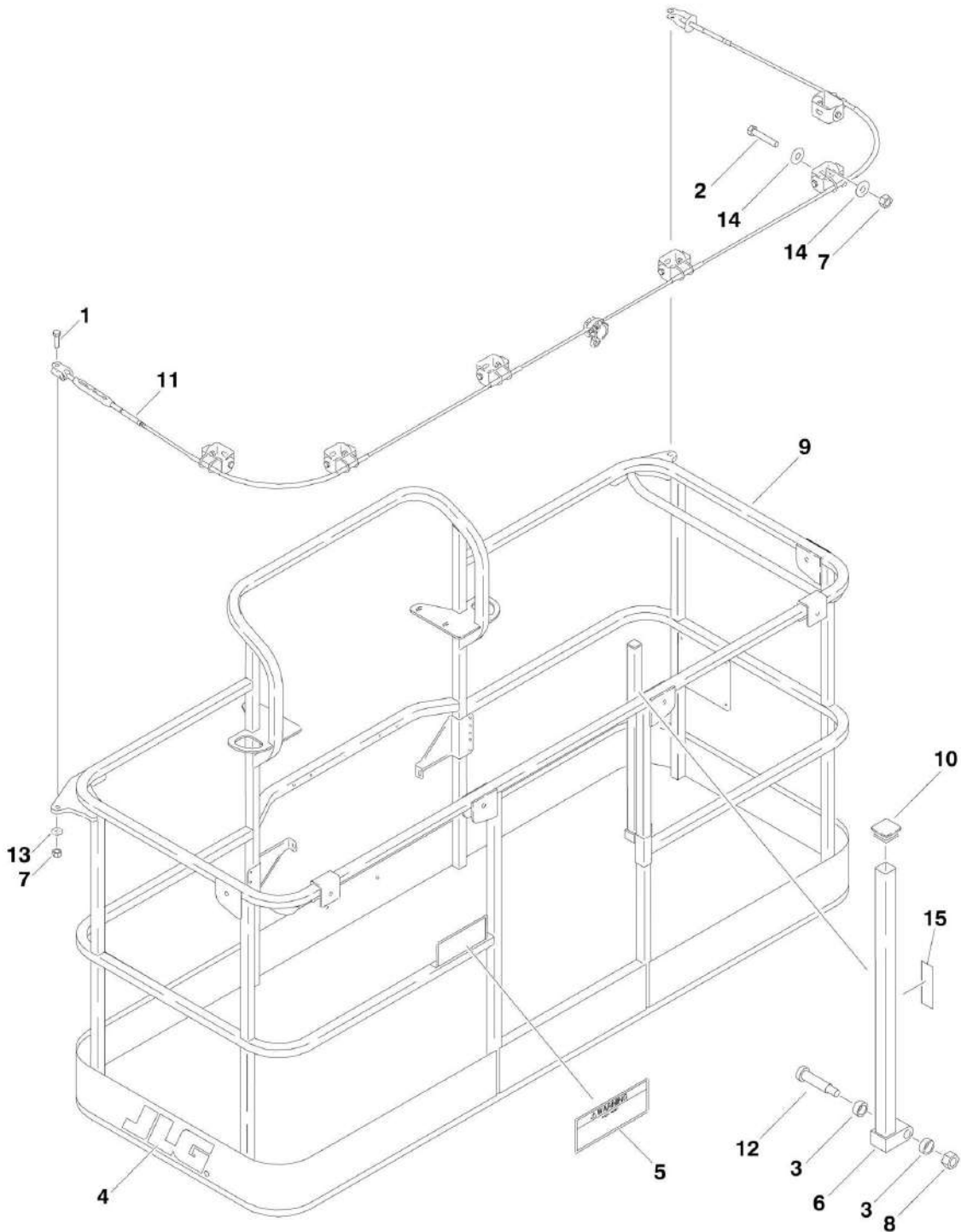
ITEM	PART NUMBER	QTY	DESCRIPTION	REV
			or p/n 100117320. If Original Equipment on machines SN 0300087000 to SN 0300143952 was replaced as an "assembly", p/n 100117320 may have been used as part of the Service Replacement. Identify component before ordering parts.	
104A		Ref	Footswitch Options:	
104A	4360031	1	Footswitch - USA Built Machines (SN 0300087000 through 0300143951)	
104A	7000625	2	Block for 4360031 Footswitch	
104A	100117320	1	Footswitch - USA Built Machines (SN 0300143952 through 0300167713)	
104A	100117320	1	Footswitch - China Built Machines (SN B300000100 through B300000724)	
104A	70003483	1	Block for 100117320 Footswitch	
104A	100117172	1	Footswitch - USA Built Machines (SN 0300167714 through 0300177361)	
104A	100117172	1	Footswitch - China Built Machines (SN B300000725 to Present)	
104A	70002902	1	Block, Contact for 100117172 Footswitch	
104A	70002903	1	Gasket for 100117172 Footswitch	
104A	70002905	1	Cover for 100117172 Footswitch	
104A	70002904	1	Bolt Replacement Kit for 100117172 Footswitch	
104B	1060918	7 ft/2.14m	Cable, Electrical - 18/3	
104C	4460071	1	Connector, Strain Relief	
105	1702676	1	Decal - Horn	
106	3311405	7	Locknut 1/4in-20NC	
107	3311605	4	Locknut 3/8in-16NC	
108	3380434	1	Panel, Decal Mount	
109	4360331	1	Switch	
110	4740362	7	Washer, Fender 1/4in	
111	4751400	4	Flatwasher 1/4in Regular	
112	4751600	8	Flatwasher 3/8in Regular	
113	3790012	1	O-Ring	
	0273492	Ref	WORKLIGHTS INSTALLATIONS (OPTIONAL)	D
201	3536089	2	Plate, Mounting	
202		Ref	Hardware Options:	
202	0641414	4	Bolt 1/4in-20NC x 1-3/4in (USA Built Machines) (SN 0300087000 through 0300112399)	
202	2080040	4	Blind Fastener, Huck (USA Built Machines) (SN 0300112400 through 0300177361)	
203	3311405	4	Locknut 1/4in-20NC (USA Built Machines Only) (SN 0300087000 through 0300112399)	
204	4711400	8	Flatwasher 1/4in Thin (USA Built Machines Only) (SN 0300087000 through 0300112400)	
205	2920140	2	Worklight	
205	7016399	2	Bulb, Replacement (1 Per Worklight)	
206	4240099	10	Tie-Strap (Not Shown)	
207	2820035	9	Loom, Vinyl (Not Shown)	
209	4460426	1	Connector, Strain Relief Options (Not Shown - Located at Console Box)	
		Ref	TRAY INSTALLATIONS (OPTIONAL)	
301	1580012	1	Tray, Storage (Center)	
302	1580013	1	Tray, Storage (Rail Mounted - Not Shown)	
	0274180	Ref	FLOODLIGHT INSTALLATION	A

SECTION 4 - PLATFORM

ITEM	PART NUMBER	QTY	DESCRIPTION	REV
401	0641518	2	Bolt 5/16in-18NC x 2-1/4in	
402	2560173	2	Handle	
403	2920157	2	Lamp, Work Light	
404	3250585	1	Nameplate - Light On	
405	4060802	1	Guard, Switch	
406	4360336	1	Switch, Toggle	
407	4420037	1	Tape, Insulation (Not Shown)	
408	4751800	2	Flatwasher 1/2in Regular	
409	4846561	1	Mount, Light	
410	4922892	1	Harness 12/3 (Lower Boom) (Not Shown)	
411	4922894	1	Harness 12/3 (Upper Boom) (Not Shown)	
		Ref	2500W GENERATOR INSTALLATION (OPTIONAL)	
501	4360336	1	Switch, Toggle	
501	4740397	1	Bushing	
501	4060802	1	Guard, Switch	
501	3251102	1	Decal - Generator ON/OFF	

SECTION 4 - PLATFORM

FIGURE 4-2. PLATFORM COMPONENTS INSTALLATION (FALL ARREST PLATFORM)



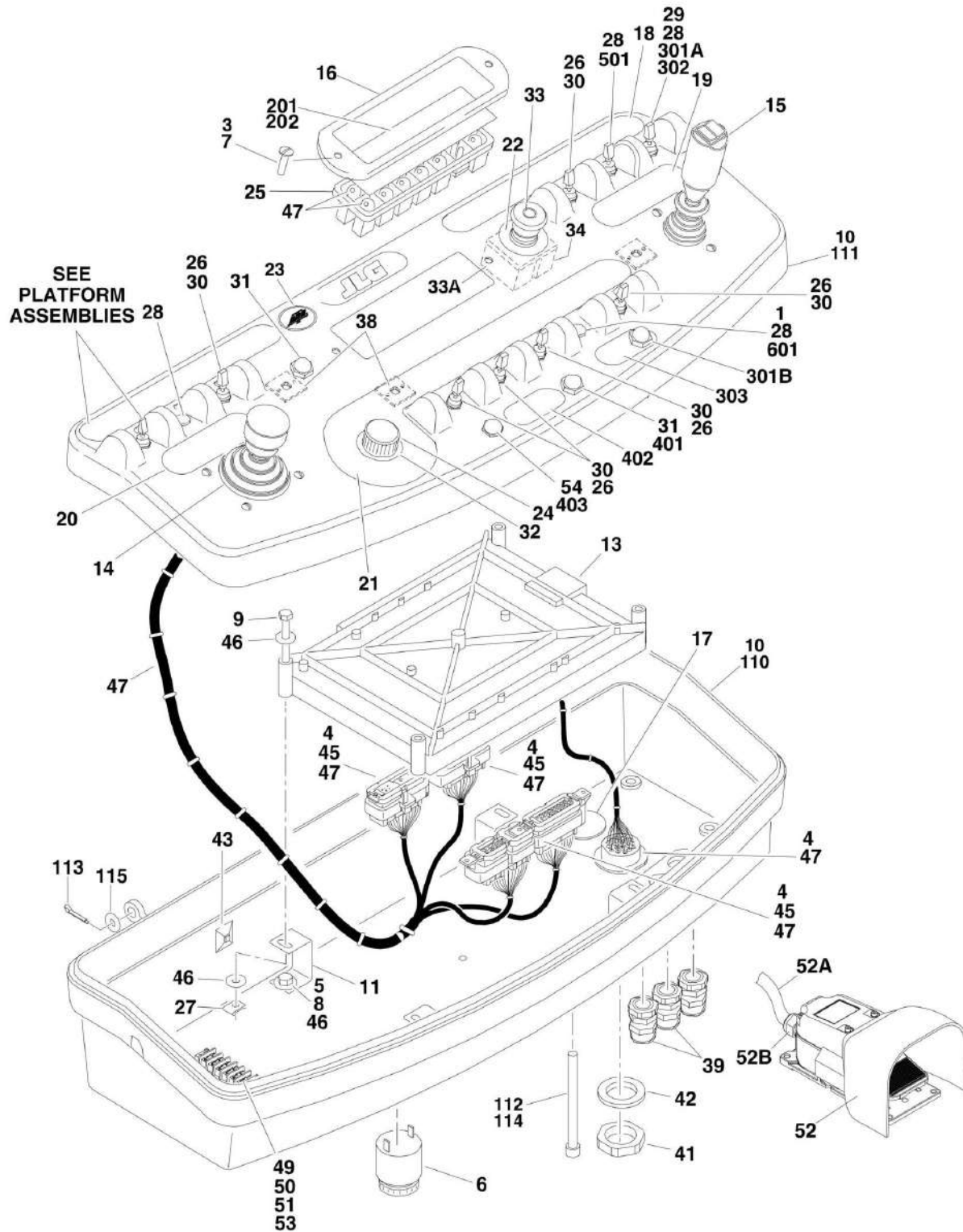
SECTION 4 - PLATFORM

FIGURE 4-2. PLATFORM COMPONENTS INSTALLATION (FALL ARREST PLATFORM)

ITEM	PART NUMBER	QTY	DESCRIPTION	REV
		Ref	PLATFORM ASSEMBLY (FALL ARREST)	
		Ref	Note: Not Available on CE Specs.	
	3510884	Ref	3ft x 6ft (0.9m x 1.83m) (SN 0300087000 through 0300177361)	F
	3510868	Ref	3ft x 8ft (0.9m x 2.44m) (SN 0300087000 through 0300177361)	F
	3510868	Ref	3ft x 8ft (0.9m x 2.44m) (SN B300000100 through B300001279)	F
	1001186334	Ref	3ft x 8ft (0.9m x 2.44m) (SN B300001280 to Present)	D
		Ref	Note: Replacement Decals Must Be Ordered Separately - See DECALS SECTION.	
1	0681814	2	Bolt 1/2in-13NC x 1-3/4in	
2	0681822	AR	Bolt 1/2in-13NC x 2-3/4in	
3	0962270	2	Bearing	
4	1702773	1	Decal - JLG (3ft x 8ft (0.9m x 2.44m) Platform Only)	
5	1705014	1	Decal - Safety	
6	2410014	1	Gate Weldment	
7	3271805	AR	Locknut 1/2in-13NC	
8	3311605	1	Locknut 3/8in-16NC	
9	See Note	NSS	Platform Weldment (Note: Purchase Platform Assembly)	
10	3520072	1	Cap-Plug	
11		Ref	Cable, Fall Arrest Options:	
11	1060919	NLA	Cable (3ft x 6ft (0.9m x 1.83m) Platform) (Use p/n 1001203655)	
11	3890040	NLA	Cable (3ft x 8ft (0.9m x 2.44m) Platform) (Use p/n 1001203656)	
11	3890040	NLA	Cable (3ft x 8ft (0.9m x 2.44m) Platform) (Use p/n 1001203656) (SN B300000100 through B300001500)	
11	1001203656	1	Cable (3ft x 8ft (0.9m x 2.44m) Platform) (SN B300001501 to Present)	
12	3900054	1	Bolt 1/2in-13NC x 1 3/4in	
13	4711800	AR	Flatwasher 1/2in Thin	
14	4751800	AR	Flatwasher 1/2in Regular	
15	1706385	1	Decal - Drop Bar	

SECTION 4 - PLATFORM

FIGURE 4-3. PLATFORM CONSOLE ASSEMBLY (SN 0300087000 through 0300177361, SN B300000100 through B300001392)



SECTION 4 - PLATFORM

FIGURE 4-3. PLATFORM CONSOLE ASSEMBLY (SN 0300087000 through 0300177361, SN B300000100 through B300001392)

ITEM	PART NUMBER	QTY	DESCRIPTION	REV
		Ref	Note: Machines "Without UGM" are ALL USA Built Machines.	
		Ref	Note: Platform Console Module is different based on the Ground Control Module (i.e. with UGM or without UGM). For Ground Module identification, See Revision Log Page A.	
		Ref	CONSOLE BOX AND FOOTSWITCH ASSEMBLY (SN 0300087000 through 0300177361, SN B300000100 through B300001392)	
	0861517	Ref	USA Built Machines (Without UGM) (SN 0300087000 through 0300137204)	K
	1001108735	Ref	USA Built Machines (Without UGM) (SN 0300137205 through 0300177361)	B
	1001114448	Ref	USA Built Machines - With UGM (SN 0300087000 through 0300167713)	F
	1001145834	Ref	USA Built Machines - With UGM (SN 0300167714 through 0300177361)	B
	1001114448	Ref	China Built Machines (Without SkyGuard) (SN B300000100 through B300000864)	F
	1001145834	Ref	China Built Machines (Without SkyGuard) (SN B300000865 through B300001392)	C
	1001190094	Ref	China Built Machines (With SkyGuard) (SN B300000100 through B300001392)	C
1	0100009	AR	Sealant	
3	0100035	AR	Compound, Locking	
4	0100048	AR	Grease, Dielectric	
5	0100081	AR	Adhesive	
6	0140011	1	Alarm	
7	0630464	2	Screw, Button Head #10-24NC x 1/2in	
8	0641404	4	Bolt 1/4in-20NC x 1/2in	
9	0641414	4	Bolt 1/4in-20NC x 1 3/4in	
10	0861537	1	Box, Console (Without SkyGuard) (See Items 110-115 for Breakdown)	
10	1001189116	1	Box, Console (With SkyGuard) (See Items 110-115 for Breakdown)	
11	0902751	4	Bracket, Card Support	
13		Ref	Controller, Module Options	
		Ref	Note: Re-calibration Required when Replaced.	
13	1600375	1	Without UGM	
13	1001106355	1	With UGM	
14		Ref	Controller Assembly (Lift and Swing) Options (See CONTROLLER ASSEMBLY (LIFT AND SWING) for Breakdown):	
14	1600317	NLA	USA Built Machines (Use p/n 1001129555) (SN 0300087000 through 0300146183)	
14	1001118417	NLA	USA Built Machines (Use p/n 1001129555) (SN 0300087000 through 0300146183)	
14	1001118417	NLA	USA Built Machines (Use p/n 1001129555) (SN 0300146184 through 0300177361)	
14	1600317	NLA	China Built Machines (Use p/n 1001129555) (SN B300000100 through B300000250)	
14	1001118417	NLA	China Built Machines (Use p/n 1001129555) (SN B300000100 through B300000250)	
14	1001118417	NLA	China Built Machines (Use p/n 1001129555) (SN B300000251 through B300001392)	
15		Ref	Controller Assembly (Drive and Steer) Options (See	

SECTION 4 - PLATFORM

ITEM	PART NUMBER	QTY	DESCRIPTION	REV
			CONTROLLER ASSEMBLY (DRIVE AND STEER) for Breakdown):	
15	1600318	NLA	USA Built Machines (Use p/n 1001212415) (SN 0300087000 through 0300146183)	
15	1001118416	NLA	USA Built Machines (Use p/n 1001212415) (SN 0300146184 through 0300177361)	
15	1600318	NLA	China Built Machines (Use p/n 1001212415) (SN B300000100 through B300000250)	
15	1001118416	NLA	China Built Machines (Use p/n 1001212415) (SN B300000251 through B300001392)	
16	1670829	1	Bezel	
17		Ref	Hardware Options:	
17	1671037	NLA	Cover (Use p/n 1001110434)	
17	1001110434	1	Plug	
18		Ref	Decal (Stop) Options:	
18	1704997	1	Decal USA Built Machines (SN 0300087000 through 0300136623)	
18	1001107527	1	Decal USA Built Machines (SN 0300136624 through 0300137205)	
18	1001107677	NLA	Decal USA Built Machines (Use p/n 1001131168) (SN 0300137206 through 0300150100)	
18	1001131168	1	Decal USA Built Machines (SN 0300150101 through 0300177361)	
18	1001107677	NLA	Decal China Built Machines (Use p/n 1001131168) (SN B300000100 through B300000284)	
18	1001131168	1	Decal China Built Machines (SN B300000285 through B300001392)	
19	1702565	1	Decal - Drive and Steer	
20	1702566	1	Decal - Lift and Swing	
21	1702567	1	Decal - Function Speed	
22	1704260	1	Decal - EMS	
23	1705132	1	Decal - ADE	
24	2560136	1	Handle, Knob	
25	2760105	1	Housing, Display Light	
26	3790012	AR	O-Ring	
27	3300353	4	Nut, Tinnerman	
28	3520054	AR	Plug, Hole	
29	4360330	1	Switch, Toggle (USA Built Machines Only) (SN 0300137205 through 0300177361)	
30	4360328	6	Switch, Toggle	
31	4360387	AR	Switch, Pushbutton	
32	4360407	1	Controller, Speed	
32	See Note	1	Gasket "Top Hat" (Included with Switch) (Note: Not Available - Purchase Complete Controller)	
32	70003784	1	Seal	
33	4360475	1	Switch, Emergency Stop	
33	7020175	1	Cap, Red	
33A	7020176	1	Contact Block	
34	4360476	1	Block, Contact	
38	4460234	3	Base, Mounting	
39	4460428	2	Connector, Strain Relief	
41	4460470	1	Nut, Terminal	
42	4460471	1	Lockwasher, Terminal	
43	4460488	1	Base, Mounting (USA Built Machines Only) (SN 0300087000	

SECTION 4 - PLATFORM

ITEM	PART NUMBER	QTY	DESCRIPTION	REV
			through 0300134338)	
44	4460708	2	Connector, Female - 15 Position (Not Shown - See ELECTRICAL SECTION for Breakdown)	
45	4460905	5	Connector, Amp Seal Plug	
46	4751400	8	Flatwasher 1/4in Regular	
47		Ref	Harness, Platform Box Options (See ELECTRICAL SECTION for Breakdown):	
47	4922639	1	Harness USA Built Machines (SN 0300087000 through 0300136622)	
47	1001107753	1	Harness USA Built Machines (SN 0300136623 through 0300177361)	
47	1001107753	1	Harness China Built Machines (Without SkyGuard) (SN B300000100 through B300001392)	
47	1001185280	1	Harness China Built Machines (With SkyGuard) (SN B300000100 through B300001392)	
48	4922666	1	Harness, Analyzer Cable (Not Shown - See ELECTRICAL SECTION for Breakdown)	
49		Ref	Bolt Options:	
49	0721008	1	Bolt #10-24NC x 1in	
49	0721006	2	Bolt #10-24NC x 3/4in	
50		Ref	Nut Options:	
50	3311001	1	Nut #10-24NC	
50	3311005	2	Locknut #10-24NC	
51	4460007	1	Bar, Buss	
52		Ref	Footswitch Assembly Options (Includes Footswitch and Items 52A & 52B):	
52	0272970	1	USA Built Machines (SN 0300087000 through 0300167713)	B
52	1001117174	1	USA Built Machines (SN 0300167714 through 0300177361)	B
52	0272970	1	China Built Machines (SN B300000100 through B300000724)	B
52	1001117174	1	China Built Machines (SN B300000725 through B300001392)	B
		Ref	Note: Assembly p/n 0272970 may use either p/n 4360031 or p/n 1001117320. If Original Equipment on machines SN 0300087000 to SN 0300143952 was replaced as an "assembly", p/n 1001117320 may have been used as part of the Service Replacement. Identify component before ordering parts.	
52		Ref	Footswitch Options:	
52	4360031	1	Footswitch (USA Built Machines) (SN 0300087000 through 0300143951)	
52	7000625	2	Block for 4360031 Footswitch	
52	1001117320	1	Footswitch (USA Built Machines) (SN 0300143952 through 0300167713)	
52	1001117320	1	Footswitch (China Built Machines) (SN B300000100 through B300000724)	
52	70003483	1	Block for 1001117320 Footswitch	
52	1001117172	1	Footswitch (USA Built Machines) (SN 0300167714 through 0300177361)	
52	1001117172	1	Footswitch (China Built Machines) (SN B300000725 through B300001392)	
52	70002902	1	Block, Contact for 1001117172 Footswitch	
52	70002903	1	Gasket for 1001117172 Footswitch	
52	70002905	1	Cover for 1001117172 Footswitch	
52	70002904	1	Bolt Replacement Kit for 1001117172 Footswitch	
52A	1060918	8 ft/2.4m	Cable	
52A	4460042	3	Terminal, Ring (Not Shown) (SN 0300087000 through	

SECTION 4 - PLATFORM

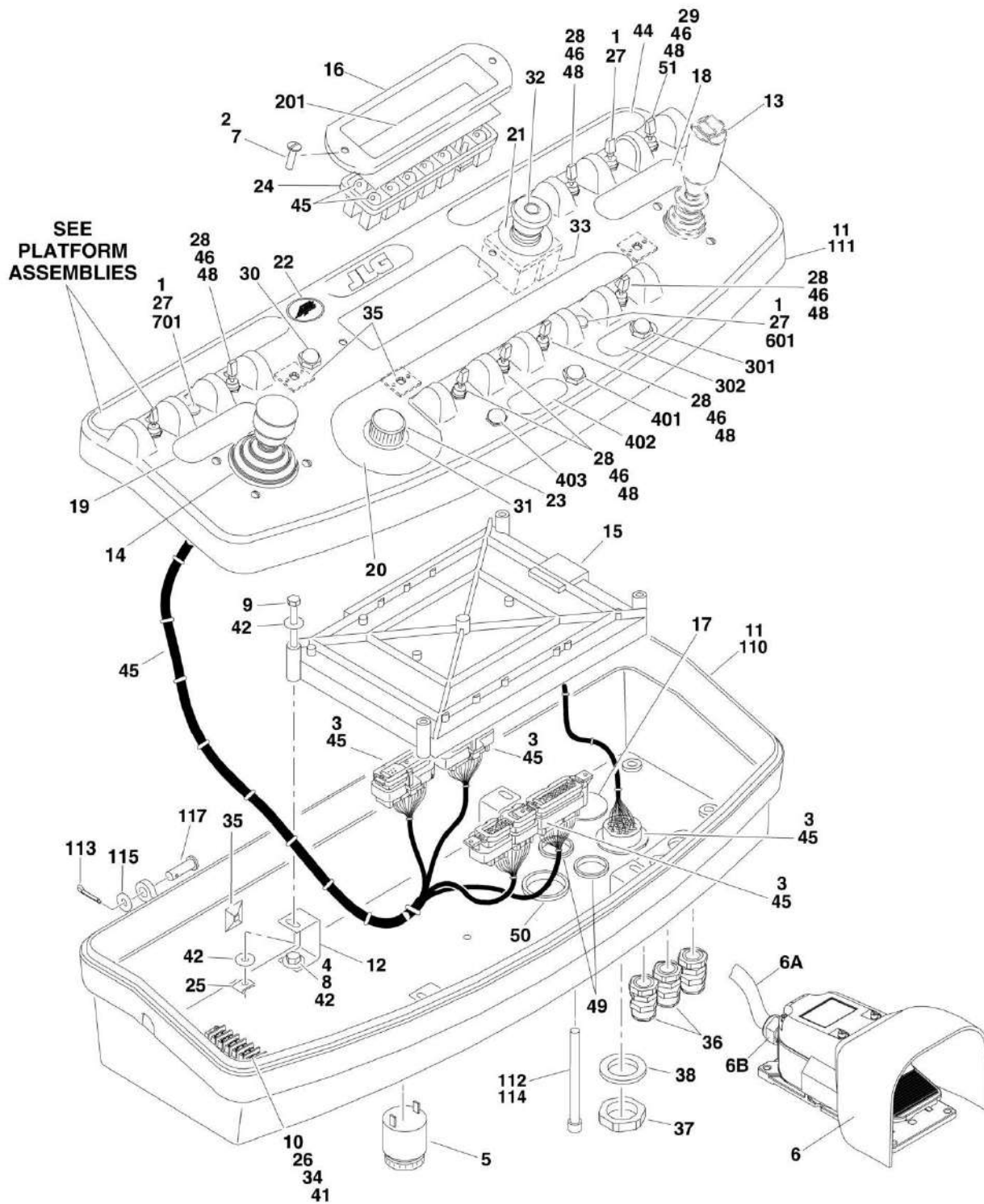
ITEM	PART NUMBER	QTY	DESCRIPTION	REV
52A	1001098122	3	0300167713) Terminal, Ring (Not Shown) (SN 0300167714 through 0300177361)	
52A	4460042	3	Terminal, Ring (Not Shown) (SN B300000100 through B300000724)	
52A	1001098122	3	Terminal, Ring (Not Shown) (SN B300000725 through B300001392)	
52A	4460464	1	Terminal, Deutsch	
52A	4460226	2	Socket, Contact	
52B	4460071	1	Connector, Strain Relief	
52B	0100020	AR	Sealant	
53	4751000	AR	Flatwasher #10 Regular	
54	2920028	1	Light, Indicator (With SkyGuard)	
54	2920029	1	Bulb, Light (With SkyGuard)	
110	See Note	NSS	Console Bottom (Note: Not Available for Purchase)	
111	See Note	NSS	Console Top (Note: Not Available for Purchase)	
112	3311601	1	Nut 3/8in-16NC	
113		Ref	Hairpin	
113	3420156	2	USA Built Machines (SN 0300087000 through 0300088140)	
113	3470003	2	USA Built Machines (SN 0300088141 through 0300177361)	
113	3470003	2	China Built Machines (SN B300000100 through B300001392)	
114	0630568	1	Screw 3/8in-16NC x 4-1/2in	
115	4711500	2	Flatwasher 5/16in Thin	
		Ref	LIGHT PANEL DECAL INSTALLATION (USA BUILT MACHINES)	
	0256631	Ref	ANSI and ANSI Export Specs (SN 0300087000 through 0300138648)	2
	1001108763	Ref	ANSI, ANSI Export, CSA, Latin American, Brazilian and Japanese Specs (SN 0300138649 through 0300177361)	B
	0256633	Ref	Australian, Latin American, Brazilian and Japanese Specs (SN 0300087000 through 0300138648)	2
	0256632	Ref	ANSI Export, Australian and CE Specs (SN 0300087000 through 0300138648)	2
	1001108764	Ref	ANSI Export, Australian and CE Specs (SN 0300138649 through 0300177361)	A
201		Ref	Decal - Display Options:	
201		Ref	ANSI and ANSI Export Specs Options:	
201	1702387	1	Decal - Display (SN 0300087000 through 0300138648)	
201	1001107927	1	Decal - Display (SN 0300138649 through 0300142594)	
201	1001121657	1	Decal - Display (SN 0300142595 through 0300177361)	
201	1703085	1	Australian, Latin American, Brazilian and Japanese Specs	
201		Ref	ANSI Export and CE Specs Options:	
201	1703084	1	Decal - Display (SN 0300087000 through 0300138648)	
201	1001107926	1	Decal - Display (SN 0300138649 through 0300177361)	
		Ref	LIGHT PANEL DECAL INSTALLATION (CHINA BUILT MACHINES)	
	1001108763	Ref	ANSI Export and Japanese Specs (SN B300000100 through B300001392)	B
	1001108764	Ref	ANSI Export and Australian Specs (SN B300000100 through B300001392)	A
202		Ref	Decal - Display Options:	
202	1001121657	1	ANSI Export and Japanese Specs	
202	1001107926	1	ANSI Export and Australian Specs	
		Ref	LIGHT SWITCH INSTALLATION	
	0271552	Ref	Head and Tail Lights Installation (Optional)	D

SECTION 4 - PLATFORM

ITEM	PART NUMBER	QTY	DESCRIPTION	REV
	0274200	Ref	Chassis Illumination Light Installation (Optional)	B
301		Ref	Switch, Toggle Options:	
301A	4360336	1	Switch, Toggle (SN 0300087000 through 0300136622)	
301B	4360522	1	Switch, Push Button (SN 0300136623 through 0300177361)	
302	3790012	1	O-Ring (SN 0300087000 through 0300136622)	
303	1705170	1	Decal - Lights (SN 0300136623 through B300001392)	
		Ref	SOFT TOUCH SYSTEM INSTALLATIONS	
	0273824	Ref	6ft Platform	D
	0272427	Ref	8ft Platform	G
	1001108256	Ref	6ft/1.8m Platform with Fall Arrest	C
	0273706	Ref	8ft/2.4m Platform with Fall Arrest	D
401	4360387	1	Switch, Pushbutton	
402	1702938	1	Decal - Soft Touch Override	
403	2920028	1	Lamp, Indicator	
403	2920029	1	Bulb, Light	
		Ref	DUAL FUEL SWITCH INSTALLATION (FORD AND GM POWERED MACHINES ONLY)	
501	4360336	1	Switch, Toggle	
501	3790012	1	O-Ring	
		Ref	JIB SWITCH INSTALLATION (600AJ ONLY)	
601	4360328	1	Switch, Toggle	
601	3790012	1	O-Ring	

SECTION 4 - PLATFORM

FIGURE 4-4. PLATFORM CONSOLE ASSEMBLY (WITHOUT SKYGUARD) (SN B300001393 to Present)



SECTION 4 - PLATFORM

FIGURE 4-4. PLATFORM CONSOLE ASSEMBLY (WITHOUT SKYGUARD) (SN B300001393 to Present)

ITEM	PART NUMBER	QTY	DESCRIPTION	REV
	1001166672	Ref	CONSOLE BOX AND FOOTSWITCH ASSEMBLY (SN B300001393 through B300001595)	C
	1001202577	Ref	CONSOLE BOX AND FOOTSWITCH ASSEMBLY (SN B300001596 to Present)	C
1	0100009	AR	Sealant	
2	0100035	AR	Compound, Locking	
3	0100048	AR	Grease, Dielectric	
4	0100081	AR	Adhesive	
5	0140011	1	Alarm	
6	1001117174	1	Footswitch Assembly (Includes Footswitch and Items 6A & 6B)	
6	1001117172	1	Footswitch	
6	70002902	1	Block, Contact for 1001117172 Footswitch	
6	70002903	1	Gasket for 1001117172 Footswitch	
6	70002905	1	Cover for 1001117172 Footswitch	
6	70002904	1	Bolt Replacement Kit for 1001117172 Footswitch	
6A	1060918	7 ft/2.14m	Cable, Electrical - 18/3	
6A	4460042	3	Terminal, Ring (Not Shown)	
6A	4460464	1	Pin, Male	
6A	4460226	2	Socket, Female	
6B	4460071	1	Connector, Strain Relief	
6B	0100020	AR	Sealant	
7	0630464	2	Screw, Button Head #10-24NC x 1/2in	
8	0641404	4	Bolt 1/4in-20NC x 1/2in	
9	0641414	4	Bolt 1/4in-20NC x 1-3/4in	
10	0721006	2	Bolt #10-24NC x 3/4in	
11		Ref	Box, Console Options (See Items 101-117 for Breakdown):	
11	0861537	1	Box, Console (SN B300001393 through B300001595)	
11	1001201890	1	Box, Console (SN B300001596 to Present)	
12	0902751	4	Bracket, Card Support (SN B300001393 through B300001595)	
12	1001172760	1	Bracket, Card Support (SN B300001596 to Present)	
13	1001166538	1	Controller Assembly (Drive and Steer) (Use p/n 1001212415) (See CONTROLLER ASSEMBLY (DRIVE AND STEER) for Breakdown)	
14	1001166539	NLA	Controller Assembly (Lift and Swing) (Use p/n 1001129555) (See CONTROLLER ASSEMBLY (LIFT AND SWING) for Breakdown)	
15	1001106938	1	Controller, Module (Note: Re-calibration Required when Replaced)	
16	1670829	1	Bezel	
17	1001110434	1	Plug	
18	1702565	1	Decal - Drive and Steer	
19	1702566	1	Decal - Lift and Swing	
20	1702567	1	Decal - Function Speed	
21	1704260	1	Decal - EMS	
22	1705132	1	Decal - ADE (SN B300001393 through B300001595)	
23	2560136	1	Handle, Knob	
24	2760105	1	Housing, Display Light	
25	3300353	4	Nut, Tinnerman	
26	3311005	2	Locknut #10-24NC	
27	3520054	3	Plug, Hole	
28	1001155045	6	Switch, Toggle	
29	1001159256	1	Switch, Toggle	
30	4360387	1	Switch, Pushbutton	

SECTION 4 - PLATFORM

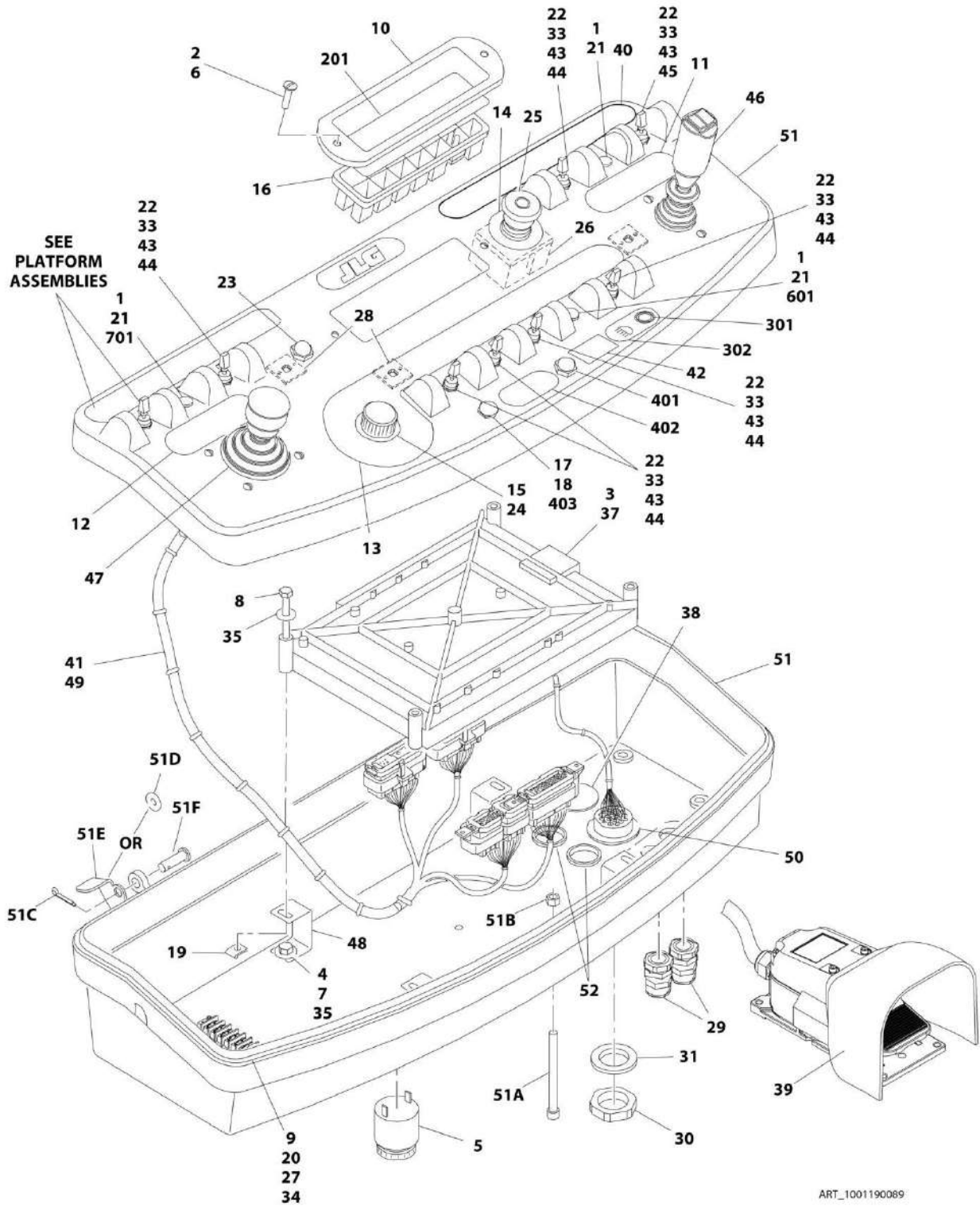
ITEM	PART NUMBER	QTY	DESCRIPTION	REV
31	4360407	1	Controller, Speed	
31	See Note	NSS	Gasket "Top Hat" (Included with Switch) (Note: Not Available - Purchase Complete Controller)	
31	70003784	1	Seal (Note: Must be purchased separately)	
32	4360475	1	Switch, Emergency Stop	
32	7020175	1	Cap, Red	
32	7020176	1	Contact Block	
33	4360476	1	Block, Contact	
34	4460007	1	Bar, Buss	
35	4460234	3	Base, Mounting	
36	4460428	2	Connector, Strain Relief	
37	4460470	1	Nut, Terminal	
38	4460471	1	Lockwasher, Terminal	
39	4460708	2	Connector, Female - 15 Position (Not Shown - See ELECTRICAL SECTION for Location)	
41	4751000	AR	Flatwasher #10 Regular	
42	4751400	8	Flatwasher 1/4in Regular	
43	4922666	1	Harness, Analyzer Cable (Not Shown - See ELECTRICAL SECTION for Breakdown)	
44	1001131168	1	Decal - Stop	
45	1001107753	1	Harness, Platform Box (See ELECTRICAL SECTION for Breakdown)	
46	3790012	7	O-Ring	
47	1001139135	1	Platform Valve Harness (Not Shown - See ELECTRICAL SECTION for Breakdown)	
48	1001155044	7	Nut	
49	3520033	2	Plug (SN B300001596 through B300001624)	
49	1001220486	2	Plug (SN B300001625 to Present)	
50	3520035	1	Plug (SN B300001596 to Present)	
51	4740397	1	Spacer (SN B300001596 to Present)	
	0861537	Ref	CONSOLE BOX ASSEMBLY (SN B300001393 through B300001595)	I
	1001201890	Ref	CONSOLE BOX ASSEMBLY (SN B300001596 to Present)	A
110	See Note	NSS	Console Bottom (Note: Not Available for Purchase)	
111	See Note	NSS	Console Top (Note: Not Available for Purchase)	
112	3311601	1	Nut 3/8in-16NC	
113	3470003	2	Hairpin	
114	0630568	1	Screw 3/8in-16NC x 4-1/2in	
115	4711500	AR	Washer 5/16	
115	4751600	AR	Washer 3/8	
116	1001200575	2	Bracket (SN B300001531 to Present)	
117	3430616	2	Pin (SN B300001531 to Present)	
		Ref	LIGHT PANEL DECAL INSTALLATION	
	1001108763	Ref	ANSI Export and Japanese Specs	B
	1001108764	Ref	ANSI Export and Australian Specs	A
201		Ref	Decal - Display Options:	
201	1001121657	1	ANSI Export and Japanese Specs	
201	1001107926	1	ANSI Export and Australian Specs	
		Ref	LIGHT SWITCH INSTALLATION	
	1001176296	Ref	Head and Tail Lights Installation (Optional)	
	0274200	Ref	Chassis Illumination Light Installation (Optional)	B
301	4360522	1	Switch, Push Button	
302	1705170	1	Decal - Lights (SN 0300136623 to Present)	

SECTION 4 - PLATFORM

ITEM	PART NUMBER	QTY	DESCRIPTION	REV
		Ref	SOFT TOUCH SYSTEM INSTALLATIONS	
	0273824	Ref	6ft/1.8m Platform	D
	0272427	Ref	6ft/1.8m Platform	G
	1001108256	Ref	6ft/1.8m Platform with Fall Arrest	C
	0273706	Ref	8ft/2.4m Platform with Fall Arrest	D
401	4360387	1	Switch, Push Button	
402	1702938	1	Decal - Soft Touch Override	
403	2920028	1	Lamp, Indicator	
403	2920029	1	Bulb, Light	
		Ref	JIB SWITCH INSTALLATION (600AJ ONLY)	
601	4360328	1	Switch, Toggle	
601	3790012	1	O-Ring	
		Ref	CRAB STEER INSTALLATION (4WS ONLY)	
701	4360331	1	Switch, Toggle	
701	3790012	1	O-Ring	

SECTION 4 - PLATFORM

FIGURE 4-5. PLATFORM CONSOLE ASSEMBLY (WITH SKYGUARD) (SN B300001393 to Present)



ART_1001190089

SECTION 4 - PLATFORM

FIGURE 4-5. PLATFORM CONSOLE ASSEMBLY (WITH SKYGUARD) (SN B300001393 to Present)

ITEM	PART NUMBER	QTY	DESCRIPTION	REV
	1001190089	Ref	PLATFORM CONSOLE ASSEMBLY - WITH SKYGUARD (SN B300001393 through B300001595)	B
	1001202573	Ref	PLATFORM CONSOLE ASSEMBLY - WITH SKYGUARD (SN B300001596 to Present)	D
		Ref	Note: For Machines SN B300000100 through SN B300001392, refer to SPECIAL OPTIONS Section.	
1	0100009	AR	Sealant	
2	0100035	AR	Compound, Locking	
3	0100048	AR	Grease, Dielectric	
4	0100081	AR	Adhesive (SN B300001393 through B300002292)	
5	0140011	1	Alarm	
6	0630464	2	Screw #10 x 1/2	
7	0641404	4	Bolt 1/4 x 1/2	
8	0641414	4	Bolt 1/4 x 1-3/4	
9	0721006	2	Screw #10 x 3/4	
10	1670829	1	Bezel	
11	1702565	1	Decal - Drive and Steer	
12	1702566	1	Decal - Lift and Swing	
13	1702567	1	Decal - Function Speed	
14	1704260	1	Decal - Emergency Stop	
15	2560136	1	Knob	
16	2760105	1	Fixture, Light	
17	2920028	1	Light, Indicator	
18	2920029	1	Lamp, Bulb	
19	3300353	4	Nut, Tinnerman	
20	3311005	2	Nut #10	
21	3520054	3	Plug, Hole	
22	3790012	7	O-Ring	
23	4360387	2	Switch, Push Button	
24	4360407	1	Switch, Flow Control	
24	See Note	1	Gasket "Top Hat" (Included with Switch) (Note: Not Available for Purchase)	
24	70003784	1	Seal	
25	4360475	1	Switch, Emergency Stop	
25	7020175	1	Cap, Red	
25	7020176	1	Contact Block	
26	4360476	1	Switch, Contact	
27	4460007	1	Bussbar	
28	4460234	3	Mount Cable, Tie	
29	4460428	2	Connector, Strain Relief	
30	4460470	1	Terminal, Nut	
31	4460471	1	Terminal, Washer	
32	4460708	2	Connector - 15 Position	
33	4740397	7	Spacer, Washer	
34	4751000	2	Washer #10	
35	4751400	8	Washer 1/4	
36	4922666	1	Harness, Analyzer Cable (See ELECTRICAL SECTION for Breakdown)	
37	1001106938	1	Module, Control (Note: Re-calibration Required when Replaced)	
38	1001110434	1	Plug, Hole	
39	1001117174	1	Footswitch Assembly	

SECTION 4 - PLATFORM

ITEM	PART NUMBER	QTY	DESCRIPTION	REV
39	1001117172	1	Footswitch	
39	70002902	1	Block, Contact for 1001117172 Footswitch	
39	70002903	1	Gasket for 1001117172 Footswitch	
39	70002905	1	Cover for 1001117172 Footswitch	
39	70002904	1	Bolt Replacement Kit for 1001117172 Footswitch	
39	1060918	7 ft/2.14m	Cable, Electrical - 18/3	
39	4460042	3	Terminal, Ring (Not Shown)	
39	4460464	1	Pin, Male	
39	4460226	2	Socket, Female	
39	4460071	1	Connector, Strain Relief	
39	0100020	AR	Sealant	
40	1001131168	1	Decal - Stop	
41	1001139135	1	Harness, Platform Valve (See ELECTRICAL SECTION for Breakdown)	
42	1001144433	1	Decal - No Weight SkyGuard	
43	1001155044	7	Nut 15/32	
44	1001155045	6	Switch, Toggle	
45	1001159256	1	Switch, Toggle	
46	1001166538	1	Controller Assembly - Drive/Steer (Use p/n 1001212415) (See CONTROLLER ASSEMBLY (DRIVE AND STEER) for Breakdown)	
47	1001166539	NLA	Controller Assembly - Lift/Swing (Use p/n 1001129555) (See CONTROLLER ASSEMBLY (LIFT AND SWING) for Breakdown)	
48	1001172760	4	Bracket	
49	1001185280	1	Harness, Console Box (See ELECTRICAL SECTION for Breakdown)	
50	1001185281	1	Plug	
51	1001189116	1	Console Box Assembly (SN B300001393 through B300001595)	D
51	1001201891	1	Console Box Assembly (SN B300001596 to Present)	A
51A	0630568	1	Capscrew 3/8 x 4-1/2	
51B	3311601	1	Nut 3/8	
51C	3470003	1	Hairpin	
51D	4711500	AR	Washer 5/16	
51D	4751600	AR	Washer 3/8	
51E	1001200575	2	Bracket (SN B300001531 to Present)	
51F	3430616	2	Pin (SN B300001531 to Present)	
52	3520033	2	Plug (SN B300001956 through B300001624)	
52	1001220486	2	Plug (SN B300001625 to Present)	
		Ref	LIGHT PANEL DECAL INSTALLATION	
	1001108763	Ref	ANSI Export and Japanese Specs	B
	1001108764	Ref	ANSI Export and Australian Specs	A
201		Ref	Decal - Display Options:	
201	1001121657	1	ANSI Export and Japanese Specs	
201	1001107926	1	ANSI Export and Australian Specs	
		Ref	LIGHT SWITCH INSTALLATION	
	0271552	Ref	Head and Tail Lights Installation (Optional) (SN 0300177361 through 0300201472)	E
	1001176296	Ref	Head and Tail Lights Installation (Optional) (SN 0300201473 to Present)	A
	0274200	Ref	Chassis Illumination Light Installation (Optional)	B
301	4360522	1	Switch, Push Button	
302	1705170	1	Decal - Lights (SN 0300136623 to Present)	
		Ref	SOFT TOUCH SYSTEM INSTALLATIONS	
	0273824	Ref	6ft Platform	D

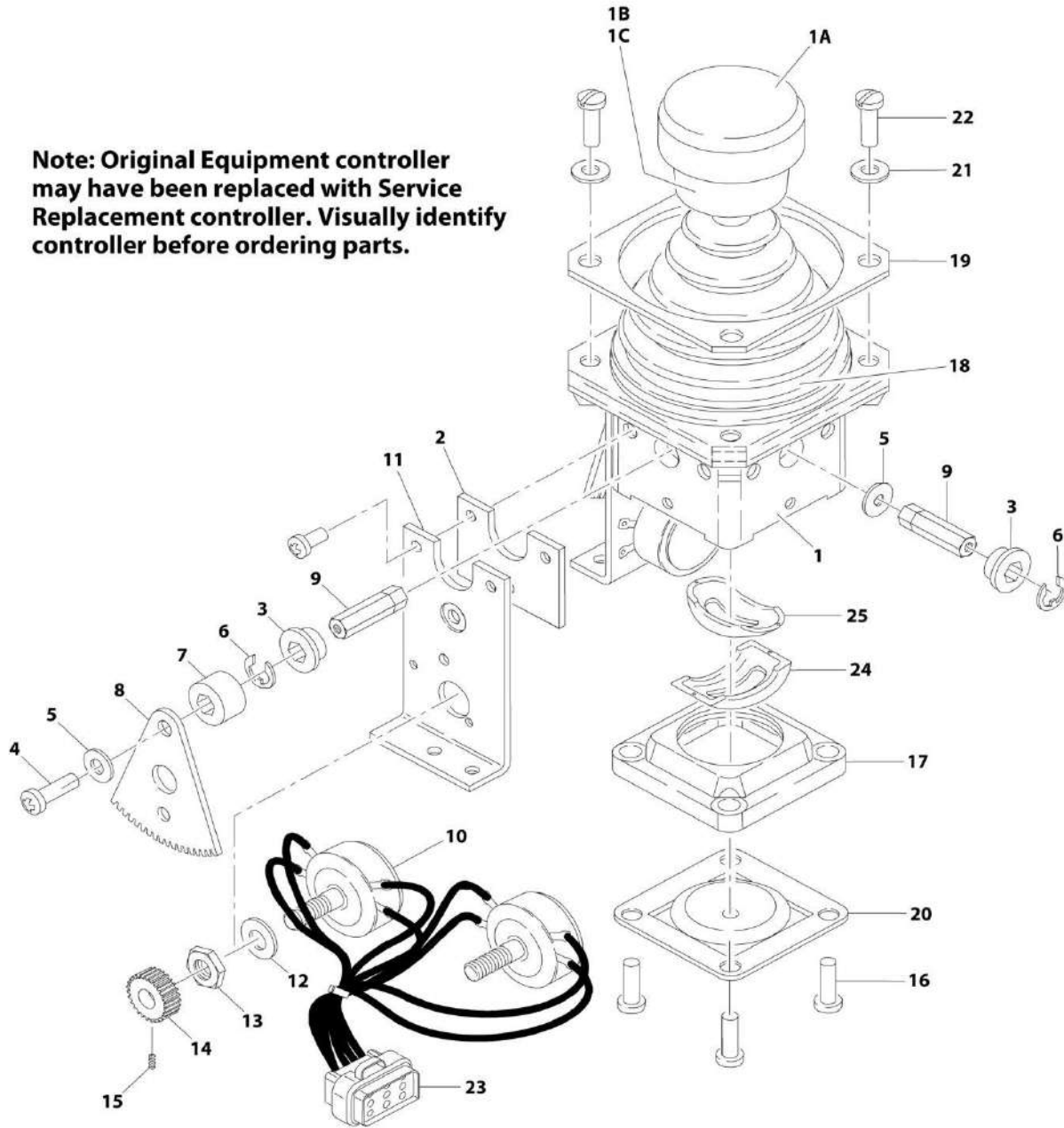
SECTION 4 - PLATFORM

ITEM	PART NUMBER	QTY	DESCRIPTION	REV
	0272427	Ref	8ft Platform	G
	1001108256	Ref	6ft/1.8m Platform with Fall Arrest	C
	0273706	Ref	8ft/2.4m Platform with Fall Arrest	D
401	4360387	1	Switch, Push Button	
402	1702938	1	Decal - Soft Touch Override	
403	2920028	1	Lamp, Indicator	
403	2920029	1	Bulb, Light	
		Ref	JIB SWITCH INSTALLATION (600AJ ONLY)	
601	4360328	1	Switch, Toggle	
601	3790012	1	O-Ring	
		Ref	CRAB STEER INSTALLATION (4WS ONLY)	
701	4360331	1	Switch, Toggle	
701	3790012	1	O-Ring	

SECTION 4 - PLATFORM

FIGURE 4-6. CONTROLLER ASSEMBLY (LIFT AND SWING)

Note: Original Equipment controller may have been replaced with Service Replacement controller. Visually identify controller before ordering parts.



ART_1600317

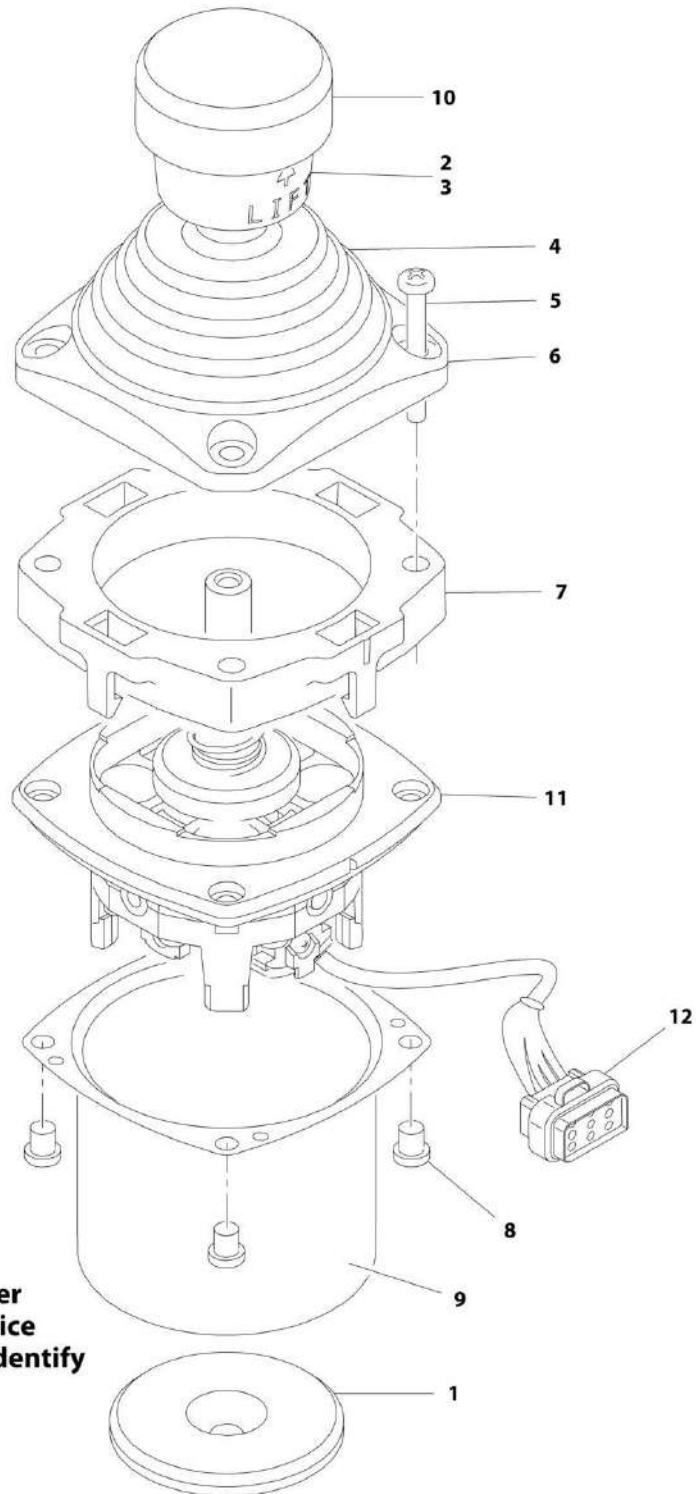
SECTION 4 - PLATFORM

FIGURE 4-6. CONTROLLER ASSEMBLY (LIFT AND SWING)

ITEM	PART NUMBER	QTY	DESCRIPTION	REV
		Ref	Note: Original Equipment controller may have been replaced with Service Replacement controller. Visually identify controller before ordering parts.	
	1600317	Ref	CONTROLLER ASSEMBLY	
	1600317	Ref	Controller Assembly (USA Built Machines) (SN 0300087000 through 0300146184)	C
	1600317	Ref	Controller Assembly (China Built Machines) (SN B300000100 through B300000251)	C
1	7019141	1	Note: Use p/n 1001129555 Kit as Replacement. Mechanical Assembly (Includes Base, Handle Stem and Items 1A, 1B, 1C & 18)	
1A	7019197	1	Handle Cap and Rod	
1B	7003928	1	Spring	
1C	7022808	1	Cap, Lift	
2	7019171	2	Plate	
3	7019111	4	Bearing, Gear	
4	7019143	2	Screw	
5	7019144	2	Spacer, Cam	
6	7019145	4	E-Clip	
7	7019174	2	Spacer	
8	7003977	2	Gear, Drive	
9		Ref	Shaft Options:	
9	7019147	2	Shaft, Short	
9	7019177	2	Shaft, Long	
10	7022818	2	Potentiometer	
11	7019142	2	Plate	
12	7003992	2	Washer	
13	7003993	2	Nut	
14	7003976	2	Gear, Slave	
15	7019149	2	Setscrew	
16	7022816	4	Screw	
17	7019150	1	Gate	
18	7022814	1	Boot	
19	7022815	1	Bezel	
20	See Note	NSS	Center, Detent (Note: Not Available for Purchase)	
21	7003953	4	Washer	
22	7022817	4	Screw	
23	7022819	1	Plug, Male 8 Position (Natural)	
23	4460871	8	Socket, Female	
24	7019122	1	Gimble, Outer	
25	7019123	1	Gimble, Inner	

SECTION 4 - PLATFORM

FIGURE 4-7. CONTROLLER ASSEMBLY (LIFT AND SWING)



Note: Original Equipment controller may have been replaced with Service Replacement controller. Visually identify controller before ordering parts.

ART_100118417

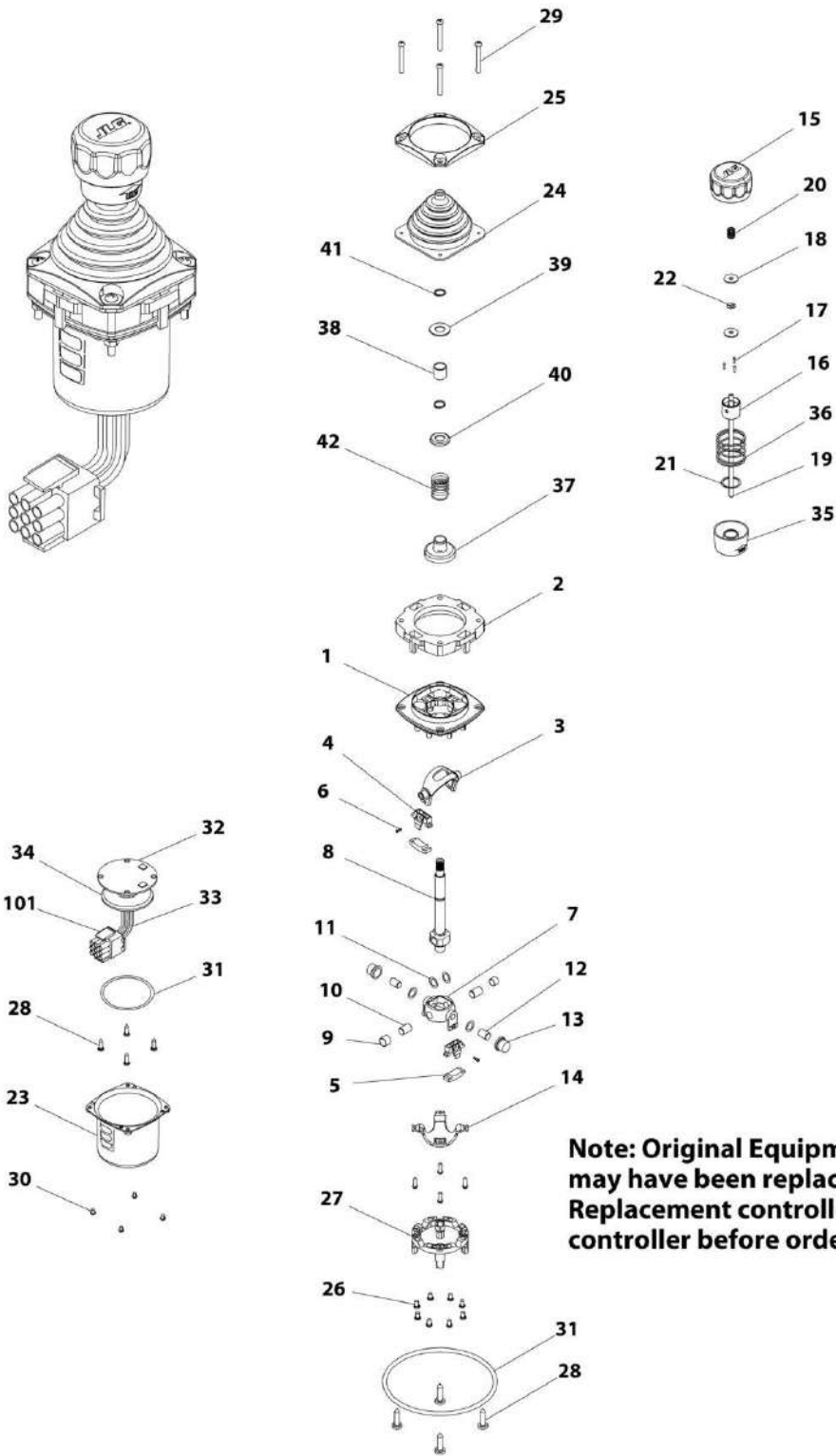
SECTION 4 - PLATFORM

FIGURE 4-7. CONTROLLER ASSEMBLY (LIFT AND SWING)

ITEM	PART NUMBER	QTY	DESCRIPTION	REV
		Ref	Note: Original Equipment controller may have been replaced with Service Replacement controller. Visually identify controller before ordering parts.	
	1001118417	Ref	CONTROLLER ASSEMBLY (LIFT AND SWING) (SN 0300146184 through 0300177361)	E
	1001118417	Ref	CONTROLLER ASSEMBLY (LIFT AND SWING) (SN B300000251 through B300001392)	E
		Ref	Note: Use p/n 1001129555 as Replacement.	
1	70002730	1	Gasket	
2	7003928	1	Spring	
3	7022808	1	Cap, Lift	
4	70002731	1	Boot	
5	70002732	4	Screw	
6	7022815	1	Bezel	
7	70002733	1	Adapter	
8	70002734	4	Screw	
9	70002735	1	Can, Enclosure	
10	70002906	1	Cap	
11	See Note	NSS	Mechanical Assembly (Note: Use p/n 1001129555)	
12	7022819	1	Connector - 8 Position	
12	4460871	6	Socket, Female	

SECTION 4 - PLATFORM

FIGURE 4-8. CONTROLLER ASSEMBLY (LIFT AND SWING)



Note: Original Equipment controller may have been replaced with Service Replacement controller. Visually identify controller before ordering parts.

ART_1001166539

SECTION 4 - PLATFORM

FIGURE 4-8. CONTROLLER ASSEMBLY (LIFT AND SWING)

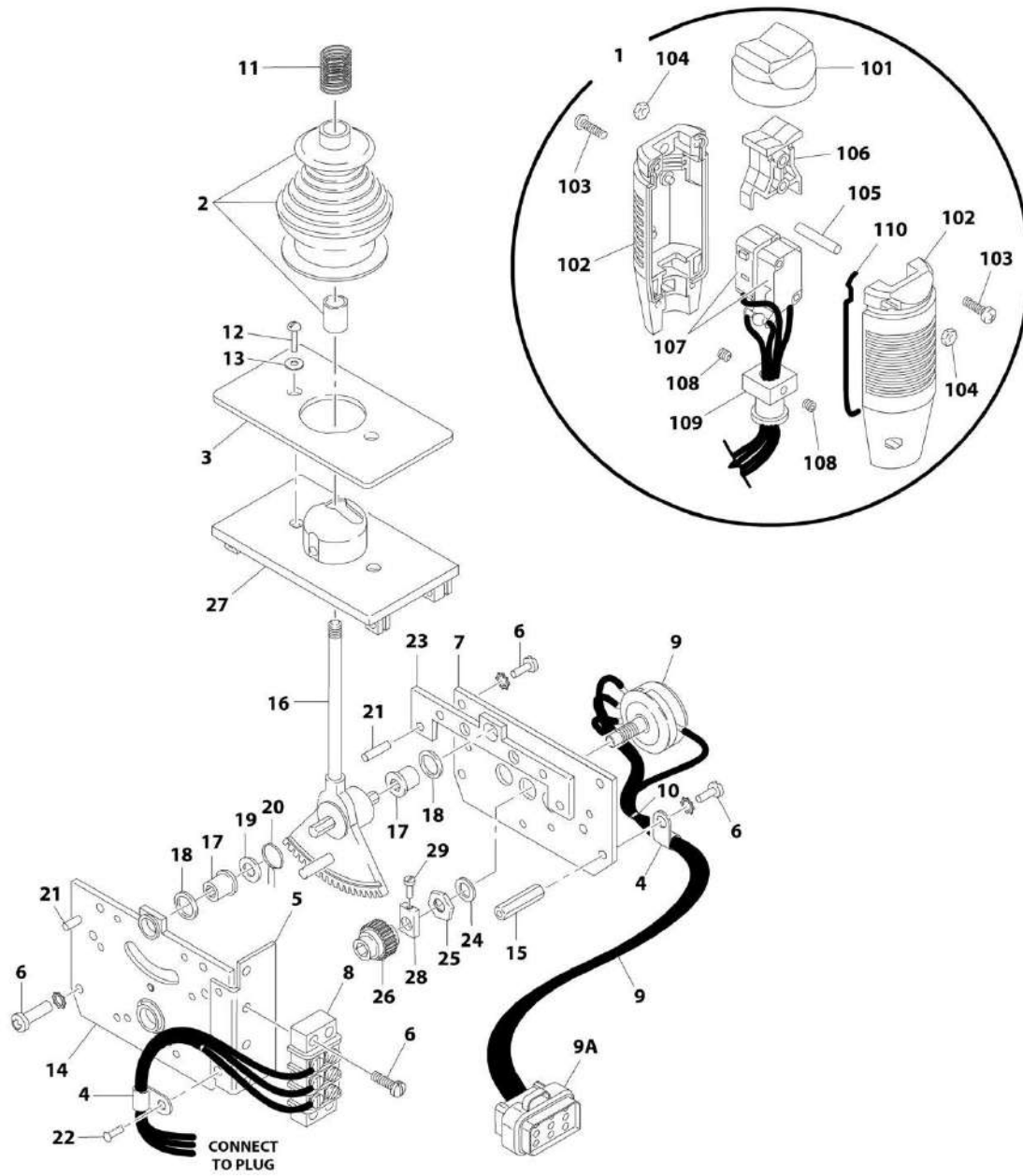
ITEM	PART NUMBER	QTY	DESCRIPTION	REV
		Ref	Note: Original Equipment controller may have been replaced with Service Replacement controller. Visually identify controller before ordering parts.	
	1001166539	Ref	CONTROLLER ASSEMBLY (LIFT AND SWING) (SN B300001393 to Present)	D
		Ref	Note: Use p/n 1001129555 as Replacement.	
1	See Note	NSS	Main Cast Body (Note: Available - Purchase Complete Assembly)	
2	70004752	1	Adapter	
3	See Note	NSS	Pivot Arm, Plastic (Note: Not Available - Purchase Complete Assembly)	
4	See Note	NSS	Holder, Magnet (Note: Not Available - Purchase Complete Assembly)	
5	See Note	NSS	Arc, Magnet (Note: Not Available - Purchase Complete Assembly)	
6	See Note	NSS	Screw (Note: Not Available for Purchase)	
7	See Note	NSS	Pivot Arm, Cast (Note: Not Available - Purchase Complete Assembly)	
8	See Note	NSS	Shaft, Main (Note: Not Available - Purchase Complete Assembly)	
9	See Note	NSS	Bearing (Note: Not Available - Purchase Complete Assembly)	
10	See Note	NSS	Pin (Note: Not Available - Purchase Complete Assembly)	
11	See Note	NSS	Shim (Note: Not Available - Purchase Complete Assembly)	
12	See Note	NSS	Pin (Note: Not Available - Purchase Complete Assembly)	
13	See Note	NSS	Bearing (Note: Not Available - Purchase Complete Assembly)	
14	See Note	NSS	Dome, Centering (Note: Not Available - Purchase Complete Assembly)	
15	70004753	1	Cap	
16	70004754	1	Insert, Cap	
17	70004755	3	Pin	
18	70004756	2	Washer	
19	70004757	1	Pin, Centering	
20	70004758	1	Spring	
21	70004759	1	Ring, Retaining	
22	70004760	1	E-Ring	
23	70004761	1	Can, Enclosure	
24	70004762	1	Boot	
25	70004763	1	Bezel	
26	See Note	NSS	Screw (Note: Not Available for Purchase)	
27	See Note	NSS	Base, Mounting (Note: Not Available - Purchase Complete Assembly)	
28	See Note	NSS	Screw (Note: Not Available for Purchase)	
29	70004764	4	Screw	
30	70004765	4	Screw	
31	70004766	1	O-Ring	
32	See Note	NSS	Plate (Note: Not Available - Purchase Complete Assembly)	
33	See Note	NSS	Harness (Note: Not Available - Purchase Complete Assembly)	
34	70004767	1	Grommet, Rubber	
35	70004768	1	Housing	
36	70004769	1	Spring	
37	70004770	1	Stopper	
38	70004771	1	Spacer	
39	70004772	1	Washer	
40	70004773	1	Disc	

SECTION 4 - PLATFORM

ITEM	PART NUMBER	QTY	DESCRIPTION	REV
41	70004774	2	Ring, Retaining	
42	70004775	1	Spring	
101	4460265	1	Connector - 9 Position	
101	4460226	6	Socket, Female	

SECTION 4 - PLATFORM

FIGURE 4-9. CONTROLLER ASSEMBLY (DRIVE AND STEER)



Note: Original Equipment controller may have been replaced with Service Replacement controller. Visually identify controller before ordering parts.

ART_1600318

SECTION 4 - PLATFORM

FIGURE 4-9. CONTROLLER ASSEMBLY (DRIVE AND STEER)

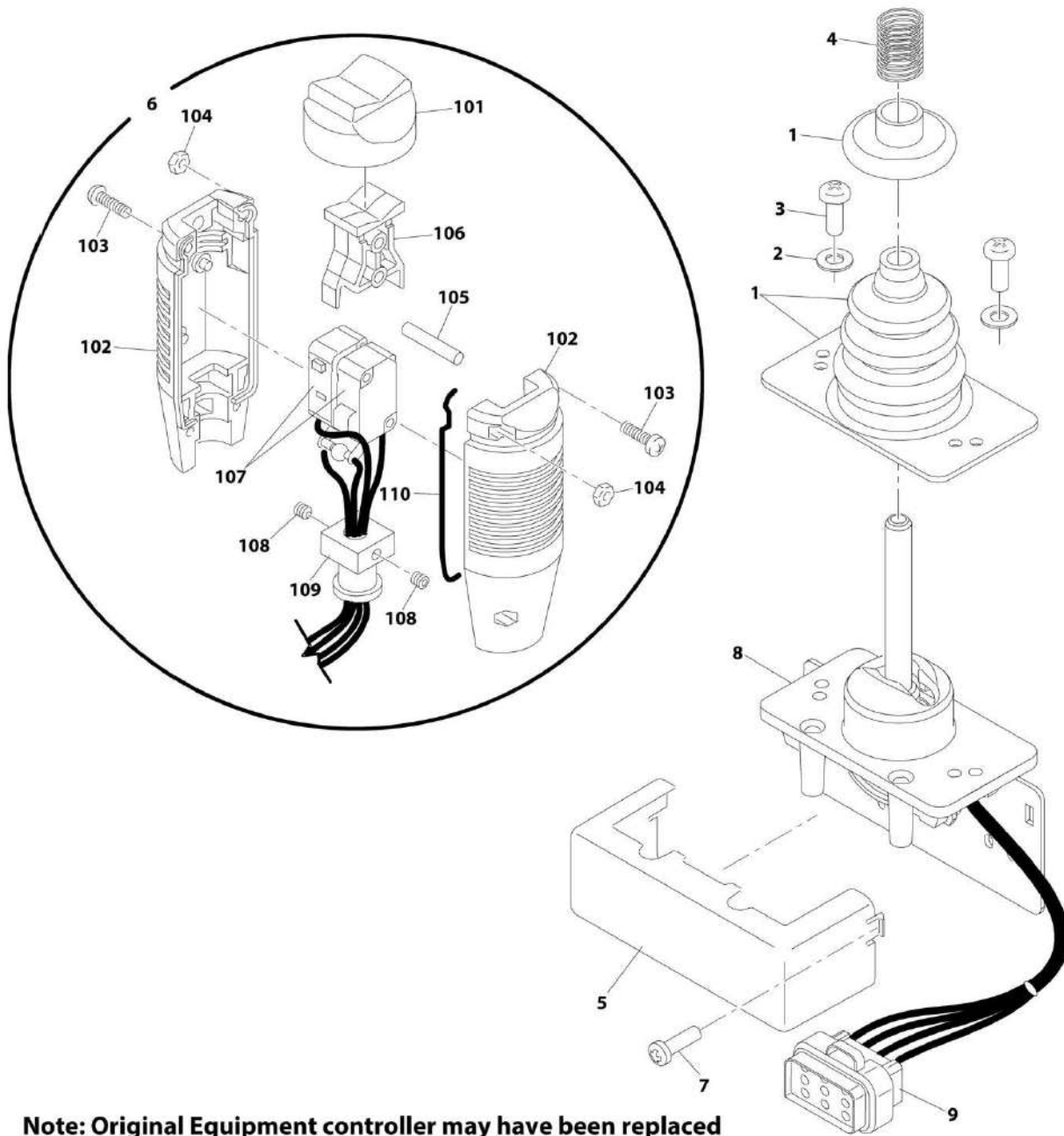
ITEM	PART NUMBER	QTY	DESCRIPTION	REV
		Ref	Note: Original Equipment controller may have been replaced with Service Replacement controller. Visually identify controller before ordering parts.	
		Ref	CONTROLLER ASSEMBLY	
	1600318	Ref	Controller Assembly (USA Built Machines) (SN 0300087000 through 0300146184)	C
	1600318	Ref	Controller Assembly (China Built Machines) (SN B300000100 through B300000251)	C
		Ref	Note: Use p/n 1001212415 as Replacement.	
1	7022812	1	Handle Assembly (See Items 101-110 for Breakdown)	
2	7019161	1	Boot and Sleeve	
3	7003933	1	Gasket	
4	7019154	2	Clamp, Wire	
5	7022823	1	Bracket, Mounting	
6	7003994	1	Screw	
7	7022822	1	Plate, Pot Mounting	
8	7003986	1	Strip, Terminal - 3 Position	
9	7022824	1	Electric Assembly	
9A	1001113961	1	Plug, Male - 8 Position (Black) (was p/n 7022825)	
9A	4460871	7	Socket, Female	
10	7019151	AR	Tie-Strap	
11	7019162	1	Spring	
12	7003969	2	Screw	
13	7003941	2	Washer	
14	See Note	NSS	Plate, Mounting (Left Side) (Note: Not Available for Purchase)	
15	7019115	2	Stand-Off	
16	7019155	1	Shaft 8mm	
17	7019111	2	Bearing	
18	7019110	2	Spacer, Head Gear	
19	7019112	1	Washer	
20	7003946	1	Spring, Return	
21	7019103	4	Pin	
22	See Note	NSS	Rivet (Note: Not Available - Purchase Locally)	
23	7019168	1	Plate, Mounting (Right Side)	
24	7003992	1	Washer	
25	7003993	1	Nut	
26	7003935	1	Gear, Slave	
27	7019160	1	Plate, Base	
28	7019114	1	Coupling, Potentiometer	
29	See Note	NSS	Cup Point Screw (Note: Not Available for Purchase)	
	7022812	Ref	HANDLE ASSEMBLY	
101	7003972	1	Boot, Switch	
102	7003973	2	Half, Handle	
103	7003980	4	Screw	
104	7019167	4	Nut	
105	7019164	1	Axle	
106	7019165	1	Rocker	
107	See Note	NSS	Wiring for Controller Assembly p/n 1600318 (Note: Use p/n 1001166538)	
107	7019166	2	Switch, Micro	
108	7003983	2	Setscrew	

SECTION 4 - PLATFORM

ITEM	PART NUMBER	QTY	DESCRIPTION	REV
109	7019194	1	Coupling	
110	7003989	2	Gasket	

SECTION 4 - PLATFORM

FIGURE 4-10. CONTROLLER ASSEMBLY (DRIVE AND STEER)



Note: Original Equipment controller may have been replaced with Service Replacement controller. Visually identify controller before ordering parts.

ART_1001118416

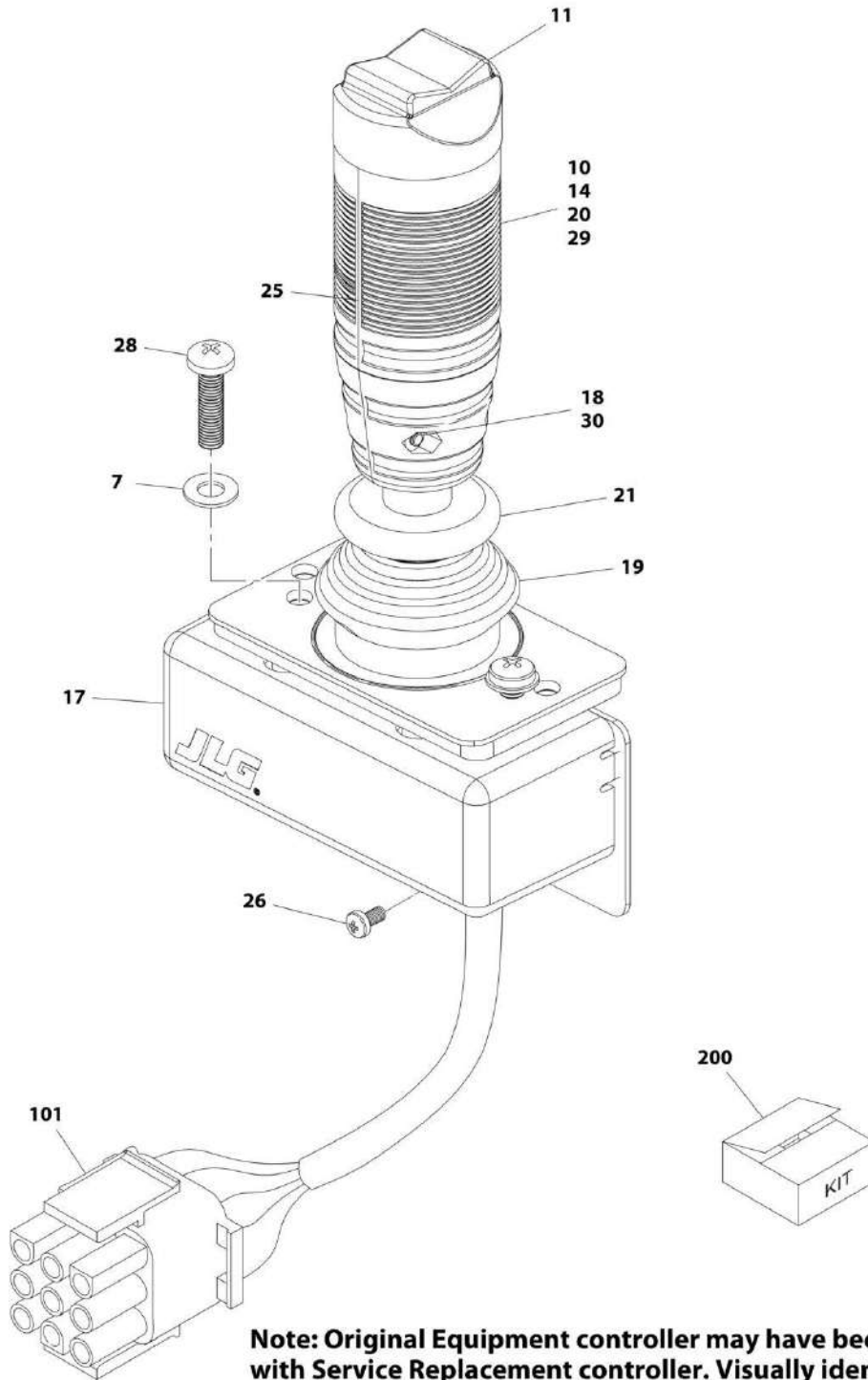
SECTION 4 - PLATFORM

FIGURE 4-10. CONTROLLER ASSEMBLY (DRIVE AND STEER)

ITEM	PART NUMBER	QTY	DESCRIPTION	REV
		Ref	Note: Original Equipment controller may have been replaced with Service Replacement controller. Visually identify controller before ordering parts.	
	1001118416	Ref	CONTROLLER ASSEMBLY (DRIVE AND STEER) (SN 0300146184 through 0300177361)	D
	1001118416	Ref	CONTROLLER ASSEMBLY (DRIVE AND STEER) (SN B300000251 through B300001392)	D
		Ref	Note: Use p/n 1001212415 as Replacement.	
1	70002724	1	Boot and Control Lock Assembly	
2	7003941	2	Washer	
3	70002725	2	Screw	
4	7019162	1	Spring	
5	70002726	1	Enclosure	
6	70002727	1	Handle Assembly (See Items 101-110 for Breakdown)	
7	70002728	1	Screw	
8	See Note	NSS	Mechanical Assembly (Note: Use p/n 1001166538)	
9	1001113961	1	Plug, Male - 8 Position (Black) (was p/n 7022825)	
9	4460871	7	Socket, Female	
	70002727	Ref	HANDLE ASSEMBLY	
101	7003972	1	Boot, Switch	
102	7003973	2	Half, Handle	
103	7003980	4	Screw	
104	7019167	4	Nut	
105	7019164	1	Axle	
106	7019165	1	Rocker	
107	70002729	1	Wiring Assembly	
107	7003982	2	Switch, Micro	
108	7003983	2	Set Screw	
109	7019194	1	Coupling	
110	7003989	2	Gasket	

SECTION 4 - PLATFORM

FIGURE 4-11. CONTROLLER ASSEMBLY (DRIVE AND STEER)



Note: Original Equipment controller may have been replaced with Service Replacement controller. Visually identify controller before ordering parts.

ART_1001166538

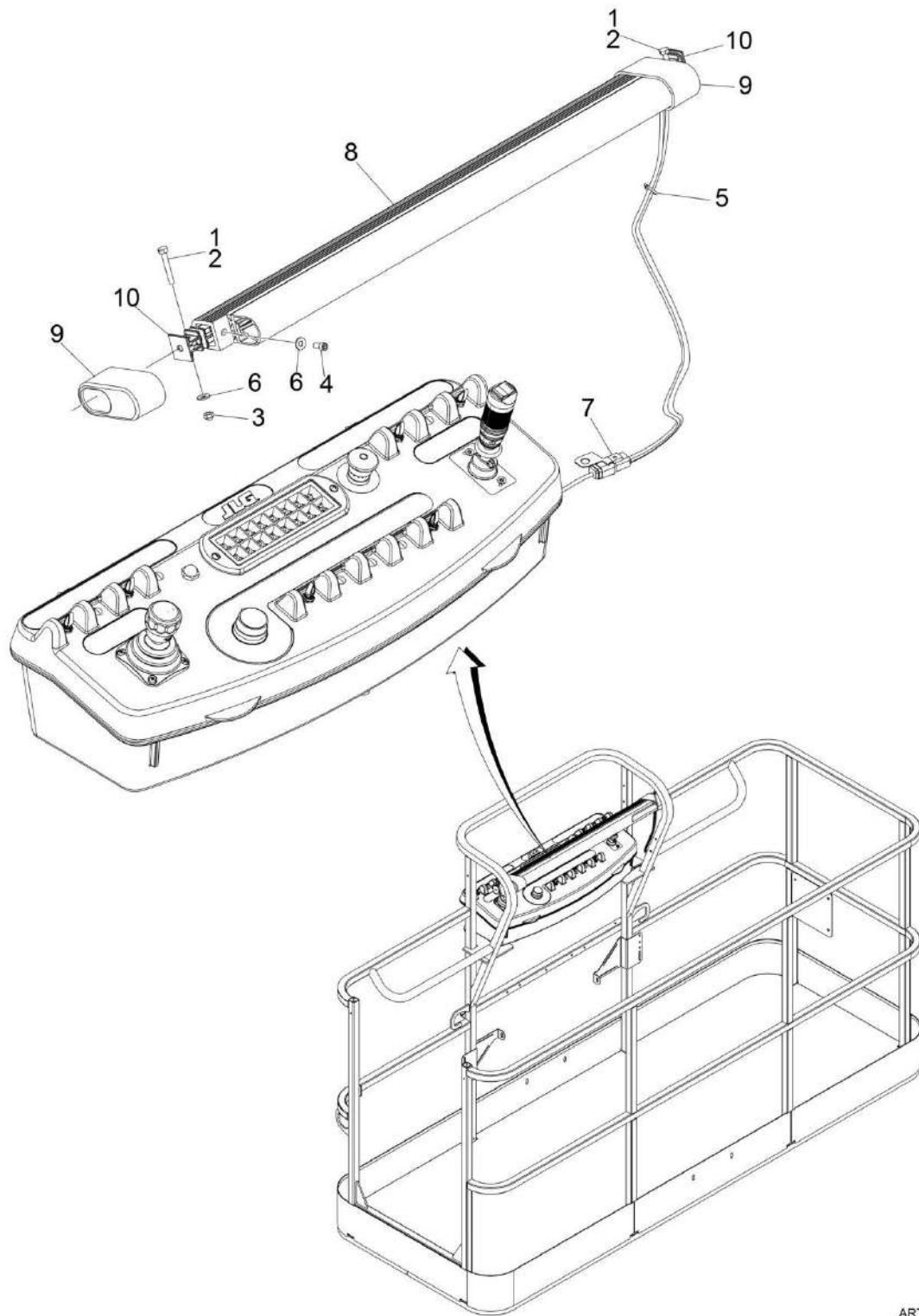
SECTION 4 - PLATFORM

FIGURE 4-11. CONTROLLER ASSEMBLY (DRIVE AND STEER)

ITEM	PART NUMBER	QTY	DESCRIPTION	REV
		Ref	Note: Original Equipment controller may have been replaced with Service Replacement controller. Visually identify controller before ordering parts.	
	1001166538	Ref	CONTROLLER ASSEMBLY (DRIVE AND STEER) (SN B300001393 to Present)	G
		Ref	Note: Use p/n 1001212415 as Replacement.	
7	70004738	2	Washer	
10	70004739	1	Roller	
11	70004740	1	Boot, Switch	
14	70004741	2	Half, Handle	
17	70004742	1	Enclosure	
18	70004743	4	Nut	
19	70004744	NLA	Boot, Controller (Note: Use Item 200)	
20	70004745	NLA	Tube, Locking (Note: Use Item 200)	
21	70004746	NLA	Disc, Locking (Note: Use Item 200)	
25	70004747	2	Seal, Rope	
26	70004748	1	Screw, M3 x 6	
28	70004749	2	Screw, M5 x 20	
29	70004750	1	Pin, Dowel	
30	70004751	4	Screw, M3 x 16	
101	4460265	1	Connector - 9 Position	
101	4460226	7	Socket, Female	
200	70005230	1	Boot Kit (Includes Items 19-21)	

SECTION 4 - PLATFORM

FIGURE 4-12. SKYGUARD SYSTEM INSTALLATION



ART_1001187508

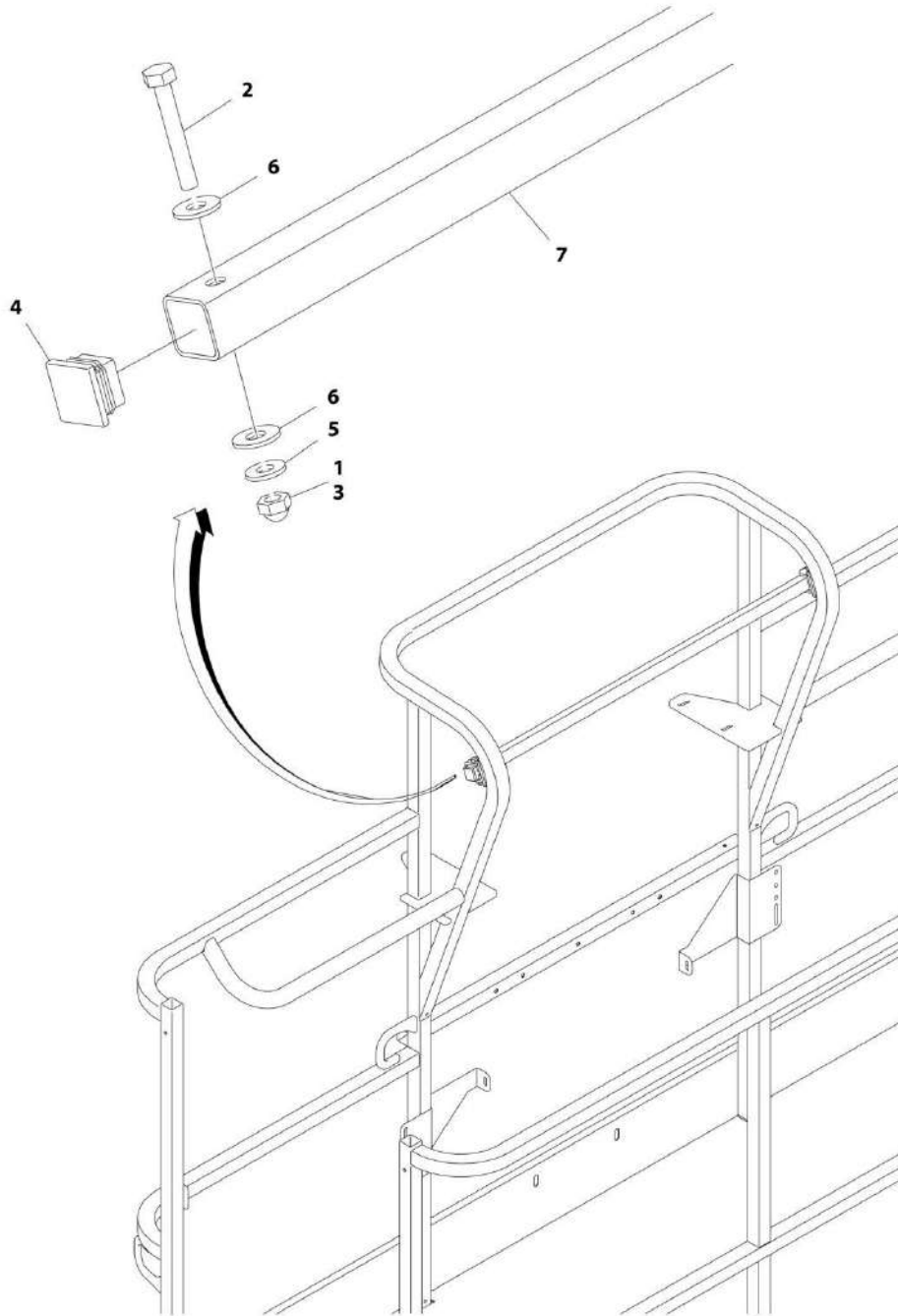
SECTION 4 - PLATFORM

FIGURE 4-12. SKYGUARD SYSTEM INSTALLATION

ITEM	PART NUMBER	QTY	DESCRIPTION	REV
	1001187508	Ref	SKYGUARD SYSTEM INSTALLATION (SN B300001393 to Present)	B
		Ref	Note: For Machines SN 0300087000 through SN 0300177361 & SN B300000100 through SN B300001392, refer to SPECIAL OPTIONS Section.	
1	0100011	AR	Compound, Locking	
2	0641414	2	Bolt, 1/4-20 x 1-3/4	
3	3300430	2	Nut, Acorn 1/4-20	
4	3931424	2	Capscrew, 1/4-20 x 1-1/2	
5	4240033	AR	Tie-Strap	
6	4711400	AR	Washer, 1/4	
7	1001120328	1	Mount	
8	1001137673	1	Switch, SkyGuard Assembly	
9	1001186517	2	Cover, Platform Sensor	
10	1001188889	2	Support, Block	

SECTION 4 - PLATFORM

FIGURE 4-13. CROSS RAIL INSTALLATION



ART_1001182138

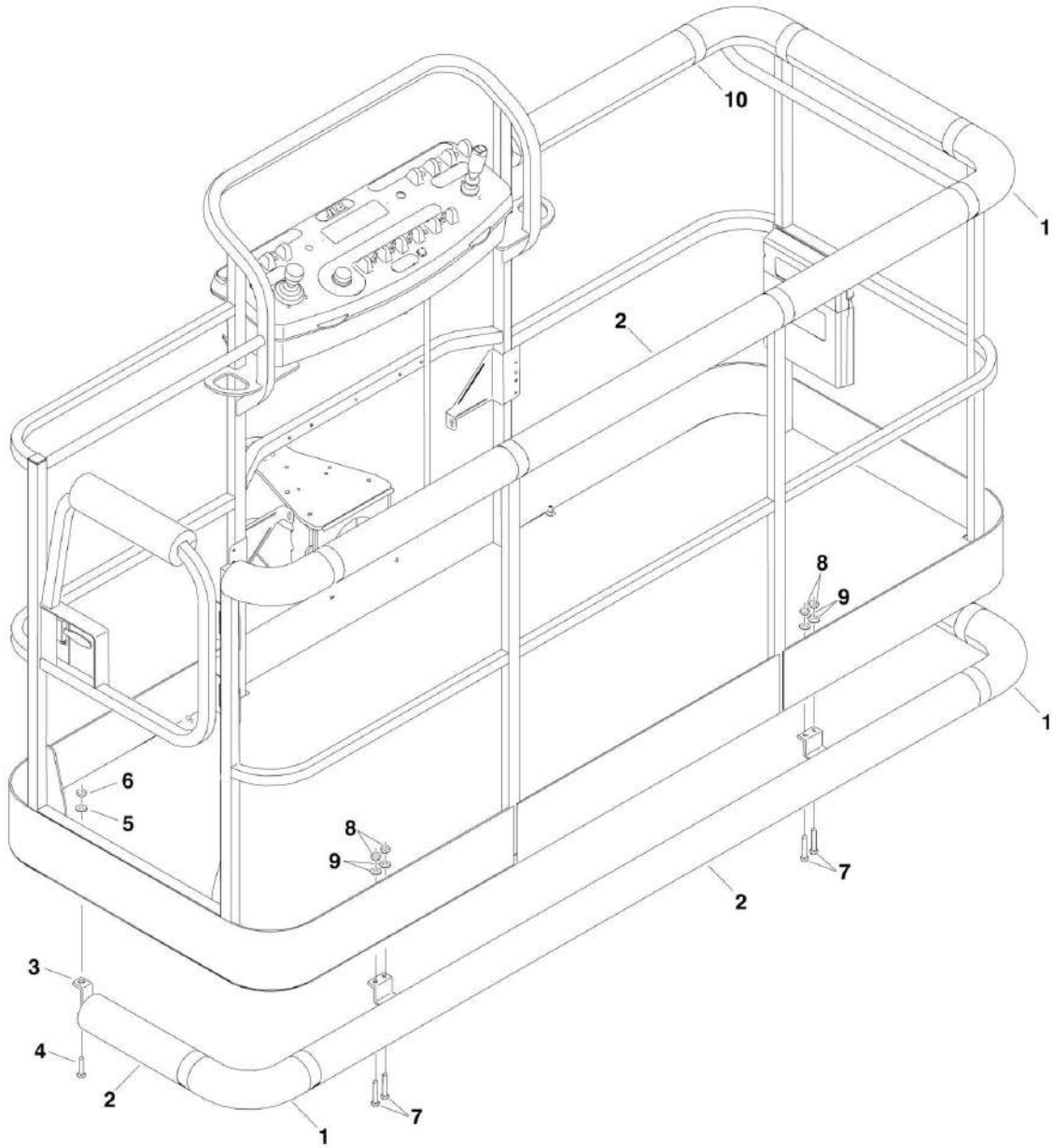
SECTION 4 - PLATFORM

FIGURE 4-13. CROSS RAIL INSTALLATION

ITEM	PART NUMBER	QTY	DESCRIPTION	REV
	1001182138	Ref	CROSS RAIL INSTALLATION	A
1	0100071	AR	Compound, Locking	
2	0641414	2	Bolt 1/4 x 1-3/4	
3	3300430	2	Nut 1/4	
4	3520182	2	Plug	
5	4711400	2	Washer 1/4	
6	4751400	4	Washer 1/4	
7	1001191708	1	Bar	

SECTION 4 - PLATFORM

FIGURE 4-14. PLATFORM PADDING INSTALLATION (30IN/76CM DEPTH PLATFORMS) (OPTIONAL)



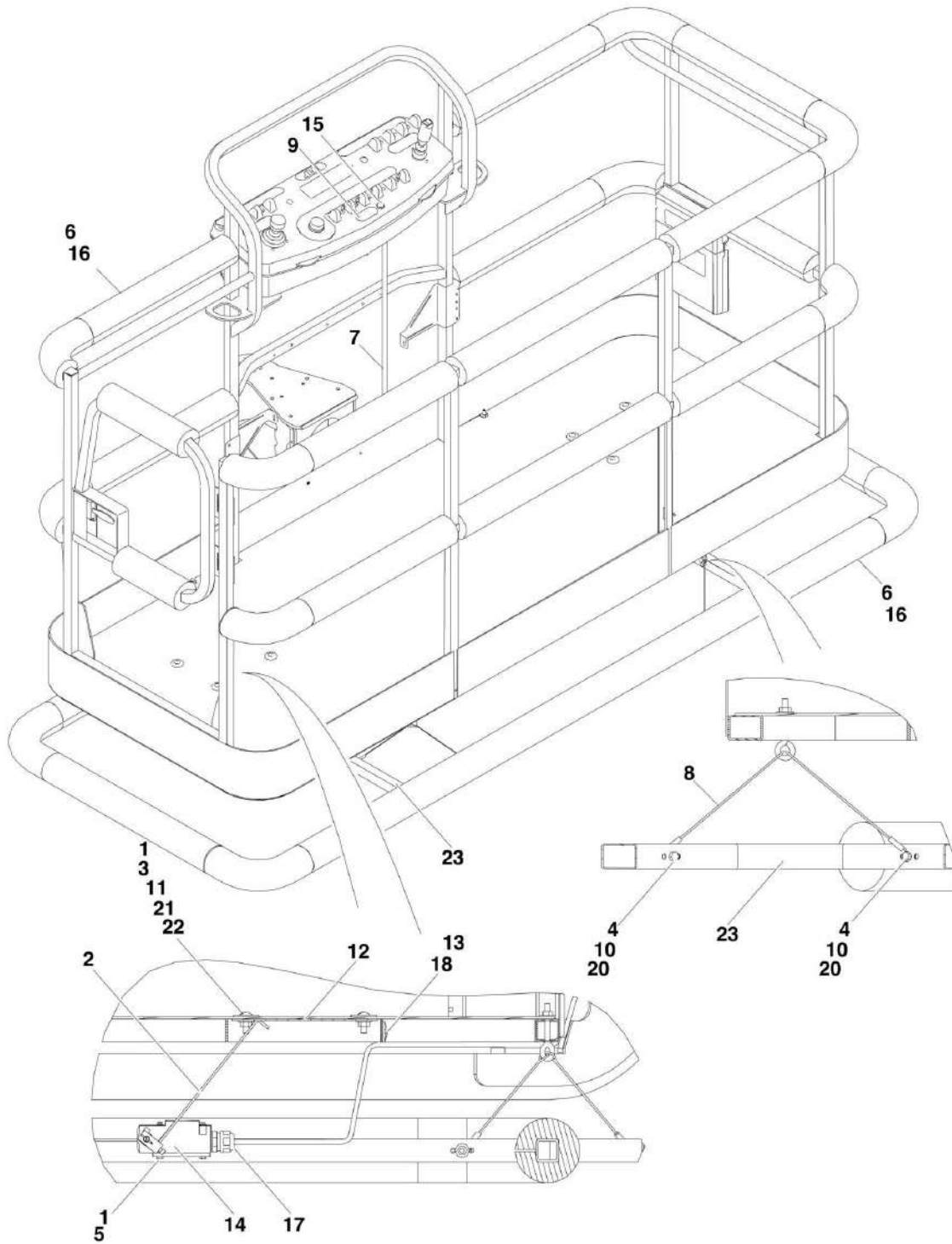
SECTION 4 - PLATFORM

FIGURE 4-14. PLATFORM PADDING INSTALLATION (30IN/76CM DEPTH PLATFORMS) (OPTIONAL)

ITEM	PART NUMBER	QTY	DESCRIPTION	REV
	0273542	Ref	PADDING INSTALLATION (30 X 48 SIDE ENTRY PLATFORM)	
1	0940092	4	Bumper, Pad (Corner)	
2	0940094	9 ft/2.7m	Bumper, Pad (Square Tubing)	
3	0940131	1	Bumper, Rail	
4	0641516	2	Bolt 5/16in-18NC x 2in	
5	4751500	2	Flatwasher 5/16in	
6	3311505	2	Locknut 5/16in-18NC	
7	0641813	4	Bolt 1/2in-13NC x 1 5/8in	
8	3311805	4	Locknut 1/2in-13NC	
9	4891800	4	Flatwasher 1/2in (Hardened)	
10	4420068	30 ft/9.1m	Tape	

SECTION 4 - PLATFORM

FIGURE 4-15. SOFT TOUCH SYSTEM INSTALLATION (36IN/91.5CM DEPTH PLATFORMS)
(OPTIONAL)



SECTION 4 - PLATFORM

**FIGURE 4-15. SOFT TOUCH SYSTEM INSTALLATION (36IN/91.5CM DEPTH PLATFORMS)
(OPTIONAL)**

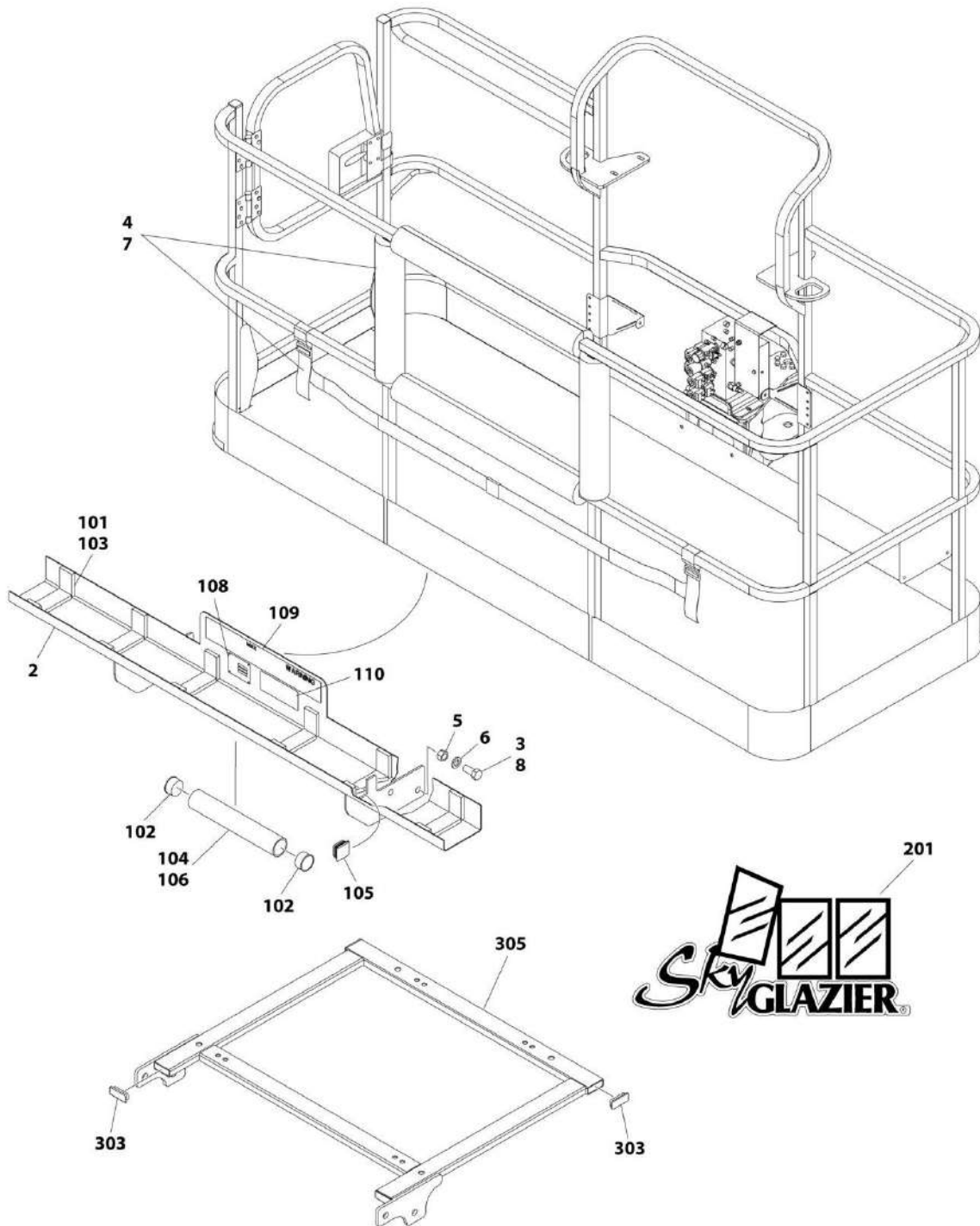
ITEM	PART NUMBER	QTY	DESCRIPTION	REV
		Ref	SOFT TOUCH SYSTEM INSTALLATIONS	
	0273824	Ref	6ft Platform	D
	0272427	Ref	8ft Platform	G
	1001108256	Ref	6ft/1.8m Platform with Fall Arrest	C
	0273706	Ref	8ft/2.4m Platform with Fall Arrest	D
1	0100011	AR	Compound, Locking	
2	0200048	2	Arm, Switch	
3	0630462	8	Bolt, Carriage	
4	0641414	8	Bolt 1/4in-20NC x 1-3/4in	
5		Ref	Bolt Options:	
5	0721005	4	Bolt #10-24NC x 5/8in	
5	0731005	4	Bolt #10-32NF x 5/8in	
6		Ref	Bumper Kits (Includes Corners and Enough Straight Material for One Platform)	
6	0940134	1	6ft Platform	
6	0940103	1	8ft Platform	
6	0940177	1	6ft Platform with Fall Arrest	
6	0940133	1	8ft Platform with Fall Arrest	
6	0940092	1	Bumper (Corner) Options:	
6		Ref	6ft/8ft Platform without Fall Arrest	
6		Ref	6ft/8ft Platform with Fall Arrest	
6	0940094	AR	Bumper (12ft Length)	
7	1060341	23 ft/7m	Cable, Electrical - 16/2	
8	1060903	4	Wire Rope and Eyebolt Assembly	
9	1702938	1	Decal - Soft Touch Override	
10	3311401	8	Nut 1/4in-20NC	
11	3311501	8	Nut 5/16in-18NC	
12		Ref	Plate, Switch Strike Options:	
12	3575359	2	6ft Platform	
12	3574091	2	8ft Platform	
13	4240099	7	Tie-Strap	
14	4360057	2	Switch, Limit	
15	4360387	1	Switch, Push Button	
16	4420068	AR	Tape, Adhesive	
16	1001197017	AR	Tie-Strap (Not Shown)	
17	4460049	2	Connector, Strain Relief	
18	4460234	7	Tie-Strap	
19	4460425	1	Connector, Strain Relief	
20	4751400	8	Flatwasher 1/4in Regular	
21	4751500	AR	Flatwasher 5/16in Regular	
22	4751800	8	Flatwasher 1/2in Regular	
23		Ref	Rail, Soft Touch Options:	
23	3641569	1	6ft Platform	
23	4846673	1	8ft Platform	
24		Ref	Soft Touch Installation Kit Options (Not Shown) (Includes Items 2-23)	
		Ref	Note: May not be available for all machines depending on existing options. Contact JLG Parts Dept before ordering.	
24	1001121592	1	Kit - 6ft Platform without Fall Arrest	

SECTION 4 - PLATFORM

ITEM	PART NUMBER	QTY	DESCRIPTION	REV
24	1001121593	1	Kit - 8ft Platform without Fall Arrest	

SECTION 4 - PLATFORM

FIGURE 4-16. SKYGLAZIER INSTALLATION (USA MACHINES BUILT YEARS 2005-2007)



ART_SKYGLAZIER_1

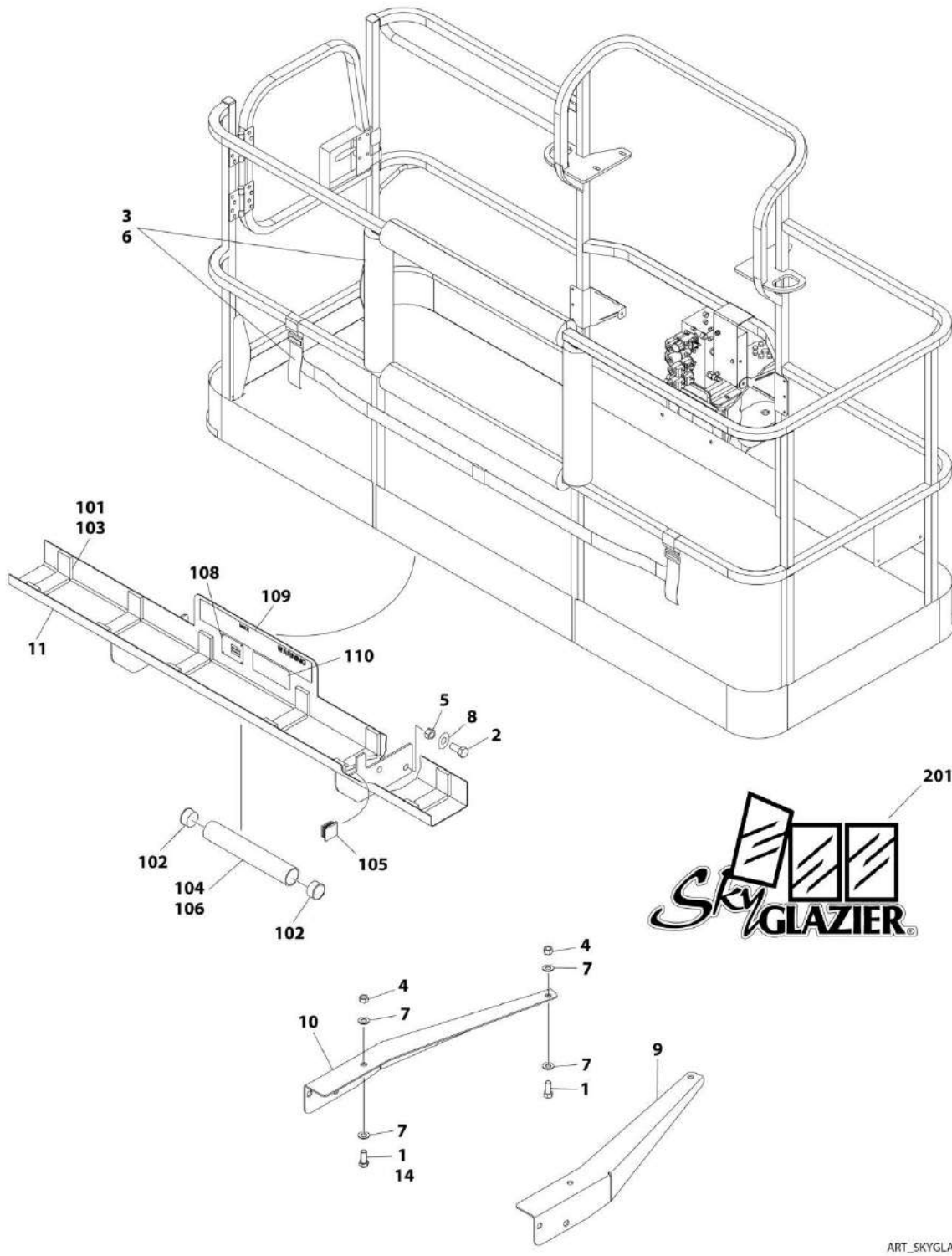
SECTION 4 - PLATFORM

FIGURE 4-16. SKYGLAZIER INSTALLATION (USA MACHINES BUILT YEARS 2005-2007)

ITEM	PART NUMBER	QTY	DESCRIPTION	REV
		Ref	SKYGLAZIER INSTALLATION (USA MACHINES BUILT YEARS 2005-2007)	
		Ref	Note: Available only on 600A ANSI, ANSI Export, Brazil, CSA & Latin American Specs.	
	0272395	Ref	SkyGlazier Installation (English Language)	3
	0272955	Ref	SkyGlazier Installation (Portuguese Language)	3
	0272387	Ref	SkyGlazier Installation (Spanish Language)	3
2		Ref	Tray Assembly Options (See Items 101-110 for Breakdown):	
2	0272391	1	Tray Assembly (English Language)	
2	0272951	1	Tray Assembly (Portuguese Language)	
2	0272948	1	Tray Assembly (Spanish Language)	
3	0642214	4	Bolt 3/4 x 1-3/4	
4	2902212	1	Bumpers and Straps Kit	
4	0940102	1	Bumper Only	
4	4240149	1	Strap Only	
5	3312201	4	Nut 3/4	
6	4892200	4	Washer 3/4	
7	4420014	AR	Tape	
8	0100011	AR	Compound, Locking	
		Ref	SKYGLAZIER TRAY ASSEMBLY	
	0272391	Ref	Tray Assembly (English Language)	3
	0272951	Ref	Tray Assembly (Portuguese Language)	4
	0272948	Ref	Tray Assembly (Spanish Language)	4
101	0100081	AR	Adhesive	
102	1120555	2	Cap, Tube	
103	3340956	1	Pad Kit	
104	3460334	1	Tube	
105	3520071	2	Plug	
106	4420066	AR	Tape, Double Sided	
108	See Note	NSS	Nameplate - Serial Number (Note: Not Available for Purchase)	
109		Ref	Decal - Glazier Capacity Options:	
109	1705312	NLA	Decal - Glazier Capacity (English Language) (Use p/n 1001126742)	
109	1705526	NLA	Decal - Glazier Capacity (Portuguese Language) (Use p/n 1001126748)	
109	1705519	NLA	Decal - Glazier Capacity (Spanish Language) (Use p/n 1001126747)	
110	1701509	1	Decal - Manual	
	0272418	Ref	SKYGLAZIER DECAL INSTALLATION	4
201	1705358	2	Decal - SkyGlazier	
	0272390	Ref	SKYGLAZIER SUPPORT INSTALLATION	H
303	3520190	4	Plug	
305	4846651	1	Support, Glazier	

SECTION 4 - PLATFORM

FIGURE 4-17. SKYGLAZIER INSTALLATION (USA MACHINES BUILT YEARS 2008-2013 AND CHINA BUILT MACHINES BUILT 2008-PRESENT)



ART_SKYGLAZIER

SECTION 4 - PLATFORM

FIGURE 4-17. SKYGLAZIER INSTALLATION (USA MACHINES BUILT YEARS 2008-2013 AND CHINA BUILT MACHINES BUILT 2008-PRESENT)

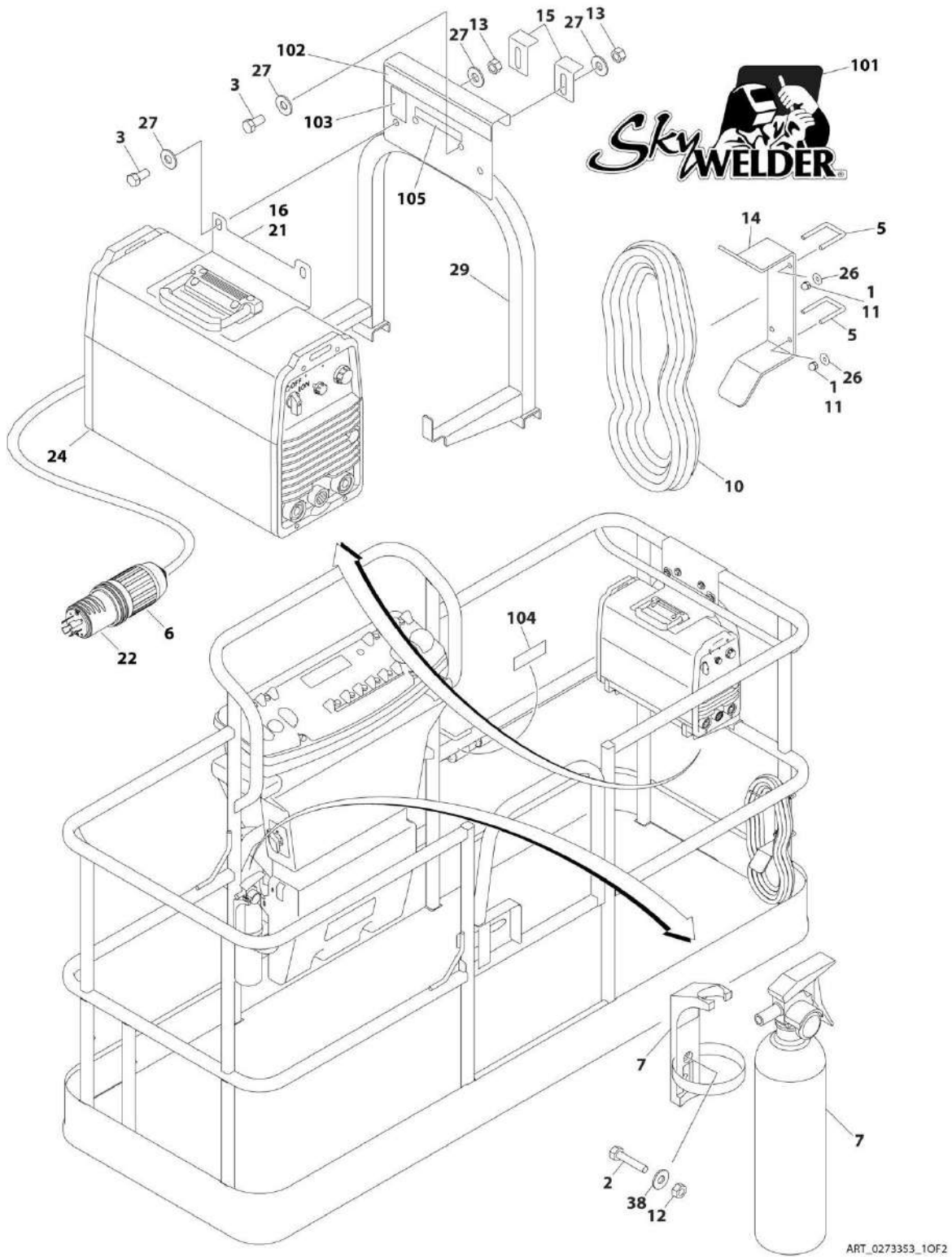
ITEM	PART NUMBER	QTY	DESCRIPTION	REV
		Ref	SKYGLAZIER INSTALLATION (USA MACHINES BUILT YEARS 2008-2013 AND CHINA MACHINES BUILT 2008-PRESENT)	
		Ref	Machines without LSS (Available only on 600A ANSI, Brazil, CSA & Latin American Specs and 600AJ ANSI & CSA Specs)	
	1001101422	Ref	SkyGlazier Installation (English Language)	C
	1001099422	Ref	SkyGlazier Installation (Portuguese Language)	C
	1001099421	Ref	SkyGlazier Installation (Spanish Language)	C
		Ref	Machines with LSS (Available only on 600A & 600AJ Australian Specs)	
	1001102647	Ref	SkyGlazier Installation (English Language)	C
1	0642012	AR	Bolt 5/8 x 1-1/2 ((Without LSS)	
1	0642026	AR	Bolt 5/8 x 3-1/4	
2	0642212	4	Bolt 3/4 x 1-1/2	
3	2902212	1	Bumpers and Strap Kit	
3	0940102	1	Bumper Only	
3	4240149	1	Strap Only	
4	3312005	4	Nut 5/8	
5	3312205	4	Nut 3/4	
6	4420014	AR	Tape	
7	4712000	AR	Washer 5/8	
8	4712200	8	Washer 3/4	
9	1001099366	1	Support	
10	1001099367	1	Support	
11		Ref	Tray Assembly Options (See Items 101-110 for Breakdown):	
11	1001101421	1	Tray Assembly (English Language)	
11	0272951	1	Tray Assembly (Portuguese Language)	
11	0272948	1	Tray Assembly (Spanish Language)	
14	8310230	2	Bolt 5/8 x 4 (Wihout LSS)	
14	0642026	2	Bolt 5/8 X 3-1/4 (With LSS)	
		Ref	SKYGLAZIER TRAY ASSEMBLY	
	1001101421	Ref	Tray Assembly (English Language)	E
	0272951	Ref	Tray Assembly (Portuguese Language)	4
	0272948	Ref	Tray Assembly (Spanish Language)	4
101	0100081	AR	Adhesive	
102	1120555	2	Cap, Tube	
103	3340956	1	Pad Kit	
104	3460334	1	Tube	
105	3520071	2	Plug	
106	4420066	AR	Tape, Double Sided	
108	See Note	NSS	Nameplate - Serial Number (Note: Not Available for Purchase)	
109		Ref	Decal - Glazier Capacity Options:	
109	1001101420	NLA	Decal - Glazier Capacity (English Language) (Use pn 1001163131) (SN 0300123523 through 0300147380)	
109	1001126742	NLA	Decal - Glazier Capacity (English Language) (Use pn 1001163131) (SN 0300147381 through 0300177361)	
109	1001163131	1	Decal - Glazier Capacity (English Language) (SN B300000100 to Present)	
109	1705526	NLA	Decal - Glazier Capacity (Portuguese Language) (Use pn 1001163297) (SN 0300123523 through 0300147380)	
109	1001126748	NLA	Decal - Glazier Capacity (Portuguese Language) (Use pn	

SECTION 4 - PLATFORM

ITEM	PART NUMBER	QTY	DESCRIPTION	REV
109	1705519	NLA	1001163297) (SN 0300147381 through 0300177361) Decal - Glazier Capacity (Spanish Language) (Use pn 1001163296) (SN 0300123523 through 0300147380)	
109	1001126747	NLA	Decal - Glazier Capacity (Spanish Language) (Use pn 1001163296) (SN 0300147381 through 0300177361)	
110	1701509	2	Decal - Manual	
	0272418	Ref	SKYGLAZIER DECAL INSTALLATION	4
201	1705358	2	Decal - SkyGlazier (Not Shown - Located on Hood)	

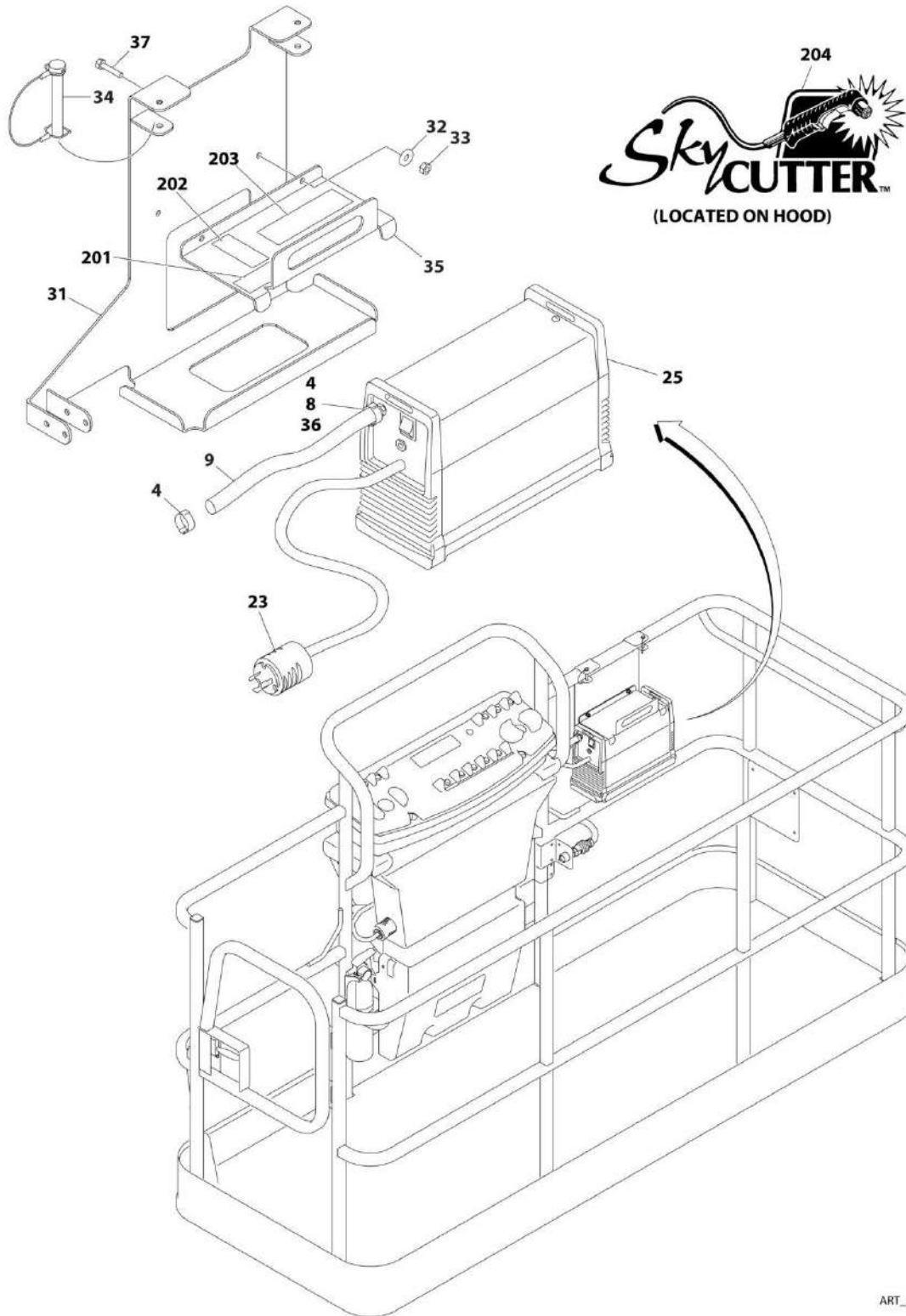
SECTION 4 - PLATFORM

FIGURE 4-18. SKYWELDER/SKYCUTTER COMBO INSTALLATION (60HZ)



ART_0273353_10F2

SECTION 4 - PLATFORM



ART_0273353_20F2

SECTION 4 - PLATFORM

FIGURE 4-18. SKYWELDER/SKYCUTTER COMBO INSTALLATION (60HZ)

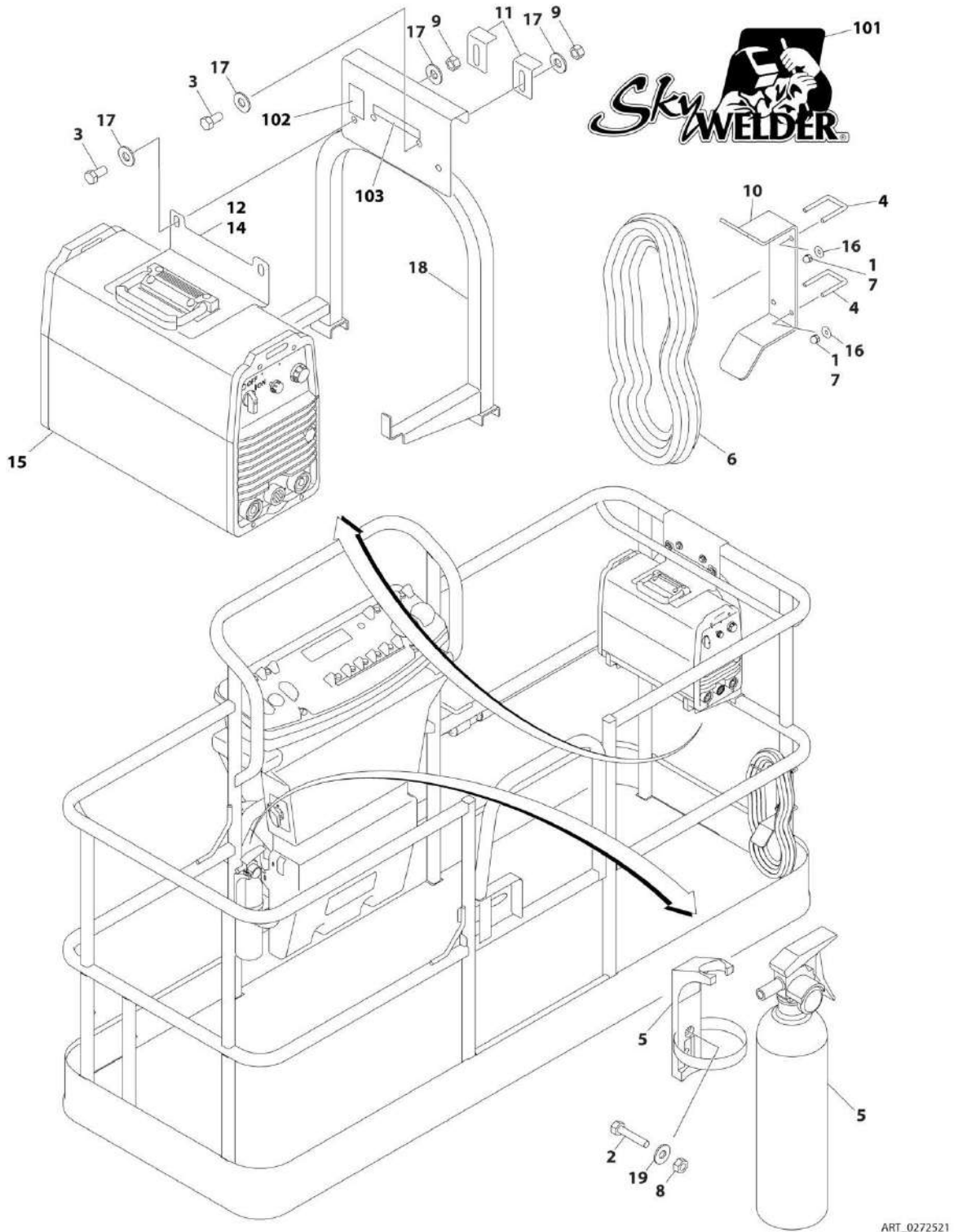
ITEM	PART NUMBER	QTY	DESCRIPTION	REV
	0273353	Ref	SKYWELDER/SKYCUTTER COMBO INSTALLATION (60HZ)	G
		Ref	Note: ANSI Export & Australian Spec Only.	
1	0100011	AR	Compound, Locking	
2	0630518	2	Screw #10 x 3/4	
3	0641606	4	Bolt 3/8 x 3/4	
4	1320177	2	Clamp	
5	1320302	2	Clamp	
6	1671093	1	Cover, Plug	
7	2030010	1	Extinguisher, Fire	
8	2180832	1	Fitting, Barbed/NPT	
9	2720160	4.5 ft/ 1.37m	Hose	
10	2902217	1	Weld Leads Kit	
11	3300151	4	Nut 1/4	
12	3311005	2	Nut #10	
13	3311605	4	Nut 3/8	
14	3573400	1	Bracket	
15	3577121	2	Angle	
16	3573642	1	Plate	
20	4240099	AR	Tie-Strap (Not Shown)	
21	4420037	2.36 ft/ .71m	Tape	
22	4460962	1	Plug, Twist Lock	
23	4460971	1	Plug, Twist Lock	
24	4530028	1	Welder Assembly (See WELDER ASSEMBLY for Breakdown)	
25	1001098012	1	Plasma Cutter Assembly (See PLASMA CUTTER ASSEMBLY for Breakdown)	
26	4751400	4	Washer 1/4	
27	4751600	8	Washer 3/8	
29	4846627	1	Support	
31	1001145405	1	Bracket	
32	4811700	2	Washer M6	
33	3290605	2	Nut M6	
34	3421453	3	Pin	
35	3576799	1	Plate, Hold-Down	
36	0100020	1	Sealant	
37	4010608	2	Screw M6 x 16	
38	4751000	2	Washer #10	
	0272448	Ref	SKYWELDER DECAL INSTALLATION	B
101	1705355	2	Decal - SkyWelder	
102	1702868	1	Decal - No Hands	
103	1705305	1	Decal - Weld Leads	
104	1705375	1	Decal - 240V - 3 Phase - 60 Hz	
105	1705466	NLA	Decal - Weight (Use p/n 1001228988) (SN B30000100 through B300002005)	
105	1001228988	1	Decal - Weight (SN B300002006 to Present)	
	0272599	Ref	SKYCUTTER DECAL INSTALLATION	B
201	1702868	1	Decal - No Hands	
202	1705305	1	Decal - Weld Leads	
203	1705466	NLA	Decal - Weight (Use p/n 1001228988) (SN B30000100 through B300002005)	

SECTION 4 - PLATFORM

ITEM	PART NUMBER	QTY	DESCRIPTION	REV
203	1001228988	1	Decal - Weight (SN B300002006 to Present)	
204	1705490	2	Decal - SkyCutter	

SECTION 4 - PLATFORM

FIGURE 4-19. SKYWELDER INSTALLATION (50HZ)



ART_0272521

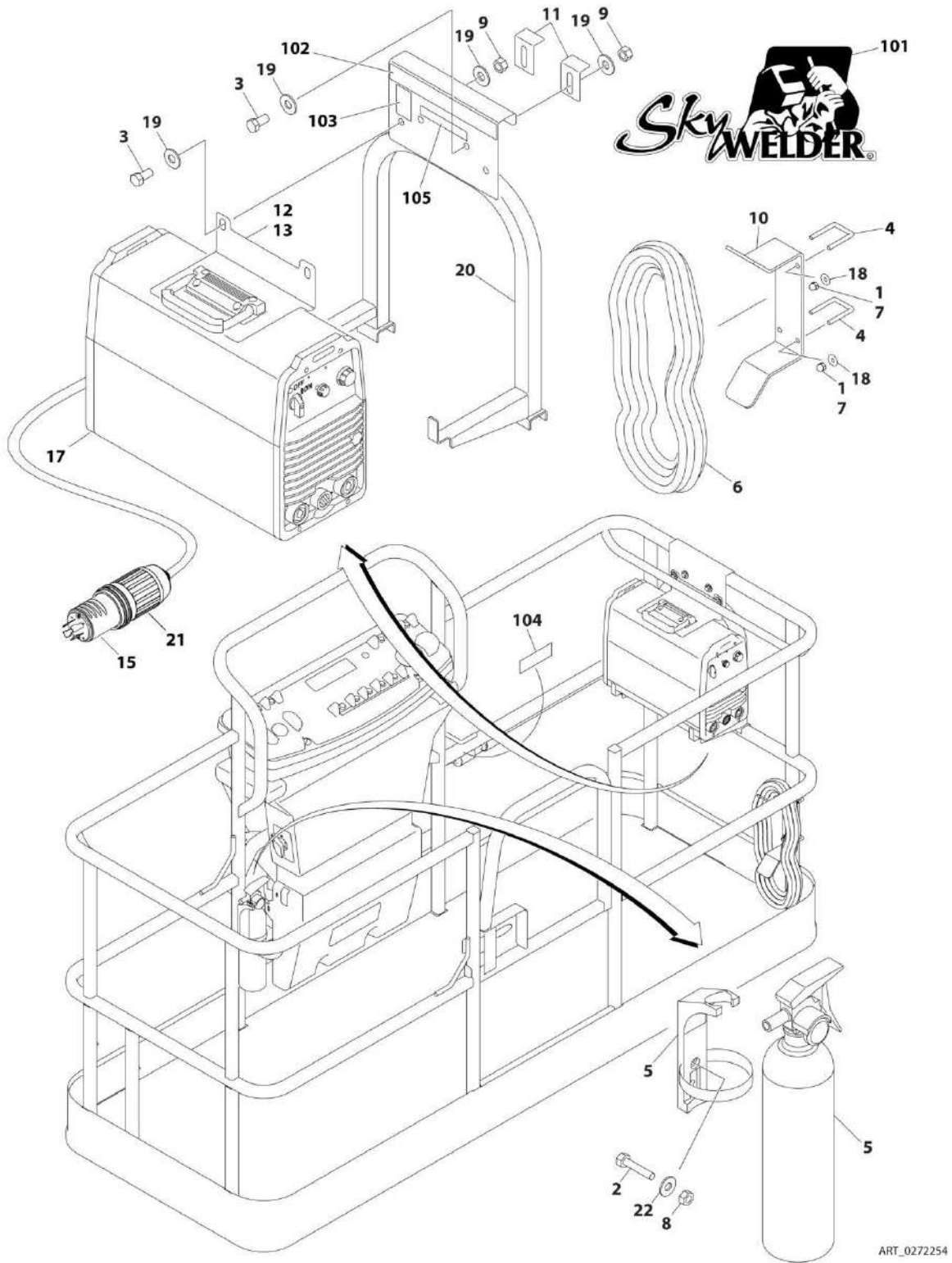
SECTION 4 - PLATFORM

FIGURE 4-19. SKYWELDER INSTALLATION (50HZ)

ITEM	PART NUMBER	QTY	DESCRIPTION	REV
	0272521	Ref	SKYWELDER INSTALLATION (50HZ)	F
		Ref	Note: ANSI Export & Australian Specs Only.	
1	0100011	AR	Compound, Locking	
2	0630518	2	Screw #10 x 3/4	
3	0641606	4	Bolt 3/8 x 3/4	
4	1320302	2	U-Clamp	
5	2030010	1	Extinguisher, Fire	
6	2902217	1	Weld Leads Kit	
7	3300151	4	Nut 1/4	
8	3311005	2	Nut #10	
9	3311605	4	Nut 3/8	
10	3573400	1	Bracket	
11	3577121	2	Angle	
12	3573642	1	Plate	
13	4240099	AR	Tie-Strap (Not Shown)	
14	4420037	AR	Tape	
15	4530028	1	Welder Assembly (See WELDER ASSEMBLY for Breakdown)	
16	4751400	4	Washer 1/4	
17	4751600	8	Washer 3/8	
18	4846627	1	Support	
19	4751000	2	Washer #10	
	0272588	Ref	SKYWELDER DECAL INSTALLATION	B
101	1705355	2	Decal - SkyWelder	
102	1705305	1	Decal - Weld Lead	
103	1705466	NLA	Decal - Weight (Use p/n 1001228988) (SN B300000100 through B300002005)	
103	1001228988	1	Decal - Weight (SN B300002006 to Present)	

SECTION 4 - PLATFORM

FIGURE 4-20. SKYWELDER INSTALLATION (60HZ)



ART_0272254

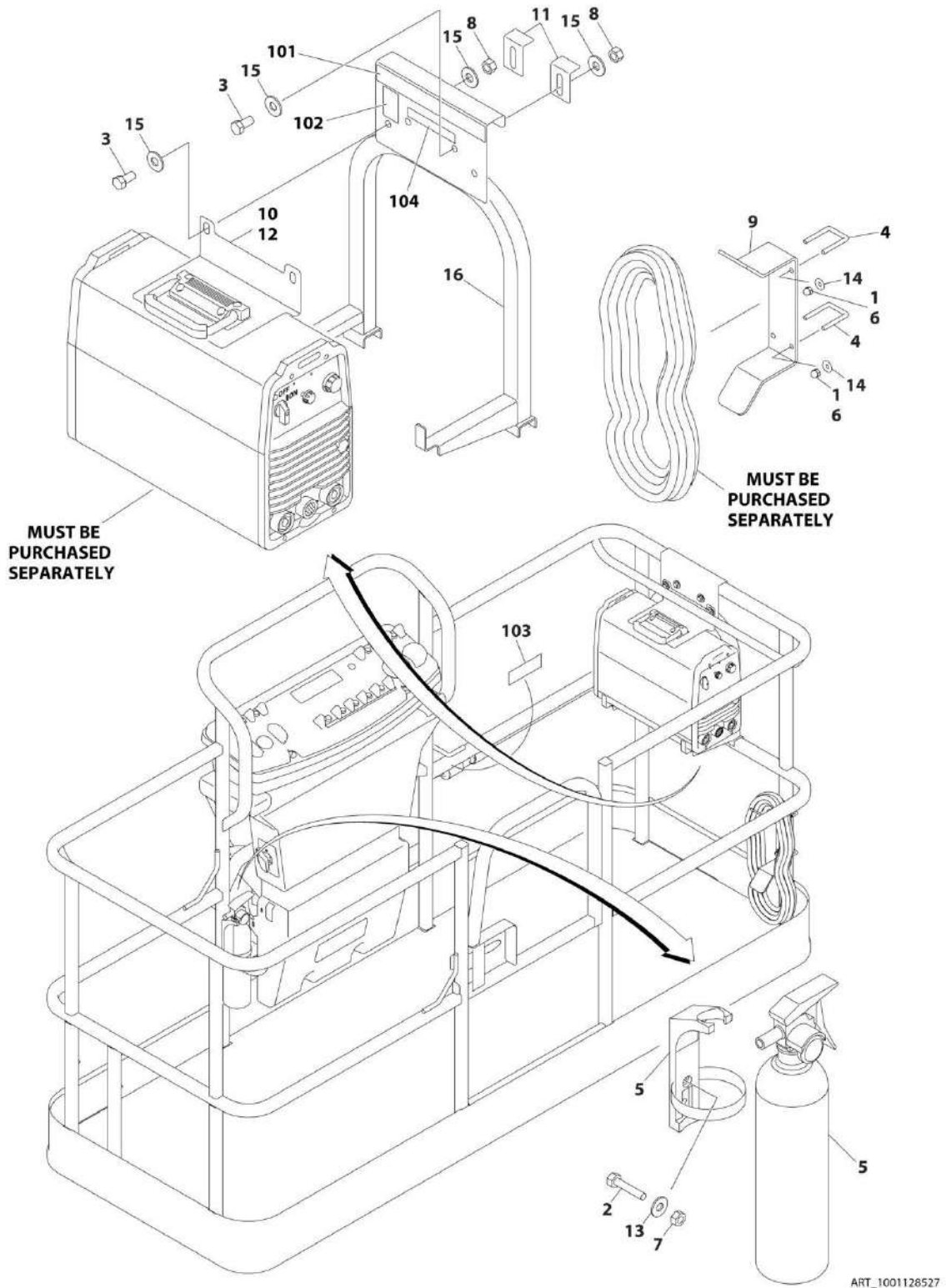
SECTION 4 - PLATFORM

FIGURE 4-20. SKYWELDER INSTALLATION (60HZ)

ITEM	PART NUMBER	QTY	DESCRIPTION	REV
	0272254	Ref	SKYWELDER INSTALLATION (60HZ)	I
		Ref	Note: ANSI Export Specs Only.	
1	0100011	AR	Compound, Locking	
2	0630518	2	Screw #10 x 3/4	
3	0641606	4	Bolt 3/8 x 3/4	
4	1320302	2	U-Clamp	
5	2030010	1	Extinguisher, Fire	
6	2902217	1	Weld Leads Kit	
7	3300151	4	Nut 1/4	
8	3311005	2	Nut #10	
9	3311605	4	Nut 3/8	
10	3573400	1	Bracket	
11	3577121	2	Angle	
12	3573642	1	Plate	
13	4420037	AR	Tape	
14	4240099	AR	Tie-Strap (Not Shown)	
15	4460962	1	Plug, Male Twistlock	
17	4530028	1	Welder Assembly (See WELDER ASSEMBLY for Breakdown)	
18	4751400	4	Washer 1/4	
19	4751600	8	Washer 3/8	
20	4846627	1	Support	
21	1671093	1	Cover, Plug	
22	4751000	2	Washer #10	
	0272448	Ref	SKYWELDER DECAL INSTALLATION	B
101	1705355	2	Decal - SkyWelder	
102	1702868	1	Decal - No Hands	
103	1705305	1	Decal - Weld Lead	
104	1705375	1	Decal - 240V - 3 Phase - 60Hz	
105	1705466	NLA	Decal - Weight (Use p/n 1001228988) (SN B30000100 through B300002005)	
105	1001228988	1	Decal - Weight (SN B300002006 to Present)	

SECTION 4 - PLATFORM

FIGURE 4-21. SKYWELDER PREP PACKAGE



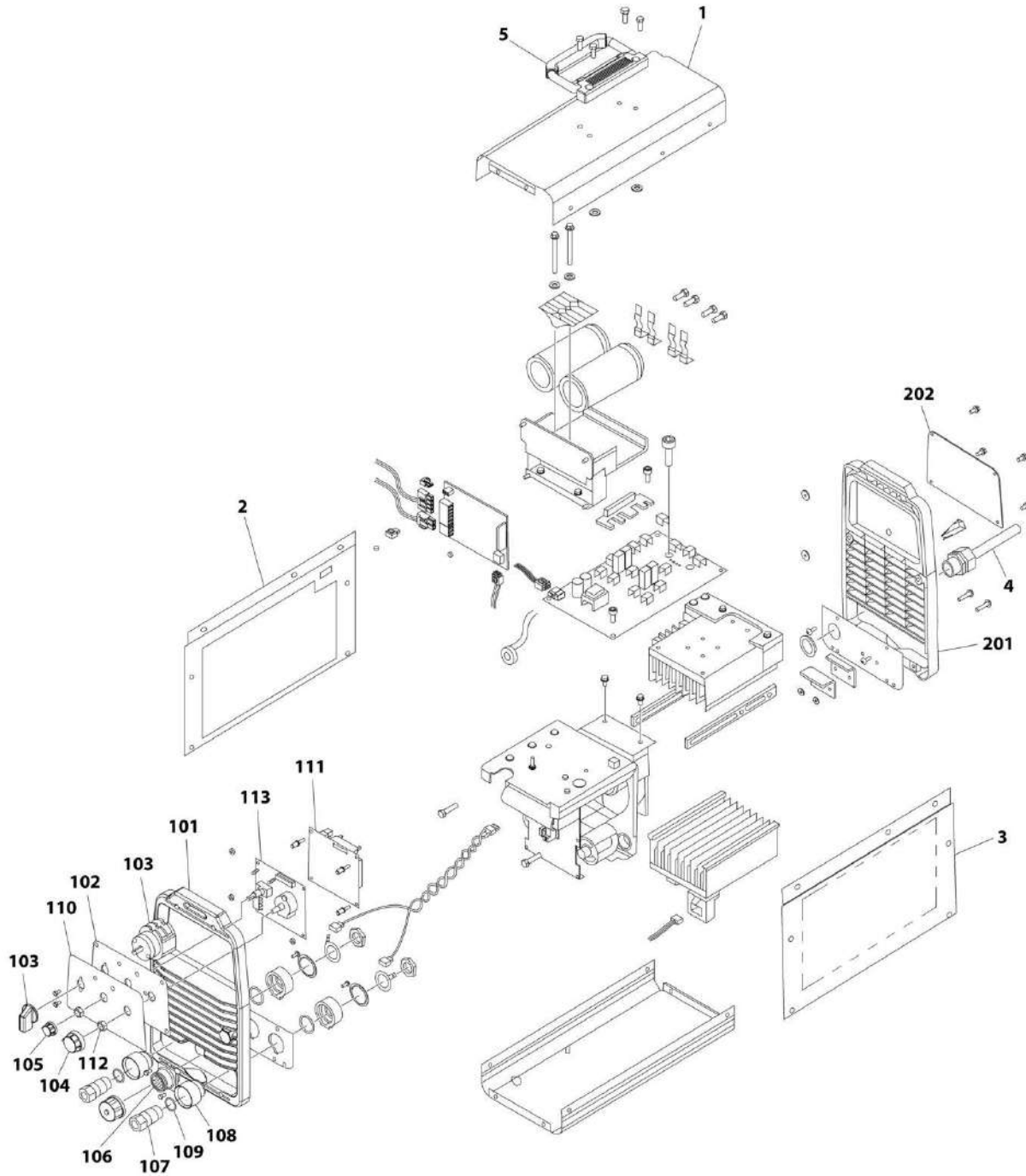
SECTION 4 - PLATFORM

FIGURE 4-21. SKYWELDER PREP PACKAGE

ITEM	PART NUMBER	QTY	DESCRIPTION	REV
	1001128527	Ref	SKYWELDER PREP PACKAGE (60HZ)	
		Ref	Note: ANSI Export Specs Only.	
1	0100011	AR	Compound, Locking	
2	0630518	2	Screw #10 x 3/4	
3	0641606	4	Bolt 3/8 x 3/4	
4	1320302	2	U-Clamp	
5	2030010	1	Extinguisher, Fire	
6	3300151	4	Nut 1/4	
7	3311005	2	Nut #10	
8	3311605	4	Nut 3/8	
9	3573400	1	Bracket	
10	3573642	1	Plate	
11	3577121	2	Angle	
12	4420037	AR	Tape	
13	4751000	2	Washer #10	
14	4751400	4	Washer 1/4	
15	4751600	8	Washer 3/8	
16	4846627	1	Support	
	1001128556	Ref	SKYWELDER DECAL INSTALLATION	B
101	1702868	1	Decal - No Hands	
102	1705305	1	Decal - Weld Lead	
103	1705375	1	Decal - 240V - 3 Phase - 60Hz	
104	1705466	NLA	Decal - Weight (Use p/n 1001228988) (SN B300000100 through B300002005)	
104	1001228988	1	Decal - Weight (SN B300002006 to Present)	

SECTION 4 - PLATFORM

FIGURE 4-22. WELDER ASSEMBLY



ART_4530028

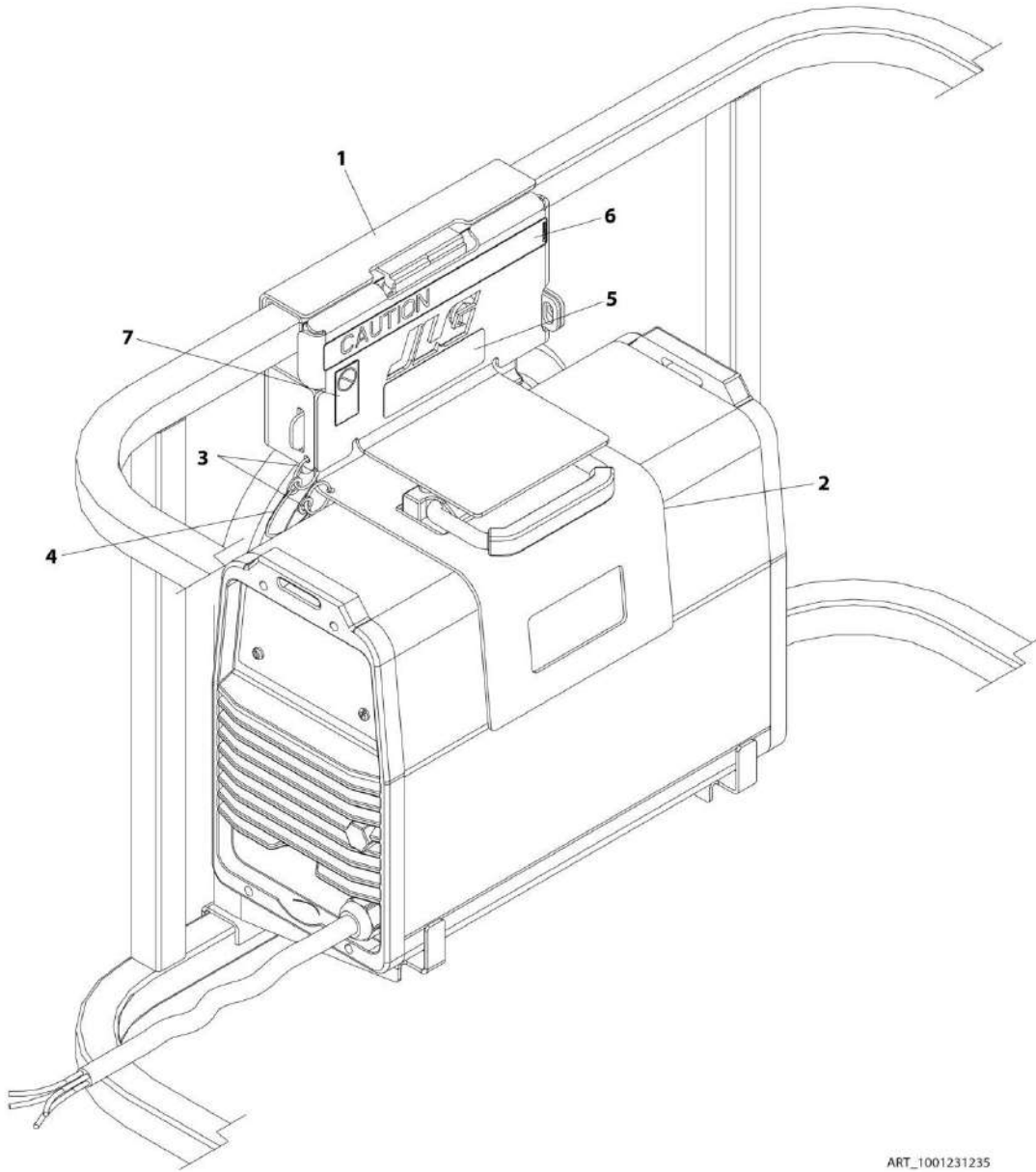
SECTION 4 - PLATFORM

FIGURE 4-22. WELDER ASSEMBLY

ITEM	PART NUMBER	QTY	DESCRIPTION	REV
	4530028	Ref	WELDER ASSEMBLY	B
		Ref	Note: For Other Components, contact your Miller Welder Dealer.	
1	7027773	1	Cover, Top	
1	7027774	1	Decal - Static Precautionary Warning	
2	See Note	NSS	Panel, LH Side (Note: Part of Item 1. Purchase Item 1)	
3	See Note	NSS	Panel, RH Side (Note: Part of Item 1. Purchase Item 1)	
4	7024467	1	Cable, Power	
4	7027775	1	Decal - Electrical Shock Warning (Not Shown)	
5	7027776	1	Handle, Carrying	
101	7024462	1	Panel, Front	
102	7024463	1	Panel, Console	
103	7024469	1	Switch with Lead	
104	7024470	1	Knob	
105	7024471	1	Knob	
106	7024472	1	Receptacle with Leads and Plugs	
107	7024473	2	Receptacle, Twistlock Female	
108	7024474	2	Insulator	
109	7024475	2	O-Ring	
110	7027777	1	Nameplate	
111	7027779	1	Circuit Card Assembly (Process Control)	
112	7024478	2	Nut	
113	7027778	1	Circuit Card Assembly (Operator Interface)	
201	7024462	1	Panel, Rear	
202	7027780	1	Panel, Cover	

SECTION 4 - PLATFORM

FIGURE 4-23. SKYWELDER LOCKING BRACKET INSTALLATION



ART_1001231235

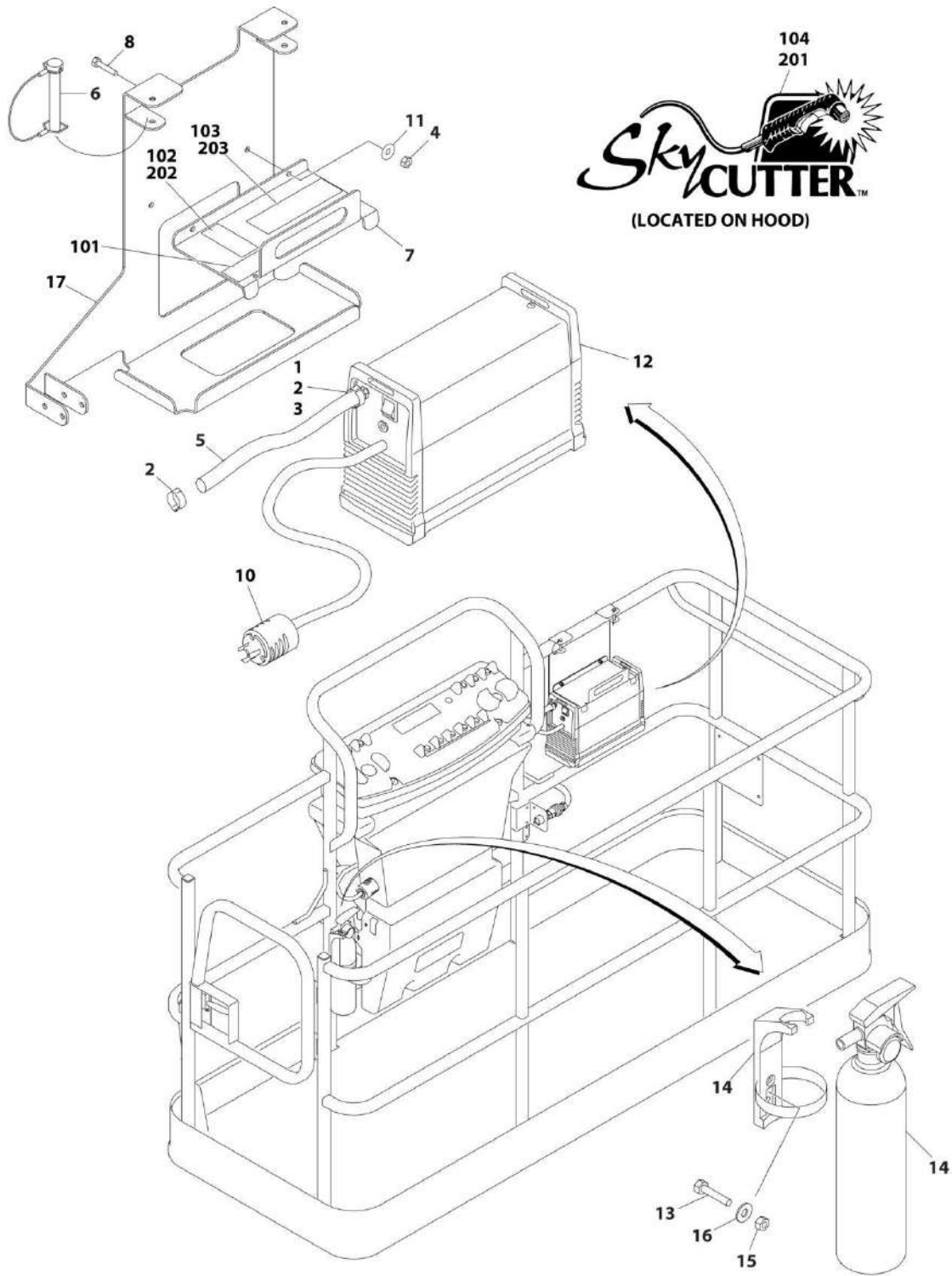
SECTION 4 - PLATFORM

FIGURE 4-23. SKYWELDER LOCKING BRACKET INSTALLATION

ITEM	PART NUMBER	QTY	DESCRIPTION	REV
	1001231235	Ref	SKYWELDER LOCKING BRACKET INSTALLATION	A
1	1001231180	1	Bracket	
2	1001231183	1	Plate	
3	3760170	2	Ring	
4	1060379	1	Lanyard	
5	1001228988	1	Decal - Weight	
6	1702868	1	Decal - No Hands	
7	1705305	1	Decal - Weld Lead	

SECTION 4 - PLATFORM

FIGURE 4-24. SKYCUTTER INSTALLATION



ART_1001098149

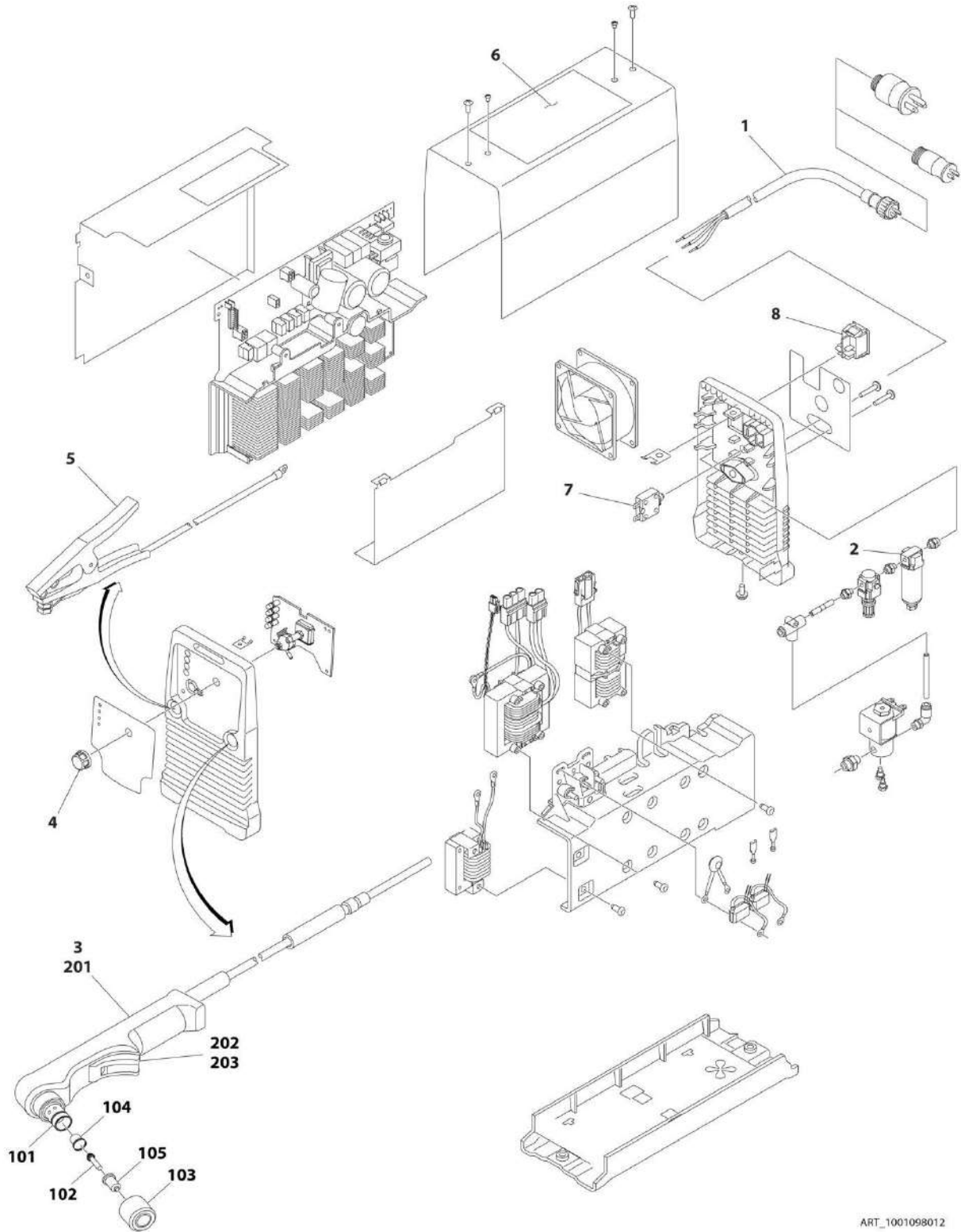
SECTION 4 - PLATFORM

FIGURE 4-24. SKYCUTTER INSTALLATION

ITEM	PART NUMBER	QTY	DESCRIPTION	REV
	1001098149	Ref	SKYCUTTER INSTALLATION	D
		Ref	Note: ANSI Export Specs Only.	
		Ref	Note: When replacing platform on machines with SkyCutter option, new bracket p/n 1001145405 must be purchased to accommodate SkyCutter components.	
1	0100020	AR	Sealant	
2	1320177	2	Clamp, Hose	
3	2180832	1	Fitting, NPT/Barbed	
4	3290605	2	Nut M6	
5	2720160	3 ft/.9m	Hose	
6	3421453	3	Pin	
7	3576799	1	Plate, Hold-Down	
8	4010608	2	Screw M6 x 16	
10	4460971	1	Plug, Twistlock	
11	4811700	2	Washer M6	
12	1001098012	1	Plasma Cutter Assembly (See PLASMA CUTTER ASSEMBLY for Breakdown)	
13	0630518	2	Screw #10 x 3/4	
14	2030010	1	Extinguisher, Fire	
15	3311005	2	Nut #10	
16	4751000	2	Washer #10	
17	1001145405	1	Support	
	0272599	Ref	SKYCUTTER DECAL INSTALLATION (ANSI EXPORT SPECS)	B
101	1702868	1	Decal - No Hands	
102	1705305	1	Decal - Weld Lead	
103	1705466	NLA	Decal - Weight (Use p/n 1001228988) (SN B300000100 through B300002005)	
103	1001228988	1	Decal - Weight (SN B300002006 to Present)	
104	1705490	2	Decal - SkyCutter (Not Shown - Located on Hood)	
	0272607	Ref	SKYCUTTER DECAL INSTALLATION (SPECS NOT DETERMINED)	B
201	1705490	2	Decal - SkyCutter (Not Shown - Located on Hood)	
202	1705305	1	Decal - Weld Lead	
203	1705466	NLA	Decal - Weight (Use p/n 1001228988) (SN B300000100 through B300002005)	
203	1001228988	1	Decal - Weight (SN B300002006 to Present)	

SECTION 4 - PLATFORM

FIGURE 4-25. PLASMA CUTTER ASSEMBLY



ART_1001098012

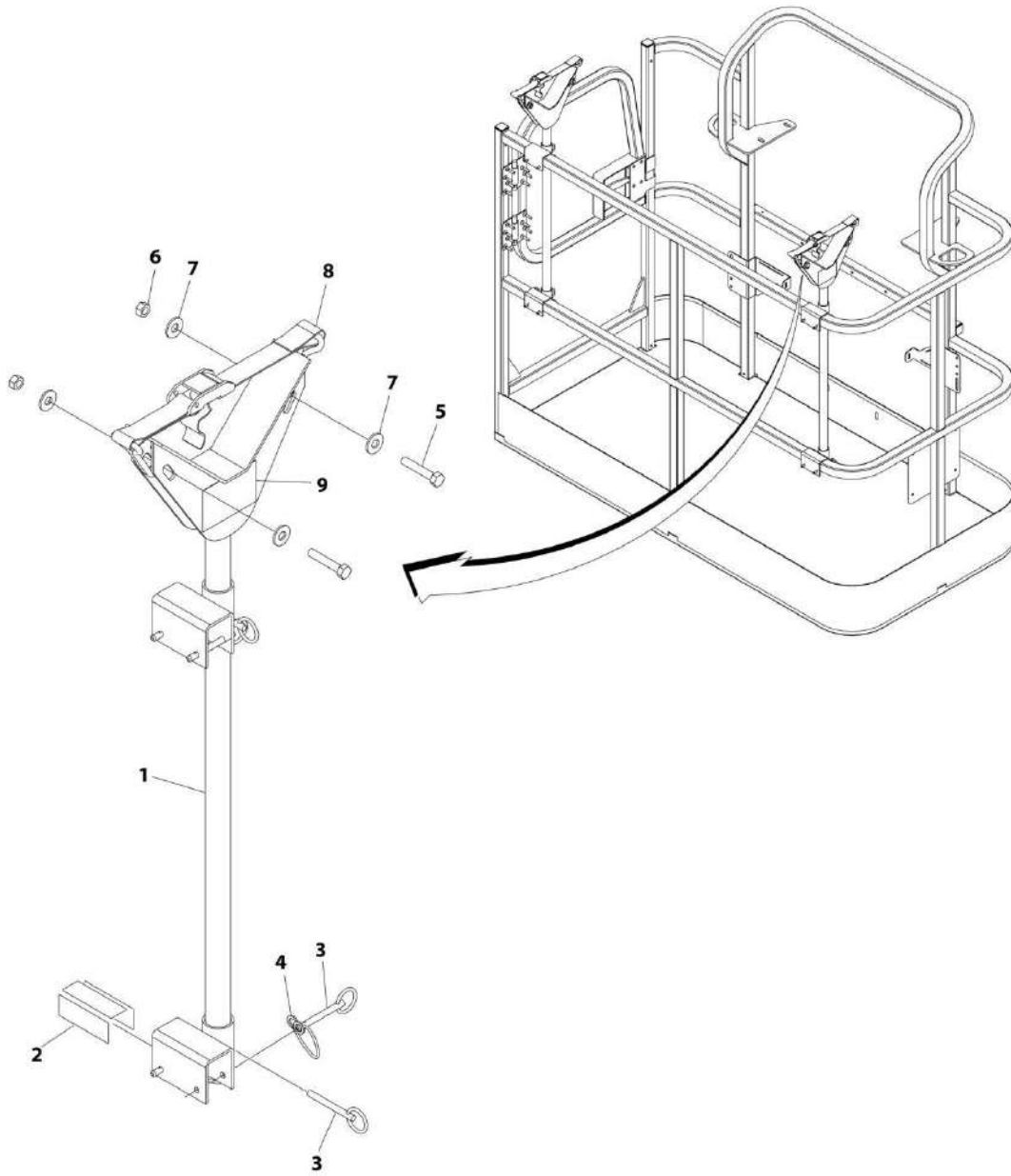
SECTION 4 - PLATFORM

FIGURE 4-25. PLASMA CUTTER ASSEMBLY

ITEM	PART NUMBER	QTY	DESCRIPTION	REV
	1001098012	Ref	PLASMA CUTTER ASSEMBLY	A
		Ref	Note: For Other Components, contact your Miller Welder Dealer.	
1	70001424	1	Cable, Power	
1	70001425	1	Decal - Voltage Warning	
2	70001427	1	Filter, Regulator	
3	70001428	1	Torch Assembly (See Items 101-203 for Breakdown)	
4	7024471	1	Knob	
5	70001429	1	Clamp with Cable	
6	70001430	1	Decal - Caution	
7	70001431	1	Breaker, Circuit	
8	70001432	1	Switch, Rocker	
	70001428	Ref	TORCH ASSEMBLY	
101	7024530	1	O-Ring	
102	7024531	1	Electrode	
103	7024532	1	Cup, Retaining	
104	7024533	1	Swirl Ring	
105	7024534	1	Tip	
201	7024535	1	Handle, Torch	
202	7024536	1	Switch	
203	7024537	1	Trigger	

SECTION 4 - PLATFORM

FIGURE 4-26. PIPE RACKS INSTALLATION



ART_PIPE RACKS

SECTION 4 - PLATFORM

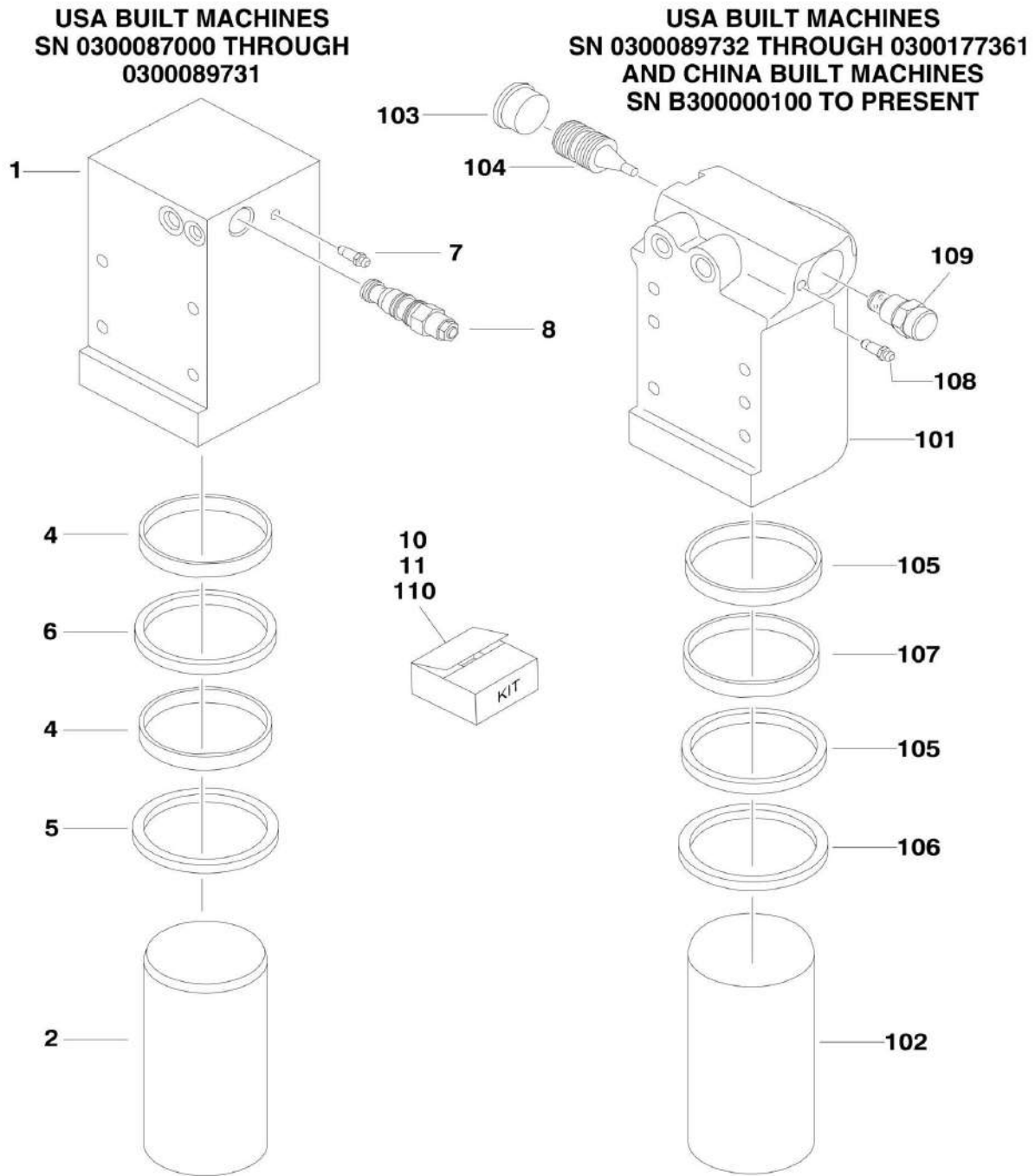
FIGURE 4-26. PIPE RACKS INSTALLATION

ITEM	PART NUMBER	QTY	DESCRIPTION	REV
	0257728	Ref	PIPE RACK INSTALLATION (ANSI & CSA SPECS)	2/C
	0274661	Ref	PIPE RACK INSTALLATION (AUSTRALIAN SPECS)	1/A
		Ref	Note: Available on ANSI, Australian & CSA Specs USA Built Machines Only	
1	4845582	2	Rack, Pipe	
2	4420062	AR	Tape	
3	3422661	10	Pin	
4	1060379	4	Lanyard	
5	0641514	4	Bolt 5/16 x 1-3/4	
6	3311505	4	Nut 5/16	
7	4751500	8	Washer 5/16	
8	0480100	2	Tie-Down	
9	1703683	2	Decal - Capacity (ANSI & CSA Specs)	
9	1706510	1	Decal - Capacity (Australian Specs)	

SECTION 5 - CYLINDER

SECTION 5 - CYLINDER

FIGURE 5-1. AXLE LOCKOUT CYLINDER ASSEMBLY



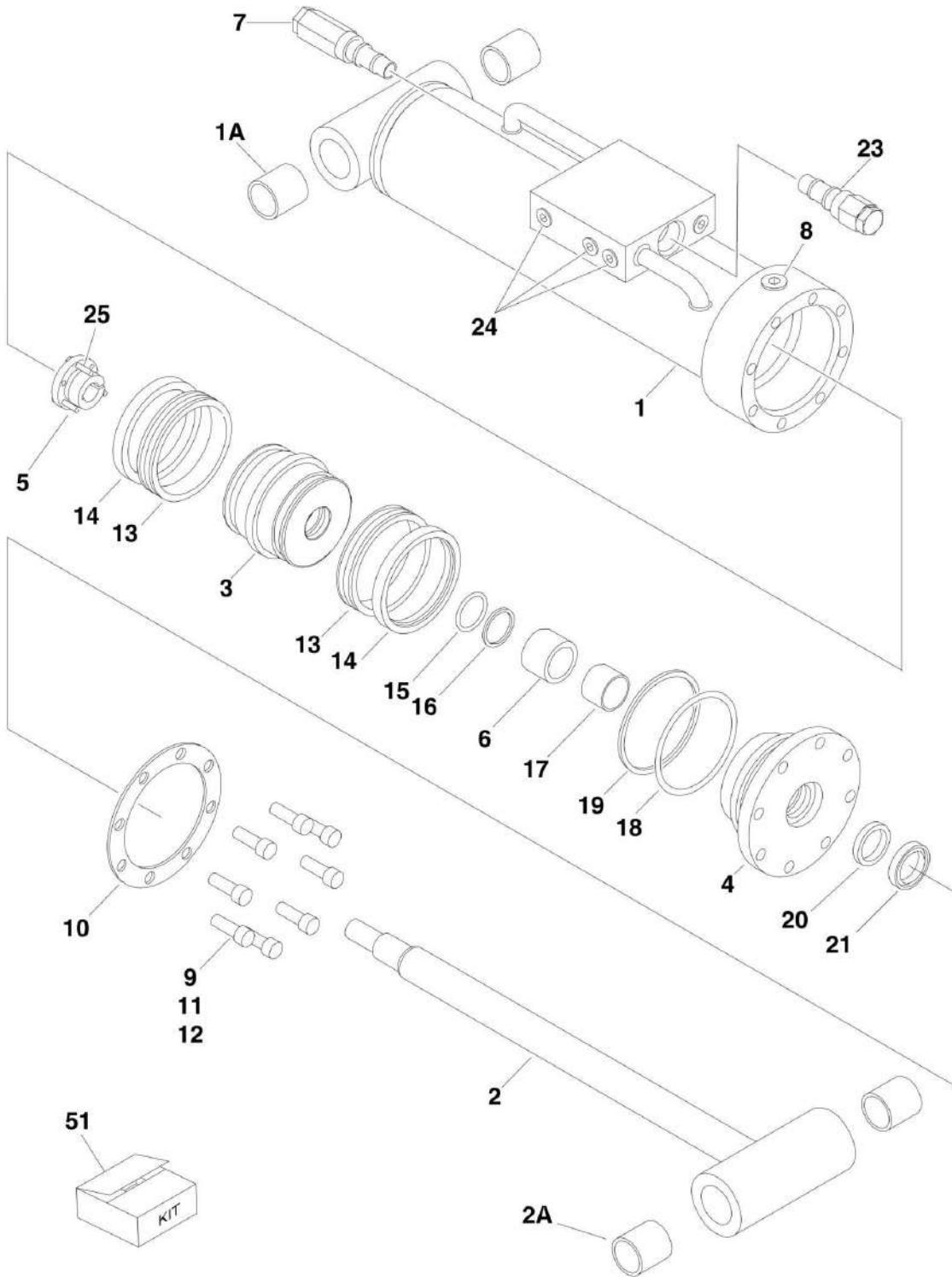
SECTION 5 - CYLINDER

FIGURE 5-1. AXLE LOCKOUT CYLINDER ASSEMBLY

ITEM	PART NUMBER	QTY	DESCRIPTION	REV
	1684280	Ref	AXLE LOCKOUT CYLINDER ASSEMBLY (USA BUILT MACHINES) (SN 0300087000 through 0300089731)	G
		Ref	Note: Original Equipment components may have been replaced with Service Replacement components part. Identify p/n stamped on cylinder before ordering parts.	
1	1684289	1	Barrel	
2	1684290	1	Rod	
4	See Note	NSS	Ring, Wear (Note: Use Item 10)	
5	See Note	NSS	Wiper (Note: Use Item 10)	
6	See Note	NSS	Seal, Rod (Note: Use Item 10)	
7	4640858	1	Bleeder	
8	4641319	1	Cartridge, Valve	
8	7024879	1	Seal Kit	
10	2902266	1	Seal Kit (Includes Items 4-6)	
11	1001167359	1	Cylinder Replacement Kit (Kit Replaces p/n 1684280 with p/n 1684465 Cylinder)	
	1684465	Ref	AXLE LOCKOUT CYLINDER ASSEMBLY (USA BUILT MACHINES) (SN 0300089732 through 0300177361)	J
	1684465	Ref	AXLE LOCKOUT CYLINDER ASSEMBLY (CHINA BUILT MACHINES) (SN B300000100 to Present)	J
		Ref	Note: Original Equipment components may have been replaced with Service Replacement components part. Identify p/n stamped on cylinder before ordering parts.	
101	0370026	1	Barrel	
102	1684290	1	Rod	
103	2220890	1	Plug	
104	3480288	1	Piston, Pilot	
105	See Note	NSS	Ring, Wear (Note: Use Item 110)	
106	See Note	NSS	Wiper (Note: Use Item 110)	
107	See Note	NSS	Seal, Rod (Note: Use Item 110)	
108	4640858	1	Bleeder	
109	4641390	1	Cartridge, Valve	
109	7017496	1	Seal Kit	
110	2902266	1	Seal Kit (Includes Items 4-6)	

SECTION 5 - CYLINDER

FIGURE 5-2. LEVEL CYLINDER ASSEMBLY - PLATFORM SLAVE



SECTION 5 - CYLINDER

FIGURE 5-2. LEVEL CYLINDER ASSEMBLY - PLATFORM SLAVE

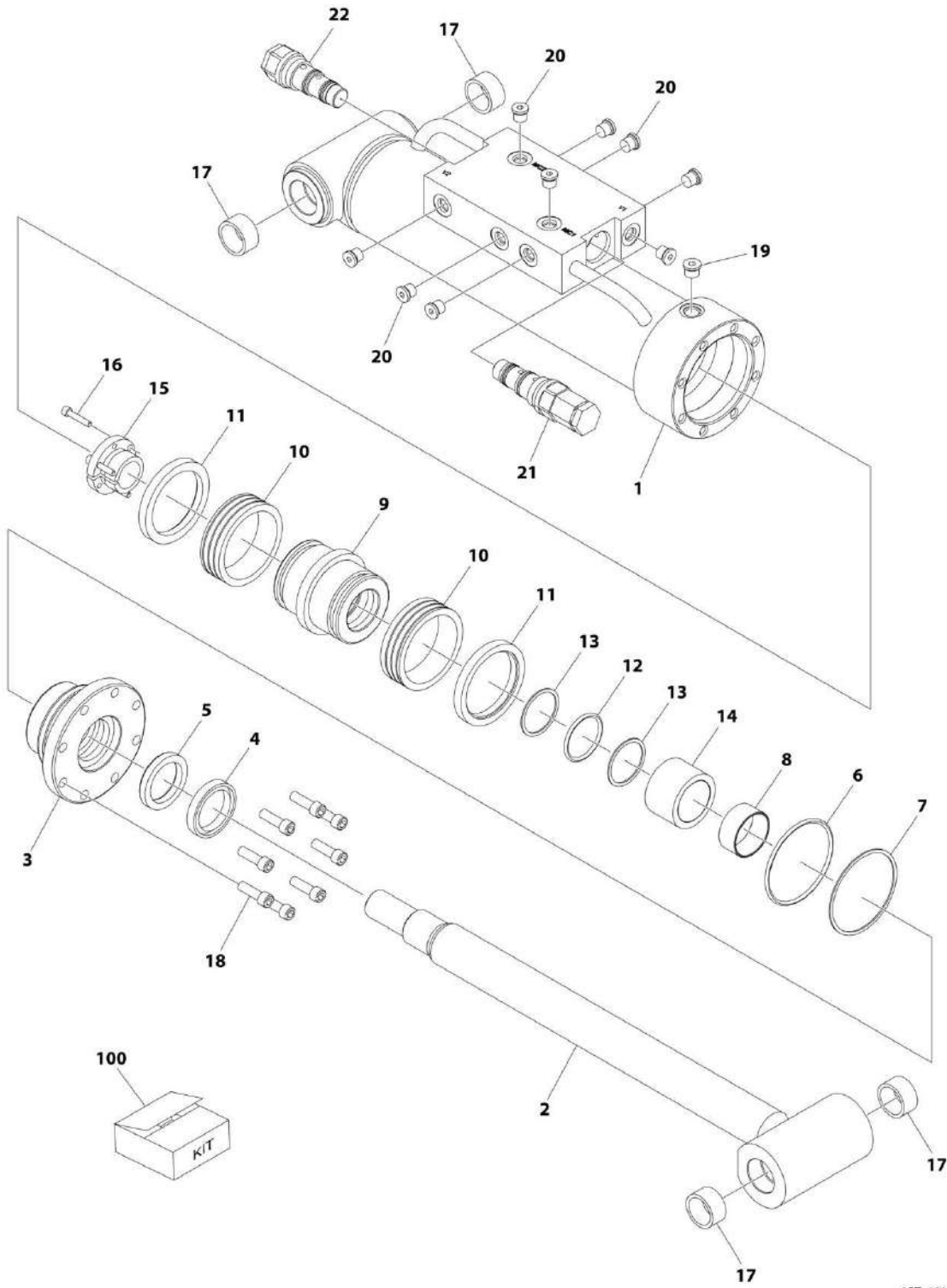
ITEM	PART NUMBER	QTY	DESCRIPTION	REV
	1683415	Ref	PLATFORM LEVEL CYLINDER ASSEMBLY - 600A (SN 0300087000 through 0300177361)	H
	1683415	Ref	PLATFORM LEVEL CYLINDER ASSEMBLY - 600A (SN B300000100 through B300002696)	H
	1683418	Ref	PLATFORM LEVEL CYLINDER ASSEMBLY - 600AJ (WITHOUT ARCTIC PACKAGE) (SN 0300087000 through 0300177361)	J
	1683418	Ref	PLATFORM LEVEL CYLINDER ASSEMBLY - 600AJ (WITHOUT ARCTIC PACKAGE) (SN B300000100 through B300002696)	J
	1001138798	Ref	PLATFORM LEVEL CYLINDER ASSEMBLY - 600AJ (WITH ARCTIC PACKAGE) (SN 0300087000 through 0300177361)	B
		Ref	Note: Original Equipment components may have been replaced with Service Replacement components part. Identify p/n stamped on cylinder before ordering parts.	
1	1683952	1	Barrel Weldment (Note: Item 1A not included - Purchase Separately)	
1A		Ref	Bushing Options:	
1A	0961947	2	Bushing 600A	
1A	0961951	2	Bushing 600AJ	
2		Ref	Rod Weldment Options:	
2	1683976	1	Bushing 600A (Note: Includes Item 2A)	
2	1683963	1	Bushing 600AJ (Note: Item 2A not included - Purchase Separately)	
2A		Ref	Bushing Options:	
2A	0961947	2	Bushing 600A	
2A	0961951	2	Bushing 600AJ	
3		Ref	Piston Options:	
3	3480210	1	Piston 600A	
3	3480188	1	Piston 600AJ	
4		Ref	Head Options:	
4	1683053	1	Head 600A	
4	1683055	1	Head 600AJ	
5		Ref	Bushing, Tapered (Includes Item 25) Options:	
5	0961893	1	Bushing, Tapered 600A	
5	0961894	1	Bushing, Tapered 600AJ	
6	4566468	1	Spacer	
7	4640509	1	Cartridge, Valve	
7	2900792	1	Seal Kit - 4640509 Valve	
8	2220885	1	Plug, O-Ring	
9		Ref	Capscrew, Socket Head Options:	
9	3931516	8	Capscrew 600A - Capscrew 5/16in-18NC x 1in	
9	3931620	8	Capscrew 600AJ - Capscrew 3/8in-16NC x 1-1/4in	
10		Ref	Ring, Washer Options:	
10	3760368	1	Ring 600A	
10	3760369	1	Ring 600AJ	
11	0100011	AR	Compound, Locking	
12	0100038	AR	Primer, Locking	
13	See Note	NSS	Seal (Note: Use Item 51)	
14	See Note	NSS	Ring, Lock (Note: Use Item 51)	
15	See Note	NSS	O-Ring (Note: Use Item 51)	
16	See Note	NSS	Ring, Back-up (Note: Use Item 51)	
17	See Note	NSS	Ring, Wear (Note: Use Item 51)	
18	See Note	NSS	O-Ring (Note: Use Item 51)	

SECTION 5 - CYLINDER

ITEM	PART NUMBER	QTY	DESCRIPTION	REV
19	See Note	NSS	Ring, Back-up (Note: Use Item 51)	
20	See Note	NSS	Seal, Rod (Note: Use Item 51)	
21	See Note	NSS	Wiper (Note: Use Item 51)	
23	4640932	1	Cartridge, Valve	
23	7011112	1	Seal Kit - 4640932 Valve	
24	2220883	8	Plug, O-Ring	
25		Ref	Bolt Options:	
25	0630534	3	Bolt 600A - Bolt #10 - 24NC x 1in	
25	0630535	3	Bolt 600AJ - Bolt 1/4in - 20NC x 1-1/8in	
51		Ref	Seal Kit Options (Includes Items 13-21):	
51	2901303	1	Seal Kit - 600A	
51	2901301	1	Seal Kit - 600AJ without Arctic Package	
51	1001138796	1	Seal Kit - 600AJ with Arctic Package	

SECTION 5 - CYLINDER

FIGURE 5-3. LEVEL CYLINDER ASSEMBLY - PLATFORM SLAVE (600A) (SN B30002697 to Present)



ART_1001228008

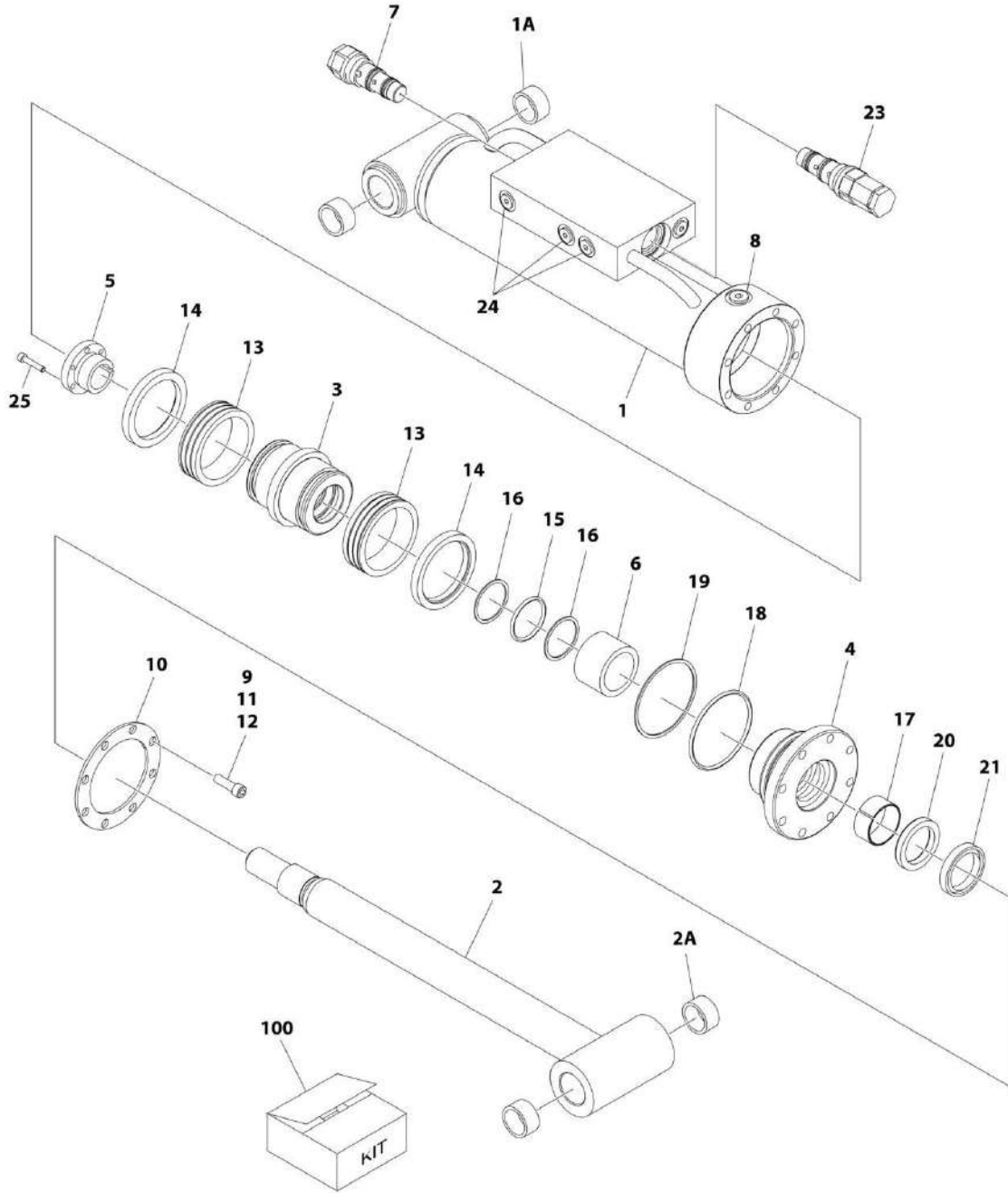
SECTION 5 - CYLINDER

FIGURE 5-3. LEVEL CYLINDER ASSEMBLY - PLATFORM SLAVE (600A) (SN B300002697 to Present)

ITEM	PART NUMBER	QTY	DESCRIPTION	REV
	1001228008	Ref	LEVEL CYLINDER ASSEMBLY - PLATFORM SLAVE	B
		Ref	Note: Original Cylinder may have been replaced with Service Replacement. Identify PN Stamped on Cylinder Before Ordering Parts.	
1	See Note	NSS	Barrel (Note: Use p/n 1001228008)	
2	70006648	1	Rod	
3	70006649	1	Head	
4	See Note	NSS	Wiper (Note: Use Item 100)	
5	See Note	NSS	Seal Rod (Note: Use Item 100)	
6	See Note	NSS	O-Ring (Note: Use Item 100)	
7	See Note	NSS	Ring, Back-up (Note: Use Item 100)	
8	See Note	NSS	Ring, Wear (Note: Use Item 100)	
9	70006650	1	Piston	
10	See Note	NSS	Seal (Note: Use Item 100)	
11	See Note	NSS	Ring, Lock (Note: Use Item 100)	
12	See Note	NSS	O-Ring (Note: Use Item 100)	
13	See Note	NSS	Ring, Back-up (Note: Use Item 100)	
14	70006651	1	Spacer	
15	0961893	1	Bushing, Tapered	
16	0630534	3	Bolt #10 x 1	
17	0961947	4	Bushing	
18	3931516	8	Capscrew, Socket Head	
19	2220885	1	Plug, O-Ring	
20	2220883	10	Plug, O-Ring	
21	4640932	1	Cartridge, Valve	
21	7011112	1	Seal Kit - 4640932 Valve	
22	4640509	1	Cartridge, Valve	
22	2900792	1	Seal Kit - 4640509 Valve	
100	2901303	1	Seal Kit - 1001228008 Cylinder (Includes Items 4-8 & 10-13)	

SECTION 5 - CYLINDER

FIGURE 5-4. LEVEL CYLINDER ASSEMBLY - PLATFORM SLAVE (600A) (SERVICE REPLACEMENT)



ART_1001223512

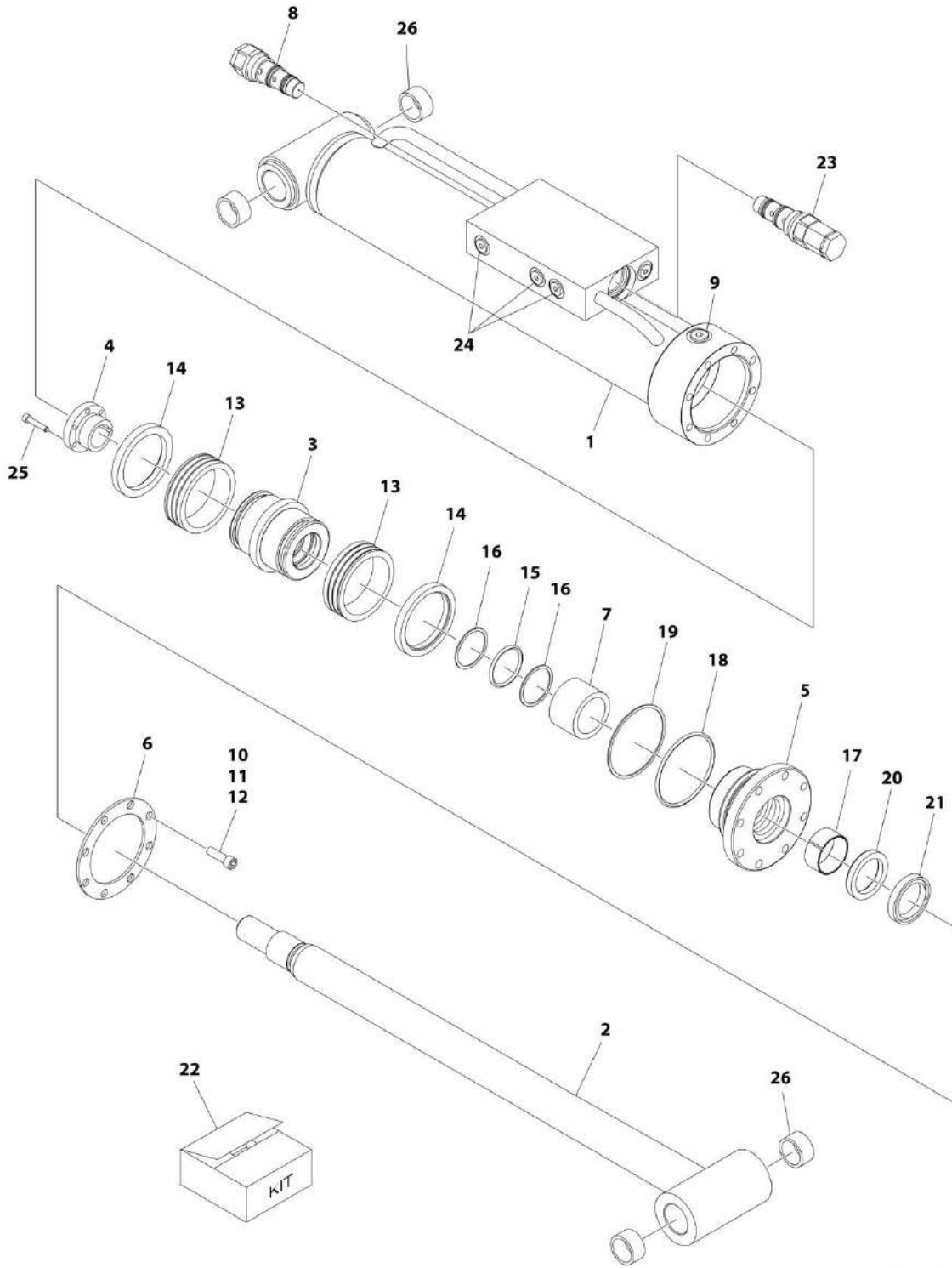
SECTION 5 - CYLINDER

FIGURE 5-4. LEVEL CYLINDER ASSEMBLY - PLATFORM SLAVE (600A) (SERVICE REPLACEMENT)

ITEM	PART NUMBER	QTY	DESCRIPTION	REV
	1001223512	Ref	LEVEL CYLINDER ASSEMBLY	A
		Ref	Note: Original Cylinder may have been replaced with Service Replacement. Identify PN Stamped on Cylinder Before Ordering Parts.	
1	1001223511	1	Barrel	
1A	0961947	2	Bushing	
2	1683976	1	Rod	
2A	0961947	2	Bushing	
3	3480210	1	Piston	
4	1683053	1	Head	
5	0961893	1	Bushing, Tapered	
6	4566468	1	Spacer	
7	4640509	1	Cartridge, Valve	
7	2900792	1	Seal Kit - 4640509 Valve	
8	2220885	1	Plug, O-Ring	
9	3931516	8	Capscrew, Socket Head	
10	3760368	1	Ring, Washer	
11	0100011	AR	Compound, Locking	
12	0100038	AR	Primer, Locking	
13	See Note	NSS	Seal (Note: Use Item 100)	
14	See Note	NSS	Ring, Lock (Note: Use Item 100)	
15	See Note	NSS	O-Ring (Note: Use Item 100)	
16	See Note	NSS	Ring, Back-up (Note: Use Item 100)	
17	See Note	NSS	Ring, Wear (Note: Use Item 100)	
18	See Note	NSS	O-Ring (Note: Use Item 100)	
19	See Note	NSS	Ring, Back-up (Note: Use Item 100)	
20	See Note	NSS	Seal, Rod (Note: Use Item 100)	
21	See Note	NSS	Wiper (Note: Use Item 100)	
23	4640932	1	Cartridge, Valve	
23	7011112	1	Seal Kit - 4640932 Valve	
24	2220883	8	Plug, O-Ring	
25	0630534	3	Bolt #10 x 1	
100	2901303	1	Seal Kit (Includes Items 13-21)	

SECTION 5 - CYLINDER

FIGURE 5-5. LEVEL CYLINDER ASSEMBLY - PLATFORM SLAVE (600AJ) (SN B300002697 through B300002948)



ART_1001223331

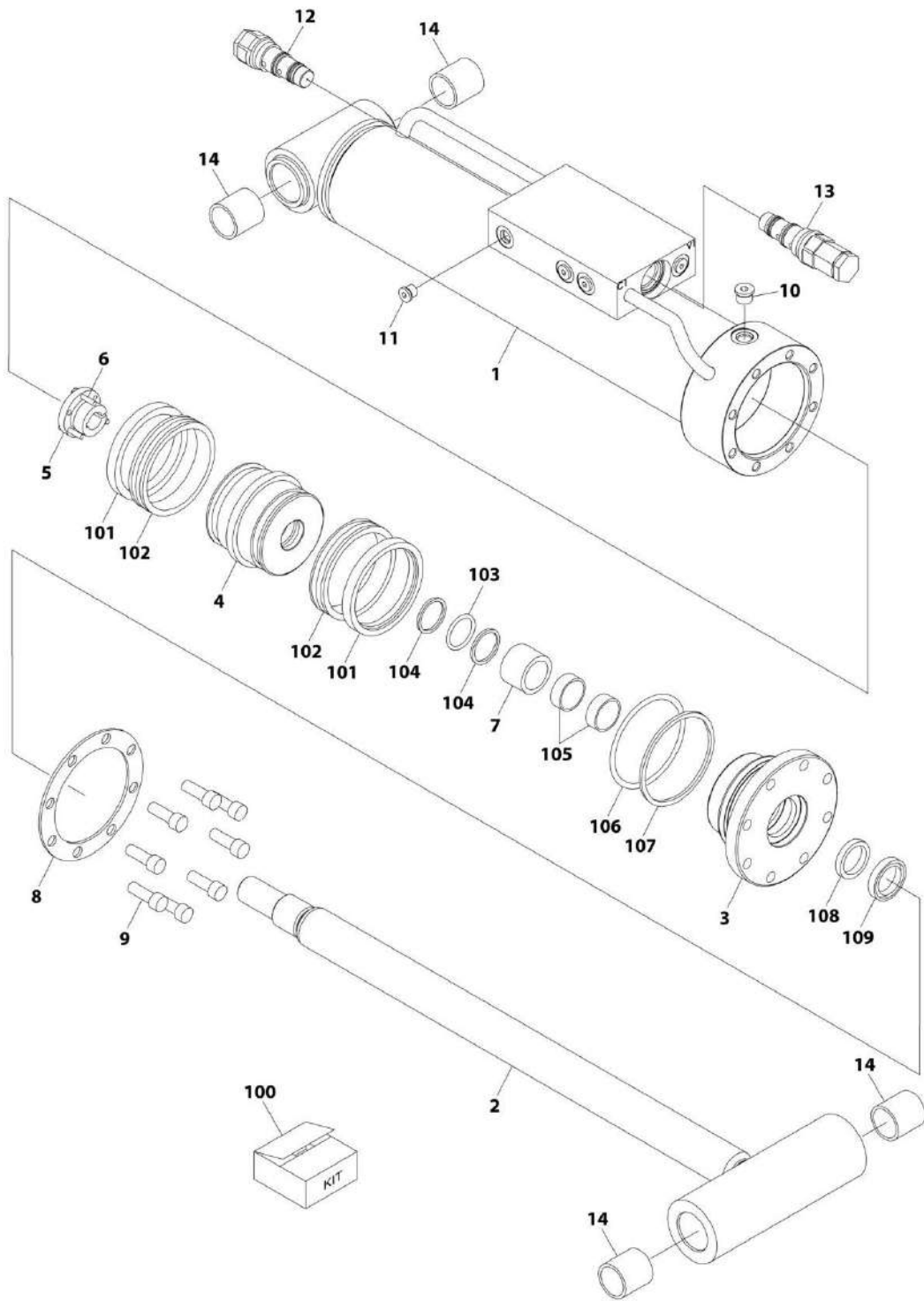
SECTION 5 - CYLINDER

FIGURE 5-5. LEVEL CYLINDER ASSEMBLY - PLATFORM SLAVE (600AJ) (SN B300002697 through B300002948)

ITEM	PART NUMBER	QTY	DESCRIPTION	REV
	1001223331	Ref	LEVEL CYLINDER ASSEMBLY	B
		Ref	Note: Original Cylinder may have been replaced with Service Replacement. Identify PN Stamped on Cylinder Before Ordering Parts.	
1	1001223332	1	Barrel	
2	1683963	1	Rod	
3	3480188	1	Head	
4	0961894	1	Bushing, Tapered	
5	1683055	1	Head	
6	3760369	1	Ring, Washer	
7	4566468	1	Spacer	
8	4640509	1	Cartridge, Valve	
8	2900792	1	Seal Kit - 4640509 Valve	
9	2220885	1	Plug	
10	3931620	8	Capscrew 3/8 x 1-1/4	
11	0100011	AR	Compound, Locking	
12	0100038	AR	Primer, Locking	
13	See Note	NSS	Seal (Note: Use Item 22)	
14	See Note	NSS	Ring, Lock (Note: Use Item 22)	
15	See Note	NSS	O-Ring (Note: Use Item 22)	
16	See Note	NSS	Ring, Back-up (Note: Use Item 22)	
17	See Note	NSS	Ring, Wear (Note: Use Item 22)	
18	See Note	NSS	O-Ring (Note: Use Item 22)	
19	See Note	NSS	Ring, Back-up (Note: Use Item 22)	
20	See Note	NSS	Seal (Note: Use Item 22)	
21	See Note	NSS	Wiper (Note: Use Item 22)	
22	2901301	1	Seal Kit (Includes Items 13-21)	
23	4640932	1	Cartridge, Valve	
23	7011112	1	Seal Kit - 4640932 Valve	
24	2220883	8	Plug	
25	0630535	3	Bolt 1/4 x 1-1/8	
26	0961951	4	Bushing	

SECTION 5 - CYLINDER

FIGURE 5-6. LEVEL CYLINDER ASSEMBLY - PLATFORM SLAVE (600AJ) (SN B300002949 to Present)



ART_1001228051

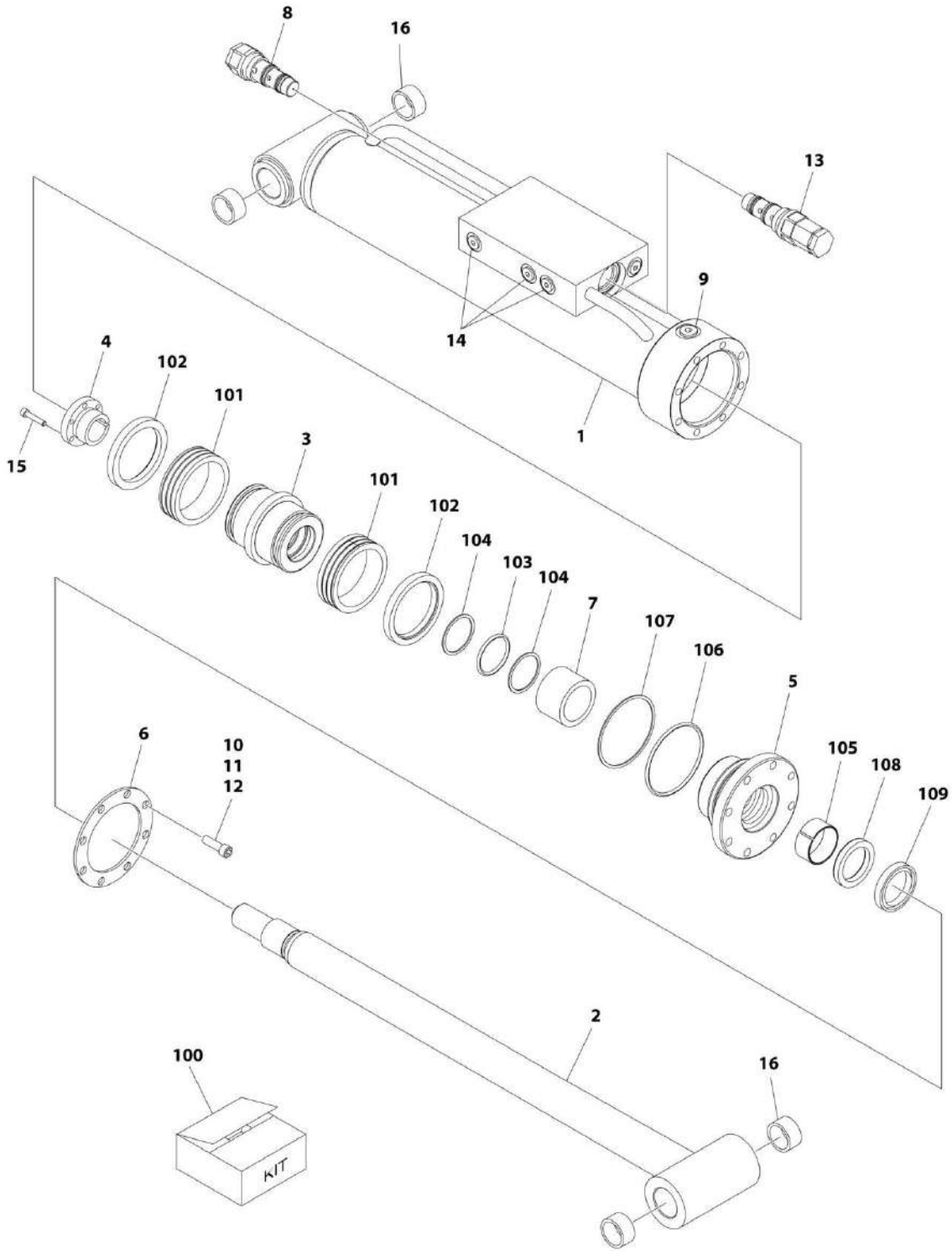
SECTION 5 - CYLINDER

FIGURE 5-6. LEVEL CYLINDER ASSEMBLY - PLATFORM SLAVE (600AJ) (SN B300002949 to Present)

ITEM	PART NUMBER	QTY	DESCRIPTION	REV
	1001228051	Ref	LEVEL CYLINDER ASSEMBLY	A
		Ref	Note: Original Cylinder May Have Been Replaced with Service Replacement. Identify PN Stamped on Cylinder Before Ordering Parts.	
1	See Note	NSS	Barrel (Note: Use p/n 1001228051)	
2	70006823	1	Rod	
3	70006446	1	Head	
4	70006445	1	Piston	
5	70006444	1	Bushing, Tapered	
6	0630535	3	Bolt 1/4 x 1-1/8	
7	70006443	1	Spacer	
8	70006822	1	Ring, Washer	
9	3931620	8	Capscrew 3/8 x 1-1/4	
10	2220885	1	Plug, O-Ring	
11	2220883	8	Plug, O-Ring	
12	4640509	1	Cartridge, Valve	
12	2900792	1	Seal Kit - 4640509 Valve	
13	4640932	1	Cartridge, Valve	
13	7011112	1	Seal Kit - 4640932 Valve	
14	0961951	4	Bushing	
100	1001138796	1	Seal Kit - 1001228051 Cylinder (Includes Items 101-109)	
101	See Note	NSS	Ring, Lock (Note: Use Item 100)	
102	See Note	NSS	Seal (Note: Use Item 100)	
103	See Note	NSS	O-Ring (Note: Use Item 100)	
104	See Note	NSS	Ring, Back-up (Note: Use Item 100)	
105	See Note	NSS	Ring, Wear (Note: Use Item 100)	
106	See Note	NSS	O-Ring (Note: Use Item 100)	
107	See Note	NSS	Ring, Back-up (Note: Use Item 100)	
108	See Note	NSS	Seal, Rod (Note: Use Item 100)	
109	See Note	NSS	Wiper (Note: Use Item 100)	

SECTION 5 - CYLINDER

FIGURE 5-7. LEVEL CYLINDER ASSEMBLY - PLATFORM SLAVE (600AJ WITH ARCTIC PACKAGE) (SERVICE REPLACEMENT)



ART_1001223335

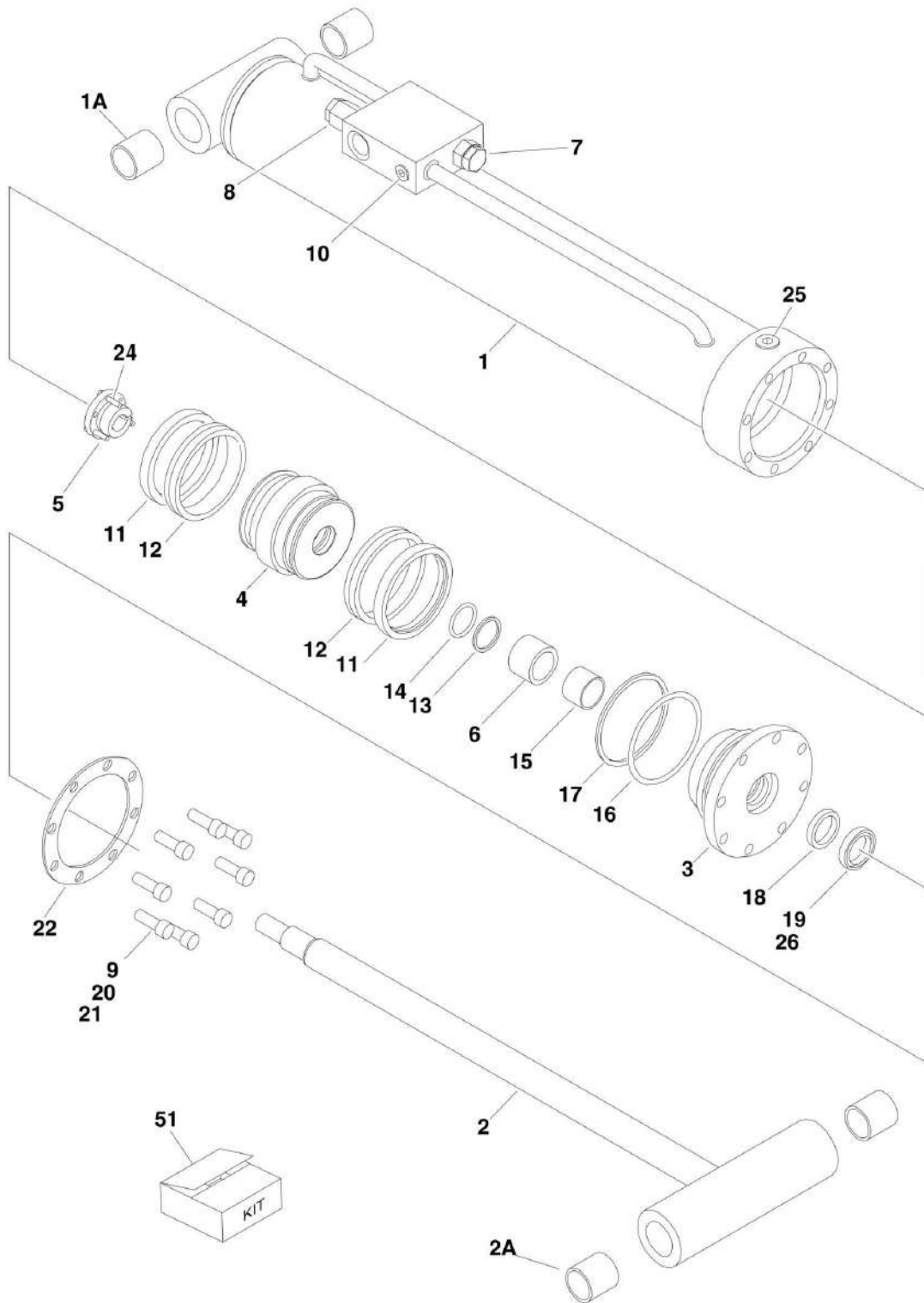
SECTION 5 - CYLINDER

**FIGURE 5-7. LEVEL CYLINDER ASSEMBLY - PLATFORM SLAVE (600AJ WITH ARCTIC PACKAGE)
(SERVICE REPLACEMENT)**

ITEM	PART NUMBER	QTY	DESCRIPTION	REV
	1001223335	Ref	LEVEL CYLINDER ASSEMBLY	A
		Ref	Note: Original Cylinder may have been replaced with Service Replacement. Identify PN Stamped on Cylinder Before Ordering Parts.	
1	1001223332	1	Barrel	
2	1683963	1	Rod	
3	3480188	1	Head	
4	0961894	1	Bushing, Tapered	
5	1683055	1	Head	
6	3760369	1	Ring, Washer	
7	4566468	1	Spacer	
8	4640509	1	Cartridge, Valve	
8	2900792	1	Seal Kit - 4640509 Valve	
9	2220885	1	Plug	
10	3931620	8	Capscrew 3/8 x 1-1/4	
11	0100011	AR	Compound, Locking	
12	0100038	AR	Primer, Locking	
13	4640932	1	Cartridge, Valve	
13	7011112	1	Seal Kit - 4640932 Valve	
14	2220883	8	Plug	
15	0630535	3	Bolt 1/4 x 1-1/8	
16	0961951	4	Bushing	
100	1001138796	1	Seal Kit (Includes Items 101-109)	
101	See Note	NSS	Seal (Note: Use Item 100)	
102	See Note	NSS	Ring, Lock (Note: Use Item 100)	
103	See Note	NSS	O-Ring (Note: Use Item 100)	
104	See Note	NSS	Ring, Back-up (Note: Use Item 100)	
105	See Note	NSS	Ring, Wear (Note: Use Item 100)	
106	See Note	NSS	O-Ring (Note: Use Item 100)	
107	See Note	NSS	Ring, Back-up (Note: Use Item 100)	
108	See Note	NSS	Seal (Note: Use Item 100)	
109	See Note	NSS	Wiper (Note: Use Item 100)	

SECTION 5 - CYLINDER

FIGURE 5-8. LEVEL CYLINDER ASSEMBLY - UPRIGHT (SN 0300087000 through 0300177361, SN B300000100 through B300002477)



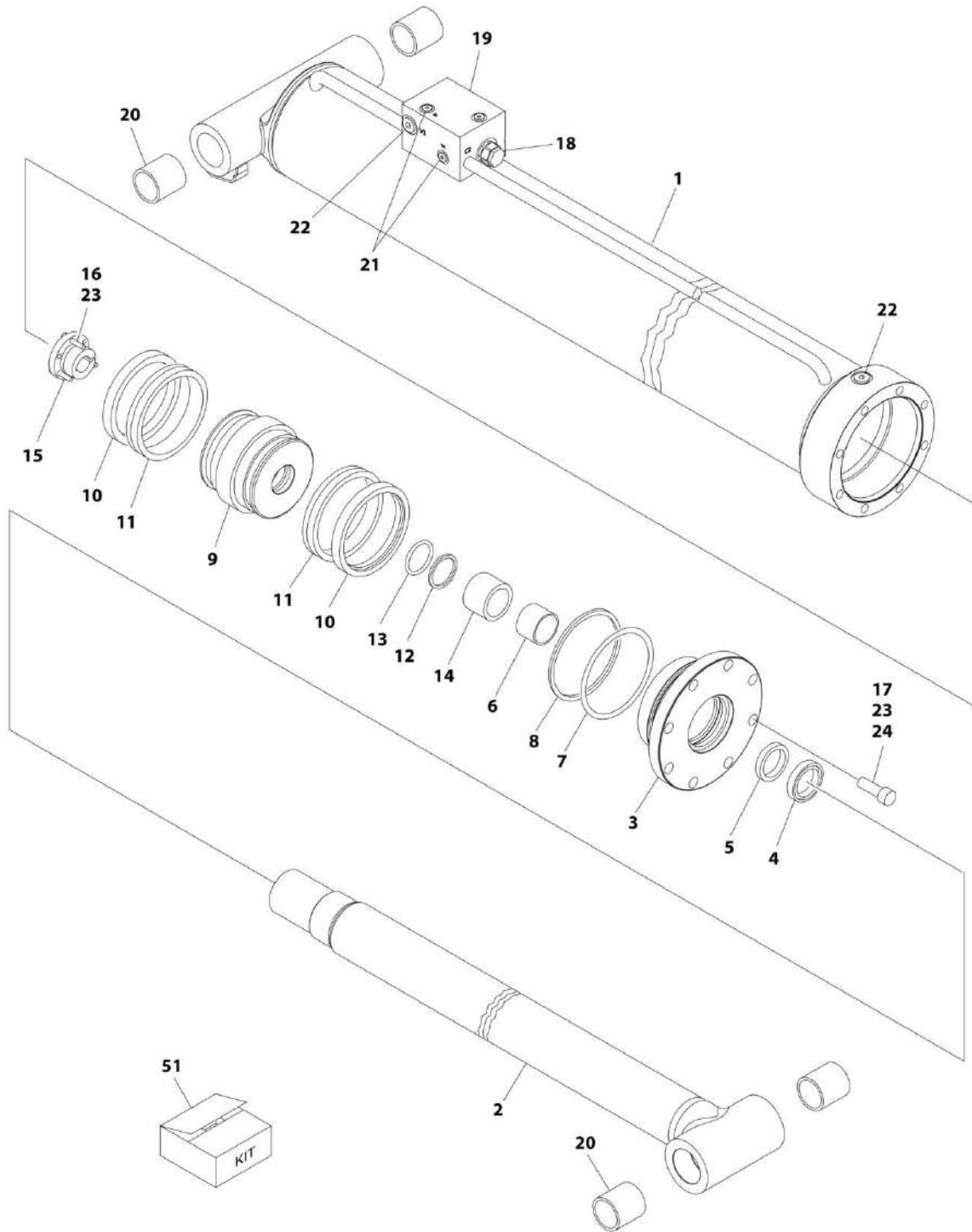
SECTION 5 - CYLINDER

FIGURE 5-8. LEVEL CYLINDER ASSEMBLY - UPRIGHT (SN 0300087000 through 0300177361, SN B300000100 through B300002477)

ITEM	PART NUMBER	QTY	DESCRIPTION	REV
		Ref	UPRIGHT LEVEL CYLINDER ASSEMBLY	
	1683299	Ref	USA Built Machines (SN 0300087000 through 0300097637)	H
	1684498	Ref	USA Built Machines (SN 0300097638 through 0300177361)	E
	1684498	Ref	China Built Machines (SN B300000100 through B300002477)	E
		Ref	Note: Original Equipment components may have been replaced with Service Replacement components part. Identify p/n stamped on cylinder before ordering parts.	
1		Ref	Barrel Weldment	
1	1684014	NLA	USA Built Machines (Use p/n 0370035) (SN 0300087000 through 0300097637)	
1	0370035	1	USA Built Machines (SN 0300097638 through 0300177360)	
1	0370035	1	China Built Machines (SN B300000100 through B300002477)	
1A	0961949	2	Bushing	
2	1684015	1	Rod Weldment	
2A	0961949	2	Bushing	
3	1683067	1	Head	
4	3480206	1	Piston	
5	0961898	1	Bushing, Tapered (Use item #24 in place of supplied bolts)	
6	4566501	1	Spacer, Tube	
7	4640509	1	Cartridge, Valve	
7	2900792	1	Seal Kit - 4640509 Valve	
8	4640605	1	Cartridge, Valve	
8	2900792	1	Seal Kit - 4640605 Valve	
9	3932032	8	Bolt, Socket Head 5/16in-11NC x 2in	
10	2220883	2	Plug, O-Ring	
11	See Note	NSS	Ring, Lock (Note: Use Item 51)	
12	See Note	NSS	Seal, Hydrolock (Note: Use Item 51)	
13	See Note	NSS	O-Ring (Note: Use Item 51)	
14	See Note	NSS	Ring, Back-up (Note: Use Item 51)	
15	See Note	NSS	Ring, Wear (Note: Use Item 51)	
16	See Note	NSS	O-Ring (Note: Use Item 51)	
17	See Note	NSS	Ring, Back-up (Note: Use Item 51)	
18	See Note	NSS	Seal, Rod (Note: Use Item 51)	
19	See Note	NSS	Wiper (Note: Use Item 51)	
20	0100011	AR	Compound, Locking	
21	0100038	AR	Primer, Locking	
22	3760372	1	Washer, Ring	
24	0630536	3	Bolt 3/8in-16NC x 1-1/2in	
25	2220886	1	Plug, O-Ring	
26	0100063	AR	Adhesive	
51	2901285	1	Seal Kit (Includes Items 11-19)	

SECTION 5 - CYLINDER

FIGURE 5-9. LEVEL CYLINDER ASSEMBLY- UPRIGHT (SN B300002478 to Present)



ART_1001228042

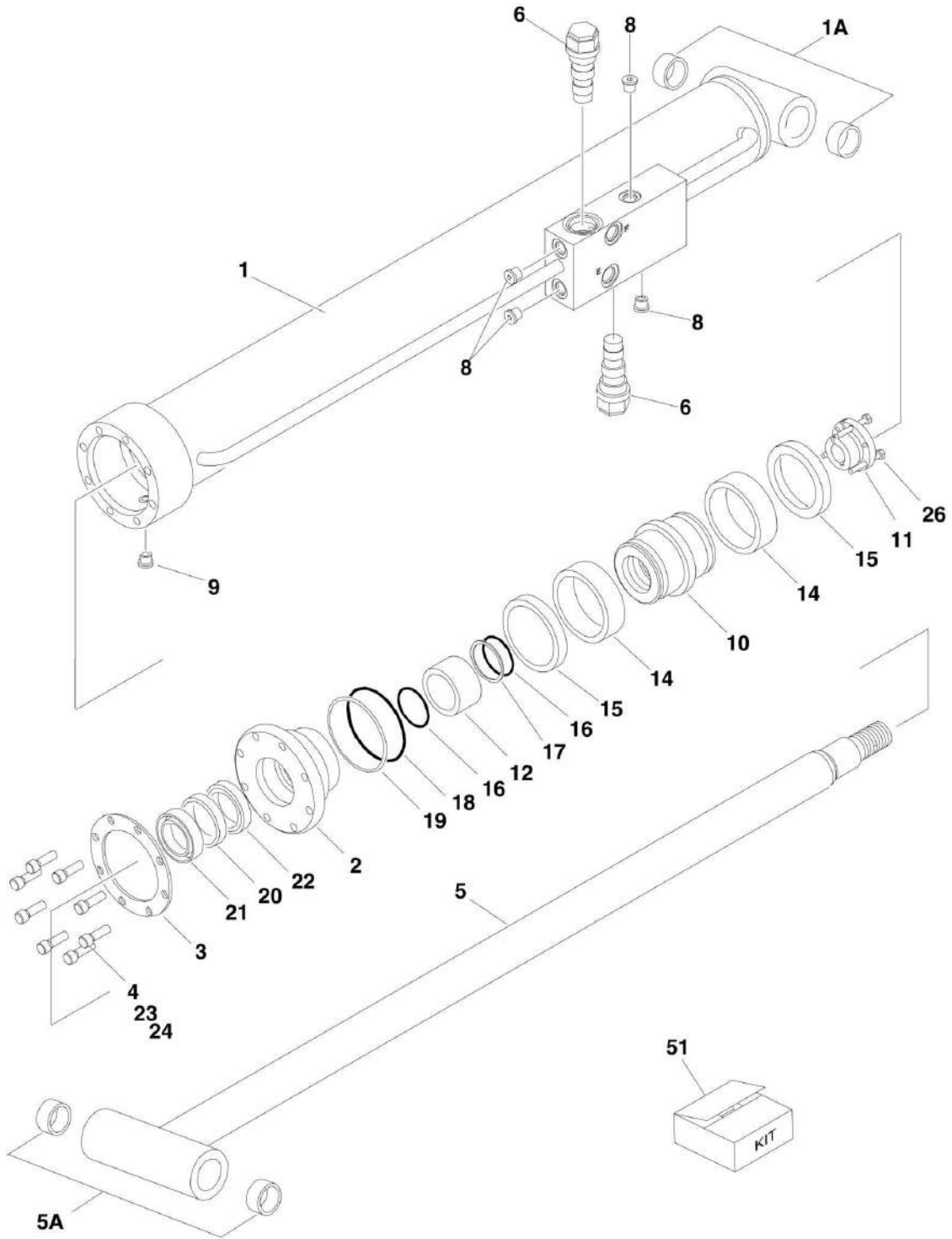
SECTION 5 - CYLINDER

FIGURE 5-9. LEVEL CYLINDER ASSEMBLY- UPRIGHT (SN B300002478 to Present)

ITEM	PART NUMBER	QTY	DESCRIPTION	REV
	1001228042	Ref	UPRIGHT LEVEL CYLINDER ASSEMBLY	C
		Ref	Note: Original Equipment components may have been replaced with Service Replacement components part. Identify p/n stamped on cylinder before ordering parts.	
1	See Note	NSS	Barrel (Note: Not Available for Purchase)	
2	70006489	1	Rod	
3	70006488	1	Head	
4	See Note	NSS	Wiper (Note: Use Item 51)	
5	See Note	NSS	Seal, Rod (Note: Use Item 51)	
6	See Note	NSS	Ring, Wear (Note: Use Item 51)	
7	See Note	NSS	O-Ring (Note: Use Item 51)	
8	See Note	NSS	Ring, Back-up (Note: Use Item 51)	
9	70006487	1	Piston	
10	See Note	NSS	Ring, Lock (Note: Use Item 51)	
11	See Note	NSS	Seal, Hydrolock (Note: Use Item 51)	
12	See Note	NSS	O-Ring (Note: Use Item 51)	
13	See Note	NSS	Ring, Back-up (Note: Use Item 51)	
14	70006486	1	Spacer, Tube	
15	0961898	1	Bushing, Tapered (Use Item #16 in place of supplied bolts)	
16	0630536	3	Bolt 3/8 x 1-1/2	
17	3932032	8	Bolt, Socket Head 5/16 x 2	
18	4640509	1	Cartridge, Valve	
18	2900792	1	Seal Kit - 4640509 Valve	
19	4640605	1	Cartridge, Valve	
19	2900792	1	Seal Kit - 4640605 Valve	
20	0961949	4	Bushing	
21	2220883	5	Plug, O-Ring	
22	2220886	3	Plug, O-Ring	
23	0100011	AR	Compound, Locking	
24	0100038	AR	Primer, Locking	
51	2901285	1	Seal Kit (Includes Items 4-8 & 10-13)	

SECTION 5 - CYLINDER

FIGURE 5-10. LIFT CYLINDER ASSEMBLY - ARTICULATING JIB - 600AJ (ORIGINAL EQUIPMENT)
(SN 0300087000 through 0300177361, SN B300000100 through B300002658)



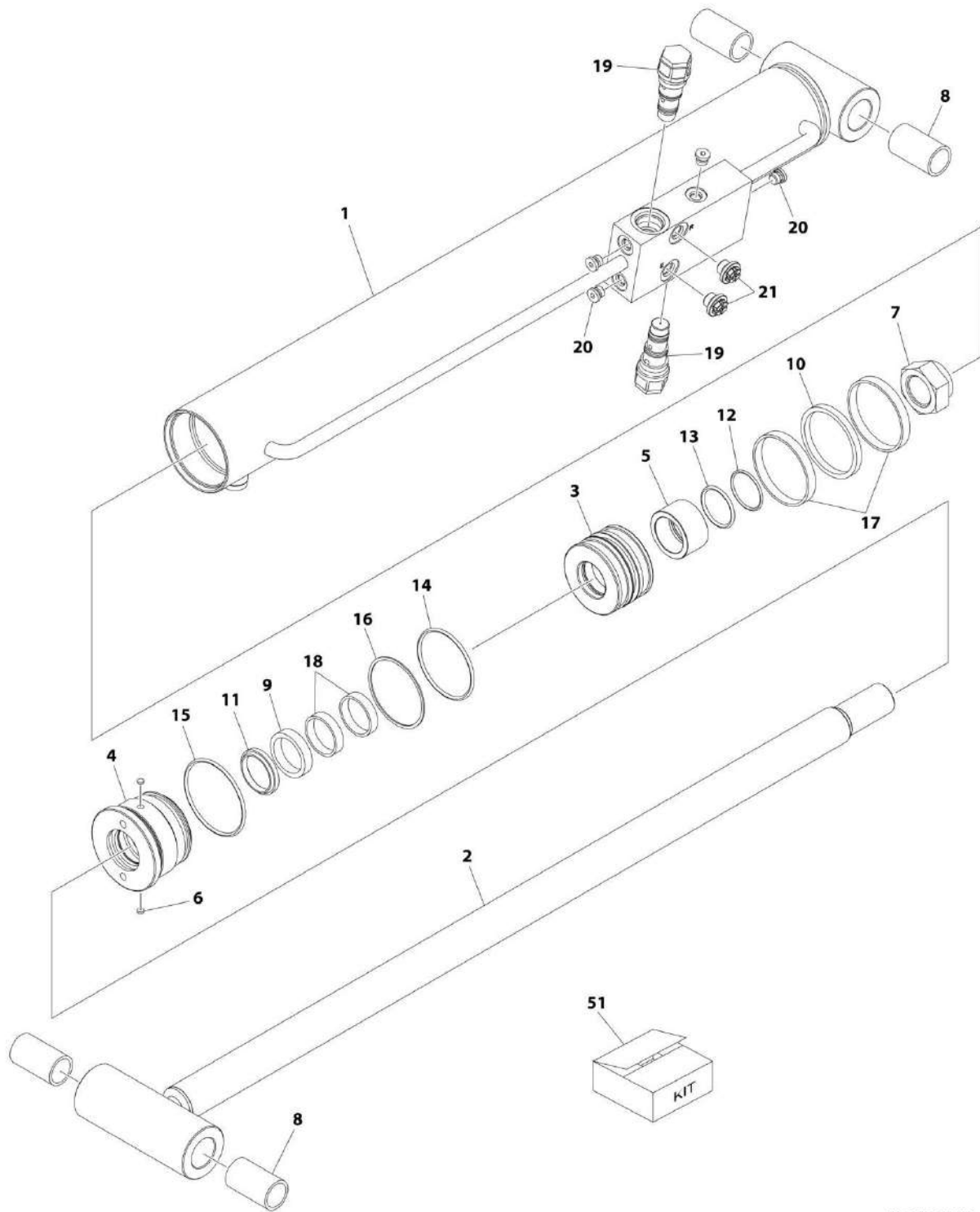
SECTION 5 - CYLINDER

**FIGURE 5-10. LIFT CYLINDER ASSEMBLY - ARTICULATING JIB - 600AJ (ORIGINAL EQUIPMENT)
(SN 0300087000 through 0300177361, SN B300000100 through B300002658)**

ITEM	PART NUMBER	QTY	DESCRIPTION	REV
	1683609	Ref	LIFT CYLINDER ASSEMBLY - 600AJ (WITHOUT ARCTIC PACKAGE)	I
	1001138792	Ref	LIFT CYLINDER ASSEMBLY - 600AJ (WITH ARCTIC PACKAGE)	A
		Ref	Note: Original Equipment components may have been replaced with Service Replacement components part. Identify p/n stamped on cylinder before ordering parts.	
1	1684089	1	Barrel	
1A	0962336	2	Bushing	
2	1683053	1	Head	
3	3760368	1	Ring, Washer	
4	3931516	8	Capscrew, Socket Head 5/16in-18NC x 1in	
5	1684090	1	Rod	
5A	0962336	2	Bushing	
6	4640509	2	Cartridge, Valve	
6	2900792	2	Seal Kit - 4640509 Valve	
8	2220883	2	Plug, O-Ring #4	
9	2220885	1	Plug, O-Ring #6	
10	3480210	1	Piston	
11	0961893	1	Bushing, Tapered	
12	4100100	1	Spacer, Tube	
14	See Note	NSS	Seal (Note: Use Item 51)	
15	See Note	NSS	Ring, Lock (Note: Use Item 51)	
16	See Note	NSS	O-Ring (Note: Use Item 51)	
17	See Note	NSS	Ring, Back-up (Note: Use Item 51)	
18	See Note	NSS	O-Ring (Note: Use Item 51)	
19	See Note	NSS	Ring, Back-up (Note: Use Item 51)	
20	See Note	NSS	Seal, Rod (Note: Use Item 51)	
21	See Note	NSS	Wiper (Note: Use Item 51)	
22	See Note	NSS	Ring, Wear (Note: Use Item 51)	
23	0100011	AR	Compound, Locking	
24	0100038	AR	Primer, Locking	
26	0630534	3	Bolt #10 - 24NC x 1in	
51		Ref	Seal Kit Options (Includes Items 14-22):	
51	2901303	1	Without Arctic Package	
51	1001138795	1	With Arctic Package	

SECTION 5 - CYLINDER

FIGURE 5-11. LIFT CYLINDER ASSEMBLY - ARTICULATING JIB - 600AJ (ORIGINAL EQUIPMENT)
(SN B300002659 to Present)



ART_1001230371

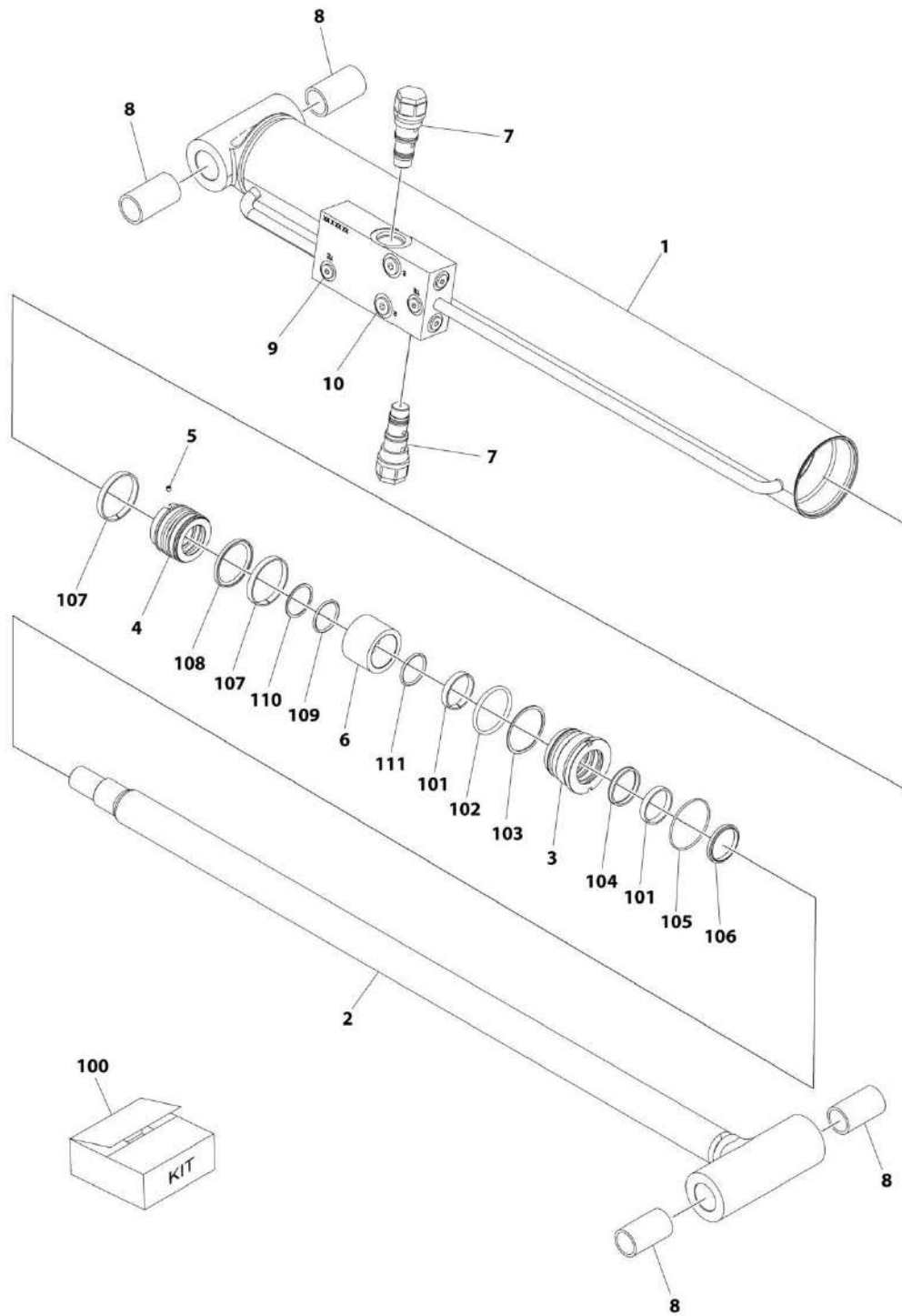
SECTION 5 - CYLINDER

**FIGURE 5-11. LIFT CYLINDER ASSEMBLY - ARTICULATING JIB - 600AJ (ORIGINAL EQUIPMENT)
(SN B300002659 to Present)**

ITEM	PART NUMBER	QTY	DESCRIPTION	REV
	1001230371	Ref	LIFT CYLINDER ASSEMBLY - JIB	A
		Ref	Note: Original Cylinder may have been replaced with Service Replacement. Identify PN Stamped on Cylinder Before Ordering Parts.	
1	See Note	NSS	Barrel (Note : Purchase Complete Assembly)	
2	70006930	1	Rod	
3	70006931	1	Piston	
4	70006932	1	Head	
5	70006933	1	Spacer, Tube	
6	70003636	1	Lock, Insert	
7	70006900	1	Nut	
8	0962336	4	Bushing	
9	See Note	NSS	Seal, Rod (Note: Use Item 51)	
10	See Note	NSS	Seal, Piston (Note: Use Item 51)	
11	See Note	NSS	Wiper (Note: Use Item 51)	
12	See Note	NSS	O-Ring (Note: Use Item 51)	
13	See Note	NSS	O-Ring (Note: Use Item 51)	
14	See Note	NSS	O-Ring (Note: Use Item 51)	
15	See Note	NSS	O-Ring (Note: Use Item 51)	
16	See Note	NSS	Ring, Back-up (Note: Use Item 51)	
17	See Note	NSS	Ring, Wear (Note: Use Item 51)	
18	See Note	NSS	Ring, Wear (Note: Use Item 51)	
19	4640509	1	Catridge, Valve	
19	2900792	1	Seal Kit - 4640509 Valve	
20	2220883	4	Plug, O-Ring #4	
21	2220885	2	Plug, O-Ring #6	
51	70006934	1	Seal Kit (Includes Item 9-18)	

SECTION 5 - CYLINDER

FIGURE 5-12. LIFT CYLINDER ASSEMBLY - ARTICULATING JIB - 600AJ (SERVICE REPLACEMENT)
(SN 0300087000 through 0300177361)



ART_1001228012

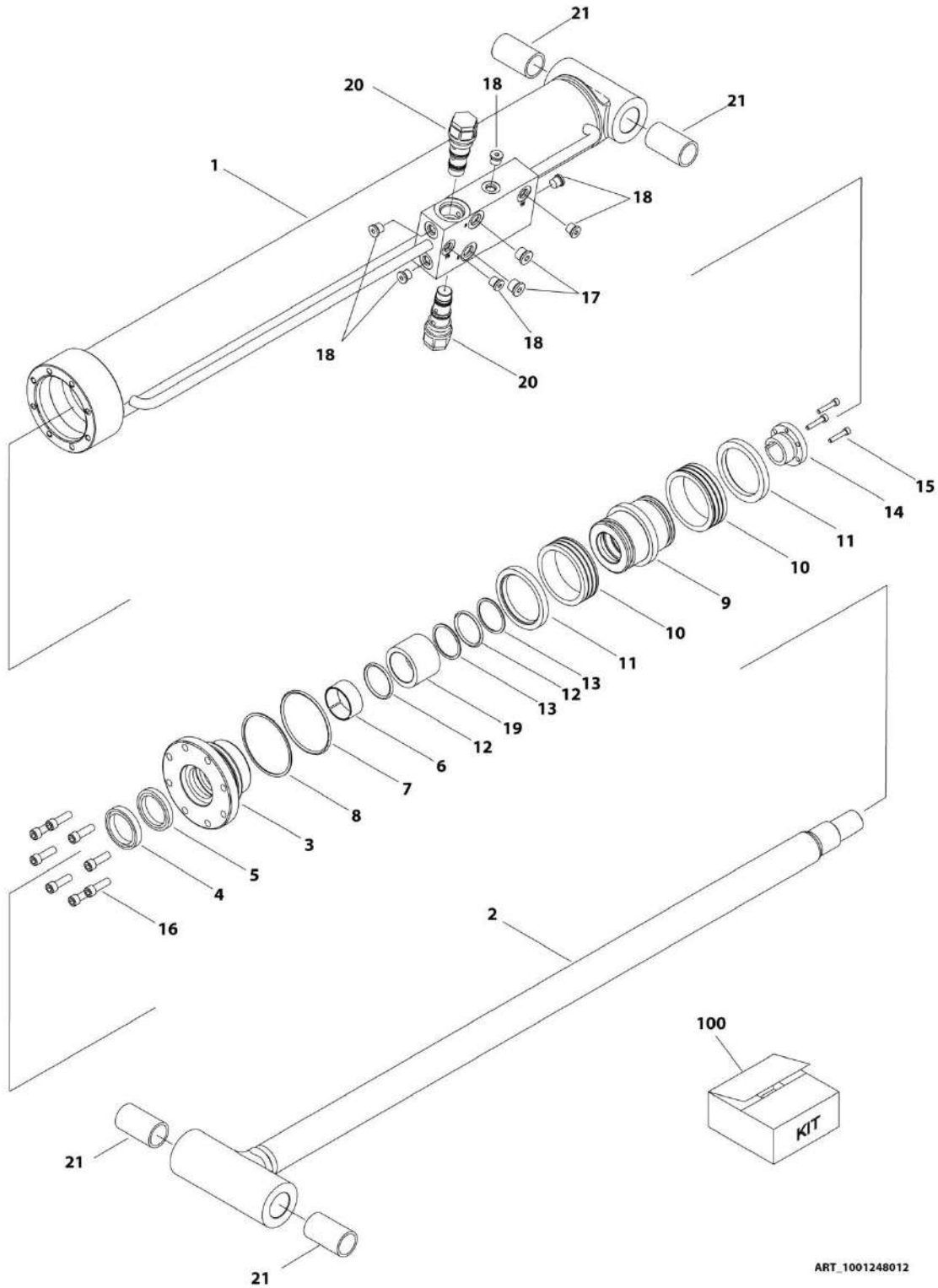
SECTION 5 - CYLINDER

**FIGURE 5-12. LIFT CYLINDER ASSEMBLY - ARTICULATING JIB - 600AJ (SERVICE REPLACEMENT)
(SN 0300087000 through 0300177361)**

ITEM	PART NUMBER	QTY	DESCRIPTION	REV
	1001228012	Ref	LIFT CYLINDER ASSEMBLY - JIB	C
		Ref	Note: Original Cylinder May Have Been Replaced with Service Replacement. Identify PN Stamped on Cylinder Before Ordering Parts.	
1	See Note	NSS	Barrel (Note: Not Available for Purchase)	
2	70006572	1	Rod	
3	70006571	1	Head	
4	70006570	1	Piston	
5	70023915	1	Screw	
6	70006569	1	Spacer	
7	4640509	2	Cartridge, Valve	
7	2900792	2	Seal Kit - 4640509 Valve	
8	0962336	4	Bushing	
9	2220883	6	Plug, O-Ring	
10	2220885	2	Plug, O-Ring	
100	70006568	1	Seal Kit (Includes Items 101-111)	
101	See Note	NSS	Ring, Wear (Note: Use Item 100)	
102	See Note	NSS	O-Ring (Note: Use Item 100)	
103	See Note	NSS	Ring, Back-up (Note: Use Item 100)	
104	See Note	NSS	Seal, Rod (Note: Use Item 100)	
105	See Note	NSS	O-Ring (Note: Use Item 100)	
106	See Note	NSS	Wiper (Note: Use Item 100)	
107	See Note	NSS	Ring, Wear (Note: Use Item 100)	
108	See Note	NSS	Seal (Note: Use Item 100)	
109	See Note	NSS	O-Ring (Note: Use Item 100)	
110	See Note	NSS	Ring, Back-up (Note: Use Item 100)	
111	See Note	NSS	O-Ring (Note: Use Item 100)	

SECTION 5 - CYLINDER

FIGURE 5-13. LIFT CYLINDER ASSEMBLY - ARTICULATING JIB - 600AJ (SERVICE REPLACEMENT)
(SN 0300087000 through 0300177361)



ART_1001248012

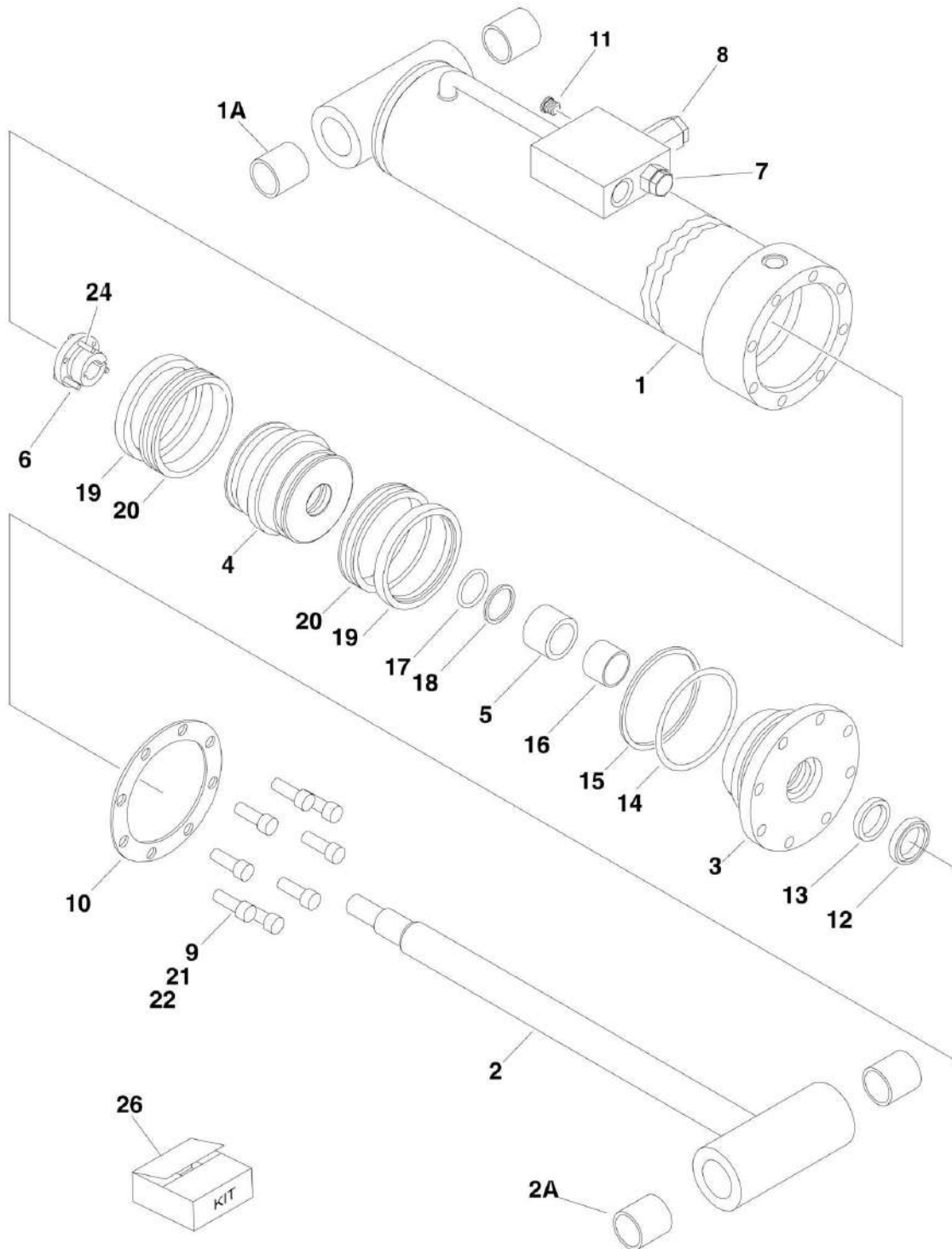
SECTION 5 - CYLINDER

**FIGURE 5-13. LIFT CYLINDER ASSEMBLY - ARTICULATING JIB - 600AJ (SERVICE REPLACEMENT)
(SN 0300087000 through 0300177361)**

ITEM	PART NUMBER	QTY	DESCRIPTION	REV
	1001248012	Ref	LIFT CYLINDER ASSEMBLY - JIB	B
		Ref	Note: Original Cylinder May Have Been Replaced with Service Replacement. Identify PN Stamped on Cylinder Before Ordering Parts.	
1	See Note	NSS	Barrel (Note: Not Available for Purchase)	
2	70006734	1	Rod	
3	70006649	1	Head	
4	See Note	NSS	Wiper (Note: Use Item 100)	
5	See Note	NSS	Seal, Rod (Note: Use Item 100)	
6	See Note	NSS	Ring, Wear (Note: Use Item 100)	
7	See Note	NSS	O-Ring (Note: Use Item 100)	
8	See Note	NSS	Ring, Back-up (Note: Use Item 100)	
9	70006650	1	Piston	
10	See Note	NSS	Seal (Note: Use Item 100)	
11	See Note	NSS	Ring, Lock (Note: Use Item 100)	
12	See Note	NSS	O-Ring (Note: Use Item 100)	
13	See Note	NSS	Ring, Back-up (Note: Use Item 100)	
14	0961893	1	Bushing, Tapered	
15	0630534	3	Capscrew, Socket Head #10 x 1	
16	70006735	8	Capscrew 5/16	
17	2220885	2	Plug, O-Ring	
18	2220883	6	Plug, O-Ring	
19	70006736	1	Spacer	
20	4640509	2	Cartridge, Valve	
20	2900792	2	Seal Kit - 4640509 Valve	
21	0962336	4	Bushing	
100	1001138795	1	Seal Kit (Includes Items 4-8 & 10-13)	

SECTION 5 - CYLINDER

FIGURE 5-14. LIFT CYLINDER ASSEMBLY - MAIN BOOM (SN B300000100 through B300002477)



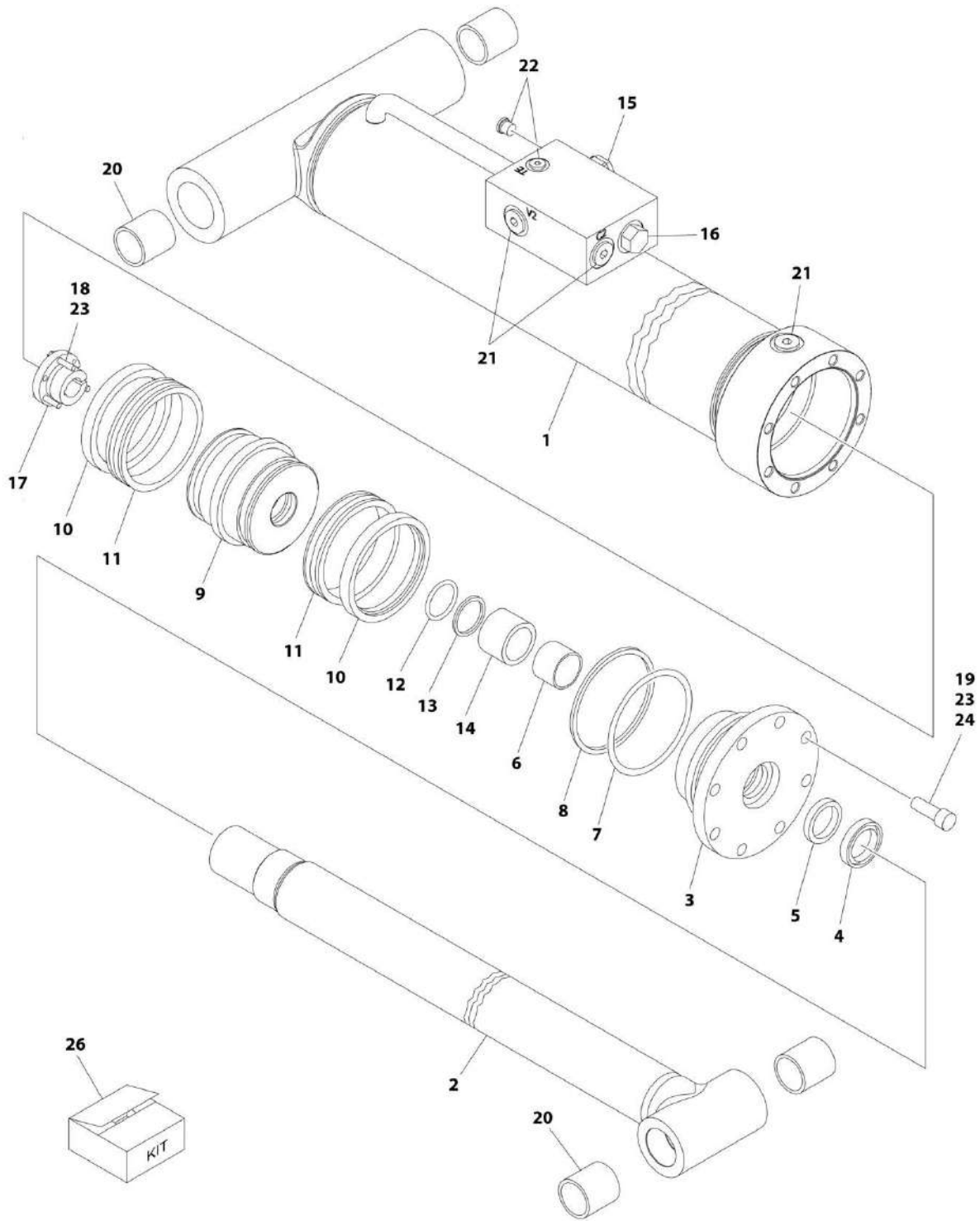
SECTION 5 - CYLINDER

FIGURE 5-14. LIFT CYLINDER ASSEMBLY - MAIN BOOM (SN B300000100 through B300002477)

ITEM	PART NUMBER	QTY	DESCRIPTION	REV
	1683294	Ref	LIFT CYLINDER ASSEMBLY - MAIN BOOM	J
		Ref		
1	1684001	1	Barrel	
1A	0961948	2	Bushing	
2	1684005	1	Rod	
2A	0961948	2	Bushing	
3	1683061	1	Head	
4	3480211	1	Piston	
5	4566408	1	Spacer	
6	0961897	1	Bushing, Tapered	
7	4640438	1	Cartridge, Valve	
7	2900770	1	Seal Kit - 4640438 Valve	
8	4640509	1	Cartridge, Valve	
8	2900792	1	Seal Kit - 4640509 Valve	
9	3931720	8	Capscrew, Socket Head 7/16in-14NC x 1-1/4in	
10	3760370	1	Ring, Washer	
11	2220883	1	Plug, O-Ring #6	
12	See Note	NSS	Wiper (Note: Use Item 26)	
13	See Note	NSS	Seal, Rod (Note: Use Item 26)	
14	See Note	NSS	O-Ring (Note: Use Item 26)	
15	See Note	NSS	Ring, Back-up (Note: Use Item 26)	
16	See Note	NSS	Ring, Wear (Note: Use Item 26)	
17	See Note	NSS	O-Ring (Note: Use Item 26)	
18	See Note	NSS	Ring, Back-up (Note: Use Item 26)	
19	See Note	NSS	Ring, Lock (Note: Use Item 26)	
20	See Note	NSS	Seal (Note: Use Item 26)	
21	0100011	AR	Compound, Locking	
22	0100038	AR	Primer, Locking	
24	0630535	3	Bolt 1/4in-20NC x 1-1/8in	
26	2901273	1	Seal Kit (Includes Items 12-20)	

SECTION 5 - CYLINDER

FIGURE 5-15. LIFT CYLINDER ASSEMBLY - MAIN BOOM (SN B300002478 to Present)



ART_1001228004

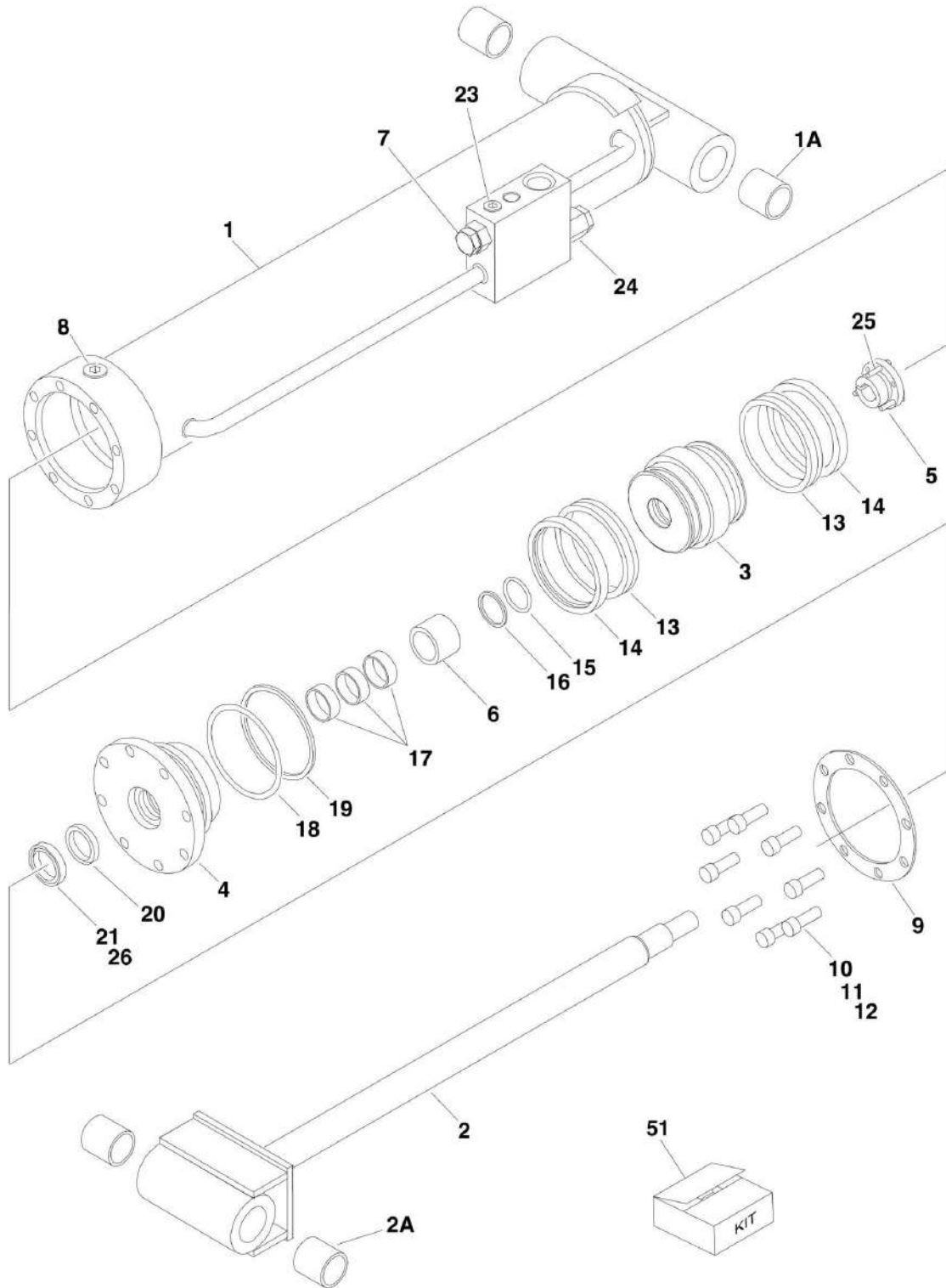
SECTION 5 - CYLINDER

FIGURE 5-15. LIFT CYLINDER ASSEMBLY - MAIN BOOM (SN B300002478 to Present)

ITEM	PART NUMBER	QTY	DESCRIPTION	REV
	1001228004	Ref	LIFT CYLINDER ASSEMBLY - MAIN BOOM	B
		Ref	Note: Original Equipment components may have been replaced with Service Replacement components part. Identify p/n stamped on cylinder before ordering parts.	
1	See Note	NSS	Barrel (Note: Not Available for Purchase)	
2	70006481	1	Rod	
3	70006480	1	Head	
4	See Note	NSS	Wiper (Note: Use Item 26)	
5	See Note	NSS	Seal, Rod (Note: Use Item 26)	
6	See Note	NSS	Ring, Wear (Note: Use Item 26)	
7	See Note	NSS	O-Ring (Note: Use Item 26)	
8	See Note	NSS	Ring, Back-up (Note: Use Item 26)	
9	70006479	1	Piston	
10	See Note	NSS	Ring, Lock (Note: Use Item 26)	
11	See Note	NSS	Seal (Note: Use Item 26)	
12	See Note	NSS	O-Ring (Note: Use Item 26)	
13	See Note	NSS	Ring, Back-up (Note: Use Item 26)	
14	70006478	1	Spacer	
15	4640509	1	Cartridge, Valve	
15	2900792	1	Seal Kit - 4640509 Valve	
16	4640438	1	Cartridge, Valve	
16	2900770	1	Seal Kit - 4640438 Valve	
17	0961897	1	Bushing, Tapered	
18	0630535	3	Bolt 1/4 x 1-1/8	
19	3931720	8	Capscrew, Socket Head 7/16 x 1-1/4	
20	0961948	2	Bushing	
21	2220886	4	Plug, O-Ring	
22	2220883	3	Plug, O-Ring	
23	0100011	AR	Compound, Locking	
24	0100038	AR	Primer, Locking	
26	2901273	1	Seal Kit (Includes Items 4-8 & 10-13)	

SECTION 5 - CYLINDER

FIGURE 5-16. LIFT CYLINDER ASSEMBLY - TOWER BOOM (SN 0300087000 through 0300177361, SN B300000100 through B300002804)



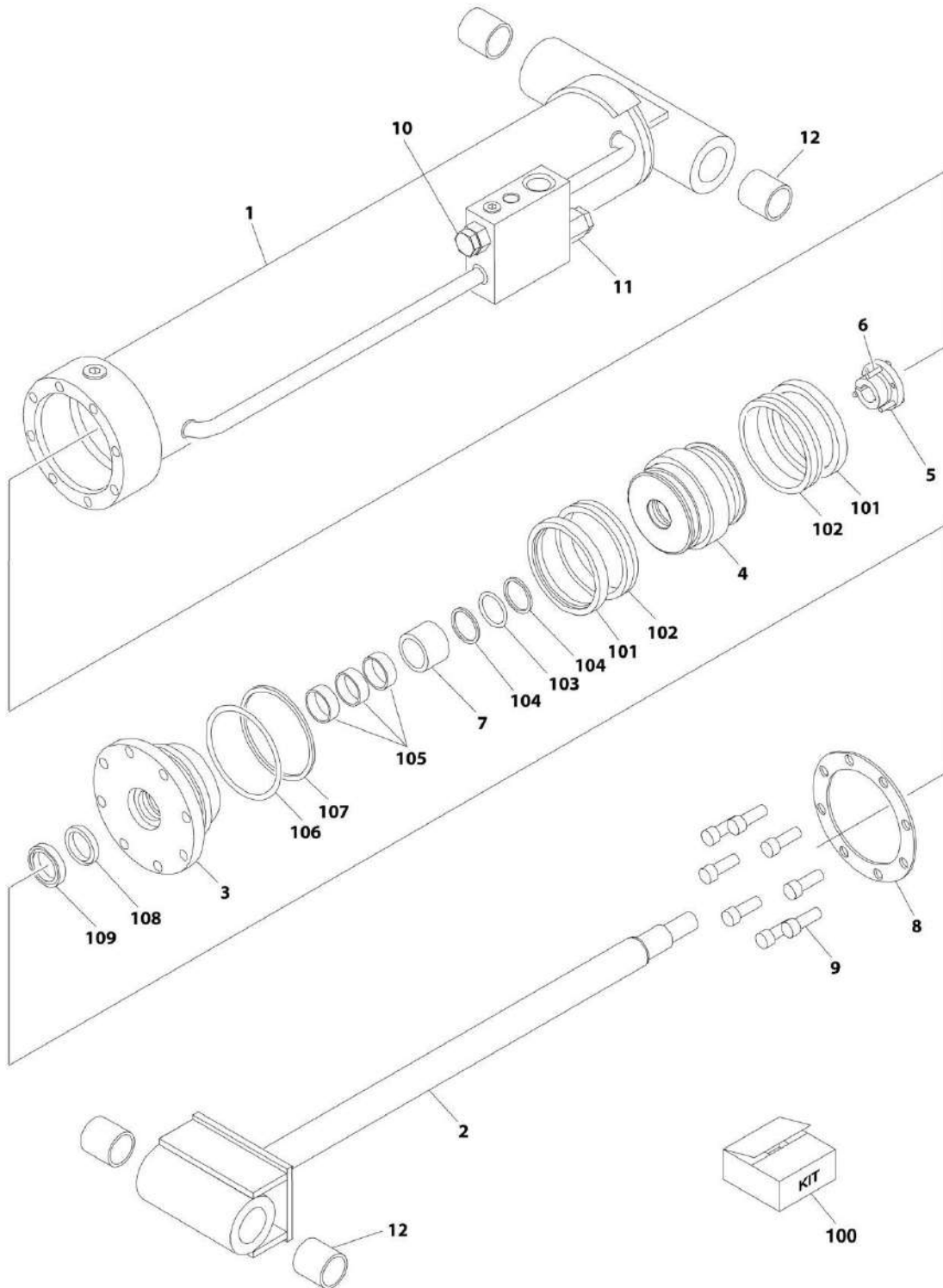
SECTION 5 - CYLINDER

**FIGURE 5-16. LIFT CYLINDER ASSEMBLY - TOWER BOOM (SN 0300087000 through 0300177361,
SN B300000100 through B300002804)**

ITEM	PART NUMBER	QTY	DESCRIPTION	REV
	1683288	Ref	LIFT CYLINDER ASSEMBLY - TOWER BOOM Note: Original Equipment components may have been replaced with Service Replacement components part. Identify p/n stamped on cylinder before ordering parts.	N
		Ref		
1	1684017	1	Barrel	
1A	0961949	2	Bushing	
2	1684019	1	Rod	
2A	0961949	2	Bushing	
3	3480216	1	Piston	
4	1683069	1	Head	
5	0961899	1	Bushing, Tapered	
6	4566667	1	Spacer	
7	4640605	1	Cartridge, Valve	
7	2900792	1	Seal Kit - 4640605	
8	2220888	1	Plug, O-Ring #12	
9	3760384	1	Ring, Washer	
10	3932240	8	Capscrew 3/4 x 2-1/2	
11	0100011	AR	Compound, Locking	
12	0100038	AR	Primer, Locking	
13	See Note	NSS	Seal (Note: Use Item 51)	
14	See Note	NSS	Ring, Lock (Note: Use Item 51)	
15	See Note	NSS	O-Ring (Note: Use Item 51)	
16	See Note	NSS	Ring, Back-up (Note: Use Item 51)	
17	See Note	NSS	Ring, Wear (Note: Use Item 51)	
18	See Note	NSS	O-Ring (Note: Use Item 51)	
19	See Note	NSS	Ring, Back-up (Note: Use Item 51)	
20	See Note	NSS	Seal, Rod (Note: Use Item 51)	
21	See Note	NSS	Wiper (Note: Use Item 51)	
23	2220883	2	Plug, O-Ring #4	
24	4640509	1	Cartridge, Valve	
24	2900792	1	Seal Kit - 4640509	
25	0630536	3	Bolt 3/8in-16NC x 1-1/2in	
26	0100063	AR	Adhesive	
51	2901322	1	Seal Kit (Includes Items 13-21)	

SECTION 5 - CYLINDER

FIGURE 5-17. LIFT CYLINDER ASSEMBLY - TOWER BOOM (SN B30002805 to Present)



ART_1001228003

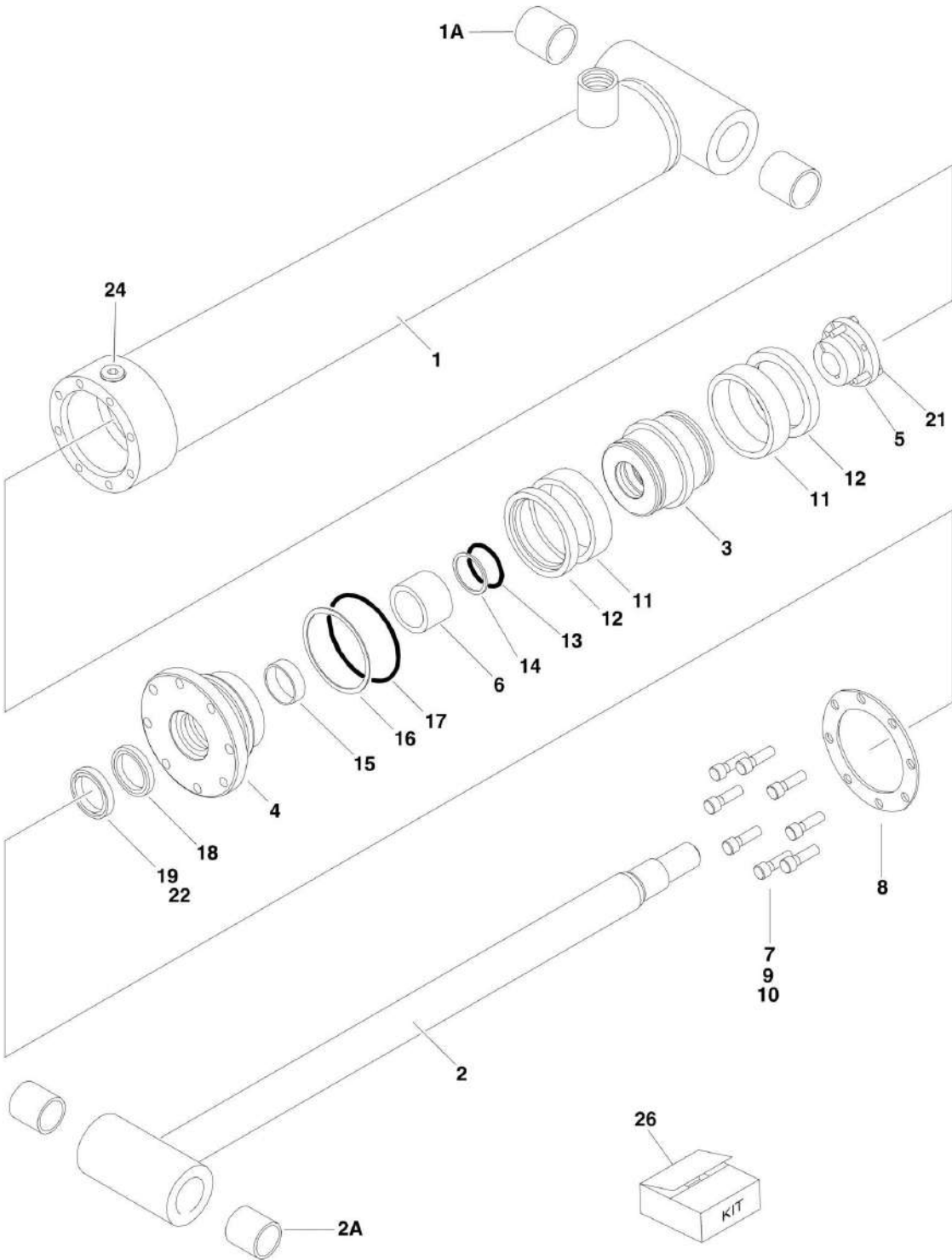
SECTION 5 - CYLINDER

FIGURE 5-17. LIFT CYLINDER ASSEMBLY - TOWER BOOM (SN B300002805 to Present)

ITEM	PART NUMBER	QTY	DESCRIPTION	REV
	1001228003	Ref	LIFT CYLINDER ASSEMBLY	C
		Ref	Note: Original Cylinder may have been replaced with Service Replacement. Identify PN Stamped on Cylinder Before Ordering Parts.	
1	See Note	NSS	Barrel (Note: Not Available For Purchase)	
2	70006374	1	Rod	
3	70006373	1	Head	
4	70006372	1	Piston	
5	70006371	1	Bushing, Tapered	
6	0630536	3	Bolt 3/8 x 1-1/2	
7	70006370	1	Spacer	
8	70006369	1	Ring, Washer	
9	3932240	8	Capscrew 3/4 x 2-1/2	
10	4640605	1	Cartridge, Valve	
10	2900792	1	Seal Kit - 4640605 Valve	
11	4640509	1	Cartridge, Valve	
11	2900792	1	Seal Kit - 4640509 Valve	
12	0961949	4	Bushing	
100	2901322	1	Seal Kit (Includes Items 101-109)	
101	See Note	NSS	Ring, Lock (Note: Use Item 100)	
102	See Note	NSS	Seal (Note: Use Item 100)	
103	See Note	NSS	O-Ring (Note: Use Item 100)	
104	See Note	NSS	Ring, Back-up (Note: Use Item 100)	
105	See Note	NSS	Ring, Wear (Note: Use Item 100)	
106	See Note	NSS	O-Ring (Note: Use Item 100)	
107	See Note	NSS	Ring, Back-up (Note: Use Item 100)	
108	See Note	NSS	Seal, Rod (Note: Use Item 100)	
109	See Note	NSS	Wiper (Note: Use Item 100)	

SECTION 5 - CYLINDER

FIGURE 5-18. MASTER CYLINDER ASSEMBLY



SECTION 5 - CYLINDER

FIGURE 5-18. MASTER CYLINDER ASSEMBLY

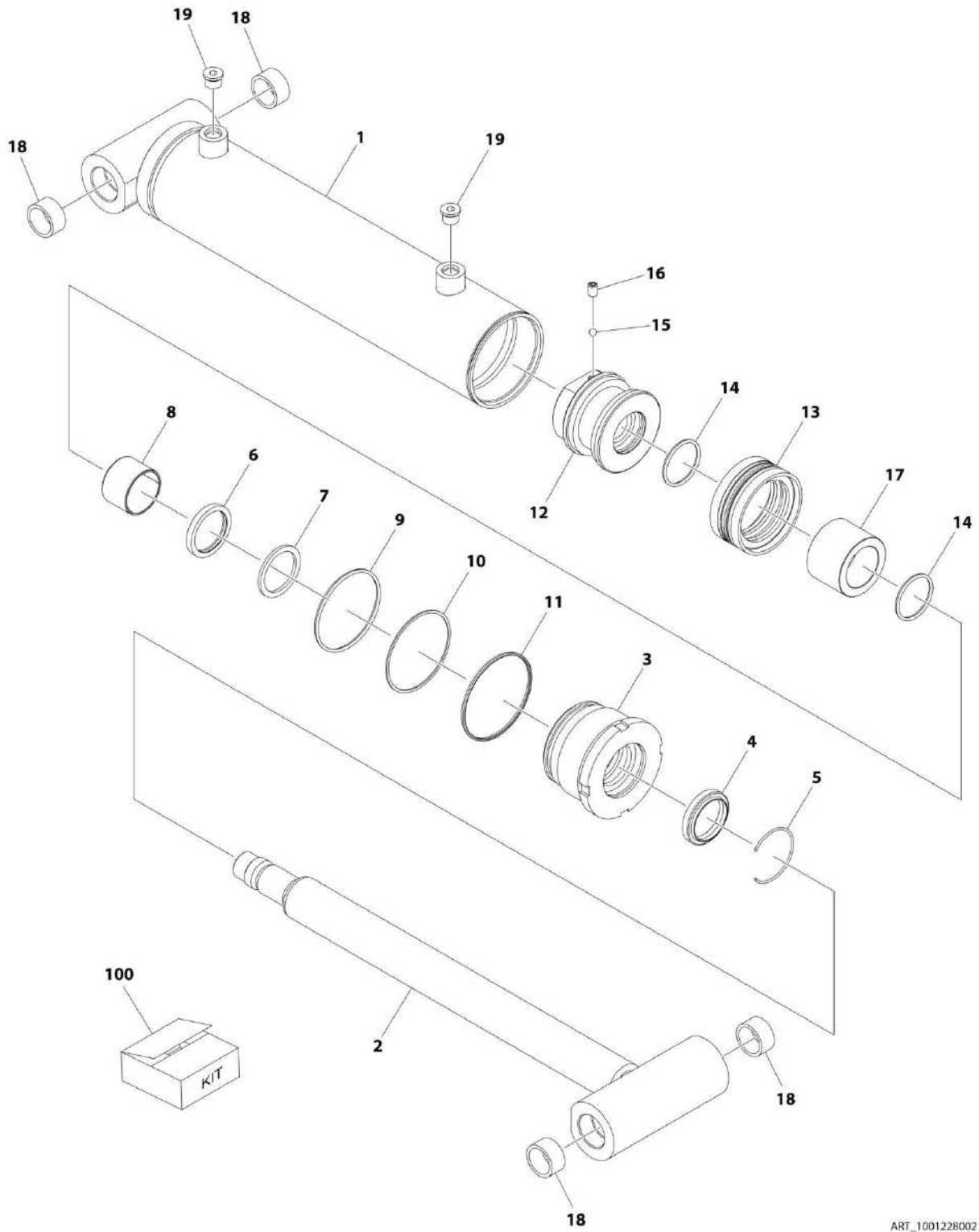
ITEM	PART NUMBER	QTY	DESCRIPTION	REV
	1683266	Ref	MASTER CYLINDER ASSEMBLY - 600A	I
	1683263	Ref	MASTER CYLINDER ASSEMBLY - 600AJ WITHOUT ARCTIC PACKAGE	L
	1001138799	Ref	MASTER CYLINDER ASSEMBLY - 600AJ WITH ARCTIC PACKAGE	B
		Ref	Note: Original Equipment components may have been replaced with Service Replacement components part. Identify p/n stamped on cylinder before ordering parts.	
1		Ref	Barrel Options:	
1	1683972	1	Barrel 600A (Note: Includes Item 1A)	
1	1683949	1	Barrel 600AJ (Note: Item 1A not included - Purchase Separately)	
1A		Ref	Bushing Options:	
1A	0961947	2	Bushing 600A - Bushing	
1A	0961951	2	Bushing 600AJ - Bushing	
2		Ref	Rod Options:	
2	1683973	1	Rod 600A (Note: Includes Item 2A)	
2	1683962	1	Rod 600AJ (Note: Item 2A not included - Purchase Separately)	
2A		Ref	Bushing Options:	
2A	0961947	2	Bushing 600A - Bushing	
2A	0961951	2	Bushing 600AJ - Bushing	
3		Ref	Piston Options:	
3	3480210	1	Piston 600A	
3	3480188	1	Piston 600AJ	
4		Ref	Head Options:	
4	1683053	1	Head 600A	
4	1683055	1	Head 600AJ	
5		Ref	Bushing, Tapered Options (Use item 21 in place of supplied bolts):	
5	0961893	1	Bushing 600A	
5	0961894	1	Bushing 600AJ	
6	4566468	1	Spacer	
7		Ref	Capscrew, Socket Head Options:	
7	3931516	8	Capscrew, Socket Head Options: 600A - Capscrew, Socket Head 5/16in-18NC x 1in	
7	3931620	8	Capscrew, Socket Head Options: 600AJ - Capscrew, Socket Head 3/8in-16NC x 1-1/4in	
8		Ref	Ring, Washer Options:	
8	3760368	1	Ring 600A	
8	3760369	1	Ring 600AJ	
9	0100011	AR	Compound, Locking	
10	0100038	AR	Primer, Locking	
11	See Note	NSS	Seal (Note: Use Item 26)	
12	See Note	NSS	Ring, Lock (Note: Use Item 26)	
13	See Note	NSS	O-Ring (Note: Use Item 26)	
14	See Note	NSS	Ring, Back-up (Note: Use Item 26)	
15	See Note	NSS	Ring, Wear (Note: Use Item 26)	
16	See Note	NSS	O-Ring (Note: Use Item 26)	
17	See Note	NSS	Ring, Back-up (Note: Use Item 26)	
18	See Note	NSS	Seal, Rod (Note: Use Item 26)	
19	See Note	NSS	Wiper (Note: Use Item 26)	

SECTION 5 - CYLINDER

ITEM	PART NUMBER	QTY	DESCRIPTION	REV
21		Ref	Bolt Options:	
21	0630534	3	Bolt 600A - Bolt #10 - 24NC x 1in	
21	0630535	3	Bolt 600AJ - Bolt 1/4in-20NC x 1-1/8in	
22	0100063	AR	Adhesive	
24	2220885	1	Plug, O-Ring #6 (600AJ Only)	
26		Ref	Seal Kit Options (Includes Items 11-19):	
26	2901303	1	Seal 600A	
26	2901301	1	Seal 600AJ without Arctic Package	
26	1001138796	1	Seal 600AJ with Arctic Package	

SECTION 5 - CYLINDER

FIGURE 5-19. MASTER CYLINDER ASSEMBLY - 600A



ART_1001228002

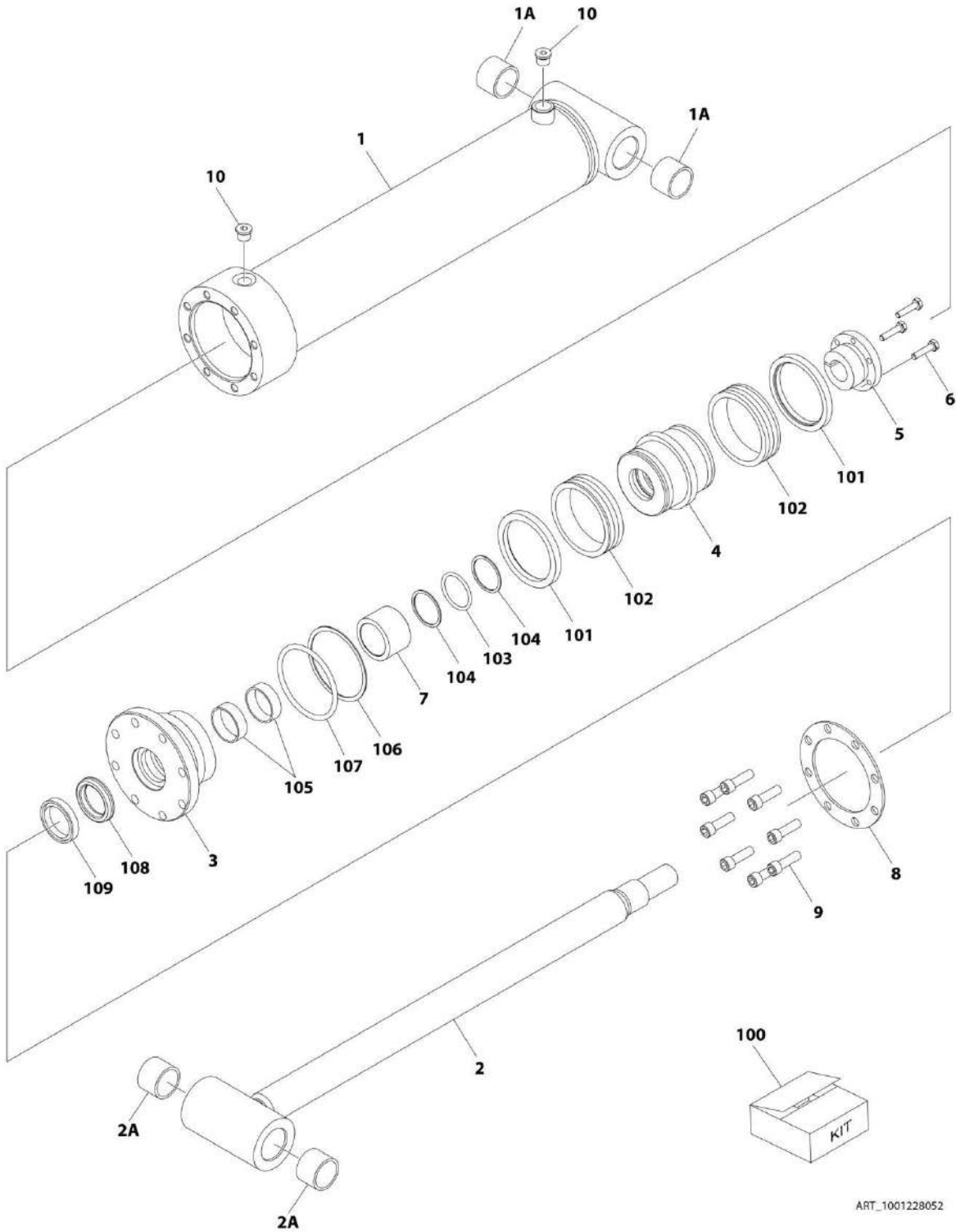
SECTION 5 - CYLINDER

FIGURE 5-19. MASTER CYLINDER ASSEMBLY - 600A

ITEM	PART NUMBER	QTY	DESCRIPTION	REV
	1001228002	Ref	MASTER CYLINDER ASSEMBLY	B
		Ref	Note: Original Cylinder May Have Been Replaced with Service Replacement. Identify PN Stamped on Cylinder Before Ordering Parts.	
1	See Note	NSS	Barrel (Note: Not Available for Purchase)	
2	70006774	1	Rod	
3	70006599	1	Head	
4	See Note	NSS	Wiper Rod (Note: Use Item 100)	
5	70002373	1	Ring, Retaining	
6	See Note	NSS	Seal, Rod (Note: Use Item 100)	
7	See Note	NSS	Ring, Back-up (Note: Use Item 100)	
8	See Note	NSS	Ring, Wear (Note: Use Item 100)	
9	See Note	NSS	O-Ring (Note: Use Item 100)	
10	See Note	NSS	Ring, Back-up (Note: Use Item 100)	
11	See Note	NSS	O-Ring (Note: Use Item 100)	
12	70006597	1	Piston	
13	See Note	NSS	Seal Piston (Note: Use Item 100)	
14	See Note	NSS	O-Ring (Note: Use Item 100)	
15	70022564	1	Ball	
16	70006601	1	Setscrew	
17	70006775	1	Spacer	
18	0961947	4	Bushing	
19	70023371	2	Plug, O-Ring	
100	70006776	1	Seal Kit (Includes Items 4, 6-11, 13 & 14)	

SECTION 5 - CYLINDER

FIGURE 5-20. MASTER CYLINDER ASSEMBLY - 600AJ



ART_1001228052

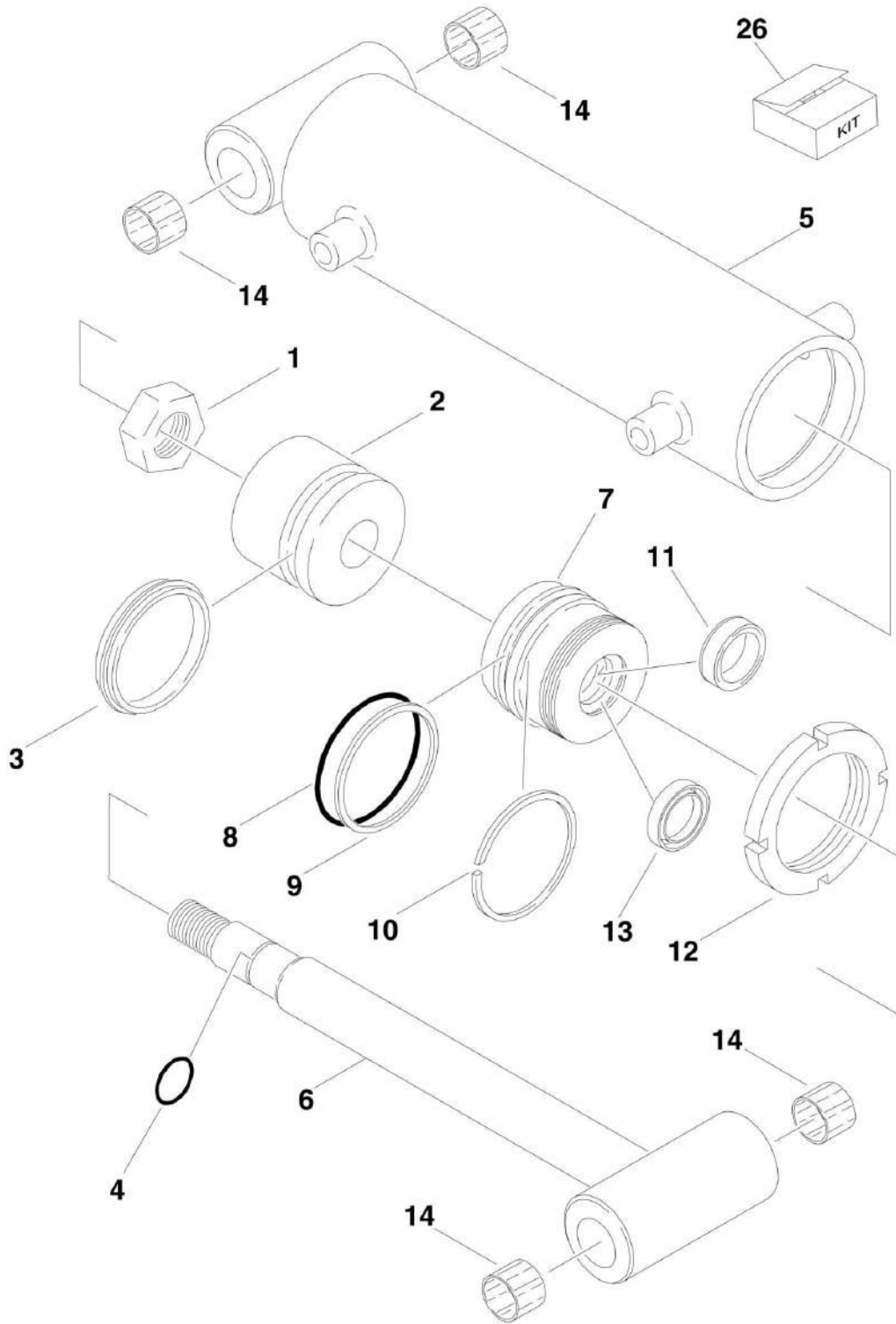
SECTION 5 - CYLINDER

FIGURE 5-20. MASTER CYLINDER ASSEMBLY - 600AJ

ITEM	PART NUMBER	QTY	DESCRIPTION	REV
	1001228052	Ref	MASTER CYLINDER ASSEMBLY	B
		Ref	Note: Original Cylinder May Have Been Replaced with Service Replacement. Identify PN Stamped on Cylinder Before Ordering Parts.	
1	See Note	NSS	Barrel (Note: Not Available for Purchase)	
1A	0961951	2	Bushing	
2	70006447	1	Rod Weldment	
2A	0961951	2	Bushing	
3	70006446	1	Head	
4	70006445	1	Piston	
5	70006444	1	Bushing, Tapered	
6	0630535	3	Capscrew 1/4 x 1-1/8	
7	70006443	1	Spacer	
8	70006442	1	Ring, Washer	
9	3931620	8	Capscrew 3/8 x 1-1/4	
10	2220885	2	Plug, O-Ring	
100	1001138796	1	Seal Kit (Includes Items 101-109)	
101	See Note	NSS	Ring, Wear (Note: Use Item 100)	
102	See Note	NSS	Seal, Piston (Note: Use Item 100)	
103	See Note	NSS	O-Ring (Note: Use Item 100)	
104	See Note	NSS	Ring, Back-up (Note: Use Item 100)	
105	See Note	NSS	Ring, Wear (Note: Use Item 100)	
106	See Note	NSS	O-Ring (Note: Use Item 100)	
107	See Note	NSS	Ring, Back-up (Note: Use Item 100)	
108	See Note	NSS	Seal, Rod (Note: Use Item 100)	
109	See Note	NSS	Wiper, Rod (Note: Use Item 100)	

SECTION 5 - CYLINDER

FIGURE 5-21. STEER CYLINDER ASSEMBLY



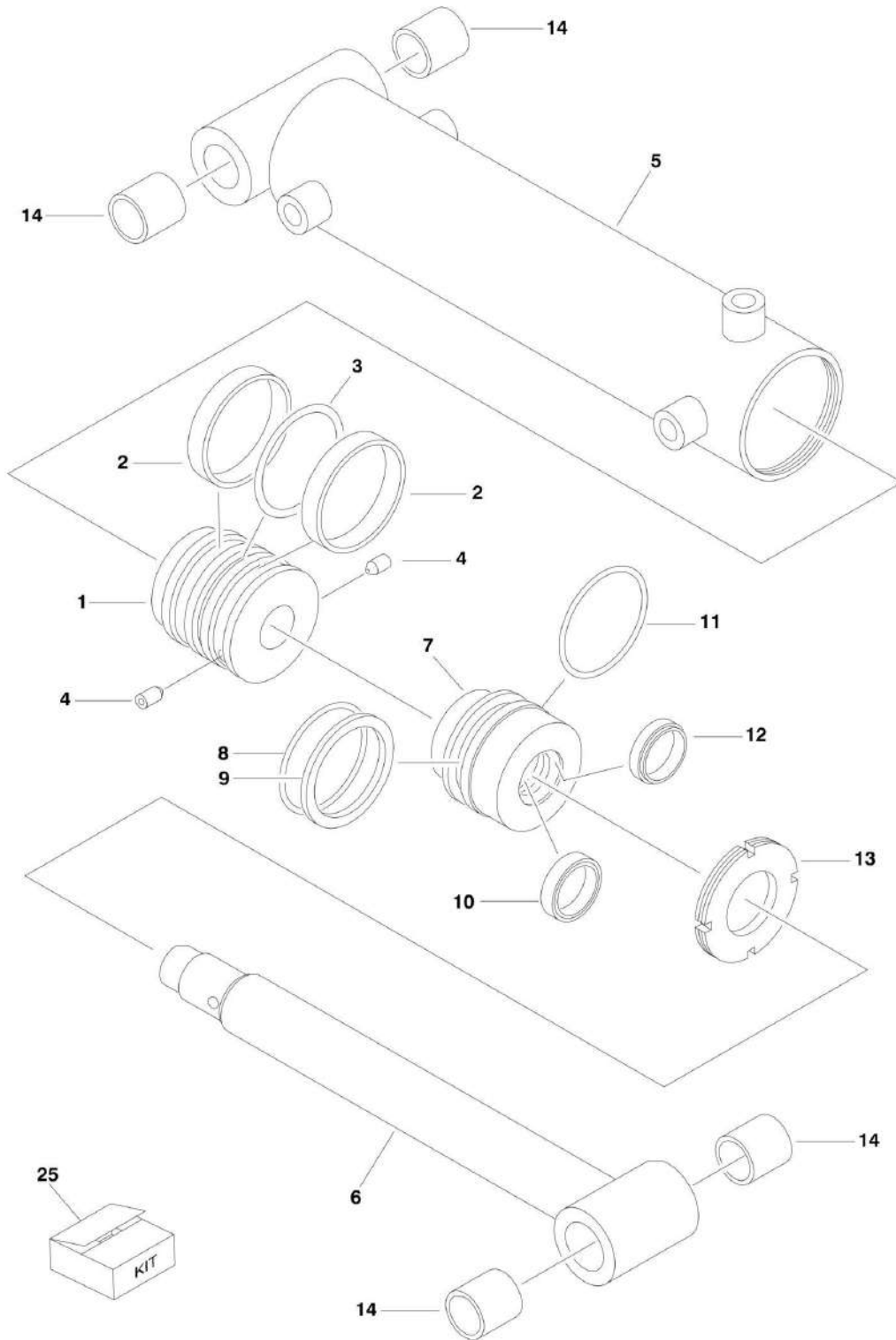
SECTION 5 - CYLINDER

FIGURE 5-21. STEER CYLINDER ASSEMBLY

ITEM	PART NUMBER	QTY	DESCRIPTION	REV
		Ref	STEER CYLINDER ASSEMBLIES	
		Ref	Note: Original Equipment components may have been replaced with Service Replacement components part. Identify p/n stamped on cylinder before ordering parts.	
		Ref	8ft/2.4m Width Machines	
	1683208	Ref	USA Built Machines (SN 0300087000 through 0300142624)	D
		Ref	USA Built Machines (See STEER CYLINDER ASSEMBLY for Breakdown) (SN 0300142625 through 0300177361)	
		Ref	China Built Machines (See STEER CYLINDER ASSEMBLY for Breakdown) (SN B300000100 to Present)	
	1684418	Ref	7ft/2.1m Width Machines	A
1	7001626	1	Locknut	
2	7001627	1	Piston	
3	See Note	NSS	Seal (Note: Use Item 26)	
4	See Note	NSS	O-Ring (Note: Use Item 26)	
5	See Note	1	Barrel (Note: Not Available for Purchase)	
6		Ref	Rod Options:	
6	7001633	1	8ft/2.4m Width Machines	
6	7023038	1	7ft/2.1m Width Machines	
7	7001629	1	Guide	
8	See Note	NSS	O-Ring (Note: Use Item 26)	
9	See Note	NSS	Ring, Back-up (Note: Use Item 26)	
10	See Note	NSS	Ring, Retaining (Note: Use Item 26)	
11	See Note	NSS	Seal, Lip (Note: Use Item 26)	
12	7001630	1	Nut, Spanner	
13	See Note	NSS	Ring, Wiper (Note: Use Item 26)	
14		Ref	Bushing Options:	
14	0961977	4	8ft/2.4m Width Machines	
14	0961890	4	7ft/2.1m Width Machines	
26	7001625	1	Seal Kit (Includes Items 3, 4, 8-11 & 13)	

SECTION 5 - CYLINDER

FIGURE 5-22. STEER CYLINDER ASSEMBLY



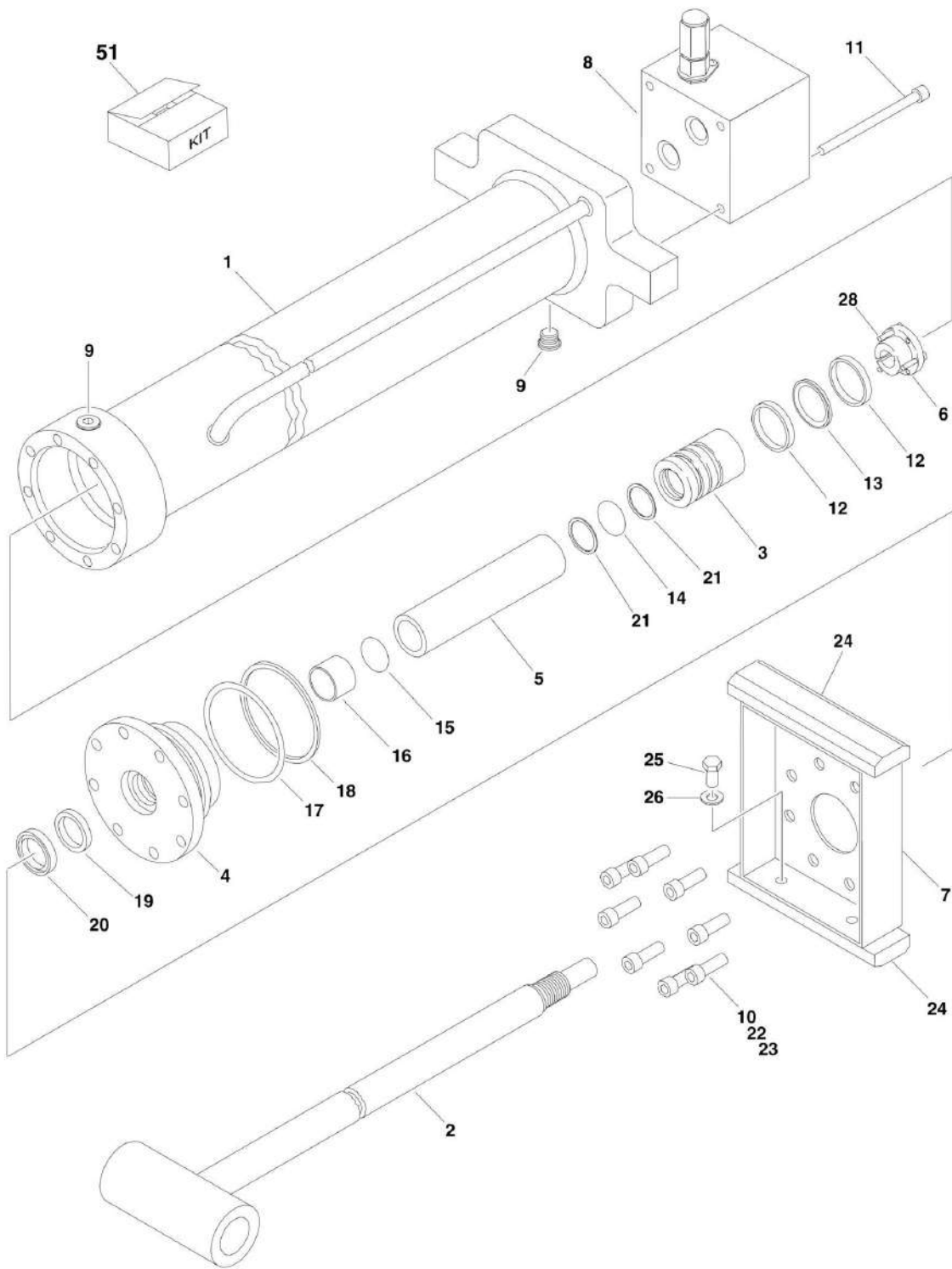
SECTION 5 - CYLINDER

FIGURE 5-22. STEER CYLINDER ASSEMBLY

ITEM	PART NUMBER	QTY	DESCRIPTION	REV
		Ref	STEER CYLINDER ASSEMBLIES	
		Ref	Note: Original Equipment components may have been replaced with Service Replacement components part. Identify p/n stamped on cylinder before ordering parts.	
		Ref	8ft/2.4m Width Machines	
	See Previous Figure	Ref	USA Built Machines (SN 0300087000 through 0300142624)	
	1001097242	Ref	USA Built Machines (SN 0300142625 through 0300177361)	A
	1001097242	Ref	China Built Machines (SN B300000100 to Present)	A
	See Previous Figure	Ref	7ft/2.1m Width Machines	
1	70002752	1	Piston	
1	0100011	AR	Compound, Locking	
1	0100038	AR	Primer, Locking	
2	See Note	NSS	Seal (Note: Use Item 25)	
3	See Note	NSS	O-Ring (Note: Use Item 25)	
4	70002745	2	Setscrew	
5	70002753	1	Barrel	
6	70002754	1	Rod	
7	70002755	1	Head	
8	See Note	NSS	O-Ring (Note: Use Item 25)	
9	See Note	NSS	Ring Back-up (Note: Use Item 25)	
10	See Note	NSS	Seal (Note: Use Item 25)	
11	See Note	NSS	O-Ring (Note: Use Item 25)	
12	See Note	NSS	Wiper (Note: Use Item 25)	
13	70002756	1	Nut, Spanner	
13	0100011	AR	Compound, Locking	
13	0100038	AR	Primer, Locking	
14	0962356	4	Bushing	
25	70002757	1	Seal Kit (Includes Items 2, 3 & 8-12)	

SECTION 5 - CYLINDER

FIGURE 5-23. TELESCOPE CYLINDER ASSEMBLY - MAIN BOOM (600A & 600AJ) (SN 0300087000 through 0300177361, SN B300000100 through B300002835)



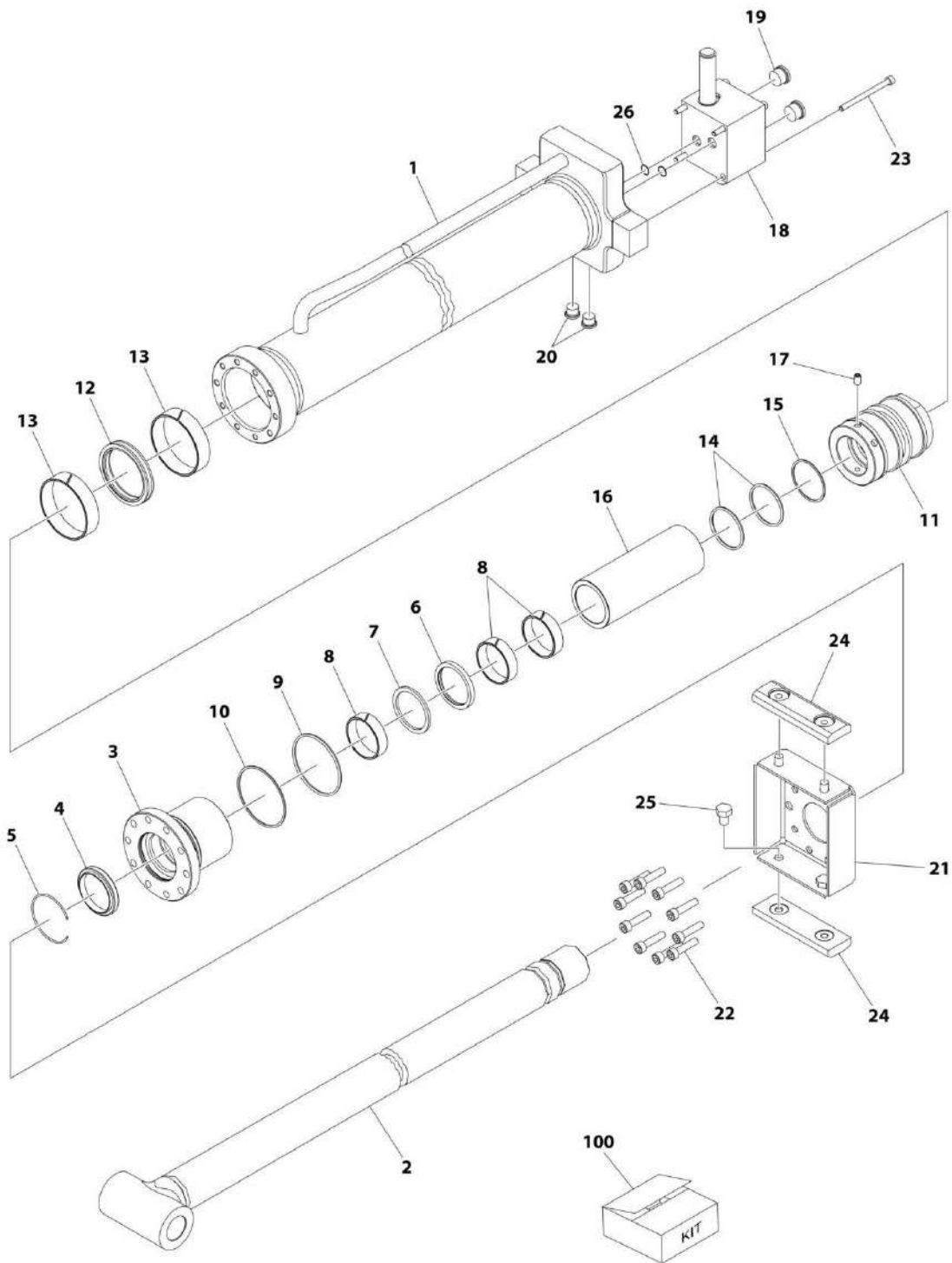
SECTION 5 - CYLINDER

FIGURE 5-23. TELESCOPE CYLINDER ASSEMBLY - MAIN BOOM (600A & 600AJ) (SN 0300087000 through 0300177361, SN B300000100 through B300002835)

ITEM	PART NUMBER	QTY	DESCRIPTION	REV
	1683307	Ref	TELESCOPE CYLINDER ASSEMBLY - 600A (SN 0300087000 through 0300177361, SN B300000100 through B300002835)	H
	1683317	Ref	TELESCOPE CYLINDER ASSEMBLY - 600AJ (SN 0300087000 through 0300177361, SN B300002836 to Present)	H
		Ref	Note: Original Equipment components may have been replaced with Service Replacement components part. Identify p/n stamped on cylinder before ordering parts.	
1		Ref	Barrel Options:	
1	1683308	1	Barrel 600A	
1	1683318	1	Barrel 600AJ	
2		Ref	Rod Options:	
2	1684308	1	Rod 600A	
2	1684310	1	Rod 600AJ	
3	3480212	1	Piston	
4	1683054	1	Head	
5	4566425	1	Spacer	
6	0961896	1	Bushing, Tapered	
7		Ref	Plate, Wear Pad Mounting Options:	
7	3538771	1	Plate 600A	
7	3538247	1	Plate 600AJ	
8	4640862	1	Valve Block Assembly (No Service Parts Available - Replace Complete Assembly)	
9	2220885	2	Plug, O-Ring	
10	3931516	8	Capscrew, Socket Head 5/16in-18NC x 1in	
11	3931448	4	Capscrew, Socket Head 1/4in-20NC x 3in	
12	See Note	NSS	Ring, Wear (Note: Use Item 51)	
13	See Note	NSS	Seal (Note: Use Item 51)	
14	See Note	NSS	O-Ring (Note: Use Item 51)	
15	See Note	NSS	O-Ring (Note: Use Item 51)	
16	See Note	NSS	Ring, Wear (Note: Use Item 51)	
17	See Note	NSS	O-Ring (Note: Use Item 51)	
18	See Note	NSS	Ring, Back-up (Note: Use Item 51)	
19	See Note	NSS	Seal, Rod (Note: Use Item 51)	
20	See Note	NSS	Wiper (Note: Use Item 51)	
21	See Note	NSS	Ring, Back-up (Note: Use Item 51)	
22	0100038	AR	Primer, Locking	
23	0100011	AR	Compound, Locking	
24	3340608	2	Pad, Wear	
25	0641604	4	Bolt 3/8in-16NC x 1/2in	
26	4751600	4	Flatwasher 3/8in Regular	
28	0630535	3	Bolt 1/4in-20NC x 1-1/8in	
51	2901861	1	Seal Kit (Includes Items 12-21)	

SECTION 5 - CYLINDER

FIGURE 5-24. TELESCOPE CYLINDER ASSEMBLY - MAIN BOOM (600A & 600AJ) (SN B300002836 to Present)



ART_1001228005

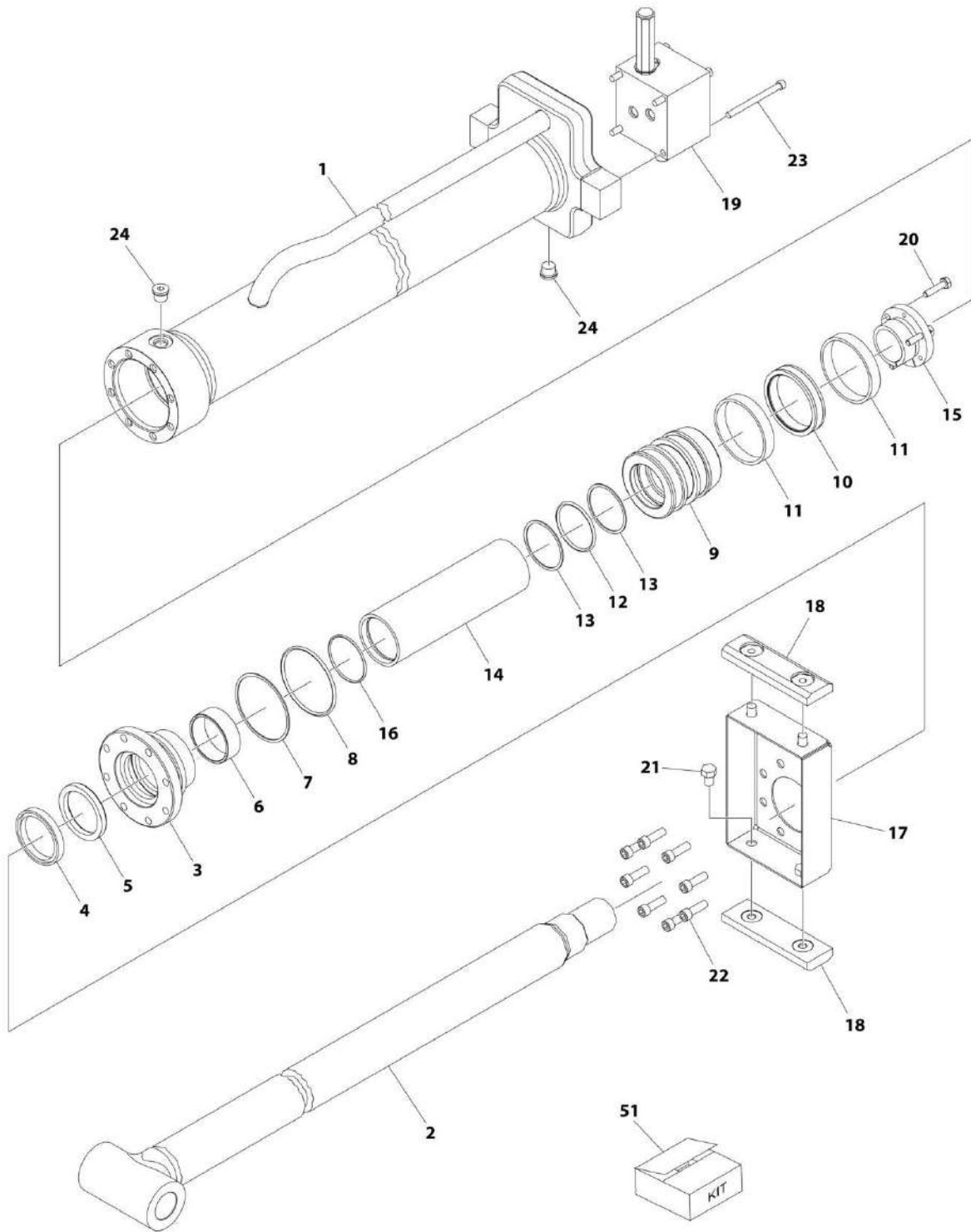
SECTION 5 - CYLINDER

FIGURE 5-24. TELESCOPE CYLINDER ASSEMBLY - MAIN BOOM (600A & 600AJ) (SN B300002836 to Present)

ITEM	PART NUMBER	QTY	DESCRIPTION	REV
	1001228005	Ref	TELESCOPE CYLINDER ASSEMBLY - MAIN BOOM	C
		Ref	Note: Original Cylinder may have been replaced with Service Replacement. Identify PN Stamped on Cylinder Before Ordering Parts.	
1	See Note	NSS	Barrel (Note: Use p/n 1001228005)	
2	70006813	1	Rod	
3	70006814	1	Head	
4	See Note	NSS	Wiper (Note: Use Item 100)	
5	70002412	1	Ring, Retaining	
6	See Note	NSS	Seal, Rod (Note: Use Item 100)	
7	See Note	NSS	Ring, Back-up (Note: Use Item 100)	
8	See Note	NSS	Ring, Wear (Note: Use Item 100)	
9	See Note	NSS	O-Ring (Note: Use Item 100)	
10	See Note	NSS	Ring, Back-up (Note: Use Item 100)	
11	70006815	1	Piston	
12	See Note	NSS	Seal (Note: Use Item 100)	
13	See Note	NSS	Ring, Wear (Note: Use Item 100)	
14	See Note	NSS	O-Ring (Note: Use Item 100)	
15	See Note	NSS	Ring, Back-up (Note: Use Item 100)	
16	70006816	1	Spacer	
17	70006817	1	Setscrew	
18	4640862	1	Valve Block Assembly (Note: No Service Parts Available - Replace Complete Assembly)	
19	70023373	2	Plug	
20	70023371	2	Plug	
21	70006818	1	Plate, Wear Pad	
22	70006793	10	Capscrew	
23	70006819	4	Capscrew	
24	3340608	2	Pad, Wear	
25	70006820	3	Bolt	
26	3790110	2	O-Ring (Located Between Barrel & Valve)	
100	70006821	1	Seal Kit (Includes Items 4, 6-10 & 12-15)	

SECTION 5 - CYLINDER

FIGURE 5-25. TELESCOPE CYLINDER ASSEMBLY - MAIN BOOM (600AJ) (SN B300002836 to Present)



ART_1001228007

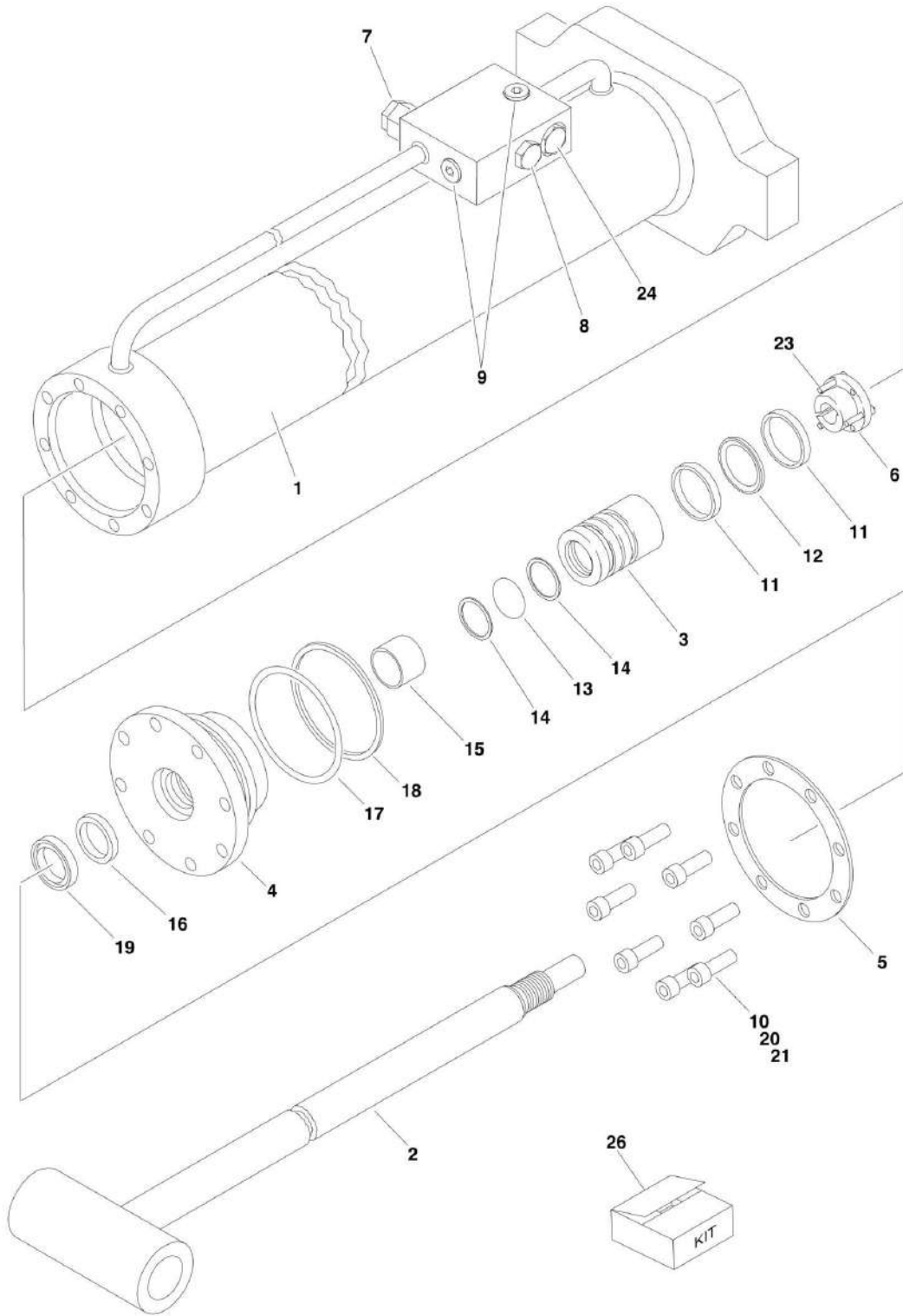
SECTION 5 - CYLINDER

FIGURE 5-25. TELESCOPE CYLINDER ASSEMBLY - MAIN BOOM (600AJ) (SN B300002836 to Present)

ITEM	PART NUMBER	QTY	DESCRIPTION	REV
	1001228007	Ref	TELESCOPE CYLINDER ASSEMBLY	C
		Ref	Note: Original Cylinder may have been replaced with Service Replacement. Identify PN Stamped on Cylinder Before Ordering Parts.	
1	See Note	NSS	Barrel (Note: Use p/n 1001228007)	
2	70006654	1	Rod	
3	70006483	1	Head	
4	See Note	NSS	Wiper (Note: Use Item 51)	
5	See Note	NSS	Seal, Rod (Note: Use Item 51)	
6	See Note	NSS	Ring, Wear (Note: Use Item 51)	
7	See Note	NSS	O-Ring (Note: Use Item 51)	
8	See Note	NSS	Ring, Back-up (Note: Use Item 51)	
9	70006482	1	Piston	
10	See Note	NSS	Seal (Note: Use Item 51)	
11	See Note	NSS	Ring, Wear (Note: Use Item 51)	
12	See Note	NSS	O-Ring (Note: Use Item 51)	
13	See Note	NSS	Ring, Back-up (Note: Use Item 51)	
14	70006655	1	Spacer	
15	0961896	1	Bushing, Tapered	
16	See Note	NSS	O-Ring (Note: Use Item 51)	
17	3538247	1	Plate, Wear Pad Mounting	
18	3340608	2	Pad, Wear	
19	4640862	1	Valve Block Assembly (Note: No Service Part Available - Replace Complete Assembly)	
20	0630535	3	Bolt 1/4 x 1-1/8	
21	0641604	4	Bolt 3/8 x 1/2	
22	3931516	8	Capscrew 5/16 x 1	
22	0100038	AR	Primer, Locking	
22	0100011	AR	Compound, Locking	
23	3931448	4	Capscrew 1/4 x 3	
24	2220885	2	Plug, O-Ring	
51	2901861	1	Seal Kit - 1001228007 Cylinder (Includes Item 4-8, 10-13 & 16)	

SECTION 5 - CYLINDER

FIGURE 5-26. TELESCOPE CYLINDER ASSEMBLY - TOWER BOOM (SN 0300087000 through 0300177361, SN B300000100 through B300002477)



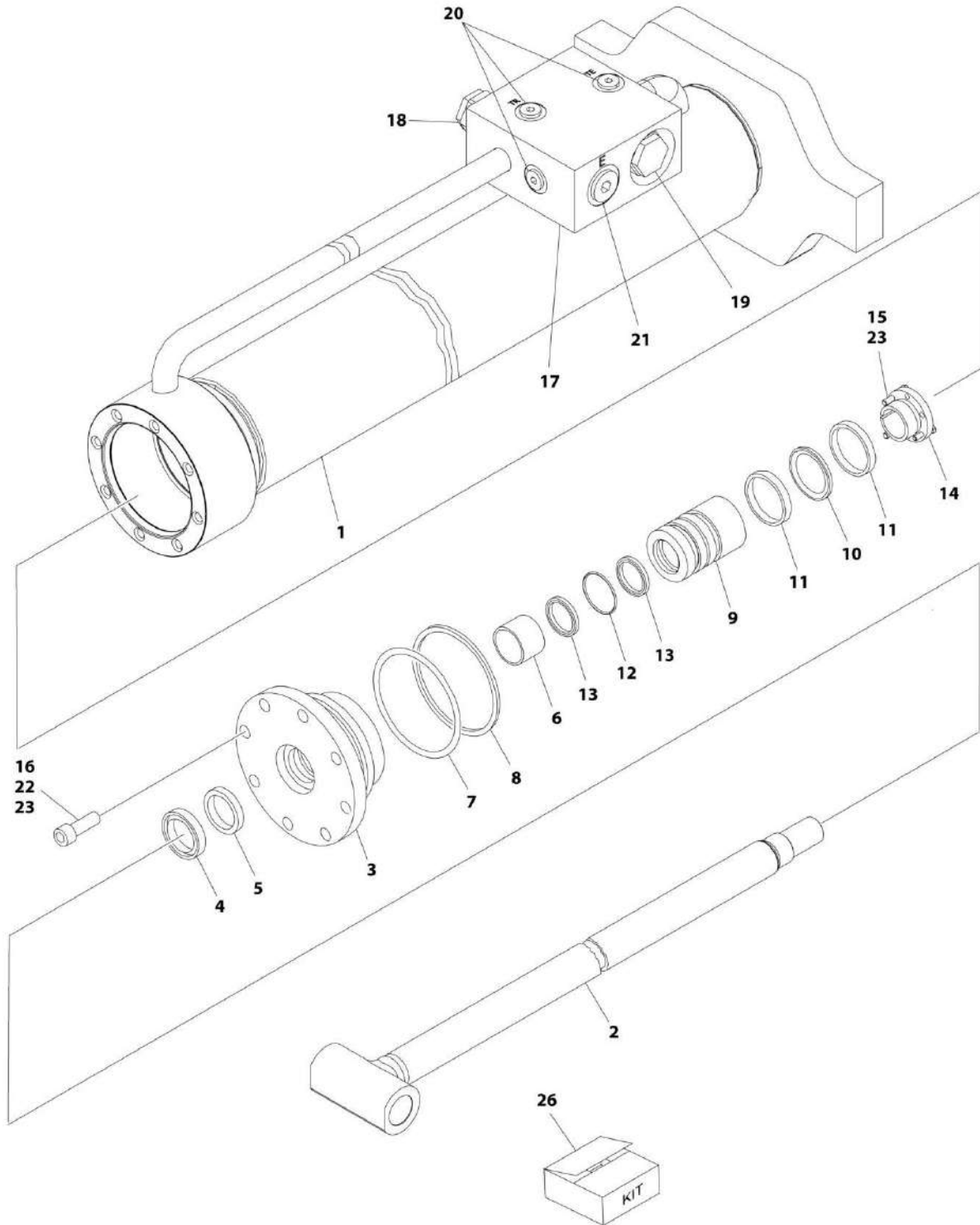
SECTION 5 - CYLINDER

FIGURE 5-26. TELESCOPE CYLINDER ASSEMBLY - TOWER BOOM (SN 0300087000 through 0300177361, SN B300000100 through B300002477)

ITEM	PART NUMBER	QTY	DESCRIPTION	REV
	1683312	Ref	TELESCOPE (TOWER BOOM) CYLINDER ASSEMBLY Note: Original Equipment components may have been replaced with Service Replacement components part. Identify p/n stamped on cylinder before ordering parts.	J
		Ref		
1	1683313	1	Barrel	
2	1683314	1	Rod	
3	3480212	1	Piston	
4	1683054	1	Head	
5	3760368	1	Ring, Washer	
5	1001228417	1	Ring, Washer	
6	0961896	1	Bushing, Tapered	
7	4640509	2	Cartridge, Valve	
7	2900792	2	Seal Kit - 4640509 Valve	
8	4640647	1	Cartridge, Valve	
8	2900770	1	Seal Kit - 4640647 Valve	
9	2220883	Ref	Plug, O-Ring	
9	2220883	1	USA Built Machines (SN 0300087000 through 0300138326)	
9	2220883	2	USA Built Machines (SN 0300138327 through 0300177361)	
9	2220883	2	China Built Machines (SN B300000100 through B3000002477)	
10	3931516	8	Capscrew, Socket Head 5/16in-18NC x 1in	
11	See Note	NSS	Ring, Wear (Note: Use Item 26)	
12	See Note	NSS	T-Seal (Note: Use Item 26)	
13	See Note	NSS	O-Ring (Note: Use Item 26)	
14	See Note	NSS	Ring, Back-up (Note: Use Item 26)	
15	See Note	NSS	Ring, Wear (Note: Use Item 26)	
16	See Note	NSS	Seal, Rod (Note: Use Item 26)	
17	See Note	NSS	O-Ring (Note: Use Item 26)	
18	See Note	NSS	Ring, Back-up (Note: Use Item 26)	
19	See Note	NSS	Wiper (Note: Use Item 26)	
20	0100038	AR	Primer, Locking	
21	0100011	AR	Compound, Locking	
23	0630535	3	Bolt 1/4in-20NC x 1-1/8in	
24	4640999	1	Cartridge, Valve	
24	7011185	1	Seal Kit - 4640999 Valve	
26	2901861	1	Seal Kit - 1683312 Cylinder (Includes Items 11-19)	

SECTION 5 - CYLINDER

FIGURE 5-27. TELESCOPE CYLINDER ASSEMBLY - TOWER BOOM (SN B30002478 to Present)



ART_1001228006

SECTION 5 - CYLINDER

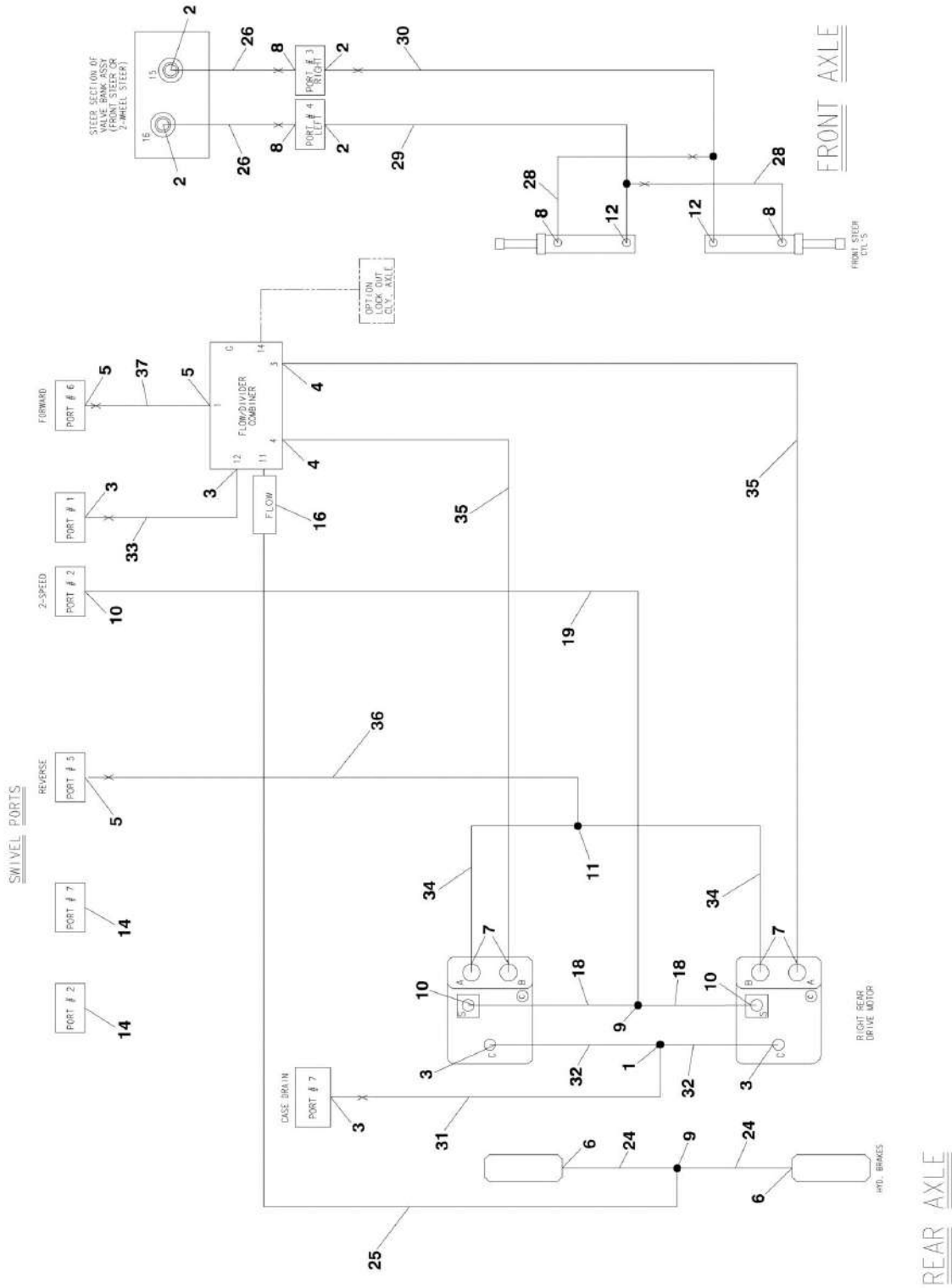
FIGURE 5-27. TELESCOPE CYLINDER ASSEMBLY - TOWER BOOM (SN B300002478 to Present)

ITEM	PART NUMBER	QTY	DESCRIPTION	REV
	1001228006	Ref	TELESCOPE CYLINDER ASSEMBLY - TOWER BOOM	B
		Ref	Note: Original Equipment components may have been replaced with Service Replacement components part. Identify p/n stamped on cylinder before ordering parts.	
1	See Note	NSS	Barrel (Note: Not Available for Purchase)	
2	70006484	1	Rod	
3	70006483	1	Head	
4	See Note	NSS	Wiper (Note: Use Item 26)	
5	See Note	NSS	Seal, Rod (Note: Use Item 26)	
6	See Note	NSS	Ring, Wear (Note: Use Item 26)	
7	See Note	NSS	O-Ring (Note: Use Item 26)	
8	See Note	NSS	Ring, Back-Up (Note: Use Item 26)	
9	70006482	1	Piston	
10	See Note	NSS	T-Seal (Note: Use Item 26)	
11	See Note	NSS	Ring, Wear (Note: Use Item 26)	
12	See Note	NSS	O-Ring (Note: Use Item 26)	
13	See Note	NSS	Ring, Back-Up (Note: Use Item 26)	
14	0961896	1	Bushing, Tapered	
15	0630535	3	Bolt 1/4 x 1-1/8	
16	3931516	8	Capscrew 5/16 x 1	
17	4640647	1	Cartridge, Valve	
17	2900770	1	Seal Kit - 4640647 Valve	
18	4640509	2	Cartridge, Valve	
18	2900792	2	Seal Kit - 4640509 Valve	
19	4640999	1	Cartridge, Valve	
19	2900792	1	Seal Kit - 4640999 Valve	
20	2220883	3	Plug, O-Ring	
21	2220886	2	Plug, O-Ring	
22	0100038	AR	Primer, Locking	
23	0100011	AR	Compound, Locking	
26	2901861	1	Seal Kit - 1001228006 Cylinder (Includes Items 4-8 & 10-13)	

SECTION 6 - HYDRAULIC

SECTION 6 - HYDRAULIC

FIGURE 6-1. DRIVE HYDRAULIC DIAGRAM - 2WD/2WS



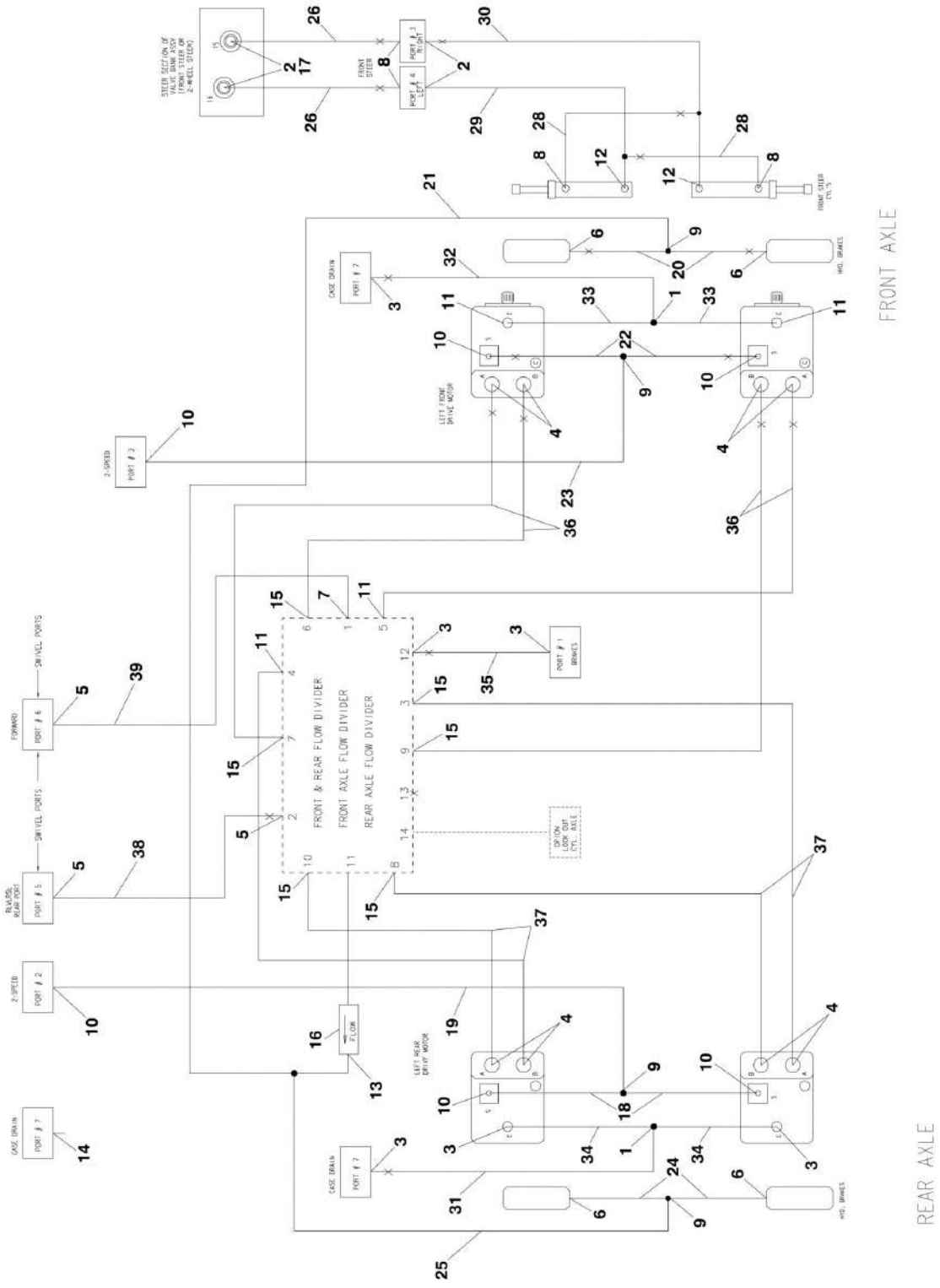
SECTION 6 - HYDRAULIC

FIGURE 6-1. DRIVE HYDRAULIC DIAGRAM - 2WD/2WS

ITEM	PART NUMBER	QTY	DESCRIPTION	REV
	2792692	Ref	DRIVE HYDRAULIC DIAGRAM - 2WD/2WS	3-R
1	2220362	1	Fitting, Tee	
2	2220371	4	Fitting, Straight	
3	2220373	5	Fitting, Straight	
4	2220451	2	Fitting, Straight	
5	2220377	3	Fitting, Straight	
6	2220415	2	Fitting, Straight	
7	2220451	4	Fitting, Straight	
8	2220473	4	Fitting, 90	
9	2220504	2	Fitting, Tee	
10	2220582	3	Fitting, Straight	
11	2221170	1	Fitting, Tee	
12	2220606	2	Fitting, Tee	
14	2220237	2	Fitting, Plug	
16	4641307	1	Valve, Check	
18	2753925	2	Hose	
19	2753924	1	Hose	
24	2752592	2	Hose	
25	2752910	1	Hose	
26	2752620	2	Hose	
28	2754235	2	Hose	
29	2752475	1	Hose	
30	2752611	1	Hose	
31	2752928	1	Hose	
32	2753929	2	Hose	
33	2752929	1	Hose	
34	2753969	2	Hose	
35	2753967	2	Hose	
36	2752341	1	Hose	
37	2753435	1	Hose	

SECTION 6 - HYDRAULIC

FIGURE 6-2. DRIVE HYDRAULIC DIAGRAM - 4WD/2WS



SECTION 6 - HYDRAULIC

FIGURE 6-2. DRIVE HYDRAULIC DIAGRAM - 4WD/2WS

ITEM	PART NUMBER	QTY	DESCRIPTION	REV
		Ref	DRIVE HYDRAULIC DIAGRAM - 4WD/2WS	
	2792687	Ref	USA Built Machines without Arctic Package	4-R
	2792730	Ref	USA Built Machines with Arctic Package	2-R
	1001114078	Ref	China Built Machines without Arctic Package (SN B300000100 through B300000883)	C-F
	1001165439	Ref	China Built Machines without Arctic Package (SN B300000884 to Present)	A-F
	2792730	Ref	China Built Machines with Arctic Package	2-R
1	2220362	2	Fitting, Tee	
2	2220371	4	Fitting, Straight	
3	2220373	6	Fitting, Straight	
4	2220375	8	Fitting, Straight	
5	2220377	3	Fitting, Straight	
6	2220415	4	Fitting, Straight	
7	2220646	1	Fitting, 90	
8	2220473	4	Fitting, 90	
9	2220504	4	Fitting, Tee	
10	2220582	6	Fitting, Straight	
11	2220596	4	Fitting, 90	
12	2220606	2	Fitting, Tee	
13	2220861	1	Fitting, Tee	
14	2220237	2	Fitting, Plug	
15		Ref	Fitting Options:	
15	2220500	6	Fitting, 45	
15	2220373	6	Fitting, Straight	
16	4641284	1	Valve, Check	
17	2220507	2	Fitting, 90 (with p/n 2792730 Arctic Package Only)	
18		Ref	Hose Options:	
18	2753925	2	USA Built Machines (SN 0300087000 through 0300177361)	
18	1001113864	2	China Built Machines without Arctic Package	
18	2753925	2	China Built Machines with Arctic Package	
19		Ref	Hose Options:	
19	2753924	1	USA Built Machines (SN 0300087000 through 0300177361)	
19	1001113862	1	China Built Machines without Arctic Package	
19	2753924	1	China Built Machines with Arctic Package	
20		Ref	Hose Options:	
20	2753926	2	USA Built Machines without Arctic Package	
20	1001113866	2	China Built Machines without Arctic Package	
20	2754731	2	With Arctic Package	
21		Ref	Hose Options:	
21	2753929	1	USA Built Machines without Arctic Package (SN 0300087000 through 0300177361)	
21	2754229	1	USA Built Machines with Arctic Package (SN 0300087000 through 0300177361)	
21	1001113881	1	China Built Machines without Arctic Package	
21	2754229	1	China Built Machines with Arctic Package	
22		Ref	Hose Options:	
22	2752574	2	USA Built Machines without Arctic Package	
22	1001113805	2	China Built Machines without Arctic Package	
22	2754732	2	With Arctic Package	

SECTION 6 - HYDRAULIC

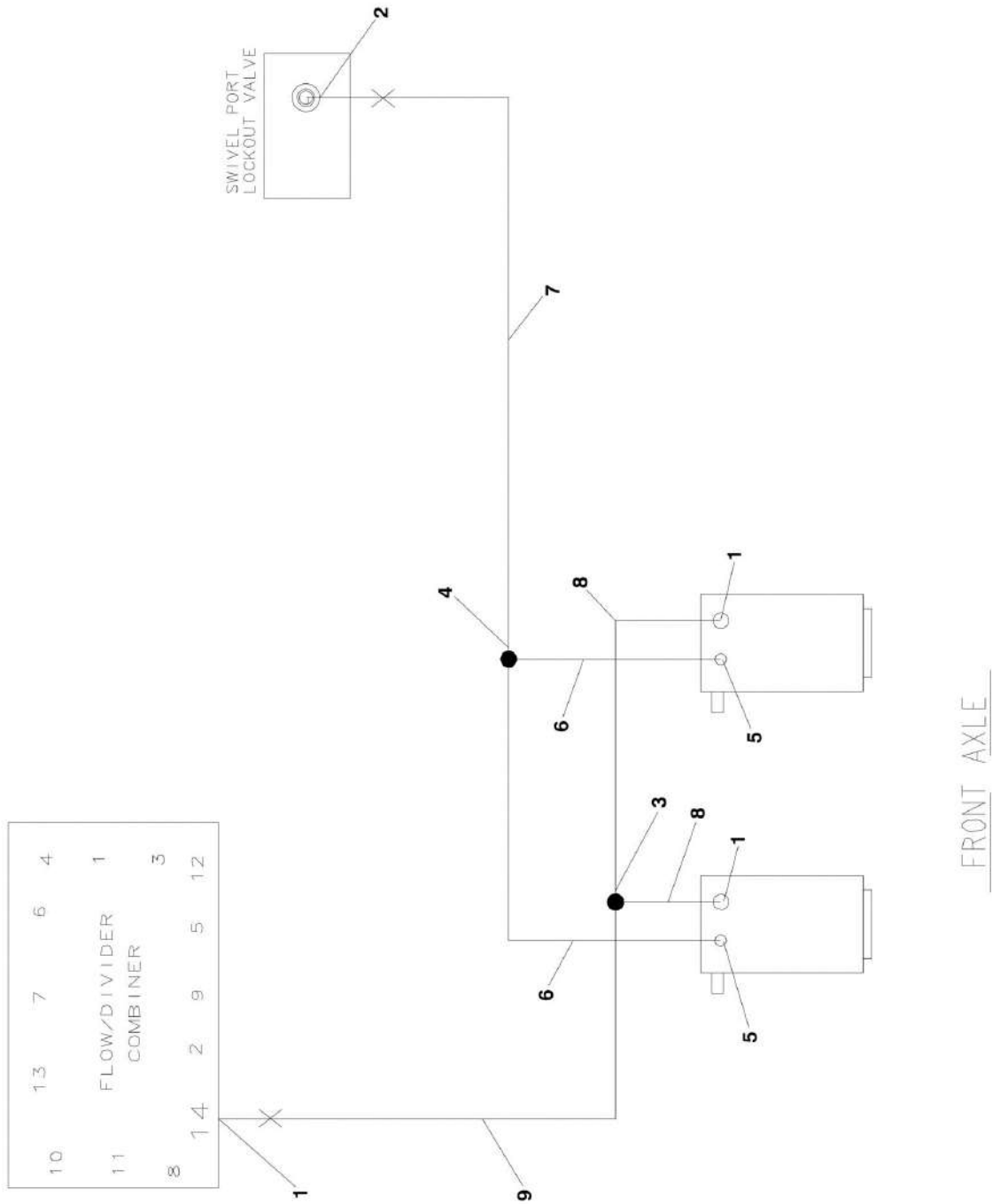
ITEM	PART NUMBER	QTY	DESCRIPTION	REV
23		Ref	Hose Options:	
23	2754230	1	USA Built Machines without Arctic Package	
23	1001113882	1	China Built Machines without Arctic Package	
23	2754230	1	With Arctic Package	
24		Ref	Hose Options:	
24	2752592	2	USA Built Machines (SN 0300087000 through 0300177361)	
24	1001113809	2	China Built Machines without Arctic Package	
24	2752592	2	China Built Machines with Arctic Package	
25		Ref	Hose Options:	
25	2752910	1	USA Built Machines (SN 0300087000 through 0300177361)	
25	1001113890	1	China Built Machines without Arctic Package	
25	2752910	1	China Built Machines with Arctic Package	
26		Ref	Hose Options:	
26	2752620	2	USA Built Machines (SN 0300087000 through 0300177361)	
26	1001113820	2	China Built Machines without Arctic Package	
26	2752620	2	China Built Machines with Arctic Package	
28		Ref	Hose Options:	
28	2754235	2	USA Built Machines (SN 0300087000 through 0300177361)	
28	1001113884	2	China Built Machines without Arctic Package	
28	2754235	2	China Built Machines with Arctic Package	
29		Ref	Hose Options:	
29	2752475	1	USA Built Machines (SN 0300087000 through 0300177361)	
29	1001113793	1	China Built Machines without Arctic Package	
29	2752475	1	China Built Machines with Arctic Package	
30		Ref	Hose Options:	
30	2752611	1	USA Built Machines (SN 0300087000 through 0300177361)	
30	1001113818	1	China Built Machines without Arctic Package	
30	2752611	1	China Built Machines with Arctic Package	
31		Ref	Hose Options:	
31	2752928	1	USA Built Machines without Arctic Package	
31	1001113835	1	China Built Machines without Arctic Package (SN B300000100 through B300000883)	
31	2752928	1	China Built Machines without Arctic Package (SN B300000884 to Present)	
31	2752928	1	With Arctic Package	
32		Ref	Hose Options:	
32	2754231	1	USA Built Machines without Arctic Package	
32	1001113883	1	China Built Machines without Arctic Package (SN B300000100 through B300000883)	
32	2754231	1	China Built Machines without Arctic Package (SN B300000884 to Present)	
32	2754231	1	With Arctic Package	
33		Ref	Hose Options:	
33	2753928	2	USA Built Machines without Arctic Package	
33	1001113868	2	China Built Machines without Arctic Package (SN B300000100 through B300000883)	
33	2753928	2	China Built Machines without Arctic Package (SN B300000884 to Present)	
33	2754733	2	With Arctic Package	
34		Ref	Hose Options:	
34	2753929	2	USA Built Machines (SN 0300087000 through 0300177361)	
34	1001113878	2	China Built Machines without Arctic Package	
34	2753929	2	China Built Machines with Arctic Package	

SECTION 6 - HYDRAULIC

ITEM	PART NUMBER	QTY	DESCRIPTION	REV
35		Ref	Hose Options:	
35	2753929	1	USA Built Machines (SN 0300087000 through 0300177361)	
35	1001113836	1	China Built Machines without Arctic Package	
35	2753929	1	China Built Machines with Arctic Package	
36		Ref	Hose Options:	
36	2754232	4	USA Built Machines without Arctic Package	
36	1001113897	4	China Built Machines without Arctic Package (SN B300000100 through B300000883)	
36	2754232	4	China Built Machines without Arctic Package (SN B300000884 to Present)	
36	2754734	4	With Arctic Package	
37		Ref	Hose Options:	
37	2753930	4	USA Built Machines (SN 0300087000 through 0300177361)	
37	1001113894	4	China Built Machines without Arctic Package	
37	2753930	4	China Built Machines with Arctic Package	
38		Ref	Hose Options:	
38	2754227	1	USA Built Machines (SN 0300087000 through 0300177361)	
38	1001113903	1	China Built Machines without Arctic Package	
38	2754227	1	China Built Machines with Arctic Package	
39		Ref	Hose Options:	
39	2754228	1	USA Built Machines (SN 0300087000 through 0300177361)	
39	1001113904	1	China Built Machines without Arctic Package	
39	2754228	1	China Built Machines with Arctic Package	

SECTION 6 - HYDRAULIC

FIGURE 6-3. HYDRAULIC DIAGRAM - OSCILLATING AXLE



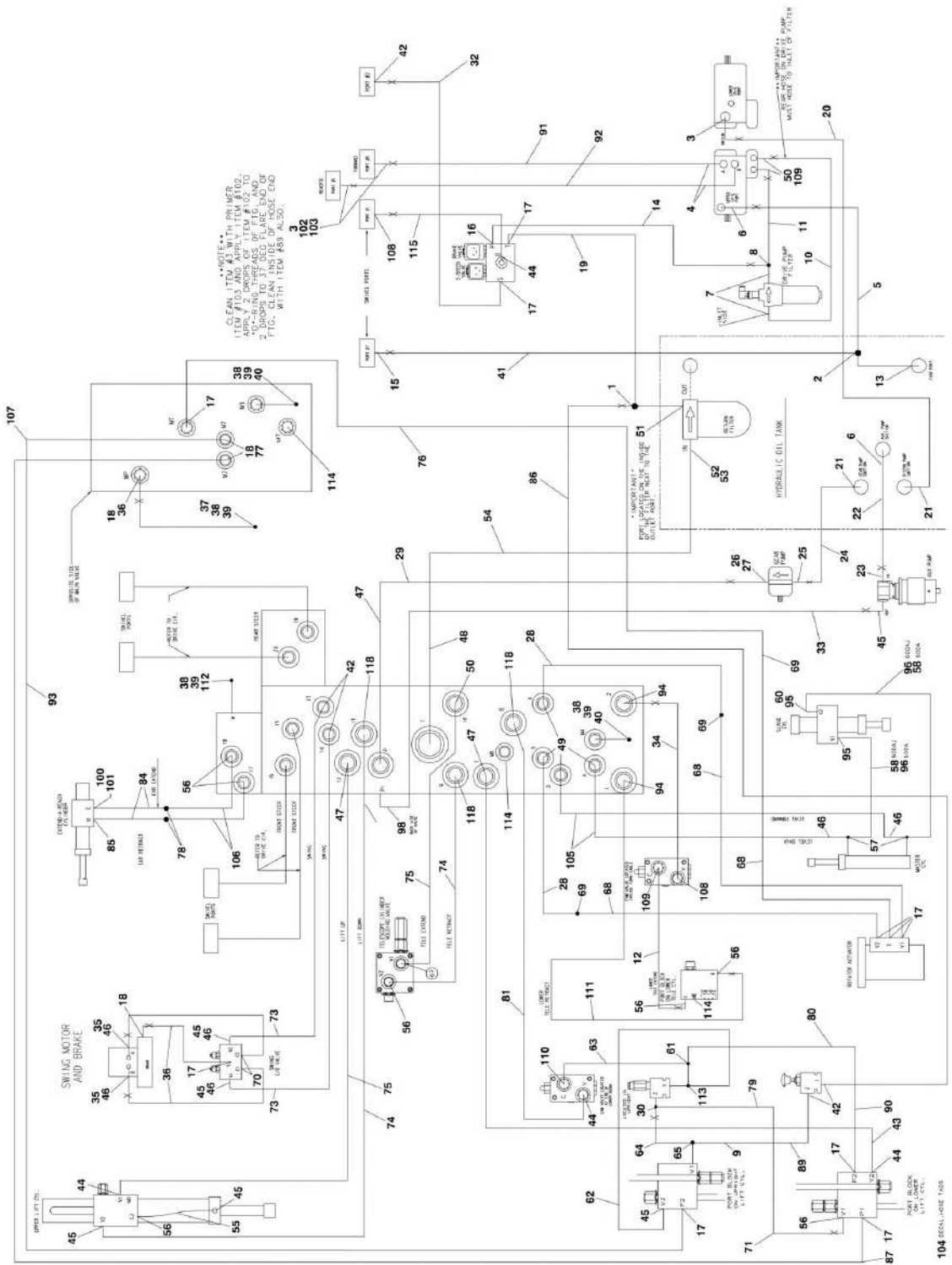
SECTION 6 - HYDRAULIC

FIGURE 6-3. HYDRAULIC DIAGRAM - OSCILLATING AXLE

ITEM	PART NUMBER	QTY	DESCRIPTION	REV
		Ref	HYDRAULIC DIAGRAM - OSCILLATING AXLE	
	2792690	Ref	USA Built Machines	1-R
	2792612	Ref	USA Built Machines with p/n 1001167359 Kit	1-Q
	1001114079	Ref	China Built Machines (SN B300000100 through B300001357)	C
	1001190028	Ref	China Built Machines (SN B300001358 through B300001985)	A
	1001114079	Ref	China Built Machines (SN B300001986 to Present)	C
1	2220371	3	Fitting, Straight	
2	2220468	1	Fitting, Straight	
3	2220490	1	Fitting, Tee	
4	2220504	1	Fitting, Tee	
5	2220415	2	Fitting, Straight	
6		Ref	Hose Options:	
6	2751434	2	USA Built Machines	
6	1001113914	2	China Built Machines	
7		Ref	Hose Options:	
7	2751410	1	USA Built Machines	
7	1001113913	1	China Built Machines	
8		Ref	Hose Options:	
8	2753933	2	USA Built Machines	
8	1001113879	2	China Built Machines	
9		Ref	Hose Options:	
9	2752462	1	USA Built Machines	
9	1001113789	1	China Built Machines (SN B300000100 through B300001357)	
9	2752462	1	China Built Machines (SN B300001358 to Present)	

SECTION 6 - HYDRAULIC

FIGURE 6-4. HYDRAULIC DIAGRAM - STANDARD (SN 0300087000 through 0300137452)



SECTION 6 - HYDRAULIC

FIGURE 6-4. HYDRAULIC DIAGRAM - STANDARD (SN 0300087000 through 0300137452)

ITEM	PART NUMBER	QTY	DESCRIPTION	REV
	2792688	Ref	HYDRAULIC DIAGRAM - STANDARD (600A)	10-M
	2792689	Ref	HYDRAULIC DIAGRAM - STANDARD (600AJ)	8-M
1	2220605	1	Fitting, Tee	
2	2220409	1	Fitting, 45	
3	2220377	3	Fitting, Straight (Qty 1 is Part of Pump Assembly)	
4	2220646	2	Fitting, 90 (Part of Pump Assembly)	
5		Ref	Hose Options:	
5	2752655	1	Hose, 74in/1.9m Length	
5	1001093549	1	Hose, 82in/2m Length	
6	2220578	2	Fitting, 90 (Qty 1 is Part of Pump Assembly)	
7	2221042	2	Fitting, 90	
8	2220948	1	Fitting, Tee	
9	2220618	1	Fitting, Reducer	
10	2754329	1	Hose	
11	2754330	1	Hose	
12	2753132	1	Hose	
13	2220738	1	Fitting, Tee	
14	2754328	1	Hose	
15	2220375	AR	Fitting, Straight (600A - Qty.1 /600AJ - Qty.2)	
16	2220474	1	Fitting, 90	
17	2220466	AR	Fitting, 90	
18	2220415	AR	Fitting, Straight	
19	2753325	1	Hose	
20	2752723	1	Hose	
21	2220379	2	Fitting, Straight	
22	2752656	1	Hose	
23	2220567	1	Fitting, 90	
24	2752724	1	Hose	
25	2220376	1	Fitting, Straight (Part of Pump Assembly)	
26	2220810	1	Fitting, Reducer (Part of Pump Assembly)	
27	4640744	1	Valve, Check (Part of Pump Assembly)	
28	2752604	2	Hose (Note: Also Requires #69 & #68 for Complete Run Up Boom)	
29	2752929	1	Hose	
30	2220602	1	Fitting, Tee	
32	2751396	1	Hose	
33	2752635	1	Hose	
34	2753133	1	Hose	
35	2220497	2	Fitting, Straight	
36	2752573	AR	Hose	
37	2220414	1	Fitting, Straight	
38	2220428	4	Fitting, Quick Coupling	
39	2220429	4	Cap, Dust	
40	2220873	3	Fitting	
41	2753968	1	Hose	
42	2220582	AR	Fitting, Straight	
43	2752506	1	Hose (600A)	
43	2752516	1	Hose (600AJ)	
44	2220596	4	Fitting, 90	
45	2220628	6	Fitting, 90	
46	2220609	AR	Fitting, Reducer	

SECTION 6 - HYDRAULIC

ITEM	PART NUMBER	QTY	DESCRIPTION	REV
47	2220381	3	Fitting, Long Straight	
48	2220974	1	Fitting, Long Straight	
49	2220923	4	Fitting, Long Straight	
50	2220374	1	Fitting	
51	2220574	1	Fitting, Straight	
52	2220921	1	Fitting, Reducer	
53	2220498	1	Fitting, 45	
54	2752783	1	Hose	
55	2752469	1	Hose	
56	2220372	AR	Fitting, Straight (600A - Qty.5 / 600AJ - Qty.7)	
57	2220899	2	Fitting, Tee	
58	2752636	1	Hose (600A)	
58	2752468	1	Hose (600AJ)	
60	2220657	1	Fitting, 45 (600A Only)	
61	2221065	1	Fitting, Tee	
62	2752462	1	Hose	
63	2753134	1	Hose	
64	2752497	1	Hose	
65	2220999	1	Fitting, Tee	
67	2220500	1	Fitting, 45	
68	2752601	3	Hose (Note: Also Requires #69 & #28 or #76 for Complete Run Up Boom)	
69	2220510	3	Fitting, Coupling	
70	2220468	2	Fitting, Straight	
71	2753052	1	Hose	
73	2752603	2	Hose	
74	2753055	2	Hose	
75	2752939	2	Hose	
76	2752579	1	Hose (Note: Also Requires #69 & #68 for Complete Run Up Boom)	
77	2220654	2	Fitting, 90	
78	2220511	1	Fitting, Coupling (600AJ Only)	
79	2753056	1	Hose	
80	2752991	1	Hose	
81	2753135	1	Hose	
84	2753047	2	Hose (600AJ Only) (Note: Also Requires #78 & #106 for Complete Run Up Boom)	
85	2220473	1	Fitting, 90 (600AJ Only)	
86	2752453	1	Hose	
87	2752593	1	Hose	
89	2752990	1	Hose	
90	2752985	1	Hose	
91	2752343	1	Hose	
92	2752341	1	Hose	
94	2220998	2	Hose	
95	2220603	2	Fitting, Straight	
96	2753046	1	Hose (600A)	
96	2752650	1	Hose (600AJ)	
98	2220473	1	Fitting, 90	
100	2180724	1	Fitting, Modified 90 (600AJ Only)	
101	2180380	1	Plug, Orifice.06 (600AJ Only)	
102	0100011	AR	Compound, Locking	
103	0100038	AR	Primer, Locking	

SECTION 6 - HYDRAULIC

ITEM	PART NUMBER	QTY	DESCRIPTION	REV
104	1703534	2	Decal, Hose Tags (Not Shown)	
105	2752989	2	Hose	
106	2752618	2	Hose (600AJ Only) (Note: Also Requires #78 & #84 for Complete Run Up Boom)	
107	2752987	1	Hose	
108	2220373	2	Fitting, Straight	
109	2220947	3	Fitting, Straight (Qty 2 is Part of Pump Assembly)	
110	2221036	1	Fitting, O-Ring	
111	2752484	1	Hose	
112	2220873	1	Fitting, Nipple	
113	2221053	1	Fitting, Tee	
114	2220235	3	Plug	
115	2752519	1	Hose	
118	1001104423	3	Fitting, Adapter (One Piece Design) (Replaces Two Separate Fittings on USA Built Machines) (SN 0300087000 through 0300134296)	

SECTION 6 - HYDRAULIC

FIGURE 6-5. HYDRAULIC DIAGRAM - STANDARD (SN 0300137453 through 0300177361, SN B300000100 to Present)

ITEM	PART NUMBER	QTY	DESCRIPTION	REV
		Ref	HYDRAULIC DIAGRAM - STANDARD	
	2792688	Ref	Hydraulic Diagram 600A USA Built Machines	C-4
	1001114076	Ref	Hydraulic Diagram 600A China Built Machines (SN B300000100 through B300000883)	E-F
	1001165403	Ref	Hydraulic Diagram 600A China Built Machines (SN B300000884 to Present)	A
	2792689	Ref	Hydraulic Diagram 600AJ USA Built Machines	B-S
	1001114077	Ref	Hydraulic Diagram 600AJ China Built Machines (SN B300000100 through B300000883)	E-F
	1001165404	Ref	Hydraulic Diagram 600AJ China Built Machines (SN B300000884 to Present)	A
1	2220605	1	Fitting, Tee	
2	2220409	1	Fitting, 45	
3	2220377	2	Fitting, Straight	
5		Ref	Hose Options:	
5	1001093549	1	USA Built Machines	
5	1001113889	1	China Built Machines	
6	2220578	1	Fitting, 90	
7	2221042	2	Fitting, 90	
8	2220948	1	Fitting, Tee	
9	2220618	1	Fitting, Reducer	
10		Ref	Hose Options:	
10	2754329	1	USA Built Machines	
10	1001113886	1	China Built Machines (SN B300000100 through B300000883)	
10	2754329	1	China Built Machines (SN B300000884 to Present)	
11		Ref	Hose Options:	
11	2754330	1	USA Built Machines	
11	1001113887	1	China Built Machines (SN B300000100 through B300000883)	
11	2754330	1	China Built Machines (SN B300000884 to Present)	
12		Ref	Hose Options:	
12	2753132	1	USA Built Machines	
12	1001113850	1	China Built Machines (SN B300000100 through B300000883)	
12	2753132	1	China Built Machines (SN B300000884 to Present)	
13	2220738	1	Fitting, Tee	
14		Ref	Hose Options:	
14	2754328	1	USA Built Machines	
14	1001113885	1	China Built Machines	
15	2220375	AR	Fitting, Straight	
16	2220474	1	Fitting, 90	
17	2220466	9	Fitting, 90	
18	2220415	AR	Fitting, Straight	
19		Ref	Hose Options:	
19	2753325	1	USA Built Machines	
19	1001113855	1	China Built Machines	
20		Ref	Hose Options:	
20	2752723	1	USA Built Machines	
20	1001113909	1	China Built Machines	
21	2220379	2	Fitting, Straight	
22		Ref	Hose Options:	
22	2752656	1	USA Built Machines	

SECTION 6 - HYDRAULIC

ITEM	PART NUMBER	QTY	DESCRIPTION	REV
22	10011133908	1	China Built Machines	
23	2220567	1	Fitting, 90	
24		Ref	Hose Options:	
24	2752724	1	USA Built Machines	
24	1001113910	1	China Built Machines (SN B300000100 through B300000883)	
24	2752724	1	China Built Machines (SN B300000884 to Present)	
28		Ref	Hose Options: (Note: Also Requires #69 & #68 for Complete Run Up Boom)	
28	2752604	2	USA Built Machines	
28	1001113817	2	China Built Machines (SN B300000100 through B300000883)	
28	2752604	2	China Built Machines (SN B300000884 to Present)	
29		Ref	Hose Options:	
29	2752929	1	USA Built Machines	
29	1001113836	1	China Built Machines	
30	2220602	1	Fitting, Tee	
32		Ref	Hose Options:	
32	2751396	1	USA Built Machines	
32	1001113912	1	China Built Machines	
33		Ref	Hose Options:	
33	2752635	1	USA Built Machines	
33	1001113824	1	China Built Machines	
34		Ref	Hose Options:	
34	2753133	1	USA Built Machines	
34	1001113851	1	China Built Machines (SN B300000100 through B300000883)	
34	2753133	1	China Built Machines (SN B300000884 to Present)	
36	2752573	AR	Hose (USA Built Machines) (SN 0300137453 through 0300138476)	
37	2220414	AR	Fitting, Straight	
38	2220428	AR	Fitting, Quick Coupling	
39	2220429	AR	Cap, Dust	
40	2220873	3	Fitting	
41		Ref	Hose Options:	
41	2753968	1	USA Built Machines	
41	1001113896	1	China Built Machines	
42	2220582	AR	Fitting, Straight	
43		Ref	Hose Options:	
43	2752506	1	Hose 600A USA Built Machines	
43	1001113799	1	Hose 600A China Built Machines (SN B300000100 through B300000883)	
43	2752506	1	Hose 600A China Built Machines (SN B300000884 to Present)	
43	2752516	1	Hose 600AJ USA Built Machines	
43	1001113802	1	Hose 600AJ China Built Machines	
44	2220596	4	Fitting, 90	
45	2220628	4	Fitting, 90	
46	2220609	2	Fitting, Reducer (China Built Machines Only)	
47	2220381	3	Fitting, Long Straight	
48	2220974	1	Fitting, Long Straight	
49	2220923	4	Fitting, Long Straight	
50	2220374	1	Fitting	
51	2220574	1	Fitting, Straight	
52	2220921	1	Fitting, Reducer	
53	2220498	1	Fitting, 45	

SECTION 6 - HYDRAULIC

ITEM	PART NUMBER	QTY	DESCRIPTION	REV
54		Ref	Hose Options:	
54	2752783	1	USA Built Machines	
54	1001113911	1	China Built Machines	
55		Ref	Hose Options:	
55	2752469	1	USA Built Machines	
55	1001113792	1	China Built Machines	
56	2220372	AR	Fitting, Straight (600A - Qty.5 / 600AJ - Qty.7)	
57	2220899	2	Fitting, Tee	
58		Ref	Hose Options:	
58	2752636	1	Hose 600A USA Built Machines	
58	1001113825	1	Hose 600A China Built Machines (SN B300000100 through B300000883)	
58	2752636	1	Hose 600A China Built Machines (SN B300000884 to Present)	
58	2752468	1	Hose 600AJ USA Built Machines	
58	1001113791	1	Hose 600AJ China Built Machines (SN B300000100 through B300000883)	
58	2752468	1	Hose 600AJ China Built Machines (SN B300000884 to Present)	
60	2220657	AR	Fitting, 45	
61	2221065	1	Fitting, Tee	
62		Ref	Hose Options:	
62	2752462	1	USA Built Machines	
62	1001113789	1	China Built Machines (SN B300000100 through B300000883)	
62	2752462	1	China Built Machines (SN B300000884 to Present)	
63		Ref	Hose Options:	
63	2753134	1	USA Built Machines	
63	1001113852	1	China Built Machines	
64		Ref	Hose Options:	
64	2752497	1	Hose USA Built Machines	
64	1001113796	1	Hose China Built Machines	
65	2220999	1	Fitting, Tee	
67	2220500	1	Fitting, 45	
68		Ref	Hose Options: (Note: Also Requires #69 & #28 or #76 for Complete Run Up Boom)	
68	2752601	3	USA Built Machines	
68	1001113815	3	China Built Machines (SN B300000100 through B300000883)	
68	2752601	3	China Built Machines (SN B300000884 to Present)	
69	2220510	3	Fitting, Coupling	
71		Ref	Hose Options:	
71	2753052	1	USA Built Machines	
71	1001113847	1	China Built Machines	
73		Ref	Hose Options:	
73	2752600	2	USA Built Machines	
73	1001113816	2	China Built Machines	
74		Ref	Hose Options:	
74	2753055	2	USA Built Machines	
74	1001113848	2	China Built Machines (SN B300000100 through B300000883)	
74	2753055	2	China Built Machines (SN B300000884 to Present)	
75		Ref	Hose Options:	
75	2752939	2	USA Built Machines	
75	1001113837	2	China Built Machines (SN B300000100 through B300000883)	
75	2752939	2	China Built Machines (SN B300000884 to Present)	

SECTION 6 - HYDRAULIC

ITEM	PART NUMBER	QTY	DESCRIPTION	REV
76		Ref	Hose Options: (Note: Also Requires #69 & #68 for Complete Run Up Boom)	
76	2752579	1	USA Built Machines	
76	1001113806	1	China Built Machines (SN B300000100 through B300000883)	
76	2752579	1	China Built Machines (SN B300000884 to Present)	
77	2220654	2	Fitting, 90	
78	2220511	1	Fitting, Coupling (600AJ Only)	
79		Ref	Hose Options:	
79	2753056	1	USA Built Machines	
79	1001113849	1	China Built Machines (SN B300000100 through B300000883)	
79	2753056	1	China Built Machines (SN B300000884 to Present)	
80		Ref	Hose Options:	
80	2752991	1	USA Built Machines	
80	1001113844	1	China Built Machines (SN B300000100 through B300000883)	
80	2752991	1	China Built Machines (SN B300000884 to Present)	
81		Ref	Hose Options:	
81	2753135	1	USA Built Machines	
81	1001113853	1	China Built Machines (SN B300000100 through B300000883)	
81	2753135	1	China Built Machines (SN B300000884 to Present)	
84		Ref	Hose (600AJ Only): (Note: Also Requires #78 & #106 for Complete Run Up Boom)	
84	2753047	2	USA Built Machines	
84	1001113846	2	China Built Machines (SN B300000100 through B300000883)	
84	2753047	2	China Built Machines (SN B300000884 to Present)	
85	2220473	1	Fitting, 90 (600AJ Only)	
86		Ref	Hose Options:	
86	2752453	1	USA Built Machines	
86	1001113786	1	China Built Machines	
87		Ref	Hose Options:	
87	2752593	1	USA Built Machines	
87	1001113810	1	China Built Machines	
89		Ref	Hose Options:	
89	2752990	1	USA Built Machines	
89	1001113843	1	China Built Machines (SN B300000100 through B300000883)	
89	2752990	1	China Built Machines (SN B300000884 to Present)	
90		Ref	Hose Options:	
90	2752985	1	USA Built Machines	
90	1001113840	1	China Built Machines	
91		Ref	Hose Options:	
91	2752343	1	USA Built Machines (72in/1.83m Length)	
91	2752341	1	USA Built Machines (66in/1.68m Length)	
91	1001113902	1	China Built Machines (72in/1.83m Length) (SN B300000100 through B300000883)	
91	1001113901	1	China Built Machines (66in/1.68m Length) (SN B300000100 through B300000883)	
91	2752343	1	China Built Machines (66in/1.68m Length) (SN B300000884 to Present)	
92		Ref	Hose Options:	
92	2752343	1	USA Built Machines (72in/1.83m Length)	
92	2752341	1	USA Built Machines (66in/1.68m Length)	
92	1001113902	1	China Built Machines (72in/1.83m Length) (SN B300000100 through B300000883)	
92	1001113901	1	China Built Machines (66in/1.68m Length) (SN B300000100	

SECTION 6 - HYDRAULIC

ITEM	PART NUMBER	QTY	DESCRIPTION	REV
92	2752341	1	through B300000883) China Built Machines (66in/1.68m Length) (SN B300000884 to Present)	
94	2220998	2	Fitting, Straight	
95	2220603	2	Fitting, Straight	
96		Ref	Hose Options:	
96	2753046	1	Hose 600A USA Built Machines	
96	1001113845	1	Hose 600A China Built Machines (SN B300000100 through B300000883)	
96	2753046	1	Hose 600A China Built Machines (SN B300000884 to Present)	
96	2752650	1	Hose 600AJ USA Built Machines	
96	1001113827	1	Hose 600AJ China Built Machines (SN B300000100 through B300000883)	
96	2752650	1	Hose 600AJ China Built Machines (SN B300000884 to Present)	
98	2220473	1	Fitting, 90	
100	2180724	1	Fitting, Modified 90 (600AJ Only)	
101	2180380	1	Plug, Orifice.06 (600AJ Only)	
102	0100011	AR	Compound, Locking	
103	0100038	AR	Primer, Locking	
104	1703534	2	Decal, Hose Tags (Not Shown)	
105		Ref	Hose Options:	
105	2752989	2	USA Built Machines	
105	1001113842	2	China Built Machines (SN B300000100 through B300000883)	
105	2752989	2	China Built Machines (SN B300000884 to Present)	
106		Ref	Hose Options (600AJ Only): (Note: Also Requires #78 & #84 for Complete Run Up Boom)	
106	2752618	2	USA Built Machines	
106	1001113819	2	China Built Machines (SN B300000100 through B300000883)	
106	2752618	2	China Built Machines (SN B300000884 to Present)	
107		Ref	Hose Options:	
107	2752987	1	USA Built Machines	
107	1001113841	1	China Built Machines (SN B300000100 through B300000883)	
107	2752987	1	China Built Machines (SN B300000884 to Present)	
108	2220373	2	Fitting, Straight	
109	2220947	1	Fitting, Straight	
110	2221036	1	Fitting, O-Ring	
111		Ref	Hose Options:	
111	2752484	1	USA Built Machines	
111	1001113795	1	China Built Machines	
112	2220873	1	Fitting, Nipple (600AJ Only)	
113	2221053	1	Fitting, Tee	
115		Ref	Hose Options:	
115	2752519	1	USA Built Machines	
115	1001113803	1	China Built Machines (SN B300000100 through B300000883)	
115	2752519	1	China Built Machines (SN B300000884 to Present)	
118	1001104423	3	Fitting, Adapter	
119	2220507	4	Fitting, 90 Adapter	
120		Ref	Fitting Options:	
120	2220582	1	Fitting, Straight (USA Built Machines) (SN 0300087000 through 0300161244)	
120	2220582	1	Fitting, Straight (China Built Machines) (SN B300000100 through B300000628)	

SECTION 6 - HYDRAULIC

ITEM	PART NUMBER	QTY	DESCRIPTION	REV
120	2220472	1	Fitting, 90 (USA Built Machines) (SN 0300161245 through 0300177361)	
120	2220472	1	Fitting, 90 (China Built Machines) (SN B300000629 to Present)	

SECTION 6 - HYDRAULIC

FIGURE 6-6. HYDRAULIC DIAGRAM LIST

ITEM	PART NUMBER	QTY	DESCRIPTION	REV
		Ref	Note: Diagrams not shown in manual are available from JLG Service/Parts Department.	
		Ref	DRIVE HYDRAULIC DIAGRAMS	
	1283429	Ref	USA Built Machines with 8ft/2.4m Width Frame:	
	2792692	Ref	Drive Hydraulic Diagram - 2WD/2WS	
	2792702	Ref	Drive Hydraulic Diagram - 2WD/4WS	
	2792687	Ref	Drive Hydraulic Diagram - 4WD/2WS	
	2792730	Ref	Drive Hydraulic Diagram - 4WD/2WS (Arctic Package)	
	2792697	Ref	Drive Hydraulic Diagram - 4WD/4WS	
	1001102165	Ref	Drive Hydraulic Diagram - 4WD/4WS (Arctic Package)	
	1283429	Ref	USA Built Machines with 7ft/2.1m Width Frame:	
	2792191	Ref	Drive Hydraulic Diagram - 2WD/2WS	
	2792192	Ref	Drive Hydraulic Diagram - 2WD/2WS	
	1001114071 AND	Ref	China Built Machines	
	1283429			
	2792692	Ref	Drive Hydraulic Diagram - 2WD/2WS	
	1001114078	Ref	Drive Hydraulic Diagram - 4WD/2WS	
	2792730	Ref	Drive Hydraulic Diagram - 4WD/2WS (Arctic Package)	
		Ref	Drive Hydraulic Diagram - 4WD/4WS Options:	
	2792697	Ref	Drive Hydraulic Diagram - 4WD/4WS (SN B300000100 through B300000628)	
	1001138034	Ref	Drive Hydraulic Diagram - 4WD/4WS (SN B300000629 to Present)	
	1001102165	Ref	Drive Hydraulic Diagram - 4WD/4WS (Arctic Package)	
		Ref	FLUSHING LOOP HYDRAULIC DIAGRAMS	
	2792787	Ref	Flushing Loop Hydraulic Diagrams 2WD	
	1283429	Ref	Flushing Loop Hydraulic Diagrams 2WD	
	2792786	Ref	Flushing Loop Hydraulic Diagrams 4WD	
	1283429	Ref	Flushing Loop Hydraulic Diagrams 4WD	
		Ref	OIL COOLER HYDRAULIC DIAGRAMS	
	0256765	Ref	Deutz Engine/USA Built Machines (SN 0300087000 through 0300137662)	
	1282665	Ref	Deutz Engine/USA Built Machines (SN 0300087000 through 0300137662)	
	1001108702	Ref	Deutz Engine/USA Machines Built (SN 0300137663 through 0300177361)	
	1001108702	Ref	Deutz Engine/China Built Machines (SN B300000100 to Present)	
	0256778	Ref	Ford/GM Machines	
	1283309	Ref	Ford/GM Machines	
		Ref	OSCILLATING AXLE HYDRAULIC DIAGRAMS	
	2792690	Ref	USA Built Machines	
	1283429	Ref	USA Built Machines	
	1001114079	Ref	China Built Machines (SN B300000100 through B300001357)	
	1001190028	Ref	China Built Machines (SN B300001358 through B300001985)	A
	1001114079	Ref	China Built Machines (SN B300001986 to Present)	C
	1001114071	Ref	China Built Machines (Chart Drawing)	
		Ref	STANDARD HYDRAULIC DIAGRAM	
	2792688	Ref	Standard Hydraulic Diagram 600A USA Built Machines	
	1283429	Ref	Standard Hydraulic Diagram 600A USA Built Machines	

SECTION 6 - HYDRAULIC

ITEM	PART NUMBER	QTY	DESCRIPTION	REV
	1001114076	Ref	Standard Hydraulic Diagram 600A China Built Machines (SN B300000100 through B300000883)	
	1001165403	Ref	Standard Hydraulic Diagram 600A China Built Machines (SN B300000884 to Present)	
	1001114071	Ref	Standard Hydraulic Diagram Chart 600A China Built Machines	
	2792689	Ref	Standard Hydraulic Diagram 600AJ USA Built Machines	
	1283429	Ref	Standard Hydraulic Diagram 600AJ USA Built Machines	
	1001114077	Ref	Standard Hydraulic Diagram 600AJ China Built Machines (SN B300000100 through B300000883)	
	1001165404	Ref	Standard Hydraulic Diagram 600AJ China Built Machines (Including B300000884)	
	1001114071	Ref	Standard Hydraulic Diagram Chart 600AJ China Built Machines	
		Ref	STANDARD HYDRAULIC SCHEMATIC	
	2792691	Ref	Standard Hydraulic Schematic	
	2792405	Ref	TOOL CIRCUIT HYDRAULIC DIAGRAM	
	2792315	Ref	TOW HYDRAULIC DIAGRAM	

SECTION 7 - ELECTRICAL

SECTION 7 - ELECTRICAL

FIGURE 7-1. ELECTRICAL DIAGRAM LIST

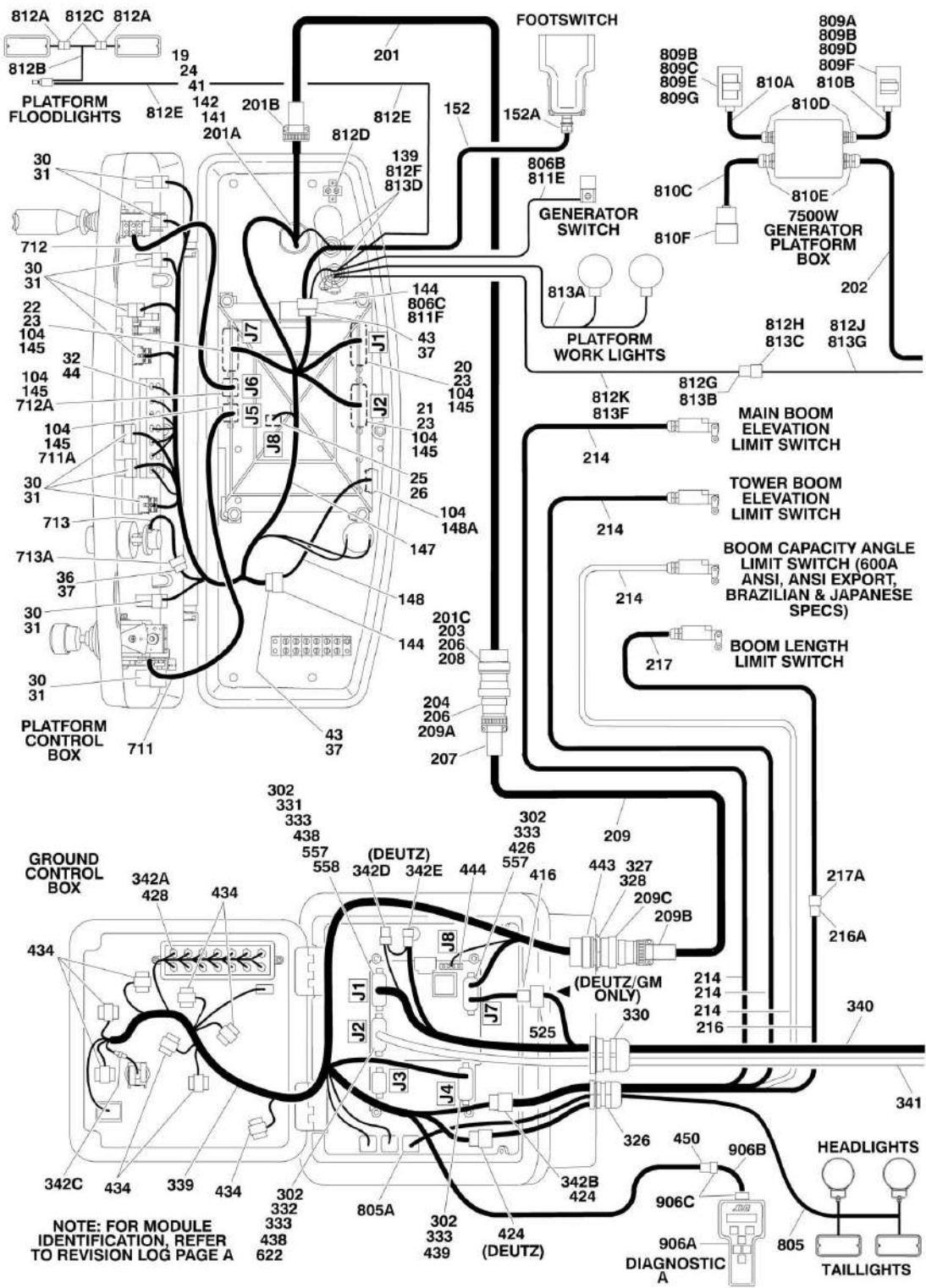
ITEM	PART NUMBER	QTY	DESCRIPTION	REV
		Ref	Note: Diagrams not shown are available from the JLG Service Department. See Service and Maintenance Manual for Schematics.	
		Ref	Note: For module identification, refer to Revision Log Page A.	
	4933312	Ref	CHASSIS ILLUMINATION ELECTRICAL DIAGRAM	
	1282571	Ref	COLD WEATHER START ELECTRICAL DIAGRAM (DEUTZ)	
		Ref	DRIVE CUTOUT KIT ELECTRICAL DIAGRAMS	
	4932990	Ref	Drive Cutout Kit (Above Elevation Beyond Transport)	
	4932993	Ref	Drive Cutout Kit (Above Elevation Tilt) (ANSI, ANSI Export, Australian Brazilian and Japanese Specs Only)	
	4932986	Ref	ENGINE LOW OIL SHUTDOWN ELECTRICAL DIAGRAM	
	4933308	Ref	FLOOD LIGHTS ELECTRICAL DIAGRAM	
		Ref	GENERATOR ELECTRICAL DIAGRAMS	
		Ref	2500W Options:	
	4933300	Ref	Caterpillar and Deutz and Ford Engine 110V 50Hz/60Hz (All Specs USA Built Machines) (SN 0300087000 through 0300132839)	
	4933300	Ref	Caterpillar and Deutz and Ford Engine 110V/220V 60Hz (USA Built Machines) (SN 0300132840 through 0300139040)	
	1001112588	Ref	Caterpillar and Deutz Engine 110V/220V 60Hz (USA Built Machines) (SN 0300139041 through 0300177361)	
	1001112588	Ref	Caterpillar and Deutz Engine 110V/220V 60Hz (China Built Machines) (SN B300000100 to Present)	
	1001100027	Ref	Caterpillar and Deutz and Ford Engine 110V/220V 50Hz (USA Built Machines) (SN 0300132840 through 0300139040)	
	1001112743	Ref	Caterpillar and Deutz Engine 110V/220V 50Hz (USA Built Machines) (SN 0300139041 through 0300177361)	
	4933350	Ref	GM Engine	
		Ref	4000W Options:	
	1001153025	Ref	4000W/50Hz Generators (ANSI Export Spec) (SN B300000100 through B300001234)	
	1001194437	Ref	4000W/50Hz Generators (ANSI Export Spec) (SN B300001235 to Present)	
	1001159648	Ref	4000W/50Hz Generators (Australian Spec)	
	1001132055	Ref	4000W/60Hz Generators (Australian Spec)	
		Ref	7500W SkyPower Options:	
	4933264	Ref	Caterpillar/Deutz Engines (USA Built Machines) (SN 0300087000 through 0300139040)	
	1001112586	Ref	Caterpillar/Deutz Engines (USA Built Machines) (SN 0300139041 through 0300177361)	
	1001112586	Ref	Caterpillar/Deutz Engines (China Built Machines) (SN B300000100 through B300001392)	
	1001157769	Ref	Deutz Engines (China Built Machines) (SN B300001393 to Present)	
	4933283	Ref	Ford Engine	
	4933349	Ref	GM Engine	
	4933219	Ref	HEADLIGHTS/TAILLIGHTS ELECTRICAL DIAGRAM	
	4933278	Ref	LSS PLATFORM MODULE ELECTRICAL DIAGRAM	
	4933218	Ref	PLATFORM SOFT TOUCH SYSTEM ELECTRICAL DIAGRAM	
	0273492	Ref	PLATFORM WORKLIGHTS ELECTRICAL DIAGRAM	
	4933263	Ref	POWER TOOL ELECTRICAL DIAGRAM	
		Ref	STANDARD ELECTRICAL DIAGRAMS	

SECTION 7 - ELECTRICAL

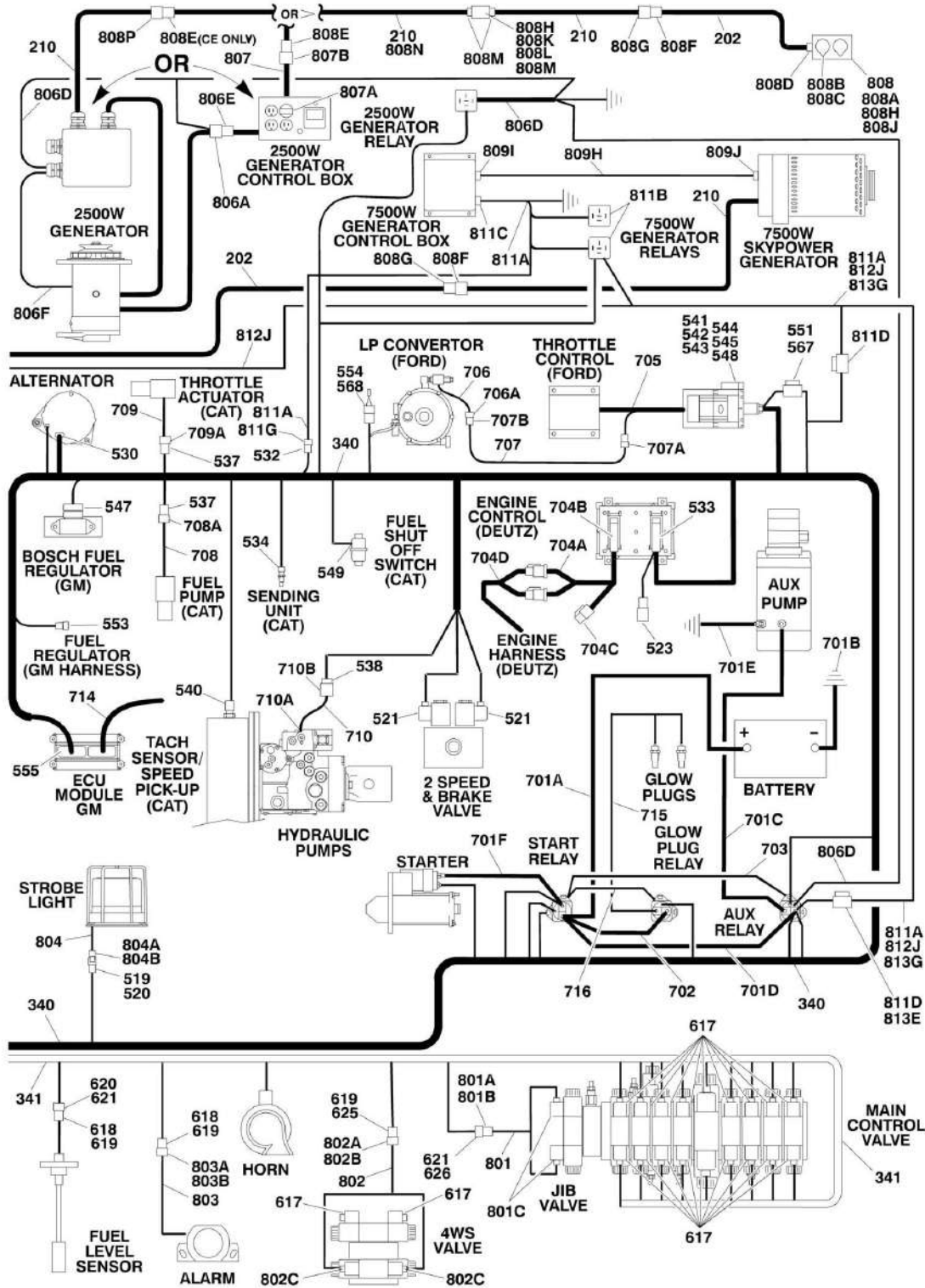
ITEM	PART NUMBER	QTY	DESCRIPTION	REV
		Ref	USA Built Machines: (SN 0300087000 through 0300099060)	
	4933329	Ref	Caterpillar Engine (ANSI and ANSI Export Specs)	
	4933330	Ref	Caterpillar Engine (Australian and CE Specs)	
	4933319	Ref	Deutz Engine	
	4933331	Ref	Ford EFI Engine	
	4933354	Ref	GM Engine	
		Ref	USA Built Machines: (SN 0300099061 through 0300139040)	
	4933363	Ref	Caterpillar Engine	
	4933362	Ref	Deutz Engine	
	4933361	Ref	GM Engine	
		Ref	USA Built Machines: (SN 0300139041 through 0300177361)	
	1001110382	Ref	Caterpillar Engine	
	1001110381	Ref	Deutz Engine	
	1001110380	Ref	GM Engine	
		Ref	China Built Machines: (SN B300000100 through B300001392)	
	1001110382	Ref	Caterpillar Engine	
	1001110381	Ref	Deutz Engine	
		Ref	China Built Machines: (SN B300001393 to Present)	
	1001188863	Ref	Caterpillar Engines	
	1001154396	Ref	Deutz Engines	
		Ref	STANDARD ELECTRICAL SCHEMATIC	
		Ref	USA Built Machines:	
	1870132	Ref	Caterpillar and Ford Engine Machines (Without UGM) (SN 0300087000 through 0300099060)	
	1870191	Ref	Deutz and GM Engine Machines (Without UGM) (SN 0300087000 through 0300099060)	
	1870215	Ref	Caterpillar, Deutz and GM Engine Machines (Without UGM) (SN 0300099061 through 0300139041)	
	1001110345	Ref	Caterpillar, Deutz and GM Engine Machines (With UGM)	
	1001131992	Ref	GM Engine Schematic (Engine Schematic Only. P/N 1001110345 is schematic for complete machine)	
		Ref	CHINA BUILT MACHINES:	
	1001110345	Ref	Caterpillar, Deutz and GM Engine Machines (With UGM)	

SECTION 7 - ELECTRICAL

FIGURE 7-2. HARNESS COMPONENTS INSTALLATION (WITHOUT UGM)



SECTION 7 - ELECTRICAL



SECTION 7 - ELECTRICAL

FIGURE 7-2. HARNESS COMPONENTS INSTALLATION (WITHOUT UGM)

ITEM	PART NUMBER	QTY	DESCRIPTION	REV
		Ref	Note: For Module Identification, Refer to Revision Log Page A.	
		Ref	Note: Machines Built without UGM are All USA Built Machines.	
		Ref	PLATFORM BOX HARNESS ASSEMBLY	
	4922639	Ref	Platform Box Harness (SN 0300087000 through 0300136622)	8-I
	1001107753	Ref	Platform Box Harness (SN 0300136623 through 0300177361)	C
19	4460866	1	Connector - 19 Position	
20	4460874	1	Connector - 35 Position (Natural)	
21	4460875	1	Connector - 35 Position (Gray)	
22	4460873	1	Connector - 35 Position (Black)	
23	4460871	70	Socket, Female	
24	4460464	7	Pin, Male (16 Gauge)	
25	4460879	1	Terminal, Housing 2 Position	
26	4460887	2	Terminal, (12 Gauge)	
30	4460418	9	Connector - 6 Position	
31	4460419	27	Terminal, Female	
32	4120035	13	Base, Light	
36	4460225	1	Connector, Male- 6 Position	
37	4460227	6	Pin, Male	
41	4460508	3	Pin, Male (12 Gauge)	
43	4460434	2	Connector - 15 Position	
44	2920129	13	Lamp, Indicator	
		Ref	PLATFORM BOX ASSEMBLY COMPONENTS	
104	0100048	AR	Grease, Dielectric	
139	4460428	2	Connector, Strain Relief	
141	4460470	1	Nut, Terminal	
142	4460471	1	Lockwasher, Terminal	
144	4460708	2	Connector, Female - 15 Position	
145	4460905	5	Seal, Plug	
147	4922639	1	Harness, Platform Console Box (Includes Items 19-44)	
148	4922666	1	Harness, Analyzer Cable	2-B
148	4460226	4	Socket, Female (Not Shown - Located at J2)	
148A	4460761	1	Connector, Female - 4 Position	
148A	4460227	4	Pin, Male	
152	See Note	1	Footswitch Harness (Note: Not Available for Purchase)	
152	1060918	8 ft/2.4m	Cable, Electrical - 18/3	
152A	4460071	1	Connector, Strain Relief	
		Ref	BOOM CABLES INSTALLATION	
		Ref	Boom Cables Installation 600A	
	0270818	Ref	ANSI, ANSI Export, Brazilian, Japanese Specs without 7500W Generator	6
	0272624	Ref	ANSI and ANSI Export Specs with 7500W Generator	2
	0275265	Ref	ANSI and ANSI Export Specs with Arctic Package without 7500W Generator	1
	1001093436	Ref	ANSI and ANSI Export Specs with Arctic Package without 7500W Generator	2-A
	0273427	Ref	Australian Spec without 7500W Generator	1
	0273429	Ref	Australian Spec with 7500W Generator	1
	0270819	Ref	CE and Latin American Specs without 7500W Generator	6
	0272626	Ref	CE, Japanese and Latin American Specs with 7500W Generator	2

SECTION 7 - ELECTRICAL

ITEM	PART NUMBER	QTY	DESCRIPTION	REV
		Ref	Boom Cables Installation 600AJ	
	0270820	Ref	ANSI, ANSI Export, Brazilian, Japanese Specs without 7500W Generator	6
	0272625	Ref	ANSI and ANSI Export Specs with 7500W Generator	2
	0275140	Ref	ANSI and ANSI Export Specs with Arctic Package	1
	1001093432	Ref	ANSI and ANSI Export Specs with Arctic Package without 7500W Generator	2-A
	0273428	Ref	Australian and Latin American Specs without 7500W Generator	1
	0273430	Ref	Australian and Latin American Specs with 7500W Generator	1
	0270821	Ref	CE Spec without 7500W Generator	7
	0272627	Ref	CE Spec with 7500W Generator	2
201		Ref	Harness, Main Boom Options:	
201	4922493	1	Without Arctic Package	2-B
201	4923472	1	With Arctic Package	1-A
201		Ref	Cable Options:	
201	1060896	45.5 ft /13.9m	Without Arctic Package	
201	4923462	45.5 ft /13.9m	With Arctic Package	
201A	4460865	1	Connector - 19 Position	
201A	4460465	11	Socket, Female - #16	
201A	4460509	4	Socket, Female - #12	
201A	4460466	4	Seal, Plug	
201B	4460473	1	Clamp, Cable	
201C	4460464	11	Pin, Male (16-18 Gauge)	
201C	4460508	4	Pin, Male (10-12 Gauge)	
201C	2820118	AR	Shrink, Heat	
202		Ref	Cable, Electrical (Main Boom) Options (Does not include plug ends):	
202		Ref	Without SkyPower:	
202	4922894	1	ANSI, ANSI Export, Brazilian, Japanese Specs (12/3)	
202	4923474	1	ANSI, ANSI Export Specs with Arctic Package (12/3)	
202	4922895	1	Australian, CE and American Specs (12/3)	
202		Ref	With SkyPower:	
202	4922810	1	Machines without Arctic Package (8/5)	
202	1001093433	NLA	Machines with Arctic Package (8/5) (Use p/n 4922810) (SN 030087000 through 0300121176)	
203	2820031	AR	Shrink, Heat	
204	4460865	1	Connector - 19 Position	
206	4460466	8	Seal, Plug	
207	4460473	1	Clamp, Cable	
208	4460866	1	Connector (19 Pin)	
209		Ref	Harness, Tower Boom Cable Options:	
209	4922494	1	Without Arctic Package	C
209	4923473	1	With Arctic Package	1-A
209		Ref	Cable Options:	
209	1060896	35.5 ft /10.8m	Without Arctic Package	
209	4923462	35.5 ft /10.8m	With Arctic Package	
209A	4460465	11	Socket, Female - #16	
209A	4460509	4	Socket, Female - #12	

SECTION 7 - ELECTRICAL

ITEM	PART NUMBER	QTY	DESCRIPTION	REV
209A	2820118	AR	Shrink, Heat	
209B	4460473	1	Clamp, Cable	
209C	4460865	1	Connector - 19 Position	
209C	4460465	11	Socket, Female - #16	
209C	4460509	4	Socket, Female - #12	
209C	4460466	4	Seal, Plug	
210		Ref	Cable, Electrical (Tower Boom) Options (Does not include plug ends):	
210		Ref	Without SkyPower:	
210	4922892	1	ANSI, ANSI Export, Brazilian, Japanese Specs (12/3)	
210	4923475	1	ANSI, ANSI Export Specs with Arctic Package (12/3)	
210	4922893	1	Australian, CE and Latin American Specs (12/3)	
210		Ref	With SkyPower:	
210	4922811	1	Machines without Arctic Package (8/5)	
210	1001093448	NLA	Machines with Arctic Package (8/5) (Use p/n 4922811) (SN 0300087000 through 0300121176)	
214	1061033	AR	Cable, Electrical - 18/2 Main Boom Limit Switch	
214		Ref	Cable, Electrical 600A ANSI, ANSI Export, Brazilian and Japanese Specs	
214		Ref	600AJ ANSI, ANSI Export, Brazilian, Japanese Specs	
214		Ref	Cable, Electrical 600A & 600AJ Australian, CE Cable, Electrical Latin American Specs	
214	4923476	3	Cable, Electrical 600A ANSI, ANSI Export Spec with Arctic Package	
214	4923476	2	Cable, Electrical 600AJ ANSI, ANSI Export Spec with Arctic Package	
216		Ref	Cable, Electrical - 18/2 Main Boom Length Options:	
216	4922891	1	Cable, Electrical 600A All Specs except Australian and Latin American Specs	1-A
216	Not Required	0	Cable, Electrical 600A Australian and Latin American Specs	
216	4923500	1	Cable, Electrical 600A ANSI, ANSI Export Spec with Arctic Package	1-A
216	Not Required	0	Cable, Electrical 600AJ All Specs except CE Spec	
216	4922891	1	Cable, Electrical 600AJ CE Spec	1-A
216	Not Required	0	Cable, Electrical 600AJ ANSI, ANSI Export Spec with Arctic Package	
216A	4460891	1	Plug, Male - 2 Position	
216A	4460465	2	Socket, Female	
217		Ref	Cable, Electrical - 18/2 Main Boom Length Options:	
217	4922890	1	Cable, Electrical 600A All Specs except Australian and Latin American Specs	1-A
217	Not Required	0	Cable, Electrical 600A Australian and Latin American Specs	
217	4923501	1	Cable, Electrical 600A ANSI, ANSI Export Spec with Arctic Package	1-A
217	Not Required	0	Cable, Electrical 600AJ All Specs except CE Spec	
217	4922896	1	Cable, Electrical 600AJ CE Spec	1-A
217	Not Required	0	Cable, Electrical 600AJ ANSI, ANSI Export Spec with Arctic Package	
217A	4460897	1	Receptacle, Female - 2 Position	
217A	4460464	2	Pin, Male	
		Ref	GROUND CONTROL BOX COMPONENTS	
		Ref	Ground Control Box 600A:	
		Ref	Ground Control Box : (SN 0300087000 through 0300099060)	
	0861700	Ref	Caterpillar Engine (ANSI and ANSI Export Specs)	B

SECTION 7 - ELECTRICAL

ITEM	PART NUMBER	QTY	DESCRIPTION	REV
	0861702	Ref	Caterpillar Engine (Australian and CE Specs)	B
	0861689	Ref	Deutz Engine (ANSI and ANSI Export Specs)	B
	0861691	Ref	Deutz Engine (Australian and CE Specs)	B
	0861704	Ref	Ford Engine (ANSI and ANSI Export Specs)	B
	0861786	Ref	GM Engine (ANSI and ANSI Export Specs)	B
		Ref	Ground Control Box : (SN 0300099061 through 0300177361)	
	1810061	Ref	Caterpillar Engine (ANSI and ANSI Export Specs)	D
	1810062	Ref	Caterpillar Engine (Australian and CE Specs)	E
	1810059	Ref	Deutz Engine (ANSI and ANSI Export Specs)	C
	1810060	Ref	Deutz Engine (Australian and CE Specs)	C
	1810058	Ref	GM Engine (ANSI and ANSI Export Specs)	B
		Ref	Ground Control Box 600AJ:	
		Ref	Ground Control Box: (SN 0300087000 through 0300099060)	
	0861701	Ref	Caterpillar Engine (ANSI and ANSI Export Specs)	B
	0861703	Ref	Caterpillar Engine (Australian and CE Specs)	B
	0861690	Ref	Deutz Engine (ANSI and ANSI Export Specs)	B
	0861692	Ref	Deutz Engine (ANSI and ANSI Export Specs)	B
	0861705	Ref	Ford Engine (ANSI and ANSI Export Specs)	B
	0861787	Ref	GM Engine (ANSI and ANSI Export Specs)	B
		Ref	Ground Control Box: (SN 0300099061 through 0300177361)	
	1810066	Ref	Caterpillar Engine (ANSI and ANSI Export Specs)	D
	1810067	Ref	Caterpillar Engine (Australian and CE Specs)	E
	1810064	Ref	Deutz Engine (ANSI and ANSI Export Specs)	C
	1810065	Ref	Deutz Engine (Australian and CE Specs)	C
	1810063	Ref	GM Engine (ANSI and ANSI Export Specs)	B
302	0100048	AR	Grease, Dielectric	
326	4460426	1	Terminal, Strain Relief	
327	4460470	1	Nut, Terminal	
328	4460471	1	Lockwasher, Terminal	
330	4460526	1	Connector, Strain Relief	
331	4460874	1	Connector, Natural	
332	4460875	1	Connector, Gray	
333	4460905	4	Connector, Amp Seal Plug	
339		Ref	Ground Control Box Harness Assembly Options (See Items 416-450 for Breakdown)	
339	4923231	1	Caterpillar and Ford Engine (SN 0300087000 through 0300099060)	
339	4923223	1	Deutz and GM Engine (SN 0300087000 through 0300099060)	
339	4923575	1	Caterpillar, Deutz and GM Engine (SN 0300099061 through 0300177361)	
340		Ref	Engine Harness Assembly (See Items 519-568 for Breakdown)	
340	4923227	1	Caterpillar Engine Machines (SN 0300087000 through 0300099060)	
340	4923576	1	Caterpillar Engine Machines (SN 0300099061 through 0300177361)	
340	3990001	1	Diode (SN 0300090378 through 0300177361)	
340	4923212	1	Deutz Engine Machines (SN 0300087000 through 0300177361)	
340	4923226	1	Ford Engine Machines	
340	4923492	1	GM Engine Machines	
341	4923224	1	Valve Harness Assembly (See Items 617-626 for Breakdown):	

SECTION 7 - ELECTRICAL

ITEM	PART NUMBER	QTY	DESCRIPTION	REV
342		Ref	Ground Control Box Wiring Diagram (Not Shown)	
342		Ref	Ground Control Box Wiring: (SN 0300087000 through 0300099060)	
342	4933329	1	Caterpillar Engine (ANSI and ANSI Export Specs)	3-D
342	4933330	1	Caterpillar Engine (Australian and CE Specs)	3-C
342	4933319	1	Deutz Engine	F
342	4933331	1	Ford Engine	2-B
342	4933354	1	GM Engine	C
342		Ref	Ground Control Box Wiring: (SN 0300099061 through 0300177361)	
342	4933363	1	Caterpillar Engine (All Specs)	E
342	4933362	1	Deutz Engine	D
342	4933361	1	GM Engine	D
342A	2920129	AR	Bulb, Light	
342B	4460708	1	Connector, Female - 15 Position	
342B	4460226	AR	Socket, Female	
342B	4922637	1	Harness, Jumper (Not Shown)	
342C	2400065	1	Fuse, 30Amp	
342C	2400066	1	Fuse, Holder with Cover	
342D	4460894	1	Plug, Male - 6 Position (Deutz all and Caterpillar) (SN 0300099061 through 0300177361)	
342D	4460892	1	Connector, Female - 6 Position (Deutz all and Caterpillar) (SN 0300099061 through 0300177361)	
342E	4460539	1	Plug, Male - 3 Position (Caterpillar Only)	
342E	2902443	1	Receptacle Kit (Deutz Only)	
342E	4461071	8	Socket, Female	
342E	4461072	1	Receptacle	
342E	4461073	1	Cap, Dust	
342E	4461074	1	Shell, Black	
342F	4923591	1	Harness, Jumper (Not Shown - Located on Module J7-6 to J7-17 Caterpillar Only)	
		Ref	GROUND CONTROL HARNESS ASSEMBLY	
	4923231	Ref	Caterpillar and Ford Engine (SN 0300087000 through 0300099060)	5-E
	4923223	Ref	Deutz and GM Engine (SN 0300087000 through 0300099060)	G
	4923575	Ref	Caterpillar, Deutz and GM Engine (SN 0300099061 through 0300177361)	C
416	4460536	1	Connector, Female 3- Position (Deutz and GM all and Caterpillar) (SN 0300099061 through 0300177361)	
416	4460943	3	Pin, Male (Deutz and GM all and Caterpillar) (SN 0300099061 through 0300177361)	
421	3990010	2	Diode - 6Amp (Not Shown)	
424	4460434	AR	Connector, Male 15 - Position	
424	4460227	AR	Pin	
426	4460873	1	Connector, Male - 35 Position (Black)	
426	4460871	AR	Socket, Female	
426	4460905	AR	Plug, Seal	
428	4120035	AR	Base, Light	
428	4460634	AR	Terminal (16 Gauge)	
428	4460635	AR	Terminal (12 Gauge)	
434	4460418	AR	Connector, Female - 6 Position	
434	4460419	AR	Socket, Female	
438	4460871	11	Socket, Female	

SECTION 7 - ELECTRICAL

ITEM	PART NUMBER	QTY	DESCRIPTION	REV
439	4460876	1	Connector, Male - 35 Position (Blue)	
439	4460871	AR	Socket, Female	
439	4460905	AR	Plug, Seal	
443	4460866	1	Connector - 19 Position	
443	4460464	AR	Pin, Male (16 Gauge)	
443	4460508	3	Pin, Male (12 Gauge)	
444	4460878	1	Housing, Terminal - 4 Position	
444	4460887	3	Terminal (12 Gauge)	
450	4460761	1	Connector, Female 4 - Position	
450	4460227	4	Pin, Male	
		Ref	ENGINE HARNESS ASSEMBLIES	
	4923227	Ref	Caterpillar Engine Machines (SN 0300087000 through 0300099060)	3-C
	4923576	Ref	Caterpillar Engine Machines (SN 0300099061 through 0300177361)	D
	4923212	Ref	Deutz Engine Machines (SN 0300087000 through 0300177361)	F
	4923226	Ref	Ford Engine Machines	2-B
	4923492	Ref	GM Engine Machines	D
519	4460424	1	Receptacle, Female - 2 Position	
520	4460268	2	Socket, Female	
521	4460880	2	DIN Connector without Diode	
522	4460891	2	Connector, Male - 2 Position (Caterpillar Engine Only)	
522	4460465	7	Socket, Female	
523	4461070	1	Receptacle, Female with Resistor (3 Position) (Deutz Engine Only)	
523	4461095	1	Plug, Male - 3 Position (Deutz Engine Only)	
523	4460944	3	Socket, Female (Deutz Engine Only)	
525	4460539	1	Connector, Male - 3 Position (Deutz Engine Only)	
525	4460944	3	Socket, Female (Deutz Engine Only)	
530	4460582	3	Terminal (Ford Engine Only)	
530	4460580	1	Lock, Terminal (Ford Engine Only)	
530	4460579	1	Housing - 3 Position (Ford Engine Only)	
532	4461157	1	Receptacle, Female - 2 Position (Deutz/GM Engine Only)	
532	4460979	2	Pin, Male (Deutz/GM Engine Only)	
532	4460458	2	Seal, Terminal (Deutz/GM Engine Only)	
533	4461052	1	Connector, Receptacle - 25 Position (Deutz Engine Only)	
533	4461005	5	Terminal (Gold) (Deutz Engine Only)	
533	4461006	5	Seal, Terminal (Deutz Engine Only)	
533	4461060	2	Terminal (Tin) (Deutz Engine Only)	
533	4461054	2	Seal, Terminal (Deutz Engine Only)	
533	4461053	1	Cover, Plug (Deutz Engine Only)	
534	4460996	1	Connector, Female - 3 Position (Caterpillar Engines Only)	
534	4460995	2	Terminal, Spade (Caterpillar Engines Only)	
537	4460891	2	Plug, Male - 2 Position (Caterpillar Engines Only)	
537	4460465	4	Socket, Female (Caterpillar Engines Only)	
538	4460460	1	Connector, Male - 4 Position	
538	4460457	AR	Terminal, Female	
538	4460458	AR	Seal, Terminal	
540	4460539	1	Plug, Male - 3 Position (Caterpillar Engines Only)	
540	4460465	3	Socket, Female (Caterpillar Engines Only)	
541	4460713	1	Connector, Housing 42 Position (Ford Engine Only)	
542	4460725	1	Connector Wedge Lock, Center (Ford Engine Only)	

SECTION 7 - ELECTRICAL

ITEM	PART NUMBER	QTY	DESCRIPTION	REV
543	4460726	2	Connector Wedge Lock, Side (Ford Engine Only)	
544	4460800	29	Connector, Plug (Ford Engine Only)	
545	4460799	7	Pin, Male (Ford Engine Only)	
547	4461121	1	Plug, Male - 4 Position (GM Engine Only)	
547	4461122	4	Socket, Female (GM Engine Only)	
547	4461123	4	Seal, Terminal (GM Engine Only)	
548	4460728	3	Pin, Male (Ford Engine Only)	
549	4460792	1	Plug, Male - 1 Position (Caterpillar Engines Only)	
549	4460339	3	Terminal (Caterpillar Engines Only)	
550	4460465	2	Socket, Female (Deutz Engines Only)	
553	4461124	1	Receptacle, Female - 4 Position (GM Engine Only)	
553	4460693	4	Pin, Male (GM Engine Only)	
553	4460608	4	Seal, Terminal (GM Engine Only)	
553	4461161	1	Lock, Terminal (GM Engine Only)	
554	4460742	1	Plug, Male - 2 Position (Ford Engine Only)	
554	4460457	2	Terminal, Female (Ford Engine Only)	
554	4460458	2	Seal, Terminal (Ford Engine Only)	
555	4461109	1	Plug, Male - 16 Position (GM Engine Only)	
555	4461111	7	Pin, Male (GM Engine Only)	
555	4461113	16	Seal, Terminal (GM Engine Only)	
557	4460871	AR	Socket, Female	
558	4460226	2	Socket, Female (SN 0300088141 through 0300177361)	
567	2400065	1	Fuse, 30Amp (Ford Engine Only)	
568	3730120	1	Resistor Assembly (Ford Engine Only)	
568	4460978	1	Receptacle, Male - 2 Position	
568	4460979	2	Pin, Male	
568	4460458	2	Seal, Terminal	
568	3730121	1	Resistor	
	4923224	Ref	VALVE HARNESS ASSEMBLY	4-D
617	4460880	19	DIN Connector	
618	4460320	2	Plug, Male - 2 Position	
619	4460267	7	Pin, Male	
620	4460424	1	Receptacle, Female - 2 Position	
621	4460268	5	Socket, Female	
622	4460871	31	Socket, Female	
625	4460326	1	Plug, Male - 3 Position	
626	4460445	1	Receptacle, Female - 3 Position	
		Ref	STANDARD HARNESS COMPONENTS	
701		Ref	Battery Cable Kit Options:	
701	2902296	1	Caterpillar and Deutz Engines Machines	C
701	2902297	1	Ford Engine Machines	
701	2902531	1	GM Engine Machines	A
701A		Ref	Cable, Battery (Red) Options:	
701A		Ref	Caterpillar and Deutz Engines Machines Options:	
701A	1001116241	1	Machines with 2 Relays on Engine Tray (was p/n 7027000)	
701A	1001116240	1	Machines with 3 Relays on Engine Tray (was p/n 7027000)	
701A	7027006	1	Ford Engine Machines	
701A	7027015	1	GM Engine Machines	
701B		Ref	Cable, Battery (Black) Options:	
701B	7027004	1	Caterpillar and Deutz Engines Machines	
701B	7027005	1	Ford Engine Machines	

SECTION 7 - ELECTRICAL

ITEM	PART NUMBER	QTY	DESCRIPTION	REV
701B	7016822	1	GM Engine Machines	
701C		Ref	Cable (Red) Options:	
701C	7027002	1	Caterpillar, Deutz and Ford Engines Machines	
701D		Ref	Cable (Red) Options:	
701D	7027001	1	Caterpillar and Deutz Engine Machines (SN 0300087000 through 0300138089)	
701D	See Note	NSS	Caterpillar and Deutz Engine Machines (Note: Incorporated in Item 701A after SN 0300138090) (SN 0300138090 through 0300177361)	
701D	Not Required	0	Ford Engines Machines	
701D	7027017	1	GM Engines Machines	
701E	7027003	1	Cable (Black)	
701F		Ref	Cable, Battery (Red) Options:	
701F		Ref	Caterpillar and Deutz Engines Machines	
701F	1001116241	1	Machines with 2 Relays on Engine Tray (was p/n 7027000)	
701F	1001116240	1	Machines with 3 Relays on Engine Tray (was p/n 7027000)	
701F	7027007	1	Ford Engine Machines	
701F	7016822	1	GM Engine Machines	
702	1060904	1	Cable, Battery (Caterpillar Engine Machines Only)	
703	4922737	1	Harness, Relay Ground (Caterpillar Engine Machines Only)	
704		Ref	Deutz Engine Harness Components (Deutz Engine Machines Only)	
704A	7027796	1	Deutz Engine Harness	
704B	4461052	1	Receptacle, Female - 25 Position	
704B	4461053	1	Cover, Receptacle	
704B	4461005	5	Terminal	
704B	4461006	5	Seal (Used with p/n 4461005)	
704B	4461060	2	Terminal	
704B	4461054	2	Seal (Used with p/n 4461060)	
704B	4461008	18	Plug, Hole	
704C	7027793	1	Plug-In, Connector	
704D	See Note	NSS	Deutz Engine Harness Options (Note: For other replacement parts refer to Deutz engine dealer):	
704D	7027794	1	Deutz Engine Harness (SN 0300087000 through 0300126419)	
704D	70001872	1	Deutz Engine Harness (SN 0300126420 through 0300177361)	
705	7023681	1	Ford Engine Harness (For other replacement parts refer to Ford engine dealer) (was p/n 7027403)	
706	See Note	NSS	Dual Fuel Shut-Off Filter Harness (Note: Not Available for Purchase)	
706A	7023679	1	Electrical Connector Kit (Includes [1] 2 Position Connector, 2 Pins and 2 Seals)	
707	4922968	1	Dual Fuel Shut-Off Filter Extension Harness (Not Shown)	
707A	4460742	1	Connector, Male - 2 Position	
707A	4460458	2	Seal, Terminal	
707A	4460743	2	Socket, Female	
707B	4460978	1	Receptacle, Male - 2 Position	
707B	4460979	2	Pin, Male	
707B	4460458	2	Seal, Terminal	
708	See Note	NSS	Fuel Pump Harness (Caterpillar Engines Only) (Note: Not Available for Purchase)	
708	4460897	1	Receptacle, Female -2 Position (Caterpillar Engines Only)	
708	4460464	2	Pin, Male (Caterpillar Engines Only)	
709	See Note	NSS	Throttle Actuator Harness (Caterpillar Engines Only) (Note: Not Available for Purchase)	

SECTION 7 - ELECTRICAL

ITEM	PART NUMBER	QTY	DESCRIPTION	REV
709	4460897	1	Receptacle, Female -2 Position (Caterpillar Engines Only)	
709	4460464	2	Pin, Male (Caterpillar Engines Only)	
710	See Note	NSS	Pump Harness (Note: Not Available for Purchase)	
710A	7007497	1	Plug (Pump End)	
710B	7007498	1	Plug (Engine Harness End)	
711	See Note	NSS	Controller Harness Assembly (Lift and Swing) (Note: Not Available for Purchase)	
711A	7022819	1	Plug, Male - 8 Position (Natural)	
711A	4460871	8	Socket, Female	
712	See Note	NSS	Controller Harness/Circuit Board Assembly (Drive and Steer) (Note: Not Available for Purchase)	
712A	7022825	1	Plug, Male - 8 Position (Black)	
712A	4460871	7	Socket, Female	
713	See Note	NSS	Controller Harness (Speed Control) (Note: Not Available for Purchase)	
713A	4460224	1	Receptacle, Female - 6 Position	
713A	4460226	6	Socket, Female	
714	See Note	AR	GM Engine Harness (GM Engine Machines Only) (Note: Not Available for Purchase)	
715	4923379	1	Harness, Glow Plugs (Deutz Engine Machines Only) (SN 0300092727 through 0300177361)	
716	1060904	1	Cable, Jumper (Caterpillar and Deutz Engine Machines with Only) (SN 0300087000 through 0300138090)	
		Ref	OPTIONAL HARNESS COMPONENTS	
801	4921927	1	Jib Valve Harness (600AJ Only)	3-F
801A	4460326	1	Plug, Male - 3 Position	
801B	4460267	3	Pin, Male	
801C	4460499	2	Connector, DIN with Diode	
802	4921928	1	4WS Valve Harness	3-E
802A	4460268	3	Socket, Female	
802B	4460445	1	Connector, Female - 3 Position	
802C	4460499	2	Connector, DIN with Diode	
803	0257887	1	Alarm Harness (Includes Alarm)	
803	0140032	1	Alarm	
803	2820035	6 in /15cm	Loom	
803A	4460424	1	Plug, Male - 2 Position	
803B	4460268	2	Socket, Female	
804	0272507	1	Strobe Light Harness Options (Includes Strobe Light):	
804A	4460320	1	Connector, Female - 2 Position	
804B	4460267	2	Pin, Male	
805	See Note	NSS	Headlight and Taillight/Chassis Illumination Harness (Note: Not Available for Purchase)	
805	1060341	AR	Cable, Electrical 16/2 Options:	
805	1060341	37 ft /11.3m	Headlights and Taillights	
805	1060341	40 ft /12.2m	Chassis Illumination Lights	
805A	3740049	1	Relay	
805A	4460259	3	Terminal	
805A	4460260	4	Housing, Terminal	
805A	4460297	1	Terminal	
805A	4922643	1	Lights Harness for Ground Control Box	B
805A	4460226	2	Socket, Female	

SECTION 7 - ELECTRICAL

ITEM	PART NUMBER	QTY	DESCRIPTION	REV
806		Ref	2500W Generator Electrical Components Options:	
806	4933300	Ref	Caterpillar and Deutz and Ford Engines 110V 50Hz/60Hz (All Specs) (SN 0300087000 through 0300132839)	2-B
806	4933300	Ref	Caterpillar and Deutz and Ford Engines 110V/220V with Generator Control Box (SN 0300132840 through 0300177361)	2-B
806	100110027	Ref	Caterpillar and Deutz Engines 110V/220V without Generator Control Box (SN 0300132840 through 0300177361)	4-D
	4933350	Ref	GM Engine	A
806A	4460321	1	Connector, Male - 4 Position (Caterpillar, Deutz and Ford Engines Specs) (SN 0300087000 through 0300126420)	
806A	4460906	4	Socket, Female	
806B	4922641	1	Harness - On/Off Switch	
806C	4460226	2	Socket, Female	
806D		Ref	Powermite Control Box to Relay Options:	
806D	4922970	1	Caterpillar, Deutz and Ford Engines	
	4923445	1	GM Engines	
806E	4460961	1	Connector, Female - 4 Position (Caterpillar, Deutz and Ford Engines Specs) (SN 0300087000 through 0300126420)	
806E	4460705	4	Pin, Male	
806F	1001100305	1	Harness, Ground For Generator (Caterpillar and Deutz Engines without Generator Control Box Only) (SN 0300132840 through 0300137770)	
807		Ref	Generator to Rear of Boom Harness Options:	
		Ref	Note: Harness used to connect AC at platform harness to generator receptacle to power platform receptacle.	
807	4921829	1	110V (ANSI, ANSI Export and Japanese Specs)	2
807	4921954	1	220V (ANSI and ANSI Export Specs)	2
807	4921957	1	110V/220V (Australian, CE, Latin American and Brazilian Specs) (SN 0300087000 through 0300132839)	-
807	See Note	NSS	110V/220V (Australian, CE, Latin American and Brazilian Specs) (Note: Not Available for Purchase) (SN 0300132840 through 0300177361)	
807		Ref	Cable, Electrical - 12/3 Options:	
807	1060494	6 ft/1.8m	110V (ANSI, ANSI Export and Japanese Specs)	
807	1060494	26 ft/8m	220V (ANSI and ANSI Export Specs)	
807	1060461	6 ft/1.8m	110V/220V (Australian, CE, Latin American and Brazilian Specs)	
807A		Ref	Plug, Male Options:	
807A	4460205	1	110V (ANSI, ANSI Export and Japanese Specs)	
807A	4460233	1	220V (ANSI and ANSI Export Specs)	
807A	Not Required	0	110V/220V (Australian, CE, Latin American and Brazilian Specs) (Purchase Locally)	
807A	4460027	1	Receptacle, Twist Lock (110V Only)	
807B		Ref	Receptacle, Female Options:	
807B	4460134	1	110V (ANSI, ANSI Export and Japanese Specs)	
807B	4460701	1	220V (ANSI and ANSI Export Specs)	
807B	Not Required	0	110V/220V (Australian, CE, Latin American and Brazilian Specs) (Purchase Locally)	
808		Ref	AC to Platform Receptacle Components Options:	
808	0255382	Ref	110V GFI Receptacle (ANSI, ANSI Export and Japanese Specs)	6
808	0257176	Ref	220V Receptacle (ANSI, ANSI Export and Japanese Specs)	B
808	0272433	Ref	SkyPower Machines (All Specs)	B
808	0274618	Ref	Dual AC (ANSI Export Spec Option)	2-B
808	0256202	Ref	110V/220V (Australian, Latin American and Brazilian Specs)	5

SECTION 7 - ELECTRICAL

ITEM	PART NUMBER	QTY	DESCRIPTION	REV
808		Ref	110V/220V (CE Spec Only):	
808		Ref	Without Powermite Generator:	
808	0256202	Ref	110V/220V (No Plug)	5
808	0275653	Ref	220V with CEE 7 Post Ground Receptacle and Plug and Circuit Breaker (2x4 Box)	C
808	0275654	Ref	220V with CEE 7 Side Ground Receptacle and Plug and Circuit Breaker (2x4 Box)	C
808	0275660	Ref	220V with AFSINT 107 Keyed Ground Receptacle and Plug and Circuit Breaker (2x4 Box)	C
808	0275656	Ref	110V with IEC Yellow Receptacle and Plug and Circuit Breaker	C
808	0275652	Ref	220V with IEC Blue Receptacle and Plug and Circuit Breaker	C
808	0275655	Ref	220V with CEE 7 Post Ground Receptacle and Plug and Circuit Breaker (70mm x 70mm Box)	C
808	0275651	Ref	220V with CEE 7 Side Ground Receptacle and Plug and Circuit Breaker (70mm x 70mm Box)	C
808		Ref	With Powermite Generator:	
808	1001100397	Ref	220V with CEE 7 Post Ground Receptacle and Plug and Circuit Breaker (2 x 4 Box)	D
808	1001100398	Ref	220V with CEE 7 Side Ground Receptacle and Plug and Circuit Breaker (2 x 4 Box)	D
808	1001100399	Ref	220V with AFSINT 107 Keyed Ground Receptacle and Plug and Circuit Breaker (2 x 4 Box)	C
808	1001100400	Ref	110V with IEC Yellow Receptacle and Plug and Circuit Breaker	C
808	1001100401	Ref	220V with IEC Blue Receptacle and Plug and Circuit Breaker	C
808	1001100402	Ref	220V with CEE 7 Post Ground Receptacle and Plug and Circuit Breaker (70mm x 70mm Box)	C
808	1001100403	Ref	220V with CEE 7 Side Ground Receptacle and Plug and Circuit Breaker (70mm x 70mm Box)	C
808A		Ref	Box, Switch Options:	
808A	0860038	1	0255382, 0257176 & 0274618 Installations	
808A	Not Required	0	0256202 Installation (Purchase Locally)	
808A	0861731	1	0275253, 0275254, 0275660, 1001100397, 1001100398 & 1001100399 Installations	
808A	0861781	1	0275656, 0275652, 1001100400 & 1001100401 Installations	
808A	See Note	NSS	0275655, 0275651, 1001100402 & 1001100403 Installations (Note: Was p/n 0861782 which is no longer available. Use p/n 1001100344 CEE 7 Side Ground Service Kit or p/n 1001100343 CEE 7 Post Ground Service Kit. Kit include Box p/n 1001141967 & Items 808B, 808C, 808E & 808P)	
808A	1001141967	1	1001100343, 1001100344, 1001141970 & 1001141971 Kits	
808B		Ref	Receptacle Options:	
808B	4460346	1	0255382 & 0274618 Installations	
808B	4460125	1	0257176 Installation	
808B	Not Required	0	0256202 Installation (Purchase Locally)	
808B	4461244	1	0275253 & 1001100397 Installations	
808B	4461245	1	0275654 & 1001100398 Installations	
808B	4461246	1	0275660 & 1001100399 Installations	
808B	4461198	1	0275656 & 1001100400 Installations	
808B	4461201	1	0275652 & 1001100401 Installations	
808B	4461204	NLA	0275655 & 1001100402 Installations (Use p/n 1001100343)	
808B	4461207	NLA	0275651 & 1001100403 Installations (Use p/n 1001100344)	
808B	1001141968	1	1001100343 & 1001141971 Kits	
808B	1001141969	1	1001100344 & 1001141970 Kits	

SECTION 7 - ELECTRICAL

ITEM	PART NUMBER	QTY	DESCRIPTION	REV
808C		Ref	Shield, Cover Options:	
808C	4060700	1	0255382 & 0274618 Installations (Side Hinged) (SN 0300087000 through 0300138089)	
808C	1001110873	1	0255382 & 0274618 Installations (Top Hinged) (SN 0300138090 through 0300177361)	
808C	4060092	1	0257176 Installation	
808C	Not Required	0	0256202 Installation (Purchase Locally)	
808C	4461244	1	0275253 & 1001100397 Installations	
808C	4461245	1	0275654 & 1001100398 Installations	
808C	4461246	1	0275660 & 1001100399 Installations	
808C	4461198	1	0275656 & 1001100400 Installations	
808C	4461201	1	0275652 & 1001100401 Installations	
808C	4461204	NLA	0275655 & 1001100402 Installations (Use p/n 1001100343)	
808C	4461207	NLA	0275651 & 1001100403 Installations (Use p/n 1001100344)	
808C	1001141968	1	1001100343 & 1001141971 Kits	
808C	1001141969	1	1001100344 & 1001141970 Kits	
808D		Ref	Connector, Strain Relief Options:	
808D	4460071	1	0255382, 0257176 & 0274618 Installations	
808D	Not Required	0	0256202 Installation (Purchase Locally)	
808D	4460968	1	0275653, 0275654, 0275660, 0275656, 0275652, 0275655, 0275651, 1001100397, 1001100398, 1001100399, 1001100400, 1001100401, 1001100402 & 1001100403 Installations	
808E		Ref	Plug, Male Options:	
808E	4460205	1	0255382 & 0274618 Installations	
808E	4460233	1	0257176 Installation	
808E	Not Required	0	0256202 Installation (Purchase Locally)	
808E	4461202	NLA	0275653 & 0275655, 1001100397 & 1001100402 Installations & 1001100343 & 1001141971 Kits (Use p/n 4461205)	
808E	4461199	1	0275652 & 1001100401 Installations	
808E	4461249	1	0275660 & 1001100399 Installations	
808E	4461196	1	0275656 & 1001100400 Installations	
808E	4461205	1	0275654, & 0275651, 1001100398 & 1001100403 Installations & 1001100344 & 1001141970 Kits	
808F		Ref	Plug, Male Options:	
808F	4460205	1	0255382 & 0274618 Installations (Qty 4 Required for Dual AC)	
808F	4460233	1	0257176 Installation	
808F	4460709	1	0256202, 0275653, 0275654, 0275660, 0275656, 0275652, 0275655, 0275651, 1001100397, 1001100398, 1001100399, 1001100400, 1001100401, 1001100402 & 1001100403 Installations	
808F	4460960	1	0272433 Installation	
808F	4061043	1	Cover - Side Hinged (0274618 Installation) (SN 0300087000 through 0300137769)	
808F	1001110872	1	Cover - Top Hinged (0274618 Installation) (SN 0300137770 through 0300177361)	
808F	1671093	1	Cover (Optional)	
808G		Ref	Connector, Female Options:	
808G	4460134	1	0255382 & 0274618 Installations (Qty 2 Required for Dual AC)	
808G	4460701	1	0257176 Installation	
808G	4460710	1	0256202, 0275653, 0275654, 0275660, 0275656, 0275652, 0275655, 0275651, 1001100397, 1001100398, 1001100399, 1001100400, 1001100401, 1001100402 & 1001100403	

SECTION 7 - ELECTRICAL

ITEM	PART NUMBER	QTY	DESCRIPTION	REV
808G	4460959	1	Installations 0272433 Installation	
808G	1671092	1	Cover (Optional)	
808H		Ref	Hardware Options:	
808H	0641405	AR	Bolt 1/4in - 20NC x 5/8in	
808H	0641407	AR	Bolt 1/4in - 20NC x 7/8in	
808H	0641416	AR	Bolt 1/4in - 20NC x 2in	
808H	0700408	AR	Screw M4 x 16mm	
808H	3290405	AR	Locknut M4	
808H	3311405	AR	Locknut 1/4in - 20NC	
808H	4711400	AR	Flatwasher 1/4in Thin	
808H	4811400	AR	Flatwasher M4	
808J		Ref	Bracket, Receptacle Box Mounting Options:	
808J	Not Required	0	0255382, 0274618, 0257176 & 0256202 Installations	
808J	0903484	1	0275653, 0275654, 0275660, 0275656, 0275652, 0275655, 0275651, 1001100397, 1001100398, 1001100399, 1001100401, 1001100402 & 1001100403 Installations	
808K		Ref	Bracket, Circuit Breaker Mounting Options:	
808K	Not Required	0	0255382, 0274618, 0257176 & 0256202 Installations	
808K	0903612	1	0275653, 0275654, 0275660, 0275656, 0275652, 0275655, 0275651, 1001100397, 1001100398, 1001100399, 1001100400, 1001100401, 1001100402 & 1001100403 Installations	
808L		Ref	Breaker, Circuit Kit Options (Required on All CE Spec Installations except 0256202 Installation):	
808L	2902549	NLA	Kit (Without Powermite Generator Control Box) (Use p/n 1001096070)	D
808L	1001109554	AR	Kit (With Powermite Generator Control Box)	B
808L		Ref	Circuit Breaker Options:	
		Ref	Note: Kit p/n 2902549 Kit used a single large breaker p/n 2400093. Replace with 2 breakers. For machines with Powermite Generator Control Box, use both p/ns 1001109477 & 1001109482. For machines without Powermite Generator Control Box, use both p/ns 1001109475 & 1001109482.	
808L	1001109477	1	Breaker 10A	
808L	1001109475	1	Breaker 16A	
808L	1001109482	1	Breaker 30mA	
808L	0861880	1	Breaker Box	
808L	4460957	1	Terminal Block	
808L	4460956	1	Barrier, Terminal Block End	
808M		Ref	Connector, Strain Relief Options (Required Only on CE Spec Installations except 0256202 Installation):	
808M	4460633	2	Connector, Strain Relief (SN 0300087000 through 0300117569)	
808M	1001097150	2	Connector, Strain Relief (SN 0300117570 through 0300127222)	
808M	1001101191	2	Connector, Strain Relief (SN 0300127223 through 0300177361)	
808N	1060908	12 ft/3.7m	Cable, Extension (Required Only on CE Spec Installations except 0256202 Installation):	
808P		Ref	Connector, Female Options:	
808P	Not Required	0	0255382, 0274618, 0257176, 0275653, 0275654, 0275660, 0275656, 0275652, 0275655 & 0275651 Installations	
808P	Not Required	0	0256202 Installation (Purchase Locally)	

SECTION 7 - ELECTRICAL

ITEM	PART NUMBER	QTY	DESCRIPTION	REV
808P	4461203	1	1001100402 & 1001100397 Installations & 1001100343 & 1001141971 Kits	
808P	4461200	1	1001100401 Installation	
808P	4461250	1	1001100399 Installation	
808P	4461197	1	1001100400 Installation	
808P	4461206	1	1001100403 & 1001100398 Installations & 1001100344 & 1001141970 Kits	
		Ref	Kit, Plug and Socket Options:	
		Ref	Without Generator:	
	0275452	1	Receptacle Box Kit (220V CEE 7 Post Ground) (Includes Items 808A, 808B, 808C & 808E) (0275653 Installation)	C
	0275453	1	Receptacle Box Kit (220V CEE 7 Side Ground) (Includes Items 808A, 808B, 808C & 808E) (0275654 Installation)	1
	0275454	1	Receptacle Box Kit (220V AFSINT 107 Keyed Ground) (Includes Items 808A, 808B, 808C & 808E) (0275660 Installation)	1
	0275216	1	Receptacle Box Kit (110V IEC Yellow) (Includes Items 808A, 808B, 808C & 808E) (0275656 Installation)	1
	0275217	1	Receptacle Box Kit (220V IEC Blue) (Includes Items 808A, 808B, 808C & 808E) (0275652 Installation)	1
	0275218	NLA	Receptacle Box Kit (220V CEE 7 Post Ground) (Includes Items 808A, 808B, 808C, 808E & 808P) (0275655 Installation) (Use p/n 1001100343)	C
	0275219	NLA	Receptacle Box Kit (220V CEE 7 Side Ground) (Includes Items 808A, 808B, 808C, 808E & 808P) (0275651 Installation) (Use p/n 1001100344)	B-B
		Ref	With Generator:	
	1001100345	1	Receptacle Box Kit (220V CEE 7 Post Ground) (Includes Items 808A, 808B, 808C, 808E & 808P) (1001100397 Installation)	C
	1001100347	1	Receptacle Box Kit (220V CEE 7 Side Ground) (Includes Items 808A, 808B, 808C, 808E & 808P) (1001100398 Installation)	3
	1001100346	1	Receptacle Box Kit (220V AFSINT 107 Keyed Ground) (Includes Items 808A, 808B, 808C, 808E & 808P) (1001100399 Installation)	2
	1001100341	1	Receptacle Box Kit (110V IEC Yellow) (Includes Items 808A, 808B, 808C, 808E & 808P) (1001100400 Installation)	2
	1001100342	1	Receptacle Box Kit (220V IEC Blue) (Includes Items 808A, 808B, 808C, 808E & 808P) (1001100401 Installation)	2
	1001100343	1	Receptacle Box Kit (220V CEE 7 Post Ground) (Includes Items 808A, 808B, 808C, 808E & 808P) (1001100402 Installation)	C
	1001100344	1	Receptacle Box Kit (220V CEE 7 Side Ground) (Includes Items 808A, 808B, 808C, 808E & 808P) (1001100403 Installation)	B
809		Ref	7500W SKYPOWER GENERATOR INSTALLATION	
809	0273576	Ref	60Hz and Caterpillar Engine	I
809	0272618	Ref	60Hz and Deutz Engine	K
809	0273577	Ref	50Hz Spec and Caterpillar Engine	G
809	0272619	Ref	50Hz Spec and Deutz Engine	G
809	0273109	Ref	60Hz Spec and Ford Engine	F
809	0275257	Ref	60Hz Spec and GM Engine	E
		Ref	Note: SkyPower Generator is Standard On ANSI and CSA Specs. Optional on All Other Specs.	
809A		Ref	Receptacle, Female Twist-Lock Options:	
809A	4460958	1	60Hz Spec	

SECTION 7 - ELECTRICAL

ITEM	PART NUMBER	QTY	DESCRIPTION	REV
809A	See Note	NSS	50Hz Spec (Note: Not Available - Purchase Locally)	
809B		Ref	Gasket Options:	
809B	3960422	2	60Hz Spec	
809B	See Note	NSS	50Hz Spec (Note: Not Available - Purchase Locally)	
809C		Ref	Cover, Receptacle Options:	
809C	4060700	1	60Hz Spec (SN 0300087000 through 0300138089)	
809C	1001110873	1	60Hz Spec (SN 0300138090 through 0300177361)	
809C	See Note	NSS	50Hz Spec (Note: Not Available - Purchase Locally)	
809D		Ref	Cover, Receptacle Options:	
809D	4061043	1	60Hz Spec (SN 0300087000 through 0300138089)	
809D	1001110872	1	60Hz Spec (SN 0300138090 through 0300177361)	
809D	See Note	NSS	50Hz Spec (Note: Not Available - Purchase Locally)	
809E		Ref	Receptacle Options:	
809E	4460346	1	60Hz Spec	
809E	See Note	NSS	50Hz Spec (Note: Not Available - Purchase Locally)	
809F	4460051	1	Connector, Strain Relief	
809G	4460071	1	Connector, Strain Relief	
809H		Ref	Harness, Generator Options:	
809H	4922925	1	Caterpillar and Deutz Engine	
809H	4922905	1	Ford Engine	
809H	4922925	1	GM Engine	
809I	See Note	NSS	Plug, Male - 6 Position (Note: Not Available for Purchase)	
809I	See Note	NSS	Socket, Female (Note: Not Available for Purchase)	
809J	4460225	1	Plug, Male - 6 Position	
809J	4460226	6	Socket, Female	
810		Ref	7500W SkyPower Generator Junction Box Components	
810	0861542	Ref	60Hz Spec	C
810	0861567	Ref	50Hz Specs	B
810A		Ref	Cable, Electrical 12/3	
810A	1060494	2 ft/.6m	60Hz Spec	
810A	See Note	2 ft/.6m	50Hz Spec (Note: Not Available - Purchase Locally)	
810B		Ref	Cable, Electrical 10/3	
810B	1060708	2.5 ft /.76m	60Hz Spec	
810B	See Note	2.5 ft /.76m	50Hz Spec (Note: Not Available - Purchase Locally)	
810C	1060343	1.5 ft /.46m	Cable, Electrical 10/4 (60Hz Spec Only)	
810D	4460425	2	Connector, Strain Relief	
810E		Ref	Component Options:	
810E	4460426	2	Connector, Strain Relief (60Hz Spec Only)	
810E	4460426	1	Connector, Strain Relief (50Hz Spec Only)	
810E	3520189	1	Plug (50Hz Spec Only)	
810F	1671092	1	Cover (60Hz Spec Only)	
810F	4460963	1	Connector (60Hz Spec Only)	
811		Ref	7500W Generator Electrical Diagram Components	
811	4933264	Ref	Caterpillar and Deutz Engine Machines	C
811	4933283	Ref	Ford Engine Machines	2-B
811	4933349	Ref	GM Engine Machines	A
811A		Ref	Generator Harness Options:	
811A	4922757	1	Caterpillar and Deutz Engine Machines	3-C
811A	4922905	1	Ford Engine Machines	1-A

SECTION 7 - ELECTRICAL

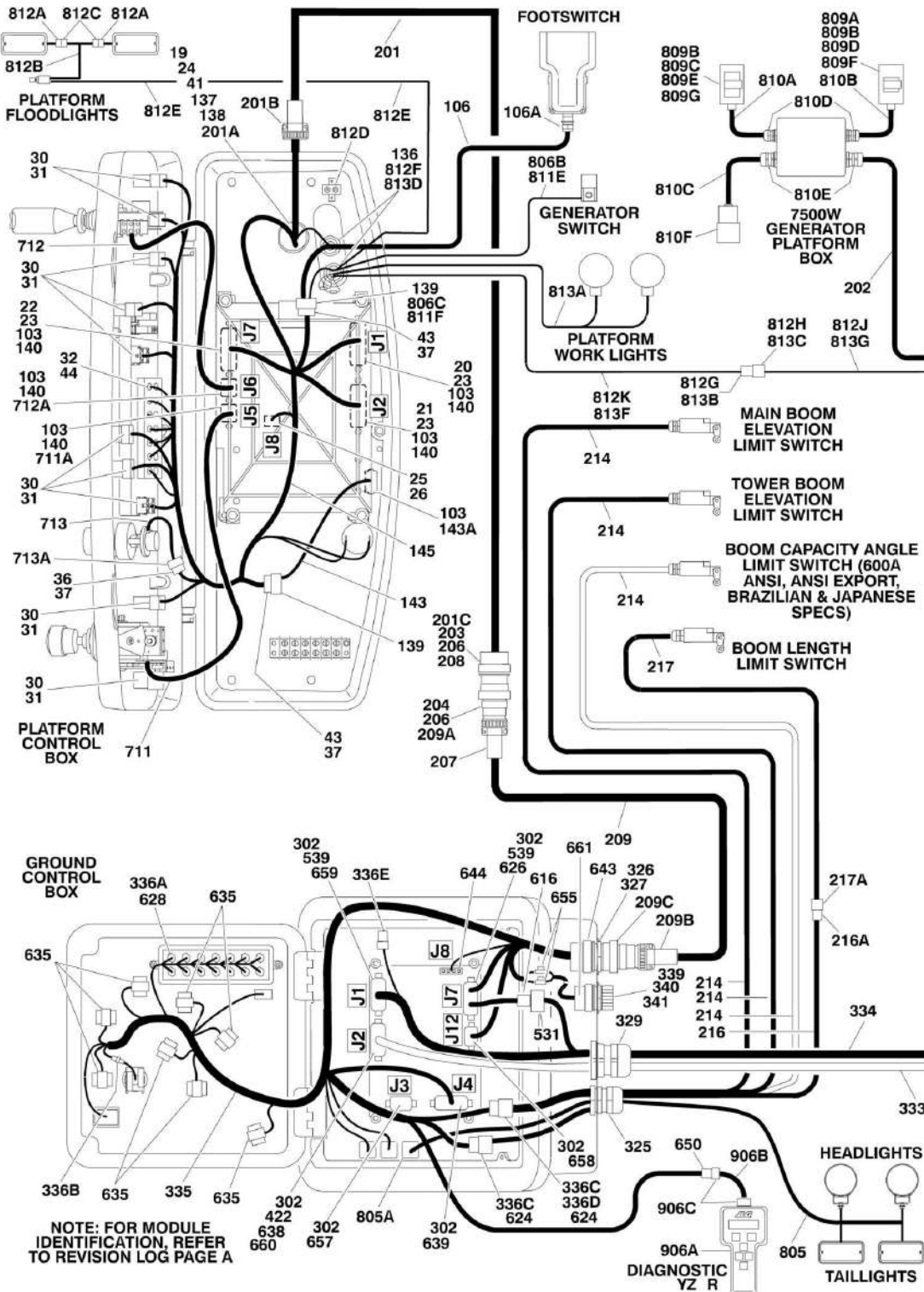
ITEM	PART NUMBER	QTY	DESCRIPTION	REV
811A	4923420	1	GM Engine Machines	A
811B	4460374	2	Plug, Sealed Relay	
811B	4460375	7	Terminal	
811C	4460967	1	Plug, Male - 3 Position	
811C	4460465	3	Socket, Female	
811D	2400060	AR	Fuseholder Options:	
811D		Ref	Caterpillar, Deutz and GM Engine Machines	
811D		Ref	Ford Engine Machines	
811D	2400064	AR	Fuse - 5Amp Options:	
811D		Ref	Caterpillar, Deutz and GM Engine Machines	
811D		Ref	Ford Engine Machines	
811E	4922641	1	Switch Harness	
811F	4460226	2	Socket, Female	
811G	4460742	1	Plug, Male - 2 Position (GM Engine Only)	
811G	4460743	2	Socket, Female (GM Engine Only)	
812	4933308	1	Floodlights Harness Components	1-A
812A	4460320	2	Plug, Male - 2 Position	
812A	4460227	4	Pin, Male	
812B	4922764	1	Floodlight Harness (Lights to Switch)	1-A
812C	4460424	2	Connector, Female - 2 Position	
812C	4460226	4	Socket, Female	
812D	4360232	1	Circuit Breaker - 15Amp	
812E	1060977	1	Cord, 2 Wire Coiled (Console Box Circuit Breaker to Switch)	
812F	4460425	1	Connector, Strain Relief	
812G	4460459	1	Plug, Male - 3 Position	
812G	4460790	3	Socket, Female	
812G	4460789	3	Seal	
812H	4460476	1	Receptacle, Female	
812H	4460850	3	Pin, Male	
812H	4460790	3	Socket, Female	
812J	1060494	33 ft /10.1m	Electrical Cable 12/3 (Lower Boom to Aux Relay)	
812K	1060494	47 ft /14.3m	Electrical Cable 12/3 (Upper Boom to Console Box)	
813		Ref	Platform Worklights Components	
813A	2920140	2	Platform Worklights External Harness (Includes Light and Wire Only)	
813B	4460459	1	Plug, Male - 3 Position	
813B	4460790	3	Socket, Female	
813B	4460789	3	Seal	
813C	4460476	1	Receptacle, Female	
813C	4460850	3	Pin, Male	
813C	4460790	3	Socket, Female	
813D	4460426	1	Connector, Strain Relief	
813E	2400070	1	Fuse	
813E	2400066	1	Holder, Fuse	
813F	4922894	1	Worklights Harness (Upper Boom to Worklights)	
813F	1060494	47 ft /14.3m	Cable, Electrical - 12/3	
813G	4922892	1	Worklights Harness (Lower Boom to Aux Power Solenoid)	
813G	1060494	33 ft /10.1m	Cable, Electrical - 12/3	

SECTION 7 - ELECTRICAL

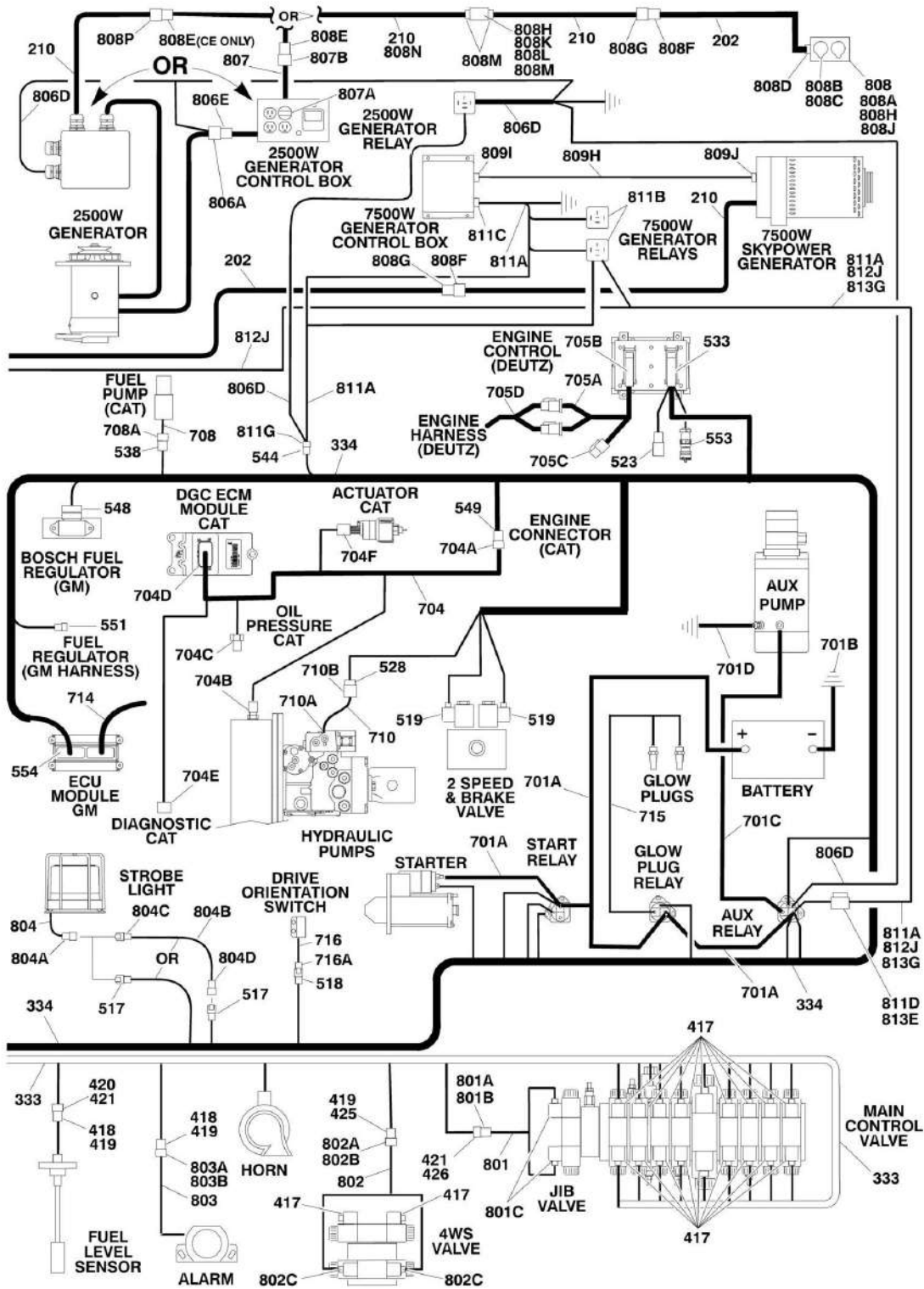
ITEM	PART NUMBER	QTY	DESCRIPTION	REV
		Ref	TOOLS	
901	7002821	1	Crimper (For Wire to Pin/Socket Connections) (Not Shown)	
902	7002823	1	Extractor (For Removal of Pin/Socket from Connectors) (Not Shown)	
903	4460467	1	Extractor, Pin (Blue 16-18 Gauge) (For Removal of Pin/Socket from Connectors) (Not Shown)	
904	4460510	1	Extractor, Pin (Yellow 12-14 Gauge) (For Removal of Pin/Socket from Connectors) (Not Shown)	
905	7002828	1	Stripper, Wire (Not Shown)	
906	2901443	1	Analyzer Kit (Not Shown)	
906A	1600244	1	Analyzer	
906B	1060633	1	Cable, Analyzer	1-A
906C	4460321	2	Plug, Male	
906C	4460226	8	Socket, Female	
907	1001137005	1	Software Cable Kit (Not Shown)	

SECTION 7 - ELECTRICAL

FIGURE 7-3. HARNESS COMPONENTS INSTALLATION (WITH UGM) (SN 0300087000 through 0300177361, SN B300000100 through B300001392)



SECTION 7 - ELECTRICAL



SECTION 7 - ELECTRICAL

FIGURE 7-3. HARNESS COMPONENTS INSTALLATION (WITH UGM) (SN 0300087000 through 0300177361, SN B300000100 through B300001392)

ITEM	PART NUMBER	QTY	DESCRIPTION	REV
		Ref	Note: For Module Identification, Refer to Revision Log Page A.	
	1001107753	Ref	PLATFORM BOX HARNESS ASSEMBLY (WITHOUT SKYGUARD)	F
	1001185280	Ref	PLATFORM BOX HARNESS ASSEMBLY (WITH SKYGUARD)	B
19	4460866	1	Connector - 19 Position	
20	4460874	1	Connector - 35 Position (Natural)	
21	4460875	1	Connector - 35 Position (Gray)	
22	4460873	1	Connector - 35 Position (Black)	
23	4460871	70	Socket, Female	
24	4460464	7	Pin, Male (16 Gauge)	
25	4460879	1	Terminal, Housing 2 Position	
26	4460887	2	Terminal, (12 Gauge)	
30	4460418	9	Connector - 6 Position	
31	4460419	27	Terminal, Female	
32	4120035	13	Base, Light	
36	4460225	1	Plug, Male - 6 Position	
37	4460227	30	Pin, Male	
41	4460508	3	Pin, Male (12 Gauge)	
43	4460434	2	Connector - 15 Position	
44	2920129	13	Lamp, Indicator	
50	4460884	1	Connector - 4 Position (Not Shown - To Platform Sensor) (With SkyGuard)	
50	4460944	4	Socket (Not Shown - To Platform Sensor) (With SkyGuard)	
50	4460932	1	Receptacle - 4 Position (Not Shown - To Platform Sensor) (With SkyGuard)	
54	4460536	1	Receptacle - 3 Position (Not Shown) (With SkyGuard)	
54	4460943	1	Pin, Male (Not Shown) (With SkyGuard)	
55	4460539	1	Plug - 3 Position (Not Shown) (With SkyGuard)	
55	4460944	1	Socket, Female (Not Shown) (With SkyGuard)	
57	4460708	1	Connector - 15 Position (Not Shown - Mates with Item 43) (With SkyGuard)	
57	4460226	3	Socket (Not Shown) (With SkyGuard)	
		Ref	PLATFORM BOX ASSEMBLY COMPONENTS	C
103	0100048	AR	Grease, Dielectric	
106	See Note	NSS	Footswitch Harness	
106	1060918	8 ft/2.4m	Cable, Electrical - 18/3	
106A	4460071	1	Connector, Strain Relief	
136	4460428	2	Connector, Strain Relief	
137	4460470	1	Nut, Terminal	
138	4460471	1	Lockwasher, Terminal	
139	4460708	2	Connector, Female - 15 Position	
140	4460905	5	Seal, Plug	
143	4922666	1	Harness, Analyzer Cable	2-B
143	4460226	4	Socket, Female (Not Shown - Located at J2)	
143A	4460761	1	Connector, Female - 4 Position	
143A	4460227	4	Pin, Male	
145	1001107753	1	Harness, Platform Console Box (Without SkyGuard) (Includes Items 19-44)	
145	1001185280	1	Harness, Platform Console Box (With SkyGuard) (Includes Items 19-57)	

SECTION 7 - ELECTRICAL

ITEM	PART NUMBER	QTY	DESCRIPTION	REV
		Ref	BOOM CABLES INSTALLATION	
		Ref	Boom Cables Installation 600A	
	0270818	Ref	ANSI, ANSI Export, Brazilian, Japanese Specs without 7500W Generator	6
	0270818	Ref	ANSI Export With 4000W/50Hz	
	0272624	Ref	ANSI and ANSI Export Specs with 7500W Generator	2
	0275265	Ref	ANSI and ANSI Export Specs with Arctic Package without 7500W Generator	1
	1001093436	Ref	ANSI and ANSI Export Specs with Arctic Package with 7500W Generator	2-A
	1001153321	Ref	ANSI Export with 4000W/60Hz Generator	
	0273427	Ref	Australian Spec without 7500W Generator	1
	0273427	Ref	Australian Spec with 4000W/50Hz Generator	
	0273429	Ref	ANSI Export and Australian Spec with 7500W Generator	1
	0270819	Ref	CE and Latin American Specs without 7500W Generator	6
	0272626	Ref	ANSI Export, CE, Japanese and Latin American Specs with 7500W Generator	2
		Ref	Boom Cables Installation 600AJ	
	0270820	Ref	ANSI, ANSI Export, Brazilian, Japanese Specs without 7500W Generator	6
	0270820	Ref	ANSI Export with 4000W/50Hz Generator	
	0272625	Ref	ANSI and ANSI Export Specs with 7500W Generator	2
	0275140	Ref	ANSI and ANSI Export Specs with Arctic Package	1
	1001093432	Ref	ANSI and ANSI Export Specs with Arctic Package and 7500W Generator	2-A
	1001115974	Ref	ANSI and ANSI Export Specs (With David Clark Communication System) (Note: Not Shown - Contact your JLG Parts Representative)	1
	1001116515	Ref	ANSI and ANSI Export Specs (With David Clark Communication System and 7500W Generator) (SkyPower) (Note: Not Shown - Contact your JLG Parts Representative)	1
	1001153322	Ref	ANSI Export Spec with 4000W/60Hz Generator	
	0273428	Ref	Australian and Latin American Specs without 7500W Generator	1
	0273428	Ref	Australian Specs with 4000W/50Hz Generator	
	0273430	Ref	ANSI Export, Australian and Latin American Specs with 7500W Generator	1
	0270821	Ref	CE Spec without 7500W Generator	7
	0272627	Ref	CE Spec with 7500W Generator	2
201		Ref	Harness, Main Boom Options:	
201	4922493	1	Without Arctic Package	C
201	4923472	1	With Arctic Package	1-A
201		Ref	Cable Options:	
201	1060896	45.5 ft/ 13.9m	Without Arctic Package	
201	4923462	45.5 ft/ 13.9m	With Arctic Package	
201A	4460865	1	Connector - 19 Position	
201A	4460465	11	Socket, Female - #16	
201A	4460509	4	Socket, Female - #12	
201A	4460466	4	Seal, Plug	
201B	4460473	1	Clamp, Cable	
201C	4460464	11	Pin, Male (16-18 Gauge)	
201C	4460508	4	Pin, Male (10-12 Gauge)	

SECTION 7 - ELECTRICAL

ITEM	PART NUMBER	QTY	DESCRIPTION	REV
201C	2820118	AR	Shrink, Heat	
202		Ref	Cable, Electrical (Main Boom) Options (Does not include plug ends):	
202		Ref	Without SkyPower:	
202	4922894	1	ANSI, ANSI Export, Brazilian, Japanese Specs (12/3)	
202	4923474	1	ANSI, ANSI Export Specs with Arctic Package (12/3)	
202	4922895	1	Australian, CE and Latin American Specs (12/3)	
202	4922810	1	With SkyPower	
203	2820031	AR	Shrink, Heat	
204	4460865	1	Connector - 19 Position	
206	4460466	8	Seal, Plug	
207	4460473	1	Clamp, Cable	
208	4460866	1	Connector (19 Pin)	
209		Ref	Harness, Tower Boom Cable Options:	
209	4922494	1	Without Arctic Package	2-B
209	4923473	1	With Arctic Package	1-A
209		Ref	Cable Options:	
209	1060896	35.5 ft/ 10.8m	Without Arctic Package	
209	4923462	35.5 ft/ 10.8m	With Arctic Package	
209A	4460465	11	Socket, Female - #16	
209A	4460509	4	Socket, Female - #12	
209A	2820118	AR	Shrink, Heat	
209B	4460473	1	Clamp, Cable	
209C	4460865	1	Connector - 19 Position	
209C	4460465	11	Socket, Female - #16	
209C	4460509	4	Socket, Female - #12	
209C	4460466	4	Seal, Plug	
210		Ref	Cable, Electrical (Tower Boom) Options (Does not include plug ends):	
210		Ref	Without SkyPower:	
210	4922892	1	ANSI, ANSI Export, Brazilian, Japanese Specs (12/3)	
210	4923475	1	ANSI, ANSI Export Specs with Arctic Package (12/3)	
210	4922893	1	Australian, CE and Latin American Specs (12/3)	
210		Ref	With SkyPower:	
210	4922811	1	Machines without Arctic Package (8/5)	
214	1061033	AR	Cable, Electrical - 18/2 Main Boom Limit Switch	
214		Ref	Cable, Electrical - 18/2 600A ANSI, ANSI Export, Brazilian and Japanese Specs	
214		Ref	Cable, Electrical - 18/2 600AJ ANSI, ANSI Export, Brazilian, Japanese Specs	
214		Ref	Cable, Electrical - 18/2 600A & 600AJ Australian, CE and Latin American Specs	
214	4923476	3	Cable, Electrical - 18/2 600A ANSI, ANSI Export Spec with Arctic Package	
214	4923476	2	Cable, Electrical - 18/2 600AJ ANSI, ANSI Export Spec with Arctic Package	
216		Ref	Cable, Electrical - 18/2 Main Boom Length Options:	
216	4922891	1	Cable, Electrical - 18/2 600A All Specs except Australian and Latin American Specs	1/A
216	Not Required	0	Cable, Electrical - 18/2 600A Australian and Latin American Specs	
216	4923500	1	Cable, Electrical - 18/2 600A ANSI, ANSI Export Spec with	1-A

SECTION 7 - ELECTRICAL

ITEM	PART NUMBER	QTY	DESCRIPTION	REV
216	Not Required	0	Arctic Package	
216	4922891	1	Cable, Electrical - 18/2 600AJ All Specs except CE Spec	
216	Not Required	0	Cable, Electrical - 18/2 600AJ CE Spec	1-A
216A	4460891	1	Cable, Electrical - 18/2 600AJ ANSI, ANSI Export Spec with Arctic Package	
216A	4460465	2	Plug, Male - 2 Position	
217		Ref	Socket, Female	
217	4922890	1	Cable, Electrical - 18/2 Main Boom Length Options:	
217	Not Required	0	Cable, Electrical - 18/2 600A All Specs except Australian and Latin American Specs	1-A
217	4923501	1	Cable, Electrical - 18/2 600A Australian and Latin American Specs	
217	Not Required	0	Cable, Electrical - 18/2 600A ANSI, ANSI Export Spec with Arctic Package	1-A
217	4922896	1	Cable, Electrical - 18/2 600AJ All Specs except CE Spec	
217	Not Required	0	Cable, Electrical - 18/2 600AJ CE Spec	1-A
217A	4460897	1	Cable, Electrical - 18/2 600AJ ANSI, ANSI Export Spec with Arctic Package	
217A	4460464	2	Receptacle, Female - 2 Position	
		Ref	Pin, Male	
		Ref	GROUND CONTROL BOX COMPONENTS	
		Ref	Ground Control Box Components 600A:	
	1001110373	Ref	Caterpillar Engine (ANSI and ANSI Export Specs)	A
	1001110375	Ref	Caterpillar Engine (Australian and CE Specs)	A
	1001110368	Ref	Deutz Engine (ANSI and ANSI Export Specs)	A
	1001110371	Ref	Deutz Engine (Australian and CE Specs)	A
	1001110367	Ref	GM Engine (ANSI and ANSI Export Specs)	A
		Ref	Ground Control Box Components 600AJ:	
	1001110374	Ref	Caterpillar Engine (ANSI and ANSI Export Specs)	A
	1001110376	Ref	Caterpillar Engine (Australian and CE Specs)	A
	1001110370	Ref	Deutz Engine (ANSI and ANSI Export Specs)	A
	1001110372	Ref	Deutz Engine (ANSI and ANSI Export Specs)	A
	1001110369	Ref	GM Engine (ANSI and ANSI Export Specs)	A
302	0100048	AR	Grease, Dielectric	
325	4460426	1	Terminal, Strain Relief	
326	4460470	1	Nut, Terminal	
327	4460471	1	Lockwasher, Terminal	
329	4460526	1	Connector, Strain Relief	
333	4923224	1	Valve Harness Assembly (See Items 417-426 for Breakdown)	
334		Ref	Engine Harness Assembly (See Items 517-554 for Breakdown)	
334	1001110362	1	Caterpillar Engine Machines	
334	1001110361	1	Deutz Engine Machines	
334	1001110359	1	GM Engine Machines	
335	1001110379	1	Ground Control Box Harness Assembly (See Items 616-661 for Breakdown)	
336		Ref	Ground Control Box Wiring Diagram (Not Shown)	
336	1001110382	1	Caterpillar Engine	F
336	1001110381	1	Deutz Engine	F
336	1001110380	1	GM Engine	E
336A	2920129	AR	Bulb, Light	
336B	2400065	1	Fuse, 30Amp	
336B	2400066	1	Fuse, Holder with Cover	
336B	1001173590	1	Fuse Holder with Fuse - 30AMP	

SECTION 7 - ELECTRICAL

ITEM	PART NUMBER	QTY	DESCRIPTION	REV
336C	4460708	2	Connector, Female - 15 Position	
336C	4460226	AR	Socket, Female	
336C	4460905	AR	Connector, Amp Seal Plug	
336D	4922637	1	Harness, Jumper	
336E	4460894	1	Plug, Male - 6 Position	
336E	4460892	1	Connector, Female - 6 Position	
339	4460496	1	Lockwasher, Terminal	
340	4460497	1	Nut, Terminal	
341	1001106736	1	Cap, Dust	
	4923224	Ref	VALVE HARNESS ASSEMBLY	4-F
417	4460880	19	DIN Connector	
418	4460320	2	Plug, Male - 2 Position	
419	4460267	7	Pin, Male	
420	4460424	1	Receptacle, Female - 2 Position	
421	4460268	5	Socket, Female	
422	4460871	31	Socket, Female	
425	4460326	1	Plug, Male - 3 Position	
426	4460445	1	Receptacle, Female - 3 Position	
		Ref	ENGINE HARNESS ASSEMBLIES	
	1001110362	Ref	Caterpillar Engine Machines	B
	1001110361	Ref	Deutz Engine Machines	A
	1001110359	Ref	GM Engine Machines	B
517	4460424	1	Receptacle, Female - 2 Position	
517	4460268	2	Socket, Female	
518	4460424	1	Receptacle, Female - 2 Position	
518	4460226	2	Socket, Female	
519	4460880	2	DIN Connector without Diode	
523	4461070	1	Receptacle, Female With Resistor (3 Position) (Deutz Engine Only)	
523	4461095	1	Plug, Male - 3 Position (Deutz Engine Only)	
523	4460944	3	Socket, Female (Deutz Engine Only)	
528	4460460	1	Connector, Male - 4 Position	
528	4460457	AR	Terminal, Female	
528	4460458	AR	Seal, Terminal	
531	4460539	1	Connector, Male - 3 Position	
531	4460944	3	Socket, Female	
533	4461052	1	Connector, Receptacle - 25 Position (Deutz Engine Only)	
533	4461005	5	Terminal (Gold) (Deutz Engine Only)	
533	4461006	5	Seal, Terminal (Deutz Engine Only)	
533	4461060	2	Terminal (Tin) (Deutz Engine Only)	
533	4461054	2	Seal, Terminal (Deutz Engine Only)	
533	4461053	1	Cover, Plug (Deutz Engine Only)	
533	4461008	AR	Plug, Hole (Deutz Engine Only)	
538	4460891	1	Plug, Male - 2 Position (Caterpillar Engines Only)	
538	4460465	2	Socket, Female (Caterpillar Engines Only)	
539	4460871	AR	Socket, Female	
544	4461157	1	Receptacle, Female - 2 Position (Caterpillar/Deutz Engine Only)	
544	4460979	2	Pin, Male (Caterpillar/Deutz Engine Only)	
544	4460458	2	Seal, Terminal (Caterpillar/Deutz Engine Only)	
548	4461121	1	Plug, Male - 4 Position (GM Engine Only)	
548	4461122	NLA	Socket, Female (GM Engine Only) (use p/n 1001126484)	
548	4461123	NLA	Seal, Terminal (GM Engine Only) (use p/n 1001126485)	

SECTION 7 - ELECTRICAL

ITEM	PART NUMBER	QTY	DESCRIPTION	REV
549	4460899	1	Connector - 6 Position (Caterpillar Engines Only)	
549	4460464	5	Pin, Male (Caterpillar Engines Only)	
549	4460466	1	Seal, Plug (Caterpillar Engines Only)	
551	4461124	1	Receptacle, Female - 4 Position (GM Engine Only)	
551	4460693	4	Pin, Male (GM Engine Only)	
551	4460608	4	Seal, Terminal (GM Engine Only)	
551	4461161	1	Lock, Terminal (GM Engine Only)	
553	2902443	1	Kit, Receptacle (Deutz Engine Only)	
553	4461071	8	Terminal, Female (Gold) (Deutz Engine Only)	
553	4461072	1	Connector, Flange Mount (Deutz Engine Only)	
553	4461073	1	Connector, Dust Cap (Deutz Engine Only)	
553	4461074	1	Connector, Shell (Deutz Engine Only)	
554	4461109	1	Plug, Male - 16 Position (GM Engine Only)	
554	4461111	7	Pin, Male (GM Engine Only)	
554	4461113	7	Seal, Terminal (GM Engine Only)	
554	4461222	9	Plug, Cavity (GM Engine Only)	
	1001110379	Ref	GROUND CONTROL HARNESS ASSEMBLY	C
616	4460536	1	Connector, Female 3- Position	
616	4460943	3	Pin, Male	
621	3990010	2	Diode - 6Amp (Not Shown)	
624	4460434	2	Connector, Male 15 - Position	
624	4460227	AR	Pin	
626	4460873	1	Connector, Male - 35 Position (Black)	
626	4460871	AR	Socket, Female	
626	4460905	AR	Plug, Seal	
628	4120035	6	Base, Light	
628	4460634	7	Terminal (16 Gauge)	
628	4460635	5	Terminal (12 Gauge)	
635	4460418	9	Connector, Female - 6 Position	
635	4460419	24	Socket, Female	
638	4460871	AR	Socket, Female	
639	4460876	1	Connector, Male - 35 Position (Blue)	
639	4460871	28	Socket, Female	
639	4460905	AR	Plug, Seal	
643	4460866	1	Connector - 19 Position	
643	4460464	7	Pin, Male (16 Gauge)	
643	4460508	3	Pin, Male (12 Gauge)	
644	4460878	1	Housing, Terminal - 4 Position	
644	4460887	3	Terminal (12 Gauge)	
650	4460761	1	Connector, Female 4 - Position	
650	4460227	4	Pin, Male	
655	8229242	2	Fuse 5A	
655	2400060	2	Holder, Fuse	
657	1001106339	1	Connector, Male - 14 Position	
657	4460871	2	Socket, Female	
657	4460905	AR	Plug, Seal	
658	1001106340	1	Connector, Male - 14 Position	
658	4460871	5	Socket, Female	
659	4460874	1	Connector, Natural	
659	4460871	10	Socket, Female	
659	4460905	AR	Plug, Seal	

SECTION 7 - ELECTRICAL

ITEM	PART NUMBER	QTY	DESCRIPTION	REV
660	4460875	1	Connector, Gray	
660	4460871	2	Socket, Female	
661	1001112612	1	Connector - 9 Position	
661	4460943	4	Pin, Male	
		Ref	STANDARD HARNESS COMPONENTS	
701		Ref	Battery Cable Kit Options:	
701	1001112763	1	Caterpillar Engines Machines (2 Relays on Engine Tray)	A
701	2902296	1	Deutz Engines Machines (3 Relays on Engine Tray)	C
701	2902531	1	GM Engine Machines	A
701A		Ref	Cable, Battery (Red) Options:	
701A	7027028	1	Caterpillar Engines Machines	
701A	1001116240	1	Deutz Engines Machines	
701A	7027015	1	GM Engine Machines	
701B		Ref	Cable, Battery (Black) Options:	
701B	7027029	1	Caterpillar Engines Machines	
701B	7027004	1	Deutz Engines Machines	
701B	7016822	1	GM Engine Machines	
701C	7027002	1	Cable (Red)	
701D		Ref	Cable (Black) Options:	
701D	7027033	1	Caterpillar Engines Machines	
701D	7027003	1	Deutz Engines Machines	
704	1001112071	1	Caterpillar Engine Harness Components (Caterpillar Engine Machines Only)	B
704		Ref	Fuse Box Components (Not Shown)	
704	70004317	2	Relay 25Amp (Glow Plug/Shut Off)	
704	70004316	1	Relay (Starter)	
704	70004318	1	Fuse 5Amp	
704	70004319	3	Fuse 10Amp	
704A	4460894	1	Plug, Male - 6 Position	
704A	4460465	5	Socket, Female	
704A	4460466	1	Seal, Plug	
704B	4460891	1	Plug, Male - 2 Position	
704B	4460465	2	Socket, Female	
704C	4460891	1	Plug, Male - 2 Position	
704C	4460465	2	Socket, Female	
704D	70020808	1	Plug, Male - 23 Position	
704D	70020809	16	Socket, Female	
704E	See Note	NSS	Connector - 8 Position (Note: Not Available for Purchase)	
704F	See Note	NSS	Connector - 5 Position (Note: Not Available for Purchase)	
705		Ref	Deutz Engine Harness Components (Deutz Engine Machines Only)	
705A	7027796	1	Deutz Engine Harness	
705B	4461052	1	Receptacle, Female - 25 Position	
705B	4461053	1	Cover, Receptacle	
705B	4461005	5	Terminal	
705B	4461006	5	Seal (Used with p/n 4461005)	
705B	4461060	2	Terminal	
705B	4461054	2	Seal (Used with p/n 4461060)	
705B	4461008	18	Plug, Hole	
705C	7027793	1	Plug-In, Connector	
705D	70001872	1	Deutz Engine Harness (For other replacement parts refer to Deutz engine dealer)	

SECTION 7 - ELECTRICAL

ITEM	PART NUMBER	QTY	DESCRIPTION	REV
708	See Note	NSS	Fuel Pump Harness (Caterpillar Engines Only) (Note: Not Available for Purchase)	
708A	4460897	1	Receptacle, Female - 2 Position (Caterpillar Engines Only)	
708A	4460464	2	Pin, Male (Caterpillar Engines Only)	
710	See Note	NSS	Pump Harness (Note: Not Available for purchase)	
710A	7007497	1	Plug (Pump End)	
710B	7007498	1	Plug (Engine Harness End)	
711	See Note	NSS	Controller Harness Assembly (Lift and Swing) (Note: Not Available for Purchase)	
711A	7022819	1	Plug, Male - 8 Position (Natural)	
711A	4460871	8	Socket, Female	
712	See Note	NSS	Controller Harness/Circuit Board Assembly (Drive and Steer) (Note: Not Available for Purchase)	
712A	7022825	1	Plug, Male - 8 Position (Black)	
712A	4460871	7	Socket, Female	
713	See Note	NSS	Controller Harness (Speed Control) (Note: Not Available for Purchase)	
713A	4460224	1	Receptacle, Female - 6 Position	
713A	4460226	6	Socket, Female	
714		Ref	GM Engine Harness (GM Engine Machines Only)	
	7027991	1	Tier 1 Engines	
	70000718	1	Tier 2 Engines	
	70002848	1	Tier 3 & 4 Interim	
	7027989	1	Connector, Male - 10 Position (Not Shown)	
	See Note	NSS	Box, Fuse (Note: Parts of Harness - Not Available for Purchase)	
	70002627	1	Cover, Fuse Box	
	70001950	2	Relay (Power and Fuel Pump)	
	70001951	1	Relay (Starter)	
	70001931	1	Fuse - 60Amp (Alternator)	
	See Note	NSS	Fuse - 20Amp (Note: Not Available - Purchase Locally)	
	See Note	NSS	Fuse - 15Amp (Note: Not Available - Purchase Locally)	
	See Note	NSS	Fuse - 10Amp (Note: Not Available - Purchase Locally)	
	See Note	NSS	Fuse - 5Amp (Note: Not Available - Purchase Locally)	
715	4923379	1	Harness, Glow Plugs (Deutz Engine Machines Only)	
716	4360517	1	Switch, Proximity	
716A	4460320	1	Connector - 2 Position	
716A	4460227	2	Pin, Male	
		Ref	OPTIONAL HARNESS COMPONENTS	
801	4921927	1	Jib Valve Harness (600AJ Only)	3-F
801A	4460326	1	Plug, Male - 3 Position	
801B	4460267	3	Pin, Male	
801C	4460499	2	Connector, DIN with Diode	
802	4921928	1	4WS Valve Harness	3-E
802A	4460268	3	Socket, Female	
802B	4460445	1	Connector, Female - 3 Position	
802C	4460499	2	Connector, DIN with Diode	
803	0257887	1	Alarm Harness (Includes Alarm)	
803	0140032	1	Alarm	
803	2820035	6 in/15cm	Loom	
803A	4460424	1	Plug, Male - 2 Position	
803B	4460268	2	Socket, Female (Amber)	
804		Ref	Strobe Light (Amber) Harness Options (Includes Strobe Light):	B

SECTION 7 - ELECTRICAL

ITEM	PART NUMBER	QTY	DESCRIPTION	REV
804	0272507	1	USA Built Machines (SN 0300087000 through 0300171709)	
804	2920161	1	USA Built Machines (SN 0300171710 through 0300177361)	
804	0272507	1	China Built Machines (SN B300000100 through B300000924)	
804	2920161	1	China Built Machines (SN B300000925 through B300001392)	
804A	4460320	1	Connector, Female - 2 Position (0272507 Strobe Light)	
804A	4460267	2	Pin, Male (0272507 Strobe Light)	
804A	4460891	1	Plug, Male - 2 Position (2920161 Strobe Light)	
804A	4460465	2	Socket, Female (2920161 Strobe Light)	
804B	1001149818	1	Strobe Light Extension Harness (USA Built Machines) (SN 0300171710 through 0300177361)	B
804B	1001149818	1	Strobe Light Extension Harness (China Built Machines) (SN B300000925 through B300001392)	B
804C	4460897	1	Receptacle, Female -2 Position	
804C	4460464	2	Pin, Male	
804D	4460320	2	Plug, Male - 2 Position	
804D	4460267	4	Pin, Male	
804E		Ref	Strobe Light (Blue) Harness Options (Not Shown):	
804E	1001142736	1	Beacon Control Harness (Module to Light)	E
804E	1001150944	1	Beacon Control Harness (Module to Ground Control Box)	
805	See Note	NSS	Headlight and Taillight/Chassis Illumination Harness (Note: Not Available for Purchase)	
805	1060341	AR	Cable, Electrical 16/2 Options:	
805	1060341	37 ft/ 11.3m	Headlights and Taillights	
805	1060341	40 ft/ 12.2m	Chassis Illumination Lights	
805A	3740049	1	Relay	
805A	4460259	3	Terminal	
805A	4460260	4	Housing, Terminal	
805A	4460297	1	Terminal	
805A	4922643	1	Lights Harness for Ground Control Box	B
805A	4460226	2	Socket, Female	
806		Ref	2500W Generator Electrical Components Options:	
806	1001112588	Ref	Caterpillar and Deutz Engines 110V/220V with Generator Control Box	A
806	1001112743	Ref	Caterpillar and Deutz Engines 110V/220V without Generator Control Box	B
806	4933350	Ref	GM Engine	B
806A	4460321	1	Connector, Male - 4 Position (Caterpillar, Deutz and GM Engines Specs with Generator Control Box)	
806A	4460906	4	Socket, Female	
806B	4922641	1	Harness - On/Off Switch	
806C	4460226	2	Socket, Female	
806D		Ref	Powermite Control Box to Relay Options:	
806D	1001112589	1	Caterpillar and Deutz Engines	
806D	4923445	1	GM Engines	
806D	4460374	AR	Plug, Sealed Relay	
806D	4460375	3	Terminal	
806D	4460742	1	Plug, Male - 2 Position	
806D	4460743	1	Socket, Female	
806D	4460458	1	Seal, Terminal	
806E	4460961	1	Connector, Female - 4 Position (Caterpillar, Deutz and GM Engines Specs with Generator Control Box)	

SECTION 7 - ELECTRICAL

ITEM	PART NUMBER	QTY	DESCRIPTION	REV
806E	4460705	4	Pin, Male	
807		Ref	Generator to Rear of Boom Harness Options:	
		Ref	Note: Harness used to connect AC at platform harness to generator receptacle to power platform receptacle.	
807	4921829	1	110V (ANSI, ANSI Export and Japanese Specs)	2
807	4921954	1	220V (ANSI and ANSI Export Specs)	2
807	See Note	Ref	110V/220V (Australian, CE, Latin American and Brazilian Specs) (Note: Not Available for Purchase)	
807		Ref	Cable, Electrical - 12/3 Options:	
807	1060494	6 ft/1.8m	110V (ANSI, ANSI Export and Japanese Specs)	
807	1060494	26 ft/8m	220V (ANSI and ANSI Export Specs)	
807	1060461	6 ft/1.8m	110V/220V (Australian, CE, Latin American and Brazilian Specs)	
807A		Ref	Plug, Male Options:	
807A	4460205	1	110V (ANSI, ANSI Export and Japanese Specs)	
807A	4460233	1	220V (ANSI and ANSI Export Specs)	
807A	Not Required	0	110V/220V (Australian, CE, Latin American and Brazilian Specs) (Purchase Locally)	
807A	4460027	1	Receptacle, Twist Lock (110V Only)	
807B		Ref	Receptacle, Female Options:	
807B	4460134	1	110V (ANSI, ANSI Export and Japanese Specs)	
807B	4460701	1	220V (ANSI and ANSI Export Specs)	
807B	Not Required	0	110V/220V (Australian, CE, Latin American and Brazilian Specs) (Purchase Locally)	
808		Ref	AC to Platform Receptacle Components Options:	
808	0255382	Ref	110V GFI Receptacle (ANSI, ANSI Export and Japanese Specs)	B
808	0257176	Ref	220V Receptacle (ANSI, ANSI Export and Japanese Specs)	B
808	0272433	Ref	SkyPower Machines (All Specs)	B
808	0274618	Ref	Dual AC (ANSI Export Spec Option)	2-B
808	0256202	Ref	110V/220V (Australian, Latin American and Brazilian Specs)	B
808	1001194365	Ref	220V Receptacle (ANSI Export and Australian Specs)	A
808	1001160272	Ref	110C AC Cable Used with 4000W/60Hz Generator	A
808		Ref	110V/220V (CE Spec Only):	
808		Ref	Without Powermite Generator:	
808	0256202	Ref	110V/220V (No Plug)	B
808	0275653	Ref	220V with CEE 7 Post Ground Receptacle and Plug and Circuit Breaker (2 x 4 Box)	F
808	0275654	Ref	220V with CEE 7 Side Ground Receptacle and Plug and Circuit Breaker (2 x 4 Box)	F
808	0275660	Ref	220V with AFSINT 107 Keyed Ground Receptacle and Plug and Circuit Breaker (2 x 4 Box)	F
808	0275656	Ref	110V with IEC Yellow Receptacle and Plug and Circuit Breaker	F
808	0275652	Ref	220V with IEC Blue Receptacle and Plug and Circuit Breaker	F
808	0275655	Ref	220V with CEE 7 Post Ground Receptacle and Plug and Circuit Breaker (70mm x 70mm Box)	F
808	0275651	Ref	220V with CEE 7 Side Ground Receptacle and Plug and Circuit Breaker (70mm x 70mm Box) (SN 0300087000 through 0300177361)	D
808	0275651	Ref	220V with CEE 7 Side Ground Receptacle and Plug and Circuit Breaker (70mm x 70mm Box) (SN B300000100 through B300000868)	D
808	1001153638	Ref	220V with CEE 7 Side Ground Receptacle and Plug and Circuit Breaker (70mm x 70mm Box) (SN B300000869 to Present)	D

SECTION 7 - ELECTRICAL

ITEM	PART NUMBER	QTY	DESCRIPTION	REV
808		Ref	With Powermite Generator:	
808	1001100397	Ref	220V with CEE 7 Post Ground Receptacle and Plug and Circuit Breaker (2 x 4 Box)	G
808	1001100398	Ref	220V with CEE 7 Side Ground Receptacle and Plug and Circuit Breaker (2 x 4 Box)	G
808	1001100399	Ref	220V with AFSINT 107 Keyed Ground Receptacle and Plug and Circuit Breaker (2 x 4 Box)	F
808	1001100400	Ref	110V with IEC Yellow Receptacle and Plug and Circuit Breaker	C
808	1001100401	Ref	220V with IEC Blue Receptacle and Plug and Circuit Breaker	F
808	1001100402	Ref	220V with CEE 7 Post Ground Receptacle and Plug and Circuit Breaker (70mm x 70mm Box)	F
808	1001100403	Ref	220V with CEE 7 Side Ground Receptacle and Plug and Circuit Breaker (70mm x 70mm Box)	F
808A		Ref	Box, Switch Options:	
808A	0860038	1	0255382, 0257176 & 0274618 Installations	
808A	Not Required	0	0256202 Installation (Purchase Locally)	
808A	0861731	1	0275253, 0275254, 0275660, 1001100397, 1001100398, 1001100399 & 1001194365 Installations	
808A	0861781	1	0275656, 0275652, 1001100400 & 1001100401 Installations	
808A	See Note	NSS	0275655, 0275651, 1001100402 & 1001100403 Installations (Note: Was p/n 0861782 which is no longer available. Use p/n 1001100344 CEE 7 Side Ground Service Kit or p/n 1001100343 CEE 7 Post Ground Service Kit. Kit include Box p/n 1001141967 & Items 808B, 808C, 808E & 808P)	
808A	1001141967	1	1001100343, 1001100344, 1001141970 & 1001141971 Kits	
808B		Ref	Receptacle Options:	
808B	4460346	1	0255382 & 0274618 Installations	
808B	4460125	1	0257176 Installation	
808B	Not Required	0	0256202 Installation (Purchase Locally)	
808B	4461244	1	0275253 & 1001100397 Installations	
808B	4461245	1	0275654 & 1001100398 Installations	
808B	4461246	1	0275660 & 1001100399 Installations	
808B	4461198	1	0275656 & 1001100400 Installations	
808B	4461201	1	0275652 & 1001100401 Installations	
808B	4461204	NLA	0275655 & 1001100402 Installations (Use p/n 1001100343)	
808B	4461207	NLA	0275651 & 1001100403 Installations (Use p/n 1001100344)	
808B	1001141968	1	1001100343 & 1001141971 Kits	
808B	1001141969	1	1001100344 & 1001141970 Kits	
808C		Ref	Shield, Cover Options:	
808C	1001110873	1	0255382 & 0274618 Installations (Top Hinged)	
808C	4060092	1	0257176 Installation	
808C	Not Required	0	0256202 Installation (Purchase Locally)	
808C	4461244	1	0275253 & 1001100397 Installations	
808C	4461245	1	0275654 & 1001100398 Installations	
808C	4461246	1	0275660 & 1001100399 Installations	
808C	4461198	1	0275656 & 1001100400 Installations	
808C	4461201	1	0275652 & 1001100401 Installations	
808C	4461204	NLA	0275655 & 1001100402 Installations (Use p/n 1001100343)	
808C	4461207	NLA	0275651 & 1001100403 Installations (Use p/n 1001100344)	
808C	1001141968	1	1001100343 & 1001141971 Kits	
808C	1001141969	1	1001100344 & 1001141970 Kits	
808D		Ref	Connector, Strain Relief Options:	
808D	4460071	1	0255382, 0257176 & 0274618 Installations	

SECTION 7 - ELECTRICAL

ITEM	PART NUMBER	QTY	DESCRIPTION	REV
808D	Not Required	0	0256202 Installation (Purchase Locally)	
808D	4460968	1	0275656, 0275652, 0275655, 0275651, 1001100400, 1001100401, 1001100402 & 1001100403 Installations	
808D	4460968	1	0275653, 0275654, 0275660, 0275656, 1001100397, 1001100398 & 1001100399 Installations	
808D	4460662	1	1001194365 Installation	
808E		Ref	Plug, Male Options:	
808E	4460205	1	0255382 & 0274618 Installations	
808E	4460233	1	0257176 Installation	
808E	Not Required	0	0256202 Installation (Purchase Locally)	
808E	4461202	NLA	0275653 & 0275655, 1001100397 & 1001100402 Installations & 1001100343 & 1001141971 Kits (Use p/n 4461205)	
808E	4461199	1	0275652 & 1001100401 Installations	
808E	4461249	1	0275660 & 1001100399 Installations	
808E	4461196	1	0275656 & 1001100400 Installations	
808E	4461205	1	0275654, & 0275651, 1001100398 & 1001100403 Installations & 1001100344 & 1001141970 Kits	
808F		Ref	Plug, Male Options:	
808F	4460205	1	0255382 & 0274618 Installations (Qty 4 Required for Dual AC)	
808F	4460233	1	0257176 Installation	
808F	4460709	1	0256202, 0275653, 0275654, 0275660, 0275656, 0275652, 0275655, 0275651, 1001100397, 1001100398, 1001100399, 1001100400, 1001100401, 1001100402 & 1001100403 Installations	
808F	4460960	1	0272433 Installation	
808F	4460962	1	1001160272 Installation	
808F		Ref	Cover (Optional)	
808F	1671093	1	0272433 & 1001160272 Installations	
808F	1671093	1	0272433 & 0256202 Installations (SN 0300167714 through 0300175047)	
808F	1001156352	1	0256202 Installation (USA Built Machines) (SN 0300175048 through 0300177361)	
808F	1001156352	1	0256202 Installation (China Built Machines) (Including B300000809)	
808G		Ref	Connector, Female Options:	
808G	4460134	1	0255382 & 0274618 Installations (Qty 2 Required for Dual AC)	
808G	4460701	1	0257176 Installation	
808G	4460710	1	0256202, 0275653, 0275654, 0275660, 0275656, 0275652, 0275655, 0275651, 1001100397, 1001100398, 1001100399, 1001100400, 1001100401, 1001100402 & 1001100403 Installations	
808G	4460959	1	0272433 Installation	
808G	4460963	1	1001160272 Installation	
808G		Ref	Cover (Optional)	
808G	1671092	1	0272433 & 1001160272 Installations	
808G	1671092	1	0256202 Installation (USA Built Machines) (SN 0300167714 through 0300175047)	
808G	1001156351	1	0256202 Installation (USA Built Machines) (SN 0300175048 through 0300177361)	
808G	1001156351	1	0256202 Installation (China Built Machines)	
808H		Ref	Hardware Options:	
808H	0641405	AR	Bolt 1/4in - 20NC x 5/8in	
808H	0641407	AR	Bolt 1/4in - 20NC x 7/8in	

SECTION 7 - ELECTRICAL

ITEM	PART NUMBER	QTY	DESCRIPTION	REV
808H	0641416	AR	Bolt 1/4in - 20NC x 2in	
808H	0700408	AR	Screw M4 x 16mm	
808H	3290405	AR	Locknut M4	
808H	3311405	AR	Locknut 1/4in - 20NC	
808H	4711400	AR	Flatwasher 1/4in Thin	
808H	4811400	AR	Flatwasher M4	
808J		Ref	Bracket, Receptacle Box Mounting Options:	
808J	Not Required	0	0255382, 0274618, 0257176 & 0256202 Installations	
808J	0903484	1	0275653, 0275654, 0275660, 0275656, 0275652, 0275655, 0275651, 1001100397, 1001100398, 1001100399, 1001100400, 1001100401, 1001100402 & 1001100103 Installations (SN 0300087000 through 0300177361)	
808J	0903484	1	0275653, 0275654, 0275660, 0275656, 0275652, 0275655, 0275651, 1001100397, 1001100398, 1001100399, 1001100400, 1001100401, 1001100402, 1001100103 & 1001153638 Installations (SN B300000100 through B300001168)	
808J	1001193018	1	0275653, 0275654, 0275660, 0275656, 0275652, 0275655, 0275651, 1001100397, 1001100398, 1001100399, 1001100400, 1001100401, 1001100402, 1001100103, 1001194365 & 1001153638 Installations (SN B300001169 to Present)	
808K		Ref	Bracket, Circuit Breaker Mounting Options:	
808K	Not Required	0	0255382, 0274618, 0257176 & 0256202 Installations	
808K	0903612	1	0275653, 0275654, 0275660, 0275656, 0275652, 0275655, 0275651, 1001100397, 1001100398, 1001100399, 1001100400, 1001100401, 1001100402 & 1001100103 Installations (SN 0300087000 through 0300177361)	
808K	0903612	1	0275653, 0275654, 0275660, 0275656, 0275652, 0275655, 0275651, 1001100397, 1001100398, 1001100399, 1001100400, 1001100401, 1001100402, 1001100103 & 1001153638 Installations (SN B300000100 through B300000782)	
808K	1001170797	1	0275653, 0275654, 0275660, 0275656, 0275652, 0275655, 0275651, 1001100397, 1001100398, 1001100399, 1001100400, 1001100401, 1001100402, 1001100103 & 1001153638 Installations (SN B300000782 through B300001048)	
808K	1001153636	1	0275653, 0275654, 0275660, 0275656, 0275652, 0275655, 0275651, 1001100397, 1001100398, 1001100399, 1001100400, 1001100401, 1001100402, 1001100103 & 1001153638 Installations (SN B300001049 to Present)	
808L		Ref	Breaker, Circuit Kit Options (Required on All CE Spec Installations except 0256202 Installation):	
808L	1001096070	AR	Kit (Without Powermite Generator Control Box)	D
808L	1001109554	AR	Kit (With Powermite Generator Control Box)	B
808L		Ref	Circuit Breaker Options:	
808L	1001109477	NLA	Breaker 10A (Use p/n 1001181046) (SN 0300087000 through 0300177361)	
808L	1001109477	NLA	Breaker 10A (Use p/n 1001181046) (SN B300000100 through B300001234)	
808L	1001109475	NLA	Breaker 16A (Use p/n 1001181045) (SN 0300087000 through 0300177361)	
808L	1001109475	NLA	Breaker 16A (Use p/n 1001181045) (SN B300000100 through B300001234)	
808L	1001109482	NLA	Breaker 30mA (Use p/n 1001181045 for 30mA/16A Combination/Use 1001181046 for 30mA/10A Combination) (SN 0300087000 through 0300177361)	

SECTION 7 - ELECTRICAL

ITEM	PART NUMBER	QTY	DESCRIPTION	REV
808L	1001109482	NLA	Breaker 30mA (Use p/n 1001181045 for 30mA/16A Combination/Use 1001181046 for 30mA/10A Combination) (SN B30000100 through B300001234)	
808L	1001181045	1	Breaker, 16A/30mA Combination (SN B300001235 to Present)	
808L	1001181046	1	Breaker 10A/30mA Combination (SN B300001235 to Present)	
808L	0861880	1	Breaker Box	
808L	4460957	1	Terminal Block	
808L	4460956	1	Barrier, Terminal Block End	
808M	1001101191	2	Connector, Strain Relief Options (Required Only on CE Spec Installations except 0256202 Installation):	
808N	1060908	12 ft/3.7m	Cable, Extension (Required Only on CE Spec Installations except 0256202 Installation):	
808P		Ref	Connector, Female Options:	
808P	Not Required	0	0255382, 0274618, 0257176, 0275653, 0275654, 0275660, 0275656, 0275652, 0275655 & 0275651 Installations	
808P	Not Required	0	0256202 Installation (Purchase Locally)	
808P	4461203	1	1001100402 & 1001100397 Installations & 1001100343 & 1001141971 Kits	
808P	4461200	1	1001100401 Installation	
808P	4461250	1	1001100399 Installation	
808P	4461197	1	1001100400 Installation	
808P	4461206	1	1001100403 & 1001100398 Installations & 1001100344 & 1001141970 Kits	
		Ref	Kit, Plug and Socket Options:	
		Ref	Without Generator:	
	0275452	1	Receptacle Box Kit (220V CEE 7 Post Ground) (Includes Items 808A, 808B, 808C & 808E) (0275653 Installation)	C
	0275453	1	Receptacle Box Kit (220V CEE 7 Side Ground) (Includes Items 808A, 808B, 808C & 808E) (0275654 Installation)	1
	0275454	1	Receptacle Box Kit (220V AFSINT 107 Keyed Ground) (Includes Items 808A, 808B, 808C & 808E) (0275660 Installation)	1
	0275216	1	Receptacle Box Kit (110V IEC Yellow) (Includes Items 808A, 808B, 808C & 808E) (0275656 Installation)	1
	0275217	1	Receptacle Box Kit (220V IEC Blue) (Includes Items 808A, 808B, 808C & 808E) (0275652 Installation)	1
	0275218	NLA	Receptacle Box Kit (220V CEE 7 Post Ground) (Includes Items 808A, 808B, 808C & 808E) (0275655 Installation) (Use p/n 1001100343)	C
	0275219	NLA	Receptacle Box Kit (220V CEE 7 Side Ground) (Includes Items 808A, 808B, 808C & 808E) (0275651 & 1001153638 Installations) (Use p/n 1001100344)	B
		Ref	With Generator:	
	1001100345	1	Receptacle Box Kit (220V CEE 7 Post Ground) (Includes Items 808A, 808B, 808C, 808E & 808P) (1001100397 Installation)	2
	1001100347	1	Receptacle Box Kit (220V CEE 7 Side Ground) (Includes Items 808A, 808B, 808C, 808E & 808P) (1001100398 Installation)	3
	1001100346	1	Receptacle Box Kit (220V AFSINT 107 Keyed Ground) (Includes Items 808A, 808B, 808C, 808E & 808P) (1001100399 Installation)	2
	1001100341	1	Receptacle Box Kit (110V IEC Yellow) (Includes Items 808A, 808B, 808C, 808E & 808P) (1001100400 Installation)	2
	1001100342	1	Receptacle Box Kit (220V IEC Blue) (Includes Items 808A,	2

SECTION 7 - ELECTRICAL

ITEM	PART NUMBER	QTY	DESCRIPTION	REV
	1001100343	1	808B, 808C, 808E & 808P) (1001100401 Installation) Receptacle Box Kit (220V CEE 7 Post Ground) (Includes Items 808A, 808B, 808C, 808E & 808P) (1001100402 Installation)	C
	1001100344	1	Receptacle Box Kit (220V CEE 7 Side Ground) (Includes Items 808A, 808B, 808C, 808E & 808P) (1001100403 Installation)	B
809		Ref	7500W SkyPower Generator Installation	
809	1001115401	Ref	60Hz and Caterpillar Engine	C
809	1001115391	Ref	60Hz and Deutz Engine	D
809	1001115402	Ref	50Hz Spec and Caterpillar Engine	C
809	1001115392	Ref	50Hz Spec and Deutz Engine	C
809	0275257	Ref	60Hz Spec and GM Engine	F
		Ref	Note: SkyPower Generator is Standard On ANSI and CSA Specs. Optional on All Other Specs.	
809A		Ref	Receptacle, Female Twist-Lock Options:	
809A	4460958	1	60Hz Spec	
809A	See Note	NSS	50Hz Spec (Note: Not Available - Purchase Locally)	
809B		Ref	Gasket Options:	
809B	3960422	2	60Hz Spec	
809B	See Note	NSS	50Hz Spec (Note: Not Available - Purchase Locally)	
809C		Ref	Cover, Receptacle Options:	
809C	1001110873	1	60Hz Spec	
809C	See Note	NSS	50Hz Spec (Note: Not Available - Purchase Locally)	
809D		Ref	Cover, Receptacle Options:	
809D	1001110872	1	60Hz Spec	
809D	See Note	NSS	50Hz Spec (Note: Not Available - Purchase Locally)	
809E		Ref	Receptacle Options:	
809E	4460346	1	60Hz Spec	
809E	See Note	NSS	50Hz Spec (Note: Not Available - Purchase Locally)	
809F	4460051	1	Connector, Strain Relief	
809G	4460071	1	Connector, Strain Relief	
809H	4922925	1	Harness, Generator	C
809I	77363233	1	Plug, Male - 6 Position	
809I	4460465	6	Socket, Female	
809J	4460225	1	Plug, Male - 6 Position	
809J	4460226	6	Socket, Female	
810		Ref	7500W SkyPower Generator Junction Box Components	
810	0861542	Ref	60Hz Spec (SN 0300087000 through 0300177360)	E
810	0861542	Ref	60Hz Spec (SN B300000100 through B300000866)	
810	1001157592	Ref	60Hz Spec (SN B300000867 through B300001392)	
810	0861567	Ref	50Hz Specs	B
810A		Ref	Cable, Electrical 12/3	
810A	1060494	2 ft /.6m	60Hz Spec (SN 0300087000 through 0300177361, SN B300000100 through B300001242)	
810A	1001179154	2 ft /.6m	60Hz Spec (SN B300001243 through B300001392)	
810A	See Note	2 ft /.6m	50Hz Spec (Note: Not Available - Purchase Locally)	
810B		Ref	Cable, Electrical 10/3	
810B	1060708	2.5 ft/ .76m	60Hz Spec	
810B	See Note	2.5 ft/ .76m	50Hz Spec (Note: Not Available - Purchase Locally)	
810C	1060343	1.5 ft/	Cable, Electrical 10/4 (60Hz Spec Only)	

SECTION 7 - ELECTRICAL

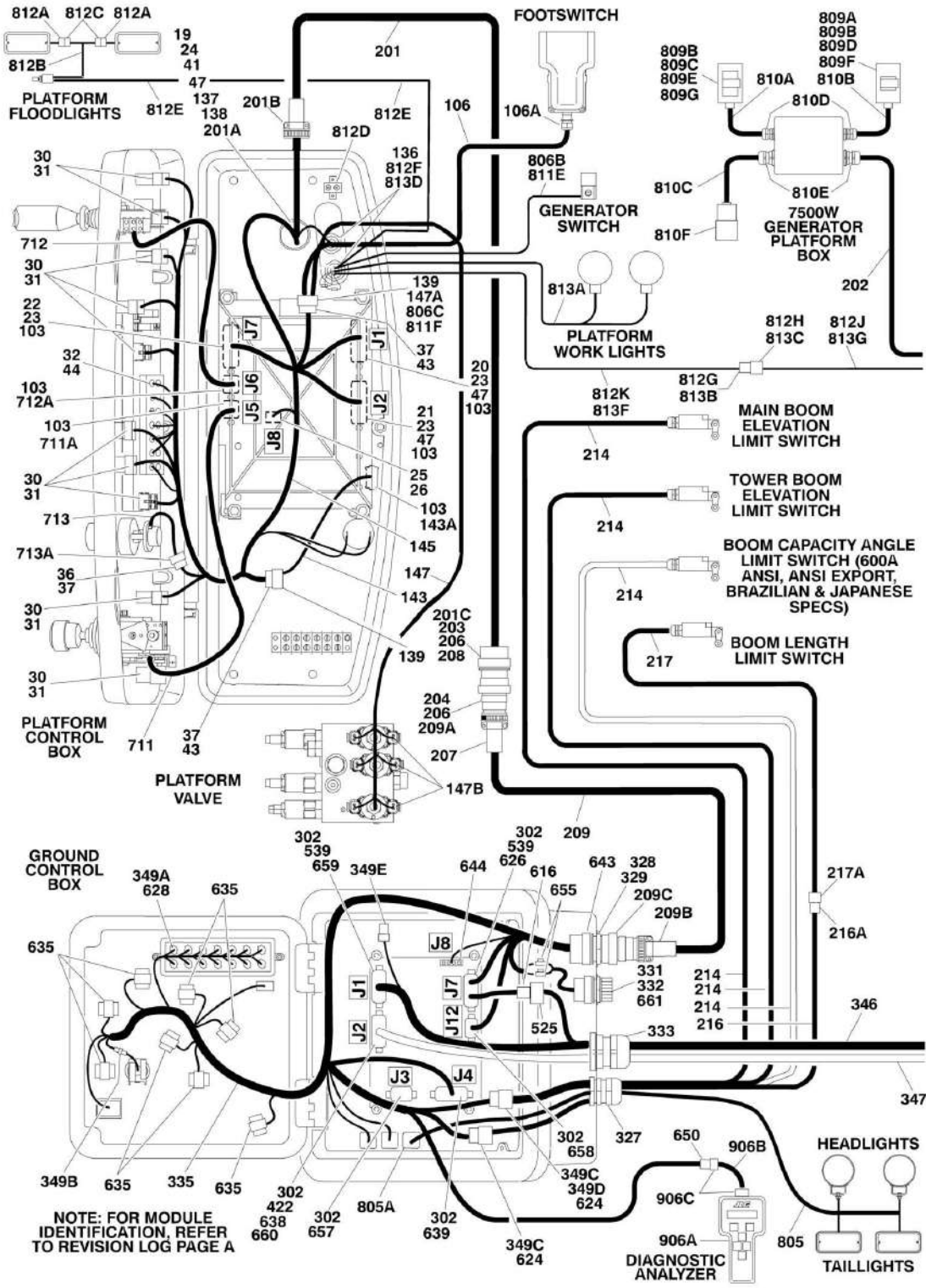
ITEM	PART NUMBER	QTY	DESCRIPTION	REV
		.46m		
810D	4460425	2	Connector, Strain Relief	
810E		Ref	Component Options:	
810E	4460426	2	Connector, Strain Relief (60Hz Spec Only)	
810E	4460426	1	Connector, Strain Relief (50Hz Spec Only)	
810E	3520189	1	Plug (50Hz Spec Only)	
810F	1671092	1	Cover (60Hz Spec Only)	
810F	4460963	1	Connector (60Hz Spec Only)	
811		Ref	7500W Generator Electrical Diagram Components	
811	1001112586	Ref	Caterpillar and Deutz Engine Machines	B
811	4933349	Ref	GM Engine Machines	B
811A		Ref	Generator Harness Options:	
811A	1001112587	1	Caterpillar and Deutz Engine Machines (SN 0300087000 through 0300177361, SN B300000100 through B300000865)	B
811A	1001152429	1	Caterpillar and Deutz Engine Machines (SN B300000866 through B300001392)	C
811A	4923420	1	GM Engine Machines	A
811A	4460742	1	Connector - 2 Position (1001152429 Harness) (Not Shown)	
811A	4460743	2	Terminal (1001152429 Harness) (Not Shown)	
811B	4460374	2	Plug, Sealed Relay (1001112587 Harness)	
811B	4460375	7	Terminal (1001112587 Harness)	
811C	4460967	1	Plug, Male - 3 Position	
811C	4460465	3	Socket, Female	
811D	2400060	1	Fuseholder	
811D	2400064	1	Fuse - 5Amp	
811E	4922641	1	Switch Harness	
811F	4460226	2	Socket, Female	
811G	4460742	1	Plug, Male - 2 Position	
811G	4460743	2	Socket, Female	
811G	4460458	2	Seal, Terminal	
812	4933308	1	Floodlights Harness Components	1-A
812A	4460320	2	Plug, Male - 2 Position	
812A	4460227	4	Pin, Male	
812B	4922764	1	Floodlight Harness (Lights to Switch)	1-A
812C	4460424	2	Connector, Female - 2 Position	
812C	4460226	4	Socket, Female	
812D	4360232	1	Circuit Breaker - 15Amp	
812E	1060977	1	Cord, 2 Wire Coiled (Console Box Circuit Breaker to Switch)	
812F	4460425	1	Connector, Strain Relief	
812G	4460459	1	Plug, Male - 3 Position	
812G	4460790	3	Socket, Female	
812G	4460789	3	Seal	
812H	4460476	1	Receptacle, Female	
812H	4460850	3	Pin, Male	
812H	4460790	3	Socket, Female	
812J	1060494	33 ft/ 10.1m	Electrical Cable 12/3 (Lower Boom to Aux Relay)	
812K	1060494	47 ft/ 14.3m	Electrical Cable 12/3 (Upper Boom to Console Box)	
813		Ref	Platform Worklights Components	
813A	2920140	2	Platform Worklights External Harness (Includes Light and Wire Only)	

SECTION 7 - ELECTRICAL

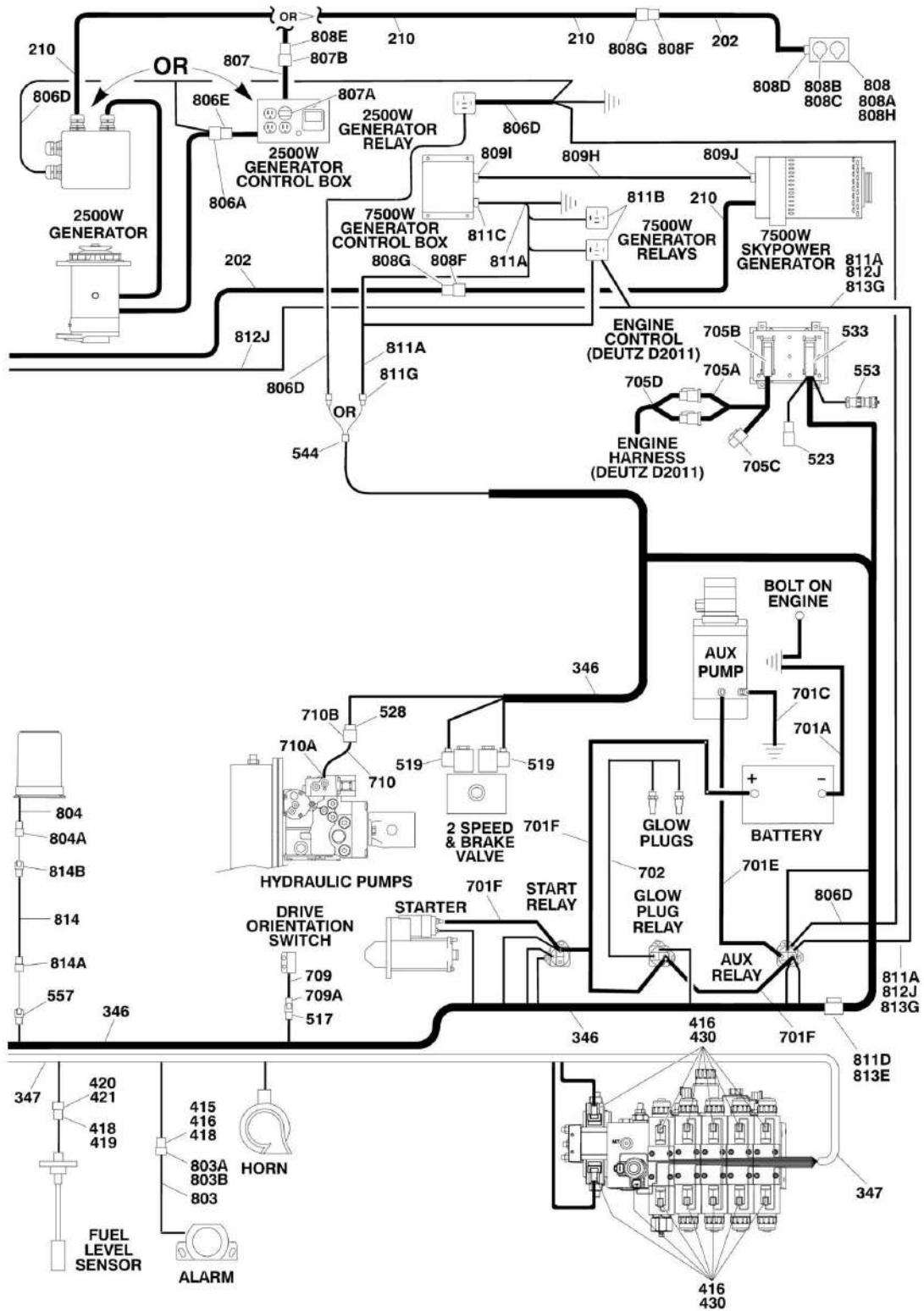
ITEM	PART NUMBER	QTY	DESCRIPTION	REV
813B	4460459	1	Plug, Male - 3 Position	
813B	4460790	3	Socket, Female	
813B	4460789	3	Seal	
813C	4460476	1	Receptacle, Female	
813C	4460850	3	Pin, Male	
813C	4460790	3	Socket, Female	
813D	4460426	1	Connector, Strain Relief	
813E	2400070	1	Fuse	
813E	2400066	1	Holder, Fuse	
813F	4922894	1	Worklights Harness (Upper Boom to Worklights)	
813F	1060494	47 ft/ 14.3mm	Cable, Electrical - 12/3	
813G	4922892	1	Worklights Harness (Lower Boom to Aux. Power Solenoid)	
813G	1060494	33 ft/ 10.1mm	Cable, Electrical - 12/3	
		Ref	TOOLS	
901	7002821	1	Crimper (For Wire to Pin/Socket Connections) (Not Shown)	
902	7002823	1	Extractor (For Removal of Pin/Socket from Connectors) (Not Shown)	
903	4460467	1	Extractor, Pin (Blue 16-18 Gauge) (For Removal of Pin/Socket from Connectors) (Not Shown)	
904	4460510	1	Extractor, Pin (Yellow 12-14 Gauge) (For Removal of Pin/Socket from Connectors) (Not Shown)	
905	7002828	1	Stripper, Wire (Not Shown)	
906	2901443	1	Analyzer Kit (Not Shown)	
906A	1600244	1	Analyzer	
906B	1060633	1	Cable, Analyzer	1-A
906C	4460321	2	Plug, Male	
906C	4460226	8	Socket, Female	
907	1001137005	1	Software Cable Kit (Not Shown)	

SECTION 7 - ELECTRICAL

FIGURE 7-4. HARNESS COMPONENTS INSTALLATION (WITH UGM) (SN B300001393 to Present)



SECTION 7 - ELECTRICAL



SECTION 7 - ELECTRICAL

FIGURE 7-4. HARNESS COMPONENTS INSTALLATION (WITH UGM) (SN B300001393 to Present)

ITEM	PART NUMBER	QTY	DESCRIPTION	REV
	1001107753	Ref	PLATFORM BOX HARNESS ASSEMBLY (WITHOUT SKYGUARD)	F
	1001185280	Ref	PLATFORM BOX HARNESS ASSEMBLY (WITH SKYGUARD)	B
19	4460866	1	Connector - 19 Position	
20	4460874	1	Connector - 35 Position (Natural)	
21	4460875	1	Connector - 35 Position (Gray)	
22	4460873	1	Connector - 35 Position (Black)	
23	4460871	70	Socket, Female	
24	4460464	7	Pin, Male (16 Gauge)	
25	4460879	1	Terminal, Housing - 2 Position	
26	4460887	2	Terminal (12 Gauge)	
30	4460418	9	Connector - 6 Position	
31	4460419	27	Terminal, Female	
32	4120035	13	Base, Light	
36	4460225	1	Plug, Male - 6 Position	
37	4460227	30	Pin, Male	
41	4460508	3	Pin, Male (12 Gauge)	
43	4460434	2	Connector - 15 Position	
44	2920129	13	Lamp, Indicator	
47	4460905	26	Seal, Plug	
50	4460884	1	Connector - 4 Position (Not Shown - To Platform Sensor) (With SkyGuard)	
50	4460944	4	Socket (Not Shown - To Platform Sensor) (With SkyGuard)	
50	4460932	1	Receptacle - 4 Position (Not Shown - To Platform Sensor) (With SkyGuard)	
54	4460536	1	Receptacle - 3 Position (Not Shown) (With SkyGuard)	
54	4460943	1	Pin, Male (Not Shown) (With SkyGuard)	
55	4460539	1	Plug - 3 Position (Not Shown) (With SkyGuard)	
55	4460944	1	Socket, Female (Not Shown) (With SkyGuard)	
57	4460708	1	Connector - 15 Position (Not Shown - Mates with Item 43) (With SkyGuard)	
57	4460226	3	Socket (Not Shown) (With SkyGuard)	
		Ref	PLATFORM BOX ASSEMBLY COMPONENTS	
103	0100048	AR	Grease, Dielectric	
106	See Note	NSS	Footswitch Harness	
106	1060918	8 ft/2.4m	Cable, Electrical - 18/3	
106A	4460071	1	Connector, Strain Relief	
136	4460428	2	Connector, Strain Relief	
137	4460470	1	Nut, Terminal	
138	4460471	1	Lockwasher, Terminal	
139	4460708	2	Connector, Female - 15 Position	
143	4922666	1	Harness, Analyzer Cable	C
143	4460226	4	Socket, Female (Not Shown - Located at J2)	
143A	4460761	1	Connector, Female - 4 Position	
143A	4460227	1	Pin, Male	
145	1001107753	1	Harness, Platform Console Box (Without SkyGuard) (Includes Items 19-47)	
145	1001185280	1	Harness, Platform Console Box (With SkyGuard) (Includes Items 19-57)	
147	1001139135	1	Platform Valve Harness Assembly	
147A	4460226	7	Socket, Female	

SECTION 7 - ELECTRICAL

ITEM	PART NUMBER	QTY	DESCRIPTION	REV
147B	4460891	6	Plug, Male - 2 Position	
147B	1001116992	12	Socket, Female	
		Ref	BOOM CABLES INSTALLATION	
		Ref	Boom Cables Installation 600AJ	
	0270818	Ref	ANSI Export Specs with 4000W/50Hz Generator	6
	1001153321	Ref	ANSI Export Specs with 4000W/60Hz Generator	A
	0272624	Ref	ANSI Export Specs with 7500W/50Hz Generator	2
	0272626	Ref	ANSI Export Specs with 7500W/60Hz Generator	2
	0275265	Ref	ANSI Export Specs with Arctic Package without 7500W Generator	1
	1001093436	Ref	ANSI Export Specs with Arctic Package with 7500W/60Hz Generator	2-A
	0273427	Ref	Australian Specs with 4000W Generator	1
	0273429	Ref	Australian Specs with 7500W Generator	1
		Ref	Boom Cables Installation 600AJ	
	1001165366	Ref	ANSI Export Specs with 4000W/50Hz Generator (SN B300001393 through B300001985)	A
	0270820	Ref	ANSI Export with 4000W/50Hz Generator (SN B300001986 to Present)	6
	1001190966	Ref	ANSI Export Specs with 4000W/60Hz Generator (SN B300001393 through B300001985)	A
	1001153322	Ref	ANSI Export Specs with 4000W/60Hz Generator (SN B300001986 to Present)	1
	1001165552	Ref	ANSI Export Specs with 7500W/60Hz Generator (SN B300001393 through B300001985)	A
	0272625	Ref	ANSI Export Specs with 7500W/60Hz Generator (SN B300001986 to Present)	2
	1001165556	Ref	ANSI Export Specs with Arctic Package without 4000W or 7500W Generator (SN B300001393 through B300001985)	A
	0275140	Ref	ANSI Export Specs with Arctic Package without 4000W or 7500W Generator (SN B300001986 to Present)	1
	1001165557	Ref	ANSI Export Specs with Arctic Package with 7500W/60Hz Generator (SN B300001393 through B300001985)	A
	1001093432	Ref	ANSI Export Specs with Arctic Package with 7500W/60Hz Generator (SN B300001986 to Present)	2
	1001165554	Ref	Australian Specs with 4000W/50Hz Generator (SN B300001393 through B300001985)	A
	0273428	Ref	Australian Specs with 4000W/50Hz Generator (SN B300001986 to Present)	2
	1001165555	Ref	Australian Specs with 7500W/50Hz Generator (SN B300001393 through B300001985)	A
	0273430	Ref	Australian Specs with 7500W/50Hz Generator (SN B300001986 to Present)	2
201		Ref	Harness, Main Boom Options:	
201	4922493	1	Harness, Main Boom without Arctic Package	D
201	4923472	1	Harness, Main Boom with Arctic Package	B
201		Ref	Cable Options	
201	1060896	45.5 ft/ 13.9m	Cable without Arctic Package	
201	4923462	45.5 ft/ 13.9m	Cable with Arctic Package	
201A	4460865	1	Connector - 19 Position	
201A	4460465	11	Socket, Female - #16	
201A	4460509	4	Socket, Female - #12	
201A	4460466	4	Seal, Plug	

SECTION 7 - ELECTRICAL

ITEM	PART NUMBER	QTY	DESCRIPTION	REV
201B	4460473	1	Clamp, Cable	
201C	4460464	11	Pin, Male (16-18 Gauge)	
201C	4460508	4	Pin, Male (10-12 Gauge)	
201C	2820118	AR	Heat Shrink	
202		Ref	Cable, Electrical (Main Boom) Options (Does not include plug ends)	
202		Ref	ANSI Export Specs without Generator	
202	4923474	1	Cable with Arctic Package	
202		Ref	ANSI Export Specs with 4000W Generator	
202	4922894	1	Cable - 4000W/50Hz Generator	
202	1001156489	1	Cable - 4000W/60Hz Generator	
202		Ref	ANSI Export Specs with 7500W Generator (SkyPower)	
202	4922895	1	Cable - 7500W Generator without Arctic Package	
202	4922810	1	Cable - 7500W Generator with Arctic Package	
202		Ref	Australian Specs	
202	4922894	1	Cable - 4000W Generator	
202	4922810	1	Cable - 7500W Generator	
203	2820031	1	Heat Shrink	
204	4460865	1	Connector - 19 Position	
206	4460466	8	Seal, Plug	
207	4460473	1	Clamp, Cable	
208	4460866	1	Connector (19 Pin)	
209		Ref	Harness, Tower Boom Cable Options:	
209	4922494	1	Harness, Tower Boom Cable without Arctic Package	C
209	4923473	1	Harness, Tower Boom Cable with Arctic Package	B
209		Ref	Cable Options:	
209	1060896	35.5 ft/ 10.8m	Cable without Arctic Package	
209	4923462	35.5 ft/ 10.8m	Cable with Arctic Package	
209A	4460465	11	Socket, Female - #16	
209A	4460509	4	Socket, Female - #12	
209A	2820118	AR	Heat Shrink	
209B	4460473	1	Clamp, Cable	
209C	4460865	1	Connector - 19 Position	
209C	4460465	11	Connector (19 Pin)	
209C	4460509	4	Socket, Female - #12	
209C	4460466	4	Seal, Plug	
210		Ref	Cable, Electrical (Tower Boom) Options (Does not include plug ends)	
210		Ref	ANSI Export Specs without Generator	
210	4923475	1	Cable with Arctic Package	
210		Ref	ANSI Export Specs with 4000W Generator	
210	4922892	1	Cable - 4000W/50Hz Generator	
210	1001156490	1	Cable - 4000W/60Hz Generator	
210		Ref	ANSI Export Specs with 7500W Generator (SkyPower)	
210	4922895	1	Cable - 7500W Generator without Arctic Package	
210	4922811	1	Cable - 7500W Generator with Arctic Package	
210		Ref	Australian Specs	
210	4922893	1	Cable - 4000W Generator	
210	4922811	1	Cable - 7500W Generator	
214		Ref	Cable, Electrical - 18/2 Main Boom Limit Switch Options:	

SECTION 7 - ELECTRICAL

ITEM	PART NUMBER	QTY	DESCRIPTION	REV
214	1061033	3	600A ANSI Export Specs	
214	1061033	2	600AJ ANSI Export Specs	
214	4923476	3	600A ANSI Export Spec with Arctic Package	
214	4923476	2	600AJ ANSI Export Spec with Arctic Package	
214	1061033	2	600A & 600AJ Australian Specs	
216		Ref	Cable, Electrical - 18/2 Main Boom Length Options:	
216	4922891	1	600A ANSI Export Specs	1-A
216	Not Required	0	600A Australian Specs	
216	4923500	1	600A ANSI Export Spec with Arctic Package	1-A
216	Not Required	0	600AJ ANSI Export Spec with Arctic Package	
216A	4460891	1	Plug, Male - 2 Position	
216A	4460465	2	Socket, Female	
217		Ref	Cable, Electrical - 18/2 Main Boom Length Options:	
217	4922890	1	600A All Specs	1-A
217	4923501	1	600A ANSI Export Spec with Arctic Package	1-A
217	Not Required	0	600AJ All Specs	
217A	4460897	1	Receptacle, Female - 2 Position	
217A	4460464	2	Pin, Male	
		Ref	GROUND CONTROL BOX COMPONENTS	
		Ref	Ground Control Box Components 600A:	
	1001154671	Ref	Deutz D2011 Engine	C
		Ref	Ground Control Box Components 600AJ:	
	1001154673	Ref	Deutz D2011 Engine	C
302	0100048	1	Grease, Dielectric	
327	4460426	1	Terminal, Strain Relief	
328	4460470	1	Nut, Terminal	
329	4460471	1	Lockwasher, Terminal	
331	4460496	1	Washer, Terminal	
332	4460497	1	Nut, Terminal	
333	4460526	1	Connector, Strain Relief	
343	1001110379	1	Ground Control Box Harness Assembly (See Items 616-666 for Breakdown)	
346		Ref	Engine Harness Assembly (See Items 517-557 for Breakdown)	
346	1001154390	1	Deutz D2011 Engine Machines	
347	1001154392	1	Valve Harness Assembly (See Items 415-430 for Breakdown)	
349		Ref	Ground Control Box Wiring Diagram (Not Shown)	
349	1001154396	1	Deutz D2011 Engine Machines	B
349	1001164564	1	Deutz TD2.9L4 Engine Machines	B
349A	2920129	AR	Bulb, Light	
349B	1001173590	AR	Fuse Assembly	A
349B	2400065	1	Fuse, 30Amp	
349B	2400066	1	Fuse, Holder with Cover	
349C	4460708	2	Connector, Female - 15 Position	
349C	4460226	AR	Socket, Female	
349D	4922637	1	Harness, Jumper	
349E	4460894	1	Plug, Male - 6 Position	
349E	4460892	1	Connector, Female - 6 Position	
	1001154392	1	VALVE HARNESS ASSEMBLY	C
415	4460539	1	Plug, Male - 3 Position	
416	1001116692	34	Socket, Female	
418	4460466	1	Plug, Sealing	
419	4460267	5	Pin, Male	

SECTION 7 - ELECTRICAL

ITEM	PART NUMBER	QTY	DESCRIPTION	REV
420	4460424	1	Receptacle, Female - 2 Position	
421	4460268	5	Socket, Female	
422	4460871	26	Socket, Female	
430	4460891	16	Plug, Male - 2 Position	
		Ref	ENGINE HARNESS ASSEMBLIES	
	1001154390	1	Deutz D2011 Engine Machines	B
517	4460424	1	Receptacle, Female - 2 Position	
517	4460226	2	Socket, Female	
519	4460880	2	DIN Connector without Diode	
523	4461070	1	Receptacle, Female with Resistor (3 Position)	
523	4461095	1	Plug, Male - 3 Position	
523	4460944	3	Socket, Female	
525	4460539	1	Connector, Male - 3 Position	
525	4460944	3	Socket, Female	
528	4460460	1	Connector, Male - 4 Position	
528	4460457	AR	Terminal, Female	
528	4460458	AR	Seal, Terminal	
533	4461052	1	Connector, Receptacle - 25 Position	
533	4461005	5	Terminal (Gold)	
533	4461006	5	Seal, Terminal	
533	4461060	2	Terminal (Tin)	
533	4461054	1	Seal, Terminal	
533	4461053	AR	Cover, Plug	
533	4461008	AR	Plug, Hole	
539	4460871	AR	Socket, Female	
544	4461157	1	Receptacle, Female - 2 Position	
544	4460979	2	Pin, Male	
544	4460458	2	Seal, Terminal	
553	2902443	1	Kit, Receptacle	
553	4461071	8	Terminal, Female (Gold)	
553	4461072	1	Connector, Flange Mount	
553	4461073	1	Connector, Dust Cap	
553	4461074	1	Connector, Shell	
557	4460897	1	Receptacle, Female - 2 Position	
557	4460464	2	Socket, Female	
	1001110379	Ref	GROUND CONTROL HARNESS ASSEMBLY	F
616	4460536	1	Connector, Female - 3 Position	
616	4460943	3	Pin, Male	
621	3990010	2	Diode - 6Amp (Not Shown)	
624	4460434	2	Connector, Male - 15 Position	
624	4460227	AR	Pin	
626	4460873	1	Connector, Male - 35 Position (Black)	
626	4460871	AR	Socket, Female	
626	4460905	AR	Plug, Seal	
628	4120035	AR	Base, Light	
628	4460634	AR	Terminal (16 Gauge)	
628	4460635	AR	Terminal (12 Gauge)	
635	4460618	9	Connector, Female - 6 Position	
635	4460419	24	Socket, Female	
638	4460871	AR	Socket, Female	
638	4460876	1	Connector, Male - 35 Position (Blue)	

SECTION 7 - ELECTRICAL

ITEM	PART NUMBER	QTY	DESCRIPTION	REV
639	4460871	28	Socket, Female	
639	4460905	AR	Plug, Seal	
643	4460866	1	Connector - 19 Position	
643	4460464	7	Pin, Male (16 Gauge)	
643	4460508	3	Pin, Male (12 Gauge)	
644	4460878	1	Housing, Terminal - 4 Position	
644	4460887	3	Terminal (12 Gauge)	
650	4460761	1	Connector, Female - 4 Position	
650	4460227	4	Pin, Male	
655	8229242	2	Fuse 5Amp	
655	2400060	2	Holder, Fuse	
657	1001106339	1	Connector, Male - 14 Position	
657	4460871	2	Socket, Female	
657	4460905	AR	Plug, Seal	
658	1001106340	1	Connector, Male - 14 Position	
658	4460871	5	Socket, Female	
659	4460874	1	Connector, Natural	
659	4460871	10	Socket, Female	
659	4460905	AR	Plug, Seal	
660	4460875	1	Connector, Gray	
660	4460871	2	Socket, Female	
661	1001112612	1	Connector - 9 Position	
661	4460943	4	Pin, Male	
662	4460868	1	Connector - 4 Position (Not Shown - MD1 Connection)	
662	4460877	4	Terminal (Not Shown - MD1 Connection)	
666	4460884	1	Connector - 4 Position (Not Shown - Telematics Connection)	
666	4460465	4	Socket, Female (Not Shown - Telematics Connection)	
666	1001192401	1	Cap, Dust (Not Shown - Telematics Connection)	
		Ref	STANDARD HARNESS COMPONENTS	
701		Ref	Battery Cable Kit Options:	
701	1001112763	1	Caterpillar Engines	D
701	2902296	1	Deutz D2011 Engines	F
701A		Ref	Cable, Battery (Black) (Battery - to Tray Pivot Grd) Options:	
701A	7027029	1	Caterpillar Engines	
701A	7027004	1	Deutz D2011 Engines	
701C		Ref	Cable, Battery (Black) (Battery - to Aux Pump and Relay Grds)	
701C	7027033	1	Caterpillar Engines	
701C	7027003	1	Deutz D2011 Engines	
701C	See Note	NSS	Boot, Black (Note: Not Available for Purchase)	
701E	7027002	1	Cable (Red) (Aux Relay to Aux Pump)	
701E	See Note	NSS	Boot, Red (Note: Not Available for Purchase)	
701F		Ref	Cable (Red) (Battery + to Aux Relay/Power Module/Starter)	
701F	7027028	1	Caterpillar Engines	
701F	1001116240	1	Deutz D2011 Engines	
701F	See Note	NSS	Boot, Red (Note: Not Available for Purchase)	
702	4923379	1	Harness, Glow Plugs (Deutz D2011 Engine Machines Only)	
704	70004103	1	Cable, Alternator (Deutz D2011 Engine Machines Only)	
705		Ref	Deutz Engine Harness Components (Deutz D2011 Engine Machines Only)	
705A	7027796	1	Deutz Engine Harness (Deutz D2011 Engines)	
705B	See Note	NSS	Receptacle, Female - 25 Position (Deutz D2011 Engines) (Note: Not Available - Purchase Complete Harness)	

SECTION 7 - ELECTRICAL

ITEM	PART NUMBER	QTY	DESCRIPTION	REV
705B	See Note	NSS	Cover, Receptacle (Deutz D2011 Engines) (Note: Not Available - Purchase Complete Harness)	
705B	See Note	NSS	Terminal (Deutz D2011 Engines) (Note: Not Available - Purchase Complete Harness)	
705B	See Note	NSS	Seal (Deutz D2011 Engines) (Note: Not Available - Purchase Complete Harness)	
705B	See Note	NSS	Terminal (Deutz D2011 Engines) (Note: Not Available - Purchase Complete Harness)	
705B	See Note	NSS	Seal (Deutz D2011 Engines) (Note: Not Available - Purchase Complete Harness)	
705B	See Note	NSS	Plug, Hole (Deutz D2011 Engines) (Note: Not Available - Purchase Complete Harness)	
705C	7027793	1	Connector, Female (Deutz D2011 Engines)	
705C	70004060	1	Plug, Male	
705D	70001872	1	Deutz Engine Harness (Deutz D2011 Engines) (For other replacement parts refer to Deutz engine dealer)	
705E	70025231	1	Glow Plug Harness (Deutz DT2.9L4 Engines) (Not Shown - Connects to 706L)	
705F	70025077	1	Fuel Injector Harness (Deutz DT2.9L4 Engines) (Not Shown)	
705G	70004271	1	Starter Harness (Deutz D2011 Engines) (Not Shown)	
709	4360517	1	Switch, Proximity	
709A	4460320	1	Connector - 2 Position	
709A	4460227	2	Pin, Male	
710	See Note	NSS	Pump Harness (Note: Not Available for Purchase)	
710A	7007497	1	Plug (Pump End)	
710B	7007498	1	Plug (Engine Harness End)	
711	See Note	NSS	Controller Harness Assembly (Lift and Swing) (Note: Purchase Complete Controller)	
711A	7022819	1	Plug, Male - 8 Position (Natural)	
711A	4460871	8	Socket, Female	
712	See Note	NSS	Controller Harness/Circuit Board Assembly (Drive and Steer) (Note: Purchase Complete Controller)	
712A	7022825	1	Plug, Male - 8 Position (Black)	
712A	4460871	7	Socket, Female	
713	See Note	NSS	Controller Harness (Speed Control) (Note: Purchase Complete Controller)	
713A	4460224	1	Receptacle, Female - 6 Position	
713A	4460226	6	Socket, Female	
		Ref	OPTIONAL HARNESS COMPONENTS	
803	0257887	1	Alarm Harness (Includes Alarm)	
803	0140044	1	Alarm	
803A	4460536	1	Receptacle, Female - 3 Position	
803B	1001116693	3	Pin, Male	
804	2920161	1	Strobe Light (Amber) Harness (Includes Strobe Light)	B
804A	4460891	1	Plug, Male - 2 Position	
804A	4460465	2	Socket, Female	
804B		Ref	Strobe Light (Blue) Harness Options (Not Shown)	
804B	1001142736	1	Beacon Control Harness (Module to Light) (Not Shown)	F
804B	1001150944	1	Beacon Control Harness (Module to Ground Control Box) (Not Shown) (SN B30000100 through B300001365)	
805	See Note	NSS	Headlight and Taillight/Chassis Illumination Harness (Note: Not Available for Purchase)	
805	1060341	AR	Cable, Electrical 16/2 Options:	
805	1060341	37 ft/	Headlights and Taillights	

SECTION 7 - ELECTRICAL

ITEM	PART NUMBER	QTY	DESCRIPTION	REV
805	1060341	11.3m 40 ft/ 12.2m	Chassis Illumination Lights	
805A	3740049	1	Relay	
805A	4460259	3	Terminal	
805A	4460260	4	Housing, Terminal	
805A	4460297	1	Terminal	
805A	4922643	1	Lights Harness for Ground Control Box	B
805A	4460226	2	Socket, Female	
806		Ref	2500W Generator Electrical Components Options:	
806	1001112588	AR	Deutz D2011 Engines 110V/220V with Generator Control Box	B
806	1001112743	1	Deutz D2011 Engines 110V/220V without Generator Control Box	B
806A	4460321	1	Connector, Male - 4 Position (Deutz Engines Specs with Generator Control Box)	
806A	4460906	AR	Socket, Female	
806A	4460268	AR	Socket, Female	
806B	4922641	1	Harness - On/Off Switch	
806C	4460226	2	Socket, Female	
806D	1001112589	1	Powermite Control Box to Relay Harness (Deutz D2011 Engines)	
806D	4460374	AR	Plug, Sealed Relay	
806D	4460375	3	Terminal	
806D	4460742	1	Plug, Male - 2 Position (Deutz D2011 Engines)	
806D	4460743	1	Socket, Female (Deutz D2011 Engines)	
806D	4460458	1	Seal, Terminal (Deutz D2011 Engines)	
806E	4460961	1	Connector, Female - 4 Position (Deutz Engines Specs with Generator Control Box)	
806E	4460705	4	Pin, Male	
807		Ref	Generator to Rear of Boom Harness Options:	
		Ref	Note: Harness used to connect AC at platform harness to generator receptacle to power platform receptacle.	
807	4921829	1	110V (ANSI Export and Japanese Specs)	2
807	4921954	1	220V (ANSI Export Specs)	2
807	See Note	NSS	110V/220V (Australian Specs) (Note: Not Available for Purchase)	
807		Ref	Cable, Electrical - 12/3 Options:	
807	1060494	6 ft/1.8m	110V (ANSI Export and Japanese Specs)	
807	1060494	26 ft/8m	220V (ANSI Export Specs)	
807	1060461	6 ft/1.8m	110V/220V (Australian Specs)	
807A		Ref	Plug, Male Options	
807A	4460205	1	110V (ANSI Export and Japanese Specs)	
807A	4460233	1	220V (ANSI Export Specs)	
807A	Not Required	0	110V/220V (Australian Specs) (Purchase Locally)	
807A	4460027	1	Receptacle, Twist Lock (110V Only)	
807B		Ref	Receptacle, Female Options:	
807B	4460134	1	110V (ANSI Export and Japanese Specs)	
807B	4460701	1	220V (ANSI Export Specs)	
807B	Not Required	0	110V/220V (Australian Specs) (Purchase Locally)	
808		Ref	AC to Platform Receptacle Components Options:	
808	0255382	Ref	110V GFI Receptacle (ANSI Export and Japanese Specs)	C
808	0257176	Ref	220V Receptacle (ANSI Export and Japanese Specs)	C
808	0272433	Ref	SkyPower Machines (All Specs)	D
808	0274618	Ref	Dual AC (ANSI Export Spec Option)	2-B

SECTION 7 - ELECTRICAL

ITEM	PART NUMBER	QTY	DESCRIPTION	REV
808	0256202	Ref	110V/220V (ANSI Export and Australian Specs)	D
808	1001160272	Ref	110V AC Cable used with 4000W/60Hz Generator	A
808	1001194365	Ref	220V Receptacle used with 4000W Generator (ANSI Export, Australian and Japanese Spec)	A
808	1001171131	Ref	240V Receptacle with GFCI used with 4000W Generator (Not Shown)	
808	1001159121	Ref	240V Receptacle with GFCI used with 7500W Generator (Not Shown)	
808A	0860038	1	Box, Switch	
808B		Ref	Receptacle Options	
808B	4460346	1	0255382 & 0274618 Installations	
808B	4460125	1	0257176 Installation	
808B	Not Required	0	0256202 Installation (Purchase Locally)	
808C		Ref	Shield, Cover Options	
808C	1001110873	1	0255382 & 0274618 Installations (Top Hinged)	
808C	4060092	1	0257176 Installation	
808C	Not Required	0	0256202 Installation (Purchase Locally)	
808D		Ref	Connector, Strain Relief Options	
808D	4460071	1	0255382, 0257176 & 0274618 Installations	
808D	Not Required	0	0256202 Installation (Purchase Locally)	
808E		Ref	Plug, Male Options:	
808E	4460205	1	0255382 & 0274618 Installations	
808E	4460233	1	0257176 Installation	
808E	Not Required	0	0256202 Installation (Purchase Locally)	
808F		Ref	Plug, Male Options:	
808F	4460205	1	0274618 Installation (Qty 4 Required for Dual AC)	
808F	4460205	1	0255382 Installation (Qty 4 Required for Dual AC) (SN B300000100 through B300002247)	
808F	1001227309	1	0255382 Installation (Qty 4 Required for Dual AC) (SN B300002248 to Present)	
808F	4460233	1	0257176 Installation (SN B300000100 through B300002247)	
808F	1001227309	1	0257176 Installation (SN B300002248 to Present)	
808F	4460709	1	0256202 Installation (SN B300000100 through B300002247)	
808F	1001213584	1	0256202 Installation (SN B300002248 to Present)	
808F	4460960	1	0272433 Installation (SN B300001393 through B300001846)	
808F	1001218622	1	0272433 Installation (SN B300001847 to Present)	
808F	4460962	1	1001160272 Installation	
808F		Ref	Cover (Optional)	
808F	1671093	1	0272433 Installation (SN B300001393 through B300001846)	
808F	1001156352	1	0256202 Installation (SN B300000100 through B300002247)	
808F	1671093	1	1001160272 Installation	
808G		Ref	Connector, Female Options	
808G	4460134	1	0274618 Installation (Qty 2 Required for Dual AC)	
808G	4460134	1	0255382 Installation (Qty 2 Required for Dual AC) (SN B300000100 through B300002247)	
808G	1001227310	1	0255382 Installation (Qty 2 Required for Dual AC) (SN B300002248 to Present)	
808G	4460701	1	0257176 Installation (SN B300000100 through B300002247)	
808G	1001227310	1	0257176 Installation (SN B300002248 to Present)	
808G	4460710	1	0256202 Installation (SN B300000100 through B300002247)	
808G	1001213585	1	0256202 Installation (SN B300002248 to Present)	
808G	4460959	1	0272433 Installation (SN B300001393 through B300001846)	
808G	1001218623	1	0272433 Installation (SN B300001847 to Present)	

SECTION 7 - ELECTRICAL

ITEM	PART NUMBER	QTY	DESCRIPTION	REV
808G		Ref	Cover (Optional)	
808G	1671092	1	0272433 Installation (SN B300001393 through B300001846)	
808G	1001156351	1	0256202 Installation (SN B300000100 through B300002247)	
808G	1671093	1	1001160272 Installation	
808H		Ref	Hardware Options:	
808H	0641405	AR	Bolt 1/4in-20NC x 5/8in	
808H	0641407	AR	Bolt 1/4in-20NC x 7/8in	
808H	0641416	AR	Bolt 1/4in-20NC x 2in	
808H	0700408	AR	Screw M4 x 16mm	
808H	3290405	AR	Locknut M4	
808H	3311405	AR	Locknut 1/4in-20NC	
808H	4711400	AR	Flatwasher 1/4in Thin	
808H	4811400	AR	Flatwasher M4	
809		Ref	7500W SkyPower Generator Installation	
809	1001115391	Ref	60Hz and Deutz D2011 Engine	D
809	1001115401	Ref	60Hz and Caterpillar Engine	E
809	1001115392	Ref	50Hz Spec and Deutz D2011 Engine	C
809	1001115402	Ref	50Hz Spec and Caterpillar Engine	E
809A		Ref	Receptacle, Female Twist Lock Options	
809A	4460958	1	60Hz Spec	
809A	See Note	NSS	50Hz Spec (Note: Not Available - Purchase Locally)	
809B		Ref	Gasket Options:	
809B	3960422	2	60Hz Spec	
809B	See Note	NSS	50Hz Spec (Note: Not Available - Purchase Locally)	
809C		Ref	Cover, Receptacle Options:	
809C	1001110873	1	60Hz Spec	
809C	See Note	NSS	50Hz Spec (Note: Not Available - Purchase Locally)	
809D		Ref	Cover, Receptacle Options:	
809D	1001110872	1	60Hz Spec	
809D	See Note	NSS	50Hz Spec (Note: Not Available - Purchase Locally)	
809E		Ref	Receptacle Options:	
809E	4460346	1	60Hz Spec	
809E	See Note	NSS	50Hz Spec (Note: Not Available - Purchase Locally)	
809F	4460051	1	Connector, Strain Relief	
809G	4460071	1	Connector, Strain Relief	
809H	4922925	1	Harness, Generator	C
809I	77363233	1	Plug, Male - 6 Position	
809I	4460465	1	Socket, Female	
809J	4460225	1	Plug, Male - 6 Position	
809J	4460268	1	Socket, Female	
810		Ref	7500W SkyPower Generator Junction Box Components	
810	0861542	Ref	60Hz Spec (Caterpillar Engines)	E
810	1001157592	Ref	60Hz Spec (Deutz Engines)	C
810	0861567	Ref	50Hz Specs (Caterpillar Engines)	B
810	1001157525	Ref	50Hz Specs (Deutz Engines)	B
810A		Ref	Cable, Electrical 12/3	
810A	1060494	2 ft/0.6m	60Hz Spec (Caterpillar Engines)	
810A	1001179154	2 ft/0.6m	60Hz Spec (Deutz Engines)	
810A	See Note	2 ft/0.6m	50Hz Spec (Note: Not Available - Purchase Locally)	
810B		Ref	Cable, Electrical 10/3	
810B	1060708	2.5 ft/ 0.76m	60Hz Spec	

SECTION 7 - ELECTRICAL

ITEM	PART NUMBER	QTY	DESCRIPTION	REV
810B	See Note	2 ft/ 0.76m	50Hz Spec (Note: Not Available - Purchase Locally)	
810C	1060343	1.5 ft/ 0.46m	Cable, Electrical 10/4 (60Hz Spec Only)	
810D	4460425	2	Connector, Strain Relief	
810D	3520192	1	Plug (50Hz Spec Only)	
810E		Ref	Component Options:	
810E	4460426	2	Connector, Strain Relief (60Hz Spec Only)	
810E	4460426	1	Connector, Strain Relief (50Hz Spec Only)	
810E	3520189	1	Plug (50Hz Spec Only)	
810F	1671092	1	Cover (60Hz Spec Only)	
810F	4460963	1	Connector (60Hz Spec Only)	
		Ref	7500W Generator Electrical Diagram Components	
811	1001112586	Ref	Caterpillar Engines	B
811	1001157769	Ref	Deutz Engines	B
811A		Ref	Generator Harness Options:	
811A	1001112587	1	Caterpillar Engine Machines	B
811A	1001152429	1	Deutz Engine Machines	B
811A	4460742	1	Connector - 2 Position (1001152429 Harness) (Not Shown)	
811A	4460743	2	Terminal (1001152429 Harness) (Not Shown)	
811B	4460374	2	Plug, Sealed Relay (1001112587 & 4983420 Harness)	
811B	4460375	7	Terminal (1001112587 & 4983420 Harness)	
811C	4460967	1	Plug, Male - 3 Position	
811C	4460465	3	Socket, Female	
811D	2400060	1	Fuseholder	
811D	2400064	1	Fuse - 5Amp	
811D		Ref	Component Options:	
811D	2400060	1	Fuseholder	
811D	2400064	1	Fuse - 5Amp	
811D	1001117078	1	Fuseholder (Includes Fuse and Cap)	
811D	See Note	NSS	Fuse - 5Amp (Note: Use 1001117078 Assembly or Purchase Fuse Locally)	
811D	1001096134	1	Cover, Fuseholder	
811E	4922641	1	Switch Harness	
811F	4460226	2	Socket, Female	
811G	4460742	1	Plug, Male - 2 Position	
811G	4460743	2	Socket, Female	
811G	4460458	2	Seal, Terminal	
812	4933308	1	Floodlights Harness Components	1-A
812A	4460320	2	Plug, Male - 2 Position	
812A	4460227	4	Pin, Male	
812B	4922764	1	Floodlight Harness (Light to Switch)	1-A
812C	4460424	1	Connector, Female - 2 Position	
812C	4460226	4	Socket, Female	
812D	4360232	1	Circuit Breaker - 15Amp	
812E	1060977	1	Cord, 2 Wire Coiled (Console Box Circuit Breaker to Switch)	
812F	4460425	1	Connector, Strain Relief	
812G	4460459	1	Plug, Male - 3 Position	
812G	4460790	3	Socket, Female	
812G	4460789	3	Seal	
812H	4460476	1	Receptacle, Female	
812H	4460850	3	Pin, Male	

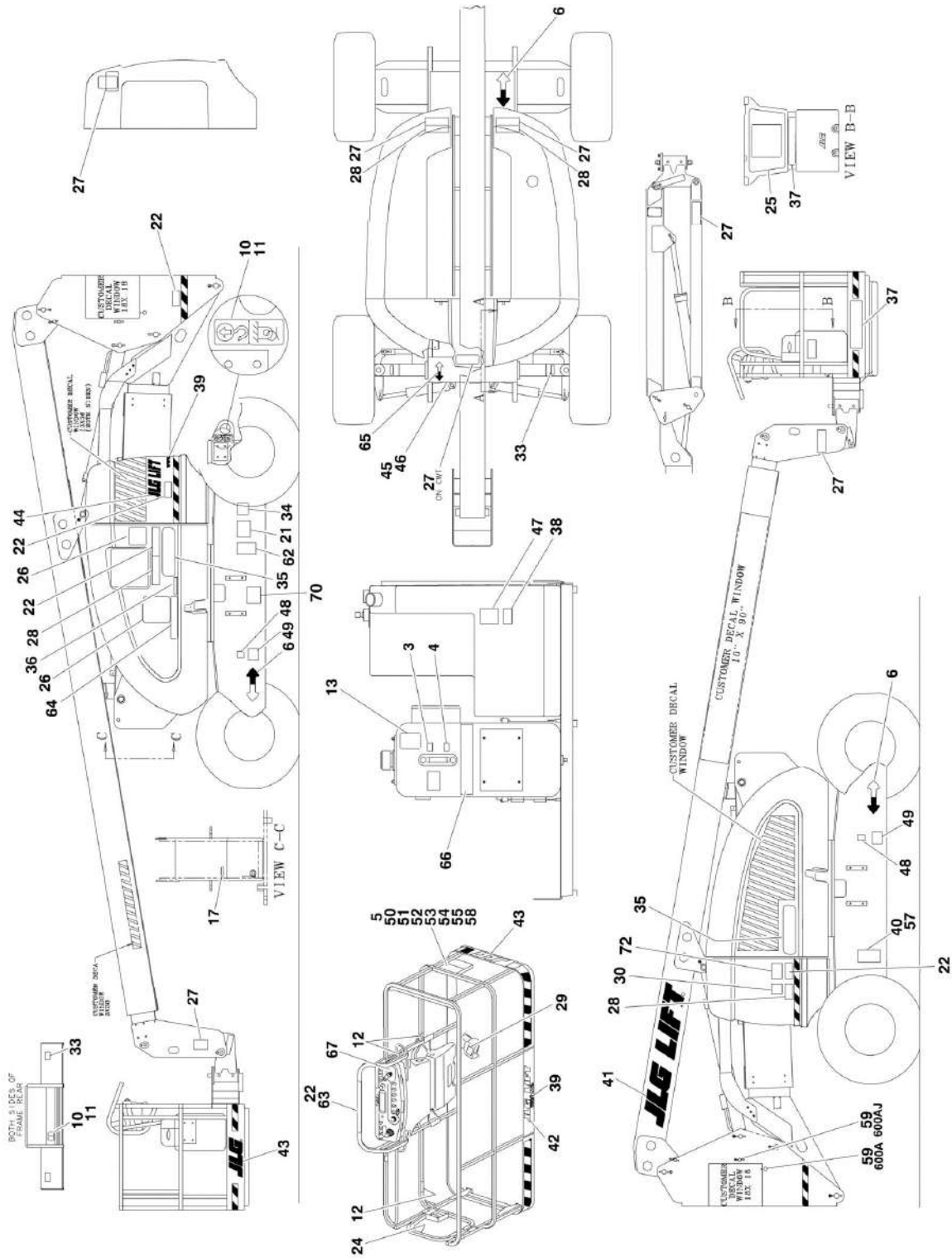
SECTION 7 - ELECTRICAL

ITEM	PART NUMBER	QTY	DESCRIPTION	REV
812H	4460790	3	Socket, Female	
812J	1060494	33 ft/ 10.1m	Electrical Cable 12/3 (Lower Boom to Aux Relay)	
812K	1060494	47 ft/ 14.3m	Electrical Cable 12/3 (Upper Boom to Console Box)	
813		Ref	Platform Worklights Components	
813A	2920140	2	Platform Worklights External Harness (Includes Light and Wire Only)	
813B	4460459	1	Plug, Male - 3 Position	
813B	4460790	3	Socket, Female	
813B	4460789	3	Seal	
813C	4460476	1	Receptacle, Female	
813C	4460850	3	Pin, Male	
813C	4460790	3	Socket, Female	
813D	4460426	1	Connector, Strain Relief	
813E	2400070	1	Fuse	
813E	2400066	1	Fuseholder	
813F	4922894	1	Worklights Harness (Upper Boom to Worklights)	
813F	1060494	47 ft/ 14.3mm	Cable, Electrical - 12/3	
813G	4922892	1	Worklights Harness (Lower Boom to Aux Power Solenoid)	
813G	1060494	33 ft/ 10.1mm	Cable, Electrical - 12/3	
814	1001149818	1	Strobe Light Extension Harness (Amber Light) (SN B300002266 to Present)	D
814A	4460320	1	Connector, Female - 2 Position	
814A	4460267	2	Pin, Male	
814B	4460897	1	Connector, Female - 2 Position	
814B	4460464	2	Pin, Male	
		Ref	TOOLS	
901	7002821	1	Crimper (For Wire to Pin/Socket Connections) (Not Shown)	
902	7002823	1	Extractor (For Removal of Pin/Socket from Connectors) (Not Shown)	
903	4460467	1	Extractor, Pin (Blue 16-18 Gauge) (For Removal of Pin/Socket from Connectors) (Not Shown)	
904	4460510	1	Extractor, Pin (Yellow 12-14 Gauge) (For Removal of Pin/Socket from Connectors) (Not Shown)	
905	7002828	1	Stripper, Wire (Not Shown)	
906	2901443	1	Analyzer Kit (Not Shown)	
906A	1600244	1	Analyze	
906B	1060633	1	Cable, Analyzer	
906C	4460321	2	Plug, Male	
906C	4460226	8	Socket, Female	
907	1001137005	1	Software Cable Kit (Not Shown)	

SECTION 8 - DECALS

SECTION 8 - DECALS

FIGURE 8-1. DECAL INSTALLATION (ANSI SPEC)



SECTION 8 - DECALS

FIGURE 8-1. DECAL INSTALLATION (ANSI SPEC)

ITEM	PART NUMBER	QTY	DESCRIPTION	REV
		Ref	Decals Installations	
	0274094	Ref	Decals Installation - JLG Logo	C
	0273891	Ref	Decals Installation - 600A	D
	0273892	Ref	Decal Installation - 600AJ	D
3	1701502	1	Decal - High Oil Level (USA Built Machines Only) (SN 0300087000 through 0300134296)	
4	1701503	1	Decal - Low Oil Level (USA Built Machines Only) (SN 0300087000 through 0300134296)	
5	1701509	1	Decal - Manual	
6	1701529	6	Decal - Arrow	
10	1703811	4	Decal - Tie Down/Lift	
11	1703814	6	Decal - Tie Down	
12	1704277	4	Decal - Attach Lanyard Here	
13	1704412	1	Decal - Hydraulic Oil Chart	
17	3251243	1	Nameplate - 120V-60Hz	
21	1702153	1	Decal - Inspection (USA Built Machines Only) (SN 0300087000 through 0300134296)	
22	1703953	7	Decal - Warning Crushing	
23	1704972	1	Decal - Warning Explosion/Fire Options (Not Shown - Located on fan shroud):	
24	1702868	2	Decal - No Hands	
25	1703797	1	Decal - Warning/Danger	
26	1705336	1	Decal - Warning Inspection (MTB)	
27	1703804	6	Decal - Warning Crushing	
28	1703805	5	Decal - Danger Electrocution	
29	3252347	1	Nameplate - Footswitch	
30	3251813	1	Decal - USA	
		Ref	Note: Not Used on China Built Machines.	
33	1703469	4	Decal - Max Tire Load	
34	See Note	NSS	Decal - Bar Code (Note: Not Available for Purchase)	
35		Ref	Decal Options:	
35	1702818	2	Decal - 600A	
35	1702819	2	Decal - 600AJ	
36		Ref	Decal Capacity Options:	
36		Ref	Decal Capacity Options: (600A) Decals Options:	
36	1704104	1	USA Built Machines (SN 0300087000 through 0300100045)	
36	1707014	1	USA Built Machines (SN 0300100046 through 0300142594)	
36	1001121813	1	USA Built Machines (SN 0300142595 through 0300177361)	
36	1001121813	1	China Built Machines (SN B300000100 to Present)	
36		Ref	Decal Capacity Options: (600AJ) Decals Options:	
36	1702688	1	USA Built Machines (SN 0300087000 through 0300100045)	
36	1707013	1	USA Built Machines (SN 0300100046 through 0300142594)	
36	1001121814	1	USA Built Machines (SN 0300142595 through 0300177361)	
36	1001121814	1	China Built Machines (SN B300000100 to Present)	
37		Ref	Decal Capacity Options:	
37		Ref	Decal Capacity Options: (600A) Decals Options:	
37	1704096	2	USA Built Machines (SN 0300087000 through 0300142594)	
37	1001121800	2	USA Built Machines (SN 0300142595 through 0300177361)	
37	1001121800	2	China Built Machines (SN B300000100 to Present)	
37		Ref	Decal Capacity Options (600AJ) Decals Options::	

SECTION 8 - DECALS

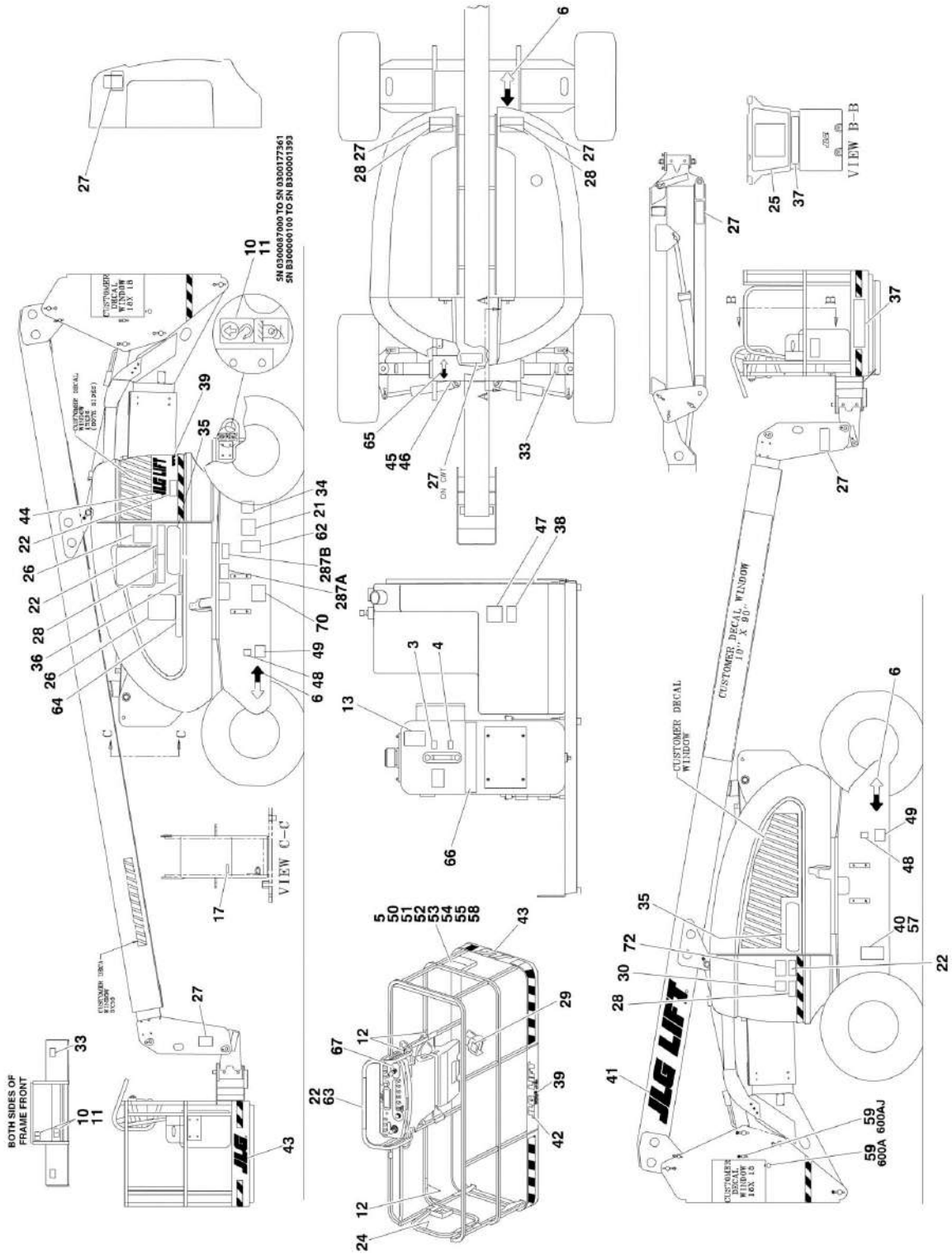
ITEM	PART NUMBER	QTY	DESCRIPTION	REV
37	1701645	2	USA Built Machines (SN 0300087000 through 0300142594)	
37	1001121801	2	USA Built Machines (SN 0300142595 through 0300177361)	
37	1001121801	2	China Built Machines (SN B300000100 to Present)	
38	1001108923	1	Decal - EPA/Carb Fuel Spec (US Built Diesel Machines) (SN 0300135240 through 0300177361)	
39	1704885	AR	Decal - Website	
40	See Note	NSS	Nameplate, Manufacturer Serial Number (Note: Not Available for Purchase)	
41	1702861	2	Decal - JLG Lift (8in Height)	
42	1702774	1	Decal - JLG Lift (3-1/2in Height)	
43	1702773	1	Decal - JLG (5in Height)	
44	1702860	1	Decal - JLG Lift (5in Height)	
45	3250872	1	Nameplate - Steer/Tow Selector	
46	1705090	1	Decal - Towing Instructions	
47		Ref	Decal - Fuel Options:	
47	1701505	1	Diesel	
47	1701542	1	Gas	
48	1701543	1	Decal - LP Gas (Ford and GM Engine Machines Only)	
49	1700818	2	Decal - LP Gas (Liquid) (Ford and GM Engine Machines Only)	
50	0100011	AR	Compound, Locking	
51	0641406	4	Bolt 1/4in-20NC x 3/4in	
52	0641408	AR	Bolt 1/4in-20NC x 1in	
53	0860520	1	Box, Manual Storage	
54	1060279	AR	Cable, Lanyard	
55	3311405	AR	Locknut 1/4in-20NC	
57	3820001	4	Rivet	
58	4751400	AR	Flatwasher 1/4in Regular	
59	3250033	2	Plug (US Built Machines) (SN 0300087000 through 0300101241)	
62		Ref	Decal - Patent Options:	
62	1700584	1	USA Built Machines (SN 0300087000 through 0300150370)	
62	1700584	1	China Built Machines (SN B300000100 through B300000298)	
62	1001131269	1	USA Built Machines (SN 0300150371 through 0300177361)	
62	1001131269	1	China Built Machines (SN B300000299 to Present)	
63		Ref	Decal - Legend Options:	
63	1702784	1	USA Built Machines (SN 0300087000 through 0300099060)	
63	1706931	1	USA Built Machines (SN 0300099061 through 0300138648)	
63	1001108493	1	USA Built Machines (SN 0300138649 through 0300177361)	
63	1001108493	1	China Built Machines (SN B300000100 to Present)	
64		Ref	Decal - Legend (MTB) Options:	
64	1703808	1	USA Built Machines (SN 0300087000 through 0300099060)	
64	1706941	1	USA Built Machines (SN 0300099061 through 0300177361)	
64	1706941	1	China Built Machines (SN B300000100 to Present)	
65	1703687	1	Decal - Direction Arrow (6-3/4in)	
66	1702265	1	Decal - Upright Level Over-Ride (USA Built Machines) (SN 0300087746 through 0300177361)	
66	1702265	1	Decal - Upright Level Over-Ride (China Built Machines) (SN B300000100 to Present)	
67	1705351	1	Decal - Drive/Steer Instructions (USA Built Machines) (SN 0300138649 through 0300177361)	
	1705351	1	Decal - Drive/Steer Instructions (China Built Machines) (SN B300000100 to Present)	
70	1001223055	1	Decal - Yearly Inspection (SN B300002020 to Present)	

SECTION 8 - DECALS

ITEM	PART NUMBER	QTY	DESCRIPTION	REV
72	1001229010	1	Decal - Lift Diagram (SN B300002344 to Present)	

SECTION 8 - DECALS

FIGURE 8-2. DECAL INSTALLATION (ANSI EXPORT SPEC)



SECTION 8 - DECALS

FIGURE 8-2. DECAL INSTALLATION (ANSI EXPORT SPEC)

ITEM	PART NUMBER	QTY	DESCRIPTION	REV
		Ref	DECAL INSTALLATIONS	
	0274094	Ref	Decals - JLG Logo	C
	0273891	Ref	Decals 600A ANSI Export Spec (English Language)	D
	0273901	Ref	Decals 600A Brazil Spec (Portuguese Languages)	B
	0273893	Ref	Decals 600A Canadian Spec (English/French Languages)	11
	1001116840	Ref	Decals 600A Chinese Spec (English/Simplified Chinese Languages)	D
	1001116841	Ref	Decals 600A Chinese Spec (English/Traditional Chinese Languages)	D
	0273903	Ref	Decals 600A Japanese Spec	B
	1001138757	Ref	Decals 600A Korean Spec	B
	0273899	Ref	Decals 600A Latin American Spec (English/Spanish Languages)	B
	0273892	Ref	Decals 600AJ ANSI Export Spec (English Language)	D
	0273902	Ref	Decals 600AJ Brazilian Spec (Portuguese Languages)	B
	0273894	Ref	Decals 600AJ Canadian Spec (English/French Languages)	11
	1001116842	Ref	Decals 600AJ Chinese Spec (English/Simplified Chinese Languages)	D
	1001116843	Ref	Decals 600AJ Chinese Spec (English/Traditional Chinese Languages)	D
	0273904	Ref	Decals 600AJ Japanese Spec	B
	1001138758	Ref	Decals 600AJ Korean Spec	B
	0273900	Ref	Decals 600AJ Latin American Spec (English/Spanish Languages)	B
3	1701502	1	Decal - High Oil Level (USA Built Machines) (SN 0300087000 through 0300134296)	
4	1701503	1	Decal - Low Oil Level (USA Built Machines) (SN 0300087000 through 0300134296)	
5	1701509	1	Decal - Manual	
6	1701529	6	Decal - Arrow	
10	1703811	4	Decal - Tie Down/Lift	
11	1703814	6	Decal - Tie Down	
12	1704277	4	Decal - Attach Lanyard Here	
13	1704412	1	Decal - Hydraulic Oil Chart	
17		Ref	Nameplate - 120V-60Hz Options:	
17	3251243	1	ANSI Export Spec	
17	Not Required	0	Brazil Specs	
17	3251243	1	Canadian Spec	
17	3251243	1	Chinese Spec	
17	3251243	1	Japanese Specs	
17	3251243	1	Korean Specs	
17	3251243	1	Latin American Spec	
21		Ref	Decal - Inspection Options:	
21	Not Required	0	ANSI Export Spec	
21	1705901	1	Brazil Specs (USA Built Machines) (SN 0300087000 through 0300151393)	
21	1705901	1	Brazil Specs (China Built Machines) (SN B300000100 through B300000357)	
21	1704006	1	Canadian Spec (USA Built Machines) (SN 0300087000 through 0300151393)	
21	1704006	1	Canadian Spec (China Built Machines) (SN B300000100 through B300000357)	

SECTION 8 - DECALS

ITEM	PART NUMBER	QTY	DESCRIPTION	REV
21	Not Required	0	Chinese Spec	
21	Not Required	0	Japanese Spec	
21	Not Required	0	Korean Spec	
21	1704007	1	Latin American Spec (USA Built Machines) (SN 0300087000 through 0300151393)	
21	1704007	1	Latin American Spec (China Built Machines) (SN B300000100 through B300000357)	
22		Ref	Decal - Warning Crushing Options:	
22	1703953	7	ANSI Export Spec	
22	1705903	7	Brazil Specs	
22	1703942	7	Canadian Spec	
22	1001116845	4	Chinese (Simplified) Spec	
22	1703943	4	Chinese (Traditional) Spec	
22	1703944	3	Japanese Spec	
22	1703945	3	Korean Spec	
22	1703941	7	Latin American Spec	
23		Ref	Decal - Warning Explosion/Fire Options (Not Shown - Located on fan shroud):	
23	1704972	1	ANSI Export Spec	
23	1706059	1	Brazil Specs	
23	1706064	1	Canadian Spec	
23	1706060	1	Chinese Spec	
23	1706062	1	Japanese Spec	
23	1706061	3	Korean Spec	
23	1706063	1	Latin American Spec	
24		Ref	Decal - No Hands Options:	
24	1702868	2	ANSI Export Spec	
24	1705967	2	Brazil Specs	
24	1704000	2	Canadian Spec	
24	1706968	2	Chinese (Simplified) Spec	
24	1001116846	2	Chinese (Traditional) Spec	
24	Not Required	0	Japanese Spec	
24	1705969	2	Korean Spec	
24	1704001	2	Latin American Spec	
25		Ref	Decal - Warning/Danger Options:	
25	1703797	1	ANSI Export Spec	
25	1705895	1	Brazil Specs	
25	1703924	1	Canadian Spec	
25	1001116847	1	Chinese (Simplified) Spec	
25	1703925	1	Chinese (Traditional) Spec	
25	1703926	1	Japanese Spec	
25	1703927	2	Korean Spec	
25	1703923	1	Latin American Spec	
26		Ref	Decal - Warning Inspection (MTB)	
26	1705336	1	ANSI Export Spec	
26	1705896	1	Brazil Specs	
26	1705347	1	Canadian Spec	
26	1001116848	1	Chinese (Simplified) Spec	
26	1001116849	1	Chinese (Traditional) Spec	
26	1705344	1	Japanese Spec	
26	1705345	2	Korean Spec	
26	1705917	1	Latin American Spec	

SECTION 8 - DECALS

ITEM	PART NUMBER	QTY	DESCRIPTION	REV
27		Ref	Decal - Warning Crushing Options:	
27	1703804	6	ANSI Export Spec	
27	1705898	5	Brazil Specs	
27	1703948	6	Canadian Spec	
27	1001116850	6	Chinese (Simplified) Spec	
27	1703949	6	Chinese (Traditional) Spec	
27	1703950	3	Japanese Spec	
27	1703951	2	Korean Spec	
27	1703947	3	Latin American Spec	
28		Ref	Decal - Danger Electrocution Options:	
28	1703805	5	ANSI Export Spec	
28	1705897	5	Brazil Specs	
28	1703936	5	Canadian Spec	
28	1703937	5	Chinese (Simplified) Spec	
28	1001116851	5	Chinese (Traditional) Spec	
28	1703938	5	Japanese Spec	
28	1703939	2	Korean Spec	
28	1703935	5	Latin American Spec	
29		Ref	Decal - Foot Switch Options:	
29	3252347	1	ANSI Export Spec	
29	1705902	1	Brazil Specs	
29	1703984	1	Canadian Spec	
29	1001116852	1	Chinese (Simplified) Spec	
29	1703982	1	Chinese (Traditional) Spec	
29	1703980	1	Japanese Spec	
29	1703981	2	Korean Spec	
29	1703983	1	Latin American Spec	
30		Ref	Decal - USA Options:	
		Ref	Note: Not Used on China Built Machines.	
30	3251813	1	All Specs except Japanese Specs	
30	3251813	1	Japanese Specs (USA Built Machines) (SN 0300087000 through 0300150370)	
30	3251813	1	Japanese Specs (China Built Machines) (SN B300000100 through B300000298)	
30	Not Required	0	Japanese Specs (USA Built Machines) (SN 0300150371 through 0300177361)	
30		Ref	Japanese Specs (China Built Machines) (SN B300000299 to Present)	
33	1703469	4	Decal - Max Tire Load	
34	See Note	AR	Decal - Bar Code (USA Built Machines Only) (Note: Not Available for Purchase) (SN 0300087000 through 0300150371)	
34	See Note	NSS	Decal - Bar Code (China Built Machines Only) (Note: Not Available for Purchase) (SN B300000100 through B300000299)	
35		Ref	Decal Options:	
35	1702818	2	Decal - 600A	
35	1702819	2	Decal - 600AJ	
36		Ref	Decal Capacity Options:	
36		Ref	Decal Capacity 600A Options:	
36		Ref	USA Built Machines: (SN 0300087000 through 0300100046)	
36	1706381	Ref	Brazil Specs	
36	1704107	Ref	Canadian Spec	
36	1704110	Ref	Japanese Spec	
36	1704106	Ref	Latin American Spec	

SECTION 8 - DECALS

ITEM	PART NUMBER	QTY	DESCRIPTION	REV
36	1707051	Ref	Brazil Specs	
36	1707046	Ref	Canadian Spec	
36	1001116854	Ref	Chinese (Simplified) Spec	
36	1707045	Ref	Chinese (Traditional) Spec	
36	1707053	Ref	Japanese Spec	
36	1707048	Ref	Latin American Spec	
36		Ref	USA Built Machines: (SN 0300142595 through 0300177361)	
36	1001121819	Ref	Brazil Specs	
36	1001121815	Ref	Canadian Spec	
36	1001121824	Ref	Chinese (Simplified) Spec	
36	1001121822	Ref	Chinese (Traditional) Spec	
36	1001121820	Ref	Japanese Spec	
36	1001122201	Ref	Korean Spec	
36	1001121817	Ref	Latin American Spec	
36		Ref	China Built Machines: (SN B300000100 to Present)	
36	1001121819	Ref	Brazil Specs	
36	1001121815	Ref	Canadian Spec	
36	1001121824	Ref	Chinese (Simplified) Spec	
36	1001121822	Ref	Chinese (Traditional) Spec	
36	1001121820	Ref	Japanese Spec	
36	1001121817	Ref	Latin American Spec	
36		Ref	Decal Capacity 600AJ Options:	
36		Ref	USA Built Machines: (SN 0300087000 through 0300100045)	
36	1704112	Ref	Brazil Spec	
36	1704112	Ref	Brazil Spec	
36	1704112	Ref	Japanese Spec	
36	1704112	Ref	Latin American Spec	
36		Ref	USA Built Machines: (SN 0300100046 through 0300142594)	
36	1707052	Ref	Brazil Spec	
36	1707047	Ref	Canadian Spec	
36	1001116858	Ref	Chinese (Simplified) Spec	
36	1001116855	Ref	Chinese (Traditional) Spec	
36	1707054	Ref	Japanese Spec	
36	1707049	Ref	Latin American Spec	
36		Ref	USA Built Machines: (SN 0300142595 through 0300177361)	
36	1001121655	Ref	Brazil Spec	
36	1001121816	Ref	Canadian Spec	
36	1001121825	Ref	Chinese (Simplified) Spec	
36	1001121823	Ref	Chinese (Traditional) Spec	
36	1001121821	Ref	Japanese Spec	
36	1001121921	Ref	Korean Spec	
36	1001121815	Ref	Latin American Spec	
36		Ref	China Built Machines: (SN B300000100 to Present)	
36	1001121655	Ref	Brazil Spec	
36	1001121816	Ref	Canadian Spec	
36	1001121825	Ref	Chinese (Simplified) Spec	
36	1001121823	Ref	Chinese (Traditional) Spec	
36	1001121821	Ref	Japanese Spec	
36	1001121818	Ref	Latin American Spec	
37		Ref	Decal Capacity Options:	
37		Ref	Decal Capacity 600A Options:	

SECTION 8 - DECALS

ITEM	PART NUMBER	QTY	DESCRIPTION	REV
37		Ref	USA Built Machines: (SN 0300087000 through 0300142594)	
37	1706380	Ref	Brazil Specs	
37	1704099	Ref	Canadian Spec	
37	1001116853	Ref	Chinese (Simplified) Spec	
37	1704101	Ref	Chinese (Traditional) Spec	
37	1704102	Ref	Japanese Spec	
37	1704098	Ref	Latin American Spec	
37		Ref	USA Built Machines: (SN 0300142595 through 0300177361)	
37	1001121806	Ref	Brazil Specs	
37	1001121802	Ref	Canadian Spec	
37	1001121811	Ref	Chinese (Simplified) Spec	
37	1001121809	Ref	Chinese (Traditional) Spec	
37	1001121807	Ref	Japanese Spec	
37	1001122200	Ref	Korean Spec	
37	1001121804	Ref	Latin American Spec	
37		Ref	China Built Machines: (SN B300000100 to Present)	
37	1001121806	Ref	Brazil Specs	
37	1001121802	Ref	Canadian Spec	
37	1001121811	Ref	Chinese (Simplified) Spec	
37	1001121809	Ref	Chinese (Traditional) Spec	
37	1001121807	Ref	Japanese Spec	
37	1001121804	Ref	Latin American Spec	
37		Ref	Decal Capacity 600AJ Options:	
37		Ref	USA Built Machines: (SN 0300087000 through 0300100045)	
37	1703996	Ref	Brazil Spec	
37	1703996	Ref	Canadian Spec	
37	1703996	Ref	Japanese Spec	
37	1703996	Ref	Latin American Spec	
37		Ref	USA Built Machines: (SN 0300100046 through 0300142594)	
37	1707057	Ref	Brazil Spec	
37	1707055	Ref	Canadian Spec	
37	1001116857	Ref	Chinese (Simplified) Spec	
37	1001116860	Ref	Chinese (Traditional) Spec	
37	1707059	Ref	Japanese Spec	
37	1707056	Ref	Latin American Spec	
37		Ref	USA Built Machines: (SN 0300142595 through 0300177361)	
37	1001121656	Ref	Brazil Specs	
37	1001121803	Ref	Canadian Spec	
37	1001121812	Ref	Chinese (Simplified) Spec	
37	1001121810	Ref	Chinese (Traditional) Spec	
37	1001121808	Ref	Japanese Spec	
37	1001121918	Ref	Korean Spec	
37	1001121805	Ref	Latin American Spec	
37		Ref	China Built Machines: (SN B300000100 to Present)	
37	1001121656	Ref	Brazil Specs	
37	1001121803	Ref	Canadian Spec	
37	1001121812	Ref	Chinese (Simplified) Spec	
37	1001121810	Ref	Chinese (Traditional) Spec	
37	1001121808	Ref	Japanese Spec	
37	1001121805	Ref	Latin American Spec	
38	1001108923	1	Decal - EPA/Carb Fuel Spec (USA Built CSA Spec Diesel Machines) (SN 0300135240 through 0300177361)	

SECTION 8 - DECALS

ITEM	PART NUMBER	QTY	DESCRIPTION	REV
39	1704885	AR	Decal - Website	
40	See Note	NSS	Nameplate, Manufacturers Serial Number (Note: Not Available for Purchase)	
41	1702861	2	Decal - JLG Lift (8in Height)	
42	1702774	1	Decal - JLG Lift (3-1/2in Height)	
43	1702773	1	Decal - JLG (5in Height)	
44	1702860	1	Decal - JLG Lift (5in Height)	
45	3250872	1	Nameplate - Steer/Tow Selector	
46	1705090	1	Decal - Towing Instructions	
47		Ref	Decal - Fuel	
47	1701505	1	Diesel	
47	1701542	1	Gas	
48	1701543	1	Decal - LP Gas	
49		Ref	Decal - LP Gas (Liquid) Options:	
49	1700818	2	ANSI Export Specs	
49	Not Required	0	Brazil Specs	
49	1704271	2	Canadian Spec	
49	Not Required	0	Chinese Specs	
49	Not Required	0	Japanese Specs	
49	Not Required	0	Korean Specs	
49	1702720	2	Latin American Spec	
50	0100011	AR	Compound, Locking	
51	0641406	4	Bolt 1/4in-20NC x 3/4in	
52	0641408	AR	Bolt 1/4in-20NC x 1in	
53	0860520	1	Box, Manual Storage	
54	1060279	AR	Cable, Lanyard	
55	3311405	AR	Locknut 1/4in-20NC	
57	3820001	4	Rivet	
58	4751400	AR	Flatwasher 1/4in Regular	
59	3250033	2	Plug (USA Built Machines (SN 0300087000 through 0300101241))	
62		Ref	Decal - Patent Options:	
62	1700584	1	All Specs except Brazil, Chinese and Latin American Specs USA Built Machines (SN 0300087000 through 0300150370)	
	1700584	1	All Specs except Brazil, Chinese and Latin American Specs China Built Machines (SN B300000100 through B300000298)	
62	1001131269	1	All Specs except Brazil, Chinese and Latin American Specs USA Built Machines (SN 0300150371 through 0300177361)	
62	1001131269	1	All Specs except Brazil, Chinese and Latin American Specs China Built Machines (SN B300000299 to Present)	
62	1700584	1	Brazil Spec USA Built Machines (SN 0300087000 through 0300151392)	
62	1700584	1	Brazil Spec China Built Machines (SN B300000100 through B300000356)	
62	Not Required	0	Brazil Spec USA Built Machines (SN 0300151393 through 0300177361)	
62	Not Required	0	Brazil Spec China Built Machines (SN B300000357 to Present)	
62	1700584	1	Chinese Spec USA Built Machines (SN 0300087000 through 0300150370)	
62	1700584	1	Chinese Spec China Built Machines (SN B300000100 through B300000298)	
62	Not Required	0	Chinese Spec USA Built Machines (SN 0300150371 through 0300177361)	
62	Not Required	0	Chinese Spec China Built Machines (SN B300000299 to	

SECTION 8 - DECALS

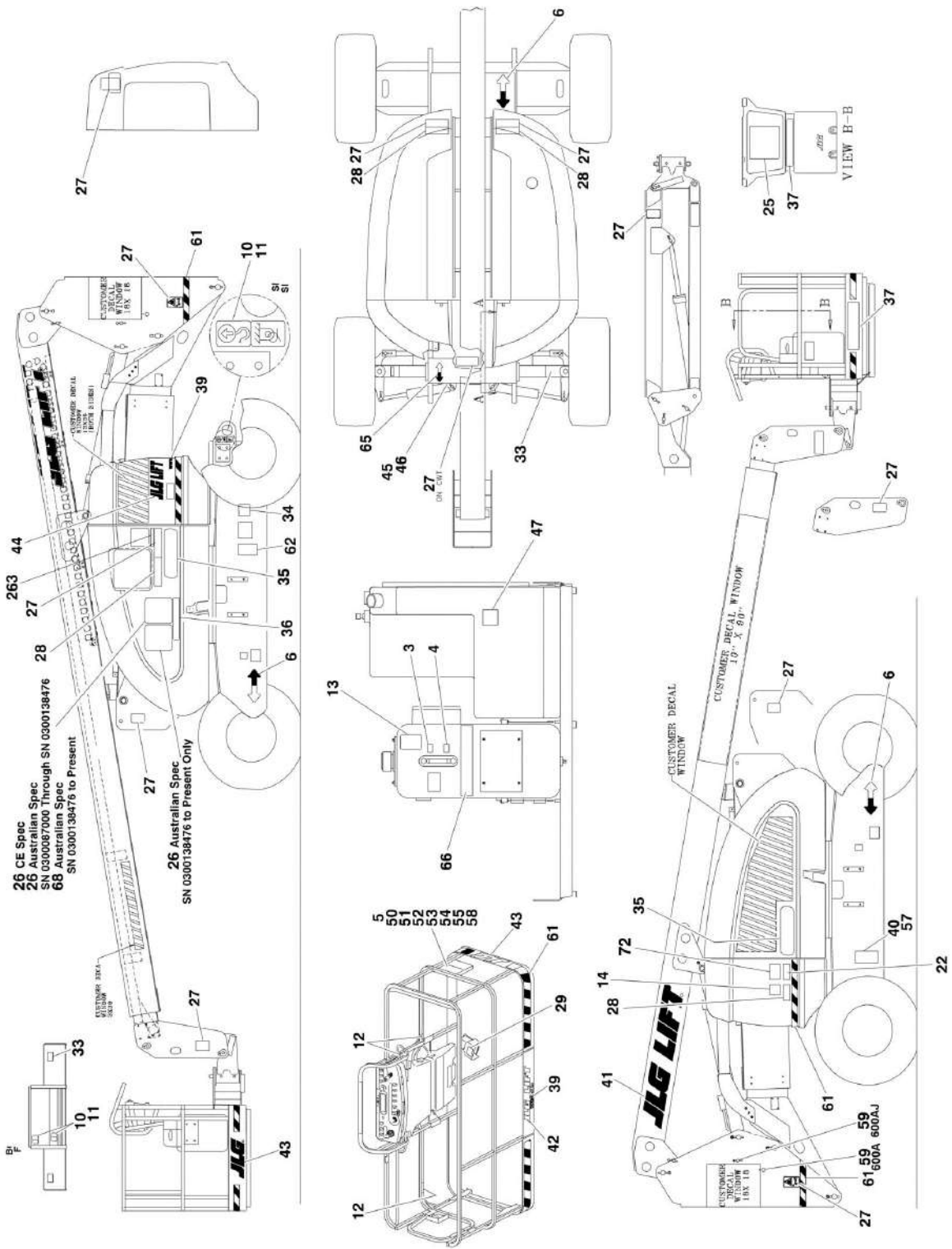
ITEM	PART NUMBER	QTY	DESCRIPTION	REV
62	1702573	1	Present) Latin American Spec USA Built Machines (SN 0300087000 through 0300150370)	
62	1702573	1	Latin American Spec China Built Machines (SN B300000100 through B300000298)	
62	Not Required	0	Latin American Spec USA Built Machines (SN 0300150371 through 0300177361)	
62	Not Required	0	Latin American Spec China Built Machines (SN B300000299 to Present)	
62	1001131269	AR	Korean Specs (600A qty 0 / 600AJ qty1)	
63		Ref	Decal - Legend Options:	
63	1702784	1	USA Built Machines (SN 0300087000 through 0300099060)	
63	1706931	1	USA Built Machines (SN 0300099061 through 0300138648)	
63	1001108493	1	USA Built Machines (SN 0300138649 through 0300177361)	
63	1001108493	1	China Built Machines (SN B300000100 to Present)	
64		Ref	Decal - Legend (MTB) Options:	
64	1703808	1	USA Built Machines (SN 0300087000 through 0300099060)	
64	1706941	1	USA Built Machines (SN 0300099061 through 0300177361)	
64	1706941	1	China Built Machines (SN B300000100 to Present)	
65	1703687	1	Decal - Direction Arrow (6-3/4in)	
66		Ref	Decal - Upright Level Over-Ride Options (USA Built Machines): (SN 0300087746 through 0300177361)	
66		Ref	Decal - Upright Level Over-Ride Options (China Built Machines): (SN B300000100 to Present)	
66	1702265	1	ANSI Export Specs	
66	1703544	1	Brazil Specs	
66	1703990	1	Canadian Spec	
66	1001116861	1	Chinese (Simplified) Spec	
66	1001116862	1	Chinese (Traditional) Spec	
66	1702271	1	Japanese Specs	
66	17023987	1	Japanese Specs	
66	1702617	1	Latin American Spec	
67		Ref	Decal - Drive/Steer Instructions Options (USA Built Machines): (SN 0300138649 through 0300177361)	
67		Ref	Decal - Drive/Steer Instructions Options (China Built Machines): (SN B300000100 to Present)	
67	1705351	1	ANSI Export Specs	
67	1705905	1	Brazil Specs	
67	1705429	1	Canadian Spec	
67	1705430	1	Chinese (Simplified) Spec	
67	1001116863	1	Chinese (Traditional) Spec	
67	1705426	1	Japanese Specs	
67	1705427	1	Korean Specs	
67	1705910	1	Latin American Spec	
70		Ref	Decal - Yearly Inspection: (SN B300002020 to Present)	
70	1001223055	1	ANSI Export Specs	
70	1001224051	1	Chinese (Simplified) Specs	
70	1001224050	1	Chinese (Traditional) Specs	
72	1001229010	1	Decal - Lift Diagram (SN B300002344 to Present)	
287	1001236436	Ref	ECO Dceal Installation (China GB Specs Only)	A
287A	See Note	1	Nameplate - ECO (Note: Not Available for Purchase)	
287A	3820001	4	Rivet	
287B	See Note	1	Nameplate - Mein Code (Note: Not Available for Purchase)	

SECTION 8 - DECALS

ITEM	PART NUMBER	QTY	DESCRIPTION	REV
287B	3820001	4	Rivet	

SECTION 8 - DECALS

FIGURE 8-3. DECAL INSTALLATION (AUSTRALIAN AND CE SPECS)



SECTION 8 - DECALS

FIGURE 8-3. DECAL INSTALLATION (AUSTRALIAN AND CE SPECS)

ITEM	PART NUMBER	QTY	DESCRIPTION	REV
		Ref	DECAL INSTALLATION	
	0274094	Ref	Decals - JLG Logo	C
	0273895	Ref	Decals 600A Australian Spec (USA Built Machines) (SN 0300087000 through 0300138475)	7
	1001114388	Ref	Decals 600A Australian Spec (USA Built Machines) (SN 0300138476 through 0300177361)	D
	1001114388	Ref	Decals 600A Australian Spec (China Built Machines) (SN B300000100 to Present)	D
	0273895	Ref	Decals 600A CE Spec	7
	0273896	Ref	Decals 600AJ Australian Spec (USA Built Machines) (SN 0300087000 through 0300138475)	7
	1001114389	Ref	Decals 600AJ Australian Spec (USA Built Machines) (SN 0300138476 through 0300177361)	D
	1001114389	Ref	Decals 600AJ Australian Spec (China Built Machine) (SN B300000100 to Present)	D
	0273896	Ref	Decals 600AJ CE Spec	7
3	1701502	1	Decal - High Oil Level (USA Built Machines) (SN 0300087000 through 0300134296)	
4	1701503	1	Decal - Low Oil Level (USA Built Machines) (SN 0300087000 through 0300134296)	
5	1701509	1	Decal - Manual	
6	1701529	6	Decal - Arrow	
10	1703811	4	Decal - Tie Down/Lift	
11	1703814	6	Decal - Tie Down	
12	1704277	4	Decal - Attach Lanyard Here	
13	1704412	1	Decal - Hydraulic Oil Chart	
14	1705084	1	Decal - Sound Power Level	
22	Not Required	0	Decal	
23	1706098	1	Decal - Tipping/Electrical Platform	
24	Not Required	0	Decal - No Hands	
25	1705921	1	Decal - Tipping/Electrical Platform	
26	1705822	1	Decal - Electrical/Safety Manual	
27	1701518	10	Decal - Warning Crushing	
28	1705961	5	Decal - Danger Electrocution	
29	1705828	1	Decal - Footswitch	
30		Ref	Decal - USA Options:	
30	Not Required	0	Australian Spec	
30	Not Required	0	CE Spec USA Built Machines (SN 0300087000 through 0300150370)	
	Not Required	1	CE Spec China Built Machines (SN B300000100 through B300000298)	
30	3251813	1	CE Spec USA Built Machines (SN 0300150371 through 0300177361)	
	3251813	1	CE Spec China Built Machines (SN B300000299 to Present)	
33	1703469	4	Decal - Max Tire Load	
34	See Note	1	Decal - Bar Code (Note: Not Available for Purchase)	
35		Ref	Decal Options:	
35	1702818	2	Decal - 600A	
35	1702819	2	Decal - 600AJ	
36	1705978	1	Decal - 230kg Capacity	
37	1705978	2	Decal - 230kg Capacity	
39	1704885	AR	Decal - Website	

SECTION 8 - DECALS

ITEM	PART NUMBER	QTY	DESCRIPTION	REV
40	See Note	NSS	Nameplate, Manufacturer Serial Number (Note: Not Available for Purchase)	
41	1702861	2	Decal - JLG Lift (8in Height)	
42	1702774	1	Decal - JLG Lift (3-1/2in Height)	
43	1702773	1	Decal - JLG (5in Height)	
44	1702860	1	Decal - JLG Lift (5in Height)	
45	3250872	1	Nameplate - Steer/Tow Selector	
46	1705090	1	Decal - Towing Instructions	
47	1701505	1	Decal - Fuel (Diesel)	
50	0100011	AR	Compound, Locking	
51	0641406	4	Bolt 1/4in-20NC x 3/4in	
52	0641408	1	Bolt 1/4in-20NC x 1in	
53	0860520	1	Box, Manual Storage	
54	1060279	AR	Cable, Lanyard	
55	3311405	AR	Locknut 1/4in-20NC	
57	3820001	4	Rivet	
58	4751400	AR	Flatwasher 1/4in Regular	
59	3250033	2	Plug (USA Built Machines) (SN 0300087000 through 0300101241)	
61	4420051	22 ft/6.7m	Decal - Warning Stripe	
62		Ref	Decal - Patent	
62		Ref	Australian Spec	
62	1700584	1	Decal 600A & 600AJ - USA Built Machines (SN 0300087000 through 0300150370)	
	1700584	1	Decal 600A & 600AJ - China Built Machines (SN B300000100 through B300000298)	
62	1001131269	1	Decal 600A - USA Built Machines (SN 0300150371 through 0300177361)	
62	1001131269	1	Decal 600A - China Built Machines (SN B300000299 to Present)	
62	Not Required	0	Decal 600AJ - USA Built Machines (SN 0300150371 through 0300177361)	
62	Not Required	0	Decal 600AJ - China Built Machines (SN B300000299 to Present)	
62		Ref	CE Spec	
62	1700584	1	Decal 600A & 600AJ - USA Built Machines (SN 0300087000 through 0300150370)	
62	1700584	1	Decal 600A & 600AJ - China Built Machines (SN B300000100 through B300000298)	
62	Not Required	0	Decal 600A & 600AJ - USA Built Machines (SN 0300150371 through 0300177361)	
62	Not Required	0	Decal 600A & 600AJ - China Built Machines (SN B300000299 to Present)	
65	1703687	1	Decal - Direction Arrow (6-3/4in)	
66	1705977	1	Decal - Upright Level Over-Ride (USA Built Machines) (SN 0300087746 through 0300177361)	
66	1705977	1	Decal - Upright Level Over-Ride (China Built Machines) (SN B300000100 to Present)	
68	1001112551	1	Decal - Emergency Controls (Australian Spec Only) (USA Built Machines) (SN 0300138476 through 0300177361)	
68	1001112551	1	Decal - Emergency Controls (Australian Spec Only) (China Built Machines) (SN B300000100 to Present)	
72	1001229010	1	Decal - Lift Diagram (SN B300002344 to Present)	
263	1001197408	1	Decal - MSSO (CE Spec) (SN B300001169 to Present)	

SECTION 9 - RECOMMENDED SERVICE PARTS STOCK

SECTION 9 - RECOMMENDED SERVICE PARTS STOCK

SECTION 9 - RECOMMENDED SERVICE PARTS STOCK

FIGURE 9-1. MODEL 600A/600AJ STANDARD PARTS

ITEM	PART NUMBER	QTY	DESCRIPTION	REV
	Note	Ref	Note: The following list will service one machine (built to current production per date on the front cover) with emergency repair parts which can be installed in the field. Parts from the list should be replaced when inventory is depleted to keep service parts stock supplied. For further information, contact your JLG dealer or the JLG Industries Parts Department.	
		Ref	STANDARD PARTS	
	7012944	1	Coil	
	7012943	1	Coil	
	2120210	12	Element Filter	
	2120149	12	Element, Filter	
	7012772	1	Coil	
	70000582	1	Coil	
	7012664	12	Element, Air Cleaner	
	3740067	1	Relay	
	7024444	1	Breather	
	4360517	1	Switch, Proximity	
	3740049	1	Relay	
	4360328	1	Switch, Toggle	
	2860030	1	Key, Replacement	
	4360475	1	Switch, Mushroom	
	4360476	1	Contact, Switch Block	
	2940074	1	Latch	
	4360331	1	Switch, Toggle	
	4360330	1	Switch, Toggle	
	4360387	1	Switch, Push Button	
	1001129555	1	Lift/Swing Controller Kit	
	1001212415	1	Drive/Steer Controller Kit	
	2400065	2	Fuse, 30Amp	

SECTION 9 - RECOMMENDED SERVICE PARTS STOCK

FIGURE 9-2. MODEL 600A/600AJ VARIABLE PARTS

ITEM	PART NUMBER	QTY	DESCRIPTION	REV
	Note	Ref	Note: The following list will service one machine (built to current production per date on the front cover) with emergency repair parts which can be installed in the field. Parts from the list should be replaced when inventory is depleted to keep service parts stock supplied. For further information, contact your JLG dealer or the JLG Industries Parts Department.	
		Ref	VARIABLE PARTS	
	7026830	12	Filter, Fuel (Machines with Caterpillar Engine)	
	7026811	12	Filter, Oil (Machines with Caterpillar Engine)	
	7016328	12	Filter, Fuel (Machines with Deutz Engine)	
	7016331	12	Filter, Oil (Machines with Deutz Engine)	
	7027795	1	Deutz EMR2 Control Module (Machines with Deutz Engine)	
	91083218	12	Filter, Fuel (Machines with Ford Engine)	
	7021868	12	Filter, Oil (Machines with Ford Engine)	
	1600374	1	Ford Control Module (Machines with Ford Engine)	
	7027972	12	Filter, Fuel (Machines with GM Engine)	
	7027965	12	Filter, Oil (Machines with GM Engine)	
	70002895	1	GM Control Module (Machines with GM Engine)	
	7024444	1	Breather/Fill Cap (Helgensen Brand)	
	70004862	1	Breather/Fill Cap (Hydac Brand)	
	1001103667	1	Module, Ground Control (Machines with Caterpillar, Deutz and GM Engine)	
	4360469	1	Switch, Key (All Specs except CE Specs)	
	4360470	1	Switch, Key (CE Spec Only)	
	4360336	1	Switch, Toggle (Machine with Generator)	
	4360542	1	Breaker, Circuit - 110Volt (Machines with 2500W Generator)	
	70000126	1	Breaker, Circuit - 220Volt (Machines with 2500W Generator)	
	4360070	1	Breaker, Circuit (Machines with SkyPower 7500W Generator)	
	2400064	1	Fuse - 5Amp (Machines with SkyPower 7500W Generator)	
	70002011	2	Power Track Repair Section (600A)	
	70001999	2	Power Track Repair Section (600AJ)	
	4360578	1	Switch, Limit	
	1001106355	1	Platform Control Module	
	4360522	1	Switch, Push Button (Machine with Lights Option)	
	4360336	1	Switch, Toggle (Machine with Ford and GM Engines)	
	4360057	1	Switch, Limit (Machine with Soft Touch System Engines)	
	4360232	1	Breaker, Circuit (Machine with Floodlights Option)	
	2400070	2	Fuse (Machine with Worklights Engines)	

SECTION 10 - SPECIAL OPTIONS

SECTION 10 - SPECIAL OPTIONS

FIGURE 10-1. SPECIAL OPTIONS

ITEM	PART NUMBER	QTY	DESCRIPTION	REV
		Ref	Note: This list is to accommodate machines ordered with special equipment. Options may not be applicable to all models. For more specific parts information contact JLG Parts Department.	
		Ref	MISCELLANEOUS SPECIAL OPTIONS	
		Ref	Airline to Platform Installation Options:	
	0256342	Ref	1/2in - 600A	
	0271475	Ref	1/2in Airline and (1) Welding Cable - 600A	
	0275295	Ref	1/2in - 600A with Arctic Package	
	0258966	Ref	1/2in - 600AJ	
	1001093438	Ref	1/2in - 600AJ with Arctic Package	
	1001205011	Ref	Arctic Package Add-on Kit (600A without SkyPower)	
	1001205010	Ref	Arctic Package Add-on Kit (600A with SkyPower)	
	1001205013	Ref	Arctic Package Add-on Kit (600AJ without SkyPower)	
	1001205012	Ref	Arctic Package Add-on Kit (600AJ with SkyPower)	
		Ref	Boom Cable Installation with Communication System (600AJ Only)	
	1001115974	Ref	Intercom System	
	1001116515	Ref	Intercom System and 7500W Generator	
	1001220153	Ref	Boom Cable Add-on Kit (4000W/60Hz Generator)	
		Ref	Boom Wiper Installation	
	0256276	Ref	Boom Wiper Installation 600A	
	0256366	Ref	Boom Wiper Installation 600AJ	
	1001172045	Ref	Cable Carrier Installation	
		Ref	ClearSky Telematics	
		Ref	Note: Refer to Manual Supplement p/n 3128499 for available replacement parts.	
		Ref	ADE Machines (Add-on Kit)	
	1001104982	Ref	ANSI Spec	
	1001104983	Ref	ANSI Export	
	1001139130	Ref	Australian Specs	
	1001104984	Ref	CSA Spec	
		Ref	ADE/UGM Machines (Add-on Kit)	
	1001119942	Ref	ANSI Spec	
	1001121612	Ref	ANSI Export	
	1001139148	Ref	Australian Spec	
	Not Available	Ref	Brazil and New Zealand Specs	
	1001234099	Ref	CE Specs	
	1001119948	Ref	CSA Spec	
		Ref	ADE/UGM Machines (Factory Installed)	
	1001112979	Ref	ANSI Spec	
	1001112980	Ref	ANSI Export	
	1001132728	Ref	Australian Spec	
	1001127089	Ref	Brazil and New Zealand Specs	
	1001112981	Ref	CSA Spec	
	0273575	Ref	Cold Weather Package - Caterpillar Engine	
	0271912	Ref	Cold Weather Package with Glow Plugs - Deutz	
	0255386	Ref	Cold Weather Package - Ford	
	0275262	Ref	Cold Weather Package - GM	

SECTION 10 - SPECIAL OPTIONS

ITEM	PART NUMBER	QTY	DESCRIPTION	REV
	0274883	Ref	Cold Weather Package Transformer	
	1001115970	Ref	Communication System (David Clark) Installation (600AJ Only)	
		Ref	Cylinder Bellows Installation (Boom)	
	0255927	Ref	Cylinder Bellows Installation (Boom) 600A	
	0255928	Ref	Cylinder Bellows Installation (Boom) 600AJ	
		Ref	CYLINDER BELLOWS INSTALLATION (FRAME)	
	0255483	Ref	2WD/2WS & 4WD/2WS 8ft/2.4m Width Machines	
	0255487	Ref	2WD/4WS & 4WD/4WS 8ft/2.4m Width Machines	
	0255489	Ref	2WD/4WS 7ft/2.1m Width Machines	
	1001236211	Ref	Cylinder Valve Cover Kit - Level Cylinder	
		Ref	Decal Installations Options:	
	1001196613	1	Decal - Ahern Rentals	
	1702788	1	Decal - Biodegradable Hydraulic Fluid (English Language)	
	1703479	1	Decal - Biodegradable Hydraulic Fluid (German Language)	
	1704174	1	Decal - Biodegradable (Synthetic) Hydraulic Fluid (English Language)	
	1704175	1	Decal - Biodegradable (Synthetic) Hydraulic Fluid (German Language)	
	1001196710	Ref	Decal - Blueline Rentals	
	1001116248	Ref	Decal - ClearSky (ANSI Spec) (SN 0300087000 through 0300144692)	
	1001116249	Ref	Decal - ClearSky (CSA Spec) (SN 0300087000 through 0300144692)	
	1001127095	Ref	Decal - ClearSky (All Specs) (SN 0300144693 through 0300177361)	
	0253550	Ref	Decal - CSA (CSA Specs)	
	3252221	Ref	Decal - CSA	
	1001214030	Ref	Decal - EAC (CIS & Russian Specs)	
	0273770	Ref	Decal - Fall Arrest	
	0257195	Ref	Decal - Government Warranty	
	0275840	Ref	Decal - Head and Engquist Equipment L.L.C. (H & E)	
	0273253	Ref	Decal - Hertz (SN 0300087000 through 0300147199)	
	1001128988	Ref	Decal - Hertz (SN 0300147200 through 0300177361)	
	1001143075	Ref	Decal - Hewitt Rental (ANSI Spec)	
	1001143510	Ref	Decal - Hewitt Rental (CSA Spec)	
	0256957	Ref	Decal - Lanyard Attach (GM K-1 Spec)	
	1001140623	Ref	Decal - Leavitt	
	1702720	Ref	Decal - LP Gas Decal (Latin America)	
	0274182	Ref	Decal - Nations Rent	
	0274246	Ref	Decal - National Equipment Services (NES)	
	1702868	Ref	Decal - No Hands - English Language (Platform with Mesh to Top Rail)	
	1705968	Ref	Decal - No Hands - English/Simplified Chinese Dual Language (Platform with Mesh to Top Rail)	
	1001116846	Ref	Decal - No Hands - English/Traditional Chinese Dual Language (Platform with Mesh to Top Rail)	
	1704000	Ref	Decal - No Hands - English/French Dual Language (Platform with Mesh to Top Rail)	
	1705969	Ref	Decal - No Hands - English/Korean Dual Language (Platform with Mesh to Top Rail)	
	1705967	Ref	Decal - No Hands - English/Portuguese Dual Language (Platform with Mesh to Top Rail)	
	1704001	Ref	Decal - No Hands - English/Spanish Dual Language (Platform	

SECTION 10 - SPECIAL OPTIONS

ITEM	PART NUMBER	QTY	DESCRIPTION	REV
			with Mesh to Top Rail)	
	1001214984	Ref	Decal - Platform Box Film	
	0256487	Ref	Decal - Prop 65 Warning (Diesel Machines) (California Spec)	
	0256488	Ref	Decal - Prop 65 Warning (Gasoline Machines) (California Spec)	
	1001218708	Ref	Decal - Riwal	
	1001095384	Ref	Decal - RSC	
	1001141300	Ref	Decal - SkyGuard Override	
	1001141302	Ref	Decal - SkyGuard Override (With Soft Touch)	
	0271123	Ref	Decal - Sunbelt	
	1001236997	Ref	Decal - Synergy Equipment	
	1001235122	Ref	Decal - Thompson Cat Rental	
	0272312	Ref	Decal - Tire Sealant	
	1001151067	Ref	Decal - Titan Rental	
	0271895	Ref	Decal - United Rentals	
	1001098291	Ref	Decal - UPS	
	1001141471	Ref	Decal - Volvo	
		Ref	Decal Kits Options:	
	2902307	Ref	Decal Kit - Country Spec (ANSI and ANSI Export)	
	2902329	Ref	Decal Kit - Country Spec (Australian and CE)	
	2902312	Ref	Decal Kit - Country Spec (Brazil)	
	2902322	Ref	Decal Kit - Country Spec (CSA)	
	1001116844	Ref	Decal Kit - Country Spec (Chinese - Simplified)	
	2902309	Ref	Decal Kit - Country Spec (Chinese - Traditional)	
	2902308	Ref	Decal Kit - Country Spec (Japanese)	
	2902310	Ref	Decal Kit - Country Spec (Korean)	
	2902311	Ref	Decal Kit - Country Spec (Latin America)	
	2902303	Ref	Decal Kit - Master	
	1001193631	Ref	Decal Kit - Machine (ANSI Spec Only)	
	1001108718	Ref	Decal Kit - Platform (600A)	
	1001238895	Ref	Decal Kit - Platform (600AJ)	
	1001119561	Ref	Decal Kit - Platform Console Box	
	2902350	Ref	Decal Kit - Tire Load	
	4932990	Ref	Drive Cutout Kit (Above Elevation Beyond Transport)	
	4932993	Ref	Drive Cutout Kit (Above Elevation Tilt) (ANSI, ANSI Export, Australian Brazilian and Japanese Specs Only)	
		Ref	Electrical Connector Kits	
	1001148902	Ref	Amp/Tyco Electrical Connector Kit	
	1001148903	Ref	Deutsch DT Electrical Connector Kit	
	1001148904	Ref	Deutsch HD Electrical Connector Kit	
	1001148905	Ref	Packard Electrical Connector Kit	
	1001148906	Ref	Various Electrical Connectors Kit	
		Ref	Engine Block Heater Installations:	
	2580055	Ref	Caterpillar Engine Machines	
	0258696	Ref	Ford Engine Machines	
	0275261	Ref	GM Engine Machines	
	1001237883	Ref	Fall Arrest (Bolt-on) Add-on Kit (6ft/1.82m Platform (ANSI, ANSI Export, CHINA, CSA & Japanese Specs Only) (Fits Platform p/ns 1001186384 & 1001144024) (SN 0300128330 through 0300177361)	
	1001237882	Ref	Fall Arrest (Bolt-on) Add-on Kit (8ft/2.4m Platform (ANSI, ANSI Export, CHINA, CSA & Japanese Specs Only) (Fits Platform p/ns 1001186383 & 1001144023) (SN 0300080181 through 0300177361)	

SECTION 10 - SPECIAL OPTIONS

ITEM	PART NUMBER	QTY	DESCRIPTION	REV
		Ref	Fan Cover/Grille Options:	
	1001185078	Ref	Fan Cover Add-on Kit (Deutz D2011 Engines)	
	1001182599	Ref	Fan Cover Installation (Deutz D2011 Engines)	
	1001093389	Ref	Fan Grille Installation (Deutz D2011 Engines)	
	1001213223	Ref	Fan & Belt Grille Add-on Kit (Deutz D2011 Engines without Generator)	
	1001202122	Ref	Fan & Belt Grille Installation (Deutz D2011 Engines without Generator)	
	1001213222	Ref	Fan & Belt Grille Add-on Kit (Deutz D2011 with Generator)	
	1001202398	Ref	Fan & Belt Grille Installation (Deutz D2011 with Generator)	
		Ref	Filter Kits:	
		Ref	Combined Filter Kit (Hydraulic/Air and Fuel/Engine Oil)	
	1001110991	1	Caterpillar Engine	
	1001110990	1	Deutz D2011 Engine	
	2910462	1	Ford LRG-425 with Carb Engine	
	1001114042	1	Ford LRG-425 with EFI Engine	
	1001114127	1	GM Engine	
		Ref	Hydraulic/Air Filter	
	1001109684	1	Caterpillar/Deutz Engine	
		Ref	Fuel/Engine Oil Filter	
	1001110137	1	Caterpillar Engine	
	1001110133	1	Deutz Engine	
	1001139099	Ref	Fire Extinguisher Installation	
		Ref	Fluids	
		Ref	Coolant (Caterpillar, GM and Perkins Engines)	
	2300004	Ref	Machines without Arctic Package	
	2300041	Ref	Machines with Arctic Package	
	3020017	Ref	Lubricant (Spindle Assembly)	
	2300040	Ref	Diesel Fuel Conditioner	
		Ref	Engine Oil	
	3020016	Ref	Motor Oil Mobil Delvac MX 15W-40 (Deutz Engine Machines without Arctic Package)	
	3020044	Ref	Motor Oil 0W-40 (Deutz Engine Machines with Arctic Package)	
	1001115930	Ref	Motor Oil 10W-30 (GM Tier III Engine Machines without Arctic Package)	
	1001115931	Ref	Motor Oil 5W-30 Synthetic (GM Tier III Engine Machines with Arctic Package)	
		Ref	Hydraulic Fluids	
	2300014	Ref	Mobil 424	
	2300027	Ref	Mobil 224H Bio	
	2300029	Ref	Mobil EAL ISO 46 Bio	
	2300016	Ref	Mobil DTE 10 EXCEL 32 (was DTE 13 ISO 32)	
	2300019	Ref	Quaker State Quintolubric 888-46 Fire Resistant	
	2300039	Ref	Exxon Univis HV126 (Arctic Package Only)	
		Ref	Flushing Loop Valve Installation (Requires Oil Cooler Installation)	
	0275946	Ref	Flushing Loop Valve Installation 2WD	
	0275941	Ref	Flushing Loop Valve Installation 4WD	
	4641329	1	Valve, Flushing	
	7024881	1	Piston, Pilot	
	7021639	2	Cartridge, Check	
	2900756	2	Seal Kit - 7021639 Valve	
		Ref	Footswitch Panel Options:	

SECTION 10 - SPECIAL OPTIONS

ITEM	PART NUMBER	QTY	DESCRIPTION	REV
	3380652	Ref	USA Built Machines (SN 0300087000 through 0300167713)	
	1001117294	Ref	USA Built Machines (SN 0300167714 through 0300177361)	
	4060959	Ref	Footswitch Shield	
	1001202749	Ref	Fuel Cap Cover Installation (Black) (Note: Lock p/n 1001102157 Must be purchased separately)	
	1001191395	Ref	Fuel Cap Cover Installation (Green) (Note: Lock p/n 1001102157 Must be purchased separately)	
		Ref	Generator Options:	
	See Note	Ref	Generator (2500W) Add-on Kit (Note: Contact JLG Parts Department)	
	1001175815	Ref	Generator (4000W/50Hz) Add-on Kit	
	1001213606	Ref	Generator (4000W/60Hz) Add-on Kit	
	See Note	Ref	Generator (7500W) Add-on Kit (Note: Contact JLG Parts Department)	
	0271548	Ref	Glow Plug Installation (Deutz Engine Machines)	
	2910100	Ref	Hose/Cable Chafe Kit	
		Ref	Hose Kits (Contact JLG Customer Service for contents of kits):	
	1001166791	Ref	Hose Kit - Boom Lower	
	1001212515	Ref	Hose Kit - Boom Lower	
	1001209350	Ref	Hose Kit - Boom Lower (600AJ - Deutz D2011 Engine)	
	1001193682	Ref	Hose Kit - Boom Upper (600A - Ford/GM Engines)	
	1001209347	Ref	Hose Kit - Boom Upper (600A - Ford/GM Engines)	
	1001166790	Ref	Hose Kit - Boom Upper (600AJ - Deutz D2011 Engines)	
	2902471	Ref	Hose Kit - Power Track Lower (600A)	
	1001204904	Ref	Hose Kit - Power Track Lower (600AJ)	
	2902470	Ref	Hose Kit - Power Track Upper (600A)	
	2902472	Ref	Hose Kit - Power Track Upper (600AJ)	
	1001241405	Ref	Hostile Environment Add-on Kit (600A - 7FT Chassis)	
	1001204923	Ref	Hostile Environment Add-on Kit (600A - 8FT Chassis)	
	1001241406	Ref	Hostile Environment Add-on Kit (600AJ - 7FT Chassis)	
	1001204924	Ref	Hostile Environment Add-on Kit (600AJ - 8FT Chassis)	
	1001094475	Ref	Hourmeter for Generator Installation	
	1001229940	Ref	Hydraulic Tank Locker Installation	
	1001148971	Ref	Lanyard (Bolt-on) Kit Installation	
	1001183407	Ref	Low Temperature Cut-out Switch Installation (Russian Specs)	
	1001236951	Ref	Low Temperature Cut-out Switch Installation (Russian Specs)	
		Ref	Oil Cooler Installation (Requires Flushing Loop Options)	
	0256765	Ref	Deutz Engine Machines (SN 0300087000 through 0300136662)	
	1282665	Ref	Deutz Engine Machines (SN 0300087000 through 0300136662)	
	1001108702	Ref	Deutz Engine Machines (SN 0300136663 through 0300177361)	
	0256778	Ref	Ford Engine Machines	
	1283309	Ref	Ford Engine Machines	
	0272062	Ref	GM Engine Machines	
	1283309	Ref	GM Engine Machines	
		Ref	Platform Console Cover Installations	
	0258703	Ref	Clear Polycarbonate Cover Installation (All Spec) (SN 0300087000 through 030017736, SN B300000100 through B300001234)	
	1001110974	Ref	Steel Cover Installation (ANSI, French, Spanish, Portuguese, Japanese Specs) (SN 0300087000 through 030017736, SN	

SECTION 10 - SPECIAL OPTIONS

ITEM	PART NUMBER	QTY	DESCRIPTION	REV
			B30000100 through B300001234)	
	1001125229	Ref	Steel Cover Installation (Korean Spec) (SN 0300087000 through 030017736, SN B30000100 through B300001234)	
	1001125230	Ref	Steel Cover Installation (Chinese Spec) (SN 0300087000 through 030017736, SN B30000100 through B300001234)	
	1001195304	Ref	Cover Installation (SN B300001235 to Present)	
	1001205175	Ref	Platform Console Cover Add-on Kit (Steel)	
		Ref	Platform Entry Kit	
	1001142504	Ref	Platform Entry Kit (Replace Swing Gate with Drop Bar)	
	1001142505	Ref	Platform Entry Kit (Replace Drop Bar with Swing Gate)	
		Ref	Platform Mesh to Mid Rail Add-on Kits:	
	1001214478	Ref	30in x 4ft (76cm x 1.22m) with Gate	
	1001214515	Ref	30in x 5ft (76cm x 1.52m) with Gate	
	1001214540	Ref	36in x 6ft (91.5cm x 1.83m) with Gate	
	1001214548	Ref	36in x 8ft (91.5cm x 2.44m) with Gate	
		Ref	Platform Mesh to Mid Rail Installation	
	1001140318	Ref	30in x 4ft (76cm x 1.22m)	
	1001140315	Ref	30in x 5ft (76cm x 1.52m)	
	1001138772	Ref	36in x 6ft (91.5cm x 1.83m)	
	1001138773	Ref	36in x 8ft (91.5cm x 2.44m)	
		Ref	Platform Mesh to Top Rail Add-on Kits:	
	1001214552	Ref	30in x 4ft (76cm x 1.22m) with Gate	
	1001214559	Ref	30in x 5ft (76cm x 1.52m) with Gate	
	1001214561	Ref	36in x 6ft (91.5cm x 1.83m) with Gate	
	1001214562	Ref	36in x 8ft (91.5cm x 2.44m) with Gate	
		Ref	Platform Mesh To Top Rail Installations	
	0273147	Ref	30in x 4ft (76cm x 1.22m)	
	0273146	Ref	30in x 5ft (76cm x 1.52m)	
	0273149	Ref	36in x 6ft (91.5cm x 1.83m)	
	0273145	Ref	36in x 8ft (91.5cm x 2.44m)	
	1001149730	Ref	Platform Mid Rail Repair Kit	
		Ref	Platform, Top Rail Extension	
	0272733	Ref	3ft x 6ft Platforms	
	0272725	Ref	3ft x 8ft Platforms	
		Ref	Platform Huck Fasteners Replacement Hardware	
	0641614	AR	Bolt 1/4in-20NC x 2in	
	3311405	AR	Locknut 1/4in-20NC	
	4711400	AR	Flatwasher 1/4in	
	3300151	AR	Acorn Nut 1/4in-20NC	
	1001209059	Ref	Platform Work Surface Installation	
	0274597	Ref	Rain Cap Installation	
	1001099572	Ref	Security Lock (Programmable) Installation	
		Ref	SkyGuard Component Options: (SN 0300087000 through 0300177361, SN B300000100 through B300001392)	
	1001206478	Ref	SkyGuard Complete Add-on Kit (Blue Beacon) (Non - UGM Machines)	
	1001149560	NLA	SkyGuard Complete Add-on Kit (Blue Beacon) (Non - UGM Machines) (Use p/n 1001206478)	
	1001206477	Ref	SkyGuard Complete Add-on Kit (Blue Beacon) (UGM Machines)	
	1001143669	NLA	SkyGuard Complete Add-on Kit (Blue Beacon) (UGM Machines) (Use p/n 1001206477)	
	1001210026	Ref	SkyGuard Complete Add-on Kit (Red Beacon) (UGM Machines)	
	1001197016	Ref	SkyGuard Platform Sensor Kit	

SECTION 10 - SPECIAL OPTIONS

ITEM	PART NUMBER	QTY	DESCRIPTION	REV
	1001137672	Ref	SkyGuard Platform Sensor Kit	
	1001137440	1	SkyGuard Platform Sensor Harness	
	1001186431	2	Relay	
	1001206311	Ref	SkyGuard Strobe Light Kit (Blue Beacon)	
	1001143256	NLA	SkyGuard Strobe Light Kit (Blue Beacon) (Use p/n 1001206311)	
	1001210025	Ref	SkyGuard Strobe Light Kit (Red Beacon)	
	1001176372	Ref	SkyGuard Removal Plug Kit	
		Ref	Strobe Light Installations (Amber)	
	1001152965	Ref	Platform Mounted	
	1001154231	Ref	Platform/Ground Mounted	
	0272301	Ref	Tire Sealant Installation	
		Ref	Tools for Service	
	2901443	1	Analyzer Kit	
	7002840	1	Anti-Rotation Pin Removal Tool	
	8896941	1	Wire Stripper	
	7002821	1	Wire Crimper (To install wire ends to wires)	
	7002823	1	Pin/Socket Extractor - Universal (To Remove Pins/Sockets from Connectors)	
	4460467	1	Extractor - 16-18 Gauge (For Removal of Pin/Sockets from Deutsch Connectors)	
	4460510	1	Extractor - 12-14 Gauge (For Removal of Pin/Sockets from Deutsch Connectors)	
	7002822	1	Screwdriver, Potentiometer (To Adjust Drive Controllers)	
	7016654	1	Screwdriver, Magnetic	
	7004275	1	Seal Installation Tool - 1in	
	7004276	1	Seal Installation Tool - 1 1/2in	
	7002826	1	Seal Installation Tool - 2in	
	7016655	1	Wire Rope Sheave Gauge	
	7016652	1	Huck Bolt Fastener (For Small Huck Bolts Only)	
	2900838	1	U.S. Standards Fastener (Hardware) Kit	
	7014676	1	U.S. Standards Tool Kit	
	1001137005	1	Software Cable Kit	
	0272350	Ref	Tool (Hydraulic) Circuit Installation	
	0273172	NLA	Transport Wheels Installation	
	0257728	Ref	Tube Rack Installation	
	1001238825	Ref	Turntable Bearing Kit	
	0258918	Ref	Utility Rack Installation	
	0256344	Ref	Weld Leads Installation - 600A	
	0272772	Ref	Weld Leads Installation - 600AJ (1 Cable)	

PART NUMBER INDEX

PART NUMBER INDEX

0060066.....218, 229, 243	0200819 176	0271912 494	0273577.....195, 431
0060068.....213, 224, 243	0253550 495	0271941 257	0273706....267, 271, 275, 299
0080163.....97	0254798 62	0272062 498	0273770.....495
0080181.....76, 84	0255281 238	0272070 214, 220	0273824....267, 271, 274, 299
0080201.....105, 112, 119	0255288 238	0272135 218	0273891.....473, 477
0080214.....105	0255382 ... 427, 447, 465	0272254 315	0273892.....473, 477
0080241.....159	0255386 494	0272301 500	0273893.....477
0080243.....76, 84	0255409 131	0272312 496	0273894.....477
0100009....151, 263, 269, 273	0255410 62	0272326 213	0273895.....487
0100011....15, 16, 17, 19, 23, 25, 43, 49, 61, 76, 79, 84, 85, 86, 87, 92, 94, 95, 104, 105, 110, 111, 112, 118, 119, 132, 135, 139, 143, 147, 149, 151, 155, 159, 160, 161, 166, 167, 170, 172, 173, 176, 180, 183, 187, 191, 195, 203, 207, 213, 214, 219, 220, 223, 224, 228, 229, 230, 233, 234, 237, 238, 245, 250, 256, 293, 299, 303, 310, 313, 315, 317, 333, 339, 341, 345, 347, 349, 351, 359, 361, 363, 367, 377, 379, 383, 385, 387, 400, 407, 474, 482, 488	0255423 ... 213, 219, 234	0272350 500	0273900.....477
010001962, 78, 183, 191, 197, 203, 207	0255438 250	0272387 303	0273902.....477
0100020....76, 79, 85, 87, 92, 95, 104, 105, 110, 112, 118, 121, 132, 192, 266, 269, 274, 310, 323	0255444 62	0272390 ... 214, 220, 303	0273903.....477
0100035....160, 251, 263, 269, 273	0255483 495	0272391 303	0273904.....477
0100038.....19, 333, 339, 341, 345, 347, 349, 351, 359, 361, 363, 367, 377, 379, 383, 385, 387, 400, 407	0255487 495	0272395 303	0273940.....19
0100048.....92, 104, 110, 118, 143, 147, 151, 155, 159, 245, 263, 269, 273, 418, 421, 438, 441, 458, 461	0255489 495	0272418 303, 306	0273954.....15, 19
0100062.....132, 198	0255524 132	0272427 ... 267, 271, 275, 299	0273959.....15, 19
0100063..17, 20, 23, 347, 363, 368	02555699 251	0272433 ... 427, 447, 465	0274047.....15
0100071.....295	0255880 163	0272435 ... 199, 205, 209	0274054.....15
0100079.....132	0255927 495	0272448 310, 315	0274062.....17, 23
0100081....234, 238, 263, 269, 273, 303, 305	0255928 495	0272448 310, 315	0274081.....175
0140001.....49	0256202 ... 427, 428, 447, 466	0272507 ... 159, 426, 446	0274082.....179
0140011....263, 269, 273	0256276 494	0272521 313	0274086.....179
0140032.....159, 426, 445	0256331 251	0272588 313	0274087.....175
0140044.....159, 464	0256336 251	0272589 199	0274090.....179
0181727.76, 92, 104, 110	0256342 494	0272599 310, 323	0274091.....175
0181949.....133	0256344 500	0272607 323	0274094....473, 477, 487
0200048.....299	0256366 494	0272618 195, 431	0274121.....19, 23
0200742.....180	0256487 496	0272619 195, 431	0274132.....16
	0256488 496	0272624 ... 418, 439, 459	0274180.....258
	0256631 266	0272625 ... 219, 230, 419, 439, 459	0274182.....495
	0256632 266	0272626 ... 418, 439, 459	0274200....160, 267, 270, 274
	0256633 266	0272627 ... 219, 419, 439	0274204.....166
	0256690 95	0272703 245	0274220.....19, 43
	0256765 410, 498	0272725 499	0274229.....40
	0256778 410, 498	0272733 499	0274234.....15, 19
	0256821 166	0272772 500	0274235.....43
	0256822 167, 173	0272948 303, 305	0274246.....495
	0256847 97	0272951 303, 305	0274256.....15
	0256957 495	0272955 303	0274257.....16, 43
	0257176 ... 427, 447, 465	0272970 257, 265	0274299.....92
	0257195 495	0273048 25, 39	0274309.....47, 250
	0257573 234	0273049 25, 39	0274310.....47, 250
	0257728 327, 500	0273052 135	0274311.....47, 250
	0257887 ... 159, 426, 445, 464	0273109 203, 431	0274312.....47, 250
	0258696 496	0273145 499	0274322.....25
	0258703 498	0273146 499	0274348.....40
	0258918 500	0273147 499	0274349.....40
	0258945 257	0273149 499	0274441.....25, 39
	0258966 494	0273161 135	0274491.....76
	0270329 61	0273172 500	0274521.....104
	0270395 131	0273253 495	0274525.....78
	0270528 43	0273353 310	0274533.....25
	0270805 159	0273366 25, 39	0274597.....499
	0270818 ... 418, 439, 459	0273427 ... 418, 439, 459	0274618....427, 447, 465
	0270819 418, 439	0273428 ... 219, 230, 419, 439, 459	0274620.....170
	0270820 ... 219, 230, 419, 439, 459	0273429 ... 418, 439, 459	0274661.....327
	0270821 ... 219, 419, 439	0273430 ... 219, 231, 419, 439, 459	0274687.....43
	0270833 159	0273492 258, 414	0274801.....16, 43
	0271123 496	0273507 183	0274883.....495
	0271475 494	0273511 183	0274922.....15
	0271548 498	0273542 297	
	0271552 ... 160, 266, 274	0273575 494	
	0271895 496	0273576 195, 431	

PART NUMBER INDEX

0275023 170	0561185 233, 237	0641532.....39, 213, 219, 224, 230	0642212 305
0275039 187	0561237 219, 231	0641536.....238	0642214 303
0275140 ... 219, 230, 419, 439, 459	0561248 233	0641540.....238	0642612 160, 161
0275142 92	0630427 250	0641552.....39	0642684 ... 214, 220, 224, 230, 245
0275216 431, 451	0630462 299	0641604....219, 230, 379, 383	0651406 48
0275217 431, 451	0630464 ... 263, 269, 273	0641605.....238	0681608 17, 214, 220, 224, 230, 245
0275218 431, 451	0630467 250	0641606..79, 84, 95, 106, 112, 119, 132, 133, 166, 167, 172, 173, 219, 229, 233, 234, 237, 238, 250, 310, 313, 315, 317	0681810 25
0275219 431, 451	0630490 16, 17	0641607....161, 213, 219, 223, 224, 228, 229, 233, 234, 237	0681814 261
0275229 110	0630491 159	0641608....16, 17, 20, 23, 40, 43, 49, 76, 79, 84, 85, 87, 93, 104, 105, 110, 112, 118, 119, 166, 170, 203, 233, 237	0681822 261
0275256 76	0630498 76, 92, 104, 110	0641609..76, 84, 97, 112, 120, 163, 229, 233	0681836 61
0275257 207, 431, 452	0630507 166, 170	0641610....76, 79, 84, 85, 92, 95, 97, 105, 112, 120, 176, 180, 233, 237, 257	0682016 25, 62
0275261 496	0630518 ... 143, 147, 151, 155, 310, 313, 315, 317, 323	0641611.....39, 183, 203, 219, 229	0682020 16
0275262 494	0630534 ... 334, 337, 339, 351, 357, 368	0641612....105, 112, 120, 135, 139, 167, 183, 203	0700408 430, 450, 467
0275264 78	0630535 ... 334, 341, 343, 345, 359, 361, 368, 373, 379, 383, 385, 387	0641613.....48	0700615 161
0275265 418, 439, 459	0630536 ... 347, 349, 363, 365	0641614....132, 219, 499	0700616 87
0275295 494	0630548 ... 143, 147, 151, 155	0641616.....192	0700617 161
0275452 431, 451	0630568 266, 270, 274	0641618.....39, 198, 219, 229, 233, 234, 237	0700620 87
0275453 431, 451	0641403 ... 197, 213, 219, 224, 230, 234, 251	0641640.....238	0700808 76, 84, 87, 95
0275454 431, 451	0641404 17, 151, 166, 181, 191, 197, 263, 269, 273	0641708.....203	0700810 97, 112, 120
0275651 428, 447	0641405 ... 166, 170, 183, 187, 197, 203, 207, 245, 430, 449, 467	0641710.....187	0700815 198
0275652 428, 447	0641406 76, 84, 105, 112, 119, 149, 159, 191, 197, 257, 474, 482, 488	0641718.....183	0700816 176
0275653 428, 447	0641407 ... 76, 79, 84, 86, 93, 95, 104, 111, 119, 149, 151, 156, 166, 170, 245, 430, 449, 467	0641772.....176, 180	0700819 105
0275654 428, 447	0641408 ... 104, 105, 257, 474, 482, 488	0641808....76, 79, 84, 85, 92, 104, 111, 118, 119, 191, 197, 198, 207	0700820 187, 207
0275655 428, 447	0641409 93	0641810....163, 183, 203, 213, 219, 223, 228, 233	0701010 76, 84, 87
0275656 428, 447	0641410 104	0641811.....135, 139	0701012...76, 84, 95, 105
0275660 428, 447	0641414 49, 105, 258, 263, 269, 273, 293, 295, 299	0641812..79, 86, 94, 104, 111, 119, 214, 220, 224, 230	0701014 97, 105
0275840 495	0641415 192	0641813.....297	0701015... 76, 84, 95, 97, 183, 203
0275941 497	0641416 49, 110, 118, 220, 231, 245, 430, 450, 467	0641814.....15, 19	0701016 187, 203, 207
0275946 497	0641418 256	0641816.....15	0701214 76
0280167 15, 19	0641424 250	0641818...15, 19, 95, 132	0701414 76, 84
0280171 15	0641504 104	0641820.76, 84, 135, 139	0711025 97
0280183 15, 19	0641505 ... 110, 118, 196, 203, 207	0641822....214, 220, 245	0711214 76, 78, 84
0280185 15	0641506 ... 110, 118, 143, 149, 155	0641824.....139	0711414 95
0280209 15	0641507 ... 76, 79, 84, 85, 92, 105, 151	0641826.....95, 112, 120	0721003 16
0340041 . 76, 84, 95, 105, 112, 119	0641508 177, 180, 183	0641828....105, 112, 120	0721004 43
0340046 76, 84, 105	0641510 95, 187	0642010....43, 78, 85, 92, 104, 110, 118	0721005 299
0362519 133	0641514 48, 187, 327	0642012....15, 16, 19, 20, 23, 305	0721006 78, 166, 170, 177, 180, 265, 269, 273
0362529 251	0641516 43, 191, 195, 203, 207, 234, 245, 297	0642018.....61	0721008 167, 265
0362611 251	0641518 259	0642024.....245	0731005 299
0362910 43	0641522 234, 238	0642026.....305	0741605 219, 229
0363012 39			0741606 183, 203, 224
0363082 183			0741607 43, 191, 219
0363097 183, 203			0741808 183, 203
0363201 203			0760606 87, 105
0363202 203			0760610 87
0370026 331			0761210 87, 176
0370035 347			0771212 78, 84
0400075 . 76, 84, 92, 104, 110, 118			0771415 192, 198
0440018 17			0801019 ... 213, 218, 233
0440019 17			0801021 233
0440161 17			0801022 213, 237
0440170 16			0801023 237
0440171 16			0801025 218, 237
0440207 62			0801026 237
0480100 327			0801027 237
0480120 176			0801085 233
0480121 176, 180			0801228 237
0480125 197			0801613 237
0480126 191, 198			0801618 237
0480129 191, 197			0801621 237
0480130 203			0801622 233
0480135 183			0801637 233
0480142 187, 207			0811606 233, 237
0561076 213, 219, 233			

PART NUMBER INDEX

0811607.....237	0940177.....299	1001094102.....94, 95	1001101421.....305
0811608.....237	0961845.....256	1001094103.....94	1001101422.....305
0811610.....233, 237	0961890.....375	1001094321.....97	1001101820.....110
0840055.....246	0961893... 333, 337, 339, 351, 357, 367	1001094475.....498	1001101821.....111
0860038....191, 196, 203, 207, 428, 448, 466	0961894... 333, 341, 345, 367	1001094521.....96	1001101822.....112
0860520....474, 482, 488	0961896... 379, 383, 385, 387	1001094828.....61	1001101823.....113
0861407.....143	0961897.....359, 361	1001095359.....62	1001101945.....172
0861517.....257, 263	0961898.....347, 349	1001095384.....496	1001101947.....172
0861537.....263, 269, 270	0961899.....363	1001096070.....192, 450	1001102165.....410
0861538.....198, 203, 207	0961947... 219, 229, 333, 337, 339, 367, 371	1001096134.....468	1001102547.....175
0861541.....198, 204, 209	0961948... 213, 219, 224, 229, 237, 359, 361	1001097150.....430	1001102548.....175
0861542....196, 198, 203, 204, 207, 209, 432, 452, 467	0961949... 213, 219, 224, 229, 233, 347, 349, 363, 365	1001097242.. 16, 20, 377	1001102599.....144, 148, 151, 155
0861567....196, 198, 432, 452, 467	0961950.....15, 19	1001097553.....87	1001102600.....144, 148, 151, 155
0861572.....198	0961951... 213, 219, 224, 229, 237, 333, 341, 343, 345, 367, 373	1001097554.....79	1001102644.....176
0861689.....143, 421	0961977.....375	1001097822.... 213, 218, 223, 228	1001102647.....305
0861690.....143, 421	0961986.. 76, 84, 95, 105, 112, 120	1001097958.....173	1001102913.....172
0861691.....143, 421	0962005... 16, 17, 20, 23	1001097959.....172	1001102914.....172
0861692.....143, 421	0962051.....163	1001098012.... 310, 323, 325	1001103308.....152
0861700.....143, 420	0962131.....16, 20, 23	1001098122.....266	1001103667.....147, 151, 155, 492
0861701.....143, 421	0962270.....261	1001098149.....323	1001104308.....97
0861702.....143, 421	0962272.....17	1001098211.....95, 98	1001104423.....401, 407
0861703.....143, 421	0962292.....43	1001098266.....92	1001104982.....494
0861704.....143, 421	0962335.....219, 230	1001098291.....496	1001104983.....494
0861705.....143, 421	0962336... 351, 353, 355, 357	1001098474.....92	1001104984.....494
0861731.....428, 448	0962348.....43	1001098475.....94	1001105833.....77, 85
0861781.....428, 448	0962356.....377	1001098476.....95	1001105872.....113, 121
0861786.....143, 421	0962449.....177, 181	1001098503.....39	1001105993.....76
0861787.....143, 421	0962450.....245	1001098916.....97	1001106338.....76
0861880.....430, 451	0962520... 192, 198, 203, 207	1001099366.....305	1001106339.....443, 463
0902206.....160	0962521.....203, 207	1001099367.....305	1001106340.....443, 463
0902219.....166, 170	0962563.....176	1001099391.....48	1001106355.....263, 492
0902242.....166, 170	1001091179.....96	1001099421.....305	1001106736.....149, 152, 156, 442
0902335.....167, 170	1001091561.....131	1001099422.....305	1001106758.....239
0902539.....107	1001091587.....110, 118	1001099572.....499	1001106759.....239
0902751.....263, 269	1001091603.....112	1001099835.....234	1001106938.....269, 273
0902888....191, 197, 204, 207	1001091604.....110	1001099836.....239	1001106974.....139
0902894.....245	1001091605.....111	1001099868.....179	1001106975.....139
0902910.....80	1001091768.....112	1001099869.....177, 181	1001106977.....264
0902919.....245	1001091793.....113, 120	1001100027.....414	1001107705.....77, 85
0902920.....245	1001091892.. 96, 113, 120	1001100120.....39	1001107753.....265, 270, 418, 438, 458
0902952.....183	1001093248.....113, 121	1001100233.... 177, 181	1001107926.....266, 270, 274
0903010.....107	1001093382... 76, 85, 92, 110, 118	1001100234.... 177, 181	1001107927.....266
0903056.....135, 139	1001093389.....497	100110027.....427	1001108256.....267, 271, 275, 299
0903079.....105	1001093410.... 112, 119, 125	1001100305.....427	1001108493.....474, 483
0903119.....160	1001093432.... 219, 230, 419, 439, 459	1001100308.....179	1001108702.....410, 498
0903220.....80	1001093433.....419	1001100313.....77, 79	1001108718.....496
0903484.....430, 450	1001093436.... 418, 439, 459	1001100321.... 175, 179, 183, 187	1001108735.....257, 263
0903490.....112, 120	1001093438.....494	1001100341.....431, 451	1001108736.....257
0903612.....430, 450	1001093448.....420	1001100342.... 431, 451	1001108763.....266, 270, 274
0920119.....61	1001093549.....399, 403	1001100344.....431, 452	1001108764.....266, 270, 274
0940049.....166, 170	1001093943.....96	1001100345.....431, 451	1001108923.....474, 481
0940070..76, 84, 95, 106, 112, 120		1001100346.... 431, 451	
0940071.....166, 170		1001100347.... 431, 451	
0940088.....171		1001100397.... 428, 448	
0940092.....297, 299		1001100398.... 428, 448	
0940094.....297, 299		1001100399.... 428, 448	
0940102.....303, 305		1001100400.... 428, 448	
0940103.....299		1001100401.... 428, 448	
0940131.....297		1001100402.... 428, 448	
0940133.....299		1001100403.... 428, 448	
0940134.....299		1001101061.....61, 72	
		1001101191.... 430, 451	
		1001101420.....305	

PART NUMBER INDEX

1001109064 87, 88	1001112077..... 85, 87	1001113849..... 406	1001115218 238
1001109065 84	1001112551..... 488	1001113850..... 403	1001115253 240
1001109066 86	1001112570..... 87	1001113851..... 404	1001115283 238
1001109067 85	1001112586..... 199, 414, 453, 468	1001113852..... 405	1001115334 229, 233
1001109475 430, 450	1001112587..... 199, 453, 468	1001113853..... 406	1001115335 228
1001109477 430, 450	1001112588..... 414, 446, 465	1001113855..... 403	1001115336 228, 229
1001109482 430, 450, 451	1001112589..... 446, 465	1001113862..... 393	1001115337 229, 237
1001109554 430, 450	1001112592..... 87	1001113864..... 393	1001115338 229
1001109595 85	1001112612..... 444, 463	1001113866..... 393	1001115339 228
1001109684 497	1001112743..... 414, 446, 465	1001113868..... 394	1001115391 195, 452, 467
1001110133 497	1001112763. 86, 444, 463	1001113878..... 394	1001115392 195, 452, 467
1001110137 497	1001112849..... 87	1001113879..... 397	1001115401 195, 452, 467
1001110169 61, 69	1001112979..... 494	1001113881..... 393	1001115402 195, 452, 467
1001110200 86	1001112980..... 494	1001113882..... 394	1001115404 175
1001110208 85	1001112981..... 494	1001113883..... 394	1001115405 179
1001110345 415	1001113386..... 230	1001113884..... 394	1001115406 179
1001110359 148, 441, 442	10011133908..... 404	1001113885..... 403	1001115407 179
1001110361 148, 155, 441, 442	1001113407..... 230	1001113886..... 403	1001115409 179
1001110362 148, 155, 441, 442	1001113423..... 230	1001113887..... 403	1001115410 179
1001110367 147, 441	1001113465..... 224, 230	1001113889..... 403	1001115413 175
1001110368 147, 155, 441	1001113483..... 245	1001113890..... 394	1001115414 175
1001110369 147, 441	1001113537..... 19	1001113896..... 404	1001115512 223
1001110370 147, 155, 441	1001113539..... 19	1001113897..... 395	1001115513 224, 233
1001110371 147, 441	1001113654..... 19	1001113901..... 406	1001115552 223
1001110372 147, 441	1001113655..... 20	1001113902..... 406	1001115553 224, 233
1001110373 147, 155, 441	1001113656..... 20	1001113903..... 395	1001115554 223, 224, 237
1001110374 147, 155, 441	1001113715..... 20	1001113904..... 395	1001115555 223
1001110375 147, 441	1001113778..... 224	1001113909..... 403	1001115889 149
1001110376 147, 441	1001113786..... 406	1001113910..... 404	1001115915 149
1001110379 148, 152, 156, 441, 443, 461, 462	1001113789..... 397, 405	1001113911..... 405	1001115918 149
1001110380 415, 441	1001113791..... 405	1001113912..... 404	1001115930 119, 497
1001110381 156, 415, 441	1001113792..... 405	1001113913..... 397	1001115931 119, 497
1001110382 415, 441	1001113793..... 394	1001113914..... 397	1001115967 149
1001110434 264, 269, 273	1001113795..... 407	1001113961 285, 289	1001115970 495
1001110500 234	1001113796..... 405	1001114042..... 497	1001115974 439, 494
1001110501 234	1001113799..... 404	1001114071 410, 411	1001116131 121
1001110872 196, 429, 432, 452, 467	1001113802..... 404	1001114076 403, 411	1001116183 121
1001110873 191, 195, 429, 432, 448, 452, 466, 467	1001113803..... 407	1001114077 403, 411	1001116200 121
1001110974 498	1001113805..... 393	1001114078 393, 410	1001116240 . 78, 93, 424, 425, 444, 463
1001110990 497	1001113806..... 406	1001114079 397, 410	1001116241 . 78, 93, 424, 425
1001110991 497	1001113809..... 394	1001114127 497	1001116248 495
1001111021 147, 155	1001113810..... 406	1001114335..... 255	1001116249 495
1001111514 131	1001113815..... 405	1001114341..... 256	1001116340 131
1001112057 87	1001113816..... 405	1001114388..... 487	1001116515 439, 494
1001112059 87	1001113817..... 404	1001114389..... 487	1001116595 87
1001112067 87	1001113818..... 394	1001114391..... 255	1001116692 461
1001112068 87	1001113819..... 407	1001114446..... 257	1001116693 464
1001112069 87	1001113820..... 394	1001114448..... 257, 263	1001116840 477
1001112070 87	1001113824..... 404	1001114557 229	1001116841 477
1001112071 87, 444	1001113825..... 405	1001114600..... 121	1001116842 477
1001112072 87	1001113827..... 407	1001114601..... 119	1001116843 477
1001112073 87	1001113835..... 394	1001114639..... 119	1001116844 496
1001112075 87	1001113836..... 395, 404	1001114640..... 118	1001116845 478
	1001113837..... 405	1001114641..... 119	1001116846 478, 495
	1001113840..... 406	1001114642..... 118	1001116847 478
	1001113841..... 407	1001114662..... 118	1001116848 478
	1001113842..... 407	1001114872..... 208	1001116849 478
	1001113843..... 406	1001114873..... 208	1001116850 479
	1001113844..... 406	1001114875..... 240	1001116851 479
	1001113845..... 407	1001115054..... 240	1001116852 479
	1001113846..... 406	1001115063..... 240	1001116853 481
	1001113847..... 405	1001115080..... 234	1001116854 480
	1001113848..... 405	1001115081..... 234	
		1001115098..... 224, 230	
		1001115099..... 245	
		1001115217 224, 230, 234	

PART NUMBER INDEX

1001116855.....480	1001122201.....480	1001139374.....256	1001149994.....160, 161
1001116857.....481	1001125229.....499	1001139956.....191	1001150406.....159
1001116858.....480	1001125230.....499	1001139957.....191	1001150918.....86
1001116860.....481	1001125492.....61	1001140315.....499	1001150944.....161, 446, 464
1001116861.....483	1001125683.....237	1001140318.....499	1001150998.....96
1001116862.....483	1001126100.....233	1001140429.....257	1001151067.....496
1001116863.....483	1001126102.....233	1001140623.....495	1001151268.....131, 132
1001116992.....459	1001126169.....237	1001141300.....496	1001151389.....131
1001117039.....171	1001126742.....305	1001141302.....496	1001151391.....131
1001117044.....170, 171	1001126747.....306	1001141471.....496	1001151393.....148, 155
1001117078.....468	1001126748.....305	1001141967.....428, 448	1001151646.....62
1001117139.....172	1001127089.....494	1001141968.....428, 429, 448	1001151670.....172, 173
1001117140.....172	1001127095.....495	1001141969.....428, 429, 448	1001152173.....152
1001117172.....258, 265, 269, 274	1001128527.....317	1001142504.....499	1001152175.....152
1001117174.....257, 265, 269, 273	1001128556.....317	1001142505.....499	1001152429.....199, 453, 468
1001117294.....498	1001128988.....495	1001142683.....161	1001152435.....170
1001117320.....258, 265	1001129555.....490	1001142694.....161	1001152457.....192
1001117799.....94, 125	1001129858.....191	1001142722.....161	1001152525.....201
1001118133.....132	1001131168.....264, 270, 274	1001142736.....161, 446, 464	1001152530.....192
1001118416.....264, 289	1001131269.....474, 482, 483, 488	1001143075.....495	1001152532.....192
1001118417.....263, 279	1001131992.....415	1001143256.....500	1001152556.....171
1001118599.....197	1001132055.....414	1001143431.....161	1001152557.....171
1001119561.....496	1001132728.....494	1001143510.....495	1001152561.....47, 55
1001119942.....494	1001137005.....434, 454, 469, 500	1001143669.....499	1001152564.....251, 252
1001119948.....494	1001137440.....500	1001144018.....256	1001152565.....251
1001120328.....293	1001137672.....500	1001144019.....256	1001152887.....47, 55
1001121244.....19	1001137673.....293	1001144021.....256	1001152965.....500
1001121340.....199, 200, 209	1001137748.....95, 98	1001144022.....256	1001153025.....414
1001121592.....299	1001137749.....95	1001144023.....255	1001153197.....192
1001121593.....300	1001137751.....92	1001144024.....255	1001153260.....192
1001121612.....494	1001137752.....95	1001144026.....255	1001153321.....439, 459
1001121655.....480	1001137754.....92	1001144027.....255	1001153322.....439, 459
1001121656.....481	1001137814.....94	1001144433.....274	1001153636.....192, 450
1001121657.....266, 270, 274	1001137815.....94	1001144446.....257	1001153638.....447
1001121800.....473	1001137876.....170	1001144629.....256	1001154231.....500
1001121801.....474	1001138034.....410	1001144630.....255	1001154390.....152, 461, 462
1001121802.....481	1001138430.....256	1001145405.....310, 323	1001154392.....152, 461
1001121803.....481	1001138431.....256	1001145781.....256, 257	1001154396.....415, 461
1001121804.....481	1001138432.....256	1001145834.....257, 263	1001154671.....151, 461
1001121805.....481	1001138434.....256	1001145835.....257	1001154673.....151, 461
1001121806.....481	1001138494.....257	1001146179.....255	1001155043.....152
1001121807.....481	1001138514.....257	1001146180.....255	1001155044.....152, 270, 274
1001121808.....481	1001138565.....191	1001146181.....256	1001155045.....152, 269, 274
1001121809.....481	1001138566.....191	1001146182.....256	1001155792.....196
1001121810.....481	1001138757.....477	1001146368.....95, 98	1001156351.....449, 467
1001121811.....481	1001138758.....477	1001146827.....26	1001156352.....449, 466
1001121812.....481	1001138772.....499	1001146828.....26	1001156489.....460
1001121813.....473	1001138773.....499	1001147019.....27	1001156490.....460
1001121814.....473	1001138792.....219, 351	1001147020.....27	1001157520.....201
1001121815.....480	1001138795.....351, 357	1001147067.....26	1001157521.....201
1001121816.....480	1001138796.....334, 343, 345, 368, 373	1001147068.....27	1001157525.....196, 200, 467
1001121817.....480	1001138797.....218	1001148652.....238	1001157528.....201
1001121818.....480	1001138798.....218, 333	1001148902.....496	1001157533.....237
1001121819.....480	1001138799.....218, 367	1001148903.....496	1001157592.....200, 452, 467
1001121820.....480	1001139099.....497	1001148904.....496	1001157769.....199, 414, 468
1001121821.....480	1001139130.....494	1001148905.....496	1001158007.....201
1001121822.....480	1001139135.....270, 274, 458	1001148906.....496	1001158008.....201
1001121823.....480	1001139148.....494	1001148971.....498	1001158363.....192
1001121824.....480	1001139357.....192	1001149560.....499	1001158730.....229, 237
1001121825.....480	1001139358.....94	1001149639.....97	
1001121918.....481	1001139359.....94	1001149730.....499	
1001121921.....480	1001139373.....256	1001149818.....160, 446, 469	
1001122200.....481		1001149955.....159	

PART NUMBER INDEX

1001158731 228, 229	1001185280..... 265, 274, 438, 458	1001209350..... 498	1001229940 498
1001158732 228	1001185281..... 274	1001209869..... 161	1001230371 230, 353
1001159096 257	1001186334..... 261	1001210025..... 500	1001231180 321
1001159121 466	1001186431..... 500	1001210026..... 499	1001231183 321
1001159256 269, 274	1001186517..... 293	1001212415..... 490	1001231235 321
1001159648 414	1001187508..... 293	1001212515..... 498	1001231676 26
1001160003 170, 173	1001188305..... 255	1001213222..... 497	1001231677 26
1001160034 170, 171	1001188306..... 256	1001213223..... 497	1001231678 25
1001160038 47, 250	1001188308..... 255	1001213584..... 466	1001234099 494
1001160039 47, 250	1001188309..... 256	1001213585..... 466	1001235122 496
1001160068 47, 250	1001188857..... 161	1001213606..... 498	1001235948 171
1001160069 47, 250	1001188863..... 415	1001214030..... 495	1001236211 495
1001160074 159	1001188874..... 152	1001214478..... 499	1001236436 483
1001160077 159	1001188889..... 293	1001214515..... 499	1001236951 498
1001160272 447, 466	1001188972..... 86	1001214540..... 499	1001236973 62
1001160598 171	1001189116..... 263, 274	1001214548..... 499	1001236997 496
1001160692 172	1001190028..... 397, 410	1001214552..... 499	1001237882 496
1001161025 172	1001190089..... 257, 273	1001214559..... 499	1001237883 496
1001161026 171	1001190094..... 257, 263	1001214561..... 499	1001238825 500
1001161027 171	1001190113..... 257	1001214562..... 499	1001238895 496
1001163131 305	1001190118..... 257	1001214747..... 27	1001241405 498
1001164091 192	1001190966..... 459	1001214748..... 27	1001241406 498
1001164281 172, 173	1001191395..... 498	1001214984..... 496	1001248012 357
1001164564 461	1001191708..... 295	1001216630..... 246	1060279 474, 482, 488
1001165366 459	1001192401..... 463	1001217402..... 234	1060341 ... 299, 426, 446, 464, 465
1001165403 403, 411	1001193018..... 450	1001217403..... 234	1060343 ... 199, 200, 205, 209, 432, 452, 468
1001165404 403, 411	1001193631..... 496	1001218622..... 466	1060379 321, 327
1001165439 393	1001193682..... 498	1001218623..... 466	1060461 427, 447, 465
1001165552 459	1001194365..... 447, 466	1001218708..... 496	1060494 ... 199, 200, 204, 209, 427, 432, 433, 447, 452, 453, 454, 465, 467, 469
1001165554 459	1001194437..... 414	1001220153..... 494	1060584 44
1001165555 459	1001195304..... 499	1001220486..... 270, 274	1060625 . 79, 86, 93, 111, 118
1001165556 459	1001196613..... 495	1001223055..... 474, 483	1060626 . 78, 87, 93, 111, 119
1001165557 459	1001196710..... 495	1001223331..... 229, 341	1060633 434, 454, 469
1001166394 173	1001197016..... 499	1001223332..... 341, 345	1060637 . 76, 84, 92, 104, 111, 119
1001166538 269, 274, 291	1001197017..... 299	1001223335..... 345	1060708 ... 199, 204, 209, 432, 452, 467
1001166539 269, 274, 281	1001197067..... 161	1001223511..... 339	1060896 ... 419, 439, 440, 459, 460
1001166672 257, 269	1001197408..... 488	1001223512..... 339	1060903 299
1001166790 498	1001200575..... 270, 274	1001223899..... 230	1060904 . 78, 97, 425, 426
1001166791 498	1001200910..... 161	1001224050..... 483	1060908 430, 451
1001167359 331	1001201890..... 269, 270	1001224051..... 483	1060918 ... 258, 265, 269, 274, 418, 438, 458
1001169610 96, 173	1001201891..... 274	1001224892..... 239	1060919 261
1001170797 450	1001202122..... 497	1001224965..... 97	1060977 433, 453, 468
1001171131 466	1001202398..... 497	1001226872..... 257	1061033 420, 440, 461
1001172045 494	1001202573..... 257, 273	1001227309..... 466	10702077 201
1001172760 269, 274	1001202577..... 257, 269	1001227310..... 466	10702082 201
1001173590 441, 461	1001202749..... 498	1001228002..... 223, 371	1120304 16
1001173896 131	1001203656..... 261	1001228003..... 223, 228, 365	1120460 17
1001175815 498	1001204904..... 498	1001228004..... 223, 228, 361	1120484 131
1001176296 270, 274	1001204923..... 498	1001228005..... 238, 381	1120487 131
1001176372 500	1001204924..... 498	1001228006..... 233, 387	1120552 26
1001178269 219, 229, 243	1001205010..... 494	1001228007..... 238, 383	1120555 303, 305
1001178789 139	1001205011..... 494	1001228008..... 224, 337	1120588 105
1001179154 199, 200, 209, 452, 467	1001205012..... 494	1001228012..... 355	1180336 239
1001181045 451	1001205013..... 494	1001228042..... 223, 228, 349	1180338 239
1001181046 451	1001205175..... 499	1001228051..... 229, 343	1180339 234
1001181055 224, 243	1001205499..... 161	1001228052..... 228, 373	1260017 62
1001182138 295	1001206311..... 500	1001228055..... 256	
1001182599 497	1001206477..... 499	1001228215..... 256	
1001182906 95	1001206478..... 499	1001228376..... 255	
1001182997 131	1001207004..... 161	1001228377..... 256	
1001183407 498	1001207305..... 161	1001228417..... 385	
1001184881 26	1001207345..... 27	1001228988..... 310, 311, 313, 315, 317, 321, 323	
1001185078 497	1001207346..... 26	1001229010..... 475, 483, 488	
	1001207792..... 171		
	1001209059..... 499		
	1001209347..... 498		

PART NUMBER INDEX

1271538.....245	1671037 264	1700818 474, 482	1703925.....478
1282571414	1671092... 199, 200, 205, 209, 430, 432, 449, 453, 467, 468	1701502 473, 477, 487	1703926.....478
1282665.....410, 498	1671093 ... 310, 315, 429, 449, 466, 467	1701503 473, 477, 487	1703927.....478
1283309.....410, 498	1671179 166, 167	1701505 .79, 85, 92, 474, 482, 488	1703935.....479
1283429.....410, 411	1671216 170, 173	1701509 ... 303, 306, 473, 477, 487	1703936.....479
1300019.....26	1671217 170, 171	1701518 487	1703937.....479
1320012..... 105, 112, 120	1671218 170, 171	1701529 473, 477, 487	1703938.....479
1320016...76, 84, 95, 105, 112, 120	1671243 173	1701542 ... 104, 110, 118, 474, 482	1703939.....479
1320022....79, 85, 92, 95, 104, 105, 110, 112, 118, 120	1671244 173	1701543 ... 104, 110, 118, 474, 482	1703941.....478
1320033.....105	1671245 171	1701645 474	1703942.....478
1320127.....132	1671246 171	1702137 26	1703943.....478
1320136.....245	1671258 171	1702153 473	1703944.....478
1320176.....96	1671311 207	1702265 474, 483	1703945.....478
1320177.....310, 323	1683053 ... 333, 339, 351, 367	1702271 483	1703947.....479
1320218.....133	1683054 379, 385	1702387 266	1703948.....479
1320219.....120	1683055 ... 333, 341, 345, 367	1702397 483	1703949.....479
1320220.....132	1683061 359	1702565 264, 269, 273	1703950.....479
1320223....78, 79, 84, 86, 87, 93, 95, 106, 111, 112, 119, 120	1683067 347	1702566 264, 269, 273	1703951.....479
1320224.....87, 245	1683069 363	1702567 264, 269, 273	1703953..... 473, 478
1320243....213, 219, 224, 230	1683208 ...16, 20, 23, 375	1702573 483	1703980.....479
1320263.....87	1683263 ... 218, 228, 367	1702590 184, 188	1703981.....479
1320302....310, 313, 315, 317	1683266 ... 213, 223, 367	1702617 483	1703982.....479
1320314.....238	1683288 ... 213, 218, 223, 228, 363	1702676 258	1703983.....479
1320323..... 110, 118	1683294 ... 213, 218, 223, 228, 359	1702688 473	1703984.....479
1321138.....105	1683299 ... 213, 218, 347	1702720 482, 495	1703990.....483
1321339.....104	1683307 238, 379	1702740 26	1703996.....481
1321384.....172	1683308 379	1702773 ... 261, 474, 482, 488	1704000..... 478, 495
1321700.....220, 231	1683312 233, 385	1702774 474, 482, 488	1704001..... 478, 495
1340060..76, 84, 95, 105, 112, 120	1683313 385	1702784 474, 483	1704006.....477
1380147.....163	1683314 385	1702788 495	1704007.....478
158001176, 84, 107, 112, 120	1683317 238, 379	1702818 473, 479, 487	1704096.....473
1580012.....258	1683318 379	1702819 473, 479, 487	1704098.....481
1580013.....258	1683318 379	1702860 ... 474, 482, 488	1704099.....481
1600244....434, 454, 469	1683415 ... 213, 224, 333	1702861 474, 482, 488	1704101.....481
1600317263, 277	1683418 ... 218, 229, 333	1702868 ... 310, 315, 317, 321, 323, 473, 478, 495	1704102.....481
1600318264, 285	1683609 ... 219, 229, 351	1702938 ... 267, 271, 275, 299	1704104.....473
160036180	1683949 367	1702941 87, 93, 111, 119	1704106.....479
1600364143	1683952 333	1702942 87, 94, 111, 119	1704107.....479
1600374..... 107, 492	1683962 367	1702943 86, 94, 111, 119	1704110.....479
1600375263	1683963 333, 341, 345	1702944 87, 94, 111, 119	1704112.....480
1600387245	1683972 367	1703084 266	1704174.....495
1600411.....143	1683973 367	1703085 266	1704175.....495
166023497	1683976 333, 339	1703162 .76, 84, 95, 105, 112, 120	1704260.... 264, 269, 273
1660239.....76, 84	1684001 359	1703467 144	1704271.....482
1660250.....107	1684005 359	1703468 144	1704272.....43
1660257135	1684014 347	1703469 473, 479, 487	1704277.... 473, 477, 487
1660258.....135	1684015 347	1703479 495	1704412.... 473, 477, 487
1660303.....135	1684017 363	1703534 401, 407	1704578.....43
1660304.....135	1684019 363	1703544 483	1704885.... 474, 482, 487
1670767..... 166, 170	1684089 351	1703683 327	1704972..... 93, 473, 478
1670768....223, 228, 238	1684090 351	1703687 474, 483, 488	1704997.....264
1670769.....219, 231	1684090 351	1703797 473, 478	1705014.....261
1670819.....250	1684280 15, 19, 331	1703804 473, 479	1705084.....487
1670824.....251	1684289 331	1703805 473, 479	1705090..... 43, 474, 482, 488
1670829....143, 148, 151, 155, 264, 269, 273	1684290 331	1703808 474, 483	1705132.... 144, 264, 269
1670836.....238	1684308 379	1703811 473, 477, 487	1705170.... 160, 161, 267, 270, 274
1670964.....250	1684310 379	1703814 473, 477, 487	1705305....310, 313, 315, 317, 321, 323
	1684418 17, 23, 375	1703923 478	1705312.....303
	1684465 15, 19, 331	1703924 478	1705325..... 177, 181
	1684498 ... 213, 218, 223, 228, 347		1705336..... 473, 478
	1700584 474, 482, 488		1705344.....478
			1705345.....478
			1705347.....478
			1705351..... 474, 483

PART NUMBER INDEX

1705355 310, 313, 315	1707047 480	2220005..... 107, 110, 118	2220873 ... 399, 401, 404, 407
1705358 303, 306	1707048 480	2220063..... 62	2220883 37, 334, 337, 339, 341, 343, 345, 347, 349, 351, 353, 355, 357, 359, 361, 363, 385, 387
1705364 26	1707049 480	2220064..... 107, 110, 118	2220885 ... 333, 337, 339, 341, 343, 345, 351, 353, 355, 357, 368, 373, 379, 383
1705374 ... 192, 199, 205, 209	1707051 480	2220235..... 401	2220886 37, 55, 347, 349, 361, 387
1705375 ... 199, 205, 209, 310, 315, 317	1707052 480	2220237..... 17, 391, 393	2220888 363
1705376 199, 204, 209	1707053 480	2220250..... 79	2220890 331
1705387 ... 192, 199, 205, 209	1707054 480	2220261..... 133	2220893 48
1705426 483	1707055 481	2220273..... 79	2220899 400, 405
1705427 483	1707056 481	2220313.. 79, 86, 92, 104, 110	2220921 400, 404
1705429 483	1707057 481	2220362..... 391, 393	2220923 400, 404
1705430 483	1707059 481	2220371..... 391, 393, 397	2220947 ... 126, 401, 407
1705460 199, 205, 209	1810058 143, 421	2220372..... 400, 405	2220948 399, 403
1705461 199	1810059 143, 421	2220373..... 391, 393, 401, 407	2220974 400, 404
1705466 ... 310, 313, 315, 317, 323	1810060 143, 421	2220374..... 400, 404	2220998 400, 407
1705489 192, 199	1810062 143, 421	2220375..... 393, 399, 403	2220999 400, 405
1705490 311, 323	1810063 143, 421	2220376..... 129, 399	2221018 133
1705519 303, 306	1810064 143, 421	2220377 ... 126, 391, 393, 399, 403	2221024 133
1705526 303, 305	1810065 143, 421	2220379 399, 403	2221036 401, 407
1705753 144	1810066 143, 421	2220381..... 400, 404	2221042 399, 403
1705820 43	1870132 415	2220409 399, 403	2221053 401, 407
1705822 487	1870191 415	2220414..... 399, 404	2221065 400, 405
1705828 487	1870215 415	2220415..... 391, 393, 397, 399, 403	2221170 391
1705895 478	2000194 76, 79	2220418 133	2221176 . 79, 86, 92, 104, 110, 118
1705896 478	2000272 105, 106	2220428..... 399, 404	2221197 132
1705897 479	2000274 95, 98	2220429..... 399, 404	2300004 86, 106, 111, 118, 497
1705898 479	2000279 94	2220451 95, 391	2300014 497
1705901 477	2000280 94	2220459 79	2300016 497
1705902 479	2000299 105	2220466..... 399, 403	2300019 497
1705903 478	2000300 104	2220468..... 397, 400	2300027 497
1705905 483	2000339 95, 98	2220472..... 408	2300029 497
1705910 483	2000342 94	2220473... 391, 393, 400, 406, 407	2300039 497
1705917 478	2000354 112	2220474..... 399, 403	2300040 497
1705921 487	2000365 95	2220479..... 125, 126	2300041 78, 86, 111, 118, 497
1705961 487	2000366 94	2220490..... 397	2400060 ... 200, 205, 209, 433, 443, 453, 463, 468
1705967 478, 495	2000370 111	2220497..... 399	2400064 ... 200, 205, 209, 433, 453, 468, 492
1705968 495	2000371 112	2220498..... 400, 404	2400065 ... 422, 424, 441, 461, 490
1705969 478, 495	2000386 77, 79	2220500..... 393, 400, 405	2400066 ... 422, 433, 441, 454, 461, 469
1705977 488	2030010 ... 310, 313, 315, 317, 323	2220504..... 391, 393, 397	2400070 ... 433, 454, 469, 492
1705978 487	2060025 . 77, 84, 95, 105, 113, 120	2220507..... 393, 407	2410014 261
1706059 93, 478	2080040 255, 258	2220510..... 400, 405	2420172 ... 144, 148, 151, 155
1706060 93, 478	2080044 219, 230	2220511 400, 406	2420187 106
1706061 93, 478	2080051 173	2220567..... 399, 404	2420202 245
1706062 93, 478	2120149 48, 490	2220574..... 400, 404	2420203 ... 176, 180, 183, 187
1706063 93, 478	2120164 48	2220578..... 126, 399, 403	2460048 196, 203, 207
1706064 93, 478	2120209 48	2220582.... 391, 393, 399, 404, 407	2460049 175, 179
1706098 93, 487	2120210 48, 490	2220596..... 393, 399, 404	2460050 196
1706380 481	2160002 62	2220602..... 399, 404	2460051 183, 187
1706381 479	2180125 133	2220603..... 400, 407	2460052 183, 187
1706385 261	2180344 62	2220605..... 399, 403	
1706510 327	2180348 79, 86, 92	2220606..... 391, 393	
1706593 43	2180380 400, 407	2220609..... 399, 404	
1706712 ... 144, 148, 151, 155	2180387 133	2220618..... 399, 403	
1706846 26	2180388 133	2220628..... 399, 404	
1706912 144	2180389 133	2220646.... 126, 393, 399	
1706913 144	2180418 ... 107, 110, 118, 133	2220654..... 400, 406	
1706931 474, 483	2180467 105	2220657..... 400, 405	
1706941 474, 483	2180724 400, 407	2220738..... 399, 403	
1706968 478	2180832 310, 323	2220767..... 80	
1707013 473	2180877 114, 120	2220794..... 79	
1707014 473	2200222 132	2220810..... 129, 399	
1707045 480	2200233 132	2220861..... 393	
1707046 480	2220001 62		

PART NUMBER INDEX

2460055.....175, 179	2752601 400, 405	2792315 411	2902266.....331
2460056.....175, 179	2752603 400	2792405 411	2902296 78, 92, 424, 444, 463
2460057.....175, 179	2752604 399, 404	2792612 397	2902297..... 104, 424
2540038.....246	2752611 391, 394	2792687 393, 410	2902303.....496
2560136.....264, 269, 273	2752618 401, 407	2792688 399, 403, 410	2902307.....496
2560173.....259	2752620 391, 394	2792689 399, 403, 411	2902308.....496
2575716.....43	2752635 399, 404	2792690 397, 410	2902309.....496
2580024..78, 87, 94, 111, 119	2752636 400, 405	2792691 411	2902310.....496
2580050..79, 86, 94, 111, 119	2752650 400, 407	2792692 391, 410	2902311.....496
2580055...78, 81, 87, 496	2752655 399	2792697 410	2902312.....496
2580062.....97	2752656 399, 403	2792702 410	2902322.....496
2580063.....111, 119	2752723 399, 403	2792730 393, 410	2902329.....496
2600210.....167, 172, 173	2752724 399, 404	2792786 410	2902350.....496
2600281.....255	2752783 400, 405	2792787 410	2902443.... 422, 443, 462
2680433.....166, 170	2752910 391, 394	2820031 ... 177, 180, 184, 187, 192, 198, 204, 208, 419, 440, 460	2902470.....498
2680434.....166, 170	2752928 391, 394	2820035 ... 159, 258, 426, 445	2902471.....498
2680440.....166, 167	2752929 391, 399, 404	2820076 167	2902472.....498
2680441.....166, 167	2752939 400, 405	2820077 167, 171	2902531.... 111, 119, 424, 444
2720058....77, 79, 84, 86, 92, 104, 110, 113, 120	2752985 400, 406	2820078 167, 173	2902549.....430
2720144.....132	2752987 401, 407	2820082 167, 173	2910100.....498
2720160.....310, 323	2752989 401, 407	2820083 167, 173	2910462.....497
2720271.....114, 120	2752990 400, 406	2820118 ... 419, 420, 440, 460	2920028.... 266, 267, 271, 273, 275
2720392.....107, 110, 118	2752991 400, 406	2820173 105	2920029.... 266, 267, 271, 273, 275
2720398.....96	2753046 400, 407	2820176 172	2920110.....160
2720434.....77, 84, 96	2753047 400, 406	2820180 105, 113	2920113.....160
2720435.....105	2753052 400, 405	2820186 106	2920129.... 246, 418, 422, 438, 441, 458, 461
2720436.....105	2753055 400, 405	2820187 106	2920130.....159
2720449.....96	2753056 400, 406	2820188 106	2920140.... 258, 433, 453, 469
2720472.....104	2753132 399, 403	2820236 172	2920157..... 160, 259
2720496.....110, 118	2753133 399, 404	2820237 171	2920161.... 159, 446, 464
2720509.....77, 84	2753134 400, 405	2820238 171	2920214.....159
2720510.....77	2753135 400, 406	2820243 113, 120	2920215.....159
2720514.....105, 113	2753325 399, 403	2820244 113, 120	2940074.....255, 490
2720515.....78, 84	2753435 391	2840018 163	2940088.... 167, 172, 173
2720532.....104	2753435 391	2860012 180	2940188..... 167, 171
2720563.....113, 120	2753924 391, 393	2860030 ... 144, 148, 151, 155, 490	2980125.....43
2720564.....113, 120	2753925 391, 393	2890245 17	3010141.....43
2720566.....110, 118	2753926 393	2900708 48	3020008.....25
2720598.....110, 118	2753928 394	2900756 497	3020016... 86, 94, 97, 497
2750532..79, 86, 92, 105, 110, 113	2753929 ... 391, 393, 394, 395	2900770 48, 359, 361, 385, 387	3020017..... 16, 497
2751032.....62	2753930 395	2900792 ... 333, 337, 339, 341, 343, 345, 347, 349, 351, 353, 355, 357, 359, 361, 363, 365, 385, 387	3020021..... 98
2751396.....399, 404	2753933 397	2900838 500	3020039.... 223, 224, 228, 229, 230, 233, 238
2751410.....397	2753967 391	2901273 359, 361	3020044... 78, 86, 97, 497
2751434.....397	2753968 399, 404	2901285 347, 349	3160273..... 61, 67
2752341 391, 400, 406, 407	2754227 395	2901301 334, 341, 368	3160299..... 25, 33
2752343.....400, 406	2754228 395	2901303 ... 334, 337, 339, 351, 368	3160300..... 25, 33
2752453.....400, 406	2754229 393	2901322 363, 365	3160349..... 25, 37
2752462.... 397, 400, 405	2754230 394	2901443 ... 434, 454, 469, 500	3160350..... 25, 37
2752468.....400, 405	2754231 394	2901763 53	3200362..... 96, 105, 113, 120
2752469.....400, 405	2754232 395	2901861 ... 379, 383, 385, 387	3200406..... 77, 84, 96
2752475.....391, 394	2754235 391, 394	2902065 98	3220103.....96
2752484.....401, 407	2754328 399, 403	2902085 181	3220104.....96
2752497.....400, 405	2754329 399, 403	2902212 303, 305	3220113..... 77, 84
2752506.....399, 404	2754330 399, 403	2902217 310, 313, 315	3220134..... 107
2752516.....399, 404	2754731 393		3220154..... 77
2752519.....401, 407	2754732 393		3250033.... 474, 482, 488
2752573.....399, 404	2754733 394		3250585.....259
2752574.....393	2754734 395		3250872.... 43, 474, 482, 488
2752579.....400, 406	2760105 ... 144, 148, 151, 155, 264, 269, 273		
2752592.....391, 394	2780205 61, 65		
2752593.....400, 406	2780269 25, 29		
2752600.....405	2780271 16		
	2780276 17		
	2792191 410		
	2792192 410		

PART NUMBER INDEX

3251102 ... 177, 181, 184, 188, 191, 259	3311601 ... 132, 167, 170, 204, 208, 266, 270, 274	3422575.....213, 218, 223, 229, 233	3538771 379
3251243 ... 180, 184, 188, 192, 473, 477	3311605 ... 77, 85, 87, 93, 96, 104, 105, 110, 111, 113, 119, 120, 160, 163, 166, 170, 171, 176, 180, 219, 230, 234, 238, 258, 261, 310, 313, 315, 317	3422576.....213, 218	3539219 144, 148, 155
3251813 473, 479, 487	3311705 176, 180	3422577.....213, 223	3539228 234
3252221 495	3311801 .77, 85, 93, 104, 192, 198, 250	3422578.....213, 224	3539236 234
3252347 473, 479	3311805 .77, 85, 96, 105, 112, 113, 119, 120, 166, 170, 214, 220, 224, 230, 245, 297	3422579.....218, 228	3539779 ... 213, 219, 224, 230
3252507 177, 180, 181	3312005 245, 305	3422580.....213, 224	3539872.77, 96, 106, 113
3252764 195, 204, 208	3312201 303	3422582.....213, 224	3539877 15, 19
3255325 180	3312205 305	3422592.....15, 19	3539923 166, 170
3271601 39	3312602 160, 161	3422661.....327	3539956 79, 86, 93
3271805 135, 139, 261	3313403 17	3422813.....43	3539971 96
3272001 16	3321501 171	3422841.....44	3539988 167, 173
3272605 ... 214, 220, 224, 230, 245	3322201 135, 139	3422847.....44	3570270 234
3290405 ... 111, 118, 430, 450, 467	3323403 16, 17	3422848.....43	3570277 234
3290505 ... 111, 118, 177, 181	3340608 ... 379, 381, 383	3422860.....218, 230	3570374 ... 214, 219, 224, 230
3290507 87	3340764 238	3422861.....218, 230	3570375 234
3290605 310, 323	3340765 238	3422867.....218, 230	3572009 44
3290606 256	3340787 238	3422900.....16, 20, 23	3572010 44
3290607 161	3340871 233, 238	3423175.....17	3572011 44
3290801 77, 84	3340881 233, 238	3430616.....270, 274	3572012 44
3300106 17, 25	3340911 39	3430816.....163	3572280 106, 113, 120
3300151 ... 256, 310, 313, 315, 317, 499	3340956 303, 305	3450306.....235	3573400 ... 310, 313, 315, 317
3300205 ... 144, 148, 151, 155	3340966 43	3450404.....163	3573642 ... 310, 313, 315, 317
3300353 ... 151, 264, 269, 273	3380428 79, 86, 93	3450606.....234	3574091 299
3300396 ... 192, 199, 200, 205, 209	3380434 258	3450810.....17	3574162 106
3300408 ... 144, 148, 151, 155	3380557 40	3451010.....16, 17	3574171 239
3300430 293, 295	3380558 40	3460334.....303, 305	3574185 239
3300454 192, 198	3380560 40	3460420.....166, 171	3574206 77, 85
3310601 ... 163, 199, 205, 209	3380573 40	3470003.....266, 270, 274	3574207 77, 85
3310801 250	3380652 498	3480188....333, 341, 345, 367	3574208 77, 85
3310805 133, 251	3420156 266	3480206.....347	3574225 184, 204
3311001 201, 265	3420372 44	3480210....333, 339, 351, 367	3574229 204
3311005 ... 160, 161, 166, 167, 170, 172, 173, 177, 180, 184, 188, 192, 198, 265, 269, 273, 310, 313, 315, 317, 323	3420447 44	3480211 359	3574262 204
3311401 ... 144, 149, 223, 228, 238, 299	3421453 310, 323	3480212.....379, 385	3574504 106
3311405 ... 49, 77, 79, 84, 86, 93, 96, 104, 105, 111, 113, 119, 120, 151, 166, 170, 184, 188, 191, 197, 204, 208, 245, 250, 258, 430, 450, 467, 474, 482, 488, 499	3421565 44, 62	3480288.....331	3574684 176
3311501 167, 170, 299	3422326 16	3510822.....255	3574978 96
3311505 ... 39, 77, 78, 79, 84, 86, 93, 96, 106, 110, 111, 118, 166, 170, 188, 195, 204, 208, 214, 219, 224, 230, 238, 297, 327	3422327 43	3510830.....255	3575359 299
3311508 191, 245	3422426 16, 17, 20, 23	3510831.....255	3575863 192, 198
	3422427 17, 20	3510833.....255	3576799 310, 323
	3422429 ... 16, 17, 20, 23	3510868.....261	3577121 ... 310, 313, 315, 317
	3422430 16, 17, 20, 23	3510884.....261	3580134 176, 180
	3422448 .78, 86, 93, 104, 110, 118	3520028....176, 177, 180, 183, 187	3580158 179
	3422457 238	3520031.....152	3580276 176, 180
	3422532 94, 104	3520033....167, 270, 274	3580312 ... 184, 188, 204, 208
	3422533 .78, 86, 93, 112, 119	3520034.....219, 230	3580313 184, 204
	3422561 218, 229	3520035....144, 151, 270	3580314 204, 208
	3422565 213, 223	3520054.....97, 264, 269, 273	3580317 192, 198
	3422566 218, 223, 228	3520071 303, 305	3580318 192, 198
	3422571 ... 213, 218, 223, 228, 229	3520072 255, 261	3580319 192, 198
	3422572 ... 213, 218, 223, 228, 229	3520182.....295	3580320 192, 198
	3422573 ... 213, 218, 223, 228	3520189....199, 201, 432, 453, 468	3580321 198
		3520190.....303	3580322 175
		3520192.....201, 468	3580324 184, 187
		3520198.....255, 256	3580325 184, 187
		3536089.....258	3580348 188, 208
		3537318.....61	3600242 129
		3537416.....96	3600365 47
		3537445.....163	3600381 124
		3538247 379, 383	3600395 .78, 86, 94, 105, 112, 119, 129
		3538758.....238	

PART NUMBER INDEX

360039678, 86, 105, 112, 125	3911016 172, 173	4061043 ... 196, 204, 208, 429, 432	4360387....264, 267, 269, 271, 273, 275, 299, 490
3620033.....96	3911040 160	4061049 197	4360407....264, 270, 273
3620040.....106, 113, 120	3930816 251	4061054 245	4360436.....131
3620047.....77, 85	3930824 250, 251	4070585 181	4360469....144, 148, 151, 155, 492
3641533.....200, 205, 210	3931016 192, 196	4070863 233, 238	4360470....144, 148, 492
3641569.....299	3931408 250	4070864 233, 238	4360475....144, 148, 151, 155, 264, 270, 273, 490
3730120.....424	3931424 293	4070897 233, 238	4360476....144, 148, 151, 155, 264, 270, 273, 490
3730121.....424	3931430 250	4070898 233, 238	4360517....140, 445, 464, 490
3740049....144, 148, 151, 155, 426, 446, 465, 490	3931516... 333, 337, 339, 351, 367, 379, 383, 385, 387	4070929 233, 238	4360522....160, 161, 267, 270, 274, 492
3740067..77, 85, 96, 106, 113, 120, 490	3931620. 79, 86, 94, 105, 112, 119, 333, 341, 343, 345, 367, 373	4070932 239	4360542....176, 180, 183, 187, 492
3740080....176, 180, 184, 188, 197, 204, 208	3931632 198	4070944 15, 19	4360578....250, 251, 492
3760133.....238	3931720 359, 361	4070945 15	4400275.....132
3760170.....44, 62, 321	3932032 347, 349	4070987 144, 148	4400399.....131
3760368....333, 339, 351, 367, 385	3932224 61	4070991 151	4400420.....132
3760369....333, 341, 345, 367	3932240 363, 365	4071007 238	4400454.....131, 132
3760370.....359	3940604 43	4071009 61	4420014.....303, 305
3760372.....347	3960098 17	4071059 43	4420037...259, 310, 313, 315, 317
3760384.....363	3960343 16	4071061 239	4420038.....132
3790012.....17, 104, 105, 110, 112, 118, 119, 160, 228, 258, 264, 267, 270, 271, 273, 275	3960389. 79, 86, 94, 105, 112, 119, 167, 171, 172, 173	4071062 239	4420051.....43, 488
3790045.....25	3960407 96	4071101 15, 16, 19	4420060.....181, 251
3790110.....381	3960418 166, 171	4100100 351	4420062.....327
3790152.....79, 86, 94	3960422... 191, 195, 204, 208, 432, 452, 467	4120035 ... 418, 422, 438, 443, 458, 462	4420066.....303, 305
3820001....160, 474, 482, 483, 484, 488	3960438 167, 173	4130401 16, 20, 23	4420068.....297, 299
3820020.....256	3960461 160	4130402 16, 20, 23	4460007....265, 270, 273
3841143....16, 17, 20, 23, 43, 78, 86, 93, 104, 110, 118, 213, 218, 223, 224, 228, 229, 230	3960462 ... 167, 172, 173	4130409 16	4460027....176, 180, 183, 187, 427, 447, 465
3841203....213, 218, 223, 224, 228, 229, 233	3960467 166, 170	4130410 16	4460042....265, 266, 269, 274
3841258....15, 16, 19, 20, 23	3960468. 77, 85, 96, 106, 113, 120	4130412 16, 20	4460049.....299
3841263.....17	3960469. 77, 85, 96, 106, 113, 120	4130413 17	4460051....197, 204, 208, 432, 452, 467
3841285.....16, 20, 23	3960526 25	4130414 17	4460071....191, 197, 204, 208, 258, 266, 269, 274, 418, 429, 432, 438, 448, 452, 458, 466, 467
3841295.....234	3960591 106	4130415 17	4460125....428, 448, 466
3841340....219, 230, 238	3980007. 78, 87, 94, 111, 119	4160143 166, 170	4460134....427, 429, 447, 449, 465, 466
3841347.....235	3990001 421	4220162 160	4460190....176, 180, 183, 187
3841677.....23	3990010 ... 422, 443, 462	4220191 77, 85	4460205....427, 429, 447, 449, 465, 466
3890040.....261	4010608 310, 323	4240018 245, 293	4460224....426, 445, 464
3900054.....261	4010618 257	4240084 39	4460225....418, 432, 438, 452, 458, 467
3900085.....160, 161	4031608 177, 181	4240099 ... 258, 299, 310, 313, 315	4460226....149, 246, 266, 269, 274, 282, 291, 418, 422, 424, 426, 427, 432, 433, 434, 438, 442, 445, 446, 452, 453, 454, 458, 461, 462, 464, 465, 468, 469
3900166.....213	4031709 87	4240102 131	4460227....418, 422, 423, 433, 438, 443, 445, 453, 458, 462, 463, 464, 468
3900232.....166, 171	4031911 77, 85	4240149 303, 305	
3900239....213, 219, 223, 224, 228, 229	4032015 192, 198	4280295 132	
3900268....144, 148, 151, 155	4060092 ... 429, 448, 466	4300111 204, 208	
3900283.....245	4060700 ... 195, 204, 208, 429, 432	4300157 192, 198	
3900322.....184	4060802 ... 177, 180, 184, 188, 191, 195, 204, 208, 259	4340738 184, 204	
3910606....191, 195, 204, 208	4060804 49, 239	4341239 113, 120	
3910608.....163	4060805. 79, 85, 96, 106, 113, 120, 173, 238	4341241 113, 120	
3910610....199, 205, 209	4060807 49	4360031 258, 265	
3910804....144, 148, 151, 155	4060808 233	4360057 299, 492	
3910808.....133	4060906 ... 144, 148, 149, 151, 155	4360070 ... 192, 199, 201, 205, 209, 492	
3911012.....161	4060907 159	4360232 ... 433, 453, 468, 492	
	4060918 49	4360328 ... 144, 148, 155, 228, 264, 267, 271, 275, 490	
	4060959 498	4360330 264, 490	
	4061010 171	4360331 17, 258, 271, 275, 490	
		4360336 ... 104, 111, 118, 149, 160, 177, 180, 184, 188, 191, 195, 204, 208, 259, 267, 492	

PART NUMBER INDEX

4460233 ... 427, 429, 447, 449, 465, 466	458, 460, 461, 462, 463, 469	4460728.....424	4460957 ... 200, 205, 210, 430, 451
4460234 ... 159, 160, 161, 264, 270, 273, 299	4460465 ... 200, 205, 209, 246, 419, 420, 423, 424, 433, 439, 440, 441, 442, 444, 446, 452, 453, 459, 460, 461, 463, 464, 467, 468	4460742....200, 209, 424, 425, 433, 446, 453, 465, 468	4460958 ... 195, 204, 208, 431, 452, 467
4460259 426, 446, 465	4460466 ... 246, 419, 420, 439, 440, 443, 444, 459, 460, 461	4460743....200, 209, 425, 433, 446, 453, 465, 468	4460959 430, 449, 466
4460260 426, 446, 465	4460467 ... 434, 454, 469, 500	4460761....246, 418, 423, 438, 443, 458, 463	4460960 429, 449, 466
4460265 282, 291	4460470 ... 144, 148, 151, 155, 264, 270, 273, 418, 421, 438, 441, 458, 461	4460789....433, 453, 454, 468, 469	4460961 427, 446, 465
4460267 ... 424, 426, 442, 445, 446, 461, 469	4460471 ... 144, 148, 151, 155, 264, 270, 273, 418, 421, 438, 441, 458, 461	4460790....433, 453, 454, 468, 469	4460962 ... 310, 315, 449, 466
4460268 ... 159, 423, 424, 426, 442, 445, 462, 465, 467	4460473 ... 419, 420, 439, 440, 460	4460792.....424	4460963 ... 199, 201, 205, 209, 432, 449, 453, 468
4460297 426, 446, 465	4460476 ... 433, 453, 454, 468, 469	4460799.....424	4460967 ... 200, 205, 209, 433, 453, 468
4460320 ... 424, 426, 433, 442, 445, 446, 453, 464, 468, 469	4460488 ... 144, 148, 151, 155, 161, 264	4460800.....424	4460968 ... 177, 181, 250, 251, 429, 449
4460321 ... 427, 434, 446, 454, 465, 469	4460496 ... 149, 151, 156, 442, 461	4460836.....246	4460971 310, 323
4460326 ... 424, 426, 442, 445	4460497 ... 149, 151, 156, 442, 461	4460850....433, 453, 454, 468, 469	4460978 424, 425
4460339 424	4460499 53, 59, 426, 445	4460865....419, 420, 439, 440, 459, 460	4460979 ... 423, 424, 425, 442, 462
4460346 ... 191, 196, 204, 208, 428, 432, 448, 452, 466, 467	4460508 ... 418, 419, 423, 438, 439, 443, 458, 460, 463	4460866....418, 419, 423, 438, 440, 443, 458, 460, 463	4460995 423
4460374 ... 199, 205, 209, 433, 446, 453, 465, 468	4460509 ... 419, 420, 439, 440, 459, 460	4460868.....463	4460996 423
4460375 ... 200, 205, 209, 433, 446, 453, 465, 468	4460510 ... 434, 454, 469, 500	4460871....277, 279, 285, 289, 418, 422, 423, 424, 426, 438, 442, 443, 444, 445, 458, 462, 463, 464	4461001 200, 205, 210
4460411 200, 205, 209	4460526 ... 144, 148, 151, 155, 421, 441, 461	4460873....418, 422, 438, 443, 458, 462	4461005 423, 425, 442, 444, 462
4460412 200, 205, 209	4460536 ... 422, 438, 443, 458, 462, 464	4460874....144, 418, 421, 438, 443, 458, 463	4461006 ... 423, 425, 442, 444, 462
4460413 200, 205, 210	4460539 ... 422, 423, 438, 442, 458, 461, 462	4460875....144, 418, 421, 438, 444, 458, 463	4461008 ... 425, 442, 444, 462
4460414 200, 205, 210	4460579 423	4460876....423, 443, 462	4461052 ... 423, 425, 442, 444, 462
4460415 200, 205, 210	4460580 423	4460877 463	4461053 ... 423, 425, 442, 444, 462
4460418 ... 418, 422, 438, 443, 458	4460582 423	4460878....423, 443, 463	4461054 ... 423, 425, 442, 444, 462
4460419 ... 418, 422, 438, 443, 458, 462	4460607 ... 200, 205, 210	4460879....418, 438, 458	4461060 ... 423, 425, 442, 444, 462
4460424 ... 159, 423, 424, 426, 433, 442, 445, 453, 462, 468	4460608 424, 443	4460880....423, 424, 442, 462	4461070 423, 442, 462
4460425 ... 192, 199, 201, 205, 209, 299, 432, 433, 453, 468	4460618 462	4460884....438, 458, 463	4461071 422, 443, 462
4460426 ... 144, 148, 151, 155, 192, 199, 201, 205, 209, 258, 421, 432, 433, 441, 453, 454, 461, 468, 469	4460633 430	4460887....418, 423, 438, 443, 458, 463	4461072 422, 443, 462
4460428 ... 264, 270, 273, 418, 438, 458	4460634 ... 422, 443, 462	4460887....418, 423, 438, 443, 458, 463	4461073 422, 443, 462
4460434 ... 418, 422, 438, 443, 458, 462	4460635 ... 422, 443, 462	44608891....420, 423, 441, 442, 444, 446, 459, 461, 462, 464	4461074 422, 443, 462
4460445 ... 424, 426, 442, 445	4460662 449	4460882....422, 442, 461	4461095 423, 442, 462
4460457 ... 423, 424, 442, 462	4460693 424, 443	4460887....418, 423, 438, 443, 458, 463	4461109 424, 443
4460458 ... 209, 423, 424, 425, 442, 446, 453, 462, 465, 468	4460701 ... 427, 429, 447, 449, 465, 466	4460887....418, 423, 438, 443, 458, 463	4461111 424, 443
4460459 ... 433, 453, 454, 468, 469	4460705 ... 427, 447, 465	4460887....418, 423, 438, 443, 458, 463	4461113 424, 443
4460460 423, 442, 462	4460708 ... 265, 270, 273, 418, 422, 438, 442, 458, 461	4460887....418, 423, 438, 443, 458, 463	4461121 424, 442
4460464 ... 266, 269, 274, 418, 419, 420, 423, 425, 426, 438, 439, 441, 443, 445, 446,	4460709 ... 429, 449, 466	4460887....418, 423, 438, 443, 458, 463	4461122 424, 442
	4460710 ... 429, 449, 466	4460887....418, 423, 438, 443, 458, 463	4461123 424, 442
	4460713 423	4460887....418, 423, 438, 443, 458, 463	4461124 424, 443
	4460725 423	4460887....418, 423, 438, 443, 458, 463	4461157 423, 442, 462
	4460726 424	4460887....418, 423, 438, 443, 458, 463	4461161 424, 443
		4460887....418, 423, 438, 443, 458, 463	4461196 429, 449
		4460887....418, 423, 438, 443, 458, 463	4461197 431, 451
		4460887....418, 423, 438, 443, 458, 463	4461198 428, 429, 448
		4460887....418, 423, 438, 443, 458, 463	4461199 429, 449
		4460887....418, 423, 438, 443, 458, 463	4461200 431, 451
		4460887....418, 423, 438, 443, 458, 463	4461201 428, 429, 448
		4460887....418, 423, 438, 443, 458, 463	4461202 429, 449
		4460887....418, 423, 438, 443, 458, 463	4461203 431, 451
		4460887....418, 423, 438, 443, 458, 463	4461204 428, 429, 448
		4460887....418, 423, 438, 443, 458, 463	4461205 429, 449
		4460887....418, 423, 438, 443, 458, 463	4461206 431, 451
		4460887....418, 423, 438, 443, 458, 463	4461207 428, 429, 448
		4460887....418, 423, 438, 443, 458, 463	4461222 443
		4460887....418, 423, 438, 443, 458, 463	4461244 428, 429, 448
		4460887....418, 423, 438, 443, 458, 463	4461245 428, 429, 448
		4460887....418, 423, 438, 443, 458, 463	4461246 428, 429, 448

PART NUMBER INDEX

4461249.....429, 449	4640929.....251	4750600 199, 205, 209	4844969.....240
4461250.....431, 451	4640932 ... 334, 337, 339, 341, 343, 345	4750800 133	4844972.....240
4520283.....26	4640989.....106, 113	4751000 44, 160, 161, 166, 167, 170, 172, 173, 177, 180, 184, 188, 192, 196, 256, 266, 270, 273, 310, 313, 315, 317, 323	4844978.....240
4520284.....26	4640999.....385, 387	4751400 ... 77, 79, 85, 86, 93, 97, 105, 106, 112, 113, 119, 120, 144, 148, 149, 151, 155, 161, 166, 170, 197, 213, 219, 223, 224, 228, 230, 238, 245, 250, 251, 258, 265, 270, 273, 295, 299, 310, 313, 315, 317, 474, 482, 488	4844979.....240
4520287.....26	4641022.....132	4751500 ... 43, 78, 85, 93, 106, 111, 118, 166, 170, 177, 180, 188, 191, 196, 214, 219, 224, 230, 245, 297, 299, 327	4844983.....234
4520288.....26	4641097.....47, 51	4751600 ... 39, 40, 77, 85, 87, 93, 97, 104, 106, 111, 113, 120, 132, 133, 135, 139, 161, 166, 167, 171, 173, 176, 180, 184, 208, 234, 258, 270, 274, 310, 313, 315, 317, 379	4844984.....234
4520289.....25	4641108.....48	4751700 97	4845163.....163
4520290.....26	4641122.....26	4751800 ... 77, 78, 85, 93, 104, 112, 113, 119, 120, 132, 135, 139, 184, 235, 259, 261, 299	4845194.....166, 171
4520328.....25	4641139.....250	4752000 . 79, 86, 93, 104, 111, 118	4845203.....166, 171
4520341.....26	4641284.....393	4760600 199, 205, 209	4845395.....97
4520344.....26	4641307.....391	4761000 16, 166	4845404.....97, 106
4520345.....26	4641319.....331	4761400 ... 144, 148, 149, 151, 155, 198	4845414.....166, 171
4520346.....25	4641329.....497	4761500 204, 208	4845582.....327
4520355.....26	4641390.....331	4761600 204, 208	4846005.....213
4520356.....26	4641409.....39	4770600 163	4846006.....218
4520427.....26	4641410.....39	4791400 85, 97, 113, 120, 191, 197, 204	4846218.....251
4520428.....26	4641436.....250	4791600 39	4846295.....44
4520601.....26	4641452.....47, 51	4811400 430, 450, 467	4846296.....44
4520602.....26	4711000.....161, 201	4811600 87, 177, 181	4846452.....256
4520604.....26	4711400 48, 93, 104, 106, 111, 113, 118, 120, 152, 159, 184, 188, 191, 197, 204, 208, 234, 245, 251, 257, 258, 293, 295, 430, 450, 467, 499	4811700 97	4846561.....259
4530028.... 310, 313, 315, 319	4711500 ... 39, 48, 77, 85, 104, 106, 111, 118, 195, 204, 208, 239, 251, 266, 270, 274	4811800 15, 19, 25, 62, 163, 204, 214, 220, 224, 230, 245, 297	4846566.....97
4566408.....359	4711600 ... 48, 62, 79, 85, 86, 93, 97, 106, 111, 113, 119, 120, 167, 192, 198, 204, 233, 239, 245, 251	4818000 16, 61, 62, 184, 245	4846573.... 214, 220, 245
4566425.....379	4711700 97, 161, 184, 188	4891700.....204	4846627.... 310, 313, 315, 317
4566468.... 333, 339, 341, 345, 367	4711800 ... 163, 191, 197, 204, 208, 261	4891800.... 15, 19, 25, 62, 163, 204, 214, 220, 224, 230, 245, 297	4846651.....303
4566501.....347	4711900 97	4892000.. 16, 61, 62, 184, 245	4846673.....299
4566605.....106	4712000 305	4892200.....303	4846790.....77, 85
4566667.....363	4712200 305	4892600.... 160, 214, 220, 224, 230, 245	4846805.....77, 85
4567073.....77, 85	4712600 161	4920385.... 106, 113, 120	4846806.....106
4567241.....234, 235	4740016 17	4921829.... 427, 447, 465	4891500.....152, 184
4568116.....132	4740036 44	4921927..... 48, 426, 445	4891600.... 79, 86, 94, 97, 105, 112, 119, 163, 171, 184, 188, 204, 208, 214, 220, 224, 230, 245
4568119.....132	4740076 166, 170	4921928..... 48, 426, 445	4891700.....204
4568133.....44	4740111 43	4921954.... 427, 447, 465	4891800.... 15, 19, 25, 62, 163, 204, 214, 220, 224, 230, 245, 297
4568721.....77, 85	4740155 43	4921957.....427	4892000.. 16, 61, 62, 184, 245
4568734.....184, 204	4740158 15, 19	4922493.... 419, 439, 459	4892200.....303
4568735.... 184, 188, 204, 208	4740171 166, 170	4922494.... 419, 440, 460	4892600.... 160, 214, 220, 224, 230, 245
4569083.....106	4740184 43	4922637.... 422, 442, 461	4920385.... 106, 113, 120
4569092.....106	4740256 16, 20, 23	4922639.....265, 418	4921829.... 427, 447, 465
4569171.....96	4740274 . 77, 85, 97, 106, 113, 120	4922641.... 192, 200, 205, 209, 427, 433, 446, 453, 465, 468	4921927..... 48, 426, 445
4569173.....106	4740283 16	4922643.... 426, 446, 465	4921928..... 48, 426, 445
4569177.....80	4740362 160, 258	4922666.... 265, 270, 273, 418, 438, 458	4921954.... 427, 447, 465
4569203.....106	4740393 25	4922705.....246	4921957.....427
4569342.....113	4740397 ... 151, 177, 180, 184, 188, 259, 270, 273	4922737.....77, 78, 425	4922493.... 419, 439, 459
4569371.....80, 89	4740439 218, 230	4922757.....199, 432	4922494.... 419, 440, 460
4569384.....113	4740444 ... 144, 148, 151, 155	4922764.... 433, 453, 468	4922637.... 422, 442, 461
4569385.... 111, 118, 132	4740463 16, 20, 23	4922810.... 419, 440, 460	4922639.....265, 418
4640113.....26	4740500 171	4922811.... 420, 440, 460	4922641.... 192, 200, 205, 209, 427, 433, 446, 453, 465, 468
4640261.....43	4740518 151	4922869.....245	4922666.... 265, 270, 273, 418, 438, 458
4640438.....359, 361	4740543 16		4922705.....246
4640509.... 333, 337, 339, 341, 343, 345, 347, 349, 351, 353, 355, 357, 359, 361, 363, 365, 385, 387			4922737.....77, 78, 425
4640605.... 347, 349, 363, 365			4922757.....199, 432
4640647.....385, 387			4922764.... 433, 453, 468
4640744.....129, 399			4922810.... 419, 440, 460
4640858.....331			4922811.... 420, 440, 460
4640862.... 379, 381, 383			4922869.....245
4640866.....48			
4640908.....47			
4640921.....48, 59			
4640922.....48, 59			

PART NUMBER INDEX

4922890 420, 441, 461	70000124 . 176, 180, 183, 187	70001951.....445	70002726..... 289
4922891 ... 420, 440, 441, 461	70000125 . 176, 180, 183, 187	70001953... 196, 204, 208	70002727 289
4922892 ... 259, 420, 433, 440, 454, 460, 469	70000126 . 176, 180, 183, 187, 492	70001966.. 191, 196, 203, 204, 207, 208	70002728..... 289
4922893 420, 440, 460	70000127 . 175, 180, 183, 187	70001969..... 196	70002729..... 289
4922894 ... 259, 419, 433, 440, 454, 460, 469	70000164 113, 121	70001973... 197, 204, 208	70002730..... 279
4922895 419, 440, 460	70000264 99	70001974... 197, 203, 207	70002731 279
4922896 420, 441	70000342 243	70001976..... 51, 52, 59	70002732..... 279
4922905 204, 205, 432	70000345 99	70001999..... 240, 492	70002733..... 279
4922925 ... 198, 209, 432, 452, 467	70000579 51	70002000..... 240	70002734..... 279
4922968 425	70000580 52	70002001..... 234	70002735..... 279
4922970 427	70000582 51, 490	70002002..... 234	70002745..... 377
4923212 421, 423	70000583 51	70002011..... 239, 492	70002752..... 377
4923223 421, 422	70000619 .. 198, 203, 207	70002012..... 239	70002753..... 377
4923224 ... 148, 155, 421, 424, 441, 442	70000718 445	70002063..... 40	70002754..... 377
4923226 421, 423	70000781 39	70002064..... 40, 252	70002755..... 377
4923227 421, 423	70000782 29, 72	70002065..... 72	70002756..... 377
4923231 421, 422	70000793 98	70002066..... 72	70002757 377
4923379 97, 426, 445, 463	70000794 37	70002067..... 72	70002758..... 56
4923420 209, 433, 453	70000795 37	70002068..... 72	70002759..... 56
4923445 427, 446	70000863 .. 196, 203, 207	70002069..... 72	70002761 81, 88
4923462 ... 419, 439, 440, 459, 460	70000912 98	70002070..... 72	70002762 81, 88
4923472 419, 439, 459	70000913 98	70002071..... 72	70002763 81, 88
4923473 419, 440, 460	70000914 98	70002072..... 72	70002764 81, 88
4923474 419, 440, 460	70000915 98	70002073..... 72	70002765 81, 88
4923475 420, 440, 460	70000916 98	70002074..... 73	70002766 81
4923476 420, 440, 461	70000917 99	70002075..... 72, 73	70002767 81
4923492 421, 423	70000918 99	70002088... 196, 203, 207	7000281 30, 72
4923500 420, 440, 461	70000919 99	7000209..... 65	70002818 200, 209
4923501 420, 441, 461	70000934 48	7000213..... 73	70002819 200, 209
4923575 421, 422	70001002 98	7000214..... 65	70002820 200, 210
4923576 421, 423	70001017 77, 84, 96	7000216..... 29	70002821 200, 210
4923591 422	70001051 80, 88	7000217..... 65, 72	70002822 200, 210
4932986 414	70001100 .. 196, 203, 207	70002200..... 100	70002823 200, 210
4932990 414, 496	70001103 131	70002208..... 69	70002824 200, 210
4932993 414, 496	70001119 29	70002209..... 48	70002825 200, 210
4933218 414	70001120 80, 88	70002212... 136, 139, 140	70002826 200, 210
4933219 414	70001126 100	70002224 100	70002833 79, 88
4933263 414	70001248 .. 136, 139, 140	70002243..... 69	70002834 79, 88
4933264 199, 414, 432	70001384 .. 196, 204, 208	7000228..... 65, 72	70002835 79, 88
4933278 414	70001424 325	7000229..... 65, 72	70002841 81
4933283 205, 414, 432	70001425 325	70002297... 196, 203, 207	70002843 80, 88
4933300 414, 427	70001427 325	7000230..... 65, 72	70002844 80, 88
4933308 ... 414, 433, 453, 468	70001428 325	70002307..... 107	70002845 81, 88
4933312 414	70001429 325	70002373..... 371	70002846 81, 88
4933319 415, 422	70001430 325	70002386..... 252	70002847 80, 88
4933329 415, 422	70001431 325	70002412..... 381	70002848 80, 88, 445
4933330 415, 422	70001432 325	7000242..... 65	70002849 80, 88
4933331 415, 422	70001435 99	7000246..... 65, 72	70002850 80, 88
4933349 ... 209, 414, 432, 453	70001690 107	70002460... 197, 203, 207	70002851 80, 89
4933350 414, 427, 446	70001696 .. 197, 203, 207	7000248..... 72	70002852 81, 89
4933354 415, 422	70001697 243	7000253..... 65, 72	70002863 81
4933361 415, 422	70001742 80, 88	7000255..... 65, 72	70002895 121, 492
4933362 415, 422	70001847 100	7000256..... 65	70002902 . 258, 265, 269, 274
4933363 415, 422	70001850 98	7000257..... 107	70002903 . 258, 265, 269, 274
70000045 98	70001866 99	7000257..... 65, 72	70002904 . 258, 265, 269, 274
70000122 175, 179	70001868 99	7000258..... 65	70002905 . 258, 265, 269, 274
70000123 . 175, 179, 183, 187	70001870 99	70002627..... 445	70002906 279
	70001871 99	7000263..... 65, 72	70003001 100
	70001872 . 100, 425, 444, 464	7000269..... 65	70003002 100
	70001931 445	7000270..... 65	70003003 100
	70001941 159	70002705..... 77, 84	70003019 55
	70001950 445	70002706..... 77, 84	70003408 39
		70002715..... 131	70003454 140
		70002716..... 131	
		70002724..... 289	
		70002725..... 289	

PART NUMBER INDEX

70003475.....	99	70004680.....	191	70006481.....	361	70020808.....	444
70003476.....	96	70004681.....	191	70006482.....	383, 387	70020809.....	444
70003478.....	98	70004682.....	191	70006483.....	383, 387	70021202.....	55
70003483.....	258, 265	70004683.....	191	70006484.....	387	70022564.....	371
70003525.....	55	70004684.....	191	70006486.....	349	70023371.....	371, 381
70003623.....	100	70004685.....	191	70006487.....	349	70023373.....	381
70003631... ..	196, 203, 207	70004738.....	291	70006488.....	349	70023859.....	55
70003636.....	353	70004739.....	291	70006489.....	349	70023862.....	55
70003708.. ..	191, 196, 204, 208	70004740.....	291	70006552.....	191	70023867.....	55
70003709.. ..	191, 196, 204, 208	70004741.....	291	70006553.....	191	70023915.....	355
70003784... ..	264, 270, 273	70004742.....	291	70006568.....	355	70024457.....	55
70003790.....	251	70004743.....	291	70006569.....	355	70025077.....	464
70004052.....	55, 56	70004744.....	291	70006570.....	355	70025231.....	464
70004056.....	99	70004745.....	291	70006571.....	355	7002821.... ..	434, 454, 469, 500
70004060.....	464	70004746.....	291	70006572.....	355	7002822.....	500
70004092.....	191	70004747.....	291	70006597.....	371	7002823.... ..	434, 454, 469, 500
70004098.....	191	70004748.....	291	70006599.....	371	7002826.....	500
70004103.....	463	70004749.....	291	70006601.....	371	7002828.... ..	434, 454, 469
70004149.....	131	70004750.....	291	7000663.....	99	7002840.....	500
70004169.. ..	196, 197, 203, 204, 207, 208	70004751.....	291	70006648.....	337	7003928.....	277, 279
70004170.....	196, 197	70004752.....	281	70006649.....	337, 357	7003933.....	285
70004171.. ..	191, 196, 203, 207	70004753.....	281	70006650.....	337, 357	7003935.....	285
70004182.....	77, 85	70004754.....	281	70006651.....	337	7003941.....	285, 289
70004271.....	464	70004755.....	281	70006654.....	383	7003946.....	285
70004272.....	99	70004756.....	281	70006655.....	383	7003953.....	277
70004316.....	444	70004757.....	281	70006734.....	357	7003969.....	285
70004317.....	444	70004758.....	281	70006735.....	357	7003972.....	285, 289
70004318.....	444	70004759.....	281	70006736.....	357	7003973.....	285, 289
70004319.....	444	70004760.....	281	70006774.....	371	7003976.....	277
70004459.....	55	70004761.....	281	70006775.....	371	7003977.....	277
70004460.....	55	70004762.....	281	70006776.....	371	7003980.....	285, 289
70004461.....	55	70004763.....	281	70006793.....	381	7003982.....	289
70004463.....	55	70004764.....	281	70006813.....	381	7003983.....	285, 289
70004594.....	55	70004765.....	281	70006814.....	381	7003986.....	285
70004595.....	55	70004766.....	281	70006815.....	381	7003989.....	286, 289
70004596.....	55	70004767.....	281	70006816.....	381	7003992.....	277, 285
70004597.....	55	70004768.....	281	70006817.....	381	7003993.....	277, 285
70004617.....	56	70004769.....	281	70006818.....	381	7003994.....	285
70004652.....	55	70004770.....	281	70006819.....	381	7004035.....	69, 73
70004653.....	55	70004771.....	281	70006820.....	381	7004043.....	69, 73
70004654.....	55	70004772.....	281	70006821.....	381	7004044.....	69, 73
70004655.....	55	70004773.....	281	70006822.....	343	7004248.....	47
70004656.....	55	70004774.....	282	70006823.....	343	7004275.....	500
70004657.....	55	70004775.....	282	70006900.....	353	7004276.....	500
70004659.....	55	70004775.....	282	70006930.....	353	7004290.....	47
70004660.....	55	70004862.....	132, 492	70006931.....	353	7005881.....	67
70004661.....	55	70005201.....	55	70006932.....	353	7005882.....	67
70004662.....	55	70005202.....	56	70006933.....	353	7005889.....	67
70004663.....	55	70005230.....	291	70006934.....	353	7005890.....	67
70004664.....	55	70005232.....	56	70006999.....	96	7005891.....	67
70004665.....	55	7000625.....	258, 265	7001433.....	125	7005892.....	67
70004666.....	55	70006257.....	239	7001498.....	125	7005893.....	67
70004667.....	55	70006273.....	239	7001625.....	375	7006140.....	239
70004668.....	55	70006369.....	365	7001626.....	375	7006151.....	239, 240
70004670.....	55	70006370.....	365	7001627.....	375	7006152.... ..	234, 239, 240
70004671.....	56	70006371.....	365	7001629.....	375	7006158.....	240
70004672.....	56	70006372.....	365	7001630.....	375	7006161.....	239
70004673.....	56	70006373.....	365	7001633.....	375	7007207.....	124
70004674.....	56	70006374.....	365	7001909.....	65, 72	7007208.....	124
70004676.....	191	70006443.....	343, 373	7001911.....	65, 72	7007412.....	125
70004677.....	191	70006444.....	343, 373	7001912.....	72	7007413.....	124
70004678.....	191	70006445.....	343, 373	7001913.....	29	7007414.....	124
70004679.....	191	70006446.....	343, 373	7001928.....	65	7007417.....	124
		70006447.....	373	7001931.....	65, 72	7007418.....	124
		70006478.....	361	7001985.....	65, 72	7007419.....	124
		70006479.....	361	7001987.....	65		
		70006480.....	361	7001988.....	65		

PART NUMBER INDEX

7007423	124	7012558 ...	175, 179, 183, 187	7017095.....	29	7019680 ...	175, 179, 180, 183, 187
7007425	124	7012664 .	76, 84, 95, 105, 112, 120, 490	7017142.....	243	7019925	107
7007435	33, 124	7012679	106	7017158.....	243	7019976	107
7007437	34, 37, 124	7012769	51, 52	7017159.....	243	7019977	106
7007438	33, 37, 124	7012772 ..	51, 52, 59, 490	7017162.....	243	7019993	107
7007439	33, 37, 124	7012773 ...	51, 52, 55, 59	7017163.....	243	7019994	107
7007441	124	7012774	52, 59	7017164.....	243	7019996	106
7007442	124	7012775	52	7017183.....	243	7020020	48
7007444	124	7012776	59	7017193.....	243	7020021	48
7007446	33, 37, 124	7012799	52	7017195.....	243	7020108 ...	175, 179, 183, 187
7007452	124	7012912	52	7017402.....	252	7020109 ...	175, 179, 183, 187
7007453	124	7012914 ..	51, 53, 251, 252	7017406.....	252	7020110 ...	175, 179, 183, 187
7007454	124	7012918 ..	51, 53, 251, 252	7017410.....	51	7020111 ...	175, 179, 183, 187
7007457	124	7012941	48	7017411.....	51	7020135	26
7007459	125	7012943	48, 490	7017418.....	51	7020175 ...	151, 155, 264, 270, 273
7007463	125	7012944	48, 51, 490	7017420.....	52, 59	7020176 ...	151, 155, 264, 270, 273
7007464	125	7012953 ..	51, 59, 251, 252	7017421.....	59	7020190 ...	175, 179, 183, 187
7007465	125	7012959	48	7017422.....	59	7020192 ...	176, 180, 184, 187
7007466	125	7012965	59, 251, 252	7017423.....	52	7020246	143
7007470	124	7012967	51, 53, 252	7017427.....	51	7020403	98
7007472	125	7012969	53	7017428.....	51, 52	7020408	99
7007474	125	7012970	251	7017452.....	252	7020411	99
7007475	125	7012987	129	7017464.....	51	7020447	98
7007476	125	7012988	129	7017496.....	331	7020449	99
7007477	125	7012989	51, 251	7018612.....	61	7020459	99
7007478	125	7012995	48	7018912.....	51, 52, 59	7020460	99
7007484	125	7012998	51, 52, 59	7018941.....	51	7020464	99
7007485	125	7013189	136, 139	7018942.....	56, 59	7020465	98
7007487	125	7014676	500	7018945.....	59	7020468	98
7007488	125	7016206	26	7018946.....	59	7020471	96, 99
7007489	129	7016314	131	7018948.....	59	7020479	99
7007494	125	7016319	159	7018952.....	52	7020487	98
7007496	125	7016322	163	7019103.....	285	7020488	98
7007497 ...	125, 426, 445, 464	7016331	98, 492	7019110.....	285	7021200	124
7007498 ...	125, 426, 445, 464	7016328	98, 492	7019111.....	277, 285	7021201	125
7007633	65, 72	7016332	98, 492	7019112.....	285	7021202	124
7010103	129	7016337	159, 160	7019114.....	285	7021203	124
7010104	129	7016372	163	7019115.....	285	7021206	125
7010105	129	7016374	163	7019122.....	277	7021207	124
7010116	124, 125	7016380	159	7019123.....	277	7021212	125
7010121	125	7016399	258	7019141.....	277	7021214	125
7010474	65, 72	7016422	67	7019142.....	277	7021217	125
7010488	65	7016423	67	7019143.....	277	7021218	125
7010492	65, 72	7016424	67	7019144.....	277	7021219	125
7010494	65	7016425	67	7019145.....	277	7021220	125
7010542	52	7016426	67	7019147.....	277	7021221	125
7010543	48, 52	7016427	67	7019149.....	277	7021222	125
7011043	47	7016502	234	7019150.....	277	7021223	124
7011044	47	7016510	234	7019151.....	285	7021232	125
7011048	47	7016519	239	7019154.....	285	7021249	33, 37
7011062	47	7016521	240	7019155.....	285	7021256	124
7011063	47	7016652	500	7019160.....	285	7021275	33, 37
7011064	47	7016654	500	7019161.....	285	7021310	53
7011065	47	7016655	500	7019162.....	285, 289	7021375	51, 52, 55
7011066	47	7016822 ...	111, 119, 425, 444	7019164.....	285, 289	7021625	39, 40
7011112 ...	334, 337, 339, 341, 343, 345	7017022	30	7019165.....	285, 289	7021639	497
7011185	385	7017023	72	7019166.....	285	7021653	251
7011328	47	7017027	29	7019167.....	285, 289	7021868	106, 492
7012513 ...	175, 179, 183, 187	7017028	73	7019171.....	277	7022133	106
7012514 ...	175, 179, 183, 187	7017070	72	7019174.....	277		
7012518	48, 51	7017072	29, 72	7019177.....	277		
		7017080	72	7019194.....	286, 289		
		7017082	72	7019197.....	277		
		7017085	72	7019656.....	113, 120		
		7017089	65	7019658.....	93, 131		
		7017093	29				

PART NUMBER INDEX

7022134.....	107	7024441.....	132	7024800.....	125	7026832.....	81, 88
7022139.....	106	7024442.....	132	7024851.....	125	7026833.....	80, 88
7022143.....	107	7024443.....	132	7024853.....	33, 37	7026834.....	80
7022150.....	107	7024444....	132, 490, 492	7024861.....	33	7026835.....	80
7022155.....	107	7024445.....	132	7024862.....	33, 37	7026836.....	80
7022180.....	107	7024446.....	132	7024863.....	33	7026837.....	80
7022302.....	33, 37	7024453.....	69, 73	7024864.....	33	7026838.....	81
7022311.....	33, 37	7024454.....	73	7024865.....	33, 37	7026839.....	79, 80, 88
7022313.....	37	7024455.....	73	7024866.....	33	7026840.....	80
7022314.....	33, 37	7024456.....	73	7024867.....	33, 37	7026841.....	80
7022318.....	33	7024458.....	73	7024868.....	33	7026843.....	80
7022320.....	33	7024462.....	319	7024869.....	33	7026882.....	80
7022321.....	33	7024463.....	319	7024871.....	33, 37	7026888.....	80
7022326.....	34, 37	7024467.....	319	7024879.....	331	7027001.....	78, 93, 425
7022328.....	34, 37	7024469.....	319	7024881.....	497	7027002..	78, 86, 93, 104, 425, 444, 463
7022368.....	33, 37	7024470.....	319	7024892.....	39, 40	7027003	78, 93, 104, 111, 119, 425, 444, 463
7022370.....	33	7024471.....	319, 325	7026188....	197, 203, 207	7027004	78, 93, 424, 444, 463
7022371.....	34, 37	7024472.....	319	7026189.....	135	7027005.....	104, 424
7022372.....	33, 37	7024473.....	319	7026197.....	136, 139	7027006.....	104, 424
7022397.....	39	7024474.....	319	7026199...	175, 179, 183, 187	7027007.....	104, 425
7022399.....	39, 40	7024475.....	319	7026503.....	136, 139	7027015....	111, 119, 424, 444
7022808.....	277, 279	7024478.....	319	7026504.....	136, 139	7027016.....	111, 119
7022812.....	285	7024485....	197, 203, 207	7026505.....	136, 139	7027017....	111, 119, 425
7022814.....	277	7024488....	198, 203, 207	7026506.....	136, 139	7027028.....	86, 444, 463
7022815.....	277, 279	7024489....	198, 203, 207	7026507.....	136, 140	7027029.....	86, 444, 463
7022816.....	277	7024530.....	325	7026508.....	136	7027033.....	86, 444, 463
7022817.....	277	7024531.....	325	7026509.....	136, 140	7027236.....	99
7022818.....	277	7024532.....	325	7026608.....	99	7027239.....	99
7022819....	277, 279, 426, 445, 464	7024533.....	325	7026626....	197, 203, 207	7027246.....	98
7022822.....	285	7024534.....	325	7026631.....	98	7027276.....	99
7022823.....	285	7024535.....	325	7026800.....	80, 88	7027400.....	106
7022824.....	285	7024536.....	325	7026801.....	80, 88	7027402.....	107
7022825....	426, 445, 464	7024537.....	325	7026802.....	81, 88	7027404.....	106
7023038.....	375	7024560.....	96	7026803.....	81, 88	7027405.....	107
7023679.....	425	7024565.....	99	7026804.....	80, 88	7027409.....	107
7023681.....	106, 425	7024579.....	100	7026805.....	80, 88	7027410.....	107
7023682.....	106	7024598.....	163	7026806.....	81, 88	7027412.....	77, 85
7023683.....	106	7024704.....	72	7026807.....	81, 88	7027413.....	107
7023698.....	107	7024721.....	30	7026808.....	89	7027419.....	33, 37
7023699.....	107	7024722.....	29	7026809.....	81, 89	7027608.....	98
7023910.....	33, 37	7024723.....	30	7026810.....	81, 88	7027610.....	98
7023911.....	251, 252	7024724.....	29	7026811.....	79, 88, 492	7027740.....	37
7023912.....	252	7024725.....	29	7026812.....	80, 88	7027773.....	319
7023917.....	40	7024726.....	29	7026813.....	80, 88	7027774.....	319
7023933.....	39	7024727.....	29	7026814.....	81, 88	7027775.....	319
7023935.....	39, 40	7024728.....	29	7026815.....	81, 88	7027776.....	319
7023936.....	39, 40	7024729.....	29	7026816.....	81, 88	7027777.....	319
7023977.....	124	7024730.....	29	7026817.....	81, 88	7027778.....	319
7023979.....	125	7024731.....	29	7026818.....	81	7027779.....	319
7024100.....	65, 73	7024732.....	29	7026819.....	81, 88	7027780.....	319
7024124.....	29	7024733.....	29	7026820.....	80, 88	7027790.....	99
7024125.....	29	7024734.....	29	7026821.....	80, 88	7027791.....	99
7024127.....	29	7024735.....	29	7026822.....	80, 88	7027792.....	99
7024129.....	29	7024736.....	29	7026823.....	80	7027793....	99, 425, 444, 464
7024134.....	30	7024737.....	30	7026824.....	80	7027794.....	100, 425
7024379.....	69, 73	7024738.....	29	7026825.....	80	7027795.....	99, 492
7024380.....	69, 73	7024739.....	29	7026826.....	81, 89	7027796....	100, 425, 444, 463
7024381.....	69, 73	7024740.....	29	7026827.....	81, 89	7027799....	197, 203, 207
7024389.....	69	7024741.....	29	7026828.....	81, 89	7027887....	176, 180, 184, 187
7024390.....	69, 73	7024742.....	29	7026829.....	81, 89		
7024395.....	69	7024743.....	29	7026830.....	79, 88, 492		
7024396.....	73	7024744.....	29, 30	7026831.....	79, 88		
7024398.....	96	7024763.....	72				
7024404....	136, 139, 140	7024764.....	30				
7024439.....	132	7024765.....	30				
7024440.....	132	7024766.....	30				
		7024784.....	72				

PART NUMBER INDEX

7027965 113, 121, 492	80424002 72	8405009.....76, 85	88521205..... 78, 85, 111, 118
7027972 113, 121, 492	80434249 55	8405104.....76, 85	8896941 500
7027989 445	80934561 136, 139	8406009.....87	91083218..... 106, 492
7027991 445	8229242 443, 463	8406105.....87	9140128176, 85, 92, 110, 118
7027994 113	8303541 87	8406109.....88	91474405 56
77143013 .. 148, 151, 155	8310230 305	85941017.....93	
77363233 452, 467	83304150 69	8770157.....126	



3121206



An Oshkosh Corporation Company

Corporate Office
JLG Industries, Inc.
1 JLG Drive
McConnellsburg, PA 17233-9533 USA
☎ (717) 485-5161 (Corporate)
☎ (877) 554-5438 (Customer Support)
☎ (717) 485-6417

Visit our website for JLG Worldwide Locations.
www.jlg.com