



Illustrated Parts Manual

Models **1200SJP** **1350SJP**

Prior to SN 0300201016

3121208

October 31, 2018 - Rev AB

ANSI

CE



AS/NZS

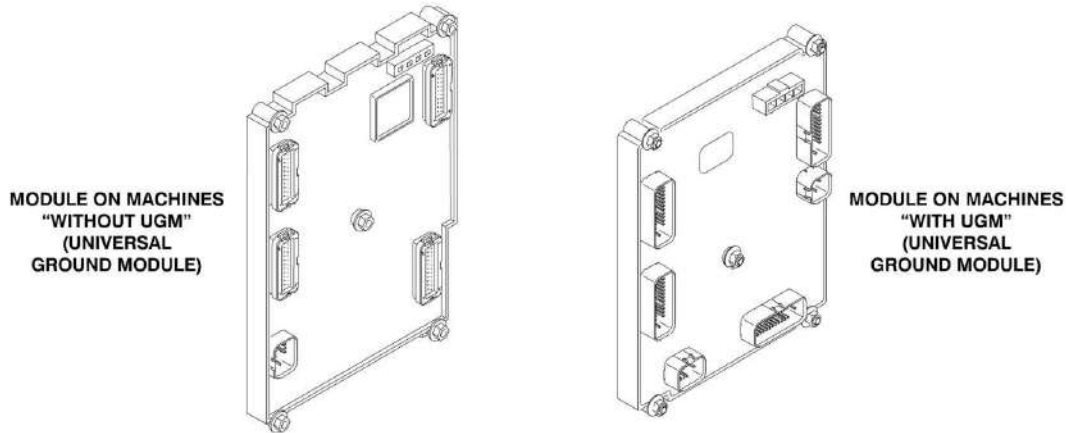


An Oshkosh Corporation Company

REVISION LOG

NOTE: 1200SJP /1350SJP Global Illustrated Parts Manual P/N 3121208 replaces both ANSI Illustrated Parts Manual P/N 3121143 and CE Illustrated Parts Manual P/N 3121845. Use P/N 3121208 as a replacement as it includes all past history.

GROUND MODULE MODULE IDENTIFICATION

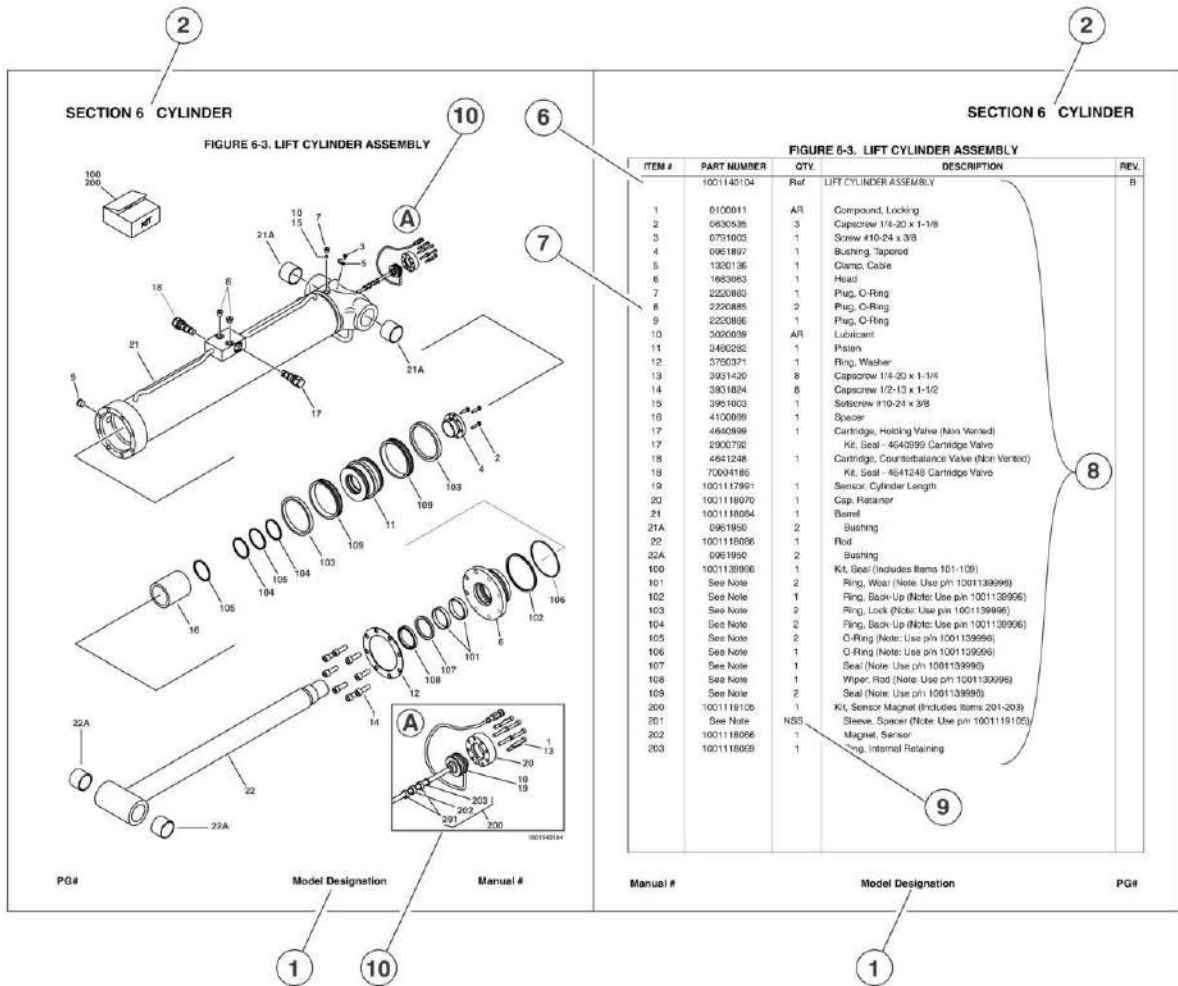


May 1, 2005 - A - Original Issue of Manual (Edited to B/M 0010582 Revision 24)
January 16, 2006 - B - Revised Manual (Edited to B/M 0010582 Revision 34)
May 15, 2006 - C - Revised Manual (Edited to B/M 0010582 Revision 37)
August 31, 2006 - D - Revised Manual (Edited to B/M 0010582 Revision 38)
December 31, 2006 - E - Revised Manual (Edited to B/M 0010582 Revision 39)
April 15, 2007 - F - Revised Manual (Edited to B/M 0010582 Revision 44)
August 15, 2007 - G - Revised Manual (Edited to B/M 0010582 Revision 47)
December 15, 2007 - H - Revised Manual (Edited to B/M 0010582 Revision 49)
June 15, 2008 - I - Revised Manual (Edited to B/M 0010582 Revision 53)
January 15, 2009 - J - Revised Manual (Edited to B/M 0010582 Revision 68)
May 15, 2009 - K - Revised Manual (Edited to B/M 0010582 Revision 68)
December 15, 2009 - L - Revised Manual (Edited to B/M 0010582 Revision 68)
June 15, 2010 - M - Revised Manual (Edited to B/M 0010582 Revision 71)
March 11, 2011 - N - Revised Manual (Edited to B/M 0010582 Revision 90)
June 8, 2011 - O - Revised Manual (Edited to B/M 0010582 Revision 91)
September 20, 2011 - P - Revised Manual (Edited to B/M 0010582 Revision 96)
January 20, 2012 - Q - Revised Manual (Edited to B/M 0010582 Revision C)
June 20, 2012 - R - Revised Manual (Edited to B/M 0010582 Revision C)
August 15, 2012 - S - Revised Manual (Edited to B/M 0010582 Revision C)
December 15, 2012 - T - Revised Manual (Edited to B/M 0010582 Revision C)
April 10, 2013 - U - Revised Manual (Edited to B/M 0010582 Revision C)

REVISION LOG

July 10, 2013 - V - Revised Manual (Edited to B/M 0010582 Revision C)
October 7, 2013 - W - Revised Manual (Edited to B/M 0010582 Revision C)
January 14, 2014 - X - Revised Manual (Edited to B/M 0010582 Revision AF & 1001160100 Revision D)
November 1, 2014 - Y - Revised Manual (Edited to B/M 1001160100 Rev E)
February 15, 2016 - Z - Revised Manual (Edited to B/M 1001160100 Rev T)
June 30, 2016 - AA - Revised Manual (Edited to B/M 1001160100 Rev T)
October 31, 2018 - AB - Revised Manual

GENERAL INFORMATION



1) MACHINE IDENTIFICATION

Machines are identified by model and in some cases a combination of models, serial number (SN) or regional standard (i.e ANS, CE, CSA). Components may also be identified by SN or manufacturer. common components that may be identified by these characteristics are engines and hydraulic components.

2) PARTS MANUAL ORGANIZATION

Product information in this manual is organized under section titles. Frame, Cylinder, Hydraulic and Electrical are a few examples. Each section is organized by figure and page number. The information within the Figure is then organized by item number, part number, description and corresponding illustration (s).

3) TABLE OF CONTENTS

A table of contents is found toward the beginning of the manual. Figure number, description and page number are provided for quick reference to the page containing the related information.

4) RECOMMENDED SPARE PARTS

The Recommended Spare Parts, located near the end of the manual, reference most frequently used maintenance parts.

5) PART NUMBER INDEX

A numerical index listing all part numbers and the corresponding page number(s) appears at the back of the manual.

GENERAL INFORMATION

6) NON-SERVICED PARTS

In some instances, it is necessary to display non-serviced parts, assemblies or installations. In the case of assemblies and installations there will be a Ref in the Qty column. In case of parts that are not available for service within assemblies or components, there will be a NSS (Not Sold Separately) or NLA (No Longer Available) listed in the Qty. column of the manual.

7) PARTS LIST ITEM NUMBERS

Numbers shown in the item# column correspond to numbers used in the associated illustration (s). Item numbers which are missing from the sequence in the parts list are not used on that page

8) INDENTED PARTS DESCRIPTION

An indented part description is included in the item under which it is indented.

9) ABB REVIATION AND SYMBOLS

AC.....	.. Alternating Current	LCD Liquid Crystal Display
ADE.....	..Advanced Design Electronics	LED Light Emitting Diodes
ANSIAmerican National Standards Institute	LH.....	.. Left Hand
AR.....	..As Required	LSSLoad Sensing System
ASSY Assembly	M(m).....	.. Metric/Meter
AUX.....	..A uxiliary	MM (mm).....	..Milimeter
AWG.....	..American Wire Gauge	mA.....	.. Milliamps
B/M.....	.. Bill of Material	NLA.....	..No Longer Available
CE.....	..European Conformity	NPT National Pipe Threads
CCWCounter Clockwise	NSSNot Sold Separately
cm.....	.. Centimeter	OD.....	..Outside Diameter
CWClockwise	ORB.....	.. O-Ring Boss
CSA.....	..Canadian Standards Association	ORFS O-Ring Face Seal
CYL.....	..Cylinder	OZ (oz).....	..Ounces
DIA.....	..Diameter	PG Page
DC.....	..Direct Current	P/N.....	..Part Number
EMS Emergency Stop	qt.....	..Quarts
ENGEngine	QTY.....	..Quantity
FT (ft).....	.. Feet	REFReference
GA(Ga).....	.. Gauge	REVRevision Level
HYDHydraulic	RH.....	.. Right Hand
Hz.....	.. Hertz	SAE.....	.. Society of Automotive Engineers
ID.....	..Inside Diameter	SN.....	..Serial Number
in.....	..Inches	SPEC(S).....	..Specifications
ISO.....	..International Organization for Standards	T/T.....	..Turntable
JIC.....	..Joint Industry Council	UGMUniversal Ground Module
KG.....	..Kilogram	V.....	..Volts
L.....	..Liter	W.....	..Watts
LB.....	..Pounds	#.....	..Number

10) ILLUSTRATION REFERENCE LETTERS

When necessary, illustrations may contain reference letters that are intended to track information (i. e. hoses, harnesses) from one point to another or to track visual enlargement of components to show details that may be located in another area on the illustration.

Note: Due to continuous product improvements, JLG Industries, Inc. reserves the right to make specification changes without prior notification. Contact JLG Industries, Inc. for updated information.

TABLE OF CONTENTS

SECTION 1 - FRAME.....	11
FIGURE 1-1. AXLE INSTALLATIONS	12
FIGURE 1-2. STEER INSTALLATION.....	16
FIGURE 1-3. TIRE AND WHEEL DRIVE INSTALLATION	20
FIGURE 1-4. DRIVE HUB ASSEMBLY (Prior to SN 0300079596)	24
FIGURE 1-5. DRIVE MOTOR ASSEMBLY (Prior to SN 0300079596).....	28
FIGURE 1-6. DRIVE HUB AND MOTOR ASSEMBLY (SN 0300079596 through 0300083552)	30
FIGURE 1-7. DRIVE HUB AND MOTOR ASSEMBLY (SN 0300083552 through 0300100131)	36
FIGURE 1-8. DRIVE HUB ASSEMBLY - BONFIGLIOLI (SN 0300100131 through 0300201016)	42
FIGURE 1-9. DRIVE HUB ASSEMBLY - REGGIANA RIDUTTORI (SN 0300100131 through 0300201016).....	46
FIGURE 1-10. DRIVE MOTOR ASSEMBLY (SN 0300100131 through 0300201016)	50
FIGURE 1-11. FRAME VALVES AND COVERS INSTALLATION	52
FIGURE 1-12. TRACTION VALVE ASSEMBLY (Prior to SN 0300072337)	56
FIGURE 1-13. TRACTION VALVE ASSEMBLY (SN 0300072337 through 0300100130).....	58
FIGURE 1-14. TRACTION VALVE ASSEMBLY (SN 0300100131 through 0300201016).....	60
SECTION 2 - TURNTABLE	63
FIGURE 2-1. VALVE, BATTERY, HORN AND AUXILIARY PUMP INSTALLATIONS	64
FIGURE 2-2. MAIN VALVE ASSEMBLY	68
FIGURE 2-3. TURNTABLE SWING DRIVE AND BEARING INSTALLATION.....	72
FIGURE 2-4. SWING MOTOR/HUB ASSEMBLY.....	74
FIGURE 2-5. CATERPILLAR DIESEL ENGINE INSTALLATION.....	80
FIGURE 2-6. DEUTZ BF4M2011 TIER I, TIER II AND TD2011TIER III ENGINE INSTALLATION	88
FIGURE 2-7. DEUTZ TD2011 TIER IVI-FLEX AND TIER IVI-PRE ENGINE INSTALLATION	98
FIGURE 2-8. DEUTZ TCD2.9L4 ENGINE INSTALLATION.....	106
FIGURE 2-9. PUMP ASSEMBLY (REXROTH) (CATERPILLAR ENGINE MACHINES)	118
FIGURE 2-10. PUMP ASSEMBLY (REXROTH) (DEUTZ ENGINE MACHINES).....	124
FIGURE 2-11. PUMP ASSEMBLY (SAUER TANDEM).....	130
FIGURE 2-12. PUMP ASSEMBLY (SAUER PISTON) (Prior to SN 0300200352).....	134
FIGURE 2-13. PUMP ASSEMBLY (SAUER PISTON) (SN 0300200352 through 0300201016)	138
FIGURE 2-14. PUMP ASSEMBLY (SAUER GEAR).....	142
FIGURE 2-15. TANK INSTALLATION	144
FIGURE 2-16. ROTARY COUPLING AND COLLECTOR RING INSTALLATION.....	148
FIGURE 2-17. HYDRAULIC OIL COOLER INSTALLATION - CATERPILLAR AND DEUTZ BF4M2011 AND TD2011 ENGINES (OPTIONAL)	152
FIGURE 2-18. HYDRAULIC OIL COOLER INSTALLATION - DEUTZ TCD2.9L4 ENGINES (OPTIONAL)	154
FIGURE 2-19. GROUND CONTROLS INSTALLATION (WITHOUT UGM)	156
FIGURE 2-20. GROUND CONTROLS INSTALLATION (WITH UGM)	160
FIGURE 2-21. ACCESSORIES INSTALLATION.....	164
FIGURE 2-22. ENGINE TRAY JACK INSTALLATION	168
FIGURE 2-23. HOOD INSTALLATION (ABS)	172
FIGURE 2-24. HOOD INSTALLATION (Prior to SN 0300195072)	178
FIGURE 2-25. HOOD INSTALLATION (SN 0300195072 through 0300201016).....	184
FIGURE 2-26. 2500W GENERATOR INSTALLATION - CATERPILLAR MACHINES (OPTIONAL).....	188
FIGURE 2-27. 2500W GENERATOR INSTALLATION - DEUTZ MACHINES (OPTIONAL)	192
FIGURE 2-28. 4000W GENERATOR INSTALLATION - DEUTZ MACHINES.....	196
FIGURE 2-29. 7500W SKYPOWER GENERATOR INSTALLATION - CATERPILLAR MACHINES.....	200
FIGURE 2-30. 7500W SKYPOWER GENERATOR INSTALLATION - DEUTZ MACHINES (HYDRAULICALLY DRIVEN) (Prior to SN 0300080338).....	206
FIGURE 2-31. 7500W SKYPOWER GENERATOR INSTALLATION - DEUTZ MACHINES (BELT DRIVEN) (SN 0300080338 through 0300201016)	212
FIGURE 2-32. CLEARSKY TELEMATICS INSTALLATION (WITHOUT UGM) (OPTIONAL)	220
FIGURE 2-33. CLEARSKY TELEMATICS INSTALLATION (WITH UGM) (OPTIONAL).....	224
SECTION 3 - BOOM	227
FIGURE 3-1. BOOM INSTALLATION.....	228
FIGURE 3-2. BOOM ASSEMBLY.....	230
FIGURE 3-3. ACTUATOR ASSEMBLIES.....	240
FIGURE 3-4. POWER TRACK INSTALLATION	244
FIGURE 3-5. BOOM SENSORS AND SWITCHES INSTALLATION.....	250
FIGURE 3-6. PLATFORM SUPPORT AND CONTROL VALVES INSTALLATIONS.....	254
SECTION 4 - PLATFORM.....	257

TABLE OF CONTENTS

FIGURE 4-1. PLATFORM COMPONENTS INSTALLATION	258
FIGURE 4-2. PLATFORM COMPONENTS INSTALLATION (FALL ARREST PLATFORM)	262
FIGURE 4-3. PLATFORM CONSOLE ASSEMBLY	264
FIGURE 4-4. CONTROLLER ASSEMBLY (LIFT AND SWING)	270
FIGURE 4-5. CONTROLLER ASSEMBLY (LIFT AND SWING) (SN 0300188513 through 0300201016)	274
FIGURE 4-6. CONTROLLER ASSEMBLY (DRIVE AND STEER)	278
FIGURE 4-7. CONTROLLER ASSEMBLY (DRIVE AND STEER) (SN 0300188513 through 0300201016)	282
FIGURE 4-8. SKYCUTTER INSTALLATION	284
FIGURE 4-9. SKYGLAZIER INSTALLATION (ANSI AND CSA SPECS)	286
FIGURE 4-10. SKYGLAZIER INSTALLATION (AUSTRALIAN SPECS)	288
FIGURE 4-11. SKYGLAZIER INSTALLATION (BRAZIL SPECS)	290
FIGURE 4-12. SKYGLAZIER INSTALLATION (FINNISH SPECS)	292
FIGURE 4-13. SKYGLAZIER INSTALLATION (FRENCH SPECS)	294
FIGURE 4-14. SKYGLAZIER INSTALLATION (GERMAN SPECS)	296
FIGURE 4-15. SKYGLAZIER INSTALLATION (ITALIAN SPECS)	298
FIGURE 4-16. SKYGLAZIER INSTALLATION (LATIN AMERICAN SPECS)	300
FIGURE 4-17. SKYGLAZIER INSTALLATION (PORTUGUESE SPECS)	302
FIGURE 4-18. SKYGLAZIER INSTALLATION (SPANISH SPECS)	304
FIGURE 4-19. SKYGLAZIER INSTALLATION (SWEDISH SPECS)	306
FIGURE 4-20. SKYGLAZIER INSTALLATION (UK SPECS)	308
FIGURE 4-21. SKYWELDER/SKYCUTTER COMBO INSTALLATION (60HZ)	310
FIGURE 4-22. SKYWELDER INSTALLATION (50HZ)	314
FIGURE 4-23. SKYWELDER INSTALLATION (60HZ)	316
FIGURE 4-24. SKYWELDER PREP PACKAGE (60HZ)	318
FIGURE 4-25. WELDER ASSEMBLY	320
FIGURE 4-26. SOFT TOUCH SYSTEM INSTALLATION (OPTIONAL)	322
SECTION 5 - CYLINDER	325
FIGURE 5-1. AXLE EXTENSION CYLINDER ASSEMBLY (ORIGINAL EQUIPMENT)	326
FIGURE 5-2. AXLE EXTENSION CYLINDER ASSEMBLY (SERVICE REPLACEMENT)	328
FIGURE 5-3. AXLE LOCKOUT CYLINDER ASSEMBLY (ORIGINAL EQUIPMENT)	330
FIGURE 5-4. AXLE LOCKOUT CYLINDER ASSEMBLY (SERVICE REPLACEMENT)	332
FIGURE 5-5. PLATFORM LEVEL CYLINDER ASSEMBLY (ORIGINAL EQUIPMENT)	334
FIGURE 5-6. PLATFORM LEVEL CYLINDER ASSEMBLY - WITHOUT COLD WEATHER PLUS PACKAGE (SERVICE REPLACEMENT)	336
FIGURE 5-7. PLATFORM LEVEL CYLINDER ASSEMBLY - WITH COLD WEATHER PLUS PACKAGE (SERVICE REPLACEMENT)	338
FIGURE 5-8. LIFT CYLINDER ASSEMBLY (ORIGINAL EQUIPMENT)	340
FIGURE 5-9. LIFT CYLINDER ASSEMBLY (SERVICE REPLACEMENT)	342
FIGURE 5-10. JIB CYLINDER ASSEMBLY (ORIGINAL EQUIPMENT)	344
FIGURE 5-11. JIB CYLINDER ASSEMBLY (SERVICE REPLACEMENT)	346
FIGURE 5-12. STEER CYLINDER ASSEMBLY (ORIGINAL EQUIPMENT) (Prior to SN 0300073367)	348
FIGURE 5-13. STEER CYLINDER ASSEMBLY (SERVICE REPLACEMENT) (SN 0300073367 through 0300201016)	350
FIGURE 5-14. STEER CYLINDER ASSEMBLY (SERVICE REPLACEMENT)	352
FIGURE 5-15. TELESCOPE CYLINDER ASSEMBLY (ORIGINAL EQUIPMENT)	354
FIGURE 5-16. TELESCOPE CYLINDER ASSEMBLY - 1200SJP (SERVICE REPLACEMENT)	358
FIGURE 5-17. TELESCOPE CYLINDER ASSEMBLY - 1350SJP (SERVICE REPLACEMENT)	360
SECTION 6 - HYDRAULIC	363
FIGURE 6-1. HYDRAULIC DIAGRAM - DRIVE	364
FIGURE 6-2. HYDRAULIC DIAGRAM - OSCILLATING AXLE	368
FIGURE 6-3. HYDRAULIC DIAGRAM - STEER	370
FIGURE 6-4. HYDRAULIC DIAGRAM - TURNTABLE	372
FIGURE 6-5. HYDRAULIC DIAGRAM - BOOM	376
FIGURE 6-6. HYDRAULIC DIAGRAM - 7500W GENERATOR (Prior to SN 0300080338)	380
FIGURE 6-7. HYDRAULIC DIAGRAM LIST	382
SECTION 7 - ELECTRICAL	387
FIGURE 7-1. ELECTRICAL DIAGRAM LIST	388
FIGURE 7-2. HARNESS COMPONENTS INSTALLATION (WITHOUT UGM) (Prior to SN 0300087579)	390
FIGURE 7-3. HARNESS COMPONENTS INSTALLATION (WITHOUT UGM) (SN 0300087579 through 0300201016)	406
FIGURE 7-4. HARNESS COMPONENTS INSTALLATION (WITH UGM)	426
FIGURE 7-5. HARNESS COMPONENTS INSTALLATION (WITH UGM)	446

TABLE OF CONTENTS

SECTION 8 - DECALS.....	465
FIGURE 8-1. DECAL INSTALLATION (ANSI SPEC) (Prior to SN 0300089981)	466
FIGURE 8-2. DECAL INSTALLATION (ANSI SPEC) (SN 0300089981 through 0300201016)	470
FIGURE 8-3. DECAL INSTALLATION (ANSI EXPORT SPECS) (Prior to SN 0300089981)	474
FIGURE 8-4. DECAL INSTALLATION (ANSI EXPORT SPECS) (SN 0300089981 through 0300201016)	478
FIGURE 8-5. DECAL INSTALLATION (AUSTRALIAN AND CE SPECS) (Prior to SN 0300089981)	484
FIGURE 8-6. DECAL INSTALLATION (AUSTRALIAN AND CE SPECS) (SN 0300089981 through 0300201016)	490
SECTION 9 - RECOMMENDED SERVICE PARTS STOCK	493
FIGURE 9-1. MODEL 1200SJP/1350SJP STANDARD PARTS.....	494
FIGURE 9-2. MODEL 1200SJP/1350SJP VARIABLE PARTS.....	496
SECTION 10 - SPECIAL OPTIONS.....	497
FIGURE 10-1. SPECIAL OPTIONS.....	498
PART NUMBER INDEX	503

SECTION 1 - FRAME

SECTION 1 - FRAME

FIGURE 1-1. AXLE INSTALLATIONS

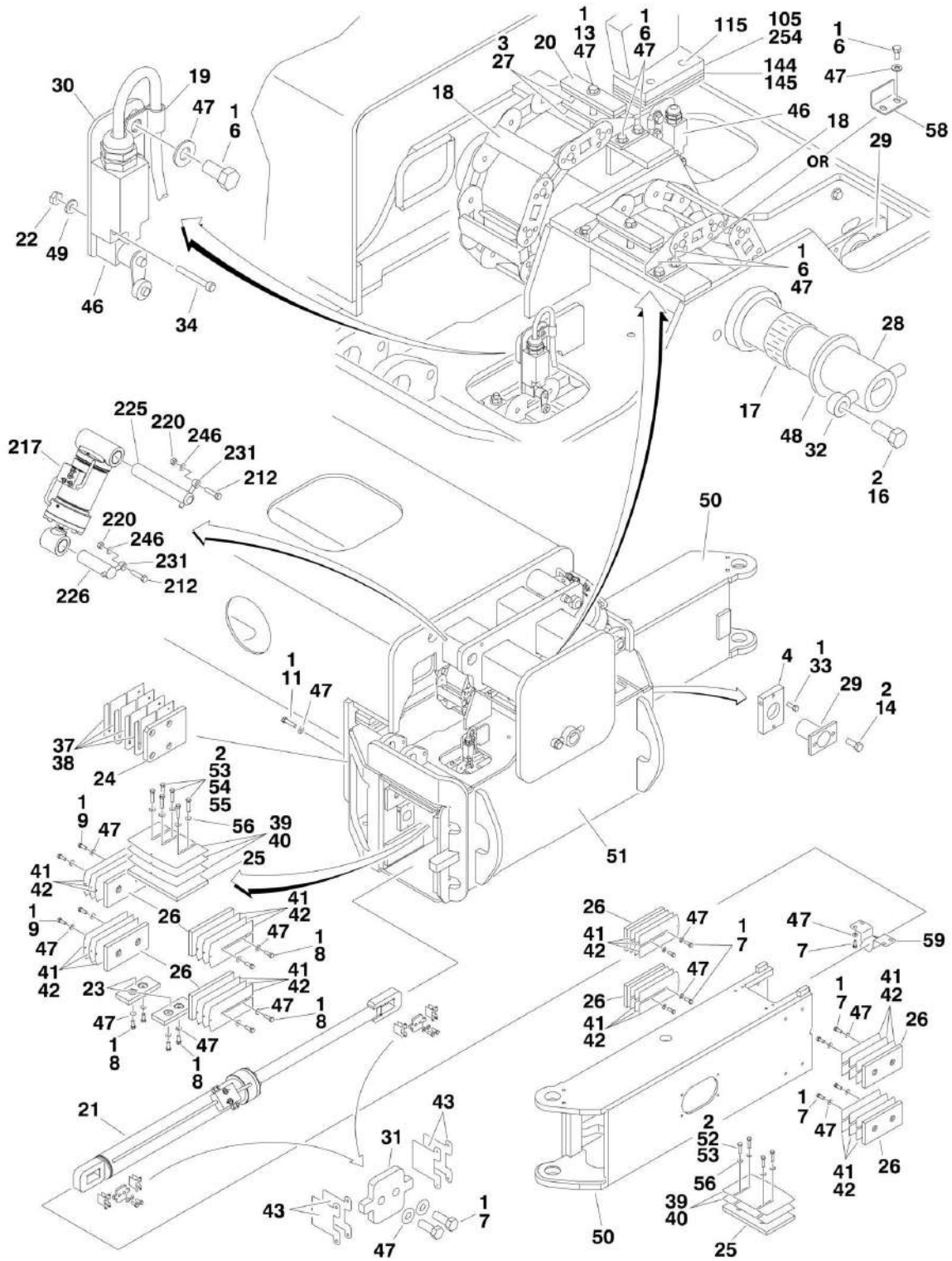


FIGURE 1-1. AXLE INSTALLATIONS

ITEM	PART NUMBER	QTY	DESCRIPTION	REV
		Ref	AXLE INSTALLATIONS - COMMON PARTS	
	0271934	Ref	Fixed Axle (Prior to SN 0300195072)	L
	1001173914	Ref	Fixed Axle (SN 0300195072 through 0300196321)	D
	0271934	Ref	Fixed Axle (SN 0300196322 through 0300201016)	L
	0271521	Ref	Oscillating Axle (Prior to SN 0300195072)	L
	1001173913	Ref	Oscillating Axle (SN 0300195072 through 0300196321)	D
	0271521	Ref	Oscillating Axle (SN 0300196322 through 0300201016)	L
1	0100011	AR	Compound, Locking	
2	0100019	AR	Compound, Locking	
3	0100081	AR	Adhesive #454	
4	0363037	4	Bar, Stop	
6	0641606	AR	Bolt 3/8in-16NC x 3/4in	
7	0641608	48	Bolt 3/8in-16NC x 1in	
8	0641609	32	Bolt 3/8in-16NC x 1-1/8in	
9	0641611	16	Bolt 3/8in-16NC x 1-3/8in	
11	0641613	8	Bolt 3/8in-16NC x 1-5/8in	
13	0641624	4	Bolt 3/8in-16NC x 3in	
13	0641620	4	Bolt 3/8in-16NC x 2-1/2in	
14	0641808	8	Bolt 1/2in-13NC x 1in	
16	0642214	1	Bolt 3/4in-10NC x 1-3/4in	
17	0962033	2	Bushing	
18	1180358	4	Carrier (Prior to SN 0300195072, SN 0300196322 through 0300201016)	
18	7024365	AR	Section Repair Kit (Includes Inner and Outer Links, Joining Bars and Rollers, and Assembling Hardware) (Prior to SN 0300195072, SN 0300196322 through 0300201016)	
18	7024366	1	Mounting Bracket Kit (Includes Mounting Brackets for Both Ends, 1 Roller Assembly and Assembling Hardware) (Prior to SN 0300195072, SN 0300196322 through 0300201016)	
19	1320263	4	Clamp, Cable	
20	1320298	4	Clamp, Hose	
21	1684102	NLA	Axle Extension Cylinder Assembly (Use p/n 1001228020) (See CYLINDER SECTION for Breakdown) (Original Equipment)	
21	1001228020	4	Axle Extension Cylinder Assembly (See Separate Breakdown in CYLINDER SECTION) (Service Replacement)	
22	3310805	8	Locknut #8-32NC	
23	3340881	8	Pad, Wear	
24	3340907	2	Pad, Axle (Use p/n 1001161401)	
25	3340946	8	Pad, Wear (Use p/n 1001161402)	
26	3340932	32	Pad, Wear (Use p/n 1001161403)	
27	3340939	8	Pad, Rubber	
28	3422918	1	Pin	
29	3422960	4	Pin	
30	3573294	4	Plate	
31	3573335	8	Plate	
32	3841287	1	Keeper, Pin	
33	3900270	4	Bolt, Shoulder 1/2in -13NC x 1-1/2in	
34	3930820	8	Capscrew #8-32NC x 1-1/4in	
37	4071035	2	Shim #18 Gauge	
38	4071036	4	Shim #11 Gauge	
39	4071054	8	Shim #18 Gauge	

SECTION 1 - FRAME

ITEM	PART NUMBER	QTY	DESCRIPTION	REV
40	4071055	12	Shim #11 Gauge	
41	4071039	AR	Shim #18 Gauge	
42	4071040	36	Shim #11 Gauge	
43	4071042	24	Shim #16 Gauge	
46		Ref	Switch, Limit Options:	
46	4360322	4	Switch, Limit (Use p/n 4360578) (Prior to SN 0300074420)	
46	4360549	4	Switch, Limit (Use p/n 4360578) (SN 0300074420 through 0300080868)	
46	4360578	4	Switch, Limit (Note: P/N 4360578 does not include #57 Connector - Purchase Separately) (SN 0300080869 through 0300201016)	
47	4711600	140	Flatwasher 3/8in Thin	
48	4740461	1	Thrustwasher	
49	4750800	8	Flatwasher #8 Regular	
50	4846637	4	Extension, Axle	
51	4846383	1	Box, Axle Pivot	
52	0681813	12	Bolt 1/2in-13NC x 1-5/8in (Grade 8)	
53	0681814	18	Bolt 1/2in-13NC x 1-3/4in (Grade 8)	
54	0681815	12	Bolt 1/2in-13NC x 1-7/8in (Grade 8)	
55	0681816	6	Bolt 1/2in-13NC x 2in (Grade 8)	
56	4711800	48	Flatwasher 1/2in Thin	
57	4460968	4	Connector, Strain Relief (Not Shown)	
58	1001172319	8	Plate (SN 0300195072 through 0300196321)	
59	1001175069	4	Bracket, Hose Mount (SN 0300195072 through 0300196321)	
60	4240155	AR	Tie-Strap (Not Shown) (SN 0300195072 through 0300196321)	
		Ref	AXLE INSTALLATION - OPTIONAL PARTS	
	0271934	Ref	Fixed Axle (Prior to SN 0300195072)	L
	1001173914	Ref	Fixed Axle (SN 0300195072 through 0300196321)	D
	0271934	Ref	Fixed Axle (SN 0300196322 through 0300201016)	L
105	0363076	2	Bar, Stop	
115	0641814	4	Bolt 1/2in-13NC x 1-3/4in	
144	4071049	6	Shim 11 Gauge	
145	4071050	4	Shim 16 Gauge	
	0271521	Ref	Oscillating Axle (Prior to SN 0300195072)	L
	1001173913	Ref	Oscillating Axle (SN 0300195072 through 0300196321)	D
	0271521	Ref	Oscillating Axle (SN 0300196322 through 0300201016)	L
212	0642020	4	Bolt 5/8in-11NC x 2-1/2in	
217	1684081	NLA	Oscillating Axle Cylinder Assembly (Use p/n 1001228019) (See CYLINDER SECTION for Breakdown) (Original Equipment)	
217	1001228019	2	Oscillating Axle Cylinder Assembly (See Separate Breakdown in CYLINDER SECTION) (Service Replacement)	
220	3312005	4	Locknut 5/8in-11NC	
225	3422833	2	Pin	
226	3422915	2	Pin	
231	3841258	4	Keeper, Pin	
246	4712000	4	Flatwasher 5/8in Thin	
254	3520054	4	Plug	

SECTION 1 - FRAME

FIGURE 1-2. STEER INSTALLATION

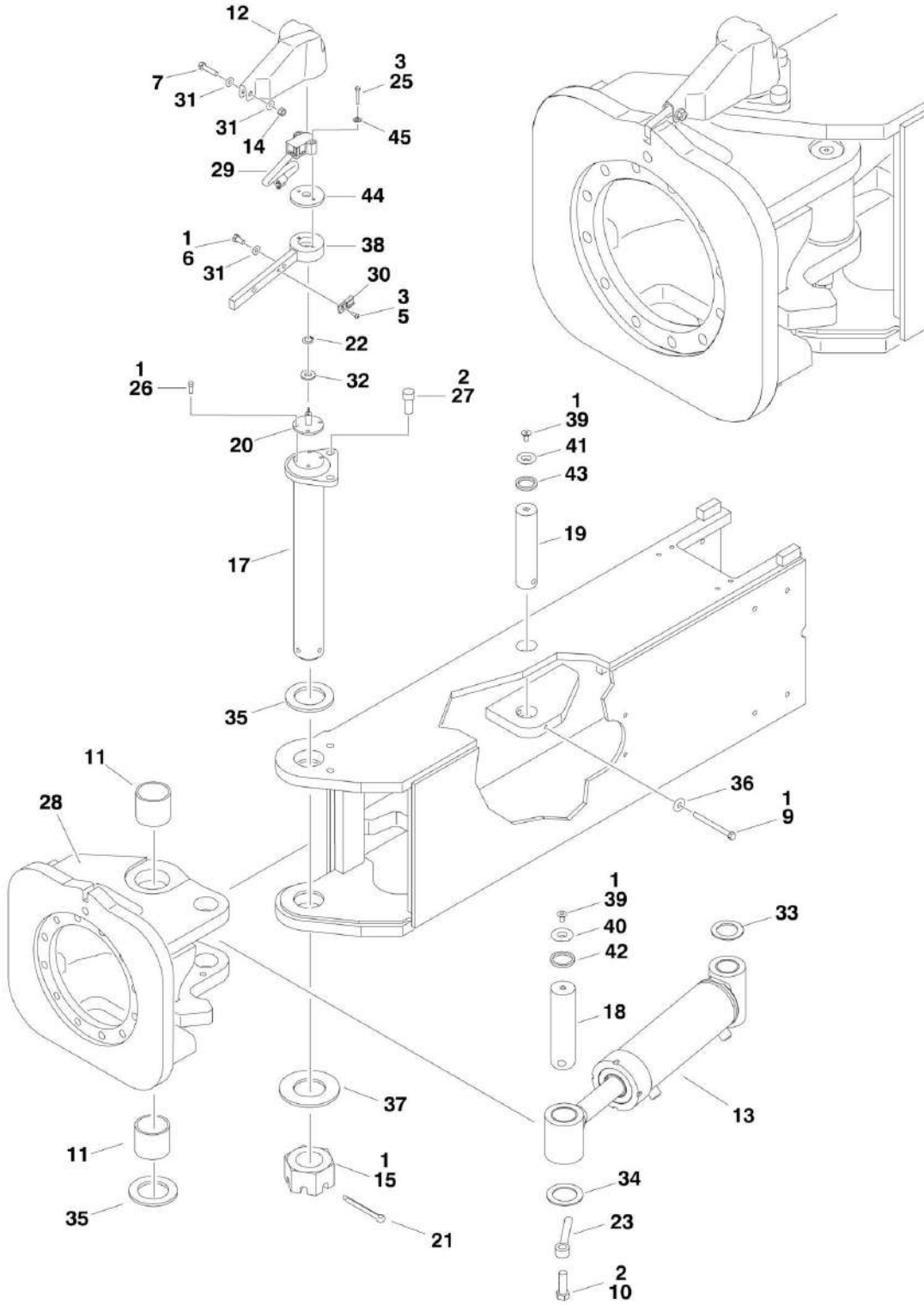


FIGURE 1-2. STEER INSTALLATION

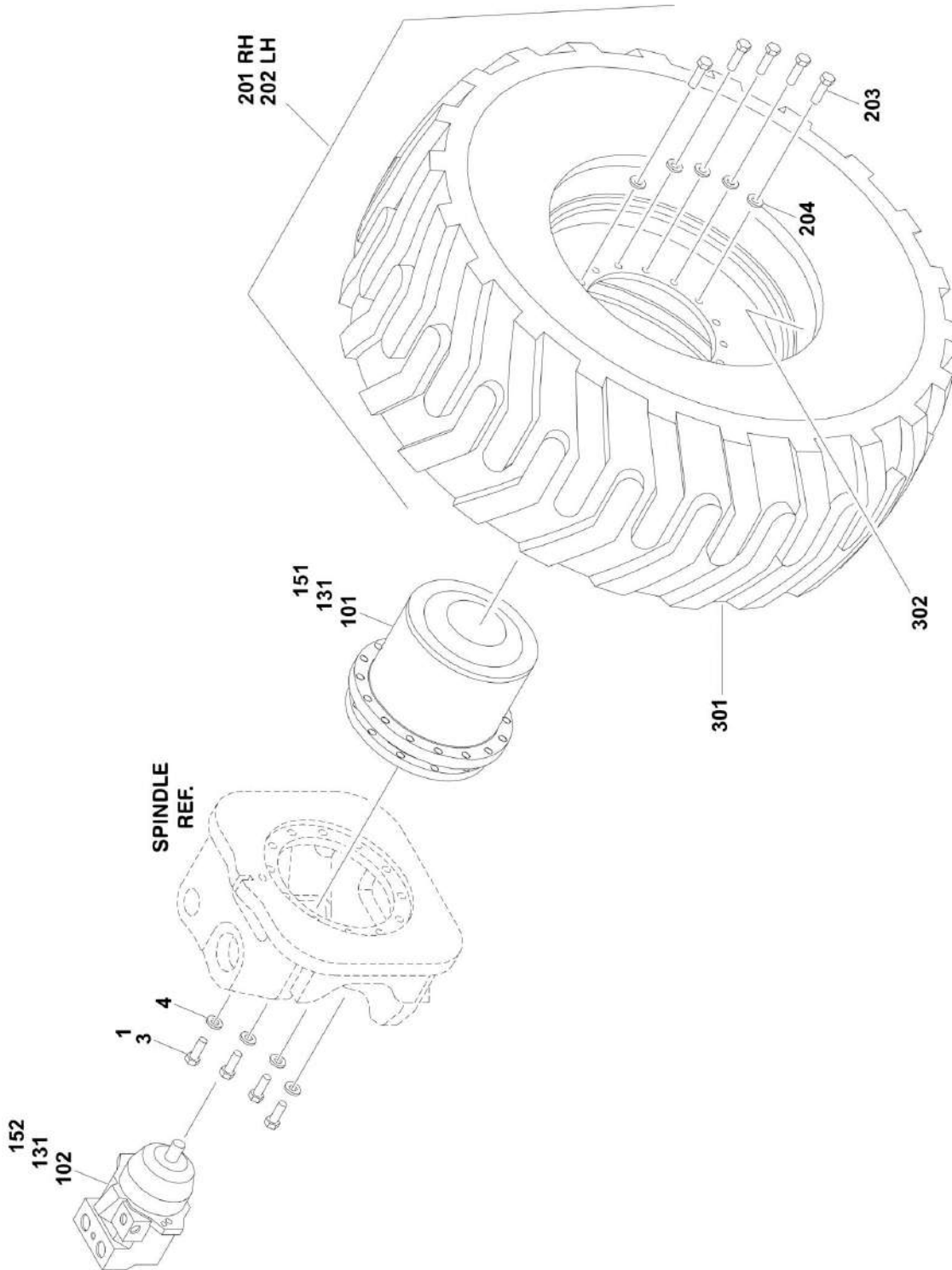
ITEM	PART NUMBER	QTY	DESCRIPTION	REV
	0271520	Ref	STEER INSTALLATION	J
1	0100011	AR	Compound, Locking	
2	0100019	AR	Compound, Locking	
3	0100035	AR	Compound, Locking	
5	0630464	4	Screw, Button Head #10-24NC x 1/2in	
6	0641505	4	Bolt 5/16in-18NC x 5/8in	
7	0641511	4	Bolt 5/16in-18NC x 1-3/8in	
9	0641634	4	Bolt 3/8in-16NC x 4-1/4in	
10	0642016	4	Bolt 5/8in-11NC x 2in	
11	0962423	8	Bushing	
12	1671040	4	Cover, Sensor	
13		Ref	Steer Cylinder Assembly Options (See CYLINDER SECTION for Breakdown):	
13	0000168	NLA	Steer Cylinder Assembly (Use p/n 1001228026) (Original Equipment) (Prior to SN 0300073367)	
13	1684314	NLA	Steer Cylinder Assembly (Use p/n 1001228026) (Service Replacement) (SN 0300073367 through 0300201016)	
13	1001228026	4	Steer Cylinder Assembly (Service Replacement)	
14	3311505	4	Locknut 5/16in-18NC	
15	3300464	4	Nut, Slotted	
17	3422917	4	Kingpin	
18	3422940	4	Pin, Steer Cylinder (Outer)	
19	3422941	4	Pin, Steer Cylinder (Inner)	
20		Ref	Pin, Sensor Options:	
20	3422942	4	Pin, Sensor (Prior to SN 0300090782)	
20	3423256	4	Pin, Sensor (SN 0300090782 through 0300201016)	
21	3451214	4	Pin, Cotter 3/8in x 3-1/2in	
22	3760383	4	Ring, Retaining	
23	3841258	4	Keeper, Pin	
25	3931020	8	Capscrew #10-24NC x 1-1/4in	
26	3931412	16	Capscrew 1/4in-20NC x 3/4in	
27	3932024	8	Capscrew 5/8in-11NC x 1-1/2in	
28		Ref	Spindle Options:	
28	4130387	4	Spindle (Use p/n 1001099632) (Prior to SN 0300100131)	
28	4130416	4	Spindle (Use p/n 1001099632) (SN 0300100131 through 0300201016)	
29	4360505	4	Switch, Rotary Angle Sensor (Steer)	
30	4460914	4	Terminal	
31	4711500	12	Flatwasher 5/16in Thin	
32	4711800	4	Flatwasher 1/2in Thin	
33	4740181	4	Thrustwasher	
34	4740229	4	Thrustwasher	
35	4740505	8	Thrustwasher	
36	4751600	4	Flatwasher 3/8in Regular	
37	4755000	4	Flatwasher 2-1/2in Regular	
38		Ref	Arm, Steer Options:	
38	4846494	4	Arm, Steer (Prior to SN 0300090782)	
38	0200833	4	Arm, Steer (SN 0300090782 through 0300201016)	
39	0741606	8	Screw, Countersunk 3/8in-16NC x 3/4in	
40	1120549	4	Cap, Seal (Outer)	

SECTION 1 - FRAME

ITEM	PART NUMBER	QTY	DESCRIPTION	REV
41	1120550	4	Cap, Seal (Inner)	
42	3960551	4	Seal (Outer)	
43	3960552	4	Seal (Inner)	
44	0080277	4	Adapter, Angle Sensor Pilot (SN 0300090782 through 0300201016)	
45	4750800	8	Flatwasher M8	

SECTION 1 - FRAME

FIGURE 1-3. TIRE AND WHEEL DRIVE INSTALLATION



SECTION 1 - FRAME

FIGURE 1-3. TIRE AND WHEEL DRIVE INSTALLATION

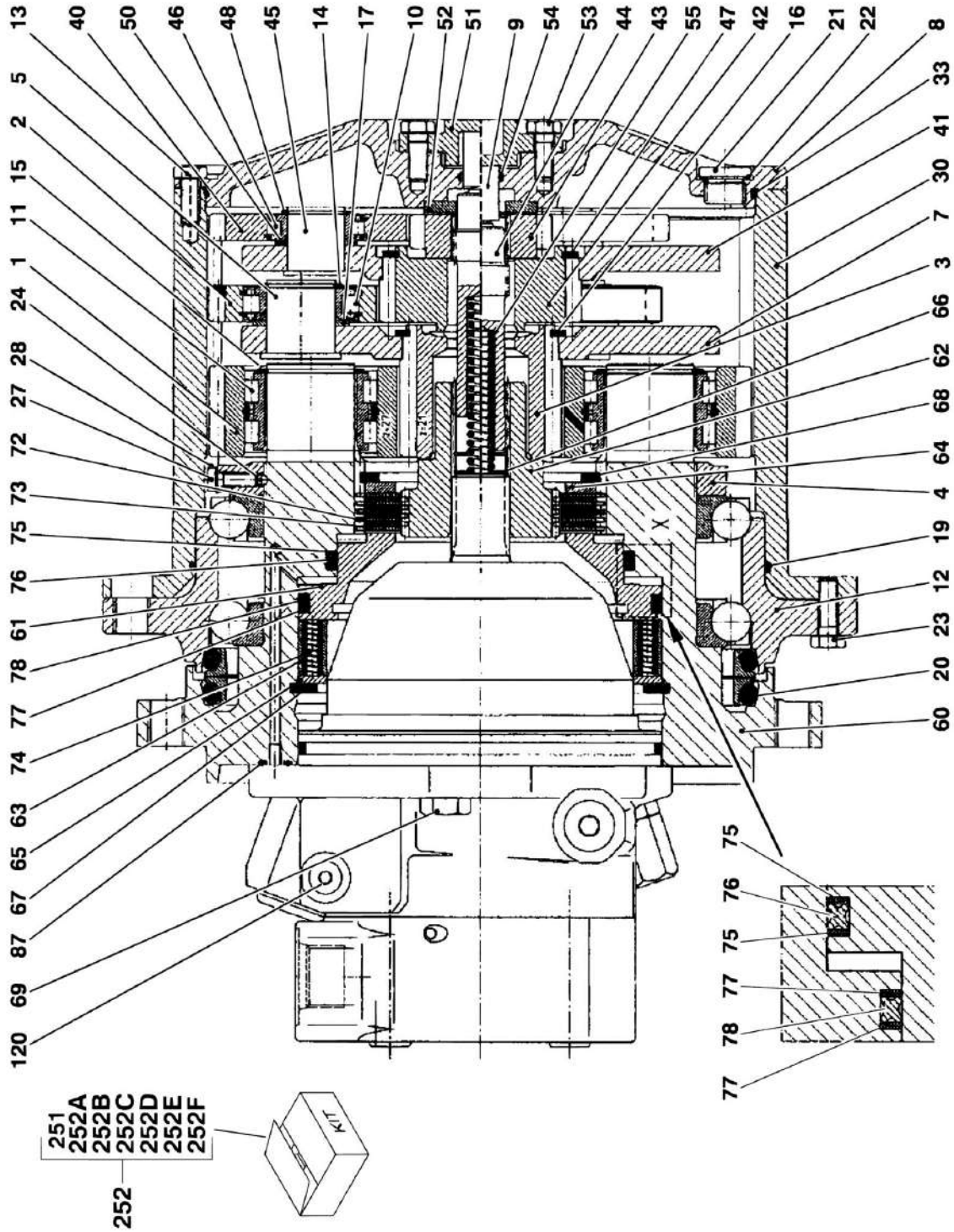
ITEM	PART NUMBER	QTY	DESCRIPTION	REV
		Ref	WHEEL DRIVE INSTALLATION	
	0271522	Ref	Wheel Drive Installation (Prior to SN 0300100131)	E
		Ref	Wheel Drive Installation (SN 0300100131 through 0300201016)	
	0275685	Ref	With Bonfiglioli Drive Hub	B
	1001104324	Ref	With Reggiana Riduttori Drive Hub	A
1	0100019	AR	Compound, Locking	
3	0701617	48	Bolt M16 x 45mm (12 Per Wheel)	
4	4892000	48	Washer Hardened 5/8in (12 Per Wheel)	
	0272258	Ref	HUB AND MOTOR ASSEMBLY (Prior to SN 0300079596)	B
		Ref	Note: Original Equipment hub may have been replaced with Service Replacement. Refer to tag on hub for identification before ordering parts.	
101	2780248	4	Drive Hub Assembly (Use p/n 2780283 - See DRIVE HUB ASSEMBLY for Breakdown. See DRIVE HUB AND MOTOR ASSEMBLY for replacement components for Service Replacement p/n 2780283.)	
102	3160291	4	Drive Motor Assembly (See DRIVE MOTOR ASSEMBLY for Breakdown)	
131		Ref	HUB AND MOTOR ASSEMBLY (SN 0300079596 through 0300100130)	
		Ref	Note: For Machines Built SN 0300079596 to SN 0300083552, Original Equipment may have been replaced with Service Replacement. Refer to tag on hub for identification before ordering parts.	
131	2780279	4	Hub and Motor Assembly (Use p/n 2780284 - See DRIVE HUB AND MOTOR ASSEMBLY for Breakdown. See DRIVE HUB AND MOTOR ASSEMBLY for replacement components for Service Replacement p/n 2780284.) (SN 0300079596 through 0300083551)	
131	2780284	4	Hub and Motor Assembly (See DRIVE HUB AND MOTOR ASSEMBLY for Breakdown) (SN 0300083552 through 0300100131)	
		Ref	HUB AND MOTOR ASSEMBLY (SN 0300100131 through 0300201016)	
	2780286	Ref	With Bonfiglioli Drive Hub	C
	1001104315	Ref	With Reggiana Riduttori Drive Hub	A
151		Ref	Drive Hub Assembly Options:	
		Ref	Note: Various brands used on Machines Built SN 0300100131 through 0300201016. When replacing complete hub, note that all 4 hubs must be the same brand.	
		Ref	Note: Various brands used on Machines Built SN 0300100131 through 0300201016. Identify brand before ordering replacement parts.	
151	2780290	4	Bonfiglioli Hub (Use p/n 1001093243) (See DRIVE HUB ASSEMBLY - BONFIGLIOLI for Breakdown)	
151	1001104325	4	Reggiana Riduttori Hub (See DRIVE HUB ASSEMBLY - REGGIANA RIDUTTORI for Breakdown)	
152	3160339	4	Drive Motor Assembly (See DRIVE MOTOR ASSEMBLY for Breakdown)	
		Ref	TIRE AND WHEEL INSTALLATIONS	
	0271852	Ref	Foam-Filled Tires	B
	1001115961	Ref	Solid Tires	A
		Ref	Note: Assemblies may require ballast/foam filling to manufacturer's specifications prior to installing on a machine. Refer to Operation and Safety or Service and Maintenance	

SECTION 1 - FRAME

ITEM	PART NUMBER	QTY	DESCRIPTION	REV
			Manuals. Purchase individual tire and/or rim only if able to foam fill tire and wheel assembly, otherwise, purchase complete assembly.	
201		Ref	Right Side Tire and Wheel Assembly Options (See Items 301-302 for Breakdown):	
201	0272055	2	Foam-Filled Tire and Wheel Assembly	
201	1001112716	2	Solid Tire and Wheel Assembly	
202		Ref	Left Side Tire and Wheel Assembly Options (See Items 301-302 for Breakdown):	
202	0272056	2	Foam-Filled Tire and Wheel Assembly	
202	1001112669	2	Solid Tire and Wheel Assembly	
203	0701619	64	Bolt M16 x 55mm (16 Per Wheel)	
204	4892000	64	Washer Hardened 5/8in (16 Per Wheel)	
		Ref	TIRE AND WHEEL ASSEMBLY COMPONENTS	
301		Ref	Tire Only Options:	
301	4520261	4	Tire 445/50D710 (For Foam Filling)	
301	See Note	4	Tire 445/65-24 (Solid) (Note: Not Available - Purchase Items 201 or 202)	
302		Ref	Rim Only Options:	
302	4860236	4	Rim, Wheel (Foam-Filled Tires)	
302	See Note	4	Rim (Solid Tires) (Note: Not Available - Purchase Items 201 or 202)	

SECTION 1 - FRAME

FIGURE 1-4. DRIVE HUB ASSEMBLY (Prior to SN 0300079596)



SECTION 1 - FRAME

FIGURE 1-4. DRIVE HUB ASSEMBLY (Prior to SN 0300079596)

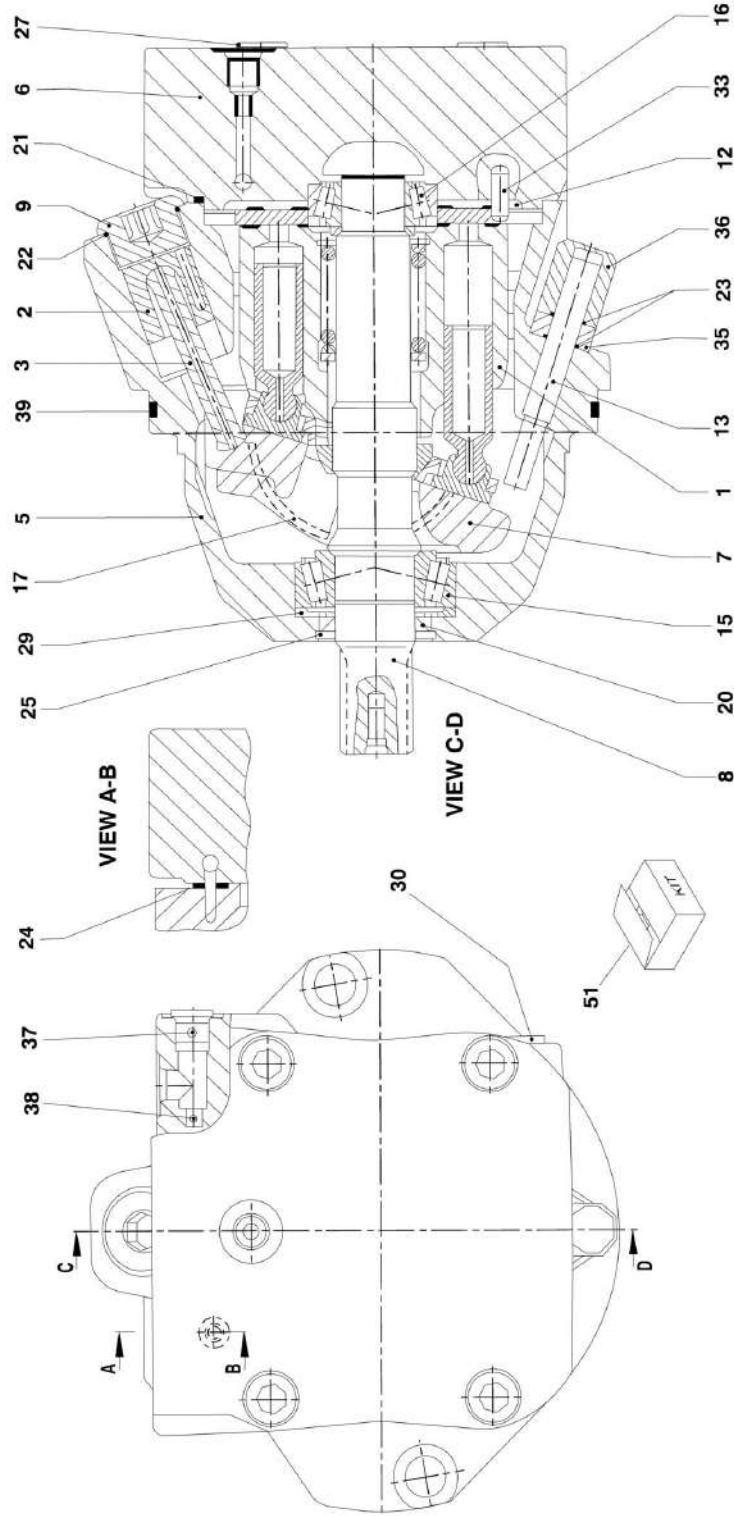
ITEM	PART NUMBER	QTY	DESCRIPTION	REV
	2780248	Ref	DRIVE HUB ASSEMBLY Note: Original Equipment p/n 2780248 hub may have been replaced with Service Replacement p/n 2780283. - See DRIVE HUB AND MOTOR ASSEMBLY for Breakdown. Refer to tag on hub for identification before ordering parts. Note: Unless there is capability to torque shaft (item 4) to 626 ft/lbs (850Nm) Repair beyond this level is not advised.	B
		Ref		
		Ref		
1	7024028	4	Gear, Planet	
2	7024029	3	Gear, Planet	
3	7022535	1	Gear, Sun	
4	7022536	1	Nut, Shaft	
5	7021388	3	Pin, Planet	
7	7022537	1	Carrier, Planet	
8	7022538	1	Cover	
9	7024967	1	Button, Thrust	
10	7024029	3	Bearing, Roller	
11	7024028	4	Bearing, Roller	
12	7022536	1	Bearing, Ball	
13	7022540	2	Bolt, Hex	
14	7024029	3	Ring, Retaining	
15	7024028	4	Ring, Retaining	
16	7022546	1	Ring, Retaining	
17	7024029	3	Ring, Stay	
19	7024966	1	O-Ring	
20	7024968	1	Seal, Face	
21	7022550	2	Plug	
22	7022540	2	Seal, Ring	
23	7022536	2	Bolt	
24	See Note	2	Ball (Note: Not Available For Purchase)	
27	See Note	2	Bolt (Note: Not Available For Purchase)	
28	See Note	2	Washer (Note: Not Available For Purchase)	
30	7022556	1	Gear, Ring	
33	7022540	1	O-Ring	
40	7024030	3	Gear, Planet	
41	7022559	1	Carrier, Planet	
42	7022560	1	Gear, Sun	
43	7022540	1	Gear, Sun	
44	7022540	1	Shaft, Input	
45	7011326	3	Pin, Planet	
46	7024030	3	Bearing, Roller	
47	7022564	1	Ring, Retaining	
48	7024030	3	Ring, Retaining	
50	7024030	3	Ring, Stay	
51	7022567	1	Cover	
52	7022568	1	Washer Thrust	
53	7022536	2	Bolt	
54	7022540	1	O-Ring	
55	7022540	1	Spring, Pressure	
60	7022572	1	Spindle	
61	7022573	1	Piston	

SECTION 1 - FRAME

ITEM	PART NUMBER	QTY	DESCRIPTION	REV
62	7022574	1	Coupler	
63	7022575	1	Ring, Locator	
64	7021354	1	Plate, Back-up	
65	7022576	1	Plate, Back-up	
66	7022577	1	Ring, Retaining	
67	7022578	1	Ring, Retaining	
68	7022509	1	Ring, Retaining	
69	7022579	2	Bolt	
72	7022580	4	Disc, Brake	
73	7022580	5	Disc, Brake	
74	7022580	16	Spring	
75	7022581	2	Ring, Back-up	
76	7022581	1	Seal	
77	7022581	2	Ring, Back-up	
78	7022581	1	Seal	
87	7024032	1	O-Ring	
120	See Note	1	Motor Assembly (Note: See Tire and Wheel Drive Installation)	
121	7024031	1	O-Ring (Not Shown)	
224	7024969	2	Pin, Slotted (Not Shown)	
251	7022581	1	Brake Seal Kit (Includes Items 75-78)	
252		Ref	Repair Kit Options:	
252A	7022580	1	Brake Disc Kit (Includes Items 72-74)	
252B	7022536	1	Bearing Kit (Includes Items 4, 12, 23 & 53)	
252C	7024030	1	Planet Gear and Bearing Kit (Includes Items 40, 46, 48 & 50)	
252D	7024029	1	Planet Gear and Bearing Kit (Includes Items 2, 10, 14 & 17)	
252E	7024028	1	Planet Gear and Bearing Kit (Includes Items 1, 11 & 15)	
252F	7022540	1	Mechanical Disconnect Kit (Includes Items 13, 22, 33, 43, 44, 54 & 55)	

SECTION 1 - FRAME

FIGURE 1-5. DRIVE MOTOR ASSEMBLY (Prior to SN 0300079596)



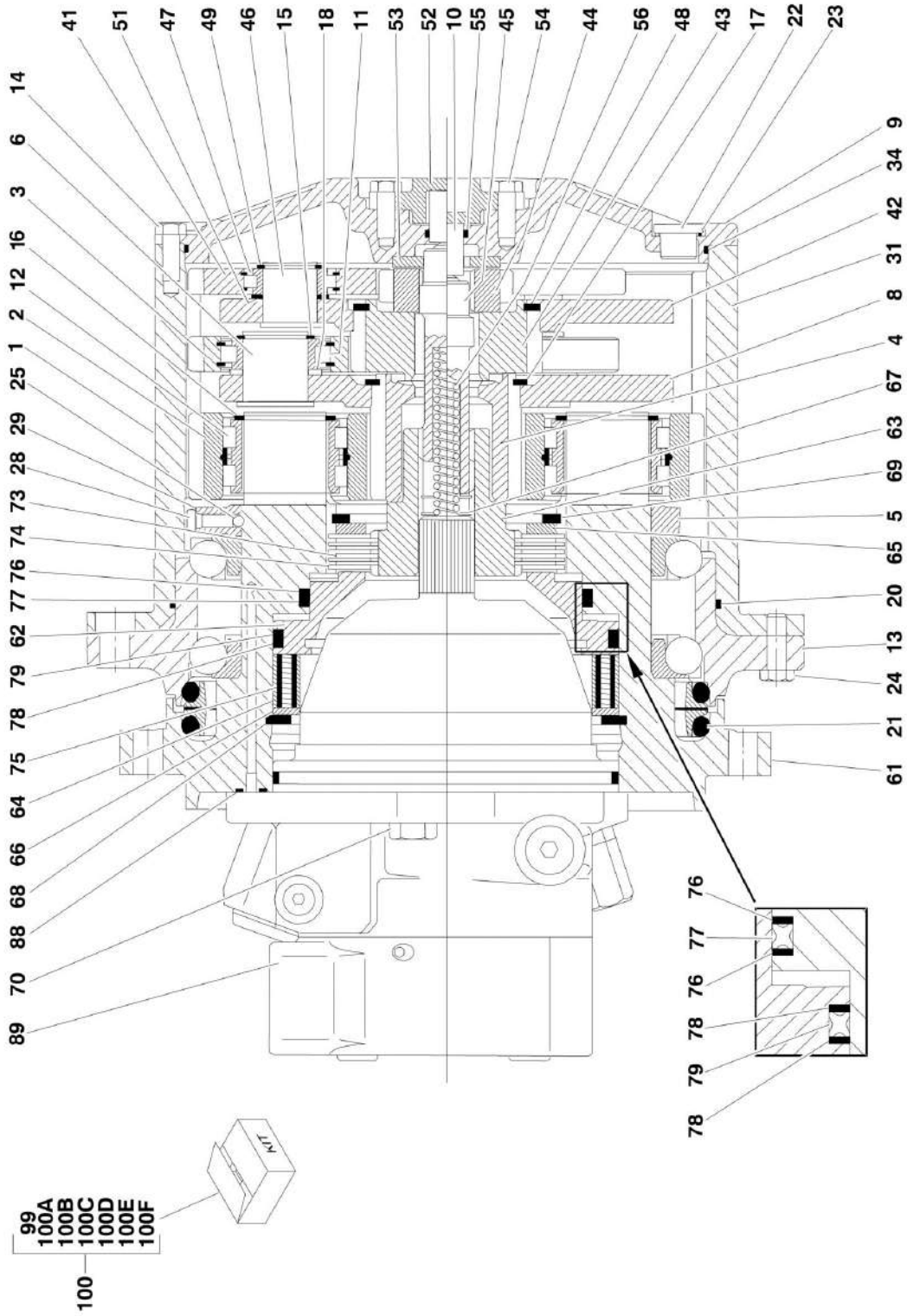
SECTION 1 - FRAME

FIGURE 1-5. DRIVE MOTOR ASSEMBLY (Prior to SN 0300079596)

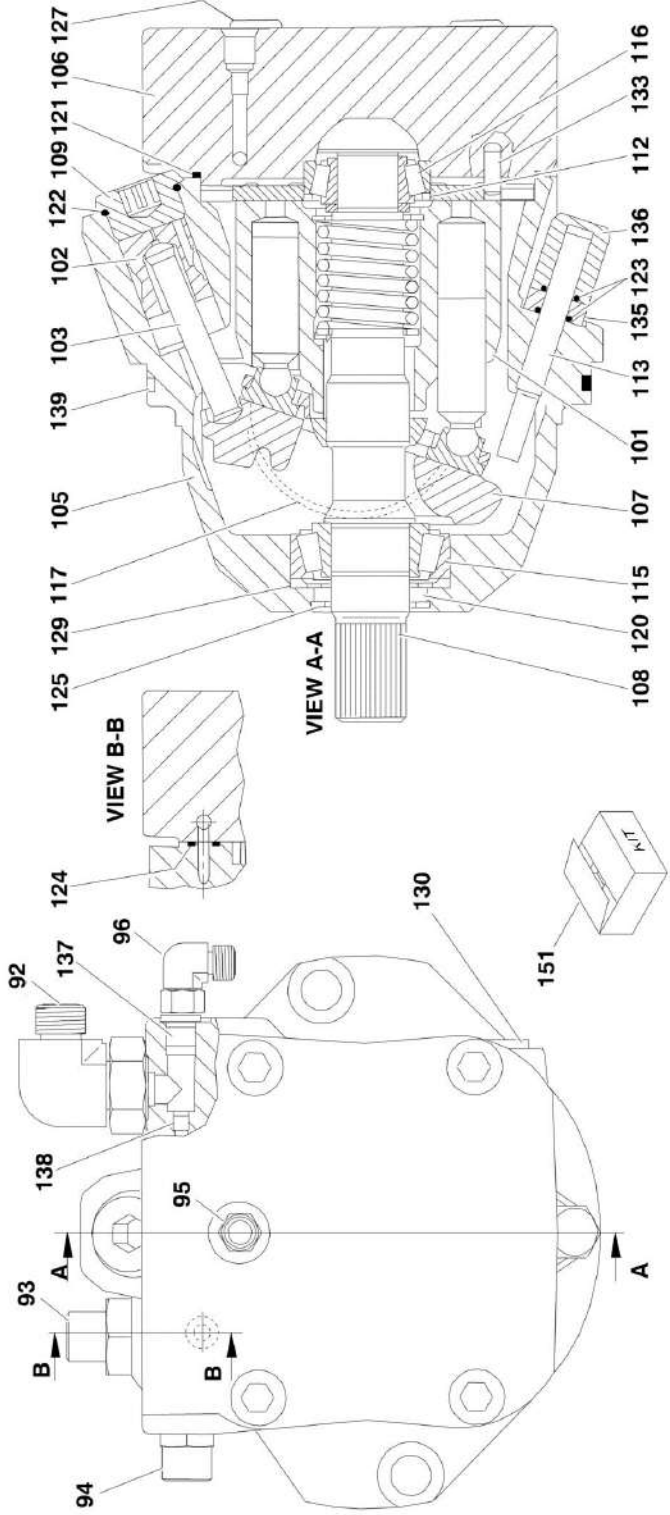
ITEM	PART NUMBER	QTY	DESCRIPTION	REV
	3160291	Ref	DRIVE MOTOR ASSEMBLY	A
1	7012716	1	Rotary Group Assembly	
2	See Note	1	Piston, Control (Note: Not Available For Purchase)	
3	See Note	1	Rod, Piston (Note: Not Available For Purchase)	
5	See Note	1	Housing (Note: Not Available - Purchase Complete Drive Motor Assembly)	
6	See Note	1	Plate, Port (Note: Not Available For Purchase)	
7	7024036	1	Plate, Swash	
8	7024037	1	Driveshaft	
9	See Note	1	Plug, Screw (Note: Not Available For Purchase)	
12	7012704	1	Shim	
13	See Note	1	Stop Screw (Note: Not Available For Purchase)	
15	7024038	1	Bearing	
16	7012706	1	Bearing	
17	7024039	2	Shell, Cradle	
20	7024034	1	Seal, Shaft	
21	7024034	1	O-Ring	
22	7024034	1	O-Ring	
23	7024034	2	O-Ring	
24	7024034	1	Seal	
25	7012715	1	V-Ring	
27	7024040	4	Screw, Sockethead M12 x 60	
29	See Note	1	Ring, Stop (Note: Not Available For Purchase)	
30	See Note	1	Plug (Note: Not Available For Purchase)	
33	See Note	1	Pin, Dowel (Note: Not Available For Purchase)	
35	See Note	1	Nut M10 (Note: Not Available For Purchase)	
36	See Note	1	Nut, Cap M10 (Note: Not Available For Purchase)	
37	7024034	1	Plug	
38	7024041	1	Orifice	
39	7024034	1	O-Ring	
51	7024034	1	Seal Kit (Includes Items 20-24, 37 & 39)	

SECTION 1 - FRAME

FIGURE 1-6. DRIVE HUB AND MOTOR ASSEMBLY (SN 0300079596 through 0300083552)



SECTION 1 - FRAME



SECTION 1 - FRAME

FIGURE 1-6. DRIVE HUB AND MOTOR ASSEMBLY (SN 0300079596 through 0300083551)

ITEM	PART NUMBER	QTY	DESCRIPTION	REV
	2780279	Ref	DRIVE HUB AND MOTOR ASSEMBLY	A
		Ref	Note: For Machines Built SN 0300079596 to SN 0300083552, Original Equipment p/n 2780279 may have been replaced with Service Replacement p/n 2780284 - See DRIVE HUB AND MOTOR ASSEMBLY for Breakdown. Refer to tag on hub for identification before ordering parts.	
		Ref	Note: Unless there is capability to torque shaft (item 4) to 626 ft/lbs (850Nm) Repair beyond this level is NOT advised.	
1	2780248	1	Hub, Torque	
2	7024028	4	Gear, Planet	
3	7024029	3	Gear, Planet	
4	7022535	1	Gear, Sun	
5	7022536	1	Nut, Shaft	
6	7021388	3	Pin, Planet	
8	7022537	1	Carrier, Planet	
9	7022538	1	Cover	
10	7024967	1	Button, Thrust	
11	7024029	3	Bearing, Roller	
12	7024028	4	Bearing, Roller	
13	7022536	1	Bearing, Ball	
14	7022540	2	Bolt, Hex	
15	7024029	3	Ring, Retaining	
16	7024028	4	Ring, Retaining	
17	7022546	1	Ring, Retaining	
18	7024029	3	Ring, Stay	
20	7024966	1	O-Ring	
21	7024968	1	Seal, Face	
22	7022550	2	Plug	
23	7022540	2	Seal, Ring	
24	7022536	2	Bolt	
25	See Note	2	Ball (Note: Not Available For Purchase)	
28	See Note	2	Bolt (Note: Not Available For Purchase)	
29	See Note	2	Washer (Note: Not Available For Purchase)	
31	7022556	1	Gear, Ring	
34	7022540	1	O-Ring	
41	7024030	3	Gear, Planet	
42	7022559	1	Carrier, Planet	
43	7022560	1	Gear, Sun	
44	7022540	1	Gear, Sun	
45	7022540	1	Shaft, Input	
46	7011326	3	Pin, Planet	
47	7024030	3	Bearing, Roller	
48	7022564	1	Ring, Retaining	
49	7024030	3	Ring, Retaining	
51	7024030	3	Ring, Stay	
52	7022567	1	Cover	
53	7022568	1	Washer Thrust	
54	7022536	2	Bolt	
55	7022540	1	O-Ring	
56	7022540	1	Spring, Pressure	
61	7022572	1	Spindle	

SECTION 1 - FRAME

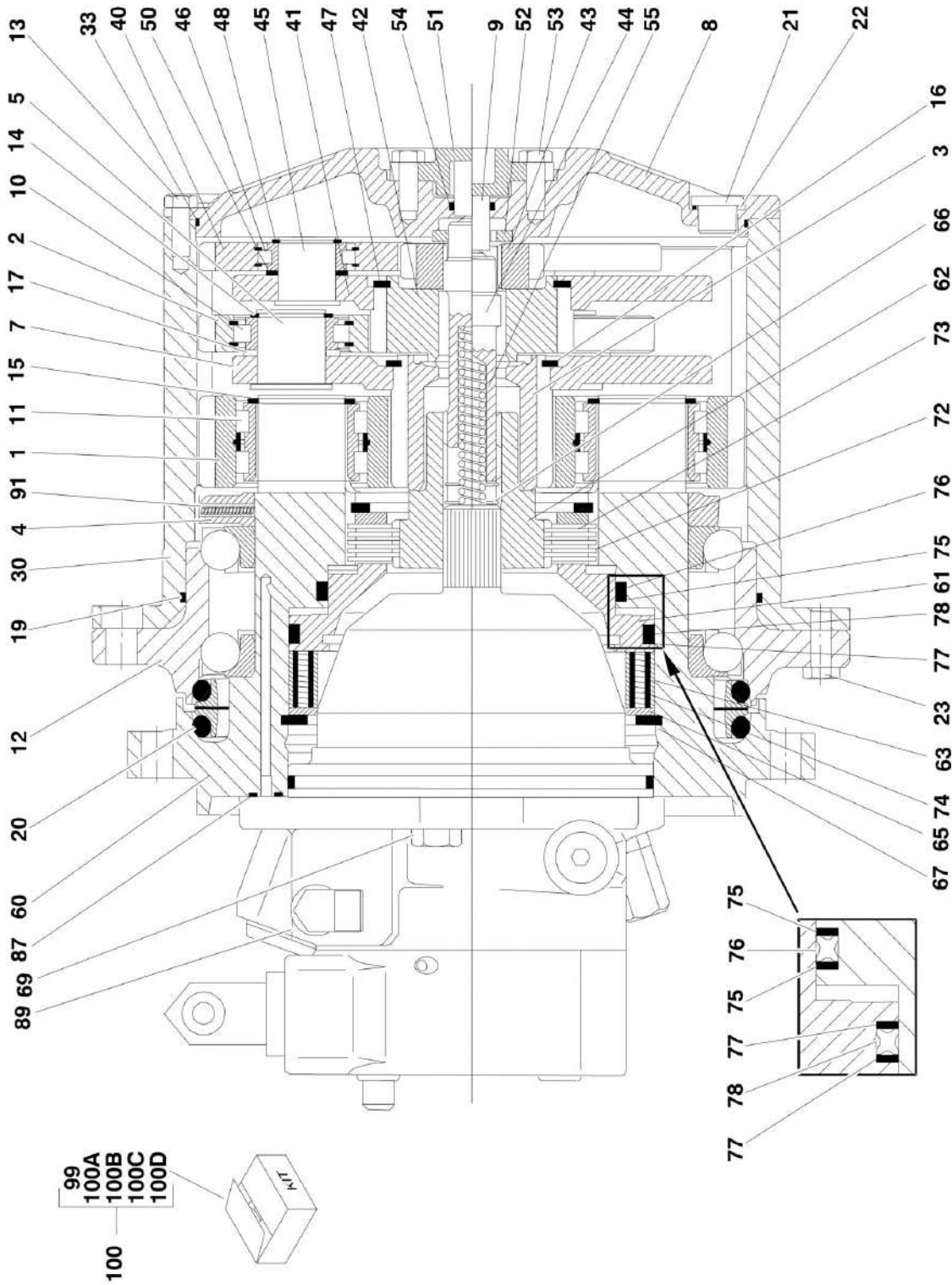
ITEM	PART NUMBER	QTY	DESCRIPTION	REV
62	7022573	1	Piston	
63	7022574	1	Coupler	
64	7022575	1	Ring, Locator	
65	7021354	1	Plate, Back-up	
66	7022576	1	Plate, Back-up	
67	7022577	1	Ring, Retaining	
68	7022578	1	Ring, Retaining	
69	7022509	1	Ring, Retaining	
70	7022579	2	Bolt	
73	7022580	4	Disc, Brake	
74	7022580	5	Disc, Brake	
75	7022580	16	Spring	
76	7022581	2	Ring, Back-up	
77	7022581	1	Seal	
78	7022581	2	Ring, Back-up	
79	7022581	1	Seal	
88	7024032	1	O-Ring	
89	3160291	1	Motor Assembly (Note: See Items 101 to 139 for Breakdown)	
90	7024031	1	O-Ring (Not Shown)	
91	7024969	2	Pin, Slotted (Not Shown)	
92	2130812	1	Fitting, Elbow	
93	2110812	1	Fitting, Straight	
94	2110808	1	Fitting, Straight	
95	2110404	1	Fitting, Straight	
96	2130404	1	Fitting, Elbow	
99	7022581	1	Brake Seal Kit (Includes Items 76-79)	
100		Ref	Repair Kit Options:	
100A	7022580	1	Brake Disc Kit (Includes Items 73-75)	
100B	7022536	1	Bearing Kit (Includes Items 5, 13, 24 & 54)	
100C	7024030	1	Planet Gear and Bearing Kit (Includes Items 41, 47, 49 & 51)	
100D	7024029	1	Planet Gear and Bearing Kit (Includes Items 3, 11, 15 & 18)	
100E	7024028	1	Planet Gear and Bearing Kit (Includes Items 2, 12 & 16)	
100F	7022540	1	Mechanical Disconnect Kit (Includes Items 14, 23, 34, 44, 45, 55 & 56)	
	3160291	Ref	DRIVE MOTOR ASSEMBLY	A
101	7012716	1	Rotary Group Assembly	
102	See Note	1	Piston, Control (Note: Not Available For Purchase)	
103	See Note	1	Rod, Piston (Note: Not Available For Purchase)	
105	See Note	1	Housing (Note: Not Available - Purchase Complete Drive Motor Assembly)	
106	See Note	1	Plate, Port (Note: Not Available - Purchase Complete Drive Motor Assembly)	
107	7024036	1	Plate, Swash	
108	7024037	1	Driveshaft	
109	See Note	1	Plug, Screw (Note: Not Available For Purchase)	
112	7012704	1	Shim	
113	See Note	1	Stop Screw (Note: Not Available For Purchase)	
115	7024038	1	Bearing	
116	7012706	1	Bearing	
117	7024039	2	Shell, Cradle	
120	7024034	1	Seal, Shaft	
121	7024034	1	O-Ring	

SECTION 1 - FRAME

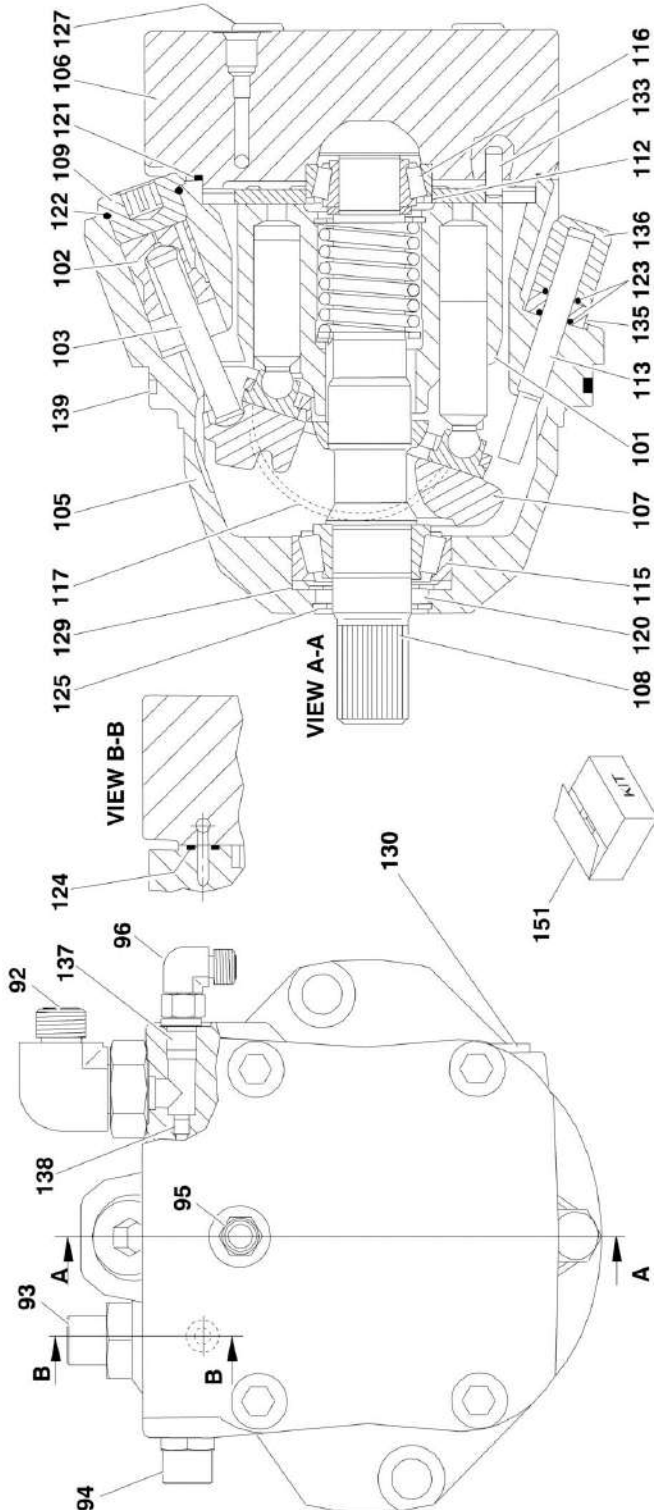
ITEM	PART NUMBER	QTY	DESCRIPTION	REV
122	7024034	1	O-Ring	
123	7024034	2	O-Ring	
124	7024034	1	Seal	
125	7012715	1	V-Ring	
127	7024040	4	Screw, Socket head M12 x 60	
129	See Note	1	Ring, Stop (Note: Not Available For Purchase)	
130	See Note	1	Plug (Note: Not Available For Purchase)	
133	See Note	1	Pin, Dowel (Note: Not Available For Purchase)	
135	See Note	1	Nut M10 (Note: Not Available For Purchase)	
136	See Note	1	Nut, Cap M10 (Note: Not Available For Purchase)	
137	7024034	1	Plug	
138	7024041	1	Orifice	
139	7024034	1	O-Ring	
151	7024034	1	Seal Kit (Includes Items 120-124, 137 & 139)	

SECTION 1 - FRAME

FIGURE 1-7. DRIVE HUB AND MOTOR ASSEMBLY (SN 0300083552 through 0300100131)



SECTION 1 - FRAME



SECTION 1 - FRAME

FIGURE 1-7. DRIVE HUB AND MOTOR ASSEMBLY (SN 0300083552 through 0300100130)

ITEM	PART NUMBER	QTY	DESCRIPTION	REV
	2780284	Ref	DRIVE HUB AND MOTOR ASSEMBLY	A
		Ref	Note: Unless there is capability to torque shaft (item 4) to 626 ft/lbs (850Nm) Repair beyond this level is NOT advised.	
	2780283	1	Hub, Torque	
1	7024028	4	Gear, Planet	
2	7024029	3	Gear, Planet	
3	7022535	1	Gear, Sun	
4	7024970	1	Nut, Shaft	
5	7021388	3	Pin, Planet	
7	7022537	1	Carrier, Planet	
8	7022538	1	Cover, End	
9	7024967	1	Button, Thrust	
10	7024029	3	Bearing, Cylindrical Roller	
11	7024028	4	Bearing, Cylindrical Roller	
12	7024971	1	Bearing, Ball	
13	See Note	12	Bolt (Note: Not Available For Purchase)	
14	7024029	3	Ring, Snap	
15	7024028	4	Ring, Snap	
16	7022546	1	Ring, Snap	
17	7024029	3	Ring, Stay	
19	7024966	1	O-Ring	
20	7024968	1	Seal, Face	
21	7022550	2	Plug, Screw	
22	7024048	2	Ring, Seal	
23	See Note	2	Bolt (Note: Not Available For Purchase)	
30	7022556	1	Gear, Ring	
33	7024972	1	O-Ring	
40	7024030	3	Gear, Planet	
41	7022559	1	Carrier, Planet	
42	7022560	1	Gear, Sun	
43	7022561	1	Gear, Sun	
44	7024973	1	Shaft, Input	
45	7021326	3	Pin, Planet	
46	7024030	3	Bearing, Cylindrical Roller	
47	7022564	1	Ring, Snap	
48	7024030	3	Ring, Snap	
50	7024030	3	Ring, Stay	
51	7022567	1	Cover	
52	7022568	1	Thrustwasher	
53	See Note	2	Bolt (Note: Not Available For Purchase)	
54	7024974	1	O-Ring	
55	7024975	1	Spring	
60	See Note	1	Spindle (Note: Not Available - Purchase Complete Drive Hub Assembly)	
61	7022573	1	Piston, Brake	
62	7022574	1	Coupler	
63	7024976	1	Ring, Spacer	
65	7024976	1	Plate, Back Up	
66	7022577	1	Ring, Snap	
67	7022578	1	Ring, Snap	

SECTION 1 - FRAME

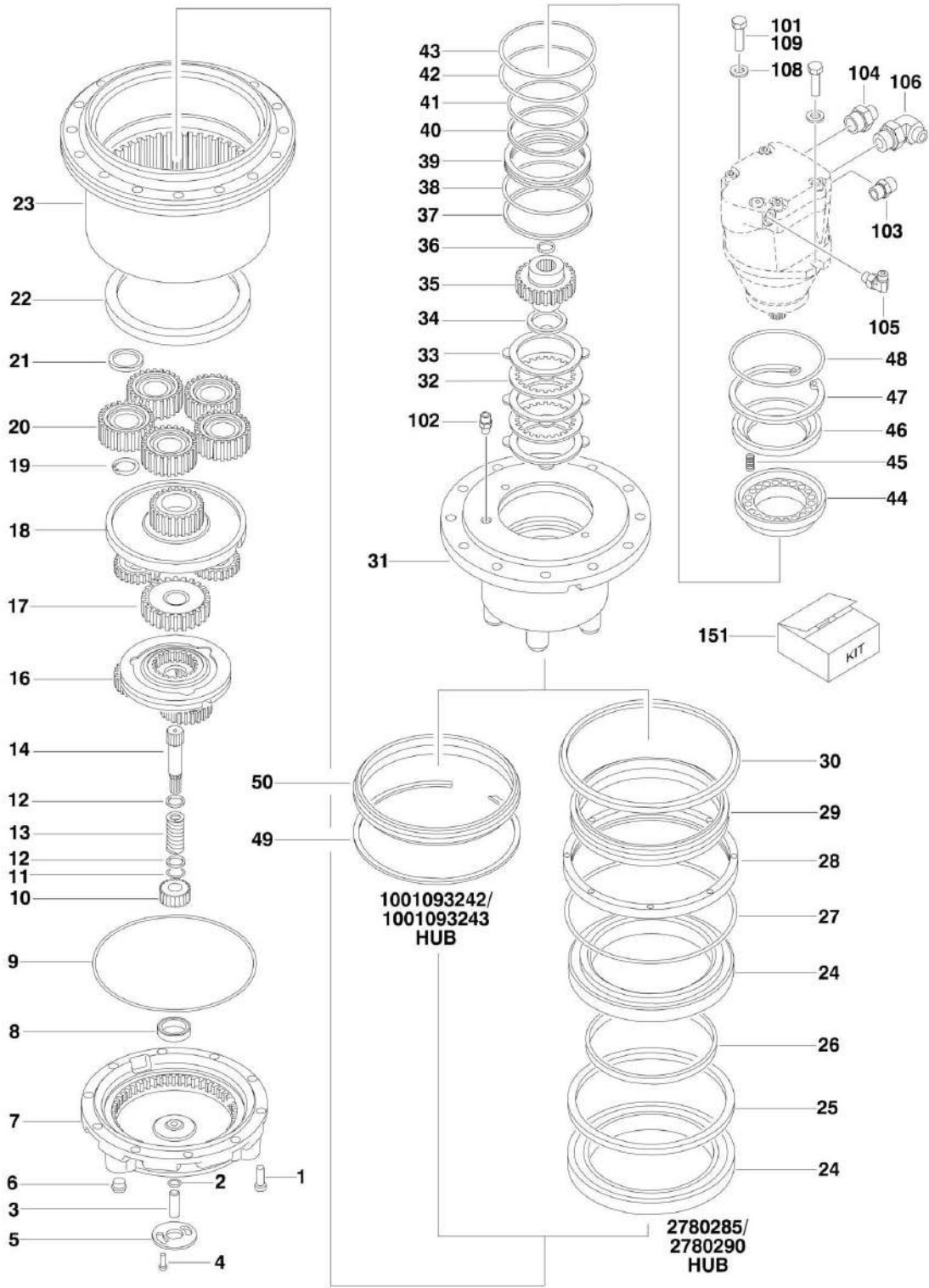
ITEM	PART NUMBER	QTY	DESCRIPTION	REV
69	7022579	2	Bolt	
72	7024976	4	Disk, Inner (Brake)	
73	7024976	5	Disk, Outer (Brake)	
74	7024976	16	Spring	
75	7022581	2	Ring, Back Up	
76	7022581	1	Seal, Piston	
77	7022581	2	Ring, Back Up	
78	7022581	1	Seal, Piston	
87	7024976	1	O-Ring	
89	3160291	1	Motor Assembly (Note: See Items 101 to 139 for Breakdown)	
90	7024031	1	O-Ring (Not Shown)	
91	7024969	2	Pin, Slotted (Not Shown)	
92	2130812	1	Fitting, Elbow	
93	2110812	1	Fitting, Straight	
94	2110808	1	Fitting, Straight	
95	2110404	1	Fitting, Straight	
96	2130404	1	Fitting, Elbow	
99	7022581	1	Brake Seal Kit (Includes Items 75-78)	
100		Ref	Repair Kit Options:	
100A	7024976	1	Brake Disc Kit (Includes Items 63, 65, 72-74, 87)	
100B	7024030	1	Planet Gear and Bearing Kit (Includes Items 40, 46, 48 & 50)	
100C	7024029	1	Planet Gear and Bearing Kit (Includes Items 2, 10, 14 & 17)	
100D	7024028	1	Planet Gear and Bearing Kit (Includes Items 1, 11 & 15)	
	3160291	Ref	DRIVE MOTOR ASSEMBLY	D
101	7012716	1	Rotary Group Assembly	
102	See Note	1	Piston, Control (Note: Not Available For Purchase)	
103	See Note	1	Rod, Piston (Note: Not Available For Purchase)	
105	See Note	1	Housing (Note: Not Available - Purchase Complete Drive Motor Assembly)	
106	See Note	1	Plate, Port (Note: Not Available - Purchase Complete Drive Motor Assembly)	
107	7024036	1	Plate, Swash	
108	7024037	1	Driveshaft	
109	See Note	1	Plug, Screw (Note: Not Available For Purchase)	
112	7012704	1	Shim	
113	See Note	1	Stop Screw (Note: Not Available For Purchase)	
115	7024038	1	Bearing	
116	7012706	1	Bearing	
117	7024039	2	Shell, Cradle	
120	7024034	1	Seal, Shaft	
121	7024034	1	O-Ring	
122	7024034	1	O-Ring	
123	7024034	2	O-Ring	
124	7024034	1	Seal	
125	7012715	1	V-Ring	
127	7024040	4	Screw, Socket head M12 x 60	
129	See Note	1	Ring, Stop (Note: Not Available For Purchase)	
130	See Note	1	Plug (Note: Not Available For Purchase)	
133	See Note	1	Pin, Dowel (Note: Not Available For Purchase)	
135	See Note	1	Nut M10 (Note: Not Available For Purchase)	
136	See Note	1	Nut, Cap M10 (Note: Not Available For Purchase)	
137	7024034	1	Plug	

SECTION 1 - FRAME

ITEM	PART NUMBER	QTY	DESCRIPTION	REV
138	7024041	1	Orifice	
139	7024034	1	O-Ring	
151	7024034	1	Seal Kit (Includes Items 120-124, 137 & 139)	

SECTION 1 - FRAME

FIGURE 1-8. DRIVE HUB ASSEMBLY - BONFIGLIOLI (SN 0300100131 through 0300201016)



SECTION 1 - FRAME

FIGURE 1-8. DRIVE HUB ASSEMBLY - BONFIGLIOLI (SN 0300100131 through 0300201016)

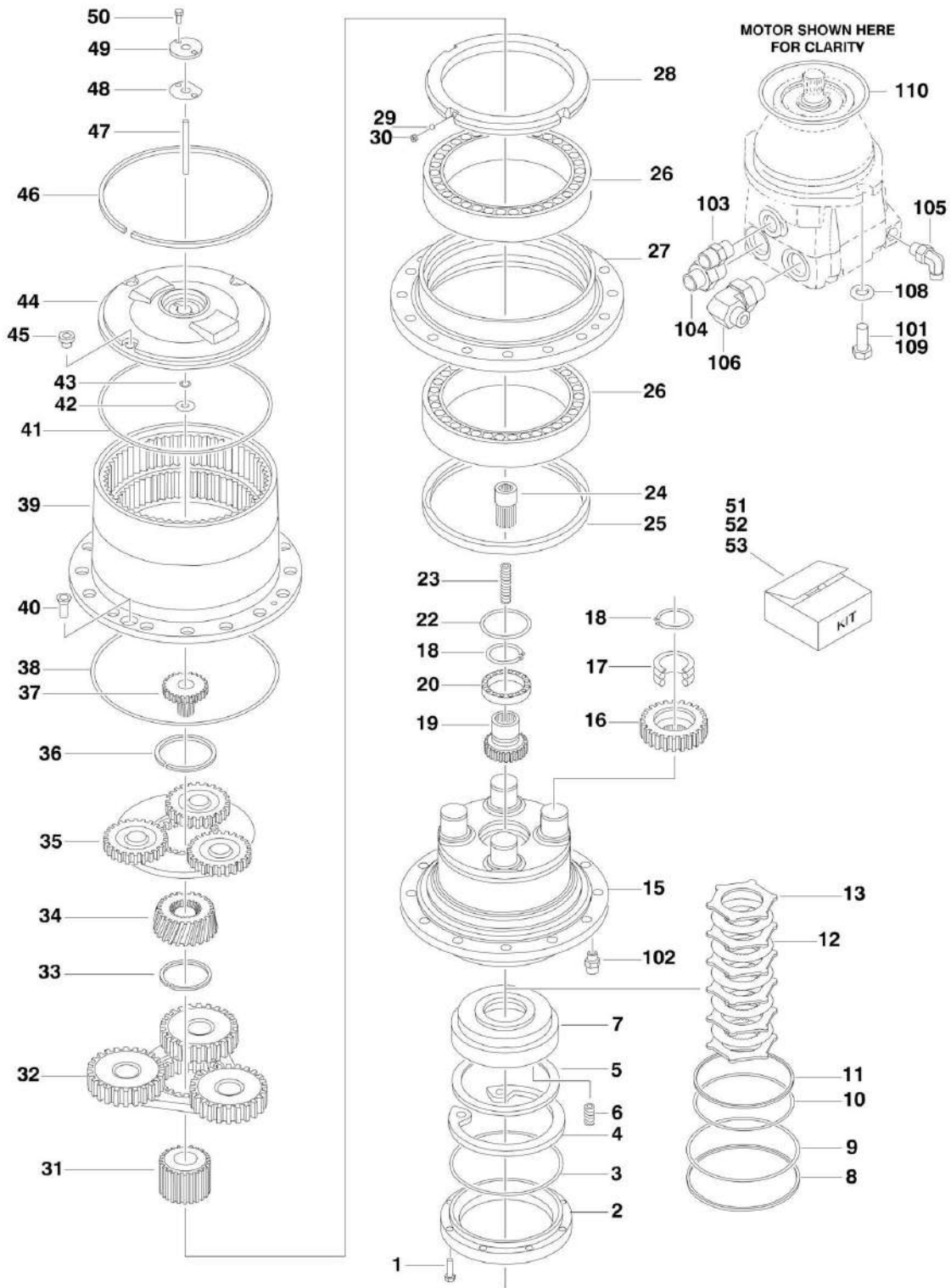
ITEM	PART NUMBER	QTY	DESCRIPTION	REV
		Ref	DRIVE HUB ASSEMBLY WITH FITTINGS AND HARDWARE	
	2780290	Ref	Drive Hub Assembly With Fittings and Hardware (Use p/n 1001093243) (SN 0300100131 through 0300130179)	B
	1001093243	Ref	Drive Hub Assembly With Fittings and Hardware (SN 0300130180 through 0300201016)	C
		Ref	Note: Various brands used on Machines Built SN 0300100131 through 0300201016. Identify brand before ordering replacement parts.	
		Ref	Hub, Torque Less Fittings Options:	
	2780285	1	Hub, Torque Less Fittings (Use p/n 1001093242) (SN 0300100131 through 0300130179)	
	1001093242	1	Hub, Torque Less Fittings (SN 0300130180 through 0300201016)	
1	70000810	10	Bolt M10 x 25	
2	70000811	1	O-Ring	
3	70000812	1	Pin	
4	70000813	2	Bolt M8 x 16	
5		Ref	Cap, Disconnect Options:	
5	70000814	1	Cap (2780285 Hub)	
5	70002393	1	Cap (1001093242 Hub)	
6	See Note	2	Plug (Note: Not Available For Purchase)	
7		Ref	Cover Assembly (Includes Items 2-6 & 8)	
7	70000815	1	Cover (2780285 Hub)	
7	70002394	1	Cover (1001093242 Hub)	
8	70000816	1	Pad	
9	70000817	1	O-Ring	
10	70000818	1	Gear, Primary Sun	
11	70000819	1	Ring, Neoprene	
12	70000819	2	Washer	
13	70000819	1	Spring	
14	70000819	1	Shaft	
16	70000820	1	Reduction Assembly, Primary	
17	70000821	1	Gear, Secondary Sun	
18	70000822	1	Reduction Assembly, Secondary	
19	70000823	5	Snap Ring	
20	70000824	5	Gear Assembly, Planetary	
21	70000825	5	Spacer	
22	70000826	1	Nut	
23		Ref	Housing, Hub Options:	
23	See Note	1	Housing (2780285 Hub) (Note: Not Available - Purchase Complete Drive Hub Assembly)	
23	70002395	1	Housing (1001093242 Hub) (Includes Bearing)	
24		Ref	Bearing Options:	
24	70000827	2	Bearing (2780285 Hub)	
24	See Note	2	Bearing (1001093242 Hub) (Note: Not Available - Purchase Item 23)	
25	70000828	1	Spacer (2780285 Hub Only)	
26	70000829	1	Spacer (2780285 Hub Only)	
27	70000830	1	O-Ring (2780285 Hub Only)	
28	70000831	1	Spacer (2780285 Hub Only)	
29	70000832	1	Seal (2780285 Hub Only)	

SECTION 1 - FRAME

ITEM	PART NUMBER	QTY	DESCRIPTION	REV
30	7000833	1	Ring, Sealing (2780285 Hub Only)	
31	See Note	1	Spindle (Note: Not Available - Purchase Complete Drive Hub Assembly)	
32	7000834	4	Disc, Steel	
33	7000835	5	Disc, Lined	
34	7000836	1	Spacer	
35		Ref	Shaft, Brake Options:	
35	7000837	1	Shaft (2780285 Hub)	
35	70002398	1	Shaft (1001093242 Hub)	
36	7000838	1	Snap Ring	
37	7000839	1	Ring, Backup	
38	7000840	1	O-Ring	
39	7000841	1	Spacer	
40	7000842	1	Ring, Backup	
41	7000843	1	O-Ring	
42	7000844	1	O-Ring	
43	7000845	1	Ring, Backup	
44	7000846	1	Piston, Brake	
45	7000847	15	Spring	
46	7000848	1	Plate, Spring Retainer	
47	7000849	1	Snap Ring	
48		Ref	O-Ring Options:	
48	7000850	1	O-Ring (2780285 Hub)	
48	3790158	1	O-Ring (1001093242 Hub) (was p/n 70002399)	
49	70002396	1	Circlip (1001093242 Hub Only)	
50	70002397	1	Seal (1001093242 Hub Only)	
101	0761215	2	Bolt M12 x 35mm	
102	2110404	1	Fitting, Adapter	
103	2110808	1	Fitting, Adapter	
104	2110812	1	Fitting, Adapter	
105	2130406	1	Fitting, Elbow Adapter	
106	2130812	1	Fitting, Elbow Adapter	
108	5241200	2	Washer, 12mm Hardened	
109	0100011	AR	Compound, Locking	
151	7000819	1	Brake Shaft Kit (Includes Items 11-14)	

SECTION 1 - FRAME

FIGURE 1-9. DRIVE HUB ASSEMBLY - REGGIANA RIDUTTORI (SN 0300100131 through 0300201016)



SECTION 1 - FRAME

FIGURE 1-9. DRIVE HUB ASSEMBLY - REGGIANA RIDUTTORI (SN 0300100131 through 0300201016)

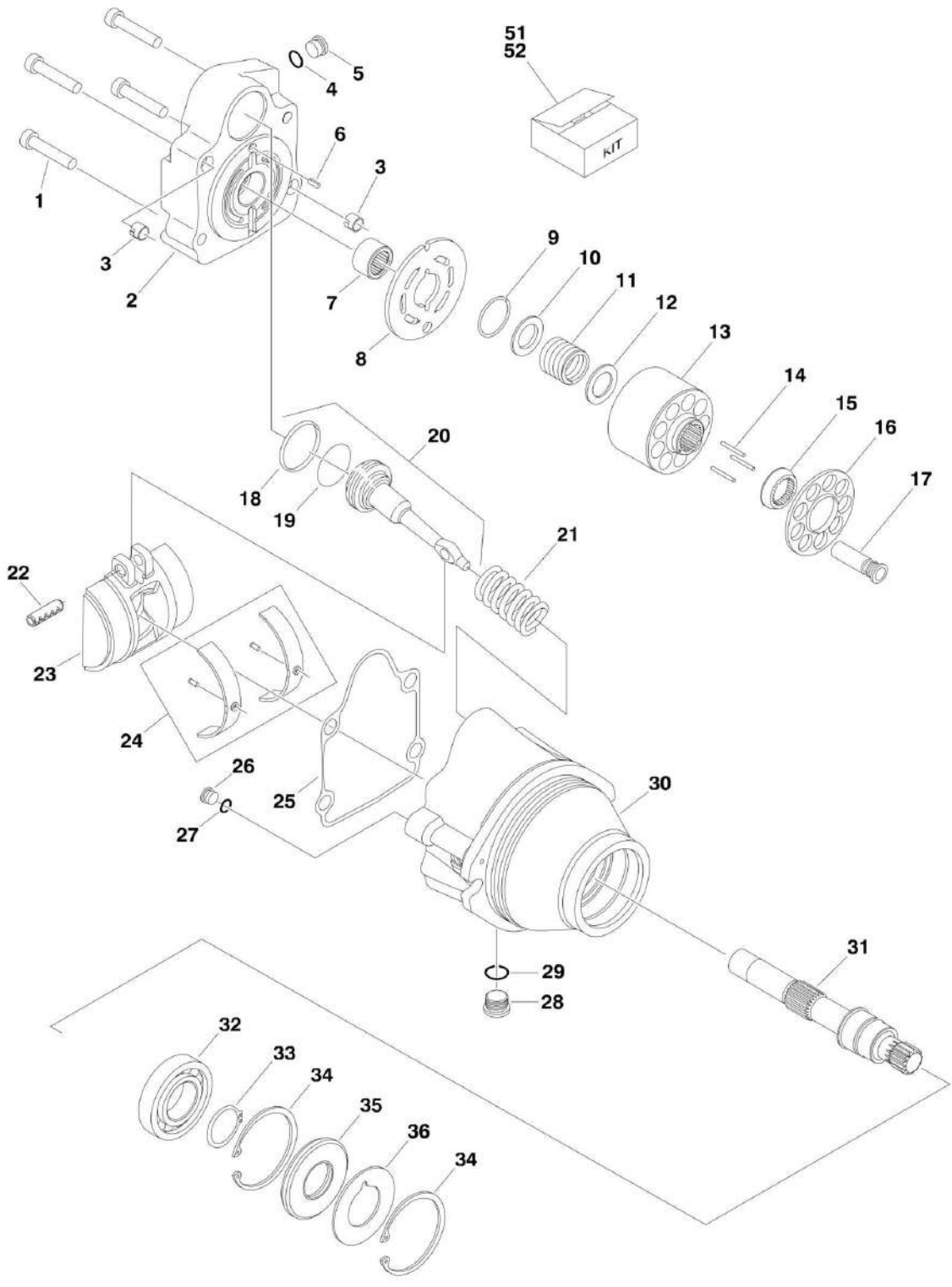
ITEM	PART NUMBER	QTY	DESCRIPTION	REV
	1001104325	Ref	DRIVE HUB ASSEMBLY WITH FITTINGS AND HARDWARE	C
		Ref		
			Note: Various brands used on Machines Built SN 0300100131 through 0300201016. Identify brand before ordering replacement parts.	
	1001101550	1	Hub, Torque Less Fittings	
1	70002015	8	Bolt M8 x 25	
2	70002016	1	Ring, Motor Support	
3	70002248	1	O-Ring	
4	70002018	1	Snap Ring	
5	70002019	1	Retainer, Spring	
6	70002020	9	Spring	
7	70002249	1	Piston (was p/n 70002021)	
8	See Note	1	Ring, Backup (Note: Use Item 51 or 53.)	
9	See Note	1	O-Ring (Note: Use Item 51 or 53.)	
10	See Note	1	O-Ring (Note: Use Item 51 or 53.)	
11	See Note	1	Ring, Backup (Note: Use Item 51 or 53.)	
12	70002026	5	Disc, Friction	
13	70002027	6	Disc, Steel	
15	70002029	1	Spindle	
16	70002030	4	Gear, Planetary	
17	70002031	4	Bearing	
18	70002032	5	Snap Ring	
19	70002033	1	Gear, Brake/Input	
20	70002034	1	Bearing	
22	70002035	1	Ring, Wear	
23	70002036	1	Spring	
24	70002037	1	Shaft, Engagement	
25	70002248	1	Seal	
26	70002039	2	Bearing Assembly	
27	70002040	1	Support, Hub	
28	70002041	1	Nut, Retaining	
29	70002674	4	Washer (was p/n 70002042)	
30	70002674	4	Screw (was p/n 70002043)	
31	70002044	1	Gear, Planetary Sun	
32	70002045	1	Reduction Assembly, Secondary	
33	70002046	1	Snap Ring	
34	70002047	1	Gear, Secondary Input Sun	
35	70002048	1	Reduction Assembly, Primary	
36	70002049	1	Snap Ring	
37	70002050	1	Gear, Primary Input Sun	
38	70002248	1	O-Ring	
39	See Note	1	Housing, Hub (Note: Not Available - Purchase Complete Drive Hub Assembly)	
40	70002052	2	Screw, Countersunk	
41	See Note	1	O-Ring (Note: Use Item 51 or 52.)	
42	70002247	1	Thrustwasher	
43	See Note	1	O-Ring (Note: Use Item 51 or 52.)	
44	70002247	1	Cover, Hub	
45	70002057	3	Plug	
46	70002247	1	Snap Ring	

SECTION 1 - FRAME

ITEM	PART NUMBER	QTY	DESCRIPTION	REV
47	70002247	1	Pin, Engagement	
48	See Note	1	Gasket (Note: Use Item 51 or 52.)	
49	70002247	1	Cover, Engagement	
50	70002247	2	Screw	
51	70002248	1	Seal Kit (Includes Items 3, 8-11, 25, 38, 41, 43 & 48)	
52	70002247	1	Cover Kit (Includes Items 41-50)	
53	70002249	1	Brake Kit (Includes Items 4-13)	
101	0761214	2	Bolt M12 x 30mm	
102	2110404	1	Fitting, Adapter	
103	2110808	1	Fitting, Adapter	
104	2110812	1	Fitting, Adapter	
105	2130406	1	Fitting, Elbow Adapter	
106	2130812	1	Fitting, Elbow Adapter	
108	5241200	2	Washer, 12mm Hardened	
109	0100011	AR	Compound, Locking	
110	3790158	1	O-Ring	

SECTION 1 - FRAME

FIGURE 1-10. DRIVE MOTOR ASSEMBLY (SN 0300100131 through 0300201016)



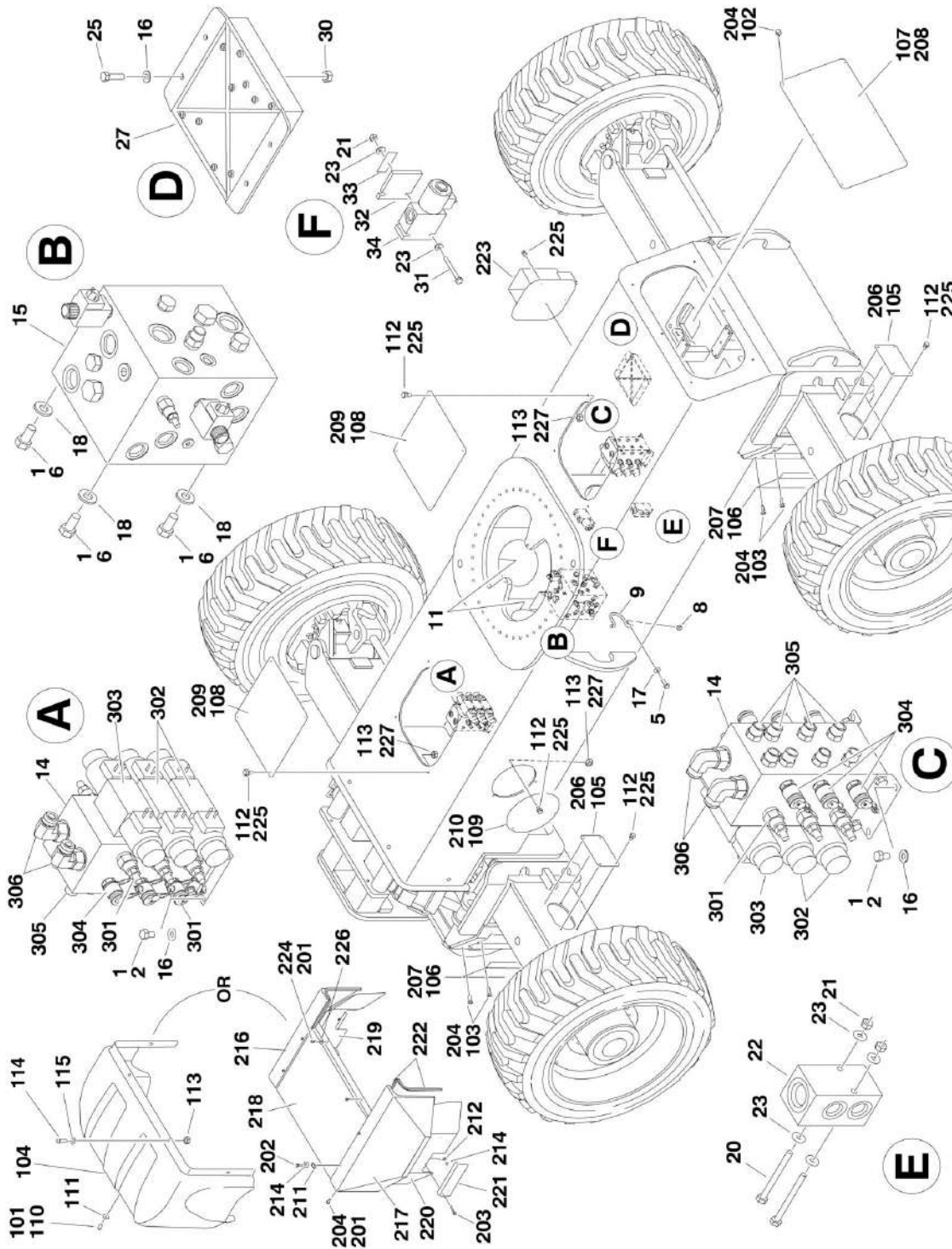
SECTION 1 - FRAME

FIGURE 1-10. DRIVE MOTOR ASSEMBLY (SN 0300100131 through 0300201016)

ITEM	PART NUMBER	QTY	DESCRIPTION	REV
	3160339	Ref	DRIVE MOTOR ASSEMBLY	B
1	7022368	4	Bolt	
2	70000859	1	End Cap, Motor	
3	70003628	2	Locating Pin	
4	70000862	1	O-Ring	
5	7007420	1	Plug (Includes Item 4)	
6	7007446	1	Pin, Dowel	
7	7021249	1	Bearing, Needle	
8	70000854	1	Plate, Valve	
9	7022311	1	Snap Ring	
10	7022314	1	Retainer, Spring	
11	7024867	1	Spring	
12	7024868	1	Washer (was p/n 7022313)	
13	70000855	1	Block, Cylinder	
14	7021275	3	Pin, Slipper	
15	70000856	1	Guide	
16	70000857	1	Retainer, Slipper	
17	7024865	9	Piston, Cylinder	
18	70000862	1	Ring, Piston	
19	70000862	1	O-Ring	
20	70000860	1	Piston, Servo (Includes Items 18 & 19)	
21	70000861	1	Spring	
22	See Note	1	Pin (Note: Not Available For Purchase)	
23	70000853	1	Swashplate	
24	70000852	1	Bearing Kit	
25	70000862	1	Gasket	
26	See Note	1	Plug (Note: Not Available For Purchase)	
27	70000862	1	O-Ring	
28	7022321	1	Plug (Includes Item 29)	
29	70000862	1	O-Ring	
30	See Note	1	Housing (Note: Not Available - Purchase Complete Drive Motor Assembly)	
31	70000858	1	Shaft	
32	7007437	1	Bearing	
33	7007439	1	Snap Ring	
34	7007438	2	Snap Ring	
35	70000862	1	Seal	
36	7022371	1	Washer, Seal Support	
51	70000862		Motor Seal Kit (Includes Items 4, 18, 19, 25, 27, 29 & 35)	
52	7027740		Cylinder Block Kit (Includes Items 9 - 17)	

SECTION 1 - FRAME

FIGURE 1-11. FRAME VALVES AND COVERS INSTALLATION



SECTION 1 - FRAME

FIGURE 1-11. FRAME VALVES AND COVERS INSTALLATION

ITEM	PART NUMBER	QTY	DESCRIPTION	REV
	0271802	Ref	FRAME VALVES INSTALLATION	K
1	0100011	AR	Compound, Locking	
2	0641504	8	Bolt 5/16in-18NC x 1/2in	
5	0641608	12	Bolt 3/8in-16NC x 1in	
6	0641808	4	Bolt 1/2in-13NC x 1in	
8	3311605	4	Locknut 3/8in-16NC	
9	3841340	2	Loop, Hose	
11	4060808	124 in/3.2m	Flex-Trim	
14		Ref	Valve Assembly - Steer Options (See Items 301-306):	
14	4641223	2	Valve Assembly - Steer (Use p/n 4641268) (Prior to SN 0300072337)	
14	4641257	2	Valve Assembly - Steer (Use p/n 4641268) (Prior to SN 0300072337)	
14	4641268	2	Valve Assembly - Steer (SN 0300072337 through 0300201016)	
15		Ref	Valve Assembly - Traction Options:	
15	4641224	1	Valve Assembly - Traction (Use p/n 4641269 - See TRACTION VALVE ASSEMBLY for Breakdown) (Prior to SN 0300072337)	
15	4641269	1	Valve Assembly - Traction (See TRACTION VALVE ASSEMBLY for Breakdown) (SN 0300072337 through 0300100130)	
15	4641454	1	Valve Assembly - Traction (See TRACTION VALVE ASSEMBLY for Breakdown) (SN 0300100131 through 0300201016)	
16	4711500	23	Flatwasher 5/16in Thin	
17	4711600	AR	Flatwasher 3/8in Thin	
18	4711800	4	Flatwasher 1/2in Thin	
20	0641424	2	Bolt 1/4in-20NC x 3in	
21	3311405	AR	Locknut 1/4in-20NC	
22	4641155	1	Manifold, Junction	
23	4711400	AR	Flatwasher 1/4in Thin	
25	0641509	4	Bolt 5/16in-18NC x1-1/8in	
27	1600331	1	Module (Chassis) (Note: Control System must be recalibrated when Module is replaced) (Use p/n 1001112758) (Prior to SN 0300141586)	
27	2915024	1	Update Kit (Includes Cables, Programming Instructions and CD Software)	
30	3311505	4	Locknut 5/16in-18NC	
31	0641420	2	Bolt 1/4in-20NC x 2 1/2in (Prior to SN 0300072337)	
32	3570979	1	Plate, Spacer (Prior to SN 0300072337)	
33	4420060	2 in/26cm	Tape, Double Sided (Prior to SN 0300072337)	
34	4640907	1	Valve Assembly (Prior to SN 0300072337)	
34	7012941	1	Cartridge without Coil	
34	7012907	1	Seal Kit - 7012941 Cartridge	
34	7012944	1	Coil	
		Ref	FRAME COVERS INSTALLATION (MACHINES WITH ABS COVERS)	
	0271523	Ref	Frame Covers Installation (Plastic) (Prior to SN 0300195072)	D
	1001176346	Ref	Frame Covers Installation (Plastic) (SN 0300195072 through 0300201016)	C
101	0100011	AR	Compound, Locking	
102	0791604	AR	Screw 3/8in-16NC x 1/2in	
103	0791607	16	Screw 3/8in-16NC x 7/8in	
104	1670996	1	Cover, Front	

SECTION 1 - FRAME

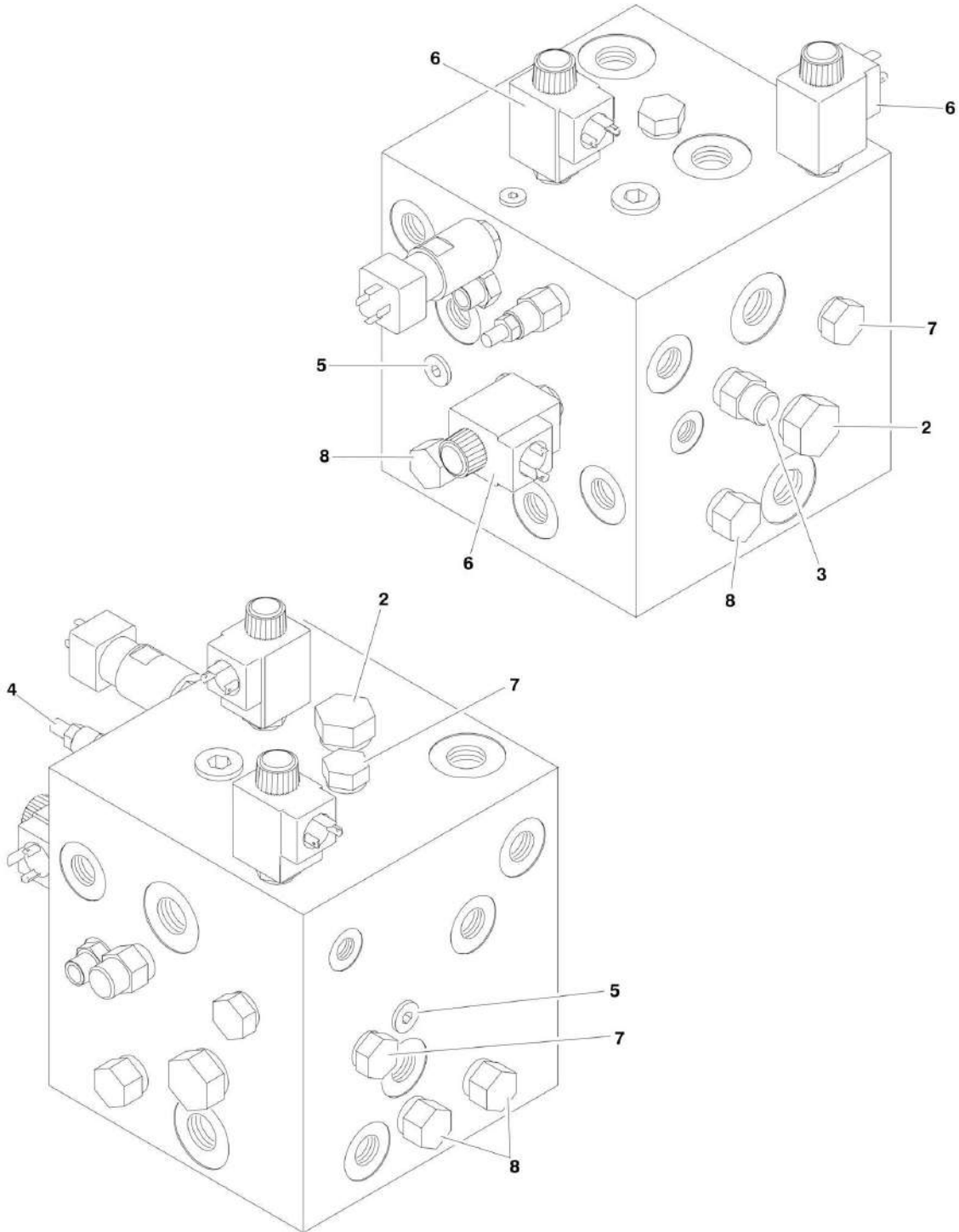
ITEM	PART NUMBER	QTY	DESCRIPTION	REV
105	1671045	4	Plate, Cover (Axle Side)	
106	1671046	4	Plate, Cover (Axle Corner)	
107	1671047	1	Plate, Cover (Rear)	
108	1671048	2	Plate, Cover (Frame Top)	
109	1671049	4	Plate, Cover (Frame Side)	
110	3900283	AR	Screw, Button Head 3/8in-16NC x 3/4in	
111	4751600	AR	Flatwasher 3/8in Regular	
112	0791604	AR	Screw 3/8-16 x 1/2 (Prior to SN 0300195072)	
112	0791410	AR	Screw, 1/4-20 x 1-1/4 (SN 0300195072 through 0300201016)	
113	8580420	AR	Nut, Well (SN 0300195072 through 0300201016)	
114	0641412	AR	Bolt, 1/4-20 x 1-1/2 (SN 0300195072 through 0300201016)	
115	4740430	AR	Washer, Fender (SN 0300195072 through 0300201016)	
		Ref	FRAME COVERS INSTALLATION (MACHINES WITH STEEL COVERS)	
	1001110114	Ref	Frame Covers Installation (Steel) (Prior to SN 0300195072)	D
	1001176347	Ref	Frame Covers Installation (SN 0300195072 through 0300201016)	C
		Ref	Note: Only Available on ANSI, ANSI Export and Japanese Specs.	
201	0100011	AR	Compound, Locking	
202	0641406	8	Screw 1/4in-20NC x 3/4in	
203	0641414	4	Screw 1/4in-20NC x 1-3/4in	
204	0791604	AR	Screw 3/8in-16NC x 1/2in	
206	1671045	4	Plate, Cover (Axle Side)	
207	1671046	4	Plate, Cover (Axle Corner)	
208	1671047	1	Plate, Cover (Rear)	
209	1671048	2	Plate, Cover (Frame Top)	
210	1671049	3	Plate, Cover (Frame Side)	
211	3300454	8	Nut, Retainer 1/4in-20NC	
212	3311405	4	Locknut 1/4in-20NC	
214	4711400	12	Flatwasher 1/4in Thin	
216	1001110108	1	Cover - RH Side	
217	1001110109	1	Cover - LH Side	
218	1001110110	1	Cover - Center Side	
219	1001110111	1	Shift - RH Side	
220	1001110112	1	Shift - LH Side	
221	1001110113	2	Plate	
222	1001110513	51 in/5.5m	Seal	
223	1001110877	1	Mount, Fire Extinguisher	
224	0641412	AR	Bolt, 1/4-20 x 1-1/2 (SN 0300195072 through 0300201016)	
225	0791604	AR	Screw 3/8-16 x 1/2 (Prior to SN 0300195072)	
225	0791410	AR	Screw, 1/4-20 x 1-1/4 (SN 0300195072 through 0300201016)	
226	4740430	AR	Washer, Fender (SN 0300195072 through 0300201016)	
227	8580420	AR	Nut, Well (SN 0300195072 through 0300201016)	
		Ref	STEER VALVE ASSEMBLY	
	4641223	Ref	Steer Valve Assembly (Use p/n 4641268) (Prior to SN 0300072337)	
	4641257	Ref	Steer Valve Assembly (Use p/n 4641268) (Prior to SN 0300072337)	
	4641268	Ref	Steer Valve Assembly (SN 0300072337 through 0300201016)	
301	7026028	12	Cartridge (6 Per Valve)	
301	7011346	12	Seal Kit - Cartridge (1 Per Cartridge)	

SECTION 1 - FRAME

ITEM	PART NUMBER	QTY	DESCRIPTION	REV
302	7024927	4	Valve (2 Per Valve)	
302	7012773	4	Seal Kit - Cartridge (1 Per Cartridge)	
302	7018991	8	Coil (2 Per Valve)	
303	70001976	2	Valve (1 Per Valve) (was p/n 7012770)	
303	7012773	2	Seal Kit - Cartridge (1 Per Cartridge)	
303	7018991	4	Coil (2 Per Valve)	
303	70001939	1	Orifice	
304	2221086	6	Check, Pressure	
305	2110606	8	Fitting, Straight	
306	2130810	2	Fitting, Elbow	

SECTION 1 - FRAME

FIGURE 1-12. TRACTION VALVE ASSEMBLY (Prior to SN 0300072337)



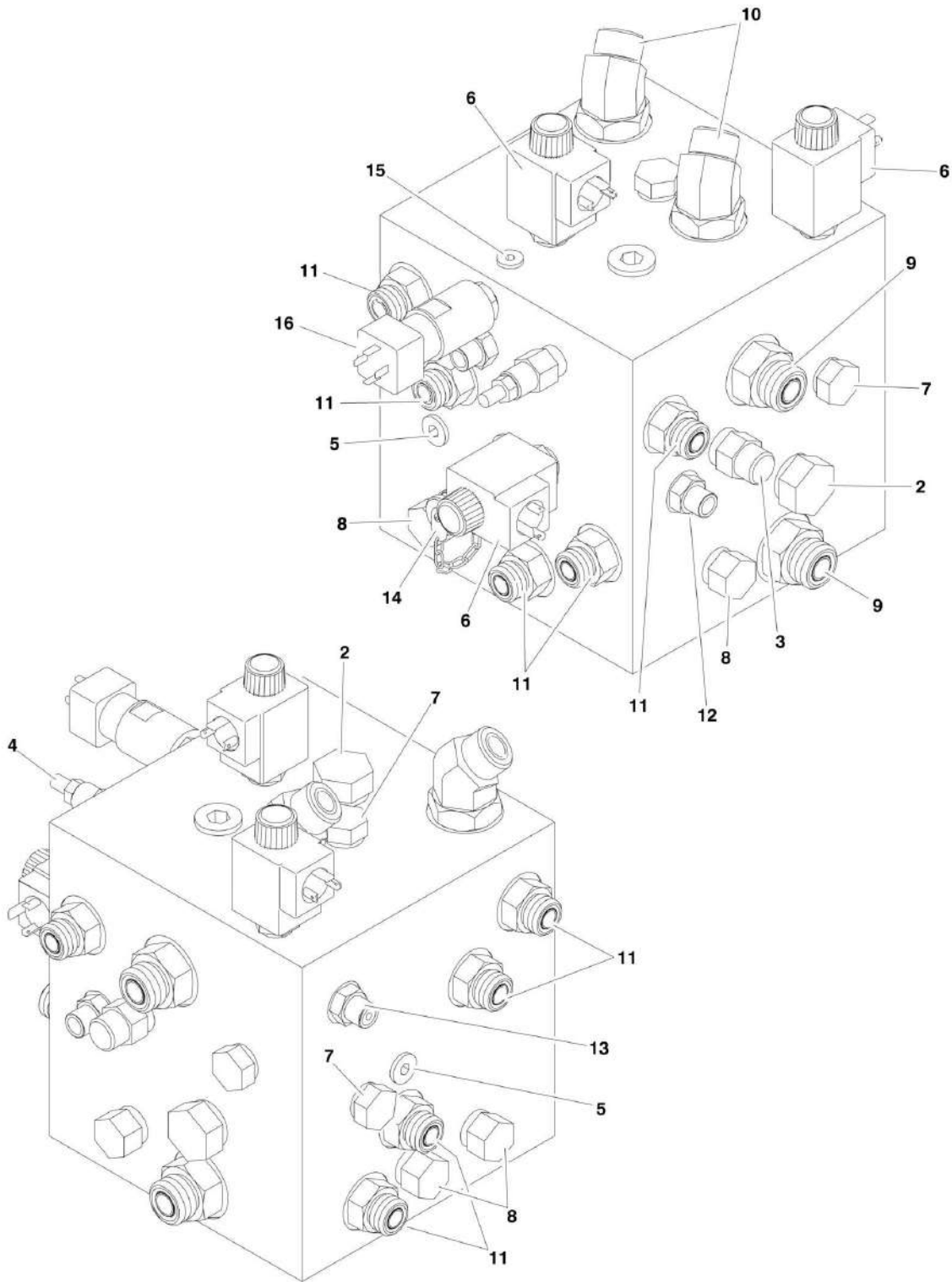
SECTION 1 - FRAME

FIGURE 1-12. TRACTION VALVE ASSEMBLY (Prior to SN 0300072337)

ITEM	PART NUMBER	QTY	DESCRIPTION	REV
		Ref	TRACTION VALVE ASSEMBLY	
	4641224	Ref	Traction Valve Assembly (Prior to SN 0300072337)	
	4641269	Ref	Traction Valve Assembly (SN 0300072337 through 0300100131)	
		Ref	Note: See ELECTRICAL SECTION for Pressure Switch	
2	7026025	2	Cartridge, Valve (Flow Divider)	
2	70002519	2	Seal Kit - 7026025 Cartridge	
3	7026026	1	Cartridge, Valve (Shuttle)	
3	70002519	1	Seal Kit - 7026026 Cartridge	
4	7026027	1	Cartridge, Valve (Relief)	
4	7011346	1	Seal Kit - 7026027 Cartridge	
5	7018900	2	Orifice 1.2mm	
6	7024570	3	Cartridge, Solenoid Valve (Steer, Brake and Axle Lockout)	
6	70001930	3	Seal Kit - 7024570 Cartridge (was p/n 2900770)	
6	7024571	3	Coil	
7	7011355	3	Cartridge, Valve (Shuttle)	
7	2900770	3	Seal Kit - 7011355 Cartridge	
8	7026012	4	Cartridge, Valve (Check)	
8	7011346	4	Seal Kit - 7026012 Cartridge	

SECTION 1 - FRAME

FIGURE 1-13. TRACTION VALVE ASSEMBLY (SN 0300072337 through 0300100130)



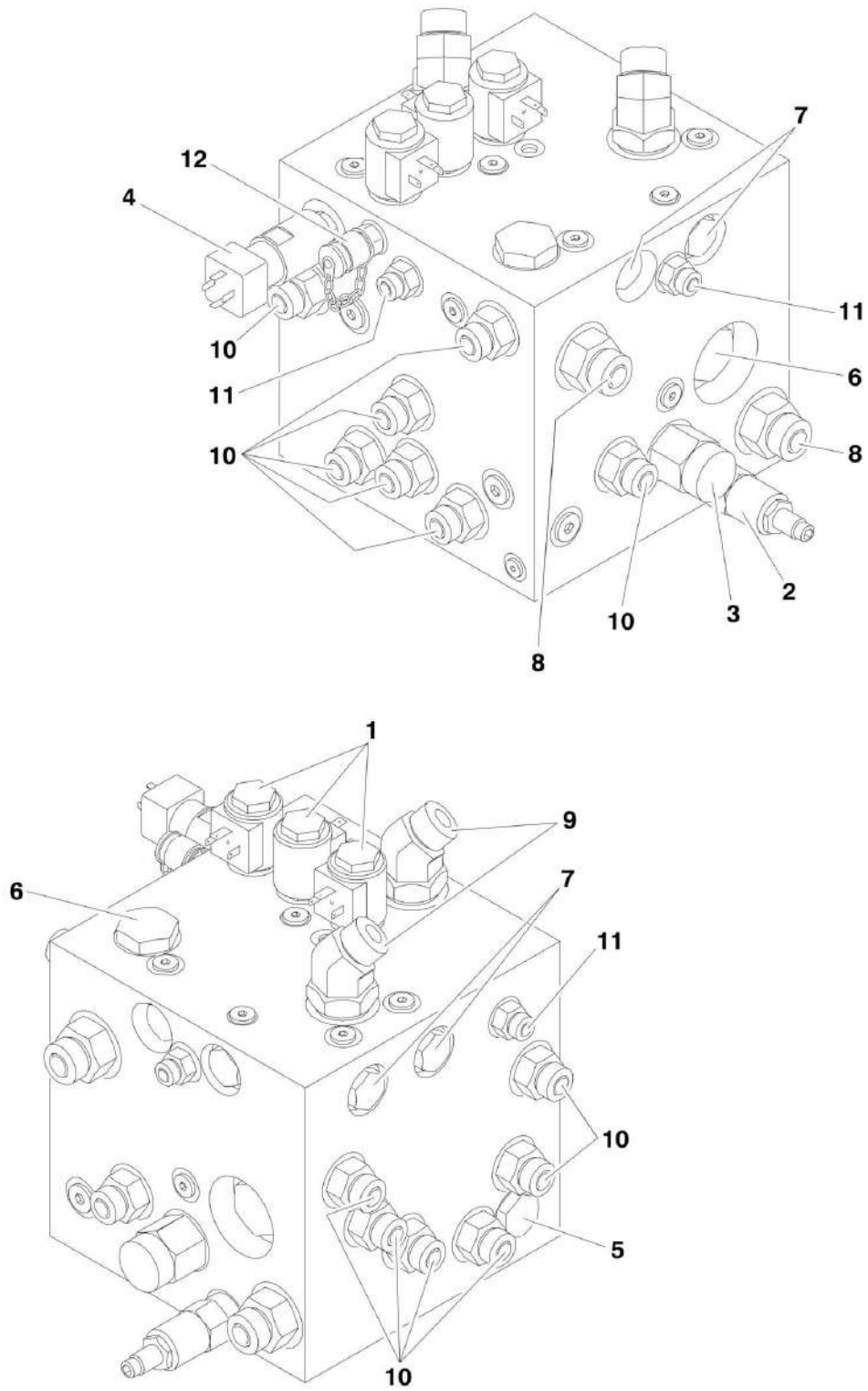
SECTION 1 - FRAME

FIGURE 1-13. TRACTION VALVE ASSEMBLY (SN 0300072337 through 0300100130)

ITEM	PART NUMBER	QTY	DESCRIPTION	REV
	4641269	Ref	TRACTION VALVE ASSEMBLY	C
2	7026025	2	Cartridge, Valve (Flow Divider)	
2	70002519	2	Seal Kit - 7026025 Cartridge	
3	7026026	1	Cartridge, Valve (Shuttle)	
3	70002519	1	Seal Kit - 7026026 Cartridge	
4	7026027	1	Cartridge, Valve (Relief)	
4	7011346	1	Seal Kit - 7026027 Cartridge	
5	7018900	2	Orifice 1.2mm	
6	7024570	3	Cartridge, Solenoid Valve (Steer, Brake and Axle Lockout)	
6	70001930	3	Seal Kit - 7024570 Cartridge (was p/n 2900770)	
6	7024571	3	Coil	
7	7011355	3	Cartridge, Valve (Shuttle)	
7	2900770	3	Seal Kit - 7011355 Cartridge	
8	7026012	4	Cartridge, Valve (Check)	
8	7011346	4	Seal Kit - 7026012 Cartridge	
9	2111012	2	Fitting, Straight	
10	2151012	2	Fitting, Elbow	
11	2110810	9	Fitting, Straight	
12	2110406	1	Fitting, Straight	
13	2180831	1	Fitting, Orifice	
14	2221086	1	Check, Pressure	
15	2220883	1	Fitting, Plug	
16	7024932	1	Switch, Pressure	

SECTION 1 - FRAME

FIGURE 1-14. TRACTION VALVE ASSEMBLY (SN 0300100131 through 0300201016)



SECTION 1 - FRAME

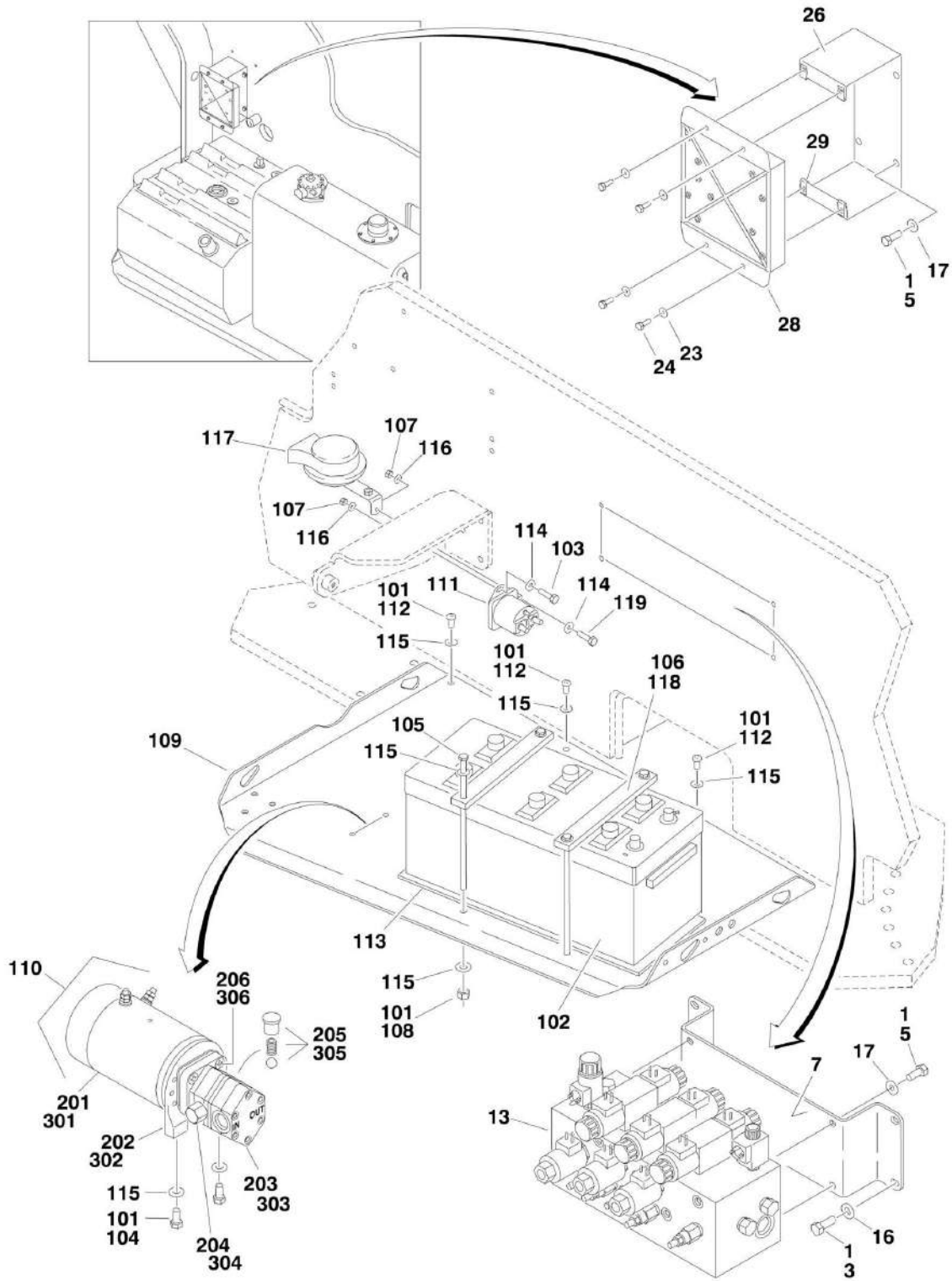
FIGURE 1-14. TRACTION VALVE ASSEMBLY (SN 0300100131 through 0300201016)

ITEM	PART NUMBER	QTY	DESCRIPTION	REV
	4641454	Ref	TRACTION VALVE ASSEMBLY	E
1	7012941	3	Cartridge, Solenoid Valve (Steer, Brake and Axle Lockout)	
1	7010543	3	Seal Kit - 7012941 Cartridge	
1	7012944	2	Coil	
2	70000801	1	Cartridge, Valve (Relief)	
2	7012998	1	Seal Kit - 70000801 Cartridge	
3	70000802	1	Cartridge, Valve (Pilot)	
3	7012942	1	Seal Kit - 70000802 Cartridge	
4	70000803	1	Pressure Switch	
5	70000804	1	Cartridge, Valve (Shuttle)	
5	70000805	1	Seal Kit - 70000804 Cartridge	
6	70000806	2	Cartridge, Valve (Flow Divider)	
6	7017405	2	Seal Kit - 70000806 Cartridge	
7	7012955	4	Cartridge, Valve (Check)	
7	7012967	4	Seal Kit - 7012955 Cartridge	
8	2111012	2	Fitting, Straight	
9	2151012	2	Fitting, Elbow	
10	2110810	13	Fitting, Straight	
11	2110406	3	Fitting, Straight	
12	2221086	1	Check, Pressure	
13	2220883	1	Plug, #4 (Not Shown)	

SECTION 2 - TURNTABLE

SECTION 2 - TURNTABLE

FIGURE 2-1. VALVE, BATTERY, HORN AND AUXILIARY PUMP INSTALLATIONS



SECTION 2 - TURNTABLE

FIGURE 2-1. VALVE, BATTERY, HORN AND AUXILIARY PUMP INSTALLATIONS

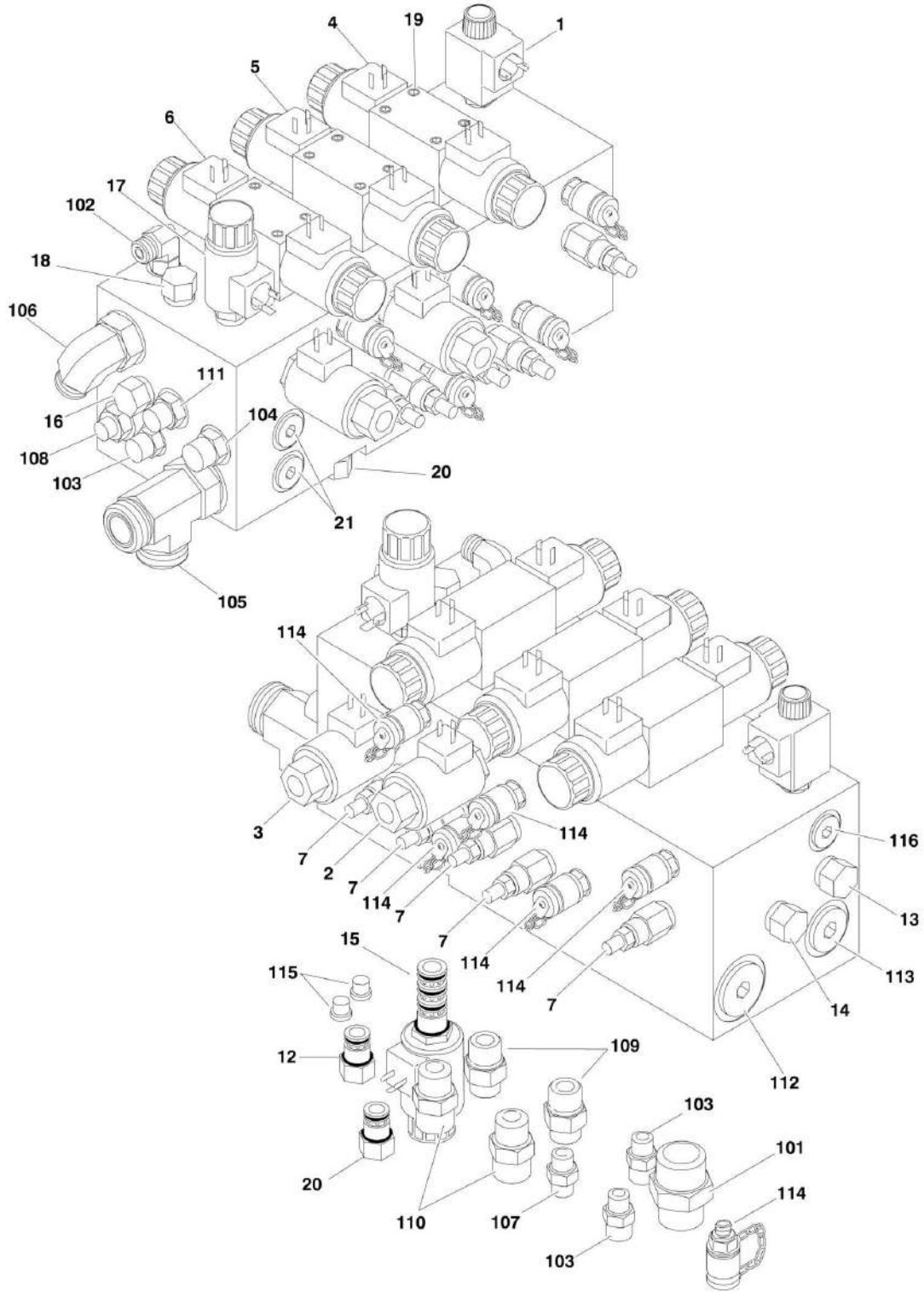
ITEM	PART NUMBER	QTY	DESCRIPTION	REV
	0271802	Ref	VALVES INSTALLATION - TURNTABLE MOUNTED	K
1	0100011	AR	Compound, Locking	
3	0641506	4	Bolt 5/16in-18NC x 3/4in	
5	0641608	12	Bolt 3/8in-16NC x 1in	
7	0902755	1	Bracket, Valve Mounting	
13		Ref	Main Valve Assembly Options: (See MAIN VALVE ASSEMBLY for Breakdown)	
13	4641222	1	Main Valve Assembly (Use p/n 4641267) (Prior to SN 0300072337)	
13	4641267	1	Main Valve Assembly (SN 0300072337 through 0300201016)	
16	4711500	23	Flatwasher 5 /16in Thin	
17	4711600	14	Flatwasher 3/8in Thin	
23	4711400	8	Flatwasher 1/4in Thin	
24	0641406	4	Bolt 1/4in-20NC x 3/4in	
26	0902800	1	Bracket, Module Mounting	
28	1600332	1	Module, B.L.A.M. (Note: Control System must be recalibrated when Module is replaced) (Use p/n 1001112757) (Prior to SN 0300141586)	
28	2915024	1	Update Kit (Includes Cables, Programming Instructions and CD Software)	
29	3300454	4	Nut, Special	
		Ref	BATTERY, HORN AND AUXILIARY PUMP INSTALLATION	
	0271795	Ref	With ABS Hoods	E
	1001110740	Ref	With Steel Hoods	A
101	0100011	AR	Compound, Locking	
102	0400020	1	Battery	
103	0641408	1	Bolt 1/4in-20NC x 1in	
104	0641606	2	Bolt 3/8in-16NC x 3/4in	
105	0236768	4	Rod, Hold-down	
106	0363062	2	Bar, Battery	
107	3311405	3	Locknut 1/4in-20NC	
108	3311601	4	Nut 3/8in-16NC	
109		Ref	Tray Options:	
109	3573259	1	Tray used with ABS Hoods	
109	1001117359	1	Tray used with Steel Hoods (Not Shown)	
110		Ref	Auxiliary Pump Assembly Options:	
110	3600342	1	Auxiliary Pump Assembly (Original Equipment Use p/n 3600424 - see items 201-205 for breakdown. For Service Replacement p/n 3600424, see items 301-305) (Prior to SN 0300103856)	
110	3600424	1	Auxiliary Pump Assembly (see Items 301-305 for Breakdown) (SN 0300103856 through 0300201016)	
111	3740067	1	Relay	
112	3900283	7	Screw, Button Head	
113	3980006	1	Seat, battery	
114	4711400	4	Flatwasher 1/4in Thin	
115	4711600	17	Flatwasher 3/8in Thin	
116	4791400	2	Starwasher 1/4in	
117	0140001	1	Horn	
118	4420037	17	Tape, Insulation	
119	0641412	1	Bolt 1/4in-20NC x 1-1/2in	
		Ref	AUXILIARY PUMP ASSEMBLY OPTIONS:	

SECTION 2 - TURNTABLE

ITEM	PART NUMBER	QTY	DESCRIPTION	REV
	3600342	Ref	Auxiliary Pump Assembly (Fenner Fluid Power Brand) (Prior to SN 0300103856)	C
		Ref	Note: Original Equipment p/n 3600342 may have been replaced with Service Replacement p/n 3600424, identify component by brand before ordering parts.	
201	7022207	1	Motor	
201	7013753	1	Brush Kit	
202	7016769	1	Bracket, Motor/Pump	
202	7013711	1	Coupling	
203	7022215	1	Pump	
203	7013716	1	Seal, Shaft	
204	7013715	1	Ball	
204	7022227	1	Spring	
204	7022228	1	Screw, Valve Adjustment	
204	7022230	1	Cap, Relief Valve	
205	7022231	1	Ball and Spring Assembly	
205	7022229	1	Plug	
206	See Note	4	Hardware (Note: Not Available For Purchase)	
	3600424	Ref	Auxiliary Pump Assembly (Haldex Brand) (SN 0300103856 through 0300201016)	B
301	70001056	1	Motor Service Replacement Kit (Includes Motor, p/n 7011062 Adapter, p/n 7011016 Coupling and qty 2 Setscrews)	
301	See Note	1	Brush Kit (Note: Not Available For Purchase)	
302	7011062	1	Bracket, Motor/Pump (Part of Item 301)	
302	7011016	1	Coupling (Part of Items 301 & 303)	
302	7011044	1	Gasket (Part of Item 303)	
303	7029593	1	Pump Service Replacement Kit (Includes Pump, p/n 7011016 Coupling, qty 2 Gaskets and qty 4 each of Screws and Washers)	
303	See Note	1	Seal, Shaft (Note: Not Available For Purchase)	
304	7029593	1	Valve Components	
305	7029593	1	Valve Components	
306	7011048	4	Screw	
306	7011043	4	Flatwasher	

SECTION 2 - TURNTABLE

FIGURE 2-2. MAIN VALVE ASSEMBLY



SECTION 2 - TURNTABLE

FIGURE 2-2. MAIN VALVE ASSEMBLY

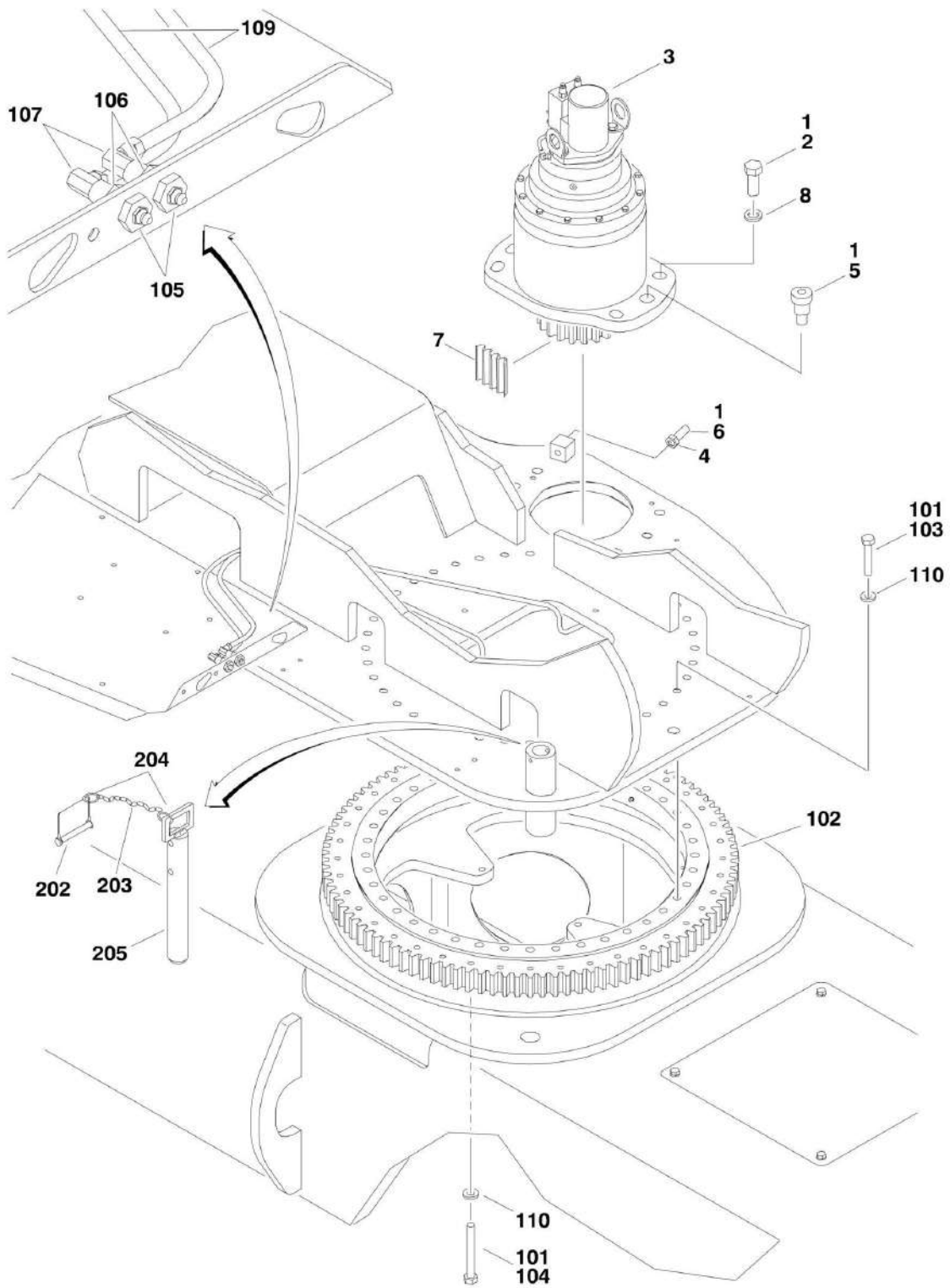
ITEM	PART NUMBER	QTY	DESCRIPTION	REV
		Ref	MAIN VALVE ASSEMBLY OPTIONS:	
	4641222	Ref	Main Valve Assembly (Without Fittings) (Prior to SN 0300072337)	C
	4641267	Ref	Main Valve Assembly (With Fittings) (SN 0300072337 through 0300201016)	B
1	7024573	1	Cartridge, Solenoid Valve (Dump)	
1	7024574	1	Seal Kit - Cartridge	
1	7011354	1	Coil	
2	7021636	1	Cartridge, Solenoid Valve (Lift Flow)	
2	7017495	1	Seal Kit - Cartridge	
2	7017451	1	Coil	
3	7021636	1	Cartridge, Solenoid Valve (Tele Flow)	
3	7017495	1	Seal Kit - Cartridge	
3	7017451	1	Coil	
4	7024924	1	Control Valve Assembly (Swing)	
4	7012773	1	Seal Kit - Valve	
4	7018991	2	Coil	
4	7021375	2	Nut, Coil	
5	7024925	1	Control Valve Assembly (Lift)	
5	7012773	1	Seal Kit - Valve	
5	7018991	2	Coil	
5	7021375	2	Nut, Coil	
6	70001976	1	Control Valve Assembly (Tele) (was p/n 7012770)	
6	7012773	1	Seal Kit - Valve	
6	7018991	2	Coil	
6	7021375	2	Nut, Coil	
7	7026007	5	Cartridge, Relief Valve (Swing/Lift Up/Lift Down/Tele In/Tele Out)	
7	7024574	1	Seal Kit - Cartridge	
12	7026000	1	Cartridge, Check Valve	
12	7011311	1	Seal Kit - Cartridge	
13	7026001	1	Cartridge, Check Valve	
13	7011311	1	Seal Kit - Cartridge	
14	7026002	1	Cartridge, Shuttle Valve	
14	2900770	1	Seal Kit - Cartridge	
15	7024570	1	Cartridge, Solenoid Valve (Aux Lift Down Select)	
15	70001930	1	Seal Kit - Cartridge (was p/n 2900770)	
15	7024571	1	Coil	
16	7026003	1	Cartridge, Pilot Valve	
16	7026004	1	Seal Kit - Cartridge	
17	7026005	1	Cartridge, Solenoid Valve (Aux Lift Down)	
17	7026006	1	Seal Kit - Cartridge	
17	7024571	1	Coil	
18	7026008	1	Cartridge, Check Valve	
18	7011346	1	Seal Kit - Cartridge	
19	7018942	12	Capscrew, Socket Head #10-24NC x 2in	
20	7026016	1	Cartridge, Valve	
20	7011346	1	Seal Kit - Cartridge	
21	70002759	1	Plug w/ O-Ring (Valve p/n 4641222 Only)	
	4641267	Ref	Main Valve Assembly (Fitting Information (SN 0300072337 through 0300201016)	A

SECTION 2 - TURNTABLE

ITEM	PART NUMBER	QTY	DESCRIPTION	REV
101	2111216	1	Fitting, Straight	
102	2130606	1	Fitting, Elbow	
103	2110606	3	Fitting, Straight	
104	2110808	1	Fitting, Straight	
105	2170316	1	Fitting, Tee	
106	2131012	1	Fitting, Elbow	
107	2110406	1	Fitting, Straight	
108	2110408	1	Fitting, Straight	
109	2110810	2	Fitting, Straight	
110	2111010	2	Fitting, Straight	
111	2110608	1	Fitting, Straight	
112	2220890	1	Plug	
113	70002760	1	Plug (was p/n 2220888)	
114	2221086	6	Check, Pressure	
115	70002758	2	Fitting, Plug (was p/n 2220883)	
116	70002759	1	Plug w/ O-Ring (was p/n 88662193 & 2220886)	

SECTION 2 - TURNTABLE

FIGURE 2-3. TURNTABLE SWING DRIVE AND BEARING INSTALLATION



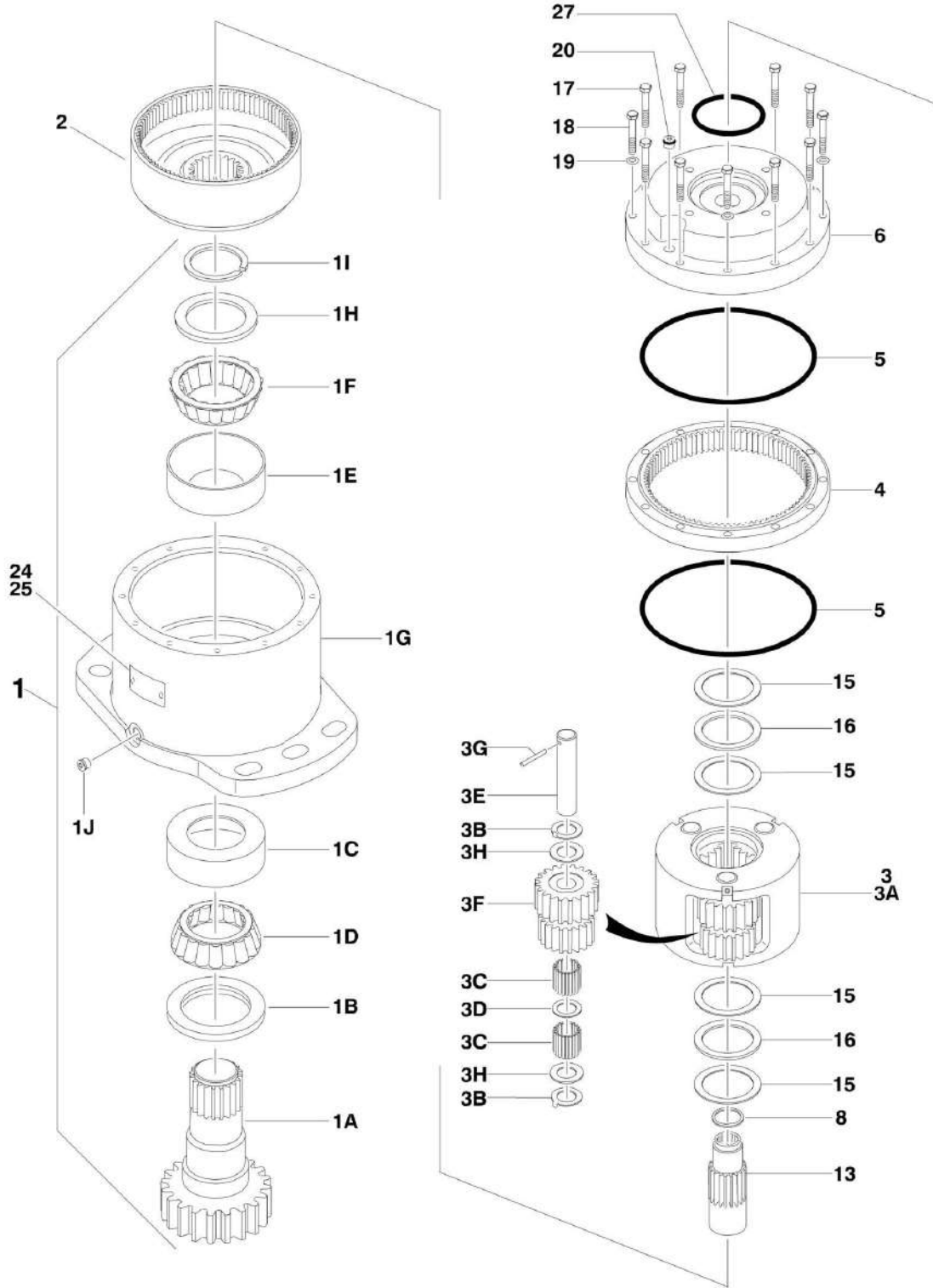
SECTION 2 - TURNTABLE

FIGURE 2-3. TURNTABLE SWING DRIVE AND BEARING INSTALLATION

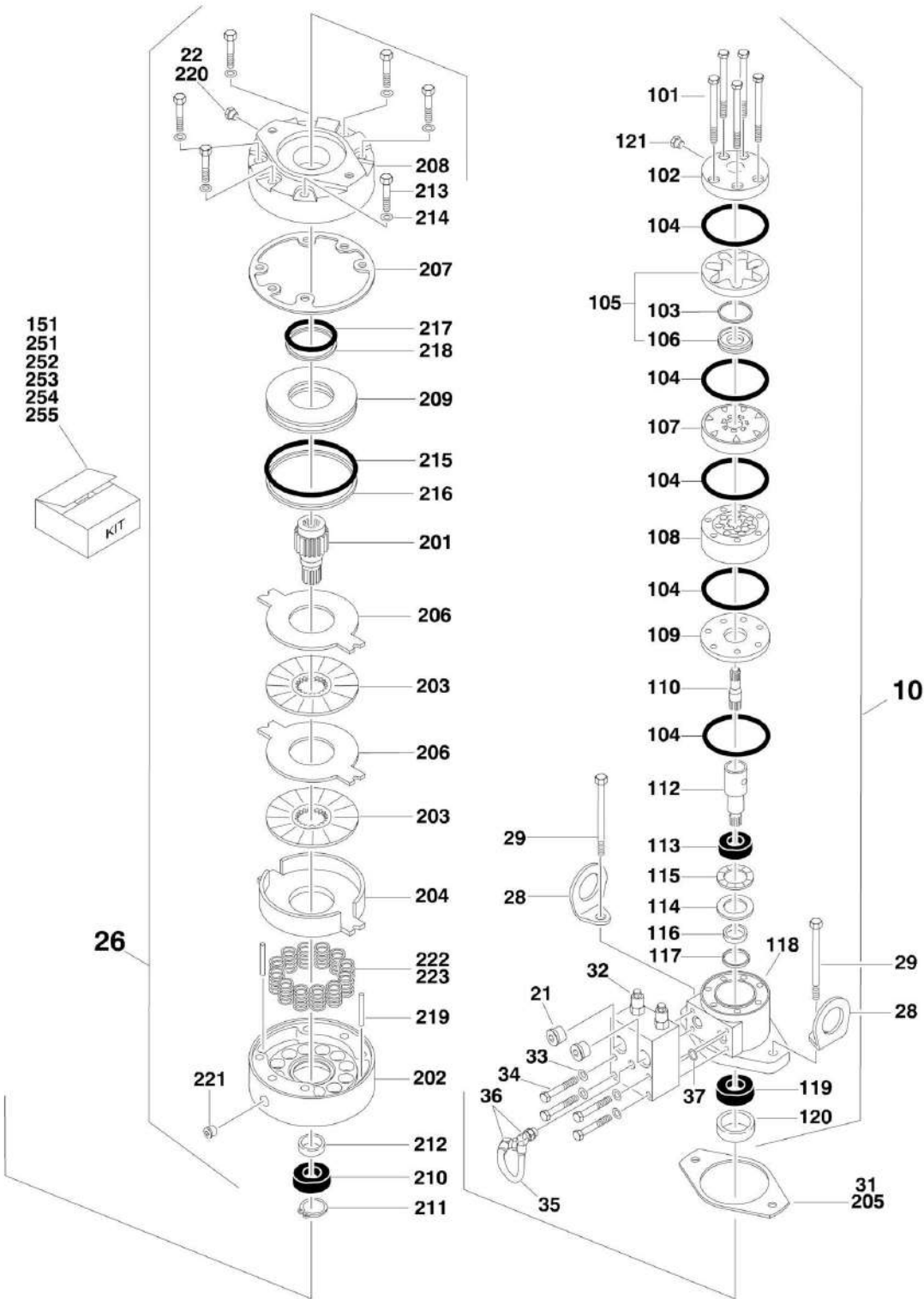
ITEM	PART NUMBER	QTY	DESCRIPTION	REV
	0271596	Ref	SWING DRIVE INSTALLATION	D
1	0100019	AR	Compound, Locking	
2	0682418	5	Bolt 7/8in- 9NC x 2-1/4in (Grade 8)	
3		Ref	Swing Motor/Hub Assembly Options (See SWING MOTOR/HUB ASSEMBLY for Breakdown)	
3	3160281	1	Swing Motor/Hub Assembly (Use p/n 1001134098) (Prior to SN 0300074374)	
3	3160302	1	Swing Motor/Hub Assembly (Use p/n 1001134098) (Prior to SN 0300074374)	
3	3160302	1	Swing Motor/Hub Assembly (Use p/n 1001134098) (SN 0300074374 through 0300152137)	
3	1001134098	1	Swing Motor/Hub Assembly (SN 0300152138 through 0300201016)	
4	3312002	1	Nut, Jam 5/8in-11NC	
5	3900223	1	Screw, Shoulder	
6	3952020	1	Setscrew 5/8in-11NC x 2-1/2in	
7	4071041	1	Shim	
8	4892400	5	Flatwasher 7/8in Hardened	
	0271512	Ref	TURNTABLE BEARING AND LUBE INSTALLATION	B
101	0100019	AR	Compound, Locking	
102	0440251	1	Bearing Kit (Use p/n 2915072) (Kit Includes Bearing and Mounting Hardware)	
103	0682026	40	Bolt 5/8in-11NC x 3-1/4in (Grade 8)	
104	0682040	40	Bolt 5/8in-11NC x 5in (Grade 8)	
105	2180002	2	Fitting, Grease	
106	2180344	2	Fitting, Bulkhead	
107	2220063	2	Fitting, Adapter	
109	2750528	2	Hose	
110	4892000	80	Flatwasher 5/8in, Hardened	
	0239842	Ref	TURNTABLE LOCK INSTALLATION	B
202	3421565	1	Pin, Snap	
203	1260017	9 in/23cm	Chain - #3	
204	3760170	2	Ring, Quick Release	
205	3421563	1	Pin, Turntable Lock	
		Ref	TURNTABLE WELDMENT OPTIONS:	
		Ref	Machines with ABS Hoods	
	4620132	Ref	Machines with ABS Hoods (Prior to SN 0300080338)	
	4620149	Ref	Machines with ABS Hoods (SN 0300080338 through 0300201016)	
	4620149	Ref	Machines with ABS Hoods with 7500W Generator Prep (SN 0300080338 through 0300201016)	
		Ref	Machines with Steel Hoods	
	1001107391	Ref	Machines with Steel Hoods (Use p/n 1001119911) (Prior to SN 0300149621)	
	1001119911	Ref	Machines with Steel Hoods (SN 0300149621 through 0300201016)	

SECTION 2 - TURNTABLE

FIGURE 2-4. SWING MOTOR/HUB ASSEMBLY



SECTION 2 - TURNTABLE



SECTION 2 - TURNTABLE

FIGURE 2-4. SWING MOTOR/HUB ASSEMBLY

ITEM	PART NUMBER	QTY	DESCRIPTION	REV
		Ref	SWING MOTOR/HUB ASSEMBLY OPTIONS:	
	3160281	Ref	Swing Motor/Hub Assembly (Prior to SN 0300074374)	
	3160302	Ref	Swing Motor/Hub Assembly (SN 0300074374 through 0300151137)	
	1001134098	Ref	Swing Motor/Hub Assembly (SN 0300151138 through 0300201016)	C
1	See Note	1	Housing/Shaft Assembly (Note: Not Available - Purchase Complete Swing Motor/Hub Assembly)	
1A	7024183	1	Shaft, Out put	
1B	7000236	1	Seal, Lip	
1C	1001091460	1	Cup, Bearing (was p/n 7000272 & p/n 90202500)	
1D	1001091460	1	Cone, Bearing (was p/n 7000273 & p/n 90202501)	
1E	1001091461	1	Cup, Bearing (was p/n 7000274)	
1F	1001091461	1	Cone, Bearing (was p/n 7000275 & p/n 90202503)	
1G	7024184	1	Housing	
1H	7000239	1	Thrustwasher	
1I	7000240	1	Ring, Retaining	
1J	7017072	1	Plug, Pipe	
2	7001917	1	Gear, Internal	
3	7001918	1	Carrier Assembly	
3A	7001900	1	Carrier	
3B	7007645	6	Washer, Tanged	
3C	7001902	84	Bearing, Needle	
3D	7007646	3	Thrustwasher	
3E	7001904	3	Shaft, Planet	
3F	7001927	3	Gear, Cluster	
3G	7001906	3	Rollpin	
3H	7007648	6	Washer	
4	7010467	1	Gear, Ring	
5	7000224	2	O-Ring	
6	7001920	1	Cover, Input	
8	7001922	1	Thrustwasher	
10	7024188	1	Motor Assembly (See Items 101-121 for Breakdown)	
13	7001921	1	Gear, Sun	
15	7000287	4	Washer, Thrust	
16	7000288	2	Bearing, Thrust	
17	7001923	8	Bolt 3/8in-16NC x 3in (Grade 8)	
18	7001924	4	Bolt, Shoulder 3/8in-16NC x 2-3/4in (Grade 8)	
19	7001929	4	Lockwasher (Used with Item 18 Only)	
20	7001928	1	Plug, Pipe	
21	7001926	2	Plug, Pipe	
22	7017082	1	Plug, Pipe	
24	See Note	1	Plate, ID (Note: Not Available For Purchase)	
25	7000281	2	Screw, Drive	
26		Ref	Brake Assembly Options (See Items 201-223 for Breakdown):	
26	7024182	1	Brake Assembly (Prior to SN 0300151138)	
26	70003524	1	Brake Assembly (SN 0300151138 through 0300201016)	
27	7024763	1	O-Ring	
28	See Note	2	Lug, Lifting (Note: Not Available For Purchase)	
29	7024185	2	Bolt 1/2in-13NC x 5in (Grade 8)	

SECTION 2 - TURNTABLE

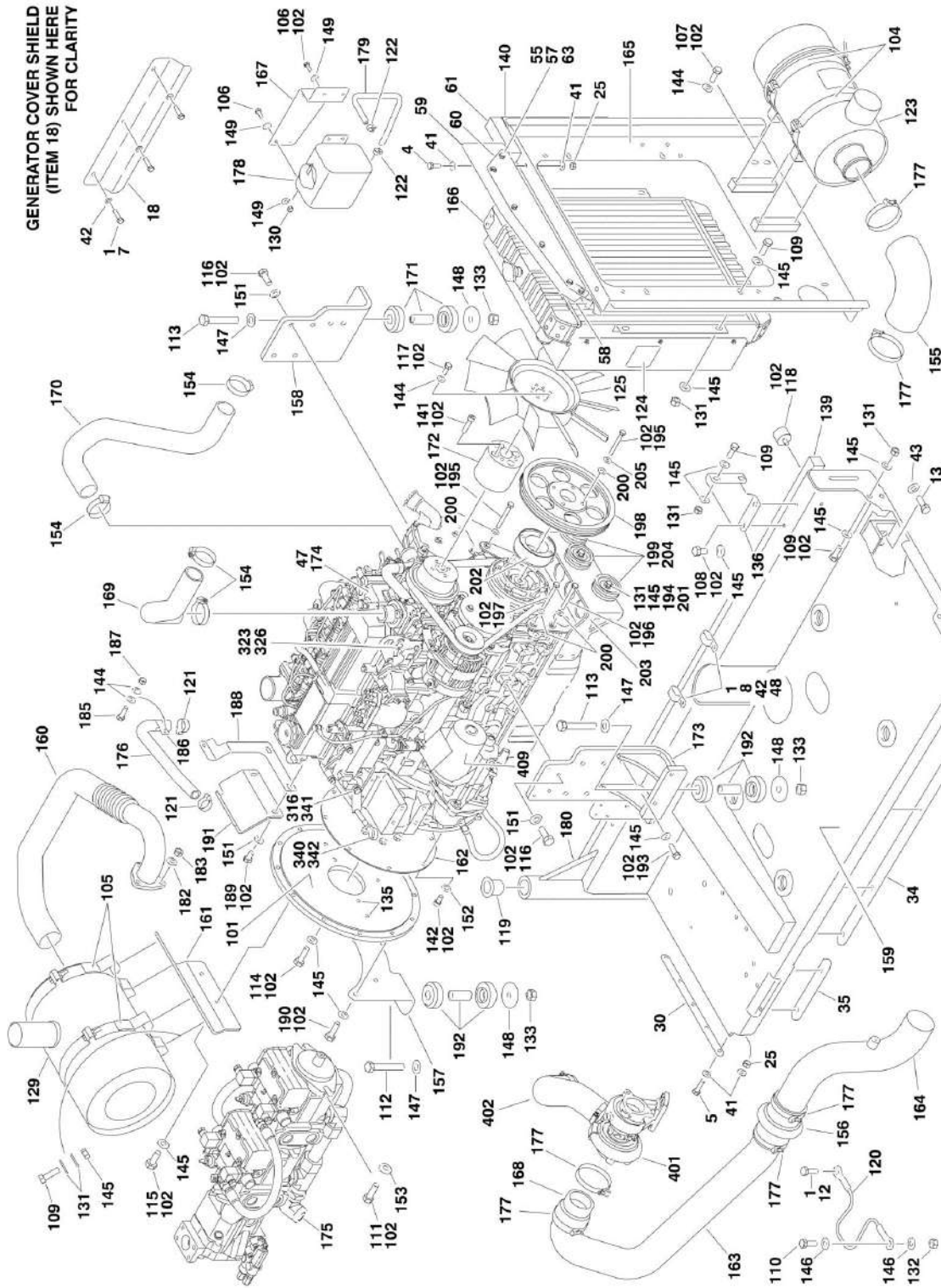
ITEM	PART NUMBER	QTY	DESCRIPTION	REV
31	7000731	1	Gasket	
32		Ref	Valve Options:	
32		Ref	Used With Swing Motor/Hub Assembly p/n 3160281 & p/n 3160302	
32	4640741	1	Valve (was p/n 7024187)	
32	7011320	2	Cartridge	
32	2900770	2	Seal Kit - 7011320 Cartridge (1 Per Cartridge)	
32		Ref	Used With Swing Motor/Hub Assembly p/n 1001134098	
32	70003523	1	Valve	
32	70003629	2	Cartridge	
32	2900770	2	Seal Kit - 70003629 Cartridge (1 Per Cartridge)	
33	See Note	4	Lockwasher (Note: Not Available For Purchase)	
34	7024135	4	Bolt 5/16in-18NC x 2-1/2in (Grade 8)	
35	7024186	1	Tube	
36	7017085	2	Elbow	
37	7000213	2	O-Ring	
	7024188	Ref	MOTOR ASSEMBLY	
101	7024391	5	Bolt	
102	7004035	1	Cover, End	
103	7024389	1	Seal, Commutator	
104	7024389	5	Seal, Ring	
105	7024453	1	Commutator and Ring Assembly (was p/n 7004037)	
106	7004453	1	Ring (was p/n 7004037)	
107	7024379		Manifold	
108	7024392	1	Rotor Set	
109	7024380	1	Plate, Wear	
110	7024393	1	Link, Drive	
112	7024395	1	Shaft, Coupling	
113	7024381	1	Bushing, Bronze	
114	7004043	1	Thrustwasher	
115	7004044	1	Bearing, Thrust	
116	7024389		Seal, Inner	
117	7024389	1	Washer, Back-up	
118	7024394	1	Housing	
119	7024390	1	Bearing	
120	7024389	1	Seal	
121	7010795	1	Plug, O-Ring	
151	7024389	1	Seal Kit - 7024188 Motor (Includes Items 103, 104, 116, 117 & 120) (was p/n 7024396)	
		Ref	BRAKE ASSEMBLIES	
	7024182	Ref	Brake Assemblies (Prior to SN 030015138)	
	70003524	Ref	Brake Assemblies (SN 030015138 through 0300201016)	
201	7024189	1	Shaft	
202	7024182	1	Housing (Note: Not Available For Purchase)	
203	7024193	2	Plate, Friction	
204	7024193	1	Plate, Pressure	
205	7000731	1	Gasket	
206	7024193	2	Plate, Outer	
207	See Note	1	Gasket (Note: Use Item 251, 254 or 255.)	
208	7024191	1	Cylinder	
209	7024192	1	Piston	
210	7024197	1	Bearing, Ball	

SECTION 2 - TURNTABLE

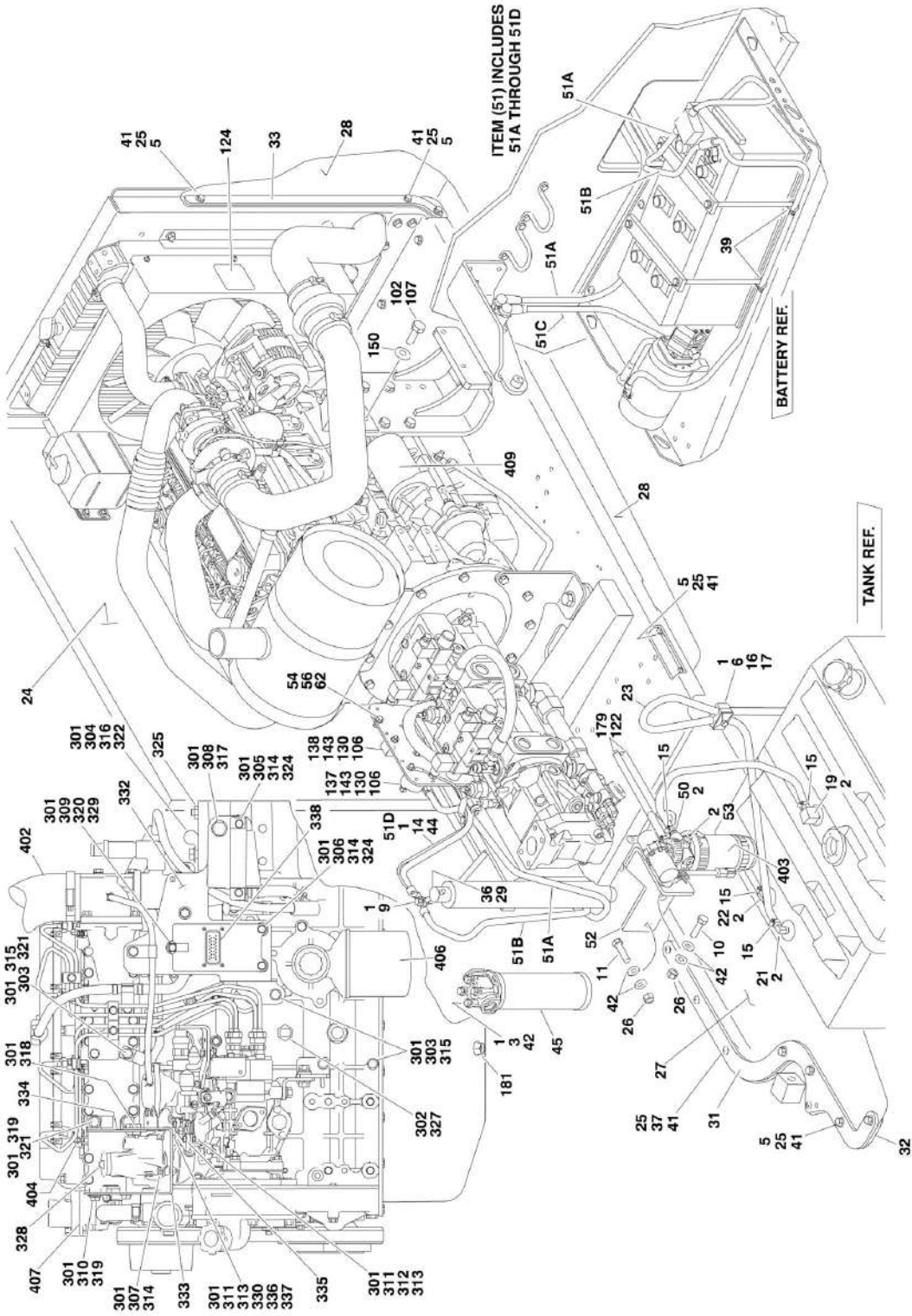
ITEM	PART NUMBER	QTY	DESCRIPTION	REV
211	7024197	1	Ring, Retaining	
212	7024197	1	Seal, Shaft	
213	See Note	6	Capscrew (Note: Not Available For Purchase)	
214	See Note	6	Lockwasher (Note: Not Available For Purchase)	
215	7024194	1	O-Ring	
216	7024194	1	Ring, Back-up	
217	7024194	1	O-Ring	
218	7024194	1	Ring, Back-up	
219	7024190	2	Pin, Dowel	
220	See Note	1	Plug (Note: Not Available For Purchase)	
221	See Note	1	Plug (Note: Not Available For Purchase)	
222	7024196	AR	Spring (Natural)	
223	7024196	AR	Spring, (Blue)	
251	7024194	1	Seal Kit - Brake (Includes Items 205, 207 & 215-218)	
252	7024196	1	Spring Kit - Brake (Includes 12 Natural Colored Springs) (was p/n 7024195)	
		Ref	Note: Spring Kit p/n 7024195 no Longer Available, Purchase p/n 7024196 for Replacement.	
253	7024196	1	Spring Kit - Brake (Includes 12 Natural & 2 Blue Colored Springs)	
254	7024193	1	Friction Disc Kit - Brake (Includes Items 203, 204, 206 & 207)	
255	7024197	1	Bearing Kit - Brake (Includes Items 207 & 210-212)	

SECTION 2 - TURNTABLE

FIGURE 2-5. CATERPILLAR DIESEL ENGINE INSTALLATION



SECTION 2 - TURNTABLE



SECTION 2 - TURNTABLE

FIGURE 2-5. CATERPILLAR DIESEL ENGINE INSTALLATION

ITEM	PART NUMBER	QTY	DESCRIPTION	REV
		Ref	CATERPILLAR DIESEL ENGINE INSTALLATION OPTIONS:	
		Ref	With Rexroth Pumps and ABS Hoods	
	1001120526	Ref	With Skypower and Without Cold Weather Plus Package	C
	1001120527	Ref	With Skypower and With Cold Weather Plus Package	C
		Ref	With Rexroth Pumps and Steel Hoods	
	1001117499	Ref	With Skypower and Without Cold Weather Plus Package	D
	1001120528	Ref	With Skypower and With Cold Weather Plus Package	C
1	0100011	AR	Compound, Locking	
2	0100079	AR	Sealant, Pipe	
3	0641606	4	Bolt 3/8in-16NC x 3/4in	
4	0641506	AR	Bolt 5/16in-18NC x 3/4in	
5	0641509	18	Bolt 5/16in-18NC x 1-1/8in	
6	0641511	1	Bolt 5/16in-18NC x 1-3/8in	
7	0641605	3	Bolt 3/8in-16NC x 5/8in	
8	0641608	3	Bolt 3/8in-16NC x 1in	
9	0641610	1	Bolt 3/8in-16NC x 1-1/4in	
10	0641611	2	Bolt 3/8in-16NC x 1-3/8in	
11	0641612	2	Bolt 3/8in-16NC x 1-1/2in	
12	0641808	1	Bolt 1/2in-13NC x 1in	
13	0642010	1	Bolt 5/8in-11NC x 1-1/4in	
14	0700808	1	Bolt M8 x 16mm	
14	0761210	1	Bolt M12 x 20mm	
15	1320022	5	Clamp	
16	1320187	1	Clamp, Twin	
17	1320190	1	Cover, Clamp	
18	1671121	1	Cover, Generator	
19	2180348	1	Fitting, Barbed	
20	2200222	1	Plug, Pipe (Used in Bottom of Fuel Tank) (Not Shown)	
21	2220313	1	Fitting, Elbow Barbed	
22	2221176	1	Fitting, Elbow	
23	2750532	55 in/1.4m	Hose	
24	2820170	1	Insulation, Sound Absorbing	
25	3311505	AR	Locknut 5/16in-18NC	
26	3311605	4	Locknut 3/8in-16NC	
27		Ref	Panel, Rubber Options:	
27	3380472	1	Machines with ABS Hoods	
27	1001111132	1	Machines with Steel Hoods	
28		Ref	Panel, Rubber Options:	
28	3380473	1	Machines with ABS Hoods	
28	1001128899	1	Machines with Steel Hoods	
29	3422446	1	Pin	
30	3573644	1	Plate, Tray Clamp	
31		Ref	Plate, Top Clamp Options:	
31	3573645	1	Machines with ABS Hoods	
31	1001112878	1	Machines with Steel Hoods	
32		Ref	Plate, Bottom Clamp Options:	
32	3573646	1	Machines with ABS Hoods	
32	1001112879	1	Machines with Steel Hoods	
33		Ref	Plate, Clamp Options:	
33	3573669	1	Machines with ABS Hoods	

SECTION 2 - TURNTABLE

ITEM	PART NUMBER	QTY	DESCRIPTION	REV
33	1001128898	1	Machines with Steel Hoods	
34		Ref	Plate, Tray Clamp Options:	
34	3573727	1	Machines with ABS Hoods	
34	1001112880	1	Machines with Steel Hoods	
35	3573728	1	Plate, Tray Clamp	
36	3841143	1	Keeper, Pin	
37	3900272	AR	Screw, Button 5/16in-18NC x 1-3/4in	
38	4240018	AR	Strap, Tie (Not Shown)	
39	4240033	AR	Strap, Tie	
41	4711500	AR	Flatwasher 5/16in Thin	
42	4711600	3	Flatwasher 3/8in Thin (Not Shown)	
43	4752000	1	Flatwasher 5/8in Wide	
44	4811900	1	Flatwasher M8	
44	4812100	1	Flatwasher M12	
45	1001108617		Pressure Filter	
45	70002231	1	Element, Filter	
47	1001116112	1	Engine, Caterpillar C3.4 Turbo (See Items 401 to 411 for Individually Serviced Components)	
48	1001116792	3	Clamp	
49	1001119995	1	Harness, Engine (Not Shown - See ELECTRICAL SECTION for Breakdown)	
50	1001120492	2	Fitting, Straight	
51	1001120743	1	Battery Cable Kit	B
51A	7027034	1	Cable, Red (To Aux Pump Relay, Battery Positive Terminal, Glow Plug Solenoid and Starter)	
51B	7024581	1	Cable, Black (To Aux Pump, Battery Negative Terminal and Ground at Tray Pivot)	
51C	7027035	1	Cable, Red (Aux Pump Relay to Aux Pump)	
51D	7027039	1	Cable, Black (Tray Pivot to Engine Block)	
52	1001121236	1	Bracket, Fuel Pump Mounting	
53	2200221	1	Plug	
54	3311005	1	Locknut 10-24NC	
55	3311405	6	Locknut 1/4in-20NC (Machines with Steel Hoods Only)	
56	4711000	2	Flatwasher #10 Thin	
57	4711400	12	Flatwasher 1/4in Thin (Machines with Steel Hoods Only)	
58	1001128765	1	Support, Baffle (Machines with Steel Hoods Only)	
59	1001128789	1	Panel, Rubber (Machines with Steel Hoods Only)	
60	1001128797	1	Plate, Clamp (Machines with Steel Hoods Only)	
61	1001130774	1	Seal (Machines with Steel Hoods Only)	
62	0721006	1	Screw #10-24NC x 3/4in	
63	0641406	6	Bolt 1/4in-20NC x 3/4in (Machines with Steel Hoods Only)	
		Ref	CATERPILLAR DIESEL ENGINE ASSEMBLY OPTIONS:	
	1001116111	Ref	With Skypower and Without Cold Weather Plus Package	E
	1001120525	Ref	With Skypower and With Cold Weather Plus Package	C
101	0080181	1	Plate, Pump Mounting Adapter	
102	0100011	AR	Compound, Locking	
103	0100020	AR	Sealant, Pipe (Not Shown)	
104	0340003	2	Band, Air Cleaner	
105	0340051	2	Band, Muffler	
106	0641406	9	Bolt 1/4in-20NC x 3/4in	
107	0641506	6	Bolt 5/16in-18NC x 3/4in	
108	0641605	2	Bolt 3/8in-16NC x 5/8in	

SECTION 2 - TURNTABLE

ITEM	PART NUMBER	QTY	DESCRIPTION	REV
109	0641608	19	Bolt 3/8in-16NC x 1in	
110	0641808	1	Bolt 1/2in-13NC x 1in	
111	0641812	2	Bolt 1/2in-13NC x 1-1/2in	
112	0642028	2	Bolt 5/8in-11NC x 3-1/2in	
113	0642030	2	Bolt 5/8in-11NC x 3-3/4in	
114	0701012	4	Bolt, Metric M10 x 25mm	
115	0701015	2	Bolt, Metric M10 x 35mm	
116	0711214	8	Bolt, Metric M12 x 30mm	
117	0760810	4	Bolt, Metric M8 x 20mm	
118	0940070	1	Bumper	
119	0961986	2	Bushing, Flanged	
120	1001131542	1	Lanyard	
121	1320017	2	Clamp	
122	1320022	4	Clamp	
123	1340065	1	Air Cleaner Assembly	
123	7003655	1	Element, Air Cleaner	
123	7015013	1	Baffle, Rubber	
123	7015014	1	Clamp, Cap	
123	7015015	1	Cup	
123	7015003	1	Wing nut	
124	1703162	2	Decal - Fan Blade	
125	2060025	1	Fan	
126		Ref	Anti-Freeze Options (Not Shown):	
126	2300004	2.95	Without Arctic Package	
		gl/11.17Li		
126	2300041	2.95	With Arctic Package	
		gl/11.17Li		
127	3020016	2.64	Oil, Motor 15W-40 (Not Shown)	
		gl/9.99Li		
128	3020037	AR	Lube, Coupling Grease (Not Shown)	
129		Ref	Muffler Options:	
129	3220126	1	Standard Muffler	
129	70003555	1	Clamp (Used on p/n 3220126)	
129	3220130	1	Optional Catalytic Muffler	
129	70001017	1	Clamp (Used on p/n 3220130)	
130	3311405	7	Locknut 1/4in-20NC	
131	3311605	21	Locknut 3/8in-16NC	
132	3311805	1	Locknut 1/2in-13NC	
133	3312005	4	Locknut 5/8in-11NC	
135	3520054	3	Plug	
136	3573412	1	Gusset	
137	3740067	1	Relay	
138	3740080	1	Relay	
139	3960543	1	Seal	
140	3960544	1	Seal	
141	4031911	4	Capscrew M8 x 35mm	
142	4032008	8	Capscrew M10 x 20mm	
143	4711400	6	Flatwasher 1/4in Thin	
144	4711500	14	Flatwasher 5/16in Thin	
145	4711600	58	Flatwasher 3/8in Thin	
146	4711800	2	Flatwasher 1/2in Thin	
147	4712000	4	Flatwasher 5/8in Thin	

SECTION 2 - TURNTABLE

ITEM	PART NUMBER	QTY	DESCRIPTION	REV
148	4740242	4	Washer, Snubbing	
149	4751400	10	Flatwasher 1/4in Regular	
150	4751500	2	Flatwasher 5/16in Regular	
151	4812100	10	Flatwasher M12	
152	4832000	8	Lockwasher M10	
153	4891800	2	Flatwasher 1/2in Hardened	
154	8405104	4	Clamp, Gear	
155	91083128	1	Elbow, Elbow	
156	91403244	1	Rubber, Straight Hump	
157	1001129023	1	Plate, Engine Mounting (Rear)	
158	1001129304	1	Mount, Motor (Front)	
159	1001116153	1	Tray, Engine	
160	1001116186	1	Tube, Exhaust	
161	1001116201	1	Plate, Muffler Mounting	
162	1001116278	1	Coupling, Pump	
163	1001116313	1	Tube, Air Intake	
164	1001116324	1	Tube, Air Intake	
165	1001116348	1	Plate, Radiator Mounting	
166	1001116354	1	Radiator	
166	7027412	1	Cap, Radiator	
167	1001116367	1	Support, Tank Mounting	
168	1001116413	1	Hose, Air Intake Reducer	
169	1001116436	1	Hose, Radiator (Top)	
170	1001116437	1	Hose, Radiator (Bottom)	
171	1001116525	2	Mount, Engine	
172	1001116591	1	Spacer, Fan	
173	1001117546	1	Mount, Generator	
174	1001117874	1	Engine, Caterpillar C3.4 Turbo W/E Controls (See Items 301 to 339 for Individually Serviced Components)	
175	1001118368	1	Pump Assembly (Machines with Rexroth Pump Only) (See DEUTZ TCD2.9L4 ENGINE INSTALLATION for Breakdown)	
176	1001116836	AR	Hose, Air Intake	
177	1320058	1	Clamp	
178	1580011	1	Container, Coolant Overflow	
179	2720058	31.66 ft	Hose	
180	4060805	5 in/12.7cm	Flex-Trim 1/4in	
181	4640750	1	Valve, Oil Drain	
182	4812000	3	Flatwasher M10	
183	1001121004	3	Nut M10 x 1.25	
185	0641508	3	Bolt 5/16in-18NC x 1in	
186	1320130	1	Clamp	
187	3311505	3	Locknut 5/16in-18NC	
188	1001125891	1	Bracket, Valve	
189	0761212	2	Bolt M12 x 25mm	
190	0701016	6	Bolt M10 x 40mm	
191	1001130161	1	Bracket, Muffler Mounting	
192	1001130171	2	Mount, Engine	
193	0641610	4	Bolt 3/8in-16NC x 1-1/4in	
194	0641614	3	Bolt 3/8in-16NC x 1-3/4in	
195	0700822	5	Bolt M8 x 70mm	
196	0700823	2	Bolt M8 x 75mm	

SECTION 2 - TURNTABLE

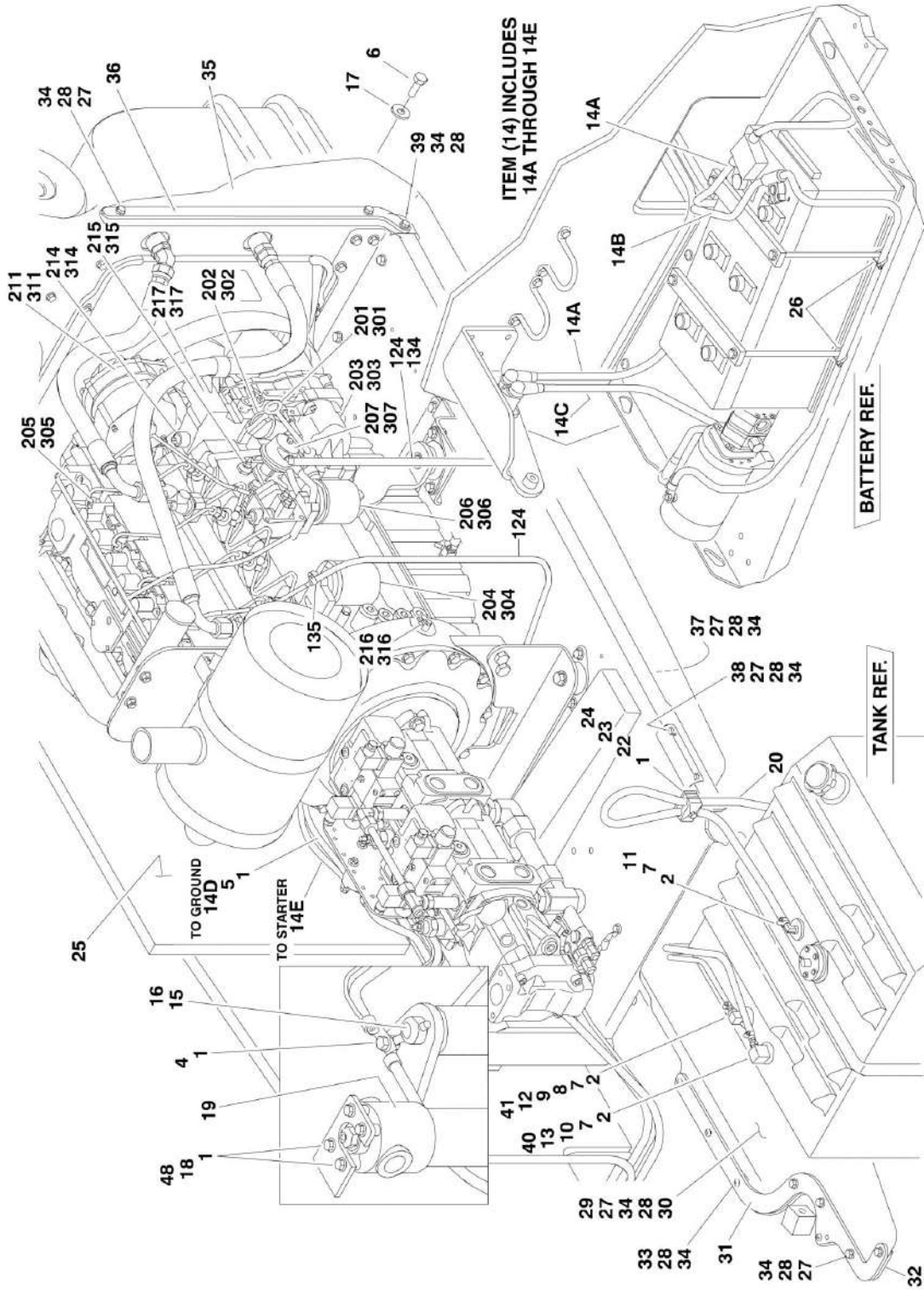
ITEM	PART NUMBER	QTY	DESCRIPTION	REV
197	0700824	1	Bolt M8 x 80mm	
198	3580321	1	Pulley, Engine	
199	4568735	3	Tube, Spacer	
200	4811900	8	Flatwasher M8	
201	4891600	3	Flatwasher 3/8in Hardened	
202	1001117500	1	Spacer, Pulley	
203	1001117577	1	Support, Generator Pulleys	
204	1001129995	3	Pulley, Idler Grooved	
205	4831900	4	Lockwasher M8	
206	4240033	AR	Wire Tie (With Cold Weather Plus Package - Not Shown)	
207	1001119231	1	Heater, Block (With Cold Weather Plus Package - Not Shown)	
208	0641606	1	Bolt 3/8in-16NC x 3/4in (With Cold Weather Plus Package - Not Shown)	
209	1320223	1	J-Clip 1/2in (With Cold Weather Plus Package - Not Shown)	
210	1702942	1	Decal - Engine Block Heater (With Cold Weather Plus Package - Not Shown)	
	1001117874	Ref	CATERPILLAR DIESEL ENGINE W/E CONTROLS	B
301	0100011	AR	Compound, Locking	
302	0100020	AR	Sealant, Pipe	
303	0700808	3	Bolt, Metric M8 x 16mm	
304	0701010	2	Bolt, Metric M10 x 20mm	
305	0760606	2	Bolt, Metric M6 x 12mm	
306	0760610	2	Bolt, Metric M6 x 20mm	
307	0760612	3	Bolt, Metric M6 x 25mm	
308	0761210	2	Bolt, Metric M12 x 20mm	
309	1320224	1	Clamp	
310	1320263	1	Clamp	
311	3290501	3	Nut Metric M5 x 0.8	
312	4031607	2	Capscrew M5 x 16mm	
313	4811600	3	Flatwasher M5	
314	4811700	8	Flatwasher M6	
315	4811900	3	Flatwasher M8	
316	4812000	AR	Flatwasher M10	
317	4812100	2	Flatwasher M12	
318	5250608	2	Bolt M6 x 16mm	
319	5250808	4	Bolt M8 x 16mm	
320	8303541	1	Bolt M6 x 1 x 35mm	
321	8406101	2	Tube, Clip	
322	8406105	2	Tube, Clip	
323	1001097553	1	Washer, Coolant Sensor	
324	1001112059	5	Bumper	
325	1001112068	1	Sensor, Speed	
326	1001112069	1	Sensor, Temperature	
327	1001112070	1	Switch, Oil Pressure	
328	1001112073	1	Actuator	
329	1001112570	1	Spacer, Nylon	
330	1001112592	1	Bearing	
332	1001120769	1	Bracket, ECM/Fuse Box	
333	1001120771	1	Bracket, Actuator	
334	1001120772	1	Bracket, Actuator	
335	1001120773	1	Link, Spacer	
336	1001120774	1	Bolt, M5	

SECTION 2 - TURNTABLE

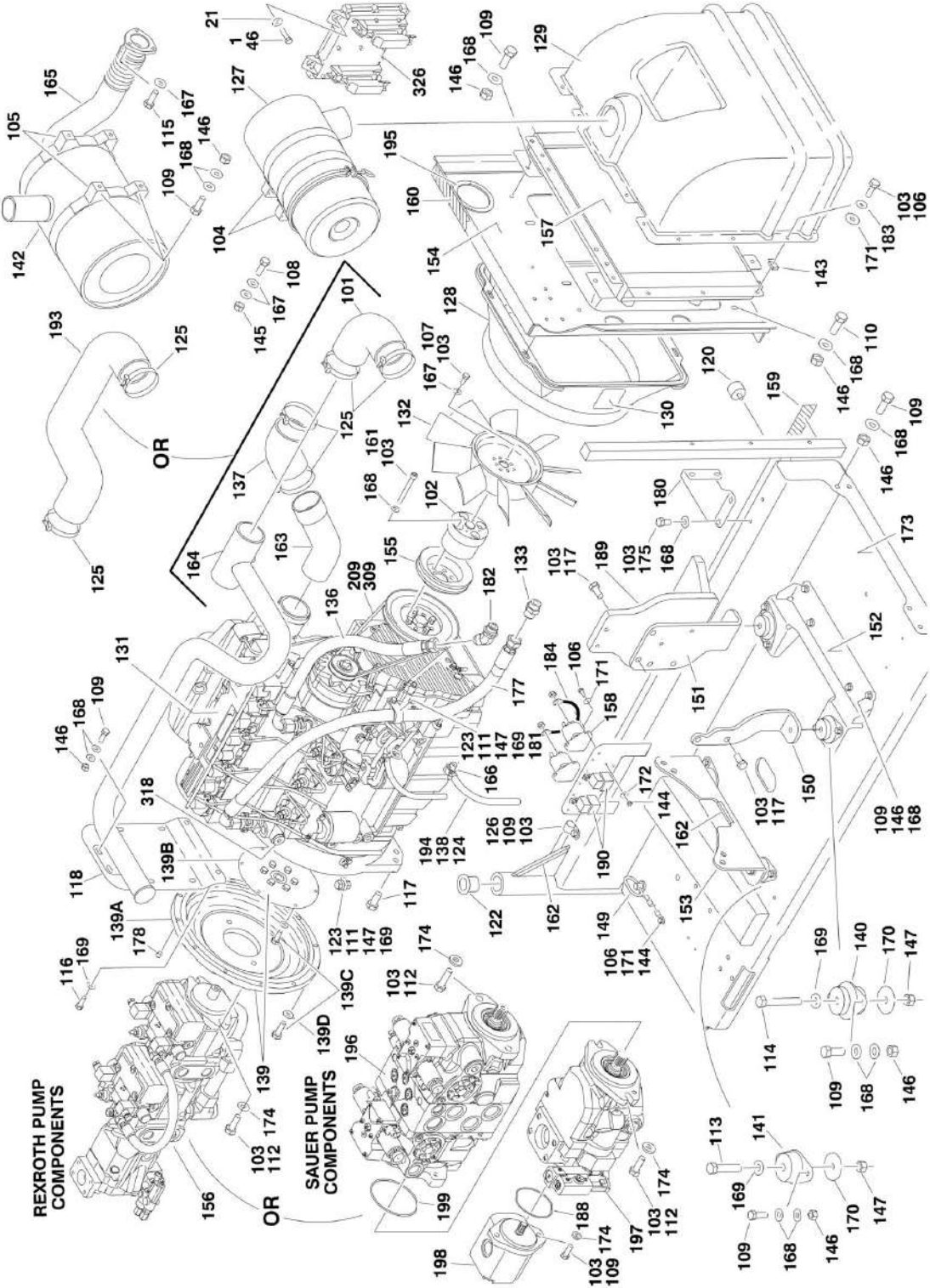
ITEM	PART NUMBER	QTY	DESCRIPTION	REV
337	1001120775	1	Bracket, Actuator	A
338	1001120810	1	Controller	
339	1001120776	1	Engine Harness (Not Shown - See ELECTRICAL SECTION for Breakdown)	
340	1001129361	1	Tube, Dipstick	
341	0761007	1	Bolt, Metric M10 x 14mm	
342	1001129360	1	Gauge, Dipstick	
	1001116112	Ref	CATERPILLAR ENGINE COMPONENTS	
401	70002831	1	TurboCharger	
401	70002829	1	Gasket, TurboCharger Drain Pipe	
401	70002830	1	Gasket, TurboCharger	
402	70002832	1	Hose	
403	7026839	1	Pump, Fuel	
403	70002833	1	Ring, Retaining	
403	70002834	1	Bowl, Water Collect	
403	7026830	1	Element, Fuel/Water	
403	70002835	1	Kit Seal	
404	70002837	4	Plug, Glow	
405	7026802	1	Flywheel W/Gear (Not Shown)	
405	7026803	1	Gear	
406	7026811	1	Filter, Oil	
406	7026812	1	O-Ring (Between Center Bolt and Oil Filter Bracket)	
406	7026813	1	O-Ring (Between Oil Filter Bracket and Engine)	
407	7026822	1	Thermostat	
407	7026820	1	Gasket, Thermostat (Between Housing and Cylinder Head)	
407	7026821	1	Gasket (Between Housing and Thermostat Cover)	
408	7026829	1	Gasket, Intake Manifold (Not Shown)	
409	7026833	1	Starter	
410	7026804	1	Gasket (Not Shown - Located Between Bell Housing and Engine Block)	
411	7026805	1	Seal, Rear Main (Not Shown)	

SECTION 2 - TURNTABLE

FIGURE 2-6. DEUTZ BF4M2011 TIER I, TIER II AND TD2011 TIER III ENGINE INSTALLATION



SECTION 2 - TURNTABLE



SECTION 2 - TURNTABLE

FIGURE 2-6. DEUTZ BF4M2011 TIER I, TIER II AND TD2011 TIER III ENGINE INSTALLATION

ITEM	PART NUMBER	QTY	DESCRIPTION	REV
		Ref	DEUTZ BF4M2011 AND TD2011 DIESEL ENGINE INSTALLATION OPTIONS:	
	0271650	Ref	Tier I (Prior to SN 0300080338)	H
		Ref	Tier II (SN 0300080338 through 0300087578)	
	0273858	Ref	Without Skypower	D
	0273857	Ref	With Skypower	B
		Ref	Tier II (SN 0300087579 through 0300127697)	
	0274575	Ref	Without Skypower and Without Cold Weather Plus Package	E
	0274576	Ref	With Skypower and Without Cold Weather Plus Package	E
	0275880	Ref	With Cold Weather Plus Package	B
		Ref	Tier III with Rexroth Pumps and ABS Hoods (SN 0300127698 through 0300201016)	
	1001098512	Ref	Without Skypower and Without Cold Weather Plus Package	E
	1001098516	Ref	With Skypower and Without Cold Weather Plus Package	E
	1001098517	Ref	With Cold Weather Plus Package	D
		Ref	Tier III with Rexroth Pumps and Steel Hoods (SN 0300127698 through 0300201016)	
	1001117370	Ref	Without Skypower and Without Cold Weather Plus Package	B
	1001117371	Ref	With Skypower and Without Cold Weather Plus Package	B
	1001116015	Ref	With Cold Weather Plus Package	B
		Ref	Tier III with Sauer Pumps and ABS Hoods (SN 0300127698 through 0300201016)	
	1001118712	Ref	Without Skypower and Without Cold Weather Plus Package	C
	1001118713	Ref	With Skypower and Without Cold Weather Plus Package	B
	1001118714	Ref	With Cold Weather Plus Package	B
		Ref	Tier III with Sauer Pumps and Steel Hoods (SN 0300127698 through 0300201016)	
	1001119052	Ref	Without Skypower and Without Cold Weather Plus Package	B
	1001119053	Ref	With Skypower and Without Cold Weather Plus Package	B
	1001119054	Ref	With Cold Weather Plus Package	B
1	0100011	AR	Compound, Locking	
2	0100079	AR	Sealant, Pipe	
3	1702942	1	Decal, Block Heater (Cold Weather Plus Package - Not Shown)	
4	0641610	1	Bolt 3/8in-16NC x 1-1/4in	
5	0641808	1	Bolt 1/2in-13NC x 1in	
6	0642010	1	Bolt 5/8in-11NC x 1-1/4in	
7	1320022	3	Clamp	
8	2180536	1	Fitting, Straight Barbed (Prior to SN 0300080338)	
9	2220250	1	Fitting, Reducer (Prior to SN 0300080338)	
10	2220273	1	Fitting, Reducer (Prior to SN 0300080338)	
11	2220313	1	Fitting, Elbow Barbed	
12	2220459	1	Fitting, Elbow (Prior to SN 0300080338)	
13	2220794	1	Fitting, Straight Barbed (Prior to SN 0300080338)	
14	2902099	1	Battery Cable Kit	C
14A	7024580	1	Cable, Red (To Aux Pump Relay, Battery Positive Terminal and Start Relay)	
14B	7024581	1	Cable, Black (To Aux Pump, Battery Negative Terminal and Ground at Tray Pivot)	
14C	7024582	1	Cable, Red (Aux Pump Relay to Aux Pump)	
14D	7024583	1	Cable, Black (Tray Pivot to Engine Mount)	
14E	7024584	1	Cable, Red (Start Relay to Starter)	

SECTION 2 - TURNTABLE

ITEM	PART NUMBER	QTY	DESCRIPTION	REV
15	3422446	1	Pin	
16	3841143	1	Keeper, Pin	
17	4752000	1	Flatwasher 5/8in Wide	
18		Ref	Bolt Options:	
18	0651406	2	Bolt 1/4in-28NF x 3/4in (Prior to SN 0300145302)	
18	0641606	4	Bolt 3/8in-16NC x 3/4in (SN 0300145302 through 0300201016)	
19		Ref	Pressure Filter Options:	
19	2120163	1	Filter (Prior to SN 0300087579)	
19	2120150	1	Element, Filter	
19	7020020	1	Indicator, Clog	
19	7023206	1	O-Ring	
19	7023207	1	Ring, Back-up	
19	2120209	1	Filter (SN 0300087579 through 0300139708)	
19	2120210	1	Element, Filter	
19	7020020	1	Indicator, Clog	
19	70000934	1	O-Ring, Filter Bowl	
19	1001108617	1	Filter (SN 0300139709 through 0300201016)	
19	70002231	1	Element, Filter	
20	2750532	55 in/1.4m	Hose	
21	4711400	4	Flatwasher 1/4in Thin	
22	0641511	1	Bolt 5/16in-18NC x 1-3/8in	
23	1320187	1	Clamp, Twin	
24	1320190	1	Cover, Clamp	
25		Ref	Insulation, Sound Absorbing Options:	
25	2820148	1	Insulation, Sound Absorbing (Prior to SN 0300080338)	
25		Ref	Insulation, Sound Absorbing (SN 0300080338 through 0300127697)	
25	2820148	1	Without Skypower and Without Cold Weather Plus Package	
25	2820170	1	With Skypower	
25	2820170	1	With Cold Weather Plus Package	
25	2820170	1	Insulation, Sound Absorbing (All Configurations) (SN 0300127698 through 0300201016)	
26	4240099	AR	Strap, Tie	
27	0641509	18	Bolt 5/16in-18NC x 1-1/8in	
28	3311505	23	Locknut 5/16in-18NC	
29		Ref	Panel, Rubber Options:	
29	3380472	1	Machines with ABS Hoods	
29	1001111132	1	Machines with Steel Hoods	
30	3573644	1	Plate, Tray Clamp	
31		Ref	Plate, Top Clamp Options:	
31	3573645	1	Machines with ABS Hoods	
31	1001112878	1	Machines with Steel Hoods	
32		Ref	Plate, Bottom Clamp Options:	
32	3573646	1	Machines with ABS Hoods	
32	1001112879	1	Machines with Steel Hoods	
33	3900272	4	Screw, Button 5/16in-18NC x 1-3/4in	
34	4711500	AR	Flatwasher 5/16in Thin	
35	3380473	1	Panel, Rubber	
36	3573669	1	Plate, Clamp	
37		Ref	Plate, Tray Clamp Options:	
37	3573727	1	Machines with ABS Hoods	

SECTION 2 - TURNTABLE

ITEM	PART NUMBER	QTY	DESCRIPTION	REV
37	1001112880	1	Machines with Steel Hoods	
38	3573728	1	Plate, Tray Clamp	
39	0641506	1	Bolt 5/16in-18NC x 3/4in	
40	2180348	1	Fitting, Barbed (SN 0300080338 through 0300201016)	
41	2221176	1	Fitting, Elbow (SN 0300080338 through 0300201016)	
42	0641605	3	Bolt 3/8in-16NC x 5/8in (Not Shown) (SN 0300080338 through 0300201016)	
43	1671121	1	Cover, Generator with Skypower (Not Shown) (SN 0300080338 through 0300201016)	
44	4711600	3	Flatwasher 3/8in Thin (Not Shown) (SN 0300080338 through 0300201016)	
45	4240018	2	Strap, Tie (Not Shown)	
46	0641410	AR	Bolt 1/4in-20NC x 1-1/4in	
47	2200222	1	Plug, Pipe - Used in Bottom of Fuel Tank (Not Shown) (SN 0300127698 through 0300201016)	
48		Ref	Flatwasher Options:	
48	4711400	2	Flatwasher 1/4in Thin (Prior to SN 0300145302)	
48	4711600	4	Flatwasher 3/8in Thin (SN 0300145302 through 0300201016)	
		Ref	DEUTZ BF4M2011 AND TD2011 DIESEL ENGINE ASSEMBLY OPTIONS:	
	0271504	Ref	Tier I (Prior to SN 0300080338)	J
		Ref	Tier II (SN 0300080338 through 0300087578)	
	0273421	Ref	Without Skypower	F
	0273410	Ref	With Skypower	F
		Ref	Note: SN 0300087532 built with 0274580	
		Ref	Tier II (SN 0300087579 through 0300093351)	
	0274579	Ref	Without Skypower	B
	0274580	Ref	With Skypower	B
		Ref	Note: SN 0300087765 built with 0273410	
		Ref	Tier II (SN 0300093352 through 0300127697)	
	2000352	Ref	Without Skypower and Without Cold Weather Plus Package	C
	2000343	Ref	With Skypower and Without Cold Weather Plus Package	C
	2000399	Ref	With Cold Weather Plus Package	B
		Ref	Tier III with Rexroth Pumps (SN 0300127698 through 0300201016)	
	1001098513	Ref	Without Skypower and Without Cold Weather Plus Package	F
	1001098530	Ref	With Skypower and Without Cold Weather Plus Package	G
	1001098531	Ref	With Cold Weather Plus Package	F
		Ref	Note: SN 0300087532 built with 0274580, SN 0300087765 built with 0273410	
		Ref	Tier III with Sauer Pumps (SN 0300127698 through 0300201016)	
	1001107971	Ref	Without Skypower and Without Cold Weather Plus Package	F
	1001107973	Ref	With Skypower and Without Cold Weather Plus Package	F
	1001107975	Ref	With Cold Weather Plus Package	F
101	0080115	1	Elbow, Rubber (Prior to SN 0300127698)	
102		Ref	Spacer, Fan Options:	
102	0080237	1	Spacer, Fan (Prior to SN 0300080338)	
102		Ref	Spacer, Fan Options: (SN 0300080338 through 0300201016)	
102	0080237	1	Without Skypower and Without Cold Weather Plus Package	
102	0080244	1	With Skypower and Without Cold Weather Plus Package	
102	0080244	1	With Cold Weather Plus Package	
103	0100011	AR	Compound, Locking	

SECTION 2 - TURNTABLE

ITEM	PART NUMBER	QTY	DESCRIPTION	REV
104	0340003	2	Band, Air Cleaner	
105	0340051	2	Band, Muffler	
106	0641406	AR	Bolt 1/4in-20NC x 3/4in	
107	0641506	5	Bolt 5/16in-18NC x 3/4in	
108	0641507	4	Bolt 5/16in-18NC x 7/8in	
109	0641608	AR	Bolt 3/8in-16NC x 1in	
110	0641609	2	Bolt 3/8in-16NC x 1-1/8in	
111	0641808	1	Bolt 1/2in-13NC x 1in	
112		Ref	Bolt Options:	
112	0641812	2	Bolt 1/2in-13NC x 1-1/2in	
112	0641814	2	Bolt 1/2in-13NC x 1-3/4in	
112	0761215	2	Bolt M12 x 35mm	
113	0641818	2	Bolt 1/2in-13NC x 2-1/4in	
114	0641826	2	Bolt 1/2in-13NC x 3-1/4in	
115	0700810	3	Bolt M8 x 20mm	
116	0711214	2	Bolt M12 x 30mm	
117		Ref	Bolt Options:	
117	0711414	AR	M14 x 30mm	
117	0711417	AR	M14 x 45mm	
118		Ref	Bracket, Muffler Options:	
118	0902747	1	Bracket, Muffler (Prior to SN 0300138469)	
118	1001112766	1	Bracket, Muffler (SN 0300138469 through 0300201016)	
120	0940070	1	Bumper	
122	0961986	2	Bushing, Flanged	
123		Ref	Lanyard Options:	
123	1060637	1	16in/40.6cm Length (Prior to SN 0300183956)	
123	1001131542	1	13in/33cm Length (SN 0300183956 through 0300201016)	
124	1320022	AR	Clamp	
125	1320058	AR	Clamp	
126	1320223	1	J-Clip	
127	1340065	1	Air Cleaner Assembly	
127	7003655	1	Element, Air Cleaner	
128	1671023	1	Shroud, Fan	
129	0272060	1	Box, Air Intake	
130	1703162	2	Decal - Fan Blade	
131		Ref	Engine, Deutz BF4M2011 Options: (See Items 201 to 209 & 301 to 309 for Individually Serviced Components)	
131	2000183	1	Engine, Deutz BF4M2011 (Prior to SN 0300080338)	
131	2000199	1	Engine, Deutz BF4M2011 (SN 0300080338 through 0300087578)	
131	2000275	1	Engine, Deutz BF4M2011 (Use p/n 2000340) (SN 0300087579 through 0300093351)	
131	2000340	1	Engine, Deutz BF4M2011 (SN 0300093352 through 0300127697)	
131	1001098601	1	Engine, Deutz BF4M2011 (SN 0300127698 through 0300201016)	
132	2060025	1	Fan	
133	2220451	1	Fitting, Straight	
134	2720058	Ref	Hose	
134	2720058	18 ft/5.5m	Hose (Prior to SN 0300080338)	
134	2720058	34 ft/10.3m	Hose (SN 0300080338 through 0300201016)	
135	2720271	18 ft/5.5m	Hose (Prior to SN 0300080338)	

SECTION 2 - TURNTABLE

ITEM	PART NUMBER	QTY	DESCRIPTION	REV
136	2720500	1	Hose, Oil Cooler (Top)	
137	2720488	1	Elbow, Elbow Air Intake (Prior to SN 0300127698)	
138	2750532	9 in/23cm	Hose	
139	2902065	1	Pump Coupling Kit	H
139A	2902065	1	Plate, Pump Mounting (Note: Not Available for Purchase.)	
139B	70000793	1	Coupling, Flex	
139C	2902065	18	Capscrew M10 (Note: Not Available for Purchase.)	
139D	2902065	12	Flatwasher M10 (Note: Not Available for Purchase.)	
140	3200362	2	Mount, Motor (Front)	
141	3200401	2	Mount, Motor (Rear)	
142		Ref	Muffler Options:	
142	3220126	1	Standard Muffler	
142	3220130	1	Optional Catalytic Muffler	
142	70001017	1	Clamp	
143	3300454	10	Nut	
144	3311405	AR	Locknut 1/4in-20NC	
145	3311505	5	Locknut 5/16in-18NC	
146	3311605	AR	Locknut 3/8in-16NC	
147	3311805	5	Locknut 1/2in-13NC	
149	3422532	1	Pin, Hitch	
150	3537416	1	Plate, Mounting (Front Right)	
151	3573529	1	Plate, Mounting (Front Left)	
152	3539971	1	Bracket, Engine Mounting (Front)	
153	3573142	1	Bracket, Engine Mounting (Rear)	
154	4846552	1	Plate, Oil Cooler Mounting	
155		Ref	Pulley Options:	
155	3580158	1	Pulley (Prior to SN 0300080338)	
155		Ref	Pulley (SN 0300080338 through 0300201016)	
155	3580158	1	Without Skypower and Without Cold Weather Plus Package	
155	3580320	1	With Skypower and Without Cold Weather Plus Package	
155	3580320	1	With Cold Weather Plus Package	
156	3600339	1	Pump Assembly - Rexroth (See PUMP ASSEMBLY - REXROTH for Breakdown)	
157	3620041	1	Cooler, Engine Oil (Use p/n 1001145382)	
158	3740067	AR	Relay, Start	
159	3960543	1	Seal	
160	3960544	1	Seal	
161	4032022	4	Capscrew M10 x 90mm	
162	4060805	8 in/20cm	Flex-Trim	
163	4568291	1	Tube, Air Intake (Prior to SN 0300127698)	
164	4568292	1	Tube, Tuning (Prior to SN 0300127698)	
165	4568293	1	Pipe, Exhaust	
166	4640751	1	Valve, Oil Drain	
167	4711500	AR	Flatwasher 5/16in Thin	
168	4711600	AR	Flatwasher 3/8in Thin	
169	4711800	7	Flatwasher 1/2in Thin	
170	4740274	4	Washer, Snubbing	
171	4751400	AR	Flatwasher 1/4in Wide	
172	4791400	AR	Starwasher 1/4in	
173		Ref	Tray Options:	
173	4846465	1	Tray (Prior to SN 0300080338)	
173	4846946	1	Tray (SN 0300080338 through 0300201016)	

SECTION 2 - TURNTABLE

ITEM	PART NUMBER	QTY	DESCRIPTION	REV
174		Ref	Flatwasher, Hardened Options:	
174	4891800	AR	1/2in	
174	4891600	AR	3/8in	
175	0641605	4	Bolt 3/8in16NC x 5/8in	
176	0641610	4	Bolt 3/8in-16NC x 1-1/4in	
177	2720501	1	Hose, Oil Cooler (Bottom)	
178	3520054	2	Plug	
179	3573411	2	Plate, Clamp	
180	3573412	1	Gusset	
181	1320060	1	Clamp	
182	2220498	1	Fitting, Elbow	
183	4740518	10	Washer, Nylon	
184		Ref	Cable, Jumper Options:	
184	Not Required	0	Not Required (Prior to SN 0300080338)	
184	1060904	1	Cable, Jumper (SN 0300080338 through 0300106315)	
184		Ref	Cable, Jumper (SN 0300106316 through 0300201016)	
184	4923592	1	All except Cold Weather Plus Package	
184	1060904	1	With Cold Weather Plus Package	
185	4240099	AR	Tie, Wire (Not Shown)	
186		Ref	Harness, Glow Plugs Options (Not Shown):	
186	Not Required	0	Not Required (Prior to SN 0300080338)	
186	4922700	1	Harness, Glow Plugs (SN 0300080338 through 0300093351)	
186	4923468	1	Harness, Glow Plugs (SN 0300093352 through 0300201016)	
187	4933217		Wiring Diagram, Glow Plug - Not Shown (SN 0300080338 through 0300093352)	
188	3790152	1	O-Ring	
189		Ref	Mount, Generator Options:	
189	Not Required	0	Without Skypower and Without Cold Weather Plus Package	
189	4846945	1	With Skypower and Without Cold Weather Plus Package	
189	4846945	1	With Cold Weather Plus Package	
190		Ref	Relay Options:	
190		Ref	Without Skypower and Without Cold Weather Plus Package	
190	Not Required	0	Without Skypower and Without Cold Weather Plus Package (Prior to SN 0300127698)	
190	3740080	2	Without Skypower and Without Cold Weather Plus Package (SN 0300127698 through 0300201016)	
190	3740080	2	With Skypower and Without Cold Weather Plus Package	
190	3740080	2	With Cold Weather Plus Package	
191	2580062	1	Heater, Block (With Cold Weather Plus Package - Not Shown)	
192	4460234	3	Mount, Wire Tie (Used to Secure Block Heater Cord) (With Cold Weather Plus Package - Not Shown)	
193	1001092856	1	Hose, Air Intake (SN 0300127698 through 0300201016)	
194	8410013	1	Clamp, Gear (SN 0300127698 through 0300201016)	
195	4060804	1 ft/25cm	Flex-Trim (SN 0300127698 through 0300201016)	
196	1001108616	1	Pump Assembly - Sauer Tandem (See PUMP ASSEMBLY - SAUER TANDEM for Breakdown)	
197	1001108888	NLA	Pump Assembly - Sauer Piston (See PUMP ASSEMBLY - SAUER PISTON for Breakdown) (Use p/n 1001171095) (Prior to SN 0300200352)	
197	1001171095	1	Pump Assembly - Sauer Piston (See PUMP ASSEMBLY - SAUER PISTON for Breakdown) (SN 0300200352 through 0300201016)	
198	1001112927	1	Pump Assembly - Sauer Gear (See PUMP ASSEMBLY - SAUER GEAR for Breakdown)	

SECTION 2 - TURNTABLE

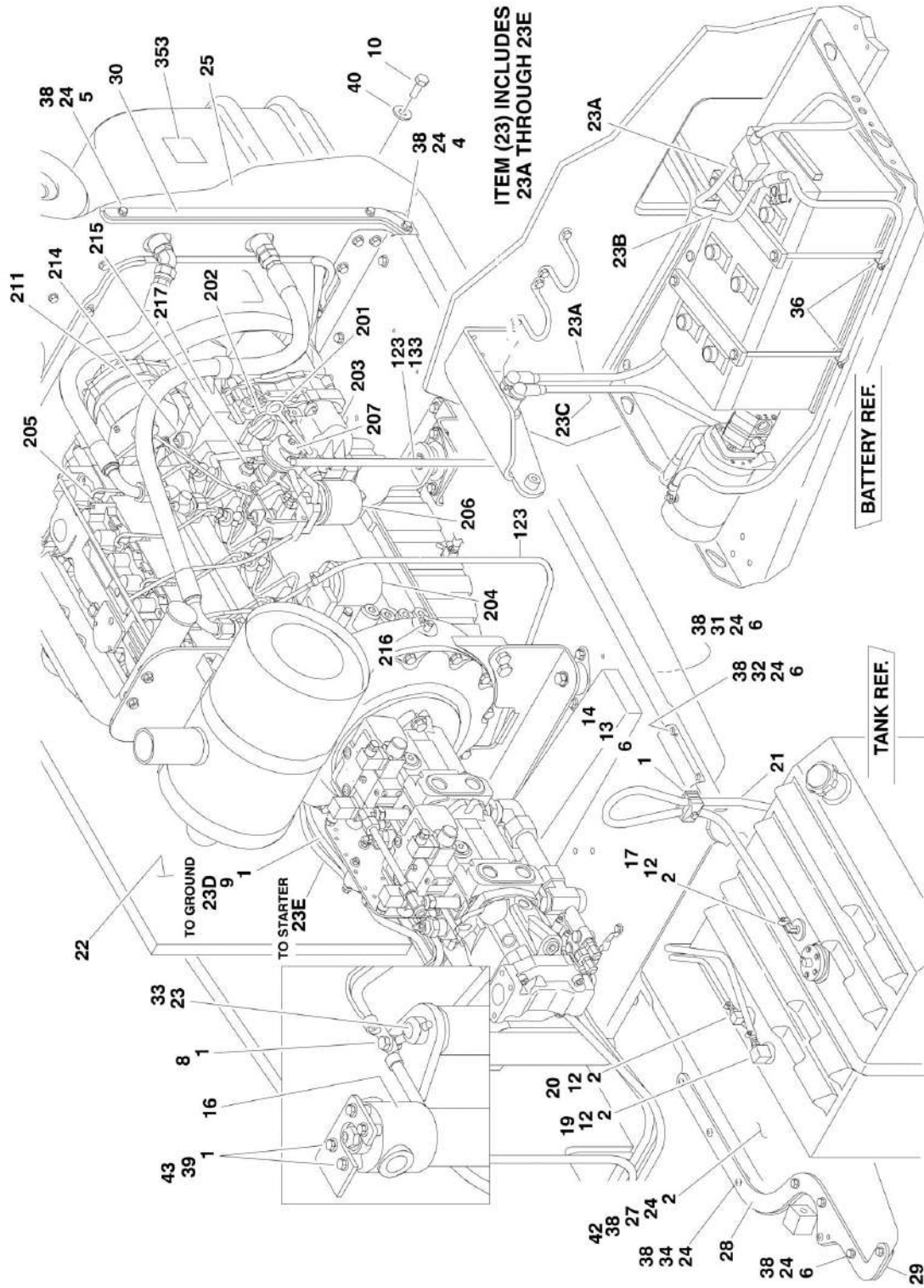
ITEM	PART NUMBER	QTY	DESCRIPTION	REV
199	3790155	1	O-Ring	
		Ref	DEUTZ BF4M2011 ENGINE COMPONENTS OPTIONS:	
	2000183	Ref	Tier I (Prior to SN 0300080338)	B
201	7020483	1	Dipstick	
202	7020465	1	Cap, Filler	
203	7020484	1	Pump, Oil Lube	
203	7020468	1	Seal Between Oil Pump and Engine Block (Not Shown)	
204	7016331	1	Filter, Oil	
205	7020485	4	Pump, Injector	
206	7016328	1	Filter, Fuel	
207	7024413	1	Pump Fuel Supply	
207	7020411	1	O-Seal Between Fuel Pump and Engine Block (Not Shown)	
208		Ref	Gasket Options (Not Shown):	
208	7020449	4	Gasket, Intake Manifold	
208	70002677	1	Gasket, Valve Cover	
208	70002678	1	Packing, Front Cover	
208	7020471	4	Gasket, Exhaust Manifold to Engine Block	
208	7020486	1	Gasket, Exhaust Manifold to Exhaust Pipe	
209	7020414	1	V-Belt	
211	7000872	1	Alternator	
211	7020464		Regulator, Voltage (Not Shown)	
212	7020479	1	Starter (Not Shown)	
213	7020488	2	Plug- In Connector (Not Shown)	
214	7020168	1	Sender, Temperature	
214	7020480	1	Ring, Sealing	
215	7020461	1	Sensor, Oil Pressure	
216	7024565	1	Sensor, Speed	
217	7020458	1	Actuator, Throttle	
218	70002218	1	Turbocharger (Not Shown)	
218	70002675	2	Clamp (Not Shown - Used on Sleeve rising vertically from Turbo)	
218	70002676	1	Sleeve, Rubber (Not Shown - Rises vertically from Turbo)	
		Ref	DEUTZ BF4M2011 AND D2011 ENGINE COMPONENTS OPTIONS:	
	2000199	Ref	Tier II (SN 0300080338 through 0300087578)	D
	2000275	Ref	Tier II (SN 0300087579 through 0300093351)	B
	2000340	Ref	Tier II (SN 0300093352 through 0300127697)	B
	1001098601	Ref	Tier III (SN 0300127698 through 0300201016)	C
301	7027235	1	Dipstick	
302	7020465	1	Cap, Filler	
303		Ref	Pump, Oil Options:	
303	7020484	1	Pump, Oil (Prior to SN 0300127698)	
303	70001850	1	Pump, Oil (SN 0300127698 through 0300201016)	
303	7020468	1	Seal Between Oil Pump and Engine Block (Not Shown)	
304	7016331	1	Filter, Oil	
305		Ref	Injector Pump Options:	
		Ref	Note: Series Letter is shown on label at base of Injector Pump.	
305		Ref	Injector Pump (Prior to SN 0300127698)	
305	7027237	AR	"A" Series	
305	7027614	AR	"B" Series	
305	7027615	AR	"C" Series	
305	7027616	AR	"D" Series	

SECTION 2 - TURNTABLE

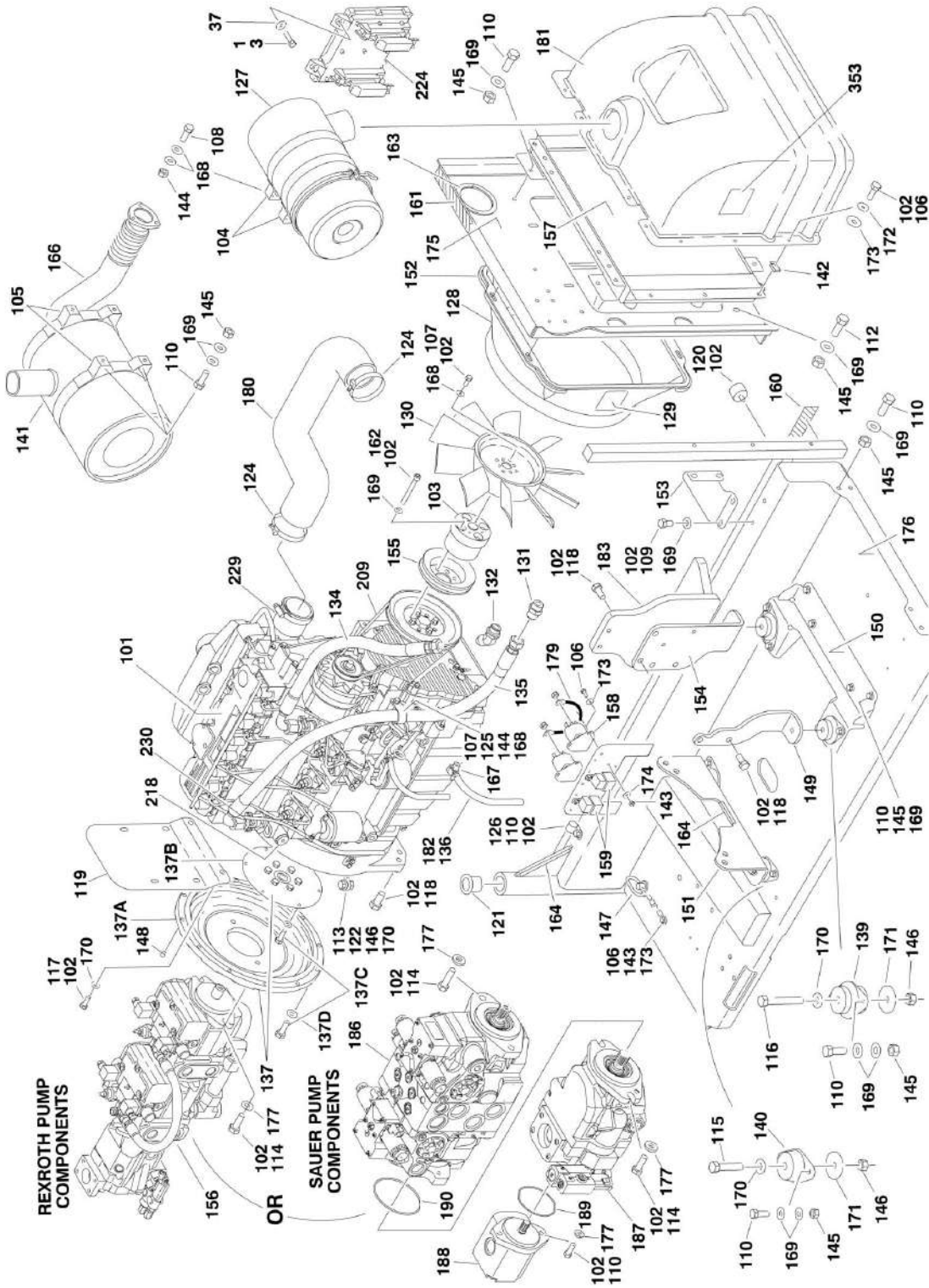
ITEM	PART NUMBER	QTY	DESCRIPTION	REV
305		Ref	Injector Pump (SN 0300127698 through 0300201016)	
305	70001128	AR	"A" Series	
305	70001129	AR	"B" Series	
305	70001130	AR	"C" Series	
305	70001131	AR	"D" Series	
306	7016328	1	Filter, Fuel	
307		Ref	Pump Fuel Supply Options:	
307	7027238	1	Pump Fuel Supply (Prior to SN 0300127698)	
307	7020411	1	O-Seal Between Fuel Pump and Engine Block (Not Shown)	
307	70000916	1	Pump Fuel Supply (SN 0300127698 through 0300201016)	
307	70001435	1	Repair Kit	
307	70000917	1	O-Seal Between Fuel Pump and Engine Block (Not Shown)	
309	7020414	1	V-Belt	
310	7020471	4	Gasket, Exhaust Manifold to Cylinder Head (Not Shown)	
310	7020486	1	Gasket, Exhaust Manifold to Exhaust Pipe (Not Shown)	
311		Ref	Alternator Options:	
311	7000872	1	Alternator (Prior to SN 0300127698)	
311	7020464	1	Regulator, Voltage (Not Shown)	
311	70001867	1	Alternator (SN 0300127698 through 0300201016)	
311	70001868	1	Regulator, Voltage (Not Shown)	
312	7020479	1	Starter (Not Shown)	
312	7026608	1	Solenoid	
314		Ref	Sender, Coolant Temperature Options:	
314	7027241	1	2000199 Engine	
314	7027791	1	2000275, 2000340 & 1001098601 Engine	
315		Ref	Sensor, Oil Pressure Options:	
315	7020461	1	2000199 Engine	
315	7027790	1	2000275, 2000340 & 1001098601 Engine	
316	7024565	1	Sensor, Speed	
317		Ref	Actuator, Throttle Options:	
317	7020458	1	2000199 Engine	
317	7027792	1	2000275, 2000340 & 1001098601 Engine	
317	7027276	2	Spring	
318	7020459	1	Thermostat	
321	7024579	1	Gear, Ring (Not Shown)	
322	7027236	1	Sensor, Temperature (Not Shown)	
323	7027239	1	Solenoid, Start (Not Shown)	
324	7027240	1	Turbocharger (Not Shown)	
326	1600443	1	Module, EMR2 Controller (SN 0300087579 through 0300201016)	
326	7027796	1	Harness, Controller (Not Shown) (SN 0300087579 through 0300201016)	
327		Ref	Seal, Rear Main (Not Shown)	
327	See Note	1	2000199, 2000275 & 2000340 Engines (Note: Not available for purchase)	
327	70002718	1	1001098601 Engine	

SECTION 2 - TURNTABLE

FIGURE 2-7. DEUTZ TD2011 TIER IVI-FLEX AND TIER IVI-PRE ENGINE INSTALLATION



SECTION 2 - TURNTABLE



SECTION 2 - TURNTABLE

FIGURE 2-7. DEUTZ TD2011 TIER IVI-FLEX AND TIER IVI-PRE ENGINE INSTALLATION

ITEM	PART NUMBER	QTY	DESCRIPTION	REV
		Ref	DEUTZ TD2011 DIESEL ENGINE INSTALLATION OPTIONS:	
		Ref	Tier IVi-Flex Engines with Rexroth Pumps and Steel Hoods (SN 0300171079 through 0300201016)	
	1001137790	Ref	Without Skypower and Without Cold Weather Plus Package	A
	1001137791	Ref	With Skypower and Without Cold Weather Plus Package	A
	1001137793	Ref	With Cold Weather Plus Package	A
		Ref	Tier IVi-Flex Engines with Sauer Pumps and Steel Hoods (SN 0300171079 through 0300201016)	
	1001137798	Ref	Without Skypower and Without Cold Weather Plus Package	A
	1001137799	Ref	With Skypower and Without Cold Weather Plus Package	A
	1001137801	Ref	With Cold Weather Plus Package	A
		Ref	Tier IVi-PRE Engines with Rexroth Pumps and ABS Hoods (CE Spec Only) (SN 0300171079 through 0300201016)	
	1001144306	Ref	Without Skypower	A
	1001144307	Ref	With Skypower	A
		Ref	Tier IVi-PRE Engines with Rexroth Pumps and Steel Hoods (CE Spec Only) (SN 0300171079 through 0300201016)	
	1001144308	Ref	Without Skypower	A
	1001144309	Ref	With Skypower	A
		Ref	Tier IVi-PRE Engines with Sauer Pumps and ABS Hoods (CE Spec Only) (SN 0300171079 through 0300201016)	
	1001144310	Ref	Without Skypower	A
	1001144311	Ref	With Skypower	A
		Ref	Tier IVi-PRE Engines with Sauer Pumps and Steel Hoods (CE Spec Only) (SN 0300171079 through 0300201016)	
	1001144312	Ref	Without Skypower	A
	1001144313	Ref	With Skypower	A
1	0100011	AR	Compound, Locking	
2	0100079	AR	Sealant, Pipe	
3	0641410	4	Bolt 1/4in-20NC x 1-1/4in	
4	0641506	1	Bolt 5/16in-18NC x 3/4in	
5	0641509	AR	Bolt 5/16in-18NC x 1-1/8in	
6	0641511	AR	Bolt 5/16in-18NC x 1-3/8in	
7	0641605	3	Bolt 3/8in-16NC x 5/8in	
8	0641610	1	Bolt 3/8in-16NC x 1-1/4in	
9	0641808	1	Bolt 1/2in-13NC x 1in	
10	0642010	1	Bolt 5/8in-11NC x 1-1/4in	
12	1320022	3	Clamp	
13	1320187	1	Clamp, Twin	
14	1320190	1	Cover, Clamp	
15	1671121	1	Cover, Generator (with Skypower) (Not Shown)	
16	1001108617	1	Filter	
16	70002231	1	Element, Filter	
17	2180348	1	Fitting, Barbed	
18	2200222	1	Plug, Pipe (Used in Bottom of Fuel Tank) (Not Shown)	
19	2220313	1	Fitting, Elbow Barbed	
20	2221176	1	Fitting, Elbow	
21	2750532	55 in/1.4m	Hose	
22	2820170	1	Insulation, Sound Absorbing	
23	2902099	1	Battery Cable Kit	C
23A	7024580	1	Cable, Red (To Aux Pump Relay, Battery Positive Terminal)	

SECTION 2 - TURNTABLE

ITEM	PART NUMBER	QTY	DESCRIPTION	REV
			and Start Relay)	
23B	7024581	1	Cable, Black (To Aux Pump, Battery Negative Terminal and Ground at Tray Pivot)	
23C	7024582	1	Cable, Red (Aux Pump Relay to Aux Pump)	
23D	7024583	1	Cable, Black (Tray Pivot to Engine Mount)	
23E	7024584	1	Cable, Red (Start Relay to Starter)	
24	3311505	AR	Locknut 5/16in-18NC	
25	3380473	1	Panel, Rubber	
26	3422446	1	Pin	
27	3573644	1	Plate, Tray Clamp	
28		Ref	Plate, Top Clamp Options:	
28	3573645	1	Machines with ABS Hoods	
28	1001112878	1	Machines with Steel Hoods	
29		Ref	Plate, Bottom Clamp Options:	
29	3573646	1	Machines with ABS Hoods	
29	1001112879	1	Machines with Steel Hoods	
30	3573669	1	Plate, Clamp	
31		Ref	Plate, Tray Clamp Options:	
31	3573727	1	Machines with ABS Hoods	
31	1001112880	1	Machines with Steel Hoods	
32	3573728	1	Plate, Tray Clamp	
33	3841143	1	Keeper, Pin	
34	3900272	4	Screw, Button 5/16in-18NC x 1-3/4in	
35	4240018	2	Strap, Tie (Not Shown)	
36	4240099	AR	Strap, Tie	
37	4711400	4	Flatwasher 1/4in Thin	
38	4711500	AR	Flatwasher 5/16in Thin	
39	4711600	7	Flatwasher 3/8in Thin (Not Shown)	
40	4752000	1	Flatwasher 5/8in Wide	
42		Ref	Panel, Rubber Options:	
42	3380472	1	Machines with ABS Hoods	
42	1001111132	1	Machines with Steel Hoods	
43	0641606	4	Bolt 3/8in-16NC x 3/4in	
44	1702942	1	Decal, Block Heater (Cold Weather Plus Package - Not Shown)	
		Ref	DEUTZ TD2011 DIESEL ENGINE ASSEMBLY OPTIONS:	
		Ref	Tier IVi-Flex Engines with Rexroth Pumps (SN 0300171079 through 0300201016)	
	1001137786	Ref	Without Skypower and Without Cold Weather Plus Package	A
	1001137788	Ref	With Skypower and Without Cold Weather Plus Package	A
	1001137792	Ref	With Cold Weather Plus Package	A
		Ref	Tier IVi-Flex Engines with Sauer Pumps (SN 0300171079 through 0300201016)	
	1001137794	Ref	Without Skypower and Without Cold Weather Plus Package	A
	1001137796	Ref	With Skypower and Without Cold Weather Plus Package	A
	1001137800	Ref	With Cold Weather Plus Package	A
		Ref	Tier IVi-PRE Engines with Rexroth Pumps (CE Spec Only) (SN 0300171079 through 0300201016)	
	1001144301	Ref	Without Skypower	A
	1001144302	Ref	With Skypower	A
		Ref	Tier IVi-PRE Engines with Sauer Pumps (CE Spec Only) (SN 0300171079 through 0300201016)	
	1001144303	Ref	Without Skypower	A

SECTION 2 - TURNTABLE

ITEM	PART NUMBER	QTY	DESCRIPTION	REV
	1001144304	Ref	With Skypower	A
101		Ref	Engine, Deutz Tier IVi-Flex Options (See Items 201 to 227 for Individually Serviced Components)	
101	1001137785	1	Engine, Deutz Tier IVi-Flex	
101	1001144300	1	Engine, Deutz Tier IVi-Pre	
102	0100011	AR	Compound, Locking	
103		Ref	Spacer, Fan Options:	
103	0080237	1	Without Skypower and Without Cold Weather Plus Package	
103	0080244	1	With Skypower and Without Cold Weather Plus Package	
103	0080244	1	With Cold Weather Plus Package	
104	0340003	2	Band, Air Cleaner	
105	0340051	2	Band, Muffler	
106	0641406	15	Bolt 1/4in-20NC x 3/4in	
107	0641506	5	Bolt 5/16in-18NC x 3/4in	
108	0641507	4	Bolt 5/16in-18NC x 7/8in	
109	0641605	4	Bolt 3/8in-16NC x 5/8in	
110	0641608	AR	Bolt 3/8in-16NC x 1in	
111	0641609	2	Bolt 3/8in-16NC x 1-1/8in	
112	0641610	4	Bolt 3/8in-16NC x 1-1/4in	
113	0641808	1	Bolt 1/2in-13NC x 1in	
113	0641812	1	Bolt 1/2in-13NC x 1-1/2in	
113	0641814	1	Bolt 1/2in-13NC x 1-3/4in	
113	0761215	1	Bolt M12 x 35mm	
115	0641818	2	Bolt 1/2in-13NC x 2-1/4in	
116	0641826	2	Bolt 1/2in-13NC x 3-1/4in	
117	0711214	2	Bolt M12 x 30mm	
118		Ref	Bolt Options:	
118	0711414	AR	Bolt M14 x 30mm	
118	0711417	AR	Bolt M14 x 45mm	
119	1001112766	1	Bracket, Muffler	
120	0940070	1	Bumper	
121	0961986	2	Bushing, Flanged	
122	1060637	1	Lanyard	
123	1320022	3	Clamp	
124	1320058	2	Clamp	
125	1320060	1	Clamp	
126	1320223	1	J-Clip	
127	1340065	1	Air Cleaner Assembly	
127	7003655	1	Element, Air Cleaner	
128	1671023	1	Shroud, Fan	
129	1703162	2	Decal - Fan Blade	
130	2060025	1	Fan	
131	2220451	1	Fitting, Straight	
132	2220498	1	Fitting, Elbow	
133	2720058	34	Hose	
		ft/10.3m		
134	2720500	1	Hose, Oil Cooler (Top)	
135	2720501	1	Hose, Oil Cooler (Bottom)	
136	2750532	9 in/23cm	Hose	
137	2902065	1	Pump Coupling Kit	G
137A	2902065	1	Plate, Pump Mounting (Note: Not Available for Purchase.)	
137B	70000793	1	Coupling, Flex	

SECTION 2 - TURNTABLE

ITEM	PART NUMBER	QTY	DESCRIPTION	REV
137C	2902065	18	Capscrew M10 (Note: Not Available for Purchase.)	
137D	2902065	12	Flatwasher M10 (Note: Not Available for Purchase.)	
139	3200362	2	Mount, Motor (Front)	
140	3200401	2	Mount, Motor (Rear)	
141		Ref	Muffler Options:	
141	3220126	1	Standard Muffler	
141	3220130	1	Optional Catalytic Muffler	
141	70001017	1	Clamp	
142	3300454	10	Nut	
143	3311405	5	Locknut 1/4in-20NC	
144	3311505	5	Locknut 5/16in-18NC	
145	3311605	30	Locknut 3/8in-16NC	
146	3311805	5	Locknut 1/2in-13NC	
147	3422532	1	Pin, Hitch	
148	3520054	2	Plug	
149	3537416	1	Plate, Mounting (Front Right)	
150	3539971	1	Bracket, Engine Mounting (Front)	
151	3573142	1	Bracket, Engine Mounting (Rear)	
152	3573411	2	Plate, Clamp	
153	3573412	1	Gusset	
154	3573529	1	Plate, Mounting (Front Left)	
155		Ref	Pulley Options:	
155	3580158	1	Without Skypower and Without Cold Weather Plus Package	
155	3580320	1	With Skypower and Without Cold Weather Plus Package	
155	3580320	1	With Cold Weather Plus Package	
156	3600339	1	Pump Assembly - Rexroth (See PUMP ASSEMBLY - REXROTH for Breakdown)	
157	3620041	1	Cooler, Engine Oil (Use p/n 1001145382)	
158	3740067	AR	Relay, Start	
159	3740080	2	Relay	
160	3960543	1	Seal	
161	3960544	1	Seal	
162	4032022	4	Capscrew M10 x 90mm	
163	4060804	1 ft/25cm	Flex-Trim	
164	4060805	8 in/20cm	Flex-Trim	
165	4240099	AR	Tie, Wire (Not Shown)	
166	4568293	1	Pipe, Exhaust	
167	4640751	1	Valve, Oil Drain	
168	4711500	AR	Flatwasher 5/16in Thin	
169	4711600	AR	Flatwasher 3/8in Thin	
170	4711800	7	Flatwasher 1/2in Thin	
171	4740274	4	Washer, Snubbing	
172	4740518	10	Washer, Nylon	
173	4751400	20	Flatwasher 1/4in Wide	
174	4791400	4	Starwasher 1/4in	
175	4846552	1	Plate, Oil Cooler Mounting	
176	4846946	1	Tray	
177		Ref	Flatwasher, Hardened Options:	
177	4891800	AR	1/2in	
177	4891600	AR	3/8in	
178	4923468	1	Harness, Glow Plugs (Not Shown)	
179		Ref	Cable, Jumper Options:	

SECTION 2 - TURNTABLE

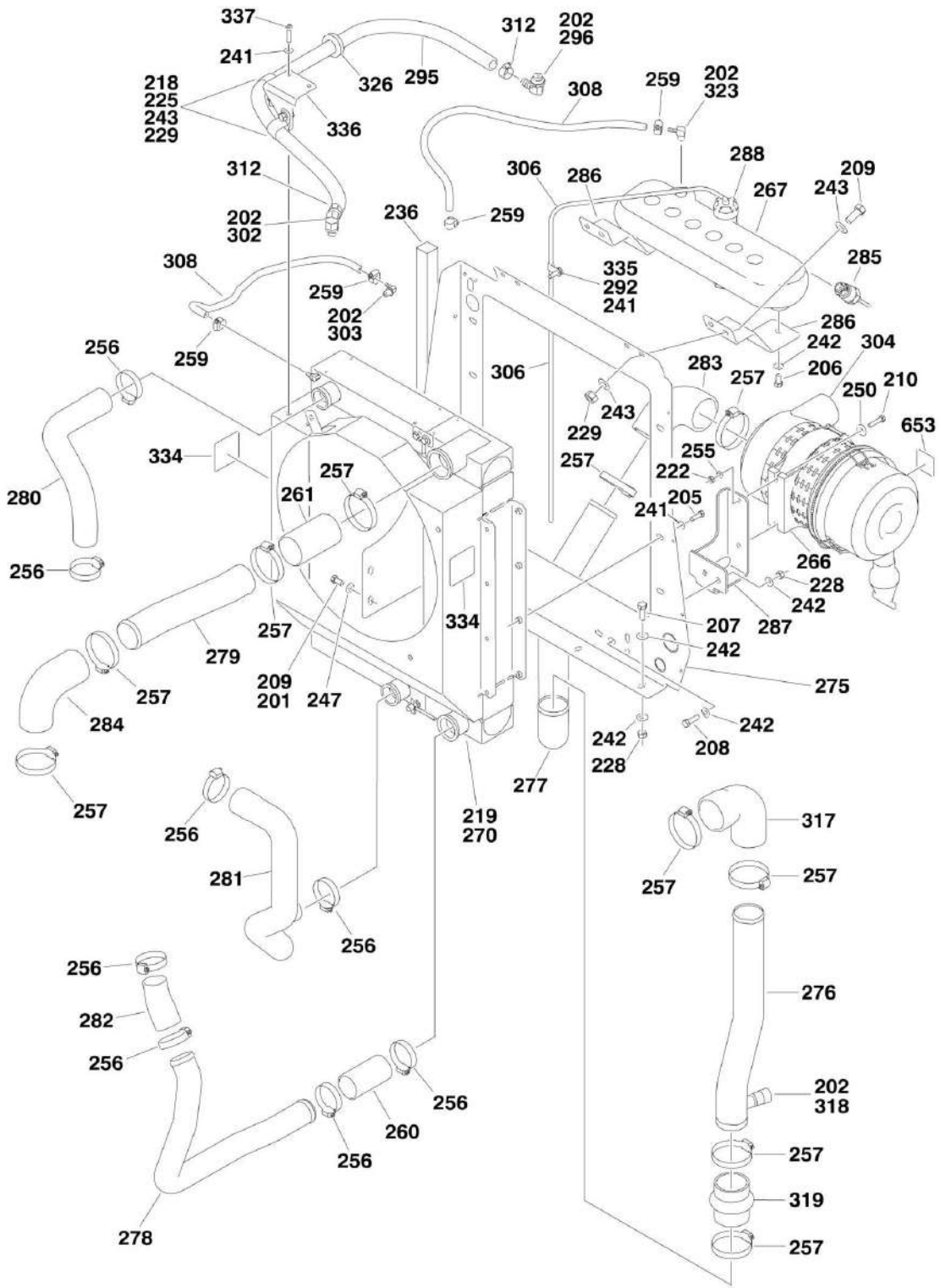
ITEM	PART NUMBER	QTY	DESCRIPTION	REV
179	4923592	1	All except Cold Weather Plus Package	
179	1060904	1	With Cold Weather Plus Package	
180	1001092856	1	Hose, Air Intake	
181	0272060	1	Box, Air Intake	
182	8410013	1	Clamp, Gear	
183		Ref	Mount, Generator Options:	
183	Not Required	0	Without Skypower and Without Cold Weather Plus Package	
183	4846945	1	With Skypower and Without Cold Weather Plus Package	
183	4846945	1	With Cold Weather Plus Package	
184	2580062	1	Heater, Block (With Cold Weather Plus Package - Not Shown)	
185	4460234	3	Mount, Wire Tie (Used to Secure Block Heater Cord) (With Cold Weather Plus Package - Not Shown)	
186	1001108616	1	Pump Assembly - Sauer Tandem (See PUMP ASSEMBLY - SAUER TANDEM for Breakdown)	
187	1001108888	1	Pump Assembly - Sauer Piston (See PUMP ASSEMBLY - SAUER PISTON for Breakdown)	
188	1001112927	1	Pump Assembly - Sauer Gear (See PUMP ASSEMBLY - SAUER GEAR for Breakdown)	
189	3790152	1	O-Ring	
190	3790155	1	O-Ring	
		Ref	DEUTZ TD2011 ENGINE COMPONENTS OPTIONS:	
	1001137785	Ref	Tier IVi-Flex Engines	B
	1001144300	Ref	Tier IVi-PRE Engines	B
201		Ref	Dipstick Options:	
201	70004313	1	Tier IVi-Flex Engines (Note: Not Available for Purchase.)	
201	7027235	1	Tier IVi-PRE Engines	
201	70000044	1	O-Ring	
202	7020465	2	Cap, Filler	
203	70001850	1	Pump, Oil	
203	7020468	1	Seal Between Oil Pump and Engine Block (Not Shown)	
204	7016331	1	Filter, Oil	
204	70003472	1	Bracket, Oil Filter (includes Temperature Sensor Components)	
204	7027236	1	Sensor, Temperature	
204	700025082	1	Ring, Sealing	
204	70003473	1	Gasket, Bracket to Engine Block (Not Shown)	
205		Ref	Injector Pump Options:	
		Ref	Note: Series Letter is shown on label at base of Injector Pump.	
205	70001128	AR	"A" Series	
205	70001129	AR	"B" Series	
205	70001130	AR	"C" Series	
205	70001131	AR	"D" Series	
206	7016328	1	Filter, Fuel	
206	70001423	1	Bracket	
207	70000916	1	Pump Fuel Supply	
207	70001435	1	Repair Kit	
207	70000918	1	Sealing Ring (Not Shown)	
207	70000917	1	O-Seal Between Fuel Pump and Engine Block (Not Shown)	
207	70000919	1	Pump, Hand (Not Shown)	
209	7020414	1	V-Belt	
210	7020471	4	Gasket, Exhaust Manifold to Cylinder Head (Not Shown)	
210	7020486	1	Gasket, Exhaust Manifold to Exhaust Pipe (Not Shown)	

SECTION 2 - TURNTABLE

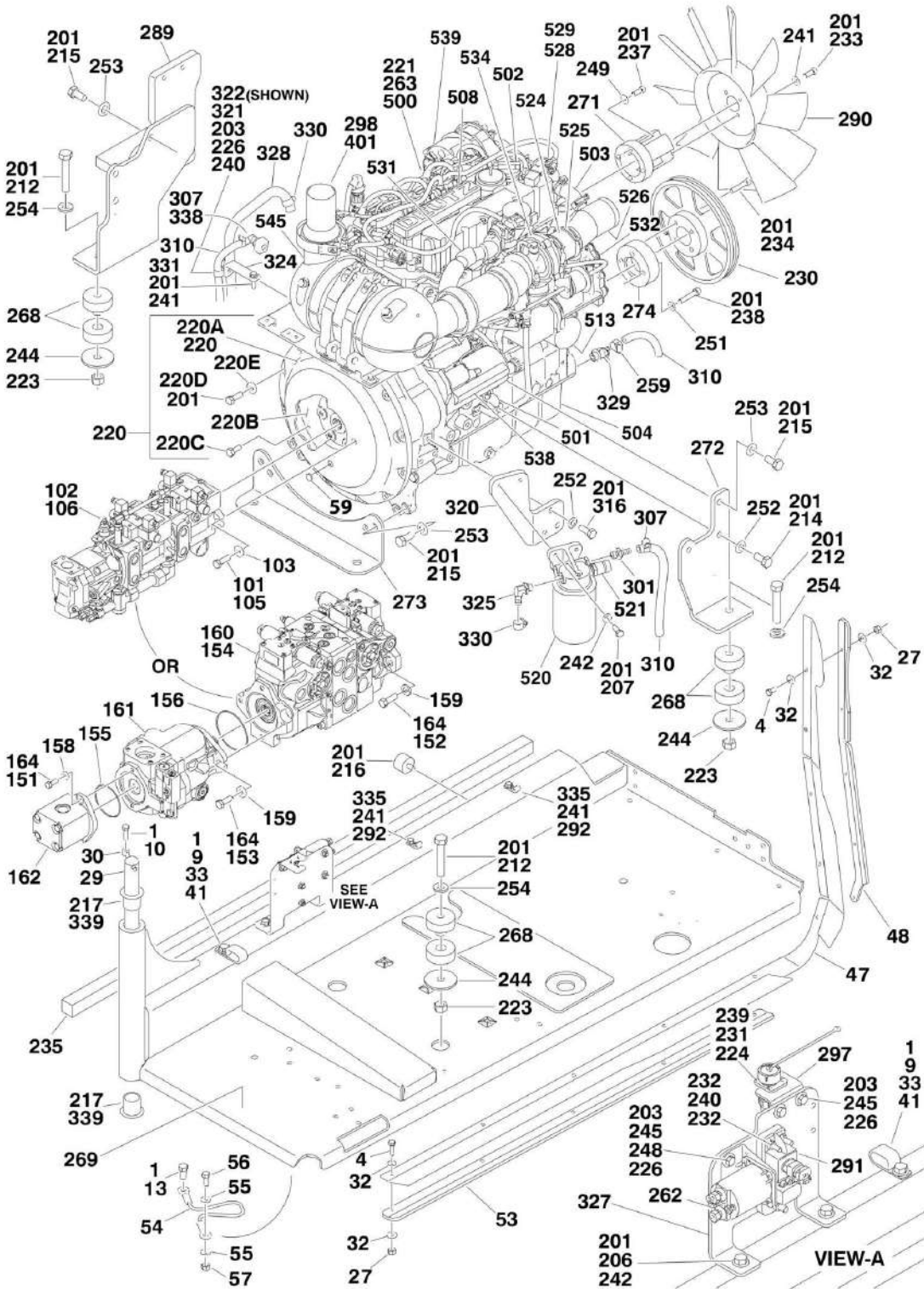
ITEM	PART NUMBER	QTY	DESCRIPTION	REV
211		Ref	Alternator Options:	
211	70004292	1	Alternator for Tier IVi-Flex Engines	
211	70001867	1	Alternator for Tier IVi-PRE Engines	
211	70001868	1	Regulator, Voltage (Not Shown)	
211	70001866	1	Seal (Not Shown)	
212	7020479	1	Starter (Not Shown)	
212		Ref	Solenoid Options:	
212	70004058	1	Solenoid for Tier IVi-Flex Engines	
212	7026608	1	Solenoid for Tier IVi-PRE Engines	
212	70001498	1	Baffle, Cooling (Not Shown)	
214	7027791	1	Sender, Coolant Temperature	
215	7027790	1	Sensor, Oil Pressure	
216		Ref	Sensor, Speed Options:	
216	70004272	1	Sensor for Tier IVi-Flex Engines	
216	7024565	1	Sensor for Tier IVi-PRE Engines	
217	7027792	1	Actuator, Throttle	
217	7027276	2	Spring	
218		Ref	Thermostat Options:	
218	70003475	1	Thermostat for Tier IVi-Flex Engines	
218	7020459	1	Thermostat for Tier IVi-PRE Engines	
221	70001870	1	Flywheel (Not Shown)	
221	7024579	1	Gear, Ring (Not Shown)	
222	7027240	1	Turbocharger (Not Shown)	
222	70001857	1	Flange, Turbocharger (Not Shown)	
222	70001135	1	Gasket (Not Shown)	
222	70002675	2	Clamp (Not Shown - Used on Sleeve rising vertically from Turbo)	
222	70002676	1	Sleeve, Rubber (Not Shown - Rises vertically from Turbo)	
224		Ref	Module, Engine Control Options:	
224	7027795	1	ECM for Tier IVi-Flex Engines	
224	1600443	1	ECM for Tier IVi-PRE Engines	
224	7027796	1	Harness, Controller (Not Shown)	
225		Ref	Gasket Options (Not Shown):	
225	70000068	1	Gasket, Breather Pipe	
225	70002677	1	Gasket, Valve Cover	
225		Ref	Gasket, Cylinder Head	
225	70002415	1	1 Notch	
225	70002416	1	2 Notches	
225	70002417	1	3 Notches	
225	70001871	4	Gasket, Air Intake Manifold	
226	70001125	1	Cap, Breather (Not Shown - Located - Cylinder Head Cover)	
226	70001126	1	O-Ring (Not Shown)	
227	70000345	4	Plug, Glow (Not Shown)	
228	70001847	1	Valve, Breather (Located - Front Cover) (Not Shown)	
229	70001124	1	Pipe, Breather (Tier IVi-Flex Engines Only)	
229	70000068	1	Gasket, Breather Pipe	
230	70004268	1	Connector, Radiator (Tier IVi-Flex Engines Only)	
230	70004269	1	Ring, Sealing	
231	70002718	1	Seal, Rear Main (Not Shown)	
	1283409	Ref	DECALS INSTALLATION	
353	1001143852	1	Decal - EPA	

SECTION 2 - TURNTABLE

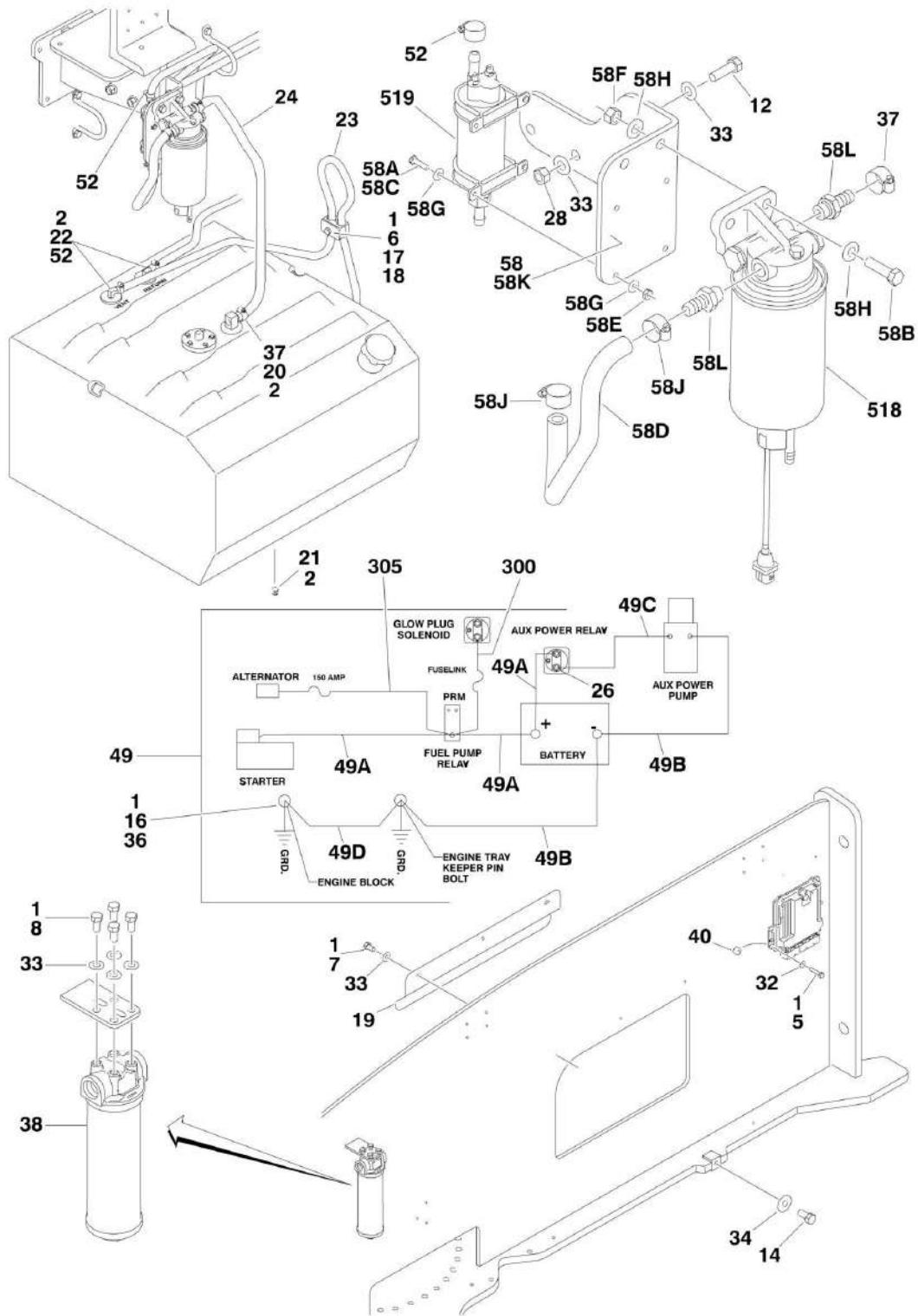
FIGURE 2-8. DEUTZ TCD2.9L4 ENGINE INSTALLATION



SECTION 2 - TURNTABLE



SECTION 2 - TURNTABLE



SECTION 2 - TURNTABLE

FIGURE 2-8. DEUTZ TCD2.9L4 ENGINE INSTALLATION

ITEM	PART NUMBER	QTY	DESCRIPTION	REV
		Ref	DEUTZ TCD2.9L4 DIESEL ENGINE INSTALLATION OPTIONS:	
	1001141811	Ref	Machines With Rexroth Pumps and Without Cold Weather Plus Package (Steel Hood)	G
	1001141819	Ref	Machines With Rexroth Pumps and Without Cold Weather Plus Package (ABS Hood)	G
	1001141815	Ref	Machines With Rexroth Pumps and With Cold Weather Plus Package (Steel Hood)	G
	1001134389	Ref	Machines With Sauer Pumps and Without Cold Weather Plus Package (Steel Hood)	G
	1001141817	Ref	Machines With Sauer Pumps and Without Cold Weather Plus Package (ABS Hood)	G
	1001141744	Ref	Machines With Sauer Pumps and With Cold Weather Plus Package (Steel Hood)	G
1	0100011	AR	Compound, Locking	
2	0100079	AR	Sealant, Pipe	
4	0641408	10	Bolt 1/4in-20NC x 1in	
5	0641410	4	Bolt 1/4in-20NC x 1-1/4in	
6	0641511	1	Bolt 5/16in-18NC x 1-3/8in	
7	0641605	3	Bolt 3/8in-16NC x 5/8in	
8	0641606	4	Bolt 3/8in-16NC x 3/4in	
9	0641608	1	Bolt 3/8in-16NC x 1in	
10	0641610	1	Bolt 3/8in-16NC x 1-1/4in	
12	0641612	2	Bolt 3/8in-16NC x 1-1/2in	
13	0641808	1	Bolt 1/2in-13NC x 1in	
14	0642010	1	Bolt 5/8in-11NC x 1-1/4in	
16	0761210	1	Bolt M12 x 20mm	
17	1320187	1	Clamp	
18	1320190	1	Cover, Clamp	
19	1671121	1	Cover	
20	2180832	1	Fitting, Barbed	
21	2200222	1	Plug, Pipe	
22	2220313	2	Fitting, Elbow Barbed	
23	1001165035	5 ft/1.5m	Hose	
24	1001154405	2 ft/0.6m	Hose	
26	3300220	2	Nut 5/16in-18NC	
27	3311405	10	Locknut 1/4in-20NC	
28	3311605	2	Locknut 3/8in-16NC	
29	3422446	1	Pin, Pivot	
30	3841143	1	Pin, Keeper	
31	4240018	2	Strap, Tie (Not Shown)	
32	4711400	AR	Flatwasher 1/4in Thin	
33	4711600	14	Flatwasher 3/8in Thin	
34	4752000	1	Flatwasher 5/8in Regular	
36	4812100	1	Flatwasher M12	
37	8405006	2	Clamp	
38	1001108617	1	Filter	
38	70002231	1	Element, Filter	
40	1001110425	4	Spacer	
41	1001116792	1	Clamp	
43	1001138491	1	Harness, Fuel (Not Shown - See ELECTRICAL SECTION for Breakdown)	

SECTION 2 - TURNTABLE

ITEM	PART NUMBER	QTY	DESCRIPTION	REV
47		Ref	Panel, Rubber Options:	
47	1001140604	1	Steel Hood Only	
47	1001145560	1	ABS Hood Only	
48	1001145089	1	Clamp	
49	1001141225	1	Battery Cable Kit	E
49A	7027042	1	Cable, Battery (Red) (Battery + to Relays and Starter)	
49B	7027043	1	Cable, Battery (Black) (Battery - to Tray Pivot Grd) and Aux Pump	
49C	7027044	1	Cable (Red) (Aux Relay to Aux Pump)	
49D	7027045	1	Cable, Battery (Black) (Engine to Tray Pivot Grd)	
52	1320022	3	Clamp	
53	1001145842	1	Plate, Clamping	
54	1001131542	1	Lanyard	
55	4711700	2	Flatwasher 7/16in Thin	
56	0641708	1	Bolt 7/16in-14NC x 1in	
57	3311705	1	Locknut 7/16in-14NC	
58	1001165101	1	Bracket, Fuel Pump/Filter Assembly	
58A	0100011	AR	Compound, Locking	
58B	0641611	2	Bolt 3/8in-16NC x 1-3/8in	
58C	0721006	4	Screw #10-24NC x 3/4in	
58D	1001154405	1.5 ft/0.5m	Hose	
58E	3311001	4	Nut #10-24NC	
58F	3311605	2	Locknut 3/8in-16NC	
58G	4711000	8	Flatwasher #10 Thin	
58H	4711600	4	Flatwasher 3/8in Thin	
58J	8405006	2	Clamp	
58K	1001140222	1	Bracket, Mounting	
58L	1001141718	2	Fitting	
59	3520054	1	Plug (SN 0300198043 through 0300201016)	
		Ref	DEUTZ TCD2.9LA ENGINE SUB-ASSEMBLIES	
	1001141812	Ref	Machines With Rexroth Pumps and Without Cold Weather Plus Package	N
	1001141813	Ref	Machines With Rexroth Pumps and With Cold Weather Plus Package	P
101	0641812	2	Bolt 1/2in-13NC x 1-1/2in	
102	3020037	AR	Grease, Pump Coupling	
103	4740171	2	Flatwasher 1/2in Hardened	
105	0100011	AR	Compound, Locking	
106	1001152963	1	Pump Assembly - Rexroth (See PUMP ASSEMBLY - REXROTH for Breakdown)	
107	1001119456	1	Harness, Pump (Not Shown - See ELECTRICAL SECTION for Breakdown) (Prior to SN 0300187743)	
		Ref	DEUTZ TCD2.9LA ENGINE SUB-ASSEMBLIES	
	1001134390	Ref	Machines With Sauer Pumps and Without Cold Weather Plus Package	M
	1001141745	Ref	Machines With Sauer Pumps and With Cold Weather Plus Package	M
151	0641608	2	Bolt 3/8in-16NC x 1in	
152	0641812	2	Bolt 1/2in-13NC x 1-1/2in	
153	0761215	2	Bolt M12 x 35mm	
154	3020037	AR	Grease, Pump Coupling	
155	3790152	1	O-Ring	

SECTION 2 - TURNTABLE

ITEM	PART NUMBER	QTY	DESCRIPTION	REV
156	3790155	1	O-Ring	
158	4891600	2	Flatwasher 3/8in Hardened	
159	4891800	4	Flatwasher 1/2in Hardened	
160	1001108616	1	Pump Assembly - Sauer Tandem (See PUMP ASSEMBLY - SAUER TANDEM for Breakdown)	
161	1001108888	NLA	Pump Assembly - Sauer Piston (See PUMP ASSEMBLY - SAUER PISTON for Breakdown) (Use p/n 1001171095) (Prior to SN 0300200352)	
161	1001171095	1	Pump Assembly - Sauer Piston (See PUMP ASSEMBLY - SAUER PISTON for Breakdown) (SN 0300200352 through 0300201016)	
162	1001112927	1	Pump Assembly - Sauer Gear (See PUMP ASSEMBLY - SAUER GEAR for Breakdown)	
164	0100011	AR	Compound, Locking	
		Ref	DEUTZ TCD2.9LA ENGINE ASSEMBLIES	
	1001134392	Ref	Machines Without Cold Weather Plus Package	W
	1001141746	Ref	Machines With Cold Weather Plus Package	U
201	0100011	AR	Compound, Locking	
202	0100020	AR	Sealant	
203	0641406	5	Bolt 1/4in-20NC x 3/4in	
205	0641508	8	Bolt 5/16in-18NC x 1in	
206	0641606	5	Bolt 3/8in-16NC x 3/4in	
207	0641608	9	Bolt 3/8in-16NC x 1in	
208	0641610	2	Bolt 3/8in-16NC x 1-1/4in	
209	0641708	6	Bolt 7/16in-14NC x 1in	
210	0700815	2	Bolt M8 x 35mm	
212	0682028	4	Bolt 5/8in-11NC x 3-1/2in Grade 8	
214	0771212	1	Bolt M12 x 25mm Grade 10.9mm	
215	0771414	9	Bolt M14 x 30mm Grade 10.9	
216	0940070	1	Bumper	
217	0961986	2	Bushing, Flanged	
218	0641706	2	Bolt 7/16in-14NC x 3/4in	
219		Ref	Anti-freeze Options:	
219	2300004	3.2 gl/12.1L	Without Arctic Package	
219	2300041	3.2 gl/12.1L	With Arctic Package	
220	2902065	1	Pump Coupling Kit	H
220A	2902065	1	Plate, Pump Mounting (Note: Not Available for Purchase.)	
220B	70000793	1	Coupling, Flex	
220C	See Note	8	Bolt M10 x 20mm Grade 10.9 (Note: Not Available - Purchase Locally)	
220D	See Note	12	Bolt M10 x 25mm Grade 10.9 (Note: Not Available - Purchase Locally)	
220E	See Note	12	Flatwasher M10 (Note: Not Available - Purchase Locally)	
221		Ref	Oil, Motor Options:	
221	1001136079	2.4 gl/9L	Without Arctic Package	
221	1001136172	2.4 gl/9L	With Arctic Package	
222	3290801	2	Nut M8	
223	3272001	4	Nut 5/8in-11NC Grade 8	
224	3310401	3	Nut #4-40NC	
225	8406302	2	Clamp	
226	3311405	6	Locknut 1/4in-20NC	
228	3311605	9	Locknut 3/8in-16NC	

SECTION 2 - TURNTABLE

ITEM	PART NUMBER	QTY	DESCRIPTION	REV
229	3311705	5	Locknut 7/16in-14NC	
230	3580320	1	Pulley	
231	3910408	3	Screw #4-40NC x 1/2in	
232	3931432	1	Capscrew 1/4in-20NC x 2in	
233	3931512	4	Capscrew 5/16in-18NC x 3/4in	
234	3931628	4	Capscrew 3/8in-16NC x 1-3/4in	
235	3960543	1	Seal	
236	3960544	1	Seal	
237	4031914	4	Bolt M8 x 50mm	
238	4032014	4	Bolt M10 x 50mm	
239	4710400	3	Flatwasher #4 Thin	
240	4711400	3	Flatwasher 1/4in Thin	
241	4711500	18	Flatwasher 5/16in Thin	
242	4711600	25	Flatwasher 3/8in Thin	
243	4711700	10	Flatwasher 7/16n Thin	
244	1001146219	4	Flatwasher Special	
245	4751400	8	Flatwasher 1/4in Regular	
247	4751700	2	Flatwasher 7/16n Regular	
248	4791400	2	Starwasher 1/4in	
249	4811900	4	Flatwasher M8	
250	4811902	2	Flatwasher M8	
251	4812000	4	Flatwasher M10	
252	4812100	4	Flatwasher M12	
253	4812200	9	Flatwasher M14	
254	4892000	4	Flatwasher 5/8in Hardened	
255	4831900	2	Lockwasher M8	
256	8405201	8	Clamp	
257	8405204	10	Clamp	
259	8410013	5	Clamp	
260	91563070	1	Coupling, Rubber	
261	1001114495	1	Hose	
262	1001117308	1	Relay	
263	1001128947	1	Engine, Deutz TD2.9L4	
266	1001133634	1	Clamp	
267	1001133651	1	Tank, Surge (Prior to SN 0300187762)	
267	1001166393	1	Tank, Surge (SN 0300187762 through 0300201016)	
268	1001155575	4	Mount, Motor	
269	1001134485	1	Tray	
270	1001135090	1	Radiator	
271	1001135138	1	Spacer, Fan	
272	1001135560	1	Support, Engine	
273	1001135562	1	Support, Engine - Rear	
274	1001135679	1	Spacer, Pulley	
275	1001135680	1	Support, Radiator	
276	1001135901	1	Pipe, Air Intake	
277	1001135903	1	Pipe, Air Intake	
278	1001135913	1	Pipe, Turbo to Air Cleaner	
279	1001135914	1	Pipe, Air Cleaner to Intake	
280	1001135924	1	Hose, Radiator (Upper)	
281	1001135926	1	Hose, Radiator (Lower)	
282	1001135943	1	Coupling, Rubber	

SECTION 2 - TURNTABLE

ITEM	PART NUMBER	QTY	DESCRIPTION	REV
283	1001135946	1	Elbow, Rubber	
284	1001136292	1	Pipe, Elbow	
285	1001136377	1	Sensor, Coolant Level	
286	1001136626	2	Bracket	
287	1001136665	1	Bracket	
288	1001136834	1	Cap, Tank	
289	1001142398	1	Support, Engine	
290	1001137276	1	Fan	
291	1001138228	1	Module, Power	
291	70023592	1	Fuse 20 Amp	
291	70023593	1	Fuse 30 Amp	
292	1001138253	5	Clamp	
294	1001138346	1	Harness, Engine (Not Shown - See ELECTRICAL SECTION for Breakdown)	
295	1001138524	1	Hose	
296	1001138559	1	Fitting, Elbow	
297	1001139240	1	Bracket	
298	1001153024	1	Pipe, Exhaust	
300	1001141304	1	Wire, Glow Plug	
301	1001141717	1	Fitting, Straight	
302	1001141719	1	Fitting, Elbow Barbed	
303	1001140564	1	Fitting, Elbow Barbed	
304	1001133633	1	Air Cleaner Assembly	
304	70024190	1	Element, Air Filter	
305	1001135779	1	Cable, Alternator Positive	
306	1001138248	4 ft/1.2m	Tubing	
307	1320022	2	Clamp	
308	2720015	4.5 ft/1.4m	Hose	
310	1001165035	30.5 ft/9.3m	Hose	
312	8405007	2	Clamp	
313	4240099	AR	Tie-Strap (Used to Secure Block Heater Cord) (With Cold Weather Plus Package - Not Shown)	
314	4460234	3	Mount, Wire Tie (Used to Secure Block Heater Cord) (With Cold Weather Plus Package - Not Shown)	
315	1001140312	1	Heater, Block (With Cold Weather Plus Package - Not Shown)	
316	0761214	3	Bolt M12 x 30mm	
317	1001143341	1	Pipe, 90 Degree (Prior to SN 0300187762)	
317	1001165820	1	Pipe, Elbow (SN 0300187762 through 0300201016)	
318	1001143390	1	Indicator, Air Filter Service	
319	1001142637	1	Hose, Hump	
320	101142685	1	Bracket	
321	8406102	1	Clip	
322	8406112	1	Clip	
323	1001134488	1	Fitting, Elbow Barbed	
324	1001138717	1	Bracket	
325	1001142501	1	Fitting, Elbow Barbed	
326	1001144089	1	Grommet	
327	1001145154	1	Plate, Mounting	
328	1001154405	5 ft/1.5m	Hose	
329	4640751	1	Valve, Oil Drain	

SECTION 2 - TURNTABLE

ITEM	PART NUMBER	QTY	DESCRIPTION	REV
330	8405006	2	Clamp	
331	0760810	1	Bolt M8 x 20mm	
332	1001148843	1	Harness, Fuel Filter (Not Shown - See ELECTRICAL SECTION for Breakdown)	
334	1703162	2	Decal - Fan	
335	0641503	3	Bolt 5/16in-18NC x 3/8in	
336	1001153387	1	Plate	
337	3931508	2	Capscrew 5/16in-18NC x 1/2in	
338	1001155823	1	Coupling	
339	0100062	AR	Adhesive, Loctite #680	
340	1001181895	AR	Adhesive, Loctite #640 (With Cold Weather Plus Package - Not Shown)	
	1001139930	Ref	SPARK ARRESTER INSTALLATION (OPTIONAL)	
401	1001154157	1	Stack, Spark Arrester Exhaust	
500	1001128947	Ref	ENGINE COMPONENTS	J
501	70024904	1	Dipstick	
501	70024905	1	O-Ring	
502	7020465	2	Cap, Filler	
503	7002511	2	Clamp	
504	70025162	1	Pan, Oil	
504	70025088	2	Plug	
504	7020404	2	Washer, Sealing	
505	70001870	1	Flywheel (Not Shown)	
505	7024579	1	Gear, Ring (Not Shown)	
506	70024906	1	Gasket, Head (Not Shown)	
507	70025204	1	Shield, Heat (Not Shown)	
508	70025163	1	Cover, Valve	
508	70025205	1	Gasket	
508	70025206	1	Gasket, Small Valve Cover	
508	70025207	1	Gasket, Large Valve Cover	
508	70025208	1	Gasket	
509	70025076	1	Valve (Not Shown - Located on Right Side of Front Engine Cover)	
509	70025176	1	Spring	
509	70025082	1	Ring, Sealing	
509	70025091	1	Plug	
510	70025190	1	Cover, Front (Not Shown - Located on Front of Engine)	
510	70024907	1	Gasket, Front Cover	
510	70004280	1	Seal, Shaft - Front	
511	70002718	1	Seal, Shaft - Rear (Not Shown)	
512	70025202	1	Pump, Oil Lube (Not Shown)	
512	70025135	1	O-Ring	
512	70025136	1	Gasket	
513	7016331	1	Filter, Oil	
513	70025137	1	Bushing	
514	70004275	1	Cooler, Engine Oil (Not Shown - Located on Right Side)	
514	70024925	1	Gasket	
515	70025171	1	Oil Suction Pump (Not Shown - Located Inside of Engine Oil Pan)	
516	70024924	1	Pump, Fuel (Not Shown - Located on Right Side)	
516	70025152	1	O-Ring	
516	70025080	1	Washer	
516	70024488	1	Spacer	
516	70024517	1	O-Ring	

SECTION 2 - TURNTABLE

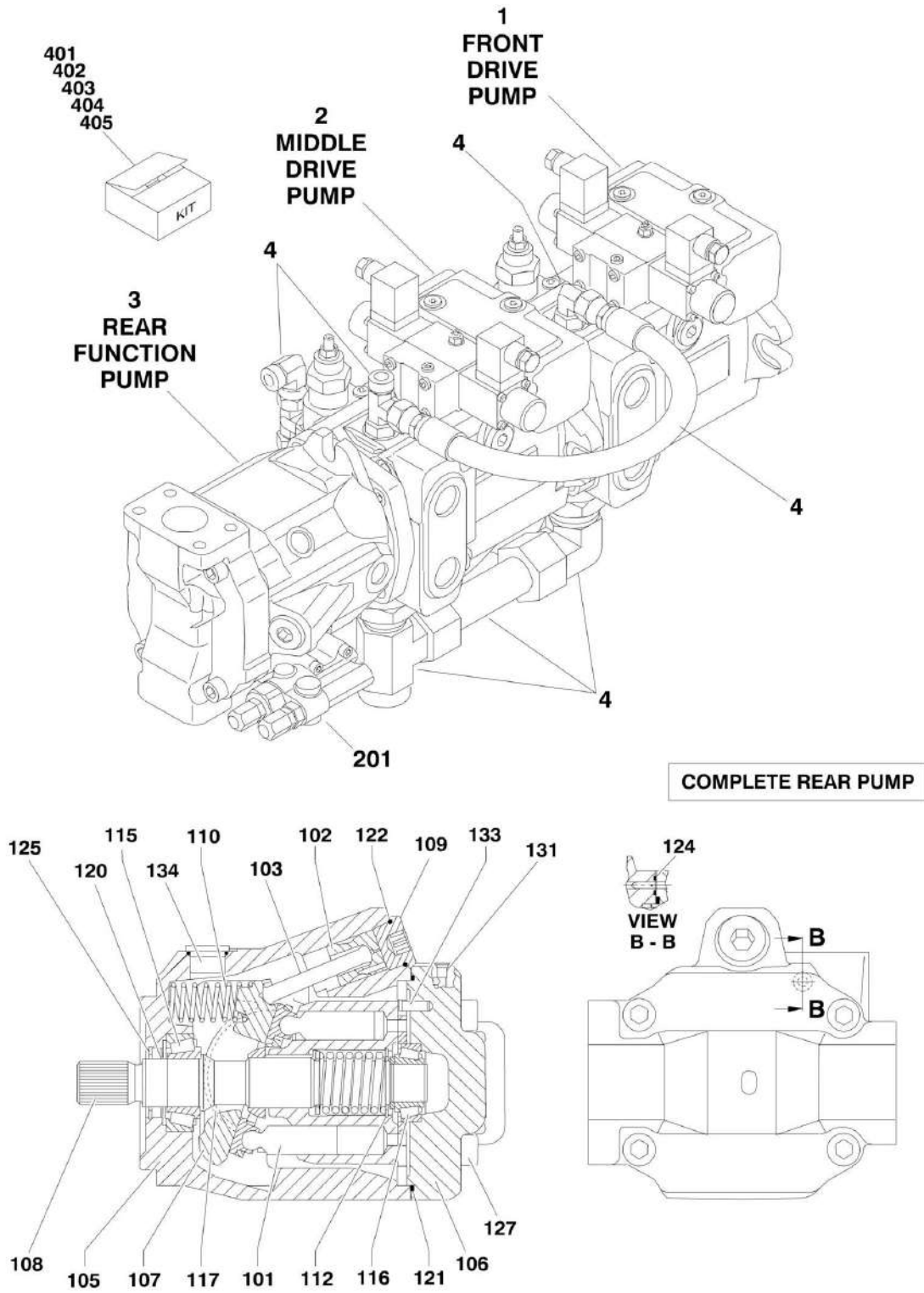
ITEM	PART NUMBER	QTY	DESCRIPTION	REV
517	70025181	4	Injector, Fuel (Not Shown - Located on Right Side)	
517	70025140	4	Washer, Sealing	
517	70025146	4	Clamp (Top of Injector)	
517	70025145	4	O-Ring	
517	70025154	4	Shoe, Clamping	
517	70000345	1	Plug, Glow (Not Shown)	
517	70025231	1	Harness, Glow Plug (Not Shown)	
518	70024961	1	Fuel Filter Assembly	
518	70025153	1	Filter, Fuel	
518	70024513	1	Cable, Sensor	
518	70025239	1	Ring, Sealing	
519	70024486	1	Pump, Fuel	
519	70025144	2	Clamp	
520	70025160	1	Filter with Head	
520	70025161	1	Filter, Fuel	
521	70024504	1	Sensor, Pressure	
521	70024920	1	O-Ring	
521	70025103	1	Retainer	
522	70025151	1	Rail, Fuel (Not Shown)	
522	70025235	1	Repair Kit	
523	70025182	1	Fuel Line - High Pressure (Cylinder 1 & 2) (Not Shown)	
523	70025183	1	Fuel Line - High Pressure (Cylinder 3 & 4) (Not Shown)	
523	70025184	1	Fuel Line - High Pressure (Supply) (Not Shown)	
524	70004501	1	Sleeve, Rubber	
525	70004502	1	Pipe, Intake	
526	70025112	2	Clamp	
527	70025210	1	ECU (Engine Control Unit)	
528	70024910	1	Pump, Water	
528	70025200	1	Ring, Sealing	
528	70025084	2	Plug	
528	7020492	2	Ring, Sealing	
529	70024473	1	Thermostat	
529	70025143	1	O-Ring	
529	70025142	1	Cover, Thermostat	
530	70025177	1	Pipe (Not Shown - Located on Left Side)	
530	70025179	2	Gasket	
531	70025178	1	Pipe	
531	70025156	1	Valve, Shuttle	
531	70025179	2	Gasket	
531	70025180	1	Gasket	
532	70025203	1	Module, EGR	
532	70025155	1	Plug	
533	70004282	1	Manifold, Exhaust (Not Shown)	
533	70025164	1	Gasket, Exhaust Manifold to Head	
534	70004503	1	Turbocharger	
534	70024912	1	Gasket, Exhaust Manifold	
535	70025477	1	Tensioner, Belt (Not Shown - Located on Front of Engine)	
536	70024484	1	Idler Roller (Not Shown - Located on Front of Engine)	
537	70004277	1	Belt, Drive (Not Shown)	
538	70024915	1	Starter	
539	70025533	1	Generator	

SECTION 2 - TURNTABLE

ITEM	PART NUMBER	QTY	DESCRIPTION	REV
539	70025149	1	Regulator, Voltage	
540	70004284	1	Harness, Engine (Not Shown)	
541	70024507	1	Sensor, Pressure (Not Shown - Located Top Rear)	
541	70024503	1	O-Ring	
542	70024917	1	(Not Shown - Located Left Side Front and Flywheel Housing)	
543	70024918	1	Sender, Temperature (Not Shown - Located Top Front)	
544	70024919	1	Sensor, Pressure (Not Shown - Located on Right Side)	
544	70024920	1	O-Ring	
545	70005445	1	Outlet, Muffler	
546	70004279	1	Gasket Kit (Not Shown)	
		Ref	Note: Information not available at time of printing.	
	1283409	Ref	DECALS INSTALLATION	
653	1001143852	1	Decal - EPA	

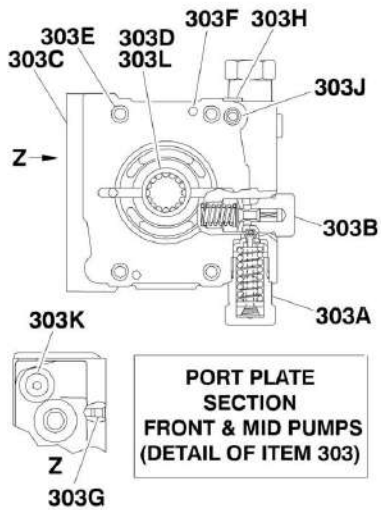
SECTION 2 - TURNTABLE

FIGURE 2-9. PUMP ASSEMBLY (REXROTH) (CATERPILLAR ENGINE MACHINES)

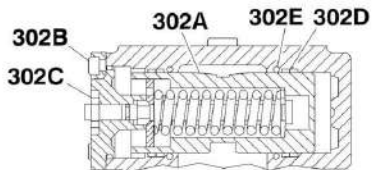
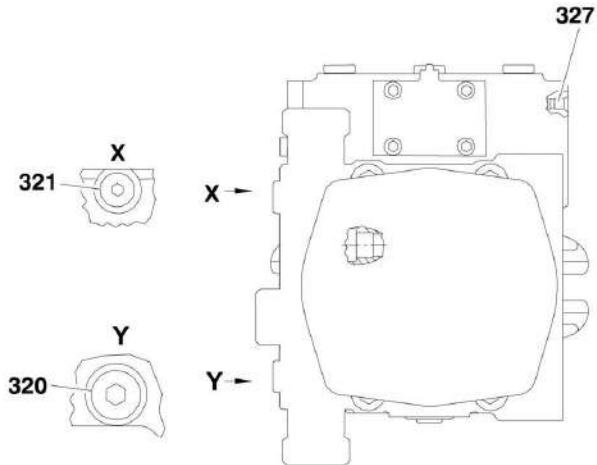


SECTION 2 - TURNTABLE

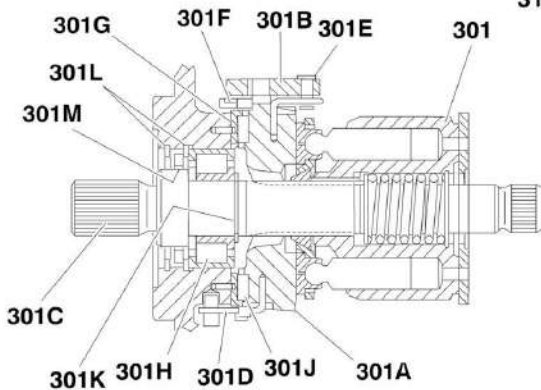
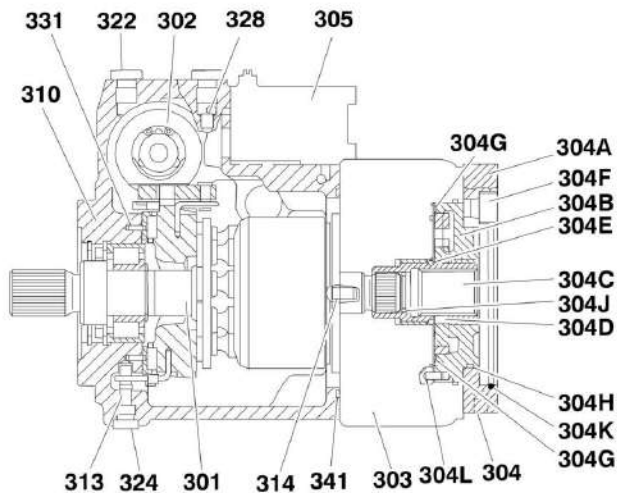
COMPLETE FRONT & MID PUMPS



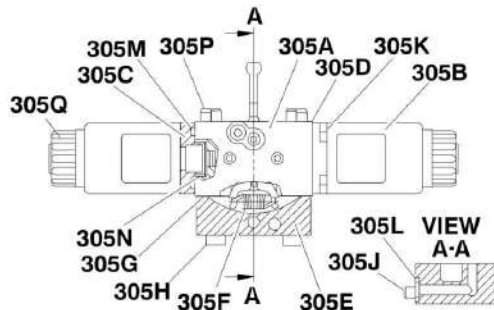
PORT PLATE SECTION FRONT & MID PUMPS (DETAIL OF ITEM 303)



HYD. CONTROL FRONT & MID PUMPS (DETAIL OF ITEM 302)



ROTARY GROUP FRONT & MID PUMPS (DETAIL OF ITEM 301)



CONTROL MODULE FRONT & MID PUMPS (DETAIL OF ITEM 305)

SECTION 2 - TURNTABLE

FIGURE 2-9. PUMP ASSEMBLY (REXROTH) (CATERPILLAR ENGINE MACHINES)

ITEM	PART NUMBER	QTY	DESCRIPTION	REV
	100118368	Ref	PUMP ASSEMBLY	C
1	70003163	1	Front Drive Pump Assembly (Includes Items 301- 341)	
2	70003164	1	Middle Drive Pump Assembly (Includes Items 301- 341)	
3	7024044	1	Rear Function Pump Assembly (Includes Items 101-201	
4	See Note	1	Hydraulic Kit (Includes all Rexroth Supplied Hydraulic Fittings, Hoses and Tubes) (Note: Not Available For Purchase)	
	7024044	Ref	REAR FUNCTION PUMP ASSEMBLY	
101	70003173	1	Rotary Section	
102	See Note	1	Piston, Control (Note: Not Available For Purchase)	
103	See Note	1	Rod, Piston (Note: Not Available For Purchase)	
105	7024044	1	Housing, Pump (Note: Not Available For Purchase)	
106	7024044	1	Plate, Port (Note: Not Available For Purchase)	
107	70003174	1	Plate, Swash	
108	70003175	1	Driveshaft	
109	See Note	1	Plug (Note: Not Available For Purchase)	
110	See Note	1	Spring (Note: Not Available For Purchase)	
112	7012709	1	Shim	
115	7024038	1	Bearing, Roller	
116	7012706	1	Bearing, Roller	
117	7024917	2	Shell, Cradle	
120	7024918	1	Seal, Shaft	
121	70003176	1	O-Ring	
122	7024920	1	O-Ring	
124	7024950	1	Seal	
125	70003177	1	Ring, Retaining	
127	See Note	4	Capscrew M12 x 45-10.9 (Note: Not Available For Purchase)	
131	See Note	1	Plug (Note: Not Available For Purchase)	
133	See Note	1	Pin, Dowel (Note: Not Available For Purchase)	
134	See Note	1	Plug (Note: Not Available For Purchase)	
201	7024913	Ref	Pilot Valve Assembly	
		Ref	Note: Two mounting designs of p/n 7024913 pilot valve exist. Early design uses qty 3 o-rings. Late design uses qty 1 sealing plate. Seal designs cannot be interchanged. Verify seal design before ordering.	
201	7024922	3	O-Ring (Seals between Pilot Valve and Rear Pump)	
201	70021867	1	Plate, Sealing (Seals between Pilot Valve and Rear Pump)	
		Ref	FRONT DRIVE PUMP ASSEMBLIES	
	70003163	Ref	Front Drive Pump Assembly	
	70003164	Ref	Middle Drive Pump Assembly	
301	7024064	1	Rotary Group	
301A	7024064	1	Cradle (Note: Not Available For Purchase)	
301B	7024064	1	Ring, Slide (Note: Not Available For Purchase)	
301C	7024064	1	Driveshaft (Note: Not Available For Purchase)	
301D	7024064	1	Wire (Note: Not Available For Purchase)	
301E	7024064	1	Pin, Joint (Note: Not Available For Purchase)	
301F	7024064	1	Wire (Note: Not Available For Purchase)	
301G	7024064	1 pr	Liner, Bearing (Note: Not Available For Purchase)	
301H	7024064	1	Bearing, Roller (Note: Not Available For Purchase)	
301J	See Note	1 st	Cradle Bearing Assembly (Note: Not Available For Purchase)	
301K	See Note	1	Ring, Retaining (Note: Not Available For Purchase)	

SECTION 2 - TURNTABLE

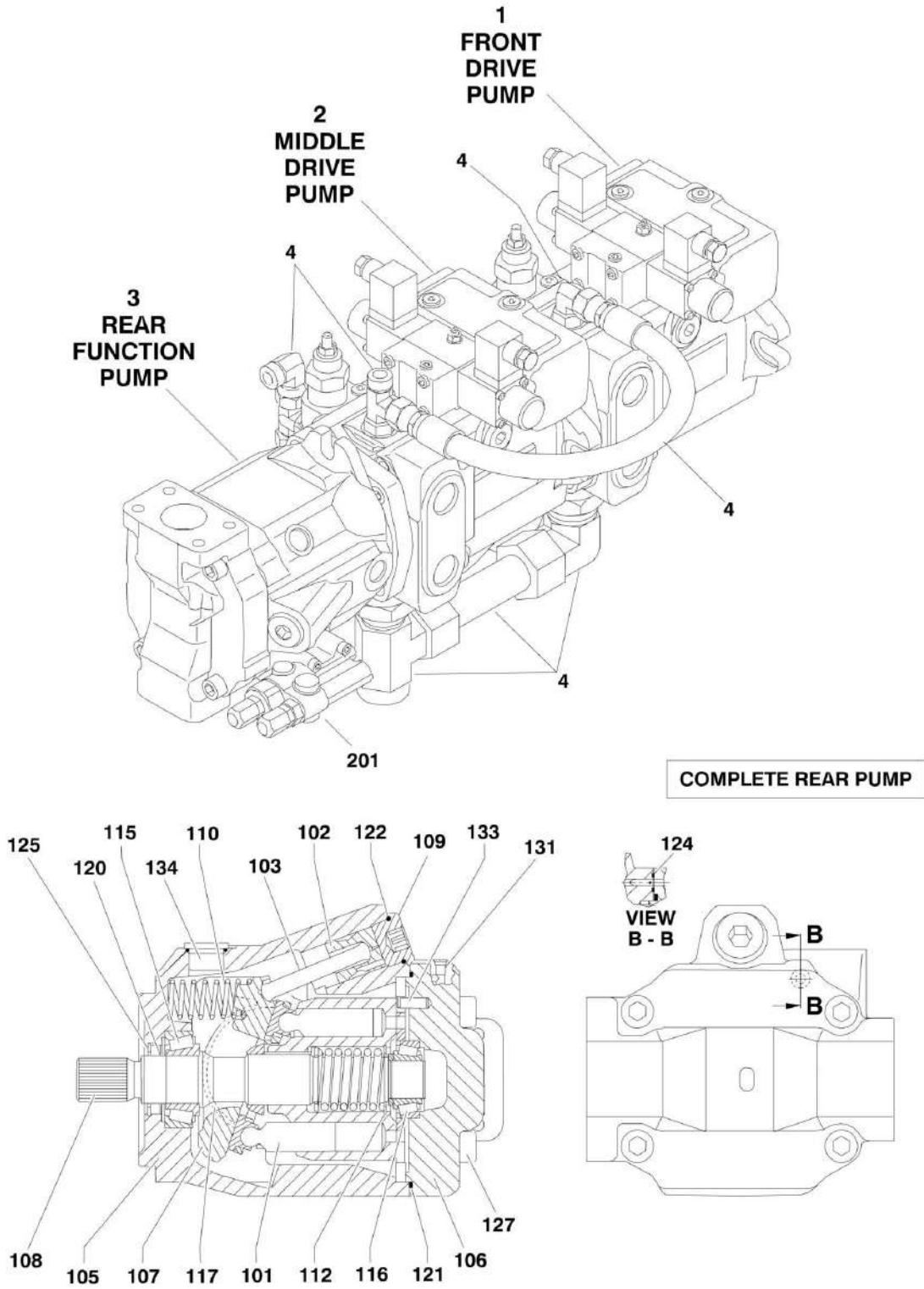
ITEM	PART NUMBER	QTY	DESCRIPTION	REV
301L	70001968	2	Ring, Retaining	
301M	70003167	1	Seal, Shaft Ring	
302	7024065	1	Control Group - Hydraulic	
302A	7024065	1	Piston, Positioning - Complete (Note: Sold only in Kit Except Outer Seal O-Ring and Stem O-Ring.)	
302A	7024071	1	O-Ring, Outer Seal	
302A	7024072	1	O-Ring, Stem	
302B	70003168	4	Capscrew M6 x 12-8.8	
302C	7024065	1	Nut (Note: Not Available For Purchase)	
302D	70003168	2	Ring, Guide	
302E	70003168	2	Seal, O-Ring	
303		Ref	Port Plate Group Options:	
303	7024905	1	Front Drive Pump	
303	7024911	1	Middle Drive Pump	
303A	7024073	2	Cartridge, Relief Valve (High Pressure) (Note: Sold as an Assembly Except Outer Seals.)	
303A	7024075	1	O-Ring	
303A	7024076	1	Ring, Back-up	
303B		Ref	Cartridge Options:	
303B	7024907	1	Front Pump Cartridge (Lock Valve With Orifice) (Note: Sold as an Assembly Except Outer Seals.)	
303B	7024909	1	Screw, Locking	
303B	7024075	1	O-Ring	
303B	70020329	1	Middle Pump Cartridge (Pressure Relief Valve) (Note: Sold as an Assembly Except Outer Seals.)	
303B	70003172	1	Ring, Sealing (Steel)	
303B	7024077	1	O-Ring	
303C	See Note	1	Plate, Port (Note: Not Available - Purchase p/n 7024905 or 7024911)	
303D	See Note	1	Bushing, Bearing (Note: Not Available - Purchase p/n 7024905 or 7024911)	
303E	See Note	4	Screw, Socket Head M12 x 70-10.9 (Note: Not Available - Purchase p/n 7024911)	
303F	70003169	2	Pin, Dowel	
303G	70003169	1	Pin, Break-Off	
303H	70003169	1	Screw, Locking M10 x 1	
303J	7024908	2	O-Ring	
303K	70003169	2	Screw, Locking 7/16in-20NF	
303L	See Note	1	Bearing, Roller (Note: Not Available - Purchase p/n 7024905 or 7024911)	
304	7024906	1	Internal Gear Pump Options:	
304A	7024906	1	Flange, Intermediate (Note: Not Available For Purchase)	
304B	7024906	1	Internal Gear Pump Housing (Note: Not Available For Purchase)	
304C	7024906	1	Coupling, Driveshaft Through (Note: Not Available For Purchase)	
304D	7024079	1	Key, Driveshaft	
304E	80934174	1	Ring, Retaining	
304F	See Note	4	Capscrew M10 x 20-8.8 (Note: Not Available For Purchase)	
304G	7024080	2	Seal	
304H	7024081	1	O-Ring	
304J	See Note	1	Ring, Retaining (Note: Not Available For Purchase)	
304K	7024910	1	O-Ring	
304L	7024906	1	Pin, Cylinder (Note: Not Available For Purchase)	

SECTION 2 - TURNTABLE

ITEM	PART NUMBER	QTY	DESCRIPTION	REV
305	70003165	1	Control Module	
305A	70003165	1	Valve Body, Lever and Internal Components (Note: Not Available For Purchase)	
305B	70003170	2	Coil, Solenoid	
305C	70003165	2	Spacer, Coil (Note: Not Available For Purchase)	
305D	70020336	1	Gasket	
305E	70003165	1	Cover W/Filter (Note: Not Available For Purchase)	
305F	70003165	1	Spring, Draw (Note: Not Available For Purchase)	
305G	70020336	1	Gasket	
305H	70020336	4	Capscrew M6 x 65-8.8	
305J	70020336	1	Capscrew M6 x 45-8.8	
305K	See Note	8	Capscrew M5 x 10-8.8 (Note: Not Available For Purchase)	
305L	70020336	1	O-Ring	
305M	See Note	2	O-Ring (Note: Not Available For Purchase)	
305N	See Note	2	Cup, Spring (Note: Not Available For Purchase)	
305P	70020336	2	Pin, Cylinder	
305Q	See Note	2	Nut, Coil (Note: Not Available For Purchase)	
310	See Note	1	Housing (Note: Not Available - Purchase Complete Pump Assembly)	
313	See Note	2	Pin, Dowel (Note: Not Available For Purchase)	
314	See Note	1	Pin, Cylinder (Note: Not Available For Purchase)	
320	70003166	1	Screw 7/8-14NF (Front Drive Pump Only)	
321	70003166	1	Screw 9/16-18NF	
322	70003166	1	Screw 7/16-20NF	
324	70003166	1	Screw M10 x 1	
327	70003166	1	Pin, Double Break-Off	
328	70003166	2	Orifice	
331	70003166	2	Pin, Clamping	
341	70003166	1	O-Ring	
		Ref	Seal Kit Options:	
401	70003167	1	Seal Kit - Drive Shaft (Includes Items 301L & 301M)	
402	70003168	1	Seal Kit - Control Group - Hydraulic (Includes Items 302B, 302D & 302E)	
403	70003169	1	Seal Kit - Port Plate Group (Includes Items 303F-303K)	
404	70020336	1	Seal Kit - Control Module (Includes Items 305D, 305G-305J, 305L & 305P)	
405	70003166	1	Seal Kit - Front Pump (Includes Items 320-322, 324, 327, 328, 331 & 341)	

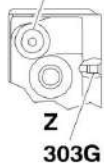
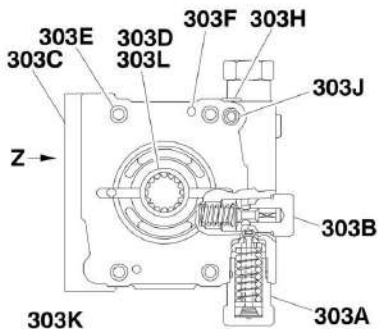
SECTION 2 - TURNTABLE

FIGURE 2-10. PUMP ASSEMBLY (REXROTH) (DEUTZ ENGINE MACHINES)

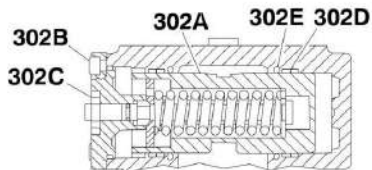


SECTION 2 - TURNTABLE

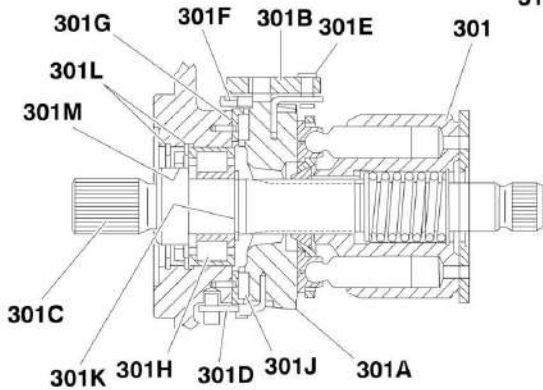
COMPLETE FRONT & MID PUMPS



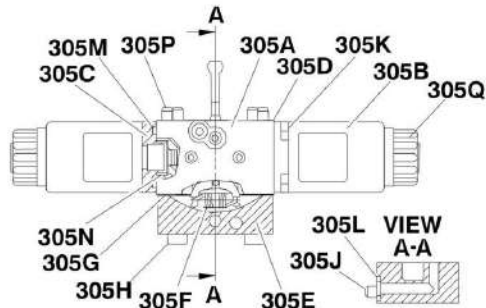
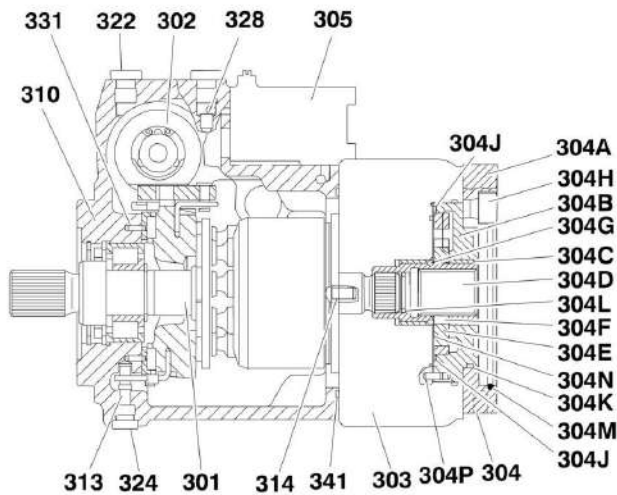
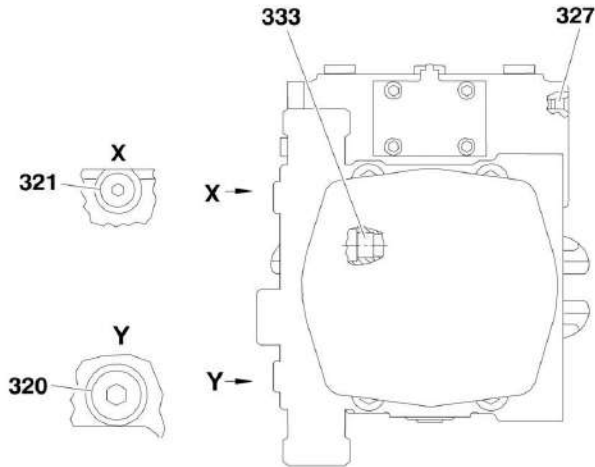
PORT PLATE SECTION FRONT & MID PUMPS (DETAIL OF ITEM 303)



HYD. CONTROL FRONT & MID PUMPS (DETAIL OF ITEM 302)



ROTARY GROUP FRONT & MID PUMPS (DETAIL OF ITEM 301)



CONTROL MODULE FRONT & MID PUMPS (DETAIL OF ITEM 305)

SECTION 2 - TURNTABLE

FIGURE 2-10. PUMP ASSEMBLY (REXROTH) (DEUTZ ENGINE MACHINES)

ITEM	PART NUMBER	QTY	DESCRIPTION	REV
		Ref	Note: Information on p/n 1001152963 used on Machines with Deutz TCD2.9L4 Engines Not Available at Time of Printing.	
		Ref	Pump Assembly	
	3600339	Ref	Machines with Deutz BF4M2011 & TD2011 Engines	D
	1001152963	Ref	Machines with Deutz TCD2.9L4 Engines (Note: Service Parts Not Available)	C
1		Ref	Front Drive Pump Assembly Options (Includes Items 301- 341):	
1	7024042	1	Machines with Deutz BF4M2011 & TD2011 Engines	
1	See Note	1	Machines with Deutz TCD2.9L4 Engines (Note: Service Parts Not Available)	
2		Ref	Middle Drive Pump Assembly (Includes Items 301- 341)	
2	7024043	1	Machines with Deutz BF4M2011 & TD2011 Engines	
2	See Note	1	Machines with Deutz TCD2.9L4 Engines (Note: Service Parts Not Available)	
3		Ref	Rear Function Pump Assembly (Includes Items 101-201)	
3	7024044	1	Machines with Deutz BF4M2011 & TD2011 Engines	
3	See Note	1	Machines with Deutz TCD2.9L4 Engines (Note: Service Parts Not Available)	
4	70001952	1	Hydraulic Kit (Includes all Rexroth Supplied Hydraulic Fittings, Hoses and Tubes)	
	7024044	Ref	REAR FUNCTION PUMP ASSEMBLY	
101	7024914	1	Rotary Section	
102	See Note	1	Piston, Control (Note: Not Available - Purchase Complete Assembly)	
103	See Note	1	Rod, Piston (Note: Not Available - Purchase Complete Assembly)	
105	See Note	1	Housing, Pump (Note: Not Available - Purchase Complete Assembly)	
106	See Note	1	Plate, Port (Note: Not Available - Purchase Complete Assembly)	
107	7024915	1	Plate, Swash	
108	7024916	1	Driveshaft	
109	See Note	1	Plug (Note: Not Available for Purchase)	
110	See Note	1	Spring (Note: Not Available for Purchase)	
112	7012709	1	Shim	
115	7024038	1	Bearing, Roller	
116	7012706	1	Bearing, Roller	
117	7024917	2	Shell, Cradle	
120	7024918	1	Seal, Shaft	
121	7024919	1	O-Ring	
122	7024920	1	O-Ring	
124	7024921	1	Seal	
125	7012715	1	V-Ring	
127	See Note	4	Capscrew M12 x 45mm Grade10.9 (Note: Not Available for Purchase)	
131	See Note	1	Plug (Note: Not Available for Purchase)	
133	See Note	1	Pin, Dowel (Note: Not Available for Purchase)	
134	See Note	1	Plug (Note: Not Available for Purchase)	
201	7024913	Ref	Pilot Valve Assembly	
		Ref	Note: Two mounting designs of p/n 7024913 pilot valve exist. Early design uses qty 3 o-rings. Late design uses qty. 1 sealing plate. Seal designs cannot be interchanged. Verify seal design before ordering.	
201	7024922	3	O-Ring (Seals between Pilot Valve and Rear Pump)	

SECTION 2 - TURNTABLE

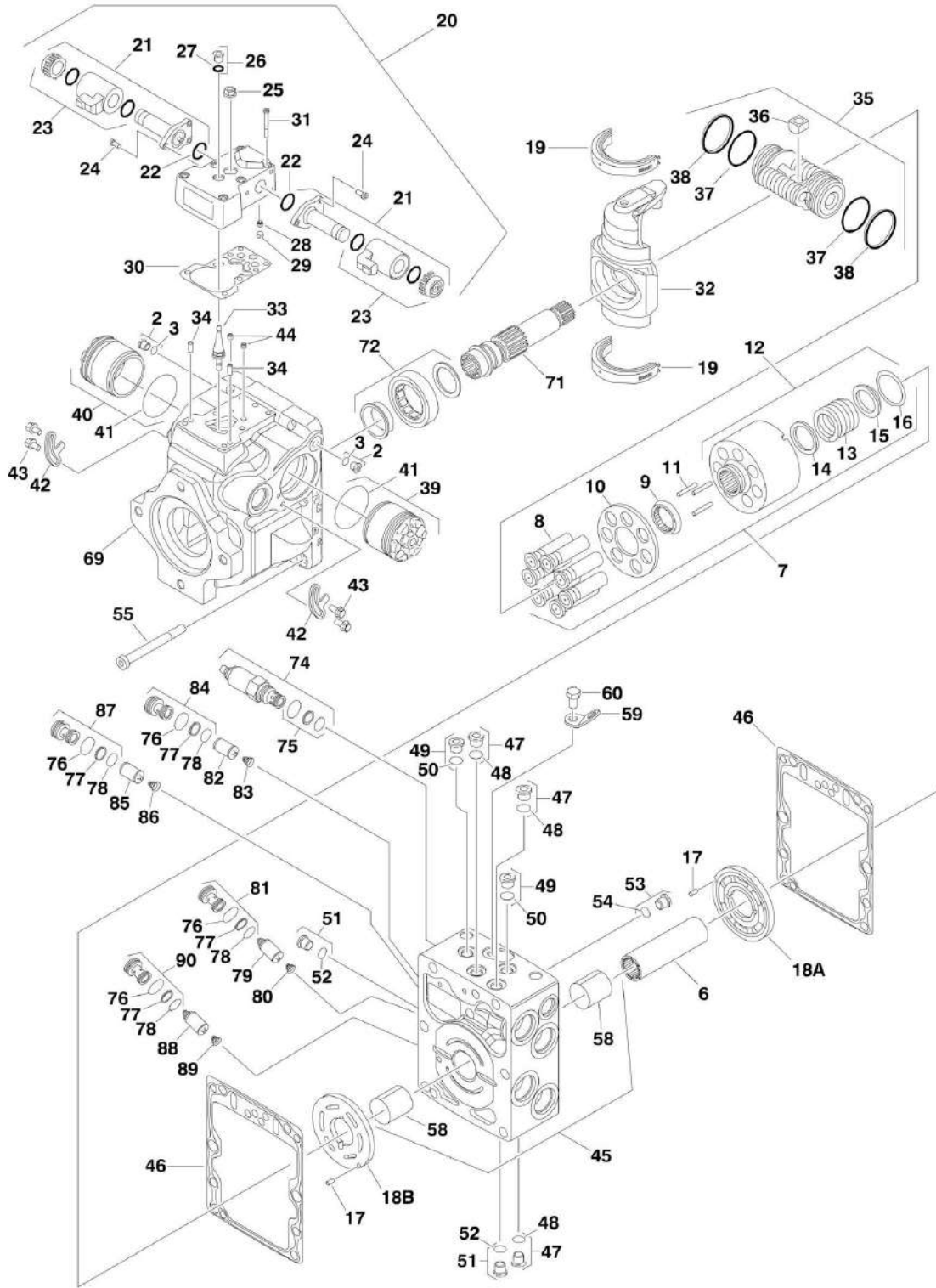
ITEM	PART NUMBER	QTY	DESCRIPTION	REV
201	70021867	1	Plate, Sealing (Seals between Pilot Valve and Rear Pump)	
		Ref	FRONT DRIVE PUMP ASSEMBLIES	
	7024042	Ref	Front Drive Pump Assembly	
	7024043	Ref	Middle Drive Pump Assembly	
301	7024064	1	Rotary Group	
301A	7024064	1	Cradle	
301B	7024064	1	Ring, Slide	
301C	7024064	1	Driveshaft	
301D	7024064	1	Wire	
301E	7024064	1	Pin, Joint	
301F	7024064	1	Wire	
301G	7024064	1 pr	Liner, Bearing	
301H	7024064	1	Bearing, Roller	
301J	7024064	1 st	Cradle Bearing Assembly	
301K	7024064	1	Ring, Retaining	
301L	70001968	2	Ring, Retaining	
301M	7024070	1	Seal, Shaft Ring	
302	7024065	1	Control Group - Hydraulic	
302A	7024065	1	Piston, Positioning - Complete	
302A	7024071	1	O-Ring, Outer Seal	
302A	7024072	1	O-Ring, Stem	
302B	See Note	4	Capscrew M6 x 12mm (Note: Not Available - Purchase Locally)	
302C	7024065	1	Nut	
302D	7024065	2	Ring, Guide	
302E	7024065	2	Seal, O-Ring	
303	7024911	1	Port Plate Group	
303A	7024073	2	Cartridge, Relief Valve (High Pressure)	
303A	7024075	1	O-Ring	
303A	7024076	1	Ring, Back-up	
303B		Ref	Cartridge Options:	
303B	7024097	1	Front Pump Cartridge (Lock Valve With Orifice) (Note: Sold as an Assembly Except Outer Seal.)	
303B	7024075	1	O-Ring	
303B	7023881	1	Middle Pump Cartridge (Pressure Relief Valve) (Note: Sold as an Assembly Except Outer Seal.)	
303B	7024077	1	O-Ring	
303C	7024911	1	Plate, Port	
303D	7024911	1	Bushing, Bearing	
303E	See Note	4	Capscrew M12 x 70mm Grade10.9 (Note: Not Available - Purchase Locally)	
303F	7024911	2	Pin, Dowel	
303G	7024911	1	Pin, Break-Off	
303H	See Note	1	Screw, Locking M10 x 1mm (Note: Not Available - Purchase Locally)	
303J	7024908	2	O-Ring	
303K	See Note	2	Screw, Locking 7/16in-20NF (Note: Not Available - Purchase Locally)	
303L	7024911	1	Bearing, Roller	
304	7024906	1	Internal Gear Pump	
304A	7024906	1	Flange, Intermediate	
304B	7024906	1	IZP-Housing	
304C	7024906	1	Bushing, Bearing	

SECTION 2 - TURNTABLE

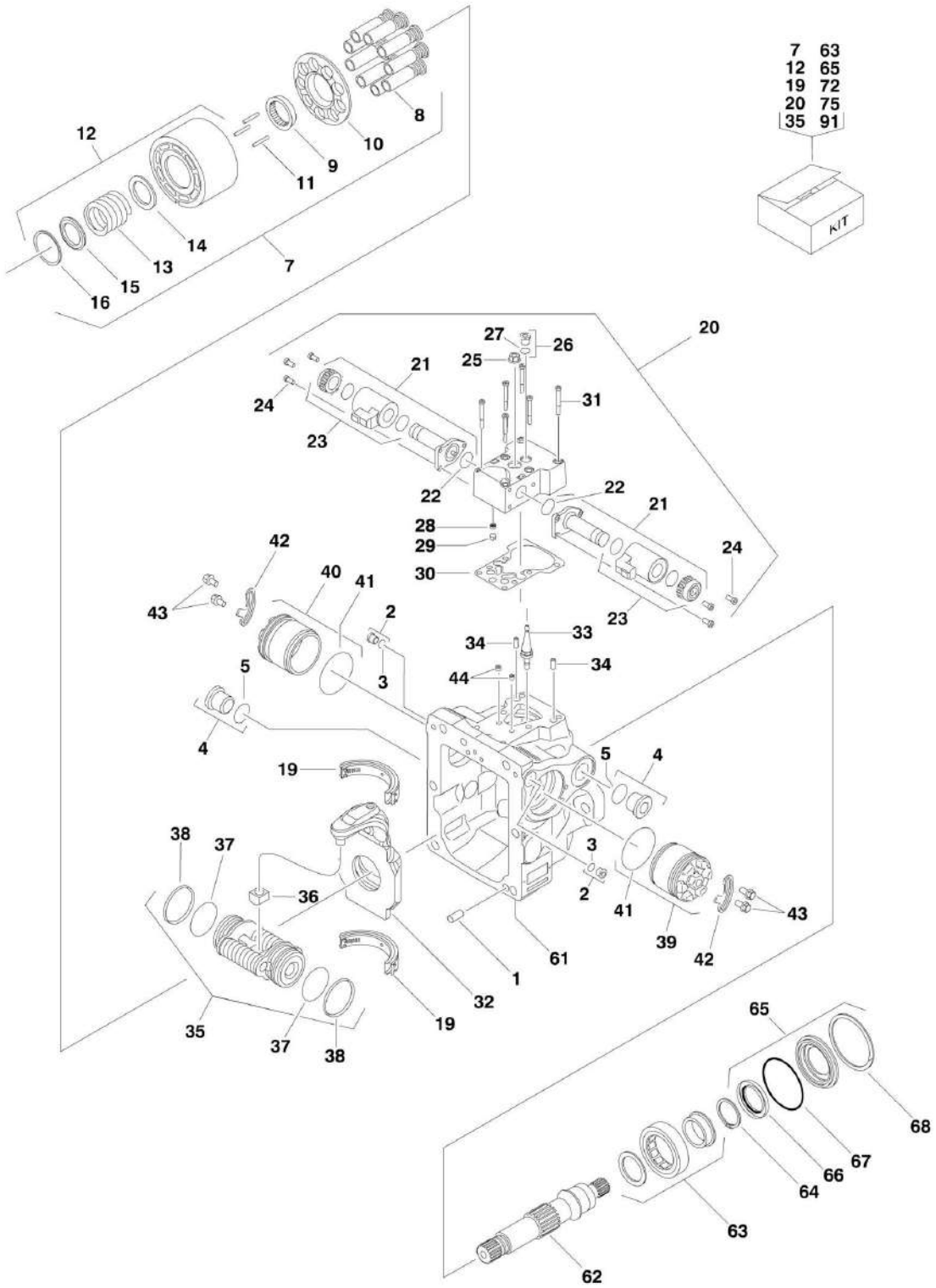
ITEM	PART NUMBER	QTY	DESCRIPTION	REV
304D	7024906	1	Coupling, Driveshaft Through	
304E	7024906	1	Gear Set	
304F	7024906	1	Key, Driveshaft	
304G	7024906	1	Ring, Retaining	
304H	See Note	4	Capscrew M10 x 20mm (Note: Not Available - Purchase Locally)	
304J	7024080	2	Seal	
304K	7024081	1	O-Ring	
304L	7024906	1	Ring, Retaining	
304M	7024910	1	O-Ring (Purchase p/n 7024906)	
304N	7024005	1	Plate, Wear	
304P	7024906	1	Pin, Cylinder	
305	7024068	1	Control Module	
305A	7024084	1	Valve Body, Lever and Internal Components	
305B	7024083	2	Coil, Solenoid	
305C	7024068	2	Spacer, Coil	
305D	7024085	1	Gasket	
305E	7024068	1	Cover	
305F	7024068	1	Spring, Draw	
305G	7024086	1	Gasket	
305H	See Note	4	Capscrew M6 x 65mm (Note: Not Available - Purchase Locally)	
305J	See Note	1	Capscrew M6 x 45mm (Note: Not Available - Purchase Locally)	
305K	See Note	8	Capscrew M5 x 10mm (Note: Not Available - Purchase Locally)	
305L	7024087	1	O-Ring	
305M	7024088	2	O-Ring	
305N	7024089	2	Cup, Spring	
305P	7024068	2	Pin, Cylinder	
305Q	70002569	2	Nut, Coil	
310	See Note	1	Housing (Note: Not Available for Purchase)	
313	See Note	2	Pin, Dowel (Note: Not Available for Purchase)	
314	See Note	1	Pin, Cylinder (Note: Not Available for Purchase)	
320	See Note	1	Screw 7/8in-14NF (Front Drive Pump Only) (Note: Not Available - Purchase Locally)	
321	See Note	1	Screw 9/16in-18NF (Note: Not Available - Purchase Locally)	
322	See Note	1	Screw 7/16in-20NF (Note: Not Available - Purchase Locally)	
324	See Note	1	Screw M10 x 1mm (Note: Not Available - Purchase Locally)	
327	See Note	1	Pin, Double Break-Off (Note: Not Available for Purchase)	
328	7018936	2	Orifice	
331	See Note	2	Pin, Clamping (Note: Not Available for Purchase)	
341	7024069	1	O-Ring	

SECTION 2 - TURNTABLE

FIGURE 2-11. PUMP ASSEMBLY (SAUER TANDEM)



SECTION 2 - TURNTABLE



SECTION 2 - TURNTABLE

FIGURE 2-11. PUMP ASSEMBLY (SAUER TANDEM)

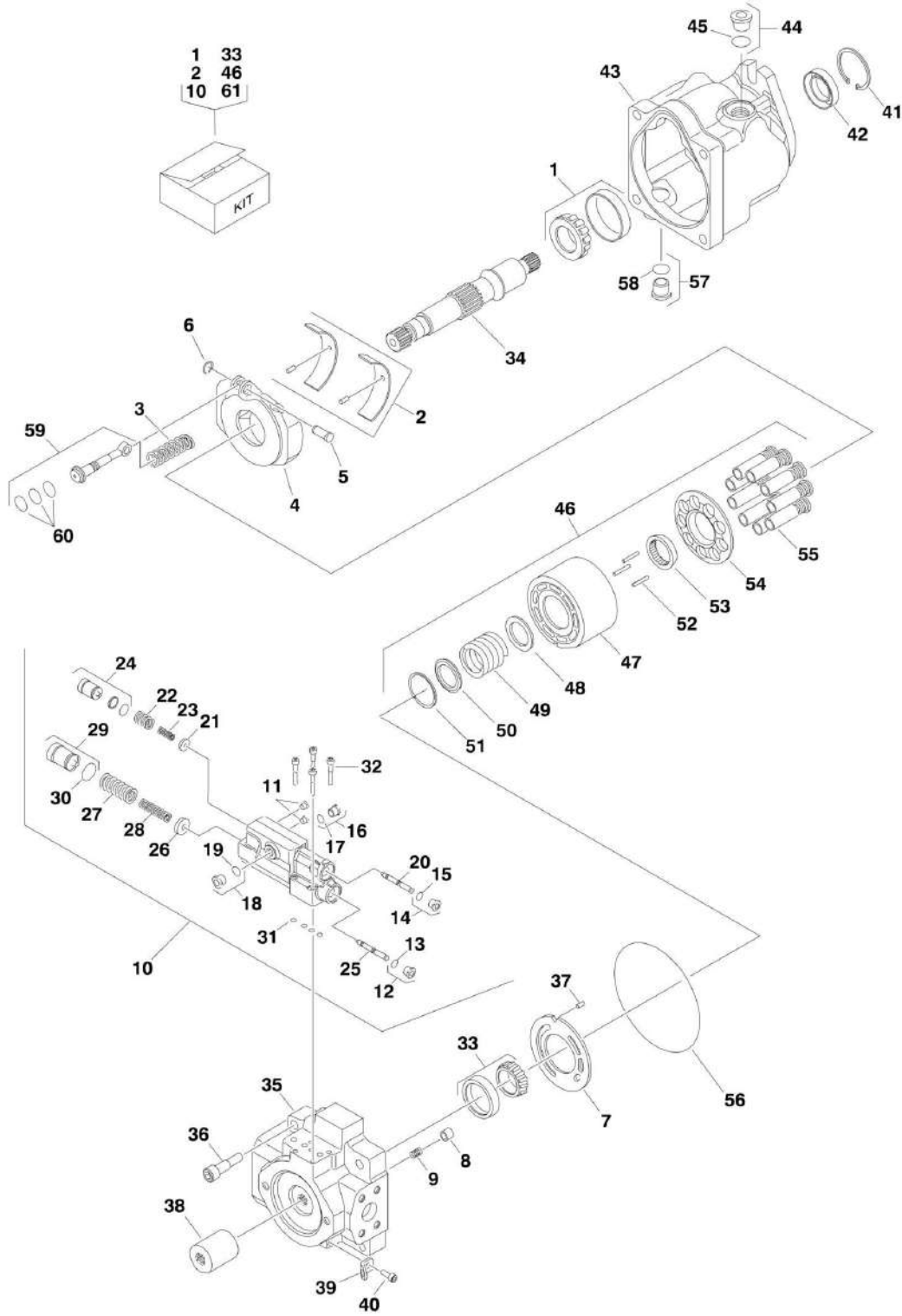
ITEM	PART NUMBER	QTY	DESCRIPTION	REV
	1001108616	Ref	PUMP ASSEMBLY (SAUER TANDEM)	A
1	70002132	4	Pin	
2	70002133	4	Plug Assembly (Includes Item 3)	
3	7007207	4	O-Ring (Part of Item 3)	
4	7007419	2	Plug Assembly (Includes Item 5)	
5	7007418	2	O-Ring (Part of Item 5)	
6	70002600	1	Coupling	
7	70002135	2	Cylinder Block Kit (Each Kit Includes Qty 1 of Items 8-10 & 12-16 & Qty 3 of Item 11)	
8	70002136	2	Piston Assembly Kit (Includes Qty 9 Piston Assemblies) (Part of Item 7)	
9	70002137	2	Guide, Slipper Retainer (Part of Item 7)	
10	70002138	2	Retainer, Slipper (Part of Item 7)	
11	7021275	6	Pin, Slipper Retainer Holddown (Part of Item 7)	
12	70002143	2	Cylinder Block Assembly (Includes Qty 1 of Item 13-16) (Part of Item 7)	
13	70002139	2	Spring (Part of Item 12)	
14	70002140	2	Washer (Part of Item 12)	
15	70002141	2	Washer (Part of Item 12)	
16	70002142	2	Ring, Retaining (Part of Item 12)	
17	7007446	2	Pin	
18		Ref	Plate, Valve Options:	
18A	70002601	1	Plate, CW Valve	
18B	70002602	1	Plate, CCW Valve	
19	70002145	2	Swashplate Bearing Kit (Includes Qty 2 Bearings)	
20	70002618	2	EDC Kit (Includes Items 21-31)	
21	70002619	4	Solenoid Valve Assy (Includes Item 22 & 23) (Part of Item 20)	
22	70002148	4	O-Ring (2 Per EDC Assembly) (Part of Item 21)	
23	70002620	4	Coil, Nut and Seals Kit (2 Per EDC Assembly) (Part of Item 21)	
24	70002150	12	Screw (Part of Item 20)	
25	7022301	2	Nut, Seal (Part of Item 20)	
26	70002151	2	Plug Assembly (Part of Item 20) (Includes Item 27)	
27	7007207	2	O-Ring (Part of Item 26)	
28	70002134	2	Screen (Part of Item 20)	
29	70002153	2	Ring, Locking (Part of Item 20)	
30	70002154	2	Gasket, Control (Part of Item 20)	
31	70002156	12	Capscrew (Part of Item 20)	
32	70002152	2	Swashplate	
33	70002155	2	Link, Swashplate	
34	70002157	4	Pin, Dowel	
35	70002158	2	Servo Piston Assembly (Includes Items 36-38)	
36	70002159	2	Block, Slider (Part of Item 35)	
37	70002160	2	O-Ring (Part of Item 35)	
38	70002161	2	Ring, Piston (Part of Item 35)	
39	70002162	2	Cylinder, Servo	
40	70002162	2	Cylinder, Servo	
41	70002163	4	O-Ring	
42	70002164	4	Plate, Locking	
43	70002165	8	Screw	
44	70002604	4	Orifice	

SECTION 2 - TURNTABLE

ITEM	PART NUMBER	QTY	DESCRIPTION	REV
45	70002605	1	Center Section Assembly (Includes Item 58)	
46	70002168	2	Gasket, End Cap	
47	70001958	2	Plug Assembly (Includes Item 48)	
48	7021256	2	O-Ring (Part of Item 47)	
49	70001958	2	Plug Assembly (Includes Item 50)	
50	7021256	2	O-Ring (Part of Item 49)	
51	70001958	2	Plug Assembly (Includes Item 52)	
52	7021256	2	O-Ring (Part of Item 51)	
53	70001958	2	Plug Assembly (Includes Item 54)	
54	7021256	2	O-Ring (Part of Item 53)	
55	70002606	4	Capscrew	
58	70002607	2	Bearing, Journal (Part of Item 45)	
59	7022608	1	Bracket, Lifting	
60	70002609	1	Screw	
61	1001108616	1	Housing (Note: Not Available For Purchase)	
62	70002175	1	Shaft	
63	70002610	1	Ball Bearing Kit	
64	70007439	1	Ring, Retaining	
65	70002174	1	Shaft Seal Kit (Includes Items 66-68)	
66	70002177	1	Seal, Lip	
67	70002178	1	O-Ring	
68	70002179	1	Ring, Retaining	
69	1001108616	1	Housing (Note: Not Available For Purchase)	
71	70002612	1	Shaft	
72	70002610	1	Ball Bearing Kit	
74	70002621	1	High Pressure Relief Valve Cartridge Assy (Includes Item 75 & 76)	
75	70002622	1	Seal Kit - 70002621 Valve (Part of Item 74)	
76	7007415	1	O-Ring (Part of Item 79)	
77	7021293	1	Ring, Back-up (Part of Item 79)	
78	7022300	1	O-Ring (Part of Item 79)	
79	70002616	1	SCR Valve Assembly	
80	7024800	1	Spring	
81	7021265	1	Plug Assembly (Includes Qty 1 of Items 76-78)	
82	70002616	1	SCR Valve Assembly	
83	7024800	1	Spring	
84	7021265	1	Plug Assembly (Includes Qty 1 of Items 76-78)	
85	70002616	1	SCR Valve Assembly	
86	7024800	1	Spring	
87	70002617	1	Plug Assembly (Includes Qty 1 of Items 76-78)	
88	70002616	1	SCR Valve Assembly	
89	7024800	1	Spring	
90	7021265	1	Plug Assembly (Includes Qty 1 of Items 76-78)	
91	70002623	1	Overhaul Seal Kit (Includes Items 3, 5, 22, 27, 30, 37, 38, 41, 46, 48, 50, 52, 54, 66, 67, 75, 76, 77 & 78)	

SECTION 2 - TURNTABLE

FIGURE 2-12. PUMP ASSEMBLY (SAUER PISTON) (Prior to SN 0300200352)



SECTION 2 - TURNTABLE

FIGURE 2-12. PUMP ASSEMBLY (SAUER PISTON) (Prior to SN 0300200352)

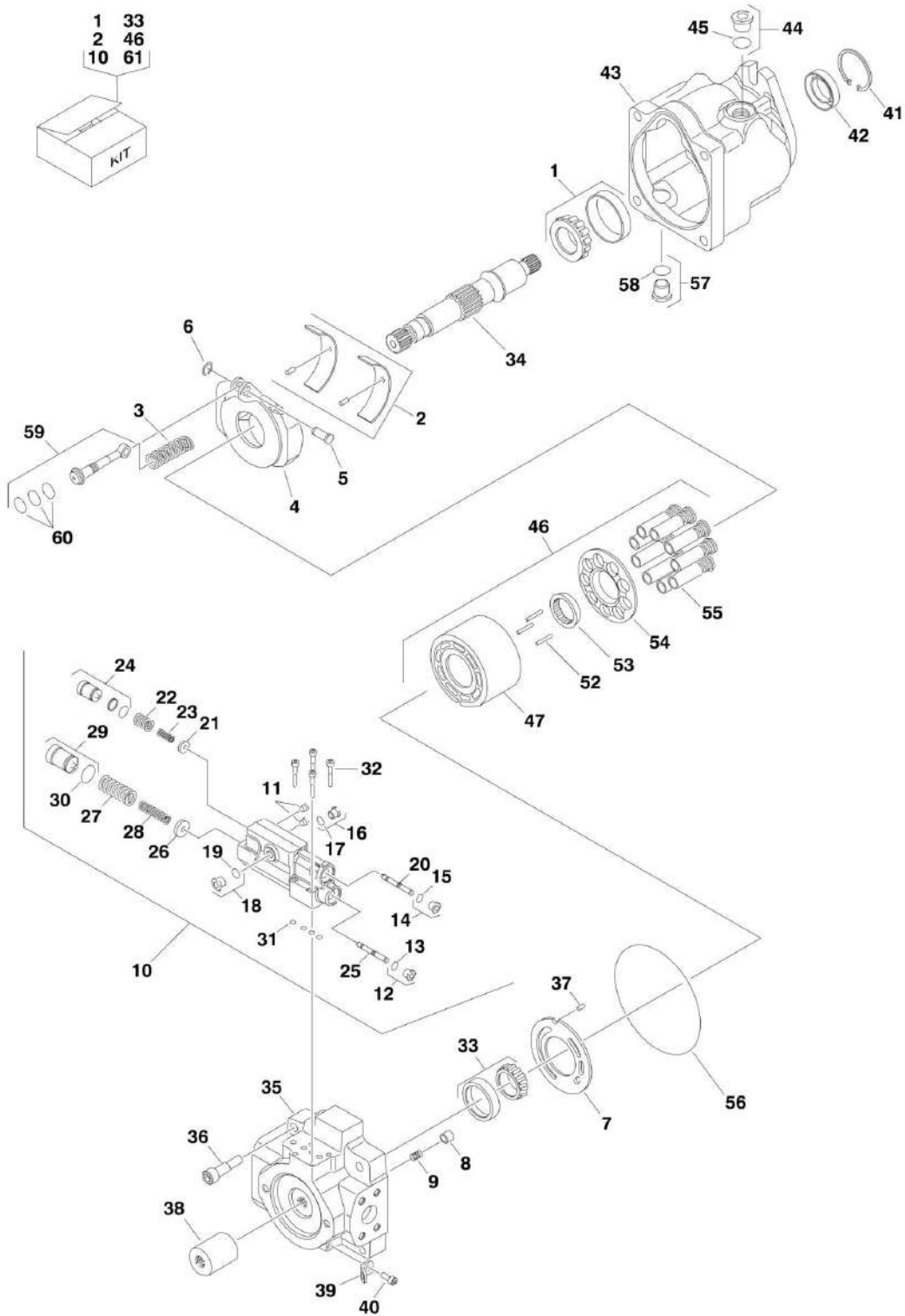
ITEM	PART NUMBER	QTY	DESCRIPTION	REV
	1001108888	Ref	PUMP ASSEMBLY (SAUER PISTON) (Prior to SN 0300200352)	B
1	70002578	1	Bearing Kit - Front (Includes Cup and Cone)	
2	70002579	1	Swashplate Bearing Kit (Includes Qty 2 Bearings and Retainer Pins)	
3	70002580	1	Spring, Bias	
4	70002581	1	Swashplate Assembly	
5	70002582	1	Shaft	
6	70002583	1	Ring, Retaining	
7	70002584	1	Plate, Valve	
8	70001956	1	Poppet, Check Valve	
9	70001955	1	Spring	
10	70022286	1	Control Kit (Includes Items 11-32)	
11	See Note	1	Setscrew (Note: Not Available - Purchase Item 10)	
12	70002133	1	Plug Assembly (Includes Item 13)	
13	7007207	1	O-Ring (Part of Item 12)	
14	70002133	1	Plug Assembly (Includes Item15)	
15	7007207	1	O-Ring (Part of Item 14)	
16	70002133	1	Plug Assembly (Includes Item 17)	
17	7007207	1	O-Ring (Part of Item 16)	
18	70002133	1	Plug Assembly (Includes Item 19)	
19	7007207	1	O-Ring (Part of Item 18)	
20	See Note	1	Spool (Note: Not Available - Purchase Item 10)	
21	See Note	1	Guide, Spring LS (Note: Not Available - Purchase Item 10)	
22	See Note	1	Spring, Outer LS (Note: Not Available - Purchase Item 10)	
23	See Note	1	Spring, Inner LS (Note: Not Available - Purchase Item 10)	
24	See Note	1	Plug, Adjusting LS (Note: Not Available - Purchase Item 10 or 61)	
25	See Note	1	Spool, Control (Note: Not Available - Purchase Item 10)	
26	See Note	1	Guide, Spring PC (Note: Not Available - Purchase Item 10)	
27	See Note	1	Spring, Outer PC (Note: Not Available - Purchase Item 10)	
28	See Note	1	Spring, Inner PC (Note: Not Available - Purchase Item 10)	
29	See Note	1	Plug, Adjusting PC (Note: Not Available - Purchase Item 10)	
30	See Note	1	O-Ring (Note: Not Available - Purchase Item 10 or 61)	
31	See Note	4	Ring, Seal (Note: Not Available - Purchase Item 10 or 61)	
32	See Note	4	Capscrew (Note: Not Available - Purchase Item 10)	
33	70002585	1	Bearing Kit - Rear (Includes Cup and Cone)	
34	70002586	1	Shaft	
35	70002587	1	Cap, End	
36	70002588	4	Capscrew	
37	7007446	1	Pin, Slotted	
38	70002589	1	Coupling	
39	7022340	1	Bracket, Lifting	
40	70002590	1	Capscrew	
41	7023962	1	Ring, Retaining	
42	70022287	1	Seal, Lip	
43	See Note	1	Housing (Note: Not Available - Purchase Complete Pump Assembly)	
44	7023964	1	Plug Assembly (Includes Item 45)	
45	7007415	1	O-Ring (Part of Item 44)	
46	70002596	1	Cylinder Block Kit (Includes Items 47-55)	
47	70002596	1	Cylinder (Note: Not Available For Purchase)	

SECTION 2 - TURNTABLE

ITEM	PART NUMBER	QTY	DESCRIPTION	REV
48	7007429	1	Seat, Spring	
49	70002591	1	Spring	
50	7007427	1	Seat, Spring	
51	7007426	1	Ring, Retaining	
52	7021275	3	Pin, Hold-down	
53	70002592	1	Guide, Slipper Retainer	
54	70002593	1	Retainer, Slipper	
55	70002594	9	Piston Assembly	
56	70002595	1	Seal, End Cap	
57	7023964	1	Plug, O-Ring (Includes Item 58)	
58	7007415	1	O-Ring (Part of Item 57)	
59	70002597	1	Servo Piston Assembly (Includes Item 60)	
60	70002598	3	Ring, Piston (Part of Item 59)	
61	70002599	1	Complete Seal Kit (Includes Items 13, 15, 17, 19, 24, 30, 31, 42, 45, 56, 58 & 60)	

SECTION 2 - TURNTABLE

FIGURE 2-13. PUMP ASSEMBLY (SAUER PISTON) (SN 0300200352 through 0300201016)



SECTION 2 - TURNTABLE

FIGURE 2-13. PUMP ASSEMBLY (SAUER PISTON) (SN 0300200352 through 0300201016)

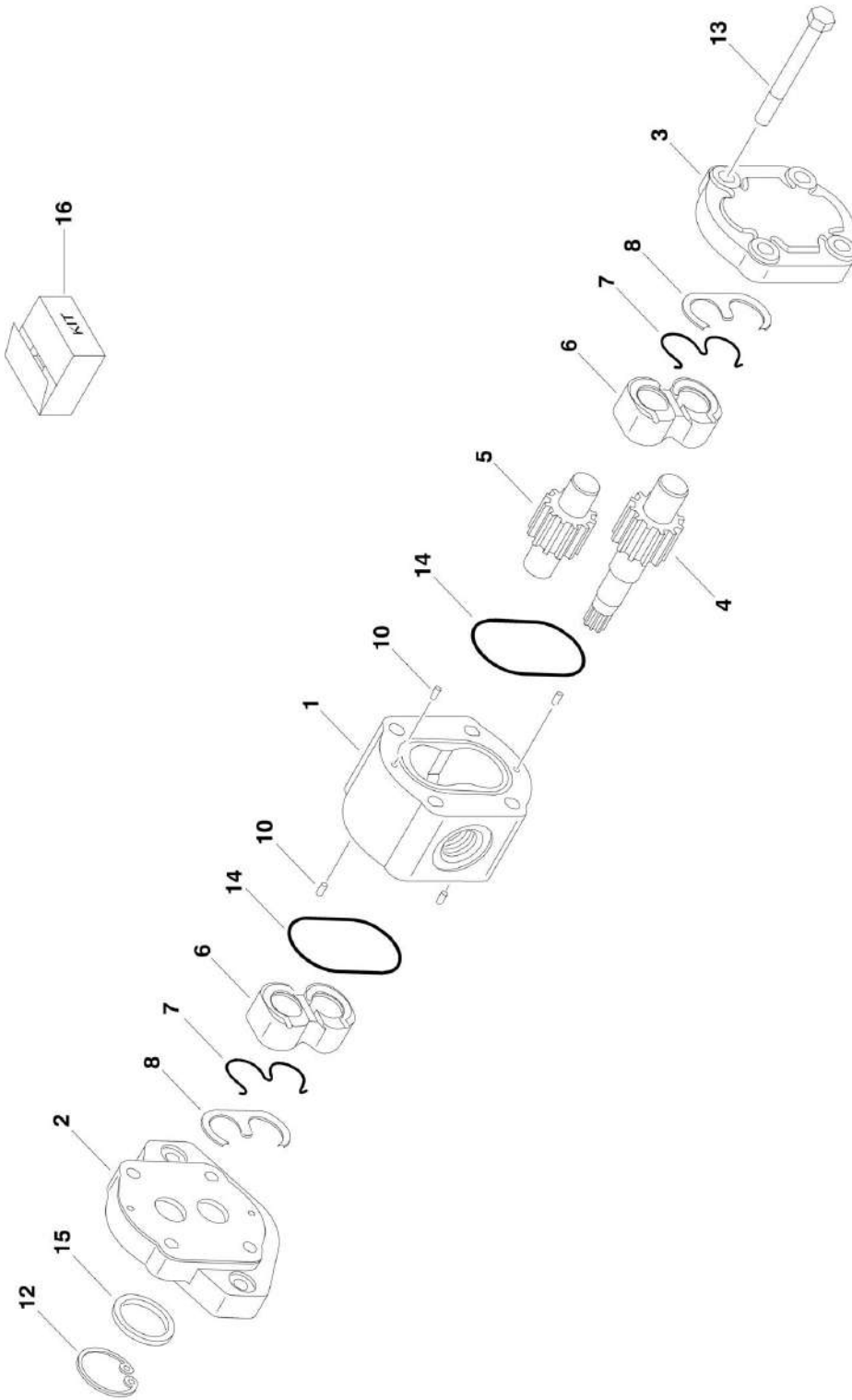
ITEM	PART NUMBER	QTY	DESCRIPTION	REV
	1001171095	Ref	PUMP ASSEMBLY (SAUER PISTON) (SN 0300200352 through 0300201016)	B
1	70002578	1	Bearing Kit - Front (Includes Cup and Cone)	
2	70004426	1	Swashplate Bearing Kit (Includes Qty 2 Bearings and Retainer Pins)	
3	70002580	1	Spring, Bias	
4	70004416	1	Swashplate Assembly	
5	70002582	1	Shaft	
6	70002583	1	Ring, Retaining	
7	70004417	1	Plate, Valve	
8	70001956	1	Poppet, Check Valve	
9	70001955	1	Spring	
10	70022286	1	Control Kit (Includes Items 11-32)	
11	Not Available	1	Setscrew (Purchase Item 10)	
12	70002133	1	Plug Assembly (Includes Item 13)	
13	7007207	1	O-Ring (Part of Item 12)	
14	70002133	1	Plug Assembly (Includes Item 15)	
15	7007207	1	O-Ring (Part of Item 14)	
16	70002133	1	Plug Assembly (Includes Item 17)	
17	7007207	1	O-Ring (Part of Item 16)	
18	70002133	1	Plug Assembly (Includes Item 19)	
19	7007207	1	O-Ring (Part of Item 18)	
20	Not Available	1	Spool (Purchase Item 10)	
21	Not Available	1	Guide, Spring LS (Purchase Item 10)	
22	Not Available	1	Spring, Outer LS (Purchase Item 10)	
23	Not Available	1	Spring, Inner LS (Purchase Item 10)	
24	Not Available	1	Plug, Adjusting LS (Purchase Item 10 or 61)	
25	Not Available	1	Spool, Control (Purchase Item 10)	
26	Not Available	1	Guide, Spring PC (Purchase Item 10)	
27	Not Available	1	Spring, Outer PC (Purchase Item 10)	
28	Not Available	1	Spring, Inner PC (Purchase Item 10)	
29	Not Available	1	Plug, Adjusting PC (Purchase Item 10)	
30	Not Available	1	O-Ring (Purchase Item 10 or 61)	
31	Not Available	4	Ring, Seal (Purchase Item 10 or 61)	
32	Not Available	4	Capscrew (Purchase Item 10)	
33	70002585	1	Bearing Kit - Rear (Includes Cup and Cone)	
34	70002586	1	Shaft	
35	70004420	1	Cap, End	
36	70002588	4	Capscrew	
37	7007446	1	Pin, Slotted	
38	70002589	1	Coupling	
39	7022340	1	Bracket, Lifting	
40	70002590	1	Capscrew	
41	7023962	1	Ring, Retaining	
42	Not Available	1	Seal, Lip (Purchase Item 61)	
43	Not Available	1	Housing	
44	7023964	1	Plug Assembly (Includes Item 45)	
45	7007415	1	O-Ring (Part of Item 44)	
46	70004423	1	Cylinder Block Kit (Includes Items 47-55)	
47	70004421	1	Cylinder	

SECTION 2 - TURNTABLE

ITEM	PART NUMBER	QTY	DESCRIPTION	REV
52	7021275	3	Pin, Hold-down	
53	70002592	1	Guide, Slipper Retainer	
54	70002593	1	Retainer, Slipper	
55	70004422	1	Piston Assembly	
56	Not Available	1	Seal, End Cap (Purchase Item 61)	
57	7023964	1	Plug, O-Ring (Includes Item 58)	
58	7007415	1	O-Ring (Part of Item 57)	
59	70005418	1	Servo Piston Assembly (Includes Item 60)	
60	Not Available	3	Ring, Piston (Part of Item 59) (Purchase Item 61)	
61	70002599	1	Complete Seal Kit (Includes Items 13, 15, 17, 19, 24, 30, 31, 42, 45, 56, 58 & 60)	

SECTION 2 - TURNTABLE

FIGURE 2-14. PUMP ASSEMBLY (SAUER GEAR)



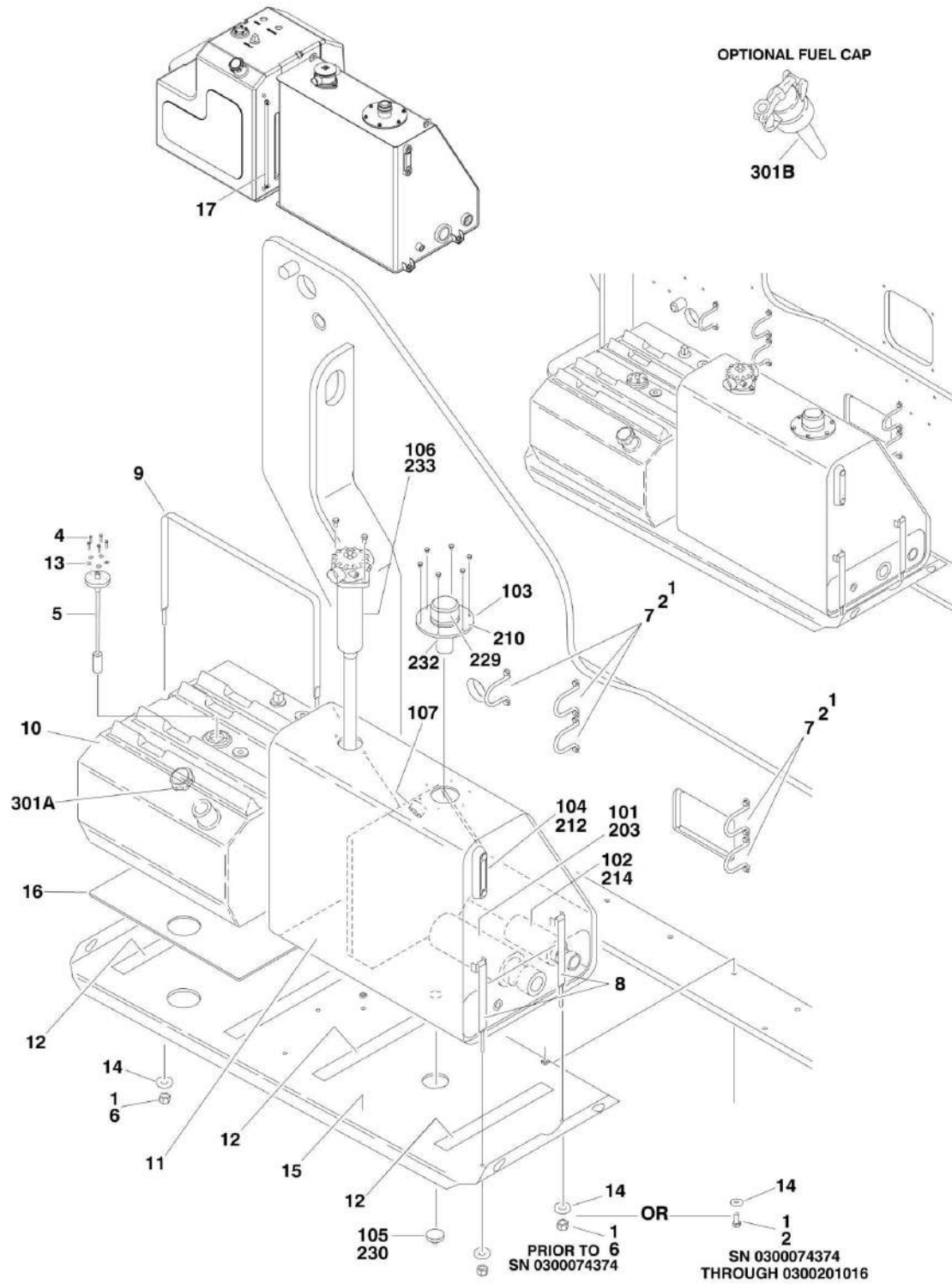
SECTION 2 - TURNTABLE

FIGURE 2-14. PUMP ASSEMBLY (SAUER GEAR)

ITEM	PART NUMBER	QTY	DESCRIPTION	REV
	1001112927	Ref	PUMP ASSEMBLY (SAUER GEAR)	A
1	1001112927	1	Body (Note: Not Available For Purchase)	
2	1001112927	1	Cover, Front (Note: Not Available For Purchase)	
3	1001112927	1	Cover, Rear (Note: Not Available For Purchase)	
4	1001112927	1	Shaft, Gear (Note: Not Available For Purchase)	
5	1001112927	1	Gear, Idler (Note: Not Available For Purchase)	
6	1001112927	2	Block, Bearing (Note: Not Available For Purchase)	
7	7007489	2	Ring, Anti-Extrusion	
8	7007489	2	Ring, Seal	
10	See Note	4	Pin, Dowel (Note: Not Available For Purchase)	
12	70002576	1	Ring, Retaining	
13	See Note	4	Capscrew (Note: Not Available For Purchase)	
14	7007489	2	O-Ring	
15	7007489	1	Seal, Lip (was p/n 70002577)	
		Ref	(Note: Lip Seal no Longer Available as an Individual Service Part, Must Purchase p/n 7007489)	
16	7007489	1	Seal Kit - 1001112927 Pump (Includes Items 7, 8, 14 & 15)	

SECTION 2 - TURNTABLE

FIGURE 2-15. TANK INSTALLATION



SECTION 2 - TURNTABLE

FIGURE 2-15. TANK INSTALLATION

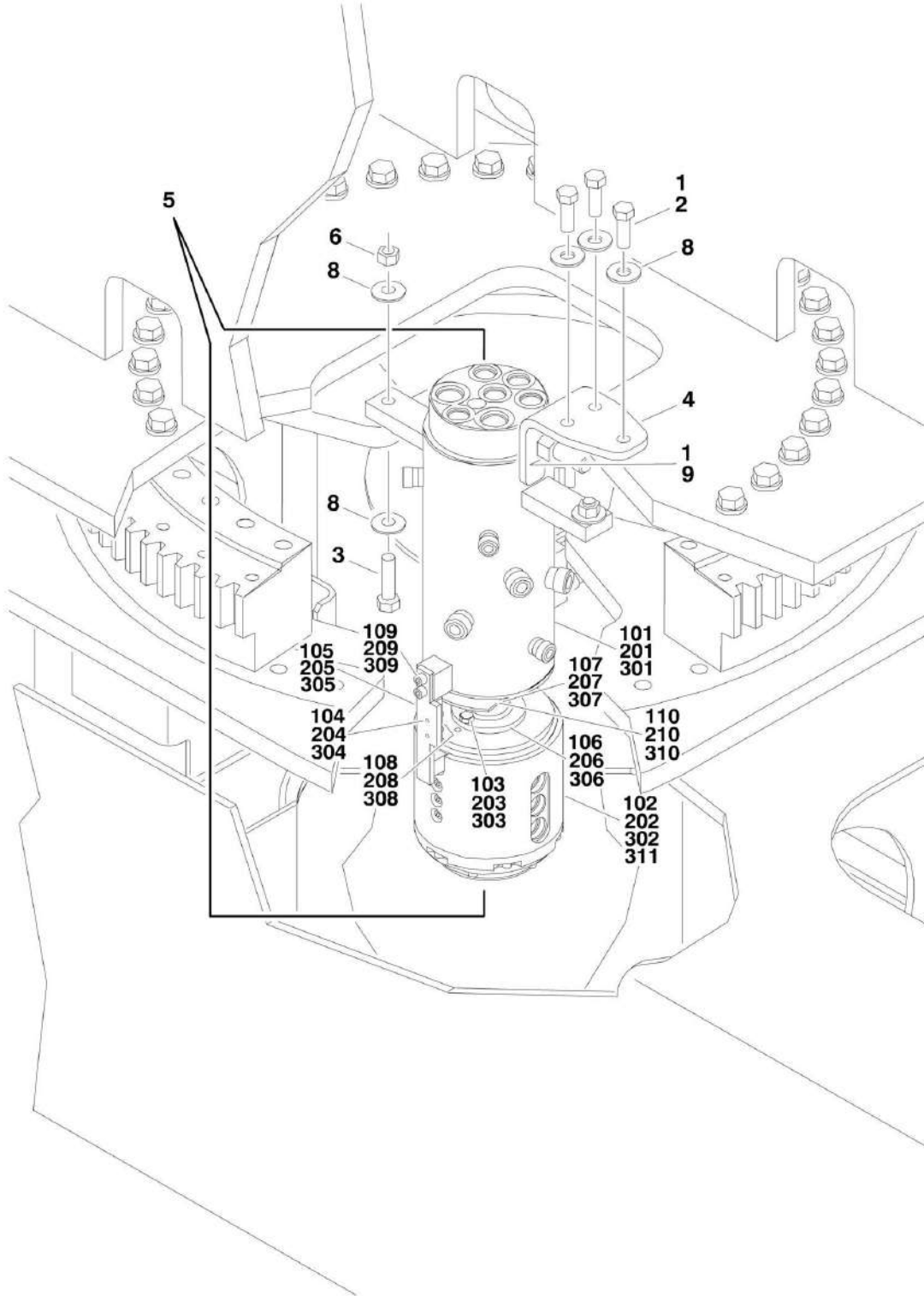
ITEM	PART NUMBER	QTY	DESCRIPTION	REV
		Ref	TANKS INSTALLATION	
	0271572	Ref	Machines with ABS Hoods	C
		Ref	Machines with Steel Hoods	
	1001117358	Ref	Machines with Steel Hoods (Prior to SN 0300195072)	C
	1001173915	Ref	Machines with Steel Hoods (SN 0300195072 through 0300201016)	B
	1001109544	Ref	Machines with Steel Hoods (200L) (Prior to SN 0300195072)	D
	1001173918	Ref	Machines with Steel Hoods (200L) (SN 0300195072 through 0300201016)	B
1	0100011	AR	Compound, Locking	
2	0641608	AR	Bolt 3/8in-16NC x 1in	
3		Ref	Fastener Options:	
3	0641614	AR	Bolt, Hex Head 3/8in-16NC x 1-3/4in	
3	3900283	AR	Screw, Button Head 3/8in-16NC x 3/4in	
4	0731007	5	Screw, Machine #10-32NF x 7/8in	
5		Ref	Gauge, Fuel Options:	
5	2420191	1	Gauge, Fuel (31 gal/117.3 l Tank)	
5	3960525	1	Gasket, Fuel Gauge	
5	1001109048	1	Gauge, Fuel (52.8 gal/200 l Tank)	
6	3311601	6	Nut 3/8in-16NC	
7	3841340	9	Loop, Hose	
8	4240112	4	Strap, Tank (Prior to SN 0300074374)	
9		Ref	Strap, Tank Options:	
9	4240139	1	Strap, Tank 31 gal/117.3 l Tank	
9	1001110059	1	Strap, Tank 52.8 gal/200 l Tank	
10		Ref	Tank, Fuel Options:	
10	4400439	1	Tank, Fuel (Prior to SN 0300195072)	
10	1001160567	1	Tank, Fuel (SN 0300195072 through 0300201016)	
10	70004414	1	Cap	
10	7020043	1	Tube, Pick up	
10	1001108579	1	Tank, Fuel (52.8 gal/200 l Tank Only)	
11		Ref	Tank, Hydraulic Oil Options:	
11	4400440	1	Tank, Hydraulic Oil (Use p/n 4400457) (Prior to SN 0300074374)	
11	4400457	1	Tank, Hydraulic Oil (SN 0300074374 through 0300201016)	
12	4420038	74 in/1.9m	Tape	
13	4751000	AR	Flatwasher #10 Wide	
14	4751600	AR	Flatwasher 3/8in Wide	
15		Ref	Tray Options:	
15	4846476	1	Tray for Machines with ABS Hoods	
15		Ref	Tray for Machines with Steel Hoods (Not Shown)	
15	1001108919	1	Tray for Machines with Steel Hoods (Not Shown) (Prior to SN 0300195072)	
15	1001173171	1	Tray for Machines with Steel Hoods (SN 0300195072 through 0300201016)	
16	1001107359	1	Plate, Support (Machines with Steel Hoods Only)	
17	1001113103	19.5 in/.5m	Tube, Sight (52.8 gal/200 l Tank Only)	
	4400440	Ref	HYDRAULIC OIL TANK ASSY (Prior to SN 0300074374)	B
		Ref	Note: Original Equipment tank may have been replaced with Service Replacement tank. Original Equipment Tank p/n	

SECTION 2 - TURNTABLE

ITEM	PART NUMBER	QTY	DESCRIPTION	REV
			4400440 uses mtg straps item 8 - see items 101-107 for breakdown. Service Replacement Tank p/n 4400457 is bolted to the tray - see items 201-233 for breakdown.	
101	7014819	1	Strainer, Suction	
102	7014801	1	Strainer, Suction	
103	7014811	1	Cap, Breather	
103	7020256	1	Neck Assembly (Includes Mounting Hardware)	
103	7014816	1	Screen	
104	7014802	1	Gauge, Sight	
105	7014813	1	Plug, Magnetic	
106	7024374	1	Filter, Hydraulic Oil (Includes Mounting Hardware)	
106	7024375	1	Element, Filter	
106	7023347	1	Gasket, Filter Mounting Flange	
107	7014812	1	Magnet	
	4400457	Ref	HYDRAULIC OIL TANK ASSY (SN 0300074374 through 0300201016)	E
203	7026571	1	Strainer, Suction	
210	7024439	1	Cover	
210	7023306	1	Seal, Cover Plate (Not Shown)	
210	7024440	1	Gasket (Not Shown)	
212	7024441	1	Gauge, Sight	
214	7024442	1	Strainer	
225	7024445	1	Strainer (Filler Neck) (Not Shown)	
229	7024444	1	Cap, Fill	
230	7024446	1	Plug, Magnetic	
232	7024443	1	Neck, Filler	
233	7024374	1	Filter, Hydraulic Oil	
233	7024375	1	Element, Filter	
233	7023347	1	Gasket, Filter Mounting Flange	
		Ref	FUEL TANK CAP INSTALLATION	
301		Ref	Cap Options:	
301A	7016314	1	Standard Non-Locking Cap (Part of Item 10)	
301B	1120487	1	Optional Lockable Cap	

SECTION 2 - TURNTABLE

FIGURE 2-16. ROTARY COUPLING AND COLLECTOR RING INSTALLATION



SECTION 2 - TURNTABLE

FIGURE 2-16. ROTARY COUPLING AND COLLECTOR RING INSTALLATION

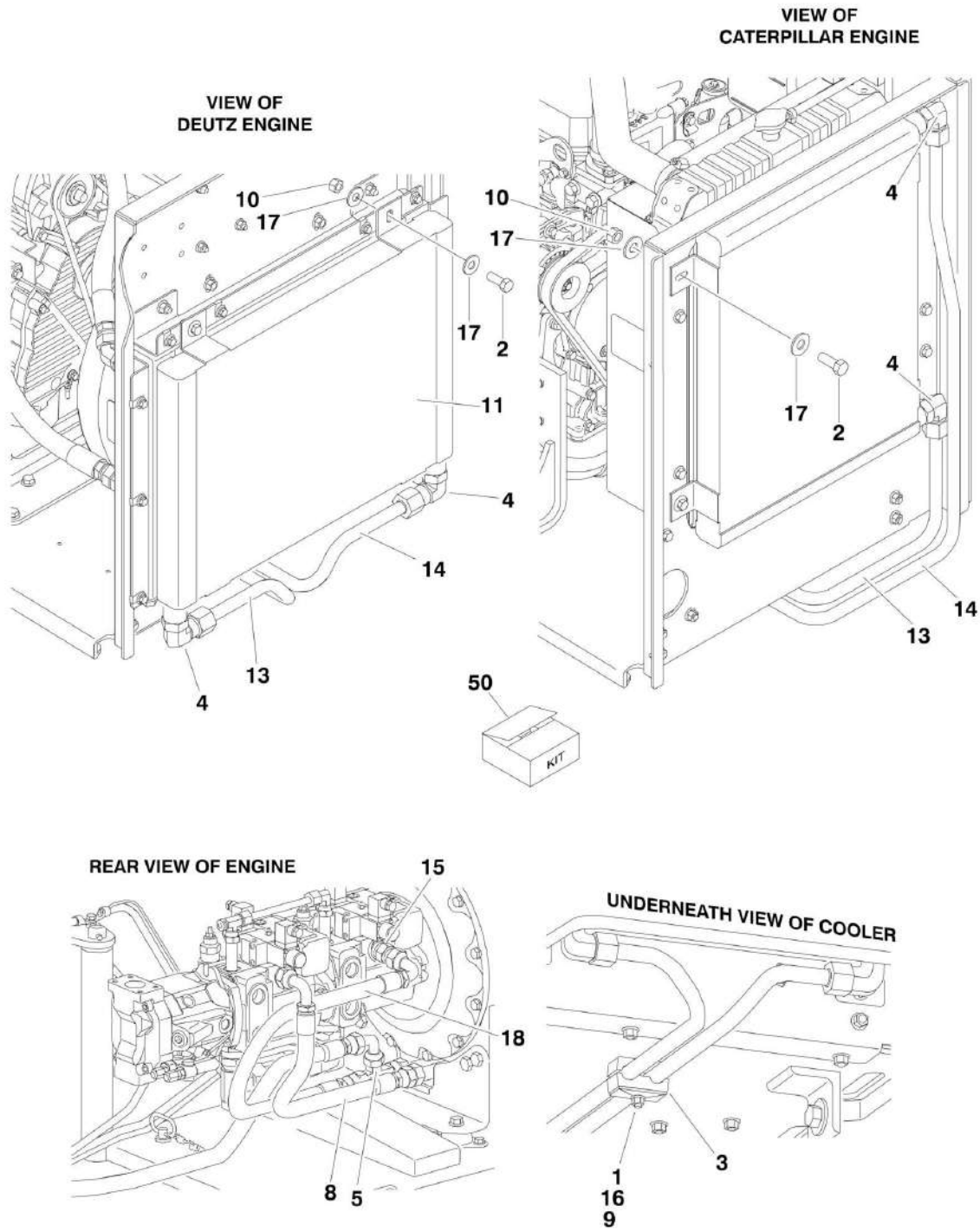
ITEM	PART NUMBER	QTY	DESCRIPTION	REV
	0271688	Ref	ROTARY COUPLING AND COLLECTOR RING INSTALLATION	D
1	0100011	AR	Compound, Locking	
2	0641812	3	Bolt 1/2in-13NC x 1-1/2in	
3	0641820	2	Bolt 1/2in-13NC x 2-1/2in	
4	0902790	1	Bracket, Swivel	
5		Ref	Rotary Coupling and Collector Ring Assembly Options:	
5	1660247	1	Rotary Coupling and Collector Ring Assembly (Use p/n 1660302) (See Items 101-112 for Breakdown) (Prior to SN 0300068183)	
5	1660253	1	Rotary Coupling and Collector Ring Assembly (Use p/n 1660302) (See Items 201-210 for Breakdown) (SN 0300068183 through 0300107595)	
5	1660302	1	Rotary Coupling and Collector Ring Assembly (See Items 301-311 for Breakdown) (SN 0300107596 through 0300201016)	
6	3311805	2	Locknut 1/2in-13NC	
8	4751800	7	Flatwasher 1/2in Regular	
9	3322201	2	Nut 3/4in-16NC	
		Ref	ROTARY COUPLING AND COLLECTOR RING ASSEMBLY OPTIONS:	
		Ref	Note: Original Equipment component may have been replaced by Service Replacement component. Identify component before ordering parts.	
	1660247	Ref	Rotary Coupling and Collector Ring Assembly (Prior to SN 0300068183)	C
101	7024401	1	Coupling, Rotary	
101	7026034	1	Bearing	
101	7024402	1	Seal Kit - Coupling	
102	7024403	1	Contact, Rotary Circuit (Does not include connector or pins)	
103	0641506	4	Bolt 5/16in-18NC x 3/4in	
104	3931512	2	Capscrew 5/16in-18NC x 3/4in	
105	See Note	1	Arm, Torque (Note: Not Available For Purchase)	
106	See Note	1	Adapter (Note: Not Available For Purchase)	
107	7026030	1	Plate, Cam	
108	7024461	1	Sensor, Proximity	
109	3931008	2	Capscrew #10-32 x 1/2in	
110	7026032	1	Pin, Dowel	
111	7024404	1	Assembly, Valve Block (Not Shown)	
112	7026189	1	Seal, Dust (Not Shown)	
	1660253	Ref	Rotary Coupling and Collector Ring Assembly (SN 0300068183 through 0300107595)	B
201	7024401	1	Coupling, Rotary	
201	7026034	1	Bearing	
201	70001101	1	Seal Kit - Coupling (was p/n 7026035)	
202	7026029	1	Contact, Rotary Circuit (Does not include connector or pins)	
203	0641506	4	Bolt 5/16in-18NC x 3/4in	
204	3931512	2	Capscrew 5/16in-18NC x 3/4in	
205	70000780	1	Arm, Torque	
206	80334251	1	Adapter	
207	7026030	1	Plate, Cam	
208	7026031	1	Sensor, Proximity	
209	3931008	2	Capscrew #10-32 x 1/2in	
210	7026032	1	Pin, Dowel	
	1660302	Ref	Rotary Coupling and Collector Ring Assembly (SN	C

SECTION 2 - TURNTABLE

ITEM	PART NUMBER	QTY	DESCRIPTION	REV
			0300107596 through 0300201016)	
301	70001102	1	Coupling, Rotary	
301	See Note	1	Bearing (Note: Not Available For Purchase)	
301	70001101	1	Seal Kit - Coupling	
302	7026029	1	Contactora, Rotary Circuit (Does not include connector or pins)	
303	0641506	4	Bolt 5/16in-18NC x 3/4in	
304	3931512	2	Capscrew 5/16in-18NC x 3/4in	
305	70000780	1	Arm, Torque	
306	80334251	1	Adapter	
307	7026030	1	Plate, Cam	
308	7026031	1	Sensor, Proximity	
309	3931008	2	Capscrew #10-32 x 1/2in	
310	7026032	1	Pin, Dowel	
311	0100048	AR	Grease, Silicone (Apply to Contactora Connector)	

SECTION 2 - TURNTABLE

FIGURE 2-17. HYDRAULIC OIL COOLER INSTALLATION - CATERPILLAR AND DEUTZ BF4M2011 AND TD2011 ENGINES (OPTIONAL)



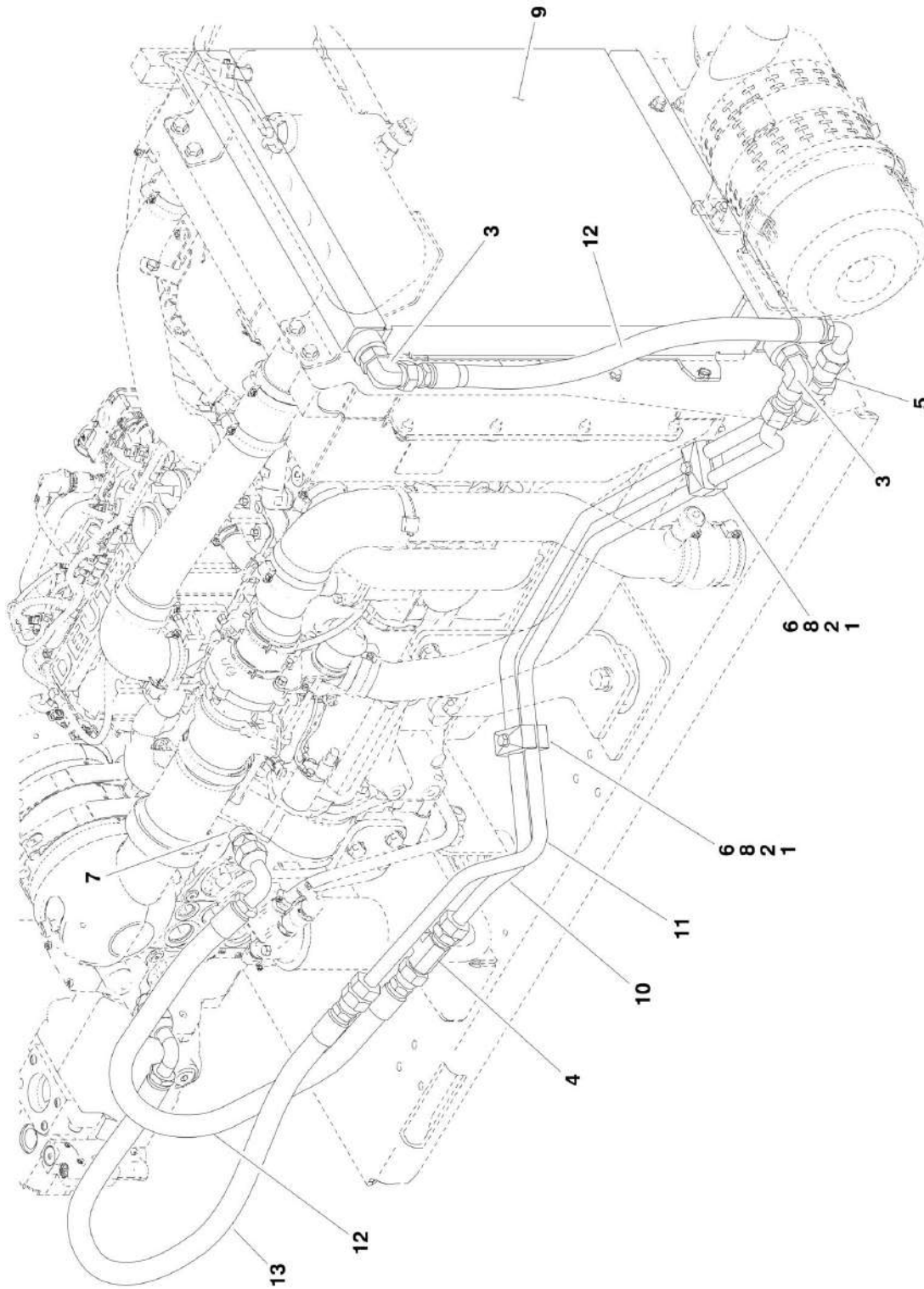
SECTION 2 - TURNTABLE

FIGURE 2-17. HYDRAULIC OIL COOLER INSTALLATION - CATERPILLAR AND DEUTZ BF4M2011 AND TD2011 ENGINES (OPTIONAL)

ITEM	PART NUMBER	QTY	DESCRIPTION	REV
		Ref	HYDRAULIC OIL COOLER INSTALLATION (OPTIONAL)	
	0272080	Ref	Deutz BF4M2011 & TD2011 Engine Machines with Rexroth Pump	B
	1001118957	Ref	Deutz BF4M2011 & TD2011 Engine Machines with Sauer Pump	B
	1001119859	Ref	Caterpillar Machines with Rexroth Pump	A
		Ref	Note: See Engine Installation for Engine Oil Cooler.	
1	0641520	2	Bolt 5/16in-18NC x 2-1/2in	
2	0641608	4	Bolt 3/8in-16NC x 1in	
3	1320162	2	Clamp, Hose	
4	2131212	2	Fitting, Elbow	
5	2170712	1	Fitting, Tee	
8		Ref	Hose Options:	
8	2753843	1	Caterpillar Machines with Rexroth Pump	
8	2753778	1	Deutz Machines with Rexroth Pump	
8	2753999	1	Deutz Machines with Sauer Pump	
9	3311505	2	Locknut 5/16in-18NC	
10	3311605	4	Locknut 3/8in-16NC	
11	3620034	1	Cooler, Hydraulic Oil	
13		Ref	Tube Options:	
13	1001120196	1	Caterpillar Machines	
13	4568426	1	Deutz Machines	
14		Ref	Tube Options:	
14	1001120195	1	Caterpillar Machines	
14	4568427	1	Deutz Machines	
15		Ref	Valve, Check Options:	
15	4641247	1	Machines with Rexroth Pump	
15	1001109677	1	Machines with Sauer Pump	
16	4711500	4	Flatwasher 5/16in Thin	
17	4751600	8	Flatwasher 3/8in Regular	
18		Ref	Hose Options:	
18	2753843	1	Caterpillar Machines with Rexroth Pump	
18	2753843	1	Deutz Machines with Rexroth Pump	
18	2753778	1	Deutz Machines with Sauer Pump	
50		Ref	Oil Cooler Add-on Kit Options (Includes Items 1-18):	
50	See Note	1	Caterpillar Machines (Note: Not Available For Purchase)	
50	1001120564	1	Deutz Machines	

SECTION 2 - TURNTABLE

FIGURE 2-18. HYDRAULIC OIL COOLER INSTALLATION - DEUTZ TCD2.9L4 ENGINES (OPTIONAL)



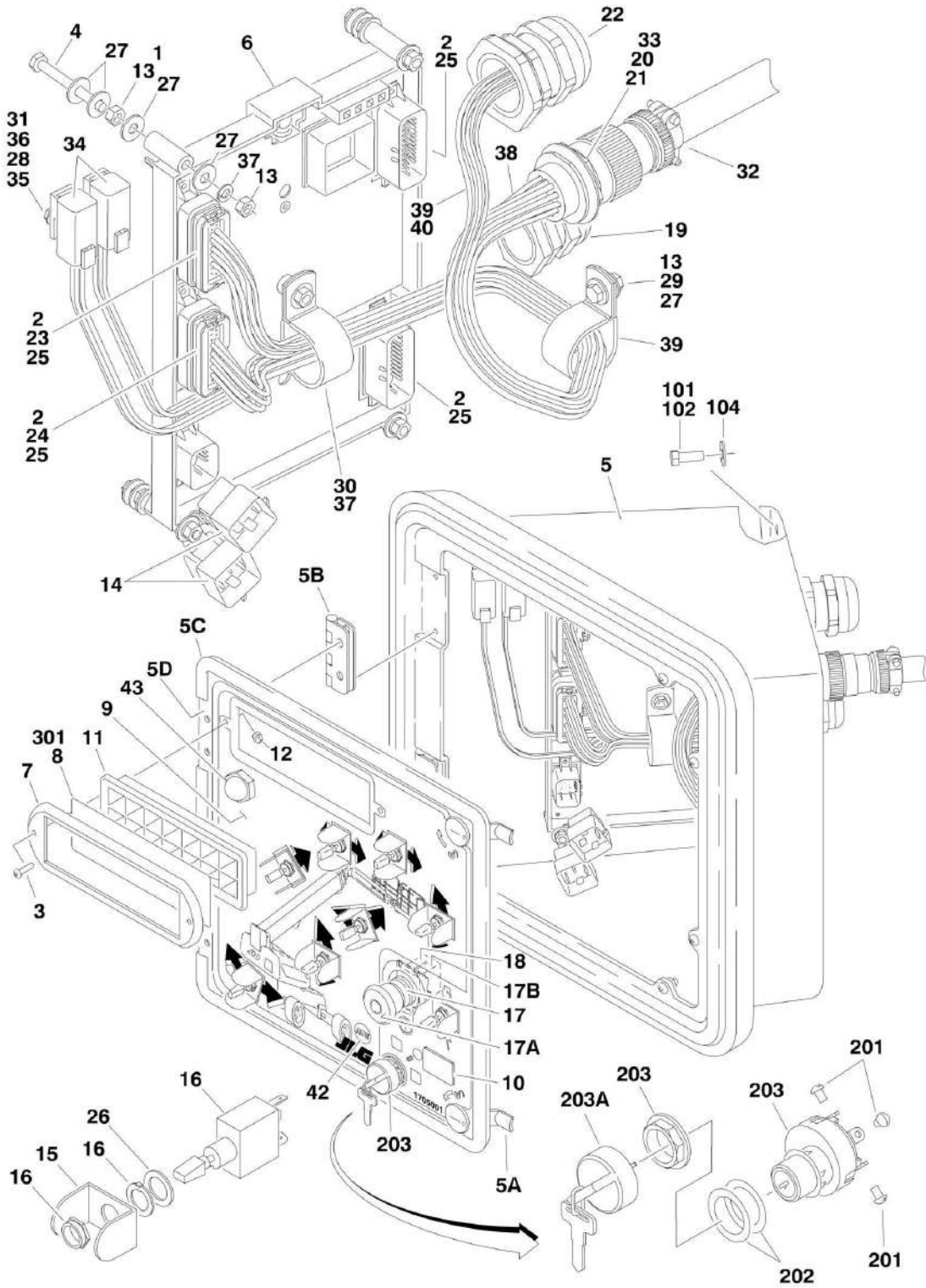
SECTION 2 - TURNTABLE

FIGURE 2-18. HYDRAULIC OIL COOLER INSTALLATION - DEUTZ TCD2.9L4 ENGINES (OPTIONAL)

ITEM	PART NUMBER	QTY	DESCRIPTION	REV
		Ref	HYDRAULIC OIL COOLER INSTALLATION (OPTIONAL)	
	1001139492	Ref	Deutz TCD2.9L4 Engine Machines with Rexroth Pump	E
	1001139494	Ref	Deutz TCD2.9L4 Engine Machines with Sauer Pump	D
		Ref	Note: See Engine Installation for Engine Oil Cooler.	
1	0641520	2	Bolt 5/16in-18NC x 2-1/2in	
2	1320162	2	Clamp, Hose	
3	2131212	2	Fitting, 90	
4	2170712	1	Fitting, Tee	
5	2171112	1	Fitting, Straight	
6	3311505	2	Locknut 5/16in-18NC	
7		Ref	Valve Options:	
7	4641247	1	Deutz Machines with Rexroth Pump	
7	1001109677	1	Deutz Machines with Sauer Pump	
8	4711500	4	Flatwasher 5/16in Thin	
9	1001135124	1	Cooler, Hydraulic Oil	
10		Ref	Tube Options:	
10	1001154214	1	Deutz Machines with Rexroth Pump	
10	1001139665	1	Deutz Machines with Sauer Pump	
11	1001139666	1	Tube	
12	1001143087	2	Hose	
13	1001143123	1	Hose	

SECTION 2 - TURNTABLE

FIGURE 2-19. GROUND CONTROLS INSTALLATION (WITHOUT UGM)



SECTION 2 - TURNTABLE

FIGURE 2-19. GROUND CONTROLS INSTALLATION (WITHOUT UGM)

ITEM	PART NUMBER	QTY	DESCRIPTION	REV
		Ref	Note: For Module Identification, refer to Revision Log page A.	
		Ref	GROUND CONTROLS ASSEMBLIES	
	0861562	Ref	Machines with Rexroth Pumps (Prior to SN 0300087579)	E
	0861749	Ref	Machines with Rexroth Pumps (SN 0300087579 through 0300098641)	F
	0861798	Ref	Machines with Rexroth Pumps (SN 0300098642 through 0300098919)	B
	1810057	Ref	Machines with Rexroth Pumps (SN 0300098920 through 0300201016)	J
	1001118767	Ref	Machines with Sauer Pumps	D
1	0100081	AR	Adhesive	
2	0100048	AR	Grease, Dielectric	
3	0630518	2	Screw, Button Head #10-24NC x 3/4in	
4	0630548	5	Screw, Self Tapping	
5	0861465	1	Box Assembly	F
5A	2940139	2	Latch	
5B	2600279	2	Hinge	
5C	3960418	53 in/1.4m	Seal	
5D	3380465	1	Panel, Front	
6	1600333	1	Module, Ground Control (Note: Control System must be recalibrated when Module is replaced)	
6	2915024	1	Update Kit (Includes Cables, Programming Instructions and CD Software)	
7	1670829	1	Bezel	
8		Ref	Decal - Light Panel Options:	
8	1705308	1	Decal - Light Panel (Use p/n 1705974) (Prior to SN 0300080338)	
8	1705974	1	Decal - Light Panel (SN 0300080338 through 0300142938)	
9		Ref	Decal - Lid Options:	
9	1705001	1	Decal - Lid (Prior to SN 0300098920)	
9	1706911	1	Decal - Lid (SN 0300098920 through 0300201016)	
10	2420172	1	Hourmeter	
11	2760105	1	Housing, Light	
12	3300408	2	Locknut, Nylon	
13	3311401	11	Nut 1/4in-20NC	
14	3740049	2	Relay	
15	4060906	8	Guard, Switch	
16	4360328	8	Switch, Toggle	
17	4360475	1	Switch, Push-Pull Emergency	
17A	7020175	1	Cap	
17B	7020176	1	Block, Contact	
18	4360476	1	Block, Contact	
19	4460426	1	Connector, Strain Relief	
20	4460470	1	Nut, Terminal	
21	4460471	1	Washer, Terminal	
22	4460526	1	Connector, Strain Relief	
23	4460874	1	Connector, White	
24	4460875	1	Connector, Gray	
25	4460905	4	Connector, Plug	
26	4740444	8	Washer	
27	4751400	22	Flatwasher 1/4in Wide	

SECTION 2 - TURNTABLE

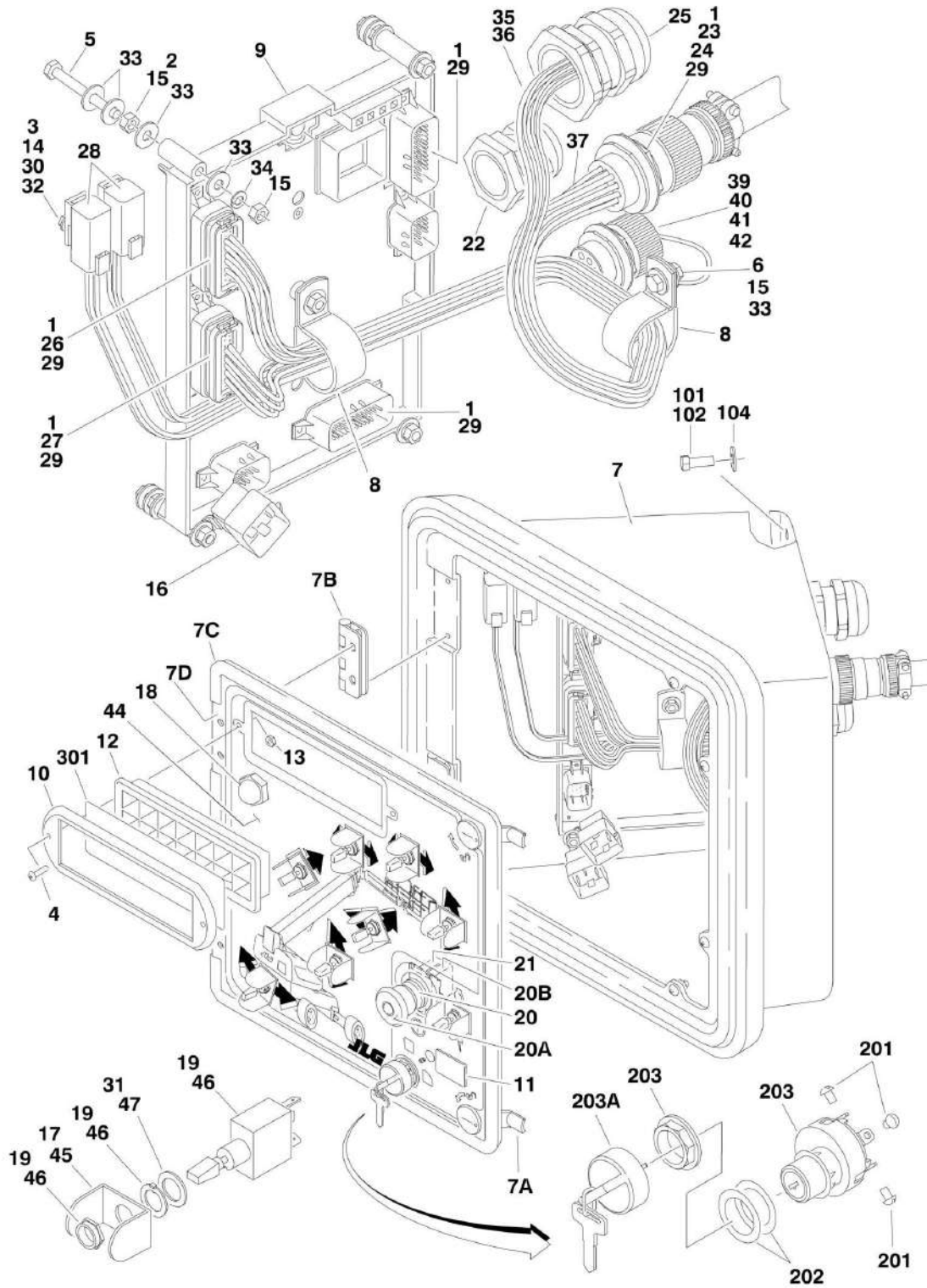
ITEM	PART NUMBER	QTY	DESCRIPTION	REV
28	0630464	2	Screw, Button #10-24NC x1/2in	
29	0641406	1	Bolt 1/4in-20NC x 3/4in	
30	1320095	2	Clamp	
31	3311001	2	Nut #10-24NC	
32	4460473	1	Clamp, Cable Only - Now included with Boom Cable (Prior to SN 0300118893)	
33	4460865	1	Connector - 19 Position Only - Now included with Boom Cable (Prior to SN 0300118893)	
34	4460892	2	Bar, Buss	
35	4460914	2	Base, Terminal	
36	4751000	2	Flatwasher #10 Regular	
37	4761400	5	Lockwasher 1/4in	
38		Ref	Harness, Ground Control Box Options (See ELECTRICAL SECTION for Breakdown):	
38	4922789	1	Harness, Ground Control Box (Prior to SN 0300087579)	
38	4923286	1	Harness, Ground Control Box (SN 0300087579 through 0300098919)	
38	4923574	1	Harness, Ground Control Box (SN 0300098920 through 0300201016)	
39		Ref	Harness, Valve Options (See ELECTRICAL SECTION for Breakdown):	
39	4922787	1	Harness, Valve (Prior to SN 0300087579)	
39	4923292	1	Harness, Valve (SN 0300087579 through 0300098641)	
39	4923522	1	Harness, Valve (SN 0300098642 through 0300201016)	
40		Ref	Harness, Engine Options (See ELECTRICAL SECTION for Breakdown):	
40	4922704	1	Machines with Rexroth Pumps (Prior to SN 0300087579)	
40	4923273	1	Machines with Rexroth Pumps (SN 0300087579 through 0300093351)	
40	4923376	1	Machines with Rexroth Pumps (SN 0300093352 through 0300201016)	
40	1001119957	1	Machines with Sauer Pumps	
42	1705132	1	Decal - ADE	
43	4360274	1	Switch, Pushbutton	
		Ref	GROUND CONTROL BOX INSTALLATIONS	
	0271513	Ref	Machines with Rexroth Pumps (Prior to SN 0300098642)	F
	0275407	Ref	Machines with Rexroth Pumps (SN 0300098642 through 0300201016)	D
	1001118768	Ref	Machines with Sauer Pumps	B
101	0100011	AR	Compound, Locking	
102	3931616	4	Bolt 3/8in-16NC x 3/4in	
104	4751600	4	Flatwasher 3/8in Wide	
		Ref	KEYSWITCH INSTALLATION	
	0259666	Ref	ANSI and ANSI Export Specs	B
	0259667	Ref	Australian and CE Specs	B
201	3910804	6	Screw #8-32NC x 1/8in	
202	4070987	2	Shim .015 (Prior to SN 03000175957)	
202	1001151393	1	Shim .063 (SN 0300175957 through 0300201016)	
203		Ref	Keyswitch Options:	
203	4360469	1	ANSI and ANSI Export Specs	
203	4360470	1	Australian and CE Specs	
203A	2860030	1	Key, Replacement (All Specs)	
		Ref	LIGHT PANEL INSTALLATIONS (SN 0300142938 through 0300201016)	

SECTION 2 - TURNTABLE

ITEM	PART NUMBER	QTY	DESCRIPTION	REV
	1001121826	Ref	ANSI and ANSI Export Specs	A
	1001121827	Ref	Australian and CE Specs	A
301		Ref	Decal - Light Panel Options:	
301	1001122383	1	ANSI and ANSI Export Specs	
301	1705174	1	Australian and CE Specs	

SECTION 2 - TURNTABLE

FIGURE 2-20. GROUND CONTROLS INSTALLATION (WITH UGM)



SECTION 2 - TURNTABLE

FIGURE 2-20. GROUND CONTROLS INSTALLATION (WITH UGM)

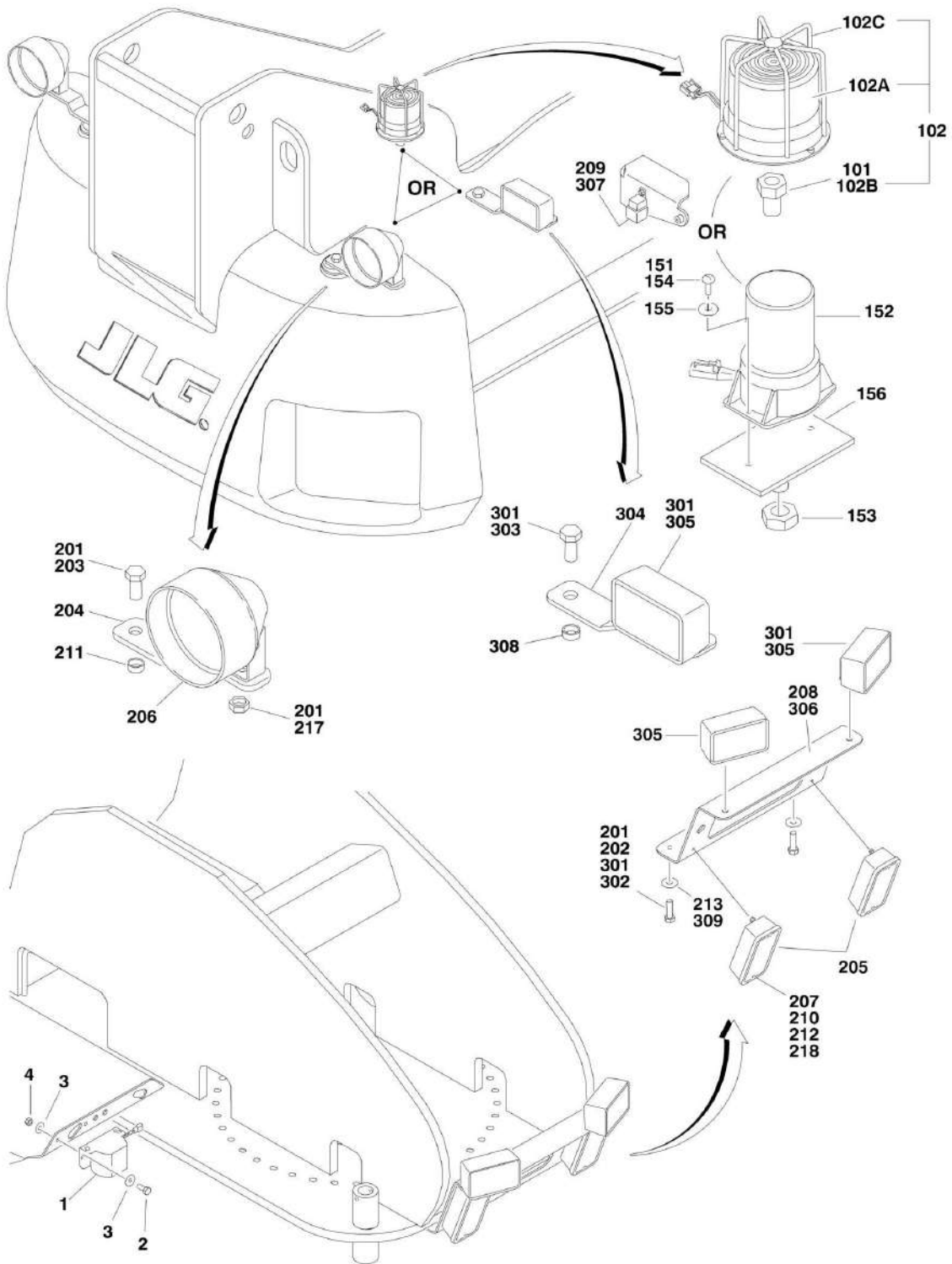
ITEM	PART NUMBER	QTY	DESCRIPTION	REV
		Ref	Note: For Module Identification, refer to Revision Log page A.	
	1001119374	Ref	GROUND CONTROL BOX SUB-ASSEMBLY	D
	1001119363	Ref	GROUND CONTROLS ASSEMBLY	K
1	0100048	AR	Grease, Dielectric	
2	0100081	AR	Loctite #454	
3	0630464	2	Screw, Button Head #10-24NC x 1/2in	
4	0630518	2	Screw, Button Head #10-24NC x 3/4in	
5	0630548	5	Screw, Self Tapping	
6	0641406	1	Bolt 1/4in-20NC x 3/4in	
7	1001110014	1	Box Assembly	
7A	2940139	2	Latch	
7B	2600279	2	Hinge	
7C	3960418	53 in/1.4m	Seal	
7D	3380465	1	Panel, Front	
8	1320095	2	Clamp	
9	1001110084	1	Module, Ground Control (Note: Control System must be recalibrated when Module is replaced)	
10	1670829	1	Bezel	
11	2420172	1	Hourmeter	
12	2760105	1	Housing, Light	
13	3300408	2	Locknut, Nylon	
14	3311001	2	Nut #10-24NC	
15	3311401	11	Nut 1/4in-20NC	
16	3740049	1	Relay	
17	4060906	7	Guard, Switch	
18	4360274	1	Switch, Pushbutton	
19	4360328	7	Switch, Toggle	
20	4360475	1	Switch, Push-Pull Emergency	
20A	7020175	1	Cap	
20B	7020176	1	Block, Contact	
21	4360476	1	Block, Contact	
22	4460426	1	Connector, Strain Relief	
23	4460470	1	Nut, Terminal	
24	4460471	1	Washer, Terminal	
25	4460526	1	Connector, Strain Relief	
26	4460874	1	Connector, White	
27	4460875	1	Connector, Gray	
28	4460892	2	Connector, Buss Bar - 6 Position	
29	4460905	4	Connector, Plug	
30	4460914	2	Base, Terminal	
31	4740444	7	Washer	
32	4751000	2	Flatwasher #10 Regular	
33	4751400	22	Flatwasher 1/4in Wide	
34	4761400	5	Lockwasher 1/4in	
35	1001119372	1	Harness, Ground Control Box (See ELECTRICAL SECTION for Breakdown)	
36	1001116369	1	Harness, Valve (See ELECTRICAL SECTION for Breakdown)	
37	1001120180	1	Harness, Ground Control Box (See ELECTRICAL SECTION for Breakdown)	
39	4460496	1	Terminal, Washer	

SECTION 2 - TURNTABLE

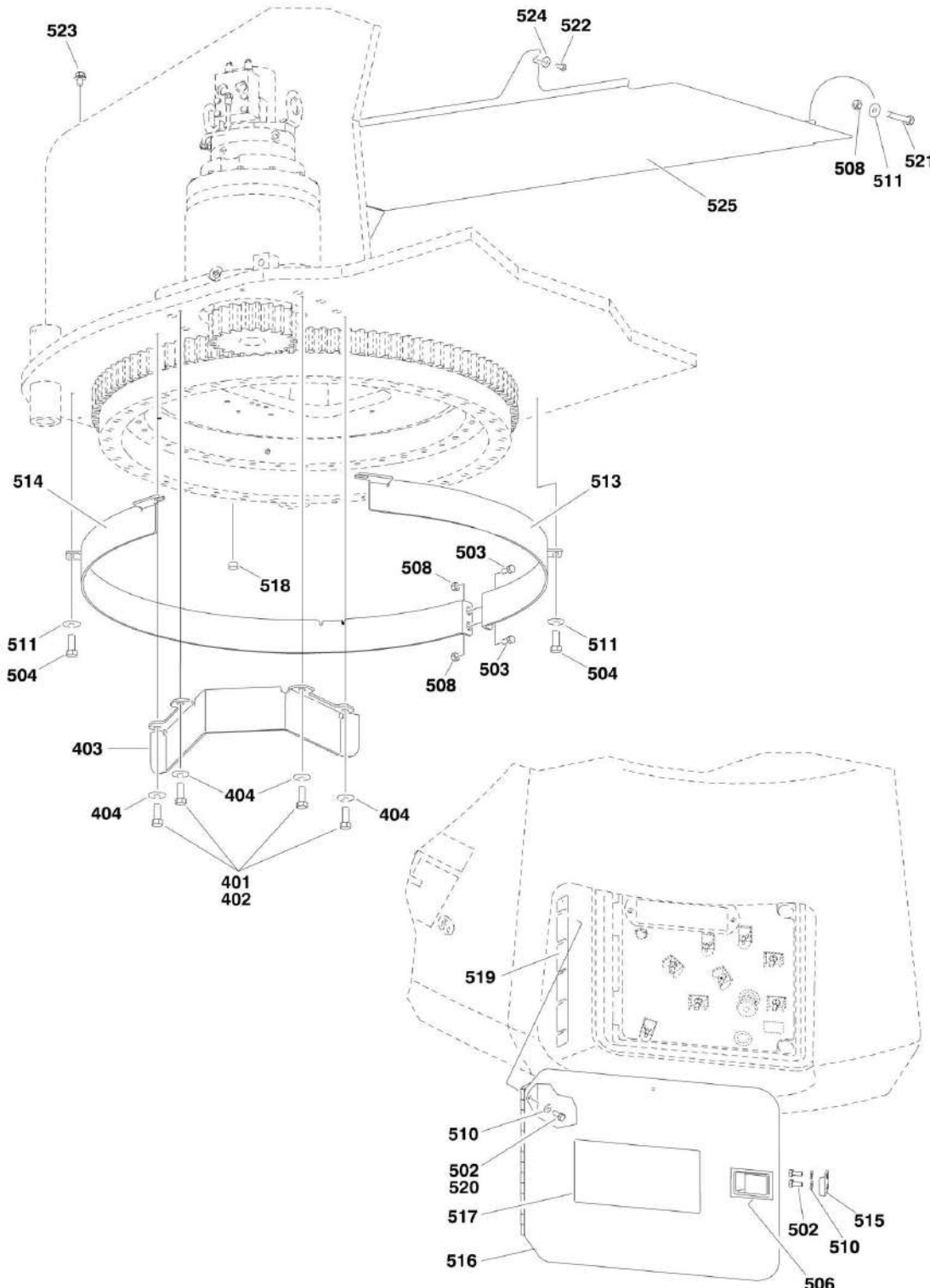
ITEM	PART NUMBER	QTY	DESCRIPTION	REV
40	4460497	1	Nut, Strain Relief	
41	1001120337	1	Harness, ClearSky Ready (See ELECTRICAL SECTION for Breakdown)	
42	1001106736	1	Cap, Dust	
44	1706911	1	Decal - Lid	
45	4060906	1	Guard, Switch	
46	4360328	1	Switch, Toggle	
47	4740444	1	Washer	
		Ref	GROUND CONTROL BOX INSTALLATIONS	
	1001119346	Ref	Deutz BF4M2011 & TD2011 Machines with Rexroth Pumps	B
	1001119345	Ref	Deutz BF4M2011 & TD2011 Machines with Sauer Pumps	B
	1001144347	Ref	Deutz TCD2.9L4 Engine Machines	B
	1001119344	Ref	Caterpillar Machines with Rexroth Pumps	B
101	0100011	AR	Compound, Locking	
102	3931616	4	Bolt 3/8in-16NC x 3/4in	
104	4751600	4	Flatwasher 3/8in Wide	
		Ref	KEYSWITCH INSTALLATION	
	0259666	Ref	ANSI and ANSI Export Specs	B
	0259667	Ref	Australian Spec (Prior to SN 0300149302)	A
	0259666	Ref	Australian Spec (SN 0300149302 through 0300201016)	B
	0259667	Ref	CE Spec	B
201	3910804	6	Screw #8-32NC x 1/8in	
202	4070987	2	Shim .015 (Prior to SN 0300175957)	
202	1001151393	1	Shim .063 (SN 0300175957 through 0300201016)	
203		Ref	Keyswitch Options:	
203	4360469	1	ANSI and ANSI Export Specs	
203	4360470	1	Australian Spec (Prior to SN 0300149302)	
203	4360469	1	Australian Spec (SN 0300149302 through 0300201016)	
203	4360470	1	CE Spec	
203A	2860030	1	Key, Replacement (All Specs)	
		Ref	LIGHT PANEL INSTALLATIONS (SN 0300142938 through 0300201016)	
	1001121826	Ref	ANSI and ANSI Export Specs	A
	1001121827	Ref	Australian and CE Specs	A
301		Ref	Decal - Light Panel Options:	
301	1001122383	1	ANSI and ANSI Export Specs	
301	1705174	1	Australian and CE Specs	

SECTION 2 - TURNTABLE

FIGURE 2-21. ACCESSORIES INSTALLATION



SECTION 2 - TURNTABLE



SECTION 2 - TURNTABLE

FIGURE 2-21. ACCESSORIES INSTALLATION

ITEM	PART NUMBER	QTY	DESCRIPTION	REV
	0271806	Ref	ALARMS INSTALLATION	A
1	0257887	1	Alarm	
1	0140032	1	Alarm	
1	2820035	6 in/15cm	Loom	
1	4460424	1	Plug	
1	4460268	2	Socket, Female	
2	0641506	2	Bolt 5/16in-18NC x 3/4in	
3	3311505	2	Locknut 5/16in-18NC	
4	4751500	4	Flatwasher 5/16in Wide	
	0271807	Ref	STROBE LIGHT INSTALLATION (AMBER) (OPTIONAL) (Prior to SN 0300171640)	C
		Ref	Note: If machine is equipped with BLUE Strobe Light, See SPECIAL OPTIONS SECTION SkyGuard Kit.	
101	0100011	AR	Compound, Locking	
102	0272507	1	Strobe Light Assembly/Guard/Harness Assy (Includes Items 102B & 102C)	C
102A		Ref	Lamp, Strobe Options:	
102A	7016380	1	Bulb for ECCO Model 6640	
102A	70001941	1	Bulb for ECCO Model 6650	
102B		Ref	Adapter Options:	
102B	0630491	1	Guard used with ECCO Model 6640	
102B	0080241	1	Guard used with ECCO Model 6650	
102C		Ref	Guard Options:	
102C	4060907	1	Guard used with ECCO Model 6640	
102C	2920215	1	Guard used with ECCO Model 6650	
	1001150406	Ref	STROBE LIGHT INSTALLATION (AMBER) (OPTIONAL) (SN 0300171640 through 0300201016)	B
		Ref	Note: If machine is equipped with BLUE Strobe Light, See SPECIAL OPTIONS SECTION SkyGuard Kit.	
151	0100035	AR	Compound, Locking	
152	2920161	1	Strobe Light/Harness Assembly	
152	7016319	1	Bulb	
152	7016372	1	Lens	
153	3312602	1	Nut, Jam 1in-8NC	
154	3900085	2	Screw #10-32 x 1/2in	
155	4751000	2	Flatwasher 1/4in Thin	
156	1001149994	1	Mount Strobe	
	0271769	Ref	HEADLIGHT AND TAILLIGHTS INSTALLATION (OPTIONAL)	C
201	0100011	AR	Compound, Locking	
202	0641610	2	Bolt 3/8in-16NC x 1-1/4in	
203	0642612	2	Bolt 1in-8NC x 1-1/2in	
204	0902206	2	Bracket, Mounting	
205	2920113	2	Taillight	
206	2920110	2	Headlight	
206	7016628	2	Bulb, Replacement (1 Per Headlight)	
207	3311001	4	Nut #10-24NC	
208	3573336	2	Plate, Mounting	
209	3740080	1	Relay, Bosch	
210	3911040	4	Screw #10-24NC x 2-1/2in	
211	4220162	2	Spacer (Prior to SN 0300184392)	
211	4892600	2	Washer, Hardened (SN 0300184392 through 0300201016)	

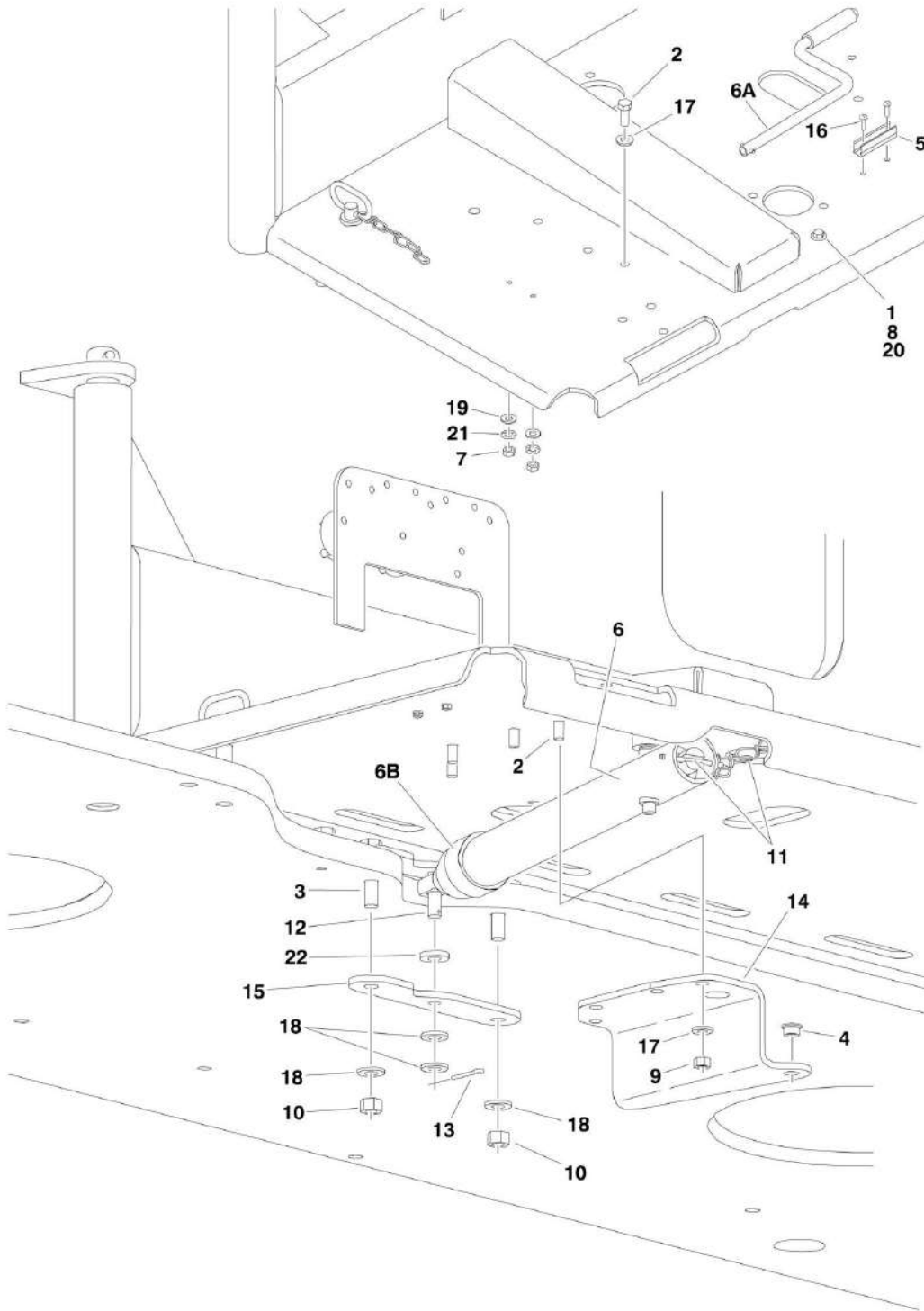
SECTION 2 - TURNTABLE

ITEM	PART NUMBER	QTY	DESCRIPTION	REV
212	4751000	4	Flatwasher #10 Regular	
213	4751600	2	Flatwasher 3/8in Regular	
217	3311605	2	Locknut 3/8in-16NC	
218	0100035	AR	Compound, Locking	
	0271808	Ref	ILLUMINATION LIGHTS INSTALLATION (OPTIONAL)	B
301	0100011	AR	Compound, Locking	
302	0641610	2	Bolt 3/8in-16NC x 1-1/4in	
303	0642612	2	Bolt 1in-8NC x 1-1/2in	
304	0902206	2	Bracket, Mounting	
305	2920157	4	Headlight	
305	7024452	4	Bulb, Replacement (1 Per Light)	
306	3573336	2	Plate, Mounting	
307	3740080	1	Relay, Bosch	
308	4220162	2	Spacer	
309	4751600	2	Flatwasher 3/8in Regular	
	0271874	Ref	PINION SHIELD INSTALLATION	A
401	0100011	AR	Compound, Locking	
402	0641608	4	Bolt 3/8in-16NC x 1in	
403	3573355	1	Plate, Pinion	
404	4751600	4	Flatwasher 3/8in Regular	
	1001111219	Ref	SHIELDS INSTALLATION (OPTIONAL)	G
502	0641506	5	Bolt 5/16in-18NC x 3/4in	
503	0641606	2	Bolt 3/8in-16NC x 3/4in	
504	0641608	3	Bolt 3/8in-16NC x 1in	
506	2940045	1	Latch, Paddle	
508	3311605	AR	Locknut 3/8in-16NC	
510	4711500	7	Flatwasher 5/16in Thin	
511	4751600	AR	Flatwasher 3/8in Regular	
513	1001111175	1	Plate, Bearing Cover	
514	1001111176	1	Plate, Bearing Cover	
515	1001112911	1	Plate, Striker	
516	1001111193	1	Door	
517	1001113173	1	Decal - Emergency Stop	
518	1001114392	1	Plug, Rubber	
519	1001115168	1	Shim (SN 0300138349 through 0300201016)	
520	0100011	AR	Compound, Locking	
521	0630511	1	Bolt 3/8in-16NC x 2in	
522	0641404	1	Bolt 1/4in-20NC x 1/2in	
523	0791604	2	Bolt 3/8in-16NC x 1/2in	
524	4751400	1	Flatwasher 1/4in Regular	
525	1001115440	1	Shield, Turntable	

SECTION 2 - TURNTABLE

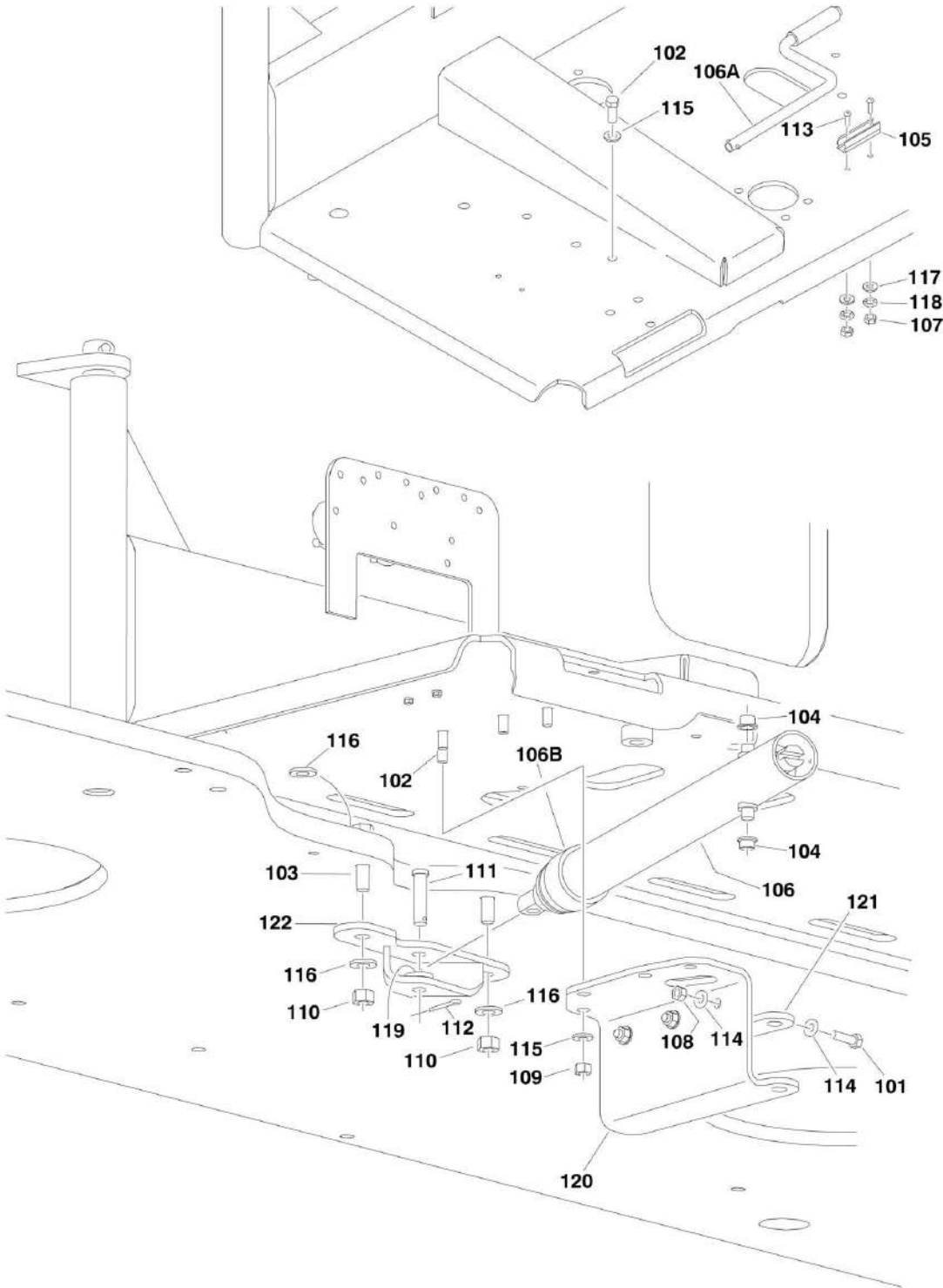
FIGURE 2-22. ENGINE TRAY JACK INSTALLATION

DEUTZ BF4M2011 ENGINE & TD2011 ENGINE MACHINES



SECTION 2 - TURNTABLE

DEUTZ TCD2.9L4 ENGINE & CATERPILLAR ENGINE MACHINES



SECTION 2 - TURNTABLE

FIGURE 2-22. ENGINE TRAY JACK INSTALLATION

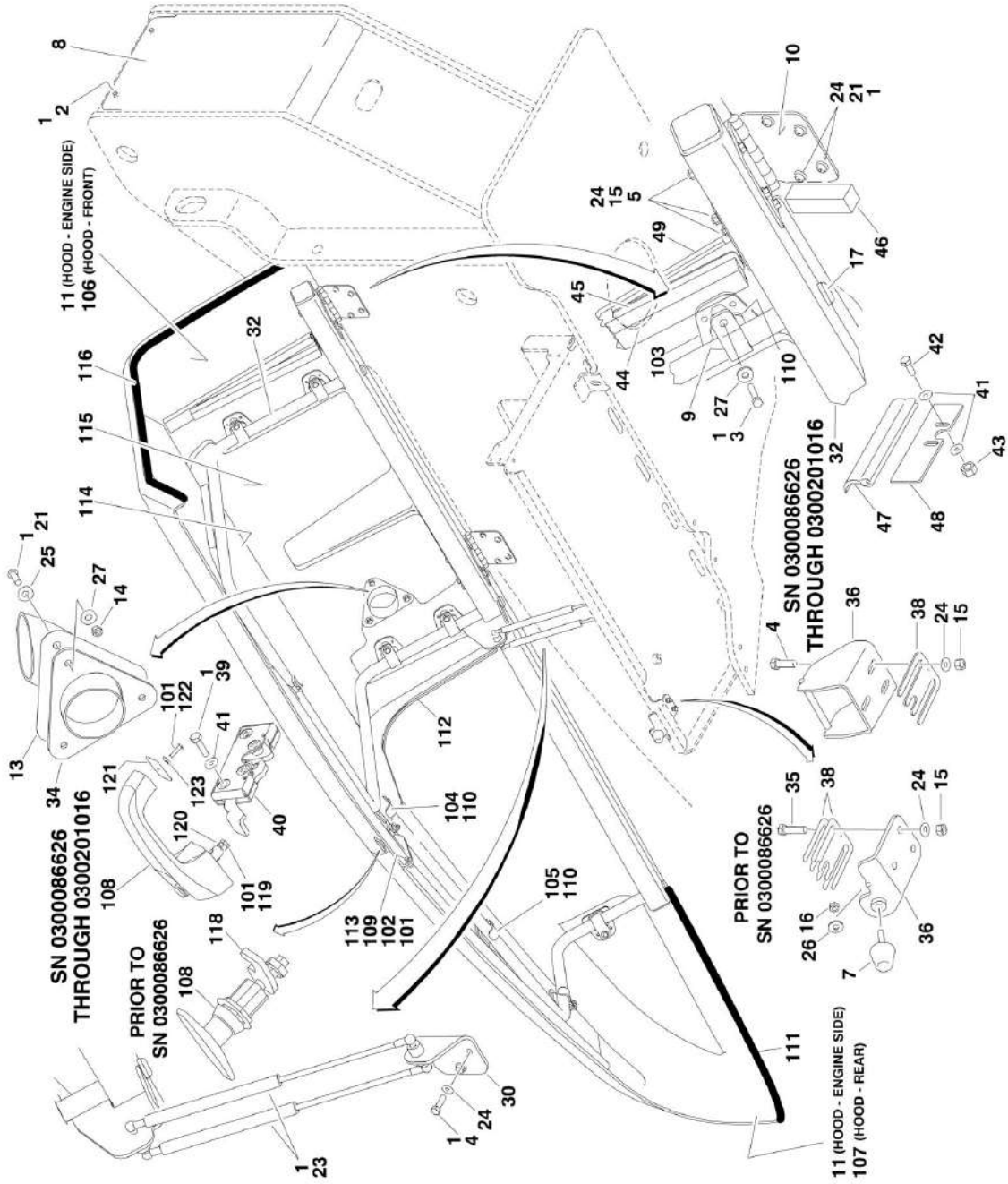
ITEM	PART NUMBER	QTY	DESCRIPTION	REV
	0272064	Ref	ENGINE TRAY JACK INSTALLATION (DEUTZ BF4M2011 ENGINE & TD2011 ENGINES MACHINES)	C
1	0641406	1	Bolt 1/4in-20NC x 3/4in (Prior to SN 0300070646)	
2	0641608	4	Bolt 3/8in-16NC x 1in	
3	0641818	2	Bolt 1/2in-13NC x 2-1/4in	
4	0962051	2	Bearing, Flanged	
5	1380147	1	Clip, Spring	
6	2840016	1	Jack and Handle Assembly	
6A		Ref	Handle Options:	
6A	7016374	1	Burr Manufacturing Brand (identified by 4in handle offset)	
6A	7024598	1	Hammerblow Corp Brand (identified by 4-1/2in handle offset)	
6B	7016322	1	Wiper (Burr Manufacturing Brand Only)	
7	3310601	2	Nut #6-32NC	
8	3311405	1	Locknut 1/4in-20NC (Prior to SN 0300070646)	
9	3311605	4	Locknut 3/8in-16NC	
10	3311805	2	Locknut 1/2in-13NC	
11	3422530	1	Pin, Hitch (Includes Chain and Cotter Pin) (Prior to SN 0300070646)	
12	3430816	1	Pin, Clevis	
13	3450404	1	Pin, Cotter 1/8in x 1in	
14	3537445	1	Bracket	
15	3573454	2	Bracket	
16	3910608	2	Screw #6-32NC x 1/2in	
17	4711600	8	Flatwasher 3/8in Thin	
18	4711800	4	Flatwasher 1/2in Thin	
19	4750600	2	Flatwasher #6 Regular	
20	4751400	2	Flatwasher 1/4in Regular (Prior to SN 0300070646)	
21	4770600	2	Starwasher #6	
22	4891800	1	Flatwasher, 1/2in Hardened	
		Ref	ENGINE TRAY JACK INSTALLATION (DEUTZ TCD2.9L4 ENGINE AND CATERPILLAR ENGINE MACHINES)	
	1001143294	Ref	Deutz TCD2.9L4 Engine Machines	A
	1001135661	Ref	Caterpillar Engine Machines	A
101	0641509	3	Bolt 5/16in-18NC x 1-1/8in	
102	0641608	4	Bolt 3/8in-16NC x 1in	
103	0641816	2	Bolt 1/2in-13NC x 2in	
104	0962051	2	Bearing, Flanged	
105	1380147	1	Clip, Spring	
106	2840016	1	Jack and Handle Assembly	
106A		Ref	Handle Options:	
106A	7016374	1	Burr Manufacturing Brand (identified by 4in handle offset)	
106A	7024598	1	Hammerblow Corp Brand (identified by 4-1/2in handle offset)	
106B	7016322	1	Wiper (Burr Manufacturing Brand Only)	
107	3310601	2	Nut #6-32NC	
108	3311505	3	Locknut 5/16in-18NC	
109	3311605	4	Locknut 3/8in-16NC	
110	3311805	2	Locknut 1/2in-13NC	
111	3430816	1	Pin, Clevis	
112	3450404	1	Pin, Cotter 1/8in x 1in	
113	3910608	2	Screw #6-32NC x 1/2in	

SECTION 2 - TURNTABLE

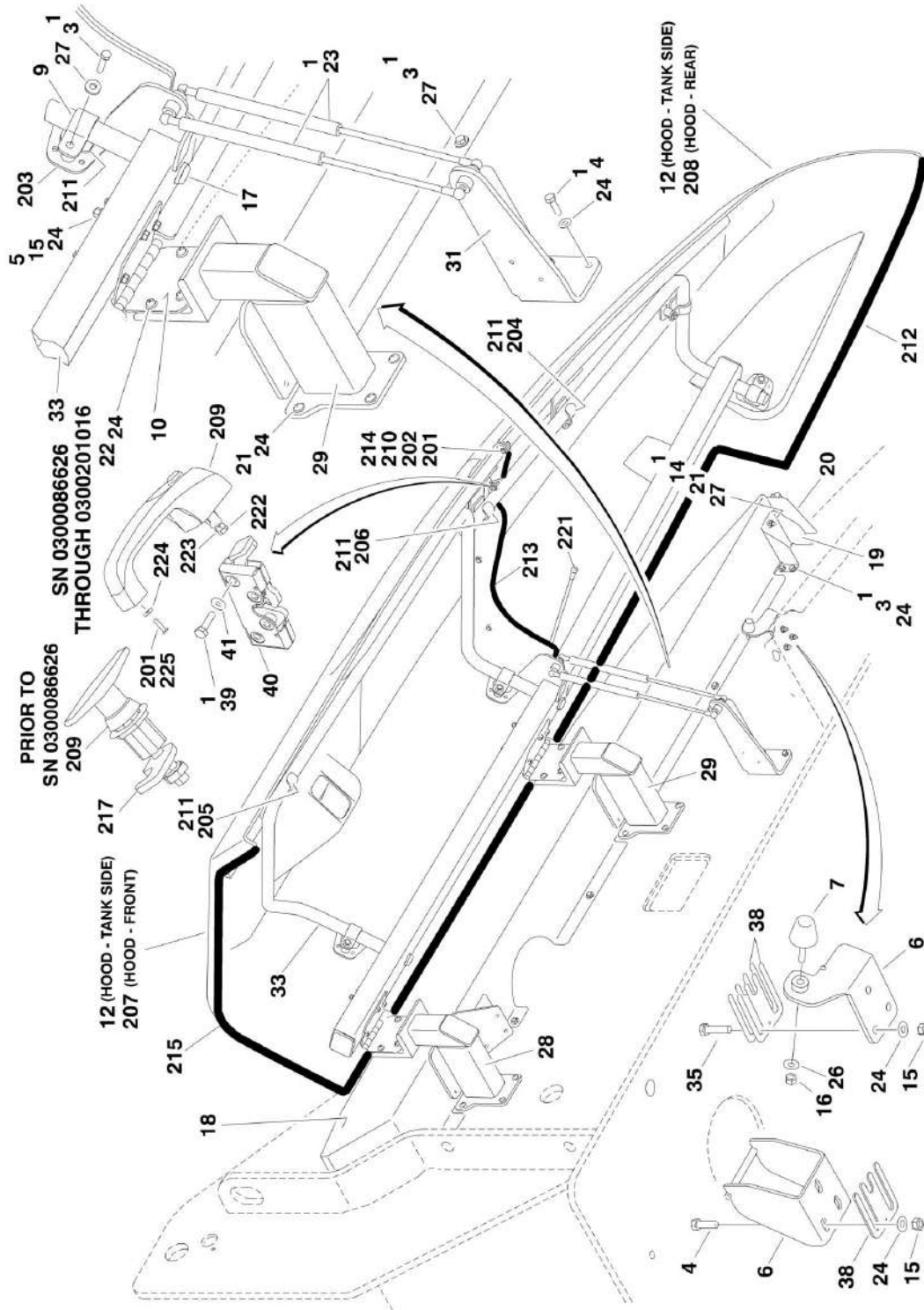
ITEM	PART NUMBER	QTY	DESCRIPTION	REV
114	4711500	6	Flatwasher 5/16in Thin	
115	4711600	8	Flatwasher 3/8in Thin	
116	4711800	4	Flatwasher 1/2in Thin	
117	4750600	2	Flatwasher #6 Regular	
118	4770600	2	Starwasher #6	
119	4891800	1	Flatwasher, 1/2in Hardened	
120		Ref	Plate, Jack Bracket Options:	
120	1001143298	1	Deutz TCD2.9L4 Engine Machines	
120	1001131481	1	Caterpillar Engine Machines	
121	1001131482	1	Plate, Jack Bracket	
122	1001135663	1	Support, Engine Tray Jack	

SECTION 2 - TURNTABLE

FIGURE 2-23. HOOD INSTALLATION (ABS)



SECTION 2 - TURNTABLE



PRIOR TO
SN 0300086626

THROUGH 0300201016

PRIOR TO
SN 0300086626

THROUGH 0300201016

SECTION 2 - TURNTABLE

FIGURE 2-23. HOOD INSTALLATION (ABS)

ITEM	PART NUMBER	QTY	DESCRIPTION	REV
		Ref	HOOD INSTALLATIONS (ABS)	
	0271595	Ref	All Machines Except Machines with Deutz TCD2.9L4 Engines	F
	1001142024	Ref	Machines with Deutz TCD2.9L4 Engines	C
1	0100011	AR	Compound, Locking	
2	0791604	2	Screw 3/8in-16NC x 1/2in	
3	0641608	24	Bolt 3/8in-16NC x 1in	
4	0641610	AR	Bolt 3/8in-16NC x 1-1/4in	
5	0641630	12	Bolt 3/8in-16NC x 3-3/4in	
6		Ref	Bracket Options:	
6	0902758	1	Bracket (Use p/n 4846710) (Prior to SN 0300086626)	
6	0903156	1	Bracket (SN 0300086626 through 0300201016)	
7	0940088	2	Bumper (Prior to SN 0300086626)	
8	1671038	1	Cover, Turntable	
9	2080051	16	Clamp	
10	2600280	4	Hinge	
11		Ref	Hood, Engine Side Options (See Items 101-123 for Breakdown):	
11	2680499	1	Machines with Caterpillar, Deutz BF4M2011 & Deutz TD2011Engines (Prior to SN 0300086626)	
11	1671192	1	Machines with Caterpillar, Deutz BF4M2011 & Deutz TD2011Engines (SN 0300086626 through 0300201016)	
11	1001142023	1	Machines with Deutz TCD2.9L4 Engines	
		Ref	Note: Replacement decals must be ordered separately - See DECAL SECTION.	
12		Ref	Hood, Tank Side Options (See Items 201-225 for Breakdown):	
12	2680500	1	Hood, Tank Side (Prior to SN 0300086626)	
12	1671194	1	Hood, Tank Side (SN 0300086626 through 0300201016)	
		Ref	Note: Replacement decals must be ordered separately - See DECAL SECTION.	
13	2820141	1	Shield, Heat (Machines with Caterpillar, Deutz BF4M2011 & Deutz TD2011Engines Only)	
14	3311601	AR	Nut 3/8in-16NC	
15	3311605	18	Locknut 3/8in-16NC	
16	3321501	2	Nut 5/16in-24NF	
17	3520186	6	Plug	
18	3573231	1	Trough, Powertrack	
19	3573232	1	Mount, Trough	
20	3573233	1	Plate, Seal Mounting	
21	3900232	AR	Screw, Button Head 3/8in-16NC x 1-1/4in	
22	3900283	16	Screw, Button Head 3/8in-16NC x 3/4in	
23	4160194	4	Spring, Gas	
24	4711600	70	Flatwasher 3/8in Thin	
25	4740500	AR	Washer, Nylon	
26	4751500	2	Flatwasher 5/16in Regular (Prior to SN 0300086626)	
27	4751600	AR	Flatwasher 3/8in Regular	
28		Ref	Support, Front Hood Options:	
28	4846474	1	Support, Front Hood (Prior to SN 0300079360)	
28	4340924	1	Support, Front Hood (SN 0300079360 through 0300201016)	
29		Ref	Support, Rear Hood Options:	
29	4846475	1	Support, Rear Hood (Prior to SN 0300079360)	
29	4340923	1	Support, Rear Hood (SN 0300079360 through 0300201016)	
30		Ref	Mount, Gas Spring Options:	

SECTION 2 - TURNTABLE

ITEM	PART NUMBER	QTY	DESCRIPTION	REV
30	4846487	1	Mount, Gas Spring (Prior to SN 0300086626)	
30	4341001	1	Mount, Gas Spring (SN 0300086626 through 0300201016)	
31		Ref	Mount, Gas Spring Options:	
31	4846488	1	Mount, Gas Spring (Prior to SN 0300086626)	
31	4340999	1	Mount, Gas Spring (SN 0300086626 through 0300201016)	
32		Ref	Support, Engine Side Hood Options:	
32	4846491	1	Support, Engine Side Hood (Prior to SN 0300086626)	
32	4340996	1	Support, Engine Side Hood (SN 0300086626 through 0300201016)	
33		Ref	Support, Tank Side Hood Options:	
33	4846492	1	Support, Tank Side Hood (Prior to SN 0300086626)	
33	4340995	1	Support, Tank Side Hood (SN 0300086626 through 0300201016)	
34		Ref	Stack, Exhaust Options:	
34	4846503	1	Machines with Caterpillar, Deutz BF4M2011 & Deutz TD2011 Engines	
34	1001142181	1	Machines with Deutz TCD2.9L4 Engines	
35	0641612	6	Bolt 3/8in-16NC x 1-1/2in (Prior to SN 0300086626)	
36		Ref	Bracket, Latch Options:	
36	0902806	1	Bracket, Latch (Use p/n 4846709) (Prior to SN 0300086626)	
36	0903154	1	Bracket, Latch (SN 0300086626 through 0300201016)	
37	3520034	2	Plug (Not Shown - Located in Boom Rest)	
38	4071048	AR	Shim	
39	0641408	8	Bolt 1/4in-20NC x 1in (SN 0300086626 through 0300201016)	
40	2940173	2	Latch, Rotary (SN 0300086626 through 0300201016)	
41	4711400	AR	Flatwasher 1/4in Thin (SN 0300086626 through 0300201016)	
42	0641406	2	Bolt 1/4in-20NC x 3/4in (Machines with Deutz TCD2.9L4 Engines)	
43	3311405	2	Locknut 1/4in-20NC (Machines with Deutz TCD2.9L4 Engines)	
44	1001140485	1	Seal (Machines with Deutz TCD2.9L4 Engines)	
45	1001142144	1	Bracket (Machines with Deutz TCD2.9L4 Engines)	
46	1001146132	1	Seal (Machines with Deutz TCD2.9L4 Engines)	
47	1001146178	1	Seal (Machines with Deutz TCD2.9L4 Engines)	
48	1001146183	1	Plate (Machines with Deutz TCD2.9L4 Engines)	
49	1001146142	1	Seal (Machines with Deutz TCD2.9L4 Engines)	
		Ref	ENGINE SIDE HOOD ASSEMBLIES (ABS)	
	2680499	Ref	Machines with Caterpillar, Deutz BF4M2011 & Deutz TD2011Engines (Prior to SN 0300086626)	D
	1671192	Ref	Machines with Caterpillar, Deutz BF4M2011 & Deutz TD2011Engines (SN 0300086626 through 0300201016)	B
	1001142023	Ref	Machines with Deutz TCD2.9L4 Engines	C
101	0100011	AR	Compound, Locking	
102	0641506	10	Bolt 5/16in-18NC x 3/4in	
102	0641510	10	Bolt 5/16in-18NC x 1-1/4in	
103	0902746	7	Bracket	
104		Ref	Bracket Options:	
104	0902760	1	Bracket (Prior to SN 0300086626)	
104	0903161	1	Bracket (SN 0300086626 through 0300201016)	
105	0902761	1	Bracket	
106		Ref	Hood - Front Options:	
		Ref	Note: When installing a replacement hood, heat shields (items 114 & 115) must be installed on the replacement hood before being place in service. Only p/n 1001097956	

SECTION 2 - TURNTABLE

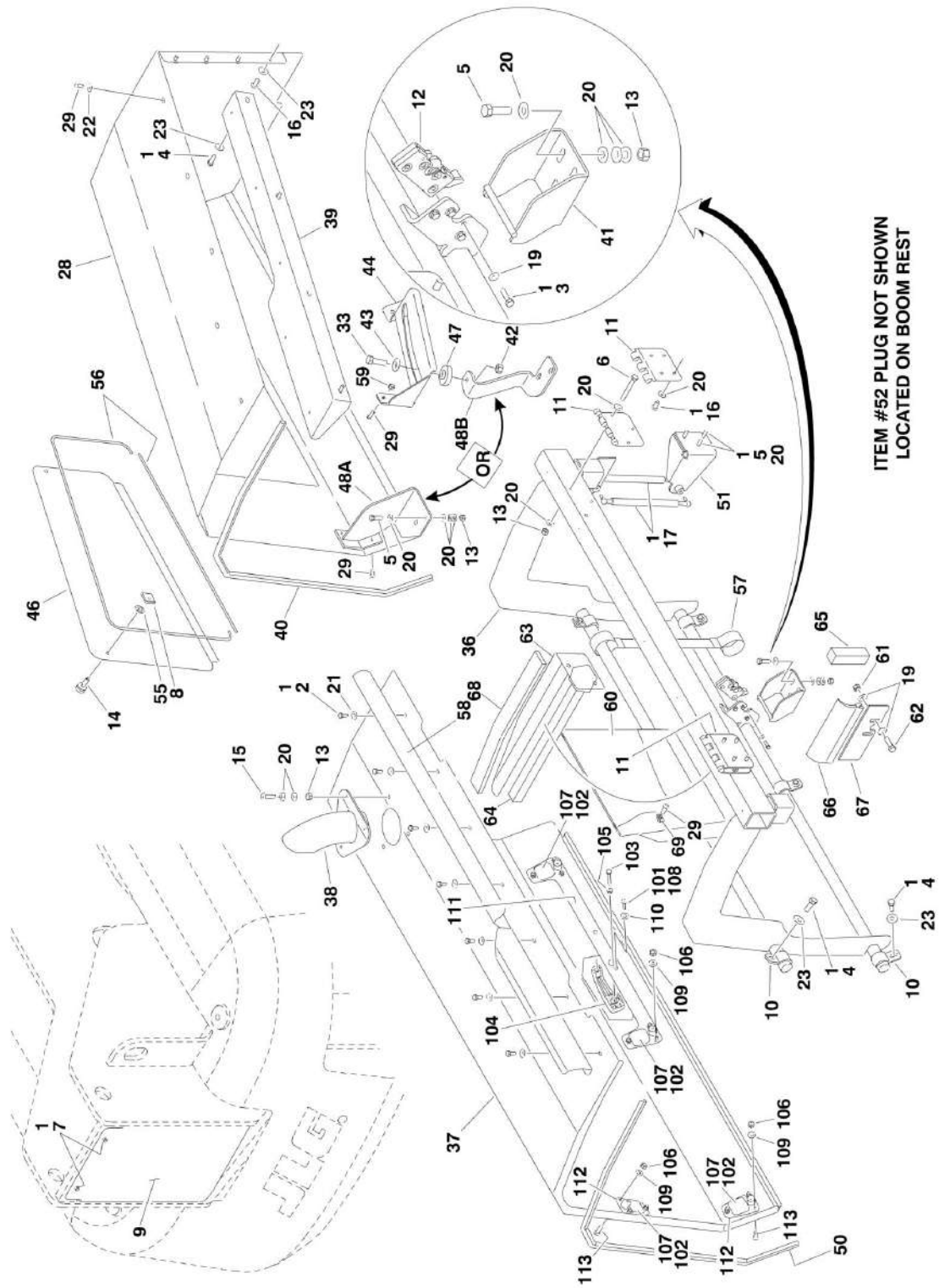
ITEM	PART NUMBER	QTY	DESCRIPTION	REV
			hood includes the heat shield insulation. For all other hoods, heat shield must be purchased separately.	
106	1001097956	1	Machines with Caterpillar, Deutz BF4M20111 & Deutz TD2011 Engines (Includes Items 13, 25, 114 & 115)	
106	1001142021	1	Machines with Deutz TCD2.9L4 Engines	
107	2680496	1	Hood - Rear	
108		Ref	Hardware Options:	
108	2940124	1	Latch (Use p/n 7027859) (Prior to SN 0300086626)	
108	2560187	1	Handle, Push Button (SN 0300086626 through 0300201016)	
109	3311501	10	Nut 5/16in-18NC	
110	3340877	9	Pad	
111	3960464	12 ft/3.7m	Seal, Hood	
112	4060806	49 in/1.3m	Flex-Trim	
113	4751500	20	Flatwasher 5/16in Regular	
114		Ref	Insulation Options:	
114	2820145	1	Machines with Caterpillar, Deutz BF4M2011 & Deutz TD2011 Engines	
114	1001152566	1	Machines with Deutz TCD2.9L4 Engines	
114	1001117140	AR	Tape, Aluminized	
115		Ref	Insulation Options:	
115	2820146	1	Machines with Caterpillar, Deutz BF4M2011 & Deutz TD2011 Engines	
115	1001152566	1	Machines with Deutz TCD2.9L4 Engines	
115	1001117140	AR	Tape, Aluminized	
116	4060804	61 in/1.6m	Flex-Trim	
117	0100081	AR	Adhesive (Not Shown)	
118	0902874	1	Pawl, Latch (Prior to SN 0300086626)	
119	0760608	1	Screw M6 x 16mm (SN 0300086626 through 0300201016)	
120	3290601	1	Nut M6 (SN 0300086626 through 0300201016)	
121	3575782	1	Plate, Handle Backing (SN 0300086626 through 0300201016)	
122	3900363	2	Screw M6 x 1x25mm (SN 0300086626 through 0300201016)	
123	4811900	2	Flatwasher M8 (SN 0300086626 through 0300201016)	
		Ref	TANK SIDE HOOD ASSEMBLIES (ABS)	
	2680500	Ref	Tank Side Hood Assemblies (Prior to SN 0300086626)	E
	1671194	Ref	Tank Side Hood Assemblies (SN 0300086626 through 0300201016)	A
201	0100011	AR	Compound, Locking	
202	0641506	9	Bolt 5/16in-18NC x 3/4in	
203	0902746	4	Bracket	
204	0902762	1	Bracket	
205	0902763	1	Bracket	
206		Ref	Bracket Options:	
206	0902764	1	Bracket (Prior to SN 0300086626)	
206	0903162	1	Bracket (SN 0300086626 through 0300201016)	
207		Ref	Hood - Front Options:	
207	2680497	1	Hood - Front (Prior to SN 0300086626)	
207	1671193	1	Hood - Front (SN 0300086626 through 0300201016)	
208	2680498	1	Hood - Rear	
209		Ref	Hardware Options:	
209	2940124	1	Latch (Use p/n 7027859) (Prior to SN 0300086626)	
209	2560187	1	Handle, Push Button (SN 0300086626 through 0300201016)	
210	3311501	9	Nut 5/16in-18NC	

SECTION 2 - TURNTABLE

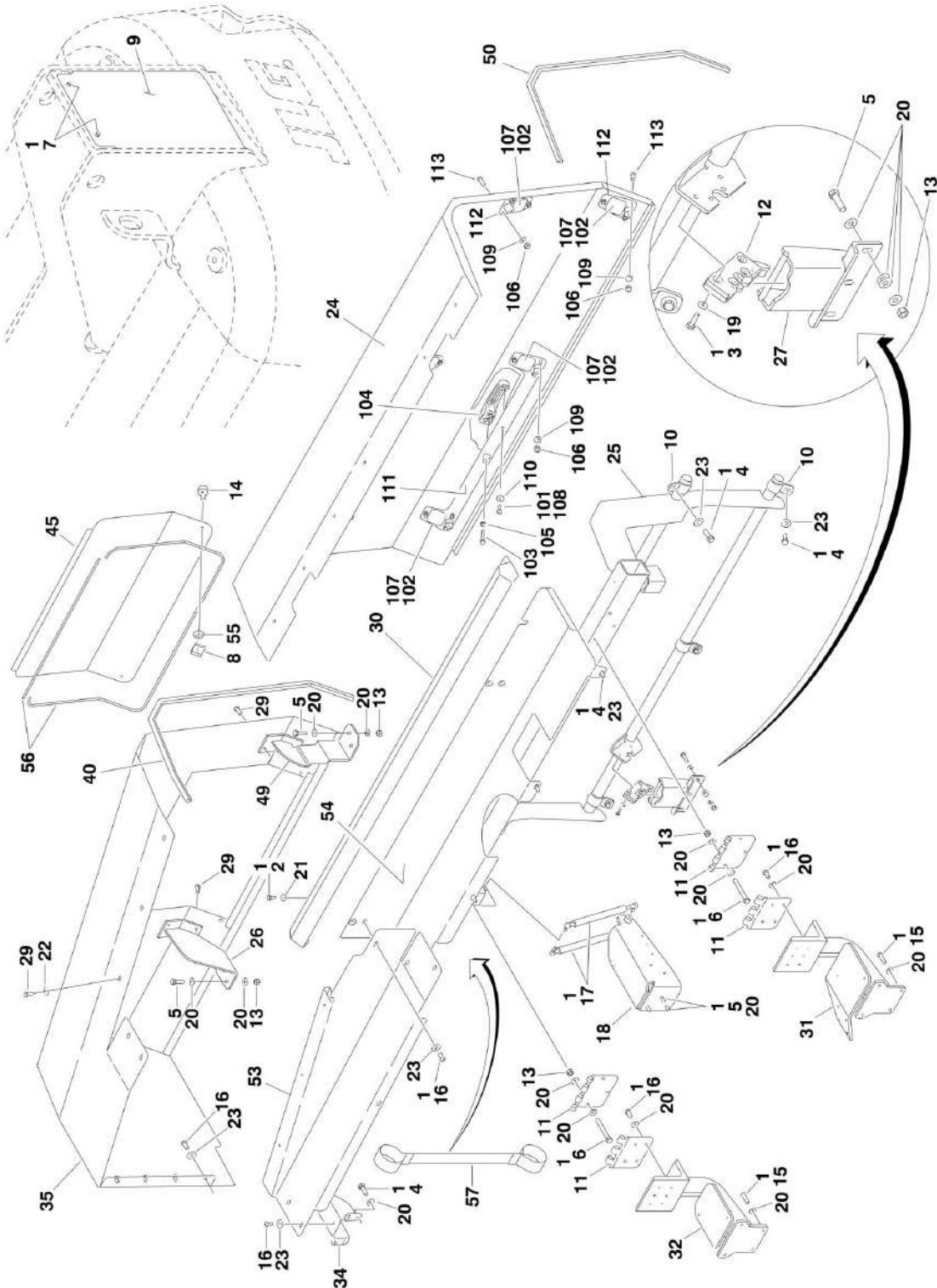
ITEM	PART NUMBER	QTY	DESCRIPTION	REV
211	3340877	7	Pad	
212	3960464	149 in/3.8m	Seal, Hood	
213	4060806	40 in/1.2m	Flex-Trim	
214	4751500	18	Flatwasher 5/16in Regular	
215	4060804	53 in/1.4m	Flex-Trim	
216	0100081	AR	Adhesive (Not Shown)	
217	0902874	1	Pawl, Latch (Prior to SN 0300086626)	
221	4240150	1	Strap, Ground	
222	0760608	1	Screw M6 x 16mm (SN 0300086626 through 0300201016)	
223	3290601	1	Nut M6 (SN 0300086626 through 0300201016)	
224	3900363	2	Screw M6 x 1x25mm (SN 0300086626 through 0300201016)	
225	4811900	2	Flatwasher M8 (SN 0300086626 through 0300201016)	

SECTION 2 - TURNTABLE

FIGURE 2-24. HOOD INSTALLATION (Prior to SN 0300195072)



SECTION 2 - TURNTABLE



SECTION 2 - TURNTABLE

FIGURE 2-24. HOOD INSTALLATION (Prior to SN 0300195072)

ITEM	PART NUMBER	QTY	DESCRIPTION	REV
		Ref	HOOD INSTALLATIONS	
	1001109543	Ref	Hood Installations (Prior to SN 0300162522)	D
	1001131545	Ref	All Machines Except Machines with Deutz TCD2.9L4 Engines (SN 0300162522 through 0300195072)	E
	1001139774	Ref	Machines with Deutz TCD2.9L4 Engines	G
1	0100011	AR	Compound, Locking	
2	0641405	14	Bolt 1/4in-20NC x 5/8in	
3	0641408	8	Bolt 1/4in-20NC x 1in	
4	0641608	24	Bolt 3/8in-16NC x 1in	
5	0641610	18	Bolt 3/8in-16NC x 1-1/4in	
6	0641630	12	Bolt 3/8in-16NC x 3-3/4in	
7	0791604	2	Screw 3/8in-16NC x 1/2in	
8	1380169	4	Clip, Receptacle	
9	1671038	1	Cover, Turntable	
10	2080051	12	Clamp	
11	2600280	4	Hinge	
12	2940173	2	Latch, Rotary	
13	3311605	27	Locknut 3/8in-16NC	
14	3900174	4	Screw, Thumb	
15	3900232	11	Screw, Button Head 3/8in-16NC x 1-1/4in	
16	3900283	32	Screw, Button Head 3/8in-16NC x 3/4in	
17	4160194	4	Spring, Gas	
18	4340999	1	Mount, Gas Spring	
19	4711400	8	Flatwasher 1/4in Thin	
20	4711600	AR	Flatwasher 1/4in Thin	
21	4751400	14	Flatwasher 1/4in Regular	
22	4751500	10	Flatwasher 5/16in Regular	
23	4751600	36	Flatwasher 3/8in Regular	
24	1001107176	1	Hood, Tank Side - Front (See Items 101-113 for Breakdown)	
		Ref	Note: Replacement decals must be ordered separately - See DECAL SECTION.	
25	1001108142	1	Support, Tank Side Hood	
26	1001108680	1	Bracket, Hood Support	
27	1001113004	1	Bracket, Striker	
28		Ref	Hood, Engine Side - Rear Options:	
28	1001108904	1	Hood, Engine Side - Rear (Prior to SN 0300162522)	
28	1001131544	1	Hood, Engine Side - Rear (SN 0300162522 through 0300195072)	
29	3900210	AR	Screw, Button Head 5/16in-18NC x 3/4in	
30	1001109511	1	Shield, Hinge	
31	1001109651	1	Support, Front Hood	
32	1001109652	1	Support, Front Hood	
33	0641813	1	Bolt 1/2in-13NC x 1-5/8in (SN 0300162522 through 0300195072)	
34	1001109759	1	Support, Power Track Trough	
35	1001109838	1	Hood, Tank Side - Rear	
36	1001109941	1	Support, Engine Side (Use p/n 1001146036)	
37		Ref	Hood, Engine Side - Front Option (See Items 101-113 for Breakdown):	
37	1001109989	1	Machines with Caterpillar, Deutz BF4M2011 & Deutz TD2011 Engines	

SECTION 2 - TURNTABLE

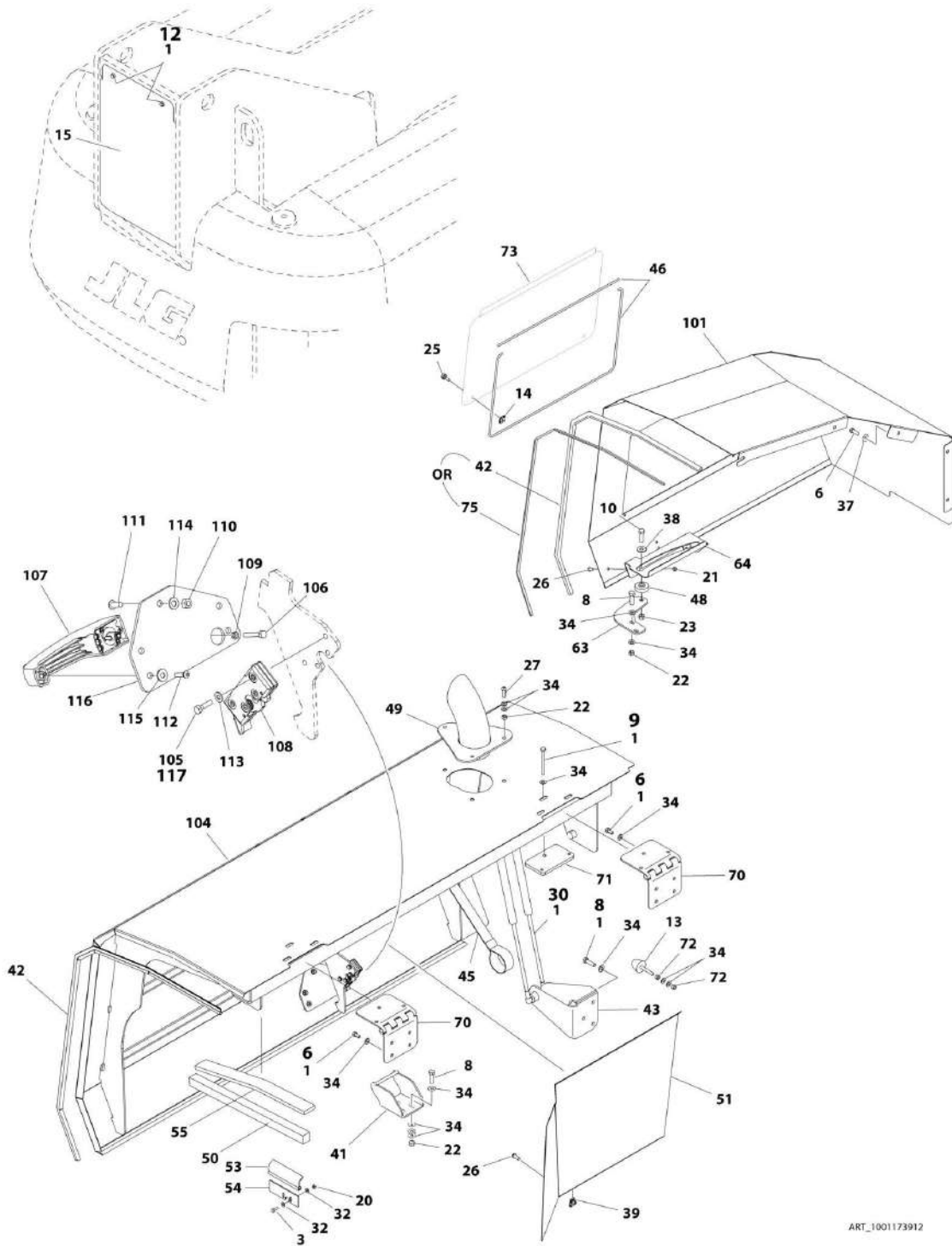
ITEM	PART NUMBER	QTY	DESCRIPTION	REV
37	1001139805	1	Machines with Deutz TCD2.9L4 Engines	
		Ref	Note: Replacement decals must be ordered separately - See DECAL SECTION.	
38		Ref	Stack, Exhaust Options:	
38	1001110027	1	Machines with Caterpillar, Deutz BF4M2011 & Deutz TD2011 Engines	
38	1001139778	1	Machines with Deutz TCD2.9L4 Engines	
39	1001110146	1	Support, Engine Side	
40	1001110166	9.5 ft/2.9m	Seal	
41	1001110194	1	Bracket, Striker	
42	3311805	1	Locknut 1/2in-13NC (SN 0300162522 through 0300195072)	
43	4751800	1	Flatwasher 1/2in Regular (SN 0300162522 through 0300195072)	
44	1001131460	1	Bracket, Engine Tray (SN 0300162522 through 0300195072)	
45	1001110257	1	Cover, Access (Tank Side)	
46	1001110258	1	Cover, Access (Engine Side)	
47	1001131462	1	Pad, Hood Slide (SN 0300162522 through 0300195072)	
48		Ref	Bracket, Hood Support Options:	
48A	1001110295	1	Bracket, Hood Support (Prior to SN 0300162522)	
48B	1001131461	1	Bracket, Hood Support (SN 0300162522 through 0300195072)	
49	1001110296	1	Bracket, Hood Support	
50	1001110433	9.5 ft/2.9m	Seal	
51	1001110486	1	Mount, Gas Spring	
52	3520034	2	Plug, Hole (Not Shown - Located on Inside Turntable)	
53	1001111585	1	Plate, Power Track Trough	
54	1001112162	1	Plate, Power Track Trough	
55	3760308	4	Retainer	
56	1001113047	17 ft/5.2m	Seal, Adhesive Backed	
57	1001112691	2	Strap, Hand Pull	
58	1001114098	1	Shield, Rubber	
59	3311505	4	Locknut 5/16in-18NC (SN 0300162522 through 0300195072)	
60	1001145162	1	Panel, Heat Deflector (Machines with Deutz TCD2.9L4 Engines)	
61	3311405	2	Locknut 1/4in-20NC (Machines with Deutz TCD2.9L4 Engines)	
62	0641406	2	Bolt 1/4in-20NC x 3/4in (Machines with Deutz TCD2.9L4 Engines)	
63	1001140483	1	Bracket (Machines with Deutz TCD2.9L4 Engines)	
64	1001140485	1	Seal (Machines with Deutz TCD2.9L4 Engines)	
65	1001146132	1	Seal (Machines with Deutz TCD2.9L4 Engines)	
66	1001146178	1	Seal (Machines with Deutz TCD2.9L4 Engines)	
67	1001146183	1	Plate (Machines with Deutz TCD2.9L4 Engines)	
68	1001146244	1	Seal (Machines with Deutz TCD2.9L4 Engines)	
69	8310658	5	Nut, Retainer (Machines with Deutz TCD2.9L4 Engines)	
70	1001174896	1	Kit Hood (Machines with Deutz TCD2.9L4 Engines) (Includes Items 24, 28, 35 & 37) (Not Shown) (SN 0300190842 through 0300195072)	
71	1001165676	1	Kit Hood (Machines with Caterpillar and Deutz TD2011 Engines) (Includes Items 24, 28, 35 & 37) (Not Shown) (SN 0300182763 through 0300195072)	
		Ref	HOOD COMPONENTS	
	1001107176	Ref	Tank Side Hood	F
		Ref	Engine Side Hood Options:	
	1001109989	Ref	Machines with Caterpillar, Deutz BF4M2011 & Deutz	F

SECTION 2 - TURNTABLE

ITEM	PART NUMBER	QTY	DESCRIPTION	REV
	1001139805	Ref	TD2011Engines	D
		Ref	Machines with Deutz TCD2.9L4 Engines	
		Ref	Note: Qtys shown are for 1 Side. Double qty for both sides.	
			Note: Replacement decals must be ordered separately - See DECAL SECTION.	
101	0100011	AR	Compound, Locking	
102	0100081	AR	Adhesive, Loctite #454	
103	0700616	1	Bolt 5/16in-18NC x 3/4in	
104	2560187	1	Handle, Push Button	
105	3290601	1	Nut M6	
106	3311505	18	Locknut 5/16in-18NC	
107	3340877	6	Pad	
108	3900363	2	Screw, Button Head M6 x 1x25mm	
109	4711500	18	Flatwasher 5/16in Thin	
110	4811900	2	Flatwasher M8	
111	1001107978	1	Mount, Handle	
112	1001108024	4	Bracket	
113	3900210	1	Screw, Button Head 5/16in-18NC x 3/4in	

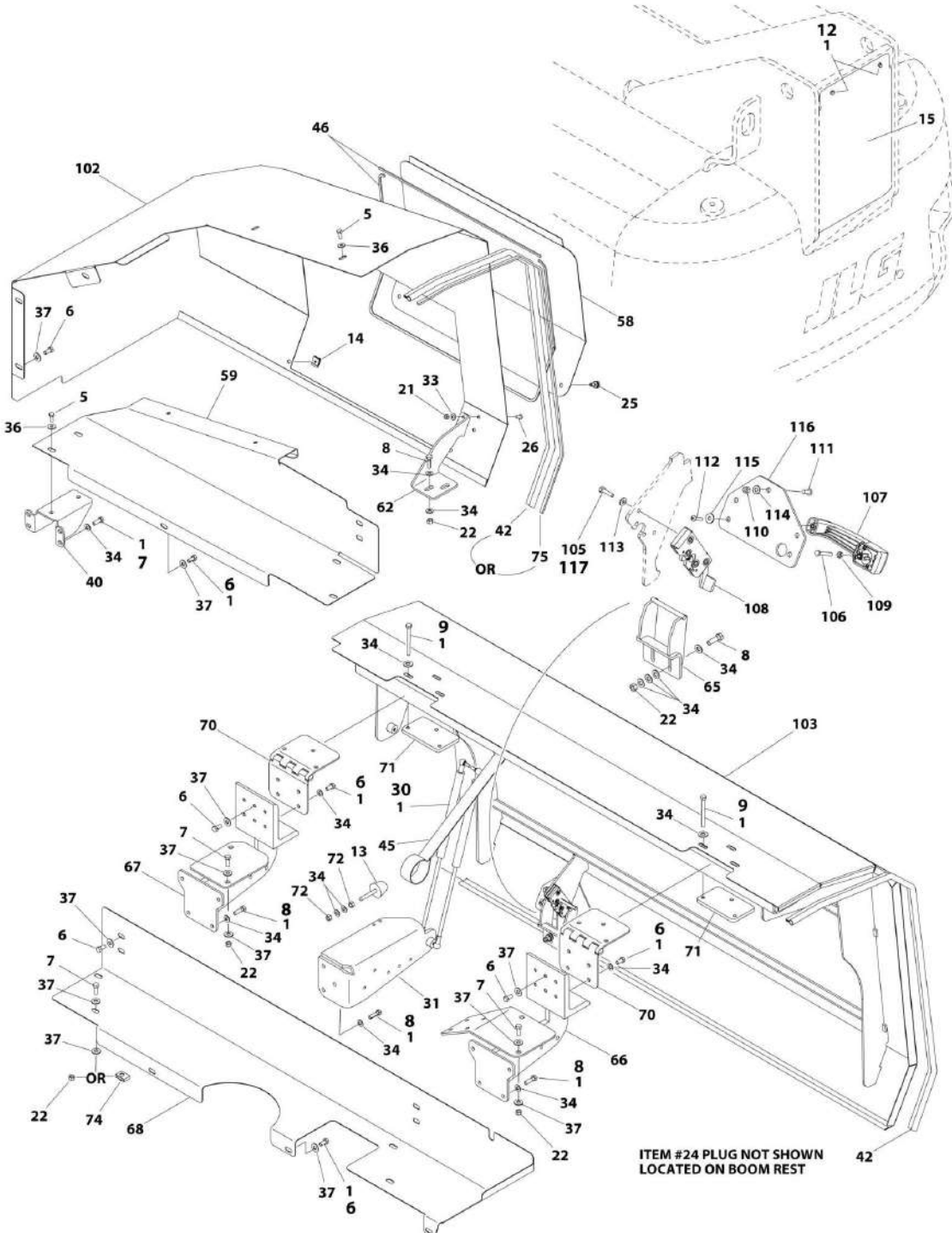
SECTION 2 - TURNTABLE

FIGURE 2-25. HOOD INSTALLATION (SN 0300195072 through 0300201016)



ART_1001173912

SECTION 2 - TURNTABLE



ART_1001173912

SECTION 2 - TURNTABLE

FIGURE 2-25. HOOD INSTALLATION (SN 0300195072 through 0300201016)

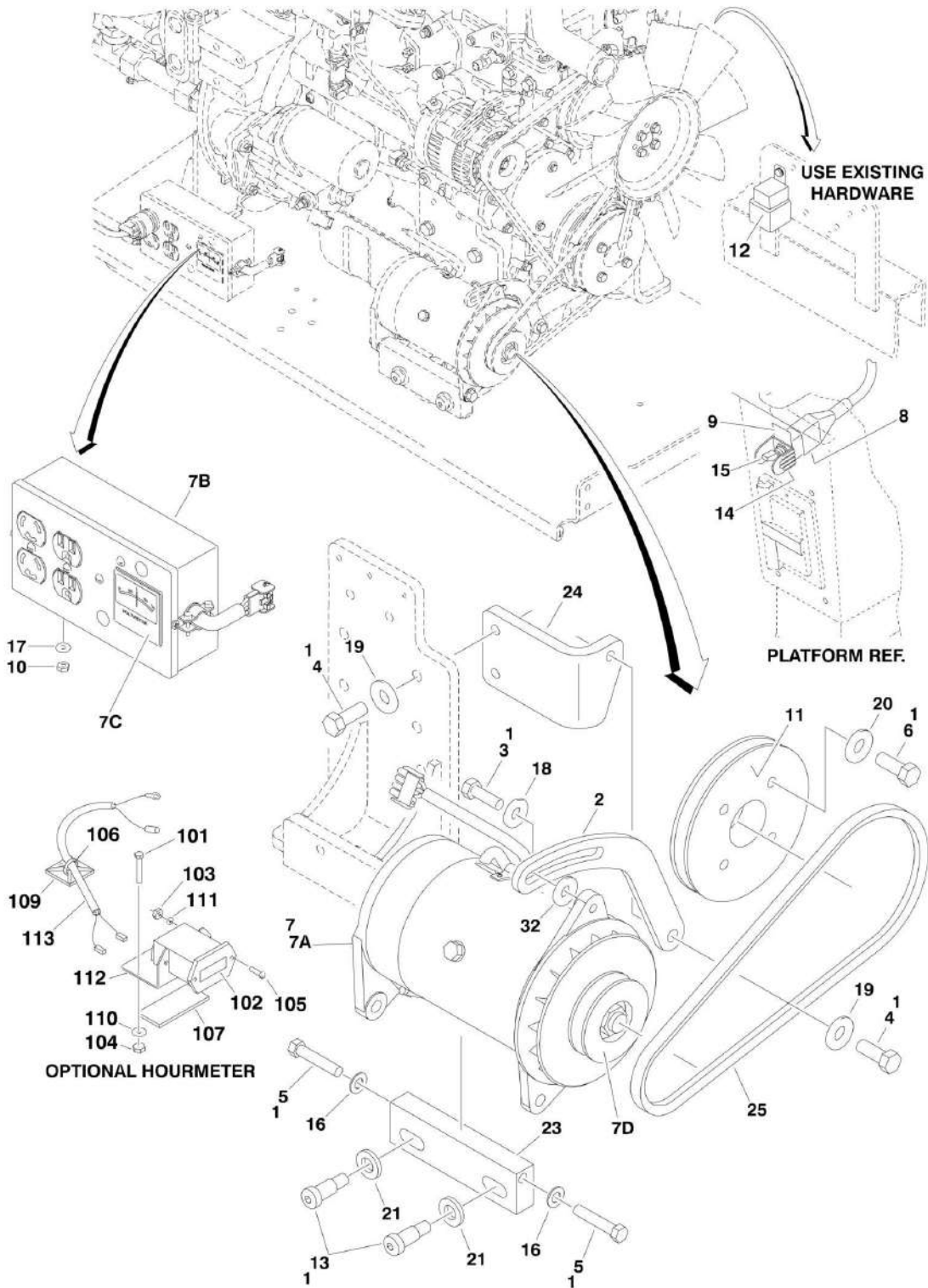
ITEM	PART NUMBER	QTY	DESCRIPTION	REV
		Ref	HOOD INSTALLATIONS	
	1001173912	Ref	Deutz TD2011 Engines	F
	1001173202	Ref	Deutz TCD2.9L4 Engines	F
		Ref	Note: Replacement Decals Must be Ordered Separately - See DECAL SECTION.	
1	0100011	AR	Compound, Locking	
3	0641406	2	Bolt, 1/4-20 X 3/4 (SN 0300196322 through 0300201016)	
5	0641506	4	Bolt, 5/16-18 x 3/4	
6	0641606	32	Bolt, 3/8-16 X 3/4	
7	0641608	8	Bolt, 3/8-16 X 1	
8	0641610	23	Bolt, 3/8-16 X 1-1/4	
9	0641630	12	Bolt, 3/8-16 X 3-3/4	
10	0641813	1	Bolt, 1/2-13 X 1-5/8	
12	0791604	2	Screw, 3/8-16 X 1/2	
13	0940071	2	Bumper, Rubber (Prior to SN 0300199529)	
14	1380169	4	Clip	
15	1671038	1	Cover	
20	3311405	2	Nut, Lock 1/4-20 (SN 0300196322 through 0300201016)	
21	3311505	5	Nut, Lock, 5/16-18	
22	3311605	AR	Nut, Lock, 3/8-16	
23	3311805	1	Nut, Lock, 1/2-13	
24	3520034	2	Plug, Hole	
25	3900174	4	Screw, Thumb	
26	3900210	AR	Screw, Button Head 5/16-18 x 3/4	
27	3900232	3	Screw, Button Head 3/8-16 x 1-1/4	
30	4160194	4	Spring, Gas	
31	4340999	1	Mount, Gas Spring	
32	4711400	4	Washer, 1/4 (SN 0300196322 through 0300201016)	
33	4711500	2	Washer, 5/16	
34	4711600	AR	Washer, 3/8	
36	4751500	4	Washer, 5/16	
37	4751600	AR	Washer, 3/8	
38	4751800	1	Washer, 1/2	
39	8310658	5	Nut, Retainer,.312-18 X 1	
40	1001109759	1	Support, Power Track Trough	
41	1001110194	1	Bracket, Striker	
42	1001110433	AR	Seal	
43	1001110486	1	Mount, Gas Spring	
45	1001112691	2	Strap, Hand Pull	
46	1001113047	14.5 ft/4.42mm	Seal	
48	1001131462	1	Pad, Hood Slide	
49	1001110027	1	Stack, Exhaust (Deutz TD2011 Engines)	
49	1001139778	1	Stack, Exhaust (Deutz TCD2.9L4 Engines)	
50	1001140485	1	Seal	
51	1001145162	1	Panel, Heat Deflector	
53	1001146178	1	Seal (Deutz TCD2.9L4 Engines) (SN 0300196322 through 0300201016)	
54	1001146183	1	Plate (Deutz TCD2.9L4 Engines) (SN 0300196322 through 0300201016)	

SECTION 2 - TURNTABLE

ITEM	PART NUMBER	QTY	DESCRIPTION	REV
55	1001146244	1	Seal	
58	1001173166	1	Cover, Access (Tank Side)	
59	1001173170	1	Plate, Power Track Trough	
62	1001173185	1	Plate, Mounting	
63	1001173186	1	Bracket, Engine Tray	
64	1001173187	1	Bracket, Engine Tray	
65	1001173188	1	Bracket, Hood Latch	
66	1001173647	1	Support, Front Hood	
67	1001173651	1	Support, Front Hood	
68	1001175859	1	Plate, Power Track Trough	
70	1001175879	4	Hinge, Offset Hood	
71	1001175880	4	Plate	
72	3311601	4	Nut, 3/8-16 (Prior to SN 0300199529)	
73	1001180051	1	Cover, Access (Engine Side)	
74	88662523	4	Nut, Tinnerman (SN 0300199529 through 0300201016)	
75	4060803	10 ft /3.05m	Trim, Flex (SN 0300196322 through 0300199528)	
75	3960447	10 ft /3.05m	Seal, Self-Gripping (SN 0300199529 through 0300201016)	
100	1001175250	1	Kit, Hood (Deutz TD2011 Engines)	
100	1001175237	1	Kit, Hood (Deutz TCD2.9L4 Engines)	
101	1001173163	1	Hood, Engine Side - Rear	
102	1001173164	1	Hood, Tank Side - Rear	
103	1001173183	1	Hood, Tank Side - Front	
104	1001174331	1	Hood, Engine Side - Front (Deutz TD 2011 Engines)	
104	1001173184	1	Hood, Engine Side - Front (Deutz TCD2.9L4 Engines)	
105	0641408	8	Bolt, 1/4-20 x 1	
106	0700616	2	Bolt, M6 x 40	
107	2560187	2	Handle, Push Button	
108	2940173	2	Latch, Rotary	
109	3290601	2	Nut, M6	
110	3311505	6	Nut, Lock, 5/16-18NC	
111	3900210	6	Screw, Button Head 5/16-18 x 3/4	
112	3900363	4	Screw, Button Head M6 x 1x25	
113	4711400	8	Washer, 1/4	
114	4711500	6	Washer, 5/16	
115	4751400	4	Washer, 1/4	
116	1001116290	2	Plate, Latch Mounting	
117	0100011	1	Compound, Locking	

SECTION 2 - TURNTABLE

FIGURE 2-26. 2500W GENERATOR INSTALLATION - CATERPILLAR MACHINES (OPTIONAL)



SECTION 2 - TURNTABLE

FIGURE 2-26. 2500W GENERATOR INSTALLATION - CATERPILLAR MACHINES (OPTIONAL)

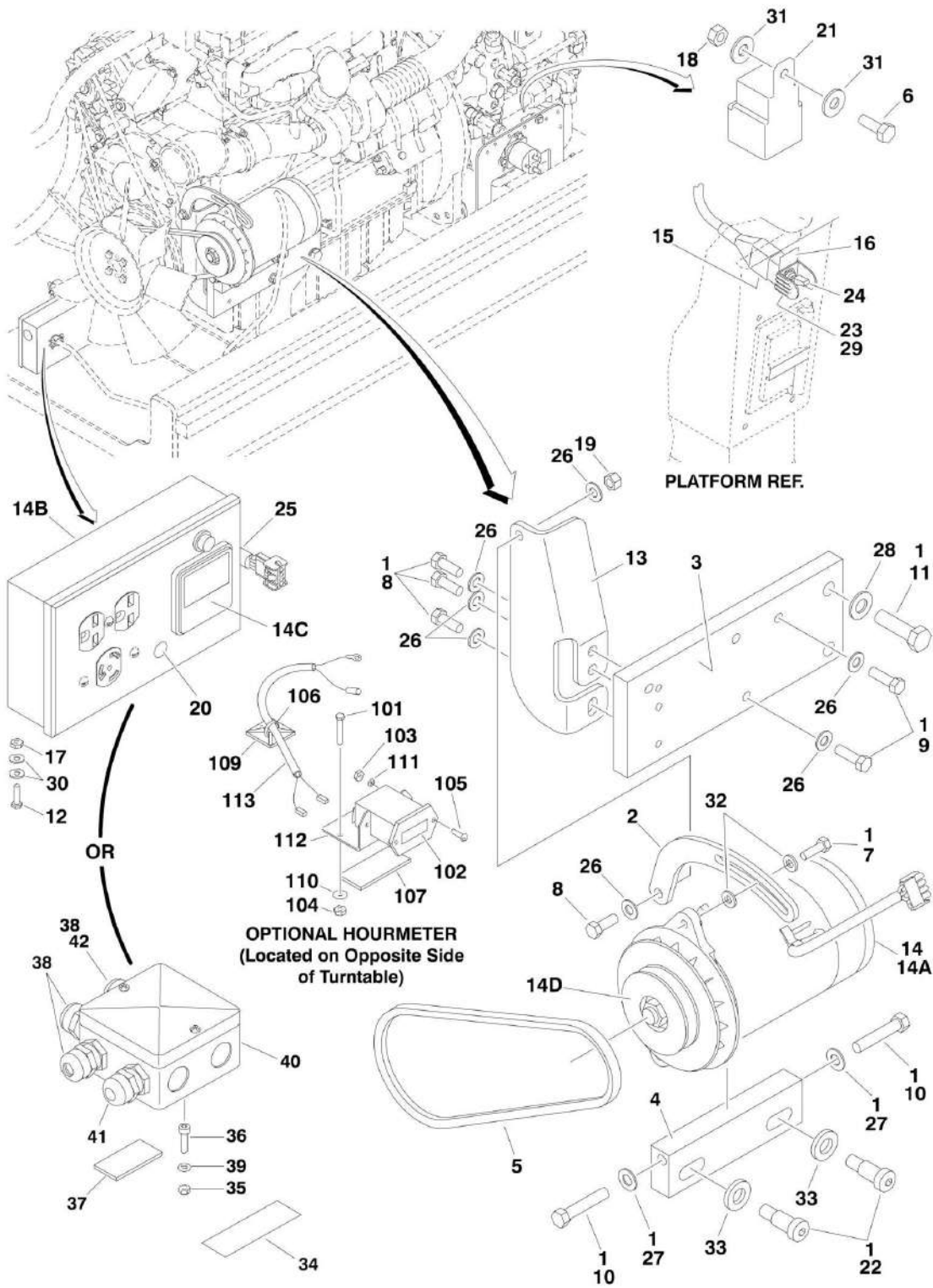
ITEM	PART NUMBER	QTY	DESCRIPTION	REV
		Ref	2500W GENERATOR INSTALLATION	
	1001117509	Ref	110Volt - 60Hz (ANSI and ANSI Export Specs Only)	B
1	0100011	AR	Compound, Locking	
2	0200530	1	Arm, Adjusting	
3	0641508	1	Bolt 5/16in-18NC x 1in	
4	0641608	3	Bolt 3/8in-16NC x 1in	
5	0641718	2	Bolt 7/16in-14NC x 2-1/4in	
6	0700816	4	Bolt, Metric M8 x 40mm	
7	2460055	1	Generator and Control Box Assembly	
7A	7012558	1	Generator - 110V/60Hz	
		Ref	Note: Replacement generators come standard with p/n 3580134 pulley. This pulley may not be correct for all applications. Refer to pulley options below for correct pulley.	
7A	7012513	4	Cap, Brush Holder	
7A	7020108	4	Brush	
7A	7020109	4	Holder, Brush	
7A	7012514	1	Fan	
7A	7020190	2	Bearing	
7A	7020110	1	End Bell, Front	
7A	7020111	1	End Bell, Rear	
7B	7019680	1	Box, Control - 110V/60Hz	
7B	4360542	1	Breaker, Circuit	
7B	4460190	AR	Receptacle, Double (110V)	
7B	4460027	AR	Receptacle, Double Twist Lock (110V)	
7C	2420203	AR	Voltmeter - 110V/60Hz	
7D	3580276	1	Pulley	
7D	7027887	1	Key, Woodruff	
8	2820031	AR	Heatshrink	
9	3251102	1	Nameplate - Generator	
10	3311005	2	Locknut #10-24NC	
11	3580322	1	Pulley	
12	3740080	1	Relay	
13	3900322	2	Screw, Socket Head Shoulder	
14	4060802	1	Guard, Switch	
15	4360336	1	Switch, Toggle	
16	4711700	2	Flatwasher 7/16in Thin	
17	4751000	2	Flatwasher #10 Regular	
18	4751500	1	Flatwasher 5/16in Regular	
19	4751600	3	Flatwasher 3/8in Regular	
20	4811900	4	Flatwasher, M8	
21	4892000	2	Flatwasher 5/8in Hardened	
23	1001117641	1	Bar, Adjusting	
24	1001118180	1	Support, Adjusting	
25	0480122	1	Belt	
	1001103286	Ref	HOURLY METER INSTALLATION (OPTIONAL)	A
101	0720808	1	Screw #8-32 x 1in	
102	2420165	1	Hourmeter	
103	3310601	2	Nut #6-32	
104	3310805	1	Locknut #8-32	

SECTION 2 - TURNTABLE

ITEM	PART NUMBER	QTY	DESCRIPTION	REV
105	3910608	2	Screw #6-32 x 1/2in	
106	4240032	3	Strap, Tie	
107	4420060	3 in/7cm	Tape, Double-Sided	
108	4460018	1	Connector, Butt Splice (Not Shown)	
109	4460234	2	Mount, Tie Strap	
110	4750800	1	Flatwasher #8Washer	
111	4760600	2	Lockwasher #6	
112	1001094375	1	Bracket, Hourmeter	
113	1001094509	1	Harness, Hourmeter	

SECTION 2 - TURNTABLE

FIGURE 2-27. 2500W GENERATOR INSTALLATION - DEUTZ MACHINES (OPTIONAL)



SECTION 2 - TURNTABLE

FIGURE 2-27. 2500W GENERATOR INSTALLATION - DEUTZ MACHINES (OPTIONAL)

ITEM	PART NUMBER	QTY	DESCRIPTION	REV
		Ref	Note: For Module Identification, refer to Revision Log page A.	
		Ref	GENERATOR INSTALLATION - DEUTZ	
		Ref	110V/60Hz (ANSI and ANSI Export Specs)	
	0272094	Ref	Without UGM (Prior to SN 0300080338)	D
	0274083	Ref	Without UGM (SN 0300080338 through 0300201016)	B
	1001125425	Ref	With UGM	A
		Ref	110V/50Hz (CE Spec)	
	0272715	Ref	Without UGM (Prior to SN 0300080338)	B
	0274101	Ref	Without UGM (SN 0300080338 through 0300129805)	B
	1001100500	Ref	Without UGM (SN 0300129806 through 0300201016)	C
	1001125429	Ref	With UGM	A
		Ref	220V/50Hz (CE Spec)	
	0272095	Ref	Without UGM (Prior to SN 0300080338)	C
	0274100	Ref	Without UGM (SN 0300080338 through 0300129805)	A
	1001100501	Ref	Without UGM (SN 0300129806 through 0300201016)	C
	1001125426	Ref	With UGM	A
1	0100011	AR	Compound, Locking	
2	0200742	1	Arm, Adjusting	
3	0363081	1	Bar, Mounting	
4	0363082	1	Bar, Adjusting	
5		Ref	Belt Options:	
5	0480127	1	ANSI and ANSI Export Specs	
5	0480122	1	CE Spec	
6	0641406	1	Bolt 1/4in-20NC x 3/4in	
7	0641508	1	Bolt 5/16in-18NC x 1in	
8	0641608	4	Bolt 3/8in-16NC x 1in	
9	0641610	2	Bolt 3/8in-16NC x 1-1/4in	
10	0641718	2	Bolt 7/16in-14NC x 2-1/4in	
11	0701418	2	Bolt M14 x 50mm	
12	0721006	2	Screw #10-24NC x 3/4in (Prior to SN 0300080338)	
13	0902813	1	Bracket, Arm Mounting	
14		Ref	Generator and Control Box Assembly Options:	
14		Ref	110V/60Hz Assembly (ANSI and ANSI Export Specs)	
14	2460032	1	Generator and Control Box Assembly (Prior to SN 0300080338)	
14	2460055	1	Generator and Control Box Assembly (SN 0300080338 through 0300201016)	
14		Ref	110V/50Hz Assembly (CE Spec)	
14	2460039	1	Generator and Control Box Assembly (Prior to SN 0300080338)	
14	2460057	1	Generator and Control Box Assembly (SN 0300080338 through 0300129805)	
14	2460049	1	Generator and Control Box Assembly (Generator Only) (SN 0300129806 through 0300201016)	
14		Ref	220V/50Hz Assembly (CE Spec)	
14	2460013	1	Generator and Control Box Assembly (Prior to SN 0300080338)	
14	2460056	1	Generator and Control Box Assembly (SN 0300080338 through 0300129805)	
14	1001100321	1	Generator and Control Box Assembly (Generator Only) (SN 0300129806 through 0300201016)	

SECTION 2 - TURNTABLE

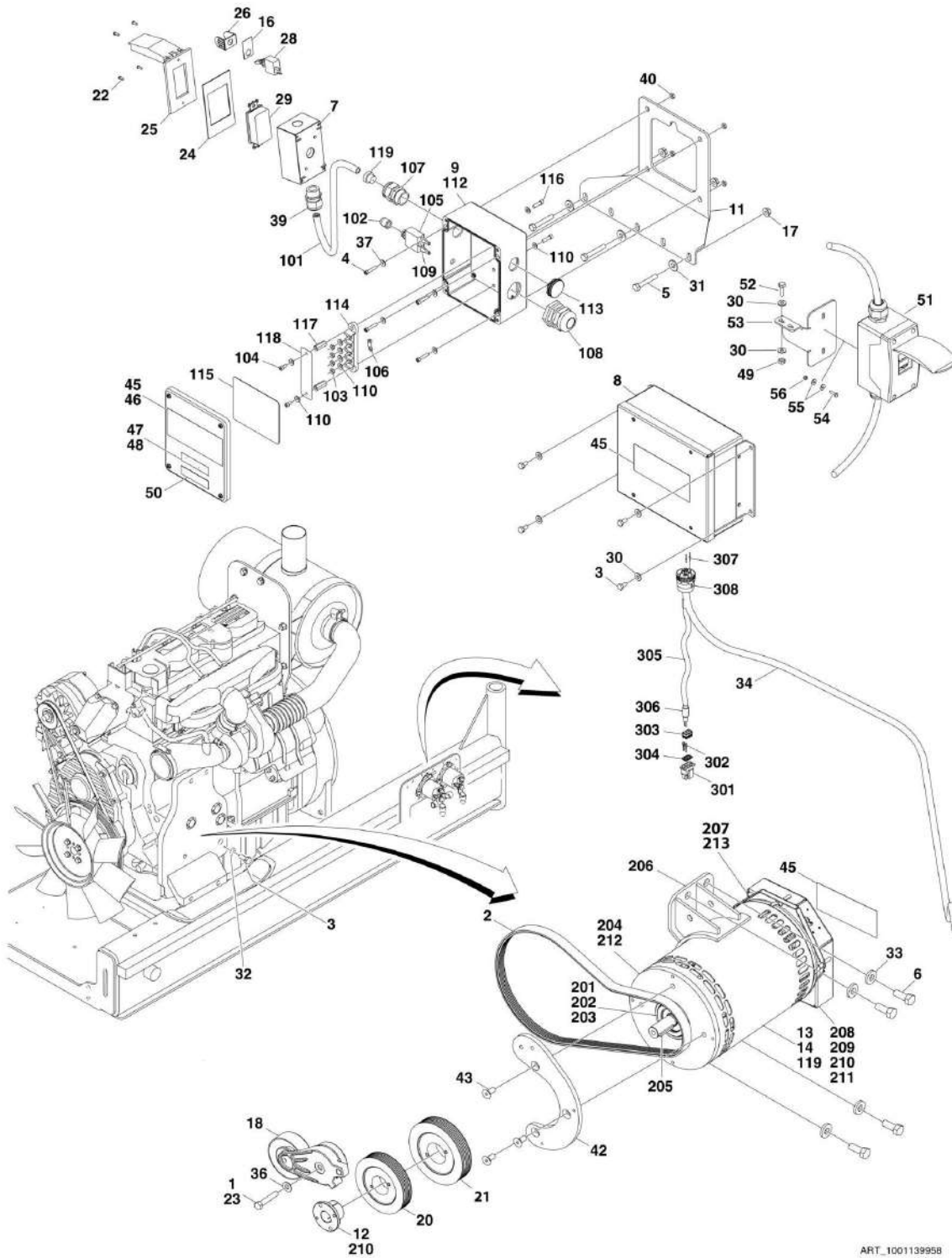
ITEM	PART NUMBER	QTY	DESCRIPTION	REV
14A		Ref	Generator Options:	
14A	7012558	1	110V/60Hz	
14A	2460049	1	110V/50Hz	
14A	1001100321	1	220V/50Hz	
		Ref	Note: Replacement generators come standard with p/n 3580134 pulley. This pulley may not be correct for all applications. Refer to pulley options below for correct pulley.	
14A	7012513	4	Cap, Brush Holder	
14A	7020108	4	Brush	
14A	7020109	4	Holder, Brush	
14A	7012514	1	Fan	
14A	7020190	2	Bearing	
14A	7020110	1	End Bell, Front	
14A	7020111	1	End Bell, Rear	
14B		Ref	Box, Control Options (Not Used on CE Spec Machines): (SN 0300129806 through 0300201016)	
14B	7003657	1	110V/60Hz (Prior to SN 0300080338)	
14B	7019680	1	110V/60Hz (SN 0300080338 through 0300201016)	
14B	70002239	1	110V/50Hz (Prior to SN 0300080338)	
14B	7019680	1	110V/50Hz (SN 0300080338 through 0300129806)	
14B	70002235	1	220V/50Hz (Prior to SN 0300080338)	
14B	70000127	1	220V/50Hz (SN 0300080338 through 0300129806)	
14B		Ref	Breaker, Circuit Options:	
14B	4360542	1	110V/60Hz	
14B	70002240	1	110V/50Hz (Prior to SN 0300080338)	
14B	4360542	1	110V/50Hz (SN 0300080338 through 0300129805)	
14B	70000126	1	220V/50Hz (Prior to SN 0300129806)	
14B	4460190	AR	Receptacle, Double (110V)	
14B	4460027	AR	Receptacle, Double Twist Lock (110V)	
14B	70000124	1	Receptacle, Double (220V)	
14B	70000125	1	Receptacle, Single Twist Lock (220V)	
14B	2920162	1	Lamp Assembly (Prior to SN 0300080338)	
14B	7020191	1	Switch, Toggle (Prior to SN 0300080338)	
14C		Ref	Voltmeter Options (Not Used on CE Spec Machines): (SN 0300129806 through 0300201016)	
14C	2420203	1	110V	
14C	7020192	1	220V	
14D		Ref	Pulley Options:	
14D	3580276	1	110V/60Hz	
14D	3580134	1	110V/50Hz	
14D	3580134	1	220V/50Hz	
14D	7027887	1	Key, Woodruff	
15	2820031	AR	Heatshrink	
16	3251102	1	Nameplate - Generator	
17	3311005	2	Locknut #10-24NC	
18	3311405	1	Locknut 1/4in-20NC	
19	3311605	1	Locknut 3/8in-16NC	
20	3520028	1	Plug	
21	3740080	1	Relay	
22	3900322	2	Screw, Socket Head Shoulder	
23	4060802	1	Guard, Switch	

SECTION 2 - TURNTABLE

ITEM	PART NUMBER	QTY	DESCRIPTION	REV
24	4360336	1	Switch, Toggle	
25	4460023	1	Connector, Terminal (Prior to SN 0300080338)	
26	4711600	7	Flatwasher 3/8in Thin	
27	4711700	2	Flatwasher 7/16in Thin	
28	4711900	2	Flatwasher 9/16in Thin	
29	4740397	1	Spacer	
30	4751000	6	Flatwasher #10 Regular	
31	4751400	2	Flatwasher 1/4in Regular	
32	4891500	2	Flatwasher 5/16in Hardened	
33	4892000	2	Flatwasher 5/8in Hardened	
34		Ref	Decal, Voltage Options (CE Spec Only):	
34	1705325	1	110V	
34	3252507	1	220V	
35	3290505	1	Locknut M5 (CE Spec Only)	
36	4031608	1	Screw M5 x 20mm (CE Spec Only)	
37	4420060	1	Tape, Double-Sided (CE Spec Only)	
38	4460968	3	Relief, Strain (CE Spec Only)	
39	4811600	1	Flatwasher M5 (CE Spec Only)	
40	1001099869	1	Box, Junction (CE Spec Only)	
41		Ref	Light, Red Options (CE Spec Only):	
41	1001100233	1	110V	
41	1001100234	1	220V	
42	0962449	1	Bushing, Silicone (CE Spec Only)	
	1001103286	Ref	HOURLY METER INSTALLATION (OPTIONAL)	A
101	0720808	1	Screw #8-32 x 1in	
102	2420165	1	Hourmeter	
103	3310601	2	Nut #6-32	
104	3310805	1	Locknut #8-32	
105	3910608	2	Screw #6-32 x 1/2in	
106	4240032	3	Strap, Tie	
107	4420060	3 in/7cm	Tape, Double-Sided	
108	4460018	1	Connector, Butt Splice (Not Shown)	
109	4460234	2	Mount, Tie Strap	
110	4750800	1	Flatwasher #8 Regular	
111	4760600	2	Lockwasher #6	
112	1001094375	1	Bracket, Hourmeter	
113	1001094509	1	Harness, Hourmeter	

SECTION 2 - TURNTABLE

FIGURE 2-28. 4000W GENERATOR INSTALLATION - DEUTZ MACHINES



ART_1001139958

SECTION 2 - TURNTABLE

FIGURE 2-28. 4000W GENERATOR INSTALLATION - DEUTZ MACHINES

ITEM	PART NUMBER	QTY	DESCRIPTION	REV
		Ref	4000W GENERATOR INSTALLATION - DEUTZ	
	1001139958	Ref	60Hz Spec (TD2011 Engines)	A
	1001171130	Ref	60Hz Spec (TCD2.9L4 Engines)	A
	1001139959	Ref	50Hz Spec (TD2011 Engines)	B
	1001171273	Ref	50Hz Spec (TCD2.9L4 Engines)	A
		Ref	Note: See ELECTRICAL SECTION for Boom Cable Installation.	
1	0100011	AR	Compound, Locking	
2		Ref	Belt, Generator Options:	
2	0480128	1	60Hz Spec (TD2011 Engines)	
2	1001142645	1	60Hz Spec (TCD2.9L4 Engines)	
2	1001136356	1	50Hz Spec (TD2011 Engines)	
	1001136357	1	50Hz Spec (TCD2.9L4 Engines)	
3	0641404	5	Bolt 1/4in-20NC x 1/2in	
4	3931016	4	Screw, Socket head, 1/4in-20NC x 1in	
5	0641516	3	Bolt, 5/16in-18NC x 2in	
6	0641810	4	Bolt 1/2in-13NC x 1-1/4in	
7		Ref	Box, Switch-Weatherhead Options:	
7	0860038	1	60Hz Spec	
7	Note	1	50Hz Spec (Note: Not Available - Purchase Locally)	
8	1001138566	1	Box, Generator Control	
9	1001152457	1	Box, Junction Assembly (60Hz Spec Only) (See items 101-119 for Breakdown)	
9	1001152458	1	Box, Junction Assembly (50Hz Spec Only) (See items 101-119 for Breakdown)	
11	0902888	1	Bracket, Generator Junction Box	
12	0962520	1	Bushing, Taper	
		Ref	Generator, 4000W Assembly Options: (See items 200 – 213 for Breakdown)	
13	1001129858	1	60Hz Spec (TD2011 Engines)	
13	1001140346		60Hz Spec (TCD2.9L4 Engines)	
14	1001138565	1	50Hz Spec (TD2011 Engines)	
14	1001140347		50Hz Spec (TCD2.9L4 Engines)	
15	2820031	AR	Insulator, Heat Shrink (Not Shown)	
16	3251102	1	Nameplate, Generator	
17	3311508	3	Nut, 5/16in-18NC Serrated Flange	
18	3580317	1	Pully, Belt Tensioner	
19		Ref	Pully, Generator Options:	
20	3580318	1	60Hz Spec	
21	3580319	1	50Hz Spec	
22	3910606	4	Screw, Round Head 6-32NC x 3/8in (60Hz Spec Only)	
23	0641616	AR	Bolt, 3/8-16NC x 2in	
24	3960422	1	Gasket, AC Receptacle (60Hz Spec Only)	
25	1001110873	1	Cover, Gang Vertical Receptacle GFCI (60Hz Spec Only)	
26	4060802	1	Guard, Switch	
27	4240018	AR	Strap, Tie (Not Shown)	
28	4360336	1	Switch, Toggle	
29	4460346	1	Terminal, Receptacle (60Hz Spec Only)	
30	4711400	AR	Flatwasher 1/4in Thin	
31	4751500	AR	Flatwasher 5/16in Regular	
32	4791400	2	Starwasher 1/4in	

SECTION 2 - TURNTABLE

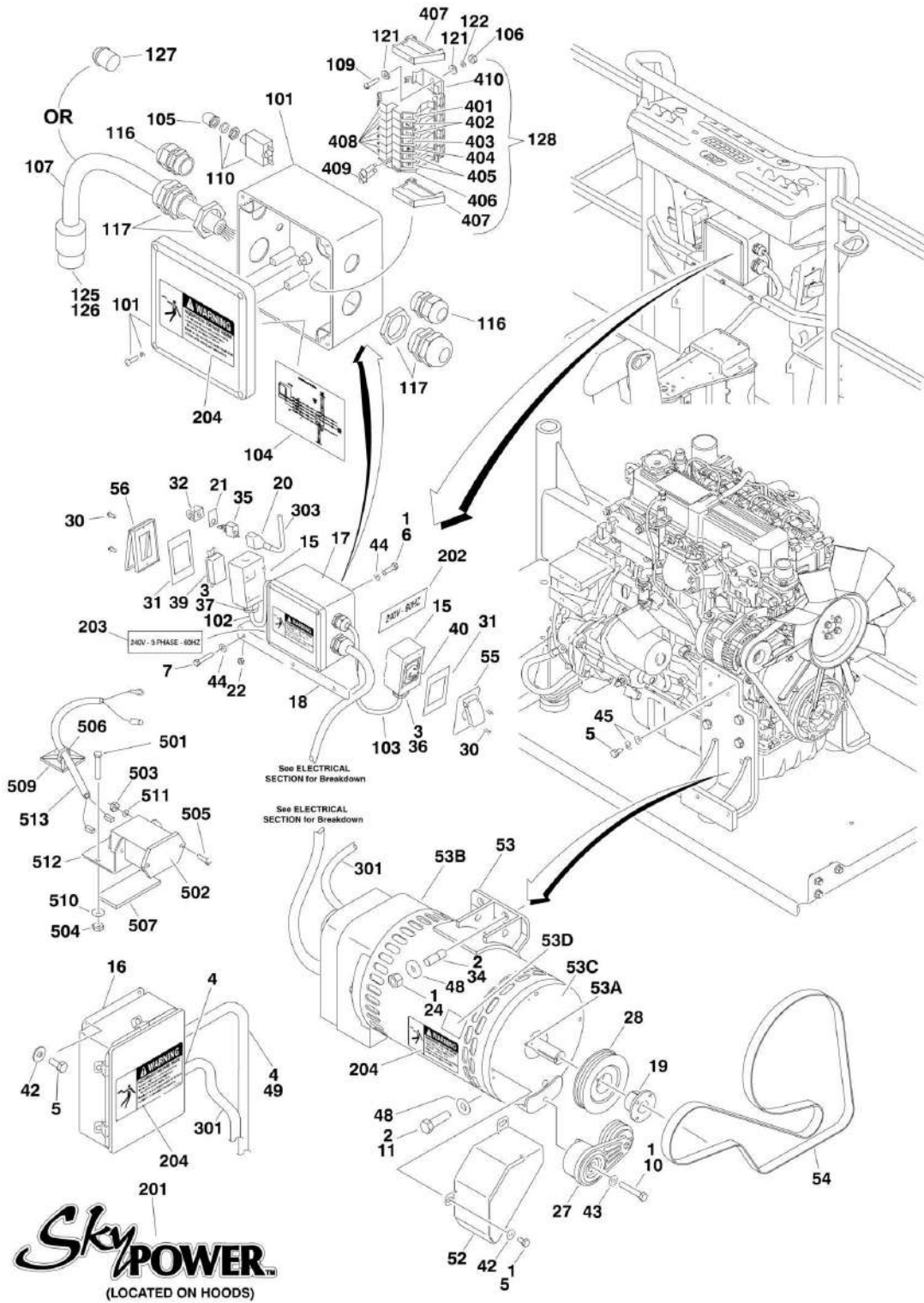
ITEM	PART NUMBER	QTY	DESCRIPTION	REV
33	4891800	4	Flatwasher 1/2in Hardened	
34	1001152533	1	Harness, Generator Cable (See items 301-308 for Breakdown)	
35		Ref	Diagram, Generator Wiring Options:	
35	1001153257	1	60HZ Specs (TD2011 Engines)	
35	1001132055	1	60HZ Specs (TCD2.9L4 Engines)	
36	4711600	1	Flatwasher 3/8in Thin	
37	4751000	AR	Flatwasher #10, Wide	
38	0100020	AR	Sealant, Pipe (Not Shown)	
39	4460071	1	Connector, Strain Relief (60Hz Spec Only)	
40	3311005	4	Lock nut, 10-24NC GR2	
41		Ref	Mount, Generator Tensioner Options:	
42	1001139357	1	60Hz / 50Hz Spec (TD2011 Engines)	
42	1001138011	1	60Hz / 50Hz Spec (TCD2.9L4 Engines)	
43	0741607	3	Screw, Flat head, 3/8-16NC x .88in	
44		Ref	Decal, Hazardous Voltage Options:	
45	1705387	3	60Hz Spec	
46	1705489	3	50Hz Spec	
47	3251243	1	Decal, 120V-60Hz (60Hz Spec Only)	B
48	3251242	1	Decal, 240V-50Hz (50Hz Spec Only)	B
49	3311405	2	Locknut, 1/4-20NC GR2	
50	1705374	1	Decal, 240V-60Hz (60Hz Spec Only)	
51	1001165368	1	Kit, Box and Breaker (50Hz Spec Only) (See ELECTRICAL SECTION for Breakdown)	
52	0641407	2	Bolt, 1/4-20NC x 7/8in (50Hz Spec Only)	
53	1001094915	1	Bracket, AC Breaker Box (50Hz Spec Only)	
54	4010408	2	Screw M4 x 16 (50Hz Spec Only)	
55	1001091102	4	Washer, M4 (50Hz Spec Only)	
56	3290405	2	Nut, Lock M4 (50Hz Spec Only)	
		Ref	JUNCTION BOX ASSEMBLY	
	1001152457	Ref	60Hz Spec	A
	1001152458	Ref	50Hz Spec	A
101	1001179154	2.5 ft	Cable, 12/3	
102	3300396	1	Cover, Fuse	
103	3311001	4	Nut, 10-24UNC GR2	
104	3900300	2	Screw, Spec, Cap	
105	4360070	1	Circuit Breaker, 15 AMP	
106	4460068	3	Terminal, Ring	
107	4460425	1	Terminal, Strain Relief	
108	4460426	1	Connector, Strain Relief	
109	4460483	2	Terminal	
110	4711000	AR	Flatwasher, #10 Thin	
111	4920044	0.5 ft	Wire, 12GA, Black	
112	1001152456	1	Box, Junction	
113		Ref	Plug, Hole Pluggit Options:	
113	1001152525	1	60Hz Spec	
113	1001155813	1	50Hz Spec	
113	1001148648	1	50Hz Spec	
114	1001152530	1	Terminal, Block, 4 pole	
115	1001153260	1	Decal, Wiring 4000W Generator	
116	3900267	2	Screw, Spec, Cap	
117	1001158008	2	Standoff, female, threaded	
118	1001158363	1	Plate, Cover, PVC	

SECTION 2 - TURNTABLE

ITEM	PART NUMBER	QTY	DESCRIPTION	REV
119	3520192	1	Plug, Hole	
		Ref	4000W GENERATOR ASSEMBLY	
	1001129858	Ref	60Hz Spec (TD2011 Engines)	
	1001140346	Ref	60Hz Spec (TCD2.9L4 Engines)	
	1001138565	Ref	50Hz Spec (TD2011 Engines)	
	1001140347	Ref	50Hz Spec (TCD2.9L4 Engines)	
201	70003709	1	Ring, Retaining	
202	70003708	1	Ring, Retaining	
203	70001966	1	Bearing, Ball	
204	70004092	1	Endbell	
205		Ref	Key Options	
205	70004171	1	60Hz / 50Hz Spec (TD2011 Engines)	
205	70004099	1	60Hz / 50Hz Spec (TCD2.9L4 Engines)	
206		Ref	Stator, Generator 4000W Options:	
206	70004684	1	60Hz Spec (TD2011 Engines)	
206	70004687	1	60Hz Spec (TCD2.9L4 Engines)	
206	70004677	1	50Hz Spec (TD2011 Engines)	
206	70004686	1	50Hz Spec (TCD2.9L4 Engines)	
207	70004678	1	Endbell	
208	70004680	1	Enclosure	
209		Ref	Cover, Enclosure	
209	70004685	1	60Hz Spec	
209	70004681	1	50Hz Spec	
210	70004682	1	Protector, Supplementary, Manual reset	
211		Ref	Bushing, Strain Relief Options:	
211	70004098	1	60Hz Spec	
211	70004683	1	50Hz Spec	
212	70004676	1	Rotor Assembly	
213	70004679	1	Cover, Endbell	
	1001152533	Ref	GENERATOR HARNESS CABLE	
301	4460225	1	Socket, Female	
302	4460268	2	Plug, Male 6 Position (Use with 4460225)	
303	4460807	1	Seal, Plug (Use with 4460225)	
304	4460808	1	Seal, Interface (Use with 4460225)	
305	1060341	8 ft	Cable, 16/2	
306	2820019	AR	Insulator, Heat Shrink	
307	4460465	2	Socket, Female	
308	7733233	1	Connector, Deutsch HD16-6-96S	

SECTION 2 - TURNTABLE

FIGURE 2-29. 7500W SKYPOWER GENERATOR INSTALLATION - CATERPILLAR MACHINES



SECTION 2 - TURNTABLE

FIGURE 2-29. 7500W SKYPOWER GENERATOR INSTALLATION - CATERPILLAR MACHINES

ITEM	PART NUMBER	QTY	DESCRIPTION	REV
		Ref	7500W SKYPOWER GENERATOR INSTALLATION	
	1001117508	Ref	60Hz Spec	E
	1001121889	Ref	50Hz Spec	B
		Ref	Note: SkyPower Generator is Standard On ANSI and CSA Specs. Optional on All Other Specs.	
		Ref	Note: See ELECTRICAL SECTION for Boom Cable Installation.	
1	0100011	AR	Compound, Locking	
2	0100019	AR	Compound, Locking	
3	0100020	AR	Sealant, Pipe (Not Shown)	
4	0100048	AR	Grease, Dielectric	
5	0641404	AR	Bolt 1/4in-20NC x 1/2in	
6	0641508	4	Bolt 5/16in-18NC x 1in	
7	0641516	3	Bolt, 5/16in-18NC x 2in	
10	0641618	1	Bolt 3/8in-16NC x 2-1/4in	
11	0641810	2	Bolt 1/2in-13NC x 1-1/4in	
15		Ref	Box, Switch-Weatherhead Options:	
15	0860038	2	60Hz Spec	
15	See Note	2	50Hz Spec (Note: Not Available - Purchase Locally)	
16		Ref	Box, Generator Control Options:	
16	0861538	1	60Hz Spec	
16	0861572	1	50Hz Spec	
16	7024488	1	Card, Circuit - Generator Power (Not Shown)	
16	See Note	1	Fuse (Note: Not Available - Purchase Locally)	
16	7024489	1	Card, Circuit - Control (Not Shown)	
		Ref	Note: Same Circuit Card (P/N 7024489) is used for both 60Hz & 50Hz. When replacing card, rocker switch on card must be set for required application.	
16	70000619	1	Harness, Circuit Card	
17		Ref	Junction Box Assembly Options (See Items 101-128 for Breakdown):	
17	0861542	1	60Hz Spec	
17	0861567	1	50Hz Spec	
18	0902888	1	Bracket, Generator Junction Box	
19	0962520	1	Bushing, Taper	
20	2820031	AR	Insulator, Heat Shrink	
21	3251102	1	Nameplate, Generator	
22	3311508	3	Nut, 5/16in-18NC Serrated Flange	
24	3311801	2	Nut, 1/2in-13NC	
27	1001129733	1	Pulley, Belt Tensioner	
28		Ref	Pulley, Generator Options:	
28	3580318	1	60Hz Spec	
28	3580319	1	50Hz Spec	
30	3910606	AR	Screw, Round Head 6-32NC x 3/8in (60Hz Spec Only)	
31	3960422	2	Gasket, AC Receptacle (60Hz Spec Only)	
32	4060802	1	Guard, Switch	
33	4240018	AR	Strap, Tie (Not Shown)	
34	4300157	2	Stud	
35	4360336	1	Switch, Toggle	
36	4460051	1	Connector, Strain Relief (60Hz Spec Only)	
37	4460071	1	Connector, Strain Relief (60Hz Spec Only)	

SECTION 2 - TURNTABLE

ITEM	PART NUMBER	QTY	DESCRIPTION	REV
38	4460315	2	Terminal, Spade (Not Shown - Use 1 each with items 30 & 31) (60Hz Spec Only) (Prior to SN 0300181891)	
39	4460346	1	Terminal, Receptacle (60Hz Spec Only)	
40	4460958	1	Receptacle (60Hz Spec Only)	
42	4711400	AR	Flatwasher 1/4in Thin	
43	4711600	1	Flatwasher 3/8in Thin	
44	4751500	7	Flatwasher 5/16in Regular	
45	4791400	2	Starwasher 1/4in	
48	4891800	4	Flatwasher 1/2in Hardened	
49	4922972	1	Harness, Generator Cable	B
49	4460225	1	Plug, Male 6 Position (Plugs into Generator)	
49	4460226	6	Socket, Female (Use with 4460225)	
49	4460807	1	Seal, Plug (Use with 4460225)	
49	4460808	1	Seal, Interface (Use with 4460225)	
49	See Note	1	Connector, Female 6 Position (Plugs into Control Box) (Note: Not Available For Purchase)	
49	See Note	6	Pin, Male (Note: Not Available For Purchase)	
52	1001118599	1	Shield, Pulley (Prior to SN 0300172839)	
53	1001119250	1	Generator, 7500W	
53	70003631	1	Brushholder Assembly (Not Shown) (was p/n 7024484)	
53	70001966	1	Bearing, Ball Radial (Located In Belt Tensioner Endbell - Not Shown)	
53	7027799	1	Block, Connector 6 Position (Not Shown)	
53	70002460	1	Nut, Brass (Attaches p/n 7027799 to Cover) (Not Shown)	
53	7024485	1	Breaker, Circuit 30Amp (Not Shown)	
53	70001696	1	Boot, Breaker (Not Shown)	
53	70002297	AR	Stud 1/4in-20NC x 12-7/8in (Not Shown)	
53	7026188	1	Clamp, Cable (Not Shown)	
53	7026597	1	Connector with Leads (Not Shown)	
53	70001100	1	Rotor/Armature (Not Shown)	
53	70001384	1	Bearing, Ball Radial (Not Shown)	
53	70003451	1	Stator (Not Shown)	
53	70004170	1	Plate, End Panel (Not Shown) (was p/n 70001972)	
53	70000863	1	Fan (Not Shown)	
53	70001974	1	Decal - Terminal Connections (Not Shown)	
53A	70004171	1	Key (was p/n 7024561)	
53B	70004170	1	Endbell, Rear (Brush Block End) (was p/n 70001385)	
53B	70004170	1	Shroud, Endbell (was p/n 70002290)	
53B	70003452	1	Shroud, Endbell Panel	
53C	70003450	1	Endbell, Front (Tensioner End)	
53D	70001973	1	Decal - Warning Moving Parts	
54		Ref	Belt, Generator Options:	
54	1001119966	1	60Hz Spec	
54	1001121931	1	50Hz Spec	
55	1001110872	1	Cover, Receptacle (60Hz Spec Only)	
56	1001110873	1	Shield, Receptacle Cover (60Hz Spec Only)	
		Ref	JUNCTION BOX ASSEMBLY	
	0861542	Ref	60HZ Specs	D
	0861567	Ref	50HZ Specs	B
101	0861541	1	Box, Junction	
102		Ref	Cable, Electrical 12/3	
102	1060494	2 ft/.6m	60Hz Spec	

SECTION 2 - TURNTABLE

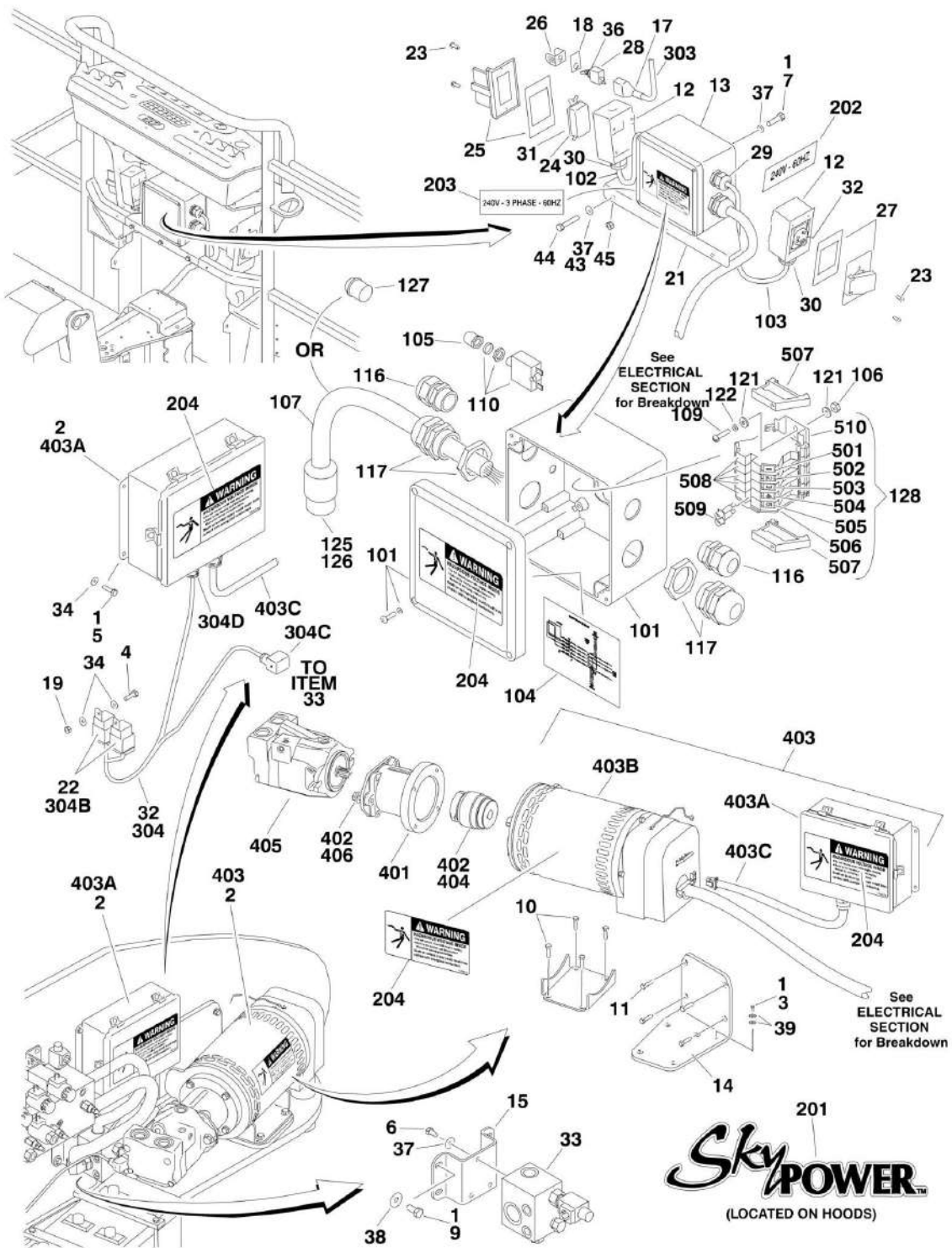
ITEM	PART NUMBER	QTY	DESCRIPTION	REV
102	See Note	2 ft/.6m	50Hz Spec (Note: Not Available - Purchase Locally)	
103		Ref	Cable, Electrical 10/3	
103	1060708	2.5 ft/.76m	60Hz Spec	
103	See Note	2.5 ft/.76m	50Hz Spec (Note: Not Available - Purchase Locally)	
104	1705376	1	Decal - Wiring Schematic	
105	3300396	1	Cover, Fuse	
106	3310601	2	Nut #6-32NC	
107	1060343	1.5 ft/.46m	Cable, Electrical 10/4 (60Hz Spec Only)	
109	3910610	2	Bolt #6-32NC x 5/8in	
110	4360070	1	Circuit Breaker - 15 Amp	
116	4460425	2	Strain Relief, Terminal	
117	4460426	2	Connector, Strain Relief	
121	4750600	4	Flatwasher, #6 Regular	
122	4760600	2	Lockwasher #6	
125	1671092	1	Cover (60Hz Spec Only)	
126	4460963	1	Connector (60Hz Spec Only)	
127	3520189	1	Plug (50Hz Spec Only)	
128	1001121340	1	Terminal Block Assembly (See Items 401-410 for Breakdown)	
		Ref	DECAL INSTALLATION	
	0272435	Ref	60Hz Spec	B
	0272589	Ref	50Hz Spec	A
201	1705460	2	Decal - SkyPower	
202	1705374	1	Decal - 240V - 60Hz (60Hz Spec Only)	
203		Ref	Decal - 240V - 3 Phase Options	
203	1705375	1	60Hz Spec	
203	1705461	1	50Hz Spec	
204		Ref	Decal, Hazardous Voltage Option	
204	1705387	3	60Hz Spec	
204	1705489	3	50Hz Spec	
	1001122528	Ref	ELECTRICAL DIAGRAM COMPONENTS	B
301	1001119968	1	Generator Harness	C
301A	4460967	1	Plug, Male - 3 Position (Not Shown)	
301A	4460465	6	Socket, Female	
301B	1001117078	1	Fuseholder w/Fuse (Not Shown)	
303	4922641	1	Switch Harness	
	1001121340	Ref	TERMINAL BLOCK ASSEMBLY	A
401	70002818	2	Marker Strip #1	
402	70002819	4	Marker Strip #2	
403	70002820	2	Marker Strip #3	
404	70002821	2	Marker Strip #4	
405	70002822	4	Marker Strip #5	
406	70002823	1	Terminal, End Barrier	
407	70002824	2	Terminal, End Block	
408	70002825	7	Terminal, Block	
409	70002826	2	Terminal, Cross Connector Jumper	
410	3641533	1	Rail, Relay	
	1001103286	Ref	HOURLY METER INSTALLATION (OPTIONAL)	A
501	0720808	1	Screw #8-32 x 1in	
502	2420165	1	Hourmeter	

SECTION 2 - TURNTABLE

ITEM	PART NUMBER	QTY	DESCRIPTION	REV
503	3310601	2	Nut #6-32	
504	3310805	1	Locknut #8-32	
505	3910608	2	Screw #6-32 x 1/2in	
506	4240032	3	Strap, Tie	
507	4420060	3 in/7cm	Tape, Double-Sided	
508	4460018	1	Connector, Butt Splice (Not Shown)	
509	4460234	2	Mount, Tie Strap	
510	4750800	1	Flatwasher #8 Regular	
511	4760600	2	Lockwasher #6	
512	1001094375	1	Bracket, Hourmeter	
513	1001094509	1	Harness, Hourmeter	

SECTION 2 - TURNTABLE

FIGURE 2-30. 7500W SKYPOWER GENERATOR INSTALLATION - DEUTZ MACHINES (HYDRAULICALLY DRIVEN) (Prior to SN 0300080338)



SECTION 2 - TURNTABLE

**FIGURE 2-30. 7500W SKYPOWER GENERATOR INSTALLATION - DEUTZ MACHINES
(HYDRAULICALLY DRIVEN) (Prior to SN 0300080338)**

ITEM	PART NUMBER	QTY	DESCRIPTION	REV
		Ref	7500W SKYPOWER GENERATOR INSTALLATION	
	0272375	Ref	7500W Skypower Generator Installation 1200SJP 60Hz Spec (Prior to SN 0300080338)	D
	0272629	Ref	7500W Skypower Generator Installation 1200SJP 50Hz Spec (Prior to SN 0300080338)	D
	0272208	Ref	7500W Skypower Generator Installation 1350SJP 60Hz Spec (Prior to SN 0300080338)	D
	0272628	Ref	7500W Skypower Generator Installation 1350SJP 50Hz Spec (Prior to SN 0300080338)	C
		Ref	Note: SkyPower Generator is Standard On ANSI and CSA Specs. Optional on All Other Specs.	
		Ref	Note: See ELECTRICAL SECTION for Boom Cable Installation.	
1	0100011	AR	Compound, Locking	
2		Ref	Generator Assembly (See Items 401-406 for Breakdown)	
2	0272207	1	60Hz Spec	
2	0272631	1	50Hz Spec	
3	0641405	1	Bolt, 1/4in-20NC x 5/16in	
4	0641407	2	Bolt, 1/4in-20NC x 7/8in	
5	0641408	4	Bolt, 1/4in-20NC x 1in	
6	0641505	3	Bolt, 5/16in-18NC x 5/8in	
7	0641508	4	Bolt, 5/16in-?8NC x 1in	
9	0641606	4	Bolt, 3/8in-16NC x 3/4in	
10	0791606	4	Bolt, 3/8in -16NC x 3/4in	
11	0791610	4	Bolt, 3/8in-16NC x 1-1/4in	
12		Ref	Box, Switch Options:	
12	0860038	2	60Hz Spec	
12	See Note	2	50Hz Spec (Note: Not Available - Purchase Locally)	
13		Ref	Box, Junction Assembly (See Items 101-128 for Breakdown)	
13	0861542	1	60Hz Spec	
13	0861567	1	50Hz Spec	
14	0902857	1	Bracket	
15	0902858	1	Bracket	
17	2820031	0.33 ft/10cm	Insulator, Heat Shrink	
18	3251102	1	Nameplate, Generator	
19	3311405	2	Locknut, 1/4in-20NC	
21		Ref	Bracket Options:	
21	3573668	1	Bracket (Use p/n 0902888) (Prior to SN 0300070981)	
21	0902888	1	Bracket (SN 0300070981 through 0300080338)	
22	3740080	2	Relay	
23	3910612	4	Bolt, #6-32NF x 3/4in	
24		Ref	Gasket, Receptacle Options:	
24	3960422	2	60Hz Spec	
24	See Note	2	50Hz Spec (Note: Not Available - Purchase Locally)	
25		Ref	Shield, Receptacle Cover Options:	
25	4060700	1	60Hz Spec	
25	See Note	1	50Hz Spec (Note: Not Available - Purchase Locally)	
26	4060802	1	Guard, Switch	
27		Ref	Cover, Receptacle Options:	

SECTION 2 - TURNTABLE

ITEM	PART NUMBER	QTY	DESCRIPTION	REV
27	4061043	1	60Hz Spec	
27	See Note	1	50Hz Spec (Note: Not Available - Purchase Locally)	
28	4360336	1	Switch, Toggle	
29		Ref	Connector Options:	
29	4460051	2	60Hz Spec	
29	See Note		50Hz Spec (Note: Not Available - Purchase Locally)	
30		Ref	Terminal, Spade Options:	
30	4460315	2	60Hz Spec (Prior to SN 0300181891)	
30	See Note		50Hz Spec (Note: Not Available - Purchase Locally)	
31		Ref	Terminal, Receptacle Options:	
31	4460346	1	60Hz Spec	
31	See Note		50Hz Spec (Note: Not Available - Purchase Locally)	
32		Ref	Receptacle, Twistlock Options:	
32	4460958	1	60Hz Spec	
32	See Note		50Hz Spec (Note: Not Available - Purchase Locally)	
33		Ref	Valve, Generator Options:	
33	4641239	1	Valve, Generator (Prior to SN 0300070981)	
33	4641270		Valve, Generator (SN 0300070981 through 0300080338)	
34	4711400	1	Flatwasher, 1/4in Thin	
36	4740397	1	Spacer, Washer	
37	4751500	1	Flatwasher 5/16in Regular	
38	4751600	13	Flatwasher 3/8in Regular	
39	4791400	4	Starwasher 1/4in	
43	4751400		Flatwasher 1/4in Regular (Prior to SN 0300070981)	
44		Ref	Bolt Options:	
44	0641408	AR	Bolt 1/4in-20NC x 1in (Prior to SN 0300070981)	
44	0641516	1	Bolt 5/16in-18NC x 2in (SN 0300070981 through 0300080338)	
45		Ref	Nut Options:	
45	2080044	AR	Rivnut (Prior to SN 0300070981)	
45	3311505	1	Nut 5/16in-18NC (SN 0300070981 through 0300080338)	
46	0100048	3	Grease, Dielectric (Not Shown)	
		Ref	JUNCTION BOX ASSEMBLY	
	0861542	Ref	60HZ Specs	D
	0861567	Ref	50Hz Specs	B
101	0861541	1	Box, Junction	
102		Ref	Cable, Electrical 12/3	
102	1060494	2 ft/.6m	60Hz Spec	
102	See Note	2 ft/.6m	50Hz Spec (Note: Not Available - Purchase Locally)	
103		Ref	Cable, Electrical 10/3	
103	1060708	2.5 ft/.76m	60Hz Spec	
103	See Note	2.5 ft/.76m	50Hz Spec (Note: Not Available - Purchase Locally)	
104	1705376	1	Decal - Wiring Schematic	
105	3300396	1	Cover, Fuse	
106	3310601	2	Nut #6-32NC	
107	1060343	1.5 ft/.46m	Cable, Electrical 10/4 (60Hz Spec Only)	
109	3910610	2	Bolt #6-32NC x 5/8in	
110	4360070	1	Circuit Breaker - 15 Amp	
116	4460425	2	Strain Relief, Terminal	
117	4460426	2	Connector, Strain Relief	

SECTION 2 - TURNTABLE

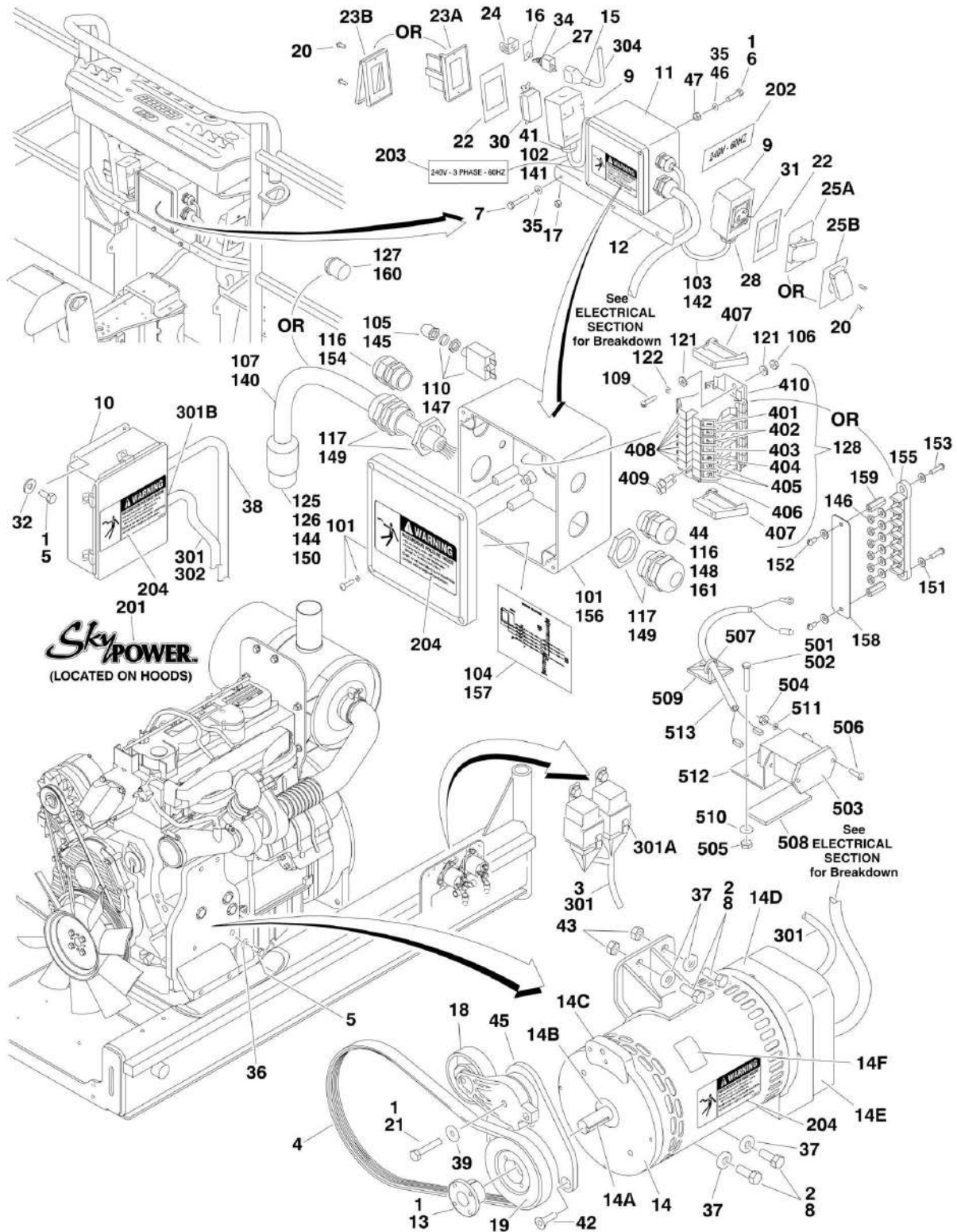
ITEM	PART NUMBER	QTY	DESCRIPTION	REV
121	4750600	4	Flatwasher, #6 Regular	
122	4760600	2	Lockwasher #6	
125	1671092	1	Cover (60Hz Spec Only)	
126	4460963	1	Connector (60Hz Spec Only)	
127	3520189	1	Plug (50Hz Spec Only)	
128		Ref	Terminal Block Assembly Options (See Items 501-510 for Breakdown):	
128	NPN	1	Gray Terminal Block Assembly	
128	1001121340	1	Tan Terminal Block Assembly	
		Ref	DECAL INSTALLATION	
	0272435	Ref	60Hz Spec	A
	0272589	Ref	50Hz Spec	A
201	1705460	2	Decal - SkyPower	
202	1705374	1	Decal - 240V - 60Hz (60Hz Spec Only)	
203		Ref	Decal - 240V - 3 Phase Options	
203	1705375	1	60Hz Spec	
203	1705461	1	50Hz Spec	
204		Ref	Decal, Hazardous Voltage Option	
204	1705387	3	60Hz Spec	
204	1705489	3	50Hz Spec	
	4933267	4	ELECTRICAL DIAGRAM COMPONENTS	D
303	4922641	1	Switch Harness	
304	4922788	1	Generator Harness	C
304	3990010	1	Diode 6 Amp	
304A	2400060	1	Fuseholder (Not Shown)	
304A	2400064	1	Fuse - 5 Amp (Not Shown)	
304B	4460374	2	Plug, Sealed Relay	
304B	4460375	7	Terminal	
304C	4460880	1	Connector, DIN	
304D	4460967	1	Plug, Male - 3 Position	
304D	4460465	3	Socket, Female	
		Ref	GENERATOR ASSEMBLY	B
	0272207	Ref	60Hz Spec	
	0272631	Ref	50Hz Spec	
401	0080239	1	Adapter	
402	0100011	AR	Compound, Locking	
403		Ref	Generator Kit Options:	
403	0272478	1	60Hz Spec	
403	0272630	1	50Hz Spec	
403A		Ref	Control Box Assembly Options:	
403A	0861538	1	60Hz Control Box Assembly	
403A	0861572	1	50Hz Control Box Assembly	
403A	7024488	1	Card, Circuit - Generator Power	
403A	See Note	1	Fuse (Note: Not Available - Purchase Locally)	
403A	7024489	1	Card, Circuit - Control	
		Ref	Note: Same Circuit Card is used for both 60Hz and 50Hz. When replacing card, rocker switch on card must be set for required application.	
403A	70000619	1	Harness, Circuit Card	
403B	2460040	1	Generator Assembly	
403B	70003631	1	Brushholder Assembly (Not Shown) (was p/n 7024484)	
403B	7024485	1	Breaker, Circuit 30Amp (Not Shown)	

SECTION 2 - TURNTABLE

ITEM	PART NUMBER	QTY	DESCRIPTION	REV
403B	7024486	1	Boot, Breaker (Not Shown)	
403C	4922735	1	Harness	
404	1660254	1	Coupling	
405	3160204	1	Motor, Hydraulic	
405	2900788	1	Seal Kit - 3160204 Motor	
406	4891800	2	Flatwasher 1/2in Hardened	
		Ref	TERMINAL BLOCK ASSEMBLY	
	NPN	Ref	Gray Terminal Block Assembly (Complete Assembly Not Available - Purchase Individual Components)	
	1001121340	Ref	Tan Terminal Block Assembly	A
501		Ref	Marker Strip #1 Options:	
501	4460411	2	Gray Terminal Block Assembly	
501	70002818	2	Tan Terminal Block Assembly	
502		Ref	Marker Strip #2 Options:	
502	4460412	4	Gray Terminal Block Assembly	
502	70002819	4	Tan Terminal Block Assembly	
503		Ref	Marker Strip #3 Options:	
503	4460413	2	Gray Terminal Block Assembly	
503	70002820	2	Tan Terminal Block Assembly	
504		Ref	Marker Strip #4 Options:	
504	4460414	2	Gray Terminal Block Assembly	
504	70002821	2	Tan Terminal Block Assembly	
505		Ref	Marker Strip #5 Options:	
505	4460415	4	Gray Terminal Block Assembly	
505	70002822	4	Tan Terminal Block Assembly	
506		Ref	Terminal, End Barrier Options:	
506	4460956	1	Gray Terminal Block Assembly	
506	70002823	1	Tan Terminal Block Assembly	
507		Ref	Terminal, End Block Options:	
507	4460607	2	Gray Terminal Block Assembly	
507	70002824	2	Tan Terminal Block Assembly	
508		Ref	Terminal, Block Options:	
508	4460957	7	Gray Terminal Block Assembly	
508	70002825	7	Tan Terminal Block Assembly	
509		Ref	Terminal, Cross Connector Jumper Options:	
509	4461001	2	Gray Terminal Block Assembly	
509	70002826	2	Tan Terminal Block Assembly	
510	3641533	1	Rail, Relay	

SECTION 2 - TURNTABLE

FIGURE 2-31. 7500W SKYPOWER GENERATOR INSTALLATION - DEUTZ MACHINES (BELT DRIVEN)
(SN 0300080338 through 0300201016)



SECTION 2 - TURNTABLE

**FIGURE 2-31. 7500W SKYPOWER GENERATOR INSTALLATION - DEUTZ MACHINES (BELT DRIVEN)
(SN 0300080338 through 0300201016)**

ITEM	PART NUMBER	QTY	DESCRIPTION	REV
		Ref	7500W SKYPOWER GENERATOR INSTALLATION	
	0273455	Ref	60Hz Spec (Without UGM)	H
	1001125427	Ref	60Hz Spec (With UGM and BF4M2011 & TD2011 Engines)	C
	1001137590	Ref	60Hz Spec (With UGM and TCD2.9L4 Engines)	D
	0273456	Ref	50Hz Spec (Without UGM)	F
	1001125428	Ref	50Hz Spec (With UGM and BF4M2011 & TD2011 Engines)	B
	1001137591	Ref	50Hz Spec (With UGM and TCD2.9L4 Engines)	B
		Ref	Note: See ELECTRICAL SECTION for Boom Cable Installation.	
		Ref	Note: For Module Identification, refer to Revision Log page A.	
1	0100011	AR	Compound, Locking	
2	0100019	AR	Compound, Locking	
3	0100048	AR	Grease, Dielectric	
4		Ref	Belt, Generator Options:	
4	0480128	1	60Hz Spec (BF4M2011 & TD2011 Engines)	
4	1001142645	1	60Hz Spec (TCD2.9L4 Engines)	
4	0480129	1	50Hz Spec (BF4M2011 & TD2011 Engines)	
4	1001136357	1	50Hz Spec (TCD2.9L4 Engines)	
5	0641404	AR	Bolt 1/4in-20NC x 1/2in	
6		Ref	Bolt Options:	
6	0641508	AR	5/16in-18NC x 1in (Prior to SN 0300182753)	
6	3931016	AR	10-24NC x 1in (SN 0300182753 through 0300201016)	
7	0641516	3	Bolt 5/16in-18NC x 2in	
8	0641810	AR	Bolt 1/2in-13NC x 1-1/4in	
8	4300157	AR	Stud 1/2in-13NC (Not Shown)	
9		Ref	Box, Switch Options:	
9	0860038	AR	60Hz Spec	
9	See Note	AR	50Hz Spec (Note: Not Available - Purchase Locally)	
10		Ref	Box, Generator Control Options:	
10	0861538	1	60Hz Spec	
10	0861572	1	50Hz Spec	
10	7024488	1	Card, Circuit - Generator Power (Not Shown)	
10	See Note	1	Fuse (Note: Not Available - Purchase Locally)	
10	7024489	1	Card, Circuit - Control (Not Shown)	
		Ref	Note: Same Circuit Card (P/N 7024489) is used for both 60Hz & 50Hz. When replacing card, rocker switch on card must be set for required application.	
10	70000619	1	Harness, Circuit Card	
11		Ref	Junction Box Assembly Options (See Items 101-128 for Breakdown): (Prior to SN 0300182753)	
11	0861542	1	60Hz Spec (BF4M2011 & TD2011 Engines)	
11	1001142914	1	60Hz Spec (TCD2.9L4 Engines)	
11	0861567	1	50Hz Spec	
		Ref	Junction Box Assembly Options (See Items 140-161 for (SN 0300182753 through 0300201016))	
11	1001157592	1	60Hz Spec (BF4M2011 & TD2011 and TCD2.9L4 Engines)	
11	1001157525	1	50Hz Spec	
12	0902888	1	Bracket, Generator Junction Box	
13	0962520	1	Bushing, Taper	

SECTION 2 - TURNTABLE

ITEM	PART NUMBER	QTY	DESCRIPTION	REV
14		Ref	Generator, 7500W Options:	
14	2460048	1	Deutz BF4M2011 & TD2011 Engines	
14	1001136988	1	Deutz TCD2.9L4 Engines	
14	70001100	1	Rotor (Includes p/n 70001384 & 70000863) (Not Shown)	
14	70001384	1	Bearing, Shaft (Rear) (Not Shown)	
14	70000863	1	Fan, Generator (Not Shown)	
14		Ref	Stator Options (Not Shown):	
14	70002088	1	2460048 Generator	
14	70004093	1	1001136988 Generator	
14	70002297	2	Stud 1/4in-20NC x 12-7/8in (Not Shown)	
14	70003631	1	Brushholder Assembly (Not Shown) (was p/n7024484)	
14A		Ref	Key Options:	
14A	70004171	1	2460048 Generator (was p/n 7024561)	
14A	70004099	1	1001136988 Generator	
14B	70001966	1	Bearing, Ball Radial (Located in Belt Tensioner Endbell)	
14B	70003709	1	Ring, Retaining (Small)	
14B	70003708	1	Ring, Retaining (Large)	
14C		Ref	Endbell, Belt Tensioner Options:	
14C	70001953	1	2460048 Generator	
14C	70004092	1	1001136988 Generator	
14D		Ref	Endbell, Brush Block Options:	
14D	70004169	1	2460048 Generator (was p/n 70001385)	
14D	70004094	1	1001136988 Generator	
14E		Ref	Shroud Assembly Options:	
14E	70004169	1	2460048 Generator (was p/n 70002290)	
14E	70004096	1	1001136988 Generator	
14E	7027799	1	Block, Connector 6 Position (Not Shown)	
14E	70002460	6	Nut, Brass (Attaches p/n 7027799 to Cover) (Not Shown)	
14E	7024485	1	Breaker, Circuit 30Amp (Not Shown)	
14E	70001696	1	Boot, Breaker (was p/n 7024486) (Not Shown)	
14E	7026597	1	Connector, W/Leads (Not Shown)	
14E	7026626	1	Connector with Pins (Not Shown)	
14E		Ref	Clamp, Cable Options (Not Shown):	
14E	7026188	1	2460048 Generator	
14E	70004098	1	1001136988 Generator	
14E		Ref	Plate, End Panel Options (Not Shown):	
14E	70002255	1	2460048 Generator	
14E	70004095	1	1001136988 Generator	
14E		Ref	Insulator, End Panel Options (Not Shown):	
14E	See Note	1	2460048 Generator (Note: Not Available for Purchase)	
14E	70004097	1	1001136988 Generator	
14E	70001974	1	Decal - Terminal Connections (Not Shown)	
14F	70001973	1	Decal - Warning Moving Parts	
15	2820031	AR	Insulator, Heat Shrink	
16	3251102	1	Nameplate, Generator	
17	3311508	3	Nut, 5/16in-18NC Serrated Flange	
18	3580317	1	Pulley, Belt Tensioner	
19		Ref	Pulley, Generator Options:	
19	3580318	1	60Hz Spec	
19	3580319	1	50Hz Spec	
20	3910606	AR	Screw, Round Head #6-32NC x 3/8in	

SECTION 2 - TURNTABLE

ITEM	PART NUMBER	QTY	DESCRIPTION	REV
21	0641618	1	Bolt 3/8in-16NC x 2in	
22		Ref	Gasket, AC Receptacle Options:	
22	3960422	AR	60Hz Spec	
22	See Note	AR	50Hz Spec (Note: Not Available - Purchase Locally)	
23		Ref	Shield, Receptacle Cover Options:	
23	See Note	1	50Hz Spec (Note: Not Available - Purchase Locally)	
23A	4060700	1	60Hz Spec (Side Hinged) (Prior to SN 0300138291)	
23B	1001110873	1	60Hz Spec (Top Hinged) (SN 0300138291 through 0300201016)	
24	4060802	1	Guard, Switch	
25		Ref	Cover, Receptacle Options:	
25	See Note	1	50Hz Spec (Note: Not Available - Purchase Locally)	
25A	4061043	1	60Hz Spec with Deutz BF4M2011 & TD2011 Engines Only (Side Hinged) (Prior to SN 0300138291)	
25B	1001110872	1	60Hz Spec with Deutz BF4M2011 & TD2011 Engines Only (Top Hinged) (Prior to SN 0300182753)	
26	4240018	AR	Strap, Tie (Not Shown)	
27	4360336	1	Switch, Toggle	
28		Ref	Connector, Strain Relief Options (Deutz BF4M2011 & TD2011 Engines Only):	
28	4460051	1	60Hz Spec (Prior to SN 0300182753)	
28	See Note	1	50Hz Spec (Note: Not Available - Purchase Locally)	
29	4460315	2	Terminal, Spade (Not Shown - Use 1 each with items 30 & 31) (Prior to SN 0300181891)	
30		Ref	Terminal, Receptacle Options:	
30	4460346	1	60Hz Spec	
30	See Note	1	50Hz Spec (Note: Not Available - Purchase Locally)	
31		Ref	Receptacle Options (Deutz BF4M2011 & TD2011 Engines Only):	
31	4460958	1	60Hz Spec (Prior to SN 0300182753)	
31	See Note	1	50Hz Spec (Note: Not Available - Purchase Locally)	
32	4711400	4	Flatwasher 1/4in Thin	
34		Ref	Spacer, Washer Options:	
34	4740397	AR	Spacer, Washer (Prior to SN 0300182753)	
34	4751500	AR	Spacer, Washer (SN 0300182753 through 0300201016)	
35	4751500	AR	Flatwasher 5/16in Regular	
36	4791400	2	Starwasher 1/4in	
37	4891800	4	Flatwasher 1/2in Hardened	
38	4922972	1	Harness, Generator Cable	A
38	4460225	1	Plug, Male 6 Position (Plugs into Generator)	
38	4460226	6	Socket, Female (Use with 4460225)	
38	4460807	1	Seal, Plug (Use with 4460225)	
38	4460808	1	Seal, Interface (Use with 4460225)	
39	4711600	1	Flatwasher 3/8in Thin	
40	0100020	AR	Sealant, Pipe (Not Shown)	
41	4460071	1	Connector, Strain Relief	
42	0741607	3	Screw, Countersunk Flathead 3/8in-16NC x 7/8in	
43	3311801	2	Nut 1/2in-13NC	
44	3520192	1	Plug, Hole (Deutz TCD2.9L4 Engines Only) (Prior to SN 0300182753)	
45	1001138011	1	Bracket (Deutz TCD2.9L4 Engines Only)	
46	4751000	AR	Flat Washer #10 Regular	
47	3311005	AR	Nut #10-24NC	
		Ref	JUNCTION BOX ASSEMBLY (Prior to SN 0300182753)	

SECTION 2 - TURNTABLE

ITEM	PART NUMBER	QTY	DESCRIPTION	REV
	0861542	Ref	60Hz Spec (BF4M2011 & TD2011 Engines)	D
	1001142914	Ref	60Hz Spec (TCD2.9L4 Engines)	A
	0861567	Ref	50Hz Spec	B
101	0861541	1	Box, Junction	
102		Ref	Cable, Electrical 12/3	
102	1060494	2 ft/.6m	60Hz Spec	
102	See Note	2 ft/.6m	50Hz Spec (Note: Not Available - Purchase Locally)	
103		Ref	Cable, Electrical 10/3	
103	1060708	2.5 ft/.76m	60Hz Spec (BF4M2011 & TD2011 Engines)	
103	Not Required	0	60Hz Spec (TCD2.9L4 Engines)	
103	See Note	2.5 ft/.76m	50Hz Spec (Note: Not Available - Purchase Locally)	
104	1705376	1	Decal - Wiring Schematic	
105	3300396	1	Cover, Fuse	
106	3310601	2	Nut #6-32NC	
107	1060343	1.5 ft/.46m	Cable, Electrical 10/4 (60Hz Spec Only)	
109	3910610	2	Bolt #6-32NC x 5/8in	
110	4360070	1	Circuit Breaker - 15 Amp	
116	4460425	2	Strain Relief, Terminal	
116	3520192	1	Plug (60Hz Deutz TCD2.9L4 Engines Only)	
117	4460426	2	Connector, Strain Relief	
121	4750600	4	Flatwasher #6 Regular	
122	4760600	2	Lockwasher #6	
123	4461001	2	Connector, Terminal (Not Shown - Located on Terminal Block)	
125	1671092	1	Cover (60Hz Spec Only)	
126	4460963	1	Connector (60Hz Spec Only)	
127	3520189	1	Plug (50Hz Spec Only)	
128		Ref	Terminal Block Assembly Options (See Items 401-410 for Breakdown):	
128	1001121340	1	Tan Terminal Block Assembly	
		Ref	JUNCTION BOX ASSEMBLY (SN 0300182753 through 0300201016)	
	1001157592	1	60Hz Specs	C
	1001157525	1	50Hz Specs	B
140	1060343	1.5 ft/.46m	Cable, Electrical 10/4 (60Hz Spec Only)	
141		Ref	Cable, Electrical 12/3	
142	1001179154	2.5 ft/0.76m	60Hz Spec	
143	Not Available	1	50Hz Spec (Supply Locally)	
144	1671092	1	Cover (60Hz Spec Only)	
145	3300396	1	Cover, Fuse	
146	3311001	6	Nut, #10-24	
147	4360070	1	Circuit Breaker - 15 Amp	
148	4460425	1	Strain Relief, Terminal	
149	4460426	2	Connector, Strain Relief	
150	4460963	1	Connector (60Hz Spec Only)	
151	4711000	10	Washer, #10	
152	10702077	2	Screw, #10-32 x 3/8	
153	10702082	2	Screw, #10-24 x 3/4	
154	1001152525	1	Plug	

SECTION 2 - TURNTABLE

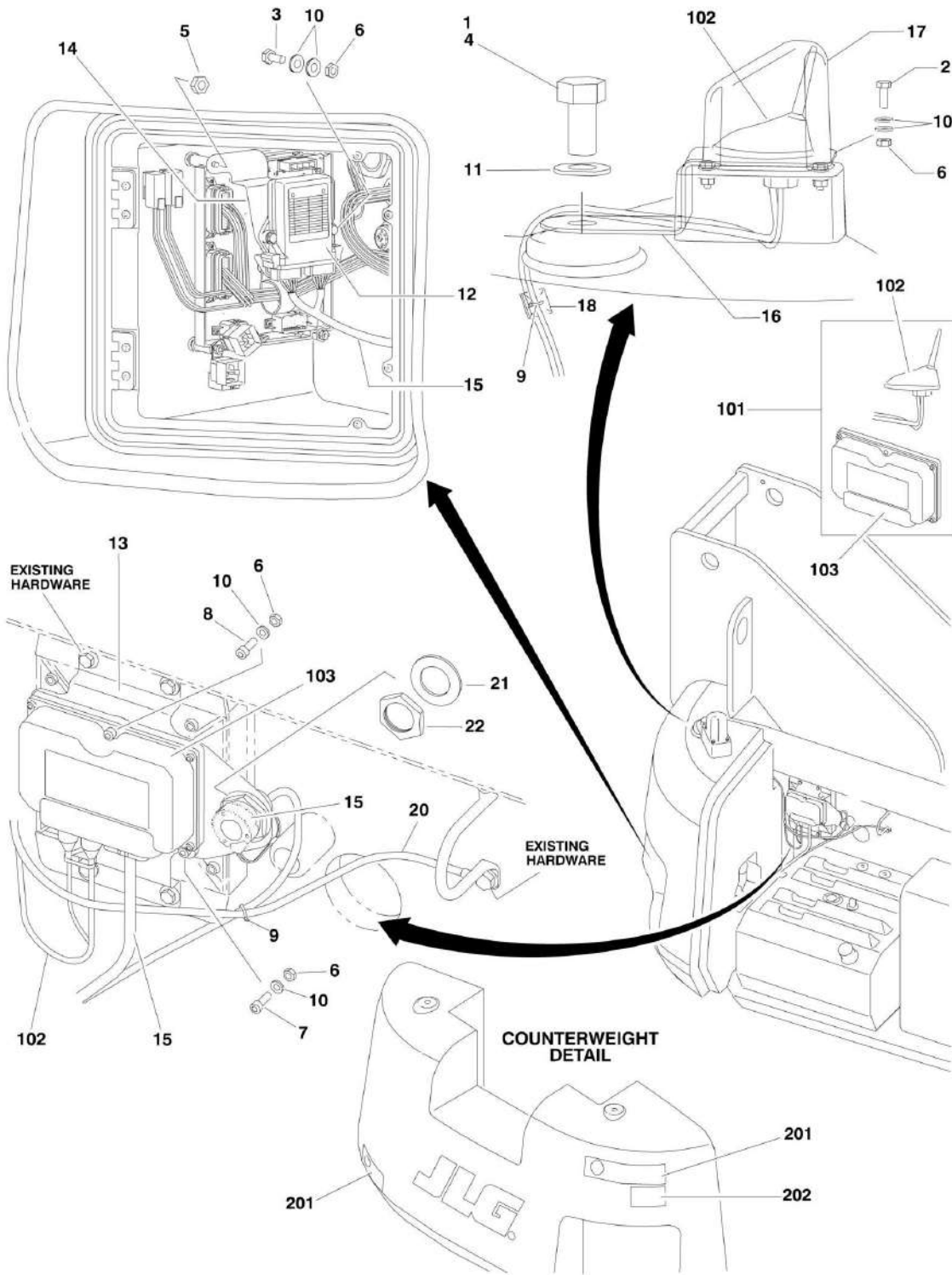
ITEM	PART NUMBER	QTY	DESCRIPTION	REV
155	1001157520	1	Block, Terminal	
156	1001157521	1	Box, Junction	
157	1001157528	1	Decal - Wiring Schematic	
158	1001158007	1	Cover, PVC	
159	1001158008	2	Stand-Off	
160	3520189	1	Plug (50Hz Spec Only)	
161	3520192	1	Plug	
		Ref	DECAL INSTALLATION	
	0272435	1	60Hz Spec	
	0272589	1	50Hz Spec	
201	1705460	2	Decal - SkyPower	C
203		Ref	Decal - 240V - 3 Phase Options:	A
203	1705375	1	60Hz Spec	
203	1705461	1	50Hz Spec	
201		Ref	Decal, Hazardous Voltage Options:	
204	1705387	3	60Hz Spec	
204	1705489	3	50Hz Spec	
	1001157770	1	ELECTRICAL DIAGRAM COMPONENTS	
301	1001119968	1	Generator Harness	
301A	4460967	1	Plug, Male - 3 Position (Not Shown)	A
301A	4460465	3	Socket, Female	C
301B	1001117078	1	Fuseholder Fuse	
301B	1001096133	1	Fuseholder	
301B	Not Available	1	Fuse 5 Amp (Purchase Locally)	
301B	1001096134	1	Cap	
302A	4460465	6	Socket, Female	
302B	1001117078	1	Fuseholder w/Fuse (Not Shown)	
		Ref	DECAL INSTALLATION	
	0272435	1	60Hz Spec	B
	0272589	1	50Hz Spec	A
201	1705460	2	Decal - SkyPower	
202	1705374	1	Decal - 240V - 60Hz (60Hz Spec Only)	
203		Ref	Decal - 240V - 3 Phase Options:	
203	1705375	1	60Hz Spec	
203	1705461	1	50Hz Spec	
204		Ref	Decal, Hazardous Voltage Options:	
204	1705387	3	60Hz Spec	
204	1705489	3	50Hz Spec	
		Ref	ELECTRICAL DIAGRAM COMPONENTS	
		Ref	Note: For Module Identification, refer to Revision Log page A.	
	4933264	Ref	Without UGM	C
	1001122528	Ref	With UGM	B
301	4922757	1	Generator Harness (Without UGM)	3-C
301A	4460374	2	Plug, Sealed Relay	
301A	4460375	7	Terminal	
301B	4460967	1	Plug, Male - 3 Position (Not Shown)	
301B	4460465	3	Socket, Female	
301C	2400060	1	Fuseholder (Not Shown)	
301C	2400064	1	Fuse- 5 Amp (Not Shown)	
302	1001119968	1	Generator Harness (With UGM)	B
302A	4460967	1	Plug, Male - 3 Position (Not Shown)	

SECTION 2 - TURNTABLE

ITEM	PART NUMBER	QTY	DESCRIPTION	REV
302A	4460465	6	Socket, Female	
302B	1001117078	1	Fuseholder w/Fuse (Not Shown)	
304	4922641	1	Switch Harness	
		Ref	TERMINAL BLOCK ASSEMBLY	
	NPN	Ref	Gray Terminal Block Assembly (Complete Assembly Not Available - Purchase Individual Components)	
	1001121340	Ref	Tan Terminal Block Assembly	A
401		Ref	Marker Strip #1 Options:	
401	4460411	2	Gray Terminal Block Assembly	
401	70002818	2	Tan Terminal Block Assembly	
402		Ref	Marker Strip #2 Options:	
402	4460412	4	Gray Terminal Block Assembly	
402	70002819	4	Tan Terminal Block Assembly	
403		Ref	Marker Strip #3 Options:	
403	4460413	2	Gray Terminal Block Assembly	
403	70002820	2	Tan Terminal Block Assembly	
404		Ref	Marker Strip #4 Options::	
404	4460414	2	Gray Terminal Block Assembly	
404	70002821	2	Tan Terminal Block Assembly	
405		Ref	Marker Strip #5 Options:	
405	4460415	4	Gray Terminal Block Assembly	
405	70002822	4	Tan Terminal Block Assembly	
406		Ref	Terminal, End Barrier Options:	
406	4460956	1	Gray Terminal Block Assembly	
406	70002823	1	Tan Terminal Block Assembly	
407		Ref	Terminal, End Block Options:	
407	4460607	2	Gray Terminal Block Assembly	
407	70002824	2	Tan Terminal Block Assembly	
408		Ref	Terminal, Block Options:	
408	4460957	7	Gray Terminal Block Assembly	
408	70002825	7	Tan Terminal Block Assembly	
409		Ref	Terminal, Cross Connector Jumper Options:	
409	4461001	2	Gray Terminal Block Assembly	
409	70002826	2	Tan Terminal Block Assembly	
410	3641533	1	Rail, Relay	
	1001094475	Ref	HOURLY METER INSTALLATION	B
501	0100011	AR	Compound, Locking	
502	0720808	1	Screw #8-32 x 1 in	
503	420165	1	Hourmeter	
504	3310604	2	Nut #6-32	
505	3310805	1	Locknut #8-32	
506	3910608	2	Screw #6-32 x 1/2in	
507	4240032	4	Strap, Tie	
508	4420060	3 in/7cm	Tape, Double-Sided	
509	4460234	3	Mount, Tie Strap	
510	4750800	1	Flatwasher #8 Regular	
511	4760600	2	Lockwasher #6	
512	1001094375	1	Bracket, Hourmeter	
513	1001094509	1	Harness, Hourmeter	
514	4460018	1	Splice, Butt (Not Shown)	

SECTION 2 - TURNTABLE

FIGURE 2-32. CLEARSKY TELEMATICS INSTALLATION (WITHOUT UGM) (OPTIONAL)



SECTION 2 - TURNTABLE

FIGURE 2-32. CLEARSKY TELEMATICS INSTALLATION (WITHOUT UGM) (OPTIONAL)

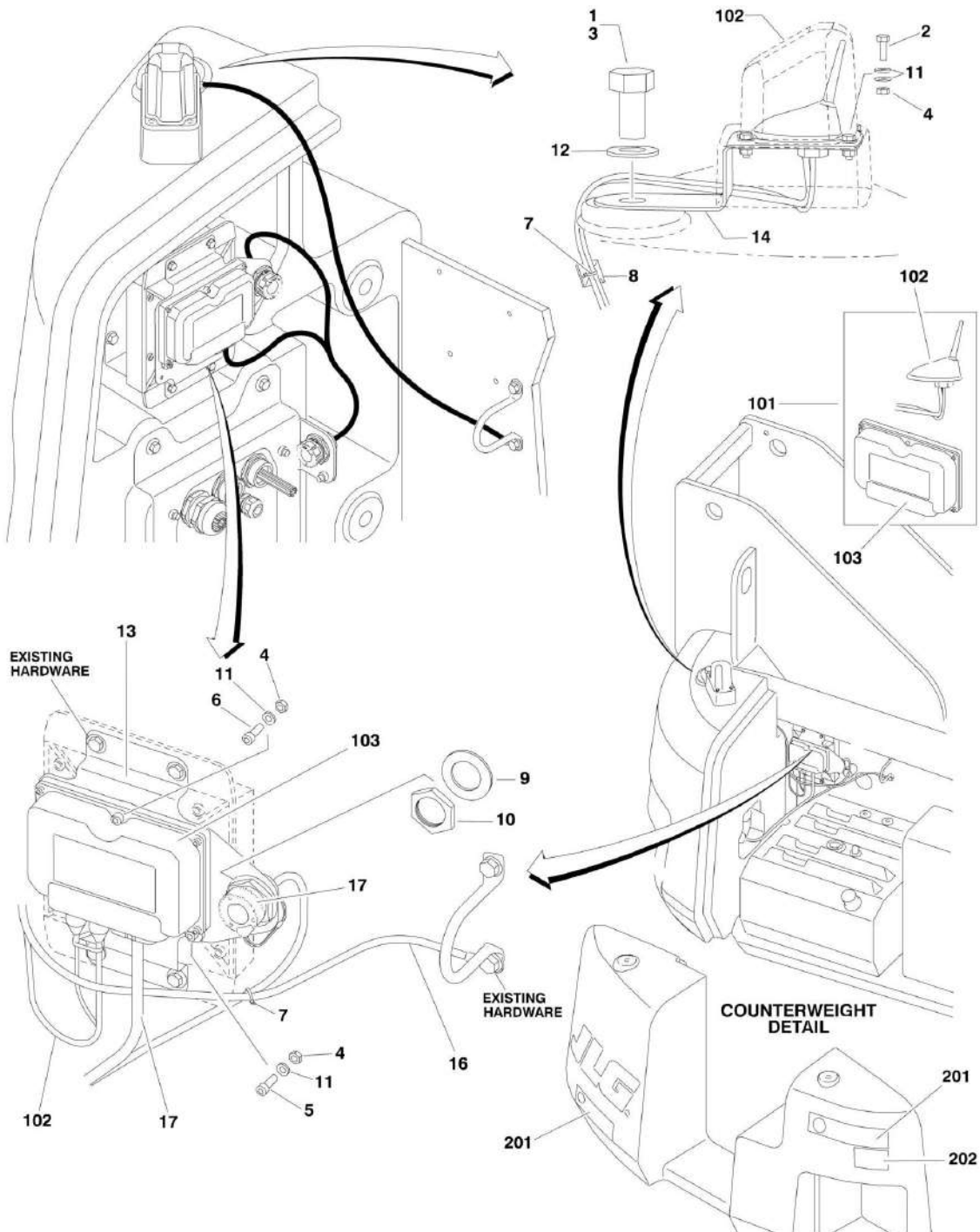
ITEM	PART NUMBER	QTY	DESCRIPTION	REV
		Ref	Note: For Module Identification, refer to Revision Log page A.	
	1001100441	Ref	CLEARSKY TELEMATICS INSTALLATION	C
1	0100011	AR	Compound, Locking	
2	0641406	4	Bolt 1/4in-20NC x 3/4in	
3	0641410	2	Bolt 1/4in-20NC x 1-1/4in	
4	0642612	1	Bolt 1in-8NC x 1-1/2in	
5	3311402	2	Nut, Jam 1/4in-20NC	
6	3311405	9	Locknut 1/4in-20NC	
7	3931412	2	Capscrew 1/4in-20NC x 3/4in	
8	3931416	2	Capscrew 1/4in-20NC x 1in	
9	4240033	AR	Strap, Tie	
10	4711400	15	Flatwasher 1/4in Thin	
11	4712600	1	Flatwasher 1in Thin	
12	1001100062	1	Module	
13	1001100432	1	Support, Controller	
14	1001100434	1	Mount, Module	
15	1001100468	1	Harness, Telematics (See ELECTRICAL SECTION for Breakdown)	
16	1001100672	1	Mount, Antenna	
17	1001100876	1	Cover	
18	4460488	2	Mount, Tie Strap	
20	1001103356	1	Ground Wire	
21	4460496	1	Lockwasher, Strain Relief	
22	4460497	1	Nut, Strain Relief	
		Ref	CLEARSKY TELEMATICS CONTROLLERS (Factory Installed)	
	1001102839	Ref	ANSI Spec	B
	1001102840	Ref	ANSI Export/CE/Japanese Specs	B
	1001139145	Ref	Australian Spec	1
	1001104734	Ref	CSA Specs	B
101		Ref	Controller, Telematic Kit Options (Includes Items 102 & 103):	
101	1001100352	1	ANSI Spec	
101	1001102831	1	ANSI Export/CE/Japanese Specs	
101	1001132733	1	Australian Spec	
101	1001104735	1	CSA Specs	
102	1001100443	1	Antenna and Harness	
103		Ref	Controller, Telematics Options:	
103	70002293	1	ANSI Spec	
103	70002295	1	ANSI Export/CE/Japanese Specs	
103	70003617	1	Australian Spec	
103	70002294	1	CSA Specs	
		Ref	CLEARSKY TELEMATICS DECALS	
	1001116304	Ref	ANSI Spec	A
	1001102840	Ref	ANSI Export/Australian/CE/Japanese Specs	
	1001116305	Ref	CSA Specs	A
201	1001116208	2	Decal - ClearSky	
202		Ref	Decal - Radio Frequency Device Options:	
202	1001116217	1	ANSI Spec	
202	See Note	1	ANSI Export/CE/Japanese Specs (Note: Not Available For Purchase)	
202	1001120989	1	Australian Spec	

SECTION 2 - TURNTABLE

ITEM	PART NUMBER	QTY	DESCRIPTION	REV
202	100116222	1	CSA Specs	
		Ref	CLEARSKY TELEMATICS KITS (Dealer Installed) (Not Shown)	
	100117250	Ref	ANSI Spec	
	1001139145	Ref	Australian Spec Only	
	100117256	Ref	CSA Spec	

SECTION 2 - TURNTABLE

FIGURE 2-33. CLEARSKY TELEMATICS INSTALLATION (WITH UGM) (OPTIONAL)



SECTION 2 - TURNTABLE

FIGURE 2-33. CLEARSKY TELEMATICS INSTALLATION (WITH UGM) (OPTIONAL)

ITEM	PART NUMBER	QTY	DESCRIPTION	REV
		Ref	Note: For Module Identification, refer to Revision Log page A.	
	1001112987	Ref	CLEARSKY TELEMATICS INSTALLATION	B
1	0100011	AR	Compound, Locking	
2	0641406	4	Bolt 1/4in-20NC x 3/4in	
3	0642612	1	Bolt 1in-8NC x 1-1/2in	
4	3311405	7	Locknut 1/4in-20NC	
5	3931412	2	Capscrew 1/4in-20NC x 3/4in	
6	3931416	1	Capscrew 1/4in-20NC x 1in	
7	4240033	AR	Strap, Tie	
8	4460488	2	Mount, Tie Strap	
9	4460496	1	Lockwasher, Strain Relief	
10	4460497	1	Nut, Strain Relief	
11	4711400	11	Flatwasher 1/4in Thin	
12	4712600	1	Flatwasher 1in Thin	
13	1001100432	1	Support, Controller	
14	1001100672	1	Mount, Antenna	
15	1001100876	1	Cover	
16	1001103356	1	Ground Wire	
17	1001111914	1	Harness, Telematics (See ELECTRICAL SECTION for Breakdown)	
		Ref	CLEARSKY TELEMATICS CONTROLLERS (Factory Installed)	
	1001112988	Ref	ANSI Spec	A
	1001127092	Ref	ANSI Export (Brazil and New Zealand Specs Only)	A
	1001132730	Ref	Australian Spec	A
	1001112989	Ref	CE Spec	A
	1001112973	Ref	CSA Spec	A
101		Ref	Controller, Telematic Kit Options (Includes Items 102 & 103):	
101	1001100352	1	ANSI Spec	
101	1001102831	1	ANSI Export/CE Spec	
101	1001132733	1	Australian Spec	
101	1001104735	1	CSA Specs	
102	1001100443	1	Antenna and Harness	
103		Ref	Controller, Telematics Options:	
103	70002293	1	ANSI Spec	
103	70002295	1	ANSI Export (Brazil and New Zealand Specs Only)/CE Spec	
103	70003617	1	Australian Spec	
103	70002294	1	CSA Spec	
	1001120994	Ref	CLEARSKY TELEMATICS DECALS	A
201	1001116208	2	Decal - ClearSky	
202	1001120989	1	Decal - Radio Frequency Device	
		Ref	CLEARSKY TELEMATICS KITS (Dealer Installed) (Not Shown)	
	1001119938	Ref	ANSI Spec	
	1001138187	Ref	ANSI Export Spec	
	1001138188	Ref	Australian Spec	
	1001134839	Ref	CE Spec	
	1001119946	Ref	CSA Spec	

SECTION 3 - BOOM

SECTION 3 - BOOM

FIGURE 3-1. BOOM INSTALLATION

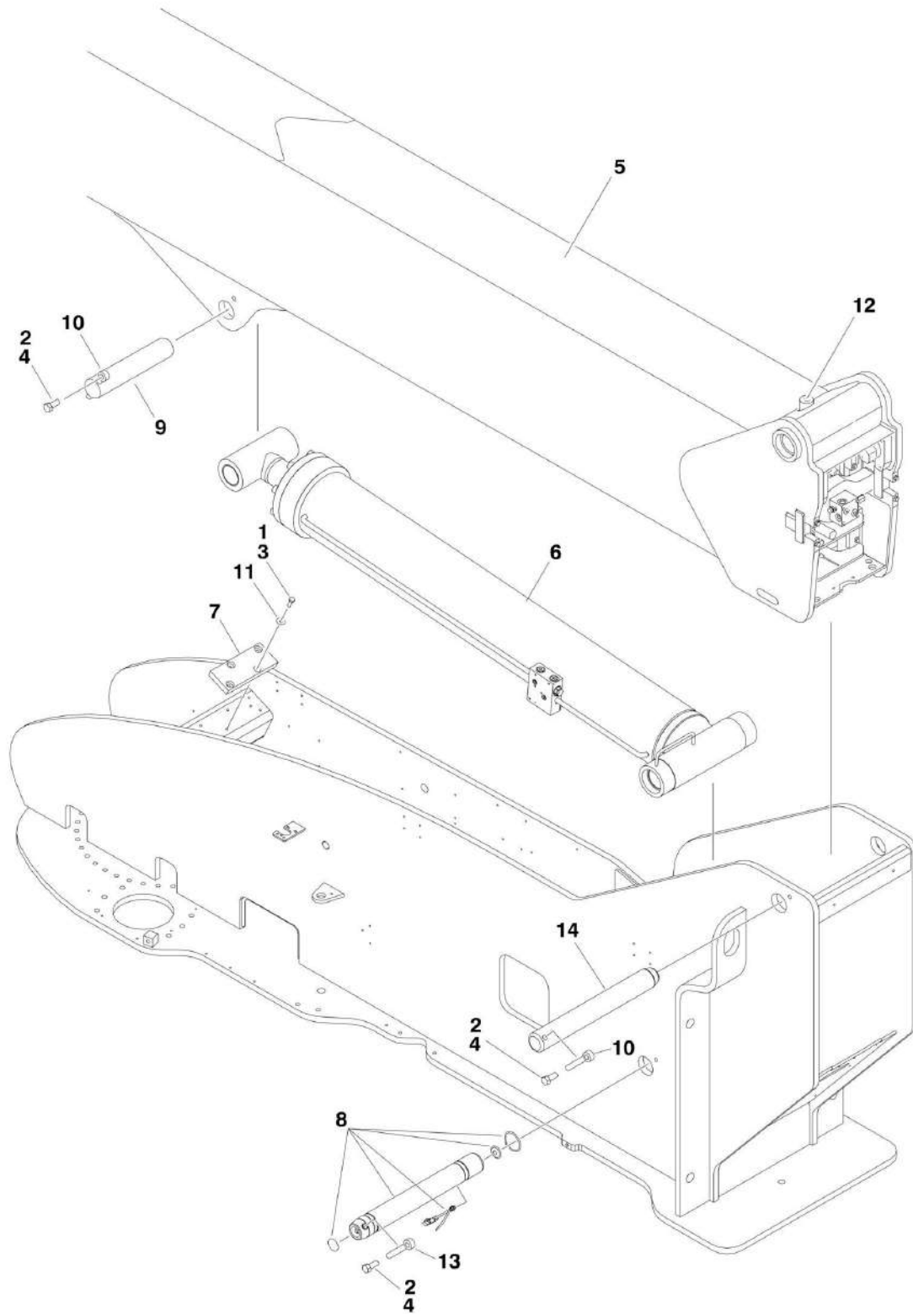
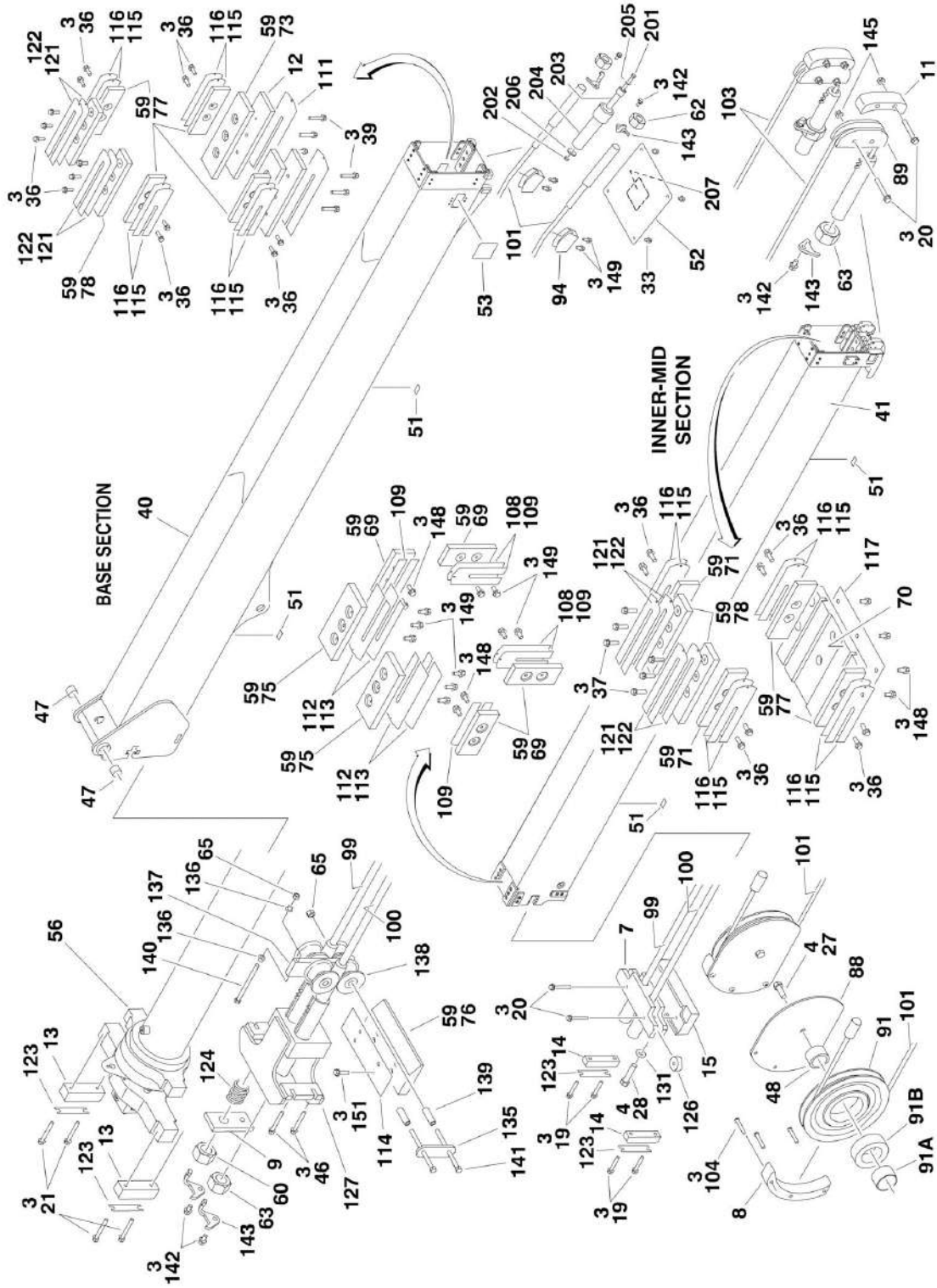


FIGURE 3-1. BOOM INSTALLATION

ITEM	PART NUMBER	QTY	DESCRIPTION	REV
		Ref	BOOM INSTALLATION	
	0271799	Ref	Boom Installation 1200SJP - Without Arctic Package	F
	1001138800	Ref	Boom Installation 1200SJP - With Arctic Package	A
	0271530	Ref	Boom Installation 1350SJP - Without Arctic Package	F
	1001139516	Ref	Boom Installation 1350SJP - With Arctic Package	A
1	0100011	AR	Compound, Locking	
2	0100019	AR	Compound, Locking	
3	0641608	4	Bolt 3/8in-16NC x 1in	
4	0642214	3	Bolt 3/4in-10NC x 1-3/4in	
5		Ref	Boom Assembly Options (See BOOM ASSEMBLY for Breakdown):	
5	0801320	1	Boom Assembly 1200SJP - Without Arctic Package	
5	1001138801	1	Boom Assembly 1200SJP - With Arctic Package	
5	0801315	1	Boom Assembly 1350SJP - Without Arctic Package	
5	1001139517	1	Boom Assembly 1350SJP - With Arctic Package	
6	1684162	NLA	Lift Cylinder Assembly (See CYLINDER SECTION for Breakdown) (Use p/n 1001228024) (Original Equipment)	
6	1001228024	1	Lift Cylinder Assembly (See CYLINDER SECTION for Breakdown) (Service Replacement)	
7	3340927	1	Pad	
8		Ref	Pin, Load Sensing Options:	
8	3422933	1	Pin, Load Sensing (Prior to SN 0300080450)	
8	3423194	1	Pin, Load Sensing (SN 0300080450 through 0300086185)	
8	3423208	1	Pin, Load Sensing (SN 0300086186 through 0300201016)	
9	3422955	1	Pin	
10	3841287	2	Keeper, Pin	
11	4751600	4	Flatwasher 3/8in Regular	
12	3520110	1	Plug (Prior to SN 0300080450)	
13	3841581	1	Keeper, Pin	
14	3422988	1	Pin	

SECTION 3 - BOOM

FIGURE 3-2. BOOM ASSEMBLY



SECTION 3 - BOOM

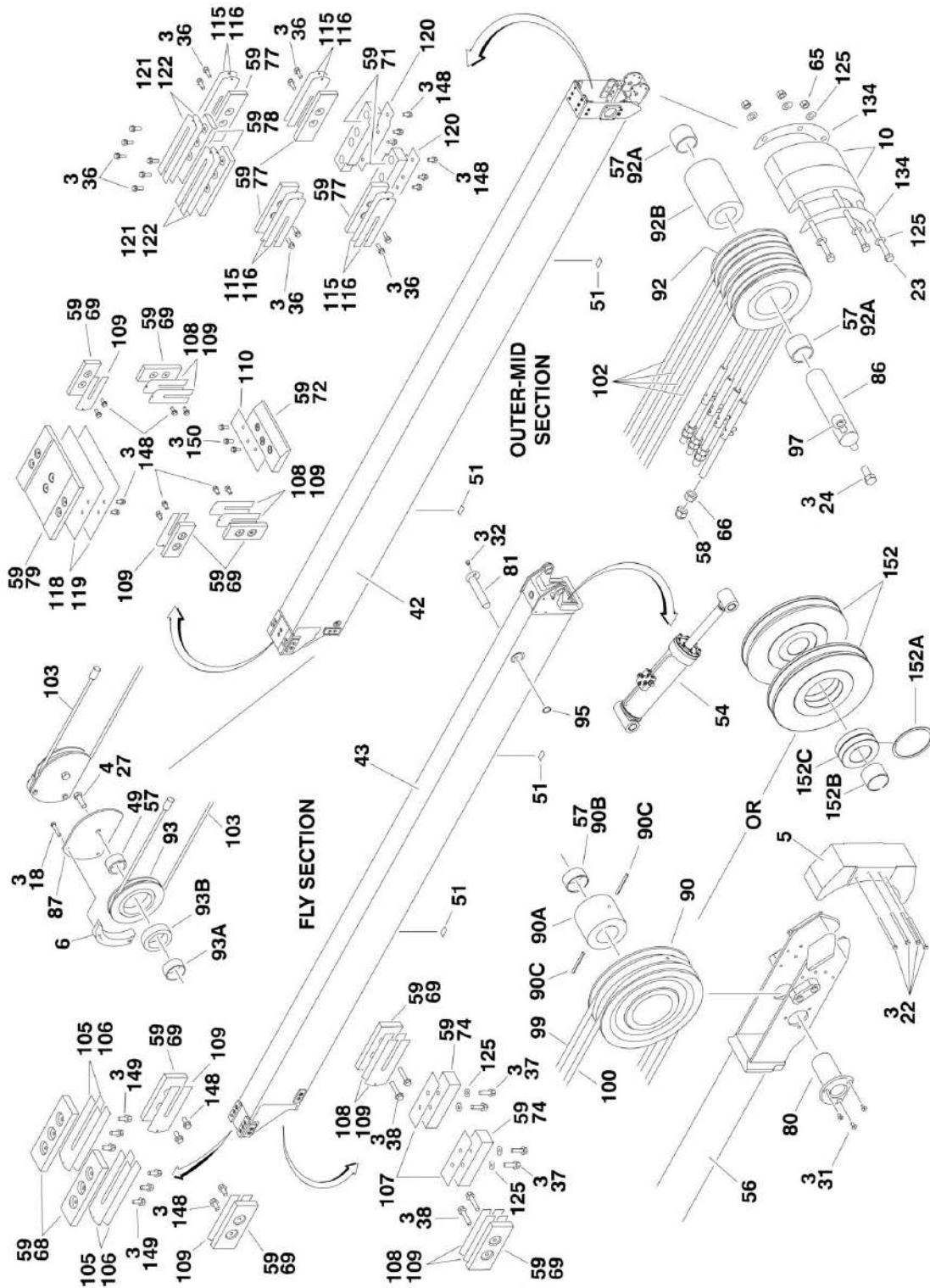


FIGURE 3-2. BOOM ASSEMBLY

ITEM	PART NUMBER	QTY	DESCRIPTION	REV
		Ref	BOOM ASSEMBLY	
	0801320	Ref	Boom Assembly 1200SJP - Without Arctic Package	S
	1001138801	Ref	Boom Assembly 1200SJP - With Arctic Package	B
	0801315	Ref	Boom Assembly 1350SJP - Without Arctic Package	Q
	1001139517	Ref	Boom Assembly 1350SJP - With Arctic Package	B
1		Ref	Actuator Assembly Options (Platform Rotate) (See ACTUATOR ASSEMBLIES for Breakdown):	
1	See Note	1	Actuator Assembly (was p/n 0060063) Note: See ACTUATOR ASSEMBLIES for ordering information. (Prior to SN 0300119707)	
1	1001097643	1	Actuator Assembly (SN 0300119707 through 0300201016)	
2		Ref	Actuator Assembly Options (Jib Rotate) (See ACTUATOR ASSEMBLIES for Breakdown):	
2	See Note	1	Actuator Assembly (was p/n 0060064) (Note: See ACTUATOR ASSEMBLIES for ordering information.) (Prior to SN 0300119707)	
2	1001097619	1	Actuator Assembly (SN 0300119707 through 0300201016)	
3	0100011	AR	Compound, Locking	
4	0100019	AR	Compound, Locking	
5	0561431	1	Block, Rope Retainer	
6	0561437	2	Block, Rope Retainer	
7	0561439	1	Block, Outer Mid Extend	
8	0561444	2	Block, Cable Retainer	
9	0561454	1	Block, Switch Adjuster	
10	0561457	2	Block, Cable Retainer	
11	0561458	2	Block, Cable Retainer	
12	0561471	2	Block, Spacer	
13	0561500	2	Block, Trunnion Keeper	
14	0561482	2	Block, Trunnion Keeper	
15	3340955	1	Pad	
16	0641607	5	Bolt 3/8in-16NC x 7/8in	
17	0641610	1	Bolt 3/8in-16NC x 1-1/4in	
18	0641615	4	Bolt 3/8in-16NC x 1-7/8in	
19	0791618	4	Screw 3/8in-16NC x 2-1/4in	
20	0791620	10	Screw 3/8in-16NC x 2-1/2in	
21	0791624	4	Screw 3/8in-16NC x 3in	
22	0641646	4	Bolt 3/8in-16NC x 5-3/4in	
23	0641652	3	Bolt 3/8in-16NC x 6-1/2in	
24	0641808	1	Bolt 1/2in-13NC x 1in	
25	0641813	1	Bolt 1/2in-13NC x 1-5/8in	
26	0642012	1	Bolt 5/8in-11NC x 1-1/2in	
27	0642014	4	Bolt 5/8in-11NC x 1-3/4in	
28	0642022	2	Bolt 5/8in-11NC x 2-3/4in	
29	0682028	8	Bolt 5/8in-11NC x 3-1/2in (Grade 8)	
30	0682212	8	Bolt 3/4in-10NC x 1-1/2in (Grade 8)	
31	0741606	3	Screw, Flathead 3/8in-16NC x 3/4in	
32	0741806	1	Screw, Flathead 1/2in-13NC x 3/4in	
33	0791604	4	Screw 3/8in-16NC x 1/2in	
34	0791606	2	Screw 3/8in-16NC x 3/4in	
36	0811608	AR	Screw 3/8in-16NC x 1in	
37	0811610	10	Screw 3/8in-16NC x 1-1/4in	

SECTION 3 - BOOM

ITEM	PART NUMBER	QTY	DESCRIPTION	REV
38	0811614	4	Screw 3/8in-16NC x 1-3/4in	
39	0811616	6	Screw 3/8in-16NC x 2in	
40		Ref	Base, Boom Options:	
40	0801316	1	Base, Boom 1200SJP	
40	0801301	1	Base, Boom 1350SJP	
41		Ref	Mid, Inner Options:	
41	0801317	1	Mid, Inner 1200SJP	
41	0801302	1	Mid, Inner 1350SJP	
42		Ref	Mid, Outer Options:	
42	0801318	1	Mid, Outer 1200SJP	
42	0801303	1	Mid, Outer 1350SJP	
43		Ref	Fly, Boom Options:	
43	0801319	1	Fly, Boom 1200SJP	
43	0801304	1	Fly, Boom 1350SJP	
44	0961951	8	Bushing	
45	0962224	2	Bearing	
46	0791612	4	Screw 3/8in-16NC x 1-1/2in	
47	0962297	2	Bushing	
48	0962409	2	Bushing	
49	0962410	2	Bushing	
50	1100131	1	Cam	
51	1670836	8	Cover (Prior to SN 0300120858)	
52	1671032	1	Cover	
53	1671033	1	Cover	
54		Ref	Platform Level Cylinder Assembly Options (See CYLINDER SECTION for Breakdown):	
54	1684149	NLA	Without Arctic Package (Use p/n 1001228023) (Original Equipment)	
54	1001228023	1	Without Arctic Package (Service Replacement)	
54	1001138802	NLA	With Arctic Package (Use p/n 1001228053) (Original Equipment)	
54	1001228053	1	With Arctic Package (Service Replacement)	
55		Ref	Jib Cylinder Assembly Options (See CYLINDER SECTION for Breakdown):	
55	1684173	NLA	Without Arctic Package (Use p/n 1001228025) (Original Equipment)	
55	1001228025	1	Without Arctic Package (Service Replacement)	
55	1001138803	NLA	With Arctic Package (Use p/n 1001228025) (Original Equipment)	
55	1001228025	1	With Arctic Package (Service Replacement)	
56		Ref	Telescope Cylinder Assembly Options: (See CYLINDER SECTION for Breakdown)	
56	1684178	NLA	Telescope Cylinder Assembly 1200SJP (Use p/n 1001228026) (Original Equipment)	
56	1001228026	1	Telescope Cylinder Assembly 1200SJP (Service Replacement)	
56	1684108	NLA	Telescope Cylinder Assembly 1350SJP (Use p/n 1001228021) (Original Equipment)	
56	1001228021	1	Telescope Cylinder Assembly 1350SJP (Service Replacement)	
57	3020039	AR	Lubricant, Moly	
58	3300239	4	Nut, Nylon Insert	
59	3020042	AR	Lubricant w/PTFE	
60	3300458	1	Nut 1in-12NF	
62	3300460	2	Nut 1-1/4in-7NC	

SECTION 3 - BOOM

ITEM	PART NUMBER	QTY	DESCRIPTION	REV
63	3300461	3	Nut 1-3/8in-6NC	
65	3311605	7	Locknut 3/8in-16NC	
66	3311801	4	Nut 1/2in-13NC	
67	3311805	1	Locknut 1/2in-13NC	
68	3340871	2	Pad, Wear	
69	3340881	12	Pad, Wear	
70	3340910	1	Pad, Wear	
71	3340912	2	Pad, Wear	
72		Ref	Pad, Wear Options:	
72	3340915	1	Pad, Wear (Prior to SN 0300086654)	
72	4700039	1	Pad, Wear (SN 0300086654 through 0300201016)	
73	3340916	2	Pad, Wear	
74	3340917	2	Pad, Wear	
75	3340918	2	Pad, Wear	
76		Ref	Pad, Wear Options:	
76	3340919	1	Pad, Wear (Prior to SN 0300086654)	
76	4700038	1	Pad, Wear (SN 0300086654 through 0300201016)	
77	3340921	12	Pad, Wear	
78	3340922	6	Pad, Wear	
79	3340926	1	Pad, Wear	
80	3422926	1	Pin	
81	3422937	1	Pin	
82		Ref	Pin Options:	
82	3422953	1	Pin (Prior to SN 0300160862)	
82	1001119899	1	Pin (SN 0300160862 through 0300201016)	
83	3422956	1	Pin	
84	3422957	5	Pin	
85	3422958	1	Pin	
86	3422959	1	Pin	
87	3572950	2	Plate, Cable Retract Retainer	
88	3572951	2	Plate, Cable Retract Retainer	
89		Ref	Sheave Options:	
89	3580290	2	Sheave (Use p/n 3580342) (Prior to SN 0300095125)	
89	3580342	2	Sheave (SN 0300095125 through 0300201016)	
90		Ref	Sheave Options:	
90	3580296	NLA	Sheave (Use p/n 1001177850) (Prior to SN 0300066766)	
		Ref	Note: No Service Parts Available for p/n 3580296 sheave. Replace complete unit with p/n 1001177850.	
90	3580308	1	Sheave (Use 1001177850) (SN 0300066766 through 0300185792)	
90A	0962401	1	Bushing (Outer)	
90B	0962472	1	Bushing (Inner)	
90C	3441680	8	Rollpin	
91	3580298	2	Sheave	
91A	0962402	1	Bushing (Outer)	
91B	0962406	1	Bushing (Inner)	
92	3580300	1	Sheave	
92A		Ref	Bushing Options:	
92A	0961948	2	Bushing (Inner) (Prior to SN 0300160032)	
92A	1001139972	1	Sleeve, Bushing (Inner) (SN 0300160032 through 0300201016)	
92B	0962403	1	Bushing (Outer)	

SECTION 3 - BOOM

ITEM	PART NUMBER	QTY	DESCRIPTION	REV
93	3580302	1	Sheave	
93A	0962404	1	Bushing (Outer)	
93B	0962411	1	Bushing (Inner)	
94		Ref	Sheave Options:	
94	3580304	1	Sheave (Use p/n 3580341) (Prior to SN 0300095125)	
94	3580341	2	Sheave (SN 0300095125 through 0300201016)	
95	3760233	1	Ring, Retaining	
96	3841143	6	Keeper, Pin	
97	3841203	2	Keeper, Pin	
98	3841258	1	Keeper, Pin	
99		Ref	Cable, Outer Mid Extend Options:	
99	3890024	1	Cable, Outer Mid Extend (Use p/n 3890034) 1200SJP (Prior to SN 0300070285)	
99	3890034	1	Cable, Outer Mid Extend 1200SJP (SN 0300070285 through 0300201016)	
99	3890019	1	Cable, Outer Mid Extend (Use p/n 3890029) 1350SJP (Prior to SN 0300070285)	
99	3890029	1	Cable, Outer Mid Extend 1350SJP (SN 0300070285 through 0300201016)	
100		Ref	Cable, Outer Mid Extend Options:	
100	3890025	1	Cable, Outer Mid Extend (Use p/n 3890035) 1200SJP (Prior to SN 0300070285)	
100	3890035	1	Cable, Outer Mid Extend 1200SJP (SN 0300070285 through 0300201016)	
100	3890020	1	Cable, Outer Mid Extend (Use p/n 3890030) 1350SJP (Prior to SN 0300070285)	
100	3890030	1	Cable, Outer Mid Extend 1350SJP (SN 0300070285 through 0300201016)	
101		Ref	Cable, Outer Mid Retract Options:	
101	3890026	2	Cable, Outer Mid Extend (Use p/n 3890036) 1200SJP (Prior to SN 0300070285)	
101	3890036	2	Cable, Outer Mid Retract 1200SJP (SN 0300070285 through 0300201016)	
101	3890021	2	Cable, Outer Mid Extend (Use p/n 3890031) 1350SJP (Prior to SN 0300070285)	
101	3890031	2	Cable, Outer Mid Retract 1350SJP (SN 0300070285 through 0300201016)	
102		Ref	Cable, Fly Extend Options:	
102	3890027	4	Cable, Outer Mid Extend (Use p/n 3890037) 1200SJP (Prior to SN 0300070285)	
102	3890037	4	Cable, Fly Extend 1200SJP (SN 0300070285 through 0300201016)	
102	3890022	4	Cable, Fly Extend (Use p/n 3890032) 1350SJP (Prior to SN 0300070285)	
102	3890032	4	Cable, Fly Extend 1350SJP (SN 0300070285 through 0300201016)	
103		Ref	Cable, Fly Retract Options:	
103	3890028	2	Cable, Fly Retract (Use p/n 3890038) 1200SJP (Prior to SN 0300070285)	
103	3890038	2	Cable, Fly Retract 1200SJP (SN 0300070285 through 0300201016)	
103	3890023	2	Cable, Fly Retract (Use p/n 3890033) 1350SJP (Prior to SN 0300070285)	
103	3890033	2	Cable, Fly Retract 1350SJP (SN 0300070285 through 0300201016)	
104	0641618	6	Screw 3/8in-16NC x 2-1/4in	

SECTION 3 - BOOM

ITEM	PART NUMBER	QTY	DESCRIPTION	REV
105	4070863	2	Shim #11 Gauge	
106	4070864	2	Shim #18 Gauge	
107	4070895	2	Shim #16 Gauge	
108	4070897	6	Shim #18 Gauge	
109	4070898	12	Shim #11 Gauge	
110	4071012	1	Shim #16 Gauge	
111	4071013	2	Shim #16 Gauge (Prior to SN 0300156660)	
112	4071015	2	Shim #16 Gauge	
113	4071016	2	Shim #11 Gauge (Prior to SN 0300141586)	
114	4071017	1	Shim #16 Gauge	
115	4071018	8	Shim #16 Gauge	
116	4071019	12	Shim #11 Gauge	
117	4071024	1	Shim #16 Gauge	
118	4071025	1	Shim #16 Gauge	
119	4071026	1	Shim #11 Gauge (Prior to SN 0300141586)	
120	4071027	2	Shim #16 Gauge	
121	4071028	6	Shim #16 Gauge	
122	4071029	6	Shim #11 Gauge	
123	4071031	4	Shim #16 Gauge	
124	4160197	1	Spring	
125	4711600	10	Flatwasher 3/8in Thin	
126	4740509	2	Spacer	
127	4846453	1	Plate, Mounting	
128	4846462	1	Pivot	
129	4846482	1	Link, Jib (Upper)	
130		Ref	Link, Jib (Lower) Options:	
130	4846483	1	Link, Jib (Lower) (Use p/n 0801550) (Prior to SN 0300099171)	
130	0801550	1	Link, Jib (Lower) (SN 0300099171 through 0300201016)	
131	4892000	2	Flatwasher 5/8in Hardened	
132	4071044	1	Shim #18 Gauge	
133	4071045	1	Shim #11 Gauge	
134	4071046	2	Shim #16 Gauge	
135	0363066	2	Bar, Stabilizer	
136	0962447	2	Bearing, Flanged	
137	3573437	1	Plate, Pulley Adjustment	
138	3580306	4	Pulley	
139	4568423	4	Tube, Spacer	
140	0641640	1	Bolt 3/8in-16NC x 5in	
141	0641644	2	Bolt 3/8in-16NC x 5-1/2in	
142	0791605	6	Screw 3/8in-16NC x 5/8in	
143	3573444	6	Plate, Lock	
144	0630558	1	Bolt 1-1/8inNC x 2in	
145	3311608	8	Nut, Castle 3/8in-16NC	
146	3760133	5	Ring, Retaining	
148	0811606	AR	Screw 3/8in-16NC x 3/4in	
149	0811607	AR	Screw 3/8in-16NC x 7/8in	
150		Ref	Screw Options:	
150	0811607	3	Screw 3/8in-16NC x 7/8in (Prior to SN 0300086654)	
150	0811608	3	Screw 3/8in-16NC x 1in (SN 0300086654 through 0300201016)	
151		Ref	Screw Options:	
151	0811606	4	Screw 3/8in-16NC x 3/4in (Prior to SN 0300086654)	

SECTION 3 - BOOM

ITEM	PART NUMBER	QTY	DESCRIPTION	REV
151	0811608	4	Screw 3/8in-16NC x 1in (SN 0300086654 through 0300201016)	
152	1001154260	2	Sheave (SN 0300185793 through 0300201016)	
152A	1001154294	1	Ring, Snap	
152B	1001154304	1	Bushing (Inner)	
152C	1001154306	1	Bushing (Outer)	
	0272048	Ref	WIRE ROPE TOOLS INSTALLATION (OPTIONAL)	B
201	0641676	1	Bolt 3/8in-16NC x 9-1/2in	
202	3311605	1	Locknut 3/8in-16NC	
203	4120040	1	Socket 3/4in	
204	4120043	1	Socket 2in	
205	4711600	1	Flatwasher 3/8in Thin	
206	4891600	1	Flatwasher 3/8in Hardened	
207	1705307	1	Decal - Tool Location	

SECTION 3 - BOOM

FIGURE 3-3. ACTUATOR ASSEMBLIES

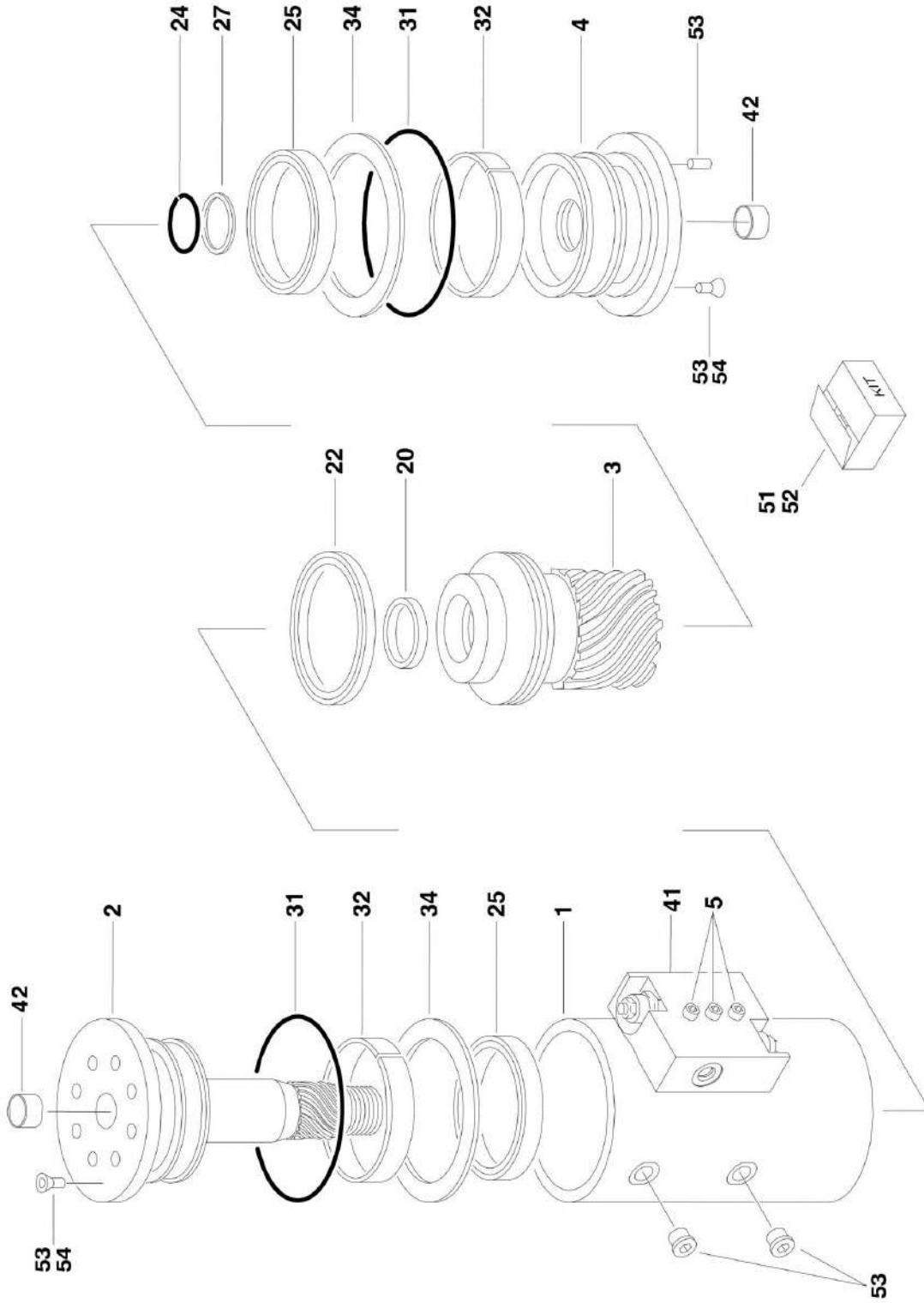


FIGURE 3-3. ACTUATOR ASSEMBLIES

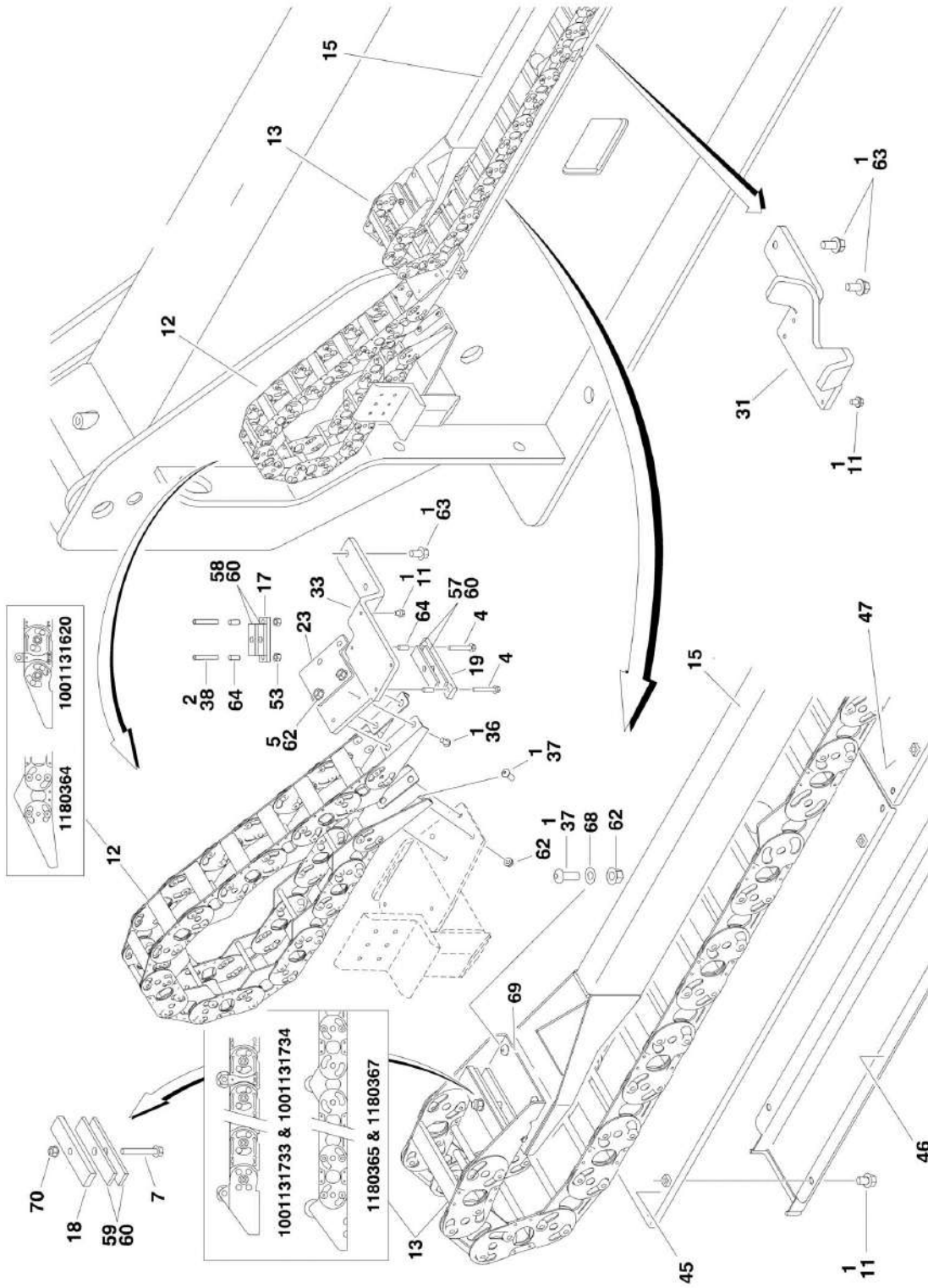
ITEM	PART NUMBER	QTY	DESCRIPTION	REV
		Ref	ACTUATOR ASSEMBLIES	
		Ref	Platform Rotate	
	See Notes 1 AND 2	Ref	Platform Rotate (was 2-Port Design p/n 0060063) (Prior to SN 0300119707)	F
	1001097643	Ref	Platform Rotate (3-Port Design) (SN 03000119707 through 0300201016)	A
		Ref	Jib Rotate	
	See Notes 1 AND 3	Ref	Jib Rotate (was 2-Port Design p/n 0060064) (Prior to SN 030019707)	I
	1001097619	Ref	Jib Rotate (3-Port Design) (SN 0300119707 through 0300201016)	A
		Ref	Note 1: Verify Motion Control Valve Design Before Ordering Parts.	
		Ref	Note 2: Platform Rotator - 2-Port Motion Control Valve Platform Rotator no longer available. Must upgrade to 3-Port design. Purchase Rotator p/n 1001097643, Rotator Service Replacement Kit p/n 1001097785 and Jib Rotator Motion Control Valve p/n 70002859	
		Ref	Note 3: Jib Rotator 2-Port Motion Control Valve Jib Rotator no longer available. Must upgrade to 3-Port design. Purchase Rotator p/n 1001097619, Rotator Service Replacement Kit p/n 1001097785 and Platform Rotator Motion Control Valve p/n 70001639.	
1	See Note	1	Case/Bracket Weldment (Note: Not Available - Purchase Complete Actuator Assembly)	
2		Ref	Shaft Options:	
2	7017162	1	0060063 & 1001097643 Platform Rotator	
2	7017191	1	0060064 & 1001097619 Jib Rotator	
3		Ref	Sleeve, Piston Options:	
3	7017163	1	0060063 & 1001097643 Platform Rotator	
3	7017187	1	0060064 & 1001097619 Jib Rotator	
4		Ref	Cap, End Options:	
4	7017164	1	0060063 & 1001097643 Platform Rotator	
4	7017188	1	0060064 & 1001097619 Jib Rotator	
5	See Note	1	Bolt 1/4in-20NC (Grade 8) (Note: Not Available For Purchase)	
20	See Note	1	Seal, Rod (Note: Use Item 52)	
22	See Note	1	Seal, Piston (Note: Use Item 52)	
24	See Note	1	Seal, Cap (Note: Use Item 52)	
25	See Note	2	Packing, Bearing (Note: Use Item 52)	
27	See Note	1	Ring, Cap Back-Up (Note: Use Item 52)	
31	See Note	2	Seal (Note: Use Item 52)	
32	See Note	2	Bearing, Shaft (Note: Use Item 51)	
34	See Note	2	Thrustwasher (Note: Use Item 51)	
41		Ref	Motion Control Valve Assembly Options (Cartridges not serviced separately.):	
41	See Note	1	0060063 Platform Rotator (was 2-Port Design p/n 7017172)	
41	70001639	1	1001097643 Platform Rotator	
41	See Note	1	0060064 Jib Rotator (was 2-Port Design p/n 7017190)	
41	70002859	1	1001097619 Jib Rotator (was p/n 70001641)	
42		Ref	Bushing, Shaft Options:	
42	7017195	1	Platform Rotate Actuator	
42	See Note	NSS	Jib Rotate Actuator (Note: Not Available for Purchase)	
		Ref	Note: 2-Port Design Motion Control Valves no longer	

SECTION 3 - BOOM

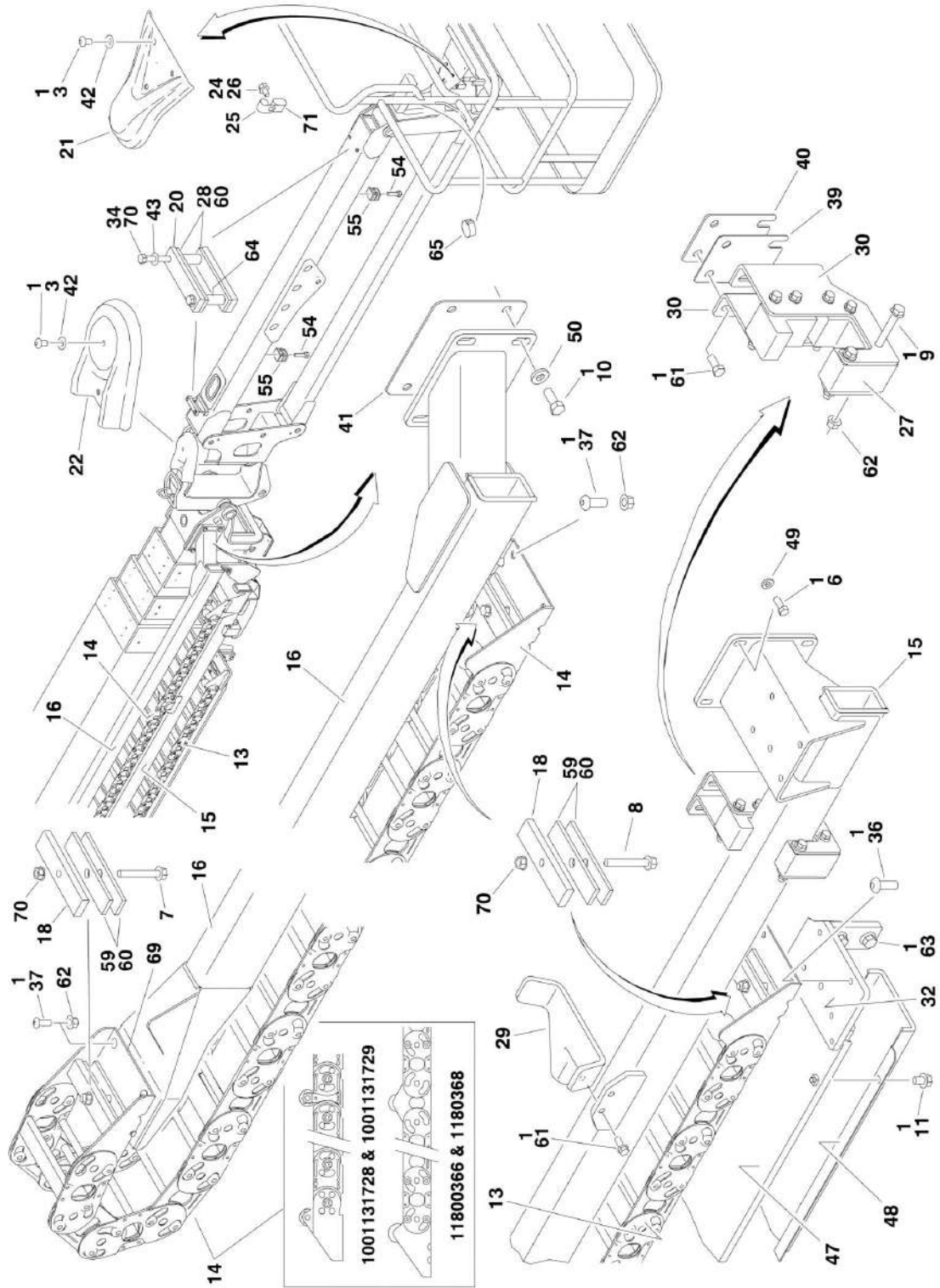
ITEM	PART NUMBER	QTY	DESCRIPTION	REV
			available. Must upgrade to 3-Port design. Purchase Platform Motion Control Valve p/n 70001639, Jib Motion Control Valve p/n 70002859, and Rotator Service Replacement Kit p/n 1001097785.	
51		Ref	Bearing Kit Options: (Includes Items 32 & 34)	
51	7017159	1	0060063 & 1001097643 Platform Rotator	
51	7017185	1	0060064 & 1001097619 Jib Rotator	
52		Ref	Seal Kit Options: (Includes Items 20, 22, 24, 25, 27 & 31)	
52		Ref	0060063 & 1001097643 Platform Rotator	
52	7017158	1	Standard	
52	70000342	1	Cold Climate	
52		Ref	0060064 & 1001097619 Jib Rotator	
52	7017184	1	Standard	
52	70000796	1	Cold Climate	
53		Ref	Hardware Kit (Platform Rotator Actuator) Options:	
53	7017142	1	1001097643 Platform Rotator	
53	See Note	1	1001097619 Jib Rotator (Note: Not Available For Purchase)	
53	70001640	1	0060064 Jib Rotator	
54		Ref	Screw, Countersunk 1/4in-20NC x 3/8in (Grade 8) Options:	
54	See Note	4	0060063 Platform Rotator (Note: Not Available For Purchase)	
54	70001697	4	1001097643 Platform Rotator	
54	See Note	4	0060064 & 1001097619 Jib Rotator (Note: Not Available For Purchase)	

SECTION 3 - BOOM

FIGURE 3-4. POWER TRACK INSTALLATION



SECTION 3 - BOOM



SECTION 3 - BOOM

FIGURE 3-4. POWER TRACK INSTALLATION

ITEM	PART NUMBER	QTY	DESCRIPTION	REV
		Ref	POWER TRACK INSTALLATION	
	0271800	Ref	Power Track Installation 1200SJP	N
	0271570	Ref	Power Track Installation 1350SJP	O
1	0100011	AR	Compound, Locking	
2	0100019	AR	Compound, Locking	
3	0630467	6	Screw, Button 5/16in-18NC x 1/2in	
4	0791518	2	Screw 5/16in-18NC 2-1/4in	
5	3900232	2	Screw, Button 3/8in-16NC x 1-1/4in	
6	0641608	4	Bolt 3/8in-16NC x 1in	
7	0791620	2	Screw 3/8in-16NC x 2-1/2in	
8	0791622	2	Screw 3/8in-16NC x 2-3/4in	
9	0791624	6	Screw 3/8in-16NC x 3in	
10	0641810	4	Bolt 1/2in-13NC x 1-1/4in	
11	0791504	Ref	Screw 5/16in-18NC x 1/2in	
11	0791504	48	Screw 5/16in-18NC x 1/2in 1200SJP	
11	0791504	58	Screw 5/16in-18NC x 1/2in 1350SJP	
12		Ref	Carrier (T/T to Boom) Options:	
		Ref	Note: Original Equipment Power Track may have been replaced with Service Replacement. Visually identify component before ordering replacement parts.	
12	1180364	1	Carrier (Use p/n 1001131620) (Prior to SN 0300155163)	
12	1001131620	1	Carrier (SN 0300155163 through 0300201016)	
12		Ref	Section Repair Kit Options (Includes Inner and Outer Links, Joining Bars and Rollers and Assembling Hardware):	
12	7024367	AR	Repair Section for 1180364 Power Track	
12	70003917	AR	Repair Section for 1001131620 Power Track	
12		Ref	Mounting Bracket Kit Option (Includes Mounting Brackets for Both Ends, 1 Roller Assembly and Assembling Hardware):	
12	7024368	1	Kit for 1180364 Power Track	
12	70003918	1	Kit for 1001131620 Power Track	
13		Ref	Carrier (Lower) Options:	
		Ref	Note: Original Equipment Power Track may have been replaced with Service Replacement. Visually identify component before ordering replacement parts.	
13	1180367	1	Carrier (Use p/n 1001131734) 1200SJP (Prior to SN 0300155163)	
13	1001131734	1	Carrier 1200SJP (SN 0300155163 through 0300201016)	
13	1180365	1	Carrier (Use p/n 1001131733) (Prior to SN 0300155163)	
13	1001131733	1	Carrier 1350SJP (SN 0300155163 through 0300201016)	
13		Ref	Section Repair Kit Options (Includes Inner and Outer Links, Joining Bars and Rollers and Assembling Hardware):	
13	7024362	AR	Repair Section for 1180365 & 1180367 Power Track	
13	70003913	AR	Repair Section for 1001131733 & 1001131734 Power Track	
13		Ref	Mounting Bracket Kit Option (Includes Mounting Brackets for Both Ends, 1 Roller Assembly and Assembling Hardware):	
13	7024363	1	Kit for 1180365 & 1180367 Power Track	
13	70003915	1	Kit for 1001131733 & 1001131734 Power Track	
13		Ref	Center Bracket Kit Options (Includes 1 Flat Bar, 1 Round Bar, 1 Roller and Assembling Hardware)	
13	7024364	AR	Kit for 1180365 & 1180367 Power Track	
13	70003914	AR	Kit for 1001131733 & 1001131734 Power Track	
14		Ref	Carrier (Upper) Options:	

SECTION 3 - BOOM

ITEM	PART NUMBER	QTY	DESCRIPTION	REV
		Ref	Note: Original Equipment Power Track may have been replaced with Service Replacement. Visually identify component before ordering replacement parts.	
14	1180368	1	Carrier (Use p/n 1001131729) 1200SJP (Prior to SN 0300155163)	
14	1001131729	1	Carrier 1200SJP (SN 0300155163 through 0300201016)	
14	1180366	1	Carrier (Use p/n 1001131728) 1350SJP (Prior to SN 0300155163)	
14	1001131728	1	Carrier 1350SJP (SN 0300155163 through 0300201016)	
14		Ref	Section Repair Kit Options (Includes Inner and Outer Links, Joining Bars and Rollers and Assembling Hardware):	
14	7024362	AR	Repair Section for 1180366 & 1180368 Power Track	
14	70003913	AR	Repair Section for 1001131728 & 1001131729 Power Track	
14		Ref	Mounting Bracket Kit Option (Includes Mounting Brackets for Both Ends, 1 Roller Assembly and Assembling Hardware):	
14	7024363	1	Kit for 1180366 & 1180368 Power Track	
14	70003915	1	Kit for 1001131728 & 1001131729 Power Track	
14		Ref	Center Bracket Kit Options (Includes 1 Flat Bar, 1 Round Bar, 1 Roller and Assembling Hardware)	
14	7024364	AR	Kit for 1180366 & 1180368 Power Track	
14	70003914	AR	Kit for 1001131728 & 1001131729 Power Track	
15		Ref	Tube, Push (Lower) Options:	
15	1180369	1	Tube, Push 1200SJP	
15	1180362	1	Tube, Push 1350SJP	
16		Ref	Tube, Push (Upper) Options:	
16	1180370	1	Tube, Push 1200SJP	
16	1180363	1	Tube, Push 1350SJP	
17	1320277	1	Clamp, Hose	
18	1320294	4	Clamp, Bar	
19	1320295	1	Clamp, Bar	
20	1320296	3	Clamp, Bar	
21	1670964	1	Cover, Support/Rotator	
22	1671043	1	Cover, Jib Pivot	
23	4846753	1	Shield, Hose Protection	
24		Ref	Screw Options:	
24	Not Required	0	Screw (Prior to SN 0300070981)	
24	0641405	2	Screw (1/4in-20NC x 5/8in) (SN 0300070981 through 0300119706)	
24	0641406	1	Screw (1/4in-20NC x 3/4in) (SN 0300119707 through 0300201016)	
25	1320263	AR	Clamp, Cable (SN 0300070981 through 0300201016)	
26	4711400	AR	Flatwasher 1/4in Thin (SN 0300070981 through 0300201016)	
27	3340925	1	Pad	
28	3340934	4	Pad, Clamp	
29	3573016	3	Support, Track	
30	3573179	2	Plate, Mounting	
31	3573181	Ref	Support, Track	
31	3573181	4	Support, Track 1200SJP	
31	3573181	5	Support, Track 1350SJP	
32	3573194	1	Plate, Track Mounting	
33	3573210	1	Plate, Track Mounting	
34	3900260	4	Capscrew 3/8in-16NC x 4in	
36	3900283	6	Screw, Button Head 3/8in-16NC x 3/4in	

SECTION 3 - BOOM

ITEM	PART NUMBER	QTY	DESCRIPTION	REV
37	3900316	16	Screw, Button Head 3/8in-16NC x 1in	
38	3951620	2	Setscrew 3/8in-16NC x 2-1/2in	
39	4071021	1	Shim, Adjusting 16Ga	
40	4071022	1	Shim, Adjusting 11Ga	
41	4071023	1	Shim, Adjusting 11Ga	
42	4711500	6	Flatwasher 5/16in Thin	
43	4711600	4	Flatwasher 3/8in Thin	
45	4846431	1	Cover, Cable (Front)	
46	4846485	1	Support, Cable (Front)	
47		Ref	Cover, Cable (Rear) Options:	
47	4846515	4	Cover, Cable 1200SJP	
47	4846423	5	Cover, Cable 1350SJP	
48		Ref	Support, Cable (Rear) Options:	
48	4846516	4	Support, Cable 1200SJP	
48	4846429	5	Support, Cable 1350SJP	
49	4891600	4	Flatwasher, 3/8in Hardened	
50	4891800	4	Flatwasher 1/2in Hardened	
53	3311601	2	Nut 3/8in-16NC	
54	0641510	2	Bolt 5/16in-18NC x 1-1/4in	
55	1320159	2	Clamp	
56	4240018	10	Tie-Strap (Not Shown)	
57	3340940	2	Pad, Rubber	
58	3340941	2	Pad, Rubber	
59	3340942	8	Pad, Rubber	
60	0100081	AR	Adhesive #454	
61	0791607	10	Screw 3/8in-16NC x 7/8in	
62	3311608	AR	Nut, Flanged 3/8in-16NC	
63	0791808	12	Screw 1/2in-13NC x 1in	
64	4562516	AR	Tubing, Poly	
65	4240153	AR	Strap, 4in Cinch - Not Shown (Prior to SN 0300074134, SN 0300119707 through 0300201016)	
66	4240155	3	Strap, 8in Cinch (Not Shown)	
67	4240156	3	Strap, 12in Cinch (Not Shown)	
68	4751500	4	Flatwasher 5/16in Regular	
69	4060804	11	Shield, Flex Trim 3/16in	
		in/28cm		
70	3300492	8	Nut, Nylon Insert (SN 0300081017 through 0300201016)	
71	1321385	1	Clamp, Hose (SN 0300119707 through 0300201016)	

SECTION 3 - BOOM

FIGURE 3-5. BOOM SENSORS AND SWITCHES INSTALLATION

WITNESS DECALS LOCATED ON
BOTTOM OF INNER MID BOOM

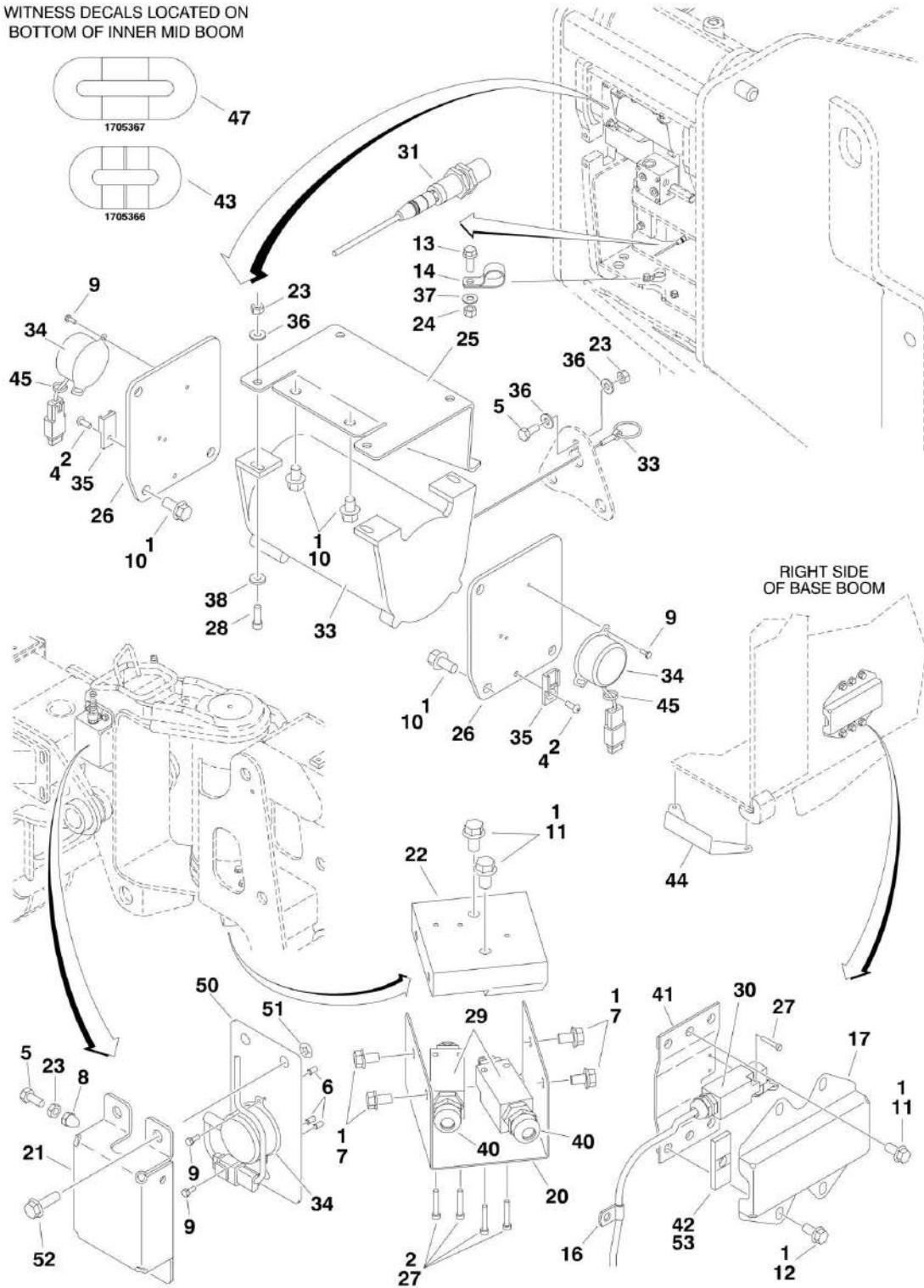


FIGURE 3-5. BOOM SENSORS AND SWITCHES INSTALLATION

ITEM	PART NUMBER	QTY	DESCRIPTION	REV
		Ref	BOOM SENSORS AND SWITCHES INSTALLATIONS	
	0271621	Ref	Boom Sensors and Switches Installations (Prior to SN 0300075883)	J
	0273696	Ref	Boom Sensors and Switches Installations (SN 0300075883 through 0300201016)	H
1	0100011	AR	Compound, Locking	
2	0100035	AR	Compound, Locking	
4	0630464	2	Screw, Button Head #10-24NC x 1/2in	
5	0641405	5	Bolt 1/4in-20NC x 5/8in	
6	2080068	6	Fastener, Insert 1/4in-20NC (Prior to SN 0300088626)	
7	0791504	4	Screw 5/16in-18NC x 1/2in	
8	3300430	2	Nut, Acorn 1/4in-20NC	
9		Ref	Screw, Machine #6-32NC x 3/8in	
9	0720603	12	Screw, Machine #6-32NC x 3/8in (Prior to SN 0300075883)	
9	3930606	12	Screw, Machine #6-32NC x 3/8in (SN 0300075883 through 0300201016)	
10	0791604	AR	Screw 3/8in-16NC x 1/2in	
11	0791605	AR	Screw 3/8in-16NC x 5/8in	
12	0791606	4	Screw 3/8in-16NC x 3/4in	
13	0791608	2	Screw 3/8in-16NC x 1in	
14	1320130	2	Clamp, Hose	
16	1320301	1	Clamp, Cable	
17	1671031	1	Cover, Limit Switch	
20	1671039	1	Cover, Jib Switch	
21		Ref	Cover, Level Sensor Options:	
21	1671081	2	Cover, Level Sensor (Use p/n 1671044) (Prior to SN 0300073745)	
21	1671044	2	Cover, Level Sensor (SN 0300073745 through 0300201016)	
22	3200433	1	Mount, Jib Switch	
23	3311405	9	Locknut 1/4in-20NC	
24	3311605	2	Locknut 3/8in-16NC	
25	3573224	1	Plate, Switch Mounting (Use p/n 3574431)	
26	3573301	2	Plate, Sensor Mounting	
27	3930816	6	Capscrew #8-32NC x 1in	
28	3931414	4	Capscrew 1/4in-20NC x 7/8in	
29		Ref	Switch, Jib Limit Options: (Note: Control System must be recalibrated when Switch is replaced)	
29	4360321	2	Switch, Jib Limit (Use p/n 4360548) (Prior to SN 0300074420)	
29	4360548	2	Switch, Jib Limit (SN 0300074420 through 0300201016)	
30		Ref	Switch, Boom Length Limit Options: (Note: Control System must be recalibrated when Switch is replaced)	
30	4360322	1	Switch, Boom Length Limit (Use p/n 4360578) (Prior to SN 0300074420)	
30	4360549	1	Switch, Boom Length Limit (Use p/n 4360578) (SN 0300074420 through 0300080278)	
30	4360578	1	Switch, Boom Length Limit (Note: P/N 4360578 does not include #48 Connector - Purchase Separately) (SN 0300080279 through 0300201016)	
31	4360527	1	Switch, Cable Break Proximity (Note: Control System must be recalibrated when Switch is replaced)	
33	4360504	1	Sensor, Boom Length (Use p/n 4360543) (Note: Control System must be recalibrated when Sensor is replaced)	

SECTION 3 - BOOM

ITEM	PART NUMBER	QTY	DESCRIPTION	REV
34		Ref	Sensor, Angle Indicator Options: (Note: Control System must be recalibrated when Sensor is replaced)	
34	4360534	4	Sensor, Angle Indicator (Use p/n 1001147479) (Prior to SN 0300141600)	
34	4360545	4	Sensor, Angle Indicator (Use p/n 1001147479) (Prior to SN 0300141600)	
34	4360545	4	Sensor, Angle Indicator (Use p/n 1001133329) (SN 0300141600 through 0300157202)	
34	1001133329	4	Sensor, Angle Indicator (SN 0300157203 through 0300184657)	
	1001147479	4	Sensor, Angle Indicator (SN 0300184658 through 0300201016)	
35	4460914	2	Terminal, Base	
36	4711400	10	Flatwasher 1/4in Thin	
37	4711600	2	Flatwasher 3/8in Thin	
38	4891400	4	Flatwasher 1/4in Hardened	
39	0641406	4	Bolt 1/4in-20NC x 3/4in	
40	4460428	2	Connector, Strain Relief	
41	4846484	1	Mount, Switch	
42		Ref	Pad, Rubber Options:	
42	3340861	1	Pad, Rubber (Prior to SN 0300132905)	
42	3340941	1	Pad, Rubber (SN 0300132905 through 0300201016)	
43	1705366	1	Decal - Boom Length (500LB Cap)	
44	3573503	1	Plate, Boom Length (Use p/n 3574616)	
45	4240032	2	Tie-Strap (Prior to SN 0300088626)	
46	Not Required	6	Screw 5/16in-18NC x 1in	
47	1705367	1	Decal - Boom Length (1000LB Cap)	
48	4460968	3	Connector, Strain Relief (Not Shown)	
49	1320136	2	Clamp, Cable (Not Shown)	
50	4341158	2	Plate, Mounting Sensor (SN 0300088626 through 0300201016)	
51	8310070	6	Pushnut 3/8in (SN 0300088626 through 0300201016)	
52		Ref	Screw Options:	
52	0791604	6	Screw 3/8in-16NC x 1/2in (Prior to SN 0300088626)	
52	0791605	6	Screw 3/8in-16NC x 5/8in (SN 0300088626 through 0300201016)	
53	0100081	AR	Adhesive (SN 0300132905 through 0300201016)	

SECTION 3 - BOOM

FIGURE 3-6. PLATFORM SUPPORT AND CONTROL VALVES INSTALLATIONS

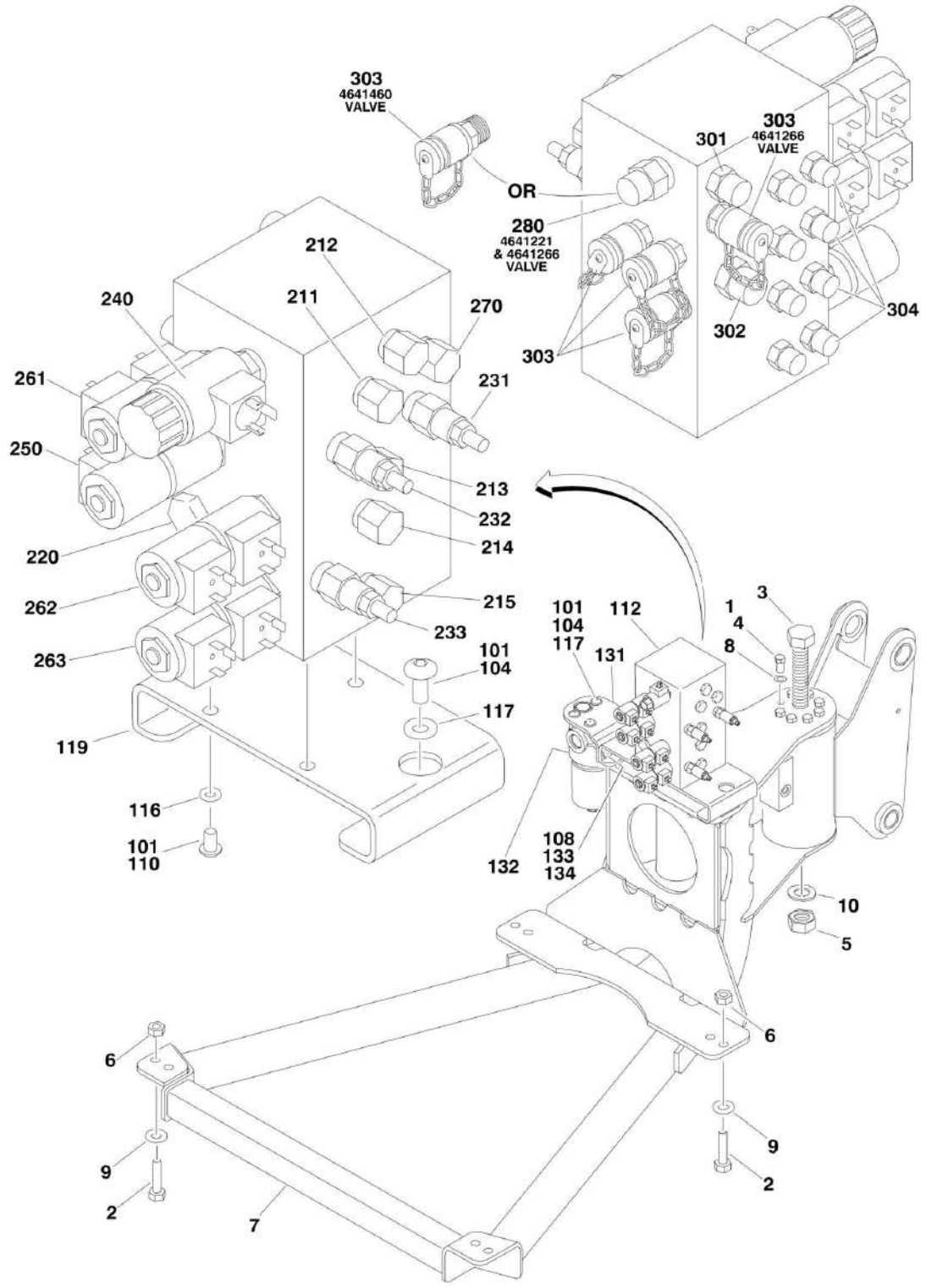


FIGURE 3-6. PLATFORM SUPPORT AND CONTROL VALVES INSTALLATIONS

ITEM	PART NUMBER	QTY	DESCRIPTION	REV
		Ref	PLATFORM SUPPORT INSTALLATION	
	0272070	Ref	Machines without Load Sensing and without SkyGlazier	F
	See Note	Ref	Machines without Load Sensing and with SkyGlazier (Note: For Replacement Parts Contact JLG Customer Service and Request Manual p/n 3124242.)	
	See Note	Ref	Machines with Load Sensing and without SkyGlazier (Note: For Replacement Parts Contact JLG Customer Service and Request Manual p/n 3124287.)	
	See Note	Ref	Machines with Load Sensing and with SkyGlazier (Note: For Replacement Parts Contact JLG Customer Service and Request Manual p/n 3124287.)	
1	0100011	AR	Compound, Locking	
2	0641812	8	Bolt 1/2in-13NC x 1-1/2in	
3	0642684	1	Bolt 1in-8NC x 10-1/4in	
4	0681608	8	Bolt 3/8in-16NC x 1in (Grade 8)	
5	3272605	1	Nut 1in-8NC (Use p/n 3300243)	
6	3311805	8	Locknut 1/2in-13NC	
7	4846573	1	Support Weldment	
8	4891600	8	Flatwasher 3/8in Hardened	
9	4891800	8	Flatwasher 1/2in Hardened	
10	4892600	1	Flatwasher 1in Hardened	
	0271802	Ref	CONTROL VALVE INSTALLATION	K
101	0100011	AR	Compound, Locking	
104	3900283	AR	Screw, Button Head 3/8in-16NC x 3/4in	
108	3311605	2	Locknut, 3/8in-16	
110	3900210	3	Screw, Button Head 5/16in-18NC x 3/4in	
112		Ref	Platform Valve Options:	
112	See Note	1	Platform Valve (was p/n 4641221 - See Items 201-280 for Breakdown) (Prior to SN 0300072337)	
112	See Note	1	Platform Valve (was p/n 4641266 - See Items 201-280 for Breakdown) (SN 0300072337 through 0300099917)	
		Ref	NOTE: If machine IS NOT equipped with hydraulic filter (item# 132), use part# 2915201. If machine IS equipped with hydraulic filter (item# 132), use part# 4641460.	
112	4641460	1	Platform Valve (SN 0300099918 through 0300201016)	
116	4711500	3	Flatwasher 5/16in Thin	
117	4711600	AR	Flatwasher 3/8in Thin	
119		Ref	Plate, Valve Mounting Options:	
119	4846685	1	Plate, Valve Mounting (Use p/n 4341264) (Prior to SN 0300092150)	
119	4341264	1	Plate, Valve Mounting (SN 0300092150 through 0300201016)	
131	0903530	1	Bracket, Filter Mounting (SN 0300092150 through 0300201016)	
132	2120217	1	Filter, Pressure (SN 0300092150 through 0300201016)	
132	70002097	1	Element	
132	70004328	1	Plug, Indicator	
133	3900232	2	Screw, Button Head 3/8in-16 x 1-1/4in (SN 0300092150 through 0300201016)	
134	4751600	4	Flatwasher 3/8in Regular (SN 0300092150 through 0300201016)	
		Ref	PLATFORM VALVE ASSEMBLY OPTIONS:	
	4641221	Ref	Platform Valve Assembly (Without Fittings) (Prior to SN 0300072337)	B
	4641266	Ref	Platform Valve Assembly (With Fittings) (SN 0300072337 through 0300099917)	C

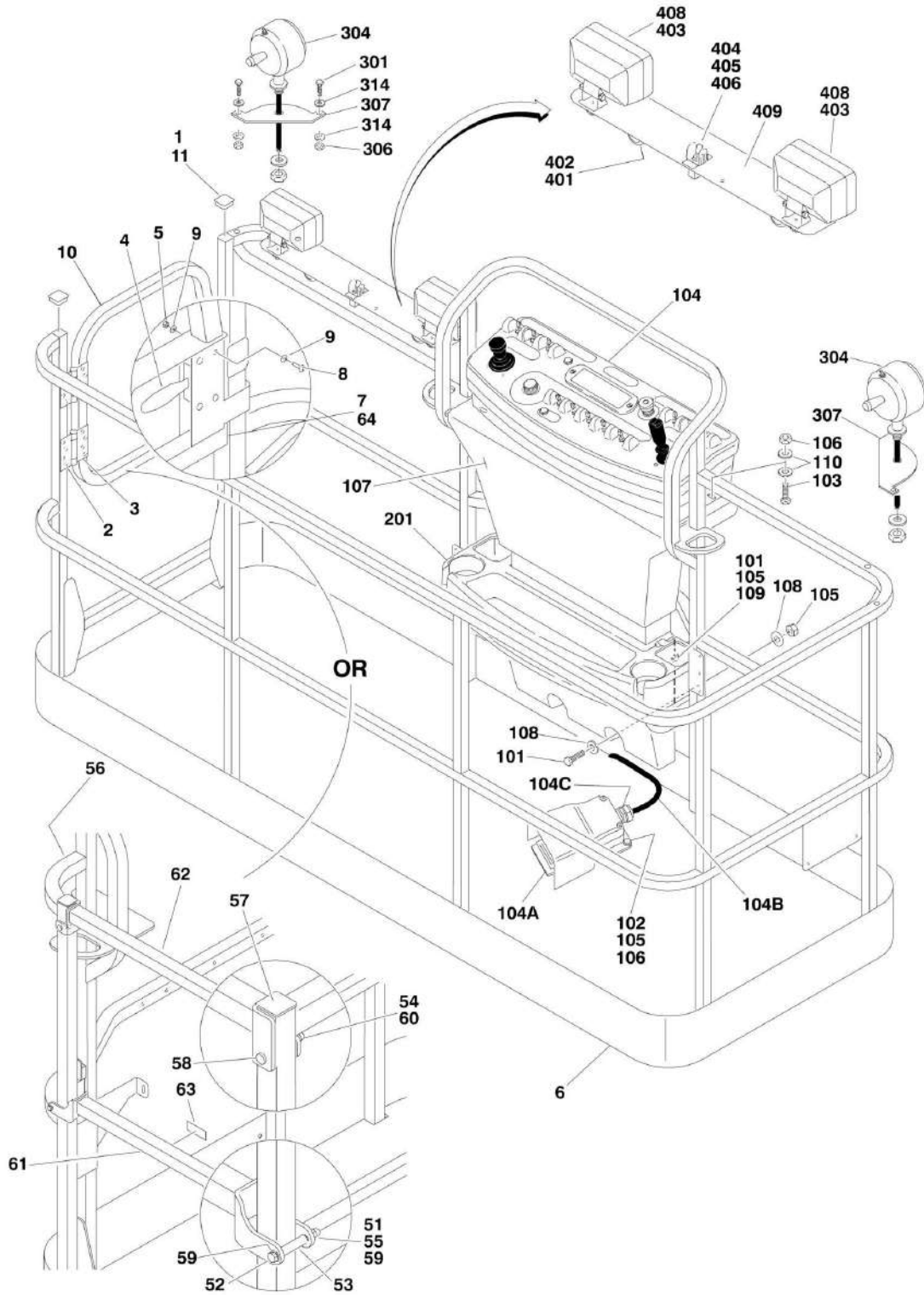
SECTION 3 - BOOM

ITEM	PART NUMBER	QTY	DESCRIPTION	REV
	4641460	Ref	Platform Valve Assembly (With Fittings) (SN 0300099918 through 0300201016)	C
211	7026018	1	Valve, Cartridge	
211	7011346	1	Seal Kit - Valve	
212	7026019	1	Valve, Cartridge (Flow Control)	
212	7011346	1	Seal Kit - Valve	
213	7026020	1	Valve, Cartridge (Rotate)	
213	7011346	1	Seal Kit - Valve	
214	7026021	1	Valve, Cartridge (Jib Swing)	
214	7011346	1	Seal Kit - Valve	
215	7026019	1	Valve, Cartridge (Jib Lift)	
215	7011346	1	Seal Kit - Valve	
220	7011355	1	Valve, Cartridge (Jib)	
220	2900770	1	Seal Kit - Valve	
231	7024572	1	Valve, Relief Cartridge (Platform Level Up)	
231	7011346	1	Seal Kit - Valve	
232	7024572	1	Valve, Relief Cartridge (Platform Level Down)	
232	7011346	1	Seal Kit - Valve	
233	7024572	1	Valve, Relief Cartridge (Jib Up/Down)	
233	7011346	1	Seal Kit - Valve	
240	7026022	1	Valve, Cartridge (Dump)	
240	2900770	1	Seal Kit - Valve	
240	7024571	1	Coil	
250	7023922	1	Valve, Cartridge (Platform Rotate)	
250	7017402	1	Seal Kit - Valve	
250	7012944	2	Coil	
261	7023922	1	Valve, Cartridge (Platform Level)	
261	7017402	1	Seal Kit - Valve	
261	7012944	2	Coil	
262	7023922	1	Valve, Cartridge (Jib Swing)	
262	7017402	1	Seal Kit - Valve	
262	7012944	2	Coil	
263	7023922	1	Valve, Cartridge (Jib Lift)	
263	7017402	1	Seal Kit - Valve	
263	7012944	2	Coil	
270	7026023	1	Valve, Cartridge (Check)	
270	7011346	1	Seal Kit - Valve	
280	7011373	1	Filter (Prior to SN 0300099918)	
280	7026024	1	Valve, Cartridge (Filter) (Prior to SN 0300099918)	
280	7011311	1	Seal Kit - Valve	
		Ref	Platform Valve Assembly (Fitting Information)	
	4641266	Ref	Platform Valve Assembly (SN 0300072337 through 0300099917)	C
	4641460	Ref	Platform Valve Assembly (SN 0300099918 through 0300201016)	C
301	2110606	1	Fitting, Straight	
302		Ref	Fitting Options:	
302	2110808	1	Fitting (Straight Fitting) (Prior to SN 0300119707)	
302	4641255	1	Fitting (Check Valve) (SN 0300119707 through 0300201016)	
303	2221086	4	Check, Pressure	
304	2110404	8	Fitting, Straight	

SECTION 4 - PLATFORM

SECTION 4 - PLATFORM

FIGURE 4-1. PLATFORM COMPONENTS INSTALLATION



SECTION 4 - PLATFORM

FIGURE 4-1. PLATFORM COMPONENTS INSTALLATION

ITEM	PART NUMBER	QTY	DESCRIPTION	REV
		Ref	PLATFORM ASSEMBLIES:	
		Ref	8ft (2.44m) with No Mesh	
	3510822	Ref	Platform Assemblies (Use p/n 1001144023) (Prior to SN 0300162808)	J
	1001144023	Ref	Platform Assemblies (SN 0300162808 through 0300201016)	D
		Ref	6ft (1.83m) with No Mesh	
	3510833	Ref	Platform Assemblies (Use p/n 1001144024) (Prior to SN 0300162808)	I
	1001144024	Ref	Platform Assemblies (SN 0300162808 through 0300201016)	D
		Ref	4ft (1.22m) with No Mesh	
	3510830	Ref	Platform Assemblies (Use p/n 1001144027) (Prior to SN 0300162808)	M
	1001144027	Ref	Platform Assemblies (SN 0300162808 through 0300201016)	D
		Ref	Note: Platform and Mesh must be ordered separately for Platforms with Mesh. See SPECIAL OPTIONS SECTION for Mesh Installations.	
		Ref	Note: Replacement Decals Must Be Ordered Separately See DECALS SECTION.	
		Ref	Note: When replacing 8ft/2.44m platform with Soft Touch option, new Soft Touch Rail p/n 4846673 must be purchased to accommodate limit switch locations.	
		Ref	Note: When replacing platform on machines with SkyCutter option, new bracket p/n 1001145405 must be purchased to accommodate SkyCutter components.	
1	0100040	AR	Adhesive	
2	2080040	16	Fastener, Huck	
3	2600281	2	Hinge, Self-Closing	
4	2940074	1	Latch	
5	3311001	4	Nut #10-24NC (Prior to SN 0300077331)	
6	See Note	1	Platform Weldment (Note: Not Available - Purchase Platform Assembly)	
7		Ref	Cap-Plug Options:	
7	3520072	1	Cap-Plug (Prior to SN 0300162808)	
7	1001144630	1	Cap-Plug (SN 0300162808 through 0300186185)	
7	3520072	AR	Cap-Plug (SN 0300186186 through 0300201016)	
8		Ref	Rivet Options:	
8	3800205	4	Rivet (Use p/n 3820020) (Prior to SN 0300077331)	
8	3820020	4	Rivet (SN 0300077331 through 0300201016)	
9	4751000	8	Flatwasher #10 Regular (Prior to SN 0300077331)	
10		Ref	Gate Weldment Options:	
10	4846452	1	Gate Weldment (Prior to SN 0300162808)	
10	1001144629	1	Gate Weldment (SN 0300162808 through 0300201016)	
11	3520198	2	Square Tube - Plug	
13	4761000	4	Lockwasher #10 (Not Shown) (Prior to SN 0300077331)	
		Ref	PLATFORM ASSEMBLY WITH DROP-BAR	
		Ref	4ft x 2.5ft (1.2m x .76m)	
	1001138431	Ref	Platform Assembly With Drop-Bar (Use p/n 1001144018) (Prior to SN 0300168435)	C
	1001144018	Ref	Platform Assembly With Drop-Bar (SN 0300168435 through 0300201016)	D
		Ref	6ft x 3ft (1.83m x .91m)	
	1001138434	Ref	Platform Assembly With Drop-Bar (Use p/n 1001144021) (Prior to SN 0300168435)	C

SECTION 4 - PLATFORM

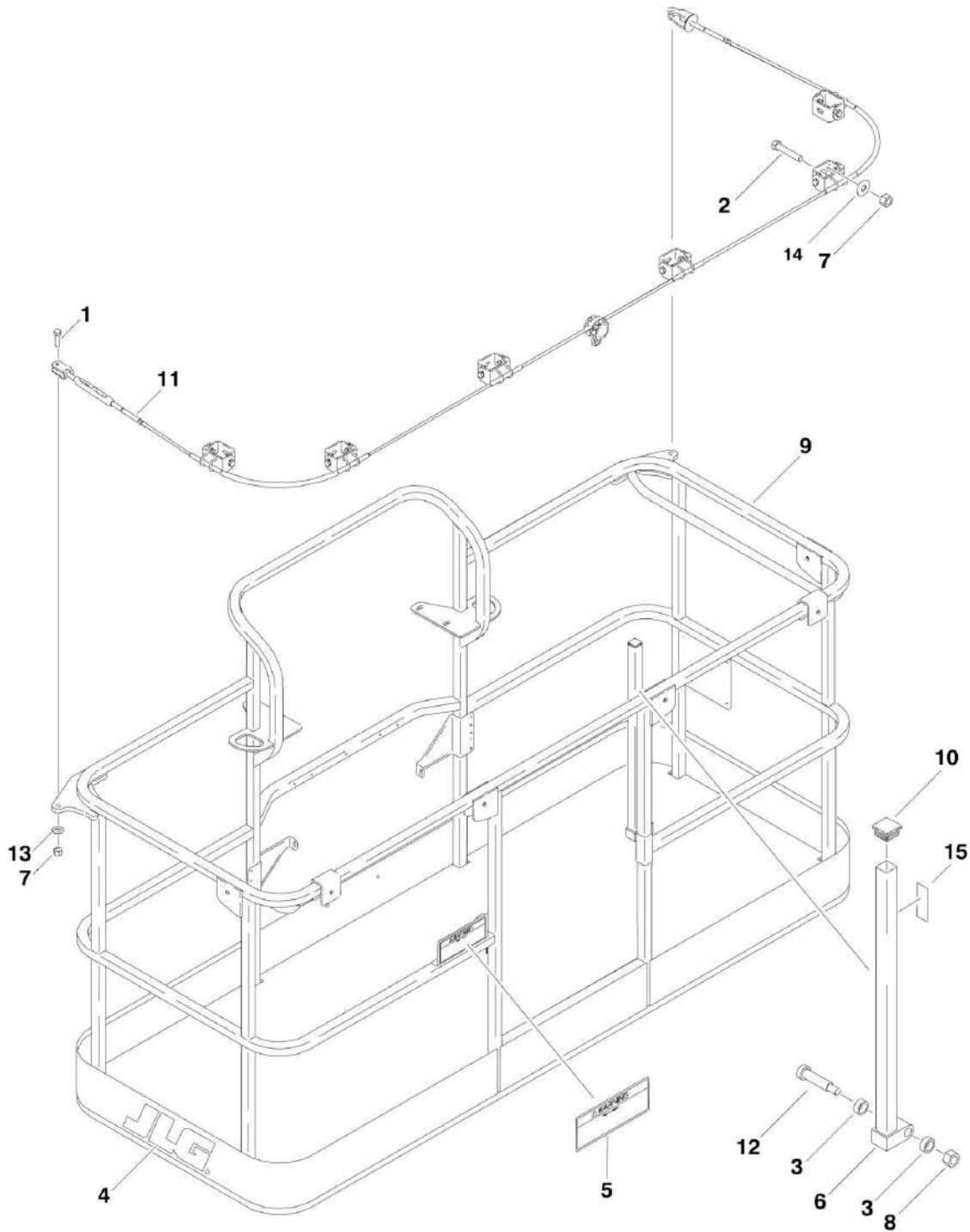
ITEM	PART NUMBER	QTY	DESCRIPTION	REV
	1001144021	Ref	Platform Assembly With Drop-Bar (SN 0300168435 through 0300201016)	D
		Ref	8ft x 3ft (2.44m x .91m)	
	1001138430	Ref	Platform Assembly With Drop-Bar (Use p/n 1001144022) (Prior to SN 0300168435)	C
	1001144022	Ref	Platform Assembly With Drop-Bar (SN 0300168435 through 0300201016)	D
		Ref	Note: Replacement Decals Must be Ordered Separately - See DECALS SECTION.	
		Ref	Note: When replacing 8ft/2.44m platform with Soft Touch option, new Soft Touch Rail p/n 4846673 must be purchased to accommodate limit switch locations.	
		Ref	Note: When replacing platform on machines with SkyCutter option, new bracket p/n 1001145405 must be purchased to accommodate SkyCutter components.	
51	0100011	AR	Compound, Locking	
52	0641418	2	Bolt 1/4in-20NC x 2-1/4in	
53	0961845	2	Bushing	
54	3290606	2	Nut M6	
55	3300151	2	Nut, Acorn	
56	See Note	1	Platform Weldment (Note: Not Available - Purchase Platform Assembly)	
57	3520198	2	Cap-Plug	
58	4010618	2	Screw M6 x 50mm	
59	4711400	4	Flatwasher 1/4in Thin	
60	4811700	2	Flatwasher M6	
61	1001138494	1	Bar, Drop	
62	1001138514	1	Rail (Top)	
63	1001140429	1	Decal - Drop-Bar	
64	3520072	2	Cap-Plug	
		Ref	FOOTSWITCH AND COVERS INSTALLATION OPTIONS:	
	0272079	Ref	Footswitch and Covers Installation (Prior to SN 0300079596)	C
	0273400	Ref	Footswitch and Covers Installation (SN 0300079596 through 0300171348)	C
	1001145785	Ref	Footswitch and Covers Installation (SN 0300171349 through 0300201016)	B
101	0641406	4	Bolt 1/4in-20NC x 3/4in	
102	0641408	3	Bolt 1/4in-20NC x 1in	
103	0641610	4	Bolt 3/8in-16NC x 1-1/4in	
104		Ref	Platform Console Box Assembly Options (See PLATFORM CONSOLE ASSEMBLY for Breakdown):	
104	0861561	1	Platform Console Box Assembly (Prior to SN 0300079596)	
104	0861631	1	Platform Console Box Assembly (SN 0300079596 through 0300171348)	
104	1001146161	1	Platform Console Box Assembly (SN 0300171349 through 0300188512)	
104	1001166665	1	Platform Console Box Assembly (SN 0300188513 through 0300201016)	
104		Ref	Footswitch Assembly Options:	
104	0272970	1	Footswitch Assembly (Prior to SN 0300167892)	B
104	1001117174	1	Footswitch Assembly (SN 0300167892 through 0300201016)	B
		Ref	Note: Assembly p/n 0272970 may use either p/n 4360031 or p/n 1001117320 Footswitch. If Original Equipment was replaced as an "assembly," p/n 1001117320 may have	

SECTION 4 - PLATFORM

ITEM	PART NUMBER	QTY	DESCRIPTION	REV
			been used as part of the Service Replacement. Identify component before ordering parts.	
104A		Ref	Footswitch Options:	
104A	4360031	1	Footswitch (Prior to SN 0300143790)	
104A	7000625	2	Block, Contact (4360031 Footswitch)	
104A	1001117320	1	Footswitch (SN 0300143790 through 0300167891)	
104A	70003483	1	Block, Contact (1001117320 Footswitch)	
104A	1001117172	1	Footswitch (SN 0300167892 through 0300201016)	
104A	70002902	1	Switch, 20Amp	
104A	70002903	1	Gasket	
104A	70002904	4	Replacement Kit, Bolt	
104A	70002905	1	Cover, Aluminum	
104B	1060918	7 ft/2.14m	Cable, Electrical - 18/3	
104C	4460071	1	Connector, Strain Relief	
105	3311405	7	Locknut 1/4in-20NC	
106	3311605	4	Locknut 3/8in-16NC	
107	3380434	1	Panel, Molded	
108	4740362	7	Washer, Fender	
109	4751400	4	Flatwasher 1/4in Regular	
110	4751600	8	Flatwasher 3/8in Regular	
		Ref	TRAY INSTALLATIONS (OPTIONAL)	
201	1580012	1	Tray, Storage (Center)	
202	1580013	1	Tray, Storage (Rail Mounted - Not Shown)	
		Ref	WORKLIGHTS INSTALLATION (optional)	
	0272097	Ref	Worklights Installation 1200SJP	E
	0272096	Ref	Worklights Installation 1350SJP	E
301		Ref	Fastener Options:	
301	0641414	4	Fastener (Prior to SN 0300112484)	
301	2080040	4	Fastener (SN 0300112484 through 0300201016)	
304	2920140	2	Worklight	
304	7016399	2	Bulb, Replacement (1 Per Light)	
306	3311405	4	Locknut 1/4in-20NC (Prior to SN 0300112484)	
307	3536089	2	Plate, Lamp Mounting	
314	4711400	8	Flatwasher 1/4in Thin (Prior to SN 0300112484)	
		Ref	FLOODLIGHTS INSTALLATION (OPTIONAL)	
	0272093	Ref	Floodlights Installation 1200SJP	B
	0272092	Ref	Floodlights Installation 1350SJP	B
401	0641518	2	Bolt 5/16in-18NC x 2-1/4in	
402	2560173	2	Handle, Star Knob	
403	2920157	2	Floodlight	
403	7024452	2	Bulb, Replacement (1 Per Light)	
404	3250585	1	Nameplate - Lights On	
405	4060802	1	Guard, Switch	
406	4360336	1	Switch, Toggle	
407	4420037	AR	Tape, Insulation (Not Shown)	
408	4751800	2	Flatwasher 1/2in Regular	
409	4846561	1	Mount, Light	
411	1060708	Ref	Cable, Electrical 10/3 (Not Shown)	
411	1060708	144 ft/44m	Cable, Electrical 10/3 1200SJP	
411	1060708	150 ft/46m	Cable, Electrical 10/3 1350SJP	

SECTION 4 - PLATFORM

FIGURE 4-2. PLATFORM COMPONENTS INSTALLATION (FALL ARREST PLATFORM)



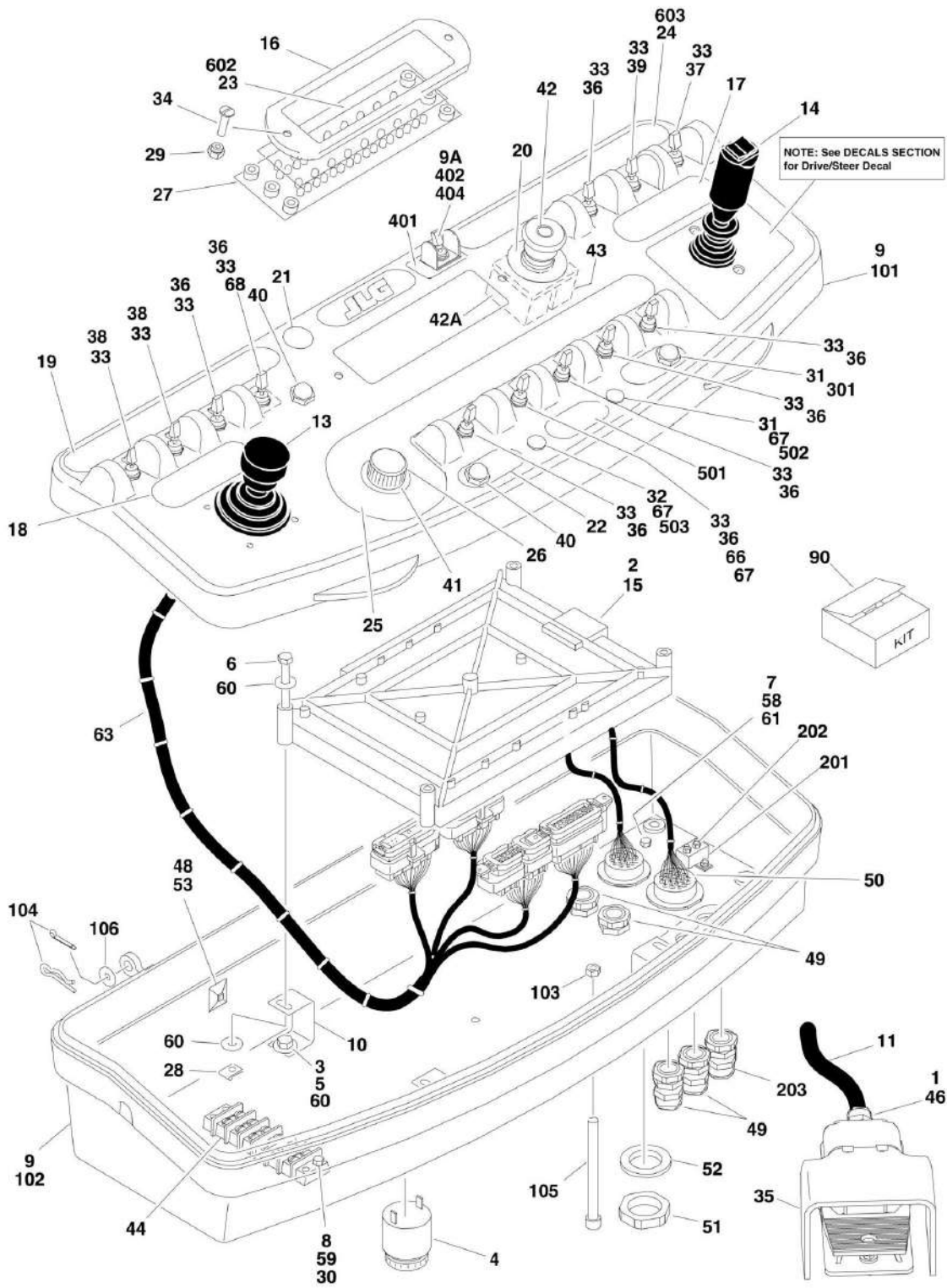
SECTION 4 - PLATFORM

FIGURE 4-2. PLATFORM COMPONENTS INSTALLATION (FALL ARREST PLATFORM)

ITEM	PART NUMBER	QTY	DESCRIPTION	REV
		Ref	PLATFORM ASSEMBLY (FALL ARREST) (OPTIONAL)	
	3510884	Ref	6ft (1.83m) ANSI and ANSI Export Spec (Prior to SN 0300186981)	E
	1001144597	Ref	6ft (1.83m) ANSI and ANSI Export Spec (SN 0300186981 through 0300201016)	D
	3510868	Ref	8ft (2.44m) ANSI Spec (Prior to SN 0300186981)	F
	1001144596	Ref	8ft (2.44m) ANSI Spec (SN 0300186981 through 0300201016)	D
	3510877	Ref	8ft (2.44m) Australian and CE Specs (Prior to SN 0300186981)	D
	1001175535	Ref	8ft (2.44m) Australian and CE Specs (SN 0300186981 through 0300201016)	B
		Ref	Note: Replacement Decals Must be Ordered Separately - See DECALS SECTION.	
		Ref	Note: Aftermarket installation requires additional counterweight - See SPECIAL OPTIONS SECTION.	
1	0681814	2	Bolt 1/2in-13NC x 1-3/4in	
2	0681822	6	Bolt 1/2in-13NC x 2-3/4in	
3	0962270	2	Bearing, Oilite	
4	1702773	1	Decal - JLG	
5		Ref	Decal - Safety Options:	
5	1705014	1	ANSI and ANSI Export Spec	
5	1706501	1	Australian and CE Specs	
6	2410014	1	Gate Weldment	
7	3271805	AR	Locknut 1/2in-13NC	
8	3311605	1	Locknut 3/8in-16NC	
9	See Note	1	Platform Weldment (Note: Not Available - Purchase Platform Assembly)	
10	3520072	1	Cap-Plug	
11		Ref	Cable, Fall Arrest Options:	
11	1060919	1	6ft (1.83m) Platform	
11	3890040	1	8ft (2.44m) Platform	
12	3900054	1	Bolt 1/2in-13NC x 1-3/4in	
13	4711800	2	Flatwasher 1/2in Thin	
14	4751800	AR	Flatwasher 1/2in Regular	
15		Ref	Decal - Drop Bar Options: (SN 0300085906 through 0300201016)	
15	1706385	1	ANSI and ANSI Export Spec	
15	1706493	1	Australian and CE Specs	

SECTION 4 - PLATFORM

FIGURE 4-3. PLATFORM CONSOLE ASSEMBLY



SECTION 4 - PLATFORM

FIGURE 4-3. PLATFORM CONSOLE ASSEMBLY

ITEM	PART NUMBER	QTY	DESCRIPTION	REV
		Ref	CONSOLE BOX ASSEMBLY OPTIONS:	
	0861561	Ref	Console Box Assembly (Prior to SN 0300079596)	F
	0861631	Ref	Console Box Assembly (SN 0300079596 through 0300171348)	L
	1001146161	Ref	Console Box Assembly (SN 0300171349 through 0300188512)	C
	1001166665	Ref	Console Box Assembly (SN 0300188513 through 0300201016)	A
		Ref	Note: When replacing complete console box assembly p/n 0861561, 0861631 or p/n 1001146161, use p/n 1001166665 as service replacement.	
1	0100020	AR	Sealant, Pipe	
2	0100048	AR	Grease, Dielectric	
3	0100081	AR	Adhesive	
4	0140011	1	Alarm	
5	0641404	4	Bolt 1/4in-20NC x 1/2in	
6	0641414	4	Bolt 1/4in-20NC x 1-3/4in	
7	0720804	1	Screw #8-32NC x 1/2in	
8	0721006	AR	Bolt #10-24NC x 3/4in	
9		Ref	Box, Console Options (See Items 101-106 for Breakdown):	
9	0861564	1	Box, Console (Prior to SN 0300079596)	
9	0861630	1	Box, Console (SN 0300079596 through 0300201016)	
9A	1671314	1	Cover, Hole (Used without Boom Control Select Option)	
10		Ref	Bracket, Support Options:	
10	0902751	4	Bracket, Support (Prior to SN 0300188513)	
10	1001172760	4	Bracket, Support (SN 0300188513 through 0300201016)	
11	1060918	7 ft/2.1m	Cable, 18/3	
13		Ref	Controller Assembly (Lift and Swing) Options (See CONTROLLER ASSEMBLY (LIFT & SWING) for Breakdown):	
	1600317	1	Controller Assembly (Use p/n 1001129555) (Prior to SN 0300146297)	
	1001118417	1	Controller Assembly (Use p/n 1001129555) (SN 0300146297 through 0300188512)	
	1001166539	1	Controller Assembly (SN 0300188513 through 0300201016)	
14	1600318	1	Controller Assembly (Drive and Steer) (See CONTROLLER ASSEMBLY (DRIVE AND STEER) for Breakdown) (Use p/n 1001118416) (Prior to SN 0300188513)	
14	1001166538	1	Controller Assembly (SN 0300188513 through 0300201016)	
15	1600343	1	Module, Platform Control (Note: Control System needs recalibrated when replaced)	
15	2915024	1	Update Kit (Includes Cables, Programming Instructions and CD Software)	
16		Ref	Bezel Options:	
16	1670829	1	Bezel (Prior to SN 0300081226)	
16	1671176	1	Bezel (SN 0300081226 through 0300201016)	
17	1702565	1	Decal (Drive and Steer)	
18	1702566	1	Decal (Lift and Swing)	
19		Ref	Decal (Horn) Options:	
19	1702676	1	Decal (Horn) (Prior to SN 0300079596)	
19	1705744	1	Decal (Horn) (SN 0300079596 through 0300201016)	
20	1704260	1	Decal (EMS)	
21	1705132	1	Decal (ADE)	
22	1705171	1	Decal (Jib Stow)	
23		Ref	Decal (Platform Display) Options:	
23	1705173	1	Decal (Platform Display) (Prior to SN 0300079596)	

SECTION 4 - PLATFORM

ITEM	PART NUMBER	QTY	DESCRIPTION	REV
23	1705973	1	Decal (Platform Display) (SN 0300079596 through 0300142937)	
24	1705174	1	Decal (Stop) (Prior to SN 0300142938)	
25		Ref	Decal (Function Speed) Options:	
25	1705175	1	Decal (Function Speed) (Prior to SN 0300079596)	
25	1705745	1	Decal (Function Speed) (SN 0300079596 through 0300201016)	
26	2560136	1	Handle, Knob	
27	2920154	1	Panel, LED Light	
28	3300353	4	Nut, Tinnerman	
29	3300408	2	Insert, Nylon	
30	3311005	AR	Nut #10-24NC	
31	3520026	2	Plug, Hole	
32	3520027	1	Plug, Hole	
33	3790012	11	O-Ring	
34	3900183	2	Screw, Button Head #10-24NC x 1-1/4in	
35	See Note	1	Footswitch (Note: See PLATFORM COMPONENTS INSTALLATION for call-out)	
36	4360328	7	Switch, Toggle	
37	4360330	1	Switch, Toggle	
38	4360331	2	Switch, Toggle	
39	4360336	1	Switch, Toggle	
40	4360387	2	Switch, Pushbutton	
41	4360407	1	Controller, Speed	
41	See Note	1	Gasket "Top Hat" (Included with Switch) (Note: Not Available - Purchase Complete Controller.)	
41	70003784	1	Seal	
42	4360475	1	Switch, Emergency Stop	
42	7020175	1	Cap, Red	
42A	7020176	1	Contact Block	
43	4360476	1	Block, Contact	
44	4460007	1	Bar, Buss	
46	4460071	1	Connector, Strain Relief	
47	4460226	2	Socket, Female (Not Shown - Used with Footswitch) (See ELECTRICAL SECTION for Location)	
48	4460234	3	Tie-Strap	
49	4460428	4	Connector, Strain Relief	
50	4460464	1	Terminal, Deutsch	
51	4460470	1	Nut, Terminal	
52	4460471	1	Lockwasher, Terminal	
53	4460488	1	Base, Mounting (Prior to SN 0300135109)	
54	4460496	1	Nut, Terminal (Not Shown - See ELECTRICAL SECTION for Location)	
55	4460497	1	Lockwasher, Terminal (Not Shown - See ELECTRICAL SECTION for Location)	
56	4460708	2	Connector, Female - 15 Position (Not Shown - See ELECTRICAL SECTION for Location)	
57	4460905	5	Plug, Seal (Not Shown - See ELECTRICAL SECTION for Location)	
58	4750800	1	Flatwasher #8 Regular	
59	4751000	AR	Flatwasher #10 Regular	
60	4751400	8	Flatwasher 1/4in Regular	
61	4760800	1	Lockwasher #8	

SECTION 4 - PLATFORM

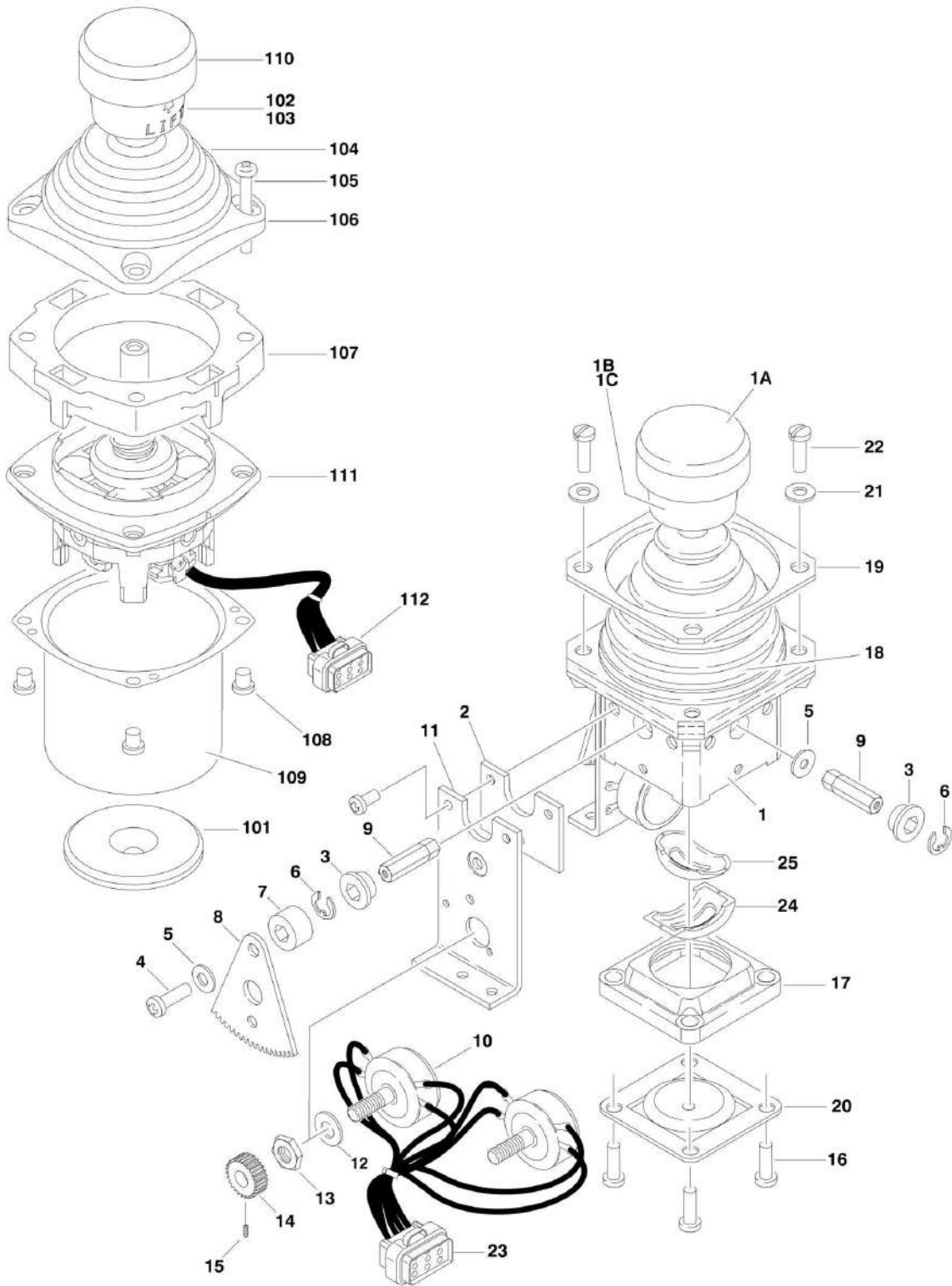
ITEM	PART NUMBER	QTY	DESCRIPTION	REV
62	4922666	1	Harness, Analyzer Cable (Not Shown - See ELECTRICAL SECTION for Breakdown)	
63		Ref	Harness, Console Box Options (See ELECTRICAL SECTION for Breakdown):	
63	4922778	1	Harness, Console Box (Prior to SN 0300079596)	
63	4922945	1	Harness, Console Box (Use p/n 4923448) (SN 0300079596 through 0300093077)	
63	4923448	1	Harness, Console Box (SN 0300093078 through 0300201016)	
64		Ref	Harness, Tilt Sensor (Right Side) Options (Not Shown - See ELECTRICAL SECTION for Breakdown):	
64	4922782	1	Harness, Tilt Sensor (Prior to SN 0300079596)	
64	4922947	1	Harness, Tilt Sensor (SN 0300079596 through 0300201016)	
65		Ref	Harness, Tilt Sensor (Left Side) Options (Not Shown - See ELECTRICAL SECTION for Breakdown):	
65	4922783	1	Harness, Tilt Sensor (Prior to SN 0300079596)	
65	4922948	1	Harness, Tilt Sensor (SN 0300079596 through 0300201016)	
66	3520054	1	Plug, Hole (SN 0300079596 through 0300201016)	
67	0100009	AR	Sealant (SN 0300079596 through 0300201016)	
68	4071074	1	Shim	
90		Ref	Decal Kit Options:	
90	2910873	1	ANSI and Australian Spec (Includes Items 17-25) (Prior to SN 0300079596)	2
90	1001109181	1	ANSI and Australian Spec (Includes Items 9A, 17-25, 401 and Drive/Steer Decal) (SN 0300079596 through 0300201016)	2
90	See Note	1	All Other Specs (Note: Not Available For Purchase)	
		Ref	CONSOLE BOX ASSEMBLY OPTIONS:	
	0861564	Ref	Console Box Assembly (Prior to SN 0300079596)	E
	0861630	Ref	Console Box Assembly (SN 0300079596 through 0300201016)	F
101	See Note	1	Console Top (Note: Not Available For Purchase)	
102	See Note	1	Console Bottom (Note: Not Available For Purchase)	
103	3311601	1	Nut 3/8in-16NC	
104		Ref	Pin Options:	
104	3450304	2	Pin, Cotter (Prior to SN 0300073746)	
104	3420156	2	Pin, Cotter (SN 0300073746 through 0300088133)	
104	3470003	2	Pin, Hair (SN 0300088134 through 0300201016)	
105	0630568	1	Screw 3/8in-16NC x 4-1/2in	
106	4711500	2	Flatwasher 5/16in Thin	
		Ref	PLATFORM WORKLIGHTS INSTALLATIONS	
201	4360232	1	Breaker, Circuit	
201	0721003	1	Screw #10-24NC x 3/8in	
201	4761000	1	Lockwasher #10	
202	3311001	2	Nut #10-24NC	
203	4460426	1	Connector, Strain Relief	
		Ref	CHASSIS LIGHTS COMPONENTS INSTALLATION	
301	4360522	1	Switch, Pushbutton	
301	1705170	1	Decal - Lights	
	0275098	Ref	BOOM CONTROL SELECT SWITCH INSTALLATION	B
		Ref	NOTE: Standard - SN 0300093078 through 0300201016 / Customer Added Option - Prior to SN 0300093078	
401	1706741	1	Decal - Boom Control Select	
402	4060906	1	Guard, Switch	
404	4360336	1	Switch Toggle	

SECTION 4 - PLATFORM

ITEM	PART NUMBER	QTY	DESCRIPTION	REV
	9984273	Ref	Switch Installation Kit, Boom Control Select (Requires VersionP7.0 or higher software)	
		Ref	SOFT TOUCH SYSTEM INSTALLATIONS OPTIONS:	
	0273824	Ref	6Ft/1.8m Platforms	B
	0272427	Ref	8Ft/2.4m Platforms	D
	0273706	Ref	8Ft/2.4m Platforms w/Fall Arrest	B
501	1702938	1	Decal, Soft Touch Override	
502	4360387	1	Switch, Push Button	
503	2920028	1	Lamp, Indicator	
503	2920029	1	Bulb	
		Ref	LIGHT PANEL INSTALLATIONS (SN 0300142938 through 0300201016)	
	1001121826	Ref	ANSI and ANSI Export Specs	A
	1001121827	Ref	Australian and CE Specs	A
601		Ref	Decal - Light Panel Options: (SN 0300142938 through 0300201016)	
602	1001122384	1	ANSI and ANSI Export Specs (SN 0300142938 through 0300201016)	
602	1705173	1	Australian and CE Specs (SN 0300142938 through 0300201016)	
603		Ref	Decal - Stop Options: (SN 0300142938 through 0300201016)	
603	1001122611	1	ANSI and ANSI Export Specs (SN 0300142938 through 0300201016)	
603	1705174	1	Australian and CE Specs (SN 0300142938 through 0300201016)	

SECTION 4 - PLATFORM

FIGURE 4-4. CONTROLLER ASSEMBLY (LIFT AND SWING)



SECTION 4 - PLATFORM

FIGURE 4-4. CONTROLLER ASSEMBLY (LIFT AND SWING)

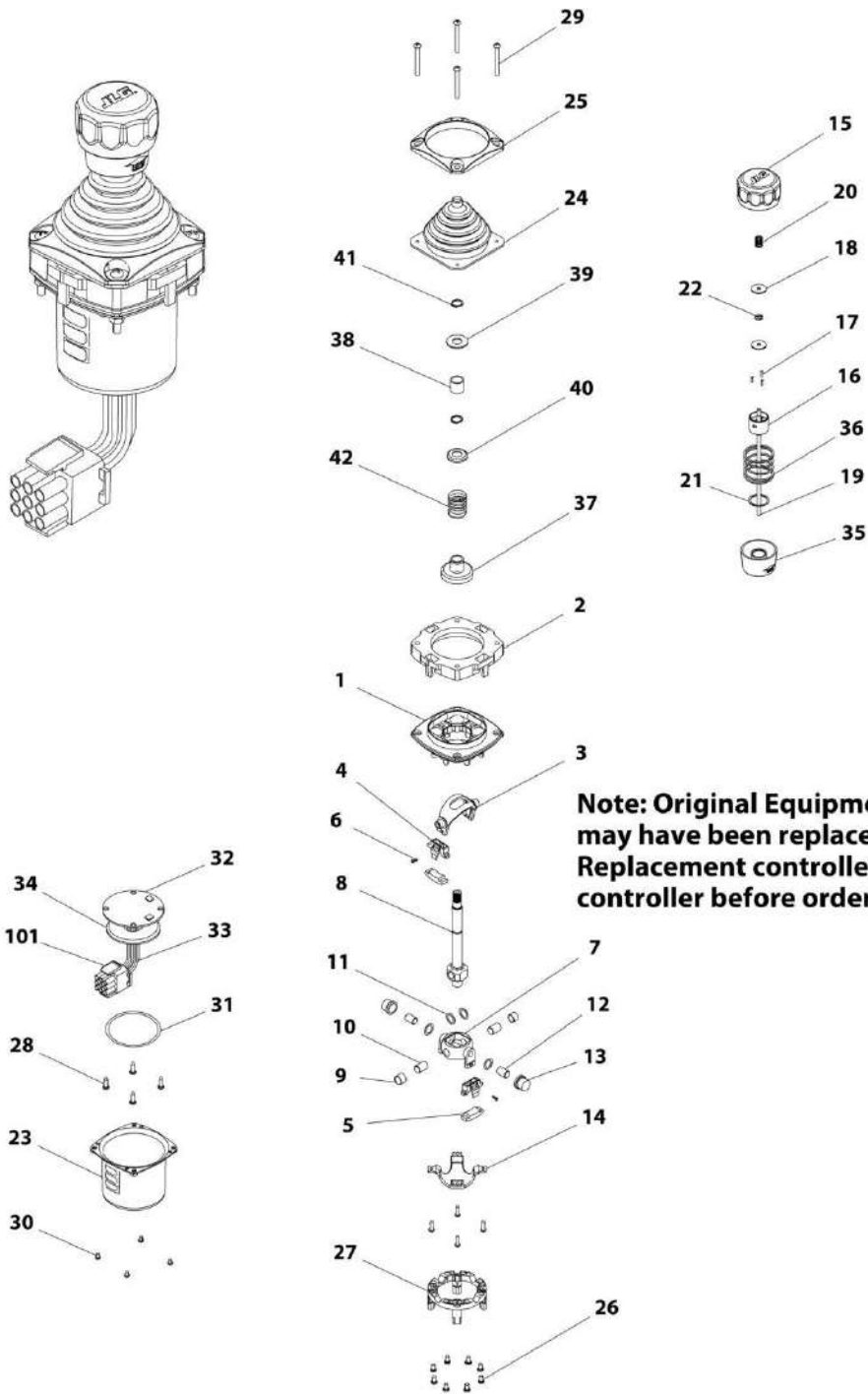
ITEM	PART NUMBER	QTY	DESCRIPTION	REV
		Ref	Note: Original Equipment controller may have been replaced with Service Replacement controller. Visually identify controller before ordering parts.	
		Ref	CONTROLLER ASSEMBLIES	
	1600317	Ref	Controller Assembly (OEM) (Original Equipment) (Prior to SN 0300146315)	C
1	7019141	1	Mechanical Assembly (Includes Base, Handle Stem and Items 1A, 1B, 1C & 18)	
1A	7019197	1	Handle Cap and Rod	
1B	7003928	1	Spring	
1C	7022808	1	Cap, Lift	
2	7019171	2	Plate	
3	7019111	4	Bearing, Gear	
4	7019143	2	Screw	
5	7019144	2	Spacer, Cam	
6	7019145	4	E-Clip	
7	7019174	2	Spacer	
8	7003977	2	Gear, Drive	
9		Ref	Shaft Options:	
9	7019147	2	Shaft, Short	
9	7019177	2	Shaft, Long	
10	7022818	2	Potentiometer	
11	7019142	2	Plate	
12	7003992	2	Washer	
13	7003993	2	Nut	
14	7003976	2	Gear, Slave	
15	7019149	2	Setscrew	
16	7022816	4	Screw	
17	7019150	1	Gate	
18	7022814	1	Boot	
19	7022815	1	Bezel	
20	See Note	1	Center, Detent (Note: Not Available For Purchase)	
21	7003953	4	Washer	
22	7022817	4	Screw	
23	7022819	1	Plug, Male 8 Position (Natural)	
23	4460871	8	Socket, Female	
24	7019122	1	Gimble, Outer	
25	7019123	1	Gimble, Inner	
	1001129555	Ref	CONTROLLER ASSEMBLY	A
		Ref	Service Replacement (Prior to SN 0300146315)	
		Ref	Original Equipment (SN 0300146315 through 0300188513)	
		Ref	Note: Was p/n 1001118417 Assembly - Use p/n 1001129555 Kit as replacement.	
101	70002730	1	Gasket	
102	7003928	1	Spring	
103	7022808	1	Cap, Lift	
104	70002731	1	Boot	
105	70002732	4	Screw	
106	7022815	1	Bezel	
107	70002733	1	Adapter	
108	70002734	4	Screw	

SECTION 4 - PLATFORM

ITEM	PART NUMBER	QTY	DESCRIPTION	REV
109	70002735	1	Can, Enclosure	
110	70002906	1	Cap	
111	1001129555	1	Mechanical Assembly (Note: Not Available For Purchase)	
112	7022819	1	Plug, Male 8 Position (Natural) (Not Shown)	
112	4460871	6	Socket, Female	

SECTION 4 - PLATFORM

FIGURE 4-5. CONTROLLER ASSEMBLY (LIFT AND SWING) (SN 0300188513 through 0300201016)



ART_1001166539

SECTION 4 - PLATFORM

FIGURE 4-5. CONTROLLER ASSEMBLY (LIFT AND SWING) (SN 0300188513 through 0300201016)

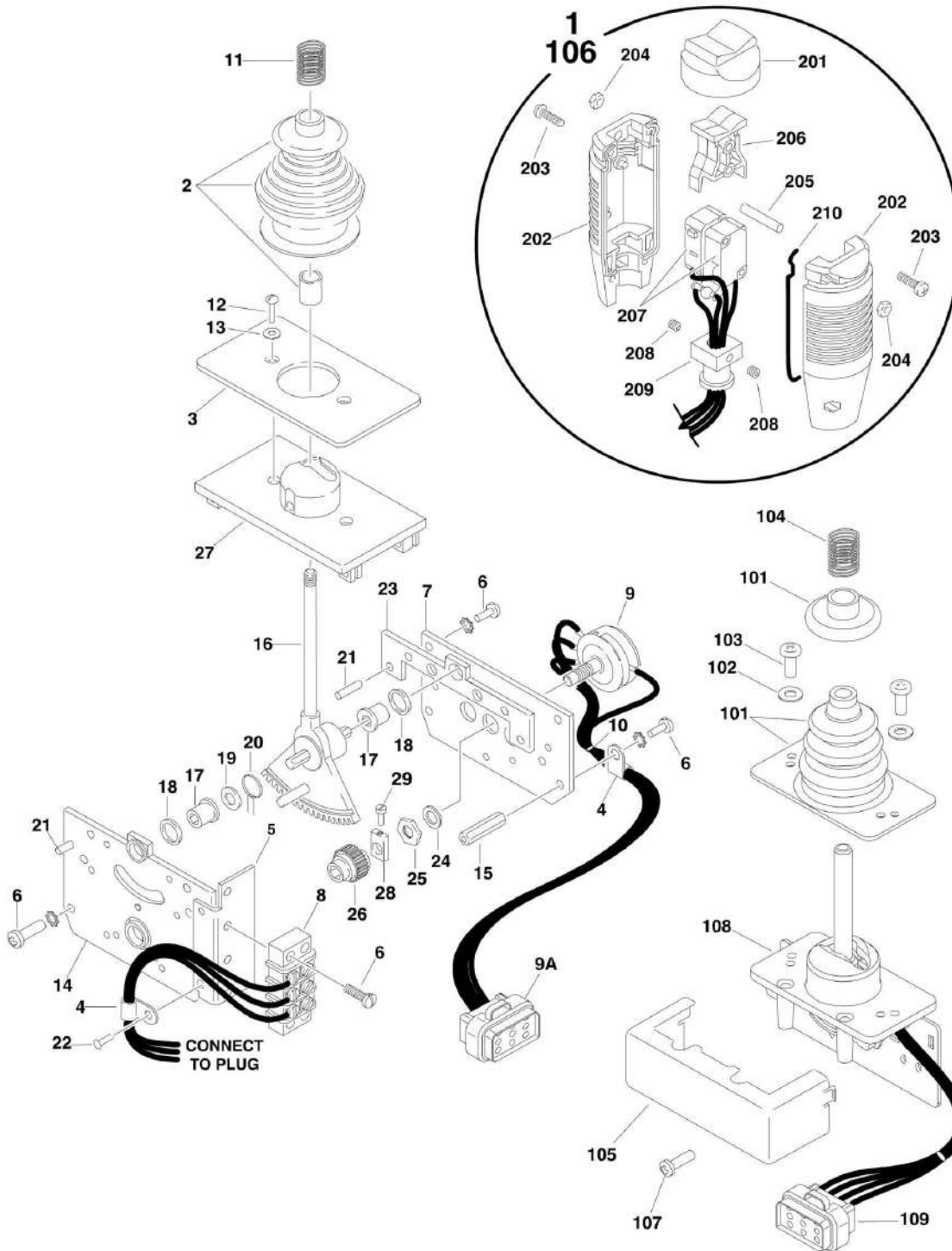
ITEM	PART NUMBER	QTY	DESCRIPTION	REV
	1001166539	Ref	CONTROLLER ASSEMBLY - LIFT AND SWING (SN 0300188513 through 0300201016)	A
1	See Note	1	Main Cast Body (Note: Not Available - Purchase Complete Assembly)	
2	70004752	1	Adapter	
3	See Note	1	Pivot Arm, Plastic (Note: Not Available - Purchase Complete Assembly)	
4	See Note	2	Holder, Magnet (Note: Not Available - Purchase Complete Assembly)	
5	See Note	2	Arc, Magnet (Note: Not Available - Purchase Complete Assembly)	
6	See Note	2	Screw (Note: Not Available for Purchase)	
7	See Note	1	Pivot Arm, Cast (Note: Not Available - Purchase Complete Assembly)	
8	See Note	1	Shaft, Main (Note: Not Available - Purchase Complete Assembly)	
9	See Note	2	Bearing (Note: Not Available - Purchase Complete Assembly)	
10	See Note	2	Pin (Note: Not Available - Purchase Complete Assembly)	
11	See Note	4	Shim (Note: Not Available - Purchase Complete Assembly)	
12	See Note	2	Pin (Note: Not Available - Purchase Complete Assembly)	
13	See Note	2	Bearing (Note: Not Available - Purchase Complete Assembly)	
14	See Note	1	Dome, Centering (Note: Not Available - Purchase Complete Assembly)	
15	70004753	1	Cap	
16	70004754	1	Insert, Cap	
17	70004755	3	Pin	
18	70004756	2	Washer	
19	70004757	1	Pin, Centering	
20	70004758	1	Spring	
21	70004759	1	Ring, Retaining	
22	70004760	1	E-Ring	
23	70004761	1	Can, Enclosure	
24	70004762	1	Boot	
25	70004763	1	Bezel	
26	See Note	8	Screw (Note: Not Available for Purchase)	
27	See Note	1	Base Mounting (Note: Not Available - Purchase Complete Assembly)	
28	See Note	4	Screw (Note: Not Available for Purchase)	
29	70004764	4	Screw	
30	70004765	4	Screw	
31	70004766	1	O-Ring	
32	See Note	1	Plate (Note: Not Available - Purchase Complete Assembly)	
33	See Note	1	Harness (Note: Not Available - Purchase Complete Assembly)	
34	70004767	1	Gromment, Rubber	
35	70004768	1	Housing	
36	70004769	1	Spring	
37	70004770	1	Stopper	
38	70004771	1	Spacer	
9	70004772	1	Washer	
40	70004773	1	Disc	
41	70004774	2	Ring, Retaining	
42	70004775	1	Spring	
100	4460265	1	Connector - 9 Position	

SECTION 4 - PLATFORM

ITEM	PART NUMBER	QTY	DESCRIPTION	REV
101	4460226	6	Socket, Female	

SECTION 4 - PLATFORM

FIGURE 4-6. CONTROLLER ASSEMBLY (DRIVE AND STEER)



SECTION 4 - PLATFORM

FIGURE 4-6. CONTROLLER ASSEMBLY (DRIVE AND STEER)

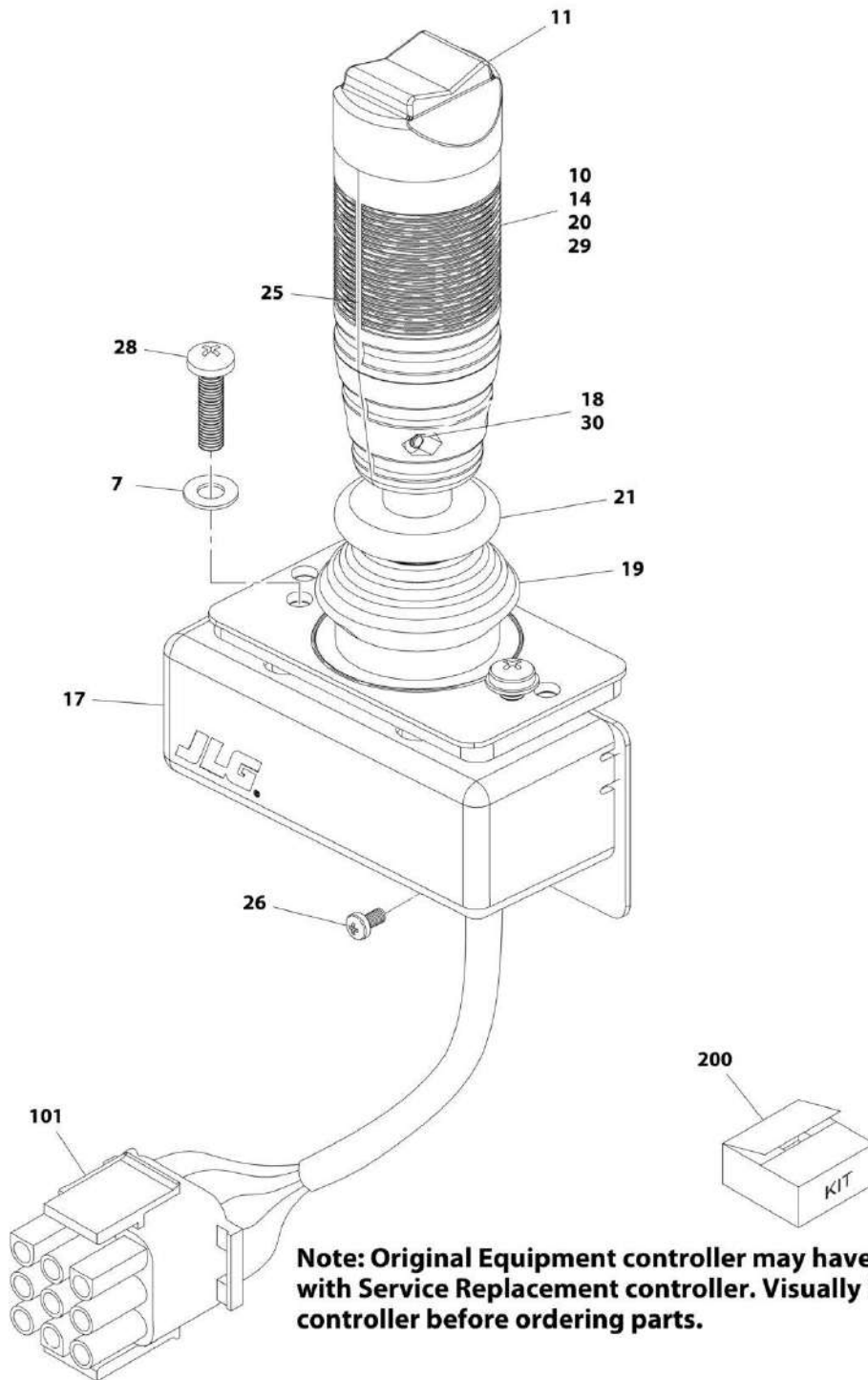
ITEM	PART NUMBER	QTY	DESCRIPTION	REV
		Ref	Note: Original Equipment controller may have been replaced with Service Replacement controller. Visually identify controller before ordering parts.	
		Ref	CONTROLLER ASSEMBLIES	
	1600318	Ref	Controller Assembly (OEM) (Original Equipment) (Prior to SN 0300146315)	D
1	7022812	1	Handle Assembly (See Items 201-210 for Breakdown)	
2	7019161	1	Boot and Sleeve	
3	7003933	1	Gasket	
4	7019154	2	Clamp, Wire	
5	7022823	1	Bracket, Mounting	
6	7003994	1	Screw	
7	7022822	1	Plate, Pot Mounting	
8	7003986	1	Strip, Terminal - 3 Position	
9	7022824	1	Electric Assembly	
9A	1001113961	1	Plug, Male - 8 Position (Black) (was p/n 7022825)	
9A	4460871	7	Socket, Female	
10	7019151	AR	Tie-Strap	
11	7019162	1	Spring	
12	7003969	2	Screw	
13	7003941	2	Washer	
14	See Note	1	Plate, Mounting (Left Side) (Note: Not Available For Purchase)	
15	7019115	2	Stand-Off	
16	7019155	1	Shaft 8mm	
17	7019111	2	Bearing	
18	7019110	2	Spacer, Head Gear	
19	7019112	1	Washer	
20	7003946	1	Spring, Return	
21	7019103	4	Pin	
22	See Note	1	Rivet (Note: Not Available For Purchase)	
23	7019168	1	Plate, Mounting (Right Side)	
24	7003992	1	Washer	
25	7003993	1	Nut	
26	7003935	1	Gear, Slave	
27	7019160	1	Plate, Base	
28	7019114	1	Coupling, Potentiometer	
29	See Note	1	Screw, Cup Point (Note: Not Available For Purchase)	
	1001118416	Ref	Controller Assembly	C
		Ref	Service Replacement (Prior to SN 0300146315)	
		Ref	Original Equipment (SN 0300146315 through 0300188512)	
101	70002724	1	Boot and Control Lock Assembly	
102	7003941	2	Washer	
103	70002725	2	Screw	
104	7019162	1	Spring	
105	70002726	1	Enclosure	
106	70002727	1	Handle Assembly (See Items 201-210 for Breakdown)	
107	70002728	1	Screw	
108	See Note	NSS	Mechanical Assembly (Note: Use p/n 1001118416)	
109	1001113961	1	Plug, Male - 8 Position (Black) (was p/n 7022825)	
109	4460871	7	Socket, Female	

SECTION 4 - PLATFORM

ITEM	PART NUMBER	QTY	DESCRIPTION	REV
		Ref	HANDLE ASSEMBLY	
	7022812	Ref	Controller Assembly p/n 1600318	
	70002727	Ref	Controller Assembly p/n 1001118416	
201	7003972	1	Boot, Switch	
202	7003973	2	Half, Handle	
203	7003980	4	Screw	
204	7019167	4	Nut	
205	7019164	1	Axle	
206	7019165	1	Rocker	
207		Ref	Wiring Assembly Options:	
207	7019196	1	Controller Assembly p/n 1600318	
207	7019166	2	Switch, Micro	
207	70002729	1	Controller Assembly p/n 1001118416	
207	7003982	2	Switch, Micro	
208	7003983	2	Setscrew	
209	7019194	1	Coupling	
210	7003989	2	Gasket	

SECTION 4 - PLATFORM

FIGURE 4-7. CONTROLLER ASSEMBLY (DRIVE AND STEER) (SN 0300188513 through 0300201016)



ART_1001166538

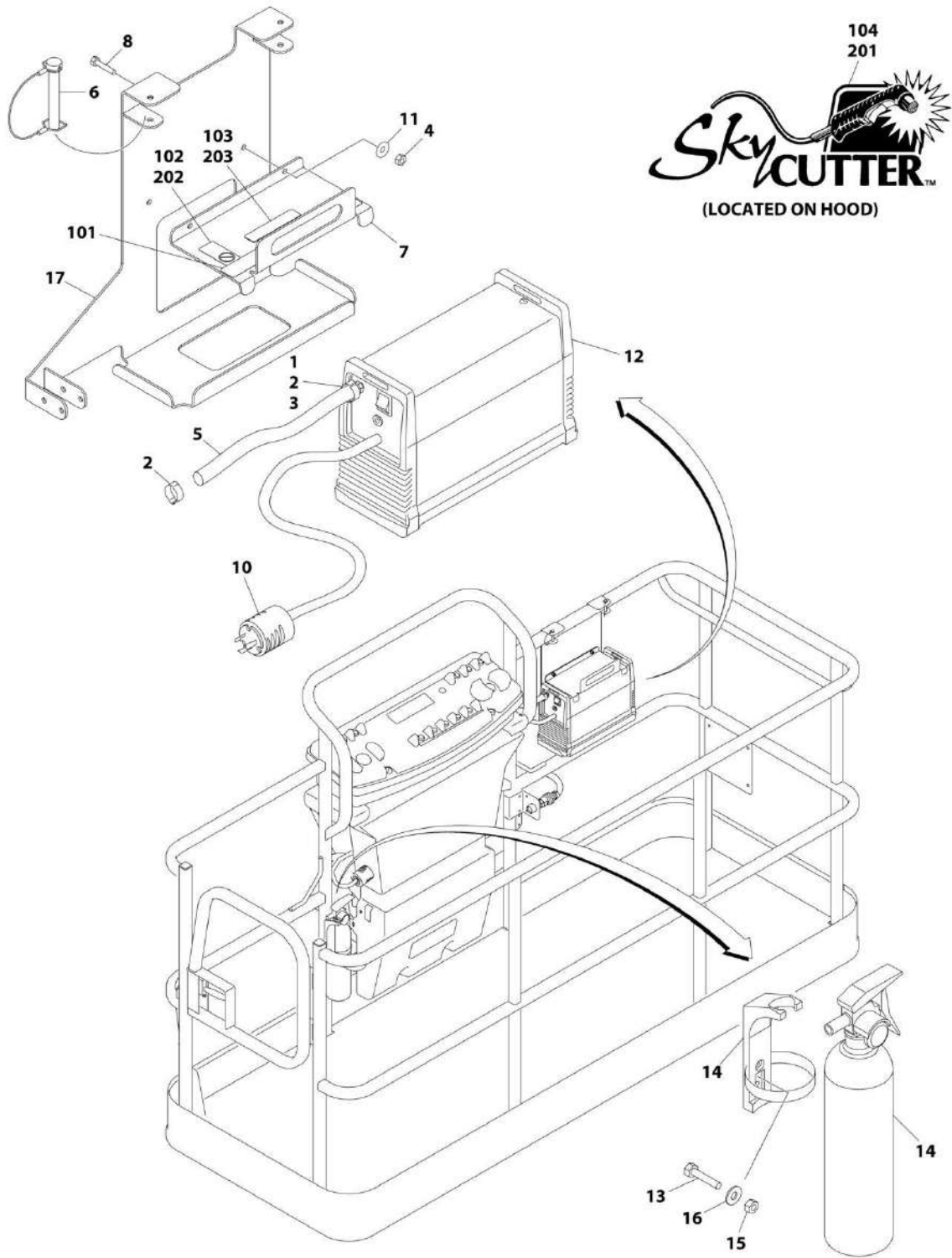
SECTION 4 - PLATFORM

FIGURE 4-7. CONTROLLER ASSEMBLY (DRIVE AND STEER) (SN 0300188513 through 0300201016)

ITEM	PART NUMBER	QTY	DESCRIPTION	REV
	1001166538	Ref	CONTROLLER ASSEMBLY - DRIVE AND STEER (SN 0300188513 through 0300201016)	A
7	70004738	2	Washer	
10	70004739	1	Roller	
11	70004740	1	Boot, Switch	
14	70004741	2	Half, Handle	
17	70004742	1	Enclosure	
18	70004743	4	Nut	
19	70004744	NLA	Boot, Controller (Use Item 200)	
20	70004745	NLA	Tube, Locking (Use Item 200)	
21	70004746	NLA	Disc, Locking (Use Item 200)	
25	70004747	2	Seal, Rope	
26	70004748	1	Screw, M3 x 6mm	
28	70004749	2	Screw, M5 x 20mm	
29	70004750	1	Pin, Dowel	
30	70004751	4	Screw, M3 x 16mm	
100	4460265	1	Connector - 9 Position	
101	4460226	7	Socket, Female	
200	70005230	1	Boot Kit (Includes Items 19-21)	

SECTION 4 - PLATFORM

FIGURE 4-8. SKYCUTTER INSTALLATION



ART_1001098149

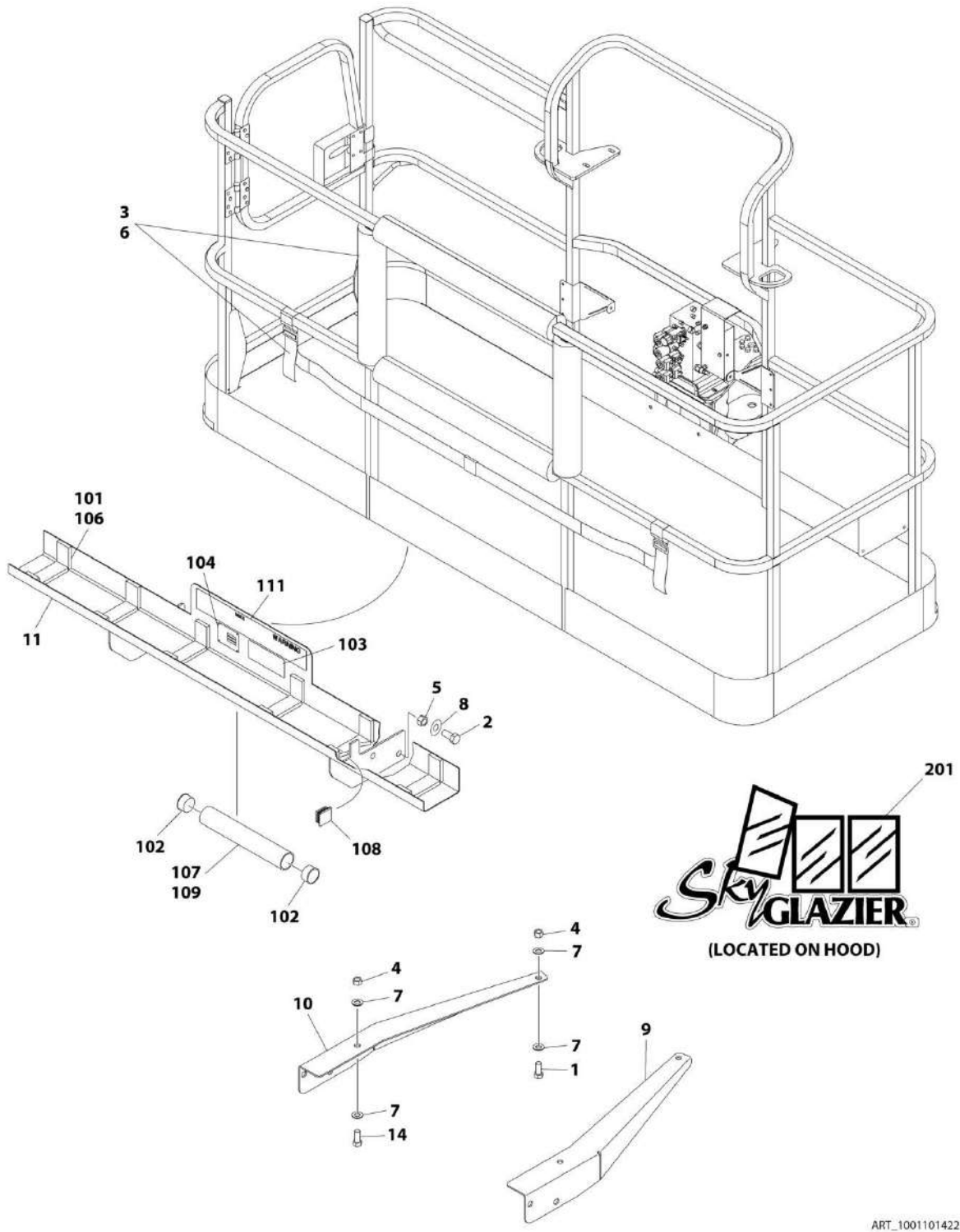
SECTION 4 - PLATFORM

FIGURE 4-8. SKYCUTTER INSTALLATION

ITEM	PART NUMBER	QTY	DESCRIPTION	REV
	1001098149	Ref	SKYCUTTER INSTALLATION	D
		Ref	Note: ANSI, ANSI Export, CSA and Japanese Specs Only.	
		Ref	Note: When replacing platform on machines with SkyCutter option, new bracket p/n 1001145405 must be purchased to accommodate SkyCutter components.	
1	0100020	AR	Sealant	
2	1320177	2	Clamp, Hose	
3	2180832	1	Fitting, NPT/Barbed	
4	3290605	2	Nut M6	
5	2720160	3 ft/.9m	Hose	
6	3421453	3	Pin	
7	3576799	1	Plate, Hold-Down	
8	4010608	2	Screw M6 x 16	
10	4460971	1	Plug, Twistlock	
11	4811700	2	Washer M6	
12	1001098012	1	Plasma Cutter Assembly (See PLASMA CUTTER ASSEMBLY for Breakdown)	
13	0630518	2	Screw #10 x 3/4	
14	2030010	1	Extinguisher, Fire	
15	3311005	2	Nut #10	
16	4751000	2	Washer #10	
17	1001145405	1	Support	
	0272599	Ref	SKYCUTTER DECAL INSTALLATION (ANSI, ANSI EXPORT AND CSA SPECS)	A
101	1702868	1	Decal - No Hands	
102	1705305	1	Decal - Weld Lead	
103	1705466	1	Decal - Weight	
104	1705490	2	Decal - SkyCutter	
	0272607	Ref	SKYCUTTER DECAL INSTALLATION (JAPANESE SPECS)	A
201	1705490	2	Decal - SkyCutter	
202	1705305	1	Decal - Weld Lead	
203	1705466	1	Decal - Weight	

SECTION 4 - PLATFORM

FIGURE 4-9. SKYGLAZIER INSTALLATION (ANSI AND CSA SPECS)



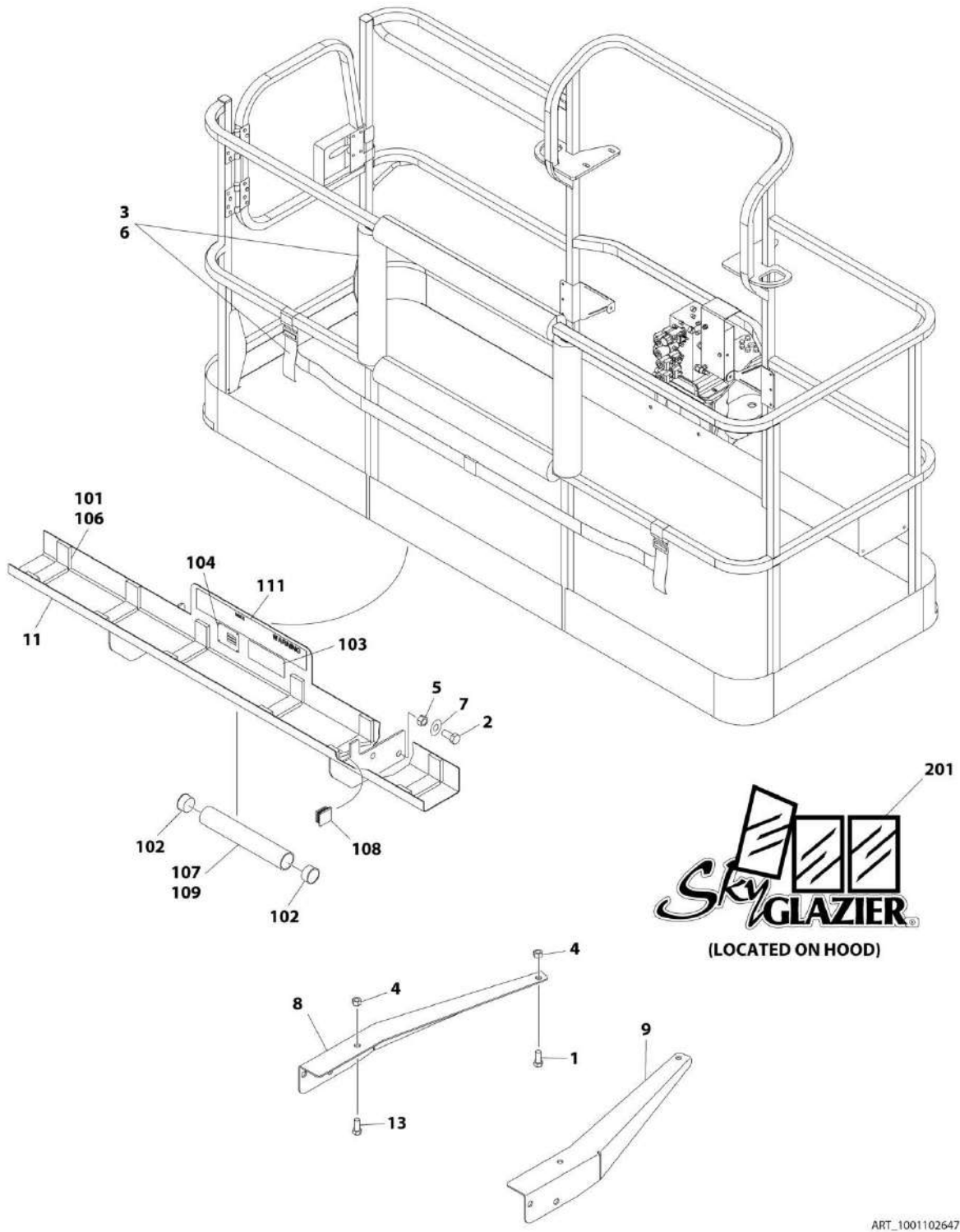
SECTION 4 - PLATFORM

FIGURE 4-9. SKYGLAZIER INSTALLATION (ANSI AND CSA SPECS)

ITEM	PART NUMBER	QTY	DESCRIPTION	REV
	1001101422	Ref	SKYGLAZIER INSTALLATION (ANSI AND CSA SPECS)	C
1	0642012	2	Bolt 5/8 x 1-1/2	
2	0642212	4	Bolt 3/4 x 1-1/2	
3	2902212	1	Bumpers and Strap Kit	
3	0940102	1	Bumper Only	
3	4240149	1	Strap Only	
4	3312005	4	Nut 5/8	
5	3312205	4	Nut 3/4	
6	4420014	AR	Tape	
7	4712000	6	Washer 5/8	
8	4712200	8	Washer 3/4	
9	1001099367	1	Support	
10	1001099366	1	Support	
11	1001101421	1	Tray Assembly (See Items 101-111 for Breakdown)	
14	8310129	2	Bolt 3/4 x 2-1/2	
	1001101421	Ref	TRAY ASSEMBLY	E
101	0100081	AR	Adhesive	
102	1120555	2	Cap, Tube	
103	1701509	1	Decal - Manual	
104	See Note	NSS	Nameplate - Serial Number (Note: Not Available for Purchase)	
106	3340956	1	Pad Kit	
107	3460334	1	Tube	
108	3520071	2	Plug	
109	4420066	AR	Tape, Double Sided	
111	1001163131	2	Decal - Glazier Capacity	
	0272418	Ref	SKYGLAZIER DECAL INSTALLATION	4
201	1705358	2	Decal - SkyGlazier	

SECTION 4 - PLATFORM

FIGURE 4-10. SKYGLAZIER INSTALLATION (AUSTRALIAN SPECS)



ART_1001102647

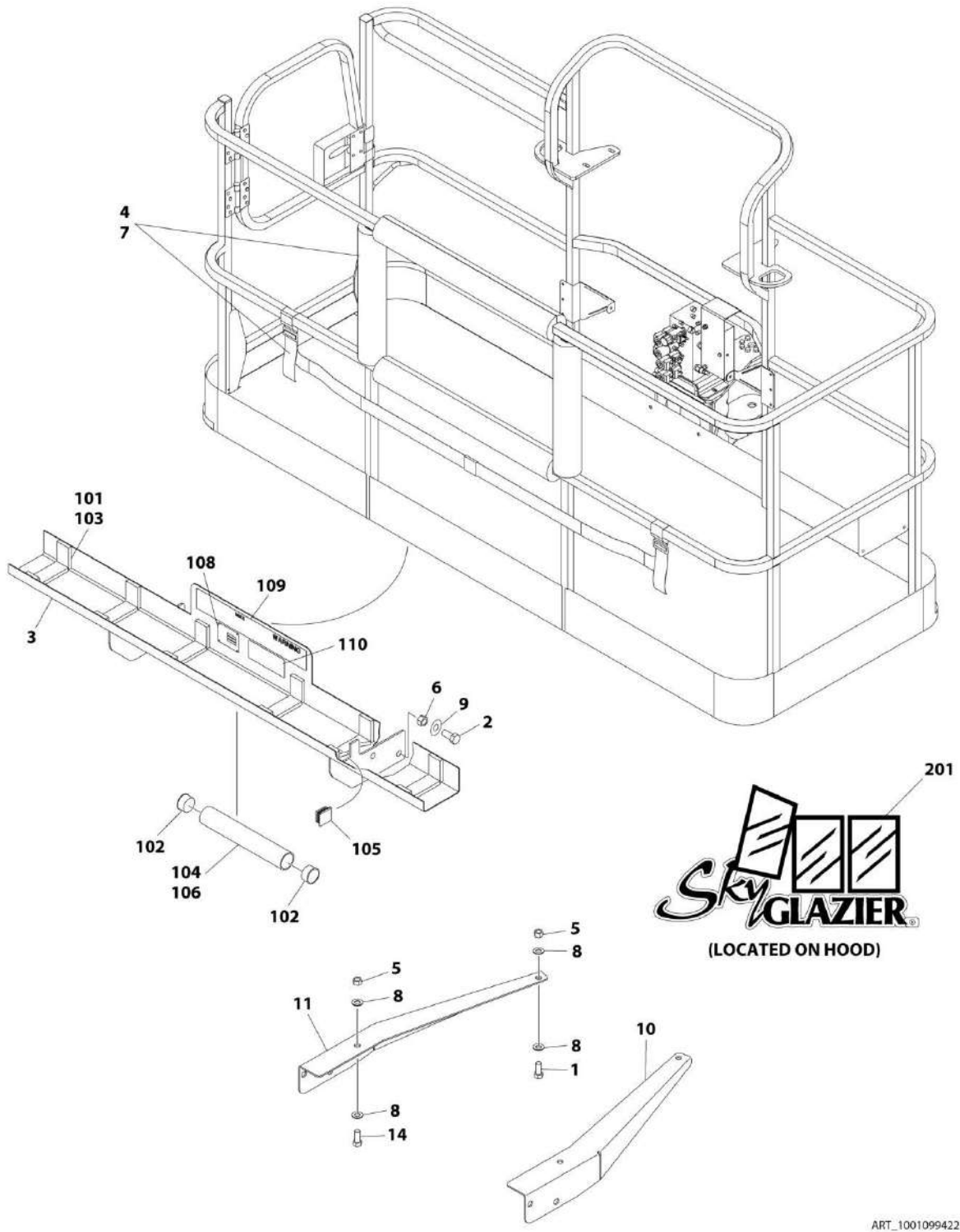
SECTION 4 - PLATFORM

FIGURE 4-10. SKYGLAZIER INSTALLATION (AUSTRALIAN SPECS)

ITEM	PART NUMBER	QTY	DESCRIPTION	REV
	1001102647	Ref	SKYGLAZIER INSTALLATION (AUSTRALIAN SPECS)	C
1	0642026	2	Bolt 5/8 x 3-1/4	
2	0642212	4	Bolt 3/4 x 1-1/2	
3	2902212	1	Bumpers and Strap Kit	
3	0940102	1	Bumper Only	
3	4240149	1	Strap Only	
4	3312005	4	Nut 5/8	
5	3312205	4	Nut 3/4	
6	4420014	AR	Tape	
7	4712200	8	Washer 3/4	
8	1001099366	1	Support	
9	1001099367	1	Support	
10	1001101421	1	Tray Assembly (See Items 101-111 for Breakdown)	
13	8310230	2	Bolt 5/8 x 4	
	1001101421	Ref	TRAY ASSEMBLY	E
101	0100081	AR	Adhesive	
102	1120555	2	Cap, Tube	
103	1701509	1	Decal - Manual	
104	See Note	NSS	Nameplate - Serial Number (Note: Not Available for Purchase)	
106	3340956	1	Pad Kit	
107	3460334	1	Tube	
108	3520071	2	Plug	
109	4420066	AR	Tape, Double Sided	
111	1001163131	2	Decal - Glazier Capacity	
	0272418	Ref	SKYGLAZIER DECAL INSTALLATION	4
201	1705358	2	Decal - SkyGlazier	

SECTION 4 - PLATFORM

FIGURE 4-11. SKYGLAZIER INSTALLATION (BRAZIL SPECS)



ART_1001099422

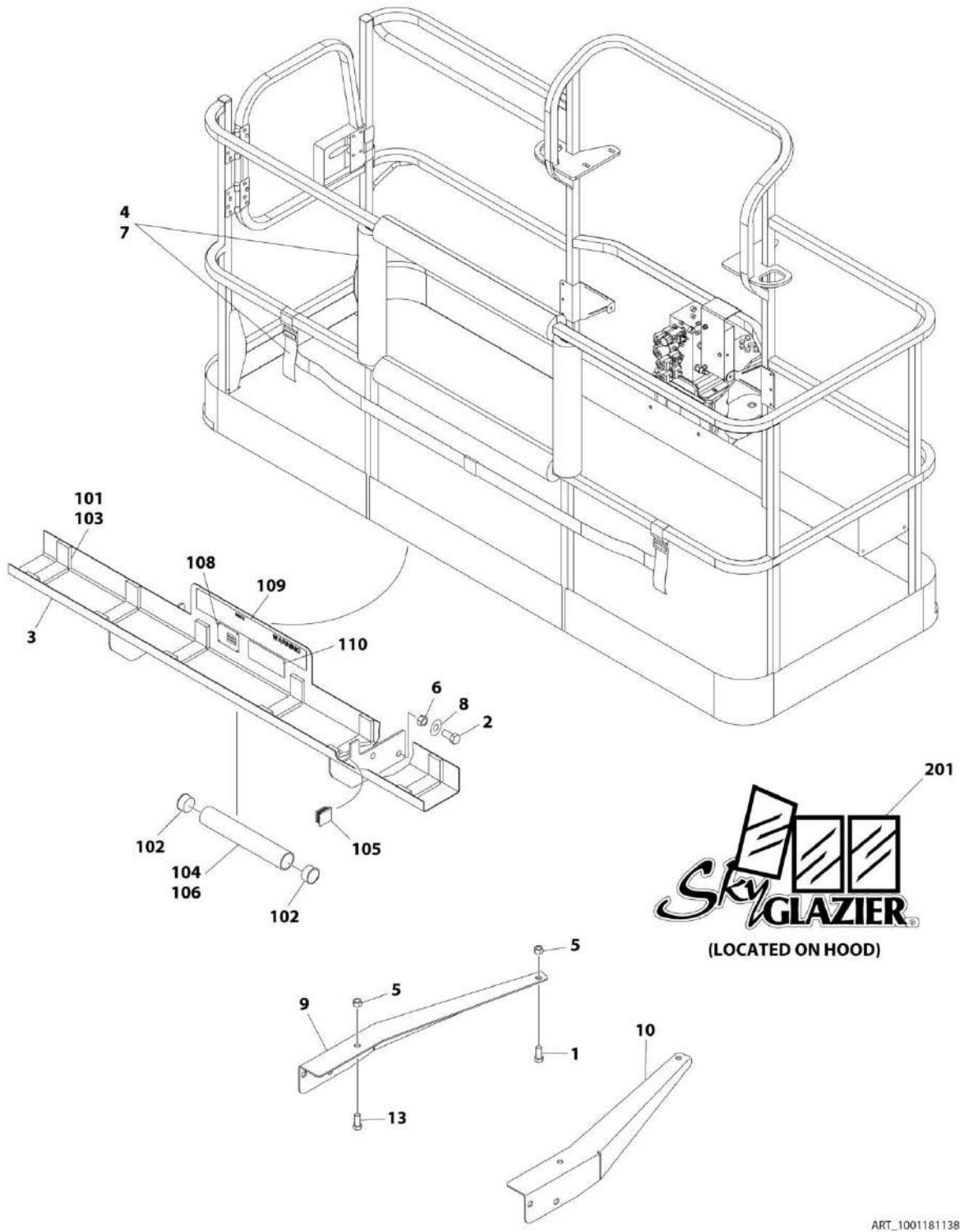
SECTION 4 - PLATFORM

FIGURE 4-11. SKYGLAZIER INSTALLATION (BRAZIL SPECS)

ITEM	PART NUMBER	QTY	DESCRIPTION	REV
	1001099422	Ref	SKYGLAZIER INSTALLATION (BRAZIL SPECS)	C
1	0642012	2	Bolt 5/8 x 1-1/2	
2	0642212	4	Bolt 3/4 x 1-1/2	
3	0272951	1	Tray Assembly (See Items 101-110 for Breakdown)	
4	2902212	1	Bumpers and Strap Kit	
4	0940102	1	Bumper Only	
4	4240149	1	Strap Only	
5	3312005	4	Nut 5/8	
6	3312205	4	Nut 3/4	
7	4420014	AR	Tape	
8	4712000	6	Washer 5/8	
9	4712200	8	Washer 3/4	
10	1001099367	1	Support	
11	1001099366	1	Support	
14	8310129	2	Bolt 5/8 x 2-1/2	
	0272951	Ref	TRAY ASSEMBLY	E
101	0100081	AR	Adhesive	
102	1120555	2	Cap, Tube	
103	3340956	1	Pad Kit	
104	3460334	1	Tube	
105	3520071	2	Plug	
106	4420066	AR	Tape, Double Sided	
108	See Note	NSS	Nameplate - Serial Number (Note: Not Available for Purchase)	
109	1001163297	2	Decal - Glazier Capacity	
110	1701509	1	Decal - Manual	
	0272418	Ref	SKYGLAZIER DECAL INSTALLATION	4
201	1705358	2	Decal - SkyGlazier	

SECTION 4 - PLATFORM

FIGURE 4-12. SKYGLAZIER INSTALLATION (FINNISH SPECS)



ART_1001181138

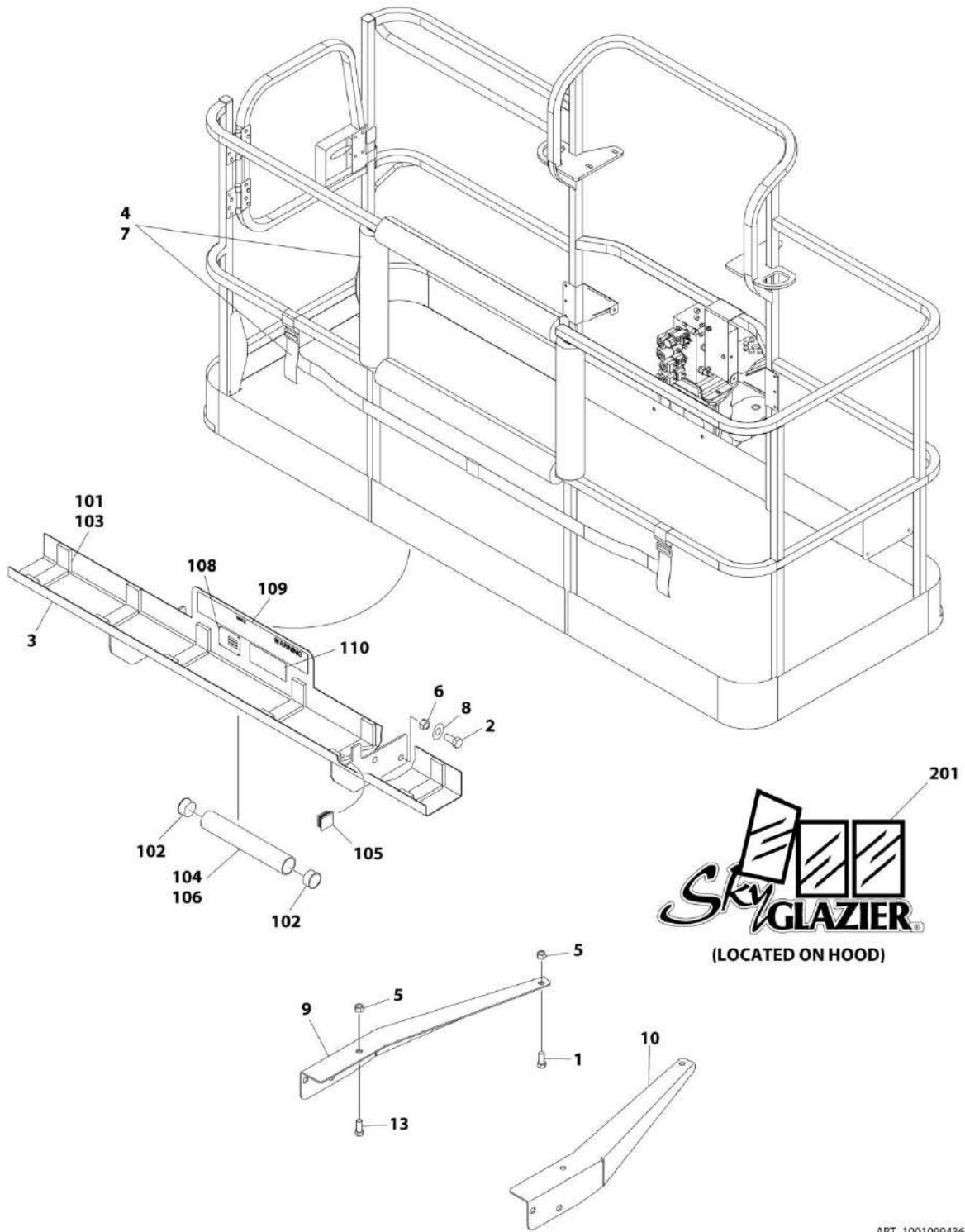
SECTION 4 - PLATFORM

FIGURE 4-12. SKYGLAZIER INSTALLATION (FINNISH SPECS)

ITEM	PART NUMBER	QTY	DESCRIPTION	REV
	1001181138	Ref	SKYGLAZIER INSTALLATION (FINNISH SPECS)	B
1	0642026	2	Bolt 5/8 x 3-1/4	
2	0642212	4	Bolt 3/4 x 1-1/2	
3	1001181142	1	Tray Assembly (See Items 101-110 for Breakdown)	
4	2902212	1	Bumpers and Strap Kit	
4	0940102	1	Bumper Only	
4	4240149	1	Strap Only	
5	3312005	4	Nut 5/8	
6	3312205	4	Nut 3/4	
7	4420014	AR	Tape	
8	4712200	8	Washer 3/4	
9	1001099366	1	Support	
10	1001099367	1	Support	
13	8310230	2	Bolt 5/8 x 4	
	1001181142	Ref	TRAY ASSEMBLY	A
101	0100081	AR	Adhesive	
102	1120555	2	Cap, Tube	
103	3340956	1	Pad Kit	
104	3460334	1	Tube	
105	3520071	2	Plug	
106	4420066	AR	Tape, Double Sided	
108	See Note	NSS	Nameplate - Serial Number (Note: Not Available for Purchase)	
109	1001181134	2	Decal - Glazier Capacity	
110	1701509	1	Decal - Manual	
	0272418	Ref	SKYGLAZIER DECAL INSTALLATION	4
201	1705358	2	Decal - SkyGlazier	

SECTION 4 - PLATFORM

FIGURE 4-13. SKYGLAZIER INSTALLATION (FRENCH SPECS)



ART_1001099436

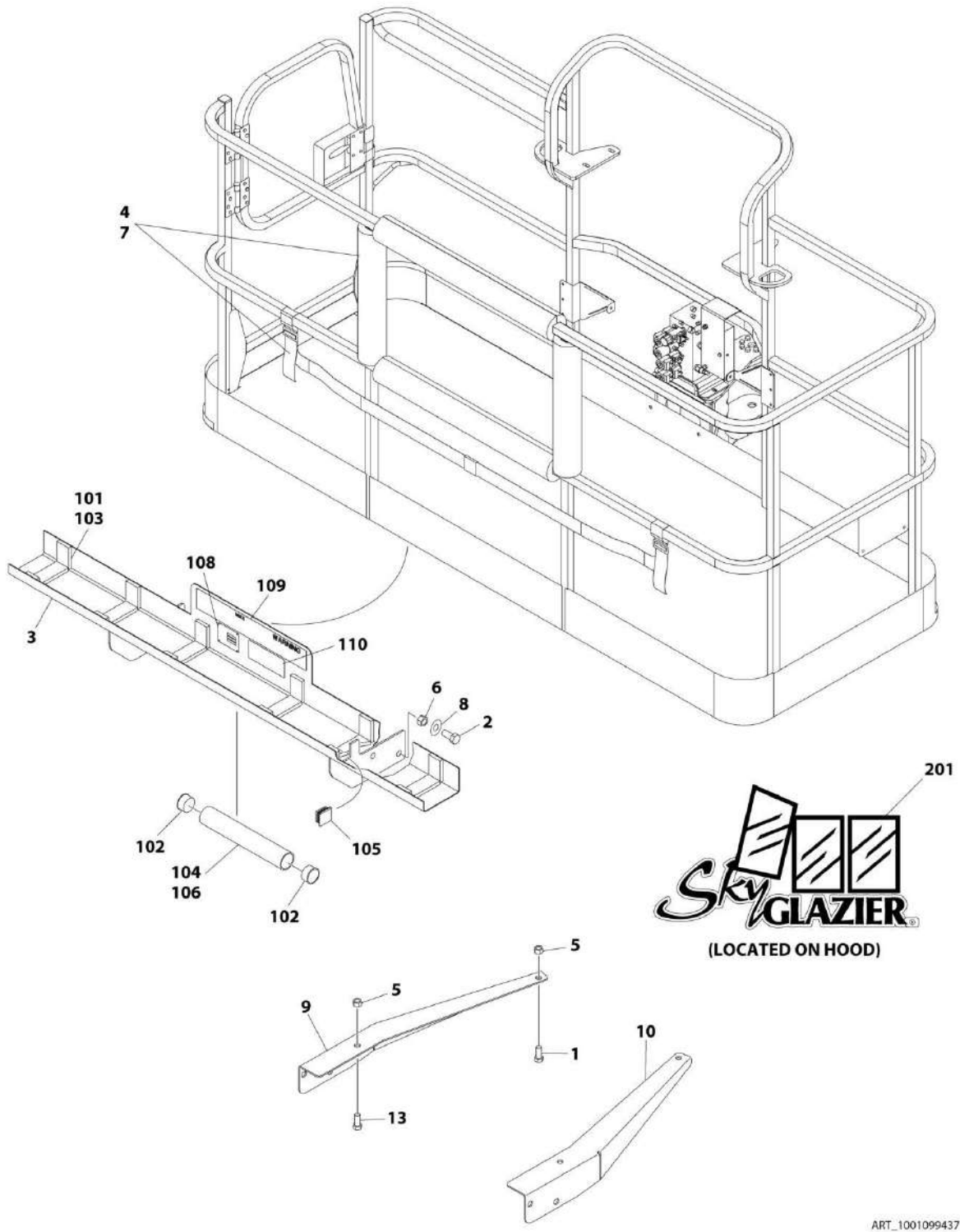
SECTION 4 - PLATFORM

FIGURE 4-13. SKYGLAZIER INSTALLATION (FRENCH SPECS)

ITEM	PART NUMBER	QTY	DESCRIPTION	REV
	1001099436	Ref	SKYGLAZIER INSTALLATION (FRENCH SPECS)	C
1	0642026	2	Bolt 5/8 x 3-1/4	
2	0642212	4	Bolt 3/4 x 1-1/2	
3	0272949	1	Tray Assembly (See Items 101-110 for Breakdown)	
4	2902212	1	Bumpers and Strap Kit	
4	0940102	1	Bumper Only	
4	4240149	1	Strap Only	
5	3312005	4	Nut 5/8	
6	3312205	4	Nut 3/4	
7	4420014	AR	Tape	
8	4712200	8	Washer 3/4	
9	1001099366	1	Support	
10	1001099367	1	Support	
13	8310230	2	Bolt 5/8 x 4	
	0272949	Ref	TRAY ASSEMBLY	D
101	0100081	AR	Adhesive	
102	1120555	2	Cap, Tube	
103	3340956	1	Pad Kit	
104	3460334	1	Tube	
105	3520071	2	Plug	
106	4420066	AR	Tape, Double Sided	
108	See Note	NSS	Nameplate - Serial Number (Note: Not Available for Purchase)	
109	1001163293	2	Decal - Glazier Capacity	
110	1701509	1	Decal - Manual	
	0272418	Ref	SKYGLAZIER DECAL INSTALLATION	4
201	1705358	2	Decal - SkyGlazier	

SECTION 4 - PLATFORM

FIGURE 4-14. SKYGLAZIER INSTALLATION (GERMAN SPECS)



ART_1001099437

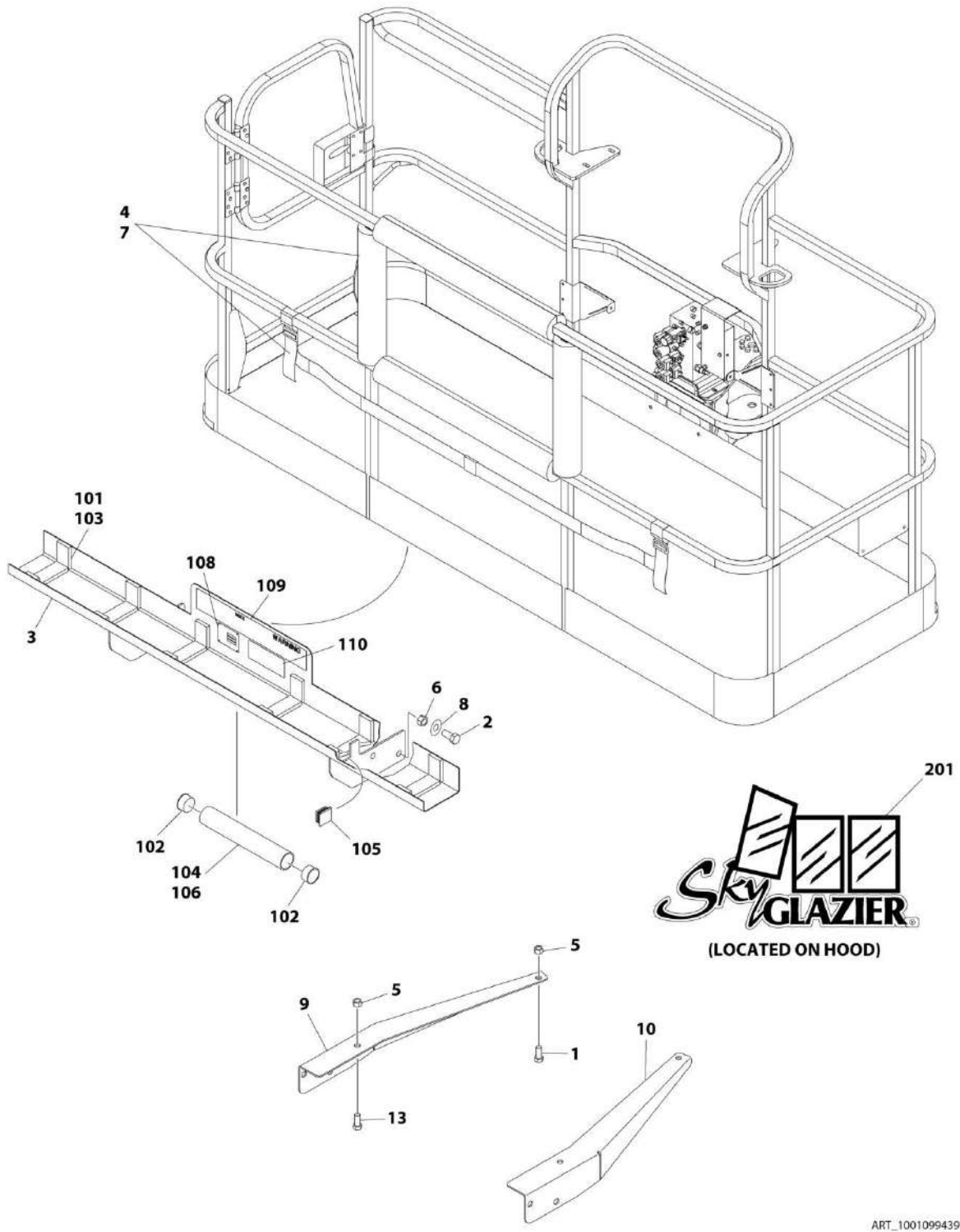
SECTION 4 - PLATFORM

FIGURE 4-14. SKYGLAZIER INSTALLATION (GERMAN SPECS)

ITEM	PART NUMBER	QTY	DESCRIPTION	REV
	1001099437	Ref	SKYGLAZIER INSTALLATION (GERMAN SPECS)	C
1	0642026	2	Bolt 5/8 x 3-1/4	
2	0642212	4	Bolt 3/4 x 1-1/2	
3	0272950	1	Tray Assembly (See Items 101-110 for Breakdown)	
4	2902212	1	Bumpers and Strap Kit	
4	0940102	1	Bumper Only	
4	4240149	1	Strap Only	
5	3312005	4	Nut 5/8	
6	3312205	4	Nut 3/4	
7	4420014	AR	Tape	
8	4712200	8	Washer 3/4	
9	1001099366	1	Support	
10	1001099367	1	Support	
13	8310230	2	Bolt 5/8 x 4	
	0272950	Ref	TRAY ASSEMBLY	D
101	0100081	AR	Adhesive	
102	1120555	2	Cap, Tube	
103	3340956	1	Pad Kit	
104	3460334	1	Tube	
105	3520071	2	Plug	
106	4420066	AR	Tape, Double Sided	
108	See Note	NSS	Nameplate - Serial Number (Note: Not Available for Purchase)	
109	1001163298	2	Decal - Glazier Capacity	
110	1701509	1	Decal - Manual	
	0272418	Ref	SKYGLAZIER DECAL INSTALLATION	4
201	1705358	2	Decal - SkyGlazier	

SECTION 4 - PLATFORM

FIGURE 4-15. SKYGLAZIER INSTALLATION (ITALIAN SPECS)



ART_1001099439

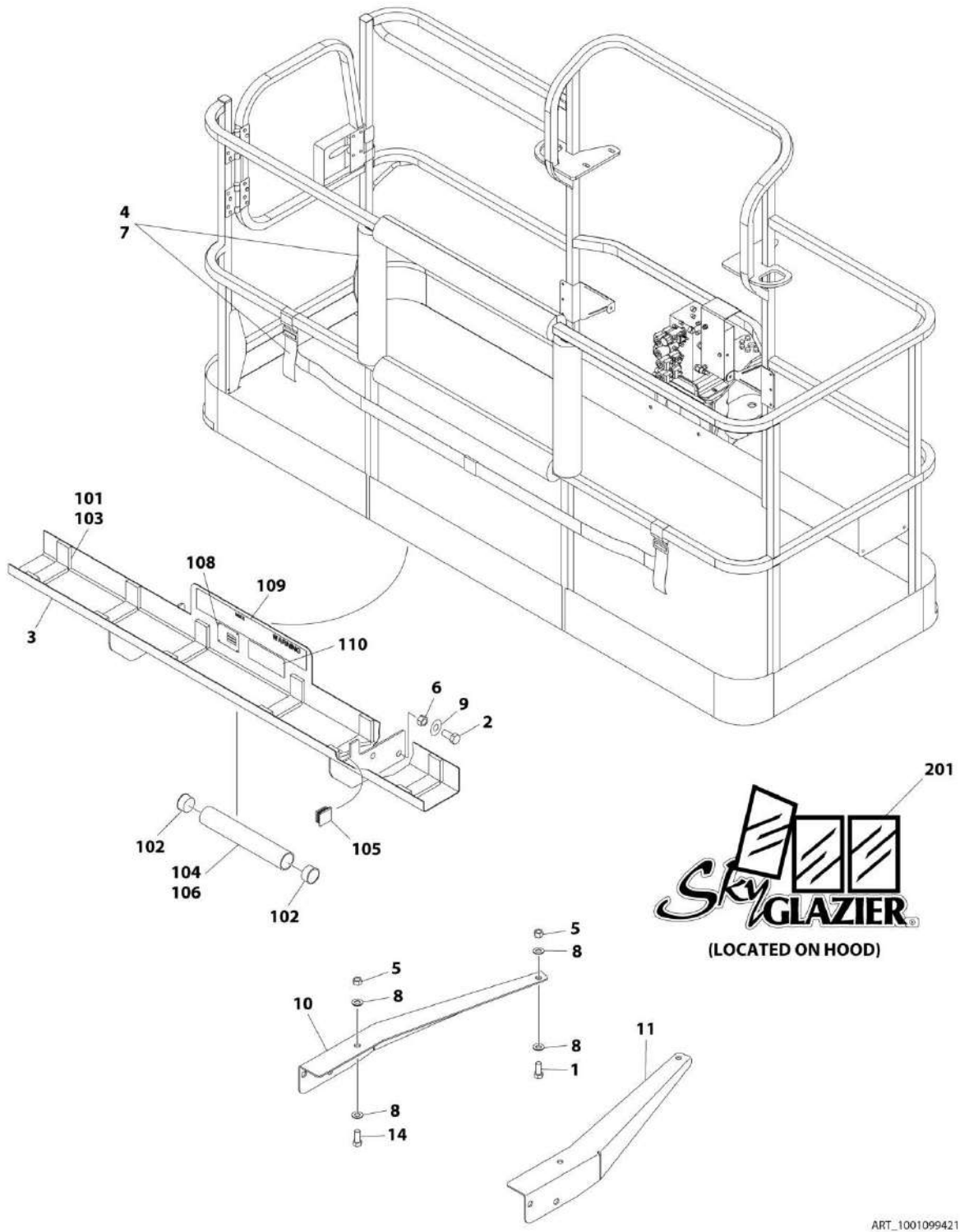
SECTION 4 - PLATFORM

FIGURE 4-15. SKYGLAZIER INSTALLATION (ITALIAN SPECS)

ITEM	PART NUMBER	QTY	DESCRIPTION	REV
	1001099439	Ref	SKYGLAZIER INSTALLATION (ITALIAN SPECS)	C
1	0642026	2	Bolt 5/8 x 3-1/4	
2	0642212	4	Bolt 3/4 x 1-1/2	
3	0272952	1	Tray Assembly (See Items 101-110 for Breakdown)	
4	2902212	1	Bumpers and Strap Kit	
4	0940102	1	Bumper Only	
4	4240149	1	Strap Only	
5	3312005	4	Nut 5/8	
6	3312205	4	Nut 3/4	
7	4420014	AR	Tape	
8	4712200	8	Washer 3/4	
9	1001099366	1	Support	
10	1001099367	1	Support	
13	8310230	2	Bolt 5/8 x 4	
	0272952	Ref	TRAY ASSEMBLY	D
101	0100081	AR	Adhesive	
102	1120555	2	Cap, Tube	
103	3340956	1	Pad Kit	
104	3460334	1	Tube	
105	3520071	2	Plug	
106	4420066	AR	Tape, Double Sided	
108	See Note	NSS	Nameplate - Serial Number (Note: Not Available for Purchase)	
109	1001163287	2	Decal - Glazier Capacity	
110	1701509	1	Decal - Manual	
	0272418	Ref	SKYGLAZIER DECAL INSTALLATION	4
201	1705358	2	Decal - SkyGlazier	

SECTION 4 - PLATFORM

FIGURE 4-16. SKYGLAZIER INSTALLATION (LATIN AMERICAN SPECS)



ART_1001099421

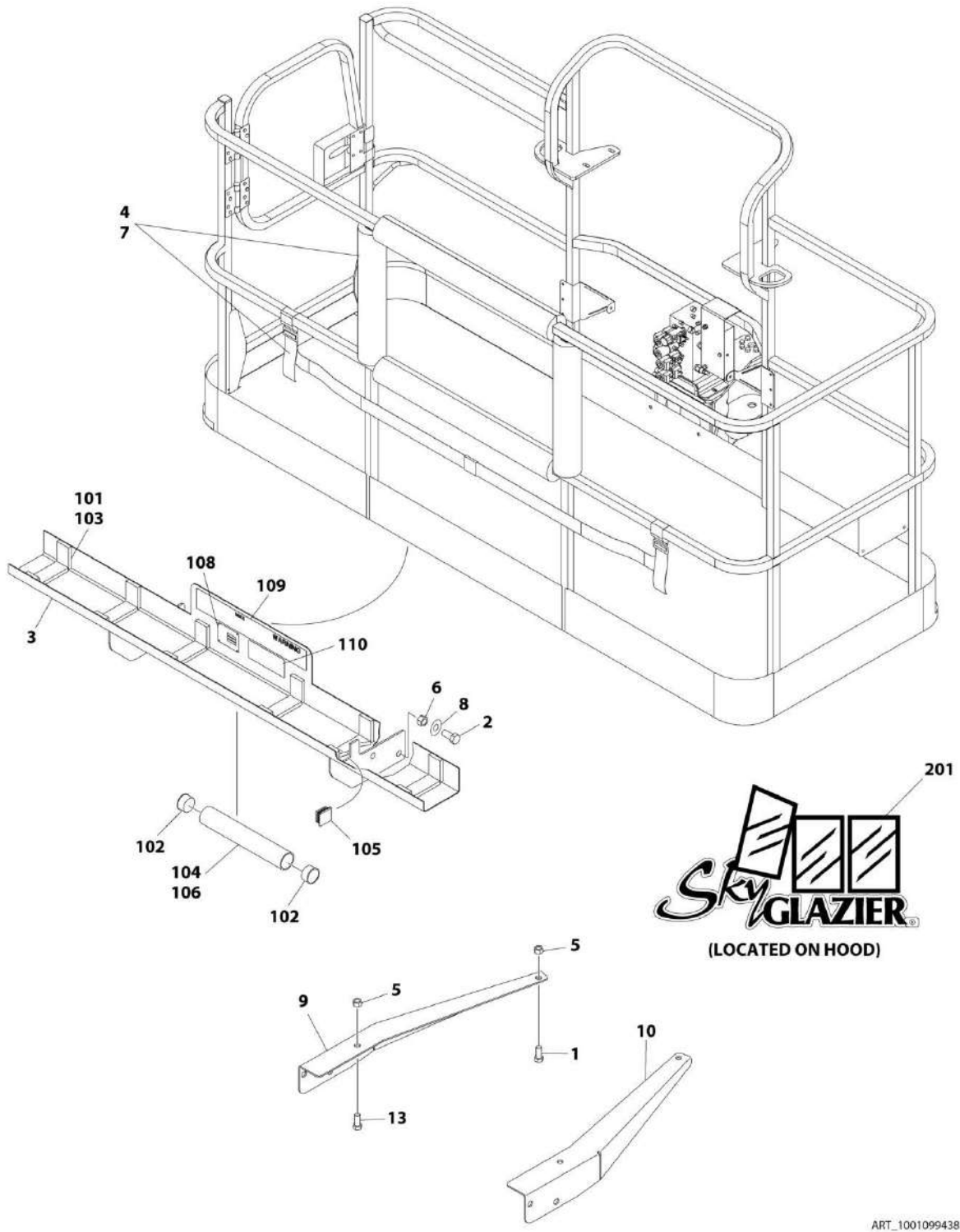
SECTION 4 - PLATFORM

FIGURE 4-16. SKYGLAZIER INSTALLATION (LATIN AMERICAN SPECS)

ITEM	PART NUMBER	QTY	DESCRIPTION	REV
	1001099421	Ref	SKYGLAZIER INSTALLATION (LATIN AMERICAN SPECS)	C
1	0642012	2	Bolt 5/8 x 1-1/2	
2	0642212	4	Bolt 3/4 x 1-1/2	
3	0272948	1	Tray Assembly (See Items 101-110 for Breakdown)	
4	2902212	1	Bumpers and Strap Kit	
4	0940102	1	Bumper Only	
4	4240149	1	Strap Only	
5	3312005	4	Nut 5/8	
6	3312205	4	Nut 3/4	
7	4420014	AR	Tape	
8	4712000	6	Washer 5/8	
9	4712200	8	Washer 3/4	
10	1001099366	1	Support	
11	1001099367	1	Support	
14	8310129	2	Bolt 5/8 x 2.5	
	0272948	Ref	TRAY ASSEMBLY	E
101	0100081	AR	Adhesive	
102	1120555	2	Cap, Tube	
103	3340956	1	Pad Kit	
104	3460334	1	Tube	
105	3520071	2	Plug	
106	4420066	AR	Tape, Double Sided	
108	See Note	NSS	Nameplate - Serial Number (Note: Not Available for Purchase)	
109	1001163296	2	Decal - Glazier Capacity	
110	1701509	1	Decal - Manual	
	0272418	Ref	SKYGLAZIER DECAL INSTALLATION	4
201	1705358	2	Decal - SkyGlazier	

SECTION 4 - PLATFORM

FIGURE 4-17. SKYGLAZIER INSTALLATION (PORTUGUESE SPECS)



ART_1001099438

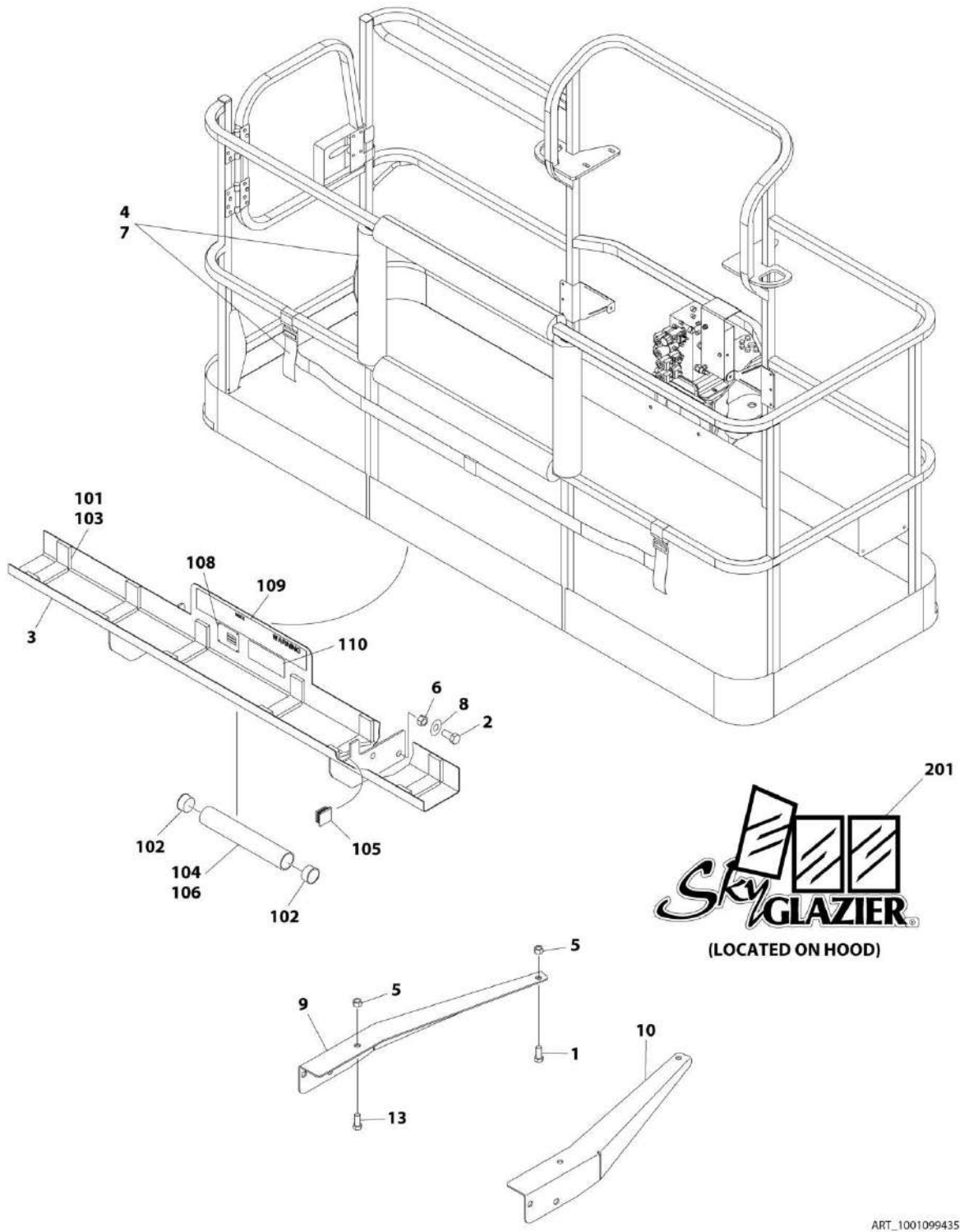
SECTION 4 - PLATFORM

FIGURE 4-17. SKYGLAZIER INSTALLATION (PORTUGUESE SPECS)

ITEM	PART NUMBER	QTY	DESCRIPTION	REV
	1001099438	Ref	SKYGLAZIER INSTALLATION (PORTUGUESE SPECS)	C
1	0642026	2	Bolt 5/8 x 3-1/4	
2	0642212	4	Bolt 3/4 x 1-1/2	
3	0273406	1	Tray Assembly (See Items 101-110 for Breakdown)	
4	2902212	1	Bumpers and Strap Kit	
4	0940102	1	Bumper Only	
4	4240149	1	Strap Only	
5	3312005	4	Nut 5/8	
6	3312205	4	Nut 3/4	
7	4420014	AR	Tape	
8	4712200	8	Washer 3/4	
9	1001099366	1	Support	
10	1001099367	1	Support	
13	8310230	2	Bolt 5/8 x 4	
	0273406	Ref	TRAY ASSEMBLY	D
101	0100081	AR	Adhesive	
102	1120555	2	Cap, Tube	
103	3340956	1	Pad Kit	
104	3460334	1	Tube	
105	3520071	2	Plug	
106	4420066	AR	Tape, Double Sided	
108	See Note	NSS	Nameplate - Serial Number (Note: Not Available for Purchase)	
109	1001163289	2	Decal - Glazier Capacity	
110	1701509	1	Decal - Manual	
	0272418	Ref	SKYGLAZIER DECAL INSTALLATION	4
201	1705358	2	Decal - SkyGlazier	

SECTION 4 - PLATFORM

FIGURE 4-18. SKYGLAZIER INSTALLATION (SPANISH SPECS)



ART_1001099435

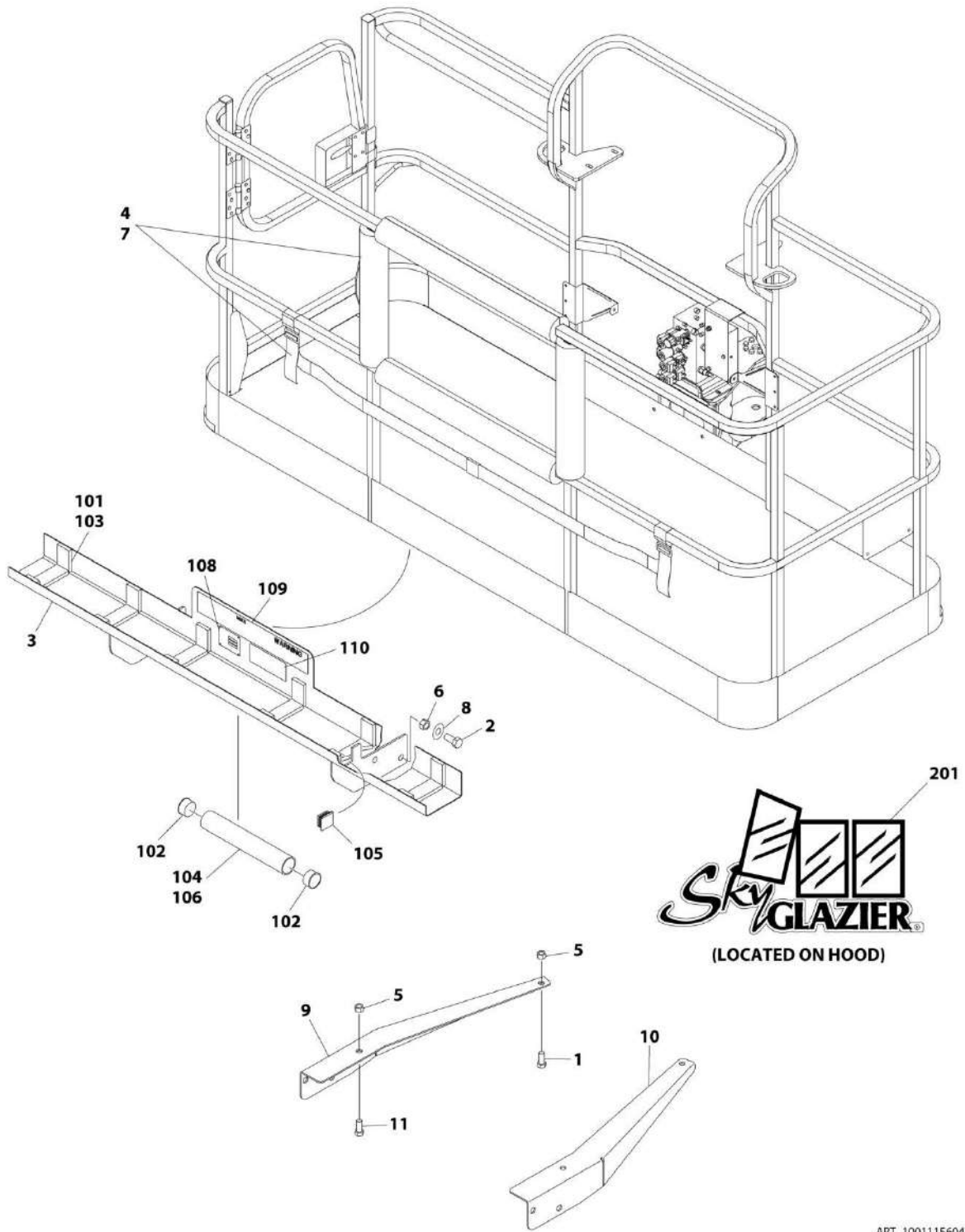
SECTION 4 - PLATFORM

FIGURE 4-18. SKYGLAZIER INSTALLATION (SPANISH SPECS)

ITEM	PART NUMBER	QTY	DESCRIPTION	REV
	1001099435	Ref	SKYGLAZIER INSTALLATION (SPANISH SPECS)	C
1	0642026	2	Bolt 5/8 x 3-1/4	
2	0642212	4	Bolt 3/4 x 1-1/2	
3	0273405	1	Tray Assembly (See Items 101-110 for Breakdown)	
4	2902212	1	Bumpers and Strap Kit	
4	0940102	1	Bumper Only	
4	4240149	1	Strap Only	
5	3312005	4	Nut 5/8	
6	3312205	4	Nut 3/4	
7	4420014	AR	Tape	
8	4712200	8	Washer 3/4	
9	1001099366	1	Support	
10	1001099367	1	Support	
13	8310230	2	Bolt 5/8 x 4	
	0273405	Ref	TRAY ASSEMBLY	D
101	0100081	AR	Adhesive	
102	1120555	2	Cap, Tube	
103	3340956	1	Pad Kit	
104	3460334	1	Tube	
105	3520071	2	Plug	
106	4420066	AR	Tape, Double Sided	
108	See Note	NSS	Nameplate - Serial Number (Note: Not Available for Purchase)	
109	1001163288	2	Decal - Glazier Capacity	
110	1701509	1	Decal - Manual	
	0272418	Ref	SKYGLAZIER DECAL INSTALLATION	4
201	1705358	2	Decal - SkyGlazier	

SECTION 4 - PLATFORM

FIGURE 4-19. SKYGLAZIER INSTALLATION (SWEDISH SPECS)



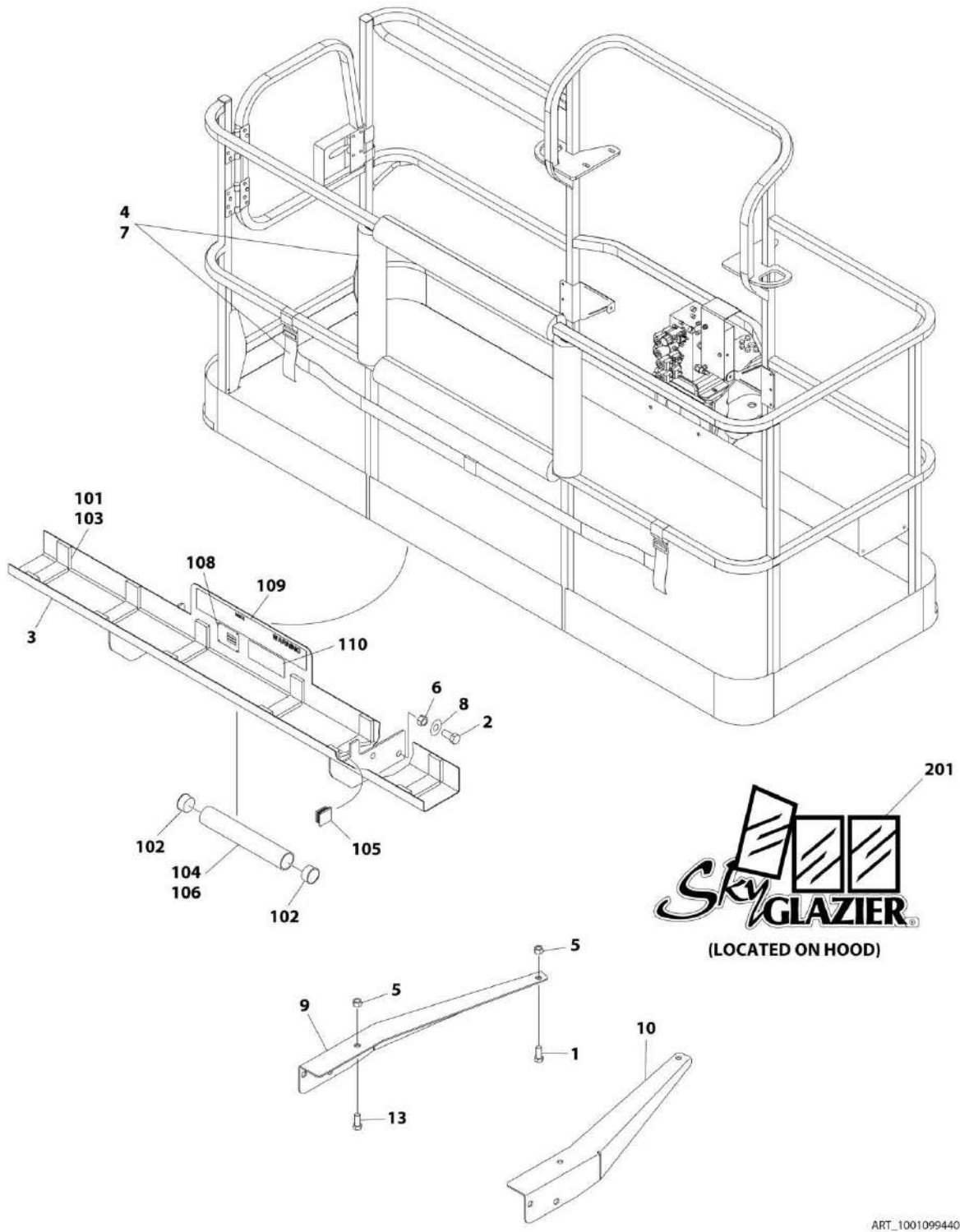
SECTION 4 - PLATFORM

FIGURE 4-19. SKYGLAZIER INSTALLATION (SWEDISH SPECS)

ITEM	PART NUMBER	QTY	DESCRIPTION	REV
	1001115604	Ref	SKYGLAZIER INSTALLATION (SWEDISH SPECS)	B
1	0642026	2	Bolt 5/8 x 3-1/4	
2	0642212	4	Bolt 3/4 x 1-1/2	
3	1001115603	1	Tray Assembly (See Items 101-110 for Breakdown)	
4	2902212	1	Bumpers and Strap Kit	
4	0940102	1	Bumper Only	
4	4240149	1	Strap Only	
5	3312005	4	Nut 5/8	
6	3312205	4	Nut 3/4	
7	4420014	AR	Tape	
8	4712200	8	Washer 3/4	
9	1001099366	1	Support	
10	1001099367	1	Support	
11	8310230	2	Bolt 5/8 x 4	
	1001115603	Ref	TRAY ASSEMBLY	C
101	0100081	AR	Adhesive	
102	1120555	2	Cap, Tube	
103	3340956	1	Pad Kit	
104	3460334	1	Tube	
105	3520071	2	Plug	
106	4420066	AR	Tape, Double Sided	
108	See Note	NSS	Nameplate - Serial Number (Note: Not Available for Purchase)	
109	1001163292	2	Decal - Glazier Capacity	
110	1701509	1	Decal - Manual	
	0272418	Ref	SKYGLAZIER DECAL INSTALLATION	4
201	1705358	2	Decal - SkyGlazier	

SECTION 4 - PLATFORM

FIGURE 4-20. SKYGLAZIER INSTALLATION (UK SPECS)



ART_1001099440

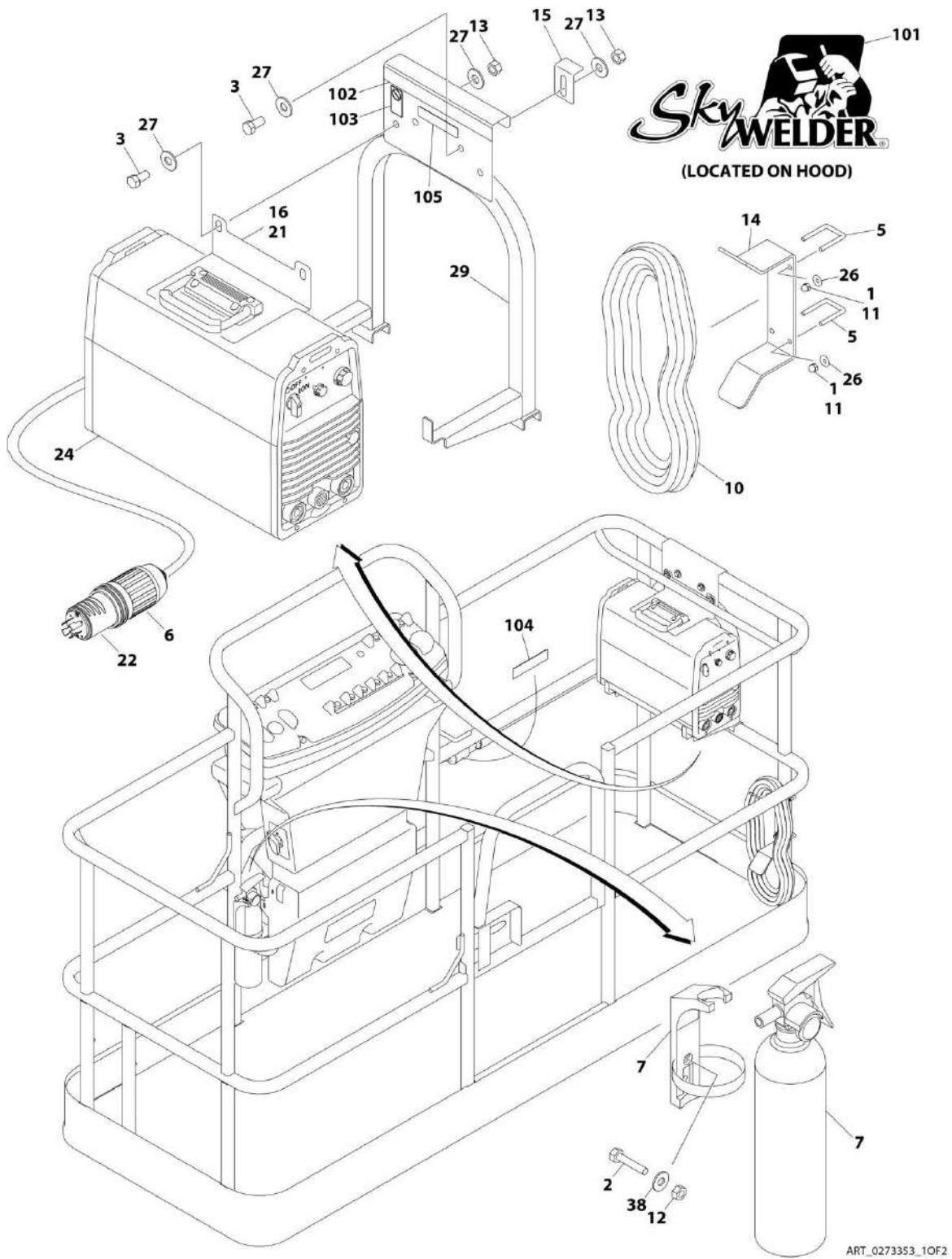
SECTION 4 - PLATFORM

FIGURE 4-20. SKYGLAZIER INSTALLATION (UK SPECS)

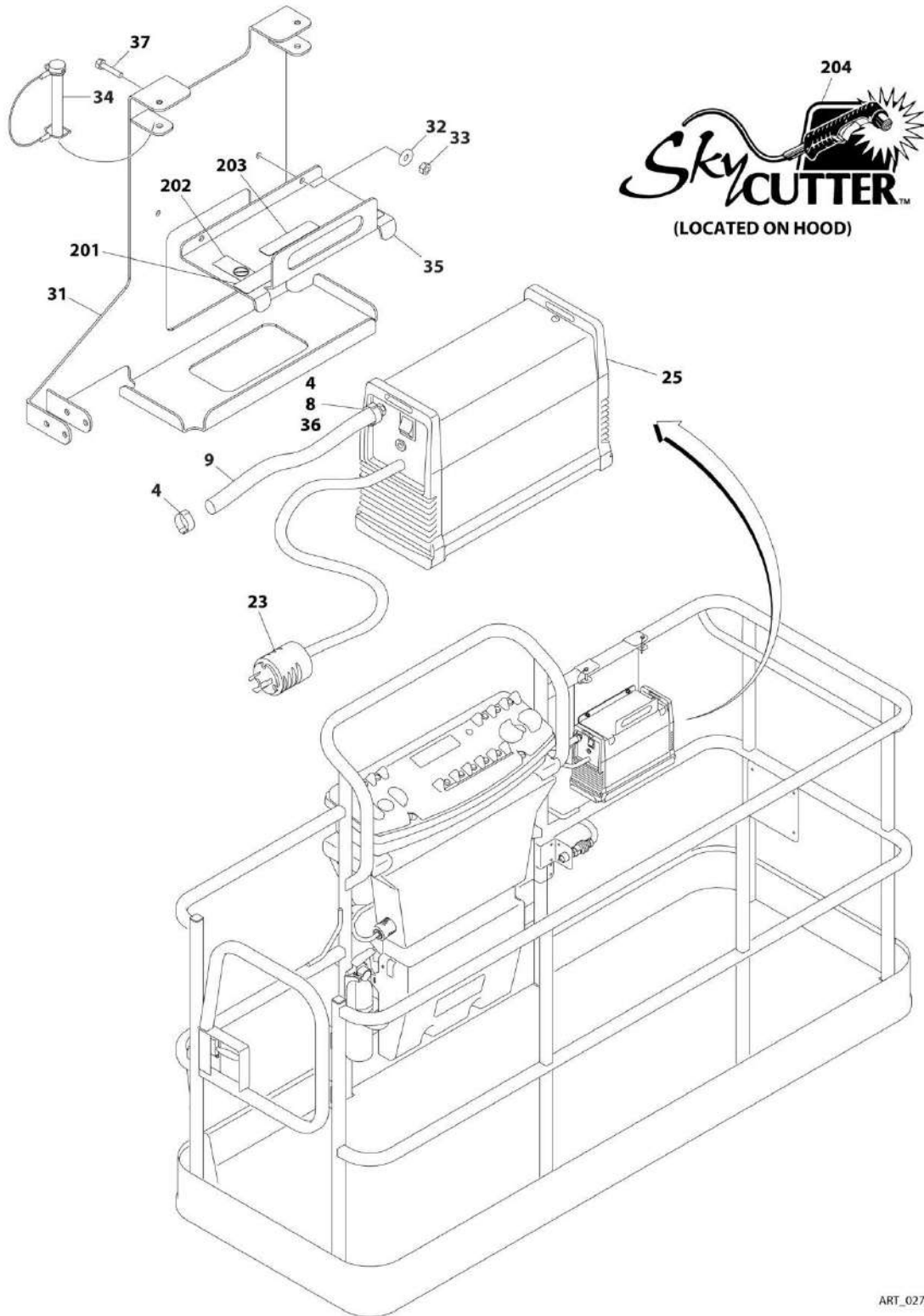
ITEM	PART NUMBER	QTY	DESCRIPTION	REV
	1001099440	Ref	SKYGLAZIER INSTALLATION (UK SPECS)	C
1	0642026	2	Bolt 5/8 x 3-1/4	
2	0642212	4	Bolt 3/4 x 1-1/2	
3	0273404	1	Tray Assembly (See Items 101-110 for Breakdown)	
4	2902212	1	Bumpers and Strap Kit	
4	0940102	1	Bumper Only	
4	4240149	1	Strap Only	
5	3312005	4	Nut 5/8	
6	3312205	4	Nut 3/4	
7	4420014	AR	Tape	
8	4712200	8	Washer 3/4	
9	1001099366	1	Support	
10	1001099367	1	Support	
13	8310230	2	Bolt 5/8 x 4	
	0273404	Ref	TRAY ASSEMBLY	D
101	0100081	AR	Adhesive	
102	1120555	2	Cap, Tube	
103	3340956	1	Pad Kit	
104	3460334	1	Tube	
105	3520071	2	Plug	
106	4420066	AR	Tape, Double Sided	
108	See Note	NSS	Nameplate - Serial Number (Note: Not Available for Purchase)	
109	1001163295	2	Decal - Glazier Capacity	
110	1701509	1	Decal - Manual	
	0272418	Ref	SKYGLAZIER DECAL INSTALLATION	4
201	1705358	2	Decal - SkyGlazier	

SECTION 4 - PLATFORM

FIGURE 4-21. SKYWELDER/SKYCUTTER COMBO INSTALLATION (60HZ)



SECTION 4 - PLATFORM



ART_0273353_20F2

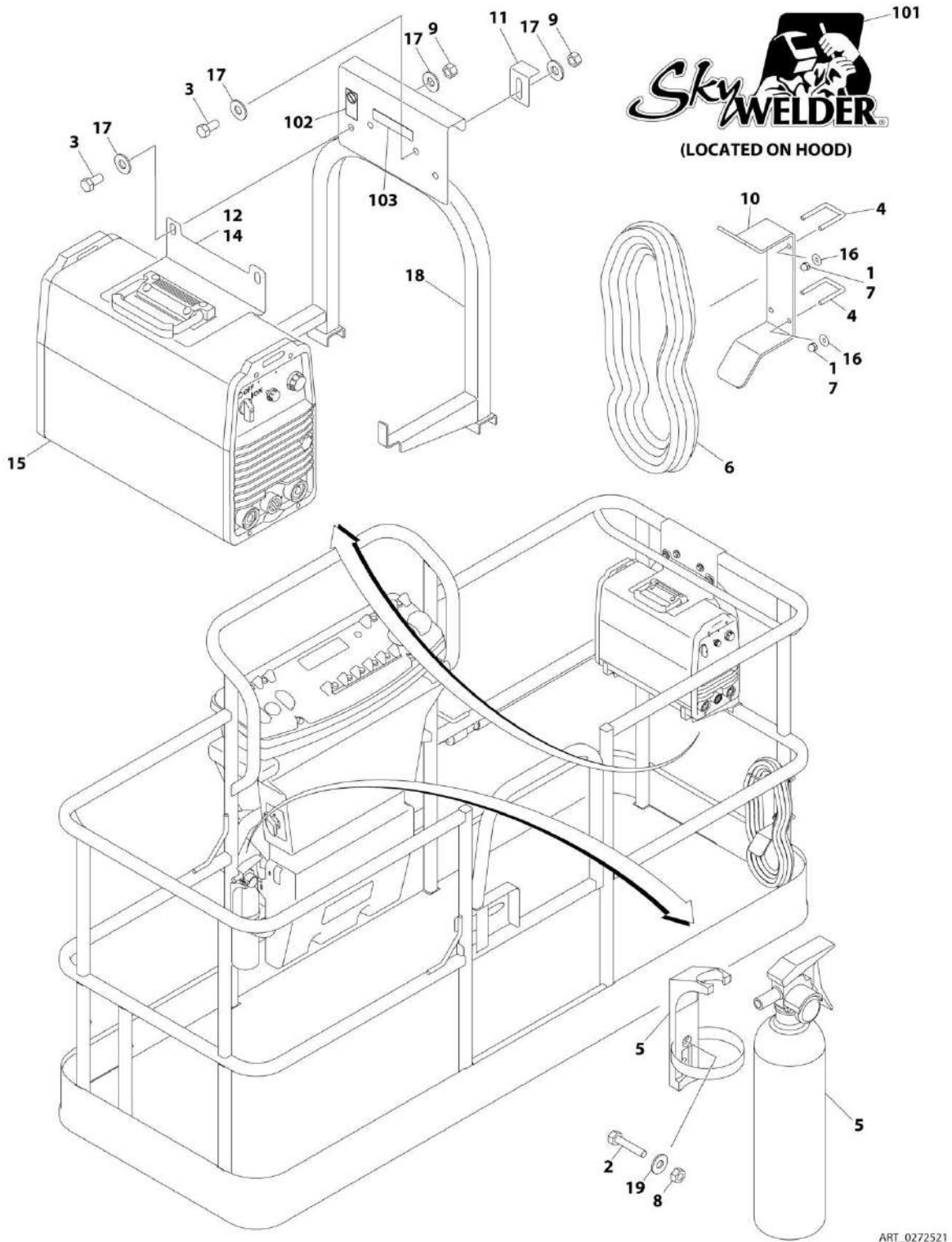
SECTION 4 - PLATFORM

FIGURE 4-21. SKYWELDER/SKYCUTTER COMBO INSTALLATION (60HZ)

ITEM	PART NUMBER	QTY	DESCRIPTION	REV
	0273353	Ref	SKYWELDER/SKYCUTTER COMBO INSTALLATION (60HZ)	G
		Ref	Note: ANSI, ANSI Export and CSA Spec Only.	
1	0100011	AR	Compound, Locking	
2	0630518	2	Screw #10 x 3/4	
3	0641606	4	Bolt 3/8 x 3/4	
4	1320177	2	Clamp	
5	1320302	2	Clamp	
6	1671093	1	Cover, Plug	
7	2030010	1	Extinguisher, Fire	
8	2180832	1	Fitting, Barbed/NPT	
9	2720160	4.5 ft /1.4m	Hose	
10	2902217	1	Weld Leads Kit	
11	3300151	4	Nut 1/4	
12	3311005	2	Nut #10	
13	3311605	4	Nut 3/8	
14	3573400	1	Bracket	
15	3577121	2	Angle	
16	3573642	1	Plate	
20	4240099	AR	Tie-Strap (Not Shown)	
21	4420037	2.36 ft /.71m	Tape	
22	4460962	1	Plug, Twist Lock	
23	4460971	1	Plug, Twist Lock	
24	4530028	1	Welder Assembly (See WELDER ASSEMBLY for Breakdown)	
25	1001098012	1	Plasma Cutter Assembly (See PLASMA CUTTER ASSEMBLY for Breakdown)	
26	4751400	4	Washer 1/4	
27	4751600	8	Washer 3/8	
29	4846627	1	Support	
31	1001145405	1	Bracket	
32	4811700	2	Washer M6	
33	3290605	2	Nut M6	
34	3421453	3	Pin	
35	3576799	1	Plate, Hold-Down	
36	0100020	1	Sealant	
37	4010608	2	Screw M6 x 16	
38	4751000	2	Washer #10	
	0272448	Ref	SKYWELDER DECAL INSTALLATION	A
101	1705355	2	Decal - SkyWelder	
102	1702868	1	Decal - No Hands	
103	1705305	1	Decal - Weld Leads	
104	1705375	1	Decal - 240V - 3 Phase - 60Hz	
105	1705466	1	Decal - Weight	
	0272599	Ref	SKYCUTTER DECAL INSTALLATION	A
201	1702868	1	Decal - No Hands	
202	1705305	1	Decal - Weld Leads	
203	1705466	1	Decal - Weight	
204	1705490	2	Decal - SkyCutter	

SECTION 4 - PLATFORM

FIGURE 4-22. SKYWELDER INSTALLATION (50HZ)



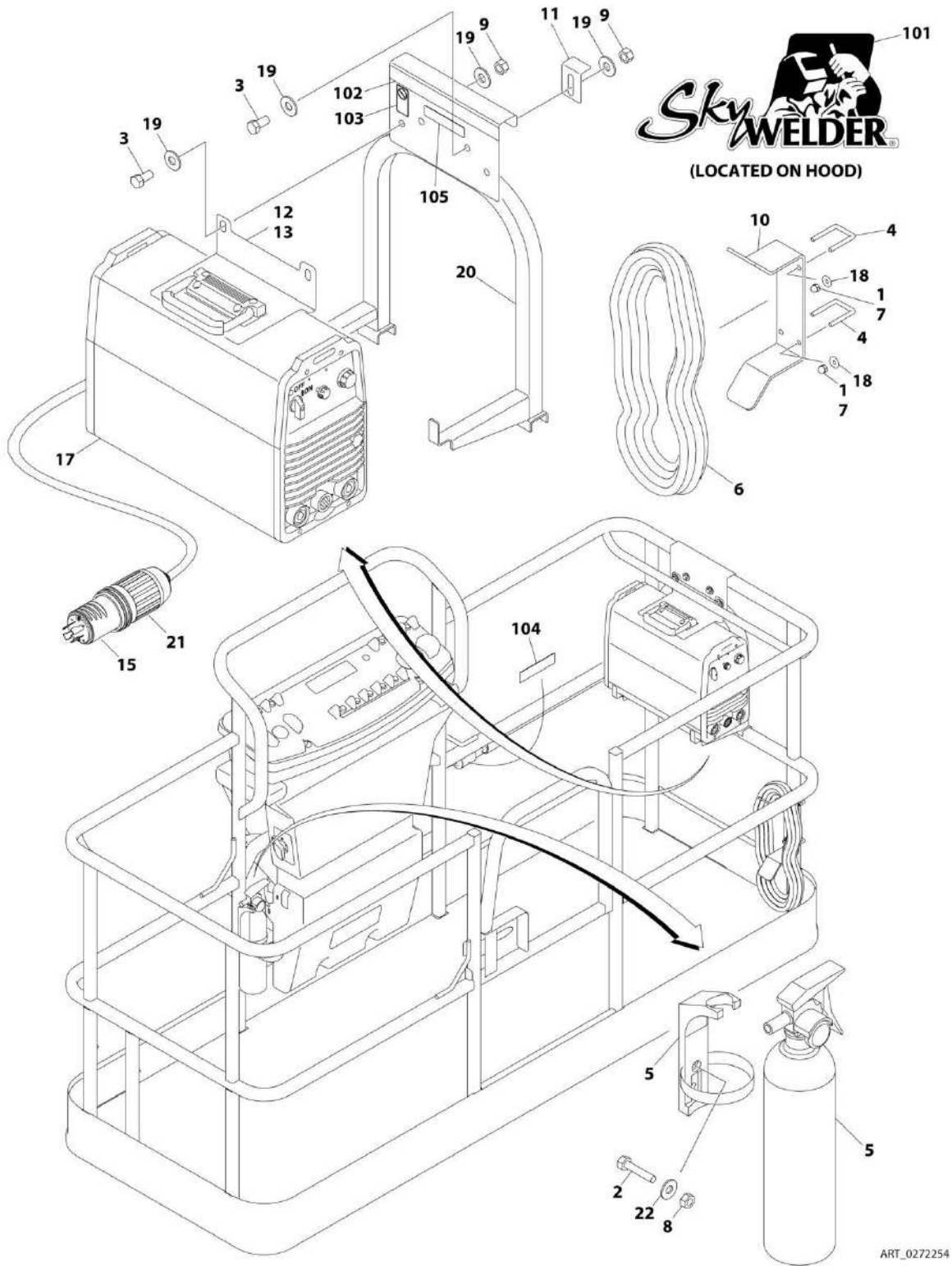
SECTION 4 - PLATFORM

FIGURE 4-22. SKYWELDER INSTALLATION (50HZ)

ITEM	PART NUMBER	QTY	DESCRIPTION	REV
	0272521	Ref	SKYWELDER INSTALLATION (50HZ)	F
		Ref	Note: Australian, CE and Japanese Specs Only.	
1	0100011	AR	Compound, Locking	
2	0630518	2	Screw #10 x 3/4	
3	0641606	4	Bolt 3/8 x 3/4	
4	1320302	2	U-Clamp	
5	2030010	1	Extinguisher, Fire	
6	2902217	1	Weld Leads Kit	
7	3300151	4	Nut 1/4	
8	3311005	2	Nut #10	
9	3311605	4	Nut 3/8	
10	3573400	1	Bracket	
11	3577121	2	Angle	
12	3573642	1	Plate	
13	4240099	AR	Tie-Strap (Not Shown)	
14	4420037	AR	Tape	
15	4530028	1	Welder Assembly (See WELDER ASSEMBLY for Breakdown)	
16	4751400	4	Washer 1/4	
17	4751600	8	Washer 3/8	
18	4846627	1	Support	
19	4751000	2	Washer #10	
	0272588	Ref	SKYWELDER DECAL INSTALLATION	A
101	1705355	2	Decal - SkyWelder	
102	1705305	1	Decal - Weld Lead	
103	1705466	1	Decal - Weight	

SECTION 4 - PLATFORM

FIGURE 4-23. SKYWELDER INSTALLATION (60HZ)



ART_0272254

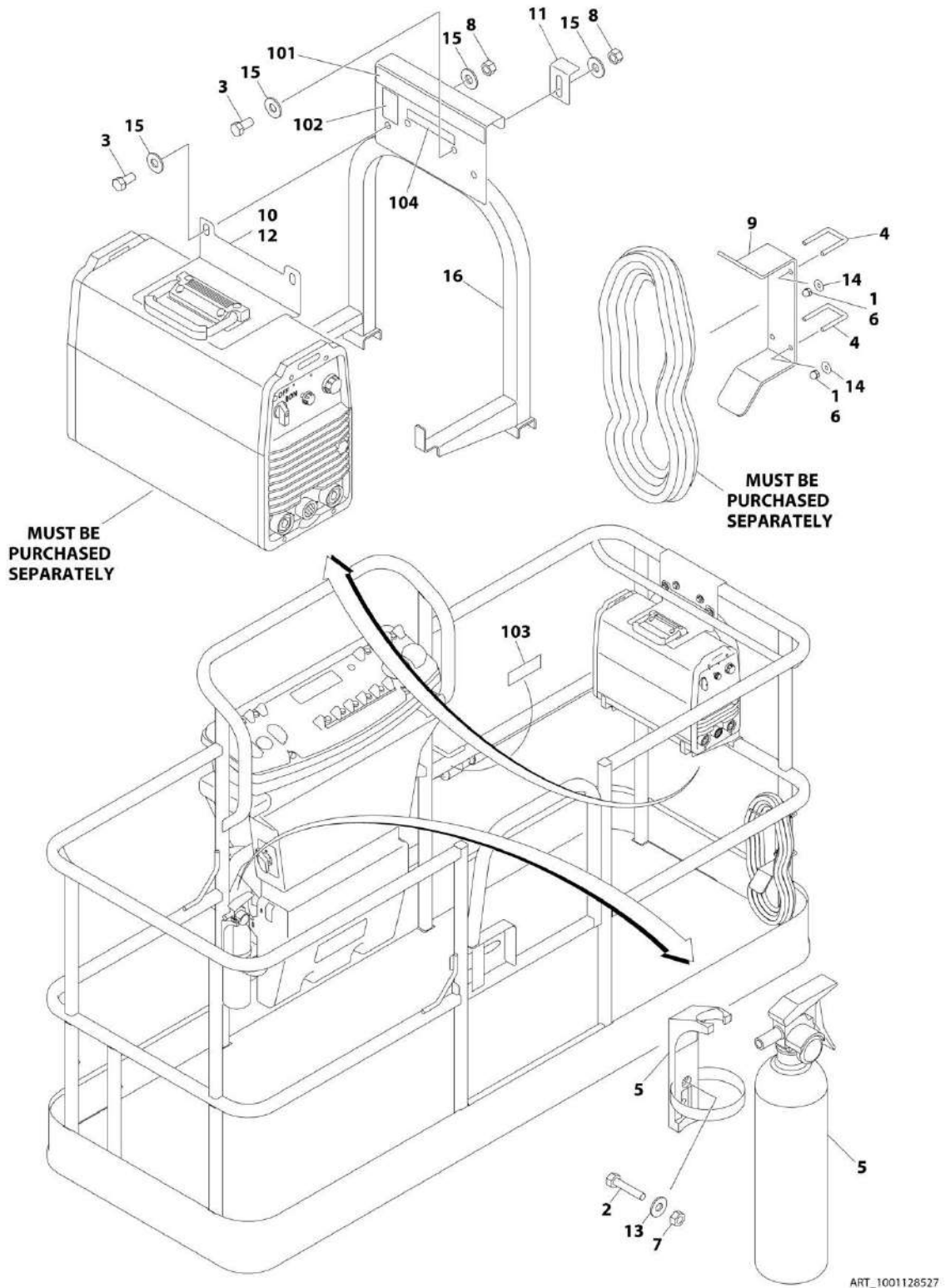
SECTION 4 - PLATFORM

FIGURE 4-23. SKYWELDER INSTALLATION (60HZ)

ITEM	PART NUMBER	QTY	DESCRIPTION	REV
	0272254	Ref	SKYWELDER INSTALLATION (60HZ)	I
		Ref	Note: ANSI, ANSI Export and CSA Specs Only.	
1	0100011	AR	Compound, Locking	
2	0630518	2	Screw #10 x 3/4	
3	0641606	4	Bolt 3/8 x 3/4	
4	1320302	2	U-Clamp	
5	2030010	1	Extinguisher, Fire	
6	2902217	1	Weld Leads Kit	
7	3300151	4	Nut 1/4	
8	3311005	2	Nut #10	
9	3311605	4	Nut 3/8	
10	3573400	1	Bracket	
11	3577121	2	Angle	
12	3573642	1	Plate	
13	4420037	AR	Tape	
14	4240099	AR	Tie-Strap (Not Shown)	
15	4460962	1	Plug, Male Twistlock	
17	4530028	1	Welder Assembly (See WELDER ASSEMBLY for Breakdown)	
18	4751400	4	Washer 1/4	
19	4751600	8	Washer 3/8	
20	4846627	1	Support	
21	1671093	1	Cover, Plug	
22	4751000	2	Washer #10	
	0272448	Ref	SKYWELDER DECAL INSTALLATION	A
101	1705355	2	Decal - SkyWelder	
102	1702868	1	Decal - No Hands	
103	1705305	1	Decal - Weld Lead	
104	1705375	1	Decal - 240V - 3 Phase - 60Hz	
105	1705466	1	Decal - Weight	

SECTION 4 - PLATFORM

FIGURE 4-24. SKYWELDER PREP PACKAGE (60HZ)



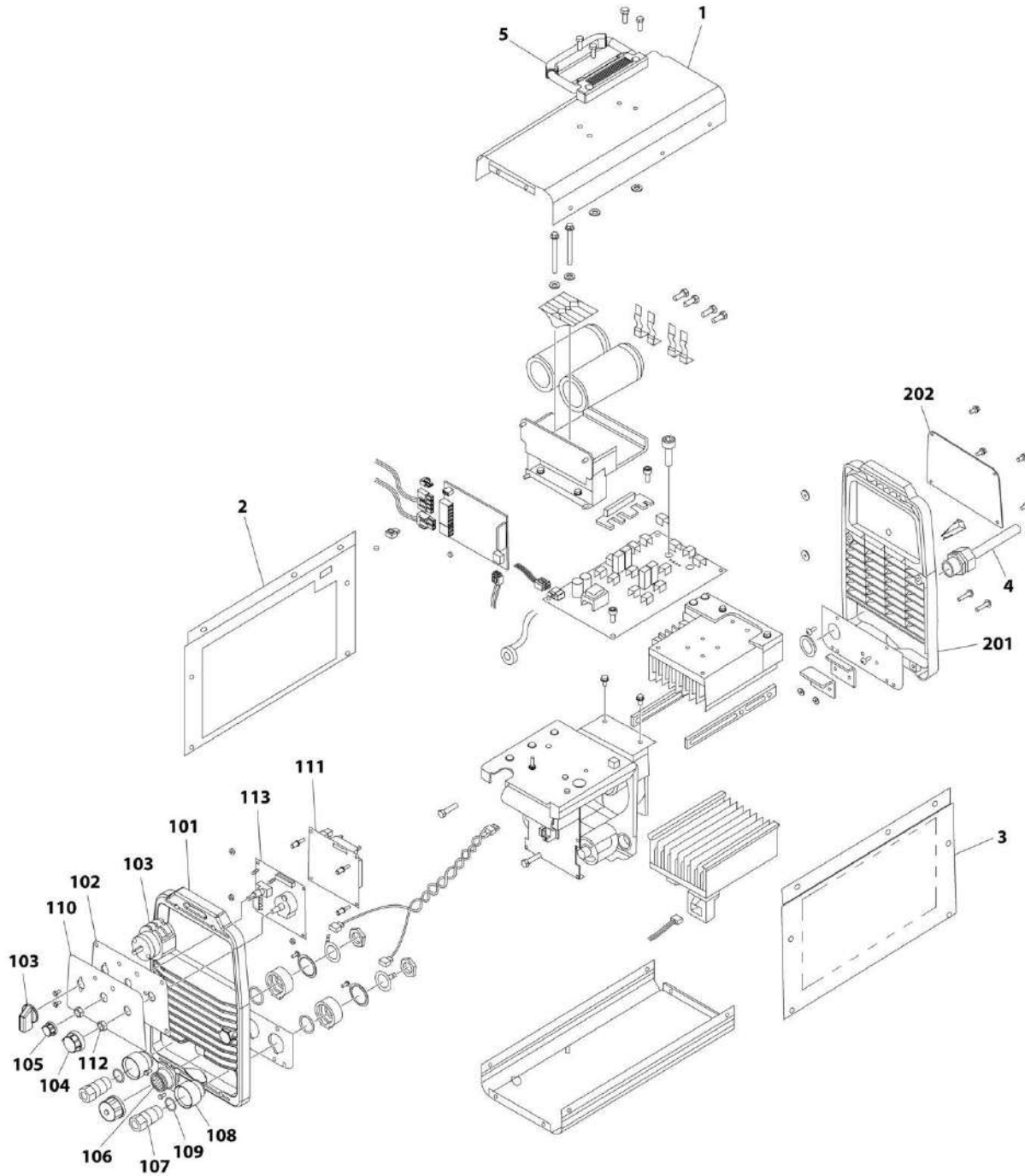
SECTION 4 - PLATFORM

FIGURE 4-24. SKYWELDER PREP PACKAGE (60HZ)

ITEM	PART NUMBER	QTY	DESCRIPTION	REV
	1001128527	Ref	SKYWELDER PREP PACKAGE (60HZ)	B
		Ref	Note: ANSI, ANSI Export and CSA Specs Only.	
1	0100011	AR	Compound, Locking	
2	0630518	2	Screw #10 x 3/4	
3	0641606	4	Bolt 3/8 x 3/4	
4	1320302	2	U-Clamp	
5	2030010	1	Extinguisher, Fire	
6	3300151	4	Nut 1/4	
7	3311005	2	Nut #10	
8	3311605	4	Nut 3/8	
9	3573400	1	Bracket	
10	3573642	1	Plate	
11	3577121	2	Angle	
12	4420037	AR	Tape	
13	4751000	2	Washer #10	
14	4751400	4	Washer 1/4	
15	4751600	8	Washer 3/8	
16	4846627	1	Support	
	1001128556	Ref	SKYWELDER DECAL INSTALLATION	A
101	1702868	1	Decal - No Hands	
102	1705305	1	Decal - Weld Lead	
103	1705375	1	Decal - 240V - 3 Phase - 60Hz	
104	1705466	1	Decal - Weight	

SECTION 4 - PLATFORM

FIGURE 4-25. WELDER ASSEMBLY



ART_4530028

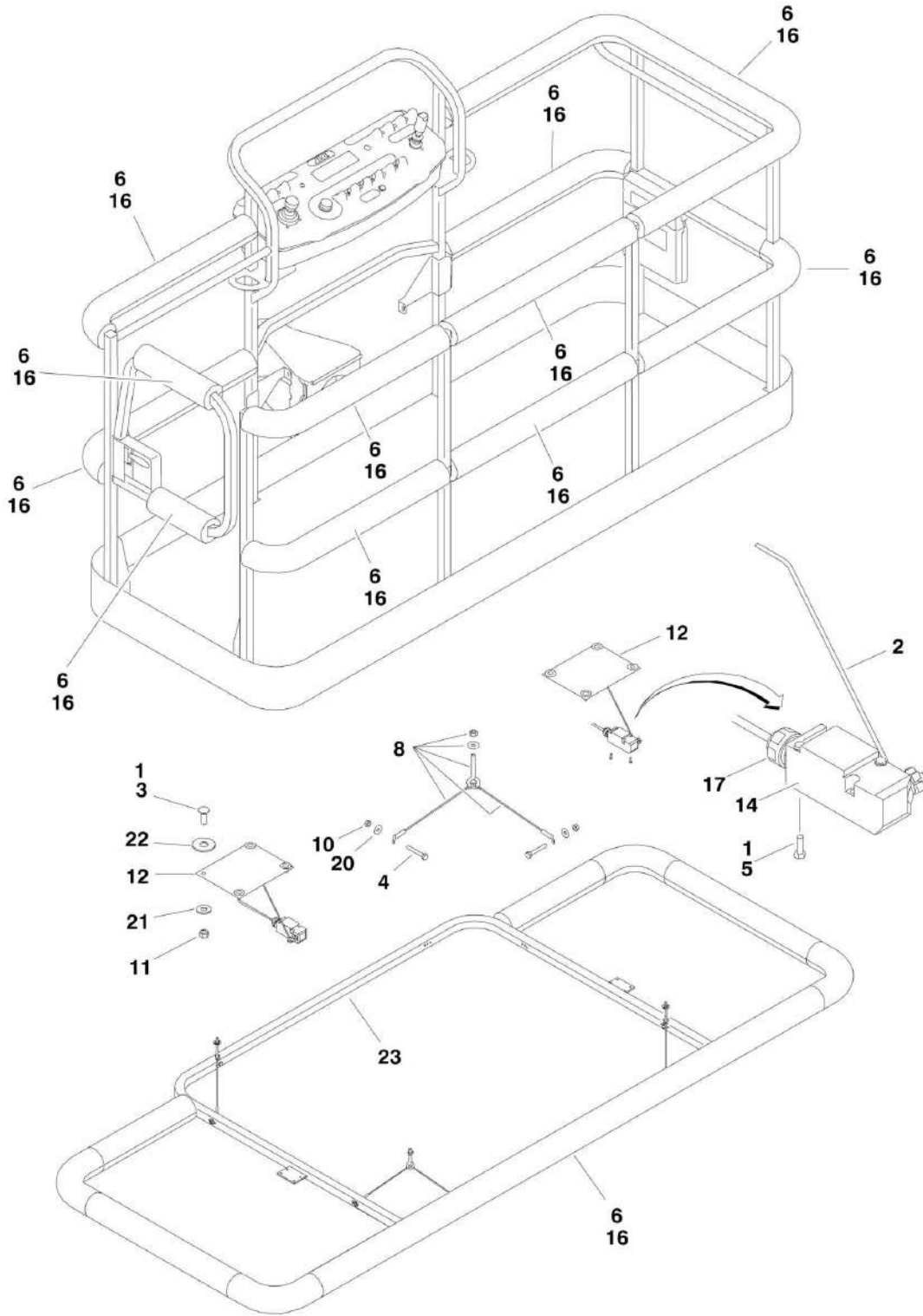
SECTION 4 - PLATFORM

FIGURE 4-25. WELDER ASSEMBLY

ITEM	PART NUMBER	QTY	DESCRIPTION	REV
	4530028	Ref	WELDER ASSEMBLY	A
		Ref	Note: For Other Components, contact your Miller Welder Dealer.	
1	7027773	1	Cover, Top	
1	7027774	1	Decal - Static Precautionary Warning	
2	See Note	NSS	Panel, LH Side (Note: Part of Item 1. Purchase Item 1)	
3	See Note	NSS	Panel, RH Side (Note: Part of Item 1. Purchase Item 1)	
4	7024467	1	Cable, Power	
4	7027775	1	Decal - Electrical Shock Warning (Not Shown)	
5	7027776	1	Handle, Carrying	
101	7024462	1	Panel, Front	
102	7024463	1	Panel, Console	
103	7024469	1	Switch with Lead	
104	7024470	1	Knob	
105	7024471	1	Knob	
106	7024472	1	Receptacle with Leads and Plugs	
107	7024473	2	Receptacle, Twistlock Female	
108	7024474	2	Insulator	
109	7024475	2	O-Ring	
110	7027777	1	Nameplate	
111	7027779	1	Circuit Card Assembly (Process Control)	
112	7024478	2	Nut	
113	7027778	1	Circuit Card Assembly (Operator Interface)	
201	7024462	1	Panel, Rear	
202	7027780	1	Panel, Cover	

SECTION 4 - PLATFORM

FIGURE 4-26. SOFT TOUCH SYSTEM INSTALLATION (OPTIONAL)



SECTION 4 - PLATFORM

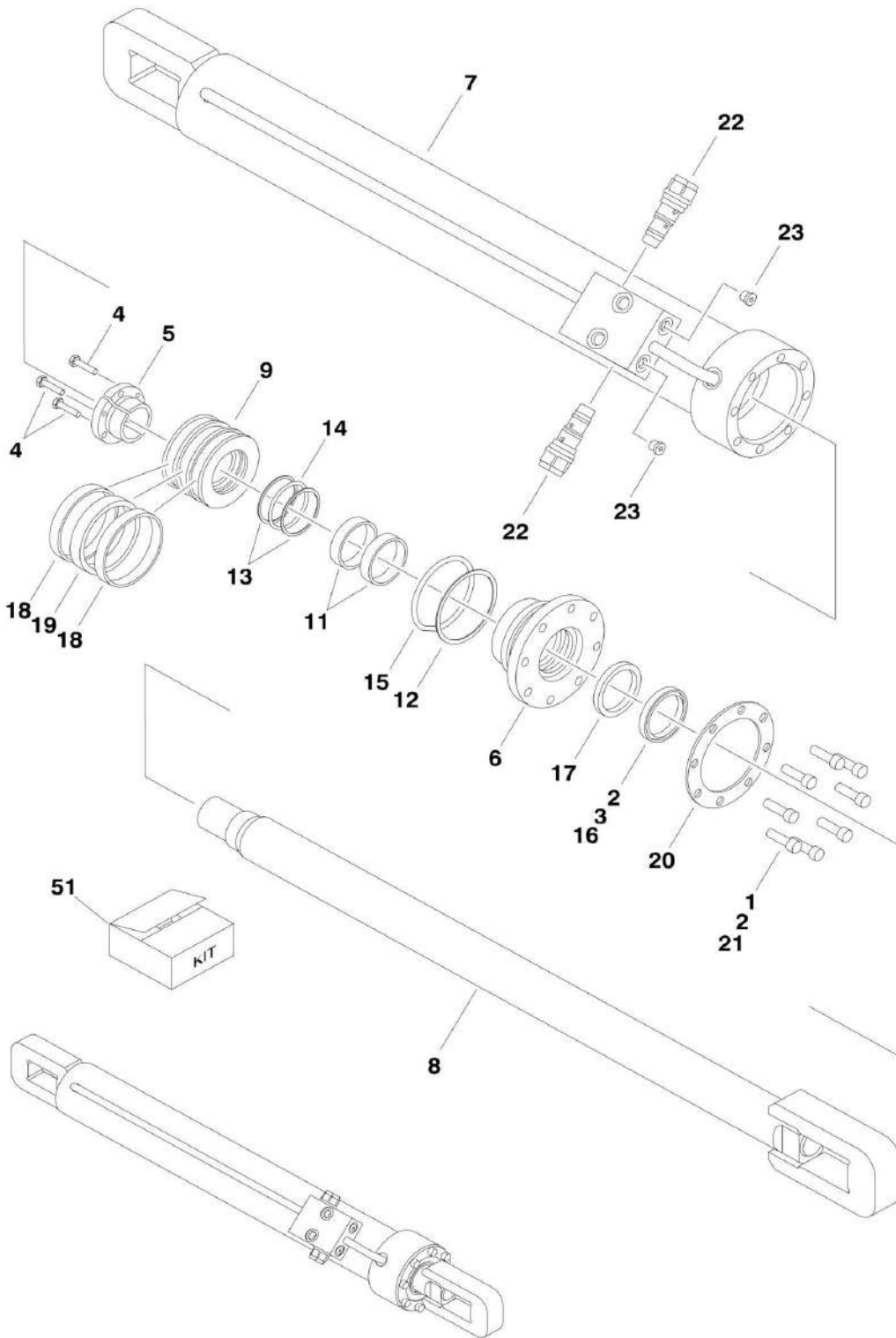
FIGURE 4-26. SOFT TOUCH SYSTEM INSTALLATION (OPTIONAL)

ITEM	PART NUMBER	QTY	DESCRIPTION	REV
		Ref	SOFT TOUCH SYSTEM INSTALLATIONS OPTIONS:	
	0273824	Ref	6ft/1.8m Platforms	B
	0272427	Ref	8ft/2.4m Platforms	E
	0273706	Ref	8ft/2.4m Platforms w/Fall Arrest	B
1	0100011	AR	Compound, Locking	
2	0200048	2	Arm, Switch Activator	
3	0630462	8	Bolt, Carriage	
4	0641414	8	Bolt 1/4in-20NC x 1-3/4in	
5	0721005	4	Screw, Machine #10-24 x 5/8in	
6		Ref	Bumper Kit Options:	
6	0940134	1	6ft/1.8m Platforms	
6	0940103	1	8ft/2.4m Platforms	
6	0940133	1	8ft/2.4m Platforms w/Fall Arrest	
8	1060903	4	Wire Rope and Eyebolt Assembly	
10	3311401	8	Nut 1/4in-20NC	
11	3311501	8	Nut 5/16in-18NC	
12		Ref	Plate, Striker Options:	
12	3575359	2	6ft/1.8m Platforms	
12	3574091	2	8ft/2.4m Platforms	
13	4240099	7	Tie-Strap (Not Shown)	
14	4360057	2	Switch, Limit	
16	4420068	1	Tape, Yellow Adhesive	
17	4460049	2	Connector, Strain Relief	
18	4460234	7	Base, Tie-Strap Mounting (Not Shown)	
20	4751400	8	Flatwasher 1/4in Regular	
21	4751500	12	Flatwasher 5/16in Regular	
22	4751800	8	Flatwasher 1/2in Regular	
23		Ref	Rail, Soft-Touch Options:	
23	3841589	1	6ft/1.8m Platforms	
23	4846673	1	8ft/2.4m Platforms	
	0272444	Ref	SOFT TOUCH COUNTERWEIGHT INSTALLATION (NOT SHOWN)	C
	4821397	1	Counterweight (Located in Frame)	

SECTION 5 - CYLINDER

SECTION 5 - CYLINDER

FIGURE 5-1. AXLE EXTENSION CYLINDER ASSEMBLY (ORIGINAL EQUIPMENT)



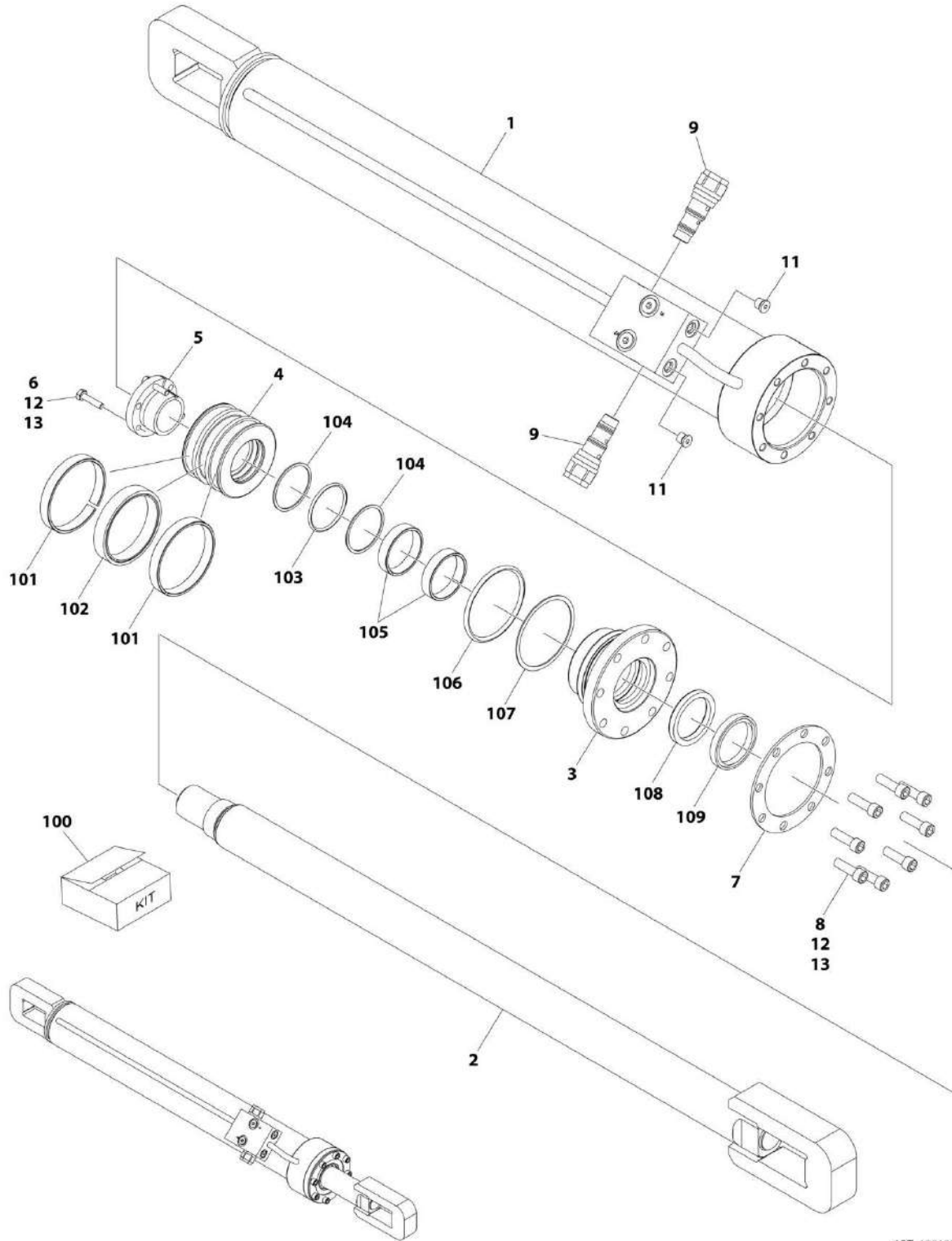
SECTION 5 - CYLINDER

FIGURE 5-1. AXLE EXTENSION CYLINDER ASSEMBLY (ORIGINAL EQUIPMENT)

ITEM	PART NUMBER	QTY	DESCRIPTION	REV
	1684102	Ref	AXLE EXTENSION CYLINDER ASSEMBLY	D
		Ref		
1	0100011	AR	Compound, Locking	
2	0100038	AR	Primer, Locking	
3	0100063	AR	Loctite #RC 609	
4	0630535	3	Capscrew 1/4in-20NC x 1-1/8in	
5	0961896	1	Bushing, Tapered	
6	1683056	1	Head	
7	1684103	1	Barrel Weldment	
8	1684105	1	Rod Weldment	
9	3480272	1	Piston	
11	2901773	2	Ring, Wear	
12	2901773	1	Ring, Back-Up	
13	2901773	2	Ring, Back-Up	
14	2901773	1	O-Ring	
15	2901773	1	O-Ring	
16	2901773	1	Wiper, Rod	
17	2901773	1	Seal	
18	2901773	2	Ring, Wear	
19	2901773	1	T-Seal	
20	3760369	1	Ring, Washer	
21	3931620	8	Bolt 3/8in-16NC x 1-1/4in	
22	4640509	2	Cartridge, Holding Valve	
22	2900792	2	Seal Kit - 4640509 Cartridge Valve (1 Per Valve)	
23	2220883	2	Plug, O-Ring	
51	2901773	1	Seal Kit (Includes Items 11-19)	

SECTION 5 - CYLINDER

FIGURE 5-2. AXLE EXTENSION CYLINDER ASSEMBLY (SERVICE REPLACEMENT)



ART_1001228020

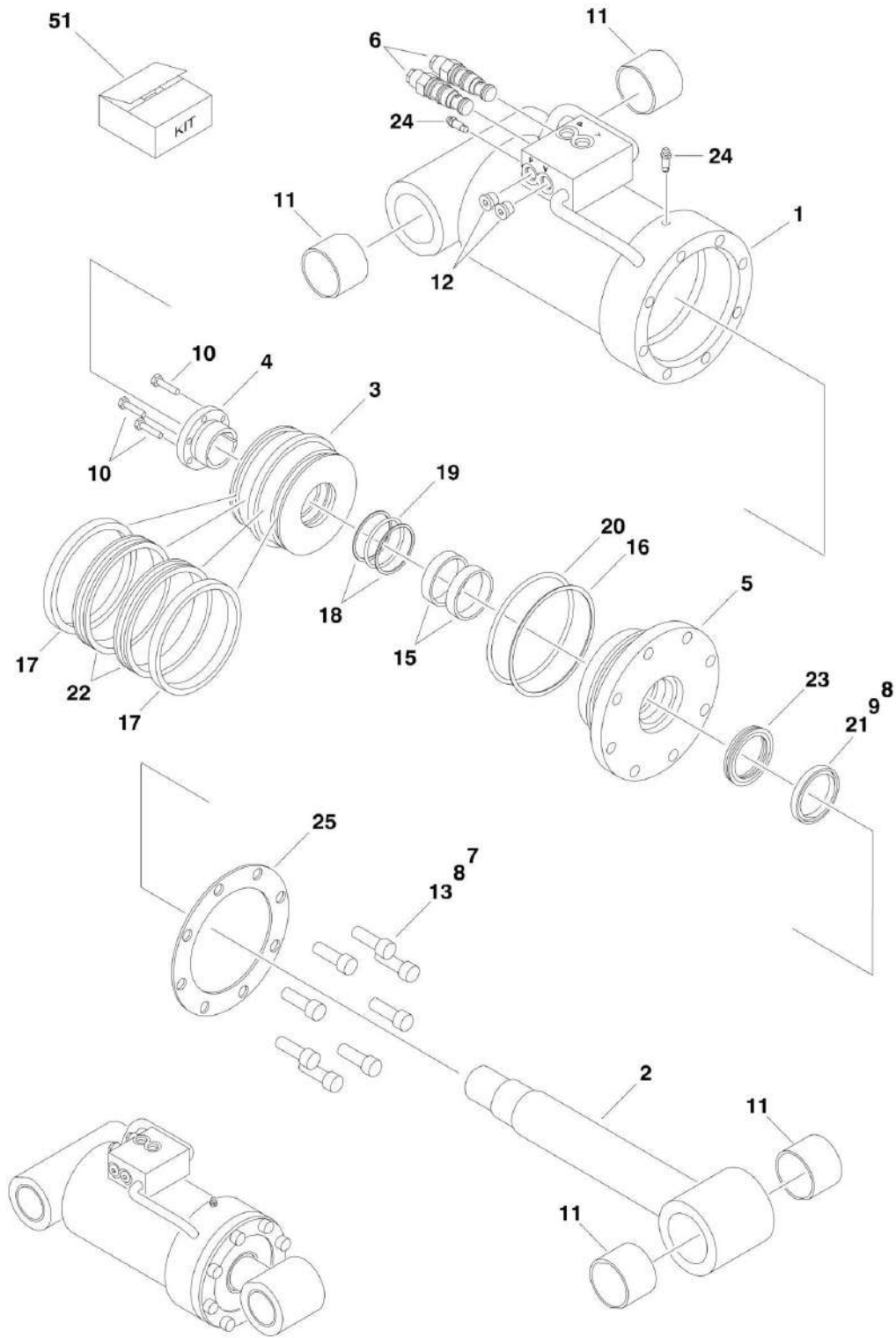
SECTION 5 - CYLINDER

FIGURE 5-2. AXLE EXTENSION CYLINDER ASSEMBLY (SERVICE REPLACEMENT)

ITEM	PART NUMBER	QTY	DESCRIPTION	REV
	1001228020	Ref	AXLE EXTENSION CYLINDER ASSEMBLY	D
		Ref	Note: Original Cylinder May Have Been Replaced with Service Replacement. Identify PN Stamped on Cylinder Before Ordering Parts.	
1	See Note	NSS	Barrel (Note: Not Available for Purchase)	
2	70006363	1	Rod	
3	70006362	1	Head	
4	70006361	1	Piston	
5	70006360	1	Bushing, Tapered	
6	0630535	3	Capscrew 1/4 x 1-1/8	
7	70006359	1	Ring, Washer	
8	3931620	8	Bolt 3/8 x 1-1/4	
9	4640509	2	Cartridge, Holding Valve	
9	2900792	2	Seal Kit - 4640509 Cartridge Valve (1 Per Valve)	
11	2220883	2	Plug, O-Ring	
12	0100011	AR	Compound, Locking	
13	0100038	AR	Primer, Locking	
100	2901773	1	Seal Kit (Includes Items 101-109)	
101	See Note	NSS	Ring, Wear (Note: Use Item 100)	
102	See Note	NSS	T-Seal (Note: Use Item 100)	
103	See Note	NSS	O-Ring (Note: Use Item 100)	
104	See Note	NSS	Ring, Back-up (Note: Use Item 100)	
105	See Note	NSS	Ring, Wear (Note: Use Item 100)	
106	See Note	NSS	O-Ring (Note: Use Item 100)	
107	See Note	NSS	Ring, Back-up (Note: Use Item 100)	
108	See Note	NSS	Seal (Note: Use Item 100)	
109	See Note	NSS	Wiper, Rod (Note: Use Item 100)	

SECTION 5 - CYLINDER

FIGURE 5-3. AXLE LOCKOUT CYLINDER ASSEMBLY (ORIGINAL EQUIPMENT)



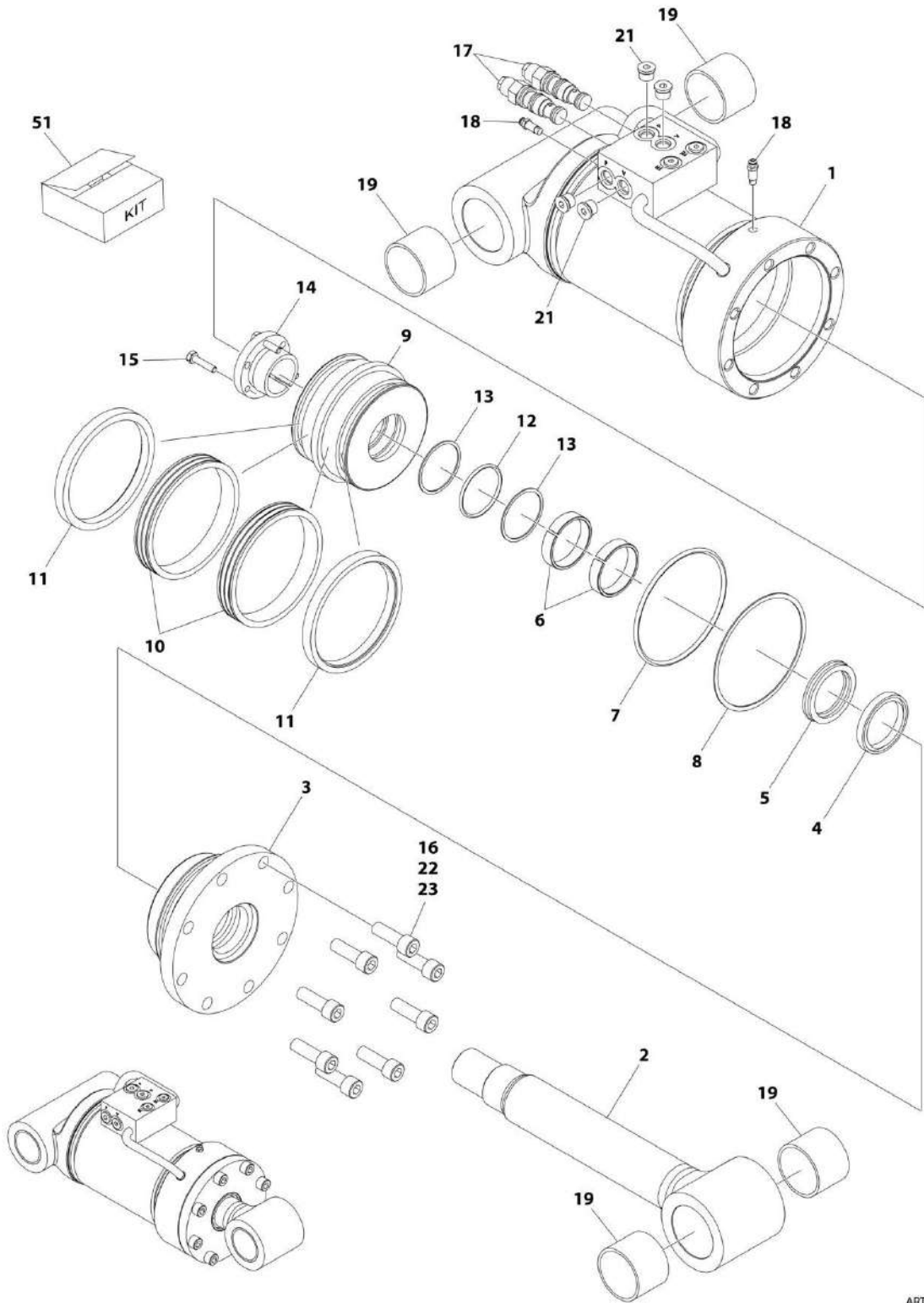
SECTION 5 - CYLINDER

FIGURE 5-3. AXLE LOCKOUT CYLINDER ASSEMBLY (ORIGINAL EQUIPMENT)

ITEM	PART NUMBER	QTY	DESCRIPTION	REV
	1684081	Ref	AXLE LOCKOUT CYLINDER ASSEMBLY	F
		Ref	Note: Original Cylinder May Have Been Replaced with Service Replacement. Identify PN Stamped on Cylinder Before Ordering Parts.	
1	1684082	1	Barrel Weldment	
2	1684083	1	Rod Weldment	
3	3480269	1	Piston	
4	0961896	1	Bushing	
5	1683062	1	Head	
6		Ref	Cartridge, Valve Options: (Counterbalance)	
6	4640936	2	Cartridge, Valve (Prior to SN 0300073034)	
6	4641276	2	Cartridge, Valve (SN 0300073034 through 0300201016)	
6	2900770	2	Seal Kit - 4640936 Valve (1 Per Assembly)	
7	0100011	AR	Compound, Locking	
8	0100038	AR	Primer, Locking	
9	0100063	AR	Loctite #RC 609 (Prior to SN 0300133494)	
10	0630535	3	Bolt 1/4in-20NC x 1-1/8in	
11	0961950	4	Bearing	
12	2220885	2	Plug, O-Ring	
13	3931824	8	Bolt, Socket Head 1/2in-13NC x 1-1/2in	
15	2902087	2	Ring, Wear	
16	2902087	1	Ring, Back-up	
17	2902087	2	Ring, Lock	
18	2902087	2	Ring, Back-up	
19	2902087	1	O-Ring	
20	2902087	1	O-Ring	
21	2902087	1	Wiper	
22	2902087	2	Seal	
23	2902087	1	Seal, Rod	
24	4640858	2	Valve, Bleeder	
25	3760371	1	Ring, Washer	
51	2902087	1	Seal Kit (Includes Items 15-23)	

SECTION 5 - CYLINDER

FIGURE 5-4. AXLE LOCKOUT CYLINDER ASSEMBLY (SERVICE REPLACEMENT)



ART_1001228019

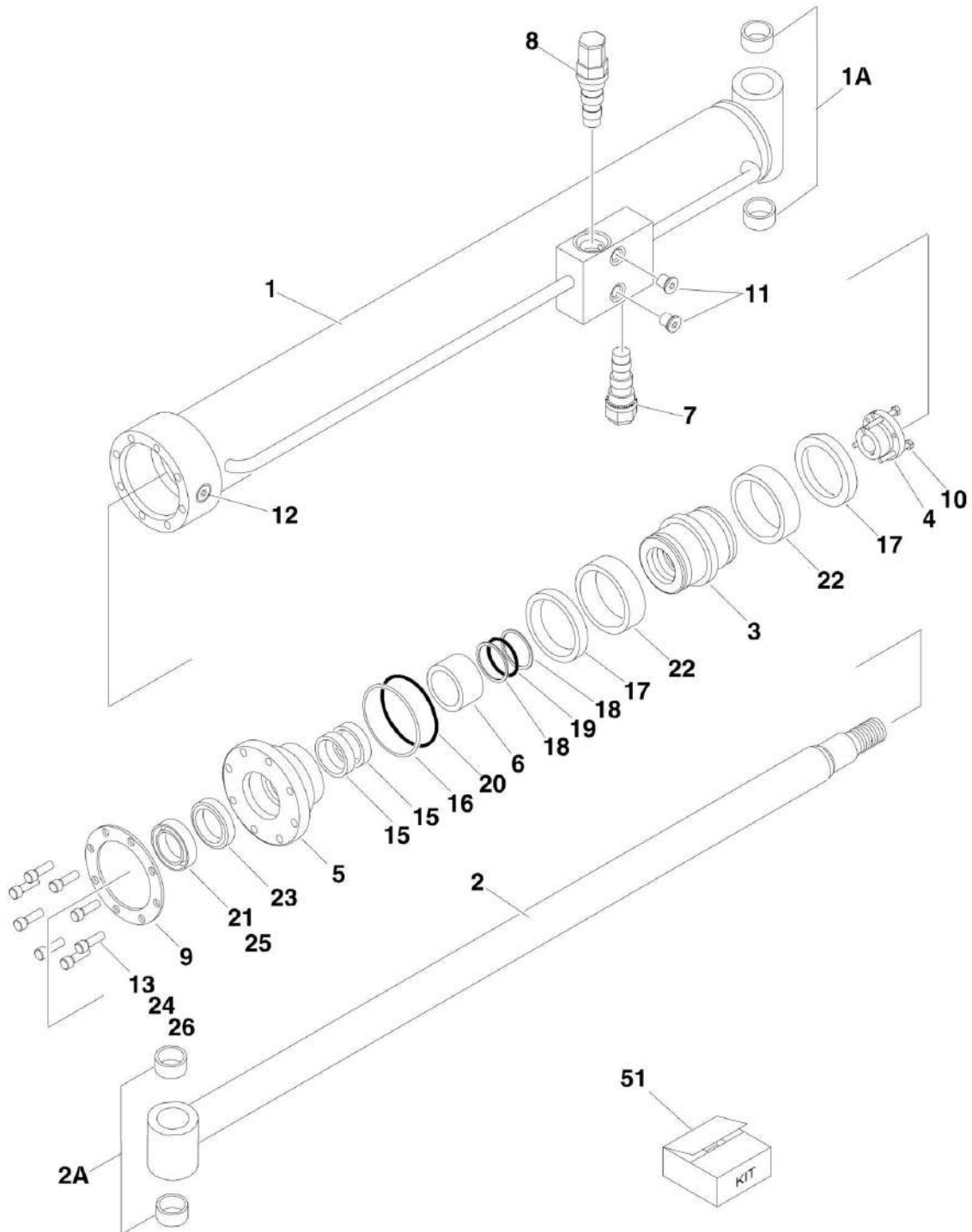
SECTION 5 - CYLINDER

FIGURE 5-4. AXLE LOCKOUT CYLINDER ASSEMBLY (SERVICE REPLACEMENT)

ITEM	PART NUMBER	QTY	DESCRIPTION	REV
	1001228019	Ref	AXLE LOCKOUT CYLINDER ASSEMBLY	B
		Ref	Note: Original Cylinder May Have Been Replaced with Service Replacement. Identify PN Stamped on Cylinder Before Ordering Parts.	
1	See Note	NSS	Barrel (Note: Not Available for Purchase)	
2	70006520	1	Rod	
3	70006474	1	Head	
4	See Note	NSS	Wiper (Note: Use Item 51)	
5	See Note	NSS	Seal, Rod (Note: Use Item 51)	
6	See Note	NSS	Ring, Wear (Note: Use Item 51)	
7	See Note	NSS	O-Ring (Note: Use Item 51)	
8	See Note	NSS	Ring, Back-up (Note: Use Item 51)	
9	70006473	1	Piston	
10	See Note	NSS	Seal (Note: Use Item 51)	
11	See Note	NSS	Ring, Lock (Note: Use Item 51)	
12	See Note	NSS	O-Ring (Note: Use Item 51)	
13	See Note	NSS	Ring, Back-up (Note: Use Item 51)	
14	0961896	1	Bushing	
15	0630535	3	Bolt 1/4 x 1-1/8	
16	3931824	8	Bolt 1/2 x 1-1/2	
17	4641276	2	Cartridge, Valve Options: (Counterbalance)	
17	2900770	2	Seal Kit - 4641276 Valve (1 Per Assembly)	
18	4640858	2	Valve, Bleeder	
19	0961950	4	Bearing	
21	2220885	4	Plug, O-Ring	
22	0100011	AR	Compound, Locking	
23	0100038	AR	Primer, Locking	
51	2902087	1	Seal Kit (Includes Items 4-8 & 10-13)	

SECTION 5 - CYLINDER

FIGURE 5-5. PLATFORM LEVEL CYLINDER ASSEMBLY (ORIGINAL EQUIPMENT)



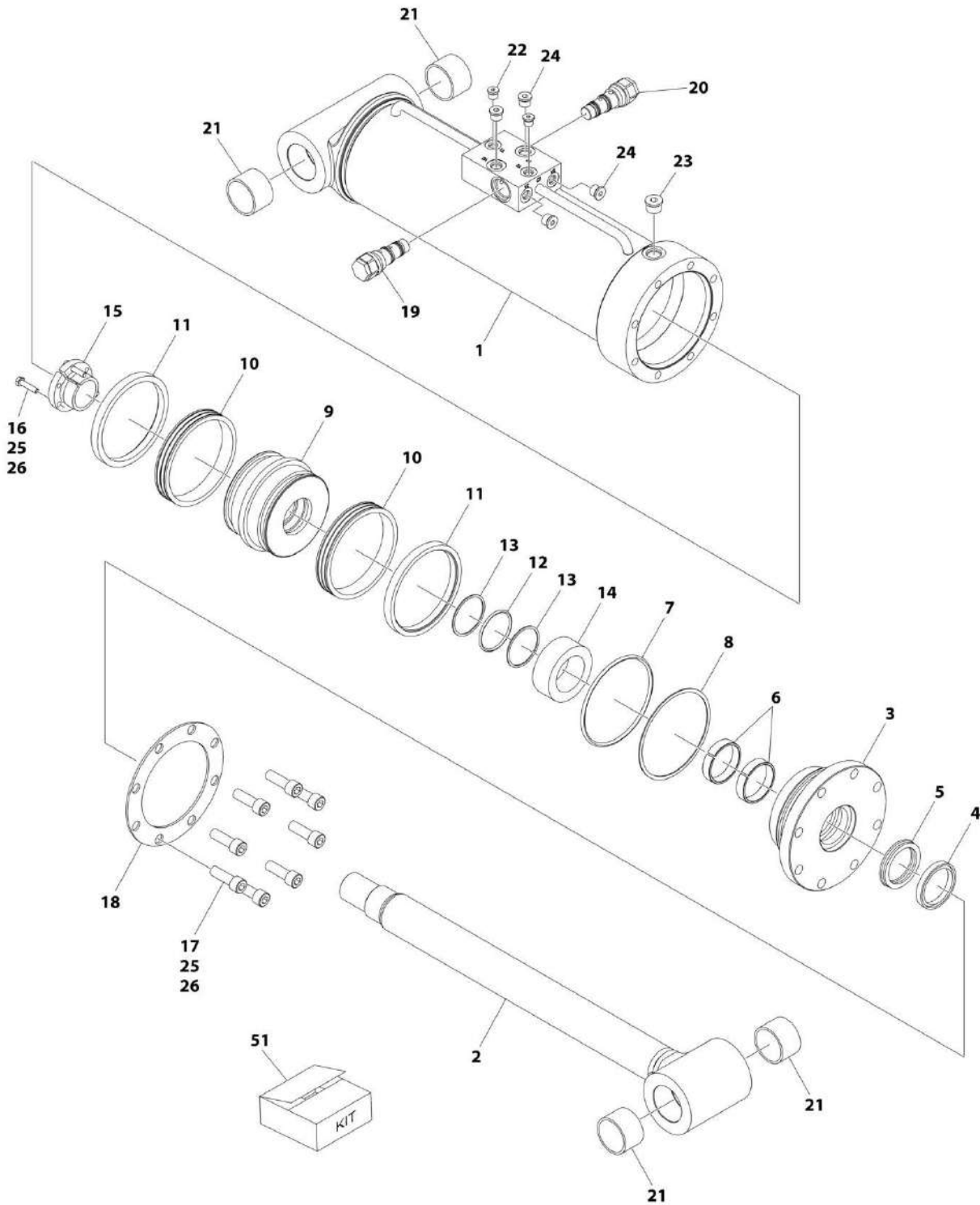
SECTION 5 - CYLINDER

FIGURE 5-5. PLATFORM LEVEL CYLINDER ASSEMBLY (ORIGINAL EQUIPMENT)

ITEM	PART NUMBER	QTY	DESCRIPTION	REV
		Ref	PLATFORM LEVEL CYLINDER ASSEMBLIES	
	1684149	Ref	Without Arctic Package	G
	1001138802	Ref	With Arctic Package	B
1	1684150	1	Barrel Weldment	
1A	0961949	2	Bushing	
2		Ref	Rod Weldment Options:	
2	1684152	1	Rod Weldment (Use p/n 1684306) (Prior to SN 0300073906)	
2	1684306	1	Rod Weldment (SN 0300073906 through 0300201016)	
2A	0961949	2	Bushing	
3		Ref	Piston Options:	
3	3480162	1	Without Arctic Package	
3	3480269	1	With Arctic Package	
4	0961896	1	Bushing, Tapered	
5	1683062	1	Head	
6	4568345	1	Spacer	
7	4640509	1	Cartridge, Holding Valve (Non Vented)	
7	2900792	1	Seal Kit - 4640509 Cartridge Valve	
8	4641248	1	Cartridge, Counterbalance Valve (Non Vented)	
8	See Note	NSS	Seal Kit - 4641248 Cartridge Valve (Note: Use p/n 4641248)	
9	3760371	1	Ring, Washer	
10	0630535	3	Capscrew 1/4in-20NC x 1-1/8in	
11	2220885	2	Plug, O-Ring	
12	2220886	1	Plug, O-Ring	
13	3931824	8	Capscrew 1/2in-13NC x 1-1/2in	
15	See Note	2	Ring, Wear (Note: Use Item 51)	
16	See Note	1	Ring, Back-up (Note: Use Item 51)	
17	See Note	2	Ring, Lock (Note: Use Item 51)	
18	See Note	2	Ring, Back-up (Note: Use Item 51)	
19	See Note	1	O-Ring (Note: Use Item 51)	
20	See Note	1	O-Ring (Note: Use Item 51)	
21	See Note	1	Wiper, Rod (Note: Use Item 51)	
22	See Note	2	Ring, Guide (Note: Use Item 51)	
23	See Note	1	Seal, Rod (Note: Use Item 51)	
24	0100011	AR	Compound, Locking	
25	0100063	AR	Loctite #RC 609 (Prior to SN 0300133494)	
26	0100038	AR	Primer, Locking	
51		Ref	Seal Kit Options (Includes Items 15-23)	
51	2902087	1	Without Arctic Package	
51	1001138804	1	With Arctic Package	

SECTION 5 - CYLINDER

FIGURE 5-6. PLATFORM LEVEL CYLINDER ASSEMBLY - WITHOUT COLD WEATHER PLUS PACKAGE (SERVICE REPLACEMENT)



ART_1001228023

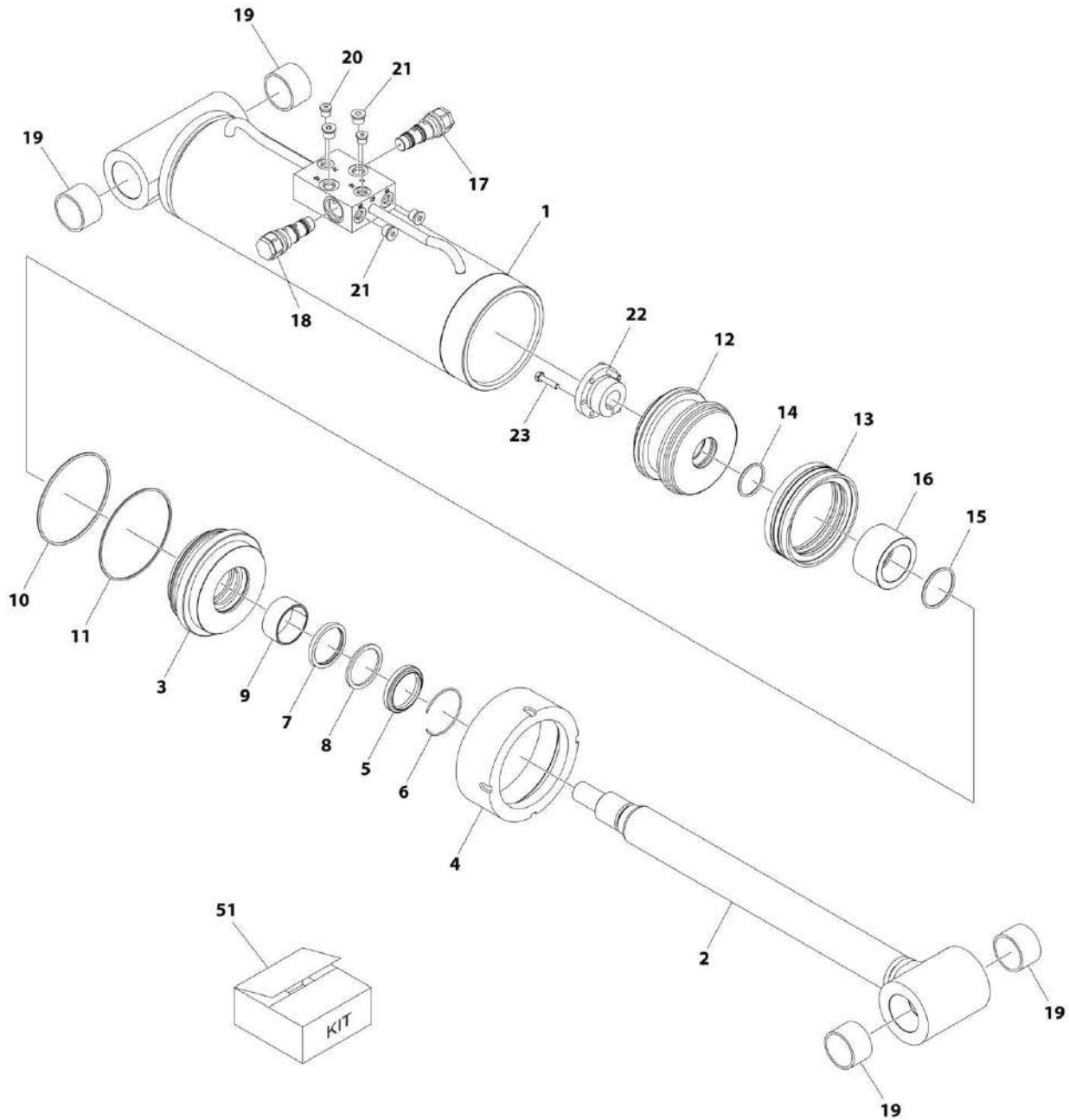
SECTION 5 - CYLINDER

FIGURE 5-6. PLATFORM LEVEL CYLINDER ASSEMBLY - WITHOUT COLD WEATHER PLUS PACKAGE (SERVICE REPLACEMENT)

ITEM	PART NUMBER	QTY	DESCRIPTION	REV
	1001228023	Ref	PLATFORM LEVEL CYLINDER ASSEMBLY - WITHOUT COLD WEATHER PLUS PACKAGE	B
		Ref	Note: Original Cylinder May Have Been Replaced with Service Replacement. Identify PN Stamped on Cylinder Before Ordering Parts.	
1	See Note	NSS	Barrel Weldment (Note: Not Available for Purchase)	
2	70006550	1	Rod Weldment	
3	70006549	1	Head	
4	See Note	NSS	Wiper, Rod (Note: Use Item 51)	
5	See Note	NSS	Seal, Rod (Note: Use Item 51)	
6	See Note	NSS	Ring, Wear (Note: Use Item 51)	
7	See Note	NSS	O-Ring (Note: Use Item 51)	
8	See Note	NSS	Ring, Back-up (Note: Use Item 51)	
9	70006548	1	Piston	
10	See Note	NSS	Ring, Guide (Note: Use Item 51)	
11	See Note	NSS	Ring, Lock (Note: Use Item 51)	
12	See Note	NSS	O-Ring (Note: Use Item 51)	
13	See Note	NSS	Ring, Back-up (Note: Use Item 51)	
14	70006547	1	Spacer	
15	0961896	1	Bushing, Tapered	
16	0630535	3	Capscrew 1/4 x 1-1/8	
17	3931824	8	Capscrew 1/2 x 1-1/2	
18	3760371	1	Ring, Washer	
19	4641248	1	Cartridge, Counterbalance Valve (Non-Vented)	
19	See Note	NSS	Seal Kit - 4641248 Cartridge Valve (Note: Use p/n 4641248)	
20	4640509	1	Cartridge, Holding Valve (Non-Vented)	
20	2900792	1	Seal Kit - 4640509 Cartridge Valve	
21	0961949	4	Bushing	
22	2220883	4	Plug, O-Ring	
23	2220886	1	Plug, O-Ring	
24	2220885	2	Plug, O-Ring	
25	0100011	AR	Compound, Locking	
26	0100038	AR	Primer, Locking	
51	2902087	1	Seal Kit Options (Includes Items 4-8 & 10-13)	

SECTION 5 - CYLINDER

FIGURE 5-7. PLATFORM LEVEL CYLINDER ASSEMBLY - WITH COLD WEATHER PLUS PACKAGE (SERVICE REPLACEMENT)



ART_1001228053

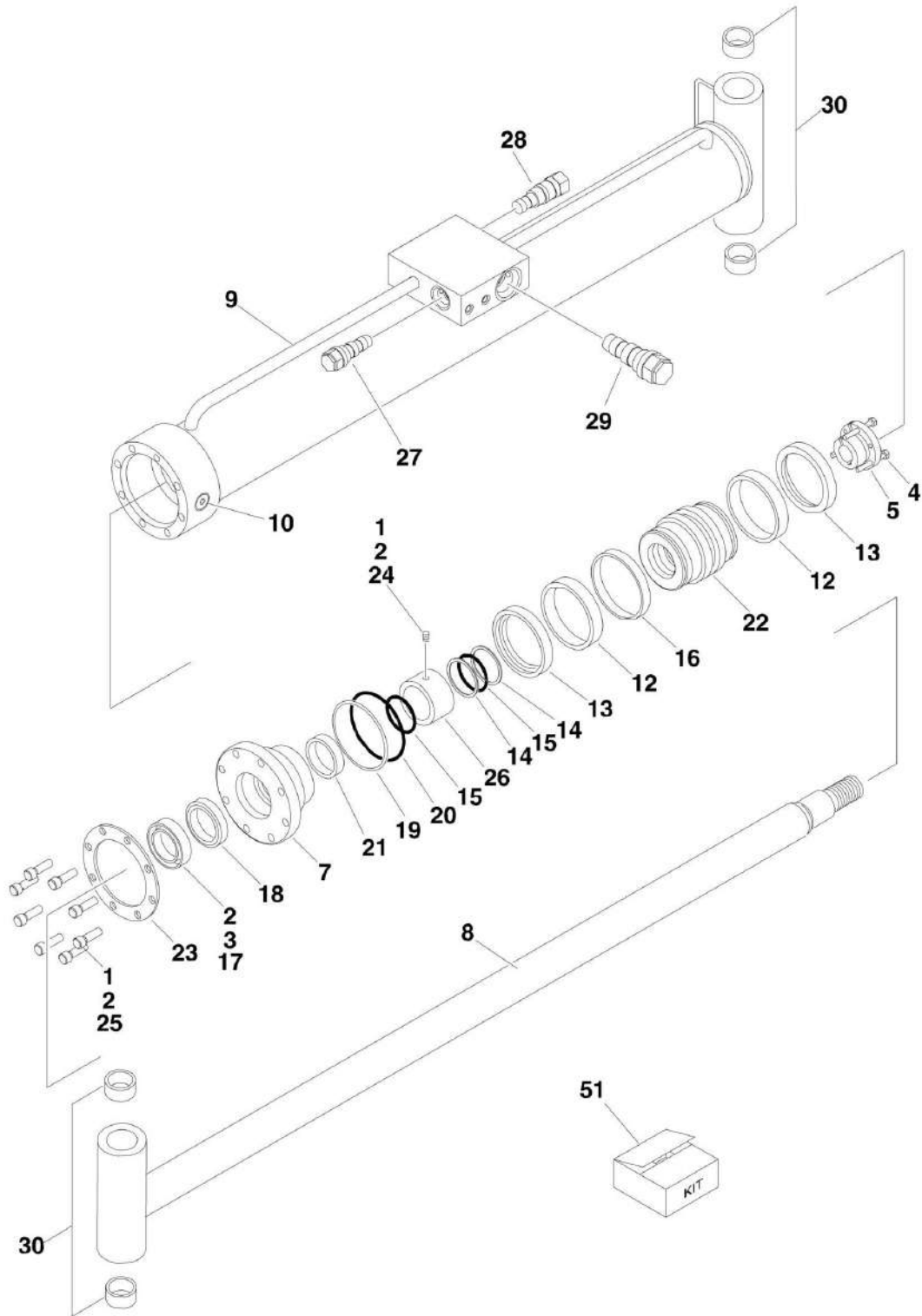
SECTION 5 - CYLINDER

**FIGURE 5-7. PLATFORM LEVEL CYLINDER ASSEMBLY - WITH COLD WEATHER PLUS PACKAGE
(SERVICE REPLACEMENT)**

ITEM	PART NUMBER	QTY	DESCRIPTION	REV
	1001228053	Ref	PLATFORM LEVEL CYLINDER ASSEMBLY - WITH COLD WEATHER PLUS PACKAGE	B
		Ref	Note: Original Cylinder May Have Been Replaced with Service Replacement. Identify PN Stamped on Cylinder Before Ordering Parts.	
1	See Note	NSS	Barrel Weldment (Note: Not Available for Purchase)	
2	70007015	1	Rod Weldment	
3	70007016	1	Head	
4	70007017	1	Cap, Cylinder	
5	See Note	NSS	Wiper, Rod (Note: Use Item 51)	
6	70002412	1	Retainer	
7	See Note	NSS	Seal, Rod (Note: Use Item 51)	
8	See Note	NSS	Ring, Back-up (Note: Use Item 51)	
9	70005153	1	Ring, Wear	
10	See Note	NSS	O-Ring (Note: Use Item 51)	
11	See Note	NSS	Ring, Back-up (Note: Use Item 51)	
12	70007018	1	Piston	
13	See Note	NSS	Seal, Piston (Note: Use Item 51)	
14	See Note	NSS	O-Ring (Note: Use Item 51)	
15	See Note	NSS	O-Ring (Note: Use Item 51)	
16	70007019	1	Spacer	
17	4640509	1	Cartridge, Holding Valve (Non-Vented)	
17	2900792	1	Seal Kit - 4640509 Cartridge Valve	
18	4641248	1	Cartridge, Counterbalance Valve (Non-Vented)	
18	70004186	1	Seal Kit - 4641248 Cartridge Valve	
19	0961949	4	Bushing	
20	2220883	2	Plug, O-Ring	
21	2220885	4	Plug, O-Ring	
22	0961894	1	Bushing, Tapered	
23	0630535	3	Capscrew 1/4 x 1-1/8	
51	70007020	1	Seal Kit Options (Includes Items 5, 7, 8, 10, 11 & 13-15)	

SECTION 5 - CYLINDER

FIGURE 5-8. LIFT CYLINDER ASSEMBLY (ORIGINAL EQUIPMENT)



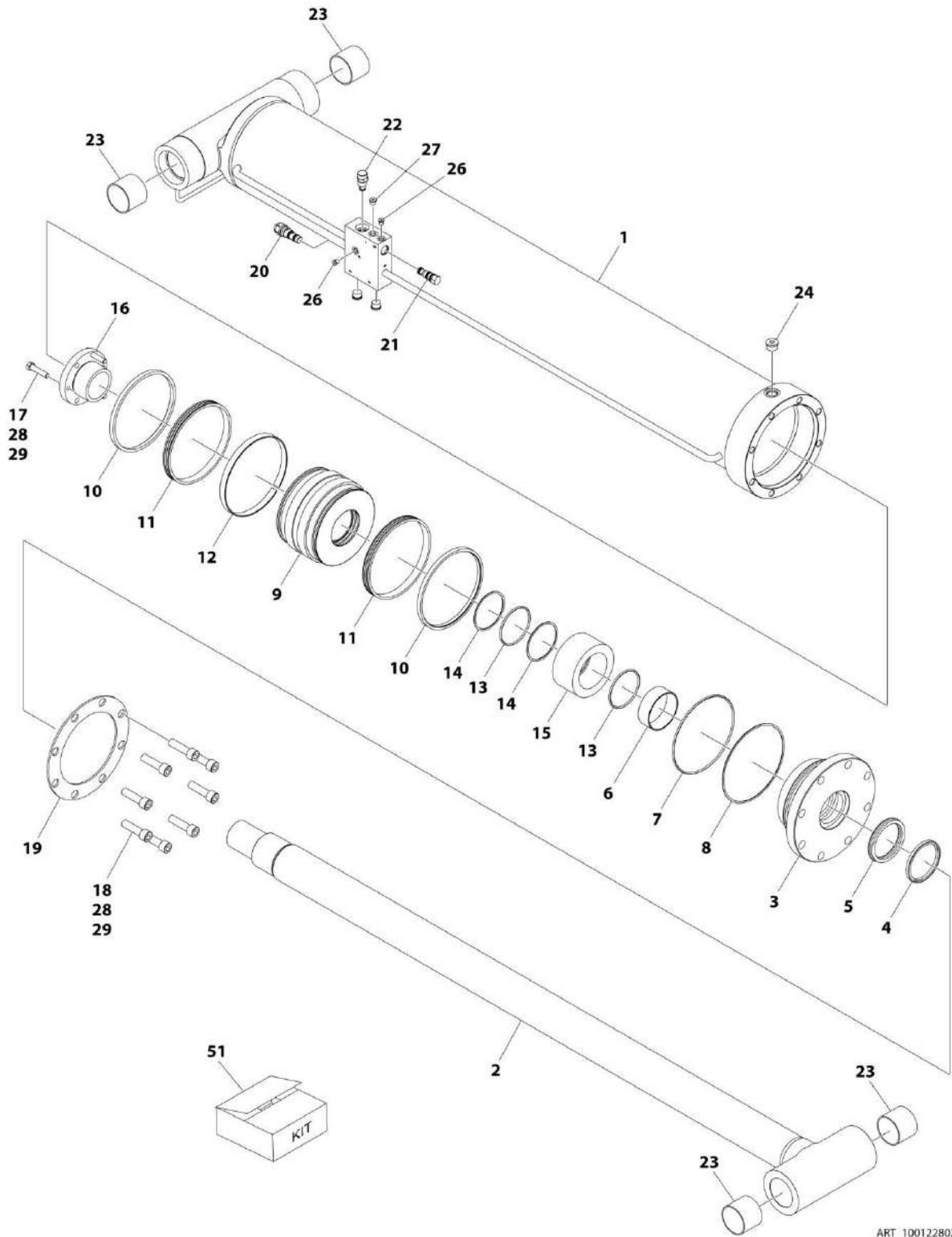
SECTION 5 - CYLINDER

FIGURE 5-8. LIFT CYLINDER ASSEMBLY (ORIGINAL EQUIPMENT)

ITEM	PART NUMBER	QTY	DESCRIPTION	REV
	1684162	Ref	LIFT CYLINDER ASSEMBLY	J
		Ref		Note: Original Cylinder May Have Been Replaced with Service Replacement. Identify PN Stamped on Cylinder Before Ordering Parts.
1	0100011	AR	Compound, Locking	
2	0100038	AR	Primer, Locking	
3	0100063	AR	Loctite #RC 609 (Prior to SN 0300071282)	
4	0630537	3	Capscrew	
5	0961901	1	Bushing, Tapered	
7	1683072	1	Head	
8	1684159	1	Rod	
9	1684161	1	Barrel (Use p/n 1684249)	
10	2220888	1	Plug, O-Ring	
12	See Note	NSS	Ring, Guide (Note: Use Item 51)	
13	See Note	NSS	Ring, Lock (Note: Use Item 51)	
14	See Note	NSS	Ring, Back-Up (Note: Use Item 51)	
15	See Note	NSS	O-Ring (Note: Use Item 51)	
16	See Note	NSS	Ring, Wear (Note: Use Item 51)	
17	See Note	NSS	Wiper, Rod (Note: Use Item 51)	
18	See Note	NSS	Seal, Rod (Note: Use Item 51)	
19	See Note	NSS	Ring, Back-Up (Note: Use Item 51)	
20	See Note	NSS	O-Ring (Note: Use Item 51)	
21	See Note	NSS	Ring, Wear (Note: Use Item 51)	
22	3480270	1	Piston	
23	3760375	1	Ring, Washer	
24	3900310	1	Setscrew (Prior to SN 0300071282)	
25	3932244	8	Capscrew 3/4in-10NC x 2-3/4in	
26	4568319	1	Spacer	
27	4640438	1	Cartridge, Check Valve	
27	2900770	1	Seal Kit - 4640438 Cartridge Valve	
28	4640509	1	Cartridge, Holding Valve (Non Vented)	
28	2900792	1	Seal Kit - 4640509 Cartridge Valve	
29	4641210	1	Cartridge, Pressure Regulator Valve	
29	7010545	1	Seal Kit - 4641210 Cartridge Valve	
30	0962297	4	Bushing	
51	2902082	1	Seal Kit (Includes Items 12-21) (Prior to SN 0300192714)	
51	1001174325	1	Seal Kit (Includes Items 12-21) (SN 0300192714 through 0300201016)	

SECTION 5 - CYLINDER

FIGURE 5-9. LIFT CYLINDER ASSEMBLY (SERVICE REPLACEMENT)



ART_1001228024

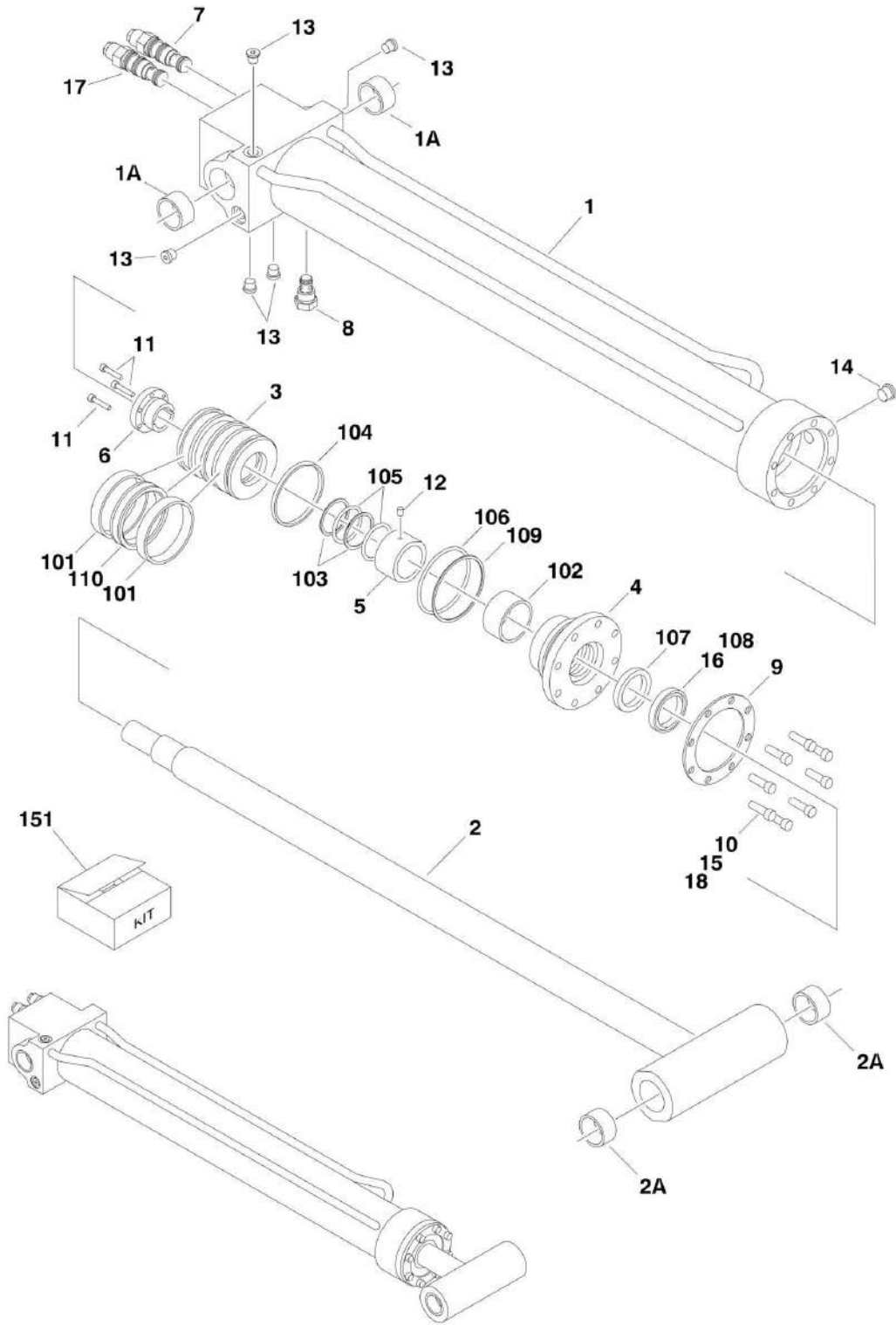
SECTION 5 - CYLINDER

FIGURE 5-9. LIFT CYLINDER ASSEMBLY (SERVICE REPLACEMENT)

ITEM	PART NUMBER	QTY	DESCRIPTION	REV
	1001228024	Ref	LIFT CYLINDER ASSEMBLY	D
		Ref	Note: Original Cylinder May Have Been Replaced with Service Replacement. Identify PN Stamped on Cylinder Before Ordering Parts.	
1	See Note	NSS	Barrel Weldment (Note: Not Available for Purchase)	
2	70006530	1	Rod	
3	70006529	1	Head	
4	See Note	NSS	Wiper, Rod (Note: Use Item 51)	
5	See Note	NSS	Seal, Rod (Note: Use Item 51)	
6	See Note	NSS	Ring, Wear (Note: Use Item 51)	
7	See Note	NSS	O-Ring (Note: Use Item 51)	
8	See Note	NSS	Ring, Back-up (Note: Use Item 51)	
9	70006528	1	Piston	
10	See Note	NSS	Ring, Lock (Note: Use Item 51)	
11	See Note	NSS	Ring, Guide (Note: Use Item 51)	
12	See Note	NSS	Ring, Wear (Note: Use Item 51)	
13	See Note	NSS	O-Ring (Note: Use Item 51)	
14	See Note	NSS	Ring, Back-up (Note: Use Item 51)	
15	70006527	1	Spacer	
16	0961901	1	Bushing, Tapered	
17	0630537	3	Capscrew	
18	3932244	8	Capscrew 3/4 x 2-3/4	
19	3760375	1	Ring, Washer	
20	4640509	1	Cartridge, Holding Valve (Non-Vented)	
20	2900792	1	Seal Kit - 4640509 Cartridge Valve	
21	4640438	1	Cartridge, Check Valve	
21	2900770	1	Seal Kit - 4640438 Cartridge Valve	
22	4641210	1	Cartridge, Pressure Regulator Valve	
22	7010545	1	Seal Kit - 4641210 Cartridge Valve	
23	0962297	4	Bushing	
24	2220888	1	Plug, O-Ring	
26	2220883	2	Plug, O-Ring	
27	2220885	1	Plug, O-Ring	
28	0100011	AR	Compound, Locking	
29	0100038	AR	Primer, Locking	
51	1001174325	1	Seal Kit (Includes Items 4-8 & 10-14)	

SECTION 5 - CYLINDER

FIGURE 5-10. JIB CYLINDER ASSEMBLY (ORIGINAL EQUIPMENT)



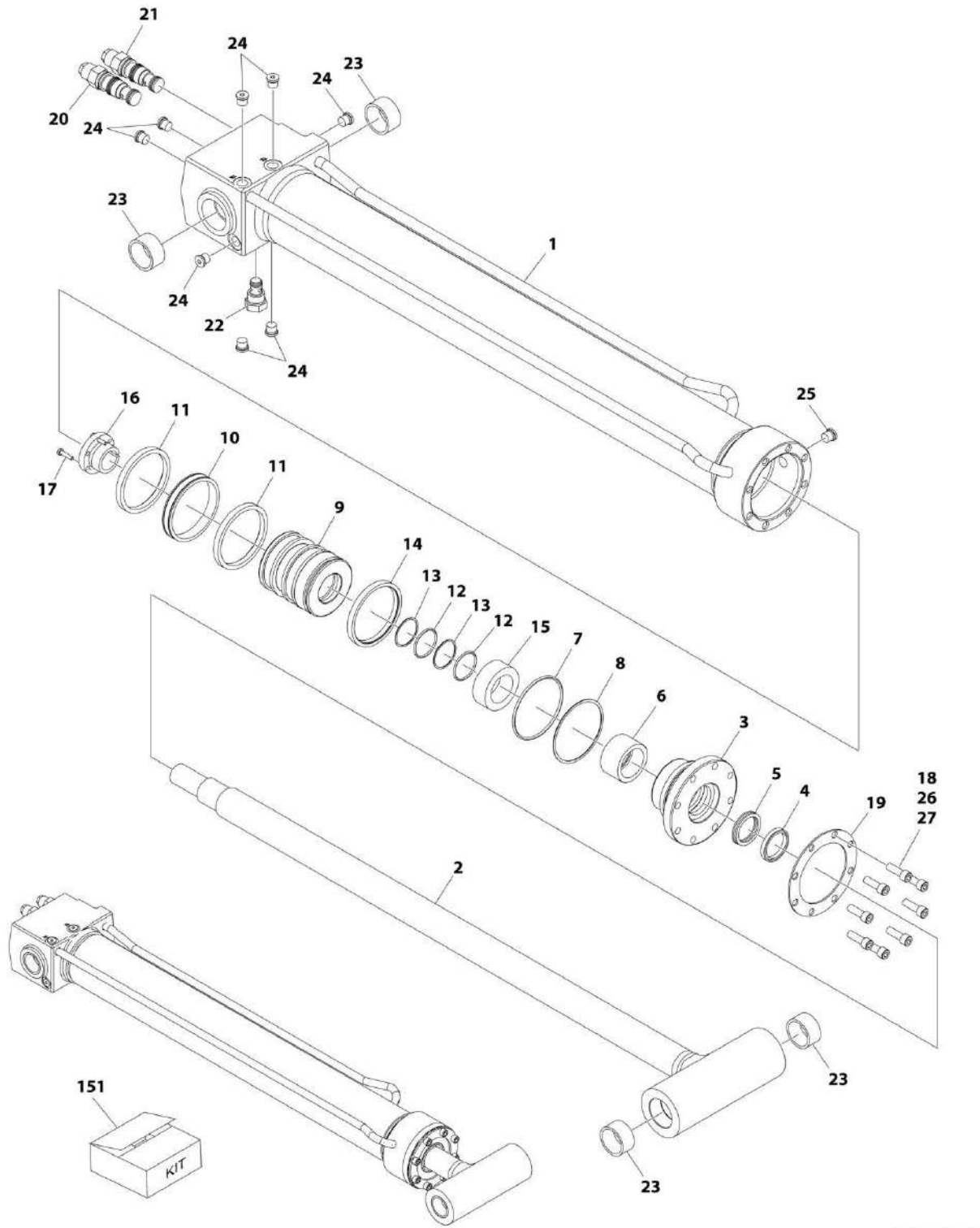
SECTION 5 - CYLINDER

FIGURE 5-10. JIB CYLINDER ASSEMBLY (ORIGINAL EQUIPMENT)

ITEM	PART NUMBER	QTY	DESCRIPTION	REV
		Ref	JIB CYLINDER ASSEMBLIES	
	1684173	Ref	Without Arctic Package	H
	1001138803	Ref	With Arctic Package	B
		Ref	Note: Original Cylinder May Have Been Replaced with Service Replacement. Identify PN Stamped on Cylinder Before Ordering Parts.	
1	1684174	1	Barrel Weldment	
1A	0962257	2	Bushing	
2	1684176	1	Rod Weldment	
2A	0962257	2	Bushing	
3	3480271	1	Piston	
4	1683053	1	Head	
5	4566471	1	Spacer (Use p/n 4100100) (Prior to SN 0300079596)	
6	0961893	1	Bushing, Tapered	
7	4640452	1	Cartridge, Counterbalance (Port above V2)	
7	2900770	1	Seal Kit - 4640452 Cartridge Valve (1 Per Valve)	
8	4641114	1	Cartridge, Restricted/Check	
8	7012967	1	Seal Kit - 4641114 Cartridge Valve (1 Per Valve)	
9	3760368	1	Ring, Washer	
10	3931516	8	Capscrew 5/16in-18NC x 1in	
11	0630534	3	Capscrew #10-24NC x 1in	
12	3900141	1	Setscrew 1/4in-20NC x 1/2in (Prior to SN 0300079596)	
13	2220883	5	Plug, O-Ring	
14	2220885	1	Plug, O-Ring	
15	0100011	AR	Compound, Locking	
16	0100063	AR	Loctite #609 (Prior to SN 0300079596)	
17	4641260	1	Cartridge, Counterbalance (Port above V1)	
17	2900770	1	Seal Kit - 4641260 Cartridge Valve (1 Per Valve)	
18	0100038	AR	Primer, Locking	
101	See Note	2	Ring, Wear (Note: Use Item 151)	
102	See Note	1	Ring, Wear (Note: Use Item 151)	
103	See Note	2	Ring, Back-up (Note: Use Item 151)	
104	See Note	1	Seal (Note: Use Item 151)	
105	See Note	2	O-Ring (Note: Use Item 151)	
106	See Note	1	O-Ring (Note: Use Item 151)	
107	See Note	1	Seal (Note: Use Item 151)	
108	See Note	1	Wiper, Rod (Note: Use Item 151)	
109	See Note	1	Ring, Back-up (Note: Use Item 151)	
110	See Note	1	Seal (Note: Use Item 151)	
151		Ref	Seal Kit Options (Includes Items 101-110):	
151	2902092	1	Without Arctic Package	
151	1001138805	1	With Arctic Package	

SECTION 5 - CYLINDER

FIGURE 5-11. JIB CYLINDER ASSEMBLY (SERVICE REPLACEMENT)



ART_1001228025

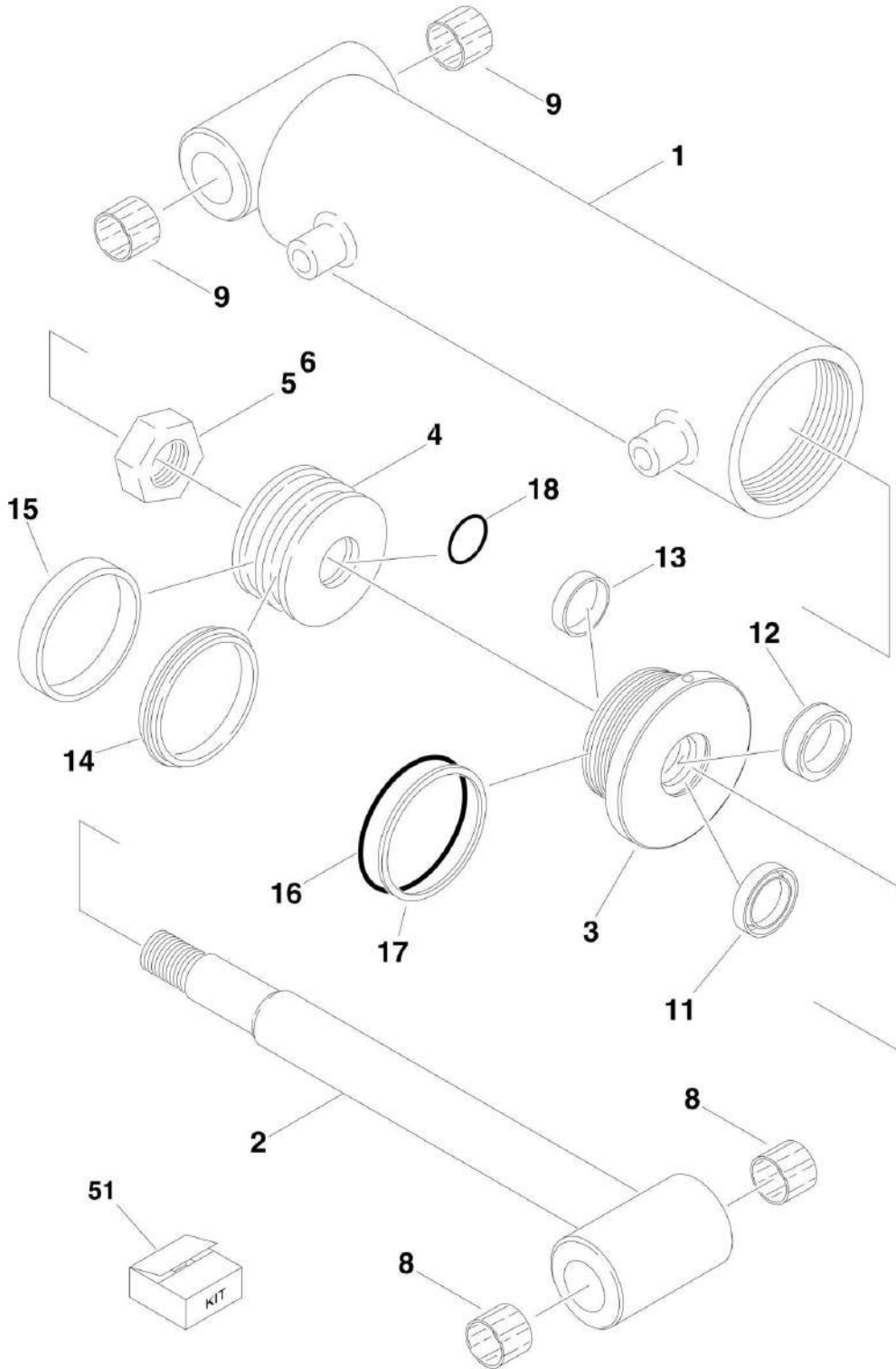
SECTION 5 - CYLINDER

FIGURE 5-11. JIB CYLINDER ASSEMBLY (SERVICE REPLACEMENT)

ITEM	PART NUMBER	QTY	DESCRIPTION	REV
	1001228025	Ref	JIB CYLINDER ASSEMBLY	E
		Ref	Note: Original Cylinder May Have Been Replaced with Service Replacement. Identify PN Stamped on Cylinder Before Ordering Parts.	
1	See Note	NSS	Barrel (Note: Not Available for Purchase)	
2	70006526	1	Rod	
3	70006525	1	Head	
4	See Note	NSS	Wiper, Rod (Note: Use Item 151)	
5	See Note	NSS	Seal (Note: Use Item 151)	
6	See Note	NSS	Ring, Wear (Note: Use Item 151)	
7	See Note	NSS	O-Ring (Note: Use Item 151)	
8	See Note	NSS	Ring, Back-up (Note: Use Item 151)	
9	70006524	1	Piston	
10	See Note	NSS	Seal (Note: Use Item 151)	
11	See Note	NSS	Ring, Wear (Note: Use Item 151)	
12	See Note	NSS	O-Ring (Note: Use Item 151)	
13	See Note	NSS	Ring, Back-up (Note: Use Item 151)	
14	See Note	NSS	Seal (Note: Use Item 151)	
15	70006523	1	Spacer	
16	0961893	1	Bushing, Tapered	
17	0630534	3	Capscrew #10 x 1	
18	3931516	8	Capscrew 5/16 x 1	
19	3760368	1	Ring, Washer	
20	4641260	1	Cartridge, Counterbalance (Port above V1)	
20	2900770	1	Seal Kit - 4641260 Cartridge Valve (1 Per Valve)	
21	4640452	1	Cartridge, Counterbalance (Port above V2)	
21	2900770	1	Seal Kit - 4640452 Cartridge Valve (1 Per Valve)	
22	4641114	1	Cartridge, Restricted/Check	
22	7012967	1	Seal Kit - 4641114 Cartridge Valve (1 Per Valve)	
23	0962257	4	Bushing	
24	2220883	8	Plug, O-Ring	
25	2220885	AR	Plug, O-Ring	
26	0100011	AR	Compound, Locking	
27	0100038	AR	Primer, Locking	
151	1001138805	1	Seal Kit (Includes Items 4-8 & 10-14)	

SECTION 5 - CYLINDER

FIGURE 5-12. STEER CYLINDER ASSEMBLY (ORIGINAL EQUIPMENT) (Prior to SN 0300073367)



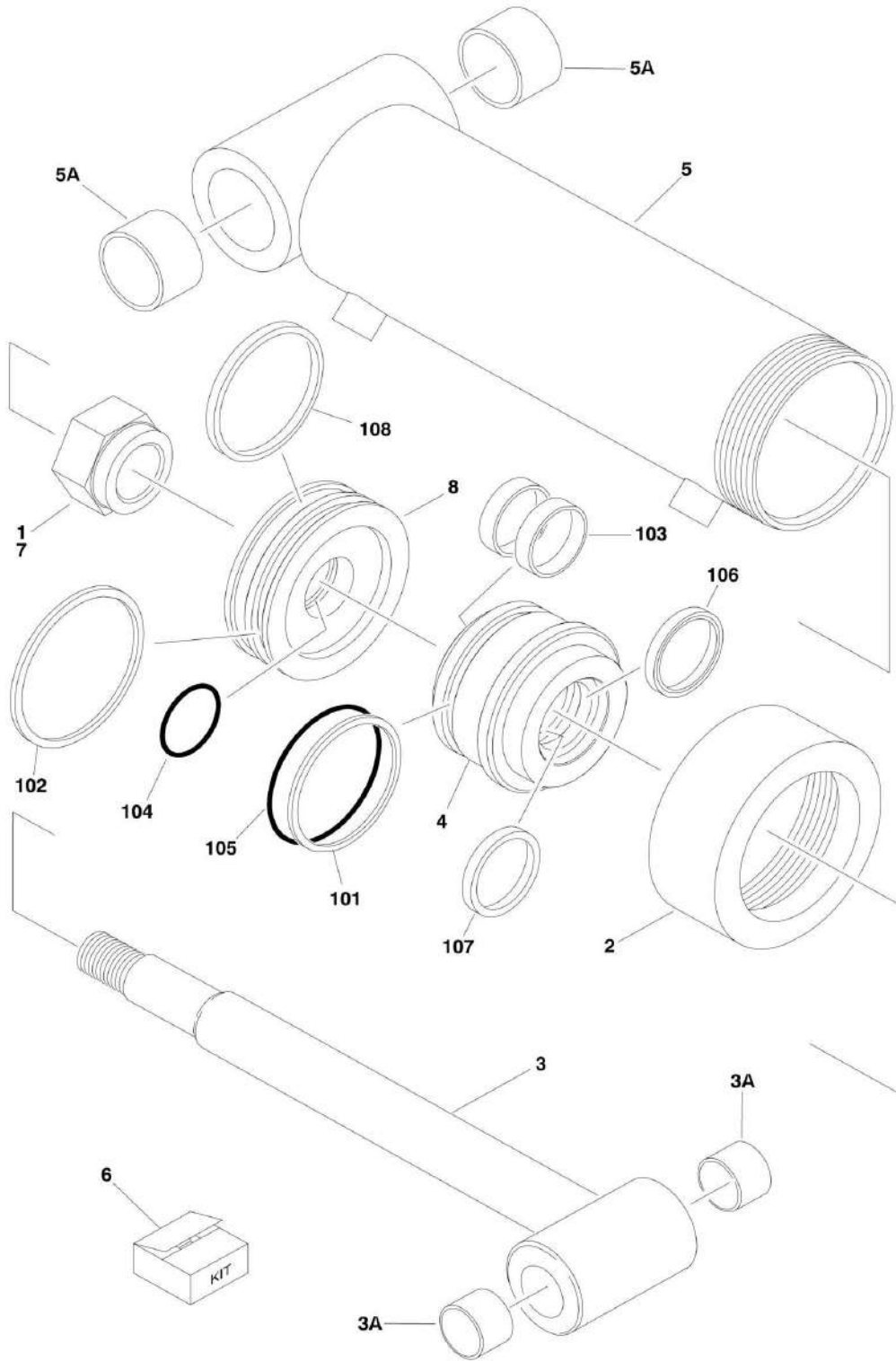
SECTION 5 - CYLINDER

FIGURE 5-12. STEER CYLINDER ASSEMBLY (ORIGINAL EQUIPMENT) (Prior to SN 0300073367)

ITEM	PART NUMBER	QTY	DESCRIPTION	REV
		Ref	Note: Original Equipment Cylinder may have been replaced with Service Replacement p/n 1684412 - See STEER CYLINDER ASSEMBLY. Identify p/n stamped on cylinder before ordering parts.	
	1684034	Ref	STEER CYLINDER (Prior to SN 0300073367)	A
1	7024415	1	Barrel	
2	7024416	1	Rod	
3	7024417	1	Head	
4	7024418	1	Piston	
5	7024419	1	Nut	
6	0100006	AR	Compound, Locking	
8	0961950	2	Bushing (Rod End)	
9	0961949	2	Bushing (Barrel End)	
11	7024420	1	Wiper	
12	7024420	1	Seal, Rod	
13	7024420	1	Ring, Wear	
14	7024420	1	Seal, Piston	
15	7024420	1	Ring, Wear	
16	7024420	1	O-Ring	
17	7024420	1	Ring, Back-up	
18	7024420	1	O-Ring	
51	7024420	1	Seal Kit (Includes Items 11-18)	

SECTION 5 - CYLINDER

FIGURE 5-13. STEER CYLINDER ASSEMBLY (SERVICE REPLACEMENT) (SN 0300073367 through 0300201016)



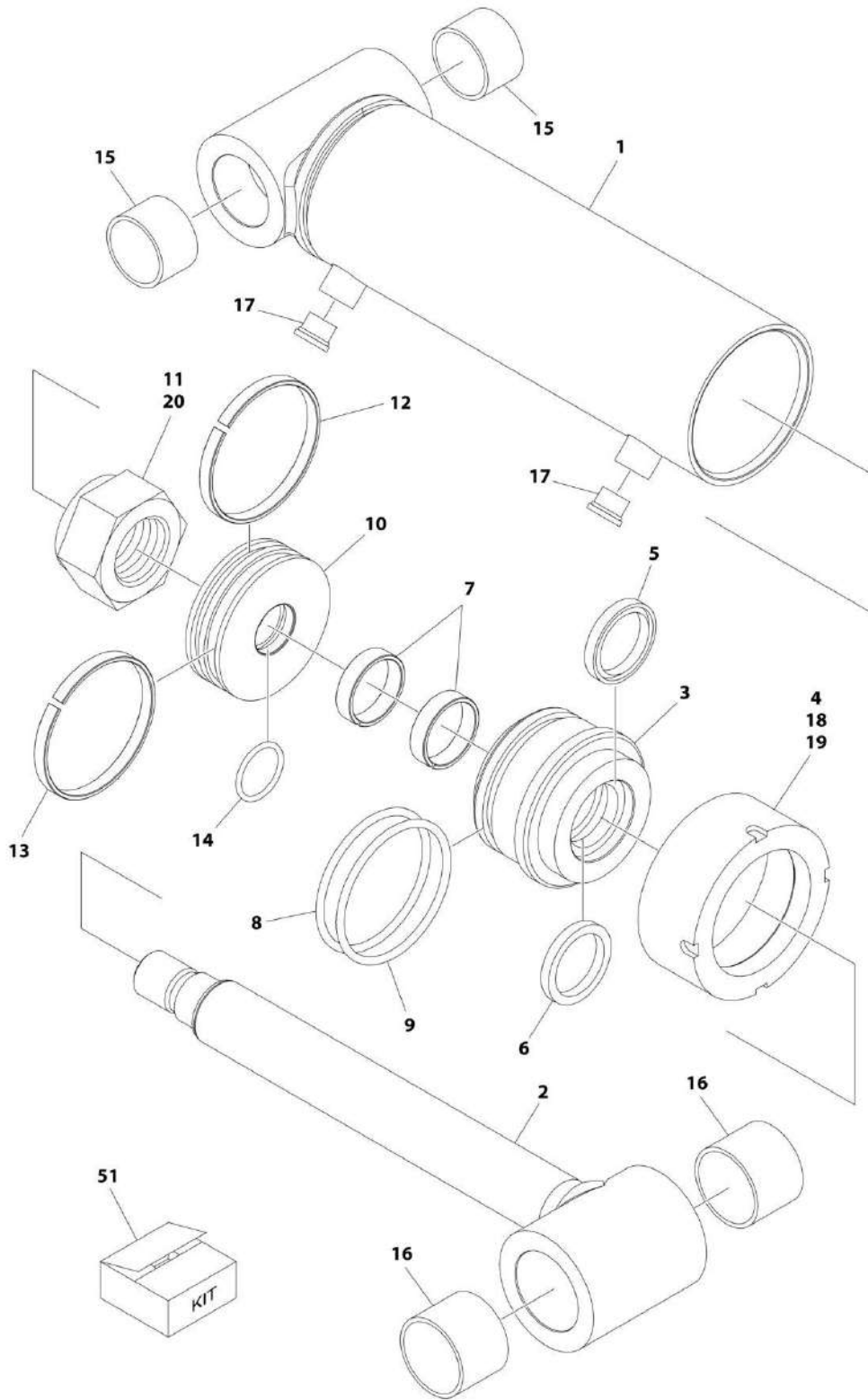
SECTION 5 - CYLINDER

FIGURE 5-13. STEER CYLINDER ASSEMBLY (SERVICE REPLACEMENT) (SN 0300073367 through 0300201016)

ITEM	PART NUMBER	QTY	DESCRIPTION	REV
	1684314	Ref	STEER CYLINDER (SN 0300073367 through 0300201016)	F
1	0100035	AR	Compound, Locking	
2	1120094	1	Cap, Cylinder	
3	1684275	1	Rod	
3A	0961950	2	Bushing	
4	1684315	1	Head	
5	1684317	1	Barrel	
5A	0961949	2	Bushing	
6	2902257	1	Seal Kit (Includes Items 101-108)	
7	3300465	1	Nut	
8	3480278	1	Piston	
101	2902257	1	Ring, Back-up	
102	2902257	1	Ring, Wear	
103	2902257	2	Ring, Wear	
104	2902257	1	O-Ring	
105	2902257	1	O-Ring	
106	2902257	1	Wiper	
107	2902257	1	Seal, Piston	
108	2902257		Seal	

SECTION 5 - CYLINDER

FIGURE 5-14. STEER CYLINDER ASSEMBLY (SERVICE REPLACEMENT)



ART_1001228031

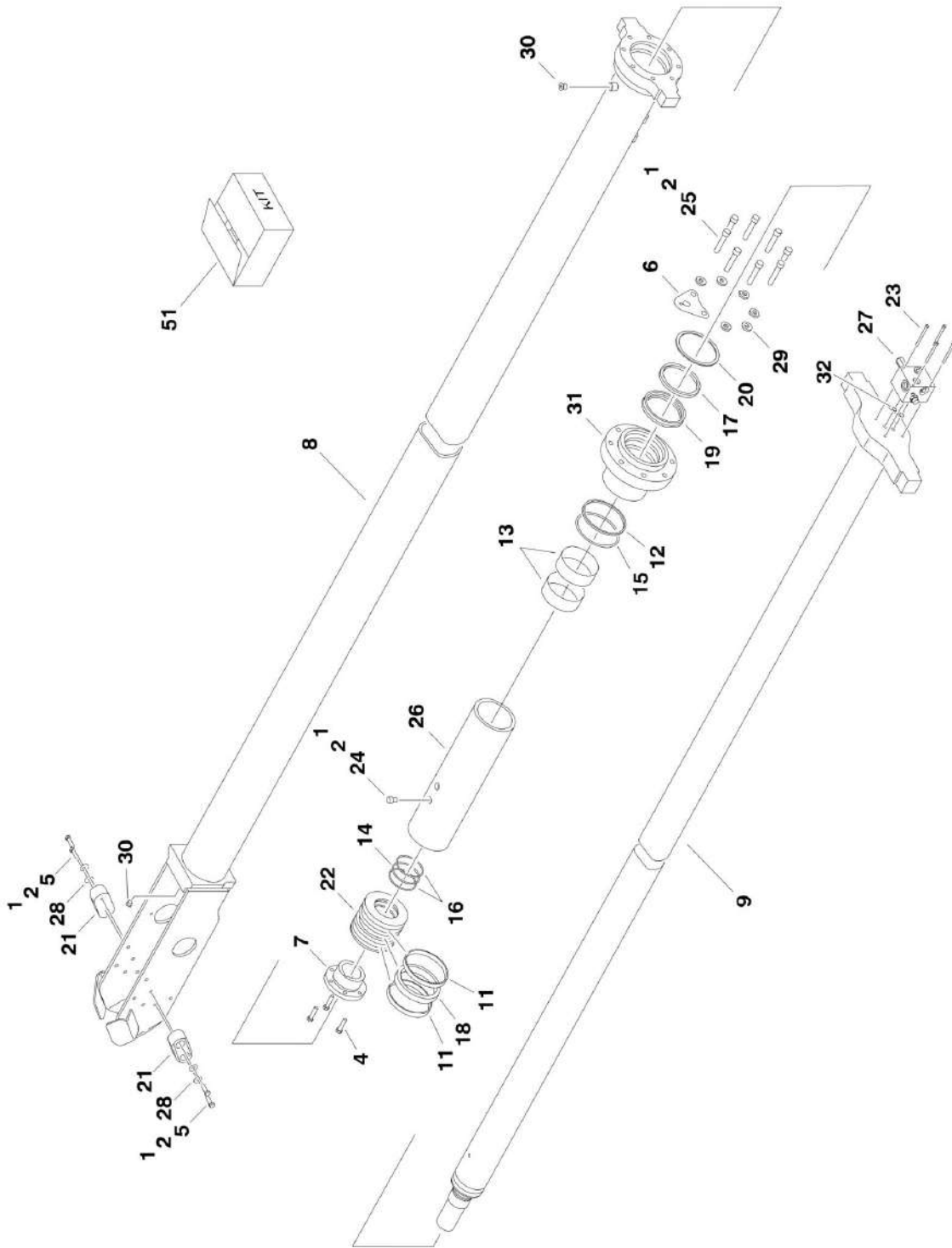
SECTION 5 - CYLINDER

FIGURE 5-14. STEER CYLINDER ASSEMBLY (SERVICE REPLACEMENT)

ITEM	PART NUMBER	QTY	DESCRIPTION	REV
	1001228031	Ref	STEER CYLINDER ASSEMBLY	B
		Ref	Note: Original Cylinder May Have Been Replaced with Service Replacement. Identify PN Stamped on Cylinder Before Ordering Parts.	
1	See Note	NSS	Barrel (Note: Not Available for Purchase)	
2	70006493	1	Rod	
3	70006492	1	Head	
4	70006491	1	Cap, Cylinder	
5	See Note	NSS	Wiper (Note: Use Item 51)	
6	See Note	NSS	Seal, Piston (Note: Use Item 51)	
7	See Note	NSS	Ring, Wear (Note: Use Item 51)	
8	See Note	NSS	O-Ring (Note: Use Item 51)	
9	See Note	NSS	Ring, Back-up (Note: Use Item 51)	
10	70006490	1	Piston	
11	3300465	1	Nut	
12	See Note	1	Seal (Note: Use Item 51)	
13	See Note	1	Ring, Wear (Note: Use Item 51)	
14	See Note	1	O-Ring (Note: Use Item 51)	
15	0961949	2	Bushing	
16	0961950	2	Bushing	
17	2220885	2	Plug (With O-Ring)	
18	0100011	AR	Compound, Locking	
19	0100038	AR	Primer, Locking	
20	0100019	AR	Compound, Locking	
51	2902257	1	Seal Kit (Includes Items 5-9 & 12-14)	

SECTION 5 - CYLINDER

FIGURE 5-15. TELESCOPE CYLINDER ASSEMBLY (ORIGINAL EQUIPMENT)



SECTION 5 - CYLINDER

FIGURE 5-15. TELESCOPE CYLINDER ASSEMBLY (ORIGINAL EQUIPMENT)

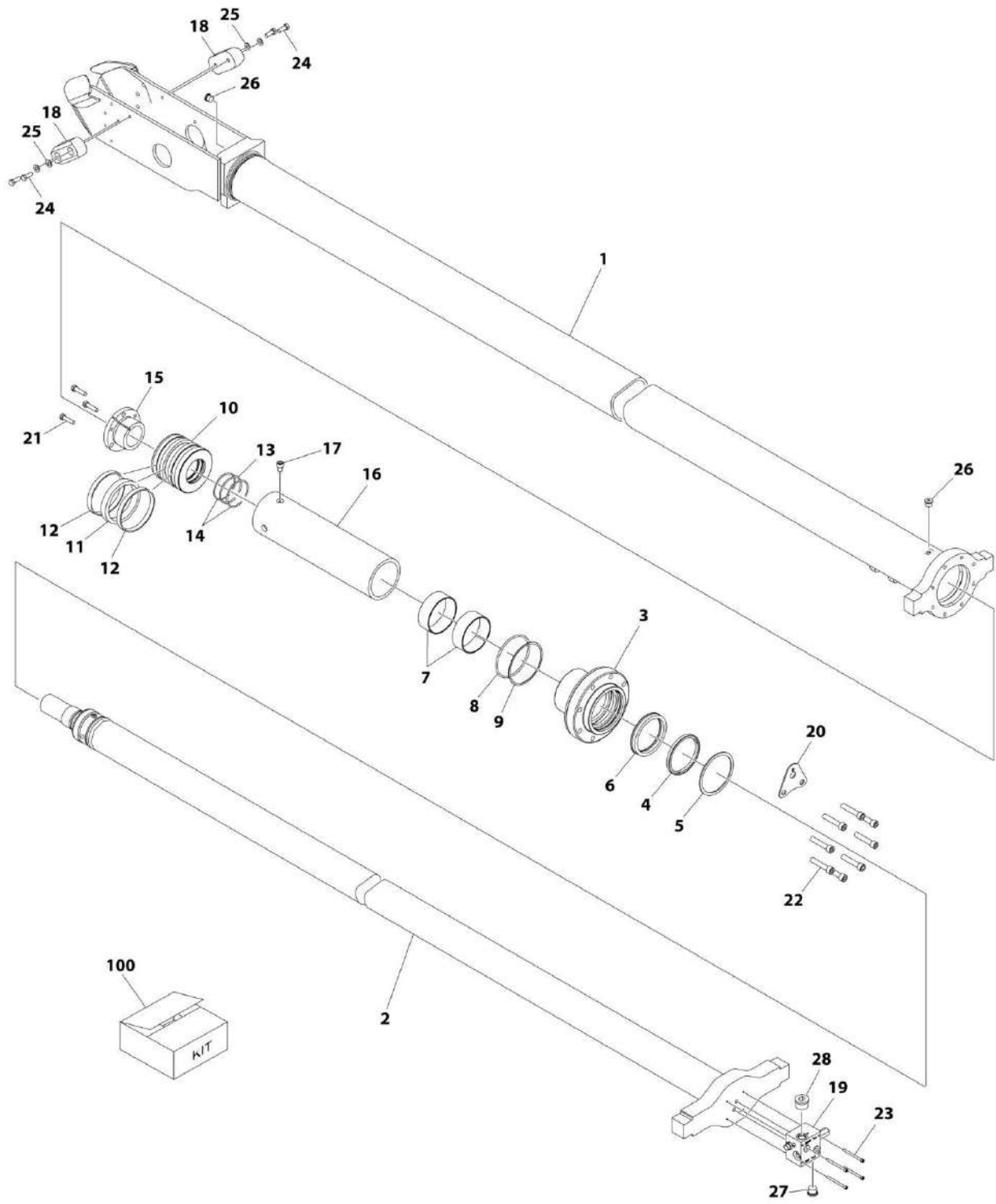
ITEM	PART NUMBER	QTY	DESCRIPTION	REV
		Ref	TELESCOPE CYLINDER ASSEMBLIES	
	1684178	Ref	Telescope Cylinder Assemblies 1200SJP	K
	1684108	Ref	Telescope Cylinder Assemblies 1350SJP	M
1	0100011	AR	Compound, Locking	
2	0100038	AR	Primer, Locking	
4	0630536	3	Capscrew	
5	0641608	4	Bolt 3/8in-16NC x 1in	
6	0902743	1	Bracket	
7	0961903	1	Bushing, Tapered	
8		Ref	Barrel Weldment Options:	
8	1684179	1	Barrel Weldment 1200SJP	
8	1684109	1	Barrel Weldment 1350SJP	
9		Ref	Rod Weldment Options:	
9		Ref	Rod Weldment 1200SJP	
9	1684181	1	Rod Weldment 1200SJP (Prior to SN 0300034366)	
9	1001105016	1	Rod Weldment 1200SJP (SN 0300134366 through 0300201016)	
9		Ref	Rod Weldment 1350SJP	
9	1684111	1	Rod Weldment 1350SJP (Prior to SN 0300134366)	
9	1001104923	1	Rod Weldment 1350SJP (SN 0300134366 through 0300201016)	
11	2902081	2	Ring, Wear	
12	2902081	1	Ring, Back-Up	
13	2902081	2	Ring, Wear	
14	2902081	1	O-Ring	
15	2902081	1	O-Ring	
16	2902081	2	Ring, Back-Up	
17	2902081	1	Wiper, Rod	
18	2902081	1	T-Seal	
19	2902081	1	Seal, Rod	
20	2902081	1	Ring, Retaining	
21		Ref	Pad, Wear Options:	
21	3340923	2	Pad, Wear (Use p/n 3340963) (Prior to SN 0300070248)	
21	3340963	2	Pad, Wear (SN 0300070248 through 0300201016)	
22	3480268	1	Piston	
23	3931448	4	Capscrew 1/4in-20NC x 3in	
24	3931608	1	Capscrew 3/8in-16NC x 1in	
25	3931840	8	Capscrew 1/2in-13NC x 2-1/2in	
26		Ref	Spacer Options:	
26		Ref	Spacer 1200SJP	
26	4568361	1	Spacer 1200SJP (Prior to SN 0300134366)	
26	1001105014	1	Spacer 1200SJP (SN 0300134366 through 0300201016)	
26		Ref	Spacer 1350SJP	
26	4568290	1	Spacer 1350SJP (Prior to SN 0300134366)	
26	1001104922	1	Spacer 1350SJP (SN 0300134366 through 0300201016)	
27	4641256	1	Valve Assembly	
27	2220884	1	Plug, SAE #5 (with O-Ring)	
27	2220885	1	Plug, SAE #6 (with O-Ring)	
28	4711600	4	Flatwasher 3/8in Narrow	
29	4891800	6	Flatwasher 1/2in Hardened	

SECTION 5 - CYLINDER

ITEM	PART NUMBER	QTY	DESCRIPTION	REV
30	2220885	2	Plug, O-Ring	
31	1684141	1	Head	
32	3790112	2	O-Ring	
51	2902081	1	Seal Kit (Includes Items 11-20)	

SECTION 5 - CYLINDER

FIGURE 5-16. TELESCOPE CYLINDER ASSEMBLY - 1200SJP (SERVICE REPLACEMENT)



ART_1001228026

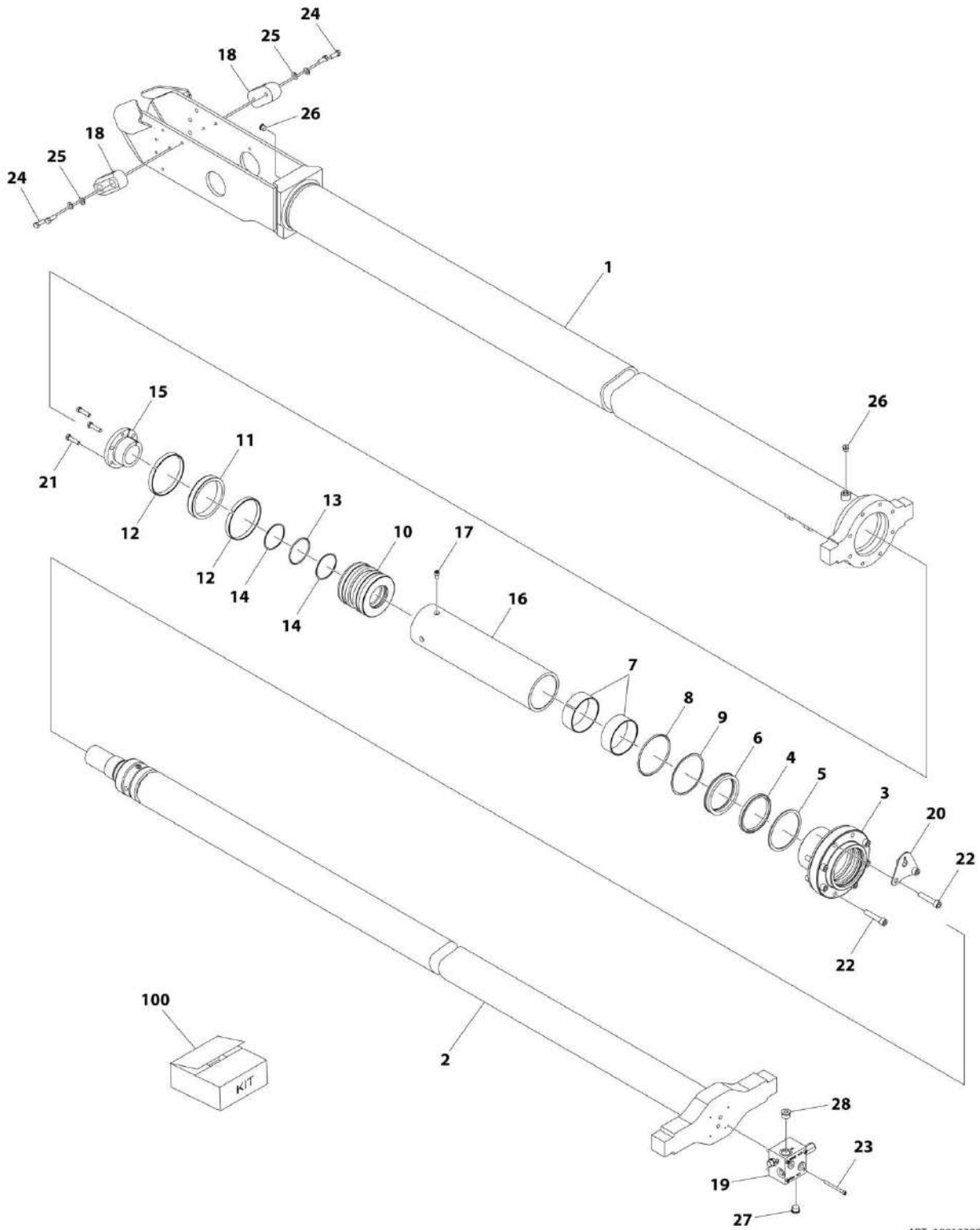
SECTION 5 - CYLINDER

FIGURE 5-16. TELESCOPE CYLINDER ASSEMBLY - 1200SJP (SERVICE REPLACEMENT)

ITEM	PART NUMBER	QTY	DESCRIPTION	REV
	1001228026	Ref	TELESCOPE CYLINDER ASSEMBLY	B
		Ref	Note: Original Cylinder May Have Been Replaced with Service Replacement. Identify PN Stamped on Cylinder Before Ordering Parts.	
1	See Note	NSS	Barrel (Note: Not Available for Purchase)	
2	70006656	1	Rod	
3	70006657	1	Head	
4	See Note	NSS	Wiper (Note: Use Item 100)	
5	See Note	NSS	Ring, Retaining (Note: Use Item 100)	
6	See Note	NSS	Seal, Rod (Note: Use Item 100)	
7	See Note	NSS	Ring, Wear (Note: Use Item 100)	
8	See Note	NSS	O-Ring (Note: Use Item 100)	
9	See Note	NSS	Ring, Back-up (Note: Use Item 100)	
10	70006658	1	Piston	
11	See Note	NSS	Seal (Note: Use Item 100)	
12	See Note	NSS	Ring, Wear (Note: Use Item 100)	
13	See Note	NSS	O-Ring (Note: Use Item 100)	
14	See Note	NSS	Ring, Back-up (Note: Use Item 100)	
15	0961903	1	Bushing, Tapered	
16	70006659	1	Spacer	
17	3931608	1	Capscrew 3/8 x 1	
18	3340963	2	Pad, Wear	
19	4641256	1	Valve Assembly	
19	2220884	1	Plug, SAE #5 (With O-Ring)	
19	2220885	1	Plug, SAE #6 (With O-Ring)	
20	0902743	1	Bracket	
21	0630536	3	Capscrew	
22	3931840	8	Capscrew 1/2 x 2-1/2	
23	3931448	4	Capscrew 1/4 x 3	
24	0641608	4	Bolt 3/8 x 1	
25	4711600	4	Washer 3/8	
26	2220885	2	Plug, O-Ring	
27	2220886	1	Plug, O-Ring	
28	70005433	1	Plug, O-Ring	
100	2902081	1	Seal Kit (Includes Items 4-9 & 11-14)	

SECTION 5 - CYLINDER

FIGURE 5-17. TELESCOPE CYLINDER ASSEMBLY - 1350SJP (SERVICE REPLACEMENT)



ART_1001228021

SECTION 5 - CYLINDER

FIGURE 5-17. TELESCOPE CYLINDER ASSEMBLY - 1350SJP (SERVICE REPLACEMENT)

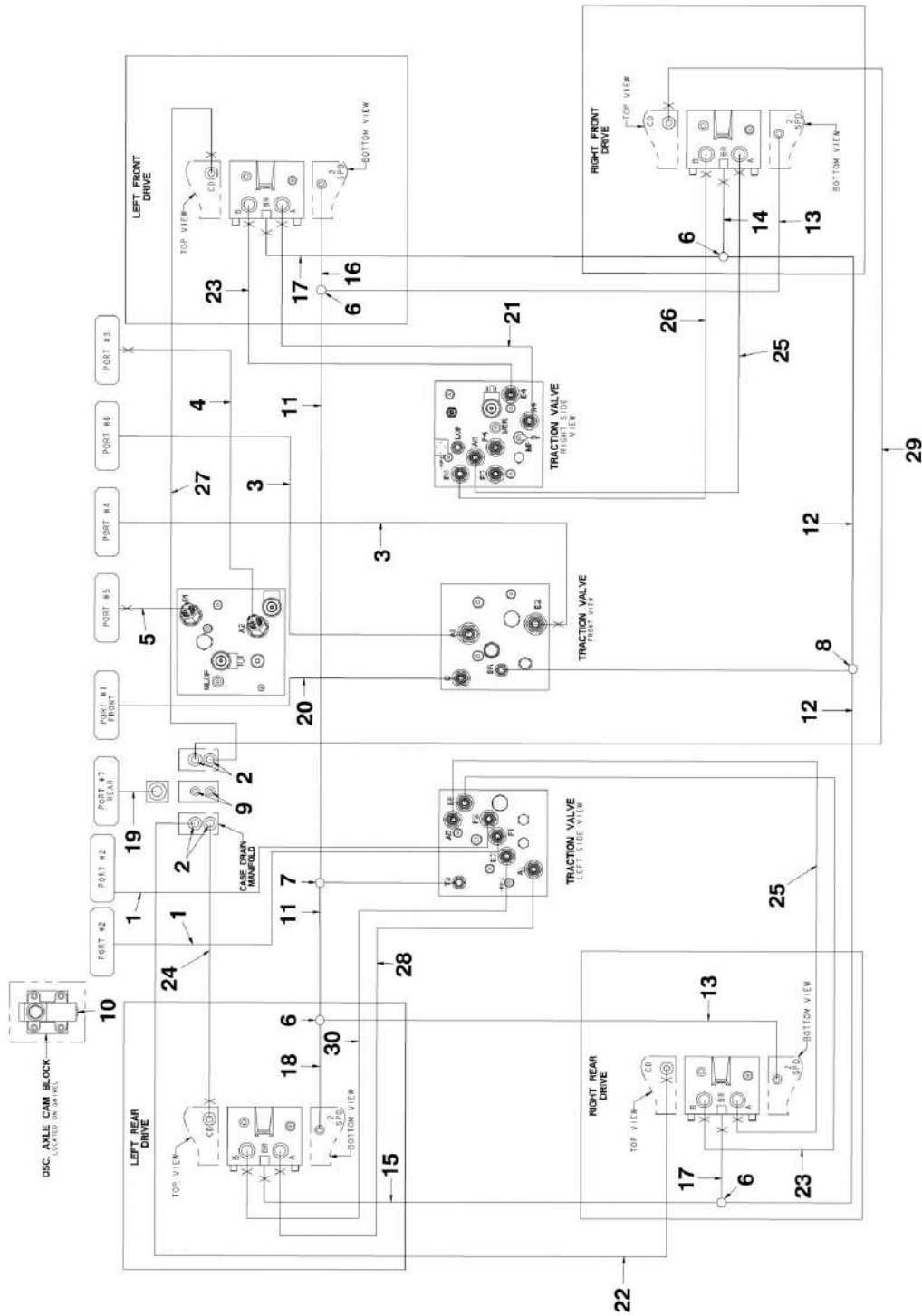
ITEM	PART NUMBER	QTY	DESCRIPTION	REV
	1001228021	Ref	TELESCOPE CYLINDER ASSEMBLY - 1350SJP	B
		Ref	Note: Original Cylinder May Have Been Replaced with Service Replacement. Identify PN Stamped on Cylinder Before Ordering Parts.	
1	See Note	NSS	Barrel (Note: Not Available for Purchase)	
2	70006697	1	Rod	
3	70006657	1	Head	
4	See Note	NSS	Wiper (Note: Use Item 100)	
5	See Note	NSS	Ring, Retaining (Note: Use Item 100)	
6	See Note	NSS	Seal, Rod (Note: Use Item 100)	
7	See Note	NSS	Ring, Wear (Note: Use Item 100)	
8	See Note	NSS	O-Ring (Note: Use Item 100)	
9	See Note	NSS	Ring, Back-up (Note: Use Item 100)	
10	70006658	1	Piston	
11	See Note	NSS	Seal (Note: Use Item 100)	
12	See Note	NSS	Ring, Wear (Note: Use Item 100)	
13	See Note	NSS	O-Ring (Note: Use Item 100)	
14	See Note	NSS	Ring, Back-up (Note: Use Item 100)	
15	0961903	1	Bushing, Tapered	
16	70006698	1	Spacer	
17	70006631	1	Capscrew M8 x 16	
18	3340963	2	Pad, Wear	
19	4641256	1	Valve Assembly	
19	2220884	1	Plug, SAE #5 (With O-Ring)	
19	2220885	1	Plug, SAE #6 (With O-Ring)	
20	0902743	1	Bracket	
21	0630536	3	Capscrew	
22	3931840	8	Capscrew 1/2 x 2-1/2	
23	3931448	4	Capscrew 1/4 x 3	
24	0641608	4	Bolt 3/8 x 1	
25	4711600	4	Washer 3/8	
26	2220885	2	Plug, O-Ring	
27	2220886	1	Plug, O-Ring	
28	70005433	1	Plug, O-Ring	
100	2902081	1	Seal Kit (Includes Items 4-9 & 11-14)	

SECTION 6 - HYDRAULIC

SECTION 6 - HYDRAULIC

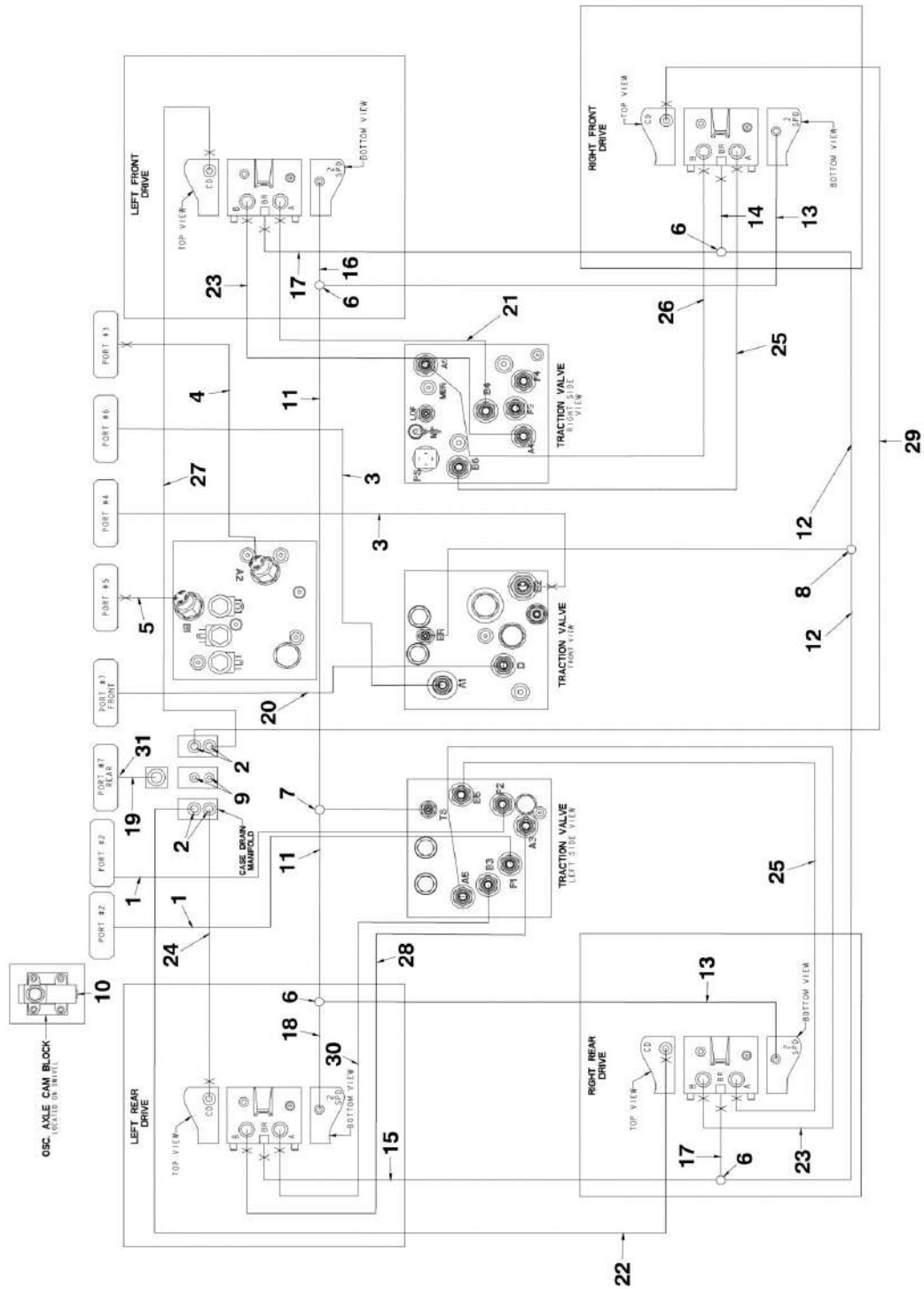
FIGURE 6-1. HYDRAULIC DIAGRAM - DRIVE

PRIOR TO SN 0300100131



SECTION 6 - HYDRAULIC

SN 0300100131 THROUGH 0300201016



SECTION 6 - HYDRAULIC

FIGURE 6-1. HYDRAULIC DIAGRAM - DRIVE

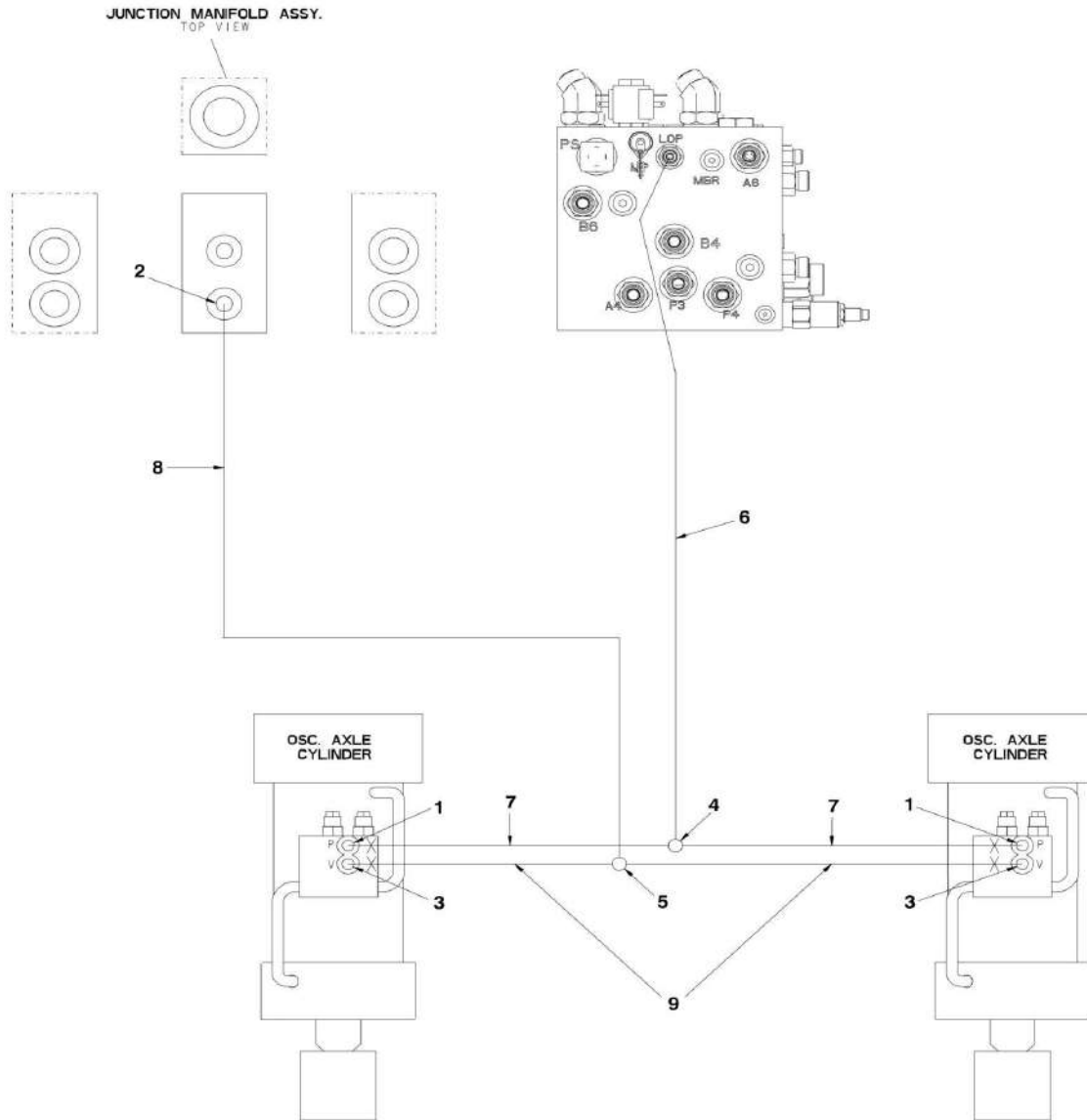
ITEM	PART NUMBER	QTY	DESCRIPTION	REV
		Ref	HYDRAULIC DIAGRAM - DRIVE	
	1283457	Ref	Hydraulic Diagram for Caterpillar Engine Machines with Rexroth Pumps	G
	1283457	Ref	Hydraulic Diagram for Deutz BF4M2011 & TD2011 Engine Machines with Rexroth Pumps	G
	1001152971	Ref	Hydraulic Diagram for Deutz TCD2.9L4 Engine Machines with Rexroth Pumps	A
	2792645	Ref	Hydraulic Diagram - Drive (Prior to SN 0300100131)	6
	2792772	Ref	Hydraulic Diagram - Drive (SN 0300100131 through 0300201016)	4
	1001118859	Ref	Hydraulic Diagram for Machines with Sauer Pumps	C
	2792772	Ref	All Machines	4
1	2753685	2	Hose	
2	2110808	4	Fitting, Straight	
3	2753703	2	Hose	
4	2753764	1	Hose	
5	2753768	1	Hose	
6	2170504	4	Fitting, Tee	
7	2170704	1	Fitting, Tee	
8	2170804	1	Fitting, Tee	
9	2220235	2	Plug	
10	2220238	1	Plug	
11		Ref	Hose Options:	
11	2753722	2	Hose (Prior to SN 0300100131)	
11	2753541	2	Hose (SN 0300100131 through 0300201016)	
12	2753545	2	Hose	
13		Ref	Hose Options:	
13	2753720	2	Hose (Prior to SN 0300100131)	
13	2753677	2	Hose (SN 0300100131 through 0300201016)	
14	2753714	1	Hose	
15	2753713	1	Hose	
16		Ref	Hose Options:	
16	2753721	1	Hose (Prior to SN 0300100131)	
16	2753716	1	Hose (SN 0300100131 through 0300201016)	
17	2753715	2	Hose	
18		Ref	Hose Options:	
18	2753724	1	Hose (Prior to SN 0300100131)	
18	2753552	1	Hose (SN 0300100131 through 0300201016)	
19	2753752	1	Hose	
20	2753582	1	Hose	
21	2753756	1	Hose	
22	2753747	1	Hose	
23	2753757	2	Hose	
24	2753748	1	Hose	
25	2753759	2	Hose	
26	2753760	1	Hose	
27	2753749	1	Hose	
28	2753761	1	Hose	
29	2753750	1	Hose	
30	2753762	1	Hose	

SECTION 6 - HYDRAULIC

ITEM	PART NUMBER	QTY	DESCRIPTION	REV
31	2110812	1	Fitting, Straight (SN 0300100131 through 0300201016)	

SECTION 6 - HYDRAULIC

FIGURE 6-2. HYDRAULIC DIAGRAM - OSCILLATING AXLE



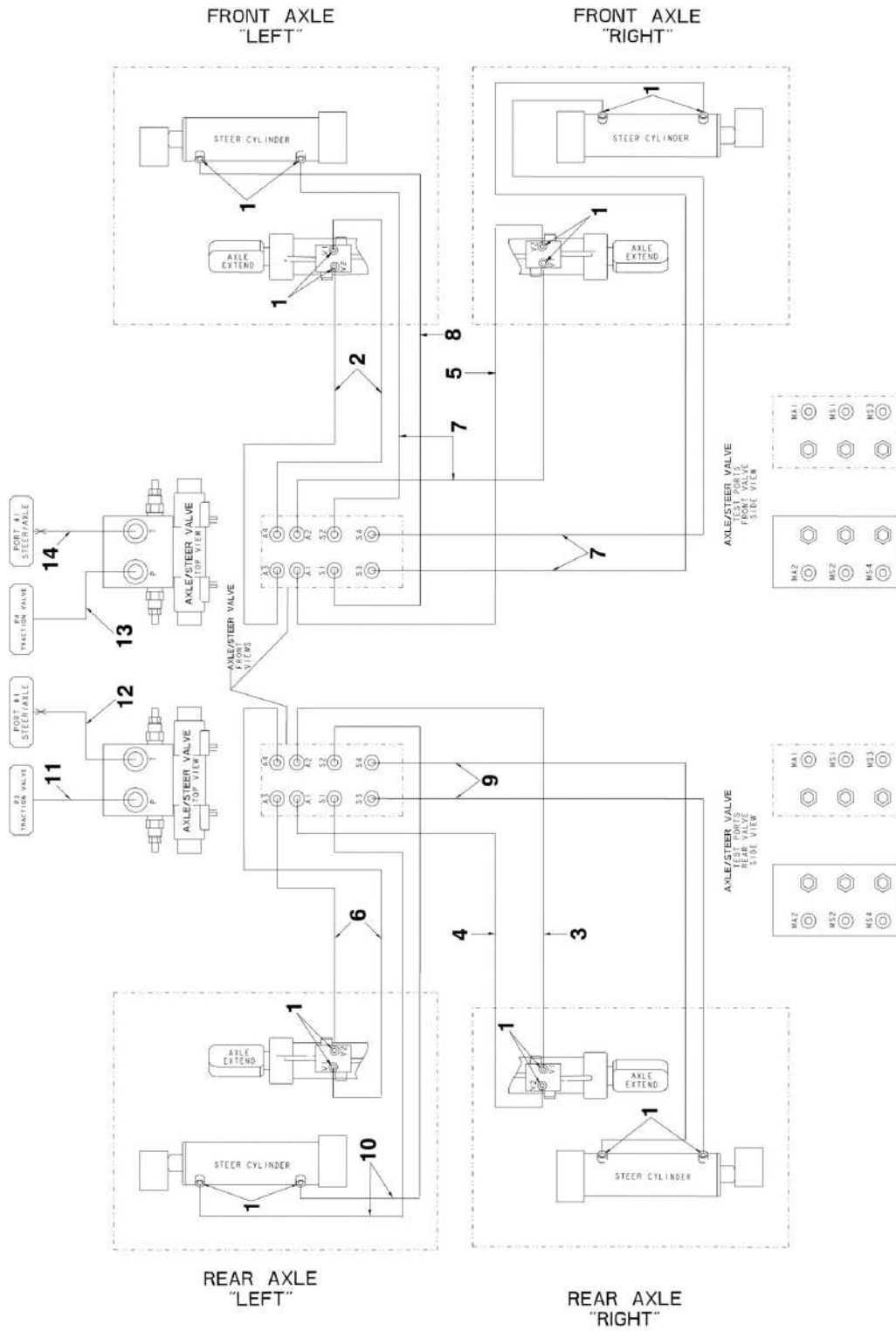
SECTION 6 - HYDRAULIC

FIGURE 6-2. HYDRAULIC DIAGRAM - OSCILLATING AXLE

ITEM	PART NUMBER	QTY	DESCRIPTION	REV
		Ref	HYDRAULIC DIAGRAM - OSCILLATING AXLES	
	1283457	Ref	Hydraulic Diagram for Caterpillar Engine Machines with Rexroth Pumps	G
	1283457	Ref	Hydraulic Diagram for Deutz BF4M2011 & TD2011 Engine Machines with Rexroth Pumps	G
	1001152971	Ref	Hydraulic Diagram for Deutz TCD2.9L4 Engine Machines with Rexroth Pumps	A
	2792647	Ref	All Machines	4
	1001118859	Ref	Hydraulic Diagram for Machines with Sauer Pumps	C
	2792647	Ref	All Machines	4
1	2110406	2	Fitting, Straight	
2	2110604	1	Fitting, Straight	
3	2110606	2	Fitting, Straight	
4	2170504	1	Fitting, Tee	
5	2170506	1	Fitting, Tee	
6	2753726	1	Hose	
7	2753719	2	Hose	
8	2753727	1	Hose	
9	2753729	2	Hose	
	2902480	1	Kit, Hose (Includes Items 6-9) (SN 0300089069 through 0300096239)	

SECTION 6 - HYDRAULIC

FIGURE 6-3. HYDRAULIC DIAGRAM - STEER



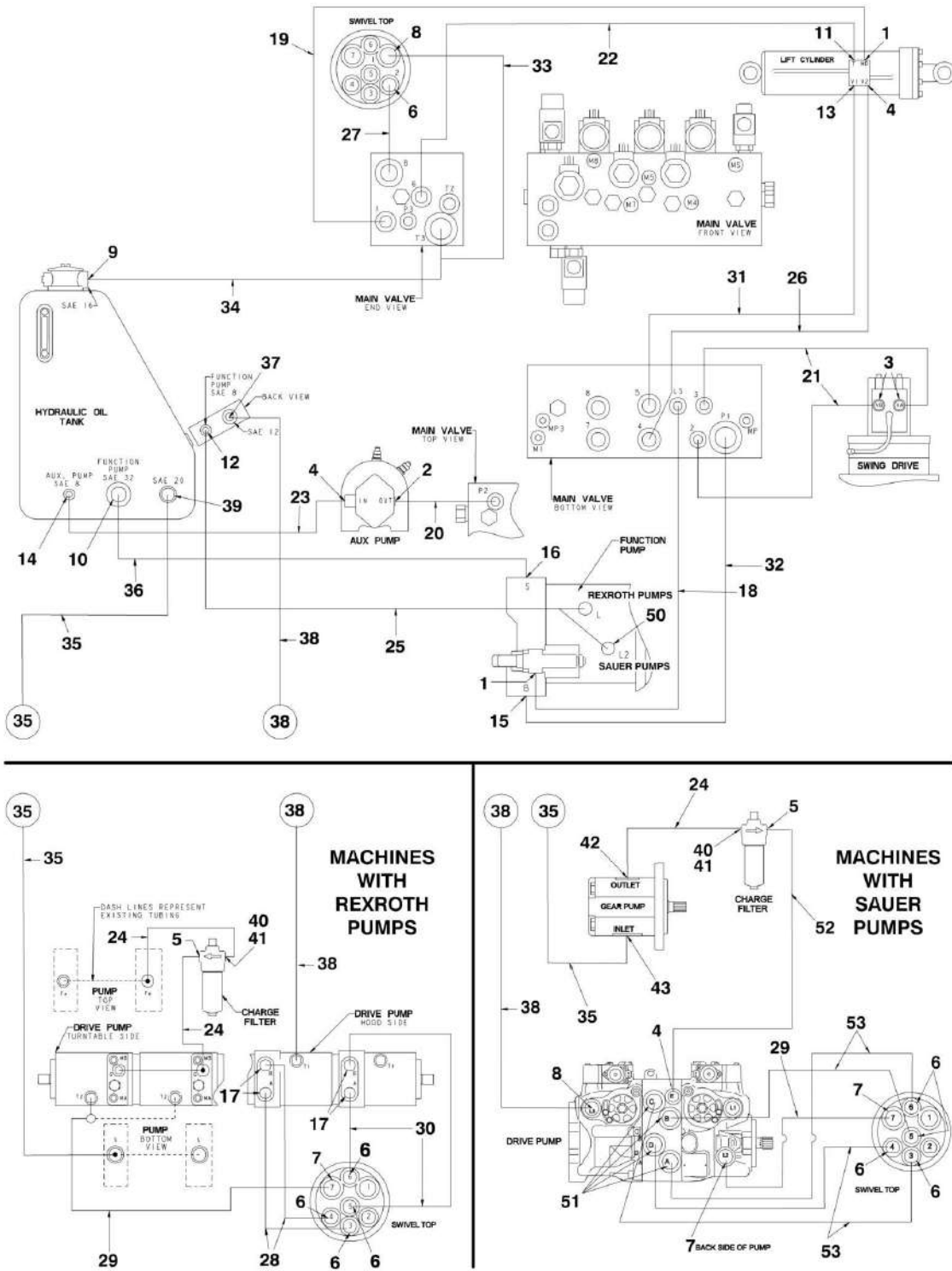
SECTION 6 - HYDRAULIC

FIGURE 6-3. HYDRAULIC DIAGRAM - STEER

ITEM	PART NUMBER	QTY	DESCRIPTION	REV
		Ref	HYDRAULIC DIAGRAM - STEER	
	1283457	Ref	Hydraulic Diagram for Caterpillar Engine Machines with Rexroth Pumps	G
	1283457	Ref	Hydraulic Diagram for Deutz BF4M2011 & TD2011 Engine Machines with Rexroth Pumps	G
	1001152971	Ref	Hydraulic Diagram for Deutz TCD2.9L4 Engine Machines with Rexroth Pumps	A
	2792773	Ref	All Machines	2
	1001118859	Ref	Hydraulic Diagram for Machines with Sauer Pumps	C
	2792773	Ref	All Machines	2
1	2130606	16	Fitting, Elbow	
2	2753732	2	Hose	
3	2753733	1	Hose	
4	2753728	1	Hose	
5	2753734	1	Hose	
6	2753735	2	Hose	
7	2753736	4	Hose	
8	2753737	1	Hose	
9	2753738	2	Hose	
10	2753739	2	Hose	
11	2753753	1	Hose	
12	2753742	1	Hose	
13	2753754	1	Hose	
14	2753743	1	Hose	

SECTION 6 - HYDRAULIC

FIGURE 6-4. HYDRAULIC DIAGRAM - TURNTABLE



SECTION 6 - HYDRAULIC

FIGURE 6-4. HYDRAULIC DIAGRAM - TURNTABLE

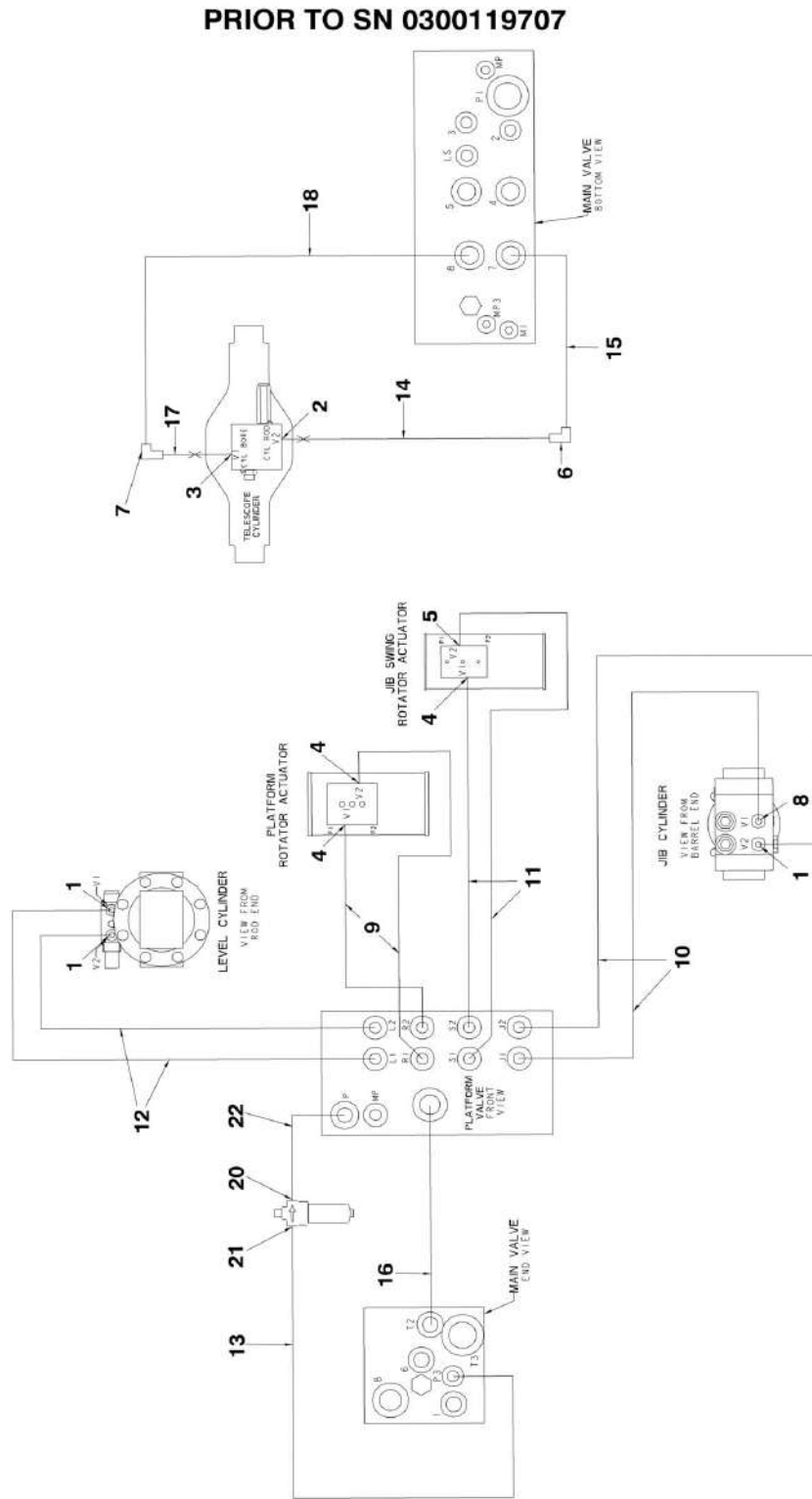
ITEM	PART NUMBER	QTY	DESCRIPTION	REV
		Ref	Hydraulic Diagram - Turntable	
	1283457	Ref	Hydraulic Diagram for Caterpillar Engine Machines with Rexroth Pumps	G
	1283457	Ref	Hydraulic Diagram for Deutz BF4M2011 & TD2011 Engine Machines with Rexroth Pumps	G
	1001152971	Ref	Hydraulic Diagram for Deutz TCD2.9L4 Engine Machines with Rexroth Pumps	A
	2792715	Ref	Caterpillar, Deutz BF4M2011 & TD2011 Engine (SN 0301001310 through 0300139322)	5
	1001114620	Ref	Caterpillar, Deutz BF4M2011 & TD2011 Engine (SN 0300139323 through 0300201016)	2
	1001152968	Ref	Deutz TCD2.9L4 Engine Machines	A
	1001118859	Ref	Hydraulic Diagram with Sauer Pumps (SN 0300139323 through 0300201016)	C
	1001118869	Ref	All Machines	4
1	2110404	AR	Fitting, Straight	
2	2110608	1	Fitting, Straight	
3	2110610	2	Fitting, Straight	
4	2110810	AR	Fitting, Straight	
5		Ref	Fitting Options:	
5	2110812	1	Fitting, Straight (Rexroth Pumps)	
5	2130812	1	Fitting, Elbow (Sauer Pumps)	
6	2111010	5	Fitting, Straight	
7	2111012	AR	Fitting, Straight	
8	2111212	AR	Fitting, Straight	
9	2111616	1	Fitting, Straight	
10	2113232	1	Fitting, Straight	
11	2130606	1	Fitting, Elbow	
12	2130808	1	Fitting, Elbow	
13	2131010	1	Fitting, Elbow	
14	2150808	1	Fitting, Elbow	
15	2220478	1	Flange Kit	
16		Ref	Flange Kit Options:	
16	2220737	1	Flange Kit (Rexroth Pumps)	
16	1001110604	1	Flange Kit (Sauer Pumps)	
17	2221117	4	Flange Kit (Rexroth Pumps)	
18		Ref	Hose Options:	
18	2753622	1	Hose (Rexroth Pumps)	
18	1001118932	1	Hose (Sauer Pumps)	
19	2753718	1	Hose	
20	2753730	1	Hose	
21	2753731	2	Hose	
22	2753734	1	Hose	
23	2753758	1	Hose	
24	2753746	AR	Hose	
25		Ref	Hose Options:	
25	2753741	1	Hose (Rexroth Pumps)	
25	1001118934	1	Hose (Sauer Pumps)	
26	2753744	1	Hose	
27	2753766	1	Hose	
28	2753769	2	Hose (Rexroth Pumps)	

SECTION 6 - HYDRAULIC

ITEM	PART NUMBER	QTY	DESCRIPTION	REV
29	2753708	1	Hose	
30	2753770	2	Hose (Rexroth Pumps)	
31	2753765	1	Hose	
32	2753771	1	Hose	
33	2753772	1	Hose	
34	2753774	1	Hose	
35		Ref	Hose Options:	
35	2753775	1	Caterpillar Engine Machines with Rexroth Pumps	
35	2753775	1	Deutz BF4M2011 & TD2011 Engine Machines with Rexroth Pumps	
35	1001152966	1	Deutz TCD2.9L4 Engine Machines with Rexroth Pumps	
35	1001119817	1	Machines with Sauer Pumps	
36		Ref	Hose Options:	
36	2753776	1	Hose (Rexroth Pumps)	
36	1001118935	1	Hose (Sauer Pumps)	
37		Ref	Fitting, Elbow Options:	
37	2131212	1	Fitting, Elbow (Rexroth Pumps)	
37	2131612	1	Fitting, Elbow (Sauer Pumps)	
38		Ref	Hose Options:	
38	2753773	1	Hose (Rexroth Pumps)	
38	1001119138	1	Hose (Sauer Pumps)	
39	2112020	1	Fitting, Straight	
40		Ref	Fitting, Straight Options:	
40	2170308	1	Fitting, Straight (Prior to SN 0300139323)	
40	2221084	1	Fitting, Tee (SN 0300139323 through 0300201016)	
41	2170908	1	Fitting, Cap	
42	2110812	1	Fitting, Straight (Sauer Pumps)	
43	2112016	1	Fitting, Straight (Sauer Pumps)	
44	2130404	1	Fitting, Elbow (Sauer Pumps)	
50	2130810	1	Fitting, Elbow (Sauer Pumps)	
51	2111016	4	Fitting, Straight (Sauer Pumps)	
52	1001118933	1	Hose (Sauer Pumps)	
53	1001109468	4	Hose (Sauer Pumps)	

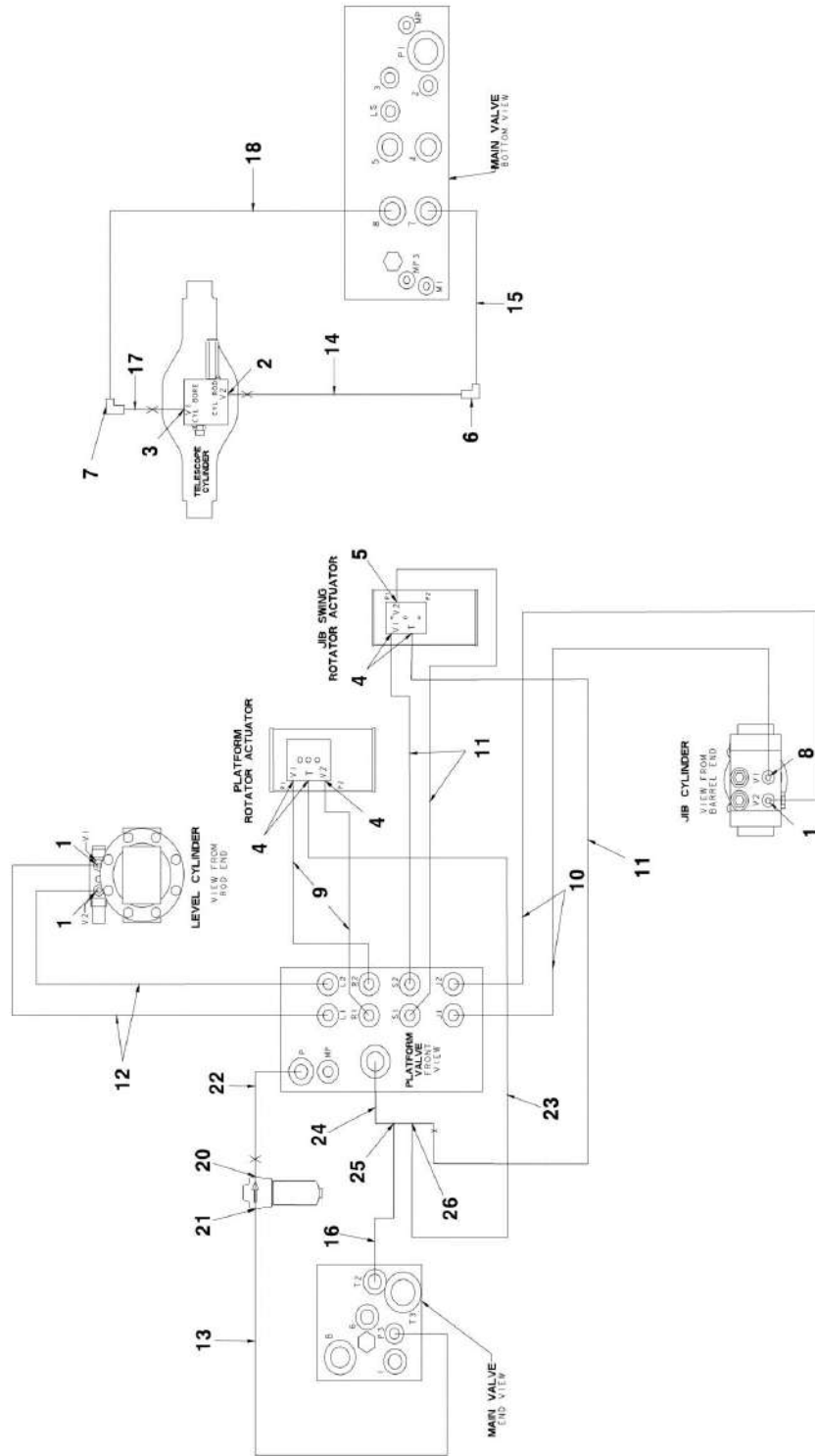
SECTION 6 - HYDRAULIC

FIGURE 6-5. HYDRAULIC DIAGRAM - BOOM



SECTION 6 - HYDRAULIC

SN 0300119707 THROUGH 0300201016



SECTION 6 - HYDRAULIC

FIGURE 6-5. HYDRAULIC DIAGRAM - BOOM

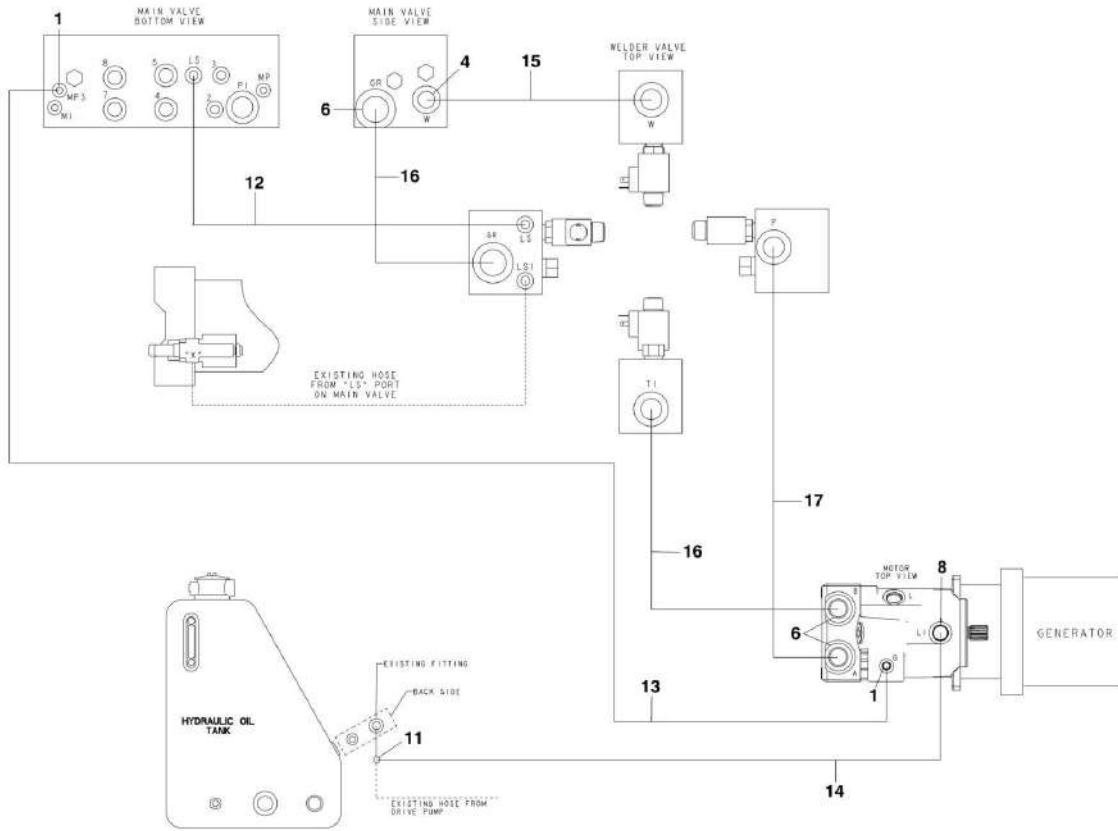
ITEM	PART NUMBER	QTY	DESCRIPTION	REV
		Ref	HYDRAULIC DIAGRAMS - BOOM OPTIONS:	
	1283457	Ref	Hydraulic Diagram for Caterpillar Engine Machines with Rexroth Pumps	G
	1283457	Ref	Hydraulic Diagram for Deutz BF4M2011 & TD2011 Engine Machines with Rexroth Pumps	G
	1001152971	Ref	Hydraulic Diagram for Deutz TCD2.9L4 Engine Machines with Rexroth Pumps	A
		Ref	Hydraulic Diagrams - Boom 1200SJP	
	2792625	Ref	Hydraulic Diagrams - Boom (with 2-Port Design Rotators) (Prior to SN 0300119707)	5
	1001098025	Ref	Hydraulic Diagrams - Boom (with 3-Port Design Rotators) (SN 0300119707 through 0300201016)	3
		Ref	Hydraulic Diagrams - Boom 1350SJP	
	2792626	Ref	Hydraulic Diagrams - Boom (with 2-Port Design Rotators) (Prior to SN 0300119707)	5
	1001098026	Ref	Hydraulic Diagrams - Boom (with 3-Port Design Rotators) (SN 0300119707 through 0300201016)	3
	1001118859	Ref	Hydraulic Diagram (Sauer Pumps)	C
		Ref	Hydraulic Diagrams - Boom 1200SJP	
	2792625	Ref	Hydraulic Diagrams - Boom (with 2-Port Design Rotators) (Prior to SN 0300119707)	5
	1001098025	Ref	Hydraulic Diagrams - Boom (with 3-Port Design Rotators) (SN 0300119707 through 0300201016)	3
		Ref	Hydraulic Diagrams - Boom 1350SJP	
	2792626	Ref	Hydraulic Diagrams - Boom (with 2-Port Design Rotators) (Prior to SN 0300119707)	5
	1001098026	Ref	Hydraulic Diagrams - Boom (with 3-Port Design Rotators) (SN 0300119707 through 0300201016)	3
1	2110404	3	Fitting, Straight	
2	2110808	1	Fitting, Straight	
3	2111010	1	Fitting, Straight	
4	2150404	Ref	Fitting, Elbow	
4	2150404	3	Fitting, Elbow (Prior to SN 03000119707)	
4	2150404	5	Fitting, Elbow (SN 03000119707 through 0300201016)	
5	2170204	1	Fitting, Elbow	
6	2171208	1	Fitting, Elbow	
7	2171210	1	Fitting, Elbow	
8	2180830	1	Fitting, Orifice	
9	2753545	2	Hose	
10	2753717	2	Hose	
11	2753716	Ref	Hose	
11	2753716	2	Hose (Prior to SN 03000119707)	
11	2753716	3	Hose (SN 03000119707 through 0300201016)	
12	2753552	2	Hose	
13		Ref	Hose Options:	
13	2753810		Hose 1200SJP	
13	2753740		Hose 1350SJP	
14	2753745	1	Hose	
15	2753755	1	Hose	
16		Ref	Hose Options:	
16	2753811		Hose 1200SJP	
16	2753751		Hose 1350SJP	

SECTION 6 - HYDRAULIC

ITEM	PART NUMBER	QTY	DESCRIPTION	REV
17	2753763	1	Hose	
18	2753767	1	Hose	
20	2110612	1	Fitting, Straight (SN 0300092150 through 0300201016)	
21	2130612	1	Fitting, Elbow (SN 0300092150 through 0300201016)	
22	2717059	1	Hose (SN 0300092150 through 0300201016)	
23	2754288	1	Hose (SN 0300119707 through 0300201016)	
24	2170708	1	Fitting, Tee (SN 0300119707 through 0300201016)	
25	1001097820	1	Fitting, Straight (SN 0300119707 through 0300201016)	
26	2170704	1	Fitting, Tee (SN 0300119707 through 0300201016)	
		Ref	Kit, Hose Options:	
		Ref	Kit, Hose (Includes Items 13, 14,16 & 17) (SN 0300088388 through 0300119706)	
	2902465	1	Kit, Hose 1200SJP	
	2902466	1	Kit, Hose 1350SJP	
		Ref	Kit, Hose (Includes Items 13, 14, 16, 17) (SN 0300119707 through 0300201016)	
	1001098242	1	Kit, Hose 1200SJP	
	1001098243	1	Kit, Hose 1350SJP	

SECTION 6 - HYDRAULIC

FIGURE 6-6. HYDRAULIC DIAGRAM - 7500W GENERATOR (Prior to SN 0300080338)



SECTION 6 - HYDRAULIC

FIGURE 6-6. HYDRAULIC DIAGRAM - 7500W GENERATOR (Prior to SN 0300080338)

ITEM	PART NUMBER	QTY	DESCRIPTION	REV
	2792568	Ref	HYDRAULIC DIAGRAM - 7500W GENERATOR Note: Machines Built Use Belt Driven Generator Instead of Hydraulic Drive Generator. (SN 0300080338 through 0300201016)	4-C
		Ref		
1	2110404	2	Fitting, Straight	
4	2151012	1	Fitting, Elbow	
6	2111216	3	Fitting, Straight	
8	2130810	1	Fitting, Elbow	
11	2170712	1	Fitting, Tee	
12	2753539	1	Hose	
13	2753862	1	Hose	
14	2753861	1	Hose	
15	2753863	1	Hose	
16	2753842	2	Hose	
17	2753850	1	Hose	

SECTION 6 - HYDRAULIC

FIGURE 6-7. HYDRAULIC DIAGRAM LIST

ITEM	PART NUMBER	QTY	DESCRIPTION	REV
		Ref	Note: Information on diagrams not shown is available from JLG Service/Parts Departments.	
		Ref	Hydraulic Diagram - Boom (1200SJP) Options:	
	1283308	Ref	Hydraulic Diagram for Caterpillar Engine Machines with Rexroth Pumps (Prior to SN 0300074357)	
	1283308	Ref	Hydraulic Diagram for Deutz BF4M2011 & TD2011 Engine Machines with Rexroth Pumps (Prior to SN 0300074357)	
	1283374	Ref	Hydraulic Diagram for Caterpillar Engine Machines with Rexroth Pumps (SN 0300074357 through 0300100130)	
	1283374	Ref	Hydraulic Diagram for Deutz BF4M2011 & TD2011 Engine Machines with Rexroth Pumps (SN 0300074357 through 0300100130)	
	1283457	Ref	Hydraulic Diagram for Caterpillar Engine Machines with Rexroth Pumps (SN 0300100131 through 0300201016)	
	1283457	Ref	Hydraulic Diagram for Deutz BF4M2011 & TD2011 Engine Machines with Rexroth Pumps (SN 0300100131 through 0300201016)	
	1001152971	Ref	Hydraulic Diagram for Deutz TCD2.9L4 Engine Machines with Rexroth Pumps	
	2792561	Ref	Hydraulic Diagram - Boom (Prior to SN 0300074357)	
	2792625	Ref	Hydraulic Diagram - Boom (SN 0300074357 through 0300100130)	
	2792625	Ref	Hydraulic Diagram - Boom (SN 0300100131 through 0300119706)	
	1001098025	Ref	Hydraulic Diagram - Boom (SN 0300119707 through 0300201016)	
	1001118859	Ref	Hydraulic Diagram (Sauer Pumps)	
	1001098025	Ref	Hydraulic Diagram - Boom (SN 0300119707 through 0300201016)	
		Ref	Hydraulic Diagram - Boom (1350SJP) Options:	
	1283308	Ref	Hydraulic Diagram for Caterpillar Engine Machines with Rexroth Pumps (Prior to SN 0300074357)	
	1283308	Ref	Hydraulic Diagram for Deutz BF4M2011 & TD2011 Engine Machines with Rexroth Pumps (Prior to SN 0300074357)	
	1283374	Ref	Hydraulic Diagram for Caterpillar Engine Machines with Rexroth Pumps (SN 0300074357 through 0300100130)	
	1283374	Ref	Hydraulic Diagram for Deutz BF4M2011 & TD2011 Engine Machines with Rexroth Pumps (SN 0300074357 through 0300100130)	
	1283457	Ref	Hydraulic Diagram for Caterpillar Engine Machines with Rexroth Pumps (SN 0300100131 through 0300201016)	
	1283457	Ref	Hydraulic Diagram for Deutz BF4M2011 & TD2011 Engine Machines with Rexroth Pumps (SN 0300100131 through 0300201016)	
	1001152971	Ref	Hydraulic Diagram for Deutz TCD2.9L4 Engine Machines with Rexroth Pumps	
	2792557	Ref	Hydraulic Diagram - Boom (Prior to SN 0300074357)	
	2792626	Ref	Hydraulic Diagram - Boom (SN 0300074357 through 0300100130)	
	2792626	Ref	Hydraulic Diagram - Boom (SN 0300100131 through 0300119706)	
	1001098026	Ref	Hydraulic Diagram - Boom (SN 0300119707 through 0300201016)	
	1001118859	Ref	Hydraulic Diagram (Sauer Pumps)	

SECTION 6 - HYDRAULIC

ITEM	PART NUMBER	QTY	DESCRIPTION	REV
	1001098026	Ref	Hydraulic Diagram - Boom (SN 0300119707 through 0300201016)	
		Ref	Hydraulic Diagram - Drive Options:	
	1283308	Ref	Hydraulic Diagram for Caterpillar Engine Machines with Rexroth Pumps (Prior to SN 0300074357)	
	1283308	Ref	Hydraulic Diagram for Deutz BF4M2011 & TD2011 Engine Machines with Rexroth Pumps (Prior to SN 0300074357)	
	1283374	Ref	Hydraulic Diagram for Caterpillar Engine Machines with Rexroth Pumps (SN 0300074357 through 0300100130)	
	1283374	Ref	Hydraulic Diagram for Deutz BF4M2011 & TD2011 Engine Machines with Rexroth Pumps (SN 0300074357 through 0300100130)	
	1283457	Ref	Hydraulic Diagram for Caterpillar Engine Machines with Rexroth Pumps (SN 0300100131 through 0300201016)	
	1283457	Ref	Hydraulic Diagram for Deutz BF4M2011 & TD2011 Engine Machines with Rexroth Pumps (SN 0300100131 through 0300201016)	
	1001152971	Ref	Hydraulic Diagram for Deutz TCD2.9L4 Engine Machines with Rexroth Pumps	
	2792558	Ref	Hydraulic Diagram - Drive (Prior to SN 0300074357)	
	2792645	Ref	Hydraulic Diagram - Drive (SN 0300074357 through 0300100130)	
	2792772	Ref	Hydraulic Diagram - Drive (SN 0300100131 through 0300201016)	
	1001118859	Ref	Hydraulic Diagram for Machines with Sauer Pumps	
	2792772	Ref	All Machines	
		Ref	Hydraulic Diagram - Oscillating Axle Options:	
	1283308	Ref	Hydraulic Diagram for Caterpillar Engine Machines with Rexroth Pumps (Prior to SN 0300074357)	
	1283308	Ref	Hydraulic Diagram for Deutz BF4M2011 & TD2011 Engine Machines with Rexroth Pumps (Prior to SN 0300074357)	
	1283374	Ref	Hydraulic Diagram for Caterpillar Engine Machines with Rexroth Pumps (SN 0300074357 through 0300100130)	
	1283374	Ref	Hydraulic Diagram for Deutz BF4M2011 & TD2011 Engine Machines with Rexroth Pumps (SN 0300074357 through 0300100130)	
	1283457	Ref	Hydraulic Diagram for Caterpillar Engine Machines with Rexroth Pumps (SN 0300100131 through 0300201016)	
	1283457	Ref	Hydraulic Diagram for Deutz BF4M2011 & TD2011 Engine Machines with Rexroth Pumps (SN 0300100131 through 0300201016)	
	1001152971	Ref	Hydraulic Diagram for Deutz TCD2.9L4 Engine Machines with Rexroth Pumps	
	2792559	Ref	Hydraulic Diagram - Oscillating Axle (Prior to SN 0300074357)	
	2792647	Ref	Hydraulic Diagram - Oscillating Axle (SN 0300074357 through 0300100130)	
	2792647	Ref	Hydraulic Diagram - Oscillating Axle (SN 0300100131 through 0300201016)	
	1001118859	Ref	Hydraulic Diagram for Machines with Sauer Pumps (SN 0300100131 through 0300201016)	
	2792647	Ref	All Machines	
		Ref	Hydraulic Diagram - Steer Options:	
	1283308	Ref	Hydraulic Diagram for Caterpillar Engine Machines with Rexroth Pumps (Prior to SN 0300074357)	
	1283308	Ref	Hydraulic Diagram for Deutz BF4M2011 & TD2011 Engine Machines with Rexroth Pumps (Prior to SN 0300074357)	

SECTION 6 - HYDRAULIC

ITEM	PART NUMBER	QTY	DESCRIPTION	REV
	1283374	Ref	Hydraulic Diagram for Caterpillar Engine Machines with Rexroth Pumps (SN 0300074357 through 0300100130)	
	1283374	Ref	Hydraulic Diagram for Deutz BF4M2011 & TD2011 Engine Machines with Rexroth Pumps (SN 0300074357 through 0300100130)	
	1283457	Ref	Hydraulic Diagram for Caterpillar Engine Machines with Rexroth Pumps (SN 0300100131 through 0300201016)	
	1283457	Ref	Hydraulic Diagram for Deutz BF4M2011 & TD2011 Engine Machines with Rexroth Pumps (SN 0300100131 through 0300201016)	
	1001152971	Ref	Hydraulic Diagram for Deutz TCD2.9L4 Engine Machines with Rexroth Pumps	
	2792560	Ref	Hydraulic Diagram - Steer (Prior to SN 0300074357)	
	2792646	Ref	Hydraulic Diagram - Steer (SN 0300074357 through 0300100130)	
	2792773	Ref	Hydraulic Diagram - Steer (SN 0300100131 through 0300201016)	
	1001118859	Ref	Hydraulic Diagram for Machines with Sauer Pumps (SN 0300100131 through 0300201016)	
	2792773	Ref	All Machines	
		Ref	Hydraulic Diagram - Turntable Options:	
	1283308	Ref	Hydraulic Diagram for Caterpillar Engine Machines with Rexroth Pumps (Prior to SN 0300074357)	
	1283308	Ref	Hydraulic Diagram for Deutz BF4M2011 & TD2011 Engine Machines with Rexroth Pumps (Prior to SN 0300074357)	
	1283374	Ref	Hydraulic Diagram for Caterpillar Engine Machines with Rexroth Pumps (SN 0300074357 through 0300100130)	
	1283374	Ref	Hydraulic Diagram for Deutz BF4M2011 & TD2011 Engine Machines with Rexroth Pumps (SN 0300074357 through 0300100130)	
	1283457	Ref	Hydraulic Diagram for Caterpillar Engine Machines with Rexroth Pumps (SN 0300100131 through 0300201016)	
	1283457	Ref	Hydraulic Diagram for Deutz BF4M2011 & TD2011 Engine Machines with Rexroth Pumps (SN 0300100131 through 0300201016)	
	1001152971	Ref	Hydraulic Diagram for Deutz TCD2.9L4 Engine Machines with Rexroth Pumps	
	2792561	Ref	Hydraulic Diagram - Turntable (1200SJP Only) (Prior to SN 0300074357)	
	2792557	Ref	Hydraulic Diagram - Turntable (1350SJP Only) (Prior to SN 0300074357)	
	2792644	Ref	Hydraulic Diagram - Turntable (SN 0300074357 through 0300085708)	
	2792715	Ref	Hydraulic Diagram - Turntable (SN 0300085709 through 0300100130)	
	2792715	Ref	Hydraulic Diagram - Turntable (SN 0300100131 through 0300139322)	
	1001114620	Ref	Hydraulic Diagram - Turntable (Caterpillar Engines) (SN 0300139323 through 0300201016)	
	1001114620	Ref	Hydraulic Diagram - Turntable (Deutz BF4M2011 & TD2011 Engines) (SN 0300139323 through 0300201016)	
	1001152968	Ref	Hydraulic Diagram - Turntable (Deutz TCD2.9L4 Engines) (SN 0300139323 through 0300201016)	
	1001118859	Ref	Hydraulic Diagram for Machines with Rexroth Pumps	
	1001118869	Ref	with Sauer Pumps (SN 0300139323 through 0300201016)	
	2792565	Ref	Hydraulic Diagram - Welder	
		Ref	Hydraulic Schematic - Oil Cooler Options:	

SECTION 6 - HYDRAULIC

ITEM	PART NUMBER	QTY	DESCRIPTION	REV
	0272080	Ref	Deutz Machines with Rexroth Pumps	
	1001118957	Ref	Deutz Machines with Sauer Pumps	
	1001119859	Ref	Caterpillar Machines with Rexroth Pumps	
		Ref	Hydraulic Schematic - Standard Options:	
	2792527	Ref	Hydraulic Schematic - Standard (Prior to SN 0300100131)	
	2792771	Ref	Hydraulic Schematic - Standard (SN 0300100131 through 0300139322)	
	1001110749	Ref	Hydraulic Schematic - Standard (SN 0300139323 through 0300201016)	
	2792568	Ref	Hydraulic Diagram - 7500W Generator (Prior to SN 0300080338)	

SECTION 7 - ELECTRICAL

SECTION 7 - ELECTRICAL

FIGURE 7-1. ELECTRICAL DIAGRAM LIST

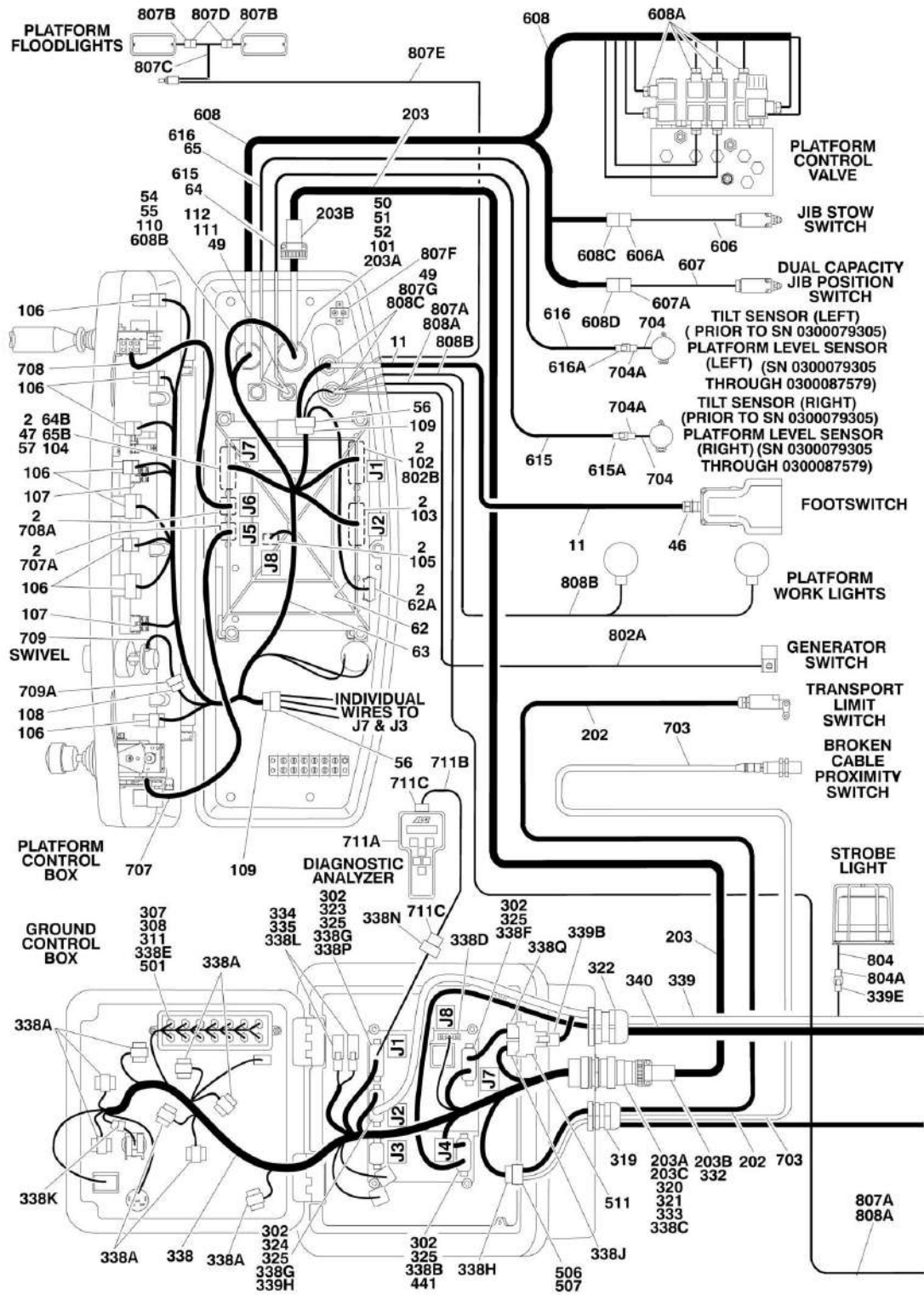
ITEM	PART NUMBER	QTY	DESCRIPTION	REV
		Ref	Note: Diagrams not shown are available from the JLG Service Department.	
	4933262	Ref	CHASSIS ILLUMINATION LIGHTS ELECTRICAL DIAGRAM	
	1001102417	Ref	CLEAR SKY TELEMATICS ELECTRICAL SCHEMATICS	
	0272066	Ref	COLD WEATHER KIT WITH ETHER WIRING DIAGRAM	
	0272068	Ref	COLD WEATHER KIT WITH ETHER WIRING DIAGRAM	
		Ref	GENERATOR ELECTRICAL DIAGRAM	
		Ref	Note: For Module Identification, refer to Revision Log page A.	
		Ref	Without UGM	
		Ref	2500W Generators	
	4933215	Ref	ANSI Spec (110Volt)	
		Ref	CE Spec	
	4933215	Ref	110Volt (Prior to SN 0300080338)	
	4933300	Ref	110Volt (SN 0300080338 through 0300201016)	
	4933216	Ref	220Volt (Prior to SN 0300129806)	
	1001100027	Ref	220Volt (SN 0300129806 through 0300201016)	
	4933216	Ref	Australian Spec (220Volt Only) (Prior to SN 0300129806)	
		Ref	7500W Generators	
	4933267	Ref	Hydraulic Driven Generator (Prior to SN 0300080338)	
	4933264	Ref	Belt Driven Generator (SN 0300080338 through 0300201016)	
		Ref	With UGM	
		Ref	2500W Generators	
	1001120381	Ref	Caterpillar/Deutz Engine - 110/220Volt - 60Hz	
	1001120382	Ref	Deutz Engine - 110/220Volt - 50Hz	
		Ref	4000W Generators	
	1001153257	Ref	Deutz Engine – 60Hz (ANSI Export / CE / Japanese Spec)	
	1001162901	Ref	Deutz Engine – 50Hz (ANSI Export / CE / Japanese Spec)	
	1001162899	Ref	Deutz Engine – 50Hz (Australian Spec)	
	1001162900	Ref	Deutz Engine –50Hz (CE Spec)	
		Ref	7500W Generators	
	1001122528	Ref	Caterpillar/Deutz Engine (Prior to SN 0300182753)	
	1001157770	Ref	Caterpillar, Deutz TD2011 Engine and Deutz TCD2.9L4 Engines Machines (SN 0300182753 through 0300201016)	
		Ref	GROUND CONTROL BOX ELECTRICAL DIAGRAM	
		Ref	Note: For Module Identification, refer to Revision Log page A.	
		Ref	Without UGM	
	4933268	Ref	Ground Control Box Electrical (Prior to SN 0300087579)	
	4933340	Ref	Ground Control Box Electrical (SN 0300087579 through 0300098919)	
	4933389	Ref	Ground Control Box Electrical (SN 0300098920 through 0300201016)	
	1001116206	Ref	With UGM	
	4933253	Ref	HEADLIGHT AND TAILLIGHTS ELECTRICAL DIAGRAM	
	4933249	Ref	PLATFORM FLOODLIGHTS ELECTRICAL DIAGRAM	
	0272096	Ref	PLATFORM WORKLIGHTS ELECTRICAL DIAGRAM	
	0272097	Ref	PLATFORM WORKLIGHTS ELECTRICAL DIAGRAM	
		Ref	STANDARD ELECTRICAL SCHEMATIC OPTIONS:	
		Ref	Note: For Module Identification, refer to Revision Log page A.	

SECTION 7 - ELECTRICAL

ITEM	PART NUMBER	QTY	DESCRIPTION	REV
	1870149	Ref	Without UGM	
		Ref	Standard Electrical Schematic (Prior to SN 0300087579)	
		Ref	Note: SN 0300087532 was built with the EMR2 Deutz Engine.	
	1870196	Ref	Standard Electrical Schematic (SN 0300087579 through 0300098919)	
		Ref	Note: SN 0300087765 was built with the Tier II Deutz Engine.	
	1870214	Ref	Standard Electrical Schematic (SN 0300098920 through 0300201016)	
	1001119860	Ref	With UGM	

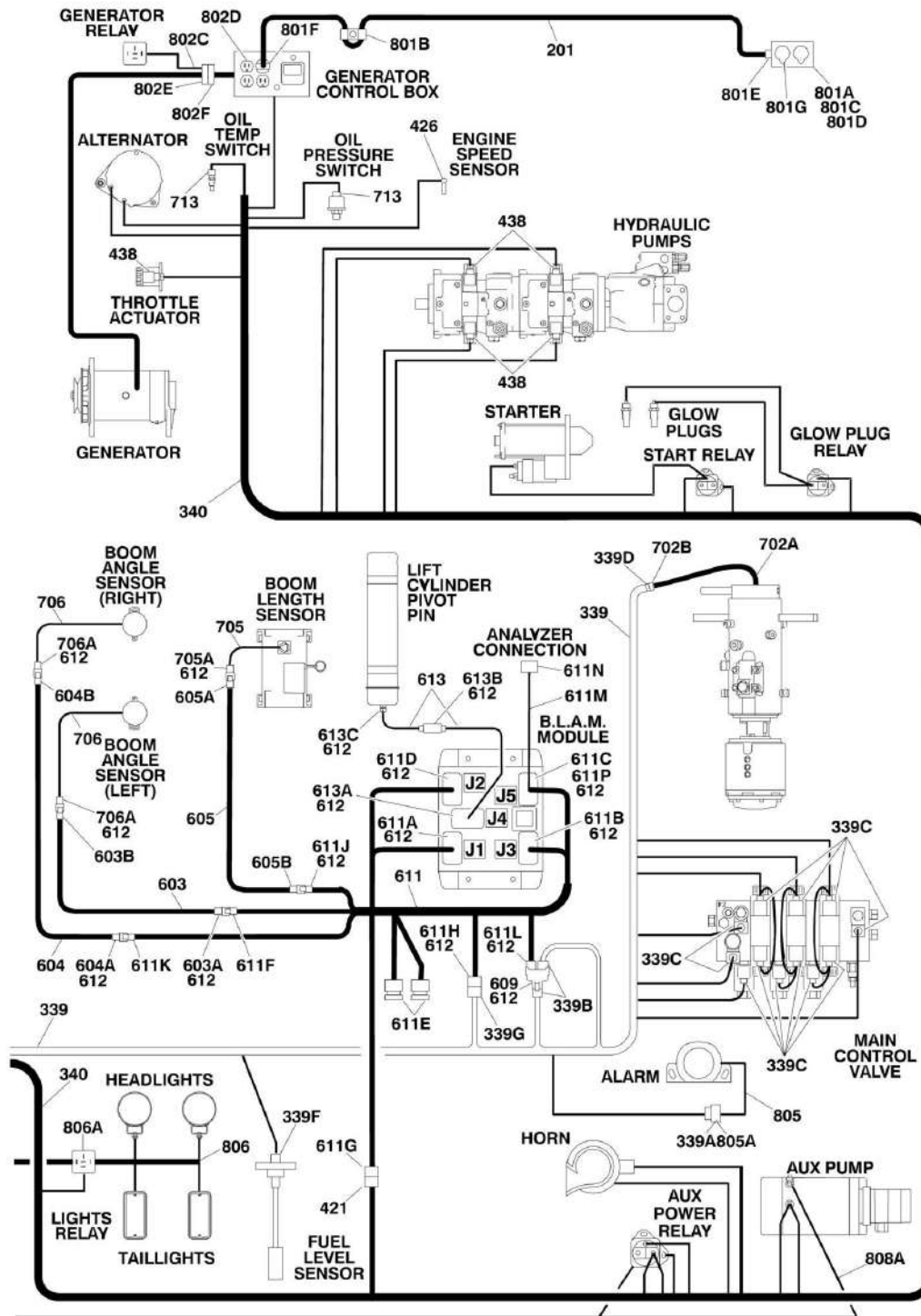
SECTION 7 - ELECTRICAL

FIGURE 7-2. HARNESS COMPONENTS INSTALLATION (WITHOUT UGM) (Prior to SN 0300087579)

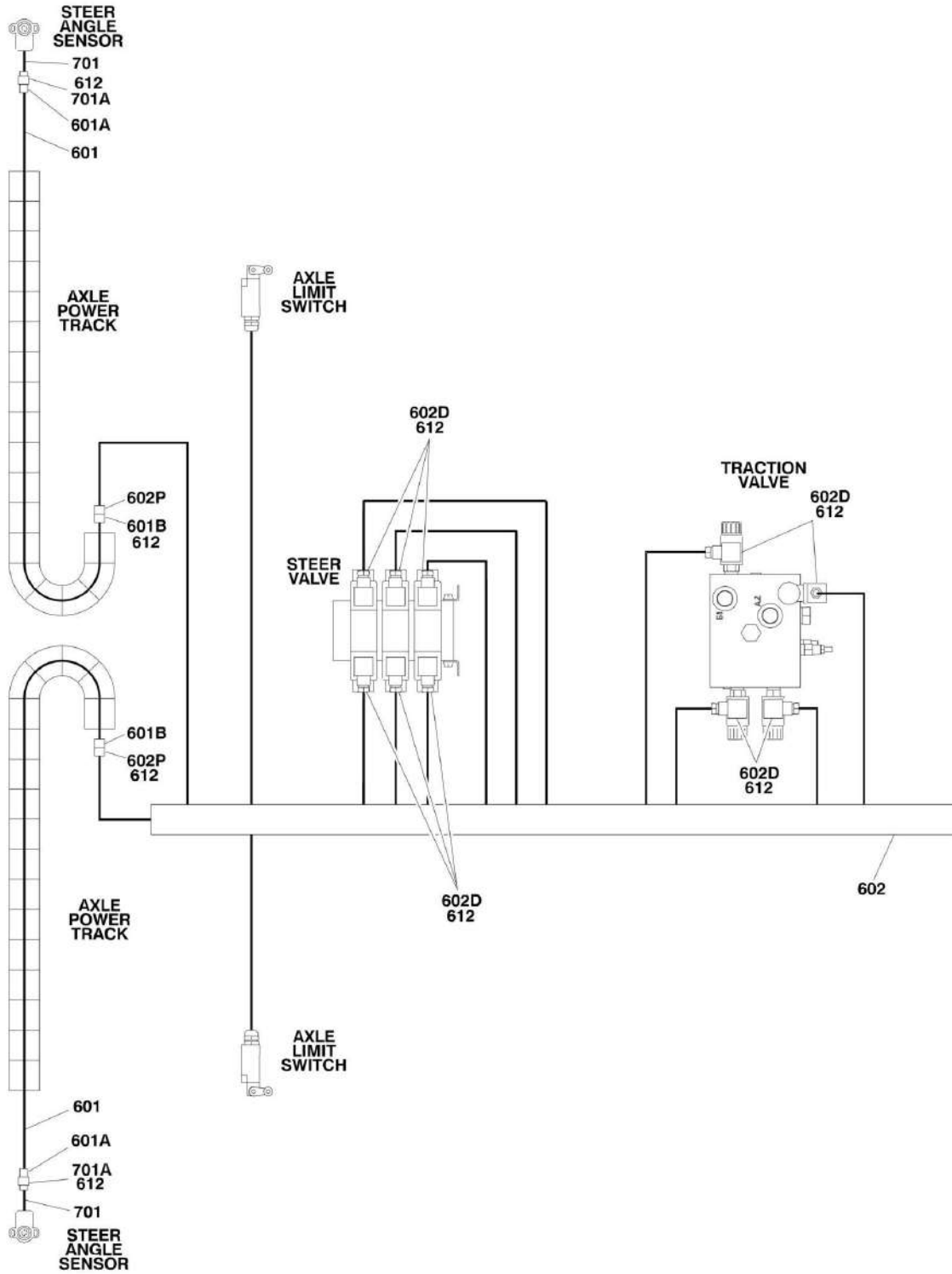


SECTION 7 - ELECTRICAL

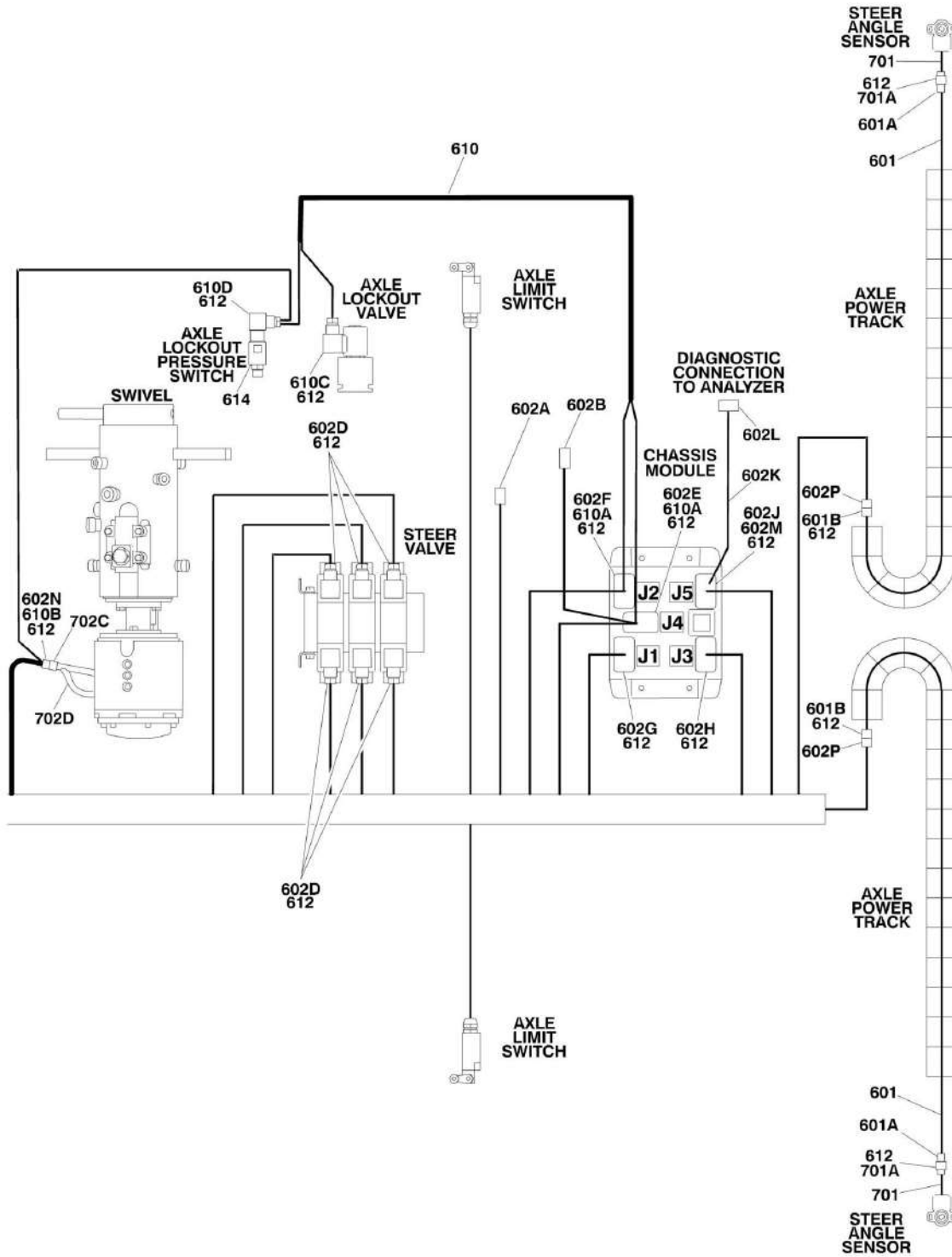
NOTE: FOR MODULE IDENTIFICATION, REFER TO REVISION LOG PAGE A.



SECTION 7 - ELECTRICAL



SECTION 7 - ELECTRICAL



SECTION 7 - ELECTRICAL

FIGURE 7-2. HARNESS COMPONENTS INSTALLATION (WITHOUT UGM) (Prior to SN 0300087579)

ITEM	PART NUMBER	QTY	DESCRIPTION	REV
		Ref	NOTE: FOR MODULE IDENTIFICATION, REFER TO REVISION LOG PAGE A.	
		Ref	HARNESS COMPONENTS INSTALLATION	
		Ref	PLATFORM CONSOLE BOX COMPONENTS OPTIONS:	
	0861561	Ref	Platform Console Box Components (Prior to SN 0300079596)	F
	0861631	Ref	Platform Console Box Components (SN 0300079596 through 0300087579)	G
2	0100048	AR	Grease, Dielectric	
11	1060918	7 ft/2.14m	Cable, Electrical - 18/3	
46	4460071	1	Connector, Strain Relief	
47	4460226	2	Socket, Female	
49	4460428	4	Connector, Strain Relief	
50	4460464	1	Pin, Male Deutsch	
51	4460470	1	Nut, Terminal	
52	4460471	1	Lockwasher, Terminal	
54	4460496	1	Lockwasher, Terminal	
55	4460497	1	Nut, Terminal	
56	4460708	2	Receptacle, Female - 15 Position	
57	4460905	5	Seal, Plug	
62	4922666	1	Harness, Analyzer Cable	2-B
62	4460226	4	Socket, Female (Not Shown - Located at J2)	
62A	4460761	1	Connector, Female - 4 Position	
62A	4460227	4	Pin, Male	
63		Ref	Harness, Platform Box Options (See Items 101-112 for Breakdown):	
63	4922778	1	Harness, Platform Box (Prior to SN 0300079596)	
63	4922945	1	Harness, Platform Box (Use p/n 4923448) (SN 0300079596 through 0300087579)	
		Ref	PLATFORM BOX HARNESS ASSEMBLY OPTIONS:	
	4922778	Ref	Platform Box Harness Assembly (Prior to SN 0300079596)	6-F
	4922945	Ref	Platform Box Harness Assembly (SN 0300079596 through 0300087579)	4-F
101	4460866	1	Connector - 19 Position	
101	4460464	7	Pin, Male Deutsch 16 Ga	
101	4460508	4	Pin, Male Deutsch 12 Ga	
101	4460943	3	Pin, Male 16 Ga (Gold Plated - Used on 3 Wire Canbus Cable)	
102	4460874	1	Connector - 35 Position (Natural)	
102	4460871	29	Socket, Female	
103	4460876	1	Connector - 35 Position (Blue)	
103	4460871	34	Socket, Female	
104	4460873	1	Connector - 35 Position (Black)	
104	4460871	26	Socket, Female	
105	4460879	1	Connector, Male - 2 Position	
105	4460887	2	Terminal (12 Gauge)	
106	4460418	AR	Connector, Female - 6 Position	
106	4460419	AR	Socket, Female	
107	4460225	4	Plug, Male - 6 Position	
107	4460226	21	Terminal (16 Gauge)	
108	4460225	1	Plug, Male - 6 Position	
108	4460227	5	Pin, Male	
109	4460434	2	Plug, Male - 15 Position	

SECTION 7 - ELECTRICAL

ITEM	PART NUMBER	QTY	DESCRIPTION	REV
109	4460227	13	Pin, Male	
110	4460925	1	Connector - 21 Position	
110	4460929	13	Pin, Male Deutsch 16 Ga	
110	4460466	8	Plug	
111	1001121616	1	Connector, Insert - 6 Position (SN 0300079596 through 0300087579)	
112	1001121615	1	Connector, Mounting Base (SN 0300079596 through 0300087579)	
		Ref	BOOM CABLES INSTALLATION	
	0271932	Ref	Boom Cables Installation 1200SJP (ANSI and ANSI Export Specs)	D
	0271950	Ref	Boom Cables Installation 1200SJP (Australian and CE Specs)	D
	1001161048	Ref	Boom Cables Installation 1200SJP with 4000W Generator	A
	0273854	Ref	Boom Cables Installation 1200SJP with 7500W Generator (All Specs)	A
	0271951	Ref	Boom Cables Installation 1350SJP (ANSI and ANSI Export Specs)	D
	0271952	Ref	Boom Cables Installation 1350SJP (Australian and CE Specs)	D
	1001161050	Ref	Boom Cables Installation 1350SJP with 4000W Generator	A
	0273855	Ref	Boom Cables Installation 1350SJP with 7500W Generator (All Specs)	A
201		Ref	Cable, Electrical - 10/3	
201	4922759	1	Cable, Electrical - 10/3 1200SJP (ANSI and ANSI Export Specs)	B
201	4922761	1	Cable, Electrical - 10/3 1200SJP (Australian and CE Specs)	B
201	Not Required	0	Cable, Electrical - 10/3 1200SJP with 7500W Generator (All Specs)	
201	4922758	1	Cable, Electrical - 10/3 1350SJP (ANSI and ANSI Export Specs)	A
201	4922760	1	Cable, Electrical - 10/3 1350SJP (Australian and CE Specs)	A
201	Not Required	0	Cable, Electrical - 10/3 1350SJP with 7500W Generator (All Specs)	
202		Ref	Cable, Electrical - 18/3	
202	4922763	1	Cable, Electrical - 18/3 1200SJP (46ft/13.8m Length)	B
202	4922762	1	Cable, Electrical - 18/3 1350SJP (50ft/15.3m Length)	B
203		Ref	Harness Assembly - Boom (12/4 - 18/8) Options:	
203	4922672	1	Harness Assembly 1200SJP	2-B
203	4922673	1	Harness Assembly 1350SJP	2-B
203	1060896	Ref	Cable, Electrical - 12/4 & 18/8	
203	1060896	142 ft/43.3m	Cable, Electrical - 12/4 & 18/8 1200SJP	
203	1060896	157 ft/48m	Cable, Electrical - 12/4 & 18/8 1350SJP	
203	2820118	8 in/18cm	Heat Shrink	
203A	4460865	2	Connector - 19 Position	
203A	4460465	22	Socket, Female 18 Gauge	
203A	4460509	8	Socket, Female 12 Gauge	
203A	4460466	8	Seal, Plug	
203B	4460473	2	Clamp, Cable	
203C	4460465	11	Socket, Female 18 Gauge	
203C	4460509	4	Socket, Female 12 Gauge	
204		Ref	Harness, Generator (8/5) Options (with 7500W Generator Only - Not Shown):	

SECTION 7 - ELECTRICAL

ITEM	PART NUMBER	QTY	DESCRIPTION	REV
204	4922796	1	Harness, Generator (8/5) 1200SJP	
204	4922795	1	Harness, Generator (8/5) 1350SJP	
		Ref	GROUND CONTROL BOX COMPONENTS	
302	0100048	AR	Grease, Dielectric	
307	1670829	1	Bezel	
308	1705308	1	Decal - Light Panel	
311	2760105	1	Housing, Light	
319	4460426	1	Connector, Strain Relief	
320	4460470	1	Nut, Terminal	
321	4460471	1	Washer, Terminal	
322	4460526	1	Connector, Strain Relief	
323	4460874	1	Connector, White - 35 Position	
324	4460875	1	Connector, Gray - 35 Position	
325	4460905	4	Plug, Connector	
332	4460473	1	Clamp, Cable	
333	4460865	1	Connector - 19 Position	
334	4460892	2	Connector, Bussbar - 6 Position	
335	4460914	2	Base, Terminal	
338	4922789	1	Ground Control Box Harness Assembly Options:	3-E
338	3990001	2	Diode - 3 Amp (Not Shown - Located at Power Down Relay)	
338A	4460418	8	Connector, Female - 6 Position	
338A	4460419	24	Socket, Female	
338B	4460876	1	Connector, Blue - 35 Position	
338B	4460871	29	Socket, Female	
338C	4460866	1	Connector - 19 Position	
338C	4460464	10	Pin, Male Deutsch 16 Ga	
338C	4460508	3	Pin, Male Deutsch 12 Ga	
338D	4460878	1	Plug, Male - 4 Position	
338D	4460887	3	Terminal (12 Gauge)	
338E	4120035	9	Base, Light	
338E	4460634	10	Terminal (16 Gauge)	
338E	4460635	8	Terminal (12 Gauge)	
338F	4460873	1	Connector, Black - 35 Position	
338F	4460871	9	Socket, Female	
338G	4460871	12	Socket, Female	
338H	4460225	1	Plug, Male - 6 Position	
338H	4460227	6	Pin, Male	
338J	4460965	1	Plug, Male - 3 Position (Blue Lock)	
338J	4460944	3	Socket, Female	
338J	4922099	2 ft/.6m	Cable, Can-Buss	
338K	2400066	1	Fuseholder with Cover	
338K	2400065	1	Fuse	
338L	4460894	2	Plug, Male - 6 Position	
338L	4460465	1	Socket, Female 16-18GA	
338L	4460942	2	Socket, Female 14GA	
338M	4922485	1	Harness, Analyzer	3-D
338N	4460761	1	Connector, Female - 4 Position	
338N	4460227	4	Pin, Male	
338P	4460871	4	Socket, Female	
338Q	4460966	1	Plug, Male - 3 Position (Green Lock)	
338Q	4460944	3	Socket, Female	

SECTION 7 - ELECTRICAL

ITEM	PART NUMBER	QTY	DESCRIPTION	REV
338Q	4922099	2 ft/.6m	Cable, Can-Buss	
339	4922787	1	Valve Harness Assembly	4-F
339A	4460320	1	Plug, Male - 2 Position	
339A	4460267	2	Pin, Male	
339B	4460965	3	Plug, Male - 3 Position	
339B	4460944	9	Socket, Female	
339B	4922099	19.8 ft/6m	Cable, Electrical 18/3	
339C	4460880	11	DIN Connector	
339D	4460836	1	Plug, Male - 12 Position	
339D	4460466	4	Plug, Socket	
339D	4460465	3	Socket, Female	
339D	4460942	2	Socket, Female 14-16 GA	
339D	4460944	3	Socket, Female 16-18 GA (Gold)	
339E	4460424	1	Connector, Female - 2 Position	
339E	4460268	2	Socket, Female	
339F	4460843	1	Plug, Male - 2 Position	
339F	4460842	2	Socket, Female	
339G	4460894	1	Plug, Male - 6 Position	
339G	4460465	3	Socket, Female	
339G	4460942	3	Socket, Female 14-16 GA	
339H	4460942	3	Socket, Female 14-16 GA	
339H	4460465	2	Socket, Female	
339H	4460871	17	Socket, Female	
339H	4460464	1	Pin, Male	
340	4922704	1	Harness, Engine Options (See Items 401-441 for Breakdown)	
341	4933268	1	Ground Control Wiring Diagram (See Items 501-511 for Breakdown)	
	4922704	Ref	ENGINE HARNESS ASSEMBLY	6-F
421	4460899	1	Connector, Female - 6 Position	
421	4460465	4	Socket, Female	
421	4460464	1	Plug, Seal	
426	4460890	1	Connector, Female - 2 Position	
426	4460889	2	Terminal	
438	4460880	5	DIN Connector without Diode	
441	4460887	1	Terminal, Molex	
441	4460871	13	Socket, Female	
441	4460508	1	Terminal, Deutsch	
	4933268	Ref	GROUND CONTROL BOX WIRING DIAGRAM	2-F
501	2920129	9	Bulb, Light	
506	4460226	6	Socket, Female	
507	4460224	1	Connector, Female - 6 Position	
511	4460945	1	Connector, Female - 3 Way	
	0272445	Ref	WIRING HARNESES INSTALLATION	5-E
601	4922718	4	Axle Power Track Harness Assembly	B
601A	4460539	1 Per Assy	Plug, Male - 3 Position (Includes Wedge Lock and Seal)	
601A	4460944	3 Per Assy	Socket, Female	
601B	4460932	1 Per Assy	Connector, Female - 4 Position	
601B	4460943	4 Per Assy	Pin, Male	

SECTION 7 - ELECTRICAL

ITEM	PART NUMBER	QTY	DESCRIPTION	REV
602	4922696	1	Chassis Harness Assembly	3-D
602A	4460894	1	Plug, Male - 6 Position	
602A	4460465	6	Socket, Female	
602A	4460892	1	Connector, Bussbar - 6 Position	
602B	4460891	1	Plug, Male - 2 Position	
602B	4460465	2	Socket, Female	
602C	4460894	1	Plug, Male - 6 Position (Not Shown)	
602C	4460465	6	Socket, Female	
602C	4460892	1	Connector, Bussbar - 6 Position	
602D	4460880	14	DIN Connector	
602E	4460930	1	Connector, Gray - 8 Position	
602E	4460465	3	Socket, Female	
602E	4460466	5	Plug, Terminal	
602F	4460836	1	Connector, Black - 12 Position	
602F	4460465	6	Socket, Female	
602F	4460466	6	Plug, Terminal	
602G	4460933	1	Connector, Gray - 12 Position	
602G	4460465	8	Socket, Female	
602G	4460466	4	Plug, Terminal	
602H	4460934	1	Connector, Green - 12 Position	
602H	4460944	12	Socket, Female	
602J	4460935	1	Connector, Brown - 12 Position	
602J	4460465	8	Socket, Female	
602K	4922705	1	Analyzer Harness	2-B
602L	4460761	1	Connector, Female	
602L	4460227	4	Pin, Male	
602M	4460465	4	Socket, Female	
602N	4460950	1	Connector, Female - 12 Position	
602N	4460464	6	Pin, Male 16-18 GA	
602N	4460943	3	Pin, Male 16-18 GA (Gold)	
602N	4460941	2	Pin, Male 14-16GA	
602P	4460884	4	Connector, Gray - 4 Position	
602P	4460944	16	Socket, Female	
603	4922781	1	B.L.A.M. to Boom Angle Sensor Harness (Left Side)	3-B
603A	4460932	1	Connector, Gray - 4 Position	
603A	4460943	4	Pin, Male	
603B	4460911	1	Plug, Male - 3 Position	
603B	4460918	3	Socket, Female	
603B	4460912	1	Lock, Wedge - Position	
604	4922780	1	B.L.A.M. to Boom Angle Sensor Harness (Right Side)	2-B
604A	4460884	1	Connector, Gray - 4 Position	
604A	4460944	4	Socket, Female	
604B	4460911	1	Plug, Male - 3 Position	
604B	4460918	3	Socket, Female	
604B	4460912	1	Lock, Wedge - Position	
605	4922716	1	B.L.A.M. to Boom Length Sensor Harness	C
605A	4460539	2	Plug, Male - 3 Position (Includes Wedge Lock and Seal)	
605A	4460944	3	Socket, Female	
605B	4460894	1	Plug, Male - 6 Position	
605B	4460944	4	Socket, Female	
605B	4460466	2	Plug, Sealing	

SECTION 7 - ELECTRICAL

ITEM	PART NUMBER	QTY	DESCRIPTION	REV
606	4922784	1	Jib Stow Switch Harness	B
606A	4460891	1	Plug, Male - 2 Position	
606A	4460465	2	Socket, Female	
607	4922785	1	Dual Capacity Jib Position Switch Harness	B
607A	4460897	1	Connector, Female - 2 Position	
607A	4460464	2	Pin, Male	
608	4922777	1	Platform Valve Harness	1-C
608A	4460880	9	DIN Connector	
608B	4460926	1	Connector - 21 Position	
608B	4460928	13	Socket, Female	
608B	4460466	8	Plug, Hole	
608C	4460897	1	Connector, Female - 2 Position	
608C	4460464	2	Pin, Male	
608D	4460891	1	Plug, Male - 2 Position	
608D	4460465	2	Socket, Female	
609	4460945	2	Connector, Female - 3 Way	
610	4922767	1	Lockout Valve Harness	2-C
610A	4460465	3	Socket, Female	
610B	4460464	1	Pin, Male	
610C	4460880	2	Connector, DIN	
610D	4460449	2	Connector, DIN	
611	4922786	1	B.L.A.M. Harness	4-C
611A	4460933	1	Plug, Male - 12 Position (Gray)	
611A	4460466	7	Plug, Seal	
611A	4460944	3	Socket, Female	
611A	4460465	1	Socket, Female	
611A	4460942	1	Socket, Female	
611B	4460934	1	Plug, Male - 12 Position (Green)	
611B	4460466	7	Plug, Seal	
611B	4460944	3	Socket, Female	
611B	4460465	2	Socket, Female	
611C	4460935	1	Plug, Male - 12 Position (Brown)	
611C	4460466	5	Plug, Seal	
611C	4460465	2	Socket, Female	
611D	4460836	1	Plug, Male - 12 Position (Black)	
611D	4460466	8	Plug, Seal	
611D	4460944	2	Socket, Female	
611D	4460465	2	Socket, Female	
611E	4460836	2	Plug, Male - 12 Position (Black)	
611E	4460466	14	Plug, Seal	
611E	4460944	5	Socket, Female	
611E	4460465	5	Socket, Female	
611E	4460837	2	Receptacle, Female - 12 Position Buss Bar	
611F	4460884	1	Plug, Male 4 Position (Gray)	
611F	4460944	4	Socket, Female	
611G	4460894	1	Plug, Male - 6 Position (Gray)	
611G	4460465	5	Socket, Female	
611G	4460466	1	Plug, Sealing	
611H	4460899	1	Connector, Female - 6 Position (Gray)	
611H	4460464	3	Pin, Male	
611H	4460941	3	Pin, Male (Gold Plated)	

SECTION 7 - ELECTRICAL

ITEM	PART NUMBER	QTY	DESCRIPTION	REV
611J	4460899	1	Connector, Female - 6 Position (Gray)	
611J	4460466	2	Plug, Sealing	
611J	4460943	4	Pin, Male (Gold Plated)	
611K	4460932	1	Plug, Male - 4 Position (Gray)	
611K	4460943	1	Pin, Male	
611L	4460966	1	Connector, Female - 3 Position	
611L	4460944	3	Socket, Female	
611M	4922705	1	Analyzer Harness	2-B
611N	4460761	1	Connector, Female - 4 Position	
611N	4460227	4	Pin, Male	
611P	4460465	4	Socket, Female	
612	0100048	AR	Lubricant, Silicone	
613		Ref	Load Sensing Pin Harness Options:	
613	4922826	1	Load Sensing Pin Harness (Prior to SN 0300087310)	F
613	4923256	1	Load Sensing Pin Harness (SN 0300087310 through 0300087579)	B
613A	4460930	1	Connector, Gray - 8 Position	
613A	4460465	4	Socket, Female	
613A	4460466	3	Plug, Sealing	
613B	See Note	1	Filter Module (Note: Not Available For Purchase) (Prior to SN 0300087310)	
613C	See Note	1	Connector, Female - 4 Position (Note: Not Available For Purchase)	
613C	See Note	4	Terminal (Note: Not Available For Purchase)	
614	4360530	1	Switch, Pressure - See Traction Valve Breakdown for Machines (Prior to SN 0300072337, SN 0300072337 through 0300087579)	1-A
615		Ref	Right Sensor Harness Options:	
615	4922782	1	Right Sensor Harness Use Right Tilt Sensor Harness (Prior to SN 0300079305)	3-C
		Ref	(Note: SNs SN 0300076827, SN 0300076839, SN 0300079842, SN 0300077468, SN 0300077486, SN 0300077501, SN 0300077634 & SN 0300077472 use p/n 4922947)	
615	4922947	1	Right Sensor Harness use Right Level Sensor Harness (SN 0300079305 through 0300087579)	E
		Ref	(Note: SNs SN 0300079360 & SN 0300079469 use p/n 4922782)	
615A	4460871	3	Socket, Female	
615A	4460911	1	Plug, Male - 3 Position	
615A	4460918	3	Pin, Male	
615A	4460912	1	Lock, Wedge - Position	
615A	1320309	1	Clamp, Cable	
615A	1560012	1	Nut, Conduit	
615A	1560011	1	Connector, Conduit	
615A	See Note	1	Plug, Male - 7 Position (Note: Requires Special Tool for proper installation - Purchase Complete Harness)	
616		Ref	Left Sensor Harness Options:	
616	4922783	1	Left Sensor Harness Use Left Tilt Sensor Harness (Prior to SN 0300079305)	3-C
		Ref	(Note: SNs SN 0300076827, SN 0300076839, SN 0300079842, SN 0300077468, SN 0300077486, SN 0300077501, SN 0300077634 & SN 0300077472 use p/n 4922948)	
616	4922948	1	Left Sensor Harness use Left Level Sensor Harness (SN	E

SECTION 7 - ELECTRICAL

ITEM	PART NUMBER	QTY	DESCRIPTION	REV
		Ref	0300079305 through 0300087579) (Note: SNs SN 0300079360 & SN 0300079469 use p/n 4922783)	
616A	4460871	3	Socket, Female	
616A	4460911	1	Plug, Male - 3 Position	
616A	4460918	3	Pin, Male	
616A	4460912	1	Lock, Wedge - Position	
616A	1320309	1	Clamp, Cable	
616A	1560012	1	Nut, Conduit	
616A	1560011	1	Connector, Conduit	
616A	See Note	1	Plug, Male - 7 Position (Note: Requires Special Tool for proper installation - Purchase Complete Harness)	
		Ref	STANDARD HARNESS COMPONENTS	
701	See Note	4	Steer Angle Sensor Harness (Note: Not Available For Purchase)	
701	4360536	1 Per Assy	Plug, Male - 3 Position	
701	4460464	3 Per Assy	Pin, Male	
702	1660253	1	Coupling Electrical Components	
702A	See Note	1	Coupling Turntable Harness (Note: Not Available For Purchase)	
702B	4460837	1	Connector, Female - 12 Position	
702B	4460466	4	Plug, Socket	
702B	4460464	3	Pin, Male 16-18 GA	
702B	4460943	3	Pin, Male 16-18 GA (Gold)	
702B	4460941	2	Pin, Male 14-16GA	
702C	See Note	1	Coupling Frame Harness (Note: Not Available For Purchase)	
702D	4460836	1	Plug, Male - 12 Position	
702D	4460465	6	Socket, Female 16-18 GA	
702D	4460942	2	Socket, Female 14-16 GA	
702D	4460944	3	Socket, Female 16-18 GA (Gold)	
702D	4460466	1	Plug, Socket	
703	See Note	1	Broken Cable Proximity Switch Harness (Note: Part of Proximity Switch - Purchased New Switch)	
704		Ref	Sensor Harness Options:	
704	4360534	2	Tilt Sensor Harness (Use p/n 1001147479) (Prior to SN 0300079596)	
704	4360545	2	Tilt Sensor Harness (Use p/n 1001147479) (Prior to SN 0300079596)	
704	4360534	2	Platform Level Sensor (Use p/n 1001147479) (SN 0300079596 through 0300087579)	
704	4360545	2	Platform Level Sensor (Use p/n 1001147479) (SN 0300079596 through 0300087579)	
704A	4460910	2	Connector, Female - 3 Position	
704A	4460917	6	Pin, Male	
704A	4460913	1	Lock, Wedge	
705	See Note	1	Boom Length Switch Harness (Note: Not Available For Purchase)	
705A	4460536	1	Connector, Female - 3 Position	
705A	4460943	3	Pin, Male	
706	4360534	2	Boom Angle Sensor Harness (Use p/n 1001147479)	
706	4360545	2	Boom Angle Sensor Harness (Use p/n 1001147479)	
706A	4460910	2	Connector, Female Deutsch - 3 Position	
706A	4460917	6	Pin, Male	
706A	4460913	1	Lock, Wedge	

SECTION 7 - ELECTRICAL

ITEM	PART NUMBER	QTY	DESCRIPTION	REV
707	See Note	1	Controller Harness Assembly (Lift and Swing) (Note: Not Available For Purchase)	
707A	7022819	1	Plug, Male - 8 Position (Natural)	
707A	4460871	8	Socket, Female	
708	7022824	1	Controller Harness/Circuit Board Assembly (Drive and Steer)	
708A	7022825	1	Plug, Male - 8 Position (Black)	
708A	4460871	7	Socket, Female	
709	See Note	1	Speed Control Harness (Note: Not Available For Purchase)	
709A	4460224	1	Connector, Female - 6 Position	
709A	4460226	5	Socket, Female	
711	0272621	1	Control System Analyzer Installation	A
711	2901443	1	Analyzer/Cable Kit	1
711A	1600244	1	Analyzer	
711B	1060633	1	Cable, Analyzer	1-B
711C	4460321	2	Plug, Male	
711C	70003407	2	Shell, Back	
711C	4460226	8	Socket, Female	
713	See Note	AR	Deutz Harness Components (Note: Not Available For Purchase)	
713	7020488	2	Connector, Switch	
		Ref	OPTIONAL HARNESS COMPONENTS	
801		Ref	AC to Platform Receptacle Components Options:	
801	0271953	Ref	110V GFI Receptacle (ANSI Spec)	1-A
801	0271954	Ref	220V GFI Receptacle (ANSI Spec)	1-A
801	0271955	Ref	220V GFI Receptacle (ANSI Export, Australian and CE Specs)	1-C
801A		Ref	Box, Switch Options:	
801A	0860038	1	ANSI Spec	
801A	See Note	1	ANSI Export, Australian and CE Specs (Note: Not Available - Purchase Locally)	
801B	1320146	1	Clamp, Hose	
801C		Ref	Gasket, Cover Options:	
801C	3960422	1	ANSI Spec	
801C	See Note	1	ANSI Export, Australian and CE Specs (Note: Not Available - Purchase Locally)	
801D		Ref	Shield, Cover Options:	
801D	4060700	1	ANSI Spec 110V GFI	
801D	4060092	1	ANSI Spec 220V GFI	
801D	See Note	1	ANSI Export, Australian and CE Specs (Note: Not Available - Purchase Locally)	
801E		Ref	Connector, Strain Relief Options:	
801E	4460051	1	ANSI Spec	
801E	See Note	1	ANSI Export, Australian and CE Specs (Note: Not Available - Purchase Locally)	
801F		Ref	Plug, Male Options:	
801F	4460205	1	ANSI Spec 110V GFI	
801F	4460709	1	ANSI Spec 220V GFI	
801F	See Note	1	ANSI Export, Australian and CE Specs (Note: Not Available - Purchase Locally)	
801G		Ref	Receptacle Options:	
801G	4460346	1	ANSI Spec 110V GFI	
801G	4460125	1	ANSI Spec 220V GFI	
801G	See Note	1	ANSI Export, Australian and CE Specs (Note: Not Available - Purchase Locally)	
802		Ref	2500W Generator Electrical Components	

SECTION 7 - ELECTRICAL

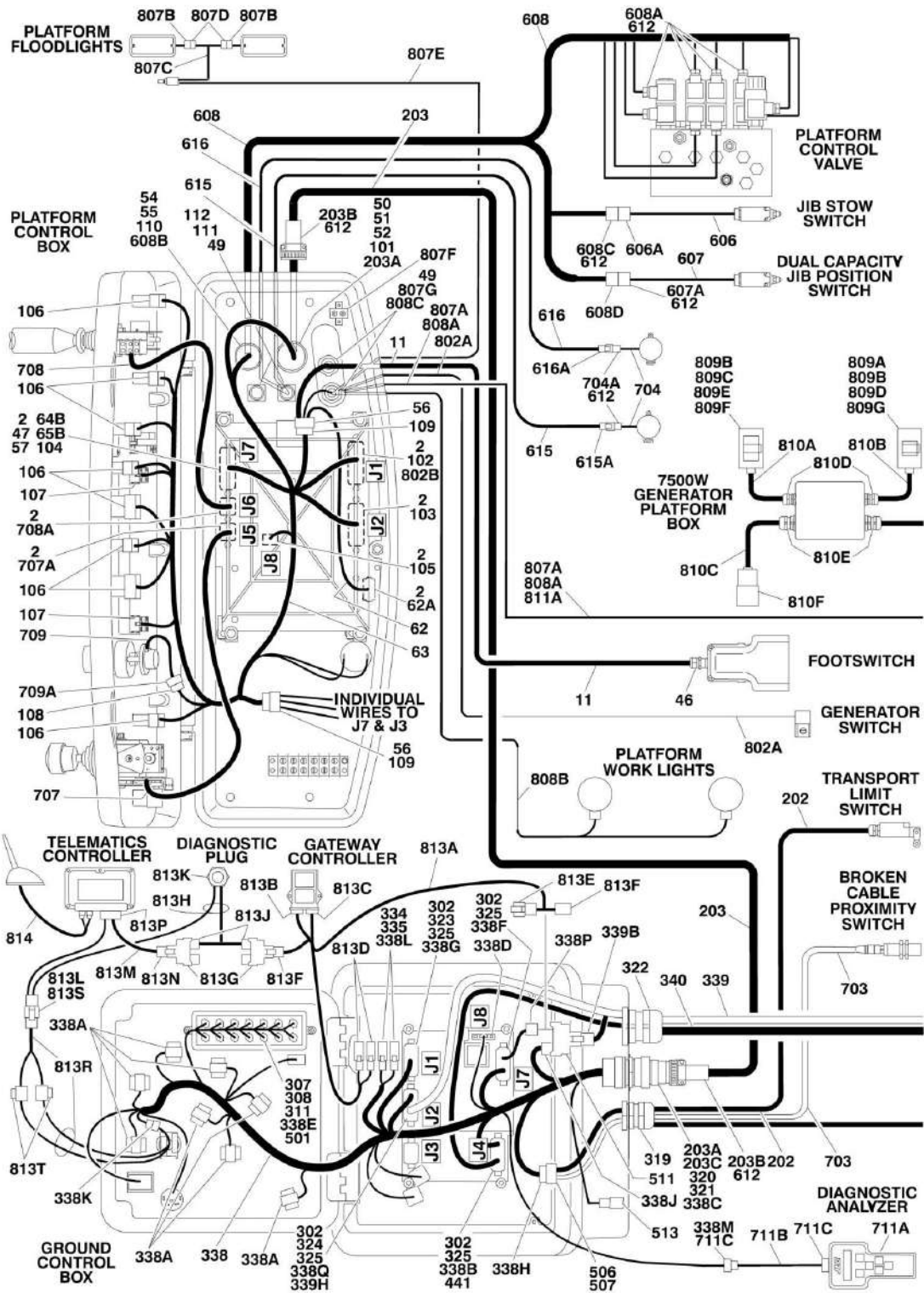
ITEM	PART NUMBER	QTY	DESCRIPTION	REV
802	4933215	Ref	110Volt (Prior to SN 0300079611)	1-B
802	4933300	Ref	110Volt (SN 0300079611 through 0300087579)	2-B
802	4933216	Ref	220Volt	1-A
802	3990010	1	Diode - 6 Amp (Not Shown) (110V & All 220V) (Prior to SN 0300079611)	
802A	4922641	1	Harness - On/Off Switch	
802B	4460226	2	Socket, Female	
802C		Ref	Powermite Control Box to Relay Harness Options:	
802C	4922482	1	110V (Prior to SN 0300079611)	3-C
802C	4922970	1	110V (SN 0300079611 through 0300087579)	1-B
802C	4922482	1	220V (Prior to SN 0300079611)	3-C
802C	4460374	AR	Plug, Sealed	
802C	4460375	AR	Terminal	
802D	4460027	1	Receptacle, Twist Lock (110V)	
802E	4460961	1	Connector, Female - 4 Position (110V) (SN 0300079611 through 0300087579)	
802E	4460705	4	Pin, Male	
802F	4460321	1	Connector, Male - 4 Position (110V) (SN 0300079611 through 0300087579)	
802F	4460906	4	Socket, Female	
804	0272507	1	Strobe Light Harness (Includes Strobe Light)	B
804A	4460320	1	Connector, Female - 2 Position	
804A	4460267	2	Pin, Male	
805	0257887	1	Alarm Harness (Includes Alarm)	
805	0140032	1	Alarm	
805	2820035	6 in/15cm	Loom	
805	4460424	1	Plug	
805	4460268	2	Socket, Female	
805A	4460424	1	Plug, Male - 2 Position	
805A	4460268	2	Socket, Female	
806	4922738	1	Headlight and Taillight and Chassis Illumination Lights Harness	
806A	4460374	1	Plug, Sealed	
807	See Note	1	Floodlights Harness Components (Note: Not Available - Purchase Locally)	
807A		Ref	Harness Options (Aux Relay to Console Box):	
807A	1060708	1	Harness 1200SJP (Use p/n 1001099718)	
807A	1060708	1	Harness 1350SJP (Use p/n 1001099719)	
807B	4460320	2	Plug, Male - 2 Position	
807B	4460227	4	Pin, Male	
807C	4922764	1	Floodlight Harness (Lights to Switch)	
807D	4460424	2	Connector, Female - 2 Position	
807D	4460226	4	Socket, Female	
807E	1060977	1	Cord, 2 Wire Coiled (Console Box Relay to Switch)	
807F	4360232	1	Breaker, Circuit	
807G	4460425	1	Connector, Strain Relief	
808	See Note	1	Work Lights Harness Components (Note: Not Available - Purchase Locally)	
808A		Ref	Harness, Electric 10/3 (Aux Relay to Console Box)	
808A	4922834	1	Harness, Electric 10/3 1200SJP	
808A	4922833	1	Harness, Electric 10/3 1350SJP	
808A	4921757	AR	Fusible Link	
808B	See Note	2	Work Light Harness (Supplied with Work Light) (Note: Not Available For Purchase)	

SECTION 7 - ELECTRICAL

ITEM	PART NUMBER	QTY	DESCRIPTION	REV
808C	4460426	1	Connector, Strain Relief	
		Ref	TOOLS (NOT SHOWN)	
	7002821	1	Crimper (For Wire to Pin/Socket Connections)	
	7002823	1	Extractor (For Removal of Pin/Socket from Connectors)	
	4460467	1	Extractor, Pin (Blue 16-18 Gauge) (For Removal of Pin/Socket from Connectors)	
	4460510	1	Extractor, Pin (Yellow 12-14 Gauge) (For Removal of Pin/Socket from Connectors)	
	7002828	1	Stripper, Wire	
	1001137005	1	Cable Kit, Software	

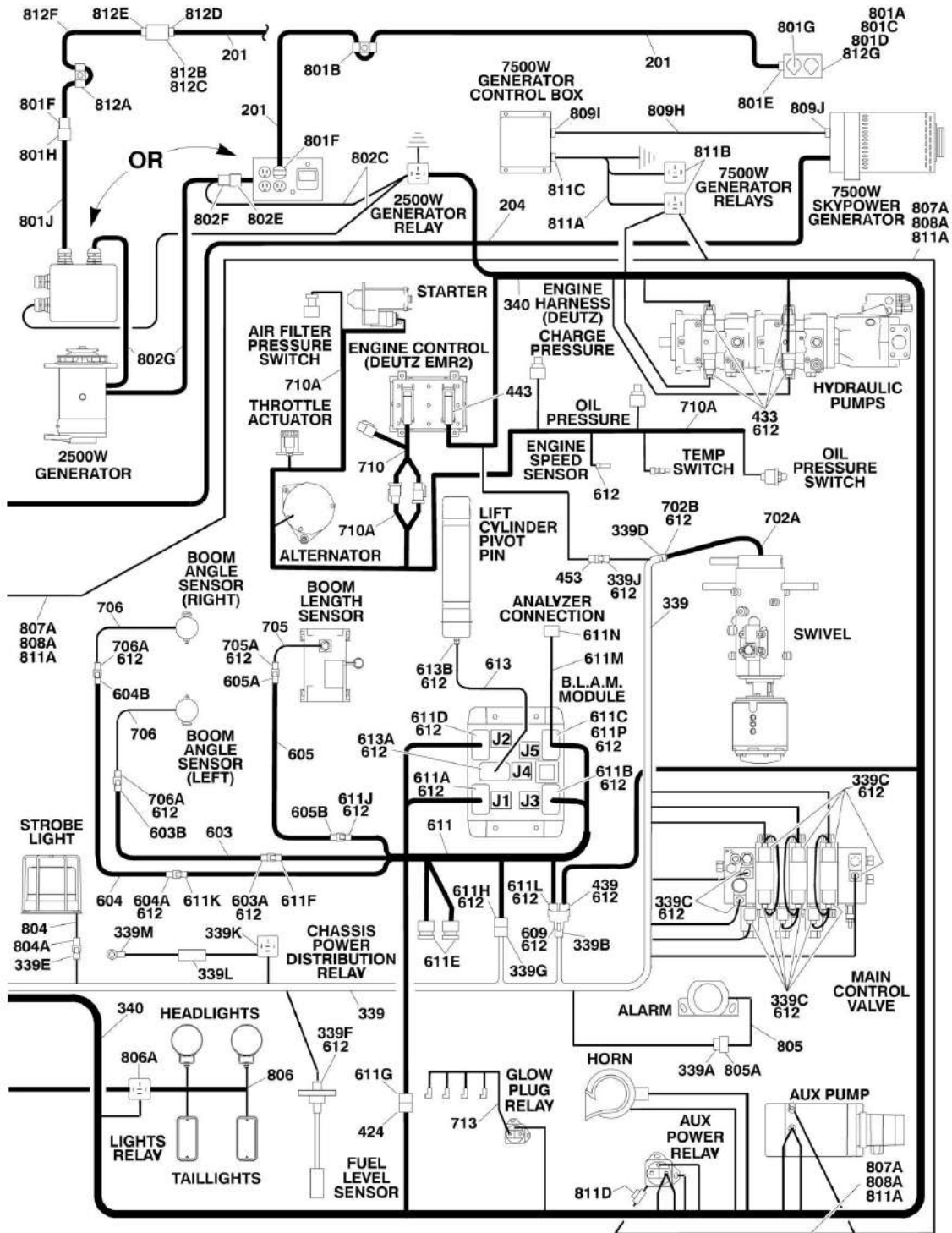
SECTION 7 - ELECTRICAL

FIGURE 7-3. HARNESS COMPONENTS INSTALLATION (WITHOUT UGM) (SN 0300087579 through 0300201016)

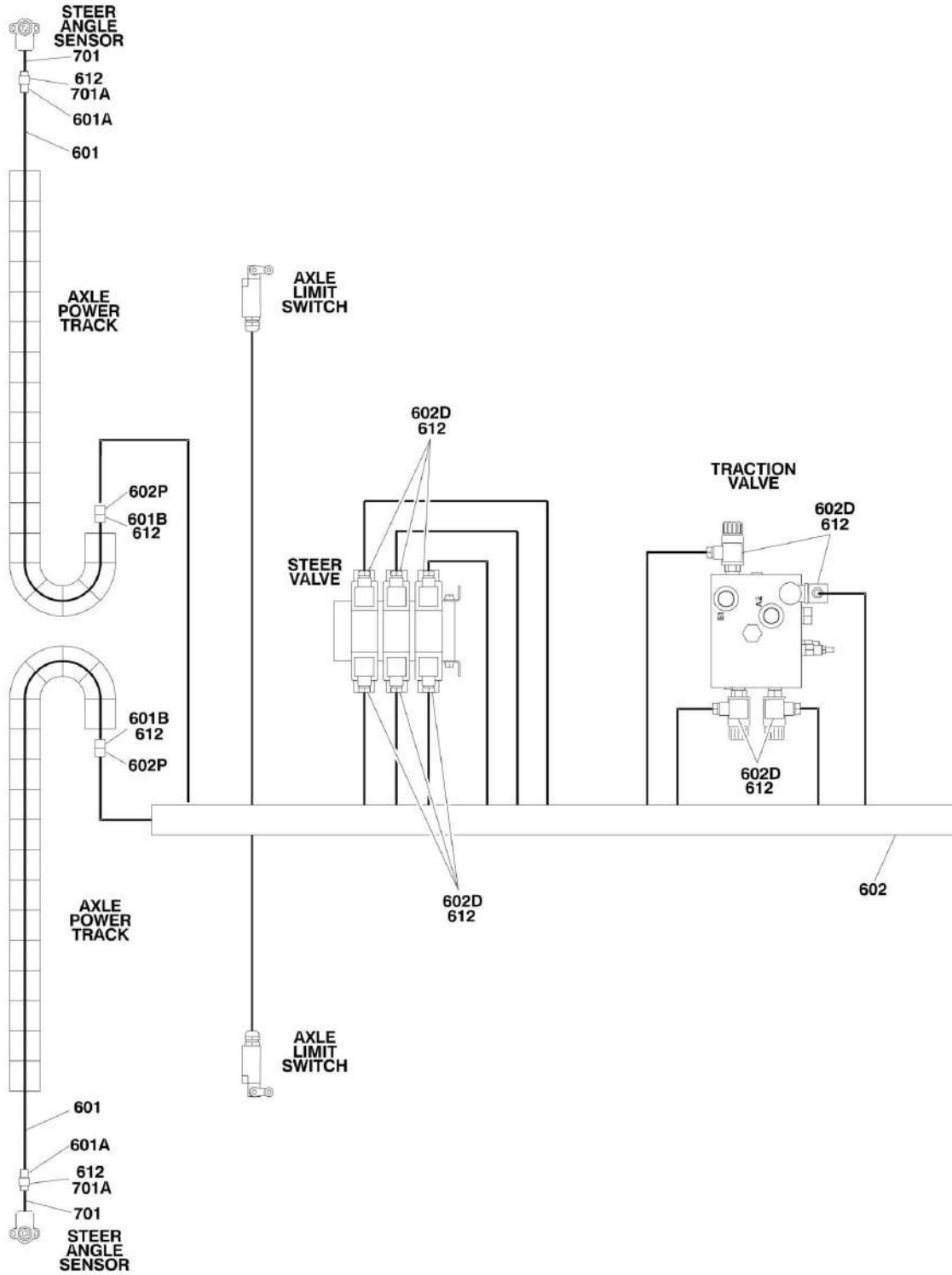


SECTION 7 - ELECTRICAL

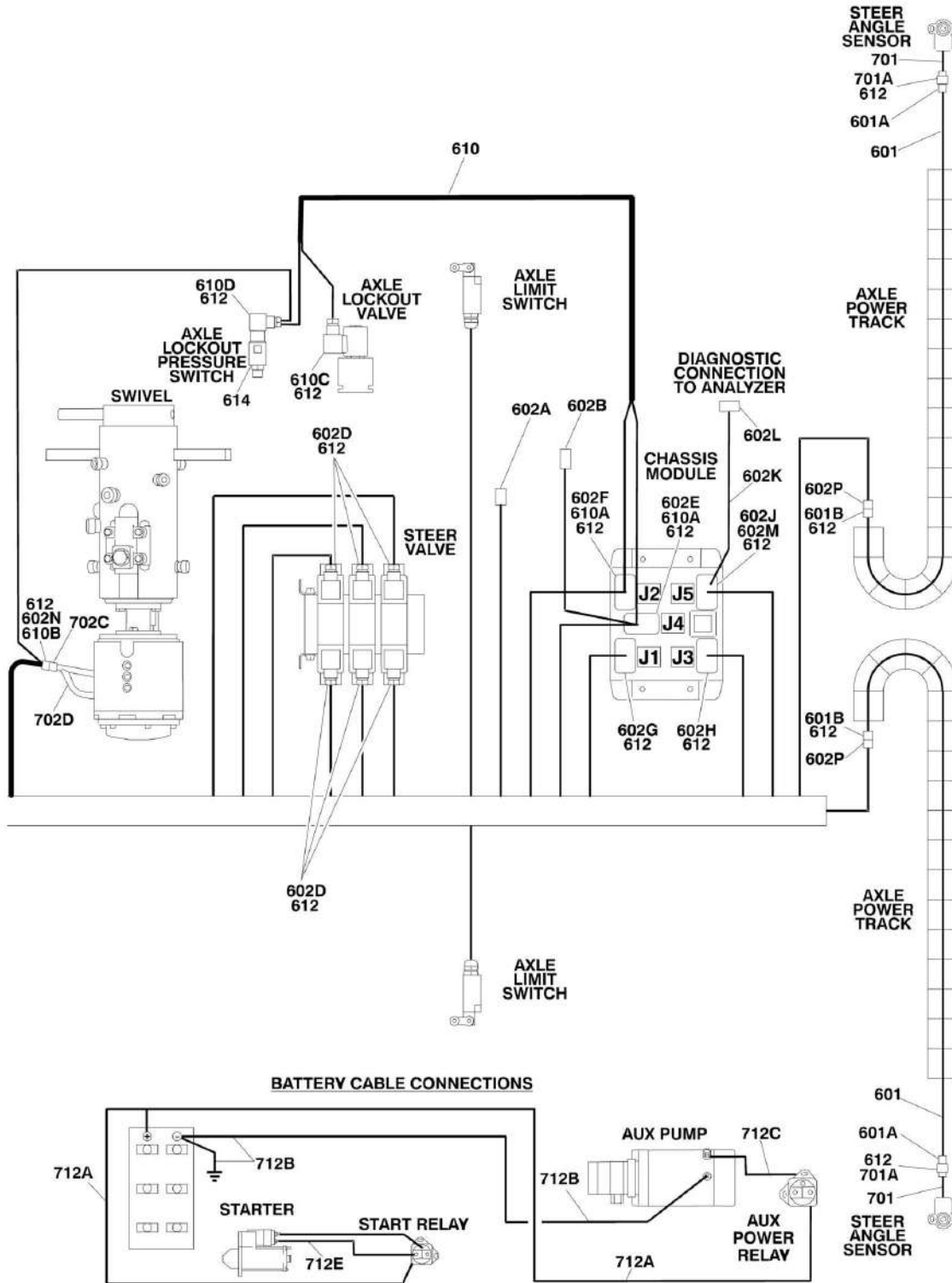
NOTE: FOR MODULE IDENTIFICATION, REFER TO REVISION LOG PAGE A.



SECTION 7 - ELECTRICAL



SECTION 7 - ELECTRICAL



SECTION 7 - ELECTRICAL

FIGURE 7-3. HARNESS COMPONENTS INSTALLATION (WITHOUT UGM) (SN 0300087579 through 0300201016)

ITEM	PART NUMBER	QTY	DESCRIPTION	REV
		Ref	NOTE: FOR MODULE IDENTIFICATION, REFER TO REVISION LOG PAGE A.	
		Ref	HARNESS COMPONENTS INSTALLATION	
	0861631	Ref	PLATFORM CONSOLE BOX COMPONENTS OPTIONS:	G
2	0100048	AR	Grease, Dielectric	
11	1060918	7 ft/2.14m	Cable, Electrical - 18/3	
46	4460071	1	Connector, Strain Relief	
47	4460226	2	Socket, Female	
49	4460428	4	Connector, Strain Relief	
50	4460464	1	Pin, Male Deutsch	
51	4460470	1	Nut, Terminal	
52	4460471	1	Lockwasher, Terminal	
54	4460496	1	Lockwasher, Terminal	
55	4460497	1	Nut, Terminal	
56	4460708	2	Receptacle, Female - 15 Position	
57	4460905	5	Seal, Plug	
62	4922666	1	Harness, Analyzer Cable	2-B
62	4460226	4	Socket, Female (Not Shown - Located at J2)	
62A	4460761	1	Connector, Female - 4 Position	
62A	4460227	4	Pin, Male	
63		Ref	Harness, Platform Box Options (See Items 101-112 for Breakdown):	
63	4922945	1	Harness, Platform Box (Use p/n 4923448) (SN 0300087579 through 0300093077)	
63	4923448	1	Harness, Platform Box (SN 0300093078 through 0300201016)	
	4922945	Ref	PLATFORM BOX HARNESS ASSEMBLY	
	4922945	Ref	Platform Box Harness Assembly (SN 0300087579 through 0300093312)	F
	4923448	Ref	Platform Box Harness Assembly (SN 0300093313 through 0300201016)	3-B
101	4460866	1	Connector - 19 Position	
101	4460464	7	Pin, Male Deutsch 16 Ga	
101	4460508	4	Pin, Male Deutsch 12 Ga	
101	4460943	3	Pin, Male 16 Ga (Gold Plated - Used on 3 Wire Canbus Cable)	
102	4460874	1	Connector - 35 Position (Natural)	
102	4460871	AR	Socket, Female	
102	4460905	AR	Plug	
103	4460876	1	Connector - 35 Position (Blue)	
103	4460871	AR	Socket, Female	
103	4460905	AR	Plug	
104	4460873	1	Connector - 35 Position (Black)	
104	4460871	AR	Socket, Female	
104	4460905	AR	Plug	
105	4460879	1	Connector, Male - 2 Position	
105	4460887	2	Terminal (12 Gauge)	
106	4460418	12	Connector, Female - 6 Position	
106	4460419	36	Socket, Female	
107	4460225	5	Plug, Male - 6 Position	
107	4460226	21	Terminal (16 Gauge)	
108	4460225	1	Plug, Male - 6 Position	

SECTION 7 - ELECTRICAL

ITEM	PART NUMBER	QTY	DESCRIPTION	REV
108	4460227	5	Pin, Male	
109	4460434	2	Plug, Male - 15 Position	
109	4460227	13	Pin, Male	
110	4460925	1	Connector - 21 Position	
110	4460929	13	Pin, Male Deutsch 16 Ga	
110	4460466	8	Plug	
111	1001121616	2	Connector, 6 Position	
112	1001121615	2	Base, Mounting	
		Ref	BOOM CABLES INSTALLATION	
	0271932	Ref	Boom Cables Installation 1200SJP (ANSI and ANSI Export Specs)	D
	0271950	Ref	Boom Cables Installation 1200SJP (Australian and CE Specs)	D
	0273854	Ref	Boom Cables Installation 1200SJP with 7500W Generator (All Specs)	A
	0271951	Ref	Boom Cables Installation 1350SJP (ANSI and ANSI Export Specs)	D
	0271952	Ref	Boom Cables Installation 1350SJP (Australian and CE Specs)	D
	0273855	Ref	Boom Cables Installation 1350SJP with 7500W Generator (All Specs)	A
201		Ref	Cable, Electrical - 10/3	
201	4922759	1	Cable, Electrical 1200SJP (ANSI and ANSI Export Specs)	B
201	4922761	1	Cable, Electrical 1200SJP (Australian and CE Specs)	B
201	Not Required	0	Cable, Electrical 1200SJP with 7500W Generator (All Specs)	
201	4922758	1	Cable, Electrical 1350SJP (ANSI and ANSI Export Specs)	A
201	4922760	1	Cable, Electrical 1350SJP (Australian and CE Specs)	A
201	Not Required	0	Cable, Electrical 1350SJP with 7500W Generator (All Specs)	
202		Ref	Cable, Electrical - 18/3	
202	4922763	1	Cable, Electrical 1200SJP (46ft/13.8m Length)	B
202	4922762	1	Cable, Electrical 1350SJP (50ft/15.3m Length)	B
203		Ref	Harness Assembly - Boom (12/4 -18/8) Options:	
203	4922672	1	Harness Assembly - Boom 1200SJP	2-B
203	4922673	1	Harness Assembly - Boom 1350SJP	2-B
203	1060896	Ref	Cable, Electrical - 12/4 & 18/8	
203	1060896	142 ft/43.3m	Cable, Electrical 1200SJP	
203	1060896	157 ft/48m	Cable, Electrical 1350SJP	
203	2820118	8 in/18cm	Heat Shrink	
203A	4460865	2	Connector - 19 Position	
203A	4460465	22	Socket, Female 18 Gauge	
203A	4460509	8	Socket, Female 12 Gauge	
203A	4460466	8	Seal, Plug	
203B	4460473	2	Clamp, Cable	
203C	4460465	11	Socket, Female 18 Gauge	
203C	4460509	4	Socket, Female 12 Gauge	
204		Ref	Harness, Generator (8/5) Options (with 7500W Generator Only):	
204	4922796	1	Harness, Generator (8/5) 1200SJP	
204	4922795	1	Harness, Generator (8/5) 1350SJP	
		Ref	GROUND CONTROL BOX COMPONENTS	
	0861749	Ref	Machines with Rexroth Pumps (SN 0300087579 through 0300098641)	F

SECTION 7 - ELECTRICAL

ITEM	PART NUMBER	QTY	DESCRIPTION	REV
	0861798	Ref	Machines with Rexroth Pumps (SN 0300098642 through 0300098919)	B
	1810057	Ref	Machines with Rexroth Pumps (SN 0300098920 through 0300201016)	G
	1001118767	Ref	Machines with Sauer Pumps (SN 0300098920 through 0300201016)	B
302	0100048	AR	Grease, Dielectric	
307	1670829	1	Bezel	
308	1705308	1	Decal - Light Panel	
311	2760105	1	Housing, Light	
319	4460426	1	Connector, Strain Relief	
320	4460470	1	Nut, Terminal	
321	4460471	1	Washer, Terminal	
322	4460526	1	Connector, Strain Relief	
323	4460874	1	Connector, White - 35 Position	
324	4460875	1	Connector, Gray - 35 Position	
325	4460905	4	Plug, Connector	
334	4460892	2	Connector, Bussbar - 6 Position	
335	4460914	2	Base, Terminal	
338		Ref	Ground Control Box Harness Assembly Options:	
338	4923286	1	Ground Control Box Harness Assembly (SN 0300087579 through 0300098919)	1-B
338	4923574	1	Ground Control Box Harness Assembly (SN 0300098920 through 0300201016)	B
338	3990001	2	Diode - 3 Amp (Not Shown - Located at Power Down Relay)	
338A	4460418	8	Connector, Female - 6 Position	
338A	4460419	24	Socket, Female	
338B	4460876	1	Connector, Blue - 35 Position	
338B	4460871	29	Socket, Female	
338C	4460866	1	Connector - 19 Pin	
338C	4460464	10	Pin, Male Deutsch 16 Ga	
338C	4460508	3	Pin, Male Deutsch 12 Ga	
338D	4460878	1	Plug, Male - 4 Position	
338D	4460887	3	Terminal (12 Gauge)	
338E	4120035	10	Base, Light	
338E	4460634	10	Terminal (16 Gauge)	
338E	4460635	10	Terminal (12 Gauge)	
338F	4460873	1	Connector, Black - 35 Position	
338F	4460871	15	Socket, Female	
338G	4460871	7	Socket, Female	
338H	4460225	1	Plug, Male - 6 Position	
338H	4460227	6	Pin, Male	
338J	4460965	1	Plug, Male - 3 Position (Blue Lock)	
338J	4460944	3	Socket, Female	
338J	4922099	2 ft/.6m	Cable, Can-Buss	
338K	2400066	1	Fuseholder with Cover	
338K	2400065	1	Fuse	
338L	4460894	2	Plug, Male - 6 Position	
338L	4460465	1	Socket, Female 16-18GA	
338L	4460942	2	Socket, Female 14GA	
338M	4460761	1	Connector, Female - 4 Position	
338M	4460227	4	Pin, Male	

SECTION 7 - ELECTRICAL

ITEM	PART NUMBER	QTY	DESCRIPTION	REV
338P	4460966	1	Plug, Male - 3 Position (Green Lock)	
338P	4460944	3	Socket, Female	
338P	4922099	2 ft/.6m	Cable, Can-Buss	
338Q	4460871	3	Socket, Female	
339		Ref	Valve Harness Assembly Options:	
339	4923292	1	Valve Harness Assembly (SN 0300087579 through 0300098641)	2-B
339	4923522	1	Valve Harness Assembly (SN 0300098642 through 0300201016)	1-D
339A	4460320	1	Plug, Male - 2 Position	
339A	4460267	2	Pin, Male	
339B	4460965	2	Plug, Male - 3 Position	
339B	4460944	6	Socket, Female	
339B	4922099	AR	Cable, Electrical 18/3	
339C	4460880	11	DIN Connector	
339D	4460836	1	Plug, Male - 12 Position	
339D	4460466	4	Plug, Socket	
339D	4460465	3	Socket, Female	
339D	4460942	2	Socket, Female 14-16 GA	
339D	4460944	3	Socket, Female 16-18 GA (Gold)	
339E	4460424	1	Connector, Female - 2 Position	
339E	4460268	2	Socket, Female	
339F	4460843	1	Plug, Male - 2 Position	
339F	4460842	2	Socket, Female	
339G	4460894	1	Plug, Male - 6 Position	
339G	4460465	3	Socket, Female	
339G	4460942	3	Socket, Female 14-16 GA	
339H	4460942	3	Socket, Female 14-16 GA	
339H	4460465	2	Socket, Female	
339H	4460871	17	Socket, Female	
339H	4460464	1	Pin, Male	
339J	4460536	1	Connector, Female - 3 Position	
339J	4460943	3	Pin, Male	
339J	4922099	AR	Cable, Electrical 18/3	
339K	3740080	1	Relay, Sealed (SN 0300098642 through 0300201016)	
339K	4460374	1	Plug, Sealed (SN 0300098642 through 0300201016)	
339K	4460375	5	Terminal, Female (SN 0300098642 through 0300201016)	
339L	2400066	1	Fuseholder w/Leads (SN 0300098642 through 0300201016)	
339L	2400065	1	Fuse, 30A (SN 0300098642 through 0300201016)	
339M	4460019	1	Terminal, Ring (SN 0300098642 through 0300201016)	
340		Ref	Harness, Engine (See Items 401-453 for Breakdown)	
340	4923273	1	Machines with Rexroth Pumps (SN 0300087579 through 0300093351)	
340	4923376	1	Machines with Rexroth Pumps (SN 0300093352 through 0300201016)	
340	1001119957	1	Machines with Sauer Pumps	
341		Ref	Ground Control Wiring Diagram Options: (See Items 501-513 for Breakdown)	
341	4933340	1	Ground Control Wiring Diagram (SN 0300087579 through 0300098919)	
341	4933389	1	Ground Control Wiring Diagram (SN 0300098920 through 0300201016)	
		Ref	ENGINE HARNESS ASSEMBLY	

SECTION 7 - ELECTRICAL

ITEM	PART NUMBER	QTY	DESCRIPTION	REV
	4923273	Ref	Machines with Rexroth Pumps (SN 0300087579 through 0300093351)	B
	4923376	Ref	Machines with Rexroth Pumps (SN 0300093352 through 0300201016)	E
	1001119957	Ref	Machines with Sauer Pumps	A
424	4460899	1	Connector, Female - 6 Position	
424	4460465	1	Socket, Female	
424	4460464	4	Pin, Male	
424	4460466	2	Markers, Terminal	
433		Ref	Pump Connector Options:	
433	4460880	4	DIN Connector without Diode (Rexroth Pumps)	
433	4460891	4	Plug, Male - 2 Position (Sauer Pumps)	
433	4460465	8	Socket, Female (Sauer Pumps)	
436	4460887	1	Terminal, Molex	
436	4460871	7	Socket, Female	
436	4460508	1	Terminal, Deutsch	
439	4460965	1	Connector, Female - 3 Position	
439	4460944	3	Socket, Female (Gold)	
443	4461052	1	Connector, Female - 25 Position	
443	4461005	5	Terminal	
443	4461006	5	Seal	
443	4461054	2	Seal, Terminal	
443	4461060	2	Terminal (Tin)	
443	4461053	1	Cover, Plug	
443	4461008	18	Plug, Hole	
453	4460539	1	Plug, Male - 3 Position (Includes Wedge Lock and Seal)	
453	4460944	3	Socket, Female (Gold)	
		Ref	GROUND CONTROL BOX WIRING DIAGRAM	
	4933340	Ref	Ground Control Box Wiring Diagram (SN 0300087579 through 0300098919)	1-C
	4933389	Ref	Ground Control Box Wiring Diagram (SN 0300098920 through 0300201016)	1-C
501	2920129	10	Bulb, Light	
506	4460226	6	Socket, Female	
507	4460224	1	Connector, Female - 6 Position	
511	4460945	1	Connector, Female - 3 Way	
513	2902443	1	Receptacle Kit	
513	4461071	8	Socket, Female	
513	4461072	1	Receptacle	
513	4461073	1	Cap, Dust	
513	4461074	1	Shell, Black	
	0274660	Ref	WIRING HARNESES INSTALLATION	1-C
601	4922718	4	Axle Power Track Harness Assembly	B
601A	4460539	1 Per Assy	Plug, Male - 3 Position (Includes Wedge Lock and Seal)	
601A	4460944	3 Per Assy	Socket, Female	
601B	4460932	1 Per Assy	Connector, Female - 4 Position	
601B	4460943	4 Per Assy	Pin, Male	
602	4922696	1	Chassis Harness Assembly	3-D
602A	4460894	1	Plug, Male - 6 Position	

SECTION 7 - ELECTRICAL

ITEM	PART NUMBER	QTY	DESCRIPTION	REV
602A	4460465	6	Socket, Female	
602A	4460892	1	Connector, Bussbar - 6 Position	
602B	4460891	1	Plug, Male - 2 Position	
602B	4460465	2	Socket, Female	
602C	4460894	1	Plug, Male - 6 Position (Not Shown)	
602C	4460465	6	Socket, Female	
602C	4460892	1	Connector, Bussbar - 6 Position	
602D	4460880	14	DIN Connector	
602E	4460930	1	Connector, Gray - 8 Position	
602E	4460465	3	Socket, Female	
602E	4460466	5	Plug, Terminal	
602F	4460836	1	Connector, Black - 12 Position	
602F	4460465	6	Socket, Female	
602F	4460466	6	Plug, Terminal	
602G	4460933	1	Connector, Gray - 12 Position	
602G	4460465	8	Socket, Female	
602G	4460466	4	Plug, Terminal	
602H	4460934	1	Connector, Green - 12 Position	
602H	4460944	12	Socket, Female	
602J	4460935	1	Connector, Brown - 12 Position	
602J	4460465	8	Socket, Female	
602K	4922705	1	Analyzer Harness	2-B
602L	4460761	1	Connector, Female	
602L	4460227	4	Pin, Male	
602M	4460465	4	Socket, Female	
602N	4460950	1	Connector, Female - 12 Position	
602N	4460464	6	Pin, Male 16-18 GA	
602N	4460943	3	Pin, Male 16-18 GA (Gold)	
602N	4460941	2	Pin, Male 14-16GA	
602P	4460884	4	Connector, Gray - 4 Position	
602P	4460944	16	Socket, Female	
603	4922781	1	B.L.A.M. to Boom Angle Sensor Harness (Left Side)	3-B
603A	4460932	1	Connector, Gray - 4 Position	
603A	4460943	4	Pin, Male	
603B	4460911	1	Plug, Male - 3 Position	
603B	4460918	3	Socket, Female	
603B	4460912	1	Lock, Wedge - Position	
604	4922780	1	B.L.A.M. to Boom Angle Sensor Harness (Right Side)	2-B
604A	4460884	1	Connector, Gray - 4 Position	
604A	4460944	4	Socket, Female	
604B	4460911	1	Plug, Male - 3 Position	
604B	4460918	3	Socket, Female	
604B	4460912	1	Lock, Wedge - Position	
605	4922716	1	B.L.A.M. to Boom Length Sensor Harness	C
605A	4460539	2	Plug, Male - 3 Position (Includes Wedge Lock and Seal)	
605A	4460944	3	Socket, Female	
605B	4460894	1	Plug, Male - 6 Position	
605B	4460944	4	Socket, Female	
605B	4460466	2	Plug, Sealing	
606	4922784	1	Jib Stow Switch Harness	B
606A	4460891	1	Plug, Male - 2 Position	

SECTION 7 - ELECTRICAL

ITEM	PART NUMBER	QTY	DESCRIPTION	REV
606A	4460465	2	Socket, Female	
607	4922785	1	Dual Capacity Jib Position Switch Harness	B
607A	4460897	1	Connector, Female - 2 Position	
607A	4460464	2	Pin, Male	
608	4922777	1	Platform Valve Harness	1-C
608A	4460880	9	DIN Connector	
608B	4460926	1	Connector - 21 Position	
608B	4460928	13	Socket, Female	
608B	4460466	8	Plug, Hole	
608C	4460897	1	Connector, Female - 2 Position	
608C	4460464	2	Pin, Male	
608D	4460891	1	Plug, Male - 2 Position	
608D	4460465	2	Socket, Female	
609	4460945	1	Connector, Female - 3 Way	
610	4922767	1	Lockout Valve Harness	2-C
610A	4460465	3	Socket, Female	
610B	4460464	1	Pin, Male	
610C	4460880	2	Connector, DIN	
610D	4460449	2	Connector, DIN	
611	4922786	1	B.L.A.M. Harness	4-C
611A	4460933	1	Plug, Male - 12 Position (Gray)	
611A	4460466	7	Plug, Seal	
611A	4460944	3	Socket, Female	
611A	4460465	1	Socket, Female	
611A	4460942	1	Socket, Female	
611B	4460934	1	Plug, Male - 12 Position (Green)	
611B	4460466	7	Plug, Seal	
611B	4460944	3	Socket, Female	
611B	4460465	2	Socket, Female	
611C	4460935	1	Plug, Male - 12 Position (Brown)	
611C	4460466	5	Plug, Seal	
611C	4460465	2	Socket, Female	
611D	4460836	1	Plug, Male - 12 Position (Black)	
611D	4460466	8	Plug, Seal	
611D	4460944	2	Socket, Female	
611D	4460465	2	Socket, Female	
611E	4460836	2	Plug, Male - 12 Position (Black)	
611E	4460466	14	Plug, Seal	
611E	4460944	5	Socket, Female	
611E	4460465	5	Socket, Female	
611E	4460837	2	Receptacle, Female - 12 Position Buss Bar	
611F	4460884	1	Plug, Male 4 Position (Gray)	
611F	4460944	4	Socket, Female	
611G	4460894	1	Plug, Male - 6 Position (Gray)	
611G	4460465	5	Socket, Female	
611G	4460466	1	Plug, Sealing	
611H	4460899	1	Connector, Female - 6 Position (Gray)	
611H	4460464	3	Pin, Male	
611H	4460941	3	Pin, Male (Gold Plated)	
611J	4460899	1	Connector, Female - 6 Position (Gray)	
611J	4460466	2	Plug, Sealing	

SECTION 7 - ELECTRICAL

ITEM	PART NUMBER	QTY	DESCRIPTION	REV
611J	4460943	4	Pin, Male (Gold Plated)	
611K	4460932	1	Plug, Male - 4 Position (Gray)	
611K	4460943	1	Pin, Male	
611L	4460966	1	Connector, Female - 3 Position	
611L	4460944	3	Socket, Female	
611M	4922705	1	Analyzer Harness	2-B
611N	4460761	1	Connector, Female - 4 Position	
611N	4460227	4	Pin, Male	
611P	4460465	4	Socket, Female	
612	0100048	AR	Lubricant, Silicone	
613	4923256	1	Load Sensing Pin Harness	B
613A	4460930	1	Connector, Gray - 8 Position	
613A	4460465	4	Socket, Female	
613A	4460466	3	Plug, Sealing	
613B	See Note	1	Connector, Female - 4 Position (Note: Not Available For Purchase)	
613B	See Note	4	Terminal (Note: Not Available For Purchase)	
614	See Note	1	Switch, Pressure (Note: See Traction Valve Breakdown for Usage) (Prior to SN 0300100131)	
615	4922947	1	Right Level Sensor, Harness	E
615A	4460911	1	Plug, Male - 3 Position	
615A	4460918	3	Pin, Male	
615A	4460912	1	Lock, Wedge - Position	
615A	1320309	1	Clamp, Cable	
615A	1560012	1	Nut, Conduit	
615A	1560011	1	Connector, Conduit	
615A	See Note	1	Plug, Male - 7 Position (Note: No Longer Field Serviceable - Purchase Complete Harness Item 615)	
616	4922948	1	Left Level Sensor, Harness	E
616A	4460911	1	Plug, Male - 3 Position	
616A	4460918	3	Pin, Male	
616A	4460912	1	Lock, Wedge - Position	
616A	1320309	1	Clamp, Cable	
616A	1560012	1	Nut, Conduit	
616A	1560011	1	Connector, Conduit	
616A	See Note	1	Plug, Male - 7 Position (Note: No Longer Field Serviceable - Purchase Complete Harness Item 616)	
		Ref	STANDARD HARNESS COMPONENTS	
701	See Note	4	Steer Angle Sensor Harness (Note: Not Available For Purchase)	
701	4460536	1 Per Assy	Plug, Male - 3 Position	
701	4460464	3 Per Assy	Pin, Male	
702	1660253	1	Coupling Electrical Components	
702A	See Note	1	Coupling Turntable Harness (Note: Not Available For Purchase)	
702B	4460837	1	Connector, Female - 12 Position	
702B	4460466	4	Plug, Socket	
702B	4460464	3	Pin, Male 16-18 GA	
702B	4460943	3	Pin, Male 16-18 GA (Gold)	
702B	4460941	2	Pin, Male 14-16GA	
702C	See Note	1	Coupling Frame Harness (Note: Not Available For Purchase)	
704	4360545	2	Platform Level Sensor Harness (Use p/n 1001133329) (SN 0300141600 through 0300157202)	

SECTION 7 - ELECTRICAL

ITEM	PART NUMBER	QTY	DESCRIPTION	REV
702D	4460836	1	Plug, Male - 12 Position	
702D	4460465	6	Socket, Female 16-18 GA	
702D	4460942	2	Socket, Female 14-16 GA	
702D	4460944	3	Socket, Female 16-18 GA (Gold)	
702D	4460466	1	Plug, Socket	
703	See Note	1	Broken Cable Proximity Switch Harness (Note: Part of Proximity Switch - Purchase New Switch)	
704		Ref	Platform Level Sensor Harness Options (Includes Sensor):	
704	4360534	2	Platform Level Sensor Harness (Use p/n 1001147479) (Prior to SN 0300141600)	
704	4360545	2	Platform Level Sensor Harness (Use p/n 1001147479) (Prior to SN 0300141600)	
704	1001133329	2	Platform Level Sensor Harness (SN 0300157203 through 0300201016)	
704A	4460910	2	Connector, Female - 3 Position	
704A	4460917	6	Pin, Male	
704A	4460913	1	Lock, Wedge	
705	See Note	1	Boom Length Switch Harness (Note: Not Available For Purchase)	
705A	4460536	1	Connector, Female - 3 Position	
	4460943	3	Pin, Male	
706		Ref	Boom Angle Sensor Harness Options (Includes Sensor):	
706	4360534	2	Boom Angle Sensor Harness (Use p/n 1001147479) (Prior to SN 0300141600)	
706	4360545	2	Boom Angle Sensor Harness (Use p/n 1001147479) (Prior to SN 0300141600)	
706	4360545	2	Boom Angle Sensor Harness (Use p/n 1001133329) (SN 0300141600 through 0300157202)	
706	1001133329	2	Boom Angle Sensor Harness (SN 0300157203 through 0300201016)	
706A	4460910	2	Connector, Female Deutsch - 3 Position	
706A	4460917	6	Pin, Male	
706A	4460913	1	Lock, Wedge	
707	See Note	1	Controller Harness Assembly (Lift and Swing) (Note: Not Available For Purchase)	
707A	7022819	1	Plug, Male - 8 Position (Natural)	
707A	4460871	8	Socket, Female	
708	7022824	1	Controller Harness/Circuit Board Assembly (Drive and Steer)	
708A	7022825	1	Plug, Male - 8 Position (Black)	
708A	4460871	7	Socket, Female	
709	See Note	1	Speed Control Harness (Note: Not Available For Purchase)	
709A	4460224	1	Connector, Female - 6 Position	
709A	4460226	5	Socket, Female	
710	7027796	1	Harness, Deutz EMR2 Engine Connector	
710A	70001869	1	Engine Harness (Deutz Tier III Engines)	
710A	70001872	1	Engine Harness (Deutz Tier IVi Engines)	
711	0272621	1	Control System Analyzer Installation	A
711	2901443	1	Analyzer/Cable Kit	1
711A	1600244	1	Analyzer	
711B	1060633	1	Cable, Analyzer	1-A
711C	4460321	2	Plug, Male	
711C	4460226	8	Socket, Female	
712	2902099	1	Battery Cable Kit	B
712A	7024580	1	Cable, Red (To Aux Pump Relay, Battery Positive Terminal and Start Relay)	

SECTION 7 - ELECTRICAL

ITEM	PART NUMBER	QTY	DESCRIPTION	REV
712B	7024581	1	Cable, Black (To Aux Pump, Battery Negative Terminal and Ground at Tray Pivot)	
712C	7024582	1	Cable, Red (Aux Pump Relay to Aux Pump)	
712D	7024583	1	Cable, Black (Tray Pivot to Engine Mount) (Not Shown)	
712E	7024584	1	Cable, Red (Start Relay to Starter)	
713	4923468	1	Harness, Glow Plug (SN 0300093356 through 0300201016)	
		Ref	OPTIONAL HARNESS COMPONENTS	
801		Ref	AC to Platform Receptacle Components Options:	
801	0271953	Ref	110V GFI Receptacle (ANSI Spec)	D
801	0271954	Ref	220V GFI Receptacle (ANSI Spec)	C
801	0271955	Ref	110V (No Plug or Receptacle - ANSI Export and Australian Specs)	C
801		Ref	CE Spec Only Options:	
801		Ref	110V	
801	0271955	Ref	No Plug or Receptacle	C
801	1001091969	Ref	IEC Yellow Receptacle and Plug without 2500W Generator	B
801	1001100326	Ref	IEC Yellow Receptacle with 2500W Generator	C
801		Ref	220V	
801	1001091973	Ref	CEE 7 Post Ground Receptacle and Plug (2x4 Box) without 2500W Generator	C
801	1001100331	Ref	CEE 7 Post Ground Receptacle (2x4 Box) with 2500W Generator	C
801	1001091974	Ref	CEE 7 Side Ground Receptacle and Plug (2x4 Box) without 2500W Generator	C
801	1001100333	Ref	CEE 7 Side Ground Receptacle (2x4 Box) with 2500W Generator	C
801	1001091975	Ref	AFSINT 107 Keyed Ground Receptacle and Plug (2x4 Box) without 2500W Generator	C
801	1001100337	Ref	AFSINT 107 Keyed Ground Receptacle (2x4 Box) with 2500W Generator	C
801	1001091970	Ref	IEC Blue Receptacle and Plug without 2500W Generator	B
801	1001100327	Ref	IEC Blue Receptacle with 2500W Generator	C
801	1001091971	Ref	CEE 7 Post Ground Receptacle and Plug (70mm x 70mm Box) without 2500W Generator	B
801	1001100328	Ref	CEE 7 Post Ground Receptacle (70mm x 70mm Box) with 2500W Generator	C
801	1001091972	Ref	CEE 7 Side Ground Receptacle and Plug (70mm x 70mm Box) without 2500W Generator	B
801	1001100329	Ref	CEE 7 Side Ground Receptacle (70mm x 70mm Box) with 2500W Generator	C
801A		Ref	Box, Switch Options:	
801A	0860038	1	0271953 & 0271954 Installations	
801A	See Note	1	0271955 Installation (Note: Not Available - Purchase Locally)	
801A	0861731	1	1001091973, 1001091974, 1001091975, 1001100331, 1001100333 & 1001100337 Installations	
801A	0861781	1	1001091969, 1001091970, 1001100326 & 1001100327 Installations	
801A	See Note	1	1001091971, 1001091972, 1001100328 & 1001100329 Installations (Note: Was p/n0861782 which is no longer available. Use p/n 1001141970 CEE 7 Side Ground Service Kit or p/n 1001141971 CEE 7 Post Ground Service Kit. Kits includes Box p/n 1001141967 & items 801F-801H.)	
801A	1001141967	1	1001100343,1001100344,1001141970 & 1001141971 Kits	
801B	1320146	1	Clamp, Cable (0271953, 0271954 & 0271955 Installations)	

SECTION 7 - ELECTRICAL

ITEM	PART NUMBER	QTY	DESCRIPTION	REV
801C		Ref	Gasket, Cover Options:	
801C	3960422	1	0271953 & 0271954 Installations	
801C	See Note	1	0271955 Installation (Note: Not Available - Purchase Locally)	
801C	Not Required	0	1001091973, 1001091974, 1001091975, 1001091969, 1001091970, 1001091971, 1001091972, 1001100331, 1001100333, 1001100337, 1001100326, 1001100327, 1001100328 & 1001100329 Installations	
801D		Ref	Shield, Cover Options:	
801D	4060700	1	0271953 Installation (Use p/n 1001110873)	
801D	4060092	1	0271954 Installation	
801D	See Note	1	0271955 Installation (Note: Not Available - Purchase Locally)	
801D	See Note	1	1001091973, 1001091974, 1001091975, 1001091969, 1001091970, 1001091971, 1001091972, 1001100331, 1001100333, 1001100337, 1001100326, 1001100327, 1001100328 & 1001100329 Installations (Note: Cover Shield included with Receptacle. Purchase Item 801G)	
801E		Ref	Connector, Strain Relief Options:	
801E	4460051	1	0271953 & 0271954 Installations	
801E	See Note	1	0271955 Installation (Note: Not Available - Purchase Locally)	
801E		Ref	1001091973, 1001091974, 1001091975, 1001100331, 1001100333 & 1001100337 Installations	
801E	1001101196	1	Adapter	
801E	4460662	1	Strain Relief (Use p/n 1001101191)	
801E		Ref	1001091969, 1001091970, 1001091971, 1001091972, 1001100326, 1001100327, 1001100328 & 1001100329 Installations	
801E	1001101197	1	Adapter	
801E	4460968	1	Strain Relief (Use p/n 1001101191)	
801F		Ref	Plug, Male Options:	
801F	4460205	1	0271953 Installation	
801F	4460709	1	0271954 Installation	
801F	See Note	1	0271955 Installation (Note: Not Available - Purchase Locally)	
801F	4461202	1	1001091973, 1001091971, 1001100328 & 1001100331 Installations & 1001100343 & 1001141971 Kits	
801F	4461205	1	1001091974, 1001091972, 1001100329 & 1001100333 Installations & 1001100344 & 1001141970 Kits	
801F	4461249	1	1001091975 & 1001100337 Installations	
801F	4461196	1	1001091969 & 1001100326 Installations	
801F	4461199	1	1001091970 & 1001100327 Installations	
801G		Ref	Receptacle Options:	
801G	4460346	1	0271953 Installation	
801G	4460125	1	0271954 Installation	
801G	See Note	1	0271955 Installation (Note: Not Available - Purchase Locally)	
801G	4461244	1	1001091973 & 1001100331 Installations	
801G	4461245	1	1001091974 & 1001100333 Installations	
801G	4461246	1	1001091975 & 1001100337 Installations	
801G	4461198	1	1001091969 & 1001100326 Installations	
801G	4461201	1	1001091970 & 1001100327 Installations	
801G	4461204	1	1001091971 & 1001100328 Installations (Use p/n 1001100343)	

SECTION 7 - ELECTRICAL

ITEM	PART NUMBER	QTY	DESCRIPTION	REV
801G	4461207	1	1001091972 & 1001100329 Installations (Use p/n 1001100344)	
801G	1001141968	1	1001100343 & 1001141971 Kits	
801G	1001141969	1	1001100344 & 1001141970 Kits	
801H		Ref	Plug, Female Options (CE Machines with 2500W Generator Only):	
801H	4461203	1	1001100328 & 1001100331 Installations & 1001100343 & 1001141971 Kits	
801H	4461206	1	1001100329 & 1001100333 Installations & 1001100344 & 1001141970 Kits	
801H	4461250	1	1001100337 Installation	
801H	4461197	1	1001100326 Installation	
801H	4461200	1	1001100327 Installation	
801J	1060908	10 ft/3.1m	Cable, Electrical - 12/3 (CE Machines with 2500W Generator Only)	
802		Ref	2500W Generator Electrical Components	
802	4933300	Ref	110Volt	2-B
802	4933216	Ref	220Volt (Prior to SN 0300129806)	1-A
802	1001100027	Ref	110/220Volt (SN 0300129806 through 0300201016)	E
802	3990010	1	Diode - 6 Amp (Not Shown) (220V Only) (Prior to SN 0300129806)	
802A	4922641	1	Harness - On/Off Switch	
802B	4460226	2	Socket, Female	
802C		Ref	Powermite Control Box to Relay Harness Options:	
802C	4922970	1	110V	1-B
802C	4922482	1	220V (Prior to SN 0300129806)	3-C
802C	4922970	1	220V (SN 0300129806 through 0300201016)	1-B
802C	4460374	AR	Plug, Sealed	
802C	4460375	AR	Terminal	
802E	4460961	1	Connector, Female - 4 Position (110V Only)	
802E	4460705	4	Pin, Male	
802F	4460321	1	Connector, Male - 4 Position (110V Only)	
802F	4460906	4	Socket, Female	
802G	7020193	1	Harness, Generator Power	
804	0272507	1	Strobe Light Harness (Includes Strobe Light)	B
804A	4460320	1	Connector, Female - 2 Position	
804A	4460267	2	Pin, Male	
805	0257887	1	Alarm Harness (Includes Alarm)	
805	0140032	1	Alarm	
805	2820035	6 in/15cm	Loom	
805	4460424	1	Plug	
805	4460268	2	Socket, Female	
805A	4460424	1	Plug, Male - 2 Position	
805A	4460268	2	Socket, Female	
806	4922738	1	Headlight and Taillight and Chassis Illumination Lights Harness	
806A	4460374	1	Plug, Sealed	
807	See Note	1	Floodlights Harness Components (Note: Not Available For Purchase)	
807A		Ref	Harness Options (Aux Relay to Console Box):	
807A	1060708	1	Harness 1200SJP (Use p/n 1001099718)	
807A	1060708	1	Harness 1350SJP (Use p/n 1001099719)	
807B	4460320	2	Plug, Male - 2 Position	
807B	4460227	4	Pin, Male	

SECTION 7 - ELECTRICAL

ITEM	PART NUMBER	QTY	DESCRIPTION	REV
807C	4922764	1	Floodlight Harness (Lights to Switch)	
807D	4460424	2	Connector, Female - 2 Position	
807D	4460226	4	Socket, Female	
807E	1060977	1	Cord, 2 Wire Coiled (Console Box Relay to Switch)	
807F	4360232	1	Breaker, Circuit	
807G	4460425	1	Connector, Strain Relief	
808	See Note	1	Work Lights Harness Components: (Note: Not Available For Purchase)	
808A		Ref	Harness, Electric 10/3 (Aux Relay to Console Box)	
808A	4922834	1	Harness, Electric 10/3 1200SJP	
808A	4922833	1	Harness, Electric 10/3 1350SJP	
808A	4921757	AR	Fusible Link	
808B	See Note	2	Work Light Harness (Supplied with Work Light) (Note: Not Available For Purchase)	
808C	4460426	1	Connector, Strain Relief	
809		Ref	7500W SkyPower Generator Installations	
809	0273455	Ref	60Hz	H
809	0273456	Ref	50Hz	F
809A		Ref	Receptacle, Female Twist-Lock Options:	
809A	4460958	1	60Hz Spec	
809A	See Note	1	50Hz Spec (Note: Not Available - Purchase Locally)	
809B		Ref	Gasket Options:	
809B	3960422	2	60Hz Spec	
809B	See Note	2	50Hz Spec (Note: Not Available - Purchase Locally)	
809C		Ref	Cover, Receptacle Options:	
809C	4060700	1	60Hz Spec (Use p/n 1001110873)	
809C	See Note	1	50Hz Spec (Note: Not Available - Purchase Locally)	
809D		Ref	Cover, Receptacle Options:	
809D	4061043	1	60Hz Spec (Use p/n 1001110872)	
809D	See Note	1	50Hz Spec (Note: Not Available - Purchase Locally)	
809E		Ref	Receptacle Options:	
809E	4460346	1	60Hz Spec	
809E	See Note	1	50Hz Spec (Note: Not Available - Purchase Locally)	
809F		Ref	Connector, Strain Relief Options:	
809F	4460051	1	60Hz Spec	
809F	See Note	1	50Hz Spec (Note: Not Available - Purchase Locally)	
809G		Ref	Connector, Strain Relief Options:	
809G	4460071	1	60Hz Spec	
809G	See Note	1	50Hz Spec (Note: Not Available - Purchase Locally)	
809H	4922972	1	Harness, Generator	
809I	See Note	1	Plug, Male - 6 Position (Note: Not Available - Purchase Locally)	
809I	See Note	6	Socket, Female (Note: Not Available - Purchase Locally)	
809J	4460225	1	Plug, Male - 6 Position	
809J	4460226	6	Socket, Female	
810		Ref	7500W SkyPower Generator Junction Box Components	
810	0861542	Ref	60Hz Spec	C
810	0861567	Ref	50Hz Specs	B
810A		Ref	Cable, Electrical 12/3	
810A	1060494	2 ft/.6m	60Hz Spec	
810A	See Note	2 ft/.6m	50Hz Spec (Note: Not Available - Purchase Locally)	
810B		Ref	Cable, Electrical 10/3	

SECTION 7 - ELECTRICAL

ITEM	PART NUMBER	QTY	DESCRIPTION	REV
810B	1060708	2.5 ft/.76m	60Hz Spec	
810B	See Note	2.5 ft/.76m	50Hz Spec (Note: Not Available - Purchase Locally)	
810C	1060343	1.5 ft/.46m	Cable, Electrical 10/4 (60Hz Spec Only)	
810D	4460425	2	Connector, Strain Relief	
810E		Ref	Component Options:	
810E	4460426	2	Connector, Strain Relief (60Hz Spec Only)	
810E	4460426	1	Connector, Strain Relief (50Hz Spec Only)	
810E	3520189	1	Plug (50Hz Spec Only)	
810F	1671092	1	Cover (60Hz Spec Only)	
810F	4460963	1	Connector (60Hz Spec Only)	
811	4933264	Ref	7500W Generator Electrical Diagram Components	C
811A	4922757	1	Generator Harness	3-C
811B	4460374	2	Plug, Sealed Relay	
811B	4460375	7	Terminal	
811C	4460967	1	Plug, Male - 3 Position	
811C	4460465	3	Socket, Female	
811D	2400060	1	Fuseholder	
811D	2400064	1	Fuse - 5 Amp	
811E	4922641	1	Switch Harness	
811F	4460226	2	Socket, Female	
812		Ref	AC Breaker Box Installation (CE Spec)	
812	1001095976	Ref	Without Generator and With 110V/50Hz Generator	C
812	1001109556	Ref	With 220V/50Hz Generator	A
812A	1320146	AR	Clamp, Cable	
812B	1001094915	1	Bracket, Circuit Breaker Box	
812C		Ref	Box Kit, Circuit Breaker Options:	
812C	1001096070	1	Box Kit Without Generator and With 110V/50Hz Generator (use p/n 1001109654)	
812C	1001109648	1	Box Kit With 220V/50Hz Generator	
812C		Ref	Breaker, Circuit Options:	
812C		Ref	Breaker for Machines with 1 Circuit Breaker:	
812C	See Note	AR	Breaker for Machines without Generator and With 110V/50Hz Generator (Note: For Service purchase (1) p/n 1001109475 & (1) p/n 1001109482.)	
812C	See Note	AR	Breaker for Machines with 220V/50Hz Generator (Note: For Service purchase (1) p/n 1001109477 & (1) p/n 1001109482.)	
812C		Ref	Breaker for Machines with 2 Circuit Breakers:	
812C		Ref	Breaker for Machines without Latch and Bracket	
812C	1001109475	1	Breaker for Machines without Generator and with 110V/50Hz Generator (16 Amp)	
812C	1001109477	1	Breaker for Machines with 220V/50Hz Generator (10 Amp)	
812C	1001109482	1	Breaker for Machines with Latch and Bracket	
812C	0861880	1	Box, Breaker	
812C	4460956	1	Barrier, Terminal Block End	
812C	4460957	1	Block, Terminal	
812D	1001101191	1	Connector, Strain Relief	
812E	1001097150	Ref	Connector, Strain Relief	
812F	1060908	12 ft/3.6m	Cable, Electrical 12/3	
812G	0903484	1	Bracket, AC Receptacle	

SECTION 7 - ELECTRICAL

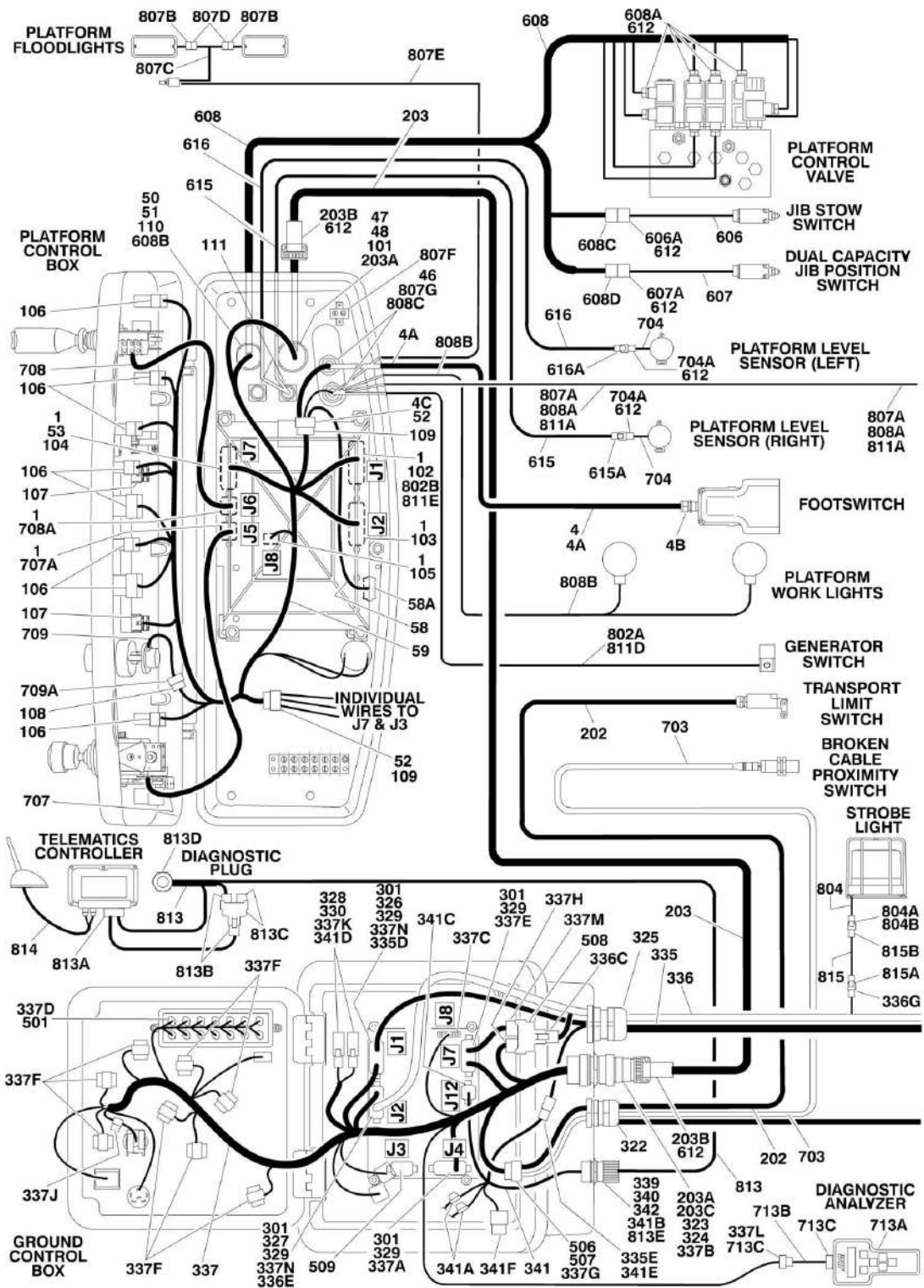
ITEM	PART NUMBER	QTY	DESCRIPTION	REV
813	1001100468	1	ClearSky Telematics Harness (Standard on Machines delivered in North America. Optional on all other machines.) (SN 0300139299 through 0300201016)	G
813A	1001100468	1	Harness, Telematics Gateway Controller	
813B	4460909	1	Plug, Male - 12 Position (Black)	
813B	Not Available	1	Socket	
813B	4460916	11	Plug, Seal	
813B	4460915	1	Wedge Lock	
813C	4460908	1	Plug, Male - 12 Position (Gray)	
813C	See Note	6	Socket (Note: Not Available For Purchase)	
813C	4460916	6	Plug, Seal	
813C	4460915	1	Wedge Lock	
813D	4460892	2	Connector, Bussbar (Includes Wedge Lock)	
813D	4460894	2	Plug, Male - 6 Position (Includes Wedge Lock)	
813D	4460465	4	Socket	
813D	4460916	8	Plug, Seal	
813D	See Note	1	Wedge Lock (Included with P/Ns 4460892 & 4460894) (Note: Not Available For Purchase)	
813E	77363243	2	Receptacle, Female - 3 Position	
813E	4460943	4	Pin	
813E	77363245	1	Wedge Lock	
813F	4460539	2	Plug, Male - 3 Position (Includes Wedge Lock and Seal)	
813F	4460944	6	Socket	
813F	77363244	2	Wedge Lock	
813G	4460945	2	Bulkhead, 3 Way Female	
813G	See Note	2	Plug, Male - 3 Position with 120 ohm Resistor (Note: Not Available For Purchase)	
813G	See Note	1	Wedge Lock (Note: Not Available For Purchase)	
813H	1001100468	1	Harness, Telematics Diagnostic	
813J	4460539	2	Plug, Male - 3 Position (Includes Wedge Lock and Seal)	
813J	4460944	6	Socket	
813J	77363244	2	Wedge Lock	
813K	1001112612	1	Connector, Diagnostic	
813K	4460943	2	Pin	
813K	4460464	2	Pin	
813K	4460466	2	Plug, Seal	
813K	1001106736	1	Cap, Dust	
813L	4460897	1	Plug, Male - 2 Position (Includes Wedge Lock and Seal)	
813L	4460464	2	Pin	
813L	See Note	1	Wedge Lock (Note: Not Available For Purchase)	
813M	1001100468	1	Harness, Telematics Controller	
813N	4460539	1	Plug, Male - 3 Position (Includes Wedge Lock and Seal)	
813N	4460944	3	Socket	
813N	See Note	1	Wedge Lock (Note: Not Available For Purchase)	
813P	70020808	1	Plug, Male - 23 Position	
813P	4460871	5	Socket	
813P	4460905	18	Plug, Seal	
813R	1001100468	1	Harness, Telematics Fuse	
813S	4460891	1	Connector, Female - 2 Position (Includes Wedge Lock and Seal)	
813S	4460465	2	Socket	
813S	See Note	1	Wedge Lock (Note: Not Available For Purchase)	

SECTION 7 - ELECTRICAL

ITEM	PART NUMBER	QTY	DESCRIPTION	REV
813T	2400060	2	Fuseholder with Cover	
813T	2400064	2	Fuse 5 Amp	
814	70002296	1	Harness, Telematics Antenna (Includes Antenna) (Note: No other parts available)	
		Ref	TOOLS (NOT SHOWN)	
	7002821	1	Crimper (For Wire to Pin/Socket Connections)	
	7002823	1	Extractor (For Removal of Pin/Socket from Connectors)	
	4460467	1	Extractor, Pin (Blue 16-18 Gauge) (For Removal of Pin/Socket from Connectors)	
	4460510	1	Extractor, Pin (Yellow 12-14 Gauge) (For Removal of Pin/Socket from Connectors)	
	7002828	1	Stripper, Wire	
	1001137005	1	Cable Kit, Software	

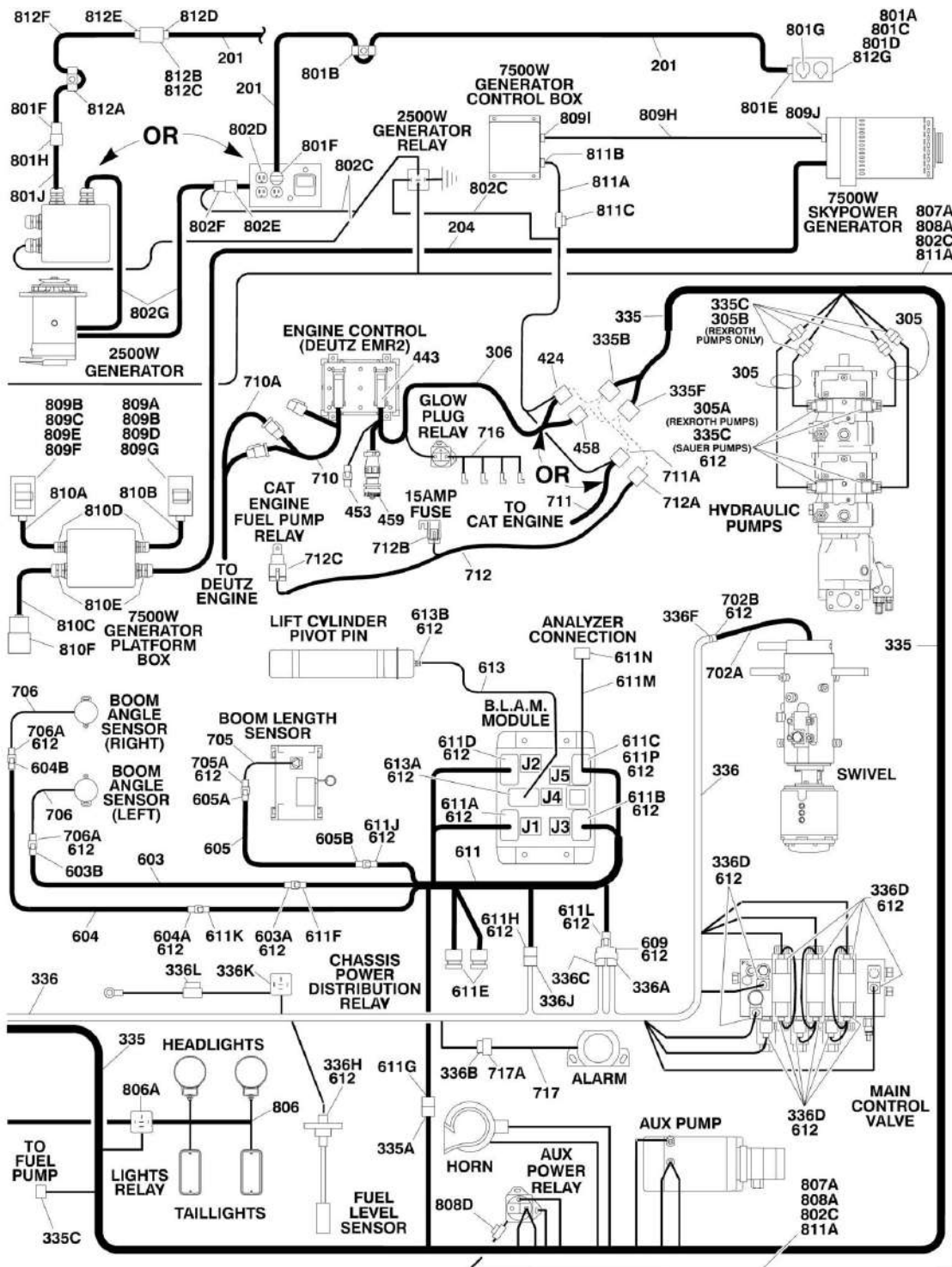
SECTION 7 - ELECTRICAL

FIGURE 7-4. HARNESS COMPONENTS INSTALLATION (WITH UGM)

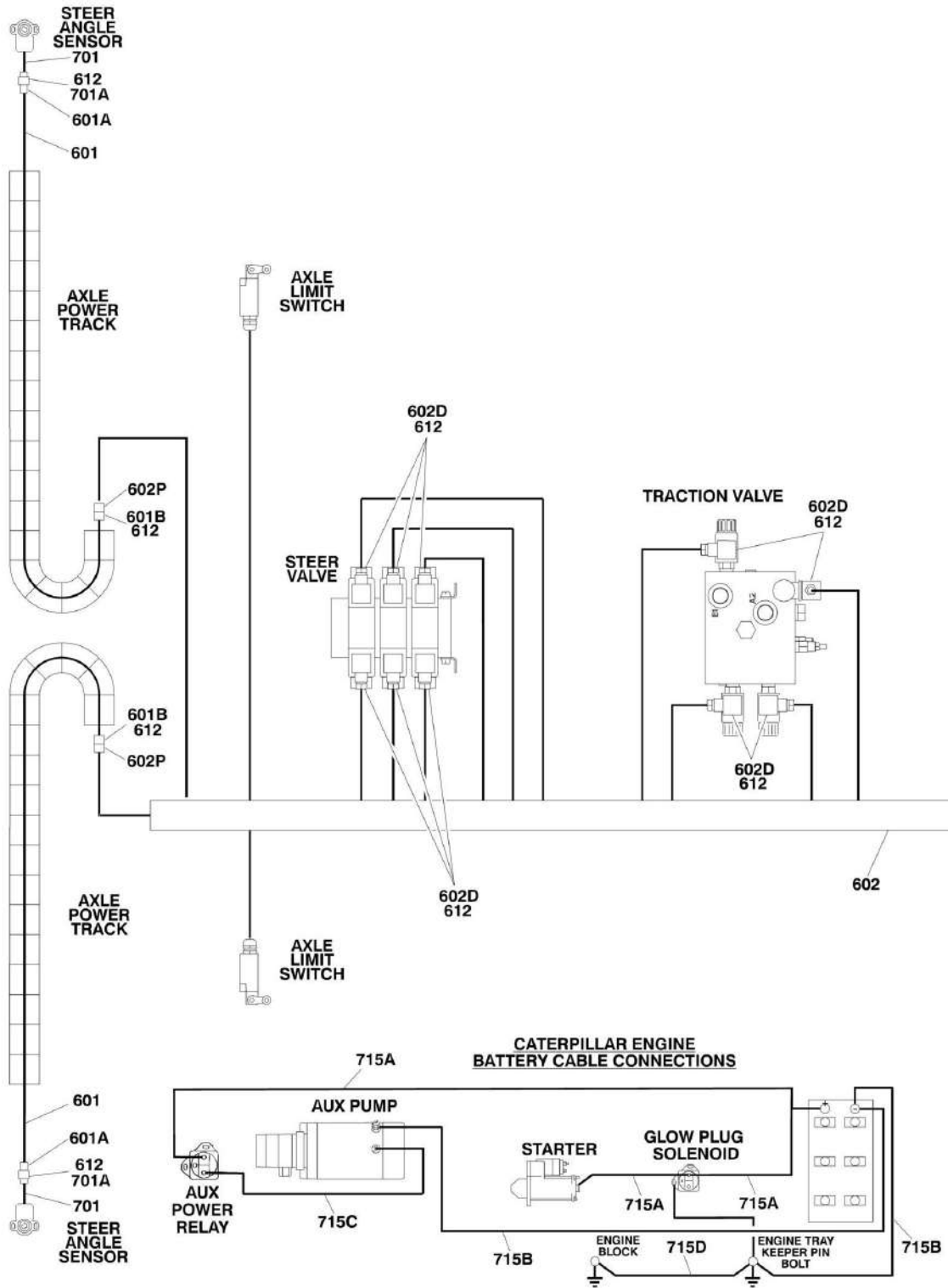


SECTION 7 - ELECTRICAL

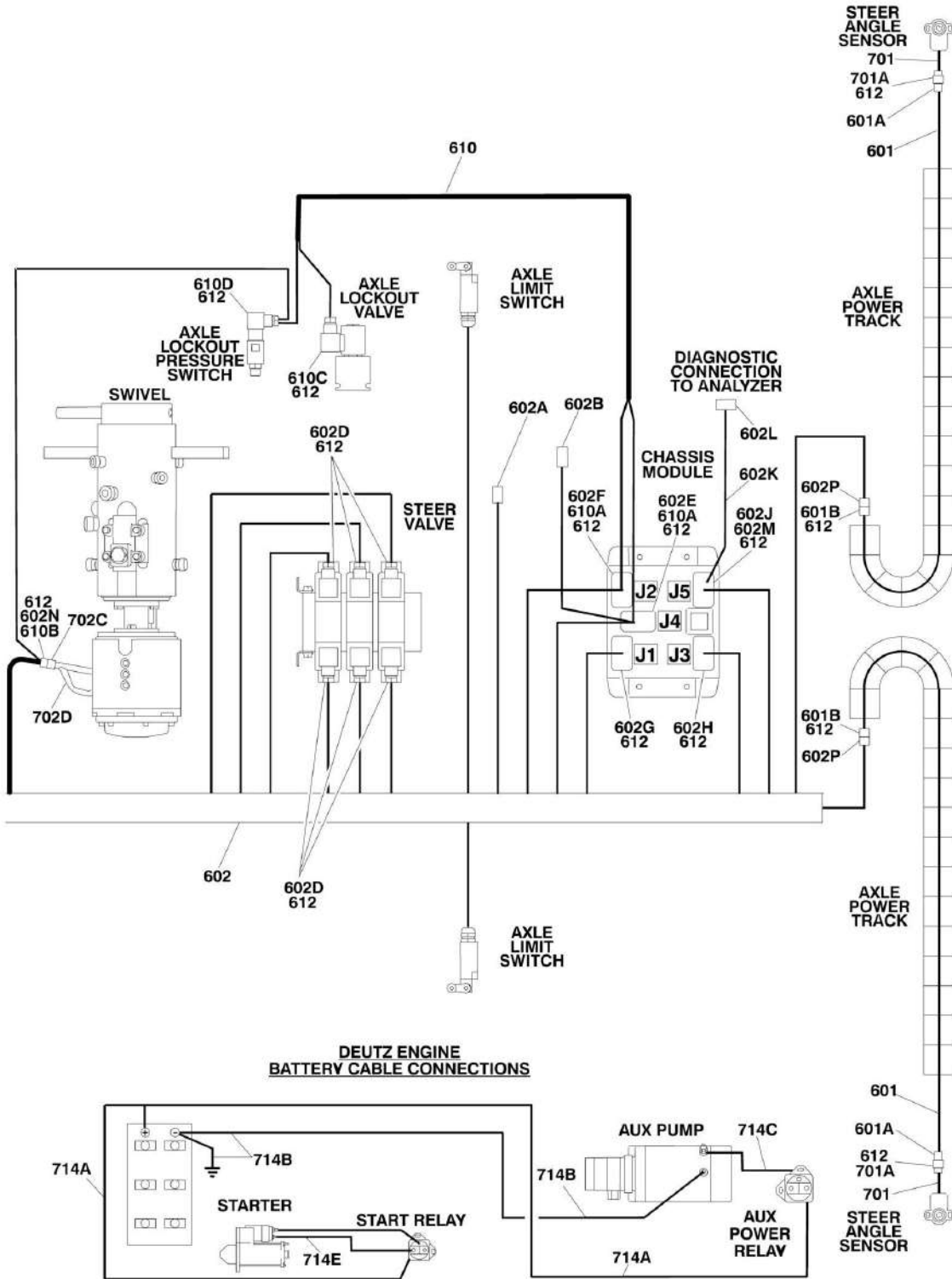
NOTE: FOR MODULE IDENTIFICATION, REFER TO REVISION LOG PAGE A.



SECTION 7 - ELECTRICAL



SECTION 7 - ELECTRICAL



SECTION 7 - ELECTRICAL

FIGURE 7-4. HARNESS COMPONENTS INSTALLATION (WITH UGM)

ITEM	PART NUMBER	QTY	DESCRIPTION	REV
		Ref	NOTE: FOR MODULE IDENTIFICATION, REFER TO REVISION LOG PAGE A.	
		Ref	HARNESS COMPONENTS INSTALLATION	
		Ref	PLATFORM CONSOLE BOX COMPONENTS	
	0861631	Ref	Platform Console Box Components (SN 0300079596 through 0300171348)	L
	1001146161	Ref	Platform Console Box Components (SN 0300171349 through 0300188512)	C
	1001166665	Ref	Platform Console Box Components (SN 0300188513 through 0300201016)	A
1	0100048	AR	Grease, Dielectric	
4		Ref	Footswitch Components:	
4A	1060918	7 ft/2.14m	Cable, Electrical - 18/3	
4B	4460071	1	Connector, Strain Relief	
4C	4460226	2	Socket, Female	
4C	4460464	1	Pin, Male	
46	4460428	4	Connector, Strain Relief	
47	4460470	1	Nut, Terminal	
48	4460471	1	Lockwasher, Terminal	
50	4460496	1	Lockwasher, Terminal	
51	4460497	1	Nut, Terminal	
52	4460708	2	Receptacle, Female - 15 Position	
53	4460905	5	Seal, Plug	
58	4922666	1	Harness, Analyzer Cable	2-B
58	4460226	4	Socket, Female (Not Shown - Located at J2)	
58A	4460761	1	Connector, Female - 4 Position	
58A	4460227	4	Pin, Male	
59	4923448	1	Harness, Platform Box (See Items 101-111 for Breakdown)	
	4923448	Ref	PLATFORM BOX HARNESS ASSEMBLY	3-B
101	4460866	1	Connector - 19 Pin	
101	4460464	7	Pin, Male Deutsch 16 Ga	
101	4460508	4	Pin, Male Deutsch 12 Ga	
101	4460943	3	Pin, Male 16 Ga (Gold Plated)	
102	4460874	1	Connector - 35 Position (Natural)	
102	4460871	7	Socket, Female	
102	4460905	4	Plug	
103	4460876	1	Connector - 35 Position (Blue)	
103	4460871	32	Socket, Female	
103	4460905	3	Plug	
104	4460873	1	Connector - 35 Position (Black)	
104	4460871	34	Socket, Female	
104	4460905	1	Plug	
105	4460879	1	Connector, Male - 2 Position	
105	4460887	2	Terminal (12 Gauge)	
106	4460418	12	Connector, Female - 6 Position	
106	4460419	36	Socket, Female	
107	4460225	5	Plug, Male - 6 Position	
107	4460226	21	Terminal (16 Gauge)	
108	4460225	1	Plug, Male - 6 Position	
108	4460227	5	Pin, Male	

SECTION 7 - ELECTRICAL

ITEM	PART NUMBER	QTY	DESCRIPTION	REV
109	4460434	2	Plug, Male - 15 Position	
109	4460227	14	Pin, Male	
110	4460925	1	Connector - 21 Pin	
110	4460929	13	Pin, Male Deutsch 16 Ga	
110	4460466	8	Plug	
111	1001121616	2	Connector, 6 Position	
111	1001121615	2	Base, Mounting	
		Ref	BOOM CABLES INSTALLATION	
	0271932	Ref	Boom Cables Installation 1200SJP (ANSI and ANSI Export Specs)	D
	0271950	Ref	Boom Cables Installation 1200SJP (Australian and CE Specs)	D
	0273854	Ref	Boom Cables Installation 1200SJP with 7500W Generator (All Specs)	A
	0271951	Ref	Boom Cables Installation 1350SJP (ANSI and ANSI Export Specs)	D
	0271952	Ref	Boom Cables Installation 1350SJP (Australian and CE Specs)	D
	0273855	Ref	Boom Cables Installation 1350SJP with 7500W Generator (All Specs)	A
201		Ref	Cable, Electrical - 10/3	
201	4922759	1	Cable, Electrical 1200SJP (ANSI and ANSI Export Specs)	B
201	4922761	1	Cable, Electrical 1200SJP (Australian and CE Specs)	B
201	Not Required	0	Cable, Electrical 1200SJP with 7500W Generator (All Specs)	
201	4922758	1	Cable, Electrical 1350SJP (ANSI and ANSI Export Specs)	A
201	4922760	1	Cable, Electrical 1350SJP (Australian and CE Specs)	A
201	Not Required	0	Cable, Electrical 1350SJP with 7500W Generator (All Specs)	
202		Ref	Cable, Electrical - 18/3	
202	4922763	1	Cable, Electrical 1200SJP	C
202	4922762	1	Cable, Electrical 1350SJP	C
203		Ref	Harness Assembly - Boom (12/4 -18/8) Options:	
203	4922672	1	Harness Assembly - Boom 1200SJP	2-B
203	4922673	1	Harness Assembly - Boom 1350SJP	2-B
203	1060896	Ref	Cable, Electrical - 12/4 & 18/8	
203	1060896	142/43.3 m	Cable, Electrical - 1200SJP	
203	1060896	157/48m	Cable, Electrical - 1350SJP	
203	2820118	8 in/18cm	Heat Shrink	
203A	4460865	2	Connector - 19 Position	
203A	4460465	22	Socket, Female 18 Gauge	
203A	4460509	8	Socket, Female 12 Gauge	
203A	4460466	8	Seal, Plug	
203B	4460473	2	Clamp, Cable	
203C	4460465	11	Socket, Female 18 Gauge	
203C	4460509	4	Socket, Female 12 Gauge	
204		Ref	Harness, Generator (8/5) Options (with 7500W Generator Only):	
204	4922796	1	Harness, Generator (8/5) 1200SJP	
204	4922795	1	Harness, Generator (8/5) 1350SJP	
		Ref	GROUND CONTROL BOX COMPONENTS	
301	0100048	AR	Grease, Dielectric	
305	1001119456	2	Harness, Pump Adapter (Machines with Rexroth Pumps Only) (P/N 1001119456 Includes 2 Adapter Harnesses. Total of qty 4 required)	B

SECTION 7 - ELECTRICAL

ITEM	PART NUMBER	QTY	DESCRIPTION	REV
305A	4460880	4	DIN Connector (1 per Harness)	
305B	4460897	4	Connector, Female - 2 Position	
305B	4460464	8	Pin, Male	
306	1001119470	1	Harness, Deutz Engine (See Items 401-459 for Breakdown)	
322	4460426	1	Connector, Strain Relief	
323	4460470	1	Nut, Terminal	
324	4460471	1	Washer, Terminal	
325	4460526	1	Connector, Strain Relief	
326	4460874	1	Connector, White - 35 Position	
327	4460875	1	Connector, Gray - 35 Position	
328	4460892	2	Bar, Buss	
329	4460905	4	Plug, Connector	
330	4460914	2	Base, Terminal	
335	1001119372	1	Harness, Ground Control to Engine	C
335A	4460899	1	Receptacle, Female - 6 Position	
335A	4460464	4	Pin, Male	
335A	4460466	2	Plug, Seal	
335B	4460899	1	Receptacle, Female - 6 Position	
335B	4460464	AR	Pin, Male	
335B	4460944	2	Socket, Female (Prior to SN 0300170698)	
335B	4460466	1	Plug, Seal (Prior to SN 0300170698)	
335B	4460943	1	Socket, Female (SN 0300170698 through 0300201016)	
335C	4460891	5	Plug, Male - 2 Position	
335C	4460465	10	Socket, Female	
335D	4460871	AR	Socket, Female	
335E	4460539	1	Plug, Male - 3 Position	
335E	4460944	3	Socket, Female (Gold)	
335F	4460931	1	Receptacle, Female - 8 Position	
335F	4460464	AR	Pin, Male	
335F	4460466	1	Plug, Seal	
336	1001116369	1	Valve Harness Assembly	1-D
336A		Ref	Connector Options:	
336A		Ref	Connector (Prior to SN 0300143169)	
336A	4460536	1	Connector, Female - 3 Position	
336A	4460943	3	Pin, Male	
336A		Ref	Connector (SN 0300143169 through 0300201016)	
336A	4460965	1	Plug, Male - 3 Position	
336A	4460944	3	Socket, Female	
336B	4460320	1	Plug, Male - 2 Position	
336B	4460267	2	Pin, Male	
336C	4460965	2	Plug, Male - 3 Position	
336C	4460944	6	Socket, Female	
336D	4460880	11	DIN Connector	
336E	4460871	16	Socket, Female	
336F	4460836	1	Plug, Male - 12 Position	
336F	4460466	4	Plug, Socket	
336F	4460465	3	Socket, Female	
336F	4460942	2	Socket, Female 14-16 GA	
336F	4460944	3	Socket, Female 16-18 GA	
336G	4460424	1	Connector, Female - 2 Position	
336G	4460268	2	Socket, Female	

SECTION 7 - ELECTRICAL

ITEM	PART NUMBER	QTY	DESCRIPTION	REV
336H	4460843	1	Plug, Male - 2 Position	
336H	4460842	2	Socket, Female	
336J	4460894	1	Plug, Male - 6 Position	
336J	4460465	3	Socket, Female	
336J	4460942	3	Socket, Female 14-16 GA	
336K	3740080	1	Relay, Sealed	
336K	4460374	1	Plug, Sealed	
336K	4460375	5	Terminal, Female	
336L	2400066	1	Fuseholder w/Leads	
336L	2400065	1	Fuse, 30A	
337	1001120180	1	Ground Control Box Harness Assembly	A
337	3990001	2	Diode - 3 Amp (Not Shown - Located at Power Down Relay)	
337A	4460876	1	Connector, Blue - 35 Position	
337A	4460871	29	Socket, Female	
337B	4460866	1	Connector - 19 Pin	
337B	4460464	10	Pin, Male Deutsch 16 Ga	
337B	4460508	3	Pin, Male Deutsch 12 Ga	
337C	4460878	1	Plug, Male - 4 Position	
337C	4460887	3	Terminal (12 Gauge)	
337D	4120035	10	Base, Light	
337D	4460634	10	Terminal (16 Gauge)	
337D	4460635	10	Terminal (12 Gauge)	
337E	4460873	1	Connector, Black - 35 Position	
337E	4460871	16	Socket, Female	
337F	4460418	8	Connector, Female - 6 Position	
337F	4460419	24	Socket, Female	
337G	4460225	1	Plug, Male - 6 Position	
337G	4460227	6	Pin, Male	
337H	4460965	1	Plug, Male - 3 Position (Blue Lock)	
337H	4460944	3	Socket, Female	
337H	4922099	2 ft/.6m	Cable, Can-Buss	
337J	2400066	1	Fuseholder with Cover	
337J	2400065	1	Fuse 30 Amp	
337K	4460894	2	Plug, Male - 6 Position	
337K	4460465	1	Socket, Female 16-18GA	
337K	4460942	2	Socket, Female 14GA	
337L	4460761	1	Connector, Female - 4 Position	
337L	4460227	4	Pin, Male	
337M	4460966	1	Plug, Male - 3 Position (Green Lock)	
337M	4460944	3	Socket, Female	
337M	4922099	2 ft/.6m	Cable, Can-Buss	
337N	4460871	9	Socket, Female	
338	1001116206	1	Ground Control Wiring Diagram (Not Shown) (See Items 501-509 for Breakdown)	
339	4460496	1	Lockwasher, Terminal	
340	4460497	1	Nut, Terminal	
341	1001120337	1	Harness, ClearSky Ready	A
341A	2400060	2	Fuseholder with Cover	
341A	2400064	2	Fuse 5Amp	
341B	1001112612	1	Receptacle, Female - 9 Position	
341B	4460464	6	Pin, Male	
341B	4460466	3	Plug, Sealing	

SECTION 7 - ELECTRICAL

ITEM	PART NUMBER	QTY	DESCRIPTION	REV
341C	1001113961	1	Plug, Male - 8 Position	
341C	4460871	3	Socket, Female	
341C	4460905	5	Plug, Sealing	
341D	4460465	1	Socket, Female	
341E	4460539	1	Plug, Male - 3 Position	
341E	4460871	3	Pin, Male	
341F	4460933	1	Plug, Male - 12 Position	
341F	4460465	9	Socket, Female	
341F	4460466	3	Plug, Sealing	
341F	4460898	1	Connector, Female Bussbar - 9 Position	
342	1001106736	1	Cap, Dust	
	1001119470	Ref	DEUTZ ENGINE HARNESS ASSEMBLY	B
424	4460894	1	Connector, Female - 6 Position	
424	4460465	2	Socket, Female	
424	4460944	3	Socket, Female	
424	4460466	1	Plug, Seal	
443	4461052	1	Connector, Female - 25 Position	
443	4461005	5	Terminal	
443	4461006	5	Seal	
443	4461054	2	Seal, Terminal	
443	4461060	2	Terminal (Tin)	
443	4461053	1	Cover, Plug	
443	4461008	18	Plug, Hole	
453	4461095	1	Plug, Male - 3 Position	
453	4460944	3	Socket, Female	
453	4461070	1	Receptacle, Female with Resistor - 3 Position	
458	4460930	1	Connector, Female - 8 Position	
458	4460465	2	Socket, Female	
458	4460466	6	Plug, Seal	
459	2902443	1	Receptacle Kit	
459	4461071	8	Socket, Female	
459	4461072	1	Receptacle	
459	4461073	1	Cap, Dust	
459	4461074	1	Shell, Black	
	1001116206	Ref	GROUND CONTROL BOX WIRING DIAGRAM	C
501	2920129	10	Bulb, Light	
506	4460226	6	Socket, Female	
507	4460224	1	Connector, Female - 6 Position	
508	4460945	1	Connector, Female - 3 Way	
509	4460872	1	Plug, Male - 14 Position	
509	4460871	AR	Socket, Female	
509	4460905	AR	Plug, Sealing	
	0274660	Ref	WIRING HARNESES INSTALLATION	1-D
601	4922718	4	Axle Power Track Harness Assembly	B
601A	4460539	1 Per Assy	Plug, Male - 3 Position	
601A	4460944	3 Per Assy	Socket, Female	
601B	4460932	1 Per Assy	Connector, Female - 4 Position	
601B	4460943	4 Per Assy	Pin, Male	

SECTION 7 - ELECTRICAL

ITEM	PART NUMBER	QTY	DESCRIPTION	REV
602	4922696	1	Chassis Harness Assembly	3-D
602A	4460894	1	Plug, Male - 6 Position	
602A	4460465	6	Socket, Female	
602A	4460892	1	Bar, Buss - 6 Position	
602B	4460891	1	Plug, Male - 2 Position	
602B	4460465	2	Socket, Female	
602C	4460894	1	Plug, Male - 6 Position (Not Shown)	
602C	4460465	6	Socket, Female	
602C	4460892	1	Bar, Buss - 6 Position	
602D	4460880	14	DIN Connector	
602E	4460930	1	Connector, Gray - 8 Position	
602E	4460465	3	Socket, Female	
602E	4460466	5	Plug, Terminal	
602F	4460836	1	Connector, Black - 12 Position	
602F	4460465	6	Socket, Female	
602F	4460466	6	Plug, Terminal	
602G	4460933	1	Connector, Gray - 12 Position	
602G	4460465	8	Socket, Female	
602G	4460466	4	Plug, Terminal	
602H	4460934	1	Connector, Green - 12 Position	
602H	4460944	12	Socket, Female	
602J	4460935	1	Connector, Brown - 12 Position	
602J	4460465	8	Socket, Female	
602K	4922705	1	Analyzer Harness	2-B
602L	4460761	1	Connector, Female	
602L	4460227	4	Pin, Male	
602M	4460465	4	Socket, Female	
602N	4460950	1	Connector, Female - 12 Position	
602N	4460464	6	Pin, Male 16-18 GA	
602N	4460943	3	Pin, Male 16-18 GA (Gold)	
602N	4460941	2	Pin, Male 14-16GA	
602P	4460884	4	Connector, Gray - 4 Position	
602P	4460944	16	Socket, Female	
603	4922781	1	B.L.A.M. to Boom Angle Sensor Harness (Left Side)	3-B
603A	4460932	1	Connector, Gray - 4 Position	
603A	4460943	4	Pin, Male	
603B	4460911	1	Plug, Male - 3 Position	
603B	4460918	3	Socket, Female	
603B	4460912	1	Lock, Wedge - Position	
604	4922780	1	B.L.A.M. to Boom Angle Sensor Harness (Right Side)	2-B
604A	4460884	1	Connector, Gray - 4 Position	
604A	4460944	4	Socket, Female	
604B	4460911	1	Plug, Male - 3 Position	
604B	4460918	3	Socket, Female	
604B	4460912	1	Lock, Wedge - Position	
605	4922716	1	B.L.A.M. to Boom Length Sensor Harness	C
605A	4460539	2	Plug, Male - 3 Position	
605A	4460944	3	Socket, Female	
605B	4460894	1	Plug, Male - 6 Position	
605B	4460944	4	Socket, Female	
605B	4460466	2	Plug, Sealing	

SECTION 7 - ELECTRICAL

ITEM	PART NUMBER	QTY	DESCRIPTION	REV
606	4922784	1	Jib Stow Switch Harness	B
606A	4460891	1	Plug, Male - 2 Position	
606A	4460465	2	Socket, Female	
607	4922785	1	Dual Capacity Jib Position Switch Harness	B
607A	4460897	1	Connector, Female - 2 Position	
607A	4460464	2	Pin, Male	
608	4922777	1	Platform Valve Harness	1-D
608A	4460880	9	DIN Connector	
608B	4460926	1	Connector - 21 Position	
608B	4460928	13	Socket, Female	
608B	4460466	8	Plug, Hole	
608C	4460897	1	Connector, Female - 2 Position	
608C	4460464	2	Pin, Male	
608D	4460891	1	Plug, Male - 2 Position	
608D	4460465	2	Socket, Female	
609	4460945	1	Connector, Female - 3 Way	
610	4922767	1	Lockout Valve Harness	2-C
610A	4460465	3	Socket, Female	
610B	4460464	1	Pin, Male	
610C	4460880	1	Connector, DIN	
610D	4460449	1	Connector, DIN	
611	4922786	1	B.L.A.M. Harness	4-C
611A	4460933	1	Plug, Male - 12 Position (Gray)	
611A	4460466	7	Plug, Seal	
611A	4460944	3	Socket, Female	
611A	4460465	1	Socket, Female	
611A	4460942	1	Socket, Female	
611B	4460934	1	Plug, Male - 12 Position (Green)	
611B	4460466	7	Plug, Seal	
611B	4460944	3	Socket, Female	
611B	4460465	2	Socket, Female	
611C	4460935	1	Plug, Male - 12 Position (Brown)	
611C	4460466	5	Plug, Seal	
611C	4460465	2	Socket, Female	
611D	4460836	1	Plug, Male - 12 Position (Black)	
611D	4460466	8	Plug, Seal	
611D	4460944	2	Socket, Female	
611D	4460465	2	Socket, Female	
611E	4460836	2	Plug, Male - 12 Position (Black)	
611E	4460466	14	Plug, Seal	
611E	4460944	5	Socket, Female	
611E	4460465	5	Socket, Female	
611E	4460837	2	Receptacle, Female - 12 Position Buss Bar	
611F	4460884	1	Plug, Male 4 Position (Gray)	
611F	4460944	4	Socket, Female	
611G	4460894	1	Plug, Male - 6 Position (Gray)	
611G	4460465	5	Socket, Female	
611G	4460466	1	Plug, Sealing	
611H	4460899	1	Connector, Female - 6 Position (Gray)	
611H	4460464	3	Pin, Male	
611H	4460941	3	Pin, Male (Gold Plated)	

SECTION 7 - ELECTRICAL

ITEM	PART NUMBER	QTY	DESCRIPTION	REV
611J	4460899	1	Connector, Female - 6 Position (Gray)	
611J	4460466	2	Plug, Sealing	
611J	4460943	4	Pin, Male (Gold Plated)	
611K	4460932	1	Plug, Male - 4 Position (Gray)	
611K	4460943	1	Pin, Male	
611L	4460966	1	Connector, Female - 3 Position	
611L	4460944	3	Socket, Female	
611M	4922705	1	Analyzer Harness	2-B
611N	4460761	1	Connector, Female - 4 Position	
611N	4460227	4	Pin, Male	
611P	4460465	4	Socket, Female	
612	0100048	AR	Lubricant, Silicone	
613	4923256	1	Load Sensing Pin Harness	B
613A	4460930	1	Connector, Gray - 8 Position	
613A	4460465	4	Socket, Female	
613A	4460466	3	Plug, Sealing	
613B	See Note	1	Connector, Female - 4 Position (Note: Not Available For Purchase)	
613B	See Note	4	Terminal (Note: Not Available For Purchase)	
615	4922947	1	Right Level Sensor, Harness	E
615A	4460911	1	Plug, Male - 3 Position	
615A	4460918	3	Pin, Male	
615A	4460912	1	Lock, Wedge - Position	
615A	1320309	1	Clamp, Cable	
615A	1560012	1	Nut, Conduit	
615A	1560011	1	Connector, Conduit	
615A	See Note	1	Plug, Male - 7 Position (Note: No Longer Field Serviceable - Purchase Complete Harness Item 615)	
616	4922948	1	Left Level Sensor, Harness	E
616A	4460911	1	Plug, Male - 3 Position	
616A	4460918	3	Pin, Male	
616A	4460912	1	Lock, Wedge - Position	
616A	1320309	1	Clamp, Cable	
616A	1560012	1	Nut, Conduit	
616A	1560011	1	Connector, Conduit	
616A	See Note	1	Plug, Male - 7 Position (Note: No Longer Field Serviceable - Purchase Complete Harness Item 616)	
		Ref	STANDARD HARNESS COMPONENTS	
701	4360505	4	Steer Angle Sensor Harness	
701A	4460536	1 Per Assy	Plug, Male - 3 Position	
701A	4460464	3 Per Assy	Pin, Male	
702	1660253	1	Coupling Electrical Components	
702A	See Note	1	Coupling Turntable Harness (Note: Not Available For Purchase)	
702B	4460837	1	Connector, Female - 12 Position	
702B	4460466	4	Plug, Socket	
702B	4460464	3	Pin, Male 16-18 GA	
702B	4460943	3	Pin, Male 16-18 GA (Gold)	
702B	4460941	2	Pin, Male 14-16GA	
702C	See Note	1	Coupling Frame Harness (Note: Not Available For Purchase)	
702D	4460836	1	Plug, Male - 12 Position	

SECTION 7 - ELECTRICAL

ITEM	PART NUMBER	QTY	DESCRIPTION	REV
702D	4460465	6	Socket, Female 16-18 GA	
702D	4460942	2	Socket, Female 14-16 GA	
702D	4460944	3	Socket, Female 16-18 GA (Gold)	
702D	4460466	1	Plug, Socket	
703	See Note	1	Broken Cable Proximity Switch Harness (Note: Part of Proximity Switch - Purchase New Switch)	
704		Ref	Platform Level Sensor Harness Options (Includes Sensor):	
704	4360534	2	Platform Level Sensor Harness (Use p/n 1001147479) (Prior to SN 0300141600)	
704	4360545	2	Platform Level Sensor Harness (Use p/n 1001147479) (Prior to SN 0300141600)	
704	4360545	2	Platform Level Sensor Harness (Use p/n 1001133329) (SN 0300141600 through 0300157202)	
704	1001133329	2	Platform Level Sensor Harness (SN 0300157203 through 0300201016)	
704A	4460910	2	Connector, Female - 3 Position	
704A	4460917	6	Pin, Male	
704A	4460913	1	Lock, Wedge	
705	See Note	1	Boom Length Switch Harness (Note: Not Available For Purchase)	
705A	4460536	1	Connector, Female - 3 Position	
705A	4460943	3	Pin, Male	
706		Ref	Boom Angle Sensor Harness Options (Includes Sensor):	
706	4360534	2	Boom Angle Sensor Harness (Use p/n 1001147479) (Prior to SN 0300141600)	
706	4360545	2	Boom Angle Sensor Harness (Use p/n 1001147479) (Prior to SN 0300141600)	
706	4360545	2	Boom Angle Sensor Harness (Use p/n 1001133329) (SN 0300141600 through 0300157202)	
706	1001133329	2	Boom Angle Sensor Harness (SN 0300157203 through 0300201016)	
706A	4460910	2	Connector, Female Deutsch - 3 Position	
706A	4460917	6	Pin, Male	
706A	4460913	1	Lock, Wedge	
707	See Note	1	Controller Harness Assembly (Lift and Swing) (Note: Not Available For Purchase)	
707A	7022819	1	Plug, Male - 8 Position (Natural)	
707A	4460871	8	Socket, Female	
708	7022824	1	Controller Harness/Circuit Board Assembly (Drive and Steer)	
708A	7022825	1	Plug, Male - 8 Position (Black)	
708A	4460871	7	Socket, Female	
709	See Note	1	Speed Control Harness (Note: Not Available For Purchase)	
709A	4460224	1	Connector, Female - 6 Position	
709A	4460226	5	Socket, Female	
710	7027796	1	Harness, Deutz EMR2 Engine Connector	
710A	70001869	1	Engine Harness (Deutz Tier III Engines)	
710A	70001872	1	Engine Harness (Deutz Tier IVi Engines)	
710A	70004061	1	Deutz Harness to Alternator	
710A	70004271	1	Deutz Harness to Starter	
711	1001120776	1	Caterpillar Harness Components	A
711A	See Note	1	Connector, Female - 6 Position (Note: Not Available For Purchase)	
712	1001119995	1	Caterpillar Electric Fuel Pump Harness Components	A
712A	4460930	1	Plug, Male - 8 Position	
712A	4460944	6	Socket, Female 16-18GA Gold	

SECTION 7 - ELECTRICAL

ITEM	PART NUMBER	QTY	DESCRIPTION	REV
712A	4460465	2	Socket, Female	
712B	1001117024	1	Connector, Metri-Pack 15Amp Fuse	
712C	1001117057	1	Connector, Metri-Pack - 4 Position	
713	0272621	1	Control System Analyzer Installation	A
713	2901443	1	Analyzer/Cable Kit	1
713A	1600244	1	Analyzer	
713B	1060633	1	Cable, Analyzer	1-B
713C	4460321	2	Plug, Male	
713C	70003407	2	Shell, Back	
713C	4460226	8	Socket, Female	
714	2902099	1	Deutz Engine Battery Cable Kit	C
714A	7024580	1	Cable, Red (To Aux Pump Relay, Battery Positive Terminal and Start Relay)	
714B	7024581	1	Cable, Black (To Aux Pump, Battery Negative Terminal and Ground at Tray Pivot)	
714C	7024582	1	Cable, Red (Aux Pump Relay to Aux Pump)	
714D	7024583	1	Cable, Black (Tray Pivot to Engine Mount) (Not Shown)	
714E	7024584	1	Cable, Red (Start Relay to Starter)	
715	1001120743	1	Caterpillar Engine Battery Cable Kit	
715A	7027034	1	Cable, Red (To Aux Pump Relay, Battery Positive Terminal, Glow Plug Solenoid and Starter)	
715B	7024581	1	Cable, Black (To Aux Pump, Battery Negative Terminal and Ground at Tray Pivot)	
715C	7027035	1	Cable, Red (Aux Pump Relay to Aux Pump)	
715D	7027039	1	Cable, Black (Tray Pivot to Engine Block)	
716	4923468	1	Harness, Glow Plug	
717	0257887	1	Alarm Harness (Includes Alarm)	
717	0140032	1	Alarm	
717	2820035	6 in/15cm	Loom	
717	4460424	1	Plug	
717	4460268	2	Socket, Female	
717A	4460424	1	Plug, Male - 2 Position	
717A	4460268	2	Socket, Female	
		Ref	OPTIONAL HARNESS COMPONENTS	
801		Ref	AC to Platform Receptacle Components Options:	
801	0271953	Ref	110V GFI Receptacle (ANSI Spec)	D
801	0271954	Ref	220V GFI Receptacle (ANSI Spec)	C
801	0271955	Ref	110V (No Plug or Receptacle - ANSI Export and Australian Specs)	C
801		Ref	CE Spec Only Options:	
801		Ref	110V	
801	0271955	Ref	No Plug or Receptacle	C
801	1001091969	Ref	IEC Yellow Receptacle and Plug without 2500W Generator	B
801	1001100326	Ref	IEC Yellow Receptacle with 2500W Generator	C
801		Ref	220V	
801	1001091973	Ref	CEE 7 Post Ground Receptacle and Plug (2x4 Box) without 2500W Generator	C
801	1001100331	Ref	CEE 7 Post Ground Receptacle (2x4 Box) with 2500W Generator	C
801	1001091974	Ref	CEE 7 Side Ground Receptacle and Plug (2x4 Box) without 2500W Generator	C
801	1001100333	Ref	CEE 7 Side Ground Receptacle (2x4 Box) with 2500W Generator	C

SECTION 7 - ELECTRICAL

ITEM	PART NUMBER	QTY	DESCRIPTION	REV
801	1001091975	Ref	AFSINT 107 Keyed Ground Receptacle and Plug (2x4 Box) without 2500W Generator	C
801	1001100337	Ref	AFSINT 107 Keyed Ground Receptacle (2x4 Box) with 2500W Generator	C
801	1001091970	Ref	IEC Blue Receptacle and Plug without 2500W Generator	B
801	1001100327	Ref	IEC Blue Receptacle with 2500W Generator	C
801	1001091971	Ref	CEE 7 Post Ground Receptacle and Plug (70mm x 70mm Box) without 2500W Generator	B
801	1001100328	Ref	CEE 7 Post Ground Receptacle (70mm x 70mm Box) with 2500W Generator	C
801	1001091972	Ref	CEE 7 Side Ground Receptacle and Plug (70mm x 70mm Box) without 2500W Generator	B
801	1001100329	Ref	CEE 7 Side Ground Receptacle (70mm x 70mm Box) with 2500W Generator	C
801A		Ref	Box, Switch Options:	
801A	0860038	1	0271953 & 0271954 Installations	
801A	See Note	1	0271955 Installation (Note: Not Available - Purchase Locally)	
801A	0861731	1	1001091973, 1001091974, 1001091975, 1001100331, 1001100333 & 1001100337 Installations	
801A	0861781	1	1001091969, 1001091970, 1001100326 & 1001100327 Installations	
801A	See Note	1	1001091971, 1001091972, 1001100328 & 1001100329 Installations (Note: Was p/n 0861782 which is no longer available. Use p/n 1001141970 CEE 7 Side Ground Service Kit or p/n 1001141971 CEE 7 Post Ground Service Kit. Kits includes Box p/n 1001141967 & items 801F-801H.)	
801A	1001141967	1	1001100343, 1001100344, 1001141970 & 1001141971 Kits	
801B	1320146	1	Clamp, Cable (0271953, 0271954 & 0271955 Installations)	
801C		Ref	Gasket, Cover Options:	
801C	3960422	1	0271953 & 0271954 Installations	
801C	See Note	1	0271955 Installation (Note: Not Available - Purchase Locally)	
801C	Not Required	0	1001091973, 1001091974, 1001091975, 1001091969, 1001091970, 1001091971, 1001091972, 1001100331, 1001100333, 1001100337, 1001100326, 1001100327, 1001100328 & 1001100329 Installations	
801D		Ref	Shield, Cover Options:	
801D	4060700	1	0271953 Installation (Use p/n 1001110873)	
801D	4060092	1	0271954 Installation	
801D	See Note	1	0271955 Installation (Note: Not Available - Purchase Locally)	
801D	Purchase Receptacle	1	1001091973, 1001091974, 1001091975, 1001091969, 1001091970, 1001091971, 1001091972, 1001100331, 1001100333, 1001100337, 1001100326, 1001100327, 1001100328 & 1001100329 Installations	
801E		Ref	Connector, Strain Relief Options:	
801E	4460051	1	0271953 & 0271954 Installations	
801E	See Note	1	0271955 Installation (Note: Not Available - Purchase Locally)	
801E		Ref	1001091973, 1001091974, 1001091975, 1001100331, 1001100333 & 1001100337 Installations	
801E	1001101196	1	Adapter	
801E	4460662	1	Strain Relief (Use p/n 1001101191)	
801E		Ref	1001091969, 1001091970, 1001091971, 1001091972,	

SECTION 7 - ELECTRICAL

ITEM	PART NUMBER	QTY	DESCRIPTION	REV
			1001100326, 1001100327, 1001100328 & 1001100329 Installations	
801E	1001101197	1	Adapter	
801E	4460968	1	Strain Relief (Use p/n 1001101191)	
801F		Ref	Plug, Male Options:	
801F	4460205	1	0271953 Installation	
801F	4460709	1	0271954 Installation	
801F	See Note	1	0271955 Installation (Note: Not Available - Purchase Locally)	
801F	4461202	1	1001091973, 1001091971, 1001100328 & 1001100331 Installations & 1001100343 & 1001141971 Kits	
801F	4461205	1	1001091974, 1001091972, 1001100329 & 1001100333 Installations & 1001100344 & 1001141970 Kits	
801F	4461249	1	1001091975 & 1001100337 Installations	
801F	4461196	1	1001091969 & 1001100326 Installations	
801F	4461199	1	1001091970 & 1001100327 Installations	
801G		Ref	Receptacle Options:	
801G	4460346	1	0271953 Installation	
801G	4460125	1	0271954 Installation	
801G	See Note	1	0271955 Installation (Note: Not Available - Purchase Locally)	
801G	4461244	1	1001091973 & 1001100331 Installations	
801G	1001141968	1	1001141971 Service Kit	
801G	1001141969	1	1001141970 Service Kit	
801G	4461245	1	1001091974 & 1001100333 Installations	
801G	4461246	1	1001091975 & 1001100337 Installations	
801G	4461198	1	1001091969 & 1001100326 Installations	
801G	4461201	1	1001091970 & 1001100327 Installations	
801G	4461204	1	1001091971 & 1001100328 Installations (Use p/n 1001100343)	
801G	4461207	1	1001091972 & 1001100329 Installations (Use p/n 1001100344)	
801G	1001141968	1	1001100343 & 1001141971 Kits	
801G	1001141969	1	1001100344 & 1001141970 Kits	
801H		Ref	Plug, Female Options (CE Machines with 2500W Generator Only):	
801H	4461203	1	1001100328 & 1001100331 Installations & 1001100343 & 1001141971 Kits	
801H	4461206	1	1001100329 & 1001100333 Installations & 1001100344 & 1001141970 Kits	
801H	4461250	1	1001100337 Installation	
801H	4461197	1	1001100326 Installation	
801H	4461200	1	1001100327 Installation	
801J	1060908	10 ft/3.1m	Cable, Electrical - 12/3 (CE Machines with 2500W Generator Only)	
802		Ref	Generator Electrical Components	
802	1001120381	AR	Caterpillar/Deutz Engine -110V/220V - 60Hz	
802	1001120382	AR	Deutz Engine - 110V/220V - 50Hz	
802A	4922641	1	Harness - On/Off Switch	
802B	4460226	2	Socket, Female	
802C	1001120378	1	Powermite Control Box to Relay Harness	
802C	4460374	1	Plug, Sealed	
802C	4460375	4	Terminal	
802C	4460465	1	Socket, Female 16-18 GA	

SECTION 7 - ELECTRICAL

ITEM	PART NUMBER	QTY	DESCRIPTION	REV
802D	4460027	1	Receptacle, Twist Lock (110V Only)	
802E	4460961	1	Connector, Female - 4 Position (60Hz Only)	
802E	4460705	4	Pin, Male	
802F	4460321	1	Connector, Male - 4 Position (60Hz Only)	
802F	4460906	4	Socket, Female	
802G	7020193	1	Harness, Generator Ground Power	
804		Ref	Strobe Light Harness (Includes Strobe Light) Options:	
804	0272507	1	Strobe Light Harness (Prior to SN 0300171640)	B
804	2920161	1	Strobe Light Harness (SN 0300171640 through 0300201016)	B
804A	4460320	1	Connector, Female - 2 Position (Strobe Light - 0272507)	
804A	4460267	2	Pin, Male (Strobe Light - 0272507)	
804B	4460891	1	Connector, Male - 2 Position (Strobe Light - 2920161)	
804B	4460465	2	Socket, Female (Strobe Light - 2920161)	
806	4922738	1	Headlight and Taillight and Chassis Illumination Lights Harness	
806A	4460374	1	Plug, Sealed	
807	See Note	1	Floodlights Harness Components (Note: Not Available For Purchase)	
807A		Ref	Harness Options (Aux Relay to Console Box):	
807A	1060708	1	Harness 1200SJP (Use p/n 1001099718)	
807A	1060708	1	Harness 1350SJP (Use p/n 1001099719)	
807B	4460320	2	Plug, Male - 2 Position	
807B	4460227	4	Pin, Male	
807C	4922764	1	Floodlight Harness (Lights to Switch)	
807D	4460424	2	Connector, Female - 2 Position	
807D	4460226	4	Socket, Female	
807E	1060977	1	Cord, 2 Wire Coiled (Console Box Relay to Switch)	
807F	4360232	1	Breaker, Circuit	
807G	4460425	1	Connector, Strain Relief	
808	See Note	1	Work Lights Harness Components: (Note: Not Available For Purchase)	
808A		Ref	Harness, Electric 10/3 (Aux Relay to Console Box)	
808A	4922834	1	Harness, Electric 10/3, 1200SJP	
808A	4922833	1	Harness, Electric 10/3, 1350SJP	
808A	4921757	AR	Fusible Link	
808B	See Note	2	Work Light Harness (Supplied with Work Light) (Note: Not Available For Purchase)	
808C	4460426	1	Connector, Strain Relief	
808D	2400066	1	Fuseholder	
808D	2400070	AR	Fuse 20 Amp	
809		Ref	7500W SkyPower Generator Installations	
809		Ref	Deutz Engine	
809	1001125427	Ref	60Hz	B
809	1001125428	Ref	50Hz	B
809		Ref	Caterpillar Engine	
809	1001117508	Ref	60Hz	E
809	1001121889	Ref	50Hz	B
809A		Ref	Receptacle, Female Twist-Lock Options:	
809A	4460958	1	60Hz Spec (Prior to SN 0300182753)	
809A	See Note	1	50Hz Spec (Note: Not Available - Purchase Locally)	
809B		Ref	Gasket Options:	
809B	3960422	AR	60Hz Spec	
809B	See Note	2	50Hz Spec (Note: Not Available - Purchase Locally)	

SECTION 7 - ELECTRICAL

ITEM	PART NUMBER	QTY	DESCRIPTION	REV
809C		Ref	Cover, Receptacle Options:	
809C	1001110873	1	60Hz Spec	
809C	See Note	1	50Hz Spec (Note: Not Available - Purchase Locally)	
809D		Ref	Cover, Receptacle Options:	
809D	1001110872	1	60Hz Spec (Prior to SN 0300182753)	
809D	See Note	1	50Hz Spec (Note: Not Available - Purchase Locally)	
809E		Ref	Receptacle Options:	
809E	4460346	1	60Hz Spec	
809E	See Note	1	50Hz Spec (Note: Not Available - Purchase Locally)	
809F	4460051	1	Connector, Strain Relief (Prior to SN 0300182753)	
809G	4460071	1	Connector, Strain Relief	
809H	4922972	1	Harness, Generator	
809I	See Note	1	Plug, Male - 6 Position (Note: Not Available For Purchase)	
809I	See Note	6	Socket, Female (Note: Not Available For Purchase)	
809J	4460225	1	Plug, Male - 6 Position	
809J	4460226	6	Socket, Female	
810		Ref	7500W SkyPower Generator Junction Box Components	
810	0861542	Ref	60Hz Spec	D
810	0861567	Ref	50Hz Specs	B
810A		Ref	Cable, Electrical 12/3	
810A	1060494	2 ft/.6m	60Hz Spec	
810A	See Note	2 ft/.6m	50Hz Spec (Note: Not Available - Purchase Locally)	
810B		Ref	Cable, Electrical 10/3	
810B	1060708	2.5 ft/.76m	60Hz Spec	
810B	See Note	2.5 ft/.76m	50Hz Spec (Note: Not Available - Purchase Locally)	
810C	1060343	1.5 ft/.46m	Cable, Electrical 10/4 (60Hz Spec Only)	
810D	4460425	2	Connector, Strain Relief	
810E		Ref	Component Options:	
810E	4460426	2	Connector, Strain Relief (60Hz Spec Only)	
810E	4460426	1	Connector, Strain Relief (50Hz Spec Only)	
810E	3520189	1	Plug (50Hz Spec Only)	
810F	1671092	1	Cover (60Hz Spec Only)	
810F	4460963	1	Connector (60Hz Spec Only)	
811	1001122528	Ref	7500W Generator – 60Hz (Prior to SN 0300182753)	B
811	1001157770	Ref	7500W Generator – 60Hz (SN 0300182753 through 0300201016)	A
811A	1001119968	1	Generator Harness	A
811B	4460967	1	Plug, Male - 3 Position	
811B	4460465	3	Socket, Female	
811C	1001117078	1	Connector, Metri-Pack W/5Amp Fuse	
811D	4922641	1	Switch Harness	
811E	4460226	2	Socket, Female	
812		Ref	AC Breaker Box Installation (CE Spec)	
812	1001095976	Ref	Without Generator and With 110V/50Hz Generator	C
812	1001109556	Ref	With 220V/50Hz Generator	A
812A	1320146	AR	Clamp, Cable	
812B	1001094915	1	Bracket, Circuit Breaker Box	
812C		Ref	Box Kit, Circuit Breaker Options:	
812C	1001109654	1	Box Kit Without Generator and With 110V/50Hz Generator	

SECTION 7 - ELECTRICAL

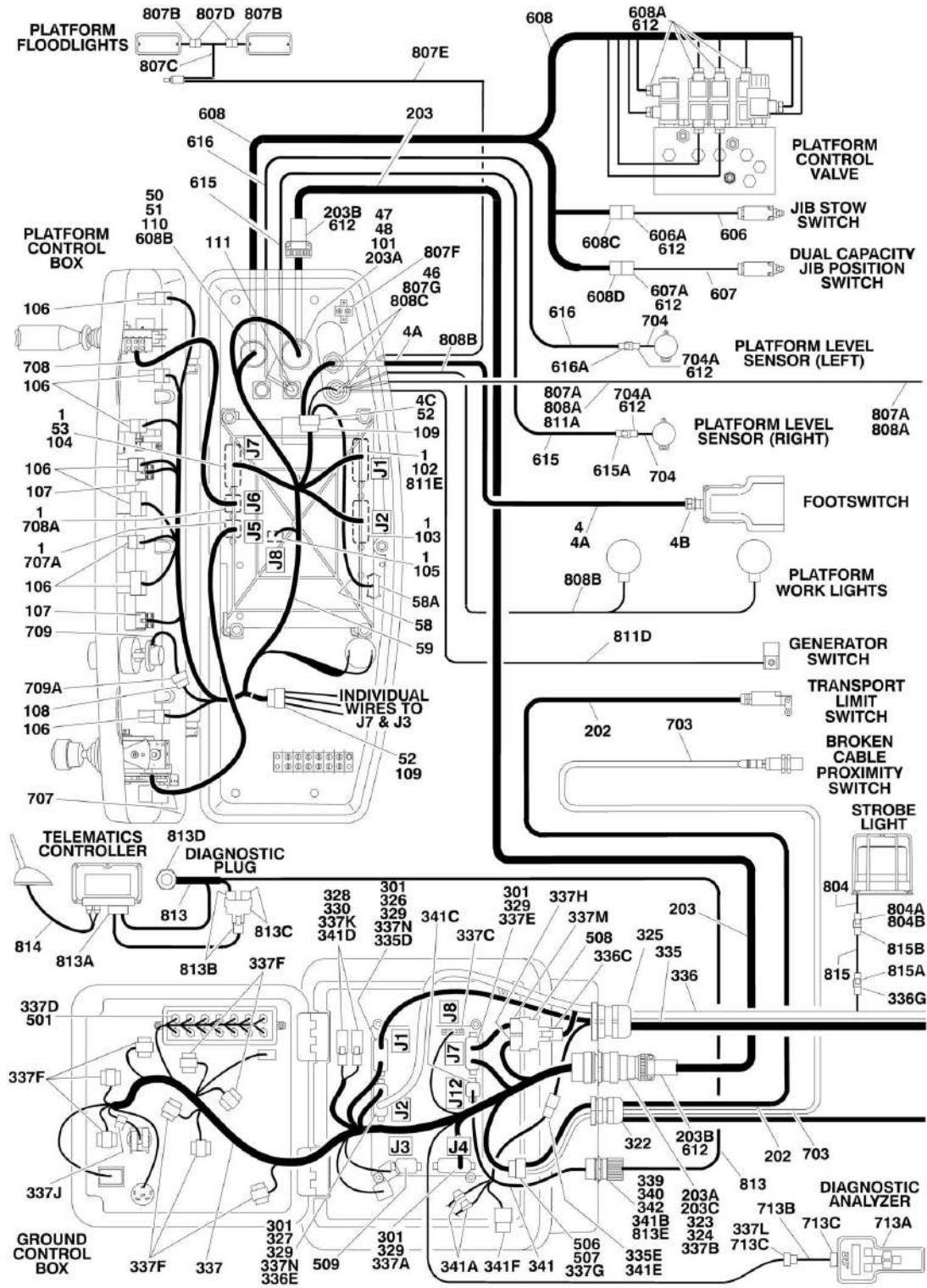
ITEM	PART NUMBER	QTY	DESCRIPTION	REV
812C	1001109648	1	Box Kit With 220V/50Hz Generator	
812C		Ref	Breaker, Circuit Options:	
812C		Ref	Breaker for Machines with 1 Circuit Breaker:	
812C	See Note	AR	Breaker for Machines without Generator and With 110V/50Hz Generator (Note: For Service purchase (1) p/n 1001109475 & (1) p/n 1001109482.)	
812C	See Note	AR	Breaker for Machines with 220V/50Hz Generator (Note: For Service purchase (1) p/n 1001109477 & (1) p/n 1001109482.)	
812C		Ref	Breaker for Machines with 2 Circuit Breakers:	
812C		Ref	Breaker for Machines without Latch and Bracket	
812C	1001109475	AR	Breaker for Machines without Generator and with 110V/50Hz Generator (16 Amp)	
812C	1001109482	1	Breaker for Machines with Latch and Bracket	
812C	0861880	1	Box, Breaker	
812C	4460956	1	Barrier, Terminal Block End	
812C	4460957	1	Block, Terminal	
812D	1001101191	1	Connector, Strain Relief	
812E	1001097150	1	Connector, Strain Relief	
812F	1060908	12 ft/3.6m	Cable, Electrical 12/3	
812G	0903484	1	Bracket, AC Receptacle	
813	1001111914	1	ClearSky Telematics Harness (Standard on Machines delivered in North America. Optional on all other machines.)	B
813A	70020808	1	Plug, Male - 23 Position	
813A	4460871	5	Socket	
813A	4460905	18	Plug, Seal	
813B	4460539	2	Plug, Male - 3 Position (Includes Wedge Lock and Seal)	
813B	4460944	6	Socket	
813B	77363244	2	Wedge Lock	
813C	4460945	1	Bulkhead, 3 Way Female	
813C	See Note	2	Plug, Male - 3 Position with 120 ohm Resistor (Note: Not Available For Purchase)	
813C	See Note	1	Wedge Lock (Note: Not Available For Purchase)	
813D	1001112612	1	Connector, Diagnostic	
813D	4460943	2	Pin	
813D	4460464	2	Pin	
813D	4460466	2	Plug, Seal	
813D	1001106736	1	Cap, Dust	
813E	1001112796	1	Connector, Diagnostic	
813E	4460944	2	Socket	
813E	4460466	2	Plug, Seal	
814	70002296	1	Harness, Telematics Antenna (Includes Antenna) (Note: No other parts available)	B
815	1001149818	1	Strobe Light Harness (SN 0300171640 through 0300201016)	A
815A	4460320	1	Connector, Female - 2 Position	
815A	4460267	2	Pin, Male	
815B	4460897	1	Connector, Female - 2 Position	
815B	4460464	2	Pin, Male	
		Ref	TOOLS (NOT SHOWN)	
	7002821	1	Crimper (For Wire to Pin/Socket Connections)	
	7002823	1	Extractor (For Removal of Pin/Socket from Connectors)	
	4460467	1	Extractor, Pin (Blue 16-18 Gauge) (For Removal of Pin/Socket from Connectors)	

SECTION 7 - ELECTRICAL

ITEM	PART NUMBER	QTY	DESCRIPTION	REV
	4460510	1	Extractor, Pin (Yellow 12-14 Gauge) (For Removal of Pin/Socket from Connectors)	
	7002828	1	Stripper, Wire	
	1001137005	1	Cable Kit, Software	

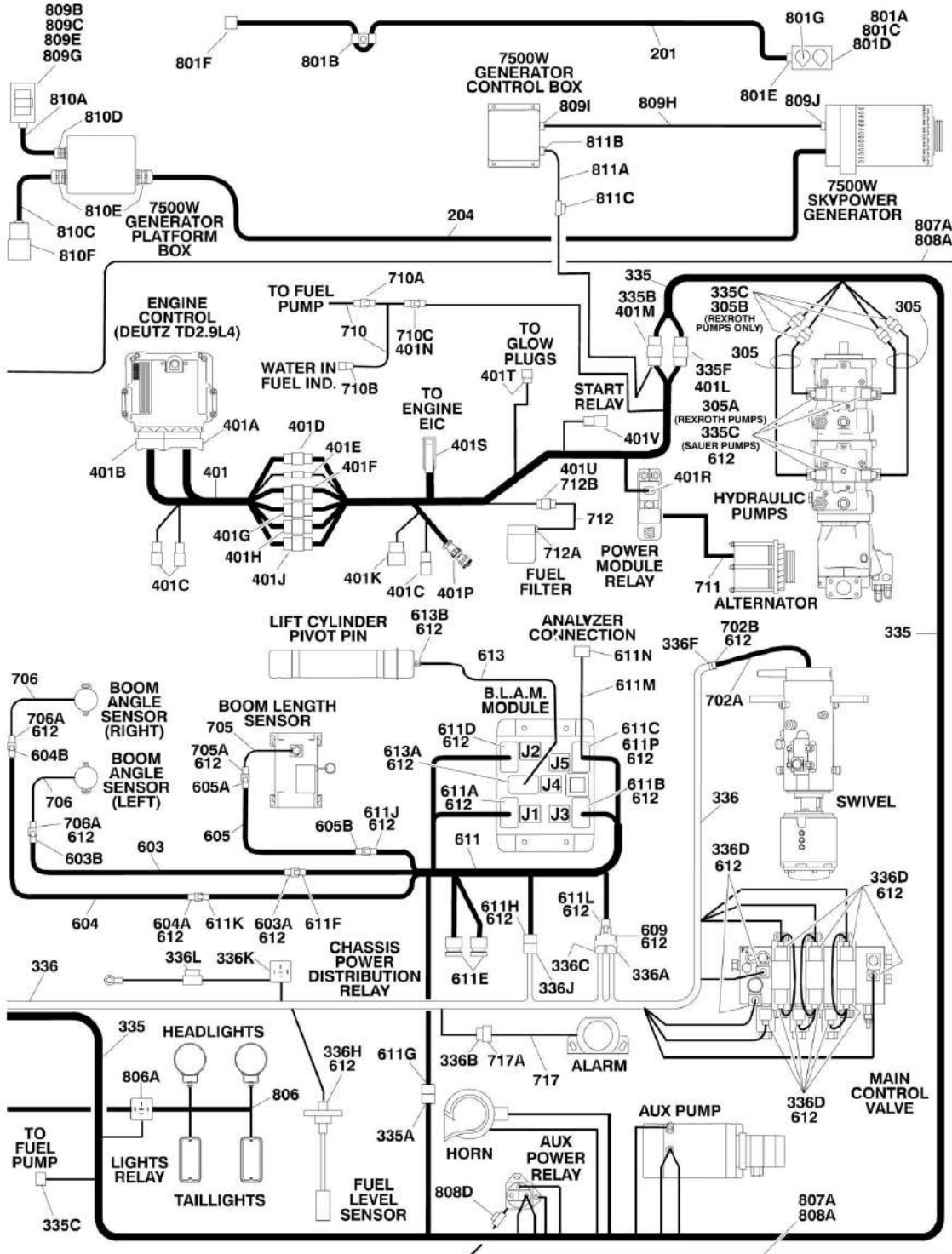
SECTION 7 - ELECTRICAL

FIGURE 7-5. HARNESS COMPONENTS INSTALLATION (WITH UGM)



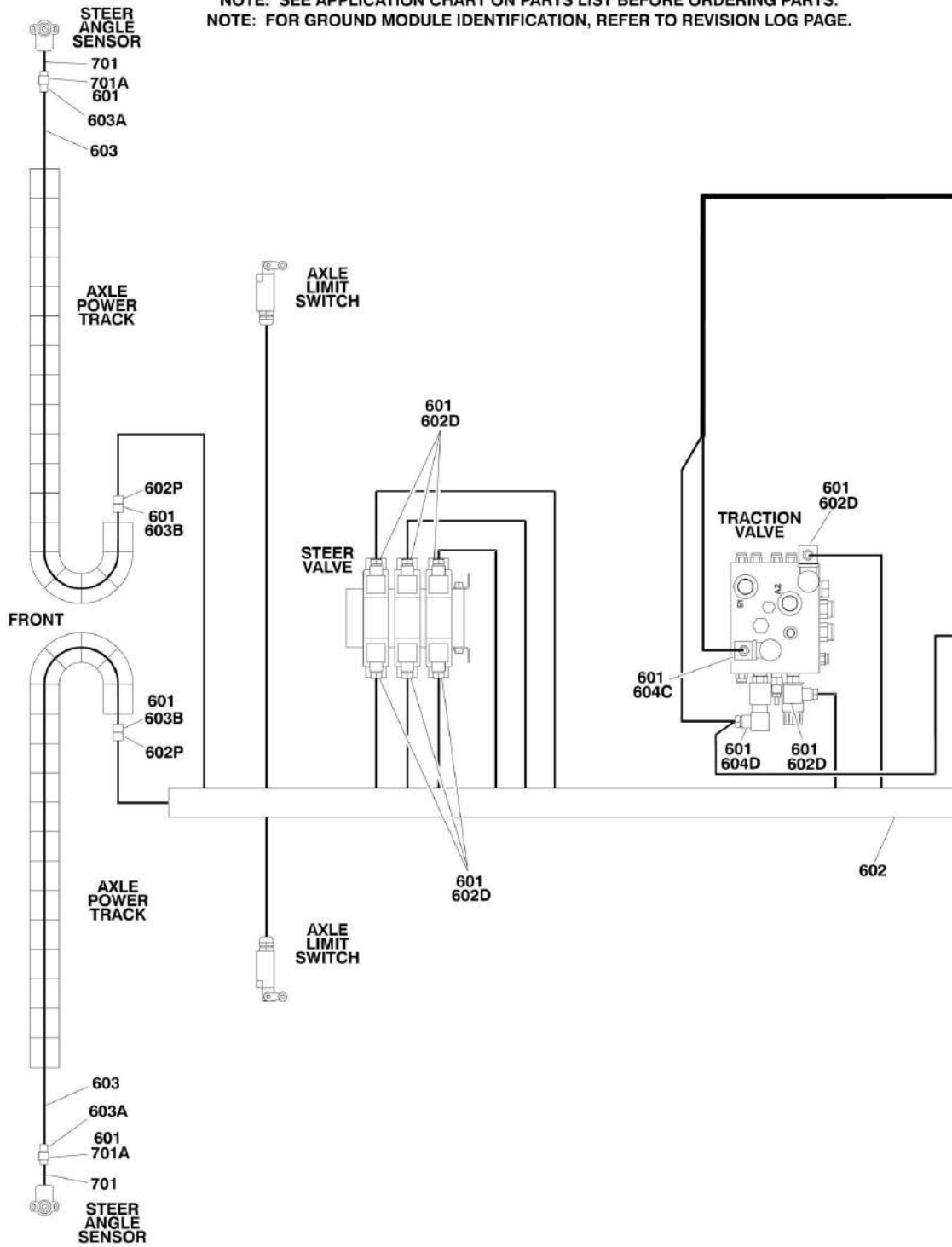
SECTION 7 - ELECTRICAL

NOTE: FOR MODULE IDENTIFICATION, REFER TO REVISION LOG PAGE A.

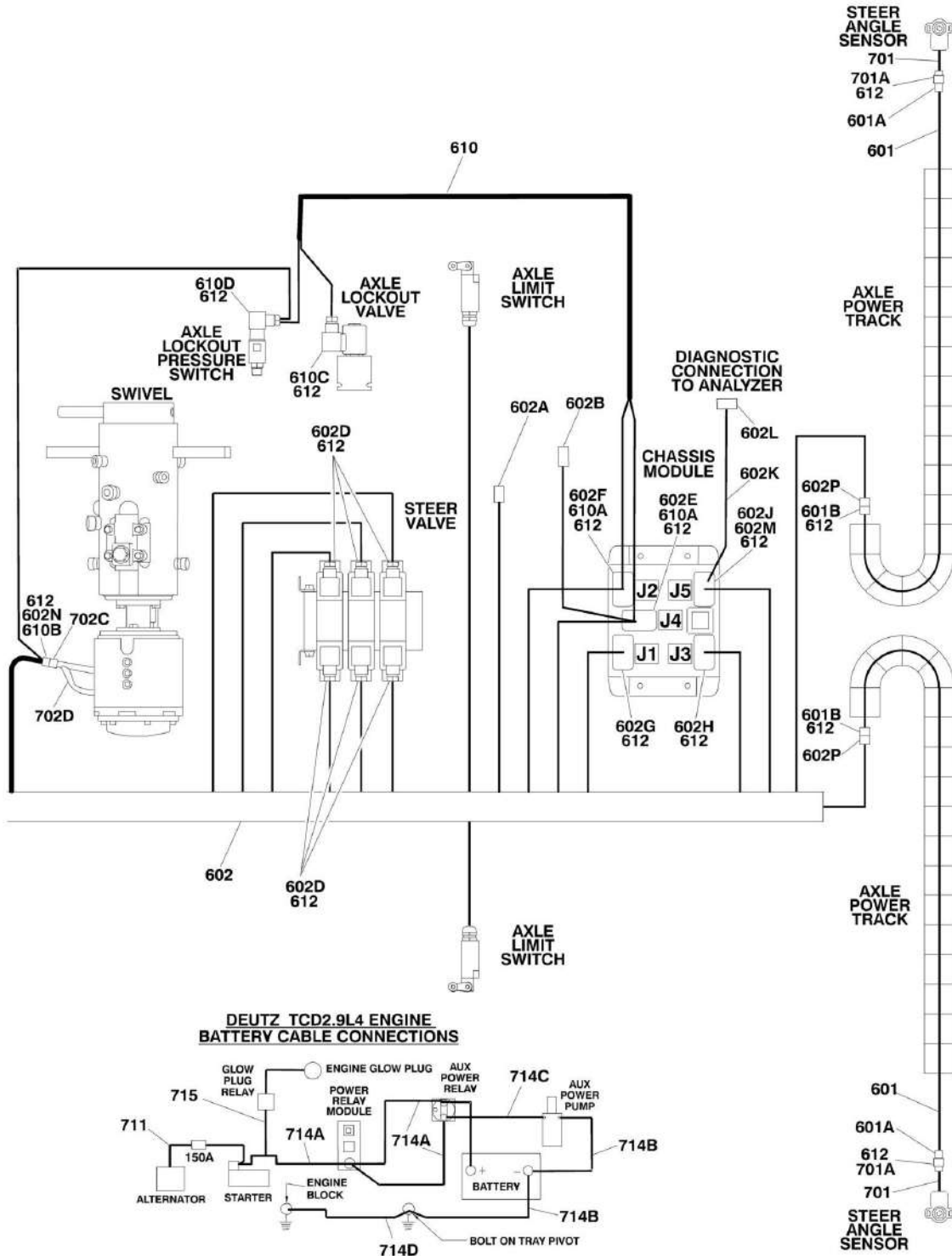


SECTION 7 - ELECTRICAL

NOTE: SEE APPLICATION CHART ON PARTS LIST BEFORE ORDERING PARTS.
 NOTE: FOR GROUND MODULE IDENTIFICATION, REFER TO REVISION LOG PAGE.



SECTION 7 - ELECTRICAL



SECTION 7 - ELECTRICAL

FIGURE 7-5. HARNESS COMPONENTS INSTALLATION (WITH UGM)

ITEM	PART NUMBER	QTY	DESCRIPTION	REV
		Ref	APPLICATION CHART - USE THIS FIGURE FOR:	
		Ref	Deutz TCD2.9L4 Engine Machines with UGM	
		Ref	PLATFORM CONSOLE BOX COMPONENTS	
1	0100048	AR	Grease, Dielectric	
4		Ref	Footswitch Components:	
4A	1060918	7 ft/2.14m	Cable, Electrical - 18/3	
4B	4460071	1	Connector, Strain Relief	
4C	4460226	2	Socket, Female	
4C	4460464	1	Pin, Male	
46	4460428	4	Connector, Strain Relief	
47	4460470	1	Nut, Terminal	
48	4460471	1	Lockwasher, Terminal	
50	4460496	1	Lockwasher, Terminal	
51	4460497	1	Nut, Terminal	
52	4460708	2	Receptacle, Female - 15 Position	
53	4460905	5	Seal, Plug	
58	4922666	1	Harness, Analyzer Cable	2-B
58	4460226	4	Socket, Female (Not Shown - Located at J2)	
58A	4460761	1	Connector, Female - 4 Position	
58A	4460227	4	Pin, Male	
59	4923448	1	Harness, Platform Box (See Items 101-111 for Breakdown)	
	4923448	Ref	PLATFORM BOX HARNESS ASSEMBLY	3-B
101	4460866	1	Connector - 19 Pin	
101	4460464	7	Pin, Male Deutsch 16 Ga	
101	4460508	4	Pin, Male Deutsch 12 Ga	
101	4460943	3	Pin, Male 16 Ga (Gold Plated)	
102	4460874	1	Connector - 35 Position (Natural)	
102	4460871	7	Socket, Female	
102	4460905	4	Plug	
103	4460876	1	Connector - 35 Position (Blue)	
103	4460871	32	Socket, Female	
103	4460905	3	Plug	
104	4460873	1	Connector - 35 Position (Black)	
104	4460871	34	Socket, Female	
104	4460905	1	Plug	
105	4460879	1	Connector, Male - 2 Position	
105	4460887	2	Terminal (12 Gauge)	
106	4460418	12	Connector, Female - 6 Position	
106	4460419	36	Socket, Female	
107	4460225	5	Plug, Male - 6 Position	
107	4460226	21	Terminal (16 Gauge)	
108	4460225	1	Plug, Male - 6 Position	
108	4460227	5	Pin, Male	
109	4460434	2	Plug, Male - 15 Position	
109	4460227	14	Pin, Male	
110	4460925	1	Connector - 21 Pin	
110	4460929	13	Pin, Male Deutsch 16 Ga	
110	4460466	8	Plug	
111	1001121616	2	Connector, 6 Position	
111	1001121615	2	Base, Mounting	

SECTION 7 - ELECTRICAL

ITEM	PART NUMBER	QTY	DESCRIPTION	REV
		Ref	BOOM CABLES INSTALLATION	
	0271932	Ref	Boom Cables Installation 1200SJP (ANSI and ANSI Export Specs)	D
	0271950	Ref	Boom Cables Installation 1200SJP (Australian and CE Specs)	D
	0273854	Ref	Boom Cables Installation 1200SJP with 7500W Generator (All Specs)	A
	0271951	Ref	Boom Cables Installation 1350SJP (ANSI and ANSI Export Specs)	D
	0271952	Ref	Boom Cables Installation 1350SJP (Australian and CE Specs)	D
	0273855	Ref	Boom Cables Installation 1350SJP with 7500W Generator (All Specs)	A
201		Ref	Cable, Electrical - 10/3	
201	4922759	1	Cable, Electrical 1200SJP (ANSI and ANSI Export Specs)	B
201	4922761	1	Cable, Electrical 1200SJP (Australian and CE Specs)	B
201	Not Required	0	Cable, Electrical 1200SJP with 7500W Generator (All Specs)	
201	4922758	1	Cable, Electrical 1350SJP (ANSI and ANSI Export Specs)	A
201	4922760	1	Cable, Electrical 1350SJP (Australian and CE Specs)	A
201	Not Required	0	Cable, Electrical 1350SJP with 7500W Generator (All Specs)	
202		Ref	Cable, Electrical - 18/3	
202	4922763	1	Cable, Electrical 1200SJP	C
202	4922762	1	Cable, Electrical 1350SJP	C
203		Ref	Harness Assembly - Boom (12/4 -18/8) Options:	
203	4922672	1	Harness Assembly - Boom 1200SJP	2-B
203	4922673	1	Harness Assembly - Boom 1350SJP	2-B
203	1060896	Ref	Cable, Electrical - 12/4 & 18/8	
203	1060896	142 ft/43.3m	Cable, Electrical 1200SJP	
203	1060896	157 ft/48m	Cable, Electrical 1350SJP	
203	2820118	8 in/18cm	Heat Shrink	
203A	4460865	2	Connector - 19 Position	
203A	4460465	22	Socket, Female 18 Gauge	
203A	4460509	8	Socket, Female 12 Gauge	
203A	4460466	8	Seal, Plug	
203B	4460473	2	Clamp, Cable	
203C	4460465	11	Socket, Female 18 Gauge	
203C	4460509	4	Socket, Female 12 Gauge	
204		Ref	Harness, Generator (8/5) Options (with 7500W Generator Only):	
204	4922796	1	Harness, Generator 1200SJP	
204	4922795	1	Harness, Generator 1350SJP	
		Ref	GROUND CONTROL BOX COMPONENTS	
301	0100048	AR	Grease, Dielectric	
305	1001119456	2	Harness, Pump Adapter (Machines with Rexroth Pumps Only) (P/N 1001119456 Includes 2 Adapter Harnesses. Total of qty 4 required)	B
305A	4460880	4	DIN Connector (1 per Harness)	
305B	4460897	4	Connector, Female - 2 Position	
305B	4460464	8	Pin, Male	
322	4460426	1	Connector, Strain Relief	
323	4460470	1	Nut, Terminal	
324	4460471	1	Washer, Terminal	

SECTION 7 - ELECTRICAL

ITEM	PART NUMBER	QTY	DESCRIPTION	REV
325	4460526	1	Connector, Strain Relief	
326	4460874	1	Connector, White - 35 Position	
327	4460875	1	Connector, Gray - 35 Position	
328	4460892	2	Bar, Buss	
329	4460905	4	Plug, Connector	
330	4460914	2	Base, Terminal	
335	1001119372	1	Harness, Ground Control to Engine	C
335A	4460899	1	Receptacle, Female - 6 Position	
335A	4460464	4	Pin, Male	
335A	4460466	2	Plug, Seal	
335B	4460899	1	Receptacle, Female - 6 Position	
335B	4460464	AR	Pin, Male	
335B	4460943	1	Socket, Female	
335C	4460891	5	Plug, Male - 2 Position	
335C	4460465	10	Socket, Female	
335D	4460871	AR	Socket, Female	
335E	4460539	1	Plug, Male - 3 Position	
335E	4460944	3	Socket, Female (Gold)	
335F	4460931	1	Receptacle, Female - 8 Position	
335F	4460464	AR	Pin, Male	
335F	4460466	1	Plug, Seal	
336	1001116369	1	Valve Harness Assembly	1-D
336A	4460965	1	Connector - 3 Position	
336A	4460944	3	Socket, Female	
336B	4460320	1	Plug, Male - 2 Position	
336B	4460267	2	Pin, Male	
336C	4460965	2	Plug, Male - 3 Position	
336C	4460944	6	Socket, Female	
336D	4460880	11	DIN Connector	
336E	4460871	16	Socket, Female	
336F	4460836	1	Plug, Male - 12 Position	
336F	4460466	4	Plug, Socket	
336F	4460465	3	Socket, Female	
336F	4460942	2	Socket, Female 14-16 GA	
336F	4460944	3	Socket, Female 16-18 GA	
336G	4460424	1	Connector, Female - 2 Position	
336G	4460268	2	Socket, Female	
336H	4460843	1	Plug, Male - 2 Position	
336H	4460842	2	Socket, Female	
336J	4460894	1	Plug, Male - 6 Position	
336J	4460465	3	Socket, Female	
336J	4460942	3	Socket, Female 14-16 GA	
336K	3740080	1	Relay, Sealed	
336K	4460374	1	Plug, Sealed	
336K	4460375	5	Terminal, Female	
336L	2400066	1	Fuseholder w/Leads	
336L	2400065	1	Fuse, 30A	
337	1001120180	1	Ground Control Box Harness Assembly	A
337	3990001	2	Diode - 3 Amp (Not Shown - Located at Power Down Relay)	
337A	4460876	1	Connector, Blue - 35 Position	
337A	4460871	29	Socket, Female	

SECTION 7 - ELECTRICAL

ITEM	PART NUMBER	QTY	DESCRIPTION	REV
337B	4460866	1	Connector - 19 Pin	
337B	4460464	10	Pin, Male Deutsch 16 Ga	
337B	4460508	3	Pin, Male Deutsch 12 Ga	
337C	4460878	1	Plug, Male - 4 Position	
337C	4460887	3	Terminal (12 Gauge)	
337D	4120035	10	Base, Light	
337D	4460634	10	Terminal (16 Gauge)	
337D	4460635	10	Terminal (12 Gauge)	
337E	4460873	1	Connector, Black - 35 Position	
337E	4460871	16	Socket, Female	
337F	4460418	8	Connector, Female - 6 Position	
337F	4460419	24	Socket, Female	
337G	4460225	1	Plug, Male - 6 Position	
337G	4460227	6	Pin, Male	
337H	4460965	1	Plug, Male - 3 Position (Blue Lock)	
337H	4460944	3	Socket, Female	
337H	4922099	2 ft/.6m	Cable, Can-Buss	
337J	2400066	1	Fuseholder with Cover	
337J	2400065	1	Fuse 30 Amp	
337K	4460894	2	Plug, Male - 6 Position	
337K	4460465	1	Socket, Female 16-18GA	
337K	4460942	2	Socket, Female 14GA	
337L	4460761	1	Connector, Female - 4 Position	
337L	4460227	4	Pin, Male	
337M	4460966	1	Plug, Male - 3 Position (Green Lock)	
337M	4460944	3	Socket, Female	
337M	4922099	2 ft/.6m	Cable, Can-Buss	
337N	4460871	9	Socket, Female	
338	1001116206	1	Ground Control Wiring Diagram (Not Shown) (See Items 501-509 for Breakdown)	
339	4460496	1	Lockwasher, Terminal	
340	4460497	1	Nut, Terminal	
341	1001120337	1	Harness, ClearSky Ready	A
341A	2400060	2	Fuseholder with Cover	
341A	2400064	2	Fuse 5Amp	
341B	1001112612	1	Receptacle, Female - 9 Position	
341B	4460464	6	Pin, Male	
341B	4460466	3	Plug, Sealing	
341C	1001113961	1	Plug, Male - 8 Position	
341C	4460871	3	Socket, Female	
341C	4460905	5	Plug, Sealing	
341D	4460465	1	Socket, Female	
341E	4460539	1	Plug, Male - 3 Position	
341E	4460871	3	Pin, Male	
341F	4460933	1	Plug, Male - 12 Position	
341F	4460465	9	Socket, Female	
341F	4460466	3	Plug, Sealing	
341F	4460898	1	Connector, Female Bussbar - 9 Position	
342	1001106736	1	Cap, Dust	
401	1001138346	Ref	ENGINE HARNESS ASSEMBLY	E
401A	1001133956	1	Connector (Includes Cover, Locks and Retention Plate)	
401A	1001126352	6	Terminal	

SECTION 7 - ELECTRICAL

ITEM	PART NUMBER	QTY	DESCRIPTION	REV
401A	1001126353	6	Seal, Terminal	
401A	1001126384	18	Terminal	
401A	1001126351	1	Terminal	
401A	1001126356	65	Plug, Seal	
401A	1001126357	3	Plug, Seal	
401B	1001133957	1	Connector (Includes Cover, Locks and Retention Plate)	
401B	1001126384	17	Terminal	
401B	1001126351	13	Terminal	
401B	1001126356	18	Plug, Seal	
401B	1001126357	8	Plug, Seal	
401C	4461070	3	Receptacle, Female With Resistor (3 Position)	
401C	4461095	6	Plug, Male - 3 Position	
401C	4460944	6	Socket, Female	
401C	4460466	2	Seal, Plug	
401D	4460930	1	Plug, Male - 8 Position	
401D	4460944	5	Socket, Female (Gold)	
401D	4460465	2	Socket, Female	
401D	4460466	1	Seal, Plug	
401D	4460931	1	Receptacle, Female - 8 Position	
401D	4460943	8	Pin, Male (Gold)	
401D	4460464	8	Pin, Male	
401D	4460466	1	Seal, Plug	
401E	1001116707	1	Plug, Male - 1 Position	
401E	91143340	1	Terminal	
401E	1001116967	1	Receptacle, Female - 1 Position	
401E	91143339	1	Terminal	
401F	4460935	1	Plug, Brown - 12 Position	
401F	4460465	12	Socket, Female	
401F	4460982	1	Receptacle, Female - 12 Position	
401F	4460464	12	Pin, Male	
401G	4460933	1	Plug, Gray - 12 Position	
401G	4460942	12	Socket, Female	
401G	4460970	1	Receptacle, Female - 12 Position	
401G	4460941	12	Pin, Male	
401H	4460934	1	Plug, Green - 12 Position	
401H	4460465	10	Socket, Female	
401H	4460466	2	Seal, Plug	
401H	1001152762	1	Receptacle, Female - 12 Position	
401H	4460464	10	Pin, Male	
401H	4460466	2	Seal, Plug	
401J	4460836	1	Plug, Black - 12 Position	
401J	4460465	8	Socket, Female	
401J	4460466	4	Seal, Plug	
401J	4460950	1	Receptacle, Female - 12 Position	
401J	4460464	8	Pin, Male	
401J	4460466	4	Seal, Plug	
401K	80484084	1	Receptacle, Female - 8 Position	
401K	8229242	1	Fuse - 5A	
401K	80983191	1	Fuse - 10A	
401K	1001147264	1	Cap	
401K	1001116727	8	Plug	

SECTION 7 - ELECTRICAL

ITEM	PART NUMBER	QTY	DESCRIPTION	REV
401K	4460458	4	Seal	
401L	4460894	1	Plug, Male - 6 Position	
401L	4460465	3	Socket, Female	
401L	4460944	2	Socket, Female	
401L	4460466	1	Seal, Plug	
401M	4460930	1	Connector, Female - 8 Position	
401M	4460465	1	Socket, Female	
401M	4460466	7	Plug, Seal	
401N	4460884	1	Plug, Male - 4 Position	
401N	4460465	2	Socket, Female	
401N	4460942	2	Socket, Female	
401P	2902443	1	Kit, Receptacle	
401P	4461071	8	Terminal, Female (Gold)	
401P	4461072	1	Connector, Flange Mount	
401P	4461073	1	Connector, Dust Cap	
401P	4461074	1	Connector, Shell	
401R	1001116952	1	Plug, Male - 2 Position	
401R	4460465	2	Socket, Female	
401S	1001126362	1	Receptacle, Female - 62 Position	
401S	1001126363	33	Terminal	
401S	1001126364	33	Seal	
401S	1001126391	23	Plug	
401S	4461008	4	Plug, Cavity	
401S	1001126365	2	Terminal	
401S	4461054	2	Seal	
401T	1001142938	1	Plug, Male - 2 Position	
401T	1001142940	2	Terminal, Female	
401T	1001142941	2	Seal	
401U	1001133714	1	Plug, Male - 4 Position	
401U	1001133715	3	Terminal, Female	
401U	1001135650	3	Seal	
401V	1001138110	1	Plug, Male - 2 Position	
401V	1001138111	2	Socket, Female	
401V	1001138113	2	Seal	
	1001116206	Ref	GROUND CONTROL BOX WIRING DIAGRAM	C
501	2920129	10	Bulb, Light	
506	4460226	6	Socket, Female	
507	4460224	1	Connector, Female - 6 Position	
508	4460945	1	Connector, Female - 3 Way	
509	4460872	1	Plug, Male - 14 Position	
509	4460871	AR	Socket, Female	
509	4460905	AR	Plug, Sealing	
	0274660	Ref	WIRING HARNESSES INSTALLATION	1-D
601	4922718	4	Axle Power Track Harness Assembly	B
601A	4460539	1 Per Assy	Plug, Male - 3 Position	
601A	4460944	3 Per Assy	Socket, Female	
601B	4460932	1 Per Assy	Connector, Female - 4 Position	
601B	4460943	4 Per Assy	Pin, Male	

SECTION 7 - ELECTRICAL

ITEM	PART NUMBER	QTY	DESCRIPTION	REV
602	4922696	1	Chassis Harness Assembly	3-D
602A	4460894	1	Plug, Male - 6 Position	
602A	4460465	6	Socket, Female	
602A	4460892	1	Bar, Buss - 6 Position	
602B	4460891	1	Plug, Male - 2 Position	
602B	4460465	2	Socket, Female	
602C	4460894	1	Plug, Male - 6 Position (Not Shown)	
602C	4460465	6	Socket, Female	
602C	4460892	1	Bar, Buss - 6 Position	
602D	4460880	14	DIN Connector	
602E	4460930	1	Connector, Gray - 8 Position	
602E	4460465	3	Socket, Female	
602E	4460466	5	Plug, Terminal	
602F	4460836	1	Connector, Black - 12 Position	
602F	4460465	6	Socket, Female	
602F	4460466	6	Plug, Terminal	
602G	4460933	1	Connector, Gray - 12 Position	
602G	4460465	8	Socket, Female	
602G	4460466	4	Plug, Terminal	
602H	4460934	1	Connector, Green - 12 Position	
602H	4460944	12	Socket, Female	
602J	4460935	1	Connector, Brown - 12 Position	
602J	4460465	8	Socket, Female	
602K	4922705	1	Analyzer Harness	2-B
602L	4460761	1	Connector, Female	
602L	4460227	4	Pin, Male	
602M	4460465	4	Socket, Female	
602N	4460950	1	Connector, Female - 12 Position	
602N	4460464	6	Pin, Male 16-18 GA	
602N	4460943	3	Pin, Male 16-18 GA (Gold)	
602N	4460941	2	Pin, Male 14-16GA	
602P	4460884	4	Connector, Gray - 4 Position	
602P	4460944	16	Socket, Female	
603	4922781	1	B.L.A.M. to Boom Angle Sensor Harness (Left Side)	3-B
603A	4460932	1	Connector, Gray - 4 Position	
603A	4460943	4	Pin, Male	
603B	4460911	1	Plug, Male - 3 Position	
603B	4460918	3	Socket, Female	
603B	4460912	1	Lock, Wedge - Position	
604	4922780	1	B.L.A.M. to Boom Angle Sensor Harness (Right Side)	2-B
604A	4460884	1	Connector, Gray - 4 Position	
604A	4460944	4	Socket, Female	
604B	4460911	1	Plug, Male - 3 Position	
604B	4460918	3	Socket, Female	
604B	4460912	1	Lock, Wedge - Position	
605	4922716	1	B.L.A.M. to Boom Length Sensor Harness	C
605A	4460539	2	Plug, Male - 3 Position	
605A	4460944	3	Socket, Female	
605B	4460894	1	Plug, Male - 6 Position	
605B	4460944	4	Socket, Female	
605B	4460466	2	Plug, Sealing	

SECTION 7 - ELECTRICAL

ITEM	PART NUMBER	QTY	DESCRIPTION	REV
606	4922784	1	Jib Stow Switch Harness	B
606A	4460891	1	Plug, Male - 2 Position	
606A	4460465	2	Socket, Female	
607	4922785	1	Dual Capacity Jib Position Switch Harness	B
607A	4460897	1	Connector, Female - 2 Position	
607A	4460464	2	Pin, Male	
608	4922777	1	Platform Valve Harness	1-D
608A	4460880	9	DIN Connector	
608B	4460926	1	Connector - 21 Position	
608B	4460928	13	Socket, Female	
608B	4460466	8	Plug, Hole	
608C	4460897	1	Connector, Female - 2 Position	
608C	4460464	2	Pin, Male	
608D	4460891	1	Plug, Male - 2 Position	
608D	4460465	2	Socket, Female	
609	4460945	1	Connector, Female - 3 Way	
610	4922767	1	Lockout Valve Harness	2-C
610A	4460465	3	Socket, Female	
610B	4460464	1	Pin, Male	
610C	4460880	1	Connector, DIN	
610D	4460449	1	Connector, DIN	
611	4922786	1	B.L.A.M. Harness	4-C
611A	4460933	1	Plug, Male - 12 Position (Gray)	
611A	4460466	7	Plug, Seal	
611A	4460944	3	Socket, Female	
611A	4460465	1	Socket, Female	
611A	4460942	1	Socket, Female	
611B	4460934	1	Plug, Male - 12 Position (Green)	
611B	4460466	7	Plug, Seal	
611B	4460944	3	Socket, Female	
611B	4460465	2	Socket, Female	
611C	4460935	1	Plug, Male - 12 Position (Brown)	
611C	4460466	5	Plug, Seal	
611C	4460465	2	Socket, Female	
611D	4460836	1	Plug, Male - 12 Position (Black)	
611D	4460466	8	Plug, Seal	
611D	4460944	2	Socket, Female	
611D	4460465	2	Socket, Female	
611E	4460836	2	Plug, Male - 12 Position (Black)	
611E	4460466	14	Plug, Seal	
611E	4460944	5	Socket, Female	
611E	4460465	5	Socket, Female	
611E	4460837	2	Receptacle, Female - 12 Position Buss Bar	
611F	4460884	1	Plug, Male 4 Position (Gray)	
611F	4460944	4	Socket, Female	
611G	4460894	1	Plug, Male - 6 Position (Gray)	
611G	4460465	5	Socket, Female	
611G	4460466	1	Plug, Sealing	
611H	4460899	1	Connector, Female - 6 Position (Gray)	
611H	4460464	3	Pin, Male	
611H	4460941	3	Pin, Male (Gold Plated)	

SECTION 7 - ELECTRICAL

ITEM	PART NUMBER	QTY	DESCRIPTION	REV
611J	4460899	1	Connector, Female - 6 Position (Gray)	
611J	4460466	2	Plug, Sealing	
611J	4460943	4	Pin, Male (Gold Plated)	
611K	4460932	1	Plug, Male - 4 Position (Gray)	
611K	4460943	1	Pin, Male	
611L	4460966	1	Connector, Female - 3 Position	
611L	4460944	3	Socket, Female	
611M	4922705	1	Analyzer Harness	2-B
611N	4460761	1	Connector, Female - 4 Position	
611N	4460227	4	Pin, Male	
611P	4460465	4	Socket, Female	
612	0100048	AR	Lubricant, Silicone	
613	4923256	1	Load Sensing Pin Harness	B
613A	4460930	1	Connector, Gray - 8 Position	
613A	4460465	4	Socket, Female	
613A	4460466	3	Plug, Sealing	
613B	See Note	1	Connector, Female - 4 Position (Note: Not Available For Purchase)	
613B	See Note	4	Terminal (Note: Not Available For Purchase)	
615	4922947	1	Right Level Sensor, Harness	E
615A	4460911	1	Plug, Male - 3 Position	
615A	4460918	3	Pin, Male	
615A	4460912	1	Lock, Wedge - Position	
615A	1320309	1	Clamp, Cable	
615A	1560012	1	Nut, Conduit	
615A	1560011	1	Connector, Conduit	
615A	See Note	1	Plug, Male - 7 Position (Note: No Longer Field Serviceable - Purchase Complete Harness Item 615)	
616	4922948	1	Left Level Sensor, Harness	E
616A	4460911	1	Plug, Male - 3 Position	
616A	4460918	3	Pin, Male	
616A	4460912	1	Lock, Wedge - Position	
616A	1320309	1	Clamp, Cable	
616A	1560012	1	Nut, Conduit	
616A	1560011	1	Connector, Conduit	
616A	See Note	1	Plug, Male - 7 Position (Note: No Longer Field Serviceable - Purchase Complete Harness Item 616)	
		Ref	STANDARD HARNESS COMPONENTS	
701	4360505	4	Steer Angle Sensor Harness	
701A	4460536	1 Per Assy	Plug, Male - 3 Position	
701A	4460464	3 Per Assy	Pin, Male	
702	1660253	1	Coupling Electrical Components	
702A	See Note	1	Coupling Turntable Harness (Note: Not Available For Purchase)	
702B	4460837	1	Connector, Female - 12 Position	
702B	4460466	4	Plug, Socket	
702B	4460464	3	Pin, Male 16-18 GA	
702B	4460943	3	Pin, Male 16-18 GA (Gold)	
702B	4460941	2	Pin, Male 14-16GA	
702C	See Note	1	Coupling Frame Harness (Note: Not Available For Purchase)	
702D	4460836	1	Plug, Male - 12 Position	

SECTION 7 - ELECTRICAL

ITEM	PART NUMBER	QTY	DESCRIPTION	REV
702D	4460465	6	Socket, Female 16-18 GA	
702D	4460942	2	Socket, Female 14-16 GA	
702D	4460944	3	Socket, Female 16-18 GA (Gold)	
702D	4460466	1	Plug, Socket	
703	See Note	1	Broken Cable Proximity Switch Harness (Note: Part of Proximity Switch - Purchase New Switch)	
704		Ref	Platform Level Sensor Harness Options (Includes Sensor):	
704	4360534	2	Platform Level Sensor Harness (Use p/n 1001147479) (Prior to SN 0300141600)	
704	4360545	2	Platform Level Sensor Harness (Use p/n 1001147479) (Prior to SN 0300141600)	
704	4360545	2	Platform Level Sensor Harness (Use p/n 1001133329) (SN 0300141600 through 0300157202)	
704	1001133329	2	Platform Level Sensor Harness (SN 0300157203 through 0300201016)	
704A	4460910	2	Connector, Female - 3 Position	
704A	4460917	6	Pin, Male	
704A	4460913	1	Lock, Wedge	
705	See Note	1	Boom Length Switch Harness (Note: Not Available For Purchase)	
705A	4460536	1	Connector, Female - 3 Position	
705A	4460943	3	Pin, Male	
706		Ref	Boom Angle Sensor Harness Options (Includes Sensor):	
706	4360534	2	Boom Angle Sensor Harness (Use p/n 1001147479) (Prior to SN 0300141600)	
706	4360545	2	Boom Angle Sensor Harness (Use p/n 1001147479) (Prior to SN 0300141600)	
706	4360545	2	Boom Angle Sensor Harness (Use p/n 1001147479) (SN 0300141600 through 0300157202)	
706	1001133329	2	Boom Angle Sensor Harness (SN 0300157203 through 0300184657)	
706	1001147479	1	Boom Angle Sensor Harness (SN 0300184658 through 0300201016)	
706A	4460910	2	Connector, Female Deutsch - 3 Position	
706A	4460917	6	Pin, Male	
706A	4460913	1	Lock, Wedge	
707	See Note	1	Controller Harness Assembly (Lift and Swing) (Note: Not Available For Purchase)	
707A	7022819	1	Plug, Male - 8 Position (Natural)	
707A	4460871	8	Socket, Female	
708	7022824	1	Controller Harness/Circuit Board Assembly (Drive and Steer)	
708A	7022825	1	Plug, Male - 8 Position (Black)	
708A	4460871	7	Socket, Female	
709	See Note	1	Speed Control Harness (Note: Not Available For Purchase)	
709A	4460224	1	Connector, Female - 6 Position	
709A	4460226	5	Socket, Female	
710	1001138491		Fuel Harness Components	C
710A	4460897	1	Receptacle, Female - 2 Position	
710A	4460941	2	Pin, Male	
710A	4460891	1	Plug, Male - 2 Position	
710A	4460942	2	Socket, Female	
710B	1001116983	1	Receptacle, Female - 2 Position	
710B	1001116710	2	Terminal	
710B	4461054	2	Seal	
710C	4460932	1	Receptacle, Female - 4 Position	

SECTION 7 - ELECTRICAL

ITEM	PART NUMBER	QTY	DESCRIPTION	REV
710C	4460941	2	Pin, Male	
710C	4460464	2	Pin, Male	
711	1001135779	1	Alternator Positive Cable	
712	1001148843	1	Fuel Filter Harness	A
712A	1001148842	1	Receptacle, Female - 2 Position	
712A	1001148841	4	Pin, Male	
712A	1001135650	4	Seal	
712B	1001133714	1	Plug, Male - 2 Position	
712B	1001133715	4	Socket, Female	
712B	1001135650	4	Seal	
713	0272621	1	Control System Analyzer Installation	A
713	2901443	1	Analyzer/Cable Kit	1
713A	1600244	1	Analyzer	
713B	1060633	1	Cable, Analyzer	1-B
713C	4460321	2	Plug, Male	
713C	70003407	2	Shell, Back	
713C	4460226	8	Socket, Female	
714	1001141225	1	Battery Cable Kit	E
714A	7027042	1	Cable, Battery (Red) (Battery + to Relays and Starter)	
714B	7027043	1	Cable, Battery (Black) (Battery - to Tray Pivot Grd) and Aux Pump	
714C	7027044	1	Cable (Red) (Aux Relay to Aux Pump)	
714D	7027045	1	Cable, Battery (Black) (Engine to Tray Pivot Grd)	
715	1001141304	1	Wire, Glow Plug	
717	0257887	1	Alarm Harness (Includes Alarm)	
717	0140032	1	Alarm	
717	2820035	6 in/15cm	Loom	
717	4460424	1	Plug	
717	4460268	2	Socket, Female	
717A	4460424	1	Plug, Male - 2 Position	
717A	4460268	2	Socket, Female	
		Ref	OPTIONAL HARNESS COMPONENTS	
801		Ref	AC to Platform Receptacle Components Options:	
801		Ref	ANSI Spec	
801	0271953	Ref	110V GFI Receptacle (ANSI Spec)	D
801	0271954	Ref	220V GFI Receptacle (ANSI Spec)	C
801		Ref	ANSI Export Specs	
801	0271955	Ref	110V (No Plug or Receptacle)	C
801A		Ref	Box, Switch Options:	
801A	0860038	1	0271953 & 0271954 Installations	
801A	See Note	1	0271955 Installation (Note: Not Available - Purchase Locally)	
801B	1320146	1	Clamp, Cable	
801C		Ref	Gasket, Cover Options:	
801C	3960422	1	0271953 & 0271954 Installations	
801C	See Note	1	0271955 Installation (Note: Not Available - Purchase Locally)	
801D		Ref	Shield, Cover Options:	
801D	1001110873	1	0271953 Installation	
801D	4060092	1	0271954 Installation	
801D	See Note	1	0271955 Installation (Note: Not Available - Purchase Locally)	

SECTION 7 - ELECTRICAL

ITEM	PART NUMBER	QTY	DESCRIPTION	REV
801E		Ref	Connector, Strain Relief Options:	
801E	4460051	1	0271953 & 0271954 Installations	
801E	See Note	1	0271955 Installation (Note: Not Available - Purchase Locally)	
801F		Ref	Plug, Male Options:	
801F	4460205	1	0271953 Installation	
801F	4460709	1	0271954 Installation	
801F	See Note	1	0271955 Installation (Note: Not Available - Purchase Locally)	
801G		Ref	Receptacle Options:	
801G	4460346	1	0271953 Installation	
801G	4460125	1	0271954 Installation	
801G	See Note	1	0271955 Installation (Note: Not Available - Purchase Locally)	
804		Ref	Strobe Light Harness (Includes Strobe Light) Options:	
804	0272507	1	Strobe Light Harness (Prior to SN 0300171640)	B
804	2920161	1	Strobe Light Harness (SN 0300171640 through 0300201016)	B
804A	4460320	1	Connector, Female - 2 Position (Strobe Light - 0272507)	
804A	4460267	2	Pin, Male (Strobe Light - 0272507)	
804B	4460891	1	Connector, Male - 2 Position (Strobe Light - 2920161)	
804B	4460465	2	Socket, Female (Strobe Light - 2920161)	
806	4922738	1	Headlight and Taillight and Chassis Illumination Lights Harness	
806A	4460374	1	Plug, Sealed	
807	See Note	1	Floodlights Harness Components (Note: Not Available For Purchase)	
807A		Ref	Harness Options (Aux Relay to Console Box):	
807A	1060708	1	Harness 1200SJP (Use p/n 1001099718)	
807A	1060708	1	Harness 1350SJP (Use p/n 1001099719)	
807B	4460320	2	Plug, Male - 2 Position	
807B	4460227	4	Pin, Male	
807C	4922764	1	Floodlight Harness (Lights to Switch)	
807D	4460424	2	Connector, Female - 2 Position	
807D	4460226	4	Socket, Female	
807E	1060977	1	Cord, 2 Wire Coiled (Console Box Relay to Switch)	
807F	4360232	1	Breaker, Circuit	
807G	4460425	1	Connector, Strain Relief	
808	See Note	1	Work Lights Harness Components: (Note: Not Available For Purchase)	
808A		Ref	Harness, Electric 10/3 (Aux Relay to Console Box)	
808A	4922834		Harness, Electric 1200SJP	
808A	4922833		Harness, Electric 1350SJP	
808A	4921757	AR	Fusible Link	
808B	See Note	2	Work Light Harness (Supplied with Work Light) (Note: Not Available For Purchase)	
808C	4460426	1	Connector, Strain Relief	
808D	2400066	1	Fuseholder	
808D	2400070	AR	Fuse 20 Amp	
809		Ref	7500W SkyPower Generator Installations	
809		Ref	Deutz TCD2.9L4 Engines	
809	1001137590	Ref	60Hz	D
809	1001137591	Ref	50Hz	B
809B		Ref	Gasket Options:	
809B	3960422	1	60Hz Spec	

SECTION 7 - ELECTRICAL

ITEM	PART NUMBER	QTY	DESCRIPTION	REV
809B	See Note	1	50Hz Spec (Note: Not Available - Purchase Locally)	
809C		Ref	Cover, Receptacle Options:	
809C	1001110873	1	60Hz Spec	
809C	See Note	1	50Hz Spec	
809E		Ref	Receptacle Options:	
809E	4460346	1	60Hz Spec	
809E	See Note	1	50Hz Spec (Note: Not Available - Purchase Locally)	
809G	4460071	1	Connector, Strain Relief	
809H	4922972	1	Harness, Generator	B
809I	77363233	1	Plug, Male - 6 Position	
809I	4460465	6	Socket, Female	
809J	4460225	1	Plug, Male - 6 Position	
809J	4460226	6	Socket, Female	
810	1001142914	Ref	7500W SkyPower Generator Junction Box Components	A
810A		Ref	Cable, Electrical 12/3	
810A	1060494	2 ft/.6m	60Hz Spec	
810A	See Note	2 ft/.6m	50Hz Spec (Note: Not Available - Purchase Locally)	
810C	1060343	1.5 ft/.46m	Cable, Electrical 10/4 (60Hz Spec Only)	
810D	4460425	1	Connector, Strain Relief	
810E		Ref	Component Options:	
810E	4460426	2	Connector, Strain Relief (60Hz Spec Only)	
810E	4460426	1	Connector, Strain Relief (50Hz Spec Only)	
810E	3520189	1	Plug (50Hz Spec Only)	
810F	1671092	1	Cover (60Hz Spec Only)	
810F	4460963	1	Connector (60Hz Spec Only)	
811	1001122528	Ref	7500W Generator – 60Hz (Prior to SN 0300182753)	B
811	1001157770	Ref	7500W Generator – 60Hz (SN 0300182753 through 0300201016)	
811A	1001119968	1	Generator Harness	A
811B	4460967	1	Plug, Male - 3 Position	
811B	4460465	3	Socket, Female	
811C	1001117078	1	Connector, Metri-Pack W/5Amp Fuse	
811D	4922641	1	Switch Harness	
811E	4460226	2	Socket, Female	
813	1001111914	1	ClearSky Telematics Harness (Standard on Machines delivered in North America. Optional on all other machines.)	B
813A	70020808	1	Plug, Male - 23 Position	
813A	4460871	5	Socket	
813A	4460905	18	Plug, Seal	
813B	4460539	2	Plug, Male - 3 Position (Includes Wedge Lock and Seal)	
813B	4460944	6	Socket	
813B	77363244	2	Wedge Lock	
813C	4460945	1	Bulkhead, 3 Way Female	
813C	See Note	2	Plug, Male - 3 Position with 120 ohm Resistor (Note: Not Available For Purchase)	
813C	See Note	1	Wedge Lock (Note: Not Available For Purchase)	
813D	1001112612	1	Connector, Diagnostic	
813D	4460943	2	Pin	
813D	4460464	2	Pin	
813D	4460466	2	Plug, Seal	
813D	1001106736	1	Cap, Dust	

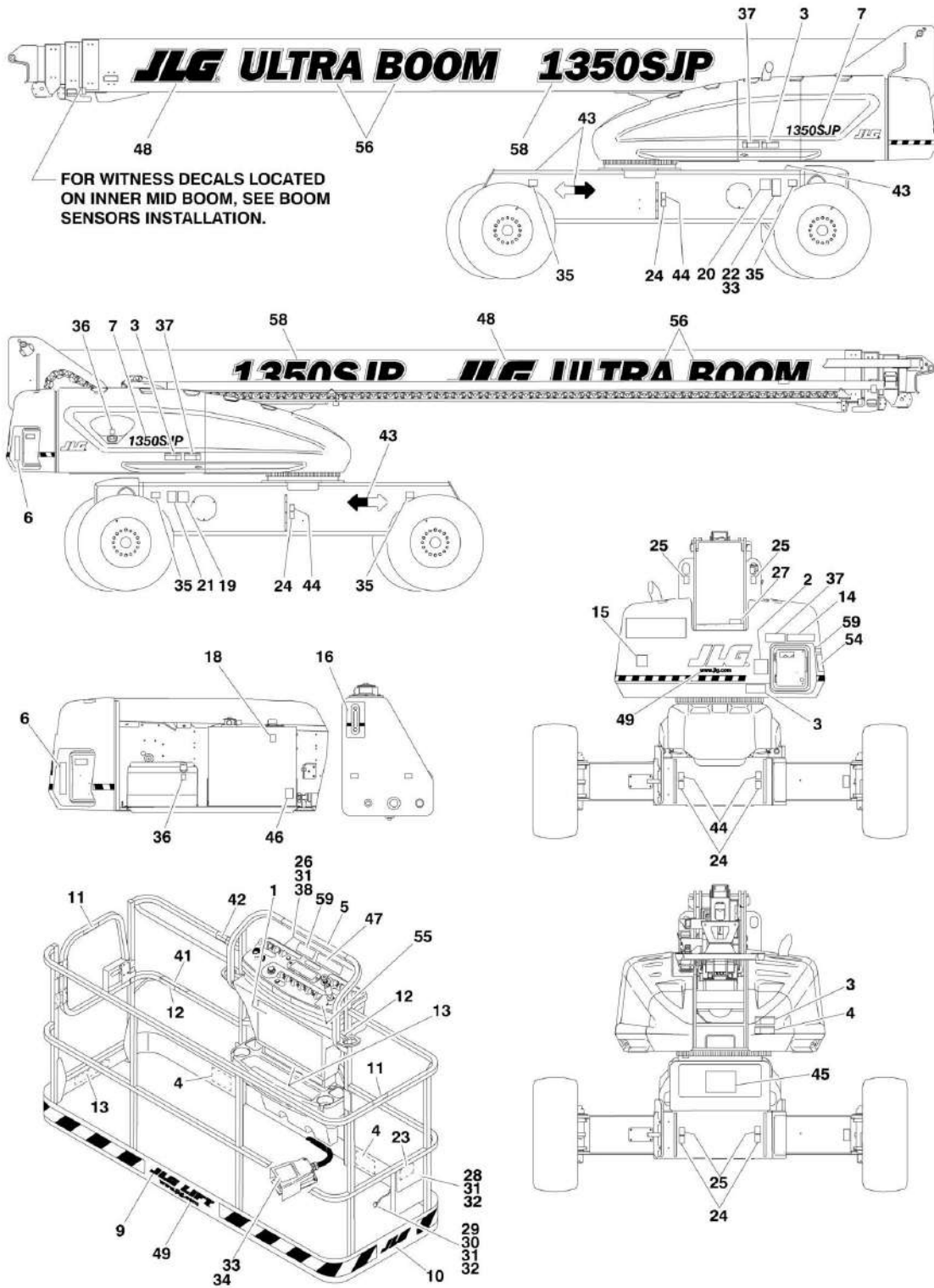
SECTION 7 - ELECTRICAL

ITEM	PART NUMBER	QTY	DESCRIPTION	REV
813E	1001112796	1	Connector, Diagnostic	
813E	4460944	2	Socket	
813E	4460466	2	Plug, Seal	
814	70002296	1	Harness, Telematics Antenna (Includes Antenna) (Note: No other parts available)	B
815	1001149818	1	Strobe Light Harness (SN 0300171640 through 0300201016)	A
815A	4460320	1	Connector, Female - 2 Position	
815A	4460267	2	Pin, Male	
815B	4460897	1	Connector, Female - 2 Position	
815B	4460464	2	Pin, Male	
		Ref	TOOLS (NOT SHOWN)	
	7002821	1	Crimper (For Wire to Pin/Socket Connections)	
	7002823	1	Extractor (For Removal of Pin/Socket from Connectors)	
	4460467	1	Extractor, Pin (Blue 16-18 Gauge) (For Removal of Pin/Socket from Connectors)	
	4460510	1	Extractor, Pin (Yellow 12-14 Gauge) (For Removal of Pin/Socket from Connectors)	
	7002828	1	Stripper, Wire	
	1001137005	1	Cable Kit, Software	

SECTION 8 - DECALS

SECTION 8 - DECALS

FIGURE 8-1. DECAL INSTALLATION (ANSI SPEC) (Prior to SN 0300089981)



SECTION 8 - DECALS

FIGURE 8-1. DECAL INSTALLATION (ANSI SPEC) (Prior to SN 0300089981)

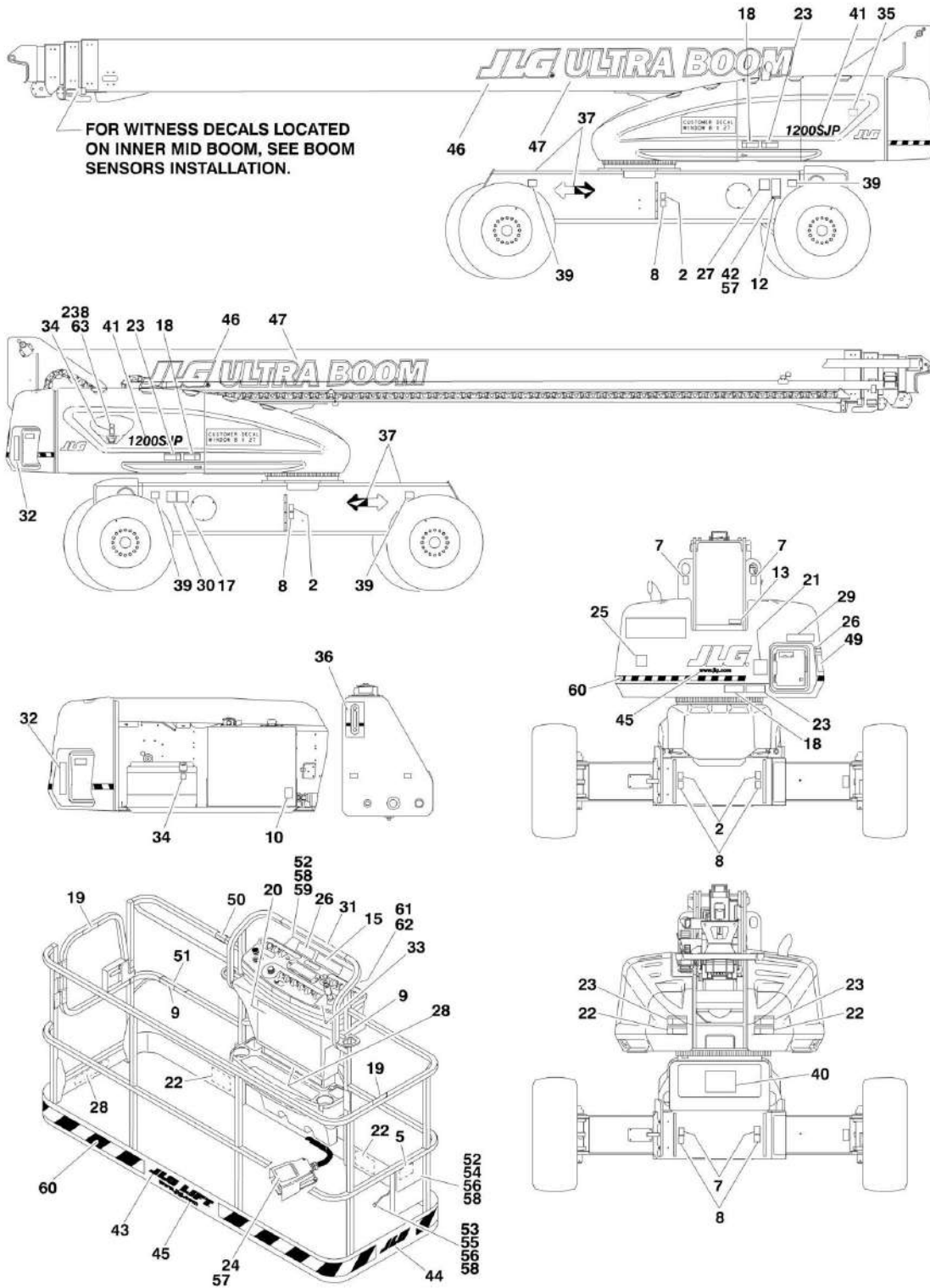
ITEM	PART NUMBER	QTY	DESCRIPTION	REV
		Ref	STANDARD DECAL INSTALLATIONS	
	0273600	Ref	Decals - JLG	3
	0271555	Ref	ANSI Decals	8
	0272523	Ref	Model Designation Decals - 1200SJP	2
	0272522	Ref	Model Designation Decals - 1350SJP	2
1	1703797	1	Decal - Danger/Warning (Platform)	
2	1705336	1	Decal - Danger/Warning (Ground Control)	
3	1703805	4	Decal - Danger/Electrocution	
4	1703804	3	Decal - Warning Crushing	
5		Ref	Decal - Legend (Platform) Options:	
5	1705309	1	Decal - Legend (Platform) (Use p/n 1705867) (Prior to SN 0300080338)	
5	1705867	1	Decal - Legend (Platform) (SN 0300080338 through 0300089981)	
6		Ref	Decal - Legend (Ground Control) Options:	
6	1705310	1	Prior to SN 0300080338 (Ground Control) (Use p/n 1705986)	
6	1705986	1	Decal - Legend (Ground Control) (SN 0300080338 through 0300089981)	
7		Ref	Decal - Model Designation Options:	
7	1705057	2	Decal - Model Designation 1200SJP	
7	1705095	2	Decal - Model Designation 1350SJP	
9	1702774	1	Decal - JLG Lift (3.5in)	
10	1702773	1	Decal - JLG (5in)	
11	1702868	2	Decal - No Hands	
12	1704277	3	Decal - Attach Lanyard Here	
13	1705168	2	Decal - Capacity (Platform)	
14	1705181	1	Decal - Capacity (Ground Control)	
15	3251813	1	Decal - USA	
16	1705511	1	Decal - Oil Level	
18	1701504	1	Decal - Hydraulic Oil	
19	1702153	1	Decal - Inspection	
20	See Note	1	Decal - Bar Code (Note: Not Available For Purchase)	
21	1700584	1	Decal - Patent	
22	See Note	1	Nameplate - Serial Number (Note: Not Available For Purchase)	
23	1701509	1	Decal - Manual	
24	1702300	6	Decal - Tie Down	
25	1701500	4	Decal - Lift	
26	0641406	3	Bolt 1/4in-20NC x 3/4in	
27	3251243	1	Nameplate - 120V-60Hz	
28	0860520	1	Box, Manual Storage	
29	1060279	1	Cable, Lanyard	
30	0641408	1	Bolt 1/4in-20NC x 1in	
31	4751400	9	Flatwasher 1/4in	
32	3311405	5	Locknut 1/4in-20NC	
33	3820001	4	Rivet	
34	3252347	1	Decal - Footswitch (Part of 4360031 Footswitch)	
35		Ref	Decal - Maximum Tire Load Options:	
35	1705178	4	Decal - Maximum Tire Load 1200SJP	
35	1705167	4	Decal - Maximum Tire Load 1350SJP	
36	1701505	2	Decal - Fuel (See Engine Installation)	

SECTION 8 - DECALS

ITEM	PART NUMBER	QTY	DESCRIPTION	REV
37	1703953	3	Decal - Warning/Crushing	
38	3380474	1	Plate, Decal Mount	
41	1703175	2	Decal - Lanyard Attach (GM Spec)	
42	1702962	1	Decal - Warning (Proposition 65) (California Spec)	
43	1701501	4	Decal - Arrow	
44	1701499	4	Decal - No Lift	
45	1705096	1	Decal - Lift Diagram	
46	1704412	1	Decal - Hydraulic Oil Chart	
47	1705337	1	Decal - Tip Over	
48	1705864	2	Decal - JLG Lift (12in)	
49	1704885	2	Decal - www.jlg.com	
54	1705365	1	Decal - Daily Check	
55	1705351	1	Decal - Drive/Steer Instructions	
56	1705865	2	Decal - Ultra	
58		Ref	Decal - Model Designation Options:	
58	1705428	2	Decal - Model Designation 1200SJP (Prior to SN 0300086186)	
58	1705435	2	Decal - Model Designation 1350SJP (Prior to SN 0300086186)	
58	Not Required	0	- No Longer Used (SN 0300086186 through 030089981)	
59	1705492	2	Decal - Tip Over Hazard	

SECTION 8 - DECALS

FIGURE 8-2. DECAL INSTALLATION (ANSI SPEC) (SN 0300089981 through 0300201016)



SECTION 8 - DECALS

FIGURE 8-2. DECAL INSTALLATION (ANSI SPEC) (SN 0300089981 through 0300201016)

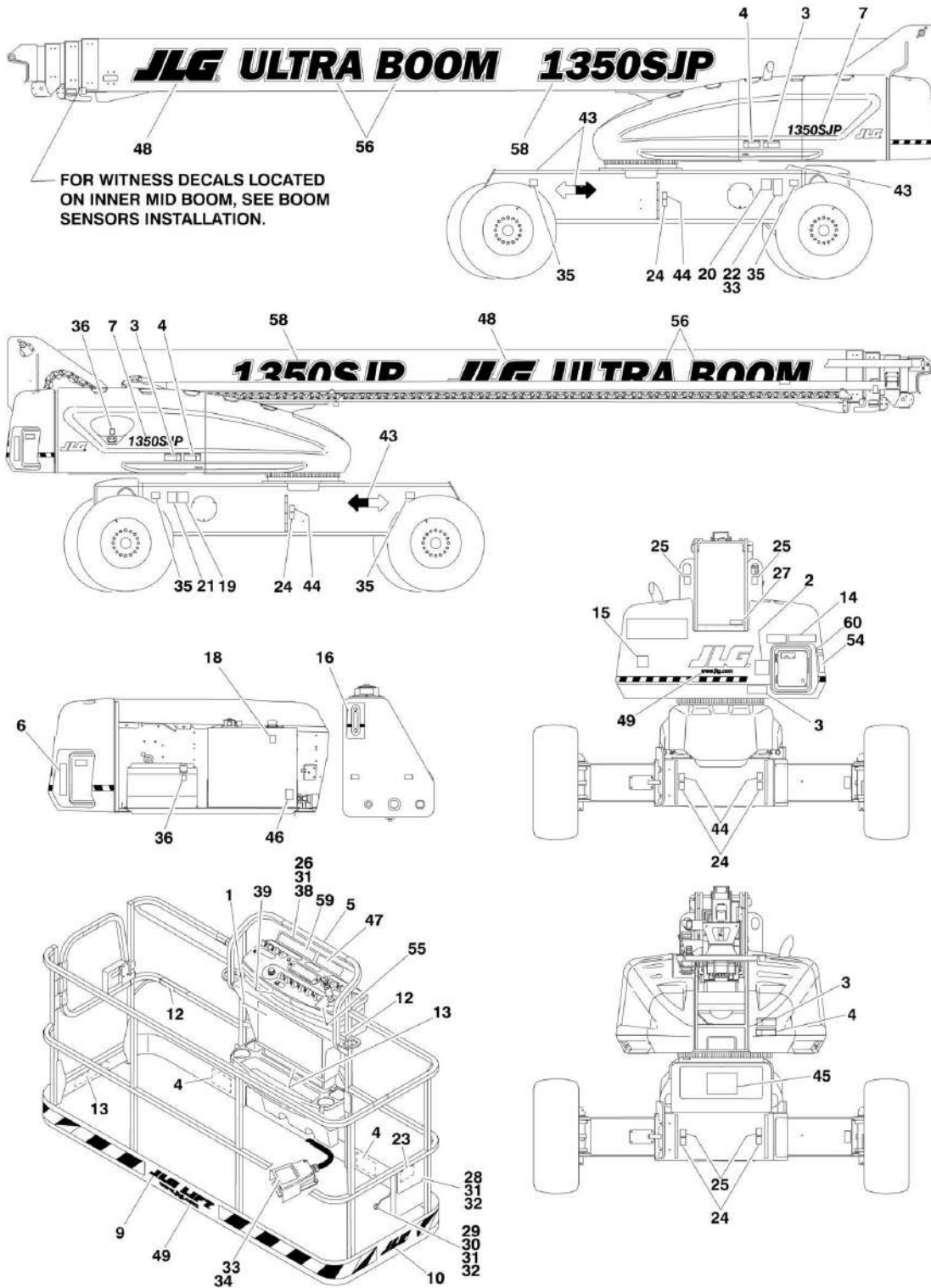
ITEM	PART NUMBER	QTY	DESCRIPTION	REV
	1283409	Ref	STANDARD DECAL INSTALLATIONS	T
	0274730	Ref	Decals - JLG (ABS Hoods)	B
	1001116025	Ref	Decals - JLG (Steel Hoods)	B
	0274722	Ref	ANSI Decals	B
	0272523	Ref	Model Designation Decals - 1200SJP	2
	0272522	Ref	Model Designation Decals - 1350SJP	2
2	1701499	4	Decal - No Lift	
3 to 4	Not Required	0	Not Required	
5	1701509	1	Decal - Manual	
6	1701529	2	Decal - Arrow	
7	1703811	4	Decal - Tie Down/Lift	
8	1703814	6	Decal - Tie Down	
9	1704277	4	Decal - Attach Lanyard Here	
10	1704412	1	Decal - Hydraulic Oil Chart	
11 to 12	Not Required	0	Not Required	
13	3251243	1	Nameplate - 120V-60Hz	
15	1705337	1	Decal - Tip Over	
16	Not Required	0	Not Required	
17	1702153	1	Decal - Inspection (Prior to SN 0300134663)	
18	1703953	4	Decal - Warning/Crushing	
19	1702868	2	Decal - No Hands	
20	1703797	1	Decal - Danger/Warning (Platform)	
21	1705336	1	Decal - Danger/Warning (Ground Control)	
22	1703804	6	Decal - Warning Crushing	
23	1703805	5	Decal - Danger/Electrocution	
24	3252347	1	Decal - Footswitch (SN 0300143790 through 0300201016)	
25	3251813	1	Decal - USA	
26	1705492	2	Decal - Tip Over Hazard	
27	See Note	1	Decal - Bar Code (Note: Not Available For Purchase)	
28		Ref	Decal - Capacity (Platform) Options:	
28	1705168	2	Decal - Capacity (Platform) (Prior to SN 0300142938)	
28	1001122369	2	Decal - Capacity (Platform) (SN 0300142938 through 0300201016)	
29		Ref	Decal - Capacity (Ground Control)	
29	1705181	1	Decal - Capacity (Ground Control) (Prior to SN 0300142938)	
29	1001122376	1	Decal - Capacity (Ground Control) (SN 0300142938 through 0300201016)	
30		Ref	Decal - Patent Options:	
30	1700584	1	Decal - Patent (Prior to SN 0300151576)	
30	1001131269	1	Decal - Patent (SN 0300151576 through 0300201016)	
31	1706751	1	Decal - Legend (Platform)	
32	1705868	1	Decal - Legend (Ground Control)	
33	1705351	1	Decal - Drive/Steer Instructions	
34	1701505	2	Decal - Fuel	
35	1704972	1	Decal - Warning Explosion/Fire	
36	1705511	1	Decal - Oil Level	
37	1701501	4	Decal - Arrow	
39	2902355	1	Decal Kit - Tire Load (Model 1200SJP)	
39	1705178	4	Decal - Tire Load	
39	2902357	1	Decal Kit - Tire Load (Model 1350SJP)	

SECTION 8 - DECALS

ITEM	PART NUMBER	QTY	DESCRIPTION	REV
39	1705167	4	Decal - Tire Load	
40	1705096	1	Decal - Lift Diagram	
41		Ref	Decal - Model Options:	
41	1705057	2	Decal - Model 1200SJP	
41	1705095	2	Decal - Model 1350SJP	
42	See Note	1	Nameplate - Serial Number (Note: Not Available For Purchase)	
43	1702774	1	Decal - JLG Lift (3.5in)	
44	1702773	1	Decal - JLG (5in)	
45	1704885	Ref	Decal - www.jlg.com Options:	
45	1704885	2	Decal - www.jlg.com (Prior to SN 0300173916)	
45	1704885	1	Decal - www.jlg.com (SN 0300173916 through 0300201016)	
46	1705864	2	Decal - JLG	
47	1705865	2	Decal - Ultra Boom (12in Height)	
49	1705365	1	Decal - Daily Check	
50	1702962	1	Decal - Warning (Proposition 65) (California Spec Only)	
51	1703175	1	Decal - Lanyard Attach (GM Spec Only)	
52	0641406	AR	Bolt 1/4in-20NC x 3/4in	
53	0641408	1	Bolt 1/4in-20NC x 1in (Prior to SN 0300143790)	
54		Ref	Box, Manual Storage Options:	
54	0860520	1	Box, Manual Storage (Prior to SN 0300180275)	
54	91403230	1	Box, Manual Storage (SN 0300180275 through 0300201016)	
55	1060279	1	Cable, Lanyard (Prior to SN 0300143790)	
56	3311405	AR	Locknut 1/4in-20NC	
57	3820001	2	Rivet	
58	4751400	AR	Flatwasher 1/4in	
59	3380474	1	Plate, Decal Mount	
60	4420051	29 ft/8.8m	Decal - Warning Stripes	
61	3520174	3	Plug, 3/16in	
62	0100048	AR	Grease, Dielectric	
63	1001108923	1	Decal, Fuel Specification	
238	1001125387	1	Decal, Fuel Specification (Machines with Deutz TCD2.9L4 Engine Only)	

SECTION 8 - DECALS

FIGURE 8-3. DECAL INSTALLATION (ANSI EXPORT SPECS) (Prior to SN 0300089981)



SECTION 8 - DECALS

FIGURE 8-3. DECAL INSTALLATION (ANSI EXPORT SPECS) (Prior to SN 0300089981)

ITEM	PART NUMBER	QTY	DESCRIPTION	REV
		Ref	STANDARD DECAL INSTALLATIONS	
	0273600	Ref	Decals - JLG	3
	0271568	Ref	Brazil Spec Decals (Spanish/Portuguese)	4
	0271567	Ref	Chinese Spec Decals (Chinese/English)	4
	0271566	Ref	CSA Spec Decals (English/French)	7
	0271563	Ref	Japanese Spec Decals (Japanese/English)	4
	0271564	Ref	Korean Spec Decals (Korean/English)	6
	0272523	Ref	Model Designation Decals - 1200SJP	2
	0272522	Ref	Model Designation Decals - 1350SJP	2
1		Ref	Decal - Danger/Warning (Platform) Options:	
1	1703928	1	Brazil Spec Decals (Spanish/Portuguese)	
1	1703925	1	Chinese Spec Decals (Chinese/English)	
1	1703924	1	CSA Spec Decals (English/French)	
1	1703926	1	Japanese Spec Decals (Japanese/English)	
1	1703927	1	Korean Spec Decals (Korean/English)	
2		Ref	Decal - Danger/Warning (Ground Control) Options:	
2	1705349	1	Brazil Spec Decals (Spanish/Portuguese)	
2	1705348	1	Chinese Spec Decals (Chinese/English)	
2	1705347	1	CSA Spec Decals (English/French)	
2	1705344	1	Japanese Spec Decals (Japanese/English)	
2	1705345	1	Korean Spec Decals (Korean/English)	
3		Ref	Decal - Danger/Electrocution Options:	
3	1703940	3	Brazil Spec Decals (Spanish/Portuguese)	
3	1703937	3	Chinese Spec Decals (Chinese/English)	
3	1703936	3	CSA Spec Decals (English/French)	
3	1703938	3	Japanese Spec Decals (Japanese/English)	
3	1703939	3	Korean Spec Decals (Korean/English)	
4		Ref	Decal - Warning Crushing Options:	
4	1703952	3	Brazil Spec Decals (Spanish/Portuguese)	
4	1701518	3	Chinese Spec Decals (Chinese/English)	
4	1703948	3	CSA Spec Decals (English/French)	
4	1701518	3	Japanese Spec Decals (Japanese/English)	
4	1703951	3	Korean Spec Decals (Korean/English)	
5		Ref	Decal - Legend (Platform) Options:	
5	Not Required	0	All Spec Decals Except CSA Spec Decals	
5		Ref	CSA Spec Decals (English/French)	
5	1705309	1	Decal - Legend (Platform) (Use p/n 1705867) (Prior to SN 0300080338)	
5	1705867	1	Decal - Legend (Platform) (SN 0300080338 through 0300089981)	
6		Ref	Decal - Legend (Ground Controls) Options:	
6	Not Required	0	All Spec Decals Except CSA Spec Decals	
6		Ref	CSA Spec Decals (English/French)	
6	1705310	1	Decal - Legend (Ground Controls) (Use p/n 1705986) (Prior to SN 0300080338)	
6	1705986	1	Decal - Legend (Ground Controls) (SN 0300080338 through 0300089981)	
7		Ref	Decal - Model Designation Options:	
7	1705057	2	Decal - Model Designation 1200SJP	
7	1705095	2	Decal - Model Designation 1350SJP	

SECTION 8 - DECALS

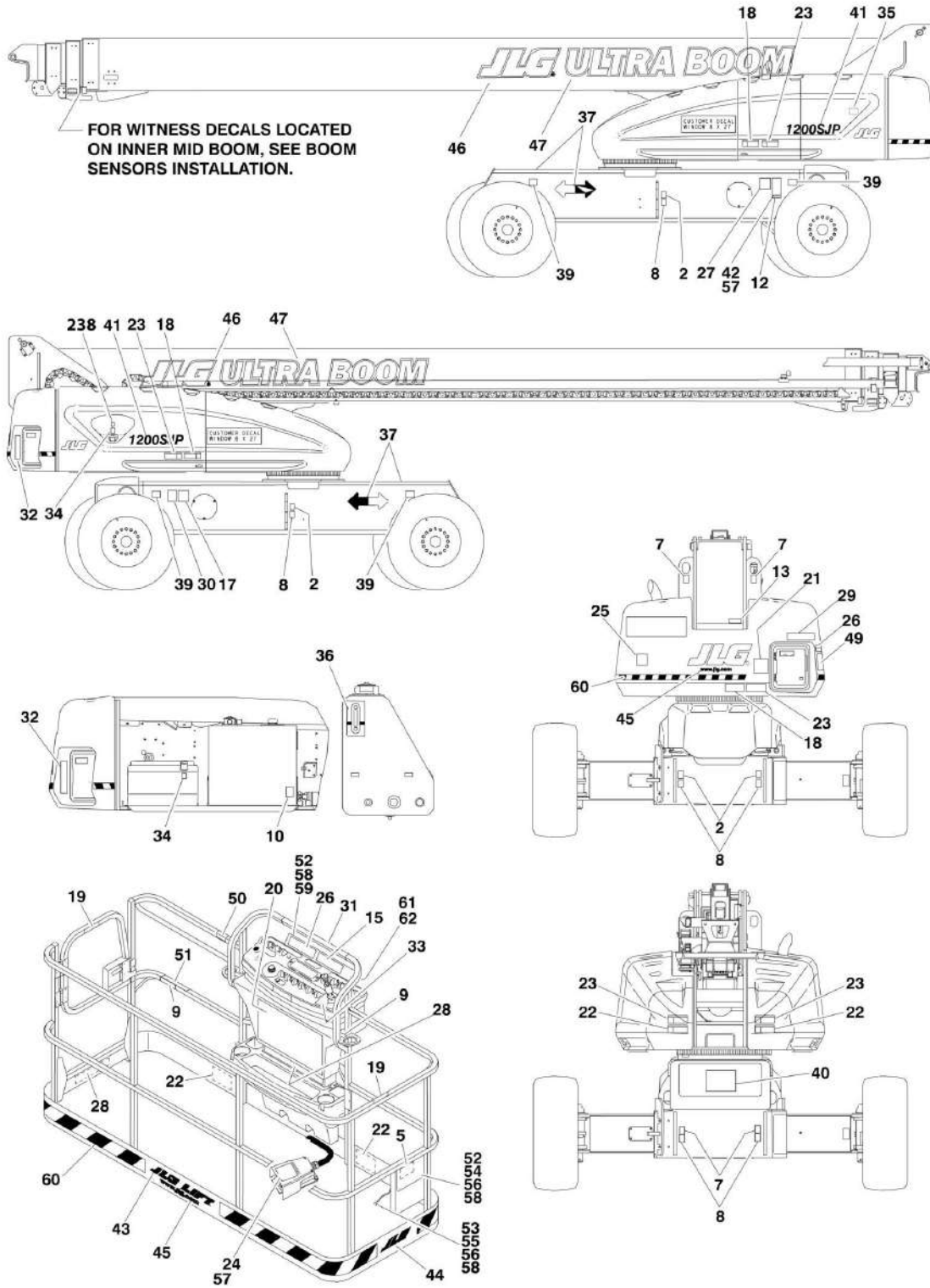
ITEM	PART NUMBER	QTY	DESCRIPTION	REV
9	1702774	1	Decal - JLG Lift (3.5in)	
10	1702773	1	Decal - JLG (5in)	
12	1704277	3	Decal - Attach Lanyard Here	
13		Ref	Decal - Capacity (Platform) Options:	
13	1705335	2	Brazil Spec Decals (Spanish/Portuguese)	
13	1705334	2	Chinese Spec Decals (Chinese/English)	
13	1705333	2	CSA Spec Decals (English/French)	
13	1705330	2	Japanese Spec Decals (Japanese/English)	
13	1705331	2	Korean Spec Decals (Korean/English)	
14		Ref	Decal - Capacity (Ground Control) Options:	
14	1705479	1	Brazil Spec Decals (Spanish/Portuguese)	
14	1705478	1	Chinese Spec Decals (Chinese/English)	
14	1705477	1	CSA Spec Decals (English/French)	
14	1705480	1	Japanese Spec Decals (Japanese/English)	
14	1705481	1	Korean Spec Decals (Korean/English)	
15		Ref	Decal - USA Options:	
15	3251813	1	Brazil/CSA Specs	
15	Not Required	0	Chinese/Japanese/Korean Specs	
16	1705511	1	Decal - Oil Level	
18	1701504	1	Decal - Hydraulic Oil	
19		Ref	Decal - Inspection Options:	
19	1704008	1	Brazil Spec	
19	1704006	1	CSA Spec	
19	Not Required	0	Chinese/Japanese/Korean Specs	
20	See Note	1	Decal - Bar Code (Note: Not Available For Purchase)	
21	1700584	1	Decal - Patent	
22	See Note	1	Nameplate - Serial Number (Note: Not Available For Purchase)	
23	1701509	1	Decal - Manual	
24	1702300	6	Decal - Tie Down	
25	1701500	4	Decal - Lift	
26	0641406	3	Bolt 1/4in-20NC x 3/4in	
27		Ref	Nameplate - 120V-60Hz Options:	
27	3251243	1	Brazil/CSA Specs	
27	Not Required	0	Chinese/Japanese/Korean Specs	
28	0860520	1	Box, Manual Storage	
29	1060279	1	Cable, Lanyard	
30	0641408	1	Bolt 1/4in-20NC x 1in	
31	4751400	9	Flatwasher 1/4in	
32	3311405	5	Locknut 1/4in-20NC	
33	3820001	4	Rivet	
34		Ref	Decal - Footswitch Options:	
34	1703985	1	Brazil Spec Decals (Spanish/Portuguese)	
34	1703982	1	Chinese Spec Decals (Chinese/English)	
34	1703984	1	CSA Spec Decals (English/French)	
34	1703980	1	Japanese Spec Decals (Japanese/English)	
34	1703981	1	Korean Spec Decals (Korean/English)	
35		Ref	Decal - Maximum Tire Load Options:	
35	1705178	4	Decal - Maximum Tire Load 1200SJP	
35	1705167	4	Decal - Maximum Tire Load 1350SJP	
36	1701505	2	Decal - Fuel	
37		Ref	Decal - Warning/Crushing Options:	

SECTION 8 - DECALS

ITEM	PART NUMBER	QTY	DESCRIPTION	REV
37	1703946	3	Brazil Spec Decals (Spanish/Portuguese)	
37	1703943	3	Chinese Spec Decals (Chinese/English)	
37	1703942	3	CSA Spec Decals (English/French)	
37	1703944	3	Japanese Spec Decals (Japanese/English)	
37	1703945	3	Korean Spec Decals (Korean/English)	
38	3572327	1	Plate, Decal Mount	
39		Ref	Decal - CSA Options:	
39	Not Required	0	All Spec Decals Except CSA Spec Decals	
39	3252221	1	CSA Spec (English/French) (Prior to SN 0300069782)	
39	1705514	1	CSA Spec (English/French) (SN 0300069782 through 0300089981)	
43	1701501	4	Decal - Arrow	
44	1701499	4	Decal - No Lift	
45	1705096	1	Decal - Lift Diagram	
46	1704412	1	Decal - Hydraulic Oil Chart	
47		Ref	Decal - Tip Over Options:	
47	1705343	1	Brazil Spec Decals (Spanish/Portuguese)	
47	1705342	1	Chinese Spec Decals (Chinese/English)	
47	1705341	1	CSA Spec Decals (English/French)	
47	1705338	1	Japanese Spec Decals (Japanese/English)	
47	1705339	1	Korean Spec Decals (Korean/English)	
48	1705864	2	Decal - JLG Lift (12in)	
49	1704885	2	Decal - www.jlg.com	
54		Ref	Decal - Daily Check Options:	
54	1705453	1	Brazil Spec Decals (Spanish/Portuguese)	
54	1705452	1	Chinese Spec Decals (Chinese/English)	
54	1705451	1	CSA Spec Decals (English/French)	
54	1705449	1	Japanese Spec Decals (Japanese/English)	
54	1705448	1	Korean Spec Decals (Korean/English)	
55		Ref	Decal - Drive/Steer Instructions Options:	
55	1705431	1	Brazil Spec Decals (Spanish/Portuguese)	
55	1705430	1	Chinese Spec Decals (Chinese/English)	
55	1705429	1	CSA Spec Decals (English/French)	
55	1705426	1	Japanese Spec Decals (Japanese/English)	
55	1705427	1	Korean Spec Decals (Korean/English)	
56	1705865	2	Decal - Ultra	
58		Ref	Decal - Model Designation Options:	
58	1705428	2	Decal - Model Designation 1200SJP (Prior to SN 0300086186)	
58	1705435	2	Decal - Model Designation 1350SJP (Prior to SN 0300086186)	
58	Not Required	0	- No Longer Used (SN 0300086186 through 0300089981)	
59		Ref	Decal - Tip Over Hazard Options:	
59	1705509	1	Brazil Spec Decals (Spanish/Portuguese)	
59	1705507	1	Chinese Spec Decals (Chinese/English)	
59	1705505	1	CSA Spec Decals (English/French)	
59	1705493	1	Japanese Spec Decals (Japanese/English)	
59	1705503	1	Korean Spec Decals (Korean/English)	
60		Ref	Decal - Tip Over Hazard Options:	
60	1705510	1	Brazil Spec Decals (Spanish/Portuguese)	
60	1705508	1	Chinese Spec Decals (Chinese/English)	
60	1705506	1	CSA Spec Decals (English/French)	
60	1705494	1	Japanese Spec Decals (Japanese/English)	
60	1705504	1	Korean Spec Decals (Korean/English)	

SECTION 8 - DECALS

FIGURE 8-4. DECAL INSTALLATION (ANSI EXPORT SPECS) (SN 0300089981 through 0300201016)



SECTION 8 - DECALS

FIGURE 8-4. DECAL INSTALLATION (ANSI EXPORT SPECS) (SN 0300089981 through 0300201016)

ITEM	PART NUMBER	QTY	DESCRIPTION	REV
	1283409	Ref	STANDARD DECAL INSTALLATIONS	Q
	0274730	Ref	Decals - JLG (ABS Hoods)	B
	1001116025	Ref	Decals - JLG (Steel Hoods)	B
	0274725	Ref	Brazil Spec Decals (Portuguese/English)	B
	0274724	Ref	Chinese Spec Decals (Chinese/English)	B
	0274727	Ref	CSA Spec Decals (English/French)	B
	0274729	Ref	Japanese Spec Decals (Japanese/English)	B
	0274723	Ref	Korean Spec Decals (Korean/English)	B
	0274726	Ref	Latin American Spec Decals (Spanish/English)	B
2	1701499	4	Decal - No Lift	
3 to 4	Not Required	0	Not Required	
5	1701509	1	Decal - Manual	
6	1701529	2	Decal - Arrow	
7	1703811	4	Decal - Tie Down/Lift	
8	1703814	6	Decal - Tie Down	
9	1704277	3	Decal - Attach Lanyard Here	
10	1704412	1	Decal - Hydraulic Oil Chart	
11	Not Required	0	Not Required	
12		Ref	Decal - CSA Options:	
12	Not Required	0	All Spec Decals Except CSA Spec Decals	
12	1705514	1	CSA Spec Decals (English/French)	
13	3251243	1	Nameplate - 120V-60Hz	
15		Ref	Decal - Tip Over Options:	
15	1705904	AR	Brazil Spec Decals (Portuguese/English)	
15	1705342	AR	Chinese Spec Decals (Chinese/English) (Simplified)	
15	1001117034	AR	Chinese Spec Decals (Chinese/English) (Traditional)	
15	1705341	AR	CSA Spec Decals (English/French)	
15	1705338	AR	Japanese Spec Decals (Japanese/English)	
15	1705339	AR	Korean Spec Decals (Korean/English)	
15	1705909	AR	Latin American Spec Decals (Spanish/English)	
16		Ref	Decal - Tip Over Hazard Options:	
16	1705906	AR	Brazil Spec Decals (Portuguese/English)	
16	1705507	AR	Chinese Spec Decals (Chinese/English) (Simplified)	
16	1001117035	AR	Chinese Spec Decals (Chinese/English) (Traditional)	
16	1705505	AR	CSA Spec Decals (English/French)	
16	1705493	AR	Japanese Spec Decals (Japanese/English)	
16	1705503	AR	Korean Spec Decals (Korean/English)	
16		Ref	Latin American Spec Decals (Spanish/English) Options:	
16	1705916	AR	Latin American Spec Decals (Prior to SN 0300100131)	
16	1705915	AR	Latin American Spec Decals (SN 0300100131 through 0300201016)	
17		Ref	Decal - Inspection Options (Prior to SN 0300151576)	
17	1705901	1	Brazil Spec Decals (Portuguese/English)	
17	1704006	1	CSA Spec Decals (English/French)	
17	1704007	1	Latin American Spec Decals (Spanish/English)	
17	Not Required	0	Chinese/Japanese/Korean Specs	
18		Ref	Decal - Warning/Crushing Options:	
18	1705903	4	Brazil Spec Decals (Portuguese/English)	
18	1703943	4	Chinese Spec Decals (Chinese/English)	
18	1703942	4	CSA Spec Decals (English/French)	

SECTION 8 - DECALS

ITEM	PART NUMBER	QTY	DESCRIPTION	REV
18	1703944	4	Japanese Spec Decals (Japanese/English)	
18	1703945	4	Korean Spec Decals (Korean/English)	
18	1703941	4	Latin American Spec Decals (Spanish/English)	
19		Ref	Decal - No Hands Options	
19	1705967	2	Brazil Spec Decals (Portuguese/English)	
19	1705968	2	Chinese Spec Decals (Chinese/English) (Simplified)	
19	1001116846	2	Chinese Spec Decals (Chinese/English) (Traditional)	
19	1704000	2	CSA Spec (English/French)	
19	See Note	2	Japanese Spec Decals (Japanese/English) (Note: Not Available For Purchase)	
19	1705969	2	Korean Spec Decals (Korean/English)	
19	1704001	2	Latin American Spec Decals (Spanish/English)	
20		Ref	Decal - Danger/Warning (Platform) Options:	
20	1705895	1	Brazil Spec Decals (Portuguese/English)	
20	1703925	1	Chinese Spec Decals (Chinese/English)	
20	1703924	1	CSA Spec Decals (English/French)	
20	1703926	1	Japanese Spec Decals (Japanese/English)	
20	1703927	1	Korean Spec Decals (Korean/English)	
20	1703923	1	Latin American Spec Decals (Spanish/English)	
21		Ref	Decal - Danger/Warning (Ground Control) Options:	
21	1705896	1	Brazil Spec Decals (Portuguese/English)	
21	1705348	1	Chinese Spec Decals (Chinese/English) (Simplified)	
21	1001116849	1	Chinese Spec Decals (Chinese/English) (Traditional)	
21	1705347	1	CSA Spec Decals (English/French)	
21	1705344	1	Japanese Spec Decals (Japanese/English)	
21	1705345	1	Korean Spec Decals (Korean/English)	
21	1705917	1	Latin American Spec Decals (Spanish/English)	
22		Ref	Decal - Warning Crushing Options:	
22	1705898	6	Brazil Spec Decals (Portuguese/English)	
22	1703949	6	Chinese Spec Decals (Chinese/English)	
22	1703948	6	CSA Spec Decals (English/French)	
22	1703950	6	Japanese Spec Decals (Japanese/English)	
22	1703951	6	Korean Spec Decals (Korean/English)	
22	1703947	6	Latin American Spec Decals (Spanish/English)	
23		Ref	Decal - Danger/Electrocution Options:	
23	1705897	5	Brazil Spec Decals (Portuguese/English)	
23	1703937	5	Chinese Spec Decals (Chinese/English) (Simplified)	
23	1001116851	5	Chinese Spec Decals (Chinese/English) (Traditional)	
23	1703936	5	CSA Spec Decals (English/French)	
23	1703938	5	Japanese Spec Decals (Japanese/English)	
23	1703939	5	Korean Spec Decals (Korean/English)	
23	1703935	5	Latin American Spec Decals (Spanish/English)	
24		Ref	Decal - Footswitch Options:	
24	1705902	1	Brazil Spec Decals (Portuguese/English)	
24	1703982	1	Chinese Spec Decals (Chinese/English)	
24	1703984	1	CSA Spec Decals (English/French)	
24	1703980	1	Japanese Spec Decals (Japanese/English)	
24	1703981	1	Korean Spec Decals (Korean/English)	
24	1703983	1	Latin American Spec Decals (Spanish/English)	
25		Ref	Decal - USA Options:	
25	3251813	1	All Spec Decals Except Korean Spec Decals	
25	Not Required	0	Korean Specs	

SECTION 8 - DECALS

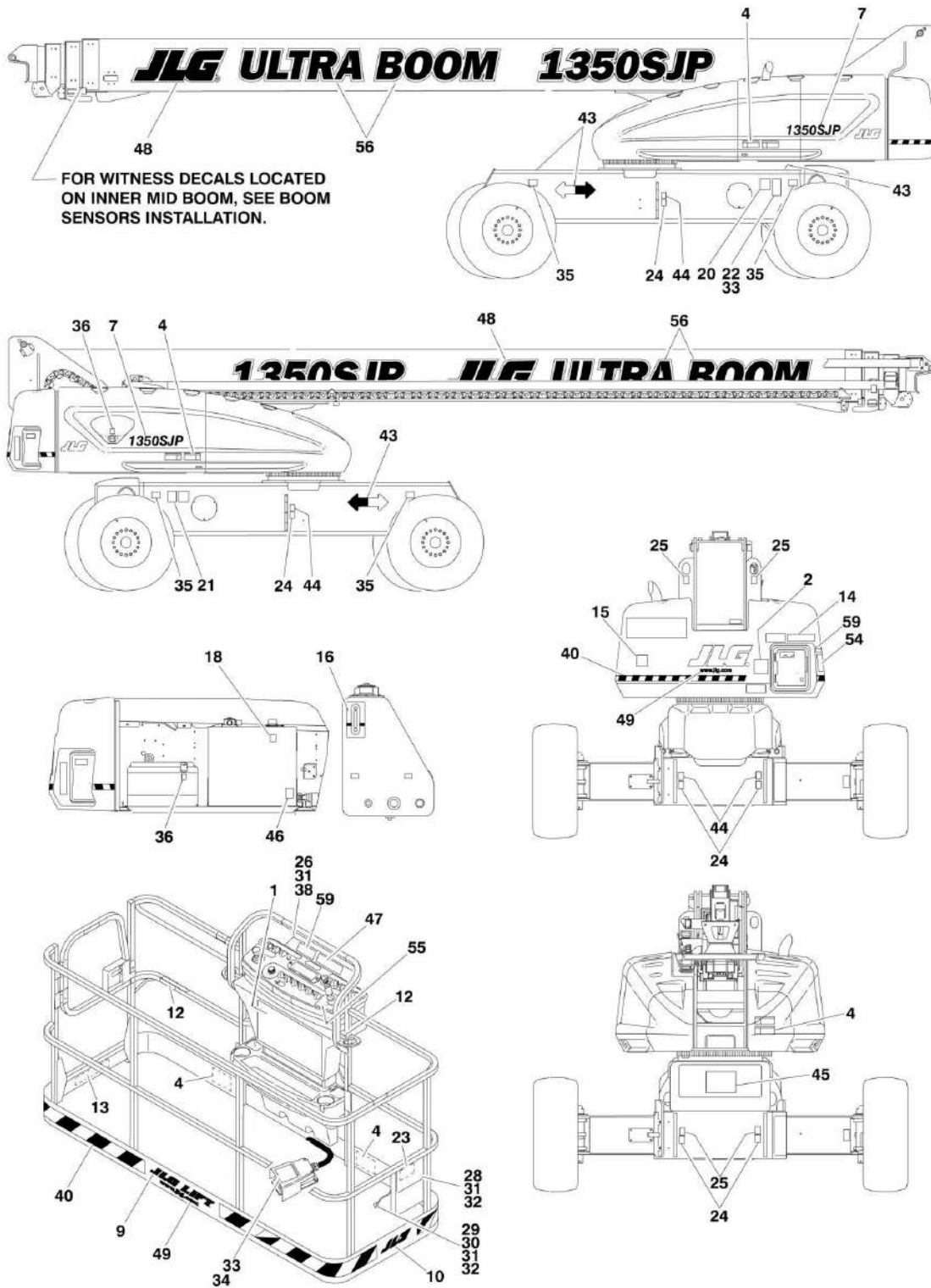
ITEM	PART NUMBER	QTY	DESCRIPTION	REV
26		Ref	Decal - Tip-Over Hazard Options: (Prior to SN 0300100131)	
26	1705907	1	Brazil Spec Decals (Portuguese/English)	
26	1705508	1	Chinese Spec Decals (Chinese/English)	
26	1705506	1	CSA Spec Decals (English/French)	
26	1705494	1	Japanese Spec Decals (Japanese/English)	
26	Not Required	0	Korean Spec Decals (Korean/English)	
26	1705915	1	Latin American Spec Decals (Spanish/English)	
27	See Note	1	Decal - Bar Code (Note: Not available for purchase)	
28		Ref	Decal - Capacity (Platform) Options:	
28		Ref	Decal - Capacity (Platform) (Prior to SN 0300142938)	
28	1705899	2	Brazil Spec Decals (Portuguese/English)	
28	1705334	2	Chinese Spec Decals (Chinese/English)	
28	1705333	2	CSA Spec Decals (English/French)	
28	1705330	2	Japanese Spec Decals (Japanese/English)	
28	1705331	2	Korean Spec Decals (Korean/English)	
28	1705908	2	Latin American Spec Decals (Spanish/English)	
28		Ref	Decal - Capacity (Platform) (SN 0300142938 through 0300201016)	
28	1001122372	2	Brazil Spec Decals (Portuguese/English)	
28	1001122371	2	Chinese Spec Decals (Chinese/English)	
28	1001122374	2	CSA Spec Decals (English/French)	
28	1001122375	2	Japanese Spec Decals (Japanese/English)	
28	1001122370	2	Korean Spec Decals (Korean/English)	
28	1001122373	2	Latin American Spec Decals (Spanish/English)	
29		Ref	Decal - Capacity (Ground Control) Options:	
29		Ref	Decal - Capacity (Ground Control) (Prior to SN 0300142938)	
29	1705900	1	Brazil Spec Decals (Portuguese/English)	
29	1705478	1	Chinese Spec Decals (Chinese/English)	
29	1705477	1	CSA Spec Decals (English/French)	
29	1705480	1	Japanese Spec Decals (Japanese/English)	
29	1705481	1	Korean Spec Decals (Korean/English)	
29	1705919	1	Latin American Spec Decals (Spanish/English)	
29		Ref	Decal - Capacity (Ground Control) (SN 0300142938 through 0300201016)	
29	1001122379	1	Brazil Spec Decals (Portuguese/English)	
29	1001122378	1	Chinese Spec Decals (Chinese/English)	
29	1001122381	1	CSA Spec Decals (English/French)	
29	1001122382	1	Japanese Spec Decals (Japanese/English)	
29	1001122377	1	Korean Spec Decals (Korean/English)	
29	1001122380	1	Latin American Spec Decals (Spanish/English)	
30		Ref	Decal - Patent Options:	
30	1700584	1	All Specs Except CSA Spec (Prior to SN 0300151576)	
30	1700584	1	CSA Spec (Prior to SN 0300151576)	
30	1001131269	1	CSA Spec (SN 0300151576 through 0300201016)	
31	1706751	1	Decal - Legend (Platform)	
32	1705868	1	Decal - Legend (Ground Controls)	
33		Ref	Decal - Drive/Steer Instructions Options:	
33	1705905	1	Brazil Spec Decals (Portuguese/English)	
33	1705430	1	Chinese Spec Decals (Chinese/English)	
33	1705429	1	CSA Spec Decals (English/French)	
33	1705426	1	Japanese Spec Decals (Japanese/English)	
33	1705427	1	Korean Spec Decals (Korean/English)	

SECTION 8 - DECALS

ITEM	PART NUMBER	QTY	DESCRIPTION	REV
33	1705910	1	Latin American Spec Decals (Spanish/English)	
34	1701505	2	Decal - Fuel	
35		Ref	Decal - Warning Explosion/Fire Options	
35	1706059	1	Brazil Spec Decals (Portuguese/English)	
35	1706060	1	Chinese Spec Decals (Chinese/English)	
35	1706064	1	CSA Spec Decals (English/French)	
35	1704972	1	Japanese Spec Decals (Japanese/English)	
35	1706061	1	Korean Spec Decals (Korean/English)	
35	1706063	1	Latin American Spec Decals (Spanish/English)	
36	1705511	1	Decal - Oil Level	
37	1701501	4	Decal - Arrow	
39	2902355	1	Decal Kit - Tire Load (Model 1200SJP)	
39	1705178	4	Decal - Tire Load	
39	2902357	1	Decal Kit - Tire Load (Model 1350SJP)	
39	1705167	4	Decal - Tire Load	
40	1705096	1	Decal - Lift Diagram	
41		Ref	Decal - Model Options:	
41	1705057	2	Decal - Model 1200SJP	
41	1705095	2	Decal - Model 1350SJP	
42	See Note	1	Nameplate - Serial Number (Note: Not Available For Purchase)	
43	1702774	1	Decal - JLG Lift (3.5in)	
44	1702773	1	Decal - JLG (5in)	
45	1704885	Ref	Decal - www.jlg.com Options:	
45	1704885	2	Decal - www.jlg.com (Prior to SN 0300173916)	
45	1704885	1	Decal - www.jlg.com (SN 0300173916 through 0300201016)	
46	1705864	2	Decal - JLG	
47	1705865	2	Decal - Ultra Boom (12in Height)	
49		Ref	Decal - Daily Check Options:	
49		Ref	ANSI Export Spec Decals Options: (English/Spanish)	
49	1705450	1	Decal - Daily Check (Prior to SN 0300095572)	
49	1706904	1	Decal - Daily Check (SN 0300095572 through 0300201016)	
49	1705456	1	Brazil Spec Decals (Spanish/Portuguese)	
49	1705452	1	Chinese Spec Decals (Chinese/English)	
49	1705451	1	CSA Spec Decals (English/French)	
49	1705449	1	Japanese Spec Decals (Japanese/English)	
49	1705448	1	Korean Spec Decals (Korean/English)	
52	0641406	AR	Bolt 1/4in-20NC x 3/4in	
53	0641408	1	Bolt 1/4in-20NC x 1in	
54		Ref	Box, Manual Storage Options:	
54	0860520	1	Box, Manual Storage (Prior to SN 0300180275)	
54	91403230	1	Box, Manual Storage (SN 0300180275 through 0300201016)	
55	1060279	1	Cable, Lanyard	
56	3311405	5	Locknut 1/4in-20NC	
57	3820001	AR	Rivet	
58	4751400	AR	Flatwasher 1/4in	
59	3572327	1	Plate, Decal Mount	
60	4420051	29 ft/8.8m	Decal - Warning Stripes	
61	3520174	3	Plug, 3/16in	
62	0100048	AR	Grease, Dielectric	
238	1001139654	1	Decal, Fuel Specification (Machines with Deutz TCD2.9L4 Engine Only) (Japanese Spec Only) (SN 0300199604 through 0300201016)	

SECTION 8 - DECALS

FIGURE 8-5. DECAL INSTALLATION (AUSTRALIAN AND CE SPECS) (Prior to SN 0300089981)



SECTION 8 - DECALS

FIGURE 8-5. DECAL INSTALLATION (AUSTRALIAN AND CE SPECS) (Prior to SN 0300089981)

ITEM	PART NUMBER	QTY	DESCRIPTION	REV
		Ref	STANDARD DECAL INSTALLATIONS	
	0273600	Ref	Decals - JLG	3
	0271556	Ref	Australian Spec Decals	3
	0272751	Ref	Danish Spec Decals	4
	0271559	Ref	Dutch Spec Decals	4
	0271984	Ref	Finnish Spec Decals	4
	0271561	Ref	French Spec Decals	4
	0271558	Ref	German Spec Decals	4
	0271560	Ref	Italian Spec Decals	4
	0272752	Ref	Norwegian Spec Decals	3
	0272753	Ref	Polish Spec Decals	4
	0271988	Ref	Portuguese Spec Decals	4
	0271562	Ref	Spanish Spec Decals	4
	0271985	Ref	Swedish Spec Decals	4
	0271557	Ref	UK English Spec Decals	6
	0272523	Ref	Model Designation Decals - 1200SJP	2
	0272522	Ref	Model Designation Decals - 1350SJP	2
1		Ref	Decal - Danger/Warning (Platform) Options:	
1	1705465	1	Australian Spec	
1	1705546	1	Danish Spec	
1	1705438	1	Dutch Spec	
1	1705463	1	Finnish Spec	
1	1705440	1	French Spec	
1	1705437	1	German Spec	
1	1705439	1	Italian Spec	
1	1705547	1	Norwegian Spec	
1	1705545	1	Polish Spec	
1	1705464	1	Portuguese Spec	
1	1705340	1	Spanish Spec	
1	1705450	1	Swedish Spec	
1	1705436	1	UK English Spec	
2		Ref	Decal - Danger/Warning (Ground Control) Options:	
2	1705332	1	Australian Spec	
2	1705555	1	Danish Spec	
2	1705410	1	Dutch Spec	
2	1705417	1	Finnish Spec	
2	1705412	1	French Spec	
2	1705409	1	German Spec	
2	1705411	1	Italian Spec	
2	1705556	1	Norwegian Spec	
2	1705557	1	Polish Spec	
2	1705419	1	Portuguese Spec	
2	1705413	1	Spanish Spec	
2	1705418	1	Swedish Spec	
2	1705408	1	UK English Spec	
4	1701518	6	Decal - Warning Crushing	
7		Ref	Decal - Model Designation Options:	
7	1705057	2	Decal - Model Designation 1200SJP	
7	1705095	2	Decal - Model Designation 1350SJP	
9	1702774	1	Decal - JLG Lift (3.5in)	

SECTION 8 - DECALS

ITEM	PART NUMBER	QTY	DESCRIPTION	REV
10	1702773	1	Decal - JLG (5in)	
12	1704277	3	Decal - Attach Lanyard Here	
14		Ref	Decal - Capacity (Ground Control) Options:	
14	1705468	1	Australian Spec	
14	1705543	1	Danish Spec	
14	1705470	1	Dutch Spec	
14	1705474	1	Finnish Spec	
14	1705472	1	French Spec	
14	1705469	1	German Spec	
14	1705471	1	Italian Spec	
14	1705544	1	Norwegian Spec	
14	1705545	1	Polish Spec	
14	1705476	1	Portuguese Spec	
14	1705473	1	Spanish Spec	
14	1705475	1	Swedish Spec	
14	1705468	1	UK English Spec	
15		Ref	Decal - CE or Sound Power Level	
15	Not Required	0	Australian Spec	
15	1702928	1	All Specs Except Australian (Prior to SN 0300069921)	
15	1705084	1	All Specs Except Australian (SN 0300069921 through 0300089981)	
16	1705511	1	Decal - Oil Level	
18	1701504	1	Decal - Hydraulic Oil	
20	See Note	1	Decal - Bar Code (Note: Not Available For Purchase)	
21	1700584	1	Decal - Patent	
22	See Note	1	Nameplate - Serial Number (Note: Not Available For Purchase)	
23	1701509	1	Decal - Manual	
24	1702300	6	Decal - Tie Down	
25	1701500	4	Decal - Lift	
26	0641406	3	Bolt 1/4in-20NC x 3/4in	
28	0860520	1	Box, Manual Storage	
29	1060279	1	Cable, Lanyard	
30	0641408	1	Bolt 1/4in-20NC x 1in	
31	4751400	9	Flatwasher 1/4in	
32	3311405	5	Locknut 1/4in-20NC	
33	3820001	4	Rivet	
34		Ref	Decal - Footswitch Options:	
34		Ref	Australian Spec	
34	3252347	1	Decal - Footswitch (Prior to SN 0300074341)	
34	1705828	1	Decal - Footswitch (SN 0300074341 through 0300089981)	
34	Not Required	0	Danish Spec	
34		Ref	Dutch Spec	
34	1703518	1	Decal - Footswitch (Prior to SN 0300074341)	
34	1705828	1	Decal - Footswitch (SN 0300074341 through 0300089981)	
34		Ref	Finnish Spec	
34	1705616	1	Decal - Footswitch (Prior to SN 0300074341)	
34	1705828	1	Decal - Footswitch (SN 0300074341 through 0300089981)	
34		Ref	French Spec	
34	1693292	1	Decal - Footswitch (Prior to SN 0300074341)	
34	1705828	1	Decal - Footswitch (SN 0300074341 through 0300089981)	
34		Ref	German Spec	
34	1693294	1	Decal - Footswitch (Prior to SN 0300074341)	

SECTION 8 - DECALS

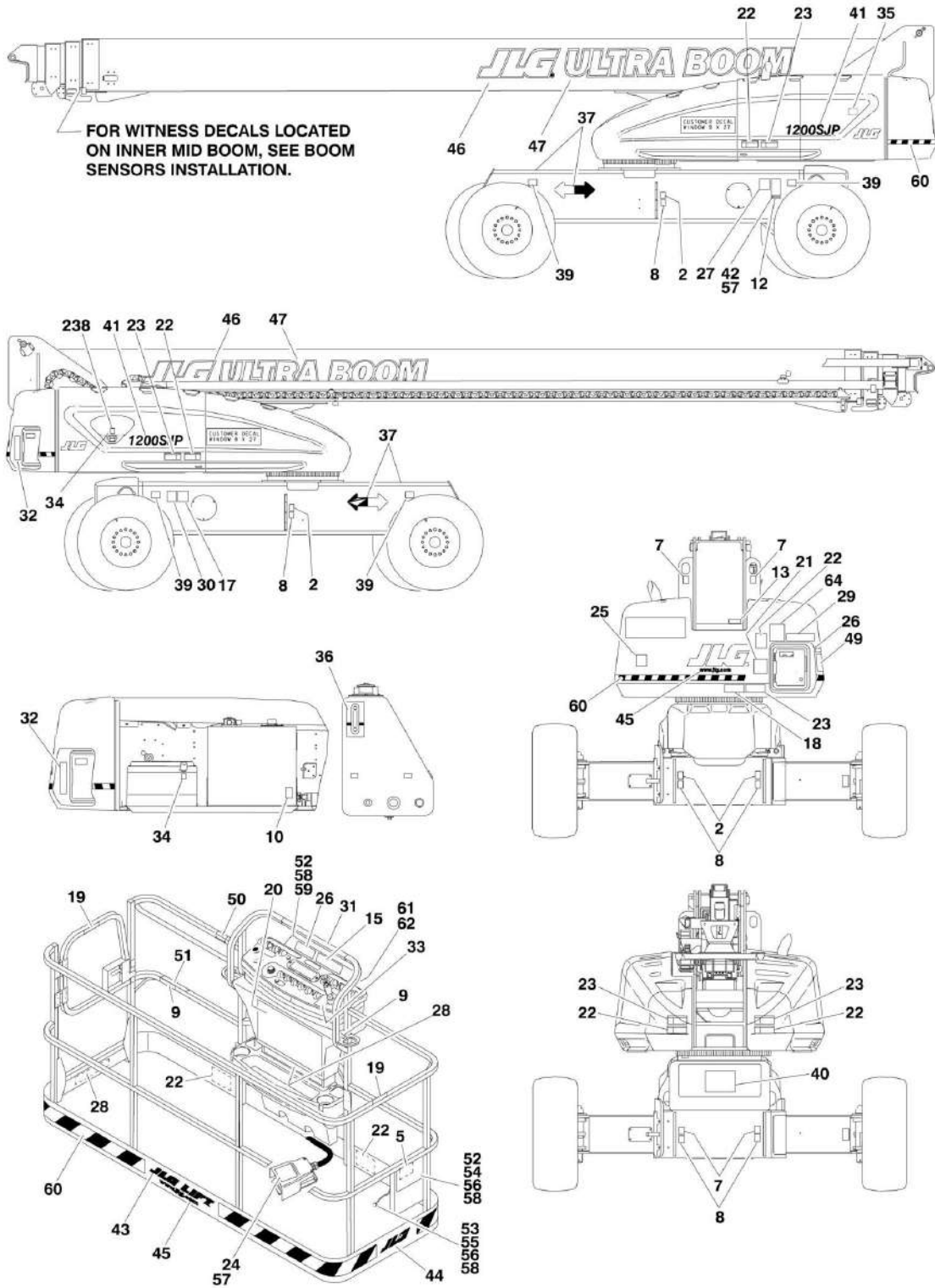
ITEM	PART NUMBER	QTY	DESCRIPTION	REV
34	1705828	1	Decal - Footswitch (SN 0300074341 through 0300089981)	
34		Ref	Italian Spec	
34	1701600	1	Decal - Footswitch (Prior to SN 0300074341)	
34	1705828	1	Decal - Footswitch (SN 0300074341 through 0300089981)	
34	Not Required	0	Norwegian Spec	
34	Not Required	0	Polish Spec	
34		Ref	Portuguese Spec	
34	1701600	1	Decal - Footswitch (Prior to SN 0300074341)	
34	1705828	1	Decal - Footswitch (SN 0300074341 through 0300089981)	
34		Ref	Spanish Spec	
34	1701791	1	Decal - Footswitch (Prior to SN 0300074341)	
34	1705828	1	Decal - Footswitch (SN 0300074341 through 0300089981)	
34		Ref	Swedish Spec	
34	1701600	1	Decal - Footswitch (Prior to SN 0300074341)	
34	1705828	1	Decal - Footswitch (SN 0300074341 through 0300089981)	
34		Ref	UK English Spec	
34	3252347	1	Decal - Footswitch (Prior to SN 0300074341)	
34	1705828	1	Decal - Footswitch (SN 0300074341 through 0300089981)	
35		Ref	Decal - Maximum Tire Load Options:	
35	1705178	4	Decal - Maximum Tire Load 1200SJP	
35	1705167	4	Decal - Maximum Tire Load 1350SJP	
36	1701505	2	Decal - Fuel	
38	3380474	1	Plate, Decal Mount	
40	4420051	22 ft/6.7m	Decal - Safety Stripe	
43	1701501	4	Decal - Arrow	
44	1701499	4	Decal - No Lift	
45	1705096	1	Decal - Lift Diagram	
46	1704412	1	Decal - Hydraulic Oil Chart	
47		Ref	Decal - Tip Over Options:	
47	1705337	1	Australian Spec	
47	1705558	1	Danish Spec	
47	1705404	1	Dutch Spec	
47	1705414	1	Finnish Spec	
47	1705406	1	French Spec	
47	1705403	1	German Spec	
47	1705405	1	Italian Spec	
47	1705559	1	Norwegian Spec	
47	1705560	1	Polish Spec	
47	1705416	1	Portuguese Spec	
47	1705407	1	Spanish Spec	
47	1705415	1	Swedish Spec	
47	1705337	1	UK English Spec	
48	1705864	2	Decal - JLG Lift (12in)	
49	1704885	2	Decal - www.jlg.com	
54		Ref	Decal - Daily Check Options:	
54	1705365	1	Australian Spec	
54	1705552	1	Danish Spec	
54	1705444	1	Dutch Spec	
54	1705454	1	Finnish Spec	
54	1705445	1	French Spec	
54	1705443	1	German Spec	

SECTION 8 - DECALS

ITEM	PART NUMBER	QTY	DESCRIPTION	REV
54	1705446	1	Italian Spec	
54	1705553	1	Norwegian Spec	
54	1705554	1	Polish Spec	
54	1705456	1	Portuguese Spec	
54	1705447	1	Spanish Spec	
54	1705455	1	Swedish Spec	
54	1705365	1	UK English Spec	
55		Ref	Decal - Drive/Steer Instructions Options:	
55	1705351	1	Australian Spec	
55	1705549	1	Danish Spec	
55	1705422	1	Dutch Spec	
55	1705457	1	Finnish Spec	
55	1705424	1	French Spec	
55	1705421	1	German Spec	
55	1705423	1	Italian Spec	
55	1705550	1	Norwegian Spec	
55	1705551	1	Polish Spec	
55	1705459	1	Portuguese Spec	
55	1705425	1	Spanish Spec	
55	1705458	1	Swedish Spec	
55	1705351	1	UK English Spec	
56	1705865	2	Decal - Ultra	
58		Ref	Decal - Model Designation Options:	
58	1705428	2	Decal - Model Designation 1200SJP (Prior to SN 0300086186)	
58	1705435	2	Decal - Model Designation 1350SJP (Prior to SN 0300086186)	
58	Not Required	0	- No Longer Used (SN 0300086186 through 0300089981)	
59		Ref	Decal - Tip Over Hazard Options:	
59	1705492	2	Australian Spec	
59	1705561	2	Danish Spec	
59	1705496	2	Dutch Spec	
59	1705500	2	Finnish Spec	
59	1705498	2	French Spec	
59	1705495	2	German Spec	
59	1705497	2	Italian Spec	
59	1705562	2	Norwegian Spec	
59	1705502	2	Portuguese Spec	
59	1705563	2	Polish Spec	
59	1705499	2	Spanish Spec	
59	1705501	2	Swedish Spec	
59	1705492	2	UK English Spec	

SECTION 8 - DECALS

FIGURE 8-6. DECAL INSTALLATION (AUSTRALIAN AND CE SPECS) (SN 0300089981 through 0300201016)



SECTION 8 - DECALS

FIGURE 8-6. DECAL INSTALLATION (AUSTRALIAN AND CE SPECS) (SN 0300089981 through 0300201016)

ITEM	PART NUMBER	QTY	DESCRIPTION	REV
	1283409	Ref	STANDARD DECAL INSTALLATIONS	Q
	0274730	Ref	Decals - JLG (ABS Hoods)	B
	1001116025	Ref	Decals - JLG (Steel Hoods)	B
		Ref	Australian Spec Decals	
	0274728	Ref	Standard Decal Installations (SN 0300089981 through 0300129468)	B
	1001104652	Ref	Standard Decal Installations (SN 0300129469 through 0300138366)	B
	1001114382	Ref	Standard Decal Installations (SN 0300138367 through 0300201016)	B
		Ref	CE Spec Decals	
	0274728	Ref	Standard Decal Installations (SN 0300089981 through 0300129468)	7
	1001104652	Ref	Standard Decal Installations (SN 0300129469 through 0300201016)	4
2	1701499	4	Decal - No Lift	
3 to 4	Not Required	0	Not Required	
5	1701509	1	Decal - Manual	
6	Not Required	0	Not Required	
7	1703811	4	Decal - Tie Down/Lift	
8	1703814	6	Decal - Tie Down	
9	1704277	4	Decal - Attach Lanyard Here	
10	1704412	1	Decal - Hydraulic Oil Chart	
11		Ref	Decal - Sound Power Level Options:	
11	1705084	1	Decal - Sound Power Level (SN 0300089981 through 0300129468)	
11	1705980	1	Decal - Sound Power Level (SN 0300129469 through 0300201016)	
12 to 13	Not Required	0	Not Required	
15 to 19	Not Required	0	Not Required	
20	1705921	1	Decal - Tipping/Electrical (Platform)	
21	1705822	1	Decal - Electrical/Safety (Ground Control)	
22	1701518	10	Decal - Warning Crushing	
23	1705961	5	Decal - Danger Electrocution	
24	1705828	1	Decal - Footswitch	
25 to 26	Not Required	0	Not Required	
27	See Note	1	Decal - Bar Code (Note: Not Available For Purchase)	
28	1706770	1	Decal - Capacity (Platform) (SN 0300090797 through 0300201016)	
29	1705468	1	Decal - Capacity (Ground Control)	
30	1700584	1	Decal - Patent (Prior to SN 0300151576)	
31	1702784	1	Decal - Legend (Platform) (SN 0300089981 through 0300090797)	
32	1703808	1	Decal - Legend (Ground Control) (SN 0300089981 through 0300090797)	
33	Not Required	0	Not Required	
34	1701505	2	Decal - Fuel	
35	1706098	1	Decal - Warning Explosion/Fire	
36	1705511	1	Decal - Oil Level	
37	1701501	4	Decal - Arrow	
39	2902355	1	Decal Kit - Tire Load (Model 1200SJP)	

SECTION 8 - DECALS

ITEM	PART NUMBER	QTY	DESCRIPTION	REV
39	1705178	4	Decal - Tire Load	
39	2902357	1	Decal Kit - Tire Load (Model 1350SJP)	
39	1705167	4	Decal - Tire Load	
40	1705096	1	Decal - Lift Diagram	
41		Ref	Decal - Model Options:	
41	1705057	2	Decal - Model 1200SJP	
41	1705095	2	Decal - Model 1350SJP	
42	See Note	1	Nameplate - Serial Number (Note: Not Available For Purchase)	
43	1702774	1	Decal - JLG Lift (3.5in)	
44	1702773	1	Decal - JLG (5in)	
45	1704885	Ref	Decal - www.jlg.com Options:	
45	1704885	2	Decal - www.jlg.com (Prior to SN 0300173916)	
45	1704885	1	Decal - www.jlg.com (SN 0300173916 through 0300201016)	
46	1705864	2	Decal - JLG	
47	1705865	2	Decal - Ultra Boom (12in Height)	
49		Ref	Decal - Daily Check Options:	
49	1705365	1	Australian Spec	
49	1001172766	1	CE Spec	
49	1705552	1	Danish Spec	
49	1705444	1	Dutch Spec	
49	1705454	1	Finnish Spec	
49	1705445	1	French Spec	
49	1705446	1	Italian Spec	
49	1001177533	1	Norwegian Spec	
49	1705554	1	Polish Spec	
49	1705456	1	Portuguese Spec	
49	1705447	1	Spanish Spec	
49	1705455	1	Swedish Spec	
49	1705365	1	UK English Spec	
52	0641406	4	Bolt 1/4in-20NC x 3/4in	
53	0641408	1	Bolt 1/4in-20NC x 1in (Prior to SN 0300180275)	
54		Ref	Box, Manual Storage Options:	
54	0860520	1	Box, Manual Storage (Prior to SN 0300180275)	
54	91403230	1	Box, Manual Storage (SN 0300180275 through 0300201016)	
55	1060279	1	Cable, Lanyard (Prior to SN 0300180275)	
56	3311405	AR	Locknut 1/4in-20NC	
57	3820001	AR	Rivet	
58	4751400	AR	Flatwasher 1/4in	
59	3380474	1	Plate, Decal Mount (SN 0300089981 through 0300103763)	
60	4420051	29 ft/8.8m	Decal - Warning Stripes	
61	3520174	3	Plug, 3/16in	
62	0100048	AR	Grease, Dielectric	
64	1001112551	1	Decal - Emergency Controls (Australian Spec) (SN 0300138367 through 0300201016)	
238	1001139654	1	Decal, Fuel Specification (Machines with Deutz TCD2.9L4 Engine Only)	

SECTION 9 - RECOMMENDED SERVICE PARTS STOCK

SECTION 9 - RECOMMENDED SERVICE PARTS STOCK

SECTION 9 - RECOMMENDED SERVICE PARTS STOCK

FIGURE 9-1. MODEL 1200SJP/1350SJP STANDARD PARTS

ITEM	PART NUMBER	QTY	DESCRIPTION	REV
	Note	Ref	Note: The following list will service one machine (built to current production per date on the front cover) with emergency repair parts which can be installed in the field. Parts from the list should be replaced when inventory is depleted to keep service parts stock supplied. For further information, contact your JLG dealer or the JLG Industries Parts Department.	
		Ref	STANDARD PARTS	
	7024365	1	Axle Powertrack Repair Kit	
	4360505	1	Switch	
	7018991	1	Coil	
	7012944	1	Coil	
	3740067	1	Relay	
	7011354	1	Coil	
	7017451	1	Coil	
	7024571	1	Coil	
	70002231	12	Element, Pressure Filter	
	3740080	1	Relay	
	7024444	12	Breather, Hydraulic Oil Tank	
	7024375	12	Element, Hydraulic Oil Filter	
	3740049	1	Relay	
	4360328	1	Switch, Toggle	
	4360475	1	Switch, Mushroom	
	4360476	1	Contact, Switch Block	
	4360274	1	Switch, Push Button	
	2860030	1	Key, Replacement	
	70003917	1	Boom Powertrack Repair Section	
	70003913	1	Boom Powertrack Repair Section	
	70002097	12	Element, Pressure Filter	
	2940074	1	Latch, Platform	
	4360330	1	Switch, Toggle	
	4360331	1	Switch, Toggle	
	4360336	1	Switch, Toggle	
	4360387	1	Switch, Push Button	
	1001129555	1	Controller, Lift and Swing	
	1001118416	1	Controller, Drive and Steer	
	4360407	1	Controller, Speed	
	3990001	2	Diode - 3 Amp	
	2400065	2	Fuse	

SECTION 9 - RECOMMENDED SERVICE PARTS STOCK

FIGURE 9-2. MODEL 1200SJP/1350SJP VARIABLE PARTS

ITEM	PART NUMBER	QTY	DESCRIPTION	REV
	Note	Ref	Note: The following list will service one machine (built to current production per date on the front cover) with emergency repair parts which can be installed in the field. Parts from the list should be replaced when inventory is depleted to keep service parts stock supplied. For further information, contact your JLG dealer or the JLG Industries Parts Department.	
		Ref	VARIABLE PARTS	
	4360578	1	Switch, Limit	
	1001112758	1	Module (Chassis)	
	1001112757	1	Module, B.L.A.M.	
	7003655	12	Element, Caterpillar Engine Air Filter	
	7026830	12	Element, Caterpillar Engine Water/Fuel	
	7026811	12	Element, Caterpillar Engine Oil Filter	
	7003655	12	Element, Deutz BF4M2011 & TD2011 Engine Air Filter	
	7016331	12	Element, Deutz BF4M2011 & TD2011 Engine Oil Filter	
	7016328	12	Element, Deutz BF4M2011 & TD2011 Engine Fuel	
	1600443	1	Module, Engine	
	70024190	12	Element, Deutz TCD2.9L4 Engine Air Filter	
	7026031	1	Sensor, Proximity	
	1001110084	1	Module, Ground Control	
	4360469	1	Switch, Key (ANSI, ANSI Export and Australian Specs)	
	4360470	1	Switch, Key (CE Spec)	
	3740080	1	Relay (Headlights/Chassis Illumination Lights Options)	
	3740080	1	Relay (110V/220V Generator Options)	
	4360336	1	Switch, Toggle (Generator Options)	
	4360070	1	Circuit Breaker 15 Amp (Machines with 7500W Generator)	
	2400064	2	Fuse (Machines with 7500W Generator)	
	4360548	1	Switch, Jib Limit	
	4360527	1	Switch, Cable Break	
	4360543	1	Sensor, Boom Length	
	1001133329	1	Sensor, Angle Indicator	
	1001117174		Footswitch Kit	
	1600343	1	Module, Platform Control	
	4360232	1	Breaker, Circuit (Platform Worklights Option)	
	4360522	1	Switch, Push Button (Chassis Worklights Option)	
	4360057	1	Switch, Limit (Soft-Touch System Option)	

SECTION 10 - SPECIAL OPTIONS

SECTION 10 - SPECIAL OPTIONS

FIGURE 10-1. SPECIAL OPTIONS

ITEM	PART NUMBER	QTY	DESCRIPTION	REV
	Note	Ref	Note: This list is to accommodate machines ordered with special equipment. Options may not be applicable to all models. For more specific parts information contact JLG Parts Department.	
		Ref	MISCELLANEOUS SPECIAL OPTIONS	
	0272078	Ref	Accessory Counterweight (Required with SkyWelder and Fall Arrest Platform Options.)	
	1340067	Ref	Air Cleaner Pre-Cleaner	
	0271956	Ref	Airline Installation, 1/2in (1200SJP)	
	0271933	Ref	Airline Installation, 1/2in (1350SJP)	
	1001241275	Ref	Axle Wear Pad Kit	
	0271803	Ref	Bellows, Cylinder (Fixed Axle)	
	0271804	Ref	Bellows, Cylinder (Oscillating Axle)	
	0271805	Ref	Bellows, Cylinder (Boom)	
	0271875	Ref	Boom Wipers Installation	
	0272066	Ref	Cold Weather Package with Ether Start	
	0272067	Ref	Cold Weather Package with Glow Plugs	
	1001205034	Ref	Cold Weather Plus Package (Add-on Kit)	
	1001233047	Ref	Crankcase Breather Heater (Deutz TCD2'9L4 Engines)	
		Ref	Decals Installations	
	1702788	Ref	Biodegradable Hydraulic Fluid (English)	
	1703479	Ref	Biodegradable Hydraulic Fluid (German)	
	1001119454	Ref	Fed-Ex Decals Installation - 1200SJP & 1350SJP	
	0257195	Ref	Government Warranty Decal	
	1001128996	Ref	Decals Installation - Hertz	
	1001143080	Ref	Decals Installation - Hewitt Rentals (English)	
	1001143515	Ref	Decals Installation - Hewitt Rentals (French)	
	1703175	Ref	Lanyard Attachment Decal (GM K-1 Spec)	
	1001140648	Ref	Decals Installation - Leavitt	
	1001103344	Ref	NES Decals Installation - 1200SJP & 1350SJP	
	1001096497	Ref	RSC Decals Installation - 1200SJP	
	1001096496	Ref	RSC Decals Installation - 1350SJP	
	0272599	Ref	SkyCutter (ANSI and ANSI Export Specs)	
	See Note	Ref	SkyCutter (Australian and CE Specs) (was p/n 0272607) (Note: No Longer Available)	
	0272418	Ref	SkyGlazier	
	0272435	Ref	SkyPower (60Hz) (ANSI and ANSI Export Specs)	
	0272589	Ref	SkyPower (50Hz) (Australian and CE Specs)	
	1001161314	Ref	SkyPower (50Hz) (ANSI Export Specs) (English/Spanish/Portuguese)	
	1001161315	Ref	SkyPower (50Hz) (ANSI Export Specs) (English/Spanish)	
	0272448	Ref	SkyWelder (ANSI and ANSI Export Specs)	
	0272588	Ref	SkyWelder (Australian and CE Specs)	
	1001120208	Ref	Sunbelt Decals Installation - 1200SJP & 1350SJP	
	1001116304	Ref	Telematics Decals Installation (ANSI Spec)	
	1001116305	Ref	Telematics Decals Installation (Australian and CE Specs)	
	1001151112	Ref	Decals Installation - Titan Rentals	
	1705307	1	Tool Location	
	1001120728	Ref	United Rentals Decals Installation - 1200SJP & 1350SJP	
	4420051	Ref	Warning Stripe Decals	

SECTION 10 - SPECIAL OPTIONS

ITEM	PART NUMBER	QTY	DESCRIPTION	REV
		Ref	Decal Kits	
	2902307	Ref	Decal Kit - Country Spec (ANSI Spec)	
	2902329	Ref	Decal Kit - Country Spec (Australian and CE Specs)	
	2902312	Ref	Decal kit - Country Spec (Brazilian Spec)	
	2902309	Ref	Decal kit - Country Spec (Chinese Spec)	
	2902322	Ref	Decal kit - Country Spec (CSA Spec)	
	2902308	Ref	Decal kit - Country Spec (Japanese Spec)	
	2902310	Ref	Decal kit - Country Spec (Korean Spec)	
	2902311	Ref	Decal kit - Country Spec (Latin American Spec)	
	2902303	Ref	Decal Kit - Master (All Specs Except Australian and CE Specs)	
	2902303	Ref	Decal Kit - Master (Australian and CE Specs) (SN 0300089981 through 0300129468)	
	1001104651	Ref	Decal Kit - Master (Australian and CE Specs) (SN 0300129469 through 0300201016)	
	1001193643	Ref	Decal Kit – Machine 1200SJP (Prior to SN 0300089981)	
	1001193644	Ref	Decal Kit – Machine 1350SJP (Prior to SN 0300089981)	
	1001108708	Ref	Decal Kit - Platform	
	1001109181	Ref	Decal Kit - Platform Console Box	
		Ref	Electrical Connector Kits	
	1001148902	Ref	Amp/Tyco Electrical Connector Kit	
	1001148903	Ref	Deutsch DT Electrical Connector Kit	
	1001148904	Ref	Deutsch HD Electrical Connector Kit	
	1001148905	Ref	Packard Electrical Connector Kit	
	1001148906	Ref	Various Electrical Connectors Kit	
	0272068	Ref	Ether Start Installation	
	1001206794	Ref	Fan & Belt Grille Add-on Kit (Deutz D2011 Engines Only)	
	1001206797	Ref	Fan & Belt Grille Add-on Kit (Deutz TCD2.9L4 Engines Only)	
	1001182600	Ref	Fan Guard Installation (TD2011 Engines Only) (Factory Installed)	
	1001185079	Ref	Fan Guard Installation (TD2011 Engines Only) (Dealer Installed)	
	1001145708	Ref	Fan Guard Installation (TCD2.9L4 Engines Only)	
		Ref	Filter Kits:	
		Ref	Combined Filter Kit Options (Hydraulic/Air and Fuel/Engine Oil):	
		Ref	Deutz Engine Machines:	
	1001114113	Ref	Deutz Engine Machines (Use p/n 1001111007) (Prior to SN 0300087579)	
	1001114114	Ref	Deutz Engine Machines (Use p/n 1001111005) (SN 0300087579 through 0300092149)	
	1001115326	1	Deutz Engine Machines (SN 0300092150 through 0300139708)	
	1001137027	1	Deutz Engine Machines (SN 0300139709 through 0300201016)	
	1001181151	1	Deutz TCD2.9L4 Engines Only	
		Ref	Caterpillar Engine Machines:	
	1001137029	1	Caterpillar Engine Machines (SN 0300139709 through 0300201016)	
		Ref	Hydraulic/Air Filter Options:	
	1001109708	1	Hydraulic/Air Filter (Prior to SN 0300087579)	
	1001109706	1	Hydraulic/Air Filter (SN 0300087579 through 0300092149)	
	1001115327	1	Hydraulic/Air Filter (SN 0300092150 through 0300139708)	
	1001137022	1	Hydraulic/Air Filter (SN 0300139709 through 0300201016)	
	1001182241	1	Hydraulic/Air Filter (Deutz TCD2.9L4 Engines Only)	

SECTION 10 - SPECIAL OPTIONS

ITEM	PART NUMBER	QTY	DESCRIPTION	REV
		Ref	Engine - Fuel/Engine Oil Filter	
	1001110133	1	Caterpillar and Deutz Engine Machines	
	1001182242	1	Deutz TCD2.9L4 Engines Only	
	1001139099	Ref	Fire Extinguisher Installation	
		Ref	Fluids	
	3020008	Ref	Drive Hub Lubricant	
	2300040	Ref	Diesel Fuel Conditioner	
		Ref	Hydraulic Fluid	
	2300014	Ref	Mobil 424	
	2300029	Ref	Mobil EAL ISO 46 Bio	
	2300016	Ref	Mobil DTE 10 EXCEL 32	
	2300021	Ref	Union Carbide Ucon HP5046 Fire Resistant	
	2300039	Ref	Exxon Univis (Arctic Package)	
	0272069	Ref	Glow Plugs Installation	
	1001142966	Ref	Hood Bracket Kit (Eliminates bending of the hood when cranking engine tray open.)	
	1001204930	Ref	Hostile Environment - With Oscillating Axle (Add-on Kit)	
	1001241417	Ref	Hostile Environment - Fixed Axle (Add-on Kit)	
	1001148971	Ref	Lanyard (Bolt-On) Installation Kit	
		Ref	Lights Installations	
	0272093	Ref	Flood Lights (1200SJP)	
	0272092	Ref	Flood Lights (1350SJP)	
	0272097	Ref	Work Lights (1200SJP)	
	0272096	Ref	Work Lights (1350SJP)	
	2915046	Ref	Load Pin Harness Kit	
		Ref	Panel, Foot Switch Options:	
	3380652	Ref	Panel, Foot Switch (Prior to SN 0300171349)	
	1001117294	Ref	Panel, Foot Switch (SN 0300171349 through 0300201016)	
		Ref	Platform Cable Carrier Installation Options:	
	1001116419	Ref	30in Platform	
	1001116420	Ref	36in Platform	
		Ref	Platform Console Cover Installation	
	0258703	Ref	Clear Cover	
	1001110974	Ref	Steel Cover	
		Ref	Platform Entry Kits	
	1001142504	Ref	Drop Bar (Replacing Swing Gate with Drop Bar)	
	1001142505	Ref	Swing Gate (Replacing Drop Bar with Swing Gate)	
		Ref	Platform Mesh to Top Rail Installations	
	0273145	Ref	36in X 8ft (91.5cm x 2.44m) (ANSI Spec)	
	0273149	Ref	36in X 6ft (91.5cm x 1.83m) (ANSI and ANSI Export Specs)	
		Ref	Platform Mesh to Mid Rail Installations	
	1001138773	Ref	36in X 8ft (91.5cm x 2.44m) (ANSI, ANSI Export and Australian Specs)	
	1001138772	Ref	36in X 6ft (91.5cm x 1.83m) (ANSI, ANSI Export and Australian Specs)	
	1001140318	Ref	30in X 4ft (76.2cm x 1.22m) (ANSI, ANSI Export and Australian Specs)	
	1001149730	Ref	Platform Mid Rail Repair Kit	
		Ref	Platform Rail Extensions	
	0272733	Ref	6ft Platform	
	0272725	Ref	8ft Platform	
	1001099466	Ref	Programmable Security Lock Installation (1200SJP - CE Spec)	

SECTION 10 - SPECIAL OPTIONS

ITEM	PART NUMBER	QTY	DESCRIPTION	REV
			Only	
	1001171131	Ref	Receptacle(240V GFCI) Installation (4000W Generator Only)	
	1001159121	Ref	Receptacle(240V GFCI) Installation (7500W Generator Only)	
		Ref	SkyCutter (Plasma Cutter) Installations	
		Ref	Note: See JLG 3124242 Accessories Manual	
		Ref	SkyCutter (Plasma Cutter) Installations (Prior to SN 0300119307)	
	0272590	Ref	ANSI, ANSI Export, and CSA Specs	
	See Note	Ref	Australian, CE, and Japanese Specs (was p/n 0272606) (Note: No Longer Available)	
		Ref	SkyCutter/SkyWelder Combo Installations	
		Ref	Note: See JLG 3124242 Accessories Manual	
		Ref	SkyCutter/SkyWelder Combo Installations (Prior to SN 0300119307)	
	See Note	Ref	ANSI Export, Australian, CE, and Japanese Specs (was p/n 0275528) (Note: No Longer Available)	
		Ref	SkyGlazier Installation (Not Available when Machine Equipped with Soft Touch Option)	
		Ref	Note: See JLG 3124242 Accessories Manual	
	0272395	NLA	ANSI and CSA Specs (Use p/n 1001101422)	
	1001099376	NLA	ANSI and CSA Specs (Use p/n 1001101422)	
	0272387	NLA	ANSI Export Spec (Spanish Language) (Use p/n 1001099421)	
	0272955	NLA	ANSI Export Spec (Portuguese Language) (Use p/n 1001099422)	
	0240101	NLA	CE Spec (English Language) (Use p/n 1001099440)	
	0272953	NLA	CE Spec (French Language) (Use p/n 1001099436)	
	0272954	NLA	CE Spec (German Language) (Use p/n 1001099437)	
	0272956	NLA	CE Spec (Italian Language) (Use p/n 1001099439)	
	0240100	NLA	CE Spec (Portuguese Language) (Use p/n 1001099438)	
	0240099	NLA	CE Spec (Spanish Language) (Use p/n 1001099435)	
	1001143669	Ref	SkyGuard Installation Kit	
	1001137672	Ref	Platform Sensor Kit	
	1001143256	Ref	Optional (Blue) Beacon Light Kit	
	1001210043	Ref	SkyGuard Complete Add-on Kit (Red Beacon)	
	1001210042	Ref	SkyGuard Complete Add-on Kit (Red Beacon) (Machines with UGM Retrofit)	
	1001209481	Ref	SkyGuard Complete Add-on Kit (Blue Beacon) (Machines with UGM)	
	1001206544	Ref	SkyGuard Strobe Light Kit (Blue Beacon) (Machines with UGM)	
	1001210028	Ref	SkyGuard Strobe Light Kit (Red Beacon)	
	1001176372	Ref	SkyGuard Removal Plug Kit	
		Ref	SkyWelder Installation Options	
		Ref	Note: See JLG 3124242 Accessories Manual	
	0272374	Ref	SkyWelder Installation (ANSI and ANSI Export Specs) (Prior to SN 0300139709)	
	0272658	Ref	SkyWelder Installation (Australian and CE Specs) (Prior to SN 0300139707)	
	1001228964	Ref	Telematic Retrofit Harness Kit (Machines with UGM)	
		Ref	Tools For Service:	
	2901443	1	Analyzer Kit	
	0272048	Ref	Boom Cable Tools Installation	
	4120040	1	Socket 3/4in	
	4120043	1	Socket 2in	
	1705307	1	Decal - Tool Location	

SECTION 10 - SPECIAL OPTIONS

ITEM	PART NUMBER	QTY	DESCRIPTION	REV
	7002821	Ref	Crimper, Wire	
		Ref	Drive Hub Assembly Tools	
	70004646	1	Puller	
	70004647	1	Seal, Tool	
	70004648	1	Puller (Brake Assembly)	
	70004185	1	Torque Multiplier	
	7002823	Ref	Pin Extractor - Universal (For Electrical Connectors with Pins and Sockets)	
	4460467	1	Extractor - 16-18 Gauge (For Removal of Pin/Sockets from Deutsch Connectors)	
	4460510	1	Extractor - 12-14 Gauge (For Removal of Pin/Sockets from Deutsch Connectors)	
	7016654	Ref	Screwdriver, Magnetic	
	7002822	Ref	Screwdriver, Pontimeter	
	7004275	Ref	Seal Tool 1in (For Cylinders)	
	7004276	Ref	Seal Tool 1-1/2in (For Cylinders)	
	7002828	Ref	Stripper, Wire	
	4921850	1	Throttle Service Harness	
	70004185	1	Torque Multiplier	
	7016655	1	Wire Rope Sheave Gauge	
	1001137005	1	Cable Service Kit	
	1001173353	Ref	UGM Retrofit Kit – Without SkyGurad	
	1001173352	NLA	UGM Retrofit Kit – With SkyGurad (Use p/n 1001209395)	
	1001209395	Ref	UGM Retrofit Kit - With SkyGuard	
	2910890	Ref	Wear Pad Kit (Includes Wear Pads, Shims and Hardware)	
		Ref	Weld Leads at Platform Installation	
	0271983	Ref	Weld Leads at Platform Installation 1200SJP	
	0271820	Ref	Weld Leads at Platform Installation 1350SJP	
	2910894	Ref	Wire Rope Kit - 1200SJP (Includes Cables, Sheaves, Sheave Pins and Hardware)	
	2910895	Ref	Wire Rope Kit - 1350SJP (Includes Cables, Sheaves, Sheave Pins and Hardware)	

PART NUMBER INDEX

PART NUMBER INDEX

0000168.....17	0257887 ... 166, 403, 421, 439, 460	0271984 485	0272753.....485
0080115.....92	0258703 500	0271985 485	0272948.....301
0080181.....83	0259666 158, 162	0271988 485	0272949.....295
0080237.....92, 102	0259667 158, 162	0272048 238, 501	0272950.....297
0080239.....209	0271504 92	0272055 22	0272951.....291
0080241.....166	0271512 73	0272056 22	0272952.....299
0080244.....92, 102	0271513 158	0272060 93, 104	0272953.....501
0080277.....18	0271520 17	0272064 170	0272954.....501
0100006.....349	0271521 13, 14	0272066 388, 498	0272955.....501
0100009.....267	0271522 21	0272067 498	0272956.....501
0100011....13, 17, 44, 48, 53, 54, 65, 82, 83, 86, 90, 92, 100, 102, 109, 110, 111, 145, 149, 158, 162, 166, 167, 174, 175, 176, 180, 182, 186, 187, 189, 193, 197, 201, 207, 209, 213, 218, 221, 225, 229, 233, 246, 251, 255, 260, 312, 315, 317, 319, 323, 327, 329, 331, 333, 335, 337, 341, 343, 345, 347, 353, 355	0271523 53	0272068 388, 499	0272970.....260
0100019....13, 17, 21, 73, 201, 213, 229, 233, 246, 353	0271530 229	0272069 500	0273145.....500
010002083, 86, 111, 198, 201, 215, 265, 285, 312	0271555 467	0272070 255	0273149.....500
0100035.....17, 166, 167, 251, 351	0271556 485	0272078 498	0273353.....312
0100038....327, 329, 331, 333, 335, 337, 341, 343, 345, 347, 353, 355	0271557 485	0272079 260	0273400.....260
0100040.....259	0271558 485	0272080 153, 385	0273404.....309
0100048....150, 157, 161, 201, 208, 213, 265, 394, 396, 400, 410, 412, 417, 430, 431, 437, 450, 451, 458, 472, 482, 492	0271559 485	0272092 261, 500	0273405.....305
0100062.....114	0271560 485	0272093 261, 500	0273406.....303
0100063....327, 331, 335, 341, 345	0271561 485	0272094 193	0273410.....92
0100079.82, 90, 100, 109	0271562 485	0272095 193	0273421.....92
0100081.....13, 157, 161, 176, 177, 182, 248, 252, 265, 287, 289, 291, 293, 295, 297, 299, 301, 303, 305, 307, 309	0271563 475	0272096 261, 388, 500	0273455.....213, 422
0140001.....65	0271564 475	0272097 261, 388, 500	0273456.....213, 422
0140011.....265	0271566 475	0272207 207, 209	0273600....467, 475, 485
0140032....166, 403, 421, 439, 460	0271567 475	0272208 207	0273696.....251
0200048.....323	0271568 475	0272254 317	0273706.....268, 323
0200530.....189	0271570 246	0272258 21	0273824.....268, 323
0200742.....193	0271572 145	0272374 501	0273854....395, 411, 431, 451
0200833.....17	0271595 174	0272375 207	0273855....395, 411, 431, 451
0236768.....65	0271596 73	0272387 501	0273857.....90
0239842.....73	0271621 251	0272395 501	0273858.....90
0240099.....501	0271650 90	0272418 ... 287, 289, 291, 293, 295, 297, 299, 301, 303, 305, 307, 309, 498	0274083.....193
0240100.....501	0271688 149	0272427 268, 323	0274100.....193
0240101.....501	0271769 166	0272435 ... 203, 209, 217, 498	0274101.....193
0257195.....498	0271795 65	0272444 323	0274575.....90
	0271799 229	0272445 397	0274576.....90
	0271800 246	0272448 312, 317, 498	0274579.....92
	0271802 53, 65, 255	0272478 209	0274580.....92
	0271803 498	0272507 ... 166, 403, 421, 442, 461	0274660....414, 434, 455
	0271804 498	0272521 315	0274722.....471
	0271805 498	0272522 ... 467, 471, 475, 485	0274723.....479
	0271806 166	0272523 ... 467, 471, 475, 485	0274724.....479
	0271807 166	0272588 315, 498	0274725.....479
	0271808 167	0272589 ... 203, 209, 217, 498	0274726.....479
	0271820 502	0272590 501	0274727.....479
	0271852 21	0272599 285, 312, 498	0274728.....491
	0271874 167	0272607 285	0274729.....479
	0271875 498	0272621 ... 402, 418, 439, 460	0274730....471, 479, 491
	0271932 ... 395, 411, 431, 451	0272628 207	0275098.....267
	0271933 498	0272629 207	0275407.....158
	0271934 13, 14	0272630 209	0275685.....21
	0271950 ... 395, 411, 431, 451	0272631 207, 209	0275880.....90
	0271951 ... 395, 411, 431, 451	0272658 501	0340003.....83, 93, 102
	0271952 ... 395, 411, 431, 451	0272715 193	0340051.....83, 93, 102
	0271953 ... 402, 419, 439, 460	0272725 500	0363037.....13
	0271954 ... 402, 419, 439, 460	0272733 500	0363062.....65
	0271955 ... 402, 419, 439, 460	0272751 485	0363066.....237
	0271956 498	0272752 485	0363076.....14
	0271983 502		0363081.....193
			0363082.....193
			0400020.....65
			0440251.....73
			0480122.....189, 193
			0480127.....193
			0480128.....197, 213

PART NUMBER INDEX

0480129..... 213	0641520 153, 155	0642612.... 166, 167, 221, 225	0791612..... 234
0561431 233	0641605 ... 82, 83, 92, 95, 100, 102, 109	0642684.....255	0791618..... 233
0561437 233	0641606 ... 13, 65, 82, 86, 91, 101, 109, 111, 167, 186, 207, 312, 315, 317, 319	0651406.....91	0791620..... 233, 246
0561439 233	0641607233	0681608.....255	0791622..... 246
0561444 233	0641608 ... 13, 53, 65, 82, 84, 93, 102, 109, 110, 111, 145, 153, 167, 170, 174, 180, 186, 189, 193, 229, 246, 355, 359, 361	0681813.....14	0791624..... 233, 246
0561454 233	0641609 13, 93, 102	0681814..... 14, 263	0791808 248
0561457 233	0641610 ... 82, 85, 90, 95, 100, 102, 109, 111, 166, 167, 174, 180, 186, 193, 233, 260	0681815.....14	0801301 234
0561458 233	0641611 13, 82, 110	0681816.....14	0801302 234
0561471 233	0641612 82, 109, 175	0681822.....263	0801303 234
0561482 233	0641613 13	0682026.....73	0801304 234
0561500 233	0641614 85, 145	0682028..... 111, 233	0801315 229, 233
0630462 323	0641615233	0682040.....73	0801316 234
0630464 17, 158, 161, 251	0641616 197	0682212.....233	0801317 234
0630467 246	0641618 201, 215, 236	0682418.....73	0801318 234
0630491 166	0641620 13	0700616..... 182, 187	0801319 234
0630511 167	0641624 13	0700808.....82, 86	0801320 229, 233
0630518... 157, 161, 285, 312, 315, 317, 319	0641630 174, 180, 186	0700810.....93	0801550 237
0630534 345, 347	0641634 17	0700815.....111	0811606 237
0630535... 327, 329, 331, 333, 335, 337, 339	0641640237	0700816.....189	0811607 237
0630536 ... 355, 359, 361	0641644237	0700822.....85	0811608 ... 233, 237, 238
0630537 341, 343	0641646233	0700823.....85	0811610 233
0630548 157, 161	0641652233	0700824.....86	0811614 234
0630558 237	0641676238	0701010.....86	0811616 234
0630568 267	0641706 111	0701012.....84	0860038 ... 197, 201, 207, 213, 402, 419, 440, 460
0641404 ... 167, 197, 201, 213, 265	0641708 110, 111	0701015.....84	0860520... 467, 472, 476, 482, 486, 492
0641405 ... 180, 207, 247, 251	0641718 189, 193	0701016.....85	0861465 157
0641406... 54, 65, 83, 93, 102, 111, 158, 161, 170, 175, 181, 186, 193, 221, 225, 247, 252, 260, 467, 472, 476, 482, 486, 492	0641808 ... 13, 53, 82, 84, 90, 93, 100, 102, 109, 233	0701418.....193	0861538 ... 201, 209, 213
0641407 198, 207	0641810 ... 197, 201, 213, 246	0701617.....21	0861541 ... 202, 208, 216
0641408 65, 109, 175, 180, 187, 207, 208, 260, 467, 472, 476, 482, 486, 492	064181284, 93, 102, 110, 149, 255	0701619.....22	0861542 ... 201, 202, 207, 208, 213, 216, 422, 443
0641410 92, 100, 109, 221	0641813 180, 186, 233	0711214..... 84, 93, 102	0861561 ... 260, 265, 394
0641412 54, 65	0641814 14, 93, 102	0711414.....93, 102	0861562 157
0641414 54, 261, 265, 323	0641816 170	0711417.....93, 102	0861564 265, 267
0641418 260	0641818 93, 102, 170	0720603.....251	0861567 ... 201, 202, 207, 208, 213, 216, 422, 443
0641420 53	0641820 149	0720804.....265	0861572 201, 209, 213
0641424 53	0641826 93, 102	0720808.... 189, 195, 203, 218	0861630 265, 267
0641503 114	0642010 82, 90, 100, 109	0721003.....267	0861631... 260, 265, 394, 410, 430
0641504 53	0642012 ... 233, 287, 291, 301	0721005.....323	0861731 419, 440
0641505 17, 207	0642014 233	0721006.....83, 110, 193, 265	0861749 157, 411
0641506... 65, 82, 83, 92, 93, 100, 102, 149, 150, 166, 167, 175, 176, 186	0642016 17	0731007145	0861781 419, 440
0641507 93, 102	0642020 14	0741606..... 17, 233	0861798 157, 412
0641508 85, 111, 189, 193, 201, 207, 213	0642022233	0741607.....198, 215	0861880 423, 444
0641509. 53, 82, 91, 100, 170	0642026 ... 289, 293, 295, 297, 299, 303, 305, 307, 309	0741806.....233	0902206 166, 167
0641510 175, 248	0642028 84	0760606.....86	0902743 ... 355, 359, 361
0641511. 17, 82, 91, 100, 109	0642030 84	0760608..... 176, 177	0902746 175, 176
0641516... 197, 201, 208, 213	0642212 ... 287, 289, 291, 293, 295, 297, 299, 301, 303, 305, 307, 309	0760610.....86	0902747 93
0641518 261	0642214 13, 229	0760612.....86	0902751 265
		0760810.....84, 114	0902755 65
		0761007.....87	0902758 174
		0761210.....82, 86, 109	0902760 175
		0761212.....85	0902761 175
		0761214.....48, 113	0902762 176
		0761215.44, 93, 102, 110	0902763 176
		0771212.....111	0902764 176
		0771414.....111	0902790 149
		0791410.....54	0902800 65
		0791504.....246, 251	0902806 175
		0791518.....246	0902813 193
		079160453, 54, 167, 174, 180, 186, 233, 251, 252	0902857 207
		0791605....237, 251, 252	0902858 207
		0791606....207, 233, 251	0902874 176, 177
		079160753, 248	0902888... 197, 201, 207, 213
		0791608.....251	
		0791610.....207	

PART NUMBER INDEX

0903154.....175	1001094915 198, 423, 443	1001100672 221, 225	1001109708.....499
0903156.....174	1001095976 423, 443	1001100876 221, 225	1001109759.....180, 186
0903161.....175	1001096070 423	1001101191 423, 444	1001109838.....180
0903162.....176	1001096133 217	1001101196 420, 440	1001109941.....180
0903484.....423, 444	1001096134 217	1001101197 420, 441	1001109989.....180, 181
0903530.....255	1001096496 498	1001101421 287, 289	1001110014.....161
0940070.84, 93, 102, 111	1001096497 498	1001101422 287	1001110027.....181, 186
0940071.....186	1001097150 423, 444	1001101550 47	1001110059.....145
0940088.....174	1001097553 86	1001102417 388	1001110084.....161, 496
0940102.....287, 289, 291, 293, 295, 297, 299, 301, 303, 305, 307, 309	1001097619 233, 241	1001102647 289	1001110108.....54
0940103.....323	1001097643 233, 241	1001102831 221, 225	1001110109.....54
0940133.....323	1001097820 379	1001102839 221	1001110110.....54
0940134.....323	1001097956 176	1001102840 221	1001110111.....54
0961845.....260	1001098012 285, 312	1001103286 189, 195, 203	1001110112.....54
0961893.....345, 347	1001098025 378, 382	1001103344 498	1001110113.....54
0961894.....339	1001098026 378, 382, 383	1001103356 221, 225	1001110114.....54
0961896.....327, 331, 333, 335, 337	1001098149 285	1001104315 21	1001110133.....500
0961901.....341, 343	1001098242 379	1001104324 21	1001110146.....181
0961903.....355, 359, 361	1001098243 379	1001104325 21, 47	1001110166.....181
0961948.....235	1001098512 90	1001104651 499	1001110194.....181, 186
0961949.....335, 337, 339, 349, 351, 353	1001098513 92	1001104652 491	1001110257.....181
0961950.....331, 333, 349, 351, 353	1001098516 90	1001104734 221	1001110258.....181
0961951.....234	1001098517 90	1001104735 221, 225	1001110295.....181
0961986.84, 93, 102, 111	1001098530 92	1001104922 355	1001110296.....181
0962033.....13	1001098531 92	1001104923 355	1001110425.....109
0962051.....170	1001098601 93, 96	1001105014 355	1001110433.....181, 186
0962224.....234	1001099366 287, 289, 291, 293, 295, 297, 299, 301, 303, 305, 307, 309	1001105016 355	1001110486.....181, 186
0962257.....345, 347	1001099367 287, 289, 291, 293, 295, 297, 299, 301, 303, 305, 307, 309	1001106736 162, 424, 434, 444, 453, 462	1001110513.....54
0962270.....263	1001099376 501	1001107176 180, 181	1001110604.....373
0962297.....234, 341, 343	1001099421 301	1001107359 145	1001110740.....65
0962401.....235	1001099422 291	1001107391 73	1001110749.....385
0962402.....235	1001099435 305	1001107971 92	1001110872.....202, 215, 443
0962403.....235	1001099436 295	1001107973 92	1001110873.....197, 202, 215, 443, 460, 462
0962404.....236	1001099437 297	1001107975 92	1001110877.....54
0962406.....235	1001099438 303	1001107978 182	1001110974.....500
0962409.....234	1001099439 299	1001108024 182	1001111132.....82, 91, 101
0962410.....234	1001099440 309	1001108142 180	1001111175.....167
0962411.....236	1001099466 500	1001108579 145	1001111176.....167
0962423.....17	1001099869 195	1001108616 95, 104, 111, 132, 133	1001111193.....167
0962447.....237	1001100027 388, 421	1001108617 .83, 91, 100, 109	1001111219.....167
0962449.....195	1001100062 221	1001108680 180	1001111585.....181
0962472.....235	1001100233 195	1001108708 499	1001111914.....225, 444, 462
0962520.....197, 201, 213	1001100234 195	1001108888 95, 104, 111, 135	1001112059.....86
1001091102.....198	1001100321 193, 194	1001108904 180	1001112068.....86
1001091460.....76	1001100326 419, 439	1001108919 145	1001112069.....86
1001091461.....76	1001100327 419, 440	1001108923 472	1001112070.....86
1001091969.....419, 439	1001100328 419, 440	1001109048 145	1001112073.....86
1001091970.....419, 440	1001100329 419, 440	1001109181 267, 499	1001112162.....181
1001091971.....419, 440	1001100331 419, 439	1001109468 374	1001112551.....492
1001091972.....419, 440	1001100333 419, 439	1001109475 423, 444	1001112570.....86
1001091973.....419, 439	1001100337 419, 440	1001109477 423	1001112592.....86
1001091974.....419, 439	1001100352 221, 225	1001109482 423, 444	1001112612.....424, 433, 444, 453, 462
1001091975.....419, 440	1001100432 221, 225	1001109511 180	1001112669.....22
1001092856.....95, 104	1001100434 221	1001109543 180	1001112691.....181, 186
1001093242.....43	1001100441 221	1001109544 145	1001112716.....22
1001093243.....43	1001100443 221, 225	1001109556 423, 443	1001112757.....496
1001094375.....190, 195, 204, 218	1001100468 221, 424	1001109648 423, 444	1001112758.....496
1001094475.....218	1001100500 193	1001109651 180	1001112766.....93, 102
1001094509.....190, 195, 204, 218	1001100501 193	1001109652 180	1001112796.....444, 463
		1001109654 443	1001112878.....82, 91, 101
		1001109677 153, 155	1001112879.....82, 91, 101
		1001109706 499	1001112880.....83, 92, 101
			1001112911.....167

PART NUMBER INDEX

1001112927 95, 104, 111, 143	1001116983..... 459	1001119911.....73	1001122528..... 203, 217, 388, 443, 462
1001112973 225	1001117024..... 439	1001119938.....225	1001122611 268
1001112987 225	1001117034..... 479	1001119946.....225	1001125387 472
1001112988 225	1001117035..... 479	1001119957..... 158, 413, 414	1001125425 193
1001112989 225	1001117057..... 439	1001119966.....202	1001125426 193
1001113004 180	1001117078..... 203, 217, 218, 443, 462	1001119968.....203, 217, 443, 462	1001125427 213, 442
1001113047 181, 186	1001117140..... 176	1001119995.....83, 438	1001125428 213, 442
1001113103 145	1001117172..... 261	1001120180..... 161, 433, 452	1001125429 193
1001113173 167	1001117174..... 260, 496	1001120195..... 153	1001125891 85
1001113961 279, 434, 453	1001117250..... 222	1001120196..... 153	1001126351 454
1001114098 181	1001117256..... 222	1001120208.....498	1001126352 453
1001114113 499	1001117294..... 500	1001120208.....498	1001126353 454
1001114114 499	1001117308..... 112	1001120337..... 162, 433, 453	1001126356 454
1001114382 491	1001117320..... 261	1001120378.....441	1001126357 455
1001114392 167	1001117358..... 145	1001120381..... 388, 441	1001126363 455
1001114495 112	1001117359..... 65	1001120382..... 388, 441	1001126364 455
1001114620 373, 384	1001117370..... 90	1001120492..... 83	1001126365 455
1001115168 167	1001117371..... 90	1001120525..... 83	1001126384 454
1001115326 499	1001117499..... 82	1001120526..... 82	1001126391 455
1001115327 499	1001117500..... 86	1001120527..... 82	1001127092 225
1001115440 167	1001117508..... 201, 442	1001120528..... 82	1001128527 319
1001115603 307	1001117509..... 189	1001120564..... 153	1001128556 319
1001115604 307	1001117546..... 85	1001120728..... 498	1001128765 83
1001115961 21	1001117577..... 86	1001120728..... 498	1001128789 83
1001116015 90	1001117641..... 189	1001120743..... 83, 439	1001128797 83
1001116025 471, 479, 491	1001117874..... 85, 86	1001120769..... 86	1001128898 83
1001116111 83	1001118180..... 189	1001120771..... 86	1001128899 82
1001116112 83, 87	1001118368..... 85, 120	1001120772..... 86	1001128947 112, 114
1001116153 85	1001118416..... 279, 494	1001120773..... 86	1001128996 498
1001116186 85	1001118417..... 265	1001120774..... 86	1001129023 85
1001116201 85	1001118599..... 202	1001120775..... 87	1001129304 85
1001116206 388, 433, 434, 453, 455	1001118712..... 90	1001120776..... 87, 438	1001129360 87
1001116208 221, 225	1001118713..... 90	1001120810..... 87	1001129361 87
1001116217 221	1001118714..... 90	1001120989..... 221, 225	1001129555 271, 272, 494
1001116222 222	1001118767..... 157, 412	1001120994..... 225	1001129733 201
1001116278 85	1001118768..... 158	1001121004..... 85	1001129858 197, 199
1001116290 187	1001118859..... 366, 369, 371, 373, 378, 382, 383, 384	1001121236..... 83	1001129995 86
1001116304 221, 498	1001118869..... 373, 384	1001121340..... 203, 209, 210, 216, 218	1001130161 85
1001116305 221, 498	1001118932..... 373	1001121615..... 395, 411, 431, 450	1001130171 85
1001116313 85	1001118933..... 374	1001121616..... 395, 411, 431, 450	1001130774 83
1001116324 85	1001118934..... 373	1001121826..... 159, 162, 268	1001131269 471, 481
1001116348 85	1001118935..... 374	1001121827..... 159, 162, 268	1001131460 181
1001116354 85	1001118957..... 153, 385	1001121889..... 201, 442	1001131461 181
1001116367 85	1001119052..... 90	1001121931..... 202	1001131462 181, 186
1001116369 161, 432, 452	1001119053..... 90	1001122369..... 471	1001131481 171
1001116413 85	1001119054..... 90	1001122370..... 481	1001131482 171
1001116419 500	1001119138..... 374	1001122371..... 481	1001131542 .. 84, 93, 110
1001116420 500	1001119231..... 86	1001122372..... 481	1001131544 180
1001116436 85	1001119250..... 202	1001122373..... 481	1001131545 180
1001116437 85	1001119344..... 162	1001122374..... 481	1001131620 246
1001116525 85	1001119345..... 162	1001122375..... 481	1001131728 247
1001116591 85	1001119346..... 162	1001122376..... 471	1001131729 247
1001116707 454	1001119363..... 161	1001122377..... 481	1001131733 246
1001116710 459	1001119372..... 161, 432, 452	1001122378..... 481	1001131734 246
1001116727 454	1001119374..... 161	1001122379..... 481	1001132055 198
1001116792 83, 109	1001119454..... 498	1001122380..... 481	1001132730 225
1001116836 85	1001119456..... 110, 431, 451	1001122381..... 481	1001132733 221, 225
1001116846 480	1001119470..... 432, 434	1001122382..... 481	1001133329 252, 418, 438, 459, 496
1001116849 480	1001119817..... 374	1001122383..... 159, 162	1001133633 113
1001116851 480	1001119859..... 153, 385	1001122384..... 268	1001133634 112
1001116952 455	1001119860..... 389		1001133651 112
1001116967 454	1001119899..... 235		1001133714 455, 460
			1001133715 455, 460

PART NUMBER INDEX

1001133956.....453	1001138248..... 113	1001141968 421, 441	1001146178..... 175, 181, 186
1001133957.....454	1001138253..... 113	1001141969 421, 441	1001146183..... 175, 181, 186
1001134098.....73, 76	1001138346..... 113, 453	1001142021 176	1001146219..... 112
1001134389..... 109	1001138430..... 260	1001142023 174, 175	1001146244..... 181, 187
1001134390..... 110	1001138431..... 259	1001142024 174	1001147264..... 454
1001134392..... 111	1001138434..... 259	1001142144 175	1001147479..... 252, 459
1001134485..... 112	1001138491..... 109, 459	1001142181 175	1001148648..... 198
1001134488..... 113	1001138494..... 260	1001142398 113	1001148841..... 460
1001134839..... 225	1001138514..... 260	1001142501 113	1001148842..... 460
1001135090..... 112	1001138524..... 113	1001142504 500	1001148843..... 114, 460
1001135124..... 155	1001138559..... 113	1001142505 500	1001148902..... 499
1001135138..... 112	1001138565..... 197, 199	1001142637 113	1001148903..... 499
1001135560..... 112	1001138566..... 197	1001142645 197, 213	1001148904..... 499
1001135562..... 112	1001138717..... 113	1001142914 213, 216, 462	1001148905..... 499
1001135650..... 455, 460	1001138772..... 500	1001142938 455	1001148906..... 499
1001135661..... 170	1001138773..... 500	1001142940 455	1001148971..... 500
1001135663..... 171	1001138800..... 229	1001142941 455	1001149730..... 500
1001135679..... 112	1001138801..... 229, 233	1001142966 500	1001149818..... 444, 463
1001135680..... 112	1001138802..... 234, 335	1001143080 498	1001149994..... 166
1001135779..... 113, 460	1001138803..... 234, 345	1001143087 155	1001150406..... 166
1001135901..... 112	1001138804..... 335	1001143123 155	1001151112..... 498
1001135903..... 112	1001138805..... 345, 347	1001143256 501	1001151393..... 158, 162
1001135913..... 112	1001139099..... 500	1001143294 170	1001152456..... 198
1001135914..... 112	1001139145..... 221, 222	1001143298 171	1001152457..... 197, 198
1001135924..... 112	1001139240..... 113	1001143341 113	1001152458..... 197, 198
1001135926..... 112	1001139357..... 198	1001143390 113	1001152525..... 198, 216
1001135943..... 112	1001139492..... 155	1001143515 498	1001152530..... 198
1001135946..... 113	1001139494..... 155	1001143669 501	1001152533..... 198, 199
1001136079..... 111	1001139516..... 229	1001143852 105, 116	1001152566..... 176
1001136172..... 111	1001139517..... 229, 233	1001144018 259	1001152762..... 454
1001136292..... 113	1001139654..... 482, 492	1001144021 260	1001152963..... 110, 126
1001136356..... 197	1001139665..... 155	1001144022 260	1001152966..... 374
1001136357..... 197, 213	1001139666..... 155	1001144023 259	1001152968..... 373, 384
1001136377..... 113	1001139774..... 180	1001144024 259	1001152971..... 366, 369, 371, 373, 378, 382, 383, 384
1001136626..... 113	1001139778..... 181, 186	1001144027 259	1001153024..... 113
1001136665..... 113	1001139805..... 181, 182	1001144089 113	1001153257..... 198, 388
1001136834..... 113	1001139930..... 114	1001144300 102, 104	1001153260..... 198
1001136988..... 214	1001139958..... 197	1001144301 101	1001153387..... 114
1001137005..... 404, 425, 445, 463, 502	1001139959..... 197	1001144302 101	1001154157..... 114
1001137022..... 499	1001139972..... 235	1001144303 101	1001154214..... 155
1001137027..... 499	1001140222..... 110	1001144304 102	1001154260..... 238
1001137029..... 499	1001140312..... 113	1001144306 100	1001154294..... 238
1001137276..... 113	1001140318..... 500	1001144307 100	1001154304..... 238
1001137590..... 213, 461	1001140346..... 197, 199	1001144308 100	1001154306..... 238
1001137591..... 213, 461	1001140347..... 197, 199	1001144309 100	1001154405..... 109, 110, 113
1001137672..... 501	1001140429..... 260	1001144310 100	1001155575..... 112
1001137785..... 102, 104	1001140483..... 181	1001144311 100	1001155813..... 198
1001137786..... 101	1001140485..... 175, 181, 186	1001144312 100	1001155823..... 114
1001137788..... 101	1001140564..... 113	1001144313 100	1001157520..... 217
1001137790..... 100	1001140604..... 110	1001144347 162	1001157521..... 217
1001137791..... 100	1001140648..... 498	1001144596 263	1001157525..... 213, 216
1001137792..... 101	1001141225..... 110, 460	1001144597 263	1001157528..... 217
1001137793..... 100	1001141304..... 113, 460	1001144629 259	1001157592..... 213, 216
1001137794..... 101	1001141717..... 113	1001144630 259	1001157770..... 217, 388, 443, 462
1001137796..... 101	1001141718..... 110	1001145089 110	1001158007..... 217
1001137798..... 100	1001141719..... 113	1001145154 113	1001158008..... 198, 217
1001137799..... 100	1001141744..... 109	1001145162 181, 186	1001158363..... 198
1001137800..... 101	1001141745..... 110	1001145405 285, 312	1001159121..... 501
1001137801..... 100	1001141746..... 111	1001145560 110	1001160567..... 145
1001138011..... 198, 215	1001141811..... 109	1001145708 499	1001161048..... 395
1001138110..... 455	1001141812..... 110	1001145785 260	1001161050..... 395
1001138111..... 455	1001141813..... 110	1001145842 110	
1001138113..... 455	1001141815..... 109	1001146132 175, 181	
1001138187..... 225	1001141817..... 109	1001146142 175	
1001138188..... 225	1001141819..... 109	1001146161 260, 265, 430	
1001138228..... 113	1001141967..... 419, 440		

PART NUMBER INDEX

1001161314	498	1001179154	198, 216	1120550	18	1600333	157
1001161315	498	1001180051	187	1120555	287, 289, 291, 293, 295, 297, 299, 301, 303, 305, 307, 309	1600343	265, 496
1001162899	388	1001181134	293	1180358	13	1600443	97, 105, 496
1001162900	388	1001181138	293	1180362	247	1660247	149
1001162901	388	1001181142	293	1180363	247	1660253	149, 401, 417, 437, 458
1001163131	287, 289	1001181151	499	1180364	246	1660254	210
1001163287	299	1001181895	114	1180365	246	1660302	149
1001163288	305	1001182241	499	1180366	247	1670829	157, 161, 265, 396, 412
1001163289	303	1001182242	500	1180367	246	1670836	234
1001163292	307	1001182600	499	1180368	247	1670964	247
1001163293	295	1001185079	499	1180369	247	1670996	53
1001163295	309	1001193643	499	1180370	247	1671023	93, 102
1001163296	301	1001193644	499	1260017	73	1671031	251
1001163297	291	1001204930	500	1283308	382, 383, 384	1671032	234
1001163298	297	1001205034	498	1283374	382, 383, 384	1671033	234
1001165035	109, 113	1001206544	501	1283409	105, 116, 471, 479, 491	1671038	174, 180, 186
1001165101	110	1001206794	499	1283457	366, 369, 371, 373, 378, 382, 383, 384	1671039	251
1001165368	198	1001206797	499	1320017	84	1671040	17
1001165676	181	1001209395	502	1320022	82, 84, 90, 93, 100, 102, 110, 113	1671043	247
1001165820	113	1001209481	501	1320058	85, 93, 102	1671044	251
1001166393	112	1001210028	501	1320060	95, 102	1671045	54
1001166538	265, 283	1001210042	501	1320095	158, 161	1671046	54
1001166539	265, 275	1001210043	501	1320130	85, 251	1671047	54
1001166665	260, 265, 430	1001228019	14, 333	1320136	252	1671048	54
1001171095	95, 111, 139	1001228020	13, 329	1320146	402, 419, 423, 440, 443, 460	1671049	54
1001171130	197	1001228021	234, 361	1320159	248	1671081	251
1001171131	501	1001228023	234, 337	1320162	153, 155	1671092	203, 209, 216, 423, 443, 462
1001171273	197	1001228024	229, 343	1320177	285, 312	1671093	312, 317
1001172319	14	1001228025	234, 347	1320187	82, 91, 100, 109	1671121	82, 92, 100, 109
1001172760	265	1001228026	17, 234, 359	1320190	82, 91, 100, 109	1671176	265
1001172766	492	1001228031	353	1320223	86, 93, 102	1671192	174, 175
1001173163	187	1001228053	234, 339	1320224	86	1671193	176
1001173164	187	1001228964	501	1320263	13, 86, 247	1671194	174, 176
1001173166	187	1001233047	498	1320277	247	1671314	265
1001173170	187	1001241275	498	1320294	247	1683053	345
1001173171	145	1001241417	500	1320295	247	1683056	327
1001173183	187	101142685	113	1320296	247	1683062	331, 335
1001173184	187	1060279	467, 472, 476, 482, 486, 492	1320298	13	1683072	341
1001173185	187	1060341	199	1320301	251	1684034	349
1001173186	187	1060343	203, 208, 216, 423, 443, 462	1320302	312, 315, 317, 319	1684081	14, 331
1001173187	187	1060494	202, 208, 216, 422, 443, 462	1320309	400, 401, 417, 437, 458	1684082	331
1001173188	187	1060633	402, 418, 439, 460	1321385	248	1684083	331
1001173202	186	1060637	93, 102	1340065	84, 93, 102	1684102	13, 327
1001173352	502	1060708	203, 208, 216, 261, 403, 421, 423, 442, 443, 461	1340067	498	1684103	327
1001173353	502	1060903	323	1380147	170	1684105	327
1001173647	187	1060904	95, 104	1380169	180, 186	1684108	234, 355
1001173651	187	1060908	421, 423, 441, 444	1560011	400, 401, 417, 437, 458	1684109	355
1001173912	186	1060918	261, 265, 394, 410, 430, 450	1560012	400, 401, 417, 437, 458	1684111	355
1001173913	13, 14	1060919	263	1580011	85	1684141	356
1001173914	13, 14	1060977	403, 422, 442, 461	1580012	261	1684149	234, 335
1001173915	145	10702077	216	1580013	261	1684150	335
1001173918	145	10702082	216	1600244	402, 418, 439, 460	1684152	335
1001174325	341, 343	1100131	234	1600317	265, 271	1684159	341
1001174331	187	1120094	351	1600318	265, 279	1684161	341
1001174896	181	1120487	146	1600331	53	1684162	229, 341
1001175069	14	1120549	17	1600332	65	1684173	234, 345
1001175237	187					1684174	345
1001175250	187					1684176	345
1001175535	263					1684178	234, 355
1001175859	187					1684179	355
1001175879	187					1684181	355
1001175880	187					1684275	351
1001176346	53					1684306	335
1001176347	54					1684314	17, 351
1001176372	501						
1001177533	492						

PART NUMBER INDEX

1684315.....351	1703946 477	1705341 477, 479	1705452.....477, 482
1684317351	1703947 480	1705342 477, 479	1705453.....477
1693292.....486	1703948 475, 480	1705343 477	1705454..... 487, 492
1693294.....486	1703949 480	1705344 475, 480	1705455..... 488, 492
1700584....467, 471, 476, 481, 486, 491	1703950 480	1705345 475, 480	1705456..... 482, 488, 492
1701499....468, 471, 477, 479, 487, 491	1703951 475, 480	1705347 475, 480	1705457.....488
1701500....467, 476, 486	1703952 475	1705348 475, 480	1705458.....488
1701501....468, 471, 477, 482, 487, 491	1703953 468, 471	1705349 475	1705459.....488
1701504....467, 476, 486	1703980 476, 480	1705351 ... 468, 471, 488	1705460.....203, 209, 217
1701505....467, 471, 476, 482, 487, 491	1703981 476, 480	1705355 ... 312, 315, 317	1705461.....203, 209, 217
1701509....287, 289, 291, 293, 295, 297, 299, 301, 303, 305, 307, 309, 467, 471, 476, 479, 486, 491	1703982 476, 480	1705358 ... 287, 289, 291, 293, 295, 297, 299, 301, 303, 305, 307, 309	1705463.....485
1701518....475, 485, 491	1703983 480	1705365 ... 468, 472, 487, 488, 492	1705464.....485
1701529.....471, 479	1703984 476, 480	1705366 252	1705465.....485
1701600.....487	1703985 476	1705367 252	1705466.....285, 312, 315, 317, 319
1701791.....487	1704000 480	1705374 ... 198, 203, 209, 217	1705468.....486, 491
1702153.....467, 471	1704001 480	1705375 ... 203, 209, 217, 312, 317, 319	1705469.....486
1702300....467, 476, 486	1704006 476, 479	1705376 203, 208, 216	1705470.....486
1702565.....265	1704007 479	1705387 ... 198, 203, 209, 217	1705471.....486
1702566.....265	1704008 476	1705403 487	1705472.....486
1702676.....265	1704260 265	1705404 487	1705473.....486
1702773....263, 467, 472, 476, 482, 486, 492	1704277 ... 467, 471, 476, 479, 486, 491	1705405 487	1705474.....486
1702774....467, 472, 476, 482, 485, 492	1704412 ... 468, 471, 477, 479, 487, 491	1705406 487	1705475.....486
1702784.....491	1704885 ... 468, 472, 477, 482, 487, 492	1705407 487	1705476.....486
1702788.....498	1704972 471, 482	1705408 485	1705477.....476, 481
1702868....285, 312, 317, 319, 467, 471	1705001 157	1705409 485	1705478.....476, 481
1702928.....486	1705014 263	1705410 485	1705479.....476
1702938.....268	1705057 ... 467, 472, 475, 482, 485, 492	1705411 485	1705480.....476, 481
1702942.....86, 90, 101	1705084 486, 491	1705412 485	1705481.....476, 481
1702962.....468, 472	1705095 ... 467, 472, 475, 482, 485, 492	1705413 485	1705489....198, 203, 209, 217
1703162.84, 93, 102, 114	1705096 ... 468, 472, 477, 482, 487, 492	1705414 487	1705490.....285, 312
1703175....468, 472, 498	1705132 158, 265	1705415 487	1705492....468, 471, 488
1703479.....498	1705167 ... 467, 472, 476, 482, 487, 492	1705416 487	1705493.....477, 479
1703518.....486	1705168 467, 471	1705417 485	1705494.....477, 481
1703797467, 471	1705170 267	1705418 485	1705495.....488
1703804467, 471	1705171 265	1705419 485	1705496.....488
1703805467, 471	1705173 265, 268	1705421 488	1705497.....488
1703808491	1705174 ... 159, 162, 266, 268	1705422 488	1705498.....488
1703811471, 479, 491	1705175 266	1705423 488	1705499.....488
1703814471, 479, 491	1705178 ... 467, 471, 476, 482, 487, 492	1705424 488	1705500.....488
1703923.....480	1705181 467, 471	1705425 488	1705501.....488
1703924.....475, 480	1705305 ... 285, 312, 315, 317, 319	1705426 477, 481	1705502.....488
1703925475, 480	1705307 ... 238, 498, 501	1705427 477, 481	1705503.....477, 479
1703926475, 480	1705308 ... 157, 396, 412	1705428 ... 468, 477, 488	1705505.....477, 479
1703927475, 480	1705309 467, 475	1705429 477, 481	1705506.....477, 481
1703928475	1705310 467, 475	1705430 477, 481	1705507.....477, 479
1703935480	1705325 195	1705431 477, 481	1705508.....477, 481
1703936475, 480	1705330 476, 481	1705432 477, 481	1705509.....477
1703937475, 480	1705331 476, 481	1705433 477, 481	1705510.....477
1703938475, 480	1705332 485	1705434 477, 481	1705511....467, 471, 476, 482, 486, 491
1703939475, 480	1705333 476, 481	1705435 ... 468, 477, 488	1705514.....477, 479
1703940475	1705334 476, 481	1705436 485	1705515.....486
1703941480	1705335 476	1705437 485	1705516.....486
1703942477, 479	1705336 467, 471	1705438 485	1705517.....485
1703943477, 479	1705337 ... 468, 471, 487	1705439 485	1705518.....485
1703944477, 480	1705338 477, 479	1705440 485	1705519.....485
1703945477, 480	1705339 477, 479	1705441 487, 492	1705520.....488
	1705340 485	1705442 487, 492	1705521.....488
		1705443 487	1705522.....487, 492
		1705444 487, 492	1705523.....488
		1705445 487, 492	1705524.....488
		1705446 488, 492	1705525.....488
		1705447 488, 492	1705526.....487, 492
		1705448 477, 482	1705527.....488
		1705449 477, 482	1705528.....488, 492
		1705450 482, 485	1705529.....485
		1705451 477, 482	1705530.....485

PART NUMBER INDEX

1705557 485	2000275 93, 96	2171210..... 378	2460056 193
1705558 487	2000340 93, 96	2180002..... 73	2460057 193
1705559 487	2000343 92	2180344..... 73	2560136 266
1705560 487	2000352 92	2180348..... 82, 92, 100	2560173 261
1705561 488	2000399 92	2180536..... 90	2560187 176, 182, 187
1705562 488	2030010 ... 285, 312, 315, 317, 319	2180830..... 378	2580062 95, 104
1705563 488	2060025 84, 93, 102	2180831..... 59	2600279 157, 161
1705616 486	2080040 259, 261	2180832..... 109, 285, 312	2600280 174, 180
1705744 265	2080044 208	2200221 83	2600281 259
1705745 266	2080051 174, 180	2200222. 82, 92, 100, 109	2680496 176
1705822 491	2080068 251	2220063..... 73	2680497 176
1705828 ... 486, 487, 491	2110404 ... 33, 39, 44, 48, 256, 373, 378, 381	2220235..... 366	2680498 176
1705864 ... 468, 472, 477, 482, 487, 492	2110406 .. 59, 61, 70, 369	2220238..... 366	2680499 174, 175
1705865 ... 468, 472, 477, 482, 488, 492	2110408 70	2220250..... 90	2680500 174, 176
1705867 467, 475	2110604 369	2220273..... 90	2717059 379
1705868 471, 481	2110606 55, 70, 256, 369	2220313. 82, 90, 100, 109	2720015 113
1705895 480	2110608 70, 373	2220451..... 93, 102	2720058 85, 93, 102
1705896 480	2110610 373	2220459..... 90	2720160 285, 312
1705897 480	2110612 379	2220478..... 373	2720271 93
1705898 480	2110808 ... 33, 39, 44, 48, 70, 256, 366, 378	2220498..... 95, 102	2720488 94
1705899 481	2110810 .. 59, 61, 70, 373	2220737 373	2720500 94, 102
1705900 481	2110812 ... 33, 39, 44, 48, 367, 373, 374	2220794..... 90	2720501 95, 102
1705901 479	2111010 70, 373, 378	2220883 59, 61, 327, 329, 337, 339, 343, 345, 347	2720502 73
1705902 480	2111012 59, 61, 373	2220884..... 355, 359, 361	2750532. 82, 91, 94, 100, 102
1705903 479	2111016 374	2220885..... 331, 333, 335, 337, 339, 343, 345, 347, 353, 355, 356, 359, 361	2753539 381
1705904 479	2111212 373	2220886.... 335, 337, 359, 361	2753541 366
1705905 481	2111216 70, 381	2220888..... 341, 343	2753545 366, 378
1705906 479	2111616 373	2220890..... 70	2753552 366, 378
1705907 481	2112016 374	2221084..... 374	2753582 366
1705908 481	2112020 374	2221086.... 55, 59, 61, 70, 256	2753622 373
1705909 479	2113232 373	2221117..... 373	2753677 366
1705910 482	2120150 91	2221176..... 82, 92, 100	2753685 366
1705915 479, 481	2120163 91	2300004..... 84, 111	2753703 366
1705916 479	2120209 91	2300014..... 500	2753708 374
1705917 480	2120210 91	2300016..... 500	2753713 366
1705919 481	2130404 33, 39, 374	2300021 500	2753714 366
1705921 491	2130406 44, 48	2300029..... 500	2753715 366
1705961 491	2130606 70, 371, 373	2300039..... 500	2753716 366, 378
1705967 480	2130612 379	2300040..... 500	2753717 378
1705968 480	2130808 373	2300041..... 84, 111	2753718 373
1705969 480	2130810 55, 374, 381	2400060.... 209, 217, 423, 425, 433, 453	2753719 369
1705973 266	2130812 ... 33, 39, 44, 48, 373	2400064.... 209, 217, 423, 425, 433, 453, 496	2753720 366
1705974 157	2131010 373	2400065.... 396, 412, 413, 433, 452, 453, 494	2753721 366
1705980 491	2131012 70	2400066.... 396, 412, 413, 433, 442, 452, 453, 461	2753722 366
1705986 467, 475	2131212 ... 153, 155, 374	2400070..... 442, 461	2753724 366
1706059 482	2131612 374	2410014..... 263	2753726 369
1706060 482	2150404 378	2420165.... 189, 195, 203	2753727 369
1706061 482	2150808 373	2420172..... 157, 161	2753728 371
1706063 482	2151012 59, 61, 381	2420191..... 145	2753729 369
1706064 482	2170204 378	2420203..... 189, 194	2753730 373
1706098 491	2170308 374	2460013..... 193	2753731 373
1706385 263	2170316 70	2460032..... 193	2753732 371
1706493 263	2170504 366, 369	2460039..... 193	2753733 371
1706501 263	2170506 369	2460040..... 209	2753734 371, 373
1706741 267	2170704 366, 379	2460048..... 214	2753735 371
1706751 471, 481	2170708 379	2460049..... 193, 194	2753736 371
1706770 491	2170712 ... 153, 155, 381	2460055..... 189, 193	2753737 371
1706904 482	2170804 366		2753738 371
1706911 157, 162	2170908 374		2753739 371
1810057 157, 412	2171112 155		2753740 378
1870149 389	2171208 378		2753741 373
1870196 389			2753742 371
1870214 389			2753743 371
2000183 93, 96			2753744 373
2000199 93, 96			2753745 378
			2753746 373

PART NUMBER INDEX

2753747.....366	2792773..... 371, 384	2920154.....266	3310604.....218
2753748.....366	2820019..... 199	2920157..... 167, 261	3310805.....13, 189, 195, 204, 218
2753749.....366	2820031... 189, 194, 197, 201, 207, 214	2920161.... 166, 442, 461	3311001.... 110, 158, 161, 166, 198, 216, 259, 267
2753750.....366	2820035... 166, 403, 421, 439, 460	2920162..... 194	3311005.....83, 189, 194, 198, 215, 266, 285, 312, 315, 317, 319
2753751.....378	2820118... 395, 411, 431, 451	2920215..... 166	3311401.... 157, 161, 323
2753752.....366	2820141..... 174	2940045..... 167	3311402.....221
2753753.....371	2820145..... 176	2940074..... 259, 494	3311405.... 53, 54, 65, 83, 84, 94, 103, 109, 111, 170, 175, 181, 186, 194, 198, 207, 221, 225, 251, 261, 467, 472, 476, 482, 486, 492
2753755.....378	2820146..... 176	2940124..... 176	3311501..... 176, 323
2753756.....366	2820148..... 91	2940139..... 157, 161	3311505.... 17, 53, 82, 85, 91, 94, 101, 103, 153, 155, 166, 170, 181, 182, 186, 187, 208
2753757.....366	2820170..... 82, 91, 100	2940173.... 175, 180, 187	3311508.... 197, 201, 214
2753758.....373	2840016..... 170	3020008..... 500	3311601.....65, 145, 174, 187, 248, 267
2753759.....366	2860030.... 158, 162, 494	3020016..... 84	3311605.... 53, 82, 84, 94, 103, 109, 110, 111, 153, 167, 170, 174, 180, 186, 194, 235, 238, 251, 255, 261, 263, 312, 315, 317, 319
2753760.....366	2900770... 57, 59, 69, 77, 256, 331, 333, 341, 343, 345, 347	3020037..... 84, 110	3311608.....237, 248
2753761.....366	2900788..... 210	3020039..... 234	3311705..... 110, 112
2753762.....366	2900792... 327, 329, 335, 337, 339, 341, 343	3020042..... 234	3311801.... 201, 215, 235
2753763.....379	2901443... 402, 418, 439, 460, 501	3160204..... 210	3311805 84, 94, 103, 149, 170, 181, 186, 235, 255
2753764.....366	2901773..... 327, 329	3160281..... 73, 76	3312002.....73
2753765.....374	2902065.... 94, 102, 103, 111	3160291.... 21, 29, 33, 39	3312005 14, 84, 287, 289, 291, 293, 295, 297, 299, 301, 303, 305, 307, 309
2753766.....373	2902081... 355, 356, 359, 361	3160302..... 73, 76	3312205.... 287, 289, 291, 293, 295, 297, 299, 301, 303, 305, 307, 309
2753767.....379	2902082..... 341	3160339..... 21, 51	3312602.....166
2753768.....366	2902087... 331, 333, 335, 337	3200362..... 94, 103	3321501.....174
2753769.....373	2902092..... 345	3200401..... 94, 103	332201.....149
2753770.....374	2902099.... 90, 100, 418, 439	3200433..... 251	3340861.....252
2753771.....374	2902212... 287, 289, 291, 293, 295, 297, 299, 301, 303, 305, 307, 309	3220126..... 84, 94, 103	3340871.....235
2753772.....374	2902217.... 312, 315, 317	3220130..... 84, 94, 103	3340877.... 176, 177, 182
2753773.....374	2902257..... 351, 353	3250585..... 261	3340881..... 13, 235
2753774.....374	2902303..... 499	3251102... 189, 194, 197, 201, 207, 214	3340907..... 13
2753775.....374	2902307..... 499	3251242..... 198	3340910.....235
2753776.....374	2902308..... 499	3251243... 198, 467, 471, 476, 479	3340912.....235
2753778.....153	2902309..... 499	3251813... 467, 471, 476, 480	3340915.....235
2753810.....378	2902310..... 499	3252221..... 477	3340916.....235
2753811.....378	2902311..... 499	3252347... 467, 471, 486, 487	3340917.....235
2753842.....381	2902312..... 499	3252507..... 195	3340918.....235
2753843.....153	2902322..... 499	3271805..... 263	3340919.....235
2753850.....381	2902329..... 499	3272001..... 111	3340921.....235
2753861.....381	2902355.... 471, 482, 491	3272605..... 255	3340922.....235
2753862.....381	2902357.... 471, 482, 492	3290405..... 198	3340923.....355
2753863.....381	2902443.... 414, 434, 455	3290501..... 86	3340925.....247
2753999.....153	2902465..... 379	3290505..... 195	3340926.....235
2754288.....379	2902466..... 379	3290601... 176, 177, 182, 187	3340927.....229
2760105.... 157, 161, 396, 412	2902480..... 369	3290605..... 285, 312	3340932..... 13
2780248.....21, 25, 32	2910873..... 267	3290606..... 260	3340934.....247
2780279.....21, 32	2910890..... 502	3290801..... 111	3340939..... 13
2780283.....38	2910894..... 502	3300151... 260, 312, 315, 317, 319	
2780284.....21, 38	2910895..... 502	3300220..... 109	
2780285.....43	2915024... 53, 65, 157, 265	3300239..... 234	
2780286.....21	2915046..... 500	3300353..... 266	
2780290.....21, 43	2920028..... 268	3300396... 198, 203, 208, 216	
2792527.....385	2920029..... 268	3300408.... 157, 161, 266	
2792557.....382, 384	2920110..... 166	3300430..... 251	
2792558.....383	2920113..... 166	3300454.. 54, 65, 94, 103	
2792559.....383	2920129... 397, 414, 434, 455	3300458..... 234	
2792560.....384	2920140..... 261	3300460..... 234	
2792561.....382, 384		3300461..... 235	
2792565.....384		3300464..... 17	
2792568.....381, 385		3300465..... 351, 353	
2792625.....378, 382		3300492..... 248	
2792626.....378, 382		3310401..... 111	
2792644.....384		3310601... 170, 189, 195, 203, 204, 208, 216	
2792645.....366, 383			
2792646.....384			
2792647.....369, 383			
2792715.....373, 384			
2792771.....385			
2792772.....366, 383			

PART NUMBER INDEX

3340940	248	3520027	266	3580276.....	189, 194	3890031	236
3340941	248, 252	3520028	194	3580290.....	235	3890032	236
3340942	248	3520034	175, 181, 186	3580296.....	235	3890033	236
3340946	13	3520054 .	14, 84, 95, 103, 110, 267	3580298.....	235	3890034	236
3340955	233	3520071 ...	287, 289, 291, 293, 295, 297, 299, 301, 303, 305, 307, 309	3580300.....	235	3890035	236
3340956 ...	287, 289, 291, 293, 295, 297, 299, 301, 303, 305, 307, 309	3520072 ...	259, 260, 263	3580302.....	236	3890036	236
3340963	355, 359, 361	3520110	229	3580304.....	236	3890037	236
3380434	261	3520174	472, 482, 492	3580306.....	237	3890038	236
3380465	157, 161	3520186	174	3580308.....	235	3890040	263
3380472	82, 91, 101	3520189 ...	203, 209, 216, 217, 423, 443, 462	3580317.....	197, 214	3900054	263
3380473	82, 91, 101	3520192 ...	199, 215, 216, 217	3580318.....	197, 201, 214	3900085	166
3380474 ...	468, 472, 487, 492	3520198	259, 260	3580319.....	197, 201, 214	3900141	345
3380652	500	3536089	261	3580320.....	94, 103, 112	3900174	180, 186
3420156	267	3537416	94, 103	3580321	86	3900183	266
3421453	285, 312	3537445	170	3580322.....	189	3900210... 180, 182, 186, 187, 255	
3421563	73	3539971	94, 103	3580342.....	235	3900223	73
3421565	73	3570979	53	3600339.....	94, 103, 126	3900232... 174, 180, 186, 246, 255	
3422446	82, 91, 101, 109	3572327	477, 482	3600342.....	65, 66	3900260	247
3422530	170	3572950	235	3600424.....	65, 66	3900267	198
3422532	94, 103	3572951	235	3620034.....	153	3900270	13
3422833	14	3573016	247	3620041.....	94, 103	3900272	83, 91, 101
3422915	14	3573142	94, 103	3641533.....	203, 210, 218	3900283 54, 65, 145, 174, 180, 247, 255	
3422917	17	3573179	247	3740049.....	157, 161, 494	3900300	198
3422918	13	3573181	247	3740067..	65, 84, 94, 103, 494	3900310	341
3422926	235	3573194	247	3740080 84, 95, 103, 166, 167, 189, 194, 207, 413, 433, 452, 494, 496			
3422933	229	3573210	247	3760133.....	237	3900316	248
3422937	235	3573224	251	3760170.....	73	3900322	189, 194
3422940	17	3573231	174	3760233.....	236	3900363... 176, 177, 182, 187	
3422941	17	3573232	174	3760308.....	181	3910408	112
3422942	17	3573233	174	3760368.....	345, 347	3910606	197, 201, 214
3422953	235	3573259	65	3760369.....	327	3910608 ...	170, 190, 195, 204, 218
3422955	229	3573294	13	3760371.....	331, 335, 337	3910610	203, 208, 216
3422956	235	3573301	251	3760375.....	341, 343	3910612	207
3422957	235	3573301	251	3760383.....	17	3910804	158, 162
3422958	235	3573335	13	3790012.....	266	3911040	166
3422959	235	3573336	166, 167	3790112.....	356	3930606	251
3422960	13	3573355	167	3790152.....	95, 104, 110	3930816	251
3422988	229	3573400 ...	312, 315, 317, 319	3790155.....	96, 104, 111	3930820	13
3423194	229	3573411	95, 103	3790158.....	44, 48	3931008	149, 150
3423208	229	3573412	84, 95, 103	3800205.....	259	3931016	197, 213
3423256	17	3573437	237	3820001 ...	467, 472, 476, 482, 486, 492	3931020	17
3430816	170	3573444	237	3820020.....	259	3931412	17, 221, 225
3441680	235	3573454	170	3841143 83, 91, 101, 109, 236			
3450304	267	3573503	252	3841203.....	236	3931414	251
3450404	170	3573529	94, 103	3841258.....	14, 17, 236	3931416	221, 225
3451214	17	3573642 ...	312, 315, 317, 319	3841287.....	13, 229	3931432	112
3460334 ...	287, 289, 291, 293, 295, 297, 299, 301, 303, 305, 307, 309	3573644	82, 91, 101	3841340.....	53, 145	3931448	355, 359, 361
3470003	267	3573645	82, 91, 101	3841581.....	229	3931508	114
3480162	335	3573646	82, 91, 101	3841589.....	323	3931512	112, 149, 150
3480268	355	3573668	207	3890019.....	236	3931516	345, 347
3480269	331, 335	3573669	82, 91, 101	3890020.....	236	3931608	355, 359
3480270	341	3573727	83, 91, 101	3890021.....	236	3931616	158, 162
3480271	345	3573728	83, 92, 101	3890022.....	236	3931620	327, 329
3480272	327	3574091	323	3890023.....	236	3931628	112
3480278	351	3575359	323	3890024.....	236	3931824 ...	331, 333, 335, 337
3510822	259	3575782	176	3890025.....	236	3931840 ...	355, 359, 361
3510830	259	3576799	285, 312	3890026.....	236	3932024.....	17
3510833	259	3577121 ...	312, 315, 317, 319	3890027.....	236	3932244	341, 343
3510868	263	3580134	194	3890028.....	236	3951620	248
3510877	263	3580158	94, 103	3890029.....	236	3952020	73
3510884	263			3890030.....	236	3960418.....	157, 161
3520026	266						

PART NUMBER INDEX

3960422.....197, 201, 207, 215, 402, 420, 422, 440, 442, 460, 461	4071041 73	4360475 ... 157, 161, 266, 494	430, 434, 438, 439, 441, 442, 443, 450, 455, 459, 460, 461, 462
3960447.....187	4071042 14	4360476 ... 157, 161, 266, 494	4460227.....394, 395, 396, 398, 400, 403, 410, 411, 412, 415, 417, 421, 430, 431, 433, 435, 437, 442, 450, 453, 456, 458, 461
3960464.....176, 177	4071044 237	4360504 251	4460234.....95, 104, 113, 190, 195, 204, 218, 266, 323
3960525.....145	4071045 237	4360505 17, 437, 458, 494	4460265.....275, 283
3960543.84, 94, 103, 112	4071046 237	4360522 267, 496	4460267.....397, 403, 413, 421, 432, 442, 444, 452, 461, 463
3960544.84, 94, 103, 112	4071048 175	4360527 251, 496	4460268....166, 199, 397, 403, 413, 421, 432, 439, 452, 460
3960551.....18	4071049 14	4360530 400	4460315.....202, 208, 215
3960552.....18	4071050 14	4360534 ... 252, 401, 418, 438, 459	4460320....397, 403, 413, 421, 432, 442, 444, 452, 461, 463
3980006.....65	4071054 13	4360536 401	4460321....402, 403, 418, 421, 439, 442, 460
3990001....396, 412, 433, 452, 494	4071055 14	4360542 189, 194	4460346....197, 202, 208, 215, 402, 420, 422, 441, 443, 461, 462
3990010....209, 403, 421	4071074 267	4360543 496	4460374....209, 217, 403, 413, 421, 423, 433,
4010408.....198	4120035 ... 396, 412, 433, 453	4360545 ... 252, 401, 417, 418, 438, 459	4460375....209, 217, 403, 413, 421, 423, 433, 441, 452
4010608.....285, 312	4120040 238, 501	4360548 251, 496	4460411.....210, 218
4010618.....260	4120043 238, 501	4360549 14, 251	4460412.....210, 218
4031607.....86	4130387 17	4360578 14, 251, 496	4460413.....210, 218
4031608.....195	4130416 17	4400439 145	4460414.....210, 218
4031911.....84	4160194.... 174, 180, 186	4400440 145	4460415.....210, 218
4031914.....112	4160197 237	4400457 145, 146	4460418....394, 396, 410, 412, 430, 433, 450, 453
4032008.....84	420165 218	4420014 ... 287, 289, 291, 293, 295, 297, 299, 301, 303, 305, 307, 309	4460419....394, 396, 410, 412, 430, 433, 450, 453
4032014.....112	4220162 166, 167	4420037 65, 261, 312, 315, 317, 319	4460424....166, 397, 403, 413, 421, 422, 432, 439, 442, 452, 460, 461
4032022.....94, 103	424001883, 92, 101, 109, 197, 201, 215, 248	4420038 145	4460425....198, 203, 208, 216, 403, 422, 423, 442, 443, 461, 462
4060092....402, 420, 440, 460	4240032 ... 190, 195, 204, 218, 252	4420051 ... 472, 482, 487, 492, 498	4460426....157, 161, 198, 203, 208, 216, 267, 396, 404, 412, 422, 423, 432, 442, 443, 451, 461, 462
4060700....207, 215, 402, 420, 422, 440	4240033.83, 86, 221, 225	4420060 53, 190, 195, 204, 218	4460428....252, 266, 394, 410, 430, 450
4060802....189, 194, 197, 201, 207, 215, 261	424009991, 95, 101, 103, 113, 312, 315, 317, 323	4420066 ... 287, 289, 291, 293, 295, 297, 299, 301, 303, 305, 307, 309	4460434....394, 411, 431, 450
4060803.....187	4240112 145	4420068 323	4460449....399, 416, 436, 457
4060804.....95, 103, 176, 177, 248	4240139 145	4460007 266	4460458.....455
4060805.....85, 94, 103	4240149 ... 287, 289, 291, 293, 295, 297, 299, 301, 303, 305, 307, 309	4460018 ... 190, 195, 204, 218	4460464....266, 394, 396, 397, 398, 399, 401, 410, 412, 413, 414, 415, 416, 417, 424, 430, 432, 433, 435, 436, 437, 444, 450,
4060806.....176, 177	4240150 177	4460019 413	
4060808.....53	4240153 248	4460023 195	
4060906....157, 161, 162, 267	4240155 14, 248	4460027 ... 189, 194, 403, 442	
4060907.....166	4240156 248	4460049 323	
4061043....208, 215, 422	4300157 201, 213	4460051 ... 201, 208, 215, 402, 420, 422, 440, 443, 461	
4070863.....237	4340923 174	4460068 198	
4070864.....237	4340924 174	4460071 ... 198, 201, 215, 261, 266, 394, 410, 422, 430, 443, 450, 462	
4070895.....237	4340995 175	4460125 ... 402, 420, 441, 461	
4070897.....237	4340996 175	4460190 189, 194	
4070898.....237	4340999 ... 175, 180, 186	4460205 ... 402, 420, 441, 461	
4070987.....158, 162	4341001 175	4460224 ... 397, 402, 414, 418, 434, 438, 455, 459	
4071012.....237	4341158 252	4460225 ... 199, 202, 215, 394, 396, 410, 412, 422, 430, 433, 443, 450, 453, 462	
4071013.....237	4341264 255	4460226 ... 202, 215, 266, 276, 283, 394, 397, 402, 403, 410, 414, 418, 421, 422, 423,	
4071015.....237	4360031 261		
4071016.....237	4360057 323, 496		
4071017.....237	4360070 ... 198, 203, 208, 216, 496		
4071018.....237	4360232 ... 267, 403, 422, 442, 461, 496		
4071019.....237	4360274 ... 158, 161, 494		
4071021.....248	4360321 251		
4071022.....248	4360322 14, 251		
4071023.....248	4360328 ... 157, 161, 162, 266, 494		
4071024.....237	4360330 266, 494		
4071025.....237	4360331 266, 494		
4071026.....237	4360336 ... 189, 195, 197, 201, 208, 215, 261, 266, 267, 494, 496		
4071028.....237	4360387 ... 266, 268, 494		
4071029.....237	4360407 266, 494		
4071031.....237	4360469 ... 158, 162, 496		
4071035.....13	4360470 ... 158, 162, 496		
4071036.....13			
4071039.....14			
4071040.....14			

PART NUMBER INDEX

451, 452, 453, 454, 456, 457, 458, 460, 462, 463	4460709 ... 402, 420, 441, 461	434, 435, 436, 452, 453, 455, 456, 457	418, 432, 433, 436, 438, 452, 453, 454, 455, 457, 459
4460465 ... 199, 203, 209, 217, 218, 395, 396, 397, 398, 399, 400, 401, 411, 412, 413, 414, 415, 416, 417, 418, 423, 424, 431, 432, 433, 434, 435, 436, 437, 438, 439, 441, 442, 443, 451, 452, 453, 454, 455, 456, 457, 458, 459, 461, 462	4460761 ... 394, 396, 398, 400, 410, 412, 415, 417, 430, 433, 435, 437, 450, 453, 456, 458	4460897 ... 399, 416, 424, 432, 436, 444, 451, 457, 459, 463	4460943 ... 394, 397, 398, 400, 401, 410, 413, 414, 415, 417, 418, 424, 430, 432, 434, 435, 437, 438, 444, 450, 452, 454, 455, 456, 458, 459, 462
4460466 ... 395, 397, 398, 399, 400, 401, 411, 413, 414, 415, 416, 417, 418, 424, 431, 432, 433, 434, 435, 436, 437, 438, 444, 450, 451, 452, 453, 454, 455, 456, 457, 458, 459, 462, 463	4460807 ... 199, 202, 215	4460898.....434, 453	4460944 ... 396, 397, 398, 399, 400, 401, 412, 413, 414, 415, 416, 417, 418, 424, 432, 433, 434, 435, 436, 437, 438, 444, 452, 453, 454, 455, 456, 457, 458, 459, 462, 463
4460467 ... 404, 425, 444, 463, 502	4460808 ... 199, 202, 215	4460899....397, 399, 400, 414, 416, 432, 436, 437, 452, 457, 458	4460945 ... 397, 399, 414, 416, 424, 434, 436, 444, 455, 457, 462
4460470 ... 157, 161, 266, 394, 396, 410, 412, 430, 432, 450, 451	4460836 ... 397, 398, 399, 401, 413, 415, 416, 418, 432, 435, 436, 437, 452, 454, 456, 457, 458	4460905.... 157, 161, 266, 394, 396, 410, 412, 424, 430, 432, 434, 444, 450, 452, 453, 455, 462	4460950 ... 398, 415, 435, 454, 456
4460471 ... 157, 161, 266, 394, 396, 410, 412, 430, 432, 450, 451	4460837 ... 399, 401, 416, 417, 436, 437, 457, 458	4460911....398, 400, 401, 415, 417, 435, 437, 456, 458	4460955 ... 210, 218, 423, 444
4460473 ... 158, 395, 396, 411, 431, 451	4460842 ... 397, 413, 433, 452	4460912....398, 400, 401, 415, 417, 435, 437, 456, 458	4460957 ... 210, 218, 423, 444
4460483 198	4460843 ... 397, 413, 433, 452	4460913.... 401, 418, 438, 459	4460958 ... 202, 208, 215, 422, 442
4460488 221, 225, 266	4460865 ... 158, 395, 396, 411, 431, 451	4460914..... 17, 158, 161, 252, 396, 412, 432, 452	4460961 403, 421, 442
4460496 ... 161, 221, 225, 266, 394, 410, 430, 433, 450, 453	4460866 ... 394, 396, 410, 412, 430, 433, 450, 453	4460915.....424	4460962 312, 317
4460497 ... 162, 221, 225, 266, 394, 410, 430, 433, 450, 453	4460871 ... 271, 272, 279, 394, 396, 397, 400, 401, 402, 410, 412, 413, 414, 418, 424, 430, 432, 433, 434, 438, 444, 450, 452, 453, 455, 459, 462	4460916.....424	4460963 ... 203, 209, 216, 423, 443, 462
4460508 ... 394, 396, 397, 410, 412, 414, 430, 433, 450, 453	4460872 434, 455	4460917.... 401, 418, 438, 459	4460965 ... 396, 397, 412, 413, 414, 432, 433, 452, 453
4460509 ... 395, 411, 431, 451	4460873 ... 394, 396, 410, 412, 430, 433, 450, 453	4460918....398, 400, 401, 415, 417, 435, 437, 456, 458	4460966 ... 396, 400, 413, 417, 433, 437, 453, 458
4460510 ... 404, 425, 445, 463, 502	4460874 ... 157, 161, 394, 396, 410, 412, 430, 432, 450, 452	4460919....398, 400, 415, 417, 434, 435, 437, 438, 454, 455, 456, 458	4460967 ... 203, 209, 217, 423, 443, 462
4460526 ... 157, 161, 396, 412, 432, 452	4460875 ... 157, 161, 396, 412, 432, 452	4460920....399, 416, 436, 457	4460968 14, 195, 252, 420, 441
4460536 ... 401, 413, 417, 418, 432, 437, 438, 458, 459	4460876 ... 394, 396, 410, 412, 430, 433, 450, 452	4460921....395, 411, 431, 450	4460970 454
4460539 ... 397, 398, 414, 415, 424, 432, 434, 435, 444, 452, 453, 455, 456, 462	4460877 ... 396, 412, 433, 453	4460922....399, 416, 436, 457	4460971 285, 312
4460607 210, 218	4460879 ... 394, 410, 430, 450	4460923....395, 411, 431, 450	4460982 454
4460634 ... 396, 412, 433, 453	4460880 ... 209, 397, 398, 399, 413, 414, 415, 416, 432, 435, 436, 451, 452, 456, 457	4460930....398, 400, 415, 417, 434, 435, 437, 438, 454, 455, 456, 458	4461001 210, 216, 218
4460635 ... 396, 412, 433, 453	4460884 ... 398, 399, 415, 416, 435, 436, 455, 456, 457	4460931....432, 452, 454	4461005 414, 434
4460662 420, 440	4460887 ... 394, 396, 397, 410, 412, 414, 430, 433, 450, 453	4460932....397, 398, 400, 414, 415, 417, 434, 435, 437, 455, 456, 458, 459	4461006 414, 434
4460705 403, 421, 442	4460889 397	4460933....398, 399, 415, 416, 434, 435, 436, 453, 454, 456, 457	4461008 414, 434, 455
4460708 ... 266, 394, 410, 430, 450	4460890 397	4460934....398, 399, 415, 416, 435, 436, 454, 456, 457	4461052 414, 434
	4460891 ... 398, 399, 414, 415, 416, 424, 432, 435, 436, 442, 452, 456, 457, 459, 461	4460935....398, 399, 415, 416, 435, 436, 454, 456, 457	4461053 414, 434
	4460892 ... 158, 161, 396, 398, 412, 415, 424, 432, 435, 452, 456	4460941....398, 399, 401, 415, 416, 417, 435, 436, 437, 454, 456, 457, 458, 459, 460	4461054 ... 414, 434, 455, 459
	4460894 ... 396, 397, 398, 399, 412, 413, 414, 415, 416, 424, 433,	4460942....396, 397, 399, 401, 412, 413, 416,	4461060 414, 434
			4461070 434, 454
			4461071 414, 434, 455
			4461072 414, 434, 455
			4461073 414, 434, 455
			4461074 414, 434, 455
			4461095 434, 454
			4461196 420, 441
			4461197 421, 441
			4461198 420, 441
			4461199 420, 441
			4461200 421, 441
			4461201 420, 441
			4461202 420, 441

PART NUMBER INDEX

4461203.....421, 441	112, 175, 180, 186,	4752000 83, 91, 101, 109	4892400.....73
4461204.....420, 441	187, 197, 202, 208,	4755000 17	4892600..... 166, 255
4461205.....420, 441	215, 221, 225, 247,	4760600 ... 190, 195, 203,	4920044..... 198
4461206.....421, 441	252, 260, 261	204, 209, 216, 218	4921757.... 403, 422, 442,
4461207.....421, 441	2711500 ... 17, 53, 65, 83,	4760800 266	461
4461244.....420, 441	84, 91, 94, 101, 103,	4761000 259, 267	4921850..... 502
4461245.....420, 441	112, 153, 155, 167,	4761400 158, 161	4922099.... 396, 397, 412,
4461246.....420, 441	171, 182, 186, 187,	4770600 170, 171	413, 433, 453
4461249.....420, 441	248, 255, 267	4791400 65, 94, 103, 112,	4922482..... 403, 421
4461250.....421, 441	4711600 ... 14, 53, 65, 83,	197, 202, 208, 215	4922485..... 396
4520261.....22	84, 92, 94, 101, 103,	4811600 86, 195	4922641.... 203, 209, 218,
4530028.... 312, 315, 317,	109, 110, 112, 170,	4811700 86, 260, 285,	403, 421, 423, 441,
321	171, 174, 180, 186,	312	443, 462
4562516.....248	195, 198, 202, 215,	4811900 83, 86, 112, 176,	4922666.... 267, 394, 410,
4566471.....345	237, 238, 248, 252,	177, 182, 189	430, 450
4568290.....355	255, 355, 359, 361	4811902 112	4922672.... 395, 411, 431,
4568291.....94	4711700 ... 110, 112, 189,	4812000 85, 86, 112	451
4568292.....94	195	4812100 . 83, 85, 86, 109,	4922673.... 395, 411, 431,
4568293.....94, 103	4711800 ... 14, 17, 53, 84,	112	451
4568319.....341	94, 103, 170, 171, 263	4812200 112	4922696.... 398, 414, 435,
4568345.....335	4711900 195	4821397 323	456
4568361.....355	4712000 14, 84, 287, 291,	4831900 86, 112	4922700..... 95
4568423.....237	301	4832000 85	4922704..... 158, 397
4568426.....153	4712200 ... 287, 289, 291,	4846383 14	4922705.... 398, 400, 415,
4568427.....153	293, 295, 297, 299,	4846423 248	417, 435, 437, 456, 458
4568735.....86	301, 303, 305, 307, 309	4846429 248	4922716.... 398, 415, 435,
4620132.....73	4712600 221, 225	4846431 248	456
4620149.....73	4740171 110	4846452 259	4922718.... 397, 414, 434,
4640438.....341, 343	4740181 17	4846453 237	455
4640452.....345, 347	4740229 17	4846462 237	4922735..... 210
4640509.... 327, 329, 335,	4740242 85	4846465 94	4922738.... 403, 421, 442,
337, 339, 341, 343	4740274 94, 103	4846474 174	461
4640741.....77	4740362 261	4846475 174	4922757..... 217, 423
4640750.....85	4740397 ... 195, 208, 215	4846476 145	4922758.... 395, 411, 431,
4640751 94, 103, 113	4740430 54	4846482 237	451
4640858..... 331, 333	4740444 ... 157, 161, 162	4846483 237	4922759.... 395, 411, 431,
4640907.....53	4740461 14	4846484 252	451
4640936.....331	4740500 174	4846485 248	4922760.... 395, 411, 431,
4641114.....345, 347	4740505 17	4846487 175	451
4641155.....53	4740509 237	4846488 175	4922761.... 395, 411, 431,
4641210.....341, 343	4740518 95, 103	4846491 175	451
4641221.....255	4750600 ... 170, 171, 203,	4846492 175	4922762.... 395, 411, 431,
4641222.....65, 69	209, 216	4846494 17	451
4641223.....53, 54	4750800 14, 18, 190, 195,	4846503 175	4922763.... 395, 411, 431,
4641224.....53, 57	204, 218, 266	4846515 248	451
4641239.....208	4751000 ... 145, 158, 161,	4846516 248	4922764.... 403, 422, 442,
4641247..... 153, 155	166, 167, 189, 195,	4846552 94, 103	461
4641248.... 335, 337, 339	198, 215, 259, 266,	4846561 261	4922767.... 399, 416, 436,
4641255.....256	285, 312, 315, 317, 319	4846573 255	457
4641256.... 355, 359, 361	4751400 85, 94, 103, 112,	4846627 ... 312, 315, 317,	4922777.... 399, 416, 436,
4641257.....53, 54	157, 161, 167, 170,	319	457
4641260.....345, 347	180, 187, 195, 208,	4846637 14	4922778..... 267, 394
4641266.....255, 256	261, 266, 312, 315,	4846673 323	4922780.... 398, 415, 435,
4641267.....65, 69	317, 319, 323, 467,	4846685 255	456
4641268.....53, 54	472, 476, 482, 486, 492	4846753 247	4922781.... 398, 415, 435,
4641269.....53, 57, 59	4751500.... 85, 166, 174,	4846945 95, 104	456
4641270.....208	176, 177, 180, 186,	4846946 94, 103	4922782..... 267, 400
4641276..... 331, 333	189, 197, 202, 208,	4860236 22	4922783..... 267, 400
4641454.....53, 61	215, 248, 323	4891400 252	4922784.... 399, 415, 436,
4641460.....255, 256	4751600 17, 54, 145, 153,	4891500 195	457
4700038.....235	158, 162, 167, 174,	4891600 86, 95, 103, 111,	4922785.... 399, 416, 436,
4700039.....235	180, 186, 189, 208,	238, 248, 255	457
4710400.....112	229, 255, 261, 312,	4891800 85, 95, 103, 111,	4922786.... 399, 416, 436,
4711000.... 83, 110, 198,	315, 317, 319	170, 171, 198, 202,	457
216	4751700 112	210, 215, 248, 255, 355	4922787..... 158, 397
4711400.... 53, 54, 65, 83,	4751800 ... 149, 181, 186,	4892000 . 21, 22, 73, 112,	4922788..... 209
84, 91, 92, 101, 109,	261, 263, 323	189, 195, 237	4922789..... 158, 396

PART NUMBER INDEX

4922795 ... 396, 411, 431, 451	70000814 43	70001384 202, 214	70002137 132
4922796 ... 396, 411, 431, 451	70000815 43	70001423 104	70002138 132
4922826 400	70000816 43	70001435 97, 104	70002139 132
4922833 ... 403, 422, 442, 461	70000817 43	70001498 105	70002140 132
4922834 ... 403, 422, 442, 461	70000818 43	70001639 241	70002141 132
4922945 ... 267, 394, 410	70000819 43, 44	70001640 242	70002142 132
4922947 ... 267, 400, 417, 437, 458	70000820 43	70001696 202, 214	70002143 132
4922948 ... 267, 400, 417, 437, 458	70000821 43	70001697 242	70002145 132
4922970 403, 421	70000822 43	70001847 105	70002148 132
4922972 ... 202, 215, 422, 443, 462	70000823 43	70001850 96, 104	70002150 132
4923256 ... 400, 417, 437, 458	70000824 43	70001857 105	70002151 132
4923273 ... 158, 413, 414	70000825 43	70001866 105	70002152 132
4923286 158, 412	70000826 43	70001867 97, 105	70002153 132
4923292 158, 413	70000827 43	70001868 97, 105	70002154 132
4923376 ... 158, 413, 414	70000828 43	70001869 418, 438	70002155 132
4923448 ... 267, 410, 430, 450	70000829 43	70001870 105, 114	70002156 132
4923468 95, 103, 419, 439	70000830 43	70001871 105	70002157 132
4923522 158, 413	70000831 43	70001872 418, 438	70002158 132
4923574 158, 412	70000832 43	70001930 57, 59, 69	70002159 132
4923592 95, 104	70000833 44	70001939 55	70002160 132
4933215 388, 403	70000834 44	70001941 166	70002161 132
4933216 ... 388, 403, 421	70000835 44	70001952 126	70002162 132
4933217 95	70000836 44	70001953 214	70002163 132
4933249 388	70000837 44	70001955 135, 139	70002164 132
4933253 388	70000838 44	70001956 135, 139	70002165 132
4933262 388	70000839 44	70001958 133	70002168 133
4933264 ... 217, 388, 423	70000840 44	70001966 ... 199, 202, 214	70002174 133
4933267 209, 388	70000841 44	70001968 121, 127	70002175 133
4933268 388, 397	70000842 44	70001973 202, 214	70002177 133
4933300 ... 388, 403, 421	70000843 44	70001974 202, 214	70002178 133
4933340 ... 388, 413, 414	70000844 44	70001976 55, 69	70002179 133
4933389 ... 388, 413, 414	70000845 44	70002015 47	70002218 96
5241200 44, 48	70000846 44	70002016 47	70002231 ... 83, 91, 100, 109, 494
5250608 86	70000847 44	70002018 47	70002235 194
5250808 86	70000848 44	70002019 47	70002239 194
70000044 104	70000849 44	70002020 47	7000224 76
70000068 105	70000850 44	70002026 47	70002240 194
70000124 194	70000852 51	70002027 47	70002247 47, 48
70000125 194	70000853 51	70002029 47	70002248 47, 48
70000126 194	70000854 51	70002030 47	70002249 47, 48
70000127 194	70000855 51	70002031 47	70002255 214
70000342 242	70000856 51	70002032 47	70002293 221, 225
70000345 105, 115	70000857 51	70002033 47	70002294 221, 225
70000619 .. 201, 209, 213	70000858 51	70002034 47	70002295 221, 225
70000780 149, 150	70000859 51	70002035 47	70002296 .. 425, 444, 463
70000793 ... 94, 102, 111	70000860 51	70002036 47	70002297 202, 214
70000796 242	70000861 51	70002037 47	7000236 76
70000801 61	70000862 51	70002039 47	7000239 76
70000802 61	70000863 202, 214	70002040 47	70002393 43
70000803 61	70000916 97, 104	70002041 47	70002394 43
70000804 61	70000917 97, 104	70002044 47	70002395 43
70000805 61	70000918 104	70002045 47	70002396 44
70000806 61	70000919 104	70002046 47	70002397 44
70000810 43	70000934 91	70002047 47	70002398 44
70000811 43	70001017 84, 94, 103	70002048 47	7000240 76
70000812 43	70001056 66	70002049 47	70002412 339
70000813 43	70001100 202, 214	70002050 47	70002415 105
	70001101 149, 150	70002052 47	70002416 105
	70001102 150	70002057 47	70002417 105
	70001124 105	70002088 214	70002460 202, 214
	70001125 105	70002097 255, 494	700025082 104
	70001126 105	7000213 77	70002519 57, 59
	70001128 97, 104	70002132 132	70002569 128
	70001129 97, 104	70002133 ... 132, 135, 139	70002576 143
	70001130 97, 104	70002134 132	70002578 135, 139
	70001131 97, 104	70002135 132	70002579 135
	70001135 105	70002136 132	

PART NUMBER INDEX

70002580.....	135, 139	70002825 ..	203, 210, 218	70004171 ..	199, 202, 214	70004763.....	275
70002581.....	135	70002826 ..	203, 210, 218	70004185 ..	502	70004764.....	275
70002582.....	135, 139	70002829 ..	87	70004186 ..	339	70004765.....	275
70002583.....	135, 139	70002830 ..	87	70004268 ..	105	70004766.....	275
70002584.....	135	70002831 ..	87	70004269 ..	105	70004767.....	275
70002585.....	135, 139	70002832 ..	87	70004271 ..	438	70004768.....	275
70002586.....	135, 139	70002833 ..	87	70004272 ..	105	70004769.....	275
70002587.....	135	70002834 ..	87	70004275 ..	114	70004770.....	275
70002588.....	135, 139	70002835 ..	87	70004277 ..	115	70004771.....	275
70002589.....	135, 139	70002837 ..	87	70004279 ..	116	70004772.....	275
70002590.....	135, 139	70002859 ..	241	70004280 ..	114	70004773.....	275
70002591.....	136	7000287 ..	76	70004282 ..	115	70004774.....	275
70002592.....	136, 140	7000288 ..	76	70004284 ..	116	70004775.....	275
70002593.....	136, 140	70002902 ..	261	70004292 ..	105	70005153.....	339
70002594.....	136	70002903 ..	261	70004313 ..	104	70005230.....	283
70002595.....	136	70002904 ..	261	70004328 ..	255	70005418.....	140
70002596.....	135	70002905 ..	261	70004414 ..	145	70005433.....	359, 361
70002597.....	136	70002906 ..	272	70004416 ..	139	70005445.....	116
70002598.....	136	70003163 ..	120	70004417 ..	139	7000625.....	261
70002599.....	136, 140	70003164 ..	120	70004420 ..	139	70006359.....	329
70002600.....	132	70003165 ..	122	70004421 ..	139	70006360.....	329
70002601.....	132	70003166 ..	122	70004422 ..	140	70006361.....	329
70002602.....	132	70003167 ..	121, 122	70004423 ..	139	70006362.....	329
70002604.....	132	70003168 ..	121, 122	70004426 ..	139	70006363.....	329
70002605.....	133	70003169 ..	121, 122	70004501 ..	115	70006473.....	333
70002606.....	133	70003170 ..	122	70004502 ..	115	70006474.....	333
70002607.....	133	70003172 ..	121	70004503 ..	115	70006490.....	353
70002609.....	133	70003173 ..	120	70004646 ..	502	70006491.....	353
70002610.....	133	70003174 ..	120	70004647 ..	502	70006492.....	353
70002612.....	133	70003175 ..	120	70004648 ..	502	70006493.....	353
70002616.....	133	70003176 ..	120	70004676 ..	199	70006520.....	333
70002617.....	133	70003177 ..	120	70004677 ..	199	70006523.....	347
70002618.....	132	70003407 ..	402, 439, 460	70004678 ..	199	70006524.....	347
70002619.....	132	70003450 ..	202	70004679 ..	199	70006525.....	347
70002620.....	132	70003451 ..	202	70004680 ..	199	70006526.....	347
70002621.....	133	70003452 ..	202	70004681 ..	199	70006527.....	343
70002622.....	133	70003472 ..	104	70004682 ..	199	70006528.....	343
70002623.....	133	70003473 ..	104	70004683 ..	199	70006529.....	343
70002674.....	47	70003475 ..	105	70004684 ..	199	70006530.....	343
70002675.....	96, 105	70003483 ..	261	70004685 ..	199	70006547.....	337
70002676.....	96, 105	70003523 ..	77	70004686 ..	199	70006548.....	337
70002677.....	96, 105	70003524 ..	76, 77	70004687 ..	199	70006549.....	337
70002678.....	96	70003555 ..	84	70004738 ..	283	70006550.....	337
70002718.....	97, 105, 114	70003617 ..	221, 225	70004739 ..	283	70006631.....	361
70002724.....	279	70003628 ..	51	70004740 ..	283	70006656.....	359
70002725.....	279	70003629 ..	77	70004741 ..	283	70006657.....	359, 361
70002726.....	279	70003631 ..	202, 209, 214	70004742 ..	283	70006658.....	359, 361
70002727.....	279, 280	70003708 ..	199, 214	70004743 ..	283	70006659.....	359
70002728.....	279	70003709 ..	199, 214	70004744 ..	283	70006697.....	361
70002729.....	280	70003784 ..	266	70004745 ..	283	70006698.....	361
70002730.....	271	70003913 ..	246, 247, 494	70004746 ..	283	70007015.....	339
70002731.....	271	70003914 ..	246, 247	70004747 ..	283	70007016.....	339
70002732.....	271	70003915 ..	246, 247	70004748 ..	283	70007017.....	339
70002733.....	271	70003917 ..	246, 494	70004749 ..	283	70007018.....	339
70002734.....	271	70003918 ..	246	70004750 ..	283	70007019.....	339
70002735.....	272	70004058 ..	105	70004751 ..	283	70007020.....	339
70002758.....	70	70004061 ..	438	70004752 ..	275	7000731.....	77
70002759.....	69, 70	70004092 ..	199, 214	70004753 ..	275	70007439.....	133
70002760.....	70	70004093 ..	214	70004754 ..	275	7000872.....	96, 97
7000281.....	76	70004094 ..	214	70004755 ..	275	7001900.....	76
70002818.....	203, 210, 218	70004095 ..	214	70004756 ..	275	7001902.....	76
70002819.....	203, 210, 218	70004096 ..	214	70004757 ..	275	7001904.....	76
70002820.....	203, 210, 218	70004097 ..	214	70004758 ..	275	7001906.....	76
70002821.....	203, 210, 218	70004098 ..	199, 214	70004759 ..	275	7001917.....	76
70002822.....	203, 210, 218	70004099 ..	199, 214	70004760 ..	275	7001918.....	76
70002823.....	203, 210, 218	70004169 ..	214	70004761 ..	275	7001920.....	76
70002824.....	203, 210, 218	70004170 ..	202	70004762 ..	275	7001921.....	76

PART NUMBER INDEX

7001922 76 7001923 76 7001924 76 7001926 76 7001927 76 7001928 76 7001929 76 70020329 121 70020336 122 70020808 .. 424, 444, 462 70021867 120, 127 70022286 135, 139 70022287 135 70023592 113 70023593 113 70024190 113, 496 70024473 115 70024484 115 70024486 115 70024488 114 70024503 116 70024504 115 70024507 116 70024513 115 70024517 114 70024904 114 70024905 114 70024906 114 70024907 114 70024910 115 70024912 115 70024915 115 70024917 116 70024918 116 70024919 116 70024920 115, 116 70024924 114 70024925 114 70024961 115 70025076 114 70025080 114 70025082 114 70025084 115 70025088 114 70025091 114 70025103 115 7002511 114 70025112 115 70025135 114 70025136 114 70025137 114 70025140 115 70025142 115 70025143 115 70025144 115 70025145 115 70025146 115 70025149 116 70025151 115 70025152 114 70025153 115 70025154 115 70025155 115 70025156 115 70025160 115 70025161 115 70025162 114	70025163 114 70025164 115 70025171 114 70025176 114 70025177 115 70025178 115 70025179 115 70025180 115 70025181 115 70025182 115 70025183 115 70025184 115 70025190 114 70025200 115 70025202 114 70025203 115 70025204 114 70025205 114 70025206 114 70025207 114 70025208 114 70025210 115 70025231 115 70025235 115 70025239 115 70025477 115 70025533 115 7002821 ... 404, 425, 444, 463, 502 7002822 502 7002823 ... 404, 425, 444, 463, 502 7002828 ... 404, 425, 445, 463, 502 7003655 84, 93, 102, 496 7003657 194 7003928 271 7003933 279 7003935 279 7003941 279 7003946 279 7003953 271 7003969 279 7003972 280 7003973 280 7003976 271 7003977 271 7003980 280 7003982 280 7003983 280 7003986 279 7003989 280 7003992 271, 279 7003993 271, 279 7003994 279 7004035 77 7004043 77 7004044 77 7004275 502 7004276 502 7004453 77 7007207 ... 132, 135, 139 7007415 ... 133, 135, 136, 139, 140 7007418 132 7007419 132 7007420 51	7007426 136 7007427 136 7007429 136 7007437 51 7007438 51 7007439 51 7007446 51, 132, 135, 139 7007489 143 7007645 76 7007646 76 7007648 76 7010467 76 7010543 61 7010545 341, 343 7010795 77 7011016 66 7011043 66 7011044 66 7011048 66 7011062 66 7011311 69, 256 7011320 77 7011326 25, 32 7011346 ... 54, 57, 59, 69, 256 7011354 69, 494 7011355 57, 59, 256 7011373 256 7012513 189, 194 7012514 189, 194 7012558 189, 194 7012704 29, 33, 39 7012706 .. 29, 33, 39, 120, 126 7012709 120, 126 7012715 ... 29, 34, 39, 126 7012716 29, 33, 39 7012773 55, 69 7012907 53 7012941 53, 61 7012942 61 7012944 53, 61, 256, 494 7012955 61 7012967 61, 345, 347 7012998 61 7013711 66 7013715 66 7013716 66 7013753 66 7014801 146 7014802 146 7014811 146 7014812 146 7014813 146 7014816 146 7014819 146 7015003 84 7015013 84 7015014 84 7015015 84 7016314 146 7016319 166 7016322 170 7016328 96, 97, 104, 496 7016331 96, 104, 114, 496 7016372 166 7016374 170 7016380 166 7016399 261 7016628 166 7016654 502 7016655 502 7016769 66 7017072 76 7017082 76 7017085 77 7017142 242 7017158 242 7017159 242 7017162 241 7017163 241 7017164 241 7017184 242 7017185 242 7017187 241 7017188 241 7017191 241 7017195 241 7017402 256 7017405 61 7017451 69, 494 7017495 69 7018900 57, 59 7018936 128 7018942 69 7018991 55, 69, 494 7019103 279 7019110 279 7019111 271, 279 7019112 279 7019114 279 7019115 279 7019122 271 7019123 271 7019141 271 7019142 271 7019143 271 7019144 271 7019145 271 7019147 271 7019149 271 7019150 271 7019151 279 7019154 279 7019155 279 7019160 279 7019161 279 7019162 279 7019164 280 7019165 280 7019166 280 7019167 280 7019168 279 7019171 271 7019174 271 7019177 271 7019194 280 7019196 280 7019197 271 7019680 189, 194 7020020 91 7020043 145
--	--	---

PART NUMBER INDEX

7020108.....	189, 194	7022560.....	25, 32, 38	7024071.....	121, 127	7024444.....	146, 494
7020109.....	189, 194	7022561.....	38	7024072.....	121, 127	7024445.....	146
7020110.....	189, 194	7022564.....	25, 32, 38	7024073.....	121, 127	7024446.....	146
7020111.....	189, 194	7022567.....	25, 32, 38	7024075.....	121, 127	7024452.....	167, 261
7020168.....	96	7022568.....	25, 32, 38	7024076.....	121, 127	7024453.....	77
7020175.....	157, 161, 266	7022572.....	25, 32	7024077.....	121, 127	7024461.....	149
7020176.....	157, 161, 266	7022573.....	25, 33, 38	7024079.....	121	7024462.....	321
7020190.....	189, 194	7022574.....	26, 33, 38	7024080.....	121, 128	7024463.....	321
7020191.....	194	7022575.....	26, 33	7024081.....	121, 128	7024467.....	321
7020192.....	194	7022576.....	26, 33	7024083.....	128	7024469.....	321
7020193.....	421, 442	7022577.....	26, 33, 38	7024084.....	128	7024470.....	321
7020256.....	146	7022578.....	26, 33, 38	7024085.....	128	7024471.....	321
7020404.....	114	7022579.....	26, 33, 39	7024086.....	128	7024472.....	321
7020411.....	96, 97	7022580.....	26, 33	7024087.....	128	7024473.....	321
7020414.....	96, 97, 104	7022581.....	26, 33, 39	7024088.....	128	7024474.....	321
7020449.....	96	7022608.....	133	7024089.....	128	7024475.....	321
7020458.....	96, 97	7022808.....	271	7024097.....	127	7024478.....	321
7020459.....	97, 105	7022812.....	279, 280	7024135.....	77	7024485.....	202, 209, 214
7020461.....	96, 97	7022814.....	271	7024182.....	76, 77	7024486.....	210
7020464.....	96, 97	7022815.....	271	7024183.....	76	7024488.....	201, 209, 213
7020465.....	96, 104, 114	7022816.....	271	7024184.....	76	7024489.....	201, 209, 213
7020468.....	96, 104	7022817.....	271	7024185.....	76	7024565.....	96, 97, 105
7020471.....	96, 97, 104	7022818.....	271	7024186.....	77	7024570.....	57, 59, 69
7020479.....	96, 97, 105	7022819.....	271, 272, 402, 418, 438, 459	7024188.....	76, 77	7024571.....	57, 59, 69, 256, 494
7020480.....	96			7024189.....	77	7024572.....	256
7020483.....	96	7022822.....	279	7024190.....	78	7024573.....	69
7020484.....	96	7022823.....	279	7024191.....	77	7024574.....	69
7020485.....	96	7022824.....	279, 402, 418, 438, 459	7024192.....	77	7024579.....	97, 105, 114
7020486.....	96, 97, 104	7022825.....	402, 418, 438, 459	7024193.....	77, 78	7024580.....	90, 100, 418, 439
7020488.....	96, 402			7024194.....	78	7024581.....	83, 90, 101, 419, 439
7020492.....	115	7023206.....	91	7024196.....	78	7024582.....	90, 101, 419, 439
7021249.....	51	7023207.....	91	7024197.....	77, 78	7024583.....	90, 101, 419, 439
7021256.....	133	7023306.....	146	7024362.....	246, 247	7024584.....	90, 101, 419, 439
7021265.....	133	7023347.....	146	7024363.....	246, 247		
7021275.....	51, 132, 136, 140	7023381.....	127	7024364.....	246, 247		
7021293.....	133	7023922.....	256	7024365.....	13, 494		
7021326.....	38	7023962.....	135, 139	7024366.....	13		
7021354.....	26, 33	7023964.....	135, 136, 139, 140	7024367.....	246		
7021375.....	69			7024368.....	246		
7021388.....	25, 32, 38	7024005.....	128	7024374.....	146		
7021636.....	69	7024028.....	25, 26, 32, 33, 38, 39	7024375.....	146, 494		
7022207.....	66	7024029.....	25, 26, 32, 33, 38, 39	7024379.....	77		
7022215.....	66	7024030.....	25, 26, 32, 33, 38, 39	7024380.....	77		
7022227.....	66	7024031.....	26, 33, 39	7024381.....	77		
7022228.....	66	7024032.....	26, 33	7024389.....	77		
7022229.....	66	7024034.....	29, 33, 34, 39, 40	7024390.....	77		
7022230.....	66	7024036.....	29, 33, 39	7024391.....	77		
7022231.....	66	7024037.....	29, 33, 39	7024392.....	77		
7022300.....	133	7024038.....	29, 33, 39, 120, 126	7024393.....	77		
7022301.....	132	7024039.....	29, 33, 39	7024394.....	77		
7022311.....	51	7024040.....	29, 34, 39	7024395.....	77		
7022314.....	51	7024041.....	29, 34, 40	7024401.....	149		
7022321.....	51	7024042.....	126, 127	7024402.....	149		
7022340.....	135, 139	7024043.....	126, 127	7024403.....	149		
7022368.....	51	7024044.....	120, 126	7024404.....	149		
7022371.....	51	7024048.....	38	7024413.....	96		
7022509.....	26, 33	7024064.....	120, 127	7024415.....	349		
7022535.....	25, 32, 38	7024065.....	121, 127	7024416.....	349		
7022536.....	25, 26, 32, 33	7024068.....	128	7024417.....	349		
7022537.....	25, 32, 38	7024069.....	128	7024418.....	349		
7022538.....	25, 32, 38	7024070.....	127	7024419.....	349		
7022540.....	25, 26, 32, 33			7024420.....	349		
7022546.....	25, 32, 38			7024439.....	146		
7022550.....	25, 32, 38			7024440.....	146		
7022556.....	25, 32, 38			7024441.....	146		
7022559.....	25, 32, 38			7024442.....	146		
				7024443.....	146		

PART NUMBER INDEX

7024966 25, 32, 38	7026029 149, 150	7027236.....97, 104	77363245 424
7024967 25, 32, 38	7026030 149, 150	7027237.....96	80334251 149, 150
7024968 25, 32, 38	7026031 149, 150, 496	7027238.....97	80484084..... 454
7024969 26, 33, 39	7026032 149, 150	7027239.....97	80934174..... 121
7024970 38	7026034 149	7027240.....97, 105	80983191 454
7024971 38	7026188 202, 214	7027241.....97	8229242 454
7024972 38	7026189 149	7027276.....97, 105	8303541 86
7024973 38	7026571 146	7027412.....85	8310070 252
7024974 38	7026597 202, 214	7027614.....96	8310129 ... 287, 291, 301
7024975 38	7026608 97, 105	7027615.....96	8310230 ... 289, 293, 295,
7024976 38, 39	7026626 214	7027616.....96	297, 299, 303, 305,
7026000 69	7026802 87	7027740.....51	307, 309
7026001 69	7026803 87	7027773.....321	8310658 181, 186
7026002 69	7026804 87	7027774.....321	8405006 109, 110, 114
7026003 69	7026805 87	7027775.....321	8405007 113
7026004 69	7026811 87, 496	7027776.....321	8405104 85
7026005 69	7026812 87	7027777.....321	8405201 112
7026006 69	7026813 87	7027778.....321	8405204 112
7026007 69	7026820 87	7027779.....321	8406101 86
7026008 69	7026821 87	7027780.....321	8406102 113
7026012 57, 59	7026822 87	7027790.....97, 105	8406105 86
7026016 69	7026829 87	7027791.....97, 105	8406112 113
7026018 256	7026830 87, 496	7027792.....97, 105	8406302 111
7026019 256	7026833 87	7027795.....105	8410013 95, 104, 112
7026020 256	7026839 87	7027796.....97, 105, 418,	8580420 54
7026021 256	7027034 83, 439	438	88662523 187
7026022 256	7027035 83, 439	7027799.....202, 214	91083128 85
7026023 256	7027039 83, 439	7027887 189, 194	91143339 454
7026024 256	7027042 110, 460	7029593.....66	91143340 454
7026025 57, 59	7027043 110, 460	7733233.....199	91403230 .. 472, 482, 492
7026026 57, 59	7027044 110, 460	77363233.....462	91403244 85
7026027 57, 59	7027045 110, 460	77363243.....424	91563070 112
7026028 54	7027235 96, 104	77363244...424, 444, 462	9984273 268



3121208



An Oshkosh Corporation Company

Corporate Office
JLG Industries, Inc.
1 JLG Drive
McConnellsburg, PA 17233-9533 USA
☎ **(717) 485-5161 (Corporate)**
☎ **(877) 554-5438 (Customer Support)**
☎ **(717) 485-6417**

Visit our website for JLG Worldwide Locations.
www.jlg.com