



Illustrated Parts Manual

Models 3394RT & 4394RT

SN 0200191606
through
SN 0200239052

**P/N
3121250**

August 30, 2018 - Rev R

ANSI

CE



An Oshkosh Corporation Company

REVISION LOG

NOTE: Machines SN 0200186972, 0200187002 & 0200187013 are also built to specs contained in this manual.

NOTE: Machines SN 0200186972, 0200187002 & 0200187013 & All Machines 0200191606 to Present are built to B/M 0010583 Revision 56 or higher.

October 15, 2008 - A - Original Issue Of Manual (Manual edited to B/M 0010583 Revision 57)

January 1, 2009 - B - Revised Manual (Manual edited to B/M 0010583 Revision 62)

June 1, 2009 - C - Revised Manual (Manual edited to B/M 0010583 Revision 64)

October 1, 2010 - D - Revised Manual (Manual edited to B/M 0010583 Revision 69)

March 23, 2011 - E - Revised Manual (Manual edited to B/M 0010583 Revision 70)

June 16, 2011 - F - Revised Manual (Manual edited to B/M 0010583 Revision 72)

September 22, 2011 - G - Revised Manual (Manual edited to B/M 0010583 Revision 74)

February 14, 2012 - H - Revised Manual (Manual edited to B/M 0010583 Revision B)

June 27, 2012 - I - Revised Manual (Manual edited to B/M 0010583 Revision C)

September 7, 2012 - J - Revised Manual (Manual edited to B/M 0010583 Revision C)

January 21, 2013 - K - Revised Manual (Manual edited to B/M 0010583 Revision C)

April 30, 2013 - L - Revised Manual (Manual edited to B/M 0010583 Revision M)

July 22, 2013 - M - Revised Manual (Manual edited to B/M 0010583 Revision M)

October 14, 2013 - N - Revised Manual (Manual edited to B/M 0010583 Revision M)

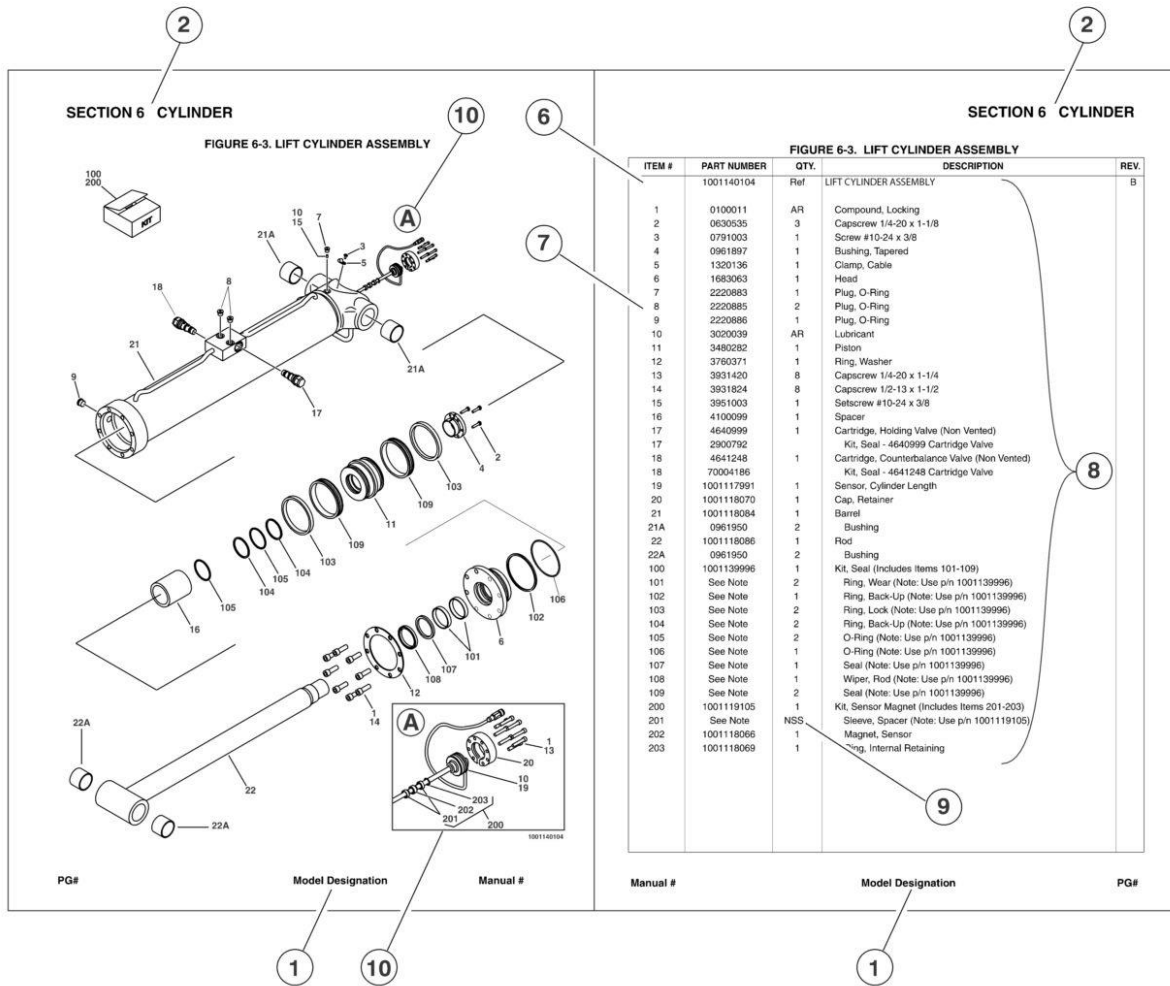
February 7, 2014 - O - Revised Manual (Manual edited to B/M 0010583 Revision S & B/M 1001160090 Revision B)

February 1, 2015 - P - Revised Manual (Manual edited to B/M 1001160090 Revision F)

August 1, 2016 - Q - Revised Manual (Manual edited to B/M 1001160090 Revision F) (Revision 1)

August 30, 2018 - R - Revised Manual

GENERAL INFORMATION



1) MACHINE IDENTIFICATION

Machines are identified by model and in some cases a combination of models, serial number (SN) or regional standard (i.e. ANSI, CE, CSA). Components may also be identified by SN or manufacturer. Common components that may be identified by these characteristics are engines and hydraulic components.

2) PARTS MANUAL ORGANIZATION

Product information in this manual is organized under section titles. Frame, Cylinder, Hydraulic and Electrical are a few examples. Each section is organized by figure and page number. The information within the Figure is then organized by item number, part number, description and corresponding illustration(s).

3) TABLE OF CONTENTS

A table of contents is found toward the beginning of the manual. Figure number, description and page number are provided for quick reference to the page containing the related information.

4) RECOMMENDED SPARE PARTS

The Recommended Spare Parts, located near the end of the manual, reference most frequently used maintenance parts.

5) PART NUMBER INDEX

A numerical index listing all part numbers and the corresponding page number(s) appears at the back of the manual.

GENERAL INFORMATION

6) NON-SERVICED PARTS

In some instances, it is necessary to display non-serviced parts, assemblies or installations. In the case of assemblies and installations there will be a Ref in the Qty column. In case of parts that are not available for service within assemblies or components, there will be a NSS (Not Sold Separately) or NLA (No Longer Available) listed in the Qty. column of the manual.

7) PARTS LIST ITEM NUMBERS

Numbers shown in the item# column correspond to numbers used in the associated illustration (s). Item numbers which are missing from the sequence in the parts list are not used on that page

8) INDENTED PARTS DESCRIPTION

An indented part description is included in the item under which it is indented.

9) ABBREVIATION AND SYMBOLS

AC.....	.. Alternating Current	LCD Liquid Crystal Display
ADE.....	.. Advanced Design Electronics	LED Light Emitting Diodes
ANSI American National Standards Institute	LH.....	.. Left Hand
AR.....	.. As Required	LSS Load Sensing System
ASSY Assembly	M(m).....	.. Metric/Meter
AUX.....	.. Auxiliary	MM (mm) Milimeter
AWG.....	.. American Wire Gauge	mA.....	.. Milliamps
B/M.....	.. Bill of Material	NLA.....	.. No Longer Available
CE.....	.. European Conformity	NPT National Pipe Threads
CCW Counter Clockwise	NSS Not Sold Separately
cm.....	.. Centimeter	OD.....	.. Outside Diameter
CW Clockwise	ORB.....	.. O-Ring Boss
CSA.....	.. Canadian Standards Association	ORFS.....	.. O-Ring Face Seal
CYL.....	.. Cylinder	OZ (oz) Ounces
DIA.....	.. Diameter	PG Page
DC.....	.. Direct Current	P/N.....	.. Part Number
EMS Emergency Stop	qt.....	.. Quarts
ENG Engine	QTY.....	.. Quantity
FT (ft).....	.. Feet	REF Reference
GA (Ga).....	.. Gauge	REV Revision Level
HYD.....	.. Hydraulic	RH.....	.. Right Hand
Hz.....	.. Hertz	SAE.....	.. Society of Automotive Engineers
ID.....	.. Inside Diameter	SN.....	.. Serial Number
in.....	.. inches	SPEC(S).....	.. Specifications
ISO.....	.. International Organization for Standards	T/T.....	.. Turntable
JIC.....	.. Joint Industry Council	UGM Universal Ground Module
KG Kilogram	V.....	.. Volts
L.....	.. Liter	W.....	.. Watts
LB Pounds	#.....	.. Number

10) ILLUSTRATION REFERENCE LETTERS

When necessary, illustrations may contain reference letters that are intended to track information (i. e. hoses, harnesses) from one point to another or to track visual enlargement of components to show details that may be located in another area on the illustration.

Note: Due to continuous product improvements, JLG Industries, Inc. reserves the right to make specification changes without prior notification. Contact JLG Industries, Inc. for updated information.

TABLE OF CONTENTS

SECTION 1 - FRAME.....	9
FIGURE 1-1. AXLE AND STEERING INSTALLATION WITHOUT TOW PACKAGE (SN 0200191606 through 0200223953)	10
FIGURE 1-2. AXLE AND STEERING INSTALLATION WITHOUT TOW PACKAGE (SN 0200223954 through 0200239052)	14
FIGURE 1-3. AXLE AND STEERING INSTALLATION WITH TOW PACKAGE	16
FIGURE 1-4. TIRE AND WHEEL DRIVE INSTALLATIONS	22
FIGURE 1-5. DRIVE MOTOR/HUB ASSEMBLY (REXROTH)	26
FIGURE 1-6. DRIVE MOTOR ASSEMBLY (SAUER-DANFOSS)	30
FIGURE 1-7. DRIVE HUB ASSEMBLIES (FAIRFIELD)	32
FIGURE 1-8. BEACON LIGHT AND LEVELING JACKS INSTALLATION	36
SECTION 2 - GROUND CONTROLS	39
FIGURE 2-1. CONTROL VALVES, HORN AND ALARMS INSTALLATIONS	40
FIGURE 2-2. MAIN CONTROL VALVE ASSEMBLY	44
FIGURE 2-3. FLOW DIVIDER VALVE ASSEMBLY	46
FIGURE 2-4. LEVELING JACK VALVE ASSEMBLY.....	48
FIGURE 2-5. ENGINE INSTALLATION (DEUTZ D2011 ENGINE)	50
FIGURE 2-6. ENGINE INSTALLATION (DEUTZ D2.9L4 ENGINE)	58
FIGURE 2-7. ENGINE INSTALLATION (GM) (SN 0200191606 through 0200198946)	68
FIGURE 2-8. ENGINE INSTALLATION (GM) (SN 0200198947 through 0200239052)	74
FIGURE 2-9. PISTON PUMP ASSEMBLY	80
FIGURE 2-10. AUXILIARY PUMP ASSEMBLY.....	84
FIGURE 2-11. TANKS AND TANK TRAY INSTALLATION	86
FIGURE 2-12. GROUND CONTROL BOX INSTALLATION.....	90
FIGURE 2-13. HOODS AND LADDERS INSTALLATIONS.....	94
FIGURE 2-14. GENERATOR INSTALLATION (DEUTZ D2011ENGINE OPTIONS)	100
FIGURE 2-15. 7500W GENERATOR INSTALLATION (DEUTZ D2.9L4 ENGINE OPTIONS)	104
FIGURE 2-16. GENERATOR INSTALLATION (GM ENGINE OPTIONS).....	108
SECTION 3 - SCISSORS ARMS	111
FIGURE 3-1. SCISSORS ARMS INSTALLATION (3394RT).....	112
FIGURE 3-2. SCISSOR ARMS INSTALLATION (4394RT)	116
FIGURE 3-3. ARM GUARDS INSTALLATION (CE SPEC ONLY).....	122
SECTION 4 - PLATFORM.....	125
FIGURE 4-1. PLATFORM ATTACH AND MODULE INSTALLATIONS.....	126
FIGURE 4-2. MANUAL SINGLE DECK EXTENSION AND PLATFORM ASSEMBLY	128
FIGURE 4-3. MANUAL DUAL DECK EXTENSION AND PLATFORM ASSEMBLY	132
FIGURE 4-4. POWER DECK EXTENSION AND PLATFORM ASSEMBLY.....	136
FIGURE 4-5. RAILS INSTALLATION	142
FIGURE 4-6. PLATFORM CONSOLE BOX ASSEMBLY	146
FIGURE 4-7. DRIVE/STEER CONTROLLER ASSEMBLY	150
FIGURE 4-8. PIPE RACKS INSTALLATION (RAIL MOUNT).....	152
FIGURE 4-9. PIPE RACKS INSTALLATION (SKY POSITIONER).....	154
FIGURE 4-10. WORKSTATION WITHOUT DC CONVERTER INSTALLATION.....	158
SECTION 5 - CYLINDER	161
FIGURE 5-1. AXLE LOCKOUT CYLINDER ASSEMBLY	162
FIGURE 5-2. LEVELING JACK CYLINDER ASSEMBLY	164
FIGURE 5-3. LIFT CYLINDER ASSEMBLY	166
FIGURE 5-4. PLATFORM EXTENSION CYLINDER ASSEMBLY	168
FIGURE 5-5. STEER CYLINDER ASSEMBLY (SN 0200191606 through 0200223953).....	170
FIGURE 5-6. STEER CYLINDER ASSEMBLY (SN 0200223954 through 0200239052).....	172
SECTION 6 - HYDRAULIC	175
FIGURE 6-1. STANDARD HYDRAULIC DIAGRAM - STANDARD (REXROTH DRIVE COMPONENTS) (SN 0200191606 through 02007752)	176
FIGURE 6-2. STANDARD HYDRAULIC DIAGRAM - STANDARD (SAUER-DANFOSS/FAIRFIELD DRIVE COMPONENTS) (SN 0200207753 through 0200239052).....	180
FIGURE 6-3. LEVELING JACK HYDRAULIC DIAGRAM	184
FIGURE 6-4. POWER DECK EXTENSION HYDRAULIC DIAGRAM (SN 0200191606 through 0200210268)	186

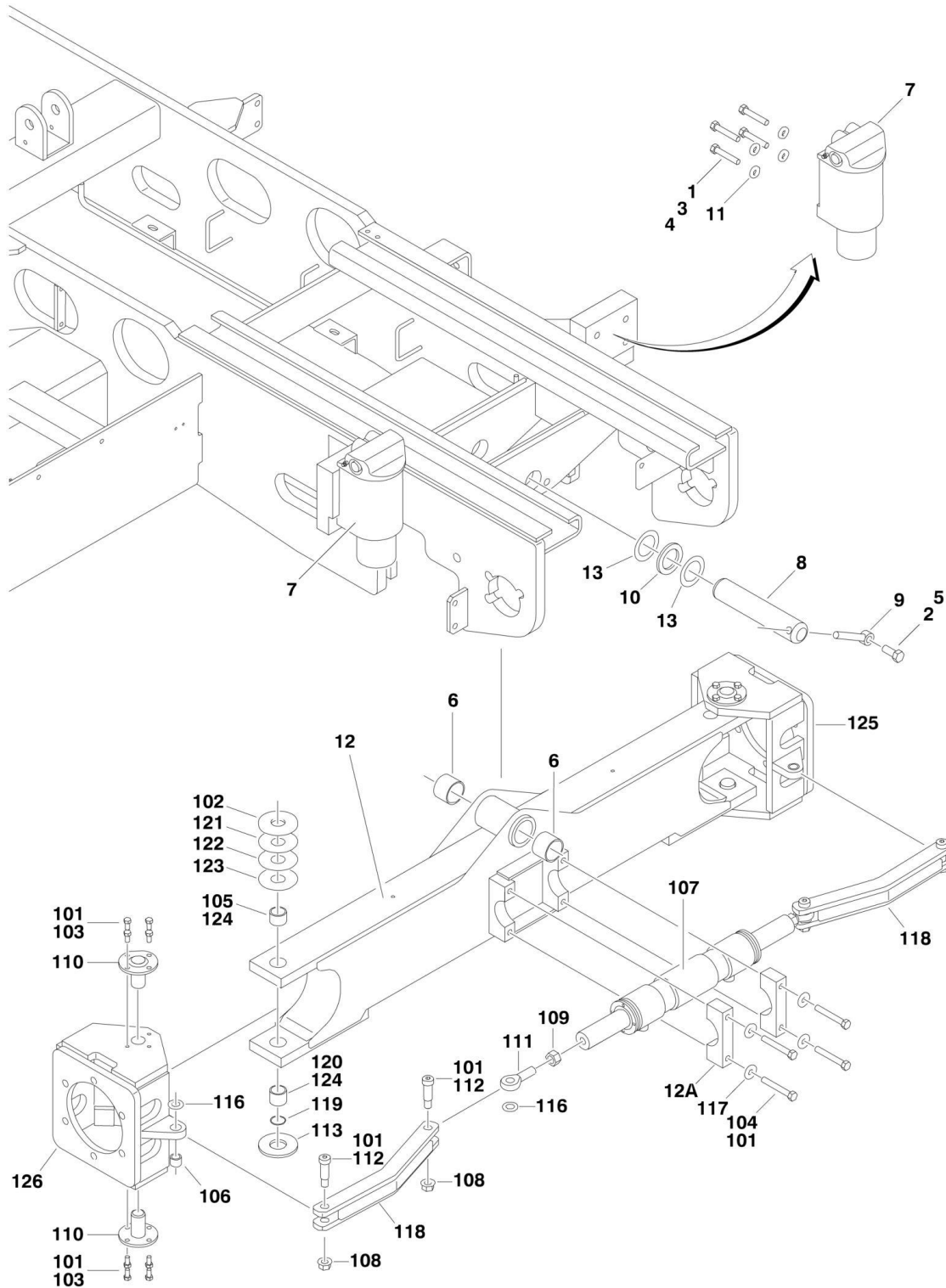
TABLE OF CONTENTS

FIGURE 6-5. POWER DECK EXTENSION HYDRAULIC DIAGRAM (SN 0200210269 through 0200239052)	188
FIGURE 6-6. POWER DECK EXTENSION HYDRAULIC DIAGRAM (MEGADECK) (OPTIONAL)	192
FIGURE 6-7. HYDRAULIC DIAGRAM LIST	194
SECTION 7 - ELECTRICAL	195
FIGURE 7-1. ELECTRICAL COMPONENTS INSTALLATION (DEUTZ D2011 ENGINE AND GM ENGINE MACHINES)	196
FIGURE 7-2. ELECTRICAL COMPONENTS INSTALLATION (DEUTZ D2.9L4 ENGINE MACHINES)	208
SECTION 8 - DECALS	219
FIGURE 8-1. DECAL INSTALLATION (ANSI SPEC)	220
FIGURE 8-2. DECAL INSTALLATION (ANSI EXPORT SPEC)	224
FIGURE 8-3. DECAL INSTALLATION (AUSTRALIAN AND CE SPECS)	228
SECTION 9 - RECOMMENDED SERVICE PARTS STOCK	231
FIGURE 9-1. MODELS 3394RT & 4394RT STANDARD PARTS	232
FIGURE 9-2. MODELS 3394RT & 4394RT VARIABLE PARTS	234
SECTION 10 - SPECIAL OPTIONS	235
FIGURE 10-1. SPECIAL OPTIONS LIST	236
PART NUMBER INDEX	239

SECTION 1 - FRAME

SECTION 1 - FRAME

FIGURE 1-1. AXLE AND STEERING INSTALLATION WITHOUT TOW PACKAGE (SN 0200191606 through 0200223953)



SECTION 1 - FRAME

FIGURE 1-1. AXLE AND STEERING INSTALLATION WITHOUT TOW PACKAGE (SN 0200191606 through 0200223953)

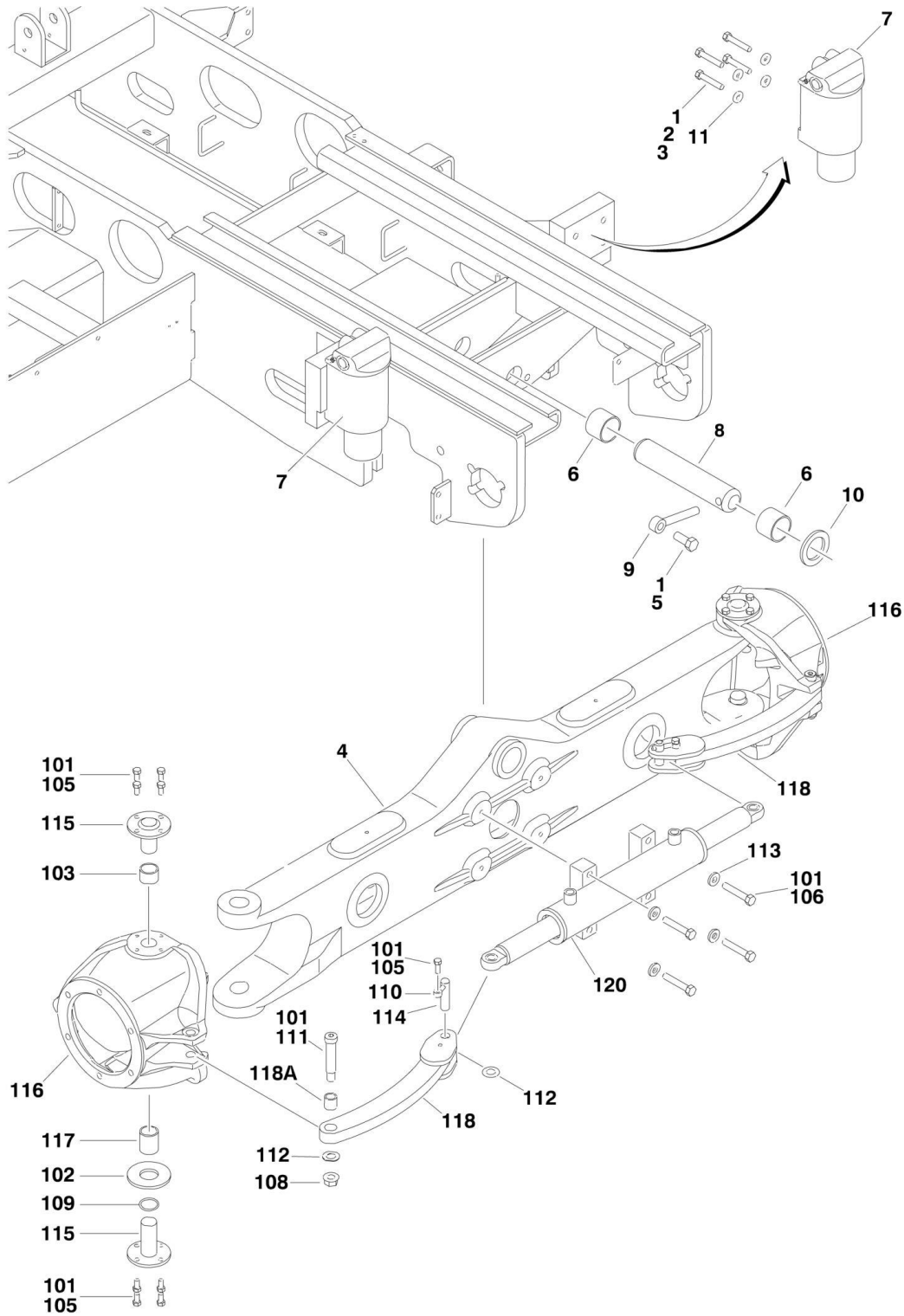
ITEM	PART NUMBER	QTY	DESCRIPTION	REV
	1001102170	Ref	OSCILLATING AXLE INSTALLATION	D
1	0100011	AR	Locking, Compound	
2	0100019	AR	Locking, Compound	
3	0100038	AR	Primer, Locking	
4	0641822	8	Bolt 1/2in-13NC x 2-3/4in	
5	0642012	1	Bolt 5/8in-11NC x 1-1/2in	
6	0961950	2	Bearing	
7	1684465	2	Oscillating Axle Cylinder Assembly (See CYLINDER SECTION for Breakdown)	
8	3422592	1	Pin, Axle Pivot	
9	3841258	1	Keeper, Pin	
10	4740158	1	Washer, Thrust	
11	4891800	8	Flatwasher 1/2 Hardened	
12	1001093380	1	Axle Weldment	E
12A	1001100424	2	Block, Cylinder	
13	4740541	2	Washer, Thrust	
		Ref	STEERING INSTALLATIONS	
	1001106832	Ref	Machines with Rexroth Motor and Hubs (SN 0200191606 through 0200207752)	A
	1001102242	Ref	Machines with Sauer-Danfoss Motors and Fairfield Hubs (SN 0200207753 through 0200223953)	E
101	0100011	AR	Locking, Compound	
102	4740538	AR	Thrustwasher	
103	0641606	16	Bolt 3/8in-16NC x 3/4in	
104	0681828	4	Bolt 1/2in-13NC x 3-1/2in (Grade 8)	
105	0440291	2	Bearing	
106	0962140	2	Bearing	
107	1684412	1	Steer Cylinder Assembly (See CYLINDER SECTION for Breakdown):	
108	3312008	4	Nut 5/8in-11NC	
109	3322201	2	Nut 3/4in-16NC	
110	3423081	4	Kingpin	
111	3841517	2	Rod-End with Teflon Bearing	
112	3900109	4	Screw, Shoulder	
113	0440271	2	Thrustwasher	
116	4740086	4	Washer, Thrust	
117	4751800	4	Flatwasher 1/2in Wide	
118	4846070	2	Tie-Rod	
119	3780182	2	O-Ring	
120	0440274	2	Bearing	
121	4740539	AR	Thrustwasher	
122	4740540	AR	Thrustwasher	
123	4740537	AR	Thrustwasher	
124	3020029	AR	Grease, Bearing	
125		Ref	Spindle Options (Left Side from Operators Position):	
125	4130403	1	Spindle Options (Left Side from Operators Position) (SN 0200191606 through 0200207752)	
125	4130405	1	Spindle Options (Left Side from Operators Position) (SN 0200207753 through 0200223953)	
126		Ref	Spindle Options (Right Side from Operators Position):	

SECTION 1 - FRAME

ITEM	PART NUMBER	QTY	DESCRIPTION	REV
126	4130404	1	Spindle Options (Right Side from Operators Position) (SN 0200191606 through 0200207752)	
126	4130406	1	Spindle Options (Right Side from Operators Position) (SN 0200207753 through 0200223953)	
		Ref	FRAME WELDMENTS	
	1001106831	Ref	Frame for Machines with Rexroth Motor and Hubs (SN 0200191606 through 0200207752)	
	1001094159	Ref	Frame for with Sauer-Danfoss Motors and Fairfield Hubs (SN 0200207753 through 0200223953)	

SECTION 1 - FRAME

FIGURE 1-2. AXLE AND STEERING INSTALLATION WITHOUT TOW PACKAGE (SN 0200223954 through 0200239052)



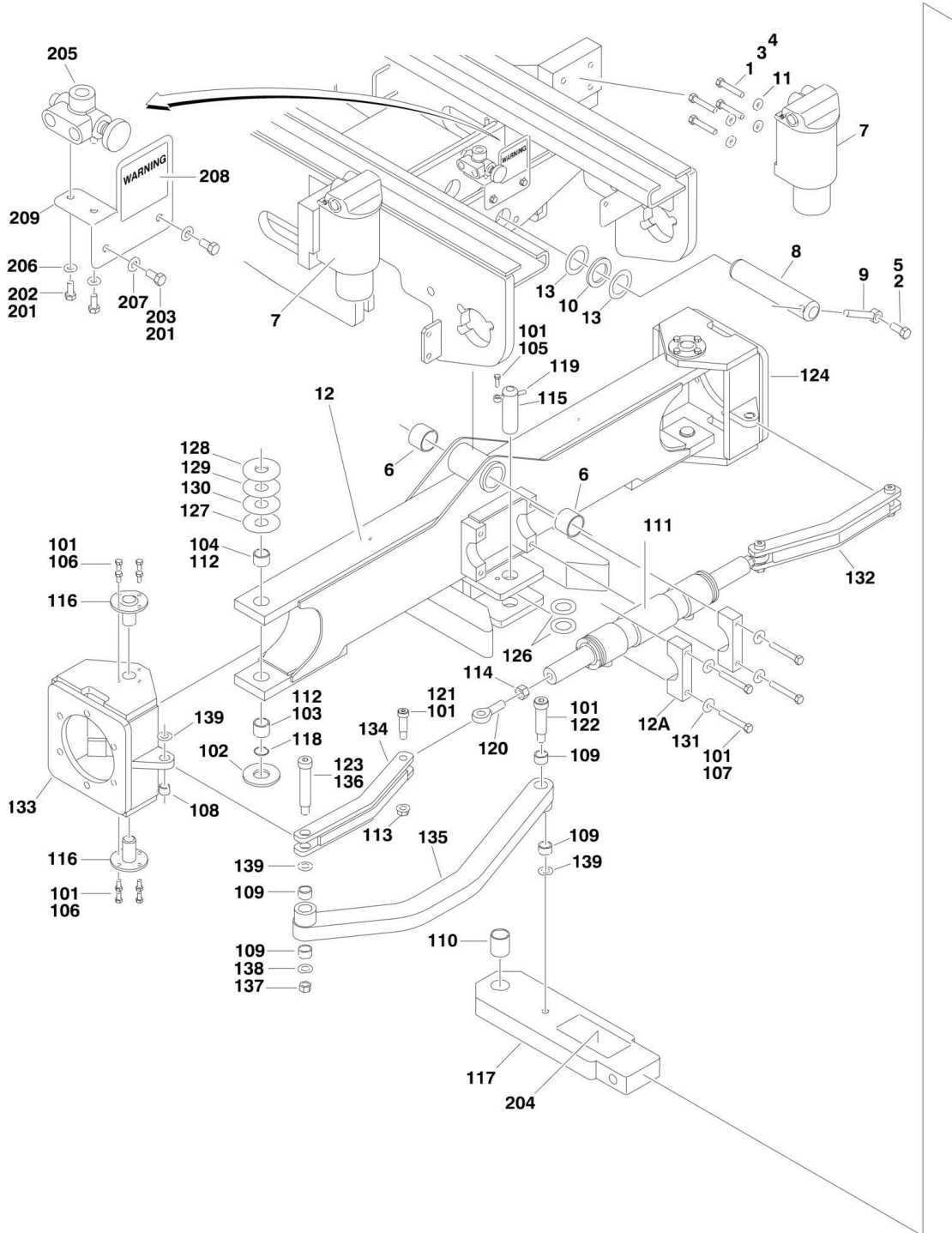
SECTION 1 - FRAME

FIGURE 1-2. AXLE AND STEERING INSTALLATION WITHOUT TOW PACKAGE (SN 0200223954 through 0200239052)

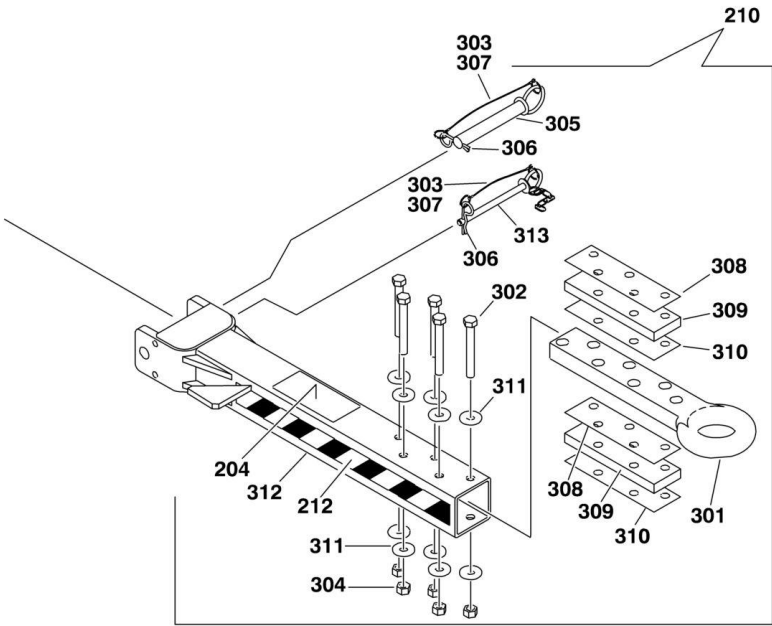
ITEM	PART NUMBER	QTY	DESCRIPTION	REV
	1001139626	Ref	OSCILLATING AXLE INSTALLATION	A
1	0100011	AR	Locking, Compound	
2	0641822	8	Bolt 1/2in-13NC x 2-3/4in	
3	0100038	AR	Primer, Locking	
4	1001098130	1	Axle	
5	0642012	1	Bolt 5/8in-11NC x 1-1/2in	
6	0961950	2	Bearing	
7	1684465	2	Oscillating Axle Cylinder Assembly (See CYLINDER SECTION for Breakdown)	
8	3422592	1	Pin, Axle Pivot	
9	3841258	1	Keeper, Pin	
10	4740158	1	Washer, Thrust	
11	4891800	8	Flatwasher 1/2 Hardened	
	1001139935	Ref	STEERING INSTALLATION	D
101	0100011	AR	Locking, Compound	
102	0440271	2	Thrustwasher	
103	0440291	2	Bearing	
105	0641607	18	Bolt 3/8in-16NC x 7/8in	
106	0681820	4	Bolt 1/2in-13NC x 2-1/2in (Grade 8)	
107	3020029	AR	Grease, Bearing	
108	3312008	2	Nut 5/8in-11NC	
109	3780182	2	O-Ring	
110	3841520	2	Keeper	
111	3900255	2	Screw, Shoulder	
112	4740086	4	Washer, Thrust	
113	4891800	4	Flatwasher 1/2in Hardened	
114	1001116867	1	Pin, Axle Pivot	
115	1001139141	4	Kingpin	
116	1001139645	2	Spindle	
117	1001139476	2	Bearing	
118	1001139892	2	Tie-Rod	
118A	1001139943	2	Bearing	
120	1001143434	1	Steer Cylinder Assembly (See CYLINDER SECTION for Breakdown)	
	1001094159	Ref	FRAME WELDMENTS	

SECTION 1 - FRAME

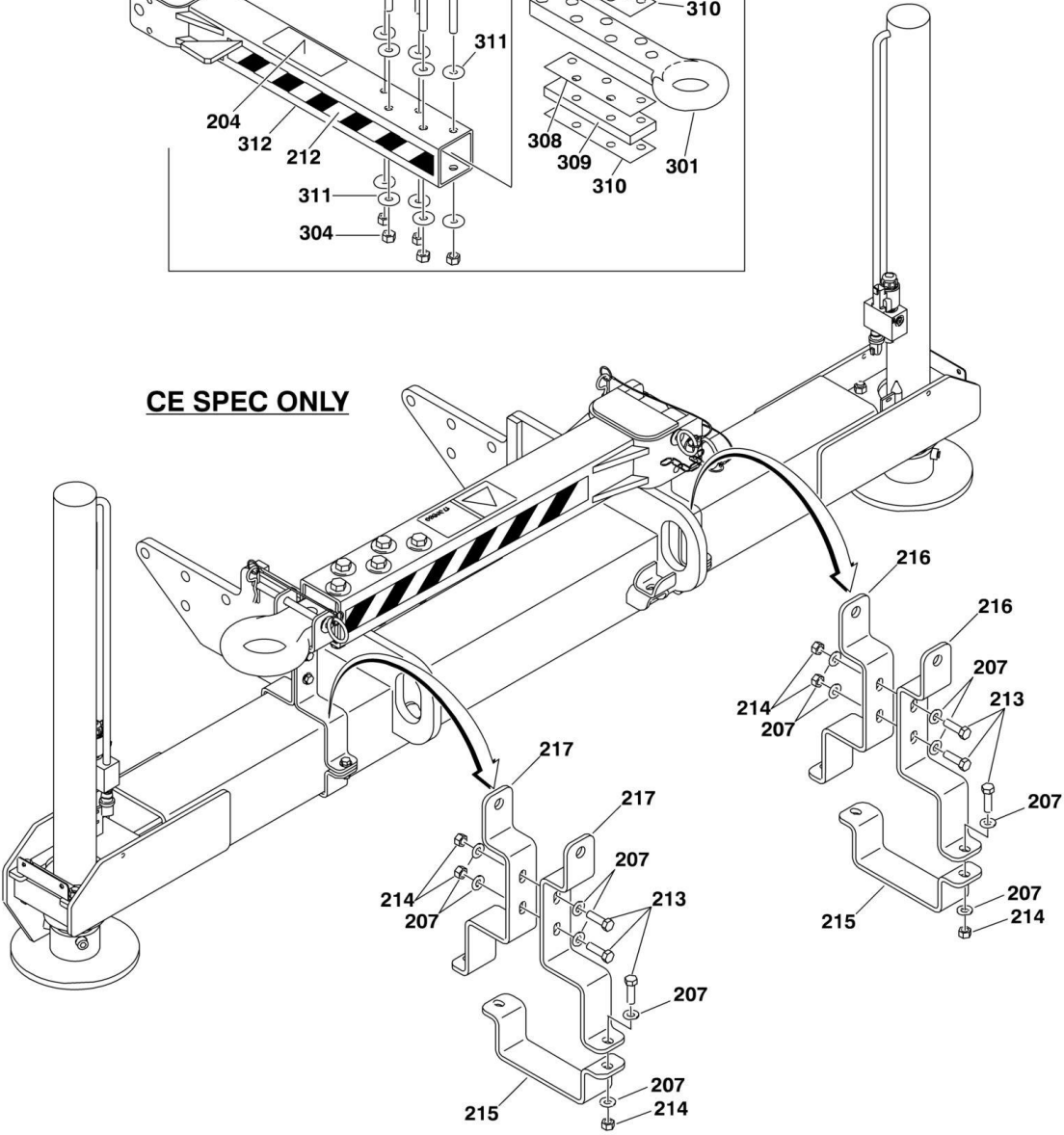
FIGURE 1-3. AXLE AND STEERING INSTALLATION WITH TOW PACKAGE



SECTION 1 - FRAME



CE SPEC ONLY



SECTION 1 - FRAME

FIGURE 1-3. AXLE AND STEERING INSTALLATION WITH TOW PACKAGE

ITEM	PART NUMBER	QTY	DESCRIPTION	REV
	1001109295	Ref	OSCILLATING AXLE INSTALLATION	A
1	0100011	AR	Locking, Compound	
2	0100019	AR	Locking, Compound	
3	0100038	AR	Primer, Locking	
4	0641822	8	Bolt 1/2in-13NC x 2-3/4in	
5	0642012	1	Bolt 5/8in-11NC x 1-1/2in	
6	0961950	2	Bearing	
7	1684465	2	Oscillating Axle Cylinder Assembly (See CYLINDER SECTION for Breakdown)	
8	3422592	1	Pin, Axle Pivot	
9	3841258	1	Keeper, Pin	
10	4740158	1	Washer, Thrust	
11	4891800	8	Flatwasher 1/2in Hardened	
12	1001109227	1	Axle Weldment	E
12A	1001100424	2	Block, Cylinder	
13	4740541	2	Washer, Thrust	
		Ref	STEERING INSTALLATIONS	
		Ref	ANSI Spec	
	1001109296	Ref	ANSI Spec (Prior to SN 0200224892)	E
	1001140311	Ref	ANSI Spec (Not Shown) (SN 0200224892 through 0200239052)	B
	1001127658	Ref	CE Spec	C
101	0100019	AR	Locking, Compound	
102	0440271	2	Thrustwasher	
103	0440274	2	Bearing	
104	0440291	2	Bearing	
105	0641508	1	Bolt 5/16in-18NC x 1in	
106	0641606	16	Bolt 3/8in-16NC x 3/4in	
107	0681828	4	Bolt 1/2in-13NC x 3-1/2in (Grade 8)	
108	0962140	1	Bearing	
109	0962292	5	Bearing	
110	0962348	1	Bearing	
111	1684412	1	Steer Cylinder Assembly (See CYLINDER SECTION for Breakdown) (Prior to SN 0200224892)	
111	1001143434	1	Steer Cylinder Assembly (See CYLINDER SECTION for Breakdown) (Not Shown) (SN 0200224892 through 0200239052)	
112	3020029	AR	Grease, Bearing	
113	3312008	3	Nut 5/8in-11NC	
114	3322201	2	Nut 3/4in-16NC	
115	3482848	1	Pin, Hitch	
116	3423081	4	Kingpin (Prior to SN 0200224892)	
116	1001139141	4	Kingpin (Not Shown) (SN 0200224892 through 0200239052)	
117		Ref	Plate, Hitch Pivot Options:	
117	3574235	1	ANSI Spec	
117	1001127659	1	CE Spec	
118	3780182	2	O-Ring	
119	3841143	1	Keeper, Pin	
120	3841517	2	Rod-End with Teflon Bearing	
121	3900109	3	Screw, Shoulder	
122	3900295	1	Screw, Shoulder	

SECTION 1 - FRAME

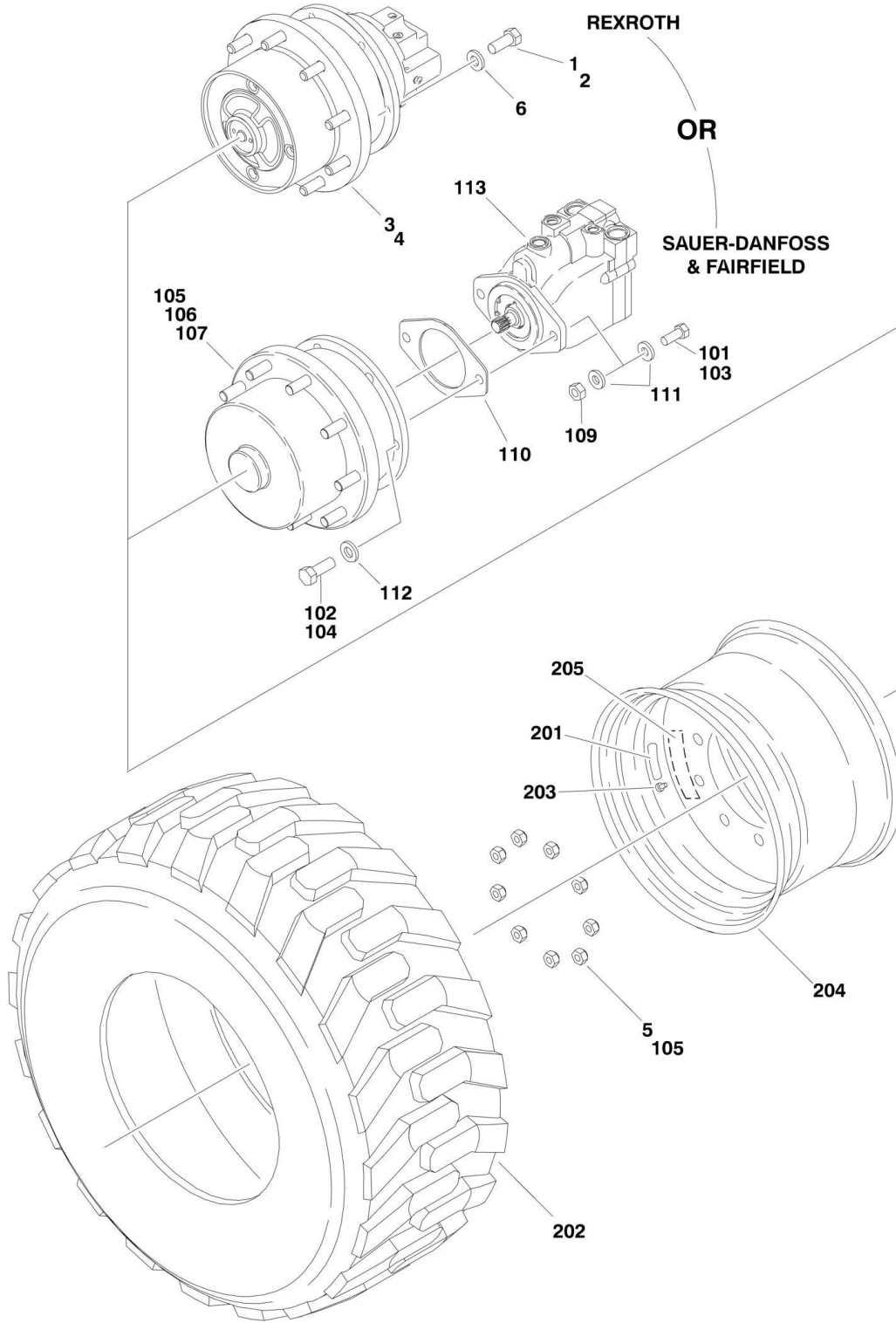
ITEM	PART NUMBER	QTY	DESCRIPTION	REV
123	3900296	1	Screw, Shoulder	
124	4130405	1	Spindle (Left Side from Operators Position) (Prior to SN 0200224892)	
124	1001139645	1	Spindle (Left Side from Operators Position) (Not Shown) (SN 0200224892 through 0200239052)	
125	4740086	3	Thrustwasher	
126	4740155	2	Thrustwasher	
127	4740537	AR	Thrustwasher	
128	4740538	AR	Thrustwasher	
129	4740539	AR	Thrustwasher	
130	4740540	AR	Thrustwasher	
131	4751800	4	Flatwasher 1/2in Wide	
132	4846070	1	Tie-Rod (Left Side from Operators Position) (Prior to SN 0200224892)	
132	1001139892	1	Tie-Rod (Left Side from Operators Position) (Not Shown) (SN 0200224892 through 0200239052)	
133	1001109228	1	Spindle (Right Side from Operators Position) (Prior to SN 0200224892)	
133	1001139645	1	Spindle (Right Side from Operators Position) (Not Shown) (SN 0200224892 through 0200239052)	
134	1001109229	1	Tie-Rod (Right Side from Operators Position) (Prior to SN 0200224892)	
134	1001140469	1	Tie-Rod (Right Side from Operators Position) (Not Shown) (SN 0200224892 through 0200239052)	
135	1001109290	1	Link, Steer (Prior to SN 0200224892)	
135	1001140438	1	Link, Steer (Not Shown) (SN 0200224892 through 0200239052)	
136	0100011	AR	Locking, Compound	
137	3312201	1	Nut 3/4in-10NC	
138	4712200	1	Flatwasher 3/4in Narrow	
139	4740067	3	Thrustwasher	
		Ref	TOW BAR INSTALLATION	
	1001110451	Ref	ANSI Spec	A
	1001127665	Ref	CE Spec	A
201	0100011	AR	Locking, Compound	
202	0641506	2	Bolt 5/16in-18NC x 3/4in	
203	0641606	2	Bolt 3/8in-16NC x 3/4in	
204		Ref	Decal - Crushing Options:	
204	1704578	3	ANSI Spec	
204	1706960	3	CE Spec	
205	4640261	1	Tow Valve Assembly	
206	4711500	2	Flatwasher 5/16in Narrow	
207	4711600	AR	Flatwasher 3/8in Narrow	
208		Ref	Decal - Towing Instruction Options:	
208	1001110261	1	ANSI Spec	
208	1001128033	1	CE Spec	
209	1001110263	1	Bracket, Mounting	
210	1001110267	1	Tow Bar Assembly (See Items 301-313 for Breakdown)	
212	4420051	56 in/1.4m	Tape, Safety	
213	0641610	8	Bolt 3/8in-16NC x 1-1/4in (CE Spec Only)	
214	3311605	8	Locknut 3/8in-16NC (CE Spec Only)	
215	1001127701	2	Bracket, Bottom Clamp (CE Spec Only)	
216	1001127702	2	Bracket, Retainer	
217	1001127723	2	Bracket, Retainer	

SECTION 1 - FRAME

ITEM	PART NUMBER	QTY	DESCRIPTION	REV
	1001110267	Ref	TOW BAR ASSEMBLY	A
301	0360406	1	Bar, Draw	
302	0682040	5	Bolt 5/8in-11NC x 5in Grade 8	
303	1060584	2	Lanyard	
304	3312005	5	Locknut 5/8in-11NC	
305	3420352	1	Pin, Tow Hitch	
306	3420372	2	Pin, Cotter	
307	3760170	5	Ring, Split	
308	4070450	2	Shim #14 Gauge (.075)	
309	4070560	2	Shim (.88)	
310	4070561	2	Shim #11 Gauge	
311	4752000	10	Flatwasher 5/8in Wide	
312	1001110285	1	Arm, Towing	
313	1001110384	1	Pin	
	1001094159	Ref	FRAME WELDMENTS	

SECTION 1 - FRAME

FIGURE 1-4. TIRE AND WHEEL DRIVE INSTALLATIONS



SECTION 1 - FRAME

FIGURE 1-4. TIRE AND WHEEL DRIVE INSTALLATIONS

ITEM	PART NUMBER	QTY	DESCRIPTION	REV
		Ref	NOTE: DRIVE SYSTEM COMPONENTS FROM DIFFERENT MANUFACTURERS CANNOT BE INTERCHANGED.	
	1001106833	Ref	WHEEL DRIVE INSTALLATION (REXROTH) (SN 0200191606 through 0200207752)	A
1	0100019	AR	Locking, Compound	
2	0682012	24	Bolt 5/8in-11NC x 1-1/2in	
3	2300016	AR	Fluid, Hydraulic	
4	2780262	4	Drive Motor/Hub Assembly (Rexroth) (See DRIVE MOTOR/HUB ASSEMBLY (REXROTH) for Breakdown)	
5	3300106	36	Lugnut	
6	4892000	24	Washer, Hardened	
	1001102804	Ref	WHEEL DRIVE INSTALLATION (SAUER-DANFOSS/FAIRFIELD) (SN 0200207753 through 0200239052)	C
101	0100011	AR	Locking, Compound	
102	0100019	AR	Locking, Compound	
103	0681810	4	Bolt 1/2in-13NC x 1-1/4in	
104	0682014	24	Bolt 5/8in-11NC x 1-3/4in	
105	2300016	AR	Fluid, Hydraulic	
106	2780267	2	Drive Hub with Brake Assembly (Rear) (Fairfield) (See DRIVE HUB ASSEMBLIES (FAIRFIELD) for Breakdown)	
107	2780268	2	Drive Hub without Brake Assembly (Front) (Fairfield) (See DRIVE HUB ASSEMBLIES (FAIRFIELD) for Breakdown)	
108	3300106	18	Lugnut	
109	3311801	4	Nut 1/2in-13NC	
110	3960526	4	Gasket	
111	4891800	8	Flatwasher 1/2in Hardened	
112	4892000	24	Flatwasher 5/8in Hardened	
113	1001102805	4	Drive Motor Assembly (Sauer-Danfoss) (See DRIVE MOTOR ASSEMBLY (SAUER-DANFOSS) for Breakdown)	
114	3020008	0.742 gal /2.81L	Lubricant, Mobilube HD 80W-90 (23.75 oz Per Hub)	
		Ref	TIRE AND WHEEL INSTALLATIONS	
		Ref	Tire and Wheel Installations 3394RT Options:	
	0270650	Ref	12 x 16.5 Pneumatic Non-Marking Tires	B
	0270653	Ref	12 x 16.5 Foam-Filled Non-Marking Tires	B
	0274789	Ref	31 x 15.5-15 Grass Master Tire	A
	0271785	Ref	33/16LL x 16.1 Foam-Filled Sand Tire	A
	0271718	Ref	33/16LL x 16.5 Pneumatic Lug Tire	A
	0271719	Ref	33/16LL x 16.5 Foam-Filled Lug Tire	A
	1001102190	Ref	IN315/55D20 Pneumatic Lug Tire	B
	1001102196	Ref	IN315/55D20 Foam-Filled Lug Tire	B
		Ref	Tire and Wheel Installations 4394RT Options:	
	0270653	Ref	12 x 16.5 Foam-Filled Non-Marking Tires	B
	0274371	Ref	12 x 16.5 Pneumatic Non-Marking Tires (Counterweight Required)	A
	0271785	Ref	33/16LL x 16.1 Foam-Filled Sand Tire	A
	0271788	Ref	33/16LL x 16.5 Pneumatic Lug Tire	A
	0271719	Ref	33/16LL x 16.5 Foam-Filled Lug Tire	A
	1001103818	Ref	IN315/55D20 Pneumatic Lug Tire (Counterweight Required)	C
	1001102196	Ref	IN315/55D20 Foam-Filled Lug Tire	A
		Ref	12 x 16.5 Foam-Filled Right Side Non-Marking Tire	
	0270654	NLA	12 x 16.5 Foam-Filled Right Side Non-Marking Tire (Use p/n	B

SECTION 1 - FRAME

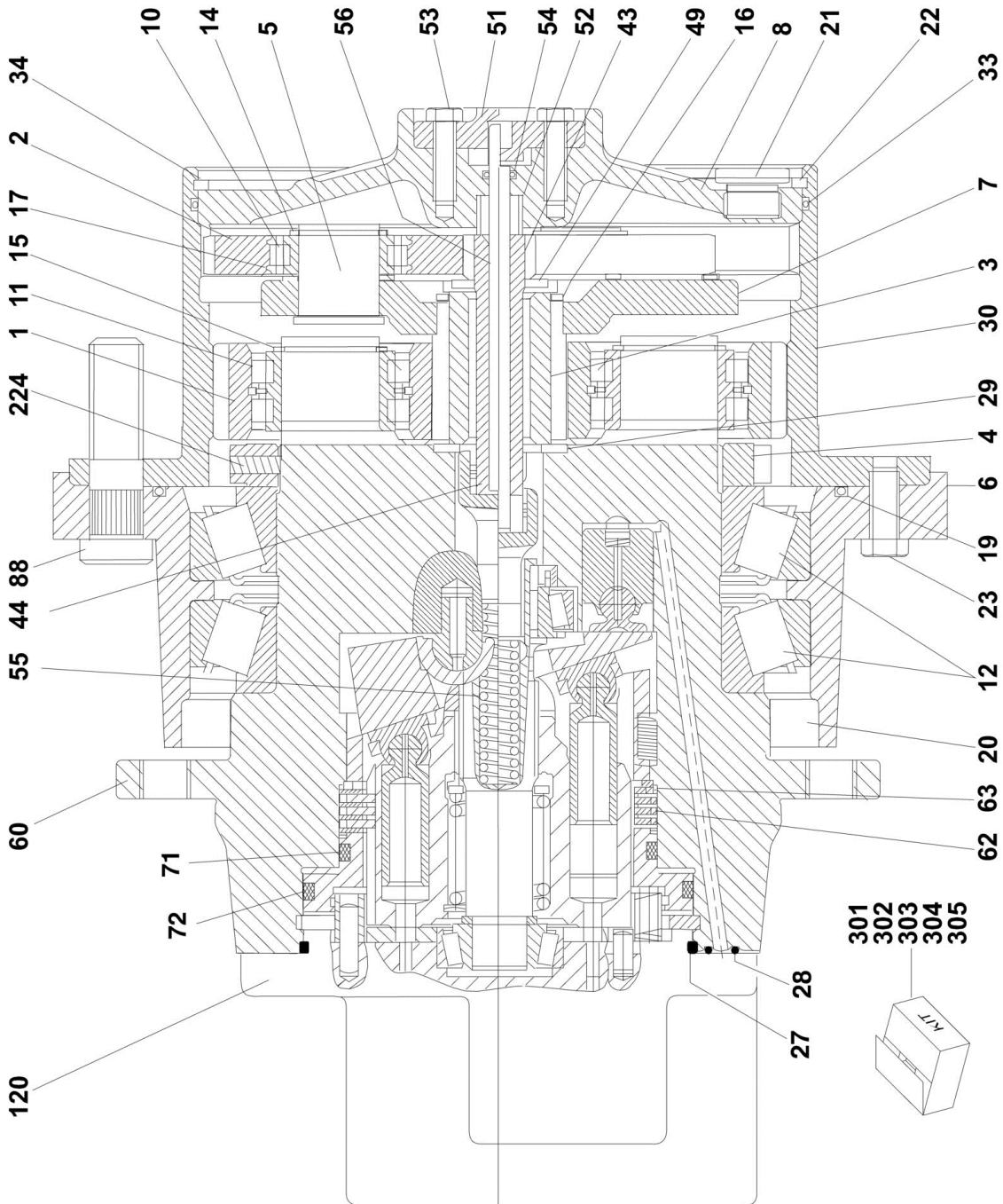
ITEM	PART NUMBER	QTY	DESCRIPTION	REV
	1001148869	2	1001148869) (SN 0200191606 through 0200221362) 12 x 16.5 Foam-Filled Right Side Non-Marking Tire (SN 0200221363 through 0200239052)	E
		Ref	12 x 16.5 Foam-Filled Left Side Non-Marking Tire	
	0270655	NLA	12 x 16.5 Foam-Filled Left Side Non-Marking Tire (Use p/n 1001148870) (SN 0200191606 through 0200221362)	E
	1001148870	2	12 x 16.5 Foam-Filled Left Side Non-Marking Tire (SN 0200221363 through 0200239052)	E
		Ref	12 x 16.5 Pneumatic Right Side Non-Marking Tire	
	0270651	NLA	12 x 16.5 Pneumatic Right Side Non-Marking Tire (Use p/n 1001148867) (SN 0200191606 through 0200221362)	C
	1001148867	2	12 x 16.5 Pneumatic Right Side Non-Marking Tire (SN 0200221363 through 0200239052)	C
		Ref	12 x 16.5 Pneumatic Left Side Non-Marking Tire	
	0270652	NLA	12 x 16.5 Pneumatic Left Side Non-Marking Tire (Use p/n 1001148868) (SN 0200191606 through 0200221362)	C
	1001148868	2	12 x 16.5 Pneumatic Left Side Non-Marking Tire (SN 0200221363 through 0200239052)	C
	4520571	4	31 x 15.5-15 Grass Master Tire	B
	0272268	4	33/16LL x 16.1 Foam-Filled Right Side Sand Tire	C
	0257755	2	33/16LL x 16.5 Pneumatic Right Side Lug Tire	C
	0257756	2	33/16LL x 16.5 Pneumatic Left Side Lug Tire	C
	0258011	2	33/16LL x 16.5 Foam-Filled Right Side Lug Tire	F
	0258012	2	33/16LL x 16.5 Foam-Filled Left Side Lug Tire	F
	1001101513	2	IN315/55D20 Pneumatic Right Side Lug Tire	A
	1001101512	2	IN315/55D20 Pneumatic Left Side Lug Tire	A
	1001102195	2	IN315/55D20 Pneumatic Right Side Lug Tire	B
	1001102194	2	IN315/55D20 Pneumatic Left Side Lug Tire	B
		Ref	Note: Assemblies may require ballast/foam filling to manufacturer's specifications prior to installing on a machine. Refer to Operation and Safety or Service and Maintenance Manuals. Purchase individual tire and/or rim only if able to foam fill tire and wheel assembly, otherwise, purchase complete assembly,	
201		Ref	Decal Options:	
201	1702740	1	Decal - 90PSI (Pneumatic Only)	
201	1702137	1	Decal - 60PSI (Pneumatic Only) (Grass Master)	
202		Ref	Tire Options:	
202	4520240	1	12 x 16.5 OTR NHS Non-Marking Tire	
202	4520576	1	31 x 15.5-15 Grass Tire	
202	4520262	1	33/16LL x 16.1 Sand Tire	
202	4520217	1	33/16LL x 16.5 Lug Tire	
202	4520608	1	IN315/55D20 Lug Tire	
203		Ref	Valve, Air Options:	
203	4640113	1	With Pneumatic Tire/Wheel Assemblies	
203	8786514	1	WITH 0258011 & 0258012 FOAM-FILLED TIRE/WHEEL ASSEMBLIES	
203	4640113	1	All Foam-Filled Tire/Wheel Assemblies except 0258011 & 0258012	
203	4641122	1	Valve, Air-Liquid (Foam-Filled Tire/Wheel Assemblies 1001148869 & 1001148870) (SN 0200221363 through 0200239052)	
203	1001149953	1	Cap (Foam-Filled Tire/Wheel Assemblies 1001148869 & 1001148870) (SN 0200221363 through 0200239052)	
204		Ref	Rim, Wheel	

SECTION 1 - FRAME

ITEM	PART NUMBER	QTY	DESCRIPTION	REV
204	4520570	1	15 x 13 (Use with 31 x 15.5-15 Grass Tire)	
204		Ref	16.5 x 9.75 (Use with 12 x 16.5 Lug Tires)	
204	4860213	NLA	16.5 x 9.75 (Use with 12 x 16.5 Lug Tires) (Use p/n 1001147274) (SN 0200191606 through 0200221362)	
204	1001147274	1	16.5 x 9.75 (Use with 12 x 16.5 Lug Tires) (SN 0200221363 through 0200239052)	
204	4860179	1	16.5 x 12 (Use with 33/16LL x 16.5 Lug Tires)	
204	4860237	1	19.5 x 14 (Use with 33/16LL x 16.1 Sand Tires)	
204	1001101511	1	20 x 11 (Use with IN315/55D20 Lug Tire)	
205	1001105700	4	Decal - Transport Wheel Warning (IN315/55D20 Tires Only)	

SECTION 1 - FRAME

FIGURE 1-5. DRIVE MOTOR/HUB ASSEMBLY (REXROTH)



SECTION 1 - FRAME

FIGURE 1-5. DRIVE MOTOR/HUB ASSEMBLY (REXROTH)

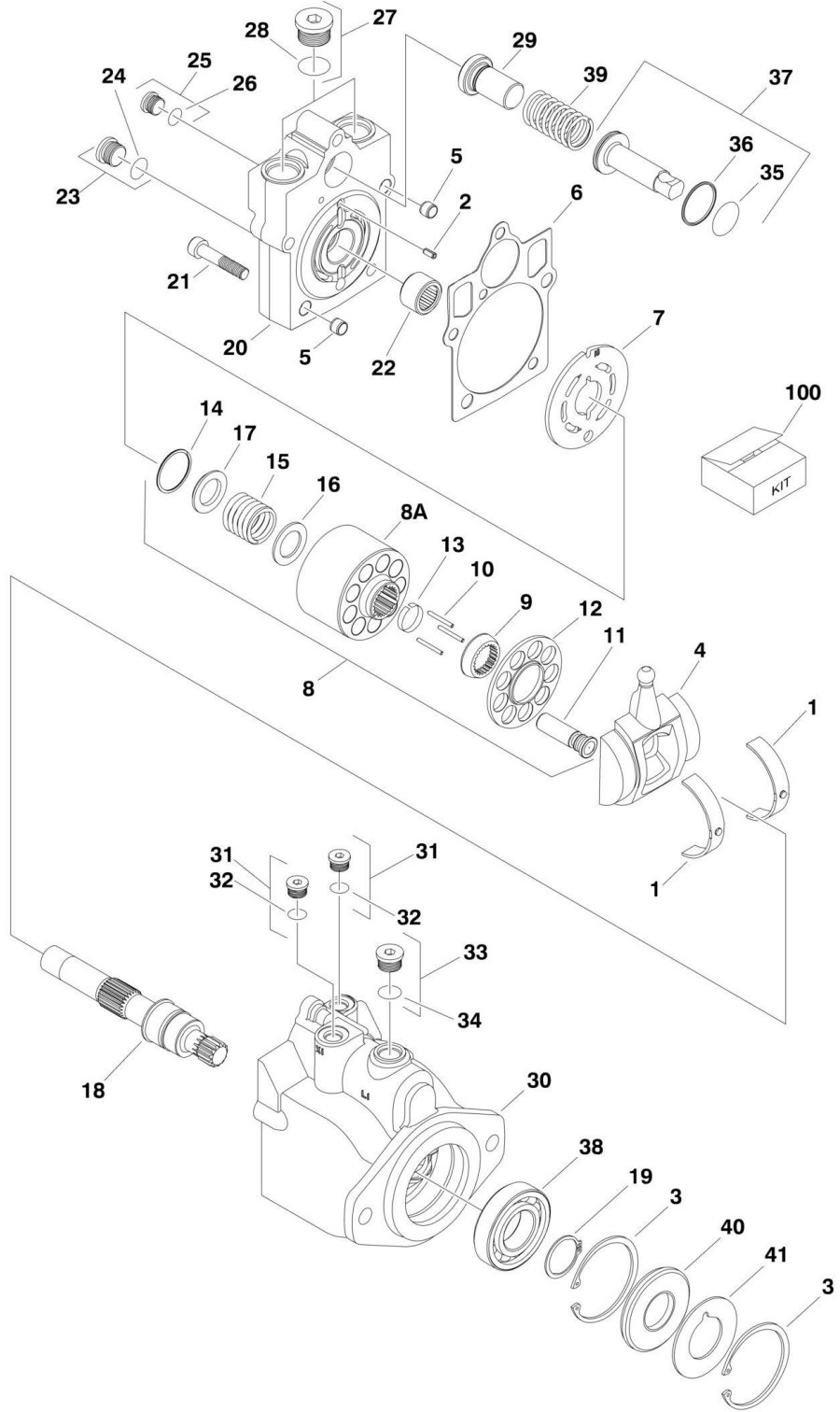
ITEM	PART NUMBER	QTY	DESCRIPTION	REV
	2780262	Ref	DRIVE MOTOR/HUB ASSEMBLY (REXROTH)	D
		Ref	Note: Unless there is capability to torque shaft (item 4) to 626 ft/lbs (850Nm) Repair beyond this level is NOT advised.	
1	7022544	4	Gear, Planet	
2	7022545	3	Gear, Planet	
3	7021325	1	Gear, Sun	
4	7024047	1	Nut, Shaft	
		Ref	Note: Unless there is capability to torque shaft nut (Item 4) to 626 ft/lbs (850Nm) Repair beyond this level is not advised.	
5	7021326	3	Pin, Planet	
6	7021327	1	Ring, Support	
7	7021328	1	Carrier, Planet	
8	7021329	1	Cover	
10	7022545	3	Bearing, Roller	
11	7022544	4	Bearing, Roller	
12	7024047	2	Bearing, Tapered Roller	
14	7022545	3	Ring, Retaining	
15	7022544	4	Ring, Retaining	
16	7021341	1	Ring, Retaining	
17	7022545	3	Disk, Support	
19	7024047	1	O-Ring	
20	7024047	1	Seal, Shaft	
21	7021329	3	Plug, screw	
22	7024048	3	Ring, Seal	
23	7024047	3	Bolt	
27	70002303	1	O-Ring	
28	70002304	1	Seal	
29	7024049	1	Washer, Thrust	
30	7021346	1	Gear, Ring	
33	See Note	NSS	O-Ring (Note: Use Item 303 or 304)	
34	7021329	1	Ring, Retaining	
43	7021347	1	Shaft, Sun Gear	
44	7024050	1	Shaft, Input	
49	7024051	1	Washer, Thrust	
51	See Note	NSS	Cover (Note: Use Item 304 or 305)	
52	7021329	1	Sleeve	
53	See Note	NSS	Bolt (Note: Use Item 304 or 305)	
54	See Note	NSS	O-Ring (Note: Use Item 304 or 305)	
55	7024053	1	Spring	
56	7024054	1	Rod, Shift	
60	2780262	1	Housing, Brake	
62	70005672	3	Disc, Lamination	
63	70005673	4	Disc, Counter	
71	70005674	1	O-Ring	
72	70005675	1	O-Ring	
88	7021344	9	Stud, Wheel	
120	7024055	1	Motor, Hydraulic	
224	7024047	2	Dowel, Spring Sleeve	
		Ref	REPAIR KIT OPTIONS	
301	7022544	1	Planet Gear Kit (Includes Items 1, 11 & 15)	

SECTION 1 - FRAME

ITEM	PART NUMBER	QTY	DESCRIPTION	REV
302	7022545	1	Planet Gear Kit (Includes Items 2, 10, 14 & 17)	
303	7024047	1	Bearing Kit (Includes Items 4, 12, 19, 20, 23, 33 & 224)	
		Ref	Note: Unless there is capability to torque shaft nut (Item 4) to 626 ft/lbs (850Nm) Repair beyond this level is not advised.	
304	7021329	1	Cover Kit (Includes Items 8, 21, 22, 33, 34, 51, 52, 53 & 54)	
305	7024054	1	Mechanical Disconnect Kit (Includes 51, 53, 54 & 56)	

SECTION 1 - FRAME

FIGURE 1-6. DRIVE MOTOR ASSEMBLY (SAUER-DANFOSS)



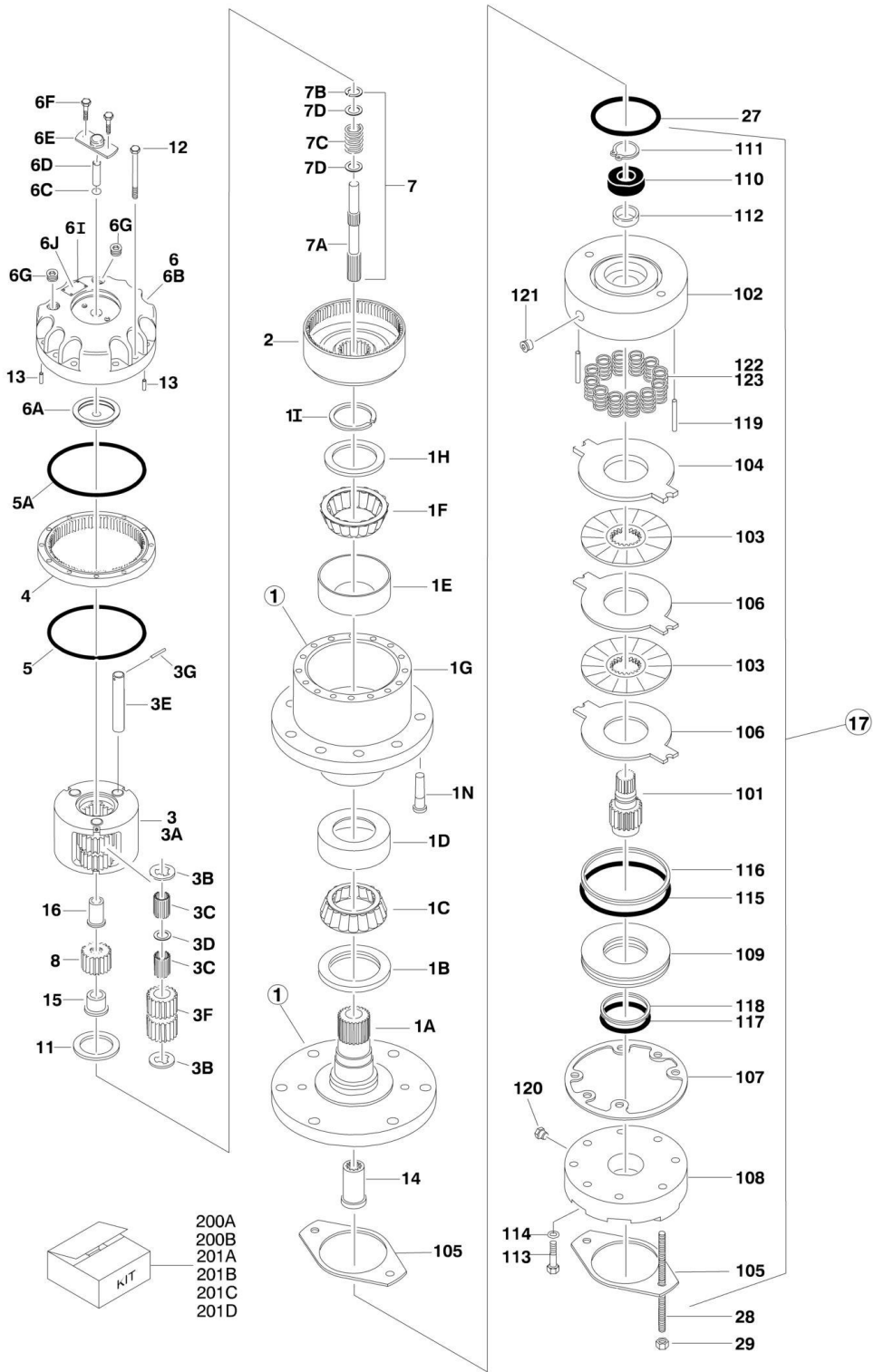
SECTION 1 - FRAME

FIGURE 1-6. DRIVE MOTOR ASSEMBLY (SAUER-DANFOSS)

ITEM	PART NUMBER	QTY	DESCRIPTION	REV
	1001102805	Ref	DRIVE MOTOR ASSEMBLY (SAUER-DANFOSS)	B
1	7022302	2	Bearing, Journal	
2	7007446	1	Pin	
3	7007438	2	Ring, Retaining	
4	7022305	1	Swashplate	
5	See Note	NSS	Pin (Note: Not Available for Purchase)	
6	7022328	1	Gasket	
7	7024862	1	Plate, Valve	
8	7023907	1	Cylinder Block Kit (Includes Items 8A & 9-17)	
8A	7023907	1	Block, Cylinder	
9	7021277	1	Guide, Slipper Retainer	
10	7021275	3	Pin, Slipper Hold Down	
11	7023907	9	Piston Assembly	
12	7021276	1	Retainer, Hold Down Pin	
13	7022310	1	Retainer, Slipper	
14	7022311	1	Ring, Retaining	
15	7022312	1	Spring	
16	7024868	1	Washer	
17	7022314	1	Retainer, Spring	
18	7023910	1	Shaft	
19	7007439	1	Ring, Retaining	
20	70000797	1	Cap, End - Axial	
21	7022368	5	Screw	
22	7021249	1	Bearing, Needle	
23	2220886	1	Plug (Includes Item 24)	
24	7022328	1	O-Ring	
25	2220883	1	Plug (Includes Item 26)	
26	7022328	1	O-Ring	
27	7027419	2	Plug (Includes Item 28)	
28	7022328	2	O-Ring	
29	7022369	1	Seat, Spring	
30	70001932	1	Housing	
31	2220883	2	Plug (Items Item 32)	
32	7022328	2	O-Ring	
33	2220886	1	Plug (Items Item 34)	
34	7022328	1	O-Ring	
35	7022328	1	O-Ring	
36	7022328	1	Ring, Seal	
37	7024854	1	Piston, Servo (Includes Items 35 & 36)	
38	7007437	1	Bearing	
39	7022326	1	Spring	
40	7022328	1	Seal, Lip	
41	7022371	1	Washer, Support	
100	7022328	1	Seal Kit (Includes Items 6, 24, 26, 28, 32, 34, 35, 36 & 40)	

SECTION 1 - FRAME

FIGURE 1-7. DRIVE HUB ASSEMBLIES (FAIRFIELD)



SECTION 1 - FRAME

FIGURE 1-7. DRIVE HUB ASSEMBLIES (FAIRFIELD)

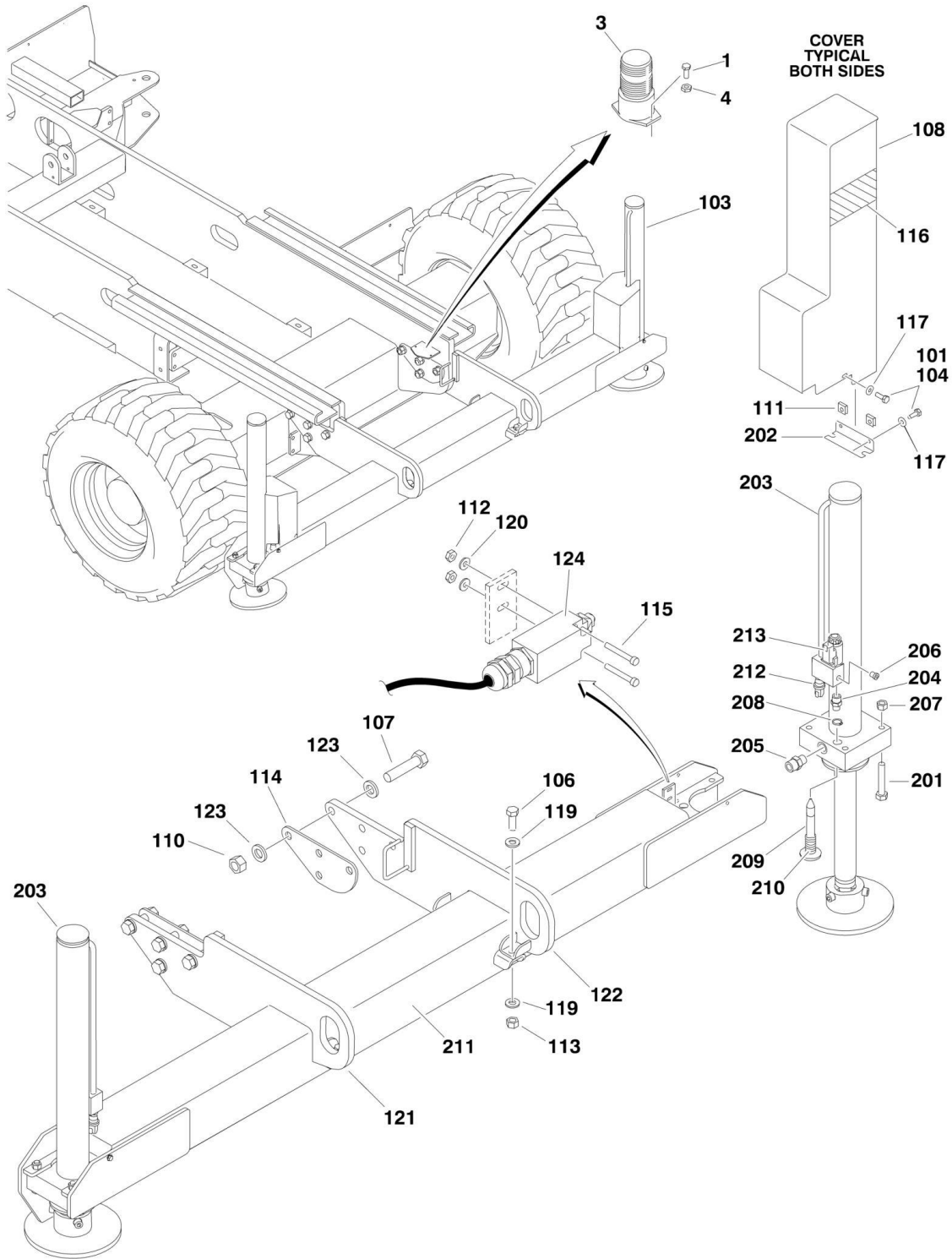
ITEM	PART NUMBER	QTY	DESCRIPTION	REV
		Ref	DRIVE HUB ASSEMBLIES (FAIRFIELD)	
	2780268	Ref	Drive Hub without Brake Assembly (Front) (Includes Items 1-16)	A
	2780267	Ref	Drive Hub with Brake Assembly (Rear) (Includes Items 1-123)	F
1	See Note	NSS	Spindle/Housing Assembly (Note: Purchase Individual Components)	
1A	7027059	1	Spindle	
1B	7001998	1	Seal	
1C	7010429	1	Cone, Bearing (Includes Item 1D)	
1D	7010429	1	Cup, Bearing (Includes Item 1C)	
1E	7000257	1	Cup, Bearing	
1F	7000258	1	Cone, Bearing	
1G	7007601	1	Housing/Ring Gear	
1H	7000232	1	Washer, Thrust	
1I	7000229	1	Ring, Retaining	
1N	7007640	9	Stud, Wheel	
2	7000246	1	Gear, Internal	
3	7024712	1	Carrier Assembly	
3A	7024712	1	Carrier	
3B	7024712	6	Ring, Retaining	
3C	7024712	AR	Bearing, Needle	
3D	7024712	3	Washer, Thrust	
3E	7024712	3	Shaft, Planet	
3F	7024712	3	Gear, Planet	
3G	See Note	NSS	Rollpin (Note: Not Available for Purchase)	
4	7000248	1	Ring Gear	
5	7000230	1	O-Ring	
5A	7017070	1	O-Ring	
6	70001349	1	Cover Assembly (was p/n 7017090)	
6A	70001349	1	Spacer, Thrust (was p/n 7017097)	
6B	70001349	1	Plate, Cover (was p/n 7017091)	
6C	70001349	1	O-Ring (was p/n 7017095)	
6D	70001349	1	Rod, Disconnect (was p/n 7017092)	
6E	70001349	1	Cap, Disengage (was p/n 7017093)	
6F	70001349	2	Bolt	
6G	70001349	1	Plug, Pipe (was p/n 7017094)	
6I	See Note	NSS	Rivet (Note: Not Available for Purchase)	
6J	See Note	NSS	Plate, ID (Note: Not Available for Purchase)	
7		Ref	Input Shaft Assembly	
7A	7024714	1	Shaft	
7B	7000261	1	Ring, Retaining	
7C	7000262	1	Spring	
7D	7000263	2	Spacer, Thrust	
8	7024713	1	Gear, Sun	
11	7000253	1	Washer, Thrust	
12	7017067	12	Bolt	
13	7017080	4	Pin, Dowell	
14	7000206	1	Coupling	
15	7024715	1	Spacer, Input	
16	7024716	1	Spacer, Input	

SECTION 1 - FRAME

ITEM	PART NUMBER	QTY	DESCRIPTION	REV
17	7024182	1	Brake Assembly (See Items 101-123 for Breakdown)	
27	7024705	1	O-Ring	
28	7024717	2	Rod, Threaded	
29	7024718	2	Nut 1/2in-13NC	
	7024182	Ref	BRAKE ASSEMBLY	
101	7024189	1	Shaft	
102	7024182	1	Housing	
103	7024193	2	Plate, Friction	
104	7024193	1	Plate, Pressure	
105	7000731	2	Gasket	
106	7024193	2	Plate, Outer	
107	See Note	NSS	Gasket (Note: Use Item 200A, 201C or 201D)	
108	7024191	1	Cylinder	
109	7024192	1	Piston	
110	7024197	1	Bearing, Ball	
111	7024197	1	Ring, Retaining	
112	7024197	1	Seal, Shaft	
113	See Note	NSS	Capscrew (Note: Not Available for Purchase)	
114	See Note	NSS	Lockwasher (Note: Not Available for Purchase)	
115	See Note	NSS	O-Ring (Note: Not Available for Purchase)	
116	See Note	NSS	Ring, Back-up (Note: Not Available for Purchase)	
117	See Note	NSS	O-Ring (Note: Not Available for Purchase)	
118	See Note	NSS	Ring, Back-up (Note: Not Available for Purchase)	
119	7024190	2	Pin, Dowel	
120	See Note	NSS	Plug (Note: Not Available for Purchase)	
121	See Note	NSS	Plug (Note: Not Available for Purchase)	
122	7024196	10	Spring Kit (Natural)	
123	7024196	2	Spring Kit (Blue)	
		Ref	Kit Options	
200		Ref	Seal Kit Options:	
200A	See Note	NSS	Hub Seal Kit (Note: Purchase Individual Components)	
200B	7024194	1	Brake Seal Kit (Includes Items 105, 107 & 115-118)	
201		Ref	Repair Kit Options:	
201A	7024196	1	Brake Spring Kit (Includes 12 Natural Colored Springs Item 122) (was p/n 7024195)	
201B	7024196	1	Brake Spring Kit (Includes 12 Natural Colored and 2 Blue Colored Springs Items 122 & 123)	
201C	7024193	1	Brake Friction Disc Kit (Includes Items 103, 104, 106 & 107)	
201D	7024197	1	Brake Bearing Kit (Includes Items 107 & 110-112)	

SECTION 1 - FRAME

FIGURE 1-8. BEACON LIGHT AND LEVELING JACKS INSTALLATION



SECTION 1 - FRAME

FIGURE 1-8. BEACON LIGHT AND LEVELING JACKS INSTALLATION

ITEM	PART NUMBER	QTY	DESCRIPTION	REV
	0271746	Ref	BEACON LIGHT INSTALLATION (OPTIONAL)	B
1	0721004	2	Screw #10-24NC x 1/2in	
2	2820018	AR	Heat-Shrink (Not Shown)	
3	2920146	1	Beacon Light Assembly	
3	7016319	1	Bulb, Replacement	
3	7016372	1	Lens, Replacement	
4	3311005	2	Locknut #10-24NC	
5	4922739	1	Harness, Beacon Light (Not Shown - See ELECTRICAL SECTION for Breakdown)	
	1001103551	Ref	LEVELING JACKS INSTALLATION (OPTIONAL ON 3394RT - STANDARD ON 4394RT)	C
101	0100011	AR	Locking, Compound	
103	1001103764		Leveling Jack Assembly (See Items 201-213 for Breakdown)	
104	0641407	16	Bolt 1/4in-20NC x 7/8in	
106	0641811	8	Bolt 1/2in-13NC x 1-3/8in	
107	0682226	16	Bolt 3/4in-10NC x 3-1/4in	
108	1671165	4	Cover	
110	3272205	16	Locknut 3/4in-10NC	
111	3300353	16	Nut, Tinnerman	
112	3310805	8	Locknut #8-32NC	
113	3311805	8	Locknut 1/2in-13NC	
114	3573658	4	Plate	
115	3930820	8	Capscrew #8-32NC	
116	4420051	8 ft/2.4m	Tape, Safety	
117	4711400	16	Flatwasher 1/4in Narrow	
119	4711800	16	Flatwasher 1/2in Narrow	
120	4750800	8	Flatwasher #8 Thick	
121	4846620	2	Support (Front Right/Rear Left)	
122	4846621	2	Support (Front Left/Rear Right)	
123	4892200	32	Washer, Hardened 3/4in	
124	1001103801	1	Harness, Leveling Jack (See ELECTRICAL SECTION for Breakdown)	
	1001103764	Ref	LEVELING JACK ASSEMBLY	B
		Ref	Note: Qty shown is for one Level Jack Assembly. Two assemblies required per machine.	
201	0641824	8	Bolt 1/2in-13NC x 3in	
202	0903054	2	Bracket, Jack Cover	
203	1684406	2	Jack Cylinder Assembly (See CYLINDER SECTION for Breakdown)	
204	2110606	2	Fitting, Straight	
205	2110808	2	Fitting, Straight	
206	2220883	2	Plug	
207	3311805	8	Locknut 1/2in-13NC	
208	3760348	2	Ring, Retaining	
209	3841564	2	Rod	
210	4160116	2	Spring	
211	4210028	1	Mount, Leveling Jack	
212	4360518	2	Transducer, Pressure	
213	1001103761	2	Cartridge, Solenoid Valve	
213	7024502	2	Seal Kit - 1001103761 Valve (1 Per Cartridge)	
213	70001965	2	Coil (1 Per Cartridge)	

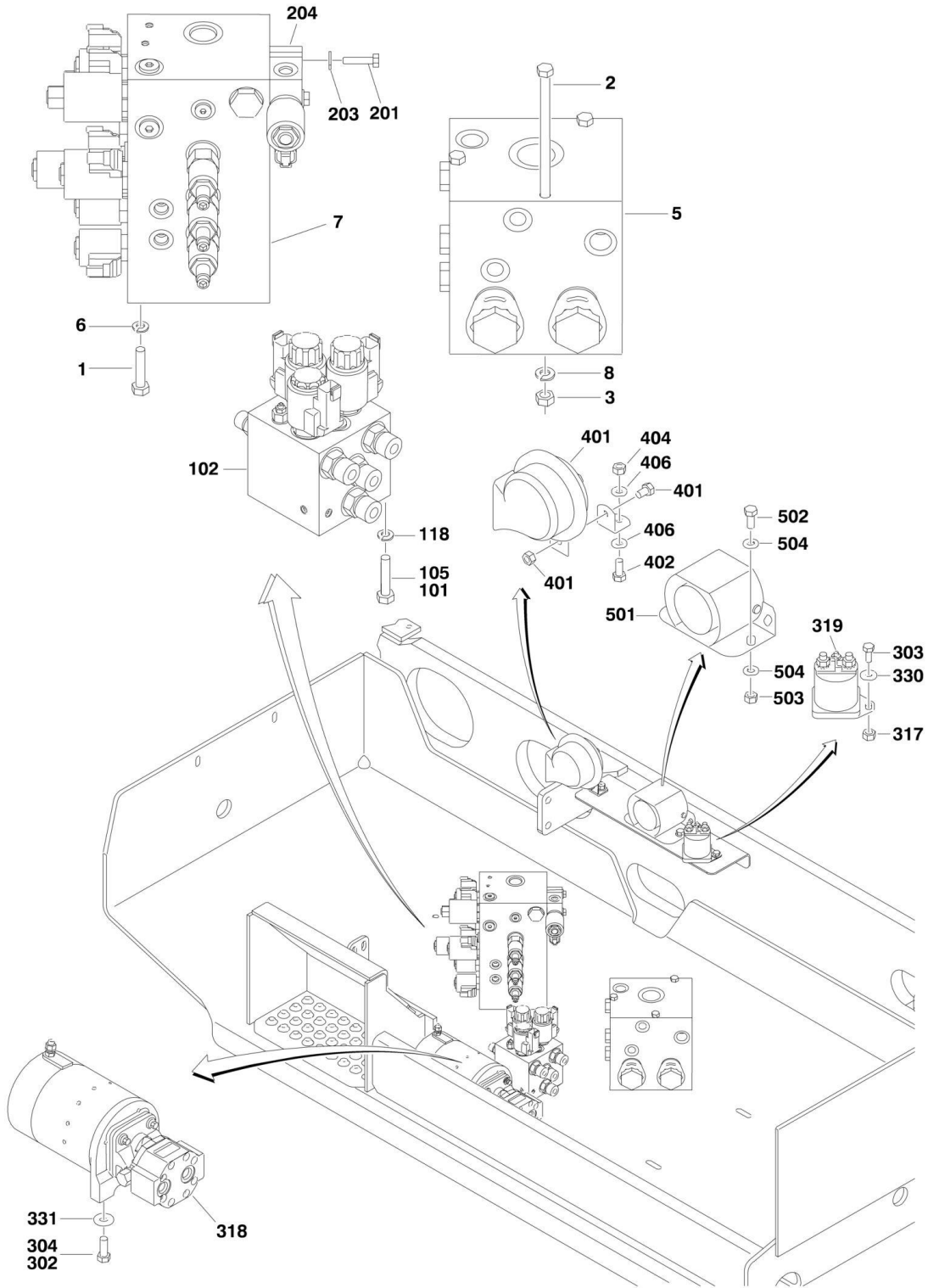
SECTION 1 - FRAME

ITEM	PART NUMBER	QTY	DESCRIPTION	REV
213	7024506	2	Coil Nut Kit (1 Per Cartridge)	
	0010583	Ref	DECALS INSTALLATION	
320		Ref	Decal - Outrigger Warning Options:	
320	1701214	8	ANSI Spec (English)	
320	1701785	8	Australian and CE Specs (English)	
320	1704690	8	CSA Spec (English/French)	
320	1704698	8	Brazilian Spec (Spanish/Portuguese)	
320	1704697	8	Latin American Spec (English/Spanish)	
352	1705042	4	Decal - Maximum Load	

SECTION 2 - GROUND CONTROLS

SECTION 2 - GROUND CONTROLS

FIGURE 2-1. CONTROL VALVES, HORN AND ALARMS INSTALLATIONS



SECTION 2 - GROUND CONTROLS

FIGURE 2-1. CONTROL VALVES, HORN AND ALARMS INSTALLATIONS

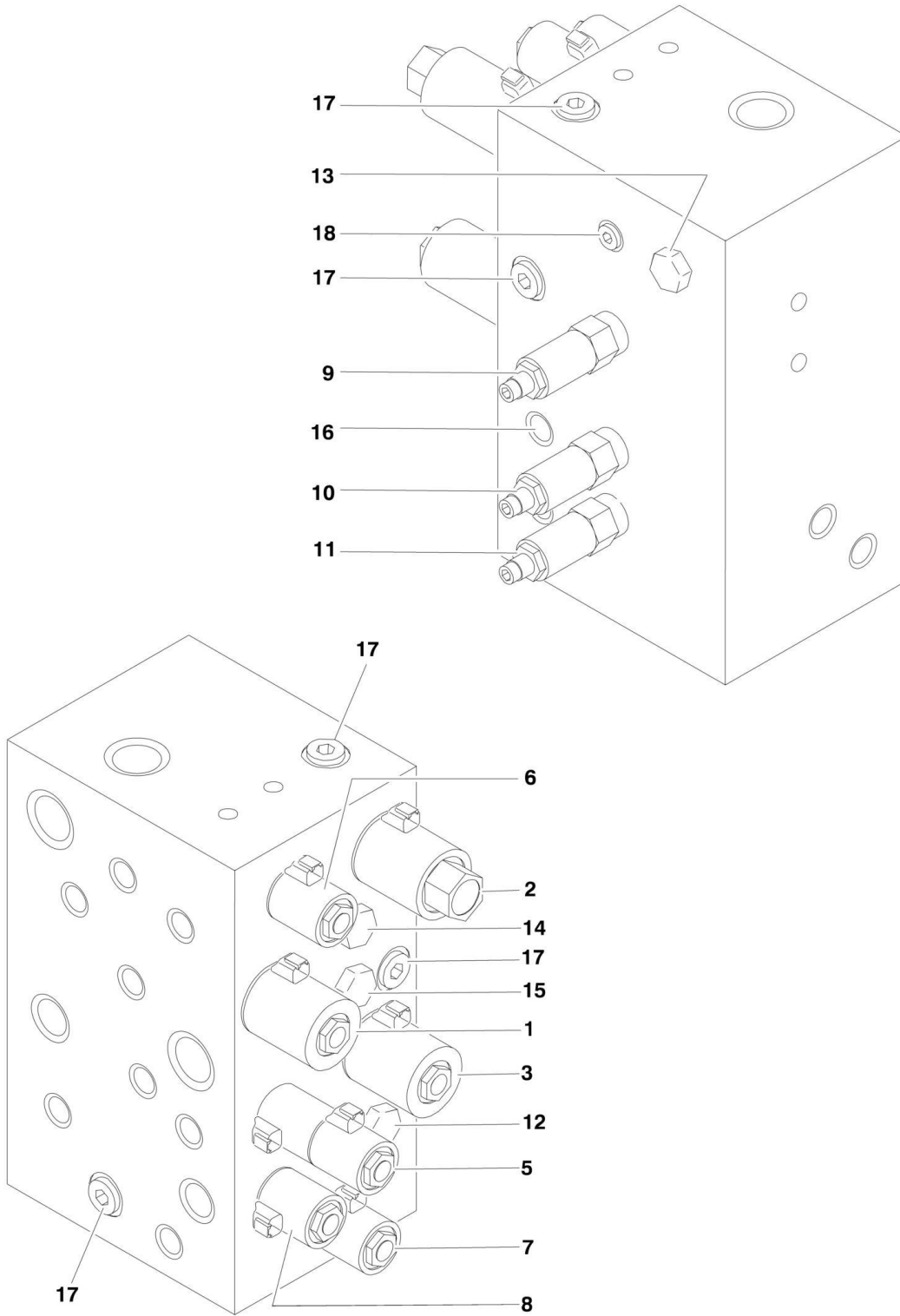
ITEM	PART NUMBER	QTY	DESCRIPTION	REV
	1001102976	Ref	CONTROL VALVES INSTALLATION	C
1	0641608	4	Bolt 3/8in-16NC x 1in	
2	0641560	3	Bolt 5/16in-18NC x 7-1/2in	
3	3311505	2	Locknut 5/16in-18NC	
5	4641303	1	Flow Divider Valve Assembly (See FLOW DIVIDER VALVE ASSEMBLY for Breakdown)	
6	4761600	7	Lockwasher 3/8in	
7	1001105709	1	Main Valve Assembly (See MAIN CONTROL VALVE ASSEMBLY for Breakdown)	
8	4761500	7	Lockwasher 5/16in	
	1001103551	Ref	LEVELING JACK VALVE INSTALLATION (OPTIONAL ON 3394RT - STANDARD ON 4394RT)	C
101	0100011	AR	Locking, Compound	
102	1001103762	1	Leveling Jack Valve Assembly (See LEVELING JACK VALVE ASSEMBLY for Breakdown)	
105	0641508	3	Bolt 5/16in-18NC x 1in	
118	4711500	3	Flatwasher 5/16in Narrow	
		Ref	POWER DECK SELECT VALVE INSTALLATION (OPTIONAL)	
	1001103751	Ref	Power Deck Select Valve Installation (Optional) 3394RT	A
	1001103752	Ref	Power Deck Select Valve Installation (Optional) 4394RT	A
201	0641412	2	Bolt 1/4in-20NC x 1-1/2in	
203	4711400	3	Flatwasher 1/4in Narrow	
204	1001103340	1	Select Valve Assembly	
204	7017467	1	Valve, Solenoid Cartridge	
204	7012967	1	Seal Kit - 7017467 Cartridge	
204	70001977	1	Coil	
		Ref	POWER DECK AUXILIARY PUMP INSTALLATION (OPTIONAL)	
	1001103410	Ref	Power Deck Auxiliary Pump Installation (Optional) 3394RT with Single Deck Extension	A
	1001103412	Ref	Power Deck Auxiliary Pump Installation (Optional) 3394RT with Dual Deck Extension	A
	1001103414	Ref	Power Deck Auxiliary Pump Installation (Optional) 3394RT with Dual Deck Extension (Megadeck)	A
	1001103411	Ref	Power Deck Auxiliary Pump Installation (Optional) 4394RT with Single Deck Extension	A
	1001103413	Ref	Power Deck Auxiliary Pump Installation (Optional) 4394RT with Dual Deck Extension	A
302	0100011	AR	Locking, Compound	
303	0641405	2	Bolt 1/4in-20NC x 5/8in	
304	0641608	2	Bolt 3/8in-16NC x 1in	
317	3311405	2	Locknut 1/4in-20NC	
318	3600468	1	Auxiliary Pump Assembly (See AUXILIARY PUMP ASSEMBLY for Breakdown)	
319	3740067	1	Relay	
330	4751400	2	Flatwasher 1/4in Wide	
331	4751600	2	Flatwasher 3/8in Wide	
		Ref	HORN INSTALLATIONS	
	1001102949	Ref	Diesel Engine Machines	A
	1001102948	Ref	Gas Engine Machines	A
401	0140001	1	Horn	
402	0641506	1	Bolt 5/16in-18NC x 3/4in	
404	3311505	1	Locknut 5/16in-18NC	

SECTION 2 - GROUND CONTROLS

ITEM	PART NUMBER	QTY	DESCRIPTION	REV
406	4711500	2	Flatwasher 5/16in Narrow	
		Ref	ALARMS INSTALLATION	
	0271781	Ref	Motion Alarm	B
	0273969	Ref	Horn	A
501	0140032	1	Alarm	
502	0641506	2	Bolt 5/16in-18NC x 3/4in	
503	3311505	2	Locknut 5/16in-18NC	
504	4711500	4	Flatwasher 5/16in Narrow	

SECTION 2 - GROUND CONTROLS

FIGURE 2-2. MAIN CONTROL VALVE ASSEMBLY



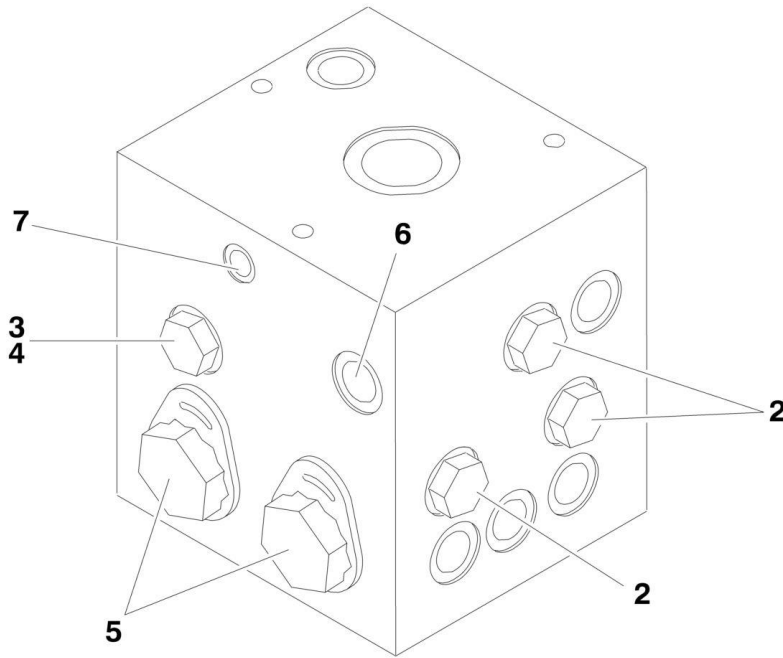
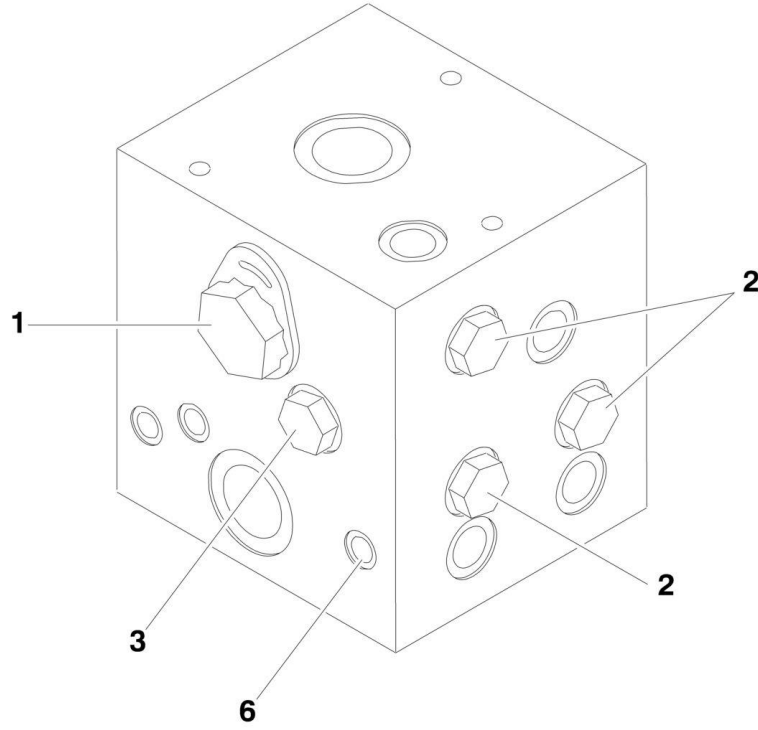
SECTION 2 - GROUND CONTROLS

FIGURE 2-2. MAIN CONTROL VALVE ASSEMBLY

ITEM	PART NUMBER	QTY	DESCRIPTION	REV
	1001105709	Ref	MAIN CONTROL VALVE ASSEMBLY	A
1	7012920	1	Cartridge, Solenoid without Coil (Oscillating Axle #2)	
1	7010545	1	Seal Kit - 7012920 Cartridge	
1	70001967	1	Coil	
2	7012910	1	Cartridge, Solenoid without Coil (Dump)	
2	2900708	1	Seal Kit - 7012910 Cartridge	
2	70001967	1	Coil	
3	7010635	1	Cartridge, Solenoid without Coil (Lift Up)	
3	2900708	1	Seal Kit - 7010635 Cartridge	
3	70001967	1	Coil	
5	7017433	1	Cartridge, Solenoid without Coil (Steer)	
5	7017402	1	Seal Kit - 7017433 Cartridge	
5	70001977	2	Coil	
6	7023981	1	Cartridge, Solenoid without Coil (Oscillating Axle #1)	
6	7012905	1	Seal Kit - 7023981 Cartridge	
6	70001977	1	Coil	
7	7012941	1	Cartridge, Solenoid without Coil (2 Speed)	
7	7010543	1	Seal Kit - 7012941 Cartridge	
7	70001977	1	Coil	
8	7012941	1	Cartridge, Solenoid without Coil (Brake)	
8	7010543	1	Seal Kit - 7012941 Cartridge	
8	70001977	1	Coil	
9	70001978	1	Cartridge, Relief	
9	7017496	1	Seal Kit - 70001978 Cartridge	
10	70001979	1	Cartridge, Relief	
10	7017496	1	Seal Kit - 70001979 Cartridge	
11	7023912	1	Cartridge, Relief	
11	7012967	1	Seal Kit - 7023912 Cartridge	
12	7010542	1	Cartridge, Shuttle	
12	7010543	1	Seal Kit - 7010542 Cartridge	
13	4641192	1	Cartridge, Check	
13	7017496	1	Seal Kit - 4641192 Cartridge	
14	70001980	1	Cartridge, Check	
14	7012972	1	Seal Kit - 70001980 Cartridge	
15	70001980	1	Cartridge, Check	
15	7012972	1	Seal Kit - 70001980 Cartridge	
16	See Note	NSS	Orifice (Note: Not Available for Purchase)	
17	7024844	4	Plug #6	
18	7017406	1	Plug #4	

SECTION 2 - GROUND CONTROLS

FIGURE 2-3. FLOW DIVIDER VALVE ASSEMBLY



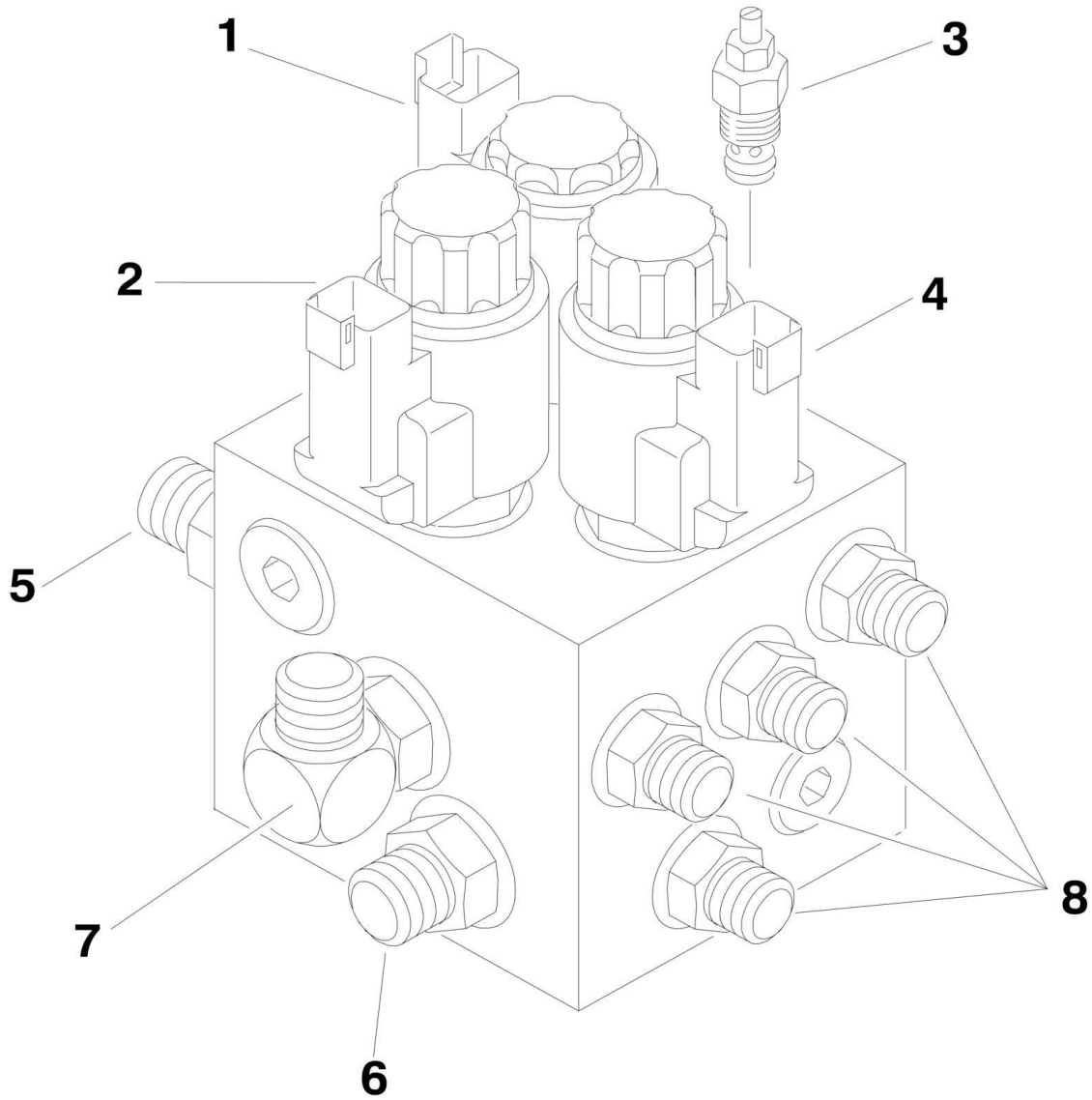
SECTION 2 - GROUND CONTROLS

FIGURE 2-3. FLOW DIVIDER VALVE ASSEMBLY

ITEM	PART NUMBER	QTY	DESCRIPTION	REV
	4641303	Ref	FLOW DIVIDER VALVE ASSEMBLY	C
1	7023933	1	Cartridge, Flow Divider	
1	7021625	1	Seal Kit - 7023933 Cartridge	
2	7022397	6	Cartridge, Check	
2	7022399	6	Seal Kit - 7022397 Cartridge	
3	7021639	2	Cartridge, Check Valves	
3	2900756	2	Seal Kit - 7022398 Cartridge	
4	7024881	1	Piston, Pilot	
5	7023917	2	Cartridge, Flow Divider	
5	7021625	2	Seal Kit - 7023917 Cartridge	
6	70003935	2	Orifice	
7	70003936	1	Orifice	

SECTION 2 - GROUND CONTROLS

FIGURE 2-4. LEVELING JACK VALVE ASSEMBLY



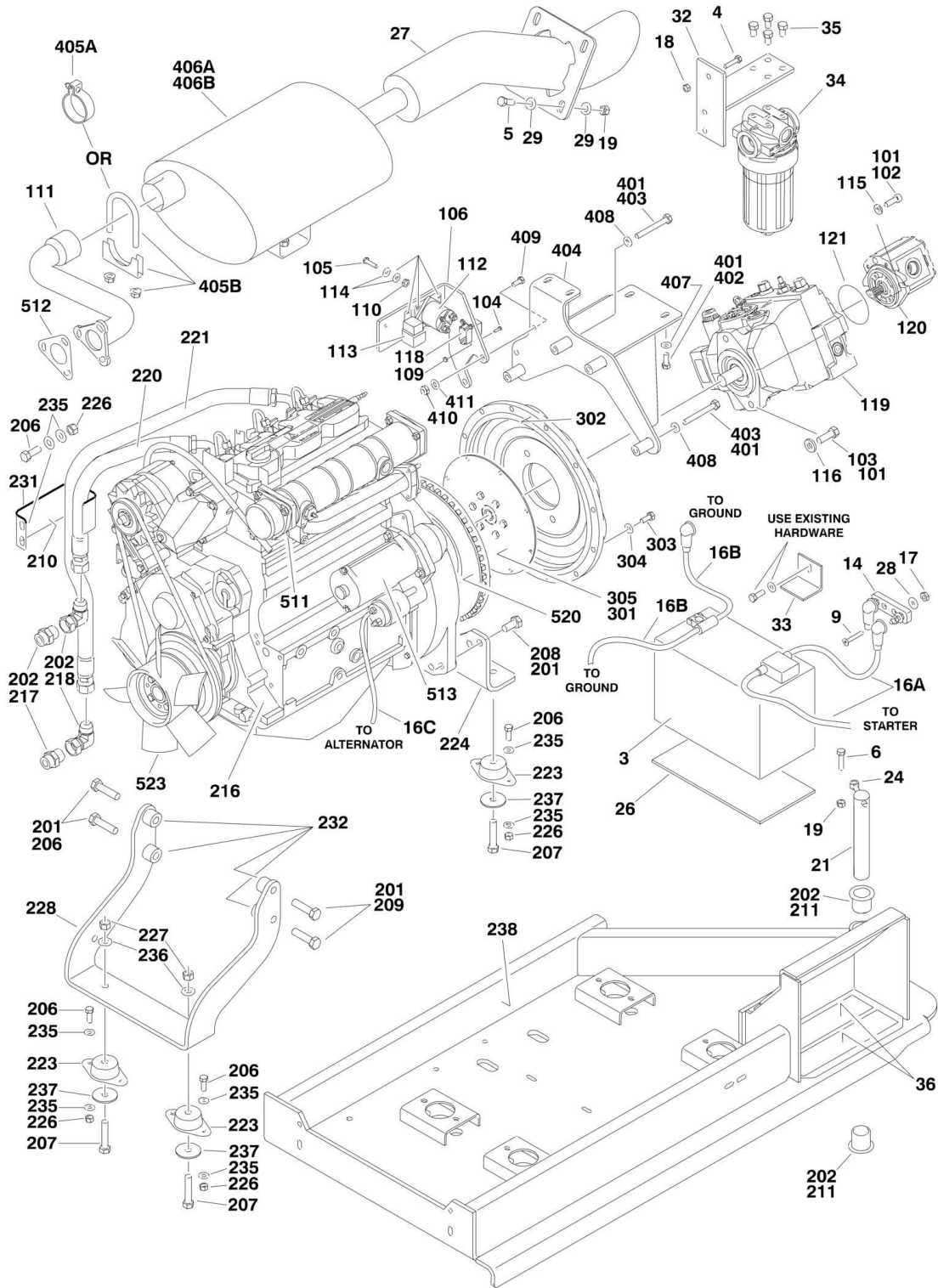
SECTION 2 - GROUND CONTROLS

FIGURE 2-4. LEVELING JACK VALVE ASSEMBLY

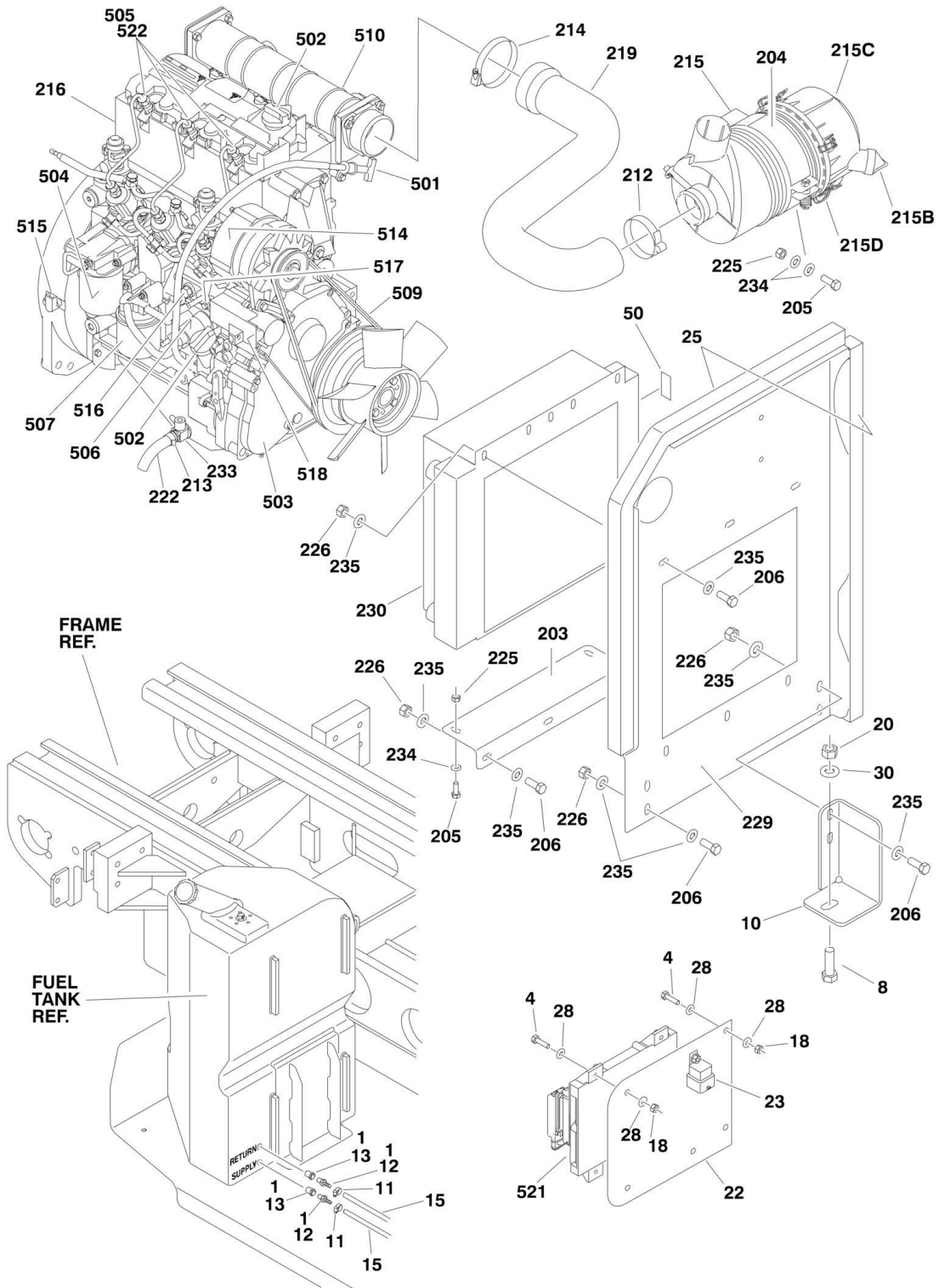
ITEM	PART NUMBER	QTY	DESCRIPTION	REV
	1001103762	Ref	LEVELING JACK VALVE ASSEMBLY	B
1	7024497	1	Cartridge without Coil (Retract)	
1	7024502	1	Seal Kit - 7024497 Cartridge	
1	70001965	1	Coil	
1	7024506	1	Coil Nut Kit	
2	7024498	1	Cartridge without Coil (Extend)	
2	7024503	1	Seal Kit - 7024498 Cartridge	
2	70001965	1	Coil	
2	7024507	1	Coil Nut Kit	
3	7024499	1	Cartridge	
3	7024504	1	Seal Kit - 7024499 Cartridge	
4	7024500	1	Cartridge without Coil	
4	7024505	1	Seal Kit - 7024500 Cartridge	
4	70001965	1	Coil	
4	7024506	1	Coil Nut Kit	
5	2110808	4	Fitting, Straight	
6	2110608	1	Fitting, Straight	
7	2130608	1	Fitting, 90	
8	2110606	4	Fitting, Straight	

SECTION 2 - GROUND CONTROLS

FIGURE 2-5. ENGINE INSTALLATION (DEUTZ D2011 ENGINE)



SECTION 2 - GROUND CONTROLS



SECTION 2 - GROUND CONTROLS

FIGURE 2-5. ENGINE INSTALLATION (DEUTZ D2011 ENGINE)

ITEM	PART NUMBER	QTY	DESCRIPTION	REV
		Ref	ENGINE INSTALLATIONS	
	1001102316	Ref	Tier III Engine Installation	D
	1001137813	Ref	Tier IVi-Flex Engine Installation	A
1	0100079	AR	Sealant, Pipe	
3	0400075	1	Battery	
4	0641408	9	Bolt 1/4in-20NC x 1in	
5	0641608	4	Bolt 3/8in-16NC x 1in	
6	0641612	3	Bolt 3/8in-16NC x 1-1/2in	
8	0642016	1	Bolt 5/8in-11NC x 2in	
9	0741010	2	Screw, Countersunk #10-24NC x 1-1/4in	
10	0902777	1	Bracket, Latch Mounting	
11	1320022	4	Clamp	
12	2180348	2	Fitting, Straight Barbed	
13	2220250	2	Fitting, Reducer	
14	2400044	1	Fuse, Mounting Block	
15	2720058	24 ft/7.3m	Hose	
16	2902132	1	Battery Cable Kit	A
16A	7024585	1	Cable, Battery (Red) (Battery + to Starter and Fuse Block) (Includes 3 Boots)	
16B	7024586	1	Cable, Battery (Black) (Battery to Ground and Fuse Block) (Includes 1 Boots)	
16C	7024587	1	Cable (Red) (Starter to Alternator)	
17	3300408	2	Locknut with Nylon Insert	
18	3311405	9	Locknut 1/4in-20NC	
19	3311605	5	Locknut 3/8in-16NC	
20	3312005	1	Locknut 5/8in-11NC	
21	3422669	1	Pin	
22	3576003	1	Plate, EMR2 Mounting	
23	3740049	1	Relay	
24	3841143	1	Keeper, Pin	
25	3960468	2	Seal	
26	3980007	1	Seat, Battery	
27	4568499	1	Pipe, Exhaust	
28	4711400	14	Flatwasher 1/4in Narrow	
29	4711600	8	Flatwasher 3/8in Narrow	
30	4712000	1	Flatwasher 5/8in Narrow	
32	1001104356	1	Bracket, Filter	
33	1001104638	1	Bracket, Battery Hold-down	
34	1001102987	1	Charge Pump Filter Assembly	
34	70010383	1	Filter Element and O-Ring Kit	
35	0641605	4	Bolt 3/8in-16NC x 5/8in	
36	4420080	2	Tape, Safety Tread Non-Skid Only (SN 0200199846 through 0200239052)	
50		Ref	Decal - Warning Explosion/Fire Options:	
50	1704972	1	ANSI and ANSI Export Spec	
50	1706098	1	Australian and CE Specs	
50	1706059	1	Brazil Spec (English/Portuguese)	
50	1706060	1	Chinese Spec (English/Chinese)	
50	1706064	1	CSA Spec (French/English)	
50	1706063	1	Latin American Spec (English/Spanish)	

SECTION 2 - GROUND CONTROLS

ITEM	PART NUMBER	QTY	DESCRIPTION	REV
		Ref	ENGINE AND PUMP SUB-ASSEMBLIES	
	1001100775	Ref	Tier III Engine and Pump Assembly	I
	1001137812	Ref	Tier IVi-Flex Engine and Pump Assembly	A
101	0100011	AR	Locking, Compound	
102	83191040	2	Capscrew M10 x 30mm	
103	0641814	2	Bolt 1/2in-13NC x 1-3/4in	
104	0720805	4	Screw #8-32NC x 5/8in	
105	0721006	3	Screw #10-24NC x 3/4in	
106	0902812	1	Bracket, Relay Mounting	
109	3310805	4	Locknut #8-32NC	
110	3311005	3	Locknut #10-24NC	
111	3460335	1	Pipe, Exhaust	
112	3740067	1	Relay	
113	3740080	1	Relay	
114	4751000	6	Flatwasher #10	
115	4891600	2	Flatwasher 3/8in Hardened	
116	4891800	2	Flatwasher 1/2in Hardened	
117	4923386	1	Harness, Deutz Engine (Not Shown - See ELECTRICAL SECTION for Breakdown)	
118	4923478	1	Harness, Deutz Glow Plug (Not Shown - See ELECTRICAL SECTION for Breakdown)	
119	1001101331	1	Piston Pump Assembly (See PISTON PUMP ASSEMBLY for Breakdown)	
120	1001101699	1	Gear Pump Assembly	
120	70002210	1	Seal Kit - 1001101699 Pump (Note: Seal Kit is only service component available.)	
121	3790152	1	O-Ring	
		Ref	ENGINE ASSEMBLIES	
	1001104763	Ref	Tier III Engine Assembly	E
	1001137811	Ref	Tier IVi-Flex Engine Assembly	A
201	0100011	AR	Locking, Compound	
202	0100062	AR	Loctite #RC/680	
203	0182029	1	Angle, Support	
204	0340052	1	Band, Air Cleaner Mounting	
205	0641507	4	Bolt 5/16in-18NC x 7/8in	
206	0641608	18	Bolt 3/8in-16NC x 1in	
207	0641820	4	Bolt 1/2in-13NC x 2-1/2in	
208	0701414	4	Bolt 14mm x 30mm	
209	0701419	4	Bolt 14mm x 55mm	
210	0902786	1	Bracket, Hose Guide	
211	0961986	2	Bushing, Flanged	
212	1320016	1	Clamp	
213	1320022	1	Clamp, Hose	
214	1320058	1	Clamp	
215	1340066	1	Air Cleaner Assembly Filter Element	
215A	7024438	1	Element, Filter (Not Shown)	
215B	8273291	1	Valve, Vactuato	
215C	70001787	1	Cover, Air Cleaner	
215D	70000263	1	Clip	
216		Ref	Engine, Deutz Diesel Options:	
216	1001092724	1	Tier III Engine, Deutz Diesel	
216	1001137810	1	Tier IVi-Flex Engine, Deutz Diesel	

SECTION 2 - GROUND CONTROLS

ITEM	PART NUMBER	QTY	DESCRIPTION	REV
217	2220451	2	Fitting, Straight	
218	2220655	2	Fitting, 90	
219	2720486	1	Hose, Air Cleaner	
220	2720494	1	Hose	
221	2720495	1	Hose	
222		Ref	Hose, Oil Drain Options:	
222	See Item 233	AR	Hose (was p/n 1001091892) (SN 0200191606 through 0200201145)	
222	2750532	1 ft/.3m	Hose (SN 0200201146 through 0200239052)	
223	3200378	4	Mount, Motor	
224	3200431	1	Plate, Motor Mounting (Rear)	
225	3311505	4	Locknut 5/16in-18NC	
226	3311605	20	Locknut 3/8in-16NC	
227	3311805	4	Locknut 1/2in-13NC	
228	3573288	1	Plate, Motor Mounting (Front)	
229	3573304	1	Plate, Oil Cooler Mounting	
230	3620043	1	Radiator	
231	4060803	4 in /10.2cm	Flex-Trim	
232	4568398	4	Tube, Spacer	
233		Ref	Valve, Oil Drain Options:	
233	See Note	1	Valve (Note: Was p/n 1001104308 - Use qty 1 of p/n 4640751 Drain Valve and qty 1ft of p/n 2750532 Hose as Replacement) (SN 0200191606 through 0200201145)	
233	4640751	1	Valve (SN 0200201146 through 0200239052)	
234	4711500	4	Flatwasher 5/16in Narrow	
235	4711600	40	Flatwasher 3/8in Narrow	
236	4711800	4	Flatwasher 1/2in Narrow	
237	4740274	4	Washer, Snubbing	
238	1001104765	1	Tray, Engine	
	2902065	Ref	PUMP COUPLING KIT	H
301	70000793	1	Coupling, Hayes	
302	2902065	1	Plate, Pump Adapter	
303	2902065	20	Bolt Metric 10mm	
304	2902065	12	Flatwasher 10mm	
305	3020021	AR	Grease, Coupling	
		Ref	MUFFLER KIT OPTIONS:	
	2902243	Ref	Spark Arrestor Muffler	F
	2902244	Ref	Catalytic Muffler	E
401	0100011	AR	Locking, Compound	
402	0641608	2	Bolt, 3/8-16NC x 1in	
403	0711025	4	Bolt M10 x 85mm	
404	0902885	1	Bracket, Muffler Mount	
405		Ref	Clamp, Muffler Options:	
405A	70001017	1	Clamp, Circle (Supplied with 406A)	
405B	1320019	1	Clamp Saddle (Note: Must be purchased separately)	
406		Ref	Muffler Options:	
406A	3220129	1	Spark Arrestor (Includes Item 405A)	
406B	3220131	1	Catalytic	
407	4711600	2	Flatwasher 3/8in Narrow	
408	4891600	4	Flatwasher 3/8in Hardened	
409	0701013	2	Bolt 10mm x 28mm	

SECTION 2 - GROUND CONTROLS

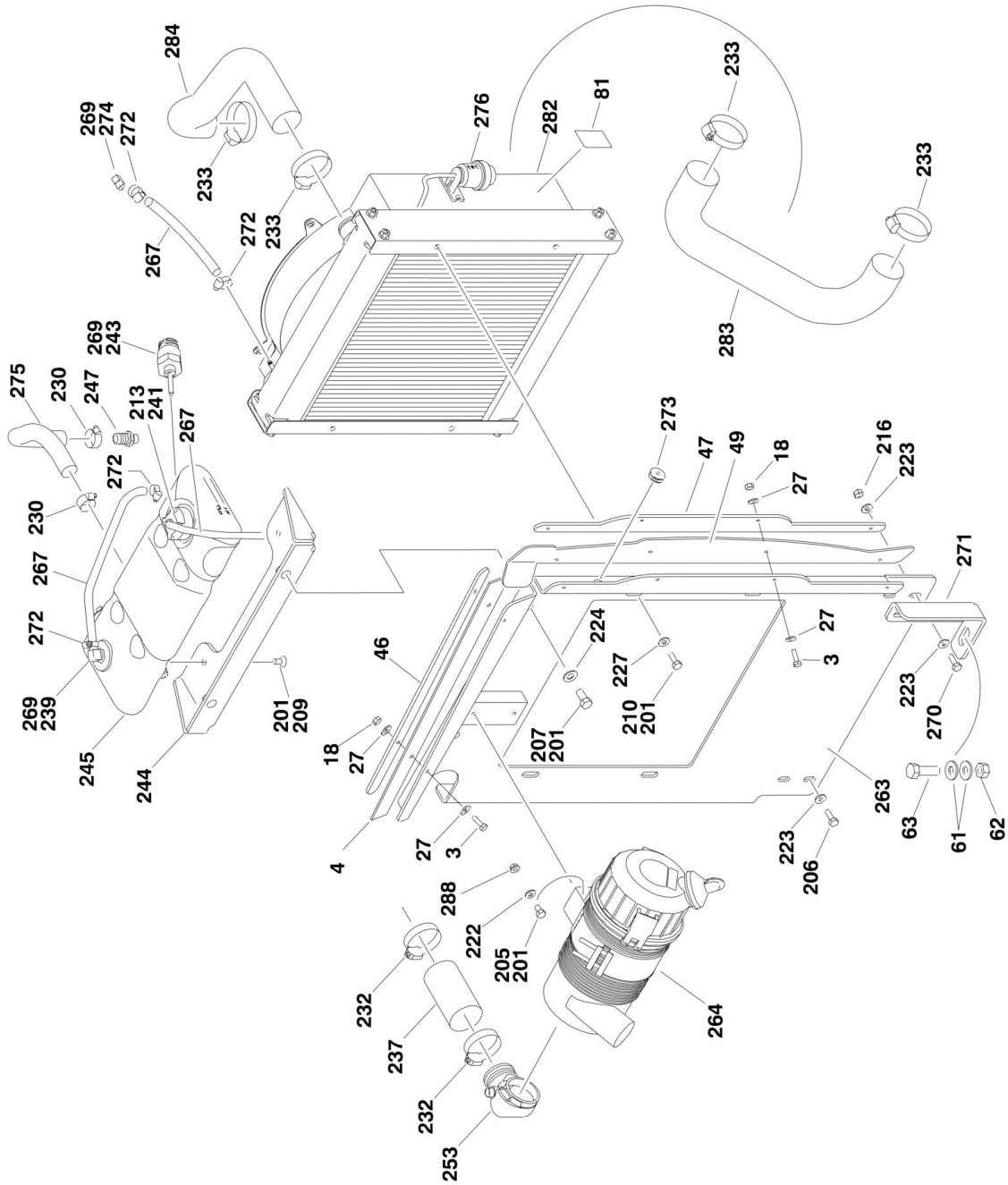
ITEM	PART NUMBER	QTY	DESCRIPTION	REV
410	3291005	2	Locknut 10mm	
411	4812000	2	Flatwasher 10mm	
		Ref	ENGINE COMPONENTS	
	1001092724	Ref	Tier III Engine, Deutz Diesel	C
	1001137810	Ref	Tier IVi-Flex Engine, Deutz Diesel	B
501	7020026	1	Dipstick (was p/n 7027244)	
501	70001002	1	Housing, Dipstick	
502	7020465	2	Cap, Oil Fill	
503		Ref	Pump, Oil Options:	
503	7020495	1	Engine p/n 1001092724	
503	70001850	1	Engine p/n 1001137810	
503	7020468	1	Ring, Seal (Oil Pump to Engine Block) (Not Shown)	
504	7016331	1	Filter, Oil	
505		Ref	Pump, Fuel Injection	
505	70000912	3	Pump, Fuel Injection - A (was p/n 7027246)	
505	70000913	3	Pump, Fuel Injection - B (was p/n 7027608)	
505	70000914	3	Pump, Fuel Injection - C (was p/n 7027609)	
505	70000915	3	Pump, Fuel Injection - D (was p/n 7027610)	
505	7020447	3	Gasket, Fuel Pump	
506	70000916	1	Pump, Fuel Supply (was p/n 7027238)	
506	7020411	1	O-Ring (Fuel Supply Pump to Engine Block) (Not Shown) (Used on p/n 7027238 Pump)	
506	70000917	1	O-Ring (Fuel Supply Pump to Engine Block) (Not Shown) (Used on p/n 70000916 Pump)	
506	70000918	1	Ring, Sealing (Used on p/n 70000916 Pump)	
506	70000919	1	Handle, Pump (Used on p/n 70000916 Pump)	
506	70001435	1	Repair Kit - Fuel Supply Pump (Used on p/n 70000916 Pump)	
507	7020023	1	Filter, Spin-On Fuel	
507	70003463	1	Filter, Spin-On Fuel (RME Resistant - Bio-Diesel)	
507	70001423	1	Bracket, Spin-On Fuel Filter	
507	7027245	1	Filter, In-Line Fuel (Not Shown)	
509	7020414	1	V-Belt	
510	7027903	3	Air Intake	
510	70001871	3	Gasket (Air Intake to Head) (was p/n 7020449)	
510	70003469	1	Flange (Located on End of Air Intake)	
510	70003468	1	O-Ring (Located on End of Air Intake)	
510	3960407	1	Gasket (Located on Breather Side of Air Intake)	
511	7020471	3	Gasket (Exhaust Manifold to Head)	
512	7020486	1	Gasket (Exhaust Manifold to Exhaust Pipe)	
513		Ref	Starter Options:	
513		Ref	Tier III Engine, Deutz Diesel	
513	7020479	1	Starter	
513	7026608	1	Relay/Solenoid, Starter	
513		Ref	Tier IVi-Flex Engine, Deutz Diesel	
513	70004057	1	Starter	
513	70004058	1	Relay/Solenoid, Starter	
514		Ref	Generator Options:	
514		Ref	Tier III Engine, Deutz Diesel	
514	7000663	1	Generator (was p/n 7020493)	
514	7020494	1	Regulator, Voltage	
514		Ref	Tier IVi-Flex Engine, Deutz Diesel	
514	70004056	1	Generator	

SECTION 2 - GROUND CONTROLS

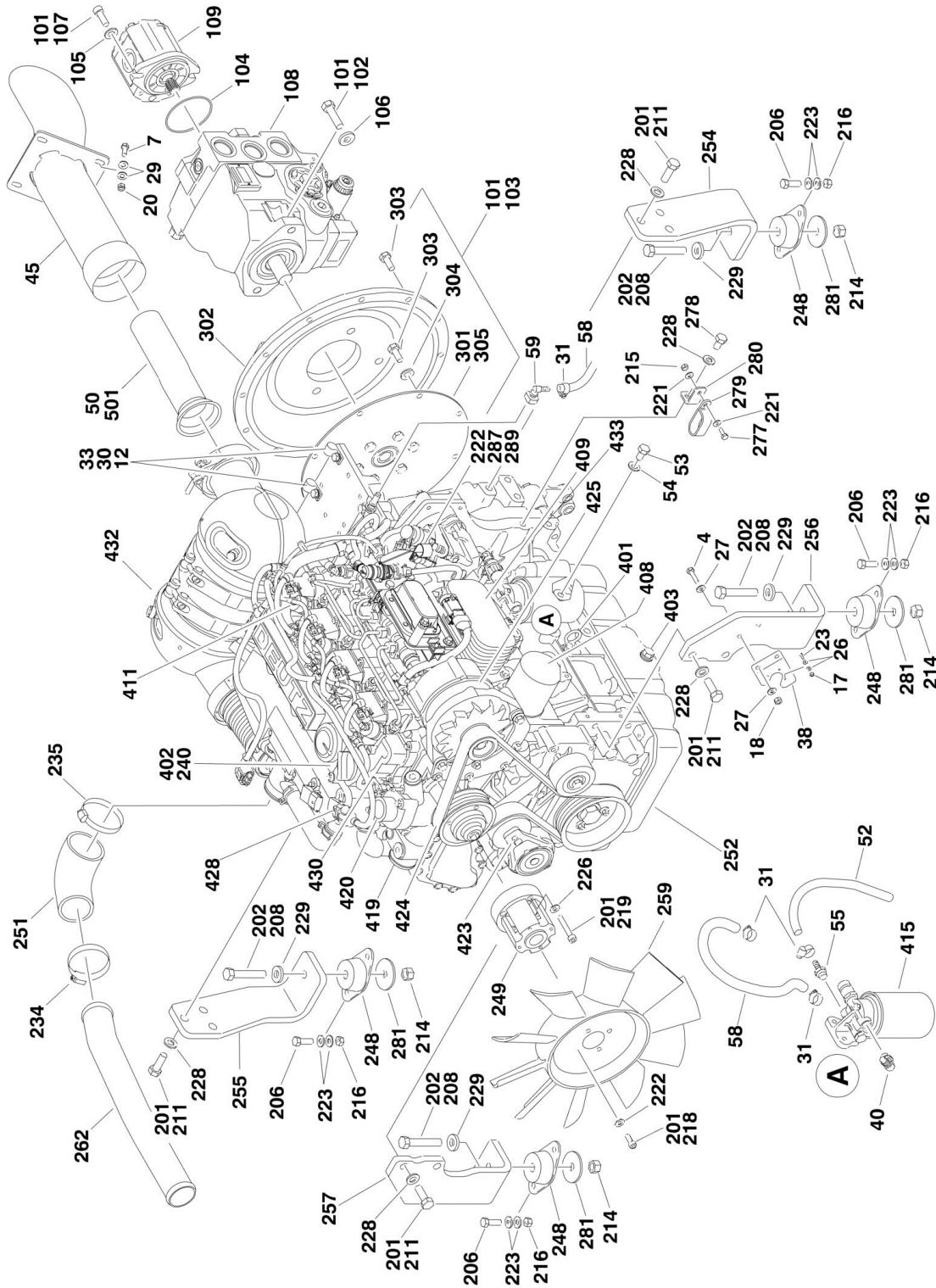
ITEM	PART NUMBER	QTY	DESCRIPTION	REV
514	70001868	1	Regulator, Voltage	
514	70001866	1	Gasket	
515	7024565	1	Sensor, Speed Pick-up	
516	7027790	1	Sensor, Oil Pressure	
517	7027791	1	Sender, Engine Temperature (Not Shown - Located on RH Side of Engine Near #1 Fuel Injector)	
517	7027236	1	Sender, Engine Temperature (Not Shown - Located on RH Side of Engine Near Oil Filter)	
518	7027792	1	Actuator, Throttle	
518	7027276	1	Spring	
518	7027239	1	Solenoid, Throttle Start	
519	70003475	1	Thermostat (Not Shown - Located on RH Side of Engine) (was p/n 7020459)	
519	7020460	1	Spring, Thermostat (Not Shown - Located on RH Side of Engine)	
520	70001870	1	Flywheel	
520	7024579	1	Rim, Gear	
521	7027795	1	Deutz EMR2 Controller, Module	
522	70000345	3	Glow Plug	
523	70000783	1	Fan	
524		Ref	Gasket, Head Options (Not Shown):	
524	70003479	1	Gasket - 1 Notch	
524	70003480	1	Gasket - 2 Notch	
524	70003481	1	Gasket - 3 Notch	
525	7020430	1	Gasket, Cylinder Head Cover (Not Shown)	

SECTION 2 - GROUND CONTROLS

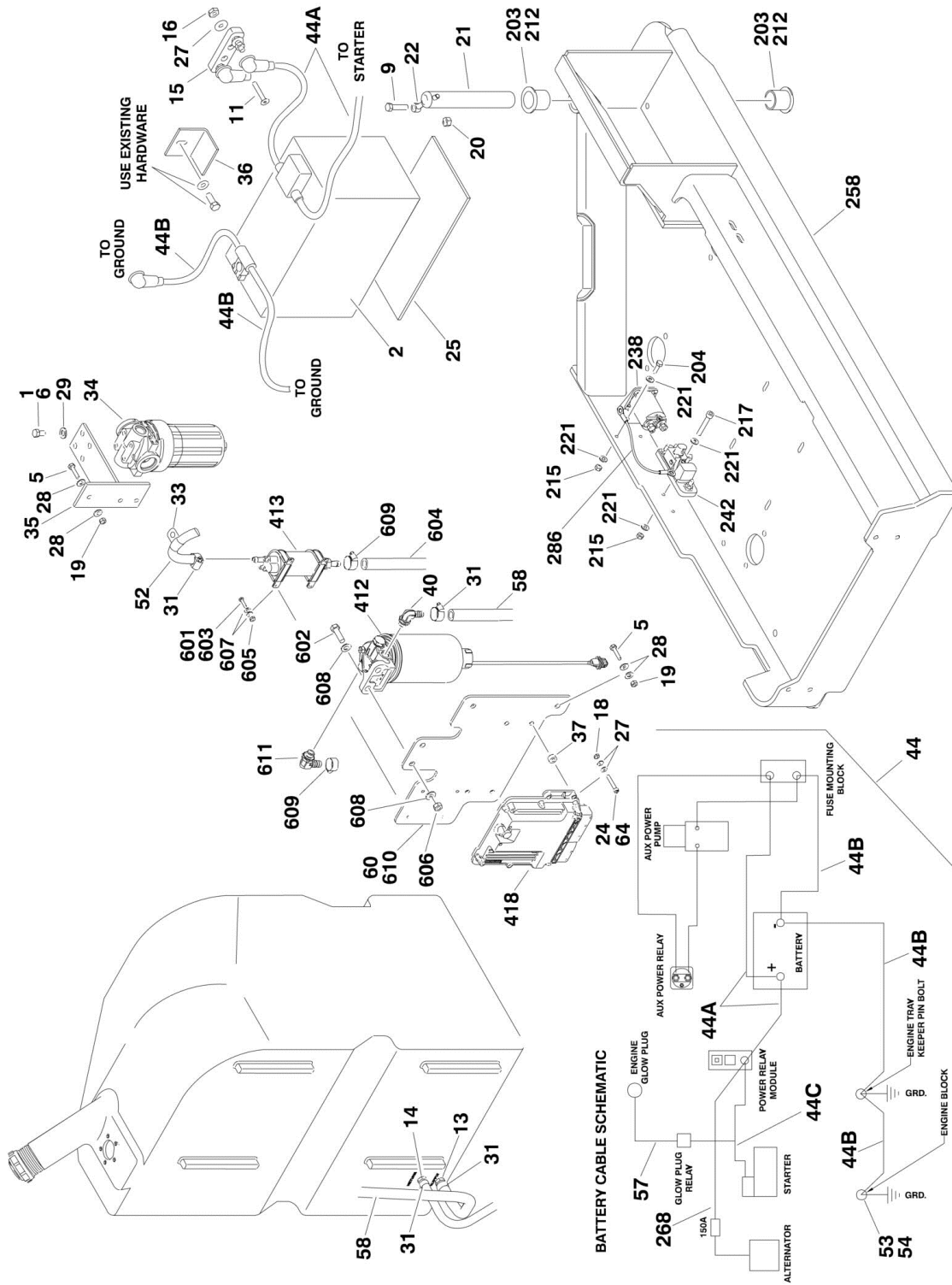
FIGURE 2-6. ENGINE INSTALLATION (DEUTZ D2.9L4 ENGINE)



SECTION 2 - GROUND CONTROLS



SECTION 2 - GROUND CONTROLS



SECTION 2 - GROUND CONTROLS

FIGURE 2-6. ENGINE INSTALLATION (DEUTZ D2.9L4 ENGINE)

ITEM	PART NUMBER	QTY	DESCRIPTION	REV
		Ref	ENGINE INSTALLATIONS	
	1001146330	Ref	Without Arctic Package	E
	1001148045	Ref	With Arctic Package	E
1	0100011	AR	Locking, Compound	
2	0400075	1	Battery	
3	0641407	6	Bolt 1/4in-20NC x 7/8in	
4	0641408	2	Bolt 1/4in-20NC x 1in	
5	0641509	5	Bolt 5/16in-18NC x 1-1/8in	
6	0641605	4	Bolt 3/8in-16NC x 5/8in	
7	0641608	4	Bolt 3/8in-16NC x 1in	
9	0641612	1	Bolt 3/8in-16NC x 1-1/2in	
11	0741010	2	Screw, Countersunk #10-24NC x 1-1/4in	
12	0760810	2	Bolt M8 x 20mm	
13	2220633	1	Fitting, Barbed	
14	2221114	1	Fitting, Barbed	
15	2400044	1	Fuse, Mounting Block	
16	3300408	2	Locknut with Nylon Insert	
17	3310401	3	Nut #4	
18	3311405	12	Locknut 1/4in-20NC	
19	3311505	5	Locknut 5/16in-18NC	
20	3311605	5	Locknut 3/8in-16NC	
21	3422669	1	Pin	
22	3841143	1	Keeper, Pin	
23	3910408	3	Screw #4-40NC x 1/2in	
24	3931424	4	Capscrew 1/4in-20NC x 1-1/2in (Prior to SN 0200235143)	
25	3980007	1	Seat, Battery	
26	4710400	6	Flatwasher #4 Narrow	
27	4711400	26	Flatwasher 1/4in Narrow	
28	4711500	10	Flatwasher 5/16in Narrow	
29	4711600	12	Flatwasher 3/8in Narrow	
30	4811900	2	Flatwasher 8mm	
31	8405006	8	Clamp, Gear	
33	8405006	3	Clip	
34	1001102987	1	Charge Pump Filter Assembly	
34	70010383	1	Filter Element and O-Ring Kit	
35	1001104356	1	Bracket, Filter	
36	1001104638	1	Bracket, Battery Hold-down	
37	1001110425	4	Spacer (Prior to SN 0200235143)	
38	1001139240	1	Bracket	
40	1001142501	2	Fitting, Barbed 90	
44	1001147435	1	Battery Cable Kit	B
44A	7027089	1	Cable, Battery (Red) (Battery + to Power Relay and Fuse Block) (Includes 3 Boots)	
44B	7027091	1	Cable, Battery (Black) (Battery to Pivot Pin Ground/Engine and Fuse Block) (Includes 1 Boots)	
44C	7027090	1	Cable (Red) (Power Relay to Starter)	
45	1001147530	1	Tube, Exhaust	
46	1001147571	1	Plate, Baffle	
47	1001147572	1	Plate, Baffle	
48	1001147629	1	Plate, Baffle	

SECTION 2 - GROUND CONTROLS

ITEM	PART NUMBER	QTY	DESCRIPTION	REV
49	1001147631	1	Plate, Baffle	
50	1001167174	1	Pipe, Exhaust	
52	1001165035	21 ft/6.4m	Hose	
53	0771212	1	Bolt M12 x 25mm (10.9 Grade)	
54	4812100	1	Flatwasher 12mm	
55	1001141717	1	Fitting, Barbed	
56	1001147434	1	Harness, Fuel (Not Shown - See ELECTRICAL SECTION for Breakdown)	
57	1001141304	1	Harness, Glow Plug (Prior to SN 0200235143)	
58	1001154405	5.5 ft /1.7m	Hose	
59	1001155823	1	Coupling, 90	
60	1001165196	1	Bracket Assembly (Less Filter/Pump (See Items 601-611 for Breakdown))	
61	4712000	2	Flatwasher 5/8in Narrow	
62	3312005	1	Locknut 5/8in-11NC	
63	0642014	1	Bolt 5/8in-11NC x 1-3/4in	
64	0641409	4	Bolt, 1/4-20NC x 1 1/8	
		Ref	Note: Arctic Package Items 71-80 (Used on Arctic Machines Only) (Not Shown)	
71	0100020	AR	Sealant, Pipe	
72	1060625	1	Cable, Immersion Heater	
73	1702941	1	Decal - Battery Heater	
74	1702943	1	Decal - Hydraulic Tank Heater	
75	1702944	1	Decal - Heater Cord	
76	2580001	1	Heater, Battery	
77	2580050	1	Heater, Hydraulic Tank	
78	4240099	2	Tie-Strap	
79	4460234	1	Mount, Tie-Strap	
80	1060626	1	Plug, 3 Way	
81	1704972	1	Decal - Warning Explosion/Fire	
		Ref	ENGINE AND PUMP SUB-ASSEMBLIES	
	1001146329	Ref	Without Arctic Package	G
	1001148044	Ref	With Arctic Package	H
101	0100011	AR	Locking, Compound	
102	0641814	2	Bolt 1/2in-13NC x 1-3/4in	
103	2902065	2	Pump Coupling Kit (See Item 301-305 for Breakdown)	
104	3790152	1	O-Ring	
105	4891600	2	Flatwasher 3/8in Hardened	
106	4891800	2	Flatwasher 1/2in Hardened	
107	83191040	2	Capscrew M10 x 30mm	
108	1001101331	1	Piston Pump Assembly (See PISTON PUMP ASSEMBLY for Breakdown)	
109	1001101699	1	Gear Pump Assembly	
109	70002210		Seal Kit - 1001101699 Pump (Note: Seal Kit is only service component available.)	
		Ref	ENGINE ASSEMBLIES	
	1001146327	Ref	Without Arctic Package	I
	1001148043	Ref	With Arctic Package	J
201	0100011	AR	Locking, Compound	
202	0100019	AR	Locking, Compound (Prior to SN 0200235143)	
203	0100062	AR	Loctite #RC/680	
204	0641407	2	Bolt 1/4in-20NC x 7/8in	

SECTION 2 - GROUND CONTROLS

ITEM	PART NUMBER	QTY	DESCRIPTION	REV
205	0641504	2	Bolt 5/16in-18NC x 1/2in (Use p/n 0641506) (Prior to SN 0200236931)	
206	0641609	10	Bolt 3/8in-16NC x 1-1/8in	
207	0641707	2	Bolt 7/16in-14NC x 7/8in	
208	0681822	4	Bolt 1/2in-13NC x 2-3/4in (Grade 8)	
209	0741606	2	Screw, Flathead 3/8in-16NC x 3/4in	
210	0761008	4	Bolt M10 x 16mm	
211	0761215	10	Bolt M12 x 35mm	
212	0961986	2	Bushing, Flanged	
213		Ref	Coolant Options:	
213	2300004	AR	Without Arctic Package	
213	2300041	AR	With Arctic Package	
214	3271801	4	Nut 1/2in-13NC (Grade 8)	
215	3311405	4	Locknut 1/4in-20NC	
216	3311605	12	Locknut 3/8in-16NC	
217	3931436	1	Capscrew 1/4in-20NC x 2-1/4in	
218	3931512	4	Capscrew 5/16in-18NC x 3/4in	
219	4031914	4	Bolt M8 x 50mm	
221	4711400	7	Flatwasher 1/4in Narrow	
222	4711500	7	Flatwasher 5/16in Narrow	
223	4711600	24	Flatwasher 3/8in Narrow	
224	4711700	2	Flatwasher 7/16in Narrow	
226	4811900	4	Flatwasher 8mm	
227	4812000	4	Flatwasher 10mm (Use p/n 4812002) (Prior to SN 0200236931)	
228	4812100	11	Flatwasher 12mm	
229	4891800	4	Flatwasher 1/2in Hardened	
230	8405007	2	Clamp, Gear	
232	8405104	2	Clamp, Gear	
233	8405201	4	Clamp, Gear	
234	8405202	1	Clamp, Gear	
235	8410011	1	Clamp, Gear	
237	91563070	1	Coupling, Hose	
238	1001117308	1	Relay	
239	1001134488	1	Fitting, 90 Barbed	
240		Ref	Oil, Motor Options:	
240	1001136079	2.4 gal/9L	Without Arctic Package	
240	1001136172	2.4 gal/9L	With Arctic Package	
241	1001136834	1	Cap, Tank	
242	1001138228	1	Relay, Power Module	
243	1001138827	1	Sensor, Coolant Level	
244	1001139303	1	Bracket	
245	1001140535	1	Tank, Surge	
247	1001143797	1	Fitting, Straight Barbed	
248	1001144112	4	Mount, Motor	
249	1001144116	1	Adapter	
251	1001145006	1	Hose, 90	
252	1001145758	1	Engine, Deutz D2.9L4	
253	1001146043	1	Coupling, 90	
254	1001146356	1	Support, Engine	
255	1001146357	1	Support, Engine	
256	1001146358	1	Support, Engine	
257	1001146359	1	Support, Engine	

SECTION 2 - GROUND CONTROLS

ITEM	PART NUMBER	QTY	DESCRIPTION	REV
258	1001146360	1	Tray, Engine	
259	1001146396	1	Fan	
262	1001146517	1	Tube, Intake	
263	1001146616	1	Support, Radiator	
264	1001144113	1	Air Cleaner Assembly Filter Element	
264	70003937	1	Element, Filter (Not Shown)	
267	1001138248	5.5 ft /1.7m	Hose (Use p/n 2720015) (Prior to SN 0200236931)	
268	1001143907	1	Cable, Alternator Power (See ELECTRICAL SECTION for Breakdown)	
269	0100020	AR	Sealant, Pipe	
270	0641611	2	Bolt 3/8in-16NC x 1-3/8in	
271	1001154334	1	Bracket	
272	8405009	4	Clamp, Gear	
273	1001111341	1	Grommet	
274	1001140564	1	Fitting, 90 Barbed	
275	1001155477	1	Hose	
276	1001144115	1	Indicator, Service	
277	0641406	1	Bolt 1/4in-20NC x 3/4in	
278	0761210	1	Bolt M12 x 20mm	
279	1321716	1	Clamp	
280	1001148641	1	Bracket	
281	1001139409	4	Washer, Special	
282	1001155493	1	Radiator	
283	1001155874	1	Hose	
284	1001155875	1	Hose	
285	1001145562	1	Engine Harness (Not Shown - See ELECTRICAL SECTION for Breakdown)	
286	1001141304	1	Wire, Glow Fuse	
287	8406102	1	Clip, Wire	
288	3311508	2	Nut, Hex 5/16-18NC	
289	0760810	1	Bolt, M8 x 20	
290	1001181895	AR Ref	Loctite #640 (Not Shown) Note: Arctic Package Item 291 (Used on Arctic Machines Only) Not Shown.	
291	1001140312	1	Heater, Engine Block	
	2902065	Ref	Pump Coupling Kit	G
301	70000793	1	Coupling, Hayes	
302	2902065	1	Plate, Pump Adapter	
303	2902065	20	Bolt Metric 10mm	
304	2902065	12	Flatwasher 10mm	
305	3020021	AR	Grease, Coupling	
	1001145758	Ref	ENGINE COMPONENTS	
401	70004274	1	Dipstick (Not Shown - Located On Side Left Front)	
401	70024905	1	Seal	
402	7020465	2	Cap, Oil Fill	
403	70025088	1	Plug	
403	7020404	1	Seal	
404	70001870	1	Flywheel with Ring Gear (Not Shown)	
404	7024579	1	Gear, Ring	
405		Ref	Gasket and Seal Options (Not Shown):	
405	70024906	1	Gasket, Head	

SECTION 2 - GROUND CONTROLS

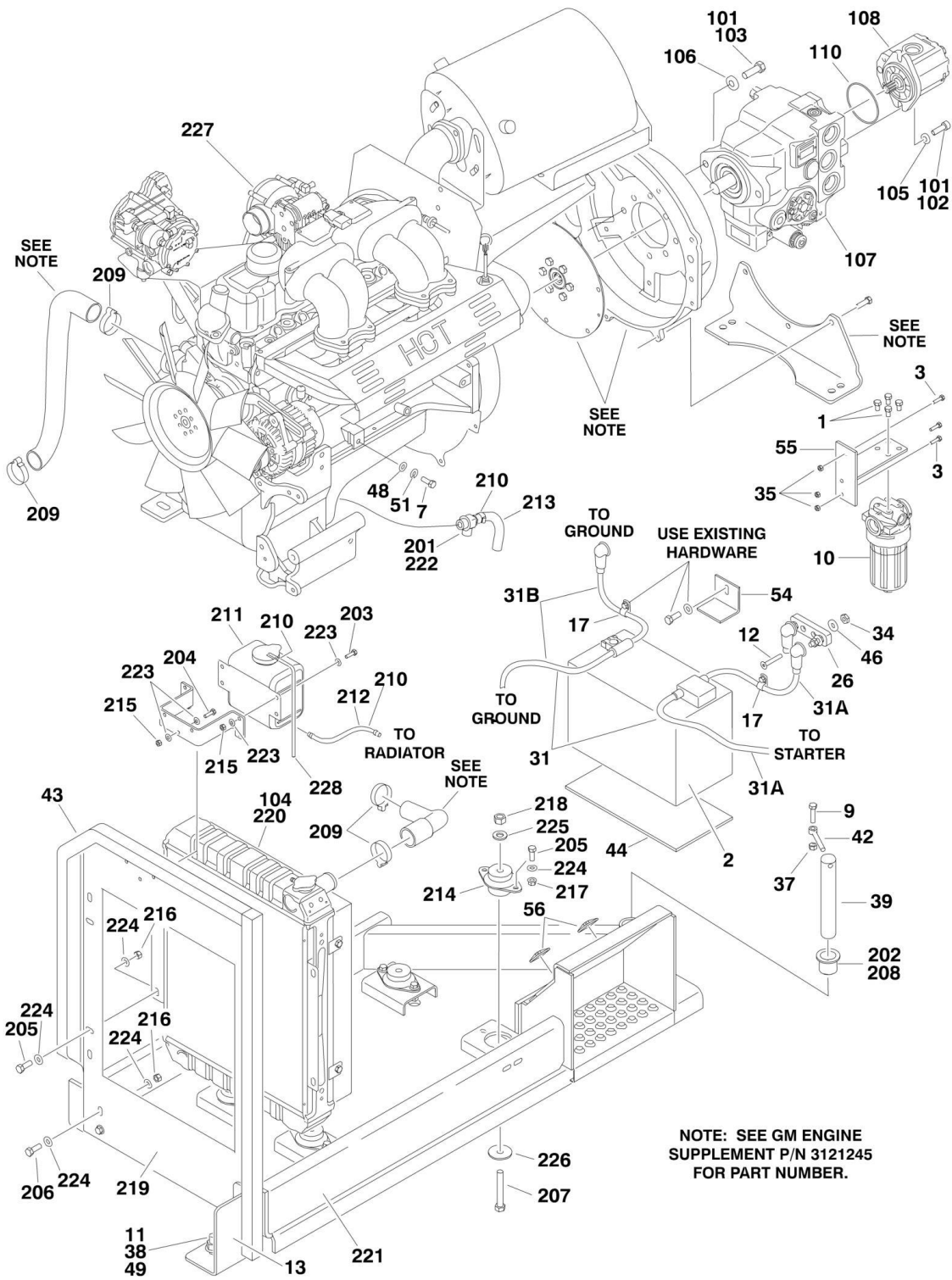
ITEM	PART NUMBER	QTY	DESCRIPTION	REV
405	70025206	1	Gasket, Small Valve Cover	
405	70025207	1	Gasket, Large Valve Cover	
405	7002508	1	Gasket, Valve Cover to Air Charge Elbow	
405	70002718	1	Seal, Rear Main	
405	70024907	1	Gasket, Front Cover	
405	70025164	1	Gasket, Exhaust Manifold to Head	
405	70025179	1	Gasket, Pipe/Line/Lead to EGR Module	
405	70025180	1	Gasket, Pipe/Line/Lead to EGR Module	
405	70004279	1	Gasket Kit	
406	70025091	1	Plug	
406	70025082	1	Seal	
406	70025176	1	Spring	
406	70025076	1	Valve	
407	70025202	1	Pump, Oil Lube (Not Shown - Located Front Left Side)	
407	70025135	1	O-Ring	
407	70025136	1	Seal	
408	7016331	1	Filter, Oil	
409	70004275	1	Cooler, Oil	
409	70024925	1	Gasket	
410	70024924	1	Pump, High Pressure (Not Shown - Located Front Left Side)	
410	70025152	1	O-Ring (Between Pump and Spacer)	
410	70024488	1	Spacer	
410	70025152	1	O-Ring (Between Spacer and Engine Block)	
411	70004281	4	Injector, Fuel	
411	70025140	4	Washer, Sealing	
411	70025146	4	Clamp (Top of Injector)	
411	70025145	4	O-Seal	
411	70025154	4	Shoe, Clamping	
411	70000345	4	Plug, Glow	
411	70025231	1	Harness, Glow Plug (Not Shown)	
412	70025153	1	Filter, Fuel	
412	70024513	1	Cable, Sensor	
412	70025239	1	Seal	
413	70024486	1	Pump, Fuel	
414	70025144	2	Clamp	
415	70025160	1	Filter with Head	
415	70025161	1	Filter, Fuel	
417	70025151	1	Rail, Fuel (Not Shown)	
417	70025235	1	Repair Kit	
418	70025210	1	ECU (Engine Control Unit)	
419	70024910	1	Pump, Water	
419	70025200	1	Seal	
419	70025084	2	Plug	
419	7020492	2	Seal	
420	70024473	1	Thermostat	
420	70025143	1	O-Seal	
420	70025142	1	Cover, Thermostat	
421	70025177	1	Pipe (Not Shown)	
421	70025179	2	Gasket	
422	70004283	1	Module, EGR (Not Shown - Located on Left Side)	
423	70025477	1	Tensioner, Belt	

SECTION 2 - GROUND CONTROLS

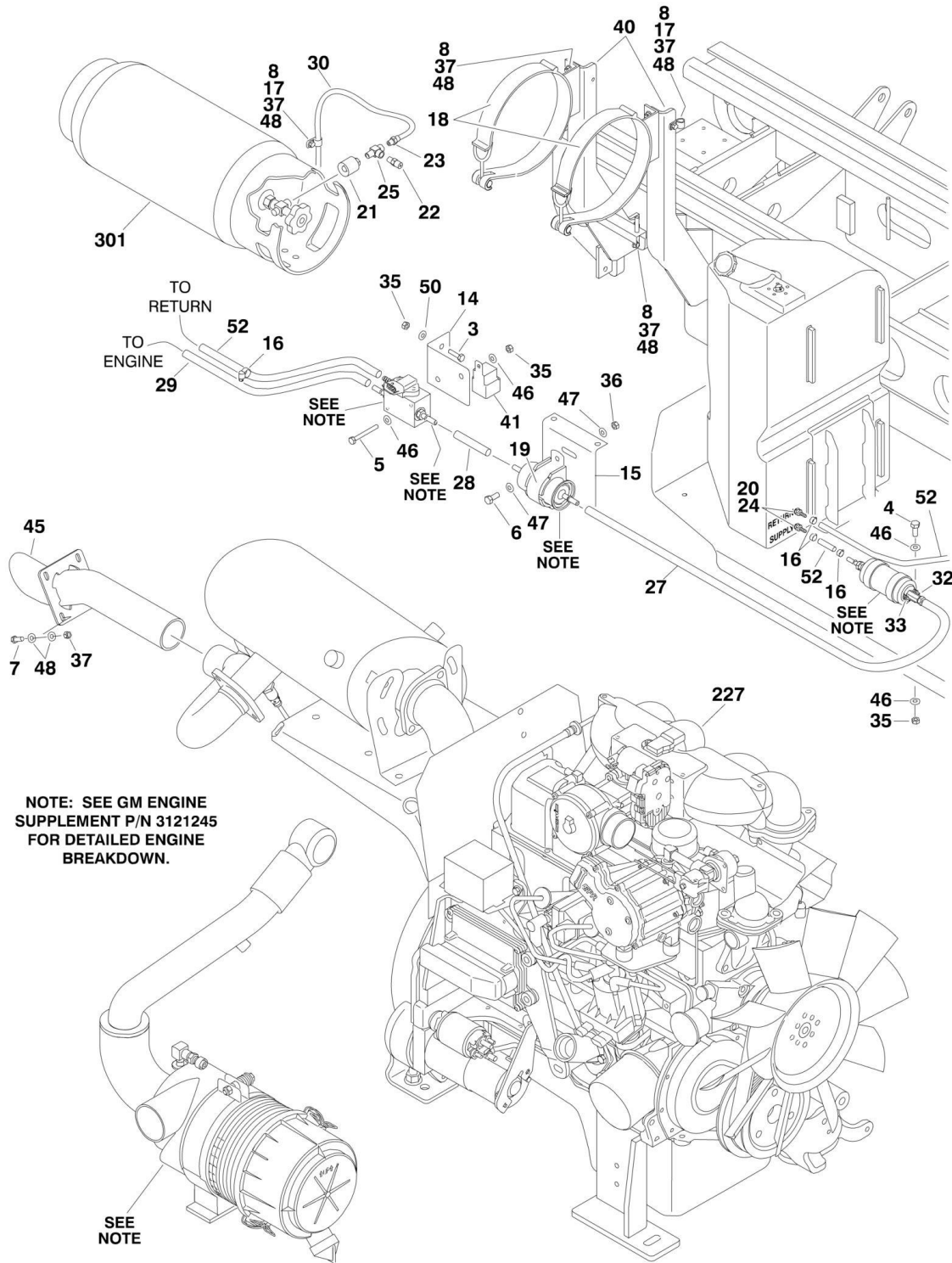
ITEM	PART NUMBER	QTY	DESCRIPTION	REV
424	70004277	1	Belt, Drive	
425	70024914	1	Alternator	
425	70025149	1	Regulator, Voltage	
426	70024915	1	Starter (Not Shown - Located on Left Side)	
427	70004284	1	Harness, Engine (Not Shown)	
428	70024507	1	Sensor, Pressure	
428	70025120	1	Seal	
429	70024916	2	Sensor, Speed (Not Shown - Located Left Side Front and Flywheel Housing)	
429	70024917	2	Seal	
430	70024918	1	Sender, Temperature	
431	70024504	1	Sensor, Pressure (Not Shown - Located Left Side Front)	
431	70024920	1	Seal	
432	70005446	1	Muffler	
432	70004285	1	Outlet, Muffler	
433	70124530	1	Valve, Pressure Relief	
433	70124538	1	Spring, Compression	
433	70104570	1	Ring, Sealing	
433	70025660	1	Screw	
	1001147783	Ref	SPARK ARRESTER INSTALLATION (OPTIONAL)	A
501	1001147775	1	Arrester, Spark	
	1001165196	Ref	BRACKET ASSEMBLY (LESS FUEL PUMP AND FILTER)	B
601	0100011	AR	Locking, Compound	
602	0641611	2	Bolt 3/8in-16NC x 1-3/8in	
603	0721006	4	Bolt #10-24NC x 3/4in	
604	1001154405	1.5 ft /0.4m	Hose	
605	3311001	4	Nut #10-20NC	
606	3311605	2	Locknut 3/8in-16NC	
607	4711000	8	Flatwasher #10 Thin	
608	4711600	4	Flatwasher 3/8in Thin	
609	8405006	2	Clamp	
610	1001146974	1	Plate, Fuel Pump Mount	
611	1001142501	1	Fitting, Elbow Barbed	

SECTION 2 - GROUND CONTROLS

FIGURE 2-7. ENGINE INSTALLATION (GM) (SN 0200191606 through 0200198946)



SECTION 2 - GROUND CONTROLS



SECTION 2 - GROUND CONTROLS

FIGURE 2-7. ENGINE INSTALLATION (GM) (SN 0200191606 through 0200198946)

ITEM	PART NUMBER	QTY	DESCRIPTION	REV
		Ref	Note: Machine SN 0200198301 is also equipped with design GM Engine (SN 0200198947 through 0200239052)	
	1001102540	Ref	ENGINE INSTALLATION	G
1	0641605	4	Bolt 3/8in-16NC x 5/8in	
2	0400075	1	Battery	
3	0641408	5	Bolt 1/4in-20NC x 1in	
4	0641410	2	Bolt 1/4in-20NC x 1-1/4in	
5	0641418	2	Bolt 1/4in-20NC x 2-1/4in	
6	0641506	2	Bolt 5/16in-18NC x 3/4in	
7	0641608	5	Bolt 3/8in-16NC x 1in	
8	0641610	9	Bolt 3/8in-16NC x 1-1/4in	
9	0641612	1	Bolt 3/8in-16NC x 1-1/2in	
10	1001102987	1	Filter, Charge Pump	
10	70010383	1	Filter Element and O-Ring Kit	
11	0642016	1	Bolt 5/8in-11NC x 2in	
12	0741010	2	Bolt #10-24NC x 1-1/4in	
13	0902777	1	Bracket, Engine Tray Latch Mount	
14	0903475	1	Plate, Fuel Regulator	
15	0903476	1	Plate, Fuel Filter	
16	1320022	4	Clamp	
17	1320061	3	Clamp	
18	1320220	1	Clamp	
19	1320323	1	Clamp	
20	2180348	2	Fitting 1/4in x 5/16in Barb	
21	2180387	1	Fitting, LP	
22	2180389	1	Fitting, Relief Valve - LP	
23	2180418	1	Fitting	
24	2220250	2	Fitting, Reducer	
25	2220290	1	Fitting, Tee	
26	2400044	1	Fuse, Mounting Block	
27	2720473	1	Hose, Fuel Line	
28	2720566	1	Hose, Fuel Line	
29	2720580	1	Hose, Fuel Line	
30	2720611	1	Hose, LP	
31	2902534	1	Battery Cable Kit	D
31A	7027019	1	Cable, Battery - Red (Includes 3 Terminal Boots)	
31B	7027020	1	Cable, Battery - Black (Includes 1 Terminal Boots)	
32	3290405	1	Nut 4mm	
33	3290505	1	Nut 5mm	
34	3300408	2	Locknut	
35	3311405	6	Locknut 1/4in-20NC	
36	3311505	2	Locknut 5/16in-18NC	
37	3311605	16	Locknut 3/8in-16NC	
38	3312005	1	Locknut 5/8in-11NC	
39	3422669	1	Pin	
40	3573440	2	Plate, LP Tank Mount	
41	3740080	1	Relay	
42	3841143	1	Keeper	
43	3960468	2	Seal	
44	3980007	1	Seat, Battery	

SECTION 2 - GROUND CONTROLS

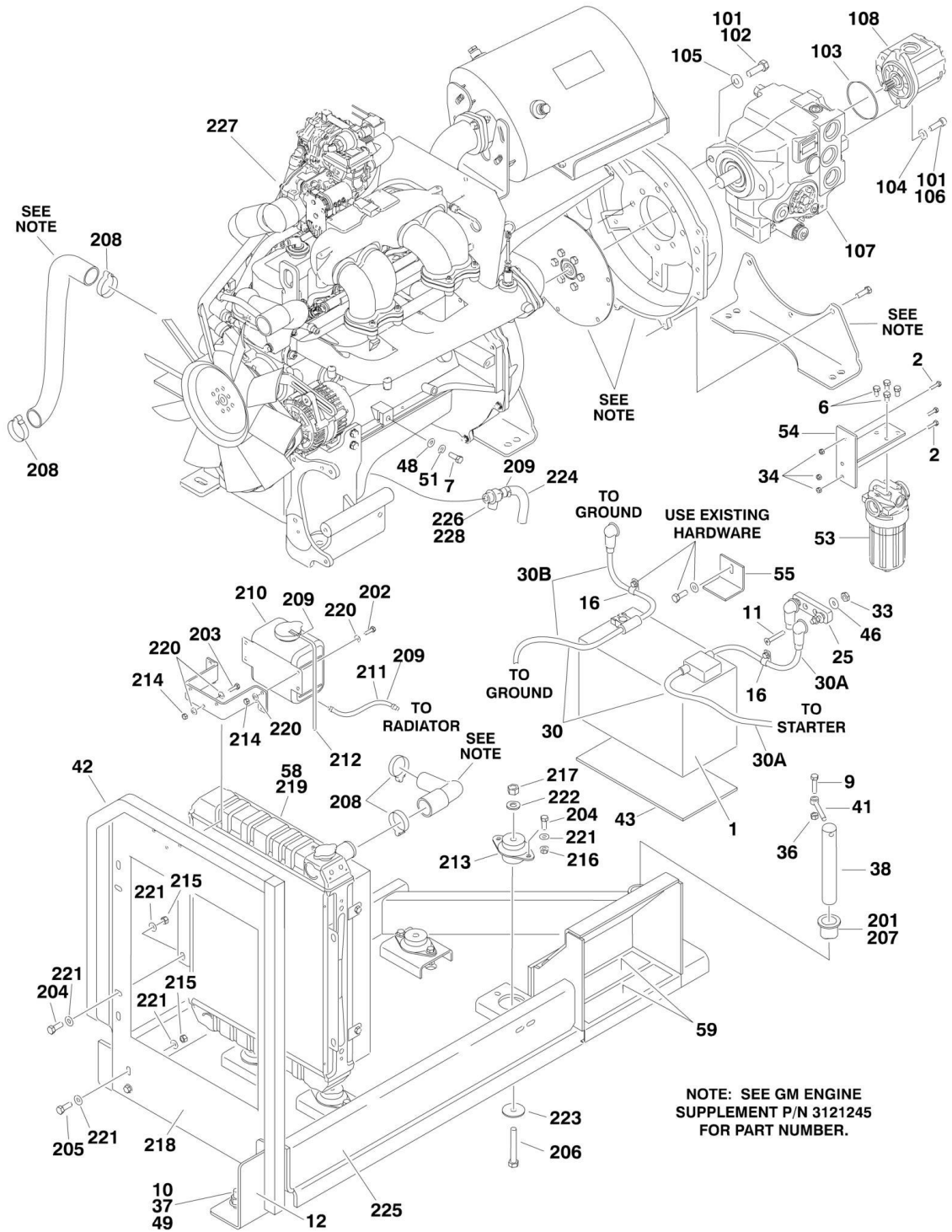
ITEM	PART NUMBER	QTY	DESCRIPTION	REV
45	4568346	1	Tube, Exhaust	
46	4711400	10	Flatwasher 1/4in (Narrow)	
47	4711500	4	Flatwasher 5/16in (Narrow)	
48	4711600	31	Flatwasher 3/8in (Narrow)	
49	4712000	1	Flatwasher 5/8in (Narrow)	
50	4751400	2	Flatwasher 1/4in (Wide)	
51	4761600	1	Lockwasher 3/8in	
52	1001091587	3.5 ft /1.1m	Hose, Fuel Line	
54	1001104638	1	Bracket, Battery Hold-down	
55	1001104356	1	Bracket, Filter	
56	4460488	2	Base, Terminal Mounting	
	1001101761	Ref	GM ENGINE AND PUMP SUB-ASSEMBLY	H
101	0100011	AR	Locking, Compound	
102	83191040	2	Bolt M10 x 30mm	
103	0641814	2	Bolt 1/2in-13NC x 1-3/4in	
104	2300004	AR	Coolant	
105	4891600	2	Flatwasher 3/8in Hardened	
106	4891800	2	Flatwasher 1/2in Hardened	
107	1001101331	1	Piston Pump Assembly (See PISTON PUMP ASSEMBLY for Breakdown)	
108	1001101699	1	Gear Pump Assembly	
108	70002210	1	Seal Kit - 1001101699 Pump (Note: Seal Kit is only service component available.)	
110	3790152	1	O-Ring	
	1001102397	Ref	GM ENGINE ASSEMBLY	G
201	0100020	AR	Sealant, Pipe	
202	0100062	AR	Loctite #RC/680	
203	0641406	4	Bolt 1/4in-20NC x 3/4in	
204	0641407	3	Bolt 1/4in-20NC x 7/8in	
205	0641608	12	Bolt 3/8in-16NC x 1in	
206	0641609	4	Bolt 3/8in-16NC x 1-1/8in	
207	0641828	4	Bolt 1/2in-13NC x 3-1/2in	
208	0961986	2	Flange, Bearing	
209	1320012	4	Clamp	
210	1320022	3	Clamp	
211	1580011	1	Container, Coolant Overflow	
212	2720058	10 in /25.4cm	Hose	
213		Ref	Hose Options:	
213	2750532	1 ft/.3m	Hose (SN 0200191606 through 0200194607)	
213	See Note	AR	Hose (was p/n 1001091892) (SN 0200194608 through 0200198946)	
214	3200362	4	Mount, Resilient Engine	
215	3311405	7	Locknut 1/4in-20NC	
216	3311605	8	Locknut 3/8in-16NC	
217	3311608	8	Nut 3/8in-16NC	
218	3311805	4	Locknut 1/2in-13NC	
219	3573195	1	Plate, Radiator Mount	
220	3620042	1	Radiator	
220	7027412	1	Cap, Radiator	
221	1001105112	1	Support, Engine Tray	

SECTION 2 - GROUND CONTROLS

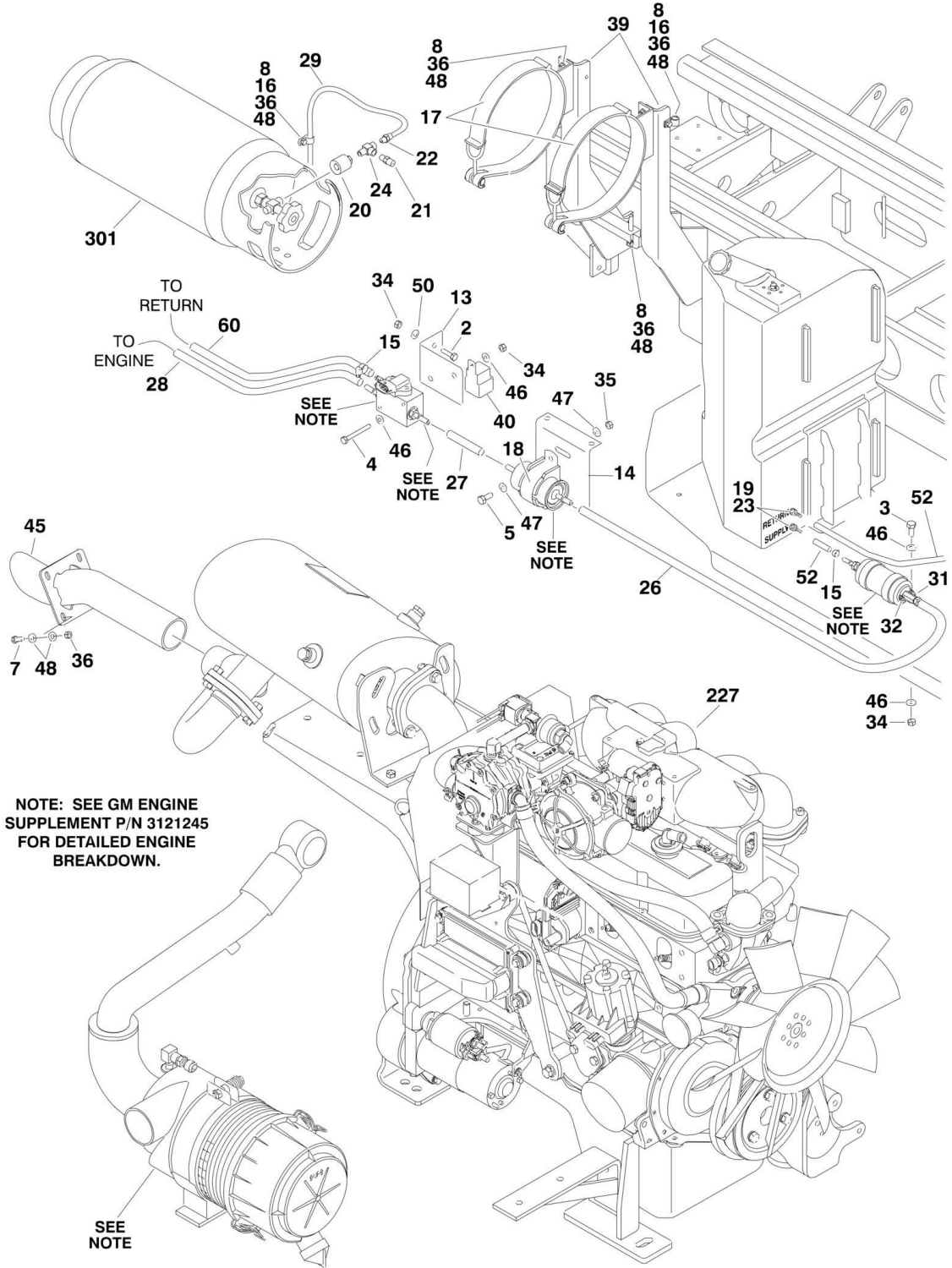
ITEM	PART NUMBER	QTY	DESCRIPTION	REV
222		Ref	Valve, Oil Drain Options:	
222	4640952	1	Valve (SN 0200191606 through 0200194607)	
222	See Note	1	Valve (Note: Was p/n 1001105872 - Use qty 1 of p/n 4640952 Drain Valve and qty 1ft of p/n 2750532 Hose as Replacement) (SN 0200194608 through 0200198946)	
223	4711400	14	Flatwasher 1/4in Narrow	
224	4711600	32	Flatwasher 3/8in Narrow	
225	4711800	4	Flatwasher 1/2in Narrow	
226	4740274	4	Washer (Snubbing)	
227	1001102398	1	Engine, GM 3.0L (See GM Engine Supplement P/N 3121245 for Breakdown of Additional Components)	
227	7027965	1	Filter, Oil	
227	7027972	1	Filter, Fuel	
227	70000164	4	Plug, Spark	
227	7024438	1	Element, Air Cleaner Filter	
228	2720271	8 in/20cm	Hose	
301		Ref	LP TANK ASSEMBLY	
301	4400420	Ref	#43 Steel Tank	
301	4400275	Ref	#43 Aluminum Tank	

SECTION 2 - GROUND CONTROLS

FIGURE 2-8. ENGINE INSTALLATION (GM) (SN 0200198947 through 0200239052)



SECTION 2 - GROUND CONTROLS



SECTION 2 - GROUND CONTROLS

FIGURE 2-8. ENGINE INSTALLATION (GM) (SN 0200198947 through 0200239052)

ITEM	PART NUMBER	QTY	DESCRIPTION	REV
		Ref	Note: Machine SN 0200198301 is also equipped with design GM Engine (SN 0200198947 through 0200239052)	
	1001114631	Ref	ENGINE INSTALLATION	E
1	0400075	1	Battery	
2	0641408	5	Bolt 1/4in-20NC x 1in	
3	0641410	2	Bolt 1/4in-20NC x 1-1/4in	
4	0641418	2	Bolt 1/4in-20NC x 2-1/4in	
5	0641506	2	Bolt 5/16in-18NC x 3/4in	
6	0641605	4	Bolt 3/8in-16NC x 5/8in	
7	0641608	5	Bolt 3/8in-16NC x 1in	
8	0641610	9	Bolt 3/8in-16NC x 1-1/4in	
9	0641612	1	Bolt 3/8in-16NC x 1-1/2in	
10	0642016	1	Bolt 5/8in-11NC x 2in	
11	0741010	2	Bolt #10-24NC x 1-1/4in	
12	0902777	1	Bracket, Engine Tray Latch Mount	
13	0903475	1	Plate, Fuel Regulator	
14	0903476	1	Plate, Fuel Filter	
15	1001174486	2	Clamp	
16	1320061	3	Clamp	
17	1320220	1	Clamp	
18	1320323	1	Clamp	
19	2180348	2	Fitting 1/4in x 5/16in Barb	
20	2180387	1	Fitting, LP	
21	2180389	1	Fitting, Relief Valve - LP	
22	2180418	1	Fitting	
23	2220250	2	Fitting, Reducer	
24	2220290	1	Fitting, Tee	
25	2400044	1	Fuse, Mounting Block	
26	2720473	NLA	Hose, Fuel Line (Use p/n 1001156820)	
27	2720566	NLA	Hose, Fuel Line (Use p/n 1001156823)	
28	2720580	NLA	Hose, Fuel Line (Use p/n 1001156825)	
29	2720611	1	Hose, LP	
30	2902534	1	Battery Cable Kit	F
30A	7027019	1	Cable, Battery - Red (Includes 3 Terminal Boots)	
30B	7027020	1	Cable, Battery - Black (Includes 1 Terminal Boots)	
31	3290405	1	Nut 4mm	
32	3290505	1	Nut 5mm	
33	3300408	2	Locknut	
34	3311405	9	Locknut 1/4in-20NC	
35	3311505	2	Locknut 5/16in-18NC	
36	3311605	14	Locknut 3/8in-16NC	
37	3312005	1	Locknut 5/8in-11NC	
38	3422669	1	Pin	
39	3573440	2	Plate, LP Tank Mount	
40	3740080	1	Relay	
41	3841143	1	Keeper	
42	3960468	1	Seal	
43	3980007	1	Seat, Battery	
45	4568346	1	Tube, Exhaust	
46	4711400	10	Flatwasher 1/4in (Narrow)	

SECTION 2 - GROUND CONTROLS

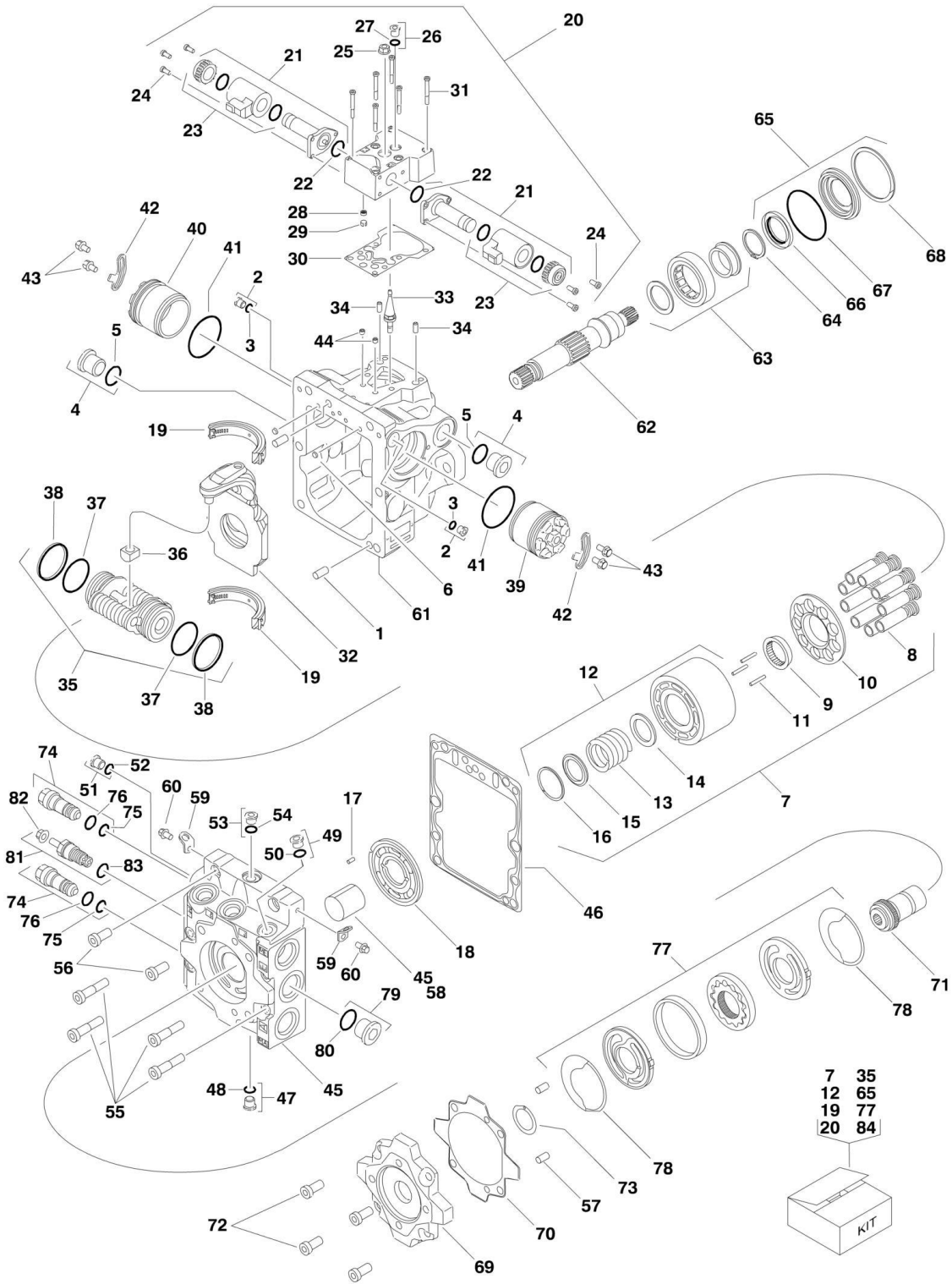
ITEM	PART NUMBER	QTY	DESCRIPTION	REV
47	4711500	4	Flatwasher 5/16in (Narrow)	
48	4711600	27	Flatwasher 3/8in (Narrow)	
49	4712000	1	Flatwasher 5/8in (Narrow)	
50	4751400	2	Flatwasher 1/4in (Wide)	
51	4761600	1	Lockwasher 3/8in	
52	1001156819	3.5 ft /1.1m	Hose, Fuel Line (Use p/n 1001177169)	
53	1001102987	1	Filter, Charge Pump	
53	70010383	1	Filter Element and O-Ring Kit	
54	1001104356	1	Bracket, Filter	
55	1001104638	1	Bracket, Battery Hold-down	
57	0100048	AR	Grease, Dielectric	
58	2300004	AR	Coolant	
59	4420080	2	Tape, Safety Tread Step	
60	1001177167	1	Hose, High Pressure Fuel	
	1001114630	Ref	GM ENGINE AND PUMP SUB-ASSEMBLY	D
101	0100011	AR	Locking, Compound	
102	0641814	2	Bolt 1/2in-13NC x 1-3/4in	
103	3790152	1	O-Ring	
104	4891600	2	Flatwasher 3/8in Hardened	
105	4891800	2	Flatwasher 1/2in Hardened	
106	83191040	2	Bolt M10 x 30mm	
107	1001101331	1	Piston Pump Assembly (See PISTON PUMP ASSEMBLY for Breakdown)	
108	1001101699	1	Gear Pump Assembly	
108	70002210	1	Seal Kit - 1001101699 Pump	
		Ref	Note: Seal Kit is only service component available.	
110	1001115930	4.6 qt	Lube 10W-30 (Not Shown)	
	1001114629	Ref	GM ENGINE ASSEMBLY	C
201	0100062	AR	Loctite #RC/680	
202	0641406	4	Bolt 1/4in-20NC x 3/4in	
203	0641407	3	Bolt 1/4in-20NC x 7/8in	
204	0641608	12	Bolt 3/8in-16NC x 1in	
205	0641609	4	Bolt 3/8in-16NC x 1-1/8in	
206	0641828	4	Bolt 1/2in-13NC x 3-1/2in	
207	0961986	2	Flange, Bearing	
208	1320012	4	Clamp	
209	1320022	4	Clamp	
210	1580011	1	Container, Coolant Overflow	
211	2720058	10 in /25.4cm	Hose	
212	2720271	8 in/20cm	Hose	
213	3200362	4	Mount, Resilient Engine	
214	3311405	7	Locknut 1/4in-20NC	
215	3311605	8	Locknut 3/8in-16NC	
216	3311608	8	Nut 3/8in-16NC	
217	3311805	4	Locknut 1/2in-13NC	
218	3573195	1	Plate, Radiator Mount	
219	3620042	1	Radiator	
219	7027412	1	Cap, Radiator	
220	4711400	14	Flatwasher 1/4in Narrow	
221	4711600	32	Flatwasher 3/8in Narrow	

SECTION 2 - GROUND CONTROLS

ITEM	PART NUMBER	QTY	DESCRIPTION	REV
222	4711800	4	Flatwasher 1/2in Narrow	
223	4740274	4	Washer (Snubbing)	
224	2750532	10 in /25.4cm	Hose	
225	1001105112	1	Support, Engine Tray	
226	4640952	1	Valve, Oil Drain	
227	1001114604	1	Engine, GM 3.0L (See GM Engine Supplement P/N 3121245 for Breakdown of Additional Components)	
227	7027965	1	Filter, Oil	
227	7027972	1	Filter, Fuel - Inlet	
227	70000164	4	Plug, Spark	
227	70002895	1	Module, Engine Control (ECU)	
228	0100020	AR	Sealant, Pipe	
301		Ref	LP TANK ASSEMBLY	
301	4400420	Ref	#43 Steel Tank	
301	4400275	Ref	#43 Aluminum Tank	

SECTION 2 - GROUND CONTROLS

FIGURE 2-9. PISTON PUMP ASSEMBLY



SECTION 2 - GROUND CONTROLS

FIGURE 2-9. PISTON PUMP ASSEMBLY

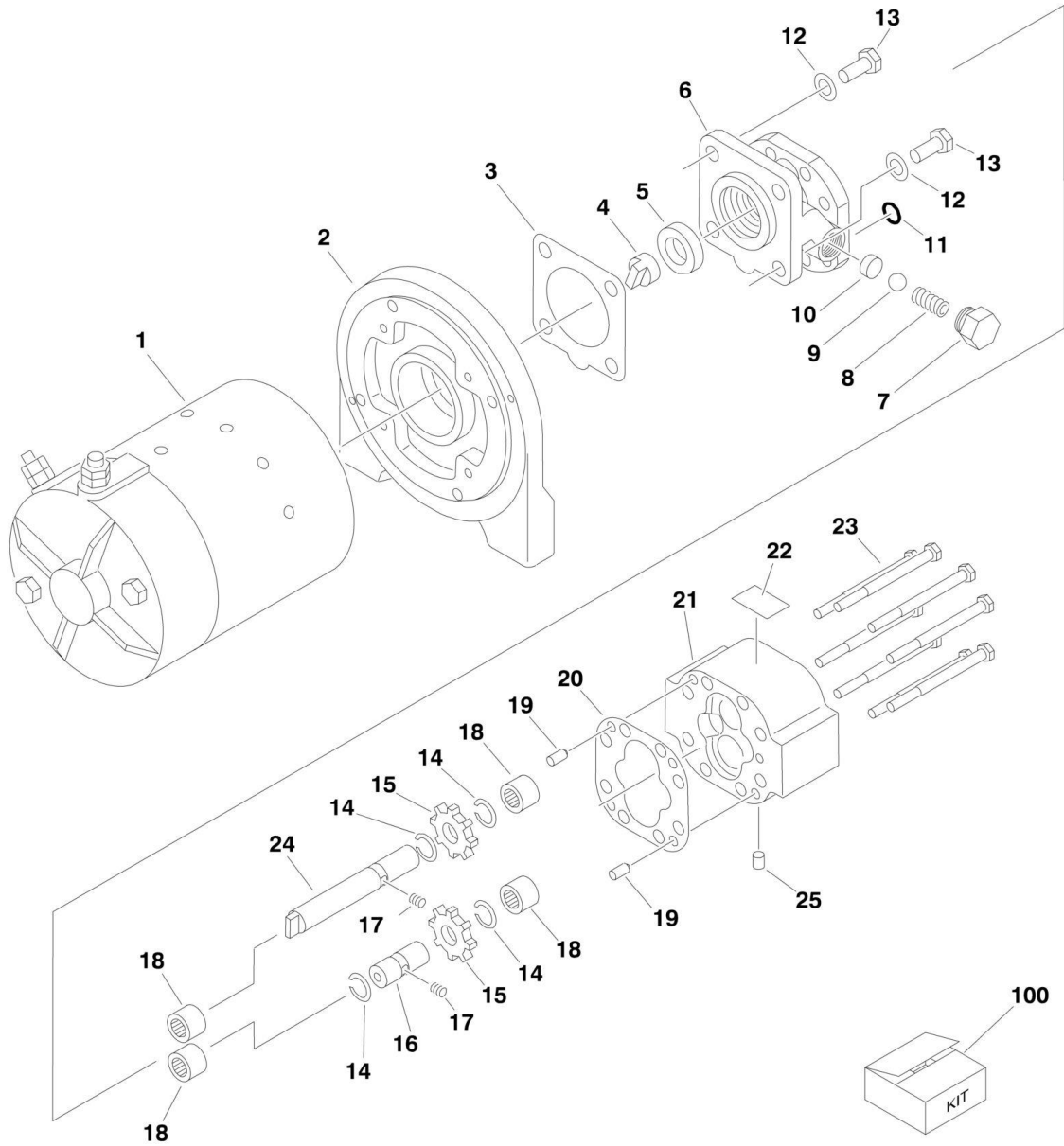
ITEM	PART NUMBER	QTY	DESCRIPTION	REV
	1001101331	Ref	PISTON PUMP ASSEMBLY	B
1	70002132	2	Pin	
2	70002133	2	Plug Assembly (Includes Item 3)	
3	7007207	2	O-Ring (Part of Item 2)	
4	7007419	2	Plug Assembly (Includes Item 5)	
5	7007418	2	O-Ring (Part of Item 4)	
6	70002134	2	Screen	
7	70002135	1	Cylinder Block Kit (Includes Items 8-16)	
8	70002136	1	Piston Assembly Kit (Includes Qty 9 Piston Assemblies) (Part of Item 7)	
9	70002137	1	Guide, Slipper Retainer (Part of Item 7)	
10	70002138	1	Retainer, Slipper (Part of Item 7)	
11	7021275	3	Pin, Slipper Retainer Holddown (Part of Item 7)	
12	70002143	1	Cylinder Block Assembly (Includes Item 13-16) (Part of Item 7)	
13	70002139	1	Spring (Part of Item 12)	
14	70002140	1	Washer (Part of Item 12)	
15	70002141	1	Washer (Part of Item 12)	
16	70002142	1	Ring, Retaining (Part of Item 12)	
17	7007446	1	Pin	
18	70002144	1	Plate, CW Valve	
19	70002145	1	Swashplate Bearing Kit (Includes Qty 2 Bearings)	
20	70002146	1	EDC Kit (Includes Items 21-31)	
21	70002147	2	Solenoid Valve Assy (Includes Item 22 & 23) (Part of Item 20)	
22	70002148	2	O-Ring (1 Per Valve Assembly) (Part of Item 21)	
23	70002149	2	Coil, Nut and Seals Kit (1 Per Valve Assembly) (Part of Item 21)	
24	70002150	6	Screw (Part of Item 20)	
25	7022301	1	Nut, Seal (Part of Item 20)	
26	70002151	1	Plug Assembly (Part of Item 20) (Includes Item 27)	
27	7007207	1	O-Ring (Part of Item 26)	
28	70002134	1	Screen (Part of Item 20)	
29	70002153	1	Ring, Locking (Part of Item 20)	
30	70002154	1	Gasket, Control (Part of Item 20)	
31	70002156	6	Capscrew (Part of Item 20)	
32	70002152	1	Swashplate	
33	70002155	1	Link, Swashplate	
34	70002157	2	Pin, Dowel	
35	70002158	1	Servo Piston Assembly (Includes Items 36-38)	
36	70002159		Block, Slider (Part of Item 35)	
37	70002160	2	O-Ring (Part of Item 35)	
38	70002161	2	Ring, Piston (Part of Item 35)	
39	70002162	1	Cylinder, Servo	
40	70002162	1	Cylinder, Servo	
41	70002163	2	O-Ring	
42	70002164	2	Plate, Locking	
43	70002165	4	Screw	
44	70002166	2	Orifice	
45	70002167	1	Cap, End (Includes Item 58)	
46	70002168	1	Gasket, End Cap	
47	70001958	1	Plug Assembly (Includes Item 48)	
48	7021256	1	O-Ring (Part of Item 47)	

SECTION 2 - GROUND CONTROLS

ITEM	PART NUMBER	QTY	DESCRIPTION	REV
49	70001958	1	Plug Assembly (Includes Item 50)	
50	7021256	1	O-Ring (Part of Item 49)	
51	70001958	1	Plug Assembly (Includes Item 52)	
52	7021256	1	O-Ring (Part of Item 51)	
53	70001958	1	Plug Assembly (Includes Item 54)	
54	7021256	1	O-Ring (Part of Item 53)	
55	70002169	4	Capscrew	
56	70002170	2	Capscrew	
57	70002132	2	Pin	
58	70002172	1	Bearing, Journal (Part of Item 45)	
59	7022340	2	Bracket, Lifting	
60	70002165	2	Screw	
61	1001101331	1	Housing	
62	70002175	1	Shaft	
63	70002176	1	Ball Bearing Kit	
64	70007439	1	Ring, Retaining	
65	70002174	1	Shaft Seal Kit (Includes Items 66-68) (Note: This is a universal kit and will contain extra pieces that are not used on this pump assembly.)	
66	70002177	1	Seal, Lip	
67	70002178	1	O-Ring	
68	70002179	1	Ring, Retaining	
69	70002180	1	Adapter	
70	70002181	1	Seal, Adapter	
71	70002182	1	Coupling	
72	70002185	4	Capscrew	
73	70002186	1	Plate, Thrust	
74	70002188	2	High Pressure Relief Valve Cartridge Assy (Includes Item 75 & 76)	
75	70002187	2	O-Ring (1 Per Cartridge) (Part of Item 74)	
76	7007415	2	O-Ring (1 Per Cartridge) (Part of Item 74)	
77	70002189	1	Charge Pump Kit (Includes Item 78)	
78	70002190	2	Ring, Seal (Part of Item 77)	
79	7023964	1	Plug Assembly (Includes Item 80)	
80	7007415	1	O-Ring (Part of Item 79)	
81	70002188	1	Charge Relief Valve Cartridge Assy (Includes Item 82 & 83)	
82	70002187	1	Nut, Seal (Part of Item 81)	
83	7007415	1	O-Ring (Part of Item 81)	
84	70002192	1	Overhaul Seal Kit (Includes Items 3, 5, 22, 27, 30, 37, 38, 41, 48, 50, 52, 54, 66, 67, 70, 75, 76, 78, 82 & 83)	

SECTION 2 - GROUND CONTROLS

FIGURE 2-10. AUXILIARY PUMP ASSEMBLY



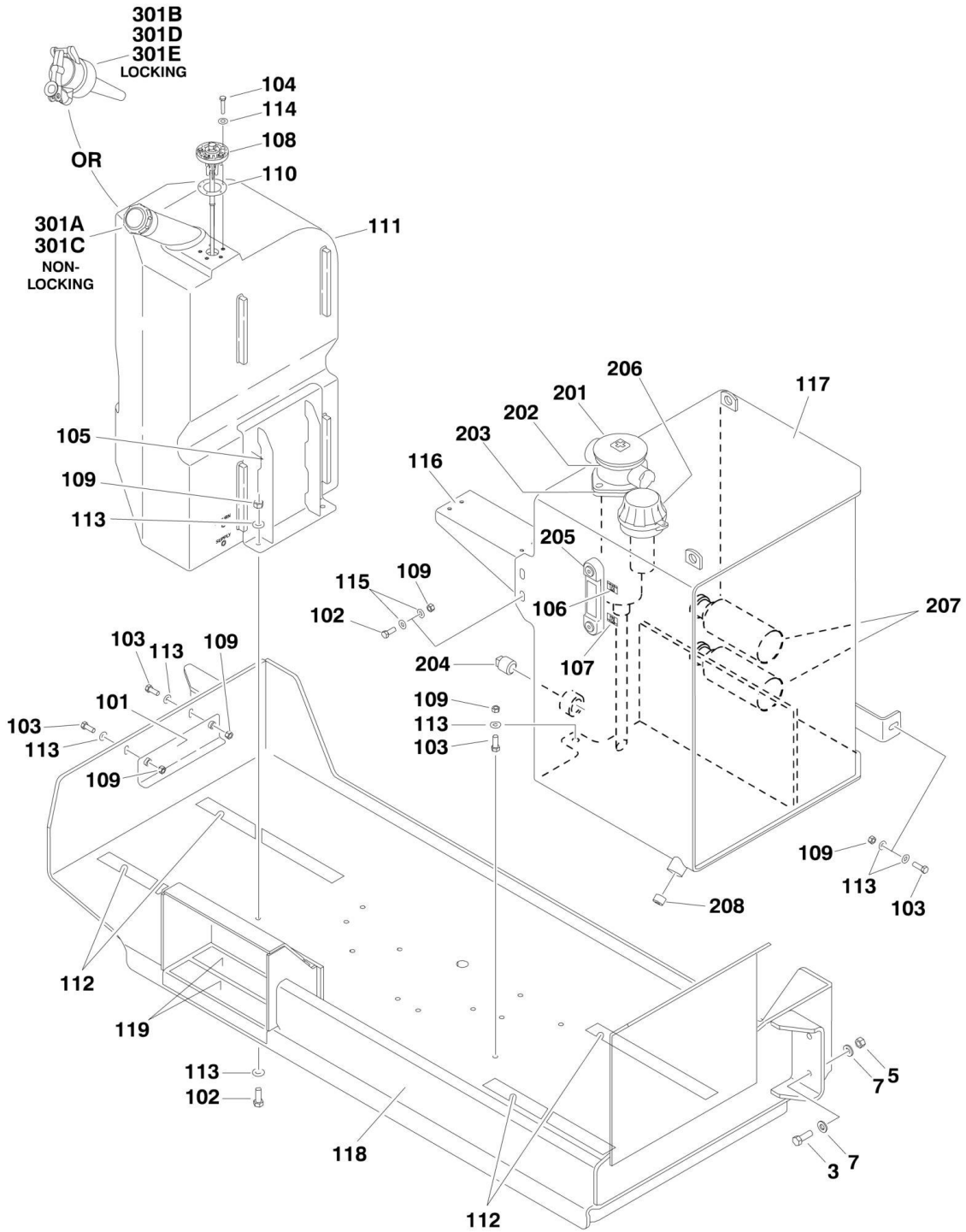
SECTION 2 - GROUND CONTROLS

FIGURE 2-10. AUXILIARY PUMP ASSEMBLY

ITEM	PART NUMBER	QTY	DESCRIPTION	REV
	3600468	Ref	AUXILIARY PUMP ASSEMBLY	A
1	7011003	1	Motor	
2	7012576	1	Bracket, Mounting	
3	7011044	1	Gasket, Mounting	
4	7011016	1	Coupling	
5	70000969	1	Seal, Shaft	
6	70001108	1	Stator	
7	70001079	1	Cap Assembly	
8	70001076	1	Spring	
9	70001081	1	Ball	
10	70001080	1	Seat	
11	7011024	1	Seal	
12	7011048	4	Washer	
13	7011043	4	Screw	
14	70000970	4	Ring, Retaining	
15	70000971	2	Gear	
16	70001112	1	Shaft, Idler	
17	70001065	2	Pin, Drive	
18	70000976	4	Bearing, Needle	
19	7010911	2	Pin, Dowel	
20	70001085	1	Gasket	
21	70001108	1	Housing, Gear	
22	See Note	NSS	Label (Note: Not Available for Purchase)	
23	70001106	8	Screw	
24	70001107	1	Shaft, Drive	
25	70001108	1	Plug	
100	70001108	1	Replacement Pump Kit (Includes Items 3-25)	

SECTION 2 - GROUND CONTROLS

FIGURE 2-11. TANKS AND TANK TRAY INSTALLATION



SECTION 2 - GROUND CONTROLS

FIGURE 2-11. TANKS AND TANK TRAY INSTALLATION

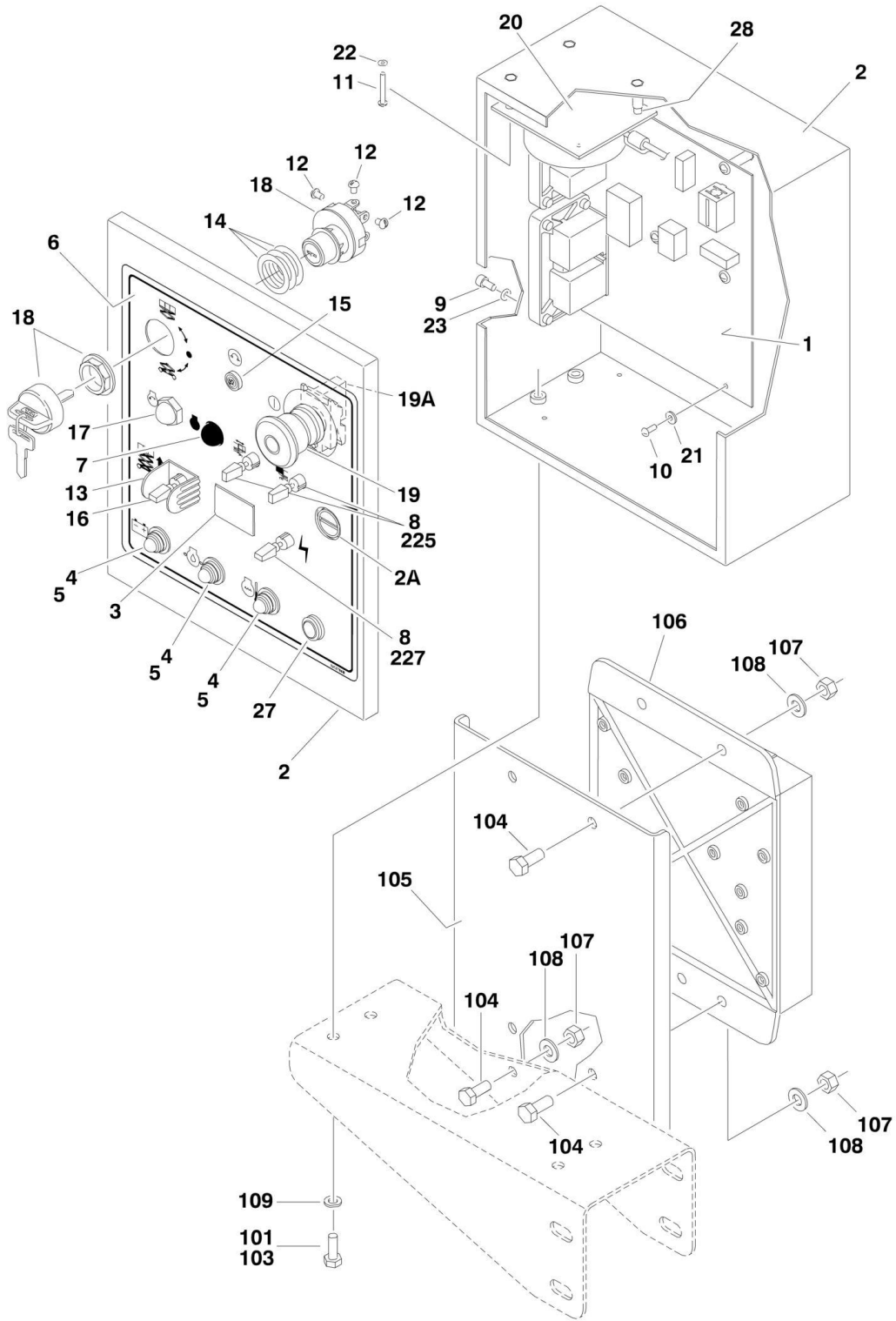
ITEM	PART NUMBER	QTY	DESCRIPTION	REV
		Ref	NOTE: SEE GM ENGINE INSTALLATION FOR LP TANKS.	
		Ref	TANK TRAY INSTALLATIONS	
	1001102949	Ref	Diesel Machines	A
	1001102948	Ref	Gas Machines	A
3	0641812	4	Bolt 1/2in-13NC x 1-1/2in	
5	3311805	4	Locknut 1/2in-13NC	
7	4711800	8	Flatwasher 1/2in Narrow	
		Ref	TANKS AND TRAY ASSEMBLIES	
	1001102947	Ref	Diesel Machines	D
	1001102946	Ref	Gas Machines	D
101	0182033	1	Bracket, Hydraulic Tank Mounting	
102	0641608	6	Bolt 3/8in-16NC x 1in	
103	0641609	5	Bolt 3/8in-16NC x 1-1/8in	
104	0731008	5	Screw, Machine #10-32NF x 1in	
105	0902801	1	Bracket, Fuel Tank Mount	
106	1701502	1	Decal - Oil Level High	
107	1701503	1	Decal - Oil Level Low	
108	2420199	1	Gauge, Fuel Level	
109	3311605	11	Locknut 3/8in-16NC	
110	3960525	1	Seal, Gauge	
111		Ref	Tank, Fuel Options:	
111	4400436	1	Diesel Machines	
111		Ref	Gas Machines Options:	
	1001091564	NLA	Gas Machines (Use p/n 1001160561) (Prior to SN 0200227164)	
	1001160561	1	Gas Machines (SN 0200227164 through 0200239052)	
112	4420037	2.8 ft/9m	Tape, Insulation	
113	4711600	14	Flatwasher 3/8in Narrow	
114	4751000	5	Flatwasher #10	
115	4891600	8	Flatwasher 3/8in Hardened	
116	1001102766	1	Bracket, Ground Control Box Mount	
117	1001102823	1	Hydraulic Oil Tank Assembly (See Items 201 to 208 for Breakdown)	
118	1001102950	1	Tray	
119	4420080	2	Tape, Safety Tread Non-Skid (SN 0200199846 through 0200239052)	
	1001102823	Ref	HYDRAULIC TANK ASSEMBLY	B
201	70001959	1	Filter, Return	
201	70001960	1	Element, Filter	
201	70002768	1	Spring, Return Filter Assembly	
202	7023306	1	Seal Between Filter Cover and Head	
203	7023347	1	Gasket Between Tank and Filter Flange	
204	7024446	1	Plug, Magnetic 1in NPT	
205	7024441	1	Gauge, Fluid Level	
206	70002113	1	Breather/Fill Cap	
207	See Note	NSS	Strainer (Note: Not a serviceable item per vendor)	
208	70002112	1	Plug, Magnetic	
		Ref	FUEL TANK CAP INSTALLATIONS	
	4400436	Ref	Diesel Machines with Non-Locking Cap	
	0271775	Ref	Diesel Machines with Locking Cap	A

SECTION 2 - GROUND CONTROLS

ITEM	PART NUMBER	QTY	DESCRIPTION	REV
	1001091564	Ref	Gas Machines with Non-Locking Cap	
	0271774	Ref	Gas Machines with Locking Cap (SN 0200217746 through 0200239052)	
301		Ref	Cap Options:	
301		Ref	Diesel Machines:	
301A	1120361	1	Standard Vented Non-Locking Cap (Part of Item 111 p/n 4400436 Tank)	
301B	1120558	1	Optional Blue Vented Locking Cap	
301		Ref	Gas Machines:	
301C	70001103	1	Standard Non-Vented Non-Locking Cap (Part of Item 111 p/n 1001091564 Tank)	
301D	See Note	NSS	Optional Red Non-Vented Locking Cap (Note: Not Available for Purchase)	
301E	1120485	1	Optional Red Vented Locking Cap (SN 0200217746 through 0200239052)	

SECTION 2 - GROUND CONTROLS

FIGURE 2-12. GROUND CONTROL BOX INSTALLATION



SECTION 2 - GROUND CONTROLS

FIGURE 2-12. GROUND CONTROL BOX INSTALLATION

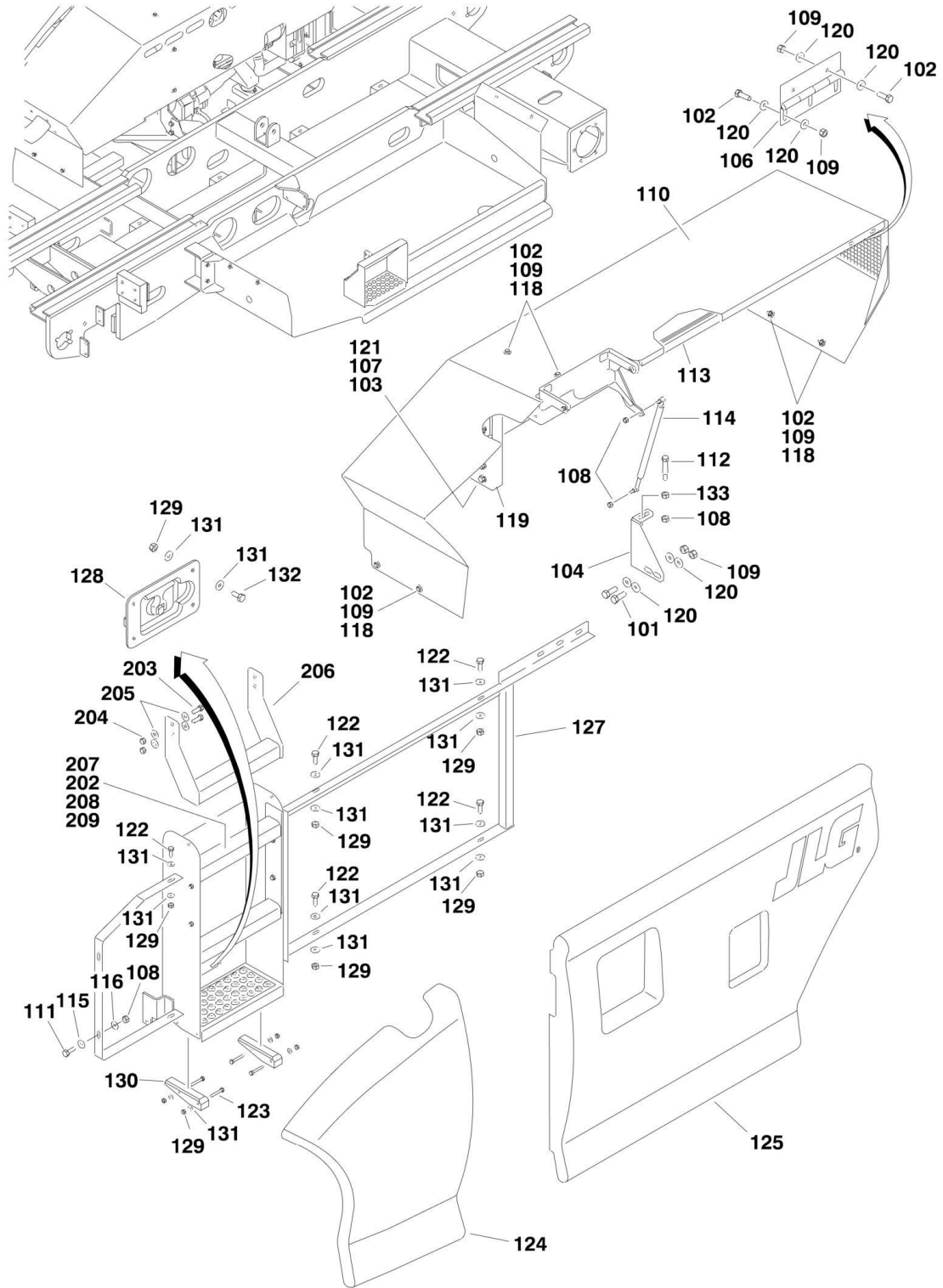
ITEM	PART NUMBER	QTY	DESCRIPTION	REV
		Ref	Note: For machines with ground control box with cover refer to SPECIAL OPTIONS SECTION.	
		Ref	GROUND CONTROL BOX ASSEMBLIES	
	0271813	Ref	Deutz D2011 Engine and D2.9L4 Engine Machines (ANSI and ANSI Export Specs)	AA
	0271814	Ref	Deutz D2011 Engine Machines (Australian and CE Specs)	AA
	0271812	Ref	GM Engine Machines	Y
1	1001091731	1	Board, Circuit (Note: Control System must be recalibrated when Module is replaced)	
2	0861508	1	Box Assembly	B
2A	7023212	1	Latch	
3	2420172	1	Hourmeter	
4	2920026	3	Holder, Lamp	
5	2920029	3	Bulb, Light	
6	1705688	1	Nameplate/Decal	
7		Ref	Plug, Hole Options:	
7	Not Required	0	Diesel Machines	
7	3520026	1	Gas Machines	
8	3520028	3	Plug, Hole	
9	3900300	8	Screw	
10	3910606	4	Screw #6-32 x 3/8in	
11	3910616	4	Screw #6-32 x 1in	
12	3910804	3	Screw #8-24 x 1/4in	
13	4060802	1	Guard, Switch	
14	4070987	1	Shim .015	
15	4360070	1	Breaker, Circuit 15Amp	
16	4360328	1	Switch, Toggle	
17	4360387	Ref	Switch, Push Button	
17	4360387	2	Diesel Machines	
17	4360387	1	Gas Machines	
18		Ref	Keyswitch Options:	
18	4360469	1	ANSI and ANSI Export Specs Switch	
18	4360470	1	Australian Specs Switch (SN 0200191606 through 0200103528)	
18	4360469	1	Australian Specs Switch (SN 0200203529 through 0200239052)	
18	4360470	1	CE Specs Switch	
18	2860030	1	Key, Replacement - 4360469 & 4360470 Switches	
19	4360475	1	Switch, Push-Pull Emergency Stop	
19	7020175	1	Cap	
19A	7020176	1	Block, Contact	
20	1810140	1	Switch, Dual Axis	
21	4750600	4	Flatwasher #6	
22	4760600	4	Lockwasher #6	
23	4761000	8	Lockwasher #10	
25	4922667	1	Ground Control Box Harness (Not Shown - See ELECTRICAL SECTION for Breakdown)	
27		Ref	Component Options:	
27	3520193	1	Plug, 7/8in	
27	2920026	1	Holder, Lamp	
27	2920029	1	Bulb, Light	

SECTION 2 - GROUND CONTROLS

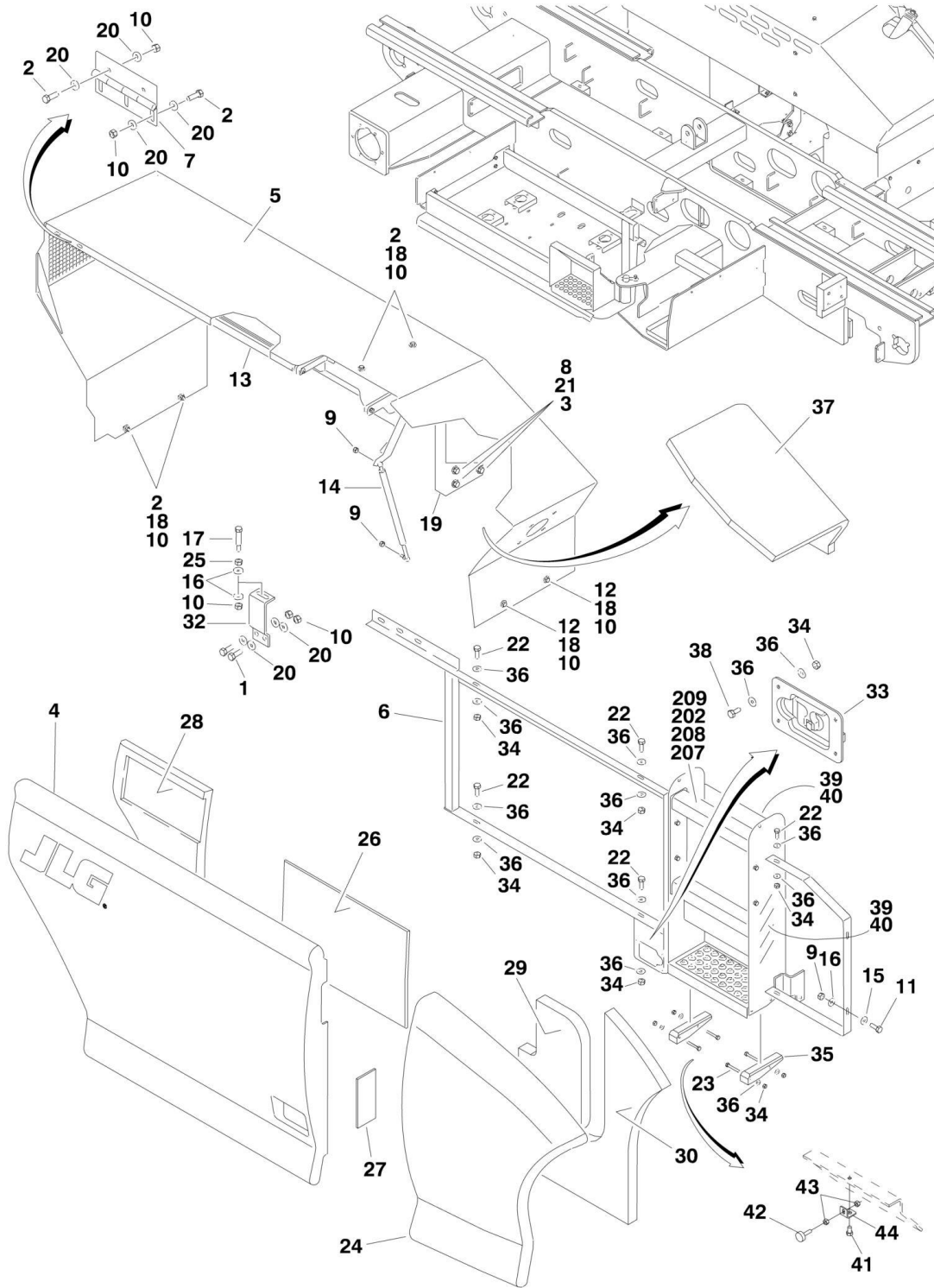
ITEM	PART NUMBER	QTY	DESCRIPTION	REV
28	1001102512	4	Washer, Spacer	
		Ref	GROUND CONTROL BOX INSTALLATION OPTIONS:	
	1001105904	Ref	Deutz D2011 Engine Machines without Options Module (ANSI and ANSI Export Specs)	A
	1001105907	Ref	Deutz D2011 Engine Machines with Options Module (ANSI and ANSI Export Specs) (SN 0200191606 through 0200234488)	A
	1001168946	Ref	Deutz D2011 Engine Machines with Options Module (ANSI Export and Australian Specs) (SN 0200234489 through 0200239052)	A
	1001156037	Ref	Deutz D2.9L4 Engine Machines with Options Module (ANSI and CSA Specs)	B
	1001105905	Ref	Deutz D2011 Engine Machines without Options Module (Australian Specs) (SN 0200191606 through 0200203528)	A
	1001105904	Ref	Deutz D2011 Engine Machines without Options Module (Australian Specs) (SN 0200203529 through 0200239052)	A
	1001148077	Ref	Deutz D2.9L4 Engine Machines without Options Module (Australian Specs) (SN 0200203529 through 0200239052)	C
	1001105908	Ref	Deutz D2011 Engine Machines with Options Module (Australian Specs) (SN 0200191606 through 0200203528)	A
	1001105907	Ref	Deutz D2011 Engine Machines with Options Module (Australian Specs) (SN 0200203529 through 0200239052)	A
	1001105905	Ref	Deutz D2011 Engine Machines without Options Module (CE Specs) (SN 0200191606 through 0200234488)	A
	1001168945	Ref	Deutz D2011 Engine Machines without Options Module (CE Specs) (SN 0200234489 through 0200239052)	A
	1001105908	Ref	Deutz D2011 Engine Machines with Options Module (CE Specs) (SN 0200191606 through 0200234488)	A
	1001168947	Ref	Deutz D2011 Engine Machines with Options Module (CE Specs) (SN 0200234489 through 0200239052)	A
	1001105903	Ref	GM Engine Machines without Options Module	A
	1001105906	Ref	GM Engine Machines with Options Module	A
101	0100011	AR	Locking, Compound	
103	0641406	4	Bolt 1/4in-20NC x 3/4in	
104	0641506	6	Bolt 5/16in-18 x 3/4in (With Options Module Only)	
105	0902847	1	Bracket, Mounting (With Options Module Only)	
106	1600336	1	Module, Options (Note: Control System must be recalibrated when Module is replaced)	
107	3311505	6	Locknut 5/16in-18NC (With Options Module Only)	
108	4711500	6	Flatwasher 5/16in (With Options Module Only)	
109	4761400	4	Lockwasher 1/4in	
110		Ref	Valve and Engine Harness Options (Not Shown - See ELECTRICAL SECTION for Breakdown):	
110	1001103489	1	Deutz D2011 Engine Machines	
110	1001147974	1	Deutz D2.9L4 Engine Machines	
110	1001104890	1	GM Engine Machines	
		Ref	POWER DECK SWITCH INSTALLATIONS	
225	4360328	Ref	Switch, Toggle	
225	4360328	1	Single Deck Extension	
225	4360328	2	Dual Deck Extension	
227	4360483	1	Switch, Toggle	
	1001111280	Ref	PANEL LIGHT INSTALLATION (NOT SHOWN)	A
	1001110687	1	Lamp	
	1001111340	1	Harness, Light	

SECTION 2 - GROUND CONTROLS

FIGURE 2-13. HOODS AND LADDERS INSTALLATIONS



SECTION 2 - GROUND CONTROLS



SECTION 2 - GROUND CONTROLS

FIGURE 2-13. HOODS AND LADDERS INSTALLATIONS

ITEM	PART NUMBER	QTY	DESCRIPTION	REV
		Ref	HOODS INSTALLATIONS	
	1001104594	Ref	Deutz 2011 Engine and GM Engine Machines	A
	1001147476	Ref	Deutz D2.9L4 Engine Machines	A
		Ref	Engine Side Hood Assembly	
	1001104595	Ref	Deutz 2011 Engine and GM Engine Machines	E
	1001147475	Ref	Deutz D2.9L4 Engine Machines	D
1	0641608	2	Bolt 3/8in16NC x 1in	
2	0641609	11	Bolt 3/8in-16NC x 1-1/8in	
3	0681816	3	Screw 1/2in - 13NC x 2in	
4	1001104500	1	Hood, Engine Side Main	
5		Ref	Cover, Engine Side Options:	
5	1671099	1	Deutz 2011 Engine and GM Engine Machines	
5	1001147473	1	Deutz D2.9L4 Engine Machines	
6	1001104607	1	Frame, Engine Side Hood	
7	2600286	1	Hinge	
8	3271805	3	Locknut 1/2in-13NC (Grade 8)	
9	3311505	4	Locknut 5/16in-18NC	
10	3311605	16	Locknut 3/8in-16NC	
11	3900290	2	Screw 3/8in x 1in	
12	0641611	2	Bolt 3/8in-16NC x 1-3/8in	
13	3960559	1	Seal	
14		Ref	Spring, Gas Options:	
14	4160196	NLA	Spring, Gas (Use p/n 8702156) (SN 0200191606 through 0200193434)	
14	8702156	1	Spring, Gas (SN 0200193435 through 0200239052)	
15	4711500	2	Flatwasher 5/16in Narrow	
16	4711600	6	Flatwasher 3/8in Narrow	
17	0641620	1	Bolt 3/8in-16NC x 2-1/2in	
18	4751600	16	Flatwasher 3/8in Thick	
19	4846825	1	Support, Cover	
20	4891600	10	Flatwasher 3/8in Hardened	
21	4891800	6	Washer, Hardened 1/2in	
22	0641406	8	Bolt, 1/4in x 20NC x 3/4in	
23	0641414	4	Bolt, 1/4in x 20NC x 1-3/4in	
24	2680505	1	Hood, Engine Side Nose	
25	3311601	16	Nut 3/8in-16NC	
26	2820153	1	Insulation, Heat Shield	
27	2820154	1	Insulation, Heat Shield	
28	2820156	1	Insulation, Sound (Low Temp) (Deutz 2011 Engine and GM Engine Machines Only) (Prior to SN 0200235143)	
29	2820157	1	Insulation, Sound Absorb	
30	2820158	1	Insulation, Sound Absorb	
32	1001104474	1	Bracket	
33	2940147	1	Latch, Rotary "T" Handle	
34	3311405	16	Locknut, 1/4in - 20NC	
35	3340945	2	Pad, Ladder Slide	
36	4711400	AR	Flatwasher, 1/4in	
37	2820159	1	Insulation, Sound Absorb	
38	0630407	4	Screw 1/4in-20NC x 5/8in	
39	1001117139	AR	Insulation, Heat (Deutz D2.9L4 Engine Machines Only)	

SECTION 2 - GROUND CONTROLS

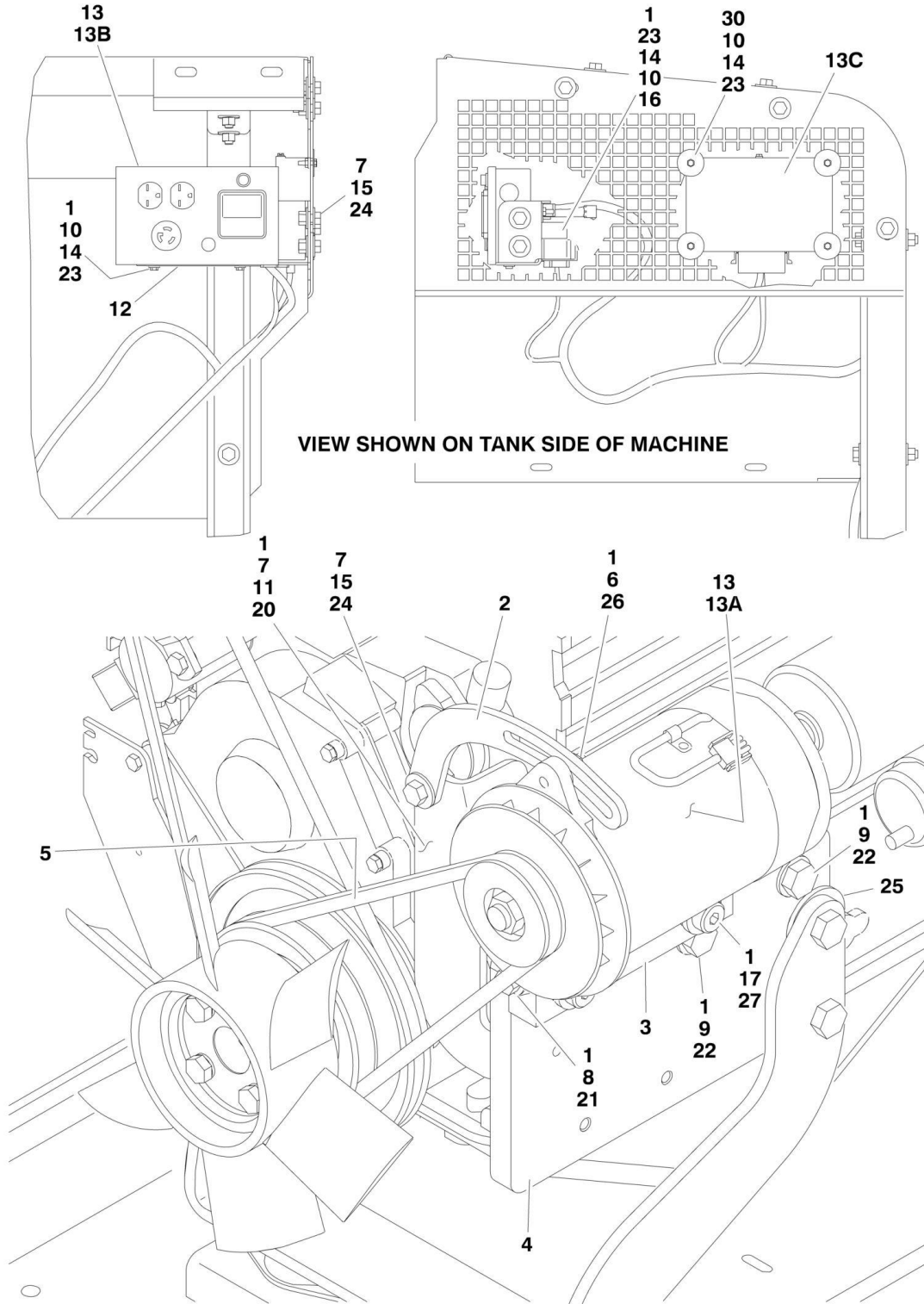
ITEM	PART NUMBER	QTY	DESCRIPTION	REV
40	1001117140	AR	Tape (Deutz D2.9L4 Engine Machines Only)	
41	0641605	1	Bolt, 3/8-16NC x 5/8 (Deutz D2.9L4 Engine Machines Only) (SN 0200235143 through 0200239052)	
42	0940049	1	Stopper, Hood (Deutz D2.9L4 Engine Machines Only) (SN 0200235143 through 0200239052)	
43	3311501	2	Nut, 5/16-18 UNC GR2 (Deutz D2.9L4 Engine Machines Only) (SN 0200235143 through 0200239052)	
44	1001137886	1	Bracket, Bumper (Deutz D2.9L4 Engine Machines Only) (SN 0200235143 through 0200239052)	
45	1001175556	1	Insulation, Heat Shield (Deutz D2.9L4 Engine Machines Only) (Not Shown) (SN 0200235143 through 0200239052)	
46	1001176642	1	Bracket, RT Latch Catch (Deutz D2.9L4 Engine Machines Only) (Not Shown) (SN 0200235143 through 0200239052)	
		Ref	Cover Kit - Engine Side Options (Includes 5, 6 & 19):	
	1001105023	1	Deutz 2011 Engine and GM Engine Machines	5
	1001155581	1	Deutz D2.9L4 Engine Machines	B
	See Note	1	Hood Kit - Engine Side (Includes 4, 26, 27 & 28) (Note: Not available, must order individual parts)	
		Ref	Note: Replacement Decals Must be Ordered Separately - See DECAL SECTION.	
	0272945	Ref	Tank Side Hood Assembly	G
101	0641608	2	Bolt 3/8in16NC x 1in	
102	0641609	13	Bolt 3/8in-16NC x 1-1/8in	
103	0681816	3	Bolt 1/2in-16NC x 2in	
104	0902831	1	Bracket	
106	2600286	1	Hinge	
107	3271805	3	Locknut 1/2in-13NC (Grade 8)	
108	3311505	4	Locknut 5/16in-18NC	
109	3311605	16	Locknut 3/8in-16NC	
110	3380495	1	Cover, Tank Side	
111	3900290	2	Screw 3/8in x 1in	
112	0641620	1	Bolt 3/8in-16NC x 2-1/2in	
113	3960559	1	Seal	
114	4160196	1	Spring, Gas	
115	4711500	2	Flatwasher 5/16in Narrow	
116	4711600	4	Flatwasher 3/8in Narrow	
118	4751600	16	Flatwasher 3/8in Thick	
119	4846825	1	Support, Cover	
120	4891600	14	Flatwasher 3/8in Hardened	
121	4891800	6	Flatwasher 1/2in Hardened	
122	0641406	8	Bolt, 1/4in-20NC x 3/4in	
123	0641414	4	Bolt, 1/4in-20NC x 1-3/4in	
124	2680508	1	Hood, Tank Side Nose	
125	2680519	1	Hood, Tank Side Main	
127	4846827	1	Frame Tank Side Hood	
128	2940147	1	Latch, Rotary "T" Handle	
129	3311405	16	Locknut, 1/4in-20NC	
130	3340945	2	Pad, Ladder Slide	
131	4711400	28	Flatwasher, 1/4in	
132	0641405	4	Bolt 1/4in-20NC x 5/8in	
133	3311601	16	Nut 3/8in-16NC	
	2902338	1	Cover Kit - Tank Side (Includes 110, 119 & 127)	B
		Ref	Note: Replacement Decals Must be Ordered Separately - See	

SECTION 2 - GROUND CONTROLS

ITEM	PART NUMBER	QTY	DESCRIPTION	REV
			DECAL SECTION.	
		Ref	LADDER INSTALLATIONS	
	0272228	Ref	Ladder Installations 3394RT	C
	0272229	Ref	Ladder Installations 4394RT	D
202	0641406	8	Bolt 1/4in-20NC x 3/4in	
203	0641608	8	Bolt 3/8in-16NC x 1in (4394RT Only)	
204	3311605	8	Locknut 3/8in-16NC (4394RT Only)	
205	4751600	16	Flatwasher 3/8in Thick (4394RT Only)	
206	1001092410	2	Ladder (4394RT Only)	
207		Ref	Ladder Options:	
207	4846611	2	Ladder 3394RT	
207	4846612	2	Ladder 4394RT	
208	4711400	8	Flatwasher 1/4in Narrow	
209	3311405	8	Locknut 1/4in-20NC	
	1001110509	Ref	PANEL OVER GROUND CONTROL BOX (NOT SHOWN)	B
	1001110503	1	Panel, Cover	
	1703821	NLA	Decal - Ground Control Box Location (Use p/n 1001112132)	

SECTION 2 - GROUND CONTROLS

FIGURE 2-14. GENERATOR INSTALLATION (DEUTZ D2011ENGINE OPTIONS)



SECTION 2 - GROUND CONTROLS

FIGURE 2-14. GENERATOR INSTALLATION (DEUTZ D2011ENGINE OPTIONS)

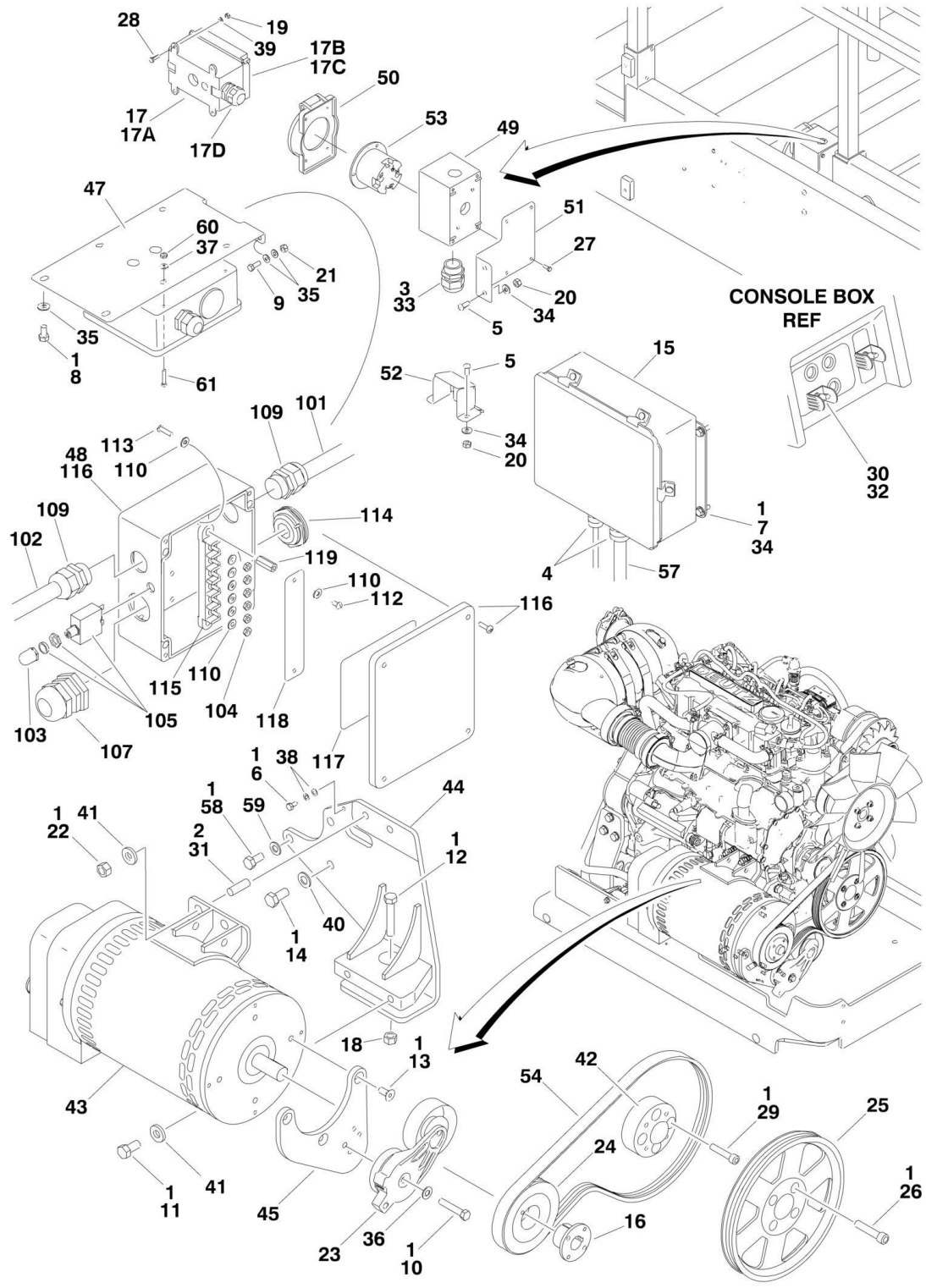
ITEM	PART NUMBER	QTY	DESCRIPTION	REV
		Ref	GENERATOR INSTALLATIONS (DEUTZ ENGINE OPTION)	
	0271743	Ref	110V (ANSI and ANSI Export Specs)	B
	0271745	Ref	220V (ANSI Export Spec)	B
1	0100011	AR	Locking, Compound	
2	0200742	1	Arm, Adjusting	
3	0363082	1	Bar, Generator Adjusting	
4	0363098	1	Bar, Generator Mounting	
5	0480124	1	Belt, Drive	
6	0641508	1	Bolt 5/16in-18NC x 1in	
7	0641608	6	Bolt 3/8in-16NC x 1in	
8	0641718	2	Bolt 7/16in-14NC x 2-1/4in	
9	0701418	2	Bolt, Metric 14mm x 50mm	
10	0721006	7	Screw #10-24NC x 3/4in	
11	0902813	1	Bracket, Arm Mounting	
12	0902842	1	Bracket, Generator Box Mounting	
13		Ref	Generator and Control Box Assembly Options:	
13	2460043	1	110V Generator and Control Box (ANSI and ANSI Export Specs)	B
13	2460047	1	220V Generator and Control Box (ANSI Export Spec)	B
13A		Ref	Generator Assembly Options:	
13A	2460049	1	110V Generator Only	
13A	1001100321	1	220V Generator Only	
13A		Ref	Armature with Slip Rings Options:	
13A	70000122	1	110V Armature	
13A	70000123	1	220V Armature	
13A	7020108	4	Brushes	
13A	7020109	4	Holder, Brush	
13A	7012513	4	Cap, Brush Holder	
13A	7012514	1	Fan	
13A	7020110	1	Bell, Front	
13A	7020111	1	Bell, Rear	
13A	7020190	2	Bearing	
13A	7027887	1	Key, Pulley Woodruff	
13A	3580134	1	Pulley	
13B		Ref	Box, Control Assembly Options:	
13B	70002241	1	110V Generator Control Box	
		Ref	Note: Replacement 110V Control Box comes with 2 standard Receptacles p/n 4460190. Optional Industrial Twist Lock Receptacles p/n 4460027 must be ordered separately.	
13B	70002236	1	220V Generator Control Box	
13B		Ref	Breaker, Circuit Options:	
13B	70002240	1	110V Generator Breaker	
13B	70000126	1	220V Generator Breaker	
13B		Ref	Voltmeter Options:	
13B	2420203	1	110V Generator Voltmeter	
13B	7020192	1	220V Generator Voltmeter	
13B		Ref	Receptacle Options:	
13B	4460190	1	110V Standard Receptacle	
13B	4460027	1	110V Twist-Lock Receptacle	

SECTION 2 - GROUND CONTROLS

ITEM	PART NUMBER	QTY	DESCRIPTION	REV
13B	70000124	1	220V Double Receptacle	
13B	70000125	1	220V Single Receptacle	
13B	2920162	1	Lamp Assembly	
13B	70002237	1	Diode 6A/600V	
13B	3520028	1	Plug	
13C	7026525	1	Regulator, Voltage (110V Only)	
14	3311001	3	Nut #10-24NC	
15	3311605	3	Locknut 3/8in-16NC	
16	3740080	1	Relay	
17	3900322	2	Bolt, Shoulder	
18	4060802	1	Guard, Switch (Not Shown - Located on Platform Console Box)	
19	4360482	1	Switch, Toggle (Not Shown - Located on Platform Console Box)	
20	4711600	3	Flatwasher 3/8in Narrow	
21	4711700	2	Flatwasher 7/16in Narrow	
22	4711900	2	Flatwasher 9/16in Narrow	
23	4751000	10	Flatwasher #10 Regular	
24	4751600	8	Flatwasher 3/8in Regular	
25	4752200	2	Flatwasher 3/4in Regular	
26	4891500	2	Flatwasher 5/16in Hardened	
27	4892000	2	Flatwasher 5/8in Hardened	
28	4922800	1	Harness, Generator (See ELECTRICAL SECTION for Breakdown)	
29	1061006	1	Cable, AC (See ELECTRICAL SECTION for Breakdown)	
30	4740362	4	Washer, Fender	

SECTION 2 - GROUND CONTROLS

FIGURE 2-15. 7500W GENERATOR INSTALLATION (DEUTZ D2.9L4 ENGINE OPTIONS)



SECTION 2 - GROUND CONTROLS

FIGURE 2-15. 7500W GENERATOR INSTALLATION (DEUTZ D2.9L4 ENGINE OPTIONS)

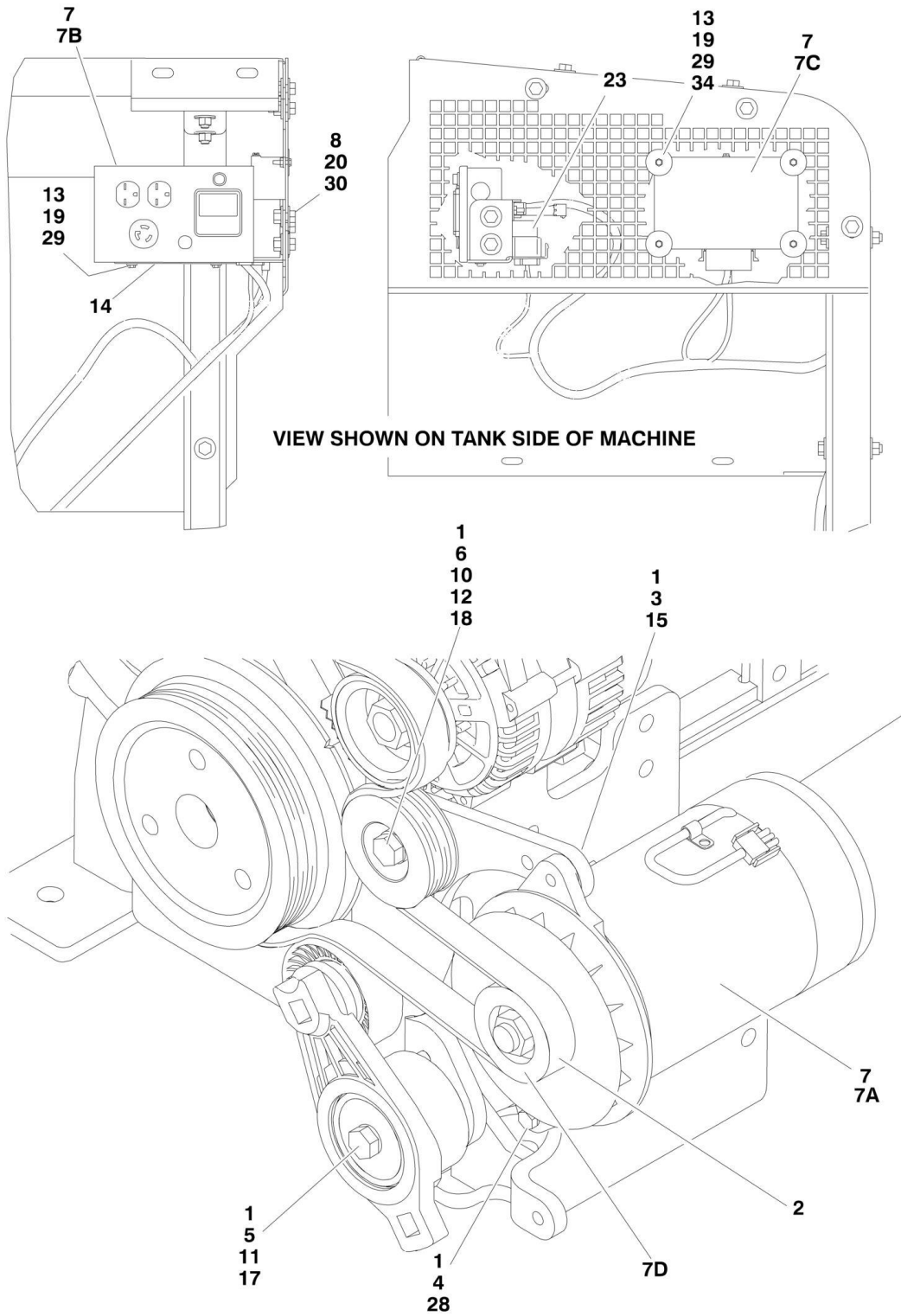
ITEM	PART NUMBER	QTY	DESCRIPTION	REV
	1001147776	Ref	GENERATOR INSTALLATIONS	D
1	0100011	AR	Compound, Locking	
2	0100019	AR	Compound, Locking	
3	0100020	AR	Sealant, Pipe (Not Shown)	
4	0100048	AR	Grease, Dielectric	
5	0630407	4	Screw 1/4in-20NC x 5/8in	
6	0641404	1	Bolt 1/4in-20NC x 1/2in	
7	0641406	4	Bolt 1/4in-20NC x 3/4in	
8	0641505	2	Bolt 5/16in-18NC x 5/8in	
9	0641507	2	Bolt 5/16in-18NC x 7/8in	
10	0641616	1	Bolt 3/8in-16NC x 2in	
11	0641808	2	Bolt 1/2in-13NC x 1in	
12	0681822	1	Bolt 1/2in-13NC x 2-3/4in (Grade 8)	
13	0741607	3	Screw, Countersunk Flathead 3/8in-16NC x 7/8in	
14	0771414	2	Bolt M14 x 30mm (Grade 10.9)	
15	0861538	1	Box, Generator Control	
15	7024488	1	Card, Circuit - Generator Power (Not Shown)	
15	See Note	1	Fuse (Note: Not Available - Purchase Locally)	
15	7024489	1	Card, Circuit - Control (Not Shown)	
15	70000619	1	Harness, Circuit Card	
16	0962520	1	Bushing, Taper	
17	2902431	1	Kit, Receptacle Box	
17A	0861731	1	Box	
17B	1671207	1	Cover	
17C	4460346	1	Receptacle	
17D	4460662	1	Connector, Strain Relief	
18	3271801	1	Nut 1/2in-13NC (Grade 8)	
19	3290405	4	Nut 4mm	
20	3311405	4	Locknut 1/4in-20NC	
21	3311505	2	Locknut 5/16in-18NC	
22	3311801	2	Nut 1/2in-13NC	
23	3580317	1	Pulley, Belt Tensioner	
24	3580318	1	Pulley, Generator	
25	3580320	1	Pulley, Engine	
26	3931628	4	Capscrew 3/8in-16NC x 1-3/4in	
27	3940804	4	Self Tapping	
28	4010408	4	Screw M4 x 16	
29	4032014	4	Bolt M10 x 50mm	
30	4060802	1	Guard, Switch	
31	1001163599	2	Stud	
32	4360482	1	Switch, Toggle (Not Shown - Located on Platform Console Box)	
33	4460612	1	Connector, Strain Relief	
34	4711400	8	Flatwasher 1/4in Narrow	
35	4711500	6	Flatwasher 5/16in Narrow	
36	4711600	1	Flatwasher 3/8in Thin	
37	4751000	4	Flatwasher #10 Regular	
38	4791400	2	Starwasher 1/4in	
39	4811400	4	Flatwasher 4mm	
40	4812200	2	Flatwasher 14mm	
41	4891800	4	Flatwasher 1/2in Hardened	

SECTION 2 - GROUND CONTROLS

ITEM	PART NUMBER	QTY	DESCRIPTION	REV
42	1001135679	1	Spacer, Pulley	
43	1001136104	1	Generator, 7500W (Note: No service parts breakdown at time of printing)	
44	1001147780	1	Support, Mount	
45	1001147972	1	Bracket	
47	1001148559	1	Support	
48	1001157593	1	Junction Box Assembly Options (See Items 101-119 for Breakdown)	
49	1001148675	1	Box, Receptacle	
50	1001148676	1	Cover	
51	1001148750	1	Support	
52	1001148844	1	Support	
53	1001148907	1	Connector	
54	1001148138	1	Belt	
55	4240033	AR	Strap, Tie	
56	4460315	3	Terminal, Spade (Not Shown)	
57	4922925	1	Harness (See ELECTRICAL SECTION for Breakdown)	
58	0771212	1	Bolt M12 x 25mm (10.9 Grade)	
59	4812100	1	Flatwasher 12mm	
60	3311005	4	Locknut #10-24NC	
61	3931016	4	Screw #10-24NC x 1in	
	1001157593	Ref	JUNCTION BOX ASSEMBLY	A
101	1060394	4.5 ft /1.4m	Cable, Electrical 10/4	
102	1060494	3.5 ft/1m	Cable, Electrical 12/3	
103	3300396	1	Cover, Fuse	
104	3311001	6	Nut #10-24NC	
105	4360070	1	Circuit Breaker - 15 Amp	
107	4460426	1	Connector, Strain Relief	
109	4460425	2	Connector, Strain Relief	
110	4711000	10	Flatwasher #10 Thin	
112	10702077	2	Screw #10-32NC x 3/8in	
113	10702082	2	Screw #10-32NC x 3/4in	
114	1001148648	1	Plug	
115	1001157520	1	Block, Terminal	
116	1001157521	1	Box, Junction	
117	1001157530	1	Decal - Wiring Schematic	
118	1001158007	1	Plate	
119	1001158008	2	Standoff	

SECTION 2 - GROUND CONTROLS

FIGURE 2-16. GENERATOR INSTALLATION (GM ENGINE OPTIONS)



SECTION 2 - GROUND CONTROLS

FIGURE 2-16. GENERATOR INSTALLATION (GM ENGINE OPTIONS)

ITEM	PART NUMBER	QTY	DESCRIPTION	REV
	0275141	Ref	110V GENERATOR INSTALLATION (GM ENGINE OPTION)	C
1	0100011	AR	Locking, Compound	
2	0480143	1	Belt, Serpentine	
3	0641510	1	Bolt 5/16in-18NC x 1-1/4in	
4	0641710	2	Bolt 7/16in-14NC x 1-1/4in	
5	0700820	1	Bolt Metric 8 x 60mm	
6	0701016	1	Bolt Metric 10 x 40mm	
7	2460059	1	Generator and Control Box Assembly	
7A	2460049	1	Generator Assembly	
		Ref	Note: Replacement Generator comes with a 3-1/2in Dia pulley standard, must be changed to p/n 3580324 - 3in pulley (Item 7D) to operate correctly.	
7A	70000122	1	Armature	
7A	7020108	4	Brushes	
7A	7020109	4	Holder, Brush	
7A	7012513	4	Cap, Brush Holder	
7A	7012514	1	Fan	
7A	7020110	1	Bell, Front	
7A	7020111	1	Bell, Rear	
7A	7020190	2	Bearing	
7B	70002241	1	Box, Control Assembly	
		Ref	Note: Replacement 110V Control Box comes with 2 standard Receptacles p/n 4460190. Optional Industrial Twist Lock Receptacles p/n 4460027 must be ordered separately.	
7B	70002240	1	Breaker, Circuit	
7B	2420203	1	Voltmeter	
7B		Ref	Receptacle Options:	
7B	4460190	2	Standard Receptacle	
7B	4460027	2	Twist-Lock Receptacle	
7B	70002237	1	Diode	
7B	3520028	1	Plug	
7C	7026525	1	Regulator, Voltage	
7D	3580324	1	Pulley	
7D	7027887	1	Key, Woodruff	
8	0641606	2	Bolt 3/8in-16NC x 3/4in	
10	3580312	1	Pulley, Idler	
11	3580348	1	Pulley, Belt Tensioner	
12	4568735	1	Tube, Spacer	
13	0721006	7	Screw #10-24NC x 3/4in	
14	0902842	1	Bracket, Generator Box Mounting	
15	4751500	AR	Flatwasher 5/16in Wide	
16	1061006	1	Cable, AC (See ELECTRICAL SECTION for Breakdown)	
17	4811900	1	Flatwasher 8mm	
18	4891600	1	Flatwasher 3/8in Hardened	
19	3311001	7	Nut #10-24NC	
20	3311605	2	Locknut 3/8in-16NC	
23	3740080	1	Relay	
25	4060802	1	Guard, Switch (Not Shown - Located on Platform Console Box)	
26	4360482	1	Switch, Toggle (Not Shown - Located on Platform Console Box)	
28	4711700	2	Flatwasher 7/16in Narrow	

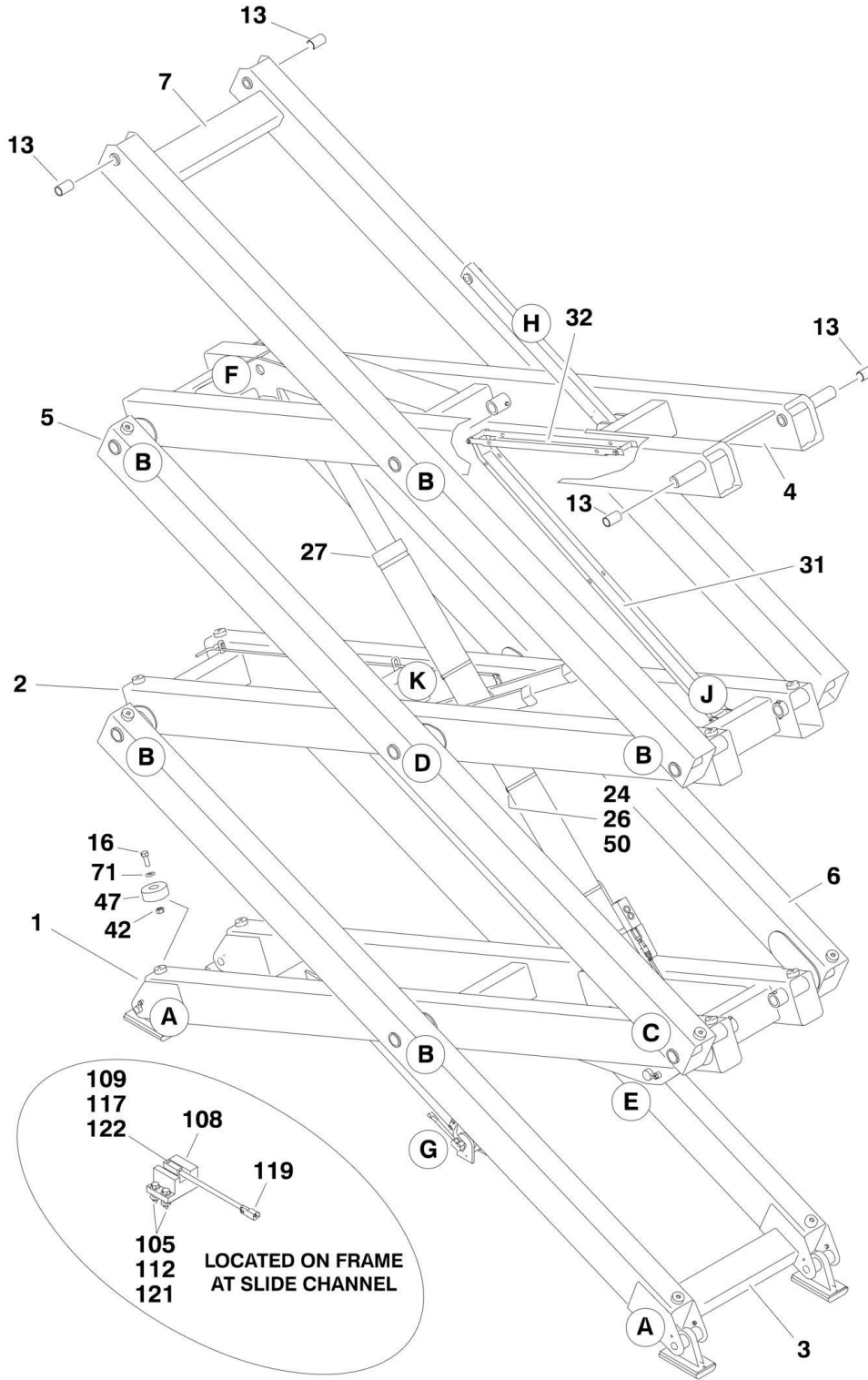
SECTION 2 - GROUND CONTROLS

ITEM	PART NUMBER	QTY	DESCRIPTION	REV
29	4751000	10	Flatwasher #10 Regular	
30	4751600	4	Flatwasher 3/8in Regular	
33	4922800	1	Harness, Generator (See ELECTRICAL SECTION for Breakdown)	
34	4740362	4	Washer, Fender	

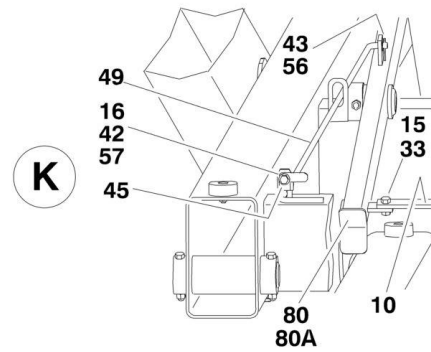
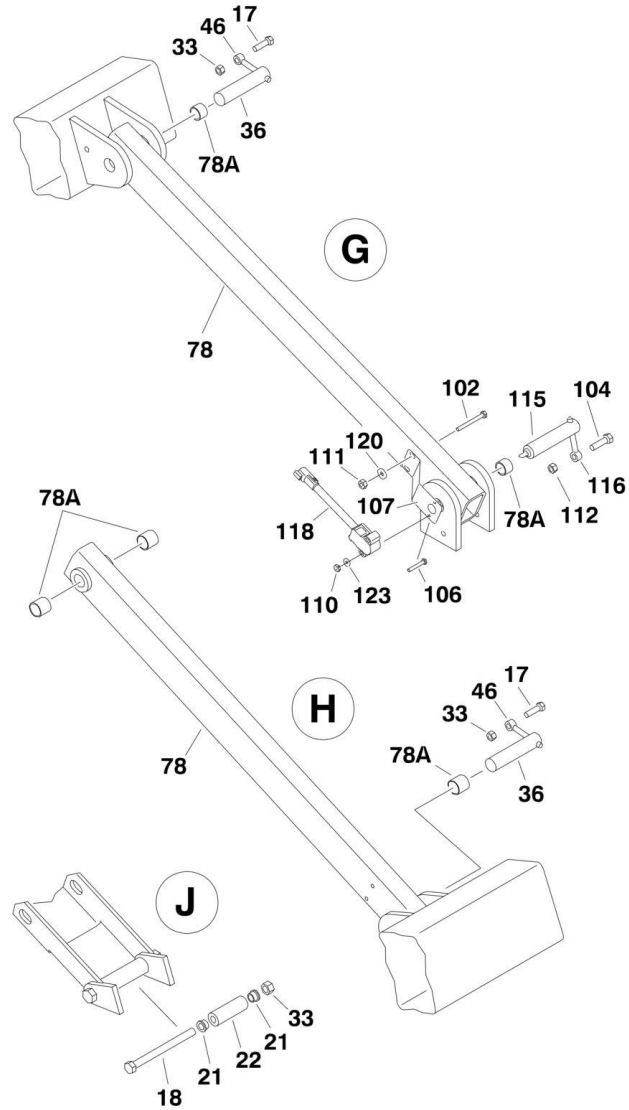
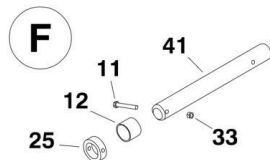
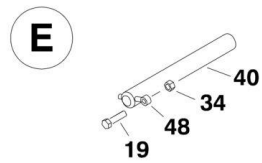
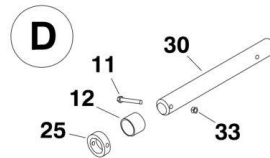
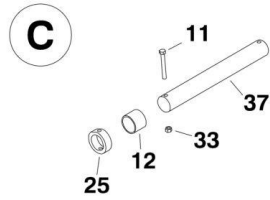
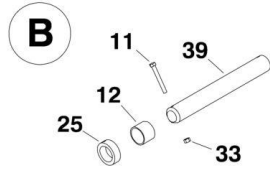
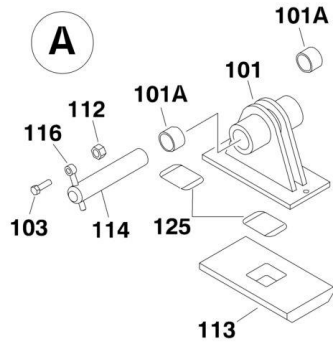
SECTION 3 - SCISSORS ARMS

SECTION 3 - SCISSORS ARMS

FIGURE 3-1. SCISSORS ARMS INSTALLATION (3394RT)



SECTION 3 - SCISSORS ARMS



SECTION 3 - SCISSORS ARMS

FIGURE 3-1. SCISSORS ARMS INSTALLATION (3394RT)

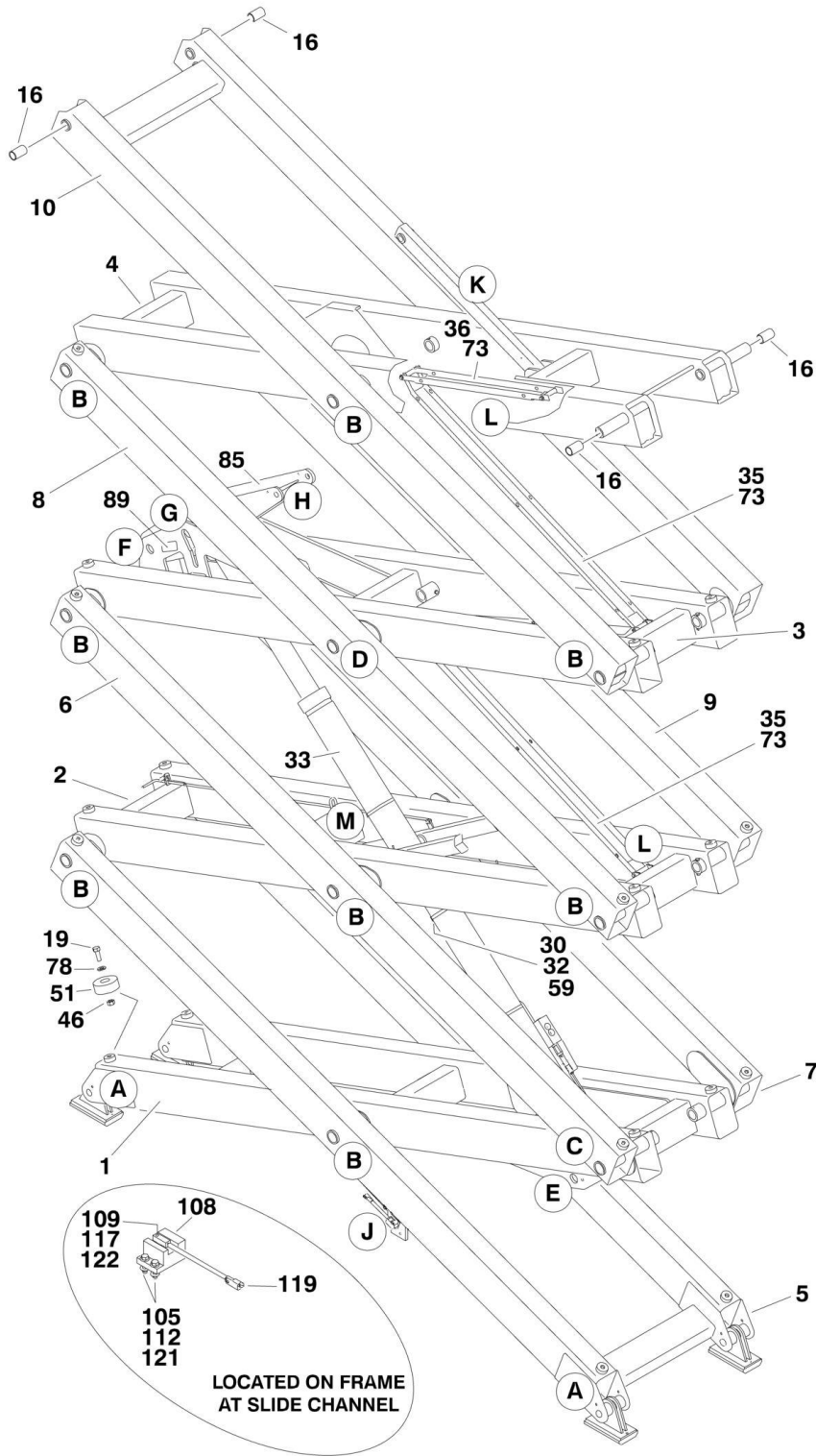
ITEM	PART NUMBER	QTY	DESCRIPTION	REV
		Ref	SCISSOR ARMS ASSEMBLIES - 3394RT	
	1001103765	Ref	Deutz D2011 Engine and GM Engine Machines	B
	1001149319	Ref	Deutz D2.9L4 Engine Machines	B
1	0200712	1	Arm - Lower Inboard	
2	0200713	1	Arm - Mid Inboard	
3	0200716	1	Arm - Lower Outboard	
4	0200717	1	Arm - Upper Inboard	
5	0200718	1	Arm - Mid Outboard (Left Side)	
6	0200719	1	Arm - Mid Outboard (Right Side)	
7	0200723	1	Arm - Upper Outboard	
10	0363050	1	Bar, Prop Attach	
11	0681624	29	Bolt 3/8in-16NC x 3in	
12	0440236	28	Bearing	
13	0440250	4	Bearing	
15	0681607	2	Bolt 3/8in-16NC x 7/8in	
16	0641507	16	Bolt 5/16in-18NC x 7/8in	
17	0681612	2	Bolt 3/8in-16NC x 1-1/2in	
18	0681632	3	Bolt 3/8in-16NC x 4in	
19	0681813	1	Bolt 1/2in-13NC x 1-5/8in	
21	0962031	8	Bushing, Flanged	
22	0962446	4	Spacer	
24	1320122	3	Clamp	
25	1440331	14	Collar	
26	1670995	Ref	Cover, Hose/Cable Options:	
26	1670995	3	Roll-Out Platform	
26	1670995	6	Power Extension Platform	
27	1684332	1	Lift Cylinder Assembly (See CYLINDER SECTION for Breakdown)	
30	3422965	2	Pin	
31	1180371	1	Carrier, Cable	
32	1180372	1	Carrier, Cable	
33	3271605	36	Locknut 3/8in-16NC	
34	3271805	1	Locknut 1/2in-13NC	
36	3422943	2	Pin	
37	3422944	2	Pin	
39	3422945	10	Pin	
40	3422946	1	Pin	
41	3422954	1	Pin	
42	3311505	16	Locknut 5/16in-18NC	
43	3450304	1	Pin, Cotter 3/32in x 1in	
45	3573370	1	Plate, Rod Keeper	
46	3841143	AR	Keeper, Pin	
47	3340929	16	Pad, Arm	
48	3841203	1	Keeper, Pin	
49	3841556	1	Rod, Prop Actuator	
50	4280295	Ref	Strip, Protector Options:	
50	4280295	18 in /46cm	Roll-Out Platform	
50	4280295	36 in /92cm	Power Extension Platform	

SECTION 3 - SCISSORS ARMS

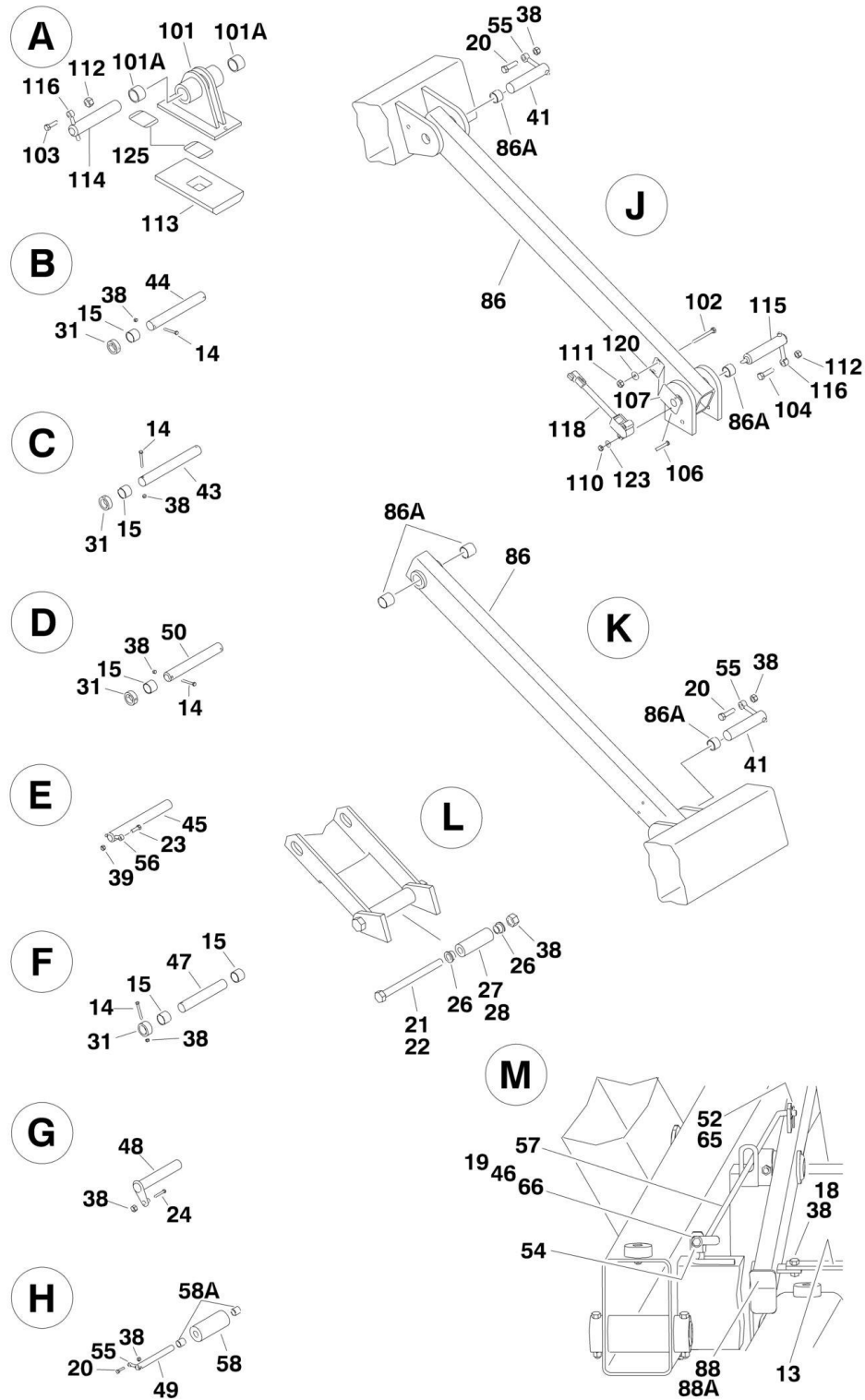
ITEM	PART NUMBER	QTY	DESCRIPTION	REV
56	4711600	1	Flatwasher 3/8in Narrow	
57	4740455	2	Washer, Nylon Shoulder	
64	4240033	AR	Strap, Tie (Not Shown)	
71	4711500	16	Flatwasher 5/16in Narrow	
78	0272209	2	Link, Attach	
78A	0962474	8	Bushing (Qty 4 per Link)	
80	0272211	2	Prop, Safety	
80A	0961388	2	Bushing (Qty 1 per Prop)	
	2902062	1	Scissor Arm Kit - 3394RT (Includes Items 1-7)	
	2902149	1	Arm Components Kit (Includes Items 1-7, 12, 13, 16, 31, 32, 42, 47, 71, 78 & 80)	6
		Ref	SCISSOR ARMS INSTALLATIONS - 3394RT	
	1001103766	Ref	Deutz D2011 Engine and GM Engine Machines	D
	1001149320	Ref	Deutz D2.9L4 Engine Machines	A
101	0272210	NLA	Slider (Use p/n 1001099623)	
101A	0440234	4	Bearing (Qty 2 per Slider)	
102	0641420	2	Bolt 1/4in-20NC x 2-1/2in	
103	0641610	4	Bolt 3/8in-16NC x 1-1/4in	
104	0641611	1	Bolt 3/8in-16NC x 1-3/8in	
105	0641612	2	Bolt 3/8in-16NC x 1-1/2in	
106	0721010	2	Screw #10-24NC x 1-1/4in	
107	0902774	1	Bracket, Switch Mounting	
108	3200447	1	Mount, Proximity Switch	
109	3300455	2	Locknut, Stainless #10-24NC	
110	3311005	2	Locknut #10-24NC	
111	3311405	2	Locknut 1/4in-20NC	
112	3311605	7	Locknut 3/8in-16NC	
113	3340935	4	Pad, Slide	
114	3422961	4	Pin	
115	3422963	1	Pin	
116	3841143	5	Keeper, Pin	
117	3900325	2	Screw, Stainless #10-24NC	
118	4360500	1	Switch, Rotary Angle Sensor	
119	4360502	1	Switch, Proximity Sensor	
120	4711400	2	Flatwasher 1/4in Narrow	
121	4711600	4	Flatwasher 3/8in Narrow	
122	4740506	2	Washer, Stainless#10	
123	4751000	2	Flatwasher #10	
125	1001125243	1	Decal Kit - Calibration (Includes 2 Decals) (SN 0200199012 through 0200239052)	

SECTION 3 - SCISSORS ARMS

FIGURE 3-2. SCISSOR ARMS INSTALLATION (4394RT)



SECTION 3 - SCISSORS ARMS



SECTION 3 - SCISSORS ARMS

FIGURE 3-2. SCISSOR ARMS INSTALLATION (4394RT)

ITEM	PART NUMBER	QTY	DESCRIPTION	REV
		Ref	SCISSOR ARMS ASSEMBLY - 4394RT	
	1001103767	Ref	Deutz D2011 Engine and GM Engine Machines	C
	1001149321	Ref	Deutz D2.9L4 Engine Machines	B
1	0200712	1	Arm - Lower Inboard	
2	0200713	1	Arm - Upper Mid Inboard	
3	0200714	1	Arm - Upper Mid Inboard	
4	0200715	1	Arm - Upper Inboard	
5	0200716	1	Arm - Lower Outboard	
6	0200718	1	Arm - Lower Mid Outboard (Left Side)	
7	0200719	1	Arm - Lower Mid Outboard (Right Side)	
8	0200720	1	Arm - Upper Mid Outboard (Left Side)	
9	0200721	1	Arm - Upper Mid Outboard (Right Side)	
10	0200722	1	Arm - Upper Outboard	
13	0363050	1	Bar, Prop Attach	
14	0681624	41	Bolt 3/8in-16NC x 3in	
15	0440236	42	Bearing	
16	0440250	4	Bearing	
18	0681607	2	Bolt 3/8in-16NC x 7/8in	
19	0641507	25	Bolt 5/16in-18NC x 7/8in	
20	0681612	3	Bolt 3/8in-16NC x 1-1/2in	
21	0681632	4	Bolt 3/8in-16NC x 4in	
22	0681636	1	Bolt 3/8in-16NC x 4-1/2in	
23	0681813	1	Bolt 1/2in-13NC x 1-5/8in	
24	0681618	1	Bolt 3/8in-16NC x 2-1/4in (Grade 8)	
26	0962031	16	Bushing, Flanged	
27	0962445	1	Spacer (2.19in Length)	
28	0962446	4	Spacer (2.50in Length)	
30	1320122	3	Clamp	
31	1440331	20	Collar	
32	1670995	Ref	Cover, Hose/Cable Options:	
32	1670995	3	Roll-Out Platform	
32	1670995	6	Power Extension Platform	
33	1684332	1	Lift Cylinder Assembly (See CYLINDER SECTION for Breakdown)	
35	1180371	3	Carrier, Cable	
36	1180372	1	Carrier, Cable	
38	3271605	52	Locknut 3/8in-16NC	
39	3271805	1	Locknut 1/2in-13NC	
41	3422943	2	Pin	
43	3422944	2	Pin	
44	3422945	16	Pin	
45	3422946	1	Pin	
46	3311505	25	Locknut 5/16in-18NC	
47	3422948	1	Pin	
48	3422952	1	Pin	
49	3422964	1	Pin	
50	3422965	2	Pin	
51	3340929	24	Pad, Arm	
52	3450304	1	Pin, Cotter 3/32in x 1in	
54	3573370	1	Plate, Rod Keeper	

SECTION 3 - SCISSORS ARMS

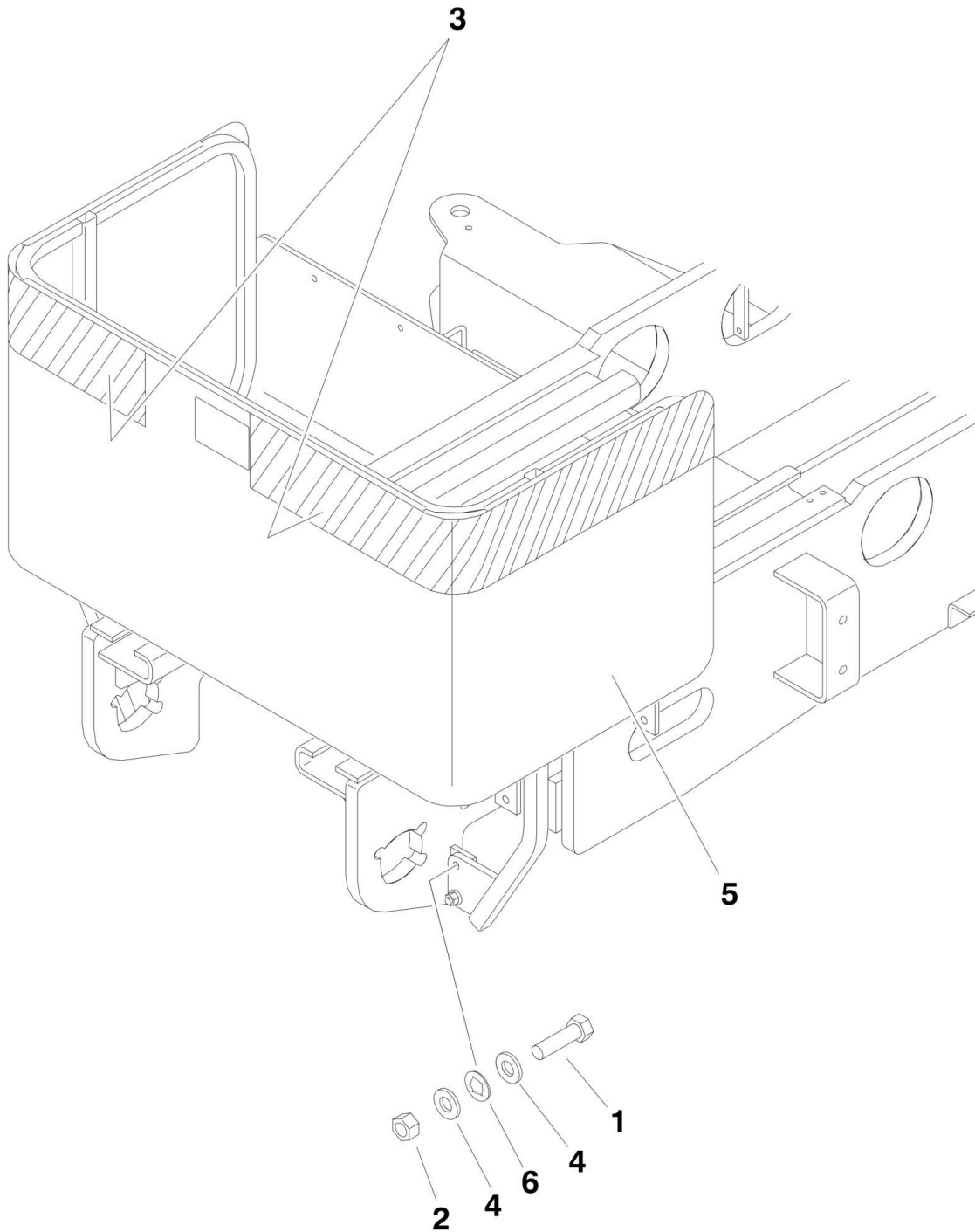
ITEM	PART NUMBER	QTY	DESCRIPTION	REV
55	3841143	8	Keeper, Pin	
56	3841203	1	Keeper, Pin	
57	3841556	1	Rod, Prop Actuator	
58	3860102	1	Roller	
58A	0962356	2	Bearing	
59	4280295	Ref	Strip, Protector Options:	
59	4280295	18 in /46cm	Roll-Out Platform	
59	4280295	36 in /92cm	Power Extension Platform	
65	4711600	5	Flatwasher 3/8in Narrow	
66	4740455	2	Washer, Nylon Shoulder	
73	4240033	AR	Strap, Tie	
78	4711500	24	Flatwasher 5/16in Narrow	
85	4846460	1	Kicker, Arm	
86	0272209	2	Link, Attach	
86A	0962474	8	Bushing (Qty 4 per Link)	
88	0272211	2	Prop, Safety	
88A	0961388	2	Bushing (Qty 1 per Prop)	
89	1001144808	1	Decal - Retention Hardware (SN 0200215194 through 0200239052)	
	2902063	1	Scissor Arm Kit - 4394RT (Includes Items 1-10)	
	2902150	1	Arm Components Kit (Includes Items 1-10, 15, 16, 19, 35, 36, 46,51, 78, 85, 86 & 88)	6
		Ref	SCISSOR ARMS INSTALLATIONS - 4394RT	
	1001103768	Ref	Deutz D2011 Engine and GM Engine Machines	D
	1001149322	Ref	Deutz D2.9L4 Engine Machines	A
101	0272210	NLA	Slider (Use p/n 1001099623)	
101A	0440234	4	Bearing (Qty 2 per Slider)	
102	0641420	2	Bolt 1/4in-20NC x 2-1/2in	
103	0641610	4	Bolt 3/8in-16NC x 1-1/4in	
104	0641611	1	Bolt 3/8in-16NC x 1-3/8in	
105	0641612	2	Bolt 3/8in-16NC x 1-1/2in	
106	0721010	2	Screw #10-24NC x 1-1/4in	
107	0902774	1	Bracket, Switch Mounting	
108	3200447	1	Mount, Proximity Switch	
109	3300455	2	Locknut, Stainless #10-24NC	
110	3311005	2	Locknut #10-24NC	
111	3311405	2	Locknut 1/4in-20NC	
112	3311605	5	Locknut 3/8in-16NC	
113	3340935	4	Pad, Slide	
114	3422961	4	Pin	
115	3422963	1	Pin	
116	3841143	5	Keeper, Pin	
117	3900325	2	Screw, Stainless #10-24NC	
118	4360500	1	Switch, Rotary Angle Sensor	
119	4360502	1	Switch, Proximity Sensor	
120	4711400	2	Flatwasher 1/4in Narrow	
121	4711600	4	Flatwasher 3/8in Narrow	
122	4740506	2	Washer, Stainless#10	
123	4751000	2	Flatwasher #10	
125	1001125242	1	Decal Kit - Calibration (Includes 2 Decals) (SN 0200199012)	

SECTION 3 - SCISSORS ARMS

ITEM	PART NUMBER	QTY	DESCRIPTION	REV
			through 0200239052)	

SECTION 3 - SCISSORS ARMS

FIGURE 3-3. ARM GUARDS INSTALLATION (CE SPEC ONLY)



SECTION 3 - SCISSORS ARMS

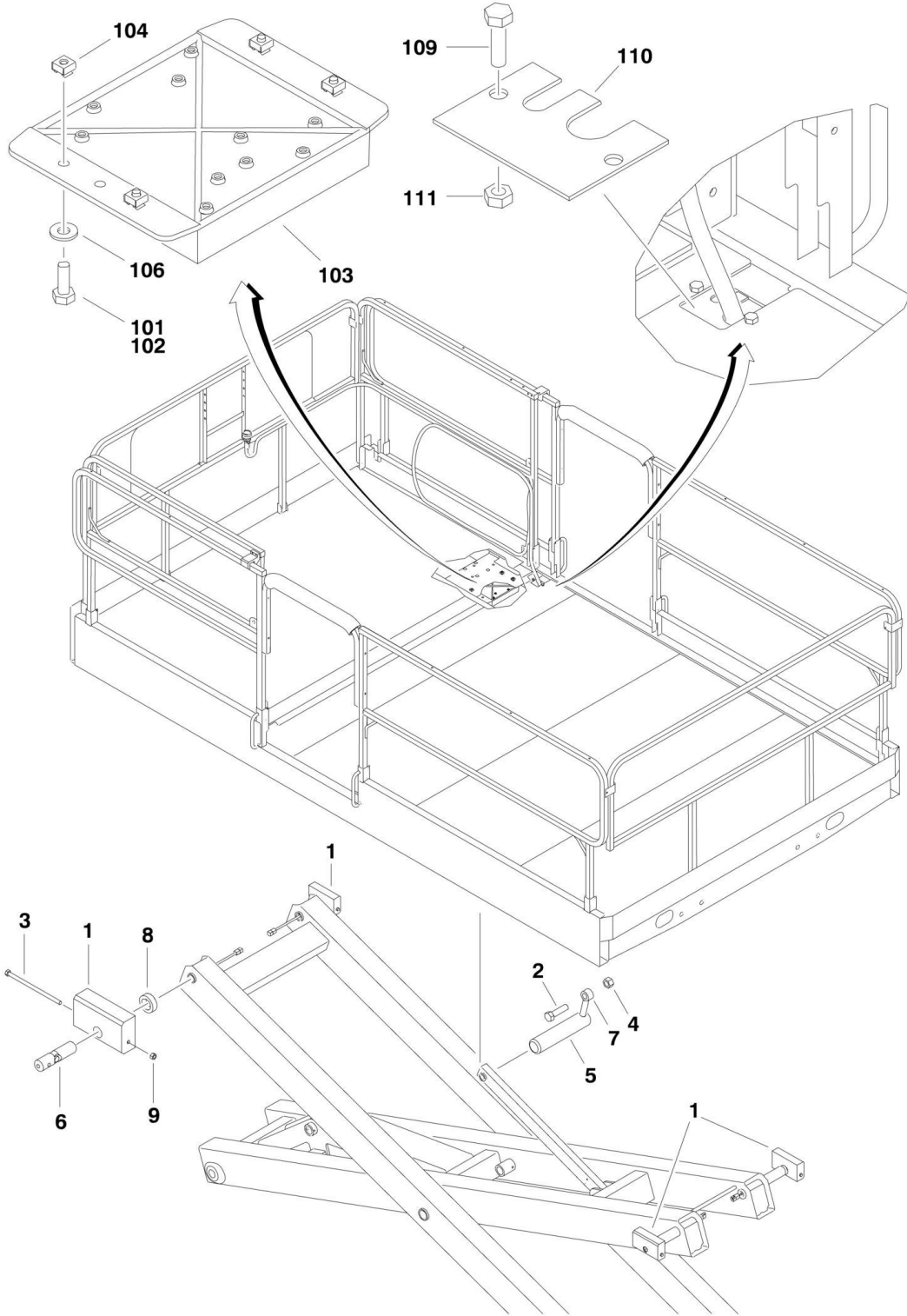
FIGURE 3-3. ARM GUARDS INSTALLATION (CE SPEC ONLY)

ITEM	PART NUMBER	QTY	DESCRIPTION	REV
		Ref	ARM GUARDS INSTALLATION	
	0271747	Ref	Arm Guards Installation 3394RT	E
	0272351	Ref	Arm Guards Installation 4394RT	F
1	0641814	8	Bolt 1/2in-13NC x 1-3/4in	
2	3311405	8	Locknut 1/2in-13NC	
3		Ref	Tape, Safety	
3	4420051	14 ft/4.3m	Tape, Safety 3394RT	
3	4420051	13.2 ft/4m	Tape, Safety 4394RT	
4	4711800	16	Flatwasher 1/2in Narrow	
5		Ref	Guard, Arm Options:	
5	4061056	1	Guard, Arm 3394RT	
5	4061057	1	Guard, Arm 4394RT	
6	2080072	8	Fastener, 1/2in Bolt Retainer	

SECTION 4 - PLATFORM

SECTION 4 - PLATFORM

FIGURE 4-1. PLATFORM ATTACH AND MODULE INSTALLATIONS



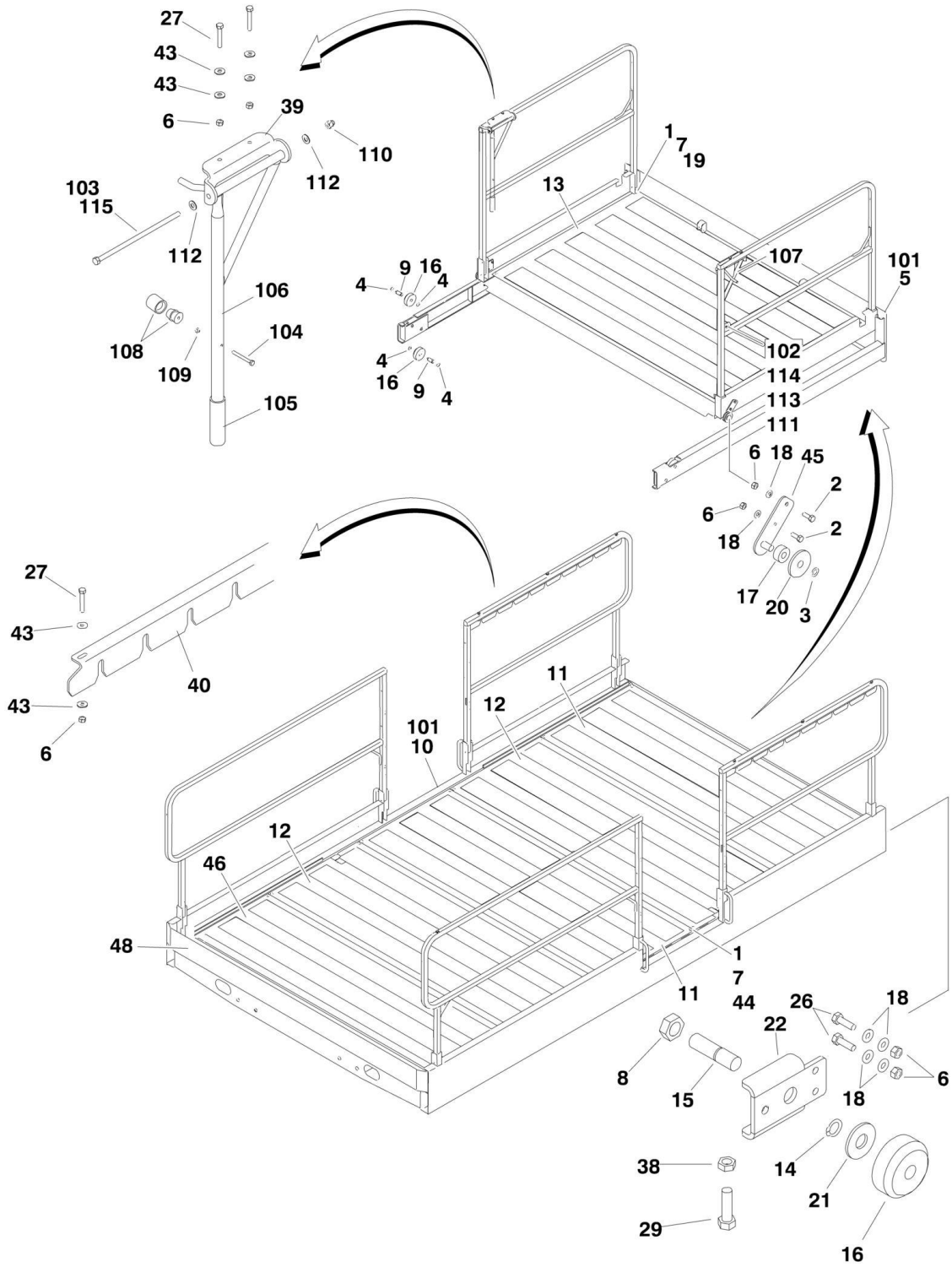
SECTION 4 - PLATFORM

FIGURE 4-1. PLATFORM ATTACH AND MODULE INSTALLATIONS

ITEM	PART NUMBER	QTY	DESCRIPTION	REV
		Ref	PLATFORM ATTACH INSTALLATIONS	
	0271682	Ref	Platform Attach Installation - Standard Platform	B
	See Note	Ref	Platform Attach Installation - Platform with Load Management System (Note: See JLG Supplement p/n 3124288 for Components.)	
1	0561489	4	Block, Slide	
2	0641611	1	Bolt 3/8in-16NC x 1-3/8in	
3	0701037	4	Bolt M10 X 200mm	
4	3311605	1	Locknut 3/8in-16NC	
5	3422943	1	Pin	
6		Ref	Pin Options:	
6	3423049	4	Pin (Standard Platform)	
6	See Note	4	Pin (Platform with Load Management System) (Note: See JLG Supplement p/n 3124288 for Components.)	
7	3841143	1	Keeper, Pin	
8	4568295	4	Tube, Spacer	
9	3291005	4	Locknut M10	
		Ref	PLATFORM MODULE INSTALLATION	
	0271708	Ref	Platform Module Installation 3394RT	D
	0271709	Ref	Platform Module Installation 4394RT	D
101	0100011	AR	Locking, Compound	
102	0641406	4	Bolt 1/4in-20NC x 3/4in	
103	1600336	1	Module, Platform	
104	3300182	4	Nut, Retainer 1/4in-20NC	
105	4240035	25	Tie-Strap (Not Shown)	
106	4711400	4	Flatwasher 1/4in Narrow	
109	0641404	2	Bolt 1/4in-20NC x 1/2in	
110	1670988	1	Cover, Cable Access	
111	3311405	2	Locknut 1/4in-20NC	

SECTION 4 - PLATFORM

FIGURE 4-2. MANUAL SINGLE DECK EXTENSION AND PLATFORM ASSEMBLY



SECTION 4 - PLATFORM

FIGURE 4-2. MANUAL SINGLE DECK EXTENSION AND PLATFORM ASSEMBLY

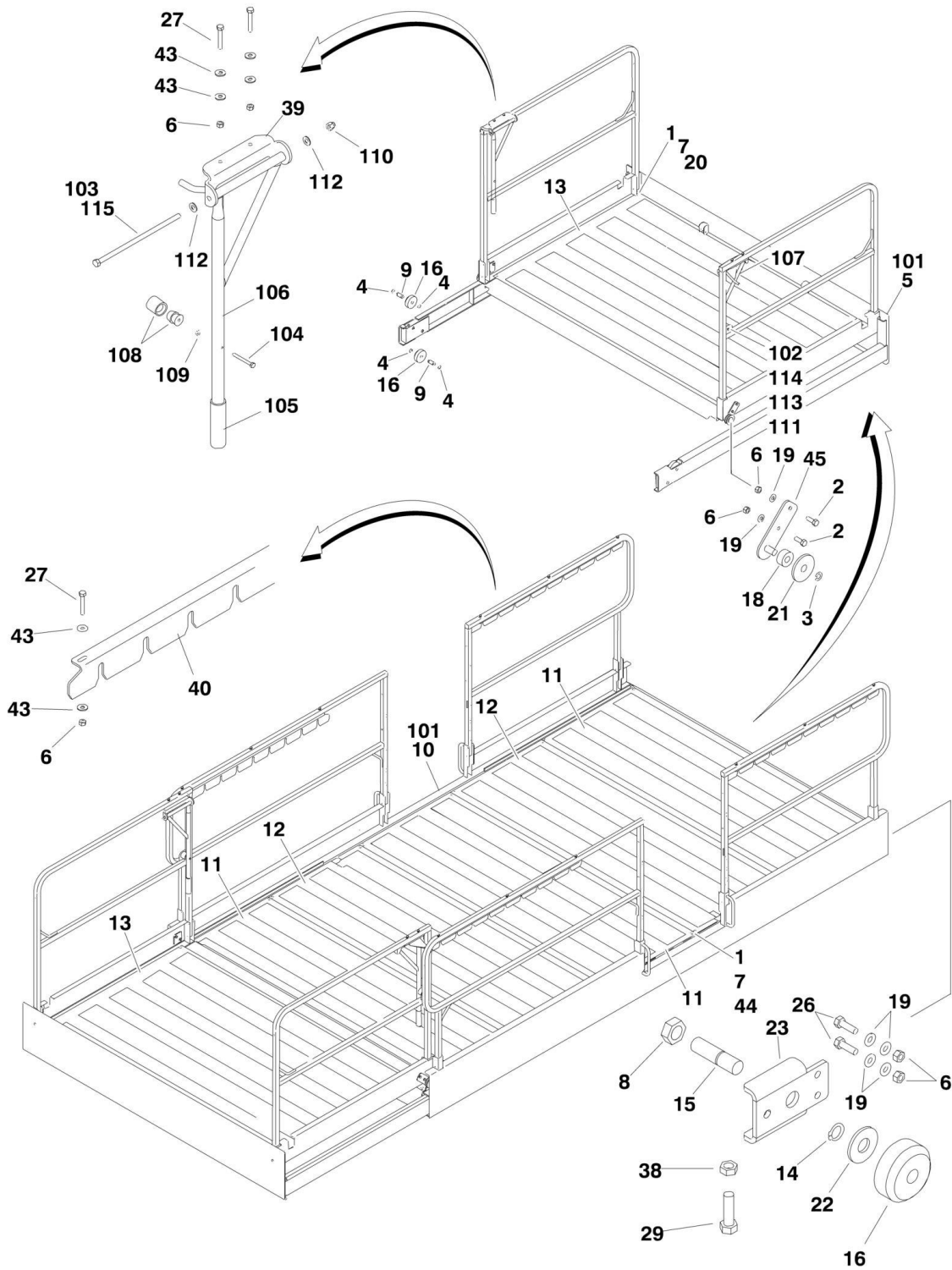
ITEM	PART NUMBER	QTY	DESCRIPTION	REV
	0271700	Ref	MANUAL SINGLE DECK EXTENSION AND PLATFORM ASSEMBLY	Q
		Ref	Note: Replacement Decals Must be Ordered Separately - See DECAL SECTION.	
1	0630485	24	Bolt, Carriage	
2	0641507	4	Bolt 5/16in-18NC x 7/8in	
3	1380150	2	E-Clip 1/2in	
4	1380151	8	E-Clip 3/4in	
5	2020006	1	Deck, Extension	
6	3311505	18	Locknut 5/16in-18NC	
7	3300472	24	Nut, Acorn 3/8in-16NC	
8	3322202	2	Nut, Jam	
9	3422966	4	Pin	
10	3510878	1	Platform Weldment	
11	0272241	2	Plate, Floor	
11	4420069	AR	Tape, Safety Tread	
12	0272242	2	Plate, Floor	
12	4420069	AR	Tape, Safety Tread	
13	0272101	1	Plate, Floor	
13	4420069	AR	Tape, Safety Tread	
14	3760348	2	Ring, Retaining	
15	3841233	2	Rod, Roller	
16	3860059	6	Roller, Extension	
17		Ref	Roller Options:	
17	1001096984	2	Roller (SN 0200191606 through 0200212581)	
17	1001143898	2	Roller (SN 0200212582 through 0200239052)	
18	4711500	12	Flatwasher 5/16in Narrow	
19	4711600	4	Flatwasher 3/8in Narrow	
20	1001096985	2	Washer	
21	4752200	2	Flatwasher 3/4in Wide	
22	4846519	2	Support, Roller	
23	0100048	AR	Grease, Dielectric (Not Shown)	
26	0641508	4	Bolt 5/16in-18NC x 1in	
27	0641516	10	Bolt 5/16in-18NC x 2in	
29	0641814	2	Bolt 1/2in-13NC x 1-3/4in	
38	3311802	2	Nut, Jam 1/2in-13NC	
39	3537609	2	Plate, Pivot	
40	3573438	2	Plate, Latch	
43	4751500	20	Flatwasher 5/16in Wide	
44	4751600	20	Flatwasher 3/8in Wide	
45		Ref	Mount, Roller Options:	
45	1001096983	2	Mount, Roller (SN 0200191606 through 0200212581)	
45	1001143896	2	Mount, Roller (SN 0200212582 through 0200239052)	
46	0272243	1	Plate, Floor	
47	4420066	82 ft/25m	Tape, Double Sided (Not Shown - Located Between Floor Plates and Platform Weldment)	
48	4846556		Kickplate	
		Ref	Extension Roller Kit (Includes Items 3, 17, 20 & 45)	
	1001097107	NLA	Extension Roller Kit (Use p/n 1001143909) (SN 0200191606 through 0200212581)	B

SECTION 4 - PLATFORM

ITEM	PART NUMBER	QTY	DESCRIPTION	REV
	1001143909	1	Extension Roller Kit (SN 0200212582 through 0200239052)	B
	0275196	Ref	MANUAL SINGLE DECK EXTENSION	B
101	0271700	1	Platform and Extension (See Items 1 - 48 for Breakdown)	
102	0641406	2	Bolt 1/4in-20NC x 3/4in	
103	0641676	2	Bolt 3/8in-16NC x 9-1/2in	
104	0700619	2	Bolt, Metric M6 x 55mm	
105	2560088	2	Grip, Handle	
106	2560171	1	Handle (Left)	
107	2560172	1	Handle (Right)	
108	2940127	2	Latch	
109	3290601	2	Nut, Metric M6	
110	3300467	2	Nut, Acorn 3/8in-16NC	
111	3311405	2	Locknut 1/4in-20NC	
112	4711600	4	Flatwasher 3/8in Narrow	
113	4751400	4	Flatwasher 1/4in Wide	
114	4751600	2	Flatwasher 3/8in Wide	
115	0100011	AR	Locking, Compound	

SECTION 4 - PLATFORM

FIGURE 4-3. MANUAL DUAL DECK EXTENSION AND PLATFORM ASSEMBLY



SECTION 4 - PLATFORM

FIGURE 4-3. MANUAL DUAL DECK EXTENSION AND PLATFORM ASSEMBLY

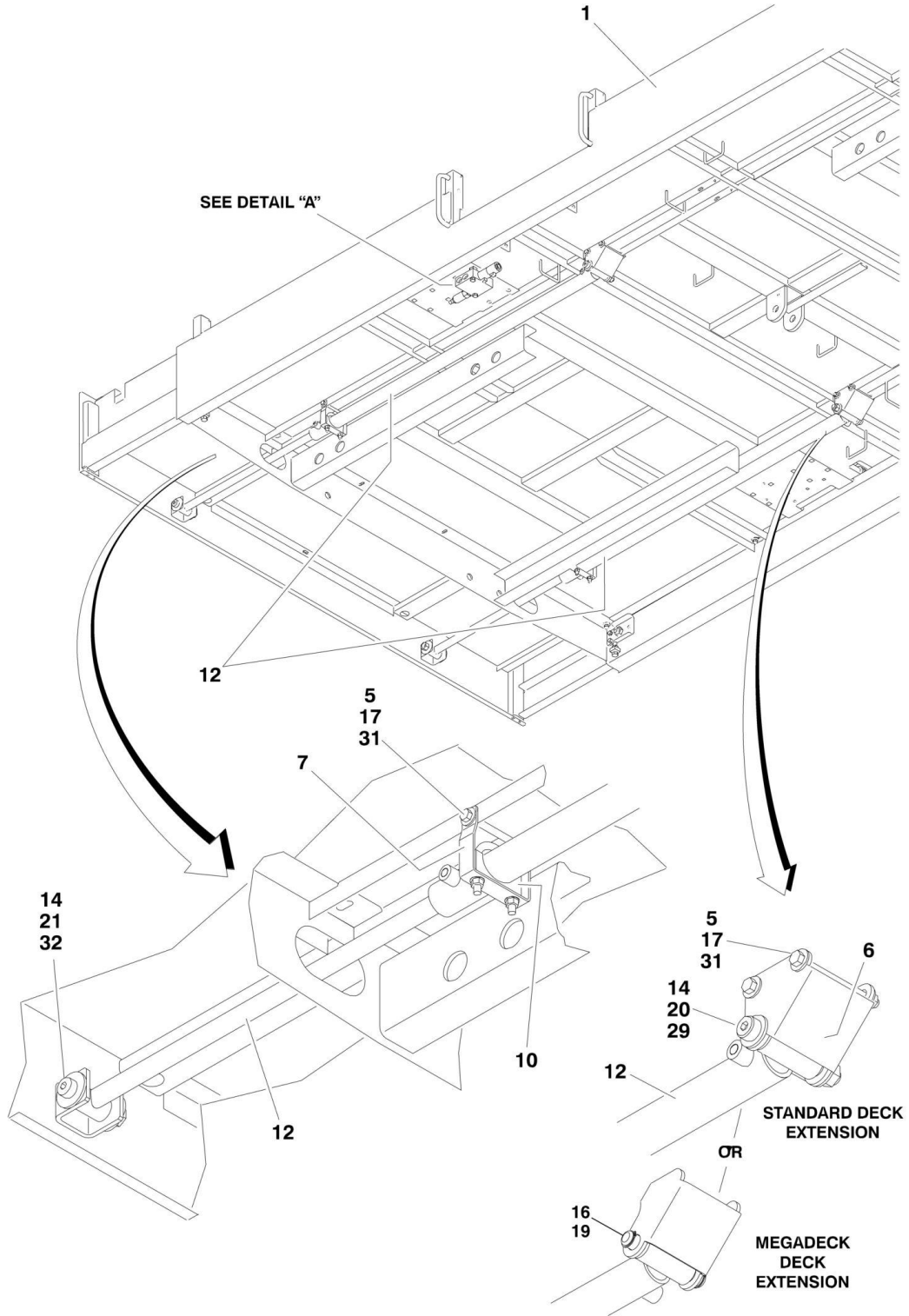
ITEM	PART NUMBER	QTY	DESCRIPTION	REV
	0271704	Ref	MANUAL DUAL DECK EXTENSION AND PLATFORM ASSEMBLY	Q
		Ref	Note: Replacement Decals Must be Ordered Separately - See DECAL SECTION.	
1	0630485	28	Bolt, Carriage	
2	0641507	8	Bolt 5/16in-18NC x 7/8in	
3	1380150	4	E-Clip 1/2in	
4	1380151	16	E-Clip 3/4in	
5	2020006	2	Deck, Extension	
6	3311505	36	Locknut 5/16in-18NC	
7	3300472	28	Nut, Acorn 3/8in-16NC	
8	3322202	4	Nut, Jam	
9	3422966	8	Pin	
10	3510878	1	Platform Weldment	
11	0272241	3	Plate, Floor	
11	4420069	AR	Tape, Safety Tread	
12	0272242	2	Plate, Floor	
12	4420069	AR	Tape, Safety Tread	
13	0272101	2	Plate, Floor	
13	4420069	AR	Tape, Safety Tread	
14	3760348	4	Ring, Retaining	
15	3841233	4	Rod, Roller	
16	3860059	12	Roller, Extension	
17	0100048	AR	Grease, Dielectric (Not Shown)	
18		Ref	Roller Options:	
18	1001096984	2	Roller (SN 0200191606 through 0200212581)	
18	1001143898	2	Roller (SN 0200212582 through 0200239052)	
19	4711500	24	Flatwasher 5/16in Narrow	
20	4711600	8	Flatwasher 3/8in Narrow	
21	1001096985	4	Flatwasher	
22	4752200	4	Flatwasher 3/4in Wide	
23	4846519	4	Support, Roller	
26	0641508	8	Bolt 5/16in-18NC x 1in	
27	0641516	20	Bolt 5/16in-18NC x 2in	
29	0641814	4	Bolt 1/2in-13NC x 1-3/4in	
38	3311802	4	Nut, Jam 1/2in-13NC	
39	3537609	4	Plate, Pivot	
40	3573438	4	Plate, Latch	
43	4751500	40	Flatwasher 5/16in Wide	
44	4751600	20	Flatwasher 3/8in Wide	
45		Ref	Mount, Roller Options:	
45	1001096983	4	Mount, Roller (SN 0200191606 through 0200212581)	
45	1001143896	4	Mount, Roller (SN 0200212582 through 0200239052)	
46	4420066	97 ft / 29.6m	Tape, Double Sided (Not Shown - Located Between Floor Plates and Platform Weldment)	
		Ref	Extension Roller Kit (Includes Items 3, 18, 21 & 45)	
	1001097107	NLA	Extension Roller Kit (Use p/n 1001143909) (SN 0200191606 through 0200212581)	B
	1001143909	1	Extension Roller Kit (SN 0200212582 through 0200239052)	B
	0275197	Ref	MANUAL DUAL DECK EXTENSION	B

SECTION 4 - PLATFORM

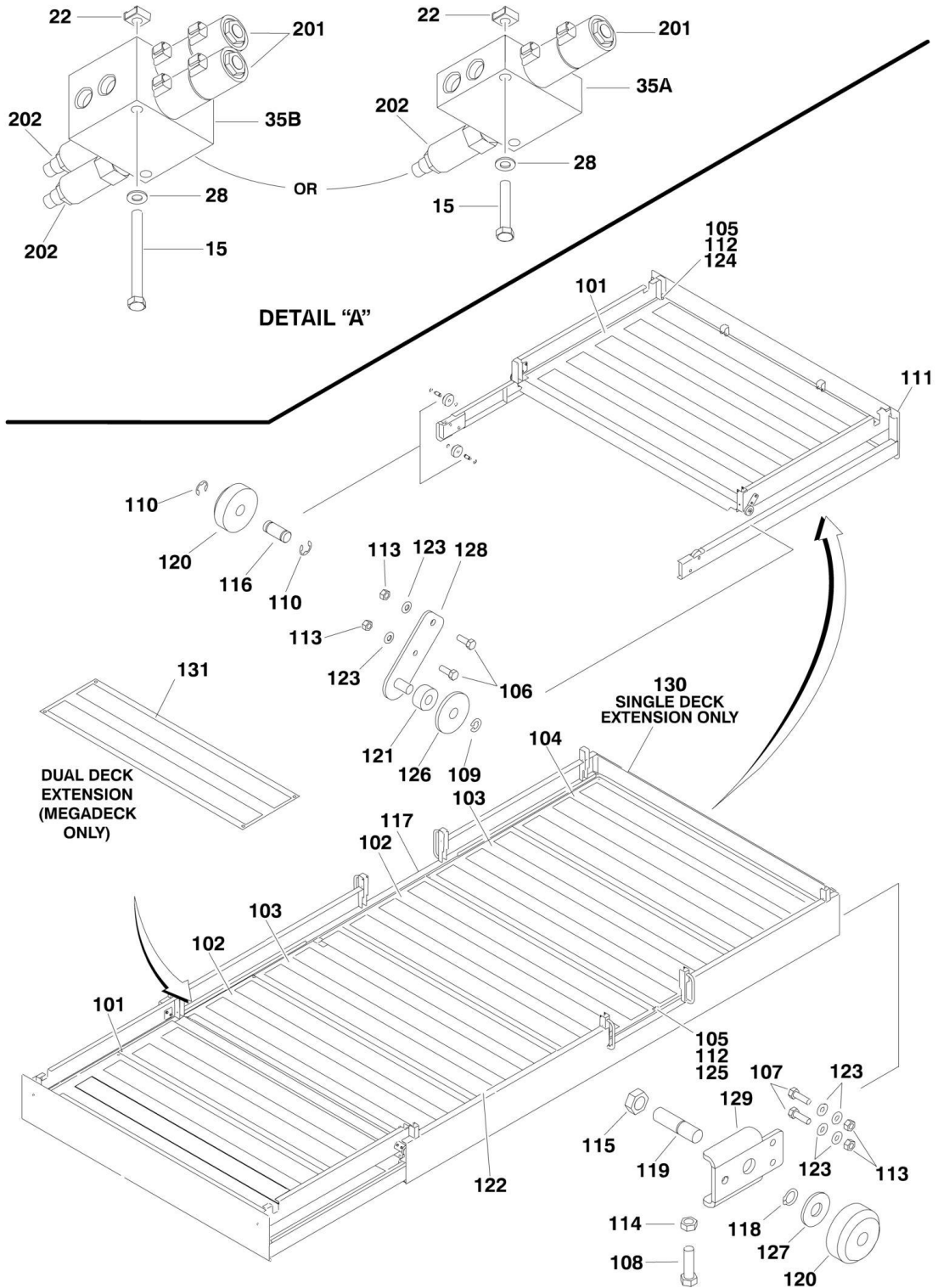
ITEM	PART NUMBER	QTY	DESCRIPTION	REV
101	0271704	1	Platform and Extension (See Items 1 - 46 for Breakdown)	
102	0641406	4	Bolt 1/4in-20NC x 3/4in	
103	0641676	4	Bolt 3/8in-16NC x 9-1/2in	
104	0700619	4	Bolt, Metric M6 x 55mm	
105	2560088	4	Grip, Handle	
106	2560171	2	Handle (Left)	
107	2560172	2	Handle (Right)	
108	2940127	4	Latch	
109	3290601	4	Nut, Metric M6	
110	3300467	4	Nut, Acorn 3/8in-16NC	
111	3311405	4	Locknut 1/4in-20NC	
112	4711600	8	Flatwasher 3/8in Narrow	
113	4751400	8	Flatwasher 1/4in Wide	
114	4751600	4	Flatwasher 3/8in Wide	
115	0100011	AR	Locking, Compound	

SECTION 4 - PLATFORM

FIGURE 4-4. POWER DECK EXTENSION AND PLATFORM ASSEMBLY



SECTION 4 - PLATFORM



SECTION 4 - PLATFORM

FIGURE 4-4. POWER DECK EXTENSION AND PLATFORM ASSEMBLY

ITEM	PART NUMBER	QTY	DESCRIPTION	REV
		Ref	POWER DECK EXTENSION AND PLATFORM ASSEMBLIES	
	1001103410	Ref	Power Deck Extension And Platform Assemblies 3394RT with Single Deck Extension(Platform Length - 12.6ft/3.8m)	B
	1001103412	Ref	Power Deck Extension And Platform Assemblies 3394RT with Dual Deck Extension(Platform Length - 12.6ft/3.8m)	B
	1001103414	Ref	Power Deck Extension And Platform Assemblies 3394RT with Dual Deck Extension (Platform Length - 15.8ft/4.8m) (Megadeck) (Available on CE Spec Only)	B
	1001103411	Ref	Power Deck Extension And Platform Assemblies 4394RT with Single Deck Extension(Platform Length - 12.6ft/3.8m)	B
	1001103413	Ref	Power Deck Extension And Platform Assemblies 4394RT with Dual Deck Extension (Platform Length - 12.6ft/3.8m)	B
		Ref	Note: Quantities Shown are for Single Deck Extension. Double Quantity as needed for Dual Deck Extension.	
		Ref	Note: Replacement Decals Must be Ordered Separately - See DECAL SECTION.	
1		Ref	Platform and Deck Extension Assembly (See Items 101 to 131 for Breakdown)	
1	0272605	1	Platform and Deck Extension Assembly (Single Deck Extension) (Platform Length - 12.6ft/3.8m) (Standard)	
1	0272707	1	Platform and Deck Extension Assembly (Dual Deck Extension) (Platform Length - 12.6ft/3.8m) (Standard)	
1	0272990	1	Platform and Deck Extension Assembly (Dual Deck Extension) (Platform Length - 15.8ft/4.8m) (Megadeck)	
5	0641636	6	Bolt 3/8in-16NC x 4-1/2in	
6		Ref	Bracket, Cylinder Attach Options:	
6	0902838	2	Bracket for Standard Platforms (Bolted on)	
6	Not Required	0	Bracket for Megadeck Platform (Welded on - Not Available)	
7	0902839	2	Bracket, Hanger	
10	1320019	2	Clamp	
12	1684266	2	Extension Cylinder Assembly (See DECAL SECTION for Breakdown)	
14	3272005	4	Locknut 5/8in-11NC	
15		Ref	Bolt 1/4in-20NC Options:	
15	0641413	2	Bolt 1-5/8in Length (Single Deck Extension)	
15	0641426	2	Bolt 3-1/4in Length (Dual Deck Extension)	
16	3423052	4	Pin, Tele Barrel - Dual Deck Extension (Megadeck Only)	
17	3311605	6	Locknut 3/8in-16NC	
19	3760351	8	Ring, Retaining - Dual Deck Extension (Megadeck Only)	
20	3900254	2	Screw, Shoulder	
21	3900330	2	Screw, Shoulder	
22	3300182	2	Nut, Retainer 1/4in-20NC	
28	4711400	2	Flatwasher 1/4in Narrow	
29	4712200	4	Flatwasher 3/4in Narrow	
31	4751600	14	Flatwasher 3/8in Wide	
32	4752200	4	Flatwasher 3/4in Wide	
35		Ref	Power Deck Valve Assembly Options (See Items 201 & 202 for Breakdown):	
35A	1001103266	1	Valve for Single Deck Extension	
35B	1001103267	1	Valve for Dual Deck Extension	
		Ref	PLATFORM AND DECK EXTENSION ASSEMBLY	
	0272605	Ref	Single Deck Extension (Length - 12.6ft/3.8m)	I
	0272707	Ref	Dual Deck Extension (Length - 12.6ft/3.8m)	J

SECTION 4 - PLATFORM

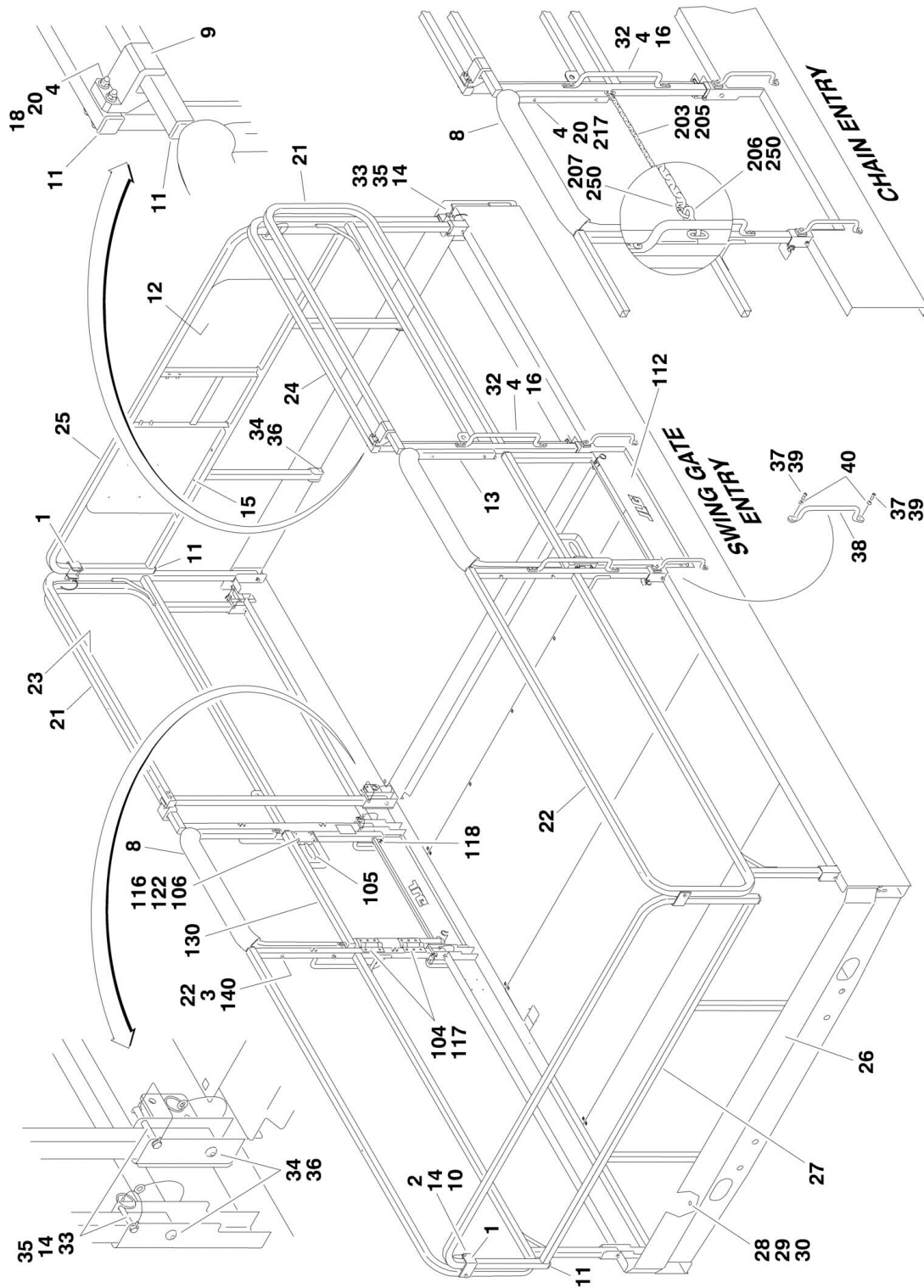
ITEM	PART NUMBER	QTY	DESCRIPTION	REV
	0272990	Ref	Dual Deck Extension (Length - 15.8ft/4.8m) (Megadeck)	K
		Ref	Note: Quantities Shown are for Single Deck Extension. Double Quantity as needed for Dual Deck Extension.	
		Ref	Note: Replacement Decals Must be Ordered Separately - See DECAL SECTION.	
101	0272101	1	Plate, Floor	
101	4420069	30 ft/9m	Tape, Safety Tread	
102	0272241	Ref	Plate, Floor Options:	
102	0272241	2	Plate, Floor (Single Deck Extension)	
102	0272241	3	Plate, Floor (Dual Deck Extension)	
102	4420069	19.5 ft/6m	Tape, Safety Tread	
103	0272242	2	Plate, Floor	
103	4420069	19.5 ft/6m	Tape, Safety Tread	
104		Ref	Plate, Floor Options:	
104	0272243	1	Plate, Floor (Single Deck Extension)	
104	0272241	1	Plate, Floor (Dual Deck Extension)	
104	4420069	19.5 ft/6m	Tape, Safety Tread	
105	0630485	24	Bolt, Carriage	
106	0641507	4	Bolt 5/16in-18NC x 7/8in	
107	0641508	4	Bolt 5/16in-18NC x 1in	
108	0641814	2	Bolt 1/2in-13NC x 1-3/4in	
109	1380150	2	E-Clip 1/2in	
110	1380151	8	E-Clip 3/4in	
111	2020006	1	Deck, Extension	
112	3300472	24	Nut, Acorn 3/8in-16NC	
113	3311505	8	Locknut 5/16in-18NC	
114	3311802	2	Nut, Jam 1/2in-13NC	
115	3322202	2	Nut, Jam	
116	3422966	4	Pin	
117		Ref	Platform Options:	
117	3510878	1	Platform (Length - 12.6ft/3.8m) (Standard)	
117	3510879	1	Platform (Length - 15.8ft/4.8m) (Megadeck)	
118	3760348	2	Ring, Retaining	
119	3841233	2	Rod, Roller	
120	3860059	6	Roller, Extension	
121		Ref	Roller Options:	
121	1001096984	2	Roller (SN 0200191606 through 0200212581)	
121	1001143898	2	Roller (SN 0200212582 through 0200239052)	
122	4420066	AR	Tape, Double Sided (Not Shown - Located Between Floor Plates and Platform Weldment)	
123	4711500	12	Flatwasher 5/16in Narrow	
124	4711600	4	Flatwasher 3/8in Narrow	
125	4751600	20	Flatwasher 3/8in Wide	
126	1001096985	2	Washer	
127	4752200	2	Flatwasher 3/4in Wide	
128		Ref	Mount, Roller Options:	
128	1001096983	4	Mount, Roller (SN 0200191606 through 0200212581)	
128	1001143896	4	Mount, Roller (SN 0200212582 through 0200239052)	
129	4846519	2	Support, Roller	
130	4846556	1	Kickplate (Single Deck Extension Only)	
131	0272998	2	Plate, Deck (Dual Deck Extension w/ Megadeck Only)	
		Ref	Extension Roller Kit (Includes Items 109, 121, 126 & 128)	

SECTION 4 - PLATFORM

ITEM	PART NUMBER	QTY	DESCRIPTION	REV
	1001097107	NLA	Extension Roller Kit (Use p/n 1001143909) (SN 0200191606 through 0200212581)	B
	1001143909	1	Extension Roller Kit (SN 0200212582 through 0200239052)	B
		Ref	POWER DECK VALVE ASSEMBLIES	
	1001103266	Ref	Valve Assembly for Single Deck Extension	A
	1001103267	Ref	Valve Assembly for Dual Deck Extension	A
		Ref	Note: Quantities Shown are for Single Deck Extension. Double Quantity as needed for Dual Deck Extension.	
201	7017433	1	Solenoid Cartridge Valve Assembly	
201	7017402	1	Seal Kit - 7017433 Cartridge	
201	70001977	2	Coil	
202	7017460	1	Relief Valve Assembly	
202	7017461	1	Seal Kit - 7017460 Cartridge	

SECTION 4 - PLATFORM

FIGURE 4-5. RAILS INSTALLATION



SECTION 4 - PLATFORM

FIGURE 4-5. RAILS INSTALLATION

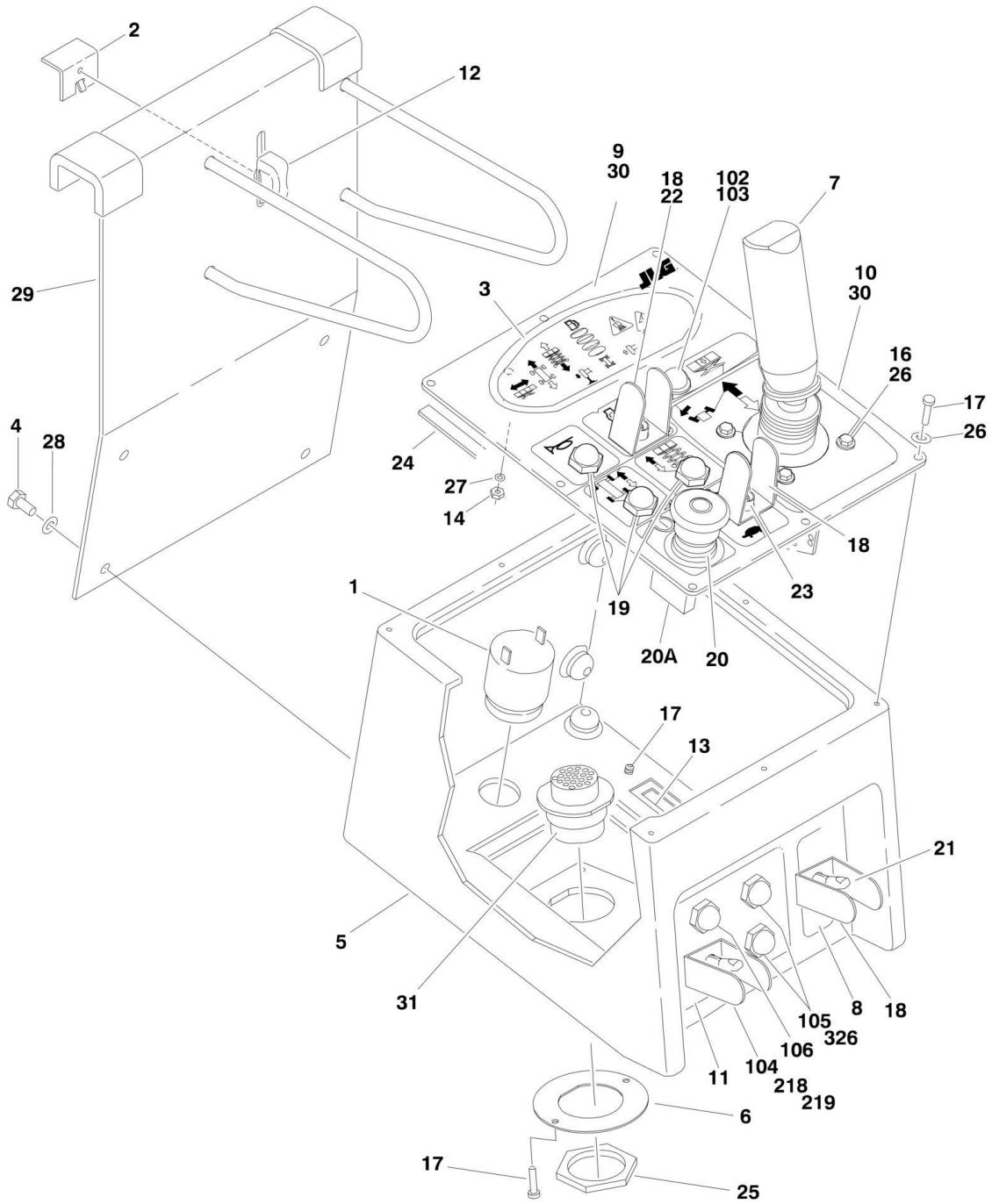
ITEM	PART NUMBER	QTY	DESCRIPTION	REV
		Ref	RAILS INSTALLATIONS	
	0271714	Ref	Rails Installations - Swing Gate Entry (Single Deck Extension) (Standard Platform Length - 12.6ft/3.8m)	J
	0271715	Ref	Rails Installations - Swing Gate Entry (Dual Deck Extension) (Standard Platform Length - 12.6ft/3.8m)	J
	0273063	Ref	Rails Installations - Swing Gate Entry (Dual Deck Extension) (Megadeck Platform Length - 15.8ft/4.8m)	D
	0271694	Ref	Rails Installations - Chain Entry (Single Deck Extension) (Standard Platform Length - 12.6ft/3.8m)	L
	0271711	Ref	Rails Installations - Chain Entry (Dual Deck Extension) (Standard Platform Length - 12.6ft/3.8m)	K
1	0901870	4	Bracket	
2	1060379	AR	Lanyard	
4	2080063	AR	Fastener 1/4	
8	3340612	1 ft/ 0.3m	Cover, Rail	
9	3340937	AR	Pad, Slide	
10	3422219	4	Pin, Snap	
11	3520072	AR	Plug, Cap	
12	3571862	1	Plate, Placard	
13	4846590	2	Rail	
14	3760170	AR	Ring, Split	
15	3820020	7	Rivet	
16	3900318	20	Screw, Button Head 1/4 x 2	
18	3931436	AR	Capscrew 1/4 x 2-1/4	
20	4711400	AR	Washer 1/4	
21		Ref	Rail, Side Options:	
21	4846530	2	Rail, Side (Platform Length - 12.6ft/3.8m) (Standard)	
21	4846843	2	Rail, Side (Platform Length - 15.8ft/4.8m) (Megadeck)	
22		Ref	Rail, Side Options:	
22	4846531	2	Rail, Side (Platform Length - 12.6ft/3.8m) (Standard)	
22	4846844	2	Rail, Side (Platform Length - 15.8ft/4.8m) (Megadeck)	
23	4846532	1	Rail, Side Extension	
24	4846537	1	Rail, Side Extension	
25	4846542	1	Rail, End Extension	
26	4846556	1	Kickplate (Single Deck Extension Only)	
27	4846557	1	Rail, End (Single Deck Extension Only)	
28	0630485	4	Bolt, Carriage 3/8 (Single Deck Extension)	
29	3311605	4	Nut 3/8 (Single Deck Extension)	
30	4751600	4	Washer 3/8 (Single Deck Extension)	
32	2560176	4	Handle	
33	1060808	AR	Lanyard	
34	2080064	16	Fastener 5/16	
35	3421565	8	Pin, Snap	
36	3900323	16	Screw 5/16 x 2in	
37	0100011	AR	Locking, Compound	
38	2560188	4	Handle	
39	3931512	8	Bolt 5/16 x 3/4	
40	4711500	8	Washer 5/16	
		Ref	Rails Kit Options:	
	2902147	1	Rails Kit - Swing Gate Entry (Single Deck Extension) (Includes Items 12-13, 15, 21-25, 112 & 130)	

SECTION 4 - PLATFORM

ITEM	PART NUMBER	QTY	DESCRIPTION	REV
	2902148	1	Rails Kit - Swing Gate Entry (Standard Dual Deck Extension) (Includes Items 12-13, 15, 21-25, 112 & 130)	
	2902263	1	Rails Kit - Swing Gate Entry (Megadeck Dual Deck Extension) (Includes Items 12-13, 15, 21-25, 112 & 130)	
	2902067	1	Rails Kit - Chain Entry (Single Deck Extension) (Includes Items 12-13, 15, 21-25 & 27)	
	2902146	1	Rails Kit - Chain Entry (Dual Deck Extension) (Includes Items 12-13, 15 & 21-25)	
		Ref	SWING GATE INSTALLATION	
	0271714	Ref	Swing Gate Installation (Single Deck Extension) (Platform Length - 12.6ft/3.8m) (Standard)	J
	0271715	Ref	Swing Gate Installation (Dual Deck Extension) (Platform Length - 12.6ft/3.8m) (Standard)	J
	0273063	Ref	Swing Gate Installation (Dual Deck Extension) (Platform Length - 15.8ft/4.8m) (Megadeck)	D
104	2600285	4	Hinge	
105	2940074	2	Latch	
106	3300432	8	Nut, Acorn #10	
108	3421453	4	Pin, Snap	
112	3573472	2	Kickplate	
116	3911428	8	Screw 1/4 x 1-3/4	
117	2080040	32	Fastener, Huck	
118	3931028	4	Capscrew #10 x 1-3/4	
122	4751000	8	Washer #10	
130	4846570	2	Gate	
140	3900319	8	Screw, Button 1/4 x 3	
		Ref	CHAIN ENTRY INSTALLATION	
	0271694	Ref	Chain Entry Installation - Single Deck Extension	L
	0271711	Ref	Chain Entry Installation - Dual Deck Extension	K
203	1260136	4 ft/1.2m	Chain	
205	2820097	2	Cover, Chain	
206	2940064	NLA	Latch, Snap (Includes Item 207) (Use p/n 1001101076)	
207	3010088	4	Link, Repair	
217	3900319	8	Screw, Button Head 1/4 x 3	
250	1001101076	2	Snap Latch Repair Kit (Includes (qty. 1 each) Items 206 & 207)	

SECTION 4 - PLATFORM

FIGURE 4-6. PLATFORM CONSOLE BOX ASSEMBLY



SECTION 4 - PLATFORM

FIGURE 4-6. PLATFORM CONSOLE BOX ASSEMBLY

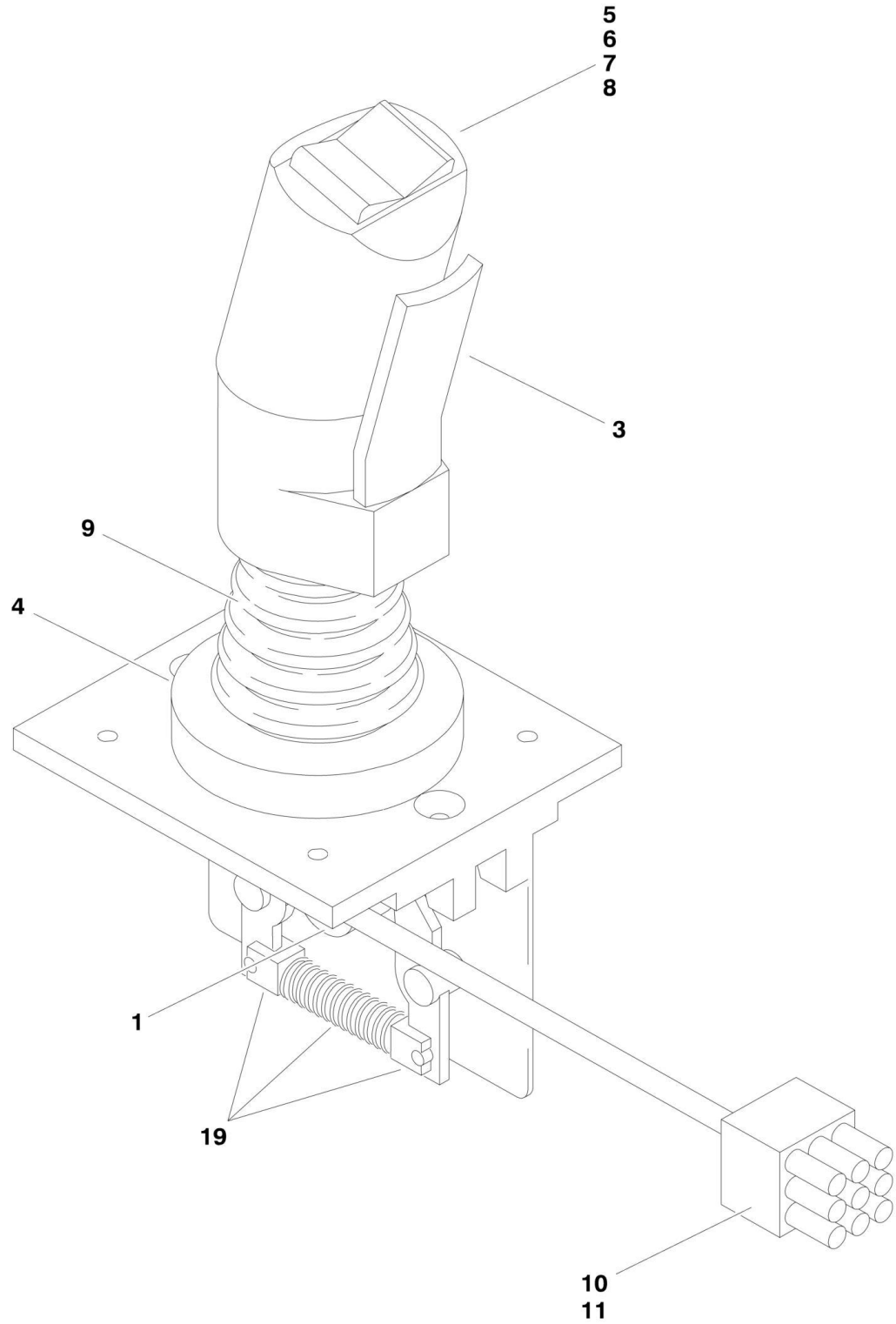
ITEM	PART NUMBER	QTY	DESCRIPTION	REV
		Ref	CONSOLE BOX ASSEMBLY	
	0272400	Ref	Diesel Machines	F
	0271748	Ref	Gas Dual Fuel Machines	F
		Ref	Note: For machines with platform console box with cover refer to SPECIAL OPTIONS SECTION.	
		Ref	Note: For machines with platform console box with Turn Signal and Lights refer to SPECIAL OPTIONS SECTION.	
1	0140011	1	Alarm	
2	0181847	1	Angle, Latch	
3	0610169	1	Board, P/C Display	
4	0641404	4	Bolt 1/4in-20NC x 1/2in	
5	0861554	1	Box, Console	
6	0902499	1	Bracket, D-Ring	
7	1600403	1	Drive/Steer Controller Assy (See DRIVE/STEER CONTROLLER ASSEMBLY for Breakdown)	
8		Ref	Decal - Toggle Switch Function Options:	
8	1704589	1	Glow Plug (Diesel Machines)	
8	1704588	1	Fuel Select (Gas Dual Fuel Machines)	
9	1705913	1	Decal - Platform Lid (Top Half of 2 Pc Decal)	
10	1705914	1	Platform Lid (Bottom Half of 2 Pc Decal)	
11	1705392	1	Decal - Outrigger Select	
12	2560141	1	Thumbscrew	
13	3200450	1	Mount, Terminal	
14	3310601	4	Nut #6-32NC	
16	3900178	4	Screw, Plastite #10-32NC x 1/2in	
17	3900265	12	Screw, Self-Tapping #8-18 x 3/4in	
18	4060802	3	Guard, Switch	
19	4360387	3	Switch, Push Button	
20	4360475	1	Switch, Emergency Stop	
20	7020175	1	Ring, Sealing	
20A	7020176	1	Block, Contact	
21		Ref	Switch, Toggle Options:	
21	4360483	1	Glow Plug (Diesel Machines)	
21	4360482	1	Fuel Select (Gas Dual Fuel Machines)	
22	4360524	1	Switch, Toggle	
23	4360525	1	Switch, Toggle	
24	4420008	38 in/1m	Tape, Insulation	
25	4460470	1	Nut, Terminal	
26	4740120	12	Washer, Nylon	
27	4760600	4	Lockwasher #6	
28	4791400	4	Starwasher 1/4in	
29	4845938	1	Bracket, Box Mounting	
30	4846655	1	Lid, Box	
31	4922768	1	Platform Console Box Harness (See ELECTRICAL SECTION for Breakdown)	
		Ref	CONSOLE BOX INSTALLATIONS	
		Ref	Diesel Machines:	
	0272409	Ref	Without Leveling Jacks/Without Load Management System	C
	0272410	Ref	With Leveling Jacks/Without Load Management System	D
	0272411	Ref	Without Leveling Jacks/With Load Management System	B

SECTION 4 - PLATFORM

ITEM	PART NUMBER	QTY	DESCRIPTION	REV
	0272412	Ref	With Leveling Jacks/With Load Management System	B
		Ref	Gas Machines:	
	0272405	Ref	Without Leveling Jacks/Without Load Management System	D
	0272406	Ref	With Leveling Jacks/Without Load Management System	C
102		Ref	Component Options:	
102	3520193	1	Plug, Hole (Without Load Management)	
102	2920026	1	Lamp, Indicator (With Load Management)	
103	2920029	1	Bulb, Light (With Load Management)	
104	3520079	1	Plug, Hole	
105	3520080	2	Plug, Hole	
106		Ref	Component Options:	
106	3520080	1	Plug, Hole (Without Leveling Jacks)	
106	4360387	1	Switch, Push Button (With Leveling Jacks)	
		Ref	GENERATOR CONTROL SWITCH INSTALLATIONS	
218	4060802	1	Guard, Switch	
219	4360482	1	Switch, Toggle	
		Ref	POWER DECK SWITCH INSTALLATIONS	
326	4360387	Ref	Switch, Push Button	
326	4360387	1	Single Deck Extension	
326	4360387	2	Dual Deck Extension	

SECTION 4 - PLATFORM

FIGURE 4-7. DRIVE/STEER CONTROLLER ASSEMBLY



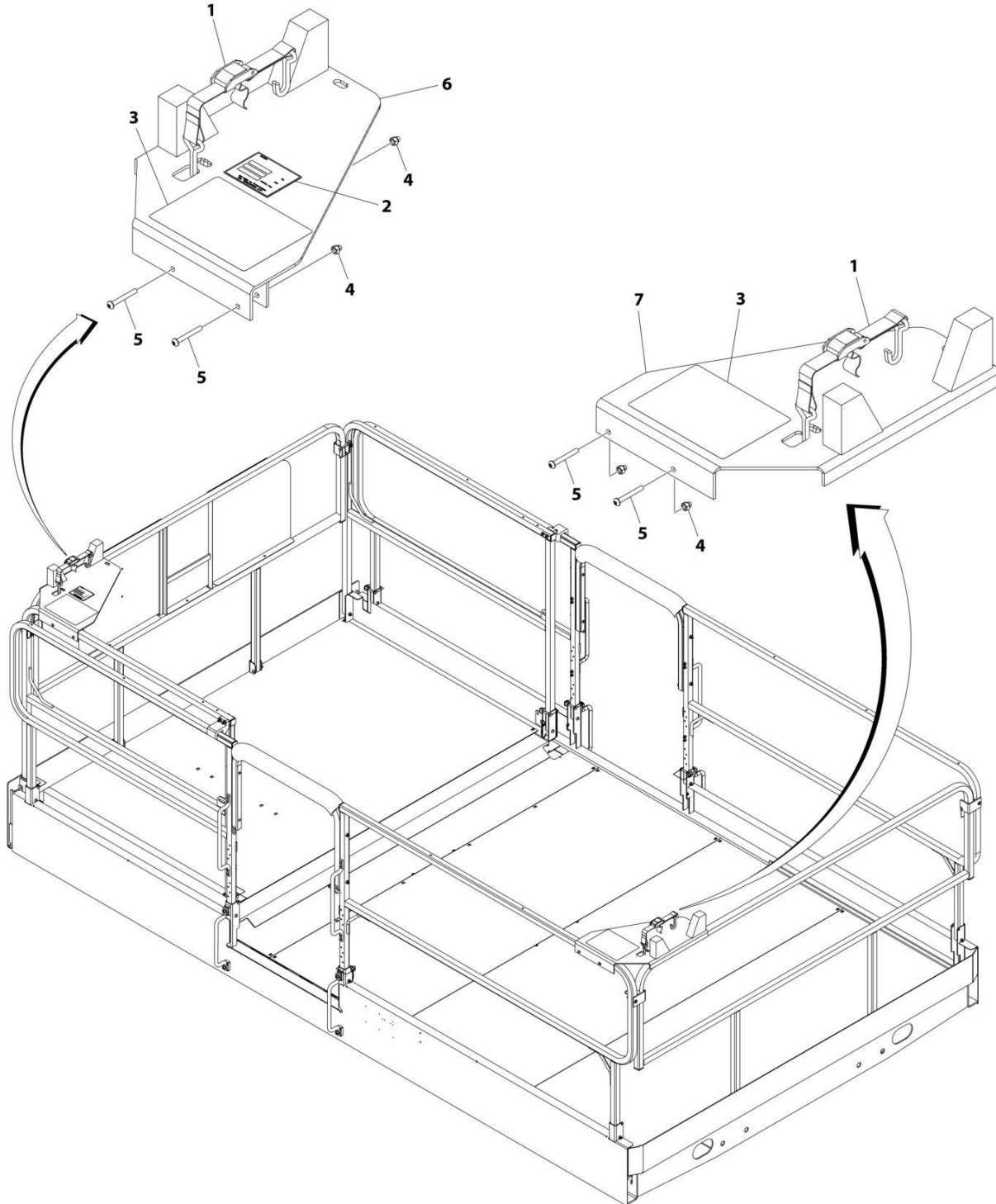
SECTION 4 - PLATFORM

FIGURE 4-7. DRIVE/STEER CONTROLLER ASSEMBLY

ITEM	PART NUMBER	QTY	DESCRIPTION	REV
	1600403	Ref	CONTROLLER ASSEMBLY	F
1	70000081	1	Potentiometer	
2	7027367	1	Switch, Push Button (Not Shown - Located Behind #3)	
3	7027765	1	Lever, Enabler	
4	7027766	1	Ring, Retaining	
5	70000082	1	Microswitch	
6	70000083	1	Coupler, Microswitch	
7	70000084	1	Cap, Rubber	
8	7027365	1	Actuator, Switch	
9	70000085	1	Boot, Rubber	
10	4460265	1	Plug, Male - 9 Pin	
11	4460226	8	Socket, Female	
12	70000685	AR	Washer, Plastic (Not Shown)	
13	70000684	AR	Screw, Handle (Not Shown)	
14	See Note	NSS	Nut, Handle (Not Shown) (Note: Not available for purchase)	
15	70000683	AR	Washer, Neoprene (Not Shown)	
16	70000686	AR	Screw, Handle (Not Shown)	
17	4460266	1	Connector, Receptacle - 9 Pin (Not Shown - Part of Console Harness)	
18	4460267	8	Pin, Male (Not Shown - Part of Console Harness)	
19	70004194	1	Return Spring Kit	
	70003650	1	Handle Repair Kit (Includes handle gasket, push button, lever, front handle half, back handle half, top actuator, boot and hardware.	

SECTION 4 - PLATFORM

FIGURE 4-8. PIPE RACKS INSTALLATION (RAIL MOUNT)



ART_0272829

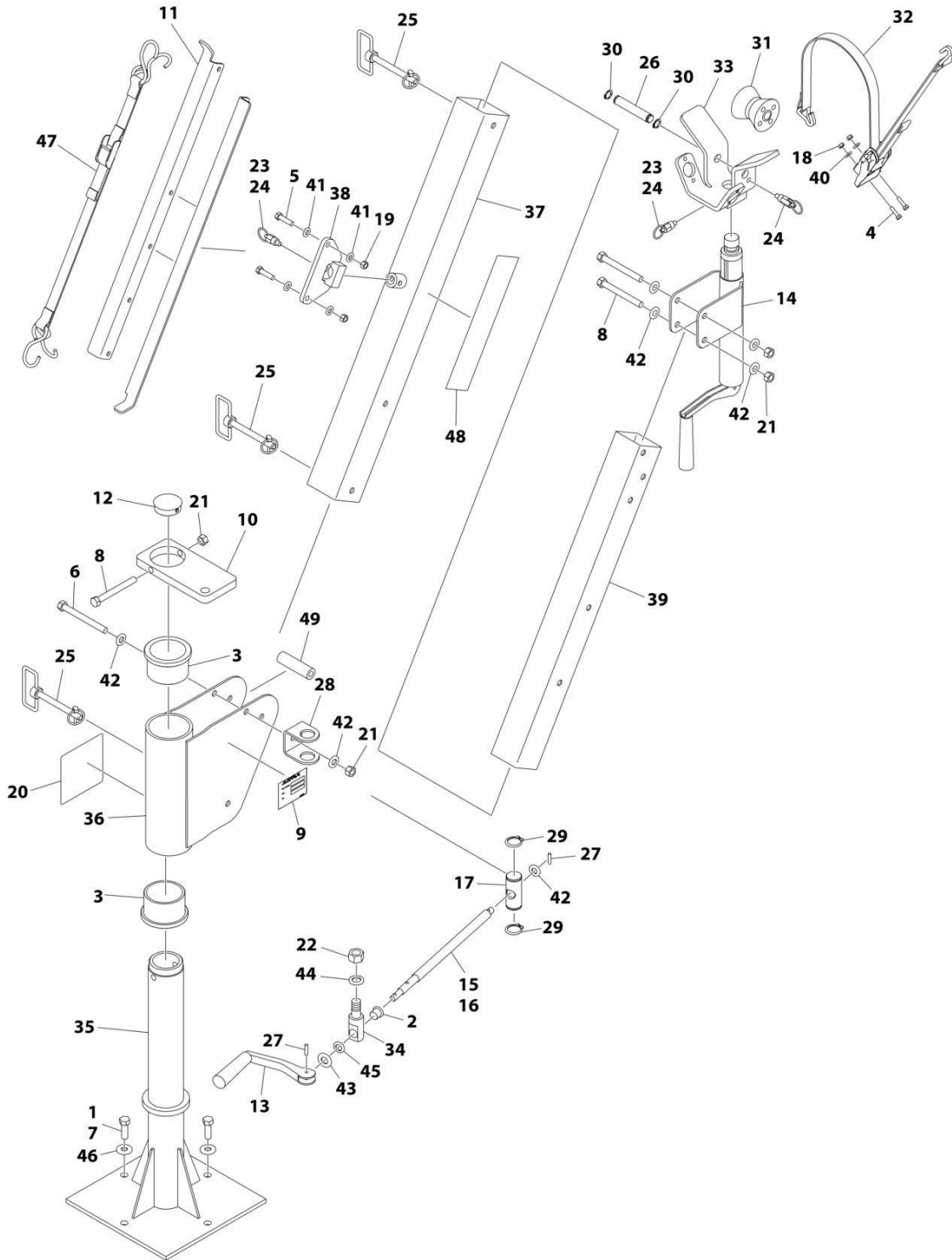
SECTION 4 - PLATFORM

FIGURE 4-8. PIPE RACKS INSTALLATION (RAIL MOUNT)

ITEM	PART NUMBER	QTY	DESCRIPTION	REV
	0272829	Ref	PIPE RACKS INSTALLATION (RAIL MOUNT)	B
1	0480100	2	Belt, Tie Down	
2	See Note	NSS	Nameplate (Note: Not Available for Purchase)	
3	1705637	2	Decal - Pipe Rack Capacity	
4	2080063	4	Fastener 1/4	
5	3900318	4	Screw 1/4 x 2	
6	4845441	1	Support, Pipe Rack	
7	4845442	1	Support, Pipe Rack	

SECTION 4 - PLATFORM

FIGURE 4-9. PIPE RACKS INSTALLATION (SKY POSITIONER)



ART_0274103

SECTION 4 - PLATFORM

FIGURE 4-9. PIPE RACKS INSTALLATION (SKY POSITIONER)

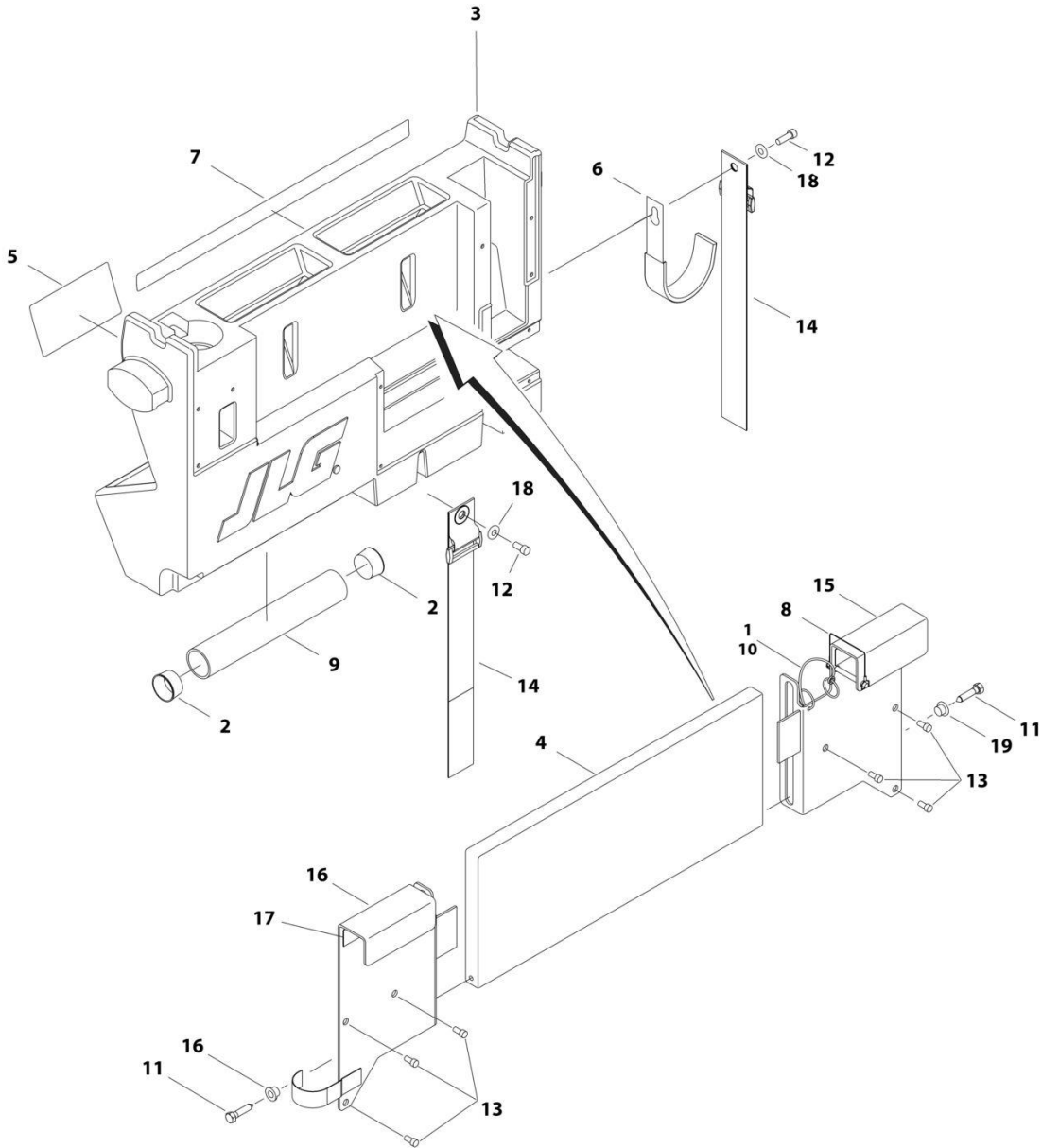
ITEM	PART NUMBER	QTY	DESCRIPTION	REV
	0274103	Ref	PIPE RACKS INSTALLATION (SKY POSITIONER)	C
1	0100011	AR	Compound, Locking	
2	0440311	2	Bearing, Flanged	
3	0440312	4	Bearing, Flanged	
4	0641408	4	Bolt 1/4 x 1	
5	0641612	4	Bolt 3/8 x 1-1/2	
6	0641840	2	Bolt 1/2 x 5	
7	0641812	8	Bolt 1/2 x 1-1/2	
8	0641836	6	Bolt 1/2 x 4-1/2	
9	See Note	2	Nameplate, Accessory Serial Tag (Note: Not Available for Purchase)	
10	0903095	2	Bracket, Jack Mount	
11	0903104	4	Bracket, Duct Mount	
12	1120580	2	Plug	
13	2560186	2	Handle	
14	2840023	2	Jack, Screw	
15	2840024	2	Screw, Jack	
16	3020035	AR	Lubricant (Not Shown)	
17	3300489	2	Nut 3/4	
18	3311405	4	Nut 1/4	
19	3311605	4	Nut 3/8	
20	1706113	2	Decal - Pipe Rack Capacity	
21	3311805	8	Nut 1/2	
22	3312205	2	Nut 3/4	
23	3423047	NLA	Pin, Plunger (Use p/n 3423151)	
24	3423151	6	Pin, Locking Plunger	
25	3423179	6	Pin, Hitch	
26	3423180	2	Pin	
27	3440816	4	Pin, Roll	
28	3575597	2	Plate, Jack Mount	
29	3760141	4	Ring, Retaining	
30	3760348	4	Ring, Retaining	
31	3860122	2	Roller	
32	4240170	2	Strap, Ratchet Tie Down	
33	4340922	2	Pipe, Support	
34	4340932	2	Mount, Jack Screw	
35	4340933	2	Mount, Pipe Rack	
36	4340934	2	Support, Pipe Rack Arm	
37	4340948	2	Support, Pipe Rack Outer	
38	4340949	2	Mount, Duct	
39	4569126	2	Tube, Pipe Rack Inner	
40	4711400	4	Washer 1/4	
41	4711600	8	Washer 3/8	
42	4711800	14	Washer 1/2	
43	4712000	2	Washer 5/8	
44	4740415	2	Washer, Special	
45	4740529	2	Washer, Thrust	
46	4751800	8	Washer 1/2	
47	4240171	2	Strap	
48	1706197	2	Decal - Sky Positioner	

SECTION 4 - PLATFORM

ITEM	PART NUMBER	QTY	DESCRIPTION	REV
49	4569150	2	Tube, Spacer	

SECTION 4 - PLATFORM

FIGURE 4-10. WORKSTATION WITHOUT DC CONVERTER INSTALLATION



ART_0240087

SECTION 4 - PLATFORM

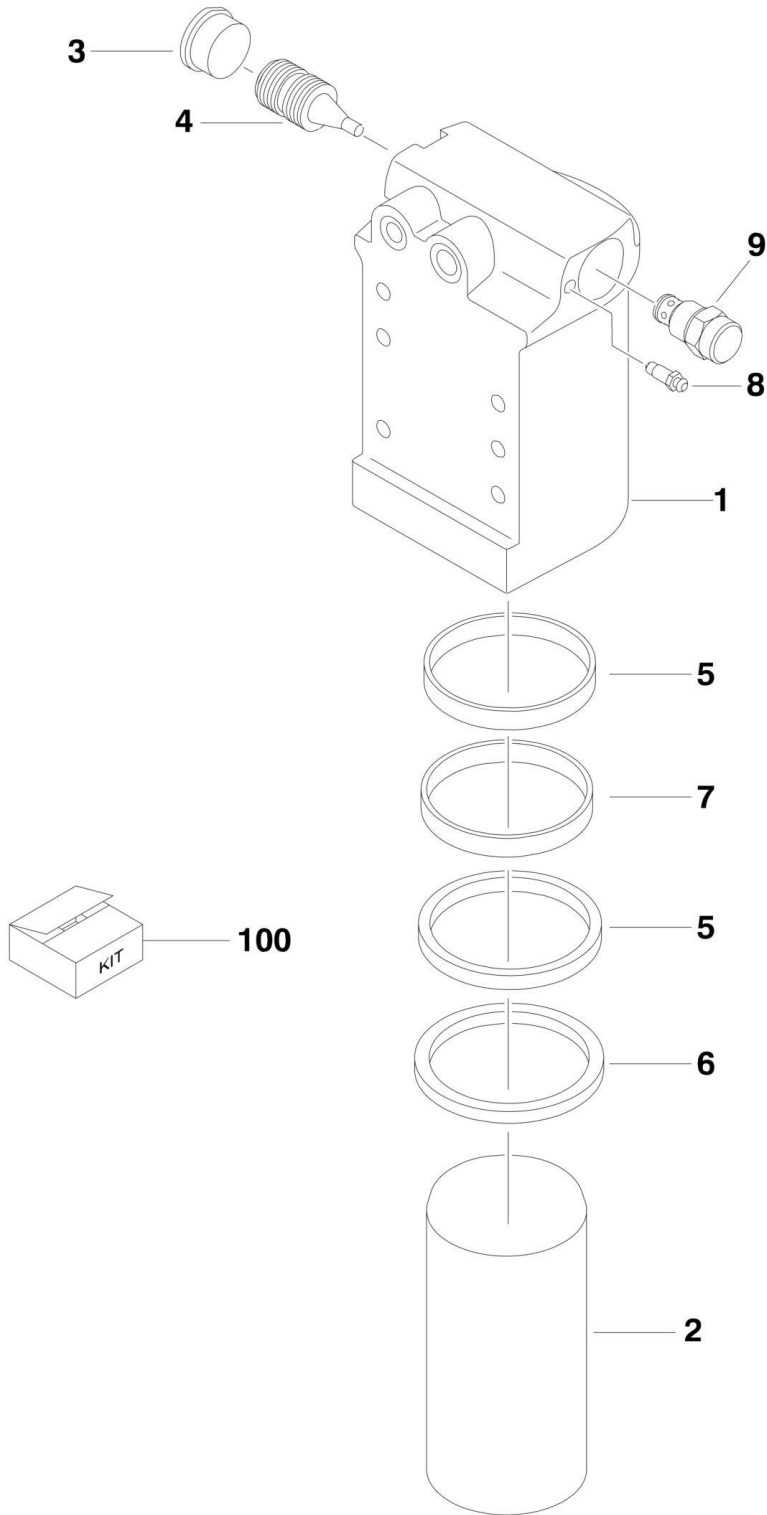
FIGURE 4-10. WORKSTATION WITHOUT DC CONVERTER INSTALLATION

ITEM	PART NUMBER	QTY	DESCRIPTION	REV
	0274260	Ref	WORKSTATION INSTALLATION - REFERENCE CHART	B
	0240087	Ref	WORKSTATION WITHOUT DC CONVERTER INSTALLATION	C
1	1060379	1	Cable, Lanyard	
2	1120555	2	Cap, Manual Storage	
3	1580023	1	Container	
4	1580024	1	Tray	
5	1705997	1	Decal - Workstation	
6	2700100	1	Hook, Hanger	
7	2902348	1	Decal - Workstation Kit	
8	3422219	1	Pin	
9	3460334	1	PVC Pipe	
10	3760170	2	Ring	
11	3900355	2	Screw 5/16 x 1-1/2	
12	3931412	2	Bolt 1/4 x 3/4	
13	3931508	6	Bolt 5/16 x 1/2	
14	4240003	2	Strap	
15	4340853	1	Mount, RH Channel	
16	4340854	1	Mount, LH Channel	
17	4420062	3 ft/0.9m	Tape	
18	4711400	2	Washer 1/4	
19	4740480	2	Insert, Plastic	

SECTION 5 - CYLINDER

SECTION 5 - CYLINDER

FIGURE 5-1. AXLE LOCKOUT CYLINDER ASSEMBLY



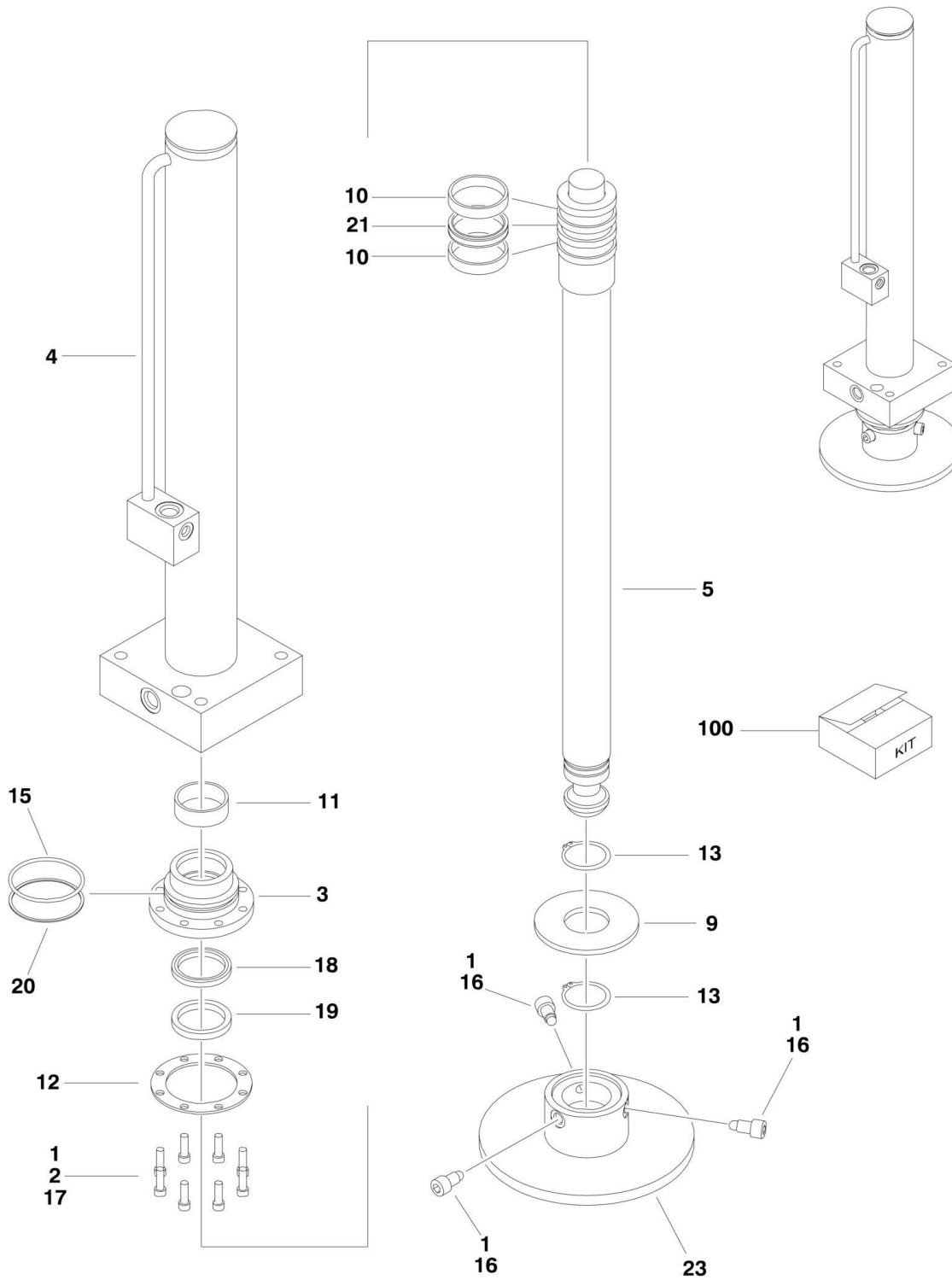
SECTION 5 - CYLINDER

FIGURE 5-1. AXLE LOCKOUT CYLINDER ASSEMBLY

ITEM	PART NUMBER	QTY	DESCRIPTION	REV
	1684465	Ref	AXLE LOCKOUT CYLINDER ASSEMBLY	G
1	0370026	1	Barrel	
2	1684290	1	Rod	
3	2220890	1	Plug	
4	3480288	1	Piston, Pilot	
5	See Note	NSS	Ring, Wear (Note: Use Item 100)	
6	See Note	NSS	Wiper (Note: Use Item 100)	
7	See Note	NSS	Seal, Rod (Note: Use Item 100)	
8	4640858	1	Bleeder	
9	4641390	1	Cartridge, Valve	
9	7017496	1	Seal Kit - 4641390 Cartridge	
100	2902266	1	Seal Kit (Includes Items 5-7)	

SECTION 5 - CYLINDER

FIGURE 5-2. LEVELING JACK CYLINDER ASSEMBLY



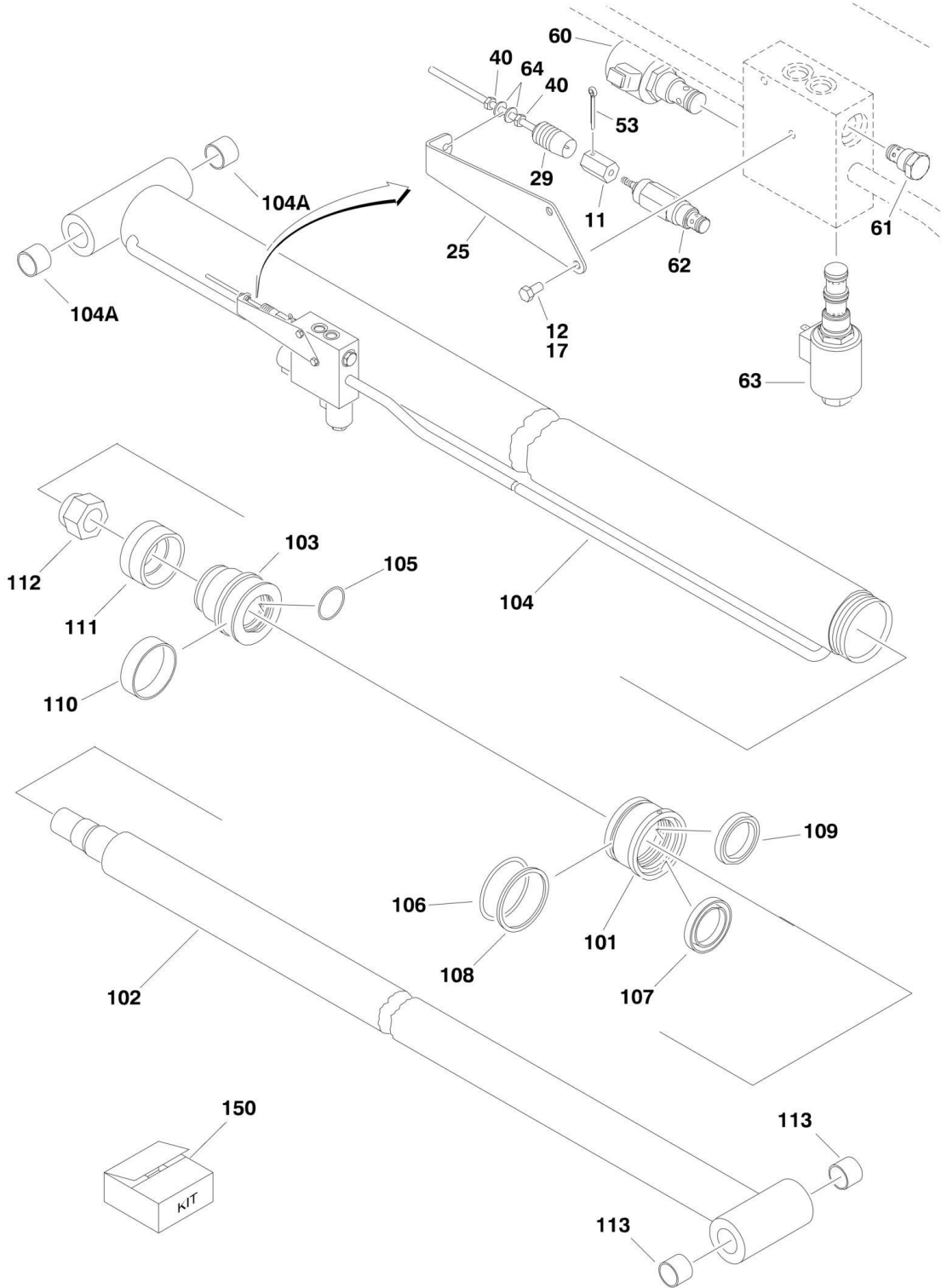
SECTION 5 - CYLINDER

FIGURE 5-2. LEVELING JACK CYLINDER ASSEMBLY

ITEM	PART NUMBER	QTY	DESCRIPTION	REV
	1684406	Ref	LEVELING JACK CYLINDER ASSEMBLIES (HYDRAULIC JACK OPTION):	A
1	0100011	AR	Locking, Compound	
2	0100038	AR	Primer, Locking	
3	1683054	1	Head	
4	0370018	1	Barrel	
5	3850013	1	Rod	
9	3573513	1	Plate, Jack	
10	See Note	NSS	Ring, Lock (Note: Use Item 100)	
11	See Note	NSS	Ring, Wear (Note: Use Item 100)	
12	3760368	1	Ring, Washer	
13	3760460	2	Ring, Retaining	
15	See Note	NSS	O-Ring (Note: Use Item 100)	
16	3900321	3	Screw 1/2in-13NC x 1-1/4in	
17	3931516	8	Capscrew 5/16in-18NC x 1in	
18	See Note	NSS	Seal (Note: Use Item 100)	
19	See Note	NSS	Wiper (Note: Use Item 100)	
20	See Note	NSS	Ring, Back-up (Note: Use Item 100)	
21	See Note	NSS	T-Seal (Note: Use Item 100)	
23	4846584	1	Pad, Jack	
100	2902182	1	Seal Kit - 1684406 Cylinder (Includes Items 10, 11, 15 & 18-21)	

SECTION 5 - CYLINDER

FIGURE 5-3. LIFT CYLINDER ASSEMBLY



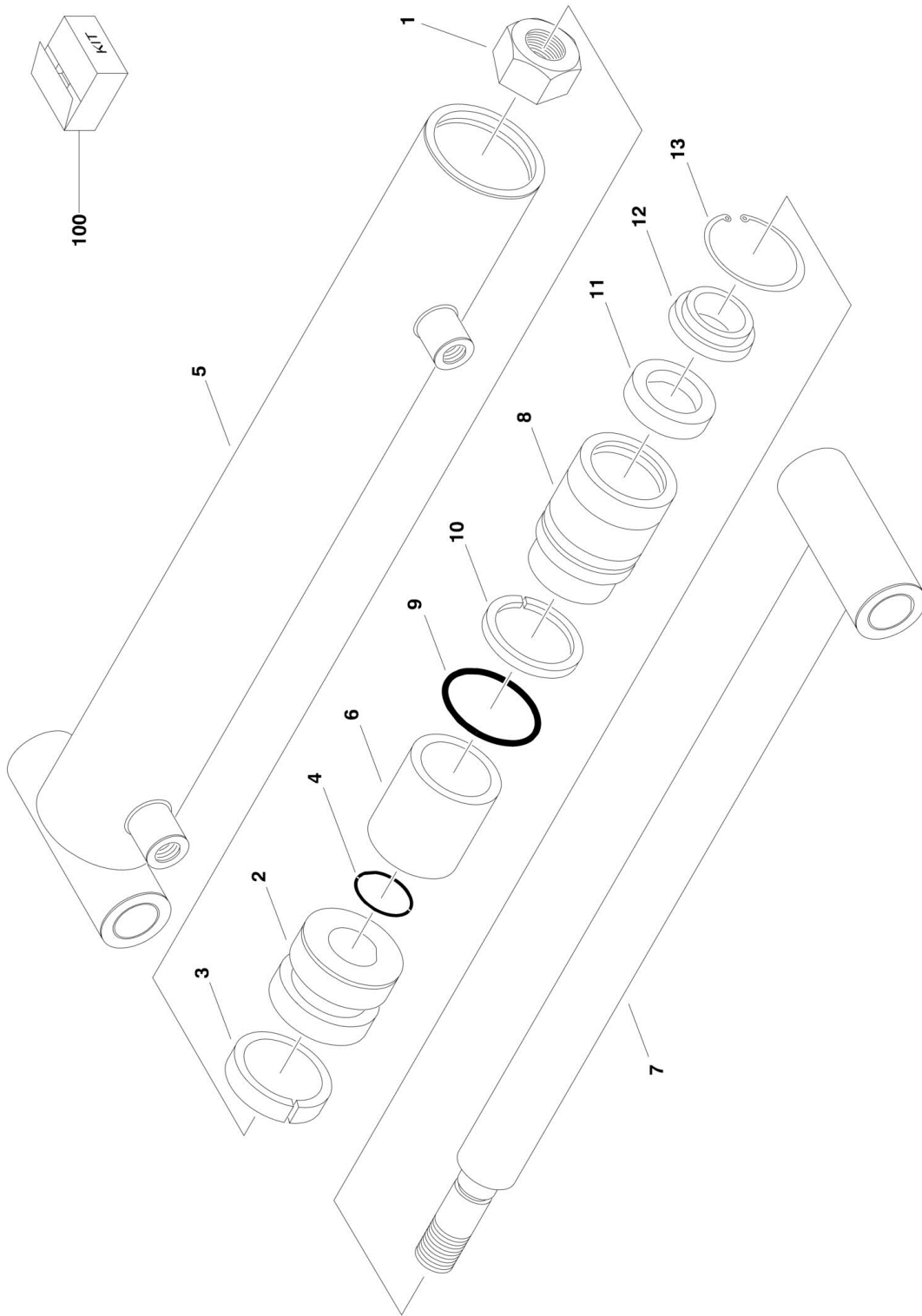
SECTION 5 - CYLINDER

FIGURE 5-3. LIFT CYLINDER ASSEMBLY

ITEM	PART NUMBER	QTY	DESCRIPTION	REV
		Ref	LIFT CYLINDER ADDITIONAL COMPONENTS	
		Ref	Lift Cylinder Additional Components 3394RT	
	1001103765	Ref	Deutz D2011 Engine and GM Engine Machines	B
	1001149319	Ref	Deutz D2.9L4 Engine Machines	B
		Ref	Lift Cylinder Additional Components 4394RT	
	1001103767	Ref	Deutz D2011 Engine and GM Engine Machines	C
	1001149321	Ref	Deutz D2.9L4 Engine Machines	B
11	0080190	1	Adapter, Cable	
12	0100011	AR	Locking, Compound	
17	0641505	2	Bolt 5/16in-18NC x 5/8in	
25	0902773	1	Bracket	
29	1060929	1	Cable, Manual Descent	
29	7020218	1	Handle, "T"	
29	7019602	1	Bellow	
29	7020219	1	Washer	
40	3321402	2	Nut, Jam 1/4in-28NF	
53	3450405	1	Pin, Cotter 1/8in x 1-1/4in	
60	1001103760	1	Cartridge, Lift Holding Solenoid	
60	7023923	1	Cartridge - 1001103760 Valve	
60	7023919	1	Seal Kit - 7023923 Valve	
60	70001967	1	Coil - 1001103760 Valve	
61	4641193	1	Cartridge, Check	
61	2900756	1	Seal Kit - 4641193 Valve	
62	4641205	1	Valve, Manual	
62	7017496	1	Seal Kit - 4641205 Valve	
63	4641254	1	Cartridge, Lift Holding Solenoid	
63	7024829	1	Cartridge - 4641254 Valve	
63	7012925	1	Seal Kit - 7024829 Valve	
63	7017451	1	Coil - 4641254 Valve	
64	4711400	2	Flatwasher 1/4in Narrow	
	1684332	Ref	LIFT CYLINDER ASSEMBLY	
101	7026585	1	Head	
102	7026584	1	Rod	
103	7026583	1	Piston	
104	7026582	1	Barrel	
104A	70002202	2	Bushing	
105	See Note	NSS	Ring, Back-Up (Note: Use Item 100)	
106	See Note	NSS	Seal (Note: Use Item 100)	
107	See Note	NSS	Seal (Note: Use Item 100)	
108	See Note	NSS	Ring, Back-Up (Note: Use Item 100)	
109	See Note	NSS	Wiper (Note: Use Item 100)	
110	See Note	NSS	Ring, Wear (Note: Use Item 100)	
111	See Note	NSS	Seal (Note: Use Item 100)	
112	70002203	1	Nut	
113	70002202	2	Bushing	
150	7026586	1	Seal Kit - 1684332 Cylinder (Includes Items 105-111)	

SECTION 5 - CYLINDER

FIGURE 5-4. PLATFORM EXTENSION CYLINDER ASSEMBLY



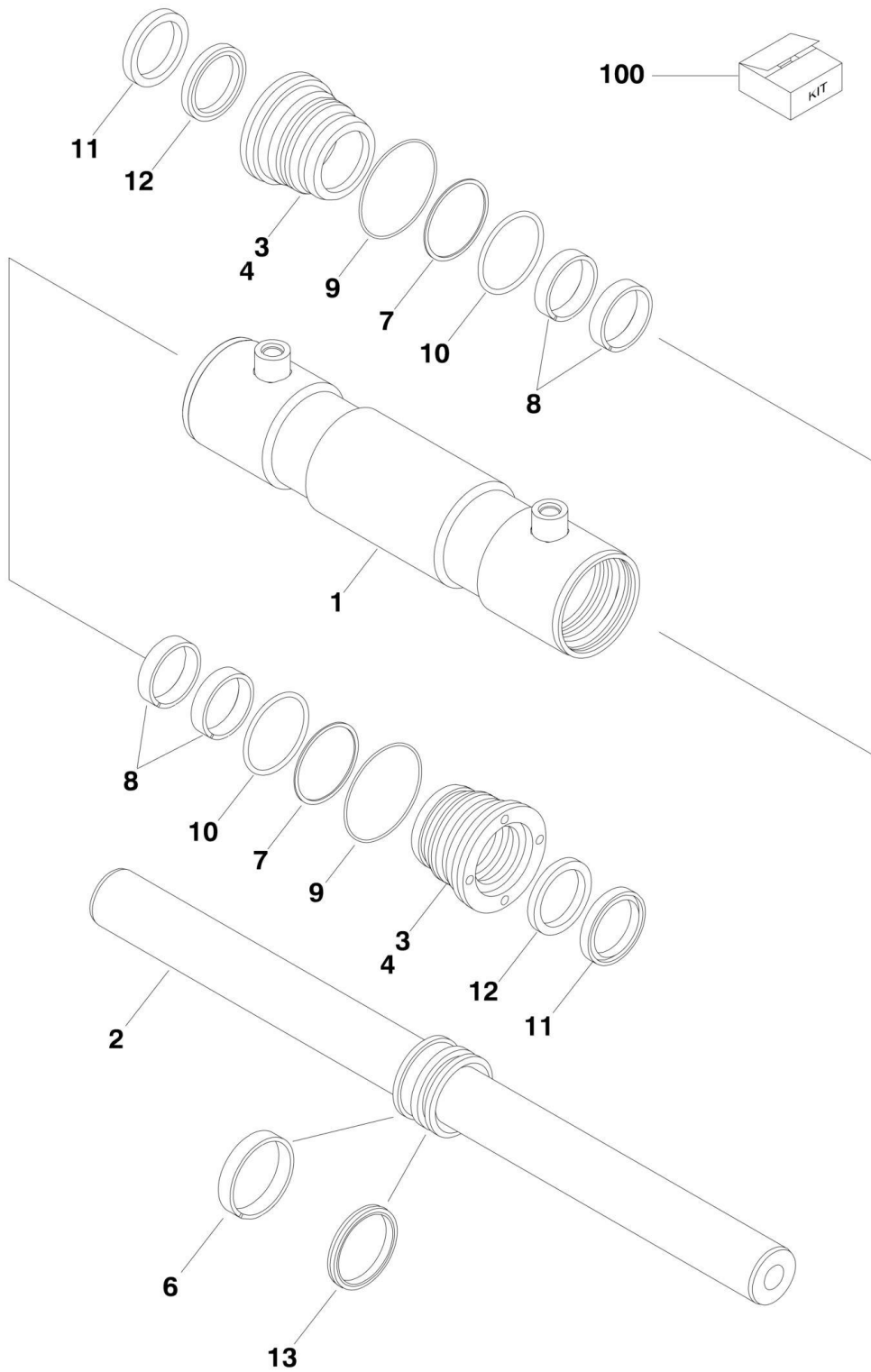
SECTION 5 - CYLINDER

FIGURE 5-4. PLATFORM EXTENSION CYLINDER ASSEMBLY

ITEM	PART NUMBER	QTY	DESCRIPTION	REV
	1684266	Ref	PLATFORM EXTENSION CYLINDER ASSEMBLY	A
1	7001084	1	Locknut	
2	7001610	1	Piston	
3	See Note	NSS	Seal (Note: Use Item 100)	
4	See Note	NSS	O-Ring (Note: Use Item 100)	
5	7023035	1	Barrel	
6	7023036	1	Tube, Spacer	
7	7001617	1	Rod	
8	7001613	1	Head	
9	See Note	NSS	O-Ring (Note: Use Item 100)	
10	See Note	NSS	Ring, Back-up (Note: Use Item 100)	
11	See Note	NSS	Seal (Note: Use Item 100)	
12	See Note	NSS	Ring, Wiper (Note: Use Item 100)	
13	See Note	NSS	Ring, Retaining (Note: Use Item 100)	
100	7001608	1	Seal Kit - 1684266 Cylinder (Includes Items 3, 4 & 9-13)	

SECTION 5 - CYLINDER

FIGURE 5-5. STEER CYLINDER ASSEMBLY (SN 0200191606 through 0200223953)



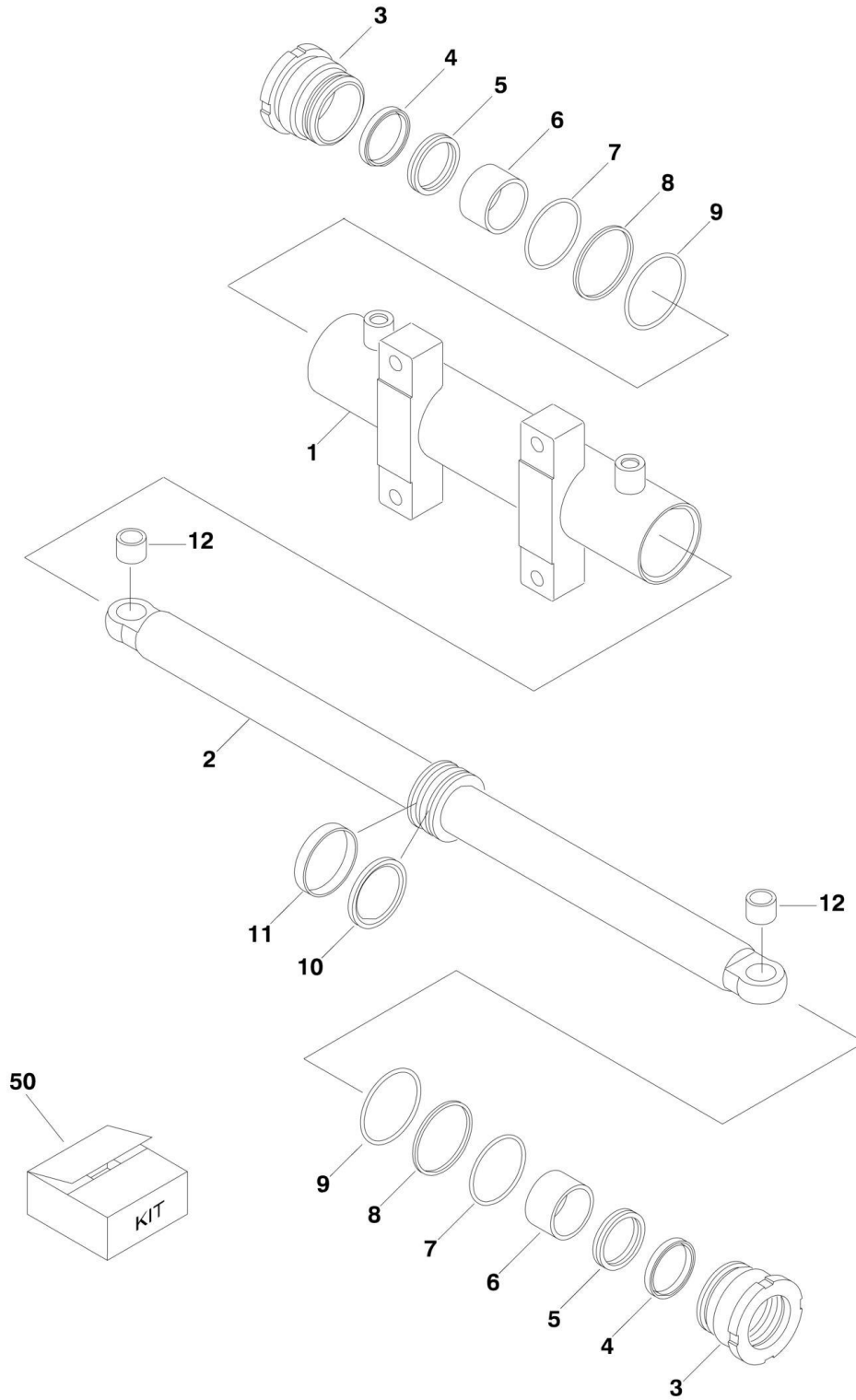
SECTION 5 - CYLINDER

FIGURE 5-5. STEER CYLINDER ASSEMBLY (SN 0200191606 through 0200223953)

ITEM	PART NUMBER	QTY	DESCRIPTION	REV
	1684412	Ref	STEER CYLINDER ASSEMBLY	D
1	0370024	1	Barrel Weldment	
2	1683658	1	Rod Weldment	
3	2570008	2	Head, Cylinder	
4	3020043	1	Lube, Anti-Seize	
6	See Note	NSS	Ring, Wear (Note: Use Item 100)	
7	See Note	NSS	Ring, Back-up (Note: Use Item 100)	
8	See Note	NSS	Ring, Wear (Note: Use Item 100)	
9	See Note	NSS	O-Ring (Note: Use Item 100)	
10	See Note	NSS	O-Ring (Note: Use Item 100)	
11	See Note	NSS	Wiper (Note: Use Item 100)	
12	See Note	NSS	Seal (Note: Use Item 100)	
13	See Note	NSS	T-Seal (Note: Use Item 100)	
100	2902409	1	Seal Kit (Includes Items 6-13)	

SECTION 5 - CYLINDER

FIGURE 5-6. STEER CYLINDER ASSEMBLY (SN 0200223954 through 0200239052)



SECTION 5 - CYLINDER

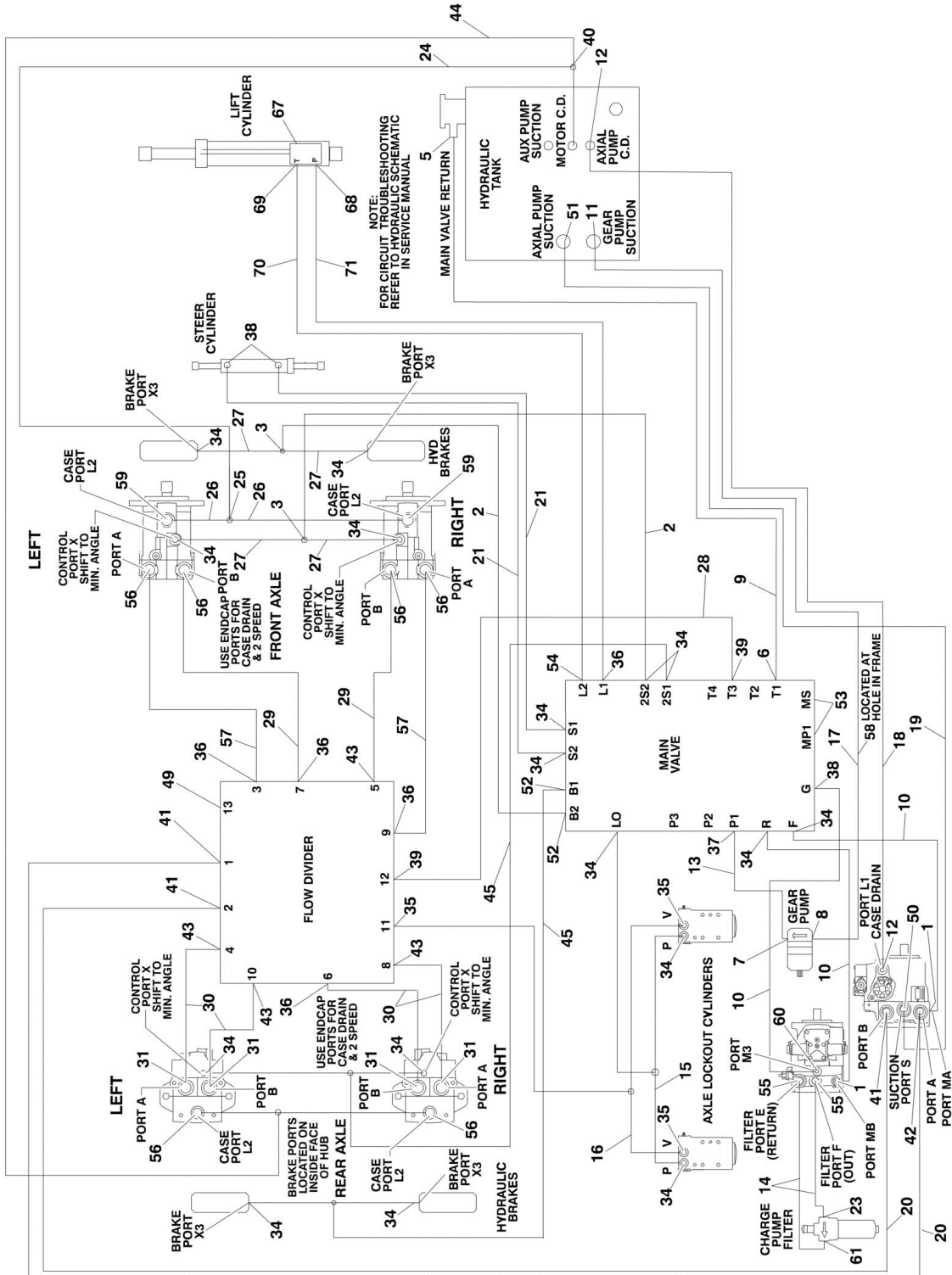
FIGURE 5-6. STEER CYLINDER ASSEMBLY (SN 0200223954 through 0200239052)

ITEM	PART NUMBER	QTY	DESCRIPTION	REV
	1001143434	Ref	STEER CYLINDER ASSEMBLY	D
1	70003933	1	Barrel	
2	70003934	1	Rod	
3	70003098	2	Head	
4	See Note	NSS	Wiper (Note: Use Item 50)	
5	See Note	NSS	Seal, Rod (Note: Use Item 50)	
6	See Note	NSS	Bearing (Note: Use Item 50)	
7	See Note	NSS	O-Ring (Note: Use Item 50)	
8	See Note	NSS	Ring, Back-up (Note: Use Item 50)	
9	See Note	NSS	O-Ring (Note: Use Item 50)	
10	See Note	NSS	Seal, Piston (Note: Use Item 50)	
11	See Note	NSS	Ring, Wear (Note: Use Item 50)	
12	See Note	NSS	Bearing (Note: Use Item 50)	
50	70003099	1	Seal Kit - 1001143434 Cylinder (includes Items 4-12)	

SECTION 6 - HYDRAULIC

SECTION 6 - HYDRAULIC

FIGURE 6-1. STANDARD HYDRAULIC DIAGRAM - STANDARD (REXROTH DRIVE COMPONENTS)
(SN 0200191606 through 02007752)



SECTION 6 - HYDRAULIC

**FIGURE 6-1. STANDARD HYDRAULIC DIAGRAM - STANDARD (REXROTH DRIVE COMPONENTS)
(SN 0200191606 through 02007752)**

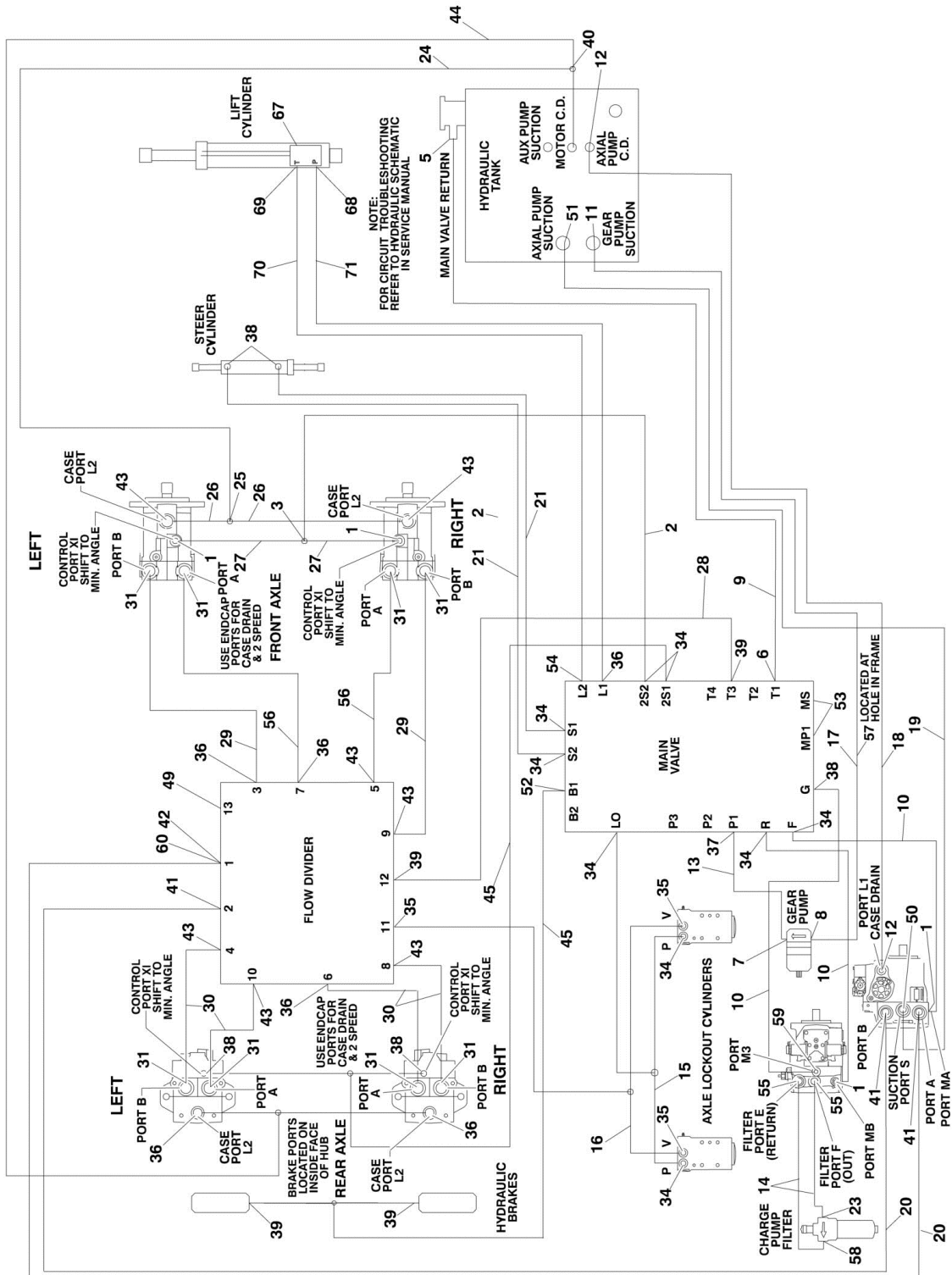
ITEM	PART NUMBER	QTY	DESCRIPTION	REV
	1001106834	Ref	HYDRAULIC DIAGRAM	6-F
1	2110406	4	Fitting, Straight	
2	2753622	2	Hose	
3	2170504	2	Fitting, Tee	
5	2151216	1	Fitting, 45	
6	2111210	1	Fitting, Straight	
7	1001103366	1	Valve, Check	
8	2220479	1	Fitting, Straight	
9	2753704	1	Hose	
10	2753675	3	Hose	
11	8760351	1	Fitting, 45	
12	2111212	2	Fitting, Straight	
13	2753708	1	Hose	
14	2753582	2	Hose	
15	1001104578	1	Hose	
16	1001104579	1	Hose	
17	1001108128	1	Hose	
18	2753773	1	Hose	
19	1001104581	1	Hose	
20	1001107924	2	Hose	
21	2753784	2	Hose	
23	2130812	6	Fitting, 90	
24	1001104584	1	Hose	
25	2170508	1	Fitting, Tee	
26	2753681	2	Hose	
27	1001104585	4	Hose	
28	2753940	1	Hose	
29	2754040	2	Hose	
30	2753791	4	Hose	
31	2110810	3	Fitting, Straight	
34	2110404	17	Fitting, Straight	
35	2110606	3	Fitting, Straight	
36	2110808	4	Fitting, Straight	
37	2111010	1	Fitting, Straight	
38	2110406	3	Fitting, Straight	
39	2130404	2	Fitting, 90	
40	2221084	1	Fitting, Tee	
41	2111216	3	Fitting, Straight	
42	2131216	1	Fitting, 90	
43	2130808	6	Fitting, 90	
44	1001109280	1	Hose	
45	1001104589	2	Hose	
49	2220238	1	Plug	
50	2112016	1	Fitting, Straight	
51	2152020	1	Fitting, 45	
52	4641281	2	Valve, Orifice Check	
53	2221086	2	Fitting, Gage Adapter	
54	2151010	1	Fitting, 45	
55	2110810	2	Fitting, Straight	

SECTION 6 - HYDRAULIC

ITEM	PART NUMBER	QTY	DESCRIPTION	REV
56	2130810	6	Fitting, 90	
57	1001094649	2	Hose	
58	4061032	1	Guard, Hose	
59	2150810	1	Fitting, 45	
60	2150406	1	Fitting, 45	
61	2110812	1	Fitting, Straight	
	1001103765	Ref	SCISSOR ARMS ASSEMBLY - 3394RT	A
	1001103767	Ref	SCISSOR ARMS ASSEMBLY - 4394RT	A
67	2220885	1	Plug	
68	2110808	1	Fitting, Straight	
69	2131008	1	Fitting, 90	
70	2753793	1	Hose	
71	2753794	1	Hose	

SECTION 6 - HYDRAULIC

FIGURE 6-2. STANDARD HYDRAULIC DIAGRAM - STANDARD (SAUER-DANFOSS/FAIRFIELD DRIVE COMPONENTS) (SN 0200207753 through 0200239052)



SECTION 6 - HYDRAULIC

FIGURE 6-2. STANDARD HYDRAULIC DIAGRAM - STANDARD (SAUER-DANFOSS/FAIRFIELD DRIVE COMPONENTS) (SN 0200207753 through 0200239052)

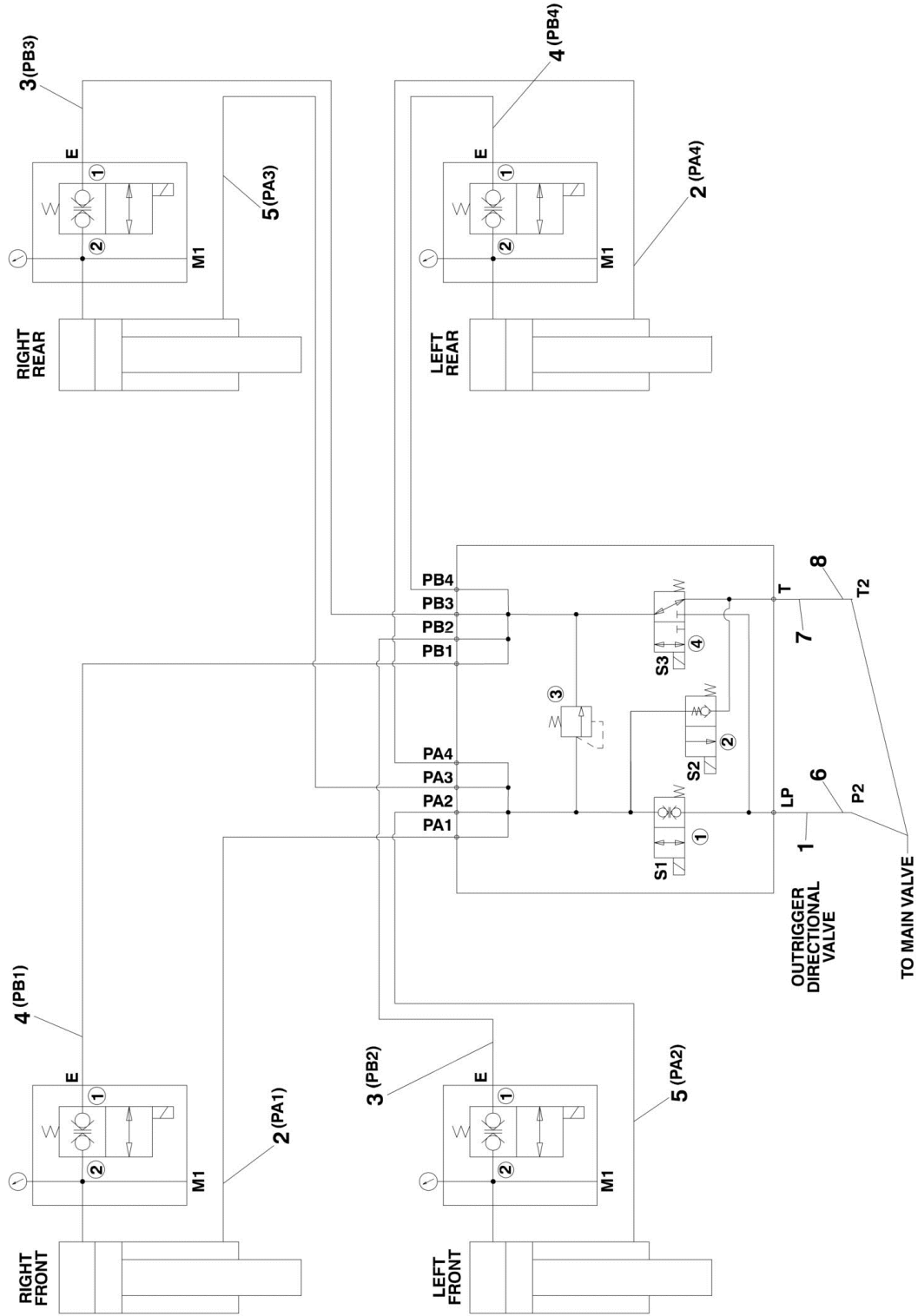
ITEM	PART NUMBER	QTY	DESCRIPTION	REV
	1001101922	Ref	HYDRAULIC DIAGRAM	G
1	2130406	4	Fitting, 90	
2	2753622	2	Hose	
3	2170504	2	Fitting, Tee	
5	2151216	1	Fitting, 45	
6	2111210	1	Fitting, Straight	
7	1001103366	1	Valve, Check	
8	2220479	1	Fitting, Straight	
9	2753704	1	Hose	
10	2753675	3	Hose	
11	8760351	1	Fitting, 45	
12	2111212	2	Fitting, Straight	
13	2753708	1	Hose	
14	2753582	2	Hose	
15	1001104578	1	Hose	
16	1001104579	1	Hose	
17	1001108128	1	Hose	
18	2753773	1	Hose	
19	1001104581	1	Hose	
20	1001107924	2	Hose	
21	2753784	2	Hose	
23	2130812	1	Fitting, 90	
24	1001104584	1	Hose	
25	2170508	1	Fitting, Tee	
26	2753681	2	Hose, 1/2in x 34in	
26	2753659	2	Hose, 1/2in x 37in	
27	1001104585	2	Hose	
28	2753940	1	Hose	
29	2754040	2	Hose, 1/2in x 114in	
29	1001149199	2	Hose, 1/2in x 118in	
30	2753791	4	Hose	
31	2110812	8	Fitting, Straight	
34	2110404	9	Fitting, Straight	
35	2110606	3	Fitting, Straight	
36	2110808	5	Fitting, Straight	
37	2111010	1	Fitting, Straight	
38	2110406	5	Fitting, Straight	
39	2130404	4	Fitting, 90	
40	2221084	1	Fitting, Tee	
41	2111216	3	Fitting, Straight	
42		Ref	Fitting Options:	
42	2131216	1	Fitting, 90 (SN 0200207753 through 0200222160)	
42	2111216	1	Fitting, Straight (SN 0200222161 through 0200239052)	
43	2130808	8	Fitting, 90	
44	1001104588	1	Hose	
45	1001104589	1	Hose	
46	1001104590	1	Hose	
49	2220238	1	Plug	
50	2112016	1	Fitting, Straight	

SECTION 6 - HYDRAULIC

ITEM	PART NUMBER	QTY	DESCRIPTION	REV
51	2152020	1	Fitting, 45	
52	4641281	1	Valve, Orifice Check	
53	2221086	2	Fitting, Gage Adapter	
54	2151010	1	Fitting, 45	
55	2110810	2	Fitting, Straight	
56	1001094649	2	Hose, 1/2in x 100in	
56	1001149107	2	Hose, 1/2in x 104in	
57	4061032	1	Guard, Hose	
58	2110812	1	Fitting, Straight	
59	2150406	1	Fitting, 45	
60	2131216	1	Fitting, 90	
		Ref	SCISSOR ARMS ASSEMBLIES	
		Ref	Scissor Arms Assemblies 3394RT	
	1001103765	Ref	Deutz D2011 Engine and GM Engine Machines	B
	1001149319	Ref	Deutz D2.9L4 Engine Machines	B
		Ref	Scissor Arms Assemblies 4394RT	
	1001103767	Ref	Deutz D2011 Engine and GM Engine Machines	C
	1001149321	Ref	Deutz D2.9L4 Engine Machines	B
67	2220885	1	Plug	
68	2110808	1	Fitting, Straight	
69	2131008	1	Fitting, 90	
70	2753793	1	Hose	
71	2753794	1	Hose	

SECTION 6 - HYDRAULIC

FIGURE 6-3. LEVELING JACK HYDRAULIC DIAGRAM



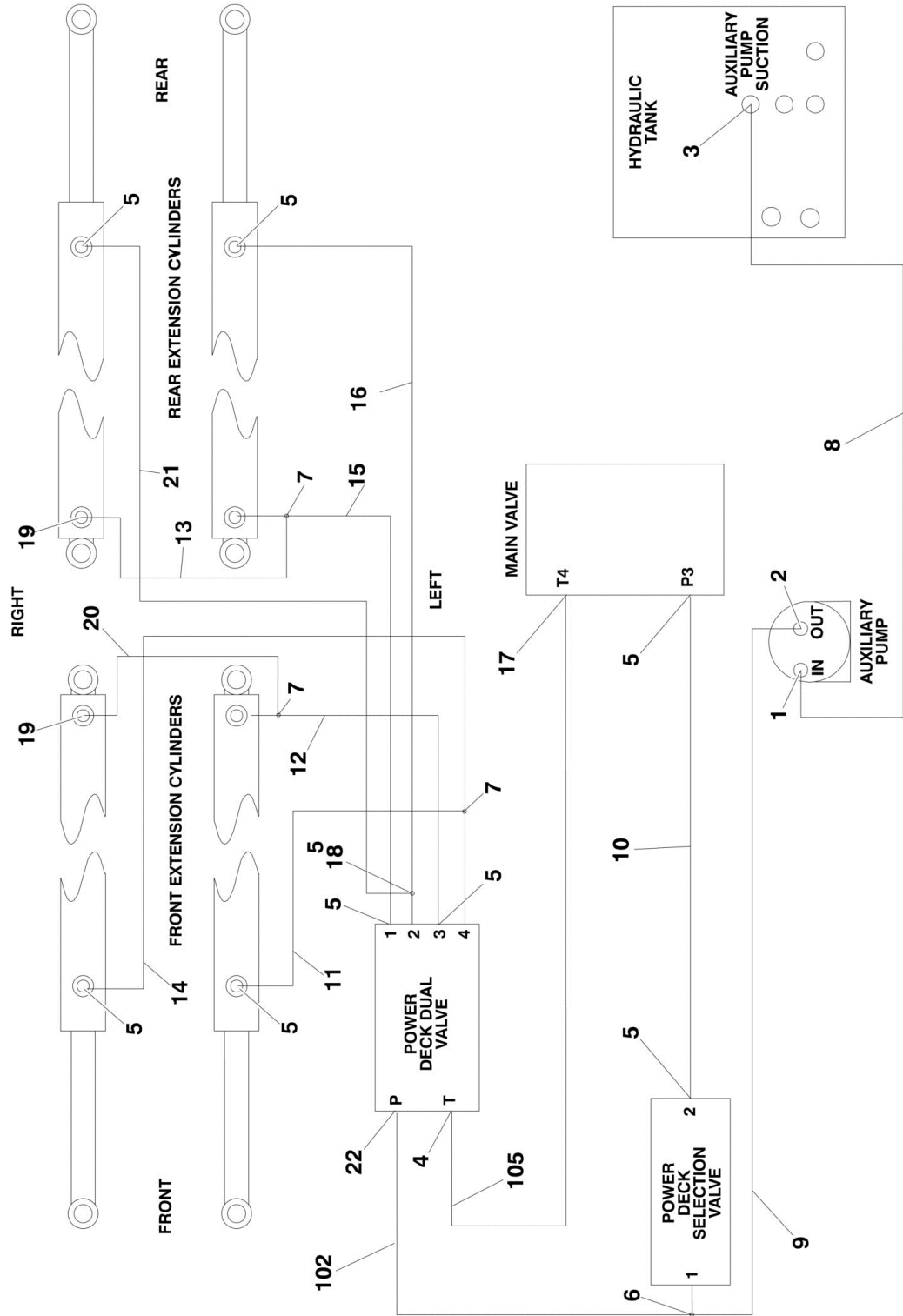
SECTION 6 - HYDRAULIC

FIGURE 6-3. LEVELING JACK HYDRAULIC DIAGRAM

ITEM	PART NUMBER	QTY	DESCRIPTION	REV
	1001103552	Ref	HYDRAULIC DIAGRAM - LEVELING JACKS	B
1	2753624	1	Hose	
2	2753832	2	Hose	
3	2753833	2	Hose	
4	2753834	2	Hose	
5	2753835	2	Hose	
6	2110606	1	Fitting, Straight	
7	2753576	1	Hose	
8	2130606	1	Fitting, 90	

SECTION 6 - HYDRAULIC

FIGURE 6-4. POWER DECK EXTENSION HYDRAULIC DIAGRAM (SN 0200191606 through 0200210268)



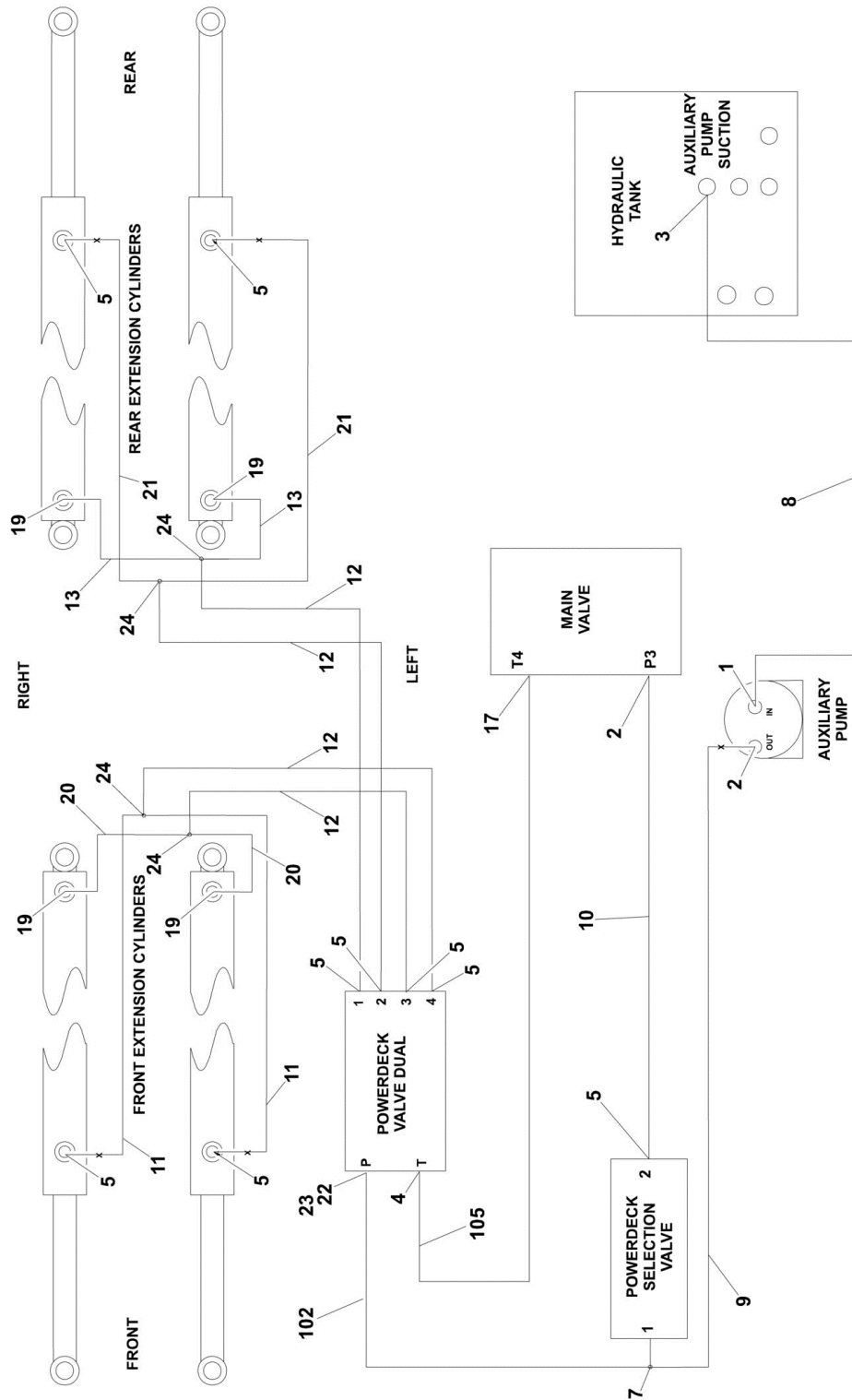
SECTION 6 - HYDRAULIC

FIGURE 6-4. POWER DECK EXTENSION HYDRAULIC DIAGRAM (SN 0200191606 through 0200210268)

ITEM	PART NUMBER	QTY	DESCRIPTION	REV
		Ref	HYDRAULIC DIAGRAM - POWER DECK EXTENSION	
	1001103708	Ref	Single Deck Extension	A
	1001103709	Ref	Dual Deck Extension (Standard 12.6ft/3.8m Deck)	A
1	2110806	1	Fitting, Straight	
2	2110406	1	Fitting, Straight	
3	2110808	1	Fitting, Straight	
4	2110604	1	Fitting, Straight	
5	2110404	Ref	Fitting, Straight	
5	2110404	5	Single Deck	
5	2110404	9	Dual Deck	
6	2170706	1	Fitting, Tee	
7	2170304	Ref	Fitting, Tee	
7	2170304	2	Single Deck	
7	2170304	3	Dual Deck	
8	2753881	1	Hose	
9	1001105169	1	Hose	
10	2753939	1	Hose	
11	1001105170	1	Hose	
12	1001105171	1	Hose	
13		Ref	Hose Options:	
13	Not Required	0	Single Deck	
13	2753877	1	Dual Deck	
14	2753878	1	Hose	
15		Ref	Hose Options:	
15	Not Required	0	Single Deck	
15	2753783	1	Dual Deck	
16		Ref	Hose Options:	
16	Not Required	0	Single Deck	
16	2753875	1	Dual Deck	
17	2110606	1	Fitting, Straight	
18		Ref	Fitting, Tee Options:	
18	Not Required	0	Single Deck	
18	2170704	1	Dual Deck	
19	2170204	2	Fitting, 90	
20	1001105172	1	Hose	
21		Ref	Hose Options:	
21	Not Required	0	Single Deck	
21	1001105173	1	Dual Deck	
22	2180830	1	Orifice	
		Ref	AUXILIARY POWER PUMP COMPONENTS	
	1001103751	Ref	Auxiliary Power Pump Components 3394RT	A
	1001103752	Ref	Auxiliary Power Pump Components 4394RT	A
102		Ref	Hose Options:	
102	2753867	1	Hose 3394RT	
102	2753868	1	Hose 4394RT	
105		Ref	Hose Options:	
105	1001105320	1	Hose 3394RT	
105	1001105328	1	Hose 4394RT	

SECTION 6 - HYDRAULIC

FIGURE 6-5. POWER DECK EXTENSION HYDRAULIC DIAGRAM (SN 0200210269 through 0200239052)



SECTION 6 - HYDRAULIC

FIGURE 6-5. POWER DECK EXTENSION HYDRAULIC DIAGRAM (SN 0200210269 through 0200239052)

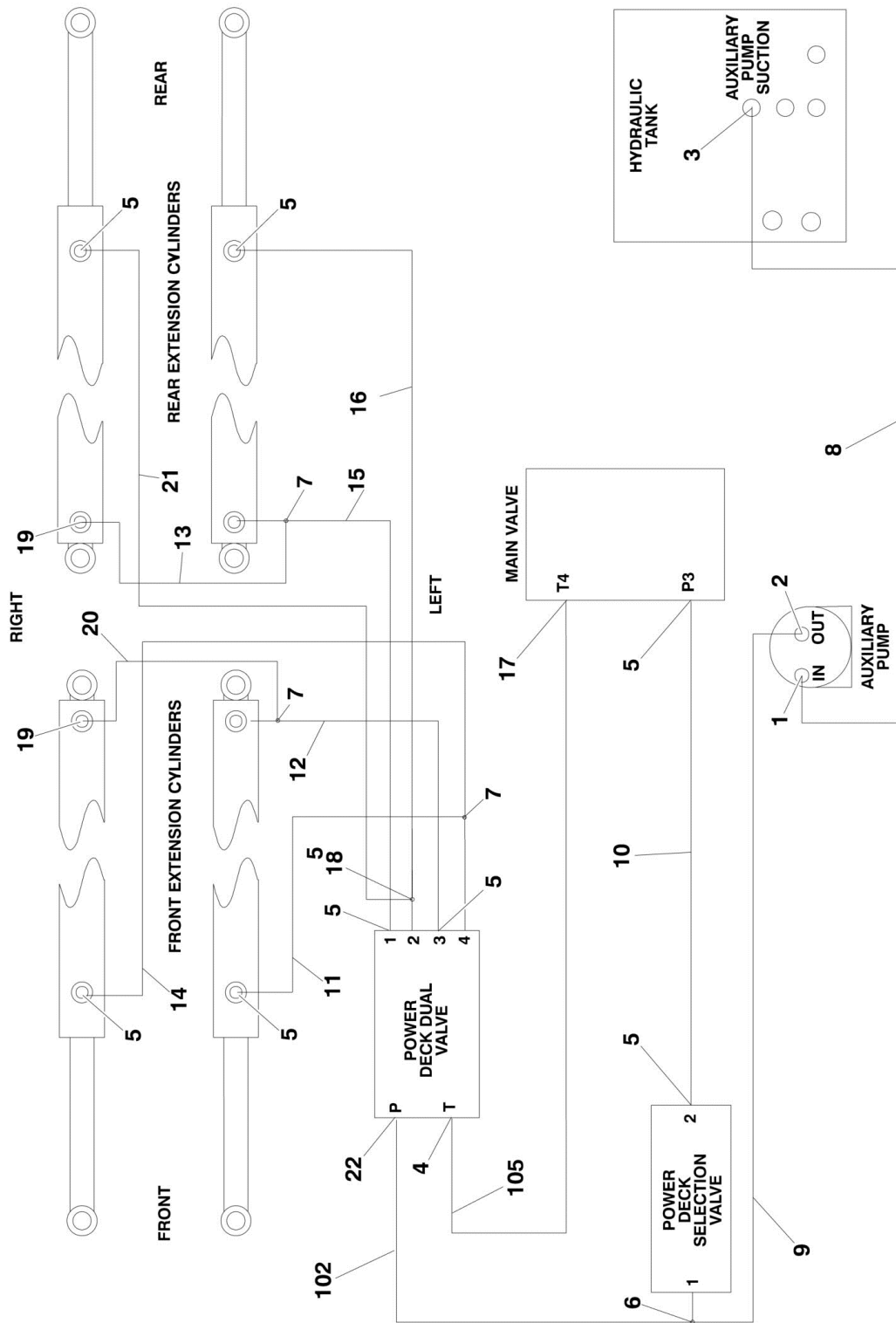
ITEM	PART NUMBER	QTY	DESCRIPTION	REV
		Ref	HYDRAULIC DIAGRAM - POWER DECK EXTENSION	
	1001103708	Ref	Single Deck Extension	B
	1001103709	Ref	Dual Deck Extension (Standard 12.6ft/3.8m Deck)	C
1	2110806	1	Fitting, Straight	
2	2110406	1	Fitting, Straight	
3	2110808	1	Fitting, Straight	
4	2130604	1	Fitting, 90	
5	2110404	Ref	Fitting, Straight	
5	2110404	5	Single Deck	
5	2110404	9	Dual Deck	
7	2170304	1	Fitting, Tee	
8	2753881	1	Hose	
9	1001105169	1	Hose	
10	2753939	1	Hose	
11		Ref	Hose	
11	2753717	2	Single Deck	
11		Ref	Dual Deck	
11	2753717	2	Dual Deck (SN 0200210269 through 0200211272)	
11	2753921	2	Dual Deck (SN 0200211273 through 0200239052)	
12	2753550	Ref	Hose Options:	
12	2753550	2	Single Deck	
12	2753550	4	Dual Deck	
13		Ref	Hose Options:	
13	Not Required	0	Single Deck	
13	2753554	2	Standard 12.6ft/3.8m Deck	
17	2110606	1	Fitting, Straight	
19	2170204	Ref	Fitting, 90	
19	2170204	1	Single Deck	
19	2170204	1	Dual Deck	
20		Ref	Hose	
20	2753555	2	Single Deck	
20		Ref	Dual Deck	
20	2753555	2	Dual Deck (SN 0200210269 through 0200211272)	
20	2753554	2	Dual Deck (SN 0200211273 through 0200239052)	
21		Ref	Hose Options:	
21	Not Required	0	Single Deck	
21		Ref	Dual Deck	
21	1001105692	2	Dual Deck (SN 0200210269 through 0200211272)	
21	2753921	2	Dual Deck (SN 0200211273 through 0200239052)	
22	2180830	1	Orifice	
23	2172104	1	Fitting, 90	
24	2170504	Ref	Fitting, Tee Options:	
24	2170504	2	Single Deck	
24	2170504	4	Dual Deck	
		Ref	AUXILIARY POWER PUMP COMPONENTS	
	1001103751	Ref	Auxiliary Power Pump Components 3394RT	A
	1001103752	Ref	Auxiliary Power Pump Components 4394RT	A
102		Ref	Hose Options:	
102	2753867	1	Hose 3394RT	

SECTION 6 - HYDRAULIC

ITEM	PART NUMBER	QTY	DESCRIPTION	REV
102	2753868	1	Hose 4394RT	
105		Ref	Hose Options:	
105	1001105320	1	Hose 3394RT	
105	1001105328	1	Hose 4394RT	

SECTION 6 - HYDRAULIC

FIGURE 6-6. POWER DECK EXTENSION HYDRAULIC DIAGRAM (MEGADECK) (OPTIONAL)



SECTION 6 - HYDRAULIC

FIGURE 6-6. POWER DECK EXTENSION HYDRAULIC DIAGRAM (MEGADECK) (OPTIONAL)

ITEM	PART NUMBER	QTY	DESCRIPTION	REV
		Ref	HYDRAULIC DIAGRAM - POWER DECK EXTENSION	
	1001103711	Ref	Dual Deck Extension (Optional 15.8ft/4.8m MegaDeck)	A
1	2110806	1	Fitting, Straight	
2	2110406	1	Fitting, Straight	
3	2110808	1	Fitting, Straight	
4	2110604	1	Fitting, Straight	
5	2110404	9	Fitting, Straight	
6	2170706	1	Fitting, Tee	
7	2170304	3	Fitting, Tee	
8	2753881	1	Hose	
9	1001105169	1	Hose	
10	2753939	1	Hose	
11	1001105234	1	Hose	
12	1001105235	1	Hose	
13	2753877	1	Hose	
14	1001105236	1	Hose	
15	1001105237	1	Hose	
16	1001105238	1	Hose	
17	2110606	1	Fitting, Straight	
18	2170704	1	Fitting, Tee	
19	2170204	2	Fitting, 90	
20	1001105172	1	Hose	
21	1001105239	1	Hose	
22	2180830	1	Orifice	
		Ref	AUXILIARY POWER PUMP COMPONENTS	
	1001103751	Ref	Auxiliary Power Pump Components 3394RT	A
	1001103752	Ref	Auxiliary Power Pump Components 4394RT	A
102		Ref	Hose Options:	
102	2753867	1	Hose 3394RT	
102	2753868	1	Hose 4394RT	
105		Ref	Hose Options:	
105	1001105320	1	Hose 3394RT	
105	1001105328	1	Hose 4394RT	

SECTION 6 - HYDRAULIC

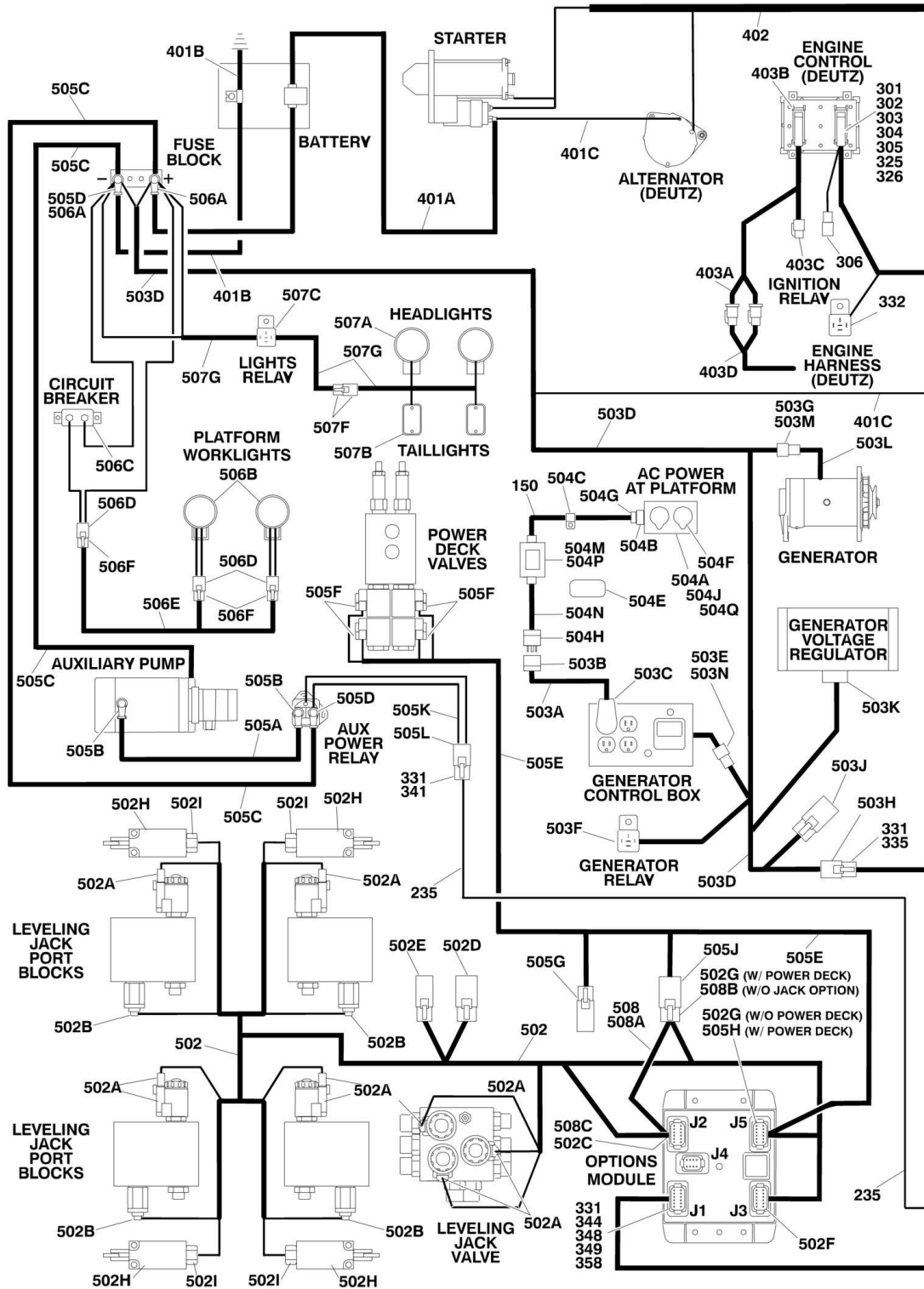
FIGURE 6-7. HYDRAULIC DIAGRAM LIST

ITEM	PART NUMBER	QTY	DESCRIPTION	REV
		Ref	Note: Diagrams not shown in manual are available from JLG Customer Service/Parts Department.	
	1001106834	Ref	Hydraulic Diagram - Standard with Rexroth Drive Components	
	1001101922	Ref	Hydraulic Diagram - Standard with Sauer-Danfoss/Fairfield Drive Components	
	1001103552	Ref	Hydraulic Diagram - Leveling Jacks (Optional)	
	1001103708	Ref	Hydraulic Diagram - Deck Extension (Single) (Length - 12.6ft/3.8m) (Optional)	
	1001103709	Ref	Hydraulic Diagram - Deck Extension (Dual) (Length - 12.6ft/3.8m) (Optional)	
	1001103711	Ref	Hydraulic Diagram - Deck Extension (Dual) (Megadeck) (Length - 15.8ft/4.8m)	
	1001110467	Ref	Hydraulic Diagram - Tow	
	1001106835	Ref	Hydraulic Schematic with Rexroth Drive Components	
	1001098823	Ref	Hydraulic Schematic with Sauer-Danfoss/Fairfield Drive Components	

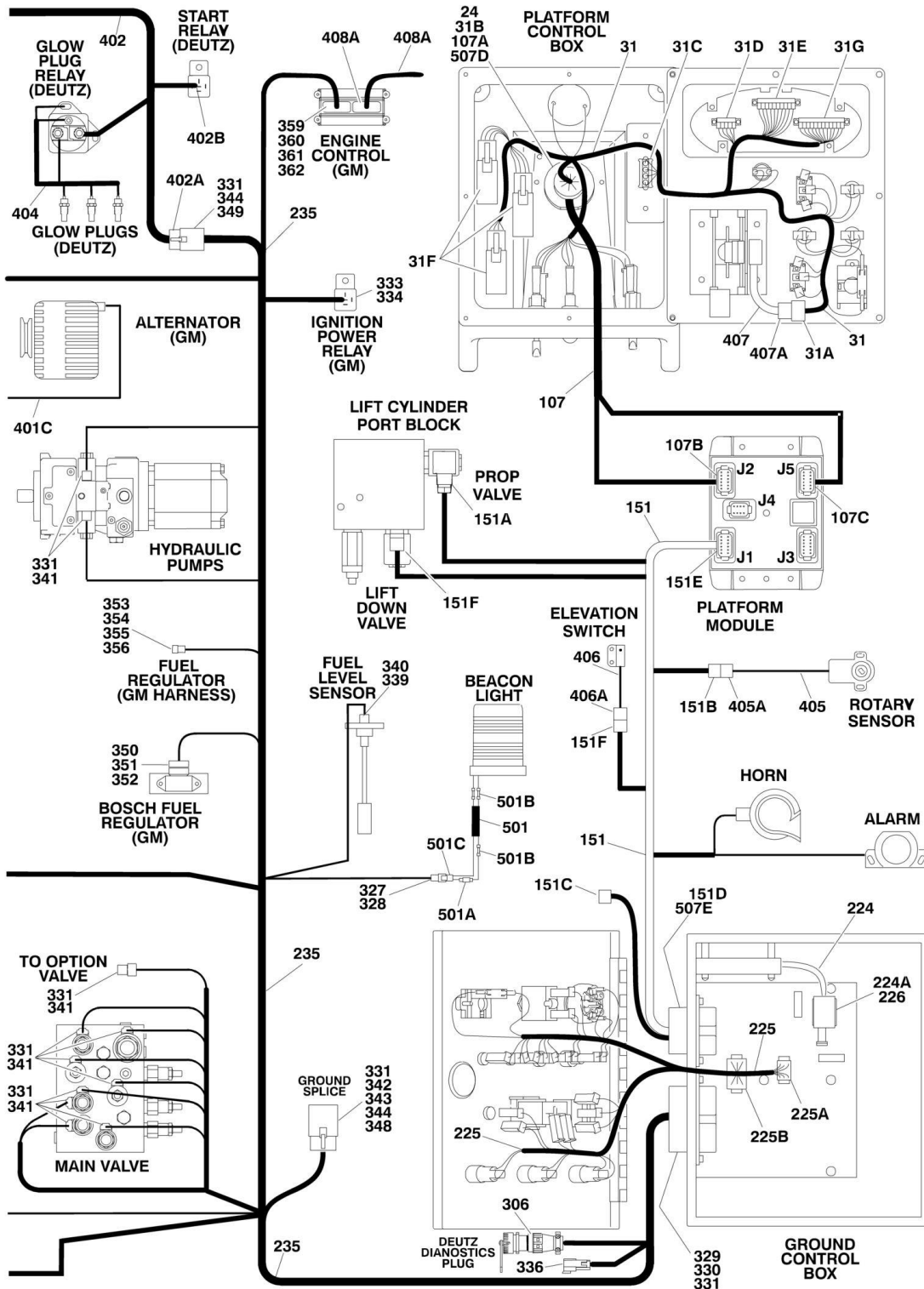
SECTION 7 - ELECTRICAL

SECTION 7 - ELECTRICAL

FIGURE 7-1. ELECTRICAL COMPONENTS INSTALLATION (DEUTZ D2011 ENGINE AND GM ENGINE MACHINES)



SECTION 7 - ELECTRICAL



SECTION 7 - ELECTRICAL

FIGURE 7-1. ELECTRICAL COMPONENTS INSTALLATION (DEUTZ D2011 ENGINE AND GM ENGINE MACHINES)

ITEM	PART NUMBER	QTY	DESCRIPTION	REV
		Ref	CONSOLE BOX COMPONENTS	
24	4460470	1	Nut, Terminal	
31	4922768	1	Console Box Harness	B
31A	4460266	1	Connector - 9 Position	
31A	4460267	8	Pin, Male	
31B	4460480	1	Connector - 12 Position	
31B	4460465	21	Socket, Female	
31C	4460761	1	Connector - 4 Position	
31C	4460267	4	Pin, Male	
31D	4460817	1	Terminal, Male - 5 Position	
31E	4460818	1	Terminal, Male - 10 Position	
31F	4460892	3	Terminal, Buss Bar - 6 Position	
31F	4460894	3	Connector - 6 Position	
31F	4460465	15	Socket, Female	
31G	4460895	1	Terminal, Male - 12 Position	
		Ref	PLATFORM CABLES INSTALLATION	
	0271708	Ref	Platform Cables Installation 3394RT	D
	0271709	Ref	Platform Cables Installation 4394RT	D
107	4922692	1	Platform Module to Console Box Harness	E
107A	4460481	1	Connector - 23 Position	
107A	4460464	21	Pin, Male	
107B	4460836	1	Connector - 12 Position	
107B	4460465	10	Socket, Female	
107B	0840055	1	Boot	
107C	4460935	1	Connector - 12 position	
107C	4460465	11	Socket, Female	
107C	0840055	1	Boot	
		Ref	PLATFORM CABLES INSTALLATION	
	1001103765	Ref	PLATFORM CABLES INSTALLATION 3394RT SCISSOR ARMS ASSEMBLY	B
	1001103767	Ref	PLATFORM CABLES INSTALLATION 4394RT SCISSOR ARMS ASSEMBLY	C
150		Ref	Cable, Electrical - 12/3	
150	1060866	1	Cable, Electrical - 12/3, 3394RT	
150	1060907	1	Cable, Electrical - 12/3, 4394RT	
151		Ref	Ground to Platform Module Harness Options:	
151	1001103834	1	Ground to Platform Module Harness 3394RT	A
151	1001103835	1	Ground to Platform Module Harness 4394RT	A
151	3990010	1	Diode 6 Amp	
151A	4460499	1	DIN Connector with Diode	
151B	4460539	1	Connector - 3 Position	
151B	4460465	3	Socket, Female	
151C	4460539	1	Connector - 3 Position	
151C	4460944	3	Socket, Female	
151D	4460812	1	Connector - 24 Position	
151D	4460465	21	Socket, Female	
151D	4460466	3	Plug, Sealing	
151D	0840056	1	Boot	
151D	4460121	1	Cap, Wire	

SECTION 7 - ELECTRICAL

ITEM	PART NUMBER	QTY	DESCRIPTION	REV
151E	4460933	1	Connector - 12 Position	
151E	4460465	10	Socket, Female	
151E	4460466	2	Plug, Sealing	
151E	0840055	1	Boot	
151E	4460121	1	Cap, Wire	
151F	4460891	1	Connector - 2 Position	
151F	4460465	2	Socket, Female	
		Ref	GROUND CONTROL BOX ASSEMBLY AND INSTALLATIONS	
224	1810140	1	Tilt Harness (Not Available - Part of p/n 1810140 Switch)	
224A	4460321	1	Connector - 4 Position	
224A	4460267	4	Pin, Male	
225	4922667	1	Ground Control Box Harness	B
225A	4460225	1	Connector - 6 Position	
225A	4460268	5	Socket, Female	
225B	4460434	1	Connector - 15 Position	
225B	4460268	15	Socket, Female	
226	2820155	1	Insulator, Ferrite Bead	
235		Ref	Engine and Valve Harness Options (See Items 301 to 369 for Breakdown):	
235	1001103489	1	Deutz Engine Machines	
235	1001104890	1	GM Gas Machines	
		Ref	ENGINE AND VALVE HARNESS	
	1001103489	Ref	Deutz Diesel Machines	D
	1001104890	Ref	GM Gas Machines	D
301	4461005	5	Terminal (Gold) (Deutz Engine Only)	
302	4461006	5	Seal, Terminal (Deutz Engine Only)	
303	4461060	2	Terminal (Tin) (Deutz Engine Only)	
304	4461054	2	Seal, Terminal (Deutz Engine Only)	
305	4461008	18	Plug, Hole (Deutz Engine Only)	
306	2902443	1	Receptacle Kit (Deutz Only)	
306	4461071	8	Socket, Female	
306	4461072	1	Receptacle	
306	4461073	1	Cap, Dust	
306	4461074	1	Shell, Black	
325	4461052	1	Connector - 25 Position (Deutz Engine Only)	
326	4461053	1	Cover, Plug (Deutz Engine Only)	
327	4460424	1	Connector, Female - 2 Position	
328	4460268	2	Socket, Female	
329	4460814	1	Connector - 40 Position	
330	0840057	1	Boot, Terminal	
331	4460465	AR	Socket, Female	
332	4460741	1	Plug, Male Relay (Deutz Engine Only)	
332	4460420	4	Terminal, Female (Deutz Engine Only)	
333	4460374	1	Plug, Male Relay (GM Machines Only)	
334	4460375	4	Terminal, Female (GM Machines Only)	
335	4460539	1	Plug, Male	
336	4460536	1	Connector 3- Position	
336	4460943	3	Pin, Male	
339	4460955	1	Connector - 2 Position	
340	4460842	2	Terminal, Female	
341	4460891	12	Connector - 2 Position	
342	4460836	1	Connector - 12 Position	

SECTION 7 - ELECTRICAL

ITEM	PART NUMBER	QTY	DESCRIPTION	REV
343	4460837	1	Connector, Buss Bar - 12 Position	
344	0840055	Ref	Boot, Terminal	
344	0840055	3	Deutz Machines	
344	0840055	2	GM Machines	
348	4460466	AR	Plug, Sealing	
349	4460933	Ref	Connector - 12 Position	
349	4460933	2	Deutz Machines	
349	4460933	1	GM Machines	
350	4461121	1	Connector, Male 4 - Position (GM Engine Only)	
351	4461122	4	Terminal, Female (GM Engine Only)	
352	4461123	4	Seal (GM Engine Only)	
353	4461124	1	Connector, Male 4 - Position (GM Engine Only)	
354	4460693	4	Terminal, Male (GM Engine Only)	
355	4460608	4	Seal (GM Engine Only)	
356	4461161	1	Terminal, Lock (GM Engine Only)	
358	4460970	1	Receptacle, Female	
359	4461109	1	Connector - 16 Position (GM Engine Only)	
360	4461111	7	Pin, Male (GM Engine Only)	
361	4461113	7	Seal, Terminal (GM Engine Only)	
362	4461222	9	Terminal, Cavity Plug (GM Engine Only)	
		Ref	STANDARD HARNESS COMPONENTS	
401		Ref	Battery Cable Kit Options:	
401	2902132	1	Diesel Machines	A
401	2902534	1	Gas Machines	F
401A		Ref	Cable, Battery - Red (Start Solenoid to Battery + to Fuse)	
401A	7024588	1	Diesel Machines	
401A	7027019	1	Gas Machines	
401B		Ref	Cable, Battery - Black (Battery - to Ground)	
401B	4711600	1	Diesel Machines	
401B	7027020	1	Gas Machines	
401C	7024587	1	Cable - Red (From Start Solenoid) (Diesel Machines Only)	
402	4923386	1	Engine Harness (Diesel Machines Only)	B
402A	4460939	1	Connector - 12 Position	
402A	4460464	10	Pin, Male	
402B	4460374	1	Plug, Male Relay	
402B	4460375	4	Terminal, Female	
403	See Note	AR	Deutz Engine Harness Components (Deutz Engine Machines Only) (Note: Not available order individual parts)	
403A	7027796	1	Deutz Engine Harness	
403B	See Note	NSS	Receptacle, Female - 25 Position (Note: Not Available - Purchase Complete Harness)	
403C	7027793	1	Plug-In, Connector	
403D	70001872	1	Deutz Engine Harness (For other replacement parts refer to Deutz engine dealer) (was p/n 7027794)	
403E	70004061	1	Harness, Generator	
403F	70004062	1	Harness, Starter	
404	4923478	1	Harness, Glow Plugs (Deutz Engine Machines Only)	A
405	See Note	1	Scissor Arms Rotary Angle Sensor Harness (Note: For Replacement Purchase P/N 4360500 Sensor)	
405A	4460536	1	Connector - 3 Position	
405A	4460464	3	Pin, Male	
406	See Note	1	Scissor Arms Proximity Harness (Note: For Replacement	

SECTION 7 - ELECTRICAL

ITEM	PART NUMBER	QTY	DESCRIPTION	REV
			Purchase P/N 4360502 Sensor)	
406A	4460897	1	Connector - 2 Position	
406A	4460464	2	Pin, Male	
407	See Note	NSS	Harness, Controller (Part of Electrical Assembly) (Note: Not Available for Purchase)	
407A	4460265	1	Connector - 9 Position	
407A	4460268	8	Socket, Female	
408		Ref	GM Engine Harness Options (GM Engine Machines Only):	
408	70000718	1	Tier 2 Engines	
408	70002898	1	Tier 3 Engines	
408	7027989	1	Connector, Male - 10 Position (Not Shown)	
408	See Note	NSS	Box, Fuse (Note: Parts of Harness - Not Available for Purchase)	
408	70002627	1	Cover, Fuse Box	
408	70001950	2	Relay (Power and Fuel Pump)	
408	70001951	1	Relay (Starter)	
408	70001931	1	Fuse - 60 Amp (Alternator)	
408	See Note	1	Fuse - 20 Amp (Note: Not Available - Purchase Locally)	
408	See Note	3	Fuse - 15 Amp (Note: Not Available - Purchase Locally)	
408	See Note	1	Fuse - 10 Amp (Note: Not Available - Purchase Locally)	
408	See Note	1	Fuse - 5 Amp (Note: Not Available - Purchase Locally)	
408A	4461110	1	Connector - 16 Position	
408A	4461112	1	Terminal, Female	
		Ref	OPTIONAL HARNESS COMPONENTS	
501	4922739	1	Beacon Harness	A
501	1060680	5 ft/1.5m	Cable, Electrical - 18/2	
501A	2400056	1	Fuse - 5 Amp	
501A	4460044	1	Fuseholder	
501B	4460248	3	Terminal, Butt	
501C	4460267	2	Pin, Male	
501C	4460320	1	Connector - 2 Position	
502	1001103801	1	Harness - Leveling Jacks	B
502A	4460891	7	Connector - 2 Position	
502A	4460465	14	Socket, Female	
502B	4460539	4	Connector - 3 Position	
502B	4460465	12	Socket, Female	
502C	4460836	1	Connector - 12 Position	
502C	0840055	1	Boot	
502C	4460465	7	Socket, Female	
502C	4460466	5	Plug	
502D	4460851	1	Connector - 8 Position	
502D	4460852	1	Connector, Buss Bar - 8 Position	
502D	4460465	8	Socket, Female	
502E	4460892	1	Connector, Buss Bar - 6 Position	
502E	4460894	1	Connector - 6 Position	
502E	4460465	6	Socket, Female	
502F	4460934	1	Connector - 12 Position	
502F	0840055	1	Boot	
502F	4460465	12	Socket, Female	
502G	4460935	1	Connector - 12 Position	
502G	0840055	1	Boot	
502G	4460465	5	Socket, Female	
502G	4460466	7	Plug	

SECTION 7 - ELECTRICAL

ITEM	PART NUMBER	QTY	DESCRIPTION	REV
502H	4360548	4	Switch, Limit	
502I	4460968	4	Connector, Strain Relief	
503		Ref	Generator Electrical Components	
503	0271743	AR	110V/3500W/60Hz (Deutz Engine Machines)	B
503	0275141	AR	110V/3500W/60Hz (GM Machines)	C
503	0271745	AR	220V/2000W/50Hz (Deutz Engine Export Machines)	B
503A	1061006	1	AC Cord Assembly Options:	A
503A	1060308	11 ft/3.3m	Cable, Electrical - 12/3	
503B	4460779	1	Receptacle, Female	
503C	4460858	1	Plug, 90 Male	
503D	4922800	1	Generator Harness	C
503E	4460225	1	Connector - 6 Position	
503E	4460267	4	Pin, Male	
503E	4460906	2	Socket, Female	
503F	4460374	1	Plug, Relay	
503F	4460375	4	Terminal	
503G	4460445	1	Connector - 3 Position	
503G	4460906	3	Socket, Female	
503H	4460536	1	Connector - 3 Position	
503H	4460464	2	Pin, Male	
503J	4460884	1	Connector - 4 Position	
503J	4460893	1	Plug, Buss Bar - 4 Position	
503J	4460465	3	Socket, Female	
503K	4460972	1	Connector - 5 Position	
503K	4460974	4	Terminal	
503L	7020193	1	Generator Power Cable (12ft Length)	
503M	4460326	1	Connector - 3 Position	
503M	4460705	3	Pin, Male	
503N	4460224	1	Connector - 6 Position	
503N	4460268	4	Socket, Female	
503N	4460705	2	Pin, Male	
504		Ref	AC to Platform Receptacle Components Options:	
504		Ref	ANSI and ANSI Export Specs	
504	0271735	Ref	110V Receptacle Installation	G
504	0271736	Ref	220V Receptacle Installation	F
504	0271737	Ref	220V Receptacle Installation (Cable Only - No Box or Receptacle)	F
504		Ref	Australian Specs	
504	0271737	Ref	220V Receptacle Installation (Cable Only - No Box or Receptacle)	F
504		Ref	CE Specs	
504	1001091592	Ref	110V Receptacle Installation (IEC Yellow)	A
504	0271737	Ref	220V Receptacle Installation (Cable Only - No Box or Receptacle)	F
504	1001091589	Ref	220V Receptacle Installation (CEE 7 Post Ground w/ 2inx4in Box)	A
504	1001091590	Ref	220V Receptacle Installation (CEE 7 Side Ground w/ 2inx4in Box) (Use p/n 1001153725)	A-C
504	1001091591	Ref	220V RECEPTACLE INSTALLATION (AFSINT 107 KEYED GROUND)	A
504	1001091593	Ref	220V Receptacle Installation (IEC Blue)	A
504	1001091594	Ref	220V Receptacle Installation (CEE 7 Post Ground w/ 70mm x 70mm Box)	A

SECTION 7 - ELECTRICAL

ITEM	PART NUMBER	QTY	DESCRIPTION	REV
504	1001091595	Ref	220V Receptacle Installation (CEE 7 Side Ground w/ 70mm x 70mm Box) (Use p/n 1001153726)	A/C
504A		Ref	Box, Switch Options:	
504A	0861781	1	1001091592 / 1001091593 Installations	
504A	0860038	1	0271735 / 0271736 Installations	
504A	See Note	1	0271737 Installation (Note: Purchase Locally)	
504A	0861731	1	1001091589 / 1001091590 / 1001091591/1001153725 Installations	
504A	See Note	1	1001091594 / 1001091595/1001153726 Installations (Note: Was p/n 0861782 which is no longer available. Use p/n 1001141970 CEE 7 Side Ground Service Kit or p/n 1001141971 CEE 7 Post Ground Service Kit. Kits includes Box p/n 1001141967 and items 504H & 504J.)	
504A	1001141967	1	1001100343, 1001100344, 1001141970 & 1001141971 Kits	
504B		Ref	Adapter Options:	
504B	4461258	1	1001091592 / 1001091593 / 1001091594 / 1001091595 / 1001153726 Installations	
504B	Not Required	0	0271735 / 0271736 / 0271737 / 1001091589 / 1001091590 / 1001153725 Installations	
504C	1320224	1	Clamp	
504D	1670988	1	Cover, Access (Not Shown - Located on Platform Floor)	
504E		Ref	Decal - AC Power Options:	
504E	1703464	1	120V-60Hz	
504E	1705325	1	120V-50Hz	
504E	3252507	1	220V-50/60Hz	
504F		Ref	Shield, Cover Options:	
504F	4060700	1	0271735 Installations	
504F	Not Required	0	1001091592 / 1001091589 / 1001091590 / 1001091591 / 1001091593 / 1001091594 / 1001091595 / 1001153725 / 1001153726 Installations	
504F	See Note	1	0271736 / 0271737 Installations (Note: Purchase Locally)	
504G		Ref	Connector, Strain Relief Options:	
504G	4461257	1	1001091592 / 1001091593 / 1001091594 / 1001091595 / 1001153726 Installations	
504G	4460071	1	0271735 / 0271736 Installation	
504G	See Note	1	0271737 Installation (Note: Purchase Locally)	
504G	4460968	1	1001091589 / 1001091590 / 1001091591 / 1001153725 Installations	
504H		Ref	Plug, Male Options:	
504H	4460138	1	0271735 Installation	
504H	4464496	1	1001091592 Installation	
504H	See Note	1	0271736 / 0271737 Installations (Note: Purchase Locally)	
504H	4461202	1	1001091589 / 1001091594 Installations and 1001100343 & 1001141971 Kits	
504H	4461205	1	1001091590 / 1001091595 / 1001153725 / 1001153726 Installations and 1001100344 & 1001141970 Kits	
504H	4461249	1	1001091591 Installation	
504H	4461199	1	1001091593 Installation	
504J		Ref	Receptacle Options:	
504J	4460346	1	0271735 Installation	
504J	4461198	1	1001091592 Installations	
504J	See Note	1	0271736 / 0271737 Installations (Note: Purchase Locally)	
504J	4461244	1	1001091589 Installation	
504J	4461245	1	1001091590/1001153725 Installation	

SECTION 7 - ELECTRICAL

ITEM	PART NUMBER	QTY	DESCRIPTION	REV
504J	4461246	1	1001091591 Installation	
504J	4461201	1	1001091593 Installation	
504J	4461204	NLA	1001091594 Installation (Use p/n 1001100343)	
504J	4461207	NLA	1001091595/1001153726 Installations (Use p/n 1001100344)	
504J	1001141968	1	1001100343 & 1001141971 Kits	
504J	1001141969	1	1001100344 & 1001141970 Kits	
504K	3300048	1	Locknut, Conduit 3/4in (Not Shown)	
504L	4460422	1	Terminal, Strain Relief (Not Shown)	
504M		Ref	Breaker Assembly, Circuit Options;	
504M	2902549	1	1001091592 / 1001091589 / 1001091590 / 1001091591 / 1001091593 / 1001091594 / 1001091595 Installations	D
504M	1001152486	1	1001153725/1001153726 Installations	A
504M		Ref	Breaker Options:	
504M	See Note	AR	Breaker 16 Amp (Note: Was p/n 2400093. Use qty 1 each of p/ns 1001109475 & 1001109482 as replacement) (SN 0200191606 through 0200192447)	
504M	1001109475	AR	Breaker 16 Amp, Single (All Installations except 1001153725 & 1001153726 Installations) (SN 0200192448 through 0200239052)	
504M	1001152479	AR	Breaker 16 Amp, Double 125/240V (1001153725/1001153726 Installations)	
504M	1001109482	AR	Breaker 30 Amp (All Installations except 1001153725 & 1001153726 Installations) (SN 0200192448 through 0200239052)	
504M	1001152482	AR	Breaker 30 Amp (1001153725/1001153726 Installations)	
504M		Ref	Box, Breaker Options:	
504M	0861880	1	All Installations except 1001153725 & 1001153726 Installations	
504M	1001152483	1	1001153725/1001153726 Installations	
504M	4460633	NLA	Connector, Strain Relief (Use p/n 1001097150)	
504M	Not Required	0	0271736 / 0271737 Installations (Purchase Locally)	
504M	Not Required	0	0271735 Installation	
504N		Ref	Cable. Electrical 12/3 Options:	
504N	1060908	9 ft/2.7m	1001091592 / 1001091589 / 1001091590 / 1001091591 / 1001091593 / 1001091594 / 1001091595 Installations	
504N	1060908	12 ft /3.6m	1001153725/1001153726 Installations	
504N	Not Required	0	0271735 / 0271736 / 0271737 Installations	
504P		Ref	Bracket, Circuit Breaker Options:	
504P	0903612	1	1001091592 / 1001091589 / 1001091590 / 1001091591 / 1001091593 / 1001091594 / 1001091595 Installations	
504P	1001153636	1	1001153725/1001153726 Installations	
504P	Not Required	0	0271735 / 0271736 / 0271737 Installations	
504Q		Ref	Bracket, Receptacle Box Options:	
504Q	1001091642	1	1001091592 / 1001091589 / 1001091590 / 1001091591 / 1001091593 / 1001091594 / 1001091595 Installations	
504Q	Not Required	0	0271735 / 0271736 / 0271737/ 1001153725/ 1001153726 Installations	
505		Ref	Power Deck Component Options:	
505	1001103410	AR	Power Deck Component 3394RT with Single Power Deck	B
505	1001103412	AR	Power Deck Component 3394RT with Dual Power Standard Deck	B
505	1001103414	AR	Power Deck Component 3394RT with Dual Power Mega Deck	B
505	1001103411	AR	Power Deck Component 4394RT with Single Power Deck	B

SECTION 7 - ELECTRICAL

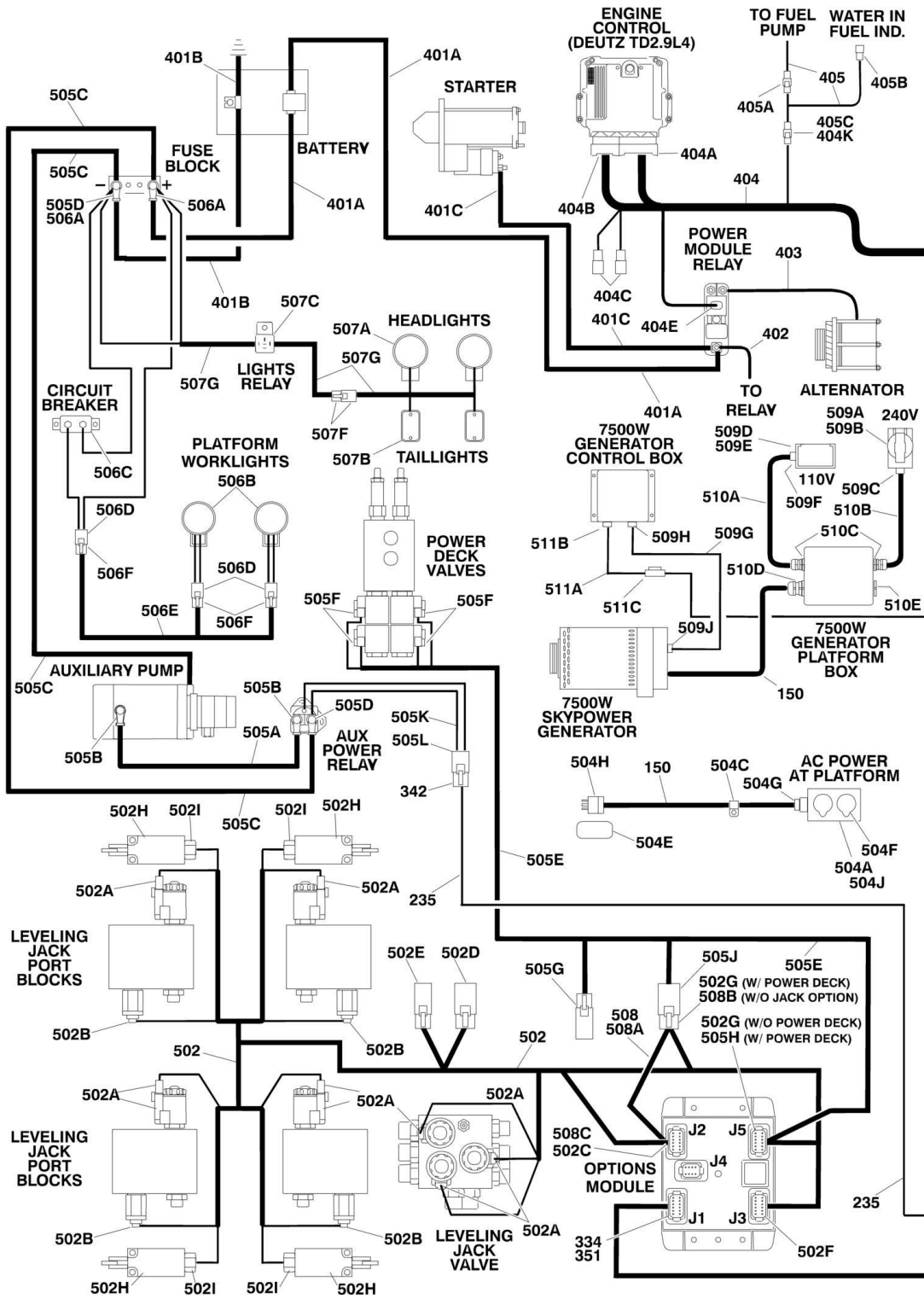
ITEM	PART NUMBER	QTY	DESCRIPTION	REV
505	1001103413	AR	Power Deck Component 4394RT with Dual Power Deck	B
505A	1061003	1	Cable, Electrical	
505B	0840041	2	Boot, Terminal	
505C	1061004	2	Cable, Electrical	
505D	0840041	2	Boot, Terminal (1 Per Assembly)	
505E		Ref	Power Deck Harness Options (Ground to Platform)	
505E	1001103490	1	Power Deck Harness 3394RT Standard Deck	A
505E	1001103570	1	Power Deck Harness 3394RT Mega Deck	A
505E	1001103570	1	Power Deck Harness 4394RT	A
505F	4460891	4	Connector - 2 Position	
505F	4460465	8	Socket, Female	
505G	4460892	1	Terminal, Buss Bar - 6 Position	
505G	4460894	1	Connector - 6 Position	
505G	4460465	5	Socket, Female	
505G	4460466	1	Plug, Sealing	
505H	4460935	1	Connector - 12 Position	
505H	0840055	1	Boot, Terminal	
505H	4460465	10	Socket, Female	
505H	4460466	2	Plug, Sealing	
505J	4460982	1	Connector - 12 Position	
505J	0840055	1	Boot, Terminal	
505J	4460464	5	Pin, Male	
505J	4460466	7	Plug, Sealing	
505K	4922859	1	Auxiliary Power Harness	
505L	4460897	1	Connector - 2 Position	
505L	4460464	2	Pin, Male	
506		Ref	Platform Worklight Component Options:	
506A	0840026	2	Boot, Terminal	
506B	2920140	2	Worklight and Harness (without Terminal Ends)	
506B	7016399	2	Bulb, Replacement (1 per Assembly)	
506B	0901930	2	Bracket, Mounting (Not Shown)	
506C	4360448	1	Breaker, Circuit - 10 Amp	
506D	4460267	6	Pin, Male	
506D	4460424	3	Connector - 2 Position	
506E	1060341	90 ft /27.4m	Cable, Electrical - 16/2	
506F	4460320	3	Connector - 2 Position	
506F	4460268	6	Socket, Female	
507		Ref	Headlight and Taillight Component Options:	
507A	2920110	2	Headlight and Harness (without Terminal Ends)	
507A	7016628	2	Bulb, Replacement (1 Per Assembly)	
507A	3574164	2	Bracket, Mounting (Not Shown)	
507B	2920113	2	Headlight and Harness (without Terminal Ends)	
507B	3574153	2	Bracket, Mounting (Not Shown)	
507C	3740080	1	Relay	
507D	4460464	1	Pin, Male	
507D	4460465	1	Socket, Female	
507E	4460206	1	Pin, Male	
507E	4460185	1	Socket, Female	
507F	4460892	1	Terminal, Buss Bar - 6 Position	
507F	4460894	1	Connector - 6 Position	
507F	4460465	10	Socket, Female	

SECTION 7 - ELECTRICAL

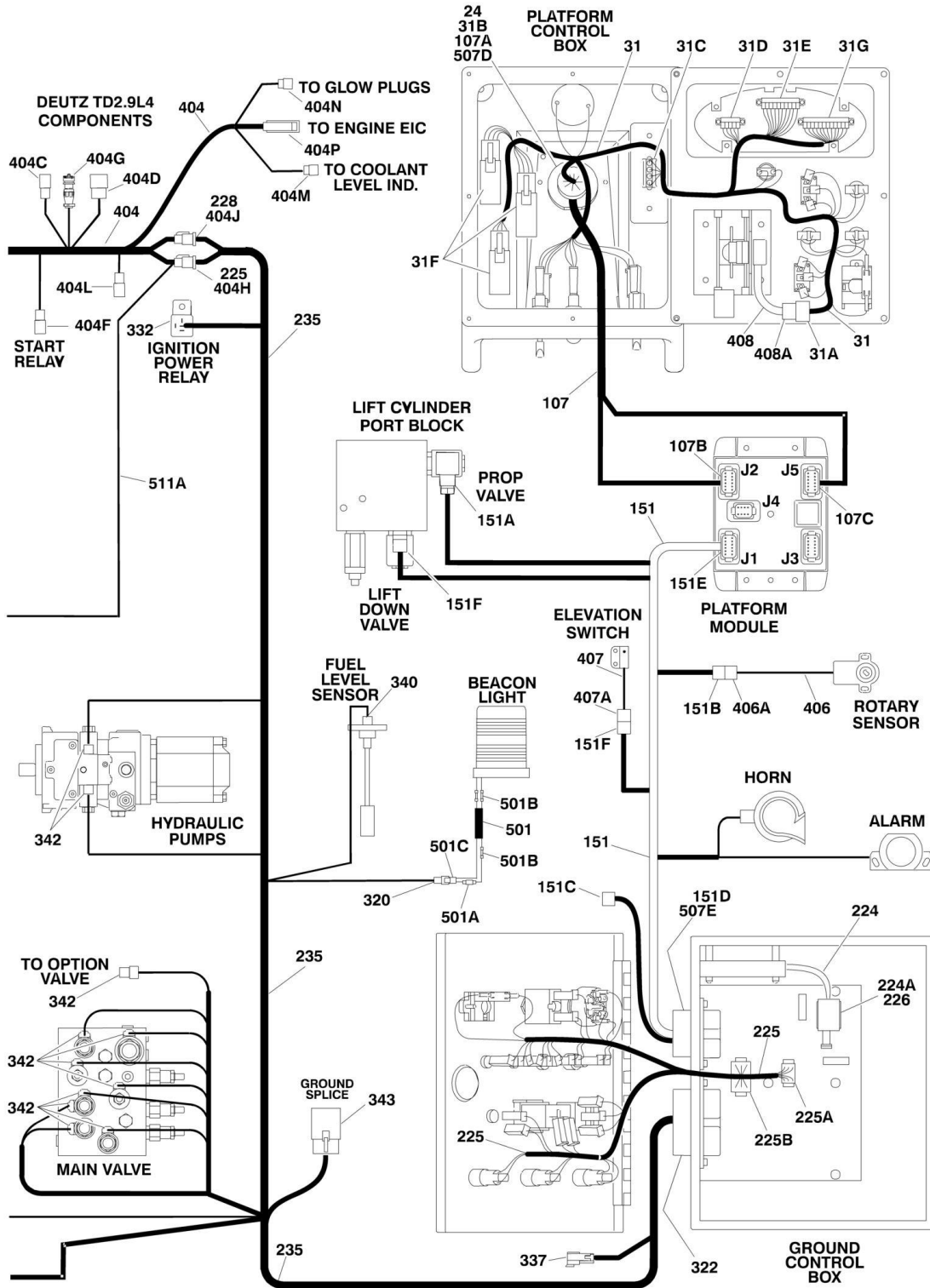
ITEM	PART NUMBER	QTY	DESCRIPTION	REV
507F	4460466	2	Plug, Sealing	
507G	1060341	90 ft /27.4m	Cable, Electrical - 16/2	
507H	4360482	1	Switch, Toggle (Not Shown)	
507H	4060802	1	Shield, Switch (Not Shown)	
508	0275320	1	Power Deck Jumper Harness	
508A	4923507	1	Harness, Jumper	
508B	4460935	1	Connector - 12 Position	
508B	0840055	1	Boot	
508B	4460465	11	Socket, Female	
508B	4460466	1	Plug	
508C	4460836	1	Connector - 12 Position	
508C	0840055	1	Boot	
508C	4460465	11	Socket, Female	
508C	4460466	1	Plug	
		Ref	TOOLS FOR SERVICE (NOT SHOWN)	
		Ref	Note: For GM Engine tools see GM Engine Supplement p/n 3121245 for listing of available tools.	
	7002821	Ref	Crimper, Wire	
	7002823	1	Extractor, Pin - Universal	
	4460467	1	Extractor, Pin #16 Gauge	
	4460510	AR	Extractor, Pin #12 Gauge	
	7002828	AR	Stripper, Wire	
	2901443	1	Analyzer Kit	

SECTION 7 - ELECTRICAL

FIGURE 7-2. ELECTRICAL COMPONENTS INSTALLATION (DEUTZ D2.9L4 ENGINE MACHINES)



SECTION 7 - ELECTRICAL



SECTION 7 - ELECTRICAL

FIGURE 7-2. ELECTRICAL COMPONENTS INSTALLATION (DEUTZ D2.9L4 ENGINE MACHINES)

ITEM	PART NUMBER	QTY	DESCRIPTION	REV
		Ref	CONSOLE BOX COMPONENTS	
24	4460470	1	Nut, Terminal	
31	4922768	1	Console Box Harness	B
31A	4460266	1	Connector - 9 Position	
31A	4460267	8	Pin, Male	
31B	4460480	1	Connector - 23 Position	
31B	4460465	21	Socket, Female	
31C	4460761	1	Connector - 4 Position	
31C	4460267	4	Pin, Male	
31D	4460817	1	Terminal, Male - 5 Position	
31E	4460818	1	Terminal, Male - 10 Position	
31F	4460892	3	Terminal, Buss Bar - 6 Position	
31F	4460894	3	Connector - 6 Position	
31F	4460465	15	Socket, Female	
31G	4460895	1	Terminal, Male - 12 Position	
		Ref	PLATFORM CABLES INSTALLATION	
	0271708	Ref	Platform Cables Installation 3394RT	D
	0271709	Ref	Platform Cables Installation 4394RT	D
107	4922692	1	Platform Module to Console Box Harness	D
107A	4460481	1	Connector - 23 Position	
107A	4460464	21	Pin, Male	
107B	4460836	1	Connector - 12 Position	
107B	4460465	10	Socket, Female	
107B	0840055	1	Boot	
107C	4460935	1	Connector - 12 position	
107C	4460465	11	Socket, Female	
107C	0840055	1	Boot	
		Ref	PLATFORM CABLES INSTALLATIONS	
		Ref	PLATFORM CABLES INSTALLATIONS 3394RT SCISSOR ARMS ASSEMBLIES	
	1001103765	Ref	Without 7500W Generator	B
	1001149319	Ref	With 7500W Generator	B
		Ref	PLATFORM CABLES INSTALLATIONS 4394RT SCISSOR ARMS ASSEMBLIES	
	1001103767	Ref	Without 7500W Generator	C
	1001149321	Ref	With 7500W Generator	B
150		Ref	Cable, Electrical Options:	
150		Ref	Cable, Electrical 3394RT	
150	1060866	1	Cable, Electrical - 12/3 (Without 7500W Generator)	
150	1001149324	1	Cable, Electrical - 8/5 (With 7500W Generator)	
150		Ref	Cable, Electrical 4394RT	
150	1060907	1	Cable, Electrical - 12/3 (Without 7500W Generator)	
150	1001149325	1	Cable, Electrical - 8/5 (With 7500W Generator)	
151		Ref	Ground to Platform Module Harness Options:	
151	1001103834	1	Ground to Platform Module Harness 3394RT	A
151	1001103835	1	Ground to Platform Module Harness 4394RT	A
151	3990010	1	Diode 6 Amp	
151A	4460499	1	DIN Connector with Diode	
151B	4460539	1	Connector - 3 Position	
151B	4460465	3	Socket, Female	

SECTION 7 - ELECTRICAL

ITEM	PART NUMBER	QTY	DESCRIPTION	REV
151C	4460539	1	Connector - 3 Position	
151C	4460944	3	Socket, Female	
151D	4460812	1	Connector - 24 Position	
151D	4460465	21	Socket, Female	
151D	4460466	3	Plug, Sealing	
151D	0840056	1	Boot	
151D	4460121	1	Cap, Wire	
151E	4460933	1	Connector - 12 Position	
151E	4460465	10	Socket, Female	
151E	4460466	2	Plug, Sealing	
151E	0840055	1	Boot	
151E	4460121	1	Cap, Wire	
151F	4460891	2	Connector - 2 Position	
151F	4460465	4	Socket, Female	
		Ref	GROUND CONTROL BOX ASSEMBLY AND INSTALLATIONS	
224	1810140	1	Tilt Harness (Not Available - Part of p/n 1810140 Switch)	
224A	4460321	1	Connector - 4 Position	
224A	4460267	4	Pin, Male	
225	4922667	1	Ground Control Box Harness	B
225A	4460225	1	Connector - 6 Position	
225A	4460268	5	Socket, Female	
225B	4460434	1	Connector - 15 Position	
225B	4460268	15	Socket, Female	
226	2820155	1	Insulator, Ferrite Bead	
235	1001147974	1	Engine and Valve Harness Options (See Items 301 to 351 for Breakdown)	
	1001147974	Ref	ENGINE AND VALVE HARNESS	E
320	4460424	1	Connector, Female - 2 Position	
320	4460268	2	Socket, Female	
322	4460814	1	Connector - 40 Position	
322	0840057	1	Boot, Terminal	
322	4460465	AR	Socket, Female	
325	4460899	1	Connector, Male - 6 Position	
325	4460464	3	Pin, Male	
325	4460943	5	Pin, Male (Gold)	
325	4460466	1	Seal, Plug	
328	4460931	1	Connector, Male - 8 Position	
328	4460464	4	Pin, Male	
328	4460466	4	Seal, Plug	
332	4460741	1	Plug, Male Relay (Deutz Engine Only)	
332	4460420	4	Terminal, Female (Deutz Engine Only)	
332	3740049	1	Relay	
334	4460933	2	Connector - 12 Position	
334	4460465	5	Socket, Female	
334	0840055	1	Boot, Terminal	
337	4460536	1	Connector - 3 Position	
337	4460943	3	Pin, Male	
340	4460955	1	Connector - 2 Position	
340	4460842	2	Terminal, Female	
342	4460891	12	Connector - 2 Position	
342	4460465	24	Socket, Female	
343	4460836	1	Connector - 12 Position	

SECTION 7 - ELECTRICAL

ITEM	PART NUMBER	QTY	DESCRIPTION	REV
343	4460837	1	Connector, Buss Bar - 12 Position	
343	0840055	1	Boot, Terminal	
343	4460465	9	Socket, Female	
343	4460466	3	Seal, Plug	
351	4460970	1	Receptacle, Female	
351	4460466	12	Seal, Plug	
		Ref	STANDARD HARNESS COMPONENTS	
401	1001147435	1	Battery Cable Kit	B
401A	7027089	1	Cable, Battery (Red) (Battery + to Power Relay and Fuse Block)	
401B	7027091	1	Cable, Battery (Black) (Battery to Pivot Pin Ground/Engine and Fuse Block)	
401C	7027090	1	Cable (Red) (Power Relay to Starter)	
402	1001141304	1	Harness, Glow Plugs	
403	1001143907	1	Cable, Alternator Power	
404	1001145562	1	Engine Harness	D
404A	1001133956	1	Connector (Includes Cover, Locks and Retention Plate)	
404A	1001126352	6	Terminal	
404A	1001126353	6	Seal, Terminal	
404A	1001126384	21	Terminal	
404A	1001126351	3	Terminal	
404A	1001126356	63	Plug, Seal	
404A	1001126357	2	Plug, Seal	
404B	1001133957	1	Connector (Includes Cover, Locks and Retention Plate)	
404B	1001126384	17	Terminal	
404B	1001126351	13	Terminal	
404B	1001126356	19	Plug, Seal	
404B	1001126357	11	Plug, Seal	
404C	4461070	3	Receptacle, Female With Resistor (3 Position)	
404C	4461095	6	Plug, Male - 3 Position	
404C	4460944	6	Socket, Female	
404C	4460466	2	Seal, Plug	
404D	80484084	1	Receptacle, Female - 8 Position	
404D	8229242	1	Fuse - 5A	
404D	80983191	1	Fuse - 10A	
404D	1001147264	1	Cap	
404D	1001116727	8	Plug	
404D	4460458	4	Seal	
404E	1001116952	1	Plug, Male - 2 Position	
404E	4460465	2	Socket, Female	
404F	1001138110	1	Plug, Male - 2 Position	
404F	1001138111	2	Socket, Female	
404F	1001138113	2	Seal	
404G	2902443	1	Kit, Receptacle	
404G	4461071	8	Terminal, Female (Gold)	
404G	4461072	1	Connector, Flange Mount	
404G	4461073	1	Connector, Dust Cap	
404G	4461074	1	Connector, Shell	
404H	4460894	1	Plug, Male - 6 Position	
404H	4460465	3	Socket, Female	
404H	4460944	2	Socket, Female	
404H	4460466	1	Seal, Plug	
404J	4460930	1	Plug, Male - 8 Position	

SECTION 7 - ELECTRICAL

ITEM	PART NUMBER	QTY	DESCRIPTION	REV
404J	4460465	1	Socket, Female	
404J	4460466	7	Seal, Plug	
404K	4460884	1	Plug, Male - 4 Position	
404K	4460465	2	Socket, Female	
404K	4460942	2	Socket, Female	
404L	4460897	1	Receptacle, Female - 2 Position	
404L	4460941	2	Pin, Male	
404L	See Note	1	Resistor - 1.5K Ohm (Note: Not Available at Time of Printing)	
404L	4460891	1	Plug, Male - 2 Position	
404L	4460942	2	Socket, Female	
404M	1001133714	1	Plug, Male - 4 Position	
404M	1001133715	3	Terminal, Female	
404M	1001135650	3	Seal	
404M	4461008	1	Plug, Cavity	
404N	1001142938	1	Plug, Male - 2 Position	
404N	1001142940	2	Terminal, Female	
404N	1001142941	2	Seal	
404P	1001126362	1	Receptacle, Female - 62 Position	
404P	1001126363	33	Terminal	
404P	1001126364	33	Seal	
404P	1001126391	23	Plug	
404P	4461008	4	Plug, Cavity	
404P	1001126365	2	Terminal	
404P	4461054	2	Seal	
405	1001147434	1	Fuel Harness	C
405A	4460897	1	Receptacle, Female - 2 Position	
405A	4460941	2	Pin, Male	
405A	4460891	1	Plug, Male - 2 Position	
405A	4460942	2	Socket, Female	
405B	1001116983	1	Receptacle, Female - 2 Position	
405B	1001116710	2	Terminal	
405B	4461054	2	Seal	
405C	4460932	1	Receptacle, Female - 4 Position	
405C	4460941	2	Pin, Male	
405C	4460464	2	Pin, Male	
406	See Note	1	Scissor Arms Rotary Angle Sensor Harness (Note: For Replacement Purchase P/N 4360500 Sensor)	
406A	4460536	1	Connector - 3 Position	
406A	4460464	3	Pin, Male	
407	See Note	1	Scissor Arms Proximity Harness (Note: For Replacement Purchase P/N 4360502 Sensor)	
407A	4460897	1	Connector - 2 Position	
407A	4460464	2	Pin, Male	
408	See Note	1	Harness, Controller (Part of Electrical Assembly) (Note: Not available for purchase)	
408A	4460265	1	Connector - 9 Position	
408A	4460268	8	Socket, Female	
		Ref	OPTIONAL HARNESS COMPONENTS	
501	4922739	1	Beacon Harness	A
501	1060680	5 ft/1.5m	Cable, Electrical - 18/2	
501A	2400056	1	Fuse - 5 Amp	
501A	4460044	1	Fuseholder	

SECTION 7 - ELECTRICAL

ITEM	PART NUMBER	QTY	DESCRIPTION	REV
501B	4460248	3	Terminal, Butt	
501C	4460267	2	Pin, Male	
501C	4460320	1	Connector - 2 Position	
502	1001103801	1	Harness - Leveling Jacks	B
502A	4460891	7	Connector - 2 Position	
502A	4460465	14	Socket, Female	
502B	4460539	4	Connector - 3 Position	
502B	4460465	12	Socket, Female	
502C	4460836	1	Connector - 12 Position	
502C	0840055	1	Boot	
502C	4460465	7	Socket, Female	
502C	4460466	5	Plug	
502D	4460851	1	Connector - 8 Position	
502D	4460852	1	Connector, Buss Bar - 8 Position	
502D	4460465	8	Socket, Female	
502E	4460892	1	Connector, Buss Bar - 6 Position	
502E	4460894	1	Connector - 6 Position	
502E	4460465	6	Socket, Female	
502F	4460934	1	Connector - 12 Position	
502F	0840055	1	Boot	
502F	4460465	12	Socket, Female	
502G	4460935	1	Connector - 12 Position	
502G	0840055	1	Boot	
502G	4460465	5	Socket, Female	
502G	4460466	7	Plug	
502H	4360548	4	Switch, Limit	
502I	4460968	4	Connector, Strain Relief	
504		Ref	AC to Platform Receptacle Components Options:	
504		Ref	ANSI and ANSI Export Specs	
504	0271735	Ref	110V Receptacle Installation	G
504	0271736	Ref	220V Receptacle Installation	F
504	0271737	Ref	220V Receptacle Installation (Cable Only - No Box or Receptacle)	F
504A		Ref	Box, Switch Options:	
504A	0860038	1	0271735 / 0271736 Installations	
504A	See Note	1	0271737 Installation (Note: Purchase Locally)	
504C	1320224	1	Clamp	
504D	1670988	1	Cover, Access (Not Shown - Located on Platform Floor)	
504E		Ref	Decal - AC Power Options:	
504E	1703464	1	120V-60Hz	
504E	1705325	1	120V-50Hz	
504E	3252507	1	220V-50/60Hz	
504F		Ref	Shield, Cover Options:	
504F	4060700	1	0271735 Installations	
504F	See Note	1	0271736 / 0271737 Installations (Note: Purchase Locally)	
504G		Ref	Connector, Strain Relief Options:	
504G	4460071	1	0271735 / 0271736 Installation	
504G	See Note	1	0271737 Installation (Note: Purchase Locally)	
504H		Ref	Plug, Male Options:	
504H	4460138	1	0271735 Installation	
504H	See Note	1	0271736 / 0271737 Installations (Note: Purchase Locally)	
504J		Ref	Receptacle Options:	

SECTION 7 - ELECTRICAL

ITEM	PART NUMBER	QTY	DESCRIPTION	REV
504J	4460346	1	0271735 Installation	
504J	See Note	1	0271736 / 0271737 Installations (Note: Purchase Locally)	
504K	3300048	1	Locknut, Conduit 3/4in (Not Shown)	
504L	4460422	1	Terminal, Strain Relief (Not Shown)	
505		Ref	Power Deck Component Options:	
505	1001103410	AR	Power Deck Component 3394RT with Single Power Deck	B
505	1001103412	AR	Power Deck Component 3394RT with Dual Power Standard Deck	B
505	1001103414	AR	Power Deck Component 3394RT with Dual Power Mega Deck	B
505	1001103411	AR	Power Deck Component 4394RT with Single Power Deck	B
505	1001103413	AR	Power Deck Component 4394RT with Dual Power Deck	B
505A	1061003	1	Cable, Electrical	
505B	0840041	2	Boot, Terminal	
505C	1061004	2	Cable, Electrical	
505D	0840041	2	Boot, Terminal (1 Per Assembly)	
505E		Ref	Power Deck Harness Options (Ground to Platform)	
505E	1001103490	1	Power Deck Harness 3394RT Standard Deck	A
505E	1001103570	1	Power Deck Harness 3394RT Mega Deck	A
505E	1001103570	1	Power Deck Harness 4394RT	A
505F	4460891	4	Connector - 2 Position	
505F	4460465	8	Socket, Female	
505G	4460892	1	Terminal, Buss Bar - 6 Position	
505G	4460894	1	Connector - 6 Position	
505G	4460465	5	Socket, Female	
505G	4460466	1	Plug, Sealing	
505H	4460935	1	Connector - 12 Position	
505H	0840055	1	Boot, Terminal	
505H	4460465	10	Socket, Female	
505H	4460466	2	Plug, Sealing	
505J	4460982	1	Connector - 12 Position	
505J	0840055	1	Boot, Terminal	
505J	4460464	5	Pin, Male	
505J	4460466	7	Plug, Sealing	
505K	4922859	1	Auxiliary Power Harness	
505L	4460897	1	Connector - 2 Position	
505L	4460464	2	Pin, Male	
506		Ref	Platform Worklight Component Options:	
506A	0840026	2	Boot, Terminal	
506B	2920140	2	Worklight and Harness (without Terminal Ends)	
506B	7016399	2	Bulb, Replacement (1 per Assembly)	
506B	0901930	2	Bracket, Mounting (Not Shown)	
506C	4360448	1	Breaker, Circuit - 10 Amp	
506D	4460267	6	Pin, Male	
506D	4460424	3	Connector - 2 Position	
506E	1060341	90 ft /27.4m	Cable, Electrical - 16/2	
506F	4460320	3	Connector - 2 Position	
506F	4460268	6	Socket, Female	
507		Ref	Headlight and Taillight Component Options:	
507A	2920110	2	Headlight and Harness (without Terminal Ends)	
507A	7016628	2	Bulb, Replacement (1 Per Assembly)	
507A	3574164	2	Bracket, Mounting (Not Shown)	

SECTION 7 - ELECTRICAL

ITEM	PART NUMBER	QTY	DESCRIPTION	REV
507B	2920113	2	Headlight and Harness (without Terminal Ends)	
507B	3574153	2	Bracket, Mounting (Not Shown)	
507C	3740080	1	Relay	
507D	4460464	1	Pin, Male	
507D	4460465	1	Socket, Female	
507E	4460206	1	Pin, Male	
507E	4460185	1	Socket, Female	
507F	4460892	1	Terminal, Buss Bar - 6 Position	
507F	4460894	1	Connector - 6 Position	
507F	4460465	10	Socket, Female	
507F	4460466	2	Plug, Sealing	
507G	1060341	90 ft /27.4m	Cable, Electrical - 16/2	
507H	4360482	1	Switch, Toggle (Not Shown)	
507H	4060802	1	Shield, Switch (Not Shown)	
508	0275320	1	Power Deck Jumper Harness	
508A	4923507	1	Harness, Jumper	
508B	4460935	1	Connector - 12 Position	
508B	0840055	1	Boot	
508B	4460465	11	Socket, Female	
508B	4460466	1	Plug	
508C	4460836	1	Connector - 12 Position	
508C	0840055	1	Boot	
508C	4460465	11	Socket, Female	
508C	4460466	1	Plug	
509	1001147776	Ref	7500W Generator Electrical Components	D
509A	1001148907	1	Receptacle, Female Twist-Lock - 240V	
509B	1001148676	1	Cover, Receptacle (Hinged)	
509C	4460612	1	Connector, Strain Relief	
509D	4460346	1	Receptacle, 110V	
509E	1671207	1	Cover, Receptacle (Horizontal)	
509F	4460662	1	Connector, Strain Relief	
509G	4922925	1	Harness, Generator	
509H	77363233	1	Plug, Male - 6 Position	
509H	4460465	6	Socket, Female	
509J	4460225	1	Plug, Male - 6 Position	
509J	4460226	6	Socket, Female	
510	1001157593	Ref	7500W SkyPower Generator Junction Box Components	A
510A	1060494	3.5 ft/1m	Cable, Electrical 12/3	
510B	1060394	4.5 ft /1.4m	Cable, Electrical 10/4	
510C	4460425	2	Connector, Strain Relief	
510D	4460426	1	Connector, Strain Relief	
510E	1001148648	1	Plug, Hole	
511	1001157771	Ref	7500W Generator Electrical Diagram Components	A
511A	1001148424	1	Generator Harness	A
511A	4460465	3	Socket, Female (Deutz TD2.9L4 only)	
511B	4460967	1	Plug, Male - 3 Position	
511B	4460465	3	Socket, Female	
511C	1001117078	1	Fuseholder (Includes Fuse and Cap)	
		Ref	TOOLS FOR SERVICE (NOT SHOWN)	
	7002821	Ref	Crimper, Wire	

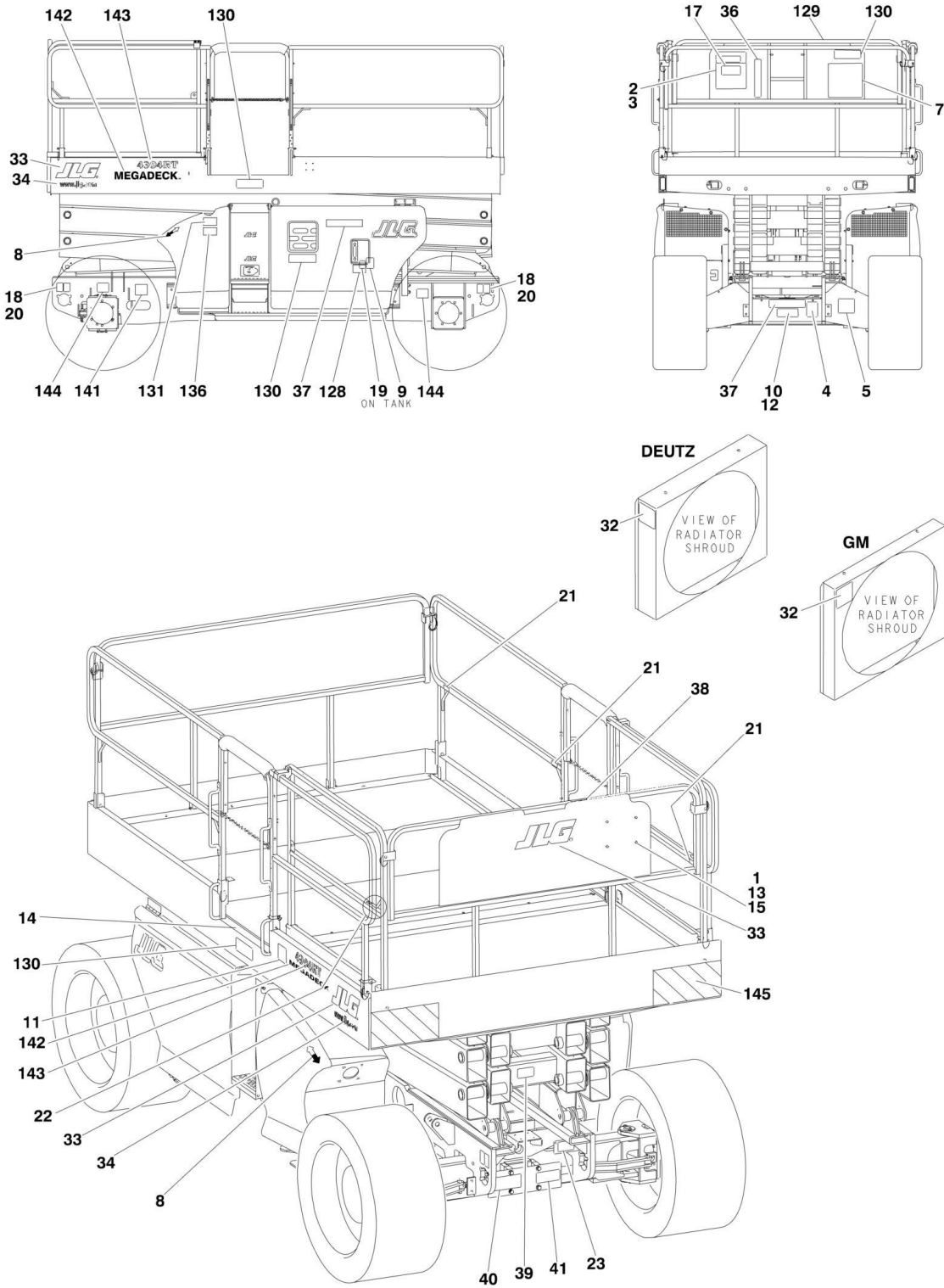
SECTION 7 - ELECTRICAL

ITEM	PART NUMBER	QTY	DESCRIPTION	REV
	7002823	1	Extractor, Pin - Universal	
	4460467	1	Extractor, Pin #16 Gauge	
	4460510	AR	Extractor, Pin #12 Gauge	
	7002828	AR	Stripper, Wire	
	2901443	1	Analyzer Kit	

SECTION 8 - DECALS

SECTION 8 - DECALS

FIGURE 8-1. DECAL INSTALLATION (ANSI SPEC)



SECTION 8 - DECALS

FIGURE 8-1. DECAL INSTALLATION (ANSI SPEC)

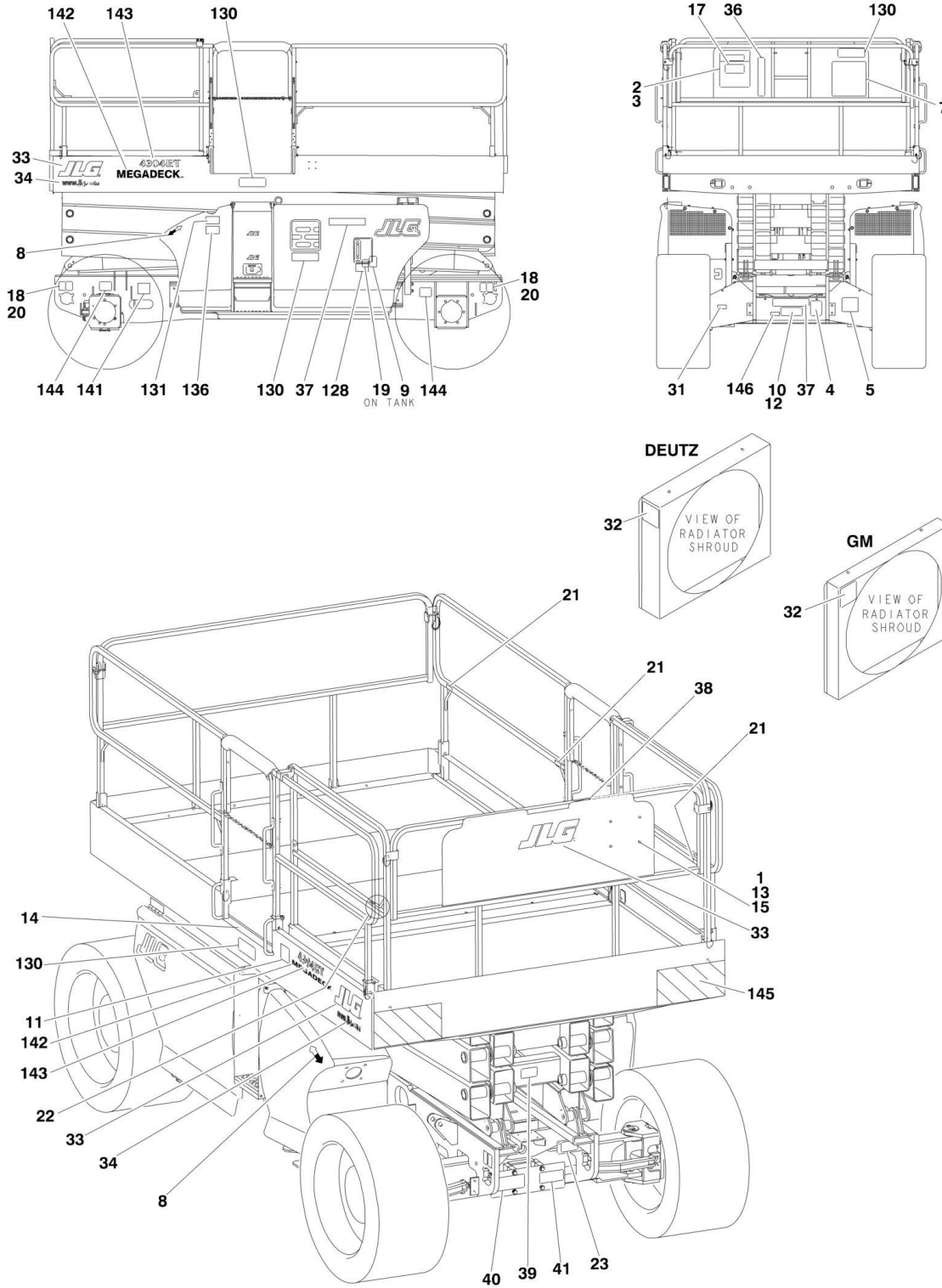
ITEM	PART NUMBER	QTY	DESCRIPTION	REV
		Ref	Decals Installation	
	0271752	Ref	Decal Installation - ANSI Spec	6
	0271777	Ref	Decal Installation - JLG	2
1	0641405	4	Bolt 1/4in-20NC x 5/8in	
2	0860520	1	Box, Manual Storage	
3	1060279	1	Cable, Lanyard	
4		Ref	Decal - Patent Options:	
4	1700584	1	Decal - Patent (SN 0200191606 through 0200205480)	
4	1001131270	1	Decal - Patent (SN 0200205481 through 0200239052)	
5	1702153	1	Decal - Inspection	
6	See Note	NSS	Decal - Bar Code (Note: Not Available for Purchase)	
7	1703816	1	Decal - Danger/Warning	
8	1703687	2	Decal - Directional Arrow	
9	1704412	1	Decal - Hydraulic Oil	
10	2080057	4	Fastener	
11	3251813	1	Nameplate - USA	
12	See Note	NSS	Nameplate - Serial Number (Note: Not Available for Purchase)	
13	3311405	4	Locknut 1/4in-20NC	
14	4420067	4 ft/1.2m	Tape, Safety Tread	
15	4711400	5	Flatwasher 1/4in Narrow	
17	1701509	1	Decal - Manual Reference (Part of Item 42)	
18	1703811	4	Decal - Lifting Lugs (Part of Item 42)	
19	1703812	1	Decal - Oil (Part of Item 42)	
20	1703814	4	Decal - Tie Down (Part of Item 42)	
21	1704277	8	Decal - Attach Lanyard Here (Part of Item 42)	
22	1703819	1	Decal - Directional Arrow (Part of Item 42)	
23	1703822	1	Decal - Manual Descent (Part of Item 42)	
32	1703162	1	Decal - Fan Blade	
33	1702773	3	Decal - JLG	
34	1704885	2	Decal - Website	
36	1705190	1	Decal - Legend (Part of Item 43)	
37	1703818	3	Decal - Crushing Hazard/Danger Electrocutation (Part of Item 43)	
38	1703821	1	Decal - Control Box Location (Part of Item 43)	
39	1705019	1	Decal - Safety Prop (Part of Item 43)	
40	1704432	1	Decal - Warning Crushing (Part of Item 43)	
41	1703823	1	Decal - Danger/Electrical Hazard (Part of Item 43)	
	0010583	Ref	DECAL OPTIONS	
128		Ref	Decal - Hydraulic Fluid Options:	
128	1702788	1	Biodegradable Hydraulic Fluid	
128	1704174	1	Synthetic Biodegradable Hydraulic Fluid	
129		Ref	Decal - Warning Prop 65 Options (California Spec):	
129	1702962	1	Diesel Machines	
129	1702961	1	Gas Machines	
130		Ref	Decal - Capacity Options:	
130	1705020	4	2250lbs/909kg (3394RT with Single Deck Extension)	
130	3252757	4	2000lbs/795kg (3394RT with Dual Deck Extension)	
130	1705021	4	1500lbs/681kg (4394RT with Single Deck Extension)	
130	1705022	4	1250lbs/568kg (4394RT with Dual Deck Extension)	
131		Ref	Decal - Fuel:	
131	1701505	1	Diesel Machines	

SECTION 8 - DECALS

ITEM	PART NUMBER	QTY	DESCRIPTION	REV
131	1701542	1	Gas Machines	
136	1001108923	1	Decal - EPA/Carb Fuel Spec (Deutz D2011 Engine Machines Only)	
136	1001125387	1	Decal - Ultra Sulfur Fuel (Deutz D2.9L4 Engine Machines Only)	
141	1700818	1	Decal - LP (Gas Machines Only)	
142	1001142595	2	Decal - Megadeck (SN 0200211073 through 0200239052)	
143		Ref	Decal - Model Designation Options:	
143	1705038	2	Decal - Model Designation 3394RT	
143	1705039	2	Decal - Model Designation 4394RT	
144	1703493	4	Decal - Max Tire Load (Not Used on Machines with Leveling Jacks)	
145	4420051	Ref	Warning Tape Options (Optional):	
145	4420051	4 ft/1.2m	With Single Extension	
145	4420051	8 ft/2.4m	With Dual Extension	

SECTION 8 - DECALS

FIGURE 8-2. DECAL INSTALLATION (ANSI EXPORT SPEC)



SECTION 8 - DECALS

FIGURE 8-2. DECAL INSTALLATION (ANSI EXPORT SPEC)

ITEM	PART NUMBER	QTY	DESCRIPTION	REV
		Ref	DECALS INSTALLATION - COUNTRY SPEC	
	0271767	Ref	Decal Installation - Brazil Spec (Spanish/Portuguese)	4
	0275100	Ref	Decal Installation - Chinese Spec (English/Chinese)	3
	0271755	Ref	Decal Installation - CSA Spec (English/French)	6
	1001162514	Ref	Decal Installation - Korean Spec (English/Korean)	A
	0271766	Ref	Decal Installation - Latin American Spec (English/Spanish)	5
	0271777	Ref	Decal Installation - JLG	1
1	0641405	4	Bolt 1/4in-20NC x 5/8in	
2	0860520	1	Box, Manual Storage	
3	1060279	1	Cable, Lanyard	
4		Ref	Decal - Patent Options:	
4	1700584	1	Decal - Patent (All Specs) (SN 0200191606 through 0200205480)	
4		Ref	Decal - Patent Options: (SN 0200205481 through 0200239052)	
4	Not Required	0	Brazil Spec (Spanish/Portuguese)	
4	Not Required	0	Chinese Spec (English/Chinese)	
4	1001131270	1	CSA Spec (English/French)	
4	Not Required	0	Korean Spec (English/Korean)	
4	Not Required	0	Latin American Spec (English/Spanish)	
5		Ref	Decal - Inspection Options:	
5	1704008	1	Brazil Spec (Spanish/Portuguese)	
5	1704607	1	Chinese Spec (English/Chinese)	
5		Ref	CSA Spec (English/French) Options:	
5	1704006	1	CSA Spec (English/French) (All Specs) (SN 0200191606 through 0200205480)	
5	Not Required	0	CSA Spec (English/French) (SN 0200205481 through 0200239052)	
5	1702153	1	Korean Spec (English/Korean)	
5		Ref	Latin American Spec (English/Spanish) Options:	
5	1704007	1	Latin American Spec (English/Spanish) (All Specs) (SN 0200191606 through 0200205480)	
5	Not Required	0	Latin American Spec (English/Spanish) (SN 0200205481 through 0200239052)	
6	See Note	NSS	Decal - Bar Code (Note: Not Available for Purchase)	
7		Ref	Decal - Danger/Warning Options;	
7	1704699	1	Brazil Spec (Spanish/Portuguese)	
7	1705195	1	Chinese Spec (English/Chinese)	
7	1704684	1	CSA Spec (English/French)	
7	1001162115	1	Korean Spec (English/Korean)	
7	1704691	1	Latin American Spec (English/Spanish)	
8	1703687	2	Decal - Directional Arrow	
9	1704412	1	Decal - Hydraulic Oil	
10	2080057	4	Fastener	
11	3251813	1	Nameplate - USA	
12	See Note	NSS	Nameplate - Serial Number (Note: Not Available for Purchase)	
13	3311405	4	Locknut 1/4in-20NC	
14	4420067	4 ft/1.2m	Tape, Safety Tread	
15	4711400	AR	Flatwasher 1/4in Narrow	
17	1701509	1	Decal - Manual Reference (Part of Item 42)	
18	1703811	4	Decal - Lifting Lugs (Part of Item 42)	

SECTION 8 - DECALS

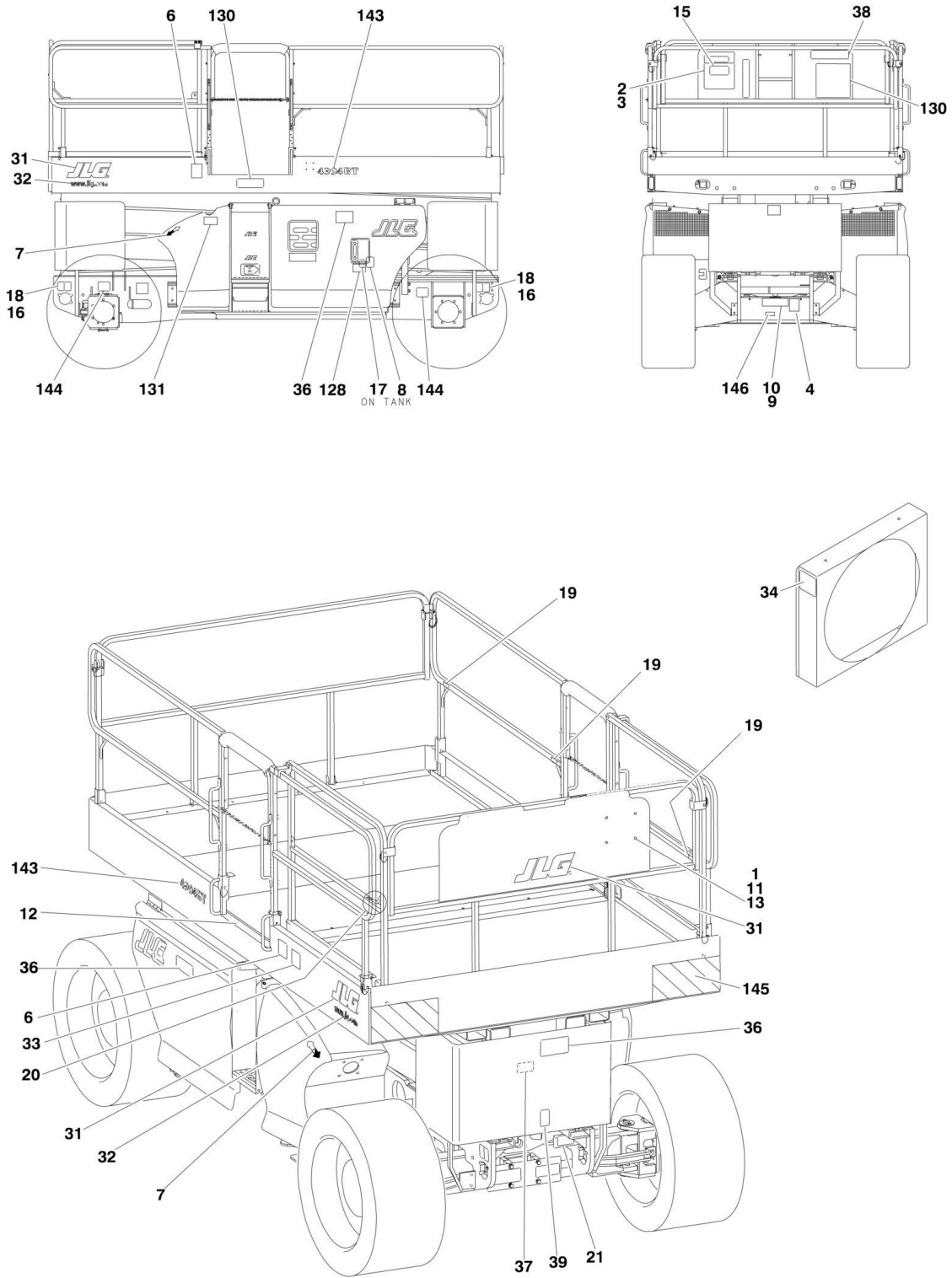
ITEM	PART NUMBER	QTY	DESCRIPTION	REV
19	1703812	1	Decal - Oil (Part of Item 42)	
20	1703814	4	Decal - Tie Down (Part of Item 42)	
21	1704277	8	Decal - Attach Lanyard Here (Part of Item 42)	
22	1703819	1	Decal - Directional Arrow (Part of Item 42)	
23	1703822	1	Decal - Manual Descent (Part of Item 42)	
31		Ref	Decal - CSA Options:	
31	Not Required	0	Brazil Spec (Spanish/Portuguese)	
31	Not Required	0	Chinese Spec (English/Chinese)	
31	1705303	1	CSA Spec (English/French)	
31	Not Required	0	Korean Spec (English/Korean)	
31	Not Required	0	Latin American Spec (English/Spanish)	
32	1703162	1	Decal - Fan Blade	
33	1702773	3	Decal - JLG	
34	1704885	2	Decal - Website	
36		Ref	Decal - Legend Options (Part of Item 43):	
36	1705317	1	Brazil Spec (Spanish/Portuguese)	
36	1705190	1	Chinese Spec (English/Chinese)	
36	1705314	1	CSA Spec (English/French)	
36	1001162110	1	Korean Spec (English/Korean)	
36	1705315	1	Latin American Spec (English/Spanish)	
37		Ref	Decal - Crushing Hazard/Danger Electrocution (Part of Item 43)	
37	1704701	3	Brazil Spec (Spanish/Portuguese)	
37	1705193	3	Chinese Spec (English/Chinese)	
37	1704686	3	CSA Spec (English/French)	
37	1001162111	3	Korean Spec (English/Korean)	
37	1704693	3	Latin American Spec (English/Spanish)	
38		Ref	Decal - Control Box Location Options (Part of Item 43):	
38	1704702	1	Brazil Spec (Spanish/Portuguese)	
38	1705194	1	Chinese Spec (English/Chinese)	
38	1704687	1	CSA Spec (English/French)	
38	1001162112	1	Korean Spec (English/Korean)	
38	1704694	1	Latin American Spec (English/Spanish)	
39	1705019	1	Decal - Safety Prop (Part of Item 43)	
40		Ref	Decal - Warning Crushing Options (Part of Item 43):	
40	1705318	1	Brazil Spec (Spanish/Portuguese)	
40	1705943	1	Chinese Spec (English/Chinese)	
40	1705311	1	CSA Spec (English/French)	
40	1001162113	1	Korean Spec (English/Korean)	
40	1705316	1	Latin American Spec (English/Spanish)	
41		Ref	Decal - Danger/Electrical Hazard Options (Part of Item 43):	
41	1705043	1	Brazil Spec (Spanish/Portuguese)	
41	1705944	1	Chinese Spec (English/Chinese)	
41	1705040	1	CSA Spec (English/French)	
41	1001162114	1	Korean Spec (English/Korean)	
41	1705041	1	Latin American Spec (English/Spanish)	
42	2901912	1	Decal Kit (Includes Items 17-23)	
	0010583	Ref	DECAL OPTIONS	
128		Ref	Decal - Hydraulic Fluid Options:	
128	1702788	1	CSA Spec (Biodegradable Hydraulic Fluid)	
128	1704174	1	CSA Spec (Synthetic Biodegradable Hydraulic Fluid)	
128	Not Required	0	Brazil/Chinese/Latin American Specs	

SECTION 8 - DECALS

ITEM	PART NUMBER	QTY	DESCRIPTION	REV
130		Ref	Decal - Capacity Options:	
130	1705020	3	2250lbs/909kg (3394RT with Single Deck Extension)	
130	3252757	3	2000lbs/795kg (3394RT with Dual Deck Extension)	
130	1705021	3	1500lbs/681kg (4394RT with Single Deck Extension)	
130	1705022	3	1250lbs/568kg (4394RT with Dual Deck Extension)	
131		Ref	Decal - Fuel:	
131	1701505	1	Diesel Machines	
131	1701542	1	Gas Machines	
136	1001108923	1	Decal - EPA/Carb Fuel Spec (CSA Diesel Machines Only)	
141		Ref	Decal - LP Options (Not Shown - LP Gas Machines):	
141	1700818	1	English Language	
141	1704271	1	English/French Language	
141	1702720	1	Spanish Language	
142	1001142595	2	Decal - Megadeck (CSA Spec Only) (SN 0200211073 through 0200239052)	
143		Ref	Decal - Model Designation Options:	
143	1705038	1	Decal - Model Designation 3394RT	
143	1705039	1	Decal - Model Designation 4394RT	
144	1703493	4	Decal - Max Tire Load (Not Used on Machines with Leveling Jacks)	
145	4420051	Ref	Warning Tape Options (Optional):	
145	4420051	4 ft/1.2m	With Single Extension	
145	4420051	8 ft/2.4m	With Dual Extension	
146	1001143852	1	Decal - Emission Compliance (SN 0200223954 through 0200239052)	

SECTION 8 - DECALS

FIGURE 8-3. DECAL INSTALLATION (AUSTRALIAN AND CE SPECS)



SECTION 8 - DECALS

FIGURE 8-3. DECAL INSTALLATION (AUSTRALIAN AND CE SPECS)

ITEM	PART NUMBER	QTY	DESCRIPTION	REV
		Ref	DECALS INSTALLATION - COUNTRY SPEC	
	0275086	Ref	CE and Australian Spec	3
	0271777	Ref	Decal Installation - JLG	2
1	0641405	4	Bolt 1/4in-20NC x 5/8in	
2	0860520	1	Box, Manual Storage	
3	1060279	1	Cable, Lanyard	
4		Ref	Decal - Patent Options:	
4	1700584	1	Decal - Patent (SN 0200191606 through 0200205480)	
4	Not Required	0	Decal - Patent (SN 0200205481 through 0200239052)	
5	See Note	NSS	Decal - Bar Code (Note: Not Available for Purchase)	
6	1705515	2	Decal - 109db Sound Power Level	
7	1703687	2	Decal - Directional Arrow	
8	1704412	1	Decal - Hydraulic Oil	
9	2080057	2	Fastener	
10	See Note	NSS	Nameplate - Serial Number (Note: Not Available for Purchase)	
11	3311405	4	Locknut 1/4in-20NC	
12	4420067	4 ft/1.2m	Tape, Safety Tread	
13	4711400	8	Flatwasher 1/4in Narrow	
15	1701509	1	Decal - Manual Reference (Part of Item 40)	
16	1703811	4	Decal - Lifting Lugs (Part of Item 40)	
17	1703812	1	Decal - Oil (Part of Item 40)	
18	1703814	4	Decal - Tie Down (Part of Item 40)	
19	1704277	8	Decal - Attach Lanyard Here (Part of Item 40)	
20	1703819	1	Decal - Directional Arrow (Part of Item 40)	
21	1703822	1	Decal - Manual Descent (Part of Item 40)	
31	1702773	3	Decal - JLG	
32	1704885	2	Decal - Website	
33	3251813	1	Nameplate - USA	
34	1703162	1	Decal - Fan Blade	
36	1706338	4	Decal - Electrocution/Crushing (Part of Item 41)	
37	1705019	1	Decal - Safety Prop (Part of Item 41)	
38	1705671	1	Decal - Caution (Part of Item 41)	
39	1705372	1	Decal - Heading Crushing (Part of Item 41)	
	0010583	Ref	DECAL OPTIONS	
128		Ref	Decal - Hydraulic Fluid Options:	
128	1702788	1	English Language (Biodegradable Hydraulic Fluid)	
128	1704174	1	English Language (Synthetic Biodegradable Hydraulic Fluid)	
128	1703479	1	German Language (Biodegradable Hydraulic Fluid)	
128	1704175	1	German Language (Synthetic Biodegradable Hydraulic Fluid)	
130		Ref	Decal - Capacity Options:	
130	1705034	1	1020kg (3394RT with Single Deck Extension)	
130	1705035	1	905kg (3394RT with Dual Deck Extension)	
130	1705036	1	680kg (4394RT with Single Deck Extension)	
130	1705037	1	565kg (4394RT with Dual Deck Extension)	
131	1701505	1	Decal - Fuel	
143		Ref	Decal - Model Designation Options:	
143	1705038	1	Decal - Model Designation 3394RT	
143	1705039	1	Decal - Model Designation 4394RT	
144	1703493	4	Decal - Max Tire Load (Not Used on Machines with Leveling Jacks)	

SECTION 8 - DECALS

ITEM	PART NUMBER	QTY	DESCRIPTION	REV
145	4420051	Ref	Warning Tape Options:	
145	4420051	4 ft/1.2m	With Single Extension	
145	4420051	8 ft/2.4m	With Dual Extension	
146	1001143852	1	Decal - Emission Compliance (SN 0200223954 through 0200239052)	

SECTION 9 - RECOMMENDED SERVICE PARTS STOCK

SECTION 9 - RECOMMENDED SERVICE PARTS STOCK

SECTION 9 - RECOMMENDED SERVICE PARTS STOCK

FIGURE 9-1. MODELS 3394RT & 4394RT STANDARD PARTS

ITEM	PART NUMBER	QTY	DESCRIPTION	REV
		Ref	Note: The following list will service one machine (built to current production per date on the front cover) with emergency repair parts which can be installed in the field. Parts from the list should be replaced when inventory is depleted to keep service parts stock supplied. For further information, contact your JLG dealer or the JLG Industries Parts Department.	
		Ref	STANDARD PARTS	
	70001965	1	Coil	
	70001977	1	Coil	
	70001967	1	Coil	
	3740067	1	Relay	
	3740080	1	Relay	
	70010383	4	Element, Charge Filter	
	70001960	4	Element, Return Filter	
	70002113	1	Breather, Hydraulic Tank	
	4360070	1	Breaker, Circuit	
	4360328	1	Switch, Toggle	
	4360387	1	Switch, Push Button	
	2860030	1	Key, Replacement	
	4360475	1	Switch, Mushroom	
	1810140	1	Switch, Dual Axis	
	4360500	1	Switch, Rotary Angle Sensor	
	4360502	1	Switch, Proximity	
	4360524	1	Switch, Toggle	
	4360525	1	Switch, Toggle	
	70000082	1	Microswitch	
	7027367	1	Push Button Switch	
	70000081	1	Potentiometer	
	7017451	1	Coil	
	3990010	2	Diode	

SECTION 9 - RECOMMENDED SERVICE PARTS STOCK

FIGURE 9-2. MODELS 3394RT & 4394RT VARIABLE PARTS

ITEM	PART NUMBER	QTY	DESCRIPTION	REV
		Ref	Note: The following list will service one machine (built to current production per date on the front cover) with emergency repair parts which can be installed in the field. Parts from the list should be replaced when inventory is depleted to keep service parts stock supplied. For further information, contact your JLG dealer or the JLG Industries Parts Department.	
		Ref	VARIABLE PARTS	
	7016331	1	Filter, Oil (Deutz D2011 Engine Machines)	
	7020023	4	Filter, Spin On Fuel (Deutz D2011 Engine Machines)	
	7027245	4	Filter, Inline Fuel (Deutz D2011 Engine Machines)	
	7024438	1 doz	Element, Air Cleaner (Deutz D2011 Engine)	
	3740049	1	Relay (Deutz D2011 Engine Machines)	
	7016331	1	Filter, Oil (Deutz D2.9L4 Engine Machines)	
	70025153	1	Filter, Fuel (Deutz D2.9L4 Engine Machines)	
	70025161	1	Filter, Fuel (Deutz D2.9L4 Engine Machines)	
	70003937	1 doz	Element, Air Cleaner (Deutz D2.9L4 Engine)	
	70025210	1	Module, Control (Deutz D2.9L4 Engine Machines)	
	1001138228	1	Module, Power Relay (Deutz D2.9L4 Engine Machines)	
	7027965	1	Filter, Oil (GM Engine Machines)	
	7027972	4	Filter, Inline Fuel (GM Engine Machines)	
	See Note	1 doz	Element, Air Cleaner (GM Engine) (Note: See GM Engine Supplement Manual p/n 3121245)	
	1001091731	1	Module, Ground Control	
	1600336	1	Module	
	4360469	1	Switch, Key (All Specs except CE Spec)	
	4360470	1	Switch, Key (CE Spec)	
	4360483	1	Switch, Toggle (Machines with Power Deck Extensions)	
	3740080	1	Relay (Machines with Generator)	
	4360482	1	Switch, Toggle (Machines with Generator)	
	4360070	1	Breaker, Circuit (Deutz D2.9L4 with 7500W Generator)	
	2940074	1	Latch (With Swing Gates)	
	1001101076	1	Latch, Snap (With Chain Entry)	
	4360483	1	Switch, Toggle (Diesel Machines)	
	4360482	1	Switch, Toggle (Gas Machines)	
	2400056	2	Fuse - 5 Amp (With Beacon Light Option)	
	4360548	1	Switch, Limit (With Leveling Jacks)	
	4360448	1	Breaker, Circuit (With Power Deck)	
	8229242	2	Fuse - 5 Amp (Deutz D2.9L4 Engine Machines)	
	80983191	2	Fuse - 10Amp (Deutz D2.9L4 Engine Machines)	

SECTION 10 - SPECIAL OPTIONS

SECTION 10 - SPECIAL OPTIONS

FIGURE 10-1. SPECIAL OPTIONS LIST

ITEM	PART NUMBER	QTY	DESCRIPTION	REV
		Ref	SPECIAL OPTIONS LIST	
		Ref	Note: This list is to accommodate machines ordered with special equipment. Options may not be applicable to all models. For more specific parts information contact the JLG Parts Department.	
	1001233047	Ref	Air Breather Heater Add-on Kit (Deutz T4F Engines)	
		Ref	Airline to Platform Installation - 1/2in	
	0271782	Ref	Airline to Platform Installation - 1/2in 3394RT	
	0271783	Ref	Airline to Platform Installation - 1/2in 4394RT	
		Ref	Cold Weather Package Installation Options:	
	0271786	Ref	Deutz D2011 Engine Machines	
	1001151902	Ref	Deutz D2.9L4 Engine Machines	
	0275149	Ref	GM Engine Machines	
	1001108500	Ref	Container Shipment Preparation	
		Ref	Decal Options	
	1001196612	Ref	Decal - Ahern	
	1001196700	Ref	Decal - Blueline	
	1001154585	Ref	Decals - Boels Rentals	
	0253807	Ref	Decal - Corner Stripes (Dual Deck Extension)	
	0251642	Ref	Decal - Corner Stripes (Single Deck Extension)	
	1001115671	Ref	Decals - Fedex	
	0274680	Ref	Decals - Head and Engquist Equipment L.L.C (H&E)	
	1001112548	Ref	Decal - Hearing Protection	
	1001128997	Ref	Decal - Hertz	
	0274185	Ref	Decals - Nations Rent	
	0274249	Ref	Decals - National Equipment Services (NES)	
	0272289	Ref	Decals - Sunbelt	
	1001151164	Ref	Decals - Titan Rentals	
	0271666	Ref	Decals - United Airlines	
	1001098292	Ref	Decals - UPS	
	1001141644	Ref	Decals - Volvo	
		Ref	Decal Kits	
	1001125243	Ref	Decal Kit - Calibration (3394RT) (Located on Arms)	
	1001125242	Ref	Decal Kit - Calibration (4394RT) (Located on Arms)	
	2902066	Ref	Decal Kit - Country Spec (ANSI)	
	2902192	Ref	Decal Kit - Country Spec (Brazil) (Spanish/Portuguese Languages)	
	2902498	Ref	Decal Kit - Country Spec (CE and Australian)	
	2902190	Ref	Decal Kit - Country Spec (CSA) (English/French Languages)	
	1001162116	Ref	Decal Kit - Country Spec (Korean America) (English/Korean Languages)	
	2902191	Ref	Decal Kit - Country Spec (Latin America) (English/Spanish Languages)	
	2901912	Ref	Decal Kit - Master	
	1001209222	Ref	Decal Kit - Service (3394RT)	
	1001209221	Ref	Decal Kit - Service (4394RT)	
	2300040	Ref	Diesel Fuel Conditioner	
		Ref	Electrical Connector Kits	
	1001148902	Ref	Amp Connector Kit	
	1001148903	Ref	Deutsch DT Connector Kit	

SECTION 10 - SPECIAL OPTIONS

ITEM	PART NUMBER	QTY	DESCRIPTION	REV
	1001148904	Ref	Deutsch HD Connector Kit	
	1001148905	Ref	Packard Connector Kit	
	1001148906	Ref	Various Connector Kit	
	1001156953	Ref	Fan Guard (D2.9L4 Engines)	
	1001235569	Ref	Fan & Belt Shield Add-on Kit (Deutz T4i D2011 Engines)	
		Ref	Filter Kits	
		Ref	Deutz Engine	
	1001114030	1	Combined Filter Kit (Hydraulic/Air and Fuel/Engine Oil) (SN 0200191606 through 0200224892)	
	1001181152	1	Combined Filter Kit (Hydraulic/Air and Fuel/Engine Oil) (SN 0200224893 through 0200239052)	
	1001114029	1	Hydraulic/Air Filter	
	1001111685	1	Fuel/Engine Oil Filter	
		Ref	GM Engine	
	1001150357	1	Combined Filter Kit (Hydraulic/Air and Fuel/Engine Oil)	
		Ref	Fluids Options:	
	2300004	Ref	Coolant, Antifreeze (GM Engines)	
	3020008	Ref	Drive Hub Lubricant	
	2300040	Ref	Diesel Fuel Conditioner	
		Ref	Engine Oil	
	1001115930	Ref	Motor Oil 10W-30 (Machines With GM Tier III Engines)	
		Ref	Hydraulic Fluids	
	2300014	Ref	Mobil 424	
	2300027	Ref	Mobil 224H Bio	
	2300029	Ref	Mobil EAL ISO 46 Bio	
	2300016	Ref	Mobil DTE 10 EXCEL 32	
	2300021	Ref	Union Carbide Ucon HP5046 Fire Resistant	
	2300027	Ref	Mobil EAL 224 H	
	2300039	Ref	Exxon Univis HVI 26	
	1001112109	Ref	Forklift Pockets Installations	
		Ref	Headlights and Taillights Installation Options:	
	0272726	Ref	Headlights and Taillights without Directional Signals	
	1001110538	Ref	Headlights and Taillights with Directional Signals	
		Ref	Platform Console Box with Cover Installations	
	1001110706	Ref	Box with Cover and Lights Installation	
		Ref	Platform Console Box with Turn Signal and Lights Installations	
	1001138704	Ref	Box with Turn Signal and Lights Installation (Prior to SN 0200217946)	
	1001151233	Ref	Box with Turn Signal and Lights Installation (Dual Fuel Machines) (SN 0200217946 through 0200239052)	
	1001151234	Ref	Box with Turn Signal and Lights Installation (Diesel Machines) (SN 0200217946 through 0200239052)	
		Ref	Platform Light Installation Options	
	0271750	Ref	Floodlights Installation - 3394RT	
	0271751	Ref	Floodlights Installation - 4394RT	
	0271749	Ref	Worklights Installation - 3394RT	
	1001137964	Ref	Worklights Installation - 3394RT (Dual Extension)	
	0273801	Ref	Worklights Installation - 4394RT	
	1001137965	Ref	Worklights Installation - 4394RT (Dual Extension)	
	1001200380	Ref	Radiator Replacement Kit (RCP to Modine Brand) (ANSI - USA & CSA Specs)	
		Ref	Tools for Service	

SECTION 10 - SPECIAL OPTIONS

ITEM	PART NUMBER	QTY	DESCRIPTION	REV
		Ref	Note: See GM Engine Supplement P/N 3121245 for GM	
		Ref	Engine Tools	
	7002821	1	Crimper, Wire	
	7002823	1	Extractor, Pin - Universal	
	4460467	AR	Extractor, Pin #16 Gauge	
	4460510	AR	Extractor, Pin #12 Gauge	
	7004275	1	Installer, Cylinder Seal - 1in	
	7004276	1	Installer, Cylinder Seal - 1-1/2in	
	7002826	1	Installer, Cylinder Seal - 2in	
	7016654	1	Screwdriver, Magnetic	
	7002822	1	Screwdriver, Potentiometer	
	7002828	1	Stripper, Wire	
	2901443	1	Analyzer Kit	
	1001137005	1	USB to RS232 Drive Installation (Service Kit)	
		Ref	Top Rail Padding Installations	
	1001148913	Ref	Single Extension	
	1001149364	Ref	Dual Extension	

PART NUMBER INDEX

PART NUMBER INDEX

0010583.....38, 221, 226, 229	0271746 37	036040620	0641611.. 64, 66, 96, 115, 119, 127
0080190.....167	0271747 123	0363050 114, 118	0641612.... 52, 61, 70, 76, 115, 119, 155
0100011 11, 15, 18, 19, 23, 37, 41, 53, 54, 61, 62, 66, 71, 77, 92, 101, 105, 109, 127, 130, 134, 143, 155, 165, 167	0271748 147	0363082 101	0641616.....105
0100019....11, 18, 23, 62, 105	0271749 237	0370018 165	0641620.....96, 97
0100020....62, 64, 71, 78, 105	0271750 237	0370024 171	0641636.....138
0100038... 11, 15, 18, 165	0271751 237	0370026 163	0641676..... 130, 134
0100048.....77, 105, 129, 133	0271752 221	0400075 ... 52, 61, 70, 76	0641707.....63
0100062.....53, 62, 71, 77	0271755 225	0440234 115, 119	0641710.....109
0100079.....52	0271766 225	0440236 114, 118	0641718.....101
0140001.....41	0271767 225	0440250 114, 118	0641808.....105
0140011 147	0271774 88	0440271 11, 15, 18	0641811.....37
0140032.....42	0271775 87	0440274 11, 18	0641812.....87, 155
0181847 147	0271777 ... 221, 225, 229	0440291 11, 15, 18	0641814.... 53, 62, 71, 77, 123, 129, 133, 139
0182029.....53	0271781 42	0440311 155	0641820.....53
0182033.....87	0271782 236	0440312 155	0641822..... 11, 15, 18
0200712..... 114, 118	0271783 236	0480100 153	0641824.....37
0200713..... 114, 118	0271785 23	0480124 101	0641828..... 71, 77
0200714..... 118	0271786 236	0480143 109	0641836.....155
0200715..... 118	0271788 23	0561489 127	0641840.....155
0200716..... 114, 118	0271812 91	0610169 147	0642012..... 11, 15, 18
0200717 114	0271813 91	0630407 96, 105	0642014.....62
0200718..... 114, 118	0271814 91	0630485 ... 129, 133, 139, 143	0642016..... 52, 70, 76
0200719..... 114, 118	0272101 ... 129, 133, 139	0641404 105, 127, 147	0681607..... 114, 118
0200720..... 118	0272209 115, 119	0641405 41, 97, 221, 225, 229	0681612..... 114, 118
0200721 118	0272210 115, 119	0641406 ... 64, 71, 77, 92, 96, 97, 98, 105, 127, 130, 134	0681618..... 118
0200722 118	0272211 115, 119	0641407 ... 37, 61, 62, 71, 77	0681624..... 114, 118
0200723..... 114	0272228 98	0641408 ... 52, 61, 70, 76, 155	0681632..... 114, 118
0200742 101	0272229 98	0641409 62	0681636..... 118
0240087 159	0272241 ... 129, 133, 139	0641410 70, 76	0681810..... 23
0251642.....236	0272242 ... 129, 133, 139	0641411 41	0681813..... 114, 118
0253807.....236	0272243 129, 139	0641412 138	0681816.....96, 97
0257755.....24	0272244 24	0641413 138	0681820..... 15
0257756.....24	0272268 24	0641414 96, 97	0681822..... 63, 105
0258011.....24	0272289 236	0641418 70, 76	0681828..... 11, 18
0258012.....24	0272298 139	0641420 115, 119	0682012.....23
0270650.....23	0272351 123	0641426 138	0682014.....23
0270651.....24	0272400 147	0641504 63	0682040.....20
0270652.....24	0272405 148	0641505 105, 167	0682226.....37
0270653.....23	0272406 148	0641506 ... 19, 41, 42, 70, 76, 92	0700619..... 130, 134
0270654.....23	0272409 147	0641507 53, 105, 114, 118, 129, 133, 139	0700820.....109
0270655.....24	0272410 147	0641508 18, 41, 101, 129, 133, 139	0701013.....54
0271666.....236	0272411 147	0641509 61	0701016.....109
0271682.....127	0272412 148	0641510 109	0701037.....127
0271694..... 143, 144	0272605 138	0641516 129, 133	0701414..... 53
0271700..... 129, 130	0272707 138	0641560 41	0701418.....101
0271704..... 133, 134	0272726 237	0641605 ... 52, 61, 70, 76, 97	0701419.....53
0271708..... 127, 198, 210	0272829 153	0641606 .. 11, 18, 19, 109	0711025.....54
0271709..... 127, 198, 210	0272945 97	0641607 15	0720805.....53
0271711..... 143, 144	0272990 138, 139	0641608 ... 41, 52, 53, 54, 61, 70, 71, 76, 77, 87, 96, 97, 98, 101	0721004.....37
0271714..... 143, 144	0272998 139	0641609 ... 63, 71, 77, 87, 96, 97	0721006 53, 66, 101, 109
0271715..... 143, 144	0273063 143, 144	0641610 . 19, 70, 76, 115, 119	0721010..... 115, 119
0271718.....23	0273801 237		0731008.....87
0271719.....23	0273969 42		0741010.... 52, 61, 70, 76
0271735.....202, 214	0274103 155		0741606.....63
0271736.....202, 214	0274185 236		0741607.....105
0271737.....202, 214	0274249 236		0760810.....61, 64
0271743..... 101, 202	0274260 159		0761008.....63
0271745..... 101, 202	0274371 23		0761210.....64
	0274680 236		0761215.....63
	0274789 23		0771212..... 62, 106
	0275086 229		0771414..... 105
	0275100 225		0840026.....205, 215
	0275141 109, 202		0840041.....205, 215
	0275149 236		
	0275196 130		
	0275197 133		
	0275320 206, 216		
	0340052 53		

PART NUMBER INDEX

0840055 ... 198, 199, 200, 201, 205, 206, 210, 211, 212, 214, 215, 216	1001096984..... 129, 133, 139	1001103709..... 187, 189, 194	1001105908 92
0840056 198, 211	1001096985..... 129, 133, 139	1001103711..... 193, 194	1001106831 12
0840057 199, 211	1001097107..... 129, 133, 140	1001103751 41, 187, 189, 193	1001106832 11
0860038 203, 214	1001098130..... 15	1001103752 41, 187, 189, 193	1001106833 23
0860520 221, 225, 229	1001098292..... 236	1001103760..... 167	1001106834 177, 194
0861508 91	1001098823..... 194	1001103761..... 37	1001106835 194
0861538 105	1001100321..... 101	1001103762..... 41, 49	1001107924 177, 181
0861554 147	1001100424..... 11, 18	1001103764..... 37	1001108128 177, 181
0861731 105, 203	1001100775..... 53	1001103765..... 114, 167, 178, 182, 198, 210	1001108500 236
0861781 203	1001101076..... 144, 234	1001103766..... 115	1001108923 222, 227
0861880 204	1001101331.... 53, 62, 71, 77, 81, 82	1001103767..... 118, 167, 178, 182, 198, 210	1001109227 18
0901870 143	1001101511..... 25	1001103768..... 119	1001109228 19
0901930 205, 215	1001101512..... 24	1001103801. 37, 201, 214	1001109229 19
0902499 147	1001101513..... 24	1001103818..... 23	1001109280 177
0902773 167	1001101699.... 53, 62, 71, 77	1001103834..... 198, 210	1001109290 19
0902774 115, 119	1001101761..... 71	1001103835..... 198, 210	1001109295 18
0902777 52, 70, 76	1001101922..... 181, 194	1001104356.... 52, 61, 71, 77	1001109296 18
0902786 53	1001102170..... 11	1001104474..... 96	1001109475 204
0902801 87	1001102190..... 23	1001104500..... 96	1001109482 204
0902812 53	1001102194..... 24	1001104578..... 177, 181	1001110261 19
0902813 101	1001102195..... 24	1001104579..... 177, 181	1001110263 19
0902831 97	1001102196..... 23	1001104581..... 177, 181	1001110267 19, 20
0902838 138	1001102242..... 11	1001104584..... 177, 181	1001110285 20
0902839 138	1001102316..... 52	1001104585..... 177, 181	1001110384 20
0902842 101, 109	1001102397..... 71	1001104588..... 181	1001110425 61
0902847 92	1001102398..... 72	1001104589..... 177, 181	1001110451 19
0902885 54	1001102512..... 92	1001104590..... 181	1001110467 194
0903054 37	1001102540..... 70	1001104594..... 96	1001110503 98
0903095 155	1001102766..... 87	1001104595..... 96	1001110509 98
0903104 155	1001102804..... 23	1001104607..... 96	1001110538 237
0903475 70, 76	1001102805..... 23, 31	1001104638.... 52, 61, 71, 77	1001110687 92
0903476 70, 76	1001102823..... 87	1001104763..... 53	1001110706 237
0903612 204	1001102946..... 87	1001104765..... 54	1001111280 92
0940049 97	1001102947..... 87	1001104890..... 92, 199	1001111340 92
0961388 115, 119	1001102948..... 41, 87	1001105023..... 97	1001111341 64
0961950 11, 15, 18	1001102949..... 41, 87	1001105112..... 71, 78	1001111685 237
0961986 53, 63, 71, 77	1001102950..... 87	1001105169..... 187, 189, 193	1001112109 237
0962031 114, 118	1001102976..... 41	1001105170..... 187	1001112548 236
0962140 11, 18	1001102987.... 52, 61, 70, 77	1001105171..... 187	1001114029 237
0962292 18	1001103266..... 138, 140	1001105172..... 187, 193	1001114030 237
0962348 18	1001103267..... 138, 140	1001105173..... 187	1001114604 78
0962356 119	1001103340..... 41	1001105234..... 193	1001114629 77
0962445 118	1001103366..... 177, 181	1001105235..... 193	1001114630 77
0962446 114, 118	1001103410 41, 138, 204, 215	1001105236..... 193	1001114631 76
0962474 115, 119	1001103411 41, 138, 204, 215	1001105237..... 193	1001115671 236
0962520 105	1001103412 41, 138, 204, 215	1001105238..... 193	1001115930 77, 237
1001091564 87, 88	1001103413 41, 138, 205, 215	1001105239..... 193	1001116710 213
1001091587 71	1001103414 41, 138, 204, 215	1001105320..... 187, 190, 193	1001116727 212
1001091589 202	1001103489..... 92, 199	1001105328..... 187, 190, 193	1001116867 15
1001091590 202	1001103490..... 205, 215	1001105692..... 189	1001116952 212
1001091591 202	1001103551..... 37, 41	1001105700..... 25	1001116983 213
1001091592 202	1001103552..... 185, 194	1001105709..... 41, 45	1001117078 216
1001091593 202	1001103570..... 205, 215	1001105903..... 92	1001117139 96
1001091594 202	1001103708..... 187, 189, 194	1001105904..... 92	1001117140 97
1001091595 203		1001105905..... 92	1001117308 63
1001091642 204		1001105906..... 92	1001125242 119, 236
1001091731 91, 234		1001105907..... 92	1001125243 115, 236
1001092410 98			1001125387 222
1001092724 53, 55			1001126351 212
1001093380 11			1001126352 212
1001094159 12, 15, 20			1001126353 212
1001094649 178, 182			1001126356 212
1001096983 129, 133, 139			1001126357 212
			1001126362 213
			1001126363 213
			1001126364 213
			1001126365 213

PART NUMBER INDEX

1001126384.....212	1001143896..... 129, 133, 139	1001148906..... 237	1001196700.....236
1001126391.....213	1001143898..... 129, 133, 139	1001148907..... 106, 216	1001200380.....237
1001127658..... 18	1001143907..... 64, 212	1001148913..... 238	1001209221.....236
1001127659..... 18	1001143909..... 130, 133, 140	1001149107..... 182	1001209222.....236
1001127665..... 19	1001144112..... 63	1001149199..... 181	1001233047.....236
1001127701..... 19	1001144113..... 64	1001149319..... 114, 167, 182, 210	1001235569.....237
1001127702..... 19	1001144115..... 64	1001149320..... 115	1060279.....221, 225, 229
1001127723..... 19	1001144116..... 63	1001149321..... 118, 167, 182, 210	1060308.....202
1001128033..... 19	1001144808..... 119	1001149322..... 119	1060341.....205, 206, 215, 216
1001128997.....236	1001145006..... 63	1001149324..... 210	1060379..... 143, 159
1001131270.....221, 225	1001145562..... 64, 212	1001149325..... 210	1060394..... 106, 216
1001133714.....213	1001145758..... 63, 64	1001149364..... 238	1060494..... 106, 216
1001133715.....213	1001146043..... 63	1001149953..... 24	1060584.....20
1001133956.....212	1001146327..... 62	1001150357..... 237	1060625.....62
1001133957.....212	1001146329..... 62	1001151164..... 236	1060626.....62
1001134488.....63	1001146330..... 61	1001151233..... 237	1060680.....201, 213
1001135650.....213	1001146336..... 63	1001151234..... 237	1060808..... 143
1001135679..... 106	1001146356..... 63	1001151902..... 236	1060866..... 198, 210
1001136079.....63	1001146357..... 63	1001152479..... 204	1060907..... 198, 210
1001136104..... 106	1001146358..... 63	1001152482..... 204	1060908.....204
1001136172.....63	1001146359..... 63	1001152483..... 204	1060929.....167
1001136834.....63	1001146360..... 64	1001152486..... 204	1061003.....205, 215
1001137005.....238	1001146396..... 64	1001153636..... 204	1061004.....205, 215
1001137810.....53, 55	1001146517..... 64	1001154334..... 64	1061006..... 102, 109, 202
1001137811.....53	1001146616..... 64	1001154405..... 62, 66	10702077.....106
1001137812.....53	1001146974..... 66	1001154585..... 236	10702082.....106
1001137813.....52	1001147264..... 212	1001155477..... 64	1120361.....88
1001137886.....97	1001147274..... 25	1001155493..... 64	1120485.....88
1001137964.....237	1001147434..... 62, 213	1001155581..... 97	1120555.....159
1001137965.....237	1001147435..... 61, 212	1001155823..... 62	1120558.....88
1001138110.....212	1001147473..... 96	1001155874..... 64	1120580.....155
1001138111.....212	1001147475..... 96	1001155875..... 64	1180371..... 114, 118
1001138113.....212	1001147476..... 96	1001156037..... 92	1180372..... 114, 118
1001138228..... 63, 234	1001147530..... 61	1001156819..... 77	1260136.....144
1001138248.....64	1001147571..... 61	1001156953..... 237	1320012..... 71, 77
1001138704.....237	1001147572..... 61	1001157520..... 106	1320016.....53
1001138827.....63	1001147629..... 61	1001157521..... 106	1320019.....54, 138
1001139141.....15, 18	1001147631..... 62	1001157530..... 106	1320022.....52, 53, 70, 71, 77
1001139240.....61	1001147775..... 66	1001157593..... 106, 216	1320058.....53
1001139303.....63	1001147776..... 105, 216	1001157771..... 216	1320061.....70, 76
1001139409.....64	1001147780..... 106	1001158007..... 106	1320122..... 114, 118
1001139476.....15	1001147783..... 66	1001158008..... 106	1320220..... 70, 76
1001139626.....15	1001147972..... 106	1001160561..... 87	1320224.....203, 214
1001139645.....15, 19	1001147974..... 92, 211	1001162110..... 226	1320323.....70, 76
1001139892.....15, 19	1001148043..... 62	1001162111..... 226	1321716.....64
1001139935.....15	1001148044..... 62	1001162112..... 226	1340066.....53
1001139943.....15	1001148045..... 61	1001162113..... 226	1380150..... 129, 133, 139
1001140311..... 18	1001148077..... 92	1001162114..... 226	1380151..... 129, 133, 139
1001140312.....64	1001148138..... 106	1001162115..... 225	1440331..... 114, 118
1001140438..... 19	1001148424..... 216	1001162116..... 236	1580011..... 71, 77
1001140469..... 19	1001148559..... 106	1001162514..... 225	1580023.....159
1001140535.....63	1001148641..... 64	1001163599..... 105	1580024.....159
1001140564.....64	1001148648..... 106, 216	1001165035..... 62	1600336..... 92, 127, 234
1001141304.....62, 64, 212	1001148675..... 106	1001165196..... 62, 66	1600403..... 147, 151
1001141644.....236	1001148676..... 106, 216	1001167174..... 62	1670988..... 127, 203, 214
1001141717.....62	1001148750..... 106	1001168945..... 92	1670995..... 114, 118
1001141967.....203	1001148844..... 106	1001168946..... 92	1671099.....96
1001141968.....204	1001148867..... 24	1001168947..... 92	1671165.....37
1001141969.....204	1001148868..... 24	1001174486..... 76	1671207..... 105, 216
1001142501.....61, 66	1001148869..... 24	1001175556..... 97	1683054.....165
1001142595.....222, 227	1001148870..... 24	1001176642..... 97	1683658.....171
1001142938.....213	1001148902..... 236	1001177167..... 77	1684266..... 138, 169
1001142940.....213	1001148903..... 236	1001181152..... 237	1684290.....163
1001142941.....213	1001148904..... 237	1001181895..... 64	1684332..... 114, 118, 167
1001143434.....15, 18, 173	1001148905..... 237	1001196612..... 236	1684406.....37, 165
1001143797.....63			
1001143852.....227, 230			

PART NUMBER INDEX

1684412	11, 18, 171	1705034	229	2112016.....	177, 181	2570008.....	171
1684465 ..	11, 15, 18, 163	1705035	229	2130404.....	177, 181	2580001.....	62
1700584	221, 225, 229	1705036	229	2130406.....	181	2580050.....	62
1700818	222, 227	1705037	229	2130604.....	189	2600285.....	144
1701214	38	1705038	222, 227, 229	2130606.....	185	2600286.....	96, 97
1701502	87	1705039	222, 227, 229	2130608.....	49	2680505.....	96
1701503	87	1705040	226	2130808.....	177, 181	2680508.....	97
1701505	221, 227, 229	1705041	226	2130810.....	178	2680519.....	97
1701509	221, 225, 229	1705042	38	2130812.....	177, 181	2700100.....	159
1701542	222, 227	1705043	226	2131008.....	178, 182	2720058.....	52, 71, 77
1701785	38	1705190	221, 226	2131216.....	177, 181, 182	2720271.....	72, 77
1702137	24	1705193	226	2150406.....	178, 182	2720473.....	70, 76
1702153	221, 225	1705194	226	2150810.....	178	2720486.....	54
1702720	227	1705195	225	2151010.....	177, 182	2720494.....	54
1702740	24	1705303	226	2151216.....	177, 181	2720495.....	54
1702773	221, 226, 229	1705311	226	2152020.....	177, 182	2720566.....	70, 76
1702788	221, 226, 229	1705314	226	2170204.....	187, 189, 193	2720580.....	70, 76
1702941	62	1705315	226	2170304.....	187, 189, 193	2720611.....	70, 76
1702943	62	1705316	226	2170504.....	177, 181, 189	2750532.....	54, 71, 78
1702944	62	1705317	226	2170508.....	177, 181	2753550.....	189
1702961	221	1705318	226	2170704.....	187, 193	2753554.....	189
1702962	221	1705325	203, 214	2170706.....	187, 193	2753555.....	189
1703162	221, 226, 229	1705372	229	2172104.....	189	2753576.....	185
1703464	203, 214	1705392	147	2180348.....	52, 70, 76	2753582.....	177, 181
1703479	229	1705515	229	2180387.....	70, 76	2753622.....	177, 181
1703493	222, 227, 229	1705637	153	2180389.....	70, 76	2753624.....	185
1703687	221, 225, 229	1705671	229	2180418.....	70, 76	2753659.....	181
1703811	221, 225, 229	1705688	91	2180830.....	187, 189, 193	2753675.....	177, 181
1703812	221, 226, 229	1705913	147	2220238.....	177, 181	2753681.....	177, 181
1703814	221, 226, 229	1705914	147	2220250.....	52, 70, 76	2753704.....	177, 181
1703816	221	1705943	226	2220290.....	70, 76	2753708.....	177, 181
1703818	221	1705944	226	2220451.....	54	2753717.....	189
1703819	221, 226, 229	1705997	159	2220479.....	177, 181	2753773.....	177, 181
1703821	98, 221	1706059	52	2220633.....	61	2753783.....	187
1703822	221, 226, 229	1706060	52	2220655.....	54	2753784.....	177, 181
1703823	221	1706063	52	2220883.....	31, 37	2753791.....	177, 181
1704006	225	1706064	52	2220885.....	178, 182	2753793.....	178, 182
1704007	225	1706098	52	2220886.....	31	2753794.....	178, 182
1704008	225	1706113	155	2220890.....	163	2753832.....	185
1704174	221, 226, 229	1706197	155	2221084.....	177, 181	2753833.....	185
1704175	229	1706338	229	2221086.....	177, 182	2753834.....	185
1704271	227	1706960	19	2221114.....	61	2753835.....	185
1704277	221, 226, 229	1810140	91, 199, 211, 232	2300004...63, 71, 77, 237		2753867	187, 189, 193
1704412	221, 225, 229	2020006	129, 133, 139	2300014.....	237	2753868	187, 190, 193
1704432	221	2080040	144	2300016.....	23, 237	2753875.....	187
1704578	19	2080057	221, 225, 229	2300021.....	237	2753877.....	187, 193
1704588	147	2080063	143, 153	2300027.....	237	2753878.....	187
1704589	147	2080064	143	2300029.....	237	2753881	187, 189, 193
1704607	225	2080072	123	2300039.....	237	2753921.....	189
1704684	225	2110404 ...	177, 181, 187, 189, 193	2300040.....	236, 237	2753939....	187, 189, 193
1704686	226	2110406 ...	177, 181, 187, 189, 193	2300041.....	63	2753940.....	177, 181
1704687	226	2110604	187, 193	2400044....	52, 61, 70, 76	2754040.....	177, 181
1704690	38	2110606 37, 49,	177, 181, 185, 187, 189, 193	2400056....	201, 213, 234	2780262.....	23, 27
1704691	225	2110608	49	2420172.....	91	2780267.....	23, 33
1704693	226	2110806	187, 189, 193	2420199.....	87	2780268.....	23, 33
1704694	226	2110808 37, 49,	177, 178, 181, 182, 187, 189, 193	2420203.....	101, 109	2820018.....	37
1704697	38	2110810	177, 182	2460043.....	101	2820097.....	144
1704698	38	2110812	178, 181, 182	2460047.....	101	2820153.....	96
1704699	225	2111010	177, 181	2460049.....	101, 109	2820154.....	96
1704701	226	2111210	177, 181	2460059.....	109	2820155.....	199, 211
1704702	226	2111212	177, 181	2560088.....	130, 134	2820156.....	96
1704885	221, 226, 229	2111216	177, 181	2560141.....	147	2820157.....	96
1704972	52, 62			2560171.....	130, 134	2820158.....	96
1705019	221, 226, 229			2560172.....	130, 134	2820159.....	96
1705020	221, 227			2560176.....	143	2840023.....	155
1705021	221, 227			2560186.....	155	2840024.....	155
1705022	221, 227			2560188.....	143	2860030.....	91, 232

PART NUMBER INDEX

2900708.....45	3300048 204, 215	3422961 115, 119	3841143.... 18, 52, 61, 70,
2900756..... 47, 167	3300106 23	3422963 115, 119	76, 114, 115, 119, 127
2901443..... 206, 217, 238	3300182 127, 138	3422964 118	3841203..... 114, 119
2901912..... 226, 236	3300353 37	3422965 114, 118	3841233.... 129, 133, 139
2902062..... 115	3300396 106	3422966 129, 133, 139	3841258..... 11, 15, 18
2902063..... 119	3300408 52, 61, 70, 76	3423047 155	3841517..... 11, 18
2902065..... 54, 62, 64	3300432 144	3423049 127	3841520..... 15
2902066..... 236	3300455 115, 119	3423052 138	3841556..... 114, 119
2902067..... 144	3300467 130, 134	3423081 11, 18	3841564..... 37
2902132..... 52, 200	3300472 129, 133, 139	3423151 155	3850013..... 165
2902146..... 144	3300489 155	3423179 155	3860059.... 129, 133, 139
2902147..... 143	3310401 61	3423180 155	3860102..... 119
2902148..... 144	3310601 147	3440816 155	3860122..... 155
2902149..... 115	3310805 37, 53	3450304 114, 118	3900109..... 11, 18
2902150..... 119	3311001 66, 102, 106,	3450405 167	3900178..... 147
2902182..... 165	109	3460334 159	3900254 138
2902190..... 236	3311005 37, 53, 106, 115,	3460335 53	3900255..... 15
2902191..... 236	119	3480288 163	3900265..... 147
2902192..... 236	3311405 ... 41, 52, 61, 63,	3482848 18	3900290..... 96, 97
2902243..... 54	70, 71, 76, 77, 96, 97,	3510878 129, 133, 139	3900295..... 18
2902244..... 54	98, 105, 115, 119, 123,	3510879 139	3900296..... 19
2902263..... 144	127, 130, 134, 155,	3520026 91	3900300..... 91
2902266..... 163	221, 225, 229	3520028 91, 102, 109	3900318..... 143, 153
2902338..... 97	3311501 97	3520072 143	3900319..... 144
2902348..... 159	3311505 ... 41, 42, 54, 61,	3520079 148	3900321..... 165
2902409..... 171	70, 76, 92, 96, 97, 105,	3520080 148	3900322..... 102
2902431..... 105	114, 118, 129, 133, 139	3520193 91, 148	3900323..... 143
2902443..... 199, 212	3311508 64	3537609 129, 133	3900325..... 115, 119
2902498..... 236	3311601 96, 97	3571862 143	3900330..... 138
2902534..... 70, 76, 200	3311605 ... 19, 52, 54, 61,	3573195 71, 77	3900355..... 159
2902549..... 204	63, 66, 70, 71, 76, 77,	3573288 54	3910408..... 61
2920026..... 91, 148	87, 96, 97, 98, 102,	3573304 54	3910606..... 91
2920029..... 91, 148	109, 115, 119, 127,	3573370 114, 118	3910616..... 91
2920110..... 205, 215	138, 143, 155	3573438 129, 133	3910804..... 91
2920113..... 205, 216	3311608 71, 77	3573440 70, 76	3911428..... 144
2920140..... 205, 215	3311801 23, 105	3573472 144	3930820..... 37
2920146..... 37	3311802 129, 133, 139	3573513 165	3931016..... 106
2920162..... 102	3311805 ... 37, 54, 71, 77,	3573658 37	3931028..... 144
2940064..... 144	87, 155	3574153 205, 216	3931412..... 159
2940074..... 144, 234	3312005 ... 20, 52, 62, 70,	3574164 205, 215	3931424..... 61
2940127..... 130, 134	76	3574235 18	3931436..... 63, 143
2940147..... 96, 97	3312008 11, 15, 18	3575597 155	3931508..... 159
3010088..... 144	3312201 19	3576003 52	3931512..... 63, 143
3020008..... 23, 237	3312205 155	3580134 101	3931516..... 165
3020021..... 54, 64	3321402 167	3580312 109	3931628..... 105
3020029..... 11, 15, 18	3322201 11, 18	3580317 105	3940804..... 105
3020035..... 155	3322202 129, 133, 139	3580318 105	3960407..... 55
3020043..... 171	3340612 143	3580320 105	3960468..... 52, 70, 76
3200362..... 71, 77	3340929 114, 118	3580324 109	3960525..... 87
3200378..... 54	3340935 115, 119	3580348 109	3960526..... 23
3200431..... 54	3340937 143	3600468 41, 85	3960559..... 96, 97
3200447..... 115, 119	3340945 96, 97	3620042 71, 77	3980007.... 52, 61, 70, 76
3200450..... 147	3380495 97	3620043 54	3990010.... 198, 210, 232
3220129..... 54	3420352 20	3740049 52, 211, 234	4010408..... 105
3220131..... 54	3420372 20	3740067 41, 53, 232	4031914..... 63
3251813..... 221, 225, 229	3421453 144	3740080 . 53, 70, 76, 102,	4032014..... 105
3252507..... 203, 214	3421565 143	109, 205, 216, 232, 234	4060700..... 203, 214
3252757..... 221, 227	3422219 143, 159	3760141 155	4060802.... 91, 102, 105,
3271605..... 114, 118	3422592 11, 15, 18	3760170 20, 143, 159	109, 147, 148, 206, 216
3271801..... 63, 105	3422669 52, 61, 70, 76	3760348 37, 129, 133,	4060803..... 54
3271805. 96, 97, 114, 118	3422943 114, 118, 127	139, 155	4061032..... 178, 182
3272005..... 138	3422944 114, 118	3760351 138	4061056..... 123
3272205..... 37	3422945 114, 118	3760368 165	4061057..... 123
3290405..... 70, 76, 105	3422946 114, 118	3760460 165	4070450..... 20
3290505..... 70, 76	3422948 118	3780182 11, 15, 18	4070560..... 20
3290601..... 130, 134	3422952 118	3790152 53, 62, 71, 77	4070561..... 20
3291005..... 55, 127	3422954 114	3820020 143	4070987..... 91

PART NUMBER INDEX

4130403	11	4460266	151, 198, 210	4460891	199, 201, 205,	4461258	203
4130404	12	4460267 ...	151, 198, 199,	211, 213, 214, 215	211, 213, 214, 215	4464496	203
4130405	11, 19	201, 202, 205, 210,	211, 214, 215	4460892	198, 201, 205,	4520217	24
4130406	12	211, 214, 215		210, 214, 215, 216	210, 214, 215, 216	4520240	24
4160116	37	4460268 ...	199, 201, 202,	4460893	202	4520262	24
4160196	96, 97	205, 211, 213, 215		4460894	198, 201, 205,	4520570	25
4210028	37	4460315	106	210, 212, 214, 215, 216	210, 212, 214, 215, 216	4520571	24
4240003	159	4460320 ...	201, 205, 214,	4460895	198, 210	4520576	24
4240033	106, 115, 119	215		4460897	201, 205, 213,	4520608	24
4240035	127	4460321	199, 211	215	215	4568295	127
4240099	62	4460326	202	4460899	211	4568346	71, 76
4240170	155	4460346 ...	105, 203, 215,	4460906	202	4568398	54
4240171	155	216		4460930	212	4568499	52
4280295	114, 119	4460374	199, 200, 202	4460931	211	4568735	109
4340853	159	4460375	199, 200, 202	4460932	213	4569126	155
4340854	159	4460420	199, 211	4460933	199, 200, 211	4569150	156
4340922	155	4460422	204, 215	4460934	201, 214	4640113	24
4340932	155	4460424 ...	199, 205, 211,	4460935	198, 201, 205,	4640261	19
4340933	155	215		206, 210, 214, 215, 216	206, 210, 214, 215, 216	4640751	54
4340934	155	4460425	106, 216	4460939	200	4640858	163
4340948	155	4460426	106, 216	4460941	213	4640952	72, 78
4340949	155	4460434	199, 211	4460942	213	4641122	24
4360070	91, 106, 232,	4460445	202	4460943	199, 211	4641192	45
234		4460458	212	4460944	198, 211, 212	4641193	167
4360328	91, 92, 232	4460464 ...	198, 200, 201,	4460955	199, 211	4641205	167
4360387	91, 147, 148,	202, 205, 210, 211,		4460967	216	4641254	167
232		213, 215, 216		4460968	202, 203, 214	4641281	177, 182
4360448	205, 215, 234	4460465 ...	198, 199, 201,	4460970	200, 212	4641303	41, 47
4360469	91, 234	202, 205, 206, 210,		4460972	202	4641390	163
4360470	91, 234	211, 212, 213, 214,		4460974	202	4710400	61
4360475	91, 147, 232	215, 216		4460982	205, 215	4711000	66, 106
4360482 ...	102, 105, 109,	4460466 ...	198, 199, 200,	4461005	199	4711400 ...	37, 41, 52, 61,
147, 148, 206, 216, 234		201, 205, 206, 211,		4461006	199	63, 71, 72, 76, 77, 96,	
4360483	92, 147, 234	212, 213, 214, 215, 216		4461008	199, 213	97, 98, 105, 115, 119,	
4360500	115, 119, 232	4460467 ...	206, 217, 238	4461052	199	127, 138, 143, 155,	
4360502	115, 119, 232	4460470	147, 198, 210	4461053	199	159, 167, 221, 225, 229	
4360518	37	4460480	198, 210	4461054	199, 213	4711500 ...	19, 41, 42, 54,
4360524	147, 232	4460481	198, 210	4461060	199	61, 63, 71, 77, 92, 96,	
4360525	147, 232	4460488	71	4461070	212	97, 105, 115, 119, 129,	
4360548	202, 214, 234	4460499	198, 210	4461071	199, 212	133, 139, 143	
4400275	72, 78	4460510	206, 217, 238	4461072	199, 212	4711600 ...	19, 52, 54, 61,
4400420	72, 78	4460536 ...	199, 200, 202,	4461073	199, 212	63, 66, 71, 72, 77, 87,	
4400436	87	211, 213		4461074	199, 212	96, 97, 102, 105, 115,	
4420008	147	4460539 ...	198, 199, 201,	4461095	212	119, 129, 130, 133,	
4420037	87	210, 211, 214		4461109	200	134, 139, 155, 200	
4420051 19, 37, 123, 222,		4460608	200	4461110	201	4711700	63, 102, 109
227, 230		4460612	105, 216	4461111	200	4711800 ...	37, 54, 72, 78,
4420062	159	4460633	204	4461112	201	87, 123, 155	
4420066	129, 133, 139	4460662	105, 216	4461113	200	4711900	102
4420067	221, 225, 229	4460693	200	4461121	200	4712000 ...	52, 62, 71, 77,
4420069	129, 133, 139	4460705	202	4461122	200	155	
4420080	52, 77, 87	4460741	199, 211	4461123	200	4712200	19, 138
4460027	101, 109	4460761	198, 210	4461124	200	4740067	19
4460044	201, 213	4460779	202	4461161	200	4740086	11, 15, 19
4460071	203, 214	4460812	198, 211	4461198	203	4740120	147
4460121	198, 199, 211	4460814	199, 211	4461199	203	4740155	19
4460138	203, 214	4460817	198, 210	4461201	204	4740158	11, 15, 18
4460185	205, 216	4460818	198, 210	4461202	203	4740274	54, 72, 78
4460190	101, 109	4460836 ...	198, 199, 201,	4461204	204	4740362	102, 110
4460206	205, 216	206, 210, 211, 214, 216		4461205	203	4740415	155
4460224	202	4460837	200, 212	4461207	204	4740455	115, 119
4460225 ...	199, 202, 211,	4460842	199, 211	4461222	200	4740480	159
216		4460851	201, 214	4461244	203	4740506	115, 119
4460226	151, 216	4460852	201, 214	4461245	203	4740529	155
4460234	62	4460858	202	4461246	204	4740537	11, 19
4460248	201, 214	4460884	202, 213	4461249	203	4740538	11, 19
4460265	151, 201, 213			4461257	203	4740539	11, 19

PART NUMBER INDEX

4740540.....	11, 19	4922800	102, 110, 202	70001958	81, 82	70002190.....	82
4740541.....	11, 18	4922859	205, 215	70001959	87	70002192.....	82
4750600.....	91	4922925	106, 216	70001960	87, 232	70002202.....	167
4750800.....	37	4923386	53, 200	70001965	37, 49, 232	70002203.....	167
475100053, 87, 102, 105, 110, 115, 119, 144		4923478	53, 200	70001967	45, 167, 232	70002210... 53, 62, 71, 77	
4751400..41, 71, 77, 130, 134		4923507	206, 216	70001977	41, 45, 140, 232	70002236.....	101
4751500.....	109, 129, 133	70000081	151, 232	70001978	45	70002237.....	102, 109
4751600....41, 96, 97, 98, 102, 110, 129, 130, 133, 134, 138, 139, 143		70000082	151, 232	70001979	45	70002240.....	101, 109
4751800.....	11, 19, 155	70000083	151	70001980	45	70002241.....	101, 109
4752000.....	20	70000084	151	7000206	33	7000229.....	33
4752200....	102, 129, 133, 138, 139	70000085	151	70002112	87	7000230.....	33
4760600.....	91, 147	70000122	101, 109	70002113	87, 232	70002303.....	27
4761000.....	91	70000123	101	70002132	81, 82	70002304.....	27
4761400.....	92	70000124	102	70002133	81	7000232.....	33
4761500.....	41	70000125	102	70002134	81	7000246.....	33
4761600.....	41, 71, 77	70000126	101	70002135	81	7000248.....	33
4791400.....	105, 147	70000164	72, 78	70002136	81	7000253.....	33
4811400.....	105	70000263	53	70002137	81	7000257.....	33
4811900.....	61, 63, 109	70000345	56, 65	70002138	81	7000258.....	33
4812000.....	55, 63	70000619	105	70002139	81	7000261.....	33
4812100.....	62, 63, 106	70000683	151	70002140	81	7000262.....	33
4812200.....	105	70000684	151	70002141	81	70002627.....	201
4845441.....	153	70000685	151	70002142	81	7000263.....	33
4845442.....	153	70000686	151	70002143	81	70002718.....	65
4845938.....	147	70000718	201	70002144	81	70002768.....	87
4846070.....	11, 19	70000783	56	70002145	81	70002895.....	78
4846460.....	119	70000793	54, 64	70002146	81	70002898.....	201
4846519....	129, 133, 139	70000797	31	70002147	81	70003098.....	173
4846530.....	143	70000912	55	70002148	81	70003099.....	173
4846531.....	143	70000913	55	70002149	81	70003463.....	55
4846532.....	143	70000914	55	70002150	81	70003468.....	55
4846537.....	143	70000915	55	70002151	81	70003469.....	55
4846542.....	143	70000916	55	70002152	81	70003475.....	56
4846556....	129, 139, 143	70000917	55	70002153	81	70003479.....	56
4846557.....	143	70000918	55	70002154	81	70003480.....	56
4846570.....	144	70000919	55	70002155	81	70003481.....	56
4846584.....	165	70000969	85	70002156	81	70003650.....	151
4846590.....	143	70000970	85	70002157	81	70003933.....	173
4846611.....	98	70000971	85	70002158	81	70003934.....	173
4846612.....	98	70000976	85	70002159	81	70003935.....	47
4846620.....	37	70001002	55	70002160	81	70003936.....	47
4846621.....	37	70001017	54	70002161	81	70003937.....	64, 234
4846655.....	147	70001065	85	70002162	81	70004056.....	55
4846825.....	96, 97	70001076	85	70002163	81	70004057.....	55
4846827.....	97	70001079	85	70002164	81	70004058.....	55
4846843.....	143	70001080	85	70002165	81, 82	70004061.....	200
4846844.....	143	70001081	85	70002166	81	70004062.....	200
4860179.....	25	70001085	85	70002167	81	70004194.....	151
4860213.....	25	70001103	88	70002168	81	70004274.....	64
4860237.....	25	70001106	85	70002169	82	70004275.....	65
4891500.....	102	70001107	85	70002170	82	70004277.....	66
4891600....	53, 54, 62, 71, 77, 87, 96, 97, 109	70001108	85	70002172	82	70004279.....	65
4891800....	11, 15, 18, 23, 53, 62, 63, 71, 77, 96, 97, 105	70001112	85	70002174	82	70004281.....	65
4892000.....	23, 102	70001349	33	70002175	82	70004283.....	65
4892200.....	37	70001423	55	70002176	82	70004284.....	66
4922667.....	91, 199, 211	70001435	55	70002177	82	70004285.....	66
4922692.....	198, 210	70001787	53	70002178	82	70005446.....	66
4922739.....	37, 201, 213	70001850	55	70002179	82	70005672.....	27
4922768....	147, 198, 210	70001866	56	70002180	82	70005673.....	27
		70001868	56	70002181	82	70005674.....	27
		70001870	56, 64	70002182	82	70005675.....	27
		70001871	55	70002185	82	7000663.....	55
		70001872	200	70002186	82	7000731.....	34
		70001931	201	70002187	82	70007439.....	82
		70001932	31	70002188	82	70010383..52, 61, 70, 77, 232	
		70001950	201	70002189	82	7001084.....	169
		70001951	201				

PART NUMBER INDEX

7001608.....	169	7007207.....	81	7020411.....	55	7024055.....	27
7001610.....	169	7007415.....	82	7020414.....	55	7024182.....	34
7001613.....	169	7007418.....	81	7020430.....	56	7024189.....	34
7001617.....	169	7007419.....	81	7020447.....	55	7024190.....	34
7001998.....	33	7007437.....	31	7020460.....	56	7024191.....	34
70024473.....	65	7007438.....	31	7020465.....	55, 64	7024192.....	34
70024486.....	65	7007439.....	31	7020468.....	55	7024193.....	34
70024488.....	65	7007446.....	31, 81	7020471.....	55	7024194.....	34
70024504.....	66	7007601.....	33	7020479.....	55	7024196.....	34
70024507.....	66	7007640.....	33	7020486.....	55	7024197.....	34
70024513.....	65	7010429.....	33	7020492.....	65	7024438.....	53, 72, 234
70024905.....	64	70104570.....	66	7020494.....	55	7024441.....	87
70024906.....	64	7010542.....	45	7020495.....	55	7024446.....	87
70024907.....	65	7010543.....	45	7021249.....	31	7024488.....	105
70024910.....	65	7010545.....	45	7021256.....	81, 82	7024489.....	105
70024914.....	66	7010635.....	45	7021275.....	31, 81	7024497.....	49
70024915.....	66	7010911.....	85	7021276.....	31	7024498.....	49
70024916.....	66	7011003.....	85	7021277.....	31	7024499.....	49
70024917.....	66	7011016.....	85	7021325.....	27	7024500.....	49
70024918.....	66	7011024.....	85	7021326.....	27	7024502.....	37, 49
70024920.....	66	7011043.....	85	7021327.....	27	7024503.....	49
70024924.....	65	7011044.....	85	7021328.....	27	7024504.....	49
70024925.....	65	7011048.....	85	7021329.....	27, 28	7024505.....	49
70025076.....	65	70124530.....	66	7021341.....	27	7024506.....	38, 49
7002508.....	65	70124538.....	66	7021344.....	27	7024507.....	49
70025082.....	65	7012513.....	101, 109	7021346.....	27	7024565.....	56
70025084.....	65	7012514.....	101, 109	7021347.....	27	7024579.....	56, 64
70025088.....	64	7012576.....	85	7021625.....	47	7024585.....	52
70025091.....	65	7012905.....	45	7021639.....	47	7024586.....	52
70025120.....	66	7012910.....	45	7022301.....	81	7024587.....	52, 200
70025135.....	65	7012920.....	45	7022302.....	31	7024588.....	200
70025136.....	65	7012925.....	167	7022305.....	31	7024705.....	34
70025140.....	65	7012941.....	45	7022310.....	31	7024712.....	33
70025142.....	65	7012967.....	41, 45	7022311.....	31	7024713.....	33
70025143.....	65	7012972.....	45	7022312.....	31	7024714.....	33
70025144.....	65	7016319.....	37	7022314.....	31	7024715.....	33
70025145.....	65	7016331.....	55, 65, 234	7022326.....	31	7024716.....	33
70025146.....	65	7016372.....	37	7022328.....	31	7024717.....	34
70025149.....	66	7016399.....	205, 215	7022340.....	82	7024718.....	34
70025151.....	65	7016628.....	205, 215	7022368.....	31	7024829.....	167
70025152.....	65	7016654.....	238	7022369.....	31	7024844.....	45
70025153.....	65, 234	7017067.....	33	7022371.....	31	7024854.....	31
70025154.....	65	7017070.....	33	7022397.....	47	7024862.....	31
70025160.....	65	7017080.....	33	7022399.....	47	7024868.....	31
70025161.....	65, 234	7017402.....	45, 140	7022544.....	27	7024881.....	47
70025164.....	65	7017406.....	45	7022545.....	27, 28	7026525.....	102, 109
70025176.....	65	7017433.....	45, 140	7023035.....	169	7026582.....	167
70025177.....	65	7017451.....	167, 232	7023036.....	169	7026583.....	167
70025179.....	65	7017460.....	140	7023212.....	91	7026584.....	167
70025180.....	65	7017461.....	140	7023306.....	87	7026585.....	167
70025200.....	65	7017467.....	41	7023347.....	87	7026586.....	167
70025202.....	65	7017496.....	45, 163, 167	7023907.....	31	7026608.....	55
70025206.....	65	7019602.....	167	7023910.....	31	7027019.....	70, 76, 200
70025207.....	65	7020023.....	55, 234	7023912.....	45	7027020.....	70, 76, 200
70025210.....	65, 234	7020026.....	55	7023917.....	47	7027059.....	33
70025231.....	65	7020108.....	101, 109	7023919.....	167	7027089.....	61, 212
70025235.....	65	7020109.....	101, 109	7023923.....	167	7027090.....	61, 212
70025239.....	65	7020110.....	101, 109	7023933.....	47	7027091.....	61, 212
70025477.....	65	7020111.....	101, 109	7023964.....	82	7027236.....	56
70025660.....	66	7020175.....	91, 147	7023981.....	45	7027239.....	56
7002821.....	206, 216, 238	7020176.....	91, 147	7024047.....	27, 28	7027245.....	55, 234
7002822.....	238	7020190.....	101, 109	7024048.....	27	7027276.....	56
7002823.....	206, 217, 238	7020192.....	101	7024049.....	27	7027365.....	151
7002826.....	238	7020193.....	202	7024050.....	27	7027367.....	151, 232
7002828.....	206, 217, 238	7020218.....	167	7024051.....	27	7027412.....	71, 77
7004275.....	238	7020219.....	167	7024053.....	27	7027419.....	31
7004276.....	238	7020404.....	64	7024054.....	27, 28	7027765.....	151

PART NUMBER INDEX

7027766.....	151	7027903.....	55	8273291.....	53	8406102.....	64
7027790.....	56	7027965.....	72, 78, 234	83191040 ..	53, 62, 71, 77	8410011.....	63
7027791.....	56	7027972.....	72, 78, 234	8405006.....	61, 66	8702156.....	96
7027792.....	56	7027989.....	201	8405007.....	63	8760351.....	177, 181
7027793.....	200	77363233.....	216	8405009.....	64	8786514.....	24
7027795.....	56	80484084.....	212	8405104.....	63	91563070.....	63
7027796.....	200	80983191.....	212, 234	8405201.....	63		
7027887.....	101, 109	8229242.....	212, 234	8405202.....	63		



3121250



An Oshkosh Corporation Company

Corporate Office
JLG Industries, Inc.
1 JLG Drive
McConnellsburg, PA 17233-9533 USA
☎ (717) 485-5161 (Corporate)
☎ (877) 554-5438 (Customer Support)
📠 (717) 485-6417

Visit our website for JLG Worldwide Locations.
www.jlg.com